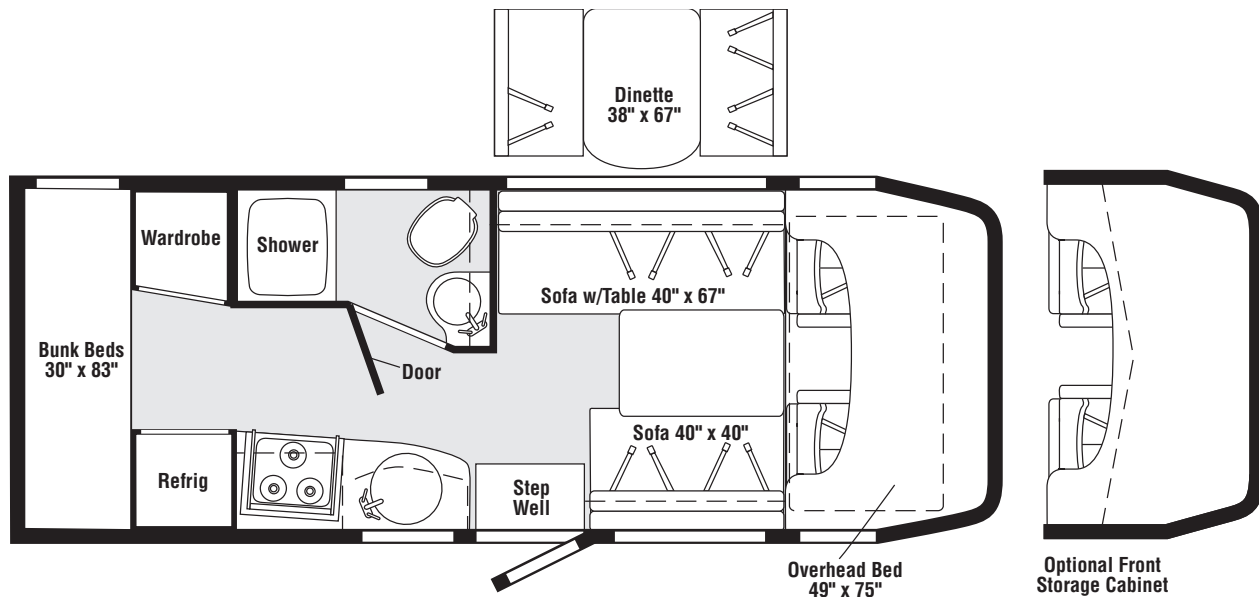


**2007**  
**NAVION**  
**ID523B**  
**500-SERIES**  
**WASHED MAPLE**  
**U17 RHUBARB**  
**U19 AQUARIUM**  
**U43 ROCKY ROAD**  
**HONEY CHERRY**  
**U18 RHUBARB**  
**U20 AQUARIUM**  
**U44 ROCKY ROAD**



**FLOORPLAN**

# CONTENTS

<b>FLOORPLAN</b> .....	<b>1</b>
<b>ACCESSORIES GROUP</b> .....	<b>5</b>
OPERATORS MANUAL .....	5
<b>AUDIO VIDEO GROUP</b> .....	<b>6</b>
RADIO SYSTEM .....	6
COMPONENT PARTS FOR RADIO SYSTEM .....	6
153792-02-000 .....	6
REAR MONITOR .....	6
<b>CABINET &amp; APPLIANCE GROUP</b> .....	<b>7</b>
CABINET & APPLIANCE LAYOUT .....	7
COMPONENT PARTS FOR CABINET & APPLIANCE LAYOUT .....	13
114030-04-01A .....	13
121568-06-01A, 121568-07-01A, 121568-08-01A .....	15
136354-05-01A, 136354-05-02A .....	20
136354-06-01A, 136354-06-02A .....	21
150606-04-01A, 150606-04-02A .....	21
<b>CHASSIS GROUP</b> .....	<b>22</b>
FRAME .....	22
EXHAUST .....	23
HITCH .....	23
SPARE TIRE .....	24
SUSPENSION .....	25
COMPONENT PARTS FOR SUSPENSION .....	25
154813-01-000 .....	25
WHEEL, TIRE, COVERS &/OR LINERS .....	26
COMPONENT PARTS FOR WHEEL, TIRE, COVERS &/OR LINERS .....	26
154970-01-000 .....	26
<b>CURTAIN &amp; CUSHION GROUP</b> .....	<b>27</b>
NOTICE .....	27
CUSHION LAYOUT .....	28
BUCKET SEATS .....	30
SOFA .....	31
WINDOW TREATMENT .....	32
HARDWARE .....	33
ACCESSORIES .....	34
FABRICS .....	35
FRONT INTERIOR .....	36
<b>DRIVERS COMPARTMENT GROUP</b> .....	<b>38</b>
FRONT INTERIOR .....	38

# CONTENTS (CONTINUED)

<b>ELECTRICAL GROUP</b> .....	<b>42</b>
110V BODY WIRING .....	42
12 VOLT WIRING .....	44
EXTERIOR LAMPS .....	47
SIDE TV/VCR .....	48
FRONT TV/VCR .....	48
COMPONENT PARTS FOR WIRING .....	51
076319-23-000 .....	51
076319-25-000 .....	51
087694-01-000 .....	52
097917-01-06A .....	52
113589-01-000 .....	52
113589-02-000 .....	52
121935-01-01A .....	52
123775-01-02A .....	52
134940-06-01A .....	53
134940-07-01A .....	53
137417-01-01A, 137417-03-01A .....	54
137417-06-01A .....	54
151907-02-000 .....	54
152438-01-01A .....	54
158778-01-000 .....	54
160123-01-000 .....	54
CIRCUIT BREAKERS, FUSES & RELAYS .....	55
CONVERTER, INVERTER, LOAD CENTERS .....	55
COMPONENT PARTS FOR CONVERTER, INVERTER, LOAD CENTER .....	55
083208-07-000 .....	55
BOXES & CORDS .....	56
WIRE ASSEMBLIES .....	56
CONNECTORS & CONDUIT .....	57
CHASSIS .....	59
<b>EXTERIOR BODY GROUP</b> .....	<b>61</b>
GRAPHICS & PAINT .....	61
PANELS & TRIMS .....	62
FRONT END .....	65
STRUCTURAL COMPONENTS .....	66
AWNINGS .....	66
<b>EXTERIOR DOORS &amp; COMPARTMENTS GROUP</b> .....	<b>67</b>
DOOR & COMPARTMENT LAYOUT .....	67
COMPONENT PARTS FOR DOOR & COMPARTMENT LAYOUT .....	71
084103-08-000 .....	71
094707-04-01A .....	71
COMPARTMENT DOOR PIECE PARTS .....	72
COMPONENT PARTS FOR COMPARTMENT DOOR PIECE PARTS .....	75
110506-A1-000, 110506-A2-000, 110506-26-000, 110506-27-000, 110506-36-000 .....	75
138637-03-000, 138637-04-000 .....	75
ENTRY .....	76
SCREEN .....	77
LATCH - ENTRY .....	78
<b>GENERATOR GROUP</b> .....	<b>79</b>
GAS .....	79
<b>HEATING &amp; A/C GROUP</b> .....	<b>80</b>
FURNACE .....	80
COMPONENT PARTS FOR FURNACE .....	81
139980-01-000 .....	81
ROOF .....	83
COMPONENT PARTS FOR ROOF .....	83
131184-01-01A .....	83
131184-05-01A .....	84
148644-01-01A .....	85
148644-02-01A .....	86

## CONTENTS (CONTINUED)

<b>INTERIOR FINISH GROUP</b> .....	<b>87</b>
MOLDINGS & TRIMS .....	87
PANELING & LAMINATES .....	95
INTERIOR TRIM LAYOUT .....	96
COMPONENT PARTS FOR INTERIOR TRIM LAYOUT .....	98
094499-02-000 .....	98
FLOOR COVERINGS .....	99
HARDWARE .....	100
<b>LABELS GROUP</b> .....	<b>106</b>
<b>LP GROUP</b> .....	<b>111</b>
LP SYSTEM .....	111
COMPONENT PARTS FOR LP SYSTEM .....	111
144116-09-000 .....	111
<b>SEALANTS &amp; FASTENERS GROUP</b> .....	<b>112</b>
SEALANTS & ADHESIVES .....	112
BOLTS, NUTS AND WASHERS .....	113
SCREWS .....	115
CLAMPS, CLIPS, GROMMETS, RIVETS & PLUGS .....	118
MISCELLANEOUS FASTENERS .....	119
<b>WATER &amp; SEWAGE GROUP</b> .....	<b>120</b>
DRAINAGE SYSTEM .....	120
COMPONENT PARTS FOR DRAINAGE SYSTEM .....	122
062415-01-000 .....	122
147421-01-01A, 147421-02-01A .....	122
WATER SYSTEM .....	123
COMPONENT PARTS FOR WATER SYSTEM .....	129
051391-03-000 .....	129
098607-01-000 .....	130
144215-01-000 .....	130
145541-02-000 .....	131
151678-01-01A .....	132
151680-01-01A .....	132
<b>WINDOW &amp; VENT GROUP</b> .....	<b>133</b>
WINDOW & VENT LAYOUT .....	133
COMPONENT PARTS FOR WINDOW & VENT LAYOUT .....	134
098644-20-03A .....	134
098647-81-02A .....	134
098647-84-02A .....	135
098647-85-02A .....	136
098647-87-02A .....	136
104691-18-02A .....	137
122882-02-01A, 122882-03-01A .....	137
123780-03-01A .....	138
151075-03-02A .....	139
152882-01-01A .....	139

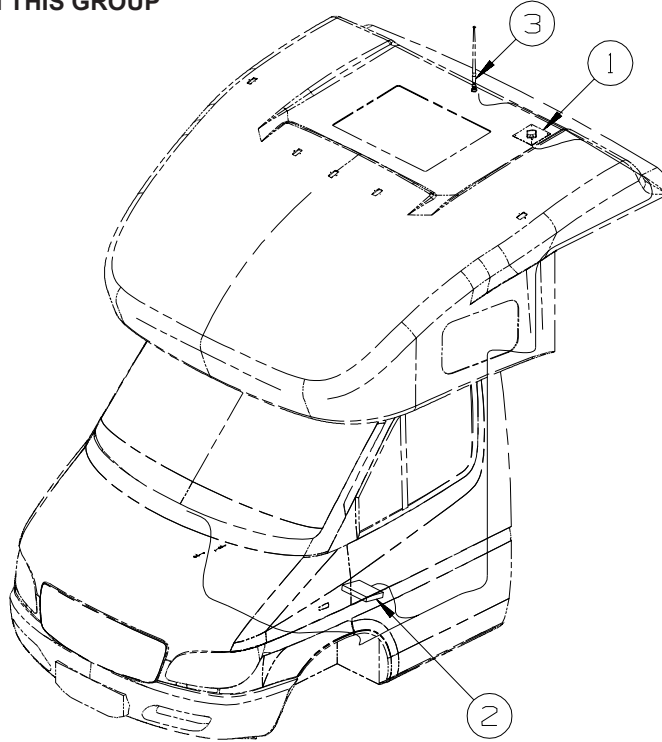
**ACCESSORIES GROUP**  
**OPERATORS MANUAL**

<b>KEY</b>	<b>PART NUMBER</b>	<b>U/M</b>	<b>DESCRIPTION</b>
	158462-01-000	DW	TOP LEVEL-500,2007
	129079-01-01A	EA	CASE - VINYL/BLACK-EXPANDABLE ACCORDION SIDES-7"WX9"HX14"L FROM: 00-00-00 THRU: 07-09-06
	129079-04-01A	EA	CASE - VINYL/BLK-EXPANDABLE ACCORDION SIDES-11"WX9"HX14"L FROM: 07-10-06 THRU: 07-30-06
	159842-01-01A	EA	CASE - VINYL - F/MANUALS - W/SLEEVES - BLACK FROM: 07-31-06 THRU: 99-99-99
	132000-31-003	EA	MANUAL/OWNER - NAVION - 2007
	158603-07-003	EA	MANUAL/OWNER - SUPPLEMENT - 500 SERIES - 2007

**AUDIO VIDEO GROUP  
RADIO SYSTEM**

<b>KEY</b>	<b>PART NUMBER</b>	<b>U/M</b>	<b>DESCRIPTION</b>
*	153792-02-000	EA	RADIO - AM/FM/CD PLAYER-SATELLITE READY-CLARION DXZ555MPM FROM: 00-00-00 THRU: 07-09-06
	160885-01-000	EA	RADIO - AM/FM/CD PLAYER-SATELLITE READY-SONY CDX-A251CMR05 FROM: 07-10-06 THRU: 99-99-99

**\*COMPONENT PARTS LISTED LATER IN THIS GROUP**



<b>KEY</b>	<b>PART NUMBER</b>	<b>U/M</b>	<b>DESCRIPTION</b>
1	158494-01-000	EA	ANTENNA/SATELLITE - RADIO/SIRIUS
2	158494-02-000	EA	CABLE/ANTENNA - SATELLITE RADIO SIRRUS
2	153816-01-000	EA	RECEIVER - SATELLITE RADIO - SIRIUS - CLARION SIRCL1 FROM: 00-00-00 THRU: 07-09-06
2	160886-01-000	EA	RECEIVER - SATELLITE RADIO - SIRIUS - SONY SIR-SNY1W FROM: 07-10-06 THRU: 99-99-99
3	090944-01-000	EA	ANTENNA - RADIO - 16" RUBBER - W/72" LEAD WIRE

**COMPONENT PARTS FOR RADIO SYSTEM**

**153792-02-000**

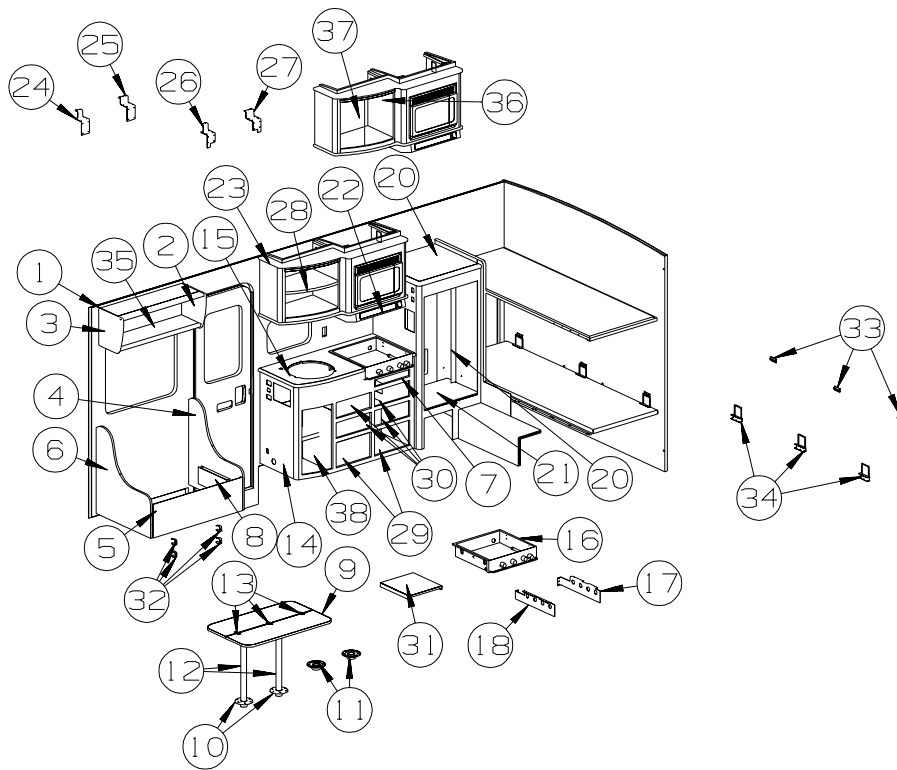
<b>KEY</b>	<b>PART NUMBER</b>	<b>U/M</b>	<b>DESCRIPTION</b>	<b>VENDOR NO.</b>
	153792-02-700	EA	REMOTE	RCB172

**REAR MONITOR**

<b>KEY</b>	<b>PART NUMBER</b>	<b>U/M</b>	<b>DESCRIPTION</b>
	136514-02-000	EA	CABLE - MONITOR/CAMERA
	136514-06-000	EA	MONITOR/COLOR - 7" FLAT PANEL/REAR VIEW - W/PWR & INT CBL FROM: 00-00-00 THRU: 12-03-06
	136514-07-000	EA	TELEVISION SYST-REAR VIEW 7" FROM: 12-04-06 THRU: 99-99-99
	144677-04-000	EA	CAMERA - REAR VIEW W/BRACKET - BLACK & WHITE - VBSC150
	153383-01-02B	EA	BRACKET - MONITOR - E-COATED

# CABINET & APPLIANCE GROUP

## CABINET & APPLIANCE LAYOUT



KEY	PART NUMBER	U/M	DESCRIPTION
1	158943-01-U17	EA	CABINET - OVERHEAD/FRONT/RH HAND - W/O DOORS/HDW - WASHED MAPLE
1	158943-01-U18	EA	CABINET - OVERHEAD/FRONT/RH HAND - W/O DOORS/HDW - HONEY CHERRY
2	151919-11-U17	EA	END CAP - OVERHEAD CABINET - WASHED MAPLE
2	151919-11-U18	EA	END CAP - OVERHEAD CABINET - HONEY CHERRY
3	151919-12-U17	EA	END CAP - OVERHEAD CABINET - WASHED MAPLE
3	151919-12-U18	EA	END CAP - OVERHEAD CABINET - HONEY CHERRY
4	159632-11-U17	EA	CABINET - COUCH END - LEFT END PANEL - FABRIC COVERED (U17, U18)
4	159632-11-U19	EA	CABINET - COUCH END - LEFT END PANEL - FABRIC COVERED (U19, U20)
4	159632-11-U43	EA	CABINET - COUCH END - LEFT END PANEL - FABRIC COVERED (U43, U44)
5	159632-13-U17	EA	CABINET - COUCH - FRONT - FABRIC COVERED (U17, U18)
5	159632-13-U19	EA	CABINET - COUCH - FRONT - FABRIC COVERED (U19, U20)
5	159632-13-U43	EA	CABINET - COUCH - FRONT - FABRIC COVERED (U43, U44)
5	159632-18-U17	EA	CABINET - COUCH - FRONT - FABRIC COVERED (U17, U18) - DINETTE
5	159632-18-U19	EA	CABINET - COUCH - FRONT - FABRIC COVERED (U19, U20) - DINETTE
5	159632-18-U43	EA	CABINET - COUCH - FRONT - FABRIC COVERED (U43, U44) - DINETTE
6	159632-15-U17	EA	CABINET - COUCH END - RIGHT END PANEL - FABRIC COVERED (U17, U18)
6	159632-15-U19	EA	CABINET - COUCH END - RIGHT END PANEL - FABRIC COVERED (U19, U20)
6	159632-15-U43	EA	CABINET - COUCH END - RIGHT END PANEL - FABRIC COVERED (U43, U44)
7	159830-01-U17	EA	DRAWER - PULLOUT/COUNTERTOP - W/O HDW - WASHED MAPLE
7	159830-01-U18	EA	DRAWER - PULLOUT/COUNTERTOP - W/O HDW - HONEY CHERRY
8	137602-K4-T41	EA	POCKET - FIRE EXTINGUISHER - WASHED MAPLE
8	137602-K4-U18	EA	POCKET - FIRE EXTINGUISHER - HONEY CHERRY
9	159564-01-U17	EA	TABLE - DINETTE/FOLDING - 23.5" X 39.2" - W/HDW - WASHED MAPLE
9	159564-01-U18	EA	TABLE - DINETTE/FOLDING - 23.5" X 39.2" - W/HDW - HONEY CHERRY
10	155001-03-01A	EA	BASE - LEG MOUNT/FLOOR/TABLE - RECESSED - SILVER
11	155001-02-01A	EA	BASE - LEG MOUNT/FLOOR/TABLE - RAISED - SILVER
12	155001-04-01A	EA	LEG - PEDESTAL TABLE - 29" - SILVER
13	111535-01-000	EA	HINGE - TABLE/FOLDING
14	P58732-01-U17	EA	CABINET - GALLEY - W/O COUNTERTOP/DOORS/DRAWERS/HDW - WASHED MAPLE
14	P58732-01-U18	EA	CABINET - GALLEY - W/O COUNTERTOP/DOORS/DRAWERS/HDW - HONEY CHERRY
15	151681-03-U13	EA	COUNTERTOP - GALLEY - LAMINATED - WASHED MAPLE
15	151681-03-U14	EA	COUNTERTOP - GALLEY - LAMINATED - HONEY CHERRY
16*	114030-04-01A	EA	RANGE - 3 BRNR TOP/NEW STYLE KNOBS/GRATES-W/O OVEN-BLK
17	151755-07-02B	EA	BRACKET - TIEDOWN/RANGE TOP - E-COATED
18	151755-08-02B	EA	BRACKET - TIEDOWN/RANGE TOP - E-COATED
19			REFRIGERATOR CABINET SEALS
	090329-01-000	FT	SEAL - "T" - REFRIGERATOR CABINET

**CABINET & APPLIANCE GROUP (CONTINUED)**  
**CABINET & APPLIANCE LAYOUT (CONTINUED)**

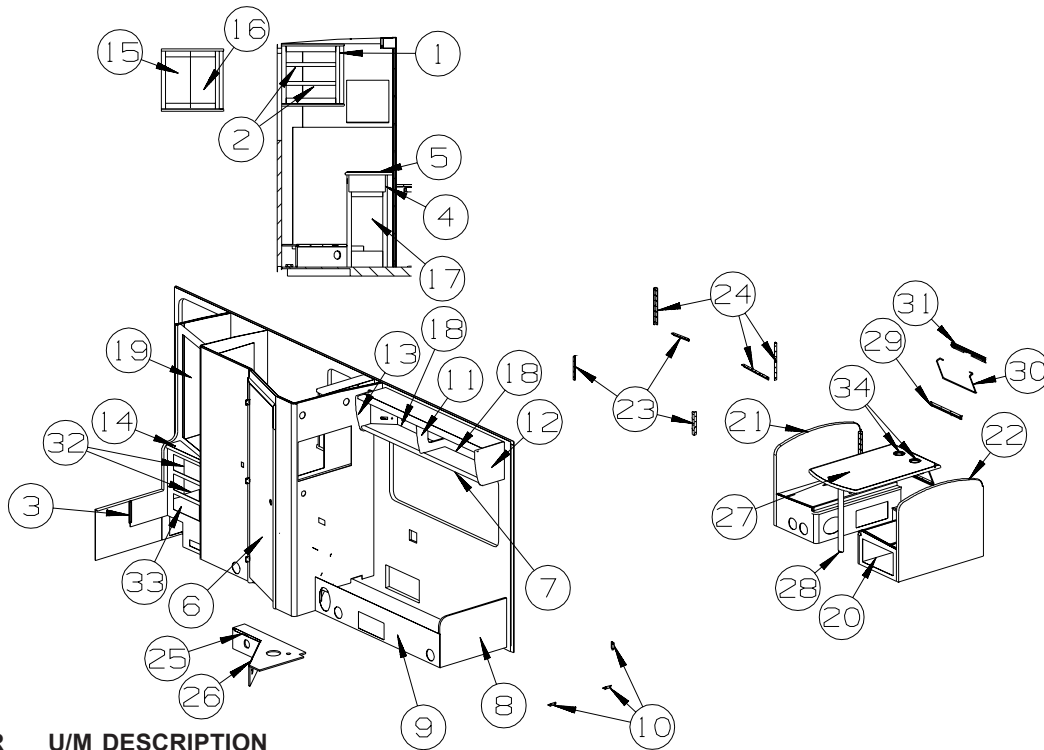
KEY	PART NUMBER	U/M	DESCRIPTION
20	158862-01-U17	EA	COUNTERTOP - LAMINATED - WASHED MAPLE
20	158862-01-U18	EA	COUNTERTOP - LAMINATED - HONEY CHERRY
21*	158914-01-01A	EA	REFRIGERATOR - SMALL - SINGLE DOOR - RH HAND/2-WAY - BLACK
	116751-06-01A	EA	TRAY - REFRIGERATOR - BLACK
	054450-01-000	EA	LEVEL - REFRIGERATOR
22*	136354-05-02A	EA	HOOD - RANGE - W/LITE/FAN - SILVER TEXTURED
22*	136354-06-01A	EA	HOOD - RANGE - W/LITE/FAN - BLACK TEXTURED - CANADIAN
22*	136354-06-02A	EA	HOOD - RANGE - W/LITE/FAN - SILVER TEXTURED - MICROWAVE OVEN
23	158734-01-U17	EA	CABINET - OVERHEAD/GALLEY - W/O DOORS/HDW - WASHED MAPLE
23	158734-01-U18	EA	CABINET - OVERHEAD/GALLEY - W/O DOORS/HDW - HONEY CHERRY
23	158734-02-U17	EA	CABINET - OVERHEAD/GALLEY - W/O DOORS/HDW - WASHED MAPLE - MICROWAVE OVEN
23	158734-02-U18	EA	CABINET - OVERHEAD/GALLEY - W/O DOORS/HDW - HONEY CHERRY - MICROWAVE OVEN
24	140185-18-02B	EA	BRACE - MICROWAVE CABINET - E-COATED - MICROWAVE OVEN
25	140185-17-02B	EA	BRACE - MICROWAVE CABINET - E-COATED - MICROWAVE OVEN
26	140185-16-02B	EA	BRACE - MICROWAVE CABINET - E-COATED
27	140185-15-02B	EA	BRACE - MICROWAVE CABINET - E-COATED
28	158734-28-U17	EA	SHELF - W/T-MOLDING - WASHED MAPLE
28	158734-28-U18	EA	SHELF - W/T-MOLDING - HONEY CHERRY
29	153121-NV-U17	EA	DRAWER - SQUARE EDGE - 14.7"W X 15.7"D - W/O SLIDES/HDW - WASHED MAPLE
29	153121-NV-U18	EA	DRAWER - SQUARE EDGE - 14.7"W X 15.7"D - W/O SLIDES/HDW - HONEY CHERRY
30	153121-NU-U17	EA	DRAWER - SQUARE EDGE - 14.7"W X 15.7"D - W/O SLIDES/HDW - WASHED MAPLE
30	153121-NU-U18	EA	DRAWER - SQUARE EDGE - 14.7"W X 15.7"D - W/O SLIDES/HDW - HONEY CHERRY
31	158862-03-U17	EA	COUNTERTOP - LAMINATED
32	062046-01-000	EA	CLIP - LEG - PEDESTAL - 1.7" X 2.2" - DIA FROM 2" - 2.5"
33	159811-01-01A	EA	BRACKET - BUNK LIFT - ALMOND
34	159772-01-19B	EA	HANGER - BED/BUNK - ALMOND
35	159898-03-U17	EA	DOOR - CURVED - 36.2" X 11.8" - W/O HDW - WASHED MAPLE
35	159898-03-U18	EA	DOOR - CURVED - 36.2" X 11.8" - W/O HDW - HONEY CHERRY
36	159898-11-U17	EA	DOOR - CURVED - 18.7" X 11.2" - W/O HDW - WASHED MAPLE
36	159898-11-U18	EA	DOOR - CURVED - 18.7" X 11.2" - W/O HDW - HONEY CHERRY
37	159898-12-U17	EA	DOOR - CURVED - 18.7" X 11.2" - W/O HDW - WASHED MAPLE
37	159898-12-U18	EA	DOOR - CURVED - 18.7" X 11.2" - W/O HDW - HONEY CHERRY
38	159898-15-U17	EA	DOOR - CURVED - 25.6" X 13.2" - W/O HDW - WASHED MAPLE
38	159898-15-U18	EA	DOOR - CURVED - 25.6" X 13.2" - W/O HDW - HONEY CHERRY

\*COMPONENT PARTS LISTED LATER IN THIS GROUP



# CABINET & APPLIANCE GROUP (CONTINUED)

## CABINET & APPLIANCE LAYOUT (CONTINUED)

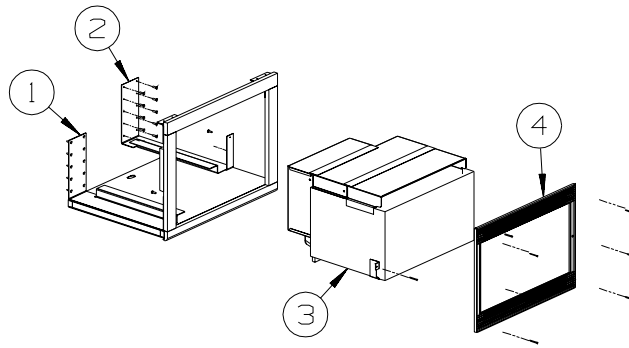


KEY	PART NUMBER	U/M	DESCRIPTION
1	159134-01-U17	EA	CABINET - OVERHEAD/MEDICINE - W/O DOORS/HDW - WASHED MAPLE
1	159134-01-U18	EA	CABINET - OVERHEAD/MEDICINE - W/O DOORS/HDW - HONEY CHERRY
2	159134-23-U17	EA	SHELF - W/WOOD MOLDING - WASHED MAPLE
2	159134-23-U18	EA	SHELF - W/WOOD MOLDING - HONEY CHERRY
3	M09525-24-U67	EA	MOLDING - TRIM/VEE - .2" X 1" X 8.2" - WASHED MAPLE
3	M09525-24-U18	EA	MOLDING - TRIM/VEE - .2" X 1" X 8.2" - HONEY CHERRY
4	158738-01-U17	EA	CABINET - LAVATORY - W/O COUNTERTOP/DOORS/DRAWERS/HDW - WASHED MAPLE
4	158738-01-U18	EA	CABINET - LAVATORY - W/O COUNTERTOP/DOORS/DRAWERS/HDW - HONEY CHERRY
5	151682-03-U13	EA	COUNTERTOP - LAVATORY - LAMINATED - WASHED MAPLE
5	151682-03-U14	EA	COUNTERTOP - LAVATORY - LAMINATED - HONEY CHERRY
6	144645-03-RW4	EA	DOOR - BATH - W/O FRAME (PICTURE)/TOWEL RACK/HDW - WASHED MAPLE
6	144645-03-U18	EA	DOOR - BATH - W/O FRAME (PICTURE)/TOWEL RACK/HDW - HONEY CHERRY
7	158942-01-U17	EA	CABINET - OVERHEAD/COUCH - W/O DOORS/HDW - WASHED MAPLE
7	158942-01-U18	EA	CABINET - OVERHEAD/COUCH - W/O DOORS/HDW - HONEY CHERRY
8	159633-11-U17	EA	CABINET - COUCH END - LEFT END PANEL - FABRIC COVERED (U17, U18)
8	159633-11-U19	EA	CABINET - COUCH END - LEFT END PANEL - FABRIC COVERED (U19, U20)
8	159633-11-U43	EA	CABINET - COUCH END - LEFT END PANEL - FABRIC COVERED (U43, U44)
9	159633-13-U17	EA	CABINET - COUCH - FRONT - FABRIC COVERED (U17, U18)
9	159633-13-U19	EA	CABINET - COUCH - FRONT - FABRIC COVERED (U19, U20)
9	159633-13-U43	EA	CABINET - COUCH - FRONT - FABRIC COVERED (U43, U44)
10	156732-01-02A	EA	BRACE - ANGLE/COUCH - 2.5" - OFF WHITE
11	151919-02-T01	EA	END CAP - OVERHEAD CABINET - WASHED MAPLE
11	151919-02-T02	EA	END CAP - OVERHEAD CABINET - HONEY CHERRY
12	151919-11-U17	EA	END CAP - OVERHEAD CABINET - WASHED MAPLE
12	151919-11-U18	EA	END CAP - OVERHEAD CABINET - HONEY CHERRY
13	151919-13-U17	EA	END CAP - OVERHEAD CABINET - WASHED MAPLE
13	151919-13-U18	EA	END CAP - OVERHEAD CABINET - HONEY CHERRY
14	158862-02-U17	EA	COUNTERTOP - LAMINATED - WASHED MAPLE
14	158862-02-U18	EA	COUNTERTOP - LAMINATED - HONEY CHERRY
15	159216-40-U17	EA	DOOR - FLAT/SQUARE EDGE - 9" X 17.7" - W/O HDW - WASHED MAPLE
15	159216-40-U18	EA	DOOR - FLAT/SQUARE EDGE - 9" X 17.7" - W/O HDW - HONEY CHERRY
16	159216-41-U17	EA	DOOR - FLAT/SQUARE EDGE - 9" X 17.5" - W/O HDW - WASHED MAPLE
16	159216-41-U18	EA	DOOR - FLAT/SQUARE EDGE - 9" X 17.5" - W/O HDW - HONEY CHERRY
17	159216-42-U17	EA	DOOR - FLAT/SQUARE EDGE - 12" X 19.9" - W/O HDW - WASHED MAPLE
17	159216-42-U18	EA	DOOR - FLAT/SQUARE EDGE - 12" X 19.9" - W/O HDW - HONEY CHERRY
18	159898-10-U17	EA	DOOR - CURVED - 32.2" X 11.8" - W/O HDW - WASHED MAPLE
18	159898-10-U18	EA	DOOR - CURVED - 32.2" X 11.8" - W/O HDW - HONEY CHERRY
19	159216-43-U17	EA	DOOR - FLAT/SQUARE EDGE - 18.3" X 39.3" - W/O HDW - WASHED MAPLE
19	159216-43-U18	EA	DOOR - FLAT/SQUARE EDGE - 18.3" X 39.3" - W/O HDW - HONEY CHERRY

**CABINET & APPLIANCE GROUP (CONTINUED)**  
**CABINET & APPLIANCE LAYOUT (CONTINUED)**

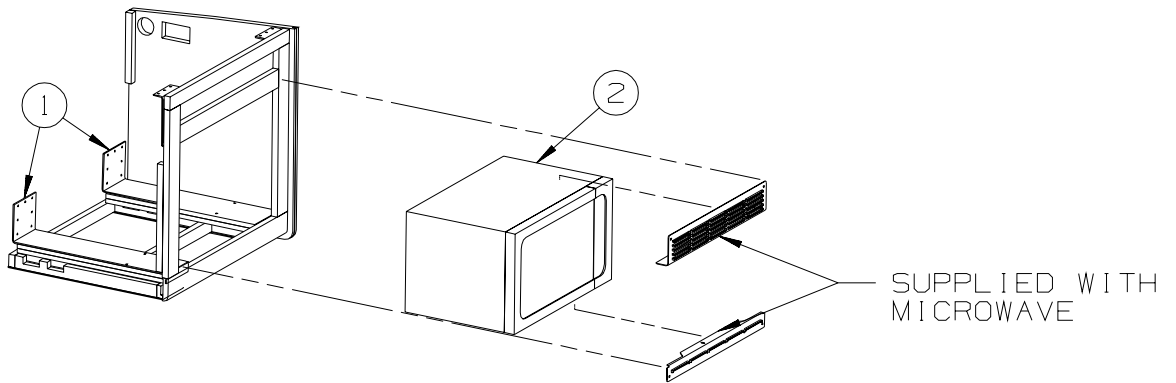
<b>KEY</b>	<b>PART NUMBER</b>	<b>U/M</b>	<b>DESCRIPTION</b>
20	159261-01-T01	EA	DOOR - FLAT/SQUARE EDGE - 18.9" X 9.6" - W/O HDW - WASHED MAPLE
20	159261-01-T02	EA	DOOR - FLAT/SQUARE EDGE - 18.9" X 9.6" - W/O HDW - HONEY CHERRY
21	P52019-06-U17	EA	CABINET/DINETTE-LH-W/END CAP/BACK/FACE-W/O DOOR/SEAT BOARD - WASHED MAPLE
21	P52019-06-U18	EA	CABINET/DINETTE-LH-W/END CAP/BACK/FACE-W/O DOOR/SEAT BOARD - HONEY CHERRY
	096764-02-000	EA	SLIPNOT - ANTISLIP - 1'WIDE (180' ROLLS) - WHITE
22	P52019-07-U17	EA	CABINET/DINETTE-RH-W/END CAP/BACK/FACE-W/O DOOR/SEAT BOARD - WASHED MAPLE
22	P52019-07-U18	EA	CABINET/DINETTE-RH-W/END CAP/BACK/FACE-W/O DOOR/SEAT BOARD - HONEY CHERRY
	096764-02-000	EA	SLIPNOT - ANTISLIP - 1'WIDE (180' ROLLS) - WHITE
23	122021-01-02A	EA	ANGLE - W/HOLES - 8.6" LONG - OFF WHITE
24	122021-02-02A	EA	ANGLE - W/HOLES - 13.7" LONG - OFF WHITE
25	157799-05-01A	EA	TRIM - PLATFORM - 14.5" - SOFT WHITE
26	157799-06-01A	EA	TRIM - PLATFORM - 23" - SOFT WHITE
27	151683-07-U17	EA	TABLE - DINETTE - 26.3" X 40.6" - WASHED MAPLE
27	151683-07-U18	EA	TABLE - DINETTE - 26.3" X 40.6" - SIERRA MAPLE
28	143798-01-01A	EA	CATCH - FLOOR TO TABLE LEG - BRIGHT WHITE
29	024281-15-000	EA	BRACKET/WALL - TABLE LIFT - 17.1" - OFF WHITE
30	024275-13-000	EA	ROD - TABLE LIFT - W/ARMS 8" & BASE ROD 18.5" - OFF WHITE
31	140921-02-01A	EA	BRACKET/TABLE SUPPORT - 18.5" - OFF WHITE
32	153121-NW-U17	EA	DRAWER - SQUARE EDGE - 14.7"W X 19.7"D - W/O SLIDES/HDW - WASHED MAPLE
32	153121-NW-U18	EA	DRAWER - SQUARE EDGE - 14.7"W X 19.7"D - W/O SLIDES/HDW - HONEY CHERRY
33	153121-NX-U17	EA	DRAWER - SQUARE EDGE - 14.7"W X 9.8"D - W/O SLIDES/HDW - WASHED MAPLE
33	153121-NX-U18	EA	DRAWER - SQUARE EDGE - 14.7"W X 9.8"D - W/O SLIDES/HDW - HONEY CHERRY
34	064781-06-000	EA	HOLDER/CUP - TWO STEP - OFF WHITE

**CABINET & APPLIANCE GROUP (CONTINUED)**  
**CABINET & APPLIANCE LAYOUT (CONTINUED)**



KEY	PART NUMBER	U/M	DESCRIPTION
1	149418-13-02B	EA	BRACKET - MICROWAVE - E-COATED
2	149418-14-02B	EA	BRACKET - MICROWAVE - E-COATED
3*	150606-04-02A	EA	OVEN - MICROWAVE/CONVECTION/SILVER - .9 CU FT - #R-820JS
3	150606-06-01A	EA	OVEN - MICROWAVE/CONVECTION/BLACK - .9 CU FT - #R820BK-CSA - CANADIAN
4	150606-05-02A	EA	TRIM KIT - MICROWAVE .9 CU FT - SILVER - MAGNADYNE #R820
4	150606-05-01A	EA	TRIM KIT - MICROWAVE .9 CU FT - BLACK - MAGNADYNE #R820 - CANADIAN

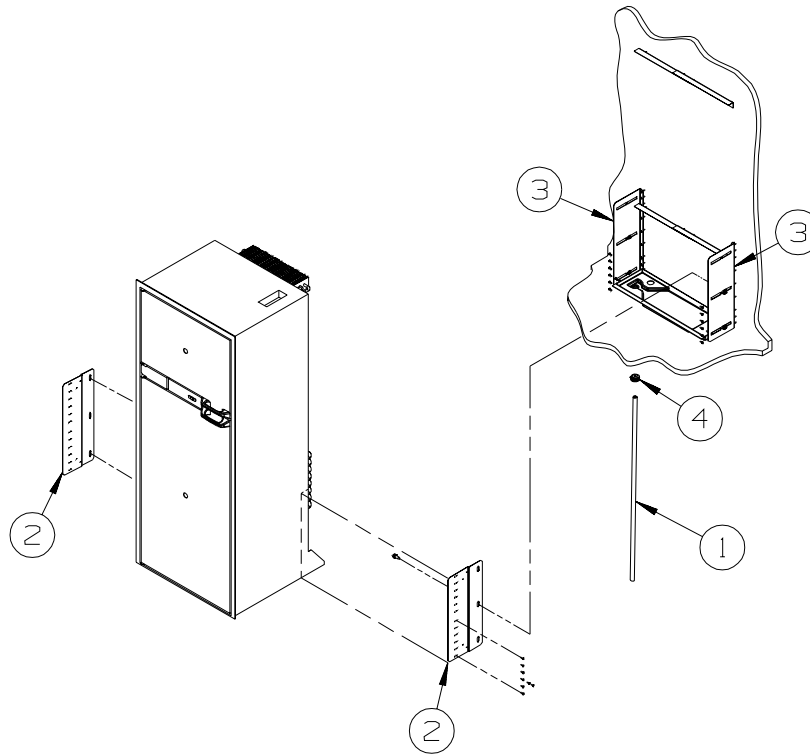
**\*COMPONENT PARTS LISTED LATER IN THIS GROUP**



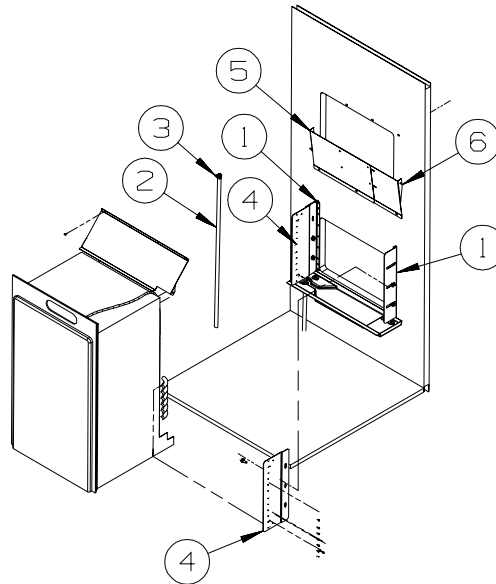
KEY	PART NUMBER	U/M	DESCRIPTION
1	143759-11-02B	EA	BRACKET - MICROWAVE - E-COATED
2*	158686-01-01A	EA	OVEN/MICROWAVE - .9 CU FT - NON-CONV - BLACK

**\*COMPONENT PARTS LISTED LATER IN THIS GROUP**

**CABINET & APPLIANCE GROUP (CONTINUED)**  
**CABINET & APPLIANCE LAYOUT (CONTINUED)**

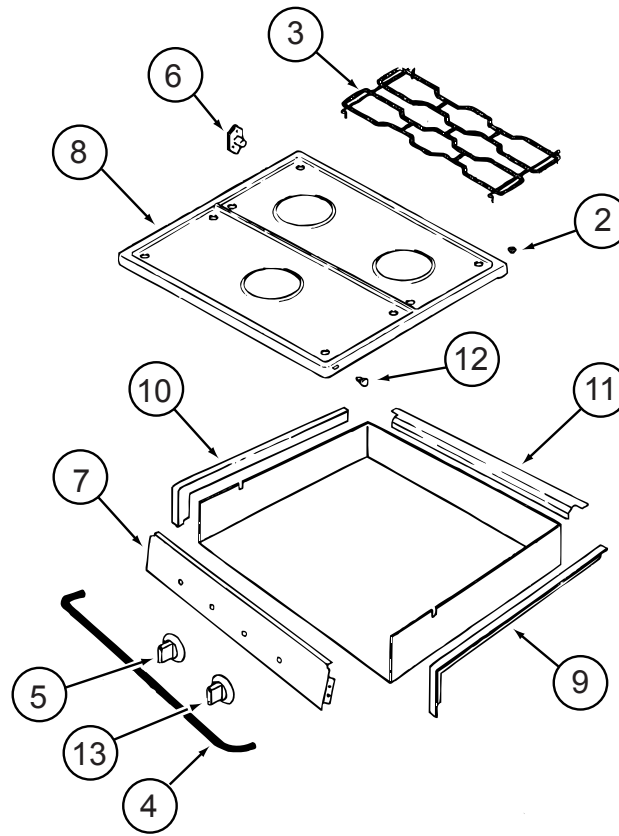


KEY	PART NUMBER	U/M	DESCRIPTION
1	112176-01-000	FT	TUBING - VINYL - REINFORCED - 1/2" ID
2	150740-01-02B	EA	BRACKET - REFRIGERATOR - E-COATED
3	150740-02-02B	EA	BRACKET - REFRIGERATOR - E-COATED
4	152417-01-01A	EA	CLAMP/RATCHET - F/REFRIDGERATOR DRIP TRAY HOSE - BLACK



KEY	PART NUMBER	U/M	DESCRIPTION
1	150740-02-02B	EA	BRACKET - REFRIGERATOR - E-COATED
1	160133-02-02B	EA	BRACKET/TIEDOWN - REFRIGERATOR - E-COATED
			FROM: 00-00-00 THRU: 05-21-06
2	112176-01-000	FT	TUBING - VINYL - REINFORCED - 1/2" ID
3	152417-01-01A	EA	CLAMP/RATCHET - F/REFRIDGERATOR DRIP TRAY HOSE - BLACK
4	160133-01-02B	EA	BRACKET-REFRIGERATOR
5	143195-01-02B	EA	BAFFLE - REFRIGERATOR - E-COATED
6	143195-02-02B	EA	BAFFLE - REFRIGERATOR - E-COATED

**CABINET & APPLIANCE GROUP (CONTINUED)**  
**COMPONENT PARTS FOR CABINET & APPLIANCE LAYOUT**

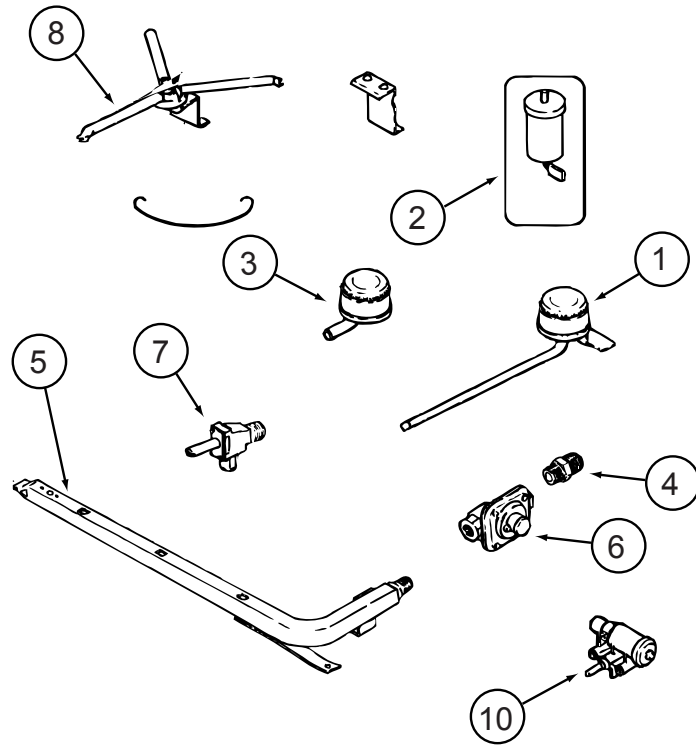


114030-04-01A

KEY	PART NUMBER	U/M	DESCRIPTION	VENDOR NO.
2	102020-01-709	EA	BUMPER-GRATE	8007P020-60
3	112881-04-702	EA	GRATE - BLACK	74007277
4	114030-02-700	EA	GUARD/FABRIC - TOWEL BAR	3609F006-70
5	128728-01-701	EA	KNOB - BURNER - REAR	74003941 (1 PER)
5	128728-01-702	EA	KNOB - BURNER - FRONT	74003942
6	128728-01-703	EA	PIN/T-NUT F/HINGE	7103P109-60
7	114030-04-700	EA	PANEL - MANIFOLD - BLACK	74007325
8	126023-01-728	EA	TOP - MAIN (BLACK)	74003323
9	114030-01-704	EA	TRIM - RIGHT/BLACK TEXTURED	74002839
10	114030-01-705	EA	TRIM - LEFT/BLACK TEXTURED	74002840
11	114030-01-706	EA	TRIM - REAR/BLACK TEXTURED	74002841
12	102020-01-724	EA	BUMPER - MAIN TOP	8003P008-60
13	128728-01-707	EA	KNOB - IGNITER	74003944

CONTACT WINNEBAGO PART SALES FOR UNLISTED COMPONENT(S)

**CABINET & APPLIANCE GROUP (CONTINUED)**  
**COMPONENT PARTS FOR CABINET & APPLIANCE LAYOUT (CONTINUED)**

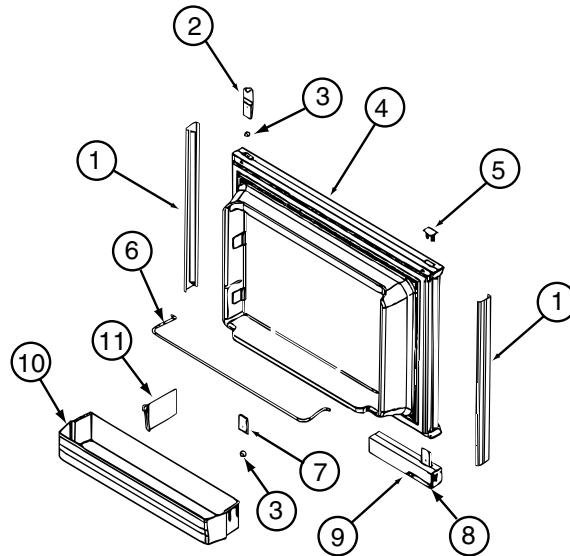


**114030-04-01A (CONTINUED)**

KEY	PART NUMBER	U/M	DESCRIPTION	VENDOR NO.
1	112881-04-700	EA	BURNER - TOP /LEFT REAR	74004584
1	126023-01-700	EA	BURNER - TOP (RT-REAR) 5100 BTU	74004583
2	112881-04-705	EA	PUSH RING (ELECTRODE MTG)	7104P002-60
2	126023-01-711	EA	ELECTRODE - IGNITER (ONLY)	7432P077-60
3	112881-04-701	EA	BURNER - TOP/FRONT	74004582
4	135065-03-700	EA	FITTING - HALF UNION	74004234
5	135065-01-702	EA	PIPE/MANIFOLD	74004642
6	126023-02-702	EA	PIPE - MANIFOLD	74004360
7	126023-02-705	EA	VALVE - BURNER - REAR	74004362
7	126023-02-706	EA	VALVE - BURNER - FRONT	74004363
8	126023-01-736	EA	FLASH TUBE EXTENSION (REAR)	74003326
8	126023-01-737	EA	FLASH TUBE EXTENSION (FRONT)	74003327
10	126023-01-719	EA	IGNITER HEAD - TOP BURNER	74002413
	126023-02-703	EA	REGULATOR - PRESSURE	74004235

CONTACT WINNEBAGO PART SALES FOR UNLISTED COMPONENT(S)

**CABINET & APPLIANCE GROUP (CONTINUED)**  
**COMPONENT PARTS FOR CABINET & APPLIANCE LAYOUT (CONTINUED)**

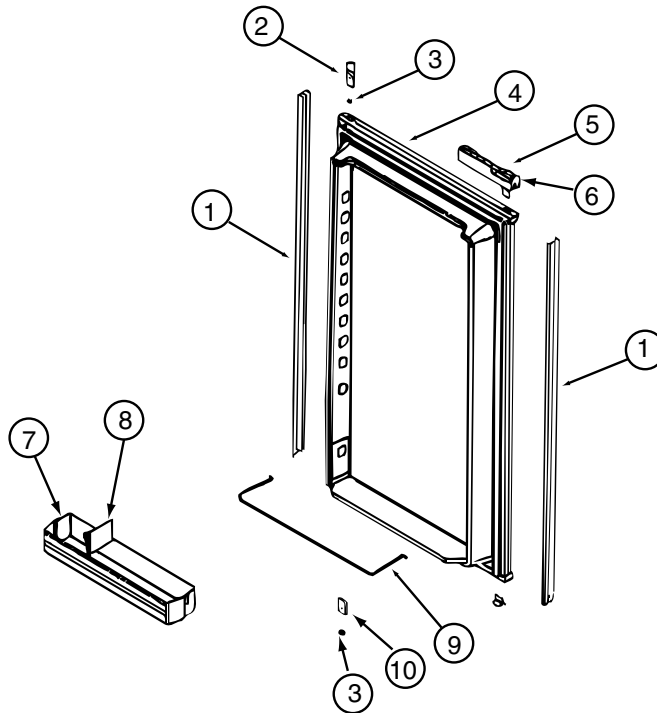


**121568-06-01A, 121568-07-01A, 121568-08-01A**

<b>KEY</b>	<b>PART NUMBER</b>	<b>U/M</b>	<b>DESCRIPTION</b>	<b>VENDOR NO.</b>
1	121568-03-700	EA	RETAINER-DOOR PNL/WAFFLE/BLK	619558-WDL-UPPER
2	120075-01-701	EA	HINGE-TOP RH/BOTTOM LH(DOOR)	618511
3	121568-03-701	EA	BUSHING - HINGE PIN/GRAY	619671
4	121568-03-702	EA	DOOR LINER-UPR/WAFFLED/BLACK	619627 - SMALL WDL
5	120075-01-702	EA	CAP, (HINGE PLUG)	618160
6	121568-01-700	EA	RAIL - DOOR UPPER	618618
7	120075-01-705	EA	HINGE-TOP LH/BOTTOM RH(DOOR)	618510
8	121568-03-705	EA	STORAGE LATCH - GRAY	619648
9	121568-03-721	EA	HANDLE/DOOR UPPER RH SWING	621465
9	121568-03-722	EA	HANDLE/DOOR LOWER RH SWING	621469
10	121568-01-701	EA	BIN - DOOR WHITE-WAFFLED LNR	618619 WDL

CONTACT WINNEBAGO PART SALES FOR UNLISTED COMPONENT(S)

**CABINET & APPLIANCE GROUP (CONTINUED)**  
**COMPONENT PARTS FOR CABINET & APPLIANCE LAYOUT (CONTINUED)**



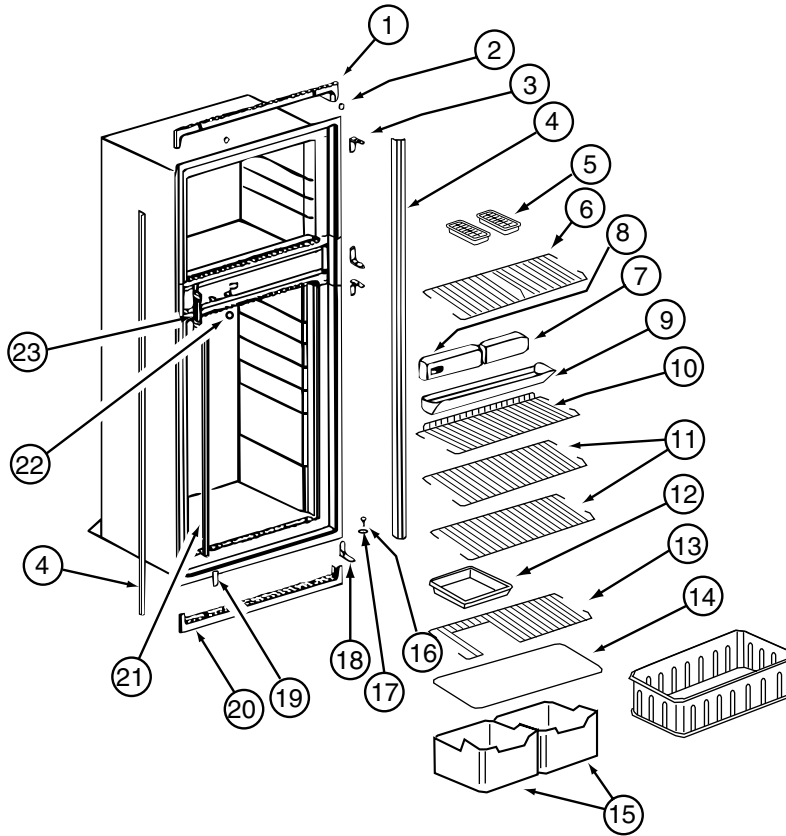
**121568-06-01A, 121568-07-01A, 121568-08-01A (CONTINUED)**

KEY	PART NUMBER	U/M	DESCRIPTION	VENDOR NO.
1	121568-03-706	EA	RETAINER-DOOR PNL/WAFFLE/BLK	619559-WDL-LOWER
2	120075-01-701	EA	HINGE-TOP RH/BOTTOM LH(DOOR)	618511
3	121568-03-701	EA	BUSHING - HINGE PIN/GRAY	619671
4	121568-03-707	EA	DOOR LINER-LWR/WAFFLED/B/TRM	619629
5	121568-03-721	EA	HANDLE/DOOR UPPER RH SWING	621465
5	121568-03-722	EA	HANDLE/DOOR LOWER RH SWING	621469
6	121568-03-705	EA	STORAGE LATCH - GRAY	619648
7	121568-01-701	EA	BIN - DOOR WHITE-WAFFLED LNR	618619 WDL
9	121568-01-704	EA	RAIL - DOOR LOWER	618578
10	120075-01-705	EA	HINGE-TOP LH/BOTTOM RH(DOOR)	618510

CONTACT WINNEBAGO PART SALES FOR UNLISTED COMPONENT(S)



**CABINET & APPLIANCE GROUP (CONTINUED)**  
**COMPONENT PARTS FOR CABINET & APPLIANCE LAYOUT (CONTINUED)**

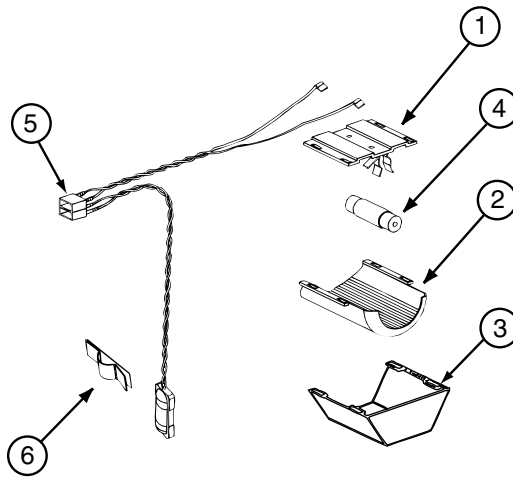


**121568-06-01A, 121568-07-01A, 121568-08-01A (CONTINUED)**

KEY	PART NUMBER	U/M	DESCRIPTION	VENDOR NO.
1	120075-01-713	EA	TRIM-TOP PIECE	619687
2	120075-01-714	EA	PLUG-HOLE (BLACK)	618170
3	121568-03-710	EA	HINGE/CABINET-TOP/RH-LWR/LH	619335 WAFFLED
4	121568-03-711	EA	TRIM - SIDE/BLACK	622295
6	121568-01-705	EA	SHELF - WIRE FREEZER	620250
7	121568-06-700	EA	FRONT BOX-N611	622002
8	121568-06-701	EA	CONTROL ASSY-OPTICAL/N611	621988
9	120075-01-720	EA	TRAY-DRIP	623250
9	120075-01-721	EA	LOUVER-DRIP TRAY	618176
11	121568-01-708	EA	SHELF - WIRE	620273
13	121568-01-707	EA	SHELF - WIRE - SHORT	620272
14	120075-01-725	EA	COVER-CRISPER - 18.5" WIDE	618158
15	121568-01-709	EA	CRISPER	618571
16	120075-01-727	EA	PIN-HINGE	618145
17	121568-03-701	EA	BUSHING - HINGE PIN/GRAY	619671
18	121568-03-715	EA	HINGE/CABINET-TOP/LH-LWR/RH	619336 WAFFLED
19	121568-03-716	EA	COVER - HINGE HOLES	619301
20	120075-01-729	EA	TRIM-BOTTOM PIECE	620958
21	121568-06-702	EA	CLIP - SHELF	61536522
22	121568-06-703	EA	HOLE PLUG - WHITE	620282
23	120075-01-732	EA	PLATE-STRIKE	618167

CONTACT WINNEBAGO PART SALES FOR UNLISTED COMPONENT(S)

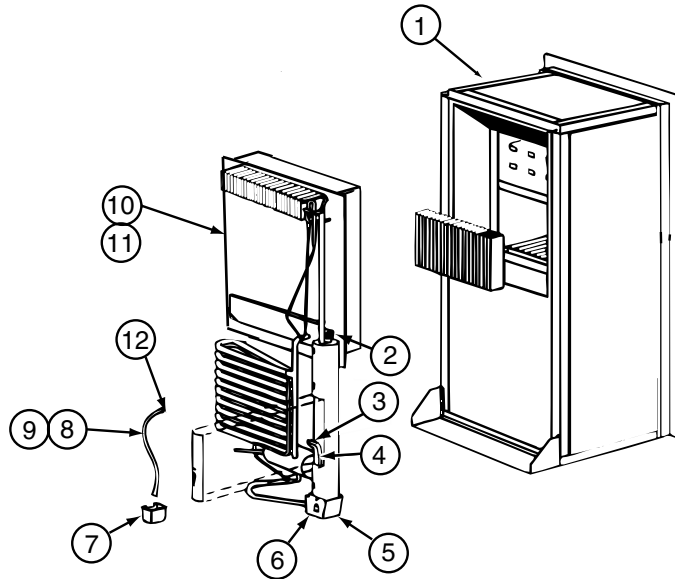
**CABINET & APPLIANCE GROUP (CONTINUED)**  
**COMPONENT PARTS FOR CABINET & APPLIANCE LAYOUT (CONTINUED)**



121568-03-01A, 121568-04-01A, 121568-05-01A, 121568-06-01A, 121568-07-01A, 121568-08-01A (CONTINUED)

KEY	PART NUMBER	U/M	DESCRIPTION	VENDOR NO.
1	084880-01-760	EA	CLIP (THERMISTER)	61689122
2	120075-01-735	EA	THERMISTER W/LAMP & WIRE/ASM	618548
3	084880-03-705	EA	BRACKET-LIGHT-INTERIOR	61629722
4	084880-03-706	EA	BULB-LAMP	61628922
6	084880-03-707	EA	COVER-LAMP, LENS	61627922

CONTACT WINNEBAGO PART SALES FOR UNLISTED COMPONENT(S)

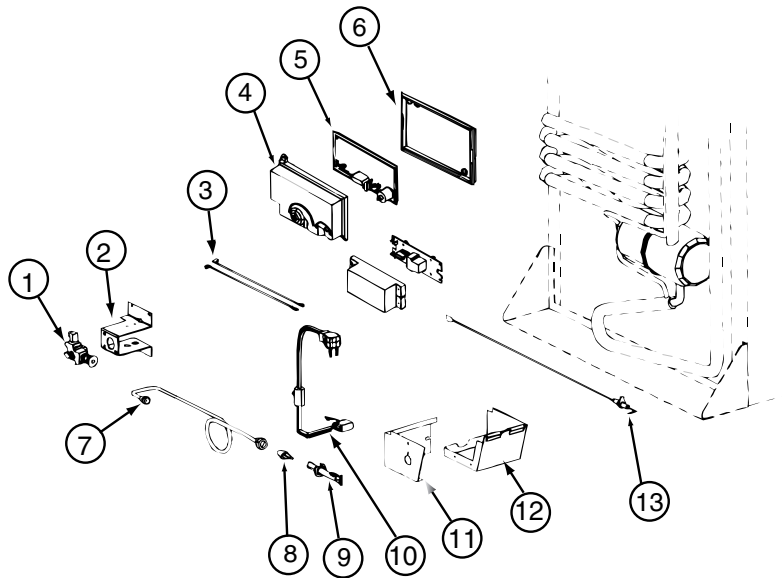


121568-06-01A, 121568-07-01A, 121568-08-01A (CONTINUED)

KEY	PART NUMBER	U/M	DESCRIPTION	VENDOR NO.
4	121568-06-704	EA	HEATER-AC/300W/120VAC	621702
10	120076-01-704	EA	COOLING UNIT, SERVICE PACK	618543

CONTACT WINNEBAGO PART SALES FOR UNLISTED COMPONENT(S)

**CABINET & APPLIANCE GROUP (CONTINUED)**  
**COMPONENT PARTS FOR CABINET & APPLIANCE LAYOUT (CONTINUED)**



**121568-06-01A, 121568-07-01A, 121568-08-01A (CONTINUED)**

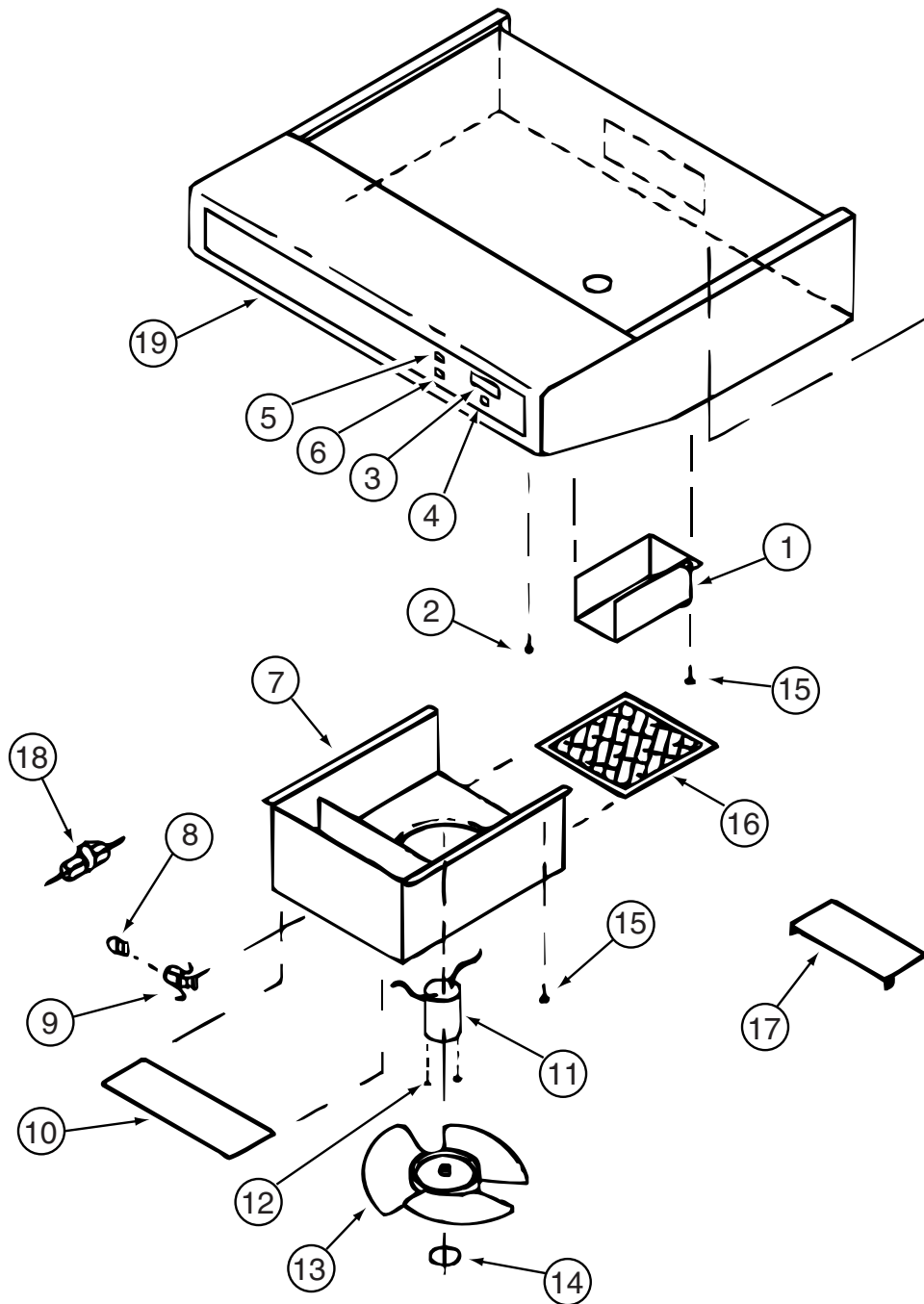
KEY	PART NUMBER	U/M	DESCRIPTION	VENDOR NO.
1	121568-06-705	EA	GAS VALVE/BRKT ASSY-COMBO	621439
1	121568-06-706	EA	GAS VALVE-COMBO/WRENCH FLAT	621329
4	120075-01-738	EA	COVER-POWER BOARD	618185
5	121568-06-707	EA	BOARD/POWER-N611	621991 = 621991001
6	120075-01-740	EA	BASE - POWER BOARD	618186
8	121568-06-708	EA	BURNER/ORFICE-ADAPTER KIT	621957
13	104137-06-715	EA	ELECTRODE-SPARK/SENSOR, SGL	61692222
	121569-08-704	EA	TUBE/BURNER - N8/N6	624682

CONTACT WINNEBAGO PART SALES FOR UNLISTED COMPONENT(S)

**121568-05-01A, 121568-07-01A, 121568-08-01A (CONTINUED)**

KEY	PART NUMBER	U/M	DESCRIPTION	VENDOR NO.
	121568-05-700	EA	FAN 12V KIT DBLE SIDEWALL	619020

**CABINET & APPLIANCE GROUP (CONTINUED)**  
**COMPONENT PARTS FOR CABINET & APPLIANCE LAYOUT (CONTINUED)**



136354-05-01A, 136354-05-02A

KEY	PART NUMBER	U/M	DESCRIPTION	VENDOR NO.
3	100258-10-700	EA	GAUGE-HOUR METER, SCREW ON	L0150-00 WAS 150
4	096983-01-702	EA	SWITCH - MOM/OFF/MOM/3 TERM	L0112-00
6	096983-01-700	EA	SWITCH/1 SPEED -ON/OFF- BLK	L0108-00
8	117806-01-000	EA	BULB-12V NO.912 1.0 AMPS	GENERAL MOTOR HOMES
9	092696-01-710	EA	HOLDER-LAMP	CB0267-02
10	096983-01-708	EA	LENS-LAMP	CC0179
11	136354-05-700	EA	MOTOR-12 VOLT	VC0536-02
13	136354-05-701	EA	BLADE-FAN 7" DIA	VD0216-00
16	096983-01-707	EA	FILTER-MESH	CC0246-00
17	100258-01-701	EA	DAMPER ASSEMBLY (METAL FLAP)	CA0565-00
19	100258-01-700	EA	LABEL-HOOD NOSE	CC0428-00

CONTACT WINNEBAGO PART SALES FOR UNLISTED COMPONENT(S)

**CABINET & APPLIANCE GROUP (CONTINUED)**  
**COMPONENT PARTS FOR CABINET & APPLIANCE LAYOUT (CONTINUED)**

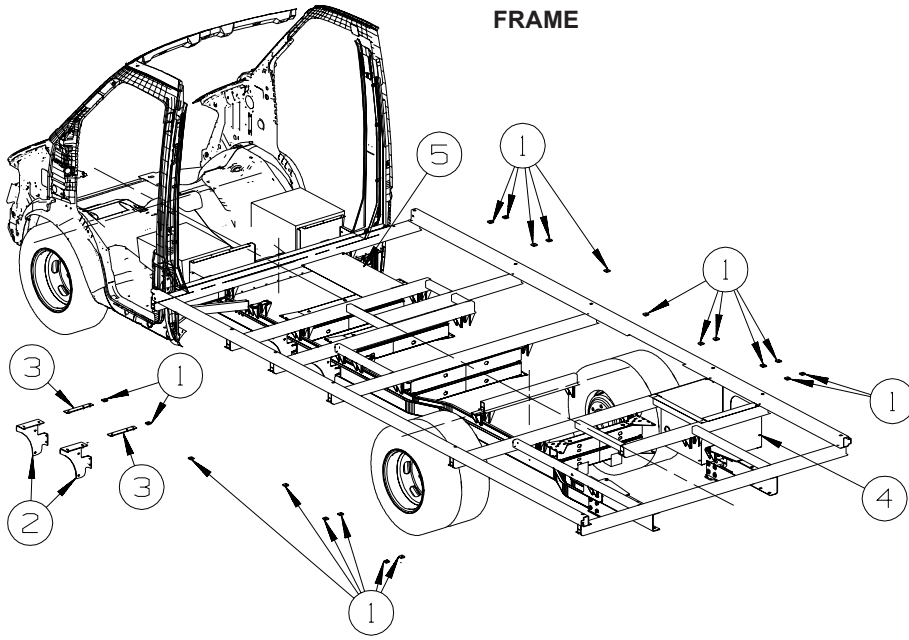
**136354-06-01A, 136354-06-02A**

<b>KEY</b>	<b>PART NUMBER</b>	<b>U/M</b>	<b>DESCRIPTION</b>	<b>VENDOR NO.</b>
3	100258-10-700	EA	GAUGE-HOUR METER, SCREW ON	L0150-00 WAS 150
4	096983-01-702	EA	SWITCH - MOM/OFF/MOM/3 TERM	L0112-00
5	096983-01-700	EA	SWITCH/1 SPEED -ON/OFF- BLK	L0108-00
8	117806-01-000	EA	BULB-12V NO.912 1.0 AMPS	GENERAL MOTOR HOMES
9	092696-01-710	EA	HOLDER-LAMP	CB0267-02
10	096983-01-708	EA	LENS-LAMP	CC0179
11	136354-06-700	EA	MOTOR - FAN (CSA)	VC0535-02
13	136354-05-701	EA	BLADE-FAN 7" DIA	VD0216-00
16	096983-01-707	EA	FILTER-MESH	CC0246-00
17	100258-01-701	EA	DAMPER ASSEMBLY (METAL FLAP)	CA0565-00
19	100258-01-700	EA	LABEL-HOOD NOSE	CC0428-00
CONTACT WINNEBAGO PART SALES FOR UNLISTED COMPONENT(S)				

**150606-04-01A, 150606-04-02A**

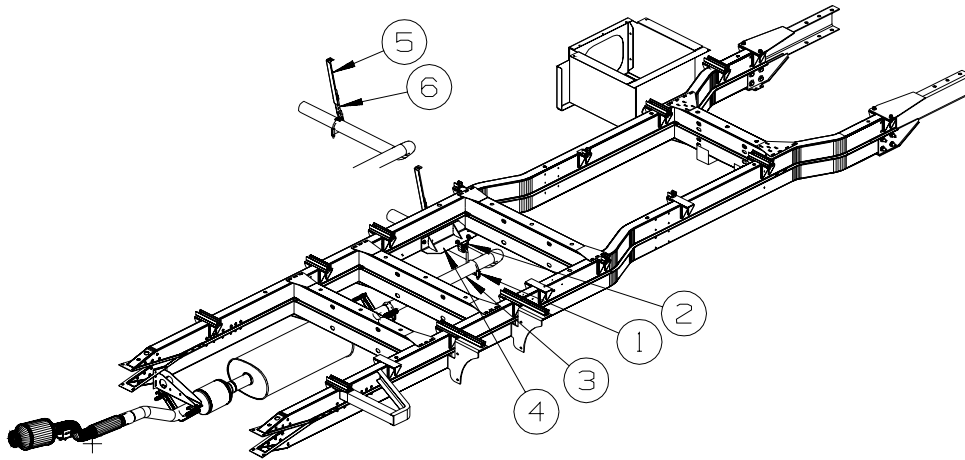
<b>KEY</b>	<b>PART NUMBER</b>	<b>U/M</b>	<b>DESCRIPTION</b>	<b>VENDOR NO.</b>
	122753-02-700	EA	PLATE/CAROUSEL-GLASS	NTNT-A097WREO
	150606-04-700	EA	RACK - BAKING	FAMI-A104WRM0

## CHASSIS GROUP FRAME



KEY	PART NUMBER	U/M	DESCRIPTION
1	135712-05-02B	EA	PLATE - BODY MOUNT - E-COATED
2	151504-01-02B	EA	BRACKET - SUPPORT/LP
3	152208-01-02B	EA	STRAP - LP TANK MOUNTING - E-COATED
4	151616-01-02B	EA	COMPARTMENT - LUGGAGE - E-COATED
5	152218-01-02B	EA	SHIELD - HEAT - E-COATED

**CHASSIS GROUP (CONTINUED)**  
**EXHAUST**

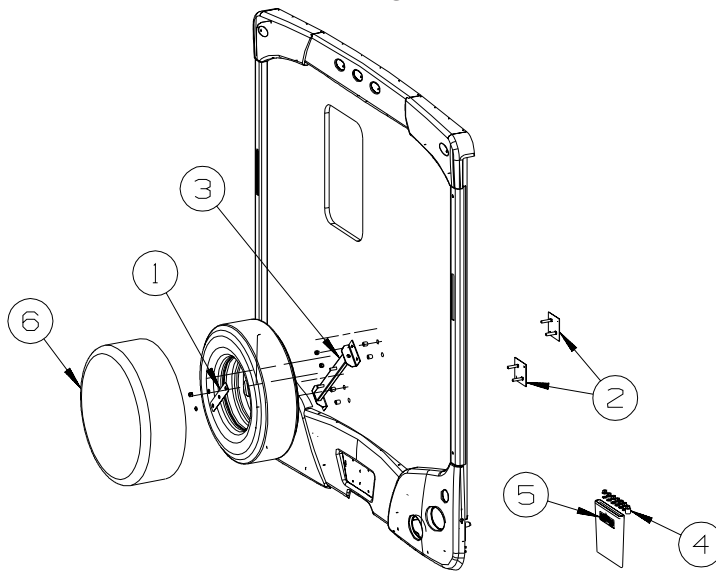


KEY	PART NUMBER	U/M DESCRIPTION
1	122392-14-02B	EA HANGER - TAILPIPE - FRONT - E-COATED
2	123935-01-000	EA HANGER - EXHAUST- RUBBER, RR
3	152169-01-000	EA PIPE - EXHAUST/TAIL
4	152195-01-02B	EA HANGER - EXHAUST - E-COATED
5	152196-01-02B	EA ANGLE/FORMED - EXHAUST HANGER - E-COATED
6	007131-01-000	EA HANGER - TAILPIPE - 6 SLOTS

**HITCH**

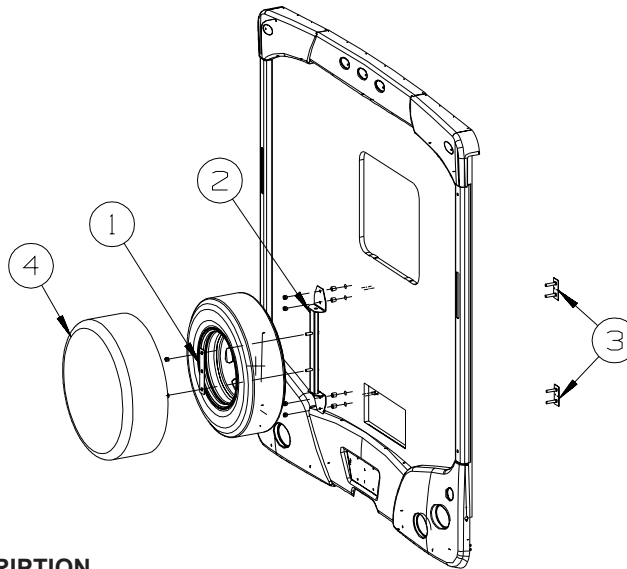
KEY	PART NUMBER	U/M DESCRIPTION
	140441-04-02B	EA PLATE - SKID - E-COATED
	154054-04-01A	EA HITCH RECEIVER - BOLT ON CLASS II - BLACK

**CHASSIS GROUP (CONTINUED)**  
**SPARE TIRE**



**523B**  
**523H**

KEY	PART NUMBER	U/M DESCRIPTION
1	143547-03-02B	EA RETAINER - SPARE TIRE - E-COATED
2	152910-02-02B	EA BRACKET - SUPPORT - SPARE TIRE - E-COATED
3	152913-01-02B	EA BRACKET/SUPPORT - SPARE TIRE - E-COATED
4	153967-07-000	EA ADAPTER - F/ALUMINUM LUG NUT COVERS - 7/8"HEX - 19MM DRIVE
5	155491-01-01A	EA LABEL - WARNING - LUG NUTS - WHITE/CLEAR
6	073322-09-T01	EA COVER - TIRE - 30"
6	073322-50-000	EA COVER - UNIVERSAL LINER

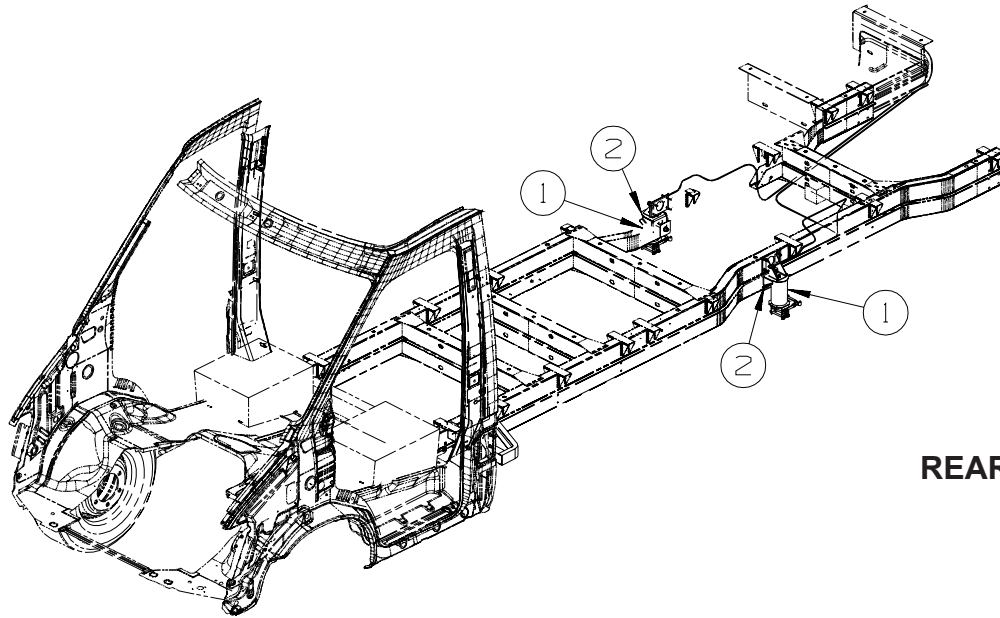


**523J**

KEY	PART NUMBER	U/M DESCRIPTION
1	143547-03-02B	EA RETAINER - SPARE TIRE - E-COATED
2	152913-01-02B	EA BRACKET/SUPPORT - SPARE TIRE - E-COATED
3	154445-02-02B	EA BRACKET/SUPPORT - SPARE TIRE - E-COATED
4	073322-09-T01	EA COVER - TIRE - 30"
4	073322-50-000	EA COVER - UNIVERSAL LINER



**CHASSIS GROUP (CONTINUED)**  
**SUSPENSION**



**REAR AIR SPRINGS**

KEY	PART NUMBER	U/M	DESCRIPTION
1*	154813-01-000	EA	AIRSPRING - AIR BAG KIT - 125"RH/160"LH AIR LINE
2	156388-02-02B	EA	BRACKET - AIR SPRING - E-COATED

\*COMPONENT PARTS LISTED LATER IN THIS GROUP

**COMPONENT PARTS FOR SUSPENSION**

**154813-01-000**

KEY	PART NUMBER	U/M	DESCRIPTION	VENDOR NO.
	154813-01-700	EA	AIR SLEEVE KIT - PASSENGER	T-9RKFSF
	154813-01-701	EA	AIR SLEEVE KIT - DRVR/PASS	T-9RKFSF
	154813-01-702	EA	VALVE KIT - AIR FILL	T-9AFVK

**CHASSIS GROUP (CONTINUED)**  
**WHEEL, TIRE, COVERS &/OR LINERS**

<b>KEY</b>	<b>PART NUMBER</b>	<b>U/M</b>	<b>DESCRIPTION</b>
*	154970-01-000	EA	COVER/WHEEL - 16" - SET OF 4 - DODGE SPRINTER - DICOR

**\*COMPONENT PARTS LISTED LATER IN THIS GROUP**

**COMPONENT PARTS FOR WHEEL, TIRE, COVERS &/OR LINERS**

**154970-01-000**

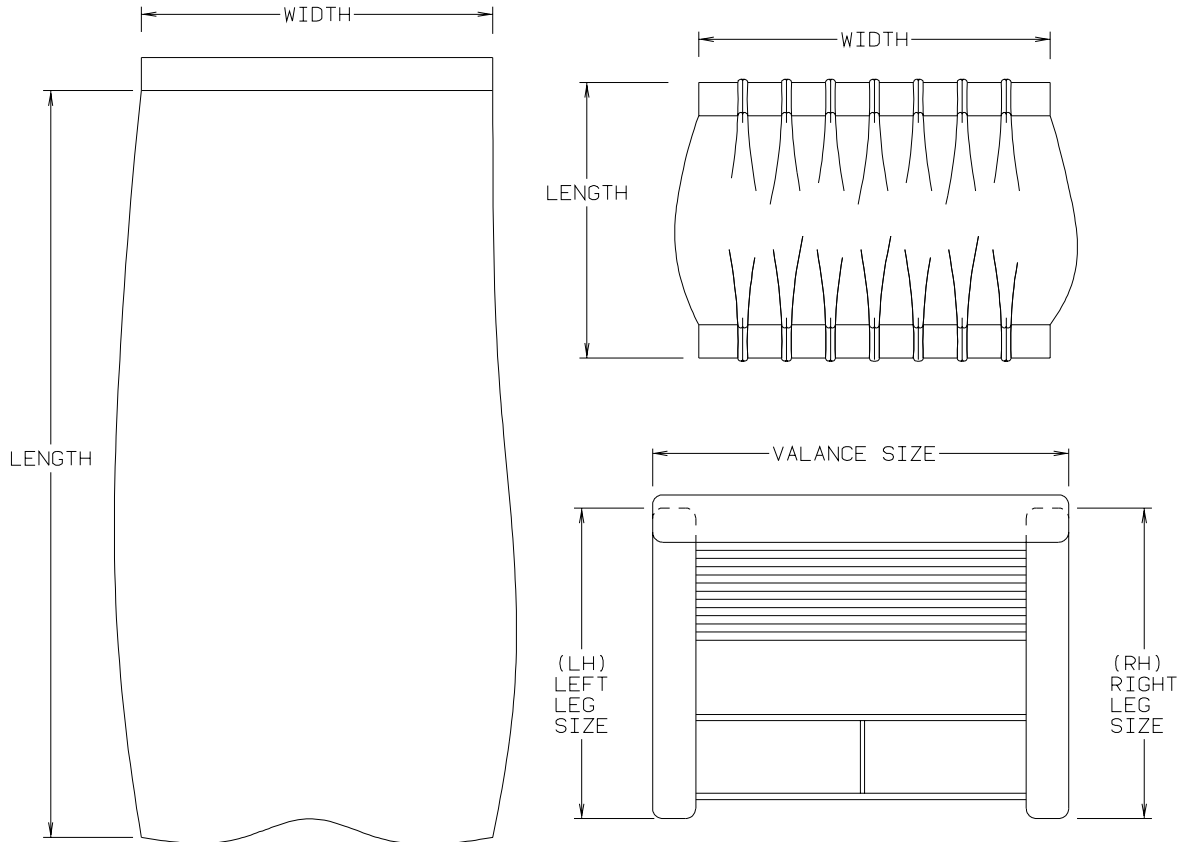
<b>KEY</b>	<b>PART NUMBER</b>	<b>U/M</b>	<b>DESCRIPTION</b>	<b>VENDOR NO.</b>
	154970-01-700	EA	COVER/WHEEL (1 EACH)	SHSF16/COV

## CURTAIN & CUSHION GROUP

### NOTICE

IN ORDER TO ASSIST OUR PARTS SALES DEPT. IN PROVIDING INTERIOR SOFTWARE ITEMS, PLEASE INCLUDE THE SERIAL NUMBER AND THE COLOR CODE NUMBER FROM THE VEHICLE CERTIFICATION LABEL WHEN ORDERING. THIS LABEL IS LOCATED ON THE LEFT SIDEWALL AT THE END OF THE DASH (A-BODY), OR ON THE DRIVER'S DOOR LATCH PLATE (C-BODY).

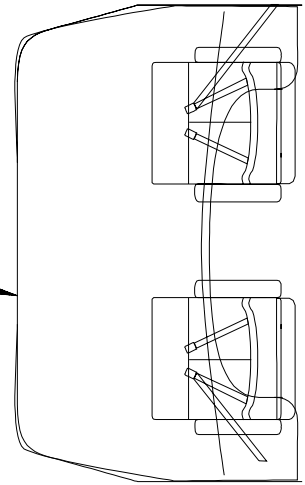
AN EXAMPLE OF A COLOR CODE NUMBER IS B07, WHICH DESIGNATES AN OVERALL COLOR SCHEME OF A PARTICULAR UNIT. THE COLOR LISTED AFTER THE ITEM DESCRIPTION ON THE MICROFICHE, INDICATES THE OVERALL UNIT COLOR. ORDER THE ITEM YOU DESIRE ACCORDING TO UNIT COLOR CODE. IF ALL COLORS USE THE SAME ITEM NO COLOR CODE WILL BE NOTED.



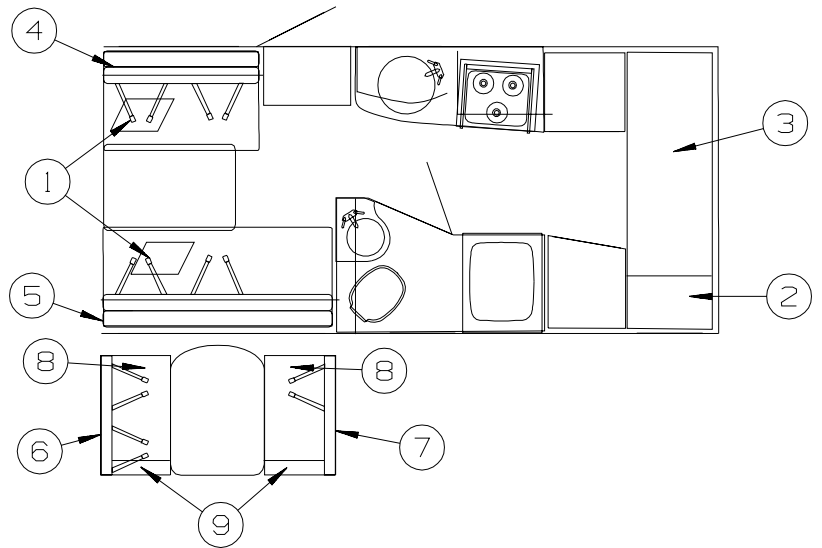
NOTE: USE THIS ILLUSTRATION WHEN DETERMINING LENGTH AND WIDTH MEASUREMENTS FOR CURTAINS. YOU WILL NOTE THE WIDTH MEASUREMENT IS TAKEN ON THE TOP OF THE CURTAIN WITH THE CURTAIN FULLY EXTENDED. THE LENGTH MEASUREMENT IS TAKEN FROM TOP TO BOTTOM. LEFT AND RIGHT WINDOW LEGS ARE DETERMINED WHEN FACING THE WINDOW.

**CURTAIN & CUSHION GROUP (CONTINUED)**  
**CUSHION LAYOUT**

KEY	PART NUMBER	U/M	DESCRIPTION
1	153101-03-U17	EA	CUSHION - OVERHEAD BUNK - 49" X 76" X 5" (U17, U18)
1	153101-02-U19	EA	CUSHION - OVERHEAD BUNK - 49" X 76" X 5" (U19, U20)
1	153101-02-T09	EA	CUSHION - OVERHEAD BUNK - 49" X 76" X 5" (U43, U44)
	P53101-03-U17	EA	COVER - CUSHION/OVERHEAD BUNK - 49" X 76" X 5" (U17, U18)
	P53101-02-U19	EA	COVER - CUSHION/OVERHEAD BUNK - 49" X 76" X 5" (U19, U20)
	P53101-02-T09	EA	COVER - CUSHION/OVERHEAD BUNK - 49" X 76" X 5" (U43, U44)
	155842-02-000	EA	STRAP/BUNK - W/2 CATCH HOOKS



KEY	PART NUMBER	U/M	DESCRIPTION
1	157810-06-U17	EA	PILLOW - 17" X 17" (U17, U18)
1	157810-07-U19	EA	PILLOW - 17" X 17" (U19, U20)
1	157810-07-U43	EA	PILLOW - 17" X 17" (U43, U44)
2	126211-09-U17	EA	PILLOW SHAM (U17, U18)
2	126211-14-U19	EA	PILLOW SHAM (U19, U20)
2	126211-09-U43	EA	PILLOW SHAM (U43, U44)
3	157489-06-U17	EA	CUSHION - BUNK - 29.5" X 82.5" X 4" (U17, U18)
3	157489-07-U19	EA	CUSHION - BUNK - 29.5" X 82.5" X 4" (U19, U20)
3	157489-09-U43	EA	CUSHION - BUNK - 29.5" X 82.5" X 4" (U43, U44)
	157489-A6-U17	EA	COVER/CUSHION - BUNK - 29.5" X 82.5" X 4" (U17, U18)
	157489-A7-U19	EA	COVER/CUSHION - BUNK - 29.5" X 82.5" X 4" (U19, U20)
	157489-A9-U43	EA	COVER/CUSHION - BUNK - 29.5" X 82.5" X 4" (U43, U44)
	155842-02-000	EA	STRAP/BUNK - W/2 CATCH HOOKS
	159969-01-U17	EA	POCKET/MAP - 12" X 16" (U17, U18)
	159969-02-U19	EA	POCKET/MAP - 12" X 16" (U19, U20)
	159969-02-U43	EA	POCKET/MAP - 12" X 16" (U43, U44)
4			SEE SOFA AREA FOR LOVESEAT
5			SEE SOFA AREA FOR FRONT COUCH
6	153071-29-U17	EA	CUSHION/DINETTE - BACK/RH - 15.5" X 38" X 5" (U17, U18)
6	153071-29-U19	EA	CUSHION/DINETTE - BACK/RH - 15.5" X 38" X 5" (U19, U20)
6	153071-31-U43	EA	CUSHION/DINETTE - BACK/RH - 15.5" X 38" X 5" (U43, U44)
	P53071-29-U17	EA	COVER/BACK/RIGHT - 15.5" X 38" X 5" (U17, U18)
	P53071-29-U19	EA	COVER/BACK/RIGHT - 15.5" X 38" X 5" (U19, U20)
	P53071-31-U43	EA	COVER/BACK/RIGHT - 15.5" X 38" X 5" (U43, U44)
7	153071-30-U17	EA	CUSHION/DINETTE - BACK/LH - 15.5" X 38" X 5" (U17, U18)
7	153071-30-U19	EA	CUSHION/DINETTE - BACK/LH - 15.5" X 38" X 5" (U19, U20)
7	153071-32-U43	EA	CUSHION/DINETTE - BACK/LH - 15.5" X 38" X 5" (U43, U44)
	P53071-30-U17	EA	COVER/BACK/LEFT - 15.5" X 38" X 5" (U17, U18)
	P53071-30-U19	EA	COVER/BACK/LEFT - 15.5" X 38" X 5" (U19, U20)
	P53071-32-U43	EA	COVER/BACK/LEFT - 15.5" X 38" X 5" (U43, U44)
8	153073-05-U17	EA	CUSHION - SEAT - 23" X 38" X 5" (U17, U18)
8	153073-05-U19	EA	CUSHION - SEAT - 23" X 38" X 5" (U19, U20)
8	153073-07-U43	EA	CUSHION - SEAT - 23" X 38" X 5" (U43, U44)
	P53073-05-U17	EA	COVER/SEAT - 23" X 38" X 5" (U17, U18)
	P53073-05-U19	EA	COVER/SEAT - 23" X 38" X 5" (U19, U20)
	P53073-07-U43	EA	COVER/SEAT - 23" X 38" X 5" (U43, U44)

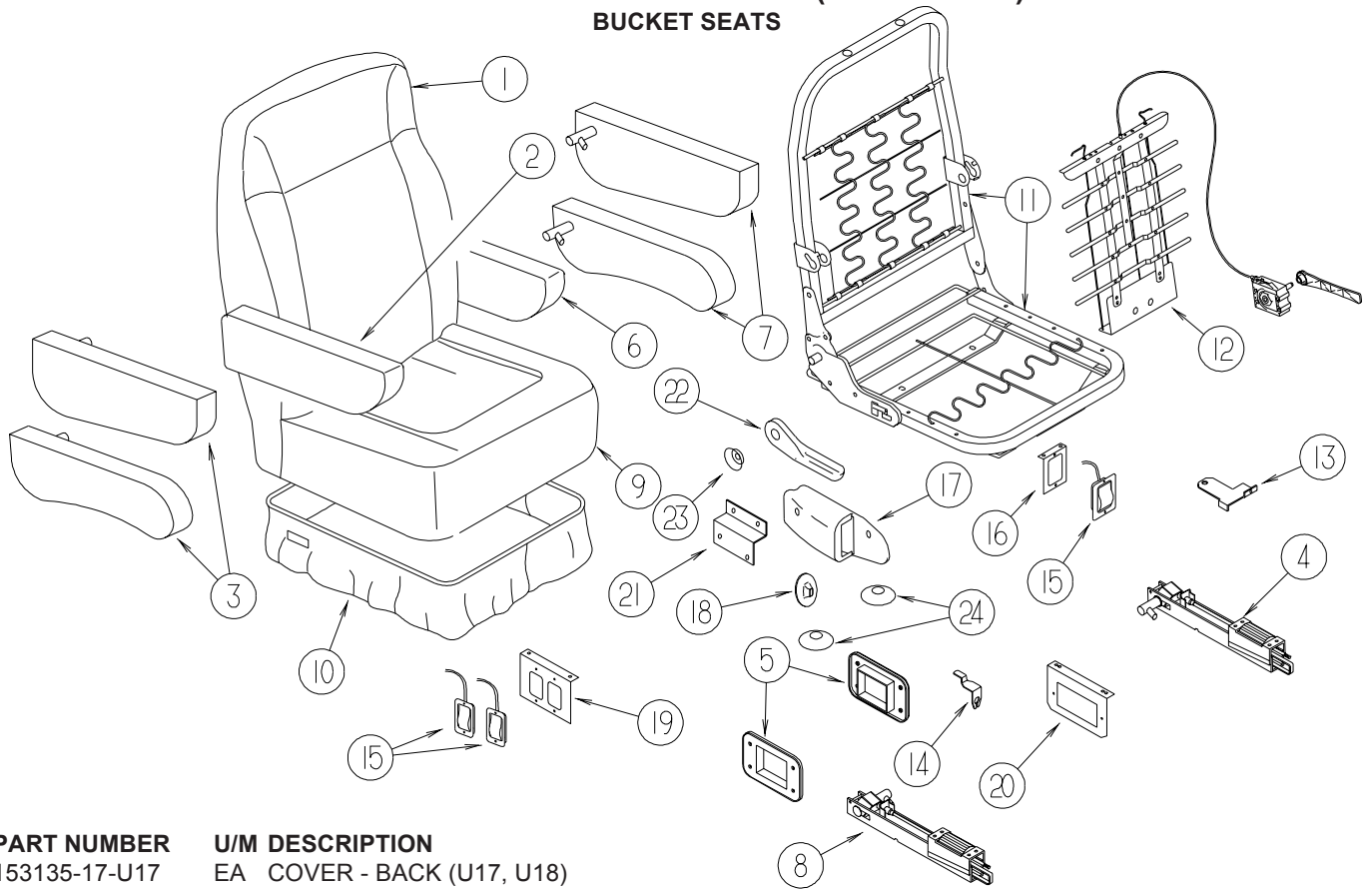


**CURTAIN & CUSHION GROUP (CONTINUED)**  
**CUSHION LAYOUT (CONTINUED)**

<b>KEY</b>	<b>PART NUMBER</b>	<b>U/M</b>	<b>DESCRIPTION</b>
9	150855-35-U17	EA	CUSHION - FILLER - DINETTE (U17, U18)
9	150855-35-U19	EA	CUSHION - FILLER - DINETTE (U19, U20)
9	150855-34-U43	EA	CUSHION - FILLER - DINETTE (U43, U44)
	P50855-35-U17	EA	COVER/CUSHION - FILLER - DINETTE (U17, U18)
	P50855-35-U19	EA	COVER/CUSHION - FILLER - DINETTE (U19, U20)
	P50855-34-U43	EA	COVER/CUSHION - FILLER - DINETTE (U43, U44)

## CURTAIN & CUSHION GROUP (CONTINUED)

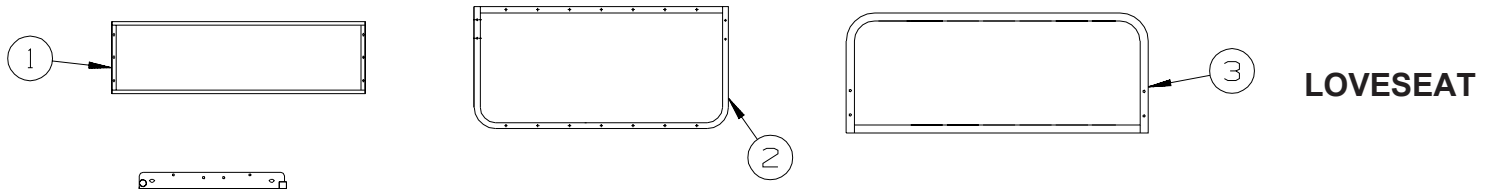
### BUCKET SEATS



KEY	PART NUMBER	U/M	DESCRIPTION
1	153135-17-U17	EA	COVER - BACK (U17, U18)
1	153135-17-U19	EA	COVER - BACK (U19, U20)
1	153135-17-U43	EA	COVER - BACK (U43, U44)
1	153135-12-T01	EA	COVER - BACK - LEATHER - <b>ULTRALEATHER</b>
	153135-19-U17	EA	COVER - HEADREST (U17, U18)
	153135-19-U19	EA	COVER - HEADREST (U19, U20)
	153135-19-U43	EA	COVER - HEADREST (U43, U44)
	153135-14-T01	EA	COVER - HEADREST - LEATHER - <b>ULTRALEATHER</b>
2	NOT USED		
3	NOT USED		
4	NOT USED		
5	NOT USED		
6	NOT USED		
7	NOT USED		
8	NOT USED		
9	153135-18-U17	EA	COVER - SEAT (U17, U18)
9	153135-18-U19	EA	COVER - SEAT (U19, U20)
9	153135-18-U43	EA	COVER - SEAT (U43, U44)
10	153135-13-T01	EA	COVER - SEAT - LEATHER - <b>ULTRALEATHER</b>
10	153135-20-U15	EA	COVER - SKIRT - BACK FLAP (U17, U18)
10	153135-20-U19	EA	COVER - SKIRT - BACK FLAP (U19, U20)
10	153135-20-U43	EA	COVER - SKIRT - BACK FLAP (U43, U44)
10	153135-15-T01	EA	COVER - SKIRT - BACK FLAP - LEATHER - <b>ULTRALEATHER</b>
11	NOT USED		
12	NOT USED		
13	NOT USED		
14	NOT USED		
15	NOT USED		
16	NOT USED		
17	NOT USED		
18	NOT USED		
19	NOT USED		
20	NOT USED		
21	NOT USED		
22	NOT USED		
23	NOT USED		
24	NOT USED		

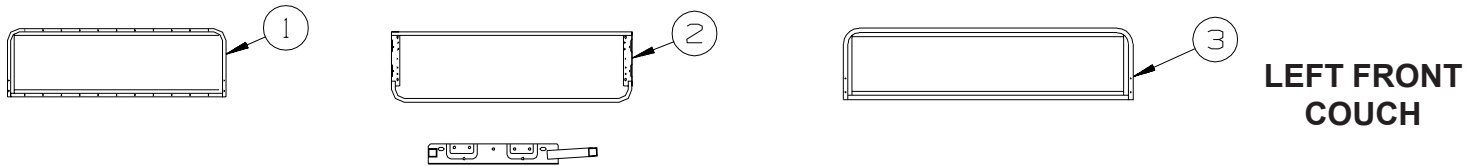
## CURTAIN & CUSHION GROUP (CONTINUED)

### SOFA



**LOVESEAT**

KEY	PART NUMBER	U/M	DESCRIPTION
	149812-14-U17	EA	SEAT - SOFA/BED - 40" (U17, U18)
	149812-15-U19	EA	SEAT - SOFA/BED - 40" (U19, U20)
	149812-12-U43	EA	SEAT - SOFA/BED - 40" (U43, U44)
	P49812-14-U17	EA	COVER - SEAT - SOFA/BED - 40" (U17, U18)
	P49812-15-U19	EA	COVER - SEAT - SOFA/BED - 40" (U19, U20)
	P49812-12-U43	EA	COVER - SEAT - SOFA/BED - 40" (U43, U44)
1	101085-15-000	EA	FRAME - BASE - SOFA/BED - 20" X 40"
2	101085-16-000	EA	FRAME - SEAT - SOFA/BED - 20" X 37.5"
	153137-14-U17	EA	BACK - SOFA/BED - 40" (U17, U18)
	153137-15-U19	EA	BACK - SOFA/BED - 40" (U19, U20)
	153137-10-U43	EA	BACK - SOFA/BED - 40" (U43, U44)
3	101085-17-000	EA	FRAME - BACK - 15" X 37.5"
	153137-B4-U17	EA	COVER/BACK - SOFA/BED - 40" (U17, U18)
	153137-B5-U19	EA	COVER/BACK - SOFA/BED - 40" (U19, U20)
	153137-B0-U43	EA	COVER/BACK - SOFA/BED - 40" (U43, U44)

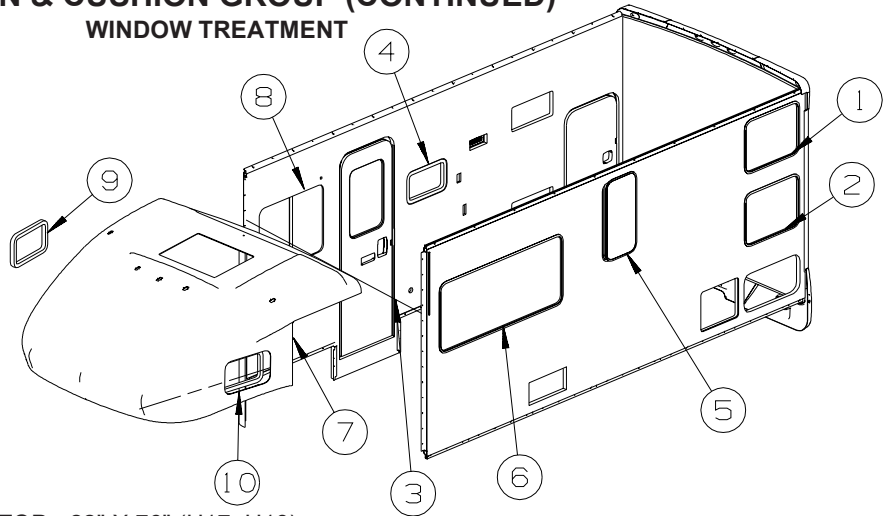


**LEFT FRONT COUCH**

KEY	PART NUMBER	U/M	DESCRIPTION
	149812-05-U17	EA	SEAT - SOFA/BED - 66.5" (U17, U18)
	149812-05-U19	EA	SEAT - SOFA/BED - 66.5" (U19, U20)
	149812-05-U43	EA	SEAT - SOFA/BED - 66.5" (U43, U44)
	P49812-05-U17	EA	COVER - SEAT - SOFA/BED - 66.5" (U17, U18)
	P49812-05-U19	EA	COVER - SEAT - SOFA/BED - 66.5" (U19, U20)
	P49812-05-U43	EA	COVER - SEAT - SOFA/BED - 66.5" (U43, U44)
1	101085-01-000	EA	FRAME - SEAT - SOFA/BED - 66.5"
2	101085-03-000	EA	FRAME - BASE - SOFA/BED - 66.5"
3	101085-09-000	EA	FRAME - BACK - SOFA/BED - 66.5" X 16"
	153137-07-U17	EA	BACK - SOFA/BED - 66.5" (U17, U18)
	153137-07-U19	EA	BACK - SOFA/BED - 66.5" (U19, U20)
	153137-07-U43	EA	BACK - SOFA/BED - 66.5" (U43, U44)
	153137-A7-U17	EA	COVER/BACK - SOFA/BED - 66.5" (U17, U18)
	153137-A7-U19	EA	COVER/BACK - SOFA/BED - 66.5" (U19, U20)
	153137-A7-U43	EA	COVER/BACK - SOFA/BED - 66.5" (U43, U44)

## CURTAIN & CUSHION GROUP (CONTINUED)

### WINDOW TREATMENT



KEY	PART NUMBER	U/M	DESCRIPTION
1	101668-85-U17	EA	CURTAIN - TAPE TOP - 22" X 76" (U17, U18)
1	101668-87-U19	EA	CURTAIN - TAPE TOP - 22" X 76" (U19, U20)
1	101668-85-U43	EA	CURTAIN - TAPE TOP - 22" X 76" (U43, U44)
1	161091-05-U17	EA	CURTAIN - PRIVACY/RIGHT HAND - 23.5" X 16" (U17, U18)
1	161091-01-U19	EA	CURTAIN - PRIVACY/RIGHT HAND - 23.5" X 16" (U19, U20) FROM: 00-00-00 THRU: 07-12-06
1	161091-01-U43	EA	CURTAIN - PRIVACY/RIGHT HAND - 23.5" X 16" (U43, U44) FROM: 00-00-00 THRU: 07-12-06
1	161091-06-U17	EA	CURTAIN - PRIVACY/LEFT HAND - 23.5" X 16" (U17, U18) FROM: 00-00-00 THRU: 07-12-06
1	161091-02-U19	EA	CURTAIN - PRIVACY/LEFT HAND - 23.5" X 16" (U19, U20) FROM: 00-00-00 THRU: 07-12-06
1	161091-02-U43	EA	CURTAIN - PRIVACY/LEFT HAND - 23.5" X 16" (U43, U44) FROM: 00-00-00 THRU: 07-12-06
2	160309-02-U17	EA	CURTAIN - 42" X 29.5" - W/SNAPS (U17, U18)
2	160309-03-U19	EA	CURTAIN - 42" X 29.5" - W/SNAPS (U19, U20)
2	160309-02-U43	EA	CURTAIN - 42" X 29.5" - W/SNAPS (U43, U44)
2	161091-05-U17	EA	CURTAIN - PRIVACY/RIGHT HAND - 23.5" X 16" (U17, U18) FROM: 00-00-00 THRU: 07-12-06
2	161091-01-U19	EA	CURTAIN - PRIVACY/RIGHT HAND - 23.5" X 16" (U19, U20) FROM: 00-00-00 THRU: 07-12-06
2	161091-01-U43	EA	CURTAIN - PRIVACY/RIGHT HAND - 23.5" X 16" (U43, U44) FROM: 00-00-00 THRU: 07-12-06
2	161091-06-U17	EA	CURTAIN - PRIVACY/LEFT HAND - 23.5" X 16" (U17, U18) FROM: 00-00-00 THRU: 07-12-06
2	161091-02-U19	EA	CURTAIN - PRIVACY/LEFT HAND - 23.5" X 16" (U19, U20) FROM: 00-00-00 THRU: 07-12-06
2	161091-02-U43	EA	CURTAIN - PRIVACY/LEFT HAND - 23.5" X 16" (U43, U44) FROM: 00-00-00 THRU: 07-12-06
3	076892-37-U17	EA	CURTAIN - CAB PRIVACY - 55" X 84" (U17, U18)
3	076892-35-U19	EA	CURTAIN - CAB PRIVACY - 55" X 84" (U19, U20)
3	076892-35-T09	EA	CURTAIN - CAB PRIVACY - 55" X 84" (U43, U44)
4	111861-26-01A	EA	BLIND - MINI - 23" X 16" - ALUMINUM
5	111861-30-01A	EA	BLIND - MINI - 17" X 34" - ALUMINUM
6	140789-82-U15	EA	BLIND - DAY/NIGHTER - 63" X 28.5"
7	154002-06-U17	EA	CURTAIN - PRIVACY/BUNK/LINED - 30" X 87.5" (U17, U18)
7	154002-01-U19	EA	CURTAIN - PRIVACY/BUNK/LINED - 30" X 87.5" (U19, U20)
7	154002-01-T09	EA	CURTAIN - PRIVACY/BUNK/LINED - 30" X 87.5" (U43, U44)
8	159498-02-U13	EA	BLIND - DAY/NIGHTER - 35.5" X 28.5"
9	101034-73-U17	EA	CURTAIN - PRIVACY/RIGHT HAND - 15" X 21" (U17, U18)
9	101034-68-U19	EA	CURTAIN - PRIVACY/RIGHT HAND - 15" X 21" (U19, U20)
9	101034-68-T09	EA	CURTAIN - PRIVACY/RIGHT HAND - 15" X 21" (U43, U44)
10	101034-74-U17	EA	CURTAIN - PRIVACY/LEFT HAND - 15" X 21" (U17, U18)
10	101034-69-U19	EA	CURTAIN - PRIVACY/LEFT HAND - 15" X 21" (U19, U20)
10	101034-69-T09	EA	CURTAIN - PRIVACY/LEFT HAND - 15" X 21" (U43, U44)
	154002-09-U17	EA	aisle divider curtain - 58" X 50" (U17, U18) - AISLE PRIVACY
	154002-07-U19	EA	aisle divider curtain - 58" X 50" (U19, U20) - AISLE PRIVACY
	154002-07-U43	EA	aisle divider curtain - 58" X 50" (U43, U44) - AISLE PRIVACY



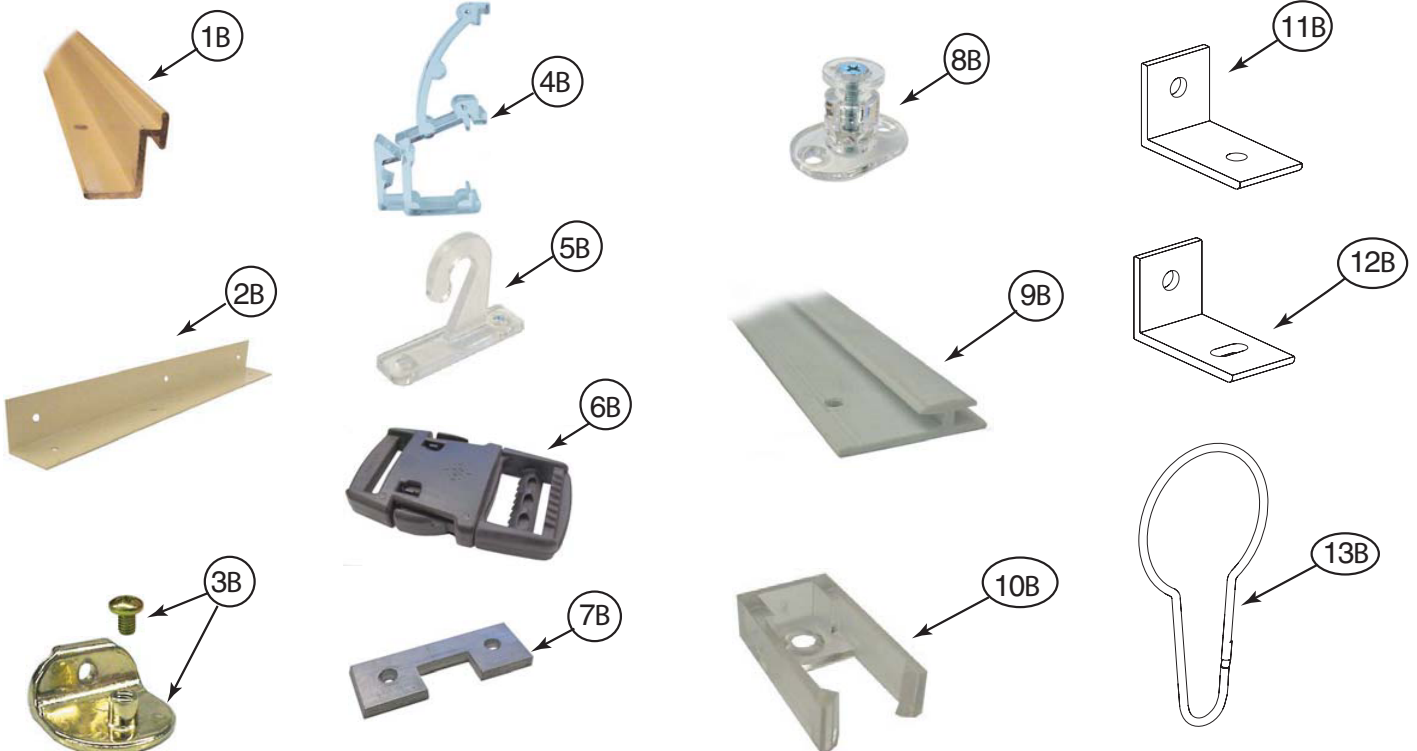
## CURTAIN & CUSHION GROUP (CONTINUED)

### HARDWARE



KEY	PART NUMBER	U/M	DESCRIPTION
1A	029155-01-000	EA	CAP - SNAP - 5/32" OUTSIDE DIAMETER OF PIN
2A	029156-01-000	EA	SOCKET - SNAP - 9/16" O.D.
3A	046867-02-000	EA	WASHER - HANDY BUTTON #3
4A	046867-03-000	EA	GROMMET - HANDY BUTTON #3
5A	075943-10-000	EA	BRACE - VALANCE - 20" - OFF WHITE
6A	083170-01-000	EA	BRACKET/BLIND - LEFT SIDE WHEN FACING WINDOW - CLEAR
7A	083170-02-000	EA	BRACKET/BLIND - RIGHT SIDE WHEN FACING WINDOW - CLEAR
8A	084434-01-000	EA	BRACKET - MOUNTING - ROLLER SHADE - 1 3/8"
9A	094896-02-000	EA	GROMMET - CORD/PLEATED BLIND - NYLON - GRAY
10A	094907-02-000	EA	END CAP - PLEATED BLIND/TOP - RH/LH - GRAY PLASTIC
11A	094907-04-000	EA	END CAP - PLEATED BLIND/BOTTOM - RH/LH
12A	094907-09-000	EA	END CAP/BLIND - CENTER RAIL - RH/LH
13A	097564-03-000	EA	HANDLE - KNOB - E-Z LIFT SHADE - TAN
	097593-02-000	FT	CORD - BLIND - PLEATED - GRAY
	097593-10-000	FT	CORD - BLIND - PLEATED - VANILLA
14A	097565-01-000	EA	BRACKET - MOUNTING - PLEATED BLIND
15A	097591-01-000	EA	SPRING - EXTENSION - PLEATED BLIND
15A	155748-01-000	EA	SPRING - EXTENSION - DAY/NIGHTER BLIND
16A	101031-01-000	YD	TAPE/GLIDE - 4.25" SPACING
17A	102555-03-000	EA	BRACKET - (CLEAT TYPE) - F/BLIND HOLDOWN - MILKY WHITE

**CURTAIN & CUSHION GROUP (CONTINUED)**  
**HARDWARE (CONTINUED)**



KEY	PART NUMBER	U/M	DESCRIPTION
1B	105450-14-01A	EA	TRACK-90"-OW - <b>FRT BUNK PRIVACY OUTLOOK/SPIRIT 300-SERIES, ACCESS/IMPULSE 200-SERIES</b>
2B	105648-01-02A	EA	BRACE - VALANCE - 14" - OFF WHITE
2B	105648-02-02A	EA	BRACE - VALANCE - 8.5" - OFF WHITE
3B	106544-01-000	EA	PULL - SHADE/BRASS
3B	106544-01-001	EA	SCREW - SHADE/BRASS
3B	106544-02-000	EA	PULL-SHADE - NICKEL
4B	109353-04-000	EA	CLIP - VALANCE SLAT MOUNTING - CLEAR PLASTIC
5B	109441-01-000	EA	BRACKET/HOOK - BLIND HOLD DOWN
	109441-02-000	EA	SPACER/BRACKET - BLIND HOLD DOWN
6B	129491-01-000	EA	CATCH - SNAP HOOK - 1"
7B	130549-01-01A	EA	STOP - CURTAIN TRACK
8B	141634-01-000	EA	BRACKET-(BOBBIN TYPE) 7/8"H HOLDUPBASE(OVAL)-2 HOLE-CLEAR
9B	156172-01-01A	EA	TRACK/WALL - 75" - BONE
9B	156172-02-01A	EA	TRACK/WALL - 32" - BONE
9B	156172-03-01A	EA	TRACK/WALL - 21" - BONE
10B	156172-04-01A	EA	END CAP - WALL TRACK - CLEAR
11B	154316-01-01A	EA	BRACE/ANGLE - W/HOLE - CASHMERE
12B	154316-02-01A	EA	BRACE/ANGLE - W/SLOT - CASHMERE
13B	159702-01-01A	EA	HOOK/RING - CURTAIN/SHOWER - NICKEL

**ACCESSORIES**

KEY	PART NUMBER	U/M	DESCRIPTION
	070578-20-T03	EA	BUTTON - #30 - SCREW/STUD - FABRIC COVERED (U17, U18)
	070578-20-U19	EA	BUTTON - #30 - SCREW/STUD - FABRIC COVERED (U19, U20)
	070578-20-U27	EA	BUTTON - #30 - SCREW/STUD - FABRIC COVERED (U43, U44)
	156132-01-T01	EA	COVER/SLEEVE - SUNVISOR - VINYL
	118337-19-U17	EA	BUTTON - #36 W/TACK (U17, U18)
	118337-19-U19	EA	BUTTON - #36 W/TACK (U19, U20)
	118337-19-T09	EA	BUTTON - #36 W/TACK (U43, U44)

## CURTAIN & CUSHION GROUP (CONTINUED)

### FABRICS

#### U17, U18

113979-09-01A CARPET HEADLINER (102") - CEILING FABRIC  
113979-10-01A CARPET HEADLINER (21.5) - CEILING FABRIC  
113979-11-01A CARPET HEADLINER - SLIDEOUT (30") - CEILING FABRIC  
113979-16-01A CARPET HEADLINER - SLIDEOUT (52") - CEILING FABRIC  
087272-03-000 FABRIC-DRAPERY, MAIN  
142523-16-000 FABRIC-UPHOSTERY,ACCEN PLAIN, "B"  
142523-16-000 FABRIC-UPHL,SEAT INSERT  
148797-48-000 FABRIC-HEADLINER/PADS/BUNKS, TRANS PANELS  
148797-48-000 FABRIC-O/H CABT,DIN/LOUNGE  
148797-48-000 FABRIC-INSERT S/O TRIM FRONT, SLIDEOUT TRIM  
148797-V0-000 FABRIC-UPHOSTERY MAIN ONE, MAIN  
148797-V1-000 FABRIC-UPHLSTRY,PLAIN ACCENT  
148797-V1-000 FABRIC-SLEEPER DECK  
148797-V2-000 FABRIC-UPHOLSTERY ACCENT, PATTERN  
148797-V2-000 FABRIC-UPHOSTERY,BEDSPREAD, PATTERN ACCENT  
148797-V3-000 FABRIC-UPHLSTRY,2ND PATTERN, ACCENT  
156773-11-000 FABRIC-UPHOSTERY,BEDSPREAD, MAIN

#### U19, U20

113979-09-01A CARPET HEADLINER (102") - CEILING FABRIC  
113979-10-01A CARPET HEADLINER (21.5) - CEILING FABRIC  
113979-11-01A CARPET HEADLINER - SLIDEOUT (30") - CEILING FABRIC  
113979-16-01A CARPET HEADLINER - SLIDEOUT (52") - CEILING FABRIC  
087272-03-000 FABRIC-DRAPERY, MAIN  
137813-K3-000 FABRIC-UPHOSTERY,BEDSPREAD, MAIN  
142523-16-000 FABRIC-UPHOSTERY,ACCEN PLAIN, "B"  
142523-16-000 FABRIC-UPHL,SEAT INSERT  
148797-H9-000 FABRIC-UPHLSTRY,PLAIN ACCENT  
148797-H9-000 FABRIC-HEADLINER/PADS/BUNKS, TRANS PANELS  
148797-H9-000 FABRIC-O/H CABT,DIN/LOUNGE  
148797-H9-000 FABRIC-INSERT S/O TRIM FRONT, SLIDEOUT TRIM  
148797-V4-000 FABRIC-UPHOSTERY MAIN ONE, MAIN  
148797-V4-000 FABRIC-UPHOSTERY,BEDSPREAD, PATTERN ACCENT  
148797-V5-000 FABRIC-UPHOLSTERY ACCENT, PATTERN  
148797-V5-000 FABRIC-SLEEPER DECK  
148797-V6-000 FABRIC-UPHLSTRY,2ND PATTERN, ACCENT

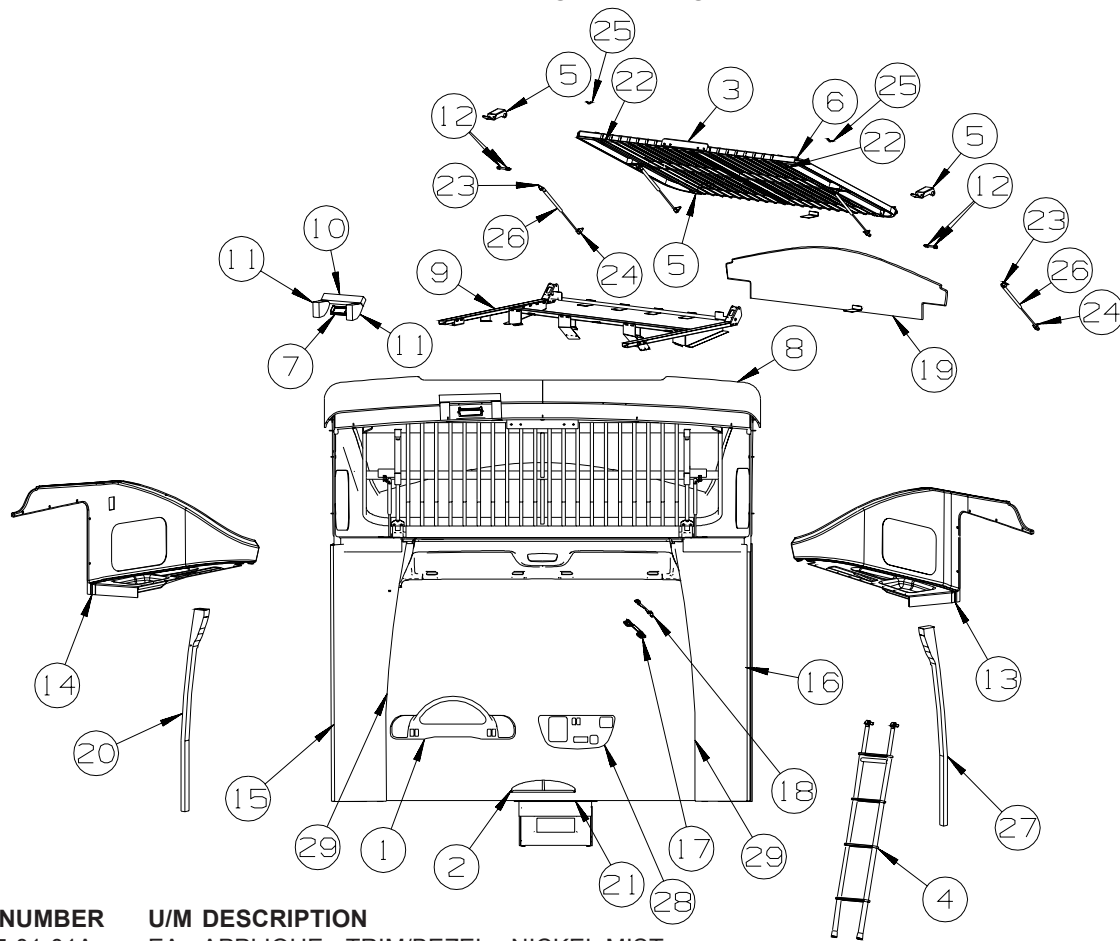
#### U43, U44

113979-09-01A CARPET HEADLINER (102") - CEILING FABRIC  
113979-10-01A CARPET HEADLINER (21.5) - CEILING FABRIC  
113979-11-01A CARPET HEADLINER - SLIDEOUT (30") - CEILING FABRIC  
113979-16-01A CARPET HEADLINER - SLIDEOUT (52") - CEILING FABRIC  
087272-03-000 FABRIC-DRAPERY, MAIN  
137813-58-000 FABRIC-HEADLINER/PADS/BUNKS, TRANS PANELS  
137813-G1-000 FABRIC-UPHOSTERY,BEDSPREAD, MAIN  
142523-16-000 FABRIC-UPHOSTERY,ACCEN PLAIN, "B"  
142523-16-000 FABRIC-UPHL,SEAT INSERT  
148797-65-000 FABRIC-UPHOSTERY MAIN ONE, MAIN  
148797-65-000 FABRIC-UPHOSTERY,BEDSPREAD, PATTERN ACCENT  
148797-66-000 FABRIC-UPHOLSTERY ACCENT, PATTERN  
148797-H9-000 FABRIC-UPHLSTRY,PLAIN ACCENT  
148797-H9-000 FABRIC-O/H CABT,DIN/LOUNGE  
148797-H9-000 FABRIC-INSERT S/O TRIM FRONT, SLIDEOUT TRIM  
148797-H9-000 FABRIC-UPHLSTRY,2ND PATTERN, ACCENT  
148797-V1-000 FABRIC-SLEEPER DECK

# DRIVERS COMPARTMENT GROUP (CONTINUED)

## FRONT INTERIOR

523B  
523J



KEY	PART NUMBER	U/M	DESCRIPTION
1	153727-01-01A	EA	APPLIQUE - TRIM/BEZEL - NICKEL MIST
2	153727-02-01A	EA	APPLIQUE - TRIM/BEZEL - BEVERAGE TRAY - NICKEL MIST
3	094658-04-T25	EA	HANDLE - BUNK - 1.1" X 2" X 14.9" - WASHED MAPLE
3	094658-04-T02	EA	HANDLE - BUNK - 1.1" X 2" X 14.2" - HONEY CHERRY
4	106025-04-01A	EA	LADDER - BUNK - 58.1" - BLACK
4	106025-06-01A	EA	LADDER - BUNK - 58.6" - BLACK
5	151554-01-02B	EA	FRAME - SLEEPER HINGE - E-COATED
6	151565-01-T01	EA	FRAME - SLEEPER/BUNK
7	135803-03-01A	EA	LOUVER - A/C - OPEN FRAME
8	151553-01-12A	EA	PANEL/TRIM - CEILING CONTOUR - OFF WHITE
9	151564-01-02B	EA	SUPPORT - SLEEPER - E-COATED
10	151838-02-02A	EA	FOAM - LPE, DUCT
11	151838-03-02A	EA	FOAM - LPE, DUCT
12	151839-01-01A	EA	BEARING/FLANGED - 3/8" TO 7/8" X 1/2" DEEP - BRONZE
13	152206-01-T01	EA	PANEL/TRIM - BUNK/RIGHT HAND
	152205-01-12A	EA	PANEL/TRIM - BUNK/RIGHT HAND - OFF WHITE
14	152206-02-T01	EA	PANEL/TRIM - BUNK/LEFT HAND
	152205-02-12A	EA	PANEL/TRIM - BUNK/LEFT HAND - OFF WHITE
15	153323-01-T03	EA	PANEL/TRANSITION - INNER - LEFT HAND (U17, U18)
15	153323-01-U15	EA	PANEL/TRANSITION - INNER - LEFT HAND (U19, U20, U43, U44)
16	153323-02-T03	EA	PANEL/TRANSITION - INNER - RIGHT HAND (U17, U18)
16	153323-02-U15	EA	PANEL/TRANSITION - INNER - RIGHT HAND (U19, U20, U43, U44)
17	153628-01-01A	EA	HANDLE - ASSIST/PASSENGER - W/O BRACKET - GRAY
18	153628-02-01A	EA	BRACKET - ASSIST HANDLE - GRAY
19	153631-01-T01	EA	PANEL/OVERHEAD - FRONT
	128131-01-01A	EA	SPACER/SWITCH - DOME - BLACK
20	156188-01-T03	EA	PANEL/TRANSITION - FABRIC WRAPPED (U17, U18)
			FROM: 00-00-00 THRU: 05-14-06
20	156188-01-U13	EA	PANEL/TRANSITION - FABRIC WRAPPED (U17, U18)
			FROM: 05-15-06 THRU: 99-99-99
20	156188-01-U15	EA	PANEL/TRANSITION - FABRIC WRAPPED (U19, U20, U43, U44)
21	115870-01-000	FT	SEAL/EDGE - TRIM

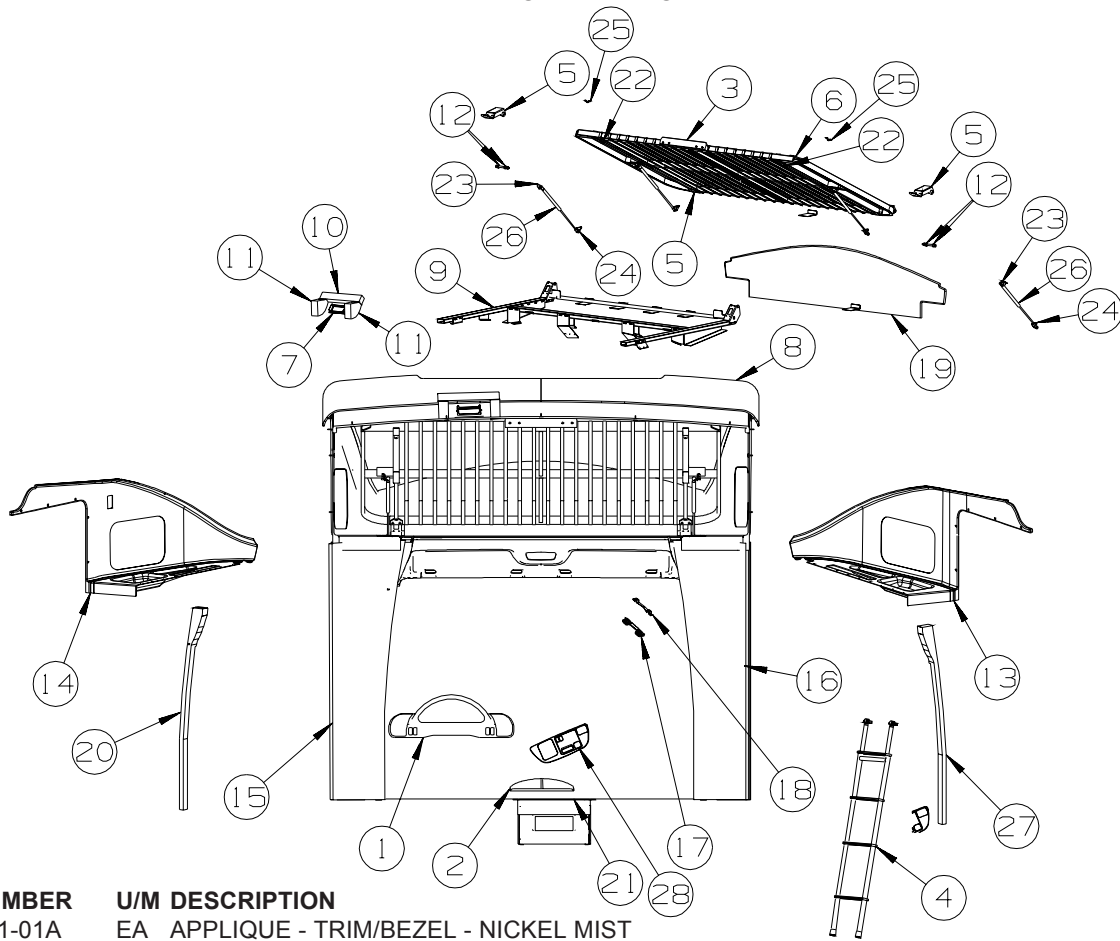
**DRIVERS COMPARTMENT GROUP (CONTINUED)**  
**FRONT INTERIOR (CONTINUED)**

<b>KEY</b>	<b>PART NUMBER</b>	<b>U/M</b>	<b>DESCRIPTION</b>
22	120863-06-000	EA	BUMPER - RUBBER/RADIUS TOP - 3/4" X 3/8" - LT GRAY FROM: 00-00-00 THRU: 03-07-06
22	120863-09-000	EA	BUMPER - RUBBER/RADIUS TOP - 3/4" X 3/8" - LT GRAY FROM: 03-08-06 THRU: 04-16-06
22	120863-05-000	EA	BUMPER - RUBBER/RADIUS TOP - 3/4" X 3/8" FROM: 04-17-06 THRU: 99-99-99
23	126263-02-02B	EA	BRACKET - GAS SPRING W/BALL STUD - E-COATED
24	126263-15-02B	EA	BRACKET - GAS SPRING W/BALL STUD - E-COATED
25	127960-01-01A	EA	RETAINER - EYE - 3/8" - STAINLESS STEEL
26	142569-14-000	EA	SPRING/GAS - 100 LB - 20" EXTENDED/12" COMPRESSED
27	156188-02-T03	EA	PANEL/TRANSITION - FABRIC WRAPPED (U17, U18) FROM: 00-00-00 THRU: 05-14-06
27	156188-02-U13	EA	PANEL/TRANSITION - FABRIC WRAPPED (U17, U18) FROM: 05-15-06 THRU: 99-99-99
27	156188-02-U15	EA	PANEL/TRANSITION - FABRIC WRAPPED (U19, U20, U43, U44)
28	153727-03-01A	EA	APPLIQUE - SHIFTER BEZEL - BRUSHED ALUMINUM
29	105290-01-000	SF	INSULATION - AIR POCKET W/FOIL - 4' WIDE

# DRIVERS COMPARTMENT GROUP

## FRONT INTERIOR

523H

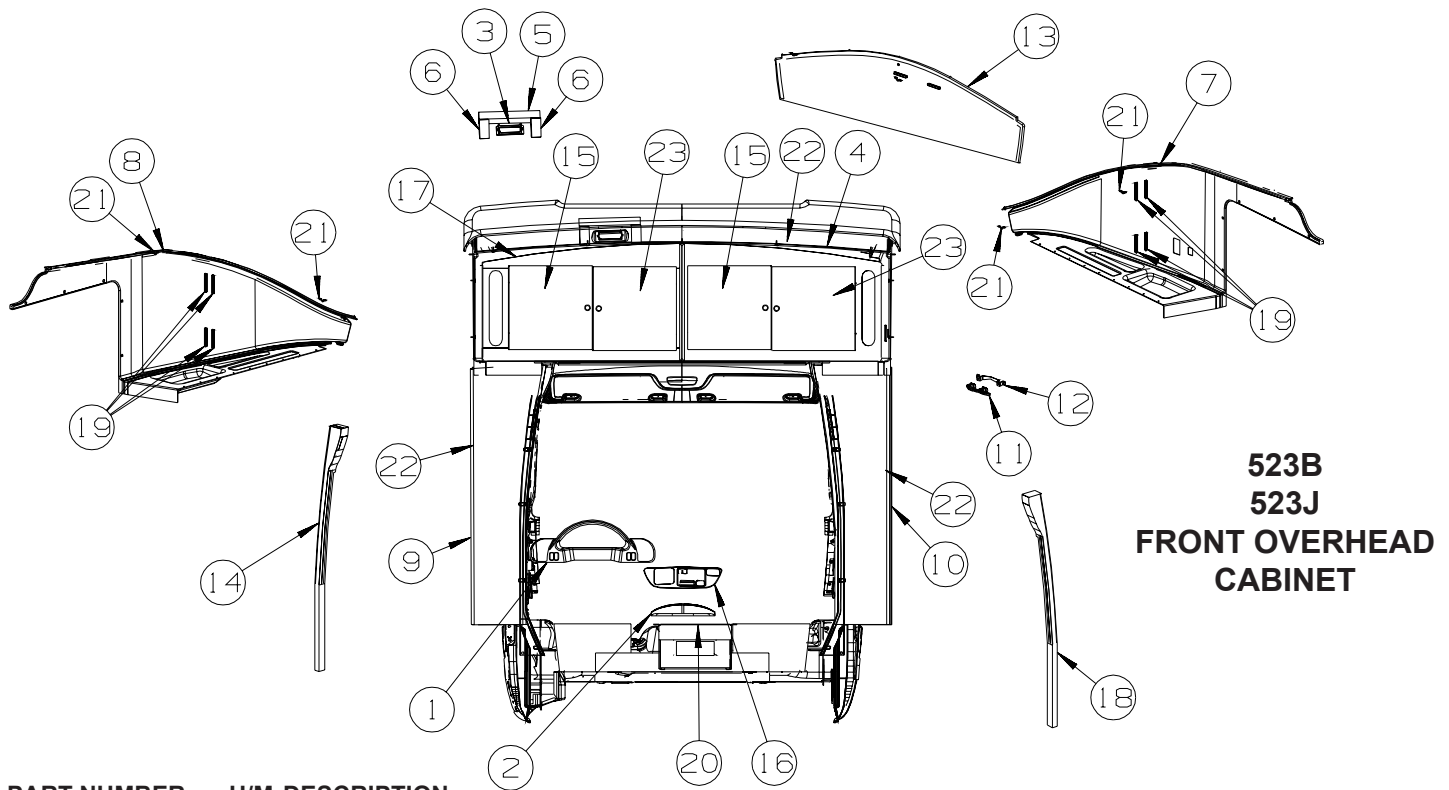


KEY	PART NUMBER	U/M	DESCRIPTION
1	153727-01-01A	EA	APPLIQUE - TRIM/BEZEL - NICKEL MIST
2	153727-02-01A	EA	APPLIQUE - TRIM/BEZEL - BEVERAGE TRAY - NICKEL MIST
3	094658-04-T25	EA	HANDLE - BUNK - 1.1" X 2" X 14.9" - WASHED MAPLE
3	094658-04-T02	EA	HANDLE - BUNK - 1.1" X 2" X 14.2" - HONEY CHERRY
4	106025-04-01A	EA	LADDER - BUNK - 58.1" - BLACK
4	106025-06-01A	EA	LADDER - BUNK - 58.6" - BLACK
			FROM: 00-00-00 THRU: 09-10-06
			FROM: 09-11-06 THRU: 99-99-99
5	151554-01-02B	EA	FRAME - SLEEPER HINGE - E-COATED
6	151565-01-T01	EA	FRAME - SLEEPER/BUNK
7	135803-03-01A	EA	LOUVER - A/C - OPEN FRAME
8	151553-01-12A	EA	PANEL/TRIM - CEILING CONTOUR - OFF WHITE
9	151564-01-02B	EA	SUPPORT - SLEEPER - E-COATED
10	151838-02-02A	EA	FOAM - LPE, DUCT
11	151838-03-02A	EA	FOAM - LPE, DUCT
12	151839-01-01A	EA	BEARING/FLANGED - 3/8" TO 7/8" X 1/2" DEEP - BRONZE
13	152206-01-T01	EA	PANEL/TRIM - BUNK/RIGHT HAND
	152205-01-12A	EA	PANEL/TRIM - BUNK/RIGHT HAND - OFF WHITE
14	152206-02-T01	EA	PANEL/TRIM - BUNK/LEFT HAND
	152205-02-12A	EA	PANEL/TRIM - BUNK/LEFT HAND - OFF WHITE
15	153323-01-T03	EA	PANEL/TRANSITION - INNER - LEFT HAND (U17, U18)
15	153323-01-U19	EA	PANEL/TRANSITION - INNER - LEFT HAND (U19, U20, U43, U44)
16	153323-02-T03	EA	PANEL/TRANSITION - INNER - RIGHT HAND (U17, U18)
16	153323-02-U19	EA	PANEL/TRANSITION - INNER - RIGHT HAND (U19, U20, U43, U44)
17	153628-01-01A	EA	HANDLE - ASSIST/PASSENGER - W/O BRACKET - GRAY
18	153628-02-01A	EA	BRACKET - ASSIST HANDLE - GRAY
19	153631-01-T01	EA	PANEL/OVERHEAD - FRONT
20	156188-01-T03	EA	PANEL/TRANSITION - FABRIC WRAPPED (U17, U18)
			FROM: 00-00-00 THRU: 05-14-06
20	156188-01-U13	EA	PANEL/TRANSITION - FABRIC WRAPPED (U17, U18)
			FROM: 05-15-06 THRU: 99-99-99
20	156188-01-U19	EA	PANEL/TRANSITION - FABRIC WRAPPED (U19, U20, U43, U44)
21	115870-01-000	FT	SEAL/EDGE - TRIM

**DRIVERS COMPARTMENT GROUP (CONTINUED)**  
**FRONT INTERIOR (CONTINUED)**

<b>KEY</b>	<b>PART NUMBER</b>	<b>U/M</b>	<b>DESCRIPTION</b>
22	120863-09-000	EA	BUMPER - RUBBER/RADIUS TOP - 3/4" X 3/8" - LT GRAY FROM: 00-00-00 THRU: 04-16-06
22	120863-05-000	EA	BUMPER - RUBBER/RADIUS TOP - 3/4" X 3/8" FROM: 04-17-06 THRU: 99-99-99
23	126263-02-02B	EA	BRACKET - GAS SPRING W/BALL STUD - E-COATED
24	126263-15-02B	EA	BRACKET - GAS SPRING W/BALL STUD - E-COATED
25	127960-01-01A	EA	RETAINER - EYE - 3/8" - STAINLESS STEEL
26	142569-14-000	EA	SPRING/GAS - 100 LB - 20" EXTENDED/12" COMPRESSED
27	156188-02-T03	EA	PANEL/TRANSITION - FABRIC WRAPPED (U17, U18) FROM: 00-00-00 THRU: 05-14-06
27	156188-02-U13	EA	PANEL/TRANSITION - FABRIC WRAPPED (U17, U18) FROM: 05-15-06 THRU: 99-99-99
27	156188-02-U19	EA	PANEL/TRANSITION - FABRIC WRAPPED (U19, U20, U43, U44)
28	105290-01-000	SF	INSULATION - AIR POCKET W/FOIL - 4' WIDE

**DRIVERS COMPARTMENT GROUP (CONTINUED)**  
**FRONT INTERIOR (CONTINUED)**



**523B  
523J  
FRONT OVERHEAD  
CABINET**

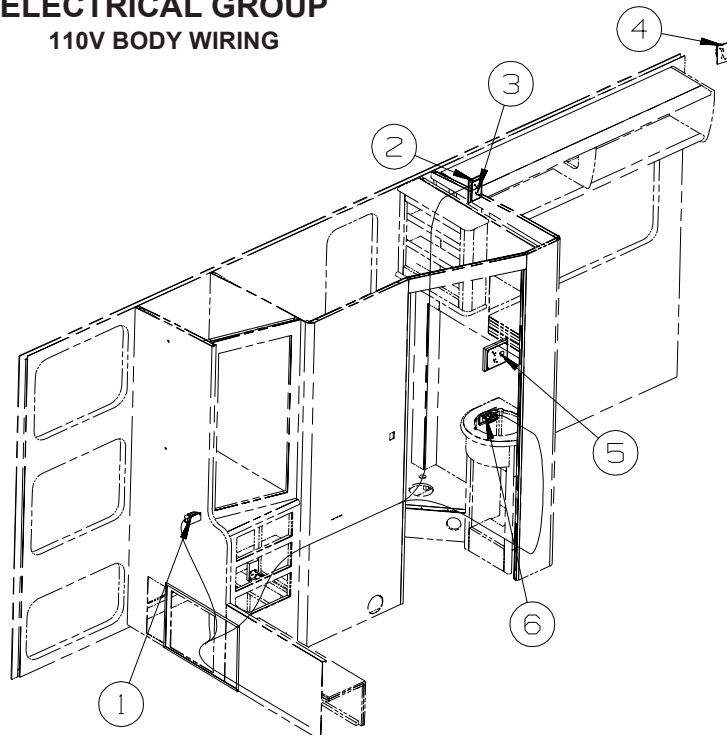
KEY	PART NUMBER	U/M	DESCRIPTION
1	153727-01-01A	EA	APPLIQUE - TRIM/BEZEL - NICKEL MIST
2	153727-02-01A	EA	APPLIQUE - TRIM/BEZEL - BEVERAGE TRAY - NICKEL MIST
3	135803-03-01A	EA	LOUVER - A/C - OPEN FRAME
4	151553-01-12A	EA	PANEL/TRIM - CEILING CONTOUR - OFF WHITE
5	151838-02-02A	EA	FOAM - LPE, DUCT
6	151838-03-02A	EA	FOAM - LPE, DUCT
7	152206-05-T01	EA	PANEL/TRIM - BUNK/RIGHT HAND
	152205-03-12A	EA	PANEL/TRIM - BUNK/RIGHT HAND - OFF WHITE
8	152206-06-T01	EA	PANEL/TRIM - BUNK/LEFT HAND
	152205-04-12A	EA	PANEL/TRIM - BUNK/LEFT HAND - OFF WHITE
9	153323-01-T03	EA	PANEL/TRANSITION - INNER - LEFT HAND (U17, U18)
9	153323-01-U15	EA	PANEL/TRANSITION - INNER - LEFT HAND (U19, U20, U43, U44)
10	153323-02-T03	EA	PANEL/TRANSITION - INNER - RIGHT HAND (U17, U18)
10	153323-02-U15	EA	PANEL/TRANSITION - INNER - RIGHT HAND (U19, U20, U43, U44)
11	153628-01-01A	EA	HANDLE - ASSIST/PASSENGER - W/O BRACKET - GRAY
12	153628-02-01A	EA	BRACKET - ASSIST HANDLE - GRAY
13	153631-02-T01	EA	PANEL/OVERHEAD - FRONT
14	156188-01-T03	EA	PANEL/TRANSITION - FABRIC WRAPPED (U17, U18)
			FROM: 00-00-00 THRU: 05-14-06
14	156188-01-U13	EA	PANEL/TRANSITION - FABRIC WRAPPED (U17, U18)
			FROM: 05-15-06 THRU: 99-99-99
14	156188-01-U15	EA	PANEL/TRANSITION - FABRIC WRAPPED (U19, U20, U43, U44)
15	155015-02-T01	EA	DOOR - CURVED - LH HAND - 17.7" X 17.7" - W/O HDW
			FROM: 00-00-00 THRU: 02-05-06
15	159216-07-T01	EA	DOOR - FLAT/SQUARE EDGE - 17.7" X 17.7" - W/O HDW - WASHED MAPLE
			FROM: 02-06-06 THRU: 99-99-99
15	155015-02-T01	EA	DOOR - CURVED - LH HAND - 17.7" X 17.7" - W/O HDW
			FROM: 00-00-00 THRU: 02-05-06
15	159216-07-T02	EA	DOOR - FLAT/SQUARE EDGE - 17.7" X 17.7" - W/O HDW - HONEY CHERRY
			FROM: 02-06-06 THRU: 99-99-99
16	153727-03-01A	EA	APPLIQUE - SHIFTER BEZEL - BRUSHED ALUMINUM



**DRIVERS COMPARTMENT GROUP (CONTINUED)**  
**FRONT INTERIOR (CONTINUED)**

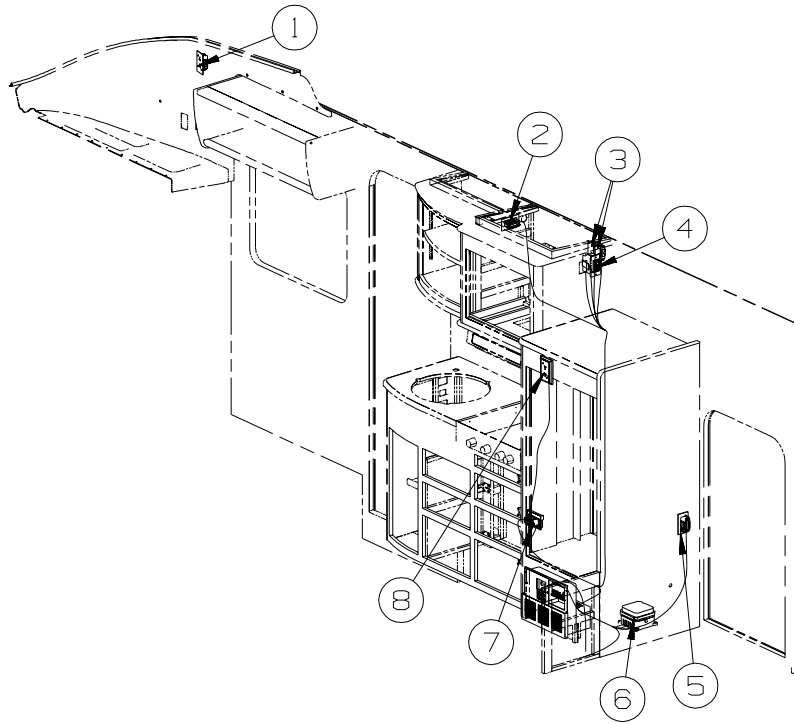
KEY	PART NUMBER	U/M	DESCRIPTION
17	155050-01-U17	EA	CABINET/FACE - OVERHEAD/FRONT - W/INSERTS - WASHED MAPLE FROM: 00-00-00 THRU: 02-05-06
17	159344-01-T01	EA	CABINET/FACE - OVERHEAD/FRONT - W/INSERTS/WELT - WASHED MAPLE FROM: 02-06-06 THRU: 99-99-99
17	155050-01-U18	EA	CABINET/FACE - OVERHEAD/FRONT - W/INSERTS/WELT - HONEY CHERRY FROM: 00-00-00 THRU: 02-05-06
17	159344-01-T02	EA	CABINET/FACE - OVERHEAD/FRONT - W/INSERTS/WELT - HONEY CHERRY FROM: 02-06-06 THRU: 99-99-99
18	156188-02-T03	EA	PANEL/TRANSITION - FABRIC WRAPPED (U17, U18) FROM: 00-00-00 THRU: 05-14-06
18	156188-02-U13	EA	PANEL/TRANSITION - FABRIC WRAPPED (U17, U18) FROM: 05-15-06 THRU: 99-99-99
18	156188-02-U15	EA	PANEL/TRANSITION - FABRIC WRAPPED (U19, U20, U43, U44)
19	146514-04-000	EA	CHANNEL/MOUNT - F/ROPE LIGHT
20	115870-01-000	FT	SEAL/EDGE - TRIM
21	127960-01-01A	EA	RETAINER - EYE - 3/8" - STAINLESS STEEL
22	105290-01-000	SF	INSULATION - AIR POCKET W/FOIL - 4' WIDE
23	155015-01-T01	EA	DOOR - CURVED - RH HAND - 17.7" X 17.7" - W/O HDW - WASHED MAPLE FROM: 00-00-00 THRU: 02-05-06
23	159216-07-T01	EA	DOOR - FLAT/SQUARE EDGE - 17.7" X 17.7" - W/O HDW - WASHED MAPLE FROM: 02-06-06 THRU: 99-99-99
23	155015-01-T02	EA	DOOR - CURVED - RH HAND - 17.7" X 17.7" - W/O HDW - HONEY CHERRY FROM: 00-00-00 THRU: 02-05-06
23	159216-07-T02	EA	DOOR - FLAT/SQUARE EDGE - 17.7" X 17.7" - W/O HDW - HONEY CHERRY FROM: 02-06-06 THRU: 99-99-99

## ELECTRICAL GROUP 110V BODY WIRING



KEY	PART NUMBER	U/M	DESCRIPTION
1	058707-02-000	EA	RECEPTACLE - BLANK - JUNCTION BOX
2	158542-02-01A	EA	LABEL - RECEPTACLE - ELECTRONICS - WHITE/BLACK - <b>CANADIAN</b>
3	133713-01-21A	EA	SPACER/RECEPTACLE - VINYL - WASHED MAPLE
3	133713-01-23A	EA	SPACER/RECEPTACLE - VINYL - HONEY CHERRY
3	058708-01-000	EA	RECEPTACLE - ELECTRIC - DOUBLE - BROWN
3	058708-06-000	EA	RECEPTACLE - DUPLEX - WHITE
4	058708-01-000	EA	RECEPTACLE - ELECTRIC - DOUBLE - BROWN - <b>BUNK FRONT OVERHEAD-SINGLE</b>
4	058708-06-000	EA	RECEPTACLE - DUPLEX - WHITE - <b>BUNK FRONT OVERHEAD-SINGLE</b>
5	133713-04-21A	EA	SPACER/RECEPTACLE - VINYL - WASHED MAPLE
5	133713-04-23A	EA	SPACER/RECEPTACLE - VINYL - HONEY CHERRY
5	058708-01-000	EA	RECEPTACLE - ELECTRIC - DOUBLE - BROWN
5	058708-06-000	EA	RECEPTACLE - DUPLEX - WHITE
6	058708-01-000	EA	RECEPTACLE - ELECTRIC - DOUBLE - BROWN
6	058708-06-000	EA	RECEPTACLE - DUPLEX - WHITE

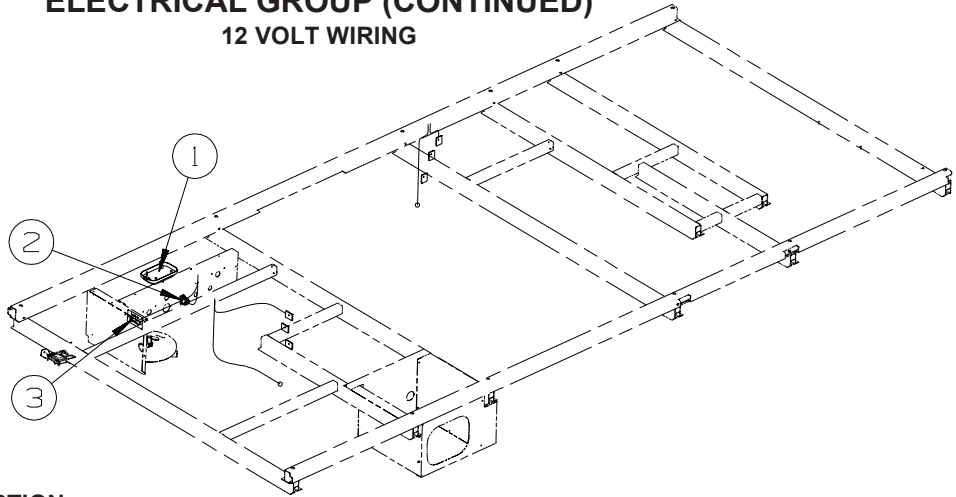
**ELECTRICAL GROUP (CONTINUED)**  
**110V BODY WIRING (CONTINUED)**



KEY	PART NUMBER	U/M	DESCRIPTION
1	058708-01-000	EA	RECEPTACLE - ELECTRIC - DOUBLE - BROWN - CABINET, FRONT CAB OVERHEAD
1	058708-06-000	EA	RECEPTACLE - DUPLEX - WHITE - CABINET, FRONT CAB OVERHEAD
2	160984-01-01A	EA	RECEPTACLE - ELECTRICAL - SINGLE/FLUSH - 20 AMP - BROWN - CANADIAN
2	058708-05-000	EA	RECEPTACLE - ELECTRICAL - SINGLE - BROWN
3	058707-02-000	EA	RECEPTACLE - BLANK - JUNCTION BOX
4	147446-01-02A	EA	RECEPTACLE - GFCI - 15A 125V - BROWN
			FROM: 00-00-00 THRU: 12-20-06
4	163319-01-02A	EA	RECEPTACLE - GFCI - 15A 125V - BROWN
			FROM: 12-21-06 THRU: 99-99-99
5	058707-01-000	EA	RECEPTACLE - ELECTRIC - SINGLE - BROWN
6	136481-01-000	EA	MODULE - AUTO ENERGY SELECTOR
7	131826-01-01A	EA	RECEPTACLE - EXTERIOR - W/COVER/GASKET - WHITE - EXT RECEPTACLE DPLX 120VAC
8	133713-01-21A	EA	SPACER/RECEPTACLE - VINYL - WASHED MAPLE
8	133713-01-23A	EA	SPACER/RECEPTACLE - VINYL - HONEY CHERRY
8	058708-01-000	EA	RECEPTACLE - ELECTRIC - DOUBLE - BROWN
8	058708-06-000	EA	RECEPTACLE - DUPLEX - WHITE

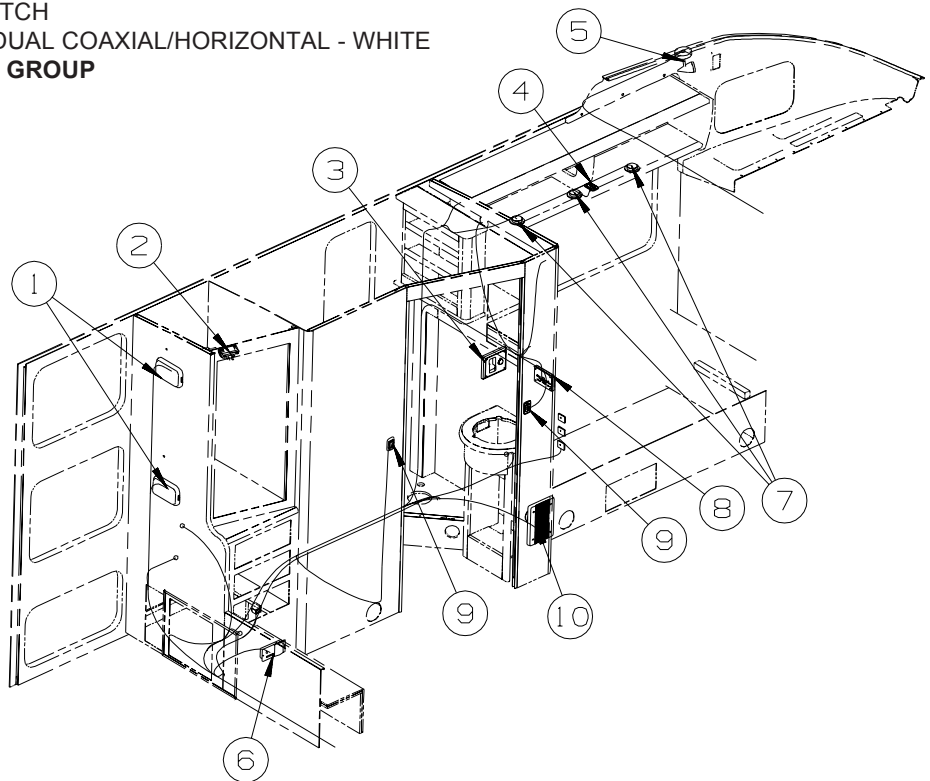
## ELECTRICAL GROUP (CONTINUED)

### 12 VOLT WIRING



KEY	PART NUMBER	U/M	DESCRIPTION
1*	137417-01-01A	EA	LIGHT - DOME - SINGLE - W/SWITCH/FROSTED LENS - WHITE
2	108357-15-000	EA	SWITCH - ROCKER - DPDT - ON/NONE/ON - W/LIGHT W/O COVER
2	108356-04-01A	EA	COVER/ACTUATOR SWITCH - 2 ROWS DIMPLES W/LENS - BLACK
2	108355-01-000	EA	HOUSING - SWITCH
3	149557-03-01A	EA	PLATE/WALL - DUAL COAXIAL/HORIZONTAL - WHITE

**\*COMPONENT PARTS LISTED LATER IN THIS GROUP**

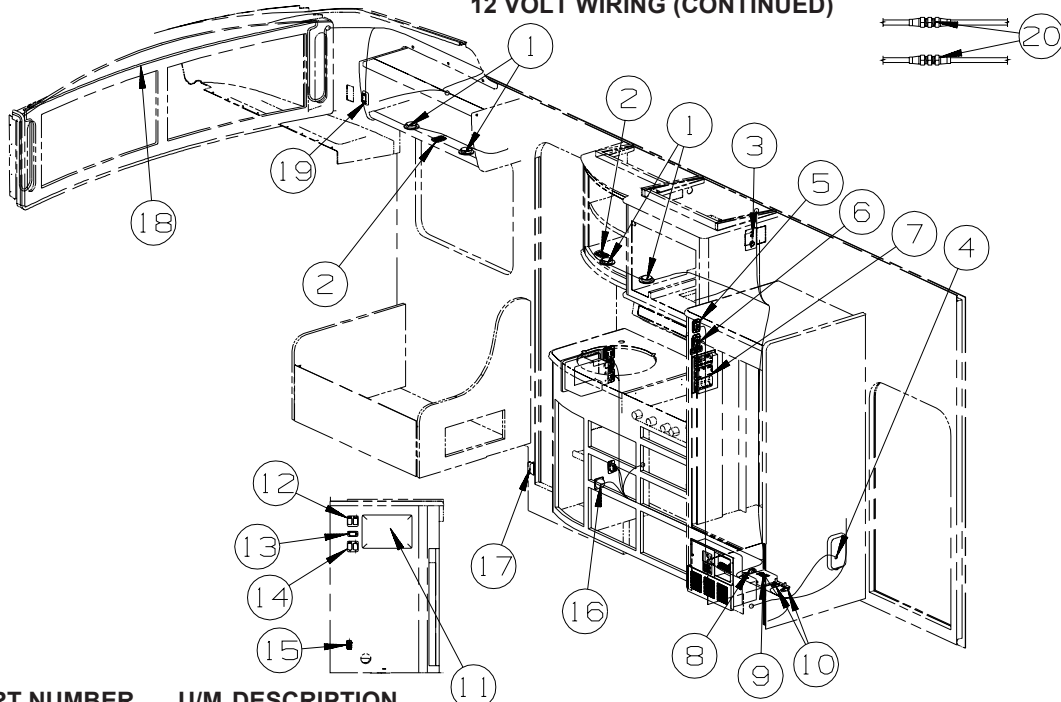


KEY	PART NUMBER	U/M	DESCRIPTION
1*	137417-01-01A	EA	LIGHT - DOME - SINGLE - W/SWITCH/FROSTED LENS - WHITE
2*	087694-01-000	EA	LIGHT - WARDROBE/CLOSET - W/SWITCH
3	132958-01-000	EA	RECEPTACLE - 12 VOLT - MOUNTING FLANGE - BLACK
4	135740-01-01A	EA	SWITCH - ROCKER - SPST - ON/OFF - BROWN
4	135741-01-01A	EA	SWITCH - BASE - SINGLE - BROWN
4	135742-01-01A	EA	BEZEL - SWITCH - SINGLE - BROWN
5*	152438-01-01A	EA	LIGHT - READING/SWIVEL - W/SWITCH - SATIN NICKEL - <b>BUNK FRONT OVERHEAD-SINGLE</b>
6	150138-01-01A	EA	DETECTOR - LP GAS - WHITE
6	150138-01-02A	EA	DETECTOR - LP GAS - BROWN
7*	123775-01-02A	EA	LIGHT - HALOGEN - ROUND - SATIN NICKEL
8	135618-03-01A	EA	THERMOSTAT - ROOF A/C & FURNACE - WHITE - <b>A/C ROOF-HI EFF LOW PROFILE</b>
8	135618-01-01A	EA	THERMOSTAT - HEAT PUMP/FURNACE - WHITE - <b>AC HEAT PUMP-HI EFF, LOW PFL</b>
9	135740-01-01A	EA	SWITCH - ROCKER - SPST - ON/OFF - BROWN
9	135741-01-01A	EA	SWITCH - BASE - SINGLE - BROWN
9	135742-07-02A	EA	BEZEL - SWITCH - CEILING - BROWN
10	124884-01-000	EA	SPEAKER - 6" X 9" - SUB-WOOFER - W/O GRILLE
10	151844-01-01A	EA	GRILLE - SPEAKER - 6" X 9" - SUB WOOFER - BLACK

**\*COMPONENT PARTS LISTED LATER IN THIS GROUP**

# ELECTRICAL GROUP (CONTINUED)

## 12 VOLT WIRING (CONTINUED)



KEY	PART NUMBER	U/M	DESCRIPTION
1*	123775-01-02A	EA	LIGHT - HALOGEN - ROUND - SATIN NICKEL
2	135740-01-01A	EA	SWITCH - ROCKER - SPST - ON/OFF - BROWN
2	135741-01-01A	EA	SWITCH - BASE - SINGLE - BROWN
2	135742-01-01A	EA	BEZEL - SWITCH - SINGLE - BROWN
3	076319-27-000	EA	WALLPLATE/RECEPTACLE - WHITE
3	076319-09-000	EA	WALLPLATE - TV CABLE RECEPTACLE - SINGLE - BROWN FROM: 00-00-00 THRU: 05-21-06 FROM: 05-22-06 THRU: 99-99-99
4*	137417-01-01A	EA	LIGHT - DOME - SINGLE - W/SWITCH/FROSTED LENS - WHITE
5	135740-06-01A	EA	SWITCH - ROCKER - ON/OFF - LIGHTED - RED - WTR HTR-6GAL ELECTRIC/LP GAS
5	135741-01-01A	EA	SWITCH - BASE - SINGLE - BROWN - WTR HTR-6GAL ELECTRIC/LP GAS
5	135741-01-02A	EA	SWITCH - BASE - SINGLE - WHITE - WTR HTR-6GAL ELECTRIC/LP GAS
5	135742-35-02A	EA	BEZEL - SWITCH - WATER HEATER/110 VOLT - BROWN - WTR HTR-6GAL ELECTRIC/LP GAS
5	135742-35-01A	EA	BEZEL - SWITCH - WATER HEATER/110 VOLT - WHITE - WTR HTR-6GAL ELECTRIC/LP GAS
6	135740-06-01A	EA	SWITCH - ROCKER - ON/OFF - LIGHTED - RED - DRAINAGE SYSTEM-HEATED
6	135741-01-01A	EA	SWITCH - BASE - SINGLE - BROWN - DRAINAGE SYSTEM-HEATED
6	135742-01-01A	EA	BEZEL - SWITCH - SINGLE - BROWN - DRAINAGE SYSTEM-HEATED
6	134563-01-02A	EA	LABEL - SWITCH - HEATER - WHITE/BLACK - DRAINAGE SYSTEM-HEATED
7*	134940-06-01A	EA	PANEL - MONITOR - 2 TANK - W/GENERATOR SWITCH - GEN-3.6KW ONAN LP MICROQUIET
7*	134940-07-01A	EA	PANEL - MONITOR - 2 TANK
8	150140-02-000	EA	CROSSOVER COIL - F/SUBWOOFER SPEAKER/LOW FREQUENCY
9	150140-01-000	EA	CROSSOVER BOX - STANDARD STEREO TO DELUXE SOUND
	115539-01-000	EA	RELAY - RADIO/TV SPEAKER SWITCH W/WIRE - #SCLD-W-B-4PDT-C
10	086233-01-000	EA	STUD - ISOLATED - 3/8" X 7/8" LONG
11*	156413-01-01A	EA	RADIO - WALL MOUNT - DVD/CD - W/ALARM - JENSEN AWM950 FROM: 00-00-00 THRU: 01-01-07
11	163031-01-01A	EA	RADIO - WALL MOUNT - DVD/CD - W/ALARM - JENSEN AWM960 FROM: 01-02-07 THRU: 99-99-99
12	135740-01-01A	EA	SWITCH - ROCKER - SPST - ON/OFF - BROWN
12	135741-02-01A	EA	SWITCH - BASE - DOUBLE - BROWN
12	135742-19-02A	EA	BEZEL - SWITCH - CEILING/PORCH - BROWN
13	135740-01-01A	EA	SWITCH - ROCKER - SPST - ON/OFF - BROWN - ENTRANCE STEP-ELEC.
13	135741-01-01A	EA	SWITCH - BASE - SINGLE - BROWN - ENTRANCE STEP-ELEC.
13	135742-11-02A	EA	BEZEL - SWITCH - STEP - BROWN - ENTRANCE STEP-ELEC.
14	135740-01-01A	EA	SW.-ROCKER-SPST-ON/OFF-BN-TV-20"DC,COLOR,LCD W/REMOTE/RADIO/AM/FM/CD/DVD, COACH
14	135741-02-01A	EA	SWITCH - BASE - DOUBLE - BN-TV-20"DC,COLOR,LCD W/REMOTE/RADIO/AM/FM/CD/DVD, COACH
14	135742-55-02A	EA	BEZEL - SW-RADIO/TV/ON-TV-BN-TV-20"DC,COLOR,LCD W/REMOTE/RADIO/AM/FM/CD/DVD, COACH
15	108357-06-000	EA	SWITCH - ROCKER - DPDT - MOM/OFF/MOM - 6 TERM - W/O COVER
15	108356-11-01A	EA	COVER/ACTUATOR SWITCH - 3 GROOVES - AUX BATT - BLACK
15	108355-01-000	EA	HOUSING - SWITCH
15	098351-07-02A	EA	PLATE/SWITCH - 1 GANG - CHROME - GENERATOR SWITCH

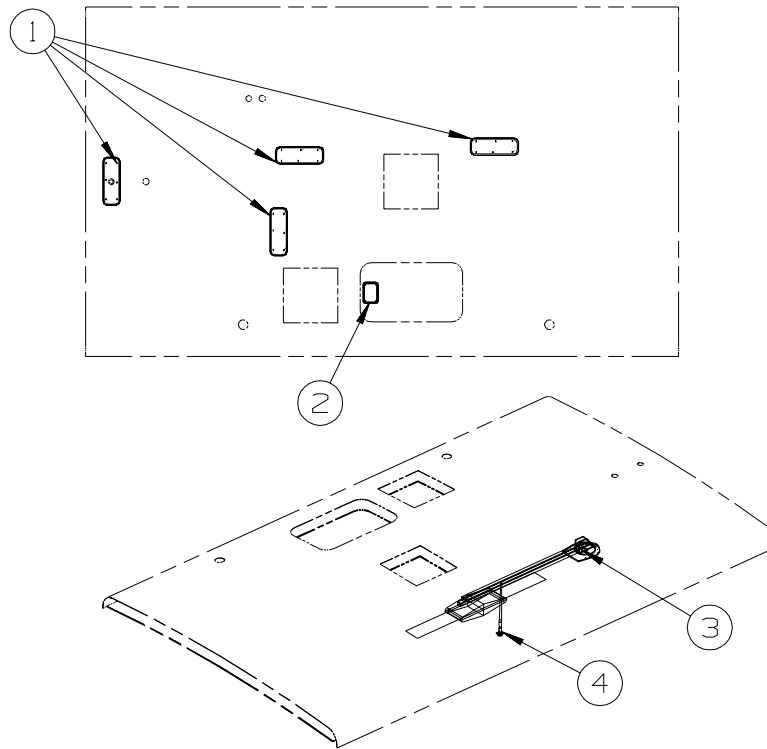
## ELECTRICAL GROUP (CONTINUED)

### 12 VOLT WIRING (CONTINUED)

KEY	PART NUMBER	U/M	DESCRIPTION
16*	108354-01-01A	EA	LIGHT - COURTESY
17	116995-02-000	EA	SWITCH/MAGNET - ELECTRIC STEP - BLACK/WHITE- NORMALLY OPEN
18	146514-03-000	EA	LIGHT - FLEX - ROPE/ROUND - W/O MOUNT CHANNEL - CABINET, FRONT CAB OVERHEAD
18	146514-04-000	EA	CHANNEL/MOUNT - F/ROPE LIGHT - CABINET, FRONT CAB OVERHEAD
18	146514-02-000	EA	CONNECTOR - LIGHT - CABINET, FRONT CAB OVERHEAD
19	135740-01-01A	EA	SWITCH - ROCKER - SPST - ON/OFF - BROWN - CABINET, FRONT CAB OVERHEAD
19	135741-01-01A	EA	SWITCH - BASE - SINGLE - BROWN - CABINET, FRONT CAB OVERHEAD
19	135742-50-02A	EA	BEZEL - SWITCH - ACCENT - BROWN - CABINET, FRONT CAB OVERHEAD
20	082134-01-000	EA	ADAPTER - TV - CABLE TO CABLE
	159814-01-000	EA	SWITCH - PLUNGER - SPST - OFF/ON

FROM: 00-00-00 THRU: 09-04-06

**\*COMPONENT PARTS LISTED LATER IN THIS GROUP**

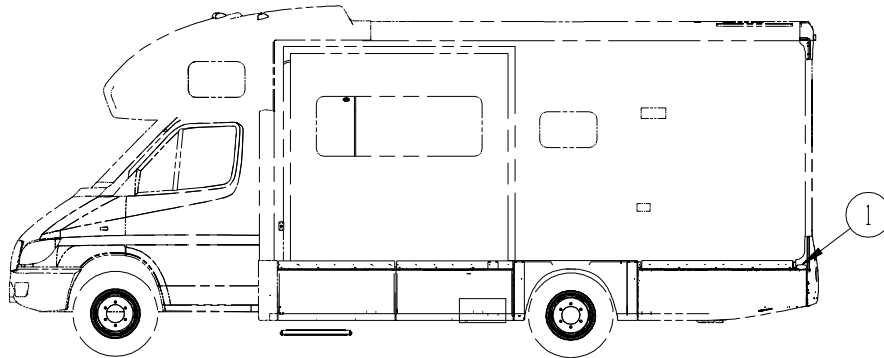
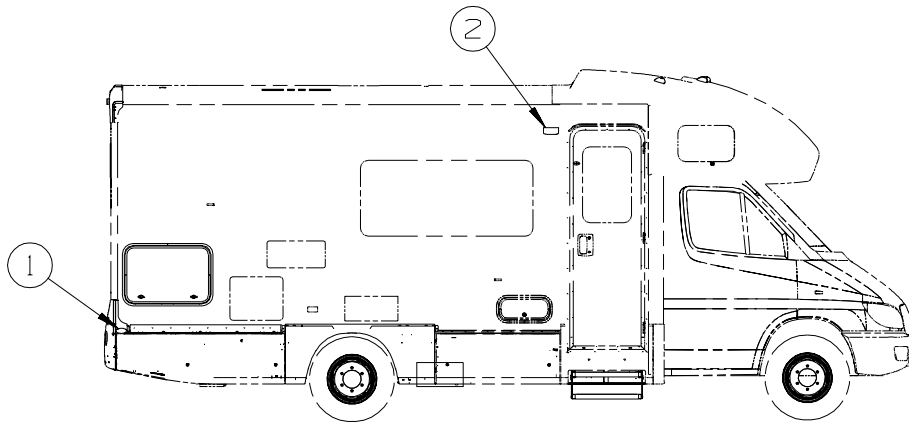


KEY	PART NUMBER	U/M	DESCRIPTION
1*	137417-06-01A	EA	LIGHT - DOME - DOUBLE - W/O SWITCH - W/FROSTED LENS-WHITE
2*	121935-01-01A	EA	LIGHT - DOME - SHOWER - W/HOLE IN LENS
3*	076319-23-000	EA	ANTENNA - TV ROOF MOUNT - 44.5" MAST
3*	076319-25-000	EA	KIT - HARDWARE INTERIOR
3	069726-02-000	EA	BUMPER - .88" OD X .40" THICK - BLACK
4	090944-01-000	EA	ANTENNA - RADIO - 16" RUBBER - W/72" LEAD WIRE
4	109889-04-000	EA	EXTENDER - ANTENNA SHAFT - 3.7"
4	147741-01-09B	EA	BRACKET - ANTENNA GROUND - GALVANIZED

**\*COMPONENT PARTS LISTED LATER IN THIS GROUP**

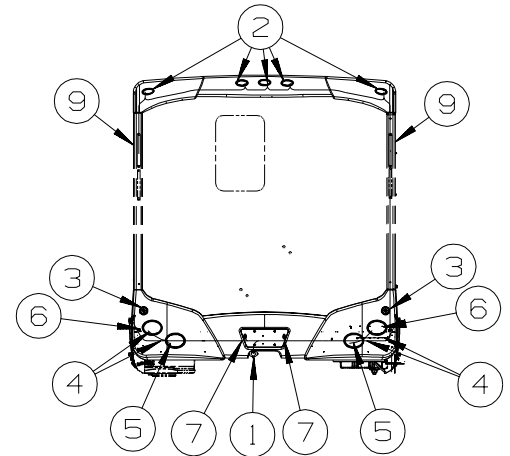
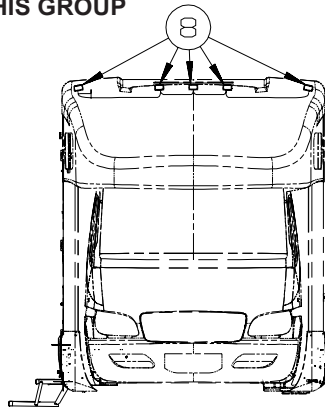
## ELECTRICAL GROUP (CONTINUED)

### EXTERIOR LAMPS



KEY	PART NUMBER	U/M DESCRIPTION
1	147680-01-01A	EA BASE - MARKER LAMP - WHITE
1	147680-03-01A	EA LAMP - MARKER - LENS - RED
2*	097917-01-06A	EA LIGHT - PORCH - ENTRY DOOR - BRIGHT WHITE
	008215-01-000	EA BULB - 12 VOLT - #1003 - .94 AMP

\*COMPONENT PARTS LISTED LATER IN THIS GROUP



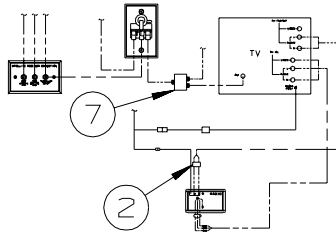
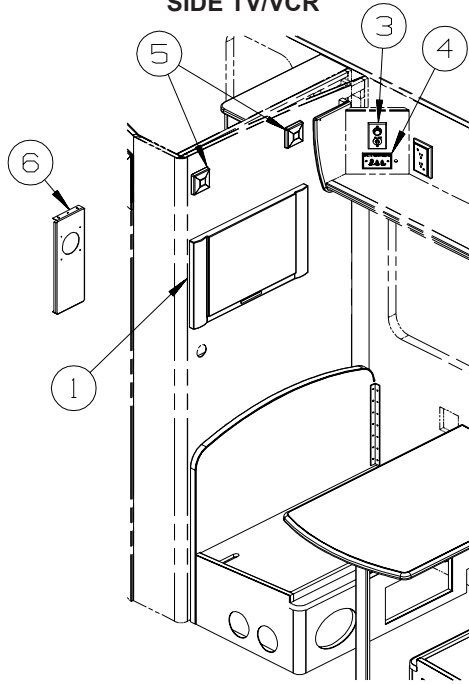
KEY	PART NUMBER	U/M DESCRIPTION
1*	113589-01-000	EA CONNECTOR - PLUG - TRAILER
1*	113589-02-000	EA CONNECTOR - SOCKET - TRAILER
2	147680-01-01A	EA BASE - MARKER LAMP - WHITE
2	147680-03-01A	EA LAMP - MARKER - LENS - RED
3	141514-01-000	EA REFLECTOR - ROUND/RED
4	151934-01-02B	EA CLAMP - TAIL LIGHT - E-COATED
5	152070-01-000	EA LIGHT - STOP/TAIL/BACK UP
6	152070-02-000	EA LIGHT - TURN - AMBER
7	087201-01-000	EA LIGHT - HALF ROUND - 1" X 1.7" - PLASTIC - BLACK OR WHITE
8	132978-01-000	EA LIGHT - CLEARANCE - AMBER
8	036196-01-000	EA BULB - 12V - #194 - .27 AMP - BAYONETTE
8	067789-02-000	EA SOCKET - LAMP
9	151076-01-000	EA LIGHT - BRAKE - CENTER MOUNT

\*COMPONENT PARTS LISTED LATER IN THIS GROUP

# ELECTRICAL GROUP (CONTINUED)

## SIDE TV/VCR

523B



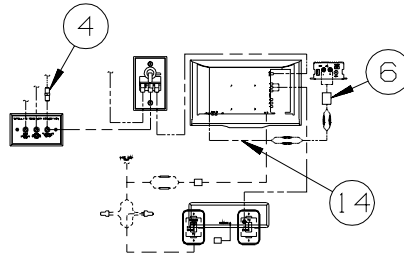
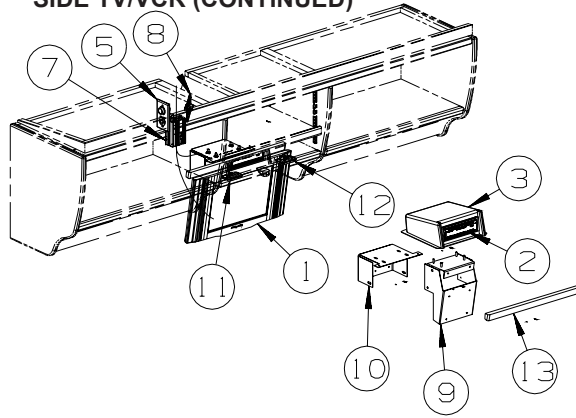
KEY	PART NUMBER	U/M	DESCRIPTION
1*	158703-01-000	EA	TV - 20" - LCD 4:3 - SIDE SPEAKER - JENSEN JE2043
2	123324-01-000	EA	FILTER - GROUND LOOP
3	086777-02-000	EA	WALLPLATE/TV CABLE W/ANTENNA SWITCH/BOOSTER - 2 TV - BLACK
4	149557-04-01A	EA	PLATE/WALL - TRIPLE COAXIAL/HORIZONTAL - WHITE
5	148026-03-01A	EA	SPEAKER - CUBE - W/O CASE
5	148026-02-01A	EA	SPEAKER GRILLE - CUBE - SILVER
6	159552-01-02B	EA	BRACKET - TV - E-COATED
7	086756-01-000	EA	SPLITTER - TV/2 WAY

\*COMPONENT PARTS LISTED LATER IN THIS GROUP



**ELECTRICAL GROUP (CONTINUED)**  
**SIDE TV/VCR (CONTINUED)**

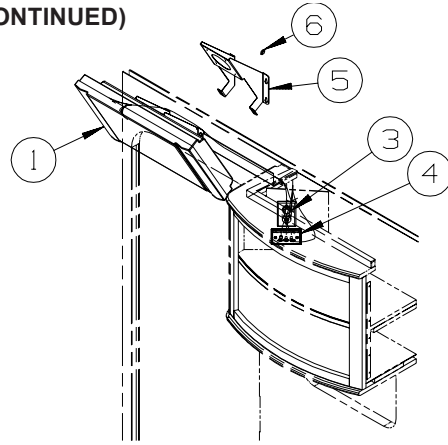
523H



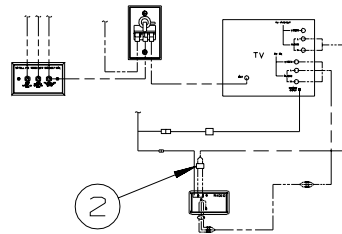
KEY	PART NUMBER	U/M	DESCRIPTION
1*	151907-02-000	EA	TV - 15" FLAT SCREEN/LCD/STEREO - SHARP LC-15S4U-S - <b>NOT ILLUSTRATED</b> FROM: 00-00-00 THRU: 04-30-06
1*	160123-01-000	EA	TV - 14" LCD/STEREO - 12V - PROVIEW HV-145 FROM: 05-01-06 THRU: 99-99-99
2*	158778-01-000	EA	DVD PLAYER - SLOT-IN - 12V - JENSEN - DV352WIN - <b>NOT ILLUSTRATED</b> FROM: 00-00-00 THRU: 05-01-06
2*	160603-01-000	EA	DVD PLAYER, 12V VERTICAL MT FROM: 05-02-06 THRU: 99-99-99
3	158807-01-02B	EA	BRACKET - DVD - E-COATED - <b>NOT ILLUSTRATED</b> FROM: 00-00-00 THRU: 05-01-06
3	160604-01-000	EA	SHROUD-RADIO/DVD, BLACK FROM: 05-02-06 THRU: 99-99-99
4	082134-01-000	EA	ADAPTER - TV - CABLE TO CABLE
5	086777-02-000	EA	WALLPLATE/TV CABLE W/ANTENNA SWITCH/BOOSTER - 2 TV - BLACK
6	123324-01-000	EA	FILTER - GROUND LOOP FROM: 05-24-06 THRU: 99-99-99
7	147139-01-000	EA	AMPLIFIER - STEREO 2 CHANNEL
8	149557-04-01A	EA	PLATE/WALL - TRIPLE COAXIAL/HORIZONTAL - WHITE
9	152310-01-02B	EA	BRACKET/SUPPORT - TV - E-COATED - <b>NOT ILLUSTRATED</b> FROM: 00-00-00 THRU: 04-30-06
9	152310-02-02B	EA	BRACKET/SUPPORT - TV - E-COATED FROM: 05-01-06 THRU: 99-99-99
10	152603-01-02B	EA	ANGLE/TIEDOWN - TV - E-COATED
11	135740-01-01A	EA	SWITCH - ROCKER - SPST - ON/OFF - BROWN
11	135741-01-01A	EA	SWITCH - BASE - SINGLE - BROWN
11	135742-40-02A	EA	BEZEL - SWITCH - RADIO/TV - BROWN
12	135740-01-01A	EA	SWITCH - ROCKER - SPST - ON/OFF - BROWN
12	135741-01-01A	EA	SWITCH - BASE - SINGLE - BROWN
12	135742-45-02A	EA	BEZEL - SWITCH - TV - BROWN
13	152604-01-T01	EA	CABINET - OVERHEAD/TV FACE - W/O DOORS/HARDWARE - WASHED MAPLE - <b>NOT ILLUSTRATED</b> FROM: 00-00-00 THRU: 04-30-06
13	M09534-89-U17	EA	LUMBER-STAIN,MOLDING - .75" X 1" X 18.5" - WASHED MAPLE FROM: 05-01-06 THRU: 99-99-99
13	152604-01-T02	EA	CABINET - OVERHEAD/TV FACE - W/O DOORS/HARDWARE - HONEY CHERRY - <b>NOT ILLUSTRATED</b> FROM: 00-00-00 THRU: 04-30-06
13	M09534-89-U18	EA	LUMBER-STAIN,MOLDING - .75" X 1" X 18.5" - HONEY CHERRY FROM: 05-01-06 THRU: 99-99-99
14	160574-01-000	EA	CABLE/AUDIO - 1/8" MALE TO 2 RCA FEMALE FROM: 05-01-06 THRU: 99-99-99
	117420-02-000	EA	CABLE - W/MALE RCA ENDS - SHIELDED - 4' FROM: 00-00-00 THRU: 04-30-06

\*COMPONENT PARTS LISTED LATER IN THIS GROUP

**ELECTRICAL GROUP (CONTINUED)**  
**SIDE TV/VCR (CONTINUED)**



**523J**

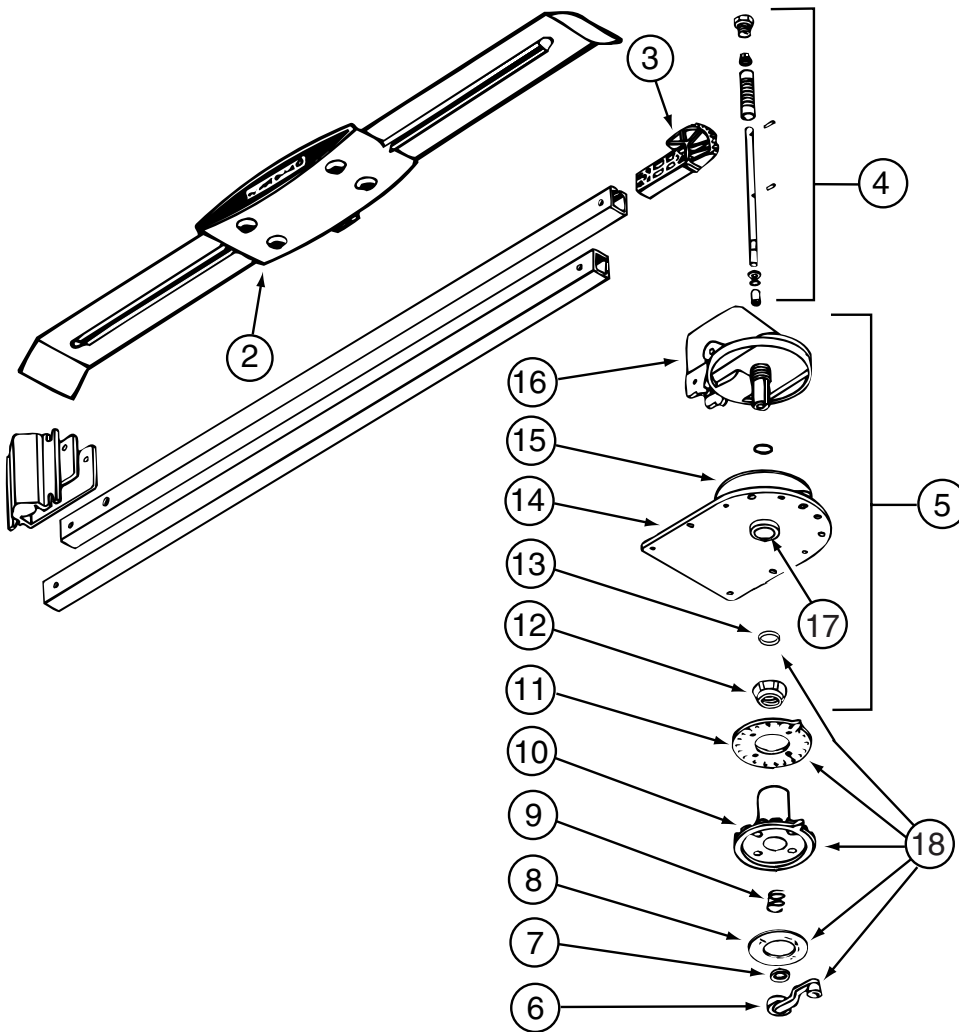


KEY	PART NUMBER	U/M	DESCRIPTION
1*	158703-01-000	EA	TV - 20" - LCD 4:3 - SIDE SPEAKER - JENSEN JE2043
2	123324-01-000	EA	FILTER - GROUND LOOP
3	086777-02-000	EA	WALLPLATE/TV CABLE W/ANTENNA SWITCH/BOOSTER - 2 TV - BLACK
4	149557-04-01A	EA	PLATE/WALL - TRIPLE COAXIAL/HORIZONTAL - WHITE
5	158394-01-02B	EA	BRACKET - TV - E-COATED
6	115870-01-000	FT	SEAL/EDGE - TRIM

FROM: 03-01-06 THRU: 99-99-99

**\*COMPONENT PARTS LISTED LATER IN THIS GROUP**

**ELECTRICAL GROUP (CONTINUED)**  
**COMPONENT PARTS FOR WIRING**



**076319-23-000**

KEY	PART NUMBER	U/M	DESCRIPTION	VENDOR NO.
2	076319-01-700	EA	HEAD-ANTENNA, AMPLIFIED	RVSA U/V
3	076319-01-701	EA	GEAR-ELEVATING, PLASTIC	2200046
4	076319-01-702	EA	SHAFT ASM-ELEVATING	RP-4000
5	076319-01-711	EA	BASE & LIFT ASM	2762802
7	076319-01-705	EA	GROMMET-NYLON, 7/8"ID	3200658
8	076319-01-708	EA	DECAL-CRANK	5413002
9	076319-01-707	EA	SPRING-HANDLE	2160822
11	076319-01-712	EA	PLATE - CEILING	3200608
12	076319-01-715	EA	NUT (GEAR HOUSING)	2200047
14	076319-01-713	EA	PLATE-BASE, STEEL	3100523
15	076319-01-703	EA	BEARING-NYLON, 5"OD	3200656
16	076319-01-714	EA	HOUSING, ROTATING GEAR	2200049
17	076319-01-704	EA	BEARING-NYLON, 1.25"OD	3200657
18	076319-01-709	EA	HANDLE-HEAD DIRECTIONAL	200644
	076319-01-716	EA	TUBING, ELEVATING	RP-2900

CONTACT WINNEBAGO PART SALES FOR UNLISTED COMPONENT(S)

**076319-25-000**

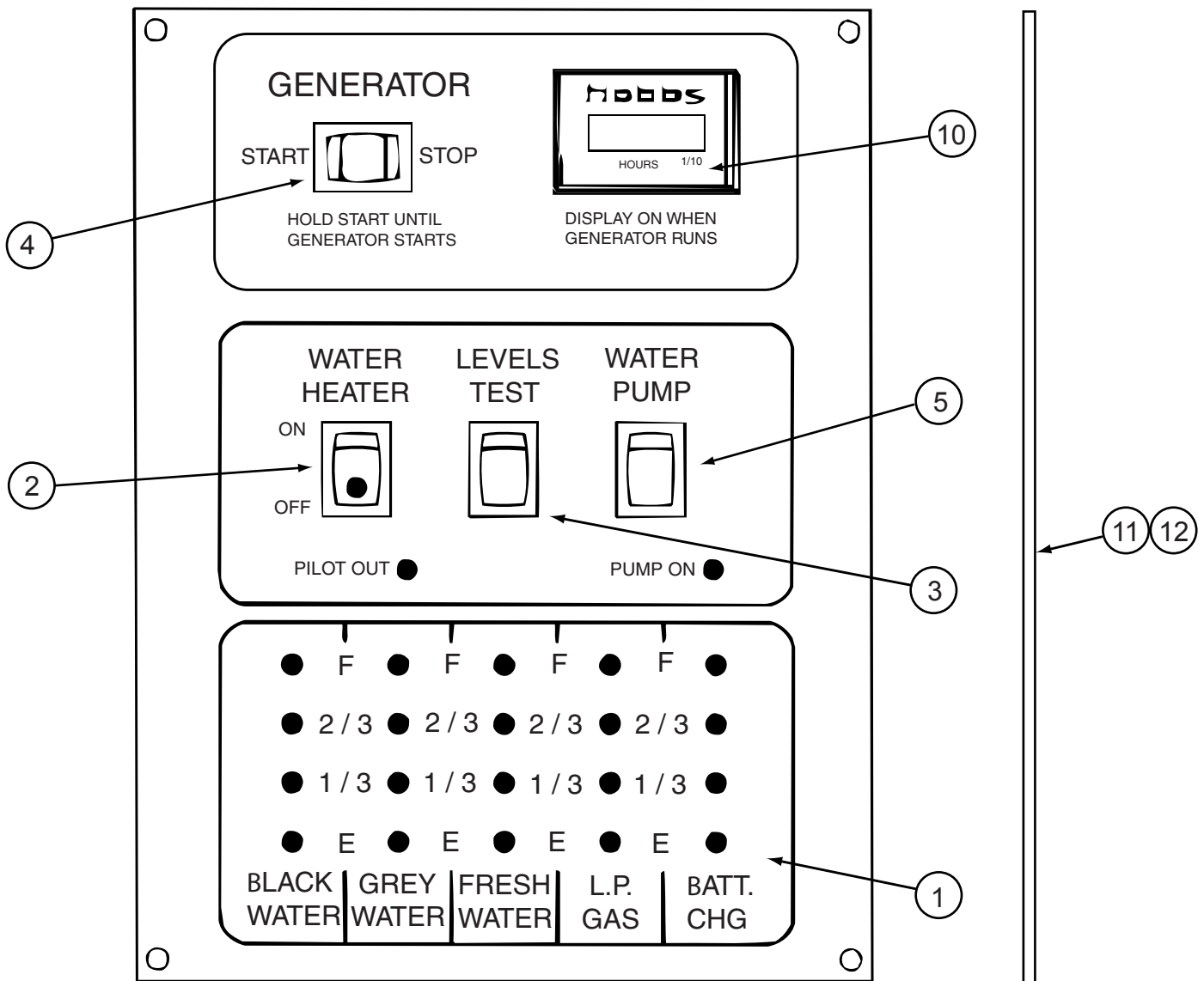
KEY	PART NUMBER	U/M	DESCRIPTION	VENDOR NO.
6	076319-01-706	EA	CRANK-W/SET SCREW UNIV/BEIGE	2750897
6	120233-01-710	EA	HANDLE-CRANK W/SCREW - WHITE	RP-6795
8	076319-01-708	EA	DECAL-CRANK	5413002
10	076319-25-700	EA	DIRECTIONAL HANDLE(WHITE)	3200612
11	076319-25-701	EA	PLATE - CEILING(WHITE)	3200609
13	120233-01-709	EA	WASHER-NYLON	RP-2658

CONTACT WINNEBAGO PART SALES FOR UNLISTED COMPONENT(S)

**ELECTRICAL GROUP (CONTINUED)**  
**COMPONENT PARTS FOR WIRING (CONTINUED)**

<b>087694-01-000</b>			
<b>KEY</b>	<b>PART NUMBER</b>	<b>U/M DESCRIPTION</b>	<b>VENDOR NO.</b>
	087694-01-700	EA BULB	GE561
<b>097917-01-06A</b>			
<b>KEY</b>	<b>PART NUMBER</b>	<b>U/M DESCRIPTION</b>	<b>VENDOR NO.</b>
	097917-01-700	EA LENS-LIGHT, CLEAR	30-78-021
<b>113589-01-000</b>			
<b>KEY</b>	<b>PART NUMBER</b>	<b>U/M DESCRIPTION</b>	<b>VENDOR NO.</b>
	113589-01-700	EA ADAPTER, 4-WAY/6-WAY	5291
<b>113589-02-000</b>			
<b>KEY</b>	<b>PART NUMBER</b>	<b>U/M DESCRIPTION</b>	<b>VENDOR NO.</b>
	113589-03-700	EA ADAPTER 7 RND SPADE/4 FLAT	5290
<b>121935-01-01A</b>			
<b>KEY</b>	<b>PART NUMBER</b>	<b>U/M DESCRIPTION</b>	<b>VENDOR NO.</b>
	121935-01-700	EA LENS ONLY	809511
<b>123775-01-02A</b>			
<b>KEY</b>	<b>PART NUMBER</b>	<b>U/M DESCRIPTION</b>	<b>VENDOR NO.</b>
	123775-01-702	EA BEZEL/LENS - SATIN NICKEL	99 953470

**ELECTRICAL GROUP (CONTINUED)**  
**COMPONENT PARTS FOR WIRING (CONTINUED)**



**134940-06-01A**

KEY	PART NUMBER	U/M	DESCRIPTION	VENDOR NO.
1	134940-01-702	EA	CHASSIS - SILKSCREENED	CC0558-00
2	134940-01-701	EA	SWITCH-SPST/ON-OFF/BLK W/LGT	L0109
3	096983-01-701	EA	SWITCH - SPST/MOM 2 TERMINAL	L0111-00
4	096983-01-702	EA	SWITCH - MOM/OFF/MOM/3 TERM	L0112-00
5	096983-01-703	EA	SWITCH - ON/ON	L0115-00
10	100258-10-701	EA	GAUGE-HR METER ONLY (LCD)	L0775-00
11	134940-06-700	EA	PC BOARD - SENSOR SYSTEM/RED	L5131-02

CONTACT WINNEBAGO PART SALES FOR UNLISTED COMPONENT(S)

**134940-07-01A**

KEY	PART NUMBER	U/M	DESCRIPTION	VENDOR NO.
1	134940-01-702	EA	CHASSIS - SILKSCREENED	CC0558-00
2	134940-01-701	EA	SWITCH-SPST/ON-OFF/BLK W/LGT	L0109
3	096983-01-701	EA	SWITCH - SPST/MOM 2 TERMINAL	L0111-00
4	096983-01-703	EA	SWITCH - ON/ON	L0115-00
5	134940-02-700	EA	SWITCH - DUMMY	L0118
11	134940-06-700	EA	PC BOARD - SENSOR SYSTEM/RED	L5131-02

CONTACT WINNEBAGO PART SALES FOR UNLISTED COMPONENT(S)

**ELECTRICAL GROUP (CONTINUED)**  
**COMPONENT PARTS FOR WIRING (CONTINUED)**

137417-01-01A, 137417-03-01A

<b>KEY</b>	<b>PART NUMBER</b>	<b>U/M</b>	<b>DESCRIPTION</b>	<b>VENDOR NO.</b>
	137417-01-700	EA	LENS - SINGLE (FROSTED)	810868

137417-06-01A

<b>KEY</b>	<b>PART NUMBER</b>	<b>U/M</b>	<b>DESCRIPTION</b>	<b>VENDOR NO.</b>
	137417-06-700	EA	LENS - DOUBLE WHITE	810867

151907-02-000

<b>KEY</b>	<b>PART NUMBER</b>	<b>U/M</b>	<b>DESCRIPTION</b>	<b>VENDOR NO.</b>
	150934-02-700	EA	REMOTE - TV	RRMCGA293WJSA

152438-01-01A

<b>KEY</b>	<b>PART NUMBER</b>	<b>U/M</b>	<b>DESCRIPTION</b>	<b>VENDOR NO.</b>
	152438-01-700	EA	BULB	70MR16

158778-01-000

<b>KEY</b>	<b>PART NUMBER</b>	<b>U/M</b>	<b>DESCRIPTION</b>	<b>VENDOR NO.</b>
	158778-01-700	EA	REMOTE - DVD	PSVCDV352

160123-01-000

<b>KEY</b>	<b>PART NUMBER</b>	<b>U/M</b>	<b>DESCRIPTION</b>	<b>VENDOR NO.</b>
	160123-01-700	EA	REMOTE - TV	HV145-REM

**ELECTRICAL GROUP (CONTINUED)**  
**CIRCUIT BREAKERS, FUSES & RELAYS**

KEY	PART NUMBER	U/M	DESCRIPTION
	008235-01-000	EA	FUSE - 15 AMP/12VOLT - AUTOMOTIVE
	062901-02-000	EA	FUSE - 5 AMP - AUTOMOTIVE
	062901-04-000	EA	FUSE - 10 AMP - AUTOMOTIVE
	062901-05-000	EA	FUSE - 15 AMP - AUTOMOTIVE
	062901-06-000	EA	FUSE - 20 AMP - AUTOMOTIVE
	062901-07-000	EA	FUSE - 25 AMP - AUTOMOTIVE
	062901-08-000	EA	FUSE - 30 AMP - AUTOMOTIVE
	063910-01-000	EA	HOUSING - RELAY
	063912-02-000	EA	RELAY - CANISTER - SPDT
	083209-01-000	EA	CIRCUIT BREAKER - 15 AMP - 120 VOLT - CANADIAN
	083209-02-000	EA	CIRCUIT BREAKER - 15/15 AMP - 120 VOLT
	083209-03-000	EA	CIRCUIT BREAKER - 15/20 AMP - 120 VOLT
	083209-04-000	EA	CIRCUIT BREAKER - 30 AMP - 120 VOLT
	083209-05-000	EA	CIRCUIT BREAKER - 20 AMP - 120 VOLT
	083209-06-000	EA	CIRCUIT BREAKER - 30/15 AMP - 120 VOLT
	083209-07-000	EA	CIRCUIT BREAKER - 20/20 AMP - 120 VOLT
	083209-10-000	EA	CIRCUIT BREAKER - 20/30 AMP - 120 VOLT
	083209-11-000	EA	CIRCUIT BREAKER - 20/15 AMP - 120 VOLT
	092786-03-000	EA	BUSS BAR - 6.9" LONG
	092786-06-000	EA	BUSS BAR
	093654-01-000	EA	CIRCUIT BREAKER - 6 AMP - 12 VOLT - PUSH BUTTON - WHITE
	093654-02-000	EA	CIRCUIT BREAKER - 15 AMP - 12 VOLT - PUSH BUTTON - WHITE
	093654-03-000	EA	CIRCUIT BREAKER - 20 AMP - 12 VOLT - PUSH BUTTON - WHITE
	093655-01-000	EA	CIRCUIT BREAKER - 25 AMP - 12 VOLT - PUSH BUTTON - WHITE
	093655-02-000	EA	CIRCUIT BREAKER - 30 AMP - 12 VOLT - PUSH BUTTON - WHITE
	093655-03-000	EA	CIRCUIT BREAKER - 40 AMP - 12 VOLT - PUSH BUTTON - WHITE
	097611-01-000	EA	CIRCUIT BREAKER - 10 AMP
	100341-01-000	EA	FUSE HOLDER - IN LINE TYPE
	113482-01-000	EA	CIRCUIT BREAKER - 55 AMP - MANUAL
	115187-01-000	EA	FUSE - 300 AMP - NON-DELAY
	115187-02-000	EA	HOLDER - FUSE
	115187-03-000	EA	FUSE - 60 AMP - NON-DELAY
	122811-01-000	EA	CIRCUIT BREAKER - 20/50/50/20 AMP - 250V
	125986-02-000	EA	FUSE - 5 AMP - AUTO - MINI BLADE
	125986-05-000	EA	FUSE - 15 AMP - AUTO - MINI BLADE
	141789-01-000	EA	SPACER - CIRCUIT BREAKER

**CONVERTER, INVERTER, LOAD CENTERS**

KEY	PART NUMBER	U/M	DESCRIPTION
	024924-02-000	EA	RECEPTACLE - POWER CORD - W/PARTIAL PLATE
*	083208-07-000	EA	CONTROL CENTER - 45 AMP - 120V/12V - W/O BREAKERS

\*COMPONENT PARTS LISTED LATER IN THIS GROUP

**COMPONENT PARTS FOR CONVERTER, INVERTER, LOAD CENTER**

**083208-07-000**

KEY	PART NUMBER	U/M	DESCRIPTION	VENDOR NO.
	083208-06-701	EA	CONVERTER ONLY (LOWER UNIT)	7345R

**ELECTRICAL GROUP (CONTINUED)**  
**BOXES & CORDS**

KEY	PART NUMBER	U/M	DESCRIPTION
	008054-01-000	EA	CORD - POWER - 10/3 WIRE - 30 AMP - 25'
	008289-01-000	EA	BOX - ELECTRIC/STEEL - 4" X 4" - 1/2" & 3/4" KNOCKOUTS
	008294-01-000	EA	COVER - ELECTRIC BOX - BLANK/STEEL - 4" X 4" - GRAY
	069238-01-000	EA	COVER - ELECTRICAL BOX - W/HOLE - 4" X 4" - GRAY
	133070-01-000	EA	BOX - ELECTRIC/PLASTIC - 3" X 2" X 2.8" - UL
	133070-02-000	EA	BOX - ELECTRIC/PLASTIC - 3" X 2" X 2.8" - CSA - CANADIAN
	115832-01-000	FT	CORD - HEAVY DUTY - 14-2 W/GROUND

**WIRE ASSEMBLIES**

KEY	PART NUMBER	U/M	DESCRIPTION
	077069-02-000	EA	CABLE/EXTENSION - RADIO ANTENNA - 96"
	077069-03-000	EA	CABLE/EXTENSION - RADIO ANTENNA - 260"
	117420-03-000	EA	CABLE - W/MALE RCA ENDS - SHIELDED - 20'
	117420-04-000	EA	CABLE - RCA - (MALE/MALE) - 50 FT
	136860-01-000	EA	CABLE - RCA - SHIELDED - 3 MALE TO MALE CONNECTORS - 12'
	136860-02-000	EA	CABLE - RCA - SHIELDED - 3 MALE TO MALE CONNECTORS - 50'
	134551-03-000	EA	WIRE ASSEMBLY - HEATER/TANKS - 3 PAD
	134551-11-000	EA	WIRE ASSEMBLY - HEATER/TANKS - 2 PAD -133.7"(LONGEST WIRE)
	136514-02-000	EA	CABLE - MONITOR/CAMERA
	137135-03-000	EA	WIRE LOOM - DIGITAL ELEVATION SENSOR
	137135-04-000	EA	WIRE HARNESS - POWER - DIGITAL ELEVATION SENSOR
	145210-01-000	FT	CABLE - COAXIAL
	147139-02-000	EA	WIRE - STEREO KIT - ASA 100ZXIHAR
	151316-03-000	EA	WIRE ASM - W/NON CONTACT SENSORS - GREY WATER - 43.2"
	151316-05-000	EA	WIRE ASM - W/NON CONTACT SENSORS - GREY WATER - 70.8"
	151317-01-000	EA	WIRE ASM-W/NON CONTACT SENSORS-FRESH WATER/BLK TANK-3.9"
	151317-02-000	EA	WIRE ASM-W/NON CONTACT SENSORS-FRESH WATER/BLK TANK-23.6"
	151317-03-000	EA	WIRE ASM-W/NON CONTACT SENSORS-FRESH WATER/BLK TANK-43.2"
	151317-04-000	EA	WIRE ASM-W/NON CONTACT SENSORS-FRESH WATER/BLK TANK-62.9"
	151317-05-000	EA	WIRE ASM-W/NON CONTACT SENSORS-FRESH WATER/BLK TANK-70.8"
	153891-01-000	EA	WIRE ASM-HEATER,RELAY
	153924-01-000	EA	WIRE ASSEMBLY - POWER CABLE - 12V - F/15" SHARP LCD TV FROM: 00-00-00 THRU: 04-30-06
	160123-02-000	EA	WIRE/CABLE - POWER - PROVIEW WB101-06 FROM: 05-01-06 THRU: 99-99-99



**ELECTRICAL GROUP (CONTINUED)**  
**CONNECTORS & CONDUIT**

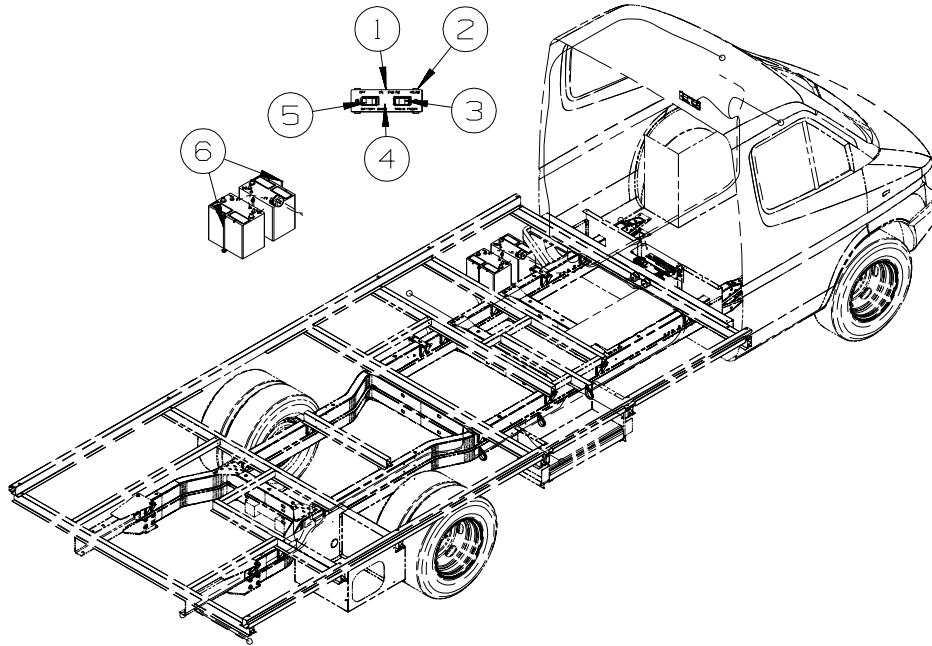
KEY	PART NUMBER	U/M	DESCRIPTION
	007940-01-000	EA	RECEPTACLE/SLIDE 16 TO 12 AWG - FEMALE END
	007940-02-000	EA	RECEPTACLE/SLIDE 10 AWG
	007954-01-000	EA	RECEPTACLE - HOUSING - 6 POSITION
	007956-05-000	EA	INSULATOR - SHRINK - 1/4"ID X 1 1/2"
	008058-01-000	EA	ADAPTER - POWER CORD - 30 AMP TO 15 AMP
	008311-01-000	EA	CONNECTOR - WIRE NUT - INSULATED - RED
	008312-01-000	EA	CONNECTOR - WIRE NUT - INSULATED - BLUE
	008313-01-000	EA	CONNECTOR - WIRE NUT - INSULATED - YELLOW
	008314-01-000	EA	CONNECTOR - WIRE NUT - INSULATED - GRAY
	008328-01-000	EA	TERMINAL - RING - 12/10 WIRE - #10 STUD FIT
	008331-01-000	EA	TERMINAL - RING - TONGUE - #4 WIRE - 3/8" STUD - COPPER
	008348-01-000	EA	TERMINAL - RING - 3/8" STUD 2 GA. WIRE
	008355-01-000	EA	CONNECTOR - CABLE CLAMPING - 3/4"
	008356-01-000	EA	CONNECTOR - PLASTIC - 3/8"
	008356-02-000	EA	CONNECTOR - PLASTIC - 21/32"
	008398-01-000	EA	CONNECTOR - 1/2" X 90 DEGREE - FLEX CONDUIT - UL & CSA
	035416-04-000	EA	TERMINAL - RING - #10 STUD FIT - INSULATED BARREL #16/14
	041953-01-000	FT	CONDUIT - CONVOLUTE SLIT - .5" ID - POLYETHYLENE
	041953-02-000	FT	CONDUIT - CONVOLUTE SLIT - .6" ID - POLYETHYLENE
	041953-03-000	FT	CONDUIT - CONVOLUTE SLIT - 1" ID (CLOTHES ROD COVER)
	041953-06-000	FT	CONDUIT - CONVOLUTE SLIT - .4" ID - POLYETHYLENE
	041953-07-000	FT	CONDUIT - CONVOLUTE SLIT - .25" ID - POLYETHYLENE
	041953-08-000	FT	CONDUIT - CONVOLUTE SLIT - 1.5" ID - POLYETHYLENE
	041953-09-000	FT	CONDUIT - CONVOLUTE SLIT - .5" ID - NYLON
	041953-10-000	FT	CONDUIT - CONVOLUTE SLIT - .75" ID - NYLON
	041953-11-000	FT	CONDUIT - CONVOLUTE SLIT - 1.06" ID - NYLON
	041953-12-000	FT	CONDUIT - CONVOLUTE SOLID - 1.1" ID - NYLON
	041953-13-000	FT	CONDUIT - CONVOLUTE SLIT - 1.25" ID
	041953-14-000	FT	CONDUIT - CONVOLUTE SLIT - 1.5" ID
	041953-15-000	FT	CONDUIT - CONVOLUTE SLIT - 2"
	041953-16-000	FT	CONDUIT - CONVOLUTE SLIT - 2"
	047441-01-000	EA	TERMINAL-BATTERY, HORIZONTAL LUG
	047443-01-000	EA	TERMINAL - .250 RECEPTACLE FIT - INSULATED - 16/14 AWG
	047443-02-000	EA	TERMINAL - .250 RECEPTACLE FIT - INSULATED - 12/10 AWG
	047443-05-000	EA	TERMINAL - .250 RECEPTACLE FIT - 18GA AWG
	058028-01-000	EA	CONNECTOR - ELECTRICAL PIGTAIL - NYLON - CLEAR
	062036-01-000	EA	TERMINAL - PACK - CON - 12/10 AWG
	076319-12-000	EA	CONNECTOR - COAXIAL - ONE PIECE
	077479-01-000	EA	BOOT - BATTERY TERMINAL - DOUBLE CABLE
	077479-02-000	EA	BOOT - BATTERY TERMINAL - SINGLE CABLE
	080015-02-000	EA	RECEPTACLE - FLAG - .185 - 16/14 GAUGE
	080015-03-000	EA	RECEPTACLE - FLAG - .250 - 14/16 GAUGE
	080015-04-000	EA	RECEPTACLE - FLAG - .187 - 16/14 GAUGE
	082109-01-000	EA	HOUSING - CONNECTOR - PACKARD
	082741-01-000	EA	CONNECTOR BODY - 2 CONNECTOR MALE
	087225-01-000	FT	SLEEVING - 1/2" - TYPE H
	088473-01-000	EA	HOUSING - PIN - 12 CAVITY (3 ROWS OF 4)
	088473-02-000	EA	HOUSING - PIN - 15 CAVITY (3 ROWS OF 5)
	088473-03-000	EA	HOUSING - PIN - 9 CAVITY (3 ROWS OF 3)
	088473-04-000	EA	HOUSING - PIN - 8 CAVITY IN-LINE
	088473-06-000	EA	HOUSING - PIN - 6 CAVITY (2 ROWS OF 3)
	088473-07-000	EA	HOUSING - PIN - 5 CAVITY - IN-LINE
	088473-08-000	EA	HOUSING - PIN - 4 CAVITY - IN-LINE
	088473-09-000	EA	HOUSING - PIN - 3 CAVITY - IN-LINE
	088473-10-000	EA	HOUSING - PIN - 2 CAVITY - IN-LINE
	088473-12-000	EA	HOUSING - PIN - 3 CAVITY - BLUE
	088473-13-000	EA	HOUSING - PIN - 3 CAVITY - GREEN
	088473-14-000	EA	HOUSING - PIN - 3 CAVITY - RED
	088474-01-000	EA	HOUSING - SOCKET - 12 CAVITY
	088474-02-000	EA	HOUSING - SOCKET - 15 CAVITY
	088474-03-000	EA	HOUSING - SOCKET - 9 CAVITY
	088474-06-000	EA	HOUSING - SOCKET - 6 CAVITY
	088474-07-000	EA	HOUSING - SOCKET - 5 CAVITY
	088474-08-000	EA	HOUSING - SOCKET - 4 CAVITY

**ELECTRICAL GROUP (CONTINUED)**  
**CONNECTORS & CONDUIT (CONTINUED)**

KEY	PART NUMBER	U/M	DESCRIPTION
	088474-09-000	EA	HOUSING - SOCKET - 3 CAVITY
	088474-10-000	EA	HOUSING - SOCKET - 2 CAVITY
	088475-01-000	EA	PIN - CONNECTOR - 14-20 AWG
	088475-02-000	EA	PIN - CONNECTOR - 10-12 AWG
	088476-01-000	EA	TERMINAL - ELECTRICAL
	088476-02-000	EA	SOCKET - CONNECTOR - 12-10 GA - PRE-TIN
	098261-01-000	EA	SOCKET - CONNECTOR - WEATHERPACK - 12 AWG
	098261-02-000	EA	SOCKET - CONNECTOR - WEATHERPACK - 14-18 AWG
	098262-01-000	EA	SEAL - CONNECTOR - WEATHERPACK
	098264-01-000	EA	HOUSING - 2 PIN - WEATHER PACK - MALE W/FEMALE PINS
	098264-02-000	EA	HOUSING - 2 PIN - WEATHER PACK - FEMALE W/MALE PINS
	098265-02-000	EA	PIN - CONNECTOR - WEATHER PACK
	102777-02-000	EA	TERMINAL - RING - #6 STUD - 10 AWG
	103608-01-000	EA	SOCKET - WEDGE BASE W/LEADS
	104100-01-000	EA	HOUSING - 1 POSITION - 75 AMPS
	104100-03-000	EA	TERMINAL - 75 AMP
	106007-02-000	EA	TERMINAL - FEMALE - 10-12 AWG
	110178-01-000	EA	HOUSING - WIPER MOTOR
	112823-01-000	EA	SPLICE - REDUCER - 16-14 TO 18-22
	113072-02-000	EA	HOUSING - ELECTRICAL - BACK-UP/TAIL LAMP
	113072-03-000	EA	HOUSING - ELECTRICAL - STOP/MARKER TAILLAMP
	113073-01-000	EA	WEDGELOCK - HOUSING - TAIL LAMP
	113074-01-000	EA	TERMINAL - TAILLAMP
	113135-01-000	EA	TERMINAL - FEMALE - M/P - 14-16 - F/SEALED TERMINAL
	113308-01-000	EA	TERMINAL - FEMALE - M/P - 14-16 - 280
	113308-02-000	EA	TERMINAL - FEMALE - M/P - 14-18 - 280
	113468-01-000	EA	HOUSING - 2 POSITION-FEMALE-USED ON WIPER/WASHER WIRE ASM
	113468-02-000	EA	HOUSING - 2 POSITION - FEMALE
	115931-02-000	EA	COVER - CONNECTOR - 50 AMP W/LOCKING RING
	115932-02-000	EA	CONNECTOR - FEMALE - 50 AMP/240 VOLT
	116811-01-000	EA	TERMINAL - .110 RECEPTACLE - 16-14 AWG
	118571-01-000	EA	CONNECTOR - 3-WAY - MALE/SEALED
	118571-02-000	EA	CONNECTOR - 3-WAY - FEMALE/SEALED
	118571-05-000	EA	LOCK - SECONDARY - FEMALE
	118571-06-000	EA	LOCK - SECONDARY - MALE
	118599-02-000	EA	TERMINAL - MALE - M/P - 280/14-12
	118820-01-000	EA	INSULATOR - TERMINAL
	129233-01-000	EA	HOUSING - 2-POSITION/FEMALE - 280-SERIES
	129233-02-000	EA	HOUSING - 2-POSITION/FEMALE - 280-SERIES
	129233-03-000	EA	HOUSING - 2-POSITION/FEMALE - 280-SERIES
	131681-01-000	EA	CONNECTOR - 3/4" SO CORD - UL/CS
	137207-01-000	EA	HOUSING - PIN - 2 CAVITY/HIGH AMP
	137208-01-000	EA	HOUSING - SOCKET - 2 CAVITY/HIGH AMP
	137209-01-000	EA	PIN - CONNECTOR - 10AWG/HIGH AMP
	137210-01-000	EA	SOCKET - CONNECTOR - 10 AWG/HIGH AMP
	138996-04-000	EA	CONNECTOR - LAMP
	142520-01-000	EA	TERMINAL - FEMALE - MINI-FIT 16
	142522-01-000	EA	HOUSING - 4 PIN/MALE - MINI FIT
	142522-02-000	EA	HOUSING - 6 PIN/MALE - MINI FIT
	142522-03-000	EA	HOUSING - 8 PIN/MALE - MINI FIT
	142522-04-000	EA	HOUSING - 10 PIN/MALE - MINI FIT
	142522-05-000	EA	HOUSING - 12 PIN/MALE - MINI FIT
	142522-06-000	EA	HOUSING - 14 PIN/MALE - MINI FIT
	142524-01-000	EA	HOUSING - 4 PIN/FEMALE - WEATHER PACK
	142524-02-000	EA	HOUSING - 4 PIN/FEMALE - WEATHER PACK
	144283-01-000	EA	CONNECTOR - 110V - F/USE WITH SOW WIRE - BLUE
	144283-02-000	EA	CONNECTOR - 110V - F/USE WITH NM ROMEX WIRE - CLEAR
	145171-01-000	EA	CONNECTOR - COAXIAL
	148335-01-000	EA	HOUSING - 8-POSITION/MALE - 280-GT SERIES
	148335-02-000	EA	HOUSING - 4-POSITION/MALE - 280-GT SERIES
	148335-03-000	EA	HOUSING - 6-POSITION/MALE - 280-GT SERIES
	149683-01-000	EA	HOUSING - F/5 CAVITY RECEPTACLE - W/SQUARE GUIDE PIN
	149683-02-000	EA	HOUSING - F/5 CAVITY RECEPTACLE - W/ROUND GUIDE PIN
	149686-01-000	EA	TERMINAL - .250 RECEPTACLE

**ELECTRICAL GROUP (CONTINUED)**  
**CONNECTORS & CONDUIT (CONTINUED)**

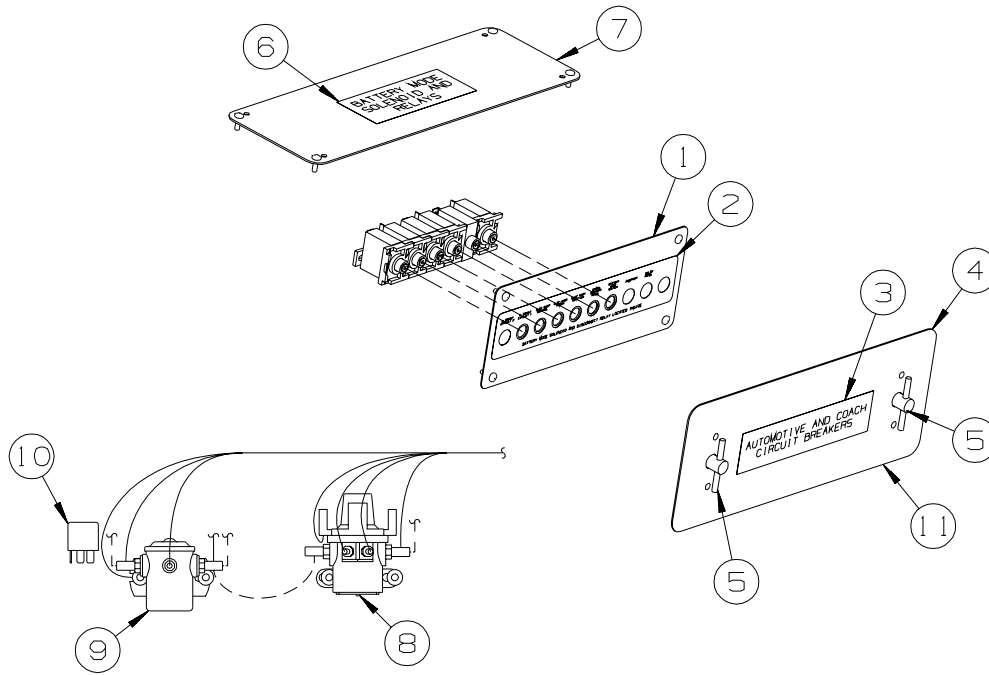
KEY	PART NUMBER	U/M	DESCRIPTION
	149687-01-000	EA	HOUSING - 2 POSITION/MALE - PACKARD
	149687-02-000	EA	LOCK - F/2 POSITION HOUSING - PACKARD
	149688-01-000	EA	TERMINAL - MALE - 16 GAUGE WIRE
	156035-01-000	EA	HOUSING - 12-POSITION/FEMALE - 280-GT SERIES
	156041-01-000	EA	TERMINAL - FEMALE - 16-12 - 280-GT SERIES
	156043-01-000	EA	HOUSING - 2-POSITION/FEMALE - 480-MP SERIES
	156043-02-000	EA	LOCK - F/2 POSITION HOUSING - 480 SERIES
	156044-01-000	EA	TERMINAL - FEMALE - 16-12 - 280-GT - F/SEALED HOUSING
	156045-01-000	EA	HOUSING - 10-POSITION/FEMALE - 280-GT SERIES
	156045-02-000	EA	HOUSING - 4-POSITION/FEMALE - 280-GT SERIES
	156045-03-000	EA	HOUSING - 8-POSITION/FEMALE - 280-GT SERIES
	156045-04-000	EA	HOUSING - 6-POSITION/FEMALE - 280-GT SERIES
	156207-01-000	EA	HOUSING - 6-POSITION/MALE - 150-GT SERIES
	156208-01-000	EA	TERMINAL - MALE - 18-16 - 150-GT SERIES
	157590-01-000	EA	TERMINAL - FEMALE - M/P - 10-12 - 630
	157592-01-000	EA	HOUSING - 7-POSITION/FEMAL - M/P
	157592-02-000	EA	LOCK - SECONDARY - F/7 POSITION HOUSING
	157656-01-01A	EA	CONNECTOR - DASH LIGHT - BLACK
	158357-01-000	EA	HOUSING - 3 PIN/MALE - MINI FIT
	158373-01-000	EA	HOUSING - SOCKET - 16 CAVITY - MINI MATE-N-LOCK
	158374-01-000	EA	SOCKET - 16-20 CAVITY - MINI MATE-N-LOCK



**CHASSIS**

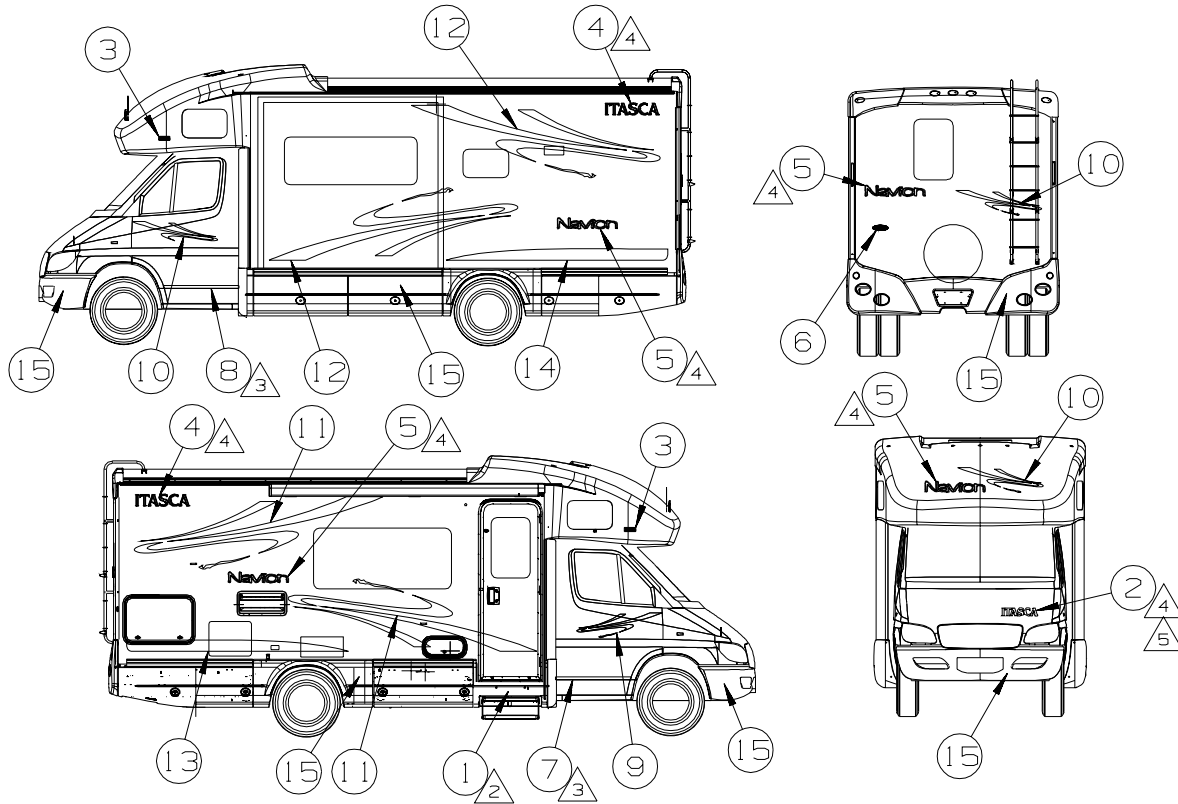
KEY	PART NUMBER	U/M	DESCRIPTION
1	144363-13-04B	EA	PLATE - SWITCH - BLACK
2	152419-01-02B	EA	PLATE - SWITCH/1 HOLE - 2.6" X 6.9" - E-COATED
3	145638-07-01A	EA	SWITCH/ROCKER - DPDT (ON/ON) - BLACK
3	108355-02-000	EA	HOUSING - SWITCH - 12 POSITION
4	132954-09-01A	EA	APPLIQUE - SWITCH - RADIO BOOST - BLACK
5	145638-04-01A	EA	SWITCH/ROCKER - SPDT (ON/ON) - BLACK
6	160014-01-02B	EA	TIEDOWN - BATTERY - E-COATED

## ELECTRICAL GROUP (CONTINUED) CHASSIS (CONTINUED)



KEY	PART NUMBER	U/M	DESCRIPTION
1	139067-08-02B	EA	PLATE - CIRCUIT BREAKER/HOUSE - E-COATED
2	093236-38-000	EA	LABEL - CIRCUIT BREAKER
3	098379-01-000	EA	LABEL - CIRCUIT BREAKER - FRONT BOX
4	141273-02-02B	EA	COVER - ELECTRICAL BOX - E-COATED
5	098196-01-000	EA	LATCH - 1/4 TURN - T-BAR
6	098379-04-000	EA	LABEL - ELECTRICAL BOX - SIDE
7	152712-01-02B	EA	COVER - SOLENOID BOX - E-COATED
8	086273-01-000	EA	RELAY - BATTERY DISCONNECT
9	008188-01-000	EA	SOLENOID - 3 POST - BATTERY CHANGE OVER
10	063912-02-000	EA	RELAY - CANISTER - SPDT
11	092492-16-000	EA	SEAL - ELECTRICAL BOX

# EXTERIOR BODY GROUP GRAPHICS & PAINT



(276) KEY	PART NUMBER	U/M	DESCRIPTION
1	109506-01-000	EA	FILM-URETHANE PROTECTANT
2	124806-01-CHT (54A)	EA	DECAL-LOGO ITASCA W/ICON - ALPINE GREEN/BRT WHITE
3	132664-02-CHT (01A)	EA	DECAL-LOGO DOMED WINNEBAGO - CHROME/RED/BLACK
4	144587-02-CHT (29A)	EA	DECAL-LOGO ITASCA - ALPINE GREEN/BRT WHITE
5	151631-01-CHT (03A)	EA	DECAL-LOGO NAVION - RED/ALPINE GREEN
6	151687-02-CHT (01A)	EA	DECAL-BEZEL DOMED NAMEPLATE ITASCA - CHROME/WHITE/BACK/TEAL
7	152795-01-CHT (01A)	EA	DECAL-CAB LOWER RH - STORM GRAY
8	152795-02-CHT (01A)	EA	DECAL-CAB LOWER LH - STORM GRAY
9	158252-01-CHT (01A)	EA	DECAL-SWEEP SML RH - CHAMOIS YELLOW/ALPINE GREEN/RED
10	158252-02-CHT (01A)	EA	DECAL-SWEEP SML LH - CHAMOIS YELLOW/ALPINE GREEN/RED
11	158257-01-CHT (01A)	EA	DECAL-SWEEP LG RH - CHAMOIS YELLOW/ALPINE GREEN/RED
12	158257-02-CHT (01A)	EA	DECAL-SWEEP LG LH - CHAMOIS YELLOW/ALPINE GREEN/RED
13	158260-01-CHT (01A)	EA	DECAL-CURVE RH - STORM GRAY
14	158260-02-CHT (01A)	EA	DECAL-CURVE LH - STORM GRAY
15	-----	GL	COLORLED PLASTIC AND STEEL - STORM GRAY

(92K) KEY	PART NUMBER	U/M	DESCRIPTION
1	109506-01-000	EA	FILM-URETHANE PROTECTANT
2	124806-01-CHT (55A)	EA	DECAL-LOGO ITASCA W/ICON - BUCKSKIN/BRT WHITE
3	132664-02-CHT (01A)	EA	DECAL-LOGO DOMED WINNEBAGO - CHROME/RED/BLACK
4	144587-02-CHT (30A)	EA	DECAL-LOGO ITASCA - BUCKSKIN/BRT WHITE
5	151631-01-CHT (04A)	EA	DECAL-LOGO NAVION - BLACK/BUCKSKIN
6	151687-02-CHT (01A)	EA	DECAL-BEZEL DOMED NAMEPLATE ITASCA - CHROME/WHITE/BLACK/TEAL
7	152795-01-CHT (01A)	EA	DECAL-CAB LOWER RH - STORM GRAY
8	152795-02-CHT (01A)	EA	DECAL-CAB LOWER LH - STORM GRAY
9	158252-01-CHT (02A)	EA	DECAL-SWEEP SML RH - BLACK/BUCKSKIN/MED SANDSTONE
10	158252-02-CHT (02A)	EA	DECAL-SWEEP SML LH - BLACK/BUCKSKIN/MED SANDSTONE
11	158257-01-CHT (02A)	EA	DECAL-SWEEP LG RH - BLACK/BUCKSKIN/MED SANDSTONE
12	158257-02-CHT (02A)	EA	DECAL-SWEEP LG LH - BLACK/BUCKSKIN/MED SANDSTONE
13	158260-01-CHT (01A)	EA	DECAL-CURVE RH - STORM GRAY
14	158260-02-CHT (01A)	EA	DECAL-CURVE LH - STORM GRAY
15	-----	GL	COLORLED PLASTIC AND STEEL - STORM GRAY

⚠ LOCATE DECAL 120 MM RIGHT OF HOOD EMBLEM AND 70 MM UP FROM GRILLE.

⚠ LOGO IS TO BE ±1 MM ON A HORIZONTAL PLANE (END TO END).

⚠ DECAL TO BE PLACED IN LOWER FEATURE RECESS.

⚠ FILM TO PROTECT BOTTOM OF DOOR FROM SCUFF MARKS.

1. APPLY PROTECTOR 116424-01-000 TO WATER HEATER LATCH.

NOTES:

(92K) EXTERIOR GRAPHICS PACKAGE #2

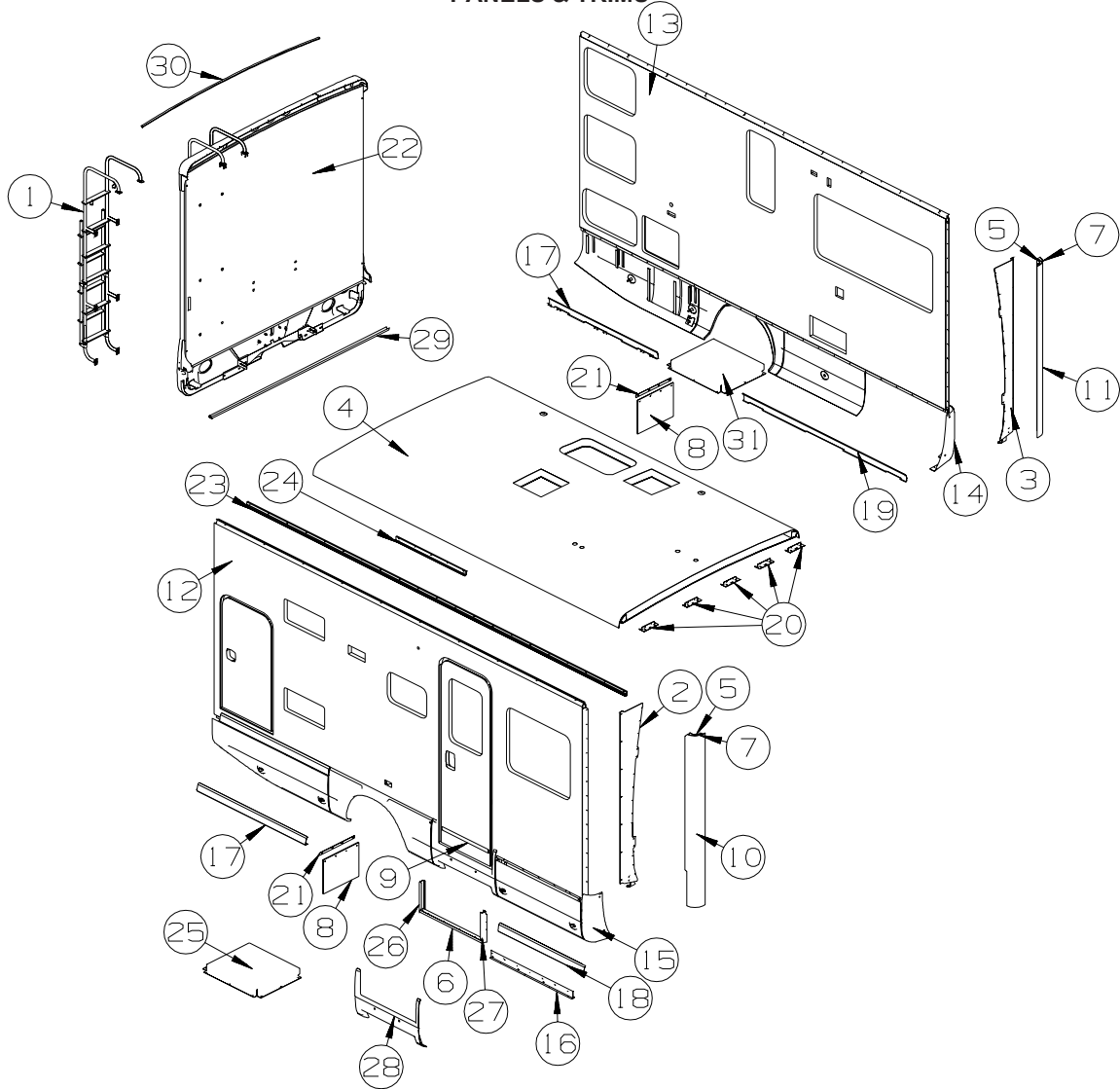
(276) EXTERIOR GRAPHICS PACKAGE #1

KEY	PART NUMBER	U/M	DESCRIPTION
	041561-03-000	EA	PAINT/SPRAY - 12 OZ. NET - OFF WHITE
	116424-01-000	EA	PROTECTOR - LATCH - WATER HEATER

**DUPONT COLOR CODES ARE NOW FOUND IN THE PAINT CODE MANUAL.  
YOU CAN FIND THIS MANUAL ON YOUR DEALER INDEX WEBPAGE UNDER SERVICE.**

## EXTERIOR BODY GROUP (CONTINUED)

### PANELS & TRIMS

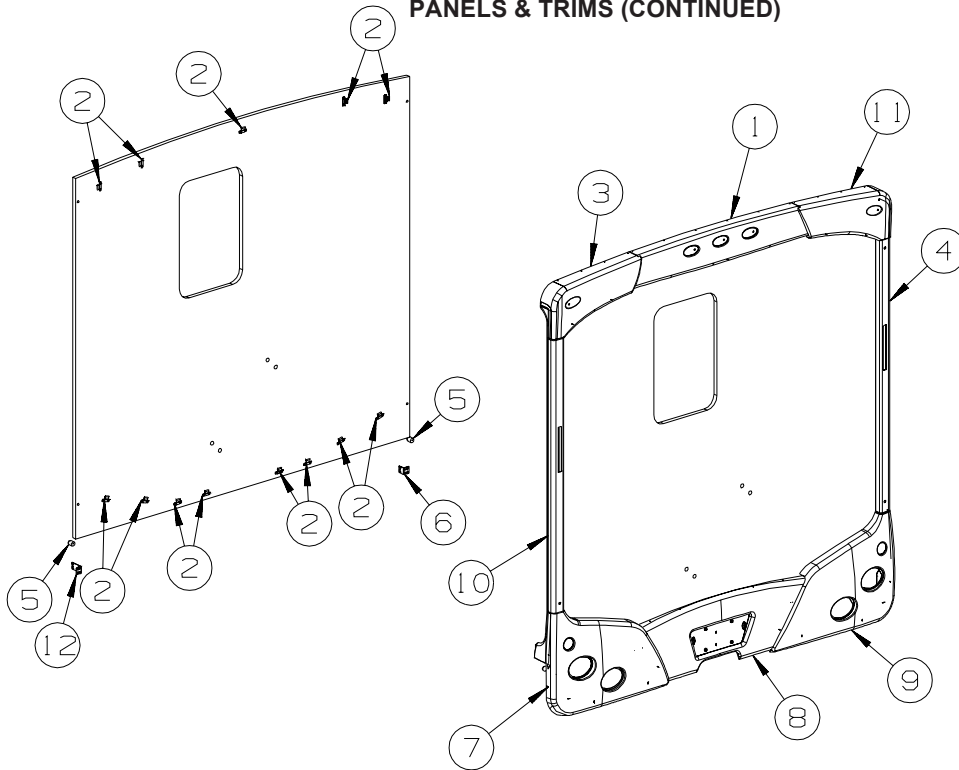


KEY	PART NUMBER	U/M	DESCRIPTION
1	152869-01-01A	EA	LADDER/FOLDING - 78.6"/126.2" - 10 STEP - BRUSHED ALUMINUM FROM: 00-00-00 THRU: 08-13-06
1	152869-02-01A	EA	LADDER/FOLDING - 78.6"/126.2" - 10 STEP - BRUSHED ALUMINUM FROM: 08-14-06 THRU: 99-99-99
2	152534-01-T01	EA	PANEL - TRANSITION - RIGHT HAND
3	152534-02-T01	EA	PANEL - TRANSITION - LEFT HAND
4	158929-01-U17	EA	ROOF - W/O LIGHTS/VENTS - W/WIRING
5	112160-01-000	EA	SEAL - D SECTION - .2 X .3" - FOAM RUBBER
6	137599-10-02A	EA	TRIM - SIDEWALL/LOWER - 34.5" - BRIGHT WHITE
7	056795-01-000	EA	TAPE-SEAL, 1/8~ X 3/8~ WIDE - PRESS ON
8	017516-01-000	EA	MUD FLAP - 14"H X 18"W - W/O MOUNTING HOLES - RUBBER - BLK
9	093673-01-06A	FT	TRIM/MOLDING - 1.4" WIDE X 8' LONG - BRIGHT WHITE
10	151222-03-01A	EA	TRANSITION - CORNER/RH - 70.8" - BRIGHT WHITE
11	151222-02-01A	EA	TRANSITION - CORNER/LH - 70.8" - BRIGHT WHITE
12	158948-01-U17	EA	SIDEWALL - PASSENGER - W/O WINDOWS/TRIMS
13	158947-01-U17	EA	SIDEWALL - DRIVER - W/O WINDOWS/TRIMS
14	152426-01-T01	EA	PANEL/VALANCE - TRANSITION/DRIVER
15	159354-01-U17	EA	PANEL/VALANCE - TRANSITION/PASSENGER
16	152537-03-01A	EA	TRIM - FEATURE/INNER - 42.5" - MILL
17	152549-01-02A	EA	TRIM - FEATURE/OUTER - NOTCHED - 3" X 51.5" - STORM GRAY
18	152549-06-02A	EA	TRIM - FEATURE/OUTER - NOTCHED - 3" X 43.2" - STORM GRAY
19	152549-05-02A	EA	TRIM - FEATURE/OUTER - NOTCHED - 3" X 82.1" - STORM GRAY
20	134774-03-02B	EA	BRACKET - CAP ATTACHMENT - E-COATED
21	140922-01-02B	EA	RETAINER - MUD FLAP - 1" X 17.7" - E-COATED/BLACK
22	159334-01-U17	EA	BACKWALL - W/O WINDOW/TRIMS
23	157284-01-01A	EA	RAIL - AWNING - 192" - BRIGHT WHITE

**EXTERIOR BODY GROUP (CONTINUED)**  
**PANELS & TRIMS (CONTINUED)**

<b>KEY</b>	<b>PART NUMBER</b>	<b>U/M</b>	<b>DESCRIPTION</b>
24	152036-01-01A	EA	RAIL - AWNING - 35.4" - BRIGHT WHITE
25	P51877-01-02B	EA	WHEELWELL - STEEL - W/UNDERCOATING
26	133100-08-02A	EA	TRIM - SIDEWALL - 12.5" - BRIGHT WHITE
27	133100-11-02A	EA	TRIM - SIDEWALL - 12.5" - BRIGHT WHITE
28	159437-01-U17	EA	PANEL/VALANCE - ENTRY DOOR
29	103335-11-02A	EA	TRIM - BACKWALL - LOWER - 89.6" - BRIGHT WHITE
30	114248-02-04A	EA	ANGLE - PLASTIC - .7" X .4" X 96.7" - BEIGE
31	P59724-01-02B	EA	WHEELWELL - STEEL - W/UNDERCOATING

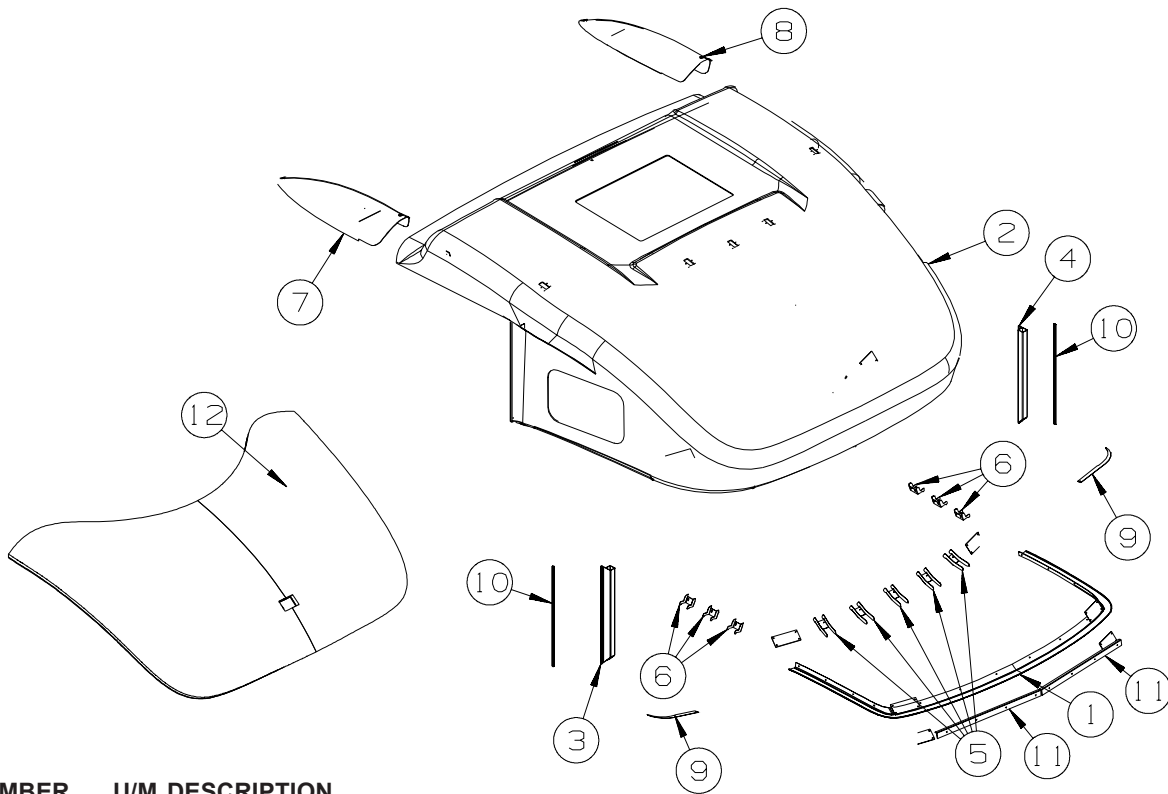
**EXTERIOR BODY GROUP (CONTINUED)**  
**PANELS & TRIMS (CONTINUED)**



KEY	PART NUMBER	U/M	DESCRIPTION
1	P52238-01-T01	EA	TRIM/BACKWALL - UPPER/CENTER - W/LIGHTS - REARVIEW MONITOR
1	152238-01-T01	EA	TRIM/BACKWALL - UPPER/CENTER - W/O LIGHTS - REARVIEW MONITOR
1	P52238-02-T01	EA	TRIM/BACKWALL - UPPER/CENTER - W/LIGHTS
1	152238-02-T01	EA	TRIM/BACKWALL - UPPER/CENTER - W/O LIGHTS
2	073050-04-000	EA	CLIP/MOUNTING - VALANCE PANEL
3	P52232-02-T01	EA	TRIM/BACKWALL - UPPER/DRIVER - W/LIGHTS
3	152232-02-T01	EA	TRIM/BACKWALL - UPPER/DRIVER
4	151933-01-01A	EA	TRIM - BACKWALL - PASSENGER - STORM GRAY
5	120863-02-000	EA	BUMPER - RUBBER/RADIUS TOP - 1" X 1 1/2"
6	140309-03-02B	EA	ANGLE - FURNACE DOOR - E-COATED
7	P52230-01-T01	EA	TRIM/BACKWALL - LOWER/DRIVER - W/LIGHTS
7	152230-01-T01	EA	TRIM/BACKWALL - LOWER/DRIVER
8	152231-01-T01	EA	TRIM/BACKWALL - LOWER/MIDDLE
8	151428-01-21A	EA	TRIM - BACKWALL - LOWER/MIDDLE - STORM GRAY
9	P52230-02-T01	EA	TRIM/BACKWALL - LOWER/PASSENGER - W/LIGHTS
9	152230-02-T01	EA	TRIM/BACKWALL - LOWER/PASSENGER
10	151933-02-01A	EA	TRIM - BACKWALL - DRIVER - STORM GRAY
11	P52232-01-T01	EA	TRIM/BACKWALL - UPPER/PASSENGER - W/LIGHTS
11	152232-01-T01	EA	TRIM/BACKWALL - UPPER/PASSENGER
12	140309-05-02B	EA	ANGLE - FURNACE DOOR - E-COATED



**EXTERIOR BODY GROUP (CONTINUED)**  
**FRONT END**



KEY	PART NUMBER	U/M	DESCRIPTION
1	151287-01-02A	EA	SILL - ROOF CAP/CAB - BRIGHT WHITE
2	151843-01-T01	EA	PANEL - ROOF CAP - W/O LIGHTS/WIRING
2	151843-02-T01	EA	PANEL - ROOF CAP - W/O LIGHTS/WIRING - <b>CABINET, FRONT CAB OVERHEAD</b>
	105290-01-000	SF	INSULATION - AIR POCKET W/FOIL - 4' WIDE
3	151686-01-01A	EA	TRIM - PANEL - FIBERGLASS/RH HAND
4	151686-02-01A	EA	TRIM - PANEL - FIBERGLASS/LH HAND
5	151741-01-02B	EA	CLAMP/ROOF CAP - FRONT - E-COATED
6	151741-02-02B	EA	CLAMP/ROOF CAP - SIDE - E-COATED
7	152037-03-T01	EA	TRIM/ROOF - RIGHT - PLASTIC - 8.2"W X 37.2"L X 5.8"H
8	152037-04-T01	EA	TRIM/ROOF - LEFT - PLASTIC - 8.2"W X 37.2"L X 5.8"H
9	152885-01-01A	EA	TRIM - CLOSEOUT/TRANSITION - BRIGHT WHITE
10	153151-01-01A	FT	TRIM - ROOF CAP/SIDEWALL
11	132273-03-02B	EA	BRACKET - REAR TRIM - E-COATED
12	152052-01-T01	EA	HEADLINER/MATERIAL - W/LAMINATED FOAM

**EXTERIOR BODY GROUP (CONTINUED)**  
**STRUCTURAL COMPONENTS**

<b>KEY</b>	<b>PART NUMBER</b>	<b>U/M</b>	<b>DESCRIPTION</b>
	002726-01-001	EA	GARNISH - U-CHANNEL - 1.38" X 19' - SERRATED
	089297-01-000	SF	PLYWOOD - LUAN - OVERLAY GRADE - 4' X 8'
	100619-B3-000	BF	FOAM - EXPANDED POLYSTYRENE - .42" X 48" X 96"
	100619-01-000	BF	FOAM - EXPANDED POLYSTYRENE - 1.34" X 48" X 96"
	100619-02-000	BF	FOAM - EXPANDED POLYSTYRENE - 1.5" X 48" X 96" FROM: 00-00-00 THRU: 05-16-06
	100619-04-000	BF	FOAM - EXPANDED POLYSTYRENE - .5" X 48" X 96"
	100619-05-000	BF	FOAM - EXPANDED POLYSTYRENE - .75" X 48" X 96"-1.5"DENSITY
	100619-05-042	EA	FOAM - EXPANDED POLYSTYRENE - .75" X 48" X 96"-1.5"DENSITY FROM: 11-27-06 THRU: 99-99-99
	100619-16-000	BF	FOAM - EXPANDED POLYSTYRENE - .75" X 48" X 96"-2" DENSITY
	120107-01-000	EA	FOAM - ROOF COVE - 2.8" X 48" LONG
	120107-02-000	EA	FOAM - PLUG - ROOF TUBE - 2.2" X 2.9" X 1.8" LONG
	120107-03-000	EA	FOAM - PLUG - SIDEWALL TUBE - 1.2" X 2.1" X 1.8" LONG
	116942-03-01A	LB	ALUMINUM - .7" X 40" X 158"
	108535-10-01A	SF	FIBERGLASS SHEET - 99" X 500' ROLL - BRIGHT WHITE
	128782-17-01A	EA	FIBERGLASS SHEET - 30.9" X 74.7" - HIGH GLOSS - BRT WHITE
	128782-20-01A	EA	FIBERGLASS SHEET - 78.9" X 185.9" - HIGH GLOSS - BRT WHITE
	159631-15-01A	EA	FIBERGLASS SHEET - 4" X 93.8" - BRIGHT WHITE FROM: 03-06-06 THRU: 01-14-07
	162931-15-01A	EA	FIBERGLASS SHEET - 4" X 93.8" - BRIGHT WHITE FROM: 01-15-07 THRU: 99-99-99

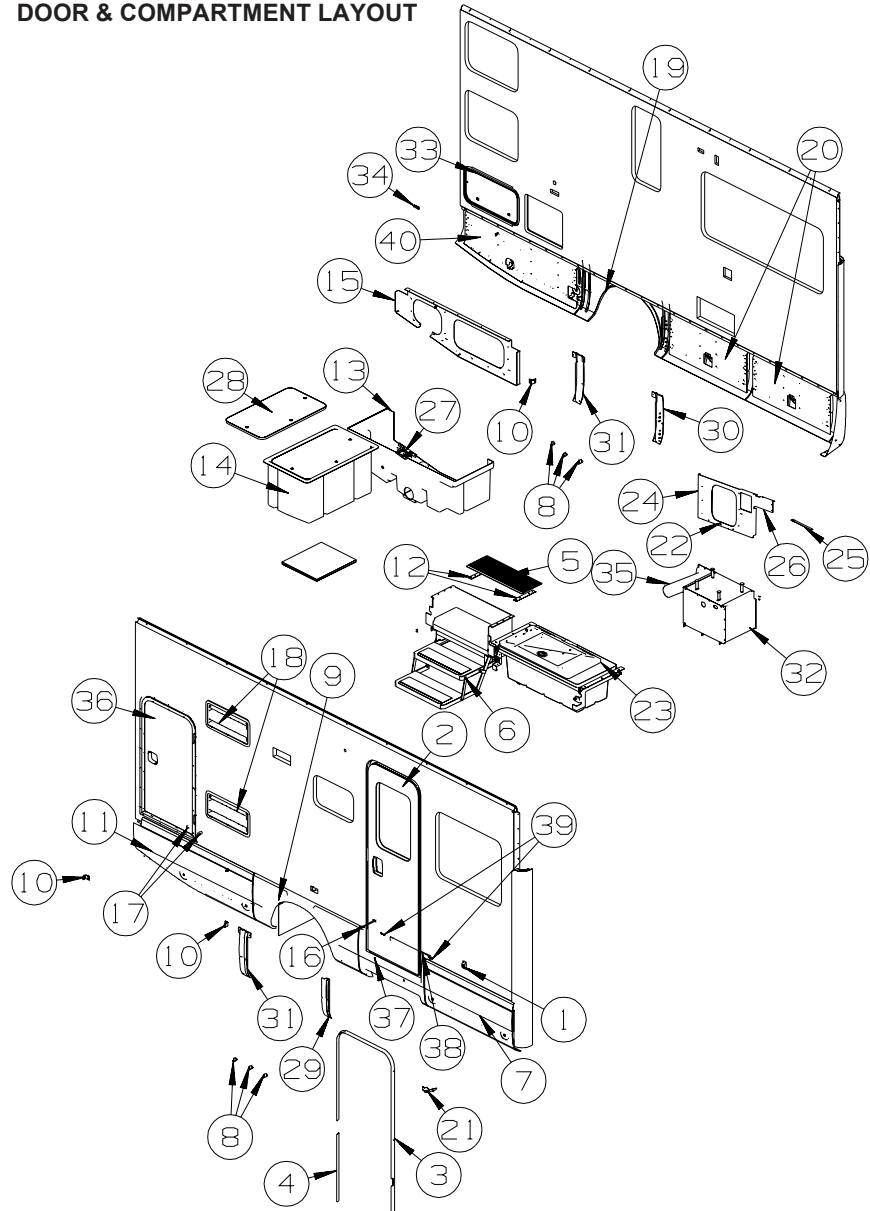
**AWNINGS**

**ORDER AWNINGS & REPAIR PARTS FROM DOMETIC. CALL #800-366-3842.**  
**THE DOMETIC AWNING INFORMATION YOU WILL NEED IS LOCATED ON THE MOTOR HOME NEAR**  
**THE TOP OF THE AWNING RAIL.**

<b>KEY</b>	<b>PART NUMBER</b>	<b>U/M</b>	<b>DESCRIPTION</b>
	113874-11-01A	EA	SCREW/LAG - AWNING - 1/4" X 1" STAINLESS STEEL
	113874-12-01A	EA	SCREW/LAG - AWNING - 1/4" X 2 3/4" STAINLESS STEEL
	120863-01-000	EA	BUMPER - RUBBER - 1 1/4" X 1 1/4"
	127647-03-01A	EA	ROD/AWNING GUARD - ENTRY DOOR - 19.4" LONG
	137054-01-02A	EA	BRACKET - AWNING - BRIGHT WHITE FROM: 00-00-00 THRU: 12-10-06
	161739-01-02A	EA	BRACKET - AWNING - BRIGHT WHITE FROM: 12-11-06 THRU: 99-99-99
	145993-01-000	FT	SEAL - "D SECTION" W/ADHESIVE BACK
	150702-01-12B	EA	BRACKET - AWNING - BRIGHT WHITE

# EXTERIOR DOORS & COMPARTMENTS GROUP

## DOOR & COMPARTMENT LAYOUT



KEY	PART NUMBER	U/M	DESCRIPTION
1	104099-02-04A	EA	CATCH/RETAINER - DOOR HOLDER - BRIGHT WHITE
2	P32206-21-U17	EA	DOOR - ENTRY W/SCREEN DOOR - W/O WINDOW/LATCH

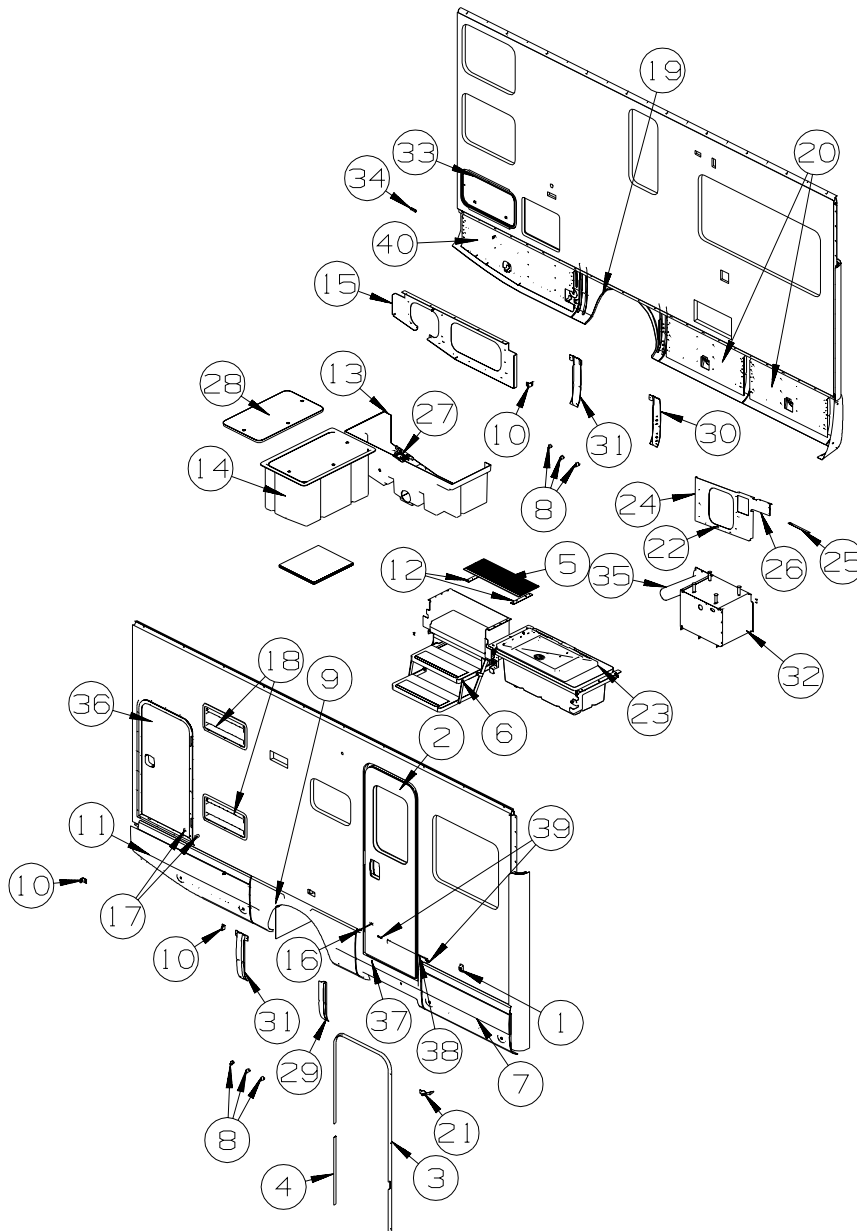
### ENTRY DOOR LOCK CYLINDERS

138287-11-000	EA	CYLINDER/LOCK - ENTRY DOOR - MASTER W/3M ICON - (3041)
138287-12-000	EA	CYLINDER/LOCK - ENTRY DOOR - MASTER W/3M ICON - (3042)
138287-13-000	EA	CYLINDER/LOCK - ENTRY DOOR - MASTER W/3M ICON - (3043)
138287-14-000	EA	CYLINDER/LOCK - ENTRY DOOR - MASTER W/3M ICON - (3044)
138287-15-000	EA	CYLINDER/LOCK - ENTRY DOOR - MASTER W/3M ICON - (3045)
138287-16-000	EA	CYLINDER/LOCK - ENTRY DOOR - MASTER W/3M ICON - (3046)
138287-17-000	EA	CYLINDER/LOCK - ENTRY DOOR - MASTER W/3M ICON - (3047)
138287-18-000	EA	CYLINDER/LOCK - ENTRY DOOR - MASTER W/3M ICON - (3048)
138287-19-000	EA	CYLINDER/LOCK - ENTRY DOOR - MASTER W/3M ICON - (3049)
138287-20-000	EA	CYLINDER/LOCK - ENTRY DOOR - MASTER W/3M ICON - (3050)
138288-11-000	EA	KEY - REVERSIBLE - #3041 - T/M 16169-02-3041
138288-12-000	EA	KEY - REVERSIBLE - #3042 - T/M 16169-02-3042
138288-13-000	EA	KEY - REVERSIBLE - #3043 - T/M 16169-02-3043
138288-14-000	EA	KEY - REVERSIBLE - #3044 - T/M 16169-02-3044
138288-15-000	EA	KEY - REVERSIBLE - #3045 - T/M 16169-02-3045
138288-16-000	EA	KEY - REVERSIBLE - #3046 - T/M 16169-02-3046
138288-17-000	EA	KEY - REVERSIBLE - #3047 - T/M 16169-02-3047
138288-18-000	EA	KEY - REVERSIBLE - #3048 - T/M 16169-02-3048
138288-19-000	EA	KEY - REVERSIBLE - #3049 - T/M 16169-02-3049
138288-20-000	EA	KEY - REVERSIBLE - #3050 - T/M 16169-02-3050
138292-01-000	EA	SEAL - LOCK CYLINDER

**EXTERIOR DOORS & COMPARTMENTS GROUP (CONTINUED)**  
**DOOR & COMPARTMENT LAYOUT (CONTINUED)**

KEY	PART NUMBER	U/M	DESCRIPTION
	<b>VALANCE DOOR &amp; STORAGE DOOR LOCK CYLINDERS</b>		
	154066-50-001	EA	CASE/CYLINDER - LOCKING
	154066-50-002	EA	CASE/CYLINDER - LOCKING
	154066-50-003	EA	CASE/CYLINDER - LOCKING
	154066-50-004	EA	CASE/CYLINDER - LOCKING
	154066-50-005	EA	CASE/CYLINDER - LOCKING
	154066-50-006	EA	CASE/CYLINDER - LOCKING
	154066-50-007	EA	CASE/CYLINDER - LOCKING
	154066-50-008	EA	CASE/CYLINDER - LOCKING
	154066-50-009	EA	CASE/CYLINDER - LOCKING
	154066-50-010	EA	CASE/CYLINDER - LOCKING
	154066-51-001	EA	KEYS - SET OF TWO
	154066-51-002	EA	KEYS - SET OF TWO
	154066-51-003	EA	KEYS - SET OF TWO
	154066-51-004	EA	KEYS - SET OF TWO
	154066-51-005	EA	KEYS - SET OF TWO
	154066-51-006	EA	KEYS - SET OF TWO
	154066-51-007	EA	KEYS - SET OF TWO
	154066-51-008	EA	KEYS - SET OF TWO
	154066-51-009	EA	KEYS - SET OF TWO
	154066-51-010	EA	KEYS - SET OF TWO
3	139100-09-01A	EA	GARNISH/RADIUS - ENTRY DOOR - BRIGHT WHITE
4	139101-07-01A	EA	GARNISH/STRAIGHT - ENTRY DOOR - BRIGHT WHITE
5	133114-03-01A	EA	TREAD - STEP/RUBBER - 27.1" X 10.1" - TAUPE
	116975-01-01A	EA	LATCH - W/O STRIKE - BLACK - NEW STYLE
6*	094707-04-01A	EA	STEP - ELECTRIC DOUBLE - KWIKEE
7	152079-01-T01	EA	DOOR/STORAGE - W/O HARDWARE - 43" X 16.1"
	154969-01-02B	EA	ZEE/KEEPER - LATCH - E-COATED
8	073050-04-000	EA	CLIP/MOUNTING - VALANCE PANEL
9	152220-04-U17	EA	PANEL - WHEEL LIP - PASSENGER
10	140309-03-02B	EA	ANGLE - FURNACE DOOR - E-COATED
11	152079-03-T01	EA	DOOR/STORAGE - PASS - W/O HARDWARE - 17.4" X 58.5" X 12.6"
	154969-01-02B	EA	ZEE/KEEPER - LATCH - E-COATED
	142569-17-000	EA	SPRING/GAS - 90 LB - 12" EXTENDED/8.5" COMPRESSED
	126263-02-02B	EA	BRACKET - GAS SPRING W/BALL STUD - E-COATED
	132892-08-01A	FT	SEAL - BULB/SINGLE - W/U CHANNEL - BLACK
12	143130-02-02B	EA	PLATE - BACKING - RIGHT/LEFT - E-COATED
13	151549-02-000	EA	COMPARTMENT - DRAINAGE
	151549-01-000	EA	COMPARTMENT - DRAINAGE
14	159021-01-01A	EA	COMPARTMENT - TRUNK
15	152031-01-02B	EA	PLATE/SEAL - E-COATED
	132892-08-01A	FT	SEAL - BULB/SINGLE - W/U CHANNEL - BLACK
	107721-08-000	FT	SEAL - ACCESS DOOR - .9"WIDE X .9"HIGH
16	104099-03-04A	EA	CATCH - DOOR HOLDER - STRIKE - 6" - BRIGHT WHITE
17	117046-02-000	EA	BUMPER - RUBBER/ROUND END - 1.5"
18*	084103-08-000	EA	DOOR - VENT - REFRIGERATOR - W/O JAMB - BRIGHT WHITE
	084104-08-000	EA	JAMB - VENT DOOR/REFRIGERATOR - BRIGHT WHITE
19	152220-01-T01	EA	PANEL - WHEEL LIP
20	152079-06-U17	EA	DOOR/STORAGE - W/O HARDWARE - 40.8" X 17.4"
	154969-01-02B	EA	ZEE/KEEPER - LATCH - E-COATED
	142569-17-000	EA	SPRING/GAS - 90 LB - 12" EXTENDED/8.5" COMPRESSED
	126263-02-02B	EA	BRACKET - GAS SPRING W/BALL STUD - E-COATED
21	159052-01-02B	EA	CATCH - DRAWER - W/ANGLE CATCH - E-COATED
	100414-01-000	EA	SPRING-CATCH, 3/8" OD X 1.5" - EXTERIOR COMPARTMENTS
22	107721-08-000	FT	SEAL - ACCESS DOOR - .9"WIDE X .9"HIGH
23			SEE COMPARTMENT ILLUSTRATION IN FOLLOWING PAGES
24	159508-01-02B	EA	PLATE/SEAL - E-COATED
	132892-08-01A	FT	SEAL - BULB/SINGLE - W/U CHANNEL - 1" X .8" - BLACK
25	057534-07-000	EA	TIEBACK-CURTAIN/DOOR, 10" - CLEAR VINYL
26	107721-07-000	FT	SEAL - ACCESS DOOR - .9"WIDE X 1.1"HIGH
27*	142226-02-01A	EA	HATCH - POWER
28	158154-04-U17	EA	TABLE - 32.2" X 18.4" - W/O HDW
29	152294-01-10A	EA	CHANNEL - HAT - PLASTIC - 2.9" X 15.7" - BLACK

**EXTERIOR DOORS & COMPARTMENTS GROUP (CONTINUED)**  
**DOOR & COMPARTMENT LAYOUT (CONTINUED)**

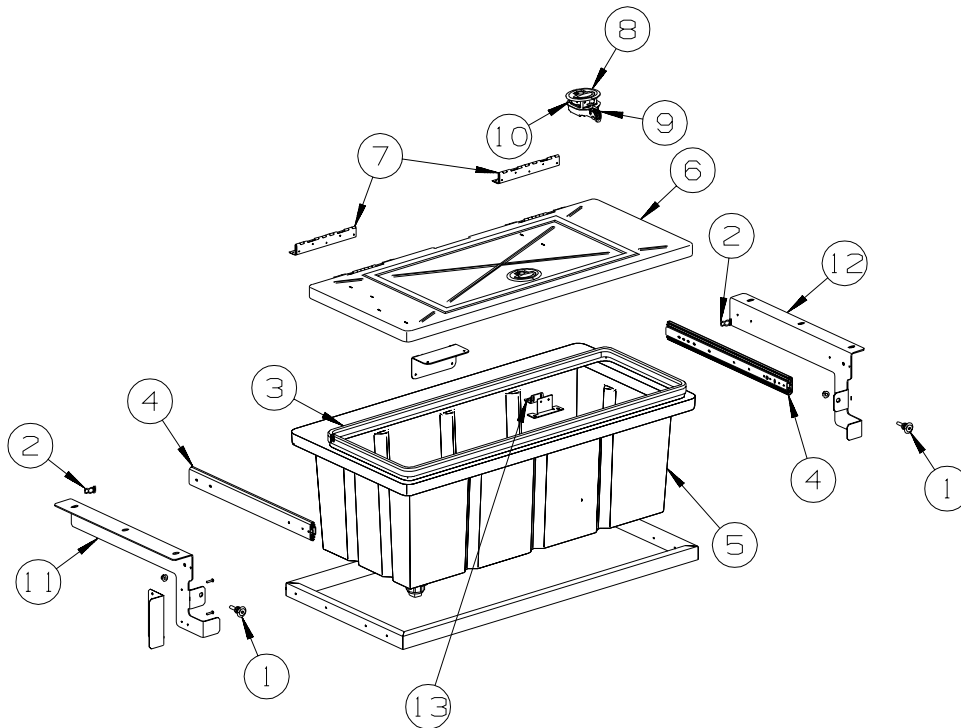


KEY	PART NUMBER	U/M	DESCRIPTION
	30	EA	CHANNEL - HAT - PLASTIC/1 MOUNT TAB - STORM GRAY
	31	EA	CHANNEL - HAT - PLASTIC/2 MOUNT TABS - STORM GRAY
	32	EA	COMPARTMENT - BATTERY - E-COATED
	33	EA	DOOR - STORAGE - W/O HARDWARE - 28.5" X 15.8"
	34	EA	HOLDER - COMPARTMENT/ENTRY DOOR - METAL - MILL FINISH
	35	EA	COMPARTMENT - SEWER HOSE
	36	EA	DOOR/STORAGE - W/O PADDLE LATCH/HDW - 49.8" X 28.2"
	37	EA	BUMPER - RUBBER - WHITE
	38	EA	ROD/AWNING GUARD - ENTRY DOOR - 19.4" LONG
	39	EA	RETAINER - EYE - 3/8" - STAINLESS STEEL
	40	EA	DOOR/STORAGE - DRVR - W/O HARDWARE - 17.4" X 58.5" X 12.6"
	121175-02-01A	EA	LATCH - SWELL
	M08628-01-H17	EA	HATCH - W/FOAM INSERT - 3/4" X 11 1/2" DIA.- BLACK PLASTIC

FROM: 00-00-00 THRU: 09-04-06  
 FROM: 00-00-00 THRU: 09-04-06

**\*COMPONENT PARTS LISTED LATER IN THIS GROUP**

**EXTERIOR DOORS & COMPARTMENTS GROUP (CONTINUED)**  
**DOOR & COMPARTMENT LAYOUT (CONTINUED)**



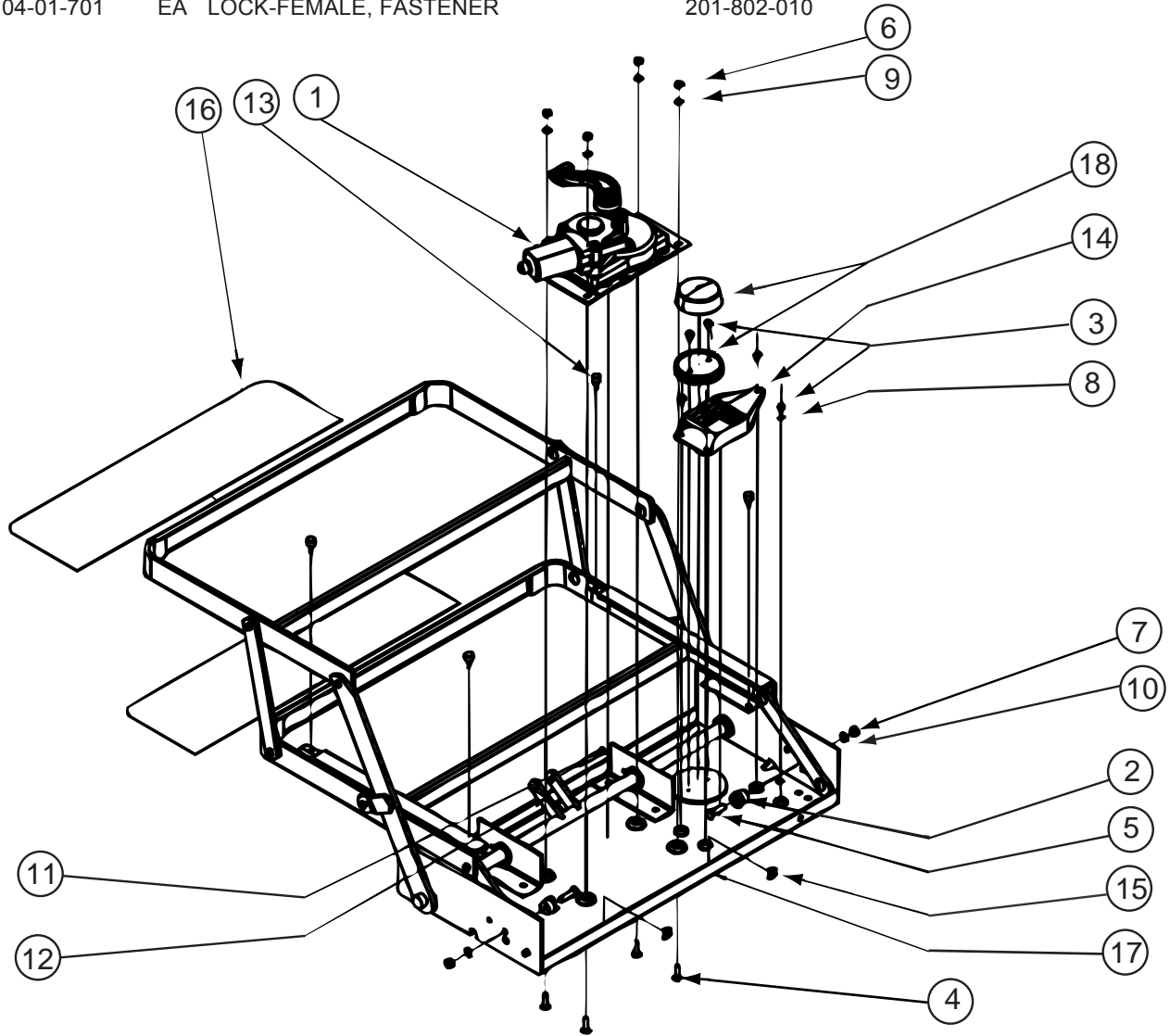
KEY	PART NUMBER	U/M	DESCRIPTION
1	058786-01-000	EA	BOLT - HOOD ADJUSTMENT - 5/16"-18 X 1.5"-2"- W/BLACK PAD
2	132892-04-01A	FT	SEAL - DOUBLE BULB - W/WIRED U CHANNEL - 1.3" X .8"-BLACK
3	132892-07-01A	FT	SEAL - BULB/SINGLE - W/U CHANNEL - .5" X 1" - BLACK
4	151463-02-000	EA	SLIDES - STORAGE COMPARTMENT (PAIR)
5	160748-02-000	EA	COMPARTMENT - STORAGE - PLASTIC - 523B
	160748-01-000	EA	COMPARTMENT - STORAGE - PLASTIC
	010166-01-000	EA	PLUG/THREADED - 1 1/4"MPT - PLASTIC - BLACK - UL
	042989-03-000	EA	FITTING - SPINWELD - 1 1/4"NPT - PLASTIC
5	151548-02-000	EA	COMPARTMENT - STORAGE - PLASTIC - 523H, 523J
	151548-01-000	EA	COMPARTMENT - STORAGE - PLASTIC
	010166-01-000	EA	PLUG/THREADED - 1 1/4"MPT - PLASTIC - BLACK - UL
	042989-03-000	EA	FITTING - SPINWELD - 1 1/4"NPT - PLASTIC
6	151728-01-T01	EA	LID - COMPARTMENT/STORAGE
6	151728-02-U17	EA	LID - COMPARTMENT/STORAGE
	151547-01-01A	EA	LID - COMPARTMENT/STORAGE - BLACK
7	101349-01-01A	EA	HINGE-PIANO - SPRING LOADED - STOCKER
8	152171-02-01A	EA	LATCH/PADDLE - NON-LOCKING - BLACK
9	152171-03-01A	EA	LATCH/INNER - BLACK
10	152171-06-01A	EA	GASKET - LATCH - FOAM
11	151737-01-02B	EA	BRACKET/SUPPORT - SLIDE - E-COATED
			FROM: 00-00-00 THRU: 04-02-06
11	151737-03-02B	EA	BRACKET/SUPPORT - SLIDE - E-COATED
			FROM: 04-03-06 THRU: 99-99-99
12	151737-02-02B	EA	BRACKET/SUPPORT - SLIDE - E-COATED
			FROM: 00-00-00 THRU: 04-02-06
12	151737-04-02B	EA	BRACKET/SUPPORT - SLIDE - E-COATED
			FROM: 04-03-06 THRU: 99-99-99
13	152171-05-01A	EA	KEEPER - LATCH - METAL

## EXTERIOR DOORS & COMPARTMENTS GROUP (CONTINUED)

### COMPONENT PARTS FOR DOOR & COMPARTMENT LAYOUT

084103-08-000

KEY	PART NUMBER	U/M	DESCRIPTION	VENDOR NO.
	084104-01-700	EA	LOCK-MALE, FASTENER	201-721-010
	084104-01-701	EA	LOCK-FEMALE, FASTENER	201-802-010

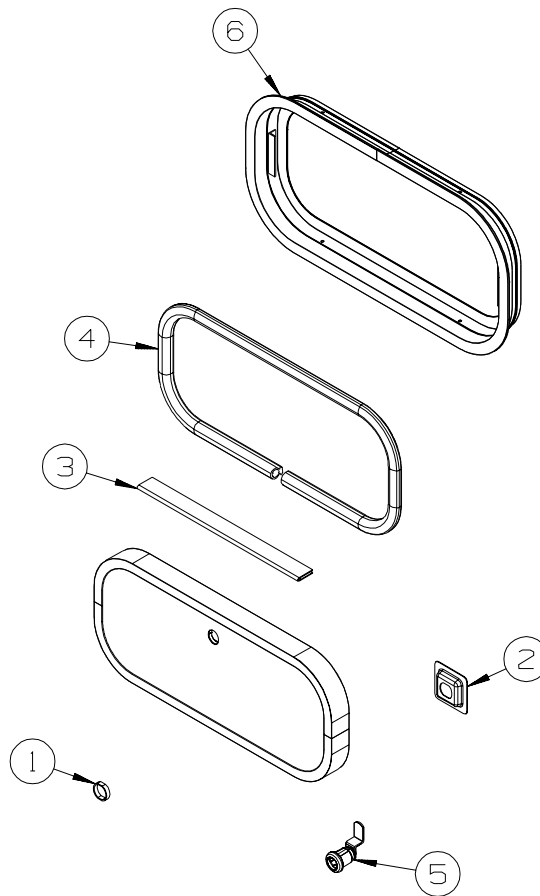


094707-04-01A

KEY	PART NUMBER	U/M	DESCRIPTION	VENDOR NO.
1	094707-04-701	EA	MOTOR "AM 214" F/IMGL STEPS	1101428
1	094707-04-703	EA	GEAR BOX W/LINKAGE-CURVED	1101425
2	143709-01-700	EA	CAM STOP	1102200
12	094707-04-702	EA	COTTOR PIN - W/CLEVIS PIN	905205000
13	143709-01-701	EA	BUMPER - BLACK (RUBBER STOP)	1602000
14	094707-04-700	EA	CONTROL UNIT W/OVERRIDE	909510000
16	143709-01-702	EA	TREAD/NON-SKID 6" X 21" BLK	1915260
17	094707-04-704	EA	FRAME W/DBL STEP-32REINF SRS	3202082
18	088746-01-705	EA	LIGHT-UNDER STEP	9004
	094707-03-701	EA	PLUG - 4-WAY - PACKARD	909306
	094707-04-711	EA	KWIKTEST - W/4-WAY PIGTAIL	909518000

CONTACT WINNEBAGO PART SALES FOR UNLISTED COMPONENT(S)

**EXTERIOR DOORS & COMPARTMENTS GROUP (CONTINUED)**  
**COMPARTMENT DOOR PIECE PARTS**

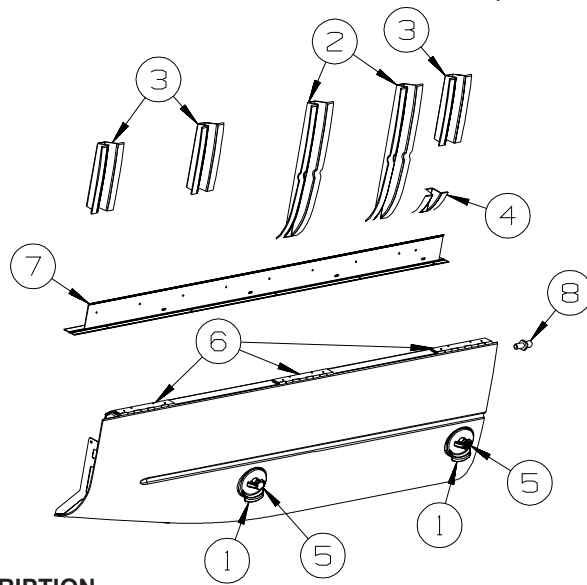


KEY	PART NUMBER	U/M	DESCRIPTION
1	139325-01-000	EA	SPACER - LOCK - 6MM - ENTERTAINMENT CENTER
	139337-01-000	EA	GASKET - LOCK - ENTERTAINMENT CENTER
1	144734-01-000	EA	SPACER - COMPARTMENT DOOR LOCK - 9/16" DEEP
2	097111-02-04A	EA	POCKET - LOCK - REAR DOOR - BLACK - ENTERTAINMENT CENTER
3	081801-V3-000	EA	HINGE - DOOR - PIANO - 2" X 96" - BRIGHT WHITE
3	081801-FN-000	EA	HINGE - DOOR - PIANO - 2" X 96" - BLACK
4	156386-01-01A	FT	SEAL - BULB - W/ADHESIVE BACK
5*	110506-27-000	EA	LOCK - TWIST - 1.6" - TWIST LOCK
	110506-55-000	EA	CASE/CYLINDER -TWIST -W/O CAM -1.25" -597312AA1 - TWIST LOCK
	110506-66-000	EA	CAM - LATCHING - DOG LEG - 1.5" LONG - TWIST LOCK
5	138290-02-000	EA	CASE - W/CAM - W/O CYLINDER/KEY - ENTERTAINMENT CENTER
5*	138637-04-000	EA	LOCK ASM. - KEYED - 1.5" CASE (CYLINDER/CAM/HDWR PKG) - KEYED LOCK
	144474-01-000	EA	ADAPTER - LOCK - 180 DEGREE - KEYED LOCK
	138637-63-000	EA	CAM - LATCHING - DOG LEG - 1.5" LONG - KEYED LOCK
	138637-53-000	EA	CASE/CYLINDER - LOCKING - W/O CAM/KEY - 1.5"
	138637-53-001	EA	CASE/CYLINDER - LOCKING - W/O CAM/KEY - 1.5"
	138637-53-002	EA	CASE/CYLINDER - LOCKING - W/O CAM/KEY - 1.5"
	138637-53-003	EA	CASE/CYLINDER - LOCKING - W/O CAM/KEY - 1.5"
	138637-53-004	EA	CASE/CYLINDER - LOCKING - W/O CAM/KEY - 1.5"
	138637-53-005	EA	CASE/CYLINDER - LOCKING - W/O CAM/KEY - 1.5"
	138637-53-006	EA	CASE/CYLINDER - LOCKING - W/O CAM/KEY - 1.5"
	138637-53-007	EA	CASE/CYLINDER - LOCKING - W/O CAM/KEY - 1.5"
	138637-53-008	EA	CASE/CYLINDER - LOCKING - W/O CAM/KEY - 1.5"
	138637-53-009	EA	CASE/CYLINDER - LOCKING - W/O CAM/KEY - 1.5"
6	056795-01-000	FT	TAPE-SEAL, 1/8~ X 3/8~ WIDE - PRESS ON

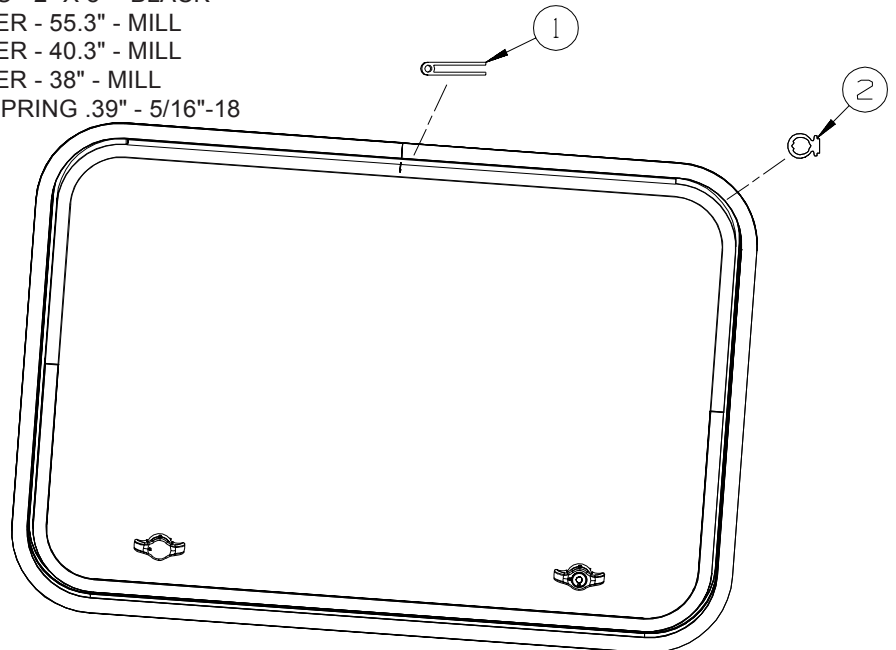
\*COMPONENT PARTS LISTED LATER IN THIS GROUP



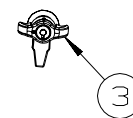
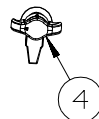
**EXTERIOR DOORS & COMPARTMENTS GROUP (CONTINUED)**  
**COMPARTMENT DOOR PIECE PARTS (CONTINUED)**



KEY	PART NUMBER	U/M DESCRIPTION
1	154825-01-01A	EA LATCH/PULL - COMPARTMENT DOOR - BLACK
2	152294-01-10A	EA CHANNEL - HAT - PLASTIC - 2.9" X 15.7" - BLACK
3	152294-02-10A	EA CHANNEL - HAT - PLASTIC - 2.9" X 7.1" - BLACK
4	152294-03-10A	EA CHANNEL - HAT - PLASTIC - 2.9" X 3.9" - BLACK
5	154066-01-01A	EA LATCH - VISE ACTION/LOCKING-W/O CYLINDER/KEYS/HDW KIT-BLK - <b>LOCKING</b>
5	154066-02-01A	EA LATCH - VISE ACTION/NON-LOCKING - BLACK - <b>NONLOCKING</b>
5	154066-11-000	EA HARDWARE KIT - W/PAWL/CAM - STRAIGHT - <b>PERPENDICULAR</b>
5	154066-12-000	EA HARDWARE KIT - W/PAWL/CAM - OFFSET - <b>PARALLEL</b>
6	158982-01-04B	EA HINGE - CONTINUOUS - 2" X 8" - BLACK
7	152537-01-01A	EA TRIM - FEATURE/INNER - 55.3" - MILL
7	152537-02-01A	EA TRIM - FEATURE/INNER - 40.3" - MILL
7	152537-05-01A	EA TRIM - FEATURE/INNER - 38" - MILL
8	057460-02-000	EA BALL STUD - F/GAS SPRING .39" - 5/16"-18

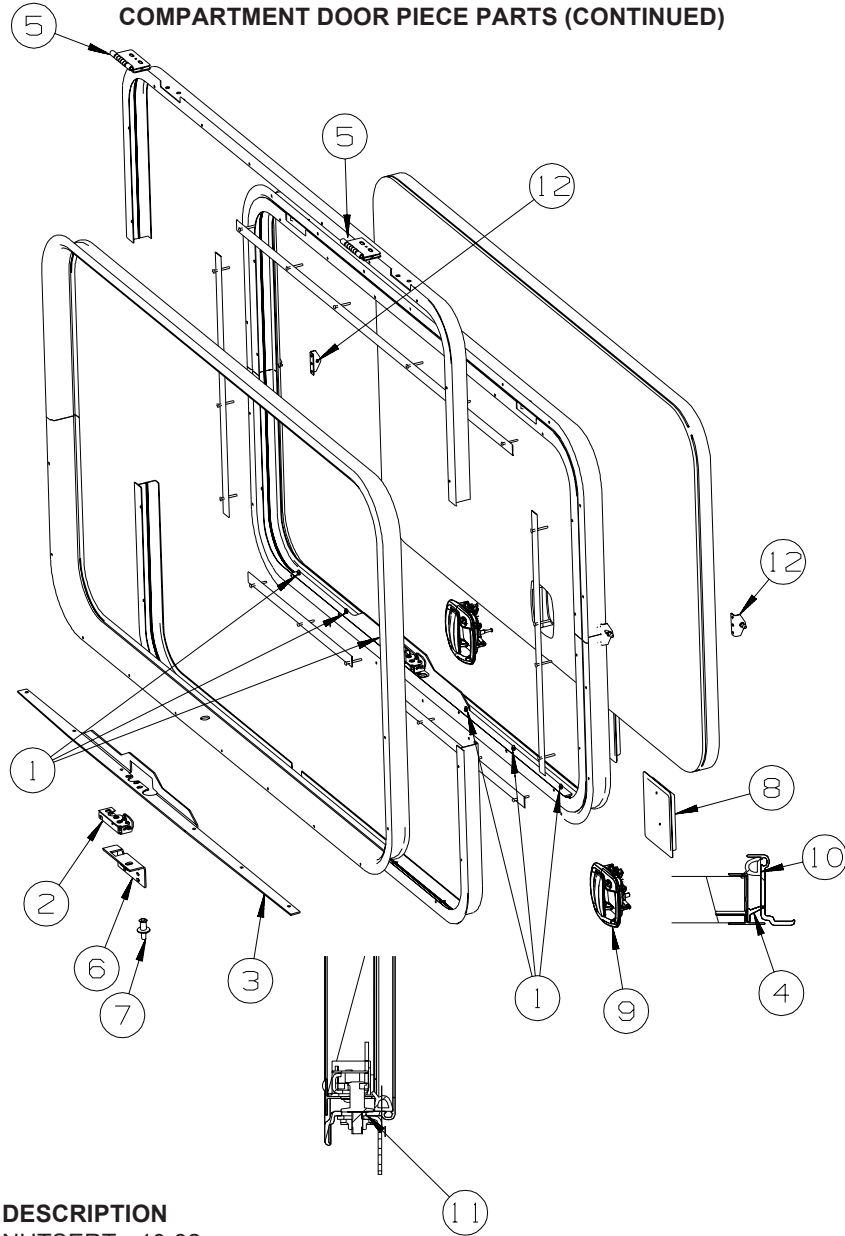


KEY	PART NUMBER	U/M DESCRIPTION
1	081801-V3-000	EA HINGE - DOOR - PIANO - 2" X 96" - BRIGHT WHITE
2	156386-01-01A	FT SEAL - BULB - W/ADHESIVE BACK
3	154066-01-01A	EA LATCH - VISE ACTION/LOCKING - BLACK
	154066-13-000	EA HARDWARE KIT - W/PAWL/CAM - STRAIGHT
4	154066-02-01A	EA LATCH - VISE ACTION/NON-LOCKING - BLACK
	154066-13-000	EA HARDWARE KIT - W/PAWL/CAM - STRAIGHT



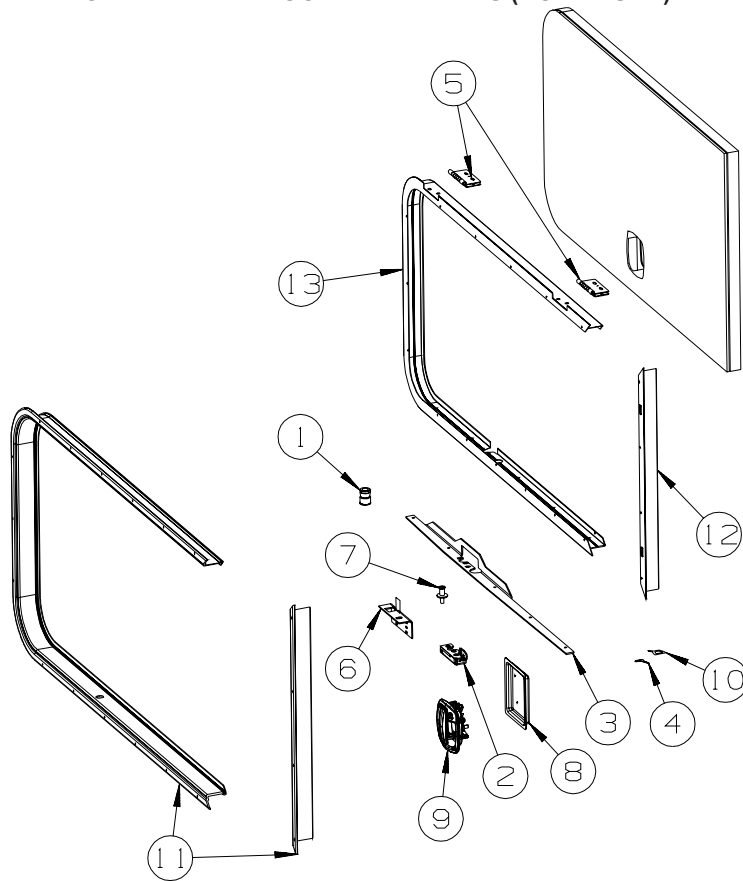
# EXTERIOR DOORS & COMPARTMENTS GROUP (CONTINUED)

## COMPARTMENT DOOR PIECE PARTS (CONTINUED)



KEY	PART NUMBER	U/M	DESCRIPTION
1	072893-04-000	EA	NUTSERT - 10-32
2	112782-22-01A	EA	LATCH - SINGLE ROTOR
3	154530-02-03B	EA	STIFFENER/DOOR - FORMED - OFF WHITE
4	075671-04-000	FT	SEAL - SPONGE - LAZY T - W/ADHESIVE STRIP - .5" WIDE
5	106719-02-05A	EA	HINGE - STORAGE DOOR - 3.6" X 3.8" - BRIGHT WHITE
6	137401-01-03B	EA	BRACKET - DOOR ANGLE - OFF WHITE
7	092927-14-000	EA	STRIKER - ROUND - JAMB MOUNTED
8	112782-25-01A	EA	COVER - LATCH PLATE - BLACK
9	112782-24-01A	EA	LATCH/PADDLE - COMPT DOOR - W/O CYLINDER - BLACK
10	146556-01-000	FT	SEAL - D SECTION W/LEG
11	104692-01-000	EA	SEAL - ADHESIVE BACKED FOAM - 3/4" THICK X 3/4" WIDE X 25'
12	126263-02-02B	EA	BRACKET - GAS SPRING W/BALL STUD - E-COATED

**EXTERIOR DOORS & COMPARTMENTS GROUP (CONTINUED)**  
**COMPARTMENT DOOR PIECE PARTS (CONTINUED)**



<b>KEY</b>	<b>PART NUMBER</b>	<b>U/M</b>	<b>DESCRIPTION</b>
1	072893-04-000	EA	NUTSERT - 10-32
2	112782-22-01A	EA	LATCH - SINGLE ROTOR
3	154530-03-02B	EA	STIFFENER/DOOR - FORMED - E-COATED
4	075671-04-000	FT	SEAL - SPONGE - LAZY T - W/ADHESIVE STRIP - .5" WIDE
5	106719-02-05A	EA	HINGE - STORAGE DOOR - 3.6" X 3.8" - BRIGHT WHITE
6	137401-01-03B	EA	BRACKET - DOOR ANGLE - OFF WHITE
7	092927-14-000	EA	STRIKER - ROUND - JAMB MOUNTED
8	112782-25-02A	EA	COVER - LATCH PLATE - BRIGHT WHITE
9	112782-24-01A	EA	LATCH/PADDLE - COMPT DOOR - W/O CYLINDER - BLACK
10	146556-01-000	FT	SEAL - D SECTION W/LEG
11	121898-22-01A	EA	JAMB - DOOR/ENTRANCE - BRIGHT WHITE
12	121893-01-01A	EA	FRAME - ENTRY DOOR/BOTTOM - BRIGHT WHITE
13	121894-32-01A	EA	FRAME - ENTRY DOOR - BRIGHT WHITE

**COMPONENT PARTS FOR COMPARTMENT DOOR PIECE PARTS**

**110506-A1-000, 110506-A2-000, 110506-26-000, 110506-27-000, 110506-36-000**

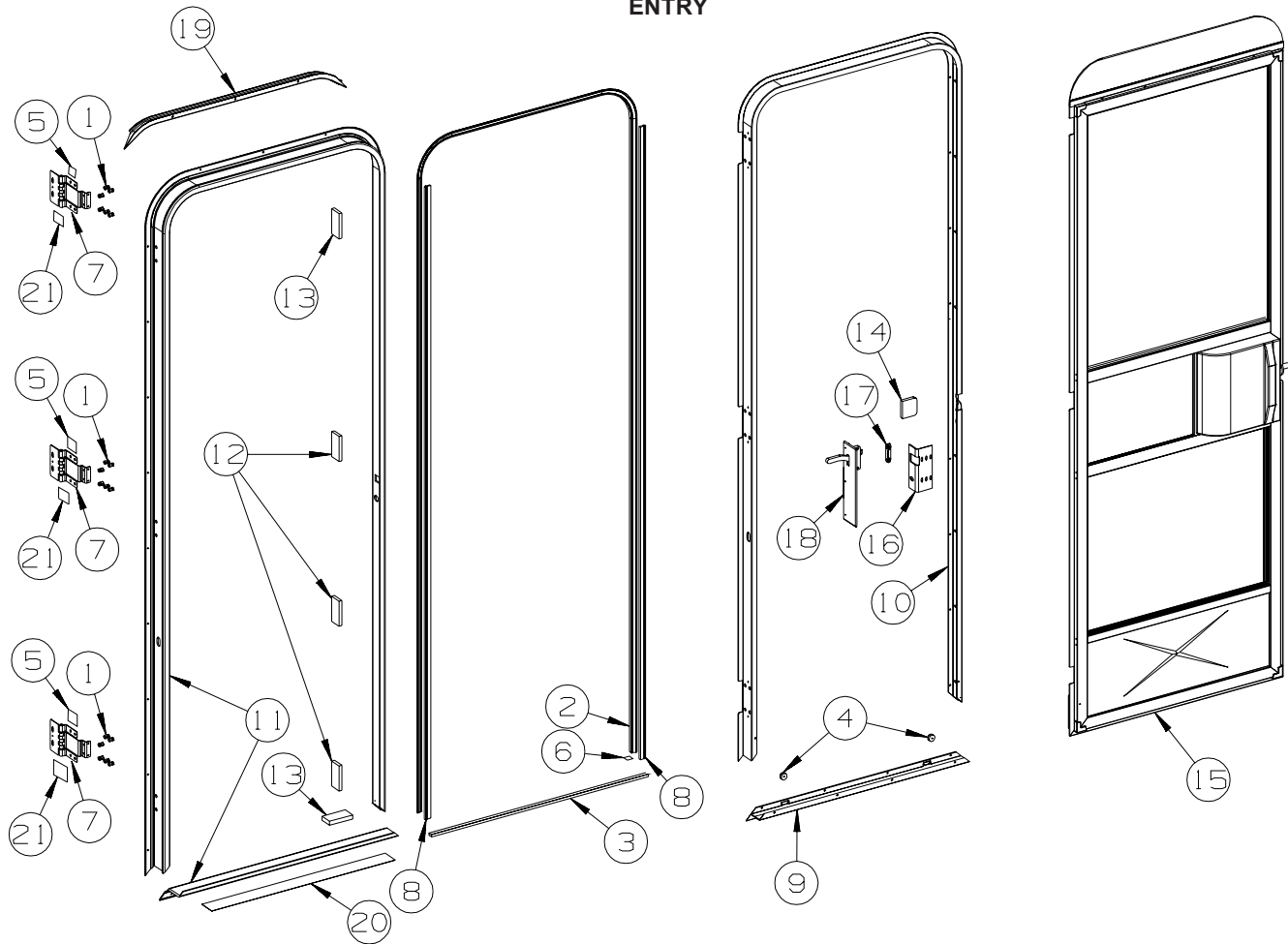
<b>KEY</b>	<b>PART NUMBER</b>	<b>U/M</b>	<b>DESCRIPTION</b>	<b>VENDOR NO.</b>
	110506-40-700	EA	HDWE KIT	596950AAL

**138637-03-000, 138637-04-000**

<b>KEY</b>	<b>PART NUMBER</b>	<b>U/M</b>	<b>DESCRIPTION</b>	<b>VENDOR NO.</b>
	110506-40-700	EA	HDWE KIT	596950AAL

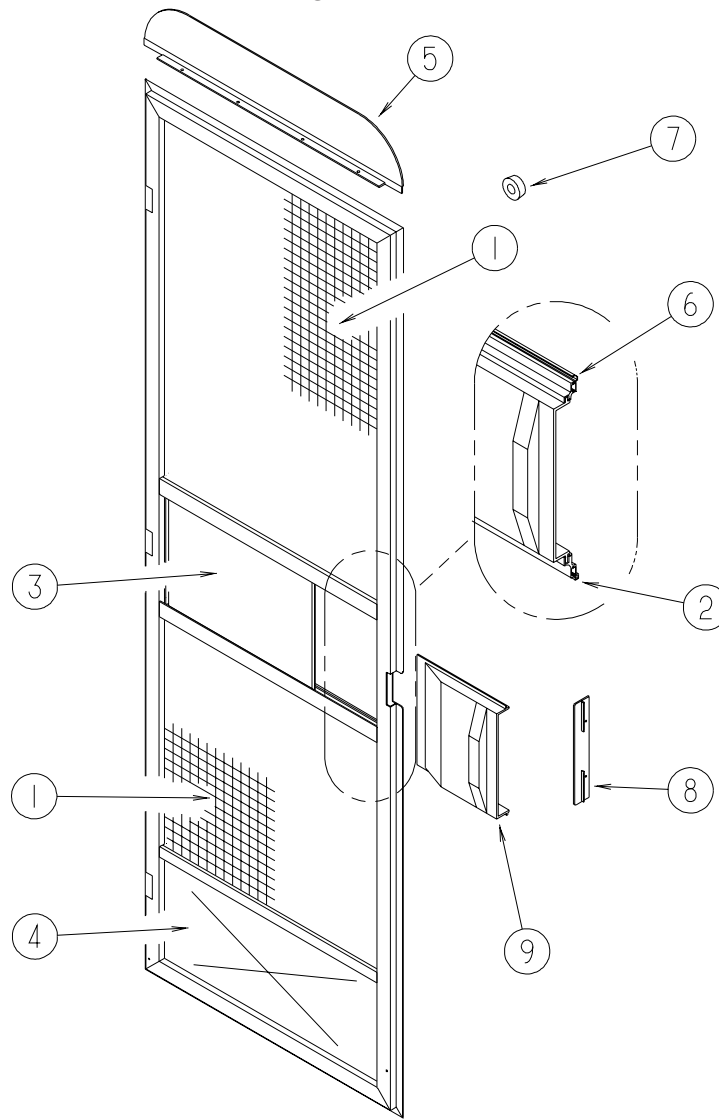
# EXTERIOR DOORS & COMPARTMENTS GROUP (CONTINUED)

## ENTRY



KEY	PART NUMBER	U/M	DESCRIPTION
1	039715-01-000	EA	NUT-SERT - 1/4" DIAMETER - 20 THREADS
2	075671-05-000	FT	SEAL - SPONGE - LAZY T - W/ADHESIVE STRIP - .5" WIDE
3	075673-05-000	FT	SEAL/PILE - .5" HIGH W/ADHESIVE BACK - BLACK
4	081914-02-000	EA	BUMPER - RUBBER - ROUND - 5/16" DIA. X 13/64" THICK
5	100128-02-000	FT	SEAL - FOAM/ADHESIVE BACK - .37" WIDE X .37" THICK
6	104692-01-000	FT	SEAL - ADHESIVE BACKED FOAM - 3/4" THICK X 3/4" WIDE X 25'
7	106719-01-05A	EA	HINGE - ENTRY DOOR - BRIGHT WHITE
8	118929-01-01A	FT	SEAL - PILE - PUSH ON
9	121893-01-01A	EA	FRAME - ENTRY DOOR/LOWER - BRIGHT WHITE
10	121894-31-01A	EA	FRAME - ENTRY DOOR - BRIGHT WHITE
11	121898-21-01A	EA	JAMB - DOOR/ENTRANCE - BRIGHT WHITE
12	125724-01-000	EA	SHIM - DOOR, ENTRANCE
13	125724-02-000	EA	SHIM - DOOR, ENTRANCE
14	130096-05-000	EA	FOAM - SCREEN DOOR, RETAINER
15	P32208-06-S34	EA	DOOR - SCREEN - W/O HARDWARE
16	137401-01-03B	EA	BRACKET - DOOR ANGLE - OFF WHITE
17	148364-01-12B	EA	STRIKE - SCREEN DOOR - BRIGHT WHITE
18	132915-01-01A	EA	LATCH - SCREEN DOOR - BLACK
19	139054-01-01A	EA	CAP - DRIP - JAMB MOUNTED - BRIGHT WHITE
20	038327-01-000	EA	TAPE - ANTI-SLIP - 2" X 60'
21	154585-01-01A	FT	SEAL - FOAM TAPE - ADHESIVE BACK - 3/8" X 3/8" - BLACK

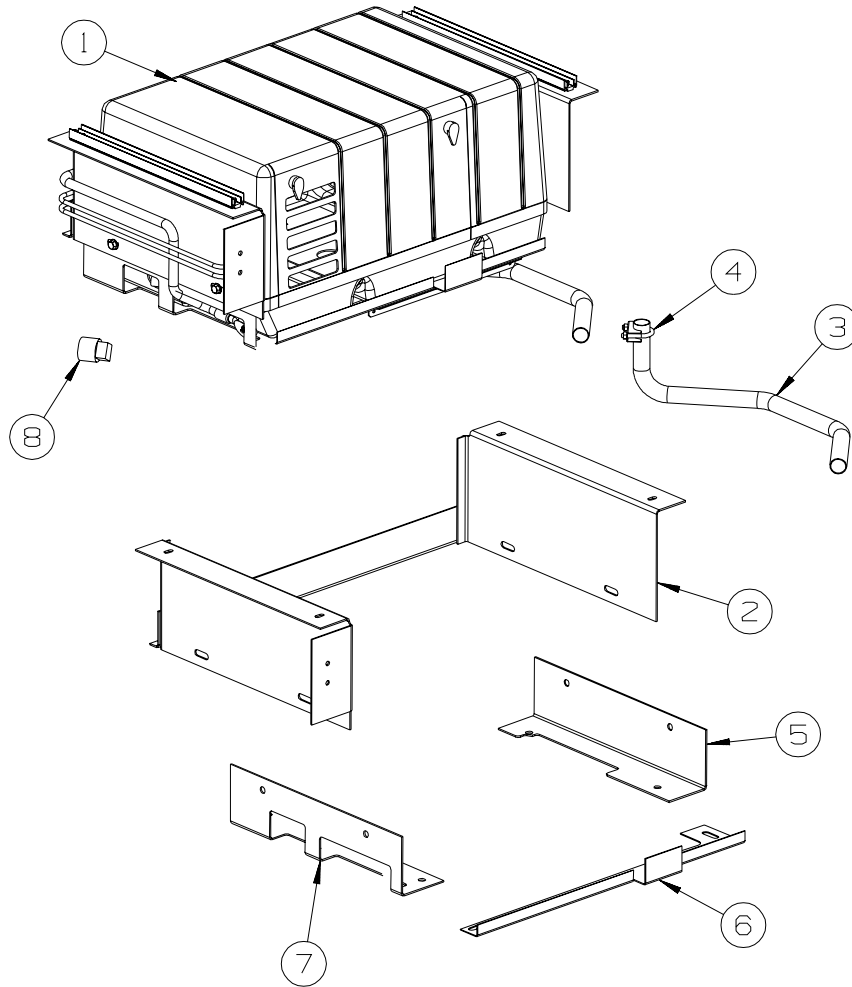
**EXTERIOR DOORS & COMPARTMENTS GROUP (CONTINUED)**  
**SCREEN**



KEY	PART NUMBER	U/M DESCRIPTION
1	002293-02-000	SF SCREEN - 26" - CHARCOAL
2	002294-01-000	FT SPLINE - SCREENING - .13" X .14"
3	016454-21-000	EA INSERT/CENTER - SCREEN DOOR
4	078552-03-000	EA KICK PANEL - SCREEN DOOR - LOWER INSERT - UNPAINTED
5	078595-01-000	EA TOP PLATE - SCREEN DOOR - CURVED TOP - 4.7" X 25.35"
6	078777-08-000	FT CHANNEL - SLIDER - 4 FOOT INCREMENTS
7	120863-09-000	EA BUMPER - RUBBER/RADIUS TOP - 3/4" X 3/8" - LT GRAY
8	132081-01-01A	EA STRIKE - SLIDER - SCREEN DOOR - BRIGHT WHITE
9	132082-01-01A	EA SLIDER - SCREEN DOOR - BRIGHT WHITE



# GENERATOR GROUP GAS



KEY	PART NUMBER	U/M	DESCRIPTION
1	109982-04-000	EA	GENERATOR - 3.6 MICROLITE - ONAN
2	151797-01-02B	EA	COMPARTMENT - GENERATOR - E-COATED
3	151809-01-000	EA	PIPE - EXHAUST/GENERATOR
4	007125-04-000	EA	CLAMP - MUFFLER - 1.12"DIAMETER
5	114071-02-02B	EA	SUPPORT - GENERATOR - RIGHT
6	153395-01-02B	EA	BRACE - DOOR LATCH/GENERATOR - E-COATED
7	114070-02-02B	EA	SUPPORT - GENERATOR - LEFT
8	145609-01-000	EA	PLUG - BRASS - 1/2" MPT/HEX HEAD

**HEATING & A/C GROUP**  
**FURNACE**

<b>KEY</b>	<b>PART NUMBER</b>	<b>U/M</b>	<b>DESCRIPTION</b>
	098668-15-000	EA	PLATE - FACE - SUBURBAN FURNACE
	098668-23-000	EA	DOOR - ACCESS - FURNACE - BRIGHT WHITE
*	139980-01-000	EA	FURNACE - 25000 BTU - SF QUIET - SUBURBAN SF-25 2320J
	143563-05-000	EA	GASKET - FIBERGLASS - SUBURBAN #071018
	093614-01-02A	EA	GRILLE - AIR RETURN - 15.9" X 7.9" - BEIGE
	056464-10-000	EA	REGISTER W/O DAMPER - 4" DIAMETER - PLASTIC - BEIGE
	137965-01-02A	EA	REGISTER - 11.2" X 3.6"(9.7 X 2.1"R/O) W/O DAMPER-ANT PWTR
	137965-02-02A	EA	REGISTER - 11.2" X 3.6"(9.7 X 2.1"R/O) W/DAMPER - ANT PWTR
	098668-26-000	EA	BOTTOM DUCT KIT - 40,000 BTU
	009198-02-000	FT	DUCT - HEAT - FLEXIBLE - 2" ID X 25'
	009198-01-000	FT	DUCT - HEAT - FLEXIBLE - 4" ID X 25'
	069636-02-000	EA	CONNECTOR - DUCT - 4" ID
	157225-01-02A	EA	OUTLET - DEFROSTER - W/SWIVEL - 2" SLEEVE/4"OD - WHITE
	157225-01-05A	EA	OUTLET - DEFROSTER - W/SWIVEL - 2" SLEEVE/4"OD -RIVERSTONE
	118761-01-000	EA	REDUCER - 4"-2" - GALVANIZED

**\*COMPONENT PARTS LISTED LATER IN THIS GROUP**





**HEATING & A/C GROUP (CONTINUED)**  
**COMPONENT PARTS FOR FURNACE (CONTINUED)**

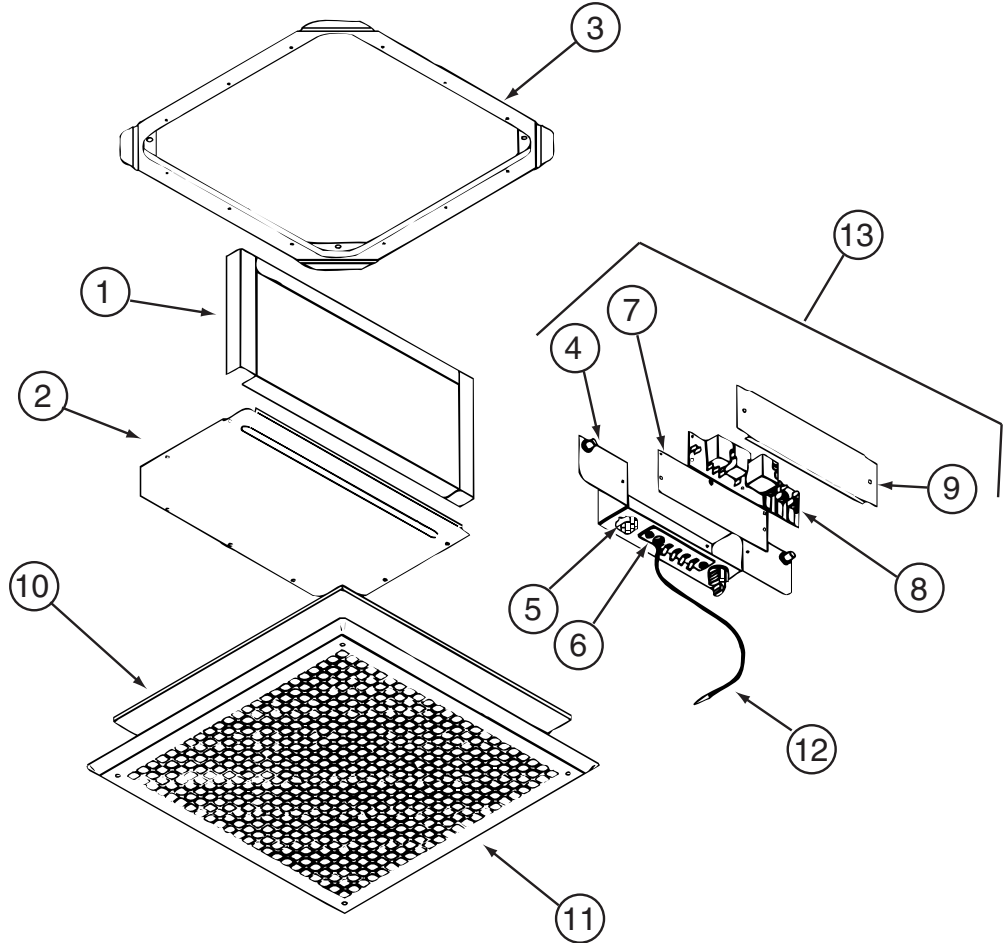
**139980-01-000 (CONTINUED)**

<b>KEY</b>	<b>PART NUMBER</b>	<b>U/M</b>	<b>DESCRIPTION</b>	<b>VENDOR NO.</b>
9	139980-01-700	EA	MANIFOLD ASSEMBLY	171571
11	090039-01-703	EA	ORIFICE-MAIN BURNER	180193
12	098668-22-703	EA	GASKET - BURNER ACCESS COVER	070811
22	139980-01-701	EA	ELECTRODE	232286
23	098668-01-703	EA	BURNER ASSEMBLY	010762
26	098668-01-718	EA	VALVE-GAS SF S.N.974903079	161122
27	139980-01-702	EA	PIPE ASSEMBLY/GAS INLET	171574
31	098668-01-707	EA	TUBE ASSEMBLY, EXHAUST W/CAP	260231
33	139980-01-703	EA	HOUSING/COMB. - FRONT/HALF	390852
36	098668-01-706	EA	WHEEL-COMBUSTION AIR	350184
37	139980-01-704	EA	HOUSING/COMB. - REAR/HALF	390848
39	139980-01-705	EA	GASKET/FIREWALL-COMB AIR	071084
40	139980-01-706	EA	MOTOR ASSEMBLY W/GASKET	232682
42	101990-01-714	EA	GASKET-MICROSWITCH	230877
44	098668-21-700	EA	SWITCH-MICRO-W/O FLAG 3 1/4"	232261
46	139980-01-708	EA	BLOWER ASSEMBLY - ROOM AIR	390739BK
47	098668-01-711	EA	WHEEL-BLOWER, ROOM AIR	350129
48	139980-01-709	EA	ORFICE RING	390696
50	139980-01-710	EA	SWITCH - ON/OFF	232351
52	139980-01-711	EA	PANEL ASSEMBLY-MODULE BD	101663
53	139980-01-712	EA	INSULATOR - MODULE BD	070807
54	098668-22-705	EA	MODULE BD W/RELAY TIME DELAY	520820
55	139980-01-713	EA	CAP/INSULATOR-MODULE BD	070973
57	139980-01-714	EA	BUSHING - UNIVERSAL	070362
58	139980-01-715	EA	BUSHING - STRAIN RELIEF	231809
59	098668-01-716	EA	GASKET-FIREWALL,CHAMBER SIDE	070808
61	139980-01-716	EA	CHAMBER ASSEMBLY - FINAL	021149BK
62	098668-21-701	EA	SWITCH - LIMIT	232504
66	098668-01-713	EA	TUBE ASSEMBLY, INTAKE	051248
	098668-19-700	EA	DOOR/CABINET ACCESS	101888
	139980-02-700	EA	BLOWER ASM-1/2 HOUSING/OUTER	390851
	139980-02-701	EA	BLOWER ASM-1/2 HOUSING/INNER	390872
			CONTACT WINNEBAGO PART SALES FOR UNLISTED COMPONENT(S)	

## HEATING & A/C GROUP (CONTINUED) ROOF

KEY	PART NUMBER	U/M	DESCRIPTION
	131184-02-01A	EA	BOARD - DIVIDER - SILVER
*	131184-01-01A	EA	CEILING ASSEMBLY - A/C DUCTED - WHITE
*	131184-05-01A	EA	CEILING ASSEMBLY - HEAT PUMP - WHITE - <b>A/C HEAT PUMP - HI EFF, LOW PFL</b>
*	148644-01-01A	EA	A/C-ROOF - LOW PROFILE - ART WHITE - RVP 9203C876
*	148644-02-01A	EA	A/C-ROOF-LOW PROFILE/HEAT PMP-ART WHT-RVP9003C876 - <b>A/C HEAT PUMP - HI EFF, LOW PFL</b>

**\*COMPONENT PARTS LISTED LATER IN THIS GROUP**



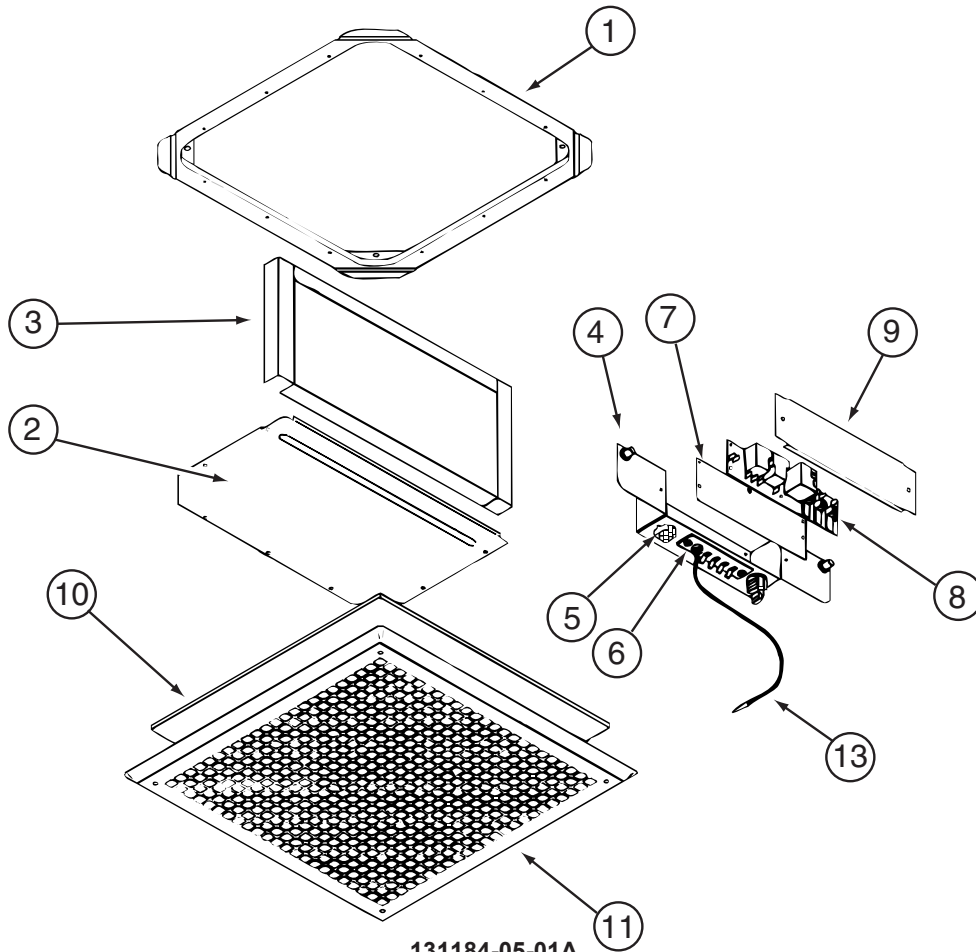
**COMPONENT PARTS FOR ROOF**

### 131184-01-01A

KEY	PART NUMBER	U/M	DESCRIPTION	VENDOR NO.
1	131184-01-707	EA	DUCT DIVIDER	8330-3501
5	131184-01-700	EA	PLUG ASSEMBLY	7330A389
6	131184-01-701	EA	TERMINAL BOARD	7330B3201
7	131184-01-702	EA	ISOLATOR - BLANK	7330C365
8	108892-01-702	EA	BOARD-P.C.	7330A3211
10	108892-01-703	EA	FILTER	6798A3761
11	108892-01-704	EA	GRILLE 16 3/8X16 3/8 RETURN	6798-3041
12	131184-01-704	EA	COIL SENSOR	7330-6111
13	131184-01-705	EA	JUNCTION BOX ASSEMBLY	7330B5551
	131184-01-703	EA	SMALL PARTS PKG	8330-5961

CONTACT WINNEBAGO PART SALES FOR UNLISTED COMPONENT(S)

**HEATING & A/C GROUP (CONTINUED)**  
**COMPONENT PARTS FOR ROOF (CONTINUED)**

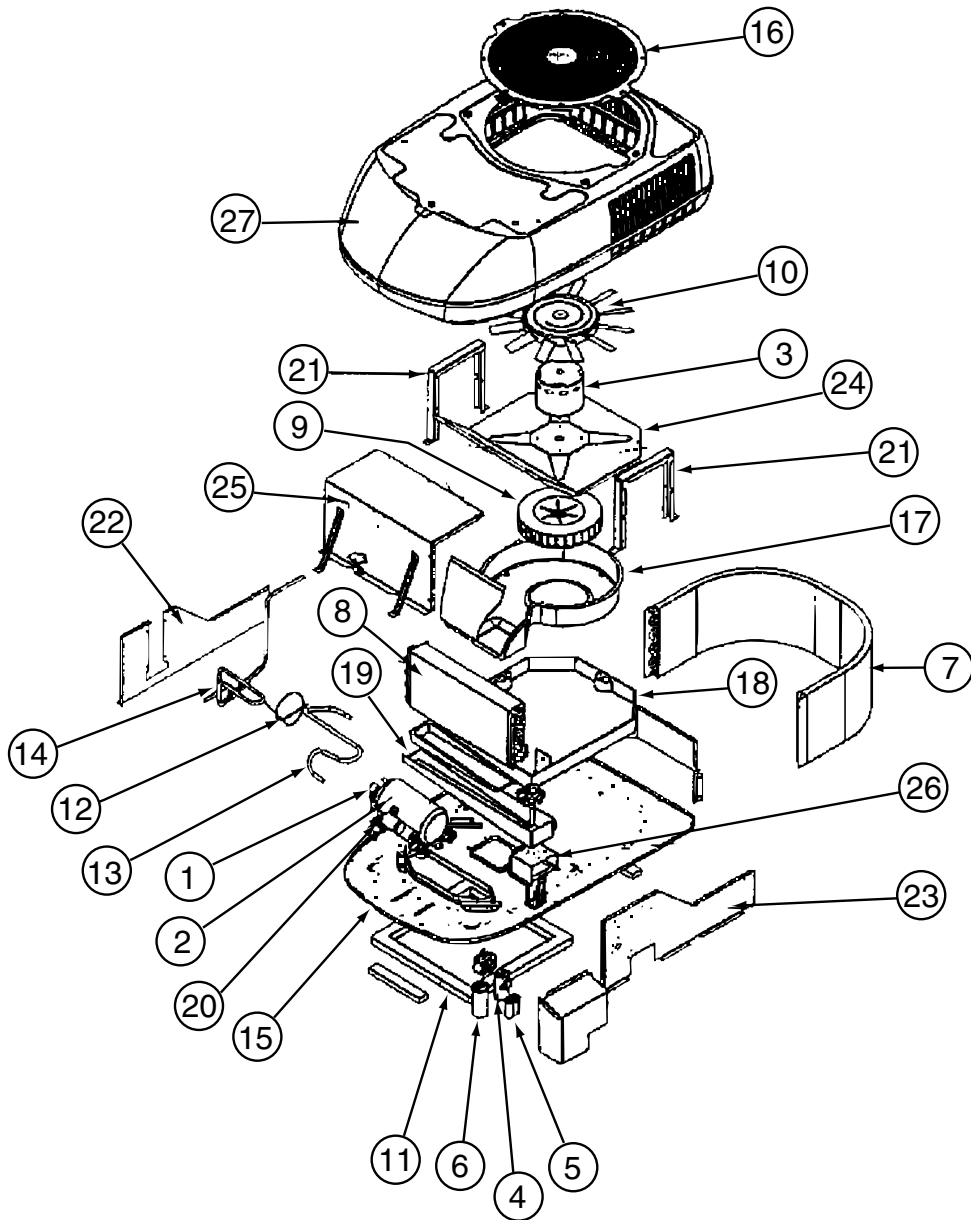


131184-05-01A

KEY	PART NUMBER	U/M	DESCRIPTION	VENDOR NO.
4	131184-05-700	EA	BOX - JUNCTION	8530-5091
5	131184-04-700	EA	PLUG ASSEMBLY	7530A340
6	131184-04-702	EA	BOARD - TERMINAL	7530B3201
7	131184-01-702	EA	ISOLATOR - BLANK	7330C365
8	131184-04-705	EA	BOARD - P.C.	7330B3311
10	108892-01-703	EA	FILTER	6798A3761
11	108892-01-704	EA	GRILLE 16 3/8X16 3/8 RETURN	6798-3041
13	105620-12-719	EA	COIL SENSOR	7330A3231
	131184-01-703	EA	SMALL PARTS PKG	8330-5961

CONTACT WINNEBAGO PART SALES FOR UNLISTED COMPONENT(S)

**HEATING & A/C GROUP (CONTINUED)**  
**COMPONENT PARTS FOR ROOF (CONTINUED)**

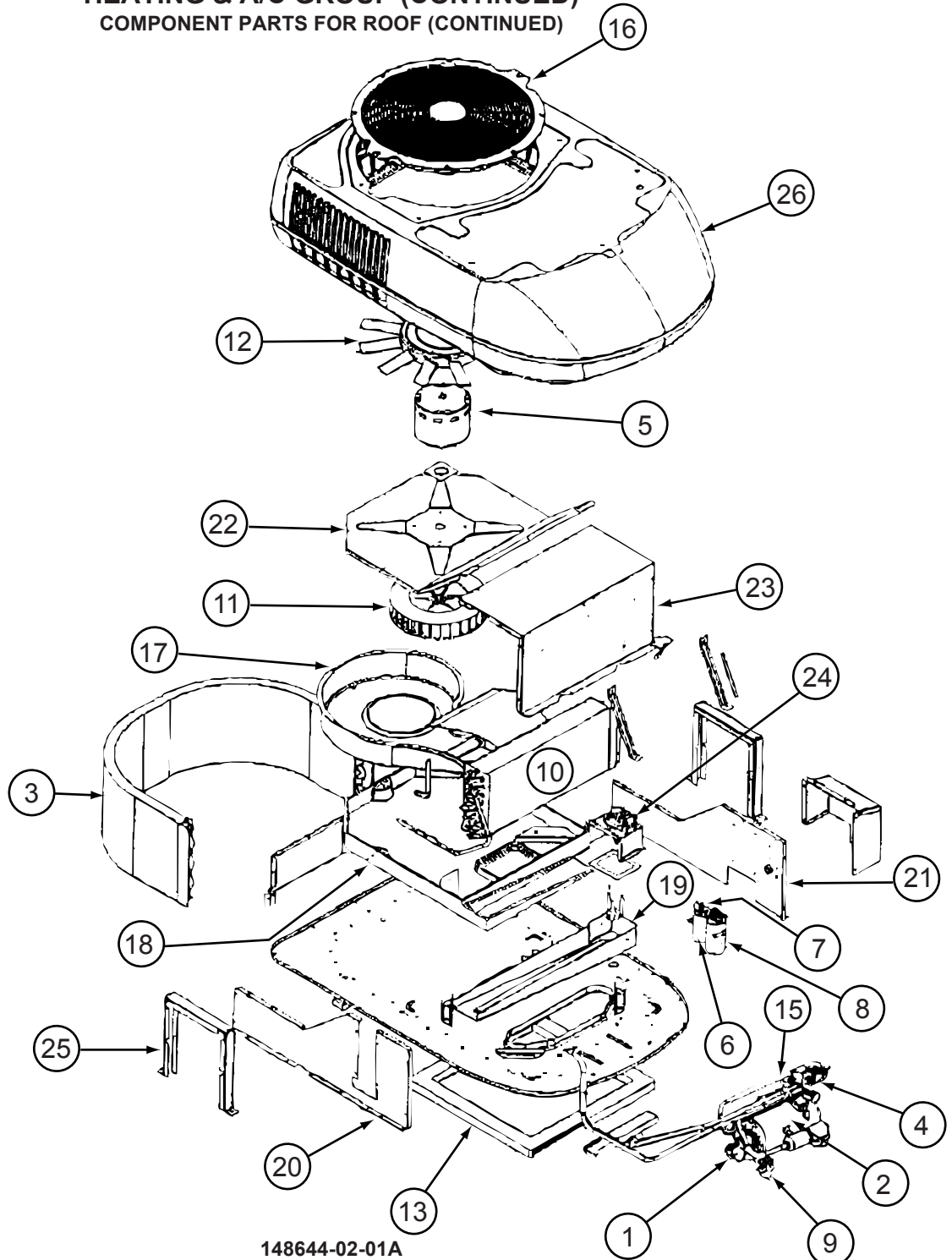


148644-01-01A

KEY	PART NUMBER	U/M	DESCRIPTION	VENDOR NO.
1	148644-01-701	EA	OVERLOAD	1450-0131
2	148644-01-702	EA	COMPRESSOR	1450A2189
3	148644-01-703	EA	MOTOR - BLOWER	1468A3239
4	105620-10-705	EA	PTCR (START DEVICE) - W/CAP.	8333A9021
5	093763-01-704	EA	CAPACITOR-FAN (INDOOR MOTOR)	1499-5461
6	131188-01-701	EA	RUN CAP. (COMP-40MFD/370V)	1499-5721
7	148644-01-704	EA	COIL-CONDENSER	1452-1201
8	148644-01-705	EA	COIL - EVAPORATOR	1452-1211
9	147102-01-705	EA	BLOWER WHEEL	1472-1111
10	147102-01-706	EA	FAN BLADE	1472-5021
11	037648-01-714	EA	GASKET PACKAGE	8332-3301
27	148644-01-700	EA	SHROUD - (ARCTIC WHITE)	9233A5461

CONTACT WINNEBAGO PART SALES FOR UNLISTED COMPONENT(S)

**HEATING & A/C GROUP (CONTINUED)**  
**COMPONENT PARTS FOR ROOF (CONTINUED)**

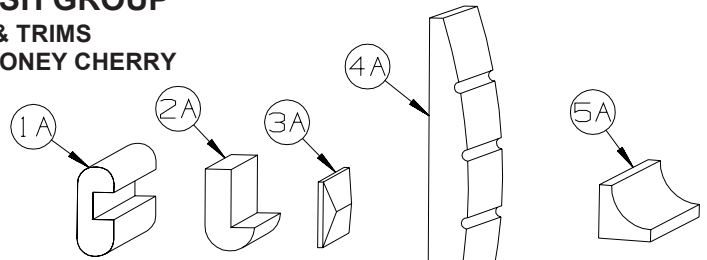


148644-02-01A

KEY	PART NUMBER	U/M	DESCRIPTION	VENDOR NO.
1	148644-01-701	EA	OVERLOAD	1450-0131
2	148644-01-702	EA	COMPRESSOR	1450A2189
3	148644-02-700	EA	COIL - CONDENSER	1452-1241
4	105620-12-708	EA	COIL - SOLENOID	1460-1081
5	148644-01-703	EA	MOTOR - BLOWER	1468A3239
6	105620-10-705	EA	PTCR (START DEVICE) - W/CAP.	8333A9021
7	093763-01-704	EA	CAPACITOR-FAN (INDOOR MOTOR)	1499-5461
8	131188-01-701	EA	RUN CAP. (COMP-40MFD/370V)	1499-5721
10	148644-02-701	EA	COIL - EVAPORATOR	1452-1261
11	147102-01-705	EA	BLOWER WHEEL	1472-1111
12	147102-01-706	EA	FAN BLADE	1472-5021
13	037648-01-714	EA	GASKET PACKAGE	8332-3301
26	148644-01-700	EA	SHROUD - (ARCTIC WHITE)	9233A5461

CONTACT WINNEBAGO PART SALES FOR UNLISTED COMPONENT(S)

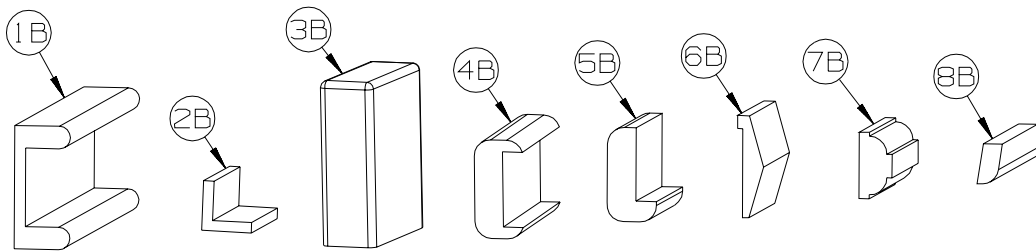
**INTERIOR FINISH GROUP**  
**MOLDINGS & TRIMS**  
**WASHED MAPLE, HONEY CHERRY**



KEY	PART NUMBER	U/M	DESCRIPTION
1A	M09412-62-N42	EA	MOLDING/SHELF EDGE - .6" X 1.3" X 96" - PORTSMOUTH OAK
1A	M09412-62-M52	EA	MOLDING/SHELF EDGE - .6" X 1.3" X 96" - CHERRY - CONCERT CHERRY
1A	M09412-62-M62	EA	MOLDING/SHELF EDGE - .6" X 1.3" X 96" - WASHED MAPLE - WASHED MAPLE
1A	M09412-62-RC3	EA	MOLDING/SHELF EDGE - .6" X 1.3" X 96" - HONEY CHERRY - HONEY CHERRY
1A	M09412-62-SA3	EA	MOLDING/SHELF EDGE - .6" X 1.3" X 96" - MAPLE - SIERRA MAPLE
2A	M09450-77-PC0	EA	MOLDING - TRIM/HDWD W/LIP -.4"X3.2"X79.6" - PORTSMOUTH OAK
2A	M09450-77-PC1	EA	MOLDING - TRIM/HDWD W/LIP -.4"X3.2"X79.6" - CONCERT CHERRY
2A	M09450-77-PC2	EA	MOLDING - TRIM/HDWD W/LIP -.4"X3.2"X79.6" - WASHED MAPLE
2A	M09450-77-RC3	EA	MOLDING - TRIM/HDWD W/LIP -.4"X3.2"X79.6" - HONEY CHERRY
2A	M09501-32-TG1	EA	MOLDING/TRIM - W/NOTCH - .8" X 2.5" X 86.2"-CONCERT CHERRY
2A	M09501-32-TG2	EA	MOLDING/TRIM - W/NOTCH - .8" X 2.5" X 86.2" - WASHED MAPLE,
2A	M09501-32-TD3	EA	MOLDING/TRIM - W/NOTCH - .8" X 2.5" X 86.2" - SIERRA MAPLE
2A	M09503-52-T77	EA	MOLDING/TRIM - .75" X 1.2" X 86.5" - PORTSMOUTH OAK
2A	M09503-52-T78	EA	MOLDING/TRIM - .75" X 1.2" X 86.5" - CONCERT CHERRY
2A	M09503-52-T79	EA	MOLDING/TRIM - .75" X 1.2" X 86.5" - WASHED MAPLE
2A	M09503-52-T80	EA	MOLDING/TRIM - .75" X 1.2" X 86.5" - SIERRA MAPLE
2A	M09511-43-T78	EA	MOLDING - TRIM - W/NOTCH - .8" X 1.4" X 86.3" - CONCERT CHERRY
2A	M09525-80-UM1	EA	MOLDING - TRIM - W/NOTCH - .8"X 1.4"X 86.5" - CONCERT CHERRY
2A	M09511-43-T79	EA	MOLDING - TRIM - W/NOTCH - .8" X 1.4" X 86.3" - WASHED MAPLE
2A	M09525-80-U91	EA	MOLDING - TRIM - W/NOTCH - .8" X 1.4" X 86.5" - WASHED MAPLE
2A	M09511-43-T80	EA	MOLDING - TRIM - W/NOTCH - .8" X 1.4" X 86.3" - SIERRA MAPLE
2A	M09525-80-U92	EA	MOLDING - TRIM - W/NOTCH - .8" X 1.4" X 86.5" - SIERRA MAPLE
2A	M09438-25-RA3	EA	MOLDING - HARDWOOD-W/NOTCH - 1.4"X 80.2" - HONEY CHERRY
2A	M09515-72-TD1	EA	MOLDING/TRIM - .8" X 2.2" X 86.1" - CONCERT CHERRY
2A	M09515-72-TD2	EA	MOLDING/TRIM - .8" X 2.2" X 86.1" - WASHED MAPLE
2A	M09515-72-TD3	EA	MOLDING/TRIM - .8" X 2.2" X 86.1" - SIERRA MAPLE
3A	M09471-91-R69	EA	MOLDING - TRIM/VEE - .2" X 1" X 34.4" - CONCERT CHERRY
3A	M09471-91-R76	EA	MOLDING - TRIM/VEE - .2" X 1" X 34.4" - WASHED MAPLE
3A	M09471-91-SA3	EA	MOLDING - TRIM/VEE - .2" X 1" X 34.4" - SIERRA MAPLE
3A	M09477-88-S34	EA	MOLDING - TRIM/VEE - .2" X 1" X 19.9" - WASHED MAPLE
3A	M09477-88-S35	EA	MOLDING - TRIM/VEE - .2" X 1" X 19.9" - SIERRA MAPLE
3A	M09501-30-SD2	EA	MOLDING - TRIM/VEE - .2" X 1" X 35.1" - WASHED MAPLE
3A	M09501-30-SD3	EA	MOLDING - TRIM/VEE - .2" X 1" X 35.1" - HONEY CHERRY
3A	M09501-37-TG1	EA	MOLDING - TRIM/VEE - .2" X 1" X 19.2" - CONCERT CHERRY
3A	M09501-37-TG2	EA	MOLDING - TRIM/VEE - .2" X 1" X 19.2" - WASHED MAPLE
3A	M09501-37-TD3	EA	MOLDING - TRIM/VEE - .2" X 1" X 19.2" - SIERRA MAPLE
3A	M09501-37-TG3	EA	MOLDING - TRIM/VEE - .2" X 1" X 19.2" - HONEY CHERRY
3A	M09501-63-T78	EA	MOLDING - TRIM/VEE - .2" X 1" X 15" - CONCERT CHERRY
3A	M09501-63-T79	EA	MOLDING - TRIM/VEE - .2" X 1" X 15" - WASHED MAPLE
3A	M09501-63-T80	EA	MOLDING - TRIM/VEE - .2" X 1" X 15" - SIERRA MAPLE
3A	M09503-62-TG1	EA	MOLDING - TRIM/VEE - .2" X 1" X 26.3" - CONCERT CHERRY
3A	M09503-62-TG2	EA	MOLDING - TRIM/VEE - .2" X 1" X 26.3" - WASHED MAPLE
3A	M09503-62-TG3	EA	MOLDING - TRIM/VEE - .2" X 1" X 26.3" - HONEY CHERRY
3A	M09511-90-TG1	EA	MOLDING - TRIM/VEE - .2" X 1" X 42.1" - CONCERT CHERRY
3A	M09511-90-TG3	EA	MOLDING - TRIM/VEE - .2" X 1" X 42.1" - HONEY CHERRY
3A	M09511-90-TG2	EA	MOLDING - TRIM/VEE - .2" X 1" X 42.1" - WASHED MAPLE
3A	M09520-15-TD1	EA	MOLDING - TRIM/VEE - .2" X 1" X 15.3" - CONCERT CHERRY
3A	M09520-15-TD2	EA	MOLDING - TRIM/VEE - .2" X 1" X 15.3" - WASHED MAPLE
3A	M09520-15-TD3	EA	MOLDING - TRIM/VEE - .2" X 1" X 15.3" - SIERRA MAPLE
3A	M09520-96-T59	EA	MOLDING - TRIM/VEE - .2" X 1" X 32.7" - PORTSMOUTH OAK
3A	M09520-96-T60	EA	MOLDING - TRIM/VEE - .2" X 1" X 32.7" - CONCERT CHERRY
3A	M09520-96-T61	EA	MOLDING - TRIM/VEE - .2" X 1" X 32.7" - WASHED MAPLE
3A	M09520-96-TP0	EA	MOLDING - TRIM/VEE - .2" X 1" X 32.7" - SIERRA MAPLE

**INTERIOR FINISH GROUP (CONTINUED)**  
**MOLDINGS & TRIMS (CONTINUED)**

KEY	PART NUMBER	U/M	DESCRIPTION
3A	M09525-96-TA0	EA	MOLDING - TRIM/VEE - .2" X 1" X 36.2" - PORTSMOUTH OAK
3A	M09525-96-TA1	EA	MOLDING - TRIM/VEE - .2" X 1" X 36.2" - CONCERT CHERRY
3A	M09525-96-TA2	EA	MOLDING - TRIM/VEE - .2" X 1" X 36.2" - WASHED MAPLE
3A	M09525-96-TA3	EA	MOLDING - TRIM/VEE - .2" X 1" X 36.2" - SIERRA MAPLE
3A	M09534-08-T01	EA	MOLDING - TRIM/VEE - .2" X 1" X 24.5" - SIERRA MAPLE
3A	M09534-08-T02	EA	MOLDING - TRIM/VEE - .2" X 1" X 24.5" - HONEY CHERRY
3A	M09511-32-T78	EA	MOLDING - TRIM/VEE - .4" X 1" X 26.8" - CONCERT CHERRY
3A	M09511-32-T79	EA	MOLDING - TRIM/VEE - .4" X 1" X 26.8" - WASHED MAPLE
3A	M09511-32-T80	EA	MOLDING - TRIM/VEE - .4" X 1" X 26.8" - SIERRA MAPLE
3A	M09511-86-T78	EA	MOLDING - TRIM/VEE - .4" X 1" X 28.3" - CONCERT CHERRY
3A	M09511-86-T79	EA	MOLDING - TRIM/VEE - .4" X 1" X 28.3" - WASHED MAPLE
3A	M09511-86-T80	EA	MOLDING - TRIM/VEE - .4" X 1" X 28.3" - SIERRA MAPLE
3A	M09477-63-S46	EA	MOLDING - TRIM/VEE - .4" X 1" X 64.1" - PORTSMOUTH OAK - BATH DOOR TRIM
3A	M09477-63-SR0	EA	MOLDING - TRIM/VEE - .4" X 1" X 64.1" - SIERRA MAPLE - BATH DOOR TRIM
3A	M09477-64-S46	EA	MOLDING - TRIM/VEE - .4" X 1" X 14.9" - PORTSMOUTH OAK - BATH DOOR TRIM
3A	M09477-64-SR0	EA	MOLDING - TRIM/VEE - .4" X 1" X 14.9" - SIERRA MAPLE - BATH DOOR TRIM
4A	M09462-54-R90	EA	MOLDING - FLUTED, CURVED - .6" X 6" X 82.7" - CONCERT CHERRY
4A	M09462-54-R91	EA	MOLDING - FLUTED, CURVED - .6" X 6" X 82.7" - WASHED MAPLE
4A	M09462-54-RE3	EA	MOLDING - FLUTED, CURVED - .6" X 6" X 82.7" - HONEY CHERRY
5A	M09471-79-R38	EA	MOLDING - TRIM/COVE - .8" X .8" X 95.8" - OAK/PORTS OAK - PORTSMOUTH OAK
5A	M09471-79-R39	EA	MOLDING - TRIM/COVE - .8" X .8" X 95.8" - CHERRY/CHERRY - CONCERT CHERRY
5A	M09471-79-R46	EA	MOLDING - TRIM/COVE - .8" X .8" X 95.8" - MAPLE/MAPLE - WASHED MAPLE
5A	M09471-79-RE0	EA	MOLDING - TRIM/COVE - .8" X .8" X 95.8" - HONEY/CHERRY- HONEY CHERRY
5A	M09471-79-SA3	EA	MOLDING - TRIM/COVE - .8" X .8" X 95.8" - HONEY/MAPLE - SIERRA MAPLE

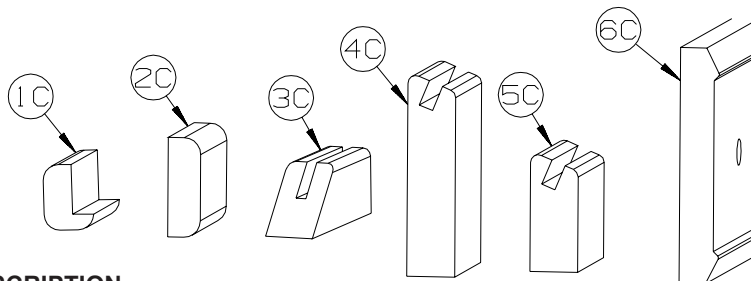


KEY	PART NUMBER	U/M	DESCRIPTION
1B	M09501-84-TG0	EA	MOLDING/TRIM - CAP/WALL - 2.2" X 85.9" - PORTSMOUTH OAK
1B	M09501-84-TG1	EA	MOLDING/TRIM - CAP/WALL - 2.2" X 85.9" - CONCERT CHERRY
1B	M09501-84-TG2	EA	MOLDING/TRIM - CAP/WALL - 2.2" X 85.9" - WASHED MAPLE
1B	M09520-07-TD3	EA	MOLDING/TRIM - CAP/WALL - 2.2" X 80.5" - SIERRA MAPLE
1B	M09501-84-TG3	EA	MOLDING/TRIM - CAP/WALL - 2.2" X 85.9" - HONEY CHERRY
2B	M09511-81-TA1	EA	MOLDING/TRIM - L SHAPE - .8"X .8"X 80.2" - CONCERT CHERRY
2B	M09511-81-TA2	EA	MOLDING/TRIM - L SHAPE - .8"X .8"X 80.2" - WASHED MAPLE
2B	M09511-81-TA3	EA	MOLDING/TRIM - L SHAPE - .8"X .8"X 80.2" - SIERRA MAPLE
3B	M09515-81-T01	EA	MOLDING/HARDWOOD STRAIGHT - 74.3" - WASHED MAPLE
3B	M09515-81-T02	EA	MOLDING/HARDWOOD STRAIGHT - 74.3" - HONEY CHERRY
4B	M09511-42-T77	EA	MOLDING - TRIM - W/NOTCH - 1.5" X 86.4" - PORTSMOUTH OAK
4B	M09511-42-T78	EA	MOLDING - TRIM - W/NOTCH - 1.5" X 86.4" - CONCERT CHERRY
4B	M09511-42-T79	EA	MOLDING - TRIM - W/NOTCH - 1.5" X 86.4" - WASHED MAPLE
4B	M09511-42-T80	EA	MOLDING - TRIM - W/NOTCH - 1.5" X 86.4" - SIERRA MAPLE
5B	M09515-18-T78	EA	MOLDING - HARDWOOD-W/NOTCH - 1.4"X 86.2" - CONCERT CHERRY
5B	M09515-18-T79	EA	MOLDING - HARDWOOD-W/NOTCH - 1.4"X 86.2" - WASHED MAPLE
5B	M09515-18-T80	EA	MOLDING - HARDWOOD-W/NOTCH - 1.4"X 86.2" - SIERRA MAPLE
6B	M09515-52-TG1	EA	MOLDING - TRIM/VEE - 1.5" X 73.9" - CONCERT CHERRY
6B	M09515-52-TG2	EA	MOLDING - TRIM/VEE - 1.5" X 73.9" - WASHED MAPLE
6B	M09515-52-TG3	EA	MOLDING - TRIM/VEE - 1.5" X 73.9" - HONEY CHERRY
7B	Y00076-32-438	EA	MOLDING/TRIM - .5" X 1" X 96" - CHERRY (UNSTAINED)
7B	Y00076-22-438	EA	MOLDING/TRIM - .5" X 1" X 96" - MAPLE (UNSTAINED)
8B	Y00086-72-438	EA	MOLDING - VINYL WRAP - .7" X 1.6" X 96" - PORTSMOUTH OAK - PORTSMOUTH OAK
8B	Y00086-62-438	EA	MOLDING - 96" - CONCERT CHERRY (U90/94/98/A1/A5/B1/C1/C5/D1/D5/E1/E5/F1/F5/G1/G5/H1/H5)
8B	Y00086-D2-438	EA	MOLDING - VINYL WRAP - .7" X 1.6" X 96" - CONCERT CHERRY (UM1 THRU UM9, UN1 THRU UN9)
8B	Y00086-A2-438	EA	MOLDING - VINYL WRAP - .7" X 1.6" X 96" - WASHED MAPLE
8B	Y00086-92-438	EA	MOLDING - VINYL WRAP - .7" X 1.6" X 96" - SIERRA MAPLE - SIERRA MAPLE



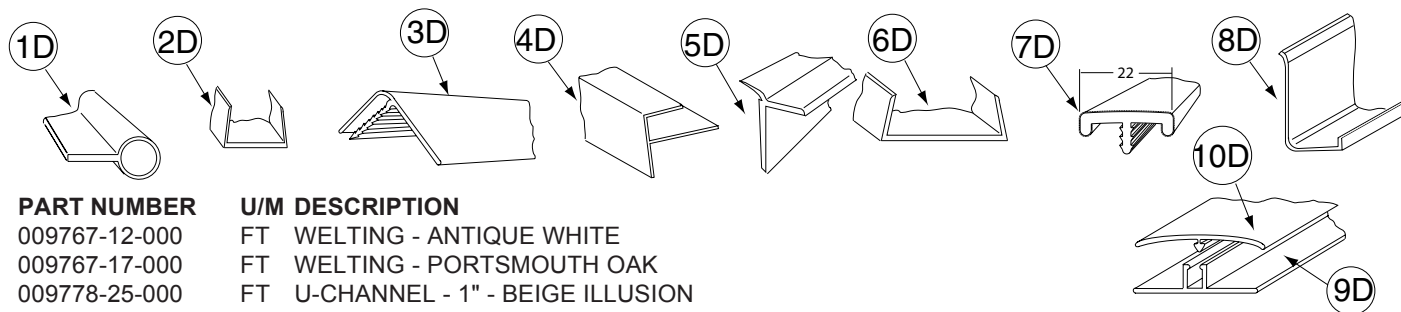
**INTERIOR FINISH GROUP (CONTINUED)**  
**MOLDINGS & TRIMS (CONTINUED)**

KEY	PART NUMBER	U/M	DESCRIPTION
8B	Y00087-62-438	EA	MOLDING - 96" - CONCERT CHERRY (U90/94/98/A1/A5/B1/C1/C5/D1/D5/E1/E5/F1/F5/G1/G5/H1/H5)
8B	Y00087-D2-438	EA	MOLDING - VINYL WRAP - .7" X 2.9" X 96" - CONCERT CHERRY (UM1 THRU UM9, UN1 THRU UN9)
8B	Y00087-A2-438	EA	MOLDING - VINYL WRAP - .7" X 2.9" X 96" - WASHED MAPLE
8B	Y00087-92-438	EA	MOLDING - VINYL WRAP - .7" X 2.9" X 96" - SIERRA MAPLE
8B	Y00300-62-438	EA	MOLDING - 96" - CONCERT CHERRY (U90/94/98/A1/A5/B1/C1/C5/D1/D5/E1/E5/F1/F5/G1/G5/H1/H5)
8B	Y00300-D2-438	EA	MOLDING - VINYL WRAP - .3" X .6" X 96" - CONCERT CHERRY (UM1 THRU UM9, UN1 THRU UN9)
8B	Y00300-A2-438	EA	MOLDING - VINYL WRAP - .3" X .6" X 96" - WASHED MAPLE
8B	Y00300-92-438	EA	MOLDING - VINYL WRAP - .3" X .6" X 96" - SIERRA MAPLE



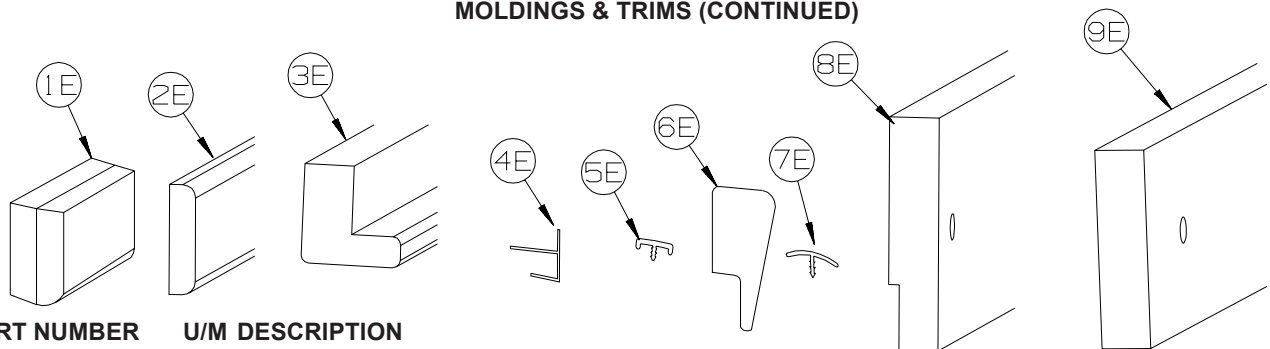
KEY	PART NUMBER	U/M	DESCRIPTION
1C	M09520-19-TD1	EA	MOLDING - TRIM - W/NOTCH - 1" X 86.3" - CONCERT CHERRY
1C	M09520-19-TD2	EA	MOLDING - TRIM - W/NOTCH - 1" X 86.3" - WASHED MAPLE
1C	M09520-19-TD3	EA	MOLDING - TRIM - W/NOTCH - 1" X 86.3" - HONEY CHERRY
1C	M09525-27-UF1	EA	MOLDING - HARDWOOD - .75" X 1.4" X 32.4" - CONCERT CHERRY
1C	M09525-27-UF2	EA	MOLDING - HARDWOOD - .75" X 1.4" X 32.4" - WASHED MAPLE
1C	M09525-27-UF3	EA	MOLDING - HARDWOOD - .75" X 1.4" X 32.4" - SIERRA MAPLE
2C	M09511-46-T77	EA	MOLDING/TRIM - .5" X 1.5" X 86.5" - PORTSMOUTH OAK
2C	M09511-46-T78	EA	MOLDING/TRIM - .5" X 1.5" X 86.5" - CONCERT CHERRY
2C	M09511-46-T79	EA	MOLDING/TRIM - .5" X 1.5" X 86.5" - WASHED MAPLE
2C	M09511-46-T80	EA	MOLDING/TRIM - .5" X 1.5" X 86.5" - SIERRA MAPLE
3C	Y00223-42-438	EA	MOLDING - HARDWOOD/OAK - .7" X 1" X 96"
3C	Y00223-32-438	EA	MOLDING - HARDWOOD/CHERRY - .7" X 1" X 96"
3C	Y00223-22-438	EA	MOLDING - HARDWOOD/MAPLE - .7" X 1" X 96"
4C	Y00054-62-438	EA	MOLDING- 96" - CONCERT CHERRY (U90/94/98/A1/A5/B1/C1/C5/D1/D5/E1/E5/F1/F5/G1/G5/H1/H5)
4C	Y00054-D2-438	EA	MOLDING/VYL WRP-BVLD-.73" X 3.1" X 96" - CONCERT CHERRY (UM1 THRU UM9, UN1 THRU UN9)
4C	Y00054-A2-438	EA	MOLDING/VINYL WRAP-BEVELED ENDS-.73"X3.1"X96" - WASHED MAPLE
4C	Y00054-92-438	EA	MOLDING/VINYL WRAP-BEVELED-.73" X 3.1" X 96" - SIERRA MAPLE
4C	Y00258-62-438	EA	MOLDING/VYL 96" - CONCERT CHERRY (U90/94/98/A1/A5/B1/C1/C5/D1/D5/E1/E5/F1/F5/G1/G5/H1/H5)
4C	Y00258-D2-438	EA	MOLDING/VINYL WRP-BVLD-.73" X 3.1" X 96" - CONCERT CHERRY (UM1 THRU UM9, UN1 THRU UN9)
4C	Y00258-A2-438	EA	MOLDING/VINYL WRAP-BEVELED ENDS-.73"X3.1"X96" - WASHED MAPLE
4C	Y00258-92-438	EA	MOLDING/VINYL WRAP-BEVELED-.73" X 3.1" X 96" - SIERRA MAPLE
5C	Y00259-62-438	EA	MOLDING/VYL 96" - CONCERT CHERRY (U90/94/98/A1/A5/B1/C1/C5/D1/D5/E1/E5/F1/F5/G1/G5/H1/H5)
5C	Y00259-D2-438	EA	MOLDING/VINYL WRP-BVLD-.73" X 1.8" X 96" - CONCERT CHERRY (UM1 THRU UM9, UN1 THRU UN9)
5C	Y00259-A2-438	EA	MOLDING/VINYL WRAP-BEVELED-.73"X1.8"X96" - WASHED MAPLE
5C	Y00259-92-438	EA	MOLDING/VINYL WRAP-BEVELED-.73"X1.8"X96" - SIERRA MAPLE
6C	Y00152-A2-438	EA	MOLDING/TRIM - VINYL - .6" X 3.5" X 96" - WASHED MAPLE
6C	Y00152-92-438	EA	MOLDING/TRIM - VINYL - .6" X 3.5" X 96" - SIERRA MAPLE

**INTERIOR FINISH GROUP (CONTINUED)**  
**MOLDINGS & TRIMS (CONTINUED)**



KEY	PART NUMBER	U/M	DESCRIPTION
1D	009767-12-000	FT	WELTING - ANTIQUE WHITE
1D	009767-17-000	FT	WELTING - PORTSMOUTH OAK
2D	009778-25-000	FT	U-CHANNEL - 1" - BEIGE ILLUSION
2D	009778-26-000	FT	U-CHANNEL - 1 1/4" - BEIGE ILLUSION
2D	009778-38-000	FT	U-CHANNEL - 1" - BONE
2D	009778-32-000	FT	U-CHANNEL - 1" - PORTSMOUTH OAK
2D	009778-34-000	FT	U-CHANNEL - 1" - CONCERT CHERRY
2D	009778-27-000	FT	U-CHANNEL - 1" - WASHED MAPLE
2D	009778-35-000	FT	U-CHANNEL - 1" - HONEY CHERRY
2D	009778-36-000	FT	U-CHANNEL - 1" - SIERRA MAPLE
3D	009809-30-000	EA	MOLDING - CORNER - OUTSIDE - 1" X 84" - BEIGE ILLUSION
3D	009809-37-000	EA	MOLDING - CORNER - OUTSIDE - 1" X 84" - BONE
3D	009809-32-000	EA	MOLDING - CORNER - OUTSIDE - 1" X 84" - PORTSMOUTH OAK
3D	009809-33-000	EA	MOLDING - CORNER - OUTSIDE - 1" X 84" - CONCERT CHERRY
3D	009809-31-000	EA	MOLDING - CORNER - OUTSIDE - 1" X 84" - WASHED MAPLE
3D	009809-34-000	EA	MOLDING - CORNER - OUTSIDE - 1" X 84" - HONEY CHERRY
3D	009809-35-000	EA	MOLDING - CORNER - OUTSIDE - 1" X 84" - SIERRA MAPLE
4D	009812-31-000	EA	MOLDING - CORNER - 1/2" W/1/4"CHAN X 84" - BEIGE ILLUSION
4D	009812-40-000	EA	MOLDING - CORNER - 1/2" W/1/4"CHAN X 84" - BONE
4D	009812-35-000	EA	MOLDING - CORNER - 1/2" W/1/4"CHAN X 84" - PORTSMOUTH OAK
4D	009812-36-000	EA	MOLDING - CORNER - 1/2" W/1/4"CHAN X 84" - CONCERT CHERRY
4D	009812-33-000	EA	MOLDING - CORNER - 1/2" W/1/4"CHAN X 84" - WASHED MAPLE
4D	009812-37-000	EA	MOLDING - CORNER - 1/2" W/1/4"CHAN X 84" - HONEY CHERRY
4D	009812-38-000	EA	MOLDING - CORNER - 1/2" W/1/4"CHAN X 84" - SIERRA MAPLE
5D	022992-11-000	FT	MOLDING - REVERSE COVE - T-SHAPED - IVORY
5D	022992-18-000	FT	MOLDING - REVERSE COVE - T-SHAPED - BONE
5D	022992-14-000	FT	MOLDING - REVERSE COVE - T-SHAPED - BRIGHT WHITE
6D	070504-42-000	FT	U-CHANNEL - PLASTIC - .13" X 84" - BEIGE ILLUSION
6D	070504-69-000	FT	U-CHANNEL - PLASTIC - .13" X 84" - BONE
6D	070504-43-000	FT	U-CHANNEL - PLASTIC - .9" X 96" - BEIGE ILLUSION
6D	070504-70-000	FT	U-CHANNEL - PLASTIC - .8" X 84" - BONE
6D	070504-57-000	FT	U-CHANNEL - PLASTIC - .13" X 84" - PORTSMOUTH OAK
6D	070504-58-000	FT	U-CHANNEL - PLASTIC - .9" X 84" - PORTSMOUTH OAK
6D	070504-60-000	FT	U-CHANNEL - PLASTIC - .13" X 84" - CONCERT CHERRY
6D	070504-61-000	FT	U-CHANNEL - PLASTIC - .9" X 84" - CONCERT CHERRY
6D	070504-50-000	FT	U-CHANNEL - PLASTIC - .13" X 96" - WASHED MAPLE
6D	070504-51-000	FT	U-CHANNEL - PLASTIC - .9" X 96" - WASHED MAPLE
6D	070504-62-000	FT	U-CHANNEL - PLASTIC - 1.65" X 84" - HONEY CHERRY
6D	070504-63-000	FT	U-CHANNEL - PLASTIC - .9" X 84" - HONEY CHERRY
6D	070504-65-000	FT	U-CHANNEL - PLASTIC - 1.65" X 84" - SIERRA MAPLE
6D	070504-66-000	FT	U-CHANNEL - PLASTIC - .9" X 84" - SIERRA MAPLE
7D	083620-15-000	FT	MOLDING-T - W/EDGE LIP - 7/8" FACE - BEIGE ILLUSION
7D	083620-25-000	FT	MOLDING-T - W/EDGE LIP - 7/8" FACE - BONE
7D	083620-20-000	FT	MOLDING-T - W/EDGE LIP - 7/8" FACE - PORTSMOUTH OAK
7D	083620-21-000	FT	MOLDING-T - W/EDGE LIP - 7/8" FACE - CONCERT CHERRY
7D	083620-19-000	FT	MOLDING-T - W/EDGE LIP - 7/8" FACE - WASHED MAPLE
7D	083620-24-000	FT	MOLDING-T - W/EDGE LIP - 7/8" FACE - HONEY CHERRY
7D	083620-22-000	FT	MOLDING-T - W/EDGE LIP - 7/8" FACE - SIERRA MAPLE
8D	085746-04-000	FT	TRIM-J - CARPET 1.2" X .5" ANGLE - 12' LONG - OFF WHITE
9D	086229-01-000	EA	RETAINER - BATTEN - .75" X 92.1" - ANY COLOR
10D	086229-20-000	EA	BATTEN - 1" X 96" - BEIGE

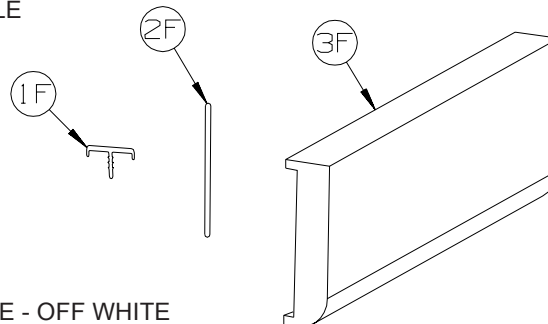
**INTERIOR FINISH GROUP (CONTINUED)**  
**MOLDINGS & TRIMS (CONTINUED)**



KEY	PART NUMBER	U/M	DESCRIPTION
1E	100659-30-N75	EA	MOLDING - TRIM - 8' - PORTSMOUTH OAK
1E	100659-30-N74	EA	MOLDING - TRIM - 8' - CONCERT CHERRY
1E	100659-30-M84	EA	MOLDING - TRIM - 8' - WASHED MAPLE
1E	100659-27-RA3	EA	MOLDING - TRIM - HONEY CHERRY
1E	100659-31-SA3	EA	MOLDING - TRIM - SIERRA MAPLE
2E	100818-01-12A	EA	MOLDING - VINYL WRAPPED - 1.6" X .4" X 84" - PORTSMOUTH OAK
2E	100818-01-13A	EA	MOLDING - VYL 84" - CONCERT CHERRY (U90/94/98/A1/A5/B1/C1/C5/D1/D5/E1/E5/F1/F5/G1/G5/H1/H5)
2E	100818-01-23A	EA	MOLDING - VINYL WRPPD - 1.6" X .4" X 84" - CONCERT CHERRY (UM1 THRU UM9, UN1 THRU UN9)
2E	100818-01-21A	EA	MOLDING - VINYL WRAPPED - 1.6" X .4" X 84" - WASHED MAPLE
2E	100818-01-14A	EA	MOLDING - VINYL WRAPPED - 1.6" X .4" X 84" - HONEY CHERRY
2E	100818-01-22A	EA	MOLDING - VINYL WRAPPED - 1.6" X .4" X 84" - SIERRA MAPLE
3E	100819-01-12A	EA	MOLDING - VINYL WRAPPED-L-SHAPED-1.5"X1.5"X84" - PORTSMOUTH OAK
3E	100819-01-13A	EA	MOLDING - VYL 84" - CONCERT CHERRY (U90/94/98/A1/A5/B1/C1/C5/D1/D5/E1/E5/F1/F5/G1/G5/H1/H5)
3E	100819-01-23A	EA	MOLDING - VYL WRPPD-L-SHPD-1.5"X1.5"X84" - CONCERT CHERRY (UM1 THRU UM9, UN1 THRU UN9)
3E	100819-01-21A	EA	MOLDING - VINYL WRAPPED-L-SHAPED-1.5"X1.5"X84" - WASHED MAPLE
3E	100819-01-14A	EA	MOLDING - VINYL WRAPPED-L-SHAPED-1.5"X1.5"X84" - HONEY CHERRY
3E	100819-01-22A	EA	MOLDING - VINYL WRAPPED-L-SHAPED-1.5"X1.5"X84" - SIERRA MAPLE
4E	103186-01-07A	FT	MOLDING/PLASTIC - 3/8" U-CHANNEL-3/4" FACE -BEIGE ILLUSION
4E	103186-01-09A	FT	MOLDING/PLASTIC - 3/8" U-CHAN'L-3/4" FACE - PORTSMOUTH OAK
4E	103186-01-10A	FT	MOLDING/PLASTIC - 3/8" U-CHAN'L-3/4" FACE - CONCERT CHERRY
4E	103186-01-08A	FT	MOLDING/PLASTIC - 3/8" U-CHANNEL-3/4"FACE-WASHED MAPLE 8' - WASHED MAPLE
4E	103186-01-11A	FT	MOLDING/PLASTIC - 3/8" U-CHAN'L-3/4" FACE - HONEY CHERRY
4E	103186-01-12A	FT	MOLDING/PLASTIC - 3/8" U-CHAN'L-3/4" FACE - SIERRA MAPLE
4E	103186-02-07A	FT	MOLDING/PLASTIC-1" U-CHAN'L-1 3/8" FACE - BEIGE ILLUSION
4E	103186-02-09A	FT	MOLDING/PLASTIC - 1" U-CHAN'L-1 3/8" FACE - PORTSMOUTH OAK
4E	103186-02-10A	FT	MOLDING/PLASTIC - 1" U-CHAN'L-1 3/8" FACE - CONCERT CHERRY
4E	103186-02-08A	FT	MOLDING/PLASTIC - 1" U-CHANNEL-1 3/8"FACE - WASHED MAPLE
4E	103186-02-11A	FT	MOLDING/PLASTIC - 1" U-CHAN'L-1 3/8" FACE - HONEY CHERRY
4E	103186-02-12A	FT	MOLDING/PLASTIC - 1" U-CHAN'L-1 3/8" FACE - SIERRA MAPLE
5E	104676-02-08A	FT	MOLDING-T - W/EDGE LIP - 11/16" FACE - PORTSMOUTH OAK
5E	104676-02-09A	FT	MOLDING-T - W/EDGE LIP - 11/16" FACE - CONCERT CHERRY
5E	104676-02-06A	FT	MOLDING-T - W/EDGE LIP - 11/16" FACE - WASHED MAPLE
5E	104676-02-10A	FT	MOLDING-T - W/EDGE LIP - 11/16" FACE - HONEY CHERRY
5E	104676-02-12A	FT	MOLDING-T - W/EDGE LIP - 11/16" FACE - SIERRA MAPLE
6E	105004-01-12A	EA	MOLDING - VINYL WRAPPED - 1" X 96" - PORTSMOUTH OAK
6E	105004-01-13A	EA	MOLDING - V W 8' - CONCERT CHERRY (U90/94/98/A1/A5/B1/C1/C5/D1/D5/E1/E5/F1/F5/G1/G5/H1/H5)
6E	105004-01-23A	EA	MOLDING - VINYL WRAPPD 1" X 8' - CONCERT CHERRY (UM1 THRU UM9, UN1 THRU UN9)
6E	105004-01-21A	EA	MOLDING - VINYL WRAPPED - 1" X 8' - WASHED MAPLE
6E	105004-01-24A	EA	MOLDING - VINYL WRAPPED - 1" X 8' - HONEY CHERRY
6E	105004-01-22A	EA	MOLDING - VINYL WRAPPED - 1" X 8' - SIERRA MAPLE
7E	105709-02-000	FT	MOLDING-T - W/EDGE LIP 3/4" FACE - BEIGE ILLUSION
8E	116951-45-R68	EA	MOLDING - TRIM - 3" X 30.3" - PORTSMOUTH OAK
8E	116951-45-R69	EA	MOLDING - TRIM - 3" X 30.3" - CONCERT CHERRY
8E	116951-45-R76	EA	MOLDING - TRIM - 3" X 30.3" - WASHED MAPLE
8E	116951-45-SA3	EA	MOLDING - TRIM - 3" X 30.3" - SIERRA MAPLE
9E	116951-37-R68	EA	MOLDING - TRIM - 3.5" X 38.6" - PORTSMOUTH OAK
9E	116951-37-R69	EA	MOLDING - TRIM - 3.5" X 38.6" - CONCERT CHERRY
9E	116951-37-R76	EA	MOLDING - TRIM - 3.5" X 38.6" - WASHED MAPLE
9E	116951-37-SA3	EA	MOLDING - TRIM - 3.5" X 38.6" - SIERRA MAPLE
9E	116951-51-SA0	EA	MOLDING - TRIM - 3.5" X 47.3" - PORTSMOUTH OAK
9E	116951-51-SA1	EA	MOLDING - TRIM - 3.5" X 47.3" - CONCERT CHERRY
9E	116951-51-SA2	EA	MOLDING - TRIM - 3.5" X 47.3" - WASHED MAPLE
9E	116951-51-SA3	EA	MOLDING - TRIM - 3.5" X 47.3" - SIERRA MAPLE

**INTERIOR FINISH GROUP (CONTINUED)**  
**MOLDINGS & TRIMS (CONTINUED)**

KEY	PART NUMBER	U/M	DESCRIPTION
9E	116951-55-TD0	EA	MOLDING - TRIM - 4.5" X 52.3" - PORTSMOUTH OAK
9E	116951-55-TD1	EA	MOLDING - TRIM - 4.5" X 52.3" - CONCERT CHERRY
9E	116951-55-TD2	EA	MOLDING - TRIM - 4.5" X 52.3" - WASHED MAPLE
9E	116951-55-TD3	EA	MOLDING - TRIM - 4.5" X 52.3" - SIERRA MAPLE
9E	116951-56-TD0	EA	MOLDING - TRIM - 4.5" X 52.3" - PORTSMOUTH OAK
9E	116951-56-TD1	EA	MOLDING - TRIM - 4.5" X 52.3" - CONCERT CHERRY
9E	116951-56-TD2	EA	MOLDING - TRIM - 4.5" X 52.3" - WASHED MAPLE
9E	116951-56-TD3	EA	MOLDING - TRIM - 4.5" X 52.3" - SIERRA MAPLE

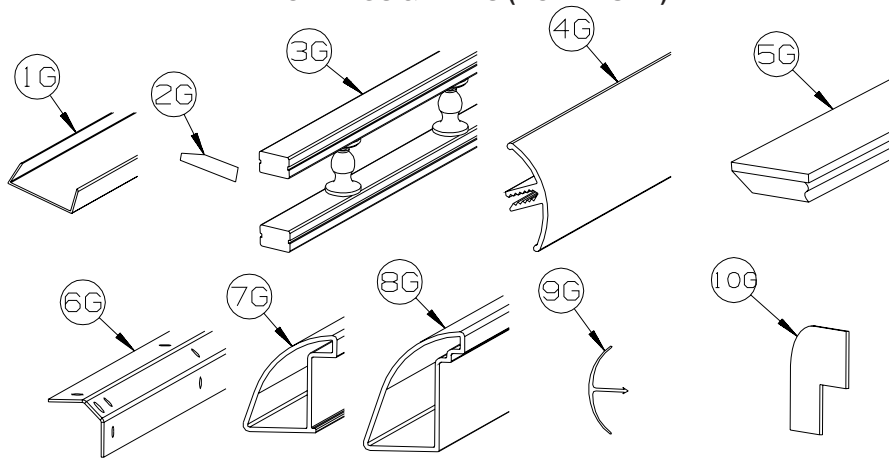


KEY	PART NUMBER	U/M	DESCRIPTION
1F	119520-01-01A	FT	MOLDING-T - OFFSET W/EDGE LIP - 1.3" FACE - OFF WHITE
1F	119520-03-03A	FT	MOLDING-T - OFFSET W/EDGE LIP - 1" FACE - WASHED MAPLE
1F	119520-03-06A	FT	MOLDING-T - OFFSET W/EDGE LIP - 1" FACE - HONEY CHERRY
2F	127842-01-01A	FT	SEAL - SIGHT SHIELD - 2" BLACK
	137885-A2-438	EA	LUMBER - VYL .75" - CONCERT CHERRY (U90/94/98/A1/A5/B1/C1/C5/D1/D5/E1/E5/F1/F5/G1/G5/H1/H5)
	160300-A2-438	EA	LUMBER - VINYL WRAPPED - .7" X .75" X 96" - CONCERT CHERRY (UM1 THRU UM9, UN1 THRU UN9)
	137885-D2-438	EA	LUMBER - VYL1.5" - CONCERT CHERRY (U90/94/98/A1/A5/B1/C1/C5/D1/D5/E1/E5/F1/F5/G1/G5/H1/H5)
	160300-D2-438	EA	LUMBER - VINYL WRAPPED - .7" X 1.5" X 96" - CONCERT CHERRY (UM1 THRU UM9, UN1 THRU UN9)
	137885-E2-438	EA	LUMBER - VYL2" -CONCERT CHERRY (U90/94/98/A1/A5/B1/C1/C5/D1/D5/E1/E5/F1/F5/G1/G5/H1/H5)
	160300-E2-438	EA	LUMBER - VINYL WRAPPED - .7" X 2" X 96" - CONCERT CHERRY (UM1 THRU UM9, UN1 THRU UN9)
	137885-F2-438	EA	LUMBER - VYL2.5" - CONCERT CHERRY (U90/94/98/A1/A5/B1/C1/C5/D1/D5/E1/E5/F1/F5/G1/G5/H1/H5)
	160300-F2-438	EA	LUMBER - VINYL WRAPPED - .7" X 2.5" X 96" - CONCERT CHERRY (UM1 THRU UM9, UN1 THRU UN9)
	137885-G2-438	EA	LUMBER - VYL3" - CONCERT CHERRY (U90/94/98/A1/A5/B1/C1/C5/D1/D5/E1/E5/F1/F5/G1/G5/H1/H5)
	160300-G2-438	EA	LUMBER - VINYL WRAPPED - .7" X 3" X 96" - CONCERT CHERRY (UM1 THRU UM9, UN1 THRU UN9)
	137885-H2-438	EA	LUMBER - VYL3.5" - CONCERT CHERRY (U90/94/98/A1/A5/B1/C1/C5/D1/D5/E1/E5/F1/F5/G1/G5/H1/H5)
	160300-H2-438	EA	LUMBER - VINYL WRAPPED - .7" X 3.5" X 96" - CONCERT CHERRY (UM1 THRU UM9, UN1 THRU UN9)
	137885-J2-438	EA	LUMBER - VYL5.5" - CONCERT CHERRY (U90/94/98/A1/A5/B1/C1/C5/D1/D5/E1/E5/F1/F5/G1/G5/H1/H5)
	160300-J2-438	EA	LUMBER - VINYL WRAPPED - .7" X 5.5" X 96" - CONCERT CHERRY (UM1 THRU UM9, UN1 THRU UN9)
	137885-J2-743	EA	LUMBER - VYL5.5" - CONCERT CHERRY (U90/94/98/A1/A5/B1/C1/C5/D1/D5/E1/E5/F1/F5/G1/G5/H1/H5)
	160300-J2-743	EA	LUMBER - VINYL WRAPPED - .7" X 5.5" X 108" - CONCERT CHERRY (UM1 THRU UM9, UN1 THRU UN9)
	137885-K2-438	EA	LUMBER - VYL3.9" - CONCERT CHERRY (U90/94/98/A1/A5/B1/C1/C5/D1/D5/E1/E5/F1/F5/G1/G5/H1/H5)
	160300-K2-438	EA	LUMBER - VINYL WRAPPED - .7" X 3.9" X 96" - CONCERT CHERRY (UM1 THRU UM9, UN1 THRU UN9)
	137885-R2-438	EA	LUMBER - VYL 3" - CONCERT CHERRY (U90/94/98/A1/A5/B1/C1/C5/D1/D5/E1/E5/F1/F5/G1/G5/H1/H5)
	160300-R2-438	EA	LUMBER - VINYL WRAPPED - .7" X 3" X 96" - CONCERT CHERRY (UM1 THRU UM9, UN1 THRU UN9)
3F	137887-D2-134	EA	MOLDING - 1.6" X 84"- CONCERT CHERRY (U90/94/98/A1/A5/B1/C1/C5/D1/D5/E1/E5/F1/F5/G1/G5/H1/H5)
3F	160301-D2-134	EA	MOLDING -VINYL WRAPPED - .7" X 1.6" X 84" - CONCERT CHERRY (UM1 THRU UM9, UN1 THRU UN9)
3F	137887-D2-743	EA	MLDG - 1.6" X 108" - CONCERT CHERRY (U90/94/98/A1/A5/B1/C1/C5/D1/D5/E1/E5/F1/F5/G1/G5/H1/H5)
3F	160301-D2-743	EA	MOLDING - VINYL WRAPPED- .7" X 1.6" X 108" - CONCERT CHERRY (UM1 THRU UM9, UN1 THRU UN9)
3F	137887-F2-134	EA	MLDNG - 2.5" X 84" - CONCERT CHERRY (U90/94/98/A1/A5/B1/C1/C5/D1/D5/E1/E5/F1/F5/G1/G5/H1/H5)
3F	160301-F2-134	EA	MOLDING - VINYL WRAPPED - .7" X 2.5" X 84" - CONCERT CHERRY (UM1 THRU UM9, UN1 THRU UN9)
3F	137887-F2-743	EA	MLDG - 2.5" X 108" - CONCERT CHERRY (U90/94/98/A1/A5/B1/C1/C5/D1/D5/E1/E5/F1/F5/G1/G5/H1/H5)
3F	160301-F2-743	EA	MOLDING - VINYL WRPPD - .7" X 2.5" X 108" - CONCERT CHERRY (UM1 THRU UM9, UN1 THRU UN9)
3F	137887-F2-438	EA	MLDG - 2.5" X 96" - CONCERT CHERRY (U90/94/98/A1/A5/B1/C1/C5/D1/D5/E1/E5/F1/F5/G1/G5/H1/H5)
3F	160301-F2-438	EA	MOLDING - VINYL WRPPD - .7" X 2.5" X 96" - CONCERT CHERRY (UM1 THRU UM9, UN1 THRU UN9)
	137894-A2-438	EA	LUMBER - VINYL WRAPPED - .7" X .75" X 96" - PORTSMOUTH OAK
	137894-D2-438	EA	LUMBER - VINYL WRAPPED - .7" X 1.5" X 96" - PORTSMOUTH OAK
	137894-E2-438	EA	LUMBER - VINYL WRAPPED - .7" X 2" X 96" - PORTSMOUTH OAK
	137894-F2-438	EA	LUMBER - VINYL WRAPPED - .7" X 2.5" X 96" - PORTSMOUTH OAK
	137894-G2-438	EA	LUMBER - VINYL WRAPPED - .7" X 3" X 96" - PORTSMOUTH OAK
	137894-H2-438	EA	LUMBER - VINYL WRAPPED - .7" X 3.5" X 96" - PORTSMOUTH OAK
	137894-J2-438	EA	LUMBER - VINYL WRAPPED - .7" X 5.5" X 80.2" - PORTSMOUTH OAK
	137894-J2-743	EA	LUMBER - VINYL WRAPPED - .7" X 5.5" X 96" - PORTSMOUTH OAK
	137894-K2-438	EA	LUMBER - VINYL WRAPPED - .7" X 3.9" X 96" - PORTSMOUTH OAK
	137894-R2-438	EA	LUMBER - VINYL WRAPPED - .7" X 3" X 96" - PORTSMOUTH OAK

**INTERIOR FINISH GROUP (CONTINUED)**  
**MOLDINGS & TRIMS (CONTINUED)**

KEY	PART NUMBER	U/M	DESCRIPTION
3F	137895-D2-134	EA	MOLDING - VINYL WRAPPED - .7" X 1.6" X 84"-PORTSMOUTH OAK
3F	137895-D2-743	EA	MOLDING - VINYL WRAPPED - .7" X 1.6" X 108"-PORTSMOUTH OAK
3F	137895-F2-438	EA	MOLDING - VINYL WRAPPED - .7" X 2.5" X 96" - PORTSMOUTH OAK
3F	137895-F2-743	EA	MOLDING - VINYL WRAPPED - .7" X 2.5" X 108" - PORTSMOUTH OAK
	146419-A2-438	EA	LUMBER - VINYL WRAPPED - .7" X .75" X 96" - HONEY CHERRY
	146419-D2-438	EA	LUMBER - VINYL WRAPPED - .7" X 1.5" X 96" - HONEY CHERRY
	146419-E2-438	EA	LUMBER - VINYL WRAPPED - .7" X 2" X 96" - HONEY CHERRY
	146419-F2-438	EA	LUMBER - VINYL WRAPPED - .7" X 2.5" X 96" - HONEY CHERRY
	146419-G2-438	EA	LUMBER - VINYL WRAPPED - .7" X 3" X 96" - HONEY CHERRY
	146419-H2-438	EA	LUMBER - VINYL WRAPPED - .7" X 3.5" X 96" - HONEY CHERRY
	146419-J2-438	EA	LUMBER - VINYL WRAPPED - .7" X 5.5" X 96" - HONEY CHERRY
	146419-J2-743	EA	LUMBER - VINYL WRAPPED - .7" X 5.5" X 108" - HONEY CHERRY
	146419-K2-438	EA	LUMBER - VINYL WRAPPED - .7" X 3.9" X 96" - HONEY CHERRY
	146419-R2-438	EA	LUMBER - VINYL WRAPPED - .7" X 3" X 96" - HONEY CHERRY
	146419-S2-438	EA	LUMBER - VINYL WRAPPED/FULL - .7"X 3.5"X 96"- HONEY CHERRY
	146419-T2-438	EA	LUMBER - VINYL WRAPPED/FULL - .7"X 5.5"X 96"- HONEY CHERRY
3F	146425-D2-134	EA	MOLDING - VINYL WRAPPED - .7" X 1.6" X 83.9" - HONEY CHERRY
3F	146425-F2-438	EA	MOLDING - VINYL WRAPPED - .7" X 2.6" X 96" - HONEY CHERRY
	149325-A2-438	EA	LUMBER - VINYL WRAPPED - .7" X .75" X 96" - WASHED MAPLE
	149325-D2-438	EA	LUMBER - VINYL WRAPPED - .7" X 1.5" X 96" - WASHED MAPLE
	149325-E2-438	EA	LUMBER - VINYL WRAPPED - .7" X 2" X 96" - WASHED MAPLE
	149325-F2-438	EA	LUMBER - VINYL WRAPPED - .7" X 2.5" X 96" - WASHED MAPLE
	149325-G2-438	EA	LUMBER - VINYL WRAPPED - .7" X 3" X 96" - WASHED MAPLE
	149325-H2-438	EA	LUMBER - VINYL WRAPPED - .7" X 3.5" X 96" - WASHED MAPLE
	149325-J2-438	EA	LUMBER - VINYL WRAPPED - .7" X 5.5" X 96" - WASHED MAPLE
	149325-J2-743	EA	LUMBER - VINYL WRAPPED - .7" X 5.5" X 108" - WASHED MAPLE
	149325-K2-438	EA	LUMBER - VINYL WRAPPED - .7" X 3.9" X 96" - WASHED MAPLE
	149325-R2-438	EA	LUMBER - VINYL WRAPPED - .7" X 3" X 96" - WASHED MAPLE
3F	149326-D2-134	EA	MOLDING - VINYL WRAPPED - .7" X 1.5" X 83.9" - WASHED MAPLE
3F	149326-D2-743	EA	MOLDING - VINYL WRAPPED - .7" X 1.5" X 108" - WASHED MAPLE
3F	149326-F2-134	EA	MOLDING - VINYL WRAPPED - .7" X 2.5" X 83.9" - WASHED MAPLE
3F	149326-F2-438	EA	MOLDING - VINYL WRAPPED - .7" X 2.5" X 96" - WASHED MAPLE
3F	149326-F2-743	EA	MOLDING - VINYL WRAPPED - .7" X 2.5" X 108" - WASHED MAPLE
	149330-A2-438	EA	LUMBER - VINYL WRAPPED - .7" X .75" X 96" - SIERRA MAPLE
	149330-D2-438	EA	LUMBER - VINYL WRAPPED - .7" X 1.5" X 96" - SIERRA MAPLE
	149330-E2-438	EA	LUMBER - VINYL WRAPPED - .7" X 2" X 96" - SIERRA MAPLE
	149330-F2-438	EA	LUMBER - VINYL WRAPPED - .7" X 2.5" X 96" - SIERRA MAPLE
	149330-G2-438	EA	LUMBER - VINYL WRAPPED - .7" X 3" X 96" - SIERRA MAPLE
	149330-H2-438	EA	LUMBER - VINYL WRAPPED - .7" X 3.5" X 96" - SIERRA MAPLE
	149330-J2-438	EA	LUMBER - VINYL WRAPPED - .7" X 5.5" X 96" - SIERRA MAPLE
	149330-J2-743	EA	LUMBER - VINYL WRAPPED - .7" X 5.5" X 108" - SIERRA MAPLE
	149330-K2-438	EA	LUMBER - VINYL WRAPPED - .7" X 3.9" X 96" - SIERRA MAPLE
	149330-R2-438	EA	LUMBER - VINYL WRAPPED - .7" X 3" X 96" - SIERRA MAPLE
3F	149331-D2-134	EA	MOLDING - VINYL WRAPPED - .7" X 1.5" X 83.9" - SIERRA MAPLE
3F	149331-D2-743	EA	MOLDING - VINYL WRAP - .7" X 1.5" X 108" - SIERRA MAPLE
3F	149331-F2-134	EA	MOLDING - VINYL WRAPPED - .7" X 2.5" X 83.9" - SIERRA MAPLE
3F	149331-F2-438	EA	MOLDING - VINYL WRAPPED - .7" X 2.5" X 96" - SIERRA MAPLE
3F	149331-F2-743	EA	MOLDING - VINYL WRAPPED - .7" X 2.5" X 108" - SIERRA MAPLE

**INTERIOR FINISH GROUP (CONTINUED)**  
**MOLDINGS & TRIMS (CONTINUED)**



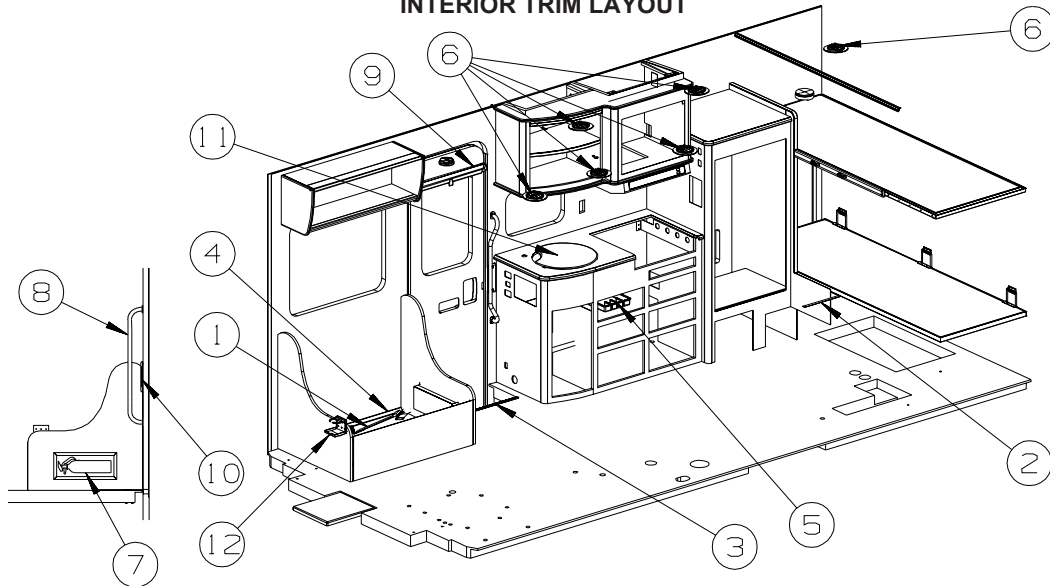
KEY	PART NUMBER	U/M	DESCRIPTION
1G	141260-01-01A	FT	U-CHANNEL - 1" - VILLAGE OAK
1G	141260-01-02A	FT	U-CHANNEL - 1" - GRADY BROWN
1G	141260-02-01A	FT	U-CHANNEL - 1 1/8" - VILLAGE OAK
1G	141260-02-02A	FT	U-CHANNEL - 1 1/8" - GRADY BROWN
2G	146306-01-01A	FT	TRANSITION - CARPET/TILE
3G	150167-01-07A	EA	RAIL - DECORATIVE - 96" W/O REVERSE SIDE GROOVE - PORTSMOUTH OAK
3G	150167-01-02A	EA	RAIL - DECORATIVE - 96" W/O REVERSE SIDE GROOVE - SALEM CHERRY - CONCERT CHERRY
3G	150167-01-03A	EA	RAIL - DECORATIVE - 96" W/O REVERSE SIDE GROOVE - WASHED MAPLE
3G	150167-01-09A	EA	RAIL - DECORATIVE - 96" W/O REVERSE SIDE GROOVE - SIERRA MAPLE
4G	151653-10-02A	EA	TRIM/RADIUS - CABINET CORNER - 79.6" - DULL METALLIC
4G	151653-13-02A	EA	TRIM/RADIUS - CABINET CORNER - 79.8" - DULL METALLIC
5G	151676-26-S46	EA	MOLDING/TRIM - .75" X 1.6" X 80.2" - PORTSMOUTH OAK
5G	151676-26-S47	EA	MOLDING/TRIM - .75" X 1.6" X 80.2" - CONCERT CHERRY
5G	151676-26-S48	EA	MOLDING/TRIM - .75" X 1.6" X 80.2" - WASHED MAPLE
5G	151676-26-SR0	EA	MOLDING/TRIM - .75" X 1.6" X 80.2" - SIERRA MAPLE
6G	151861-05-02B	EA	ANGLE - SUPPORT/CORNER - 1.4" X 78.6" - E-COATED
7G	151893-01-02A	EA	TRIM/RADIUS - CABINET BOTTOM - 72.6" - DULL METALLIC
8G	152077-01-02A	EA	TRIM/RADIUS - CABINET BOTTOM - 27.7" - DULL METALLIC
9G	156464-01-01A	FT	MOLDING - CORNER - RADIUS/PLASTIC - 8' - HONEY CHERRY
9G	156464-01-02A	FT	MOLDING - CORNER - RADIUS/PLASTIC - 8' - WASHED MAPLE
9G	156464-01-03A	FT	MOLDING - CORNER - RADIUS/PLASTIC - 8' - BONE
10G	160989-01-06A	FT	CAP - CORNER - RADIUS MOLDING - PLASTIC - WASHED MAPLE
10G	160989-01-07A	FT	CAP - CORNER - RADIUS MOLDING - PLASTIC - HONEY CHERRY

**INTERIOR FINISH GROUP (CONTINUED)**  
**PANELING & LAMINATES**

<b>KEY</b>	<b>PART NUMBER</b>	<b>U/M</b>	<b>DESCRIPTION</b>
	057882-05-000	SF	TAMBOUR - 48" X 96" SHEET - UNFINISHED - WASHED MAPLE
	057882-06-000	SF	TAMBOUR - 48" X 96" SHEET - UNFINISHED - HONEY CHERRY
	000885-B4-000	SF	PARTICLE BOARD - 3/8" X 4' X 8'- WASHED MAPLE - 2 SIDED - WASHED MAPLE
	000885-B5-000	SF	PARTICLE BOARD - 3/8" X 4' X 8'- WASHED MAPLE - 1 SIDED - WASHED MAPLE
	000885-B6-000	SF	PARTICLE BOARD - 3/4" X 4' X 8'- WASHED MAPLE - 2 SIDED - WASHED MAPLE
	000885-A7-000	SF	PARTICLE BOARD - 3/4" X 4' X 8'- HONEY CHERRY - 2 SIDED - HONEY CHERRY
	000885-A8-000	SF	PARTICLE BOARD - 3/8" X 4' X 8'- HONEY CHERRY - 1 SIDED - HONEY CHERRY
	000885-A9-000	SF	PARTICLE BOARD - 3/8" X 4' X 8'- HONEY CHERRY - 2 SIDED - HONEY CHERRY
	000885-C3-000	SF	PARTICLE BOARD - 3/8" X 4' X 8' - WHITE THATCH EMB-1 SIDED
	074498-A2-000	SF	LAMINATE - PLASTIC - PHANTOM GRAY - 5' X 8'
	074498-B9-000	SF	LAMINATE - PLASTIC - SUNSTONE - 5' X 8'
	074498-C0-000	SF	LAMINATE - PLASTIC - PUNCHED STAINLESS - 5' X 8'
	079653-39-000	EA	BATT STRIP - KERFED - WASHED MAPLE - 8' - WASHED MAPLE
	088263-J2-000	EA	BATT STRIP - DECORATIVE - NEAT - WASHED MAPLE
	079653-50-000	EA	BATT STRIP - KERFED - HONEY CHERRY - 8' - HONEY CHERRY
	088263-K7-000	EA	BATT STRIP - DECORATIVE - RATTAN - 8'
	085284-J5-000	FT	BATT TAPE - ADHESIVE BACKED - DECORATIVE-NEAT - WASHED MAPLE
	085284-J6-000	FT	BATT TAPE - ADHESIVE BACKED - DECORATIVE - HONEY CHERRY
	085284-L1-000	FT	BATT TAPE - ADHESIVE BACKED - DECORATIVE - RATTAN
	074497-49-000	SF	PANELING - WASHED MAPLE - 1/8" X 4' X 8' - WASHED MAPLE
	076773-20-000	SF	PANELING - 2 SIDED/WASHED MAPLE - 1/8" X 4' X 8' - WASHED MAPLE
	076773-25-000	SF	PANELING - 1 SIDE/NEAT WASHED MAPLE - 1/8" X 4' X 7' - WASHED MAPLE
	074497-47-000	SF	PANELING - HONEY CHERRY - 1/8" X 4' X 8' - HONEY CHERRY
	076773-18-000	SF	PANELING - 2 SIDED/HONEY CHERRY - 1/8" X 4' X 8' - HONEY CHERRY
	076773-23-000	SF	PANELING - 1 SIDE/HONEY CHERRY - 1/8" X 4' X 7' - HONEY CHERRY
	088272-M9-000	SF	PANELING - WHITE THATCHED - 4' X 8'
	088272-N1-000	SF	PANELING - OASIS/RATTAN - 4' X 7.4'
	088272-L3-000	SF	PANELING - TEAHOUSE - 4' X 7'
			FROM: 00-00-00 THRU: 01-16-06
	076325-71-000	FT	MOLDING - EDGE BAND - 1 5/16" X .038" - GRAY

# INTERIOR FINISH GROUP (CONTINUED)

## INTERIOR TRIM LAYOUT

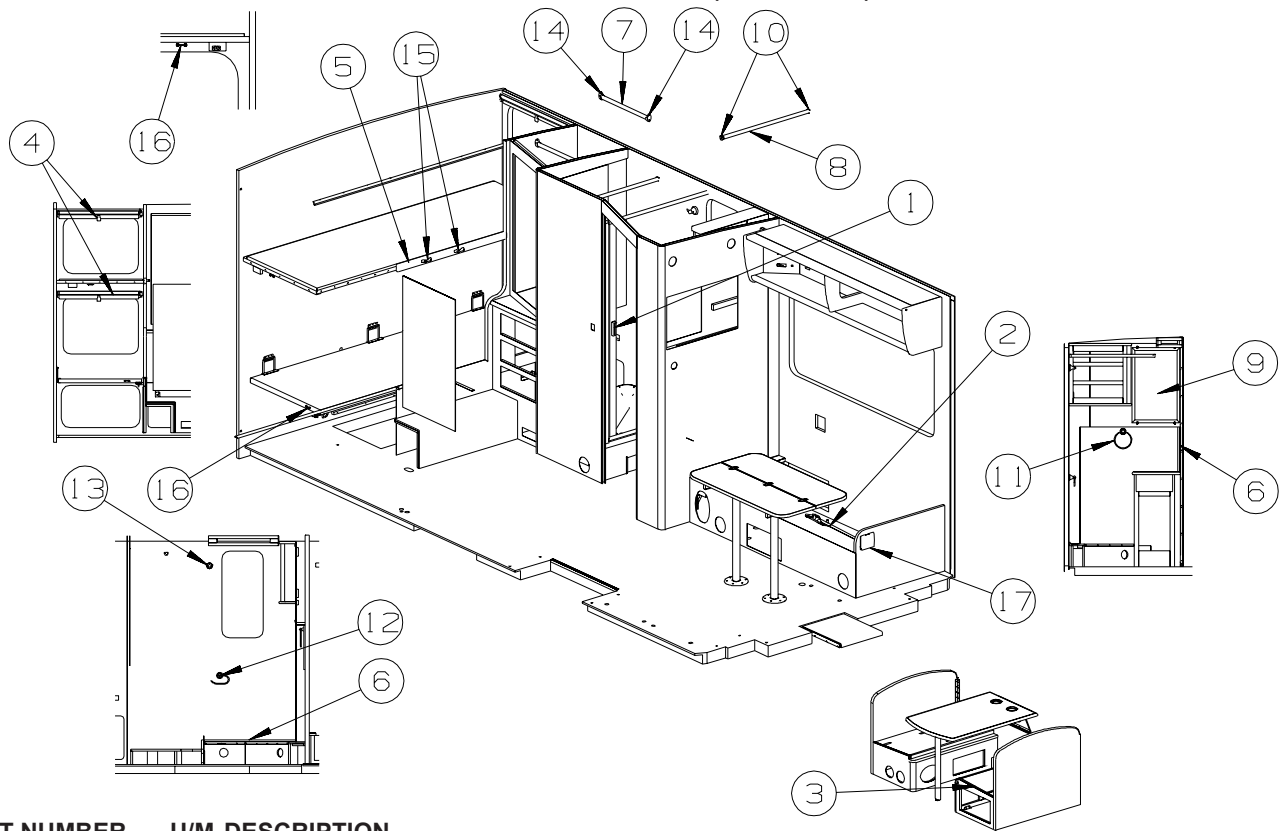


KEY	PART NUMBER	U/M	DESCRIPTION
1	160167-01-01A	EA	SEAT BELT - 2" X 102" - BLACK
2	160135-01-01A	EA	STRAP - CLEAR - 13.8"
3	139955-22-02A	EA	TRIM - STEP/ENTRY - 27.7" - TITANIUM
4	Y00268-22-438	EA	MOLDING - TRIM/COVE - .8" X .8" X 96" - UNSTAINED MAPLE - WASHED MAPLE
4	Y00268-32-438	EA	MOLDING - TRIM/COVE - .8" X .8" X 96" - UNSTAINED CHERRY - HONEY CHERRY
5	100081-01-01A	EA	TRAY - SILVERWARE - 9" X 13.3" RUBBERMAID ALMOND PLASTIC
6	120134-01-02A	EA	REGISTER - W/DAMPER - 4" PIPE/6.4" O.D. FACE - WHITE
7	094499-03-000	EA	EXTINGUISHER/FIRE - DRY - 10BC - W/GAUGE/BACKET
7*	094499-02-000	EA	EXTINGUISHER/FIRE - DRY - 10BC - W/GAUGE - CANADIAN
7	094499-04-000	EA	STRAP - FIRE EXTINGUISHER MOUNTING - METAL
8	137605-02-01A	EA	HAND RAIL - INTERIOR ENTRY DOOR - BLACK
9	144628-03-01A	EA	SHADE - SCREEN DOOR - 20.1" X 33.4" - BRIGHT WHITE/TAUPE
10	148362-01-01A	EA	COVER - BRACKET/STRIKE - BRIGHT WHITE
			FROM: 00-00-00 THRU: 07-31-06
10	148362-01-02A	EA	COVER - BRACKET/STRIKE - MEDIUM OAK
			FROM: 08-01-06 THRU: 99-99-99
10	140151-02-02A	EA	COVER - SCREW - BRIGHT WHITE
			FROM: 00-00-00 THRU: 07-31-06
10	140151-02-03A	EA	COVER - SCREW - MEDIUM OAK
			FROM: 08-01-06 THRU: 99-99-99
11	152198-01-T01	EA	COVER - SINK - WASHED MAPLE
11	152198-01-T02	EA	COVER - SINK - HONEY CHERRY
12	118718-01-01A	EA	HOLDER/DRINK - COLLAPSIBLE MUG - BLACK PLASTIC
	M09471-79-R46	EA	MOLDING - TRIM/COVE - .8" X .8" X 96" - WASHED MAPLE
	M09471-79-RE0	EA	MOLDING - TRIM/COVE - .8" X .8" X 96" - HONEY CHERRY

\*COMPONENT PARTS LISTED LATER IN THIS GROUP

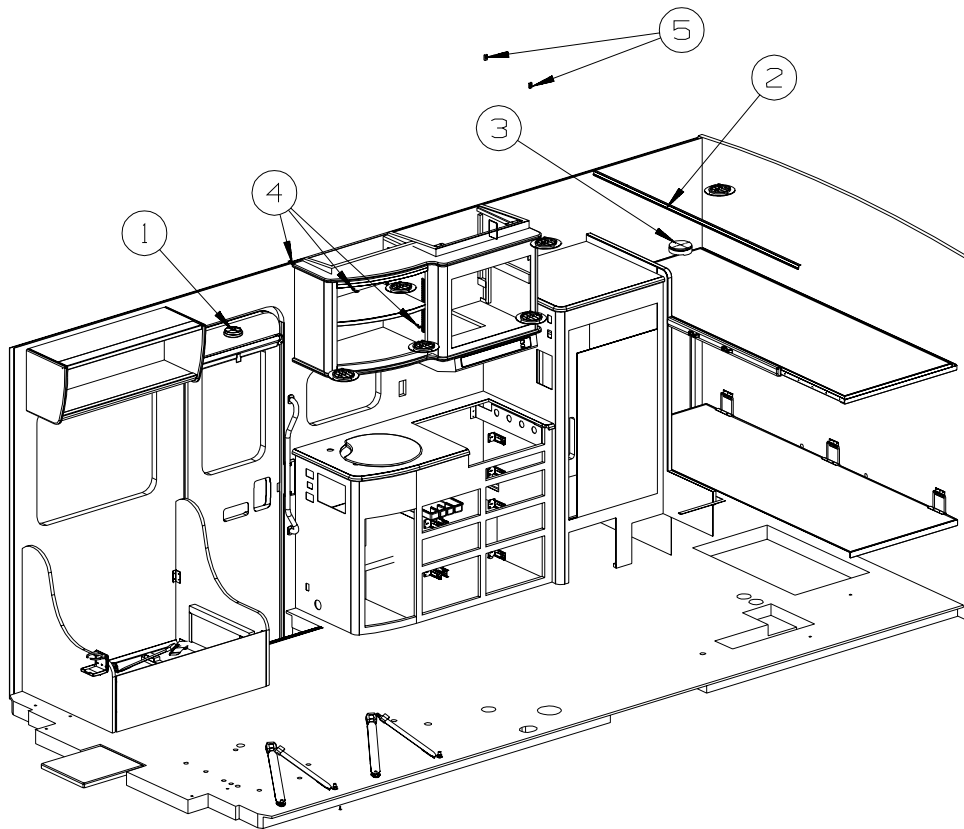


**INTERIOR FINISH GROUP (CONTINUED)**  
**INTERIOR TRIM LAYOUT (CONTINUED)**



KEY	PART NUMBER	U/M	DESCRIPTION
1	151578-01-02A	EA	DOOR - SHOWER - 36.3" X 61.9" - WHT OPAQUE SCREEN/WHITE
2	160167-01-01A	EA	SEAT BELT - 2" X 102" - BLACK
3	160167-02-01A	EA	SEAT BELT - 2" X 90" - BLACK
4	144628-04-01A	EA	SHADE - SCREEN DOOR - 27.1" X 23.6" - BRIGHT WHITE/TAUPE
5	160137-01-U17	EA	TRIM - BUNK - W/FABRIC - 35.7"
5	160137-01-U18	EA	TRIM - BUNK - W/FABRIC - 35.7"
5	160137-01-U19	EA	TRIM - BUNK - W/FABRIC - 35.7"
5	160137-01-U20	EA	TRIM - BUNK - W/FABRIC - 35.7"
5	160137-01-U43	EA	TRIM - BUNK - W/FABRIC - 35.7"
5	160137-01-U44	EA	TRIM - BUNK - W/FABRIC - 35.7"
6	Y00268-22-438	EA	MOLDING - TRIM/COVE - .8" X .8" X 96" - UNSTAINED MAPLE - WASHED MAPLE
6	Y00268-32-438	EA	MOLDING - TRIM/COVE - .8" X .8" X 96" - UNSTAINED CHERRY - HONEY CHERRY
7	Y00136-21-218	EA	DOWEL - WOOD - CLOTHES ROD - 1"DIAMETER X 4'
8	102075-09-02A	EA	ROD - SHOWER CURTAIN - 3/4"OD X 29.5" - SOFT WHITE
9	113195-17-01A	EA	MIRROR - BEVELED SAFETY GLASS - CLEAR - 16.6" X 26.2"
10	113236-01-01A	EA	BRACKET - CLOTHES - ROD
11	132046-03-02A	EA	RING - TOWEL - CHROME
12	140973-01-02A	EA	HOLDER - TOILET TISSUE - CHROME
13	145849-03-02A	EA	HOOK - ROBE - CHROME
14	152301-01-01A	EA	FLANGE - PLASTIC - 1" CLOTHES ROD HOLDER - WHITE
15	160246-01-01A	EA	BRACKET - LADDER - BLACK
	160996-01-01A	EA	SPACER/LADDER - BUNK - ALMOND
16	127960-01-01A	EA	RETAINER - EYE - 3/8" - STAINLESS STEEL
17	118718-01-01A	EA	HOLDER/DRINK - COLLAPSIBLE MUG - BLACK PLASTIC
			FROM: 06-19-06 THRU: 99-99-99
17	118718-01-02A	EA	HOLDER/DRINK - COLLAPSIBLE MUG - WHITE PLASTIC
			FROM: 00-00-00 THRU: 10-22-06
17	118718-01-03A	EA	HOLDER/DRINK - COLLAPSIBLE MUG - ALMOND
			FROM: 10-23-06 THRU: 12-31-06
			FROM: 01-01-07 THRU: 99-99-99

**INTERIOR FINISH GROUP (CONTINUED)**  
**INTERIOR TRIM LAYOUT (CONTINUED)**



KEY	PART NUMBER	U/M	DESCRIPTION
1	072852-01-000	EA	DETECTOR - SMOKE - W/9 VOLT BATTERY - US
1	072852-02-000	EA	DETECTOR - SMOKE - W/9 VOLT BATTERY - <b>CANADIAN</b>
1	077956-01-000	EA	LABEL - WARNING/SMOKE DETECTOR
2	105450-17-01A	EA	TRACK - CURTAIN - 67.6" - OFF WHITE
3	125136-02-000	EA	DETECTOR/CO - GAS MODEL - 9 VOLT
4	127960-01-01A	EA	RETAINER - EYE - 3/8" - STAINLESS STEEL
5	156172-04-01A	EA	END CAP - WALL TRACK - CLEAR

**COMPONENT PARTS FOR INTERIOR TRIM LAYOUT**

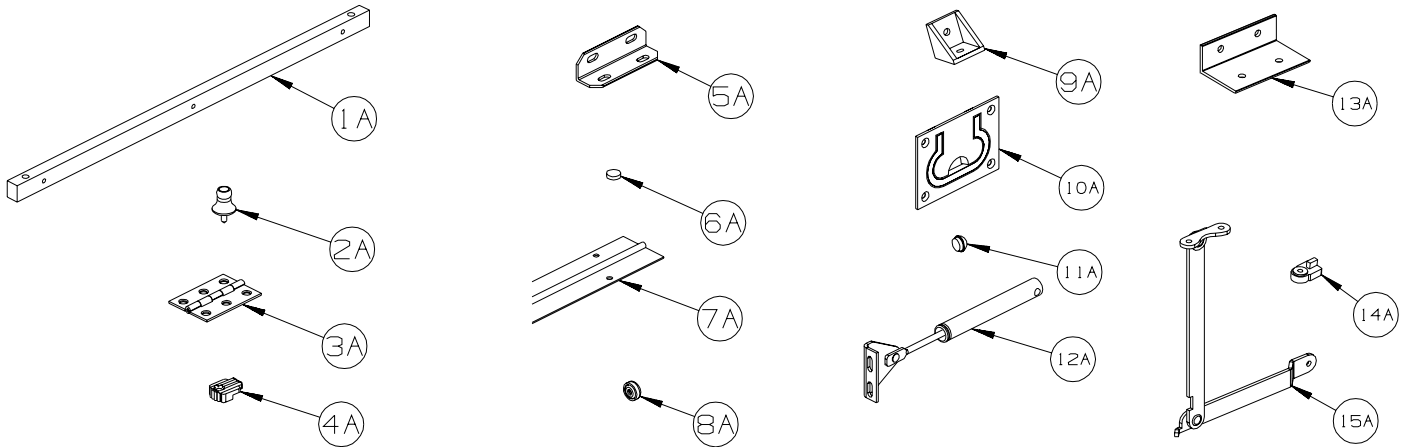
**094499-02-000**

KEY	PART NUMBER	U/M	DESCRIPTION	VENDOR NO
	094499-01-700	EA	BRACKET MTG. W/PLAS. STRAP	294039

**INTERIOR FINISH GROUP (CONTINUED)**  
**FLOOR COVERINGS**

<b>KEY</b>	<b>PART NUMBER</b>	<b>U/M</b>	<b>DESCRIPTION</b>
	042720-36-000	SY	VINYL - FLOOR COVERING - 7.5' WIDE - CAMEL
	075233-01-000	SY	PAD - CARPET - 3/8" X 6'W ROLL - SOLD BY THE SQUARE YARD
	093486-01-000	SY	CARPET - COMPARTMENT - 72" WIDE - DARK GRAY
	152251-01-02A	SY	CARPET - 4 SQUARE YARD INCREMENTS - TAUPE (U17, U18, U43, U44) FROM: 00-00-00 THRU: 04-02-06
	152251-07-03A	SY	CARPET - 4 SQUARE YARD INCREMENTS - COLUMBIAN SUPREME (U17, U18, U43, U44) FROM: 04-03-06 THRU: 99-99-99
	152251-01-01A	SY	CARPET - 4 SQUARE YARD INCREMENTS - BEIGE (U19, U20) FROM: 00-00-00 THRU: 02-22-06
	152251-07-02A	SY	CARPET - 4 SQUARE YARD INCREMENTS - WARM PASTRY (U19, U20) FROM: 02-23-06 THRU: 99-99-99
	152251-05-02A	SY	CARPET - 4 SQUARE YARD INCREMENTS - BURLWOOD

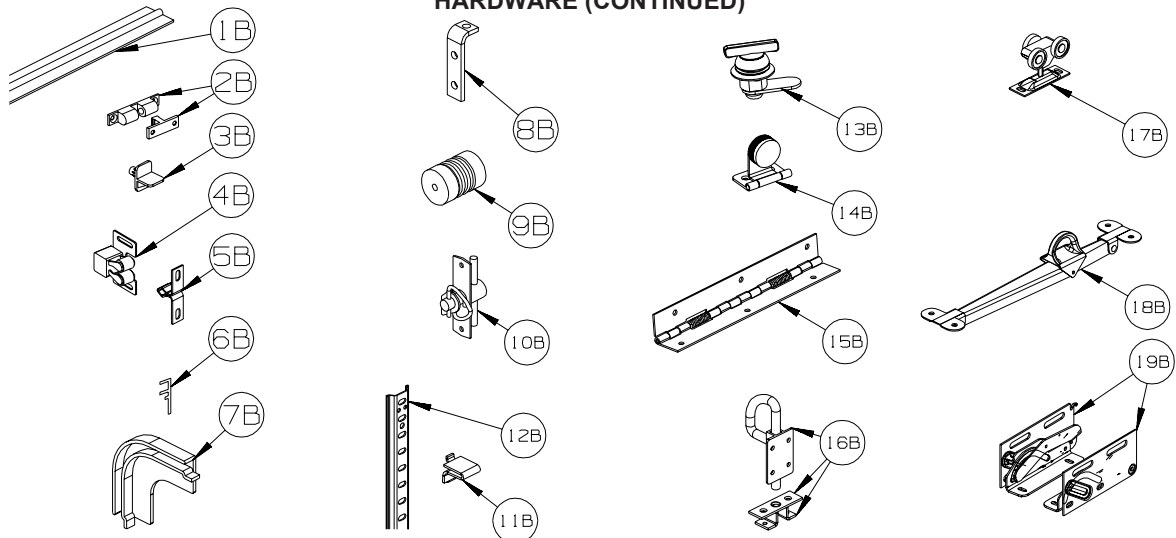
## INTERIOR FINISH GROUP (CONTINUED) HARDWARE



KEY	PART NUMBER	U/M	DESCRIPTION
1A	P34509-01-N01	EA	RAIL END - RH/LH - TOWEL RACK - PORTSMOUTH
1A	P34509-01-P14	EA	RAIL END - RH/LH - TOWEL RACK - CONCERT CHERRY
1A	P34509-01-J70	EA	RAIL END - RH/LH - TOWEL RACK - WASHED MAPLE
1A	P34509-01-RE0	EA	RAIL END - RH/LH - TOWEL RACK - HONEY CHERRY
1A	P34509-01-SA3	EA	RAIL END - RH/LH - TOWEL RACK - SIERRA MAPLE
2A	009013-01-000	EA	CATCH - BULLDOG - MALE/FEMALE
3A	009059-01-000	EA	HINGE - DOOR - 2" X 1.4" - BRASS
3A	009059-02-000	EA	HINGE - DOOR - 2" X 2.7" - BRASS
3A	009059-03-000	EA	HINGE - BRASS - 1.75"
3A	009059-04-000	EA	HINGE - 2" - ZINC
4A	009089-01-000	EA	CLIP - MIRROR
5A	016604-01-000	EA	BRACE - ANGLE - 2 1/2" - UNPAINTED METAL
5A	016604-05-000	EA	BRACE - ANGLE - 2 1/2" - OFF WHITE METAL
5A	016604-10-000	EA	BRACE - SEAT ANGLE - 2.5" - BLACK
6A	023320-01-000	EA	PAD - FELT 3/8" DIAMETER
7A	041389-19-000	EA	HINGE - PIANO - 1 1/2" X 71.9" - UNPAINTED
7A	041389-25-000	EA	HINGE - PIANO - 1 1/2" X 55" - UNPAINTED
7A	041389-32-000	EA	HINGE - PIANO - 68" - OFF WHITE
8A	057671-01-000	EA	COVER - SCREW - #8 - OFF WHITE
8A	057671-15-000	EA	COVER - SCREW - #8 - BRIGHT WHITE
8A	057671-16-000	EA	COVER - SCREW - #8 - SOFT WHITE
8A	057671-18-000	EA	COVER - SCREW - #8 - OFF WHITE
9A	065740-01-000	EA	BRACE - CABINET/CORNER - PLASTIC
10A	072871-01-000	EA	PULL - FLUSH - CHROME
11A	074045-13-000	EA	PLUG - OAK - 3/8" DOWEL-1/2" HEAD - PORTSMOUTH OAK
11A	074045-08-000	EA	PLUG - OAK - 3/8" DOWEL-1/2" HEAD - CONCERT CHERRY
11A	074045-12-000	EA	PLUG - OAK - 3/8" DOWEL-1/2" HEAD - WASHED MAPLE
11A	074045-14-000	EA	PLUG - OAK - 3/8" DOWEL-1/2" HEAD - HONEY CHERRY
11A	074045-15-000	EA	PLUG - OAK - 3/8" DOWEL-1/2" HEAD - SIERRA MAPLE
12A	074493-02-000	EA	SUPPORT - PISTON SPRING - CABINET DOOR - 26 LBS
12A	074493-03-000	EA	SUPPORT - PISTON SPRING - CABINET DOOR - 12 LBS
12A	074493-04-000	EA	SUPPORT - PISTON SPRING - CABINET DOOR - 32LBS
13A	156732-01-01A	EA	BRACE - ANGLE/COUCH - 2.5" - MILL
13A	156732-01-02A	EA	BRACE - ANGLE/COUCH - 2.5" - OFF WHITE
13A	156732-03-01A	EA	BRACE - ANGLE/COUCH - BLACK
14A	083204-03-000	EA	BUTTON - RETAINING MIRROR 5/16" TIP
15A	084412-01-000	EA	SUPPORT/HINGE KIT (LEFT & RIGHT HINGES)

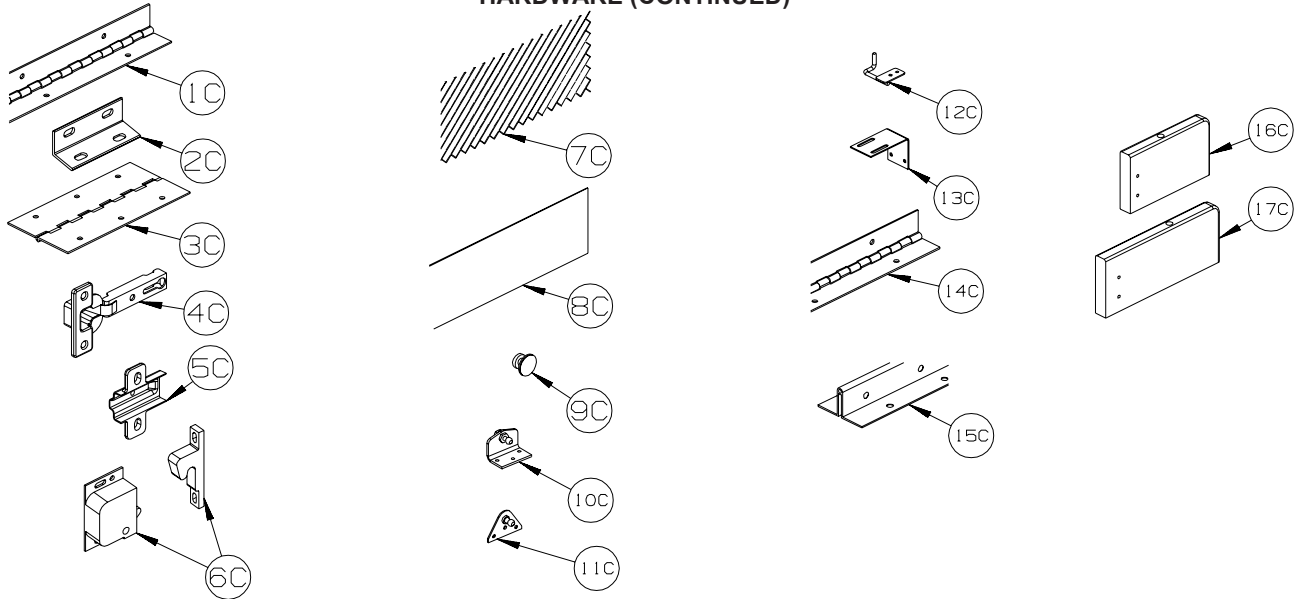
# INTERIOR FINISH GROUP (CONTINUED)

## HARDWARE (CONTINUED)



KEY	PART NUMBER	U/M	DESCRIPTION
1B	084413-01-000	EA	HINGE - 1" X 72" - ALUMINUM - W/HOLES
2B	084451-01-000	EA	CATCH & LATCH - 1.7" - BRASS
3B	092907-01-000	EA	SUPPORT - SHELF - PIN - 1/4" - CLEAR PLASTIC
4B	093586-03-000	EA	CATCH - SPRING ROLLER - .377"
4B	093586-06-000	EA	CATCH - SPRING ROLLER - .236"
5B	093586-04-000	EA	STRIKE - SPRING STEEL - 1.14"
6B	093622-01-000	EA	TRACK - DOOR - TAMBOUR - PLASTIC - 8' LENGTHS
7B	093623-01-000	EA	CORNER - TRACK - TAMBOUR DOOR
8B	096826-01-01A	EA	BRACE-CABINET E-COATED
9B	097872-04-000	EA	DOWEL - WOOD - 1" DIAMETER X 1.38" LONG - UNFINISHED
10B	098196-01-000	EA	LATCH - 1/4 TURN - T-BAR
11B	098979-01-000	EA	CLIP - ADJUSTABLE SHELF
12B	098980-01-000	EA	PILASTER - ADJUSTABLE SHELF - 18"
12B	098980-02-000	EA	PILASTER - ADJUSTABLE SHELF - 12"
12B	098980-03-000	EA	PILASTER - ADJUSTABLE SHELF - 9"
12B	098980-04-000	EA	PILASTER - ADJUSTABLE SHELF - 48"
12B	098980-05-000	EA	PILASTER - ADJUSTABLE SHELF - 15"
12B	098980-06-000	EA	PILASTER - ADJUSTABLE SHELF - 24"
13B	100710-01-02A	EA	LOCK - GLASS DOOR/TWIST TYPE - NICKEL
14B	100711-01-02A	EA	HINGE - GLASS DOOR - NICKEL
15B	102920-01-01A	EA	HINGE - SPRING LOADED - BRASS
15B	102920-01-02A	EA	HINGE - SPRING LOADED - NICKEL
15B	129753-01-01A	EA	HINGE - SPRING LOADED - 19" X 19" - BLACK
16B	103256-01-000	EA	LATCH COMPLETE (SLIDE)
17B	103874-01-000	EA	HANGER - SLIDING DOOR
18B	104181-01-01A	EA	SUPPORT - LEAF 5.3" EXTENDS TO 7.5" - SAFETY RING - METAL
19B	108126-01-000	EA	TRAY HINGE SET (QTY. 2 PER SET)

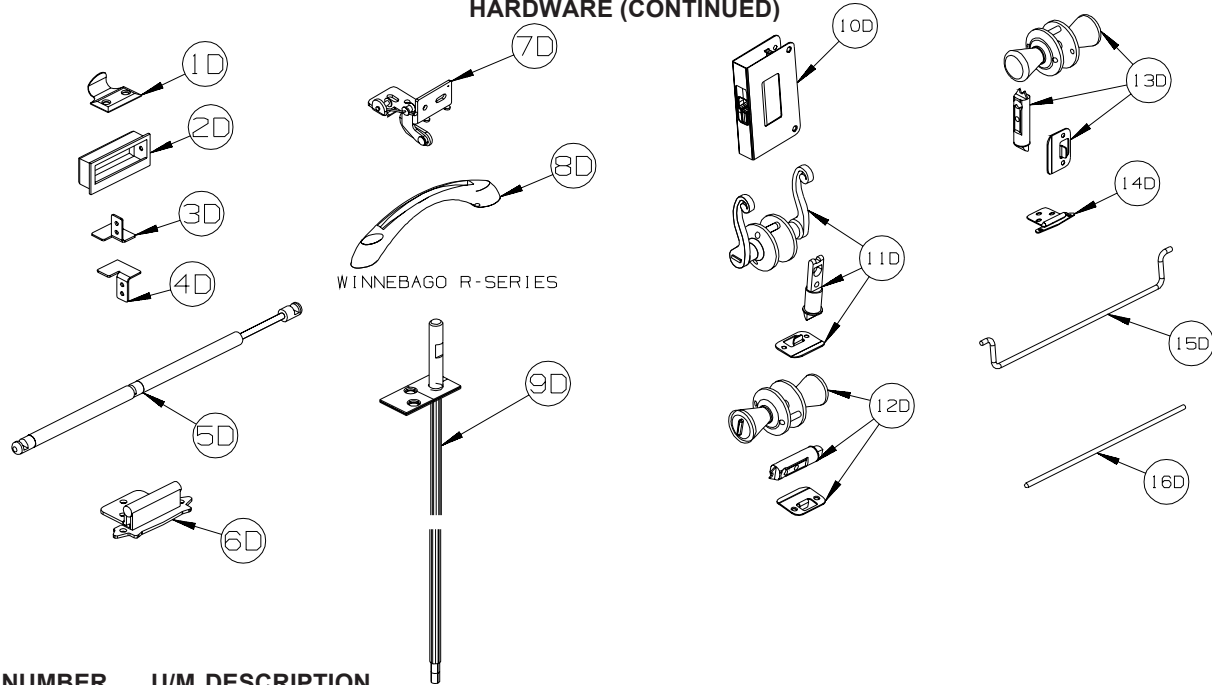
**INTERIOR FINISH GROUP (CONTINUED)**  
**HARDWARE (CONTINUED)**



KEY	PART NUMBER	U/M	DESCRIPTION
1C	110496-01-01A	EA	HINGE - BRASS - 2" X 32"
1C	110496-01-02A	EA	HINGE - NICKEL - 2" X 32"
1C	110496-05-02A	EA	HINGE - NICKEL - 2" X 11.5"
1C	110496-06-02A	EA	HINGE - NICKEL - 2" X 9.5"
2C	111866-01-02A	EA	BRACE - SEAT - ANGLE - OFF WHITE
3C	114278-02-000	EA	HINGE - CONTINUOUS - 3" WIDE
4C	114443-02-01A	EA	HINGE - CABINET DOOR - W/O CLIP - SILVER
5C	114443-03-01A	EA	CLIP - HINGE/CABINET DOOR - SILVER
6C	117095-01-01A	EA	LATCH - DOOR - GRABBER W/KEEPER - PLASTIC - BLK-5 LB PULL
6C	117095-02-01A	EA	LATCH - DOOR - GRABBER W/KEEPER - PLASTIC - BLK-10 LB PULL
6C	117095-03-01A	EA	LATCH - DOOR - GRABBER W/KEEPER - PLASTIC - BLK-15 LB PULL
7C	118200-01-01A	SF	MESH - PLASTIC 1/2" - 48" X LENGTH = SF - BLACK
8C	122717-06-01A	FT	PAD - NON-SKID - PSA - 5"W
9C	125221-01-01A	EA	PULL - MIRROR - W/ROUND HANDLE
10C	126263-06-02B	EA	BRACKET - GAS SPRING W/INSIDE BALL STUD - E-COATED
11C	126263-05-02B	EA	BRACKET - GAS SPRING W/BALL STUD - E-COATED
11C	126263-08-02B	EA	BRACKET - GAS SPRING W/CENTERED BALL STUD - E-COATED
11C	126263-19-02B	EA	BRACKET - GAS SPRING W/BALL STUD - E-COATED
12C	130798-01-02B	EA	GUIDE - POCKET DOOR - E-COATED
13C	132871-02-02B	EA	BRACKET/L-ANGLE W/HOLES - 1.9" X 2.8" - E-COATED
14C	134099-01-02A	EA	HINGE - PIANO - WRAP AROUND - 15.7" - NICKEL PLATED
15C	135538-03-02A	EA	HINGE - PIANO - FULL WRAP - 15.7" - CHROME
16C	137445-02-P46	EA	STOP - F/SLIDING DOOR - CONCERT CHERRY
16C	137445-02-P56	EA	STOP - F/SLIDING DOOR - WASHED MAPLE
16C	137445-02-S67	EA	STOP - F/SLIDING DOOR - SIERRA MAPLE
17C	137445-03-T78	EA	STOP - F/SLIDING DOOR - CONCERT CHERRY
17C	137445-03-T79	EA	STOP - F/SLIDING DOOR - WASHED MAPLE
17C	137445-03-T80	EA	STOP - F/SLIDING DOOR - SIERRA MAPLE

# INTERIOR FINISH GROUP (CONTINUED)

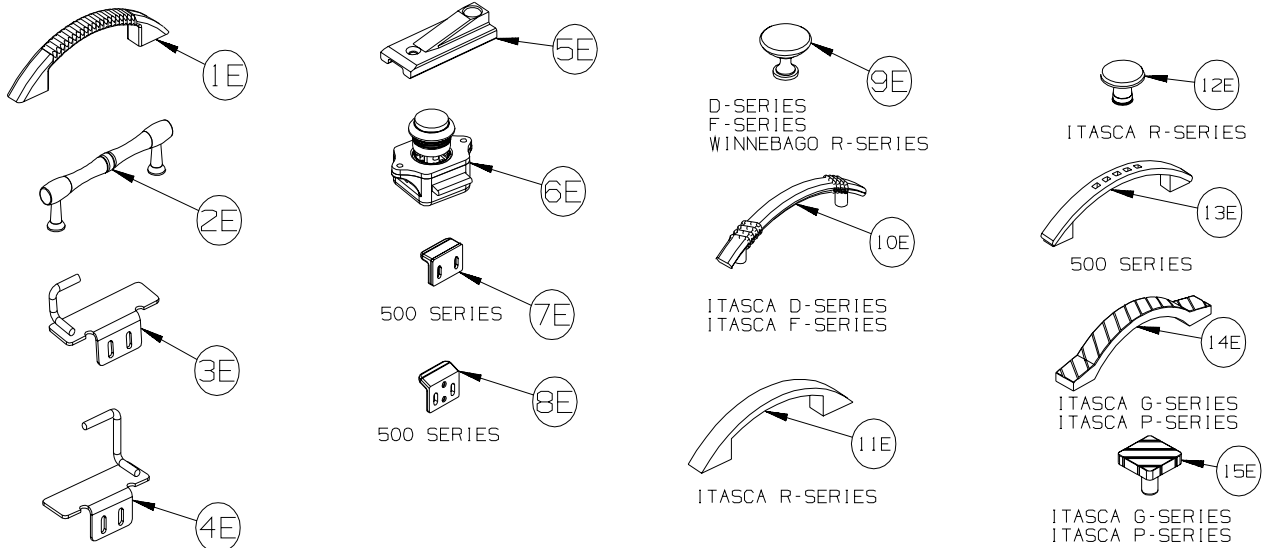
## HARDWARE (CONTINUED)



KEY	PART NUMBER	U/M	DESCRIPTION
1D	137463-01-02A	EA	LIFT - HOOK - PEWTER
2D	139136-01-02A	EA	HANDLE - .75" RECESSED - PEWTER
2D	139136-02-02A	EA	HANDLE - .35" RECESSED - PEWTER
3D	139264-01-02B	EA	STOP - DOOR - TAMBOUR/RH HAND - E-COATED
4D	139264-02-02B	EA	STOP - DOOR - TAMBOUR/LH HAND - E-COATED
5D	142569-07-000	EA	SPRING/GAS - 20 LB - 20" EXTENDED/12" COMPRESSED
5D	142569-15-000	EA	SPRING/GAS - 120 LB - 20" EXTENDED/12" COMPRESSED
5D	142569-16-000	EA	SPRING/GAS - 90 LB - 20" EXTENDED/12" COMPRESSED
5D	142569-29-000	EA	SPRING/GAS - 20 LB - 9.9" EXTENDED/5.9" COMPRESSED
6D	143468-02-03A	EA	HINGE - SELF CLOSING - SATIN NICKEL
7D	144488-01-02A	EA	HINGE - CABINET - NICKEL
8D	144917-01-01A	EA	PULL - DRAWER - SATIN NICKEL - <b>TOUR R-SERIES</b>
9D	145939-03-01A	EA	ROD/LATCH - AISLE DOOR - BRASS
			FROM: 00-00-00 THRU: 04-16-06
9D	145939-05-01A	EA	ROD/LATCH - AISLE DOOR - BRASS - <b>NOT ILLUSTRATED</b>
			FROM: 04-17-06 THRU: 07-30-06
9D	145939-05-02A	EA	ROD/LATCH - AISLE DOOR - NICKEL - <b>NOT ILLUSTRATED</b>
			FROM: 07-31-06 THRU: 99-99-99
10D	145939-04-02A	EA	LATCH/SLIDE - AISLE DOOR(1" THICK DOOR)-NICKEL/BLACK SLIDE
11D	146064-01-02A	EA	LOCK/PRIVACY (LOCKING) LEVER STYLE - SATIN PEWTER
12D	146064-05-01A	EA	LOCK/PRIVACY (LOCKING) KNOB STYLE - SATIN NICKEL
13D	146064-06-01A	EA	LOCK/PASSAGE (NON LOCKING) KNOB STYLE - SATIN NICKEL
14D	146553-01-01A	EA	HINGE - CABINET DOOR - BURNISHED BRASS
14D	146553-01-03A	EA	HINGE - CABINET DOOR - SATIN NICKEL
15D	146801-01-01A	EA	ROD/TOWEL BAR (OFFSET) - BRASS
15D	146801-01-02A	EA	ROD/TOWEL BAR (OFFSET) - PEWTER
16D	146840-03-01A	EA	ROD - .25" X 11.7" - BRASS
16D	146840-03-02A	EA	ROD - .25" X 11.7" - PEWTER
16D	146840-04-01A	EA	ROD - .25" X 13.1" - BRASS
16D	146840-04-02A	EA	ROD - .25" X 13.1" - PEWTER
16D	146840-05-01A	EA	ROD - .25" X 14.8" - BRASS
16D	146840-05-02A	EA	ROD - .25" X 14.8" - PEWTER
16D	146840-07-01A	EA	ROD - .25" X 4.2" - BRASS
16D	146840-07-02A	EA	ROD - .25" X 4.2" - PEWTER

## INTERIOR FINISH GROUP (CONTINUED)

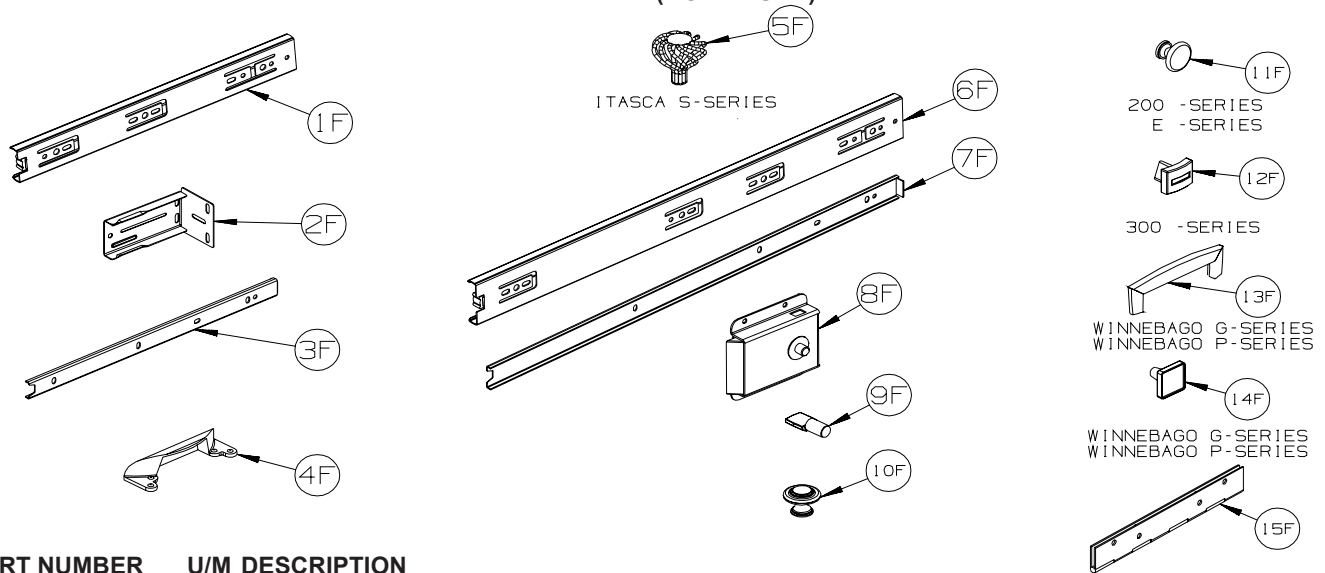
### HARDWARE (CONTINUED)



KEY	PART NUMBER	U/M	DESCRIPTION
1E	148816-01-02A	EA	PULL - CABINET DOOR - NICKEL - <b>ASPECT, CAMBRIA 700-SERIES</b>
2E	149090-01-02A	EA	PULL - CABINET DOOR - NICKEL - <b>SIGHTSEER D-SERIES, VOYAGE F-SERIES</b>
3E	149607-01-02B	EA	GUIDE - F/POCKET DOOR - 1.6" BENT ROD - E-COATED
3E	149607-03-02B	EA	GUIDE - F/POCKET DOOR - 2.9" BENT ROD - E-COATED
4E	149607-04-02B	EA	GUIDE - F/POCKET DOOR - E-COATED
5E	150983-01-01A	EA	STRIKE/BLOCK - WEDGE STYLE - F/SLIDE DOOR - 3" X 1.2" - BLACK
6E	151380-01-01A	EA	LATCH - CABINET DOOR - PUSH BUTTON - <b>VIEW &amp; NAVION 500-SERIES</b>
7E	151380-02-01A	EA	STRIKE - CABINET DOOR - <b>VIEW &amp; NAVION 500-SERIES</b>
8E	151380-03-01A	EA	STRIKE - CABINET DOOR - <b>VIEW &amp; NAVION 500-SERIES</b>
9E	152080-01-01A	EA	PULL-NICKEL - <b>SIGHTSEER &amp; SUNOVA D-SERIES, VOYAGE &amp; SUNRISE F-SERIES, TOUR R-SERIES</b>
10E	152302-01-01A	EA	PULL - CABINET DOOR - SATIN NICKEL - <b>SUNOVA D-SERIES, SUNRISE F-SERIES</b>
11E	152304-01-01A	EA	PULL - CABINET DOOR - BRONZE- <b>ELLIPSE R-SERIES</b>
12E	152305-01-01A	EA	EA KNOB - DOOR/DRAWER - BRONZE - <b>ELLIPSE R-SERIES</b>
13E	152950-01-01A	EA	PULL - DOOR/DRAWER - BRUSHED NICKEL - <b>VIEW &amp; NAVION 500-SERIES</b>
14E	152951-01-01A	EA	PULL - DOOR/DRAWER - PEWTER - <b>SUNCRUISER G-SERIES, MERIDIAN P-SERIES</b>
15E	152952-01-01A	EA	PULL - KNOB/DRAWER - PEWTER - <b>SUNCRUISER G-SERIES, MERIDIAN P-SERIES</b>

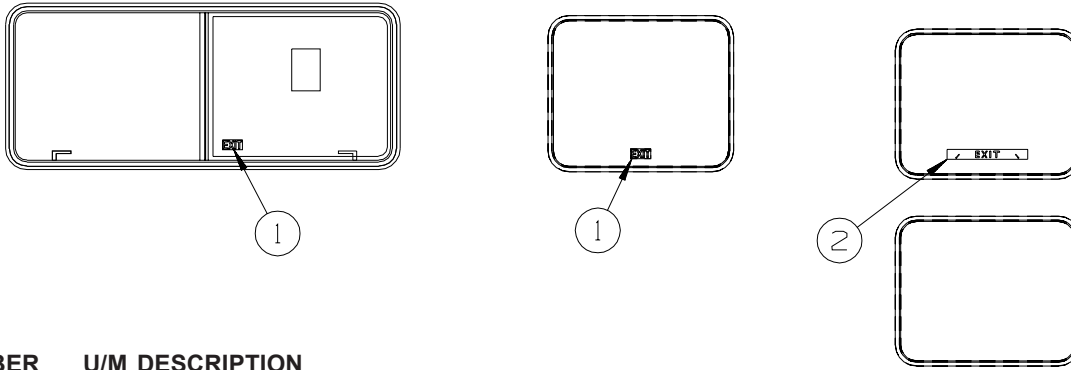


## INTERIOR FINISH GROUP (CONTINUED) HARDWARE (CONTINUED)

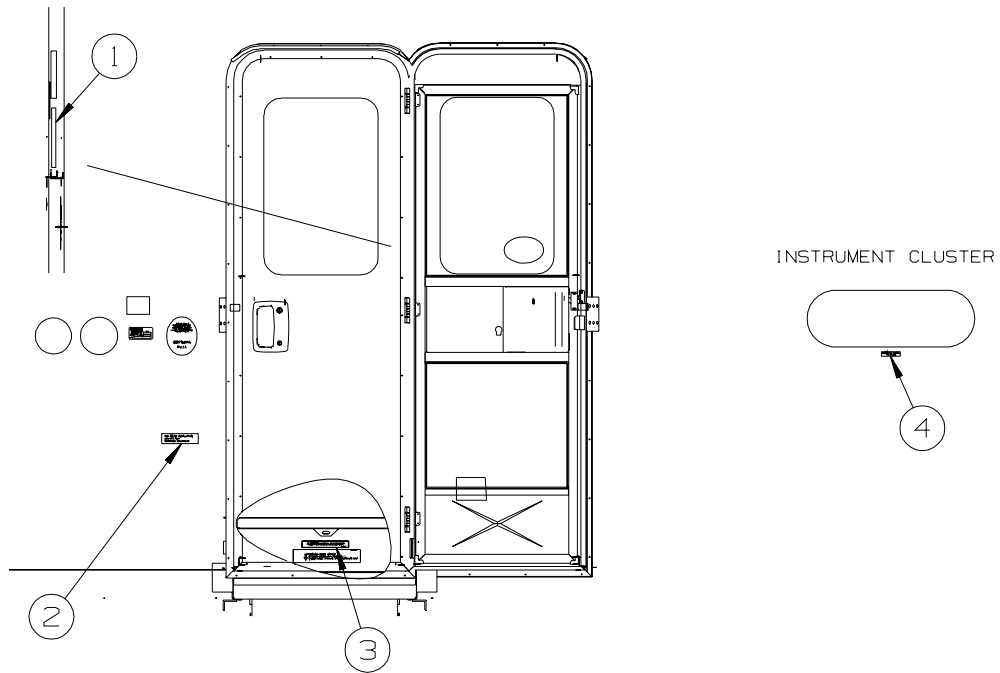


KEY	PART NUMBER	U/M	DESCRIPTION
1F	153000-01-01A	EA	SLIDE - CABINET MOUNT - 11.8"
1F	153000-03-01A	EA	SLIDE - CABINET MOUNT - 13.8"
1F	153000-05-01A	EA	SLIDE - CABINET MOUNT - 15.7"
1F	153000-07-01A	EA	SLIDE - CABINET MOUNT - 17.7"
1F	153000-09-01A	EA	SLIDE - CABINET MOUNT - 19.7"
1F	153000-11-01A	EA	SLIDE - CABINET MOUNT - 21.6"
1F	153000-14-01A	EA	SLIDE - CABINET MOUNT - 23.6"
1F	153000-18-01A	EA	SLIDE - CABINET MOUNT - 9.8"
1F	153000-20-01A	EA	SLIDE - CABINET MOUNT - 25.6"
2F	153000-13-01A	EA	BACKSOCKET - DRAWER SLIDE
3F	153000-02-01A	EA	SLIDE - DRAWER MOUNT - 11.8"
3F	153000-04-01A	EA	SLIDE - DRAWER MOUNT - 13.8"
3F	153000-06-01A	EA	SLIDE - DRAWER MOUNT - 15.7"
3F	153000-08-01A	EA	SLIDE - DRAWER MOUNT - 17.7"
3F	153000-10-01A	EA	SLIDE - DRAWER MOUNT - 19.7"
3F	153000-12-01A	EA	SLIDE - DRAWER MOUNT - 21.6"
3F	153000-15-01A	EA	SLIDE - DRAWER MOUNT - 23.4"
3F	153000-19-01A	EA	SLIDE - DRAWER MOUNT - 9.8"
3F	153000-21-01A	EA	SLIDE - DRAWER MOUNT - 25.4"
4F	153308-01-01A	EA	PULL - VANITY STOOL - SATIN NICKEL
5F	153335-01-02A	EA	PULL - KNOB - DOOR/DRAWER - FLAT BLACK - <b>HORIZON S-SERIES</b>
6F	153352-01-01A	EA	SLIDE - PANTRY - 19.7" - CABINET MOUNT
6F	153352-03-01A	EA	SLIDE - EXT ENTERTAINMENT CNTR - 13.8" - CABINET MOUNT
7F	153352-02-01A	EA	SLIDE - PANTRY - 19.5" - DRAWER MOUNT
7F	153352-04-01A	EA	SLIDE - EXT ENTERTAINMENT CNTR - 13.6" - DRAWER MOUNT
8F	153353-01-01A	EA	LATCH - SLIDING/FLUSH - BLACK
9F	154385-01-02A	EA	PIN - SUPPORT/GLASS DOOR - 1/4" - NICKEL
10F	155803-01-01A	EA	KNOB CABINET DOOR - WROUGHT IRON
11F	155925-01-01A	EA	KNOB - DOOR/DRAWER - SATIN NICKEL - <b>ACCESS &amp; IMPULSE 200-SERIES</b>
12F	156579-01-01A	EA	KNOB - DOOR/DRAWER - PEWTER - <b>OUTLOOK &amp; SPIRIT 300-SERIES</b>
13F	157246-01-01A	EA	PULL - CABINET DOOR/DRAWER - SATIN NICKEL - <b>ADVENTURER G-SERIES, JOURNEY P-SERIES</b>
14F	157246-02-01A	EA	KNOB - CABINET DOOR/DRAWER - SATIN NICKEL - <b>ADVENTURER G-SERIES, JOURNEY P-SERIES</b>
15F	158982-01-04B	EA	HINGE - CONTINUOUS - 2" X 8" - BLACK
	158982-01-01A	EA	HINGE - CONTINUOUS - 2" X 8" - ZINC

## LABELS GROUP

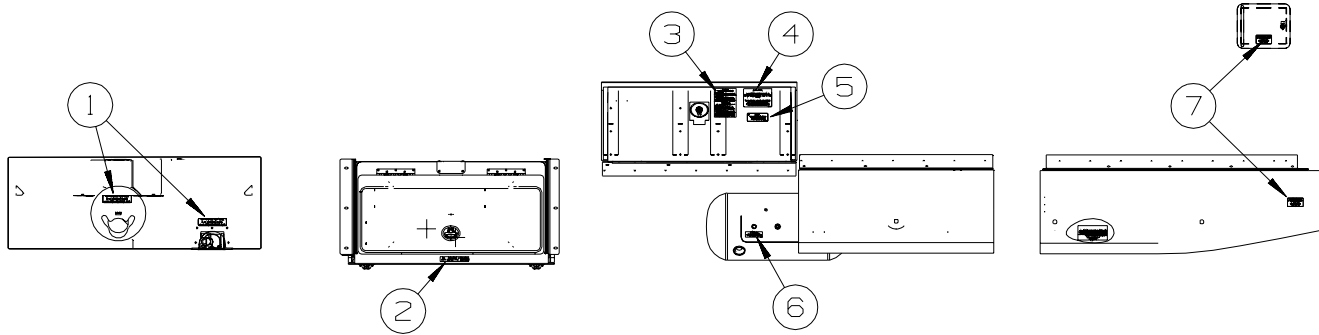


KEY	PART NUMBER	U/M DESCRIPTION
1	039290-01-000	EA LABEL - WARNING - EXIT
2	107571-02-000	EA LABEL - EXIT/ESCAPE WINDOW - RED ON CLEAR



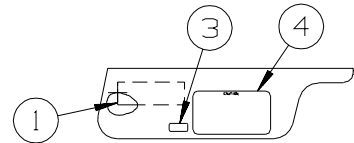
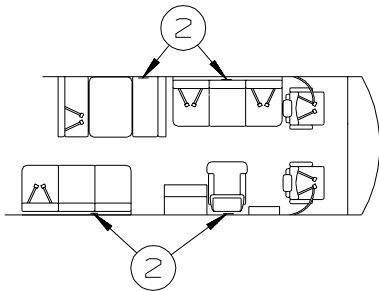
KEY	PART NUMBER	U/M DESCRIPTION
1	135869-01-01A	EA LABEL - MERCURY CONTENT - BLACK ON CLEAR
2	099509-01-000	EA LABEL - AWNING INSTALLATION
3	065748-01-000	EA LABEL - WARNING - BATTERY CHARGING - UL
4	155692-01-01A	EA LABEL - ODOMETER - READ IN MILE - BLACK/WHITE
4	155692-01-02A	EA LABEL - ODOMETER - READ IN MILE - WHITE/CLEAR

## LABELS GROUP (CONTINUED)



KEY	PART NUMBER	U/M	DESCRIPTION
1	123562-01-000	EA	LABEL - SERVICE/UTILITY ACCESS
2	154801-01-01A	EA	LABEL - NO STEP/MAX CARGO - WHITE/CLEAR
3	023769-01-000	EA	LABEL - WARNING - LPG - CANADIAN
4	124520-01-02A	EA	LABEL - LP GAS ONLY - WHITE ON CLEAR
5	124519-01-02A	EA	LABEL - WARNING/REFUELING - WHITE ON CLEAR
6	079965-01-000	EA	LABEL - LPG - 80% CAPACITY
7	125306-01-01A	EA	LABEL - ELECTRICAL ENTRANCE - 110V 30 AMP - BLACK ON CLEAR
7	125306-01-02A	EA	LABEL - ELECTRICAL ENTRANCE - 110V 30 AMP - WHITE ON CLEAR

### TYPICAL SEAT AND BELT CONFIGURATIONS

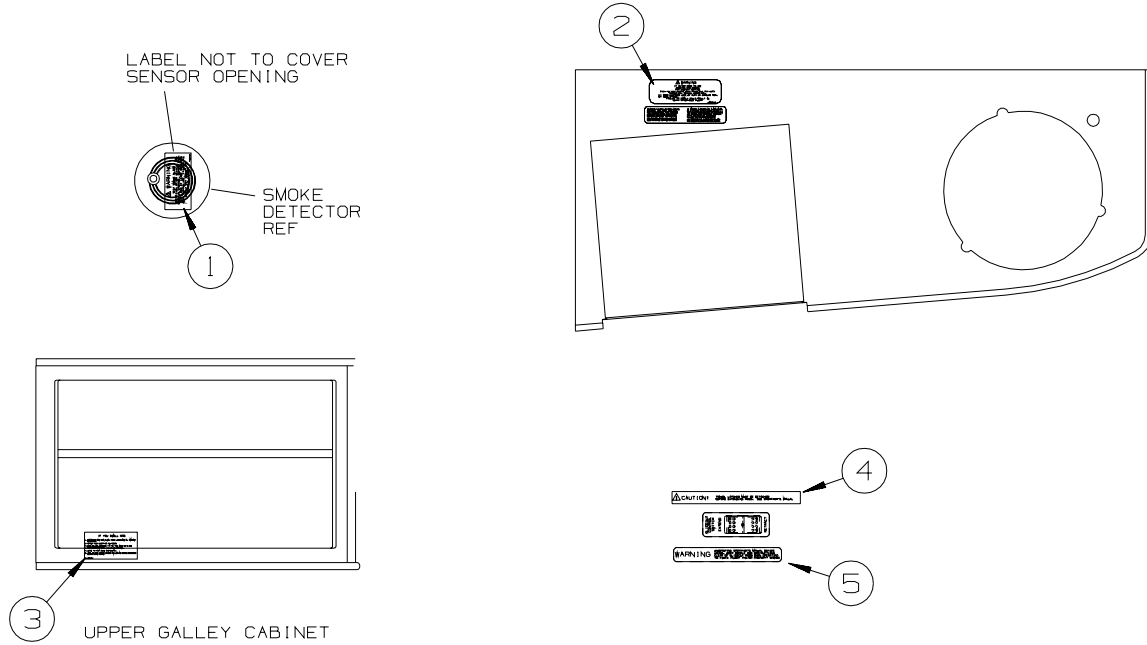


LABELS SHALL BE LOCATED ON OPPOSITE SIDE OF VISOR THAT THE AIR BAG LABEL IS INSTALLED ON.

ATTACH LABEL ON OR NEXT TO:  
 +ANY SINGLE CHAIR WITHOUT BELTS.  
 +ANY DINETTE SEAT WITHOUT BELTS.  
 +ANY COUCH WITHOUT BELTS OR ANY SEATING POSITION ON THAT COUCH.  
 DO NOT ATTACH LABEL IF:  
 +DINETTE SEAT HAS AT LEAST ONE SET OF BELTS INSTALLED.

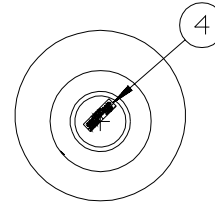
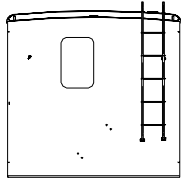
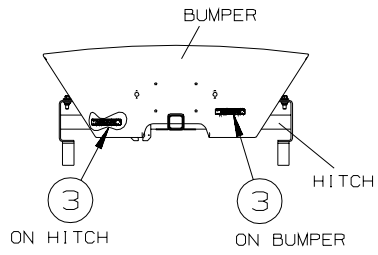
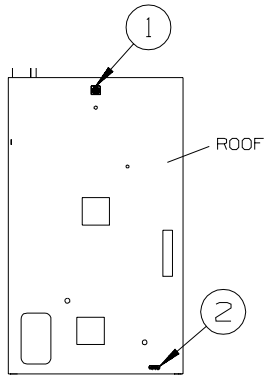
KEY	PART NUMBER	U/M	DESCRIPTION
1	126611-01-000	EA	LABEL - AIR BAG - VISOR
2	134538-01-01A	EA	LABEL - OCCUPANCY - NO SEAT BELT - BLACK ON CLEAR - US
2	134538-02-01A	EA	LABEL - OCCUPANCY - NO SEAT BELT - BLACK ON CLEAR - CSA - <b>CANADIAN</b>
3	099689-01-000	EA	LABEL - WARNING - CANCER/TOXICITY
4	056259-01-000	EA	LABEL - SAFETY CHECK LIST

## LABELS GROUP (CONTINUED)

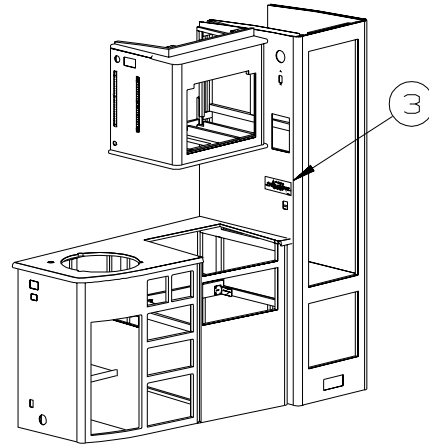
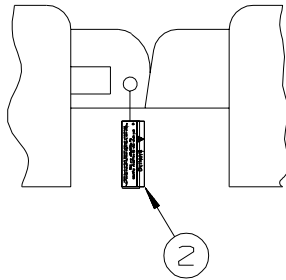
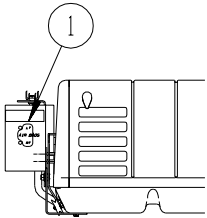


KEY	PART NUMBER	U/M	DESCRIPTION
1	077956-01-000	EA	LABEL - WARNING/SMOKE DETECTOR
2	134539-01-01A	EA	LABEL - WARNING - STOVE/HEATING - US - BLACK ON CLEAR
2	134540-01-01A	EA	LABEL - WARNING - STOVE/HEATING - CSA - BLACK ON CLEAR - <b>CANADIAN</b>
3	073998-01-000	EA	LABEL - LPG/ODOR WARNING
4	116775-01-000	EA	LABEL/CAUTION - TRAVEL LATCH
5	116549-01-000	EA	LABEL - WARNING - SLIDEOUT

## LABELS GROUP (CONTINUED)

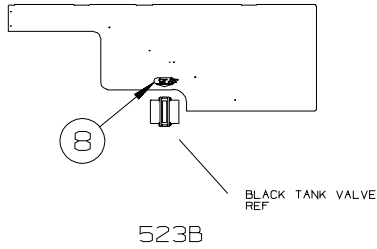
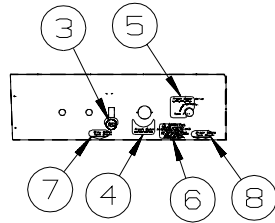
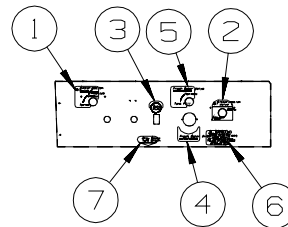
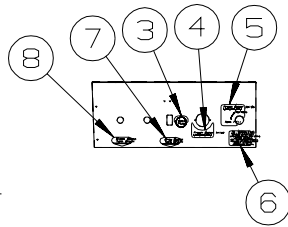
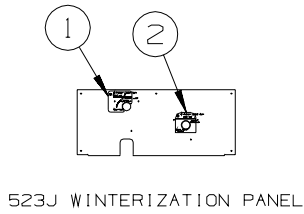


KEY	PART NUMBER	U/M	DESCRIPTION
1	120431-01-000	EA	LABEL - LOCATION - COAXIAL CABLE/SATELLITE ANTENNA
2	128218-01-01A	EA	LABEL - WARNING - SLIPPERY ROOF
3	129669-01-01A	EA	LABEL - HITCH/VEHICLE RATE - 350 - WHITE ON CLEAR
4	155491-01-01A	EA	LABEL - WARNING - LUG NUTS - WHITE/CLEAR



KEY	PART NUMBER	U/M	DESCRIPTION
1	136360-03-01A	EA	LABEL - AIR BAGS - BLACK/CLEAR
2	126612-01-000	EA	LABEL - HANG TAG - AIR BAG - DASH
3	143911-01-01A	EA	LABEL - CURTAIN SECUREMENT - BLACK ON CLEAR
3	155196-01-01A	EA	LABEL - CURTAIN SECUREMENT - BLACK ON CLEAR - <b>CANADIAN</b>

## LABELS GROUP (CONTINUED)



KEY	PART NUMBER	U/M	DESCRIPTION
1	152545-01-01A	EA	LABEL - WINTERIZATION
2	152539-01-01A	EA	LABEL - BYPASS
3	152544-03-01A	EA	LABEL - SWITCHES
4	152538-01-01A	EA	LABEL - FRESH WATER - PANTONE/CLEAR
5	152548-01-01A	EA	LABEL - VALVE/FRESH
6	128725-02-01A	EA	LABEL - POTABLE WATER ONLY - BLACK ON CLEAR
7	152541-03-01A	EA	LABEL - GRAY WASTE
8	152543-03-01A	EA	LABEL - BLACK WASTE
8	152543-03-02A	EA	LABEL - BLACK WASTE - WHITE/BLACK

**LP GROUP  
LP SYSTEM**

KEY	PART NUMBER	U/M	DESCRIPTION
	144485-01-000	EA	COVER - LP REGULATOR
	045703-03-000	EA	HOSE - LP - 3/8"ID X 18" - 3/8"MPT X 1/2"F SWIVEL - US
	045703-07-000	EA	HOSE - LP - 3/8"ID X 10" - 3/8"MPT X 1/2"F SWIVEL - US
	045703-12-000	EA	HOSE - LP - 3/8"ID X 18" - 3/8"MPT X 1/2"F SWIVEL - CSA
	045703-21-000	EA	HOSE - LP - 3/8"ID X 60" - 1/2"F SWIVEL X3/8"F SWVL US/CSA
	045703-29-000	EA	HOSE - LP - 3/8"ID X 79.7"-1/2"F SWIVEL X1/2"F SWVL US/CSA
	010326-01-000	EA	ADAPTER - FLARE - W/CONE GASKET - 3/8"F X 1/2"F
	010323-01-000	EA	ADAPTER - 3/8"F X 1/2"MPT - BRASS
	010329-01-000	EA	ADAPTER - 1/2"F X 1/2"MPT - BRASS
	024250-01-000	EA	ADAPTER - BRASS - 3/8"F X 1/2"FPT
	106150-05-000	EA	REGULATOR - TWO STAGE
	106150-06-000	EA	REGULATOR - TWO STAGE
			FROM: 05-19-06 THRU: 99-99-99
	145639-01-02B	EA	BRACKET - REGULATOR - E-COATED
	151726-01-02B	EA	BRACKET/LP MOUNTING - E-COATED
	151726-02-02B	EA	BRACKET/LP MOUNTING - E-COATED
	151726-03-02B	EA	BRACKET/LP MOUNTING - E-COATED
	152249-01-02B	EA	BRACKET - LP MOUNT - E-COATED
	010380-02-000	EA	NUT - 1/2" FLARE - FORGED - BRASS
	010377-02-000	EA	NUT - 3/8" FLARE - FORGED - BRASS
	040440-02-000	EA	TRANSMITTER - DIAL/BOLT-ON - 0-90 OHM 2 TERM(POWER/GROUND)
*	144116-09-000	EA	TANK - LP - 60 LB - 14"D X 29.75"L
	151725-01-02B	EA	GUARD/ROCK - W/PANEL/STEEL - E-COATED
	151725-02-02B	EA	GUARD/ROCK - W/PANEL/STEEL - E-COATED
	151725-03-02B	EA	GUARD/ROCK - W/PANEL/STEEL - E-COATED
	153874-01-T01	EA	GUARD - DIRT
	010589-01-000	EA	NIPPLE - PIPE - 1/2" X 1 1/2" - BLACK
	010589-03-000	EA	NIPPLE - PIPE - 1/2" X 2 1/2" - BLACK
	153893-01-02B	EA	ANGLE - FORMED - LP COVER - E-COATED

\*COMPONENT PARTS LISTED LATER IN THIS GROUP

**COMPONENT PARTS FOR LP SYSTEM**

**144116-09-000**

KEY	PART NUMBER	U/M	DESCRIPTION	VENDOR NO.
	040421-01-712	EA	VALVE-SERV. W/O VAPOR RELIEF	V20373
	040421-01-713	EA	VALVE-RELIEF 1" W/SPRING 7"	V20479
	144116-01-700	EA	VALVE-OUTAGE(NO STEM REMOVE)	V20058
	144116-04-700	EA	FLOAT/SENDING UNIT W/O DIAL	G11530
	144116-04-701	EA	DIAL - TRANSMITER	G12845
	144116-09-700	EA	VALVE/FILL 80%	V20150

**SEALANTS & FASTENERS GROUP**  
**SEALANTS & ADHESIVES**

<b>KEY</b>	<b>PART NUMBER</b>	<b>U/M</b>	<b>DESCRIPTION</b>
	004001-02-000	EA	GUN - PLEXUS ADHESIVE - W/O NOZZLE
	004001-05-000	EA	ADHESIVE - SCOTCH-WELD - 3M DP100 - CLEAR - 50ML
	004011-01-000	EA	ADHESIVE-3M-4475 TUBE
	010405-02-000	EA	TAPE - THREAD SEALING - 3/8"
	064075-07-000	FT	SEAL - BULB - W/WIRED U CHANNEL - .3" X .5" CHANNEL-BLACK
	067788-01-000	EA	ADHESIVE - SPRAY - 3M - 19.5 OZ AEROSOL CAN
	069640-01-000	FT	SEALER - RIBBON - 1/4"DIAMETER X 30 FT - BLACK OR GRAY
	069640-02-000	FT	SEALER - TAPE - 1/8"THICK X 1/2"WIDE X 60 FT - GRAY
	069640-03-000	FT	SEALER - TAPE - 1/8"THICK X 3/4"WIDE X 60 FT - BLACK
	069640-07-000	FT	SEALER - TAPE - 3/32"THICK X 2"WIDE X 45 FT - GRAY
	069640-09-000	FT	SEALER - TAPE - 1/32"THICK X 2 1/2"WIDE X 80 FT - BRT WHT
	069640-10-000	FT	SEALER - TAPE - 1/32"THICK X 1 1/2"WIDE X 90 FT - BRT WHT
	069640-11-000	FT	SEALER - TAPE - 3/16"THICK X 3/8"WIDE X 40 FT - BLACK
	069640-13-000	FT	SEALER - TAPE - 3/32"THICK X 2"WIDE X 45 FT - BLACK
	069640-14-000	FT	SEALER - TAPE - 1/16"THICK X 1"WIDE X 100 FT - BLACK
	069640-15-000	FT	SEALER - TAPE - 1/16"THICK X 3/8"WIDE X 100 FT - BRT WHT
	069640-17-000	FT	SEALER - TAPE - 1/32"THICK X 1"WIDE X 150 FT - GRAY
	069640-18-000	FT	SEALER - TAPE - 1/8"THICK X 1/2"WIDE X 60 FT - BRT WHT
	069640-19-000	FT	SEALER - TAPE - 1/8"THICK X 3/4"WIDE X 60 FT - BRT WHT
	069640-20-000	FT	SEALER - TAPE - 1/8"THICK X 1/2"WIDE X 60 FT - BLACK
	069640-21-000	FT	SEALER - TAPE - 1/16"THICK X 1/2"WIDE X 100 FT - BRT WHT
	069640-22-000	FT	SEALER - TAPE - 1/32"THICK X 1/4"WIDE X 200 FT - BRT WHT
	069640-23-000	FT	SEALER - TAPE - 1/16"THICK X 3/4"WIDE X 100 FT - BRT WHT
	069640-27-000	FT	SEALER - TAPE - 1/16"THICK X 2 1/4"WIDE X 50 FT - BRT WHT
	069640-28-000	FT	SEALER - TAPE - 1/32"THICK X 1 7/8"WIDE X 90 FT - GRAY
	069640-30-000	FT	SEALER - TAPE - 1/32"THICK X 5/8"WIDE X 50 FT - GRAY
	069640-31-000	FT	SEALER - TAPE - 1/4"THICK X 3/4"WIDE X 15 FT - BLACK
	069640-32-000	FT	SEALER - TAPE - 1/16"THICK X 3/8"WIDE X 100 FT - BLACK
	069640-33-000	FT	SEALER - RIBBON - 3/8"DIAMETER X 20 FT - BLACK
	069640-34-000	FT	SEALER - RIBBON - 1/4"DIAMETER X 30 FT - BRIGHT WHITE
	072889-28-000	EA	SEALANT/URETHANE-10 OZ TUBE W/NOZZLE-SELF LEVELING-BRT WHT
	076322-01-000	FT	TAPE-DOUBLE COATED/ADHESIVE BK-.03"THK X .8"W X 216' - WHT
	076322-02-000	FT	TAPE-DOUBLE COATED/ADHESIVE BK-.05"THK X 1"W X 108' - WHT
	076322-03-000	FT	TAPE-DOUBLE COATED/ADHESIVE BK-.05"THK X .5"W X 108' - WHT
	076322-05-000	FT	TAPE-DOUBLE COATED/ADHESIVE BK-.05"THK X .8"W X 108' - WHT
	076322-07-000	FT	TAPE-DOUBLE COATED/ADHESIVE BK-.05"THK X .5"W X 200' - BLK
	076322-13-000	FT	TAPE - FOAM/DOUBLE COATED - .020"THK X .75"W - CLEAR
	076322-21-000	FT	TAPE - FOAM/DOUBLE COATED - .045"THK X .50"W
	076322-22-000	FT	TAPE - FOAM/DOUBLE COATED - .045"THK X .75"W
	076322-23-000	FT	TAPE - FOAM/DOUBLE COATED - .045"THK X 1"W
	076322-25-000	FT	TAPE - FOAM/DOUBLE COATED - .025"THK X .5"W
	086276-01-000	EA	TAPE - DOUBLE SIDED - 1/2" WIDE X 108' LONG (SOLD BY ROLL)
	088479-01-000	EA	TAPE - ALUMINUM - 3"
	090340-01-000	FT	SEAL - FOAM - CLOSED CELL - 1/4" X 1/2" X 50'
	091255-02-000	FT	SEAL - ADHESIVE BACKED/FOAM - 3/64"THICK X 3/16"W X 1000'
	091255-03-000	FT	SEAL - ADHESIVE BACKED/FOAM - 1/4" THICK X 1/4"W X 1000'
	094401-01-000	EA	SEALER - BODY SEAM - FLEXICLEAR
	094401-04-000	EA	SEALER - BODY SEAM - CLEAR
	094401-05-000	EA	SEALER - BODY SEAM - 20OZ BLACK
	094401-06-000	EA	SEALER - BODY SEAM - 12OZ BLACK
	094401-07-000	EA	SEALER - BODY SEAM - CLEAR
	098408-01-000	FT	SEAL - SPONGE RUBBER - CLOSED CELL
	099069-01-000	FT	SEAL - RUBBER - CLOSED SPONGE - .5" WIDE X .12" THICK-BLK
	099418-01-000	FT	SEAL - D-SECTION/ADHESIVE BACK - ..44" X .44" - BLK RUBBER
	107828-01-000	EA	SEALANT - SB - 190 EVERSEAL
	112864-01-000	FT	SEAL - FOAM/BUTYL COVERED - 3/8" X 35'
	112864-02-000	FT	FOAM - BUTYL COVERED - 5/16" X 44'
	112864-04-000	FT	FOAM - BUTYL COVERED - 3/8" X 1/8"
	112901-02-000	EA	ADHESIVE - PLEXUS - MA330 - 50ML - GRAY
	112901-03-000	EA	ADHESIVE - PLEXUS - MA300 - 50ML - WHITE
	112902-01-000	EA	NOZZLE - ELEMENT - 3/8" X 24
	112902-03-000	EA	MIXER NOZZLE - F/GUN #00400102000 - SCOTCH-WELD & PLEXUS
	112902-04-000	EA	NOZZLE - ELEMENT - 1/4" X 3.5"
	112902-05-000	EA	NOZZLE - BAYONET - 3/8" X 18



## SEALANTS & FASTENERS GROUP (CONTINUED)

### SEALANTS & ADHESIVES (CONTINUED)

KEY	PART NUMBER	U/M	DESCRIPTION
	112902-06-000	EA	NOZZLE - ELEMENT - 1/2" X 32
	113366-01-000	EA	ADHESIVE - INSTANT - 1 OZ
	120074-02-03A	EA	SILICONE - TUBE - W/O NOZZLE - LOW ODOR - SMOKEY WHITE
	120534-01-01A	EA	TAPE - SCOTCH - 3M - 1/2" FINE LINE
	123244-01-000	FT	TAPE - DOUBLE SIDED/FOAM - 5/64"THICK X 3/4"WIDE X 108'
	123816-01-000	FT	TAPE - DOUBLE SIDED - 1" X .020" X 200' - CLEAR
	123816-02-000	FT	TAPE - DOUBLE SIDED - 1/2" X .035" X 200' - CLEAR
	123816-03-000	FT	TAPE - DOUBLE SIDED - 1/2" X .020" X 200' - CLEAR
	123816-04-000	FT	TAPE - DOUBLE SIDED - 6" X .0035" X 750' - CLEAR
	123816-06-000	FT	TAPE - DOUBLE SIDED - 3/4" X 3/4" X 200' - CLEAR
	123816-07-000	FT	TAPE - DOUBLE SIDED - 1 3/4" X 200' - CLEAR
	126427-01-000	EA	ADHESIVE - ALL PURPOSE - ABS/PVC
	126427-02-000	EA	PRIMER - CLEANER - FLEX PIPING
	131264-01-11A	EA	SILICONE - TUBE - W/NOZZLE - BEIGE
	131264-01-12A	EA	SILICONE - TUBE - W/NOZZLE - BONE
	131264-01-13A	EA	SILICONE - TUBE - W/NOZZLE - TRANSLUCENT
	131264-02-01A	EA	SILICONE - TUBE - W/NOZZLE - VW GRAY - BATH ONLY
	131264-03-01A	EA	SILICONE - TUBE - W/O NOZZLE - SELF LEVELING -BRIGHT WHITE
	131264-04-01A	EA	SILICONE/SEALANT/ADHESIVE - FAST CURE F/GLASS/VINYL - B/W
	131264-04-02A	EA	SILICONE/SEALANT/ADHESIVE-FAST CURE F/GLASS/VINYL-SOFT WHT
	131264-05-01A	EA	SILICONE/SEALANT - ODORLESS - TUBE - W/NOZZLE - BLACK
	131264-05-02A	EA	SILICONE/SEALANT - ODORLESS - TUBE - W/NOZZLE - CLEAR
	131384-01-000	EA	ADHESIVE - JET WELD - 10 OZ CARTRIDGE
	132892-07-01A	FT	SEAL - BULB/SINGLE - W/U CHANNEL - .5" X 1" - BLACK
	152038-01-01A	EA	TAPE - PRESERVATION SEAL - 2" X 36YD ROLL - BLACK
	154585-01-01A	FT	SEAL - FOAM TAPE - ADHESIVE BACK - 3/8" X 3/8" - BLACK
	154585-02-01A	FT	SEAL - FOAM TAPE - ADHESIVE BACK - 3/4" X 1/2" - BLACK
	154585-03-01A	FT	SEAL - FOAM TAPE - ADHESIVE 2 SIDED - 1/8" X 3/4" - BLACK
	154585-04-01A	FT	SEAL - FOAM TAPE - ADHESIVE BACK - 5/8" X 1/8" - WHITE

### BOLTS, NUTS AND WASHERS

KEY	PART NUMBER	U/M	DESCRIPTION
	0MD54F-06-000	EA	NUT - HEX W/SERATED FLANGE
	000C12-04-08B	EA	BOLT - HEX - 1/4-20 X 1/2 - GRADE #5 - ZINC
	000C12-04-40B	EA	BOLT - HEX - 1/4-20 X 2 1/2 - GRADE #5 ZINC
	000C12-04-20F	EA	BOLT - HEX - 1/4-20 X 1 1/4 - GRADE #5 - STAINLESS STEEL
	000C12-04-12A	EA	BOLT - HEX - 1/4-20 X 3/4 - PLAIN 5
	000C12-05-16B	EA	BOLT - HEX - 5/16 - 18X1 - GRADE #5 - ZINC
	000C12-05-40B	EA	BOLT - HEX - 5/16"-18 X 2.5" - GRADE #5 - ZINC
	000C12-06-28B	EA	BOLT-HEX-3/8-16X13/4 ZN 5 - 5185-01
	000C12-08-44B	EA	BOLT - HEX - 1/2-13 X 2 3/4 - GRADE #5 - ZINC
	000C12-08-24B	EA	BOLT - HEX - 1/2-13 X 1 1/2 - GRADE #5 - ZINC
	000C12-08-28B	EA	BOLT - HEX - 1/2-13 X 1 3/4 - GRADE #5 - ZINC
	000C13-07-40B	EA	BOLT - HEX - 7/16-20 X 2 1/2 - GRADE #5 - ZINC
	000C13-07-48B	EA	BOLT - HEX - 7/16-20 X 3 - GRADE #5 - ZINC
	000C13-07-72B	EA	BOLT - HEX - 7/16-20 X 4.5" - GRADE #5 - ZINC
	000C16-07-16B	EA	BOLT - CARRIAGE - ASSIST HANDLE - 7/16-14 X 1
	000C18-05-40A	EA	BOLT - ELEVATOR - 5/16-18 X 2 1/2 - PL
	000C26-04-18B	EA	BOLT - HEX - SERRATED FLANGE - 1/4-20 X 1 1/8 - ZINC
	000C26-04-14B	EA	BOLT - HEX - SERRATED FLANGE - 1/4-20 X 7/8 - ZINC
	000C26-04-12F	EA	BOLT - HEX - SERRATED FLANGE -1/4-20 X 3/4-STAINLESS STEEL
	000C26-04-10B	EA	BOLT - HEX - SERRATED FLANGE - 1/4-20 X 5/8 - ZINC
	000C26-04-40F	EA	BOLT - HEX - SERRATED FLANGE -1/4-20 X 2.5-STAINLESS STEEL
	000C26-05-12B	EA	BOLT - HEX - SERRATED FLANGE - 5/16-18 X 3/4 - ZINC
	000C26-06-12B	EA	BOLT - HEX - SERRATED FLANGE - 3/8-16 X 3/4 - ZINC
	000C26-06-20B	EA	BOLT - HEX - SERRATED FLANGE - 3/8-16 X 1 1/4 - ZINC
	000C26-06-28B	EA	BOLT - HEX - SERRATED FLANGE - 3/8-16 X 1 3/4 - ZINC
	000C26-06-40B	EA	BOLT - HEX - SERRATED FLANGE - 3/8-16 X 2 1/2 - ZINC
	000C26-08-28B	EA	BOLT - HEX - SERRATED FLANGE - 1/2-13 X 1 3/4 - ZINC
	000C26-08-24B	EA	BOLT - HEX - SERRATED FLANGE - 1/2-13 X 1 1/2 - ZINC
	000C26-08-40B	EA	BOLT - HEX - SERRATED FLANGE - 1/2-13 X 2 1/2-GRADE #5 ZINC
	000C27-08-48B	EA	BOLT-CARR 1/2-13X3.00 GR5 - 97 M-SERIES
	000C27-08-64B	EA	BOLT - CARRIAGE - 1/2-13 X 4 - GRADE 5
	000D16-07-00B	EA	NUT - HEX - 7/16-14 - ZINC

**SEALANTS & FASTENERS GROUP (CONTINUED)**  
**BOLTS, NUTS AND WASHERS (CONTINUED)**

KEY	PART NUMBER	U/M	DESCRIPTION
	000D24-10-00B	EA	NUT - HEX - SELF LOCKING - 10-32 - ZINC
	000D27-05-00B	EA	NUT - HEX LOCK - 5-40 - ZINC
	000D28-10-00B	EA	NUT - HEX - W/NYLON LOCK - 10-32 - ZINC
	000D29-04-00F	EA	NUT - HEX - SELF LOCKING - 1/4 X 20 - STAINLESS STEEL
	000D29-04-00B	EA	NUT - HEX - SELF LOCKING - 1/4 X 20 - ZINC
	000D29-06-00B	EA	NUT - HEX - W/NYLON LOCK - 3/8-16 - ZINC
	000D29-09-00B	EA	NUT - HEX - SELF LOCKING - 9/16-12 - ZINC
	000D34-04-00B	EA	NUT - HEX - LOCKING - 1/4-20 - ZINC
	000D34-06-00B	EA	NUT - HEX - LOCKING - 3/8-16 GRADE C - ZINC
	000D39-04-00B	EA	NUT - HEX - LOCKING W/SERRATED FLANGE - 1/4-20 - ZINC
	000D39-05-00B	EA	NUT - HEX - LOCKING W/SERRATED FLANGE - 5/16-18 - ZINC
	000D39-06-00B	EA	NUT - HEX - LOCKING W/SERRATED FLANGE - 3/8-18 - ZINC
	000D39-06-00D	EA	NUT - HEX - LOCKING W/SERRATED FLANGE - 3/8"-16 BLACK
	000D39-07-00B	EA	NUT - HEX - LOCKING W/SERRATED FLANGE - 7/16-14 - ZINC
	000D39-08-00B	EA	NUT - HEX - LOCKING W/SERRATED FLANGE - 1/2-13 - ZINC
	000D39-09-00B	EA	NUT - HEX - LOCKING W/SERRATED FLANGE - 9/16-12 - ZINC
	000D44-04-00B	EA	NUT - HEX - LOCKING W/SERRATED FLANGE - 1/4-28 - ZINC
	000D44-07-00B	EA	NUT - HEX - LOCKING W/SERRATED FLANGE - 7/16-20 - ZINC
	000D44-08-00B	EA	NUT - HEX - LOCKING W/SERRATED FLANGE - 1/2-20 - ZINC
	000D46-04-00A	EA	NUT - HEX - WELD - 1/4-20 - PLAIN
	000D65-08-00B	EA	NUT - HEX - LOCKING W/SERRATED FLANGE - 8-32 - ZINC
	000D73-08-00C	EA	NUT - HEX FLANGE - 1/2-13
	000D75-09-00B	EA	NUT - HEX LOCKING - 9/16-12 - ZINC
	000D76-06-00B	EA	NUT - HEX FLANGE - 3/8-16
	000E11-04-00F	EA	WASHER - LOCKING - 1/4 MED SPLIT - STAINLESS STEEL
	000E11-07-00B	EA	WASHER - LOCKING - 7/16 MED SPLIT - ZINC
	000E11-08-00B	EA	WASHER - LOCKING - 1/2 MED SPLIT - ZINC
	000E13-17-00B	EA	WASHER - FLAT - 3/8 AR - ZINC
	000E13-18-00B	EA	WASHER - FLAT - 3/8 WIDE - ZINC
	000E13-20-00B	EA	WASHER - FLAT - 7/16 WIDE - ZINC
	000E13-22-00B	EA	WASHER - FLAT - 1/2 WIDE - ZINC
	000E13-26-00B	EA	WASHER - FLAT - 5/8 WIDE - ZINC
	000E14-10-00B	EA	WASHER - LOCKING - #10 EXTERNAL TOOTH - ZINC
	000E16-10-00B	EA	WASHER - HARDENED - 5/8 - FLAT - ZINC
	000G45-05-16B	EA	BOLT - LAG - 5/16-9 X 1 - ZINC
	005081-01-000	EA	NUT - SPEED - C-TYPE - #8 SCREW
	039715-01-000	EA	NUT-SERT - 1/4" DIAMETER - 20 THREADS
	040921-01-000	EA	NUT - SPEED - U TYPE - #10-24 - BLACK
	040921-03-000	EA	NUT - SPEED - U TYPE - #10
	040921-04-000	EA	NUT - SPEED - U TYPE - #8-.59" LENGTH X .44" WIDTH
	040921-05-000	EA	NUT - SPEED - U-TYPE - 8-.67" X .44" WIDE
	040921-11-000	EA	NUT - SPEED - U-TYPE - 8-.59" LENGTH X .44" WIDTH - BLACK
	041322-01-000	EA	WASHER - FLANGE - 15/32"ID X 2 3/8"OD - F/SEAT BELT MTG
	044364-02-000	EA	NUT - SPEED - FLAT - ROUND
	044533-01-000	EA	WASHER - 1 3/8"OD - FOR BUTTONS - PLASTIC
	051387-06-000	EA	BOLT - CARRIAGE W/O HOLE - 5/16-18 X 9 1/2 - ZINC
	058716-02-000	EA	WASHER - FLAT NYLON
	064081-03-000	EA	NUT - WING 3/8-16 - W/WELD NUT
	077071-01-000	EA	WASHER - FENDER - 3/16"ID X 1"OD
	087234-01-000	EA	NUT - JACK - 1/4 X 20 THD - MOLLY
	088787-12-000	EA	STUD - WELD - 1/4 - 20 X 1.0 LG - MN
	102540-02-000	EA	SEAL - SCREW
	106956-03-000	EA	BOLT - HEX TAP - 1/2-13NC X 3 - GRADE 5 - FULL THREAD/ZINC
	106956-10-000	EA	BOLT - HEX TAP - 9/16-12NC X 3 5/8 -GRD 5-FULL THREAD/ZINC
	106956-11-000	EA	BOLT - HEX TAP - 1/2-13NC X 2 1/2 - GRD 5-FULL THREAD/ZINC
	106956-13-000	EA	BOLT - HEX TAP - 1/2-20 X 2 1/2 - GRD 5-FULL THREAD/ZINC
	107397-01-000	EA	WASHER - FENDER - 3/4"ID X 1"OD
	108067-03-000	EA	STUD - WELD - 1/4 - 20 X 1/2 CD
	109917-03-000	EA	WASHER - 1" X .50"
	109917-04-000	EA	WASHER - 1" X .75"
	128444-01-000	EA	WASHER - SPRING - CONICAL
	135092-02-01A	EA	BOLT - HEX - SERRATED FLANGE - 1/2-20 X 2 1/2-GRADE 5 ZINC
	135092-05-01A	EA	BOLT - HEX - SERRATED FLANGE - 1/2-20 X 1 - GRADE 5 ZINC
	143399-01-01A	EA	NUT/RETAINING - 3/8"- 24 NFT

**SEALANTS & FASTENERS GROUP (CONTINUED)**  
**BOLTS, NUTS AND WASHERS (CONTINUED)**

KEY	PART NUMBER	U/M	DESCRIPTION
	144904-01-01A	EA	BOLT - ADJUSTMENT - HEADLAMP
	147284-02-000	EA	NUT/SELF RETAINING - 5/16"-18
	148817-01-000	EA	WASHER/SPUR - LOCKING

**SCREWS**

KEY	PART NUMBER	U/M	DESCRIPTION
	0G1208-12-170	EA	SCREW - 8-18 X 3/4 POH - BRIGHT WHITE
	0G3908-08-170	EA	SCREW - SF/DR - 8-18 X 1/2 PPH - BRIGHT WHITE
	0G3908-08-410	EA	SCREW - SF/DR - 8-18 X 1/2 PPH - PARCHMENT
	0G3908-16-170	EA	SCREW - SF/DR - 8-18 X 1 PPH - BRIGHT WHITE
	0G3908-24-170	EA	SCREW - SF/DR - 8-18 X 1 1/2 PPH - BRIGHT WHITE
	0G3910-10-330	EA	SCREW - SF/DR - 20-16 X 5/8 PPH - PUTTY
	0G3910-12-170	EA	SCREW - SF/DR - 10-16 X 3/4 PPH - BRIGHT WHITE
	0G3910-12-240	EA	SCREW - SF/DR - 10-16 X .75 PPH - VW LIGHT GRAY
	0G3910-12-380	EA	SCREW - SF/DR - 10-16 X .75 PPH - CASHMERE
	0G3910-12-370	EA	SCREW - SF/DR - 10-16 X .75 PPH - RIVERSTONE
	0G3910-24-170	EA	SCREW - SF/DR - 10-16 X 1 1/2 PPH - BRIGHT WHITE
	0G3910-32-330	EA	SCREW - SF/DR - 10-16 X 2.00 PPH - PUTTY
	0G5508-08-380	EA	SCREW - SF/DR - 8-18 X .5 PWH - CASHMERE
	0G5508-08-370	EA	SCREW - SF/DR - 8-18 X .5 PWH - RIVERSTONE
	0G5508-12-170	EA	SCREW - SF/DR - 8-18 X 3/4 PWH - BRIGHT WHITE
	0G5508-12-320	EA	SCREW - SF/DR - 8-18 X 3/4 PWH - GLACIER
	0G5508-12-330	EA	SCREW - SF/DR - 8-18 X 3/4 PWH - PUTTY
	0G6008-16-170	EA	SCREW - SF/DR - 8-18 X 1 POH - BRIGHT WHITE
	0G5508-16-250	EA	SCREW - SF/DR - 8-18 X 1 PWH - VW DARK GRAY
	0G5508-16-330	EA	SCREW - SF/DR - 8-18 X 1 PWH - PUTTY
	0G5508-16-370	EA	SCREW - SF/DR - 8-18 X 1 PWH - RIVERSTONE
	0G5508-16-380	EA	SCREW - SF/DR - 8-18 X 1 PWH - CASHMERE
	0G5508-16-410	EA	SCREW - SF/DR - 8-18 X 1 PWH - MEDIUM PARCHMENT
	0G6012-32-170	EA	SCREW - SF/DR - 12-14 X 2 POH - BRIGHT WHITE
	0G6710-08-170	EA	SCREW - 10-12 X 1/2 PPH - BRIGHT WHITE
	0G6710-12-170	EA	SCREW - 10-12 X 3/4 PPH - BRIGHT WHITE
	0G6806-16-170	EA	SCREW - 6-18 X 1 POH - BRIGHT WHITE
	0G6810-24-280	EA	SCREW - 10-12 X 1 1/2 POH - SOFT WHITE
	000C20-06-24T	EA	SCREW - 3/8-16 X 1 1/2 - FLAT SOCKET
	000C28-05-24D	EA	CAPSCREW/BUTTON HEAD - 5/16-18 X 1 1/2 - #8-BLK PHOSPHATE
	000G11-06-08B	EA	SCREW - 6-20 X 1/2 PPH - ZINC
	000G11-06-10B	EA	SCREW - 6-20 X 5/8 PPH - ZINC
	000G11-06-10J	EA	SCREW - 6-20 X 5/8 PPH - BRASS
	000G11-07-08B	EA	SCREW - 7-19 X 1/2 PPH - ZINC
	000G11-08-06B	EA	SCREW - 8-18 X 3/8 PPH - ZINC
	000G11-08-08T	EA	SCREW - 8-18 X 1/2 PPH - FLUOROCARBON COATING
	000G11-08-12B	EA	SCREW - 8-18 X 3/4 PPH - ZINC
	000G11-08-12P	EA	SCREW - 8-18 X 3/4 PPH - DARK BROWN
	000G11-08-12S	EA	SCREW - 8-18 X 3/4 PPH - OFF WHITE
	000G11-08-12T	EA	SCREW - 8-18 X 3/4 PPH - BLACK MAGNESIUM
	000G11-08-20B	EA	SCREW - 8-18 X 1 1/4 PPH - ZINC
	000G11-08-20G	EA	SCREW - 8-18 X 1 1/4 - ANTIQUE BRASS
	000G11-10-12D	EA	SCREW - 10-16 X 3/4 PPH - BLACK
	000G12-06-08T	EA	SCREW - 6-20 X 1/2 POH - BLACK
	000G12-06-12J	EA	SCREW - 6-20 X .75 POH - BRASS
	000G12-10-16F	EA	SCREW - 10-16 X 1 POH - STAINLESS STEEL
	000G13-05-10B	EA	SCREW - 5-12 X 5/8 PFH - ZINC
	000G13-06-08B	EA	SCREW - 6-20 X 1/2 PFH - ZINC
	000G13-06-08G	EA	SCREW - 6-20 X 1/2 PFH - ANTIQUE BRASS
	000G13-06-10G	EA	SCREW - 6-20 X 5/8 PFH - ANTIQUE BRASS
	000G13-06-16J	EA	SCREW - 6-20 X 1 PFH - BRASS
	000G13-06-169	EA	SCREW - SF/DR - 6-20 X 1 PFH - SILVER
	000G13-06-24J	EA	SCREW - 6-20 X 1 1/2 PFH - BRASS
	000G13-07-10H	EA	SCREW - 7-19 X 5/8 PFH - BLACK
	000G13-07-12B	EA	SCREW - 7-19 X 3/4 PFH - ZINC
	000G13-08-109	EA	SCREW - 8-18 X 5/8 PFH
	000G13-08-10B	EA	SCREW - 8-18 X 5/8 PFH - ZINC
	000G13-08-16B	EA	SCREW - 8-18 X 1 PFH - ZINC

**SEALANTS & FASTENERS GROUP (CONTINUED)**  
**SCREWS (CONTINUED)**

<b>KEY</b>	<b>PART NUMBER</b>	<b>U/M</b>	<b>DESCRIPTION</b>
	000G13-08-24B	EA	SCREW - 8-18 X 1 1/2 PFH - ZINC
	000G16-04-24B	EA	SCREW - MACHINE - 1/4-20 X 1 1/2 PPH
	000G18-08-12B	EA	SCREW - MACHINE - 8-32 X 3/4 PPH - ZINC
	000G18-08-16B	EA	SCREW - MACHINE - 8-32 X 1 PPH - ZINC
	000G18-08-24B	EA	SCREW - MACHINE - 8-32 X 1 1/2 PPH - ZINC
	000G18-08-22B	EA	SCREW - MACHINE - 8-32 X 1 3/8 PPH - ZINC
	000G19-10-08B	EA	SCREW - MACHINE - 10-32 X 1/2 PPH - ZINC
	000G19-10-10B	EA	SCREW - MACHINE - 10-32 X 5/8 - PPH - ZINC
	000G19-10-12F	EA	SCREW - MACHINE - 10-32 X 3/4 PPH - STAINLESS STEEL
	000G19-10-20B	EA	SCREW - MACHINE - 10-32 X 1 1/2 PPH - ZINC
	000G32-10-06B	EA	SCREW - 10-32 X 3/8 PPH - ZINC
	000G34-05-12B	EA	SCREW - HEX HEAD TAPPING - 5/16 X 3/4 LONG
	000G36-10-12T	EA	SCREW - 10-24X 3/4 PFH TYPE 23 - BLACK
	000G39-06-10T	EA	SCREW - SF/DR - 6-20 X 5/8 PPH - BLACK
	000G39-06-16T	EA	SCREW - SF/DR - 6-20 X 1 PPH - BLACK
	000G39-08-06B	EA	SCREW - SF/DR - 8-18 X 3/8 PPH - ZINC
	000G39-08-08B	EA	SCREW - SF/DR - 8-18 X 1/2 PPH - ZINC
	000G39-08-08S	EA	SCREW - SF/DR - 8-18 X 1/2 PPH - OFF WHITE
	000G39-08-08T	EA	SCREW - SF/DR - 8-18 X 1/2 PPH - BLACK
	000G39-08-12T	EA	SCREW - SF/DR - 8-18 X 3/4 PPH - BLACK
	000G39-08-16B	EA	SCREW - SF/DR - 8-18 X 1 PPH - ZINC
	000G39-08-16T	EA	SCREW - SF/DR - 6-20 X 1 PPH - BLACK
	000G39-08-24B	EA	SCREW - SF/DR - 8-18 X 1 1/2 PPH - ZINC
	000G39-08-24S	EA	SCREW - SF/DR - 8-18 X 1 1/2 - OFF WHITE
	000G39-08-24T	EA	SCREW - SF/DR - 8-18 X 1 1/2 PPH - BLACK
	000G39-08-32B	EA	SCREW - SF/DR - 8-18 X 2 PPH - ZINC
	000G39-10-08B	EA	SCREW - SF/DR - 10-16 X 1/2 PPH - ZINC
	000G39-10-10B	EA	SCREW - SF/DR - 10-16 X 5/8 PPH - ZINC
	000G39-10-12B	EA	SCREW - SF/DR - 10-16 X 3/4 PPH - ZINC
	000G39-10-129	EA	SCREW - SF/DR - 10-16 X 3/4 PPH - FLUOROCARBON SILVER
	000G39-10-169	EA	SCREW - SF/DR - 10-16 X 1 PPH - FLUOROCARBON SILVER
	000G39-10-20B	EA	SCREW - SF/DR - 10-16 X 1 1/4 PPH - ZINC
	000G39-10-20T	EA	SCREW - SF/DR - 10-16 X 1 1/4 PPH - BLACK
	000G39-10-24T	EA	SCREW - SF/DR - 10-16 X 1 1/2" PPH - BLACK
	000G39-10-28T	EA	SCREW - SF/DR - 10-16 X 1 3/4" PPH - BLACK
	000G39-10-32B	EA	SCREW - SF/DR - 10-16 X 2 - PPH - ZINC
	000G39-10-48B	EA	SCREW - SF/DR - 10-16 X 3 - PPH - ZINC
	000G39-10-48T	EA	SCREW - SF/DR - 10-16 X 3 PPH - BLACK
	000G42-04-16B	EA	SCREW - SF/DR - 1/4-14 X 1 HWH - ZINC
	000G42-04-24B	EA	SCREW - SF/DR - 1/4-14 X 1 1/2 - ZINC
	000G46-08-24T	EA	SCREW - MACHINE - 8-32 X 1 1/2 PFH - ZINC
	000G52-06-05B	EA	SCREW - MACHINE - 6-32 X 5/16 PTH - ZINC
	000G52-06-06B	EA	SCREW - MACHINE - 6-32 X 3/8 PTH - ZINC
	000G54-04-14B	EA	SCREW - 1/4-20 X 7/8 PTH - TYPE 23 - ZINC PLATED
	000G55-08-12T	EA	SCREW - SF/DR - 8-18 X 3/4 PWH - BLACK
	000G55-08-124	EA	SCREW - SF/DR - 8-18 X 3/4 PWH - ASH GRAY
	000G55-08-16T	EA	SCREW - SF/DR - 8-18 X 1 PWH - BLACK
	000G56-12-48B	EA	SCREW - WOOD - 12-11 X 3 POH - SPECIAL HARDENED
	000G57-14-64B	EA	SCREW - 14-10 X 4 PFH ZINC
	000G60-08-16E	EA	SCREW - SF/DR - 8-1 X 1 POH - CHROME
	000G60-08-20F	EA	SCREW - SF/DR - 8-19X1.25 POH
	000G60-08-22B	EA	SCREW - SF/DR - 8-18 X 1.38 POH - ZINC
	000G60-10-16J	EA	SCREW - SF/DR - 10-16 X 1 POH - BRIGHT BRASS
	000G60-10-20B	EA	SCREW - SF/DR - 10-16 X 1 1/4 POH - ZINC
	000G60-10-209	EA	SCREW - SF/DR - 10-16 X 1 1/4 POH - SILVER STALGAARD
	000G60-10-28T	EA	SCREW - SF/DR - 10-16 X 1 3/4 - BLACK
	000G62-06-24I	EA	SCREW - SF/DR - 8-18 X 1.5 PPH - BLACK
	000G62-06-249	EA	SCREW - SF/DR - 8-18 X 1.5 PPH - SILVER
	000G62-08-24B	EA	SCREW - SF/DR - 8-18 X 1 1/2 PFH
	000G67-08-32B	EA	SCREW - 8-15 X 2 PPH - ZINC
	000G67-10-08B	EA	SCREW - 10-12 X 1/2 PPH - ZINC
	000G67-10-08S	EA	SCREW - 10-12 X 1/2 PPH - OFF WHITE
	000G67-10-10B	EA	SCREW - 10-12 X 5/8 PPH - ZINC - TYPE A
	000G67-10-10S	EA	SCREW - 10-12 X 5/8 PPH - OFF WHITE

**SEALANTS & FASTENERS GROUP (CONTINUED)**  
**SCREWS (CONTINUED)**

KEY	PART NUMBER	U/M	DESCRIPTION
	000G67-10-10T	EA	SCREW - 10-12 X 5/8 PPH - BLACK
	000G67-10-10P	EA	SCREW - 10-12 X 5/8 PPH - DARK BROWN
	000G67-10-12P	EA	SCREW - 10-12 X 3/4 PPH - DARK BROWN
	000G67-10-24B	EA	SCREW - 10-12 X 1 1/2 PPH - ZINC
	000G67-10-24S	EA	SCREW - 10-12 X 1 1/2 PPH - OFF WHITE
	000G67-10-32J	EA	SCREW-10-12X2 PPH - BRIGHT BRASS
	000G68-06-10J	EA	SCREW - 6-18 X 5/8 POH - BRASS
	000G68-06-12B	EA	SCREW - 6-18 X 3/4 POH - ZINC & CLEAR
	000G68-06-12J	EA	SCREW - 6-18 X 3/4 POH - BRASS
	000G68-06-12S	EA	SCREW - 6-18 X 3/4 POH
	029130-01-000	EA	SCREW - SNAP STUD - #8-16 X 5/8" LONG
	029130-03-000	EA	SCREW - SNAP STUD - #8-16 X 1" LONG
	049465-01-000	EA	SCREW - 10-16 PTH W/WASHER - DARK BROWN
	049465-03-000	EA	SCREW - 10-16 X 1 POH W/WASHER - OFF WHITE
	049465-13-000	EA	SCREW - 10-16 X 1 PTH W/WASHER - ASH GRAY
	049465-17-000	EA	SCREW - 10-16 X 1 POH W/WASHER - BRIGHT WHITE
	049465-18-000	EA	SCREW - 10-16 X 1 POH W/WASHER - VW GRAY
	054434-02-000	EA	SCREW - SF/DR - 10-16 X 2 - ZINC
	054434-03-000	EA	SCREW - SF/DR - 10-16 X 2 - PWH - ZINC
	075908-01-000	EA	SCREW - MACHINE - 10-32 X .56 PTH - EXTERNAL TOOTH - ZINC
	076790-01-000	EA	SCREW - 6-20 X 1 1/4 PPH - BLACK
	076790-05-000	EA	SCREW - 6-20 X 1/2 PPH - BLACK - THREAD CUTTING/WOOD
	083554-01-000	EA	SCREW - DRYWALL - 8 X 1 1/4
	083554-04-000	EA	SCREW - DRYWALL - 8 X 2 1/2
	087721-01-000	EA	SCREW - FLAT HEAD - TAPPING - 1/4" X 1 1/4" LONG - ZINC
	095772-01-000	EA	SOCKET-SNAP FASTNER1" SF/DR - SELF DRIVER
	097974-01-000	EA	SCREW - PARTICLE BOARD - 7-9 X 3/4 PPH
	097974-02-000	EA	SCREW-PART BD 8-9X.75 PFH - BEIGE
	101618-01-000	EA	SCREW - 1/4-20 X 3/4 HEX - TAPPING - STALGARD TYPE F
	113563-01-01A	EA	SCREW - 8 X 5/8 LONG SHOULDER/WASHER HEAD
	113563-01-02A	EA	SCREW - 8 X 5/8 LONG SHOULDER/WASHER HEAD - BRIGHT WHITE
	118383-01-09A	EA	RETAINER/RECESSED - F/.22" SCREW - GLACIER
	118383-01-12A	EA	RETAINER/RECESSED - F/.22" SCREW - RIVERSTONE
	118383-01-10A	EA	RETAINER/RECESSED - F/.22" SCREW - STORM GRAY
	118383-01-11A	EA	RETAINER/RECESSED - F/.22" SCREW - CASHMERE
	118383-02-10A	EA	RETAINER/RECESSED - F/.27" SCREW - RIVERSTONE
	118383-02-11A	EA	RETAINER/RECESSED - F/.27" SCREW - CASHMERE
	118383-02-13A	EA	RETAINER/RECESSED - F/.27" SCREW - OFF WHITE
	118383-03-09A	EA	RETAINER/RECESSED - F/.32" SCREW - GLACIER
	118383-04-04A	EA	CAP - F/RECESSED RETAINER - BRIGHT WHITE
	118383-04-09A	EA	CAP - F/RECESSED RETAINER - GLACIER
	118383-04-10A	EA	CAP - F/RECESSED RETAINER - RIVERSTONE
	118383-04-11A	EA	CAP - F/RECESSED RETAINER - CASHMERE
	118383-04-12A	EA	CAP - F/RECESSED RETAINER - STORM GRAY
	118383-04-13A	EA	CAP - F/RECESSED RETAINER - OFF WHITE
	134126-01-01A	EA	SCREW/NAIL - HEX HEAD - 3/4"
	140040-01-000	EA	SCREW - 1/4-20 X 1 - BUTTON HEAD/SOCKET - W/LOCTITE
	149753-01-01A	EA	RETAINER/RECESSED - F/.22" SCREW - BLACK
	149753-01-02A	EA	RETAINER/RECESSED - F/.22" SCREW - BRIGHT WHITE
	149753-02-01A	EA	CAP - F/RECESSED RETAINER - BLACK
	149753-02-02A	EA	CAP - F/RECESSED RETAINER - BRIGHT WHITE
	154938-01-01A	EA	SCREW - SF/DR - 10-16 X 3/4 PPH - W/SELF SEAL - BRIGHT WHITE
	154938-01-02A	EA	SCREW - SF/DR - 10-16 X 3/4 PPH - W/SELF SEAL - BLACK
	154938-02-01A	EA	SCREW - SF/DR - 8-18 X 1 PFH - W/SELF SEAL - BRIGHT WHITE
	154938-02-02A	EA	SCREW - SF/DR - 8-18 X 1 PFH - W/SELF SEAL - BLACK
	154938-02-03A	EA	SCREW - SF/DR - 8-18 X 1 PFH - W/SELF SEAL - SILVER
	154938-03-01A	EA	SCREW - SF/DR - 8-18 X 5/8 PFH - W/SELF SEAL - BRT WHT
	154935-03-02A	EA	SCREW - SF/DR - 8-18 X 5/8 PFH - W/SELF SEAL - BLACK
	154938-04-01A	EA	SCREW - SF/DR - 10-16 X 1" TPH - W/SELF SEAL - BRT WHT
	154938-04-02A	EA	SCREW - SF/DR - 10-16 X 1" TPH - W/SELF SEAL - BLACK
	154938-05-03A	EA	SCREW - SF/DR - 8-18 X 1.25" PFH - W/SELF SEAL - SILVER

## SEALANTS & FASTENERS GROUP (CONTINUED)

### CLAMPS, CLIPS, GROMMETS, RIVETS & PLUGS

KEY	PART NUMBER	U/M	DESCRIPTION
	000H16-04-06R	EA	RIVET - POP ALUMINUM - 1/8 X .313 - .375
	000H16-06-10R	EA	RIVET - POP ALUMINUM - 3/16 X .501 - .625
	007161-01-000	EA	CLAMP - HOSE - SPRING TYPE - 1/2"
	008386-01-000	EA	GROMMET - SNAP - 3/8" DIAMETER - NYLON
	010495-01-000	EA	CLAMP - CABLE - 9/16"ID - BLACK
	010495-02-000	EA	CLAMP - CABLE - 3/8"ID - BLACK
	010495-04-000	EA	CLAMP - CABLE - 11/16"ID - WHITE
	010497-01-000	EA	CLAMP - CLOSED - 5/8"ID
	010497-02-000	EA	CLAMP - CLOSED - 1.5"ID
	010497-03-000	EA	CLAMP - CLOSED - 1"ID - CUSHIONED
	010497-04-000	EA	CLAMP - CLOSED - 1 5/8"ID
	010497-05-000	EA	CLAMP - CLOSED - 1/2"ID
	010497-07-000	EA	CLAMP - CLOSED - 3/8"ID
	010497-09-000	EA	CLAMP - CLOSED - 5/16"ID
	010497-10-000	EA	CLAMP - CLOSED - 7/8"ID
	010499-01-000	EA	CLAMP - CLOSED - 3/8"ID
	016188-03-000	EA	GROMMET - LP LINE - 3/8"HOLE X 2 1/2"LONG - RUBBER
	016188-04-000	EA	GROMMET - LP LINE - 1/2"HOLE X 2 1/2"LONG - RUBBER
	016188-05-000	EA	GROMMET - LP LINE - 3/8"HOLE X 1 1/4"LONG - RUBBER
	016188-06-000	EA	GROMMET - LP LINE - 3/8"HOLE X 3 1/4"LONG - RUBBER
	016188-07-000	EA	GROMMET - L/P LINE - 1/2"HOLE X 3 1/4"LONG
	016188-08-000	EA	GROMMET - LP LINE - 1/2"HOLE X 1 1/4"LONG - RUBBER
	016188-09-000	EA	GROMMET - LP LINE - .68"HOLE X 1 1/4"LONG - RUBBER
	016188-10-000	EA	GROMMET - LP GAS - .68" X 2.5"
	023942-01-000	EA	GROMMET - RUBBER - 2"OD
	041930-11-000	EA	RIVET - POP ALUMINUM - 1/8 X .188 - .250 - BRIGHT WHITE
	061420-04-000	EA	PLUG/PLASTIC - 1 1/4" DIAMETER
	061420-05-000	EA	PLUG/PLASTIC - 1 1/2" DIAMETER
	061420-09-000	EA	PLUG/PLASTIC - 1.00" DIAMETER
	061420-10-000	EA	PLUG/PLASTIC - 1 1/2" DIAMETER - BLACK
	061420-12-000	EA	PLUG/PLASTIC - 1.50" DIAMETER - RED
	061420-13-000	EA	PLUG/PLASTIC - 3/8" - FLUSH
	061420-14-000	EA	PLUG/PLASTIC - 7/8" DIAMETER - BLACK
	061420-15-000	EA	PLUG/PLASTIC - 2" DIAMETER - BLACK
	061420-16-000	EA	PLUG/PLASTIC - 2 1/8" DIAMETER - BLACK
	062401-01-000	EA	CLAMP - HOSE - WORMGEAR - .25" - 1"
	062401-02-000	EA	CLAMP - HOSE - WORMGEAR - 1.56" - 2.5" ID
	062401-03-000	EA	CLAMP - HOSE - WORMGEAR - .22" - 1" ID
	062401-04-000	EA	CLAMP - HOSE - WORMGEAR - .69" - 1.25" ID
	062401-05-000	EA	CLAMP - HOSE - WORMGEAR - 2" - 3" ID
	062401-06-000	EA	CLAMP - HOSE - WORMGEAR - .22" - .62" ID
	062401-09-000	EA	CLAMP - HOSE - WORMGEAR - 2.8" - 3.75" ID
	062401-11-000	EA	CLAMP - HOSE - WORMGEAR - 3.50" - 4.50" ID
	062401-13-000	EA	CLAMP - HOSE - WORMGEAR
	063729-12-000	EA	RIVNUT - 5/16 - 18 UNCUT - FLATHEAD - STAINLESS
	071015-01-000	EA	GROMMET - RUBBER - .5"ID X 1"OD-W/.38" GROOVE - BLACK
	071015-11-000	EA	GROMMET - RUBBER - 1"ID FITS .12 MATERIAL - BLACK
	071015-13-000	EA	GROMMET - RUBBER - .62"ID X 1"OD W/.09" GROOVE - BLACK
	071015-22-000	EA	GROMMET - RUBBER - .62"ID X 1.12"OD W/.19" GROOVE - BLACK
	071015-26-000	EA	GROMMET - RUBBER - 1.5"ID X 2.1"OD W/.06" GROOVE - BLACK
	071015-29-000	EA	GROMMET - RUBBER - .3"ID X 1.3"OD W/.12" GROOVE - BLACK
	071015-30-000	EA	GROMMET - RUBBER - .3"ID X .81"OD W/.12" GROOVE - BLACK
	071015-39-000	EA	GROMMET - .75 ID FITS .06 MTL
	071015-41-000	EA	GROMMET - .125 ID FITS .188 MTL
	071015-42-000	EA	GROMMET - .25 ID FITS .06 MTL
	075148-02-000	EA	CLAMP - GROUNDING - BRONZE SCREWS
	077955-01-000	EA	CLIP/J - 3/8" - VINYL COATED
	080734-02-000	EA	CLIP - WIRE NYLON
	081211-01-000	EA	PLUG - PLASTIC - .31"DIA - BLACK
	081211-03-000	EA	PLUG - PLASTIC - .50"DIAMETER - TRUSS HEAD - BLACK
	081211-04-000	EA	PLUG - PLASTIC - .46"DIAMETER - TRUSS HEAD - BLACK
	083609-01-000	EA	CLAMP - WIRE - DUAL - EQUAL DIAMETERS - 5/8"
	083610-01-000	EA	CLAMP - WIRE - DUAL - UNEQUAL DIAMETERS - 3/4" & 1 1/4"
	083610-02-000	EA	CLAMP - WIRE - DUAL - UNEQUAL DIAMETERS - 3/4" & 2"

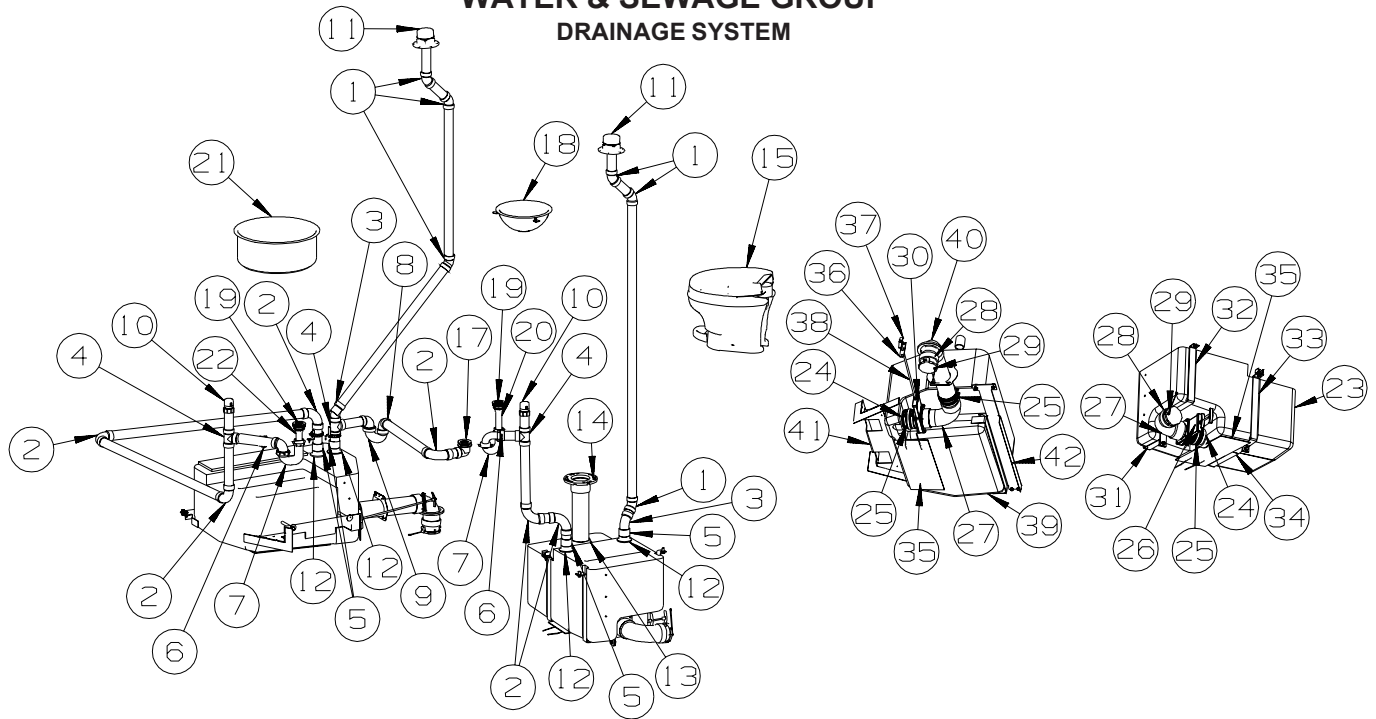
**SEALANTS & FASTENERS GROUP (CONTINUED)**  
**CLAMPS, CLIPS, GROMMETS, RIVETS & PLUGS (CONTINUED)**

<b>KEY</b>	<b>PART NUMBER</b>	<b>U/M</b>	<b>DESCRIPTION</b>
	083610-03-000	EA	CLAMP - WIRE - DUAL - EQUAL DIAMETERS - 2"
	088756-01-000	EA	GROMMET - WEB - 1 1/8"ID
	089329-02-000	EA	CLIP - SPRING
	091952-01-000	EA	CLIP - GRIPPER - 1" - BLACK VINYL COATED
	091952-02-000	EA	CLIP - GRIPPER - 3/4" - BLACK VINYL COATED
	091952-03-000	EA	CLIP - GRIPPER - 1/2" - BLACK VINYL COATED
	094362-02-000	EA	CLIP - XMAS TREE - BINDER HEAD - .9" LONG/ANY COLOR
	094362-05-000	EA	CLIP - XMAS TREE - ROUND HEAD - 1.4" LONG/ANY COLOR
	113133-02-01A	EA	RIVET - POP - ALUMINUM - 3/16 X .252 - .504 - BLACK
	114208-05-000	EA	GROMMET - EDGE LINER - FITS 2"
	118626-01-02A	EA	RIVET/POP - ALUMINUM - 3/16 X .08 - .375
	118626-01-01A	EA	RIVET/POP - ALUMINUM - 3/16 X 1.2"(GRIP RANGE .1"-.4")
	118626-02-01A	EA	RIVET/POP - ALUMINUM - 3/16 X .500 - .750
	118626-03-01A	EA	RIVET/POP - STAINLESS STEEL - 3/16 X .500 - .750
	137014-01-02A	EA	GROMMET - CABLE - BROWN
	137014-01-01A	EA	GROMMET - CABLE - ALMOND
	137014-01-03A	EA	GROMMET - CABLE - BLACK
	139118-02-01A	EA	GROMMET - SCREW - PLASTIC
	155498-01-01A	EA	CLAMP - CLOSED - 7/8"ID - VINYL DIP/GALVONIZED - BLACK

**MISCELLANEOUS FASTENERS**

<b>KEY</b>	<b>PART NUMBER</b>	<b>U/M</b>	<b>DESCRIPTION</b>
	008343-01-000	EA	TIE - WIRE - 6"
	008343-02-000	EA	TIE - WIRE - 14"
	008343-03-000	EA	TIE - WIRE - 7 1/2" - BLACK
	029094-04-000	YD	VELCRO TAPE/LOOP - 1"WIDE - W/ADHESIVE BACK - BLACK
	029096-04-000	YD	VELCRO TAPE/HOOK - 1"WIDE - BLACK - W/ADHESIVE BACK (PSA)
	048394-02-000	YD	VELCRO TAPE - HOOK - ADHESIVE BACK - 3/4" WIDE - BEIGE
	085774-01-000	FT	FASTENER - DUAL LOCK - 1" WIDE - ADHESIVE BACK - BLACK
	085774-02-000	FT	FASTENER - DUAL HOOK - 1" WIDE - ADHESIVE BACK - BLACK
	088792-02-000	YD	VELCRO TAPE - LOOP - 3/4" - ADHESIVE BACK - BEIGE
	088792-04-000	YD	VELCRO TAPE - HOOK - 5/8" - NON-ADHESIVE BACK - WHITE
	088792-05-000	YD	VELCRO TAPE - LOOP - 5/8" - NON-ADHESIVE BACK - WHITE
	108046-02-000	EA	CABLE TIE - SCREW MOUNT 15"

## WATER & SEWAGE GROUP DRAINAGE SYSTEM



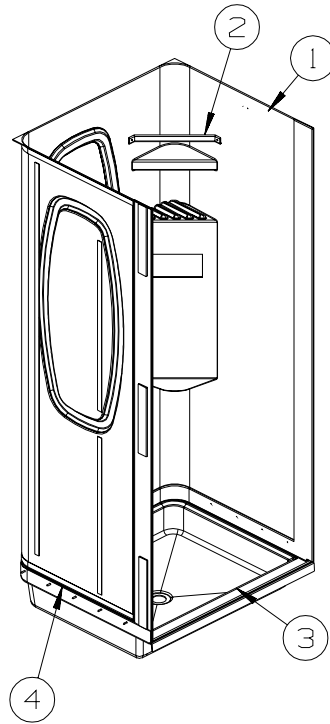
KEY	PART NUMBER	U/M	DESCRIPTION
1	010006-01-000	EA	ELBOW - 45 DEGREE - 1 1/2" HUB X HUB - PLASTIC
2	010008-01-000	EA	ELBOW - 90 DEGREE - 1 1/2" HUB X HUB - PLASTIC
3	010051-01-000	EA	ELBOW - 45 DEGREE - 1 1/2" SPIGOT X HUB - PLASTIC
4	010071-01-000	EA	TEE - SANITARY - 1 1/2" HUB X HUB X HUB - PLASTIC
5	010115-01-000	EA	COUPLING - 1 1/2" HUB X HUB - PLASTIC
6	152146-01-000	EA	CONNECTOR - 1 1/2" P X 1 1/2" MPT
7	107538-02-000	EA	P-TRAP - PLASTIC - 1 1/2" W/EXTENSION ARM
7	011071-01-000	EA	P-TRAP - 1 1/2" - CSA - PLASTIC - <b>CANADIAN</b>
8	010009-01-000	EA	ELBOW - 90 DEGREE - 1/4 BEND - 1 1/2" - PLASTIC
9	037763-01-000	EA	P-TRAP - PLASTIC - 1 1/2" HXH W/UNION
10	079968-01-000	EA	VENT - MECHANICAL/TRAP ARM - ANTI-SIPHON-2" X 7.3" PLASTIC
11	083558-03-000	EA	VENT - W/COVER - F/PLUMBING STACK - OFF WHITE
12	061607-01-000	EA	GROMMET - HOLDING TANK - 1 1/2" NPS
13	061607-02-000	EA	GROMMET - HOLDING TANK - 3" NPS
14	116644-01-000	EA	FLANGE/CLOSET - 3" FEMALE - 4 BOLT
14	024676-01-000	EA	FLANGE/CLOSET - 4" X 3" - BLACK PLASTIC
15*	147421-02-01A	EA	TOILET/AQUA MAGIC 5 (LOW) FOOTFLUSH - W/SPRAY - WHITE
16	131486-01-000	EA	ELBOW - DRAIN 1 1/2" - LOW PROFILE - TUB DRAIN
17	066440-01-000	EA	STRAINER - SHOWER DRAIN - W/RUBBER WASHER
17	127440-02-01A	EA	WASHER - RUBBER - 1.8" X .1"
18	151679-01-01A	EA	SINK - LAVATORY - STAINLESS STEEL
19	066437-02-000	EA	STRAINER/BASKET - GALLEY SINK - 2.6" OD
19	163569-01-000	EA	STRAINER - W/BASKET/NUT/SEAL WASHER - 2"
20	011069-03-000	EA	TAILPIECE - TUB/SHOWER - 1 1/2" X 1 3/4" - PLASTIC
20	011069-05-000	EA	TAILPIECE - 1 1/2" X 1 1/4" X 6" - PLASTIC
20	127440-02-01A	EA	WASHER - RUBBER - 1.8" X .1"
21	130403-01-000	EA	NUT - SLIP - W/WINGS 1 1/2"
21	151677-02-01A	EA	SINK - GALLEY - ROUND - STAINLESS STEEL
22	011069-06-000	EA	TAILPIECE - 1 1/2" X 1 1/4" X 2 1/2" - BRASS
22	127440-02-01A	EA	WASHER - RUBBER - 1.8" X .1"
22	130403-01-000	EA	NUT - SLIP - W/WINGS 1 1/2"
23	158853-01-700	EA	TANK - HOLDING W/3" NIPPLE
24	010129-03-000	EA	NIPPLE - 3" X 3" TOE - PLASTIC
25	078406-01-000	EA	COUPLER - 3" X 3" W/CLAMPS - RUBBER



**WATER & SEWAGE GROUP (CONTINUED)**  
**DRAINAGE SYSTEM (CONTINUED)**

<b>KEY</b>	<b>PART NUMBER</b>	<b>U/M</b>	<b>DESCRIPTION</b>
26	062418-03-000	EA	VALVE- 3" SPIGOT X 3" SPIGOT
27	041956-01-000	EA	ELBOW - 3" STREET - 90 DEGREE - PLASTIC
28	062417-01-000	EA	ADAPTER - TERMINATION - 3"
29*	062415-01-000	EA	CAP - SEWER - 3" DIAMETER
	139513-01-000	EA	HOSE - SEWER - 3" X 10' - W/BAYONET TYPE ADAPTER
	062416-01-000	EA	ADAPTER - SEWER HOSE TO 3" PIPE
30	062418-02-000	EA	VALVE-3",HUBXSPIGOT,W/O HNDL - VALTERRA T40 WINN
31	153148-05-02B	EA	STRAP/MOUNTING - HOLDING TANK - E-COATED
32	153148-04-02B	EA	STRAP/MOUNTING - HOLDING TANK - E-COATED
33	153148-07-02B	EA	STRAP/MOUNTING - HOLDING TANK - E-COATED
34	153148-03-02B	EA	STRAP/MOUNTING - HOLDING TANK - E-COATED
35	133972-04-000	EA	PAD/HEATER - HOLDING TANK - F/34 GALLON - <b>DRAINAGE SYSTEM-HEATED</b>
	133972-03-000	EA	PAD/ELBOW HEATING - 1.5" DIAMETER - <b>DRAINAGE SYSTEM-HEATED - NOT ILLUSTRATED</b>
			FROM: 00-00-00 THRU: 10-22-06
36	062419-05-000	EA	BRACKET - VALVE - LOCKING
37	062419-06-000	EA	HANDLE - T
38	062419-11-000	EA	HANDLE - EXTENSION - W/TAPPED END
39	151543-01-700	EA	TANK - HOLDING W/3" NIPPLE
40	010062-01-000	EA	ELBOW - 3 90 SPIGOT X HUB - PLASTIC
			FROM: 09-01-06 THRU: 99-99-99
41	151887-01-02B	EA	BRACKET - HOLDING TANK - E-COATED
42	151888-02-02B	EA	BRACKET - HOLDING TANK - E-COATED

**\*COMPONENT PARTS LISTED LATER IN THIS GROUP**

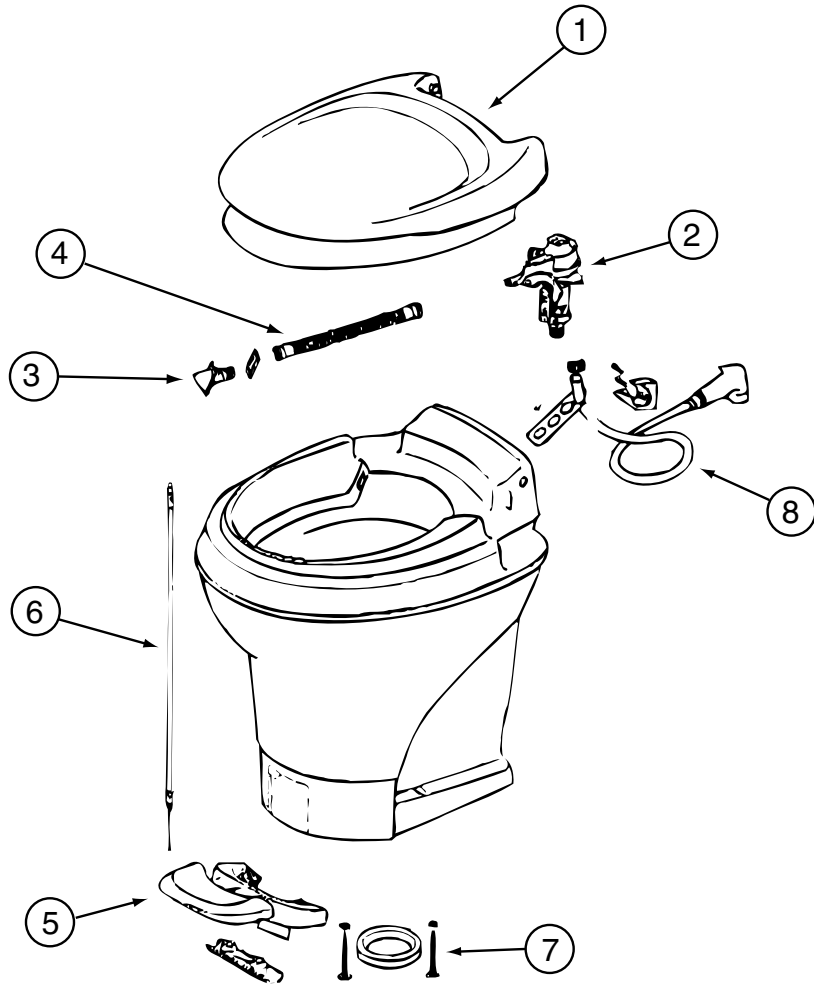


<b>KEY</b>	<b>PART NUMBER</b>	<b>U/M</b>	<b>DESCRIPTION</b>
1	147070-01-18A	EA	SURROUND - SHOWER - SOFT WHITE
2	113714-02-02A	EA	RETAINER - SHELF/SHOWER - 10.6" - SOFT WHITE
3	M02673-14-R28	EA	SHOWER PAN - W/STRAINER
4	154585-03-01A	FT	SEAL - FOAM TAPE - ADHESIVE 2 SIDED - 1/8" X 3/4" - BLACK

**WATER & SEWAGE GROUP (CONTINUED)**  
**COMPONENT PARTS FOR DRAINAGE SYSTEM**

062415-01-000

KEY	PART NUMBER	U/M	DESCRIPTION	VENDOR NO.
	062415-01-700	EA	STRING-SEWER CAP	#SV7 STRAP

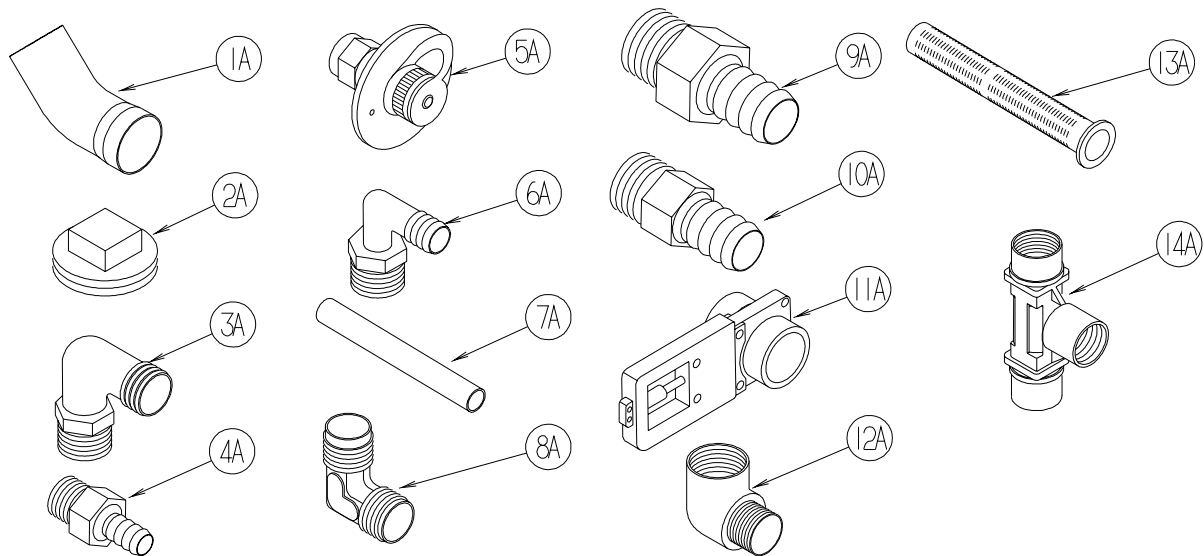


147421-01-01A, 147421-02-01A

KEY	PART NUMBER	U/M	DESCRIPTION	VENDOR NO.
1	147421-01-700	EA	SEAT & COVER ASSEMBLY(WHT)	31703
2	147421-01-701	EA	WATER MODULE ASSEMBLY	31705
3	147421-01-702	EA	NOZZLE ASSEMBLY	31706
4	147421-01-703	EA	LINK - WATER MODULE	31621
5	147421-01-704	EA	PEDAL - WHITE	31709
6	147421-01-705	EA	FOOT CABLE	31711
7	063740-01-706	EA	BOLT PACKAGE-FLOOR FLANGE	12524 THETFORD
8	147421-01-708	EA	HAND SPRAY KIT - WHITE HEAD	33226
	147421-01-706	EA	SEAL - BLADE	31708
	147421-01-707	EA	CAP (UNIVERSAL BOLT) - WHITE	31713

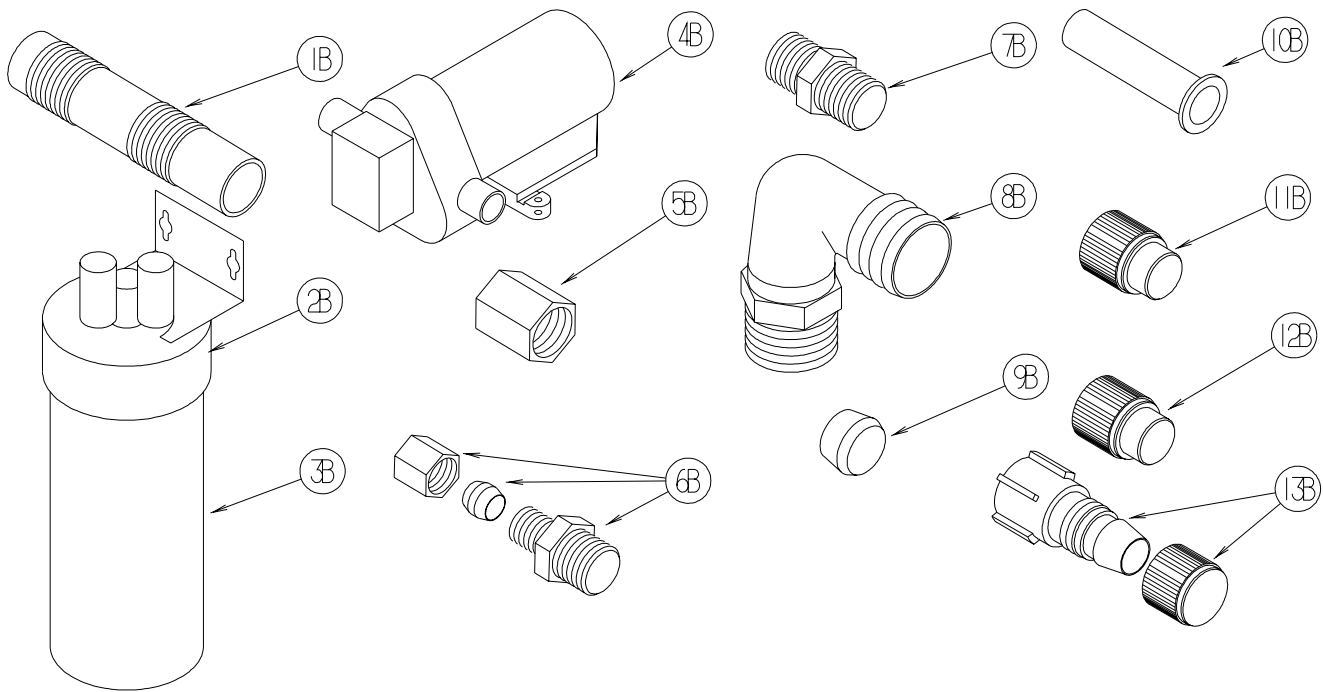
## WATER & SEWAGE GROUP (CONTINUED)

### WATER SYSTEM



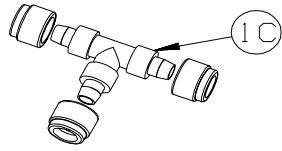
KEY	PART NUMBER	U/M	DESCRIPTION
1A	010009-01-000	EA	ELBOW - 90 DEGREE - 1/4 BEND - 1 1/2" PLASTIC
2A	010166-01-000	EA	PLUG/THREADED - 1 1/4"MPT - PLASTIC - BLACK - UL
3A	010219-01-000	EA	ELBOW - 1 1/4 MPT X 1 1/4 BARB - WATER FILL - PLASTIC
4A	010224-01-000	EA	ADAPTER - HOSE TO PIPE - 3/8 MPT X 3/8 BARB - PLASTIC
5A	010230-06-000	EA	FILL - CITY WATER - W/CHECK VALVE - MPT - BRUSHED ALUM
6A	035539-01-000	EA	ELBOW - 3/8 MPT X 3/8 BARB - PLASTIC
7A	039800-04-000	FT	TUBING - POLYBUTYL - 1/4"OD
7A	074462-02-000	FT	TUBING - VINYL - 3/8 ID X 20' - CLEAR
7A	112176-01-000	FT	TUBING - VINYL - REINFORCED - 1/2" ID
7A	124188-01-000	FT	TUBING - PEX - 1/2" ID X 20' - BLUE(COLD)
7A	124188-02-000	FT	TUBING - PEX - 1/2" ID X 20' - RED(HOT)
8A	039808-03-000	EA	ELBOW - 1/2" MPT X 1/2" MPT - PLASTIC
9A	044927-01-000	EA	ADAPTER - HOSE TO PIPE-1 1/4 MPTX1 1/4 BARB-BLACK PLASTIC
10A	044927-02-000	EA	ADAPTER - REDUCING - 1" MPT X 1.3" BARB - PLASTIC
11A	062421-03-000	EA	VALVE/DUMP W/O HANDLE - 1 1/2" X 1 1/2" HUB
	062421-05-000	EA	CABLE/ROD - F/DUMP VALVE - W/HANDLE - 48"
	062421-07-000	EA	CABLE/ROD - F/DUMP VALVE - W/HANDLE - 144"
	062421-08-000	EA	CABLE/ROD - F/DUMP VALVE - W/HANDLE - 108"
12A	065318-02-000	EA	ELBOW - 90 DEGREE - 3/8" MPT TO 3/8" FPT
13A	077954-02-000	EA	FILTER - WATER TANK - W/SCREEN IN TANK
14A	039798-01-000	EA	TEE - 1/2"MPT X 1/2"MPT X 1/2"MPT - PLASTIC

**WATER & SEWAGE GROUP (CONTINUED)**  
**WATER SYSTEM (CONTINUED)**

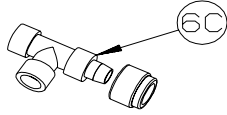


KEY	PART NUMBER	U/M	DESCRIPTION
1B	079381-01-000	FT	TUBING - RIBBED FLEXIBLE - WATER FILL - 1.4" ID
2B	087200-01-000	EA	FILTER-WATER PURIFCATION, EVERPURE QC2-AC
3B	087200-02-000	EA	CARTRIDGE-WATER FILTER,AC - EVERPURE 9601-11
4B*	098607-01-000	EA	PUMP - WATER - W/.5" MPT FITTING - FLOW 2.8 GPM
			FROM: 00-00-00 THRU: 06-21-06
4B	160702-01-000	EA	PUMP - WATER - 3.0 GPM - W/1/2" MPT
			FROM: 06-22-06 THRU: 99-99-99
5B	101814-01-000	EA	COUPLING - FEMALE - 1/2" X 1/2" FPT - GRAY
6B	103798-01-000	EA	CONNECTOR - 1/4 OD X 3/8 MPT
7B	110438-02-000	EA	VALVE - CHECK - BRASS - 1/2 MPT X 1/2 MPT
8B	111223-02-000	EA	ELBOW - 1/2" MPT X 3/8" BARB - PLASTIC
8B	111223-03-000	EA	ELBOW - 3/4" MPT X 1/2" BARB - PLASTIC
8B	111223-04-000	EA	ELBOW - 1/2" MPT X 1/2" BARB - PLASTIC
9B	111888-01-000	EA	FERRULE - PLASTIC - .250 ID X .375 OD
10B	111888-02-000	EA	INSERT - BRASS - 1/4 COMP
11B	113697-01-000	EA	CAP - 3/8"P
12B	114427-01-000	EA	CAP - 1/2"P
13B	114427-02-000	EA	PLUG - W/COMP NUT - 1/2" PLASTIC PIPE/1/2" FLAIR-IT

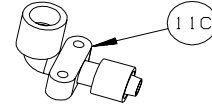
**WATER & SEWAGE GROUP (CONTINUED)**  
**WATER SYSTEM (CONTINUED)**



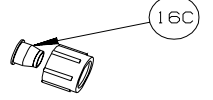
1C



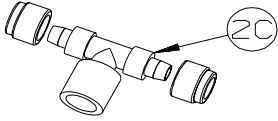
6C



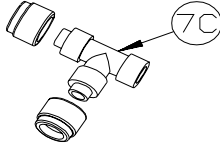
11C



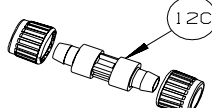
16C



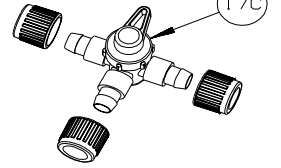
2C



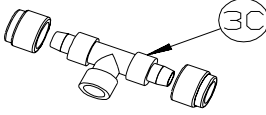
7C



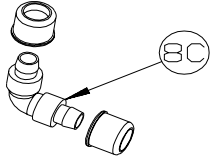
12C



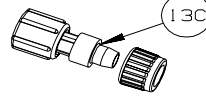
17C



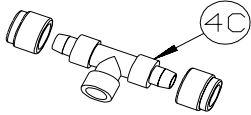
3C



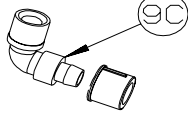
8C



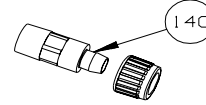
13C



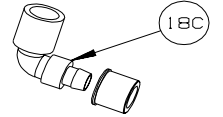
4C



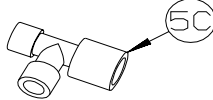
9C



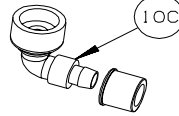
14C



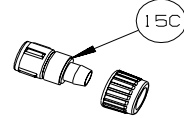
18C



5C



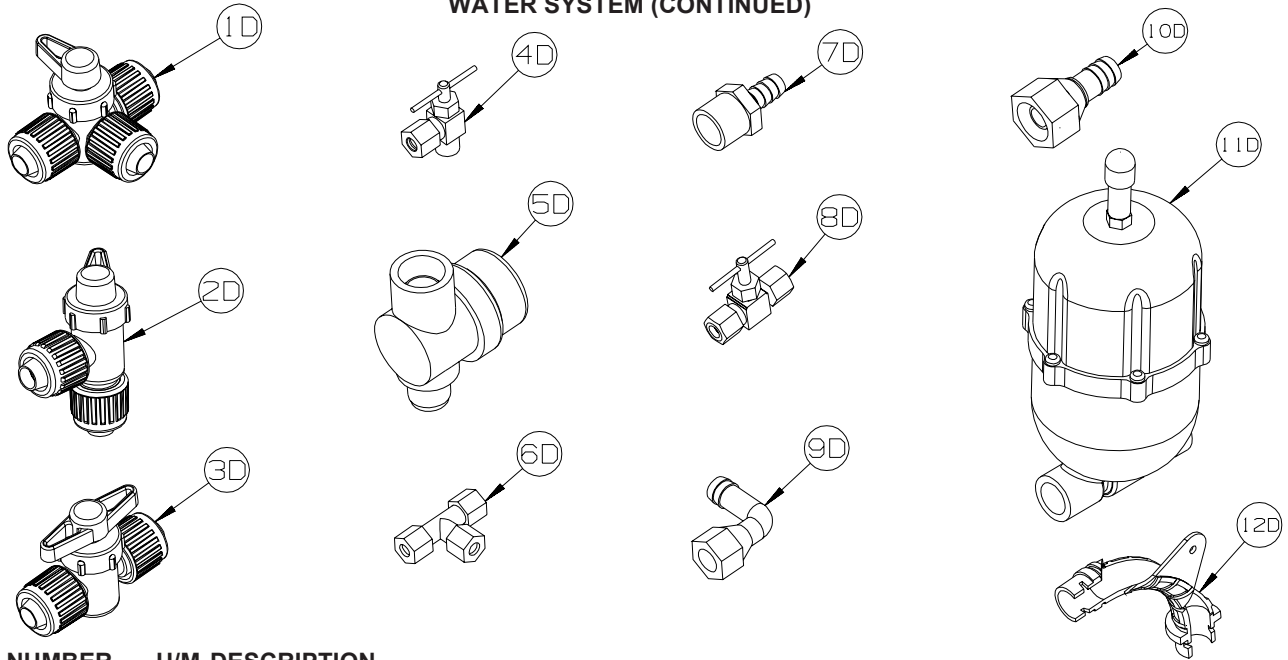
10C



15C

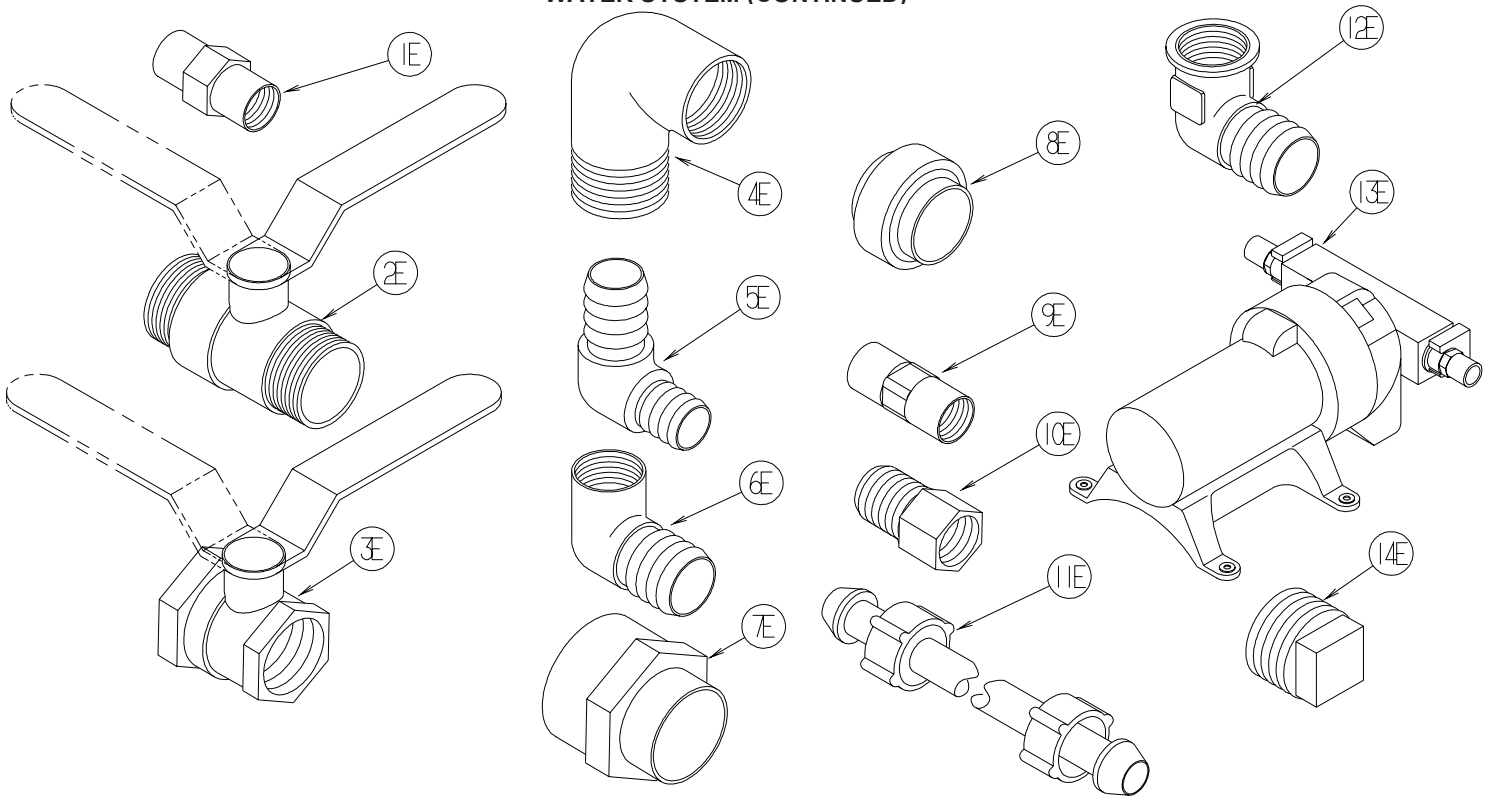
KEY	PART NUMBER	U/M	DESCRIPTION
1C	114428-01-000	EA	TEE - 1/2"P X 1/2"P X 1/2"P
2C	114428-02-000	EA	TEE - SWIVEL - 1/2"P X 1/2"P X 1/2"FPT
3C	114428-03-000	EA	TEE - 1/2"P X 1/2"P X 1/2"MPT
4C	114428-04-000	EA	TEE - 1/2"P X 1/2"P X 1/8"FPT
5C	114428-05-000	EA	TEE - 1/2" SWIVEL X 1/2" MPT X 1/2" MPT
6C	114428-06-000	EA	TEE - 1/2" P X 1/2" MPT X 1/2" MPT
7C	114428-07-000	EA	TEE - 1/2" P X 1/2" MPT X 1/2" P
8C	114429-01-000	EA	ELBOW - 1/2"P X 1/2"P
9C	114429-02-000	EA	ELBOW - 1/2"P X 1/2"MPT
9C	114429-04-000	EA	ELBOW - 1/2"P X 3/8"MPT
9C	114429-05-000	EA	ELBOW - 1/2"P X 3/4"MPT
9C	114429-10-000	EA	ELBOW - SWIVEL - 1/2"MPT X 1/2"FPT
10C	114429-06-000	EA	ELBOW - SWIVEL - 1/2"P X 3/4"FPT
10C	114429-08-000	EA	ELBOW - SWIVEL - 1/2"P X 1/2"FPT
11C	114429-09-000	EA	ELBOW - 1/2"P X 1/2"FPT DROP EAR
12C	114430-01-000	EA	ADAPTER - 1/2"P X 1/2"P
13C	114430-02-000	EA	ADAPTER - SWIVEL - 1/2"P X 1/2"FPT
13C	114430-04-000	EA	ADAPTER - SWIVEL - 1/2"P X 3/8"MPT
14C	114430-03-000	EA	ADAPTER - 1/2"P X 1/2"MPT
15C	114430-06-000	EA	ADAPTER - 1/2"P X 3/8"FPT
15C	114430-09-000	EA	ADAPTER - 1/2"P X 1/2"FPT
16C	114430-10-000	EA	ADAPTER - NUT - PIPE CONNECTION - 1/2"
17C	114431-01-000	EA	VALVE - 180 DEGREE/CENTER DRAIN - 1/2"P - THREE WAY
18C	114429-11-000	EA	ELBOW - 1/2"P X 1/2"FPT

**WATER & SEWAGE GROUP (CONTINUED)**  
**WATER SYSTEM (CONTINUED)**



KEY	PART NUMBER	U/M	DESCRIPTION
1D	114431-02-000	EA	VALVE - WATER BYPASS - 1/2"P - THREE WAY (WATER HEATER)
2D	114431-03-000	EA	VALVE - 90 DEGREE DRAIN - 1/2"P
3D	114431-04-000	EA	VALVE - "INLINE SHUT-OFF" - 1/2"P
4D	114431-05-000	EA	VALVE - NEEDLE - 1/8" MPT X 1/4" COMPRESSION (ICE MAKER)
5D	152925-01-01A	EA	FILTER - IN LINE - TWIST ON - 1/2" - BLACK
6D	118423-01-000	EA	FITTING - BRASS-TEE - 1/4C X 1/4C X 1/4C
7D	118809-01-000	EA	ADAPTER - 1/2" MPT X 3/8" BARB - PLASTIC
7D	118809-02-000	EA	ADAPTER - 1/2" MPT X 1/2" BARB - PLASTIC
8D	120868-01-000	EA	VALVE - NEEDLE - 1/4" COMPRESSION X 1/4" COMPRESSION
9D	123150-01-000	EA	ELBOW - 1/2 FPT X 1/2 BARB - SWIVEL
10D	123152-01-000	EA	ADAPTER - 1/2 FPT X 1/2 BARB - SWIVEL
11D	123243-01-000	EA	TANK - ACCUMULATOR - 24 OZ
11D	123317-01-000	EA	TANK - ACCUMULATOR - 2 GALLON
12D	124184-01-000	EA	SUPPORT - WATER LINE - BEND

**WATER & SEWAGE GROUP (CONTINUED)**  
**WATER SYSTEM (CONTINUED)**



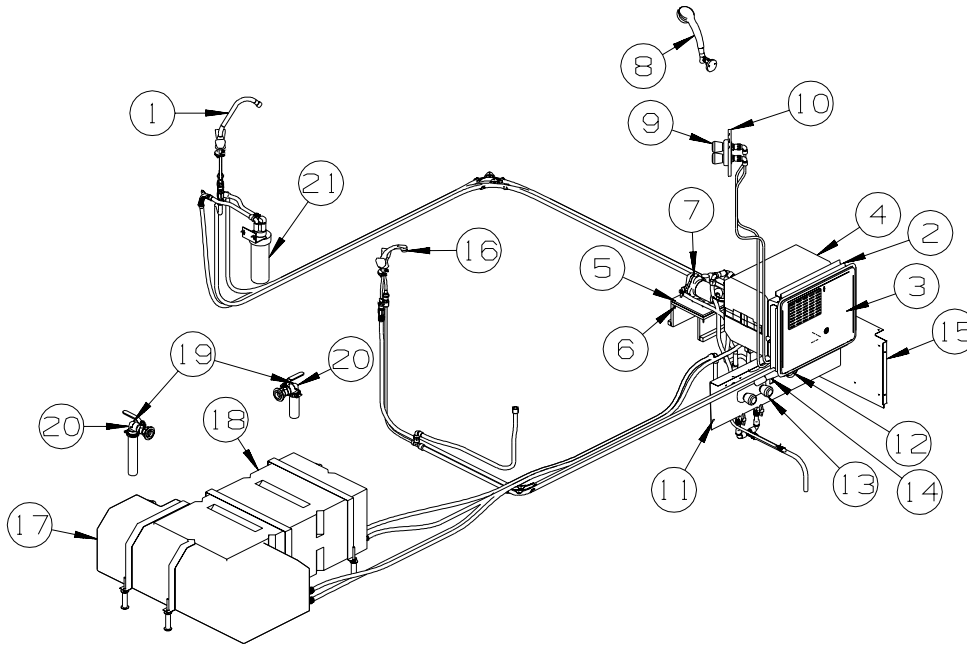
KEY	PART NUMBER	U/M	DESCRIPTION
1E	132148-01-000	EA	CONNECTOR - 1/2" X 1/2"MPT - BRASS
2E	132483-01-000	EA	VALVE/BALL - 1" - THREADED ENDS
3E	132483-02-000	EA	VALVE/BALL - 1/2" - BRASS - FPT
4E	132484-01-000	EA	ELBOW - 90 DEGREE - 1MPT X 1FPT - PLASTIC
5E	132781-01-000	EA	ELBOW - 1.3" BARB X 1.3" BARB - 90 DEGREE - PLASTIC
6E	132782-01-000	EA	ELBOW - 1"FPT X 1.3" BARB - 90 DEGREE - PLASTIC
7E	133835-01-000	EA	ADAPTER - REDUCING - 1 1/2" X 1 1/4"
8E	133889-01-000	EA	UNION - 1 1/2 DOUBLE SLIP - PVC
9E	135386-01-000	EA	NIPPLE - 1/2"
10E	136333-01-000	EA	ADAPTER - BRASS - 1/2"MPT X 1/2"FPT
11E	140821-01-000	EA	TUBE - WATER SUPPLY - 3/8" X 24"
11E	140821-02-000	EA	TUBE - WATER SUPPLY - 3/8" X 30"
11E	140821-03-000	EA	TUBE - WATER SUPPLY - 3/8" X 36"
11E	140821-04-000	EA	TUBE - WATER SUPPLY - 3/8" X 48"
11E	140821-05-000	EA	TUBE - WATER SUPPLY - 3/8" X 54"
11E	140821-06-000	EA	TUBE - WATER SUPPLY - 3/8" X 60"
11E	140821-07-000	EA	TUBE - WATER SUPPLY - 3/8" X 72"
11E	140821-08-000	EA	TUBE - WATER SUPPLY - 1/2" X 24"
11E	140821-09-000	EA	TUBE - WATER SUPPLY - 1/2" X 36"
11E	140821-10-000	EA	TUBE - WATER SUPPLY - 1/2" X 48"
12E	142812-01-000	EA	ELBOW - BRASS - 1/2"MPT X 1/2"FPT
13E*	144215-01-000	EA	PUMP - WATER - 5.7 GPM - W/1/2" MPT

FROM: 00-00-00 THRU: 02-05-06

14E 145609-01-000 EA PLUG - BRASS - 1/2" MPT/HEX HEAD

**\*COMPONENT PARTS LISTED LATER IN THIS GROUP**

**WATER & SEWAGE GROUP (CONTINUED)**  
**WATER SYSTEM (CONTINUED)**

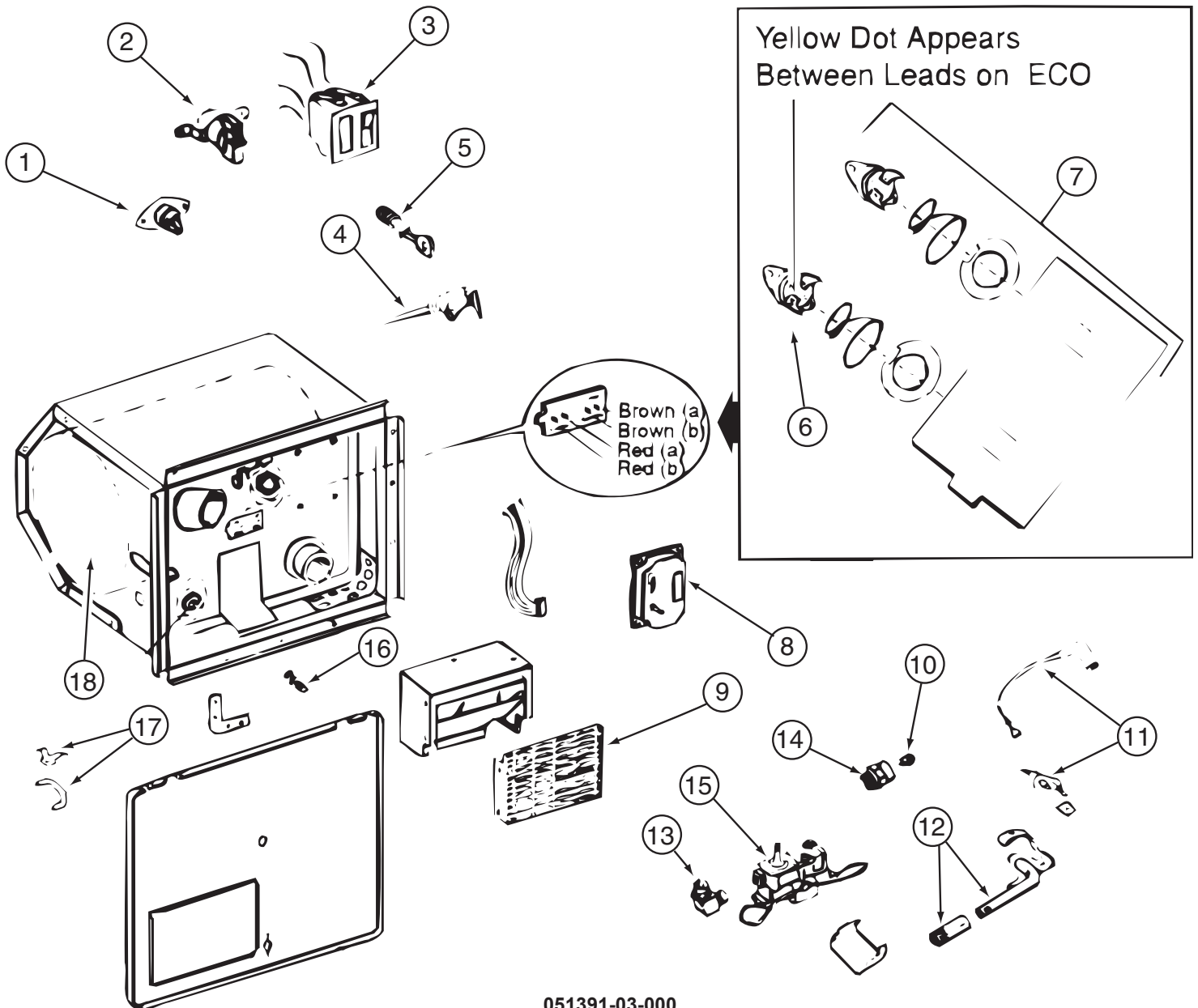


KEY	PART NUMBER	U/M	DESCRIPTION
1*	151678-01-01A	EA	FAUCET - GALLEY/DUAL CONTROL - CHROME
2	152239-01-01A	EA	FLANGE/MOUNTING/RECESSED - 19.3" X 15.8" - BRIGHT WHITE
3	052009-06-000	EA	DOOR - WATER HEATER - BRIGHT WHITE - 18" X 14.6"
3	076767-03-000	EA	CABLE - STAINLESS STEEL - 18.5"
4*	051391-03-000	EA	WATER HEATER G6A-8E ELECTRONIC IGNITION
4*	145541-02-000	EA	WATER HEATER-6 GAL-120'-REM IGN-W/HEAT EXC-4E - <b>WTR HTR-6GAL ELECTRIC/LP GAS</b>
5	149477-02-02B	EA	PANEL - WATER PUMP - E-COATED
6	140364-01-01A	EA	FOAM - PAD - .5" X 8" X 8"
7*	098607-01-000	EA	PUMP - WATER - W/.5" MPT FITTING - FLOW 2.8 GPM
			FROM: 00-00-00 THRU: 06-21-06
7	160702-01-000	EA	PUMP - WATER - 3.0 GPM - W/1/2" MPT
			FROM: 06-22-06 THRU: 99-99-99
8	129390-04-01A	EA	SHOWER HEAD - W/HOSE & BRACKET - WHITE
9	075241-07-000	EA	FAUCET - SHOWER CONTROL - CHROME
10	075606-03-000	EA	PANEL - FAUCET SHOWER - SOFT WHITE
11	151706-03-12B	EA	PANEL - SERVICE CENTER - BRIGHT WHITE
12	010230-06-000	EA	FILL - CITY WATER - W/CHECK VALVE - MPT - BRUSHED ALUM
13	061420-09-000	EA	PLUG/PLASTIC - 1.00" DIAMETER
13	163269-01-01A	EA	FAUCET/SHOWER - .5"MPT W/1.9" INLET PIPES- EXTERIOR/BRT WHT - <b>EXTERIOR WASH STATION</b>
14	131383-01-02A	EA	SHOWER HEAD - W/60" HOSE & BRACKET - WHITE - <b>EXTERIOR WASH STATION</b>
15	151707-01-12B	EA	PANEL - ELECTRICAL - BRIGHT WHITE
16*	151680-01-01A	EA	FAUCET - LAVATORY/DUAL CONTROL - CHROME/BRASS
17	045195-08-000	EA	TANK - WATER - 27 GALLON - W/FITTINGS - 34.5" X 18" X 12"
	042989-04-000	EA	FITTING - SPINWELD - 3/8"FPT - PLASTIC
	042989-05-000	EA	FITTING - SPINWELD - 1/2"FPT - PLASTIC
	042989-08-000	EA	FITTING - SPINWELD - 1"FPT - PLASTIC
	049032-01-000	EA	PATCH - SPINWELD - 3/8" - PLASTIC
	077954-02-000	EA	FILTER - WATER TANK - W/SCREEN IN TANK
18	159338-02-000	EA	TANK - WATER - W/FITTINGS - <b>DINETTE</b>
	042989-04-000	EA	FITTING - SPINWELD - 3/8"FPT - PLASTIC
	042989-05-000	EA	FITTING - SPINWELD - 1/2"FPT - PLASTIC
	042989-08-000	EA	FITTING - SPINWELD - 1"FPT - PLASTIC
19	132483-01-000	EA	VALVE/BALL - 1" - THREADED ENDS
20	132484-01-000	EA	ELBOW - 90 DEGREE - 1MPT X 1FPT - PLASTIC
21	087200-01-000	EA	FILTER - WATER PURIFICATION - <b>WATER PURIFIER</b>
21	087200-02-000	EA	CARTRIDGE - WATER FILTER - <b>WATER PURIFIER</b>

\*COMPONENT PARTS LISTED LATER IN THIS GROUP



**WATER & SEWAGE GROUP (CONTINUED)**  
**COMPONENT PARTS FOR WATER SYSTEM**



051391-03-000

KEY	PART NUMBER	U/M	DESCRIPTION	VENDOR NO.
3	051393-01-701	EA	SWITCH - REMOTE - W/LIGHT	91959
4	051391-01-704	EA	VALVE-RELIEF, 1/2" FITTING	91604
4	051391-03-701	EA	VALVE-RELIEF - 3/4" FITTING	90028
5	051391-01-705	EA	FASTENER-CAMLOCK	92609
6	051391-04-701	EA	THERMOSTAT 12V DC-120 PRESET	91470
7	051393-01-721	EA	THERMOSTAT W/ECO, 140 FRT MT	91447
9	051391-04-707	EA	KIT-EXHAUST, (FLUE & GASKET)	90960
10	051391-01-710	EA	ORIFICE-MAIN BURNER	92742
12	051391-04-703	EA	BURNER-MAIN/ELECTRONIC IG	91638
13	051391-01-714	EA	FITTING-ELBOW 45,3/8F X 3/8	MPT 1044
14	051391-03-700	EA	HOLDER-ORIFICE	91563
16	051391-01-715	EA	PLUG-DRAIN, 1 EA = 2 PER PKG	91857
17	051391-01-700	EA	HINGE KIT, (PIN & CLIP)	92568&92559
18	051391-04-706	EA	TANK-G6A-4E/6E/7E/8E-FRT.MT	91641 - INNER
	051391-01-717	EA	GRILLE-WATER HEATER DOOR	92640
	051393-01-723	EA	SWITCH - THERMAL CUTOUT 2/PK	93866 WAS 93853
	051393-01-724	EA	BOARD-CIRCUIT, SPADE TERMINAL	93865
	051393-01-725	EA	ELECTRODE-SGL SPADE CONNECT.	93868
	051393-01-726	EA	VALVE/SOLENOID - W/O BRACKET	93870
	111129-01-711	EA	BRACKET-CORNER, SET OF FOUR	91928

CONTACT WINNEBAGO PARTS SALES FOR UNLISTED COMPONENT(S)

**WATER & SEWAGE GROUP (CONTINUED)**  
**COMPONENT PARTS FOR WATER SYSTEM (CONTINUED)**

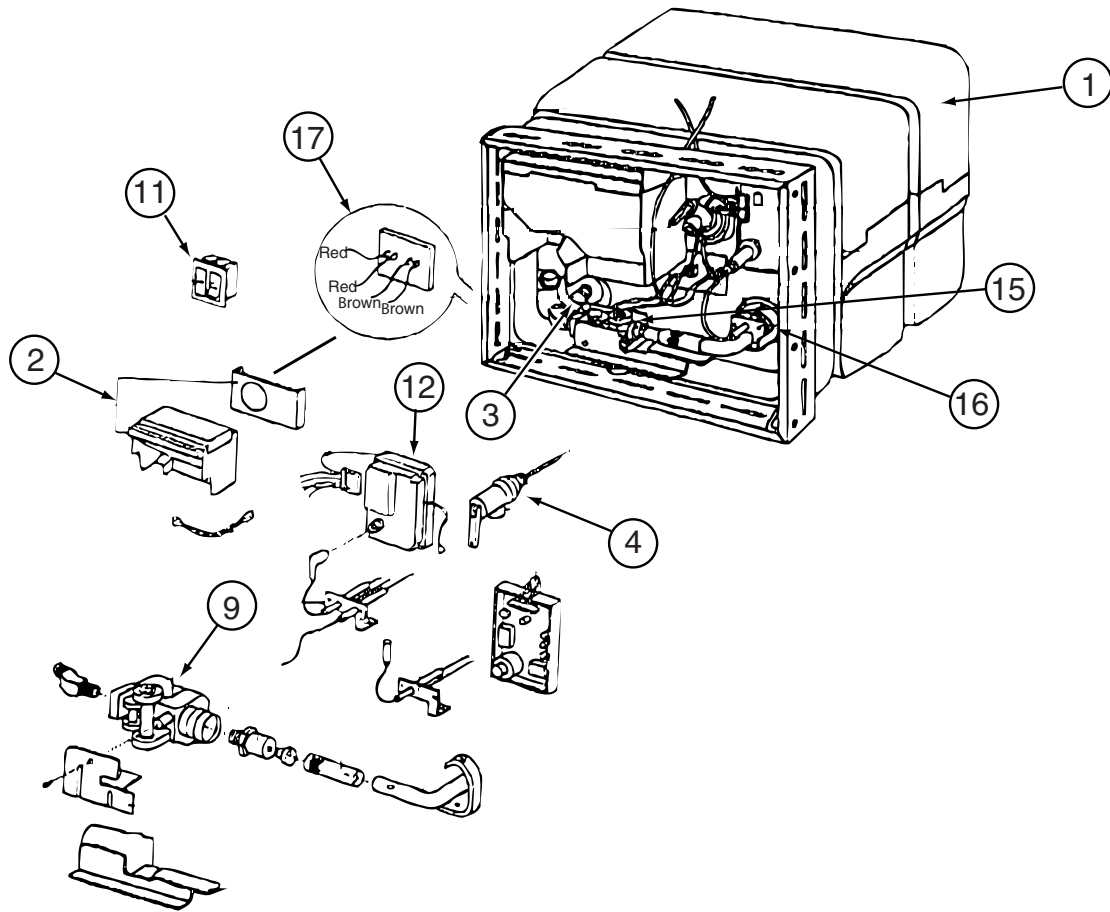
**098607-01-000**

<b>KEY</b>	<b>PART NUMBER</b>	<b>U/M</b>	<b>DESCRIPTION</b>	<b>VENDOR NO.</b>
	098607-01-702	EA	DIAPHRAGM/DRIVE ASSEMBLY KIT	94-238-04
	098607-01-703	EA	VALVE KIT	94-232-00
	098607-01-705	EA	VALVE-CHECK, KIT	94-237-00
	098607-01-706	EA	HOUSING, W/SWITCH ONLY	94-231-20
	098607-01-707	EA	MOTOR W/BASEPLATE	11-148-04

**144215-01-000**

<b>KEY</b>	<b>PART NUMBER</b>	<b>U/M</b>	<b>DESCRIPTION</b>	<b>VENDOR NO.</b>
	144215-01-700	EA	VALVE ASSEMBLY	94-030-01
	144215-01-701	EA	DRIVE ASSEMBLY	94-030-02
	144215-01-702	EA	FITTING KIT - W/ORINGS	94-615-06

**WATER & SEWAGE GROUP (CONTINUED)**  
**COMPONENT PARTS FOR WATER SYSTEM (CONTINUED)**



145541-02-000

KEY	PART NUMBER	U/M	DESCRIPTION	VENDOR NO.
1	145541-02-700	EA	TANK/SERVICE KIT PCS- 6 GAL	91053
2	051391-04-707	EA	KIT-EXHAUST, (FLUE & GASKET)	90960
3	051391-01-715	EA	PLUG-DRAIN, 1 EA = 2 PER PKG	91857
4	051391-01-704	EA	VALVE-RELIEF, 1/2" FITTING	91604
9	051393-01-726	EA	VALVE-SOLENOID - W/O BRACKET	93870
11	051393-01-701	EA	SWITCH - REMOTE - W/LIGHT	91959
11	145541-01-701	EA	SWITCH - ON/OFF - WHITE	91859
12	145541-01-702	EA	CIRCUIT BOARD	91226
15	145541-01-703	EA	SWITCH - THERMAL CUT OFF	93866
16	051393-01-725	EA	ELECTRODE-SGL SPADE CONNECT.	93868
17	051393-01-721	EA	THERMOSTAT W/ECO, 140 FRT MT	91447
	051391-05-706	EA	ELEMENT-HEATING 1500 WATT	92249 W/GASKET
	145541-01-704	EA	RELAY	90061
	145541-02-701	EA	JUNCTION BOX(PLASTIC) 6 GAL	91222

CONTACT WINNEBAGO PARTS SALES FOR UNLISTED COMPONENT(S)

**WATER & SEWAGE GROUP (CONTINUED)**  
**COMPONENT PARTS FOR WATER SYSTEM (CONTINUED)**

**151678-01-01A**

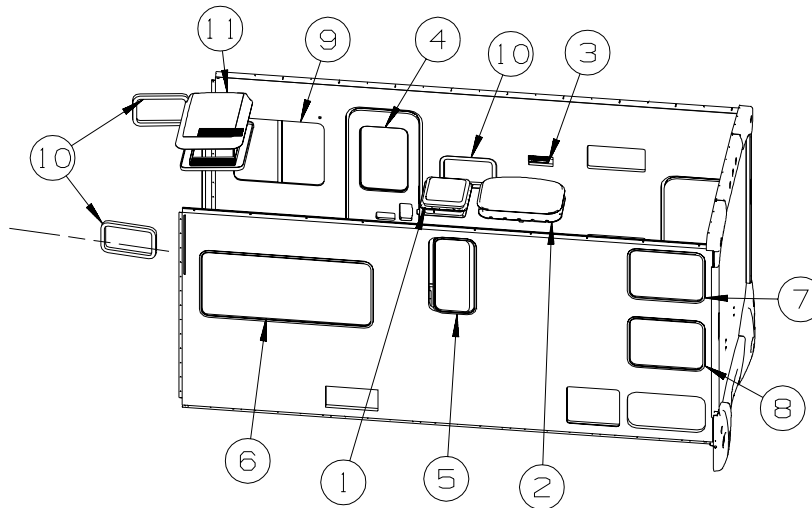
<b>KEY</b>	<b>PART NUMBER</b>	<b>U/M</b>	<b>DESCRIPTION</b>	<b>VENDOR NO.</b>
	151678-01-700	EA	ADAPTOR	10015
	151678-01-701	EA	CARTRIDGE	10417
	151678-01-702	EA	WASHER	10269

**151680-01-01A**

<b>KEY</b>	<b>PART NUMBER</b>	<b>U/M</b>	<b>DESCRIPTION</b>	<b>VENDOR NO.</b>
	151678-01-700	EA	ADAPTOR W/WASHER (2 PER PKG)	10015
	151678-01-701	EA	CARTRIDGE	10417

## WINDOW & VENT GROUP

### WINDOW & VENT LAYOUT



KEY	PART NUMBER	U/M	DESCRIPTION
1*	122882-02-01A	EA	VENT - ROOF - W/FAN - W/O INSIDE GARNISH - UL
1*	122882-03-01A	EA	VENT - ROOF - W/FAN - W/O INSIDE GARNISH - CSA - <b>CANADIAN</b>
	009440-01-000	EA	GEAR/ARM - LIFT - ROOF VENT COVER
	048648-01-000	EA	MOTOR/ROOF VENT - W/RESISTER - 1/8"SHAFT - 12VOLT
	048649-01-000	EA	FAN BLADE - ROOF VENT - 6 BLADED - 6"RADIUS
1	122882-07-01A	EA	GARNISH - ROOF VENT - 2.5" TO 4.1"
1*	123780-03-01A	EA	FANTASTIC VENT-3"4"ROOF-W/FAN-W/O THERM/PWR LIFT/WHT CVR - <b>POWER VENT</b>
	009440-01-000	EA	GEAR/ARM - LIFT - ROOF VENT COVER
2	122193-01-02A	EA	PANEL - SKYLITE - INNER - W/LIGHT INDENTATION
2	138372-01-02B	EA	TRIM - CORNER - SKYLIGHT - E-COATED
2	138379-02-01A	EA	PANEL/SKYLIGHT OTR - RECT/4"H CTR DOME - 18.4"X 29.5"- WHT
3	147821-01-01A	EA	VENT - EXHAUST/RANGE HOOD - BRIGHT WHITE
3	147821-02-01A	EA	SHROUD - EXHAUST VENT/RANGE HOOD - BRIGHT WHITE
4*	151075-03-02A	EA	WINDOW - ESCAPE/PICTURE - 26.3" X 17" - 31% TINT
5*	098644-20-03A	EA	WINDOW - VERTICAL SLIDER W/TRIM - 30.2"H X 14.3"W - GRAY
6*	098647-81-02A	EA	WINDOW - DRVR HORIZ SLIDER/ESCAPE-W/TRIM-26.3"HX59.9"W-GRY
7*	098647-84-02A	EA	WINDOW - DRVR HORIZ SLIDER/ESCAPE-W/TRIM-19"HX25.7"W-GRAY
8*	098647-85-02A	EA	WINDOW - DRVR HORIZ SLIDER W/TRIM - 19"H X 25.7"W - GRAY
9*	098647-87-02A	EA	WINDOW - PASS HORIZ SLIDER W/TRIM - 26.1"H X 32.2"W-GRAY
10*	104691-18-02A	EA	WINDOW - TIPOUT/TINTED - W/TRIM - 12.5" X 19.9" - GRAY
11*	152882-01-01A	EA	PANEL - SKYLIGHT - 19.7" X 27.5" CUTOUT SIZE - OFF WHITE

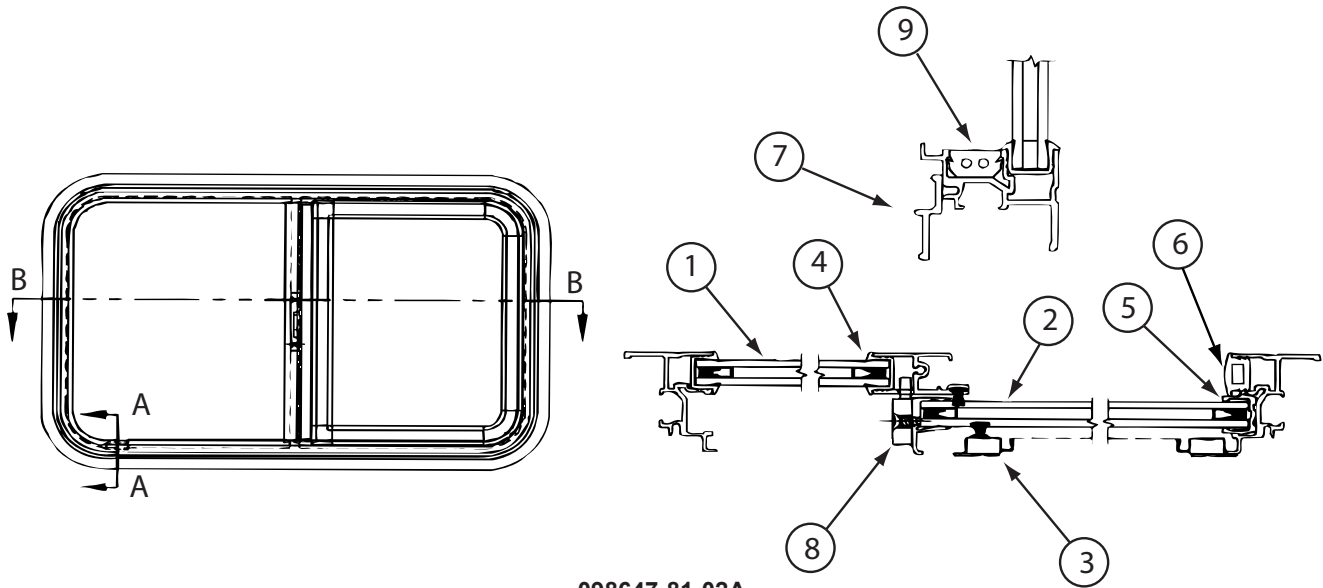
**\*COMPONENT PARTS LISTED LATER IN THIS GROUP**

**WINDOW & VENT GROUP (CONTINUED)**  
**COMPONENT PARTS FOR WINDOW & VENT LAYOUT**

**ART NOT YET AVAILABLE**

**098644-20-03A**

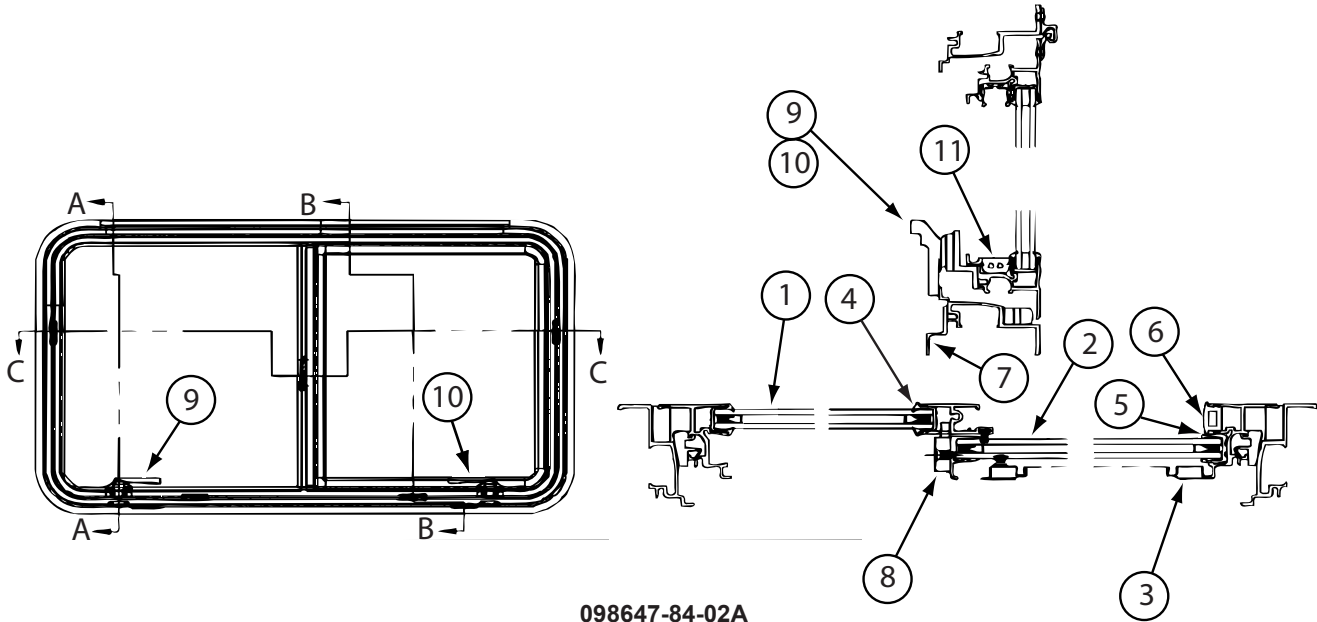
KEY	PART NUMBER	U/M	DESCRIPTION	VENDOR NO.
1	098644-20-700	EA	GLASS - STATIONARY	106-037128
2	098644-07-703	EA	GLASS-SLIDING W/SASH & LATCH	H170G9
3	098644-01-716	FT	PLUG - FILLER	132-014470
4	098644-01-705	FT	GLAZING - STRIP	132-010231
5	098644-01-708	FT	CHANNEL - RUN PIERCED	122-016543
6	098644-20-701	EA	RETAINER - TRIM	CS02-66
7	098644-20-702	EA	WEATHERSTRIP F/LOCKING RAIL	H17019
8	098644-07-704	EA	SCREEN ASM - W/SEALS & CLIPS	410-018863
9	098644-01-700	EA	LATCH - REPAIR KIT (BLACK)	B801-CK



**098647-81-02A**

KEY	PART NUMBER	U/M	DESCRIPTION	VENDOR NO.
1	098647-76-700	EA	GLASS - STATIONARY	106-036072
2	098647-76-702	EA	GLASS SLIDING W/SASH & LATCH	H287G8
3	098647-23-704	EA	SCREEN ASM - W/SEALS & CLIPS	410-019066
4	098644-01-705	FT	GLAZING - STRIP	132-010231
5	098644-01-708	FT	CHANNEL - RUN PIERCED	122-016543
6	098644-01-716	FT	PLUG - FILLER	132-014470
7	098647-76-701	EA	RETAINER - TRIM	S287-66
8	098644-01-700	EA	LATCH - REPAIR KIT (BLACK)	B801-CK
9	098644-01-719	EA	STOP - SLIDER GLASS	132-014203

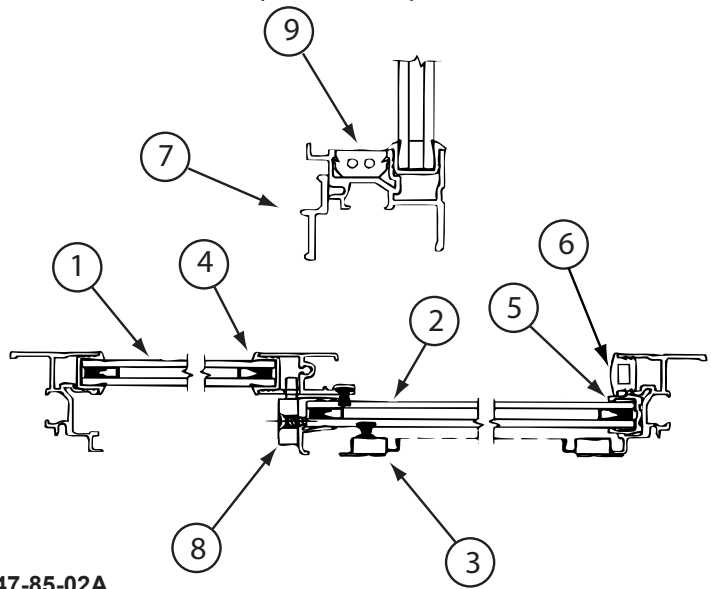
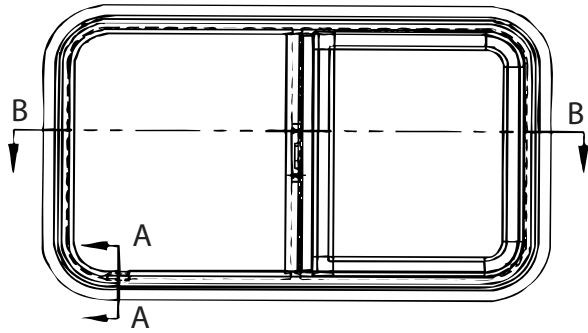
**WINDOW & VENT GROUP (CONTINUED)**  
**COMPONENT PARTS FOR WINDOW & VENT LAYOUT (CONTINUED)**



098647-84-02A

KEY	PART NUMBER	U/M	DESCRIPTION	VENDOR NO.
1	098647-84-700	EA	GLASS - STATIONARY	106-037147
2	098647-84-701	EA	GLASS-SLIDING W/LATCH & HNDL	H1095G8
3	098647-84-702	EA	SCREEN ASM	410-037148
4	098644-01-705	FT	GLAZING - STRIP	132-010231
5	098644-01-708	FT	CHANNEL - RUN PIERCED	122-016543
6	098644-01-716	FT	PLUG - FILLER	132-014470
7	098647-84-703	EA	RETAINER - TRIM	S1095-64
8	098644-01-700	EA	LATCH - REPAIR KIT (BLACK)	B801-CK
9	112898-06-707	EA	HANDLE/RH-EGRESS(SLD)ESC-RED	182-025911
10	112898-06-708	EA	HANDLE/LH-EGRESS(SLD)ESC-RED	182-025912
11	098644-01-719	EA	STOP - SLIDER GLASS	132-014203

**WINDOW & VENT GROUP (CONTINUED)**  
**COMPONENT PARTS FOR WINDOW & VENT LAYOUT (CONTINUED)**



**098647-85-02A**

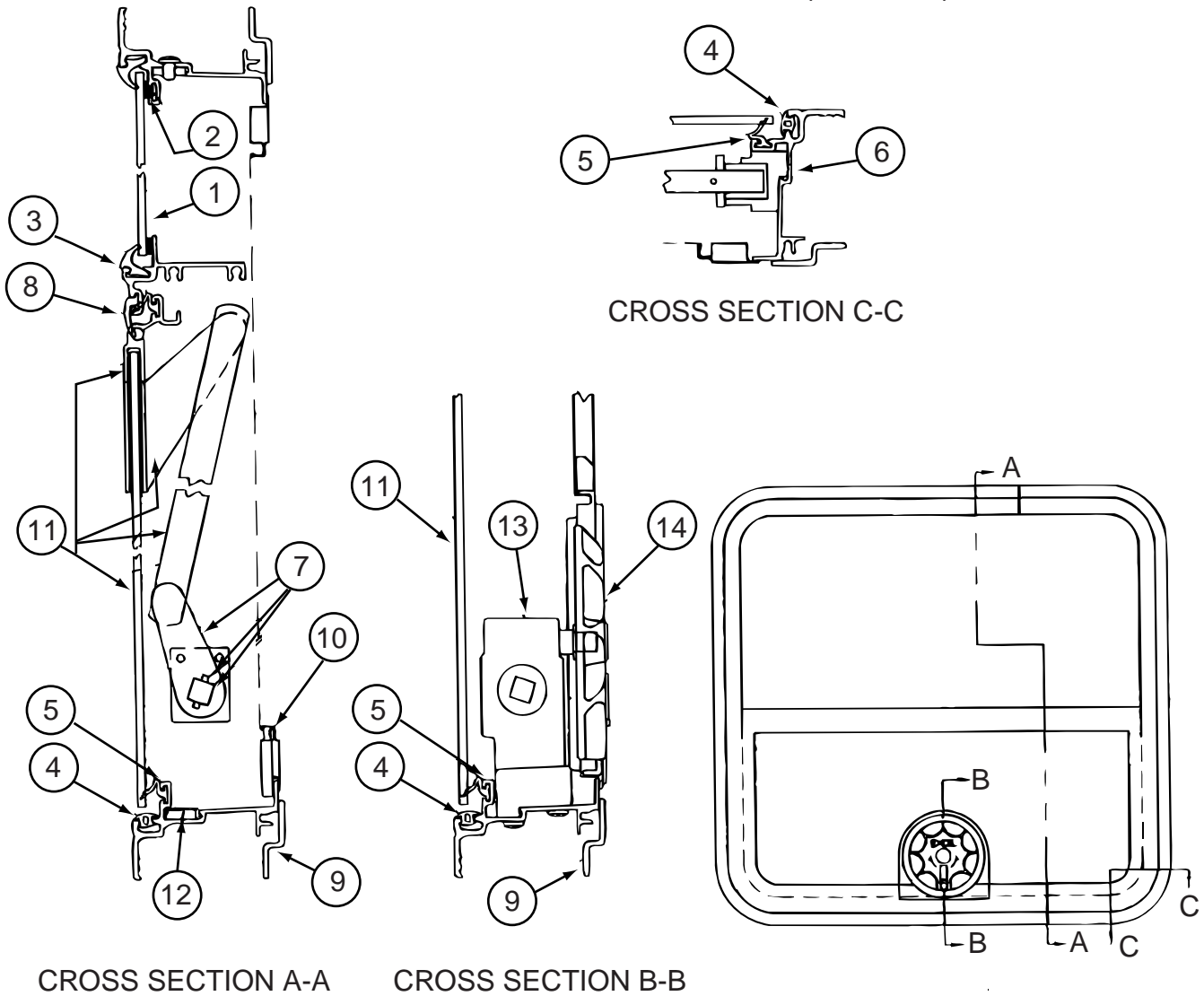
KEY	PART NUMBER	U/M	DESCRIPTION	VENDOR NO.
1	098647-85-700	EA	GLASS - STATIONARY	106-037141
2	098647-85-701	EA	GLASS-SLIDING W/LATCH & HNDL	S1094G8
3	098647-85-702	EA	SCREEN ASM	410-037142
4	098644-01-705	FT	GLAZING - STRIP	132-010231
5	098644-01-708	FT	CHANNEL - RUN PIERCED	122-016543
6	098644-01-716	FT	PLUG - FILLER	132-014470
7	098647-85-703	EA	RETAINER - TRIM	S1094-66
8	098644-01-700	EA	LATCH - REPAIR KIT (BLACK)	B801-CK
9	098644-01-719	EA	STOP - SLIDER GLASS	132-014203

**098647-87-02A**

KEY	PART NUMBER	U/M	DESCRIPTION	VENDOR NO.
1	098647-87-700	EA	GLASS - STATIONARY	106-037270
2	098647-87-701	EA	GLASS-SLIDING W/LATCH & HNDL	S1110G8
3	098647-87-702	EA	SCREEN ASM	410-037271
4	098644-01-705	FT	GLAZING - STRIP	132-010231
5	098644-01-708	FT	CHANNEL - RUN PIERCED	122-016543
6	098644-01-716	FT	PLUG - FILLER	132-014470
7	098647-87-703	EA	RETAINER - TRIM	S1110-66
8	098644-01-700	EA	LATCH - REPAIR KIT (BLACK)	B801-CK
9	098644-01-719	EA	STOP - SLIDER GLASS	132-014203



**WINDOW & VENT GROUP (CONTINUED)**  
**COMPONENT PARTS FOR WINDOW & VENT LAYOUT (CONTINUED)**



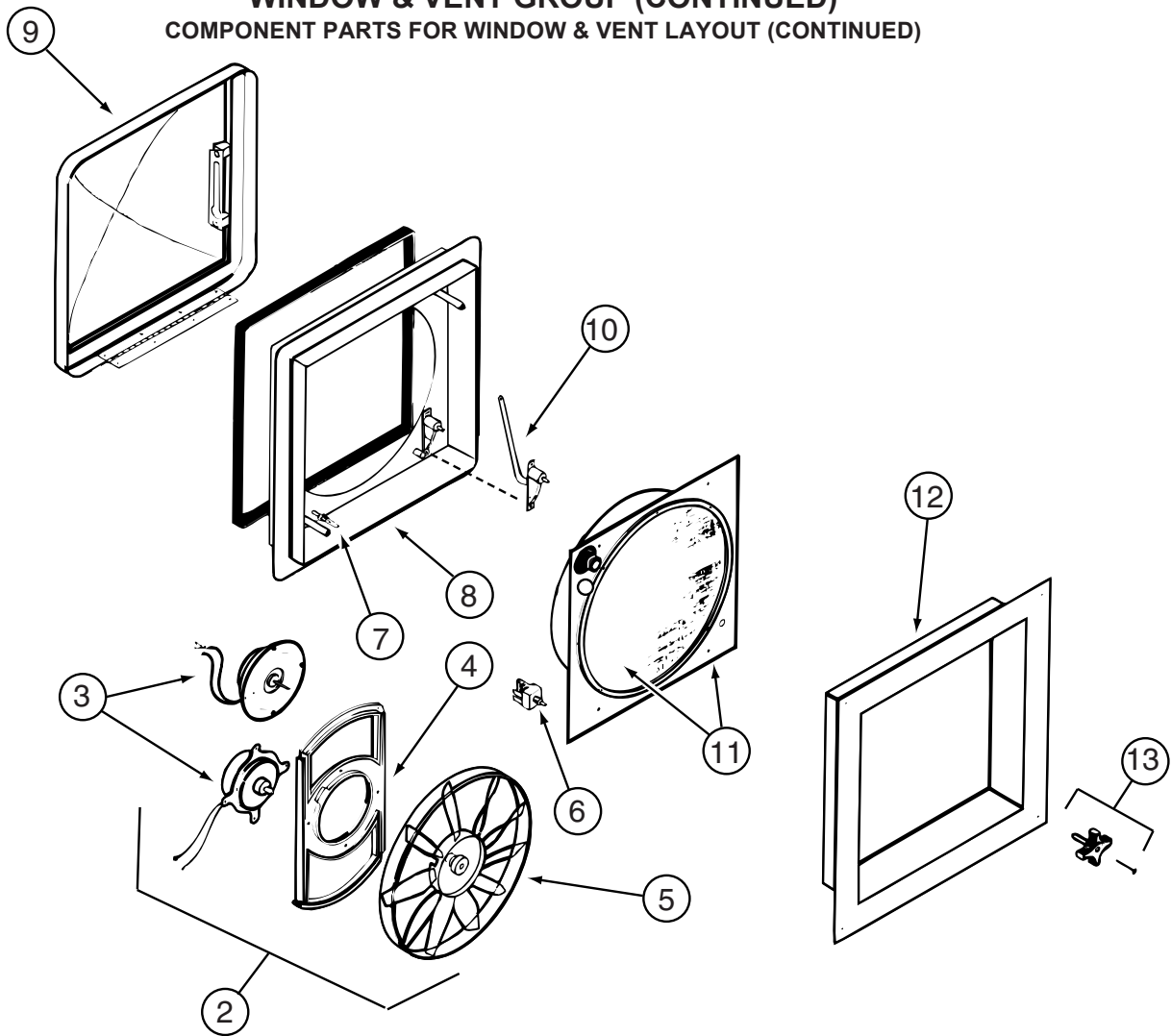
**104691-18-02A**

KEY	PART NUMBER	U/M	DESCRIPTION	VENDOR NO.
1	104691-18-700	EA	GLASS - STATIONARY	106-036333
2	100322-01-704	FT	TAPE-BUTYL	154-025932
3	100322-01-703	FT	VINYL-GLAZING, BUTYL	132-010723
4	116976-01-702	FT	FILLER PLUG	132-016065
5	100322-01-701	FT	SEAL-VENT	122-016071
6	112463-02-707	EA	SUPPORT - TORQUE BAR RH	132-015979
6	112463-02-708	EA	SUPPORT - TORQUE BAR LH	132-015978
7	104691-18-701	EA	OPERATOR & BAR ASSEMBLY	CH118-15
8	100322-01-702	EA	WEATHERSTRIP-HORIZ RAIL-148"	132-019631
9	104691-18-702	EA	RETAINER - TRIM	CS118-59
10	104691-18-703	EA	SCREEN ASM - W/SEALS & CLIPS	410-036335
11	104691-18-704	EA	GLASS-TIPOUT - W/HINGE/RAIL	CH118G6
12	108919-01-706	EA	COVER - DRAIN SLOT	132-016064
13	112519-01-702	EA	OPERATOR/TRQ CTR SPRT-4 HOLE	410-016123
14	100322-01-718	EA	HANDLE-DIAL	410-016081

**122882-02-01A, 122882-03-01A**

KEY	PART NUMBER	U/M	DESCRIPTION	VENDOR NO.
	064470-01-700	EA	COVER - VENT	J7291
	064470-01-701	EA	SLIDE BAR - VENT LID	JRP1291B
	110051-03-700	EA	SWITCH-BLACK/PUSH BUTTON	27-0164
	122882-01-700	EA	HANDLE - CRANK - BLACK	90128
	122882-01-701	EA	SCREEN	JRP-1124-B
	122882-01-702	EA	HANDLE - CRANK - WHITE	JRP1031B

**WINDOW & VENT GROUP (CONTINUED)**  
**COMPONENT PARTS FOR WINDOW & VENT LAYOUT (CONTINUED)**

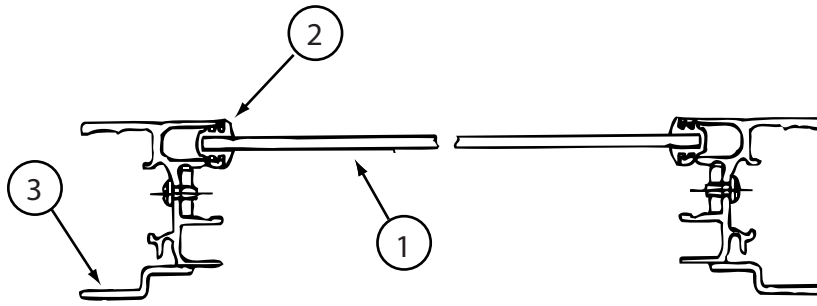


123780-03-01A

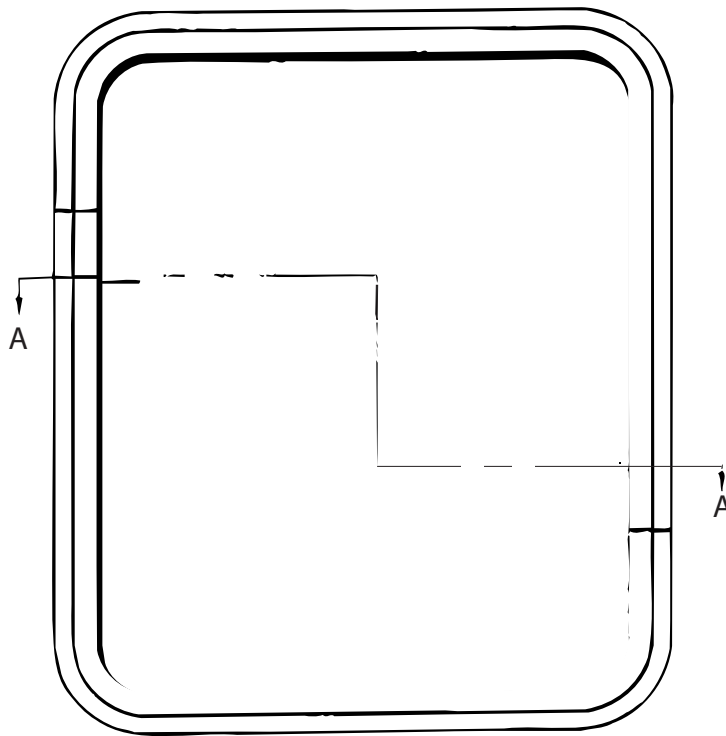
KEY	PART NUMBER	U/M	DESCRIPTION	VENDOR NO.
2	084079-11-700	EA	MOTOR & FAN BLADE W/BRACKET	K4017-09
3	084079-01-705	EA	MOTOR/EXT BRKT/FAN BLADE KIT	1080-00
4	084079-01-711	EA	MOTOR MOUNT (BOWTIE)	1015-00
5	084079-01-704	EA	BLADE-FAN	1138-00
6	084079-01-709	EA	SWITCH - MAIN - 3 SPEED	1031-05
7	084079-01-707	EA	SWITCH - SAFETY	1122-05
8	123780-05-700	EA	BASE/MAIN-BRT WHT W/GASKET	1010-81
9	123780-01-700	EA	COVER - VENT W/HINGE & SLIDE	1020K-81
10	009440-01-000	EA	GEAR-ARM-ROOF VENT	705221K38
11	123780-03-701	EA	SCREEN ASM 78-100MM W/SWITCH	1030BT-81
12	123780-03-700	EA	GARNISH - INT. 3"-4" BRT/WHT	2040-81
13	084079-01-703	EA	KNOB-LIFT	1140K-00
	084079-01-706	EA	PLUG, 12 VOLT	1090
	123780-01-702	EA	SCREEN INSERT (SCREEN RING)	K1035-81

CONTACT WINNEBAGO PART SALES FOR UNLISTED COMPONENT(S)

**WINDOW & VENT GROUP (CONTINUED)**  
**COMPONENT PARTS FOR WINDOW & VENT LAYOUT (CONTINUED)**



CROSS SECTION A-A



**151075-03-02A**

KEY	PART NUMBER	U/M	DESCRIPTION	VENDOR NO
1	151075-03-700	EA	GLASS - STATIONARY	106-019887
2	098644-01-705	FT	GLAZING - STRIP	132-010231
3	151075-03-701	EA	RETAINER - TRIM	S416-66

**152882-01-01A**

KEY	PART NUMBER	U/M	DESCRIPTION	VENDOR NO.
	152882-01-700	EA	GLAZING PANEL W/O ASM. PARTS	BG1512
	152882-01-701	EA	FLY NET W/END ROD	BG1394
	152882-01-702	EA	DARKENING SYSTEM W/END ROD	BG1393
	152882-01-703	EA	CORD	BG1715
	152882-01-704	EA	VENTILATION GRIDS	560E35
	152882-01-705	EA	SEAL	BG1521
	152882-01-706	EA	BUTTON W/SPRING	BG1522
	152882-01-707	EA	HINGE W/FIXINGS	BG1513
	152882-01-708	EA	SPRING F/OPERATING BAR	BG1515
	152882-01-709	EA	OPERATING BAR	BG1516