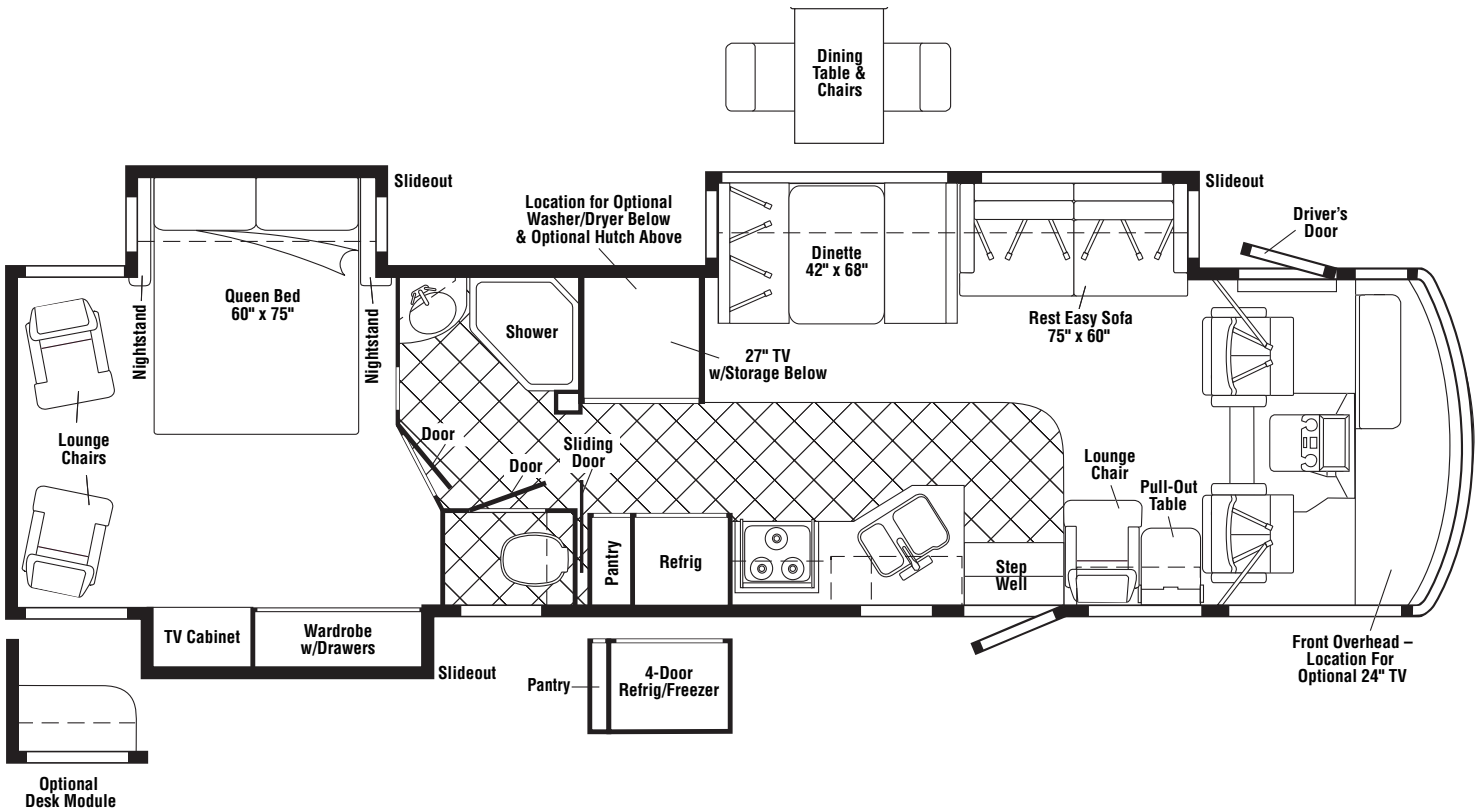


2005 SUNCRUISER IPG37B G-SERIES

PORTSMOUTH OAK
 S76 AMBERWOOD - BEIGE
 S80 COSMIC SAGE - GREEN
 S84 WEDGEWOOD - BLUE
CONCERT CHERRY
 S77 AMBERWOOD - BEIGE
 S81 COSMIC SAGE - GREEN
 S85 WEDGEWOOD - BLUE

WASHED MAPLE
 S78 AMBERWOOD - BEIGE
 S82 COSMIC SAGE - GREEN
 S86 WEDGEWOOD - BLUE
SIERRA MAPLE
 S79 AMBERWOOD - BEIGE
 S83 COSMIC SAGE - GREEN
 S87 WEDGEWOOD - BLUE

DASH ACCENT COLORS
 S76, S77, S78, S79 - RIVERSTONE
 S80, S81, S82, S83, S84, S85, S86, S87 - CASHMERE



FLOORPLAN

CONTENTS

| | |
|------------------------------------------------------------------------------------------------|-----------|
| FLOORPLAN | 1 |
| ACCESSORIES GROUP | 7 |
| OPERATORS MANUAL | 7 |
| AUDIO VIDEO GROUP | 8 |
| RADIO SYSTEM | 8 |
| REAR MONITOR | 8 |
| CABINET & APPLIANCE GROUP | 9 |
| CABINET & APPLIANCE LAYOUT | 9 |
| APPLIANCES | 9 |
| COMPONENT PARTS FOR APPLIANCE | 16 |
| 119267-10-02A | 16 |
| 119267-12-02A | 16 |
| 119267-13-01A | 16 |
| 120075-16-01A, 120075-17-01A, 120075-18-01A, 120075-19-01A, 120075-21-01A, 122075-22-01A | 16 |
| 125242-03-01A | 22 |
| 126022-01-01A, 126022-02-01A, 126022-03-01A | 30 |
| 135065-03-01A, 135065-03-03A, 135065-04-01A | 31 |
| 135066-02-01A | 33 |
| 135066-03-01A, 135066-03-04A, 150778-01-01A | 37 |
| 151277-03-01A, 151279-01-01A, 151279-02-01A/02A, 151279-03-01A | 42 |
| BATH | 44 |
| BEDROOM | 46 |
| DINETTE | 51 |
| GALLEY | 55 |
| LOUNGE | 59 |
| CHASSIS GROUP | 61 |
| FRAME | 61 |
| COMPONENT PARTS FOR FRAME | 62 |
| 132643-01-01A, 132643-06-01A, 132643-07-01A, 132643-09-01A | 62 |
| FRONT END | 63 |
| DRIVETRAIN | 69 |
| EXHAUST | 70 |
| FUEL | 75 |
| HYDRAULIC LEVELING | 78 |
| COMPONENT PARTS FOR HYDRAULIC LEVELING | 79 |
| 144226-32-000 | 79 |
| 144226-34-000 | 79 |
| 144226-37-000 | 79 |
| 144226-40-000 | 79 |
| WHEEL, TIRE, COVERS &/OR LINERS | 80 |
| COMPONENT PARTS FOR WHEEL, TIRE, COVERS &/OR LINERS | 80 |
| 110435-20-000 | 80 |
| 145580-02-000 | 80 |
| 145580-03-000 | 80 |
| 150723-01-000 | 80 |
| BRAKE | 81 |
| BRAKELINE | 81 |
| CURTAIN & CUSHION GROUP | 82 |
| NOTICE | 82 |
| CUSHION LAYOUT | 83 |
| BUCKET SEATS | 85 |
| COMPONENT PARTS FOR BUCKET SEATS | 86 |
| 122611-02-000 | 86 |
| LOUNGE CHAIR | 87 |
| SOFA | 88 |
| COMPONENT PARTS FOR SOFA | 91 |
| 136534-13-000, 136534-15-000, 136534-28-000, 136534-29-000 | 91 |
| 136534-07-000, 136534-17-000 | 91 |
| 148226-01-000, 148226-02-000, 148226-03-000 | 92 |
| WINDOW TREATMENT | 92 |
| HARDWARE | 94 |
| ACCESSORIES | 95 |
| FABRICS | 96 |

CONTENTS (CONTINUED)

| | |
|------------------------------------------|------------|
| DRIVERS COMPARTMENT GROUP | 98 |
| DASH | 98 |
| MOTOR COVER | 100 |
| BEVERAGE TRAY | 102 |
| FRONT INTERIOR | 103 |
| COMPONENT PARTS FOR FRONT INTERIOR | 107 |
| 091990-08-01A | 107 |
| CABINETS | 108 |
| ELECTRICAL GROUP | 113 |
| 110V BODY WIRING | 113 |
| 12V BODY WIRING | 115 |
| EXTERIOR LAMPS | 121 |
| FRONT END | 123 |
| GPS | 125 |
| FRONT TV/VCR | 126 |
| SIDE TV/VCR | 127 |
| COMPONENT PARTS FOR WIRING | 130 |
| 076319-23-000 | 130 |
| 076319-25-000 | 130 |
| 086280-01-000 | 131 |
| 087694-01-000 | 131 |
| 091937-08-000 | 131 |
| 091937-09-000 | 131 |
| 093575-23-03A | 131 |
| 093575-33-03A | 131 |
| 097917-01-06A | 131 |
| 105620-15-000 | 131 |
| 108354-01-01A | 131 |
| 113589-01-000 | 131 |
| 113589-02-000 | 131 |
| 115504-01-000 | 131 |
| 121935-01-01A | 131 |
| 123775-01-02A | 131 |
| 133004-02-01A | 132 |
| 133004-05-01A | 132 |
| 133068-01-000 | 133 |
| 136119-01-000 | 133 |
| 137135-02-000 | 134 |
| 137417-01-01A, 137417-03-01A | 135 |
| 137417-02-01A | 135 |
| 137417-05-01A | 135 |
| 137417-06-01A | 135 |
| 141454-03-01A | 135 |
| 144377-01-000 | 136 |
| 146298-01-000 | 136 |
| 146298-02-000 | 136 |
| 146299-01-000 | 136 |
| 146299-02-000 | 136 |
| 146396-02-000 & 146396-03-000 | 136 |
| 148113-01-000, 148113-03-000 | 136 |
| 148158-01-000 | 136 |
| 148231-01-000 | 136 |
| 149040-02-000 | 136 |
| 149049-01-000, 149049-02-000 | 136 |
| CIRCUIT BREAKERS, FUSES & RELAYS | 137 |
| CONVERTER, INVERTER, LOAD CENTERS | 137 |
| BOXES & CORDS | 138 |
| WIRE ASSEMBLIES | 139 |
| CONNECTORS & CONDUIT | 140 |
| CHASSIS | 142 |

CONTENTS (CONTINUED)

| | |
|------------------------------------------------------|------------|
| EXTERIOR BODY GROUP | 143 |
| GRAPHICS & PAINT | 143 |
| PANELS & TRIMS | 147 |
| COMPONENT PARTS FOR PANELS & TRIMS | 151 |
| 142721-01-01A, 142721-02-01A | 151 |
| FRONT END | 152 |
| LADDER | 153 |
| STRUCTURAL COMPONENTS | 154 |
| AWNINGS | 155 |
| COMPONENT PARTS FOR AWNINGS | 156 |
| 113874-01-02A | 156 |
| EXTERIOR DOORS & COMPARTMENTS GROUP | 157 |
| DOOR & COMPARTMENT LAYOUT | 157 |
| COMPONENT PARTS FOR DOOR & COMPARTMENT LAYOUT | 163 |
| 084103-08-000 | 163 |
| 094707-03-01A | 163 |
| 142226-02-01A | 163 |
| 143709-01-01A | 164 |
| COMPARTMENT DOOR PIECE PARTS | 165 |
| DRIVERS | 169 |
| COMPONENT PARTS FOR DRIVERS | 171 |
| 125581-09-01A | 171 |
| ENTRY | 173 |
| SCREEN | 174 |
| LATCH - ENTRY | 175 |
| EXTERIOR SLIDEOUT GROUP | 176 |
| FRONT | 176 |
| COMPONENT PARTS FOR FRONT | 180 |
| 143625-01-000 | 180 |
| 143625-02-000 | 180 |
| 143625-03-000 | 180 |
| RIGHT REAR | 181 |
| COMPONENT PARTS FOR RIGHT REAR | 185 |
| 100536-61-000 | 185 |
| 143394-01-000 | 185 |
| LEFT REAR | 186 |
| COMPONENT PARTS FOR LEFT REAR | 190 |
| 100536-59-000 | 190 |
| 147573-01-000 | 190 |
| GENERATOR GROUP | 191 |
| GAS | 191 |
| HEATING & A/C GROUP | 192 |
| AUTOMOTIVE | 192 |
| COMPONENT PARTS FOR AUTOMOTIVE | 194 |
| 103930-44-000 | 194 |
| 103930-45-000 | 194 |
| 103930-46-000 | 194 |
| 103930-47-000 | 194 |
| 103930-49-000 | 194 |
| 103930-55-000 | 196 |
| FURNACE | 197 |
| COMPONENT PARTS FOR FURNACE | 198 |
| 143563-01-000 | 198 |
| 143563-02-000 | 200 |
| REAR HEATER | 201 |
| CENTRAL | 202 |
| COMPONENT PARTS FOR CENTRAL | 203 |
| 105620-12-000 | 203 |

CONTENTS (CONTINUED)

| | |
|------------------------------------------------------------------|------------|
| INTERIOR FINISH GROUP | 205 |
| MOLDINGS & TRIMS | 205 |
| PANELING & LAMINATES | 216 |
| INTERIOR TRIM LAYOUT | 217 |
| COMPONENT PARTS FOR INTERIOR TRIM LAYOUT | 218 |
| 094499-02-000 | 218 |
| FLOOR COVERINGS | 219 |
| HARDWARE | 219 |
| LABELS GROUP | 226 |
| LP GROUP | 231 |
| LP SYSTEM | 231 |
| COMPONENT PARTS FOR LP SYSTEM | 231 |
| 144116-01-000 | 231 |
| SEALANTS & FASTENERS GROUP | 232 |
| SEALANTS & ADHESIVES | 232 |
| BOLTS, NUTS AND WASHERS | 233 |
| SCREWS | 235 |
| CLAMPS, CLIPS, GROMMETS, RIVETS & PLUGS | 238 |
| MISCELLANEOUS FASTENERS | 239 |
| WATER & SEWAGE GROUP | 241 |
| DRAINAGE SYSTEM | 241 |
| COMPONENT PARTS FOR DRAINAGE SYSTEM | 245 |
| 132389-01-01A | 245 |
| 152830-01-01A | 246 |
| WATER SYSTEM | 247 |
| COMPONENT PARTS FOR WATER SYSTEM | 254 |
| 075241-04-000, 075241-05-000, 075241-06-000 | 254 |
| 098607-01-000 | 254 |
| 103635-01-000 | 254 |
| 123744-03-01A | 254 |
| 125420-01-02A, 125420-01-03A, 125420-03-03A, 125420-04-03A | 254 |
| 128997-01-01A, 128997-01-02A | 254 |
| 129390-03-01A | 254 |
| 141490-01-01A, 141490-01-02A | 254 |
| 144215-02-000 | 255 |
| 144596-01-01A | 255 |
| 144215-01-000 | 255 |
| 144215-02-000 | 255 |
| 145541-01-000 | 255 |
| 144596-01-01A | 255 |
| 145541-01-000 | 256 |

CONTENTS (CONTINUED)

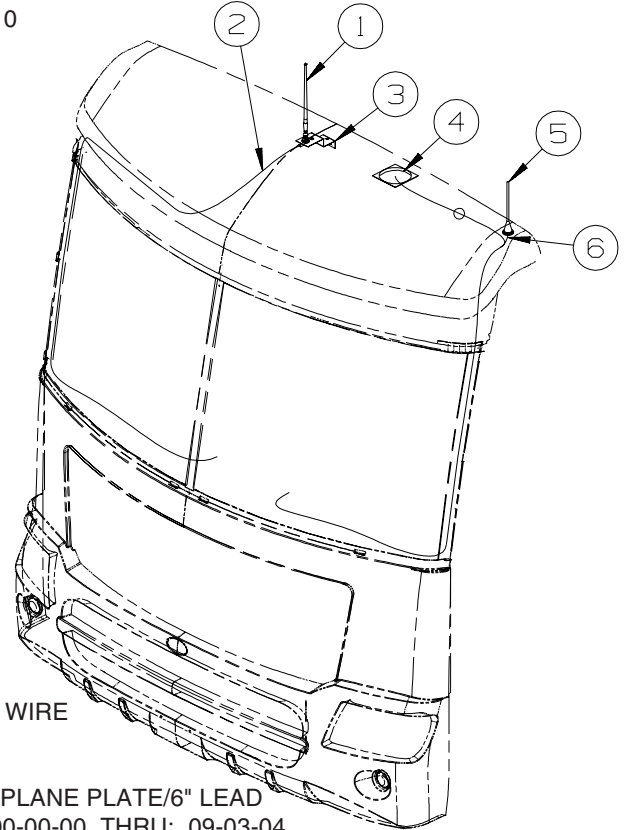
| | |
|------------------------------------------------------------------|------------|
| WINDOW & VENTS GROUP | 257 |
| WINDOW & VENT LAYOUT | 257 |
| COMPONENT PARTS FOR WINDOW & VENT LAYOUT | 259 |
| 112795-72-01A | 259 |
| 112795-77-01A | 260 |
| 112795-78-01A | 260 |
| 112898-25-01A | 261 |
| 113733-10-01A | 261 |
| 123780-09-01A | 262 |
| 123780-10-01A | 263 |
| 125583-01-01A | 264 |
| 125585-01-01A | 264 |
| 125600-01-01A | 265 |
| 129929-13-01A | 266 |
| 129929-15-01A | 266 |
| 134004-03-01A | 267 |
| 150648-04-01A | 268 |
| 150648-07-01A | 268 |
| 150648-08-01A | 268 |
| 150649-03-01A | 268 |
| 150649-07-01A | 268 |
| 150651-01-01A | 268 |
| 150656-05-01A | 268 |
| 150656-08-01A | 268 |
| 151072-01-01A | 268 |
| 151073-01-01A | 268 |
| WINDSHIELD & WIPER GROUP | 269 |
| WINDSHIELD | 269 |
| WIPER | 270 |
| COMPONENT PARTS FOR WIPER | 270 |
| 149401-01-000 | 270 |
| 149402-01-000, 149402-02-000, 149402-03-000, 149402-04-000 | 270 |

ACCESSORIES GROUP
OPERATORS MANUAL

| KEY | PART NUMBER | U/M | DESCRIPTION |
|------------|--------------------|------------|------------------------------------------------------------|
| | 148699-01-000 | DW | TOP LEVEL-G,2005 |
| | 129079-01-01A | EA | CASE - VINYL/BLACK-EXPANDABLE ACCORDION SIDES-7"WX9"HX14"L |
| | 129079-04-01A | EA | CASE - VINYL/BLK-EXPANDABLE ACCORDION SIDES-11"WX9"HX14"L |
| | 132000-15-005 | EA | MANUAL/OWNER - SUNCRUISER - 2005 |

AUDIO VIDEO GROUP RADIO SYSTEM

| KEY | PART NUMBER | U/M | DESCRIPTION |
|-----|---------------|-----|-------------------------------------------------------------------------------------------------------------------|
| | 135420-07-000 | EA | MOUNTING KIT - RADIO - A-BODY |
| | 135420-09-000 | EA | RADIO-AM/FM/CASS/CD COMBO-AUX/CD CHANGER INPUT-REMOTE COMP FROM: 00-00-00 THRU: 05-02-04 |
| | 135420-13-000 | EA | RADIO-AM/FM/CASS/CD COMBO-AUX/CD CHANGER INPUT-IR REMOTE FROM: 05-03-04 THRU: 99-99-99 |
| | 135420-10-000 | EA | REMOTE CONTROL/RADIO (CREDIT CARD SIZE) |
| | 135420-11-000 | EA | REMOTE CONTROL/RADIO (STEERING WHEEL MOUNT) FROM: 05-05-04 THRU: 99-99-99 |
| | 135420-12-000 | EA | REMOTE CONTROL/RADIO(STEERING WHEEL MT W/BUTTON CD CHANGER - CD CHANGER) FROM: 05-05-04 THRU: 99-99-99 |
| | 135420-14-000 | EA | RECEIVER - INFRARED FROM: 05-03-04 THRU: 99-99-99 |
| | 148134-01-000 | EA | CHANGER - COMPACT DISC - SANYO EAX-510 |



| KEY | PART NUMBER | U/M | DESCRIPTION |
|-----|---------------|-----|-------------------------------------------------------------------------------------------|
| 1 | 090944-02-000 | EA | ANTENNA - RADIO - 16" RUBBER - W/O LEAD WIRE |
| 2 | 090944-03-000 | EA | CABLE - ANTENNA |
| 3 | 115916-01-01B | EA | BRACKET - ANTENNA MOUNT |
| 4 | 147190-01-000 | EA | ANTENNA/SATELLITE-RADIO/SIRIUS-W/GRD PLANE PLATE/6" LEAD FROM: 00-00-00 THRU: 09-03-04 |
| 4 | 152780-01-000 | EA | ANTENNA/SATELLITE - RADIO/SIRIUS FROM: 09-04-04 THRU: 99-99-99 |
| 5 | 123256-01-000 | EA | ANTENNA - CB - W/O CABLE |
| 6 | 123256-02-000 | EA | CABLE - CB - COAX |

REAR MONITOR

| KEY | PART NUMBER | U/M | DESCRIPTION |
|-----|---------------|-----|-------------------------------------------------|
| | 143363-05-000 | EA | CAMERA - REAR - COLOR W/BRACKET - SONY VCB-MH3 |
| | 143363-03-000 | EA | CABLE - MONITOR/CAMERA - COLOR - SONY VCB-MHC20 |
| | 143363-01-000 | EA | MONITOR/REAR - COLOR - W/BRACKET - SONY VCB-MH1 |
| | 137919-02-01A | EA | SHROUD - CAMERA - OUTER - BRIGHT WHITE |

**SEE 12V BODY WIRING IN THE ELECTRICAL GROUP FOR LOCATION OF OTHER
AUDIO VIDEO COMPONENTS**

CABINET & APPLIANCE GROUP

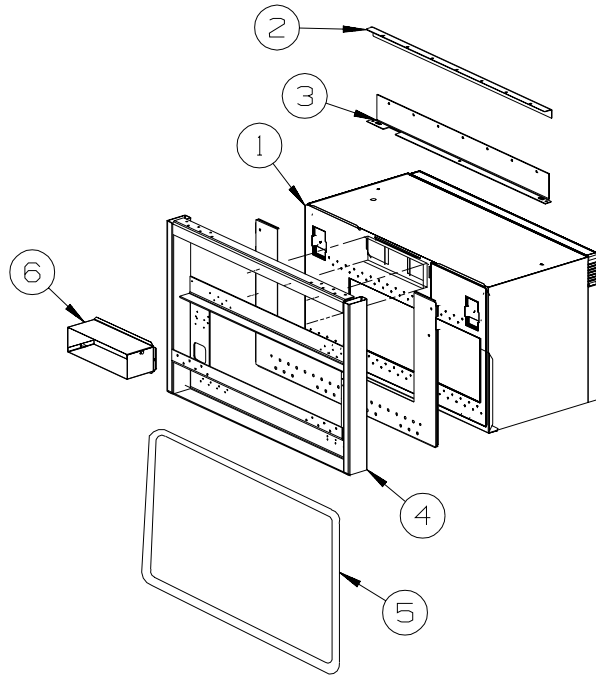
CABINET & APPLIANCE LAYOUT

APPLIANCES

| KEY | PART NUMBER | U/M | DESCRIPTION |
|-----|---------------|-----|-----------------------------------------------------------------------------------------------|
| * | 126022-01-01A | EA | COVER - RANGE/BI-FOLD - 16" & 22" - BLACK TEXTURED |
| | 130816-06-07A | EA | COUNTERTOP/STOVE LID - 1/4" VENDURA - NATURES FLANNEL |
| | 149094-02-04A | EA | COVER/STOVE TOP - 1/4" VENDURA - NATURES FLANNEL |
| | 149094-05-04A | EA | COVER/STOVE TOP - 1/4" VENDURA - NATURES FLANNEL - G35A ONLY |
| * | 135066-03-04A | EA | RANGE-3 BURNER (SEALED)-W/OVEN-NEW STYLE KNOBS FROM: 00-00-00 THRU: 05-17-04 |
| * | 151279-02-02A | EA | RANGE-22"-3 BURNER/SEALED-MERCURY FREE-BLK DOOR/GLASS FROM: 05-18-04 THRU: 99-99-99 |
| * | 135066-02-01A | EA | RANGE - 3 BURNER (SEALED) - W/OVEN - BLACK - CSA - CANADIAN FROM: 00-00-00 THRU: 02-22-04 |
| * | 150778-01-01A | EA | RANGE - 3 BURNER (SEALED) - W/OVEN - BLACK - CSA - CANADIAN FROM: 02-23-04 THRU: 06-06-04 |
| * | 151279-03-01A | EA | RANGE-3 BRNR/SEALED-MERCURY FREE-BLK DR/GLASS-CSA - CANADIAN FROM: 06-07-04 THRU: 99-99-99 |
| * | 135065-03-03A | EA | RANGE-3 BURNER (SEALED)-W/O OVEN-NEW STYLE KNOBS-STAINLESS - RANGE TOP 3-BURNER |
| * | 135065-04-01A | EA | RANGE - 3 BURNER (SEALED) - W/O OVEN - RANGE TOP 3-BURNER/CANADIAN |
| | 136382-05-04B | EA | BRACKET - TIEDOWN/OVEN - FRONT - BLACK - G33V,G35U,G37B, G38G |
| | 136382-12-04B | EA | BRACKET/TIEDOWN - OVEN - FRONT - BLACK - G38J, G38R |
| | 136382-17-04B | EA | BRACKET/TIEDOWN - OVEN - FRONT - BLACK - G35A |
| | 136382-06-04B | EA | BRACKET - TIEDOWN/OVEN - REAR - BLACK - G33V,G35U,G37B, G38G |
| | 136382-02-04B | EA | BRACKET - TIEDOWN/OVEN - REAR - BLACK - BACK - G38J, G38R |
| | 136382-18-04B | EA | BRACKET - TIEDOWN/OVEN - REAR - BLACK - BACK - G35A |
| | 106936-35-04B | EA | BRACKET - STOVE TIEDOWN/FRONT - BLACK - RANGE TOP 3-BURNER/G33V,G35U,G37B, G38G |
| | 106936-42-04B | EA | BRACKET - STOVE TIEDOWN/FRONT - BLACK - RANGE TOP 3-BURNER/G38J, G38R |
| | 106936-45-04B | EA | BRACKET - STOVE TIEDOWN/FRONT - BLACK - RANGE TOP 3-BURNER/G35A |
| | 106936-36-04B | EA | BRACKET - STOVE TIEDOWN/REAR - BLACK - RANGE TOP 3-BURNER/G33V,G35U,G37B, G38G |
| | 106936-22-04B | EA | BRACKET - STOVE TIEDOWN/REAR - BLACK - RANGE TOP 3-BURNER/G38J, G38R |
| | 106936-46-04B | EA | BRACKET - STOVE TIEDOWN/REAR - BLACK - RANGE TOP 3-BURNER/ G35A |

*COMPONENT PARTS LISTED LATER IN THIS GROUP

CABINET & APPLIANCE GROUP (CONTINUED)
CABINET & APPLIANCE LAYOUT (CONTINUED)



APPLIANCES (CONTINUED)

G33V, G35U, G37B & G38G

| KEY | PART NUMBER | U/M | DESCRIPTION |
|-----|---------------|-----|----------------------------------------------------------------------------------------------------------|
| 1* | 119267-10-02A | EA | OVEN - MICROWAVE W/HOOD US - #R-15014 |
| | 119267-14-000 | EA | VENT - KIT - F/1510 |
| 1* | 119267-12-02A | EA | OVEN - MICROWAVE W/HOOD US - #R-1874 - CONVECTION |
| 1* | 119267-13-01A | EA | OVEN - MICROWAVE/CONVECTION W/HOOD CSA - #R-1875A - CONVECTION/CANADIAN FROM: 00-00-00 THRU: 01-16-05 |
| 1* | 119267-12-02A | EA | OVEN - MICROWAVE/CONVECTION W/HOOD US - #R-1874 - CONVECTION/CANADIAN FROM: 01-17-05 THRU: 99-99-99 |
| 2 | NOT USED | | |
| 3 | NOT USED | | |
| 4 | NOT USED | | |
| 5 | NOT USED | | |
| 6 | NOT USED | | |

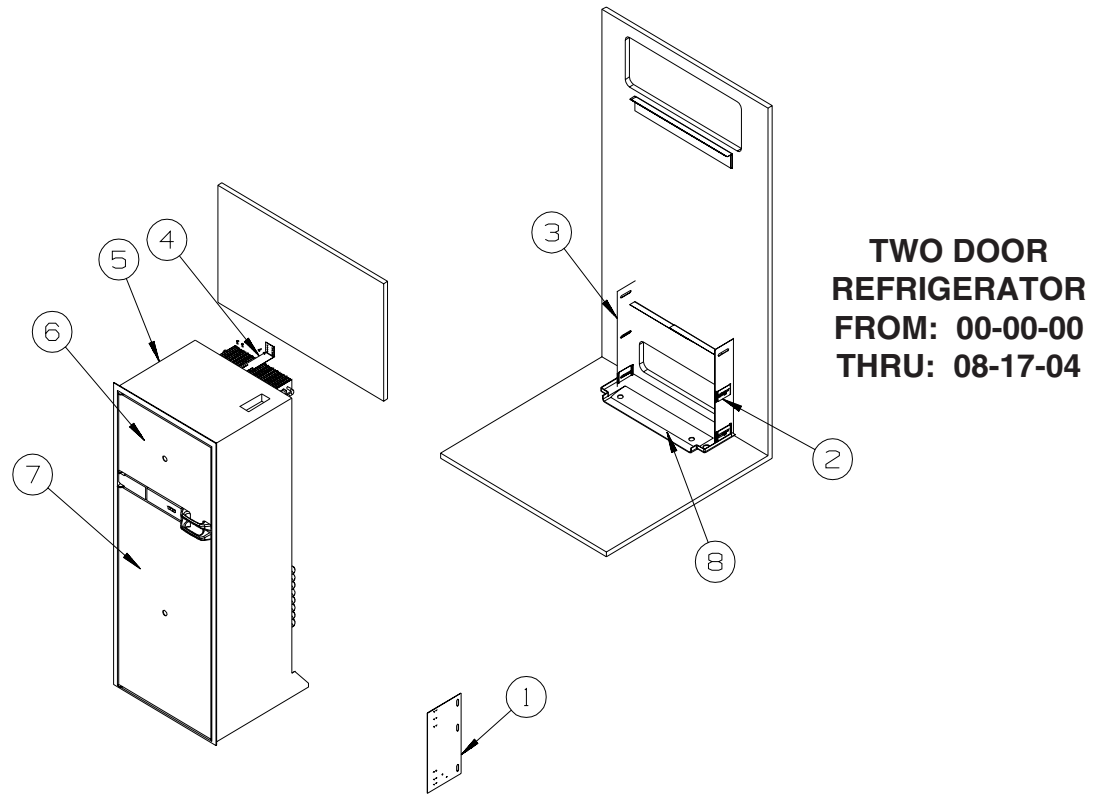
*COMPONENT PARTS LISTED LATER IN THIS GROUP

G35A, G38J & G38R

| KEY | PART NUMBER | U/M | DESCRIPTION |
|-----|---------------|-----|----------------------------------------------------------------------------------------------------------|
| 1* | 119267-10-02A | EA | OVEN - MICROWAVE W/HOOD US - #R-15014 |
| | 119267-14-000 | EA | VENT - KIT - F/1510 |
| 1* | 119267-12-02A | EA | OVEN - MICROWAVE W/HOOD US - #R-1874 - CONVECTION |
| 1* | 119267-13-01A | EA | OVEN - MICROWAVE/CONVECTION W/HOOD CSA - #R-1875A - CONVECTION/CANADIAN FROM: 00-00-00 THRU: 01-16-05 |
| 1* | 119267-12-02A | EA | OVEN - MICROWAVE/CONVECTION W/HOOD US - #R-1874 - CONVECTION/CANADIAN FROM: 01-17-05 THRU: 99-99-99 |
| 2 | 129836-02-02B | EA | ANGLE - W/HOLES - .7" X 1" X 28.3" - E-COATED - LH |
| 3 | 129836-07-02B | EA | ANGLE - W/HOLES - E-COATED |
| 4 | 137824-06-02B | EA | BRACKET - MICROWAVE - E-COATED |
| 5 | NOT USED | | |
| 6 | 140093-06-02B | EA | DUCT - E-COATED |

*COMPONENT PARTS LISTED LATER IN THIS GROUP

CABINET & APPLIANCE GROUP (CONTINUED)
CABINET & APPLIANCE LAYOUT (CONTINUED)

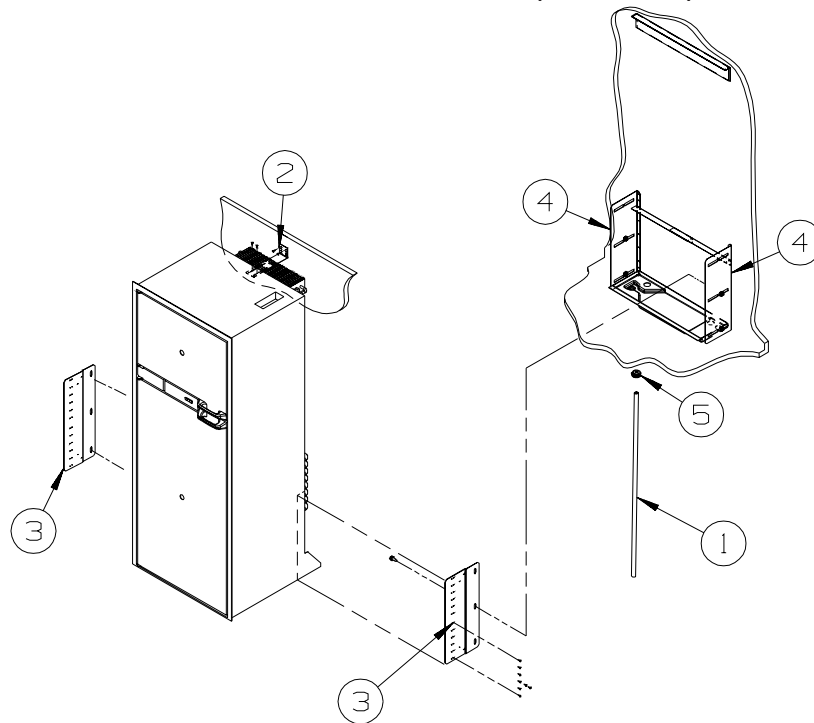


APPLIANCES (CONTINUED)

| KEY | PART NUMBER | U/M | DESCRIPTION |
|-----|---------------|-----|--------------------------------------------------------------|
| 1 | 141975-04-02B | EA | PLATE - TIEDOWN/REFRIGERATOR |
| 2 | 141550-01-02B | EA | BRACKET - TIEDOWN/REFRIGERATOR - RIGHT HAND |
| 3 | 141550-02-02B | EA | BRACKET - TIEDOWN/REFRIGERATOR - LEFT HAND |
| 4 | 145445-02-02B | EA | STRAP - REFRIGERATOR |
| 5* | 120075-21-01A | EA | REFRIG-LG DBL SST DR/RH HANDLE |
| 5* | 120075-22-01A | EA | REFRIG-LG DBL SST DR/LH HANDLE - G35A ONLY |
| 5* | 120075-16-01A | EA | REFRIG-LG DBL SST DR/RH HANDLE - W/ICE MAKER |
| 5* | 120075-17-01A | EA | REFRIG-LG DBL SST DR/LH HANDLE(WINN) - W/ICE MAKER/G35A ONLY |
| 6 | NOT USED | | PANEL - INSERT |
| 7 | NOT USED | | PANEL - INSERT |
| 8 | 112176-01-000 | FT | TUBING - VINYL - REINFORCED - 1/2" ID |
| | 116751-05-01A | EA | TRAY - REFRIGERATOR - BLACK |
| | 090329-01-000 | FT | SEAL/T - REFRIGERATOR CABINET |
| | 054450-01-000 | EA | LEVEL - REFRIGERATOR |

***COMPONENT PARTS LISTED LATER IN THIS GROUP**

CABINET & APPLIANCE GROUP (CONTINUED)
CABINET & APPLIANCE LAYOUT (CONTINUED)



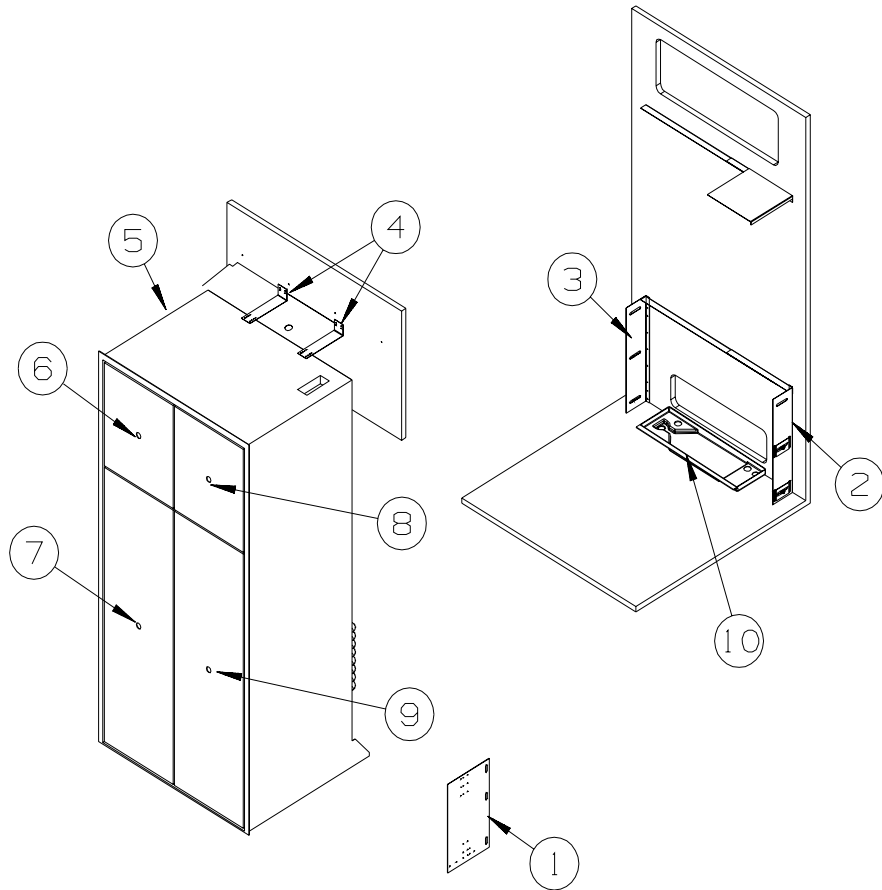
**TWO DOOR
 REFRIGERATOR
 FROM: 08-18-04
 THRU: 99-99-99**

APPLIANCES (CONTINUED)

| KEY | PART NUMBER | U/M | DESCRIPTION |
|-----|---------------|-----|--------------------------------------------------------------|
| 1 | 112176-01-000 | FT | TUBING - VINYL - REINFORCED - 1/2" ID |
| 2 | 145445-02-02B | EA | STRAP - REFRIGERATOR - E-COATED |
| 3 | 150740-01-02B | EA | BRACKET - REFRIGERATOR - E-COATED |
| 4 | 150740-02-02B | EA | BRACKET - REFRIGERATOR - E-COATED |
| 5 | 152417-01-01A | EA | CLAMP/RATCHET - F/REFRIDGERATOR DRIP TRAY HOSE - BLACK |
| * | 120075-21-01A | EA | REFRIG-LG DBL SST DR/RH HANDLE |
| * | 120075-22-01A | EA | REFRIG-LG DBL SST DR/LH HANDLE - G35A ONLY |
| * | 120075-16-01A | EA | REFRIG-LG DBL SST DR/RH HANDLE - W/ICE MAKER |
| * | 120075-17-01A | EA | REFRIG-LG DBL SST DR/LH HANDLE(WINN) - W/ICE MAKER/G35A ONLY |
| | 116751-05-01A | EA | TRAY - REFRIGERATOR - BLACK |
| | 090329-01-000 | FT | SEAL/T - REFRIGERATOR CABINET |
| | 054450-01-000 | EA | LEVEL - REFRIGERATOR |

***COMPONENT PARTS LISTED LATER IN THIS GROUP**

CABINET & APPLIANCE GROUP (CONTINUED)
CABINET & APPLIANCE LAYOUT (CONTINUED)



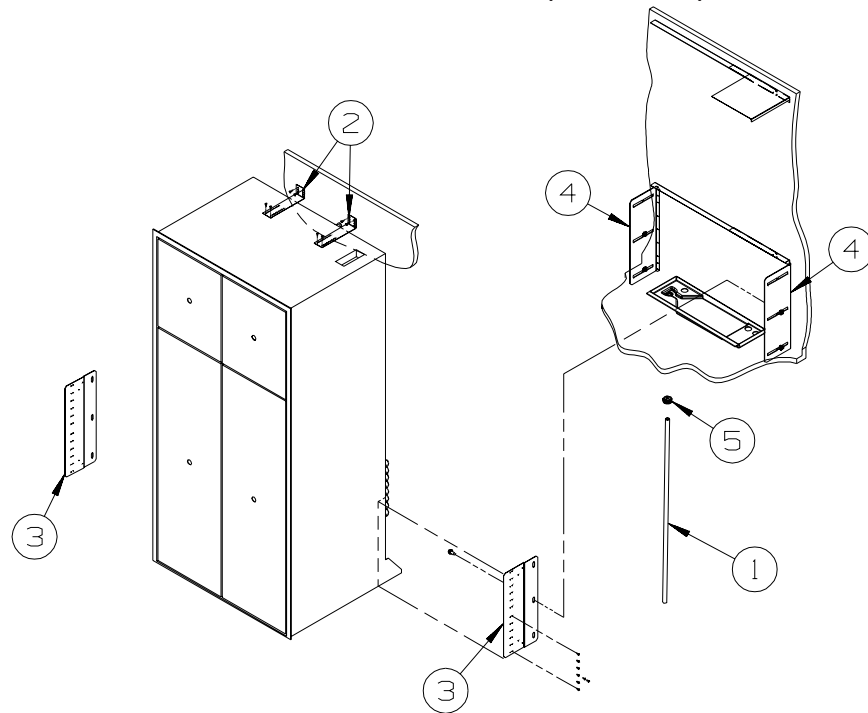
**FOUR DOOR
 REFRIGERATOR
 FROM: 00-00-00
 THRU: 08-17-04**

APPLIANCES (CONTINUED)

| KEY | PART NUMBER | U/M | DESCRIPTION |
|-----|---------------|-----|-------------------------------------------------------|
| 1 | 141975-01-02B | EA | PLATE - TIEDOWN/REFRIGERATOR |
| 2 | 141550-01-02B | EA | BRACKET - TIEDOWN/REFRIGERATOR - RIGHT HAND |
| 3 | 141550-02-02B | EA | BRACKET - TIEDOWN/REFRIGERATOR - LEFT HAND |
| 4 | 145445-02-02B | EA | STRAP - REFRIGERATOR |
| 5* | 125242-03-01A | EA | REFRIGERATOR - 4 DOOR - W/ICE MAKER - STAINLESS STEEL |
| 6 | NOT USED | | PANEL - INSERT |
| 7 | NOT USED | | PANEL - INSERT |
| 8 | NOT USED | | PANEL - INSERT |
| 9 | NOT USED | | PANEL - INSERT |
| 10 | 112176-01-000 | FT | TUBING - VINYL - REINFORCED - 1/2" ID |
| | 090329-01-000 | FT | SEAL/T - REFRIGERATOR CABINET |
| | 054450-01-000 | EA | LEVEL - REFRIGERATOR |
| | 118871-02-01A | EA | TRAY - REFRIGERATOR - SIDE/SIDE - BLACK - 34.4" LONG |

***COMPONENT PARTS LISTED LATER IN THIS GROUP**

CABINET & APPLIANCE GROUP (CONTINUED)
CABINET & APPLIANCE LAYOUT (CONTINUED)



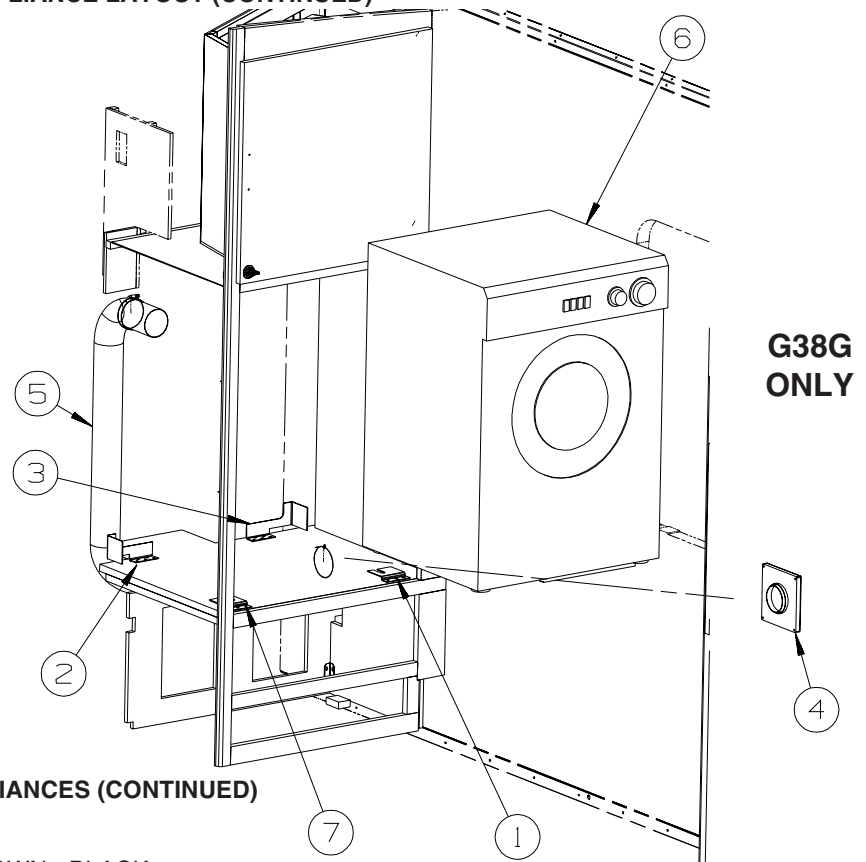
**FOUR DOOR
 REFRIGERATOR
 FROM: 08-18-04
 THRU: 99-99-99**

APPLIANCES (CONTINUED)

| KEY | PART NUMBER | U/M | DESCRIPTION |
|-----|---------------|-----|--------------------------------------------------------|
| 1 | 112176-01-000 | FT | TUBING - VINYL - REINFORCED - 1/2" ID |
| 2 | 145445-02-02B | EA | STRAP - REFRIGERATOR - E-COATED |
| 3 | 150740-01-02B | EA | BRACKET - REFRIGERATOR - E-COATED |
| 4 | 150740-02-02B | EA | BRACKET - REFRIGERATOR - E-COATED |
| 5 | 152417-01-01A | EA | CLAMP/RATCHET - F/REFRIDGERATOR DRIP TRAY HOSE - BLACK |
| * | 125242-03-01A | EA | REFRIGERATOR - 4 DOOR - W/ICE MAKER - STAINLESS STEEL |
| | 090329-01-000 | FT | SEAL/T - REFRIGERATOR CABINET |
| | 054450-01-000 | EA | LEVEL - REFRIGERATOR |
| | 118871-02-01A | EA | TRAY - REFRIGERATOR - SIDE/SIDE - BLACK - 34.4" LONG |

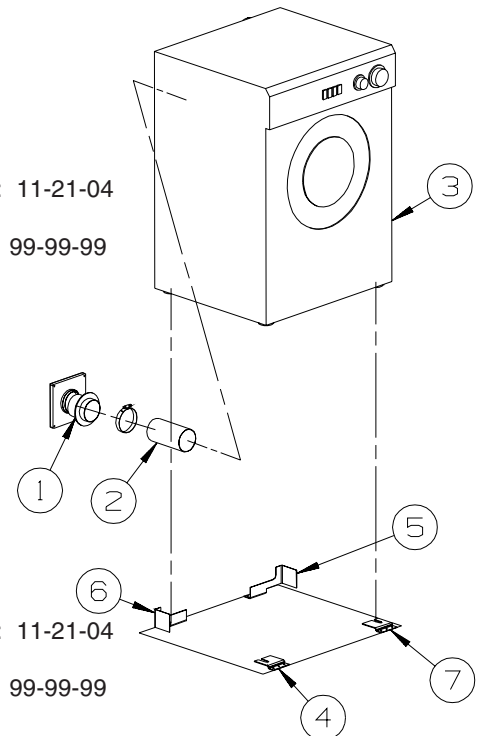
***COMPONENT PARTS LISTED LATER IN THIS GROUP**

CABINET & APPLIANCE GROUP (CONTINUED)
CABINET & APPLIANCE LAYOUT (CONTINUED)



APPLIANCES (CONTINUED)

| KEY | PART NUMBER | U/M | DESCRIPTION |
|-----|---------------|-----|---------------------------------------------|
| 1 | 111913-02-04B | EA | BRACKET/WASHER - TIE DOWN - BLACK |
| 2 | 113795-03-02B | EA | BRACKET - WASHER - E-COATED |
| 3 | 113795-04-02B | EA | BRACKET - WASHER - E-COATED |
| 4 | 146292-01-01A | EA | COVER - DRYER VENT - BRIGHT WHITE |
| 4 | 146292-02-01A | EA | DRYER VENT - INNER - BRIGHT WHITE |
| 5 | 116653-02-000 | FT | DUCT - FLEXIBLE - 3' COMPRESSED/8' EXTENDED |
| 6 | 107753-04-01A | EA | WASHER - DRYER - VENTED - UL/CSA - WHITE |
| | | | FROM: 00-00-00 THRU: 11-21-04 |
| 6 | 107753-05-01A | EA | WASHER - DRYER - VENTED - UL/CSA - WHITE |
| | | | FROM: 11-22-04 THRU: 99-99-99 |
| 7 | 111913-03-04B | EA | BRACKET/WASHER - TIE DOWN - BLACK |
| | 141523-01-01A | EA | LABEL - WASHER/DRYER BRACKETS - BLACK/WHITE |



| KEY | PART NUMBER | U/M | DESCRIPTION |
|-----|---------------|-----|---------------------------------------------|
| 1 | 146292-01-01A | EA | VENT - DRYER - 3" - BRIGHT WHITE |
| 1 | 146292-01-02A | EA | VENT - DRYER - 3" - BLACK |
| 1 | 146292-02-01A | EA | DRYER VENT - INNER - BRIGHT WHITE |
| 1 | 146292-02-02A | EA | DRYER VENT - INNER - BLACK |
| 2 | 116653-02-000 | FT | DUCT - FLEXIBLE - 3' COMPRESSED/8' EXTENDED |
| 3 | 107753-04-01A | EA | WASHER - DRYER - VENTED - UL/CSA - WHITE |
| | | | FROM: 00-00-00 THRU: 11-21-04 |
| 3 | 107753-05-01A | EA | WASHER - DRYER - VENTED - UL/CSA - WHITE |
| | | | FROM: 11-22-04 THRU: 99-99-99 |
| 4 | 111913-02-04B | EA | BRACKET/WASHER - TIE DOWN - BLACK |
| 5 | 113795-03-02B | EA | BRACKET - WASHER - E-COATED |
| | | | FROM: 00-00-00 THRU: 11-21-04 |
| 5 | 113795-01-02B | EA | BRACKET - WASHER - E-COATED |
| | | | FROM: 11-22-04 THRU: 99-99-99 |
| 6 | 113795-04-02B | EA | BRACKET - WASHER - E-COATED |
| | | | FROM: 00-00-00 THRU: 11-21-04 |
| 6 | 113795-02-02B | EA | BRACKET - WASHER - E-COATED |
| | | | FROM: 11-22-04 THRU: 99-99-99 |
| 7 | 111913-03-04B | EA | BRACKET/WASHER - TIE DOWN - BLACK |
| | 141523-01-01A | EA | LABEL - WASHER/DRYER BRACKETS - BLACK/WHITE |

CABINET & APPLIANCE GROUP (CONTINUED)

CABINET & APPLIANCE LAYOUT (CONTINUED)

COMPONENT PARTS FOR APPLIANCE

119267-10-02A

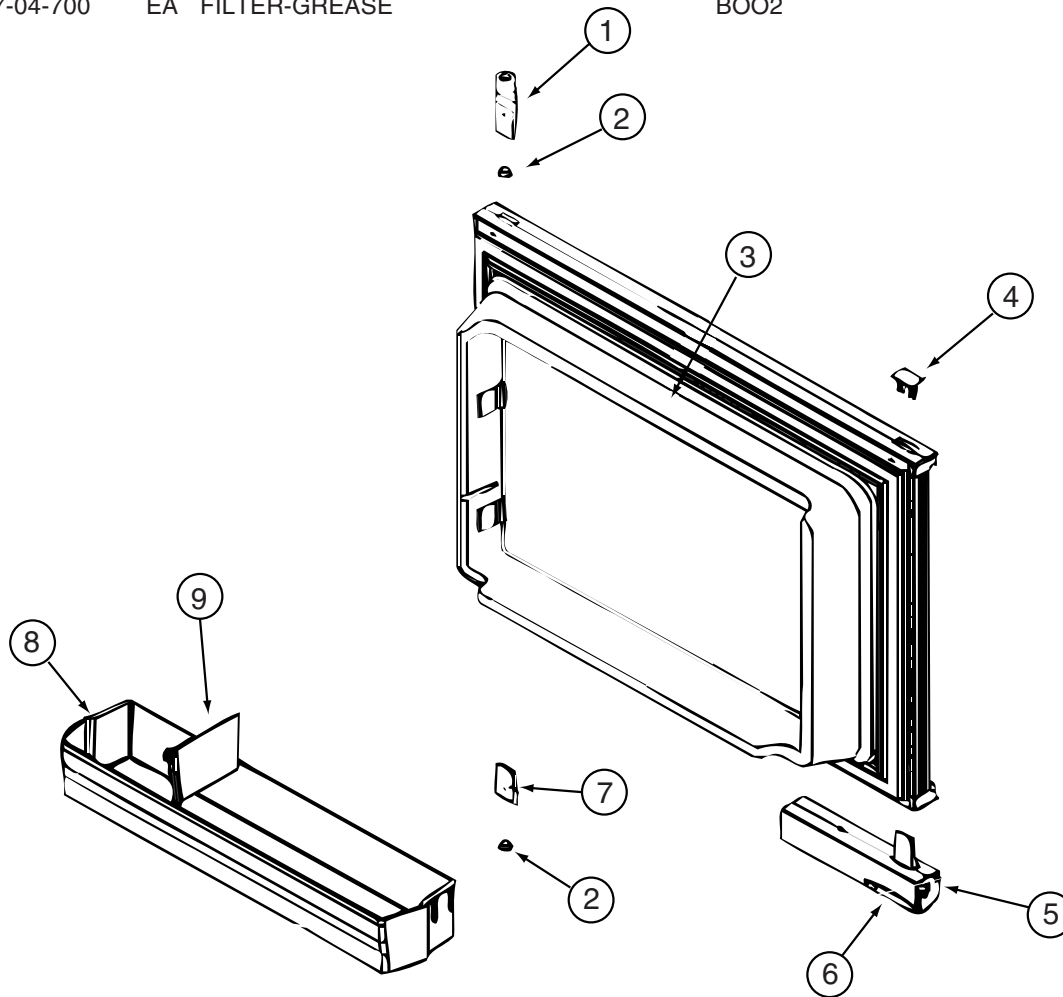
| KEY | PART NUMBER | U/M | DESCRIPTION | VENDOR NO. |
|-----|---------------|-----|------------------------------|---------------|
| | 119267-04-700 | EA | FILTER-GREASE | BOO2 |
| | 119267-04-704 | EA | LIGHT COVER-F/MOD R1480/1850 | FANGKB009MRYO |
| | 119267-10-700 | EA | BRACKET/MOUNTING | FANGTB005MRYO |
| | 119267-15-700 | EA | SUPPORT - F/GLASS TRAY | FROLPB025MRKO |

119267-12-02A

| KEY | PART NUMBER | U/M | DESCRIPTION | VENDOR NO. |
|-----|---------------|-----|------------------------------|---------------|
| | 119267-04-700 | EA | FILTER-GREASE | BOO2 |
| | 119267-04-703 | EA | PLATE - MOUNTING | FANGTB003MRYO |
| | 119267-04-704 | EA | LIGHT COVER-F/MOD R1480/1850 | FANGKB009MRYO |
| | 119267-04-705 | EA | SCREW | LX-BZB011MREO |
| | 119267-12-700 | EA | LOUVER-EXHAUST | PDIF-BO32MRFO |
| | 119267-12-701 | EA | SUPPORT - F/GLASS TRAY | FROLPB020MRKO |

119267-13-01A

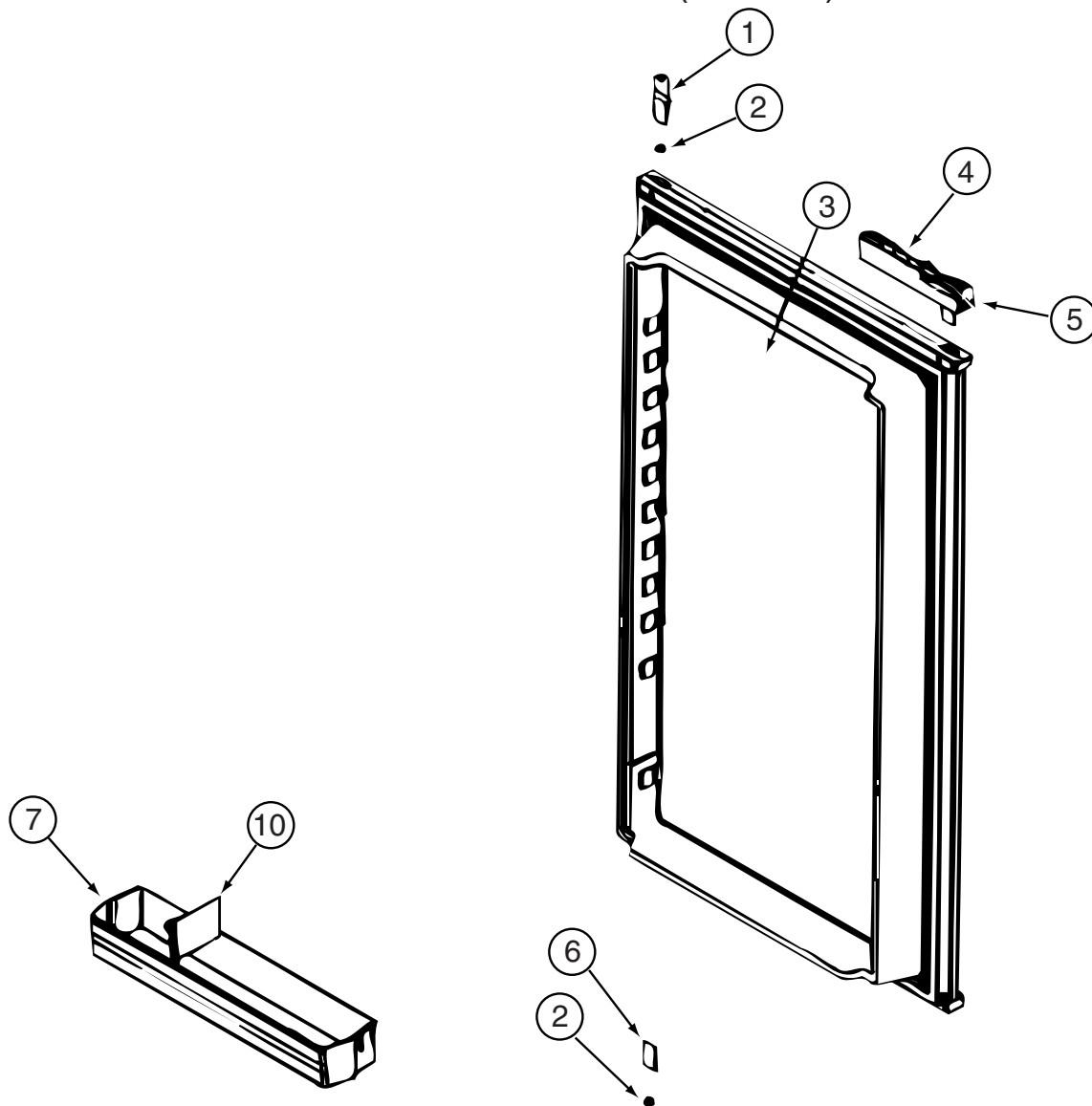
| KEY | PART NUMBER | U/M | DESCRIPTION | VENDOR NO. |
|-----|---------------|-----|---------------|------------|
| | 119267-04-700 | EA | FILTER-GREASE | BOO2 |



120075-16-01A, 120075-17-01A, 120075-18-01A, 120075-19-01A, 120075-21-01A, 122075-22-01A

| KEY | PART NUMBER | U/M | DESCRIPTION | VENDOR NO. |
|-----|---------------|-----|-------------------------------|------------|
| 1 | 120075-01-701 | EA | HINGE-TOP RH/BOTTOM LH(DOOR) | 618511 |
| 2 | 121568-03-701 | EA | BUSHING - HINGE PIN/GRAY | 619671 |
| 3 | 120075-16-700 | EA | LINER/DOOR-UPR WRAPPED SS | 623272 |
| 4 | 120075-01-702 | EA | CAP, (HINGE PLUG) | 618160 |
| 5 | 120075-12-700 | EA | HANDLE(CONTOUR) TOP LH/BTM RH | 621105 |
| 5 | 120075-12-701 | EA | HANDLE(CONTOUR) TOP RH/BTM LH | 621104 |
| 6 | 121568-03-705 | EA | STORAGE LATCH - GRAY | 619648 |
| 7 | 120075-01-705 | EA | HINGE-TOP LH/BOTTOM RH(DOOR) | 618510 |
| 8 | 120075-07-700 | EA | DOOR BIN - SMALL/CLEAR | 619006 |
| 9 | 120075-07-701 | EA | DIVIDER/DOOR BIN CLEAR | 619008 |

CABINET & APPLIANCE GROUP (CONTINUED)
CABINET & APPLIANCE LAYOUT (CONTINUED)

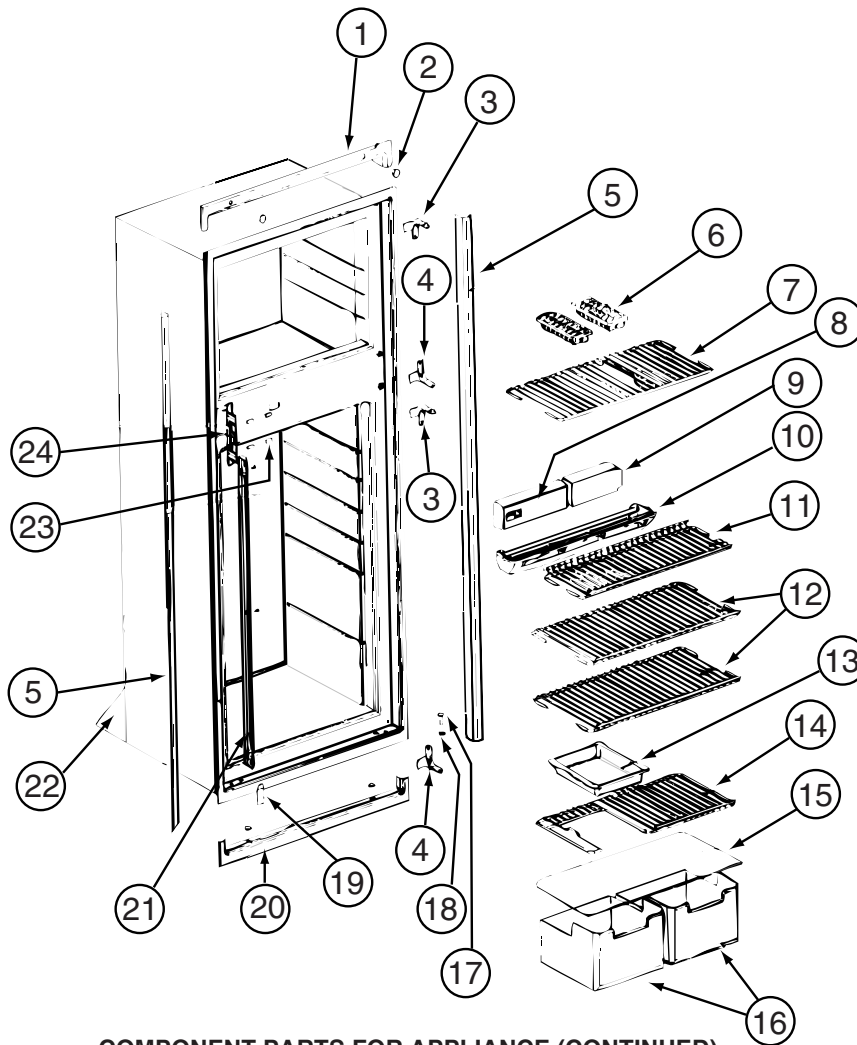


COMPONENT PARTS FOR APPLIANCE (CONTINUED)

120075-16-01A, 120075-17-01A, 120075-18-01A, 120075-19-01A, 120075-21-01A, 120075-22-01A (CONTINUED)

| KEY | PART NUMBER | U/M | DESCRIPTION | VENDOR NO. |
|-----|---------------|-----|-------------------------------|------------|
| 1 | 120075-01-701 | EA | HINGE-TOP RH/BOTTOM LH(DOOR) | 618511 |
| 2 | 121568-03-701 | EA | BUSHING - HINGE PIN/GRAY | 619671 |
| 3 | 120075-16-701 | EA | LINER/DOOR-LWR WRAPPED SS | 623273 |
| 4 | 120075-12-700 | EA | HANDLE(CONTOUR) TOP LH/BTM RH | 621105 |
| 4 | 120075-12-701 | EA | HANDLE(CONTOUR) TOP RH/BTM LH | 621104 |
| 5 | 121568-03-705 | EA | STORAGE LATCH - GRAY | 619648 |
| 6 | 120075-01-705 | EA | HINGE-TOP LH/BOTTOM RH(DOOR) | 618510 |
| 7 | 120075-07-700 | EA | DOOR BIN - SMALL/CLEAR | 619006 |
| 7 | 120075-07-704 | EA | DOOR BIN - LARGE/CLEAR | 619005 |
| 10 | 120075-07-701 | EA | DIVIDER/DOOR BIN CLEAR | 619008 |

CABINET & APPLIANCE GROUP (CONTINUED)
CABINET & APPLIANCE LAYOUT (CONTINUED)



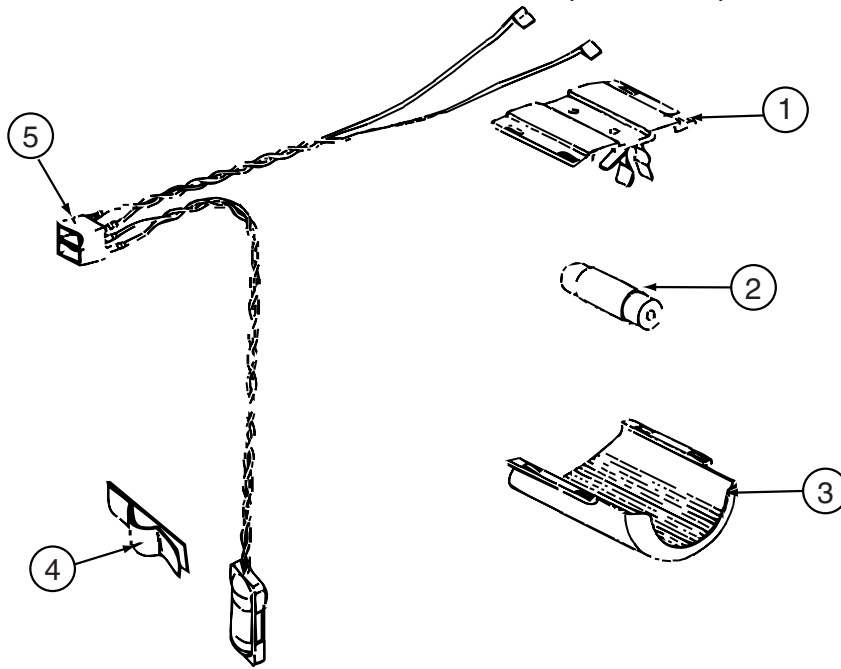
COMPONENT PARTS FOR APPLIANCE (CONTINUED)

120075-16, 120075-17, 120075-18, 120075-19, 120075-20, 120075-21, 120075-22, 120075-23-01A (CONTINUED)

| KEY | PART NUMBER | U/M | DESCRIPTION | VENDOR NO. |
|-----|---------------|-----|------------------------------|------------|
| 1 | 120075-20-700 | EA | TRIM/TOP ASM W/INSERTS-BLACK | 622319 |
| 2 | 120075-01-714 | EA | PLUG-HOLE (BLACK) | 618170 |
| 3 | 121568-03-710 | EA | HINGE/CABINET-TOP/RH-LWR/LH | 619335 |
| 4 | 121568-03-715 | EA | HINGE/CABINET-TOP/LH-LWR/RH | 619336 |
| 5 | 120075-07-705 | EA | TRIM - SIDE - BLACK | 622296 |
| 6 | 104137-06-724 | EA | ICE TRAY | 61630422 |
| 7 | 121568-03-712 | EA | SHELF-WIRE FREEZER | 620250 |
| 7 | 120075-07-706 | EA | SHELF-WIRE F/ICEMAKER MODELS | 620250 |
| 8 | 120075-07-707 | EA | CONTROL BOX - BLACK | 619665 |
| 9 | 121568-03-713 | EA | FRONT BOX/DECORATIVE-BLACK | 619282 |
| 10 | 120075-20-701 | EA | TRAY/DRIP(INSIDE 1 PC)LOUVER | 623250 |
| 11 | 120075-01-722 | EA | SHELF-WIRE, SHORT | 620269 |
| 12 | 120075-01-723 | EA | SHELF-WIRE | 620270 |
| 13 | 104137-06-718 | EA | SHELF-TRAY, WHITE, W/CUTOUT | 617756 |
| 14 | 120075-20-703 | EA | SHELF - WIRE W/CUTOUT | 620268 |
| 15 | 120075-01-725 | EA | COVER-CRISPER | 618158 |
| 16 | 120075-07-708 | EA | CRISPER/ICE BIN | 619007 |
| 17 | 120075-01-727 | EA | PIN-HINGE | 618145 |
| 18 | 121568-03-701 | EA | BUSHING - HINGE PIN/GRAY | 619671 |
| 19 | 121568-03-716 | EA | COVER - HINGE HOLES | 619301 |
| 20 | 120075-20-702 | EA | TRIM PC(FOAM/TAPE)BTM BLACK | 622323 |
| 21 | 120075-01-730 | EA | RETAINER-SHELF(SER#926684 DN | 618181 |
| 21 | 125242-02-720 | EA | RETAINER/SHELF(SER#926685 UP | 622033 |
| 23 | 121568-06-703 | EA | HOLE PLUG - WHITE | 620282 |
| 24 | 120075-01-732 | EA | PLATE-STRIKE | 618167 |

CONTACT WINNEBAGO PART SALES FOR UNLISTED COMPONENT(S)

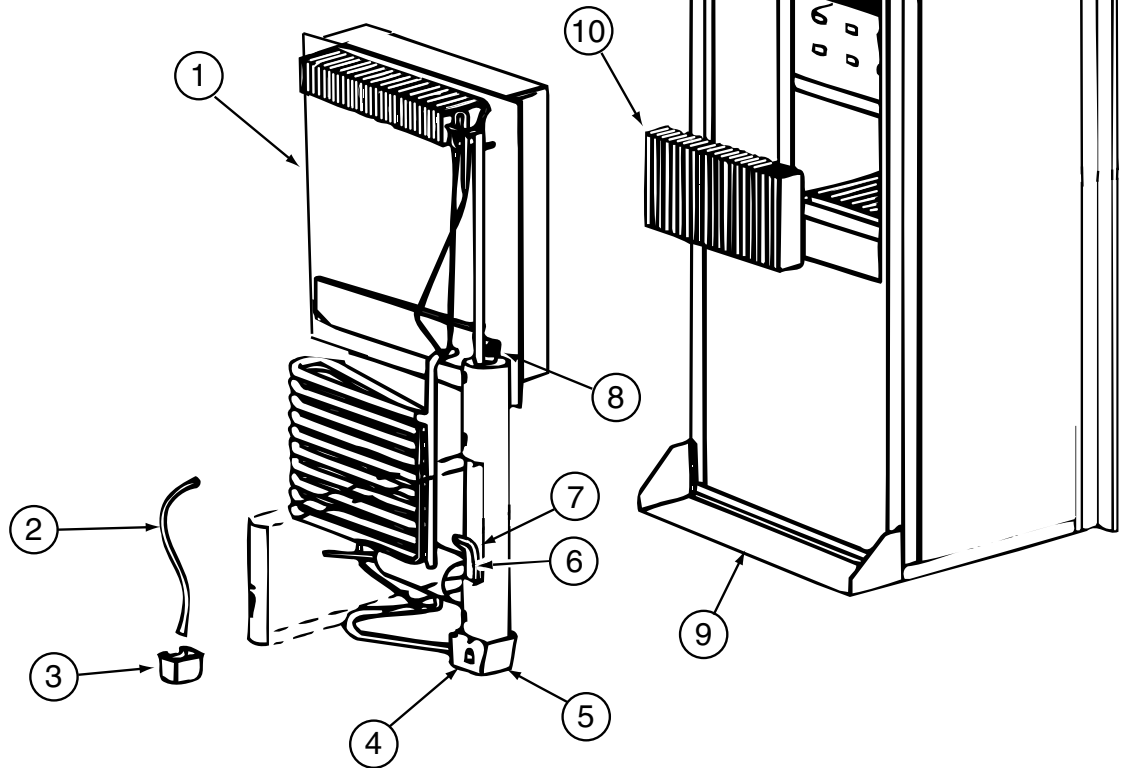
CABINET & APPLIANCE GROUP (CONTINUED)
CABINET & APPLIANCE LAYOUT (CONTINUED)



COMPONENT PARTS FOR APPLIANCE (CONTINUED)

120075-16, 120075-17, 120075-18, 120075-19, 120075-20, 120075-21, 120075-22, 120075-23-01A (CONTINUED)

| KEY | PART NUMBER | U/M | DESCRIPTION | VENDOR NO. |
|-----|---------------|-----|------------------------|------------|
| 1 | 084880-03-705 | EA | BRACKET-LIGHT-INTERIOR | 61629722 |
| 2 | 084880-03-706 | EA | BULB-LAMP | 61628922 |
| 3 | 125242-02-708 | EA | COVER/LAMP BRACKET | 621827 |
| 4 | 084880-01-760 | EA | CLIP (THERMISTER) | 61689122 |
| 5 | 120075-01-735 | EA | THERMISTER W/LAMP & W | 618548 |

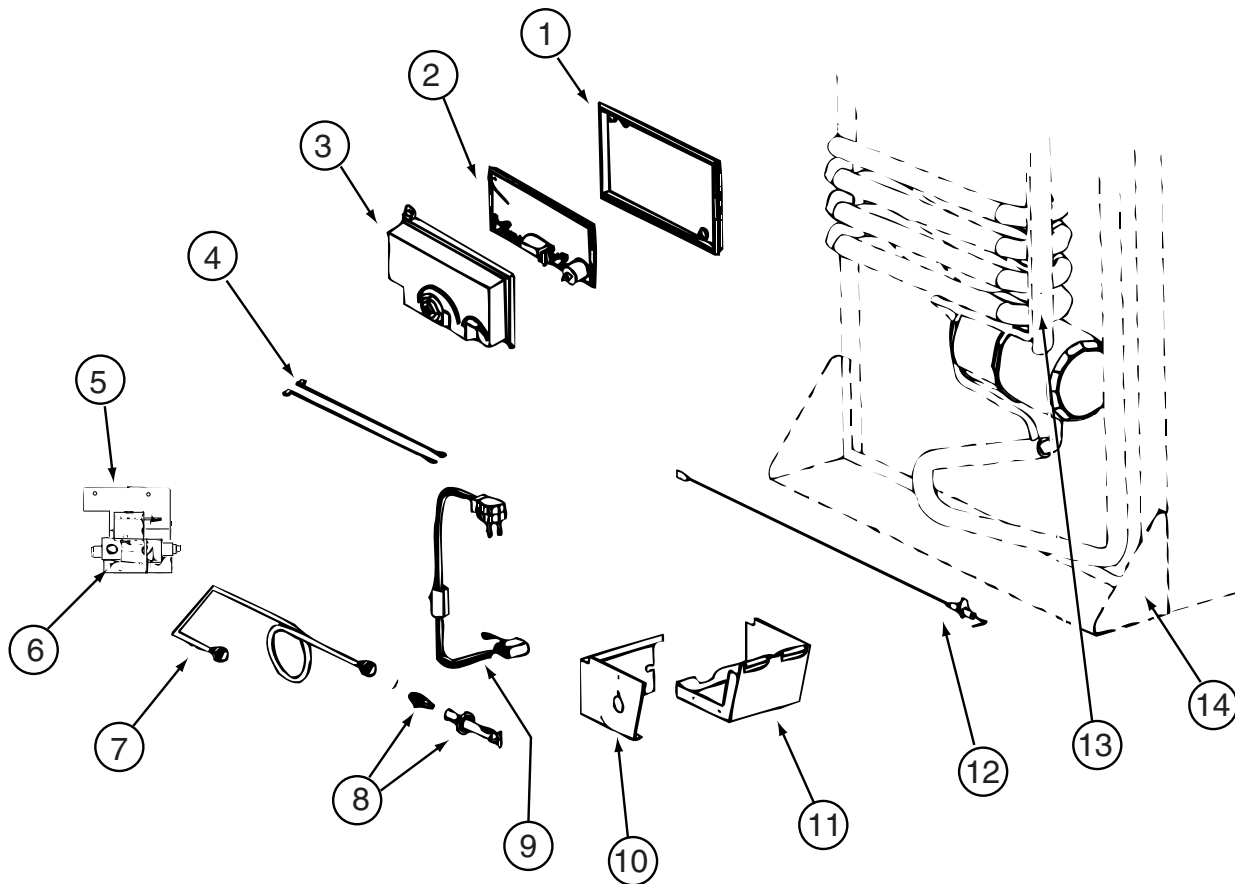


120075-16, 120075-17, 120075-18, 120075-19, 120075-20, 120075-21, 120075-22, 120075-23-01A (CONTINUED)

| KEY | PART NUMBER | U/M | DESCRIPTION | VENDOR NO. |
|-----|---------------|-----|----------------------------|------------|
| 1 | 120075-01-736 | EA | COOLING UNIT, SERVICE PACK | 618542 |
| 6 | 121568-06-704 | EA | HEATER-AC/300W/120VAC | 621702 |

CONTACT WINNEBAGO PART SALES FOR UNLISTED COMPONENT(S)

CABINET & APPLIANCE GROUP (CONTINUED)
CABINET & APPLIANCE LAYOUT (CONTINUED)



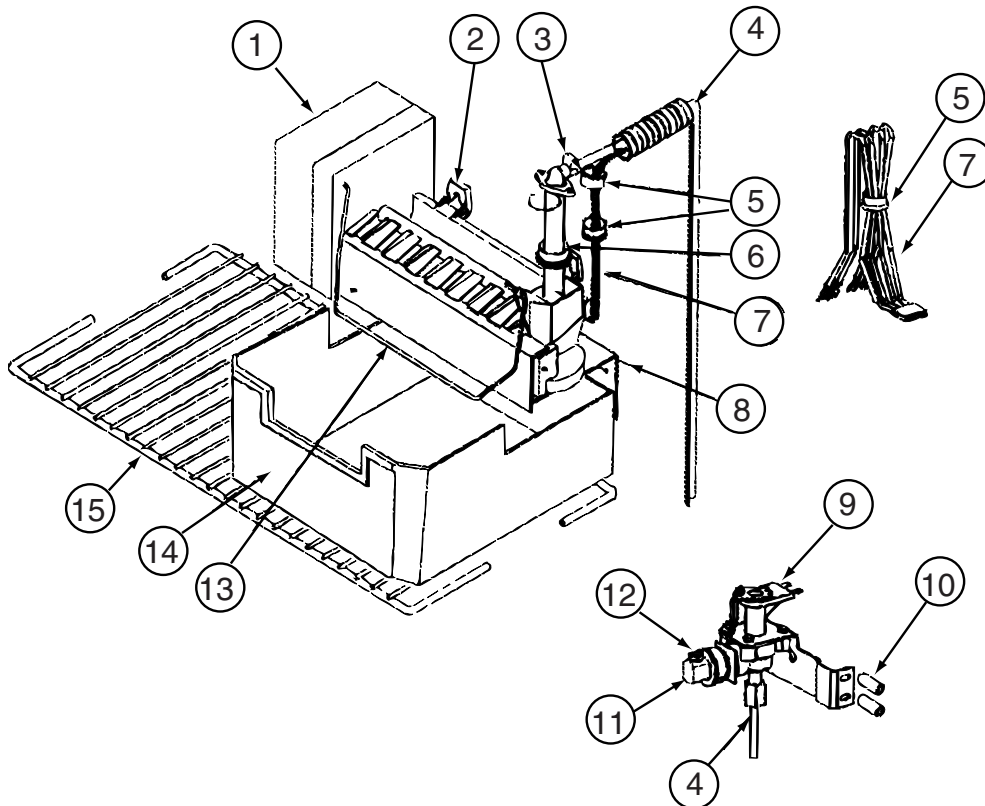
COMPONENT PARTS FOR APPLIANCE (CONTINUED)

120075-16, 120075-17, 120075-18, 120075-19, 120075-20, 120075-21, 120075-22, 120075-23-01A (CONTINUED)

| KEY | PART NUMBER | U/M | DESCRIPTION | VENDOR NO. |
|-----|---------------|-----|-----------------------------|------------|
| 1 | 120075-01-740 | EA | COVER-BASE, POWER BOARD | 618186 |
| 2 | 120075-20-704 | EA | KIT-POWER BOARD/EG2-2 WAY | 621269001 |
| 3 | 120075-01-738 | EA | COVER-POWER BOARD | 618185 |
| 4 | 125242-02-709 | EA | WIRE/WHITE/9"/GAS VALVE | 621448 |
| 5 | 125242-02-710 | EA | GAS VALVE/BRKT/WIRES COMB. | 621334 |
| 6 | 121568-06-706 | EA | GAS VALVE-COMBO/WRENCH FLAT | 621329 |
| 7 | 120075-20-705 | EA | TUBE/BURNER - N8/N6 | 620033 |
| 8 | 121568-06-708 | EA | BURNER/ORFICE-ADAPTER KIT | 621957 |
| 12 | 104137-06-715 | EA | ELECTRODE-SPARK/SENSOR, SGL | 61692222 |

CONTACT WINNEBAGO PART SALES FOR UNLISTED COMPONENT(S)

CABINET & APPLIANCE GROUP (CONTINUED)
CABINET & APPLIANCE LAYOUT (CONTINUED)



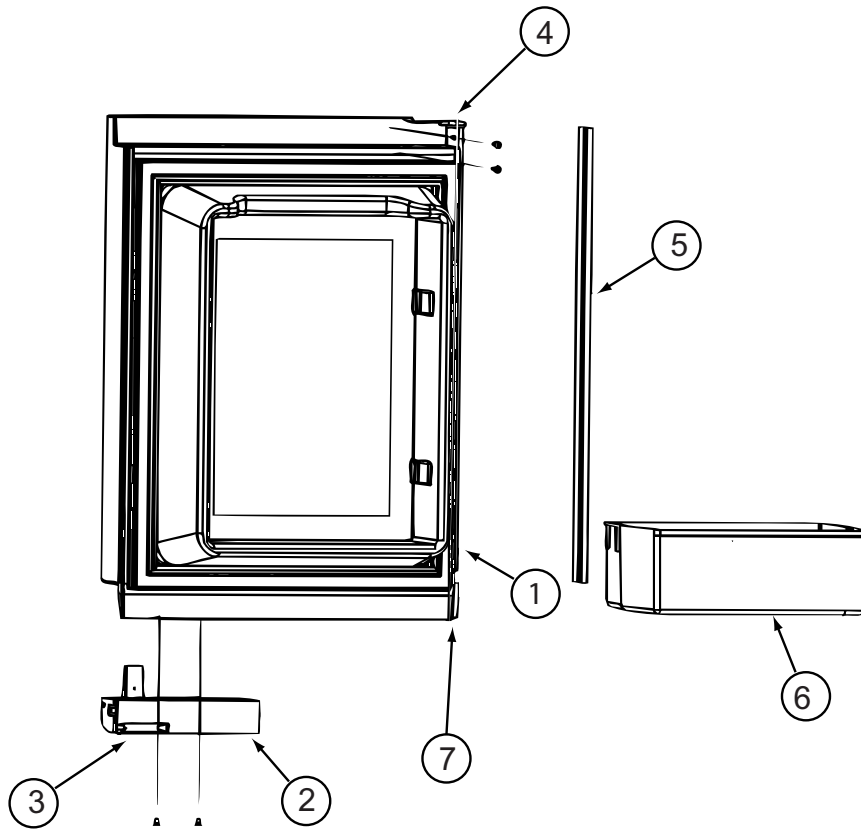
COMPONENT PARTS FOR APPLIANCE (CONTINUED)

120075-16-01A, 120075-17-01A, 120075-18-01A, 120075-19-01A, 120075-20-01A, 120075-23-01A (CONTINUED)

| KEY | PART NUMBER | U/M | DESCRIPTION | VENDOR NO. |
|-----|---------------|-----|------------------------------|------------|
| 2 | 094039-07-706 | EA | ICE MAKER W/O PLATES | 61656522 |
| 9 | 120075-03-701 | EA | VALVE ASM., WATER, W/BRACKET | 618253 |
| 13 | 120075-03-703 | EA | ARM-SHUT OFF | 61656922 |
| 14 | 120075-07-708 | EA | CRISPER/ICE BIN | 619007 |
| 15 | 120075-07-706 | EA | SHELF-WIRE F/ICEMAKER MODELS | 620249 |

CONTACT WINNEBAGO PART SALES FOR UNLISTED COMPONENT(S)

CABINET & APPLIANCE GROUP (CONTINUED)
CABINET & APPLIANCE LAYOUT (CONTINUED)

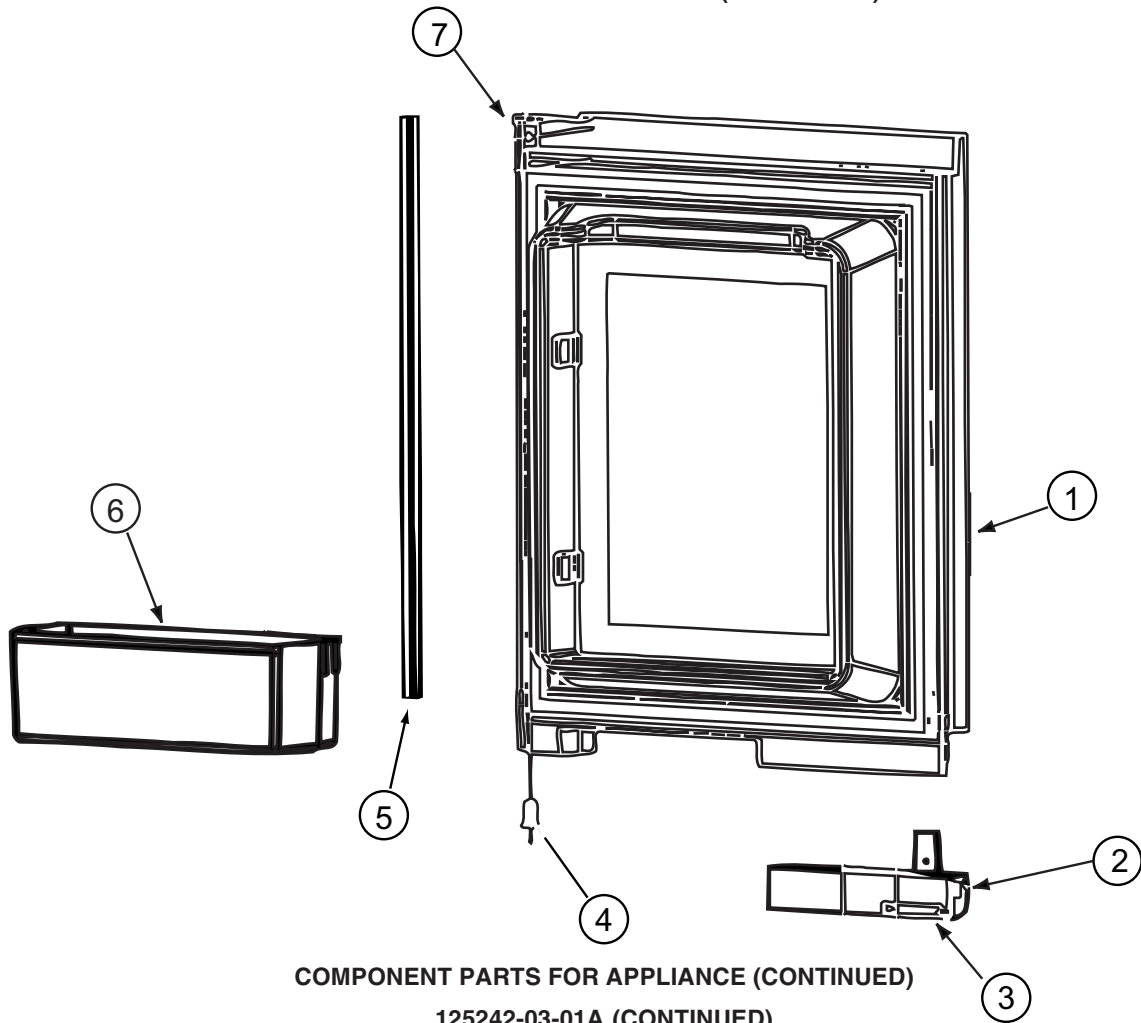


COMPONENT PARTS FOR APPLIANCE (CONTINUED)

125242-03-01A

| KEY | PART NUMBER | U/M | DESCRIPTION | VENDOR NO. |
|-----|---------------|-----|------------------------------|------------|
| 1 | 125242-03-708 | EA | LINER-FOAMED/UPPER LH/SS | 623811 |
| 2 | 125242-02-700 | EA | HANDLE(CONTOUR)TOP LH BTM RH | 621107 |
| 3 | 125242-02-722 | EA | LATCH-STORAGE DR/BLK POINTED | 619374 |
| 4 | 125242-02-724 | EA | HINGE - DOOR | 618792 |
| 5 | 125242-02-723 | EA | RETAINER/PANEL-UPPER DOOR | 623166 |
| 6 | 125242-03-704 | EA | BIN - DOOR SHELF | 622831 |
| 7 | 125242-01-704 | EA | BUSHING-HINGE MIDDLE | 618746 |
| | 125242-03-700 | EA | DOOR-COMP UPR/LH(SS WRAPPED) | 623924 |

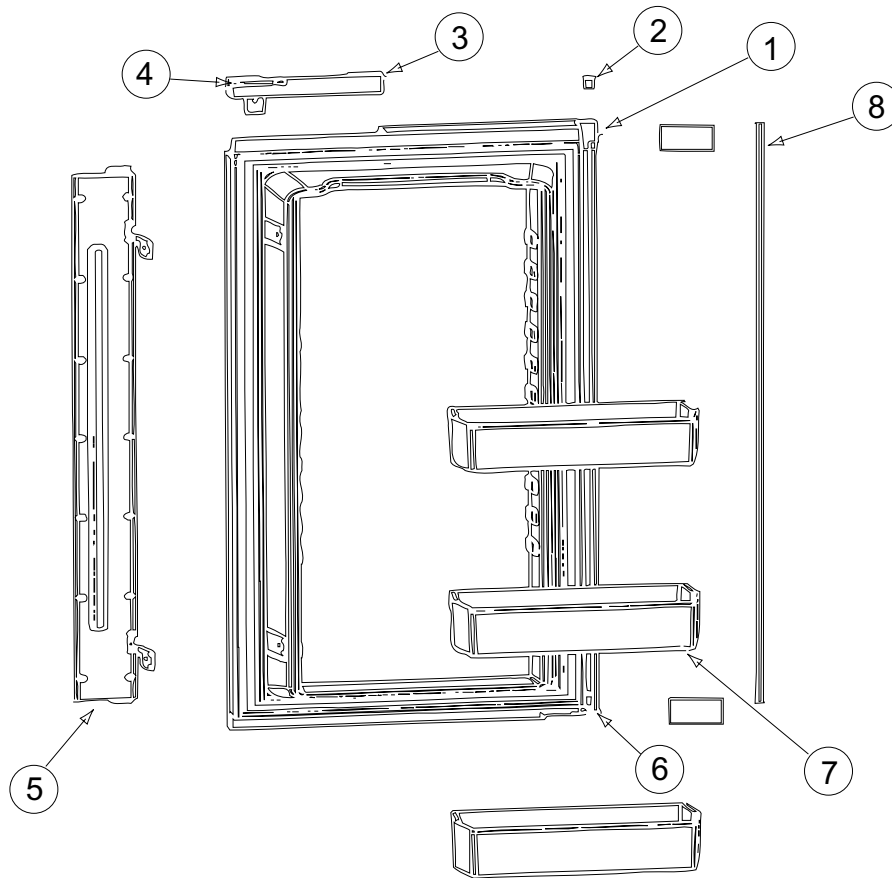
CABINET & APPLIANCE GROUP (CONTINUED)
CABINET & APPLIANCE LAYOUT (CONTINUED)



COMPONENT PARTS FOR APPLIANCE (CONTINUED)
125242-03-01A (CONTINUED)

| KEY | PART NUMBER | U/M | DESCRIPTION | VENDOR NO. |
|-----|---------------|-----|------------------------------|------------|
| 1 | 125242-03-707 | EA | LINER-FOAMED/UPPER RH/SS | 623812 |
| 2 | 125242-02-701 | EA | HANDLE(CONTOUR)TOP RH LWR LH | 621106 |
| 3 | 125242-02-722 | EA | LATCH-STORAGE DR/BLK POINTED | 619374 |
| 4 | 125242-01-704 | EA | BUSHING-HINGE MIDDLE | 618746 |
| 5 | 125242-02-723 | EA | RETAINER/PANEL-UPPER DOOR | 623166 |
| 6 | 125242-03-704 | EA | BIN - DOOR SHELF | 622831 |
| 7 | 125242-02-724 | EA | HINGE - DOOR | 618792 |
| | 125242-03-701 | EA | DOOR-COMP UPR/RH(SS WRAPPED) | 623925 |

CABINET & APPLIANCE GROUP (CONTINUED)
CABINET & APPLIANCE LAYOUT (CONTINUED)

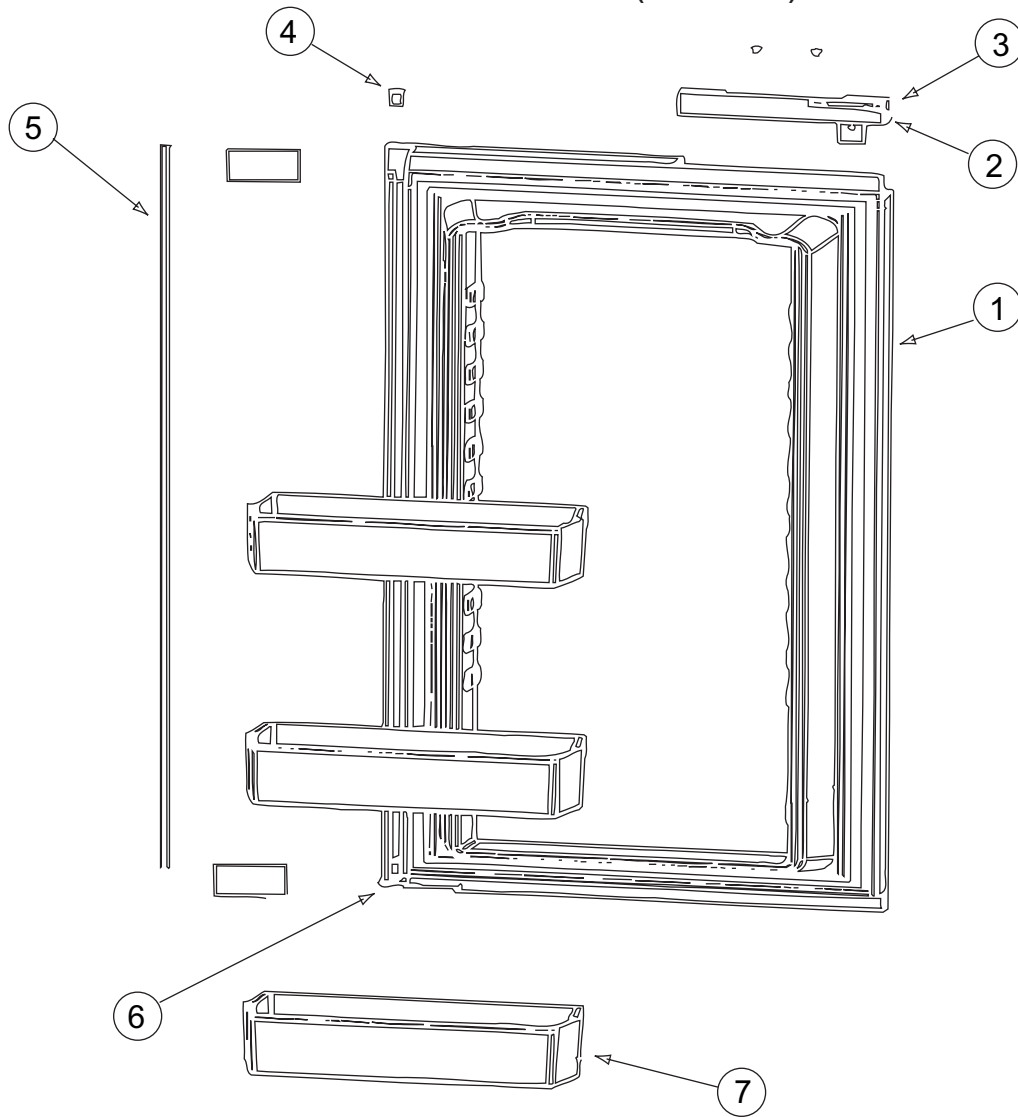


COMPONENT PARTS FOR APPLIANCE (CONTINUED)

125242-03-01A (CONTINUED)

| KEY | PART NUMBER | U/M | DESCRIPTION | VENDOR NO. |
|-----|---------------|-----|------------------------------|------------|
| 1 | 125242-03-710 | EA | LINER-FOAMED/LOWER LH/SS | 623813 |
| 2 | 125242-01-704 | EA | BUSHING-HINGE MIDDLE | 618746 |
| 3 | 125242-02-701 | EA | HANDLE(CONTOUR)TOP RH LWR LH | 621106 |
| 4 | 125242-02-722 | EA | LATCH-STORAGE DR/BLK POINTED | 619374 |
| 5 | 125242-03-705 | EA | FLAPPER ASM.-DBL POLE BLACK | 623887 |
| 6 | 125242-02-724 | EA | HINGE - DOOR | 618792 |
| 7 | 125242-03-704 | EA | BIN - DOOR SHELF | 622831 |
| 8 | 125242-02-728 | EA | RETAINER/PANEL - LOWER | 623167 |
| | 125242-03-702 | EA | DOOR-COMP LWR/LH(SS WRAPPED) | 623926 |
| | 125242-03-706 | EA | PROBE - CONTACT/LARGE | 620689 |

CABINET & APPLIANCE GROUP (CONTINUED)
CABINET & APPLIANCE LAYOUT (CONTINUED)

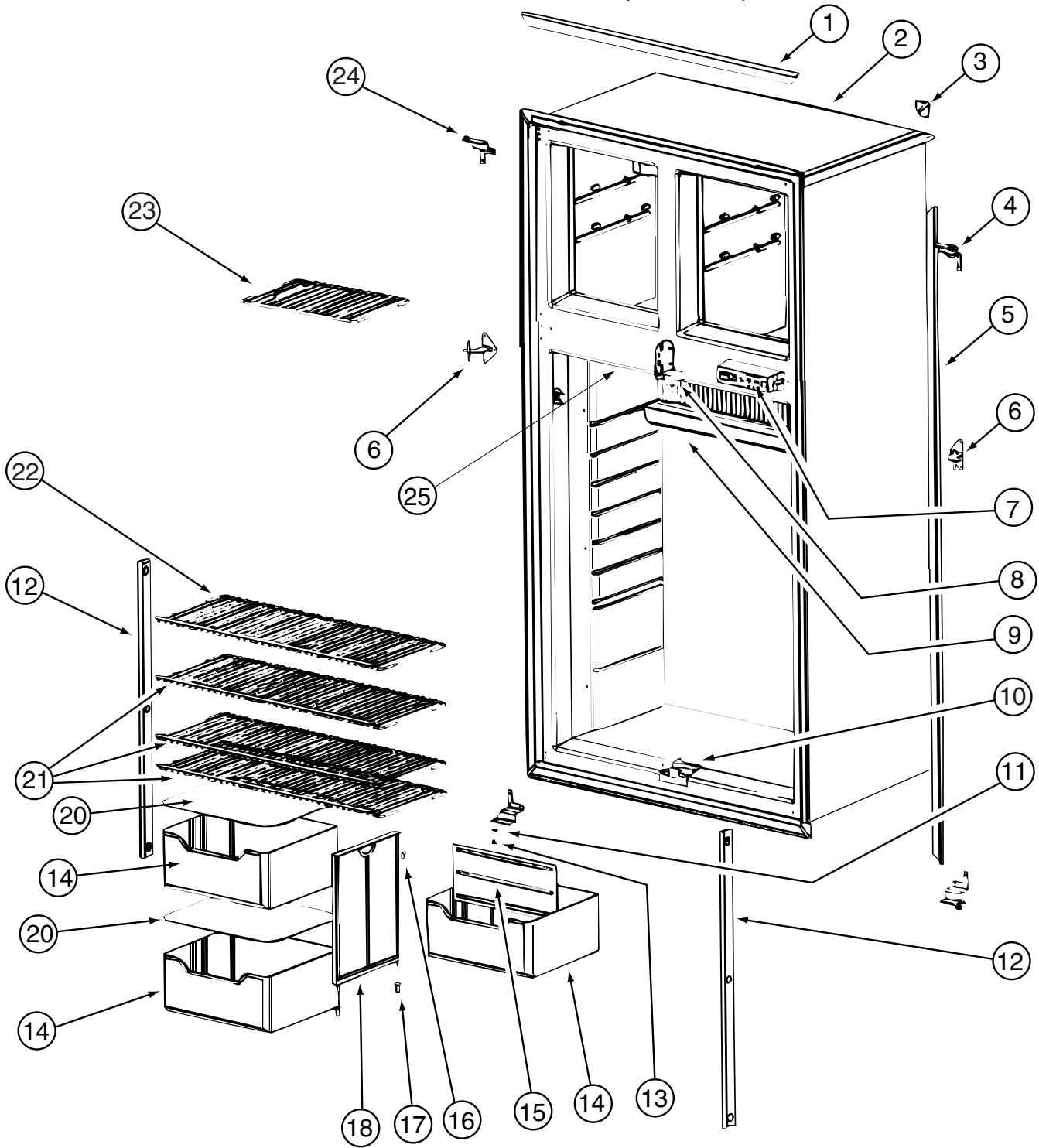


COMPONENT PARTS FOR APPLIANCE (CONTINUED)

125242-03-01A (CONTINUED)

| KEY | PART NUMBER | U/M | DESCRIPTION | VENDOR NO. |
|-----|---------------|-----|------------------------------|------------|
| 1 | 125242-03-709 | EA | LINER-FOAMED/LOWER RH/SS | 623814 |
| 2 | 125242-02-700 | EA | HANDLE(CONTOUR)TOP LH BTM RH | 621107 |
| 3 | 125242-02-722 | EA | LATCH-STORAGE DR/BLK POINTED | 619374 |
| 4 | 125242-01-704 | EA | BUSHING-HINGE MIDDLE | 618746 |
| 5 | 125242-02-728 | EA | RETAINER/PANEL - LOWER | 623167 |
| 6 | 125242-02-724 | EA | HINGE - DOOR | 618792 |
| 7 | 125242-03-704 | EA | BIN - DOOR SHELF | 622831 |
| | 125242-03-703 | EA | DOOR-COMP LWR/RH(SS WRAPPED) | 623927 |

CABINET & APPLIANCE GROUP (CONTINUED)
CABINET & APPLIANCE LAYOUT (CONTINUED)



COMPONENT PARTS FOR APPLIANCE (CONTINUED)

125242-03-01A (CONTINUED)

CABINET & APPLIANCE GROUP (CONTINUED)

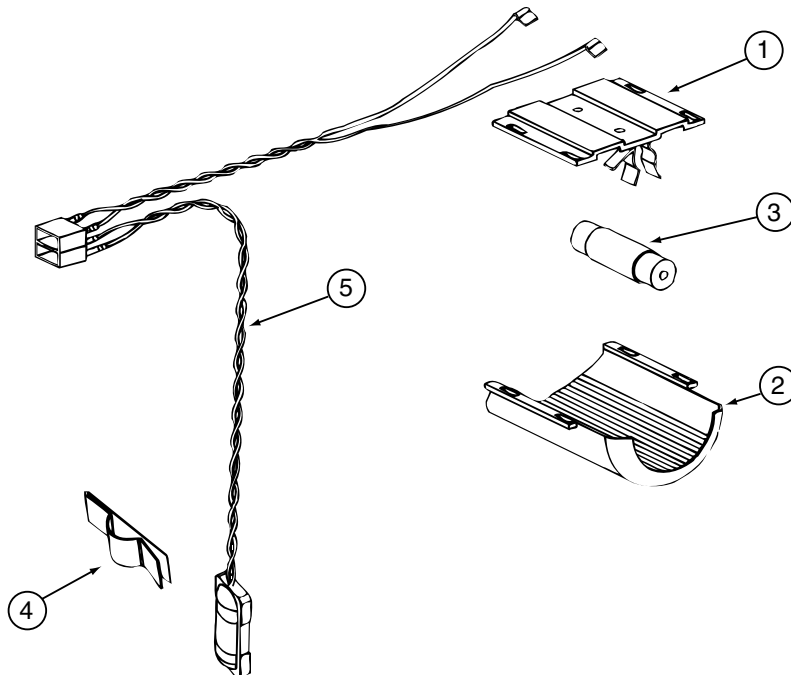
CABINET & APPLIANCE LAYOUT (CONTINUED)

COMPONENT PARTS FOR APPLIANCE (CONTINUED)

125242-03-01A (CONTINUED)

| KEY | PART NUMBER | U/M | DESCRIPTION | VENDOR NO. |
|-----|---------------|-----|-----------------------------------|------------|
| 1 | 125242-02-730 | EA | TRIM - TOP/BOTTOM - SCREW ON | 623255 |
| 4 | 125242-03-711 | EA | HINGE-UPR RH/LWR LH WRAP/DRS | 623824 |
| 5 | 125242-01-766 | EA | TRIM-LT/RT HAND-SCREW ON | 623254 |
| 6 | 125242-01-713 | EA | HINGE-MIDDLE (PAINTED) | 618794 |
| 7 | 125242-02-704 | EA | DISPLAY ASM (SER#832172) UP | 621188 |
| 7 | 125242-03-712 | EA | CONTROL-OPT/GRAY-SN832172 UP | 624868 |
| 8 | 125242-01-721 | EA | STRIKE PLATE | 618835 |
| 9 | 125242-01-712 | EA | DRIP TRAY | 618774 |
| 10 | 125242-03-713 | EA | GUIDE BLOCK/FLAPPER/BTM BLK | 624140 |
| 11 | 120075-01-708 | EA | BUSHING-DOOR HINGE | 618144 |
| 12 | 120075-01-730 | EA | RETAINER-SHELF(SER#926684 DN | 618181 |
| 12 | 125242-02-720 | EA | RETAINER/SHEF(SER#926685 UP | 622033 |
| 13 | 125242-03-715 | EA | HINGE PIN/UPR-WRAPPED DOORS | 623899 |
| 14 | 125242-01-734 | EA | CRISPER/BOTTLE BIN | 618878 |
| 15 | 125242-01-733 | EA | DIVIDER-BOTTLE CRISPER | 618877 |
| 16 | 125242-01-750 | EA | CLIP | 61409622 |
| 17 | 120075-01-708 | EA | BUSHING-DOOR HINGE | 618144 |
| 18 | 125242-01-749 | EA | SUPPORT - WALL | 618840 |
| 20 | 125242-01-706 | EA | COVER-CRISPER | 618757 |
| 21 | 125242-01-726 | EA | SHELF-WIRE (LONG) | 618848 |
| 22 | 125242-01-727 | EA | SHELF-WIRE (SHORT) | 618849 |
| 23 | 125242-01-725 | EA | SHELF-FREEZER (WIRE) | 618847 |
| 24 | 125242-03-716 | EA | HINGE-TOP LH/WRAPPED DOORS | 623823 |
| 25 | 125242-01-735 | EA | SWITCH - DOOR LIGHT | 618884 |
| | 120075-01-714 | EA | PLUG-HOLE (BLACK) | 618170 |
| | 125242-02-741 | EA | STRIP-FREEZER-BLACK #1291391 & UP | 625210 |
| | 125242-03-714 | EA | GUIDE-FLAPPERTOP/BLACK | 624141 |

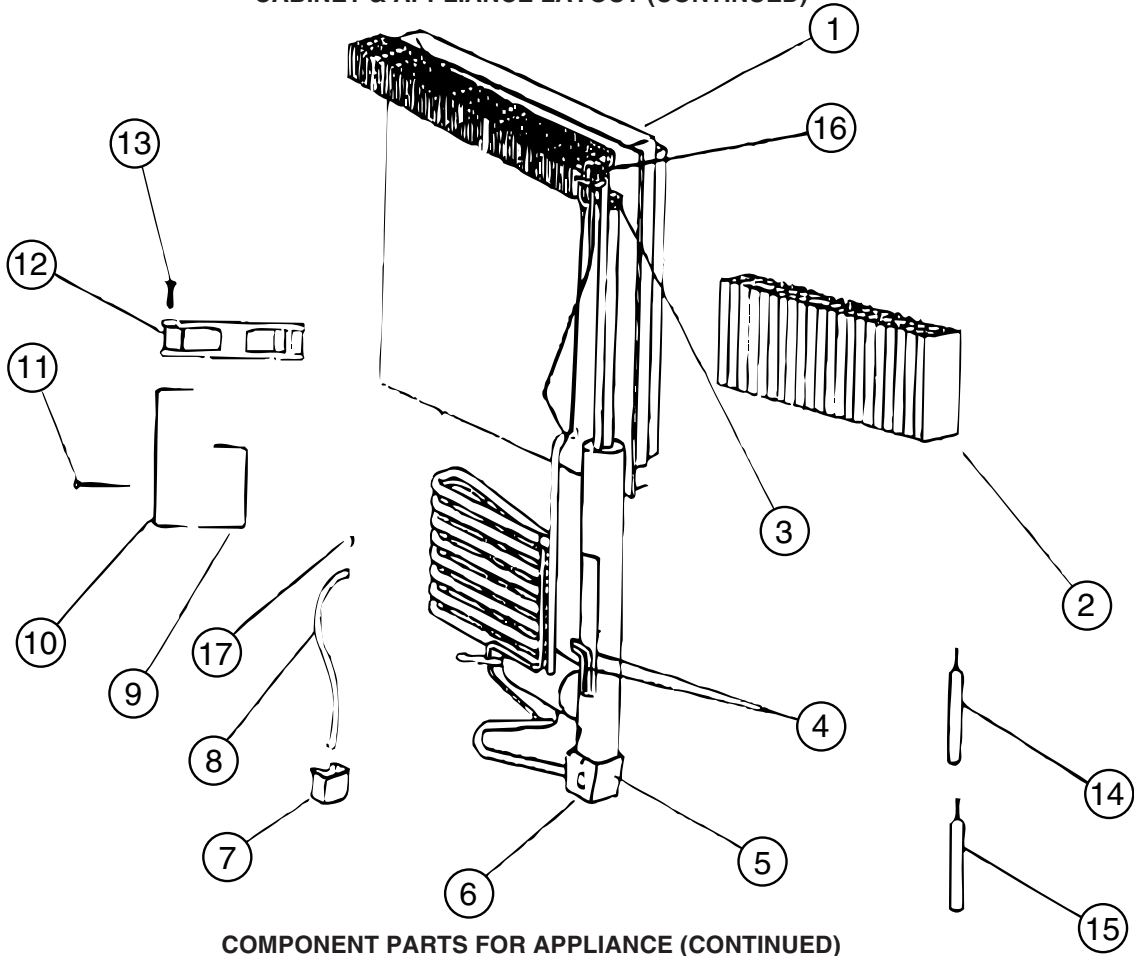
CONTACT WINNEBAGO PART SALES FOR UNLISTED COMPONENT(S)



125242-03-01A (CONTINUED)

| KEY | PART NUMBER | U/M | DESCRIPTION | VENDOR NO. |
|-----|---------------|-----|------------------------------|------------|
| 1 | 084880-03-705 | EA | BRACKET-LIGHT-INTERIOR | 61629722 |
| 2 | 120075-01-734 | EA | COVER-LENS | 618190 |
| 3 | 084880-03-706 | EA | BULB-LAMP | 61628922 |
| 4 | 084880-01-760 | EA | CLIP (THERMISTER) | 61689122 |
| 5 | 120075-01-735 | EA | THERMISTER W/LAMP & WIRE/ASM | 618548 |
| | 125242-02-706 | EA | LAMP/WIRE ASM/SER#849677 UP | 620871 |
| | 125242-02-707 | EA | LAMP/WIRE ASM SER#849677 DWN | 621742 |

CABINET & APPLIANCE GROUP (CONTINUED)
CABINET & APPLIANCE LAYOUT (CONTINUED)



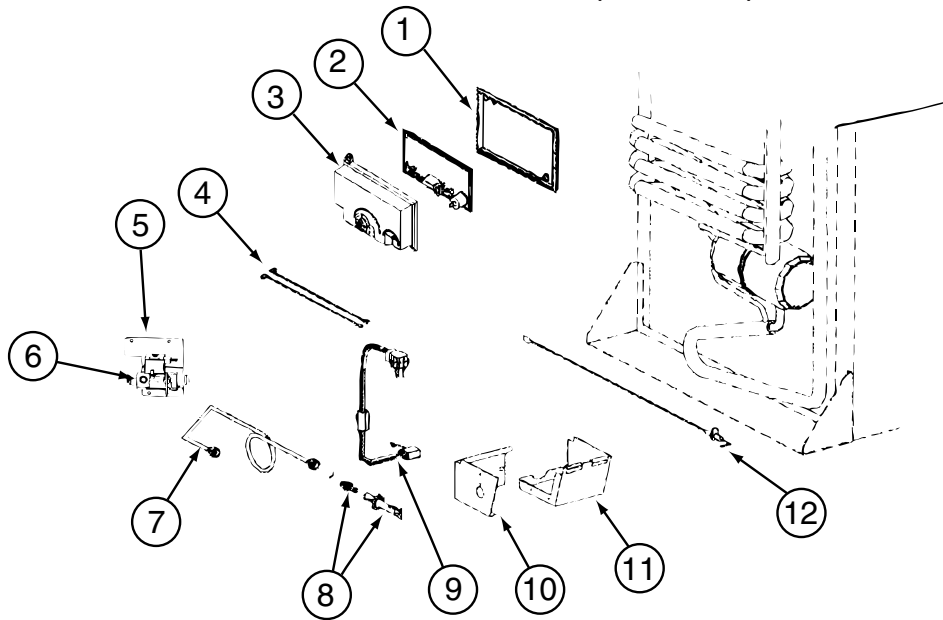
COMPONENT PARTS FOR APPLIANCE (CONTINUED)

125242-03-01A (CONTINUED)

| KEY | PART NUMBER | U/M | DESCRIPTION | VENDOR NO. |
|-----|---------------|-----|-------------------------|------------|
| 1 | 125242-01-746 | EA | COOLING UNIT - 1200 | 618964 |
| 4 | 125242-01-732 | EA | HEATER AC - 225W/110VAC | 618872 |
| 5 | 125242-01-739 | EA | BASE-BURNER BOX | 618902 |
| 6 | 125242-01-740 | EA | COVER-BURNER BOX | 618910 |
| 9 | 125242-01-730 | EA | BRACKET-DC FAN | 618857 |
| 10 | 125242-01-741 | EA | SUPPORT-DC FAN | 618912 |
| 12 | 125242-01-729 | EA | FAN-EXTERNAL DC | 618856 |
| 16 | 113737-01-754 | EA | THERMOSTAT (FAN 12V DC) | 618093 |
| | 125242-01-742 | EA | WIRE ASM.-BAFFLE 55.15" | 618915 |

CONTACT WINNEBAGO PART SALES FOR UNLISTED COMPONENT(S)

CABINET & APPLIANCE GROUP (CONTINUED)
CABINET & APPLIANCE LAYOUT (CONTINUED)



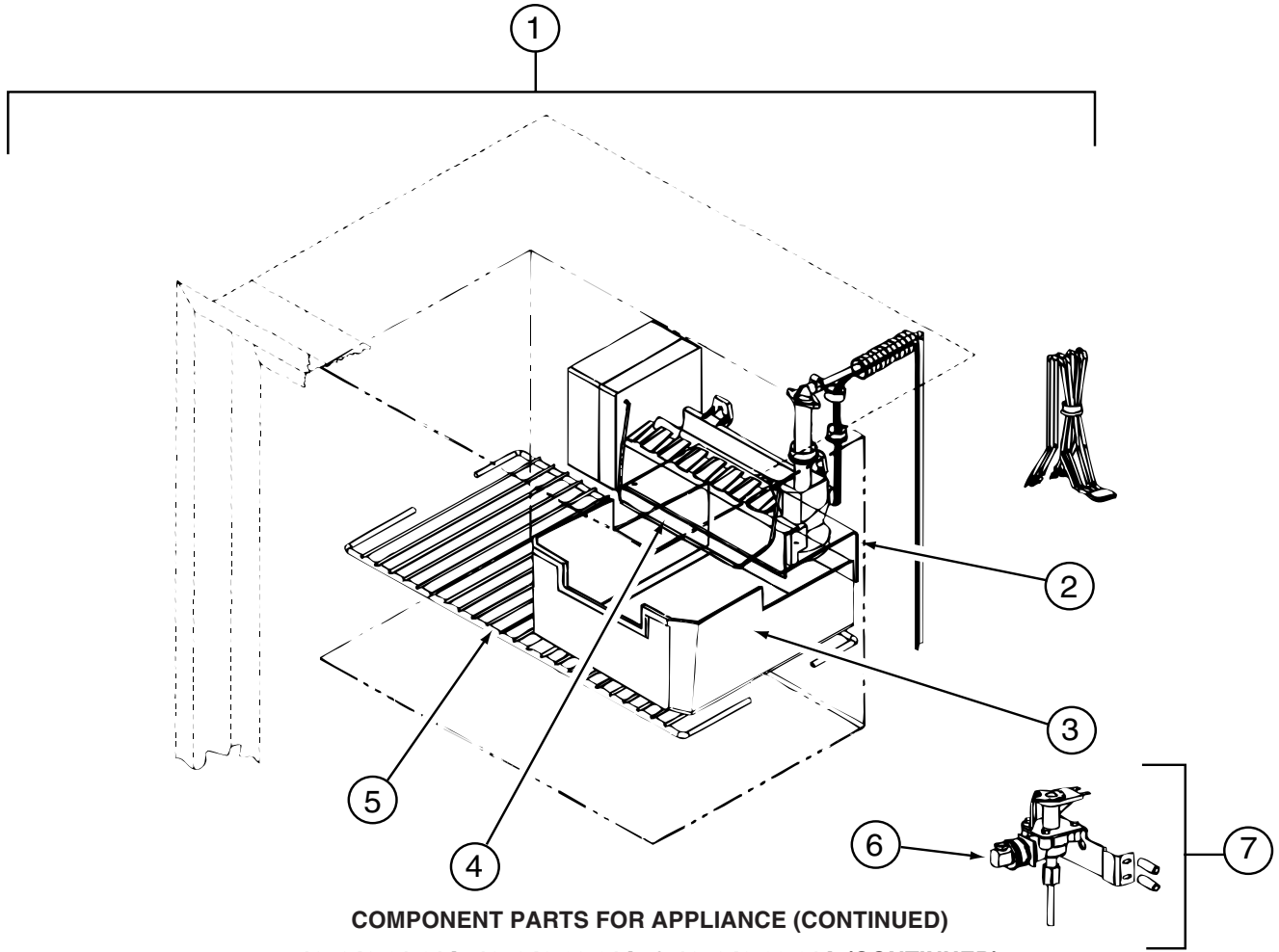
COMPONENT PARTS FOR APPLIANCE (CONTINUED)

125242-03-01A (CONTINUED)

| KEY | PART NUMBER | U/M | DESCRIPTION | VENDOR NO. |
|-----|---------------|-----|-----------------------------|------------|
| 1 | 120075-01-740 | EA | COVER-BASE, POWER BOARD | 618186 |
| 2 | 125242-01-720 | EA | POWER BOARD (SER#832170 DN) | 619819 |
| 2 | 125242-02-731 | EA | POWER BD KIT SER#832172 UP | 621271001 |
| 3 | 120075-01-738 | EA | COVER-POWER BOARD | 618185 |
| 4 | 125242-02-709 | EA | WIRE/WHITE/9"/GAS VALVE | 621448 |
| 6 | 121568-06-706 | EA | GAS VALVE-COMBO/WRENCH FLAT | 621329 |
| 7 | 125242-02-711 | EA | BURNER TUBE | 620034 |
| 8 | 125242-02-712 | EA | BURNER ORFICE ADAPTER ASSY | 621959 |
| 10 | 125242-01-740 | EA | COVER-BURNER BOX | 618910 |
| 11 | 125242-01-739 | EA | BASE-BURNER BOX | 618902 |
| 12 | 104137-06-715 | EA | ELECTRODE-SPARK/SENSOR, SGL | 61692222 |
| | 121568-01-713 | EA | KIT-GAS VALVE/BURNER TUBE | 621444 |

CONTACT WINNEBAGO PART SALES FOR UNLISTED COMPONENT(S)

CABINET & APPLIANCE GROUP (CONTINUED)
CABINET & APPLIANCE LAYOUT (CONTINUED)



COMPONENT PARTS FOR APPLIANCE (CONTINUED)

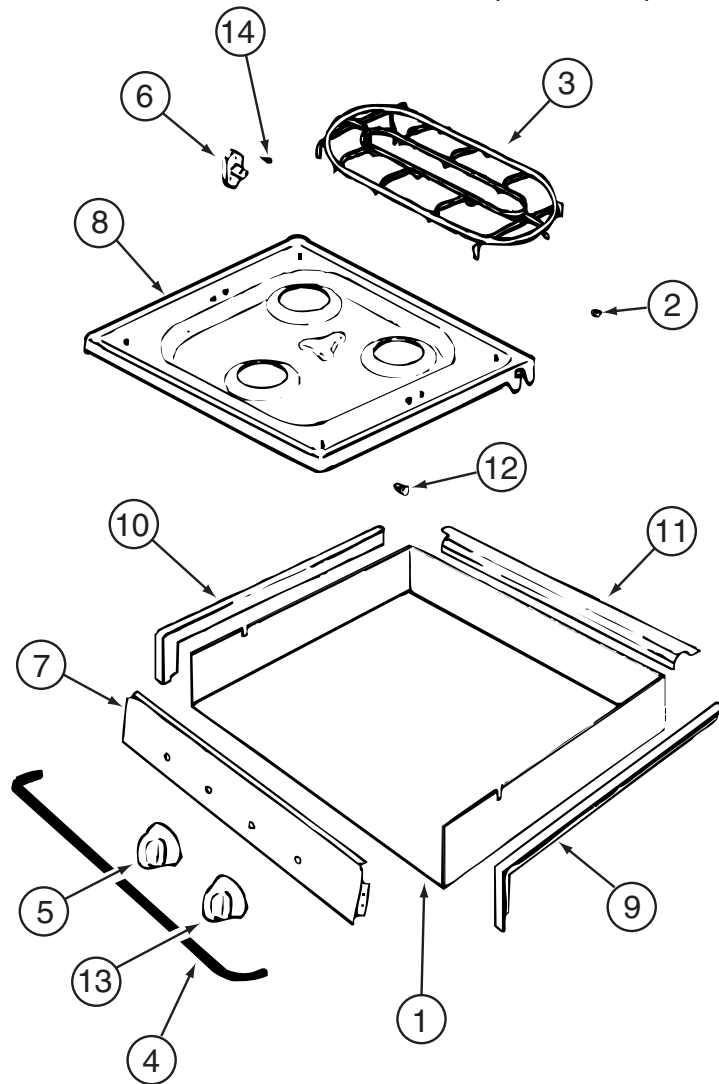
125242-01-01A, 125242-02-01A & 125242-03-01A (CONTINUED)

| KEY | PART NUMBER | U/M | DESCRIPTION | VENDOR NO. |
|-----|---------------|-----|------------------------------|---------------|
| 1 | 094039-07-706 | EA | ICE MAKER W/O PLATES | 61656522 |
| 2 | 125242-01-737 | EA | BRACKET-MOUNTING (ICE MAKER) | 618894/620890 |
| 3 | 125242-01-716 | EA | ICE BIN | 618803 |
| 4 | 120075-03-703 | EA | ARM-SHUT OFF | 61656922 |
| 5 | 125242-01-725 | EA | SHELF-FREEZER (WIRE) | 618847 |
| 6 | 120075-03-702 | EA | NUT/COMPRESSION - FITTING | 61678722 |
| 7 | 120075-03-701 | EA | VALVE ASM., WATER, W/BRACKET | 618253 |
| | 094039-07-707 | EA | GARDEN HOSE ADAP W/BRASS NUT | 61679622 |
| | 094039-07-708 | EA | NUT - COMPRESSION | 622991 |

126022-01-01A, 126022-02-01A, 126022-03-01A

| KEY | PART NUMBER | U/M | DESCRIPTION | VENDOR NO. |
|-----|---------------|-----|------------------------------|-------------------|
| | 114030-01-707 | EA | PLUG BUTTON BLACK | 74002628 |
| | 126022-01-700 | EA | BUMPER - RANGE BIFOLD COVER | MAGIC 8003P007-60 |
| | 126022-01-701 | EA | HINGE-RANGE BIFOLD COVER-22" | MAGIC 3418F067-34 |

CABINET & APPLIANCE GROUP (CONTINUED)
CABINET & APPLIANCE LAYOUT (CONTINUED)



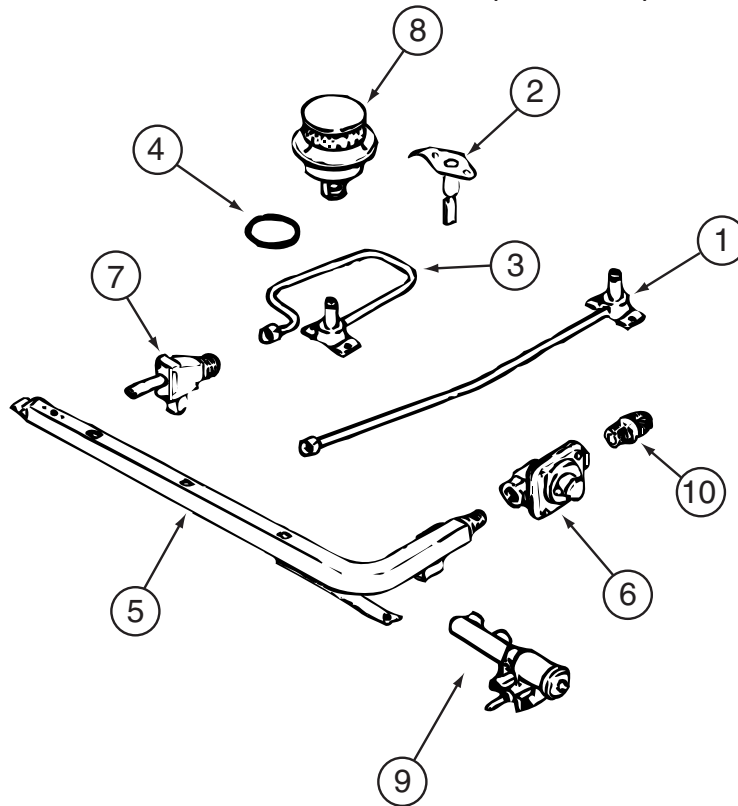
COMPONENT PARTS FOR APPLIANCE (CONTINUED)

135065-03-01A, 135065-03-03A, 135065-04-01A

| KEY | PART NUMBER | U/M | DESCRIPTION | VENDOR NO. |
|-----|---------------|-----|------------------------------|--------------|
| 2 | 102020-01-709 | EA | BUMPER-GRATE | 8007-P020-60 |
| 3 | 135065-03-703 | EA | GRATE - BLACK(SEALED BURNER) | 74007304 |
| 4 | 114030-02-700 | EA | GUARD/FABRIC - TOWEL BAR | 3609F006-70 |
| 5 | 128728-01-701 | EA | KNOB - BURNER - REAR | 74003941 |
| 5 | 128728-01-702 | EA | KNOB - BURNER - FRONT | 74003942 |
| 6 | 128728-01-703 | EA | PIN/T-NUT F/HINGE | 7103P109-60 |
| 7 | 135065-03-704 | EA | PANEL - MANIFOLD (BLACK) | 74007330 |
| 8 | 128728-01-705 | EA | TOP - MAIN - BLACK | 74003928 |
| 8 | 135065-03-715 | EA | TOP - MAIN - STAINLESS STEEL | 74007299 |
| 9 | 114030-01-704 | EA | TRIM - RIGHT/BLACK TEXTURED | 74002839 |
| 10 | 114030-01-705 | EA | TRIM - LEFT/BLACK TEXTURED | 74002840 |
| 11 | 114030-01-706 | EA | TRIM - REAR/BLACK TEXTURED | 74002841 |
| 12 | 102020-01-724 | EA | BUMPER-MAIN TOP | 8003P008-60 |
| 13 | 128728-01-707 | EA | KNOB - IGNITOR | 74003944 |

CONTACT WINNEBAGO PART SALES FOR UNLISTED COMPONENT(S)

CABINET & APPLIANCE GROUP (CONTINUED)
CABINET & APPLIANCE LAYOUT (CONTINUED)

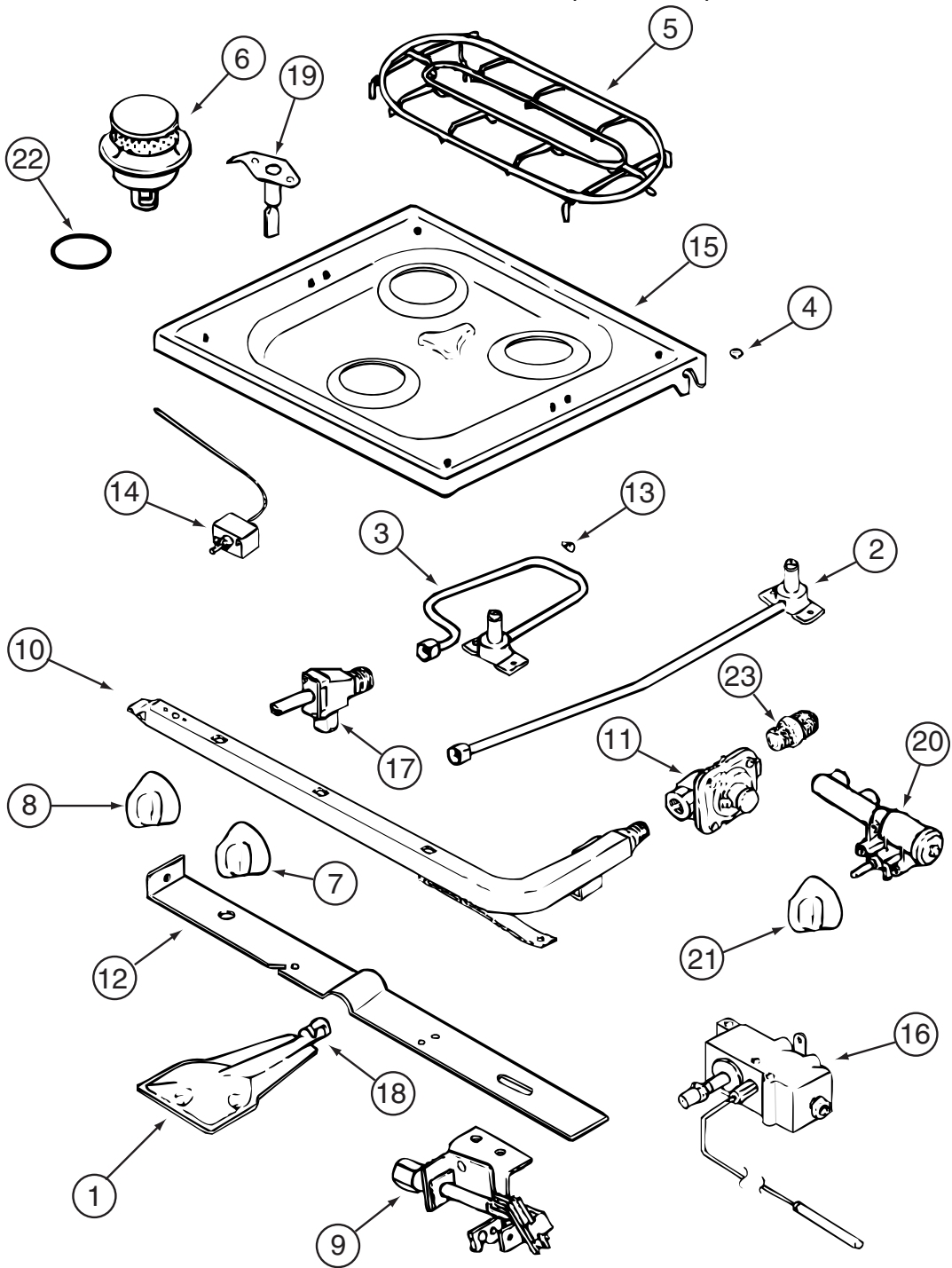


COMPONENT PARTS FOR APPLIANCE (CONTINUED)

135065-03-01A, 135065-03-03A, 135065-04-01A (CONTINUED)

| KEY | PART NUMBER | U/M | DESCRIPTION | VENDOR NO. |
|-----|---------------|-----|------------------------------|------------|
| 1 | 128728-01-708 | EA | FITTING W/ORFICE/TUBE - REAR | 74003931 |
| 2 | 135065-01-701 | EA | IGNITOR/PORCELAIN-TOP BURNER | 74004053 |
| 3 | 128728-01-710 | EA | FITTING W/ORFICE/TUBE - FRT | 74003930 |
| 4 | 135065-03-700 | EA | FITTING - HALF UNION | 74004234 |
| 5 | 135065-01-702 | EA | PIPE/MANIFOLD | 74004642 |
| 6 | 126023-02-703 | EA | REGULATOR - PRESSURE | 74004235 |
| 7 | 135065-01-703 | EA | VALVE/BURNER - REAR | 74004643 |
| 7 | 135065-01-704 | EA | VALVE/BURNER-FRT-HI | 74004644 |
| 7 | 135065-03-701 | EA | SCREW - VALVE | 71003231 |
| 8 | 135065-03-702 | EA | SEALED BURNER ASM.(BLACK) RV | 74003967 |
| 9 | 128728-01-716 | EA | BURNER - IGNITOR | 74003946 |
| 9 | 128728-01-717 | EA | WIRES - IGNITOR | 74003947 |

CABINET & APPLIANCE GROUP (CONTINUED)
CABINET & APPLIANCE LAYOUT (CONTINUED)



COMPONENT PARTS FOR APPLIANCE (CONTINUED)

135066-02-01A

CABINET & APPLIANCE GROUP (CONTINUED)

CABINET & APPLIANCE LAYOUT (CONTINUED)

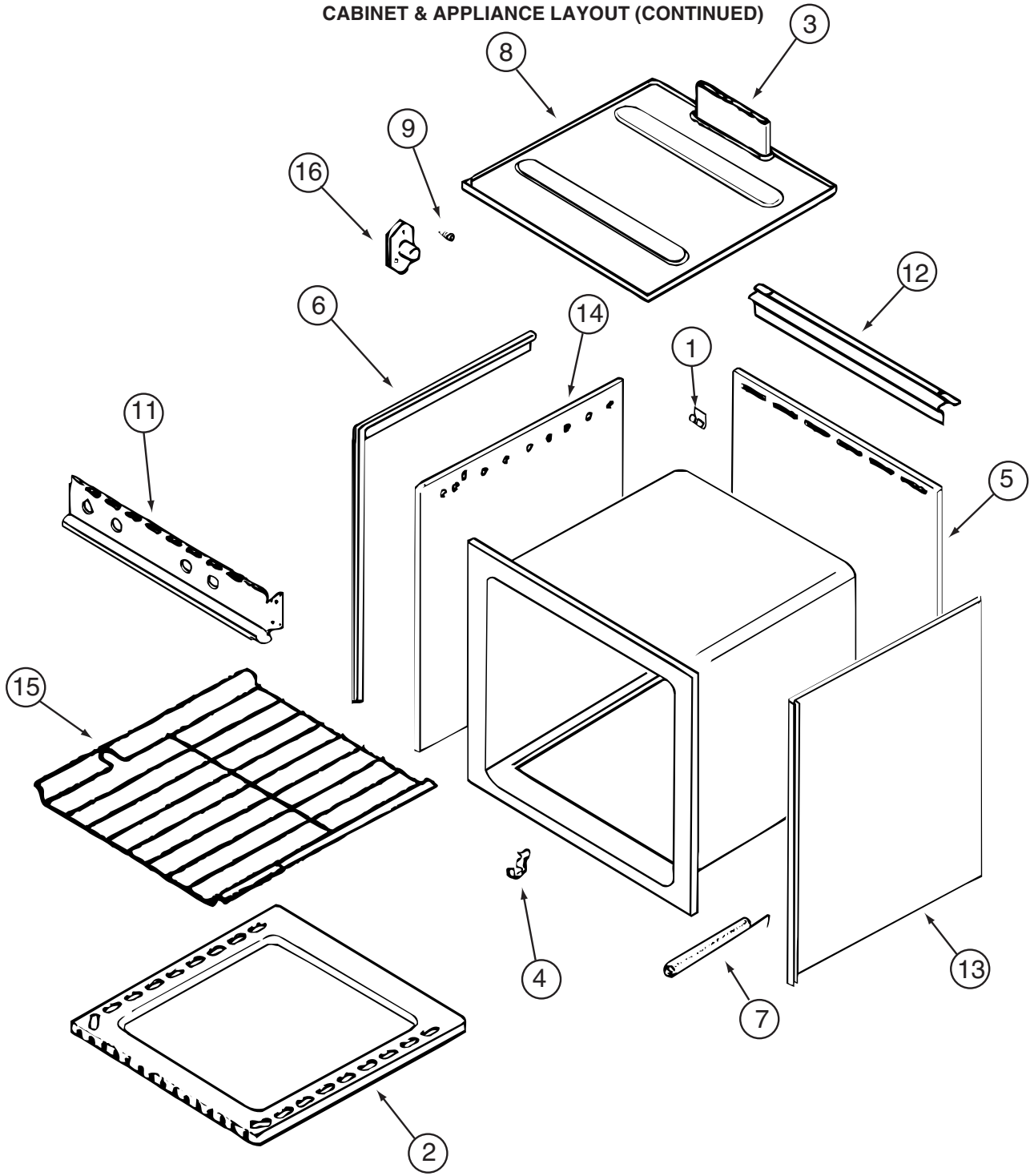
COMPONENT PARTS FOR APPLIANCE (CONTINUED)

135066-02-01A (CONTINUED)

| KEY | PART NUMBER | U/M | DESCRIPTION | VENDOR NO. |
|-----|---------------|-----|------------------------------|--------------|
| 1 | 126023-01-717 | EA | BURNER - OVEN | 74003343 |
| 2 | 128728-01-708 | EA | FITTING W/ORFICE/TUBE - REAR | 74003931 |
| 3 | 128728-01-710 | EA | FITTING W/ORFICE/TUBE - FRT | 74003930 |
| 4 | 102020-01-709 | EA | BUMPER-GRATE | 8007-P020-60 |
| 5 | 128728-01-700 | EA | GRATE - BURNER | 74003948 |
| 6 | 135065-01-705 | EA | BURNER/SEALED ASSEMBLY | 12001497 |
| 7 | 112881-01-705 | EA | KNOB-TOP BURNER | 7733P072-60 |
| 7 | 112881-01-718 | EA | KNOB - TOP BURNER HI-OUTPUT | 74001794 |
| 8 | 135656-01-700 | EA | KNOB/THERMOSTAT | 74002529 |
| 9 | 126023-02-701 | EA | PILOT - OVEN | 74004586 |
| 10 | 126023-02-702 | EA | PIPE - MANIFOLD | 74004360 |
| 11 | 135066-02-700 | EA | REGULATOR - PRESSURE | 74004236 |
| 13 | 102020-01-724 | EA | BUMPER-MAIN TOP | 8003P008-60 |
| 14 | 126023-01-734 | EA | THERMOSTAT/OVEN SERIES #11 | 74006332 |
| 15 | 128728-01-705 | EA | TOP - MAIN - BLACK | 74003928 |
| 16 | 126023-02-704 | EA | VALVE/OVEN - MERCURY | 74004585 |
| 17 | 135065-01-703 | EA | VALVE/BURNER - REAR | 74004643 |
| 17 | 135065-01-704 | EA | VALVE/BURNER-FRT-HI | 74004644 |
| 18 | 135656-01-701 | EA | MIXER/AIR | 3411F003-34 |
| 19 | 135065-01-701 | EA | IGNITOR/PORCELAIN-TOP BURNER | 74004053 |
| 20 | 128728-01-716 | EA | BURNER - IGNITOR | 74003946 |
| 20 | 128728-01-717 | EA | WIRES - IGNITOR | 74003947 |
| 21 | 126023-01-720 | EA | KNOB - IGNITER | 74002414 |

CONTACT WINNEBAGO PART SALES FOR UNLISTED COMPONENTS

CABINET & APPLIANCE GROUP (CONTINUED)
CABINET & APPLIANCE LAYOUT (CONTINUED)



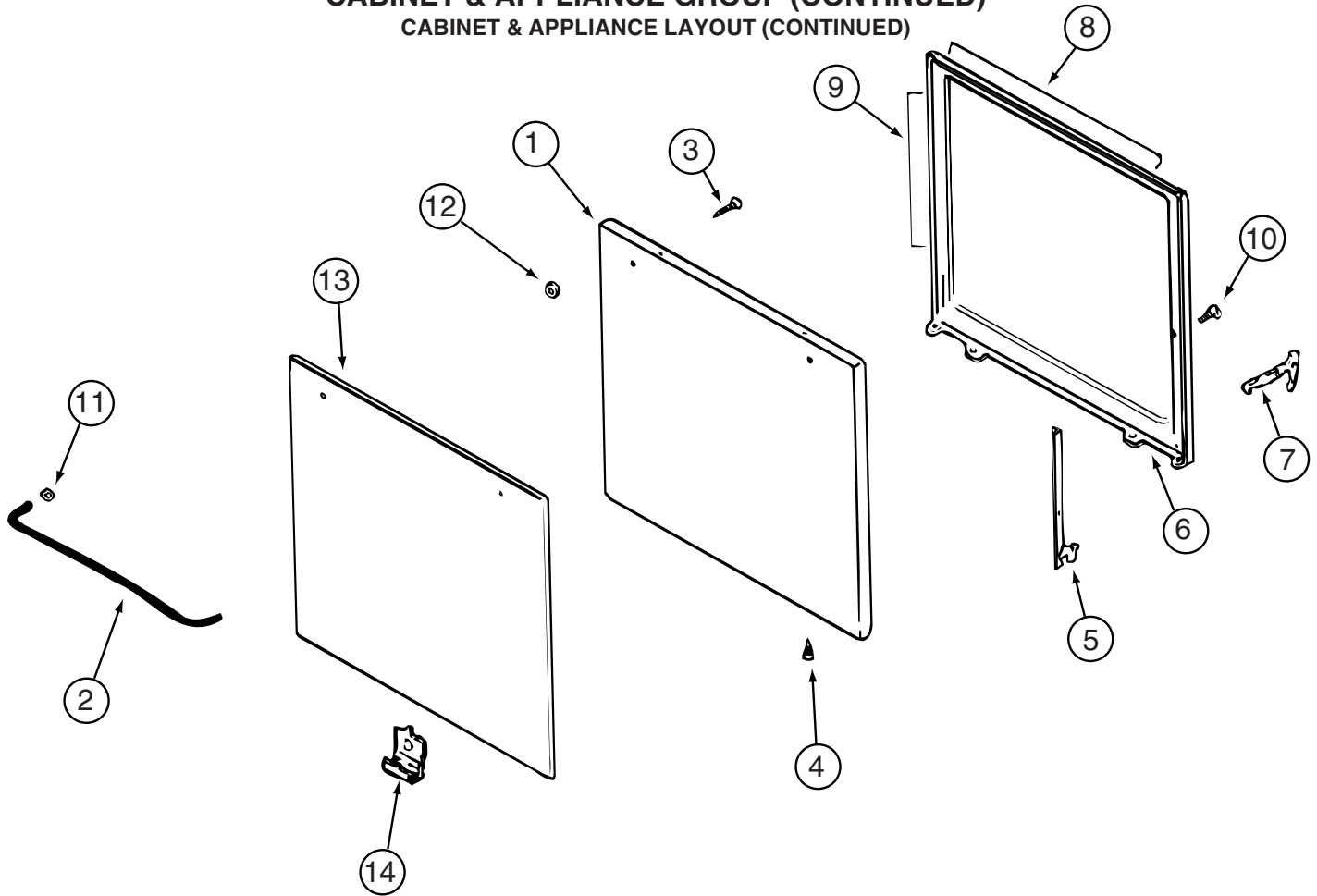
COMPONENT PARTS FOR APPLIANCE (CONTINUED)

135066-01-01A, 135066-01-02A, 135066-02-01A (CONTINUED)

| KEY | PART NUMBER | U/M | DESCRIPTION | VENDOR NO. |
|-----|---------------|-----|-------------------------|-------------|
| 1 | 112881-03-702 | EA | CLIP - MAIN TOP | 74003998 |
| 2 | 126023-01-731 | EA | BOTTOM - OVEN | 2205F016-19 |
| 3 | 126023-01-718 | EA | FLUE BOX ASSEMBLY | 4006W075-80 |
| 6 | 126023-01-713 | EA | TRIM - SIDE (RIGHT) | 74002827 |
| 6 | 126023-01-714 | EA | TRIM - SIDE (LEFT) | 74002828 |
| 11 | 126023-01-729 | EA | PANEL - MANIFOLD | 74003351 |
| 15 | 126023-01-716 | EA | RACK - OVEN | 74003106 |
| | 126023-01-738 | EA | CLIP - GLASS OVEN/BLACK | 7112P093-60 |

CONTACT WINNEBAGO PART SALES FOR UNLISTED COMPONENTS

CABINET & APPLIANCE GROUP (CONTINUED)
CABINET & APPLIANCE LAYOUT (CONTINUED)



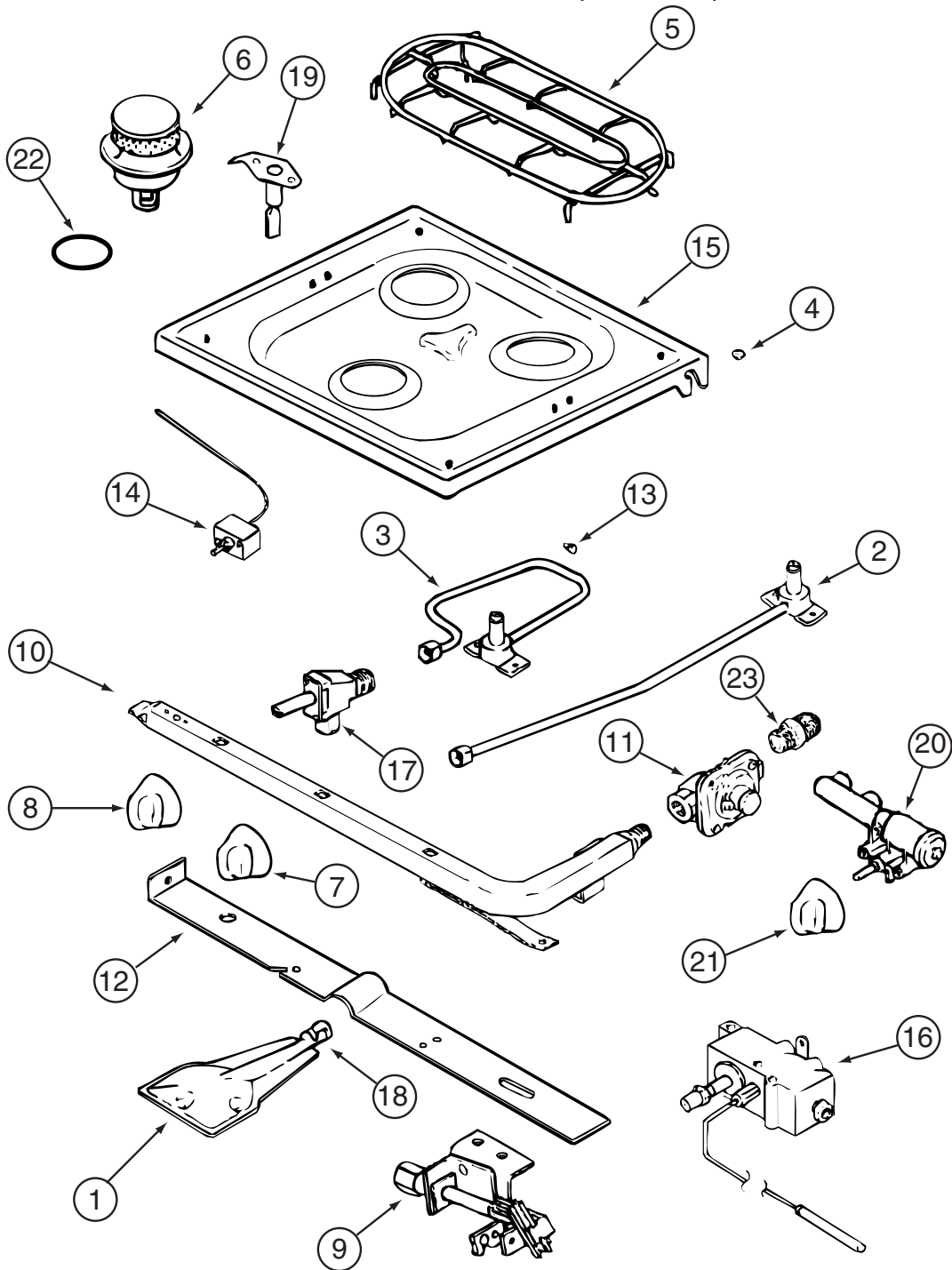
COMPONENT PARTS FOR APPLIANCE (CONTINUED)

135066-01-01A, 135066-01-02A, 135066-02-01A (CONTINUED)

| KEY | PART NUMBER | U/M | DESCRIPTION | VENDOR NO. |
|-----|---------------|-----|--------------------------|-------------|
| 1 | 126023-01-712 | EA | PANEL - DOOR (BLACK) | 74001190 |
| 2 | 102020-01-701 | EA | HANDLE,DOOR | 7701P092-60 |
| 8 | 126023-01-732 | EA | SEAL/OVEN DR TOP | 7212P014-60 |
| 9 | 126023-01-733 | EA | SEAL/OVEN DR SIDES(2PCS) | 7212P038-60 |
| 13 | 102020-01-725 | EA | GLASS OUTER | 7902P266-60 |

CONTACT WINNEBAGO PART SALES FOR UNLISTED COMPONENTS

CABINET & APPLIANCE GROUP (CONTINUED)
CABINET & APPLIANCE LAYOUT (CONTINUED)



COMPONENT PARTS FOR APPLIANCE (CONTINUED)

135066-03-01A, 135066-03-04A, 150778-01-01A

CABINET & APPLIANCE GROUP (CONTINUED)

CABINET & APPLIANCE LAYOUT (CONTINUED)

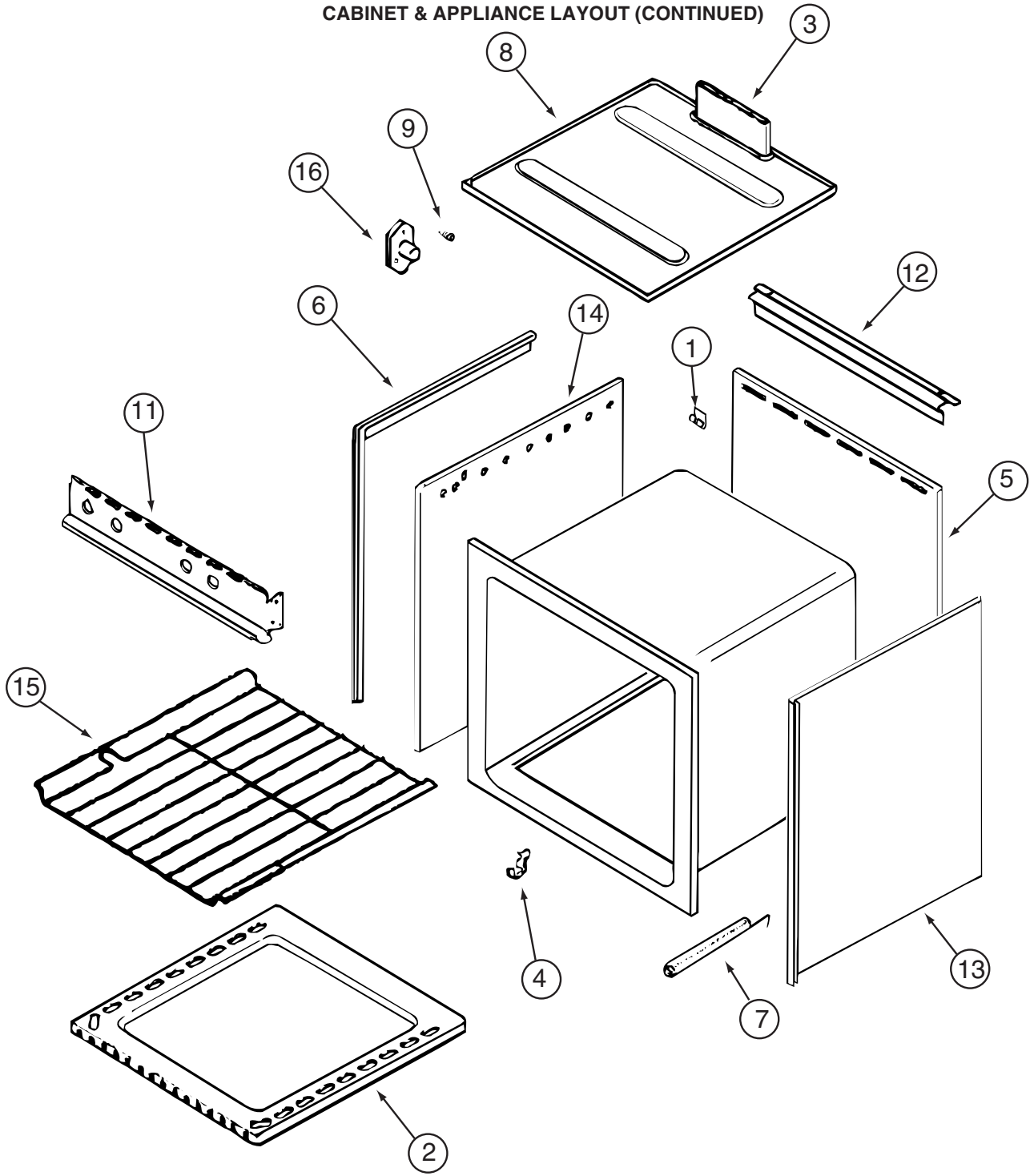
COMPONENT PARTS FOR APPLIANCE (CONTINUED)

135066-03-01A, 135066-03-04A, 150778-01-01A (CONTINUED)

| KEY | PART NUMBER | U/M | DESCRIPTION | VENDOR NO. |
|-----|---------------|-----|---------------------------------------|--------------|
| 1 | 126023-01-717 | EA | BURNER - OVEN | 74003343 |
| 2 | 128728-01-708 | EA | FITTING W/ORFICE/TUBE - REAR | 74003931 |
| 3 | 128728-01-710 | EA | FITTING W/ORFICE/TUBE - FRT | 74003930 |
| 4 | 102020-01-709 | EA | BUMPER-GRATE | 8007-P020-60 |
| 5 | 135065-03-703 | EA | GRATE - BLACK(SEALED BURNER) | 74007304 |
| 6 | 135065-03-702 | EA | SEALED BURNER ASM.(BLACK) RV | 74003967 |
| 7 | 128728-01-701 | EA | KNOB - BURNER - REAR | 74003941 |
| 7 | 128728-01-702 | EA | KNOB - BURNER - FRONT | 74003942 |
| 8 | 112881-04-703 | EA | KNOB - THERMOSTAT - BLACK | 74004645 |
| 9 | 112881-04-706 | EA | PILOT - OVEN | 74006334 |
| 10 | 126023-02-702 | EA | PIPE - MANIFOLD | 74004360 |
| 11 | 126023-02-703 | EA | REGULATOR - PRESSURE | 74004235 |
| 13 | 102020-01-724 | EA | BUMPER-MAIN TOP | 8003P008-60 |
| 14 | 126023-01-734 | EA | THERMOSTAT/OVEN SERIES #11 | 74006332 |
| 15 | 128728-01-705 | EA | TOP - MAIN - BLACK | 74003928 |
| 15 | 135065-03-705 | EA | TOP - MAIN - BLACK F/1512790201A ONLY | 74007300 |
| 15 | 135065-03-715 | EA | TOP - MAIN - STAINLESS STEEL | 74007299 |
| 16 | 112881-04-704 | EA | VALVE - OVEN | 74006333 |
| 17 | 135065-01-703 | EA | VALVE/BURNER - REAR | 74004643 |
| 17 | 135065-01-704 | EA | VALVE/BURNER-FRT-HI | 74004644 |
| 17 | 135065-03-701 | EA | SCREW - VALVE | 71003231 |
| 18 | 135656-01-701 | EA | MIXER/AIR | 3411F003-34 |
| 19 | 135065-01-701 | EA | IGNITOR/PORCELAIN-TOP BURNER | 74004053 |
| 20 | 128728-01-716 | EA | BURNER - IGNITOR | 74003946 |
| 20 | 128728-01-717 | EA | WIRES - IGNITOR | 74003947 |
| 21 | 128728-01-707 | EA | KNOB - IGNITOR | 74003944 |
| 22 | 135065-03-700 | EA | FITTING - HALF UNION | 74004234 |

CONTACT WINNEBAGO PART SALES FOR UNLISTED COMPONENTS

CABINET & APPLIANCE GROUP (CONTINUED)
CABINET & APPLIANCE LAYOUT (CONTINUED)



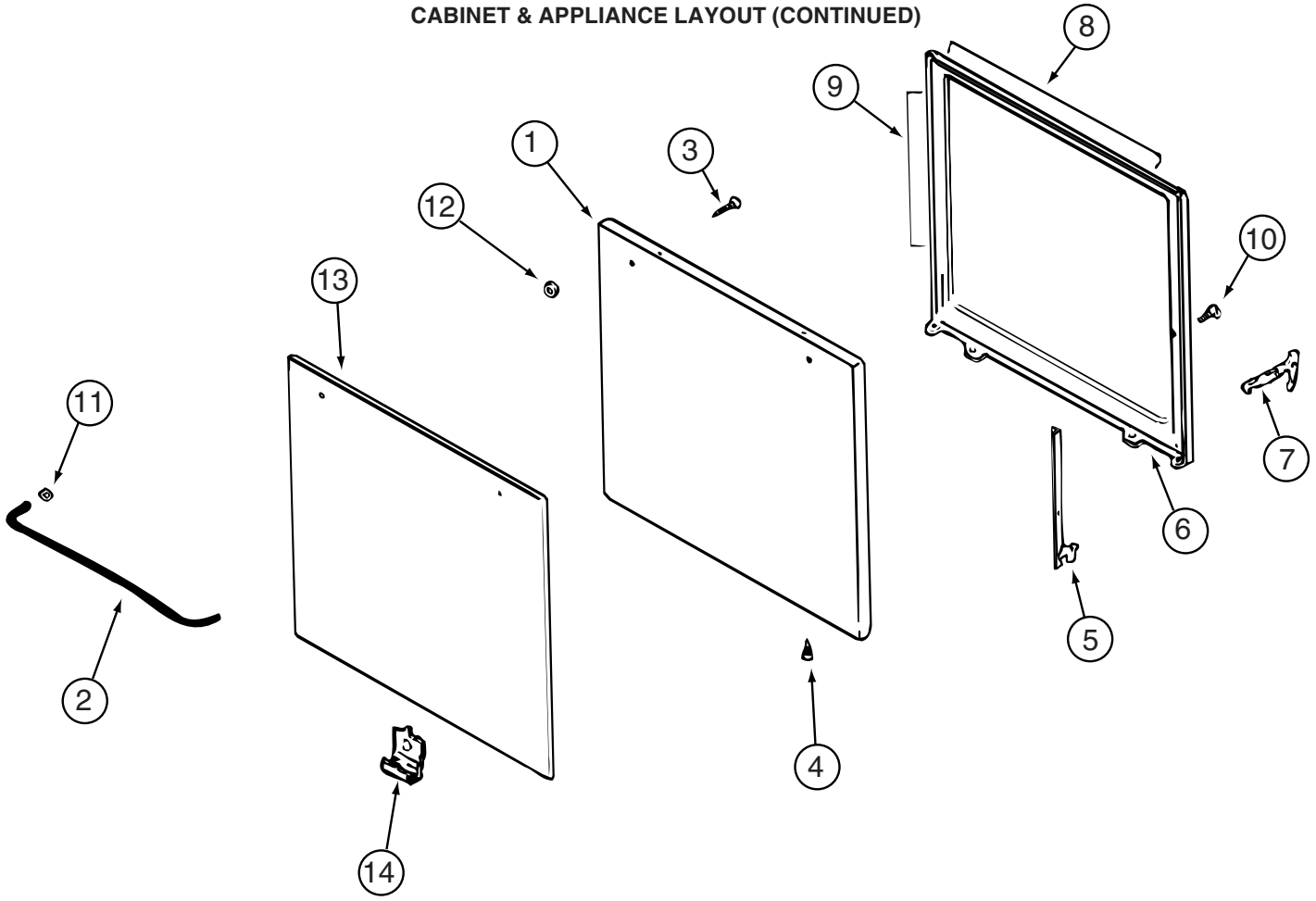
COMPONENT PARTS FOR APPLIANCE (CONTINUED)

135066-03-01A/04A, 150778-01-01A, 151277-03-01A, 151279-02-01A/02A, 151279-03-01A (CONTINUED)

| KEY | PART NUMBER | U/M | DESCRIPTION | VENDOR NO. |
|-----|---------------|-----|------------------------------|-------------|
| 1 | 112881-03-702 | EA | CLIP - MAIN TOP | 74003998 |
| 2 | 126023-01-731 | EA | BOTTOM - OVEN | 2205F016-19 |
| 3 | 126023-01-718 | EA | FLUE BOX ASSEMBLY | 4006W075-80 |
| 6 | 126023-01-713 | EA | TRIM - SIDE (RIGHT) | 74002827 |
| 6 | 126023-01-714 | EA | TRIM - SIDE (LEFT) | 74002828 |
| 7 | 135066-03-708 | EA | SPRING - OVEN DOOR | 7803P053-60 |
| 9 | 128728-01-703 | EA | PIN/T-NUT F/HINGE | 7103P109-60 |
| 11 | 135066-03-701 | EA | PANEL - MANIFOLD - BLACK | 74007306 |
| 12 | 112881-01-721 | EA | DEFLECTOR/FLUE-BLK-SEALED BR | 74002829 |
| 15 | 126023-01-716 | EA | RACK - OVEN | 74003106 |

CONTACT WINNEBAGO PART SALES FOR UNLISTED COMPONENT(S)

CABINET & APPLIANCE GROUP (CONTINUED)
CABINET & APPLIANCE LAYOUT (CONTINUED)



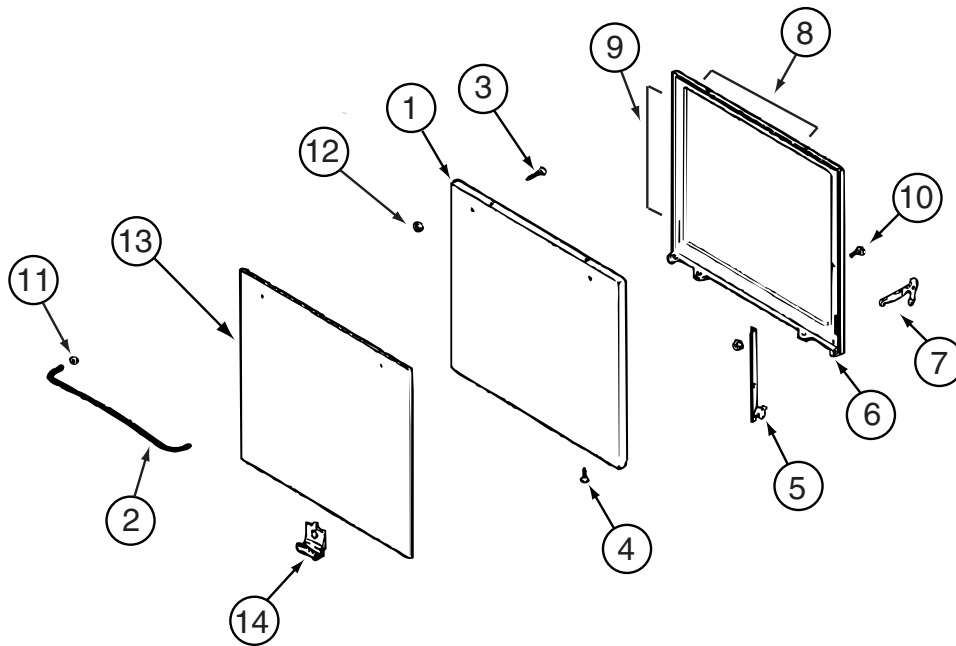
COMPONENT PARTS FOR APPLIANCE (CONTINUED)

135066-03-01A, 135066-03-04A (CONTINUED)

| KEY | PART NUMBER | U/M | DESCRIPTION | VENDOR NO. |
|-----|---------------|-----|--------------------------------|-------------|
| 1 | 126023-01-712 | EA | PANEL - DOOR (BLACK) | 74001190 |
| 1 | 135066-03-702 | EA | PANEL - DOOR - STAINLESS STEEL | 74007313 |
| 2 | 102020-01-701 | EA | HANDLE,DOOR | 7701P092-60 |
| 8 | 126023-01-732 | EA | SEAL/OVEN DR TOP | 7212P014-60 |
| 9 | 126023-01-733 | EA | SEAL/OVEN DR SIDES(2PCS) | 7212P038-60 |
| 13 | 102020-01-725 | EA | GLASS OUTER | 7902P266-60 |

CONTACT WINNEBAGO PART SALES FOR UNLISTED COMPONENT(S)

CABINET & APPLIANCE GROUP (CONTINUED)
CABINET & APPLIANCE LAYOUT (CONTINUED)



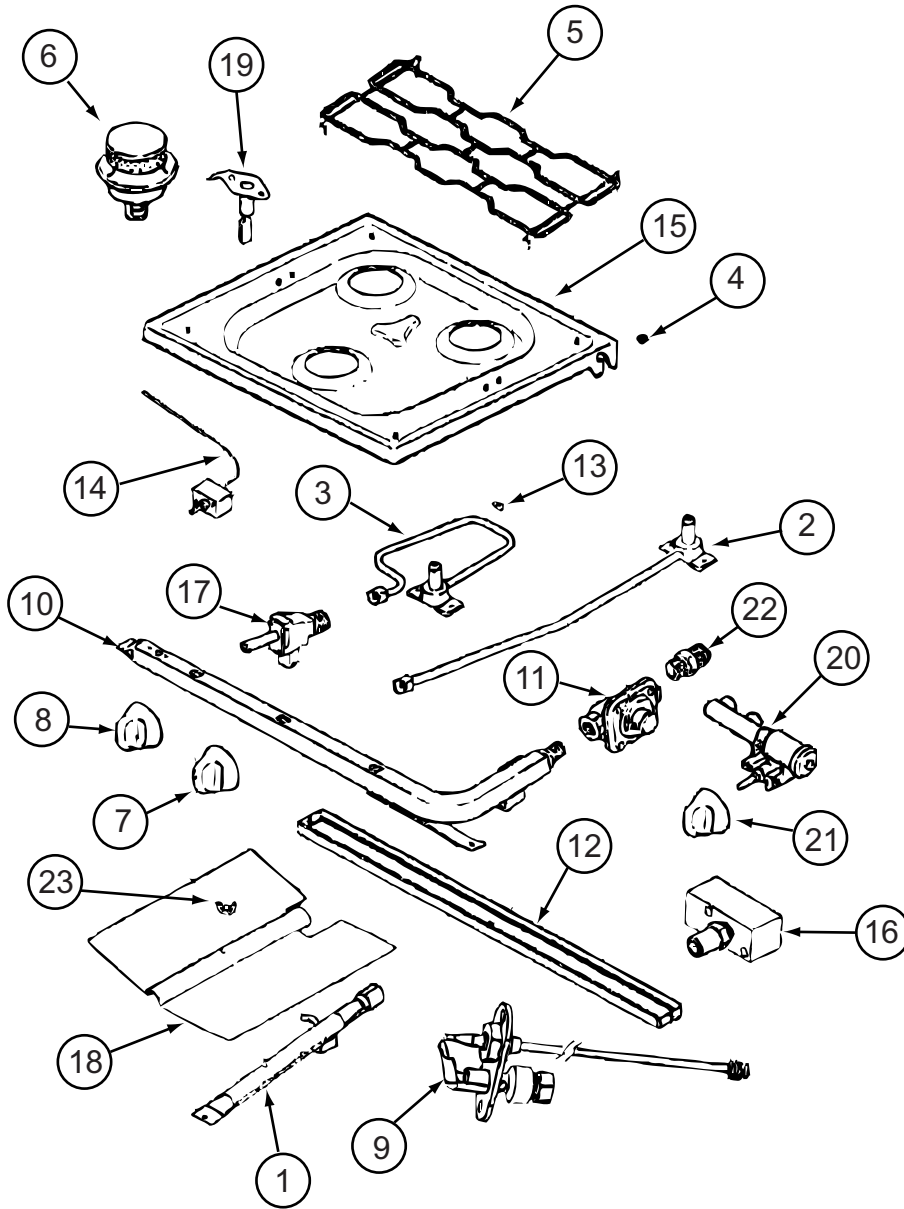
COMPONENT PARTS FOR APPLIANCE (CONTINUED)

150778-01-01A, 151277-03-01A, 151279-02-01A, 151279-03-01A (CONTINUED)

| KEY | PART NUMBER | U/M | DESCRIPTION | VENDOR NO. |
|-----|---------------|-----|-------------------------|-------------|
| 1 | 126023-01-712 | EA | PANEL - DOOR (BLACK) | 74001190 |
| 2 | 128727-01-701 | EA | HANDLE - OVEN DOOR | 74003929 |
| 5 | 151277-01-704 | EA | HINGE KIT-OVEN DR/LT | 12400028 |
| 5 | 151277-01-705 | EA | HINGE KIT-OVEN DR/RT | 12400029 |
| 8 | 126023-01-732 | EA | SEAL/OVEN DR TOP | 7212P014-60 |
| 9 | 135066-03-714 | EA | SEAL - OVEN DOOR SIDES | 7212P039-60 |
| 13 | 102020-01-725 | EA | GLASS OUTER | 7902P266-60 |
| 14 | 126023-01-738 | EA | CLIP - GLASS OVEN/BLACK | 7112P093-60 |

CONTACT WINNEBAGO PART SALES FOR UNLISTED COMPONENT(S)

CABINET & APPLIANCE GROUP (CONTINUED)
CABINET & APPLIANCE LAYOUT (CONTINUED)



COMPONENT PARTS FOR APPLIANCE (CONTINUED)

151277-03-01A, 151279-01-01A, 151279-02-01A/02A, 151279-03-01A

CABINET & APPLIANCE GROUP (CONTINUED)

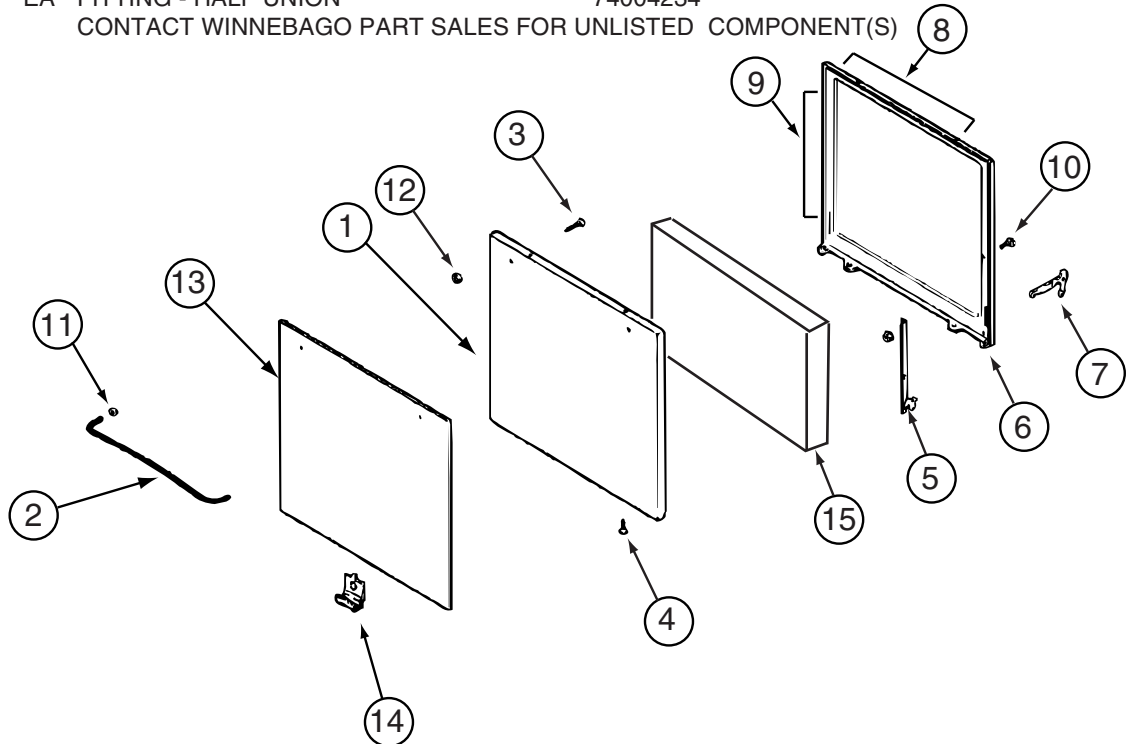
CABINET & APPLIANCE LAYOUT (CONTINUED)

COMPONENT PARTS FOR APPLIANCE (CONTINUED)

151277-03-01A, 151279-01-01A, 151279-02-01A/02A, 151279-03-01A (CONTINUED)

| KEY | PART NUMBER | U/M | DESCRIPTION | VENDOR NO. |
|-----|---------------|-----|------------------------------|------------------|
| 1 | 151279-02-700 | EA | BURNER - OVEN - W/SHUTTER | 74009853 |
| 2 | 128728-01-708 | EA | FITTING W/ORFICE/TUBE - REAR | 74003931 |
| 3 | 128728-01-710 | EA | FITTING W/ORFICE/TUBE - FRT | 74003930 |
| 4 | 102020-01-709 | EA | BUMPER-GRATE | 8007P020-60 |
| 5 | 135065-03-703 | EA | GRATE - BLACK(SEALED BURNER) | 74007304 |
| 6 | 135065-03-702 | EA | SEALED BURNER ASM.(BLACK) RV | 74003967 |
| 7 | 128728-01-701 | EA | KNOB - BURNER - REAR | 74003941 (1 PER) |
| 7 | 128728-01-702 | EA | KNOB - BURNER - FRONT | 74003942 (2 PER) |
| 8 | 151279-02-701 | EA | KNOB - THERMOSTAT - BLACK | 74009858 |
| 9 | 151279-02-705 | EA | PILOT - OVEN - 22" SERIES | 74010544 |
| 10 | 151279-02-702 | EA | PIPE - MANIFOLD | 74009856 |
| 11 | 126023-02-703 | EA | REGULATOR - PRESSURE | 74004235 |
| 11 | 112881-03-701 | EA | REGULATOR KIT W/FITTINGS | 12001285 |
| 13 | 102020-01-724 | EA | BUMPER-MAIN TOP | 8003P008-60 |
| 14 | 151279-02-703 | EA | THERMOSTAT | 74009855 |
| 15 | 128728-01-705 | EA | TOP - MAIN - BLACK | 74003928 |
| 15 | 135065-03-715 | EA | TOP - MAIN - STAINLESS STEEL | 74007299 |
| 16 | 151279-02-704 | EA | ELBOW BLOCK ASM (VALVE-OVEN) | 74009864 |
| 17 | 135065-01-703 | EA | VALVE/BURNER - REAR | 74004643 |
| 17 | 135065-01-704 | EA | VALVE/BURNER-FRT-HI | 74004644 |
| 18 | 135656-01-701 | EA | MIXER/AIR | 3411F003-34 |
| 19 | 135065-01-701 | EA | IGNITOR/PORCELAIN-TOP BURNER | 74004053 |
| 20 | 128728-01-716 | EA | IGNITOR - F/BURNERS | 74003946 |
| 20 | 128728-01-717 | EA | WIRES - IGNITOR | 74003947 |
| 21 | 128728-01-707 | EA | KNOB - IGNITOR | 74003944 |
| 22 | 135065-03-700 | EA | FITTING - HALF UNION | 74004234 |

CONTACT WINNEBAGO PART SALES FOR UNLISTED COMPONENT(S)

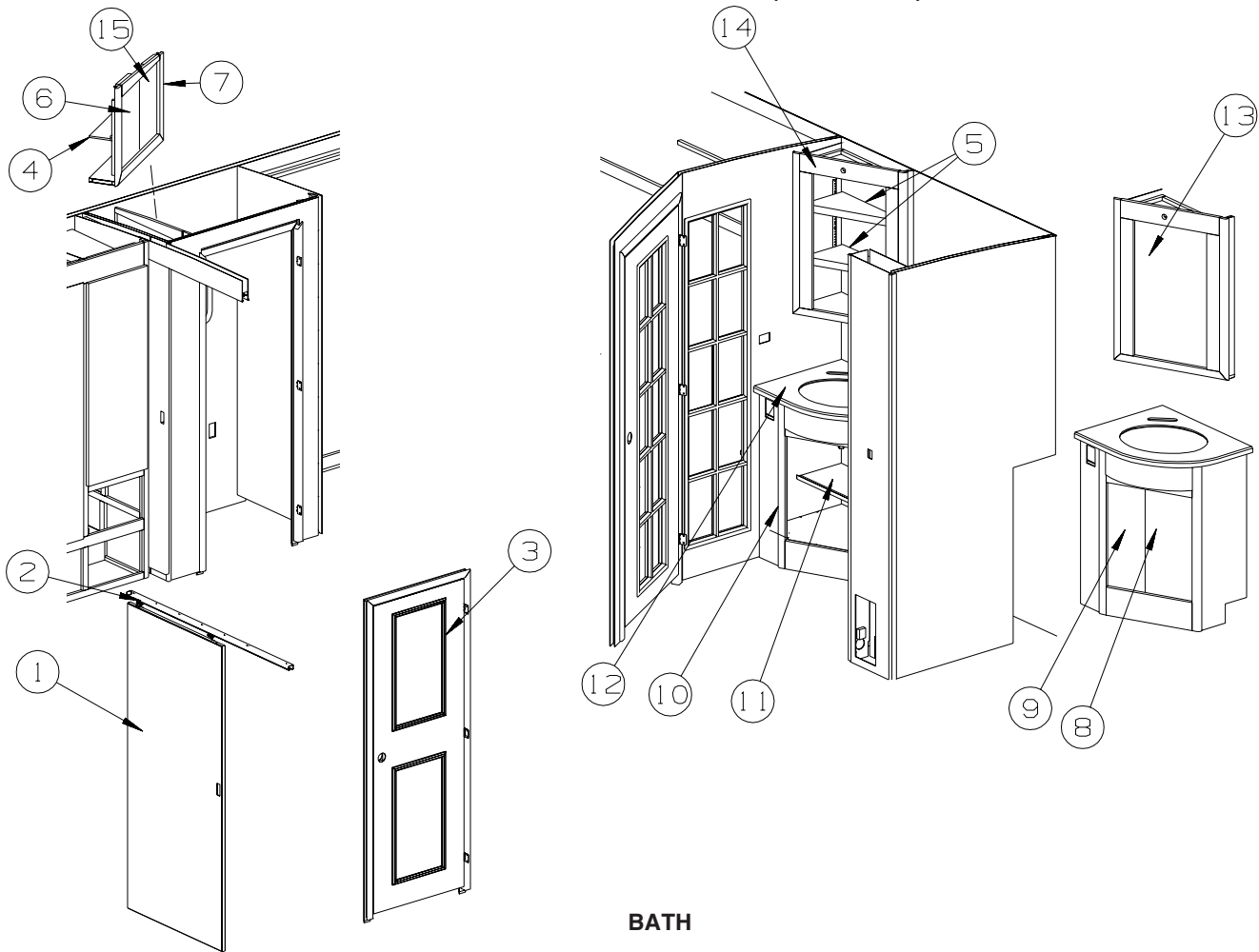


151279-02-02A (CONTINUED)

| KEY | PART NUMBER | U/M | DESCRIPTION | VENDOR NO. |
|-----|---------------|-----|------------------------------|-------------|
| 1 | 126023-01-712 | EA | PANEL - DOOR (BLACK) | 74001190 |
| 2 | 128727-01-701 | EA | HANDLE - OVEN DOOR | 74003929 |
| 8 | 126023-01-732 | EA | SEAL/OVEN DR TOP | 7212P014-60 |
| 9 | 135066-03-714 | EA | SEAL - OVEN DOOR SIDES | 7212P039-60 |
| 13 | 135066-03-702 | EA | PANEL-DOOR - STAINLESS STEEL | 74007313 |

CONTACT WINNEBAGO PART SALES FOR UNLISTED COMPONENT(S)

CABINET & APPLIANCE GROUP (CONTINUED)
CABINET & APPLIANCE LAYOUT (CONTINUED)



BATH

| KEY | PART NUMBER | U/M | DESCRIPTION |
|-----|---------------|-----|-----------------------------------------------------------------------------|
| 1 | 146047-01-S76 | EA | DOOR - SLIDING - W/O HARDWARE - PORTS MOUTH OAK |
| 1 | 146047-01-S77 | EA | DOOR - SLIDING - W/O HARDWARE - CONCERT CHERRY |
| 1 | 146047-01-S78 | EA | DOOR - SLIDING - W/O HARDWARE - WASHED MAPLE |
| 1 | 146047-01-S79 | EA | DOOR - SLIDING - W/O HARDWARE - SIERRA MAPLE |
| 2 | 145608-02-01A | EA | TRACK - DOOR - 56.1" - OFF WHITE |
| | 064467-01-000 | EA | GUIDE - POCKET - SLIDING DOOR - WALL MOUNTED |
| 3 | 144645-04-R13 | EA | DOOR - BATH - W/O TOWEL RACK/HARDWARE - PORTSMOUTH OAK |
| 3 | 144645-04-R14 | EA | DOOR - BATH - W/O TOWEL RACK/HARDWARE - CONCERT CHERRY |
| 3 | 144645-04-RW1 | EA | DOOR - BATH - W/O TOWEL RACK/HARDWARE - WASHED MAPLE |
| 3 | 144645-04-S67 | EA | DOOR - BATH - W/O TOWEL RACK/HARDWARE - SIERRA MAPLE |
| 4 | 141705-15-P45 | EA | SHELF - F/LINEN CABINET - PORTSMOUTH OAK |
| 4 | 141705-15-P46 | EA | SHELF - F/LINEN CABINET - CONCERT CHERRY |
| 4 | 141705-15-RW4 | EA | SHELF - F/LINEN CABINET - WASHED MAPLE |
| 4 | 141705-15-S67 | EA | SHELF - F/LINEN CABINET - SIERRA MAPLE |
| 5 | 147779-22-R38 | EA | SHELF - CABINET - OVERHEAD/MEDICINE - W/O DOORS/HARDWARE - PORTSMOUTH OAK |
| 5 | 147779-22-R39 | EA | SHELF - CABINET - OVERHEAD/MEDICINE - W/O DOORS/HARDWARE - CONCERT CHERRY |
| 5 | 147779-22-RW4 | EA | SHELF - CABINET - OVERHEAD/MEDICINE - W/O DOORS/HARDWARE - WASHED MAPLE |
| 5 | 147779-22-S67 | EA | SHELF - CABINET - OVERHEAD/MEDICINE - W/O DOORS/HARDWARE - SIERRA MAPLE |
| 6 | 141518-64-S76 | EA | DOOR - ARCHED/PENCIL EDGE/LEFT HAND -12" X 18.7" - W/O HDW - PORTSMOUTH OAK |
| 6 | 141518-64-S77 | EA | DOOR - ARCHED/PENCIL EDGE/LEFT HAND -12" X 18.7" - W/O HDW - CONCERT CHERRY |
| 6 | 141518-64-S78 | EA | DOOR - ARCHED/PENCIL EDGE/LEFT HAND -12" X 18.7" - W/O HDW - WASHED MAPLE |
| 6 | 141518-64-S79 | EA | DOOR - ARCHED/PENCIL EDGE/LEFT HAND -12" X 18.7" - W/O HDW - SIERRA MAPLE |
| 7 | 141705-01-P45 | EA | CABINET - OVERHEAD/LINEN - W/O DOORS/HARDWARE - PORTSMOUTH OAK |
| 7 | 141705-01-P46 | EA | CABINET - OVERHEAD/LINEN - W/O DOORS/HARDWARE - CONCERT CHERRY |
| 7 | 141705-01-RW4 | EA | CABINET - OVERHEAD/LINEN - W/O DOORS/HARDWARE - WASHED MAPLE |
| 7 | 141705-01-S67 | EA | CABINET - OVERHEAD/LINEN - W/O DOORS/HARDWARE - SIERRA MAPLE |
| 8 | 136955-09-S76 | EA | DOOR - RAISED PANEL/PENCIL EDGE - 9.3" X 21.9" - W/O HDW - PORTSMOUTH OAK |
| 8 | 136955-09-S77 | EA | DOOR - RAISED PANEL/PENCIL EDGE - 9.3" X 21.9" - W/O HDW - CONCERT CHERRY |
| 8 | 136955-09-S78 | EA | DOOR - RAISED PANEL/PENCIL EDGE - 9.3" X 21.9" - W/O HDW - WASHED MAPLE |
| 8 | 136955-09-S79 | EA | DOOR - RAISED PANEL/PENCIL EDGE - 9.3" X 21.9" - W/O HDW - SIERRA MAPLE |

CABINET & APPLIANCE GROUP (CONTINUED)

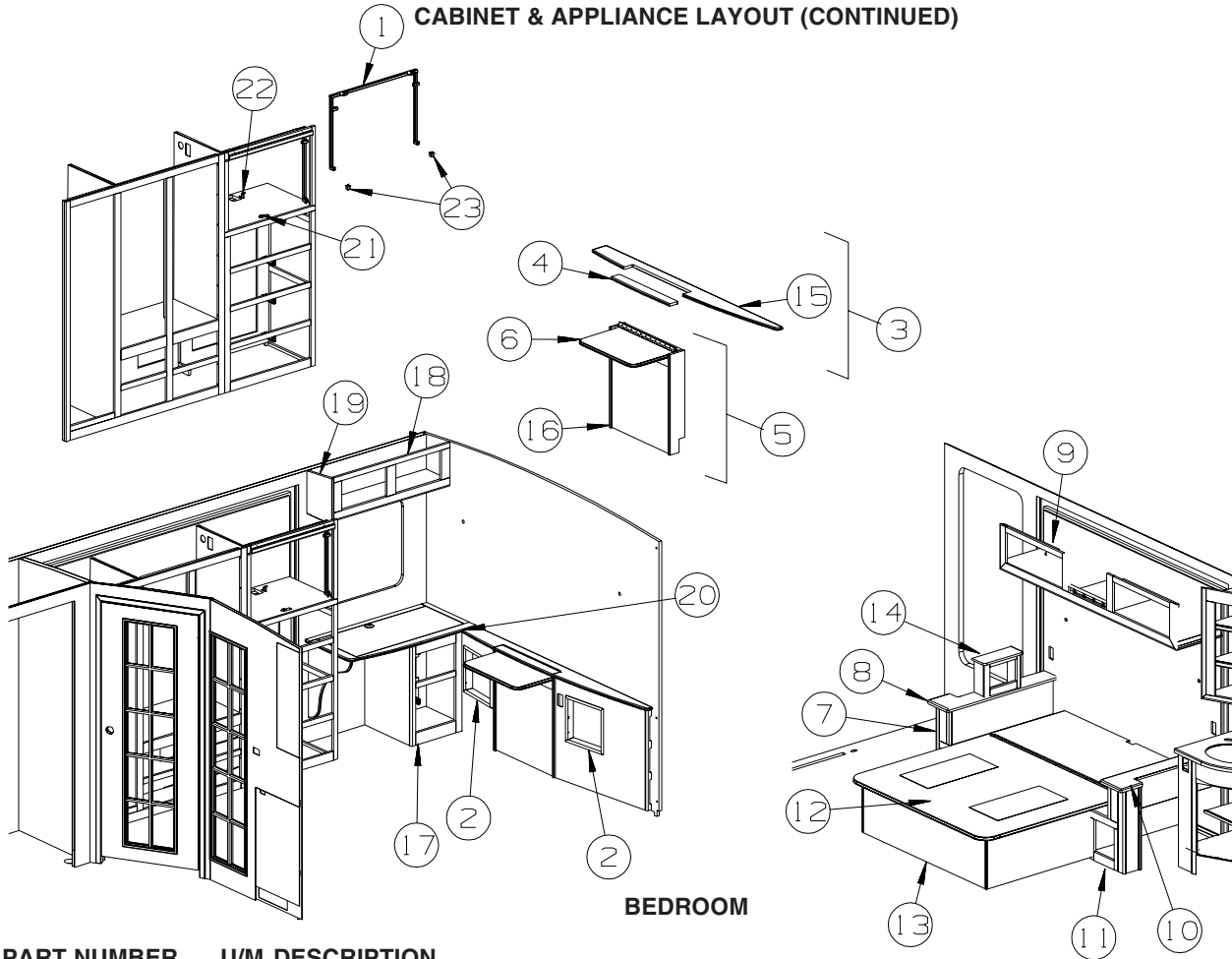
CABINET & APPLIANCE LAYOUT (CONTINUED)

BATH (CONTINUED)

| KEY | PART NUMBER | U/M | DESCRIPTION |
|-----|---------------|-----|-----------------------------------------------------------------------------|
| 9 | 136955-08-S76 | EA | DOOR - RAISED PANEL/PENCIL EDGE - 9.3" X 21.9" - W/O HDW - PORTSMOUTH OAK |
| 9 | 136955-08-S77 | EA | DOOR - RAISED PANEL/PENCIL EDGE - 9.3" X 21.9" - W/O HDW - CONCERT CHERRY |
| 9 | 136955-08-S78 | EA | DOOR - RAISED PANEL/PENCIL EDGE - 9.3" X 21.9" - W/O HDW - WASHED MAPLE |
| 9 | 136955-08-S79 | EA | DOOR - RAISED PANEL/PENCIL EDGE - 9.3" X 21.9" - W/O HDW - SIERRA MAPLE |
| 10 | P47757-01-R38 | EA | CABINET - LAVATORY - W/O COUNTERTOP/DOORS/DRAWERS/HARDWARE - PORTSMOUTH OAK |
| 10 | P47757-01-R39 | EA | CABINET - LAVATORY - W/O COUNTERTOP/DOORS/DRAWERS/HARDWARE - CONCERT CHERRY |
| 10 | P47757-01-RW4 | EA | CABINET - LAVATORY - W/O COUNTERTOP/DOORS/DRAWERS/HARDWARE - WASHED MAPLE |
| 10 | P47757-01-S67 | EA | CABINET - LAVATORY - W/O COUNTERTOP/DOORS/DRAWERS/HARDWARE - SIERRA MAPLE |
| 11 | 147757-20-R38 | EA | SHELF - W/PLASTIC EDGE MOLDING |
| 12 | 149105-24-04A | EA | COUNTERTOP - 1/4" VENDURA - NATURES FLANNEL |
| 13 | 141507-06-SB4 | EA | DOOR - MIRRORED/PENCIL EDGE - 15.7" X 27.9" - W/O HARDWARE - PORTSMOUTH OAK |
| 13 | 141507-06-SB5 | EA | DOOR - MIRRORED/PENCIL EDGE - 15.7" X 27.9" - W/O HARDWARE - CONCERT CHERRY |
| 13 | 141507-06-S78 | EA | DOOR - MIRRORED/PENCIL EDGE - 15.7" X 27.9" - W/O HARDWARE - WASHED MAPLE |
| 13 | 141507-06-SB7 | EA | DOOR - MIRRORED/PENCIL EDGE - 15.7" X 27.9" - W/O HARDWARE - WASHED MAPLE |
| 14 | 147779-01-R38 | EA | CABINET - OVERHEAD/MEDICINE - W/O DOORS/HARDWARE - PORTSMOUTH OAK |
| 14 | 147779-01-R39 | EA | CABINET - OVERHEAD/MEDICINE - W/O DOORS/HARDWARE - CONCERT CHERRY |
| 14 | 147779-01-RW4 | EA | CABINET - OVERHEAD/MEDICINE - W/O DOORS/HARDWARE - WASHED MAPLE |
| 14 | 147779-01-S67 | EA | CABINET - OVERHEAD/MEDICINE - W/O DOORS/HARDWARE - SIERRA MAPLE |
| 15 | 141520-64-S76 | EA | DOOR - ARCHED/PENCIL EDGE/RIGHT HAND - 12" X 18.7"-W/O HDW - PORTSMOUTH OAK |
| 15 | 141520-64-S77 | EA | DOOR - ARCHED/PENCIL EDGE/RIGHT HAND - 12" X 18.7"-W/O HDW - CONCERT CHERRY |
| 15 | 141520-64-S78 | EA | DOOR - ARCHED/PENCIL EDGE/RIGHT HAND - 12" X 18.7"-W/O HDW - WASHED MAPLE |
| 15 | 141520-64-S79 | EA | DOOR - ARCHED/PENCIL EDGE/RIGHT HAND - 12" X 18.7"-W/O HDW - SIERRA MAPLE |

CABINET & APPLIANCE GROUP (CONTINUED)

CABINET & APPLIANCE LAYOUT (CONTINUED)



BEDROOM

| KEY | PART NUMBER | U/M | DESCRIPTION |
|-----|---------------|-----|--------------------------------------------------------------------------------------------|
| | 147994-02-02B | EA | BRACKET - TV - F/SONY 27" - E-COATED |
| | | | FROM: 00-00-00 THRU: 07-18-04 |
| | 149308-04-02B | EA | STRAP - TV - E-COATED |
| | | | FROM: 00-00-00 THRU: 07-18-04 |
| 1 | 151954-01-02B | EA | BRACKET/HOLD DOWN - TV - E-COATED |
| | | | FROM: 07-19-04 THRU: 99-99-99 |
| 2 | 137602-10-R89 | EA | POCKET - MAGAZINE RACK - W/RAIL (PEWTER) - PORTSMOUTH OAK |
| 2 | 137602-10-R90 | EA | POCKET - MAGAZINE RACK - W/RAIL (PEWTER) - CONCERT CHERRY |
| 2 | 137602-10-RW5 | EA | POCKET - MAGAZINE RACK - W/RAIL (PEWTER) - WASHED MAPLE |
| 2 | 137602-10-S79 | EA | POCKET - MAGAZINE RACK - W/RAIL (PEWTER) - SIERRA MAPLE |
| 3 | 147812-11-R38 | EA | COUNTERTOP - LEDGE F/BACKWALL - W/FLIP UP - PORTSMOUTH OAK |
| 3 | 147812-11-R39 | EA | COUNTERTOP - LEDGE F/BACKWALL - W/FLIP UP - CONCERT CHERRY |
| 3 | 147812-11-R46 | EA | COUNTERTOP - LEDGE F/BACKWALL - W/FLIP UP - WASHED MAPLE |
| 3 | 147812-11-S67 | EA | COUNTERTOP - LEDGE F/BACKWALL - W/FLIP UP - SIERRA MAPLE |
| 3 | 150690-11-S64 | EA | COUNTERTOP - LEDGE F/BACKWALL - W/FLIP UP - PORTSMOUTH OAK - DESK CABINET |
| 3 | 150690-11-S65 | EA | COUNTERTOP - LEDGE F/BACKWALL - W/FLIP UP - CONCERT CHERRY - DESK CABINET |
| 3 | 150690-11-S66 | EA | COUNTERTOP - LEDGE F/BACKWALL - W/FLIP UP - WASHED MAPLE - DESK CABINET |
| 3 | 150690-11-S67 | EA | COUNTERTOP - LEDGE F/BACKWALL - W/FLIP UP - SIERRA MAPLE - DESK CABINET |
| 4 | 147812-20-R38 | EA | COUNTERTOP - FLIP UP - F/PULLOUT TABLE - W/O HARDWARE - PORTSMOUTH OAK |
| 4 | 147812-20-R39 | EA | COUNTERTOP - FLIP UP - F/PULLOUT TABLE - W/O HARDWARE - CONCERT CHERRY |
| 4 | 147812-20-R46 | EA | COUNTERTOP - FLIP UP - F/PULLOUT TABLE - W/O HARDWARE - WASHED MAPLE |
| 4 | 147812-20-S67 | EA | COUNTERTOP - FLIP UP - F/PULLOUT TABLE - W/O HARDWARE - SIERRA MAPLE |
| 4 | 150690-20-S64 | EA | COUNTERTOP - FLIP UP - F/PULLOUT TABLE - W/O HDW - PORTSMOUTH OAK - DESK CABINET |
| 4 | 150690-20-S65 | EA | COUNTERTOP - FLIP UP - F/PULLOUT TABLE - W/O HDW - CONCERT CHERRY - DESK CABINET |
| 4 | 150690-20-S66 | EA | COUNTERTOP - FLIP UP - F/PULLOUT TABLE - W/O HARDWARE - WASHED MAPLE - DESK CABINET |
| 4 | 150690-20-S67 | EA | COUNTERTOP - FLIP UP - F/PULLOUT TABLE - W/O HARDWARE - SIERRA MAPLE - DESK CABINET |
| 5 | 147812-12-R38 | EA | CABINET/CENTER - W/PULLOUT TABLE - W/O FACE PANEL - PORTSMOUTH OAK |
| 5 | 147812-12-R39 | EA | CABINET/CENTER - W/PULLOUT TABLE - W/O FACE PANEL - CONCERT CHERRY |
| 5 | 147812-12-RW4 | EA | CABINET/CENTER - W/PULLOUT TABLE - W/O FACE PANEL - WASHED MAPLE |
| 5 | 147812-12-S67 | EA | CABINET/CENTER - W/PULLOUT TABLE - W/O FACE PANEL - SIERRA MAPLE |
| 5 | 150690-12-S64 | EA | TABLE - PULLOUT CABINET - W/ENDS/TOP - PORTSMOUTH OAK - DESK CABINET |
| 5 | 150690-12-S65 | EA | TABLE - PULLOUT CABINET - W/ENDS/TOP - CONCERT CHERRY - DESK CABINET |

CABINET & APPLIANCE GROUP (CONTINUED)

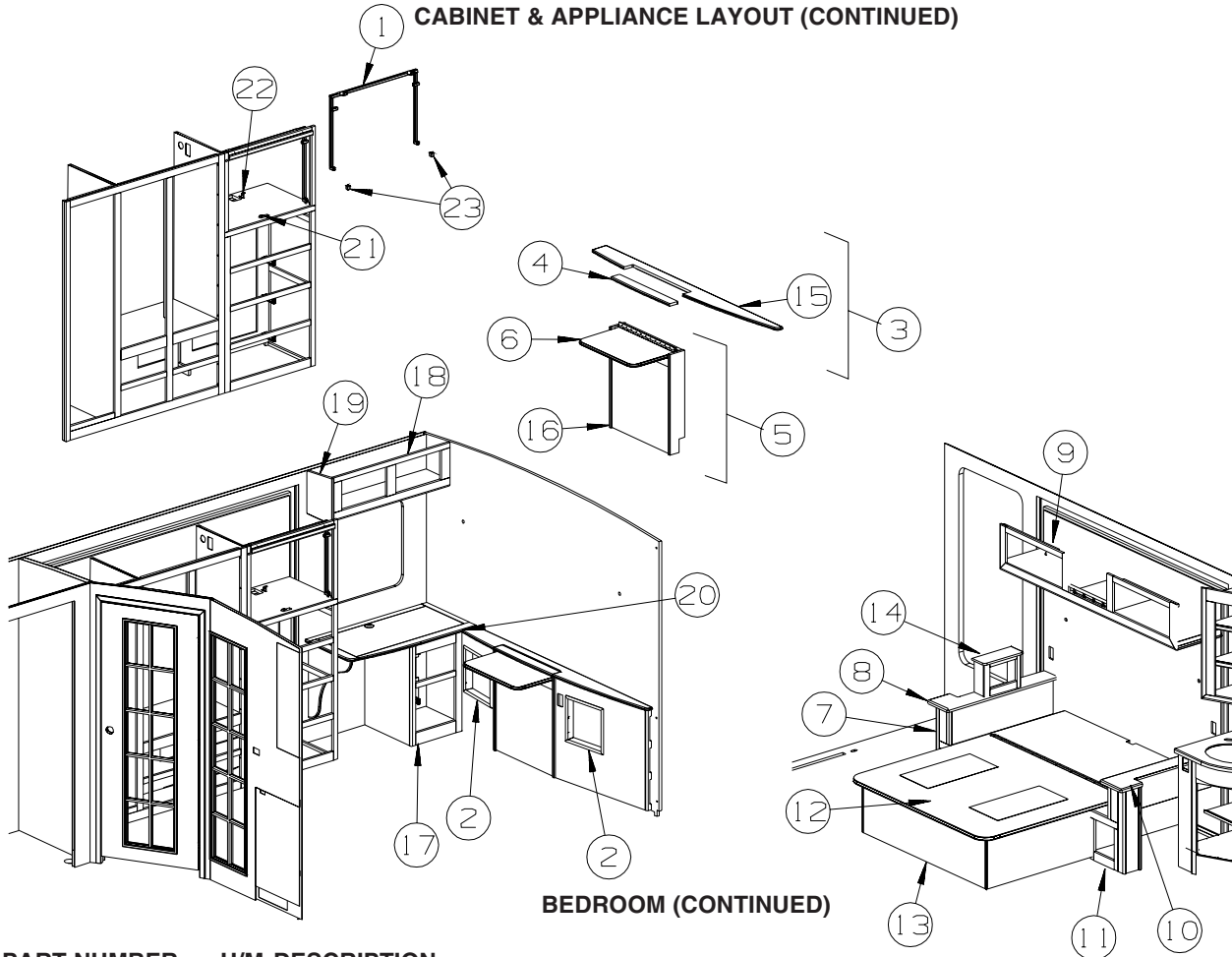
CABINET & APPLIANCE LAYOUT (CONTINUED)

BEDROOM (CONTINUED)

| KEY | PART NUMBER | U/M | DESCRIPTION |
|-----|---------------|-----|---------------------------------------------------------------------------------------|
| 5 | 150690-12-S66 | EA | TABLE - PULLOUT CABINET - W/ENDS/TOP - WASHED MAPLE - DESK CABINET |
| 5 | 150690-12-S67 | EA | TABLE - PULLOUT CABINET - W/ENDS/TOP - SIERRA MAPLE - DESK CABINET |
| 6 | 147812-21-R38 | EA | TABLE - PULLOUT ONLY - W/O HDW - PORTSMOUTH OAK |
| 6 | 147812-21-R39 | EA | TABLE - PULLOUT ONLY - W/O HDW - CONCERT CHERRY |
| 6 | 147812-21-RW4 | EA | TABLE - PULLOUT ONLY - W/O HDW - WASHED MAPLE |
| 6 | 147812-21-S67 | EA | TABLE - PULLOUT ONLY - W/O HDW - SIERRA MAPLE |
| 6 | 150690-21-S64 | EA | TABLE - PULLOUT - W/O HARDWARE - PORTSMOUTH OAK - DESK CABINET |
| 6 | 150690-21-S65 | EA | TABLE - PULLOUT - W/O HARDWARE - CONCERT CHERRY - DESK CABINET |
| 6 | 150690-21-S66 | EA | TABLE - PULLOUT - W/O HARDWARE - WASHED MAPLE - DESK CABINET |
| 6 | 150690-21-S67 | EA | TABLE - PULLOUT - W/O HARDWARE - SIERRA MAPLE - DESK CABINET |
| 7 | 136885-03-N42 | EA | CABINET - NIGHTSTAND/LH - W/O COUNTERTOP/DOOR/DRAWER/HDW - PORTSMOUTH OAK |
| 7 | 136885-03-N52 | EA | CABINET - NIGHTSTAND/LH - W/O COUNTERTOP/DOOR/DRAWER/HDW - CONCERT CHERRY |
| 7 | 136885-03-RW4 | EA | CABINET - NIGHTSTAND/LH - W/O COUNTERTOP/DOOR/DRAWER/HDW - WASHED MAPLE |
| 7 | 136885-03-S67 | EA | CABINET - NIGHTSTAND/LH - W/O COUNTERTOP/DOOR/DRAWER/HDW - SIERRA MAPLE |
| 8 | 145182-01-R38 | EA | COUNTERTOP - LAMINATED - ROCKY MT HIGH/PORTSMOUTH OAK (S76) |
| 8 | 145182-01-R39 | EA | COUNTERTOP - LAMINATED - ROCKY MT HIGH/CHERRY (S77) |
| 8 | 145182-01-S70 | EA | COUNTERTOP - LAMINATED - ROCKY MT HIGH/WASHED MAPLE (S78) |
| 8 | 145182-01-S71 | EA | COUNTERTOP - LAMINATED - ROCKY MT HIGH/SIERRA MAPLE (S79) |
| 8 | 145182-01-R40 | EA | COUNTERTOP - LAMINATED - LINO FRIEZE/PORTSMOUTH OAK (S80) |
| 8 | 145182-01-R41 | EA | COUNTERTOP - LAMINATED - LINO FRIEZE/CHERRY (S81) |
| 8 | 145182-01-S82 | EA | COUNTERTOP - LAMINATED - LINO FRIEZE/WASHED MAPLE (S82) |
| 8 | 145182-01-S83 | EA | COUNTERTOP - LAMINATED - LINO FRIEZE/SIERRA MAPLE (S83) |
| 8 | 145182-01-R42 | EA | COUNTERTOP - LAMINATED - GRAY TRANQUILITY/PORTSMOUTH OAK (S84) |
| 8 | 145182-01-R43 | EA | COUNTERTOP - LAMINATED - GRAY TRANQUILITY/CHERRY (S85) |
| 8 | 145182-01-S74 | EA | COUNTERTOP - LAMINATED - GRAY TRANQUILITY/WASHED MAPLE (S86) |
| 8 | 145182-01-S75 | EA | COUNTERTOP - LAMINATED - GRAY TRANQUILITY/SIERRA MAPLE (S87) |
| 8 | 145182-08-S68 | EA | COUNTERTOP - LAMINATED - ROCKY MT HIGH/PORTSMOUTH OAK (S76) - REAR STEREO SYS |
| 8 | 145182-08-S69 | EA | COUNTERTOP - LAMINATED - ROCKY MT HIGH/CHERRY (S77) - REAR STEREO SYS |
| 8 | 145182-08-S70 | EA | COUNTERTOP - LAMINATED - ROCKY MT HIGH/WASHED MAPLE (S78) - REAR STEREO SYS |
| 8 | 145182-08-S71 | EA | COUNTERTOP - LAMINATED - ROCKY MT HIGH/SIERRA MAPLE (S79) - REAR STEREO SYS |
| 8 | 145182-08-S80 | EA | COUNTERTOP - LAMINATED - LINO FRIEZE/PORTSMOUTH OAK (S80) - REAR STEREO SYS |
| 8 | 145182-08-S81 | EA | COUNTERTOP - LAMINATED - LINO FRIEZE/CHERRY (S81) - REAR STEREO SYS |
| 8 | 145182-08-S82 | EA | COUNTERTOP - LAMINATED - LINO FRIEZE/WASHED MAPLE (S82) - REAR STEREO SYS |
| 8 | 145182-08-S83 | EA | COUNTERTOP - LAMINATED - LINO FRIEZE/SIERRA MAPLE (S83) - REAR STEREO SYS |
| 8 | 145182-08-S72 | EA | COUNTERTOP - LMNTD - GRAY TRANQUILITY/PORTSMOUTH OAK (S84) - REAR STEREO SYS |
| 8 | 145182-08-S73 | EA | COUNTERTOP - LAMINATED - GRAY TRANQUILITY/CHERRY (S85) - REAR STEREO SYS |
| 8 | 145182-08-S74 | EA | COUNTERTOP - LAMINATED - GRAY TRANQUILITY/WASHED MAPLE (S86) - REAR STEREO SYS |
| 8 | 145182-08-S75 | EA | COUNTERTOP - LAMINATED - GRAY TRANQUILITY/SIERRA MAPLE (S87) - REAR STEREO SYS |
| 9 | 149264-01-S64 | EA | CABINET - OVERHEAD/REAR - RIGHT HAND - W/O DOORS/HARDWARE - PORTSMOUTH OAK |
| 9 | 149264-01-S65 | EA | CABINET - OVERHEAD/REAR - RIGHT HAND - W/O DOORS/HARDWARE - CONCERT CHERRY |
| 9 | 149264-01-S66 | EA | CABINET - OVERHEAD/REAR - RIGHT HAND - W/O DOORS/HARDWARE - WASHED MAPLE |
| 9 | 149264-01-S67 | EA | CABINET - OVERHEAD/REAR - RIGHT HAND - W/O DOORS/HARDWARE - SIERRA MAPLE |
| 9 | 149264-02-S64 | EA | CABINET - OVHD/RR - RH - W/O DOORS/HARDWARE - PORTSMOUTH OAK - REAR STEREO SYS |
| 9 | 149264-02-S65 | EA | CABINET - OVHD/RR - RH - W/O DOORS/HARDWARE - CONCERT CHERRY - REAR STEREO SYS |
| 9 | 149264-02-S66 | EA | CABINET - OVHD/RR - RH - W/O DOORS/HARDWARE - WASHED MAPLE - REAR STEREO SYS |
| 9 | 149264-02-S67 | EA | CABINET - OVHD/RR - RH - W/O DOORS/HARDWARE - SIERRA MAPLE - REAR STEREO SYS |
| 10 | 145182-02-R38 | EA | COUNTERTOP - LAMINATED - ROCKY MT HIGH/PORTSMOUTH OAK (S76) |
| 10 | 145182-02-R39 | EA | COUNTERTOP - LAMINATED - ROCKY MT HIGH/CHERRY (S77) |
| 10 | 145182-02-R46 | EA | COUNTERTOP - LAMINATED - ROCKY MT HIGH/WASHED MAPLE (S78) |
| 10 | 145182-02-S71 | EA | COUNTERTOP - LAMINATED - ROCKY MT HIGH/SIERRA MAPLE (S79) |
| 10 | 145182-02-R40 | EA | COUNTERTOP - LAMINATED - LINO FRIEZE/PORTSMOUTH OAK (S80) |
| 10 | 145182-02-R41 | EA | COUNTERTOP - LAMINATED - LINO FRIEZE/CHERRY (S81) |
| 10 | 145182-02-R79 | EA | COUNTERTOP - LAMINATED - LINO FRIEZE/WASHED MAPLE (S82) |
| 10 | 145182-02-S83 | EA | COUNTERTOP - LAMINATED - LINO FRIEZE/SIERRA MAPLE (S83) |
| 10 | 145182-02-R42 | EA | COUNTERTOP - LAMINATED - GRAY TRANQUILITY/PORTSMOUTH OAK (S84) |
| 10 | 145182-02-R43 | EA | COUNTERTOP - LAMINATED - GRAY TRANQUILITY/CHERRY (S85) |
| 10 | 145182-02-R52 | EA | COUNTERTOP - LAMINATED - GRAY TRANQUILITY/WASHED MAPLE (S86) |
| 10 | 145182-02-S75 | EA | COUNTERTOP - LAMINATED - GRAY TRANQUILITY/SIERRA MAPLE (S87) |
| 11 | 136885-04-N47 | EA | CABINET - NIGHTSTAND/RH - W/O COUNTERTOP/DOOR/DRAWER/HDW - PORTSMOUTH OAK |
| 11 | 136885-04-N52 | EA | CABINET - NIGHTSTAND/RH - W/O COUNTERTOP/DOOR/DRAWER/HDW - CONCERT CHERRY |
| 11 | 136885-04-RW4 | EA | CABINET - NIGHTSTAND/RH - W/O COUNTERTOP/DOOR/DRAWER/HDW - WASHED MAPLE |
| 11 | 136885-04-S67 | EA | CABINET - NIGHTSTAND/RH - W/O COUNTERTOP/DOOR/DRAWER/HDW - SIERRA MAPLE |
| 12 | 137406-01-N42 | EA | BEDBOARD - W/HINGE/T-MOLDING/SLIPNOT - FLIP-UP |

CABINET & APPLIANCE GROUP (CONTINUED)

CABINET & APPLIANCE LAYOUT (CONTINUED)



BEDROOM (CONTINUED)

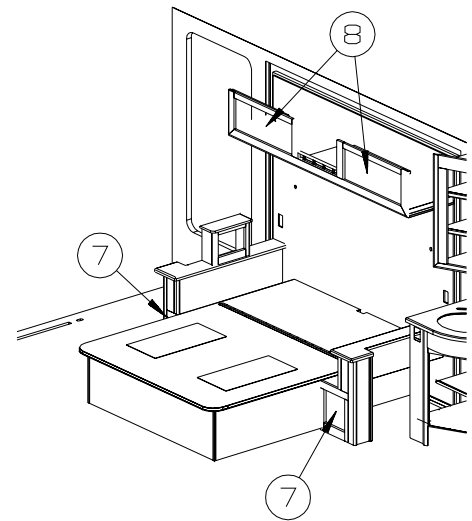
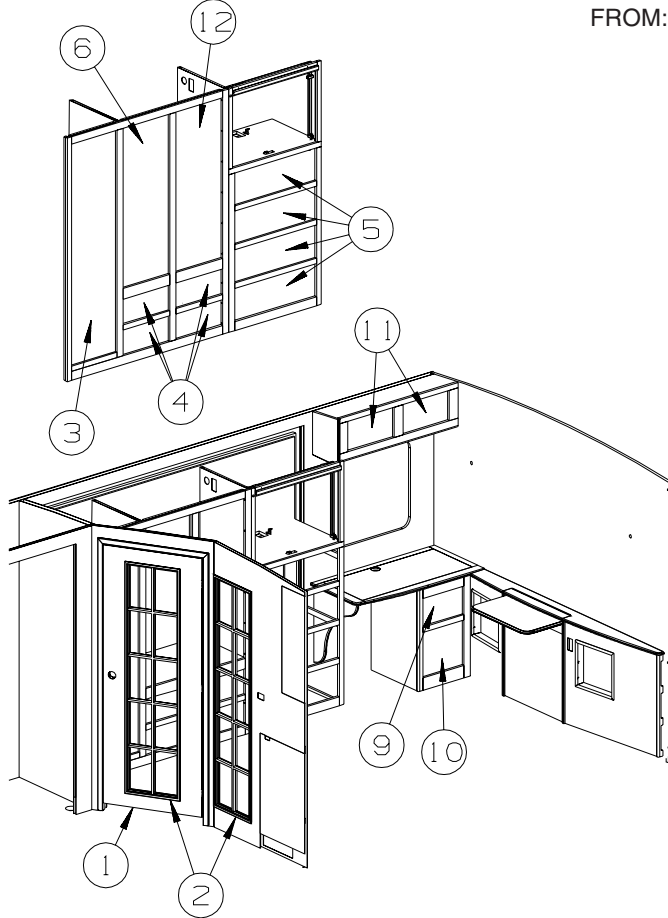
| KEY | PART NUMBER | U/M | DESCRIPTION |
|-----|---------------|-----|--------------------------------------------------------------------------------------------|
| 13 | 147843-01-R38 | EA | CABINET/BASE - F/QUEEN BED - W/O DOORS/HARDWARE - PORTSMOUTH OAK |
| 13 | 147843-01-R39 | EA | CABINET/BASE - F/QUEEN BED - W/O DOORS/HARDWARE - CONCERT CHERRY |
| 13 | 147843-01-RW4 | EA | CABINET/BASE - F/QUEEN BED - W/O DOORS/HARDWARE - WASHED MAPLE |
| 13 | 147843-01-S67 | EA | CABINET/BASE - F/QUEEN BED - W/O DOORS/HARDWARE - SIERRA MAPLE |
| 14 | 149474-01-S64 | EA | CABINET - RADIO - PORTSMOUTH OAK |
| 14 | 149474-01-S65 | EA | CABINET - RADIO - CONCERT CHERRY |
| 14 | 149474-01-S66 | EA | CABINET - RADIO - WASHED MAPLE |
| 14 | 149474-01-S67 | EA | CABINET - RADIO - SIERRA MAPLE |
| 15 | 147812-19-R38 | EA | COUNTERTOP - W/CUT OUT F/PULLOUT TABLE - W/O HARDWARE - PORTSMOUTH OAK |
| 15 | 147812-19-R39 | EA | COUNTERTOP - W/CUT OUT F/PULLOUT TABLE - W/O HARDWARE - CONCERT CHERRY |
| 15 | 147812-19-R46 | EA | COUNTERTOP - W/CUT OUT F/PULLOUT TABLE - W/O HARDWARE - WASHED MAPLE |
| 15 | 147812-19-S67 | EA | COUNTERTOP - W/CUT OUT F/PULLOUT TABLE - W/O HARDWARE - SIERRA MAPLE |
| 15 | 150690-19-S64 | EA | COUNTERTOP - W/CUT OUT F/PULLOUT TABLE - W/O HDW - PORTSMOUTH OAK - DESK CABINET |
| 15 | 150690-19-S65 | EA | COUNTERTOP - W/CUT OUT F/PULLOUT TABLE - W/O HDW - CONCERT CHERRY - DESK CABINET |
| 15 | 150690-19-S66 | EA | COUNTERTOP - W/CUT OUT F/PULLOUT TABLE - W/O HDW - WASHED MAPLE - DESK CABINET |
| 15 | 150690-19-S67 | EA | COUNTERTOP - W/CUT OUT F/PULLOUT TABLE - W/O HARDWARE - SIERRA MAPLE - DESK CABINET |
| 16 | 147812-13-R38 | EA | LUMBER W/PULL HANDLE CUT OUT F/TABLE TOP STORAGE - PORTSMOUTH OAK |
| 16 | 147812-13-R39 | EA | LUMBER W/PULL HANDLE CUT OUT F/TABLE TOP STORAGE - CONCERT CHERRY |
| 16 | 147812-13-R46 | EA | LUMBER W/PULL HANDLE CUT OUT F/TABLE TOP STORAGE - WASHED MAPLE |
| 16 | 147812-13-S67 | EA | LUMBER W/PULL HANDLE CUT OUT F/TABLE TOP STORAGE - SIERRA MAPLE |
| 16 | 150690-13-S64 | EA | LUMBER W/PULL HANDLE CUT OUT F/TABLE TOP STORAGE - PORTSMOUTH OAK - DESK CABINET |
| 16 | 150690-13-S65 | EA | LUMBER W/PULL HANDLE CUT OUT F/TABLE TOP STORAGE - CONCERT CHERRY - DESK CABINET |
| 16 | 150690-13-S66 | EA | LUMBER W/PULL HANDLE CUT OUT F/TABLE TOP STORAGE - WASHED MAPLE - DESK CABINET |
| 16 | 150690-13-S67 | EA | LUMBER W/PULL HANDLE CUT OUT F/TABLE TOP STORAGE - SIERRA MAPLE - DESK CABINET |
| 17 | P50677-01-S64 | EA | CABINET - DESK - W/O COUNTERTOP/DOORS/DRAWERS/HARDWARE - PORTSMOUTH OAK |
| 17 | P50677-01-S65 | EA | CABINET - DESK - W/O COUNTERTOP/DOORS/DRAWERS/HARDWARE - CONCERT CHERRY |
| 17 | P50677-01-S66 | EA | CABINET - DESK - W/O COUNTERTOP/DOORS/DRAWERS/HARDWARE - WASHED MAPLE |
| 17 | P50677-01-S67 | EA | CABINET - DESK - W/O COUNTERTOP/DOORS/DRAWERS/HARDWARE - SIERRA MAPLE |
| 18 | 150843-01-S64 | EA | CABINET - OVERHEAD/DESK - W/O DOORS/HARDWARE - PORTSMOUTH OAK |
| 18 | 150843-01-S65 | EA | CABINET - OVERHEAD/DESK - W/O DOORS/HARDWARE - CONCERT CHERRY |
| 18 | 150843-01-S66 | EA | CABINET - OVERHEAD/DESK - W/O DOORS/HARDWARE - WASHED MAPLE |
| 18 | 150843-01-S67 | EA | CABINET - OVERHEAD/DESK - W/O DOORS/HARDWARE - SIERRA MAPLE |

CABINET & APPLIANCE GROUP (CONTINUED)

CABINET & APPLIANCE LAYOUT (CONTINUED)

BEDROOM (CONTINUED)

| KEY | PART NUMBER | U/M | DESCRIPTION | |
|-----|---------------|-----|----------------------------------------------|-------------------------------|
| 19 | 145517-29-S64 | EA | END CAP - OVERHEAD CABINET - PORTSMOUTH OAK | |
| 19 | 145517-29-S65 | EA | END CAP - OVERHEAD CABINET - CONCERT CHERRY | |
| 19 | 145517-29-S66 | EA | END CAP - OVERHEAD CABINET - WASHED MAPLE | |
| 19 | 145517-29-S67 | EA | END CAP - OVERHEAD CABINET - SIERRA MAPLE | |
| 20 | 150952-01-S64 | EA | COUNTERTOP - LAMINATED - PORTSMOUTH OAK | |
| 20 | 150952-01-S65 | EA | COUNTERTOP - LAMINATED - CONCERT CHERRY | |
| 20 | 150952-01-S66 | EA | COUNTERTOP - LAMINATED - WASHED MAPLE | |
| 20 | 150952-01-S67 | EA | COUNTERTOP - LAMINATED - SIERRA MAPLE | |
| 21 | 152024-01-02B | EA | ZEE W/HOLES - E-COATED | |
| | | | | FROM: 07-19-04 THRU: 99-99-99 |
| 22 | 152025-03-02B | EA | ANGLE/FORMED/Z - W/STUD WELD - E-COATED | |
| | | | | FROM: 07-19-04 THRU: 99-99-99 |
| 23 | 152665-01-01A | EA | CAP - TUBE - 3/4" X 3/4" X 1" - RUBBER/BLACK | |
| | | | | FROM: 07-19-04 THRU: 99-99-99 |



| KEY | PART NUMBER | U/M | DESCRIPTION |
|-----|---------------|-----|-----------------------------------------------------------------------------|
| 1 | P47332-01-S76 | EA | DOOR - (PASSAGE) - W/GLASS - W/O HARDWARE - PORTSMOUTH OAK |
| 1 | P47332-01-S77 | EA | DOOR - (PASSAGE) - W/GLASS - W/O HARDWARE - CONCERT CHERRY |
| 1 | P47332-01-S78 | EA | DOOR - (PASSAGE) - W/GLASS - W/O HARDWARE - WASHED MAPLE |
| 1 | P47332-01-S79 | EA | DOOR - (PASSAGE) - W/GLASS - W/O HARDWARE - SIERRA MAPLE |
| 2 | 147399-01-R38 | EA | GLASS/INSERT - F/PASSAGE DOOR - PORTSMOUTH OAK |
| 2 | 147399-01-R39 | EA | GLASS/INSERT - F/PASSAGE DOOR - CONCERT CHERRY |
| 2 | 147399-01-R46 | EA | GLASS/INSERT - F/PASSAGE DOOR - WASHED MAPLE |
| 2 | 147399-01-S67 | EA | GLASS/INSERT - F/PASSAGE DOOR - SIERRA MAPLE |
| 3 | 141507-01-SB4 | EA | DOOR - MIRRORED/PENCIL EDGE - 16.1" X 65.3" - W/O HARDWARE - PORTSMOUTH OAK |
| 3 | 141507-01-SB5 | EA | DOOR - MIRRORED/PENCIL EDGE - 16.1" X 65.3" - W/O HARDWARE - CONCERT CHERRY |
| 3 | 141507-01-SB6 | EA | DOOR - MIRRORED/PENCIL EDGE - 16.1" X 65.3" - W/O HARDWARE - WASHED MAPLE |
| 3 | 141507-01-SB7 | EA | DOOR - MIRRORED/PENCIL EDGE - 16.1" X 65.3" - W/O HARDWARE - SIERRA MAPLE |
| | 140374-11-000 | EA | MIRROR - SAFETY GLASS - 12.9" X 62" |
| 4 | 145492-50-S76 | EA | DRAWER - PENCIL EDGE - 14.6"W X 17.7"D-W/O SLIDES/HARDWARE - PORTSMOUTH OAK |
| 4 | 145492-50-S77 | EA | DRAWER - PENCIL EDGE - 14.6"W X 17.7"D - W/O SLIDES/HDW - CONCERT CHERRY |
| 4 | 145492-50-S78 | EA | DRAWER - PENCIL EDGE - 14.6"W X 17.7"D-W/O SLIDES/HARDWARE - WASHED MAPLE |
| 4 | 145492-50-S79 | EA | DRAWER - PENCIL EDGE - 14.6"W X 17.7"D-W/O SLIDES/HARDWARE - SIERRA MAPLE |

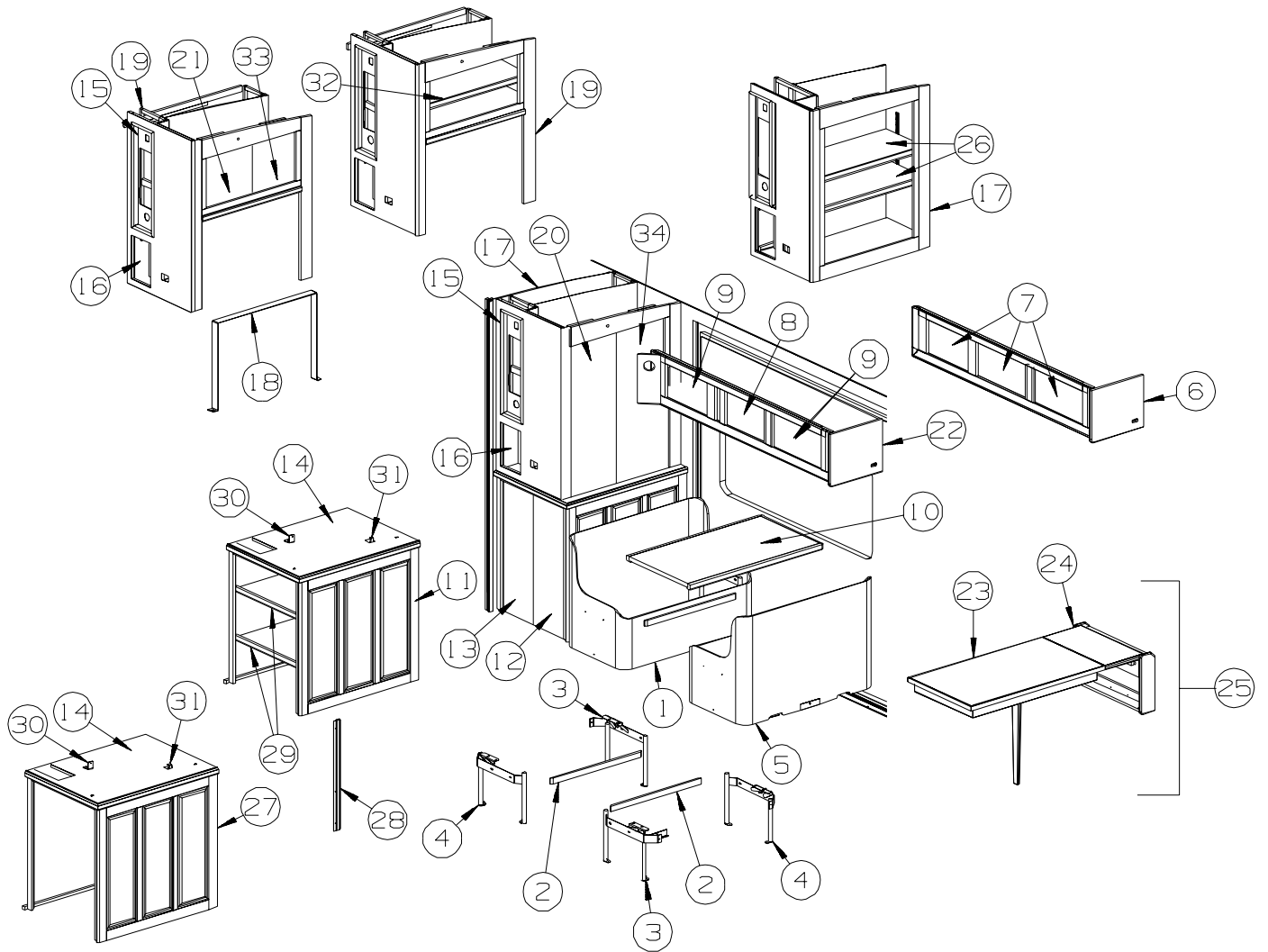
CABINET & APPLIANCE GROUP (CONTINUED)

CABINET & APPLIANCE LAYOUT (CONTINUED)

BEDROOM (CONTINUED)

| KEY | PART NUMBER | U/M | DESCRIPTION |
|-----|---------------|-----|-------------------------------------------------------------------------------|
| 5 | 145492-U6-S76 | EA | DRAWER - PENCIL EDGE - 26.5" X 17.7" - W/O SLIDES/HARDWARE - PORTSMOUTH OAK |
| 5 | 145492-U6-S77 | EA | DRAWER - PENCIL EDGE - 26.5" X 17.7" - W/O SLIDES/HARDWARE - CONCERT CHERRY |
| 5 | 145492-U6-S78 | EA | DRAWER - PENCIL EDGE - 26.5" X 17.7" - W/O SLIDES/HARDWARE - WASHED MAPLE |
| 5 | 145492-U6-S79 | EA | DRAWER - PENCIL EDGE - 26.5" X 17.7" - W/O SLIDES/HARDWARE - SIERRA MAPLE |
| 6 | 141518-D9-S76 | EA | DOOR - ARCHED/PENCIL EDGE - 16.7" X 48" - W/O HARDWARE - PORTSMOUTH OAK |
| 6 | 141518-D9-S77 | EA | DOOR - ARCHED/PENCIL EDGE - 16.7" X 48" - W/O HARDWARE - CONCERT CHERRY |
| 6 | 141518-D9-S78 | EA | DOOR - ARCHED/PENCIL EDGE - 16.7" X 48" - W/O HARDWARE - WASHED MAPLE |
| 6 | 141518-D9-S79 | EA | DOOR - ARCHED/PENCIL EDGE - 16.7" X 48" - W/O HARDWARE - SIERRA MAPLE |
| 7 | 145492-51-R44 | EA | DRAWER - PENCIL EDGE - 7.6"W X 23.6"D-W/O SLIDES/HARDWARE - PORTSMOUTH OAK |
| 7 | 145492-51-R45 | EA | DRAWER - PENCIL EDGE - 7.6"W X 23.6"D-W/O SLIDES/HARDWARE - CONCERT CHERRY |
| 7 | 145492-51-R46 | EA | DRAWER - PENCIL EDGE - 7.6"W X 23.6"D-W/O SLIDES/HARDWARE - WASHED MAPLE |
| 7 | 145492-51-S79 | EA | DRAWER - PENCIL EDGE - 7.6"W X 23.6"D-W/O SLIDES/HARDWARE - SIERRA MAPLE |
| 8 | 141522-25-SB4 | EA | DOOR - ARCHED/PENCIL EDGE/HORIZ - 10" X 25.2" - W/O HDW - PORTSMOUTH OAK |
| 8 | 141522-25-SB5 | EA | DOOR - ARCHED/PENCIL EDGE/HORIZ - 10" X 25.2" - W/O HDW - CONCERT CHERRY |
| 8 | 141522-25-SB6 | EA | DOOR - ARCHED/PENCIL EDGE/HORIZ - 10" X 25.2" - W/O HDW - WASHED MAPLE |
| 8 | 141522-25-SB7 | EA | DOOR - ARCHED/PENCIL EDGE/HORIZ - 10" X 25.2" - W/O HDW - SIERRA MAPLE |
| 9 | 145492-Y9-S76 | EA | DRAWER - PENCIL EDGE - 12.7"W X 17.7"D - W/O SLIDES/HARDWARE - PORTSMOUTH OAK |
| 9 | 145492-Y9-S77 | EA | DRAWER - PENCIL EDGE - 12.7"W X 17.7"D - W/O SLIDES/HARDWARE - CONCERT CHERRY |
| 9 | 145492-Y9-S78 | EA | DRAWER - PENCIL EDGE - 12.7"W X 17.7"D - W/O SLIDES/HARDWARE - WASHED MAPLE |
| 9 | 145492-Y9-S79 | EA | DRAWER - PENCIL EDGE - 12.7"W X 17.7"D - W/O SLIDES/HARDWARE - SIERRA MAPLE |
| 10 | 145492-Z0-S76 | EA | DRAWER - PENCIL EDGE - 12.7"W X 17.7"D - W/O SLIDES/HARDWARE - PORTSMOUTH OAK |
| 10 | 145492-Z0-S77 | EA | DRAWER - PENCIL EDGE - 12.7"W X 17.7"D - W/O SLIDES/HARDWARE - CONCERT CHERRY |
| 10 | 145492-Z0-S78 | EA | DRAWER - PENCIL EDGE - 12.7"W X 17.7"D - W/O SLIDES/HARDWARE - WASHED MAPLE |
| 10 | 145492-Z0-S79 | EA | DRAWER - PENCIL EDGE - 12.7"W X 17.7"D - W/O SLIDES/HARDWARE - SIERRA MAPLE |
| 11 | 141522-37-S76 | EA | DOOR - ARCHED/PENCIL EDGE/HORIZ - 10.8" X 16.5" - W/O HDW - PORTSMOUTH OAK |
| 11 | 141522-37-S77 | EA | DOOR - ARCHED/PENCIL EDGE/HORIZ - 10.8" X 16.5" - W/O HDW - CONCERT CHERRY |
| 11 | 141522-37-S78 | EA | DOOR - ARCHED/PENCIL EDGE/HORIZ - 10.8" X 16.5" - W/O HDW - WASHED MAPLE |
| 11 | 141522-37-S79 | EA | DOOR - ARCHED/PENCIL EDGE/HORIZ - 10.8" X 16.5" - W/O HDW - SIERRA MAPLE |
| 12 | 141520-D9-S76 | EA | DOOR - ARCHED/PENCIL EDGE/RIGHT HAND-16.7" X 48"-W/O HDW - PORTSMOUTH OAK |
| 12 | 141520-D9-S77 | EA | DOOR - ARCHED/PENCIL EDGE/RIGHT HAND-16.7" X 48"-W/O HDW - CONCERT CHERRY |
| 12 | 141520-D9-S78 | EA | DOOR - ARCHED/PENCIL EDGE/RIGHT HAND-16.7" X 48"-W/O HDW - WASHED MAPLE |
| 12 | 141520-D9-S79 | EA | DOOR - ARCHED/PENCIL EDGE/RIGHT HAND-16.7" X 48"-W/O HDW - WASHED MAPLE |

CABINET & APPLIANCE GROUP (CONTINUED)
CABINET & APPLIANCE LAYOUT (CONTINUED)



DINETTE

| KEY | PART NUMBER | U/M | DESCRIPTION |
|-----|---------------|-----|-----------------------------------------------------------|
| 1 | 141859-02-S76 | EA | CABINET/DINETTE W/BACK(WRAPPED)-LEFT HAND - W/O DOORS/HDW |
| 1 | 141859-02-S77 | EA | CABINET/DINETTE W/BACK(WRAPPED)-LEFT HAND - W/O DOORS/HDW |
| 1 | 141859-02-S78 | EA | CABINET/DINETTE W/BACK(WRAPPED)-LEFT HAND - W/O DOORS/HDW |
| 1 | 141859-02-S79 | EA | CABINET/DINETTE W/BACK(WRAPPED)-LEFT HAND - W/O DOORS/HDW |
| 1 | 141859-02-S80 | EA | CABINET/DINETTE W/BACK(WRAPPED)-LEFT HAND - W/O DOORS/HDW |
| 1 | 141859-02-S81 | EA | CABINET/DINETTE W/BACK(WRAPPED)-LEFT HAND - W/O DOORS/HDW |
| 1 | 141859-02-S82 | EA | CABINET/DINETTE W/BACK(WRAPPED)-LEFT HAND - W/O DOORS/HDW |
| 1 | 141859-02-S83 | EA | CABINET/DINETTE W/BACK(WRAPPED)-LEFT HAND - W/O DOORS/HDW |
| 1 | 141859-02-S84 | EA | CABINET/DINETTE W/BACK(WRAPPED)-LEFT HAND - W/O DOORS/HDW |
| 1 | 141859-02-S85 | EA | CABINET/DINETTE W/BACK(WRAPPED)-LEFT HAND - W/O DOORS/HDW |
| 1 | 141859-02-S86 | EA | CABINET/DINETTE W/BACK(WRAPPED)-LEFT HAND - W/O DOORS/HDW |
| 1 | 141859-02-S87 | EA | CABINET/DINETTE W/BACK(WRAPPED)-LEFT HAND - W/O DOORS/HDW |
| 2 | 081295-01-N70 | EA | SUPPORT - BED/DINETTE - 28" LONG - PORTSMOUTH OAK |
| 2 | 081295-01-M52 | EA | SUPPORT - BED/DINETTE - 28" LONG - CONCERT CHERRY |
| 2 | 081295-01-H37 | EA | SUPPORT - BED/DINETTE - 28" LONG - WASHED MAPLE |
| 2 | 081295-01-RE0 | EA | SUPPORT - BED/DINETTE - 28" LONG - SIERRA MAPLE |
| 3 | 142033-01-000 | EA | BRACKET - DINETTE - RIGHT HAND |
| 4 | 142033-02-000 | EA | BRACKET - DINETTE - LEFT HAND |

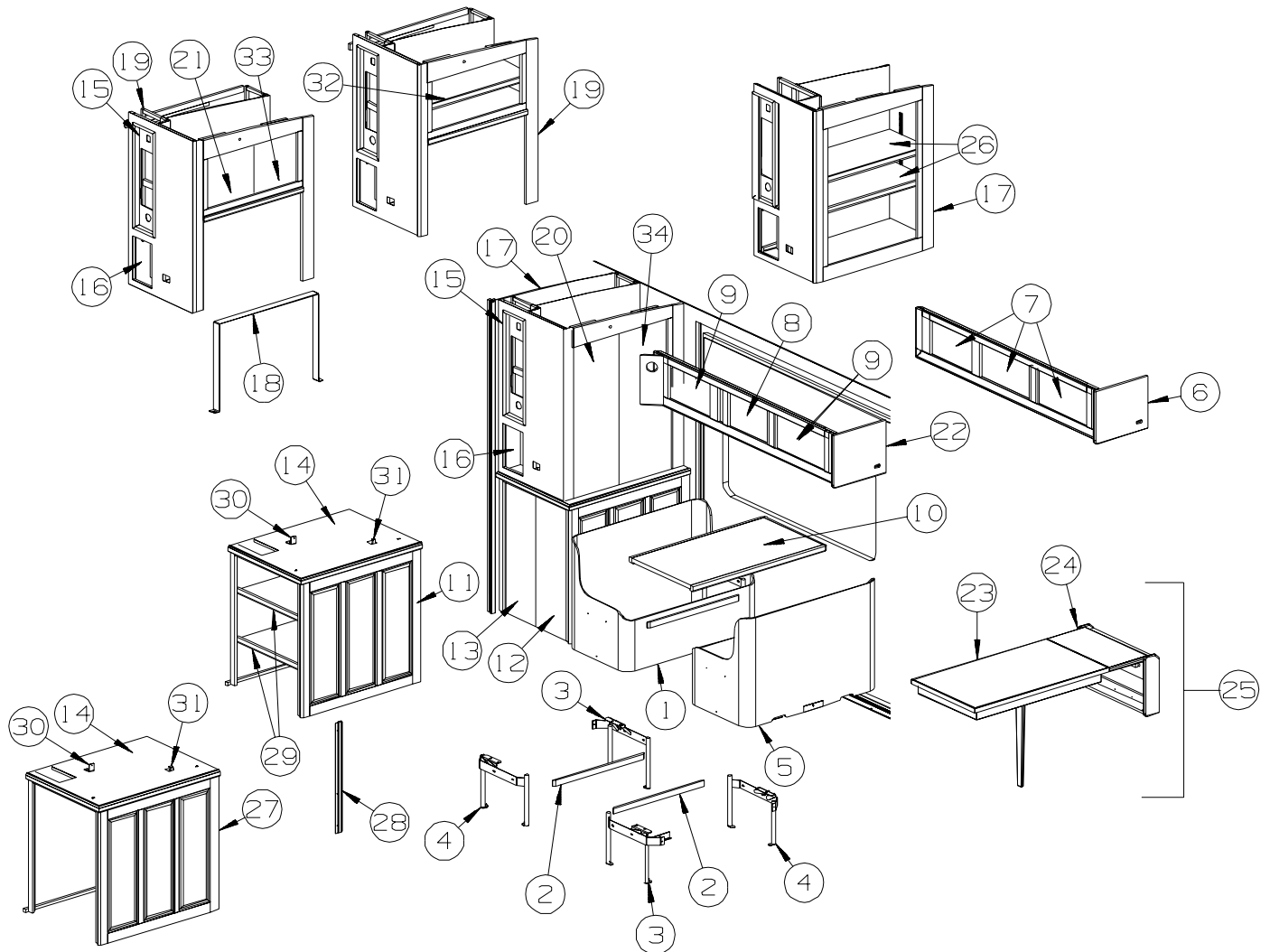
CABINET & APPLIANCE GROUP (CONTINUED)

CABINET & APPLIANCE LAYOUT (CONTINUED)

DINETTE (CONTINUED)

| KEY | PART NUMBER | U/M | DESCRIPTION |
|-----|---------------|-----|------------------------------------------------------------------------------|
| 5 | 141859-01-S76 | EA | CABINET/DINETTE W/BACK(WRAPPED)-RIGHT HAND - W/O DOORS/HDW |
| 5 | 141859-01-S77 | EA | CABINET/DINETTE W/BACK(WRAPPED)-RIGHT HAND - W/O DOORS/HDW |
| 5 | 141859-01-S78 | EA | CABINET/DINETTE W/BACK(WRAPPED)-RIGHT HAND - W/O DOORS/HDW |
| 5 | 141859-01-S79 | EA | CABINET/DINETTE W/BACK(WRAPPED)-RIGHT HAND - W/O DOORS/HDW |
| 5 | 141859-01-S80 | EA | CABINET/DINETTE W/BACK(WRAPPED)-RIGHT HAND - W/O DOORS/HDW |
| 5 | 141859-01-S81 | EA | CABINET/DINETTE W/BACK(WRAPPED)-RIGHT HAND - W/O DOORS/HDW |
| 5 | 141859-01-S82 | EA | CABINET/DINETTE W/BACK(WRAPPED)-RIGHT HAND - W/O DOORS/HDW |
| 5 | 141859-01-S83 | EA | CABINET/DINETTE W/BACK(WRAPPED)-RIGHT HAND - W/O DOORS/HDW |
| 5 | 141859-01-S84 | EA | CABINET/DINETTE W/BACK(WRAPPED)-RIGHT HAND - W/O DOORS/HDW |
| 5 | 141859-01-S85 | EA | CABINET/DINETTE W/BACK(WRAPPED)-RIGHT HAND - W/O DOORS/HDW |
| 5 | 141859-01-S86 | EA | CABINET/DINETTE W/BACK(WRAPPED)-RIGHT HAND - W/O DOORS/HDW |
| 5 | 141859-01-S87 | EA | CABINET/DINETTE W/BACK(WRAPPED)-RIGHT HAND - W/O DOORS/HDW |
| 6 | 145194-02-S64 | EA | CABINET - OVERHEAD/DINETTE - W/O DOORS/HDW - PORTSMOUTH OAK |
| 6 | 145194-02-S65 | EA | CABINET - OVERHEAD/DINETTE - W/O DOORS/HDW - CONCERT CHERRY |
| 6 | 145194-02-S66 | EA | CABINET - OVERHEAD/DINETTE - W/O DOORS/HDW - WASHED MAPLE |
| 6 | 145194-02-S67 | EA | CABINET - OVERHEAD/DINETTE - W/O DOORS/HDW - SIERRA MAPLE |
| 7 | 141522-34-S76 | EA | DOOR - ARCHED/PENCIL EDGE/HORIZ - 10.6" X 19.9" - W/O HDW - PORTSMOUTH OAK |
| 7 | 141522-34-S77 | EA | DOOR - ARCHED/PENCIL EDGE/HORIZ - 10.6" X 19.9" - W/O HDW - CONCERT CHERRY |
| 7 | 141522-34-S78 | EA | DOOR - ARCHED/PENCIL EDGE/HORIZ - 10.6" X 19.9" - W/O HDW - WASHED MAPLE |
| 7 | 141522-34-S79 | EA | DOOR - ARCHED/PENCIL EDGE/HORIZ - 10.6" X 19.9" - W/O HDW - SIERRA MAPLE |
| 8 | 141522-37-S76 | EA | DOOR - ARCHED/PENCIL EDGE/HORIZ - 10.8" X 16.5" - W/O HDW - PORTSMOUTH OAK |
| 8 | 141522-37-S77 | EA | DOOR - ARCHED/PENCIL EDGE/HORIZ - 10.8" X 16.5" - W/O HDW - CONCERT CHERRY |
| 8 | 141522-37-S78 | EA | DOOR - ARCHED/PENCIL EDGE/HORIZ - 10.8" X 16.5" - W/O HDW - WASHED MAPLE |
| 8 | 141522-37-S79 | EA | DOOR - ARCHED/PENCIL EDGE/HORIZ - 10.8" X 16.5" - W/O HDW - SIERRA MAPLE |
| 9 | 141522-40-S76 | EA | DOOR - ARCHED/PENCIL EDGE/HORIZ - 10.8" X 21.8" - W/O HDW - PORTSMOUTH OAK |
| 9 | 141522-40-S77 | EA | DOOR - ARCHED/PENCIL EDGE/HORIZ - 10.8" X 21.8" - W/O HDW - CONCERT CHERRY |
| 9 | 141522-40-S78 | EA | DOOR - ARCHED/PENCIL EDGE/HORIZ - 10.8" X 21.8" - W/O HDW - WASHED MAPLE |
| 9 | 141522-40-S79 | EA | DOOR - ARCHED/PENCIL EDGE/HORIZ - 10.8" X 21.8" - W/O HDW - SIERRA MAPLE |
| 10 | 149081-08-S68 | EA | TABLE/DINETTE - W/ADJ FRAME/LEG - 24"W X 41.5"D (S76) |
| 10 | 149081-08-S69 | EA | TABLE/DINETTE - W/ADJ FRAME/LEG - 24"W X 41.5"D (S77) |
| 10 | 149081-08-S70 | EA | TABLE/DINETTE - W/ADJ FRAME/LEG - 24"W X 41.5"D (S78) |
| 10 | 149081-08-S71 | EA | TABLE/DINETTE - W/ADJ FRAME/LEG - 24"W X 41.5"D (S79) |
| 10 | 149081-08-S80 | EA | TABLE/DINETTE - W/ADJ FRAME/LEG - 24"W X 41.5"D (S80) |
| 10 | 149081-08-S81 | EA | TABLE/DINETTE - W/ADJ FRAME/LEG - 24"W X 41.5"D (S81) |
| 10 | 149081-08-S82 | EA | TABLE/DINETTE - W/ADJ FRAME/LEG - 24"W X 41.5"D (S82) |
| 10 | 149081-08-S83 | EA | TABLE/DINETTE - W/ADJ FRAME/LEG - 24"W X 41.5"D (S83) |
| 10 | 149081-08-S72 | EA | TABLE/DINETTE - W/ADJ FRAME/LEG - 24"W X 41.5"D (S84) |
| 10 | 149081-08-S73 | EA | TABLE/DINETTE - W/ADJ FRAME/LEG - 24"W X 41.5"D (S85) |
| 10 | 149081-08-S74 | EA | TABLE/DINETTE - W/ADJ FRAME/LEG - 24"W X 41.5"D (S86) |
| 10 | 149081-08-S75 | EA | TABLE/DINETTE - W/ADJ FRAME/LEG - 24"W X 41.5"D (S87) |
| 11 | P47683-01-R38 | EA | CABINET - FRONT/STORAGE LH - W/O DOOR/HDW - PORTSMOUTH OAK |
| 11 | P47683-01-R39 | EA | CABINET - FRONT/STORAGE LH - W/O DOOR/HDW - CONCERT CHERRY |
| 11 | P47683-01-RW4 | EA | CABINET - FRONT/STORAGE LH - W/O DOOR/HDW - WASHED MAPLE |
| 11 | P47683-01-S67 | EA | CABINET - FRONT/STORAGE LH - W/O DOOR/HDW - SIERRA MAPLE |
| 12 | 144856-04-S76 | EA | DOOR - LOUVERED/PENCIL EDGE/RIGHT HAND - 12.4" X 32.2" - PORTSMOUTH OAK |
| 12 | 144856-04-S77 | EA | DOOR - LOUVERED/PENCIL EDGE/RIGHT HAND - 12.4" X 32.2" - CONCERT CHERRY |
| 12 | 144856-04-S78 | EA | DOOR - LOUVERED/PENCIL EDGE/RIGHT HAND - 12.4" X 32.2" - WASHED MAPLE |
| 12 | 144856-04-S79 | EA | DOOR - LOUVERED/PENCIL EDGE/RIGHT HAND - 12.4" X 32.2" - SIERRA MAPLE |
| 13 | 144857-04-S76 | EA | DOOR - LOUVERED/PENCIL EDGE/LEFT HAND - 12.4" X 32.2" - PORTSMOUTH OAK |
| 13 | 144857-04-S77 | EA | DOOR - LOUVERED/PENCIL EDGE/LEFT HAND - 12.4" X 32.2" - CONCERT CHERRY |
| 13 | 144857-04-S78 | EA | DOOR - LOUVERED/PENCIL EDGE/LEFT HAND - 12.4" X 32.2" - WASHED MAPLE |
| 13 | 144857-04-S79 | EA | DOOR - LOUVERED/PENCIL EDGE/LEFT HAND - 12.4" X 32.2" - SIERRA MAPLE |
| 14 | 140889-17-R38 | EA | COUNTERTOP - LAMINATED - PORTSMOUTH OAK/PORTSMOUTH OAK - PORTSMOUTH OAK |
| 14 | 140889-17-R39 | EA | COUNTERTOP - LAMINATED - ROCKY MOUNTAIN HIGH/CONCERT CHERRY - CONCERT CHERRY |
| 14 | 140889-17-RW4 | EA | COUNTERTOP - LAMINATED - HARDROCK MAPLE/WASHED MAPLE - WASHED MAPLE |
| 14 | 140889-17-S67 | EA | COUNTERTOP - LAMINATED - HONEY MAPLE/HONEY - SIERRA MAPLE |
| 15 | 137602-C3-R38 | EA | POCKET - MONITOR PANEL - PORTSMOUTH OAK |
| 15 | 137602-C3-R39 | EA | POCKET - MONITOR PANEL - CONCERT CHERRY |
| 15 | 137602-C3-RW4 | EA | POCKET - MONITOR PANEL - WASHED MAPLE |
| 15 | 137602-C3-S67 | EA | POCKET - MONITOR PANEL - SIERRA MAPLE |

CABINET & APPLIANCE GROUP (CONTINUED)
CABINET & APPLIANCE LAYOUT (CONTINUED)



DINETTE (CONTINUED)

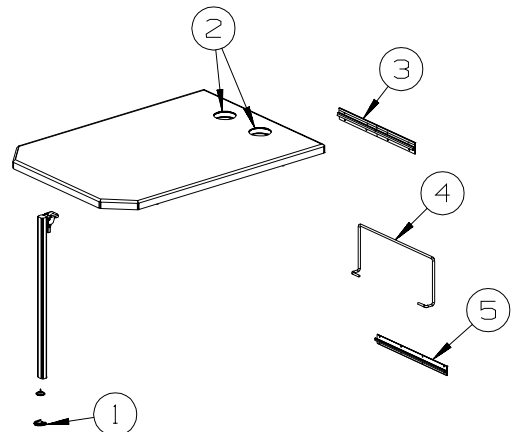
| KEY | PART NUMBER | U/M | DESCRIPTION |
|-----|---------------|-----|------------------------------------------------------------------------------------|
| 16 | 145298-20-S76 | EA | DOOR - SOLID PANEL/PENCIL EDGE - 8.3" X 12" - W/O HARDWARE - PORTSMOUTH OAK |
| 16 | 145298-20-S77 | EA | DOOR - SOLID PANEL/PENCIL EDGE - 8.3" X 12" - W/O HARDWARE - CONCERT CHERRY |
| 16 | 145298-20-S78 | EA | DOOR - SOLID PANEL/PENCIL EDGE - 8.3" X 12" - W/O HARDWARE - WASHED MAPLE |
| 16 | 145298-20-S79 | EA | DOOR - SOLID PANEL/PENCIL EDGE - 8.3" X 12" - W/O HARDWARE - SIERRA MAPLE |
| 17 | P51083-01-S64 | EA | CABINET - TV - LH - W/O HDW - PORTSMOUTH OAK - ENTERTAINMENT CENTER |
| 17 | P51083-01-S65 | EA | CABINET - TV - LH - W/O HDW - CONCERT CHERRY - ENTERTAINMENT CENTER |
| 17 | P51083-01-S66 | EA | CABINET - TV - LH - W/O HDW - WASHED MAPLE - ENTERTAINMENT CENTER |
| 17 | P51083-01-S67 | EA | CABINET - TV - LH - W/O HDW - SIERRA MAPLE - ENTERTAINMENT CENTER |
| 17 | P51083-02-S64 | EA | CABINET - TV - LH - W/O HDW - PORTSMOUTH OAK - ENTERTAINMENT CENTER/SURROUND SOUND |
| 17 | P51083-02-S65 | EA | CABINET - TV - LH - W/O HDW - CONCERT CHERRY - ENTERTAINMENT CENTER/SURROUND SOUND |
| 17 | P51083-02-S66 | EA | CABINET - TV - LH - W/O HDW - WASHED MAPLE - ENTERTAINMENT CENTER/SURROUND SOUND |
| 17 | P51083-02-S67 | EA | CABINET - TV - LH - W/O HDW - SIERRA MAPLE - ENTERTAINMENT CENTER/SURROUND SOUND |
| 18 | 146656-01-02B | EA | STRAP/TIEDOWN - TV - E-COATED - ENTERTAINMENT CENTER |
| 19 | P48796-01-F38 | EA | CABINET - STORAGE/LH - W/O DOORS/HDW - PORTSMOUTH OAK - TV-24" FRONT/HUTCH CABINET |
| 19 | P48796-01-F39 | EA | CABINET - STORAGE/LH - W/O DOORS/HDW - CONCERT CHERRY - TV-24" FRONT/HUTCH CABINET |
| 19 | P48796-01-RW4 | EA | CABINET - STORAGE/LH - W/O DOORS/HDW - WASHED MAPLE - TV-24" FRONT/HUTCH CABINET |
| 19 | P48796-01-S67 | EA | CABINET - STORAGE/LH - W/O DOORS/HDW - SIERRA MAPLE - TV-24" FRONT/HUTCH CABINET |
| 20 | 146028-19-S76 | EA | DOOR - GLASS INSERT/PENCIL EDGE - 14.4" X 36.4" - W/O HDW - PORTSMOUTH OAK |
| 20 | 146028-19-S77 | EA | DOOR - GLASS INSERT/PENCIL EDGE - 14.4" X 36.4" - W/O HDW - CONCERT CHERRY |
| 20 | 146028-19-S78 | EA | DOOR - GLASS INSERT/PENCIL EDGE - 14.4" X 36.4" - W/O HDW - WASHED MAPLE |
| 20 | 146028-19-S79 | EA | DOOR - GLASS INSERT/PENCIL EDGE - 14.4" X 36.4" - W/O HDW - SIERRA MAPLE |
| 21 | 146028-15-S76 | EA | DOOR - GLASS INSERT/PENCIL EDGE - 14.4" X 14.4" - W/O HDW - PORTSMOUTH OAK |
| 21 | 146028-15-S77 | EA | DOOR - GLASS INSERT/PENCIL EDGE - 14.4" X 14.4" - W/O HDW - CONCERT CHERRY |
| 21 | 146028-15-S78 | EA | DOOR - GLASS INSERT/PENCIL EDGE - 14.4" X 14.4" - W/O HDW - WASHED MAPLE |
| 21 | 146028-15-S79 | EA | DOOR - GLASS INSERT/PENCIL EDGE - 14.4" X 14.4" - W/O HDW - SIERRA MAPLE |

CABINET & APPLIANCE GROUP (CONTINUED)

CABINET & APPLIANCE LAYOUT (CONTINUED)

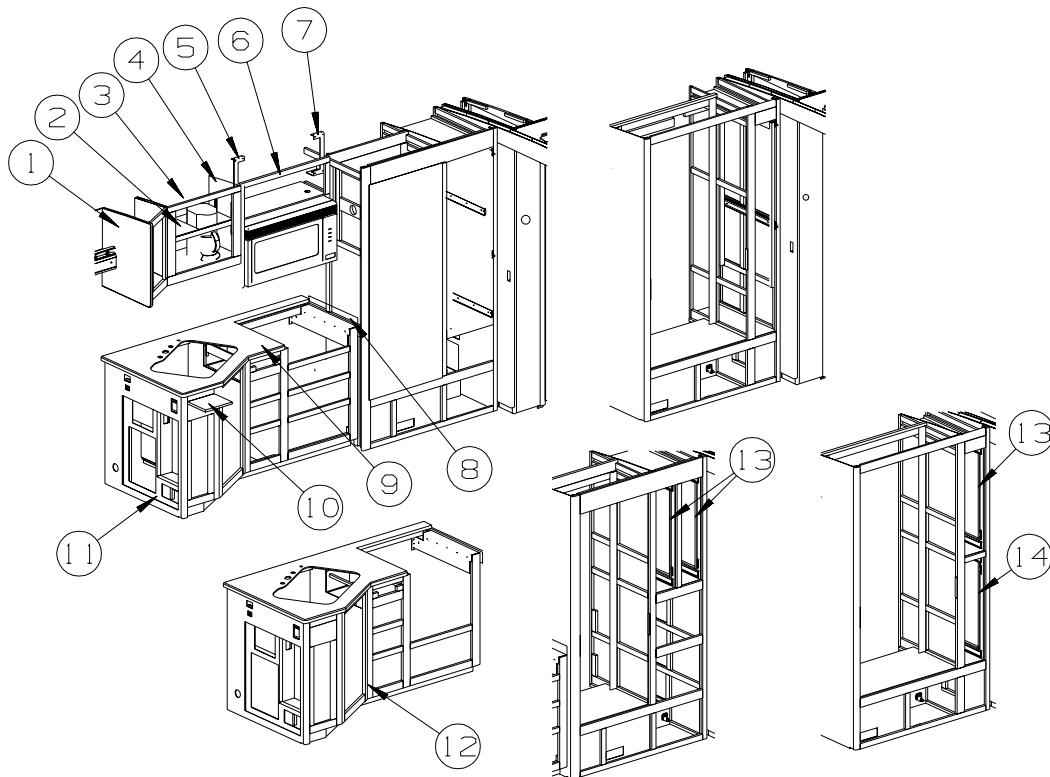
DINETTE (CONTINUED)

| KEY | PART NUMBER | U/M | DESCRIPTION |
|-----|---------------|-----|------------------------------------------------------------------------------|
| 22 | 147884-02-S64 | EA | CABINET - OVERHEAD/DINETTE - W/O DOORS/HDW - PORTSMOUTH OAK - SURROUND SOUND |
| 22 | 147884-02-S65 | EA | CABINET - OVERHEAD/DINETTE - W/O DOORS/HDW - CONCERT CHERRY - SURROUND SOUND |
| 22 | 147884-02-S66 | EA | CABINET - OVERHEAD/DINETTE - W/O DOORS/HDW - WASHED MAPLE - SURROUND SOUND |
| 22 | 147884-02-S67 | EA | CABINET - OVERHEAD/DINETTE - W/O DOORS/HDW - SIERRA MAPLE - SURROUND SOUND |
| 23 | 133856-11-N42 | EA | TABLE TOP - LARGE SECTION - LAMINATED - PORTSMOUTH OAK - PORTSMOUTH OAK |
| 23 | 133856-11-L52 | EA | TABLE TOP - LARGE SECTION - LAMINATED - PLANK CHERRY - CONCERT CHERRY |
| 23 | 133856-11-RW4 | EA | TABLE TOP - LARGE SECTION - LAMINATED - WASHED MAPLE - WASHED MAPLE |
| 23 | 133856-11-S67 | EA | TABLE TOP - LARGE SECTION - LAMINATED - WASHED MAPLE - SIERRA MAPLE |
| 24 | 133856-12-N42 | EA | TABLE TOP - SMALL HINGED SECTION-LAMINATED-PORTSMOUTH OAK - PORTSMOUTH OAK |
| 24 | 133856-12-L52 | EA | TABLE TOP - SMALL HINGED SECTION - LAMINATED-PLANK CHERRY - CONCERT CHERRY |
| 24 | 133856-12-RW4 | EA | TABLE TOP - SMALL HINGED SECTION-LAMINATED - WASHED MAPLE - WASHED MAPLE |
| 24 | 133856-12-S67 | EA | TABLE TOP - SMALL HINGED SECTION-LAMINATED - HONEY MAPLE - SIERRA MAPLE |
| 25 | 133856-01-N42 | EA | CABINET/WALL - W/FOLD DOWN TABLE/LEG - PORTSMOUTH OAK |
| 25 | 133856-01-L52 | EA | CABINET/WALL - W/FOLD DOWN TABLE/LEG - CONCERT CHERRY |
| 25 | 133856-01-RW4 | EA | CABINET/WALL - W/FOLD DOWN TABLE/LEG - WASHED MAPLE |
| 25 | 133856-01-S67 | EA | CABINET/WALL - W/FOLD DOWN TABLE/LEG - SIERRA MAPLE |
| | 105402-03-000 | EA | STRAP - DINING CHAIR/TIEDOWN - 18" |
| 26 | 148796-27-R38 | EA | SHELF - FRAMED - W/ EDGE MOLDING - PORTSMOUTH OAK |
| 26 | 148796-27-R39 | EA | SHELF - FRAMED - W/ EDGE MOLDING - CONCERT CHERRY |
| 26 | 148796-27-RW4 | EA | SHELF - FRAMED - W/ EDGE MOLDING - WASHED MAPLE |
| 26 | 148796-27-S67 | EA | SHELF - FRAMED - W/ EDGE MOLDING - SIERRA MAPLE |
| 27 | P47683-02-R38 | EA | CABINET - FRONT/STORAGE LH - W/O DOOR/HDW - PORTSMOUTH OAK - WASHER/DRYER |
| 27 | P47683-02-R39 | EA | CABINET - FRONT/STORAGE LH - W/O DOOR/HDW - CONCERT CHERRY - WASHER/DRYER |
| 27 | P47683-02-RW4 | EA | CABINET - FRONT/STORAGE LH - W/O DOOR/HDW - WASHED MAPLE - WASHER/DRYER |
| 27 | P47683-02-S67 | EA | CABINET - FRONT/STORAGE LH - W/O DOOR/HDW - SIERRA MAPLE - WASHER/DRYER |
| 28 | 130034-01-02B | EA | CLIP - TRIM - E-COATED |
| 29 | 147683-17-R38 | EA | SHELF - FRAMED - W/ EDGE MOLDING - PORTSMOUTH OAK |
| 29 | 147683-17-R39 | EA | SHELF - FRAMED - W/ EDGE MOLDING - CONCERT CHERRY |
| 29 | 147683-17-RW4 | EA | SHELF - FRAMED - W/ EDGE MOLDING - WASHED MAPLE |
| 29 | 147683-17-S67 | EA | SHELF - FRAMED - W/ EDGE MOLDING - SIERRA MAPLE |
| 30 | 146791-01-02B | EA | BRACKET/ZEE - TV - E-COATED - ENTERTAINMENT CENTER |
| 31 | 147994-02-02B | EA | BRACKET - TV - F/SONY 27" - E-COATED - ENTERTAINMENT CENTER/SURROUND SOUND |
| 32 | 151083-22-S64 | EA | SHELF - FRAMED - W/ EDGE MOLDING - PORTSMOUTH OAK |
| 32 | 151083-22-S65 | EA | SHELF - FRAMED - W/ EDGE MOLDING - CONCERT CHERRY |
| 32 | 151083-22-S66 | EA | SHELF - FRAMED - W/ EDGE MOLDING - WASHED MAPLE |
| 32 | 151083-22-S67 | EA | SHELF - FRAMED - W/ EDGE MOLDING - SIERRA MAPLE |
| 33 | 146028-14-S76 | EA | DOOR - GLASS INSERT/PENCIL EDGE - 14.4" X 14.4" - W/O HDW - PORTSMOUTH OAK |
| 33 | 146028-14-S77 | EA | DOOR - GLASS INSERT/PENCIL EDGE - 14.4" X 14.4" - W/O HDW - CONCERT CHERRY |
| 33 | 146028-14-S78 | EA | DOOR - GLASS INSERT/PENCIL EDGE - 14.4" X 14.4" - W/O HDW - WASHED MAPLE |
| 33 | 146028-14-S79 | EA | DOOR - GLASS INSERT/PENCIL EDGE - 14.4" X 14.4" - W/O HDW - SIERRA MAPLE |
| 34 | 146028-18-S76 | EA | DOOR - GLASS INSERT/PENCIL EDGE - 14.4" X 36.4" - W/O HDW - PORTSMOUTH OAK |
| 34 | 146028-18-S77 | EA | DOOR - GLASS INSERT/PENCIL EDGE - 14.4" X 36.4" - W/O HDW - CONCERT CHERRY |
| 34 | 146028-18-S78 | EA | DOOR - GLASS INSERT/PENCIL EDGE - 14.4" X 36.4" - W/O HDW - WASHED MAPLE |
| 34 | 146028-18-S79 | EA | DOOR - GLASS INSERT/PENCIL EDGE - 14.4" X 36.4" - W/O HDW - SIERRA MAPLE |



| KEY | PART NUMBER | U/M | DESCRIPTION |
|-----|---------------|-----|-----------------------------------------------------|
| 1 | 143798-01-01A | EA | CATCH - FLOOR TO TABLE LEG - BRIGHT WHITE |
| 2 | NOT USED | | |
| 3 | 140921-02-01A | EA | BRACKET/TABLE SUPPORT - 18.5" - OFF WHITE |
| 4 | 024275-13-000 | EA | ROD - TABLE LIFT - OFF/WHITE |
| 5 | 024281-15-000 | EA | BRACKET/TABLE - LIFT ROD/LOWER WALL MOUNTED - 17.1" |

CABINET & APPLIANCE GROUP (CONTINUED)
CABINET & APPLIANCE LAYOUT (CONTINUED)



GALLEY

| KEY | PART NUMBER | U/M | DESCRIPTION |
|-----|---------------|-----|---------------------------------------------------------------------------------|
| 1 | 145517-04-R44 | EA | END CAP - OVERHEAD CABINET - PORTSMOUTH OAK |
| 1 | 145517-04-R45 | EA | END CAP - OVERHEAD CABINET - CONCERT CHERRY |
| 1 | 145517-04-R46 | EA | END CAP - OVERHEAD CABINET - WASHED MAPLE |
| 1 | 145517-04-S79 | EA | END CAP - OVERHEAD CABINET - SIERRA MAPLE |
| 2 | 145499-16-R44 | EA | SHELF - W/PLASTIC EDGE MOLDING - PORTSMOUTH OAK |
| 2 | 145499-16-R45 | EA | SHELF - W/PLASTIC EDGE MOLDING - CONCERT CHERRY |
| 2 | 145499-16-RW4 | EA | SHELF - W/PLASTIC EDGE MOLDING - WASHED MAPLE |
| 2 | 145499-16-S79 | EA | SHELF - W/PLASTIC EDGE MOLDING - SIERRA MAPLE |
| 3 | 145499-01-R44 | EA | CABINET - OVERHEAD/GALLEY - W/O DOORS/HARDWARE - PORTSMOUTH OAK |
| 3 | 145499-01-R45 | EA | CABINET - OVERHEAD/GALLEY - W/O DOORS/HARDWARE - CONCERT CHERRY |
| 3 | 145499-01-RW4 | EA | CABINET - OVERHEAD/GALLEY - W/O DOORS/HARDWARE - WASHED MAPLE |
| 3 | 145499-01-S79 | EA | CABINET - OVERHEAD/GALLEY - W/O DOORS/HARDWARE - SIERRA MAPLE |
| 4 | 145517-03-R38 | EA | END CAP - OVERHEAD CABINET - PORTSMOUTH OAK |
| 4 | 145517-03-R39 | EA | END CAP - OVERHEAD CABINET - CONCERT CHERRY |
| 4 | 145517-03-R46 | EA | END CAP - OVERHEAD CABINET - WASHED MAPLE |
| 4 | 145517-03-SA3 | EA | END CAP - OVERHEAD CABINET - SIERRA MAPLE |
| 5 | 130736-03-02B | EA | BRACKET - MICROWAVE - E-COATED |
| 6 | 141733-02-P45 | EA | CABINET - OVERHEAD/MICROWAVE - W/O DOORS/HARDWARE - PORTSMOUTH OAK |
| 6 | 141733-02-P46 | EA | CABINET - OVERHEAD/MICROWAVE - W/O DOORS/HARDWARE - CONCERT CHERRY |
| 6 | 141733-02-RW4 | EA | CABINET - OVERHEAD/MICROWAVE - W/O DOORS/HARDWARE - WASHED MAPLE |
| 6 | 141733-02-S67 | EA | CABINET - OVERHEAD/MICROWAVE - W/O DOORS/HARDWARE - SIERRA MAPLE |
| 7 | 130736-04-02B | EA | BRACKET - MICROWAVE - E-COATED |
| 8 | 130813-04-05A | EA | BACKSPLASH-SIDE-GALLEY CTRTP-1/2" VENDURA-NATURES FLANNEL |
| 9 | 149086-09-04A | EA | COUNTERTOP - 1/4" VENDURA - NATURES FLANNEL |
| 10 | 141784-01-04A | EA | COUNTERTOP EXTENSION - 1/4"VENDURA - NATURES FLANNEL |
| 11 | P40935-03-S64 | EA | CABINET - GALLEY - W/O COUNTERTOP/DRS/DWRS/HDW - PORTSMOUTH OAK - TWO-WAY RADIO |
| 11 | P40935-03-S65 | EA | CABINET - GALLEY - W/O COUNTERTOP/DRS/DWRS/HDW - CONCERT CHERRY - TWO-WAY RADIO |
| 11 | P40935-03-S66 | EA | CABINET - GALLEY - W/O COUNTERTOP/DRS/DWRS/HDW - WASHED MAPLE - TWO-WAY RADIO |
| 11 | P40935-03-S67 | EA | CABINET - GALLEY - W/O COUNTERTOP/DRS/DWRS/HDW - SIERRA MAPLE - TWO-WAY RADIO |
| 11 | P40935-01-P45 | EA | CABINET - GALLEY - W/O COUNTERTOP/DOORS/DRAWERS/HARDWARE - PORTSMOUTH OAK |
| 11 | P40935-01-P46 | EA | CABINET - GALLEY - W/O COUNTERTOP/DOORS/DRAWERS/HARDWARE - CONCERT CHERRY |
| 11 | P40935-01-RW4 | EA | CABINET - GALLEY - W/O COUNTERTOP/DOORS/DRAWERS/HARDWARE - WASHED MAPLE |
| 11 | P40935-01-S67 | EA | CABINET - GALLEY - W/O COUNTERTOP/DOORS/DRAWERS/HARDWARE - SIERRA MAPLE |
| 12 | P40935-04-S64 | EA | CABINET - GALLEY - W/O COUNTERTOP/DRS/DWRS/HDW - PORTSMOUTH OAK - TWO-WAY RADIO |
| 12 | P40935-04-S65 | EA | CABINET - GALLEY - W/O COUNTERTOP/DRS/DWRS/HDW - CONCERT CHERRY - TWO-WAY RADIO |

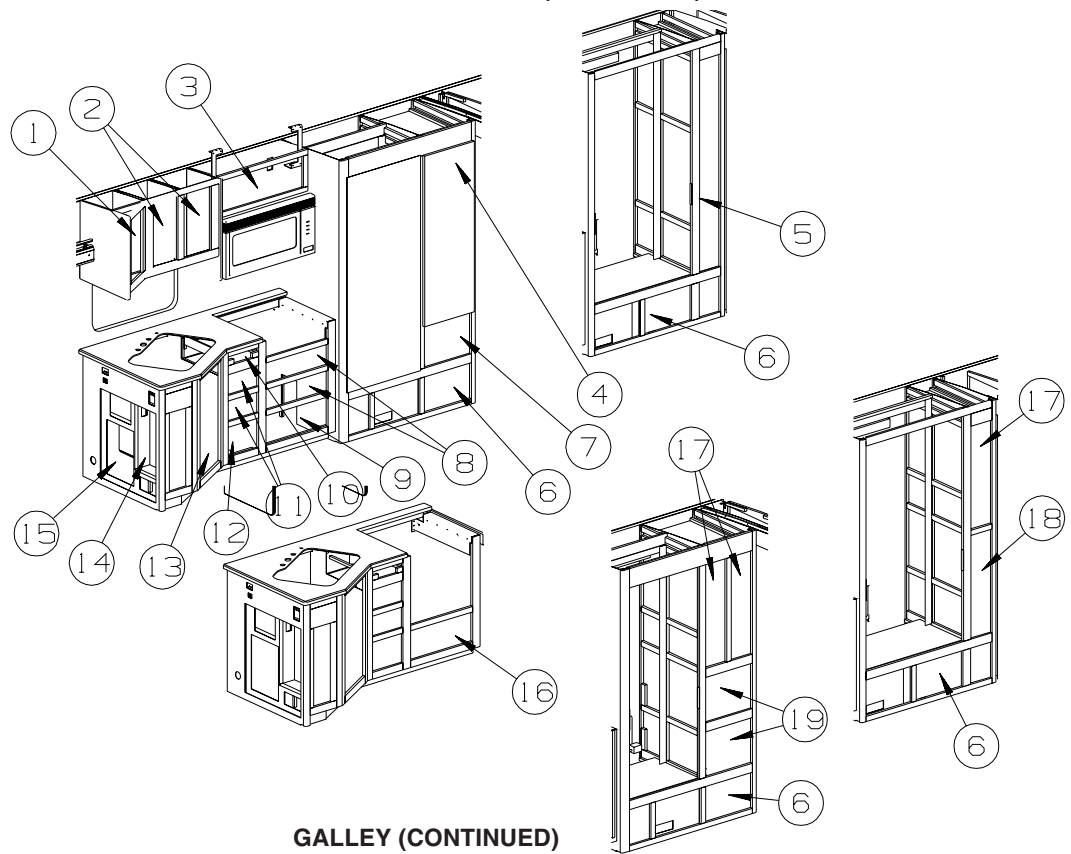
CABINET & APPLIANCE GROUP (CONTINUED)

CABINET & APPLIANCE LAYOUT (CONTINUED)

GALLEY (CONTINUED)

| KEY | PART NUMBER | U/M | DESCRIPTION |
|-----|---------------|-----|--------------------------------------------------------------------------------------------------|
| 12 | P40935-04-S66 | EA | CABINET - GALLEY - W/O COUNTERTOP/DRS/DWRS/HDW - WASHED MAPLE - TWO-WAY RADIO |
| 12 | P40935-04-S67 | EA | CABINET - GALLEY - W/O COUNTERTOP/DRS/DWRS/HDW - SIERRA MAPLE - TWO-WAY RADIO |
| 12 | P40935-02-P45 | EA | CABINET - GALLEY - W/O COUNTERTOP/DOORS/DRAWERS/HARDWARE - PORTSMOUTH OAK |
| 12 | P40935-02-P46 | EA | CABINET - GALLEY - W/O COUNTERTOP/DOORS/DRAWERS/HARDWARE - CONCERT CHERRY |
| 12 | P40935-02-RW4 | EA | CABINET - GALLEY - W/O COUNTERTOP/DOORS/DRAWERS/HARDWARE - WASHED MAPLE |
| 12 | P40935-02-S67 | EA | CABINET - GALLEY - W/O COUNTERTOP/DOORS/DRAWERS/HARDWARE - SIERRA MAPLE |
| 13 | 153343-01-SD0 | EA | CABINET - PANTRY/SLIDE - W/O DOORS/DRAWERS/HDW - PORTSMOUTH OAK FROM: 10-18-04 THRU: 99-99-99 |
| 13 | 153343-01-SD1 | EA | CABINET - PANTRY/SLIDE - W/O DOORS/DRAWERS/HDW - CONCERT CHERRY FROM: 10-18-04 THRU: 99-99-99 |
| 13 | 153343-01-SD2 | EA | CABINET - PANTRY/SLIDE - W/O DOORS/DRAWERS/HDW - WASHED MAPLE FROM: 10-18-04 THRU: 99-99-99 |
| 13 | 153343-01-S67 | EA | CABINET - PANTRY/SLIDE - W/O DOORS/DRAWERS/HDW - SIERRA MAPLE FROM: 10-18-04 THRU: 99-99-99 |
| 14 | 153343-03-SD0 | EA | CABINET - PANTRY/SLIDE - W/O DOORS/DRAWERS/HDW - PORTSMOUTH OAK FROM: 10-18-04 THRU: 99-99-99 |
| 14 | 153343-03-SD1 | EA | CABINET - PANTRY/SLIDE - W/O DOORS/DRAWERS/HDW - CONCERT CHERRY FROM: 10-18-04 THRU: 99-99-99 |
| 14 | 153343-03-SD2 | EA | CABINET - PANTRY/SLIDE - W/O DOORS/DRAWERS/HDW - WASHED MAPLE FROM: 10-18-04 THRU: 99-99-99 |
| 14 | 153343-03-S67 | EA | CABINET - PANTRY/SLIDE - W/O DOORS/DRAWERS/HDW - SIERRA MAPLE FROM: 10-18-04 THRU: 99-99-99 |

CABINET & APPLIANCE GROUP (CONTINUED)
CABINET & APPLIANCE LAYOUT (CONTINUED)



GALLEY (CONTINUED)

| KEY | PART NUMBER | U/M | DESCRIPTION |
|-----|---------------|-----|--------------------------------------------------------------------------------------------------------------|
| 1 | 141520-22-SB4 | EA | DOOR - ARCHED/PENCIL EDGE/RIGHT HAND-10" X 19.1" - W/O HDW - PORTSMOUTH OAK |
| 1 | 141520-22-SB5 | EA | DOOR - ARCHED/PENCIL EDGE/RIGHT HAND-10" X 19.1" - W/O HDW - CONCERT CHERRY |
| 1 | 141520-22-SB6 | EA | DOOR - ARCHED/PENCIL EDGE/RIGHT HAND-10" X 19.1" - W/O HDW - WASHED MAPLE |
| 1 | 141520-22-SB7 | EA | DOOR - ARCHED/PENCIL EDGE/RIGHT HAND-10" X 19.1" - W/O HDW - SIERRA MAPLE |
| 2 | 141518-22-SB4 | EA | DOOR - ARCHED/PENCIL EDGE/LEFT HAND-10" X 19.1" - W/O HDW - PORTSMOUTH OAK |
| 2 | 141518-22-SB5 | EA | DOOR - ARCHED/PENCIL EDGE/LEFT HAND-10" X 19.1" - W/O HDW - CONCERT CHERRY |
| 2 | 141518-22-SB6 | EA | DOOR - ARCHED/PENCIL EDGE/LEFT HAND-10" X 19.1" - W/O HDW - WASHED MAPLE |
| 2 | 141518-22-SB7 | EA | DOOR - ARCHED/PENCIL EDGE/LEFT HAND-10" X 19.1" - W/O HDW - SIERRA MAPLE |
| 3 | 141522-28-S76 | EA | DOOR - ARCHED/PENCIL EDGE/HORIZ - 10" X 29.5" - W/O HDW - PORTSMOUTH OAK |
| 3 | 141522-28-S77 | EA | DOOR - ARCHED/PENCIL EDGE/HORIZ - 10" X 29.5" - W/O HDW - CONCERT CHERRY |
| 3 | 141522-28-S78 | EA | DOOR - ARCHED/PENCIL EDGE/HORIZ - 10" X 29.5" - W/O HDW - WASHED MAPLE |
| 3 | 141522-28-S79 | EA | DOOR - ARCHED/PENCIL EDGE/HORIZ - 10" X 29.5" - W/O HDW - SIERRA MAPLE |
| 4 | 141520-D9-S76 | EA | DOOR - ARCHED/PENCIL EDGE/RIGHT HAND-16.7" X 48"-W/O HD - PORTSMOUTH OAK FROM: 00-00-00 THRU: 10-17-04 |
| 4 | 141520-D9-S77 | EA | DOOR - ARCHED/PENCIL EDGE/RIGHT HAND-16.7" X 48"-W/O HD - CONCERT CHERRY FROM: 00-00-00 THRU: 10-17-04 |
| 4 | 141520-D9-S78 | EA | DOOR - ARCHED/PENCIL EDGE/RIGHT HAND-16.7" X 48"-W/O HD - WASHED MAPLE FROM: 00-00-00 THRU: 10-17-04 |
| 4 | 141520-D9-S79 | EA | DOOR - ARCHED/PENCIL EDGE/RIGHT HAND-16.7" X 48"-W/O HD - SIERRA MAPLE FROM: 00-00-00 THRU: 10-17-04 |
| 5 | 141520-01-S76 | EA | DOOR - ARCHED/PENCIL EDGE/RIGHT HAND - 8" X 60.7"- W/O HDW - PORTSMOUTH OAK FROM: 00-00-00 THRU: 10-17-04 |
| 5 | 141520-01-S77 | EA | DOOR - ARCHED/PENCIL EDGE/RIGHT HAND - 8" X 60.7"- W/O HDW - CONCERT CHERRY FROM: 00-00-00 THRU: 10-17-04 |
| 5 | 141520-01-S78 | EA | DOOR - ARCHED/PENCIL EDGE/RIGHT HAND - 8" X 60.7"- W/O HDW - WASHED MAPLE FROM: 00-00-00 THRU: 10-17-04 |
| 5 | 141520-01-S79 | EA | DOOR - ARCHED/PENCIL EDGE/RIGHT HAND - 8" X 60.7"- W/O HDW - SIERRA MAPLE FROM: 00-00-00 THRU: 10-17-04 |
| 6 | 145386-17-R44 | EA | DRAWER - PENCIL EDGE-15.1"W X 11.8"D - W/O SLIDES/HARDWARE - PORTSMOUTH OAK |
| 6 | 145386-17-R45 | EA | DRAWER - PENCIL EDGE-15.1"W X 11.8"D - W/O SLIDES/HARDWARE - CONCERT CHERRY |
| 6 | 145386-17-R46 | EA | DRAWER - PENCIL EDGE-15.1"W X 11.8"D - W/O SLIDES/HARDWARE - WASHED MAPLE |
| 6 | 145386-17-S79 | EA | DRAWER - PENCIL EDGE-15.1"W X 11.8"D - W/O SLIDES/HARDWARE - SIERRA MAPLE |
| 7 | 145386-16-R44 | EA | DRAWER - PENCIL EDGE-15.1"W X 21.6"D - W/O SLIDES/HARDWARE - PORTSMOUTH OAK |
| 7 | 145386-16-R45 | EA | DRAWER - PENCIL EDGE-15.1"W X 21.6"D - W/O SLIDES/HARDWARE - CONCERT CHERRY |

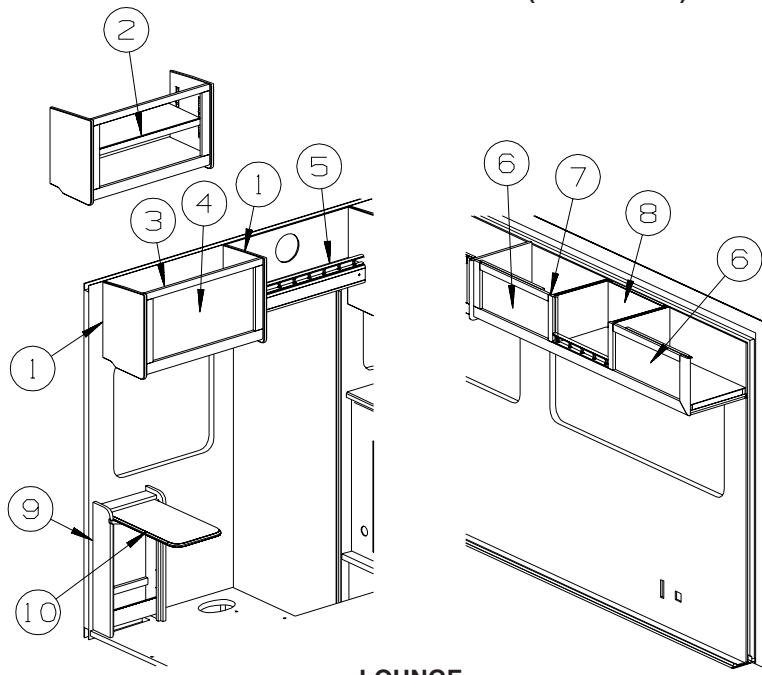
CABINET & APPLIANCE GROUP (CONTINUED)

CABINET & APPLIANCE LAYOUT (CONTINUED)

GALLEY (CONTINUED)

| KEY | PART NUMBER | U/M | DESCRIPTION |
|-----|---------------|-----|-----------------------------------------------------------------------------------------------------------|
| 7 | 145386-16-R46 | EA | DRAWER - PENCIL EDGE-15.1"W X 21.6"D - W/O SLIDES/HARDWARE - WASHED MAPLE |
| 7 | 145386-16-S79 | EA | DRAWER - PENCIL EDGE-15.1"W X 21.6"D - W/O SLIDES/HARDWARE - SIERRA MAPLE |
| 8 | 145386-79-R74 | EA | DRAWER - PENCIL EDGE-20.2"W X 19.7"D - W/O SLIDES/HARDWARE - PORTSMOUTH OAK |
| 8 | 145386-79-R75 | EA | DRAWER - PENCIL EDGE-20.2"W X 19.7"D - W/O SLIDES/HARDWARE - CONCERT CHERRY |
| 8 | 145386-79-R76 | EA | DRAWER - PENCIL EDGE-20.2"W X 19.7"D - W/O SLIDES/HARDWARE - WASHED MAPLE |
| 8 | 145386-79-SB7 | EA | DRAWER - PENCIL EDGE-20.2"W X 19.7"D - W/O SLIDES/HARDWARE - SIERRA MAPLE |
| 9 | 145386-04-R74 | EA | DRAWER - PENCIL EDGE-20.2"W X 15.7"D - W/O SLIDES/HARDWARE - PORTSMOUTH OAK |
| 9 | 145386-04-R75 | EA | DRAWER - PENCIL EDGE-20.2"W X 15.7"D - W/O SLIDES/HARDWARE - CONCERT CHERRY |
| 9 | 145386-04-R76 | EA | DRAWER - PENCIL EDGE-20.2"W X 15.7"D - W/O SLIDES/HARDWARE - WASHED MAPLE |
| 9 | 145386-04-SB7 | EA | DRAWER - PENCIL EDGE-20.2"W X 15.7"D - W/O SLIDES/HARDWARE - SIERRA MAPLE |
| 10 | 144803-A8-SB4 | EA | FACE/DRAWER - SOLID PANEL/PENCIL EDGE-4.3" X 11.4"-W/O HDW - PORTSMOUTH OAK |
| 10 | 144803-A8-SB5 | EA | FACE/DRAWER - SOLID PANEL/PENCIL EDGE-4.3" X 11.4"-W/O HDW - CONCERT CHERRY |
| 10 | 144803-A8-SB6 | EA | FACE/DRAWER - SOLID PANEL/PENCIL EDGE-4.3" X 11.4"-W/O HDW - WASHED MAPLE |
| 10 | 144803-A8-SB7 | EA | FACE/DRAWER - SOLID PANEL/PENCIL EDGE-4.3" X 11.4"-W/O HDW - SIERRA MAPLE |
| 11 | 145386-77-R74 | EA | DRAWER - PENCIL EDGE-9.6"W X 19.7"D - W/O SLIDES/HARDWARE - PORTSMOUTH OAK |
| 11 | 145386-77-R75 | EA | DRAWER - PENCIL EDGE-9.6"W X 19.7"D - W/O SLIDES/HARDWARE - CONCERT CHERRY |
| 11 | 145386-77-R76 | EA | DRAWER - PENCIL EDGE-9.6"W X 19.7"D - W/O SLIDES/HARDWARE - WASHED MAPLE |
| 11 | 145386-77-SB7 | EA | DRAWER - PENCIL EDGE-9.6"W X 19.7"D - W/O SLIDES/HARDWARE - SIERRA MAPLE |
| 12 | 145386-02-R74 | EA | DRAWER - PENCIL EDGE-9.6"W X 15.7"D - W/O SLIDES/HARDWARE - PORTSMOUTH OAK |
| 12 | 145386-02-R75 | EA | DRAWER - PENCIL EDGE-9.6"W X 15.7"D - W/O SLIDES/HARDWARE - CONCERT CHERRY |
| 12 | 145386-02-R76 | EA | DRAWER - PENCIL EDGE-9.6"W X 15.7"D - W/O SLIDES/HARDWARE - WASHED MAPLE |
| 12 | 145386-02-SB7 | EA | DRAWER - PENCIL EDGE-9.6"W X 15.7"D - W/O SLIDES/HARDWARE - SIERRA MAPLE |
| 13 | 136955-C6-S76 | EA | DOOR - RAISED PANEL/PENCIL EDGE - 15.6" X 29.5" - W/O HDW - PORTSMOUTH OAK |
| 13 | 136955-C6-S77 | EA | DOOR - RAISED PANEL/PENCIL EDGE - 15.6" X 29.5" - W/O HDW - CONCERT CHERRY |
| 13 | 136955-C6-S78 | EA | DOOR - RAISED PANEL/PENCIL EDGE - 15.6" X 29.5" - W/O HDW - WASHED MAPLE |
| 13 | 136955-C6-S79 | EA | DOOR - RAISED PANEL/PENCIL EDGE - 15.6" X 29.5" - W/O HDW - SIERRA MAPLE |
| 14 | 136955-72-S76 | EA | DOOR - RAISED PANEL/PENCIL EDGE - 12" X 26" - W/O HDW - PORTSMOUTH OAK |
| 14 | 136955-72-S77 | EA | DOOR - RAISED PANEL/PENCIL EDGE - 12" X 26" - W/O HDW - CONCERT CHERRY |
| 14 | 136955-72-S78 | EA | DOOR - RAISED PANEL/PENCIL EDGE - 12" X 26" - W/O HDW - WASHED MAPLE |
| 14 | 136955-72-S79 | EA | DOOR - RAISED PANEL/PENCIL EDGE - 12" X 26" - W/O HDW - SIERRA MAPLE |
| 15 | 136955-71-S76 | EA | DOOR - RAISED PANEL/PENCIL EDGE - 12" X 26" - W/O HDW - PORTSMOUTH OAK |
| 15 | 136955-71-S77 | EA | DOOR - RAISED PANEL/PENCIL EDGE - 12" X 26" - W/O HDW - CONCERT CHERRY |
| 15 | 136955-71-S78 | EA | DOOR - RAISED PANEL/PENCIL EDGE - 12" X 26" - W/O HDW - WASHED MAPLE |
| 15 | 136955-71-S79 | EA | DOOR - RAISED PANEL/PENCIL EDGE - 12" X 26" - W/O HDW - SIERRA MAPLE |
| 16 | 145386-03-R74 | EA | DRAWER - PENCIL EDGE-20.2"W X 15.7"D - W/O SLIDES/HARDWARE - PORTSMOUTH OAK |
| 16 | 145386-03-R75 | EA | DRAWER - PENCIL EDGE-20.2"W X 15.7"D - W/O SLIDES/HARDWARE - CONCERT CHERRY |
| 16 | 145386-03-R76 | EA | DRAWER - PENCIL EDGE-20.2"W X 15.7"D - W/O SLIDES/HARDWARE - WASHED MAPLE |
| 16 | 145386-03-SB7 | EA | DRAWER - PENCIL EDGE-20.2"W X 15.7"D - W/O SLIDES/HARDWARE - SIERRA MAPLE |
| 17 | 145298-36-S76 | EA | DOOR - SOLID PANEL/PENCIL EDGE - 8.1" X 30.3" - W/O HDW - PORTSMOUTH OAK FROM: 10-18-04 THRU: 99-99-99 |
| 17 | 145298-36-S77 | EA | DOOR - SOLID PANEL/PENCIL EDGE - 8.1" X 30.3" - W/O HDW - CONCERT CHERRY FROM: 10-18-04 THRU: 99-99-99 |
| 17 | 145298-36-S78 | EA | DOOR - SOLID PANEL/PENCIL EDGE - 8.1" X 30.3" - W/O HDW - WASHED MAPLE FROM: 10-18-04 THRU: 99-99-99 |
| 17 | 145298-36-S79 | EA | DOOR - SOLID PANEL/PENCIL EDGE - 8.1" X 30.3" - W/O HDW - SIERRA MAPLE FROM: 10-18-04 THRU: 99-99-99 |
| 18 | 145298-37-S76 | EA | DOOR - SOLID PANEL/PENCIL EDGE - 8.1" X 30.3" - W/O HDW - PORTSMOUTH OAK FROM: 10-18-04 THRU: 99-99-99 |
| 18 | 145298-37-S77 | EA | DOOR - SOLID PANEL/PENCIL EDGE - 8.1" X 30.3" - W/O HDW - CONCERT CHERRY FROM: 10-18-04 THRU: 99-99-99 |
| 18 | 145298-37-S78 | EA | DOOR - SOLID PANEL/PENCIL EDGE - 8.1" X 30.3" - W/O HDW - WASHED MAPLE FROM: 10-18-04 THRU: 99-99-99 |
| 18 | 145298-37-S79 | EA | DOOR - SOLID PANEL/PENCIL EDGE - 8.1" X 30.3" - W/O HDW - SIERRA MAPLE FROM: 10-18-04 THRU: 99-99-99 |
| 19 | 145386-R7-S76 | EA | DRAWER - PENCIL EDGE - 15.1"W X 21.6"D - W/O SLIDES/HDW - PORTSMOUTH OAK FROM: 10-18-04 THRU: 99-99-99 |
| 19 | 145386-R7-S77 | EA | DRAWER - PENCIL EDGE - 15.1"W X 21.6"D - W/O SLIDES/HDW - CONCERT CHERRY FROM: 10-18-04 THRU: 99-99-99 |
| 19 | 145386-R7-S78 | EA | DRAWER - PENCIL EDGE - 15.1"W X 21.6"D - W/O SLIDES/HDW - WASHED MAPLE FROM: 10-18-04 THRU: 99-99-99 |
| 19 | 145386-R7-S79 | EA | DRAWER - PENCIL EDGE - 15.1"W X 21.6"D - W/O SLIDES/HDW - SIERRA MAPLE FROM: 10-18-04 THRU: 99-99-99 |

CABINET & APPLIANCE GROUP (CONTINUED)
CABINET & APPLIANCE LAYOUT (CONTINUED)



LOUNGE

| KEY | PART NUMBER | U/M | DESCRIPTION |
|-----|---------------|-----|---------------------------------------------------------------------------------|
| 1 | 145517-01-R38 | EA | END CAP - OVERHEAD CABINET - PORTSMOUTH OAK |
| 1 | 145517-01-R39 | EA | END CAP - OVERHEAD CABINET - CONCERT CHERRY |
| 1 | 145517-01-R46 | EA | END CAP - OVERHEAD CABINET - WASHED MAPLE |
| 1 | 145517-01-S67 | EA | END CAP - OVERHEAD CABINET - SIERRA MAPLE |
| 2 | 145496-15-R38 | EA | SHELF - W/PLASTIC EDGE MOLDING - PORTSMOUTH OAK |
| 2 | 145496-15-R39 | EA | SHELF - W/PLASTIC EDGE MOLDING - CONCERT CHERRY |
| 2 | 145496-15-RW4 | EA | SHELF - W/PLASTIC EDGE MOLDING - WASHED MAPLE |
| 2 | 145496-15-S67 | EA | SHELF - W/PLASTIC EDGE MOLDING - SIERRA MAPLE |
| 3 | 145496-01-R38 | EA | CABINET - OVERHEAD/FRONT - W/O DOORS/HARDWARE - PORTSMOUTH OAK |
| 3 | 145496-01-R39 | EA | CABINET - OVERHEAD/FRONT - W/O DOORS/HARDWARE - CONCERT CHERRY |
| 3 | 145496-01-RW4 | EA | CABINET - OVERHEAD/FRONT - W/O DOORS/HARDWARE - WASHED MAPLE |
| 3 | 145496-01-S67 | EA | CABINET - OVERHEAD/FRONT - W/O DOORS/HARDWARE - SIERRA MAPLE |
| 3 | 145496-02-R38 | EA | CABINET - OVERHEAD/FRONT - W/O DOORS/HARDWARE - PORTSMOUTH OAK - SURROUND SOUND |
| 3 | 145496-02-R39 | EA | CABINET - OVERHEAD/FRONT - W/O DOORS/HARDWARE - CONCERT CHERRY - SURROUND SOUND |
| 3 | 145496-02-RW4 | EA | CABINET - OVERHEAD/FRONT - W/O DOORS/HARDWARE - WASHED MAPLE - SURROUND SOUND |
| 3 | 145496-02-S67 | EA | CABINET - OVERHEAD/FRONT - W/O DOORS/HARDWARE - SIERRA MAPLE - SURROUND SOUND |
| 4 | 141522-C4-S76 | EA | DOOR - ARCHED/PENCIL EDGE/HORIZ - 15.5" X 29.5" - W/O HDW - PORTSMOUTH OAK |
| 4 | 141522-C4-S77 | EA | DOOR - ARCHED/PENCIL EDGE/HORIZ - 15.5" X 29.5" - W/O HDW - CONCERT CHERRY |
| 4 | 141522-C4-S78 | EA | DOOR - ARCHED/PENCIL EDGE/HORIZ - 15.5" X 29.5" - W/O HDW - WASHED MAPLE |
| 4 | 141522-C4-S79 | EA | DOOR - ARCHED/PENCIL EDGE/HORIZ - 15.5" X 29.5" - W/O HDW - SIERRA MAPLE |
| 5 | 149637-01-S76 | EA | CABINET - OVERHEAD/ENTRY DOOR - W/O DOORS/HARDWARE |
| 5 | 149637-01-S77 | EA | CABINET - OVERHEAD/ENTRY DOOR - W/O DOORS/HARDWARE |
| 5 | 149637-01-S78 | EA | CABINET - OVERHEAD/ENTRY DOOR - W/O DOORS/HARDWARE |
| 5 | 149637-01-S79 | EA | CABINET - OVERHEAD/ENTRY DOOR - W/O DOORS/HARDWARE |
| 5 | 149637-01-S80 | EA | CABINET - OVERHEAD/ENTRY DOOR - W/O DOORS/HARDWARE |
| 5 | 149637-01-S81 | EA | CABINET - OVERHEAD/ENTRY DOOR - W/O DOORS/HARDWARE |
| 5 | 149637-01-S82 | EA | CABINET - OVERHEAD/ENTRY DOOR - W/O DOORS/HARDWARE |
| 5 | 149637-01-S83 | EA | CABINET - OVERHEAD/ENTRY DOOR - W/O DOORS/HARDWARE |
| 5 | 149637-01-S84 | EA | CABINET - OVERHEAD/ENTRY DOOR - W/O DOORS/HARDWARE |
| 5 | 149637-01-S85 | EA | CABINET - OVERHEAD/ENTRY DOOR - W/O DOORS/HARDWARE |
| 5 | 149637-01-S86 | EA | CABINET - OVERHEAD/ENTRY DOOR - W/O DOORS/HARDWARE |
| 5 | 149637-01-S87 | EA | CABINET - OVERHEAD/ENTRY DOOR - W/O DOORS/HARDWARE |
| 6 | 141522-43-SB4 | EA | DOOR - ARCHED/PENCIL EDGE/HORIZ - 10.8" X 23.8" - W/O HDW - PORTSMOUTH OAK |
| 6 | 141522-43-SB5 | EA | DOOR - ARCHED/PENCIL EDGE/HORIZ - 10.8" X 23.8" - W/O HDW - CONCERT CHERRY |
| 6 | 141522-43-SB6 | EA | DOOR - ARCHED/PENCIL EDGE/HORIZ - 10.8" X 23.8" - W/O HDW - WASHED MAPLE |
| 6 | 141522-43-SB7 | EA | DOOR - ARCHED/PENCIL EDGE/HORIZ - 10.8" X 23.8" - W/O HDW - SIERRA MAPLE |

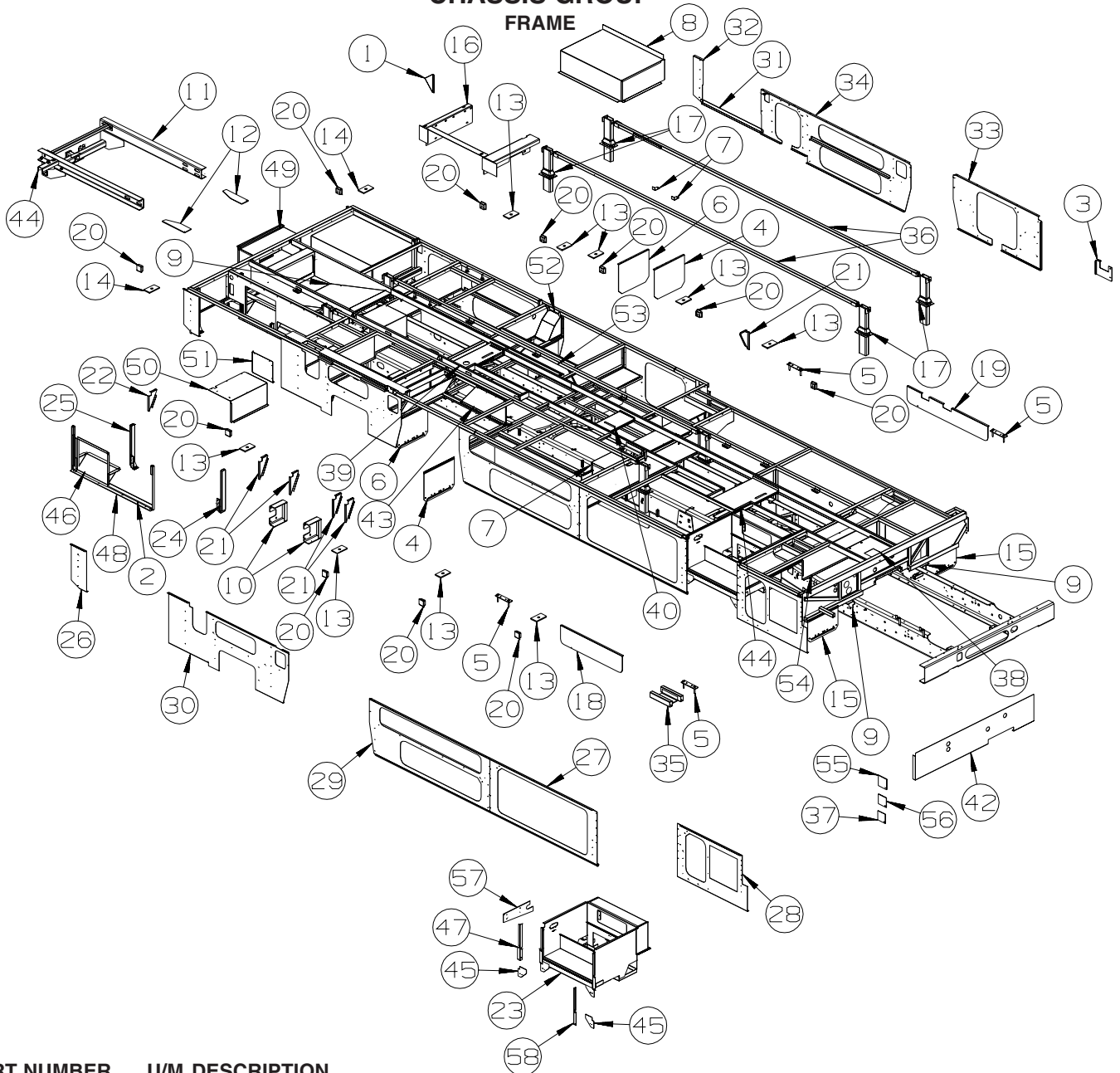
CABINET & APPLIANCE GROUP (CONTINUED)

CABINET & APPLIANCE LAYOUT (CONTINUED)

LOUNGE (CONTINUED)

| KEY | PART NUMBER | U/M | DESCRIPTION |
|-----|---------------|-----|---------------------------------------------------------------------------------|
| 7 | 145193-03-S64 | EA | CABINET - OVERHEAD/COUCH - W/O DOORS/HARDWARE - PORTSMOUTH OAK |
| 7 | 145193-03-S65 | EA | CABINET - OVERHEAD/COUCH - W/O DOORS/HARDWARE - CONCERT CHERRY |
| 7 | 145193-03-S66 | EA | CABINET - OVERHEAD/COUCH - W/O DOORS/HARDWARE - WASHED MAPLE |
| 7 | 145193-03-S67 | EA | CABINET - OVERHEAD/COUCH - W/O DOORS/HARDWARE - SIERRA MAPLE |
| 7 | 145193-04-S64 | EA | CABINET - OVERHEAD/COUCH - W/O DOORS/HARDWARE - PORTSMOUTH OAK - SURROUND SOUND |
| 7 | 145193-04-S65 | EA | CABINET - OVERHEAD/COUCH - W/O DOORS/HARDWARE - CONCERT CHERRY - SURROUND SOUND |
| 7 | 145193-04-S66 | EA | CABINET - OVERHEAD/COUCH - W/O DOORS/HARDWARE - WASHED MAPLE - SURROUND SOUND |
| 7 | 145193-04-S67 | EA | CABINET - OVERHEAD/COUCH - W/O DOORS/HARDWARE - SIERRA MAPLE - SURROUND SOUND |
| 8 | 140374-37-000 | EA | MIRROR - SAFETY GLASS - 10.3" X 18.2" |
| 9 | 149044-01-S64 | EA | CABINET - W/PULLOUT TABLE - PORTSMOUTH OAK |
| 9 | 149044-01-S65 | EA | CABINET - W/PULLOUT TABLE - CONCERT CHERRY |
| 9 | 149044-01-S66 | EA | CABINET - W/PULLOUT TABLE - WASHED MAPLE |
| 9 | 149044-01-S67 | EA | CABINET - W/PULLOUT TABLE - SIERRA MAPLE |
| 10 | 149044-21-S64 | EA | TABLE - F/PULLOUT CABINET - PORTSMOUTH OAK - PORTSMOUTH OAK |
| 10 | 149044-21-S65 | EA | TABLE - F/PULLOUT CABINET - BROWN PLANK CHERRY - CONCERT CHERRY |
| 10 | 149044-21-S66 | EA | TABLE - F/PULLOUT CABINET - HARDROCK MAPLE - WASHED MAPLE |
| 10 | 149044-21-S67 | EA | TABLE - F/PULLOUT CABINET - HONEY MAPLE - SIERRA MAPLE |

CHASSIS GROUP FRAME

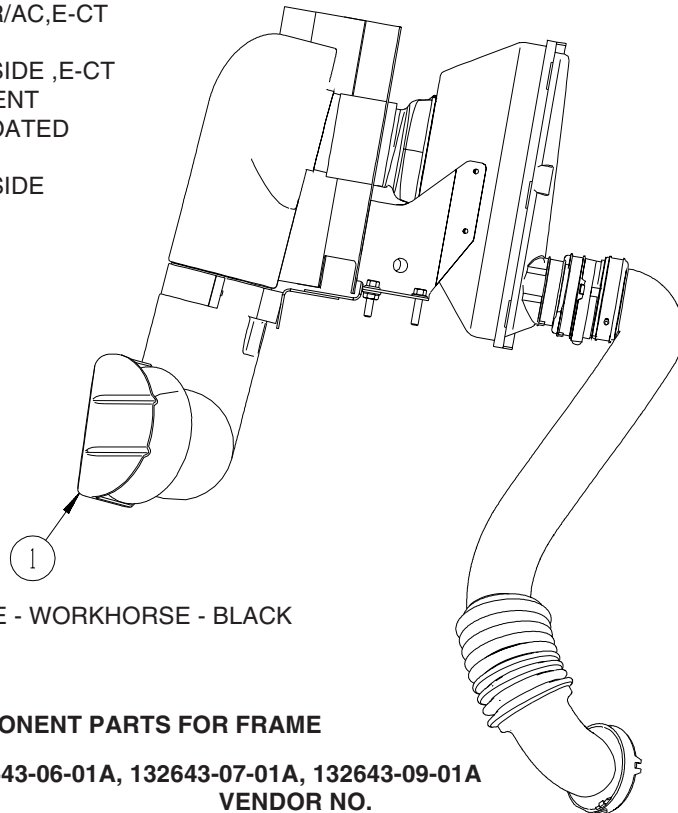


| KEY | PART NUMBER | U/M | DESCRIPTION |
|-----|---------------|-----|--------------------------------------------------------|
| 1 | 123440-07-02B | EA | SUPPORT - PANEL - 8.7" X 4.7" - E-COATED |
| 2 | 129328-02-02B | EA | HANGER - A/C - COACH |
| 3 | 132606-04-02B | EA | PLATE-SEAL,E-CT |
| 4 | 134191-01-02B | EA | GUARD/ROCK - STEEL - W/BEND - 18"W X 14.9"H - E-COATED |
| 5 | 134460-01-02B | EA | PLATE - MOUNTING - E-COATED |
| 6 | 136391-02-02B | EA | GUARD/ROCK - STEEL - W/ANGLE - 18"W X 15"H - E-COATED |
| 7 | 138405-07-02B | EA | COMPARTMENT - RAM - E-COATED |
| 8 | 140930-02-02B | EA | COMPARTMENT - GENERATOR - E-COATED |
| 9 | 144746-04-02B | EA | COMPARTMENT - FURNACE - E-COATED |
| 10 | 120867-01-02B | EA | MOUNT - LP TANK - E-COAT |
| 11* | 132643-09-01A | EA | CLIP/REAR EXTENSION RAIL - W/HITCH |
| 12 | 133095-01-02B | EA | PLATE - CLIP - E-COATED |
| 13 | 135712-01-02B | EA | PLATE - BODY MOUNT - E-COATED |
| 14 | 135712-02-02B | EA | PLATE - BODY MOUNT - E-COATED |
| 15 | 136391-01-02B | EA | GUARD/ROCK - STEEL - W/ANGLE - 18"W X 11"H - E-COATED |
| 15 | 136391-05-02B | EA | GUARD/ROCK - STEEL - W/ANGLE - 17"W X 11"H - E-COATED |
| 15 | 136388-01-02B | EA | GUARD/ROCK - STEEL - 18" X 11" - E-COATED |
| 15 | 136388-07-02B | EA | GUARD/ROCK - STEEL - 18" X 11" - E-COATED |

CHASSIS GROUP (CONTINUED)
FRAME (CONTINUED)

| KEY | PART NUMBER | U/M | DESCRIPTION |
|-----|---------------|-----|-----------------------------------------------|
| 16 | 138113-08-02B | EA | OUTRIGGER/GENERATOR - E-COATED |
| 17 | 139724-01-01A | EA | BOOT - TOWER - BLACK |
| 18 | 140219-08-02B | EA | SHIELD - HEAT/EXHAUST - E-COATED |
| 19 | 149346-01-02B | EA | SHIELD - HEAT EXHAUST - E-COATED |
| 20 | 119845-01-01A | EA | PLUG/PLASTIC - 1 1/2" SQUARE - BLACK |
| 21 | 123440-02-02B | EA | SUPPORT - PANEL - 9.9"/7.6" X 4.7" - E-COATED |
| 22 | 123440-06-02B | EA | SUPPORT - PANEL - 8.7"/5.5" X 4.7" - E-COATED |
| 23 | 132607-06-02B | EA | BOX ASM-ENTRANCE,STEP,E-COAT |
| 24 | 133833-01-02B | EA | HANGER - A/C - E-COATED |
| 25 | 133833-02-02B | EA | HANGER - A/C - E-COATED |
| 26 | 137098-23-02B | EA | PLATE/SEAL - E-COATED |
| 27 | 144365-06-02B | EA | PLATE/SEAL - E-COATED |
| 28 | 144365-07-02B | EA | PLATE/SEAL - E-COATED |
| 29 | 144365-33-02B | EA | PLATE/SEAL - E-COATED |
| 30 | 144365-34-02B | EA | PLATE/SEAL - E-COATED |
| 31 | 133612-05-02B | EA | ZEE/SEAL PLANE - BOTTOM - E-COATED |
| 32 | 137103-14-02B | EA | PLATE/SEAL - E-COATED |
| 33 | 144365-35-02B | EA | PLATE/SEAL - E-COATED |
| 34 | 144365-36-02B | EA | PLATE/SEAL - E-COATED |
| 35 | 147997-02-02B | EA | BRACKET - F/SLIDEOUT - E-COATED |
| 36 | 150924-05-02B | EA | TUBE - TENSION - E-COATED |
| 37 | 138791-03-02B | EA | SHIM-BODY |
| 38 | 145780-02-02B | EA | PANEL ASM-CLOSEOUT,HEAT,E-CT |
| 39 | 117804-17-02B | EA | PANEL-CLOSEOUT,HEAT DUC,E-CT |
| 40 | 117804-05-02B | EA | PANEL-CLOSEOUT,HEAT DUCT,E-C |
| 41 | 117804-08-02B | EA | PANEL-CLOSEOUT,HEAT,DUCT,E-C |
| 42 | 134520-02-02B | EA | SUPPRT ASM-FLOOR,FRONT ,E-CT |
| 43 | 125826-03-02B | EA | PANEL-CLOSEOUT |
| 44 | 121343-13-02B | EA | OUTRIGGER-RISER,E-COAT |
| 45 | 144597-01-02B | EA | BRACE-STEPBOX |
| 46 | 135402-13-02B | EA | PANEL-END,COMPARTMENT |
| 47 | 136814-02-02B | EA | ANGLE-FILLER,STEP,LH |
| 48 | 132146-11-02B | EA | FRAME ASM-RETURN AIR/AC,E-CT |
| 49 | 144475-01-02B | EA | BOX ASM-FURNACE |
| 50 | 138406-14-02B | EA | PANEL-COMPARTMENT,SIDE ,E-CT |
| 51 | 135402-14-02B | EA | PANEL-END,COMPARTMENT |
| 52 | 116374-07-02B | EA | PANEL - FUEL FILL - E-COATED |
| 53 | 125826-01-02B | EA | PANEL-CLOSEOUT,E-CT |
| 54 | 138406-04-02B | EA | PANEL-COMPARTMENT,SIDE |
| 55 | 138791-01-02B | EA | SHIM-BODY |
| 56 | 138791-02-02B | EA | SHIM-BODY |
| 57 | 134611-01-02B | EA | SUPPORT-STEP BOX |
| 58 | 136814-01-02B | EA | ANGLE-FILLER,STEP,RH |

*COMPONENT PARTS LISTED LATER IN THIS GROUP



AIR INTAKE

| KEY | PART NUMBER | U/M | DESCRIPTION |
|-----|---------------|-----|--------------------------------------------|
| 1 | 154181-01-10A | EA | DEFLECTOR - AIR INTAKE - WORKHORSE - BLACK |

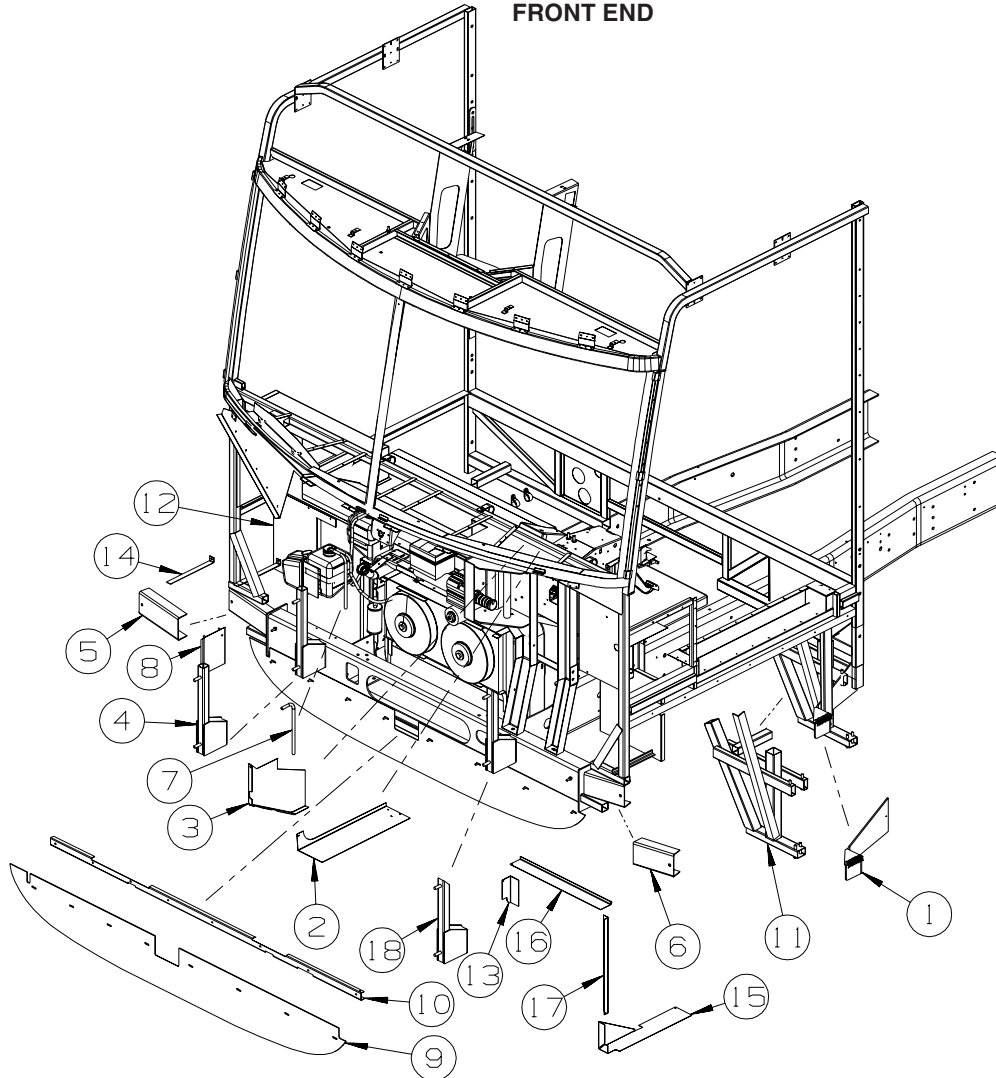
COMPONENT PARTS FOR FRAME

132643-01-01A, 132643-06-01A, 132643-07-01A, 132643-09-01A

| KEY | PART NUMBER | U/M | DESCRIPTION | VENDOR NO. |
|-----|---------------|-----|-----------------------------|------------|
| | 132643-01-700 | EA | HITCH/RECEIVER WELDED ASM. | 72430-47 |
| | 132643-01-701 | EA | TIRE CARRIER COMPLETE | 56610-47 |
| | 132643-01-702 | EA | RETAINER KIT/SPARE TIRE | 55290-47 |
| | 132643-01-703 | EA | BOLT IN CROSSMEMBER W/SPARE | 4132-03 |

CHASSIS GROUP (CONTINUED)

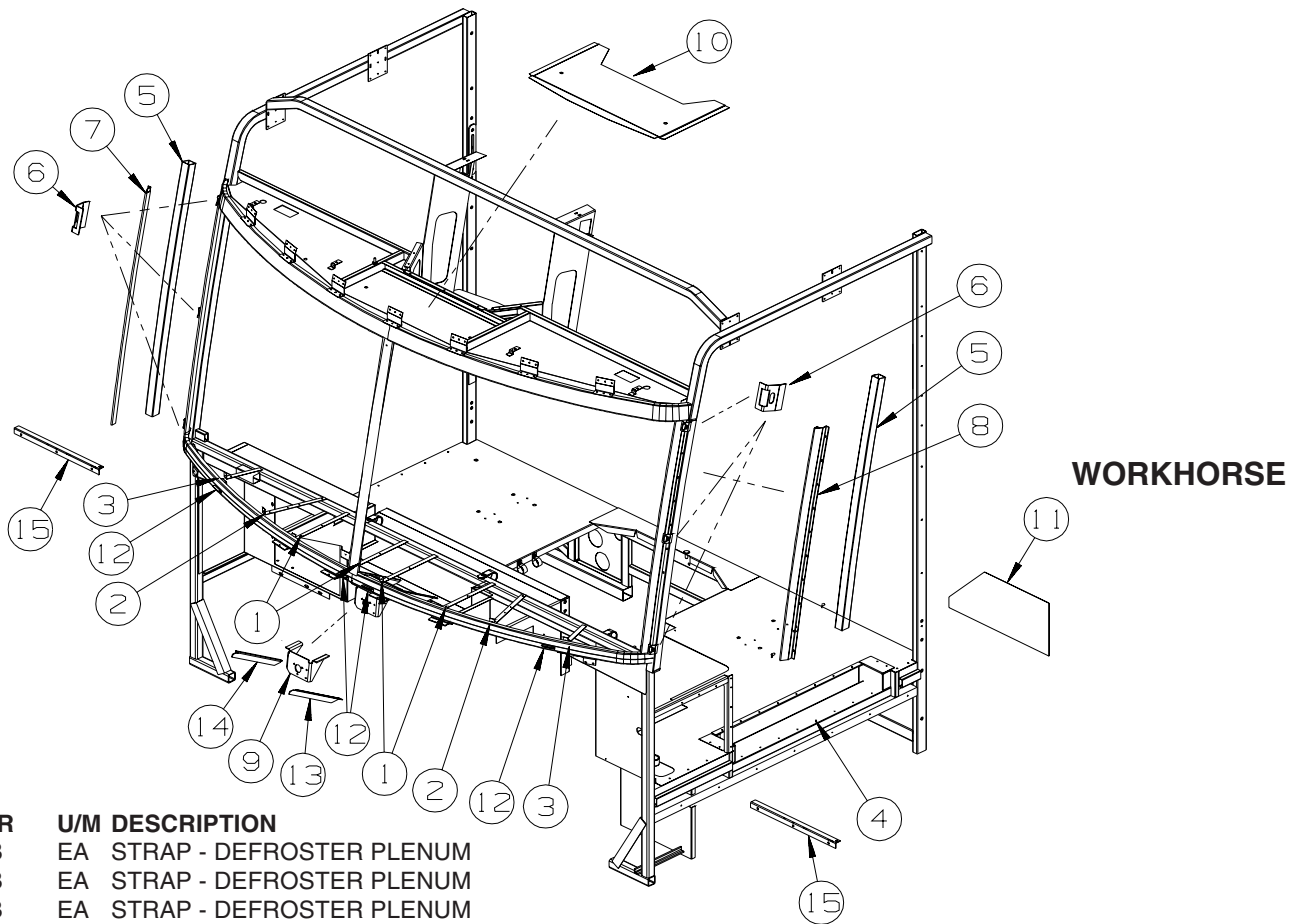
FRONT END



WORKHORSE

| KEY | PART NUMBER | U/M | DESCRIPTION |
|-----|---------------|-----|----------------------------------------------------------------|
| 1 | NOT USED | | |
| 2 | 137041-01-02B | EA | ANGLE - MOTOR COVER - E-COATED |
| 3 | 150565-01-02B | EA | PANEL - CLOSE OUT - CAB - E-COATED |
| 4 | 134807-01-02B | EA | SUPPORT - FRONT - E-COATED |
| | | | FROM: 00-00-00 THRU: 04-08-04 |
| 4 | 134807-11-02B | EA | SUPPORT - FRONT - E-COATED |
| | | | FROM: 04-09-04 THRU: 99-99-99 |
| 5 | 137048-02-02B | EA | CHANNEL - SUPPORT - FRONT - E-COATED |
| 6 | 137048-01-02B | EA | CHANNEL/SUPPORT - FRONT - E-COATED |
| 7 | 044317-01-000 | FT | HOSE - FUEL - 3/8" ID - WORKHORSE |
| 8 | 119656-02-02B | EA | BRACKET - RESERVOIR/WASHER - E-COATED |
| | | | FROM: 00-00-00 THRU: 04-08-04 |
| 8 | 134807-11-02B | EA | SUPPORT - FRONT - E-COATED - INCLUDES RESERVOIR BRACKET |
| | | | FROM: 04-09-04 THRU: 99-99-99 |
| 9 | 140782-02-01A | EA | SHIELD - SIGHT - BLACK PLASTIC |
| 10 | 140790-01-02B | EA | ANGLE - SIGHT SHIELD - E-COATED |
| 11 | 138340-01-02B | EA | SUPPORT/STEP - DRIVER - E-COATED - CHASSIS W/22.5 TIRE |
| 11 | 138340-02-02B | EA | SUPPORT/STEP - DRIVER - E-COATED - CHASSIS W/19.5 TIRE |
| 12 | 121962-02-02B | EA | SHIELD/SPLASH - HEADLIGHT - E-COATED |
| 13 | 139131-01-02B | EA | ANGLE - W/NOTCHSTEEL |
| 14 | 139119-01-02B | EA | STRAP - BENT, W/HOLE |
| 15 | 137045-01-02B | EA | PANEL - FILLER, BULKHEAD |
| 16 | 137037-01-02B | EA | ANGLE - FILLER, BULKHEAD |
| 17 | 137037-02-02B | EA | ANGLE - FILLER, BULKHEAD |
| 18 | 134807-01-02B | EA | SUPPORT - FRONT - E-COATED |
| | | | FROM: 00-00-00 THRU: 04-08-04 |
| 18 | 134807-12-02B | EA | SUPPORT - FRONT - E-COATED |
| | | | FROM: 04-09-04 THRU: 99-99-99 |

CHASSIS GROUP (CONTINUED)
FRONT END (CONTINUED)

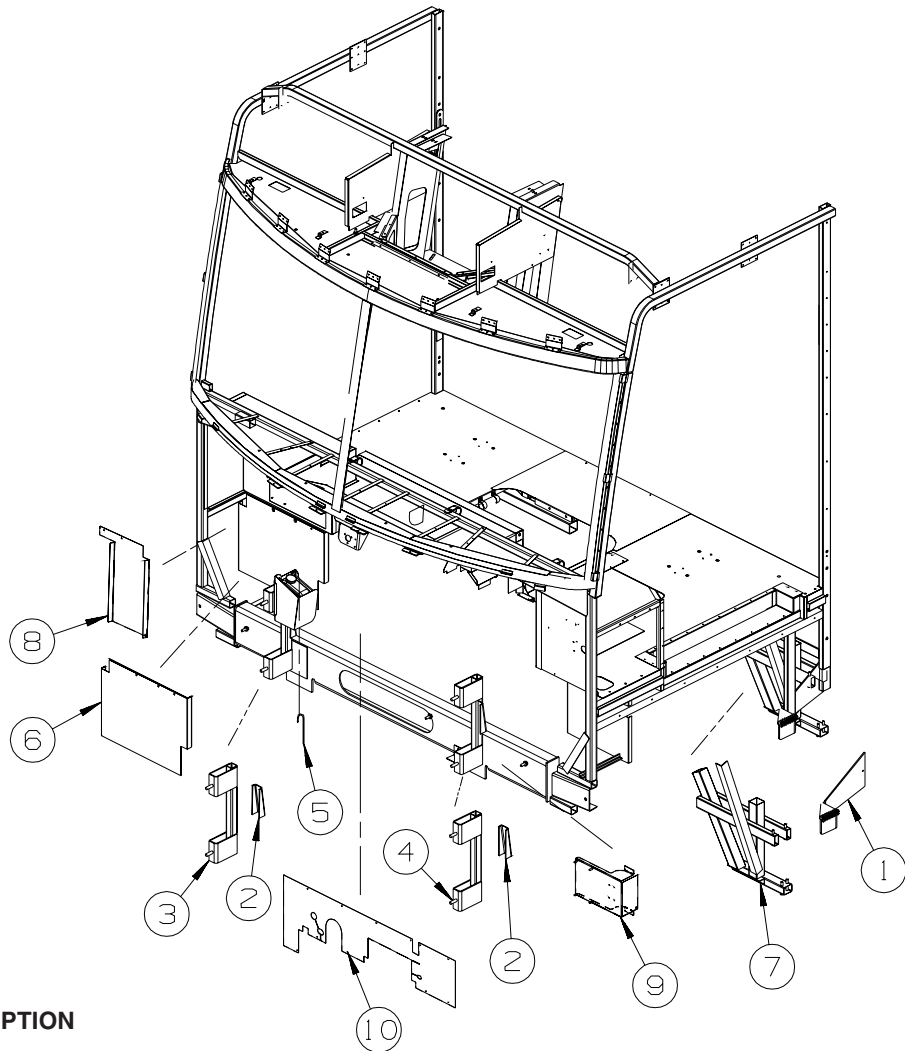


| KEY | PART NUMBER | U/M | DESCRIPTION |
|-----|---------------|-----|--------------------------------------|
| 1 | 137047-04-01B | EA | STRAP - DEFROSTER PLENUM |
| 2 | 137047-05-01B | EA | STRAP - DEFROSTER PLENUM |
| 3 | 137047-06-01B | EA | STRAP - DEFROSTER PLENUM |
| 4 | 146492-02-01B | EA | PANEL - STEPWELL |
| 5 | 117273-01-01A | EA | TUBE - SUPPORT - A-PILLAR |
| 6 | 120363-01-01B | EA | BRACKET - WINDSHIELD |
| 7 | 121269-05-01B | EA | FRAME - WINDSHIELD - A-PILLAR - MILL |
| 8 | 121269-06-01B | EA | FRAME - WINDSHIELD - A-PILLAR - MILL |
| 9 | 134506-02-01B | EA | BRACKET - WIPER MOTOR |
| 10 | 124904-05-01B | EA | HEADER/WINDSHIELD - CENTER - 27.5" |
| 11 | 137496-01-01B | EA | PANEL - SPLASH GUARD |
| 12 | 126289-65-01B | EA | ANGLE - FORMED |
| 13 | 134371-01-01B | EA | ANGLE/MOUNT - WIPER MOTOR |
| 14 | 134371-02-01B | EA | ANGLE/MOUNT - WIPER MOTOR |
| 15 | 152540-02-02B | EA | SUPPORT - DIRT GUARD - E-COATED |

FROM: 07-24-04 THRU: 99-99-99

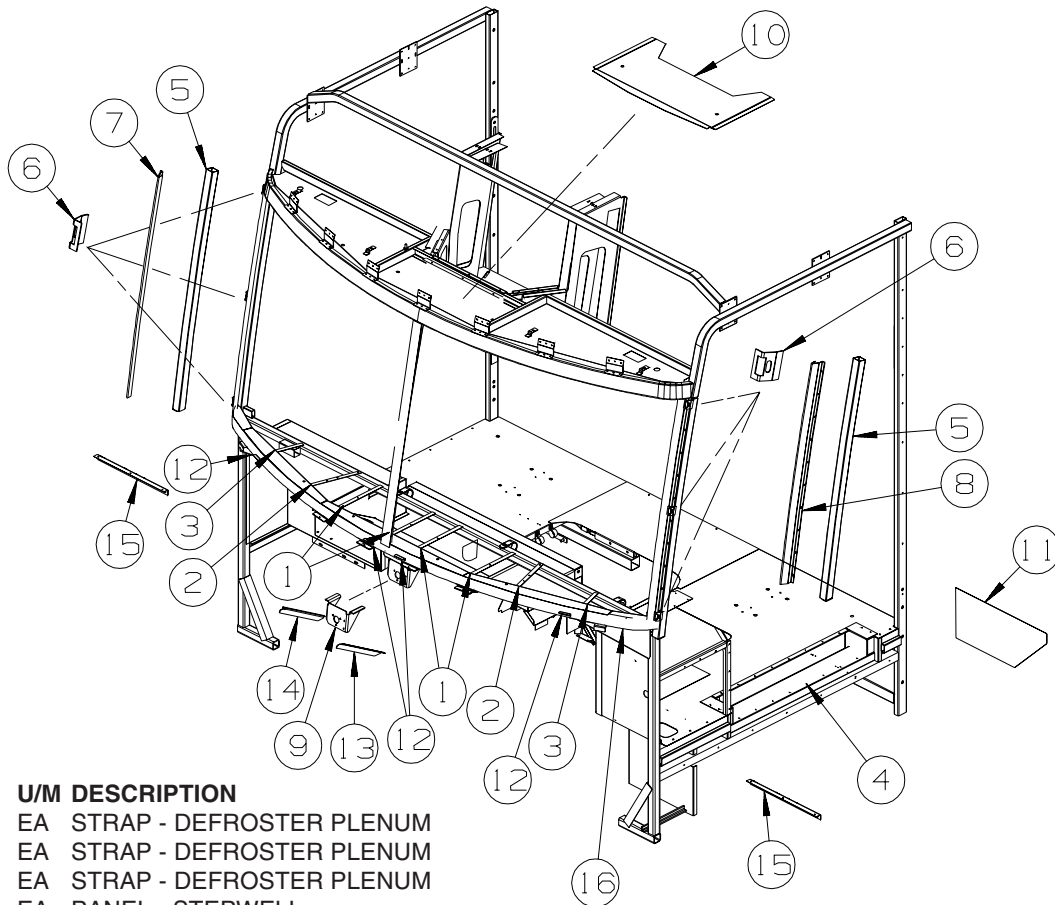
CHASSIS GROUP (CONTINUED)
FRONT END (CONTINUED)

**2004
 FORD**



| KEY | PART NUMBER | U/M | DESCRIPTION |
|-----|---------------|-----|----------------------------------------------|
| 1 | NOT USED | | |
| 2 | 117622-01-02B | EA | BRACE - TUBE/BUMPER - VERTICAL - E-COATED |
| 3 | 134807-03-02B | EA | SUPPORT - FRONT - E-COATED |
| 4 | 134807-04-02B | EA | SUPPORT - FRONT - E-COATED |
| 5 | NOT USED | | |
| 6 | 144679-02-02B | EA | SHIELD/SPLASH - HEADLIGHT - E-COATED |
| 7 | 138340-02-02B | EA | SUPPORT/STEP - DRIVER - E-COATED - 19.5 TIRE |
| 7 | 138340-01-02B | EA | SUPPORT/STEP - DRIVER - E-COATED - 22.5 TIRE |
| 8 | NOT USED | | |
| 9 | NOT USED | | |
| 10 | NOT USED | | |

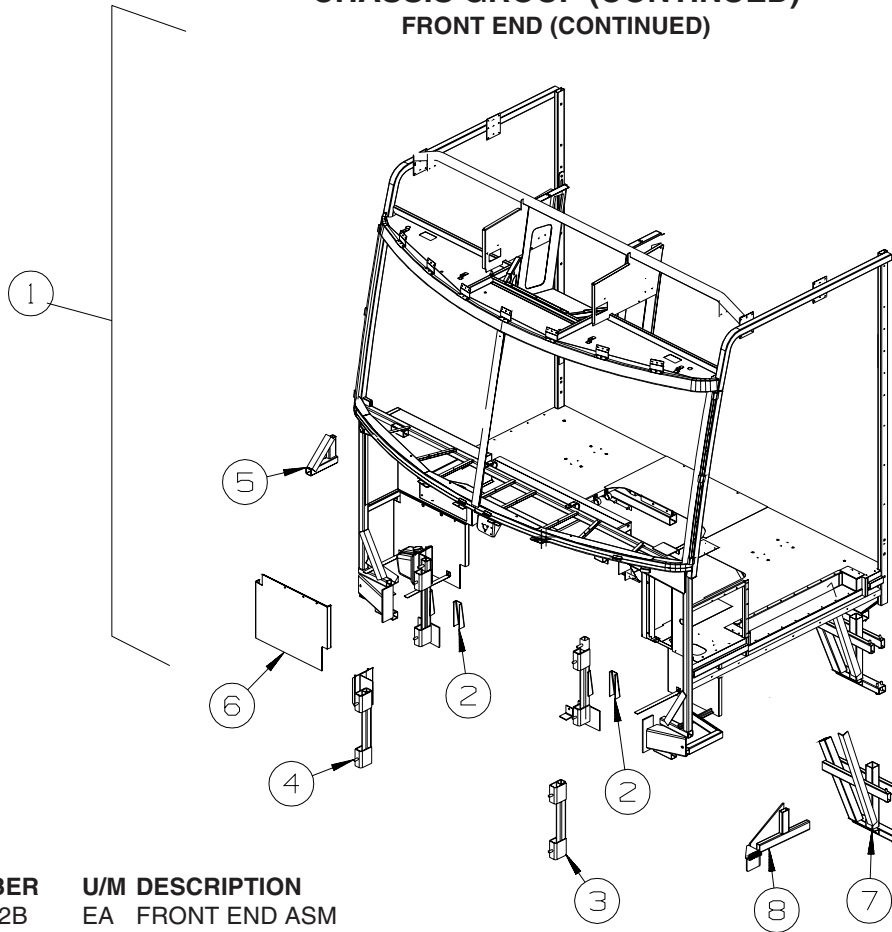
CHASSIS GROUP (CONTINUED)
FRONT END (CONTINUED)



**2004
 FORD**

| KEY | PART NUMBER | U/M | DESCRIPTION |
|-----|---------------|-----|------------------------------------------|
| 1 | 137047-04-01B | EA | STRAP - DEFROSTER PLENUM |
| 2 | 137047-05-01B | EA | STRAP - DEFROSTER PLENUM |
| 3 | 137047-06-01B | EA | STRAP - DEFROSTER PLENUM |
| 4 | 146492-02-01B | EA | PANEL - STEPWELL |
| 5 | 117273-01-01A | EA | TUBE - SUPPORT - A-PILLAR |
| 6 | 120363-01-01B | EA | BRACKET - WINDSHIELD |
| | | | FROM: 00-00-00 THRU: 05-14-04 |
| 6 | 148935-01-01B | EA | BRACKET - WINDSHIELD |
| | | | FROM: 05-15-04 THRU: 99-99-99 |
| 7 | 121269-05-01B | EA | FRAME - WINDSHIELD - A-PILLAR - MILL |
| 8 | 121269-06-01B | EA | FRAME - WINDSHIELD - A-PILLAR - MILL |
| 9 | 134506-02-01B | EA | BRACKET - WIPER MOTOR |
| 10 | 124904-05-01B | EA | HEADER/WINDSHIELD - CENTER - 27.5" |
| 11 | 137496-01-01B | EA | PANEL - SPLASH GUARD |
| 12 | 126289-65-01B | EA | ANGLE - FORMED - 4 USED |
| 13 | 134371-01-01B | EA | ANGLE/MOUNT - WIPER MOTOR |
| 14 | 134371-02-01B | EA | ANGLE/MOUNT - WIPER MOTOR |
| 15 | 152540-02-02B | EA | SUPPORT - DIRT GUARD - E-COATED |
| | | | FROM: 07-24-04 THRU: 99-99-99 |
| 16 | 124974-01-01B | EA | SUPPORT - WINDSHIELD, LOWER, MILL FINISH |

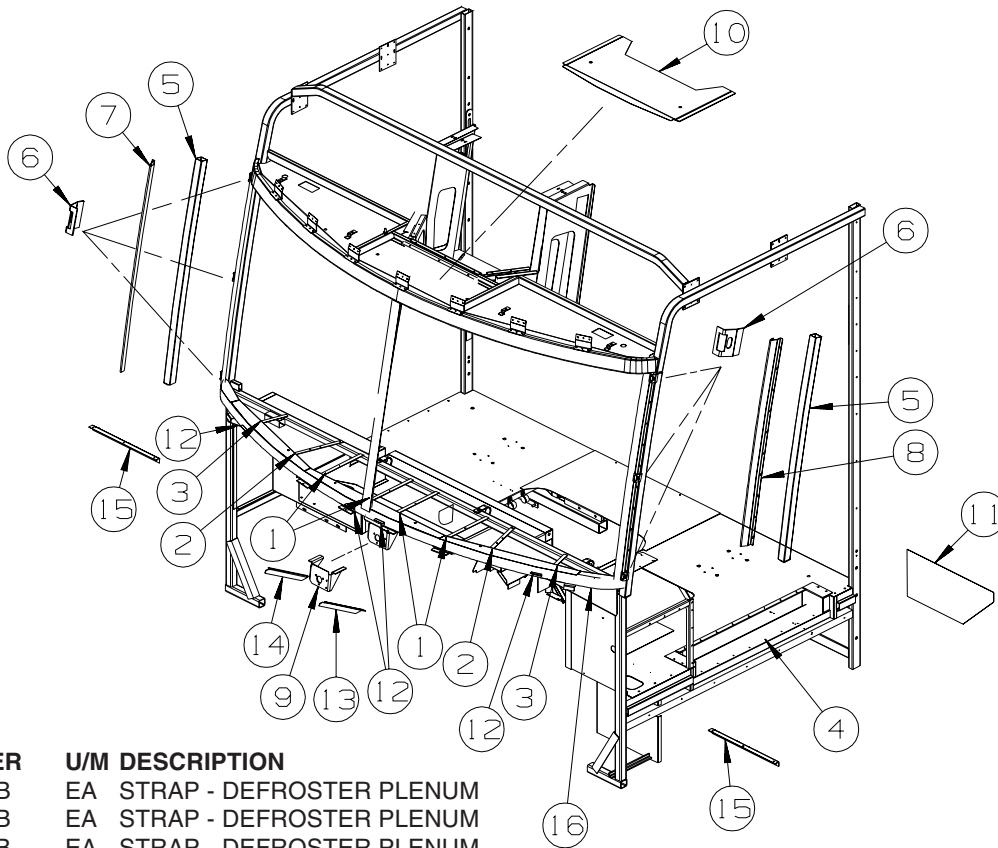
CHASSIS GROUP (CONTINUED) FRONT END (CONTINUED)



**2006
FORD**

| KEY | PART NUMBER | U/M | DESCRIPTION |
|-----|---------------|-----|----------------------------------------------|
| 1 | 153180-01-02B | EA | FRONT END ASM |
| 2 | 117622-01-02B | EA | BRACE - TUBE/BUMPER - VERTICAL - E-COATED |
| 3 | 152916-01-02B | EA | SUPPORT - FRONT - E-COATED |
| 4 | 152916-02-02B | EA | SUPPORT - FRONT - E-COATED |
| 5 | 152725-02-02B | EA | SUPPORT - WHEEL LIP - E-COATED |
| 6 | 144679-02-02B | EA | SHIELD/SPLASH - HEADLIGHT - E-COATED |
| 7 | 138340-01-02B | EA | SUPPORT/STEP - DRIVER - E-COATED - 22.5 TIRE |
| 7 | 138340-02-02B | EA | SUPPORT/STEP - DRIVER - E-COATED - 19.5 TIRE |
| 8 | NOT USED | | |

CHASSIS GROUP (CONTINUED)
FRONT END (CONTINUED)



**2006
 FORD**

| KEY | PART NUMBER | U/M | DESCRIPTION |
|-----|---------------|-----|------------------------------------------|
| 1 | 137047-04-01B | EA | STRAP - DEFROSTER PLENUM |
| 2 | 137047-05-01B | EA | STRAP - DEFROSTER PLENUM |
| 3 | 137047-06-01B | EA | STRAP - DEFROSTER PLENUM |
| 4 | 146492-02-01B | EA | PANEL - STEPWELL |
| 5 | 117273-05-01B | EA | TUBE - SUPPORT - A-PILLAR |
| 6 | 148935-01-01B | EA | BRACKET - WINDSHIELD |
| 7 | 121269-05-01B | EA | FRAME - WINDSHIELD - A-PILLAR - MILL |
| 8 | 121269-06-01B | EA | FRAME - WINDSHIELD - A-PILLAR - MILL |
| 9 | 134506-02-01B | EA | BRACKET - WIPER MOTOR |
| 10 | 124904-05-01B | EA | HEADER/WINDSHIELD - CENTER - 27.5" |
| 11 | 137496-01-01B | EA | PANEL - SPLASH GUARD |
| 12 | 126289-65-01B | EA | ANGLE - FORMED - 4 USED |
| 13 | 134371-01-01B | EA | ANGLE/MOUNT - WIPER MOTOR |
| 14 | 134371-02-01B | EA | ANGLE/MOUNT - WIPER MOTOR |
| 15 | 152540-02-02B | EA | SUPPORT - DIRT GUARD - E-COATED |
| 16 | 124974-01-01B | EA | SUPPORT - WINDSHIELD, LOWER, MILL FINISH |

CHASSIS GROUP (CONTINUED)

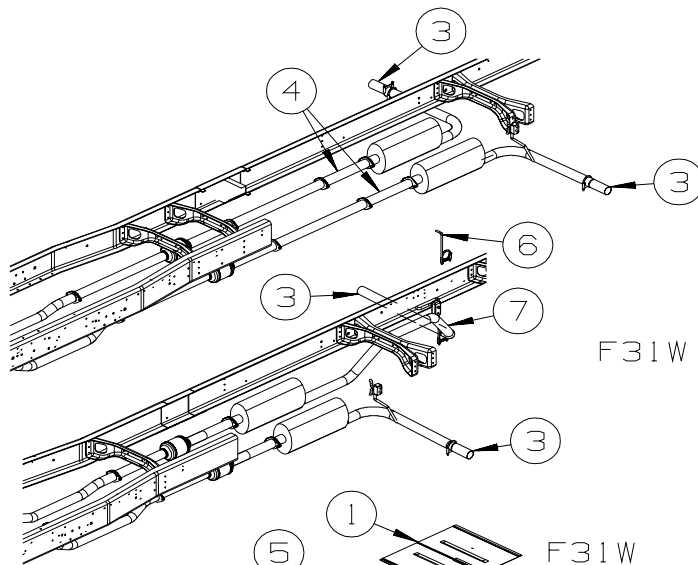
DRIVETRAIN

WORKHORSE 228 STRETCHED TO 248 WHEEL BASE CHASSIS

| KEY | PART NUMBER | U/M | DESCRIPTION |
|-----|---------------|-----|----------------------------------------------------------------------------------------------------------------------|
| | 128528-03-000 | EA | BOLT - U-JOINT - 3/8-24 X 3/4 |
| | 128528-04-000 | EA | STRAP - BEARING - 1480 JOINT |
| | 138616-01-02B | EA | BRACKET/BEARING MOUNT - FRONT/248" WHEEL BASE - E-COATED - 24000 GVWR CHASSIS |
| | 138616-02-02B | EA | BRACKET/BEARING MOUNT - MID-RR/248" WHEEL BASE -E-COATED - 24000 GVWR CHASSIS |
| | 138616-09-02B | EA | BRACKET/BEARING MNT - FRT/248" WB - E-CT - 22000 GVWR CHASSIS |
| | 138616-10-02B | EA | BRACKET/BEARING MNT - MID-RR/248" WB - E-CT - 22000 GVWR CHASSIS |
| | 138126-02-000 | EA | DRIVESHAFT ASM-4 BALANCED - WH W22, 248"WB - 24000 GVWR CHASSIS FROM: 00-00-00 THRU: 05-21-04 |
| | 138126-05-000 | EA | DRIVESHAFT-BALANCED-4 SECTION-WH W2 -248" WB - 24000 GVWR CHASSIS W/DISC PARK BRAKE FROM: 05-22-04 THRU: 99-99-99 |
| | 140691-04-000 | EA | DRIVESHAFT - BALANCED - 4 SECTION - WH W22 - 248" WB - 22000 GVWR CHASSIS |

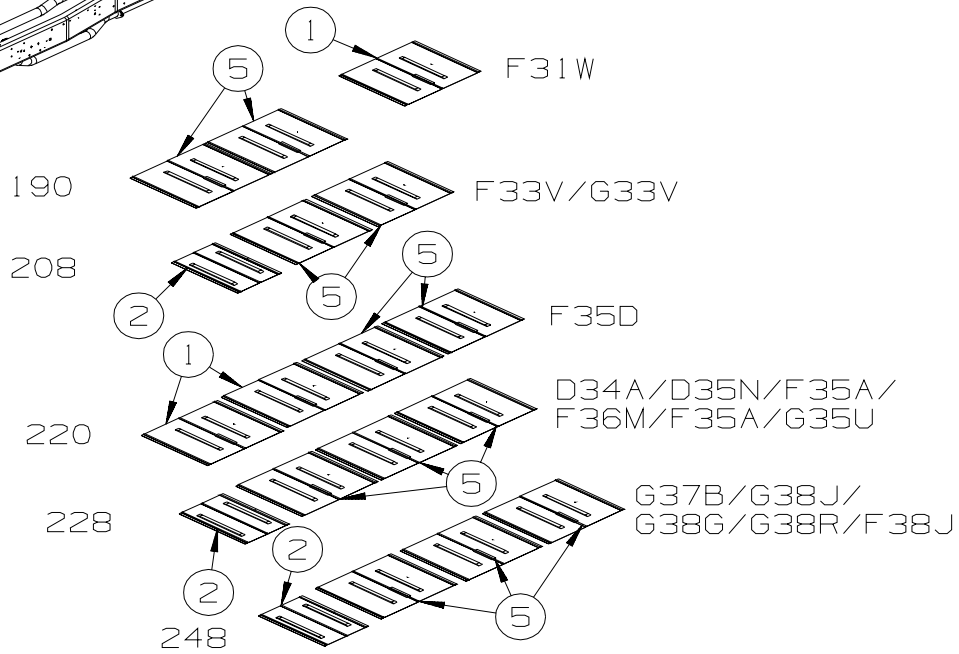
CHASSIS GROUP (CONTINUED)

EXHAUST



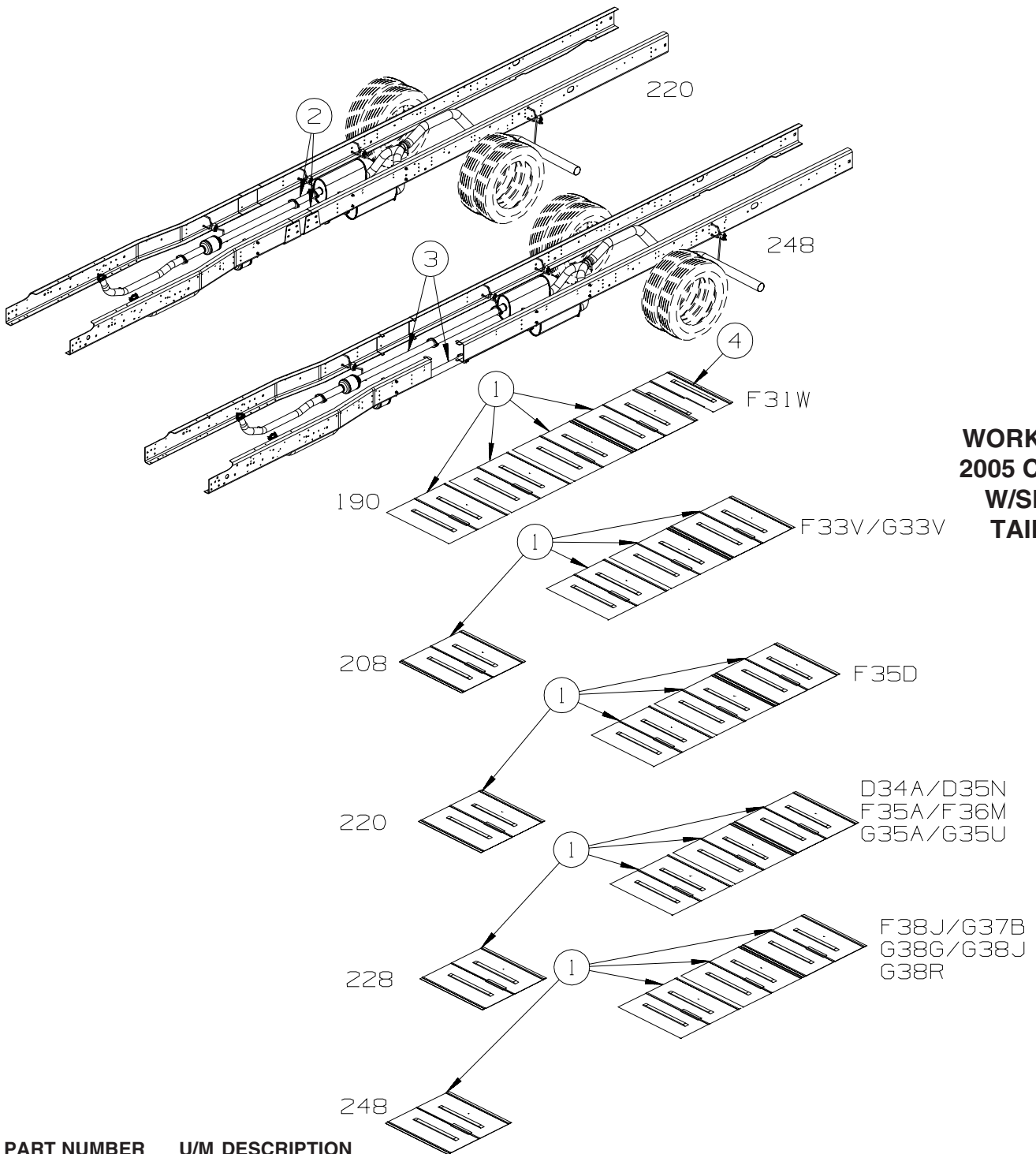
F31W

**WORKHORSE
2004 CHASSIS**



| KEY | PART NUMBER | U/M DESCRIPTION |
|-----|---------------|--------------------------------------------------------------|
| 1 | NOT USED | |
| 2 | 143712-01-02B | EA SHIELD - HEAT/EXHAUST - E-COATED |
| 3 | 098762-05-000 | EA EXTENSION - EXHAUST - STRAIGHT - 3" O.D X 7.9" LONG - SST |
| 3 | 094918-01-000 | EA CLAMP - EXHAUST - 3" - GUILLOTINE STYLE |
| 4 | 137652-01-000 | EA PIPE - EXHAUST - W/FLANGES - 228"-248" STRETCH G37 & G38 |
| 5 | 143712-05-02B | EA SHIELD - HEAT/EXHAUST - E-COATED |
| 6 | NOT USED | |
| 7 | NOT USED | |

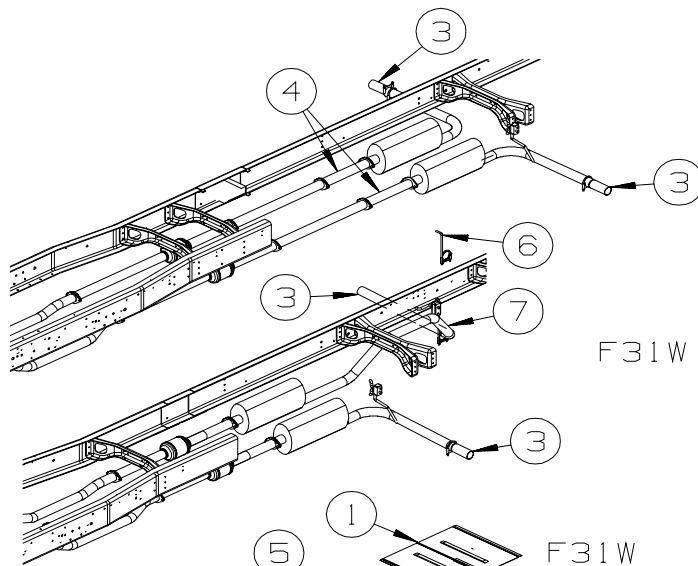
CHASSIS GROUP (CONTINUED)
EXHAUST (CONTINUED)



**WORKHORSE
 2005 CHASSIS
 W/SINGLE
 TAILPIPE**

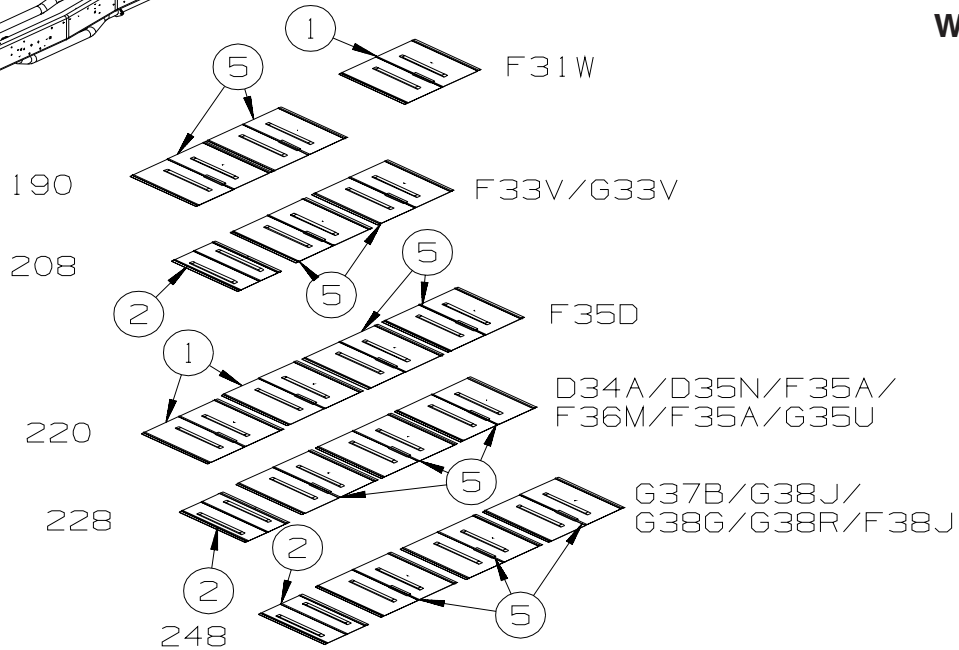
| KEY | PART NUMBER | U/M DESCRIPTION |
|-----|---------------|--------------------------------------------------------------------------|
| 1 | 143712-02-02B | EA SHIELD/HEAT - EXHAUST - E-COATED |
| 2 | 137652-01-000 | EA PIPE - EXHAUST - W/FLANGES - 228"-248" STRETCH G37B, G38G, G38J, G38R |

CHASSIS GROUP (CONTINUED) EXHAUST (CONTINUED)



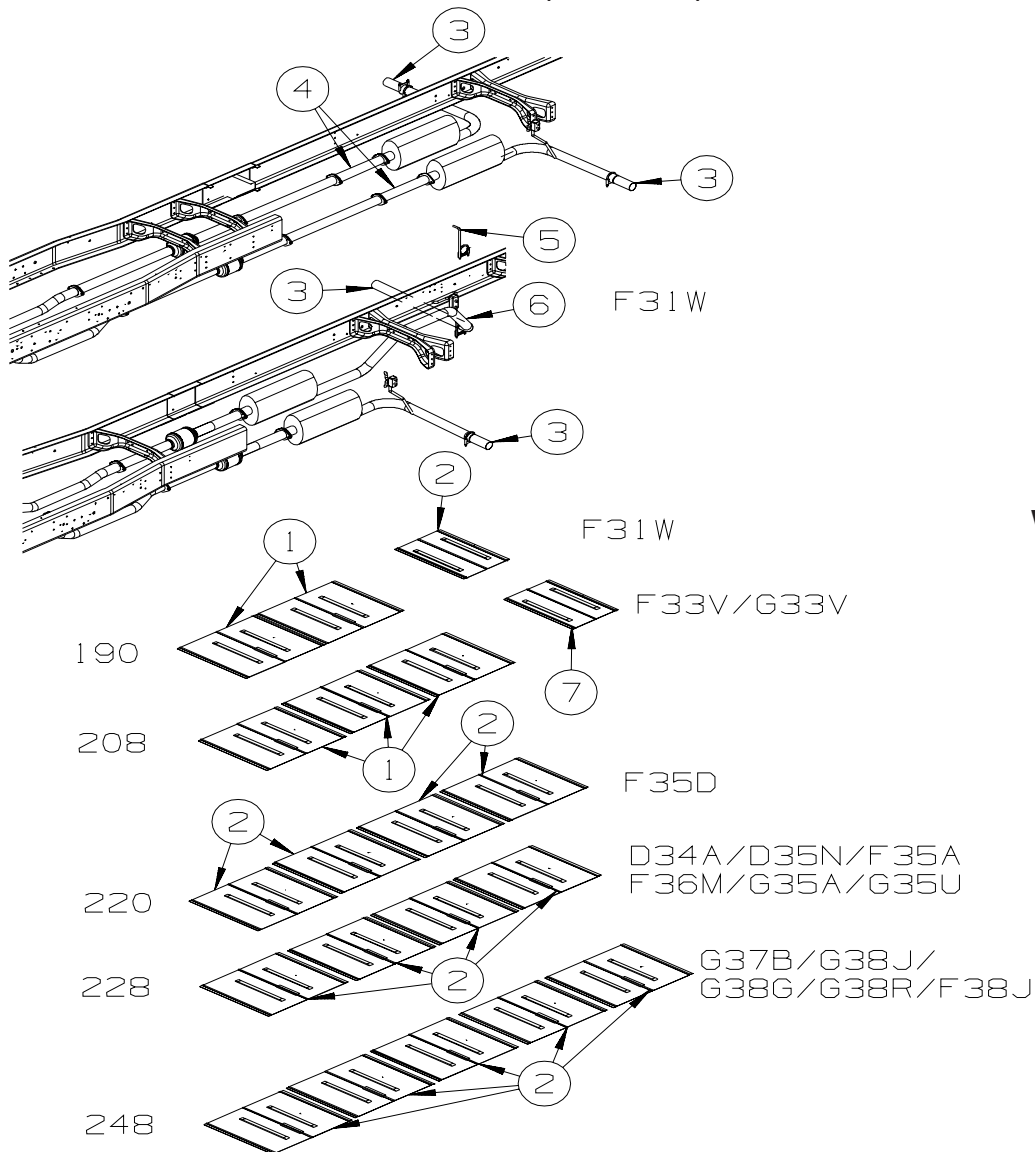
F31W

**WORKHORSE
2005 CHASSIS
W/DUAL TAILPIPE
FROM 00-00-00
THRU 02-09-05**



| KEY | PART NUMBER | U/M DESCRIPTION |
|-----|---------------|--------------------------------------------------------------|
| 1 | NOT USED | |
| 2 | 143712-01-02B | EA SHIELD - HEAT/EXHAUST - E-COATED |
| 3 | 098762-05-000 | EA EXTENSION - EXHAUST - STRAIGHT - 3" O.D X 7.9" LONG - SST |
| 3 | 094918-01-000 | EA CLAMP - EXHAUST - 3" - GUILLOTINE STYLE |
| 4 | 137652-01-000 | EA PIPE - EXHAUST - W/FLANGES - 228"-248" STRETCH G37 & G38 |
| 5 | 143712-05-02B | EA SHIELD - HEAT/EXHAUST - E-COATED |
| 6 | NOT USED | |
| 7 | NOT USED | |

CHASSIS GROUP (CONTINUED)
EXHAUST (CONTINUED)



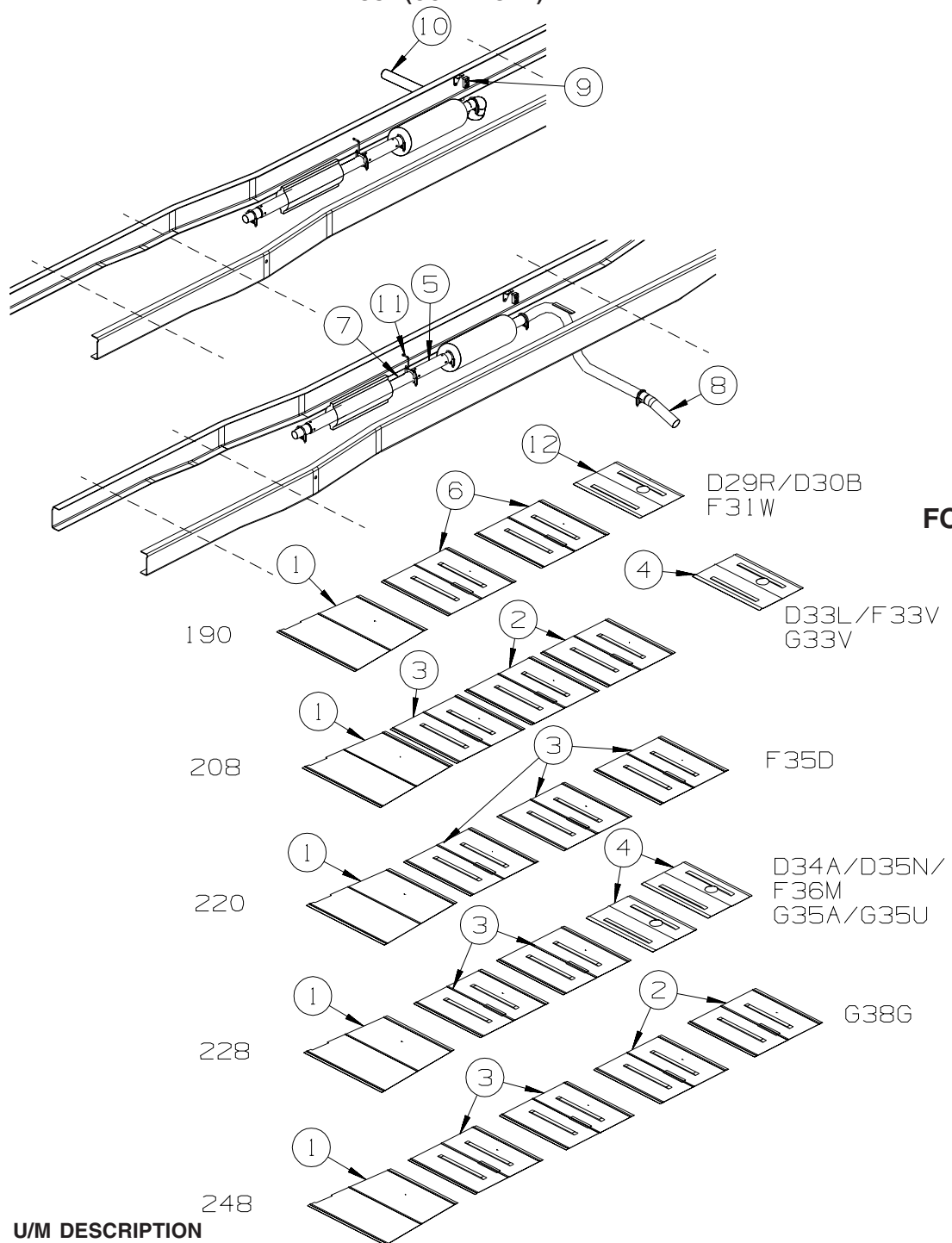
**WORKHORSE
 2005 CHASSIS
 W/DUAL TAILPIPE
 FROM 02-10-05
 THRU 99-99-99**

| KEY | PART NUMBER | U/M | DESCRIPTION |
|-----|---------------|-----|-----------------------------------------------------------|
| 1 | 143712-05-02B | EA | SHIELD - HEAT/EXHAUST - E-COATED |
| 2 | 143712-02-02B | EA | SHIELD - HEAT/EXHAUST - E-COATED |
| 3 | 098762-05-000 | EA | EXTENSION - EXHAUST - STRAIGHT - 3" O.D X 7.9" LONG - SST |
| 3 | 142985-01-000 | EA | PIPE - EXHAUST - DRIVER SIDE G33V ONLY |
| | 094918-01-000 | EA | CLAMP - EXHAUST - 3" - GUILLOTINE STYLE |
| 4 | 137652-01-000 | EA | PIPE - EXHAUST - W/FLANGES - 228"-248" STRETCH G37 & G38 |
| 5 | NOT USED | | |
| 6 | NOT USED | | |
| 7 | 143712-07-02B | EA | SHIELD - HEAT/EXHAUST - E-COATED |

FROM: 03-01-05 THRU: 99-99-99

CHASSIS GROUP (CONTINUED)

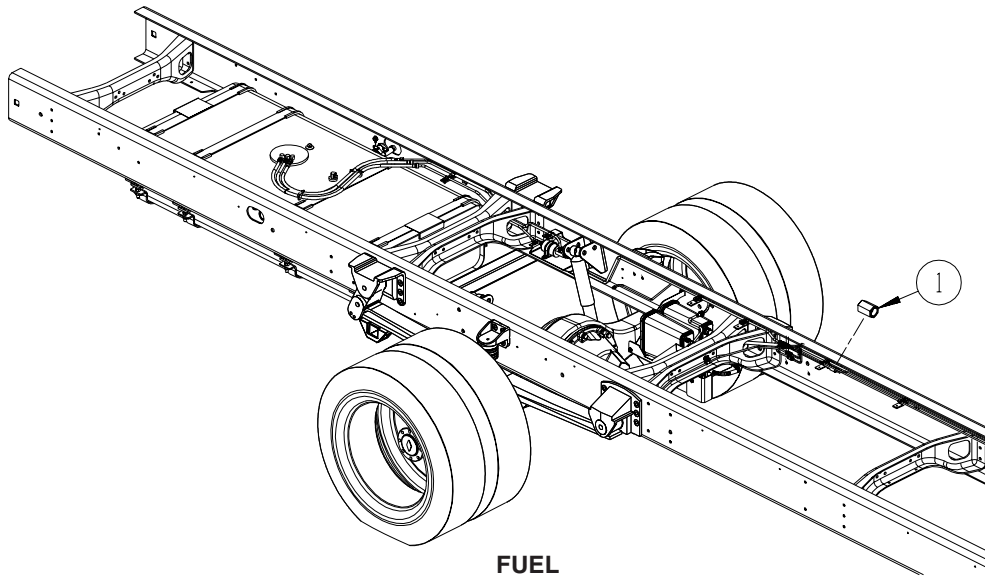
EXHAUST (CONTINUED)



| KEY | PART NUMBER | U/M | DESCRIPTION |
|-----|---------------|-----|------------------------------------------------------------------------|
| 1 | 128756-01-02B | EA | SHIELD - HEAT/EXHAUST - 33.9" X 16.9" - E-COATED |
| 2 | 143712-02-02B | EA | SHIELD - HEAT/EXHAUST - E-COATED |
| 3 | 143712-05-02B | EA | SHIELD - HEAT/EXHAUST - E-COATED - 208 WHEELBASE |
| 3 | 143712-02-02B | EA | SHIELD - HEAT/EXHAUST - E-COATED - 208 WHEELBASE |
| 3 | 143712-05-02B | EA | SHIELD - HEAT/EXHAUST - E-COATED - 228 & 248 WHEELBASE |
| 4 | 143712-07-02B | EA | SHIELD - HEAT/EXHAUST - E-COATED |
| 4 | 143712-07-02B | EA | SHIELD - HEAT/EXHAUST - E-COATED - 208 WHEELBASE |
| 5 | 112012-03-000 | EA | PIPE - EXHAUST - 3" DIAMETER - FORD CHASSIS - 228"-248" STRETCH - G38G |
| | 094918-06-000 | EA | CLAMP - EXHAUST - 3" - HEAVY DUTY |
| 6 | NOT USED | | |
| 7 | NOT USED | | |
| 8 | 142985-01-000 | EA | PIPE - EXHAUST |

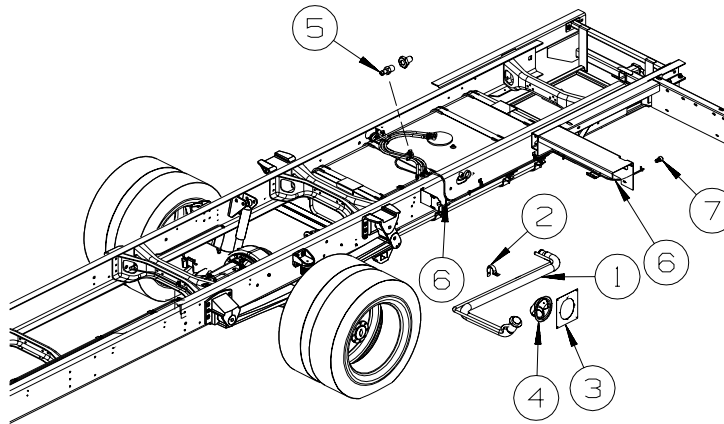
CHASSIS GROUP (CONTINUED)
EXHAUST (CONTINUED)

| KEY | PART NUMBER | U/M DESCRIPTION |
|-----|-------------|-----------------|
| 9 | NOT USED | |
| 10 | NOT USED | |
| 11 | NOT USED | |
| 12 | NOT USED | |



WORKHORSE

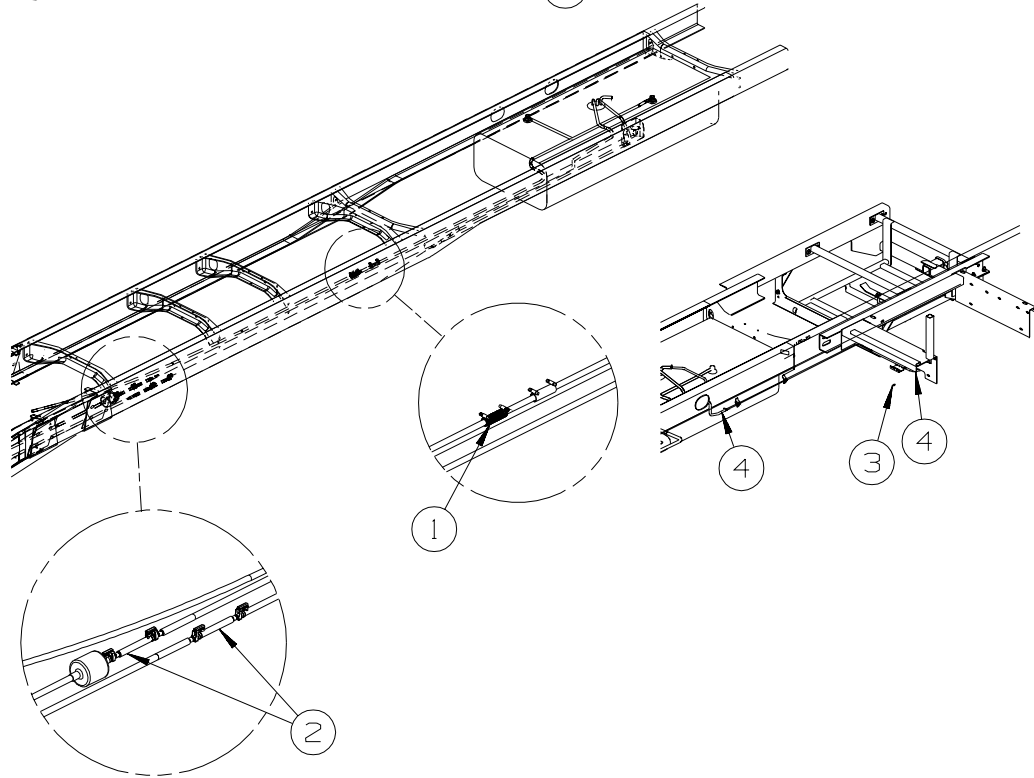
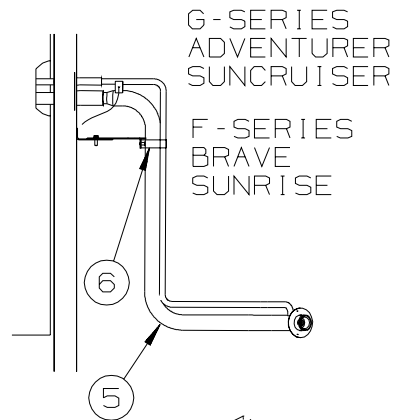
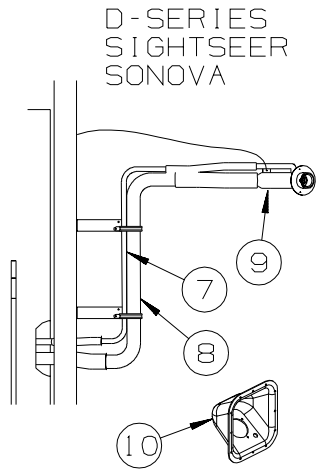
| KEY | PART NUMBER | U/M DESCRIPTION |
|-----|---------------|----------------------------------------------------------------------------------|
| 1 | 098779-02-000 | EA COUPLER - FUEL LINE - 1.2" LONG X 16MM THREAD - STRETCHED CHASSIS ONLY |



WORKHORSE

| KEY | PART NUMBER | U/M DESCRIPTION |
|-----|---------------|---------------------------------------------------|
| 1 | 136300-02-000 | EA NECK - FUEL FILL |
| 2 | 140728-01-02B | EA BRACKET - FUEL FILL - E-COATED |
| | | FROM: 00-00-00 THRU: 04-15-04 |
| 2 | 140728-02-02B | EA BRACKET - FUEL FILL - E-COATED |
| | | FROM: 04-16-04 THRU: 99-99-99 |
| 3 | 139138-01-02B | EA PLATE - FUEL FILL - E-COATED |
| 4 | | CHASSIS SUPPLIED |
| 5 | 068382-06-000 | EA BUSHING - BRASS - 3/8" MPT X 1/8" FPT |
| 5 | 114254-01-000 | EA ADAPTER - 1/4 BARB X 1/8 MPT |
| 6 | 128139-03-000 | FT HOSE - FUEL - LOW PERMEABILITY - 1/4" DIAMETER |
| 7 | 084884-01-000 | EA PLUG - BRASS - 3/8" |

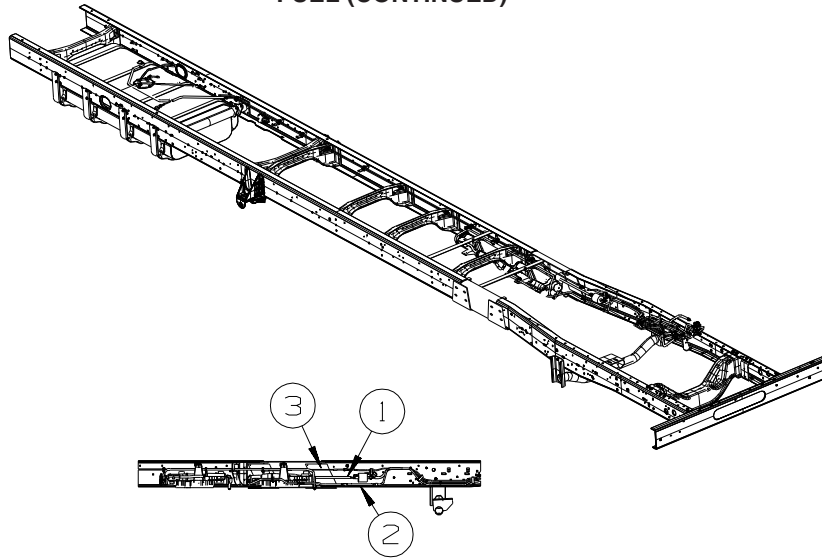
CHASSIS GROUP (CONTINUED) FUEL (CONTINUED)



**2004
FORD**

| KEY | PART NUMBER | U/M | DESCRIPTION |
|-----|---------------|-----|-------------------------------------------------------------------------|
| 1 | 128139-02-000 | FT | HOSE - FUEL - LOW PERMEABILITY - 5/8" DIAMETER - 228"-248" STRETCH G38G |
| 2 | 129494-03-000 | EA | FUEL LINE - 5/16" X 21.2" - FORD CHASSIS - 228"-248" STRETCH G38G |
| 3 | 084884-01-000 | EA | PLUG - BRASS - 3/8" |
| 4 | 128139-03-000 | FT | HOSE - FUEL - LOW PERMEABILITY - 1/4" DIAMETER |
| 5 | 135801-01-000 | EA | NECK - FUEL FILL - |
| 6 | 140728-02-02B | EA | BRACKET - FUEL FILL - E-COATED |
| 7 | NOT USED | | |
| 8 | NOT USED | | |
| 9 | NOT USED | | |
| 10 | NOT USED | | |

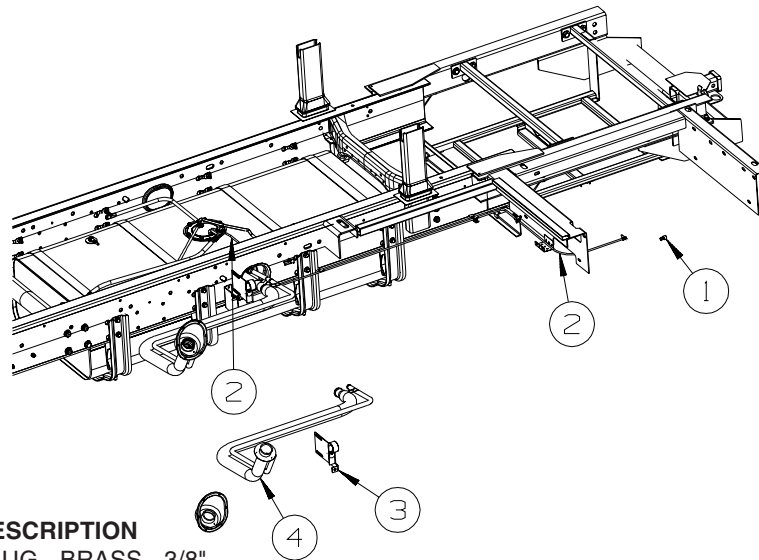
CHASSIS GROUP (CONTINUED)
FUEL (CONTINUED)



**2006
 FORD**

248" WHEELBASE
 228" STRETCHED TO 248"

| KEY | PART NUMBER | U/M | DESCRIPTION |
|-----|---------------|-----|-------------------------------------------------|
| 1 | 129494-03-000 | EA | FUEL LINE - 5/16" X 21.2" - FORD CHASSIS |
| 2 | 155359-01-000 | EA | EXTENSION - TUBE/VAPOR 1/2" - EMISSION CANISTER |
| 3 | 155360-02-000 | EA | EXTENSION - TUBE/VAPOR 5/16" - FUEL TANK VENT |

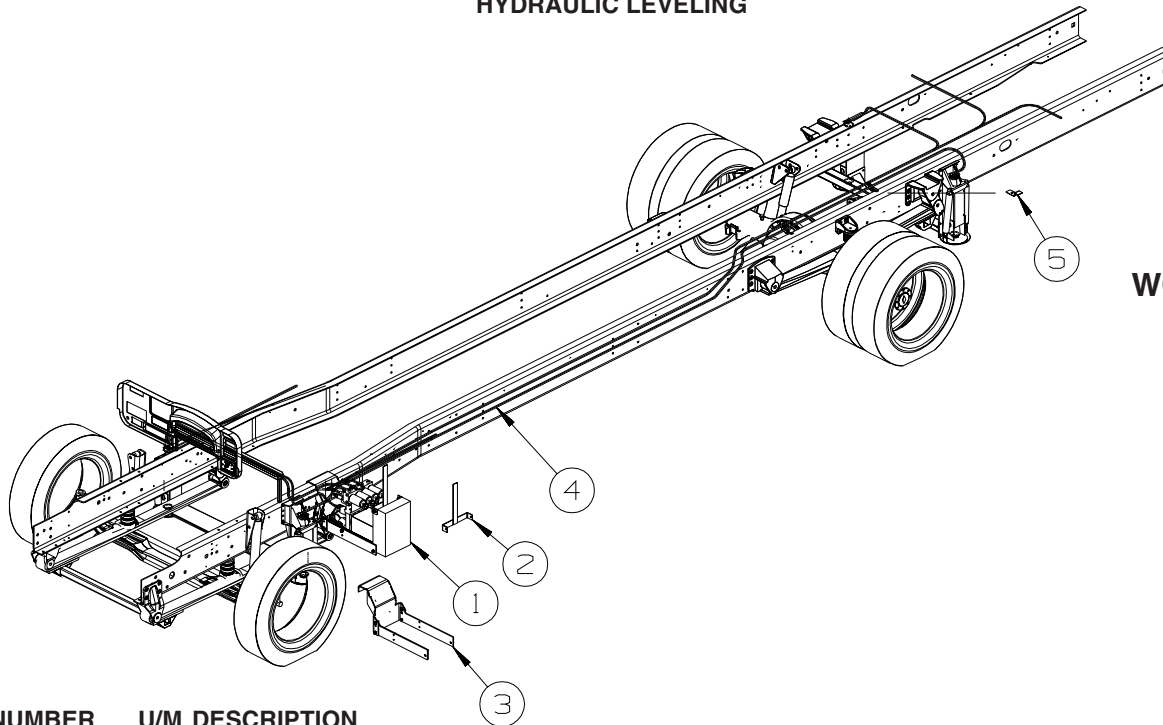


**2006
 FORD**

| KEY | PART NUMBER | U/M | DESCRIPTION |
|-----|---------------|-----|------------------------------------------------|
| 1 | 084884-01-000 | EA | PLUG - BRASS - 3/8" |
| 2 | 128139-03-000 | FT | HOSE - FUEL - LOW PERMEABILITY - 1/4" DIAMETER |
| 3 | 140728-02-02B | EA | BRACKET - FUEL FILL - E-COATED |
| 4 | 153027-01-000 | EA | NECK - FUEL FILL |

CHASSIS GROUP (CONTINUED)

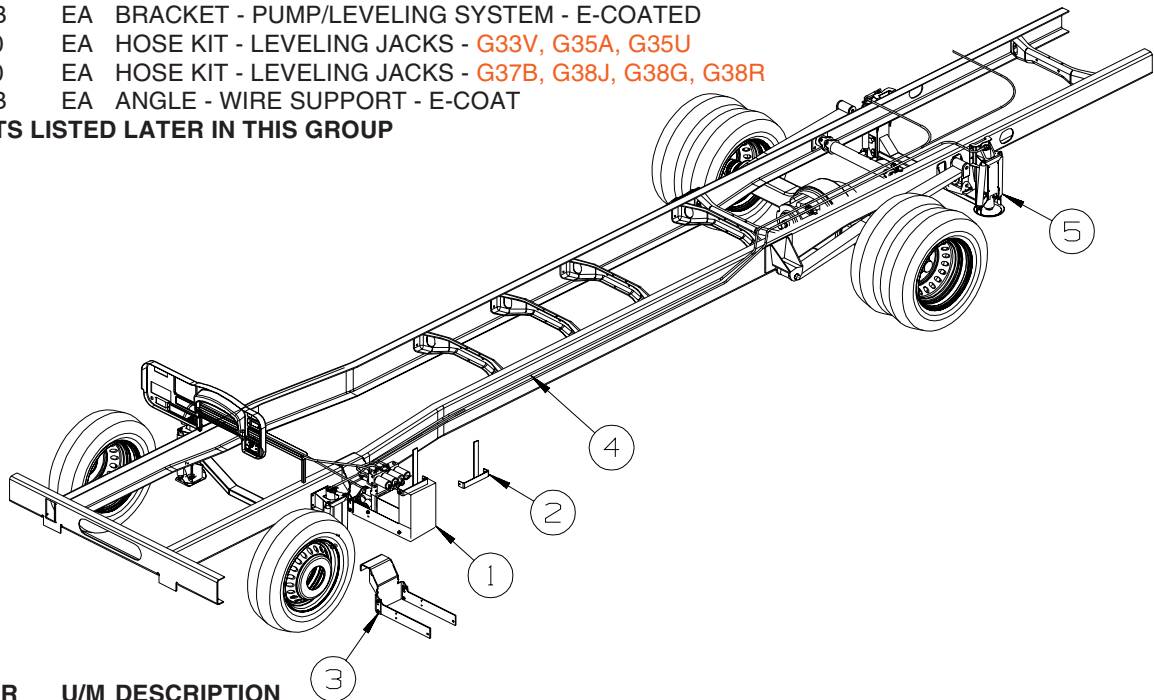
HYDRAULIC LEVELING



WORKHORSE

| KEY | PART NUMBER | U/M | DESCRIPTION |
|-----|---------------|-----|------------------------------------------------------------------------------|
| 1* | 144226-34-000 | EA | LEVELING SYSTEM - 325 SYSTEM W/2 SLIDEOUTS - W22 WH - G33V, G35U, G38G, G38R |
| 1* | 144226-32-000 | EA | LEVELING SYSTEM - W/3 SLIDEOUT ROOMS - G35A, G37B, G38J |
| 2 | 149900-01-02B | EA | BRACKET - PUMP/LEVELING SYSTEM - E-COATED |
| 3 | 150001-01-02B | EA | BRACKET - PUMP/LEVELING SYSTEM - E-COATED |
| 4 | 100536-60-000 | EA | HOSE KIT - LEVELING JACKS - G33V, G35A, G35U |
| 4 | 100536-57-000 | EA | HOSE KIT - LEVELING JACKS - G37B, G38J, G38G, G38R |
| 5 | 126624-01-02B | EA | ANGLE - WIRE SUPPORT - E-COAT |

*COMPONENT PARTS LISTED LATER IN THIS GROUP



FORD

| KEY | PART NUMBER | U/M | DESCRIPTION |
|-----|---------------|-----|-------------------------------------------------------------------------------------------|
| 1* | 144226-37-000 | EA | LEVELING SYSTEM - 325 SYSTEM W/2 SLIDEOUTS - FORD - G33V FROM: 00-00-00 THRU: 01-30-05 |
| 1 | 153452-14-000 | EA | LEVELING SYSTEM - 325 SYSTEM W/2 SLIDEOUTS - FORD - G33V FROM: 01-31-05 THRU: 99-99-99 |
| 1* | 144226-40-000 | EA | LEVELING SYSTEM - 325 SYSTEM W/2 SLIDEOUTS - FORD - G35U, G38G |
| 1 | 144226-47-000 | EA | LEVELING SYSTEM - 325 SYSTEM W/3 SLIDEOUTS - FORD - G35A |
| 2 | 149900-01-02B | EA | BRACKET - PUMP/LEVELING SYSTEM - E-COATED |
| 3 | 150001-01-02B | EA | BRACKET - PUMP/LEVELING SYSTEM - E-COATED |
| 4 | 100536-60-000 | EA | HOSE KIT - LEVELING JACKS - G33V, G35A, G35U |
| 4 | 100536-57-000 | EA | HOSE KIT - LEVELING JACKS - G38G |
| 5 | 128571-06-000 | EA | JACK/CROSSMEMBER ASSEMBLY - REAR - FORD - G33V |
| 5 | 128571-07-000 | EA | JACK/CROSSMEMBER ASSEMBLY - REAR - FORD - G35A, G35U, G38G |

*COMPONENT PARTS LISTED LATER IN THIS GROUP

CHASSIS GROUP (CONTINUED)
COMPONENT PARTS FOR HYDRAULIC LEVELING

144226-32-000

| KEY | PART NUMBER | U/M | DESCRIPTION | VENDOR NO. |
|------------|--------------------|------------|---------------------------------|-------------------|
| | 100532-03-717 | EA | VALVE-PRESS., RETURN SHUTTLE | RAP7964 |
| | 100532-09-704 | EA | VALVE-PRESS SOLENOID(LARGE) | RAP0642 |
| | 100532-09-710 | EA | SOLENOID-INTERMITENT DUTY | RAP0533 |
| | 100532-12-707 | EA | SPRING KIT (PAIR) | R3847 |
| | 100532-32-704 | EA | CHIME - JACK WARNING | RAP90681/AP19812 |
| | 100532-53-700 | EA | CYLINDER W/O FOOT - 9K | RAP90491/AP15891 |
| | 131306-11-704 | EA | PRESSURE SWITCH - 50 PSI | RAP2082 |
| | 131306-12-702 | EA | VALVE-PRESSURE SOLENOID (SMALL) | RAP90729/AP24604 |
| | 144226-03-700 | EA | MOTOR ONLY - 4 1/2" MONARCH | RAP90415 |
| | 144226-08-702 | EA | SENSOR/BI - AXIS - PROGRAMABLE | RAP91172/AP28010 |
| | 144226-20-700 | EA | TOUCH PAD - 325 GAS | RAP91259/AP31350 |
| | 144226-26-700 | EA | PUMP MOTOR/TANK ASM-PARKER | RAP91243/AP29808 |
| | 144226-26-701 | EA | ENCLOSURE BOX W/SENSING UNIT | RAP91263/AP31343 |
| | 144226-26-702 | EA | PUMP MOTOR ONLY - PARKER | RAP91244/AP31771 |

144226-34-000

| KEY | PART NUMBER | U/M | DESCRIPTION | VENDOR NO. |
|------------|--------------------|------------|--------------------------------|-------------------|
| | 100532-12-707 | EA | SPRING KIT (PAIR) | R3847 |
| | 100532-53-700 | EA | CYLINDER W/O FOOT - 9K | RAP90491/AP15891 |
| | 131306-02-701 | EA | FOOT/JACK - 9K & 12K | RAP8464/AP1752 |
| | 131306-22-701 | EA | CROSSMEMBER - FRONT JACK | AP22754 |
| | 131306-29-702 | EA | CROSSMEMBER - REAR JACK | AP20775 |
| | 144226-01-700 | EA | SWITCH - WARNING/MAGNETIC | RAP90968/AP26641 |
| | 144226-08-702 | EA | SENSOR/BI - AXIS - PROGRAMABLE | RAP91172/AP28010 |
| | 144226-25-700 | EA | ENCLOSURE BOX W/SENSING UNIT | RAP91262/AP31348 |

144226-37-000

| KEY | PART NUMBER | U/M | DESCRIPTION | VENDOR NO. |
|------------|--------------------|------------|---------------------------|-------------------|
| | 100532-12-707 | EA | SPRING KIT (PAIR) | R3847 |
| | 131306-02-700 | EA | FOOT - 6K JACK | RAP2004/AP13882 |
| | 144226-01-700 | EA | SWITCH - WARNING/MAGNETIC | RAP90968/AP26641 |
| | 144226-20-700 | EA | TOUCH PAD - 325 GAS | RAP91259/AP31350 |
| | 144226-29-700 | EA | CYLINDER - 6K (325) | RAP91184/AP31656 |

144226-40-000

| KEY | PART NUMBER | U/M | DESCRIPTION | VENDOR NO. |
|------------|--------------------|------------|---------------------------|-------------------|
| | 100532-12-707 | EA | SPRING KIT (PAIR) | R3847 |
| | 131306-02-700 | EA | FOOT - 6K JACK | RAP2004/AP13882 |
| | 144226-01-700 | EA | SWITCH - WARNING/MAGNETIC | RAP90968/AP26641 |
| | 144226-20-700 | EA | TOUCH PAD - 325 GAS | RAP91259/AP31350 |
| | 144226-29-700 | EA | CYLINDER - 6K (325) | RAP91184/AP31656 |

CHASSIS GROUP (CONTINUED)
WHEEL, TIRE, COVERS &/OR LINERS

| KEY | PART NUMBER | U/M | DESCRIPTION |
|------------|--------------------|------------|-------------------------------------------------------------------------------------------|
| | 102340-07-000 | EA | TIRE - 245/70R X 19.5 - LOAD RANGE F - MICHELIN XRV - WORKHORSE W/19.5 |
| | 102340-08-000 | EA | TIRE - 245/70R X 19.5F - GOODYEAR - FORD W/19.5 TIRE |
| | 118814-05-000 | EA | WHEEL - STEEL - 19.5" X 6.75" - W/STEM - GRAY - WORKHORSE W/19.5 TIRE |
| | 091209-16-000 | EA | NUT - JAM/THREADED - 22MM |
| * | 145580-03-000 | EA | LINER - WHEEL(SET OF 4) - 19.5"/10 BOLT - WORKHORSE W/19.5 TIRE |
| * | 145580-02-000 | EA | LINER - WHEEL(SET OF 4) - 22.5"/10 BOLT - WORKHORSE W/22.5 TIRE |
| * | 110435-20-000 | EA | LINER - WHEEL - SET OF 4 - 19.5" - 8 BOLT - 2004 FORD CHASSIS W/19.5 TIRE |
| | 154672-01-000 | EA | LINER - WHEEL - SET/4 - 19.5 - 10 BOLT - 2006 FORD CHASSIS W/19.5 TIRE |
| * | 150723-01-000 | EA | COVER/HUB-SET-FT & RR HUBS/NUT CVRS/TOOL - FORD F53 CHASSIS W/22.5 ALUMINUM WHEELS |
| | 051377-06-000 | EA | VALVE STEM ASM-VS-12223R |
| | 077030-01-000 | EA | EXTENSION - VALVE STEM - 1.25" |
| | 077030-10-000 | EA | EXTENSION - VALVE STEM - .50" |
| | 095012-07-000 | EA | STABILIZER - VALVE EXTENSION - LIVE - 4" |
| | 095012-09-000 | EA | EXTENSION - VALVE STEM - LIVE - 7.7" |
| | 080208-04-000 | EA | LUG WRENCH - 1 3/16" - WORKHORSE/FORD F53 CHASSIS W/22.5 ALUMINUM WHEELS |
| | 080208-05-000 | EA | BAR - LEVERAGE - .75"DIA. - WORKHORSE/FORD F53 CHASSIS W/22.5 ALUMINUM WHEELS |

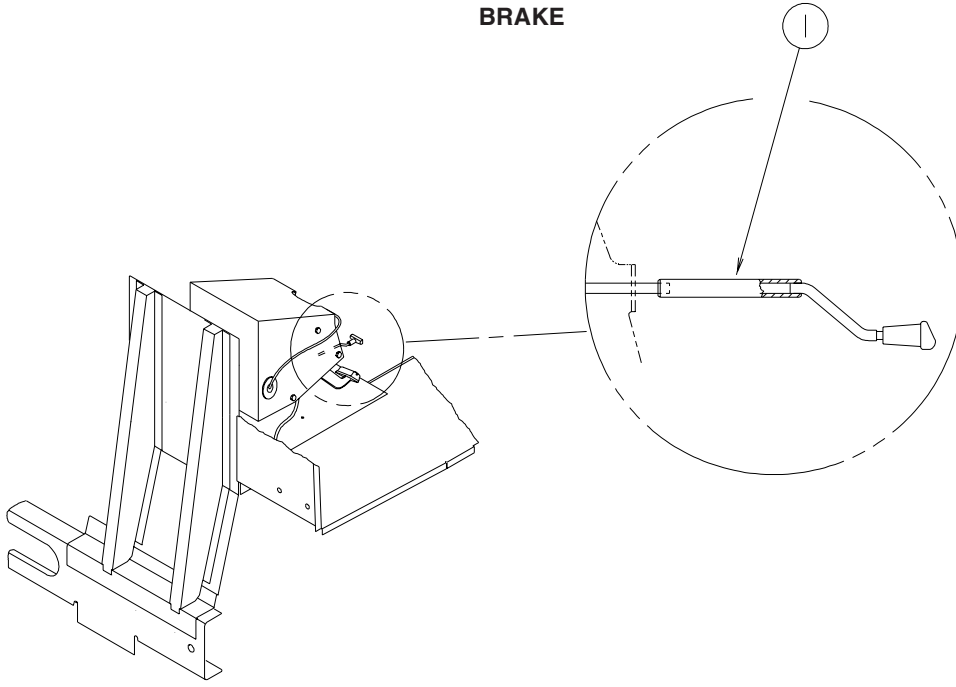
***COMPONENT PARTS LISTED LATER IN THIS GROUP**

COMPONENT PARTS FOR WHEEL, TIRE, COVERS &/OR LINERS

| 110435-20-000 | | | | |
|----------------------|--------------------|------------|------------------------------|---------------------|
| KEY | PART NUMBER | U/M | DESCRIPTION | VENDOR NO. |
| | 110435-04-705 | EA | DECAL-CTR HUB 2 3/4" DIAMOND | |
| | 110435-10-705 | EA | TOOL/JAMB NUT INSTALLATION | V195P7-TOL |
| | 110435-15-700 | EA | LINER - WHEEL - FRONT | V195F9-FWC |
| | 110435-15-701 | EA | LINER - WHEEL - REAR | V195F9-RWC |
| | 110435-15-702 | EA | JAMB NUT W/COVER - CRS THRD | V195F9-EJN |
| | 110435-20-700 | EA | LNC W/ENCL M14X1.5 JAM NUT | V195F9-EJN-MF |
| 145580-02-000 | | | | |
| KEY | PART NUMBER | U/M | DESCRIPTION | VENDOR NO. |
| | 110435-04-705 | EA | DECAL-CTR HUB 2 3/4" DIAMO | 2 3/4 DECAL DIAMOND |
| | 110435-05-700 | EA | CAP-CENTER, POP-OUT 4 1/2" | V22510-POC |
| | 145580-01-702 | EA | COVER-LUG NUT/JAM NUT 22M | V22501-EJN |
| | 145580-01-703 | EA | TOOL-INSTALLATION | V22501-TOL |
| | 145580-02-700 | EA | LINER - WHEEL/FRONT - 1EA=1 | V22569-FWC |
| | 145580-02-701 | EA | LINER - WHEEL/REAR - 1EA=1 | V22569-RWC |
| 145580-03-000 | | | | |
| KEY | PART NUMBER | U/M | DESCRIPTION | VENDOR NO. |
| | 110435-04-705 | EA | DECAL-CTR HUB 2 3/4" | 2 3/4 DECAL DIAMOND |
| | 110435-05-700 | EA | CAP-CENTER 4.50"D W/O DECAL | V22510-POC |
| | 110435-12-700 | EA | LINER - WHEEL - FRONT | V19580-FWC |
| | 110435-12-701 | EA | LINER - WHEEL - REAR | V19580-RWC |
| | 145580-01-702 | EA | COVER-LUG NUT/JAM NUT 22M | V19582-EJN |
| | 145580-01-703 | EA | TOOL-INSTALLATION | V22501-TOL |
| 150723-01-000 | | | | |
| KEY | PART NUMBER | U/M | DESCRIPTION | VENDOR NO. |
| | 110435-04-705 | EA | DECAL-CTR HUB 2 3/4" | 2 3/4 DECAL DIAMOND |
| | 110435-05-700 | EA | CAP-CENTER 4.50"D W/O DECAL | V22510-POC |
| | 145580-01-702 | EA | COVER-LUG NUT/JAM NUT 22M | V19582-EJN |
| | 145580-01-703 | EA | TOOL-INSTALLATION | V22501-TOL |
| | 150723-01-700 | EA | COVER - HUB/FRONT W/CAP | VAC8275-FHC |
| | 150723-01-701 | EA | COVER - HUB/REAR | VAC8275-RHC |

CHASSIS GROUP (CONTINUED)

BRAKE



| KEY | PART NUMBER | U/M | DESCRIPTION |
|-----|---------------|-----|--------------------------|
| 1 | 113007-01-000 | EA | PIN - SPRING - .375 X 3" |

BRAKELINE

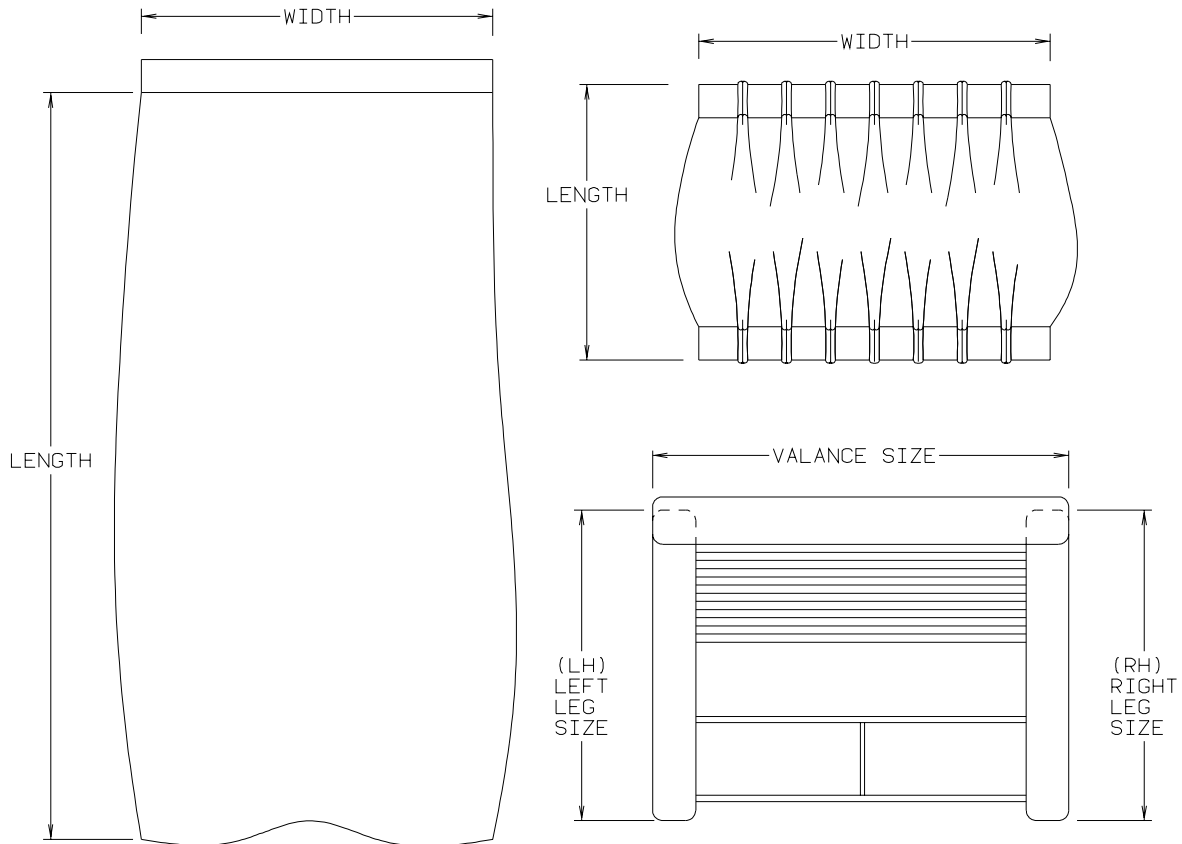
| KEY | PART NUMBER | U/M | DESCRIPTION |
|-----|---------------|-----|-------------------------------|
| | 075466-01-000 | EA | UNION - INVERTED FLAIR - 1/4" |

CURTAIN & CUSHION GROUP

NOTICE

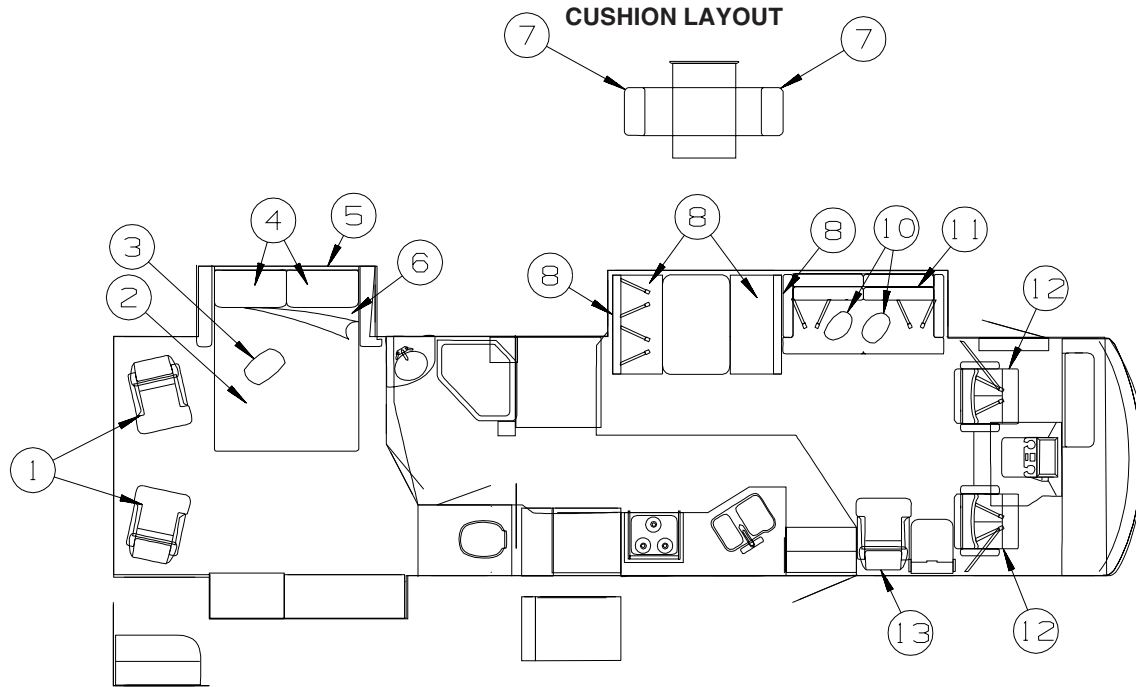
IN ORDER TO ASSIST OUR PARTS SALES DEPT. IN PROVIDING INTERIOR SOFTWARE ITEMS, PLEASE INCLUDE THE SERIAL NUMBER AND THE COLOR CODE NUMBER FROM THE VEHICLE CERTIFICATION LABEL WHEN ORDERING. THIS LABEL IS LOCATED ON THE LEFT SIDEWALL AT THE END OF THE DASH (A-BODY), OR ON THE DRIVER'S DOOR LATCH PLATE (C-BODY).

AN EXAMPLE OF A COLOR CODE NUMBER IS B07, WHICH DESIGNATES AN OVERALL COLOR SCHEME OF A PARTICULAR UNIT. THE COLOR LISTED AFTER THE ITEM DESCRIPTION ON THE MICROFICHE, INDICATES THE OVERALL UNIT COLOR. ORDER THE ITEM YOU DESIRE ACCORDING TO UNIT COLOR CODE. IF ALL COLORS USE THE SAME ITEM NO COLOR CODE WILL BE NOTED.



NOTE: USE THIS ILLUSTRATION WHEN DETERMINING LENGTH AND WIDTH MEASUREMENTS FOR CURTAINS. YOU WILL NOTE THE WIDTH MEASUREMENT IS TAKEN ON THE TOP OF THE CURTAIN WITH THE CURTAIN FULLY EXTENDED. THE LENGTH MEASUREMENT IS TAKEN FROM TOP TO BOTTOM. LEFT AND RIGHT WINDOW LEGS ARE DETERMINED WHEN FACING THE WINDOW.

CURTAIN & CUSHION GROUP (CONTINUED)



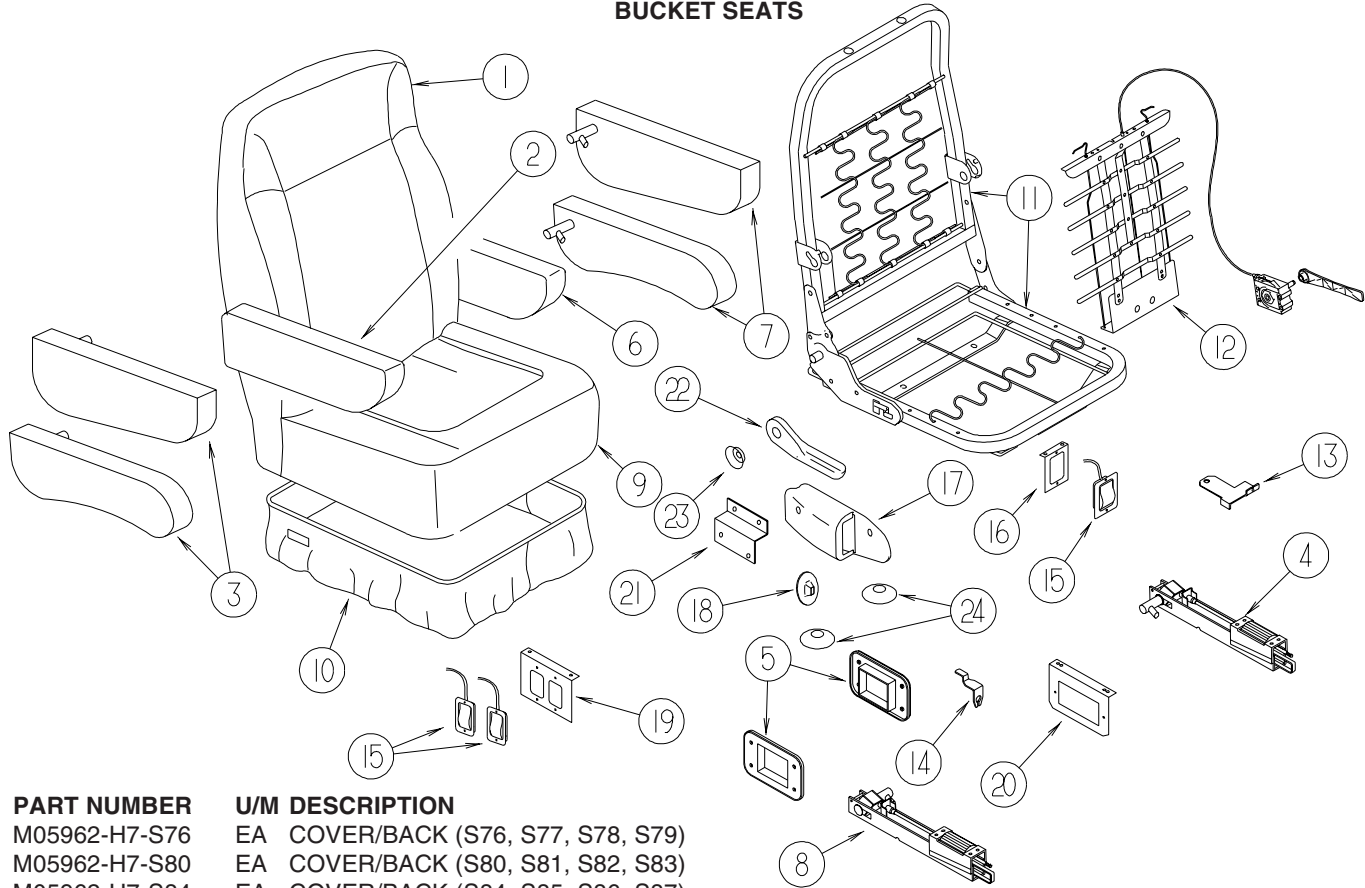
| KEY | PART NUMBER | U/M | DESCRIPTION |
|-----|---------------|-----|---------------------------------------------------------------------------|
| 1 | 147701-09-000 | EA | CHAIR-SUITE W/OTTOMAN (S76, S77, S78, S79) |
| 1 | 147701-10-000 | EA | CHAIR-SUITE W/OTTOMAN (S80, S81, S82, S83) |
| 1 | 147701-11-000 | EA | CHAIR-SUITE W/OTTOMAN (S84, S85, S86, S87) |
| 2 | 132336-05-S76 | EA | BEDSPREAD/CAP - 60" X 75" (S76, S77, S78, S79) |
| 2 | 132336-05-S19 | EA | BEDSPREAD/CAP - 60" X 75" (S80, S81, S82, S83) |
| 2 | 132336-05-S84 | EA | BEDSPREAD/CAP - 60" X 75" (S84, S85, S86, S87) |
| 3 | 132319-60-S76 | EA | PILLOW - 17" - W/1" BUTTONS (S76, S77, S78, S79) |
| 3 | 132319-60-S80 | EA | PILLOW - 17" - W/1" BUTTONS (S80, S81, S82, S83) |
| 3 | 132319-60-S84 | EA | PILLOW - 17" - W/1" BUTTONS (S84, S85, S86, S87) |
| 4 | 126211-08-S76 | EA | PILLOW SHAM (S76, S77, S78, S79) |
| 4 | 126211-08-S80 | EA | PILLOW SHAM (S80, S81, S82, S83) |
| 4 | 126211-08-S84 | EA | PILLOW SHAM (S84, S85, S86, S87) |
| 5 | 146059-04-S76 | EA | HEADBOARD - MONTICELLO - 62" X 32" (S76, S77, S78, S79) |
| 5 | 146059-04-S80 | EA | HEADBOARD - MONTICELLO - 62" X 32" (S80, S81, S82, S83) |
| 5 | 146059-04-S84 | EA | HEADBOARD - MONTICELLO - 62" X 32" (S84, S85, S86, S87) |
| 6 | 123015-06-000 | EA | MATTRESS - INNERSPRING - 60" X 74.5" |
| | | | FROM: 00-00-00 THRU: 01-02-05 |
| 6 | 154430-01-000 | EA | MATTRESS - INNERSPRING - 60" X 74.5" |
| | | | FROM: 01-03-05 THRU: 99-99-99 |
| 5 | 142411-03-000 | EA | AIR PUMP W/CONTROLS - F/SELECT COMFORT MATTRESS - SLEEP NUMBER BED |
| 5 | 142411-01-000 | EA | MATTRESS/AIR - 60" X 75" - SELECT COMFORT - SLEEP NUMBER BED |

CURTAIN & CUSHION GROUP (CONTINUED)
CUSHION LAYOUT (CONTINUED)

| KEY | PART NUMBER | U/M | DESCRIPTION |
|-----|---------------|-----|------------------------------------------------------------------------------------------------|
| 7 | 150117-02-S76 | EA | CHAIR - DINING - STERLING/PORTSMOUTH OAK (S76) |
| 7 | 150117-02-S77 | EA | CHAIR - DINING - STERLING/CONCERT CHERRY (S77) |
| 7 | 150117-02-S78 | EA | CHAIR - DINING - STERLING/WASHED MAPLE (S78) |
| 7 | 150117-02-S79 | EA | CHAIR - DINING - STERLING/SIERRA MAPLE (S79) |
| 7 | 150117-02-S80 | EA | CHAIR - DINING - PRAIRIE/PORTSMOUTH OAK (S80) |
| 7 | 150117-02-S81 | EA | CHAIR - DINING - PRAIRIE/CONCERT CHERRY (S81) |
| 7 | 150117-02-S82 | EA | CHAIR - DINING - PRAIRIE/WASHED MAPLE (S82) |
| 7 | 150117-02-S83 | EA | CHAIR - DINING - PRAIRIE/SIERRA MAPLE (S83) |
| 7 | 150117-02-S84 | EA | CHAIR - DINING - NUETRAL/PORTSMOUTH OAK (S84) |
| 7 | 150117-02-S85 | EA | CHAIR - DINING - NUETRAL/CHERRY (S85) |
| 7 | 150117-02-S86 | EA | CHAIR - DINING - NUETRAL/WASHED MAPLE (S86) |
| 7 | 150117-02-S87 | EA | CHAIR - DINING - NUETRAL/SIERRA MAPLE (S87) |
| | 135600-P7-000 | EA | CHAIR - FOLDING - STERLING/PORTSMOUTH OAK (S76) |
| | 135600-P8-000 | EA | CHAIR - FOLDING - STERLING/CONCERT CHERRY (S77) |
| | 135600-P9-000 | EA | CHAIR - FOLDING - STERLING/WASHED MAPLE (S78) |
| | 135600-R0-000 | EA | CHAIR - FOLDING - STERLING/SIERRA MAPLE (S79) |
| | 135600-W0-000 | EA | CHAIR - FOLDING - PRAIRIE/PORTSMOUTH OAK (S80) |
| | 135600-W1-000 | EA | CHAIR - FOLDING - PRAIRIE/CONCERT CHERRY (S81) |
| | 135600-W2-000 | EA | CHAIR - FOLDING - PRAIRIE/WASHED MAPLE (S82) |
| | 135600-W3-000 | EA | CHAIR - FOLDING - PRAIRIE/SIERRA MAPLE (S83) |
| | 135600-R2-000 | EA | CHAIR - FOLDING - NUETRAL/PORTSMOUTH OAK (S84) |
| | 135600-R3-000 | EA | CHAIR - FOLDING - NUETRAL/CONCERT CHERRY (S85) |
| | 135600-R4-000 | EA | CHAIR - FOLDING - NUETRAL/WASHED MAPLE (S86) |
| | 135600-R5-000 | EA | CHAIR - FOLDING - NUETRAL/SIERRA MAPLE (S87) |
| 8 | 142723-03-S76 | EA | BACK - DINETTE CUSHION - 12.5" X 40" (S76, S77, S78, S79) |
| 8 | 142723-03-S80 | EA | BACK - DINETTE CUSHION - 12.5" X 40" (S80, S81, S82, S83) |
| 8 | 142723-03-S84 | EA | BACK - DINETTE CUSHION - 12.5" X 40" (S84, S85, S86, S87) |
| | P42723-03-S76 | EA | COVER/BACK - DINETTE CUSHION - 12.5" X 40" (S76, S77, S78, S79) |
| | P42723-03-S80 | EA | COVER/BACK - DINETTE CUSHION - 12.5" X 40" (S80, S81, S82, S83) |
| | P42723-03-S84 | EA | COVER/BACK - DINETTE CUSHION - 12.5" X 40" (S84, S85, S86, S87) |
| | 143730-01-000 | EA | CAP - F/DINETTE BRACKET TUBE - PLASTIC |
| 9 | 142292-05-S76 | EA | SEAT - DINETTE CUSHION (SPRUNG) - 23" X 38.5" (S76, S77, S78, S79) |
| 9 | 142292-05-S80 | EA | SEAT - DINETTE CUSHION (SPRUNG) - 23" X 38.5" (S80, S81, S82, S83) |
| 9 | 142292-05-S84 | EA | SEAT - DINETTE CUSHION (SPRUNG) - 23" X 38.5" (S84, S85, S86, S87) |
| | P42292-05-S76 | EA | COVER/SEAT - DINETTE CUSHION (SPRUNG) - 23.5" X 38.5" (S76, S77, S78, S79) |
| | P42292-05-S80 | EA | COVER/SEAT - DINETTE CUSHION (SPRUNG) - 23.5" X 38.5" (S80, S81, S82, S83) |
| | P42292-05-S84 | EA | COVER/SEAT - DINETTE CUSHION (SPRUNG) - 23.5" X 38.5" (S84, S85, S86, S87) |
| | 142366-01-000 | EA | FRAME - SPRUNG - DINETTE SEAT |
| 10 | 132319-75-S76 | EA | PILLOW - 17" - W/#36 BUTTONS (S76, S77, S78, S79) |
| 10 | 132319-75-S80 | EA | PILLOW - 17" - W/#36 BUTTONS (S80, S81, S82, S83) |
| 10 | 132319-75-S84 | EA | PILLOW - 17" - W/#36 BUTTONS (S84, S85, S86, S87) |
| 11 | 150452-13-S76 | EA | SOFA/SLEEPER-REST EASY #826/826 ARMS-30"FF - BEVERAGE TRAY (S76, S77, S78, S79) |
| 11 | 150452-13-S80 | EA | SOFA/SLEEPER-REST EASY #826/826 ARMS-30"FF - BEVERAGE TRAY (S80, S81, S82, S83) |
| 11 | 150452-13-S84 | EA | SOFA/SLEEPER-REST EASY #826/826 ARMS-30"FF - BEVERAGE TRAY (S84, S85, S86, S87) |
| 11 | 150452-14-S76 | EA | SOFA-#826/826 ARMS-30"FF - BEVERAGE TRAY (S76, S77, S78, S79) - ULTRALEATHER |
| 11 | 150452-14-S80 | EA | SOFA-#826/826 ARMS-30"FF - BEVERAGE TRAY (S80 THRU S87) - ULTRALEATHER |
| 11 | 150480-01-S76 | EA | SOFA/SLEEPER - #826/830 ARMS-30"FF (S76, S77, S78, S79) - DUAL CONTROL RESTEASY |
| 11 | 150480-01-S80 | EA | SOFA/SLEEPER - #826/830 ARMS-30"FF (S80, S81, S82, S83) - DUAL CONTROL RESTEASY |
| 11 | 150480-01-S84 | EA | SOFA/SLEEPER - #826/830 ARMS-30"FF (S84, S85, S86, S87) - DUAL CONTROL RESTEASY |
| 11 | 150480-05-S76 | EA | SOFA - #826/826 ARMS-30" FF (S76, S77, S78, S79) - ULTRALEATHER DUAL CONTROL RESTEASY |
| 11 | 150480-05-S80 | EA | SOFA - #826/830 ARMS-30"FF (S80 THRU S87) - ULTRALEATHER DUAL CONTROL RESTEASY |
| 12 | 145952-04-S76 | EA | SEAT - BUCKET W/LUMBAR - DRIVER/PASSENGER (S76, S77, S78, S79) |
| 12 | 145952-04-S80 | EA | SEAT - BUCKET W/LUMBAR - DRIVER/PASSENGER (S80, S81, S82, S83) |
| 12 | 145952-04-S84 | EA | SEAT - BUCKET W/LUMBAR - DRIVER/PASSENGER (S84, S85, S86, S87) |
| 12 | 145952-06-S76 | EA | SEAT - BUCKET W/LUMBAR - DRIVER/PASSENGER - LEATHER (S76, S77, S78, S79) - ULTRALEATHER |
| 12 | 145952-06-S80 | EA | SEAT - BUCKET W/LUMBAR - DRIVER/PASSENGER - LEATHER (S80, S81, S82, S83) - ULTRALEATHER |
| 12 | 145952-06-S80 | EA | SEAT - BUCKET W/LUMBAR - DRIVER/PASSENGER - LEATHER (S84, S85, S86, S87) - ULTRALEATHER |
| | 152337-01-000 | EA | PROTECTOR - SEAT - CLEAR VINYL |
| 13 | 142958-06-S76 | EA | CHAIR/RECLINER/GLIDER - W/SWIVEL BASE/FOOTREST (S76, S77, S78, S79) |
| 13 | 142958-08-S80 | EA | CHAIR/RECLINER/GLIDER - W/SWIVEL BASE/FOOTREST (S80, S81, S82, S83) |
| 13 | 142958-06-S84 | EA | CHAIR/RECLINER/GLIDER - W/SWIVEL BASE/FOOTREST (S84, S85, S86, S87) |
| 13 | 142958-07-SC0 | EA | CHAIR/RCLNR/GLDR - W/SWVL BS/FR (S76, S77, S78, S79) - ULTRALEATHER |
| 13 | 142958-07-SB4 | EA | CHAIR/RCLNR/GLDR - W/SWVL BS/FR (S80 THRU S87) - ULTRALEATHER |

CURTAIN & CUSHION GROUP (CONTINUED)

BUCKET SEATS



| KEY | PART NUMBER | U/M | DESCRIPTION |
|-----|---------------|-----|----------------------------------------------------------------------------|
| 1 | M05962-H7-S76 | EA | COVER/BACK (S76, S77, S78, S79) |
| 1 | M05962-H7-S80 | EA | COVER/BACK (S80, S81, S82, S83) |
| 1 | M05962-H7-S84 | EA | COVER/BACK (S84, S85, S86, S87) |
| 1 | M05962-J1-S76 | EA | COVER/BACK - LEATHER (S76, S77, S78, S79) - ULTRALEATHER |
| 1 | M05962-J1-S80 | EA | COVER/BACK - LEATHER (S80 THRU S87) - ULTRALEATHER |
| 2 | 148705-01-S76 | EA | ARMREST - RIGHT (S76, S77, S78, S79) |
| 2 | 148705-01-S80 | EA | ARMREST - RIGHT (S80, S81, S82, S83) |
| 2 | 148705-01-S84 | EA | ARMREST - RIGHT (S84, S85, S86, S87) |
| 2 | 148705-03-S76 | EA | ARMREST - RIGHT - LEATHER (S76, S77, S78, S79) - ULTRALEATHER |
| 2 | 148705-03-S80 | EA | ARMREST - RIGHT - LEATHER (S80 THRU S87) - ULTRALEATHER |
| | P48705-01-S76 | EA | COVER/ARMREST - RIGHT (S76, S77, S78, S79) |
| | P48705-01-S80 | EA | COVER/ARMREST - RIGHT (S80, S81, S82, S83) |
| | P48705-01-S84 | EA | COVER/ARMREST - RIGHT (S84, S85, S86, S87) |
| | P48705-03-S76 | EA | COVER/ARMREST - RIGHT - LEATHER (S76, S77, S78, S79) - ULTRALEATHER |
| | P48705-03-S80 | EA | COVER/ARMREST - RIGHT - LEATHER (S80 THRU S87) - ULTRALEATHER |
| 3 | NOT USED | | |
| 4 | 148751-01-000 | EA | BRACKET - RIGHT (ADJUSTABLE) W/ROLLER |
| 5 | 148751-03-000 | EA | BRACKET - ROLLER TRIM PLATE |
| 6 | 148705-02-S76 | EA | ARMREST - LEFT (S76, S77, S78, S79) |
| 6 | 148705-02-S80 | EA | ARMREST - LEFT (S80, S81, S82, S83) |
| 6 | 148705-02-S84 | EA | ARMREST - LEFT (S84, S85, S86, S87) |
| 6 | 148705-04-S76 | EA | ARMREST - LEFT - LEATHER (S76, S77, S78, S79) - ULTRALEATHER |
| 6 | 148705-04-S80 | EA | ARMREST - LEFT - LEATHER (S80 THRU S87) - ULTRALEATHER |
| | P48705-02-S76 | EA | COVER/ARMREST - LEFT (S76, S77, S78, S79) |
| | P48705-02-S80 | EA | COVER/ARMREST - LEFT (S80, S81, S82, S83) |
| | P48705-02-S84 | EA | COVER/ARMREST - LEFT (S84, S85, S86, S87) |
| | P48705-04-S76 | EA | COVER/ARMREST - LEFT - LEATHER (S76, S77, S78, S79) - ULTRALEATHER |
| | P48705-04-S80 | EA | COVER/ARMREST - LEFT - LEATHER (S80 THRU S87) - ULTRALEATHER |
| 7 | NOT USED | | |
| 8 | 148751-02-000 | EA | BRACKET - LEFT (ADJUSTABLE) W/ROLLER |
| 9 | M05962-H8-S76 | EA | COVER/SEAT (S76, S77, S78, S79) |
| 9 | M05962-H8-S80 | EA | COVER/SEAT (S80, S81, S82, S83) |
| 9 | M05962-H8-S84 | EA | COVER/SEAT (S84, S85, S86, S87) |
| 9 | M05962-J0-SC0 | EA | COVER/SEAT - LEATHER (S76, S77, S78, S79) - ULTRALEATHER |
| 9 | M05962-J0-SB4 | EA | COVER/SEAT - LEATHER (S80 THRU S87) - ULTRALEATHER |

CURTAIN & CUSHION GROUP (CONTINUED)
BUCKET SEATS (CONTINUED)

| KEY | PART NUMBER | U/M | DESCRIPTION |
|-----|---------------|-----|----------------------------------------------------------------------------------------------|
| 10 | 148630-01-S76 | EA | SKIRT - W/SEAT BELT SLOT (S76, S77, S78, S79) |
| 10 | 148630-01-S80 | EA | SKIRT - W/SEAT BELT SLOT (S80, S81, S82, S83) |
| 10 | 148630-01-S84 | EA | SKIRT - W/SEAT BELT SLOT (S84, S85, S86, S87) |
| 10 | 148630-02-S55 | EA | SKIRT - W/SEAT BELT SLOT (S76, S77, S78, S79) - ULTRALEATHER |
| 10 | 148630-02-S58 | EA | SKIRT - W/SEAT BELT SLOT (S80 THRU S87) - ULTRALEATHER |
| 10 | 148630-03-S76 | EA | SKIRT - F/6-WAY POWER (S76, S77, S78, S79) - SEAT PEDESTAL 6-WAY POWERED |
| 10 | 148630-03-S80 | EA | SKIRT - F/6-WAY POWER (S80, S81, S82, S83) - SEAT PEDESTAL 6-WAY POWERED |
| 10 | 148630-03-S84 | EA | SKIRT - F/6-WAY POWER (S84, S85, S86, S87) - SEAT PEDESTAL 6-WAY POWERED |
| 10 | 148630-04-S76 | EA | SKIRT - F/6-WAY POWER (S76, S77, S78, S79) - SEAT PEDESTAL 6-WAY POWERED/ULTRALEATHER |
| 10 | 148630-04-S80 | EA | SKIRT - F/6-WAY POWER (S80 THRU S87) - SEAT PEDESTAL 6-WAY POWERED/ULTRALEATHER |
| 11 | 134532-01-000 | EA | FRAME - SEAT/HIGH BACK |
| 12* | 122611-02-000 | EA | LUMBAR - W/LEVER |
| 13 | 117125-01-02B | EA | BRACKET - CABLE MOUNT - ADJUSTER W/LOCK |
| 14 | 108049-02-000 | EA | CLIP - CABLE/PEDESTAL |
| 15 | 108049-04-000 | EA | CABLE - W/MINI LEVER ACTION SWITCH - 28" SHEATH/30" CABLE |
| 16 | 127159-01-02B | EA | BRACKET - SEAT RELEASE - SINGLE REMOTE - E-COATED |
| 17 | NOT USED | | |
| 18 | NOT USED | | |
| 19 | 127159-02-02B | EA | BRACKET - SEAT RELEASE - DUAL REMOTE - E-COATED |
| 20 | 128699-01-02B | EA | BRACKET - SEAT SWITCH - E-COATED |
| 21 | 147457-01-02B | EA | BRACKET - ZEE W/HOLES - 2.8" - E-COATED |
| 22 | 130802-02-000 | EA | LEVER - RIGHT HAND |
| 23 | 130802-03-000 | EA | SCREW F/LEVER |
| | 148668-01-01A | EA | CUP/TRIM COVER - F/LEVER - BLACK |
| 24 | NOT USED | | |

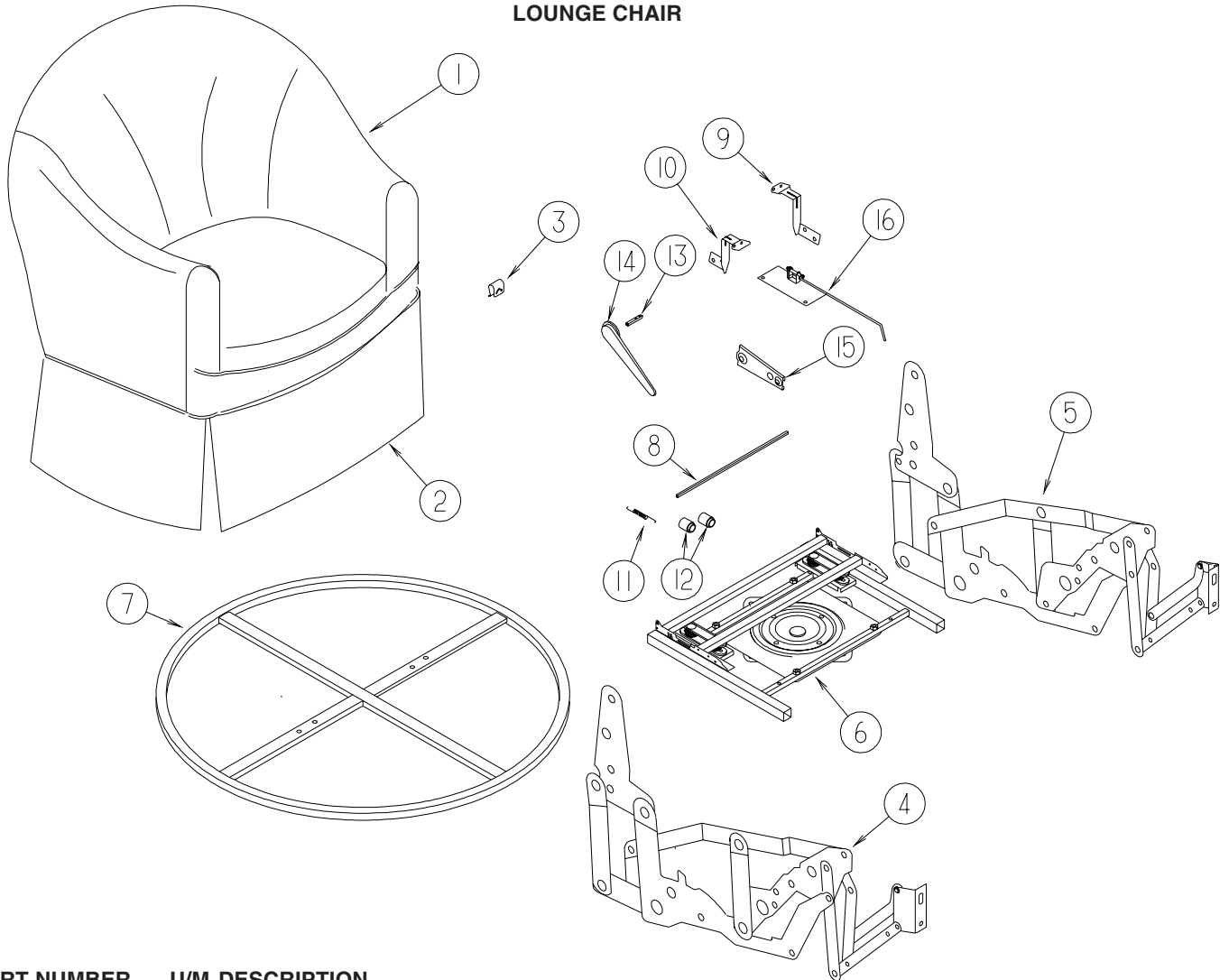
COMPONENT PARTS FOR BUCKET SEATS

122611-02-000

| KEY | PART NUMBER | U/M | DESCRIPTION | VENDOR NO. |
|-----|---------------|-----|------------------|-----------------|
| | 122611-02-701 | EA | LUMBAR - LEVER | 412 |
| | 122611-02-702 | EA | LUMBAR MECHANISM | 24395-FLEXSTEEL |

CURTAIN & CUSHION GROUP (CONTINUED)

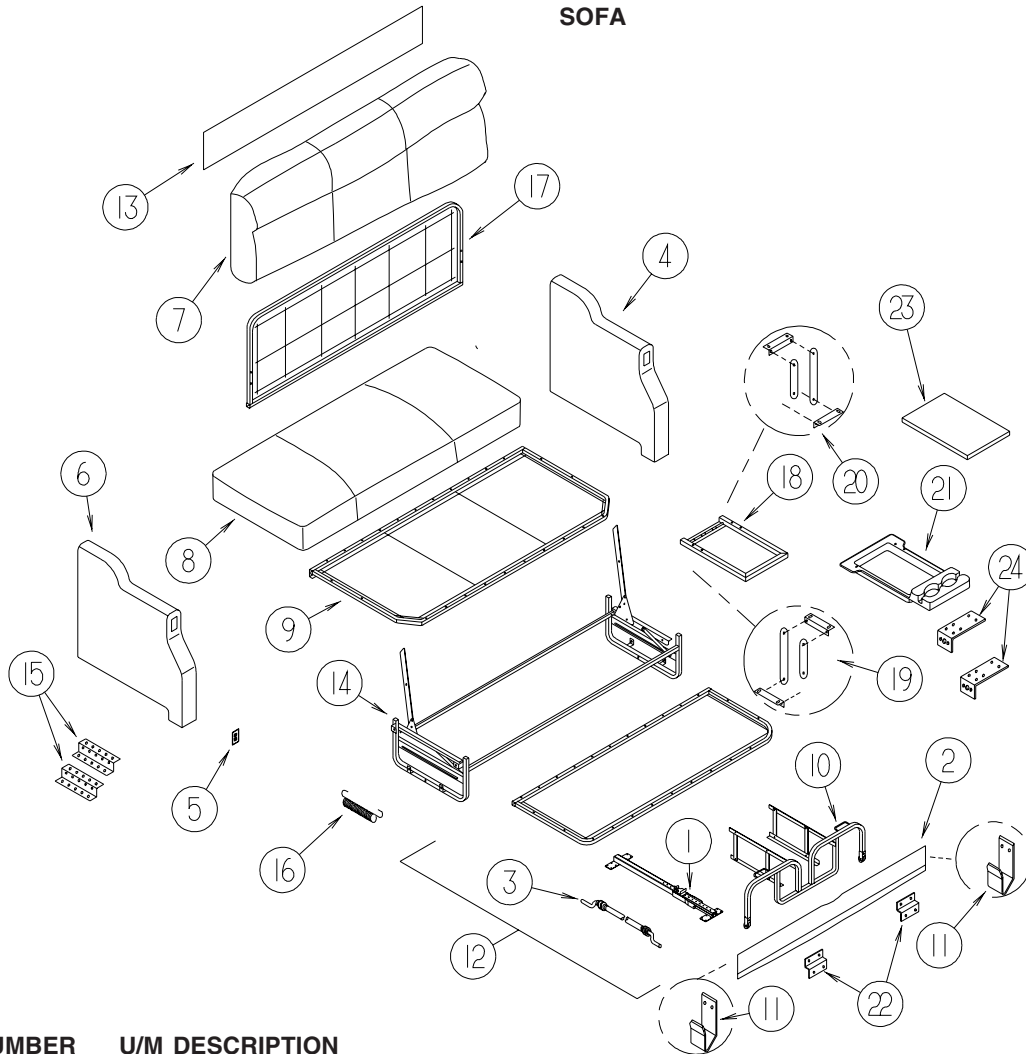
LOUNGE CHAIR



| KEY | PART NUMBER | U/M | DESCRIPTION |
|-----|---------------|-----|--------------------------------------------------------------------------------|
| 1 | P42958-05-S76 | EA | COVER/CHAIR - RECLINER - W/FOOTREST (S76, S77, S78, S79) |
| 1 | P42958-06-S80 | EA | COVER/CHAIR - RECLINER - W/FOOTREST (S80, S81, S82, S83) |
| 1 | P42958-05-S84 | EA | COVER/CHAIR - RECLINER - W/FOOTREST (S84, S85, S86, S87) |
| 1 | P42958-02-SC0 | EA | COVER/CHAIR - RECLINER - W/FOOTREST (S76, S77, S78, S79) - ULTRALEATHER |
| 1 | P42958-02-SB4 | EA | COVER/CHAIR - RECLINER - W/FOOTREST (S80 THRU S87) - ULTRALEATHER |
| 2 | NOT USED | | |
| 3 | 029134-01-000 | EA | CLIP - FINISH - UPHOLSTERY |
| 4 | 133126-01-000 | EA | RECLINER MECHANISM - RIGHT HAND (WHEN SITTING IN CHAIR) |
| 5 | 133126-02-000 | EA | RECLINER MECHANISM - LEFT HAND (WHEN SITTING IN CHAIR) |
| 6 | 133126-03-000 | EA | BASE - SWIVEL/ROCKER - W/O FLOOR RING |
| 7 | 133126-04-000 | EA | FLOOR RING - 24" DIAMETER |
| 8 | 133126-05-000 | EA | HANDLE TUBE/DRIVE - 23.3" LONG (JOINS OPERATORS) |
| 9 | 133126-06-000 | EA | BRACKET - OTTOMAN/FIXED MID - RIGHT HAND |
| 10 | 133126-07-000 | EA | BRACKET - OTTOMAN/FIXED MID - LEFT HAND |
| 11 | 133126-08-000 | EA | SPRING/LOCKING |
| 12 | 133126-09-000 | EA | BUSHING - F/HANDLE TUBE - PLASTIC |
| 13 | 133126-10-000 | EA | HANDLE MOUNTING TUBE - 3.3" LONG |
| 14 | 133126-11-000 | EA | HANDLE/RECLINE - PLASTIC |
| 15 | 133126-12-000 | EA | BRACKET - BACK SLEEVE |
| 16 | 147314-01-000 | EA | LOCKOUT - ROCKER/RECLINER |

CURTAIN & CUSHION GROUP (CONTINUED)

SOFA



RESTEASY

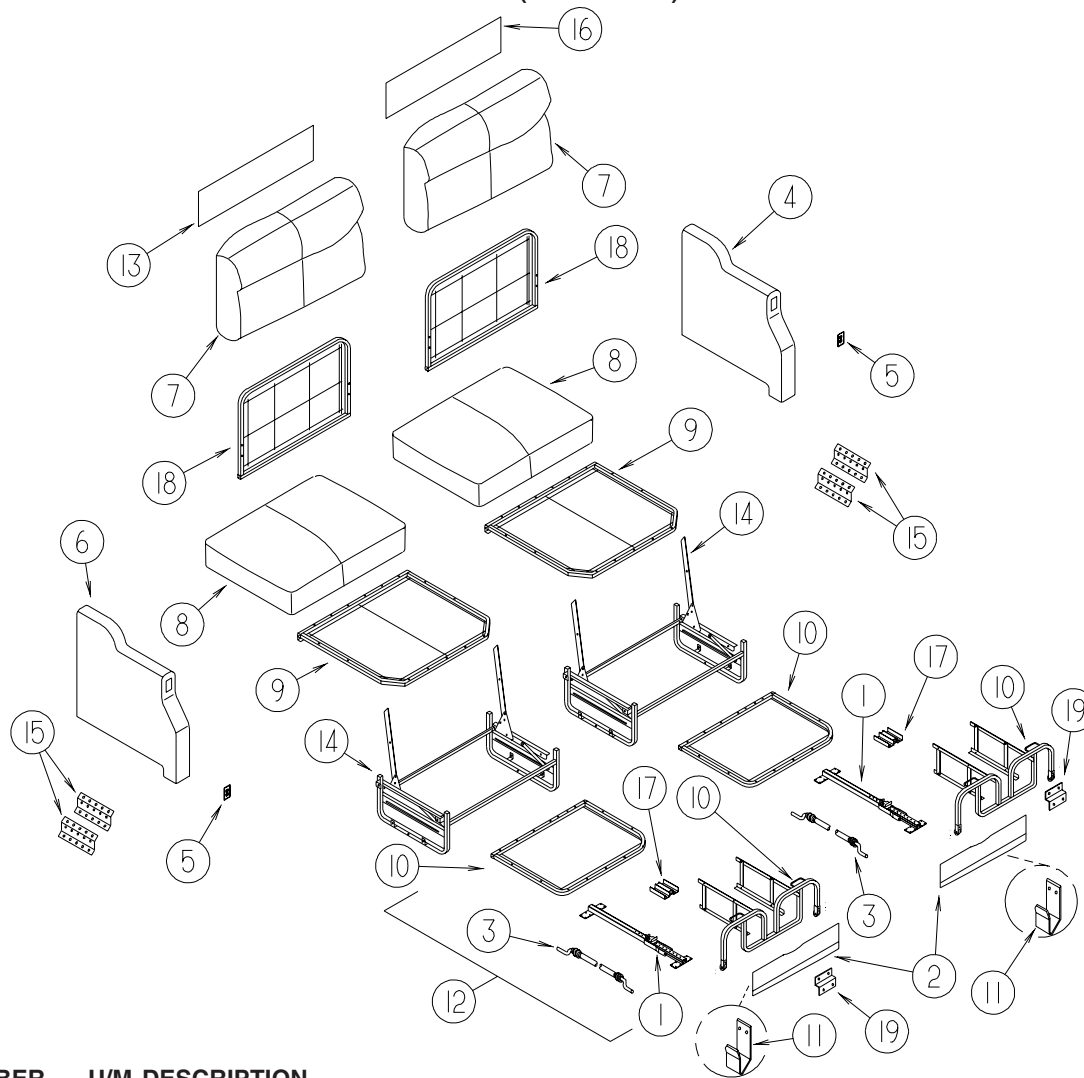
| KEY | PART NUMBER | U/M | DESCRIPTION |
|-----|---------------|-----|---------------------------------------------------------------------------------------------|
| 1* | 148226-01-000 | EA | SLIDE RAIL - W/LATCH MECH/PLATES/STOP F/30" FLAT FLOOR |
| 2 | 150452-04-S76 | EA | PANEL/FRONT KICK - SOFA/SLEEPER - 59.5" - FABRIC COVERED (S76, S77, S78, S79) |
| 2 | 150452-04-S80 | EA | PANEL/FRONT KICK - SOFA/SLEEPER - 59.5" - FABRIC COVERED (S80, S81, S82, S83) |
| 2 | 150452-04-S84 | EA | PANEL/FRONT KICK - SOFA/SLEEPER - 59.5" - FABRIC COVERED (S84, S85, S86, S87) |
| 2 | 150452-08-S76 | EA | PANEL/FRONT KICK - SOFA - 59.5" - FABRIC COVERED (S76, S77, S78, S79) - ULTRALEATHER |
| 2 | 150452-08-S80 | EA | PANEL/FRONT KICK - SOFA - 59.5" - FABRIC COVERED (S80 THRU S87) - ULTRALEATHER |
| 3 | 148225-01-000 | EA | CABLE ONLY - REMOTE - 31.9" W/Z-ENDS |
| 4 | 149893-02-S76 | EA | ARMREST - SOFA/SLEEPER - LEFT HAND (S76, S77, S78, S79) |
| 4 | 149893-02-S80 | EA | ARMREST - SOFA/SLEEPER - LEFT HAND (S80, S81, S82, S83) |
| 4 | 149893-02-S84 | EA | ARMREST - SOFA/SLEEPER - LEFT HAND (S84, S85, S86, S87) |
| 4 | 149893-04-S76 | EA | ARMREST - SOFA/SLEEPER - LEFT HAND (S76, S77, S78, S79) - ULTRALEATHER |
| 4 | 149893-04-S80 | EA | ARMREST - SOFA/SLEEPER - LEFT HAND (S80 THRU S87) - ULTRALEATHER |
| | P49893-02-S76 | EA | COVER/ARMREST - SOFA/LEFT HAND (S76, S77, S78, S79) |
| | P49893-02-S80 | EA | COVER/ARMREST - SOFA/LEFT HAND (S80, S81, S82, S83) |
| | P49893-02-S84 | EA | COVER/ARMREST - SOFA/LEFT HAND (S84, S85, S86, S87) |
| | P49893-04-S76 | EA | COVER/ARMREST - SOFA/LEFT HAND (S76, S77, S78, S79) - ULTRALEATHER |
| | P49893-04-S80 | EA | COVER/ARMREST - SOFA/LEFT HAND (S80 THRU S87) - ULTRALEATHER |
| 5 | 136118-01-000 | EA | SWITCH - SOFA/RECLINER |
| 6 | 149893-01-S76 | EA | ARMREST - SOFA/SLEEPER - RIGHT HAND - W/SWITCH (S76, S77, S78, S79) |
| 6 | 149893-01-S80 | EA | ARMREST - SOFA/SLEEPER - RIGHT HAND - W/SWITCH (S80, S81, S82, S83) |
| 6 | 149893-01-S84 | EA | ARMREST - SOFA/SLEEPER - RIGHT HAND - W/SWITCH (S84, S85, S86, S87) |
| 6 | 149893-03-S76 | EA | ARMREST - SOFA/SLEEPER - RIGHT HAND - W/SWITCH (S76, S77, S78, S79) - ULTRALEATHER |
| 6 | 149893-03-S80 | EA | ARMREST - SOFA/SLEEPER - RIGHT HAND - W/SWITCH (S80 THRU S87) - ULTRALEATHER |
| | P49893-01-S76 | EA | COVER/ARMREST - SOFA/RIGHT HAND (S76, S77, S78, S79) |
| | P49893-01-S80 | EA | COVER/ARMREST - SOFA/RIGHT HAND (S80, S81, S82, S83) |
| | P49893-01-S84 | EA | COVER/ARMREST - SOFA/RIGHT HAND (S84, S85, S86, S87) |
| | P49893-03-S76 | EA | COVER/ARMREST - SOFA/RIGHT HAND (S76, S77, S78, S79) - ULTRALEATHER |
| | P49893-03-S80 | EA | COVER/ARMREST - SOFA/RIGHT HAND (S80 THRU S87) - ULTRALEATHER |

CURTAIN & CUSHION GROUP (CONTINUED)
SOFA (CONTINUED)

| KEY | PART NUMBER | U/M | DESCRIPTION |
|------------|--------------------|------------|----------------------------------------------------------------------------------|
| 7 | 150452-02-S76 | EA | BACK - SOFA/SLEEPER - W/CURVES (S76, S77, S78, S79) |
| 7 | 150452-02-S80 | EA | BACK - SOFA/SLEEPER - W/CURVES (S80, S81, S82, S83) |
| 7 | 150452-02-S84 | EA | BACK - SOFA/SLEEPER - W/CURVES (S84, S85, S86, S87) |
| 7 | 150452-06-S76 | EA | BACK - SOFA/SLEEPER - W/CURVES (S76, S77, S78, S79) - ULTRALEATHER |
| 7 | 150452-06-S80 | EA | BACK - SOFA/SLEEPER - W/CURVES (S80 THRU S87) - ULTRALEATHER |
| | P50452-02-S76 | EA | COVER/BACK - SOFA/BED W/BEVERAGE TRAY (S76, S77, S78, S79) |
| | P50452-02-S80 | EA | COVER/BACK - SOFA/BED W/BEVERAGE TRAY (S80, S81, S82, S83) |
| | P50452-02-S84 | EA | COVER/BACK - SOFA/BED W/BEVERAGE TRAY (S84, S85, S86, S87) |
| | P50452-06-S76 | EA | COVER/BACK - SOFA/BED W/BEVERAGE TRAY (S76, S77, S78, S79) - ULTRALEATHER |
| | P50452-06-S80 | EA | COVER/BACK - SOFA/BED W/BEVERAGE TRAY (S80 THRU S87) - ULTRALEATHER |
| 8 | 150452-03-S76 | EA | SEAT - SOFA/SLEEPER (S76, S77, S78, S79) |
| 8 | 150452-03-S80 | EA | SEAT - SOFA/SLEEPER (S80, S81, S82, S83) |
| 8 | 150452-03-S84 | EA | SEAT - SOFA/SLEEPER (S84, S85, S86, S87) |
| 8 | 150452-07-S76 | EA | SEAT - SOFA/SLEEPER (S76, S77, S78, S79) - ULTRALEATHER |
| 8 | 150452-07-S80 | EA | SEAT - SOFA/SLEEPER (S80 THRU S87) - ULTRALEATHER |
| | P50452-03-S76 | EA | COVER/SEAT - SOFA/SLEEPER (S76, S77, S78, S79) |
| | P50452-03-S80 | EA | COVER/SEAT - SOFA/SLEEPER (S80, S81, S82, S83) |
| | P50452-03-S84 | EA | COVER/SEAT - SOFA/SLEEPER (S84, S85, S86, S87) |
| | P50452-07-S76 | EA | COVER/SEAT - SOFA/SLEEPER (S76, S77, S78, S79) - ULTRALEATHER |
| | P50452-07-S80 | EA | COVER/SEAT - SOFA/SLEEPER (S80 THRU S87) - ULTRALEATHER |
| 9 | 151290-04-000 | EA | FRAME - SEAT - 60" |
| 10* | 136534-17-000 | EA | TRUNDLE FRAME - 17.5" X 55" - W/LINKAGE, LATCH & HANDLE |
| 11 | 121906-01-02B | EA | BRACKET - KICKBOARD - E-COATED |
| 12 | 135822-17-S76 | EA | TRUNDLE - SOFA/SLEEPER (S76, S77, S78, S79) |
| 12 | 135822-17-S80 | EA | TRUNDLE - SOFA/SLEEPER (S80, S81, S82, S83) |
| 12 | 135822-17-S84 | EA | TRUNDLE - SOFA/SLEEPER (S84, S85, S86, S87) |
| 12 | 135822-18-S76 | EA | TRUNDLE - SOFA/SLEEPER - LEATHER (S76, S77, S78, S79) - ULTRALEATHER |
| 12 | 135822-18-S80 | EA | TRUNDLE - SOFA/SLEEPER - LEATHER (S80 THRU S87) - ULTRALEATHER |
| | P35822-17-S76 | EA | COVER/TRUNDLE - SOFA/SLEEPER (S76, S77, S78, S79) |
| | P35822-17-S80 | EA | COVER/TRUNDLE - SOFA/SLEEPER (S80, S81, S82, S83) |
| | P35822-17-S84 | EA | COVER/TRUNDLE - SOFA/SLEEPER (S84, S85, S86, S87) |
| | P35822-18-S76 | EA | COVER - SOFA/TRUNDLE (S76, S77, S78, S79) - ULTRALEATHER |
| | P35822-18-S80 | EA | COVER - SOFA/TRUNDLE (S80 THRU S87) - ULTRALEATHER |
| 13 | NOT USED | | |
| 14* | 136534-15-000 | EA | BASE - 27.5" X 60" - POWERED CL - W/10.5" OVE RHANG |
| 15 | 116104-04-02B | EA | BRACKET - ZEE W/HOLES - 3.2" - E-COATED |
| 16 | 136534-33-000 | EA | SPRING/ASSIST - 1/2" X 7" W/HOOK ENDS - REST EASY SOFAS |
| 17 | 136534-20-000 | EA | BACK - FRAME - BEVERAGE TRAY |
| 18 | 136534-21-000 | EA | FRAME - BEVERAGE TRAY |
| 19 | 136534-22-000 | EA | HINGE - RIGHT |
| 20 | 136534-23-000 | EA | HINGE - LEFT |
| 21 | 139758-01-01A | EA | TRAY-BEVERAGE |
| 22 | 101926-01-02A | EA | BRACKET - ZEE - 2" - BLACK |
| 23 | 150976-01-S76 | EA | PANEL/FILLER - COUCH - FABRIC COVERED (S76, S77, S78, S79) |
| 23 | 150976-01-S80 | EA | PANEL/FILLER - COUCH - FABRIC COVERED (S80, S81, S82, S83) |
| 23 | 150976-01-S84 | EA | PANEL/FILLER - COUCH - FABRIC COVERED (S84, S85, S86, S87) |
| 23 | 150976-02-SE4 | EA | PANEL/FILLER - COUCH - FABRIC COVERED (S76, S77, S78, S79) - ULTRALEATHER |
| 23 | 150976-02-SF0 | EA | PANEL/FILLER - COUCH - FABRIC COVERED (S80 THRU S87) - ULTRALEATHER |
| 24 | 152034-01-02B | EA | BRACKET - HOLD DOWN/COUCH - E-COATED |

***COMPONENT PARTS LISTED LATER IN THIS GROUP**

CURTAIN & CUSHION GROUP (CONTINUED)
SOFA (CONTINUED)



**DUAL
 RESTEASY**

| KEY | PART NUMBER | U/M | DESCRIPTION |
|-----|---------------|-----|--------------------------------------------------------------------------------------------|
| 1* | 148226-01-000 | EA | SLIDE RAIL - W/LATCH MECH/PLATES/STOP F/30" FLAT FLOOR |
| 2 | 150480-04-S76 | EA | PANEL/FRONT KICK - SOFA/SLEEPER REST EASY-DUAL CONTROLS (S76, S77, S78, S79) |
| 2 | 150480-04-S80 | EA | PANEL/FRONT KICK - SOFA/SLEEPER REST EASY-DUAL CONTROLS (S80, S81, S82, S83) |
| 2 | 150480-04-S84 | EA | PANEL/FRONT KICK - SOFA/SLEEPER REST EASY-DUAL CONTROLS (S84, S85, S86, S87) |
| 2 | 150480-08-S76 | EA | PANEL/FRONT KICK - SOFA REST EASY-DUAL CONTROLS (S76, S77, S78, S79) - ULTRALEATHER |
| 2 | 150480-08-S80 | EA | PANEL/FRONT KICK - SOFA REST EASY-DUAL CONTROLS (S80 THRU S87) - ULTRALEATHER |
| 3 | 148225-01-000 | EA | CABLE ONLY - REMOTE - 31.9" W/Z-ENDS |
| 4 | 149886-05-S76 | EA | ARMREST - LEFT HAND - W/SWITCH (S76, S77, S78, S79) |
| 4 | 149886-05-S80 | EA | ARMREST - LEFT HAND - W/SWITCH (S80, S81, S82, S83) |
| 4 | 149886-05-S84 | EA | ARMREST - LEFT HAND - W/SWITCH (S84, S85, S86, S87) |
| 4 | 149886-06-S76 | EA | ARMREST - LEFT HAND - W/SWITCH (S76, S77, S78, S79) - ULTRALEATHER |
| 4 | 149886-06-S80 | EA | ARMREST - LEFT HAND - W/SWITCH (S80 THRU S87) - ULTRALEATHER |
| | P49886-02-S76 | EA | COVER/ARMREST - LEFT (S76, S77, S78, S79) |
| | P49886-02-S80 | EA | COVER/ARMREST - LEFT (S80, S81, S82, S83) |
| | P49886-02-S84 | EA | COVER/ARMREST - LEFT (S84, S85, S86, S87) |
| | P49886-04-S76 | EA | COVER/ARMREST - LEFT (S76, S77, S78, S79) - ULTRALEATHER |
| | P49886-04-S80 | EA | COVER/ARMREST - LEFT (S80 THRU S87) - ULTRALEATHER |
| 5 | 136118-01-000 | EA | SWITCH - SOFA/RECLINER |
| 6 | 149886-07-S76 | EA | ARMREST - RIGHT HAND - W/DUAL SWITCH (S76, S77, S78, S79) |
| 6 | 149886-07-S80 | EA | ARMREST - RIGHT HAND - W/DUAL SWITCH (S80, S81, S82, S83) |
| 6 | 149886-07-S84 | EA | ARMREST - RIGHT HAND - W/DUAL SWITCH (S84, S85, S86, S87) |
| 6 | 149886-08-S76 | EA | ARMREST - RIGHT HAND - W/SWITCH (S76, S77, S78, S79) - ULTRALEATHER |
| 6 | 149886-08-S80 | EA | ARMREST - RIGHT HAND - W/SWITCH (S80 THRU S87) - ULTRALEATHER |
| | P49886-01-S76 | EA | COVER/ARMREST - RIGHT (S76, S77, S78, S79) |
| | P49886-01-S80 | EA | COVER/ARMREST - RIGHT (S80, S81, S82, S83) |
| | P49886-01-S84 | EA | COVER/ARMREST - RIGHT (S84, S85, S86, S87) |
| | P49886-03-S76 | EA | COVER/ARMREST - RIGHT (S76, S77, S78, S79) - ULTRALEATHER |
| | P49886-03-S80 | EA | COVER/ARMREST - RIGHT (S80 THRU S87) - ULTRALEATHER |

CURTAIN & CUSHION GROUP (CONTINUED)
SOFA (CONTINUED)

| KEY | PART NUMBER | U/M | DESCRIPTION |
|------------|--------------------|------------|-----------------------------------------------------------------------------------------------|
| 7 | 150480-02-S76 | EA | BACK - SOFA/SLEEPER REST EASY-DUAL CONTROLS (S76, S77, S78, S79) |
| 7 | 150480-02-S80 | EA | BACK - SOFA/SLEEPER REST EASY-DUAL CONTROLS (S80, S81, S82, S83) |
| 7 | 150480-02-S84 | EA | BACK - SOFA/SLEEPER REST EASY-DUAL CONTROLS (S84, S85, S86, S87) |
| 7 | 150480-06-S76 | EA | BACK - SOFA/SLEEPER REST EASY-DUAL CONTROLS (S76, S77, S78, S79) - ULTRALEATHER |
| 7 | 150480-06-S80 | EA | BACK - SOFA/SLEEPER REST EASY-DUAL CONTROLS (S80 THRU S87) - ULTRALEATHER |
| | P50480-02-S76 | EA | COVER/BACK - DUAL (S76, S77, S78, S79) |
| | P50480-02-S80 | EA | COVER/BACK - DUAL (S80, S81, S82, S83) |
| | P50480-02-S84 | EA | COVER/BACK - DUAL (S84, S85, S86, S87) |
| | P50480-06-S76 | EA | COVER/BACK - DUAL (S76, S77, S78, S79) - ULTRALEATHER |
| | P50480-06-S80 | EA | COVER/BACK - DUAL (S80 THRU S87) - ULTRALEATHER |
| 8 | 150480-03-S76 | EA | SEAT - SOFA/SLEEPER REST EASY-DUAL CONTROLS (S76, S77, S78, S79) |
| 8 | 150480-03-S80 | EA | SEAT - SOFA/SLEEPER REST EASY-DUAL CONTROLS (S80, S81, S82, S83) |
| 8 | 150480-03-S84 | EA | SEAT - SOFA/SLEEPER REST EASY-DUAL CONTROLS (S84, S85, S86, S87) |
| 8 | 150480-07-S76 | EA | SEAT - SOFA/SLEEPER REST EASY-DUAL CONTROLS (S76, S77, S78, S79) - ULTRALEATHER |
| 8 | 150480-07-S80 | EA | SEAT - SOFA/SLEEPER REST EASY-DUAL CONTROLS (S80 THRU S87) - ULTRALEATHER |
| | P50480-03-S76 | EA | COVER/SEAT - DUAL (S76, S77, S78, S79) |
| | P50480-03-S80 | EA | COVER/SEAT - DUAL (S80, S81, S82, S83) |
| | P50480-03-S84 | EA | COVER/SEAT - DUAL (S84, S85, S86, S87) |
| | P50480-07-S76 | EA | COVER/SEAT - DUAL (S76, S77, S78, S79) - ULTRALEATHER |
| | P50480-07-S80 | EA | COVER/SEAT - DUAL (S80 THRU S87) - ULTRALEATHER |
| 9 | 151290-02-000 | EA | FRAME - SEAT - 30" |
| 10 | 136534-27-000 | EA | TRUNDLE FRAME - 26" WIDE/DUAL - W/LINKAGE, LATCH & HANDLE |
| 11 | 121906-01-02B | EA | BRACKET - KICKBOARD - E-COATED |
| 12 | 138647-22-S76 | EA | TRUNDLE - SOFA/SLEEPER - REST EASY/DUAL CONTROLLED (S76, S77, S78, S79) |
| 12 | 138647-22-S80 | EA | TRUNDLE - SOFA/SLEEPER - REST EASY/DUAL CONTROLLED (S80, S81, S82, S83) |
| 12 | 138647-22-S84 | EA | TRUNDLE - SOFA/SLEEPER - REST EASY/DUAL CONTROLLED (S84, S85, S86, S87) |
| 12 | 138647-04-S76 | EA | TRUNDLE - SOFA - REST EASY/DUAL CONTROLLED (S76, S77, S78, S79) - ULTRALEATHER |
| 12 | 138647-04-S80 | EA | TRUNDLE - SOFA - REST EASY/DUAL CONTROLLED (S80 THRU S87) - ULTRALEATHER |
| | P38647-22-S76 | EA | COVER/TRUNDLE - REST EASY/DUAL CONTROLLED - SOFA/SLEEPER (S76, S77, S78, S79) |
| | P38647-22-S80 | EA | COVER/TRUNDLE - REST EASY/DUAL CONTROLLED - SOFA/SLEEPER (S80, S81, S82, S83) |
| | P38647-22-S84 | EA | COVER/TRUNDLE - REST EASY/DUAL CONTROLLED - SOFA/SLEEPER (S84, S85, S86, S87) |
| | P38647-04-S76 | EA | COVER/TRUNDLE - REST EASY/DUAL CNTD - SOFA/SLEEPER (S76, S77, S78, S79) - ULTRALEATHER |
| | P38647-04-S80 | EA | COVER/TRUNDLE - REST EASY/DUAL CNTD - SOFA/SLEEPER (S80 THRU S87) - ULTRALEATHER |
| 13 | 139716-16-S76 | EA | SIGHT SHIELD - DUAL BACK/RIGHT HAND (S76, S77, S78, S79) |
| 13 | 139716-16-S80 | EA | SIGHT SHIELD - DUAL BACK/RIGHT HAND (S80, S81, S82, S83) |
| 13 | 139716-16-S84 | EA | SIGHT SHIELD - DUAL BACK/RIGHT HAND (S84, S85, S86, S87) |
| 13 | 139716-14-SE4 | EA | SIGHT SHIELD - DUAL BACK/RIGHT HAND (S76, S77, S78, S79) - ULTRALEATHER |
| 13 | 139716-14-SF0 | EA | SIGHT SHIELD - DUAL BACK/RIGHT HAND (S80 THRU S87) - ULTRALEATHER |
| 14* | 136534-29-000 | EA | BASE - 27.25" X 30" - POWERED/DUAL - FLAT |
| | | | FROM: 00-00-00 THRU: 12-05-04 |
| | 151290-14-000 | EA | FRAME - BASE - 27.25" X 30" X 10.5" - LEFT |
| | | | FROM: 12-06-04 THRU: 99-99-99 |
| | 151290-15-000 | EA | FRAME - BASE - 27.25" X 30" X 10.5" - RIGHT |
| | | | FROM: 12-06-04 THRU: 99-99-99 |
| | 136534-15-001 | EA | MOTOR - DRIVE - REST EASY SOFA |
| | 136534-15-002 | EA | CABLE - 10.75" F/DRIVE MOTOR - REST EASY SOFA |
| 15 | 116104-04-02B | EA | BRACKET - ZEE W/HOLES - 3.2" - E-COATED |
| 16 | 139716-15-S76 | EA | SIGHT SHIELD - DUAL BACK/LEFT HAND (S76, S77, S78, S79) |
| 16 | 139716-15-S80 | EA | SIGHT SHIELD - DUAL BACK/LEFT HAND (S80, S81, S82, S83) |
| 16 | 139716-15-S84 | EA | SIGHT SHIELD - DUAL BACK/LEFT HAND (S84, S85, S86, S87) |
| 16 | 139716-13-SE4 | EA | SIGHT SHIELD - DUAL BACK/LEFT HAND (S76, S77, S78, S79) - ULTRALEATHER |
| 16 | 139716-13-SF0 | EA | SIGHT SHIELD - DUAL BACK/LEFT HAND (S80 THRU S87) - ULTRALEATHER |
| 17 | 136534-32-000 | EA | BRACKET - DUAL BASE |
| 18 | 136534-25-000 | EA | FRAME/BACK - FOR DUAL REST EASY SOFA - ONE SIDE ONLY |
| 19 | 101926-01-02A | EA | BRACKET - ZEE - 2" - BLACK |

***COMPONENT PARTS LISTED LATER IN THIS GROUP**

COMPONENT PARTS FOR SOFA

136534-13-000, 136534-15-000, 136534-28-000, 136534-29-000

| KEY | PART NUMBER | U/M | DESCRIPTION | VENDOR NO. |
|------------|--------------------|------------|------------------------------|-------------------|
| | 136534-02-700 | EA | MOTOR | 9PL-MO-W/T-1 |
| | 136534-02-701 | EA | CABLE/DRV MTR-REST EASY SOFA | 9PL-FCA27.75 |

136534-07-000, 136534-17-000

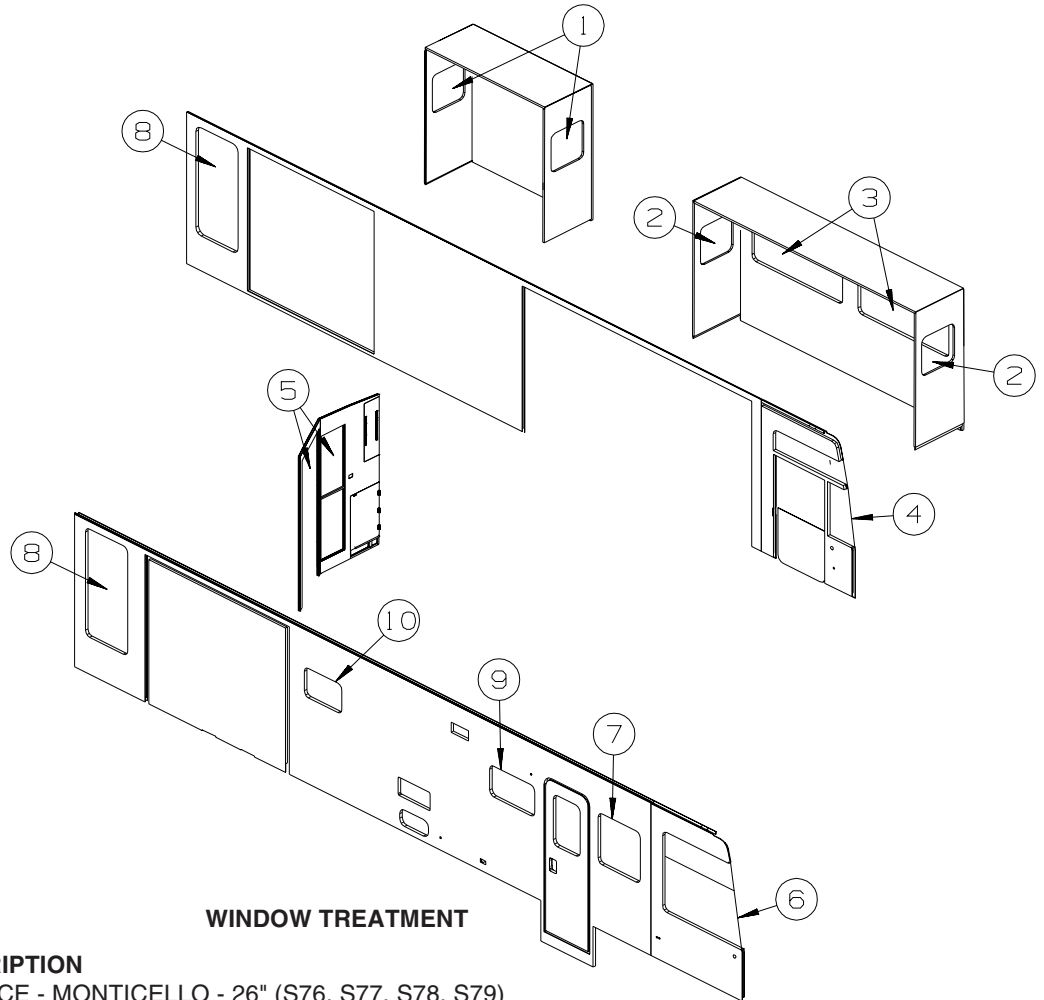
| KEY | PART NUMBER | U/M | DESCRIPTION | VENDOR NO. |
|------------|--------------------|------------|-------------------------------------|-------------------|
| | 136534-07-701 | EA | WHEEL - NYLON - 1 5/8", 9WHEEL-1.62 | |

CURTAIN & CUSHION GROUP (CONTINUED)

COMPONENT PARTS FOR SOFA (CONTINUED)

148226-01-000, 148226-02-000, 148226-03-000

| KEY | PART NUMBER | U/M | DESCRIPTION | VENDOR NO. |
|-----|---------------|-----|-----------------------------|---------------|
| | 148226-01-700 | EA | BUSHING/GUIDE - F/MECHANISM | 9TN-SLD-GR-1 |
| | 148226-01-701 | EA | SLIDE MECHANISM ASM W/LATCH | PTN-SLD-BUSH1 |



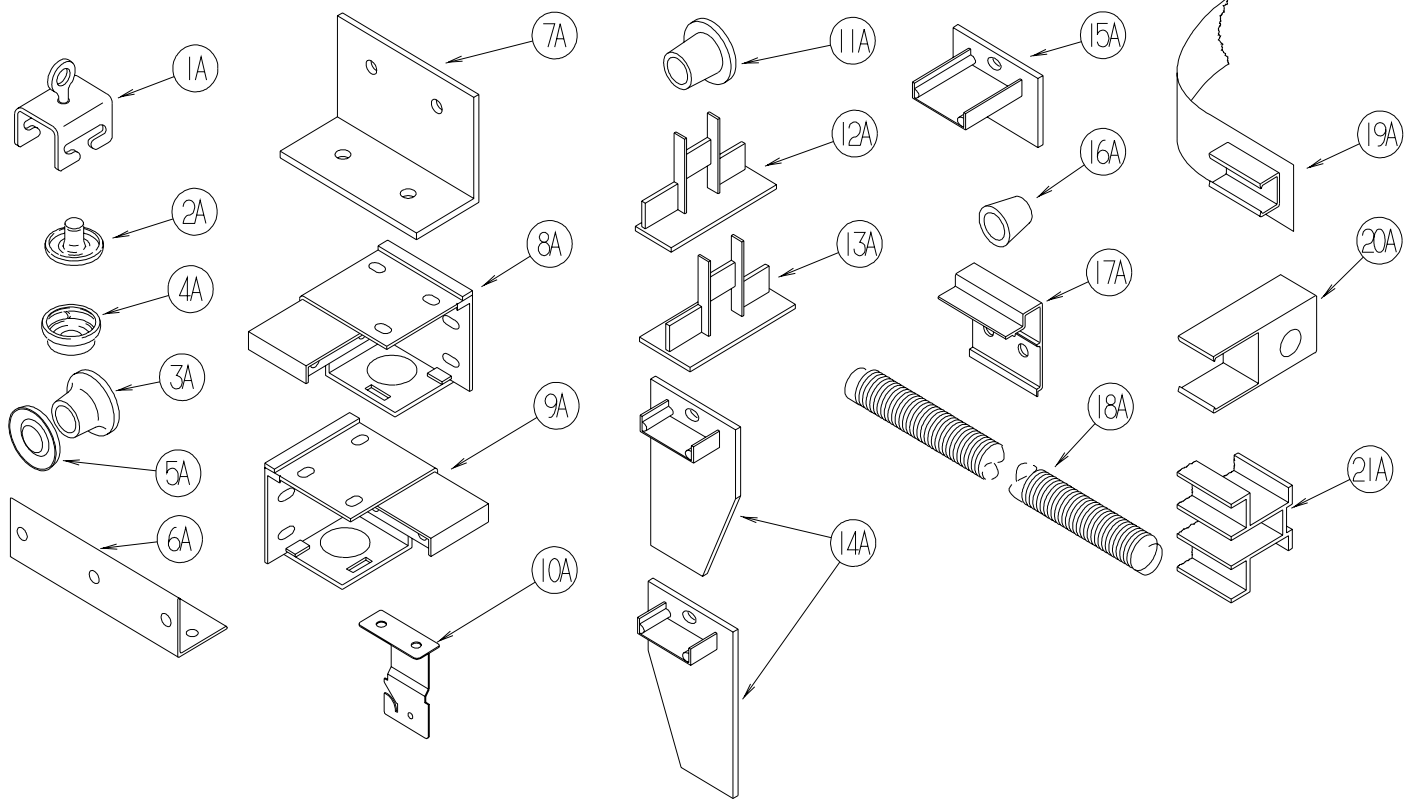
| KEY | PART NUMBER | U/M | DESCRIPTION |
|-----|---------------|-----|----------------------------------------------------------------------------|
| 1 | 146058-28-S76 | EA | VALANCE - MONTICELLO - 26" (S76, S77, S78, S79) |
| 1 | 146058-28-S80 | EA | VALANCE - MONTICELLO - 26" (S80, S81, S82, S83) |
| 1 | 146058-28-S84 | EA | VALANCE - MONTICELLO - 26" (S84, S85, S86, S87) |
| 1 | 136988-59-S76 | EA | LEG - RIGHT - 22" (S76, S77, S78, S79) |
| 1 | 136988-59-S80 | EA | LEG - RIGHT - 22" (S80, S81, S82, S83) |
| 1 | 136988-59-S84 | EA | LEG - RIGHT - 22" (S84, S85, S86, S87) |
| 1 | 136988-60-S76 | EA | LEG - LEFT - 22" (S76, S77, S78, S79) |
| 1 | 136988-60-S80 | EA | LEG - LEFT - 22" (S80, S81, S82, S83) |
| 1 | 136988-60-S84 | EA | LEG - LEFT - 22" (S84, S85, S86, S87) |
| 1 | 140789-07-N42 | EA | BLIND - DAY/NIGHTER - 22.5" X 23" (S76, S77, S78, S79, S80, S81, S82, S83) |
| 1 | 140789-07-N44 | EA | BLIND - DAY/NIGHTER - 22.5" X 23" (S84, S85, S86, S87) |
| 2 | 146058-10-S76 | EA | VALANCE - MONTICELLO - 26" (S76, S77, S78, S79) |
| 2 | 146058-10-S80 | EA | VALANCE - MONTICELLO - 26" (S80, S81, S82, S83) |
| 2 | 146058-10-S84 | EA | VALANCE - MONTICELLO - 26" (S84, S85, S86, S87) |
| 2 | 136988-21-S76 | EA | LEG - RIGHT - 21.5" (S76, S77, S78, S79) |
| 2 | 136988-21-S80 | EA | LEG - RIGHT - 21.5" (S80, S81, S82, S83) |
| 2 | 136988-21-S84 | EA | LEG - RIGHT - 21.5" (S84, S85, S86, S87) |
| 2 | 136988-22-S76 | EA | LEG - LEFT - 21.5" (S76, S77, S78, S79) |
| 2 | 136988-22-S80 | EA | LEG - LEFT - 21.5" (S80, S81, S82, S83) |
| 2 | 136988-22-S84 | EA | LEG - LEFT - 21.5" (S84, S85, S86, S87) |
| 2 | 140789-07-N42 | EA | BLIND - DAY/NIGHTER - 22.5" X 23" (S76, S77, S78, S79, S80, S81, S82, S83) |
| 2 | 140789-07-N44 | EA | BLIND - DAY/NIGHTER - 22.5" X 23" (S84, S85, S86, S87) |
| 3 | 146058-07-S76 | EA | LAMBREQUIN - MONTICELLO - 61" X 25" (S76, S77, S78, S79) |
| 3 | 146058-07-S80 | EA | LAMBREQUIN - MONTICELLO - 61" X 25" (S80, S81, S82, S83) |
| 3 | 146058-07-S84 | EA | LAMBREQUIN - MONTICELLO - 61" X 25" (S84, S85, S86, S87) |
| 3 | 140789-08-N09 | EA | BLIND - DAY/NIGHTER - 59" X 26.5" (S76, S77, S78, S79, S80, S81, S82, S83) |
| 3 | 140789-08-N44 | EA | BLIND - DAY/NIGHTER - 59" X 26.5" (S84, S85, S86, S87) |

CURTAIN & CUSHION GROUP (CONTINUED)
WINDOW TREATMENT (CONTINUED)

| KEY | PART NUMBER | U/M | DESCRIPTION |
|-----|---------------|-----|-----------------------------------------------------------------------------------------|
| 4 | 093487-22-02A | EA | CURTAIN - DRVR/WRAPAROUND/PRIVACY/PLEATED - 42.5" X 112" |
| 5 | 109802-66-R38 | EA | BLIND - PLEATED - 17" X 67" (S76, S77, S78, S79, S80, S81, S82, S83) |
| 5 | 109802-66-R40 | EA | BLIND - PLEATED - 17" X 67" (S84, S85, S86, S87) |
| 6 | 093487-21-02A | EA | CURTAIN - PASS/WRAPAROUND/PRIVACY/PLEATED - 42.5" X 112" |
| 7 | 146058-12-S76 | EA | VALANCE - MONTICELLO - 32" (S76, S77, S78, S79) |
| 7 | 146058-12-S80 | EA | VALANCE - MONTICELLO - 32" (S80, S81, S82, S83) |
| 7 | 146058-12-S84 | EA | VALANCE - MONTICELLO - 32" (S84, S85, S86, S87) |
| 7 | 136988-97-S76 | EA | LEG - RIGHT - 26" (S76, S77, S78, S79) |
| 7 | 136988-97-S80 | EA | LEG - RIGHT - 26" (S80, S81, S82, S83) |
| 7 | 136988-97-S84 | EA | LEG - RIGHT - 26" (S84, S85, S86, S87) |
| 7 | 136988-98-S76 | EA | LEG - LEFT - 26" (S76, S77, S78, S79) |
| 7 | 136988-98-S80 | EA | LEG - LEFT - 26" (S80, S81, S82, S83) |
| 7 | 136988-98-S84 | EA | LEG - LEFT - 26" (S84, S85, S86, S87) |
| 7 | 140789-06-N09 | EA | BLIND - DAY/NIGHTER - 28" X 28" (S76, S77, S78, S79, S80, S81, S82, S83) |
| 7 | 140789-06-N44 | EA | BLIND - DAY/NIGHTER - 28" X 28" (S84, S85, S86, S87) |
| 8 | 146058-27-S76 | EA | VALANCE - MONTICELLO - 33" (S76, S77, S78, S79) |
| 8 | 146058-27-S80 | EA | VALANCE - MONTICELLO - 33" (S80, S81, S82, S83) |
| 8 | 146058-27-S84 | EA | VALANCE - MONTICELLO - 33" (S84, S85, S86, S87) |
| 8 | 136988-83-S76 | EA | LEG - RIGHT - 57" (S76, S77, S78, S79) |
| 8 | 136988-83-S80 | EA | LEG - RIGHT - 57" (S80, S81, S82, S83) |
| 8 | 136988-83-S84 | EA | LEG - RIGHT - 57" (S84, S85, S86, S87) |
| 8 | 136988-F0-S76 | EA | LEG - RIGHT - 28" (S76, S77, S78, S79) - CABINET-DESK |
| 8 | 136988-F0-S80 | EA | LEG - RIGHT - 28" (S80, S81, S82, S83) - CABINET-DESK |
| 8 | 136988-F0-S84 | EA | LEG - RIGHT - 28" (S84, S85, S86, S87) - CABINET-DESK |
| 8 | 136988-84-S76 | EA | LEG - LEFT - 57" (S76, S77, S78, S79) |
| 8 | 136988-84-S80 | EA | LEG - LEFT - 57" (S80, S81, S82, S83) |
| 8 | 136988-84-S84 | EA | LEG - LEFT - 57" (S84, S85, S86, S87) |
| 8 | 136988-F1-S76 | EA | LEG - LEFT - 28" (S76, S77, S78, S79) - CABINET-DESK |
| 8 | 136988-F1-S80 | EA | LEG - LEFT - 28" (S80, S81, S82, S83) - CABINET-DESK |
| 8 | 136988-F1-S84 | EA | LEG - LEFT - 28" (S84, S85, S86, S87) - CABINET-DESK |
| 8 | 140789-28-P78 | EA | BLIND - DAY/NIGHTER - 29" X 58" (S76, S77, S78, S79, S80, S81, S82, S83) |
| 8 | 140789-28-P80 | EA | BLIND - DAY/NIGHTER - 29" X 58" (S84, S85, S86, S87) |
| 8 | 140789-55-S64 | EA | BLIND - DAY/NIGHTER - 29" X 30" (S76, S77, S78, S79, S80, S81, S82, S83) - CABINET-DESK |
| 8 | 140789-55-S72 | EA | BLIND - DAY/NIGHTER - 29" X 30" (S84, S85, S86, S87) - CABINET-DESK |
| 9 | 143828-07-S64 | EA | TRIM - WINDOW - WOOD/RH - 18.2" - PORTSMOUTH OAK (S76, S80, S84) |
| 9 | 143828-07-S65 | EA | TRIM - WINDOW - WOOD/RH - 18.2" - CONCERT CHERRY (S77, S81, S85) |
| 9 | 143828-07-S66 | EA | TRIM - WINDOW - WOOD/RH - 18.2" - WASHED MAPLE (S78, S82, S86) |
| 9 | 143828-07-S67 | EA | TRIM - WINDOW - WOOD/RH - 18.2" - SIERRA MAPLE (S79, S83, S87) |
| 9 | 143828-08-S64 | EA | TRIM - WINDOW - WOOD/LH - 18.2" - PORTSMOUTH OAK (S76, S80, S84) |
| 9 | 143828-08-S65 | EA | TRIM - WINDOW - WOOD/LH - 18.2" - CONCERT CHERRY (S77, S81, S85) |
| 9 | 143828-08-S66 | EA | TRIM - WINDOW - WOOD/LH - 18.2" - WASHED MAPLE (S78, S82, S86) |
| 9 | 109041-44-02A | EA | BLIND - 30.5" X 18" (S76, S77, S78, S79, S80, S81, S82, S83) |
| 9 | 109041-44-04A | EA | BLIND - 30.5" X 18" (S84 THRU S87) |
| 10 | 121410-B3-S76 | EA | VALANCE - MODERATE - 27" (S76, S77, S78, S79) |
| 10 | 121410-B3-S80 | EA | VALANCE - MODERATE - 27" (S80, S81, S82, S83) |
| 10 | 121410-B3-S84 | EA | VALANCE - MODERATE - 27" (S84, S85, S86, S87) |
| 10 | 109041-64-02A | EA | BLIND - MINI - 25" X 17" (S76, S77, S78, S79, S80, S81, S82, S83) |
| 10 | 109041-64-01A | EA | BLIND - MINI - 25" X 17" (S84, S85, S86, S87) |

CURTAIN & CUSHION GROUP (CONTINUED)

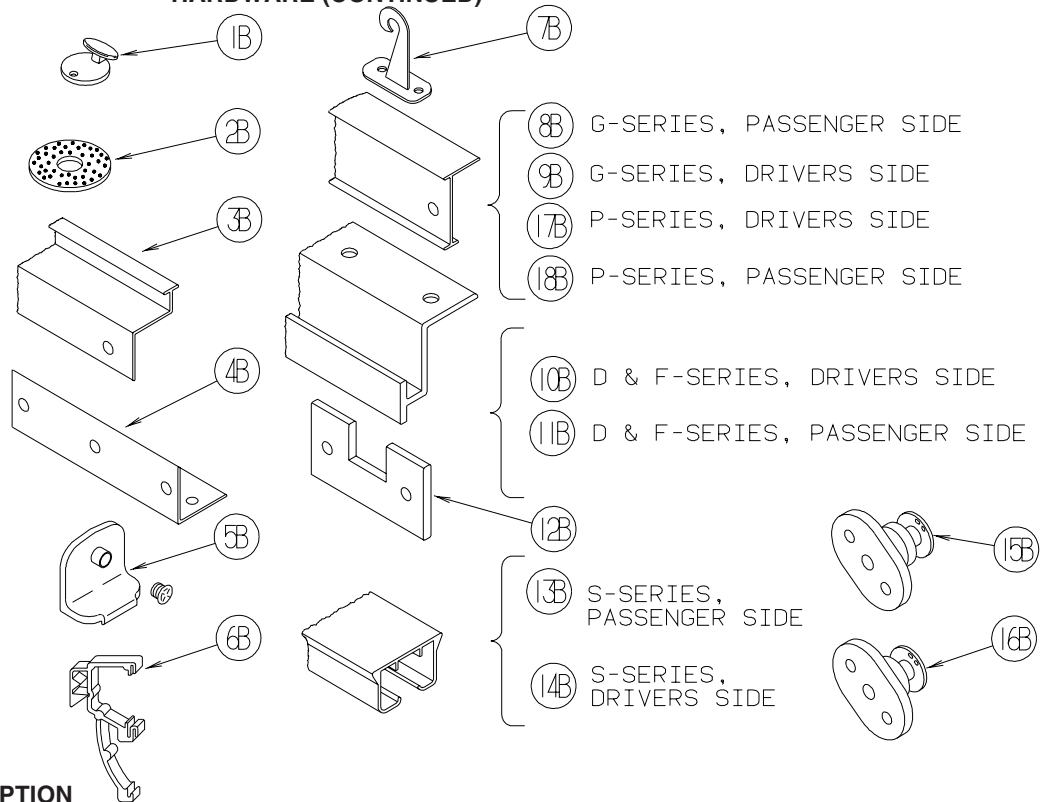
HARDWARE



| KEY | PART NUMBER | U/M | DESCRIPTION |
|-----|---------------|-----|--------------------------------------------------------------|
| 1A | 009702-01-000 | EA | END STOP - CURTAIN CARRIER - L ROD |
| 2A | 029155-01-000 | EA | CAP - SNAP - 5/32" OUTSIDE DIAMETER OF PIN |
| 3A | 029156-01-000 | EA | SOCKET - SNAP - 9/16" O.D. |
| 4A | 046867-02-000 | EA | WASHER - HANDY BUTTON #3 |
| 5A | 046867-03-000 | EA | GROMMET - HANDY BUTTON #3 |
| 6A | 075943-10-000 | EA | BRACE - VALANCE - 20" - OFF WHITE |
| 7A | 083125-08-000 | EA | BRACE - WINDOW MOUNT - .75" - OFF WHITE |
| 8A | 083170-01-000 | EA | BRACKET/BLIND - LEFT SIDE WHEN FACING WINDOW - CLEAR |
| 9A | 083170-02-000 | EA | BRACKET/BLIND - RIGHT SIDE WHEN FACING WINDOW - CLEAR |
| 10A | 084434-01-000 | EA | BRACKET - MOUNTING - ROLLER SHADE - 1 3/8" |
| 11A | 094896-02-000 | EA | GROMMET - CORD/PLEATED BLIND - NYLON - GRAY |
| 12A | 094907-02-000 | EA | END CAP - PLEATED BLIND/TOP - RH/LH - GRAY PLASTIC |
| 13A | 094907-04-000 | EA | END CAP - PLEATED BLIND/BOTTOM - RH/LH |
| 14A | 094907-05-000 | EA | END CAP - PLEATED BLIND/BOTTOM - PULL TYPE - PLASTIC |
| 15A | 094907-06-000 | EA | END CAP/BLIND - TOP RH/LH |
| 16A | 097564-03-000 | EA | HANDLE - KNOB - E-Z LIFT SHADE - TAN |
| 16A | 097564-06-000 | EA | HANDLE - KNOB - E-Z LIFT SHADE - ALABASTER |
| | 097593-02-000 | FT | CORD - BLIND - PLEATED - GRAY |
| | 097593-06-000 | FT | CORD - BLIND - PLEATED - PEWTER |
| | 097593-10-000 | FT | CORD - BLIND - PLEATED - VANILLA |
| | 109353-09-01A | EA | BLIND - SLAT - 21" - ALABASTER PEARL |
| 17A | 097565-01-000 | EA | BRACKET - MOUNTING - PLEATED BLIND |
| 18A | 097591-01-000 | EA | SPRING - EXTENSION - PLEATED BLIND |
| 19A | 101031-01-000 | YD | TAPE/GLIDE - 4.25" SPACING |
| 20A | 101033-02-000 | EA | END CAP - LOW PROFILE TRACK - CLEAR |
| 21A | 101033-08-000 | EA | TRACK/WALL - 75" - FRT BUNK WINDOW MINNIE/SPIRIT 300-SERIES |
| 21A | 101033-09-000 | EA | TRACK/WALL - 32" - SIDE BUNK WINDOW MINNIE/SPIRIT 300-SERIES |

CURTAIN & CUSHION GROUP (CONTINUED)

HARDWARE (CONTINUED)



| KEY | PART NUMBER | U/M | DESCRIPTION |
|-----|---------------|-----|--------------------------------------------------------------------------------------------|
| 1B | 102555-03-000 | EA | BRACKET - (CLEAT TYPE) - F/BLIND HOLDOWN - MILKY WHITE |
| 2B | 103242-01-000 | EA | VELCRO HOOK - BEIGE 7/8" ROUND W/CENTER HOLE |
| 2B | 103242-02-000 | EA | VELCRO HOOK - BLACK 7/8" ROUND W/CENTER HOLE |
| 3B | 105450-14-01A | EA | TRACK - CURTAIN - 90" - OFF WHITE - FRONT BUNK PRIVACY MINNIE/SPIRIT 300-SERIES |
| 4B | 105648-01-02A | EA | BRACE - VALANCE - OFF/WHITE - 14" |
| 5B | 106544-01-000 | EA | PULL - SHADE/BRASS |
| 5B | 106544-01-001 | EA | SCREW - SHADE/BRASS |
| 5B | 106544-02-000 | EA | PULL-SHADE - NICKEL |
| 6B | 109353-04-000 | EA | CLIP - VALANCE SLAT MOUNTING - CLEAR PLASTIC |
| 7B | 109441-03-000 | EA | BRACKET/HOOK - BLIND HOLD DOWN - NEW DESIGN/CLEAR |
| 8B | 126456-03-04A | EA | TRACK/WRAPAROUND - PASSENGER - GLACIER - ADVENTURER/SUNCRUISER G-SERIES |
| 9B | 126456-04-04A | EA | TRACK/WRAPAROUND - DRIVER - GLACIER - ADVENTURER/SUNCRUISER G-SERIES |
| 10B | 127254-04-05A | EA | TRACK/WRAPAROUND-DRVR-GLACIER - SIGHTSEER/SUNOVA D-SERIES, BRAVE/SUNRISE F-SERIES |
| 11B | 127254-14-03A | EA | TRACK/WRAPAROUND-PASS-GLACIER - SIGHTSEER/SUNOVA D-SERIES, BRAVE/SUNRISE F-SERIES |
| 12B | 130549-01-01A | EA | STOP - CURTAIN TRACK |
| 13B | 138460-07-02A | EA | TRACK/CURTAIN - PASSENGER -W/BRACKET/CARRIER/PULLEY - WHT - VECTRA/HORIZON S-SERIES |
| 14B | 138460-08-02A | EA | TRACK/CURTAIN - DRIVER - W/BRACKET/CARRIER/PULLEY - WHT - VECTRA/HORIZON S-SERIES |
| 15B | 141634-01-000 | EA | BRACKET-(BOBBIN TYPE) 7/8"H HOLDUPBASE(OVAL)-2 HOLE-CLEAR |
| 16B | 143805-01-000 | EA | BRACKET-(BOBBIN TYPE) 1/2"H HOLDUPBASE(OVAL)-2 HOLES CLEAR |
| 17B | 146591-01-01A | EA | TRACK - CURTAIN - LEFT HAND - GLACIER - JOURNEY/MERIDIAN P-SERIES |
| 18B | 146591-02-01A | EA | TRACK - CURTAIN - RIGHT HAND - GLACIER - JOURNEY/MERIDIAN P-SERIES |

ACCESSORIES

| KEY | PART NUMBER | U/M | DESCRIPTION |
|-----|---------------|-----|----------------------------------------------------|
| | 118337-18-S76 | EA | BUTTON - #36 - FABRIC COVERED (S76, S77, S78, S79) |
| | 118337-18-S80 | EA | BUTTON - #36 - FABRIC COVERED (S80, S81, S82, S83) |
| | 118337-18-S84 | EA | BUTTON - #36 - FABRIC COVERED (S84, S85, S86, S87) |
| | 118337-22-S76 | EA | BUTTON - #36 - FABRIC COVERED (S76, S77, S78, S79) |
| | 118337-22-S80 | EA | BUTTON - #36 - FABRIC COVERED (S80, S81, S82, S83) |
| | 118337-22-S84 | EA | BUTTON - #36 - FABRIC COVERED (S84, S85, S86, S87) |
| | 118337-19-S76 | EA | BUTTON - #36 W/TACK (S76, S77, S78, S79) |
| | 118337-19-S80 | EA | BUTTON - #36 W/TACK (S80, S81, S82, S83) |
| | 118337-19-S84 | EA | BUTTON - #36 W/TACK (S84, S85, S86, S87) |
| | 105402-03-000 | EA | STRAP - DINING CHAIR/TIEDOWN - 18" |
| | 057534-03-000 | EA | TIEBACK - CLEAR PLASTIC - 7.5" |
| | 057534-07-000 | EA | TIEBACK-CURTAIN/DOOR, 10" - CLEAR VINYL |
| | 057534-08-000 | EA | TIEBACK - CLEAR PLASTIC - 16" |
| | 099856-11-000 | EA | STRAP - TIEDOWN - 7.9" |

CURTAIN & CUSHION GROUP (CONTINUED)
FABRICS

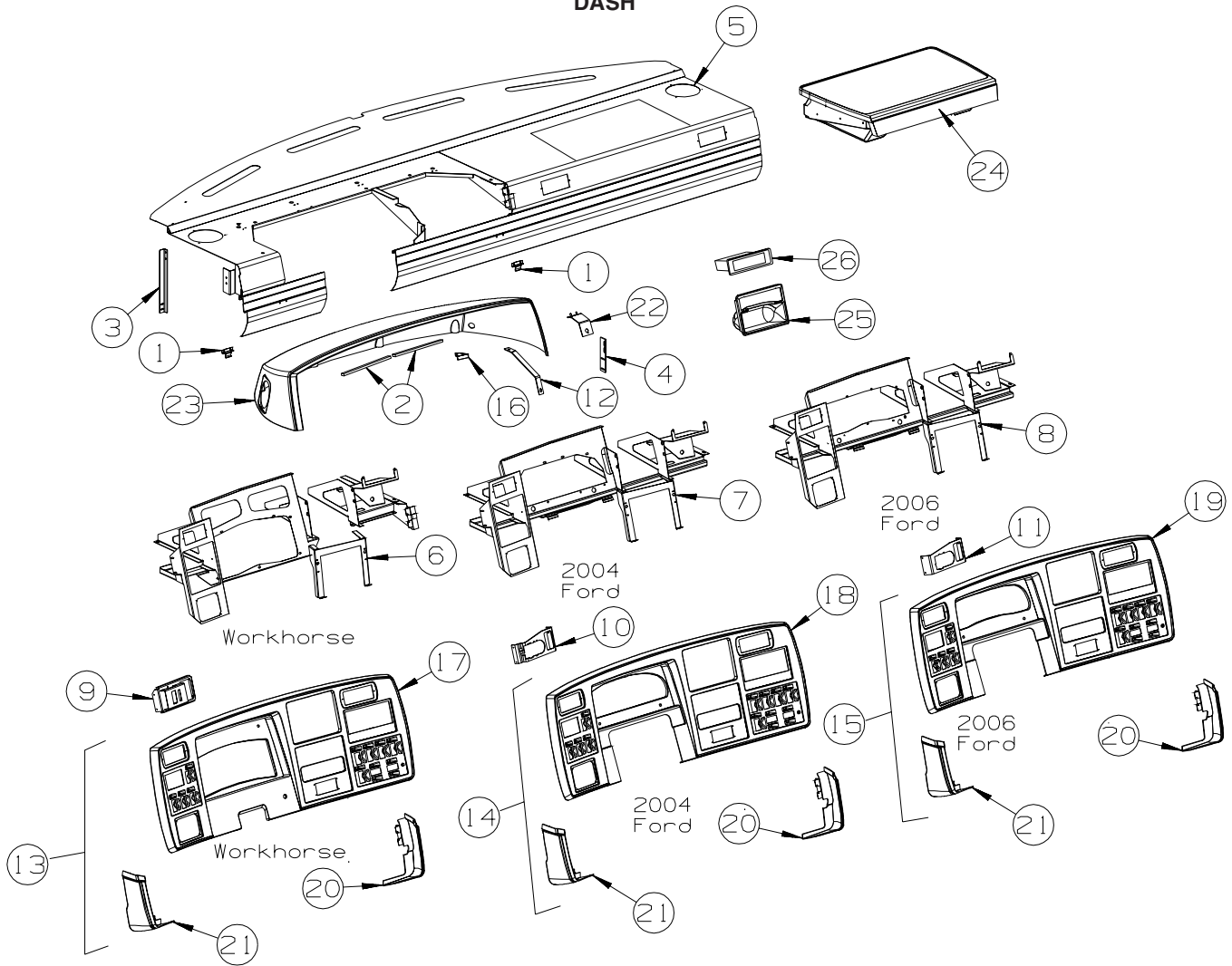
| | S76/S77/S78/S79 | S80/S81/S82/S83 | S84/S85/S86/S87 |
|----------------------------------------------|-----------------------------------------------|-----------------------------------------------|-----------------------------------------------|
| | AMBERWOOD | COSMIC SAGE | WEDGEWOOD |
| 2005 FAMILY SUNCRUISER BUCKET | 588PI WIDE | 588PI WIDE | 588PI WIDE |
| | 148797-44-000 | 148797-37-000 | 148797-40-000 |
| | *OPT. ULTRA LTH.-PAPYRUS 142523-02-000 | *OPT. ULTRA LTH.-BUFF 079680-47-000 | *OPT. ULTRA LTH.-BUFF 079680-47-000 |
| | | | |
| DINETTE CUSHIONS | 730 TEAR DROP - FULL WRAP 148797-43-000 | 730 TEAR DROP - FULL WRAP 148797-36-000 | 730 TEAR DROP - FULL WRAP 148797-39-000 |
| | | | |
| DINETTE WRAP | 148797-44-000 | 148797-37-000 | 148797-40-000 |
| DINING CHAIRS | (2) REM CH-824 148797-44-000 | (2) REM CH-824 148797-38-000 | (2) REM CH-824 148797-40-000 |
| | | | |
| FOLDING CHAIRS | (2) REM FC-200 148797-44-000 | (2) REM FC-200 148797-38-000 | (2) REM FC-200 148797-40-000 |
| | | | |
| SOFA | 826 REST EASY W/815 OR 824 148797-43-000 | 826 REST EASY W/815 OR 824 148797-36-000 | 826 REST EASY W/815 OR 824 148797-39-000 |
| | *OPT. ULTRA LTH.-PAPYRUS 142523-02-000 | *OPT. ULTRA LTH.-BUFF 079680-47-000 | *OPT. ULTRA LTH.-BUFF 079680-47-000 |
| | | | |
| | | | |
| LOUNGE PILLOW | (2) 17" LARGO STYLE BODY 148797-44-000 | (2) 17" LARGO STYLE BODY 148797-38-000 | (2) 17" LARGO STYLE BODY 148797-40-000 |
| | (5) BUTTONS 148797-44-000 | (5) BUTTONS 148797-37-000 | (5) BUTTONS 148797-40-000 |
| | | | |
| LOUNGE CHAIR | 470-1 STYLE 148797-44-000 | 470-1 STYLE 148797-38-000 | 470-1 STYLE 148797-40-000 |
| | *OPT. ULTRA LTH.-PAPYRUS 142523-02-000 | *OPT. ULTRA LTH.-BUFF 079680-47-000 | *OPT. ULTRA LTH.-BUFF 079680-47-000 |
| | | | |
| | | | |
| LOUNGE WINDOWS | MONTICELLO LAMBREQUIN WRAP - 148797-43-000 | MONTICELLO LAMBREQUIN WRAP - 148797-36-000 | MONTICELLO LAMBREQUIN WRAP - 148797-39-000 |
| | OVLY - 148797-44-000 | OVLY - 148797-37-000 | OVLY - 148797-40-000 |
| | CORD - 084415-F9-000 | CORD - 084415-F2-000 | CORD - 139041-34-000 |
| | | | |
| FRONT WRAP | PURCHASED PLEATED | PURCHASED PLEATED | PURCHASED PLEATED |
| DAY/NIGHTER | 094911-58/094911-50 PUTTY/WT. DECO | 094911-58/094911-50 PUTTY/WT. DECO | 094911-56/094911-50 EGGSHELL/WT. DECO |
| | | | |
| GALLEY BLINDS | C011 BEIGE | C011 BEIGE | 386 SNOCAP |
| BATH WINDOW | MODERATE 137813-E7/084415-F9 | MODERATE 137813-E1/084415-F2 | MODERATE 137813-D5/139041-34 |

CURTAIN & CUSHION GROUP (CONTINUED)
FABRICS (CONTINUED)

| 2005 FAMILY | S76/S77/S78/S79 | S80/S81/S82/S83 | S84/S85/S86/S87 |
|--------------------------------------|------------------------------------------------------------------------------------------------|------------------------------------------------------------------------------------------------|------------------------------------------------------------------------------------------------|
| SUNCRUISER | AMBERWOOD | COSMIC SAGE | WEDGEWOOD |
| BEDROOM WDO TREATMENT | MONTICELLO VALANCE WRAP - 137813-E7-000 TOP OVLY - 137813-E8-000 LEGS - 137813-E7-000 | MONTICELLO VALANCE WRAP - 137813-E1-000 TOP OVLY - 137813-E2-000 LEGS - 137813-E1-000 | MONTICELLO VALANCE WRAP - 137813-D5-000 TOP OVLY - 137813-D6-000 LEGS - 137813-D5-000 |
| ASHWELL VAL. (WHEN NEEDED) | 137813-E7-000/137813-E8-000 | 137813-E1-000/137813-E2-000 | 137813-D5-000/137813-D6-000 |
| BEDCOVER LG. DIAMOND | BEDCAP W/CORD 137813-E7/084415-F9 | BEDCAP W/CORD 137813-E1/084415-F2 | BEDCAP W/CORD 137813-D5/139041-34 |
| SHAMS | LARGO STYLE 137813-E7-000 BUTTONS - 137813-E8-000 | LARGO STYLE 137813-E1-000 BUTTONS - 137813-E2-000 | LARGO STYLE 137813-D5-000 BUTTONS - 137813-D6-000 |
| BED PILLOW | (2) 17" SQUARE LARGO STYLE BODY - 137813-E8-000 BUTTONS - 137813-E7-000 | (2) 17" SQUARE LARGO STYLE BODY - 137813-E2-000 BUTTONS - 137813-E1-000 | (2) 17" SQUARE LARGO STYLE BODY - 137813-D6-000 BUTTONS - 137813-D5-000 |
| HEADBOARD | MONTICELLO BODY & TOP BAND - 137813-E7 CTR. BAND - 137813-E8-000 | MONTICELLO BODY & TOP BAND - 137813-E1 CTR. BAND - 137813-E2-000 | MONTICELLO BODY & TOP BAND - 137813-D5 CTR. BAND - 137813-D6-000 |
| CARPET | 139056-22-000 BURLWOOD | 139056-28-000 CAMEL | 139056-28-000 CAMEL |
| SLIDE OUT TRIM LOUNGE BEDROOM | 148797-44-000 137813-E8-000 | 148797-37-000 137813-E1-000 | 148797-74-000 137813-D6-000 |
| CEILING FABRIC | 113979-09-01A SOFT GEO | 113979-09-01A SOFT GEO | 113979-09-01A SOFT GEO |

DRIVERS COMPARTMENT GROUP

DASH

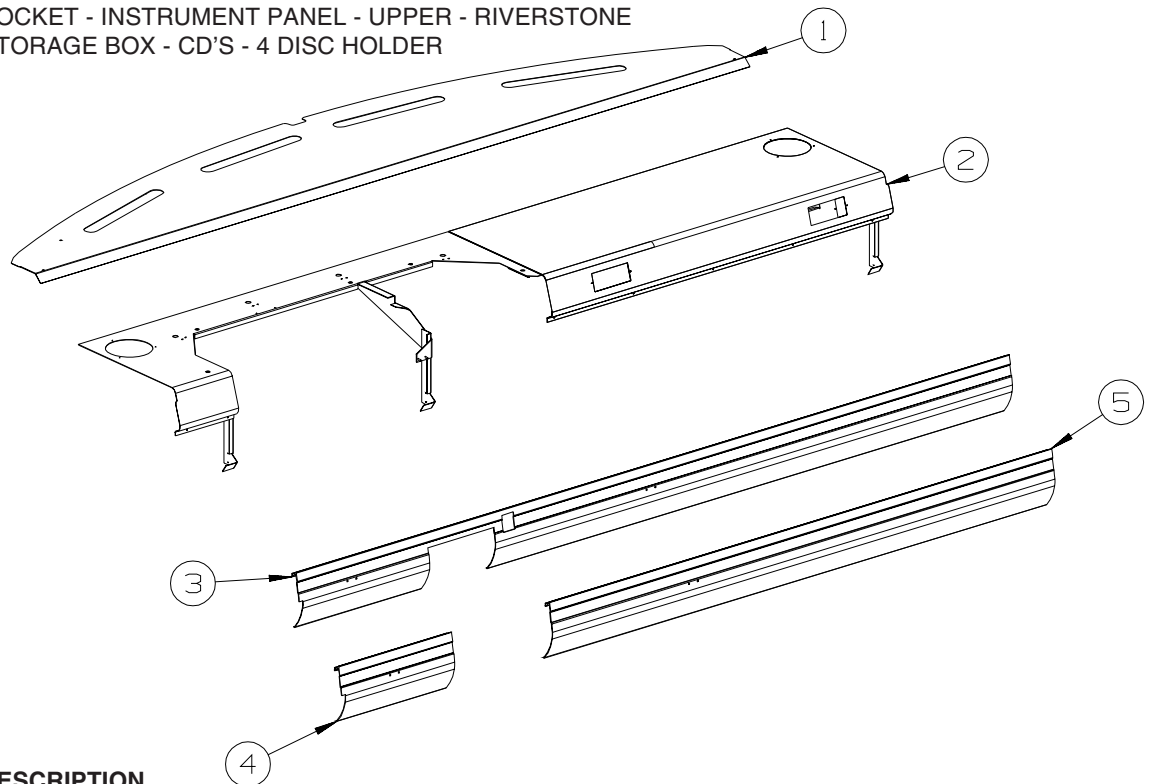


| KEY | PART NUMBER | U/M | DESCRIPTION |
|-----|---------------|-----|---------------------------------------------------------------------|
| 1 | 073050-04-000 | EA | CLIP/MOUNTING - VALANCE PANEL |
| 2 | 110530-01-000 | FT | SEAL - SPONGE - .31" X .62" |
| 3 | 128692-01-02B | EA | ANGLE - FORMED, DASH SUPPORT, EC |
| 4 | 139603-01-02B | EA | STRAP - DASH SUPPORT, CTR , E-CT |
| 5 | 147887-02-S64 | EA | DASH - COMPLETE - CASHMERE - WORKHORSE |
| 5 | 147887-02-S72 | EA | DASH - COMPLETE - RIVERSTONE - WORKHORSE |
| 5 | 147887-04-S64 | EA | DASH - COMPLETE - CASHMERE - FORD |
| 5 | 147887-04-S72 | EA | DASH - COMPLETE - RIVERSTONE - FORD |
| 6 | 147889-01-02B | EA | REINFORCEMENT ASM - I/P, E-CT - WORKHORSE |
| 7 | 148947-01-02B | EA | REINFORCEMENT ASM - I/P, E-CT - 2004 FORD |
| 8 | 153469-01-02B | EA | REINFORCEMENT ASM - IP, E-CT - 2006 FORD |
| 9 | 148890-01-04B | EA | MOUNT - HEADLAMP SWITCH/FACE PLATE - METAL/BLACK - WORKHORSE |
| 10 | 148855-01-02B | EA | MOUNT - HEADLAMP SWITCH/FACE PLATE - METAL/BLACK - 2004 FORD |
| 11 | 153454-01-02B | EA | MOUNT - HEADLAMP SWITCH/FACE PLATE - METAL/BLACK - 2006 FORD |
| 12 | 148928-01-02B | EA | STRUT - I/P SUPPORT, LH, E-CT |
| 13 | 149031-03-S80 | EA | POD - INSTRUMENT PANEL - CASHMERE - WORKHORSE |
| 13 | 149031-03-S76 | EA | POD - INSTRUMENT PANEL - RIVERSTONE - WORKHORSE |
| 14 | 149031-04-S80 | EA | POD - INSTRUMENT PANEL - CASHMERE - 2004 FORD |
| 14 | 149031-04-S76 | E A | POD - INSTRUMENT PANEL - RIVERSTONE - 2004 FORD |

DRIVERS COMPARTMENT GROUP (CONTINUED)

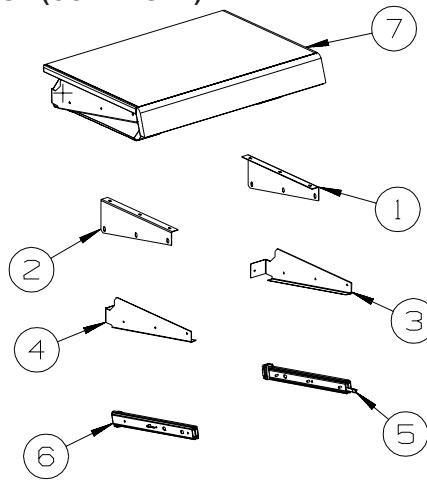
DASH (CONTINUED)

| KEY | PART NUMBER | U/M | DESCRIPTION |
|-----|---------------|-----|----------------------------------------------------------|
| 15 | 149031-06-S80 | EA | POD - INSTRUMENT PANEL - CASHMERE - 2006 FORD |
| 15 | 149031-06-S76 | E A | POD - INSTRUMENT PANEL - RIVERSTONE - 2006 FORD |
| 16 | 139427-02-02B | EA | STRAP - MOUNT, BEZEL, E-CT |
| 17 | 147891-03-02A | EA | BEZEL - INSTRUMENT PANEL - CASHMERE - WORKHORSE |
| 17 | 147891-03-01A | EA | BEZEL - INSTRUMENT PANEL - RIVERSTONE - WORKHORSE |
| 18 | 147891-04-02A | EA | BEZEL - INSTRUMENT PANEL - FORD - CASHMERE - 2004 FORD |
| 18 | 147891-04-01A | EA | BEZEL - INSTRUMENT PANEL - FORD - RIVERSTONE - 2004 FORD |
| 19 | 147891-06-02A | EA | BEZEL - INSTRUMENT PANEL - FORD - CASHMERE - 2006 FORD |
| 19 | 147891-06-01A | EA | BEZEL - INSTRUMENT PANEL - FORD - RIVERSTONE - 2006 FORD |
| 20 | 148252-01-20A | EA | POD - INSTRUMENT PANEL - LOWER/RIGHT HAND - CASHMERE |
| 20 | 148252-01-19A | EA | POD - INSTRUMENT PANEL - LOWER/RIGHT HAND - RIVERSTONE |
| 21 | 148253-01-20A | EA | POD - INSTRUMENT PANEL - LOWER/LEFT HAND - CASHMERE |
| 21 | 148253-01-19A | EA | POD - INSTRUMENT PANEL - LOWER/LEFT HAND - RIVERSTONE |
| 22 | 149143-01-02B | EA | SUPPORT - PARK BRAKE SW |
| 23 | 147890-02-20A | EA | POD - INSTRUMENT PANEL - CASHMERE |
| 23 | 147890-02-19A | EA | POD - INSTRUMENT PANEL - RIVERSTONE |
| 23 | 147890-01-20A | EA | POD - INSTRUMENT PANEL - CASHMERE - MAPPING SYSTEM |
| 23 | 147890-01-19A | EA | POD - INSTRUMENT PANEL - RIVERSTONE - MAPPING SYSTEM |
| 24 | 135298-03-S64 | EA | TABLE COMPLETE - WORKSTATION |
| | 106569-09-07A | EA | VINYL - LAMINATE - 1/4" X 25" X 100" - SANDSTONE |
| 25 | 111350-01-20A | EA | POCKET - INSTRUMENT PANEL - UPPER - CASHMERE |
| 25 | 111350-01-19A | EA | POCKET - INSTRUMENT PANEL - UPPER - RIVERSTONE |
| 26 | 096776-03-000 | EA | STORAGE BOX - CD'S - 4 DISC HOLDER |



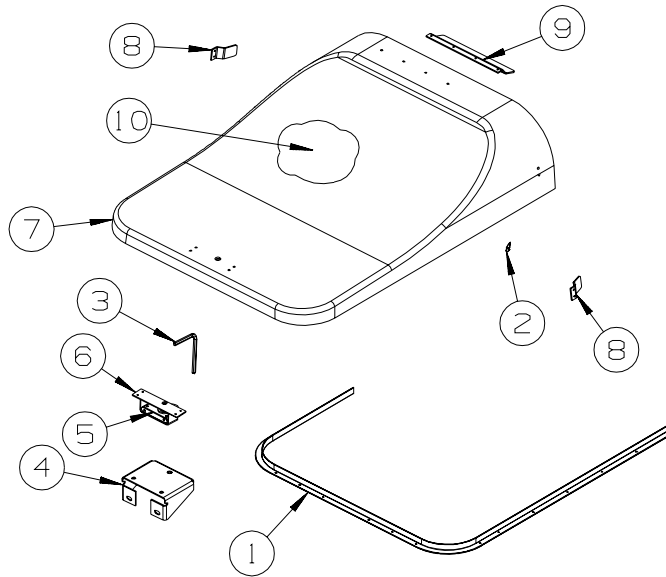
| KEY | PART NUMBER | U/M | DESCRIPTION |
|-----|---------------|-----|--------------------------------------------------------|
| 1 | 132126-02-02B | EA | PANEL - DASH TOP - E-COATED |
| | 106569-11-05A | EA | VINYL - LAMINATE - 1/4" X 25" X 100" - ALLANTE DOESKIN |
| 2 | 147888-02-02B | EA | DASH ASM |
| | 106569-11-05A | EA | VINYL - LAMINATE - 1/4" X 25" X 100" - ALLANTE DOESKIN |
| 3 | 148214-01-02A | EA | TRIM - DASH/LOWER - WORKHORSE - CASHMERE - WORKHORSE |
| 3 | 148214-01-01A | EA | TRIM - DASH/LOWER - WORKHORSE - RIVERSTONE - WORKHORSE |
| 4 | 148214-02-02A | EA | TRIM - DASH/LOWER LEFT - FORD - CASHMERE - FORD |
| 4 | 148214-02-01A | EA | TRIM - DASH/LOWER LEFT - FORD - RIVERSTONE - FORD |
| 5 | 148214-03-02A | EA | TRIM - DASH/LOWER RIGHT - FORD - CASHMERE - FORD |
| 5 | 148214-03-01A | EA | TRIM - DASH/LOWER RIGHT - FORD - RIVERSTONE - FORD |

DRIVERS COMPARTMENT GROUP (CONTINUED)
DASH (CONTINUED)



WORKSTATION

| KEY | PART NUMBER | U/M | DESCRIPTION |
|-----|---------------|-----|--------------------------------------------|
| 1 | 135132-03-02B | EA | ANGLE-SLIDE,RH |
| 2 | 135132-04-02B | EA | ANGLE-SLIDE,LH |
| 3 | 135228-01-02B | EA | ANGLE - SLIDE - TRAY/RIGHT HAND - E-COATED |
| 4 | 135228-02-02B | EA | ANGLE - SLIDE - TRAY/LEFT HAND - E-COATED |
| 5 | 135314-01-01A | EA | SLIDE - DASH WORK STATION - RIGHT HAND |
| 6 | 135314-02-01A | EA | SLIDE - DASH WORK STATION - LEFT HAND |
| 7 | 135122-03-S64 | EA | TABLE TOP - PULLOUT/WORKSTATION |

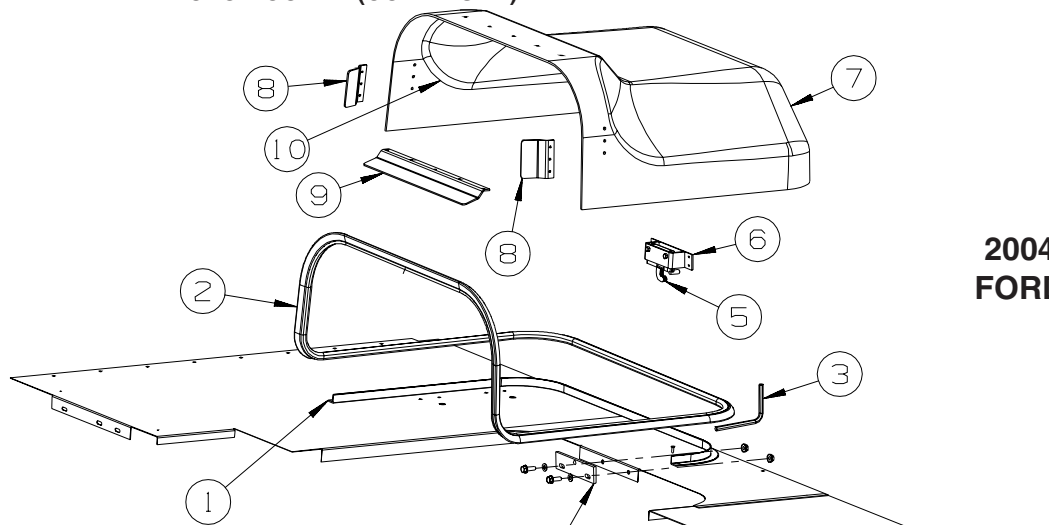


WORKHORSE

MOTOR COVER

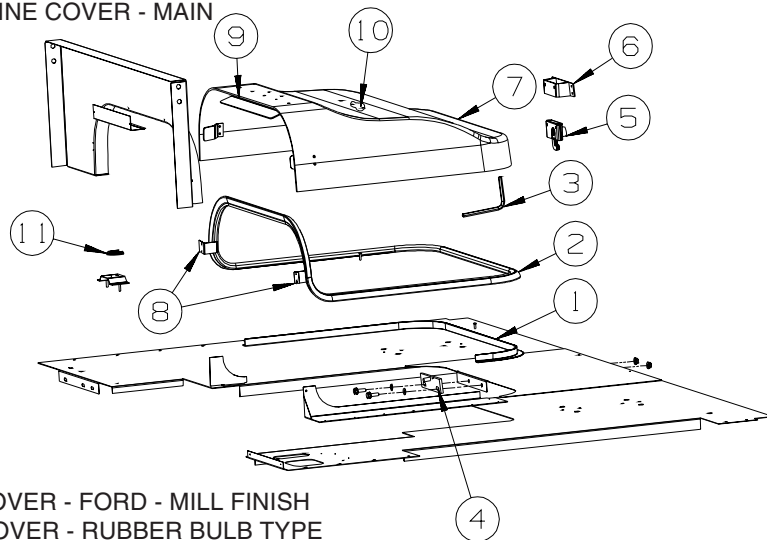
| KEY | PART NUMBER | U/M | DESCRIPTION |
|-----|---------------|-----|--------------------------------------------------------|
| 1 | 137332-01-01A | EA | TRIM - MOTOR COVER |
| 2 | 039623-01-000 | FT | SEAL - MOTOR COVER - RUBBER BULB TYPE |
| 3 | 116833-01-02B | EA | WRENCH - HEX MOTOR COVER - E-COATED |
| 4 | 137305-02-02B | EA | BRACKET - STRIKE SUPPORT - E-COATED |
| 5 | 116581-01-000 | EA | LATCH - W/O STRIKE - MOTOR COVER |
| 6 | 115850-01-02B | EA | RETAINER - LATCH - MOTOR COVER - RIGHT HAND - E-COATED |
| 7 | 137097-02-S64 | EA | COVER ASM - MOTOR W W/CARPET (S76, S77, S78, S79) |
| 7 | 137097-02-S68 | EA | COVER ASM - MOTOR W W/CARPET (S80, S81, S82, S83) |
| 7 | 137097-02-P49 | EA | COVER ASM - MOTOR W W/CARPET (S84, S85, S86, S87) |
| | 137096-01-01A | EA | COVER - MOTOR - W/O CARPET |
| 8 | 115855-04-02B | EA | RETAINER - MOTOR COVER/SIDE - E-COATD |
| 9 | 115855-03-02B | EA | RETAINER - MOTOR COVER/TOP - E-COATED |
| 10 | 134497-01-000 | SF | FOIL/ALUMINUM - REINFORCED |
| | 140168-01-000 | EA | INSULATION/ENGINE COVER |

DRIVERS COMPARTMENT GROUP (CONTINUED)
MOTOR COVER (CONTINUED)



**2004
FORD**

| KEY | PART NUMBER | U/M | DESCRIPTION |
|-----|---------------|-----|--------------------------------------------------------|
| 1 | 115860-05-01A | EA | TRIM - MOTOR COVER - MILL FINISH |
| 2 | 039623-01-000 | FT | SEAL - MOTOR COVER - RUBBER BULB TYPE |
| 3 | 116833-01-02B | EA | WRENCH - HEX MOTOR COVER - E-COATED |
| 4 | 115852-01-02B | EA | STRIKE - LATCH - MOTOR COVER - E-COATED |
| 5 | 116581-01-000 | EA | LATCH - W/O STRIKE - MOTOR COVER |
| 6 | 115850-01-02B | EA | RETAINER - LATCH - MOTOR COVER - RIGHT HAND - E-COATED |
| 7 | 129414-04-S64 | EA | COVER - MOTOR - W/CARPET (S76, S77, S78, S79) |
| 7 | 129414-04-S68 | EA | COVER - MOTOR - W/CARPET (S80, S81, S82, S83) |
| 7 | 129414-04-S72 | EA | COVER - MOTOR - W/CARPET (S84, S85, S86, S87) |
| | 129099-04-01A | EA | COVER - MOTOR - W/O CARPET |
| 8 | 115855-02-02B | EA | RETAINER - MOTOR COVER/SIDE - E-COATED |
| 9 | 115855-01-02B | EA | RETAINER - MOTOR COVER/TOP - E-COATED |
| 10 | 134497-01-000 | SF | FOIL/ALUMINUM - REINFORCED |
| | 134455-01-000 | EA | INSULATION/ENGINE COVER - MAIN |
| | 134455-02-000 | EA | INSULATION/ENGINE COVER - FRONT |
| | 134455-03-000 | EA | INSULATION/ENGINE COVER - MAIN |

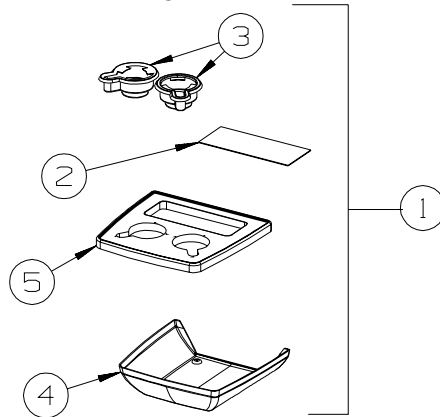


**2006
FORD**

| KEY | PART NUMBER | U/M | DESCRIPTION |
|-----|---------------|-----|--------------------------------------------------------|
| 1 | 115860-06-01A | EA | TRIM - MOTOR COVER - FORD - MILL FINISH |
| 2 | 039623-01-000 | FT | SEAL - MOTOR COVER - RUBBER BULB TYPE |
| 3 | 116833-01-02B | EA | WRENCH - HEX MOTOR COVER - E-COATED |
| 4 | 115852-01-02B | EA | STRIKE - LATCH - MOTOR COVER - E-COATED |
| 5 | 116581-01-000 | EA | LATCH - W/O STRIKE - MOTOR COVER |
| 6 | 115850-01-02B | EA | RETAINER - LATCH - MOTOR COVER - RIGHT HAND - E-COATED |
| 7 | 153971-01-T53 | EA | COVER - MOTOR - W/CARPET (S76, S77, S78, S79) |
| 7 | 153971-01-S68 | EA | COVER - MOTOR - W/CARPET (S80, S81, S82, S83) |
| 7 | 153971-01-T55 | EA | COVER - MOTOR - W/CARPET (S84, S85, S86, S87) |
| | 153970-01-01A | EA | COVER - MOTOR - W/O CARPET - FORD |
| 8 | 115855-04-02B | EA | RETAINER - MOTOR COVER/SIDE - E-COATED |
| 9 | 115855-01-02B | EA | RETAINER - MOTOR COVER/TOP - E-COATED |
| 10 | 134497-01-000 | SF | FOIL/ALUMINUM - REINFORCED |
| 11 | 143798-01-01A | EA | CATCH - FLOOR TO TABLE LEG - BRIGHT WHITE |

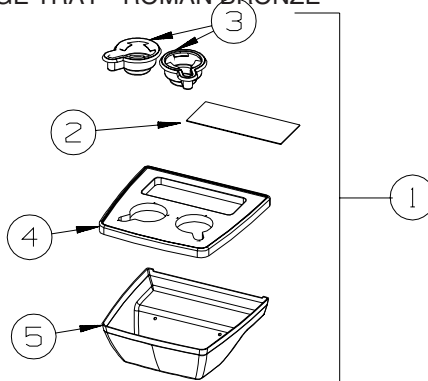
DRIVERS COMPARTMENT GROUP (CONTINUED)

BEVERAGE TRAY



WORKHORSE

| KEY | PART NUMBER | U/M | DESCRIPTION |
|-----|---------------|-----|---------------------------------------------------|
| 1 | 148922-01-S64 | EA | TRAY - BEVERAGE - W/CONVENIENCE TRAY - CASHMERE |
| 1 | 148922-01-S72 | EA | TRAY - BEVERAGE - W/CONVENIENCE TRAY - RIVERSTONE |
| 2 | 122717-11-01A | EA | PAD - NON-SKID - PSA - 4.5" X 11" |
| 3 | 133831-01-01A | EA | HOLDER - CUP W/THREE CENTERLINE RUBBER FINGERS |
| 4 | 148818-01-19A | EA | COVER - BEVERAGE TRAY - BOTTOM - RIVERSTONE |
| 4 | 148818-01-20A | EA | COVER - BEVERAGE TRAY - BOTTOM - CASHMERE |
| 5 | 148918-01-01A | EA | TRAY - BEVERAGE CENTER - SANDSTONE |
| | 150352-02-01A | EA | APPLIQUE - BEVERAGE TRAY - ROMAN BRONZE |

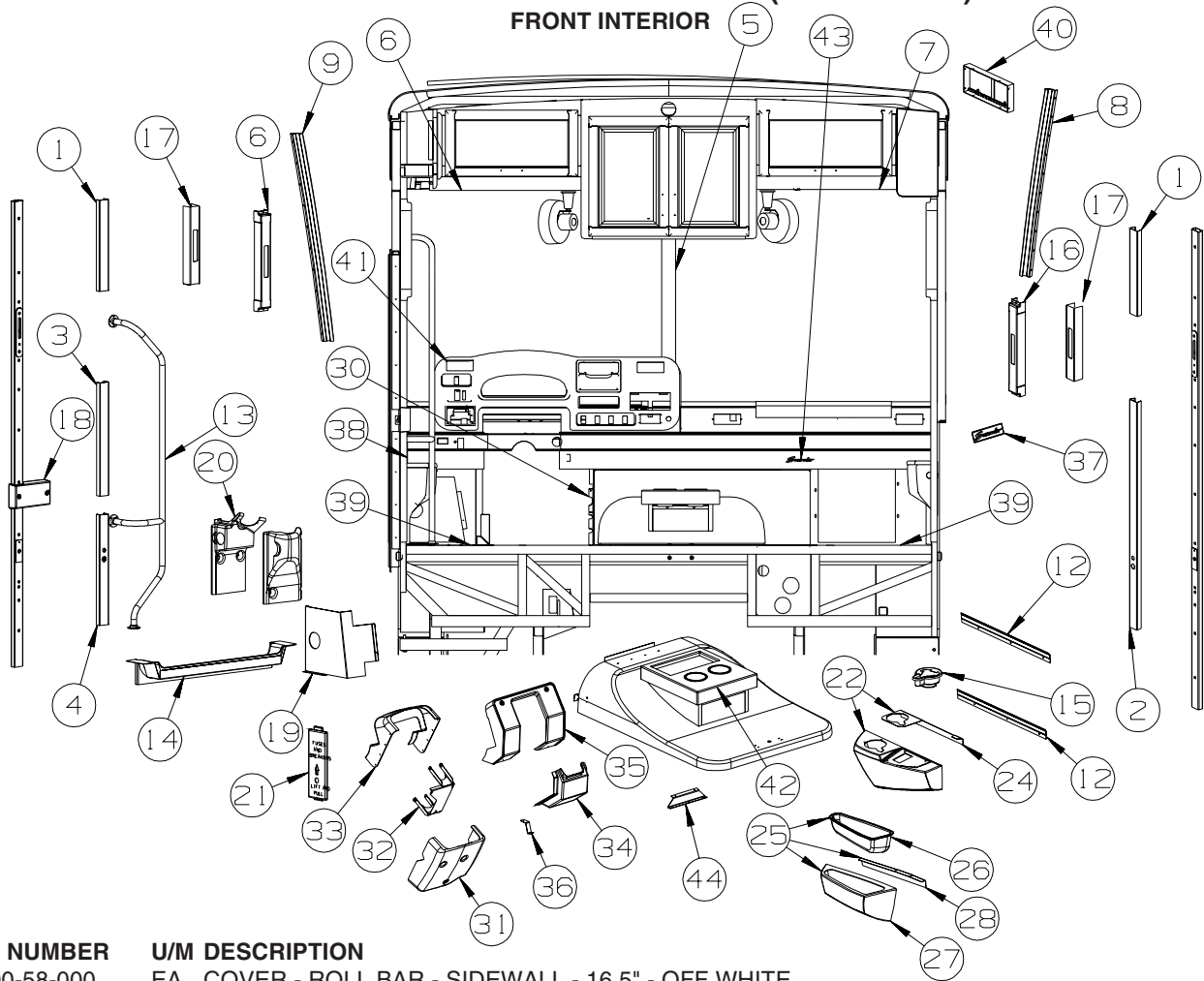


FORD

| KEY | PART NUMBER | U/M | DESCRIPTION |
|-----|---------------|-----|---------------------------------------------------|
| 1 | 149301-01-T77 | EA | TRAY - BEVERAGE - W/CONVENIENCE TRAY - RIVERSTONE |
| 1 | 149301-01-T81 | EA | TRAY - BEVERAGE - W/CONVENIENCE TRAY - CASHMERE |
| 2 | 122717-11-01A | EA | PAD - NON-SKID - PSA - 4.5" X 11" |
| 3 | 133831-01-01A | EA | HOLDER - CUP W/THREE CENTERLINE RUBBER FINGERS |
| 4 | 148918-01-02A | EA | TRAY - BEVERAGE CENTER - BEIGE SPECKLE |
| 4 | 150352-02-01A | EA | APPLIQUE - BEVERAGE TRAY - ROMAN BRONZE |
| 5 | 149256-01-19A | EA | COVER - BEVERAGE TRAY BOTTOM - RIVERSTONE |
| 5 | 149256-01-20A | EA | COVER - BEVERAGE TRAY BOTTOM - CASHMERE |

DRIVERS COMPARTMENT GROUP (CONTINUED)

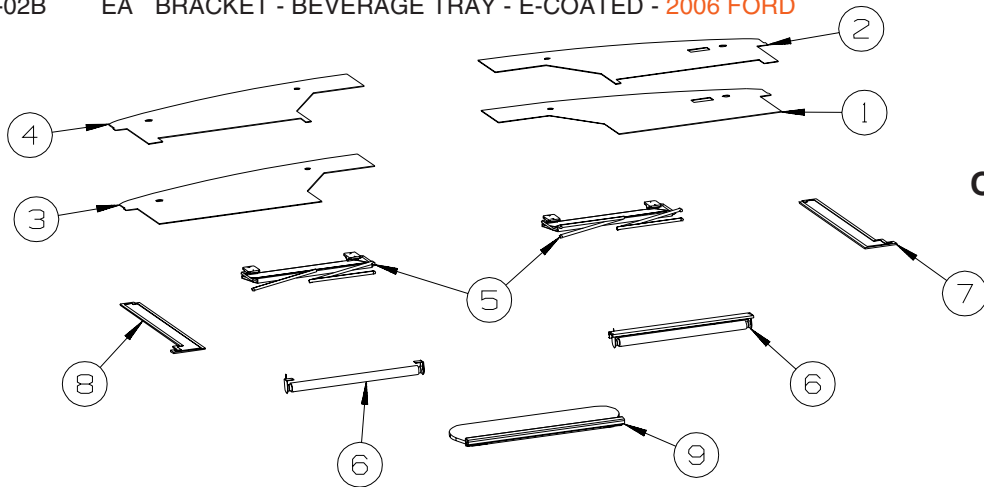
FRONT INTERIOR



| KEY | PART NUMBER | U/M | DESCRIPTION |
|-----|---------------|-----|---------------------------------------------------|
| 1 | 024700-58-000 | EA | COVER - ROLL BAR - SIDEWALL - 16.5" - OFF WHITE |
| 2 | 024700-59-000 | EA | COVER - ROLL BAR - SIDEWALL - 44.1" - OFF WHITE |
| 3 | 024700-66-000 | EA | COVER - ROLL BAR - SIDEWALL - 20.6" - OFF WHITE |
| 4 | 024700-67-000 | EA | COVER - ROLL BAR - SIDEWALL - 20.1" - OFF WHITE |
| 5 | 118452-04-03A | EA | TRIM - WINDSHIELD - CENTER - GLACIER |
| 6 | 118453-03-03A | EA | TRIM - WINDSHIELD - INNER/TOP/PASSENGER - GLACIER |
| 7 | 118453-04-03A | EA | TRIM - WINDSHIELD - INNER/TOP/DRIVER - GLACIER |
| 8 | 125508-01-03A | EA | TRIM - A-PILLAR - PASSENGER/INTERIOR - GLACIER |
| 9 | 125508-02-03A | EA | TRIM - A-PILLAR - DRIVER/INTERIOR - GLACIER |
| 10 | 126456-03-04A | EA | TRACK/WRAPAROUND - PASSENGER - GLACIER |
| 11 | 126456-04-04A | EA | TRACK/WRAPAROUND - DRIVER - GLACIER |
| 12 | 130034-08-02B | EA | CLIP - TRIM - E-COATED |
| 13 | 131058-04-02A | EA | HAND RAIL - INTERIOR CAB DOOR - BLACK |
| 14 | 131849-01-20A | EA | TRIM/STEP - DRIVER DOOR - CASHMERE |
| 14 | 131849-01-19A | EA | TRIM/STEP - DRIVER DOOR - RIVERSTONE |
| | 102569-02-000 | EA | MAT - ANTI SLIP - LOWER |
| 15 | 133831-01-01A | EA | HOLDER - CUP W/THREE CENTERLINE RUBBER FINGERS |
| 16 | 140151-01-01A | EA | COVER - SEAT BELT - OFF WHITE |
| 17 | 140151-03-01A | EA | COVER - SEAT BELT SLIDE - BLACK |
| | 140151-02-01A | EA | COVER - SCREW - OFF WHITE |
| 18 | 141072-01-01A | EA | COVER - BRACKET/LATCH - OFF WHITE |
| 19 | 148824-01-20A | EA | PANEL/TRIM - FUSE PANEL/LEFT HAND - CASHMERE |
| 19 | 148824-01-19A | EA | PANEL/TRIM - FUSE PANEL/LEFT HAND - RIVERSTONE |
| 20 | 148825-01-20A | EA | PANEL/TRIM - UNDER DASH/LEFT HAND - CASHMERE |
| 20 | 148825-01-19A | EA | PANEL/TRIM - UNDER DASH/LEFT HAND - RIVERSTONE |
| 21 | 148826-01-20A | EA | PANEL/DOOR - FUSE PANEL/LEFT HAND - CASHMERE |
| 21 | 148826-01-19A | EA | PANEL/DOOR - FUSE PANEL/LEFT HAND - RIVERSTONE |
| 22 | 148829-01-S64 | EA | PANEL - PASSENGER SIDE/UPPER - CASHMERE |
| 22 | 148829-01-S72 | EA | PANEL - PASSENGER SIDE/UPPER - RIVERSTONE |
| 23 | 148830-01-20A | EA | PANEL - PASSENGER SIDE - UPPER - CASHMERE |
| 23 | 148830-01-19A | EA | PANEL - PASSENGER SIDE - UPPER - RIVERSTONE |
| 24 | 149218-01-02B | EA | BRACKET - MOUNTING - CUPHOLDER - E-COATED |

DRIVERS COMPARTMENT GROUP (CONTINUED)
FRONT INTERIOR (CONTINUED)

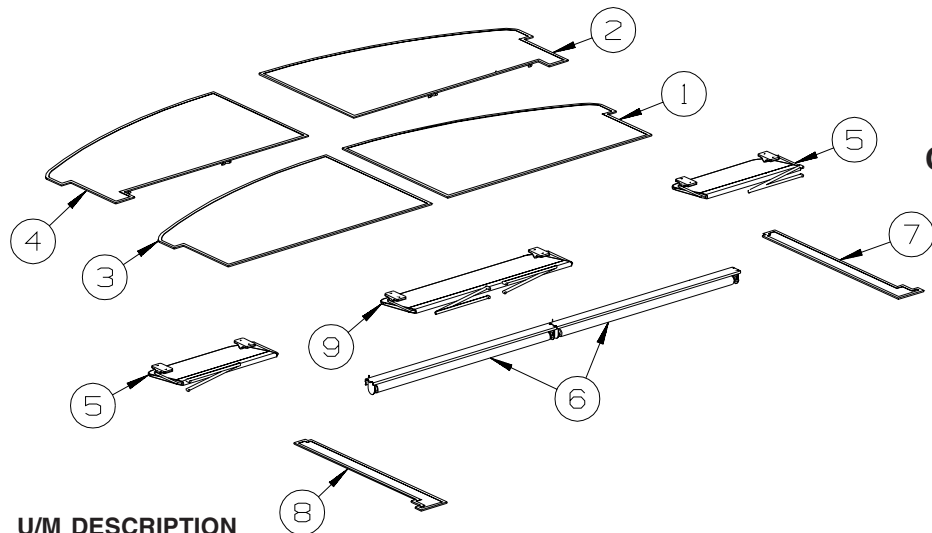
| KEY | PART NUMBER | U/M | DESCRIPTION |
|-----|---------------|-----|------------------------------------------------------------------------|
| 25 | 148831-01-S64 | EA | PANEL - PASSENGER SIDE/LOWER - CASHMERE |
| 25 | 148831-01-S72 | EA | PANEL - PASSENGER SIDE/LOWER - RIVERSTONE |
| 26 | 148828-01-20A | EA | POCKET/STORAGE - PASSENGER SIDE - CASHMERE |
| 26 | 148828-01-19A | EA | POCKET/STORAGE - PASSENGER SIDE - RIVERSTONE |
| 27 | 148832-01-20A | EA | PANEL - PASSENGER SIDE - LOWER - CASHMERE |
| 27 | 148832-01-19A | EA | PANEL - PASSENGER SIDE - LOWER - RIVERSTONE |
| 28 | 149229-01-02B | EA | BRACKET - PANEL MOUNTING - E-COATED |
| 29 | 140168-10-000 | EA | INSULATION-CAB,RAD CVR,MAIN - WORKHORSE |
| 29 | 134455-03-000 | EA | INSULATION/RADIATOR COVER - MAIN - FORD 2004 CHASSIS |
| 29 | 140168-02-000 | EA | INSULATION/RADIATOR COVER - MAIN - FORD 2006 CHASSIS |
| 30 | 134455-04-000 | EA | INSULATION/RADIATOR COVER - LEFT HAND |
| 31 | 148763-01-20A | EA | COVER - STEERING COLUMN - LOWER - CASHMERE - WORKHORSE |
| 31 | 148763-01-19A | EA | COVER - STEERING COLUMN - LOWER - RIVERSTONE - WORKHORSE |
| 32 | 148806-01-02B | EA | MOUNT ASM-STEERING COVE, E-CT - WORKHORSE |
| 33 | 150784-01-20A | EA | COVER - STEERING COLUMN - UPPER - CASHMERE - WORKHORSE |
| 33 | 150784-01-19A | EA | COVER - STEERING COLUMN - UPPER - RIVERSTONE - WORKHORSE |
| 34 | 125795-01-20A | EA | COVER - STEERING COLUMN/LOWER - CASHMERE - FORD |
| 34 | 125795-01-19A | EA | COVER - STEERING COLUMN/LOWER - RIVERSTONE - FORD |
| 35 | 148815-01-20A | EA | COVER - STEERING COLUMN - LOWER - CASHMERE - FORD |
| 35 | 148815-01-19A | EA | COVER - STEERING COLUMN - LOWER - RIVERSTONE - FORD |
| 36 | 149107-01-01B | EA | SUPPORT-COVER, STRG, LWR, MILL - FORD |
| 37 | 150352-03-01A | EA | APPLIQUE - PASSENGER/LOWER DASH - SUNCRUISER/ROMAN BRONZE |
| 38 | 150352-04-01A | EA | APPLIQUE - DRIVER/LOWER DASH - SUNCRUISER/ROMAN BRONZE |
| 39 | 105924-01-S64 | EA | MAT/FLOOR - 18" X 27" (S76, S77, S78, S79) |
| 39 | 105924-01-S68 | EA | MAT/FLOOR - 18" X 27" (S80, S81, S82, S83, S84, S85, S86, S87) |
| 40 | 135717-01-01A | EA | HOLDER - CD STORAGE - 5.2" X 12.6" - BLACK - FRONT 24" COLOR TV |
| 41 | 150352-01-01A | EA | APPLIQUE - BEZEL - INSTRUMENT PANEL - ROMAN BRONZE |
| 42 | 150352-02-01A | EA | APPLIQUE - BEVERAGE TRAY - ROMAN BRONZE |
| 43 | 126340-08-01A | EA | DECAL - LOGO - "SUNCRUISER" - 3-D - CHAMPAGNE BEIGE |
| 44 | 155496-01-02B | EA | BRACKET - BEVERAGE TRAY - E-COATED - 2006 FORD |



**OVERHEAD PANELS
W/FRONT TV**

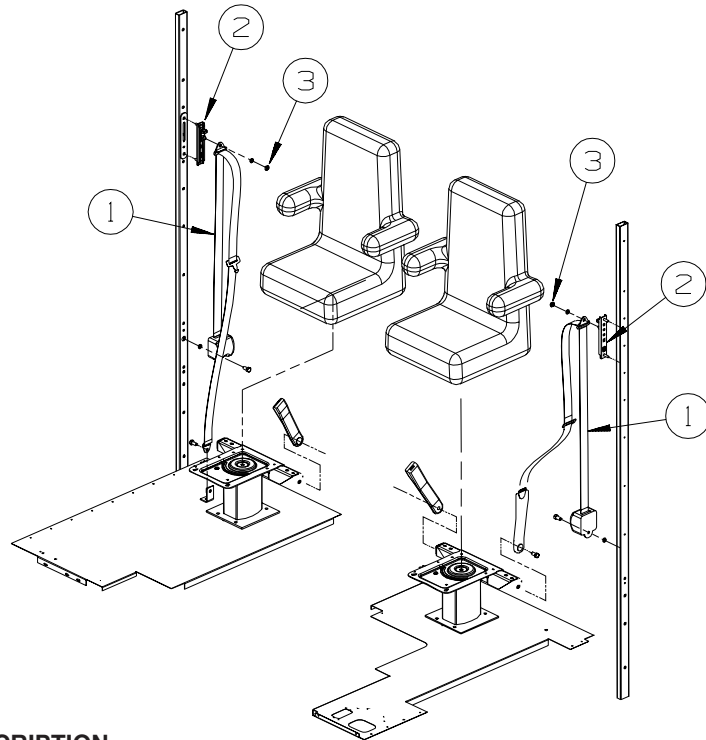
| KEY | PART NUMBER | U/M | DESCRIPTION |
|-----|---------------|-----|------------------------------------------------------------------------------------|
| 1 | 126440-21-R38 | EA | PANEL - OVERHEAD/FRONT/BOTTOM/PASSENGER - VINYL COVERED |
| 2 | 126440-19-R38 | EA | PANEL - OVERHEAD/FRONT/BOTTOM/PASSENGER - VINYL COVERED - POWERED SUNVISORS |
| 3 | 126440-22-R38 | EA | PANEL - OVERHEAD/FRONT/BOTTOM/DRIVER - VINYL COVERED |
| 4 | 126440-20-R38 | EA | PANEL - OVERHEAD/FRONT/BOTTOM/DRIVER - VINYL COVERED - POWERED SUNVISORS |
| 5 | 123298-04-05A | EA | SUNVISOR - 10.5" X 21" - DRIVER/PASSENGER - GLACIER |
| 6 | 142380-01-01A | EA | SHADE - POWER - 25.7" - POWERED SUNVISORS |
| 7 | 144648-01-R38 | EA | PANEL - OVERHEAD/FRONT/RIGHT HAND |
| 8 | 144648-02-R38 | EA | PANEL - OVERHEAD/FRONT/LEFT HAND |
| 9 | 123298-05-01A | EA | SUNVISOR - 8" X 30" - GLACIER |

DRIVERS COMPARTMENT GROUP (CONTINUED)
FRONT INTERIOR (CONTINUED)



**OVERHEAD PANELS
W/O FRONT TV**

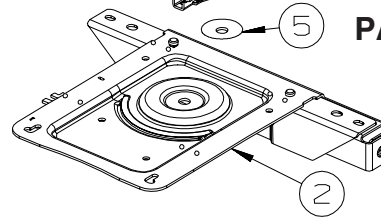
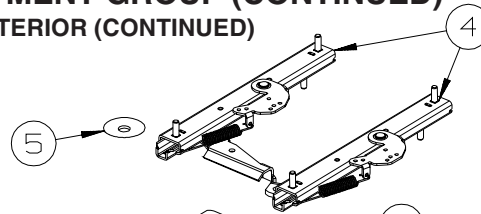
| KEY | PART NUMBER | U/M | DESCRIPTION |
|-----|---------------|-----|---------------------------------------------------------------------|
| 1 | 126440-25-R38 | EA | PANEL - OVERHEAD/FRONT/BOTTOM/RIGHT HAND |
| 2 | 126440-23-R38 | EA | PANEL - OVERHEAD/FRONT/BOTTOM/RIGHT HAND - POWERED SUNVISORS |
| 3 | 126440-26-R38 | EA | PANEL - OVERHEAD/FRONT/BOTTOM/LEFT HAND |
| 4 | 126440-24-R38 | EA | PANEL - OVERHEAD/FRONT/BOTTOM/LEFT HAND - POWERED SUNVISORS |
| 5 | 123298-04-05A | EA | SUNVISOR - 10.5" X 21" - DRIVER/PASSENGER - GLACIER |
| 6 | 142380-02-01A | EA | SHADE - POWER - 41.2" - POWERED SUNVISORS |
| 7 | 144648-01-R38 | EA | PANEL - OVERHEAD/FRONT/RIGHT HAND |
| 8 | 144648-02-R38 | EA | PANEL - OVERHEAD/FRONT/LEFT HAND |
| 9 | 123298-06-01A | EA | SUNVISOR - 10.5" X 35" - GLACIER |



| KEY | PART NUMBER | U/M | DESCRIPTION |
|-----|---------------|-----|----------------------------------------------------------|
| 1* | 091990-08-01A | EA | SEAT BELT - 3 POINT - .766" DIAMETER HOLE IN D-LOOP BRKT |
| 2 | 127598-01-01A | EA | ADJUSTER - SEATBELT - D-LOOP |
| 3 | 127598-02-000 | EA | NUT - HEX FLANGE - M10 X 1.5 - CLASS 10 |

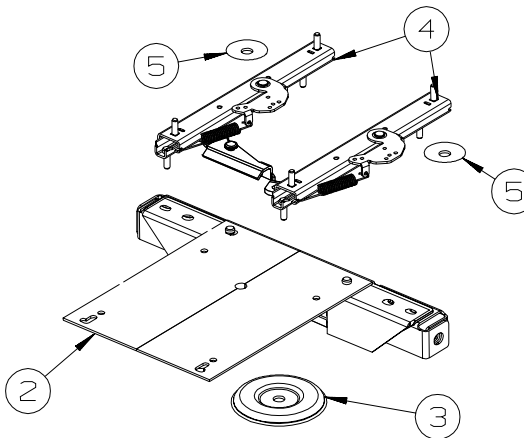
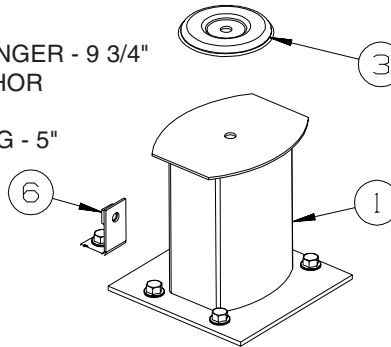
***COMPONENT PARTS LISTED LATER IN THIS GROUP**

DRIVERS COMPARTMENT GROUP (CONTINUED)
FRONT INTERIOR (CONTINUED)



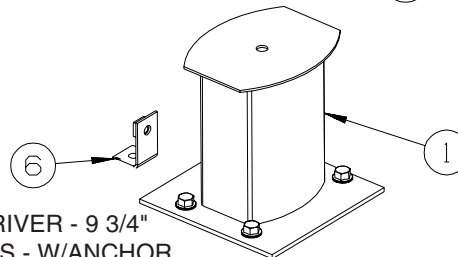
PASSENGER MANUAL

| KEY | PART NUMBER | U/M | DESCRIPTION |
|-----|---------------|-----|---------------------------------------------|
| 1 | 133408-01-000 | EA | PEDESTAL - SEAT - DRIVER/PASSENGER - 9 3/4" |
| 2 | 133408-20-000 | EA | TOP PLATE - PASSENGER - W/ANCHOR |
| 3 | 107921-06-000 | EA | BEARING KIT - PEDESTAL |
| 4 | 131566-04-000 | EA | SLIDE/SEAT - HEAVY DUTY LOCKING - 5" |
| | 119952-07-000 | EA | WIRE - LATCH RELEASE/ROTARY |
| 5 | 131566-05-000 | EA | WASHER - SLIDE SPACER |
| 6 | 133408-04-000 | EA | BRACKET - ANCHOR/FLOOR |

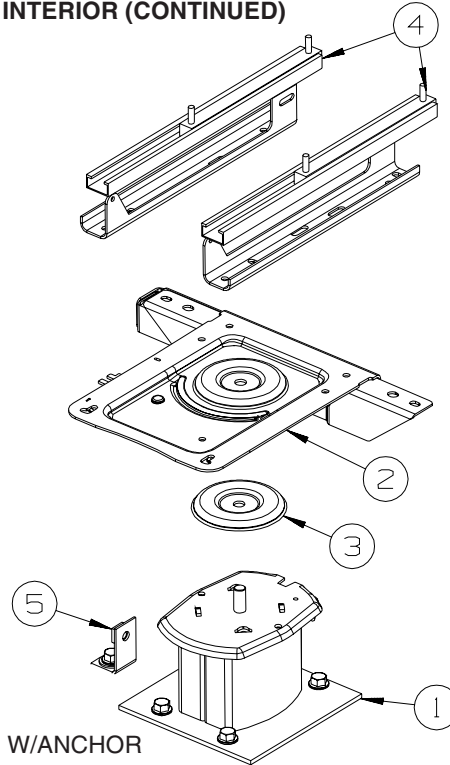


DRIVER MAUAL

| KEY | PART NUMBER | U/M | DESCRIPTION |
|-----|---------------|-----|--------------------------------------|
| 1 | 133408-01-000 | EA | PEDESTAL - SEAT/DRIVER - 9 3/4" |
| 2 | 133408-19-000 | EA | TOP PLATE - DRIVERS - W/ANCHOR |
| 3 | 107921-06-000 | EA | BEARING KIT - PEDESTAL |
| 4 | 131566-04-000 | EA | SLIDE/SEAT - HEAVY DUTY LOCKING - 5" |
| | 119952-07-000 | EA | WIRE - LATCH RELEASE/ROTARY |
| 5 | 131566-05-000 | EA | WASHER - SLIDE SPACER |
| 6 | 133408-04-000 | EA | BRACKET - ANCHOR/FLOOR |

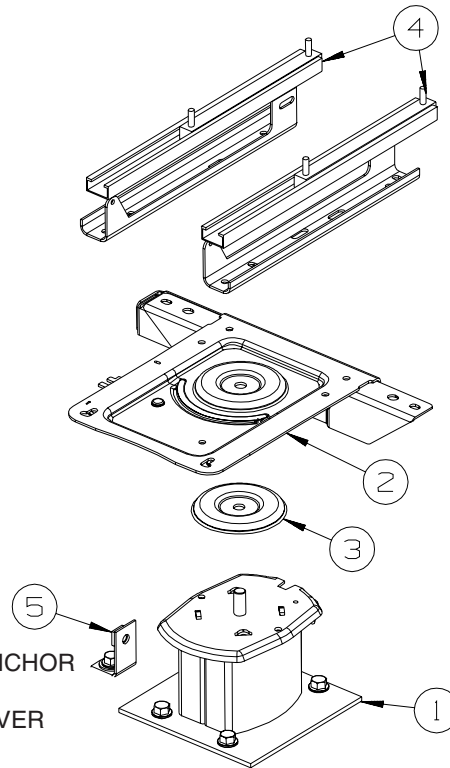


DRIVERS COMPARTMENT GROUP (CONTINUED)
FRONT INTERIOR (CONTINUED)



PASSENGER POWERED

| KEY | PART NUMBER | U/M | DESCRIPTION |
|-----|---------------|-----|----------------------------------|
| 1 | 133408-05-000 | EA | PEDESTAL - SEAT - 5.75" |
| 2 | 133408-20-000 | EA | TOP PLATE - PASSENGER - W/ANCHOR |
| 3 | 107921-06-000 | EA | BEARING KIT - PEDESTAL |
| 4 | 147767-02-000 | EA | SEAT - POWER - 6-WAY - PASSENGER |
| 5 | 133408-04-000 | EA | BRACKET - ANCHOR/FLOOR |



DRIVER POWERED

| KEY | PART NUMBER | U/M | DESCRIPTION |
|-----|---------------|-----|--------------------------------|
| 1 | 133408-05-000 | EA | PEDESTAL - SEAT - 5.75" |
| 2 | 133408-19-000 | EA | TOP PLATE - DRIVERS - W/ANCHOR |
| 3 | 107921-06-000 | EA | BEARING KIT - PEDESTAL |
| 4 | 147767-01-000 | EA | SEAT - POWER - 6-WAY - DRIVER |
| 5 | 133408-04-000 | EA | BRACKET - ANCHOR/FLOOR |

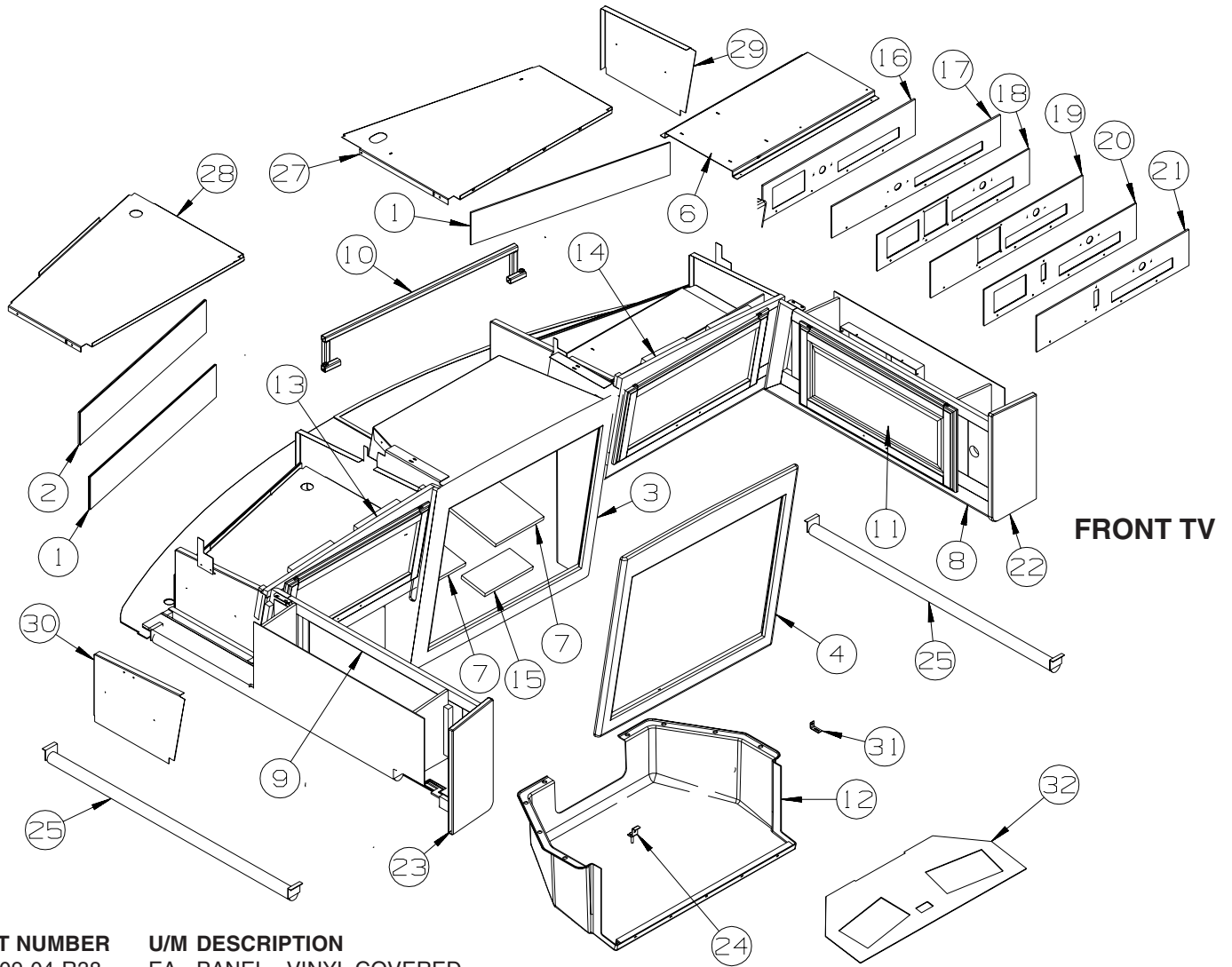
COMPONENT PARTS FOR FRONT INTERIOR

091990-08-01A

| KEY | PART NUMBER | U/M | DESCRIPTION | VENDOR NO. |
|-----|---------------|-----|------------------------------|------------|
| | 091990-01-701 | EA | EXTENDER 9" FOR A8408 3 PT | I-1331-02 |
| | 091990-01-703 | EA | RECEIVER/FEMALE END-SEATBELT | I-1159-02 |
| | 091990-05-700 | EA | SLEEVE/BUCKLE COVER-PLASTIC | 209S-2 |
| | 091990-05-701 | EA | CAP/COVER - BOLT HOLE COVER | 209SC-02 |
| | 091990-05-702 | EA | SLEEVE/RETRACTABLE COVER | 309C-02 |

DRIVERS COMPARTMENT GROUP (CONTINUED)

CABINETS



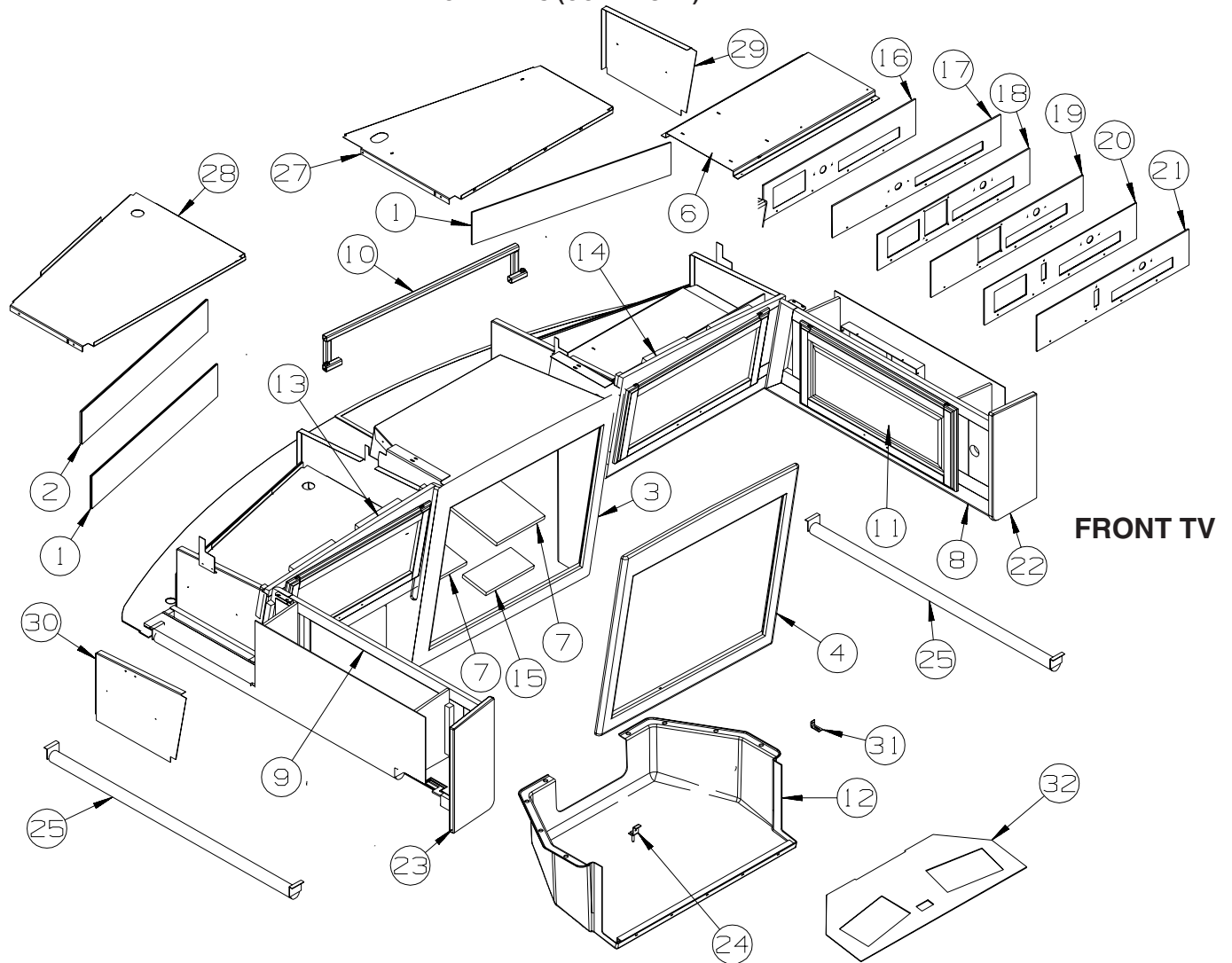
FRONT TV

| KEY | PART NUMBER | U/M | DESCRIPTION |
|-----|---------------|-----|-----------------------------------------------------------------------------------------------------------------|
| 1 | 132909-04-R38 | EA | PANEL - VINYL COVERED |
| 2 | 132909-05-R38 | EA | PANEL - VINYL COVERED |
| 3 | 149035-02-SA0 | EA | CABINET/FACE - TV/FRONT OVHD - W/O DOORS/HDW - PORTSMOUTH OAK - SURROUND SOUND FROM: 00-00-00 THRU: 07-18-04 |
| 3 | 151804-02-SA0 | EA | CABINET/FACE - TV - W/O HARDWARE - PORTSMOUTH OAK - SURROUND SOUND FROM: 07-19-04 THRU: 99-99-99 |
| 3 | 149035-02-SA1 | EA | CABINET/FACE - TV/FRONT OVHD - W/O DOORS/HDW - CONCERT CHERRY - SURROUND SOUND FROM: 00-00-00 THRU: 07-18-04 |
| 3 | 151804-02-SA1 | EA | CABINET/FACE - TV - W/O HARDWARE - CONCERT CHERRY - SURROUND SOUND FROM: 07-19-04 THRU: 99-99-99 |
| 3 | 149035-02-SA2 | EA | CABINET/FACE - TV/FRONT OVHD - W/O DOORS/HDW - WASHED MAPLE - SURROUND SOUND FROM: 00-00-00 THRU: 07-18-04 |
| 3 | 151804-02-SA2 | EA | CABINET/FACE - TV - W/O HARDWARE - WASHED MAPLE - SURROUND SOUND FROM: 07-19-04 THRU: 99-99-99 |
| 3 | 149035-02-SA3 | EA | CABINET/FACE - TV/FRONT OVHD - W/O DOORS/HDW - SIERRA MAPLE - SURROUND SOUND FROM: 00-00-00 THRU: 07-18-04 |
| 3 | 151804-02-SA3 | EA | CABINET/FACE - TV - W/O HARDWARE - SIERRA MAPLE - SURROUND SOUND FROM: 07-19-04 THRU: 99-99-99 |
| 4 | 149035-01-SA0 | EA | CABINET/FACE - TV/FRONT OVHD - W/O DOORS/HDW - PORTSMOUTH OAK FROM: 00-00-00 THRU: 07-18-04 |
| 4 | 151804-01-SA0 | EA | CABINET/FACE - TV - W/O HARDWARE - PORTSMOUTH OAK FROM: 07-19-04 THRU: 99-99-99 |
| 4 | 149035-01-SA1 | EA | CABINET/FACE - TV/FRONT OVHD - W/O DOORS/HDW - CONCERT CHERRY FROM: 00-00-00 THRU: 07-18-04 |
| 4 | 151804-01-SA1 | EA | CABINET/FACE - TV - W/O HARDWARE - CONCERT CHERRY FROM: 07-19-04 THRU: 99-99-99 |
| 4 | 149035-01-SA2 | EA | CABINET/FACE - TV/FRONT OVHD - W/O DOORS/HDW - WASHED MAPLE FROM: 00-00-00 THRU: 07-18-04 |

DRIVERS COMPARTMENT GROUP (CONTINUED)
CABINETS (CONTINUED)

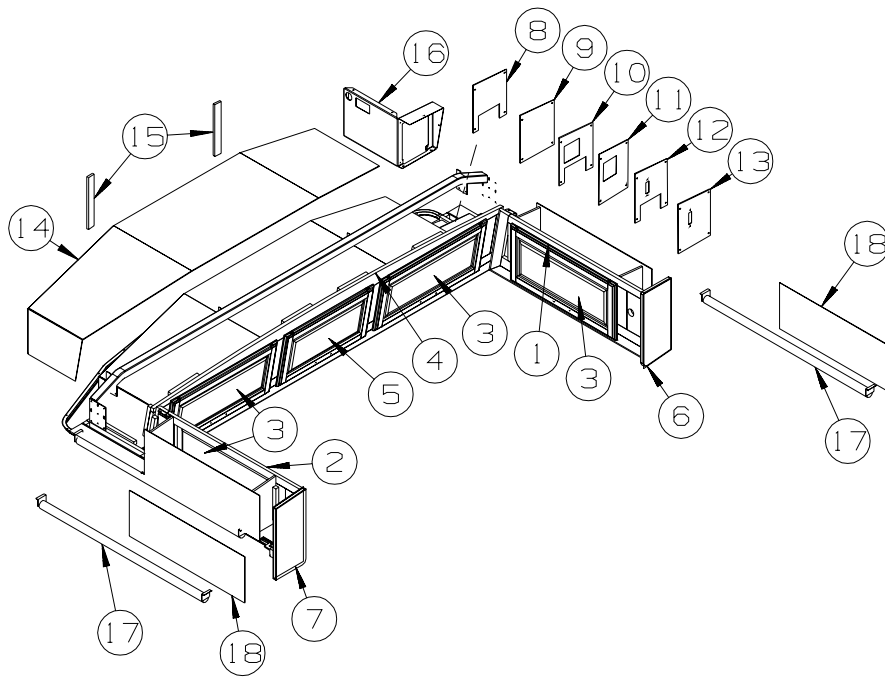
| KEY | PART NUMBER | U/M | DESCRIPTION |
|-----|---------------|-----|------------------------------------------------------------------------------------------------------------------|
| 4 | 151804-01-SA2 | EA | CABINET/FACE - TV - W/O HARDWARE - WASHED MAPLE FROM: 07-19-04 THRU: 99-99-99 |
| 4 | 149035-01-SA3 | EA | CABINET/FACE - TV/FRONT OVHD - W/O DOORS/HDW - SIERRA MAPLE FROM: 00-00-00 THRU: 07-18-04 |
| 4 | 151804-01-SA3 | EA | CABINET/FACE - TV - W/O HARDWARE - SIERRA MAPLE FROM: 07-19-04 THRU: 99-99-99 |
| 5 | 146028-21-SB4 | EA | DOOR - GLASS INSERT/PENCIL EDGE - 12" X 23.8" - W/O HDW - PORTSMOUTH OAK |
| 5 | 146028-21-SB5 | EA | DOOR - GLASS INSERT/PENCIL EDGE - 12" X 23.8" - W/O HDW - CONCERT CHERRY |
| 5 | 146028-21-SB6 | EA | DOOR - GLASS INSERT/PENCIL EDGE - 12" X 23.8" - W/O HDW - WASHED MAPLE |
| 5 | 146028-21-SB7 | EA | DOOR - GLASS INSERT/PENCIL EDGE - 12" X 23.8" - W/O HDW - SIERRA MAPLE |
| | 147149-09-01A | EA | GLASS DOOR INSERT - 9.25" X 21" |
| 6 | 144560-02-02B | EA | SUPPORT - INVERTER |
| 7 | 140364-01-01A | EA | FOAM - PAD - .5" X 8" X 8" FROM: 00-00-00 THRU: 07-18-04 |
| 7 | 140364-03-01A | EA | FOAM - PAD - .5" X 4" X 8" FROM: 07-19-04 THRU: 99-99-99 |
| 8 | 145657-01-R38 | EA | CABINET - OVHD/FRONT/PASS SIDE - W/O DOORS/HDW - PORTSMOUTH OAK |
| 8 | 145657-01-R39 | EA | CABINET - OVHD/FRONT/PASS SIDE - W/O DOORS/HDW - CONCERT CHERRY |
| 8 | 145657-01-RW4 | EA | CABINET - OVHD/FRONT/PASS SIDE - W/O DOORS/HDW - WASHED MAPLE |
| 8 | 145657-01-S67 | EA | CABINET - OVHD/FRONT/PASS SIDE - W/O DOORS/HDW - SIERRA MAPLE |
| 9 | 145657-02-R38 | EA | CABINET - OVHD/FRONT/DRVR SIDE - W/O DOORS/HDW - PORTSMOUTH OAK |
| 9 | 145657-02-R39 | EA | CABINET - OVHD/FRONT/DRVR SIDE - W/O DOORS/HDW - CONCERT CHERRY |
| 9 | 145657-02-RW4 | EA | CABINET - OVHD/FRONT/DRVR SIDE - W/O DOORS/HDW - WASHED MAPLE |
| 9 | 145657-02-S67 | EA | CABINET - OVHD/FRONT/DRVR SIDE - W/O DOORS/HDW - SIERRA MAPLE |
| | 133790-18-02B | EA | STRAP - TIEDOWN - TV - E-COATED FROM: 00-00-00 THRU: 07-18-04 |
| 10 | 151954-02-02B | EA | BRACKET/HOLD DOWN - TV - E-COATED FROM: 07-19-04 THRU: 99-99-99 |
| | 098408-01-000 | FT | SEAL - SPONGE RUBBER - CLOSED CELL FROM: 00-00-00 THRU: 08-11-04 |
| | 152665-01-01A | EA | CAP - TUBE, 19MM SQ X 1" BLACK FROM: 08-12-04 THRU: 99-99-99 |
| 11 | 141522-70-SB4 | EA | DOOR - ARCHED/PENCIL EDGE/HORIZ - 12" X 26" - W/O HDW - PORTSMOUTH OAK |
| 11 | 141522-70-SB5 | EA | DOOR - ARCHED/PENCIL EDGE/HORIZ - 12" X 26" - W/O HDW - CONCERT CHERRY |
| 11 | 141522-70-SB6 | EA | DOOR - ARCHED/PENCIL EDGE/HORIZ - 12" X 26" - W/O HDW - WASHED MAPLE |
| 11 | 141522-70-SB7 | EA | DOOR - ARCHED/PENCIL EDGE/HORIZ - 12" X 26" - W/O HDW - SIERRA MAPLE |
| 12 | 145659-01-01A | EA | COVER - FRONT TV/OVHD - GLACIER |
| 12 | 148681-04-R38 | EA | PANEL/VINYL COVERED - INVERTER |
| 13 | 145656-02-R38 | EA | CABINET - OVHD/FRONT - W/O DOORS/HDW - PORTSMOUTH OAK |
| 13 | 145656-02-R39 | EA | CABINET - OVHD/FRONT - W/O DOORS/HDW - CONCERT CHERRY |
| 13 | 145656-02-RW4 | EA | CABINET - OVHD/FRONT - W/O DOORS/HDW - WASHED MAPLE |
| 13 | 145656-02-SA3 | EA | CABINET - OVHD/FRONT - W/O DOORS/HDW - SIERRA MAPLE |
| 14 | 145656-01-R38 | EA | CABINET - OVHD/FRONT - W/O DOORS/HDW - PORTSMOUTH OAK |
| 14 | 145656-01-R39 | EA | CABINET - OVHD/FRONT - W/O DOORS/HDW - CONCERT CHERRY |
| 14 | 145656-01-RW4 | EA | CABINET - OVHD/FRONT - W/O DOORS/HDW - WASHED MAPLE |
| 14 | 145656-01-SA3 | EA | CABINET - OVHD/FRONT - W/O DOORS/HDW - SIERRA MAPLE |
| 15 | 140364-03-01A | EA | FOAM - PAD - .5" X 4" X 8" |
| 16 | 144652-10-S64 | EA | PANEL/VINYL COVERED - WIRE HOLE CUT - DC/AC INVERTER |
| 17 | 144652-03-R83 | EA | PANEL/VINYL COVERED - WIRE HOLE CUT |
| 18 | 144652-11-S64 | EA | PANEL/VINYL COVERED - WIRE HOLE CUT - DC/AC INVERTER/ AUTOMATIC SATLELLITE DISH |
| 19 | 144652-08-R83 | EA | PANEL/VINYL COVERED - WIRE HOLE CUT - AUTOMATIC SATLELLITE DISH |
| 20 | 144652-12-S64 | EA | PANEL/VINYL COVERED - WIRE HOLE CUT - DC/AC INVERTER/IN-MOTION SALELLITE SYSTEM FROM: 00-00-00 THRU: 12-12-04 |
| 20 | 144652-16-S64 | EA | PANEL/VINYL COVERED - WIRE HOLE CUT - DC/AC INVERTER/IN-MOTION SALELLITE SYSTEM FROM: 12-13-04 THRU: 99-99-99 |
| 21 | 144652-09-R83 | EA | PANEL/VINYL COVERED - WIRE HOLE CUT - IN-MOTION SALELLITE SYSTEM FROM: 00-00-00 THRU: 12-12-04 |
| 21 | 144652-15-S64 | EA | PANEL/VINYL COVERED - WIRE HOLE CUT - IN-MOTION SALELLITE SYSTEM FROM: 12-13-04 THRU: 99-99-99 |
| 22 | 145657-37-R38 | EA | END CAP - OVHD CABINET - PORTSMOUTH OAK |
| 22 | 145657-37-R39 | EA | END CAP - OVHD CABINET - CONCERT CHERRY |
| 22 | 145657-37-R46 | EA | END CAP - OVHD CABINET - WASHED MAPLE |
| 22 | 145657-37-S67 | EA | END CAP - OVHD CABINET - SIERRA MAPLE |

DRIVERS COMPARTMENT GROUP (CONTINUED)
CABINETS (CONTINUED)

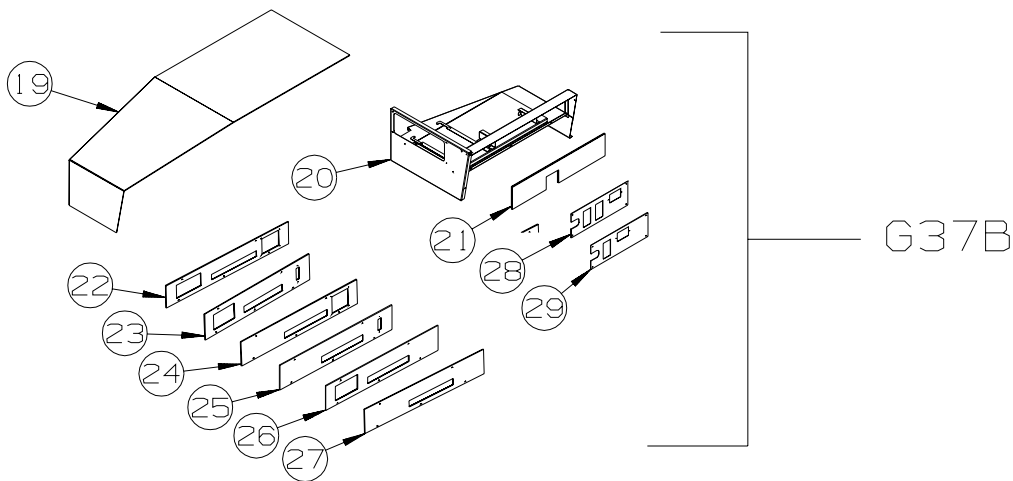


| KEY | PART NUMBER | U/M | DESCRIPTION |
|-----|---------------|-----|---------------------------------------------|
| 23 | 145657-38-R38 | EA | END CAP - OVHD CABINET - PORTSMOUTH OAK |
| 23 | 145657-38-R39 | EA | END CAP - OVHD CABINET - CONCERT CHERRY |
| 23 | 145657-38-R46 | EA | END CAP - OVHD CABINET - WASHED MAPLE |
| 23 | 145657-38-S67 | EA | END CAP - OVHD CABINET - SIERRA MAPLE |
| | 147994-02-02B | EA | BRACKET - TV - F/SONY 27" - E-COATED |
| | | | FROM: 00-00-00 THRU: 07-18-04 |
| 24 | 152025-03-02B | EA | ZEE ASM - W/HOLE - E-COATED |
| | | | FROM: 07-19-04 THRU: 99-99-99 |
| 25 | 126841-09-000 | EA | SHADE - PULL - CHARCOAL MESH - 40.25" X 60" |
| 26 | 126681-16-R38 | EA | PANEL - CLOSEOUT |
| 27 | 145811-01-02B | EA | PANEL - SHELF |
| 28 | 145811-02-02B | EA | PANEL - SHELF |
| 29 | 145812-03-02B | EA | PANEL - HEADER |
| 30 | 145812-04-02B | EA | PANEL - HEADER |
| | 146030-01-02B | EA | ANGLE ASM |
| | | | FROM: 00-00-00 THRU: 07-18-04 |
| 31 | 146030-01-02B | EA | ANGLE - W/SLOT - E-COATED |
| | | | FROM: 07-19-04 THRU: 99-99-99 |
| 32 | 152175-01-SA0 | EA | PANEL - TV, OVHD - FRONT - PORTSMOUTH OAK |
| | | | FROM: 07-19-04 THRU: 99-99-99 |
| 32 | 152175-01-SA1 | EA | PANEL - TV, OVHD - FRONT - CONCERT CHERRY |
| | | | FROM: 07-19-04 THRU: 99-99-99 |
| 32 | 152175-01-SA2 | EA | PANEL - TV, OVHD - FRONT - WASHED MAPLE |
| | | | FROM: 07-19-04 THRU: 99-99-99 |
| 32 | 152175-01-SA3 | EA | PANEL - TV, OVHD - FRONT - SIERRA MAPLE |
| | | | FROM: 07-19-04 THRU: 99-99-99 |

DRIVERS COMPARTMENT GROUP (CONTINUED)
CABINETS (CONTINUED)



W/OFRONT TV

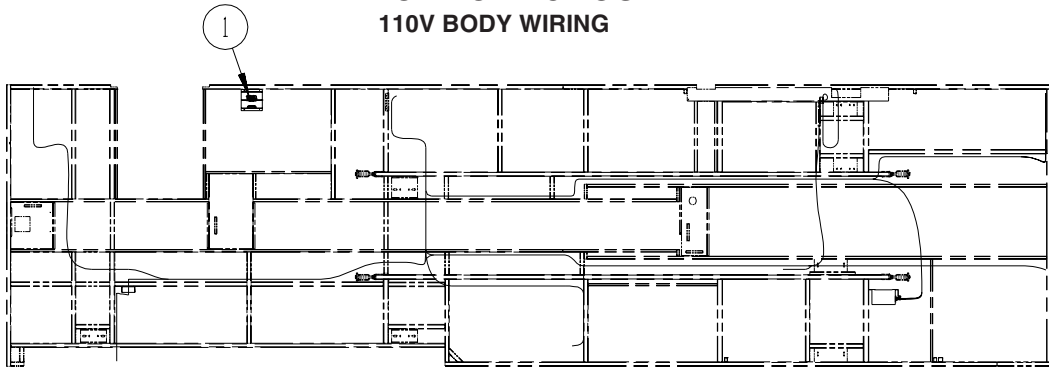


| KEY | PART NUMBER | U/M | DESCRIPTION |
|-----|---------------|-----|--------------------------------------------------------------------------|
| 1 | 145657-01-R38 | EA | CABINET - OVHD/FRONT/PASS SIDE - W/O DOORS/HDW - PORTSMOUTH OAK |
| 1 | 145657-01-R39 | EA | CABINET - OVHD/FRONT/PASS SIDE - W/O DOORS/HDW - CONCERT CHERRY |
| 1 | 145657-01-RW4 | EA | CABINET - OVHD/FRONT/PASS SIDE - W/O DOORS/HDW - WASHED MAPLE |
| 1 | 145657-01-S67 | EA | CABINET - OVHD/FRONT/PASS SIDE - W/O DOORS/HDW - SIERRA MAPLE |
| 2 | 145657-02-R38 | EA | CABINET - OVHD/FRONT/DRV R SIDE - W/O DOORS/HDW - PORTSMOUTH OAK |
| 2 | 145657-02-R39 | EA | CABINET - OVHD/FRONT/DRV R SIDE - W/O DOORS/HDW - CONCERT CHERRY |
| 2 | 145657-02-RW4 | EA | CABINET - OVHD/FRONT/DRV R SIDE - W/O DOORS/HDW - WASHED MAPLE |
| 2 | 145657-02-S67 | EA | CABINET - OVHD/FRONT/DRV R SIDE - W/O DOORS/HDW - SIERRA MAPLE |
| 3 | 141522-70-SB4 | EA | DOOR - ARCHED/PENCIL EDGE/HORIZ - 12" X 26" - W/O HDW - PORTSMOUTH OAK |
| 3 | 141522-70-SB5 | EA | DOOR - ARCHED/PENCIL EDGE/HORIZ - 12" X 26" - W/O HDW - CONCERT CHERRY |
| 3 | 141522-70-SB6 | EA | DOOR - ARCHED/PENCIL EDGE/HORIZ - 12" X 26" - W/O HDW - WASHED MAPLE |
| 3 | 141522-70-SB7 | EA | DOOR - ARCHED/PENCIL EDGE/HORIZ - 12" X 26" - W/O HDW - SIERRA MAPLE |
| 4 | 146787-01-R38 | EA | CABINET - FRONT/OVERHEAD - W/O DOORS/HARDWARE - PORTSMOUTH OAK |
| 4 | 146787-01-R39 | EA | CABINET - FRONT/OVERHEAD - W/O DOORS/HARDWARE - CONCERT CHERRY |
| 4 | 146787-01-RW4 | EA | CABINET - FRONT/OVERHEAD - W/O DOORS/HARDWARE - WASHED MAPLE |
| 4 | 146787-01-S67 | EA | CABINET - FRONT/OVERHEAD - W/O DOORS/HARDWARE - SIERRA MAPLE |
| 5 | 141522-67-SB4 | EA | DOOR - ARCHED/PENCIL EDGE/HORIZ - 12" X 21.9" - W/O HDW - PORTSMOUTH OAK |
| 5 | 141522-67-SB5 | EA | DOOR - ARCHED/PENCIL EDGE/HORIZ - 12" X 21.9" - W/O HDW - CONCERT CHERRY |
| 5 | 141522-67-SB6 | EA | DOOR - ARCHED/PENCIL EDGE/HORIZ - 12" X 21.9" - W/O HDW - WASHED MAPLE |
| 5 | 141522-67-SB7 | EA | DOOR - ARCHED/PENCIL EDGE/HORIZ - 12" X 21.9" - W/O HDW - SIERRA MAPLE |

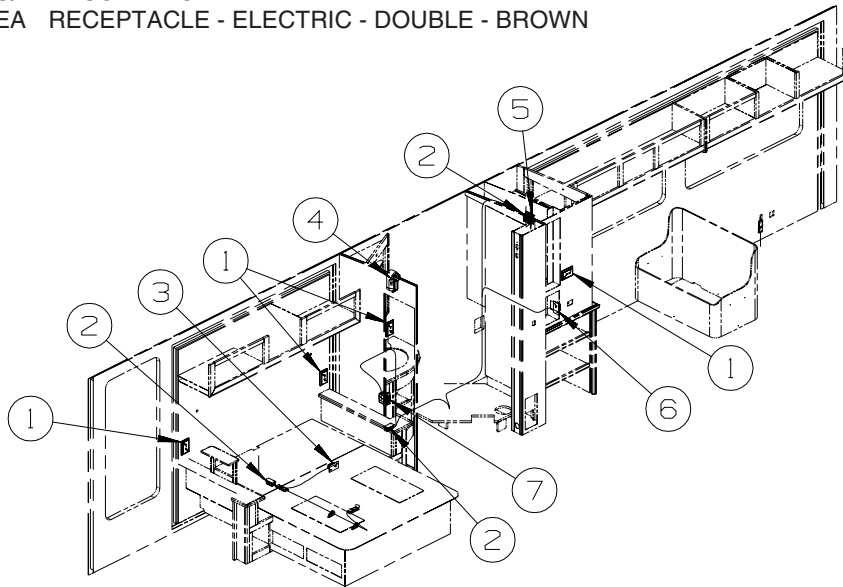
DRIVERS COMPARTMENT GROUP (CONTINUED)
CABINETS (CONTINUED)

| KEY | PART NUMBER | U/M | DESCRIPTION |
|-----|---------------|-----|----------------------------------------------------------------------------------------------------|
| 6 | 145657-37-R38 | EA | END CAP - OVHD CABINET - PORTSMOUTH OAK |
| 6 | 145657-37-R39 | EA | END CAP - OVHD CABINET - CONCERT CHERRY |
| 6 | 145657-37-R46 | EA | END CAP - OVHD CABINET - WASHED MAPLE |
| 6 | 145657-37-S67 | EA | END CAP - OVHD CABINET - SIERRA MAPLE |
| 7 | 145657-38-R38 | EA | END CAP - OVHD CABINET - PORTSMOUTH OAK |
| 7 | 145657-38-R39 | EA | END CAP - OVHD CABINET - CONCERT CHERRY |
| 7 | 145657-38-R46 | EA | END CAP - OVHD CABINET - WASHED MAPLE |
| 7 | 145657-38-S67 | EA | END CAP - OVHD CABINET - SIERRA MAPLE |
| 8 | 148681-01-R38 | EA | PANEL - VINYL COVERED - DC/AC INVERTER |
| 9 | 148681-06-R38 | EA | PANEL - VINYL COVERED |
| 10 | 148681-02-R38 | EA | PANEL - VINYL COVERED - DC/AC INVERTER/ AUTOMATIC SATLELLITE DISH |
| 11 | 148681-03-R38 | EA | PANEL - VINYL COVERED - AUTOMATIC SATLELLITE DISH |
| 12 | 148681-04-R38 | EA | PANEL - VINYL COVERED - DC/AC INVERTER/IN-MOTION SALELLITE SYSTEM FROM: 00-00-00 THRU: 12-12-04 |
| 12 | 148681-07-SA0 | EA | PANEL - VINYL COVERED - DC/AC INVERTER/IN-MOTION SALELLITE SYSTEM FROM: 12-13-04 THRU: 99-99-99 |
| 13 | 148681-05-R38 | EA | PANEL - VINYL COVERED - IN-MOTION SALELLITE SYSTEM FROM: 00-00-00 THRU: 12-12-04 |
| 13 | 148681-08-SA0 | EA | PANEL - VINYL COVERED - IN-MOTION SALELLITE SYSTEM FROM: 12-13-04 THRU: 99-99-99 |
| 14 | 140015-03-R38 | EA | PANEL ASM-CLOSEOUT, OVHD FRT |
| 15 | 118608-16-R38 | EA | PANEL - HEADLINER |
| 16 | 148670-03-02B | EA | PANEL - END - CLOSEOUT |
| 17 | 126841-03-000 | EA | SHADE - PULL - CHARCOAL MESH - 40.3" X 60" |
| 18 | 126681-16-R38 | EA | PANEL - CLOSEOUT |
| 19 | 140015-05-S64 | EA | PANEL ASM-CLOSEOUT, OVHD FRT |
| 20 | 126275-08-02B | EA | SHELF - OVERHEAD/FRONT - E-COATED |
| 21 | 132909-11-S64 | EA | PANEL - VINYL COVERED |
| 22 | 149805-01-S64 | EA | PANEL - VINYL COVERED - DC/AC INVERTER/ AUTOMATIC SATLELLITE DISH FROM: 00-00-00 THRU: 12-12-04 |
| 22 | 154489-01-S64 | EA | PANEL - VINYL COVERED - DC/AC INVERTER/ AUTOMATIC SATLELLITE DISH FROM: 12-13-04 THRU: 99-99-99 |
| 23 | 149805-02-S64 | EA | PANEL - VINYL COVERED - DC/AC INVERTER/IN-MOTION SALELLITE SYSTEM FROM: 00-00-00 THRU: 12-12-04 |
| 23 | 154489-02-S64 | EA | PANEL - VINYL COVERED - DC/AC INVERTER/IN-MOTION SALELLITE SYSTEM FROM: 12-13-04 THRU: 99-99-99 |
| 24 | 149805-03-S64 | EA | PANEL - VINYL COVERED - AUTOMATIC SATLELLITE DISH FROM: 00-00-00 THRU: 12-12-04 |
| 24 | 154489-03-S64 | EA | PANEL - VINYL COVERED - AUTOMATIC SATLELLITE DISH FROM: 12-13-04 THRU: 99-99-99 |
| 25 | 149805-04-S64 | EA | PANEL - VINYL COVERED - IN-MOTION SALELLITE SYSTEM FROM: 00-00-00 THRU: 12-12-04 |
| 25 | 154489-04-S64 | EA | PANEL - VINYL COVERED - IN-MOTION SALELLITE SYSTEM FROM: 12-13-04 THRU: 99-99-99 |
| 26 | 149805-05-S64 | EA | PANEL - VINYL COVERED - DC/AC INVERTER FROM: 00-00-00 THRU: 12-12-04 |
| 26 | 154489-05-S64 | EA | PANEL - VINYL COVERED - DC/AC INVERTER FROM: 12-13-04 THRU: 99-99-99 |
| 27 | 149805-06-S64 | EA | PANEL - VINYL COVERED FROM: 00-00-00 THRU: 12-12-04 |
| 27 | 154489-06-S64 | EA | PANEL - VINYL COVERED FROM: 12-13-04 THRU: 99-99-99 |
| 28 | 149360-01-02B | EA | PLATE - RECEPTABLE - E-COATED |
| 29 | 149360-02-02B | EA | PLATE - RECEPTABLE - E-COATED |

ELECTRICAL GROUP 110V BODY WIRING



| KEY | PART NUMBER | U/M DESCRIPTION |
|-----|---------------|-------------------------------------------|
| 1 | 058708-01-000 | EA RECEPTACLE - ELECTRIC - DOUBLE - BROWN |

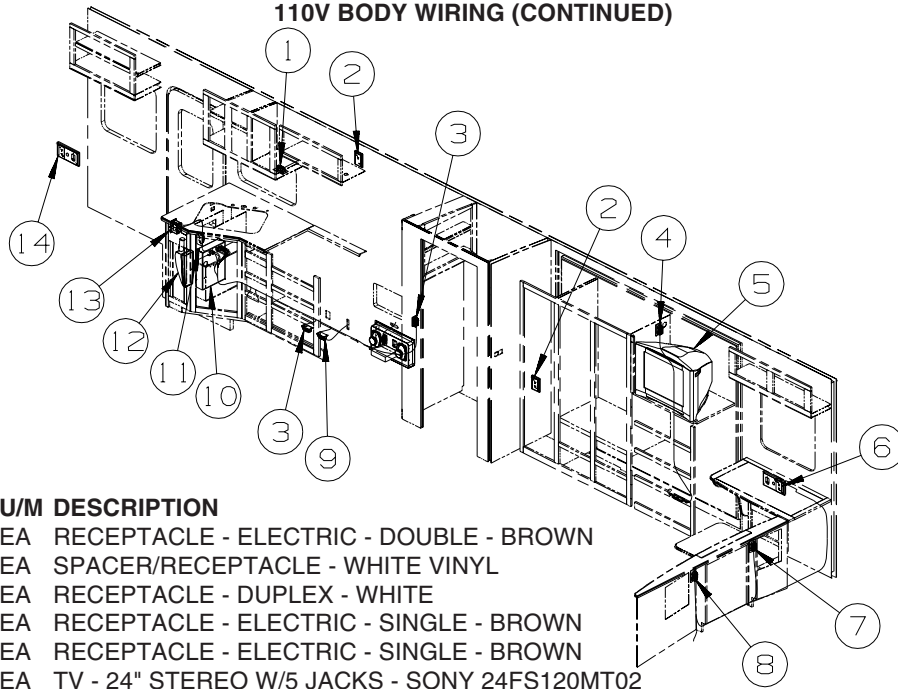


| KEY | PART NUMBER | U/M DESCRIPTION |
|-----|---------------|---------------------------------------------------------------------|
| 1 | 133713-01-20A | EA SPACER/RECEPTACLE - WHITE VINYL |
| 1 | 058708-06-000 | EA RECEPTACLE - DUPLEX - WHITE |
| 2 | 058707-02-000 | EA RECEPTACLE - BLANK - JUNCTION BOX |
| 3 | 058708-05-000 | EA RECEPTACLE - ELECTRIC - SINGLE - BROWN - SLEEP NUMBER BED |
| 4* | 133068-01-000 | EA HAIR DRYER - 3 SPEED W/NIGHT LIGHT - WALL MOUNT |
| 5 | 058707-02-000 | EA RECEPTACLE - BLANK - JUNCTION BOX - TV-24" COLOR,STEREO W/REMOTE |
| 6 | 058708-07-000 | EA RECEPTACLE - ELECTRICAL - SINGLE - WHITE |
| 7 | 147446-01-02A | EA RECEPTACLE - GFCI - 15A 125V - BROWN |
| 7 | 147450-01-02A | EA PLATE - ELECTRICAL OUTLET - BROWN |

*COMPONENT PARTS LISTED LATER IN THIS GROUP

ELECTRICAL GROUP (CONTINUED)

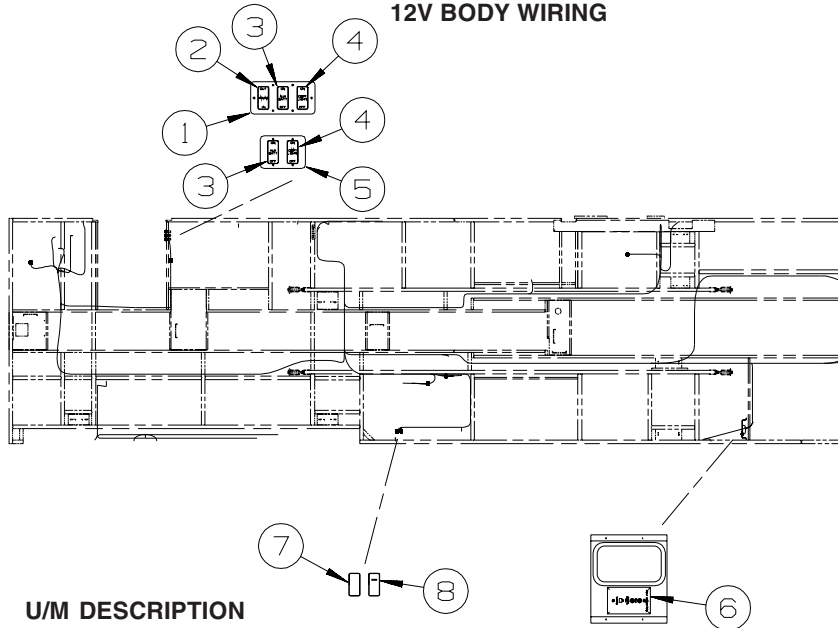
110V BODY WIRING (CONTINUED)



| KEY | PART NUMBER | U/M | DESCRIPTION |
|-----|---------------|-----|---------------------------------------------------------------|
| 1 | 058708-01-000 | EA | RECEPTACLE - ELECTRIC - DOUBLE - BROWN |
| 2 | 133713-01-20A | EA | SPACER/RECEPTACLE - WHITE VINYL |
| 2 | 058708-06-000 | EA | RECEPTACLE - DUPLEX - WHITE |
| 3 | 058707-01-000 | EA | RECEPTACLE - ELECTRIC - SINGLE - BROWN |
| 4 | 058708-05-000 | EA | RECEPTACLE - ELECTRIC - SINGLE - BROWN |
| 5 | 146299-02-000 | EA | TV - 24" STEREO W/5 JACKS - SONY 24FS120MT02 |
| 6 | 058708-06-000 | EA | RECEPTACLE - DUPLEX - WHITE - CABINET-DESK |
| 6 | 133713-06-20A | EA | SPACER/RECEPTACLE - PHONE - WHITE VINYL - CABINET-DESK |
| 7 | 058708-06-000 | EA | RECEPTACLE - DUPLEX - WHITE - W/O CABINET-DESK |
| 8 | 058708-06-000 | EA | RECEPTACLE - DUPLEX - WHITE |
| 9 | 058707-02-000 | EA | RECEPTACLE - BLANK - JUNCTION BOX |
| 10 | 095721-31-000 | EA | LABEL - CONTROL CENTER - 30 AMP - US |
| 10 | 095721-33-000 | EA | LABEL - CONTROL CENTER - 50 AMP - US |
| 11 | 058708-01-000 | EA | RECEPTACLE - ELECTRIC - DOUBLE - BROWN |
| 12 | 144676-01-000 | EA | VACUUM CLEANER - RECHARGEABLE - EUREKA 77A |
| 13 | 147446-01-02A | EA | RECEPTACLE - GFCI - 15A 125V - BROWN |
| 13 | 147450-01-02A | EA | PLATE - ELECTRICAL OUTLET - BROWN |
| 14 | 058708-06-000 | EA | RECEPTACLE - DUPLEX - WHITE |
| 14 | 133713-06-20A | EA | SPACER/RECEPTACLE - PHONE - WHITE VINYL |

ELECTRICAL GROUP (CONTINUED)

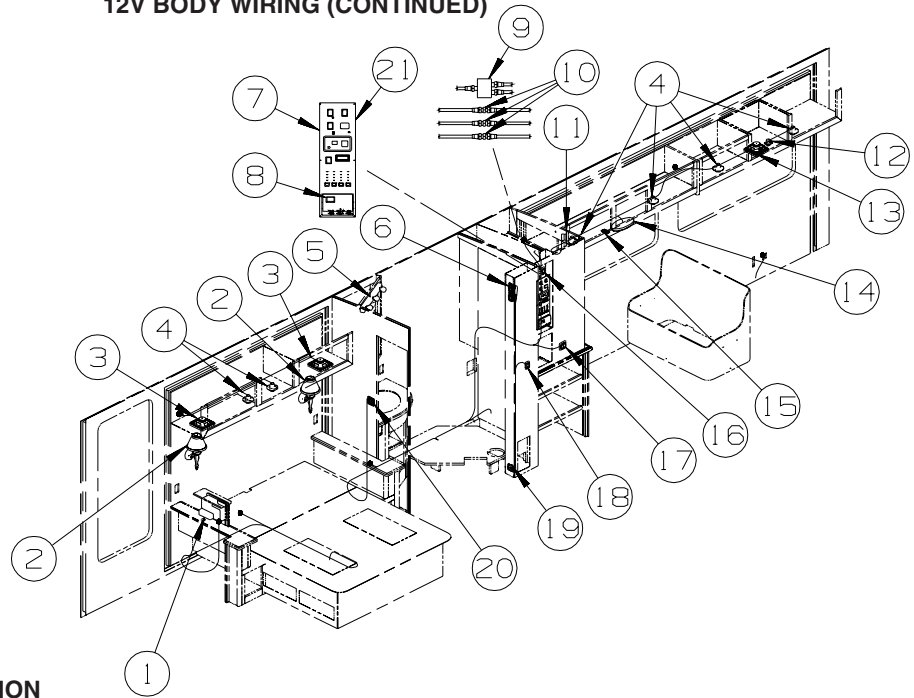
12V BODY WIRING



| KEY | PART NUMBER | U/M | DESCRIPTION |
|-----|---------------|-----|-----------------------------------------------------------|
| 1 | 098351-23-02A | EA | PLATE/SWITCH - 3 GANG - CHROME |
| 1 | 135167-01-02B | EA | BRACKET - SWITCH COVER - E-COATED |
| 2 | 108357-07-000 | EA | SWITCH - ROCKER - SPDT - MOM/OFF/MOM - 3 TERM - W/O COVER |
| 2 | 108356-12-01A | EA | COVER/ACTUATOR SWITCH - 3 GROOVES - AWNING/IN/OUT |
| 2 | 108355-01-000 | EA | HOUSING - SWITCH |
| 3 | 108357-06-000 | EA | SWITCH - ROCKER - DPDT - MOM/OFF/MOM - 6 TERM - W/O COVER |
| 3 | 108356-11-01A | EA | COVER/ACTUATOR SWITCH - 3 GROOVES - AUX BATT - BLACK |
| 3 | 108355-01-000 | EA | HOUSING - SWITCH |
| 4 | 108357-01-000 | EA | SWITCH - ROCKER - SPST - ON/OFF - 2 TERMINAL - W/O COVER |
| 4 | 108356-14-01A | EA | COVER/ACTUATOR SWITCH - 3 GROOVES - COMPT LIGHTS |
| 4 | 108355-01-000 | EA | HOUSING - SWITCH |
| 5 | 098351-22-02A | EA | PLATE/SWITCH - 2 GANG - CHROME |
| 5 | 135167-01-02B | EA | BRACKET - SWITCH COVER - E-COATED |
| 6 | 149557-01-01A | EA | PLATE/WALL - PHONE/DUAL COAXIAL/VERTICAL - WHITE |
| 7 | 108357-01-000 | EA | SWITCH - ROCKER - SPST - ON/OFF - 2 TERMINAL - W/O COVER |
| 7 | 108356-02-01A | EA | COVER/ACTUATOR SWITCH - 2 ROWS DIMPLES - BLACK |
| 7 | 108355-01-000 | EA | HOUSING - SWITCH |
| 8 | 108357-15-000 | EA | SWITCH - ROCKER - DPDT - ON/NONE/ON - W/LIGHT W/O COVER |
| 8 | 108356-04-01A | EA | COVER/ACTUATOR SWITCH - 2 ROWS DIMPLES W/LENS - BLACK |
| 8 | 108355-01-000 | EA | HOUSING - SWITCH |

ELECTRICAL GROUP (CONTINUED)

12V BODY WIRING (CONTINUED)



| KEY | PART NUMBER | U/M | DESCRIPTION |
|-----|---------------|-----|-------------------------------------------------------------------------------------|
| 1 | 133307-02-000 | EA | RADIO - WALL MOUNT - CD W/ALARM - AUDIOVOX AWN-930 - STEREO SYSTEM W/CD REAR |
| 2 | 119258-37-03A | EA | LAMP - WALL - SATIN NICKEL |
| 2 | 119257-18-01A | EA | SHADE - LAMP - PARCHMENT |
| 2 | 067479-01-000 | EA | BULB - 12V - #1076 - 1.80 AMP |
| 3 | 094097-01-000 | EA | SPEAKER - RADIO/TV - W/O GRILLE - 5.25" DIAMETER - STEREO SYSTEM W/CD REAR |
| 3 | 089340-02-000 | EA | GRILLE - SPEAKER - 6.5" SQUARE - STEREO SYSTEM W/CD REAR |
| 4 | 132427-01-02A | EA | LIGHT - READING/SWIVEL - ROUND - NICKEL |
| 4 | 123917-01-000 | EA | BULB - 12V - HALOGEN SPOT |
| 5 | 138116-01-02A | EA | LIGHT/MAKE UP - 3 BULB - CURVED - W/O BULB - SATIN NICKEL |
| 5 | 123918-01-000 | EA | BULB - 12V - MAKEUP - WHITE |
| 6 | 144363-09-02B | EA | PLATE - SWITCH - E-COATED |
| 6 | 108357-06-000 | EA | SWITCH - ROCKER - DPDT - MOM/OFF/MOM - 6 TERM - W/O COVER |
| 6 | 108356-02-01A | EA | COVER/ACTUATOR SWITCH - 2 ROWS DIMPLES - BLACK |
| 6 | 108355-01-000 | EA | HOUSING - SWITCH |
| 6 | 116220-01-000 | EA | APPLIQUE - SWITCH/SLIDEOUT |
| 6 | 116549-01-000 | EA | LABEL - WARNING - SLIDEOUT |
| | | | FROM: 00-00-00 THRU: 08-15-04 |
| 6 | 116549-02-000 | EA | LABEL - WARNING - SLIDEOUT |
| | | | FROM: 08-16-04 THRU: 99-99-99 |
| 7* | 133004-02-01A | EA | PANEL/MONITOR-2 TANK-DIGITAL VOLT MT/SOLAR-W/WATER HTR SWT |
| | | | FROM: 00-00-00 THRU: 05-02-04 |
| 7* | 133004-05-01A | EA | PANEL/MONITOR-2 TANK-DIGITAL VOLT MT/SOLAR-W/WATER HTR SWT |
| | | | FROM: 05-03-04 THRU: 99-99-99 |
| 8* | 105620-15-000 | EA | THERMOSTAT - FURNACE/HEAT PUMP-A/C - W/CHOKE MODULE |
| | | | FROM: 00-00-00 THRU: 04-24-05 |
| 8 | 105620-18-000 | EA | THERMOSTAT - FURNACE/HEAT PUMP-A/C - W/CHOKE MODULE |
| | | | FROM: 04-25-05 THRU: 99-99-99 |
| 9 | 086756-01-000 | EA | SPLITTER - TV/2 WAY |
| 10 | 082134-01-000 | EA | ADAPTER - TV - CABLE TO CABLE |
| 11 | 148026-03-01A | EA | SPEAKER - CUBE - W/O CASE - SURROUND SOUND |
| 11 | 148026-02-01A | EA | SPEAKER GRILLE - CUBE - SILVER - SURROUND SOUND |
| 12 | 133089-01-000 | EA | CONTROL - VOLUME - SPEAKER |
| 13 | 094097-01-000 | EA | SPEAKER - RADIO/TV - W/O GRILLE - 5.25" DIAMETER |
| 13 | 089340-02-000 | EA | GRILLE - SPEAKER - 6.5" SQUARE |
| 14* | 093575-23-03A | EA | LIGHT - CEILING/DOUBLE - SATIN NICKEL |
| 14 | 117805-01-000 | EA | BULB - 12V - #921F - 1.4 AMPS |
| 15 | 135740-01-01A | EA | SWITCH - ROCKER - SPST - ON/OFF - BROWN |
| 15 | 135741-01-01A | EA | SWITCH - BASE - SINGLE - BROWN |
| 15 | 135742-01-01A | EA | BEZEL - SWITCH - SINGLE - BROWN |
| 16 | 135740-06-01A | EA | SWITCH - ROCKER - ON/OFF - LIGHTED - RED |
| 16 | 135741-01-01A | EA | SWITCH - BASE - SINGLE - BROWN |
| 16 | 135742-35-02A | EA | BEZEL - SWITCH - WATER HEATER/110 VOLT - BROWN |

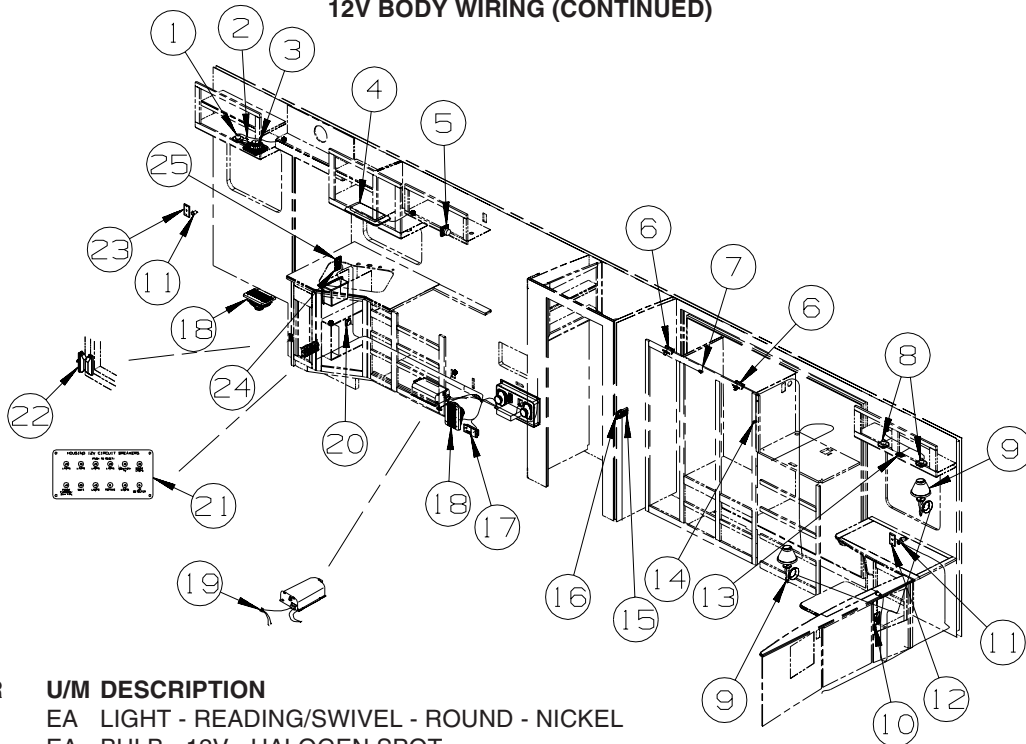
ELECTRICAL GROUP (CONTINUED)
12V BODY WIRING (CONTINUED)

| KEY | PART NUMBER | U/M | DESCRIPTION |
|-----|---------------|-----|--------------------------------------------------------------------------------------------|
| 17 | 135740-01-01A | EA | SWITCH - ROCKER - SPST - ON/OFF - BROWN |
| 17 | 135741-02-01A | EA | SWITCH - BASE - DOUBLE - BROWN |
| 17 | 135742-31-02A | EA | BEZEL - SWITCH - CEILING/MONITOR - BROWN |
| 18 | 135740-02-02A | EA | SWITCH - ROCKER - SPDT - ON/ON - WHITE |
| 18 | 135741-01-02A | EA | SWITCH - BASE - SINGLE - WHITE |
| 18 | 135742-07-01A | EA | BEZEL - SWITCH - CEILING - WHITE |
| 19* | 108354-01-01A | EA | LIGHT - COURTESY |
| 20 | 135740-01-02A | EA | SWITCH - ROCKER - SPST - ON/OFF - WHITE |
| 20 | 135741-02-02A | EA | SWITCH - BASE - DOUBLE - WHITE |
| 20 | 135742-20-01A | EA | BEZEL - SWITCH - SHOWER/MAKEUP - WHITE |
| 21 | 127002-05-000 | EA | PANEL/MONITOR - ENERGY MANAGEMENT SYSTEMS CTRL - W/PLUG FROM: 00-00-00 THRU: 11-07-04 |
| 21 | 127002-10-000 | EA | PANEL/MONITOR - ENERGY MANAGEMENT SYSTEMS CTRL - W/3 PLUG FROM: 11-08-04 THRU: 99-99-99 |

***COMPONENT PARTS LISTED LATER IN THIS GROUP**

ELECTRICAL GROUP (CONTINUED)

12V BODY WIRING (CONTINUED)



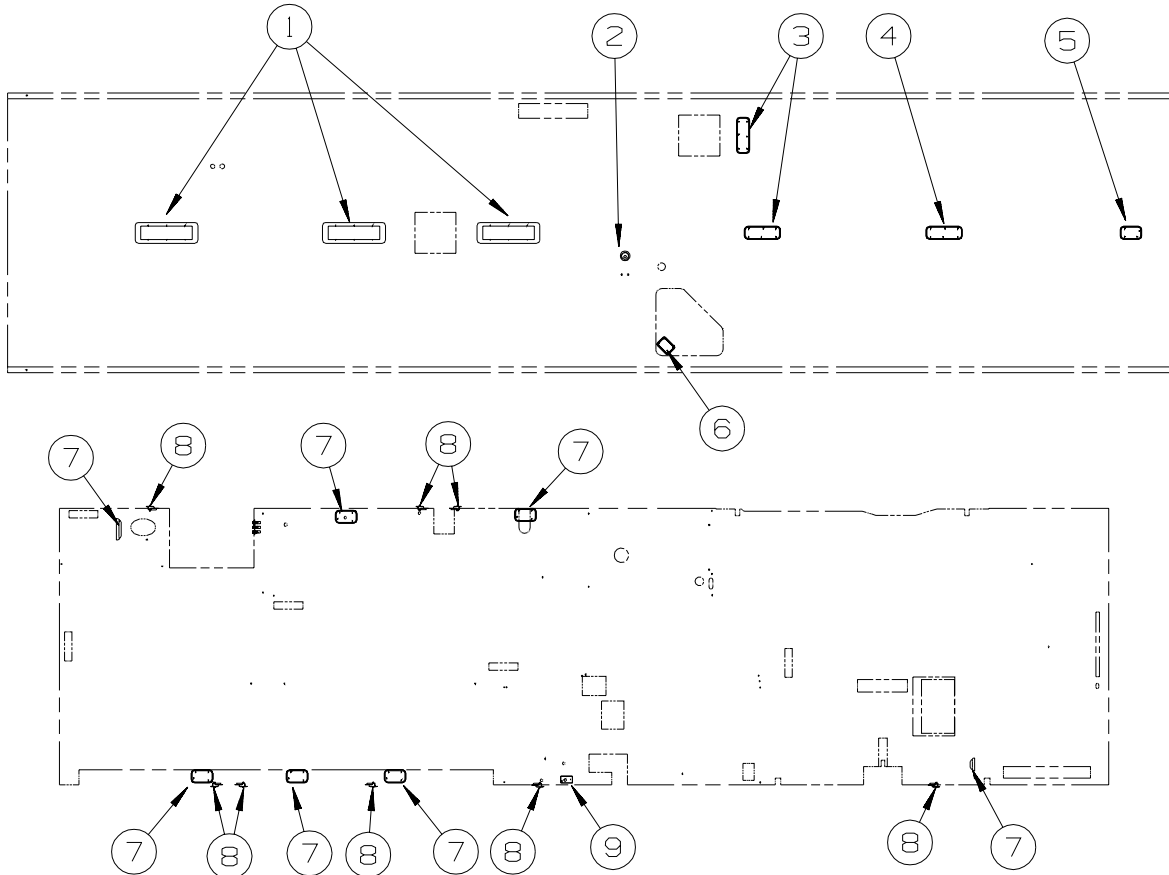
| KEY | PART NUMBER | U/M | DESCRIPTION |
|-----|---------------|-----|---------------------------------------------------------------------------------------------------|
| 1 | 132427-01-02A | EA | LIGHT - READING/SWIVEL - ROUND - NICKEL |
| 1 | 123917-01-000 | EA | BULB - 12V - HALOGEN SPOT |
| 2 | 133089-01-000 | EA | CONTROL - VOLUME - SPEAKER |
| 3 | 094097-01-000 | EA | SPEAKER - RADIO/TV - W/O GRILLE - 5.25" DIAMETER |
| 3 | 089340-02-000 | EA | GRILLE - SPEAKER - 6.5" SQUARE |
| 4* | 091937-09-000 | EA | LIGHT-FLOURESCENT-12V/16W-RECESSED - 7.3" X 16.1" W/SWITCH FROM: 00-00-00 THRU: 11-07-04 |
| 4 | 153464-02-01A | EA | LIGHT-FLUORESCENT 12" - RECESSED/CURVED-W/SWITCH - WHITE FROM: 11-08-04 THRU: 99-99-99 |
| 5 | 148026-03-01A | EA | SPEAKER - CUBE - W/O CASE - SURROUND SOUND |
| 5 | 148026-02-01A | EA | SPEAKER GRILLE - CUBE - SILVER - SURROUND SOUND |
| 6* | 087694-01-000 | EA | LIGHT - WARDROBE/CLOSET - W/SWITCH |
| 7 | 056264-01-000 | EA | SWITCH - LEAF ACTUATOR |
| 8* | 123775-01-01A | EA | LIGHT - HALOGEN - ROUND |
| 9 | 119258-37-03A | EA | LAMP - WALL - SATIN NICKEL |
| 9 | 119257-18-01A | EA | SHADE - LAMP - PARCHMENT |
| 9 | 067479-01-000 | EA | BULB - 12V - #1076 - 1.80 AMP |
| 10 | 093253-01-02A | EA | PLATE - WALL - TELEPHONE - BROWN |
| 11 | 132958-01-000 | EA | RECEPTACLE - 12 VOLT - MOUNTING FLANGE - BLACK |
| 12 | 093253-01-03A | EA | PLATE - WALL - TELEPHONE - WHITE - CABINET-DESK |
| 13 | 135740-01-01A | EA | SWITCH - ROCKER - SPST - ON/OFF - BROWN - CABINET-DESK |
| 13 | 135741-01-01A | EA | SWITCH - BASE - SINGLE - BROWN - CABINET-DESK |
| 13 | 135742-01-01A | EA | BEZEL - SWITCH - SINGLE - BROWN - CABINET-DESK |
| 14 | 149750-01-000 | EA | RECEIVER - (INFRA RED SIGNAL) - W/6"LEAD/PLUG |
| 15 | 135740-01-02A | EA | SWITCH - ROCKER - SPST - ON/OFF - WHITE - CEILING/AISLE |
| 15 | 135740-02-02A | EA | SWITCH - ROCKER - SPDT - ON/ON - WHITE - HALL |
| 15 | 135741-03-02A | EA | SWITCH - BASE - TRIPLE - WHITE |
| 15 | 135742-25-01A | EA | BEZEL - SWITCH - CEILING/AISLE/HALL - WHITE |
| 16 | 135740-01-02A | EA | SWITCH - ROCKER - SPST - ON/OFF - WHITE |
| 16 | 135741-02-02A | EA | SWITCH - BASE - DOUBLE - WHITE |
| 16 | 135742-33-01A | EA | BEZEL - SWITCH - CEILING/FAN - WHITE |
| 17 | 150138-01-02A | EA | DETECTOR - LP GAS - BROWN |
| 18 | 124884-01-000 | EA | SPEAKER - 6" X 9" - SUB-WOOFER - W/O GRILLE - SURROUND SOUND |
| 18 | 124885-01-000 | EA | GRILLE - SPEAKER - 6" X 9" - SUB WOOFER - SURROUND SOUND FROM: 00-00-00 THRU: 05-16-04 |
| 18 | 151844-01-01A | EA | GRILLE - SPEAKER - 6" X 9" - SUB WOOFER - BLACK - SURROUND SOUND FROM: 05-17-04 THRU: 99-99-99 |
| 19 | 086233-01-000 | EA | STUD - ISOLATED - 3/8" X 7/8" LONG |
| 20* | 108354-01-01A | EA | LIGHT - COURTESY |
| 21 | 092547-10-000 | EA | LABEL - CIRCUIT BREAKER |
| 22 | 116995-02-000 | EA | SWITCH/MAGNET - ELECTRIC STEP - BLACK/WHITE- NORMALLY OPEN |
| 22 | 116995-03-000 | EA | SWITCH/MAGNET - ELECTRIC STEP - FULL BODY PAINT |

ELECTRICAL GROUP (CONTINUED)

12V BODY WIRING (CONTINUED)

| KEY | PART NUMBER | U/M | DESCRIPTION |
|-----|---------------|-----|-----------------------------------------|
| 23 | 093253-01-03A | EA | PLATE - WALL - TELEPHONE - WHITE |
| 24 | 135740-01-01A | EA | SWITCH - ROCKER - SPST - ON/OFF - BROWN |
| 24 | 135741-01-01A | EA | SWITCH - BASE - SINGLE - BROWN |
| 24 | 135742-11-02A | EA | BEZEL - SWITCH - STEP - BROWN |
| 25 | 135740-01-01A | EA | SWITCH - ROCKER - SPST - ON/OFF - BROWN |
| 25 | 135741-02-01A | EA | SWITCH - BASE - DOUBLE - BROWN |
| 25 | 135742-19-02A | EA | BEZEL - SWITCH - CEILING/PORCH - BROWN |

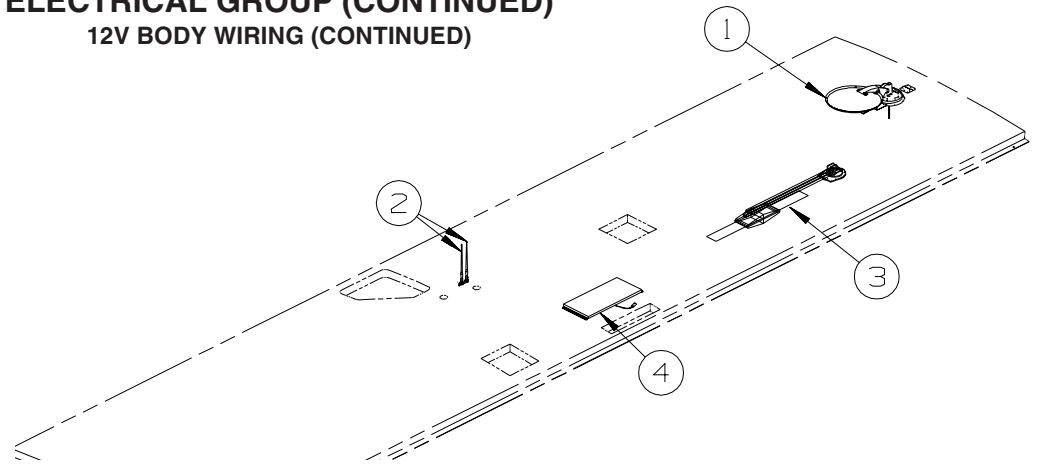
***COMPONENT PARTS LISTED LATER IN THIS GROUP**



| KEY | PART NUMBER | U/M | DESCRIPTION |
|-----|---------------|-----|---------------------------------------------------------------------------------------------|
| 1* | 091937-08-000 | EA | LIGHT-FLUORESCENT-12V/30W-RECESSED-7.3" X 21.8" W/O SWITCH FROM: 00-00-00 THRU: 11-07-04 |
| 1 | 091937-03-000 | EA | BULB - FLUORESCENT LIGHT - 12 VOLT FROM: 00-00-00 THRU: 11-07-04 |
| 1 | 153464-03-01A | EA | LIGHT-FLUORESCENT 18" - RECESSED/CURVED-NO SWITCH - WHITE FROM: 11-08-04 THRU: 99-99-99 |
| 2 | 146048-01-01A | EA | LIGHT - HALOGEN/ADJUSTABLE - WHITE |
| 3* | 137417-06-01A | EA | LIGHT - DOME - DOUBLE - W/O SWITCH - W/FROSTED LENS-WHITE |
| 4* | 093575-33-03A | EA | LIGHT - CEILING/ROUND - W/O BULBS - SATIN NICKEL |
| 4 | 117805-02-000 | EA | BULB - 12V - #921 - 1.4 AMPS |
| 5* | 123775-01-01A | EA | LIGHT - HALOGEN - ROUND |
| 6* | 121935-01-01A | EA | LIGHT - DOME - SHOWER |
| 7* | 137417-03-01A | EA | LIGHT - DOME - SINGLE - W/O SWITCH - W/FROSTED LENS-WHITE |
| 8 | 041250-01-000 | EA | SWITCH - PUSH BUTTON/DOOR JAMB - METAL/CHROME |
| 8 | 138494-01-02B | EA | BRACKET - SWITCH/LIGHT - E-COATED |
| 9* | 086280-01-000 | EA | LIGHT - SURFACE MOUNT - 12 VOLT |

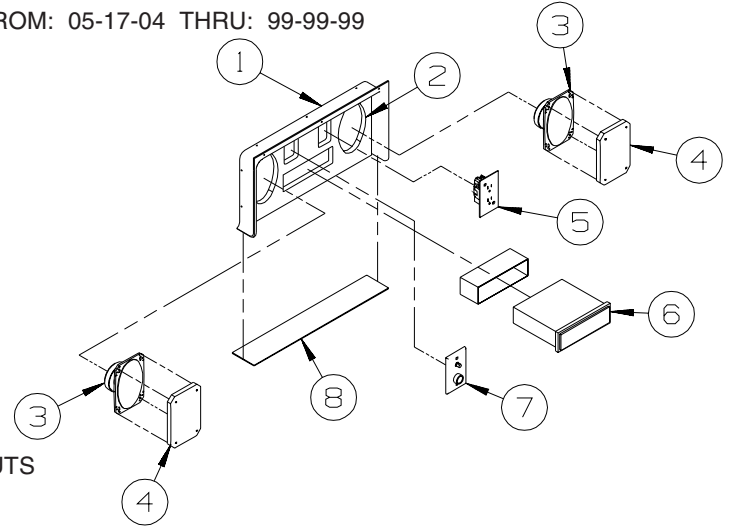
***COMPONENT PARTS LISTED LATER IN THIS GROUP**

ELECTRICAL GROUP (CONTINUED)
12V BODY WIRING (CONTINUED)



| KEY | PART NUMBER | U/M | DESCRIPTION |
|-----|---------------|-----|---------------------------------------------------------------------------------------------------------------------------------|
| 1* | 144377-01-000 | EA | ANTENNA/MOBILE TELEVISION SATELLITE - "SEARCH IN MOTION" - IN MOTION SATELLITE FROM: 00-00-00 THRU: 12-12-04 |
| 1 | 154474-01-01A | EA | ANTENNA/SATELLITE - DISH IN DOME/SEARCH IN MOTION - WHITE - IN MOTION SATELLITE FROM: 12-13-04 THRU: 99-99-99 |
| 1 | 154474-01-02A | EA | ANTENNA/SAT. - DISH IN DOME/SRCH IN MOTION - BLACK- IN MOTION SATELLITE/FULL BODY PAINT FROM: 12-13-04 THRU: 99-99-99 |
| 1 | 154474-02-000 | EA | CONTROL/SATELLITE KIT - IDB BOX/IDD BOX-POWER SUPPLY-CABLE - IN MOTION SATELLITE FROM: 12-13-04 THRU: 99-99-99 |
| 1 | 154474-03-000 | EA | CABLE - SATELLITE - RG6 COAX - 7' W/CONNECTORS - IN MOTION SATELLITE FROM: 12-13-04 THRU: 99-99-99 |
| 1 | 146488-01-000 | EA | PLATE - ROOF - CABLE ENTRY - IN MOTION SATELLITE FROM: 12-13-04 THRU: 99-99-99 |
| 1* | 141454-03-01A | EA | ANTENNA/SATELLITE - "AUTO SEARCH WHILE PARKED/GPS SYSTEM" - SAT DISH - AUTOMATIC |
| 1* | 137135-02-000 | EA | ANTENNA - SATELLITE DSS - W/SENSOR - SATELLITE DISH & ELEV. SENSOR |
| 2 | 090944-01-000 | EA | ANTENNA - RADIO - 16" RUBBER - W/72" LEAD WIRE |
| 2 | 109889-04-000 | EA | EXTENDER - ANTENNA SHAFT - 3.7" |
| 2 | 147741-01-09B | EA | BRACKET - ANTENNA GROUND - GALVANIZED |
| 3* | 076319-23-000 | EA | ANTENNA - TV ROOF MOUNT - 44.5" MAST |
| 3* | 076319-25-000 | EA | KIT - HARDWARE INTERIOR |
| 3 | 069726-02-000 | EA | BUMPER - .88" OD X .40" THICK - BLACK |
| 4* | 115504-01-000 | EA | PANEL - SOLAR 10 WATT - 12.2"W X 26.9"L X 1.2"H FROM: 00-00-00 THRU: 05-16-04 |
| 4 | 151647-01-000 | EA | PANEL - SOLAR 10 WATT FROM: 05-17-04 THRU: 99-99-99 |

*COMPONENT PARTS LISTED LATER IN THIS GROUP



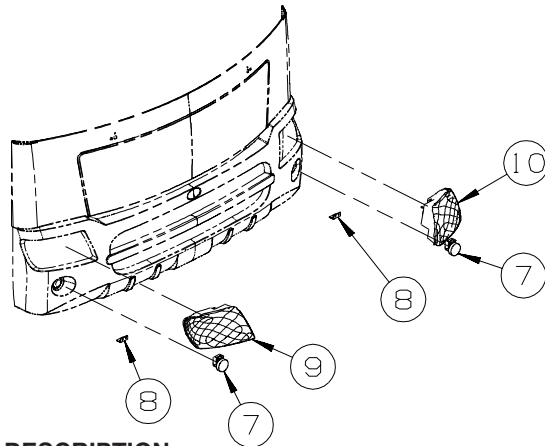
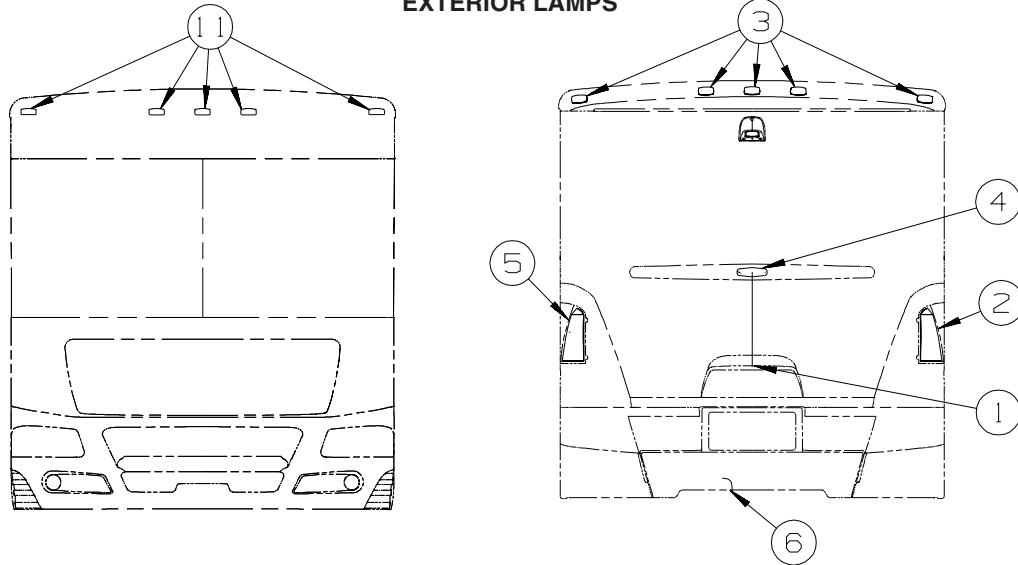
| KEY | PART NUMBER | U/M | DESCRIPTION |
|-----|---------------|-----|----------------------------------------------------------------------------------|
| 1 | 124696-02-01A | EA | BOX-19.4"W X 10"H X 2.5"D - BRT WHT |
| | 124696-01-01A | EA | BOX-19.4"W X 10"H X 10.2"D W/CUTOUTS |
| 2 | 127409-02-L15 | EA | PLATE - RADIO MOUNTING |
| 3 | 110469-01-000 | EA | SPEAKER - 4" X 6" OVAL - COAXIAL |
| 4 | 110470-01-01A | EA | GRILLE - 4" X 6" - OVAL SPEAKER - BLACK |
| 5 | 058708-01-000 | EA | RECEPTACLE - ELECTRIC - DOUBLE - BROWN |
| 6* | 148231-01-000 | EA | RADIO - AM/FM CD W/REMOTE - MAGNADYNE M3100CD FROM: 00-00-00 THRU: 04-11-05 |
| 6 | 155619-01-000 | EA | RADIO - AM/FM CD - W/REMOTE - MAGNADYNE M3200CD FROM: 04-12-05 THRU: 99-99-99 |
| 7 | 076319-09-000 | EA | WALLPLATE - TV CABLE RECEPTACLE - SINGLE - BROWN |
| 8 | 104898-01-02A | EA | PLATE - PLASTIC BOTTOM - BRIGHT WHITE |

EXTERIOR ENTERTAINMENT

*COMPONENT PARTS LISTED LATER IN THIS GROUP

ELECTRICAL GROUP (CONTINUED)

EXTERIOR LAMPS

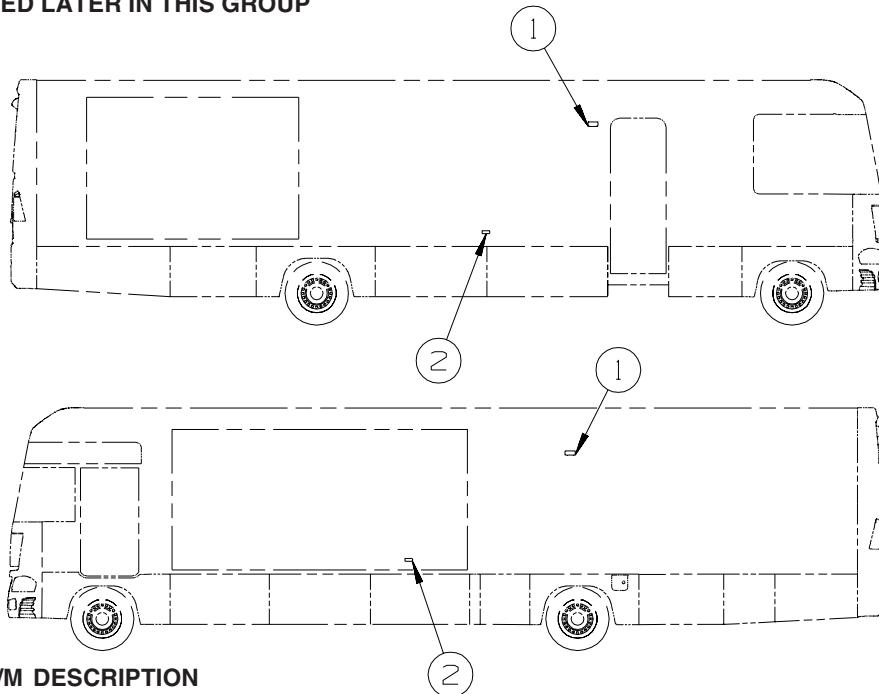


| KEY | PART NUMBER | U/M | DESCRIPTION |
|-----|---------------|-----|-----------------------------------------------------------|
| 1 | 087201-01-000 | EA | LIGHT - HALF ROUND - 1" X 1.7" - PLASTIC - BLACK OR WHITE |
| 2 | 142117-01-000 | EA | LAMP - TAILLIGHT - REAR - RIGHT HAND |
| 2 | 112707-01-000 | EA | BULB - 12 VOLT - #3156 - 2.10 AMP |
| 2 | 112708-01-000 | EA | BULB - 12 VOLT - #3157 - .59/2.10 AMP |
| 2 | 112709-01-000 | EA | SOCKET - TURN LIGHT |
| 2 | 112709-03-000 | EA | SOCKET - BRAKE LIGHT/MARKER LIGHT |
| 3 | 133055-01-000 | EA | LENS - RED - F/CLEARANCE/MARKER |
| 3 | 133055-03-000 | EA | BASE - F/CLEARANCE/MARKER - WHITE |
| 3 | 138996-04-000 | EA | CONNECTOR - LAMP |
| 3 | 036196-01-000 | EA | BULB - 12V - #194 - .27 AMP - BAYONETTE |
| 4 | 136917-01-000 | EA | LIGHT - BRAKE - CENTER MOUNT - OVAL |
| 5 | 142117-02-000 | EA | LAMP - TAILLIGHT - REAR - LEFT HAND |
| 5 | 112707-01-000 | EA | BULB - 12 VOLT - #3156 - 2.10 AMP |
| 5 | 112708-01-000 | EA | BULB - 12 VOLT - #3157 - .59/2.10 AMP |
| 5 | 112709-01-000 | EA | SOCKET - TURN LIGHT |
| 5 | 112709-03-000 | EA | SOCKET - BRAKE LIGHT/MARKER LIGHT |
| 6* | 113589-02-000 | EA | CONNECTOR - SOCKET - TRAILER |
| 6* | 113589-01-000 | EA | CONNECTOR - PLUG - TRAILER |
| 7 | 138910-01-000 | EA | LAMP - FOG - CLEAR/ROUND - HELLA |
| | | | FROM: 00-00-00 THRU: 05-06-04 |
| 7 | 151421-01-000 | EA | LAMP - FOG - CLEAR/ROUND - HAMSAR |
| | | | FROM: 05-07-04 THRU: 99-99-99 |
| 8 | 139686-01-02B | EA | ANGLE - MOUNT - FOGLEAMP - E-COATED |
| 9 | 142116-01-000 | EA | HEADLAMP - W/PARK/TURN SIGNAL - RIGHT HAND |
| 9 | 036196-01-000 | EA | BULB - 12V - #194 - .27 AMP - BAYONETTE |
| 9 | 112708-01-000 | EA | BULB - 12 VOLT - #3157 - .59/2.10 AMP |
| 9 | 049359-01-000 | EA | SPRING - RETAINER - HEADLAMP - GM #496096 |
| 9 | 142116-03-000 | EA | SOCKET/LAMP - 3 WIRE |

ELECTRICAL GROUP (CONTINUED)
EXTERIOR LAMPS (CONTINUED)

| KEY | PART NUMBER | U/M | DESCRIPTION |
|-----|---------------|-----|-------------------------------------------|
| 9 | 124187-01-000 | EA | SOCKET/HOUSING - LOW BEAM HEADLAMP |
| 9 | 124187-02-000 | EA | SOCKET/HOUSING - HIGH BEAM HEADLAMP |
| 9 | 139001-02-000 | EA | SOCKET ONLY - F/DOCKING LAMP |
| 10 | 142116-02-000 | EA | HEADLAMP - W/PARK/TURN SIGNAL - LEFT HAND |
| 10 | 036196-01-000 | EA | BULB - 12V - #194 - .27 AMP - BAYONETTE |
| 10 | 112708-01-000 | EA | BULB - 12 VOLT - #3157 - .59/2.10 AMP |
| 10 | 049359-01-000 | EA | SPRING - RETAINER - HEADLAMP - GM #496096 |
| 10 | 142116-03-000 | EA | SOCKET/LAMP - 3 WIRE |
| 10 | 124187-01-000 | EA | SOCKET/HOUSING - LOW BEAM HEADLAMP |
| 10 | 124187-02-000 | EA | SOCKET/HOUSING - HIGH BEAM HEADLAMP |
| 10 | 139001-02-000 | EA | SOCKET ONLY - F/DOCKING LAMP |
| 11 | 132978-01-000 | EA | LIGHT - CLEARANCE - AMBER |
| 11 | 036196-01-000 | EA | BULB - 12V - #194 - .27 AMP - BAYONETTE |

***COMPONENT PARTS LISTED LATER IN THIS GROUP**

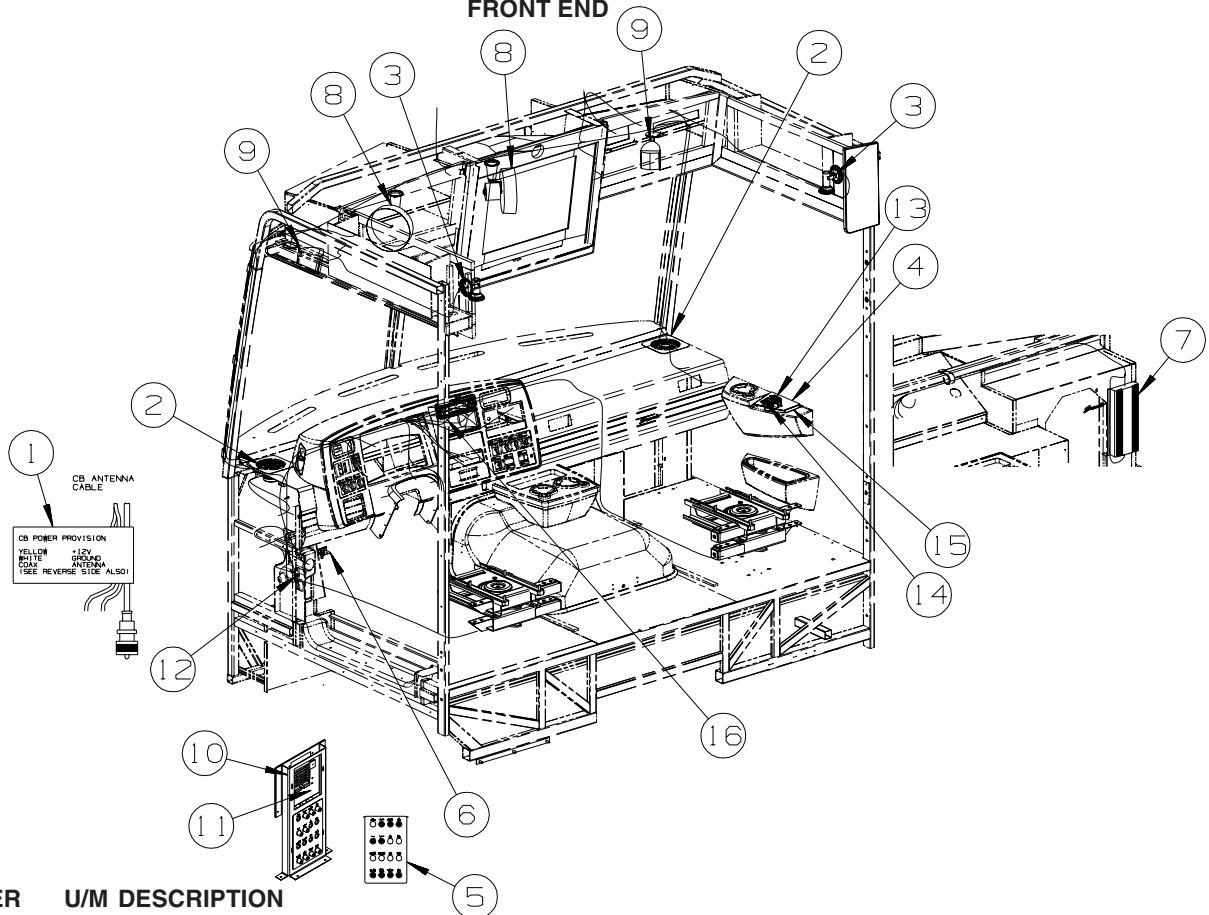


| KEY | PART NUMBER | U/M | DESCRIPTION |
|-----|---------------|-----|-----------------------------------------|
| 1* | 097917-01-06A | EA | LIGHT - PORCH - BRIGHT WHITE |
| 1 | 097917-01-08A | EA | LIGHT - PORCH - CHROME |
| | 008215-01-000 | EA | BULB - 12 VOLT - #1003 - .94 AMP |
| 2 | 111102-01-000 | EA | BASE - MARKER LAMP |
| | 036196-01-000 | EA | BULB - 12V - #194 - .27 AMP - BAYONETTE |
| 2 | 111102-02-000 | EA | LENS - AMBER - MARKER LAMP |

***COMPONENT PARTS LISTED LATER IN THIS GROUP**

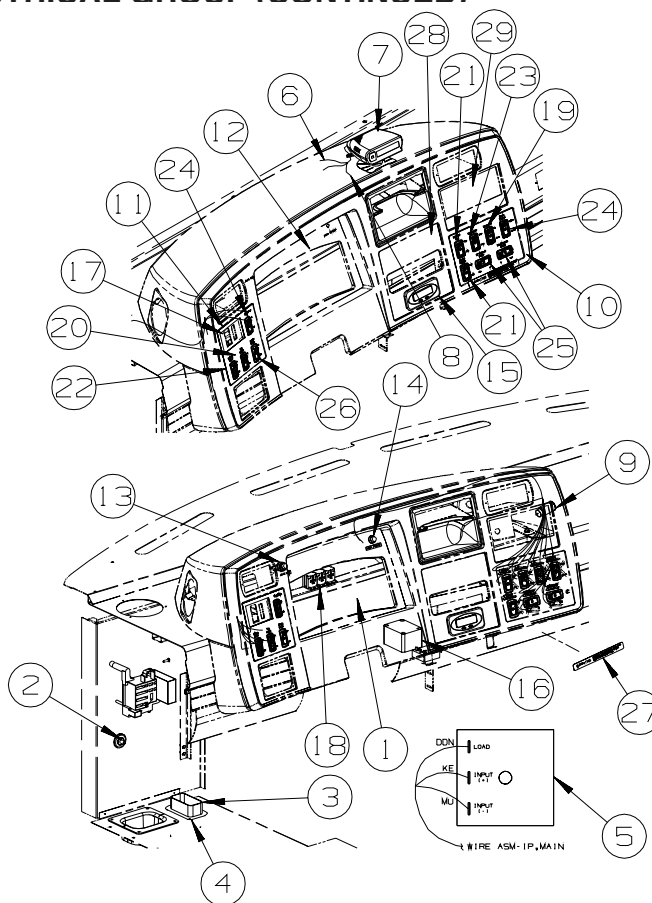
ELECTRICAL GROUP (CONTINUED)

FRONT END



| KEY | PART NUMBER | U/M | DESCRIPTION |
|-----|---------------|-----|------------------------------------------------------------|
| 1 | 104678-01-000 | EA | LABEL - CB PREP |
| 2 | 094097-01-000 | EA | SPEAKER - RADIO/TV - W/O GRILLE - 5.25" DIAMETER |
| 2 | 139111-01-02A | EA | GRILLE - SPEAKER - 6" ROUND - GLACIER |
| 3 | 128786-02-02A | EA | LIGHT - READING/SWIVEL - W/O SWITCH - SATIN NICKEL |
| 3 | 123917-01-000 | EA | BULB - 12V - HALOGEN SPOT |
| 4 | 148653-05-01A | EA | APPLIQUE - PASSENGER - DARK RIVERSTONE |
| 5 | 093236-41-000 | EA | LABEL - CIRCUIT BREAKER |
| 6 | 147428-01-02B | EA | BRACKET/ZEE - F/TEMPERATURE SENSOR - E-COATED |
| 7 | 124881-02-000 | EA | AMPLIFIER - AUDIO - MTS Q SURROUND - ORANGE LABEL (LATEST) |
| 8 | 122856-01-01A | EA | FAN-DEFROSTER-2 SPEED W/SWIVEL BASE/NON-OSCILLATING-CHROME |
| 9 | 148026-01-01A | EA | SPEAKER - CUBE - W/FIXED BRACKET - SILVER |
| 10 | 149689-01-02B | EA | BRACKET - CIRCUIT BREAKER, E-COAT |
| 11 | 149690-01-02B | EA | BRACKET - FUSE PANEL, WH, E-COAT |
| 11 | 149690-02-02B | EA | BRACKET - FUSE PANEL, FORD, E-COAT |
| 12 | 041250-01-000 | EA | SWITCH - PUSH BUTTON/DOOR JAMB - METAL/CHROME |
| 13 | 145638-01-01A | EA | SWITCH/ROCKER - SPST (ON/OFF) - BLACK |
| 14 | 145638-09-01A | EA | SWITCH/ROCKER - DPDT (ON/OFF/ON) - BLACK |
| 15 | 145926-08-02B | EA | INSERT ASM - SWITCH, RH - E-COAT |
| 16 | 115539-01-000 | EA | RELAY - RADIO/TV SPEAKER SWITCH W/WIRE - #SCLD-W-B-4PDT-C |

ELECTRICAL GROUP (CONTINUED)

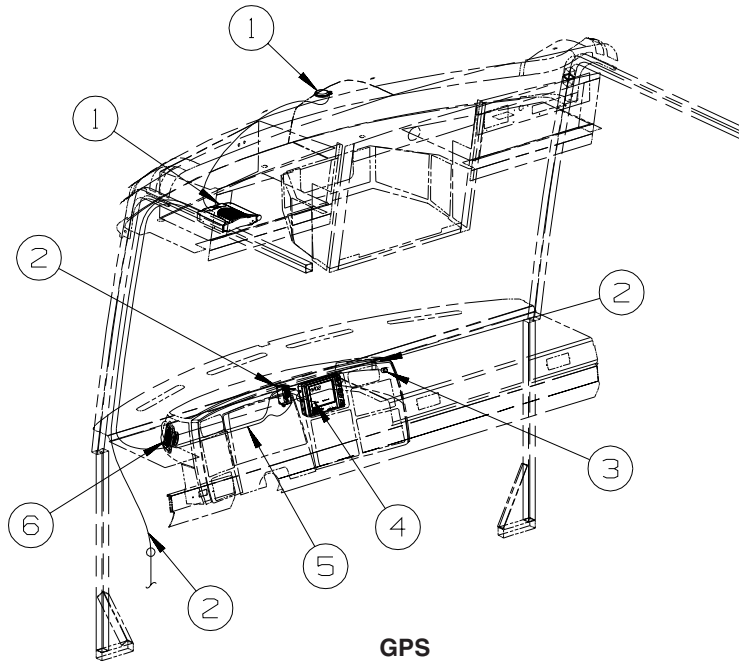


| KEY | PART NUMBER | U/M | DESCRIPTION |
|-----|---------------|-----|--------------------------------------------------------------------------------------------|
| 1 | | EA | CLUSTER - INSTRUMENT PANEL - CHASSIS SUPPLIED |
| 2 | 118499-01-000 | EA | STUD-FEED THRU |
| 3 | 118571-03-000 | EA | BRACKET - MOUNTING |
| 4 | 118571-04-000 | EA | GASKET |
| 5 | 133535-01-000 | EA | MODULE - TIMER 20 SECOND - WARNING LIGHT - TS61120P |
| 6 | 147190-03-000 | EA | CABLE/ANTENNA-SAT RADIO SIRIUS-22"W/O RADIO END CONNECTOR FROM: 00-00-00 THRU: 09-03-04 |
| 6 | 152780-02-000 | EA | CABLE/ANTENNA - SATELLITE RADIO SIRIUS FROM: 09-04-04 THRU: 99-99-99 |
| 7* | 148113-01-000 | EA | RADIO/TUNER - SATELLITE/SIRIUS - W/REMOTE-W/O ANTENNA |
| 7 | 148113-02-000 | EA | CRADLE - RADIO - W/O BUILT IN FM TRANSMITTER - KENWOOD FROM: 00-00-00 THRU: 06-04-04 |
| 7 | 148113-04-000 | EA | DOCKING KIT-W/FM TRANSMITTER/ANTENNA/CRADLE/WIRING/SCREWS FROM: 06-05-04 THRU: 99-99-99 |
| 8 | 148114-01-000 | EA | CABLE - AUDIO - 1/8" TO RCA STEREO |
| 9 | 111414-01-000 | EA | RECEPTACLE/SOCKET - 12 VOLT |
| 10 | 148653-01-01A | EA | APPLIQUE - BEZEL - RIGHT HAND - DARK RIVERSTONE - FRONT RIGHT SLIDEOUT |
| 10 | 148653-03-01A | EA | APPLIQUE - BEZEL - RIGHT HAND - DARK RIVERSTONE |
| 11 | 148653-02-01A | EA | APPLIQUE - BEZEL - LEFT HAND - DARK RIVERSTONE - 2004 WORKHORSE CHASSIS |
| 11 | 148653-09-01A | EA | APPLIQUE - BEZEL - LEFT HAND - DARK RIVERSTONE - 2005 WORKHORSE CHASSIS |
| 11 | 148653-04-01A | EA | APPLIQUE - BEZEL - LEFT HAND - DARK RIVERSTONE - FORD |
| 12 | 148653-06-01A | EA | APPLIQUE - BEZEL - INSTRUMENT CLUSTER - DARK RIVERSTONE - WORKHORSE |
| 12 | 148653-07-01A | EA | APPLIQUE/BEZEL - INSTRUMENT CLUSTER - FORD - DK RIVERSTONE - 2004 FORD |
| 12 | 148653-10-01A | EA | APPLIQUE - BEZEL - INSTRUMENT CLUSTER - FORD-DK RIVERSTONE - 2006 FORD |
| 13 | 150237-01-000 | EA | LIGHT - INDICATOR - RED |
| 14 | 150237-02-000 | EA | LIGHT - INDICATOR - AMBER |
| 15* | 136119-01-000 | EA | COMPASS/THERMOMETER - ELECTRONIC- 4.5" X 2.3" DISPLAY FACE |
| 16 | 128074-02-000 | EA | FILTER - NOISE - 12 VOLT DC W/PLUGS |
| | 077031-03-000 | EA | FILM - WHITE - .75" X 1" |
| 17 | 134088-02-01A | EA | APPLIQUE - SWITCH - HEADLAMP - BLACK - WORKHORSE |
| 18 | 063912-02-000 | EA | RELAY - CANISTER - SPDT |
| | 063910-01-000 | EA | HOUSING - RELAY |
| 19 | 145638-01-01A | EA | SWITCH/ROCKER - SPST (ON/OFF) - BLACK |
| 19 | 108355-01-000 | EA | HOUSING - SWITCH |
| 19 | 103603-01-000 | EA | BULB - 12V - #74 - .12A WEDGE - GE 22-25 USED IN DAS |

ELECTRICAL GROUP (CONTINUED)
FRONT END (CONTINUED)

| KEY | PART NUMBER | U/M | DESCRIPTION |
|-----|---------------|-----|------------------------------------------------------------------------------------------------|
| 20 | 145638-02-01A | EA | SWITCH/ROCKER - SPST (ON/OFF) - LIGHTED - BLACK |
| 20 | 108355-01-000 | EA | HOUSING - SWITCH |
| 20 | 103603-01-000 | EA | BULB - 12V - #74 - .12A WEDGE - GE 22-25 USED IN DAS |
| 21 | 145638-03-01A | EA | SWITCH/ROCKER - SPDT (ON/OFF/ON) - BLACK |
| 21 | 108355-01-000 | EA | HOUSING - SWITCH |
| 21 | 103603-01-000 | EA | BULB - 12V - #74 - .12A WEDGE - GE 22-25 USED IN DAS |
| 22 | 145638-04-01A | EA | SWITCH/ROCKER - SPDT (ON/ON) - BLACK |
| 22 | 108355-01-000 | EA | HOUSING - SWITCH |
| 22 | 103603-01-000 | EA | BULB - 12V - #74 - .12A WEDGE - GE 22-25 USED IN DAS |
| 23 | 145638-06-01A | EA | SWITCH/ROCKER - SPDT (ON/OFF/ON) - LIGHTED - BLACK |
| 23 | 108355-01-000 | EA | HOUSING - SWITCH |
| 23 | 103603-01-000 | EA | BULB - 12V - #74 - .12A WEDGE - GE 22-25 USED IN DAS |
| 24 | 145638-07-01A | EA | SWITCH/ROCKER - DPDT (ON/ON) - BLACK |
| 24 | 108355-02-000 | EA | HOUSING - SWITCH - 12 POSITION |
| 24 | 103603-01-000 | EA | BULB - 12V - #74 - .12A WEDGE - GE 22-25 USED IN DAS |
| 25 | 145638-09-01A | EA | SWITCH/ROCKER - DPDT (ON/OFF/ON) - BLACK |
| 25 | 108355-01-000 | EA | HOUSING - SWITCH |
| 25 | 103603-01-000 | EA | BULB - 12V - #74 - .12A WEDGE - GE 22-25 USED IN DAS |
| 26 | 145638-08-01A | EA | SWITCH/ROCKER - DPDT (ON/ON) - LIGHTED - BLACK |
| 26 | 108355-02-000 | EA | HOUSING - SWITCH - 12 POSITION |
| 26 | 103603-01-000 | EA | BULB - 12V - #74 - .12A WEDGE - GE 22-25 USED IN DAS |
| 27 | 116549-01-000 | EA | LABEL - WARNING - SLIDEOUT |
| 28 | 148653-11-01A | EA | APPLIQUE - BEZEL - RIGHT HAND - DARK RIVERSTONE - FORD FROM: 01-24-05 THRU: 99-99-99 |
| 29 | 148653-12-01A | EA | APPLIQUE - BEZEL - RADIO - DARK RIVERSTON - FORD FROM: 01-24-05 THRU: 99-99-99 |

***COMPONENT PARTS LISTED LATER IN THIS GROUP**

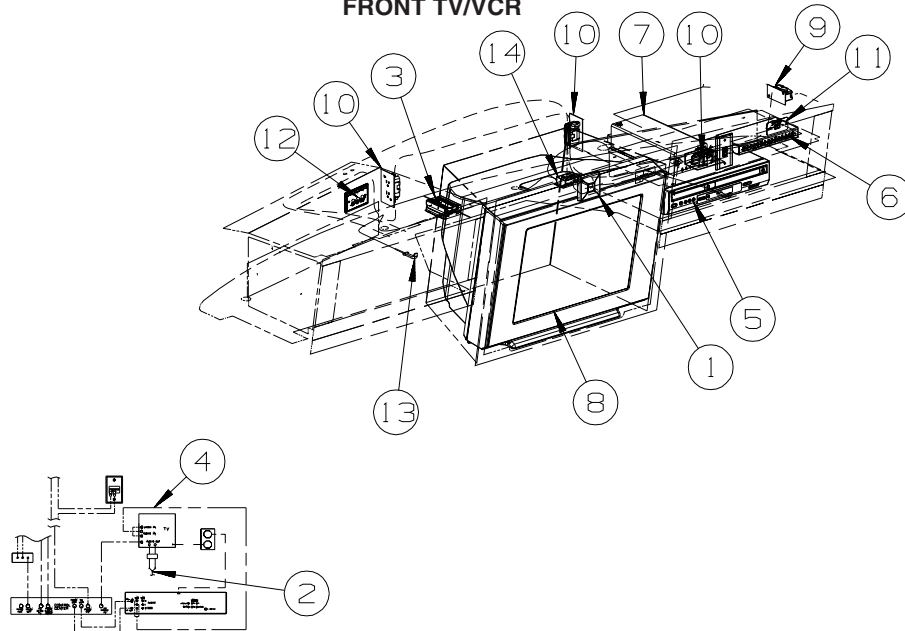


| KEY | PART NUMBER | U/M | DESCRIPTION |
|-----|---------------|-----|-------------------------------------------------------------------------------------------|
| 1* | 148158-01-000 | EA | COMPUTER - GPS NAVIGATION SYS - (MAGELLAN MAGNK-01W) - INCLUDES ANTENNA |
| 2 | 148158-02-000 | EA | CABLES - F/GPS NAVIGATION SYS - (MAGELLAN MAGNK-02W) - INCLUDES MODULE, REMOTE EYE |
| 3 | 144734-03-000 | EA | SPACER |
| 4 | 148112-01-000 | EA | CABLE - MONITOR - SONY AUX |
| 5 | 148592-01-000 | EA | CABLE - RCA MALE-1/4 FEMALE SPADES - RIVER PARK SCB-RCA120 |
| 6 | 098819-01-000 | EA | SPEAKER - 4" - 2 WATT - 8 OHM |
| 6 | 093214-01-01A | EA | GRILLE - SPEAKER - 4" - BLACK |

***COMPONENT PARTS LISTED LATER IN THIS GROUP**

ELECTRICAL GROUP (CONTINUED)

FRONT TV/VCR

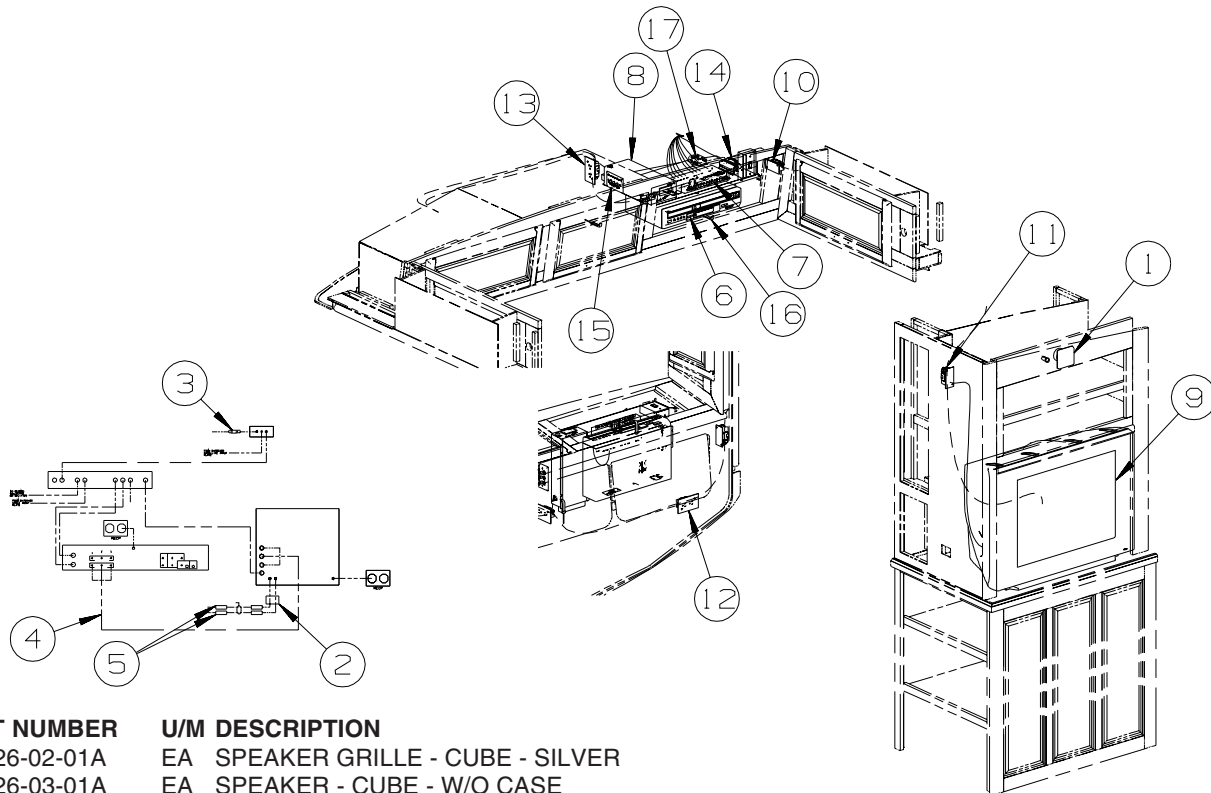


| KEY | PART NUMBER | U/M | DESCRIPTION |
|-----|---------------|-----|--------------------------------------------------------|
| 1 | 148026-02-01A | EA | SPEAKER GRILLE - CUBE - SILVER |
| 1 | 148026-03-01A | EA | SPEAKER - CUBE - W/O CASE |
| 2 | 117420-01-000 | EA | CABLE - W/MALE RCA ENDS - SHIELDED - 12" |
| 3 | 147139-01-000 | EA | AMPLIFIER - STEREO 2 CHANNEL |
| 4 | 136860-01-000 | EA | CABLE - RCA - #3 MALE TO #12F MALE CONNECTOR |
| 5* | 146396-02-000 | EA | DVD/VCR PLAYER - SONY SLV-D300P |
| 6 | 142258-01-000 | EA | SWITCH - VIDEO/ANTENNA POWER SUPPLY |
| 7 | 099048-04-000 | EA | INVERTER - 300 WATT |
| 8* | 146299-01-000 | EA | TV - 24" STEREO W/5 JACKS - SONY 24FS100 |
| | | | FROM: 00-00-00 THRU: 07-18-04 |
| 8* | 146299-02-000 | EA | TV - 24" STEREO W/5 JACKS - SONY 24FS100 |
| | | | FROM: 07-19-04 THRU: 99-99-99 |
| 9 | 058707-02-000 | EA | RECEPTACLE - BLANK - JUNCTION BOX |
| 10 | 058708-01-000 | EA | RECEPTACLE - ELECTRIC - DOUBLE - BROWN |
| 11 | 079364-04-000 | EA | SWITCH - ON/OFF ROCKER - 2 TERMINAL - BLACK |
| 11 | 098351-09-02A | EA | PLATE/SWITCH - 1 GANG - CHROME - SPEAKER SELECT/TV |
| 12 | 149557-04-01A | EA | PLATE/WALL - TRIPLE COAXIAL/HORIZONTAL - WHITE |
| 13 | 149750-03-000 | EA | TRANSMITTER - F/INFRA RED RECEIVER |
| 14 | 149750-04-000 | EA | MODULE/INTERFACE - INFRA RED (RECEIVER TO TRANSMITTER) |

*COMPONENT PARTS LISTED LATER IN THIS GROUP

ELECTRICAL GROUP (CONTINUED)

SIDE TV/VCR

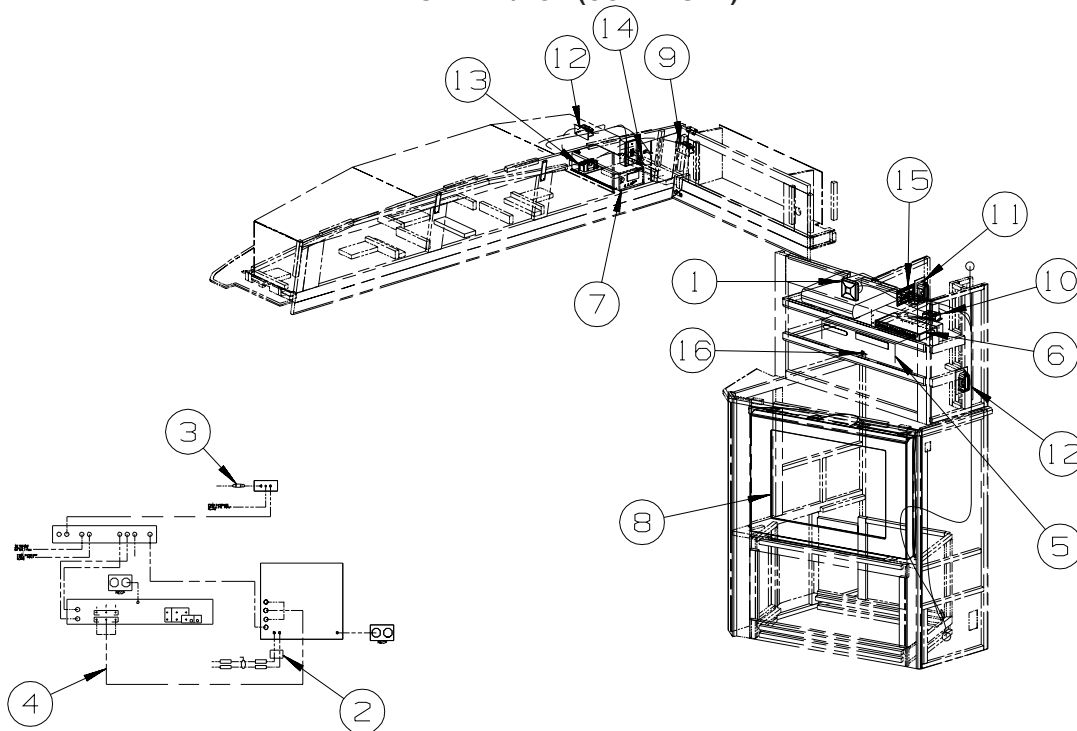


G37B

| KEY | PART NUMBER | U/M | DESCRIPTION |
|-----|---------------|-----|--------------------------------------------------------|
| 1 | 148026-02-01A | EA | SPEAKER GRILLE - CUBE - SILVER |
| 1 | 148026-03-01A | EA | SPEAKER - CUBE - W/O CASE |
| 2 | NOT USED | EA | FILTER - GROUND LOOP |
| 3 | 082134-01-000 | EA | ADAPTER - TV - CABLE TO CABLE |
| 4 | 136860-01-000 | EA | CABLE - RCA - #3 MALE TO #12F MALE CONNECTOR |
| 5 | 140261-01-000 | EA | CONNECTOR - RCA - FEMALE/FEMALE |
| 6* | 146396-02-000 | EA | DVD/VCR PLAYER - SONY SLV-D300P |
| | | | FROM: 00-00-00 THRU: 07-11-04 |
| 6* | 146396-03-000 | EA | DVD/VCR PLAYER - SONY SLV-D350P |
| | | | FROM: 07-12-04 THRU: 99-99-99 |
| 7 | 142258-01-000 | EA | SWITCH - VIDEO/ANTENNA POWER SUPPLY |
| 8 | 099048-04-000 | EA | INVERTER - 300 WATT |
| 9* | 146298-01-000 | EA | TV - 27" STEREO W/5 JACKS - SONY 27FS100 |
| | | | FROM: 00-00-00 THRU: 05-30-04 |
| 9* | 146298-02-000 | EA | TV - 27" STEREO W/5 JACKS - SONY 27FS120 |
| | | | FROM: 05-31-04 THRU: 99-99-99 |
| 10 | 058707-02-000 | EA | RECEPTACLE - BLANK - JUNCTION BOX |
| 11 | 058707-01-000 | EA | RECEPTACLE - ELECTRIC - SINGLE - BROWN |
| 12 | 058708-06-000 | EA | RECEPTACLE - ELECTRIC - DOUBLE - IVORY |
| 13 | 058708-05-000 | EA | RECEPTACLE - ELECTRIC - SINGLE - BROWN |
| 14 | 147139-01-000 | EA | AMPLIFIER - STEREO 2 CHANNEL |
| 15 | 149557-04-01A | EA | PLATE/WALL - TRIPLE COAXIAL/HORIZONTAL - WHITE |
| 16 | 149750-03-000 | EA | TRANSMITTER - F/INFRA RED RECEIVER |
| 17 | 149750-04-000 | EA | MODULE/INTERFACE - INFRA RED (RECEIVER TO TRANSMITTER) |

*COMPONENT PARTS LISTED LATER IN THIS GROUP

ELECTRICAL GROUP (CONTINUED)
SIDE TV/VCR (CONTINUED)

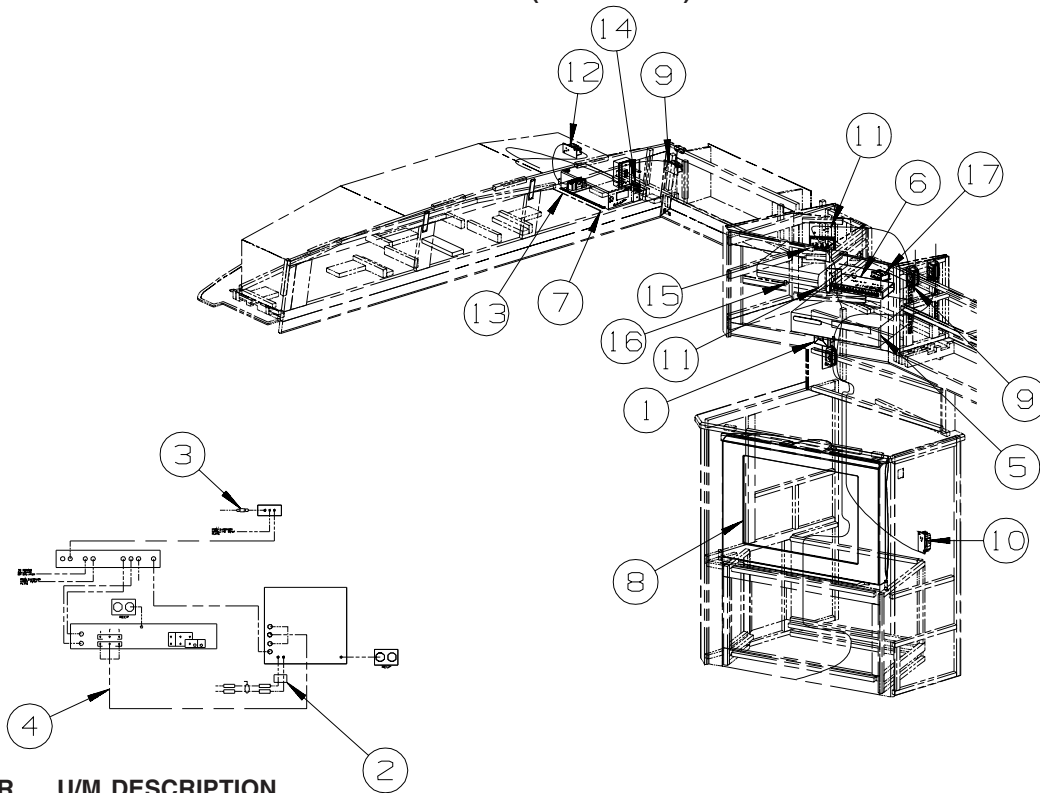


G38J

| KEY | PART NUMBER | U/M | DESCRIPTION |
|-----|---------------|-----|--------------------------------------------------------|
| 1 | 148026-02-01A | EA | SPEAKER GRILLE - CUBE - SILVER |
| 1 | 148026-03-01A | EA | SPEAKER - CUBE - W/O CASE |
| 2 | 123324-01-000 | EA | FILTER - GROUND LOOP |
| 3 | 082134-01-000 | EA | ADAPTER - TV - CABLE TO CABLE |
| 4 | 136860-01-000 | EA | CABLE - RCA - #3 MALE TO #12F MALE CONNECTOR |
| 5* | 146396-02-000 | EA | DVD/VCR PLAYER - SONY SLV-D300P |
| | | | FROM: 00-00-00 THRU: 07-11-04 |
| 5* | 146396-03-000 | EA | DVD/VCR PLAYER - SONY SLV-D350P |
| | | | FROM: 07-12-04 THRU: 99-99-99 |
| 6 | 142258-01-000 | EA | SWITCH - VIDEO/ANTENNA POWER SUPPLY |
| 7 | 099048-04-000 | EA | INVERTER - 300 WATT |
| 8* | 146298-01-000 | EA | TV - 27" STEREO W/5 JACKS - SONY 27FS100 |
| | | | FROM: 00-00-00 THRU: 05-30-04 |
| 8* | 146298-02-000 | EA | TV - 27" STEREO W/5 JACKS - SONY 27FS120 |
| | | | FROM: 05-31-04 THRU: 99-99-99 |
| 9 | 058707-02-000 | EA | RECEPTACLE - BLANK - JUNCTION BOX |
| 10 | 149750-04-000 | EA | MODULE/INTERFACE - INFRA RED (RECEIVER TO TRANSMITTER) |
| 11 | 058708-01-000 | EA | RECEPTACLE - ELECTRIC - DOUBLE - BROWN |
| 12 | 058708-05-000 | EA | RECEPTACLE - ELECTRIC - SINGLE - BROWN |
| 13 | 058708-06-000 | EA | RECEPTACLE - ELECTRIC - DOUBLE - WHITE |
| 14 | 147139-01-000 | EA | AMPLIFIER - STEREO 2 CHANNEL |
| 15 | 149557-04-01A | EA | PLATE/WALL - TRIPLE COAXIAL/HORIZONTAL - WHITE |
| 16 | 149750-03-000 | EA | TRANSMITTER - F/INFRA RED RECEIVER |

***COMPONENT PARTS LISTED LATER IN THIS GROUP**

ELECTRICAL GROUP (CONTINUED)
SIDE TV/VCR (CONTINUED)

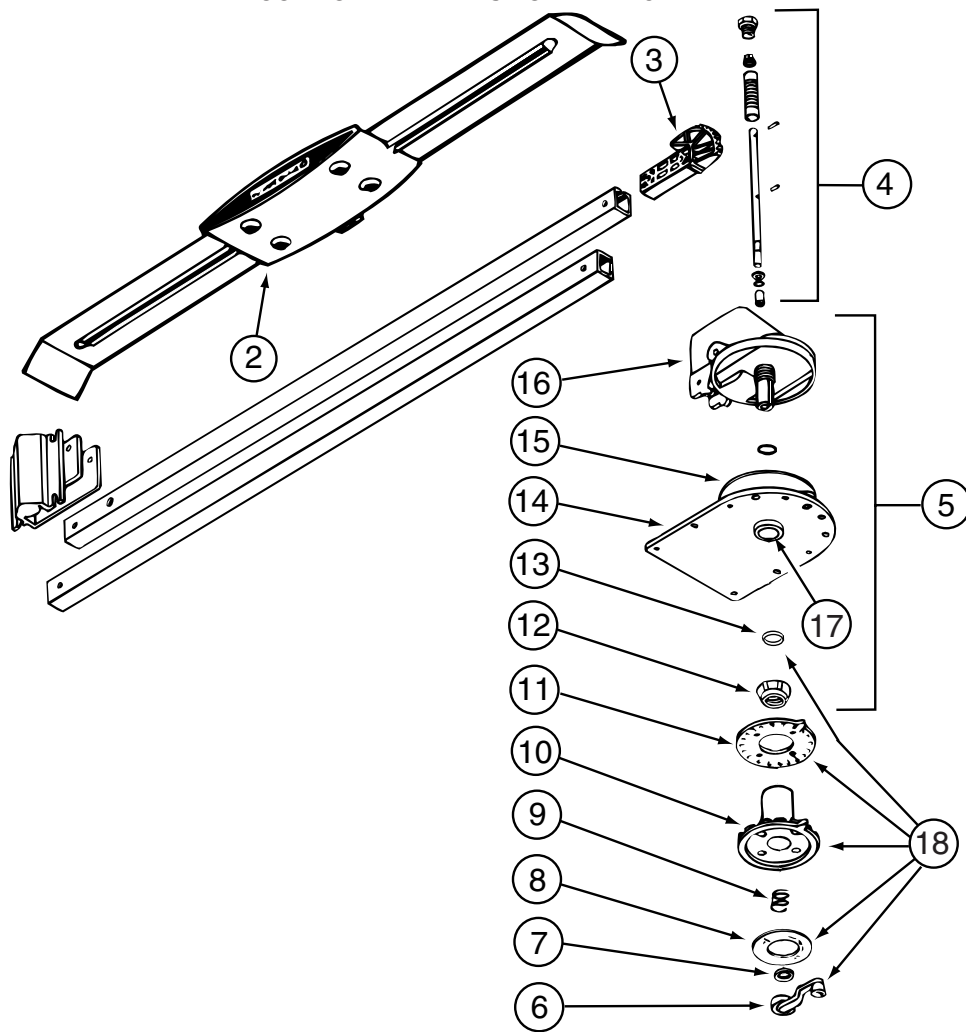


G38R

| KEY | PART NUMBER | U/M | DESCRIPTION |
|-----|---------------|-----|--------------------------------------------------------|
| 1 | 148026-02-01A | EA | SPEAKER GRILLE - CUBE - SILVER |
| 1 | 148026-03-01A | EA | SPEAKER - CUBE - W/O CASE |
| 2 | 123324-01-000 | EA | FILTER - GROUND LOOP |
| 3 | 082134-01-000 | EA | ADAPTER - TV - CABLE TO CABLE |
| 4 | 136860-01-000 | EA | CABLE - RCA - #3 MALE TO #12F MALE CONNECTOR |
| 5* | 146396-02-000 | EA | DVD/VCR PLAYER - SONY SLV-D300P |
| | | | FROM: 00-00-00 THRU: 07-11-04 |
| 5* | 146396-03-000 | EA | DVD/VCR PLAYER - SONY SLV-D350P |
| | | | FROM: 07-12-04 THRU: 99-99-99 |
| 6 | 142258-01-000 | EA | SWITCH - VIDEO/ANTENNA POWER SUPPLY |
| 7 | 099048-04-000 | EA | INVERTER - 300 WATT |
| 8* | 146298-01-000 | EA | TV - 27" STEREO W/5 JACKS - SONY 27FS100 |
| | | | FROM: 00-00-00 THRU: 05-30-04 |
| 8* | 146298-02-000 | EA | TV - 27" STEREO W/5 JACKS - SONY 27FS120 |
| | | | FROM: 05-31-04 THRU: 99-99-99 |
| 9 | 058707-02-000 | EA | RECEPTACLE - BLANK - JUNCTION BOX |
| 10 | 058707-01-000 | EA | RECEPTACLE - ELECTRIC - SINGLE - BROWN |
| 11 | 058708-01-000 | EA | RECEPTACLE - ELECTRIC - DOUBLE - BROWN |
| 12 | 058708-05-000 | EA | RECEPTACLE - ELECTRIC - SINGLE - BROWN |
| 13 | 058708-06-000 | EA | RECEPTACLE - ELECTRIC - DOUBLE - WHITE |
| 14 | 147139-01-000 | EA | AMPLIFIER - STEREO 2 CHANNEL |
| 15 | 149557-04-01A | EA | PLATE/WALL - TRIPLE COAXIAL/HORIZONTAL - WHITE |
| 16 | 149750-03-000 | EA | TRANSMITTER - F/INFRA RED RECEIVER |
| 17 | 149750-04-000 | EA | MODULE/INTERFACE - INFRA RED (RECEIVER TO TRANSMITTER) |

***COMPONENT PARTS LISTED LATER IN THIS GROUP**

ELECTRICAL GROUP (CONTINUED)
COMPONENT PARTS FOR WIRING



076319-23-000

| KEY | PART NUMBER | U/M | DESCRIPTION | VENDOR NO. |
|-----|---------------|-----|-------------------------|------------|
| 2 | 076319-01-700 | EA | HEAD-ANTENNA, AMPLIFIED | RVSA U/V |
| 3 | 076319-01-701 | EA | GEAR-ELEVATING, PLASTIC | 2200046 |
| 4 | 076319-01-702 | EA | SHAFT ASM-ELEVATING | RP-4000 |
| 5 | 076319-01-711 | EA | BASE & LIFT ASM | 2762802 |
| 7 | 076319-01-705 | EA | GROMMET-NYLON, 7/8"ID | 3200658 |
| 8 | 076319-01-708 | EA | DECAL-CRANK | 5413002 |
| 9 | 076319-01-707 | EA | SPRING-HANDLE | 2160822 |
| 11 | 076319-01-712 | EA | PLATE - CEILING | 3200608 |
| 12 | 076319-01-715 | EA | NUT (GEAR HOUSING) | 2200047 |
| 14 | 076319-01-713 | EA | PLATE-BASE, STEEL | 3100523 |
| 15 | 076319-01-703 | EA | BEARING-NYLON, 5"OD | 3200656 |
| 16 | 076319-01-714 | EA | HOUSING, ROTATING GEAR | 2200049 |
| 17 | 076319-01-704 | EA | BEARING-NYLON, 1.25"OD | 3200657 |
| 18 | 076319-01-709 | EA | HANDLE-HEAD DIRECTIONAL | 200644 |
| | 076319-01-716 | EA | TUBING, ELEVATING | RP-2900 |

CONTACT WINNEBAGO PART SALES FOR UNLISTED COMPONENT(S)

076319-25-000

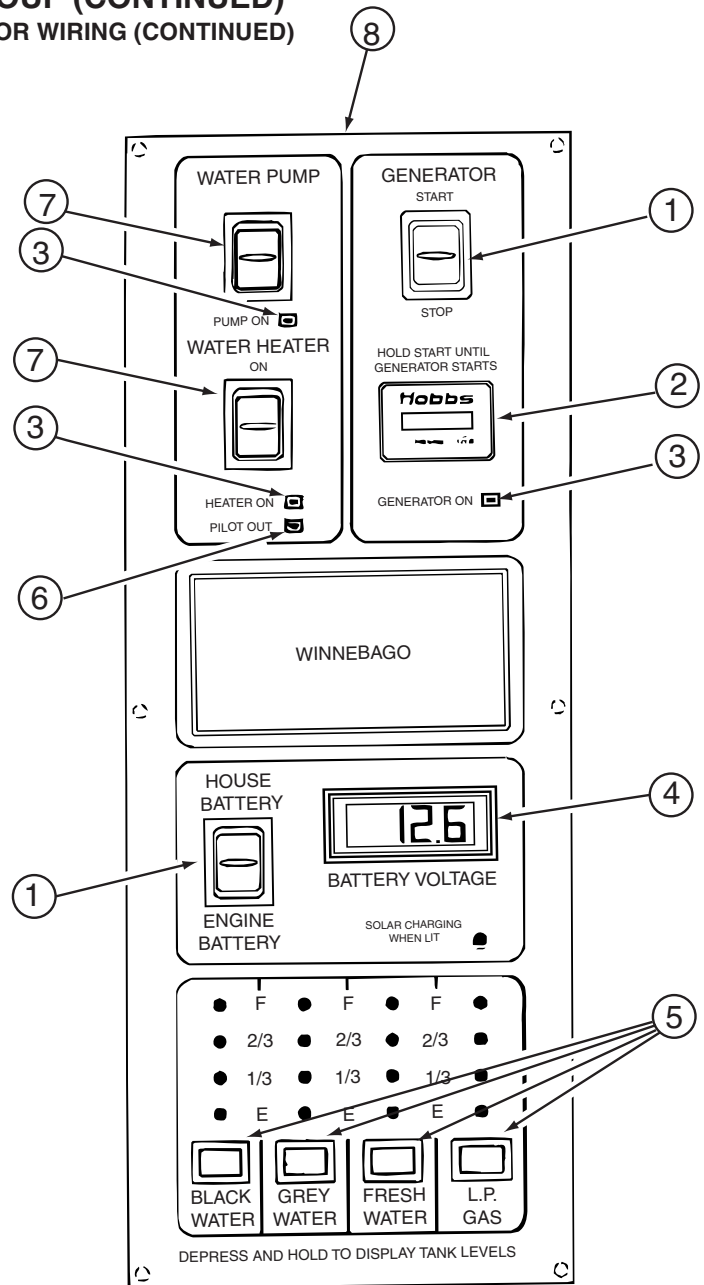
| KEY | PART NUMBER | U/M | DESCRIPTION | VENDOR NO. |
|-----|---------------|-----|------------------------------|------------|
| 6 | 076319-01-706 | EA | CRANK-W/SET SCREW UNIV/BEIGE | 2750897 |
| 6 | 120233-01-710 | EA | HANDLE-CRANK W/SCREW - WHITE | RP-6795 |
| 8 | 076319-01-708 | EA | DECAL-CRANK | 5413002 |
| 10 | 076319-25-700 | EA | DIRECTIONAL HANDLE(WHITE) | 3200612 |
| 11 | 076319-25-701 | EA | PLATE - CEILING(WHITE) | 3200609 |
| 13 | 120233-01-709 | EA | WASHER-NYLON | RP-2658 |

CONTACT WINNEBAGO PART SALES FOR UNLISTED COMPONENT(S)

ELECTRICAL GROUP (CONTINUED)
COMPONENT PARTS FOR WIRING (CONTINUED)

| | | | | |
|------------|--------------------|-----------------------------------|----------------------|-------------------|
| | | | 086280-01-000 | |
| KEY | PART NUMBER | U/M DESCRIPTION | | VENDOR NO. |
| | 086280-01-700 | EA BULB,12V | | ARP1089 |
| | | | 087694-01-000 | |
| KEY | PART NUMBER | U/M DESCRIPTION | | VENDOR NO. |
| | 087694-01-700 | EA BULB | | GE561 |
| | | | 091937-08-000 | |
| KEY | PART NUMBER | U/M DESCRIPTION | | VENDOR NO. |
| | 091937-08-700 | EA LENS - LIGHT - FLUORESCENT | | D-766 |
| | | | 091937-09-000 | |
| KEY | PART NUMBER | U/M DESCRIPTION | | VENDOR NO. |
| | 091937-09-700 | EA LENS - LIGHT - FLUORESCENT | | D-762 |
| | | | 093575-23-03A | |
| KEY | PART NUMBER | U/M DESCRIPTION | | VENDOR NO. |
| | 093575-23-700 | EA GLOBE - SQUARE | | |
| | | | 093575-33-03A | |
| KEY | PART NUMBER | U/M DESCRIPTION | | VENDOR NO. |
| | 093575-33-701 | EA GLASS(WHITE SWIRL)W/IND HOLE | | 9111 |
| | 093575-33-702 | EA FINIAL (MOON BALL)SATIN NICKL | | 12-139-TY |
| | | | 097917-01-06A | |
| KEY | PART NUMBER | U/M DESCRIPTION | | VENDOR NO. |
| | 097917-01-700 | EA LENS-LIGHT, CLEAR | | 30-78-021 |
| | | | 105620-15-000 | |
| KEY | PART NUMBER | U/M DESCRIPTION | | VENDOR NO. |
| | 105620-15-700 | EA FUSE/BUSS (2AMP/250V) 3 PER PK | | 8330-3343 |
| | | | 108354-01-01A | |
| KEY | PART NUMBER | U/M DESCRIPTION | | VENDOR NO. |
| | 108354-01-700 | EA BULB-COURTESY LIGHT | | 395-B |
| | | | 113589-01-000 | |
| KEY | PART NUMBER | U/M DESCRIPTION | | VENDOR NO. |
| | 113589-01-700 | EA ADAPTER, 4-WAY/6-WAY | | 5291 |
| | | | 113589-02-000 | |
| KEY | PART NUMBER | U/M DESCRIPTION | | VENDOR NO. |
| | 113589-03-700 | EA ADAPTER 7 RND SPADE/4 FLAT | | 5290 |
| | | | 115504-01-000 | |
| KEY | PART NUMBER | U/M DESCRIPTION | | VENDOR NO. |
| | 115504-01-700 | EA PLUG & CABLE, 10 WATT PANEL | | 600-016 |
| | | | 121935-01-01A | |
| KEY | PART NUMBER | U/M DESCRIPTION | | VENDOR NO. |
| | 121935-01-700 | EA LENS ONLY | | 809511 |
| | | | 123775-01-02A | |
| KEY | PART NUMBER | U/M DESCRIPTION | | VENDOR NO |
| | 123775-01-702 | EA BEZEL/LENS - SATIN NICKEL | | 99 953470 |

ELECTRICAL GROUP (CONTINUED)
COMPONENT PARTS FOR WIRING (CONTINUED)



133004-02-01A

| KEY | PART NUMBER | U/M | DESCRIPTION | VENDOR NO. |
|-----|---------------|-----|------------------------------|------------|
| 1 | 133004-01-702 | EA | SWITCH/DPDT MOM=ON-OFF-ON | L1011-00 |
| 2 | 100258-10-701 | EA | GAUGE-HR METER ONLY (LCD) | L0775-00 |
| 3 | 133004-01-706 | EA | L.E.D. GREEN-PANEL MOUNT | L0785 |
| 4 | 133004-01-704 | EA | METER/VOLT-DIGITAL - LCD | L1008-00 |
| 5 | 133004-01-705 | EA | SWITCH/MOM ON - PUSH BUTTON | L0950-00 |
| 6 | 133004-01-703 | EA | L.E.D. RED-PANEL MOUNT | L1009-00 |
| 7 | 133004-01-701 | EA | SWITCH/DPDT ON-ON/MAINTAINED | L1025-00 |
| 8 | 133004-02-701 | EA | SCREENED - CHASSIS | CC0547-00 |
| | 133004-02-700 | EA | BOARD - PC | L5113-03 |

133004-05-01A

| KEY | PART NUMBER | U/M | DESCRIPTION | VENDOR NO. |
|-----|---------------|-----|------------------------------|------------|
| 1 | 133004-01-702 | EA | SWITCH/DPDT MOM=ON-OFF-ON | L1011-00 |
| 2 | 100258-10-701 | EA | GAUGE-HR METER ONLY (LCD) | L0775-00 |
| 3 | 133004-01-706 | EA | L.E.D. GREEN-PANEL MOUNT | L0785 |
| 4 | 133004-01-704 | EA | METER/VOLT-DIGITAL - LCD | L1008-00 |
| 5 | 133004-01-705 | EA | SWITCH/MOM ON - PUSH BUTTON | L0950-00 |
| 6 | 130004-01-703 | EA | L.E.D. RED-PANEL MOUNT | L1009-00 |
| 7 | 133004-01-701 | EA | SWITCH/DPDT ON-ON/MAINTAINED | L1025-00 |
| 8 | 133004-05-700 | EA | SCREENED CHASSIS | CC0563-00 |
| | 133004-05-701 | EA | BOARD - PC | L5130-02 |

ELECTRICAL GROUP (CONTINUED)
COMPONENT PARTS FOR WIRING (CONTINUED)

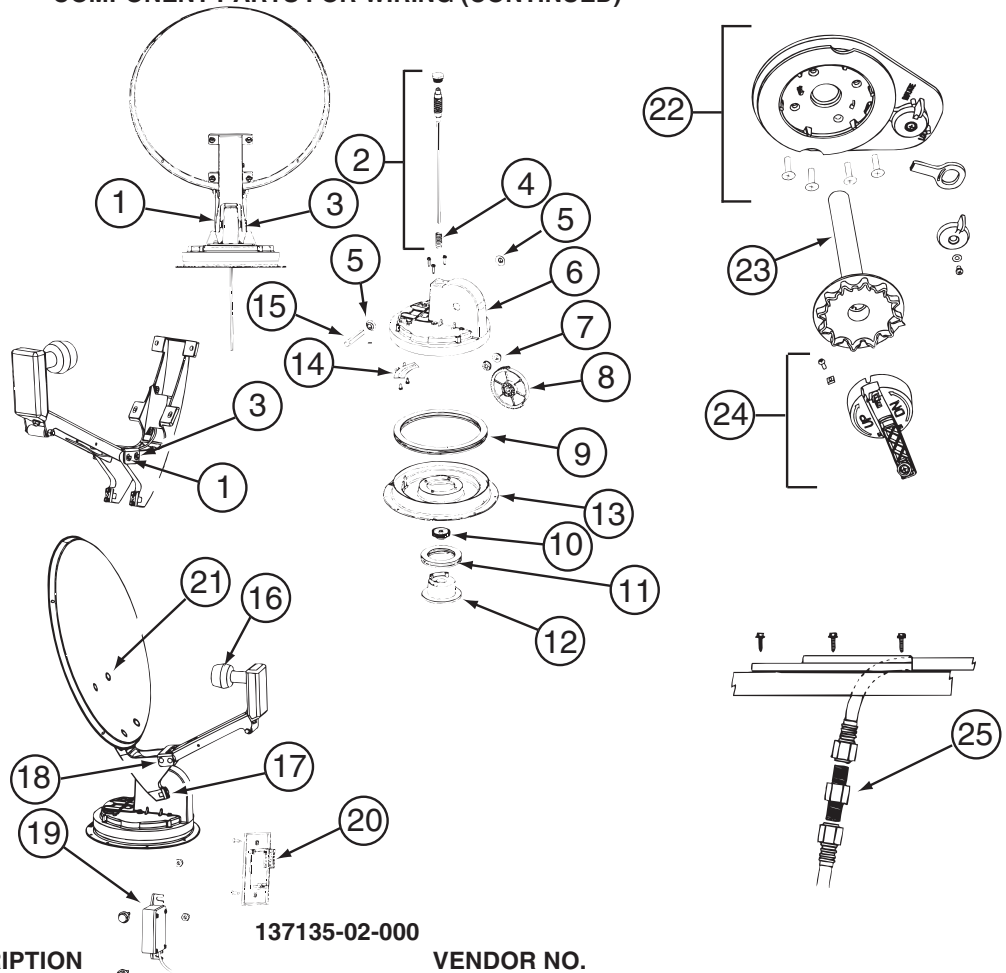
133068-01-000

| KEY | PART NUMBER | U/M | DESCRIPTION | VENDOR NO |
|------------|--------------------|------------|--------------------|------------------|
| | 133068-01-700 | EA | BULB/HAIRDRYER | 46048-004 |

136119-01-000

| KEY | PART NUMBER | U/M | DESCRIPTION | VENDOR NO. |
|------------|--------------------|------------|-------------------------------|---------------------|
| | 136119-01-700 | EA | COMPASS SENSOR (BLACK BOX) | AP-SUB-005 |
| | 136119-01-701 | EA | PROBE/TEMPERATURE SENSOR(V1) | AP-SUB-004A |
| | 136119-01-702 | EA | DISPLAY MODULE-LED (V1) | AP-SUB-004B |
| | 136119-01-703 | EA | HARNESS - COMPASS POWER | AP-HRN-175 |
| | 136119-01-704 | EA | HARNESS - COMPASS ENGINE | AP-HRN-176 |
| | 136119-01-705 | EA | HRNSS-COMP.TEMP SENSOR V1 | AP-HRN-177 |
| | 136119-01-706 | EA | PROBE/TEMPERATURE SENSOR (V2) | AP-SUB-006 |
| | 136119-01-707 | EA | DISPLAY MODULE - VISUAL (V2) | AP-SUB-007 |
| | 136119-01-708 | EA | HARNESS/COMP. COMP/THERM(V2) | AP-HRN-239 W/PACKRD |

ELECTRICAL GROUP (CONTINUED)
COMPONENT PARTS FOR WIRING (CONTINUED)



137135-02-000

| KEY | PART NUMBER | U/M | DESCRIPTION | VENDOR NO. |
|-----|---------------|-----|------------------------------|----------------|
| 1 | 120233-01-714 | EA | CLIP-E | 5160818 |
| 2 | 137135-01-703 | EA | KIT ELEV - SHAFT/GEAR/SPRING | RP-4400 |
| 3 | 137135-01-704 | EA | PIN - 1/4" X 3.25" | 2160813 |
| 4 | 137135-01-705 | EA | SPRING | 2160818 |
| 5 | 137135-01-707 | EA | SEAL - PIVOT SHAFT | 2200852 |
| 6 | 137135-01-708 | EA | TURRET | 3100728 |
| 7 | 137135-01-709 | EA | PIVOT BEARING | 2200470 |
| 8 | 137135-01-711 | EA | GEAR - ELEVATING | 2200464 |
| 9 | 137135-01-712 | EA | BEARING - OUTER | 2590347 |
| 10 | 137135-01-714 | EA | GEAR - ELEVATING SHAFT | 2200465 |
| 11 | 137135-01-715 | EA | BEARING - INNER | 2590348 |
| 12 | 137135-01-716 | EA | HUB | 3100731 |
| 13 | 137135-01-713 | EA | TURRET BASE | 3100730 |
| 14 | 137135-01-710 | EA | PLATE - ROTATE LIMIT | 3720052 |
| 16 | 137135-02-703 | EA | LOW NOISE BLOCK FILTER | LB-6000 - DUAL |
| 17 | 137135-01-722 | EA | CLAMP | 2590343 |
| 18 | 137135-01-719 | EA | BRACKET - PIVOT | 2744945 |
| 19 | 137135-01-720 | EA | DE-SENSOR UNIT W/43" CABLE | DM4000 |
| 20 | 137135-02-701 | EA | BOX - SURFACE MOUNT | SM-100 |
| 21 | 137135-01-717 | EA | BOLT - FLAT HEAD | 2160362 |
| 22 | 120233-01-737 | EA | PLATE/INT-W/DIRECTIONAL HDLE | RK-CEIL |
| 23 | 120233-01-704 | EA | DIAL/DIRECTIONAL 4"W/SPRING | 3200364 |
| 24 | 120233-01-738 | EA | HDW PKG-HANDLE/SPRING/WASHER | RK-HAND |
| 25 | 137135-01-701 | EA | CONNECTOR - F - MALE TO MALE | FS-8100 |
| | 120233-04-700 | EA | KIT-WALL PLATE/CABLE - GRAY | DM4000 |
| | 137135-01-700 | EA | ROOF WEDGE W/GASKET | RW-5000 |
| | 137135-01-706 | EA | KIT-TURRET/SEAL/BEARING/GEAR | RP-RM30 |
| | 137135-01-718 | EA | REFLECTOR/WHITE-46CM W/HDW | RP-35RM |
| | 137135-02-700 | EA | DE-SENSOR | 2780096 |
| | 137135-02-704 | EA | KIT-UPDATE DIRECTIONAL HDL | RP-RMDH |
| | 137135-02-705 | EA | KIT-TURRET & SHAFT COMPLETE | RP-RM46 |

CONTACT WINNEBAGO PART SALES FOR UNLISTED COMPONENT(S)

ELECTRICAL GROUP (CONTINUED)
COMPONENT PARTS FOR WIRING (CONTINUED)

137417-01-01A, 137417-03-01A

| KEY | PART NUMBER | U/M | DESCRIPTION | VENDOR NO. |
|-----|---------------|-----|-------------------------|------------|
| | 137417-01-700 | EA | LENS - SINGLE (FROSTED) | 810868 |

137417-02-01A

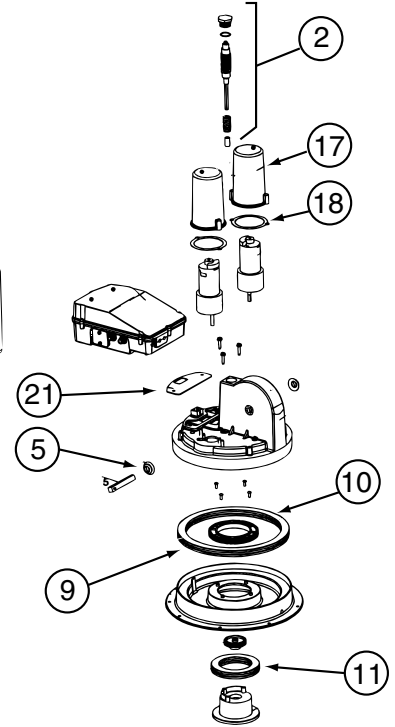
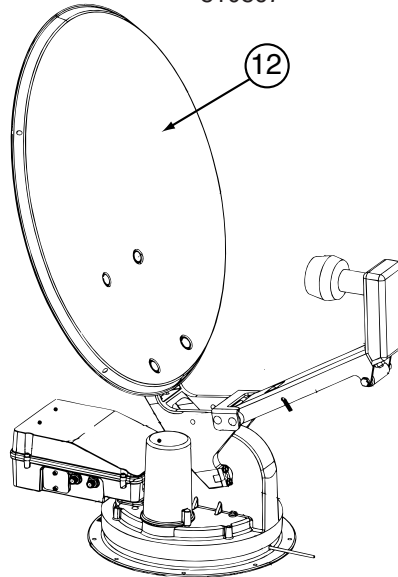
| KEY | PART NUMBER | U/M | DESCRIPTION | VENDOR NO. |
|-----|---------------|-----|---------------------|------------|
| | 137417-02-700 | EA | LENS - SINGLE OPTIC | 810844 |

137417-05-01A

| KEY | PART NUMBER | U/M | DESCRIPTION | VENDOR NO. |
|-----|---------------|-----|---------------------|------------|
| | 137417-05-700 | EA | LENS - DOUBLE OPTIC | 810845 |

137417-06-01A

| KEY | PART NUMBER | U/M | DESCRIPTION | VENDOR NO. |
|-----|---------------|-----|---------------------|------------|
| | 137417-06-700 | EA | LENS - DOUBLE WHITE | 810867 |



141454-03-01A

| KEY | PART NUMBER | U/M | DESCRIPTION | VENDOR NO. |
|-----|---------------|-----|------------------------------|----------------|
| 2 | 141454-01-700 | EA | KIT ELEV-SHAFT/GEARS/SPRING | RP-RM20 |
| 4 | 137135-01-705 | EA | SPRING | 2160818 |
| 5 | 137135-01-707 | EA | SEAL - PIVOT SHAFT | 2200852 |
| 9 | 137135-01-712 | EA | BEARING - OUTER | 2590347 |
| 10 | 137135-01-714 | EA | GEAR - ELEVATING SHAFT | 2200465 |
| 10 | 141454-01-712 | EA | GEAR - ROTATE | 2200469 |
| 11 | 137135-01-715 | EA | BEARING - INNER | 2590348 |
| 12 | 137135-01-718 | EA | REFLECTOR/WHITE-46CM W/HDWE | RP-35RM |
| 13 | 137135-01-713 | EA | TURRET BASE | 3100730 |
| 17 | 141454-01-705 | EA | HOUSING - MOTOR | 3200260 |
| 18 | 141454-01-706 | EA | GASKET - MOTOR HOUSING | 2240054 |
| 21 | 141454-01-709 | EA | GASKET | 2240056 |
| | 120233-01-714 | EA | CLIP-E | 5160818 |
| | 137135-01-704 | EA | PIN - 1/4" X 3.25" | 2160813 |
| | 137135-01-719 | EA | BRACKET - PIVOT | 2744945 |
| | 137135-01-722 | EA | CLAMP | 2590343 |
| | 137135-01-723 | EA | SUPPORT/FRAME-BACKUP-W/HDWE | RP-RM00 |
| | 137135-02-703 | EA | LOW NOISE BLOCK FILTER | LB-6000 - DUAL |
| | 141454-01-701 | EA | KIT - GEAR/MOTOR-GEAR/ROTATE | RP-RM25 |
| | 141454-01-702 | EA | HOUSING/ELECTRONICS - UPPER | RP-RM10 |
| | 141454-01-703 | EA | HOUSING/ELECTRONICS - LOWER | RP-RM15 |
| | 141454-01-704 | EA | KIT LIFT ASSEMBLY COMPLETE | RP-RM05 |
| | 141454-03-700 | EA | MOTOR (AZIMUTH) | 2665042 |
| | 141454-03-701 | EA | MOTOR (ELEVATION) | 2665041 |
| | 141454-03-702 | EA | CIRCUIT BOARD(CONTROL BOARD) | RP-RM80 |
| | 141454-03-703 | EA | CONTRL PANEL W/BOX (AS2003) | RP-AS85 |

CONTACT WINNEBAGO PART SALES FOR UNLISTED COMPONENT(S)

ELECTRICAL GROUP (CONTINUED)
COMPONENT PARTS FOR WIRING (CONTINUED)

| | | | 144377-01-000 | |
|-----|---------------|--------------------------------|-------------------------------|-----------------|
| KEY | PART NUMBER | U/M DESCRIPTION | | VENDOR NO. |
| | 144377-01-700 | EA SWITCH | | 2400101 |
| | 144377-01-701 | EA PLATE F/SWITCH | | 3202239 |
| | 144377-01-702 | EA DOME W/NOTCHES | | 2780402 |
| | | | 146298-01-000 | |
| KEY | PART NUMBER | U/M DESCRIPTION | | VENDOR NO. |
| | 146298-01-700 | EA REMOTE - TV | | 1-477-119-21 |
| | | | 146298-02-000 | |
| KEY | PART NUMBER | U/M DESCRIPTION | | VENDOR NO. |
| | 146298-02-700 | EA REMOTE - TV | | 1-478-707-11 |
| | | | 146299-01-000 | |
| KEY | PART NUMBER | U/M DESCRIPTION | | VENDOR NO. |
| | 146299-01-700 | EA REMOTE - TV | | 1-476-680-11 |
| | | | 146299-02-000 | |
| KEY | PART NUMBER | U/M DESCRIPTION | | VENDOR NO. |
| | 146299-02-700 | EA REMOTE - TV | | 1-468-835-11 |
| | | | 146396-02-000 & 146396-03-000 | |
| KEY | PART NUMBER | U/M DESCRIPTION | | VENDOR NO. |
| | 146396-02-700 | EA REMOTE | | 9-885-035-23 |
| | | | 148113-01-000, 148113-03-000 | |
| KEY | PART NUMBER | U/M DESCRIPTION | | VENDOR NO. |
| | 148113-01-700 | EA REMOTE - SIRIUS RADIO | | 0111202P00 |
| | | | 148158-01-000 | |
| KEY | PART NUMBER | U/M DESCRIPTION | | VENDOR NO. |
| | 148158-01-700 | EA ANTENNA - F/GPS W/20' CABLE | | DIS-CMP-ANTNGPS |
| | | | 148231-01-000 | |
| KEY | PART NUMBER | U/M DESCRIPTION | | VENDOR NO. |
| | 148231-01-700 | EA REMOTE | | RC3100 |
| | | | 149040-02-000 | |
| KEY | PART NUMBER | U/M DESCRIPTION | | VENDOR NO. |
| | 149040-02-700 | EA REMOTE - TB | | RCR311TBM1-RCA |
| | | | 149049-01-000,149049-02-000 | |
| KEY | PART NUMBER | U/M DESCRIPTION | | VENDOR NO. |
| | 149049-01-700 | EA REMOTE (TV) | | RM-Y1735 |

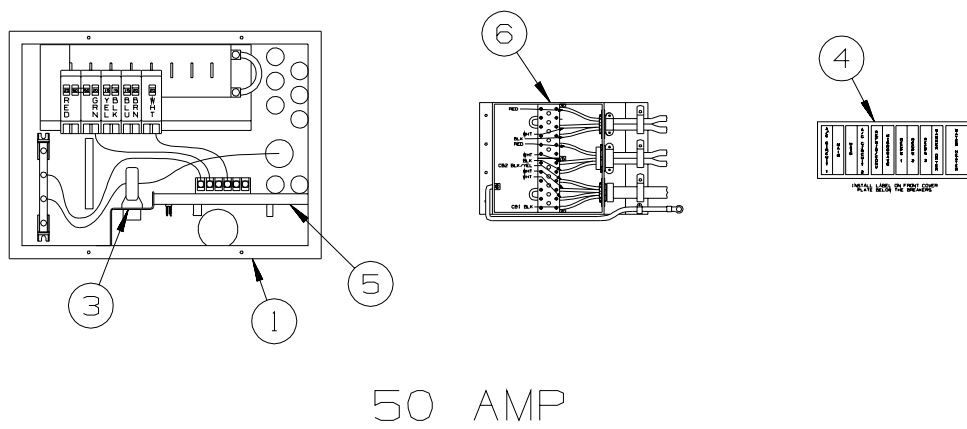
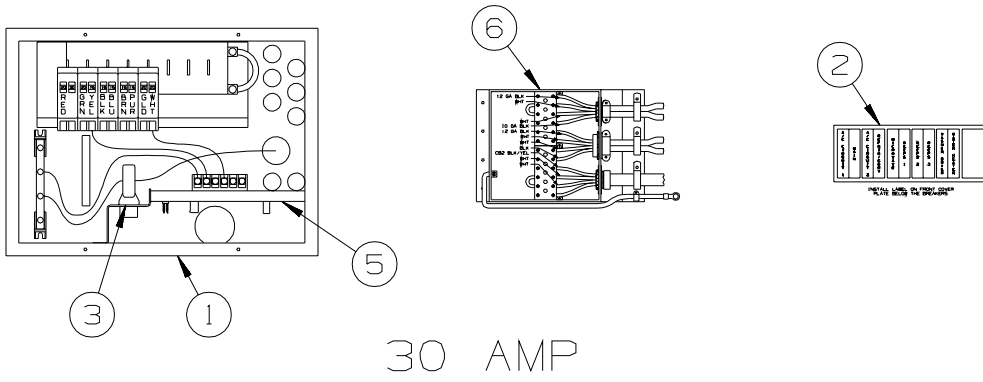
ELECTRICAL GROUP (CONTINUED)
CIRCUIT BREAKERS, FUSES & RELAYS

| KEY | PART NUMBER | U/M | DESCRIPTION |
|------------|--------------------|------------|----------------------------------------------------------|
| | 008235-01-000 | EA | FUSE - 15 AMP/12VOLT - AUTOMOTIVE |
| | 033573-01-000 | EA | CIRCUIT BREAKER W/MOUNT-20A, 12V - FASCO 1711-2026 |
| | 062901-02-000 | EA | FUSE - 5 AMP - AUTOMOTIVE |
| | 062901-04-000 | EA | FUSE - 10 AMP - AUTOMOTIVE |
| | 062901-05-000 | EA | FUSE - 15 AMP - AUTOMOTIVE |
| | 062901-06-000 | EA | FUSE - 20 AMP - AUTOMOTIVE |
| | 062901-07-000 | EA | FUSE - 25 AMP - AUTOMOTIVE |
| | 062901-08-000 | EA | FUSE - 30 AMP - AUTOMOTIVE |
| | 063910-01-000 | EA | HOUSING - RELAY |
| | 063912-02-000 | EA | RELAY - CANISTER - SPDT |
| | 083209-01-000 | EA | CIRCUIT BREAKER - 15 AMP - 120 VOLT - CANADIAN |
| | 083209-02-000 | EA | CIRCUIT BREAKER - 15/15 AMP - 120 VOLT |
| | 083209-03-000 | EA | CIRCUIT BREAKER - 15/20 AMP - 120 VOLT |
| | 083209-04-000 | EA | CIRCUIT BREAKER - 30 AMP - 120 VOLT |
| | 083209-05-000 | EA | CIRCUIT BREAKER - 20 AMP - 120 VOLT |
| | 083209-06-000 | EA | CIRCUIT BREAKER - 30/15 AMP - 120 VOLT |
| | 083209-07-000 | EA | CIRCUIT BREAKER - 20/20 AMP - 120 VOLT |
| | 083209-10-000 | EA | CIRCUIT BREAKER - 20/30 AMP - 120 VOLT |
| | 083209-11-000 | EA | CIRCUIT BREAKER - 20/15 AMP - 120 VOLT |
| | 092786-03-000 | EA | BUSS BAR - 6.9" LONG |
| | 092786-06-000 | EA | BUSS BAR |
| | 093654-01-000 | EA | CIRCUIT BREAKER - 6 AMP - 12 VOLT - PUSH BUTTON - WHITE |
| | 093654-02-000 | EA | CIRCUIT BREAKER - 15 AMP - 12 VOLT - PUSH BUTTON - WHITE |
| | 093654-03-000 | EA | CIRCUIT BREAKER - 20 AMP - 12 VOLT - PUSH BUTTON - WHITE |
| | 093654-11-000 | EA | COVER - RESET BUTTON |
| | 093655-01-000 | EA | CIRCUIT BREAKER - 25 AMP - 12 VOLT - PUSH BUTTON - WHITE |
| | 093655-02-000 | EA | CIRCUIT BREAKER - 30 AMP - 12 VOLT - PUSH BUTTON - WHITE |
| | 093655-03-000 | EA | CIRCUIT BREAKER - 40 AMP - 12 VOLT - PUSH BUTTON - WHITE |
| | 097611-01-000 | EA | CIRCUIT BREAKER - 10 AMP |
| | 097611-02-000 | EA | CIRCUIT BREAKER - 30 AMP |
| | 097611-03-000 | EA | CIRCUIT BREAKER - 20 AMP |
| | 097611-04-000 | EA | CIRCUIT BREAKER - 25 AMP |
| | 100341-01-000 | EA | FUSE HOLDER - IN LINE TYPE |
| | 106656-01-000 | EA | FUSE BLOCK - 4 CAVITY - AUTOFUSE |
| | 108567-01-000 | EA | CIRCUIT BREAKER - 40 AMP - 12 VOLT - TYPE II |
| | 111683-01-000 | EA | FUSE - HOLDER - GLASS - 1/4" X 1 1/4" |
| | 113482-01-000 | EA | CIRCUIT BREAKER - 55 AMP - MANUAL |
| | 115187-01-000 | EA | FUSE - 300 AMP - NON-DELAY |
| | 115187-02-000 | EA | FUSE HOLDER - BUSS ANN/ANL BLOCK |
| | 119930-01-000 | EA | CAPACITOR - ELECTROLYTIC |
| | 122811-01-000 | EA | CIRCUIT BREAKER - 20/50/50/20 AMP - 250V |
| | 125986-02-000 | EA | FUSE - 5 AMP - AUTO - MINI BLADE |
| | 125986-04-000 | EA | FUSE - 10 AMP - AUTO - MINI BLADE |
| | 125986-05-000 | EA | FUSE - 15 AMP - AUTO - MINI BLADE |
| | 125986-06-000 | EA | FUSE - 20 AMP - AUTO - MINI BLADE |
| | 125986-07-000 | EA | FUSE - 25 AMP - AUTO - MINI BLADE |
| | 134127-01-000 | EA | CIRCUIT BREAKER - 10 AMP - MINI |
| | 141789-01-000 | EA | SPACER - CIRCUIT BREAKER |

CONVERTER, INVERTER, LOAD CENTERS

| KEY | PART NUMBER | U/M | DESCRIPTION |
|------------|--------------------|------------|------------------------------------------------------------|
| | 099048-04-000 | EA | INVERTER - 300 WATT |
| | 123058-01-000 | EA | CONVERTER - 55 AMP - ELECTRONIC - 4 1/8"H X 7"W X 12 3/8"L |
| | 123058-02-000 | EA | CONVERTER - 45 AMP - ELECTRONIC - 4 1/8"H X 7"W X 12 3/8"L |

ELECTRICAL GROUP (CONTINUED)
CONVERTER, INVERTER, LOAD CENTERS (CONTINUED)



| KEY | PART NUMBER | U/M | DESCRIPTION |
|-----|---------------|-----|------------------------------------------------------|
| 1 | 141258-01-000 | EA | LOAD CENTER - 120/240 - 50 AMP |
| 1 | 141258-02-000 | EA | LOAD CENTER - COVER |
| 2 | 095721-31-000 | EA | LABEL - CONTROL CENTER - 30 AMP - US |
| 3 | 127002-07-000 | EA | SENSOR - CURRENT |
| 4 | 095721-33-000 | EA | LABEL - CONTROL CENTER - 50 AMP - US |
| 5 | 127002-08-000 | EA | MODULE - EMS CENTER - W/REMOTE SENSOR |
| | | | FROM: 00-00-00 THRU: 11-07-04 |
| 5 | 127002-11-000 | EA | MODULE - EMS CENTER - W/REMOTE SENSOR |
| | | | FROM: 11-08-04 THRU: 99-99-99 |
| 6 | 106071-06-000 | EA | SWITCH - AUTOMATIC TRANSFER - PARALLAX 5070 - 50 AMP |

BOXES & CORDS

| KEY | PART NUMBER | U/M | DESCRIPTION |
|-----|---------------|-----|----------------------------------------------------------|
| | 008054-01-000 | EA | CORD - POWER - 10/3 WIRE - 30 AMP - 25' |
| | 092492-11-000 | EA | SEAL - ELECTRIC BOX - 7" X 18.4" |
| | 108934-02-000 | EA | CORD - POWER - 50 AMP - 4-WIRE - 36' |
| | 115832-01-000 | FT | CORD - HEAVY DUTY - 14-2 W/GROUND |
| | 131679-01-000 | EA | BOX/ELECTRIC-WATERPROOF-4" X 4" - W/4 3/4"OUTLETS-UL/CSA |
| | 131680-01-000 | EA | COVER - F/ELECTRIC BOX W/GASKET 4" X 4" - UL/CSA |
| | 133070-01-000 | EA | BOX - ELECTRIC/PLASTIC - 3" X 2" X 2.8" - UL |
| | 133070-02-000 | EA | BOX - ELECTRIC/PLASTIC - 3" X 2" X 2.8" - CSA |

ELECTRICAL GROUP (CONTINUED)
WIRE ASSEMBLIES

| KEY | PART NUMBER | U/M | DESCRIPTION |
|-----|---------------|-----|-----------------------------------------------------------------------------------------------------------|
| | 096449-01-000 | EA | WIRE ASSEMBLY - WATER TANK TO MONITOR PANEL FROM: 00-00-00 THRU: 05-02-04 |
| | 151317-01-000 | EA | WIRE ASM-W/NO CONTACT SENSORS - FRESH WATER/BLK TANK - MALE PLUG - 3.9" FROM: 05-03-04 THRU: 99-99-99 |
| | 096450-05-000 | EA | WIRE F/SENSORS - BLACK WATER - 23.6" FROM: 00-00-00 THRU: 05-02-04 |
| | 151317-02-000 | EA | WIRE ASM-W/NO CONTACT SENSORS - FRESH WATER/BLK TANK - MALE PLUG - 23.6" FROM: 05-03-04 THRU: 99-99-99 |
| | 096451-06-000 | EA | WIRE F/SENSORS - GREY WATER - 23.6" FROM: 00-00-00 THRU: 05-02-04 |
| | 151316-02-000 | EA | WIRE ASM - W/NO CONTACT SENSORS - GREY WATER - FEMALE PLUG - 23.6" FROM: 05-03-04 THRU: 99-99-99 |
| | 077069-02-000 | EA | CABLE/EXTENSION - RADIO ANTENNA - 96" |
| | 077069-03-000 | EA | CABLE/EXTENSION - RADIO ANTENNA - 260" |
| | 117420-04-000 | EA | CABLE - RCA - (MALE/MALE) - 50 FT |
| | 149750-02-000 | EA | CABLE - (RECEIVER TO MODULE) - 45' |
| | 103608-01-000 | EA | SOCKET - WEDGE BASE W/LEADS |
| | 108029-03-000 | EA | WIRE ASSEMBLY - POWER PASSENGER SEAT |
| | 124882-08-000 | EA | WIRE LOOM - AMPLIFIER - Q SURROUND |
| | 125853-04-000 | EA | WIRE LOOM - ENTERTAINMENT CENTER |
| | 126030-01-000 | EA | WIRE ASM - WIPER/WASHER - WORKHORSE |
| | 135131-01-000 | EA | WIRE LOOM - THERMOSTAT |
| | 135420-02-000 | EA | WIRE LOOM - RADIO |
| | 136028-01-000 | EA | WIRE ASM-SOFA,REST EASY |
| | 137135-03-000 | EA | WIRE LOOM - DIGITAL ELEVATION SENSOR |
| | 137135-04-000 | EA | WIRE HARNESS - POWER - DIGITAL ELEVATION SENSOR |
| | 139583-01-000 | EA | WIRE LOOM - SOFA/DOUBLE REST EASY |
| | 139583-02-000 | EA | WIRE LOOM - SOFA/REAR SWITCH |
| | 141454-04-000 | EA | WIRE - SATELLITE - AUTOMATIC |
| | 141678-09-000 | EA | WIRE - ASM - HEADLAMP, WORKHORSE |
| | 142258-02-000 | EA | WIRE LOOM - VIDEO SWITCH/POWER SUPPLY |
| | 143545-01-000 | EA | WIRE ASSEMBLY - REAR MONITOR |
| | 147139-02-000 | EA | WIRE - STEREO KIT - ASA 100ZXIHAR |
| | 147313-01-000 | EA | WIRE - OUTSIDE TEMP SENSOR - W/O SENSOR |
| | 148115-01-000 | EA | WIRE/POWER CABLE |

ELECTRICAL GROUP (CONTINUED)
CONNECTORS & CONDUIT

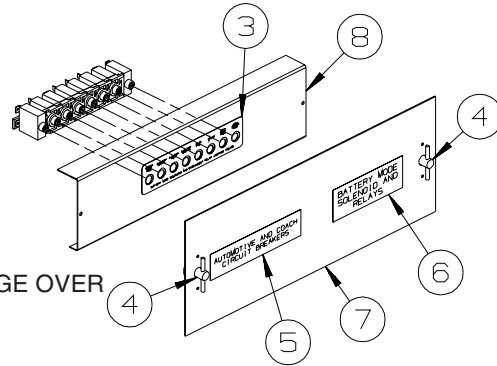
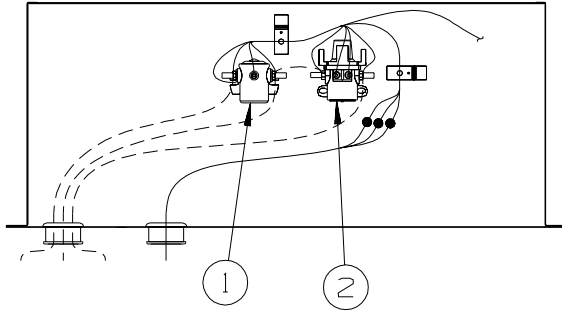
| KEY | PART NUMBER | U/M | DESCRIPTION |
|-----|---------------|-----|----------------------------------------------------------|
| | 007940-01-000 | EA | RECEPTACLE/SLIDE 16 TO 12 AWG - FEMALE END |
| | 007940-02-000 | EA | RECEPTACLE-SLIDE 10 AWG - AMP 180351-2 |
| | 007954-01-000 | EA | RECEPTACLE - HOUSING - 6 POSITION |
| | 007956-05-000 | EA | INSULATOR - SHRINK - 1/4"ID X 1 1/2" |
| | 008058-01-000 | EA | ADAPTER - POWER CORD - 30 AMP TO 15 AMP |
| | 008311-01-000 | EA | CONNECTOR - WIRE NUT - INSULATED - RED |
| | 008312-01-000 | EA | CONNECTOR - WIRE NUT - INSULATED - BLUE |
| | 008313-01-000 | EA | CONNECTOR - WIRE NUT - INSULATED - YELLOW |
| | 008314-01-000 | EA | CONNECTOR - WIRE NUT - INSULATED - GRAY |
| | 008326-01-000 | EA | TERMINAL - RING - 16/14 WIRE - 3/8" STUD |
| | 008328-01-000 | EA | TERMINAL - RING - 12/10 WIRE - #10 STUD FIT |
| | 008331-01-000 | EA | TERMINAL - RING - TONGUE - #4 WIRE - 3/8" STUD - COPPER |
| | 008348-01-000 | EA | TERMINAL - RING - 3/8" STUD 2 GA. WIRE |
| | 008355-01-000 | EA | CONNECTOR - CABLE CLAMPING - 3/4" |
| | 008356-01-000 | EA | CONNECTOR - PLASTIC - 3/8" |
| | 008356-02-000 | EA | CONNECTOR - PLASTIC - 21/32" |
| | 008394-01-000 | FT | CONDUIT - FLEXIBLE - 1/2" |
| | 008398-01-000 | EA | CONNECTOR - 1/2" X 90 DEGREE - FLEX CONDUIT - UL & CSA |
| | 035416-04-000 | EA | TERMINAL - RING - #10 STUD FIT - INSULATED BARREL #16/14 |
| | 041953-01-000 | FT | CONDUIT - CONVOLUTE SLIT - .5" ID - POLYETHYLENE |
| | 041953-03-000 | FT | CONDUIT - CONVOLUTE SLIT - 1" ID (CLOTHES ROD COVER) |
| | 041953-06-000 | FT | CONDUIT - CONVOLUTE SLIT - .4" ID - POLYETHYLENE |
| | 041953-07-000 | FT | CONDUIT - CONVOLUTE SLIT - .25" ID - POLYETHYLENE |
| | 041953-08-000 | FT | CONDUIT - CONVOLUTE SLIT - 1.5" ID - POLYETHYLENE |
| | 041953-09-000 | FT | CONDUIT - CONVOLUTE SLIT - .5" ID - NYLON |
| | 041953-10-000 | FT | CONDUIT - CONVOLUTE SLIT - .75" ID - NYLON |
| | 041953-11-000 | FT | CONDUIT - CONVOLUTE SLIT - 1.06" ID - NYLON |
| | 041953-12-000 | FT | CONDUIT - CONVOLUTE SOLID - 1.1" ID - NYLON |
| | 041953-13-000 | FT | CONDUIT - CONVOLUTE SLIT - 1.25" ID |
| | 041953-14-000 | FT | CONDUIT - CONVOLUTE SLIT - 1.5" ID |
| | 041953-15-000 | FT | CONDUIT - CONVOLUTE SLIT - 2" |
| | 041953-16-000 | FT | CONDUIT - CONVOLUTE SLIT - 2" |
| | 047443-01-000 | EA | TERMINAL - .250 RECEPTACLE FIT - INSULATED - 16/14 AWG |
| | 047443-02-000 | EA | TERMINAL - .250 RECEPTACLE FIT - INSULATED - 12/10 AWG |
| | 058028-01-000 | EA | CONNECTOR - ELECTRICAL PIGTAIL - NYLON - CLEAR |
| | 062036-01-000 | EA | TERMINAL - PACK - CON - 12/10 AWG |
| | 077479-01-000 | EA | BOOT - BATTERY TERMINAL - DOUBLE CABLE |
| | 077479-02-000 | EA | BOOT - BATTERY TERMINAL - SINGLE CABLE |
| | 080015-02-000 | EA | RECEPTACLE - FLAG - .185 - 16/14 GAUGE |
| | 080015-03-000 | EA | RECEPTACLE - FLAG - .250 - 14/16 GAUGE |
| | 082109-01-000 | EA | HOUSING - CONNECTOR - PACKARD |
| | 082741-01-000 | EA | CONNECTOR BODY - 2 CONNECTOR MALE |
| | 087225-01-000 | FT | SLEEVING - 1/2" - TYPE H |
| | 087949-01-000 | EA | BUSS BAR - 2 POSITION - .6" X 1.5" |
| | 087949-03-000 | EA | BUSS BAR - 4 POSITION |
| | 088473-01-000 | EA | HOUSING - PIN - 12 CAVITY (3 ROWS OF 4) |
| | 088473-02-000 | EA | HOUSING - PIN - 15 CAVITY (3 ROWS OF 5) |
| | 088473-03-000 | EA | HOUSING - PIN - 9 CAVITY (3 ROWS OF 3) |
| | 088473-04-000 | EA | HOUSING - PIN - 8 CAVITY IN-LINE |
| | 088473-06-000 | EA | HOUSING - PIN - 6 CAVITY (2 ROWS OF 3) |
| | 088473-07-000 | EA | HOUSING - PIN - 5 CAVITY - IN-LINE |
| | 088473-08-000 | EA | HOUSING - PIN - 4 CAVITY - IN-LINE |
| | 088473-09-000 | EA | HOUSING - PIN - 3 CAVITY - IN-LINE |
| | 088473-10-000 | EA | HOUSING - PIN - 2 CAVITY - IN LINE |
| | 088474-01-000 | EA | HOUSING - SOCKET - 12 CAVITY |
| | 088474-02-000 | EA | HOUSING - SOCKET - 15 CAVITY |
| | 088474-03-000 | EA | HOUSING - SOCKET - 9 CAVITY |
| | 088474-06-000 | EA | HOUSING - SOCKET - 6 CAVITY |
| | 088474-07-000 | EA | HOUSING - SOCKET - 5 CAVITY |
| | 088474-08-000 | EA | HOUSING - SOCKET - 4 CAVITY |
| | 088474-09-000 | EA | HOUSING - SOCKET - 3 CAVITY |
| | 088474-10-000 | EA | HOUSING - SOCKET - 2 CAVITY |

ELECTRICAL GROUP (CONTINUED)
CONNECTORS & CONDUIT (CONTINUED)

| KEY | PART NUMBER | U/M | DESCRIPTION |
|-----|---------------|-----|-----------------------------------------------------------|
| | 088475-01-000 | EA | PIN - CONNECTOR - 14-20 AWG |
| | 088475-02-000 | EA | PIN - CONNECTOR - 10-12 AWG |
| | 088476-01-000 | EA | TERMINAL - ELECTRICAL |
| | 088476-02-000 | EA | SOCKET - CONNECTOR - 12-10 GA - PRE-TIN |
| | 098261-01-000 | EA | SOCKET - CONNECTOR - WEATHERPACK - 12 AWG |
| | 098261-02-000 | EA | SOCKET - CONNECTOR - WEATHERPACK - 14-18 AWG |
| | 098262-01-000 | EA | SEAL - CONNECTOR - WEATHERPACK |
| | 098264-01-000 | EA | HOUSING - 2 PIN - WEATHER PACK - MALE W/FEMALE PINS |
| | 098264-02-000 | EA | HOUSING - 2 PIN - WEATHER PACK - FEMALE W/MALE PINS |
| | 098265-02-000 | EA | PIN - CONNECTOR - WEATHER PACK |
| | 102777-02-000 | EA | TERMINAL - RING - #6 STUD - 10 AWG |
| | 103608-01-000 | EA | SOCKET - WEDGE BASE W/LEADS |
| | 104100-01-000 | EA | HOUSING - 1 POSITION - 75 AMPS |
| | 104100-03-000 | EA | TERMINAL - 75 AMP |
| | 110178-01-000 | EA | HOUSING - WIPER MOTOR |
| | 112823-01-000 | EA | SPLICE - REDUCER - 16-14 TO 18-22 |
| | 113135-01-000 | EA | TERMINAL - FEMALE - M/P - 14-16 - F/SEALED TERMINAL |
| | 113308-01-000 | EA | TERMINAL - FEMALE - M/P - 14-16 - 280 |
| | 113468-01-000 | EA | HOUSING - 2 POSITION-FEMALE-USED ON WIPER/WASHER WIRE ASM |
| | 115931-02-000 | EA | COVER - CONNECTOR - 50 AMP W/LOCKING RING |
| | 115932-01-000 | EA | CONNECTOR - FEMALE - 30 AMP/120 VOLT |
| | 116811-01-000 | EA | TERMINAL - .110 RECEPTACLE - 16-14 AWG |
| | 118571-01-000 | EA | CONNECTOR - 3-WAY - MALE/SEALED |
| | 118571-02-000 | EA | CONNECTOR - 3-WAY - FEMALE/SEALED |
| | 118571-05-000 | EA | LOCK - SECONDARY - FEMALE/SEALED |
| | 118571-06-000 | EA | LOCK - SECONDARY - MALE |
| | 118599-02-000 | EA | TERMINAL - MALE - M/P - 280/14-12 |
| | 118820-01-000 | EA | INSULATOR - TERMINAL |
| | 129233-01-000 | EA | HOUSING - 2-POSITION/FEMALE - 280-SERIES |
| | 129233-02-000 | EA | HOUSING - 2-POSITION/FEMALE - 280-SERIES |
| | 131681-01-000 | EA | CONNECTOR - 3/4" SO CORD - UL/CS |
| | 137207-01-000 | EA | HOUSING - PIN - 2 CAVITY/HIGH AMP |
| | 137208-01-000 | EA | HOUSING - SOCKET - 2 CAVITY/HIGH AMP |
| | 137209-01-000 | EA | PIN - CONNECTOR - 10AWG/HIGH AMP |
| | 137210-01-000 | EA | SOCKET - CONNECTOR - 10 AWG/HIGH AMP |
| | 138419-03-000 | EA | SOCKET - TURN SIGNAL LAMP - 3 WIRE |
| | 142520-01-000 | EA | TERMINAL - FEMALE - MINI-FIT 16 |
| | 142522-01-000 | EA | HOUSING - 4 PIN/MALE - MINI FIT |
| | 142524-01-000 | EA | HOUSING - 4 PIN/FEMALE - WEATHER PACK |
| | 142524-02-000 | EA | HOUSING - 4 PIN/FEMALE - WEATHER PACK |
| | 144283-01-000 | EA | CONNECTOR - 110V - F/USE WITH SOW WIRE - BLUE |
| | 144283-02-000 | EA | CONNECTOR - 110V - F/USE WITH NM ROMEX WIRE - CLEAR |
| | 145171-01-000 | EA | CONNECTOR - COAXIAL |
| | 149687-01-000 | EA | HOUSING - 2 POSITION/MALE - PACKARD |
| | 149687-02-000 | EA | LOCK - F/2 POSITION HOUSING - PACKARD |
| | 149688-01-000 | EA | TERMINAL - MALE - 16 GAUGE WIRE |

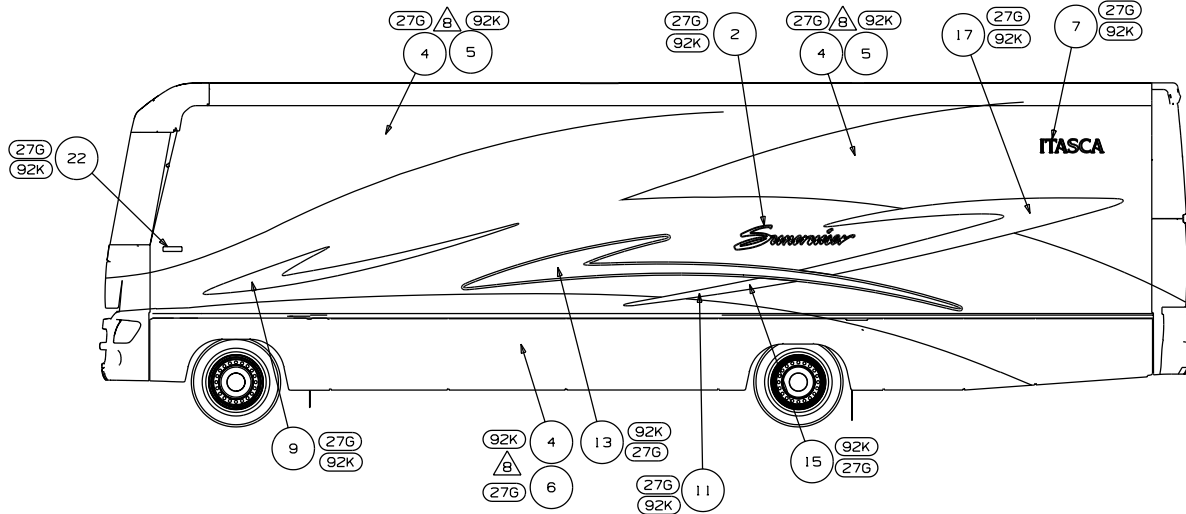
ELECTRICAL GROUP (CONTINUED) CHASSIS

| KEY | PART NUMBER | U/M | DESCRIPTION |
|-----|---------------|-----|----------------------------------------------------|
| | 065450-05-000 | EA | TIEDOWN - BATTERY - 8.4" TUBE |
| | 065451-05-000 | EA | BRACKET/TIEDOWN - BATTERY - 7.7" FROM BRKT TO BRKT |
| | 086233-01-000 | EA | STUD - ISOLATED - 3/8" X 7/8" LONG |

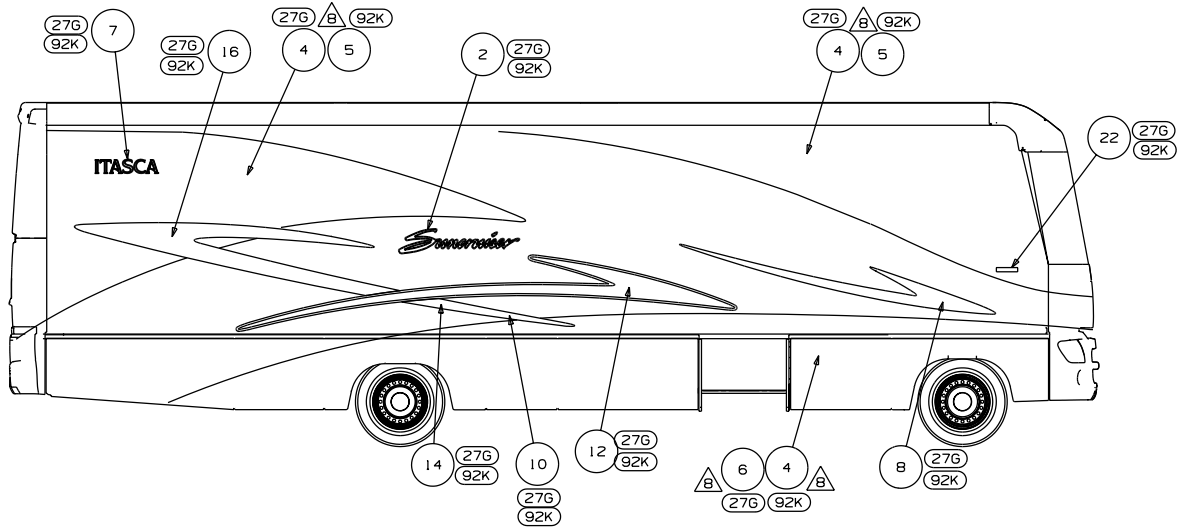


| KEY | PART NUMBER | U/M | DESCRIPTION |
|-----|---------------|-----|------------------------------------------------|
| 1 | 008188-01-000 | EA | SOLENOID - 3 POST - BATTERY CHANGE OVER |
| 2 | 086273-01-000 | EA | RELAY - BATTERY DISCONNECT |
| 3 | 093236-35-000 | EA | LABEL - CIRCUIT BREAKER |
| 4 | 098196-01-000 | EA | LATCH - 1/4 TURN - T-BAR |
| 5 | 098379-01-000 | EA | LABEL - CIRCUIT BREAKER - FRONT BOX |
| 6 | 098379-04-000 | EA | LABEL - ELECTRICAL BOX - SIDE |
| 7 | 109925-04-000 | EA | DOOR - ELECTRICAL BOX - 6.9" X 18.5" - GM/FORD |
| | 092492-11-000 | EA | SEAL - ELECTRIC BOX - 7" X 18.4" |
| 8 | 118531-02-02B | EA | PLATE - CIRCUIT BREAKER - E COATED |

EXTERIOR BODY GROUP GRAPHICS & PAINT



GRAPHICS



- △ CLEAR COAT TO BE APPLIED ON PAINT AREAS TO PROTECT PAINT.
- △ PROTECTIVE FILM 109506-01-000.
- △ SATELLITE DOME TO BE PAINTED.
- △ DIE CUT ACRYLIC 3M FILM, USED TO PROTECT FULL BODY PAINTED UNITS.
- 4. ON FULL BODY PAINTED UNITS, USE 145487-01-000 (100 FT.) TO COVER UNSEALED ROOF SEAMS.
- △ CLEAR COAT TO BE APPLIED ON ENTIRE UNIT TO PROTECT PAINT.
- △ CENTER ON UNIT.
- 1. APPLY PROTECTOR 116424-01-00 TO WATER HEATER DOOR LATCH.

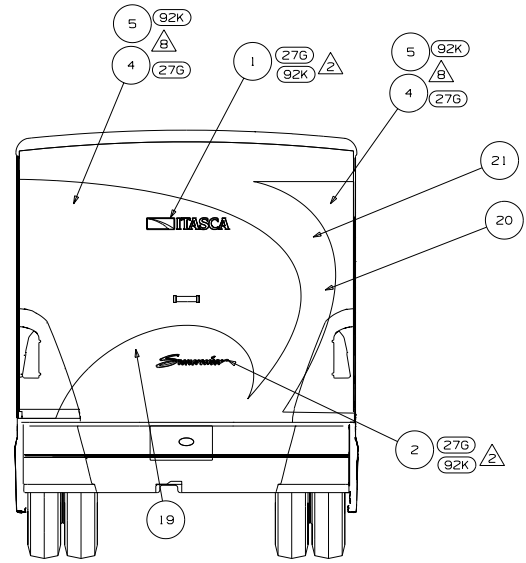
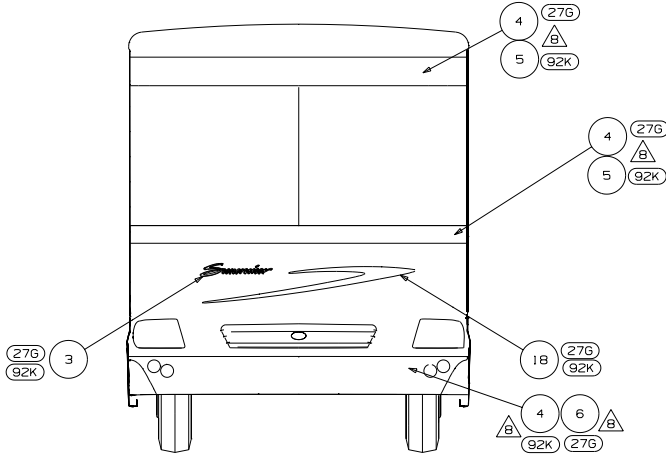
- 92K EXTERIOR GRAPHICS PACKAGE #2
- 27G EXTERIOR GRAPHICS PACKAGE #1
- 92A EXT FULL BODY PAINT PKG # 2
- 27A EXT FULL BODY PAINT PKG # 1

NOTES:

| KEY | PART NUMBER | U/M | DESCRIPTION |
|-------------|--------------------|-----|----------------------------------------------------------|
| 27G 1 | 124806-01-CHT(38A) | EA | DECAL-ITASCA W/ICON - BRT WHITE/TITANIUM |
| 92K 1 | 124806-01-CHT(39A) | EA | DECAL-ITASCA W/ICON - BRT WHITE/SPRUCE GREEN |
| 27G 2 | 129981-03-CHT(01A) | EA | DECAL-SUNCRUISER - BRT WHITE/DK MAUVE/DEEP BLUE STAR |
| 92K 2 | 129981-03-CHT(02A) | EA | DECAL-SUNCRUISER - BRT WHITE/SPRUCE GREEN/PINE GREEN |
| 27G 3 | 129981-04-CHT(01A) | EA | DECAL-SUNCRUISER,SML - BRT WHITE/DK MAUVE/DEEP BLUE STAR |
| 92K 3 | 129981-04-CHT(02A) | EA | DECAL-SUNCRUISER,SML - BRT WHITE/SPRUCE GREEN/PINE GREEN |
| △ 92K 27G 4 | 141599-32-000 | GL | PAINT - FLEXSHIELD - LT TITANIUM MET - FLEX #373-P7435 |
| △ 92K 5 | 141599-39-000 | GL | PAINT - FLEXSHIELD - SPRUCE GREEN MET - FLEX #373-P7443 |
| 27G 6 | 141599-40-000 | GL | PAINT - FLEXSHIELD - LT BRONZE MIST - FLEX #373-P7442 |
| 27G 7 | 144587-02-CHT(08A) | EA | DECAL-ITASCA - BRT WHITE/DEEP BLUE STAR |
| 27G 7 | 144587-02-CHT(09A) | EA | DECAL-ITASCA - BRT WHITE/PINE GREEN |
| 27G 8 | 149872-01-CHT(01A) | EA | DECAL-CHECKMARK #1,RH - MED BROWN/TITANIUM |
| 92K 8 | 149872-01-CHT(02A) | EA | DECAL-CHECKMARK #1,RH - SILVER SMOKE/SPRUCE GREEN |
| 27G 9 | 149872-02-CHT(01A) | EA | DECAL-CHECKMARK #1,LH - MED BROWN/TITANIUM |
| 92K 9 | 149872-02-CHT(02A) | EA | DECAL-CHECKMARK #1,LH - SILVER SMOKE/SPRUCE GREEN |
| 92K 27G 10 | 149873-01-CHT(01A) | EA | DECAL-PAINT MASK,RH #12 |
| 92K 27G 11 | 149873-02-CHT(01A) | EA | DECAL-PAINT MASK,LH #12 |
| 27G 12 | 149875-01-CHT(01A) | EA | DECAL-CHECKMARK #2,RH - DK MAUVE |
| 92K 12 | 149875-01-CHT(02A) | EA | DECAL-CHECKMARK #2,RH - LUXOR BROWN |
| 27G 13 | 149875-02-CHT(01A) | EA | DECAL-CHECKMARK #2,LH - DK MAUVE |
| 92K 13 | 149875-02-CHT(02A) | EA | DECAL-CHECKMARK #2,LH - LUXOR BROWN |
| 27G 14 | 149876-01-CHT(01A) | EA | DECAL-TIP,RH - DEEP BLUE STAR |
| 92K 14 | 149876-01-CHT(02A) | EA | DECAL-TIP,RH - PINE GREEN |
| 27G 15 | 149876-02-CHT(01A) | EA | DECAL-TIP,LH - DEEP BLUE STAR |
| 92K 15 | 149876-02-CHT(02A) | EA | DECAL-TIP,LH - PINE GREEN |
| 27G 16 | 149877-01-CHT(01A) | EA | DECAL-CHECKMARK #3,RH - DEEP BLUE STAR/MED BRWN |
| 92K 16 | 149877-01-CHT(02A) | EA | DECAL-CHECKMARK #3,RH - PINE GREEN/SILVER SMOKE |
| 27G 17 | 149877-02-CHT(01A) | EA | DECAL-CHECKMARK #3,LH - DEEP BLUE STAR/MED BRWN |
| 92K 17 | 149877-02-CHT(02A) | EA | DECAL-CHECKMARK #3,LH - PINE GREEN/SILVER SMOKE |
| 27G 18 | 149878-01-CHT(01A) | EA | DECAL-CHECKMARK,HOOD - DEEP BLUE STAR |
| 92K 18 | 149878-01-CHT(02A) | EA | DECAL-CHECKMARK,HOOD - PINE GREEN |
| 92K 27G 19 | 149880-01-CHT(01A) | EA | DECAL-PAINT MASK,RR,LWR #13 |
| 92K 27G 20 | 149881-01-CHT(01A) | EA | DECAL-PAINT MASK,RR,MDL #14 |
| 92K 27G 21 | 149882-01-CHT(01A) | EA | DECAL-PAINT MASK,RR,UPPER #14 |
| 92K 27G 22 | 132664-01-CHT(01A) | EA | DECAL-WINNEBAGO DOMED - GOLD CHROME/BLACK |

EXTERIOR BODY GROUP (CONTINUED)

GRAPHICS & PAINT (CONTINUED)

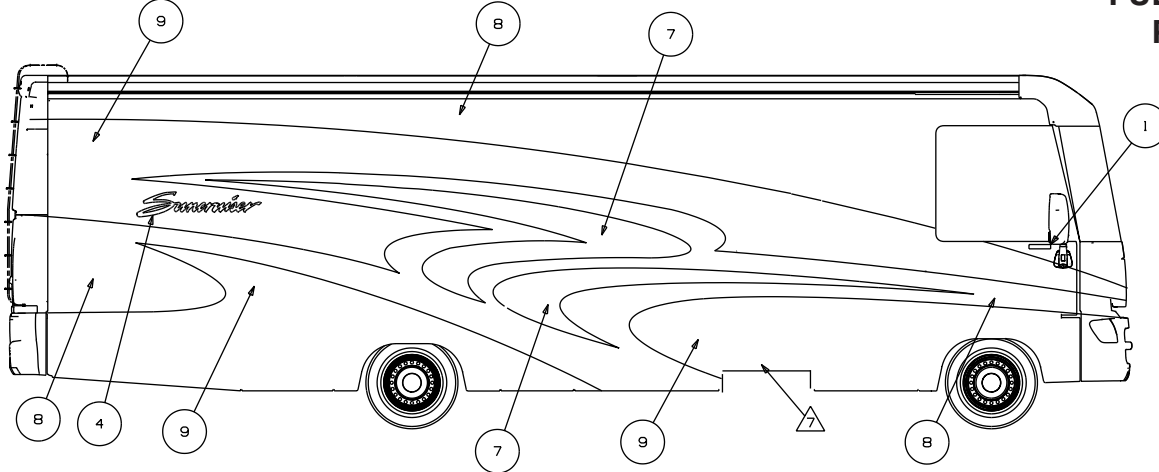
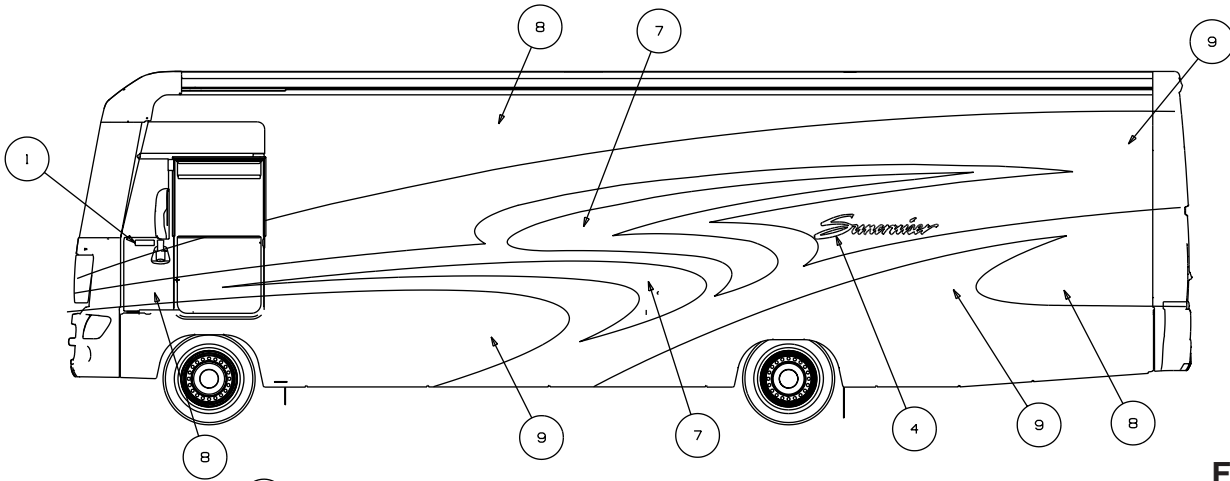


| KEY | PART NUMBER | U/M | DESCRIPTION |
|----------|--------------------|-----|----------------------------------------------------------|
| (27G) 1 | 124806-01-CHT(38A) | EA | DECAL-ITASCA W/ICON - BRT WHITE/TITANIUM |
| (92K) 1 | 124806-01-CHT(39A) | EA | DECAL-ITASCA W/ICON - BRT WHITE/SPRUCE DEEP GREEN |
| (27G) 2 | 129981-03-CHT(01A) | EA | DECAL-SUNCRUISER - BRT WHITE/DK MAUVE/DEEP BLUE STAR |
| (92K) 2 | 129981-03-CHT(02A) | EA | DECAL-SUNCRUISER - BRT WHITE/SPRUCE GREEN/PINE GREEN |
| (27G) 3 | 129981-04-CHT(01A) | EA | DECAL-SUNCRUISER,SML - BRT WHITE/DK MAUVE/DEEP BLUE STAR |
| (92K) 3 | 129981-04-CHT(02A) | EA | DECAL-SUNCRUISER,SML - BRT WHITE/SPRUCE GREEN/PINE GREEN |
| (92K) 4 | 41599-32-000 | GL | PAINT - FLEXSHIELD - LT TITANIUM MET - FLEX #373-P7435 |
| (92K) 5 | 41599-39-000 | GL | PAINT - FLEXSHIELD - SPRUCE GREEN MET - FLEX #373-P7443 |
| (27G) 6 | 41599-40-000 | GL | PAINT - FLEXSHIELD - LT BRONZE MIST - FLEX #373-P7442 |
| (27G) 7 | 44587-02-CHT(08A) | EA | DECAL-ITASCA - BRT WHITE/DEEP BLUE STAR |
| (92K) 7 | 44587-02-CHT(09A) | EA | DECAL-ITASCA - BRT WHITE/PINE GREEN |
| (27G) 8 | 49872-01-CHT(01A) | EA | DECAL-CHECKMARK #1,RH - MED BROWN/TITANIUM |
| (92K) 8 | 49872-01-CHT(02A) | EA | DECAL-CHECKMARK #1,RH - SILVER SMOKE/SPRUCE GREEN |
| (27G) 9 | 49872-02-CHT(01A) | EA | DECAL-CHECKMARK #1,LH - MED BROWN/TITANIUM |
| (92K) 9 | 49872-02-CHT(02A) | EA | DECAL-CHECKMARK #1,LH - SILVER SMOKE/SPRUCE GREEN |
| (92K) 10 | 49873-01-CHT(01A) | EA | DECAL-PAINT MASK,RH #12 |
| (92K) 11 | 49873-02-CHT(01A) | EA | DECAL-PAINT MASK,LH #12 |
| (27G) 12 | 49875-01-CHT(01A) | EA | DECAL-CHECKMARK #2,RH - DK MAUVE |
| (92K) 12 | 49875-01-CHT(02A) | EA | DECAL-CHECKMARK #2,RH - LUXOR BROWN |
| (27G) 13 | 49875-02-CHT(01A) | EA | DECAL-CHECKMARK #2,LH - DK MAUVE |
| (92K) 13 | 49875-02-CHT(02A) | EA | DECAL-CHECKMARK #2,LH - LUXOR BROWN |
| (27G) 14 | 49876-01-CHT(01A) | EA | DECAL-TIP,RH - DEEP BLUE STAR |
| (92K) 14 | 49876-01-CHT(02A) | EA | DECAL-TIP,RH - PINE GREEN |
| (27G) 15 | 49876-02-CHT(01A) | EA | DECAL-TIP,LH - DEEP BLUE STAR |
| (92K) 15 | 49876-02-CHT(02A) | EA | DECAL-TIP,LH - PINE GREEN |
| (27G) 16 | 49877-01-CHT(01A) | EA | DECAL-CHECKMARK #3,RH - DEEP BLUE STAR/MED BRWON |
| (92K) 16 | 49877-01-CHT(02A) | EA | DECAL-CHECKMARK #3,RH - PINE GREEN/SILVER SMOKE |
| (27G) 17 | 49877-02-CHT(01A) | EA | DECAL-CHECKMARK #3,LH - DEEP BLUE STAR/MED BROWN |
| (92K) 17 | 49877-02-CHT(02A) | EA | DECAL-CHECKMARK #3,LH - PINE GREEN/SILVER SMOKE |
| (27G) 18 | 49878-01-CHT(01A) | EA | DECAL-CHECKMARK,HOOD - DEEP BLUE STAR |
| (92K) 18 | 49878-01-CHT(02A) | EA | DECAL-CHECKMARK,HOOD - PINE GREEN |
| (92K) 19 | 49880-01-CHT(01A) | EA | DECAL-PAINT MASK,RR,LWR #13 |
| (92K) 20 | 49881-01-CHT(01A) | EA | DECAL-PAINT MASK,RR,MDL #14 |
| (92K) 21 | 49882-01-CHT(01A) | EA | DECAL-PAINT MASK,RR,UPPER #14 |
| (92K) 22 | 132664-01-CHT(01A) | EA | DECAL-WINNEBAGO DOMED - GOLD CHROME/BLACK |

GRAPHICS

EXTERIOR BODY GROUP (CONTINUED)

GRAPHICS & PAINT (CONTINUED)



FULL BODY PAINT

- 8. CLEAR COAT TO BE APPLIED ON PAINT AREAS TO PROTECT PAINT.
- 7. PROTECTIVE FILM 109506-01-000.
- 6. SATELLITE DOME TO BE PAINTED.
- 5. DIE CUT ACRYLIC 3M FILM,USED TO PROTECT FULL BODY PAINTED UNITS.
- 4. ON FULL BODY PAINTED UNITS,USE 145487-01-000 (100 FT.) TO COVER UNSEALED ROOF SEAMS.
- 3. CLEAR COAT TO BE APPLIED ON ENTIRE UNIT TO PROTECT PAINT.
- 2. CENTER ON UNIT.
- 1. APPLY PROTECTOR 116424-01-00 TO WATER HEATER DOOR LATCH.

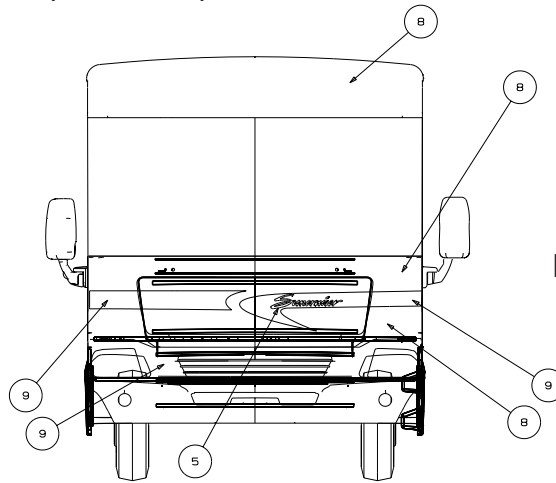
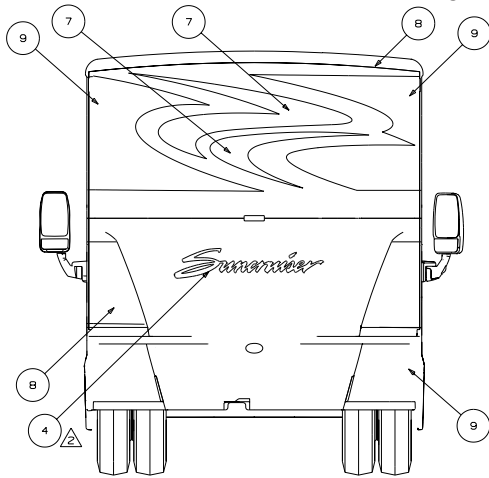
- 92K EXTERIOR GRAPHICS PACKAGE #2
- 27S EXTERIOR GRAPHICS PACKAGE #1
- 92A EXT FULL BODY PAINT PKG # 2
- 27A EXT FULL BODY PAINT PKG #1

NOTES:

| (27A) KEY | PART NUMBER | U/M | DESCRIPTION - LAKEWOOD |
|-----------|--------------------|-----|-----------------------------------------------------------------------|
| 1 | 132664-01-CHT(01A) | EA | DECAL - DOMED WINNEBAGO - GOLD CHROME/BLACK |
| 2 | 143366-68-000 | GL | PAINT - VARIO CLEAR #8000 - SPIES #295-8005-5L |
| 3 | 143369-01-000 | EA | KIT - 3M PAINT PROTECTION |
| 4 | 150325-03-CHT(01A) | EA | DECAL-SUNCRUISER,DOMED,LG - SILVER CHROME/BLACK/SILVER/LT CHARCOAL |
| 5 | 150325-04-CHT(01A) | EA | DECAL-SUNCRUISER,DOMED,SML - SILVER CHROME/BLACK/SILVER/LT CHARCOAL |
| 6 | XXXXXXXXXXXX | GL | PAINT - CUSTOM BLEND NON-METALLIC PAINT TO MATCH BLUESTONE MET #60728 |
| 7 | XXXXXXXXXXXX | GL | PAINT - SLATE GRAY PEARL MET - SHERWIN WILLIAMS #44995 |
| 8 | XXXXXXXXXXXX | GL | PAINT - BLUESTONE MET - SHERWIN WILLIAMS #60728 |
| 9 | XXXXXXXXXXXX | GL | PAINT - BRONZED GRAY MET - SHERWIN WILLIAMS #60813 |

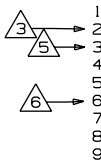
| (92A) KEY | PART NUMBER | U/M | DESCRIPTION - BLUFF RIDGE |
|-----------|--------------------|-----|---------------------------------------------------------------------|
| 1 | 132664-01-CHT(01A) | EA | DECAL - DOMED WINNEBAGO - GOLD CHROME/BLACK |
| 2 | 143366-68-000 | GL | PAINT - VARIO CLEAR #8000 - SPIES #295-8005-5L |
| 3 | 143369-01-000 | EA | KIT - 3M PAINT PROTECTION |
| 4 | 150325-03-CHT(01A) | EA | DECAL-SUNCRUISER,DOMED,LG - SILVER CHROME/BLACK/SILVER/LT CHARCOAL |
| 5 | 150325-04-CHT(01A) | EA | DECAL-SUNCRUISER,DOMED,SML - SILVER CHROME/BLACK/SILVER/LT CHARCOAL |
| 6 | XXXXXXXXXXXX | GL | PAINT - CUSTOM BLEND NON-METALLIC PAINT TO MATCH DK GRAY MET #64255 |
| 7 | XXXXXXXXXXXX | GL | PAINT - GRANITE MET - SHERWIN WILLIAMS #63989 |
| 8 | XXXXXXXXXXXX | GL | PAINT - DK GRAY MET - SHERWIAMS #64255 |
| 9 | XXXXXXXXXXXX | GL | PAINT - BRONZEMIST MET - SHERWIN WILLIAMS #63528 |

EXTERIOR BODY GROUP (CONTINUED)
GRAPHICS & PAINT (CONTINUED)



**FULL BODY
PAINT**

(27A) KEY

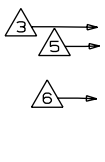


| KEY | PART NUMBER | U/M |
|-----|--------------------|-----|
| 1 | 132664-01-CHT(01A) | EA |
| 2 | 143366-68-000 | GL |
| 3 | 143369-01-000 | EA |
| 4 | 150325-03-CHT(01A) | EA |
| 5 | 150325-04-CHT(01A) | EA |
| 6 | XXXXXXXXXXXX | GL |
| 7 | XXXXXXXXXXXX | GL |
| 8 | XXXXXXXXXXXX | GL |
| 9 | XXXXXXXXXXXX | GL |

DESCRIPTION - LAKEWOOD

DECAL - DOMED WINNEBAGO - GOLD CHROME/BLACK
 PAINT - VARIO CLEAR #8000 - SPIES #295-8005-5L
 KIT - 3M PAINT PROTECTION
 DECAL-SUNCRUISER,DOMED,LG - SILVER CHROME/BLACK/SILVER/LT CHARCOAL
 DECAL-SUNCRUISER,DOMED,SML - SILVER CHROME/BLACK/SILVER/LT CHARCOAL
 PAINT - CUSTOM BLEND NON-METALLIC PAINT TO MATCH BLUESTONE MET #60728
 PAINT - SLATE GRAY PEARL MET - SHERWIN WILLIAMS #44995
 PAINT - BLUESTONE MET - SHERWIN WILLIAMS #60728
 PAINT - BRONZED GRAY MET - SHERWIN WILLIAMS #60813

(92A) KEY



| KEY | PART NUMBER | U/M |
|-----|--------------------|-----|
| 1 | 132664-01-CHT(01A) | EA |
| 2 | 143366-68-000 | GL |
| 3 | 143369-01-000 | EA |
| 4 | 150325-03-CHT(01A) | EA |
| 5 | 150325-04-CHT(01A) | EA |
| 6 | XXXXXXXXXXXX | GL |
| 7 | XXXXXXXXXXXX | GL |
| 8 | XXXXXXXXXXXX | GL |
| 9 | XXXXXXXXXXXX | GL |

DESCRIPTION - BLUFF RIDGE

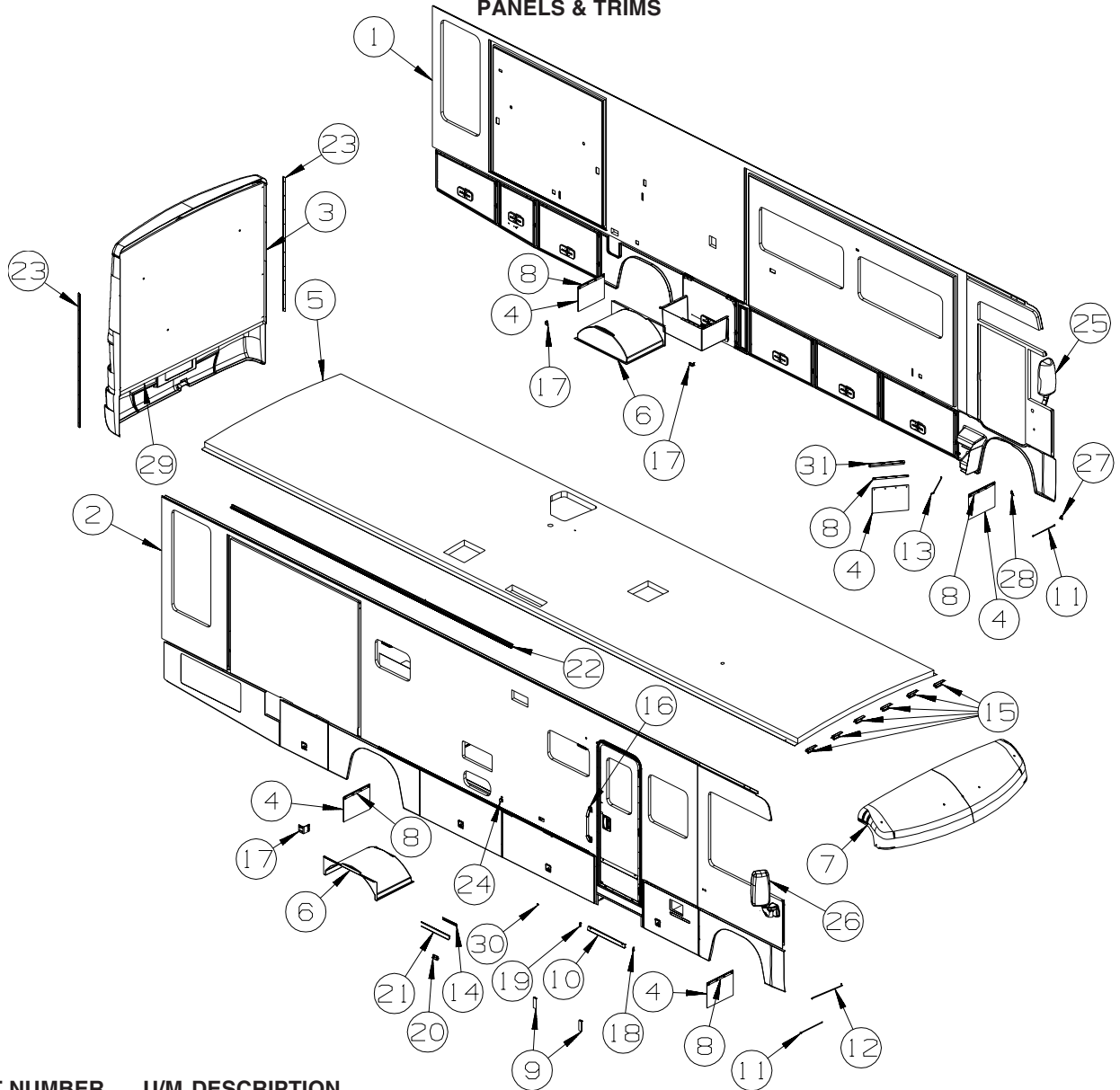
DECAL - DOMED WINNEBAGO - GOLD CHROME/BLACK
 PAINT - VARIO CLEAR #8000 - SPIES #295-8005-5L
 KIT - 3M PAINT PROTECTION
 DECAL-SUNCRUISER,DOMED,LG - SILVER CHROME/BLACK/SILVER/LT CHARCOAL
 DECAL-SUNCRUISER,DOMED,SML - SILVER CHROME/BLACK/SILVER/LT CHARCOAL
 PAINT - CUSTOM BLEND NON-METALLIC PAINT TO MATCH DK GRAY MET #64255
 PAINT - GRANITE MET - SHERWIN WILLIAMS #63989
 PAINT - DK GRAY MET - SHERWIAMS #64255
 PAINT - BRONZEMIST MET - SHERWIN WILLIAMS #63528

| KEY | PART NUMBER | U/M | DESCRIPTION |
|-----|---------------|-----|---------------------------------------|
| | 004308-01-000 | EA | PAINT - BLACK SPRAY |
| | 093681-40-01A | FT | FILM - 2" - FLAT BLACK - DRIVERS DOOR |
| | 072882-01-000 | EA | PAINT - 16 OUNCE SPRAY - OFF WHITE |

**DUPONT COLOR CODES ARE NOW FOUND IN THE PAINT CODE MANUAL.
 YOU CAN FIND THIS MANUAL ON YOUR DEALER INDEX WEBPAGE UNDER SERVICE.**

EXTERIOR BODY GROUP (CONTINUED)

PANELS & TRIMS

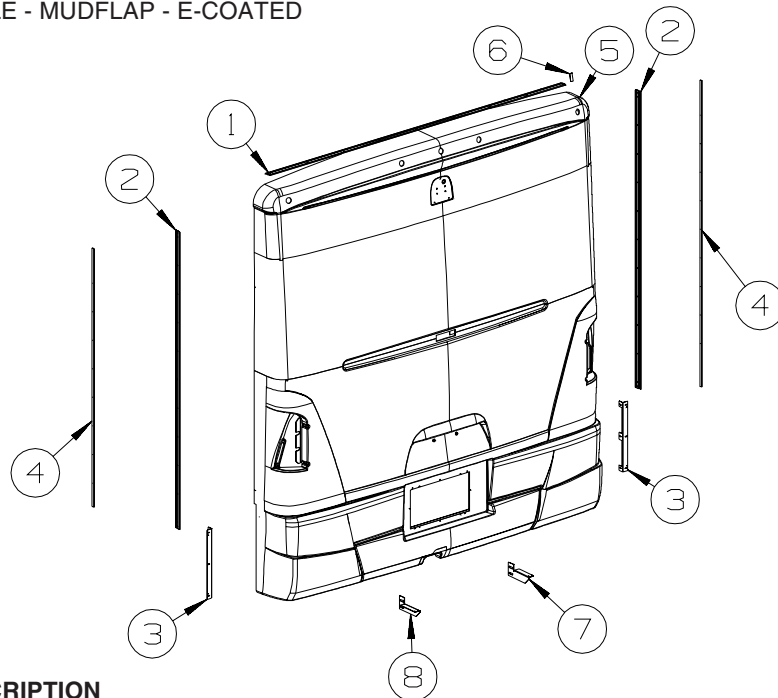


| KEY | PART NUMBER | U/M | DESCRIPTION |
|-----|---------------|-----|---------------------------------------------------------------|
| 1 | 150643-01-S64 | EA | SIDEWALL - DRIVER - W/O WINDOWS/TRIMS (S76, S77, S78, S79) |
| 1 | 150643-01-S68 | EA | SIDEWALL - DRIVER - W/O WINDOWS/TRIMS (S80, S81, S82, S83) |
| 1 | 150643-01-S72 | EA | SIDEWALL - DRIVER - W/O WINDOWS/TRIMS (S84, S85, S86, S87) |
| 2 | 150642-01-S64 | EA | SIDEWALL - PASSENGER - W/O WINDOWS/TRIMS (S76, S77, S78, S79) |
| 2 | 150642-01-S68 | EA | SIDEWALL - PASSENGER - W/O WINDOWS/TRIMS (S80, S81, S82, S83) |
| 2 | 150642-01-S72 | EA | SIDEWALL - PASSENGER - W/O WINDOWS/TRIMS (S84, S85, S86, S87) |
| 3 | 148785-51-S64 | EA | BACKWALL - W/O WINDOW/TRIMS (S76, S77, S78, S79) |
| 3 | 148785-51-S68 | EA | BACKWALL - W/O WINDOW/TRIMS (S80, S81, S82, S83) |
| 3 | 148785-51-S72 | EA | BACKWALL - W/O WINDOW/TRIMS (S84, S85, S86, S87) |
| 4 | 017516-01-000 | EA | MUD FLAP - 14"H X 18"W - W/O MOUNTING HOLES - RUBBER - BLK |
| 8 | 140922-01-02B | EA | RETAINER - MUD FLAP - 1" X 17.7" - E-COATED/BLACK |
| 5 | 150641-01-S64 | EA | ROOF - W/O LIGHTS/VENTS - W/WIRING |
| 6 | 131365-01-000 | EA | WHEELWELL - PLASTIC |
| 7 | 125052-02-J20 | EA | CAP - ROOF - W/O LIGHTS/WIRING |
| 8 | 017516-01-000 | EA | MUD FLAP - 14"H X 18"W - W/O MOUNTING HOLES - RUBBER - BLK |
| 9 | 121117-05-02B | EA | ANGLE - W/O SLOTS - 5.7" X 2" - E-COATED |
| 10 | 149822-01-02A | EA | TRIM - SIDEWALL/ENTRY DOOR - 25.3" - BLACK |
| 11 | 107865-06-000 | EA | ROD - SUPPORT - VALANCE PANEL - 15" |
| 12 | 107865-25-000 | EA | ROD - SUPPORT - VALANCE PANEL - 18.9" |
| 13 | 107865-27-000 | EA | ROD - SUPPORT - VALANCE PANEL - 17.3" |
| 14 | 146550-01-02A | EA | TRIM COVER - SIDEWALL - 182" - BLACK |
| 15 | 134774-01-02B | EA | BRACKET - CAB ATTACHMENT - E-COATED |

EXTERIOR BODY GROUP (CONTINUED)

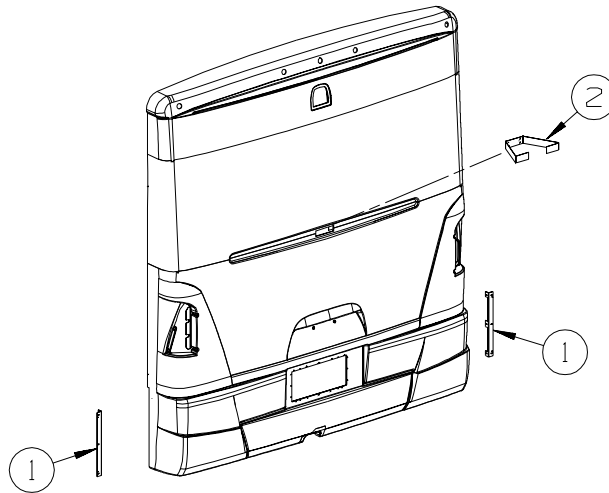
PANELS & TRIMS (CONTINUED)

| KEY | PART NUMBER | U/M | DESCRIPTION |
|-----|---------------|-----|-------------------------------------------------------------------------------------------|
| 16 | 132442-02-01A | EA | HANDLE - ASSIST/CLEAR-BLANK - 20" - W/CHROME ENDS |
| 17 | 119568-01-01A | EA | STANDOFF - VALANCE PANEL - BLACK |
| 18 | 146576-01-02A | EA | END CAP/TRIM - RIGHT HAND - BLACK |
| 19 | 146576-02-02A | EA | END CAP/TRIM - LEFT HAND - BLACK |
| 20 | 143143-02-01A | EA | ANGLE/SUPPORT/TRIM - E-COATED |
| 21 | 146548-01-01A | EA | TRIM - RETAINER |
| 22 | 131483-01-01A | EA | RAIL - AWNING - 192" - BRIGHT WHITE |
| 23 | 132273-01-02B | EA | BRACKET - REAR TRIM - E-COATED |
| 24 | 153498-01-02A | EA | BUMPER - RUBBER - BLACK - FULL BODY PAINT FROM: 10-15-04 THRU: 99-99-99 |
| 24 | 153498-01-01A | EA | BUMPER - RUBBER - WHITE FROM: 10-15-04 THRU: 99-99-99 |
| 25* | 142721-02-01A | EA | MIRROR - EXTERIOR REMOTE/HEAT/DRVR - (BREAKAWAY) - BLACK |
| 26* | 142721-01-01A | EA | MIRROR - EXTERIOR REMOTE/HEAT/PASS - (BREAKAWAY) - BLACK |
| 27 | 150742-02-02A | EA | CAP/TRIM - DRIVER DOOR - BLACK FROM: 07-12-04 THRU: 99-99-99 |
| 28 | 150742-01-02A | EA | CAP/TRIM - DRIVER DOOR - BLACK FROM: 07-12-04 THRU: 99-99-99 |
| 29 | 104692-01-000 | EA | SEAL - ADHESIVE BACKED FOAM - 3/4" THICK X 3/4" WIDE X 25' |
| 30 | 093873-01-01A | EA | TRIM - CARPET - L-ANGLE 1.1" X 1.3" X 12' - GRAY VINYL FROM: 00-00-00 THRU: 02-20-05 |
| 30 | 009812-34-000 | EA | MOLDING - CORNER - 1/2" W/1/4"CHAN X 84" - VW LIGHT GRAY FROM: 02-21-05 THRU: 99-99-99 |
| 31 | 132695-01-02B | EA | ANGLE - MUDFLAP - E-COATED |

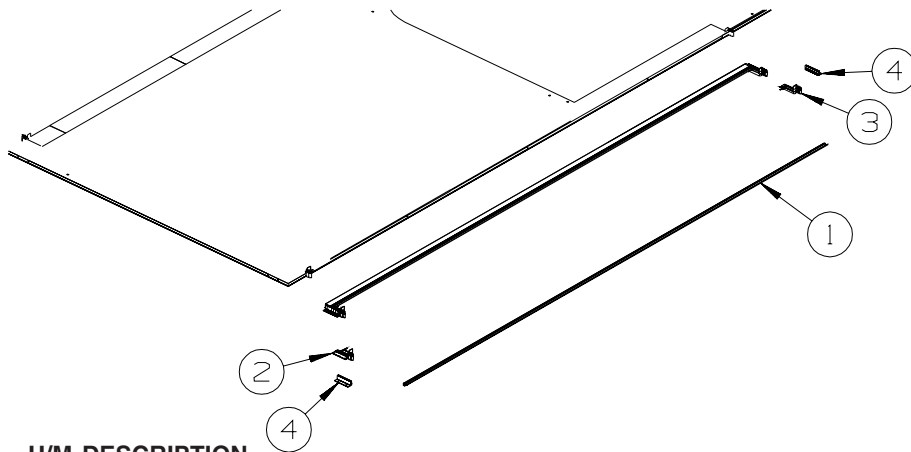


| KEY | PART NUMBER | U/M | DESCRIPTION |
|-----|---------------|-----|-------------------------------------------------------------------------------|
| 1 | 083805-23-000 | EA | TRIM - ROOF CAP - 92.1" - BRIGHT WHITE |
| 2 | 092041-09-01A | EA | TRIM - BACKWALL/SIDEWALL - 77.3" - BRIGHT WHITE |
| 3 | 138789-01-02B | EA | ANGLE/MOUNT - WHEEL LIP/BACKWALL - E-COATED |
| 4 | 091985-01-07A | FT | INSERT - TRIM - REAR CAP TO SIDEWALL - .66" - BRIGHT WHITE |
| 5 | 144541-04-R38 | EA | PANEL/REAR CAP - W/O CAMERA CUT-OUT - BRIGHT WHITE |
| 5 | 144541-03-R38 | EA | PANEL/REAR CAP - W/CAMERA CUT-OUT - BRIGHT WHITE - REAR MONITOR SYSTEM |
| 6 | 104692-03-000 | EA | SEAL - ADHESIVE BACKED FOAM - 1" THICK X 1 3/16"WIDE X 15' |
| 7 | 144593-01-02B | EA | BRACE - REAR CAP - RH |
| 8 | 144593-02-02B | EA | BRACE - REAR CAP - LH |

EXTERIOR BODY GROUP (CONTINUED)
PANELS & TRIMS (CONTINUED)



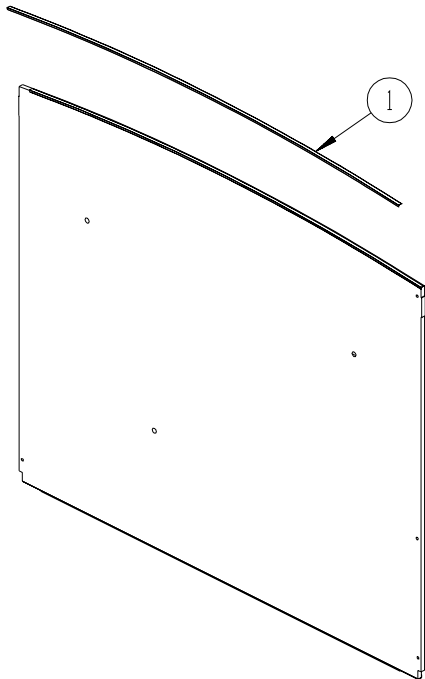
| KEY | PART NUMBER | U/M | DESCRIPTION |
|-----|---------------|-----|-------------------------------------|
| 1 | 138467-03-02B | EA | BRACKET/SUPPORT - BUMPER - E-COATED |
| 2 | 140337-02-02B | EA | BRACKET - REAR CAP - E-COATED |



FLOOR

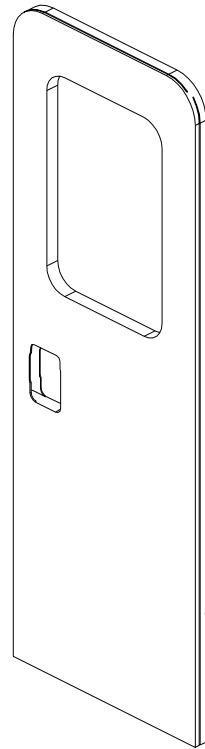
| KEY | PART NUMBER | U/M | DESCRIPTION |
|-----|---------------|-----|--------------------------------------|
| 1 | 143905-01-000 | FT | SEAL - LOWER - F/SLIDEOUT |
| 2 | 143219-01-01A | EA | SEAL - CORNER - F/REAR SLIDEOUT |
| 3 | 143219-02-01A | EA | SEAL - CORNER - F/REAR SLIDEOUT |
| 4 | 142043-01-01A | EA | TRIM - SEAL, FLOOR - SLIDEOUT - MILL |

EXTERIOR BODY GROUP (CONTINUED)
PANELS & TRIMS (CONTINUED)



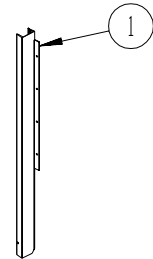
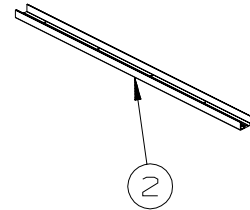
BACKWALL

| KEY | PART NUMBER | U/M DESCRIPTION |
|-----|---------------|----------------------------|
| 1 | 114248-02-01A | EA ANGLE - PLASTIC - 96.6" |



**PASSENGER
SIDEWALL**

| KEY | PART NUMBER | U/M DESCRIPTION |
|-----|---------------|---------------------------------------------|
| 1 | 133100-05-01A | EA TRIM - SIDEWALL - BLACK |
| 2 | 137599-01-01A | EA TRIM - NOTCHED- SIDEWALL - 33.2" - BLACK |
| 3 | 133100-06-01A | EA TRIM - SIDEWALL - BLACK |



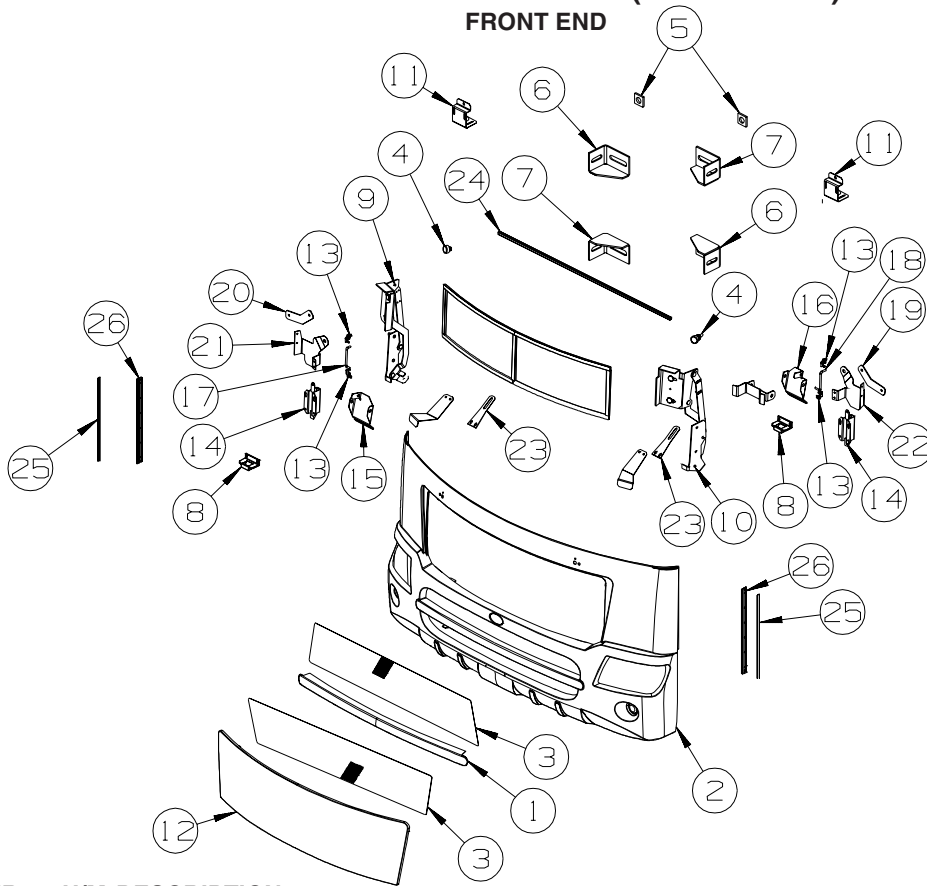
EXTERIOR BODY GROUP (CONTINUED)
COMPONENT PARTS FOR PANELS & TRIMS

142721-01-01A, 142721-02-01A

| KEY | PART NUMBER | U/M | DESCRIPTION | VENDOR NO. |
|------------|--------------------|------------|------------------------------|-------------------|
| | 106015-16-700 | EA | GLASS/FLAT-W/HEAT ELEMENT | 709450 |
| | 106015-18-700 | EA | GLASS/CONVEX | 709650 |
| | 106015-18-702 | EA | MOTOR - FLAT GLASS | 7471180 |
| | 106015-18-703 | EA | GLASS/CONVEX-ACT/HOUSING | 709651 |
| | 131431-03-700 | EA | LIGHT/TURN SIGNAL - AMBER | 7475510 |
| | 142721-01-700 | EA | COVER/CAP - BOTTOM | Q709678 |
| | 142721-01-701 | EA | CAP - RECTANGULAR (VELVAC) | 709557 |
| | 142721-01-702 | EA | BRACKET/MOUNT - MIRROR | 7096800 |
| | 142721-01-703 | EA | GASKET/MOUNT - MIRROR | 7094700 |
| | 142721-01-704 | EA | SET SCREW - 5/16"-18 X 1.25" | 4082140 |

EXTERIOR BODY GROUP (CONTINUED)

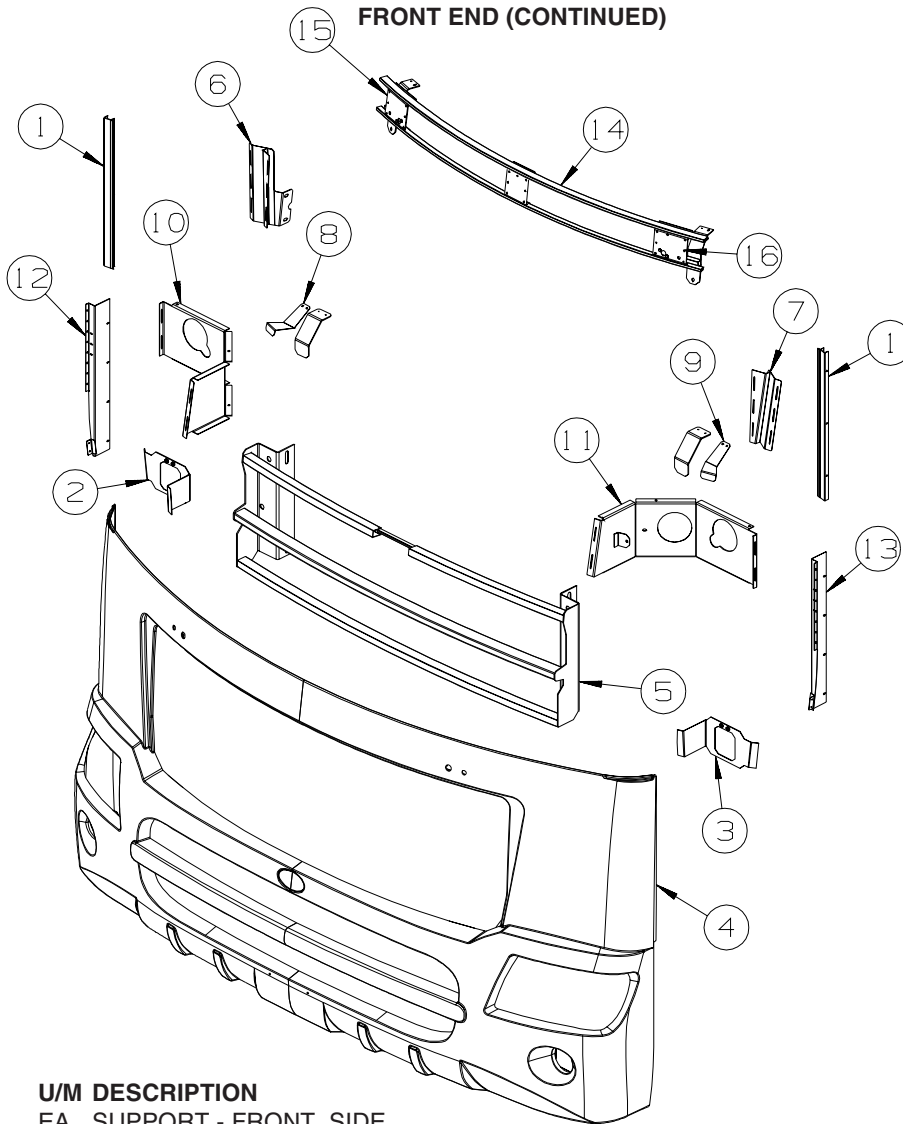
FRONT END



| KEY | PART NUMBER | U/M | DESCRIPTION |
|-----|---------------|-----|--------------------------------------------------------------------|
| 1 | 149254-01-01A | EA | TRIM - GRILLE |
| 2 | 140898-10-S76 | EA | PANEL - FRONT/LOWER - W/O HOOD/GRILLE/LIGHTS |
| 3 | 148172-02-02A | EA | GRILLE - FRONT - BRIGHT DIPPED |
| 4 | 058786-01-000 | EA | BOLT - HOOD ADJUSTMENT - 5/16"-18 X 1.5"-2"- W/BLACK PAD |
| 5 | 116617-02-02B | EA | SPACER - BUMPER |
| 6 | 128455-01-02B | EA | BRACKET - BUMPER - E-COATED |
| 7 | 128455-02-02B | EA | BRACKET - BUMPER - E-COATED |
| 8 | 130053-02-01A | EA | STRIKER - LUGGAGE DOOR - OFF SET - BLACK |
| 9 | 137072-05-01A | EA | HINGE - HOOD - PASSENGER - BLACK |
| 10 | 137072-06-01A | EA | HINGE - HOOD - DRIVER - BLACK |
| 11 | 140324-02-02B | EA | BRACKET - HOOD - STRIKER - E-COATED |
| 12 | 140899-01-P54 | EA | HOOD - FRONT - W/O HARDWARE |
| 13 | 102265-01-000 | EA | CLIP/ROD END - 5/32" - BLACK PLASTIC |
| 14 | 113908-02-000 | EA | LATCH/PLUNGER - F/HOOD/REAR TRUNK/ENGINE DOOR |
| 15 | 134415-01-02B | EA | LATCH/HOOD - PULL - RIGHT HAND - E-COATED |
| 16 | 134415-02-02B | EA | LATCH/HOOD - PULL - LEFT HAND - E-COATED |
| 17 | 134416-01-01A | EA | ROD/HOOD LATCH - STAINLESS STEEL - RIGHT HAND |
| 18 | 134416-02-01A | EA | ROD/HOOD LATCH - STAINLESS STEEL - LEFT HAND |
| 19 | 134418-06-02B | EA | PIVOT - LATCH/HOOD - E-COATED - RIGHT HAND |
| 20 | 134418-07-02B | EA | PIVOT - LATCH/HOOD - E-COATED - LEFT HAND |
| 21 | 139162-03-02B | EA | BRACKET - LATCH - SPRING - RIGHT HAND |
| 22 | 139162-04-02B | EA | BRACKET - LATCH - SPRING - LEFT HAND |
| 23 | 141017-02-02B | EA | SUPPORT/HINGE - FRONT - E-COATED |
| 24 | 142854-02-02B | EA | TUBE - TIMING - HOOD - E-COATED - WORKHORSE & 2004 FORD |
| 24 | 154091-02-02B | EA | TUBE - TIMING - HOOD - E-COATED - 2006 FORD |
| 25 | 091985-01-07A | EA | INSERT - TRIM - REAR CAP TO SIDEWALL - .66" - BRIGHT WHITE |
| 26 | 092041-10-01A | EA | TRIM - FRONT/REAR CAP (SIDEWALL) - 25.2" - BRIGHT WHITE |

EXTERIOR BODY GROUP (CONTINUED)

FRONT END (CONTINUED)



| KEY | PART NUMBER | U/M | DESCRIPTION |
|-----|---------------|-----|-------------------------------------------------|
| 1 | 132864-01-01A | EA | SUPPORT - FRONT, SIDE |
| 2 | 139685-06-02B | EA | SUPPORT - FOG LAMP, DRIVER - E-COATED |
| 3 | 139685-08-02B | EA | SUPPORT - FOG LAMP, PASSENGER - E-COATED |
| 4 | 140898-09-01A | EA | PANEL - FRONT, LOWER - BRIGHT WHITE |
| 5 | 140903-01-P54 | EA | FRAME ASM - GRILLE |
| 6 | 141008-01-02B | EA | SUPPORT/HINGE - RIGHT HAND - E-COATED |
| 7 | 141008-02-02B | EA | SUPPORT/HINGE - LEFT HAND - E-COATED |
| 8 | 141018-03-02B | EA | BRACKET/HINGE - FRONT/PASSENGER - E-COATED |
| 9 | 141018-04-02B | EA | BRACKET/HINGE - FRONT/DRIVER - E-COATED |
| 10 | 141128-03-02B | EA | BRACKET - HEADLAMP - OUTER/PASSENGER - E-COATED |
| 11 | 141128-04-02B | EA | BRACKET - HEADLAMP - OUTER/DRIVER - E-COATED |
| 12 | 143561-01-02B | EA | BRACKET - FRONT END - E-COATED |
| 13 | 143561-02-02B | EA | BRACKET - FRONT END - E-COATED |
| 14 | 149784-03-S46 | EA | SUPPORT - WIPER |
| 15 | 149788-06-02B | EA | SUPPORT - PIVOT SHAFT - E-COATED |
| 16 | 149788-08-02B | EA | SUPPORT - PIVOT SHAFT - E-COATED |

LADDER

| KEY | PART NUMBER | U/M | DESCRIPTION |
|-----|---------------|-----|------------------------------------------------------------|
| | 129375-02-000 | EA | SEAL - LADDER BRACKET |
| | 130163-09-01A | EA | LADDER EXTENSION/LOWER - 35.6" - 3 STEP - BRUSHED ALUMINUM |
| | 141624-01-01A | EA | LADDER - REAR CAP - BRUSHED ALUMINUM |

EXTERIOR BODY GROUP (CONTINUED)
STRUCTURAL COMPONENTS

| KEY | PART NUMBER | U/M | DESCRIPTION |
|------------|--------------------|------------|------------------------------------------------------------|
| | 002766-01-001 | EA | ANGLE - EXTRUDED - 1" X 1 1/2" X 17' |
| | 076054-Z3-000 | EA | FIBERGLASS SHEET - 102" X 93.9" - ROOF/SIDEWALL - BRT WHT |
| | 089297-01-000 | SF | PLYWOOD - LUAN - OVERLAY GRADE - 4' X 8' |
| | 100619-01-000 | BF | FOAM - EXPANDED POLYSTYRENE - 1.34" X 48" X 96" |
| | 100619-02-000 | BF | FOAM - EXPANDED POLYSTYRENE - 1.5" X 48" X 96" |
| | 100619-04-000 | BF | FOAM - EXPANDED POLYSTYRENE - .5" X 48" X 96" |
| | 100619-05-000 | BF | FOAM - EXPANDED POLYSTYRENE - .75" X 48" X 96"-1.5"DENSITY |
| | 100619-13-000 | BF | FOAM - EXPANDED POLYSTYRENE-.34" X 34.7" X 96"-2" DENSITY |
| | 100619-16-000 | BF | FOAM - EXPANDED POLYSTYRENE - .75" X 48" X 96"-2" DENSITY |
| | 100619-27-000 | BF | FOAM - EXPANDED POLYSTYRENE - 3" X 48" X 92.8" |
| | 105077-08-000 | EA | FOAM - PLUG - ROOF CAP |
| | 108535-05-03A | SF | FIBERGLASS SHEET - 108" X 500' ROLL - BRIGHT WHITE |
| | 116942-03-01A | LB | ALUMINUM - .7" X 40" X 158" |
| | 120107-01-000 | EA | FOAM - ROOF COVE - 2.8" X 48" LONG |
| | 120107-02-000 | EA | FOAM - PLUG - ROOF TUBE - 2.2" X 2.9" X 1.8" LONG |
| | 120107-03-000 | EA | FOAM - PLUG - SIDEWALL TUBE - 1.2" X 2.1" X 1.8" LONG |
| | 120107-07-000 | EA | FOAM - ROOF COVE |
| | 128782-03-01A | EA | FIBERGLASS SHEET - 26.1" X 68.2" - HIGH GLOSS/SLIDEOUT-B/W |
| | 128782-07-01A | EA | FIBERGLASS SHEET - 79" X 456" - HIGH GLOSS - BRIGHT WHITE |
| | 128782-08-01A | EA | FIBERGLASS SHEET - 22" X 68.3" - HIGH GLOSS - BRIGHT WHITE |
| | 128782-09-01A | EA | FIBERGLASS SHEET - 31" X 68.2" - HIGH GLOSS - BRIGHT WHITE |
| | 128782-10-01A | EA | FIBERGLASS SHEET - 25" X 48" - HIGH GLOSS - BRIGHT WHITE |
| | 148884-20-01A | EA | FIBERGLASS SHEET - 4" X 93.8" - HIGH GLOSS - BRIGHT WHITE |
| | 148884-22-01A | EA | FIBERGLASS SHEET - 47.9" X 95.8" - HIGH GLOSS-BRIGHT WHITE |

EXTERIOR BODY GROUP (CONTINUED)

AWNINGS

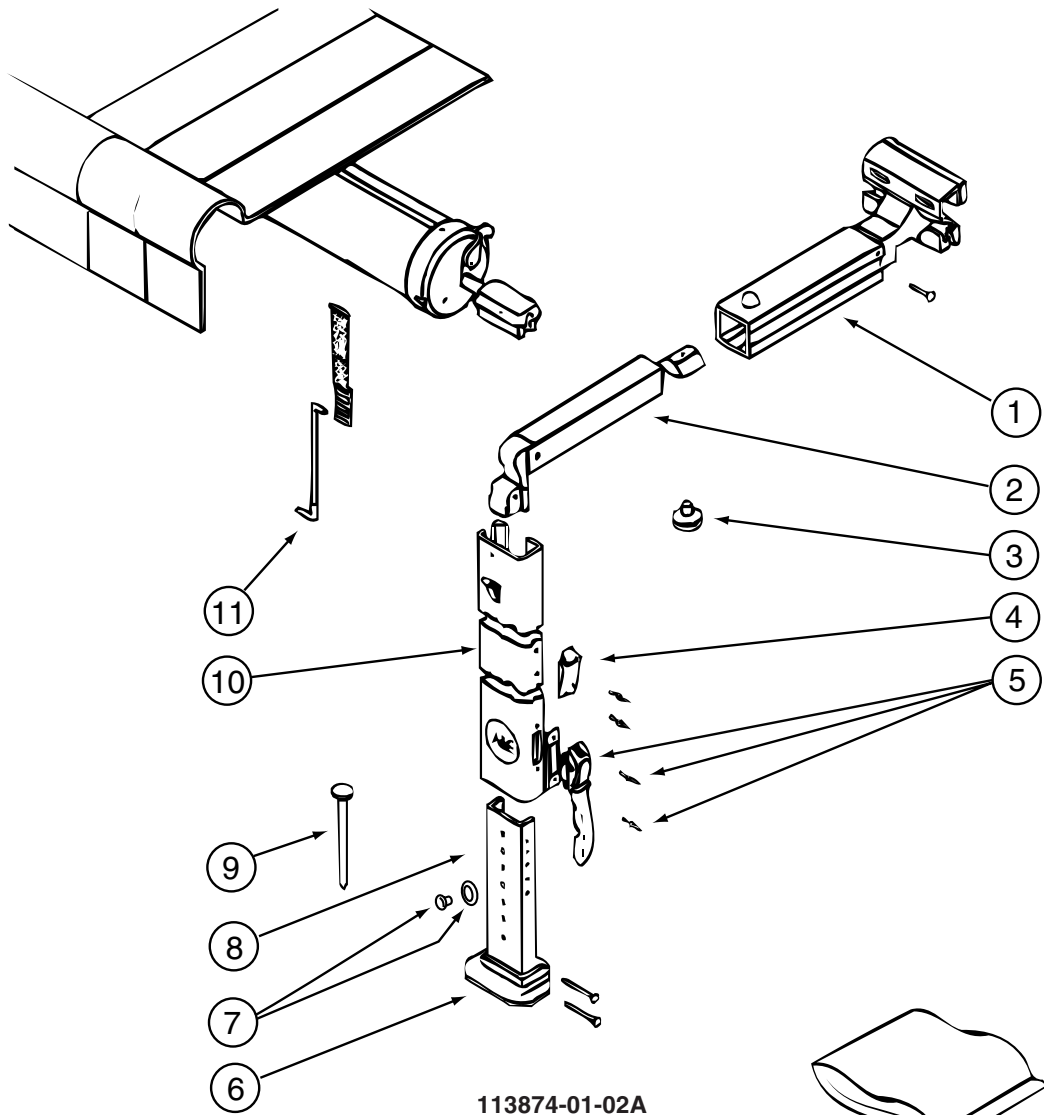
PATIO AWNINGS

| SERIES | MODEL | COLOR DESIGNATION | AWNING FABRIC | AWNING LENGTH | (MANUAL) | PART # MANUAL | (ELEC) | PART # ELECTRIC |
|--------------------------------------|-------|------------------------|------------------|------------------|-----------------|------------------|-----------------|--------------------|
| | | | | | WEATHER WRAP | | WEATHER WRAP | |
| SUN CRUISER GRAPHICS | G33V | FAWN (EA) | VINYL | 18' | BRT WHT | 113874-07-29A | BRT WHT | 143181-07-29A |
| | G35A | FAWN (EA) | VINYL | 20' | BRT WHT | NA | BRT WHT | 143181-12-29A |
| (27G) | G35U | FAWN (EA) | VINYL | 16' | BRT WHT | 113874-06-29A | BRT WHT | 143181-06-29A |
| | G37B | FAWN (EA) | VINYL | 19' | BRT WHT | 113874-08-29A | BRT WHT | 143181-08-29A |
| | G38G | FAWN (EA) | VINYL | 19' | BRT WHT | 113874-08-29A | BRT WHT | 143181-08-29A |
| | G38J | FAWN (EA) | VINYL | 19' | NA | NA | BRT WHT | 143181-13-29A |
| | G38R | FAWN (EA) | VINYL | 19' | BRT WHT | 113874-08-29A | BRT WHT | 143181-08-29A |
| SUN CRUISER GRAPHICS | G33V | MOSS TRANSITIONAL (EV) | VINYL | 18' | BRT WHT | 113874-07-46A | BRT WHT | 143181-07-46A |
| | G35A | MOSS TRANSITIONAL (EV) | VINYL | 20' | BRT WHT | NA | BRT WHT | 143181-12-46A |
| (92K) | G35U | MOSS TRANSITIONAL (EV) | VINYL | 16' | BRT WHT | 113874-06-46A | BRT WHT | 143181-06-46A |
| | G37B | MOSS TRANSITIONAL (EV) | VINYL | 19' | BRT WHT | 113874-08-46A | BRT WHT | 143181-08-46A |
| | G38G | MOSS TRANSITIONAL (EV) | VINYL | 19' | BRT WHT | 113874-08-46A | BRT WHT | 143181-08-46A |
| | G38J | MOSS TRANSITIONAL (EV) | VINYL | 19' | NA | NA | BRT WHT | 143181-13-46A |
| | G38R | MOSS TRANSITIONAL (EV) | VINYL | 19' | BRT WHT | 113874-08-46A | BRT WHT | 143181-08-46A |
| SUN CRUISER FULL BODY PAINT | G33V | SAPPHIRE BLUE (4641) | ACRYLIC | 18' | NA | NA | CHAMPAGNE | 143181-07-52E |
| (27A) | G35A | SAPPHIRE BLUE (4641) | ACRYLIC | 20' | NA | NA | CHAMPAGNE | 143181-12-52E |
| | G35U | SAPPHIRE BLUE (4641) | ACRYLIC | 16' | NA | NA | CHAMPAGNE | 143181-06-52E |
| | G37B | SAPPHIRE BLUE (4641) | ACRYLIC | 19' | NA | NA | CHAMPAGNE | 143181-08-52E |
| | G38G | SAPPHIRE BLUE (4641) | ACRYLIC | 19' | NA | NA | CHAMPAGNE | 143181-08-52E |
| | G38J | SAPPHIRE BLUE (4641) | ACRYLIC | 19' | NA | NA | CHAMPAGNE | 143181-13-52E |
| | G38R | SAPPHIRE BLUE (4641) | ACRYLIC | 19' | NA | NA | CHAMPAGNE | 143181-08-52E |
| SUN CRUISER FULL BODY PAINT | G33V | TAUPE (4648) | ACRYLIC | 18' | NA | NA | CHAMPAGNE | 143181-07-41E |
| (92A) | G35A | TAUPE (4648) | ACRYLIC | 20' | NA | NA | CHAMPAGNE | 143181-12-41E |
| | G35U | TAUPE (4648) | ACRYLIC | 16' | NA | NA | CHAMPAGNE | 143181-06-41E |
| | G37B | TAUPE (4648) | ACRYLIC | 19' | NA | NA | CHAMPAGNE | 143181-08-41E |
| | G38G | TAUPE (4648) | ACRYLIC | 19' | NA | NA | CHAMPAGNE | 143181-08-41E |
| | G38J | TAUPE (4648) | ACRYLIC | 19' | NA | NA | CHAMPAGNE | 143181-13-41E |
| | G38R | TAUPE (4648) | ACRYLIC | 19' | NA | NA | CHAMPAGNE | 143181-08-41E |

| KEY | PART NUMBER | U/M | DESCRIPTION |
|-----|---------------|-----|-------------------------------------------------------------------------------------------------|
| | 113874-11-01A | EA | SCREW/LAG - AWNING - 1/4" X 1" STAINLESS STEEL |
| * | 113874-01-02A | EA | HARDWARE KIT - AWNING - W/O STANDOFF BRACKET-BRIGHT WHITE - MANUAL |
| | 113874-12-01A | EA | SCREW/LAG - AWNING - 1/4" X 2 3/4" STAINLESS STEEL - MANUAL |
| | 137054-01-02A | EA | BRACKET - AWNING - BRIGHT WHITE - MANUAL |
| | 143181-02-01A | EA | ELECTRICAL KIT/AWNING - WEATHERPROOF - ELECTRIC |
| | 143181-10-01A | EA | AWNING/WEATHERPROOF - HARDWARE KIT - BRIGHT WHITE - ELECTRIC |
| | 143181-10-02A | EA | AWNING/WEATHERPROOF - HARDWARE KIT - CHAMPAGNE - ELECTRIC/FULL BODY PAINT |
| | 143181-11-01A | EA | AWNING/WTHRPRF - SPACER KIT - BRIGHT WHITE - ELECTRIC, G35A & G38J ONLY |
| | 143181-11-02A | EA | AWNING/WTHRPRF - SPACER KIT - CHAMPAGNE - ELECTRIC/FULL BODY PAINT, G35A & G38J ONLY |
| | 146457-02-03A | EA | BRACKET - AWNING - BRIGHT WHITE - ELECTRIC, G35A & G38J ONLY |
| | 146457-02-02A | EA | BRACKET - AWNING - BLACK - ELECTRIC, G35A & G38J ONLY/FULL BODY PAINT |
| | 127647-03-01A | EA | ROD/AWNING GUARD - ENTRY DOOR - 19.4" LONG - ELECTRIC, G35A ONLY |
| | 154099-01-01A | EA | SUNSCREEN/RMVBL/BL-18'X72"-F/19'-20' -W/HDW - PATIO AWNING SUNSCREEN, G35A, G37B, G38 |
| | 154099-02-01A | EA | SUNSCREEN/RMVBL/BL-18'X72"-F/19'-20' -W/HDW - PATIO AWNING SUNSCREEN, G33V ONLY |
| | 154099-03-01A | EA | SUNSCREEN/RMVBL/BL-18'X72"-F/19'-20' -W/HDW - PATIO AWNING SUNSCREEN, G35U ONLY |

*COMPONENT PARTS LISTED LATER IN THIS GROUP

EXTERIOR BODY GROUP (CONTINUED)
COMPONENT PARTS FOR AWNINGS

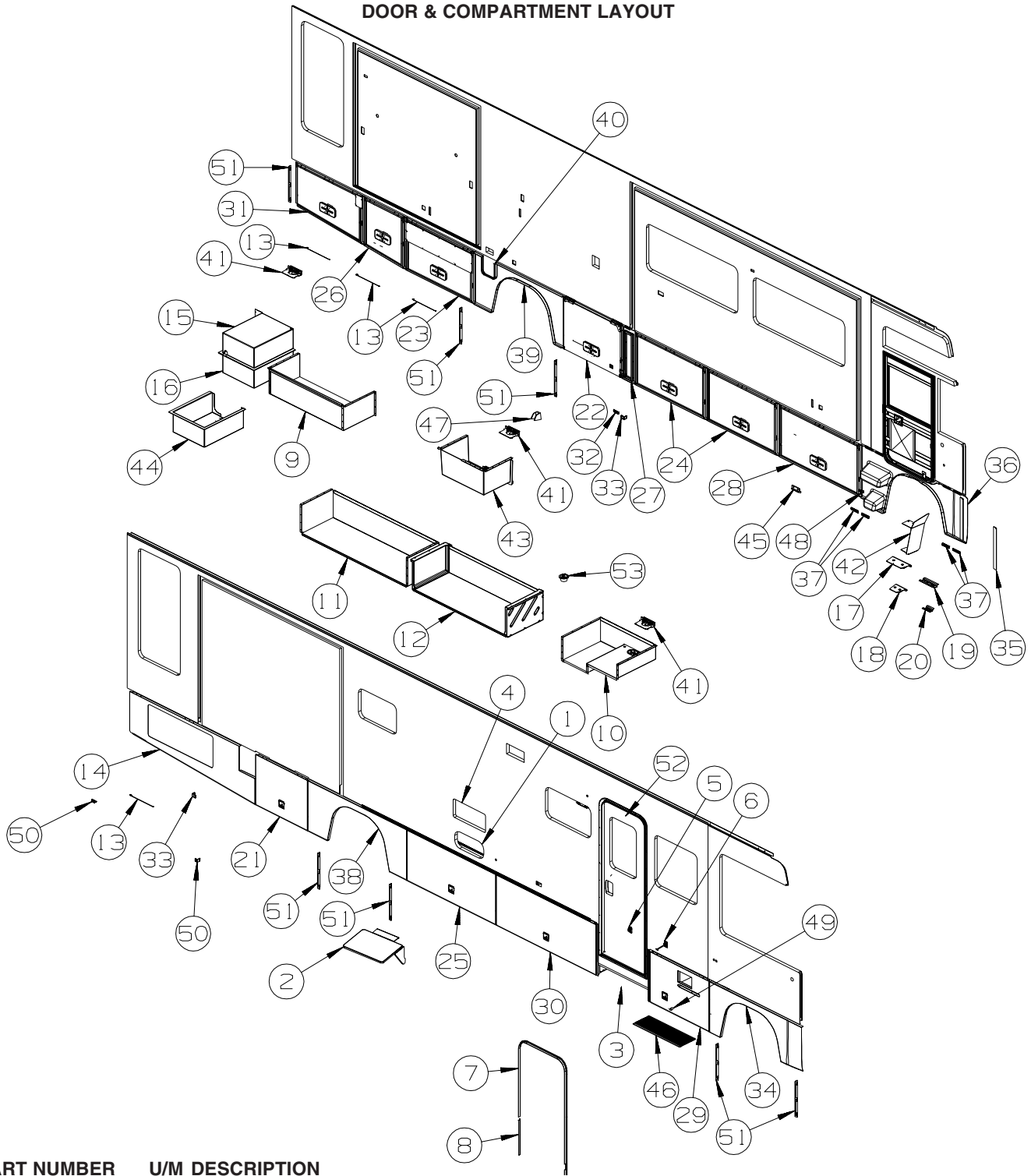


113874-01-02A

| KEY | PART NUMBER | U/M | DESCRIPTION | VENDOR NO. |
|-----|---------------|-----|-----------------------------|---------------|
| 1 | 113874-01-714 | EA | RAFTER - MAIN RH/LH BRT/WHT | 830295.536F |
| 2 | 113874-01-715 | EA | RAFTER - SECONDARY BRT/WHT | 830463.511F |
| 3 | 113874-01-702 | EA | KNOB - ADJUSTING | 3105421.014 |
| 4 | 113874-01-706 | EA | LOCK - TRAVEL | 830587.001 |
| 5 | 113874-01-707 | EA | HANDLE - LIFT W/RIVETS | 830644 |
| 6 | 113874-01-712 | EA | FOOT - PATIO | 730366-001 |
| 7 | 113874-01-710 | EA | PLUG-STOP KIT | 830456 |
| 8 | 113874-01-717 | EA | ARM - ADJUSTABLE BRT/WHT | 830467.517/F |
| 9 | 113874-01-709 | EA | NAIL-SPIKE, 8" | 113006 |
| 10 | 113874-01-716 | EA | ARM - MAIN SUPPORT BRT/WHT | 3104502.293/F |
| 11 | 113874-01-703 | EA | ROD-CENTER PULL W/ACCESSORY | 830152.102 |

EXTERIOR DOORS & COMPARTMENTS GROUP

DOOR & COMPARTMENT LAYOUT

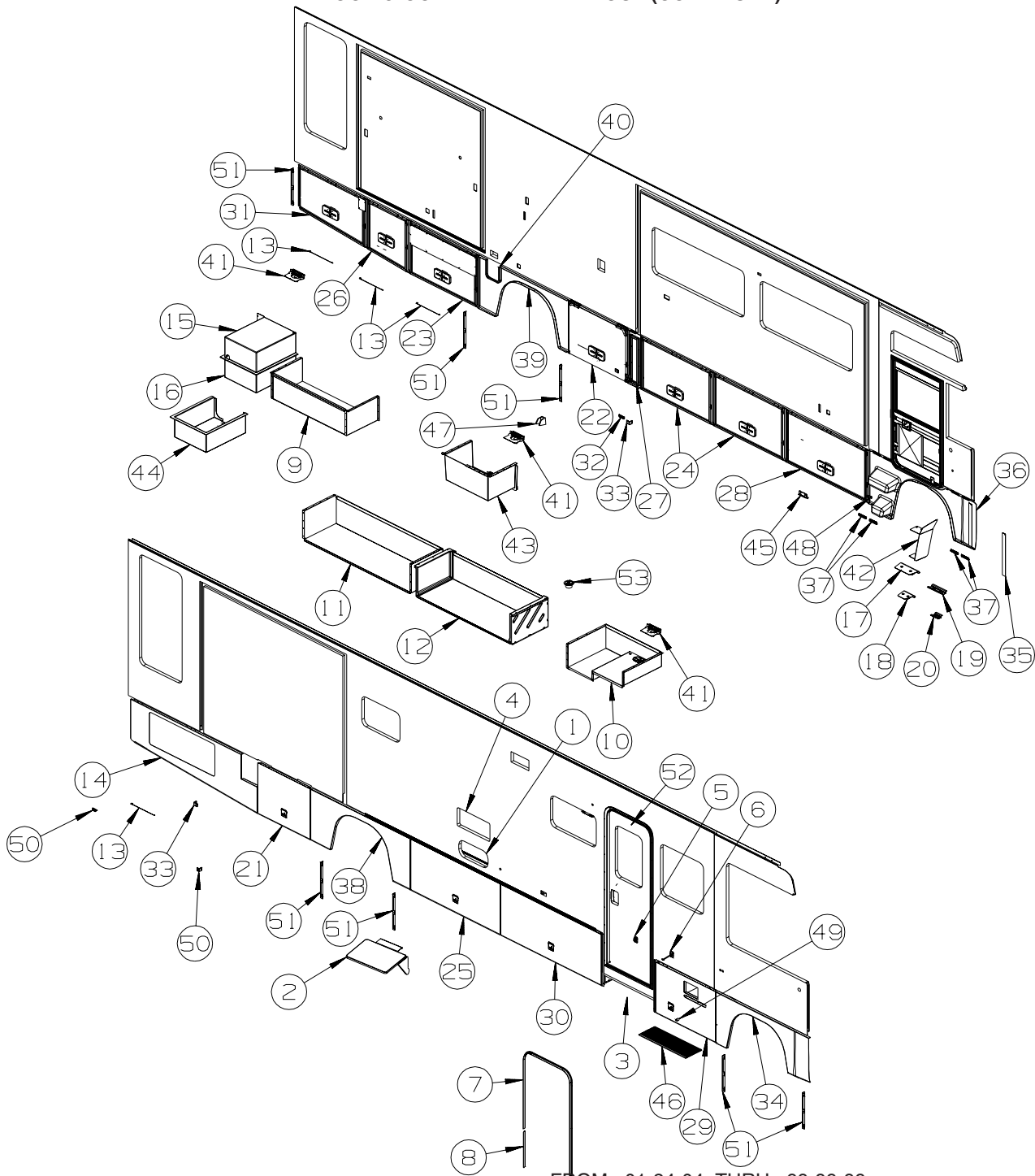


| KEY | PART NUMBER | U/M DESCRIPTION |
|-----|---------------|------------------------------------------------------------------------|
| 1 | 126945-09-N42 | EA DOOR/STORAGE - W/O HARDWARE - 18.3" X 9.9" |
| 1 | 126945-09-R38 | EA DOOR/STORAGE - W/O HARDWARE - 18.3" X 9.9" - FULL BODY PAINT |
| 2 | 142034-01-01A | EA SHELF - F/EXTERIOR TV - BRIGHT WHITE |
| 3* | 143709-01-01A | EA STEP - ELECTRIC - TRIPLE - BLACK |
| | 116975-01-01A | EA LATCH - W/O STRIKE - BLACK - NEW STYLE |
| 4* | 084103-08-000 | EA DOOR - VENT - REFRIGERATOR - W/O JAMB - BRIGHT WHITE |
| | 084104-08-000 | EA JAMB - VENT DOOR/REFRIGERATOR - BRIGHT WHITE |
| 5 | 104099-02-04A | EA CATCH/RETAINER - DOOR HOLDER - BRIGHT WHITE |
| 5 | 104099-02-05A | EA CATCH/RETAINER - DOOR HOLDER - BLACK - FULL BODY PAINT |
| 6 | 104099-03-04A | EA CATCH - DOOR HOLDER - STRIKE - 6" - BRIGHT WHITE |
| 6 | 104099-03-05A | EA CATCH - DOOR HOLDER - STRIKE - 6" - BLACK - FULL BODY PAINT |
| 7 | 139100-01-01A | EA GARNISH/RADIUS - ENTRY DOOR - BRIGHT WHITE |
| 7 | 139100-01-02A | EA GARNISH/RADIUS - ENTRY DOOR - BLACK - FULL BODY PAINT |

EXTERIOR DOORS & COMPARTMENTS GROUP (CONTINUED)
DOOR & COMPARTMENT LAYOUT (CONTINUED)

| KEY | PART NUMBER | U/M | DESCRIPTION |
|-----|---------------|-----|-----------------------------------------------------------------------------|
| 8 | 139101-01-01A | EA | GARNISH/STRAIGHT - W/NOTCH - 36.31" - BRIGHT WHITE |
| 8 | 139101-01-02A | EA | GARNISH/STRAIGHT - ENTRY DOOR - BLACK - FULL BODY PAINT - FULL BODY PAINT |
| 9 | 126386-65-P45 | EA | COMPARTMENT - LUGGAGE |
| 10 | 141698-12-P45 | EA | COMPARTMENT - LUGGAGE |
| | | | FROM: 00-00-00 THRU: 05-21-04 |
| 10 | 141698-37-S46 | EA | COMPARTMENT - LUGGAGE |
| | | | FROM: 05-22-04 THRU: 99-99-99 |
| 11 | 144629-03-R38 | EA | COMPARTMENT - LUGGAGE |
| | | | FROM: 00-00-00 THRU: 05-14-04 |
| 11 | 144629-23-S64 | EA | COMPARTMENT - LUGGAGE |
| | | | FROM: 05-15-04 THRU: 99-99-99 |
| 12 | 141698-33-R38 | EA | COMPARTMENT - LUGGAGE |
| 13 | 076767-14-000 | EA | CABLE - STAINLESS STEEL - 14.9" |
| 14 | 147682-12-R38 | EA | VALANCE/DOOR - PASS-W/O HDWR-W/CUT-OUT -26.2"X 79"X 21.4" |
| 14 | 147682-12-S76 | EA | VALANCE/DOOR - PASS-W/O HDWR-W/CUT-OUT -26.2"X 79"X 21.4" - FULL BODY PAINT |
| | 113041-18-02B | EA | ANGLE/MOUNT - BUMPER - E-COATED |
| | | | FROM: 00-00-00 THRU: 07-18-04 |
| | 107721-07-000 | FT | SEAL - ACCESS DOOR - .9"WIDE X 1.1"HIGH |
| 15 | 132315-07-000 | EA | COMPARTMENT - POWER CORD |
| 16 | 144651-01-R32 | EA | COMPARTMENT - POWER CORD |
| 17 | 138141-01-04B | EA | TREAD/STEP - DRIVER |
| 18 | 138141-02-04B | EA | TREAD/STEP - DRIVER |
| 19 | 138143-02-02B | EA | SUPPORT/STEP - DRIVER - E-COATED |
| 20 | 138143-04-02B | EA | SUPPORT/STEP - DRIVER - E-COATED |
| 21 | 140982-05-P37 | EA | VALANCE/DOOR - W/O LATCH/HINGE - 32.8" X 26.3" |
| 21 | 140982-05-S76 | EA | VALANCE/DOOR - W/O LATCH/HINGE - 32.8" X 26.3" - FULL BODY PAINT |
| | 132873-25-000 | EA | ROD - LATCH - 10.2" W/3/4" DOG LEG |
| | 132873-26-000 | EA | ROD - LATCH - 12" W/3/4" DOG LEG |
| | 142569-12-000 | EA | SPRING/GAS - 90 LB - 15" EXTENDED/9.5" COMPRESSED |
| | 132892-02-01A | FT | SEAL - BULB - W/WIRED U CHANNEL - 1.3" X 1" - BLACK |
| | | | FROM: 00-00-00 THRU: 01-23-05 |
| | 132892-08-01A | FT | SEAL - BULB/SINGLE - W/U CHANNEL - BLACK |
| | | | FROM: 01-24-04 THRU: 99-99-99 |
| 22 | 140982-06-P45 | EA | VALANCE/DOOR - W/O LATCH/HINGE - 37.5" X 26.3" |
| 22 | 140982-06-S76 | EA | VALANCE/DOOR - W/O LATCH/HINGE - 37.5" X 26.3" - FULL BODY PAINT |
| | 132873-27-000 | EA | ROD - LATCH - 12.5" W/3/4" DOG LEG |
| | 132873-28-000 | EA | ROD - LATCH - 14.4" W/3/4" DOG LEG |
| | 142569-12-000 | EA | SPRING/GAS - 90 LB - 15" EXTENDED/9.5" COMPRESSED |
| | 107721-07-000 | FT | SEAL - ACCESS DOOR - .9"WIDE X 1.1"HIGH |
| 23 | 140982-07-P45 | EA | VALANCE/DOOR - W/O LATCH/HINGE - 43.2" X 26.3" |
| 23 | 140982-07-S76 | EA | VALANCE/DOOR - W/O LATCH/HINGE - 43.2" X 26.3" - FULL BODY PAINT |
| | 132873-29-000 | EA | ROD - LATCH - 15.4" W/3/4" DOG LEG |
| | 132873-30-000 | EA | ROD - LATCH - 17.2" W/3/4" DOG LEG |
| | 142569-12-000 | EA | SPRING/GAS - 90 LB - 15" EXTENDED/9.5" COMPRESSED |
| | 132892-02-01A | FT | SEAL - BULB - W/WIRED U CHANNEL - 1.3" X 1" - BLACK |
| | | | FROM: 00-00-00 THRU: 01-23-05 |
| | 132892-08-01A | FT | SEAL - BULB/SINGLE - W/U CHANNEL - BLACK |
| | | | FROM: 01-24-04 THRU: 99-99-99 |
| 24 | 140982-09-P37 | EA | VALANCE/DOOR - W/O LATCH/HINGE - 45" X 26.3" |
| | 132873-31-000 | EA | ROD - LATCH - 16.3" W/3/4" DOG LEG |
| | 132873-32-000 | EA | ROD - LATCH - 18.1" W/3/4" DOG LEG |
| | 142569-12-000 | EA | SPRING/GAS - 90 LB - 15" EXTENDED/9.5" COMPRESSED |
| | 132892-02-01A | FT | SEAL - BULB - W/WIRED U CHANNEL - 1.3" X 1" - BLACK |
| | | | FROM: 00-00-00 THRU: 01-23-05 |
| | 132892-08-01A | FT | SEAL - BULB/SINGLE - W/U CHANNEL - BLACK |
| | | | FROM: 01-24-04 THRU: 99-99-99 |
| 25 | 140982-11-P45 | EA | VALANCE/DOOR - W/O LATCH/HINGE - 56" X 26.3" |
| | 132873-35-000 | EA | ROD - LATCH - 21.8" W/3/4" DOG LEG |
| | 132873-36-000 | EA | ROD - LATCH - 23.6" W/3/4" DOG LEG |
| | 142569-12-000 | EA | SPRING/GAS - 90 LB - 15" EXTENDED/9.5" COMPRESSED |
| | 132892-02-01A | FT | SEAL - BULB - W/WIRED U CHANNEL - 1.3" X 1" - BLACK |
| | | | FROM: 00-00-00 THRU: 01-23-05 |
| | 132892-08-01A | FT | SEAL - BULB/SINGLE - W/U CHANNEL - BLACK |

EXTERIOR DOORS & COMPARTMENTS GROUP (CONTINUED)
DOOR & COMPARTMENT LAYOUT (CONTINUED)



FROM: 01-24-04 THRU: 99-99-99

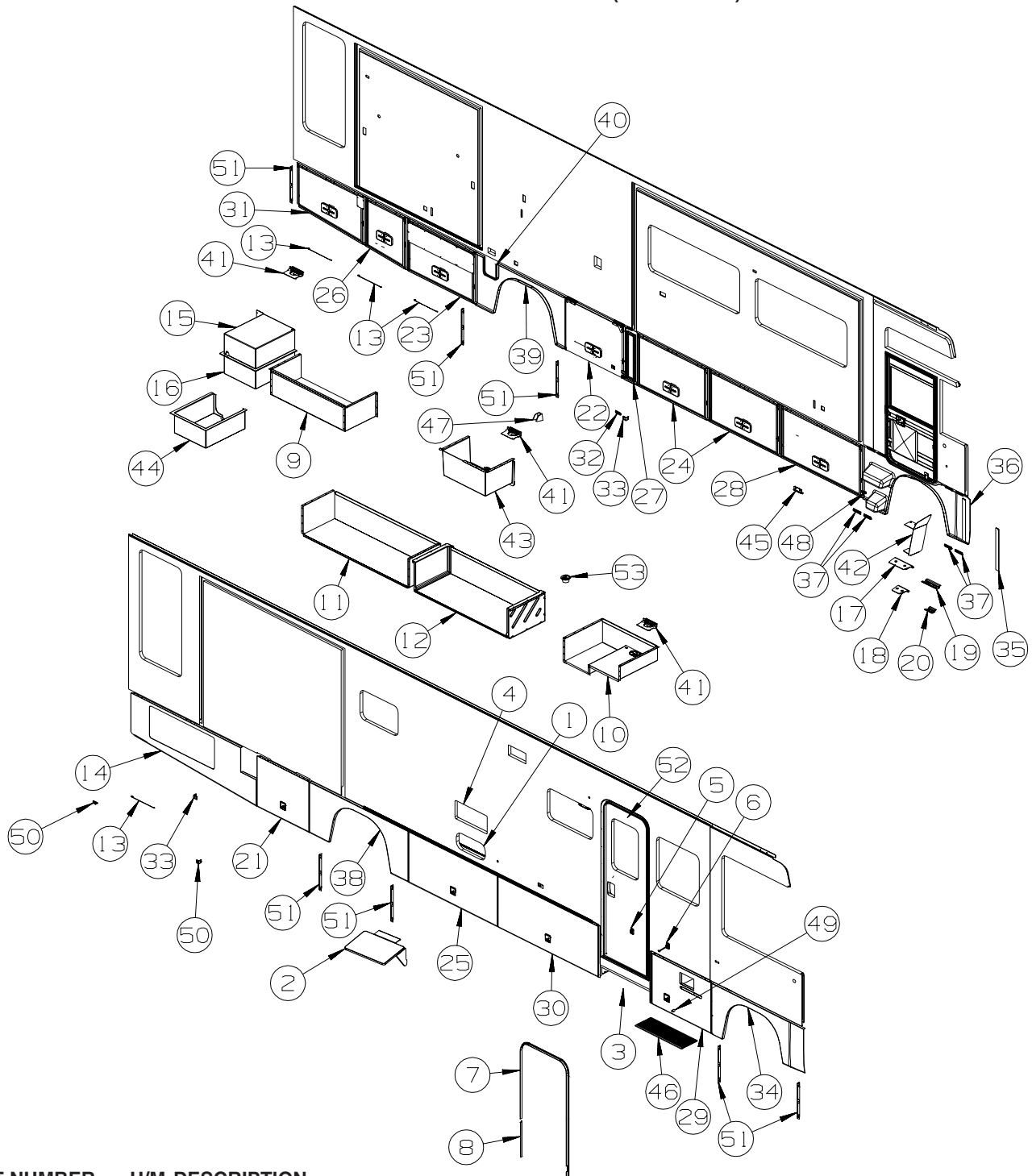
| KEY | PART NUMBER | U/M | DESCRIPTION |
|-----|---------------|-----|-------------------------------------------------------------------------------------|
| 26 | 140982-15-P37 | EA | VALANCE/DOOR - DRVR W/O LATCH/HINGE- 26.3" X 26.1" X 24.4" |
| 26 | 140982-15-S76 | EA | VALANCE/DOOR - DRVR W/O LATCH/HINGE- 26.3" X 26.1" X 24.4" - FULL BODY PAINT |
| | 132873-21-000 | EA | ROD - LATCH - 6.8" W/3/4" DOG LEG |
| | 132873-22-000 | EA | ROD - LATCH - 8.7" W/3/4" DOG LEG |
| | 142569-17-000 | EA | SPRING/GAS - 90 LB - 12" EXTENDED/8.5" COMPRESSED |
| | 107721-07-000 | FT | SEAL - ACCESS DOOR - .9"WIDE X 1.1"HIGH |
| 27 | 140983-03-S64 | EA | VALANCE/PANEL - 7" X 26.5" - W/O HARDWARE |
| 28 | 147682-01-R32 | EA | VALANCE/DOOR - W/O PADDLE LATCH/HDWR - 51.8" X 26.3" |
| | 132873-D1-000 | EA | ROD - LATCH - 19.7" W/3/4" DOG LEG |
| | 132873-D2-000 | EA | ROD - LATCH - 21.5" W/3/4" DOG LEG |
| | 142569-12-000 | EA | SPRING/GAS - 90 LB - 15" EXTENDED/9.5" COMPRESSED |
| | 132892-02-01A | FT | SEAL - BULB - W/WIRED U CHANNEL - 1.3" X 1" - BLACK |
| | | | FROM: 00-00-00 THRU: 01-23-05 |
| | 132892-08-01A | FT | SEAL - BULB/SINGLE - W/U CHANNEL - BLACK |

EXTERIOR DOORS & COMPARTMENTS GROUP (CONTINUED)
DOOR & COMPARTMENT LAYOUT (CONTINUED)

FROM: 01-24-04 THRU: 99-99-99

| KEY | PART NUMBER | U/M | DESCRIPTION |
|------------|--------------------|------------|------------------------------------------------------------------------------|
| 29 | 147682-04-R32 | EA | VALANCE/DOOR - W/O LATCH/HDWR - W/CUT-OUT - 37.2" X 26.9" |
| | 132873-D5-000 | EA | ROD - LATCH - 21.7" W/3/4" DOG LEG |
| | 132873-D6-000 | EA | ROD - LATCH - 5" W/3/4" DOG LEG |
| | 142569-12-000 | EA | SPRING/GAS - 90 LB - 15" EXTENDED/9.5" COMPRESSED |
| | 132892-02-01A | FT | SEAL - BULB - W/WIRED U CHANNEL - 1.3" X 1" - BLACK |
| | | | FROM: 00-00-00 THRU: 01-23-05 |
| | 132892-08-01A | FT | SEAL - BULB/SINGLE - W/U CHANNEL - BLACK |
| | | | FROM: 01-24-04 THRU: 99-99-99 |
| 30 | 147682-03-R32 | EA | VALANCE/DOOR - W/O PADDLE LATCH/HDWR - 62.9" X 26.3" |
| | 132873-D3-000 | EA | ROD - LATCH - 25.3" W/3/4" DOG LEG |
| | 132873-D4-000 | EA | ROD - LATCH - 27.1" W/3/4" DOG LEG |
| | 142569-12-000 | EA | SPRING/GAS - 90 LB - 15" EXTENDED/9.5" COMPRESSED |
| | 132892-02-01A | FT | SEAL - BULB - W/WIRED U CHANNEL - 1.3" X 1" - BLACK |
| | | | FROM: 00-00-00 THRU: 01-23-05 |
| | 132892-08-01A | FT | SEAL - BULB/SINGLE - W/U CHANNEL - BLACK |
| | | | FROM: 01-24-04 THRU: 99-99-99 |
| 31 | 147682-08-R32 | EA | VALANCE/DOOR - DRVR W/O LATCH/HDWR - 24.4" X 43.1" X 21.3" |
| 31 | 147682-08-S76 | EA | VALANCE/DOOR - DRVR W/O LATCH/HDWR - 24.4" X 43.1" X 21.3" - FULL BODY PAINT |
| | 132873-D3-000 | EA | ROD - LATCH - 25.3" W/3/4" DOG LEG |
| | 132873-D4-000 | EA | ROD - LATCH - 27.1" W/3/4" DOG LEG |
| | 142569-12-000 | EA | SPRING/GAS - 90 LB - 15" EXTENDED/9.5" COMPRESSED |
| | 132892-02-01A | FT | SEAL - BULB - W/WIRED U CHANNEL - 1.3" X 1" - BLACK |
| | | | FROM: 00-00-00 THRU: 01-23-05 |
| | 132892-08-01A | FT | SEAL - BULB/SINGLE - W/U CHANNEL - BLACK |
| | | | FROM: 01-24-04 THRU: 99-99-99 |
| 32 | 132654-11-01A | EA | SUPPORT - WHEEL LIP - BLACK - 3.1" |
| 33 | 119568-01-01A | EA | STANDOFF - VALANCE PANEL - BLACK |
| 34 | 143492-01-P45 | EA | PANEL/WHEEL LIP - PASSENGER/FRONT - 57.8" - WORKHORSE |
| | 139793-03-01A | EA | HINGE - CENTER/VALANCE DOOR - W/O BALL STUD |
| 35 | 133939-02-02B | EA | STRAP - W/HOLES - E-COATED |
| 36 | 143492-09-R38 | EA | PANEL/WHEEL LIP - DRIVER/FRONT - 66.5" - WORKHORSE |
| 37 | 132654-07-01A | EA | SUPPORT - WHEEL LIP - BLACK - 4.5" |
| 38 | 143492-12-R38 | EA | PANEL/WHEEL LIP - PASSENGER/REAR - 62" - WORKHORSE |
| 38 | 143492-12-S76 | EA | PANEL/WHEEL LIP - PASSENGER/REAR - 62" - WORKHORSE - FULL BODY PAINT |
| | 139793-03-01A | EA | HINGE - CENTER/VALANCE DOOR - W/O BALL STUD |
| 39 | 143492-13-R38 | EA | PANEL/WHEEL LIP - DRIVER/REAR W/FUEL DR - 55.4" - WORKHORSE |
| 39 | 143492-13-S76 | EA | PANEL/WHEEL LIP - DRIVER/RR W/FUEL DR - 55.4" - WORKHORSE - FULL BODY PAINT |
| | 139793-03-01A | EA | HINGE - CENTER/VALANCE DOOR - W/O BALL STUD |
| 40 | 131905-03-L32 | EA | PANEL/DOOR - FUEL FILL - W/O LOCK - BLACK |
| 40 | 131905-03-LS2 | EA | PANEL/DOOR - FUEL FILL - W/O LOCK - BRIGHT WHITE - FULL BODY PAINT |
| * | 110506-A2-000 | EA | LOCK - TWIST - 26.45MM |
| | 110506-51-000 | EA | CASE/CYLINDER - TWIST LATCH - W/O CAM - 1" - 596669 |
| | 110506-78-000 | EA | CAM - LOCK |
| | 153306-01-01A | EA | HINGE - PIANO - 1 1/2" X 5" - UNPAINTED |
| 41* | 142226-02-01A | EA | HATCH - POWER |
| 42 | 144919-01-02B | EA | DIRT GUARD - E-COATED |
| 43 | 144654-01-000 | EA | COMPARTMENT - DRAINAGE |
| 44 | 132315-06-000 | EA | COMPARTMENT - POWER CORD |
| 45 | 143143-02-01A | EA | ANGLE - SUPPORT/TRIM |
| 46 | 133114-01-01A | EA | TREAD - STEP/RUBBER-28.5"-TAUPE (S76, S77, S78, S79, S80, S81, S82, S83) |
| 46 | 133114-01-03A | EA | TREAD - STEP/RUBBER - 28.5" - GRAY (S84, S85, S86, S87) |
| 47 | 131383-03-02A | EA | BRACKET - SHOWER HEAD - WHITE |
| 48 | 123512-04-02B | EA | BRACKET/VALANCE DOOR - E-COATED |
| 49 | 120863-02-000 | EA | BUMPER - RUBBER/RADIUS TOP - 1" X 1 1/2" |
| 50 | 140309-03-02B | EA | ANGLE - FURNACE DOOR - E-COATED |
| 51 | 138789-01-02B | EA | ANGLE/MOUNT - WHEEL LIP/BACKWALL - E-COATED |

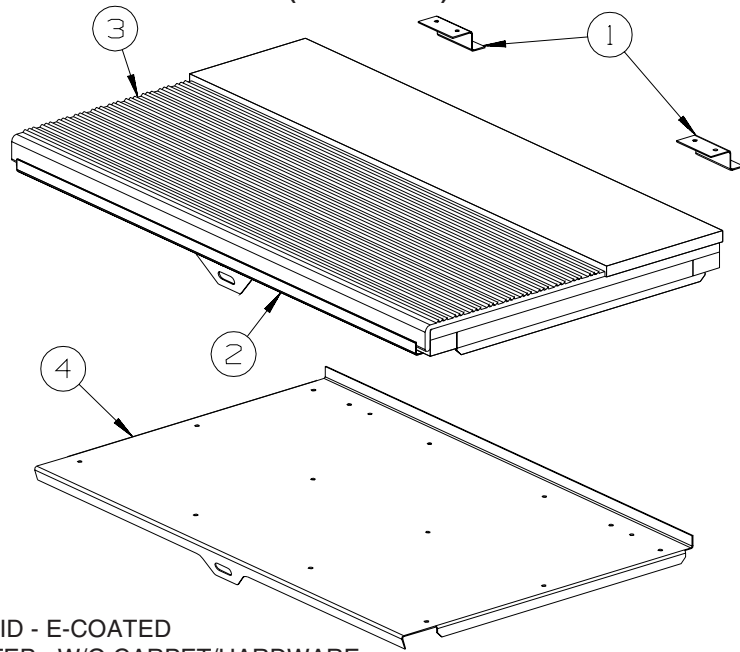
EXTERIOR DOORS & COMPARTMENTS GROUP (CONTINUED)
DOOR & COMPARTMENT LAYOUT (CONTINUED)



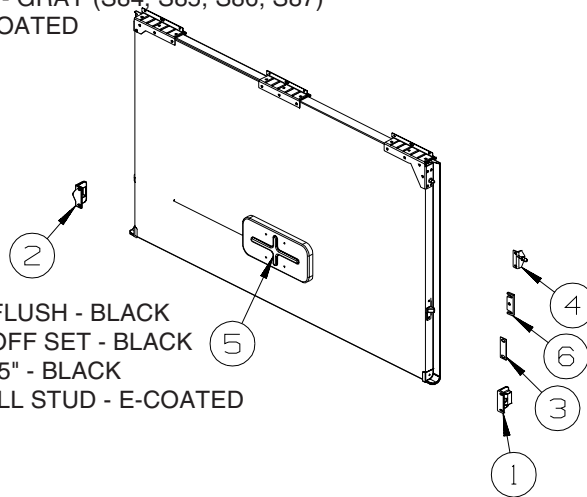
| KEY | PART NUMBER | U/M DESCRIPTION |
|-----|---------------|--------------------------------------------------------------------------------------|
| 52 | P32206-08-S29 | EA DOOR - ENTRY W/SCREEN DOOR - W/O WINDOW/LATCH (S76,S77,S78,S79) |
| 52 | P32206-08-S28 | EA DOOR - ENTRY W/SCREEN DOOR - W/O WINDOW/LATCH (S80,S81,S82,S83) |
| 52 | P32206-08-R34 | EA DOOR - ENTRY W/SCREEN DOOR - W/O WINDOW/LATCH (S84,S85,S86,S87) |
| 52 | P32206-08-S68 | EA DOOR - ENTRY W/SCREEN DOOR - W/O WINDOW/LATCH (S80,S81,S82,S83) - FULL BODY PAINT |
| 52 | P32206-08-S72 | EA DOOR - ENTRY W/SCREEN DOOR - W/O WINDOW/LATCH (S84,S85,S86,S87) - FULL BODY PAINT |
| 52 | P32206-08-S64 | EA DOOR - ENTRY W/SCREEN DOOR - W/O WINDOW/LATCH (S76,S77,S78,S79) - FULL BODY PAINT |
| 53 | 009426-01-000 | EA HATCH - POWER CORD - WHITE |

*COMPONENT PARTS LISTED LATER IN THIS GROUP

EXTERIOR DOORS & COMPARTMENTS GROUP (CONTINUED)
DOOR & COMPARTMENT LAYOUT (CONTINUED)



| KEY | PART NUMBER | U/M | DESCRIPTION |
|-----|---------------|-----|------------------------------------------------------------------------|
| 1 | 101222-01-04A | EA | BRACKET - CATCH - LID - E-COATED |
| 2 | P20256-07-000 | EA | LID/DOOR - ENTRY STEP - W/O CARPET/HARDWARE |
| 3 | 133114-02-01A | EA | TREAD-STEP/RUBBER-28.5"-TAUPE (S76, S77, S78, S79, S80, S81, S82, S83) |
| 3 | 133114-02-03A | EA | TREAD - STEP/RUBBER - 28.5" - GRAY (S84, S85, S86, S87) |
| 4 | 123330-03-02B | EA | SUPPORT - ENTRY STEP - E-COATED |



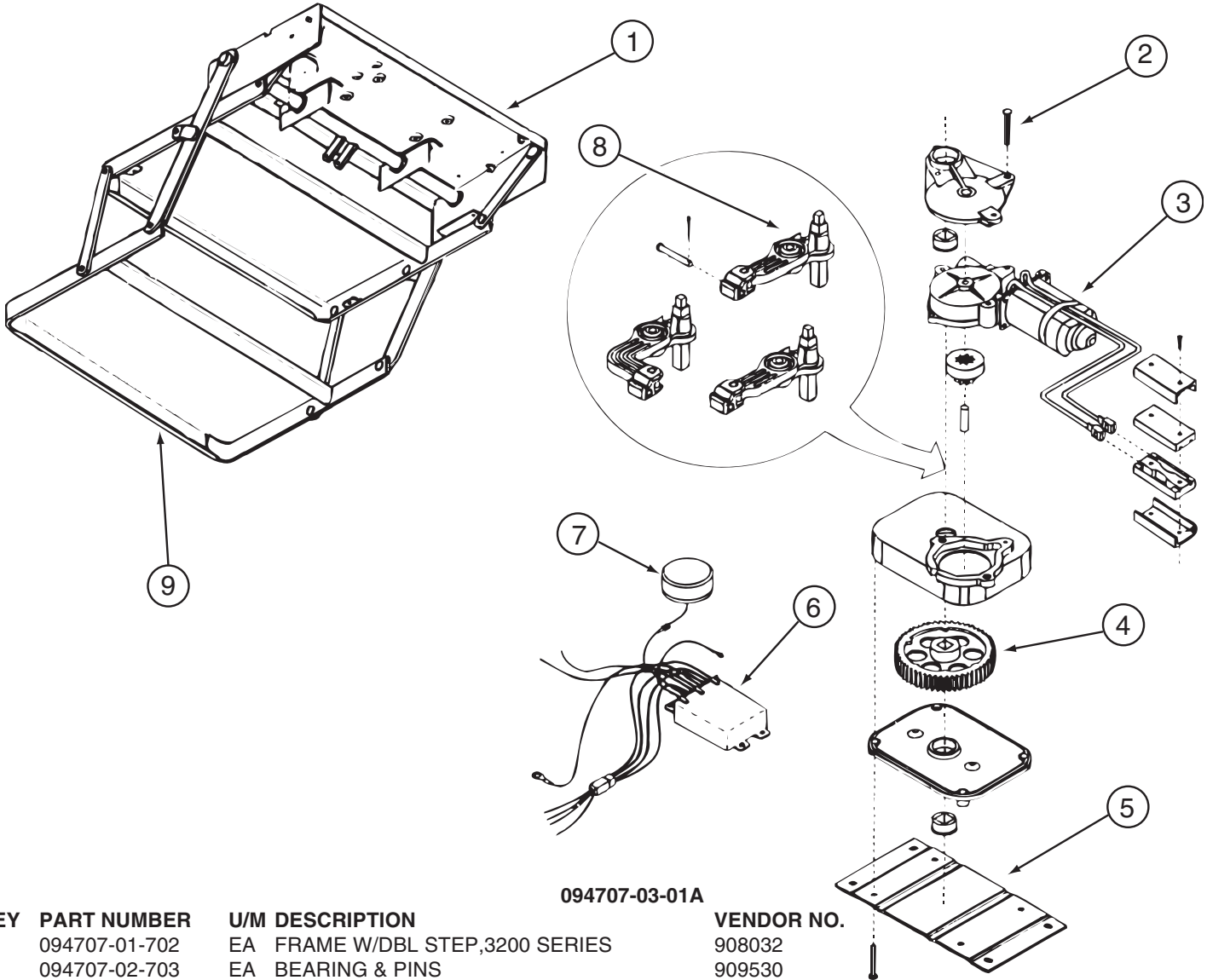
| KEY | PART NUMBER | U/M | DESCRIPTION |
|-----|---------------|-----|------------------------------------------------|
| 1 | 130053-01-01A | EA | STRIKER - LUGGAGE DOOR - FLUSH - BLACK |
| 2 | 130053-02-01A | EA | STRIKER - LUGGAGE DOOR - OFF SET - BLACK |
| 3 | 143793-01-01A | EA | SHIM/STRIKER - LUGGAGE - 1.5" - BLACK |
| 4 | 126263-02-02B | EA | BRACKET - GAS SPRING W/BALL STUD - E-COATED |
| 5 | 138289-01-000 | EA | CYLINDER - LOCKING |
| 5 | 138289-02-000 | EA | CYLINDER - LOCKING |
| 5 | 138289-03-000 | EA | CYLINDER - LOCKING |
| 5 | 138289-04-000 | EA | CYLINDER - LOCKING |
| 5 | 138289-05-000 | EA | CYLINDER - LOCKING |
| 5 | 138289-06-000 | EA | CYLINDER - LOCKING |
| 5 | 138289-07-000 | EA | CYLINDER - LOCKING |
| 5 | 138289-08-000 | EA | CYLINDER - LOCKING |
| 5 | 138289-09-000 | EA | CYLINDER - LOCKING |
| 5 | 138289-10-000 | EA | CYLINDER - LOCKING |
| | 138288-01-000 | EA | KEY - REVERSIBLE - #1151 - T/M 16169-02-1151 |
| | 138288-02-000 | EA | KEY - REVERSIBLE - #1152 - T/M 16169-02-1152 |
| | 138288-03-000 | EA | KEY - REVERSIBLE - #1153 - T/M 16169-02-1153 |
| | 138288-04-000 | EA | KEY - REVERSIBLE - #1154 - T/M 16169-02-1154 |
| | 138288-05-000 | EA | KEY - REVERSIBLE - #1155 - T/M 16169-02-1155 |
| | 138288-06-000 | EA | KEY - REVERSIBLE - #1156 - T/M 16169-02-1156 |
| | 138288-07-000 | EA | KEY - REVERSIBLE - #1157 - T/M 16169-02-1157 |
| | 138288-08-000 | EA | KEY - REVERSIBLE - #1158 - T/M 16169-02-1158 |
| | 138288-09-000 | EA | KEY - REVERSIBLE - #1159 - T/M 16169-02-1159 |
| | 138288-10-000 | EA | KEY - REVERSIBLE - #1150 - T/M 16169-02-1150 |
| 6 | 120494-04-02B | EA | SHIM - STRIKER - LUGGAGE DOOR - .27 - E-COATED |

EXTERIOR DOORS & COMPARTMENTS GROUP (CONTINUED)

COMPONENT PARTS FOR DOOR & COMPARTMENT LAYOUT

084103-08-000

| KEY | PART NUMBER | U/M | DESCRIPTION | VENDOR NO. |
|-----|---------------|-----|-----------------------|-------------|
| | 084104-01-700 | EA | LOCK-MALE, FASTENER | 201-721-010 |
| | 084104-01-701 | EA | LOCK-FEMALE, FASTENER | 201-802-010 |



094707-03-01A

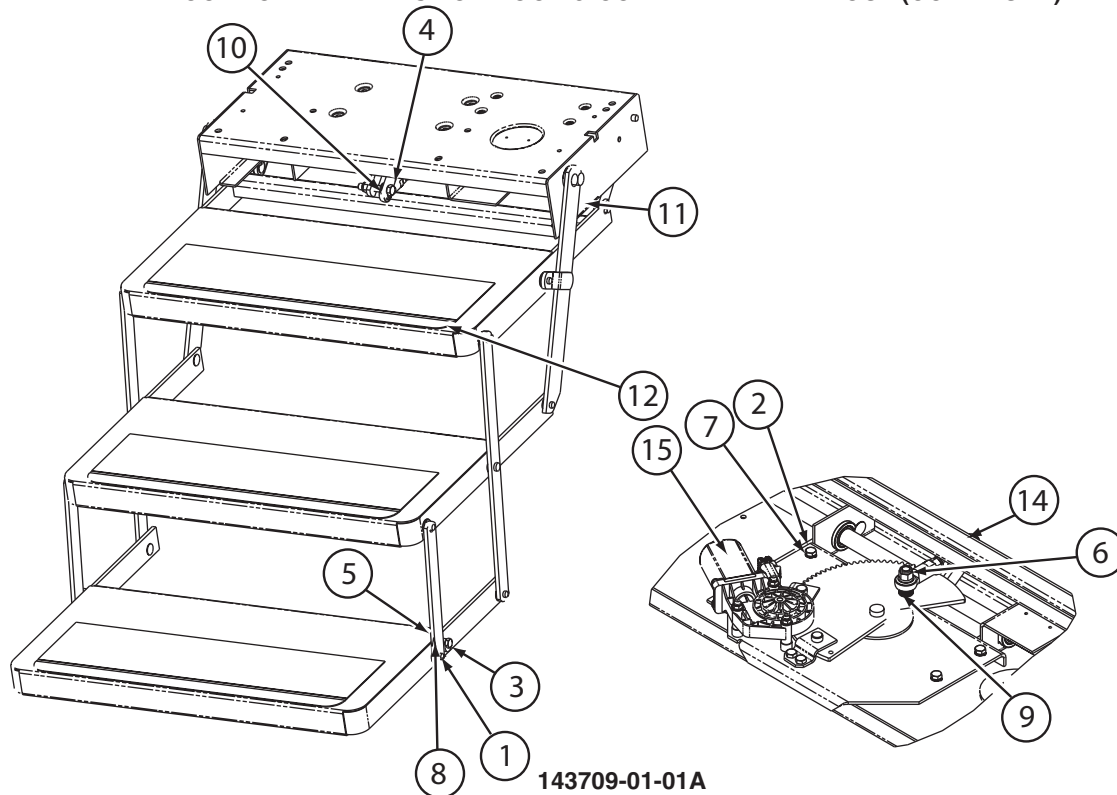
| KEY | PART NUMBER | U/M | DESCRIPTION | VENDOR NO. |
|-----|---------------|-----|------------------------------|------------|
| 1 | 094707-01-702 | EA | FRAME W/DBL STEP,3200 SERIES | 908032 |
| 2 | 094707-02-703 | EA | BEARING & PINS | 909530 |
| 3 | 094707-02-700 | EA | MOTOR - "UT" ASM W/BRGS/PIN | 909520 |
| 4 | 094707-02-702 | EA | GEAR KIT(GEAR-BEARING-PINS) | 909525 |
| 5 | 094707-02-704 | EA | CONNECTOR-MOTOR ASM.W/PLATES | 909537 |
| 6 | 094707-03-700 | EA | KIT CONTROL/SWITCH-RETROFIT | 909506005 |
| 7 | 088746-01-705 | EA | LIGHT-UNDER STEP | 9004 |
| 7 | 088733-01-700 | EA | BULB | 9004 |
| 8 | 094707-02-701 | EA | LINKAGE ASM. W/BEARINGS-PINS | 909534 |
| 9 | 094707-02-707 | EA | TREAD - NON-SKID - BLACK | 909333 |
| | 094707-02-706 | EA | GEAR BOX ASM. W/O MOTOR | 9524 |
| | 094707-02-708 | EA | TREAD - NON-SKID - YELLOW | 909331 |
| | 094707-03-701 | EA | PLUG - 4-WAY - PACKARD | 909306 |

CONTACT WINNEBAGO PART SALES FOR UNLISTED COMPONENT(S)

142226-02-01A

| KEY | PART NUMBER | U/M | DESCRIPTION | VENDOR NO |
|-----|---------------|-----|----------------------------|-----------|
| | 142226-02-700 | EA | TAB/LOCKING - ESCAPE (RED) | 9667709 |

EXTERIOR DOORS & COMPARTMENTS GROUP (CONTINUED)
COMPONENT PARTS FOR DOOR & COMPARTMENT LAYOUT (CONTINUED)

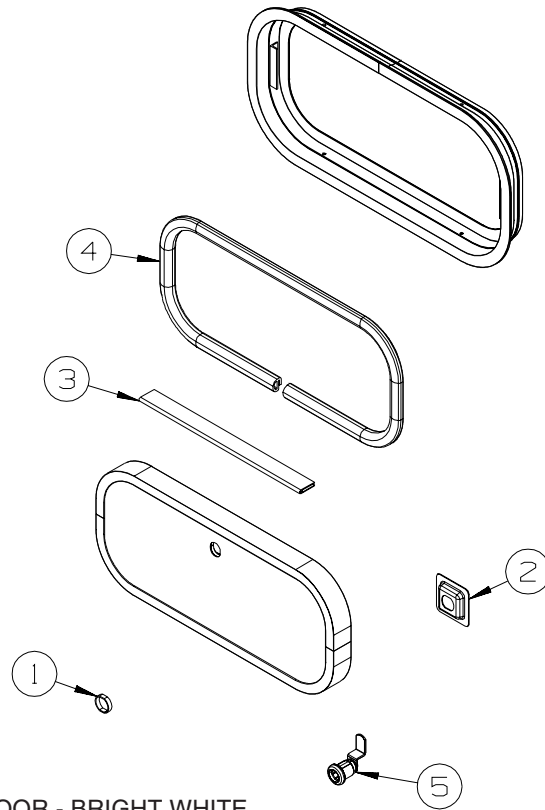


143709-01-01A

| KEY | PART NUMBER | U/M | DESCRIPTION | VENDOR NO. |
|-----|---------------|-----|------------------------------|------------|
| 1 | 143709-01-700 | EA | CAM STOP | 1102200 |
| 10 | 143709-01-706 | EA | CONTROL UNIT | 909508003 |
| 11 | 143709-01-701 | EA | BUMPER - BLACK (RUBBER STOP) | 1602000 |
| 12 | 143709-01-702 | EA | TREAD/NON-SKID _6" X 21" BLK | 1915260 |
| 13 | 143709-01-703 | EA | FRAME ONLY PAINTED BLACK 25 | 3202050 |
| 14 | 143709-01-704 | EA | LINK ASM ELECTRIC STEP 24/25 | 3380050 |
| 15 | 143709-01-705 | EA | MOTOR ASSEMBLY 24/25 STEP | 3392151 |

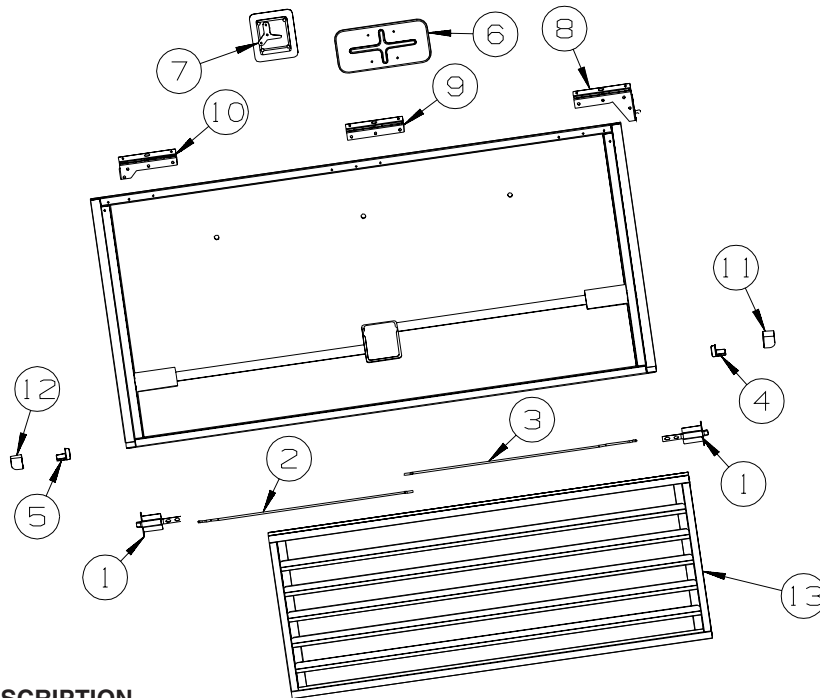
CONTACT WINNEBAGO PART SALES FOR UNLISTED COMPONENT(S)

EXTERIOR DOORS & COMPARTMENTS GROUP (CONTINUED)
COMPARTMENT DOOR PIECE PARTS



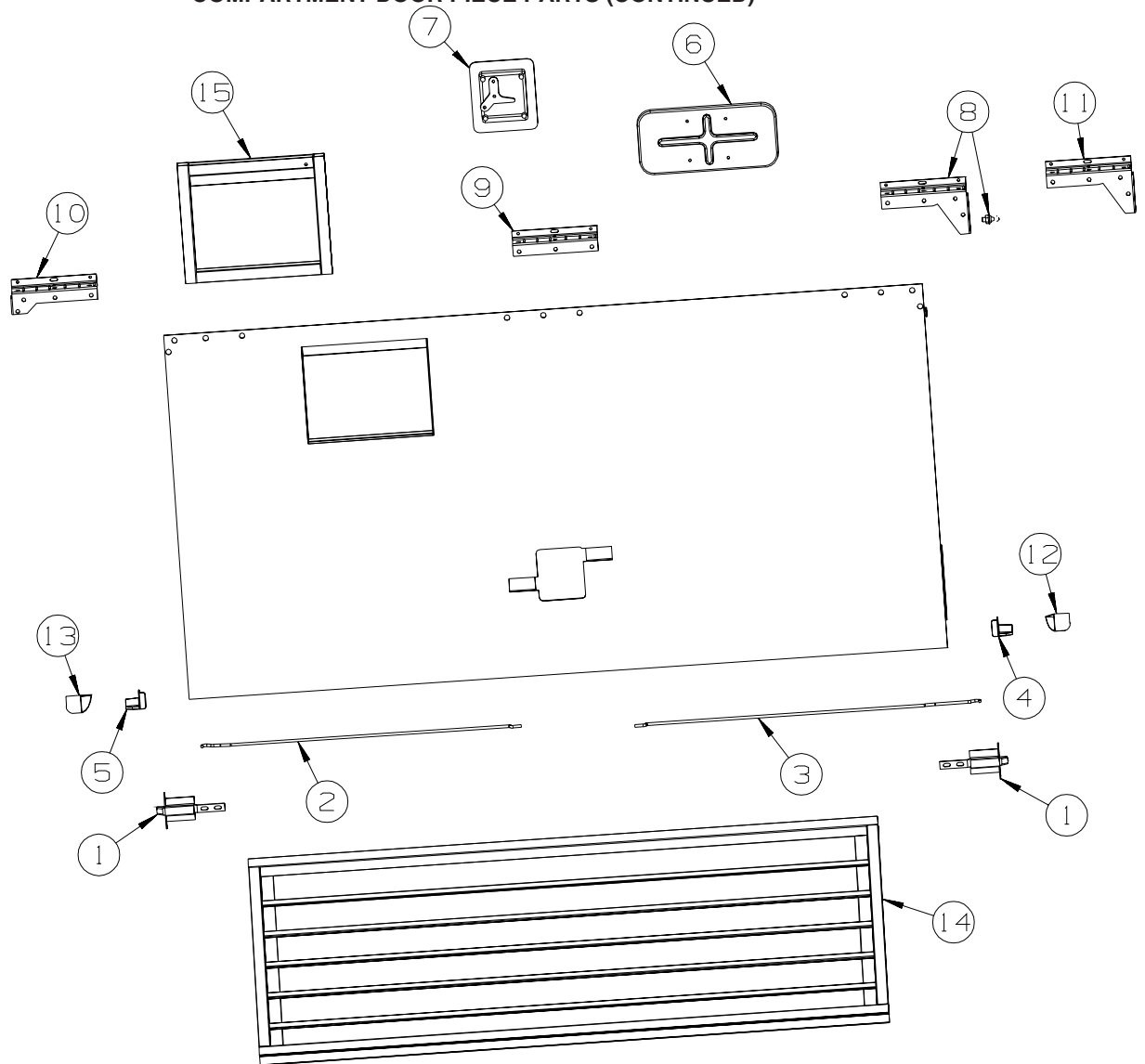
| KEY | PART NUMBER | U/M | DESCRIPTION |
|-----|---------------|-----|-------------------------------------------------------------------------------|
| 1 | 139325-01-000 | EA | SPACER - LOCK - 6MM |
| | 139337-01-000 | EA | GASKET - LOCK |
| 2 | 097111-02-05A | EA | POCKET - LOCK - REAR DOOR - BRIGHT WHITE |
| 2 | 097111-02-04A | EA | POCKET - LOCK - REAR DOOR - BLACK - FULL BODY OR LOWER EXT PAINT |
| 3 | 081801-V3-000 | EA | HINGE - DOOR - PIANO - 2" X 96" - BRIGHT WHITE |
| 3 | 081801-FN-000 | EA | HINGE - DOOR - PIANO - 2" X 96" - BLACK - FULL BODY OR LOWER EXT PAINT |
| 4 | 106850-02-000 | FT | SEAL-E - SPONGE RUBBER - .43" X .75" |
| 5 | 138290-02-000 | EA | CASE - W/CAM - W/O CYLINDER/KEY |

EXTERIOR DOORS & COMPARTMENTS GROUP (CONTINUED)
COMPARTMENT DOOR PIECE PARTS (CONTINUED)



| KEY | PART NUMBER | U/M | DESCRIPTION |
|-----|---------------|-----|---------------------------------------------------------------------|
| 1 | 121947-01-01A | EA | BOLT - SLIDE W/PLASTIC PLUNGER |
| 2 | 132873-01-000 | EA | ROD - LATCH (BLANK) - RIGHT HAND |
| 3 | 132873-02-000 | EA | ROD - LATCH (BLANK) - LEFT HAND |
| 4 | 135276-01-01A | EA | REINFORCEMENT - CORNER - RIGHT HAND |
| 5 | 135276-02-01A | EA | REINFORCEMENT - CORNER - LEFT HAND |
| 6 | 137359-01-01A | EA | COVER - LATCH - WHITE |
| 7 | 138277-01-02A | EA | LATCH/PADDLE - COMPARTMENT DOOR - WHITE - KEY ONE |
| 7 | 138277-01-01A | EA | LATCH/PADDLE - COMPARTMENT DOOR - BLACK - KEY ONE - FULL BODY PAINT |
| 7 | 112949-02-04A | EA | LATCH - PADDLE NON-LOCKING - BRIGHT WHITE |
| 7 | 112949-02-05A | EA | LATCH - PADDLE NON-LOCKING - BLACK - FULL BODY PAINT |
| 8 | 139793-01-01A | EA | HINGE - RIGHT HAND/VALANCE DOOR - W/BALL STUD |
| 9 | 139793-03-01A | EA | HINGE - CENTER/VALANCE DOOR - W/O BALL STUD |
| 10 | 139793-05-01A | EA | HINGE - LEFT HAND/VALANCE DOOR - W/O BALL STUD |
| 11 | 141601-02-01A | EA | END CAP/VALANCE DOOR - LEFT HAND |
| 12 | 141601-01-01A | EA | END CAP/VALANCE DOOR - RIGHT HAND |
| 13 | 113333-10-S76 | EA | GRILL/DOOR - A/C - BRIGHT WHITE |
| 13 | 113333-10-M42 | EA | GRILL/DOOR - A/C - FULL BODY PAINT |

EXTERIOR DOORS & COMPARTMENTS GROUP (CONTINUED)
COMPARTMENT DOOR PIECE PARTS (CONTINUED)



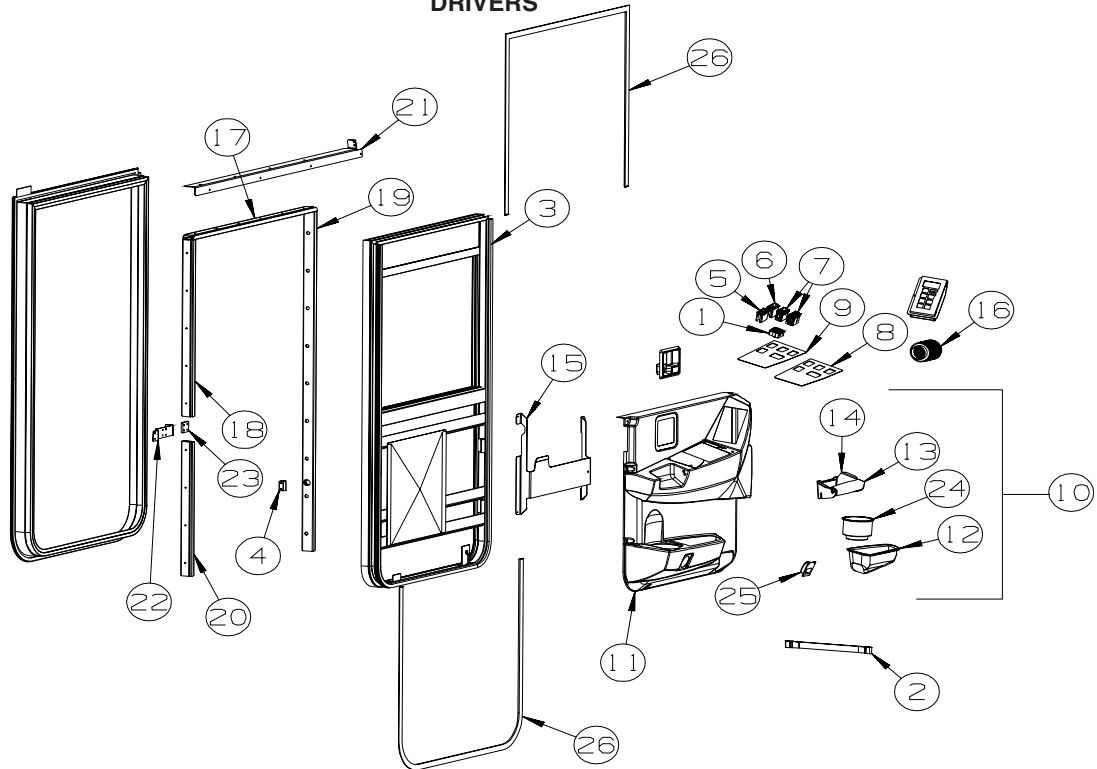
| KEY | PART NUMBER | U/M | DESCRIPTION |
|-----|---------------|-----|---------------------------------------------------------------------|
| 1 | 121947-01-01A | EA | BOLT - SLIDE W/PLASTIC PLUNGER |
| 2 | 132873-01-000 | EA | ROD - LATCH (BLANK) - RIGHT HAND |
| 3 | 132873-02-000 | EA | ROD - LATCH (BLANK) - LEFT HAND |
| 4 | 135276-01-01A | EA | REINFORCEMENT - CORNER - RIGHT HAND |
| 5 | 135276-02-01A | EA | REINFORCEMENT - CORNER - LEFT HAND |
| 6 | 137359-01-01A | EA | COVER - LATCH - WHITE |
| 7 | 138277-01-02A | EA | LATCH/PADDLE - COMPARTMENT DOOR - WHITE - KEY ONE |
| 7 | 138277-01-01A | EA | LATCH/PADDLE - COMPARTMENT DOOR - BLACK - KEY ONE - FULL BODY PAINT |
| 7 | 112949-02-04A | EA | LATCH - PADDLE NON-LOCKING - BRIGHT WHITE |
| 7 | 112949-02-05A | EA | LATCH - PADDLE NON-LOCKING - BLACK - FULL BODY PAINT |
| 8 | 139793-01-01A | EA | HINGE - RIGHT HAND/VALANCE DOOR - W/BALL STUD |
| 9 | 139793-03-01A | EA | HINGE - CENTER/VALANCE DOOR - W/O BALL STUD |
| 10 | 139793-05-01A | EA | HINGE - LEFT HAND/VALANCE DOOR - W/O BALL STUD |
| 11 | 139793-04-01A | EA | HINGE - RIGHT HAND/VALANCE DOOR - W/O BALL STUD |
| 12 | 141601-02-01A | EA | END CAP/VALANCE DOOR - LEFT HAND |
| 13 | 141601-01-01A | EA | END CAP/VALANCE DOOR - RIGHT HAND |
| 14 | 113333-10-S76 | EA | GRILL/DOOR - A/C - BRIGHT WHITE |
| 14 | 113333-10-M42 | EA | GRILL/DOOR - A/C - FULL BODY PAINT |

EXTERIOR DOORS & COMPARTMENTS GROUP (CONTINUED)
COMPARTMENT DOOR PIECE PARTS (CONTINUED)

| KEY | PART NUMBER | U/M | DESCRIPTION | |
|------------|--------------------|------------|---------------------------|-------------------------------|
| 15 | 133049-02-L76 | EA | TRIM - COVER/WATER HEATER | FROM: 00-00-00 THRU: 02-16-05 |
| 15 | 133049-09-R32 | EA | TRIM - COVER/WATER HEATER | FROM: 02-17-05 THRU: 99-99-99 |
| 15 | 133049-02-L76 | EA | TRIM - COVER/WATER HEATER | FROM: 00-00-00 THRU: 02-28-05 |
| 15 | 133049-10-S64 | EA | TRIM - COVER/WATER HEATER | FROM: 03-01-05 THRU: 99-99-99 |

EXTERIOR DOORS & COMPARTMENTS GROUP (CONTINUED)

DRIVERS



| KEY | PART NUMBER | U/M | DESCRIPTION |
|-----|---------------|-----|-----------------------------------------------------------------|
| 1 | 088246-01-000 | EA | SWITCH/REMOTE MIRROR - W/2PIN & 6 PIN CONNECTORS/PIGTAIL |
| 2 | 109378-01-000 | EA | STRAP - CHECK - DRIVER DOOR - 12.8" |
| 3* | 125581-09-01A | EA | DOOR - DRIVER - POWER WINDOW/LOCK |
| | 138292-01-000 | EA | SEAL - LOCK CYLINDER |
| | 138288-01-000 | EA | KEY - REVERSIBLE - #1151 - T/M 16169-02-3091 |
| | 138288-02-000 | EA | KEY - REVERSIBLE - #1152 - T/M 16169-02-3092 |
| | 138288-03-000 | EA | KEY - REVERSIBLE - #1153 - T/M 16169-02-3093 |
| | 138288-04-000 | EA | KEY - REVERSIBLE - #1154 - T/M 16169-02-3094 |
| | 138288-05-000 | EA | KEY - REVERSIBLE - #1155 - T/M 16169-02-3095 |
| | 138288-06-000 | EA | KEY - REVERSIBLE - #1156 - T/M 16169-02-3096 |
| | 138288-07-000 | EA | KEY - REVERSIBLE - #1157 - T/M 16169-02-3097 |
| | 138288-08-000 | EA | KEY - REVERSIBLE - #1158 - T/M 16169-02-3098 |
| | 138288-09-000 | EA | KEY - REVERSIBLE - #1159 - T/M 16169-02-3099 |
| | 138288-10-000 | EA | KEY - REVERSIBLE - #1150 - T/M 16169-02-3100 |
| | 138289-01-000 | EA | CYLINDER - LOCKING |
| | 138289-02-000 | EA | CYLINDER - LOCKING |
| | 138289-03-000 | EA | CYLINDER - LOCKING |
| | 138289-04-000 | EA | CYLINDER - LOCKING |
| | 138289-05-000 | EA | CYLINDER - LOCKING |
| | 138289-06-000 | EA | CYLINDER - LOCKING |
| | 138289-07-000 | EA | CYLINDER - LOCKING |
| | 138289-08-000 | EA | CYLINDER - LOCKING |
| | 138289-09-000 | EA | CYLINDER - LOCKING |
| | 138289-10-000 | EA | CYLINDER - LOCKING |
| 4 | 128131-01-01A | EA | SPACER/SWITCH - DOME - BLACK |
| 5 | 145638-02-01A | EA | SWITCH/ROCKER - SPST (ON/OFF) - LIGHTED - BLACK - HEATED MIRROR |
| 6 | 145638-09-01A | EA | SWITCH/ROCKER - DPDT (ON/OFF/ON) - BLACK - POWER WINDOW |
| 7 | 145638-09-01A | EA | SWITCH/ROCKER - DPDT (ON/OFF/ON) - BLACK - POWER SUNVISOR |
| 7 | 145754-01-01A | EA | SWITCH - BLANK - BLACK - MANUAL SUNVISOR |
| 8 | 145926-10-02B | EA | INSERT - SWITCH PLATE - 4 HOLE/RELAY SLOT - E-COATED |
| 9 | 148653-08-01A | EA | APPLIQUE - DRIVERS DOOR - DARK RIVERSTONE |
| 10 | 148822-02-S64 | EA | PANEL - DRIVER DOOR/INNER - CASHMERE |
| 10 | 148822-02-S72 | EA | PANEL - DRIVER DOOR/INNER - RIVERSTONE |
| 11 | 148823-02-20A | EA | PANEL - INNER/DRIVER DOOR - CASHMERE |
| 11 | 148823-02-19A | EA | PANEL - INNER/DRIVER DOOR - RIVERSTONE |
| 12 | 148827-01-20A | EA | POCKET/STORAGE - DRIVER DOOR - CASHMERE |
| 12 | 148827-01-19A | EA | POCKET/STORAGE - DRIVER DOOR - RIVERSTONE |
| 13 | 148833-01-02A | EA | HANDLE - DRIVER DOOR - CASHMERE |
| 13 | 148833-01-01A | EA | HANDLE - DRIVER DOOR - RIVERSTONE |

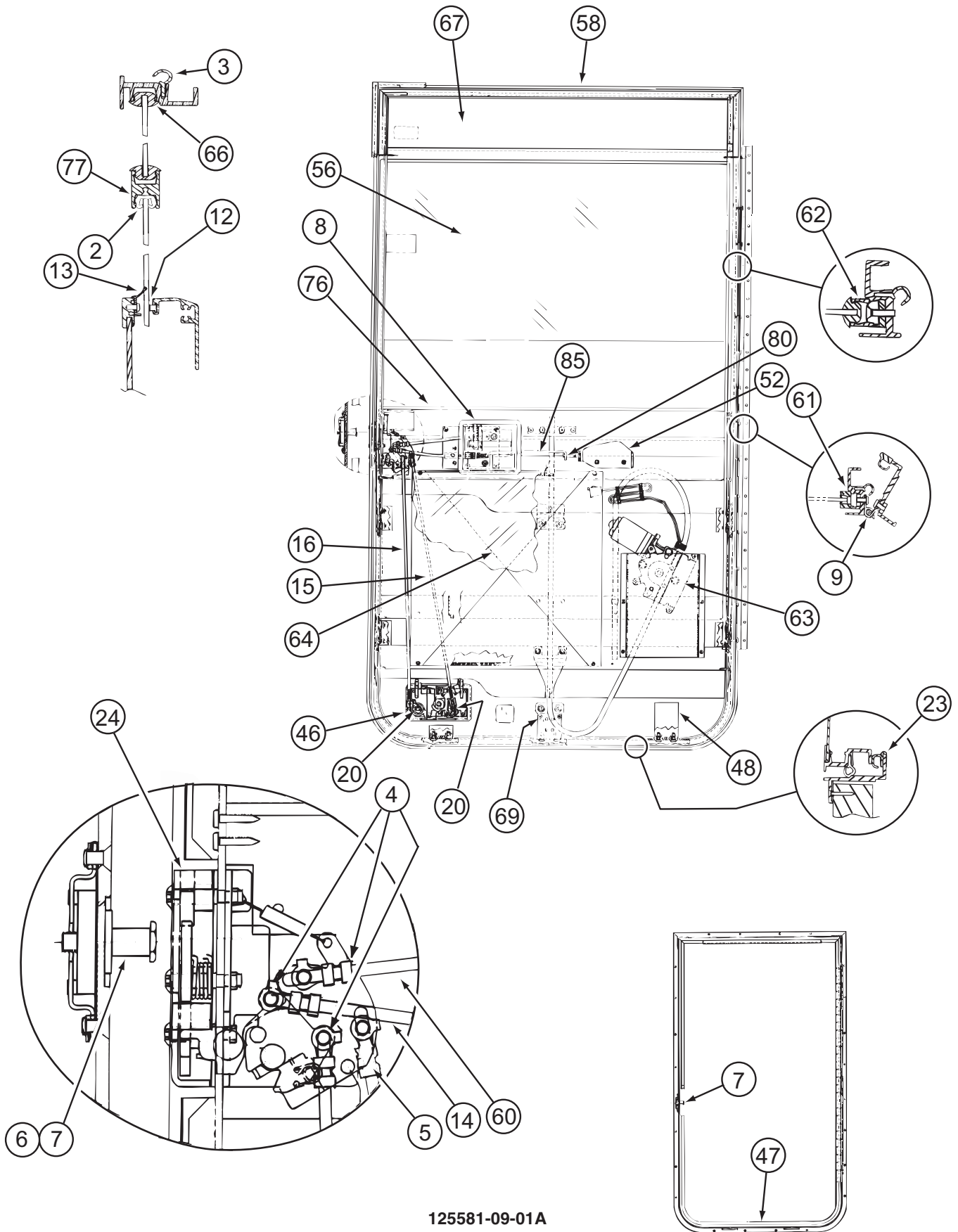
EXTERIOR DOORS & COMPARTMENTS GROUP (CONTINUED)
DRIVERS (CONTINUED)

| KEY | PART NUMBER | U/M | DESCRIPTION |
|------------|--------------------|------------|-------------------------------------------|
| 14 | 149512-01-02B | EA | BRACKET - DOOR HANDLE - E-COATED |
| 15 | 149513-01-02B | EA | BRACKET - SUPPORT/DOOR HANDLE - E-COATED |
| 16 | 117802-01-000 | EA | GROMMET - CONVOLUTED - 2" |
| 17 | 125725-01-01A | EA | FRAME - DRIVER DOOR - 33.5" - BLACK |
| 18 | 125725-03-01A | EA | FRAME - DRIVER DOOR - 27.8" - BLACK |
| 19 | 125725-07-01A | EA | FRAME - DRIVER DOOR - 53.3" - BLACK |
| 20 | 125725-08-01A | EA | FRAME - DRIVER DOOR - 21.4" - BLACK |
| 21 | 125804-02-02B | EA | ANGLE - DOOR SUPPORT - E-COATED |
| 22 | 126506-01-02B | EA | BRACKET - STRIKE - DRIVER DOOR - E-COATED |
| 23 | 126534-01-02B | EA | SPACER - STRIKE - DRIVER DOOR - E-COATED |
| 24 | 134566-01-01A | EA | HOLDER - CUP - TWO STEP - BLACK |
| 25 | 108354-01-01A | EA | LIGHT - COURTESY |
| 26 | 109235-01-01A | FT | COVER - SCREW - MAT BLACK |
| 26 | 109235-01-05A | FT | COVER - SCREW - BRIGHT WHITE |

***COMPONENT PARTS LISTED LATER IN THIS GROUP**

EXTERIOR DOORS & COMPARTMENTS GROUP (CONTINUED)

COMPONENT PARTS FOR DRIVERS



125581-09-01A

EXTERIOR DOORS & COMPARTMENTS GROUP (CONTINUED)
COMPONENT PARTS FOR DRIVERS (CONTINUED)

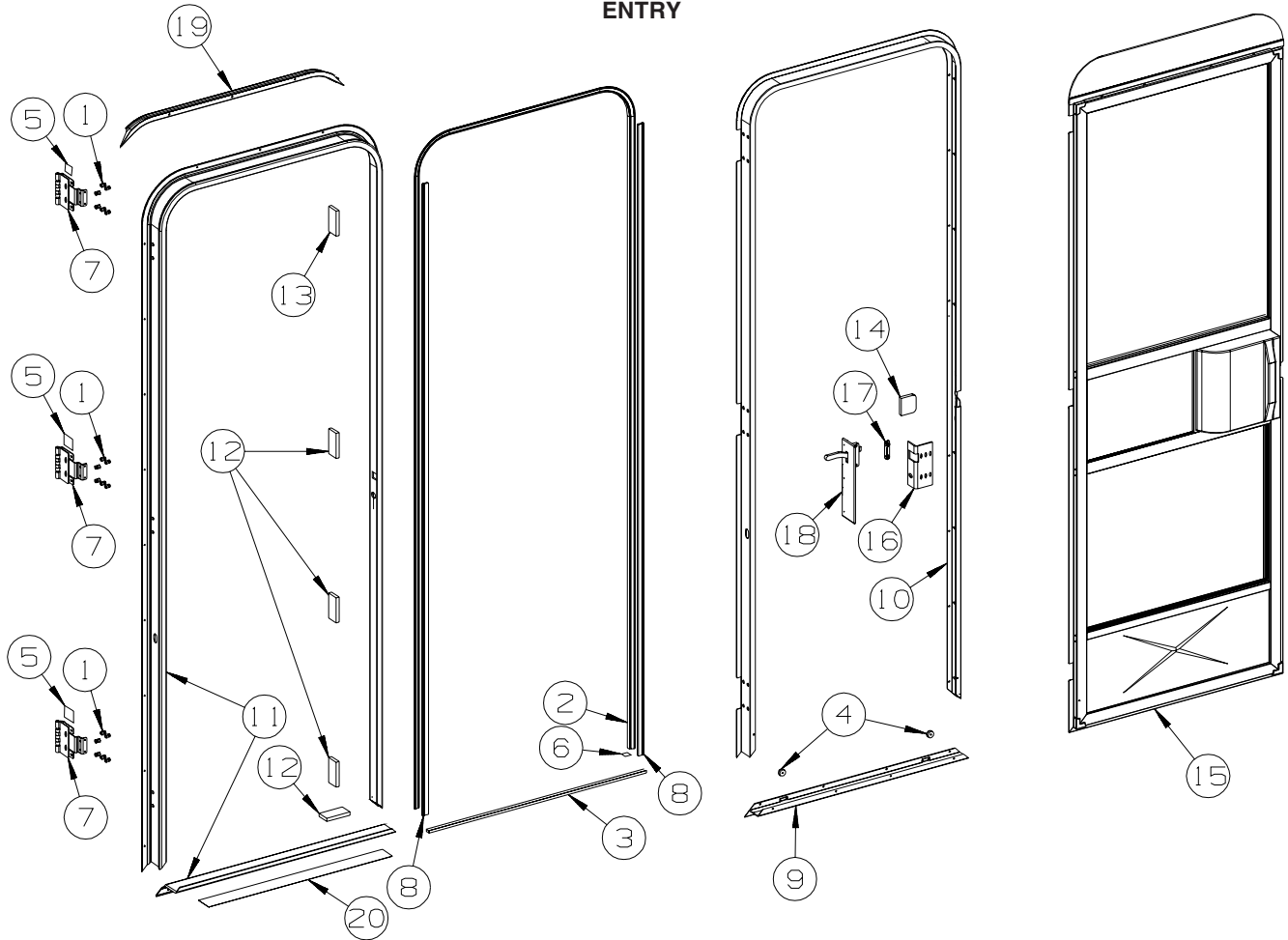
125581-09-01A (CONTINUED)

| KEY | PART NUMBER | U/M | DESCRIPTION | VENDOR NO. |
|------------|--------------------|------------|------------------------------|-------------------|
| 2 | 106469-01-705 | FT | CHANNEL-RUN, SLIDING | 122-010850 |
| 3 | 106469-01-702 | EA | SEAL-DOOR FRAME (DOOR)EA=1 | 122-040984 |
| 4 | 106469-04-714 | EA | ROD-CLIP, RH | 80801 |
| 5 | 106469-04-713 | EA | ROD-CLIP, LH | 80802 |
| 6 | 106469-04-704 | EA | NUT ASSEMBLY-CAGED W/STRIKER | 11920-16 |
| 7 | 106469-04-703 | EA | BOLT-STRIKER, W/WASHER | 10335-16 |
| 8 | 106469-04-712 | EA | HANDLE/DOOR-INNER W/HARDWARE | 11297-01 |
| 9 | 106469-05-702 | EA | HINGE - 42" | 211-041194 |
| 12 | 106469-01-709 | FT | WEATHERSTRIP FUZZY | 171-040630 |
| 13 | 125581-03-703 | EA | WEATHERSTRIP - BELTING | 132-041069 |
| 14 | 106469-04-711 | EA | ROD-LOCK, HORIZONTAL | 15508-01 |
| 15 | 125581-04-700 | EA | ROD - LATCH/VERTICAL ADJUST. | 203-041767 |
| 16 | 125581-04-701 | EA | ROD - LOCK/VERTICAL ADJUST. | 203-041768 |
| 20 | 128913-01-707 | EA | NUT - HEX/NYLOCK - 1/4 - 20 | 233-062447 |
| 23 | 106469-01-723 | EA | SEAL-BULB ASM. (DOOR JAMB) | 171-040985 |
| 24 | 106469-05-706 | EA | LATCH-ROTARY, W/LINKAGE | 16512-01 |
| 46 | 125581-09-700 | EA | PADDLE-W/O LOCK RH (REV KEY) | 17191-02 |
| 46 | 125581-09-701 | EA | LATCH/LOCK-DRVR DR (REV KEY) | PARTS DEPT |
| 46 | 125581-09-702 | EA | LATCH/LOCK-DRVR DR (REV KEY) | PARTS DEPT |
| 46 | 125581-09-703 | EA | LATCH/LOCK-DRVR DR (REV KEY) | PARTS DEPT |
| 46 | 125581-09-704 | EA | LATCH/LOCK-DRVR DR (REV KEY) | PARTS DEPT |
| 46 | 125581-09-705 | EA | LATCH/LOCK-DRVR DR (REV KEY) | PARTS DEPT |
| 46 | 125581-09-706 | EA | LATCH/LOCK-DRVR DR (REV KEY) | PARTS DEPT |
| 46 | 125581-09-707 | EA | LATCH/LOCK-DRVR DR (REV KEY) | PARTS DEPT |
| 46 | 125581-09-708 | EA | LATCH/LOCK-DRVR DR (REV KEY) | PARTS DEPT |
| 46 | 125581-09-709 | EA | LATCH/LOCK-DRVR DR (REV KEY) | PARTS DEPT |
| 46 | 125581-09-710 | EA | LATCH/LOCK-DRVR DR (REV KEY) | PARTS DEPT |
| 46 | 125581-09-721 | EA | LATCH/LOCK-DRVR DR (3041) | PARTS DEPT (3041) |
| 46 | 125581-09-722 | EA | LATCH/LOCK-DRVR DR (3042) | PARTS DEPT (3042) |
| 46 | 125581-09-723 | EA | LATCH/LOCK-DRVR DR (3043) | PARTS DEPT (3043) |
| 46 | 125581-09-724 | EA | LATCH/LOCK-DRVR DR (3044) | PARTS DEPT (3044) |
| 46 | 125581-09-725 | EA | LATCH/LOCK-DRVR DR (3045) | PARTS DEPT (3045) |
| 46 | 125581-09-726 | EA | LATCH/LOCK-DRVR DR (3046) | PARTS DEPT (3046) |
| 46 | 125581-09-727 | EA | LATCH/LOCK-DRVR DR (3047) | PARTS DEPT (3047) |
| 46 | 125581-09-728 | EA | LATCH/LOCK-DRVR DR (3048) | PARTS DEPT (3048) |
| 46 | 125581-09-729 | EA | LATCH/LOCK-DRVR DR (3049) | PARTS DEPT (3049) |
| 46 | 125581-09-730 | EA | LATCH/LOCK-DRVR DR (3050) | PARTS DEPT (3050) |
| 47 | 125581-04-703 | EA | FRAME - MOUNTING - BLACK | V180-35L |
| 48 | 125581-07-703 | EA | BRACKET-ALUMINUM "L"(INSIDE) | N135-55 |
| 56 | 125581-08-703 | EA | GLASS-ROLL-UP 29.46"X29.37" | 106-042081 |
| 56 | 125581-09-711 | EA | GLASS-ROLL UP 24"H X 29.37"W | 490207 |
| 58 | 125581-08-702 | EA | FRAME/DOOR - SUB ASSY-BLACK | V220-98L |
| 60 | 106469-04-705 | EA | ROD-LATCH, HORIZONTAL | 203-041139 |
| 61 | 125581-08-701 | EA | CHANNEL/VERT ROLL UP-BLACK | V220-60 |
| 62 | 125581-08-700 | EA | CHANNEL/VERT STA GLASS-BLACK | V220-61 |
| 63 | 125581-03-702 | EA | REGULATOR-ELECTRIC-SPEC RH | 410-040966 |
| 64 | 125581-06-700 | EA | PANEL/INTERIOR | V164-97 |
| 66 | 125581-04-710 | FT | VINYL - GLAZING | 132-041484 |
| 67 | 125581-07-701 | EA | GLASS-STATIONERY/4.95"X29.5" | 106-042082 |
| 69 | 125581-04-711 | EA | CHANNEL-GLASS - LIFT BRKT | N135-66 |
| 76 | 125581-03-701 | EA | SILL - INNER - BLACK | V123-68L |
| 77 | 125581-03-700 | EA | MULLION RAIL- BLACK | V123-84 |
| | 106469-04-716 | EA | LEVER-LOCKING-BLACK | 80978-00 |
| | 125581-07-705 | EA | BRACKET (L) F/SEAL PROTECT | 490201 |
| | 125581-07-704 | EA | BRACKET - STRAP/JAMB & DOOR | 248-080394 |
| | 125581-10-701 | EA | CLIP - CABLE | 130-042047 |

CONTACT WINNEBAGO PART SALES FOR UNLISTED COMPONENT(S)

EXTERIOR DOORS & COMPARTMENTS GROUP (CONTINUED)

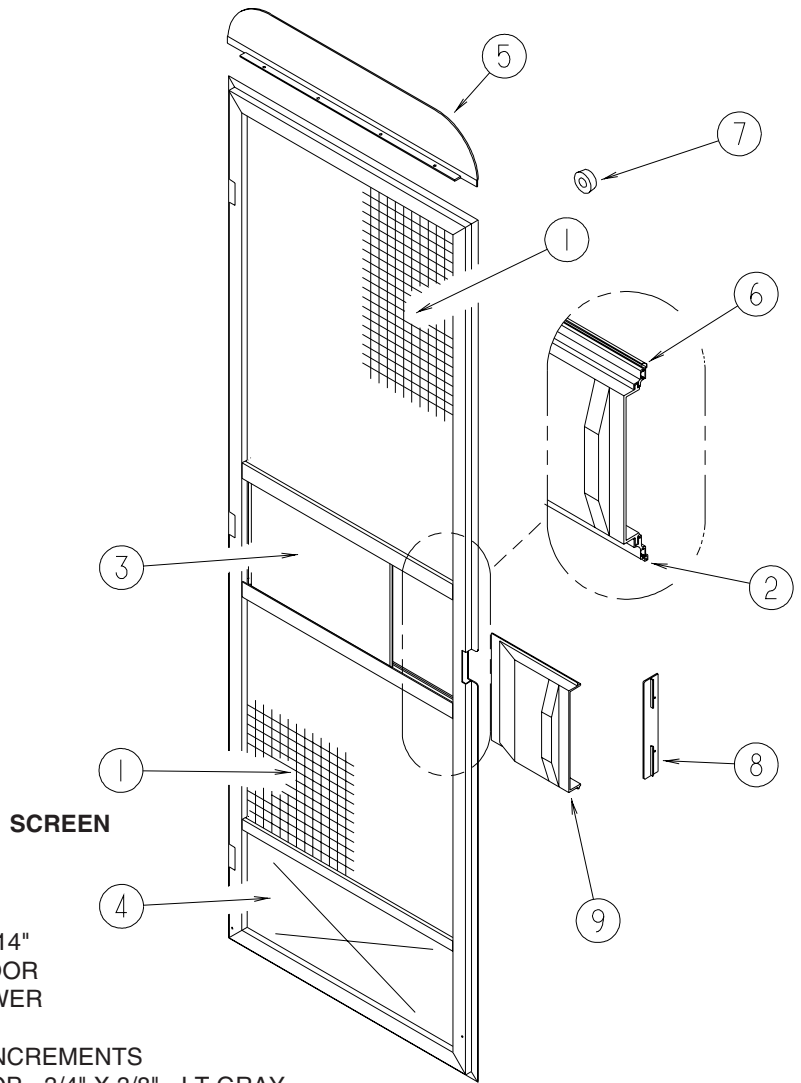
ENTRY



| KEY | PART NUMBER | U/M | DESCRIPTION |
|-----|---------------|-----|------------------------------------------------------------|
| 1 | 039715-01-000 | EA | NUT-SERT - 1/4" DIAMETER - 20 THREADS |
| 2 | 075671-04-000 | FT | SEAL - SPONGE - LAZY T - W/ADHESIVE STRIP - .5" WIDE |
| 3 | 075673-05-000 | FT | SEAL/PILE - .5" HIGH W/ADHESIVE BACK - BLACK |
| 4 | 081914-02-000 | EA | BUMPER - RUBBER - ROUND - 5/16" DIA. X 13/64" THICK |
| 5 | 100128-02-000 | FT | SEAL - FOAM/ADHESIVE BACK - .37" WIDE X .37" THICK |
| 6 | 104692-01-000 | FT | SEAL - ADHESIVE BACKED FOAM - 3/4" THICK X 3/4" WIDE X 25' |
| 7 | 106719-01-05A | EA | HINGE - ENTRY DOOR - BRIGHT WHITE |
| 7 | 106719-01-08A | EA | HINGE - ENTRY DOOR - BLACK - FULL BODY PAINT |
| 8 | 118929-01-01A | FT | SEAL - PILE - PUSH ON |
| 9 | 121893-03-02A | EA | FRAME - ENTRY DOOR/LOWER - BRIGHT WHITE |
| 9 | 121893-03-03A | EA | FRAME - ENTRY DOOR/LOWER - BLACK - FULL BODY PAINT |
| 10 | 121894-27-01A | EA | FRAME - ENTRY DOOR - BRIGHT WHITE |
| 10 | 121894-27-02A | EA | FRAME - ENTRY DOOR - BLACK - FULL BODY PAINT |
| 11 | 121898-14-01A | EA | JAMB - DOOR/ENTRANCE - BRIGHT WHITE |
| 11 | 121898-14-02A | EA | JAMB - DOOR/ENTRANCE - BLACK - FULL BODY PAINT |
| 12 | 125724-01-000 | EA | SHIM - DOOR, ENTRANCE |
| 13 | 125724-02-000 | EA | SHIM - DOOR, ENTRANCE |
| 14 | 130096-05-000 | EA | FOAM - SCREEN DOOR, RETAINER |
| 15 | 132208-02-L32 | EA | DOOR - SCREEN - W/O HARDWARE |
| 15 | 132208-02-S64 | EA | DOOR - SCREEN - W/O HARDWARE - FULL BODY PAINT |
| 16 | 137401-01-03B | EA | BRACKET - DOOR ANGLE - OFF WHITE |
| 16 | 137401-01-02B | EA | BRACKET - DOOR ANGLE - E-COATED - FULL BODY PAINT |
| 17 | 148364-01-12B | EA | STRIKE - SCREEN DOOR - BRIGHT WHITE |
| 17 | 148364-01-04B | EA | STRIKE - SCREEN DOOR - BLACK - FULL BODY PAINT |
| | 138287-01-000 | EA | CYLINDER/LOCK - ENTRY DOOR (MASTER) |
| | 138287-02-000 | EA | CYLINDER/LOCK - ENTRY DOOR (MASTER) |
| | 138287-03-000 | EA | CYLINDER/LOCK - ENTRY DOOR (MASTER) |
| | 138287-04-000 | EA | CYLINDER/LOCK - ENTRY DOOR (MASTER) |
| | 138287-05-000 | EA | CYLINDER/LOCK - ENTRY DOOR (MASTER) |
| | 138287-06-000 | EA | CYLINDER/LOCK - ENTRY DOOR (MASTER) |
| | 138287-07-000 | EA | CYLINDER/LOCK - ENTRY DOOR (MASTER) |

EXTERIOR DOORS & COMPARTMENTS GROUP (CONTINUED)
ENTRY (CONTINUED)

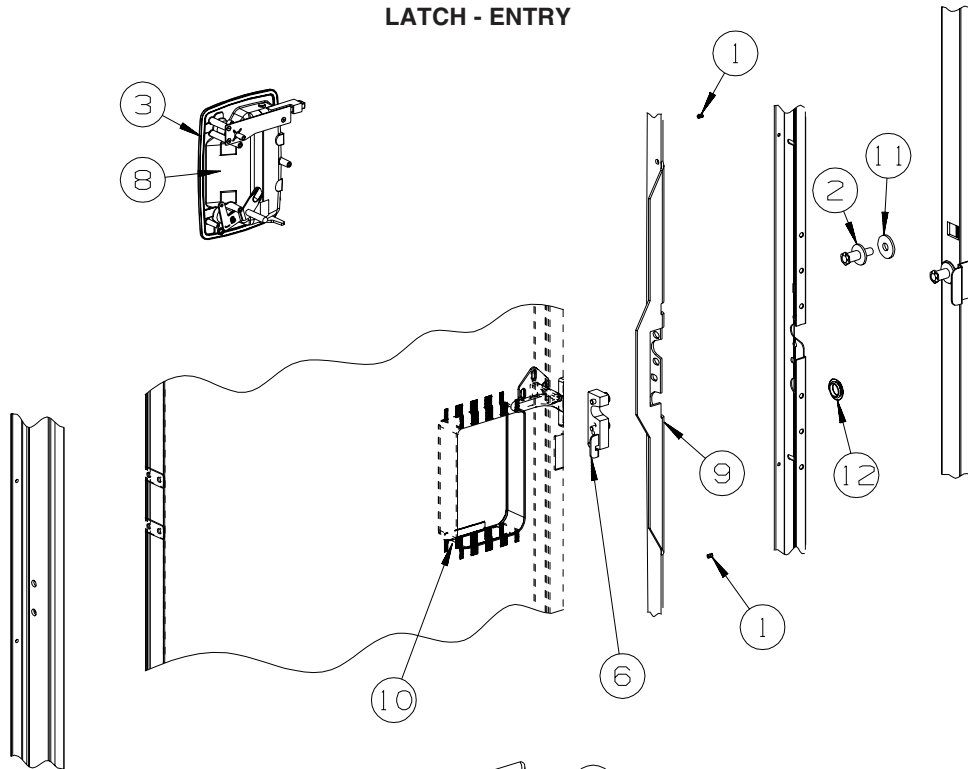
| KEY | PART NUMBER | U/M | DESCRIPTION |
|-----|---------------|-----|------------------------------------------------------------|
| | 138287-08-000 | EA | CYLINDER/LOCK - ENTRY DOOR (MASTER) |
| | 138287-09-000 | EA | CYLINDER/LOCK - ENTRY DOOR (MASTER) |
| | 138287-10-000 | EA | CYLINDER/LOCK - ENTRY DOOR (MASTER) |
| | 138288-01-000 | EA | KEY - REVERSIBLE - #1151 - T/M 16169-02-1151 |
| | 138288-02-000 | EA | KEY - REVERSIBLE - #1152 - T/M 16169-02-1152 |
| | 138288-03-000 | EA | KEY - REVERSIBLE - #1153 - T/M 16169-02-1153 |
| | 138288-04-000 | EA | KEY - REVERSIBLE - #1154 - T/M 16169-02-1154 |
| | 138288-05-000 | EA | KEY - REVERSIBLE - #1155 - T/M 16169-02-1155 |
| | 138288-06-000 | EA | KEY - REVERSIBLE - #1156 - T/M 16169-02-1156 |
| | 138288-07-000 | EA | KEY - REVERSIBLE - #1157 - T/M 16169-02-1157 |
| | 138288-08-000 | EA | KEY - REVERSIBLE - #1158 - T/M 16169-02-1158 |
| | 138288-09-000 | EA | KEY - REVERSIBLE - #1159 - T/M 16169-02-1159 |
| | 138288-10-000 | EA | KEY - REVERSIBLE - #1150 - T/M 16169-02-1150 |
| 18 | 132915-01-01A | EA | LATCH - SCREEN DOOR - BLACK |
| | 138292-01-000 | EA | SEAL - LOCK CYLINDER |
| 19 | 139054-19-01A | EA | CAP - DRIP - JAMB MOUNTED - BRIGHT WHITE |
| 19 | 139054-19-02A | EA | CAP - DRIP - JAMB MOUNTED - BLACK - FULL BODY PAINT |
| 20 | 038327-01-000 | EA | TAPE - ANTI-SLIP - 2" X 60' |



| KEY | PART NUMBER | U/M | DESCRIPTION |
|-----|---------------|-----|----------------------------------------------------------------|
| 1 | 002293-02-000 | SF | SCREEN - 26" - CHARCOAL |
| 2 | 002294-01-000 | FT | SPLINE - SCREENING - .13" X .14" |
| 3 | 016454-18-000 | EA | INSERT/CENTER - SCREEN DOOR |
| 4 | 078552-09-000 | EA | INSERT - SCREEN DOOR - LOWER |
| 5 | 078595-03-000 | EA | PLATE - SCREEN DOOR |
| 6 | 078777-08-000 | FT | CHANNEL - SLIDER - 4 FOOT INCREMENTS |
| 7 | 120863-06-000 | EA | BUMPER - RUBBER/RADIUS TOP - 3/4" X 3/8" - LT GRAY |
| | | | FROM: 00-00-00 THRU: 06-26-05 |
| 7 | 120863-09-000 | EA | BUMPER - RUBBER/RADIUS TOP - 3/4" X 3/8" - LT GRAY |
| | | | FROM: 06-27-05 THRU: 99-99-99 |
| 8 | 132081-01-01A | EA | STRIKE - SLIDER - SCREEN DOOR - BRIGHT WHITE |
| 8 | 132081-01-03A | EA | STRIKE - SLIDER - SCREEN DOOR - BLACK - FULL BODY PAINT |
| 9 | 132082-01-01A | EA | SLIDER - SCREEN DOOR - BRIGHT WHITE |
| 9 | 132082-01-03A | EA | SLIDER - SCREEN DOOR - BLACK - FULL BODY PAINT |

EXTERIOR DOORS & COMPARTMENTS GROUP (CONTINUED)

LATCH - ENTRY



| KEY | PART NUMBER | U/M | DESCRIPTION |
|-----|---------------|-----|------------------------------------------------------------|
| 1 | 072893-04-000 | EA | NUTSERT - 10-32 |
| 2 | 092927-15-000 | EA | STRIKER - BOLT |
| 3 | 112782-04-01A | EA | GASKET |
| 4 | 112782-05-01A | EA | CAP - VINYL - RED |
| 5 | 112782-08-01A | EA | SCREW - MOUNTING/PLATE - ZINC |
| 6 | 112782-15-01A | EA | LATCH - SINGLE ROTOR |
| 6 | 112782-22-01A | EA | LATCH - SINGLE ROTOR |
| 7 | 112782-16-01A | EA | LATCH - INTERIOR PLATE |
| 7 | 112782-21-01A | EA | LATCH - INTERIOR PLATE |
| 8 | 112782-18-01A | EA | LATCH - EXTERIOR - W/O LOCK CYLINDER W/ICON-REVERSIBLE KEY |
| 8 | 112782-20-01A | EA | LATCH - EXTERIOR - W/O LOCK CYLINDER W/ICON-REVERSIBLE KEY |
| 9 | 132207-01-02B | EA | STIFFENER/DOOR - FORMED - E-COATED |
| 10 | 137230-01-01A | EA | SPACER - NOTCHED, MILL |
| 11 | 147900-01-01A | EA | SPACER - STRIKE BOLT, MILL |
| 12 | 061420-14-000 | EA | PLUG/PLASTIC - 7/8" DIAMETER - BLACK |

FROM: 00-00-00 THRU: 05-30-04

FROM: 05-31-04 THRU: 99-99-99

FROM: 00-00-00 THRU: 05-30-04

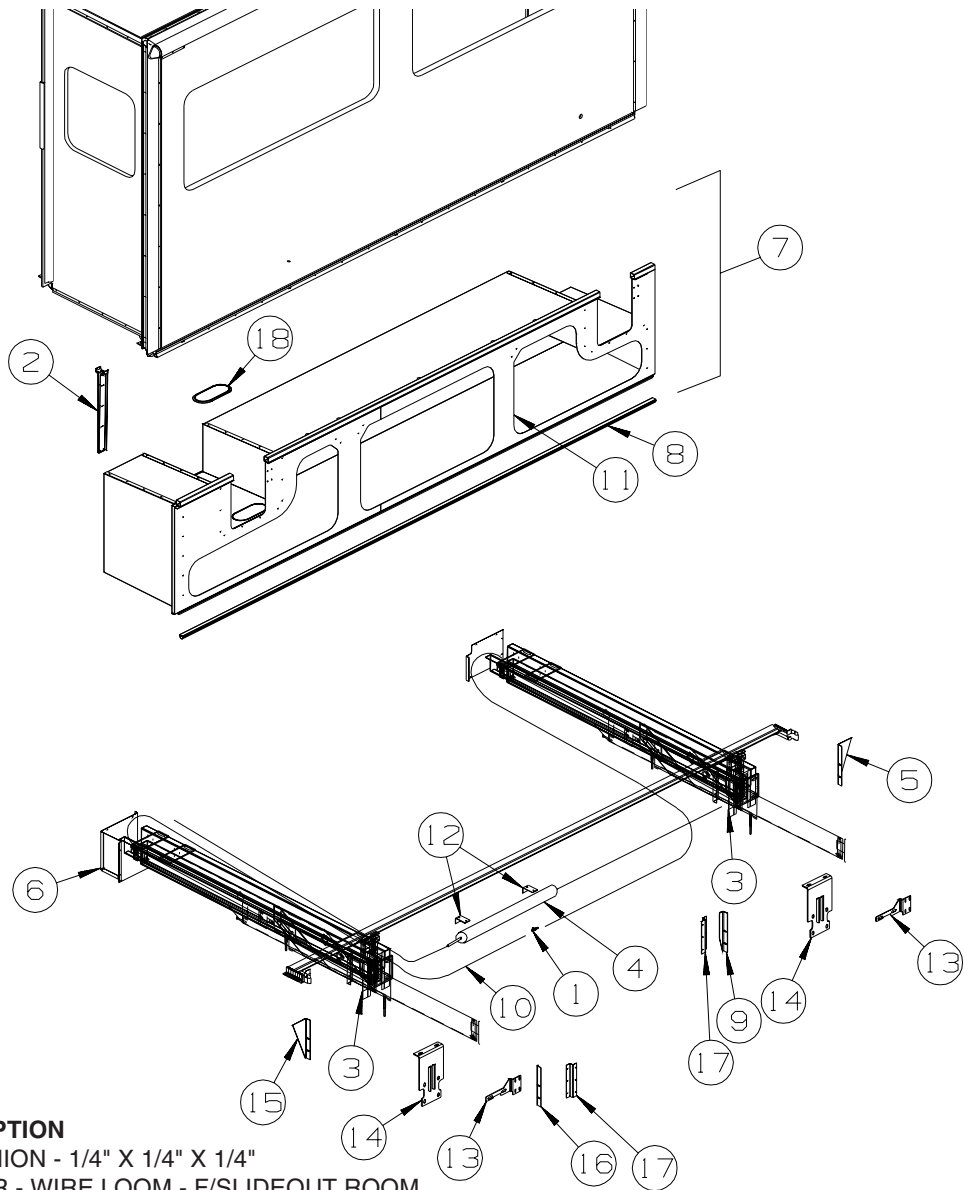
FROM: 05-31-04 THRU: 99-99-99

FROM: 00-00-00 THRU: 05-30-04

FROM: 05-31-04 THRU: 99-99-99

EXTERIOR SLIDEOUT GROUP

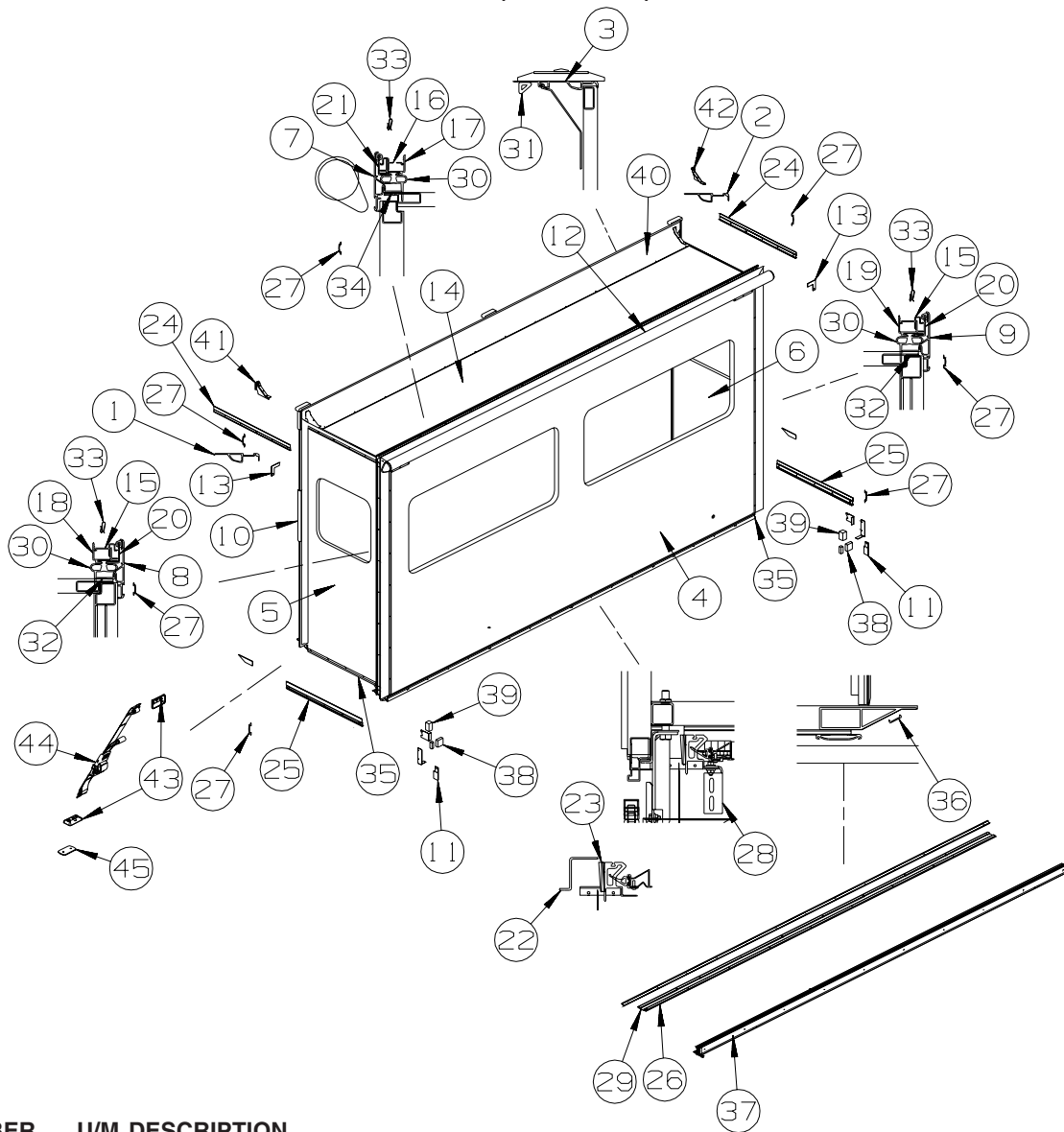
FRONT



| KEY | PART NUMBER | U/M | DESCRIPTION |
|-----|---------------|-----|--------------------------------------------------------|
| 1 | 123264-01-000 | EA | TEE - UNION - 1/4" X 1/4" X 1/4" |
| 2 | 126591-02-02B | EA | CARRIER - WIRE LOOM - F/SLIDEOUT ROOM |
| 3* | 143625-01-000 | EA | CYLINDER KIT/SLIDEOUT - RH - FLAT - 29" |
| 3* | 143625-02-000 | EA | CYLINDER KIT/SLIDEOUT - LH - FLAT - 29" |
| 4* | 143625-03-000 | EA | SLIDEOUT - HYDRAULIC - KIT |
| | 151323-01-000 | EA | BOLT - HANGER/STOREMORE - SHORT - 1/2" THREADS |
| | 143738-01-000 | EA | WRENCH - RATCHET - 13/16" X 7/8" |
| 5 | 131531-01-02B | EA | GUSSET - SLIDEOUT - E-COATED |
| 6 | 136749-06-02B | EA | PANEL/ACCESS COVER - E-COATED |
| 7 | 144137-24-S64 | EA | COMPARTMENT - F/SLIDEOUT |
| 8 | 126516-01-01A | FT | TRIM - VINYL/EXTRUDED - 8' |
| 9 | 131531-04-02B | EA | GUSSET - SLIDEOUT - E-COATED |
| 10 | 100536-58-000 | EA | HOSE KIT - F/SLIDEOUT |
| 11 | 144138-23-02B | EA | SEAL PLANE - F/SLIDEOUT - E-COATED |
| 12 | 122922-02-02B | EA | BRACKET/CYLINDER SUPPORT - E-COATED |
| 13 | 143183-01-02B | EA | BRACKET - SLIDEOUT COMPARTMENT - E-COATED |
| 14 | 131529-01-02B | EA | BRACKET - MOUNTING - F/SLIDEOUT COMPARTMENT - E-COATED |
| 15 | 131531-02-02B | EA | GUSSET - SLIDEOUT - E-COATED |
| 16 | 131531-07-02B | EA | GUSSET - SLIDEOUT - E-COATED |
| 17 | 116104-06-02B | EA | BRACKET - ZEE W/HOLES - 7.9" - E-COATED |
| 18 | 148331-01-01A | EA | PLUG - OVAL/LARGE - BLACK |

*COMPONENT PARTS LISTED LATER IN THIS GROUP

EXTERIOR SLIDEOUT GROUP (CONTINUED)
FRONT (CONTINUED)

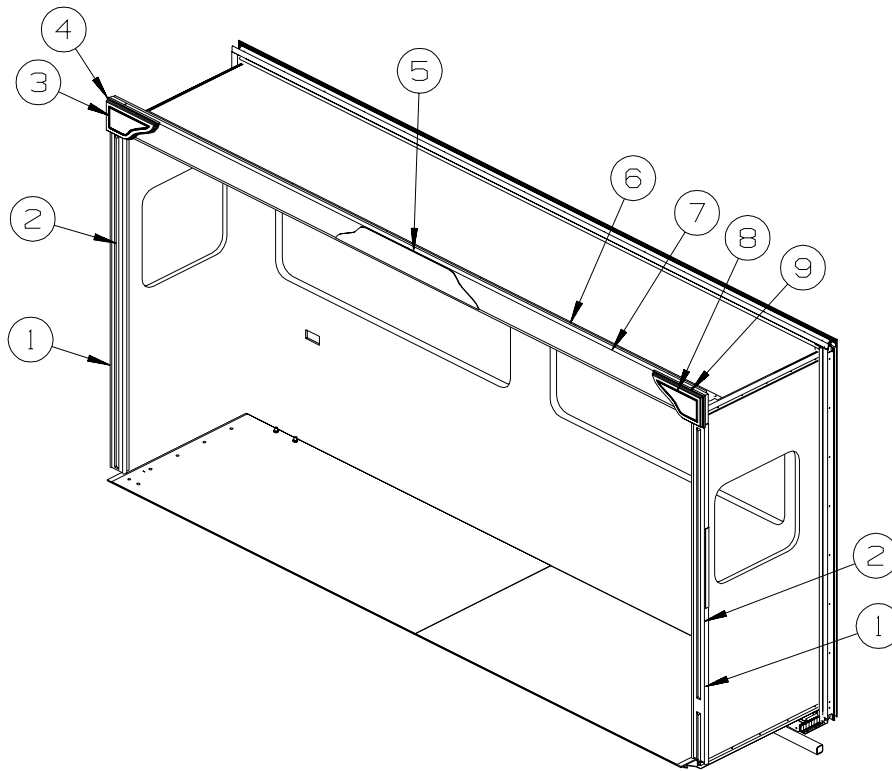


| KEY | PART NUMBER | U/M | DESCRIPTION |
|-----|---------------|-----|-------------------------------------------------------------------------|
| 1 | 139624-18-01A | EA | TRIM/SEAL - INNER/RIGHT HAND - 71.3" - BRIGHT WHITE |
| 2 | 139624-19-01A | EA | TRIM/SEAL - INNER/LEFT HAND - 71.3" - BRIGHT WHITE |
| 3 | 148916-02-01A | EA | TRIM/SEAL - W/MITERED CORNERS - F/SLIDEOUT - 145.6" - B/W |
| 4 | 150643-11-S64 | EA | SLUG - F/SLIDEOUT (S76,S77,S78,S79) |
| 4 | 150643-11-S68 | EA | SLUG - F/SLIDEOUT (S80,S81,S82,S83) |
| 4 | 150643-11-S72 | EA | SLUG - F/SLIDEOUT (S84,S85,S86,S87) |
| 5 | 148896-01-S64 | EA | PANEL END - F/SLIDEOUT (S76,S77,S78,S79) |
| 5 | 148896-01-S68 | EA | PANEL END - F/SLIDEOUT (S80,S81,S82,S83) |
| 5 | 148896-01-S72 | EA | PANEL END - F/SLIDEOUT (S84,S85,S86,S87) |
| 6 | 141973-01-SB0 | EA | PANEL END - F/SLIDEOUT (S76,S77,S78,S79) |
| 6 | 141973-01-SA0 | EA | PANEL END - F/SLIDEOUT (S80,S81,S82,S83) |
| 6 | 141973-01-S72 | EA | PANEL END - F/SLIDEOUT (S84,S85,S86,S87) |
| 7 | 139625-06-01A | EA | TRIM/SEAL - W/MITERED ENDS - 147.2" - BRIGHT WHITE |
| 7 | 139625-06-02A | EA | TRIM/SEAL - W/MITERED ENDS - 147.2" - BLACK - FULL BODY PAINT |
| 8 | 139625-44-01A | EA | TRIM/SEAL - W/RH MITERED END - 75.9" - BRIGHT WHITE |
| 8 | 139625-44-02A | EA | TRIM/SEAL - W/RH MITERED END - 75.9" - BLACK - FULL BODY PAINT |
| 9 | 139625-45-01A | EA | TRIM/SEAL - W/LH MITERED END - 75.9" - BRIGHT WHITE |
| 9 | 139625-45-02A | EA | TRIM/SEAL - W/LH MITERED END - 75.9" - BLACK - FULL BODY PAINT |
| 10 | 130262-04-000 | EA | PROTECTOR - CORNER SAVER - .4" X .7" X 48" |
| 11 | 126546-01-02A | EA | COVER - END/SIDEWALL SLIDEOUT - BRIGHT WHITE |
| 11 | 126546-01-03A | EA | COVER - END/SIDEWALL SLIDEOUT - BLACK - FULL BODY PAINT |
| 12 | 122977-07-03A | EA | AWNING/SLIDEOUT W/COVER - 147" - WHITE - VINYL/VINYL WRAP |
| 12 | 122977-07-06A | EA | AWNING/SLIDEOUT W/COVER - 147" - VINYL WRAP/CHAMPAGNE - FULL BODY PAINT |

EXTERIOR SLIDEOUT GROUP (CONTINUED)
FRONT (CONTINUED)

| KEY | PART NUMBER | U/M | DESCRIPTION |
|-----|---------------|-----|-----------------------------------------------------------------------|
| 13 | 116444-04-12B | EA | TRIM/KEY CORNER - SLIDEOUT - 3.1" X 3.1" - BRT WHITE |
| 13 | 116444-04-02B | EA | TRIM/KEY CORNER - SLIDEOUT - 3.1" X 3.1" - E-COATED - FULL BODY PAINT |
| 14 | 144926-01-R38 | EA | ROOF - F/SLIDEOUT |
| 15 | 142718-01-01A | EA | RETAINER - SIDEWALL/SLIDEOUT - 72.8" |
| 16 | 142718-02-01A | EA | RETAINER - SIDEWALL/SLIDEOUT - 144.9" - MILL |
| 17 | 142719-01-01A | EA | TRIM/SIDEWALL - TOP/SLIDEOUT - 146.7" - BRIGHT WHITE |
| 18 | 142720-01-01A | EA | TRIM - SIDEWALL/SLIDEOUT - 74.8" - BRIGHT WHITE |
| 19 | 142720-02-01A | EA | TRIM - SIDEWALL/SLIDEOUT - 74.8" - BRIGHT WHITE |
| 20 | 136824-38-01A | EA | TRIM - SIDEWALL/SLIDEOUT - 74.6" - BRIGHT WHITE |
| 20 | 136824-38-02A | EA | TRIM - SIDEWALL/SLIDEOUT - 74.6" - BLACK - FULL BODY PAINT |
| 21 | 099418-01-000 | FT | SEAL - D-SECTION/ADHESIVE BACK - .44" X .44" - BLK RUBBER |
| 22 | 131520-13-01A | EA | EXTRUSION/ZEE - F/SLIDEOUT - 137.4" - MILL |
| 23 | 123012-01-000 | FT | SEAL - SLIDEOUT - .09"/.13" THICK X 1.25" - W/ADHESIVE |
| 24 | 138659-01-01A | EA | TRIM/FEATURE STRIP - 181.7" - BRIGHT WHITE |
| 24 | 138659-01-02A | EA | TRIM/FEATURE STRIP - 181.7" - BLACK - FULL BODY PAINT |
| 25 | 125051-03-01A | EA | TRIM- FEATURE STRIP/LOWER - 29.3" - BRIGHT WHITE |
| 25 | 125051-03-02A | EA | TRIM- FEATURE STRIP/LOWER - 29.3" - BLACK - FULL BODY PAINT |
| 26 | 115325-04-02A | EA | RAIL - FLOOR/SLIDEOUT ROOM - 134.2" LONG - BLACK |
| 27 | 105312-01-07A | FT | INSERT - FEATURE STRIP - VINYL - BRIGHT WHITE |
| 27 | 105312-01-13A | FT | INSERT - FEATURE STRIP - VINYL - BLACK - FULL BODY PAINT |
| 28 | 133233-01-02B | EA | BRACKET - SLIDEOUT - E-COATED |
| 29 | 115661-01-000 | FT | SHOE/GLIDE - SLIDEOUT ROOM - 1/16" X 3" - POLYETHYLENE |
| 30 | 136978-01-01A | FT | SEAL - SLIDEOUT - BLACK |
| 31 | 146056-01-000 | FT | SEAL - TRIANGLE - W/PSA |
| 32 | 133954-16-01A | EA | TRIM/SEAL - 71.2" - BRIGHT WHITE |
| 32 | 133954-16-02A | EA | TRIM/SEAL - 71.2" - BLACK - FULL BODY PAINT |
| 33 | 142549-01-000 | EA | CLIP - "S" TYPE |
| 34 | 133954-07-01A | EA | TRIM/SEAL - 141.8" - BRIGHT WHITE |
| 34 | 133954-07-02A | EA | TRIM/SEAL - 141.7" - BLACK - FULL BODY PAINT |
| 35 | 075673-05-000 | FT | SEAL - PILE - ADHESIVE BACK - BLACK |
| 36 | 131358-02-01A | EA | RETAINER - U-CHANNEL - 140.4" - BLACK |
| 37 | 137343-02-02B | EA | STRAP - W/HOLES - E-COATED |
| | 151258-01-000 | FT | SEAL - FOAM/WIPE - CLOSED CELL |
| 38 | 134588-06-000 | EA | GASKET - TIMING BAR - 2" X 2" X 3/4" |
| 38 | 134588-07-000 | EA | GASKET - TIMING BAR - 2" X 3/4" X 3/4" |
| 39 | 137408-02-000 | EA | SEAL - BLOCK - F/SLIDEOUT - 1.4" |
| 40 | 148915-02-01A | EA | RETAINER/TRIM - 141.4" - BRIGHT WHITE |
| 40 | 148915-02-02A | EA | RETAINER/TRIM - 141.4" - BLACK - FULL BODY PAINT |
| 41 | 148913-01-02A | EA | COVER/TRIM - RH - F/SLIDEOUT - BRIGHT WHITE |
| | | | FROM: 00-00-00 THRU: 05-31-04 |
| 41 | 148913-01-01A | EA | COVER/TRIM - RH - F/SLIDEOUT - BLACK - FULL BODY PAINT |
| | | | FROM: 00-00-00 THRU: 05-31-04 |
| 41 | 150647-01-02A | EA | COVER/TRIM - RH - F/SLIDEOUT - BRIGHT WHITE |
| | | | FROM: 06-01-04 THRU: 99-99-99 |
| 42 | 148913-02-02A | EA | COVER/TRIM - LH - F/SLIDEOUT - BRIGHT WHITE |
| | | | FROM: 00-00-00 THRU: 05-31-04 |
| 42 | 148913-02-01A | EA | COVER/TRIM - LH - F/SLIDEOUT - BLACK - FULL BODY PAINT |
| | | | FROM: 00-00-00 THRU: 05-31-04 |
| 42 | 150647-02-02A | EA | COVER/TRIM - LH - F/SLIDEOUT - BRIGHT WHITE |
| | | | FROM: 06-01-04 THRU: 99-99-99 |
| 43 | 135619-02-01A | EA | PLATE - TIEDOWN - SLIDEOUT ROOM |
| 44 | 135619-01-01A | EA | STRAP - TIEDOWN - SLIDEOUT ROOM |
| 45 | 135622-01-02B | EA | PLATE - TIEDOWN - SLIDEOUT ROOM |

EXTERIOR SLIDEOUT GROUP (CONTINUED)
FRONT (CONTINUED)



KEY PART NUMBER

| | | |
|---|---------------|--------------------------------------------------------------------------------|
| 1 | 149496-04-S76 | EA TRIM - DECORATIVE - 2.7" X 68.6" - FABRIC COVERED (S76,S77,S78,S79) |
| 1 | 149496-04-S80 | EA TRIM - DECORATIVE - 2.7" X 68.6" - FABRIC COVERED (S80,S81,S82,S83) |
| 1 | 149496-04-S84 | EA TRIM - DECORATIVE - 2.7" X 68.6" - FABRIC COVERED (S84,S85,S86,S87) |
| 2 | M09454-32-P54 | EA MOLDING - TRIM/VEE - .2" X 1" X 66.7" - OAK/PORTSMOUTH OAK - PORTSMOUTH OAK |
| 2 | M09454-32-P55 | EA MOLDING - TRIM/VEE - .2" X 1" X 66.7" - CHERRY/CHERRY - CONCERT CHERRY |
| 2 | M09454-32-P56 | EA MOLDING - TRIM/VEE - .2" X 1" X 66.7" - MAPLE/WASHED MAPLE - WASHED MAPLE |
| 2 | M09454-32-S79 | EA MOLDING - TRIM/VEE - .2" X 1" X 66.7" - MAPLE/HONEY - SIERRA MAPLE |
| 3 | 151447-01-S76 | EA MOLDING - CORNER/LH - WOOD W/FABRIC INSERT |
| 3 | 151447-01-S77 | EA MOLDING - CORNER/LH - WOOD W/FABRIC INSERT |
| 3 | 151447-01-S78 | EA MOLDING - CORNER/LH - WOOD W/FABRIC INSERT |
| 3 | 151447-01-S79 | EA MOLDING - CORNER/LH - WOOD W/FABRIC INSERT |
| 3 | 151447-01-S80 | EA MOLDING - CORNER/LH - WOOD W/FABRIC INSERT |
| 3 | 151447-01-S81 | EA MOLDING - CORNER/LH - WOOD W/FABRIC INSERT |
| 3 | 151447-01-S82 | EA MOLDING - CORNER/LH - WOOD W/FABRIC INSERT |
| 3 | 151447-01-S83 | EA MOLDING - CORNER/LH - WOOD W/FABRIC INSERT |
| 3 | 151447-01-S84 | EA MOLDING - CORNER/LH - WOOD W/FABRIC INSERT |
| 3 | 151447-01-S85 | EA MOLDING - CORNER/LH - WOOD W/FABRIC INSERT |
| 3 | 151447-01-S86 | EA MOLDING - CORNER/LH - WOOD W/FABRIC INSERT |
| 3 | 151447-01-S87 | EA MOLDING - CORNER/LH - WOOD W/FABRIC INSERT |
| 4 | P51752-01-S64 | EA MOLDING/OVERLAY - FRONT/LARGE/LH - 6.4" X 12.5" - PORTSMOUTH OAK |
| 4 | P51752-01-S65 | EA MOLDING/OVERLAY - FRONT/LARGE/LH - 6.4" X 12.5" - CONCERT CHERRY |
| 4 | P51752-01-S66 | EA MOLDING/OVERLAY - FRONT/LARGE/LH - 6.4" X 12.5" - WASHED MAPLE |
| 4 | P51752-01-S67 | EA MOLDING/OVERLAY - FRONT/LARGE/LH - 6.4" X 12.5" - SIERRA MAPLE |
| 5 | 149475-01-S76 | EA TRIM - DECORATIVE/OVERLAY - CENTER (S76,S77,S78,S79) |
| 5 | 149475-01-S80 | EA TRIM - DECORATIVE/OVERLAY - CENTER (S80,S81,S82,S83) |
| 5 | 149475-01-S84 | EA TRIM - DECORATIVE/OVERLAY - CENTER (S84,S85,S86,S87) |
| 6 | Y00280-74-174 | EA MOLDING/TRIM - VINYL - F/SLIDEOUT - 164.1"- PORTSMOUTH OAK |
| 6 | Y00280-64-174 | EA MOLDING/TRIM - VINYL - F/SLIDEOUT - 164.1"- CONCERT CHERRY |
| 6 | Y00280-A4-174 | EA MOLDING/TRIM - VINYL - F/SLIDEOUT - 164.1" - WASHED MAPLE |
| 6 | Y00280-94-174 | EA MOLDING/TRIM - VINYL - F/SLIDEOUT - 164.1" - SIERRA MAPLE |
| 7 | 149496-09-S76 | EA TRIM - DECORATIVE - 5.1" X 139.3" - FABRIC COVERED (S76,S77,S78,S79) |
| 7 | 149496-09-S80 | EA TRIM - DECORATIVE - 5.1" X 139.3" - FABRIC COVERED (S80,S81,S82,S83) |
| 7 | 149496-09-S84 | EA TRIM - DECORATIVE - 5.1" X 139.3" - FABRIC COVERED (S84,S85,S86,S87) |
| 8 | P51752-02-S64 | EA MOLDING/OVERLAY - FRONT/LARGE/RH - 6.4" X 12.5" - PORTSMOUTH OAK |
| 8 | P51752-02-S65 | EA MOLDING/OVERLAY - FRONT/LARGE/RH - 6.4" X 12.5" - CONCERT CHERRY |
| 8 | P51752-02-S66 | EA MOLDING/OVERLAY - FRONT/LARGE/RH - 6.4" X 12.5" - WASHED MAPLE |
| 8 | P51752-02-S67 | EA MOLDING/OVERLAY - FRONT/LARGE/RH - 6.4" X 12.5" - SIERRA MAPLE |

EXTERIOR SLIDEOUT GROUP (CONTINUED)
FRONT (CONTINUED)

| KEY | PART NUMBER | U/M | DESCRIPTION |
|-----|---------------|-----|--------------------------------------------|
| 9 | 151447-02-S76 | EA | MOLDING - CORNER/RH - WOOD W/FABRIC INSERT |
| 9 | 151447-02-S77 | EA | MOLDING - CORNER/RH - WOOD W/FABRIC INSERT |
| 9 | 151447-02-S78 | EA | MOLDING - CORNER/RH - WOOD W/FABRIC INSERT |
| 9 | 151447-02-S79 | EA | MOLDING - CORNER/RH - WOOD W/FABRIC INSERT |
| 9 | 151447-02-S80 | EA | MOLDING - CORNER/RH - WOOD W/FABRIC INSERT |
| 9 | 151447-02-S81 | EA | MOLDING - CORNER/RH - WOOD W/FABRIC INSERT |
| 9 | 151447-02-S82 | EA | MOLDING - CORNER/RH - WOOD W/FABRIC INSERT |
| 9 | 151447-02-S83 | EA | MOLDING - CORNER/RH - WOOD W/FABRIC INSERT |
| 9 | 151447-02-S84 | EA | MOLDING - CORNER/RH - WOOD W/FABRIC INSERT |
| 9 | 151447-02-S85 | EA | MOLDING - CORNER/RH - WOOD W/FABRIC INSERT |
| 9 | 151447-02-S86 | EA | MOLDING - CORNER/RH - WOOD W/FABRIC INSERT |
| 9 | 151447-02-S87 | EA | MOLDING - CORNER/RH - WOOD W/FABRIC INSERT |

COMPOENT PARTS FOR FRONT

143625-01-000

| KEY | PART NUMBER | U/M | DESCRIPTION | VENDOR NO. |
|-----|---------------|-----|------------------------------|------------------|
| | 128599-06-703 | EA | BEARING KIT - SLIDE-OUT TUBE | RAP90698 |
| | 131360-01-700 | EA | CYLINDER - HYDRAULIC (RAM) | RAP90696/AP19256 |
| | 131360-01-703 | EA | HOSE-HYDRAULIC-3/16" X 42" | AP20533 |
| | 131360-01-709 | EA | PIN/UPPER MOUNT - FLAT FLOOR | P19685 |
| | 143625-01-700 | EA | BRACKET/ROOM SUPPORT - OUTER | AP18668 |
| | 143625-01-701 | EA | JAMB NUT | H115002 |

143625-02-000

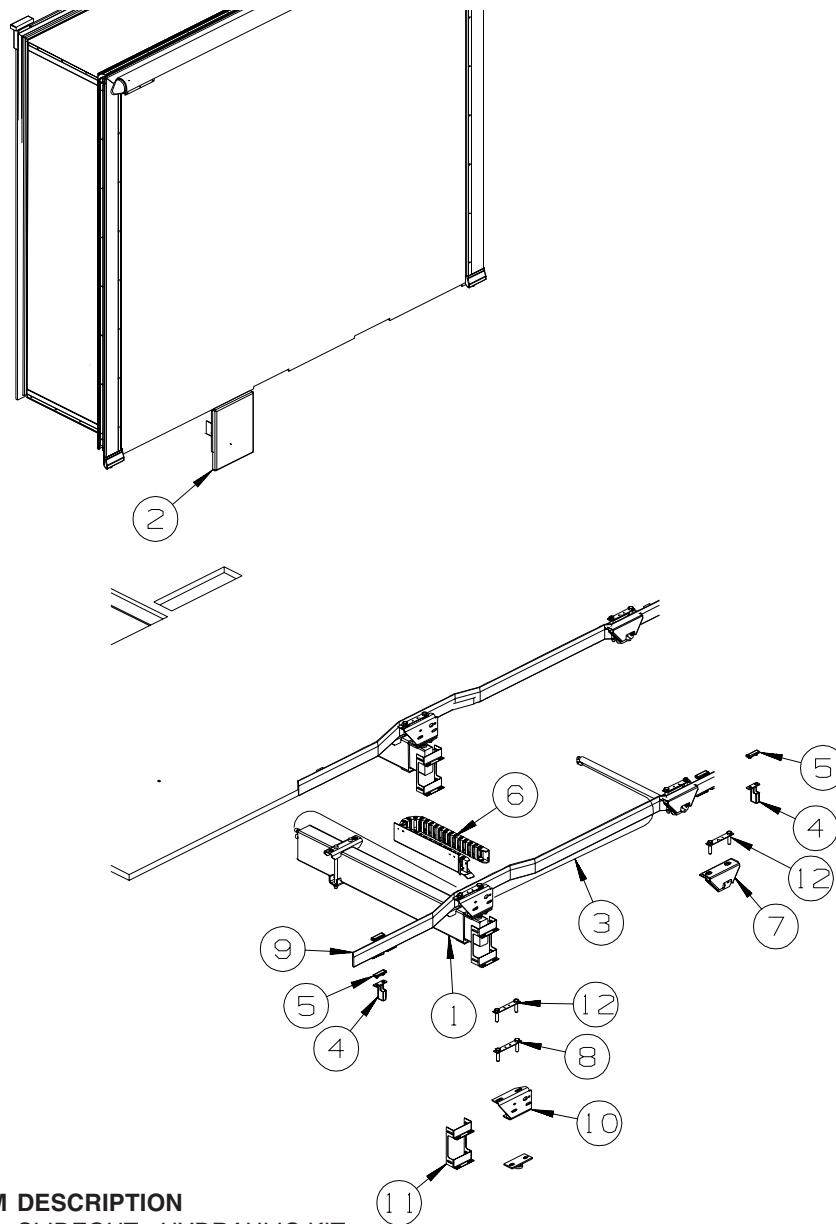
| KEY | PART NUMBER | U/M | DESCRIPTION | VENDOR NO. |
|-----|---------------|-----|------------------------------|------------------|
| | 128599-06-703 | EA | BEARING KIT - SLIDE-OUT TUBE | RAP90698 |
| | 131360-01-700 | EA | CYLINDER - HYDRAULIC (RAM) | RAP90696/AP19256 |
| | 131360-01-704 | EA | STUD/COMPT MOUNT-3 3/8" LONG | P19715 |
| | 131360-01-705 | EA | STUD/COMPT MOUNT-4 5/8" LONG | P19716 |
| | 131360-01-706 | EA | HOSE-HYDRAULIC - 1/8" X 42" | AP24631 |
| | 131360-01-709 | EA | PIN/UPPER MOUNT - FLAT FLOOR | P19685 |
| | 131360-01-711 | EA | STUD KIT - COMPT.MOUNT | RAP91341 |

143625-03-000

| KEY | PART NUMBER | U/M | DESCRIPTION | VENDOR NO. |
|-----|---------------|-----|------------------------------|------------------|
| | 100536-44-700 | EA | HOSE-HYDRAULIC - 1/8" X 172" | AP24649 |
| | 131360-01-701 | EA | HOSE-HYDRAULIC-1/4" X 125" | AP4906 |
| | 132540-01-701 | EA | CYLINDER - SYNCRONIZING | RAP90690/AP17966 |

EXTERIOR SLIDEOUT GROUP (CONTINUED)

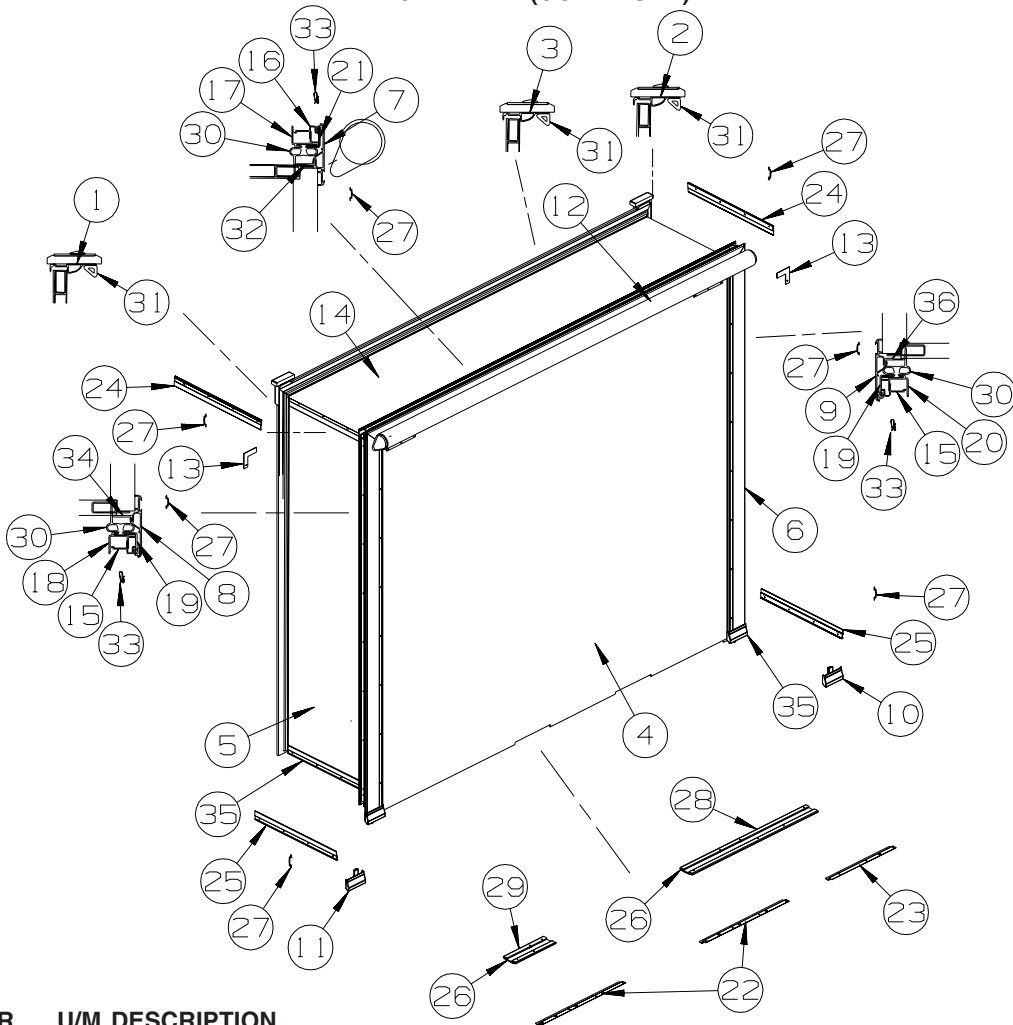
RIGHT REAR



| KEY | PART NUMBER | U/M | DESCRIPTION |
|-----|---------------|-----|--------------------------------------------------|
| 1* | 143394-01-000 | EA | SLIDEOUT - HYDRAULIC KIT |
| 2 | 138077-06-R38 | EA | COVER/RAM - 9.4" X 12.2" - W/TUBE - BRIGHT WHITE |
| | 138077-05-01A | EA | COVER/RAM - 9.4" X 12.2" - BRIGHT WHITE |
| 3* | 100536-61-000 | EA | HOSE KIT - F/LEVELING JACKS |
| 4 | 126313-09-02B | EA | SUPPORT - ROLLER - SLIDE-OUT ROOM - E-COATED |
| 5 | 134855-01-000 | EA | BEARING PAD - NARROW |
| 6 | 143541-01-01A | EA | CARRIER/WIRING - F/SLIDE-OUT ROOM - 29 LINKS |
| 7 | 139407-03-02B | EA | BRACKET/MOUNT - F/SLIDEOUT - E-COATED |
| 8 | 136995-05-02B | EA | PLATE W/BOLTS - 5.9" X 1" W/7/16" X 3" BOLTS |
| | | | FROM: 00-00-00 THRU: 06-20-04 |
| 8 | 136995-07-02B | EA | PLATE W/BOLTS - 5.9" X 1" W/1/2" X 2" BOLTS |
| | | | FROM: 06-21-04 THRU: 99-99-99 |
| 9 | 115075-03-000 | FT | SEAL - WIPE - .25" X 2.9" |
| 10 | 127030-02-02B | EA | BRACKET - INNER REAR/MOUNT - SLIDEOUT - E-COATED |
| 11 | 145262-02-02B | EA | BRACKET - RAM - E-COATED |
| 12 | 136995-05-02B | EA | PLATE W/BOLTS - 5.9" X 1" W/7/16" X 3" BOLTS |
| | | | FROM: 00-00-00 THRU: 06-20-04 |
| 12 | 136995-07-02B | EA | PLATE W/BOLTS - 5.9" X 1" W/1/2" X 2" BOLTS |
| | | | FROM: 06-21-04 THRU: 99-99-99 |

*COMPONENT PARTS LISTED LATER IN THIS GROUP

EXTERIOR SLIDEOUT GROUP (CONTINUED)
RIGHT REAR (CONTINUED)

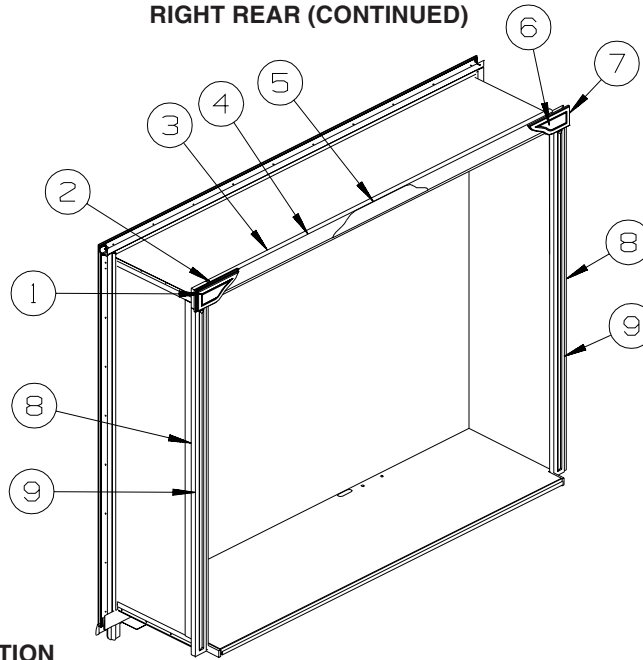


| KEY | PART NUMBER | U/M | DESCRIPTION |
|-----|---------------|-----|-----------------------------------------------------------------------|
| 1 | 139624-15-01A | EA | TRIM/SEAL - INNER/RIGHT HAND - 72.9" - BRIGHT WHITE |
| 2 | 139624-16-01A | EA | TRIM/SEAL - INNER/LEFT HAND - 72.9" - BRIGHT WHITE |
| 3 | 139624-31-01A | EA | TRIM/SEAL - INNER/TOP - 91.3" - BRIGHT WHITE |
| 4 | 150642-11-S64 | EA | SLUG - F/SLIDEOUT (S76,S77,S78,S79) |
| 4 | 150642-11-S68 | EA | SLUG - F/SLIDEOUT (S80,S81,S82,S83) |
| 4 | 150642-11-S72 | EA | SLUG - F/SLIDEOUT (S84,S85,S86,S87) |
| 5 | 147957-01-SB0 | EA | PANEL END - F/SLIDEOUT (S76,S77,S78,S79) |
| 5 | 147957-01-R42 | EA | PANEL END - F/SLIDEOUT (S80,S81,S82,S83) |
| 5 | 147957-01-SA0 | EA | PANEL END - F/SLIDEOUT (S84,S85,S86,S87) |
| 6 | 147958-01-SB0 | EA | PANEL END - F/SLIDEOUT (S76,S77,S78,S79) |
| 6 | 147958-01-R42 | EA | PANEL END - F/SLIDEOUT (S80,S81,S82,S83) |
| 6 | 147958-01-SA0 | EA | PANEL END - F/SLIDEOUT (S84,S85,S86,S87) |
| 7 | 139625-41-01A | EA | TRIM/SEAL - W/MITERED ENDS - 93" - BRIGHT WHITE |
| 7 | 139625-41-02A | EA | TRIM/SEAL - W/MITERED ENDS - 93" - BLACK - FULL BODY PAINT |
| 8 | 139625-01-01A | EA | TRIM/SEAL - W/RH MITERED END - 76.4" - BRIGHT WHITE |
| 8 | 139625-01-02A | EA | TRIM/SEAL - W/RH MITERED END - 76.4" - BLACK - FULL BODY PAINT |
| 8 | 139625-42-01A | EA | TRIM/SEAL - W/RH MITERED END - 76.2" - BRIGHT WHITE |
| 8 | 139625-42-02A | EA | TRIM/SEAL - W/RH MITERED END - 76.2" - BLACK - FULL BODY PAINT |
| 9 | 139625-02-01A | EA | TRIM/SEAL - W/LH MITERED END - 76.4" - BRIGHT WHITE |
| 9 | 139625-02-02A | EA | TRIM/SEAL - W/LH MITERED END - 76.4" - BLACK - FULL BODY PAINT |
| 9 | 139625-43-01A | EA | TRIM/SEAL - W/LH MITERED END - 76.2" - BRIGHT WHITE |
| 9 | 139625-43-02A | EA | TRIM/SEAL - W/LH MITERED END - 76.2" - BLACK - FULL BODY PAINT |

EXTERIOR SLIDEOUT GROUP (CONTINUED)
RIGHT REAR (CONTINUED)

| KEY | PART NUMBER | U/M | DESCRIPTION |
|-----|---------------|-----|------------------------------------------------------------------------------------------------------------|
| 10 | 139182-02-01A | EA | CAP - TRIM - F/SLIDEOUT - BRIGHT WHITE FROM: 00-00-00 THRU: 06-06-04 |
| 10 | 139182-02-02A | EA | CAP - TRIM - F/SLIDEOUT - BLACK - FULL BODY PAINT FROM: 00-00-00 THRU: 06-06-04 |
| 10 | 148593-02-01A | EA | CAP - F/SLIDEOUT TRIM - BRIGHT WHITE FROM: 06-07-04 THRU: 99-99-99 |
| 10 | 148593-02-02A | EA | CAP - F/SLIDEOUT TRIM - BLACK - FULL BODY PAINT FROM: 06-07-04 THRU: 99-99-99 |
| 11 | 139182-01-01A | EA | CAP - TRIM - F/SLIDEOUT - BRIGHT WHITE FROM: 00-00-00 THRU: 06-06-04 |
| 11 | 139182-01-02A | EA | CAP - F/SLIDEOUT TRIM - BLACK - FULL BODY PAINT FROM: 00-00-00 THRU: 06-06-04 |
| 11 | 148593-01-01A | EA | CAP - F/SLIDEOUT TRIM - BRIGHT WHITE FROM: 06-07-04 THRU: 99-99-99 |
| 11 | 148593-01-02A | EA | CAP - F/SLIDEOUT TRIM - BLACK - FULL BODY PAINT FROM: 06-07-04 THRU: 99-99-99 |
| 12 | 122977-05-03A | EA | AWNING/SLIDEOUT W/COVER - 90" - WHITE -VINYL/VINYL WRAP FROM: 00-00-00 THRU: 07-11-04 |
| 12 | 122977-05-06A | EA | AWNING/SLIDEOUT W/COVER - 90" - VINYL WRAP/CHAMPAGNE - FULL BODY PAINT FROM: 00-00-00 THRU: 07-11-04 |
| 12 | 122977-24-03A | EA | AWNING/SLIDEOUT W/COVER-92.9" - WHITE-VINYL WRAP/WHITE FROM: 07-12-04 THRU: 99-99-99 |
| 12 | 122977-24-06A | EA | AWNING/SLIDEOUT W/COVER-92.9"-CHAMPAGNE-VINYL/CHAMPAGNE - FULL BODY PAINT FROM: 07-12-04 THRU: 99-99-99 |
| 13 | 116444-04-12B | EA | TRIM/KEY CORNER - SLIDEOUT - 3.1" X 3.1" - BRT WHITE |
| 13 | 116444-04-02B | EA | TRIM/KEY CORNER - SLIDEOUT - 3.1" X 3.1" - E-COATED - FULL BODY PAINT |
| 14 | 147897-01-R38 | EA | ROOF - W/O LIGHTS/VENTS - W/WIRING - F/SLIDEOUT |
| 15 | 142718-01-01A | EA | RETAINER - SIDEWALL/SLIDEOUT - 72.8" |
| 16 | 142718-30-01A | EA | RETAINER - SIDEWALL/SLIDEOUT - 90.6" |
| 17 | 142719-24-01A | EA | TRIM/SIDEWALL - TOP/SLIDEOUT - 92.5" - BRIGHT WHITE |
| 18 | 142720-01-01A | EA | TRIM - SIDEWALL/SLIDEOUT - 74.8" - BRIGHT WHITE |
| 19 | 136824-01-01A | EA | TRIM - SIDEWALL/SLIDEOUT - 75.12" - BRIGHT WHITE |
| 19 | 136824-01-02A | EA | TRIM - SIDEWALL/SLIDEOUT - 74.9" - BLACK - FULL BODY PAINT |
| 20 | 142720-02-01A | EA | TRIM - SIDEWALL/SLIDEOUT - 74.8" - BRIGHT WHITE |
| 21 | 136824-42-01A | EA | TRIM - SIDEWALL/SLIDEOUT - 92.6" - BRIGHT WHITE |
| 21 | 136824-42-02A | EA | TRIM - SIDEWALL/SLIDEOUT - 92.6" - BLACK - FULL BODY PAINT |
| 22 | 136968-07-02B | EA | ZEE - F/SLIDEOUT - 20.5" - E-COATED |
| 23 | 136968-08-02B | EA | ZEE - F/SLIDEOUT - 15.7" - E-COATED |
| 24 | 138659-01-01A | EA | TRIM/FEATURE STRIP - 181.7" - BRIGHT WHITE |
| 24 | 138659-01-02A | EA | TRIM/FEATURE STRIP - 181.7" - BLACK - FULL BODY PAINT |
| 25 | 141435-05-01A | EA | TRIM - FEATURE - LOWER - 20" - BRIGHT WHITE |
| 25 | 141435-05-02A | EA | TRIM - FEATURE - LOWER - 20" - BLACK - FULL BODY PAINT |
| 26 | 115661-01-000 | FT | SHOE/GLIDE - SLIDEOUT ROOM - 1/16" X 3" - POLYETHYLENE |
| 27 | 105312-01-07A | FT | INSERT - FEATURE STRIP - VINYL - BRIGHT WHITE |
| 27 | 105312-01-13A | FT | INSERT - FEATURE STRIP - VINYL - BLACK - FULL BODY PAINT |
| 28 | 115325-11-01A | EA | RAIL - FLOOR/S15SLIDEOUT ROOM - 30.7" LONG - BLACK |
| 29 | 115325-16-01A | EA | RAIL - FLOOR/SLIDEOUT ROOM - 9.8" LONG - BLACK |
| | 151282-09-01A | EA | TRIM - CARPET EDGE/F-ANGLE - 75.4" - BLACK FROM: 00-00-00 THRU: 06-06-04 |
| | 151282-11-01A | EA | TRIM - CARPET EDGE/F-ANGLE - 83.7" - BLACK FROM: 06-07-04 THRU: 99-99-99 |
| 30 | 136978-01-01A | FT | SEAL - SLIDEOUT - BLACK |
| 31 | 146056-01-000 | FT | SEAL - TRIANGLE - W/PSA |
| 32 | 133954-50-01A | EA | TRIM/SEAL - 87" - BRIGHT WHITE |
| 32 | 133954-50-02A | EA | TRIM/SEAL - 87" - BLACK - FULL BODY PAINT |
| 33 | 142549-01-000 | EA | CLIP - "S" TYPE |
| 34 | 133954-48-01A | EA | TRIM/SEAL - 71.7" - BRIGHT WHITE |
| 34 | 133954-48-02A | EA | TRIM/SEAL - 71.7" - BLACK - FULL BODY PAINT |
| 35 | 075673-05-000 | FT | SEAL - PILE - ADHESIVE BACK - BLACK |
| 36 | 133954-48-01A | EA | TRIM/SEAL - 71.7" - BRIGHT WHITE |
| 36 | 133954-48-02A | EA | TRIM/SEAL - 71.7" - BLACK - FULL BODY PAINT |

EXTERIOR SLIDEOUT GROUP (CONTINUED)
RIGHT REAR (CONTINUED)



| KEY | PART NUMBER | U/M | DESCRIPTION |
|-----|---------------|-----|-------------------------------------------------------------------|
| 1 | 151447-03-S76 | EA | MOLDING - CORNER/LH - WOOD W/FABRIC INSERT |
| 1 | 151447-03-S77 | EA | MOLDING - CORNER/LH - WOOD W/FABRIC INSERT |
| 1 | 151447-03-S78 | EA | MOLDING - CORNER/LH - WOOD W/FABRIC INSERT |
| 1 | 151447-03-S79 | EA | MOLDING - CORNER/LH - WOOD W/FABRIC INSERT |
| 1 | 151447-03-S80 | EA | MOLDING - CORNER/LH - WOOD W/FABRIC INSERT |
| 1 | 151447-03-S81 | EA | MOLDING - CORNER/LH - WOOD W/FABRIC INSERT |
| 1 | 151447-03-S82 | EA | MOLDING - CORNER/LH - WOOD W/FABRIC INSERT |
| 1 | 151447-03-S83 | EA | MOLDING - CORNER/LH - WOOD W/FABRIC INSERT |
| 1 | 151447-03-S84 | EA | MOLDING - CORNER/LH - WOOD W/FABRIC INSERT |
| 1 | 151447-03-S85 | EA | MOLDING - CORNER/LH - WOOD W/FABRIC INSERT |
| 1 | 151447-03-S86 | EA | MOLDING - CORNER/LH - WOOD W/FABRIC INSERT |
| 1 | 151447-03-S87 | EA | MOLDING - CORNER/LH - WOOD W/FABRIC INSERT |
| 2 | P51754-01-S64 | EA | MOLDING/OVERLAY - REAR/SMALL/LH - 4.4" X 10.6" - PORTSMOUTH OAK |
| 2 | P51754-01-S65 | EA | MOLDING/OVERLAY - REAR/SMALL/LH - 4.4" X 10.6" - CONCERT CHERRY |
| 2 | P51754-01-S66 | EA | MOLDING/OVERLAY - REAR/SMALL/LH - 4.4" X 10.6" - WASHED MAPLE |
| 2 | P51754-01-S67 | EA | MOLDING/OVERLAY - REAR/SMALL/LH - 4.4" X 10.6" - SIERRA MAPLE |
| 3 | Y00291-72-152 | EA | MOLDING - VINYL WRAP - 4" X 84.6" - PORTSMOUTH OAK |
| 3 | Y00291-62-152 | EA | MOLDING - VINYL WRAP - 4" X 84.6" - CONCERT CHERRY |
| 3 | Y00291-A2-152 | EA | MOLDING - VINYL WRAP - 4" X 84.6" - WASHED MAPLE |
| 3 | Y00291-92-152 | EA | MOLDING - VINYL WRAP - 4" X 84.6" - SIERRA MAPLE |
| 4 | 149496-24-S76 | EA | TRIM - DECORATIVE - 3" X 84.5" - FABRIC COVERED (S76,S77,S78,S79) |
| 4 | 149496-24-S80 | EA | TRIM - DECORATIVE - 3" X 84.5" - FABRIC COVERED (S80,S81,S82,S83) |
| 4 | 149496-24-S84 | EA | TRIM - DECORATIVE - 3" X 84.5" - FABRIC COVERED (S84,S85,S86,S87) |
| 5 | 149475-02-S76 | EA | TRIM - DECORATIVE/OVERLAY - CENTER (S76,S77,S78,S79) |
| 5 | 149475-02-SB0 | EA | TRIM - DECORATIVE/OVERLAY - CENTER (S80,S81,S82,S83) |
| 5 | 149475-02-S84 | EA | TRIM - DECORATIVE/OVERLAY - CENTER (S84,S85,S86,S87) |
| 6 | P51754-02-S64 | EA | MOLDING/OVERLAY - REAR/SMALL/RH - 4.4" X 10.6" - PORTSMOUTH OAK |
| 6 | P51754-02-S65 | EA | MOLDING/OVERLAY - REAR/SMALL/RH - 4.4" X 10.6" - CONCERT CHERRY |
| 6 | P51754-02-S66 | EA | MOLDING/OVERLAY - REAR/SMALL/RH - 4.4" X 10.6" - WASHED MAPLE |
| 6 | P51754-02-S67 | EA | MOLDING/OVERLAY - REAR/SMALL/RH - 4.4" X 10.6" - SIERRA MAPLE |
| 7 | 151447-04-S76 | EA | MOLDING - CORNER/RH - WOOD W/FABRIC INSERT |
| 7 | 151447-04-S77 | EA | MOLDING - CORNER/RH - WOOD W/FABRIC INSERT |
| 7 | 151447-04-S78 | EA | MOLDING - CORNER/RH - WOOD W/FABRIC INSERT |
| 7 | 151447-04-S79 | EA | MOLDING - CORNER/RH - WOOD W/FABRIC INSERT |
| 7 | 151447-04-S80 | EA | MOLDING - CORNER/RH - WOOD W/FABRIC INSERT |
| 7 | 151447-04-S81 | EA | MOLDING - CORNER/RH - WOOD W/FABRIC INSERT |
| 7 | 151447-04-S82 | EA | MOLDING - CORNER/RH - WOOD W/FABRIC INSERT |
| 7 | 151447-04-S83 | EA | MOLDING - CORNER/RH - WOOD W/FABRIC INSERT |
| 7 | 151447-04-S84 | EA | MOLDING - CORNER/RH - WOOD W/FABRIC INSERT |
| 7 | 151447-04-S85 | EA | MOLDING - CORNER/RH - WOOD W/FABRIC INSERT |
| 7 | 151447-04-S86 | EA | MOLDING - CORNER/RH - WOOD W/FABRIC INSERT |
| 7 | 151447-04-S87 | EA | MOLDING - CORNER/RH - WOOD W/FABRIC INSERT |

EXTERIOR SLIDEOUT GROUP (CONTINUED)
RIGHT REAR (CONTINUED)

| KEY | PART NUMBER | U/M | DESCRIPTION |
|------------|--------------------|------------|------------------------------------------------------------------------------------------------------|
| 8 | M09454-66-R74 | EA | MOLDING - TRIM/VEE - .2" X 1" X 68" - OAK/PORTSMOUTH OAK - PORTSMOUTH OAK |
| 8 | M09454-66-R75 | EA | MOLDING - TRIM/VEE - .2" X 1" X 68" - CHERRY/CHERRY - CONCERT CHERRY |
| 8 | M09454-66-R76 | EA | MOLDING - TRIM/VEE - .2" X 1" X 68" - MAPLE/WASHED MAPLE - WASHED MAPLE |
| 8 | M09454-66-S79 | EA | MOLDING - TRIM/VEE - .2" X 1" X 68" - MAPLE/HONEY - SIERRA MAPLE |
| 9 | 149496-15-S76 | EA | TRIM - DECORATIVE - 1.7" X 74.5" - FABRIC COVERED (S76,S77,S78,S79) FROM: 00-00-00 THRU: 07-11-04 |
| 9 | 149496-15-S80 | EA | TRIM - DECORATIVE - 1.7" X 74.5" - FABRIC COVERED (S80,S81,S82,S83) FROM: 00-00-00 THRU: 07-11-04 |
| 9 | 149496-15-S84 | EA | TRIM - DECORATIVE - 1.7" X 74.5" - FABRIC COVERED (S84,S85,S86,S87) FROM: 00-00-00 THRU: 07-11-04 |
| 9 | 149496-41-S76 | EA | TRIM - DECORATIVE - 2.6" X 69.5" - FABRIC COVERED (S76,S77,S78,S79) FROM: 07-12-04 THRU: 99-99-99 |
| 9 | 149496-41-S80 | EA | TRIM - DECORATIVE - 2.6" X 69.5" - FABRIC COVERED (S80,S81,S82,S83) FROM: 07-12-04 THRU: 99-99-99 |
| 9 | 149496-41-S84 | EA | TRIM - DECORATIVE - 2.6" X 69.5" - FABRIC COVERED (S84,S85,S86,S87) FROM: 07-12-04 THRU: 99-99-99 |

COMPOENT PARTS FOR RIGHT REAR

100536-61-000

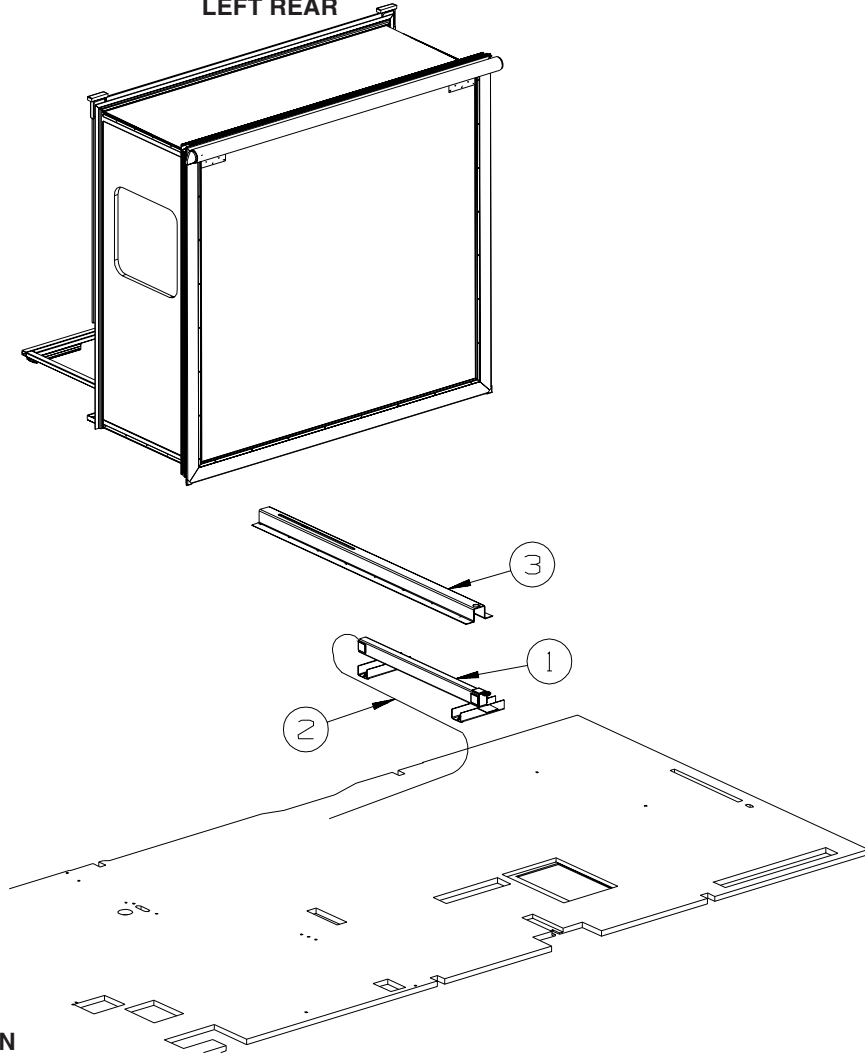
| KEY | PART NUMBER | U/M | DESCRIPTION | VENDOR NO. |
|------------|--------------------|------------|------------------------------|-------------------|
| | 100536-28-700 | EA | HOSE/HYDRAULIC - 1/4" X 372" | RAP90897/AP4391 |
| | 100536-31-700 | EA | HOSE/HYDRAULIC - 1/4" X 360" | RAP4163/AP4163 |

143394-01-000

| KEY | PART NUMBER | U/M | DESCRIPTION | VENDOR NO. |
|------------|--------------------|------------|----------------------------|-------------------|
| | 132540-01-706 | EA | BOLT - SLIDE ROOM ADJUSTER | RAP90865/P19611 |

EXTERIOR SLIDEOUT GROUP (CONTINUED)

LEFT REAR

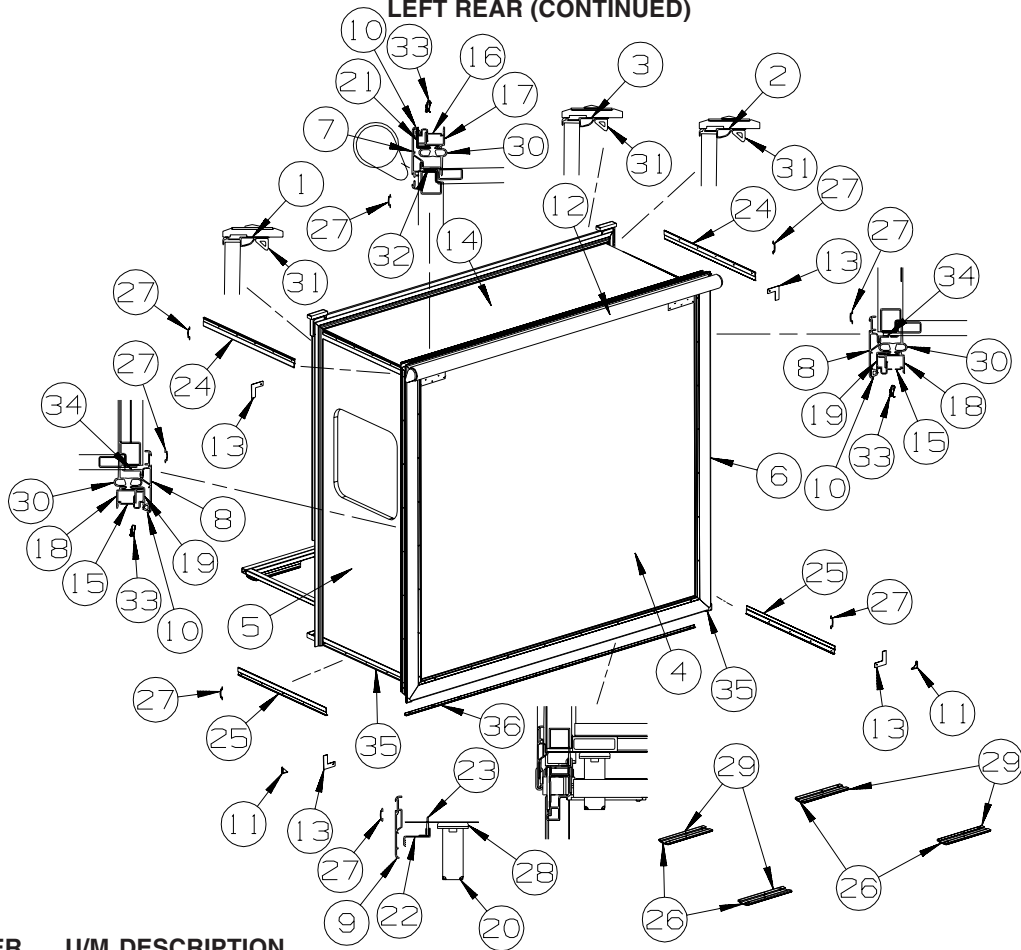


| KEY | PART NUMBER | U/M | DESCRIPTION |
|-----|---------------|-----|------------------------------|
| 1* | 147573-01-000 | EA | SLIDEOUT - HYDRAULIC - BED |
| 2* | 100536-59-000 | EA | HOSE KIT - F/SLIDEOUT |
| 3 | 147573-02-000 | EA | SLIDEOUT - HYDRAULIC/CHANNEL |

*COMPONENT PARTS LISTED LATER IN THIS GROUP

EXTERIOR SLIDEOUT GROUP (CONTINUED)

LEFT REAR (CONTINUED)

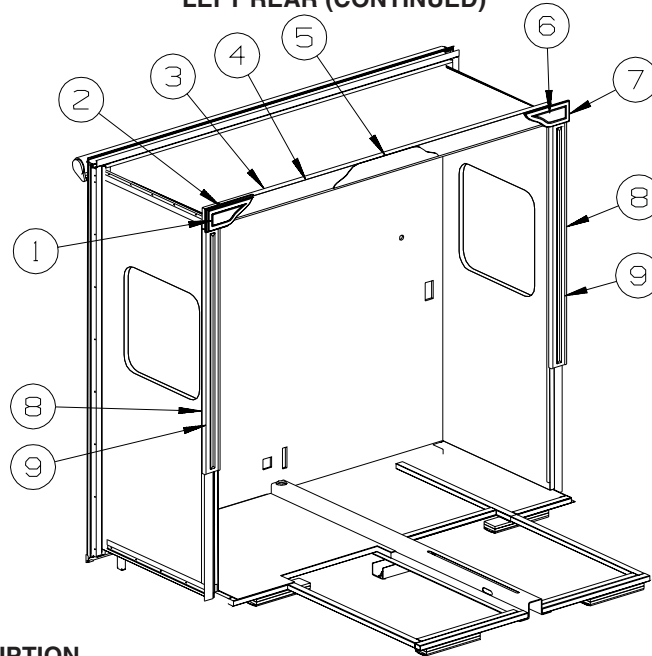


| KEY | PART NUMBER | U/M | DESCRIPTION |
|-----|---------------|-----|---------------------------------------------------------------------------|
| 1 | 139624-15-01A | EA | TRIM/SEAL - INNER/RIGHT HAND - 72.9" - BRIGHT WHITE |
| 2 | 139624-16-01A | EA | TRIM/SEAL - INNER/LEFT HAND - 72.9" - BRIGHT WHITE |
| 3 | 139624-04-01A | EA | TRIM/SEAL - INNER/TOP - 80.2" - BRIGHT WHITE |
| 4 | 150643-12-S64 | EA | SLUG - F/SLIDEOUT (S76,S77,S78,S79) |
| 4 | 150643-12-S68 | EA | SLUG - F/SLIDEOUT (S80,S81,S82,S83) |
| 4 | 150643-12-S72 | EA | SLUG - F/SLIDEOUT (S84,S85,S86,S87) |
| 5 | 142891-01-S46 | EA | PANEL END - F/SLIDEOUT (S76,S77,S78,S79) |
| 5 | 142891-01-S49 | EA | PANEL END - F/SLIDEOUT (S80,S81,S82,S83) |
| 5 | 142891-01-S52 | EA | PANEL END - F/SLIDEOUT (S84,S85,S86,S87) |
| 6 | 142890-01-S46 | EA | PANEL END - F/SLIDEOUT (S76,S77,S78,S79) |
| 6 | 142890-01-R42 | EA | PANEL END - F/SLIDEOUT (S80,S81,S82,S83) |
| 6 | 142890-01-S49 | EA | PANEL END - F/SLIDEOUT (S84,S85,S86,S87) |
| 7 | 139625-03-01A | EA | TRIM/SEAL - W/MITERED ENDS - 82" - BRIGHT WHITE |
| 7 | 139625-03-02A | EA | TRIM/SEAL - W/MITERED ENDS - 82" - BLACK - FULL BODY PAINT |
| 8 | 139625-11-01A | EA | TRIM/SEAL - W/MITERED ENDS - 75.9" - BRIGHT WHITE |
| 8 | 139625-11-02A | EA | TRIM/SEAL - W/MITERED ENDS - 75.9" - BLACK - FULL BODY PAINT |
| 9 | 142233-04-01A | EA | TRIM/SEAL - W/MITERED ENDS - 82" - BRIGHT WHITE |
| 9 | 142233-04-02A | EA | TRIM/SEAL - W/MITERED ENDS - 82" - BLACK - FULL BODY PAINT |
| 10 | 099418-01-000 | FT | SEAL - D-SECTION/ADHESIVE BACK - .44" X .44" - BLK RUBBER |
| 11 | 135275-01-01A | EA | PROTECTOR - CORNER - SLIDEOUT - WHITE |
| 12 | 122977-12-03A | EA | AWNING/SLIDEOUT W/COVER - 81.8" - WHITE - VINYL/VINYL WRAP |
| 12 | 122977-12-06A | EA | AWNING/SLIDEOUT W/COVER - 81.8" - CHAMPAGN - VINYL WRAP - FULL BODY PAINT |
| 13 | 116444-04-12B | EA | TRIM/KEY CORNER - SLIDEOUT - 3.1" X 3.1" - BRT WHITE |
| 13 | 116444-04-02B | EA | TRIM/KEY CORNER - SLIDEOUT - 3.1" X 3.1" - E-COATED - FULL BODY PAINT |
| 14 | 137400-01-N42 | EA | ROOF - F/REAR SLIDEOUT |
| 15 | 142718-01-01A | EA | RETAINER - SIDEWALL/SLIDEOUT - 72.8" |
| 16 | 142718-23-01A | EA | RETAINER - SIDEWALL/SLIDEOUT - 79.9" |
| 17 | 142719-05-01A | EA | TRIM/SIDEWALL - TOP/SLIDEOUT - 81.3" - BRIGHT WHITE |
| 18 | 142720-11-01A | EA | TRIM - SIDEWALL/SLIDEOUT - 72.9" - BRIGHT WHITE |
| 19 | 136824-16-01A | EA | TRIM - SIDEWALL/SLIDEOUT - 72.7" - BRIGHT WHITE |
| 19 | 136824-16-02A | EA | TRIM - SIDEWALL/SLIDEOUT - 72.7" - BLACK - FULL BODY PAINT |
| 20 | 126313-10-02B | EA | SUPPORT - ROLLER - SLIDE-OUT ROOM - E-COATED |
| | 142881-03-01B | EA | CHANNEL/GUIDE - F/SLIDEOUT - MILL |

EXTERIOR SLIDEOUT GROUP (CONTINUED)
LEFT REAR (CONTINUED)

| KEY | PART NUMBER | U/M | DESCRIPTION |
|------------|--------------------|------------|-----------------------------------------------------------------------|
| 21 | 136824-02-01A | EA | TRIM - SIDEWALL/SLIDEOUT - 81.2" - BRIGHT WHITE |
| 21 | 136824-02-02A | EA | TRIM - SIDEWALL/SLIDEOUT - 81.2" - BLACK - FULL BODY PAINT |
| 22 | 141174-01-02A | EA | TRIM/ZEE - SIDEWALL - 81.4" - BRIGHT WHITE |
| 22 | 141174-01-03A | EA | TRIM/ZEE - SIDEWALL - 81.4" - BLACK - FULL BODY PAINT |
| 23 | 123012-01-000 | FT | SEAL - SLIDEOUT - .09"/.13" THICK X 1.25" - W/ADHESIVE |
| 24 | 138659-01-01A | EA | TRIM/FEATURE STRIP - 181.7" - BRIGHT WHITE |
| 24 | 138659-01-02A | EA | TRIM/FEATURE STRIP - 181.7" - BLACK - FULL BODY PAINT |
| 25 | 141435-03-01A | EA | TRIM - FEATURE - LOWER - 29.1" - BRIGHT WHITE |
| 25 | 141435-03-02A | EA | TRIM - FEATURE - LOWER - 29.1" - BLACK - FULL BODY PAINT |
| 26 | 115661-01-000 | FT | SHOE/GLIDE - SLIDEOUT ROOM - 1/16" X 3" - POLYETHYLENE |
| 27 | 105312-01-07A | FT | INSERT - FEATURE STRIP - VINYL - BRIGHT WHITE |
| 27 | 105312-01-13A | FT | INSERT - FEATURE STRIP - VINYL - BLACK - FULL BODY PAINT |
| 28 | 128599-03-000 | EA | PAD - F/SLIDEOUT - 2" X 2.6" |
| 29 | 115325-08-01A | EA | RAIL - FLOOR/SLIDEOUT ROOM - 12" LONG - BLACK |
| 30 | 136978-01-01A | FT | SEAL - SLIDEOUT - BLACK |
| 31 | 146056-01-000 | FT | SEAL - TRIANGLE - W/PSA |
| 32 | 133954-18-01A | EA | TRIM/SEAL - 76.5" - BRIGHT WHITE |
| 32 | 133954-18-02A | EA | TRIM/SEAL - 76.5" - BLACK - FULL BODY PAINT |
| 33 | 142549-01-000 | EA | CLIP - "S" TYPE |
| 34 | 133954-46-01A | EA | TRIM/SEAL - 68.8" - BRIGHT WHITE |
| 34 | 133954-46-02A | EA | TRIM/SEAL - 68.8" - BLACK - FULL BODY PAINT |
| 35 | 075673-05-000 | FT | SEAL - PILE - ADHESIVE BACK - BLACK |
| 36 | 149821-01-02A | EA | TRIM/ANGLE - SIDEWALL - BRIGHT WHITE - 1/2" X 1/2" X 77.9" |
| 36 | 149821-01-01A | EA | TRIM/ANGLE - SIDEWALL - BLACK - 1/2" X 1/2" X 77.9" - FULL BODY PAINT |

EXTERIOR SLIDEOUT GROUP (CONTINUED)
LEFT REAR (CONTINUED)



| KEY | PART NUMBER | U/M | DESCRIPTION |
|-----|---------------|-----|---------------------------------------------------------------------|
| 1 | 151447-03-S76 | EA | MOLDING - CORNER/LH - WOOD W/FABRIC INSERT |
| 1 | 151447-03-S77 | EA | MOLDING - CORNER/LH - WOOD W/FABRIC INSERT |
| 1 | 151447-03-S78 | EA | MOLDING - CORNER/LH - WOOD W/FABRIC INSERT |
| 1 | 151447-03-S79 | EA | MOLDING - CORNER/LH - WOOD W/FABRIC INSERT |
| 1 | 151447-03-S80 | EA | MOLDING - CORNER/LH - WOOD W/FABRIC INSERT |
| 1 | 151447-03-S81 | EA | MOLDING - CORNER/LH - WOOD W/FABRIC INSERT |
| 1 | 151447-03-S82 | EA | MOLDING - CORNER/LH - WOOD W/FABRIC INSERT |
| 1 | 151447-03-S83 | EA | MOLDING - CORNER/LH - WOOD W/FABRIC INSERT |
| 1 | 151447-03-S84 | EA | MOLDING - CORNER/LH - WOOD W/FABRIC INSERT |
| 1 | 151447-03-S85 | EA | MOLDING - CORNER/LH - WOOD W/FABRIC INSERT |
| 1 | 151447-03-S86 | EA | MOLDING - CORNER/LH - WOOD W/FABRIC INSERT |
| 1 | 151447-03-S87 | EA | MOLDING - CORNER/LH - WOOD W/FABRIC INSERT |
| 2 | P51754-01-S64 | EA | MOLDING/OVERLAY - REAR/SMALL/LH - 4.4" X 10.6" - PORTSMOUTH OAK |
| 2 | P51754-01-S65 | EA | MOLDING/OVERLAY - REAR/SMALL/LH - 4.4" X 10.6" - CONCERT CHERRY |
| 2 | P51754-01-S66 | EA | MOLDING/OVERLAY - REAR/SMALL/LH - 4.4" X 10.6" - WASHED MAPLE |
| 2 | P51754-01-S67 | EA | MOLDING/OVERLAY - REAR/SMALL/LH - 4.4" X 10.6" - SIERRA MAPLE |
| 3 | Y00291-72-152 | EA | MOLDING - VINYL WRAP - 4" X 84.6" - PORTSMOUTH OAK |
| 3 | Y00291-62-152 | EA | MOLDING - VINYL WRAP - 4" X 84.6" - CONCERT CHERRY |
| 3 | Y00291-A2-152 | EA | MOLDING - VINYL WRAP - 4" X 84.6" - WASHED MAPLE |
| 3 | Y00291-92-152 | EA | MOLDING - VINYL WRAP - 4" X 84.6" - SIERRA MAPLE |
| 4 | 149496-07-S76 | EA | TRIM - DECORATIVE - 3.1" X 74.1" - FABRIC COVERED (S76,S77,S78,S79) |
| 4 | 149496-07-S80 | EA | TRIM - DECORATIVE - 3.1" X 74.1" - FABRIC COVERED (S80,S81,S82,S83) |
| 4 | 149496-07-S84 | EA | TRIM - DECORATIVE - 3.1" X 74.1" - FABRIC COVERED (S84,S85,S86,S87) |
| 5 | 149475-02-S76 | EA | TRIM - DECORATIVE/OVERLAY - CENTER (S76,S77,S78,S79) |
| 5 | 149475-02-S80 | EA | TRIM - DECORATIVE/OVERLAY - CENTER (S80,S81,S82,S83) |
| 5 | 149475-02-S84 | EA | TRIM - DECORATIVE/OVERLAY - CENTER (S84,S85,S86,S87) |
| 6 | P51754-02-S64 | EA | MOLDING/OVERLAY - REAR/SMALL/RH - 4.4" X 10.6" - PORTSMOUTH OAK |
| 6 | P51754-02-S65 | EA | MOLDING/OVERLAY - REAR/SMALL/RH - 4.4" X 10.6" - CONCERT CHERRY |
| 6 | P51754-02-S66 | EA | MOLDING/OVERLAY - REAR/SMALL/RH - 4.4" X 10.6" - WASHED MAPLE |
| 6 | P51754-02-S67 | EA | MOLDING/OVERLAY - REAR/SMALL/RH - 4.4" X 10.6" - SIERRA MAPLE |
| 7 | 151447-04-S76 | EA | MOLDING - CORNER/RH - WOOD W/FABRIC INSERT |
| 7 | 151447-04-S77 | EA | MOLDING - CORNER/RH - WOOD W/FABRIC INSERT |
| 7 | 151447-04-S78 | EA | MOLDING - CORNER/RH - WOOD W/FABRIC INSERT |
| 7 | 151447-04-S79 | EA | MOLDING - CORNER/RH - WOOD W/FABRIC INSERT |
| 7 | 151447-04-S80 | EA | MOLDING - CORNER/RH - WOOD W/FABRIC INSERT |
| 7 | 151447-04-S81 | EA | MOLDING - CORNER/RH - WOOD W/FABRIC INSERT |
| 7 | 151447-04-S82 | EA | MOLDING - CORNER/RH - WOOD W/FABRIC INSERT |
| 7 | 151447-04-S83 | EA | MOLDING - CORNER/RH - WOOD W/FABRIC INSERT |
| 7 | 151447-04-S84 | EA | MOLDING - CORNER/RH - WOOD W/FABRIC INSERT |
| 7 | 151447-04-S85 | EA | MOLDING - CORNER/RH - WOOD W/FABRIC INSERT |
| 7 | 151447-04-S86 | EA | MOLDING - CORNER/RH - WOOD W/FABRIC INSERT |
| 7 | 151447-04-S87 | EA | MOLDING - CORNER/RH - WOOD W/FABRIC INSERT |

EXTERIOR SLIDEOUT GROUP (CONTINUED)
LEFT REAR (CONTINUED)

| KEY | PART NUMBER | U/M | DESCRIPTION |
|------------|--------------------|------------|---------------------------------------------------------------------------|
| 8 | M09450-65-P45 | EA | MOLDING - TRIM/VEE - .2" X 1" X 44" - OAK/PORTSMOUTH OAK - PORTSMOUTH OAK |
| 8 | M09450-65-P46 | EA | MOLDING - TRIM/VEE - .2" X 1" X 44" - CHERRY/CHERRY - CONCERT CHERRY |
| 8 | M09450-65-P56 | EA | MOLDING - TRIM/VEE - .2" X 1" X 44" - MAPLE/MAPLE - WASHED MAPLE |
| 8 | M09450-65-S79 | EA | MOLDING - TRIM/VEE - .2" X 1" X 44" - MAPLE/HONEY - SIERRA MAPLE |
| 9 | 149496-06-S76 | EA | TRIM - DECORATIVE - 2.7" X 45.8" - FABRIC COVERED (S76,S77,S78,S79) |
| 9 | 149496-06-S80 | EA | TRIM - DECORATIVE - 2.7" X 45.8" - FABRIC COVERED (S80,S81,S82,S83) |
| 9 | 149496-06-S84 | EA | TRIM - DECORATIVE - 2.7" X 45.8" - FABRIC COVERED (S84,S85,S86,S87) |

COMPOENT PARTS FOR LEFT REAR

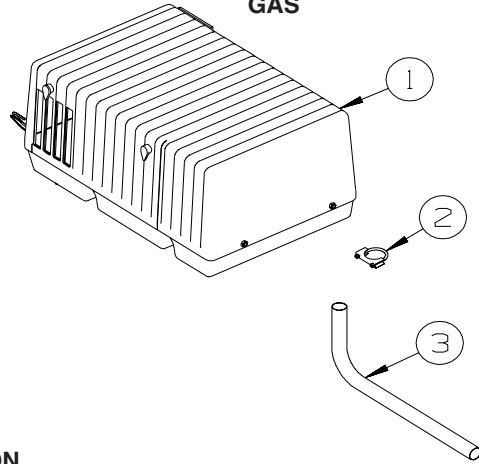
100536-59-000

| KEY | PART NUMBER | U/M | DESCRIPTION | VENDOR NO. |
|------------|--------------------|------------|------------------------------|-------------------|
| | 100536-27-700 | EA | HOSE/HYDRAULIC - 1/4" X 332" | RAP91491/AP8985 |
| | 100536-37-701 | EA | HOSE/HYDRAULIC - 1/4" X 336" | RAP5561 |

147573-01-000

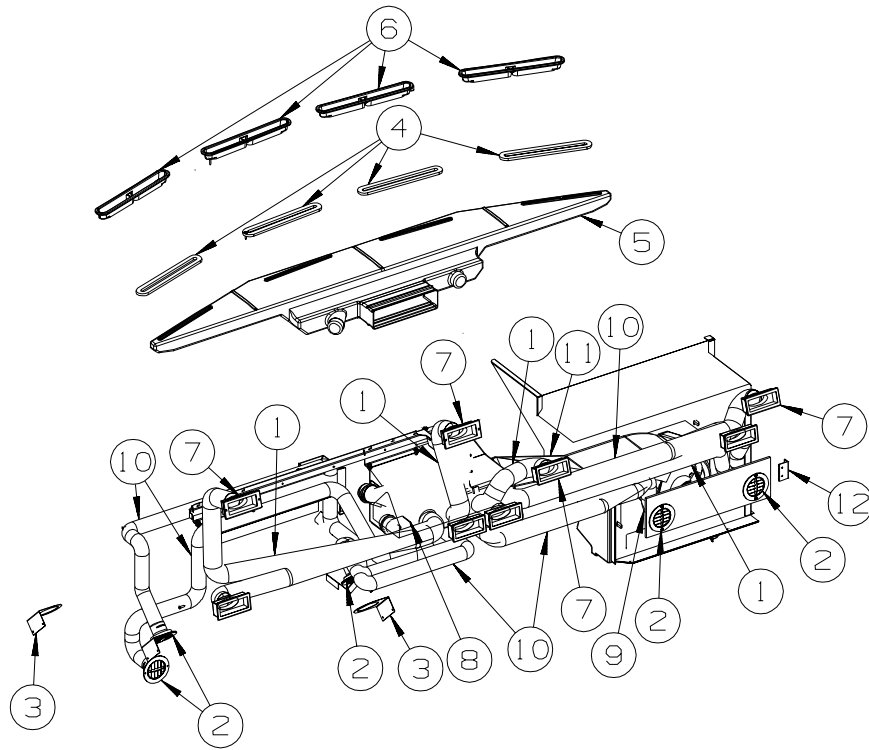
| KEY | PART NUMBER | U/M | DESCRIPTION | VENDOR NO. |
|------------|--------------------|------------|-----------------------------|-------------------|
| | 122359-01-703 | EA | HOSE - HYDRAULIC 1/8" X 60" | RAP90320/AP24634 |
| | 128599-06-701 | EA | HOSE/HYDRAULIC - 1/8" X 84" | RAP91240/AP24636 |
| | 147573-01-700 | EA | CYLINDER - SLIDEOUT (RAM) | RAP91582/AP30339 |
| | 147573-01-701 | EA | HOSE - HYDRAULIC 1/8" X 20" | RAP91562/AP25677 |

**GENERATOR GROUP
GAS**



| KEY | PART NUMBER | U/M | DESCRIPTION |
|-----|---------------|-----|-------------------------------------------------------|
| 1 | 135707-02-000 | EA | GENERATOR - 7.0 - 30/20 - GAS - MARQUIS GOLD - 30 AMP |
| 1 | 135707-01-000 | EA | GENERATOR - 7.0 - 30/30 - GAS - MARQUIS GOLD - 50 AMP |
| 1 | 135707-07-000 | EA | GENERATOR - 5.5 - 30/20 - GAS - MARQUIS GOLD - 30 AMP |
| 1 | 135707-06-000 | EA | GENERATOR - 5.5 - 30/30 - GAS - MARQUIS GOLD - 50 AMP |
| 2 | 007125-03-000 | EA | CLAMP - MUFFLER - 1.5" DIAMETER |
| 3 | 105958-27-000 | EA | PIPE - EXHAUST - GENERATOR |

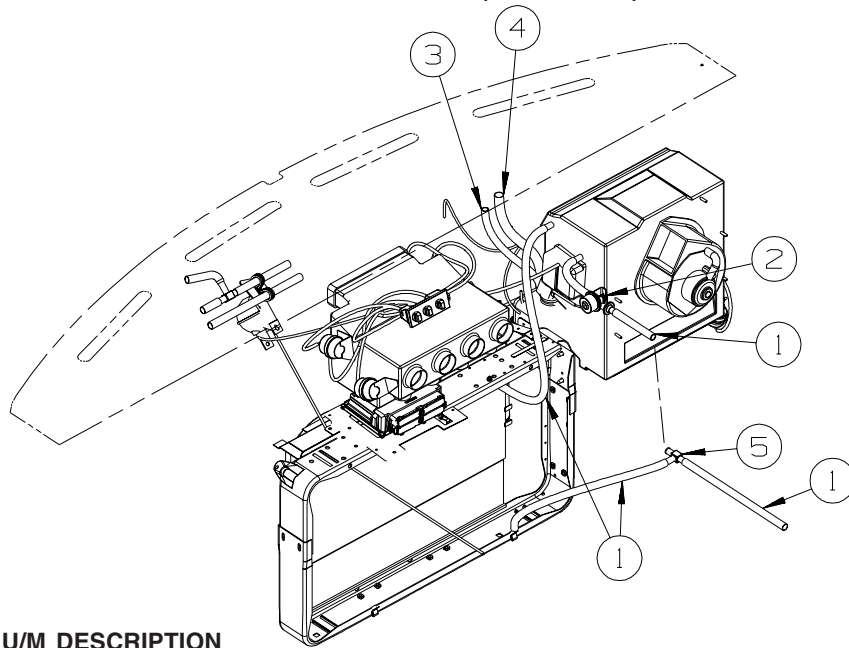
HEATING & A/C GROUP AUTOMOTIVE



| KEY | PART NUMBER | U/M | DESCRIPTION |
|-----|---------------|-----|-----------------------------------------------------------------------------------|
| 1 | 007281-01-000 | EA | HOSE - FLEXIBLE PVC - 2 1/2" ID X 50' |
| 2 | 024990-05-000 | EA | OUTLET - DEFROSTER - W/SWIVEL - 2" SLEEVE/4" OD - BLACK |
| 3 | 136157-03-02B | EA | BRACKET - HEATER - E-COATED |
| 4 | 077075-01-000 | EA | GASKET - INSTRUMENT PANEL/DEFROSTER PLENUM - .6" X 10.2" |
| 5 | 103017-03-000 | EA | PLENUM - DEFROSTER |
| 6 | 135265-01-04A | EA | VENT - DEFROSTER - PLASTIC - GLACIER |
| 7 | 135803-04-01A | EA | LOUVER/A/C-CURVED/ADJ W/MOUNT HOLE- 2.5"X 5.8" F/2.5" HOSE |
| 8* | 103930-49-000 | EA | CONTROL/PLENUM - LARGE ROTARY |
| 9* | 103930-55-000 | EA | EVAPORATOR/HEATER - NONCHARGED - SINGLE OUTPUT |
| 10 | 007076-01-000 | EA | HOSE - FLEXIBLE PVC - 2" ID - INCREMENTS OF 50' |
| 11 | 103016-03-000 | EA | PLENUM - TRANSITION |
| 12 | 083125-02-000 | EA | BRACE |
| | 113452-02-000 | FT | SEAL/TRIM - FRONT - VINYL W/WIRE CARRIER - .027" - WHERE HOSES CROSS METAL |
| | 103930-54-000 | EA | MANUAL - OWNERS - HEATER/AC |

***COMPONENT PARTS LISTED LATER IN THIS GROUP**

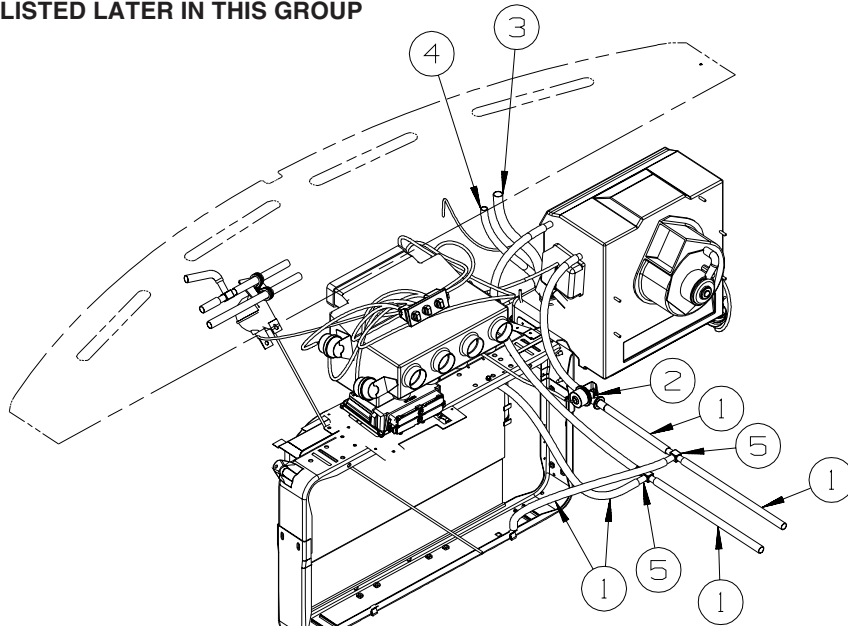
HEATING & A/C GROUP (CONTINUED) AUTOMOTIVE (CONTINUED)



WORKHORSE

| KEY | PART NUMBER | U/M | DESCRIPTION |
|-----|---------------|-----|-------------------------------------------------------|
| 1 | 007108-01-000 | FT | HOSE - HEATER - 5/8" ID - HI-TEMP |
| 2 | 103930-23-000 | EA | VALVE/WATER - 2 PORT/VACUUM CONTROLLED - "NEW DESIGN" |
| 3* | 103930-46-000 | EA | HOSE - EXPANSION BLOCK (EVAPORATOR) TO COMPRESSOR |
| 4* | 103930-47-000 | EA | HOSE - EXPANSION VALVE (EVAPORATOR) TO DRIER |
| 5 | 076776-01-000 | EA | TEE - BEADED - 5/8" X 5/8" X 5/8" |

***COMPONENT PARTS LISTED LATER IN THIS GROUP**



FORD

| KEY | PART NUMBER | U/M | DESCRIPTION |
|-----|---------------|-----|-------------------------------------------------------|
| 1 | 007108-01-000 | FT | HOSE - HEATER - 5/8" ID - HI-TEMP |
| 2 | 103930-23-000 | EA | VALVE/WATER - 2 PORT/VACUUM CONTROLLED - "NEW DESIGN" |
| 3* | 103930-44-000 | EA | HOSE - EVAPORATOR/DRYER - #6 |
| 4* | 103930-45-000 | EA | HOSE - EVAPORATOR/COMPRESSOR - FORD |
| 5 | 076776-01-000 | EA | TEE - BEADED - 5/8" X 5/8" X 5/8" |

***COMPONENT PARTS LISTED LATER IN THIS GROUP**

HEATING & A/C GROUP (CONTINUED)

COMPONENT PARTS FOR AUTOMOTIVE

103930-44-000

| KEY | PART NUMBER | U/M | DESCRIPTION | VENDOR NO |
|-----|---------------|-----|------------------------------|-----------|
| | 103930-29-701 | EA | O'RING F/LOW PRESSURE SWITCH | 045-0483 |
| | 103930-44-700 | EA | HOSE ASSEMBLY #6 | 085-0462 |
| | 113245-01-711 | EA | O'RING #6 | 045-0129 |

103930-45-000

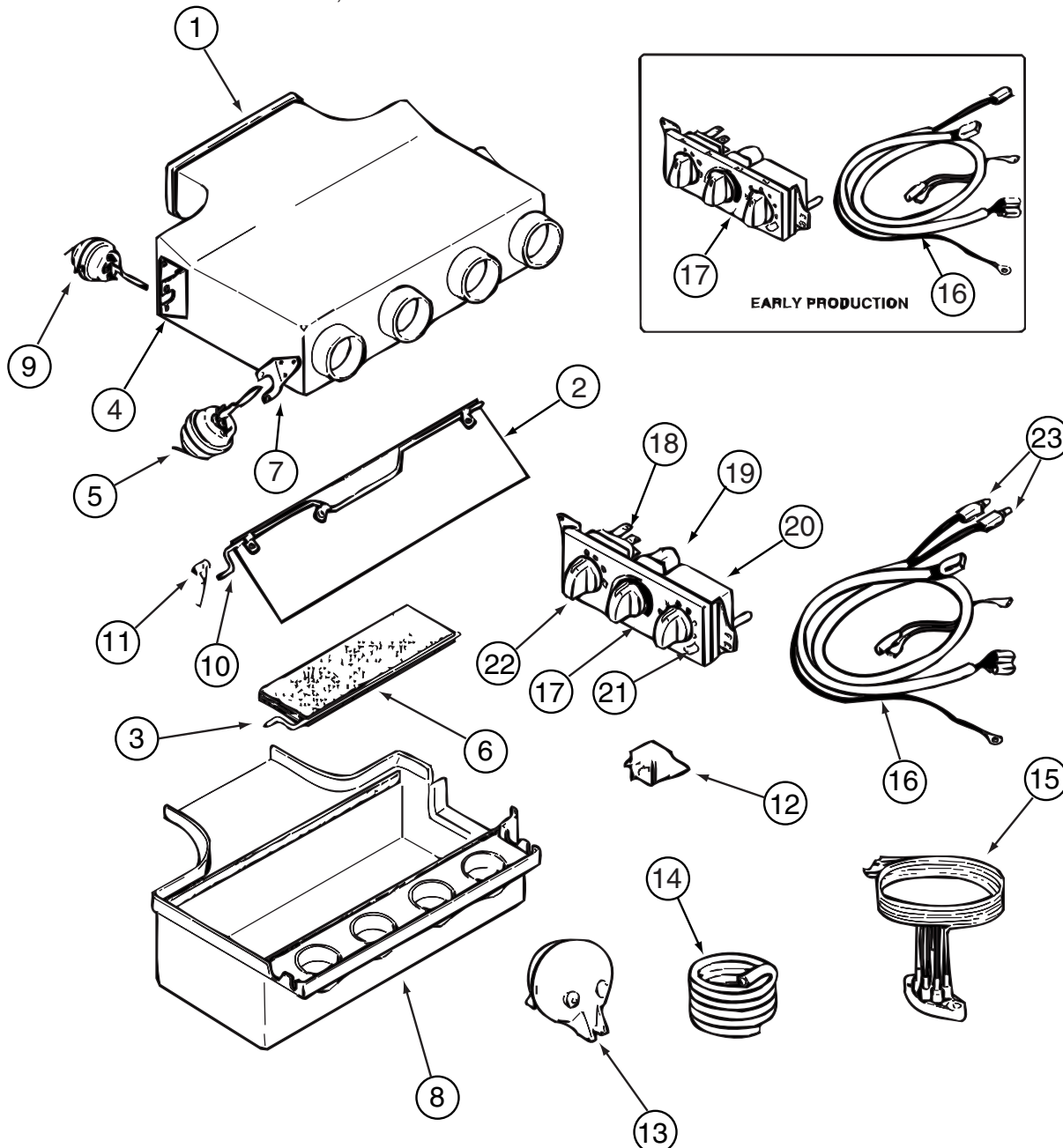
| KEY | PART NUMBER | U/M | DESCRIPTION | VENDOR NO. |
|-----|---------------|-----|---------------------------|------------|
| | 103930-17-702 | EA | O'RING #10 | 045-0127 |
| | 103930-45-700 | EA | HOSE - #10 EVAP/COMP - 3' | 085-0463 |

103930-46-000

| KEY | PART NUMBER | U/M | DESCRIPTION | VENDOR NO |
|-----|---------------|-----|------------------------------|-----------|
| | 103930-17-702 | EA | O'RING #10 | 045-0127 |
| | 103930-29-701 | EA | O'RING F/LOW PRESSURE SWITCH | 045-0483 |
| | 103930-46-700 | EA | HOSE - #10 EVAP/COMP - 4.3' | 085-0486 |

103930-47-000

| KEY | PART NUMBER | U/M | DESCRIPTION | VENDOR NO |
|-----|---------------|-----|-----------------------------|-----------|
| | 103930-47-700 | EA | HOSE - #6-EVAP/DRIER - 2.2' | 085-0485 |
| | 113245-01-710 | EA | O'RING, #12 | 045-0128 |



103930-49-000

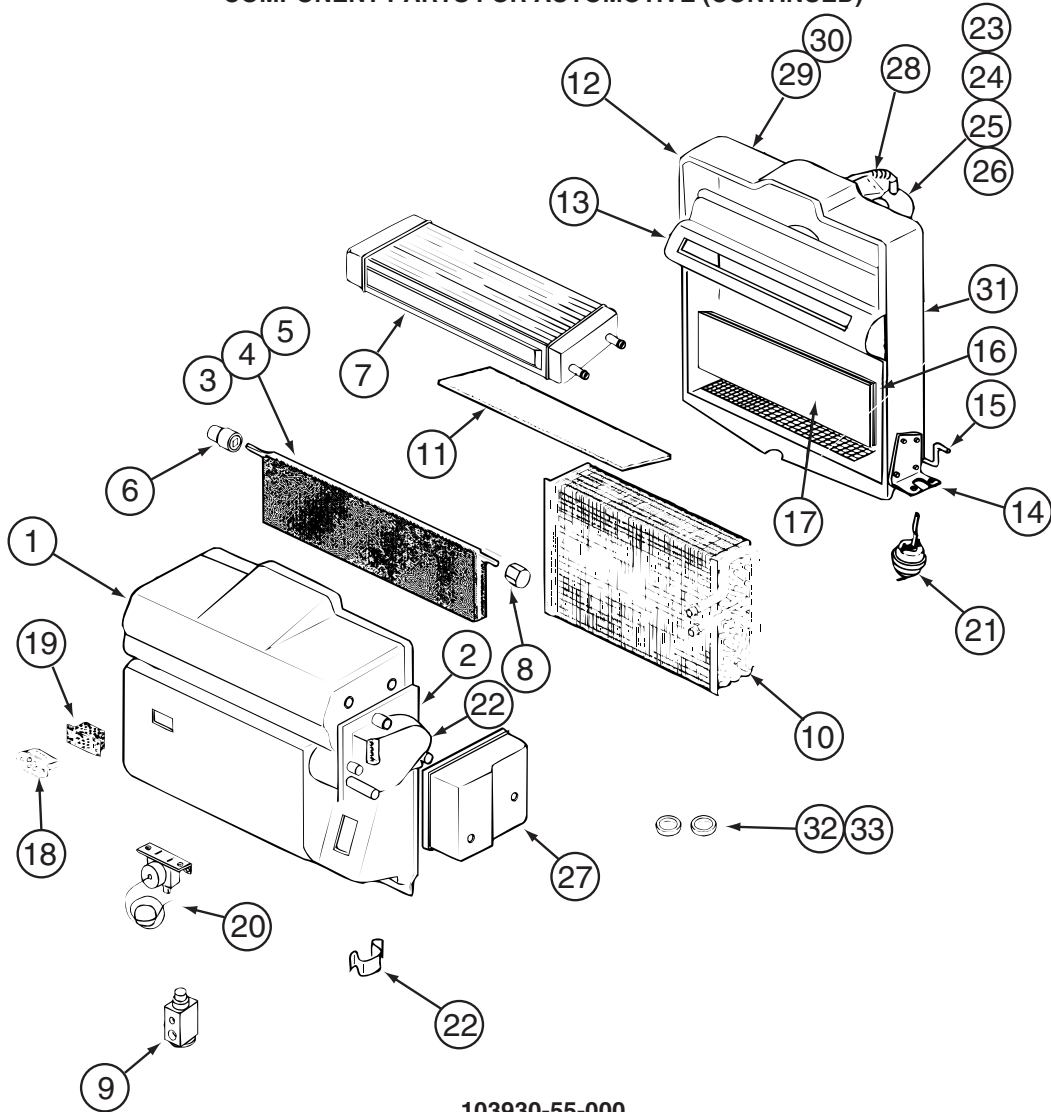
HEATING & A/C GROUP (CONTINUED)
COMPONENT PARTS FOR AUTOMOTIVE (CONTINUED)

103930-49-000 (CONTINUED)

| KEY | PART NUMBER | U/M | DESCRIPTION | VENDOR NO. |
|------------|--------------------|------------|------------------------------|-------------------|
| 1 | 103930-39-705 | EA | PLENUM - TOP | 060-0482 |
| 2 | 103930-04-700 | EA | DOOR - DEFROSTER-A/C | 071-0149 |
| 3 | 103930-39-700 | EA | ROD - DOOR - AC/HEAT | 073-067 |
| 5 | 103930-02-708 | EA | MOTOR-VACUUM SERVO, A/C | 030-0025 |
| 6 | 103930-39-706 | EA | PLATE - DOOR - A/C | 071-0623 |
| 8 | 103930-39-707 | EA | PLENUM - BOTTOM | 060-0483 |
| 9 | 103930-33-701 | EA | MOTOR - VACUUM, 3 STAGE | 030-0105 |
| 10 | 103930-39-701 | EA | ROD - DOOR - AC/DEFROST | 073-0069 |
| 11 | 103930-39-704 | EA | SPRING | 022-0119 |
| 12 | 103930-02-707 | EA | RELAY-BOSCH W/RESISTER | 031-0001 |
| 13 | 103930-02-710 | EA | CANISTER-VACUUM | 054-0002 |
| 15 | 103930-33-703 | EA | VACUUM HARNESS | 036-0466 |
| 16 | 103930-49-700 | EA | HARNESS - WIRE | 036-556 |
| 16 | 103930-49-701 | EA | HARNESS - WIRE W/BULBS | 036-0557 |
| 17 | 103930-49-702 | EA | CONTROL PANEL-RECESSED FACE | 032-0054 |
| 17 | 103930-49-703 | EA | CONTROL PANEL - NON RECESSED | 083-0223 |
| 18 | 103930-49-704 | EA | SWITCH - BLOWER | 032-0332 |
| 19 | 103930-49-705 | EA | POTENTIOMETER | 032-0182 |
| 20 | 103930-49-706 | EA | SWITCH - VACUUM | 032-0185 |
| 21 | 103930-49-707 | EA | DECAL CONTROL PANEL-N/RECESS | 058-0144 |
| 22 | 103930-49-708 | EA | KNOB - BLOWER - NONRECESSED | 062-0620 |
| 23 | 103930-33-705 | EA | LIGHT BULBS | 035-0030 |

CONTACT WINNEBAGO PART SALES FOR UNLISTED COMPONENT(S)

HEATING & A/C GROUP (CONTINUED)
COMPONENT PARTS FOR AUTOMOTIVE (CONTINUED)



103930-55-000

| KEY | PART NUMBER | U/M | DESCRIPTION | VENDOR NO. |
|-----|---------------|-----|------------------------------|------------|
| 1 | 103930-55-701 | EA | CASE - FRONT | 062-0658 |
| 2 | 103930-30-701 | EA | PLATE - MOTOR MOUNT | 062-0544 |
| 3 | 103930-55-705 | EA | DOOR - BLEND AIR | 071-0892 |
| 6 | 103930-30-702 | EA | BUSHING/DRIVE (BLEND DOOR) | 062-0168 |
| 7 | 103930-55-706 | EA | CORE - HEATER - W/GASKET | 084-0271 |
| 8 | 103930-30-709 | EA | COUPLING - BLEND DOOR SHAFT | 062-0634 |
| 9 | 103930-20-700 | EA | VALVE-EXPANSION-BLOCK, 2 TON | 034-0032 |
| 10 | 103930-55-700 | EA | CORE-EVAPORATOR | 041-00168 |
| 12 | 103930-55-702 | EA | CASE-REAR | 062-0657 |
| 14 | 103930-01-708 | EA | BRACKET-VACUUM MOTOR | 070-0113 |
| 15 | 103930-20-704 | EA | ROD-DOOR-RECIRCULATING | 073-0018 |
| 16 | 103930-55-707 | EA | DOOR - RECIRCULATION | 071-0891 |
| 18 | 103930-01-710 | EA | RESISTOR-FUSED, A/C 4 TERM | 035-0006 |
| 20 | 103930-01-711 | EA | THERMOSTAT | 033-0003 |
| 21 | 103930-02-708 | EA | MOTOR-VACUUM SERVO, A/C | 030-0025 |
| 22 | 103930-30-703 | EA | MOTOR - SERVO | 030-0104 |
| 23 | 103930-20-707 | EA | HOUSING-BLOWER | 062-0145 |
| 24 | 103930-55-703 | EA | MOTOR-BLOWER W/O PIGTAIL | 030-0137 |
| 25 | 103930-01-717 | EA | WHEEL-BLOWER, CLOCKWISE | 062-0010 |
| 26 | 103930-20-708 | EA | CLIP-MOTOR SHAFT | 022-0001 |
| 27 | 103930-30-704 | EA | COVER - SERVO | 062-0545 |
| 32 | 113245-01-707 | EA | O'RING #8 | 045-0126 |
| 33 | 103930-17-702 | EA | O'RING #10 | 045-0127 |
| | 103930-55-704 | EA | CORE-HEATER | 042-0059 |
| | 110279-01-703 | EA | HOSE-VENT F/BLOWER MOTOR | 051-0034 |

CONTACT WINNEBAGO PART SALES FOR UNLISTED COMPONENT(S)

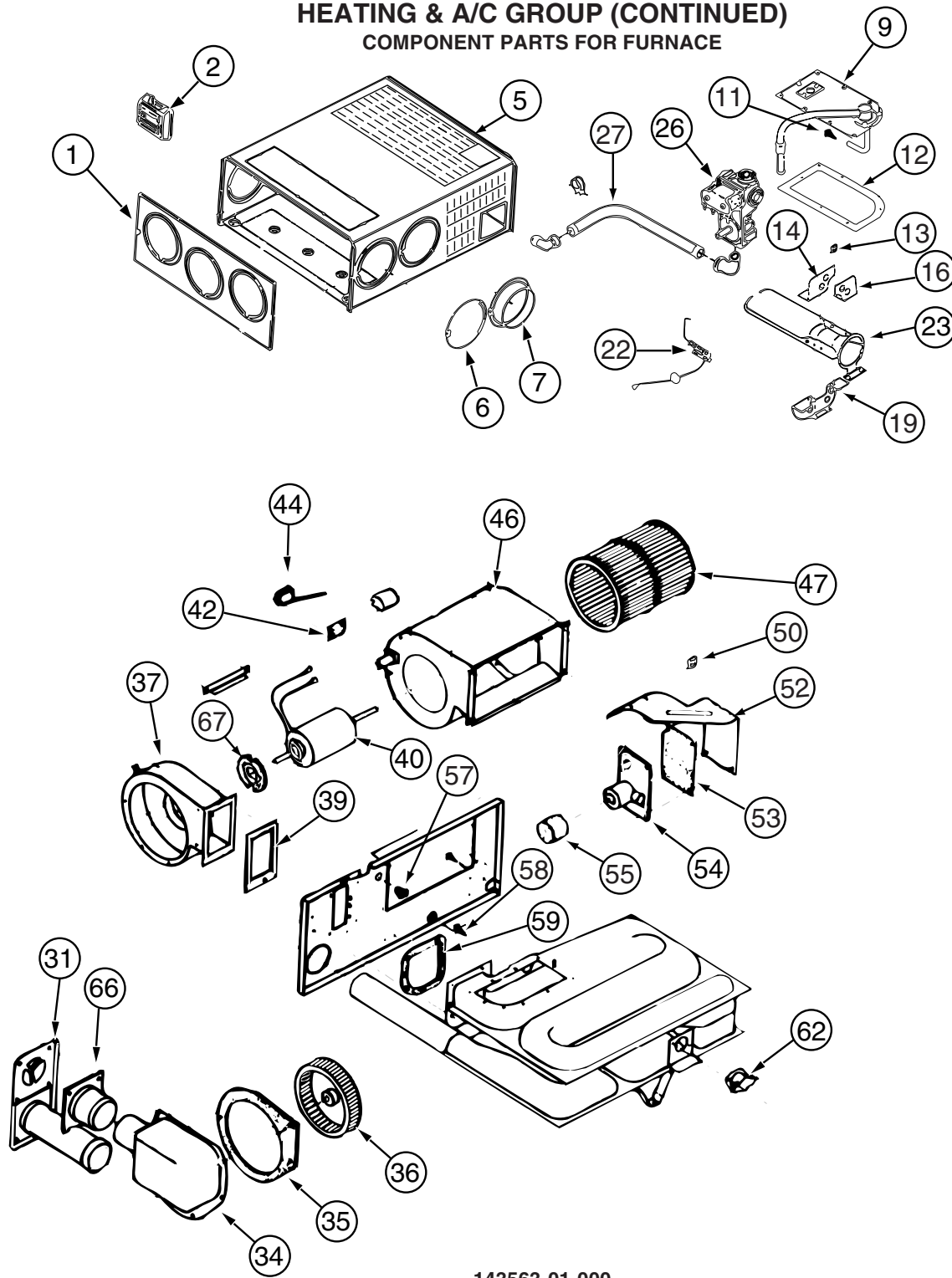
HEATING & A/C GROUP (CONTINUED)

FURNACE

| KEY | PART NUMBER | U/M | DESCRIPTION |
|-----|---------------|-----|---------------------------------------------------------------------------|
| * | 143563-01-000 | EA | FURNACE - 35000 BTU/HIGH QUIET - SUBURBAN SH-35 2322 - 35,000 BTU FURNACE |
| * | 143563-02-000 | EA | FURNACE - 40000 BTU HIGH QUIET - SUBURBAN SH-40 2322 - 40,000 BTU FURNACE |
| | 093614-13-02A | EA | GRILLE - AIR RETURN - 15.9" X 11.9" - BEIGE |
| | 093614-15-02A | EA | GRILL - RETURN AIR - DURA BEIGE |
| | 126693-05-02B | EA | PANEL - EXHAUST/FURNACE - E-COATED |
| | 137965-01-02A | EA | REGISTER - 11.2" X 3.6"(9.7 X 2.1"R/O) W/O DAMPER-ANT PWTR |
| | 137965-02-02A | EA | REGISTER - 11.2" X 3.6"(9.7 X 2.1"R/O) W/DAMPER - ANT PWTR |
| | 137965-03-02A | EA | REGISTER - 11.2"X3.6" W/O DMPR-W/O SCREW HOLES/VINYL FLOOR |
| | 137965-04-02A | EA | REGISTER - 11.2" X 3.6"(9.7 X 2.1"R/O) W/DAMPER - ANT PWTR |
| | 139980-05-000 | EA | VENT - INTAKE |
| | 137965-03-02A | EA | REGISTER - 11.2"X3.6" W/O DMPR-W/O SCREW HOLES/VINYL FLOOR |
| | 139980-06-000 | EA | VENT CAP |
| | 141337-01-01A | EA | GASKET - FURNACE |
| | 143563-03-01A | EA | DOOR/ACCESS - FURNACE - W/FRAME - WHITE |
| | 143563-03-02A | EA | DOOR/ACCESS - FURNACE - W/FRAME - BLACK - FULL BODY PAINT |
| | 143563-04-000 | EA | PLATE END - COLLAR |
| | 143563-05-000 | EA | GASKET - FIBERGLASS - SUBURBAN #071018 |
| | 024990-08-000 | EA | OUTLET - DEFROSTER - W/O SWIVEL - 2" SLEEVE/4" OD - WHITE |
| | 105290-01-000 | SF | INSULATION - AIR POCKET W/FOIL |
| | 092776-01-000 | EA | ADAPTER - DUCT - 2" |
| | 009198-02-000 | EA | DUCT - HEAT - FLEXIBLE - 2" ID X 25' |
| | 134651-01-000 | FT | SEAL - 1/2" X 3/4" PSA 1 SIDE |
| | 141194-03-02B | EA | PANEL - CLOSEOUT - FURNACE - E-COATED |

***COMPONENT PARTS LISTED LATER IN THIS GROUP**

HEATING & A/C GROUP (CONTINUED)
COMPONENT PARTS FOR FURNACE



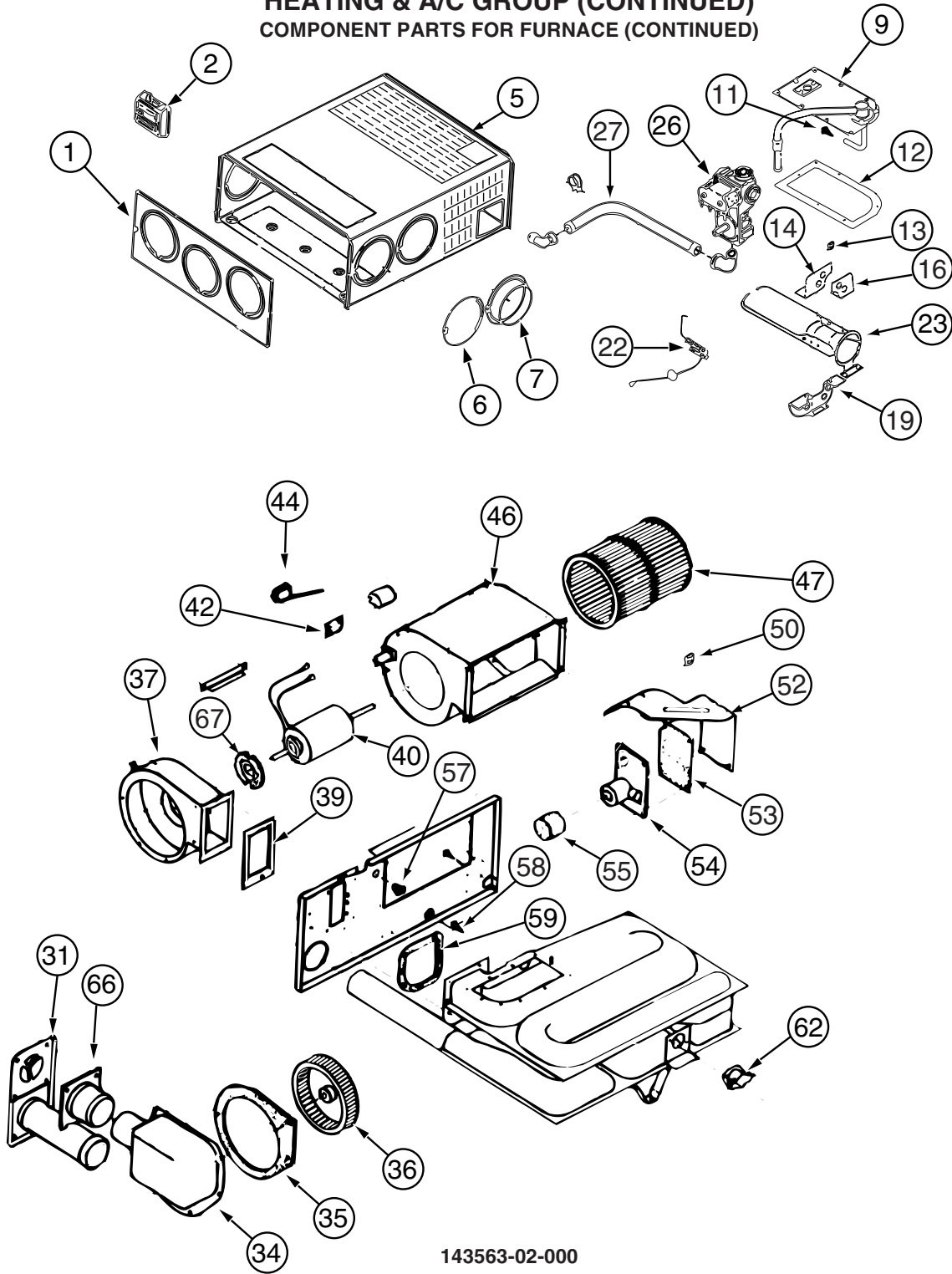
143563-01-000

HEATING & A/C GROUP (CONTINUED)
COMPONENT PARTS FOR FURNACE (CONTINUED)

143563-01-000 (CONTINUED)

| KEY | PART NUMBER | U/M | DESCRIPTION | VENDOR NO. |
|------------|--------------------|------------|--------------------------------------------------------|-------------------|
| 1 | 143563-01-700 | EA | CABINET - FRONT | 101907 |
| 2 | | | 12 VOLT WIRING AREAS FOR CORRECT THERMOSTAT | |
| 5 | 143563-01-701 | EA | CABINET | 101921 |
| 7 | 075696-02-703 | EA | COLLAR - DUCT | 050715 |
| 9 | 143563-01-702 | EA | MANIFOLD ASSEMBLY | 171599 |
| 11 | 143563-01-703 | EA | ORFICE - MAIN BURNER | 180308 |
| 12 | 098668-22-703 | EA | GASKET - BURNER ACCESS COVER | 070811 |
| 14 | 143563-01-704 | EA | PLATE - SECONDARY AIR/TOP BACK | 063199 |
| 16 | 143563-01-705 | EA | PLATE - SECONDARY AIR/TOP FRT | 062936 |
| 19 | 143563-01-706 | EA | PLATE - SECONDARY AIR/BOTTOM | 062938 |
| 22 | 139980-01-701 | EA | ELECTRODE | 232286 |
| 23 | 098668-02-700 | EA | BURNER ASSEMBLY,SF-30 & SF35 | 010745 |
| 26 | 098668-01-718 | EA | VALVE-GAS SF S.N.974903079 | 161122 |
| 27 | 143563-01-707 | EA | PIPE ASSEMBLY (GAS INLET) | 171603 |
| 31 | 098668-01-707 | EA | TUBE ASSEMBLY, EXHAUST W/CAP | 260231 |
| 34 | 143563-01-708 | EA | BOX ASM (COMB. AIR INTAKE) | 051430BK |
| 35 | 143563-01-709 | EA | GASKET (COMB. AIR HOUSING) | 071108 |
| 36 | 143563-01-710 | EA | WHEEL (COMBUSTION AIR) | 350199 |
| 37 | 143563-01-711 | EA | HOUSING (COMBUSTION AIR) | 390862BK |
| 39 | 143563-01-715 | EA | GASKET-FIREWALL/COMB. AIR | 071107 |
| 40 | 143563-01-712 | EA | MOTOR ASSEMBLY | 232727 |
| 42 | 101990-01-714 | EA | GASKET-MICROSWITCH | 230877 |
| 44 | 098668-21-700 | EA | SWITCH-MICRO-W/O FLAG 3 1/4" | 232261 |
| 46 | 143563-01-713 | EA | BLOWER ASSEMBLY(ROOM AIR) | 390867BK |
| 47 | 143563-01-714 | EA | WHEEL - ROOM AIR | 350198 |
| 50 | 139980-01-710 | EA | SWITCH - ON/OFF | 232351 |
| 52 | 139980-01-711 | EA | PANEL ASSEMBLY-MODULE BD | 101663 |
| 53 | 139980-01-712 | EA | INSULATOR - MODULE BD | 070807 |
| 54 | 098668-22-705 | EA | MODULE BD W/RELAY TIME DELAY | 520820 |
| 55 | 139980-01-713 | EA | CAP/INSULATOR-MODULE BD | 070973 |
| 57 | 139980-01-714 | EA | BUSHING - UNIVERSAL | 070362 |
| 58 | 139980-01-715 | EA | BUSHING - STRAIN RELIEF | 231809 |
| 59 | 098668-01-716 | EA | GASKET-FIREWALL,CHAMBER SIDE | 070808 |
| 62 | 098668-21-701 | EA | SWITCH - LIMIT | 232504 |
| 66 | 098668-01-713 | EA | TUBE ASSEMBLY, INTAKE | 051248 |
| 67 | 075697-07-703 | EA | GASKET - MOTOR | 070448 |
| | 143563-01-716 | EA | CHAMBER ASM. - FINAL | |
| | | | CONTACT WINNEBAGO PART SALES FOR UNLISTED COMPONENT(S) | |

HEATING & A/C GROUP (CONTINUED)
COMPONENT PARTS FOR FURNACE (CONTINUED)



143563-02-000

HEATING & A/C GROUP (CONTINUED)
COMPONENT PARTS FOR FURNACE (CONTINUED)

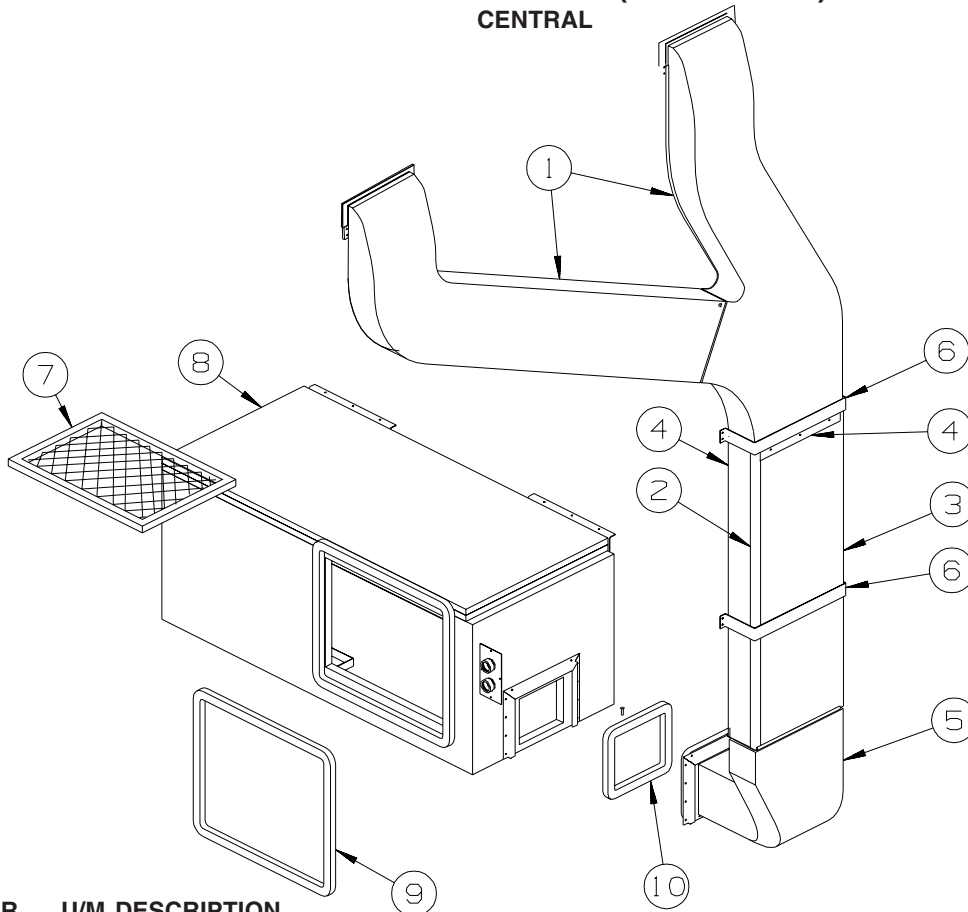
143563-02-000 (CONTINUED)

| KEY | PART NUMBER | U/M | DESCRIPTION | VENDOR NO. |
|------------|--------------------|------------|--------------------------------------------------------|-------------------|
| 1 | 143563-01-700 | EA | CABINET - FRONT | 101907 |
| 2 | | | SEE 12 VOLT WIRING AREAS FOR CORRECT THERMOSTAT | |
| 5 | 143563-02-700 | EA | CABINET | 101915 |
| 7 | 075696-02-703 | EA | COLLAR - DUCT | 050715 |
| 9 | 143563-01-702 | EA | MANIFOLD ASSEMBLY | 171599 |
| 11 | 143563-02-701 | EA | ORFICE - MAIN BURNER | 180309 |
| 12 | 098668-22-703 | EA | GASKET - BURNER ACCESS COVER | 070811 |
| 14 | 143563-02-702 | EA | PLATE - SECONDARY AIR/TOP BACK | 063198 |
| 16 | 143563-02-703 | EA | PLATE - SECONDARY AIR/TOP FRT | 062933 |
| 19 | 143563-02-704 | EA | PLATE - SECONDARY AIR/BOTTOM | 062935 |
| 22 | 139980-01-701 | EA | ELECTRODE | 232286 |
| 23 | 098668-11-701 | EA | BURNER ASSEMBLY, SF-42F | 010799 |
| 26 | 098668-01-718 | EA | VALVE-GAS SF S.N.974903079 | 161122 |
| 27 | 143563-01-707 | EA | PIPE ASSEMBLY (GAS INLET) | 171603 |
| 31 | 098668-01-707 | EA | TUBE ASSEMBLY, EXHAUST W/CAP | 260231 |
| 34 | 143563-01-708 | EA | BOX ASM (COMB. AIR INTAKE) | 051430BK |
| 35 | 143563-01-709 | EA | GASKET (COMB. AIR HOUSING) | 071108 |
| 36 | 143563-01-710 | EA | WHEEL (COMBUSTION AIR) | 350199 |
| 37 | 143563-01-711 | EA | HOUSING (COMBUSTION AIR) | 390862BK |
| 39 | 143563-01-715 | EA | GASKET-FIREWALL/COMB. AIR | 071107 |
| 40 | 143563-02-705 | EA | MOTOR ASSEMBLY | 232726 |
| 42 | 101990-01-714 | EA | GASKET-MICROSWITCH | 230877 |
| 44 | 098668-21-700 | EA | SWITCH-MICRO-W/O FLAG 3 1/4" | 232261 |
| 46 | 143563-01-713 | EA | BLOWER ASSEMBLY(ROOM AIR) | 390867BK |
| 47 | 143563-01-714 | EA | WHEEL - ROOM AIR | 350198 |
| 50 | 139980-01-710 | EA | SWITCH - ON/OFF | 232351 |
| 52 | 139980-01-711 | EA | PANEL ASSEMBLY-MODULE BD | 101663 |
| 53 | 139980-01-712 | EA | INSULATOR - MODULE BD | 070807 |
| 54 | 098668-22-705 | EA | MODULE BD W/RELAY TIME DELAY | 520820 |
| 55 | 139980-01-713 | EA | CAP/INSULATOR-MODULE BD | 070973 |
| 57 | 139980-01-714 | EA | BUSHING - UNIVERSAL | 070362 |
| 58 | 139980-01-715 | EA | BUSHING - STRAIN RELIEF | 231809 |
| 59 | 098668-01-716 | EA | GASKET-FIREWALL,CHAMBER SIDE | 070808 |
| 62 | 143563-02-706 | EA | SWITCH - LIMIT | 232735 |
| 66 | 098668-01-713 | EA | TUBE ASSEMBLY, INTAKE | 051248 |
| 67 | 075697-07-703 | EA | GASKET - MOTOR | 070448 |
| | 143563-02-707 | EA | CHAMBER ASM. - FINAL | 021172BK |
| | | | CONTACT WINNEBAGO PART SALES FOR UNLISTED COMPONENT(S) | |

REAR HEATER

| KEY | PART NUMBER | U/M | DESCRIPTION |
|------------|--------------------|------------|------------------------------------------------------------|
| | 147610-01-000 | EA | HEATER - AUTO/AUX |
| | 147610-02-000 | EA | HEATER - AUTO/AUX - G38J ONLY |
| | 007108-01-000 | FT | HOSE - HEATER - 5/8" ID - HI-TEMP |
| | 076776-01-000 | EA | TEE - BEADED - 5/8" X 5/8" X 5/8" |
| | 079059-01-000 | EA | HOSE - 90 DEGREE - 5/8"ID X 4" X 36" |
| | 079059-13-000 | EA | HOSE - 90 DEGREE - .61"ID X 4" X 48" |
| | 137965-01-02A | EA | REGISTER - 11.2" X 3.6"(9.7 X 2.1"R/O) W/O DAMPER-ANT PWTR |

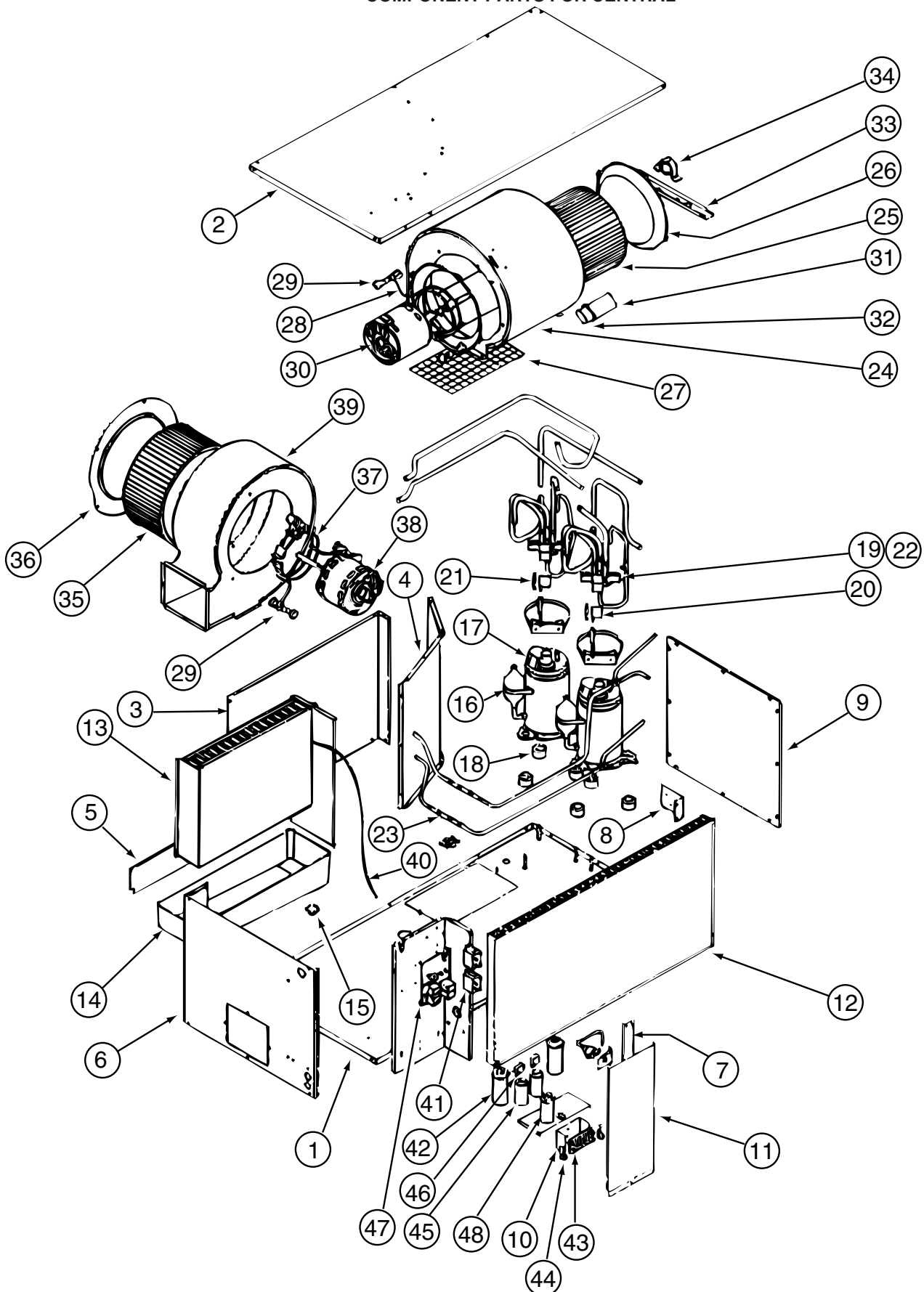
HEATING & A/C GROUP (CONTINUED) CENTRAL



| KEY | PART NUMBER | U/M | DESCRIPTION |
|-----|---------------|-----|-----------------------------------------------------------------------------------------|
| 1 | M09204-01-000 | EA | DUCT/AC - UPPER RIGHT HAND & LEFT HAND |
| | 128862-01-000 | EA | DUCT/AIR - UPPER LEFT HAND |
| | 128868-01-000 | EA | DUCT/AIR - UPPER RIGHT HAND |
| | 105290-01-000 | SF | INSULATION - AIR POCKET W/FOIL |
| 2 | 130262-03-000 | EA | PROTECTOR - CORNER SAVER - .7" X .7" X 48" |
| 3 | 117870-09-01A | EA | PLENUM - A/C |
| 4 | 115886-11-02A | EA | RETAINER - SIDEWALL - MILL - 11.8" |
| 5 | P38842-01-000 | EA | DUCT - CENTRAL AIR/FORCED - W/INSULATION - LOWER |
| | 105290-01-000 | SF | INSULATION - AIR POCKET W/FOIL |
| 6 | 129047-01-02B | EA | STRAP/MOUNTING - AIR DUCT - E-COATED |
| 7 | 109050-02-000 | EA | FILTER/FURNACE-AC - FIBERGLASS - 1" X 14" X 20" - G38G USES 2, ALL OTHER G-SERIES USE 1 |
| 7 | 109050-03-000 | EA | FILTER/FURNACE-AC - FIBERGLASS - 1" X 10" X 20" - G33V ONLY |
| 8* | 105620-12-000 | EA | A/C - CENTRAL - RIGHT HAND/HEAT PUMP - 12,000 BTU COMP |
| 9 | 134588-01-000 | EA | GASKET - DUCT - 15.5" X 18.2" IS - 17.4" X 20.2" OS |
| 10 | 134588-02-000 | EA | GASKET - DUCT - 6.4" X 7.4" IS - 8.3" X 9.4" OS |

*COMPONENT PARTS LISTED LATER IN THIS GROUP

HEATING & A/C GROUP (CONTINUED)
COMPONENT PARTS FOR CENTRAL



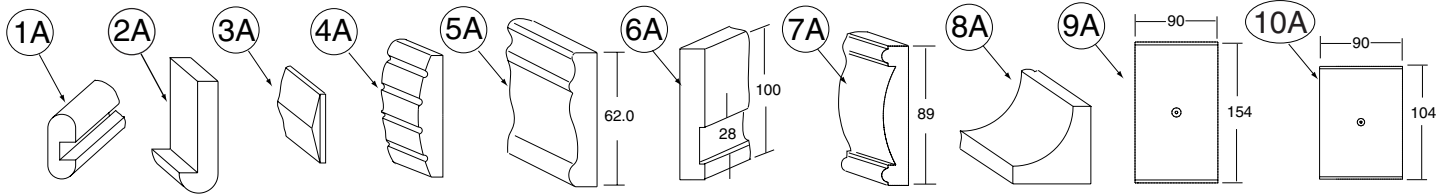
105620-12-000

HEATING & A/C GROUP (CONTINUED)
COMPONENT PARTS FOR CENTRAL (CONTINUED)

105620-12-000 (CONTINUED)

| KEY | PART NUMBER | U/M | DESCRIPTION | VENDOR NO. |
|-----|---------------|-----|--------------------------------------------------------|-------------------------------|
| 10 | 105620-01-733 | EA | ISOLATOR-HIGH VOLTAGE | 6795-117 |
| 11 | 105620-10-716 | EA | DOOR - ELECTRIC BOX | 6535B346 |
| 12 | 105620-12-701 | EA | COIL - CONDENSER | 1452A1621 |
| 13 | 105620-12-702 | EA | COIL - EVAPORATOR | 1452A1611 |
| 15 | 105620-12-703 | EA | VALVE - DRAIN | 6795-200 |
| 16 | 105620-12-704 | EA | COMPRESSOR | 1450-2149 |
| | | | | FROM: 00-00-00 THRU: 07-27-03 |
| 16 | 105620-12-723 | EA | COMPRESSOR (PANASONIC) | 1450-2229 |
| | | | | FROM: 07-28-03 THRU: 99-99-99 |
| 17 | 105620-12-705 | EA | OVERLOAD | 1450-0081 |
| 18 | 105620-01-706 | EA | MOUNTING PKG.,COMP., 3 PER | 6759-3081 |
| 19 | 105620-12-706 | EA | REVERSING VALVE ASSEMBLY #1 | 6535A533 |
| | | | | FROM: 00-00-00 THRU: 07-27-03 |
| | 105620-12-707 | EA | REVERSING VALVE ASSEMBLY #2 | 6535-5321 |
| | | | | FROM: 00-00-00 THRU: 07-27-03 |
| 19 | 105620-12-724 | EA | REVERSING VALVE ASSEMBLY | 6535-535 |
| | | | | FROM: 07-28-03 THRU: 99-99-99 |
| 20 | 105620-12-708 | EA | COIL - SOLENOID | 1460-1081 |
| 21 | 105620-12-709 | EA | WIRE HARNESS-REVERSING VALVE | 6536-111 |
| 22 | 105620-12-710 | EA | VALVE - REVERSE ONLY | 1454A350 |
| 23 | 105620-12-711 | EA | RESTRICTOR - BY FLOW | 1454-2521 |
| 24 | 105620-10-718 | EA | BLOWER HOUSING/OUTSIDE AIR | 6536-515 |
| 25 | 105620-01-713 | EA | WHEEL-BLOWER/OUTSIDE AIR | 1472-1011 |
| 26 | 105620-01-714 | EA | VENTURI-BLOWER/OUTSIDE AIR | 6795A150 |
| 28 | 105620-01-715 | EA | MOUNT-BLOWER/OUTSIDE AIR | 6795A3011 |
| 29 | 105620-01-716 | EA | SLEEVE & GROMMET, 4 PER PKKG. | 6795A3031 |
| 30 | 105620-10-721 | EA | MOTOR/BLOWER-8 3/4" SHAFT | 1468A3029 |
| 31 | 105620-01-718 | EA | CAPACITOR-FAN (OUTDOOR MOTOR)) | 1499-5631 |
| 32 | 105620-10-715 | EA | RUBBER CAPACITOR BOOT | 1499-951 |
| 33 | 105620-10-700 | EA | BEARING BRACKET/OUTSIDE AIR | 6536-514 |
| 34 | 105620-10-701 | EA | BEARING/PILLOW BLOCK-O/S AIR | 6536-3011 |
| 35 | 105620-11-701 | EA | BLOWER WHEEL/INSIDE AIR | 1472-1151 |
| 36 | 105620-12-715 | EA | BLOWER VENTURI/INSIDE AIR | 6535A287 |
| 37 | 105620-01-723 | EA | MOUNT-BLOWER MOTOR - I/S AIR | 6795-302 |
| 38 | 105620-12-716 | EA | BLOWER MTR/IN AIR/REVERSIBLE | 1468-3219 |
| 39 | 105620-11-706 | EA | MOTOR/BLOWER KIT | 6535B5901 |
| | | | | FROM: 07-28-03 THRU: 99-99-99 |
| 40 | 105620-12-719 | EA | COIL SENSOR | 7330A3231 |
| 41 | 105620-01-729 | EA | RELAY-COMPRESSOR -4 TERMINAL | 1460-1131 |
| 42 | 126859-01-703 | EA | CAPACITOR - RUN | 1499-5671 |
| | | | | FROM: 00-00-00 THRU: 07-27-03 |
| 42 | 105620-12-725 | EA | COMPRESSOR RUN CAPACITOR | 1499-5731 |
| | | | | FROM: 07-28-03 THRU: 99-99-99 |
| 43 | 105620-01-738 | EA | BOARD-TERMINAL, HIGH VOLTAGE | 6795-315 |
| 46 | 105620-10-705 | EA | PTCR (START DEVICE) - W/CAP. | 8333A9021 |
| 47 | 105620-12-720 | EA | KIT-CIRCUIT BD (6535-SERIES) | 6535-3209 |
| | | | | FROM: 00-00-00 THRU: 07-27-03 |
| 47 | 105620-12-721 | EA | CIRCUIT BD (6535 A SERIES) | 6535A3201 |
| 48 | 093763-01-704 | EA | CAPACITOR-FAN (INDOOR MOTOR) | 1499-5461 |
| | 105620-10-720 | EA | FUSE/BUSS(8AMP/250V) 2 PKG | 6535-3081 |
| | | | CONTACT WINNEBAGO PART SALES FOR UNLISTED COMPONENT(S) | |

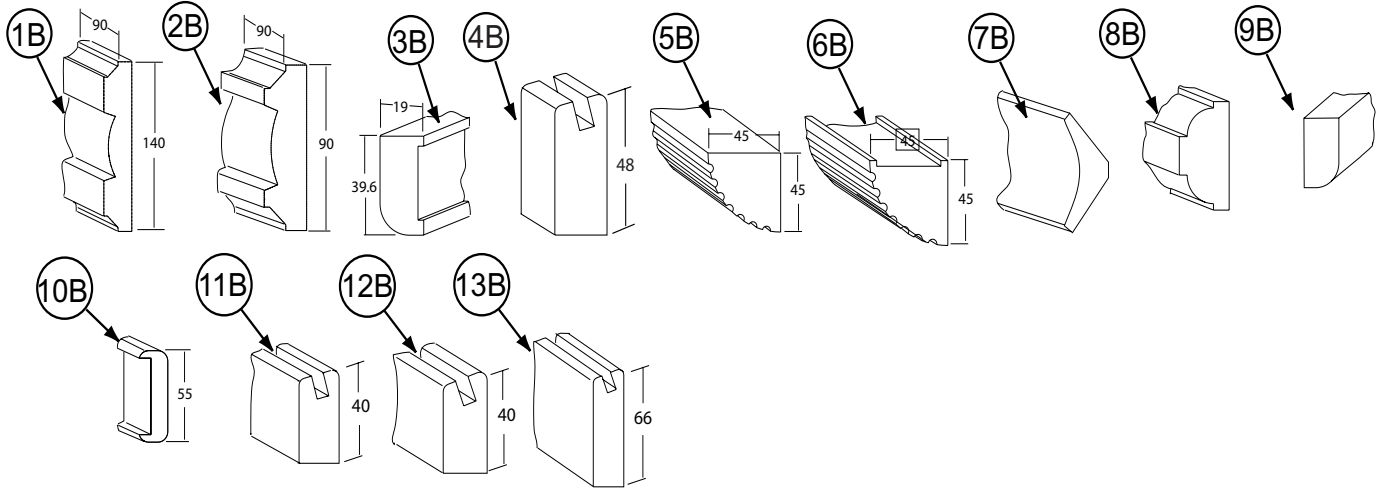
INTERIOR FINISH GROUP
MOLDINGS & TRIMS
PORTSMOUTH OAK, CONCERT CHERRY, WASHED MAPLE & SIERRA MAPLE



| KEY | PART NUMBER | U/M | DESCRIPTION |
|-----|---------------|-----|------------------------------------------------------------------------------|
| 1A | M09412-62-N42 | EA | MOLDING/SHELF EDGE - .6" X 1.3" X 96" - PORTSMOUTH OAK |
| 1A | M09412-62-M52 | EA | MOLDING/SHELF EDGE - .6" X 1.3" X 96" - CHERRY - CONCERT CHERRY |
| 1A | M09412-62-M62 | EA | MOLDING/SHELF EDGE - .6" X 1.3" X 96" - WASHED MAPLE - WASHED MAPLE |
| 1A | M09412-62-RC3 | EA | MOLDING/SHELF EDGE - .6" X 1.3" X 96" - HONEY CHERRY - HONEY CHERRY |
| 1A | M09412-62-SA3 | EA | MOLDING/SHELF EDGE - .6" X 1.3" X 96" - MAPLE - SIERRA MAPLE |
| 2A | M09438-25-N95 | EA | MOLDING - HARDWOOD-W/NOTCH - 1.4"X 80.2" - OAK/PORTS OAK - PORTSMOUTH OAK |
| 2A | M09438-25-N94 | EA | MOLDING - HARDWOOD-W/NOTCH - 1.4"X 80.2" - CHERRY/CHERRY IV - CONCERT CHERRY |
| 2A | M09438-25-NQ0 | EA | MOLDING - HARDWOOD-W/NOTCH - 1.4"X 80.2" - MAPLE/WASHED MP - WASHED MAPLE |
| 2A | M09438-25-RA3 | EA | MOLDING - HARDWOOD-W/NOTCH - 1.4"X 80.2" - CHERRY/HONEY - HONEY CHERRY |
| 2A | M09454-33-PC0 | EA | MOLDING - HARDWOOD-W/NOTCH - 1"X 77.6" - OAK/PORTS OAK - PORTSMOUTH OAK |
| 2A | M09454-33-PC1 | EA | MOLDING - HARDWOOD-W/NOTCH - 1"X 77.6" - CHERRY/CHERRY IV - CONCERT CHERRY |
| 2A | M09454-33-PC2 | EA | MOLDING - HARDWOOD-W/NOTCH - 1"X 77.6" - MAPLE/WASHED MP - WASHED MAPLE |
| 2A | M09454-33-RA3 | EA | MOLDING - HARDWOOD-W/NOTCH - 1"X 77.6" - CHERRY/HONEY - HONEY CHERRY |
| 3A | M09454-62-P54 | EA | MOLDING - TRIM/VEE - .2" X 1" X 3.5" - OAK - PORTSMOUTH OAK |
| 3A | M09454-62-P55 | EA | MOLDING - TRIM/VEE - .2" X 1" X 3.5" - CHERRY - CONCERT CHERRY |
| 3A | M09454-62-P56 | EA | MOLDING - TRIM/VEE - .2" X 1" X 3.5" - MAPLE - WASHED MAPLE |
| 3A | M09454-62-RE0 | EA | MOLDING - TRIM/VEE - .2" X 1" X 3.5" - CHERRY - HONEY CHERRY |
| 3A | M09462-50-R74 | EA | MOLDING - TRIM/VEE - .2" X 1" X 93.5" - PORTSMOUTH OAK |
| 3A | M09462-50-R75 | EA | MOLDING - TRIM/VEE - .2" X 1" X 93.5" - CHERRY/CHERRY - CONCERT CHERRY |
| 3A | M09462-50-R76 | EA | MOLDING - TRIM/VEE - .2" X 1" X 93.5" - MAPLE/MAPLE - WASHED MAPLE |
| 3A | M09462-50-SD3 | EA | MOLDING - TRIM/VEE - .2" X 1" X 93.5" - HONEY/CHERRY - HONEY CHERRY |
| 3A | M09462-50-S67 | EA | MOLDING - TRIM/VEE - .2" X 1" X 93.5" - SIERRA/MAPLE - SIERRA MAPLE |
| 4A | M09462-54-R89 | EA | MOLDING - FLUTED, CURVED - .6" X 6" X 82.7" - PORTSMOUTH OAK |
| 4A | M09462-54-R90 | EA | MOLDING - FLUTED, CURVED - .6" X 6" X 82.7" - CONCERT CHERRY |
| 4A | M09462-54-R91 | EA | MOLDING - FLUTED, CURVED - .6" X 6" X 82.7" - WASHED MAPLE |
| 4A | M09462-54-RE3 | EA | MOLDING - FLUTED, CURVED - .6" X 6" X 82.7" - HONEY CHERRY |
| 4A | M09471-09-R89 | EA | MOLDING - STAINED - 4" X 8' - PORTSMOUTH OAK |
| 4A | M09471-09-R90 | EA | MOLDING - STAINED - 4" X 8' - CONCERT CHERRY |
| 4A | M09471-09-R91 | EA | MOLDING - STAINED - 4" X 8' - WASHED MAPLE |
| 4A | M09471-09-RE3 | EA | MOLDING - STAINED - 4" X 8' - HONEY CHERRY |
| 4A | Y00202-42-438 | EA | MOLDING - FLUTED - .75" X 3.5" X 96" - UNSTAINED - OAK |
| 4A | Y00202-32-438 | EA | MOLDING - FLUTED - .75" X 3.5" X 96" - UNSTAINED - CHERRY |
| 4A | Y00202-22-438 | EA | MOLDING - FLUTED - .75" X 3.5" X 96" - UNSTAINED - MAPLE |
| 5A | M09462-66-R74 | EA | TRIM - RAIL - .5" X 2.4" X 96" - PORTSMOUTH OAK |
| 5A | M09462-66-R75 | EA | TRIM - RAIL - .5" X 2.4" X 96" - CONCERT CHERRY |
| 5A | M09462-66-R76 | EA | TRIM - RAIL - .5" X 2.4" X 96" - WASHED MAPLE |
| 5A | M09462-66-RE0 | EA | TRIM - RAIL - .5" X 2.4" X 96" - HONEY CHERRY |
| 5A | M09462-66-SA3 | EA | TRIM - RAIL - .5" X 2.4" X 96" - SIERRA MAPLE |
| 6A | M09471-20-R83 | EA | MOLDING - STAINED - .75" X 4" X 74.6" - PORTSMOUTH OAK |
| 6A | M09471-20-R84 | EA | MOLDING - STAINED - .75" X 4" X 74.6" - CONCERT CHERRY |
| 6A | M09471-20-R91 | EA | MOLDING - STAINED - .75" X 4" X 74.6" - WASHED MAPLE |
| 6A | M09471-20-RE0 | EA | MOLDING - STAINED - .75" X 4" X 74.6" - HONEY CHERRY |
| 7A | M09471-40-R83 | EA | MOLDING - STAINED - .7" X 3.5" X 70.4" - PORTSMOUTH OAK |
| 7A | M09471-40-R84 | EA | MOLDING - STAINED - .7" X 3.5" X 70.4" - CONCERT CHERRY |
| 7A | M09471-40-SD2 | EA | MOLDING - STAINED - .7" X 3.5" X 70.4" - WASHED MAPLE |
| 7A | M09471-40-RE0 | EA | MOLDING - STAINED - .7" X 3.5" X 70.4" - HONEY CHERRY |
| 8A | M09471-79-R38 | EA | MOLDING - TRIM/COVE - .8" X .8" X 95.8" - OAK/PORTS OAK - PORTSMOUTH OAK |
| 8A | M09471-79-R39 | EA | MOLDING - TRIM/COVE - .8" X .8" X 95.8" - CHERRY/CHERRY - CONCERT CHERRY |
| 8A | M09471-79-R46 | EA | MOLDING - TRIM/COVE - .8" X .8" X 95.8" - MAPLE/MAPLE - WASHED MAPLE |
| 8A | M09471-79-RE0 | EA | MOLDING - TRIM/COVE - .8" X .8" X 95.8" - HONEY/CHERRY - HONEY CHERRY |
| 8A | M09471-79-SA3 | EA | MOLDING - TRIM/COVE - .8" X .8" X 95.8" - HONEY/MAPLE - SIERRA MAPLE |
| 9A | P49186-01-SA0 | EA | MOLDING/BLOCK - PORTSMOUTH OAK |
| 9A | P49186-01-SA1 | EA | MOLDING/BLOCK - CONCERT CHERRY |
| 9A | P49186-01-SA2 | EA | MOLDING/BLOCK - WASHED MAPLE |
| 9A | P49186-01-SA3 | EA | MOLDING/BLOCK - SIERRA MAPLE |

INTERIOR FINISH GROUP (CONTINUED)
MOLDINGS & TRIMS (CONTINUED)

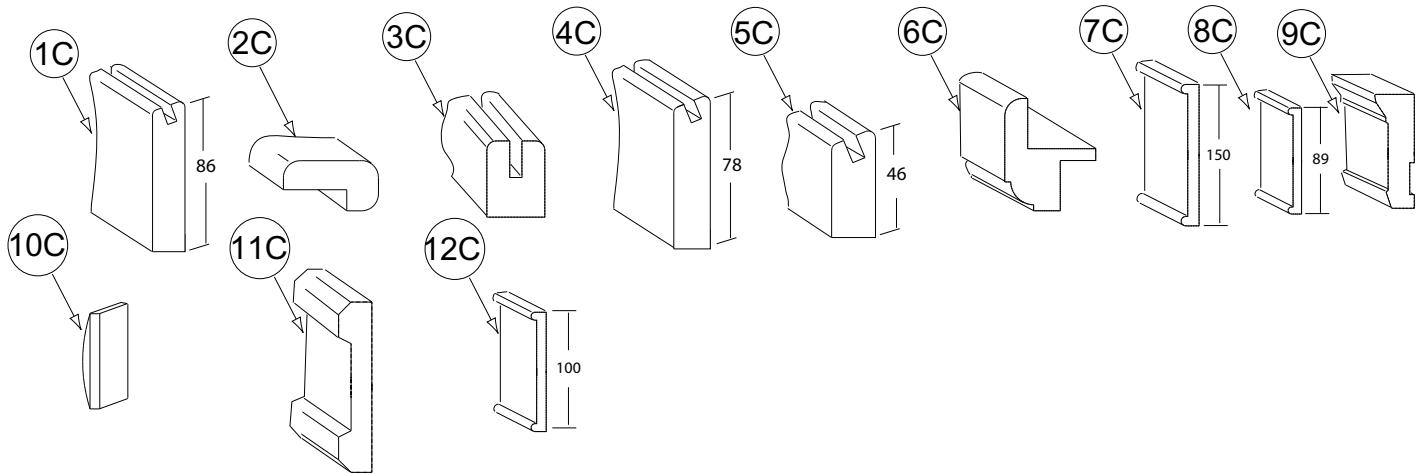
| KEY | PART NUMBER | U/M DESCRIPTION |
|-----|---------------|-----------------------------------|
| 10A | P49186-02-SA0 | EA MOLDING/BLOCK - PORTSMOUTH OAK |
| 10A | P49186-02-SA1 | EA MOLDING/BLOCK - CONCERT CHERRY |
| 10A | P49186-02-SA2 | EA MOLDING/BLOCK - WASHED MAPLE |
| 10A | P49186-02-SA3 | EA MOLDING/BLOCK - SIERRA MAPLE |



| KEY | PART NUMBER | U/M DESCRIPTION |
|-----|---------------|------------------------------------------------------------------------------|
| 1B | P49188-01-SA0 | EA MOLDING/BLOCK - PORTSMOUTH OAK |
| 1B | P49188-01-SA1 | EA MOLDING/BLOCK - CONCERT CHERRY |
| 1B | P49188-01-SA2 | EA MOLDING/BLOCK - WASHED MAPLE |
| 1B | P49188-01-SA3 | EA MOLDING/BLOCK - SIERRA MAPLE |
| 2B | P49188-02-SA0 | EA MOLDING/BLOCK - PORTSMOUTH OAK |
| 2B | P49188-02-SA1 | EA MOLDING/BLOCK - CONCERT CHERRY |
| 2B | P49188-02-SA2 | EA MOLDING/BLOCK - WASHED MAPLE |
| 2B | P49188-02-SA3 | EA MOLDING/BLOCK - SIERRA MAPLE |
| 3B | Y00007-42-438 | EA MOLDING - 12.7 RADIUS OAK - UNSTAINED |
| 3B | Y00007-32-438 | EA MOLDING - 12.7 RADIUS CHERRY - UNSTAINED |
| 3B | Y00007-22-438 | EA MOLDING - 12.7 RADIUS MAPLE - UNSTAINED |
| 3B | Y00287-42-438 | EA MOLDING - 6.0 RADIUS OAK - UNSTAINED |
| 3B | Y00287-32-438 | EA MOLDING - 6.0 RADIUS CHERRY - UNSTAINED |
| 3B | Y00287-22-438 | EA MOLDING - 6.0 RADIUS MAPLE - UNSTAINED |
| 4B | Y00054-72-438 | EA MOLDING - VINYL - W/SLOT - .7" X 1.9" X 96" - PORTSMOUTH OAK |
| 4B | Y00054-62-438 | EA MOLDING - VINYL - W/SLOT - .7" X 1.9" X 96" - CONCERT CHERRY |
| 4B | Y00054-A2-438 | EA MOLDING - VINYL - W/SLOT - .7" X 1.9" X 96" - WASHED MAPLE |
| 4B | Y00054-92-438 | EA MOLDING - VINYL - W/SLOT - .7" X 1.9" X 96" - SIERRA MAPLE |
| 5B | Y00070-42-438 | EA MOLDING/FLUTED - OAK - 96" |
| 5B | Y00070-32-438 | EA MOLDING/FLUTED - CHERRY - 96" |
| 5B | Y00070-22-438 | EA MOLDING/FLUTED - MAPLE - 96" |
| 6B | Y00071-42-438 | EA MOLDING/FLUTED - W/NOTCH - OAK/UNSTAINED - 96" |
| 6B | Y00071-32-438 | EA MOLDING/FLUTED - W/NOTCH - CHERRY/UNSTAINED - 96" |
| 6B | Y00071-22-438 | EA MOLDING/FLUTED - W/NOTCH - MAPLE/UNSTAINED - 96" |
| 7B | Y00074-72-438 | EA MOLDING/CROWN - VINYL WRAPPED - PORTSMOUTH OAK - 96" - PORTSMOUTH OAK |
| 7B | Y00074-62-438 | EA MOLDING/CROWN - VINYL WRAPPED - CONCERT CHERRY - 96" - CONCERT CHERRY |
| 7B | Y00074-A2-438 | EA MOLDING/CROWN - VINYL WRAPPED - MAPLE - 96" - WASHED MAPLE |
| 7B | Y00074-92-438 | EA MOLDING/CROWN - VINYL WRAPPED - SIERRA MAPLE - 96" - SIERRA MAPLE |
| 8B | Y00076-42-438 | EA MOLDING/TRIM - .5" X 1" X 96" - OAK (UNSTAINED) |
| 8B | Y00076-32-438 | EA MOLDING/TRIM - .5" X 1" X 96" - CHERRY (UNSTAINED) |
| 8B | Y00076-22-438 | EA MOLDING/TRIM - .5" X 1" X 96" - MAPLE (UNSTAINED) |
| 9B | Y00086-72-438 | EA MOLDING - VINYL WRAP - .7" X 1.6" X 96" - PORTSMOUTH OAK - PORTSMOUTH OAK |
| 9B | Y00086-62-438 | EA MOLDING - VINYL WRAP - .7" X 1.6" X 96" - CHERRY - CONCERT CHERRY |
| 9B | Y00086-A2-438 | EA MOLDING - VINYL WRAP - .7" X 1.6" X 96" - WASHED MAPLE |
| 9B | Y00086-82-438 | EA MOLDING - VINYL WRAP - .7" X 1.6" X 96" - HONEY CHERRY - HONEY CHERRY |
| 9B | Y00086-92-438 | EA MOLDING - VINYL WRAP - .7" X 1.6" X 96" - SIERRA MAPLE - SIERRA MAPLE |
| 9B | Y00087-A2-438 | EA MOLDING - VINYL WRAP - .7" X 2.9" X 96" - WASHED MAPLE |
| 9B | Y00087-62-438 | EA MOLDING - VINYL WRAP - .7" X 2.9" X 96" - CONCERT CHERRY |
| 9B | Y00087-72-438 | EA MOLDING - VINYL WRAP - .7" X 2.9" X 96" - PORTSMOUTH OAK |
| 9B | Y00087-82-438 | EA MOLDING - VINYL WRAP - .7" X 2.9" X 96" - HONEY CHERRY |
| 9B | Y00087-92-438 | EA MOLDING - VINYL WRAP - .7" X 2.9" X 96" - SIERRA MAPLE |
| 9B | Y00267-72-438 | EA MOLDING - VINYL WRAP/MITERED - .6" X 96" - PORTSMOUTH OAK |

INTERIOR FINISH GROUP (CONTINUED)
MOLDINGS & TRIMS (CONTINUED)

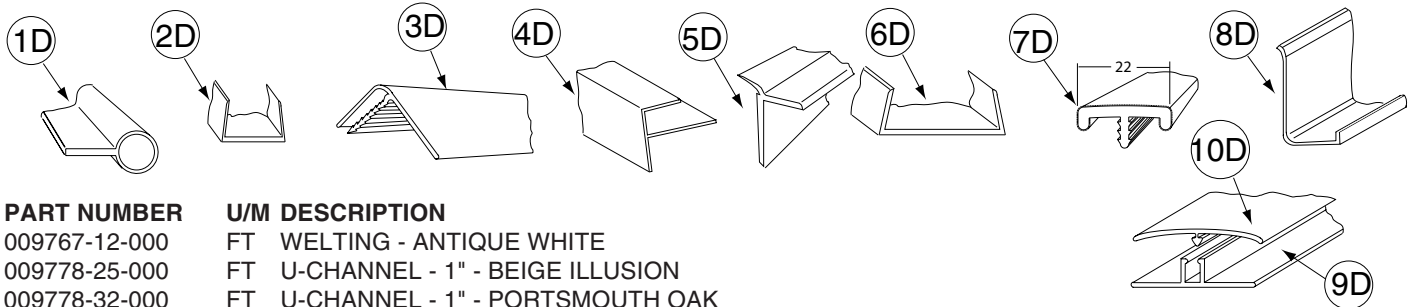
| KEY | PART NUMBER | U/M DESCRIPTION |
|-----|---------------|-----------------------------------------------------------------|
| 9B | Y00267-62-438 | EA MOLDING - VINYL WRAP/MITERED - .6" X 96" - CONCERT CHERRY |
| 9B | Y00267-A2-438 | EA MOLDING - VINYL WRAP/MITERED - .6" X 96" - WASHED MAPLE |
| 9B | Y00267-A2-438 | EA MOLDING - VINYL WRAP/MITERED - .6" X 96" - SIERRA MAPLE |
| 10B | Y00103-42-438 | EA MOLDING - STRAIGHT - .75" X 2.16" X 96" - UNSTAINED - OAK |
| 10B | Y00103-32-438 | EA MOLDING - STRAIGHT - .75" X 2.16" X 96" - UNSTAINED - CHERRY |
| 10B | Y00103-22-438 | EA MOLDING - STRAIGHT - .75" X 2.16" X 96" - UNSTAINED - MAPLE |
| 11B | Y00203-72-438 | EA MOLDING - VINYL/BEVELED - 96" - PORTSMOUT OAK |
| 11B | Y00203-62-438 | EA MOLDING - VINYL/BEVELED - 96" - CONCERT CHERRY |
| 11B | Y00203-A2-438 | EA MOLDING - VINYL/BEVELED - 96" - WASHED MAPLE |
| 11B | Y00203-82-438 | EA MOLDING - VINYL/BEVELED - 96" - HONEY CHERRY |
| 12B | Y00204-72-438 | EA MOLDING - VINYL/BEVELED - 96" - PORTSMOUT OAK |
| 12B | Y00204-62-438 | EA MOLDING - VINYL/BEVELED - 96" - CONCERT CHERRY |
| 12B | Y00204-A2-438 | EA MOLDING - VINYL/BEVELED - 96" - WASHED MAPLE |
| 12B | Y00204-82-438 | EA MOLDING - VINYL/BEVELED - 96" - HONEY CHERRY |
| 13B | Y00205-72-438 | EA MOLDING - VINYL/BEVELED - 96" - PORTSMOUT OAK |
| 13B | Y00205-62-438 | EA MOLDING - VINYL/BEVELED - 96" - CONCERT CHERRY |
| 13B | Y00205-A2-438 | EA MOLDING - VINYL/BEVELED - 96" - WASHED MAPLE |
| 13B | Y00205-82-438 | EA MOLDING - VINYL/BEVELED - 96" - HONEY CHERRY |



| KEY | PART NUMBER | U/M DESCRIPTION |
|-----|---------------|--------------------------------------------------------------------------------|
| 1C | Y00206-72-438 | EA MOLDING - VINYL/BEVELED - 96" - PORTSMOUT OAK |
| 1C | Y00206-62-438 | EA MOLDING - VINYL/BEVELED - 96" - CONCERT CHERRY |
| 1C | Y00206-A2-438 | EA MOLDING - VINYL/BEVELED - 96" - WASHED MAPLE |
| 1C | Y00206-82-438 | EA MOLDING - VINYL/BEVELED - 96" - HONEY CHERRY |
| 2C | M09494-38-SD0 | EA MOLDING - TRIM - W/NOTCH - 1" X 79.6" - OAK/PORTSMOUTH OAK - PORTSMOUTH OAK |
| 2C | M09494-38-SD1 | EA MOLDING - TRIM - W/NOTCH - 1" X 79.6" - CHERRY/CHERRY - CONCERT CHERRY |
| 2C | M09494-38-SD2 | EA MOLDING - TRIM - W/NOTCH - 1" X 79.6" - MAPLE/WASHED MAPLE - WASHED MAPLE |
| 2C | M09494-38-SD3 | EA MOLDING - TRIM - W/NOTCH - 1" X 79.6" - HONEY/CHERRY - HONEY CHERRY |
| 2C | Y00207-42-438 | EA MOLDING - .75" X 1.4" X 96" - UNSTAINED OAK |
| 2C | Y00207-32-438 | EA MOLDING - .75" X 1.4" X 96" - UNSTAINED CHERRY |
| 2C | Y00207-22-438 | EA MOLDING - .75" X 1.4" X 96" - UNSTAINED MAPLE |
| 3C | Y00223-42-438 | EA MOLDING - HARDWOOD/OAK - .7" X 1" X 96" |
| 3C | Y00223-32-438 | EA MOLDING - HARDWOOD/CHERRY - .7" X 1" X 96" |
| 3C | Y00223-22-438 | EA MOLDING - HARDWOOD/MAPLE - .7" X 1" X 96" |
| 4C | Y00258-72-438 | EA MOLDING/VINYL WRAP-BEVELED-.73" X 3.1" X 96" - PORTSMOUTH OAK |
| 4C | Y00258-62-438 | EA MOLDING/VINYL WRAP-BEVELED-.73" X 3.1" X 96" - CONCERT CHERRY |
| 4C | Y00258-A2-438 | EA MOLDING/VINYL WRAP-BEVELED ENDS-.73"X3.1"X96" - WASHED MAPLE |
| 4C | Y00258-92-438 | EA MOLDING/VINYL WRAP-BEVELED-.73" X 3.1" X 96" - SIERRA MAPLE |
| 5C | Y00259-72-438 | EA MOLDING/VINYL WRAP-BEVELED-.73" X 1.8" X 96" - PORTSMOUTH OAK |
| 5C | Y00259-62-438 | EA MOLDING/VINYL WRAP-BEVELED-.73" X 1.8" X 96" - CONCERT CHERRY |
| 5C | Y00259-A2-438 | EA MOLDING/VINYL WRAP-BEVELED-.73"X1.8"X96" - WASHED MAPLE |
| 5C | Y00259-92-438 | EA MOLDING/VINYL WRAP-BEVELED-.73"X1.8"X96" - SIERRA MAPLE |
| 6C | Y00266-42-438 | EA MOLDING - .75" X 1.5" X 96" OAK - .7" X 1" X 96" |
| 6C | Y00266-32-438 | EA MOLDING - .75" X 1.5" X 96" CHERRY - .7" X 1" X 96" |
| 6C | Y00266-22-438 | EA MOLDING - .75" X 1.5" X 96" MAPLE - .7" X 1" X 96" |
| 7C | Y00280-74-174 | EA MOLDING/TRIM - VINYL - F/SLIDEOUT - 164.1" - PORTSMOUTH OAK |
| 7C | Y00280-64-174 | EA MOLDING/TRIM - VINYL - F/SLIDEOUT - 164.1" - CONCERT CHERRY |

INTERIOR FINISH GROUP (CONTINUED)
MOLDINGS & TRIMS (CONTINUED)

| KEY | PART NUMBER | U/M | DESCRIPTION |
|-----|---------------|-----|-------------------------------------------------------------|
| 7C | Y00280-A4-174 | EA | MOLDING/TRIM - VINYL - F/SLIDEOUT - 164.1" - WASHED MAPLE |
| 7C | Y00280-94-174 | EA | MOLDING/TRIM - VINYL - F/SLIDEOUT - 164.1" - SIERRA MAPLE |
| 8C | Y00281-72-438 | EA | MOLDING/TRIM - VINYL - F/SLIDEOUT - 96" - PORTSMTH OAK |
| 8C | Y00281-62-438 | EA | MOLDING/TRIM - VINYL - F/SLIDEOUT - 96" - CONCERT CHERRY |
| 8C | Y00281-A2-438 | EA | MOLDING/TRIM - VINYL - F/SLIDEOUT - 96" - WASHED MAPLE |
| 8C | Y00281-92-438 | EA | MOLDING/TRIM - VINYL - F/SLIDEOUT - 96" - SIERRA MAPLE |
| 9C | Y00282-72-438 | EA | MOLDING - SLIDEOUT/VINYL WRAP - 3.9" X 96" - PORTSMOUTH OAK |
| 9C | Y00282-62-438 | EA | MOLDING - SLIDEOUT/VINYL WRAP - 3.9" X 96" - CONCERT CHERRY |
| 9C | Y00282-A2-438 | EA | MOLDING - SLIDEOUT/VINYL WRAP - 3.9" X 96" - WASHED MAPLE |
| 10C | Y00284-42-438 | EA | MOLDING - STRAIGHT - .2" X 1.5" X 96" - UNSTAINED OAK |
| 10C | Y00284-32-438 | EA | MOLDING - STRAIGHT - .2" X 1.5" X 96" - UNSTAINED CHERRY |
| 10C | Y00284-22-438 | EA | MOLDING - STRAIGHT - .2" X 1.5" X 96" - UNSTAINED MAPLE |
| 11C | Y00285-42-438 | EA | MOLDING - STRAIGHT - .63" X 3.2" X 96" - UNSTAINED OAK |
| 11C | Y00285-32-438 | EA | MOLDING - STRAIGHT - .63" X 3.2" X 96" - UNSTAINED CHERRY |
| 11C | Y00285-22-438 | EA | MOLDING - STRAIGHT - .63" X 3.2" X 96" - UNSTAINED MAPLE |
| 12C | Y00291-72-438 | EA | MOLDING - VINYL WRAPPED - 4" X 96" - PORTSMTH OAK |
| 12C | Y00291-62-438 | EA | MOLDING - VINYL WRAPPED - 4" X 96" - CONCERT CHERRY |
| 12C | Y00291-A2-438 | EA | MOLDING - VINYL WRAPPED - 4" X 96" - WASHED MAPLE |
| 12C | Y00291-92-438 | EA | MOLDING - VINYL WRAPPED - 4" X 96" - SIERRA MAPLE |

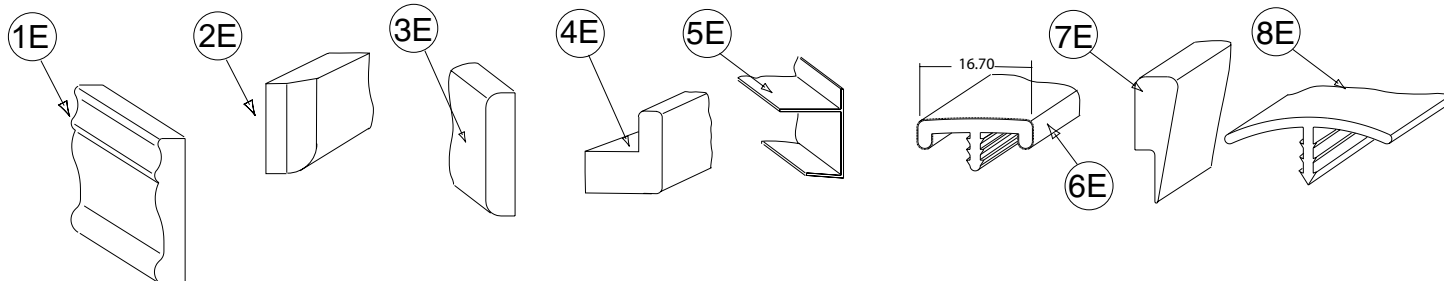


| KEY | PART NUMBER | U/M | DESCRIPTION |
|-----|---------------|-----|-----------------------------------------------------------|
| 1D | 009767-12-000 | FT | WELTING - ANTIQUE WHITE |
| 2D | 009778-25-000 | FT | U-CHANNEL - 1" - BEIGE ILLUSION |
| 2D | 009778-32-000 | FT | U-CHANNEL - 1" - PORTSMOUTH OAK |
| 2D | 009778-34-000 | FT | U-CHANNEL - 1" - CONCERT CHERRY |
| 2D | 009778-35-000 | FT | U-CHANNEL - 1" - HONEY CHERRY |
| 2D | 009778-36-000 | FT | U-CHANNEL - 1" - SIERRA MAPLE |
| 2D | 009778-27-000 | FT | U-CHANNEL - 1" - WASHED MAPLE |
| 3D | 009809-30-000 | EA | MOLDING - CORNER - OUTSIDE - 1" X 84" - BEIGE ILLUSION |
| 3D | 009809-32-000 | EA | MOLDING - CORNER - OUTSIDE - 1" X 84" - PORTSMOUTH OAK |
| 3D | 009809-33-000 | EA | MOLDING - CORNER - OUTSIDE - 1" X 84" - CONCERT CHERRY |
| 3D | 009809-35-000 | EA | MOLDING - CORNER - OUTSIDE - 1" X 84" - SIERRA MAPLE |
| 3D | 009809-34-000 | EA | MOLDING - CORNER - OUTSIDE - 1" X 84" - HONEY CHERRY |
| 3D | 009809-31-000 | EA | MOLDING - CORNER - OUTSIDE - 1" X 84" - WASHED MAPLE |
| 4D | 009812-31-000 | EA | MOLDING - CORNER - 1/2" W/1/4"CHAN X 84" - BEIGE ILLUSION |
| 4D | 009812-34-000 | EA | MOLDING - CORNER - 1/2" W/1/4"CHAN X 84" - VW LIGHT GRAY |
| 4D | 009812-35-000 | EA | MOLDING - CORNER - 1/2" W/1/4"CHAN X 84" - PORTSMOUTH OAK |
| 4D | 009812-36-000 | EA | MOLDING - CORNER - 1/2" W/1/4"CHAN X 84" - CONCERT CHERRY |
| 4D | 009812-37-000 | EA | MOLDING - CORNER - 1/2" W/1/4"CHAN X 84" - HONEY CHERRY |
| 4D | 009812-38-000 | EA | MOLDING - CORNER - 1/2" W/1/4"CHAN X 84" - SIERRA MAPLE |
| 4D | 009812-33-000 | EA | MOLDING - CORNER - 1/2" W/1/4"CHAN X 84" - WASHED MAPLE |
| 5D | 022992-11-000 | FT | MOLDING - REVERSE COVE - T-SHAPED - IVORY |
| 5D | 022992-14-000 | FT | MOLDING - REVERSE COVE - T-SHAPED - BRIGHT WHITE |
| 5D | 022992-15-000 | FT | MOLDING - REVERSE COVE - T-SHAPED - VW GRAY |
| 6D | 070504-42-000 | FT | U-CHANNEL - PLASTIC - .13" X 84" - BEIGE ILLUSION |
| 6D | 070504-43-000 | FT | U-CHANNEL - PLASTIC - .9" X 96" - BEIGE ILLUSION |
| 6D | 070504-57-000 | FT | U-CHANNEL - PLASTIC - .13" X 84" - PORTSMOUTH OAK |
| 6D | 070504-58-000 | FT | U-CHANNEL - PLASTIC - .9" X 84" - PORTSMOUTH OAK |
| 6D | 070504-60-000 | FT | U-CHANNEL - PLASTIC - .13" X 84" - CONCERT CHERRY |
| 6D | 070504-61-000 | FT | U-CHANNEL - PLASTIC - .9" X 84" - CONCERT CHERRY |
| 6D | 070504-62-000 | FT | U-CHANNEL - PLASTIC - 1.65" X 84" - HONEY CHERRY |
| 6D | 070504-63-000 | FT | U-CHANNEL - PLASTIC - .9" X 84" - HONEY CHERRY |
| 6D | 070504-65-000 | FT | U-CHANNEL - PLASTIC - 1.65" X 84" - SIERRA MAPLE |
| 6D | 070504-66-000 | FT | U-CHANNEL - PLASTIC - .9" X 84" - SIERRA MAPLE |
| 6D | 070504-50-000 | FT | U-CHANNEL - PLASTIC - .13" X 96" - WASHED MAPLE |
| 6D | 070504-51-000 | FT | U-CHANNEL - PLASTIC - .9" X 96" - WASHED MAPLE |

INTERIOR FINISH GROUP (CONTINUED)

MOLDINGS & TRIMS (CONTINUED)

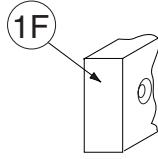
| KEY | PART NUMBER | U/M | DESCRIPTION |
|-----|---------------|-----|------------------------------------------------------------------|
| 7D | 083620-15-000 | FT | MOLDING-T - W/EDGE LIP - 7/8" FACE - BEIGE ILLUSION |
| 7D | 083620-20-000 | FT | MOLDING-T - W/EDGE LIP - 7/8" FACE - PORTSMOUTH OAK |
| 7D | 083620-21-000 | FT | MOLDING-T - W/EDGE LIP - 7/8" FACE - CONCERT CHERRY/HONEY CHERRY |
| 7D | 083620-22-000 | FT | MOLDING-T - W/EDGE LIP - 7/8" FACE - SIERRA MAPLE |
| 7D | 083620-19-000 | FT | MOLDING-T - W/EDGE LIP - 7/8" FACE - WASHED MAPLE |
| 8D | 085746-04-000 | FT | TRIM-J - CARPET 1.2" X .5" ANGLE - 12' LONG - OFF WHITE |
| 9D | 086229-01-000 | EA | RETAINER - BATTEN - .75" X 92.1" - ANY COLOR |
| 10D | 086229-20-000 | EA | BATTEN - 1" X 96" - BEIGE |



| KEY | PART NUMBER | U/M | DESCRIPTION |
|-----|---------------|-----|--------------------------------------------------------------------------|
| 1E | 100182-10-N47 | EA | TRIM/WOOD - CHAIR RAIL - 2.5" X 8' - PORTSMOUTH OAK |
| 1E | 100182-10-P85 | EA | TRIM/WOOD - CHAIR RAIL - 2.5" X 8' - CONCERT CHERRY |
| 1E | 100182-10-J70 | EA | TRIM/WOOD - CHAIR RAIL - 2.5" X 8' - WASHED MAPLE |
| 1E | 100182-10-RA3 | EA | TRIM/WOOD - CHAIR RAIL - 2.5" X 8' - HONEY CHERRY |
| 1E | 100182-10-S67 | EA | TRIM/WOOD - CHAIR RAIL - 2.5" X 8' - SIERRA MAPLE |
| 2E | 100659-30-N75 | EA | MOLDING - TRIM - 8' - PORTSMOUTH OAK |
| 2E | 100659-30-N74 | EA | MOLDING - TRIM - 8' - CONCERT CHERRY |
| 2E | 100659-30-M84 | EA | MOLDING - TRIM - 8' - WASHED MAPLE |
| 2E | 100659-27-RA3 | EA | MOLDING - TRIM - HONEY CHERRY |
| 2E | 100659-31-SA3 | EA | MOLDING - TRIM - SIERRA MAPLE |
| 3E | 100818-01-12A | EA | MOLDING - VINYL WRAPPED - 1.6" X .4" X 84" - PORTSMOUTH OAK |
| 3E | 100818-01-13A | EA | MOLDING - VINYL WRAPPED - 1.6" X .4" X 84" - CONCERT CHERRY |
| 3E | 100818-01-14A | EA | MOLDING - VINYL WRAPPED - 1.6" X .4" X 84" - HONEY CHERRY |
| 3E | 100818-01-21A | EA | MOLDING - VINYL WRAPPED - 1.6" X .4" X 84" - WASHED MAPLE |
| 3E | 100818-01-22A | EA | MOLDING - VINYL WRAPPED - 1.6" X .4" X 84" - SIERRA MAPLE |
| 4E | 100819-01-12A | EA | MOLDING - VINYL WRAPPED-L-SHAPED-1.5"X1.5"X84" - PORTSMOUTH OAK |
| 4E | 100819-01-13A | EA | MOLDING - VINYL WRAPPED-L-SHAPED-1.5"X1.5"X84" - CONCERT CHERRY |
| 4E | 100819-01-14A | EA | MOLDING - VINYL WRAPPED-L-SHAPED-1.5"X1.5"X84" - HONEY CHERRY |
| 4E | 100819-01-21A | EA | MOLDING - VINYL WRAPPED-L-SHAPED-1.5"X1.5"X84" - WASHED MAPLE |
| 4E | 100819-01-22A | EA | MOLDING - VINYL WRAPPED-L-SHAPED-1.5"X1.5"X84" - SIERRA MAPLE |
| 5E | 103186-01-07A | FT | MOLDING/PLASTIC - 3/8" U-CHANNEL-3/4" FACE - BEIGE ILLUSION |
| 5E | 103186-01-09A | FT | MOLDING/PLASTIC - 3/8" U-CHAN'L-3/4" FACE - PORTSMOUTH OAK |
| 5E | 103186-01-10A | FT | MOLDING/PLASTIC - 3/8" U-CHAN'L-3/4" FACE - CONCERT CHERRY |
| 5E | 103186-01-11A | FT | MOLDING/PLASTIC - 3/8" U-CHAN'L-3/4" FACE - HONEY CHERRY |
| 5E | 103186-01-12A | FT | MOLDING/PLASTIC - 3/8" U-CHAN'L-3/4" FACE - SIERRA MAPLE |
| 5E | 103186-01-08A | FT | MOLDING/PLASTIC - 3/8" U-CHANNEL-3/4"FACE-WASHED MAPLE 8' - WASHED MAPLE |
| 5E | 103186-02-07A | FT | MOLDING/PLASTIC-1" U-CHAN'L-1 3/8" FACE - BEIGE ILLUSION |
| 5E | 103186-02-09A | FT | MOLDING/PLASTIC - 1" U-CHAN'L-1 3/8" FACE - PORTSMOUTH OAK |
| 5E | 103186-02-10A | FT | MOLDING/PLASTIC - 1" U-CHAN'L-1 3/8" FACE - CONCERT CHERRY |
| 5E | 103186-02-11A | FT | MOLDING/PLASTIC - 1" U-CHAN'L-1 3/8" FACE - HONEY CHERRY |
| 5E | 103186-02-12A | FT | MOLDING/PLASTIC - 1" U-CHAN'L-1 3/8" FACE - SIERRA MAPLE |
| 5E | 103186-02-08A | FT | MOLDING/PLASTIC - 1" U-CHANNEL-1 3/8"FACE - WASHED MAPLE |
| 6E | 104676-02-08A | FT | MOLDING-T - W/EDGE LIP - 11/16" FACE - PORTSMOUTH OAK |
| 6E | 104676-02-09A | FT | MOLDING-T - W/EDGE LIP - 11/16" FACE - CONCERT CHERRY |
| 6E | 104676-02-10A | FT | MOLDING-T - W/EDGE LIP - 11/16" FACE - HONEY CHERRY |
| 6E | 104676-02-06A | FT | MOLDING-T - W/EDGE LIP - 11/16" FACE - WASHED MAPLE |
| 6E | 104676-02-12A | FT | MOLDING-T - W/EDGE LIP - 11/16" FACE - SIERRA MAPLE |
| 7E | 105004-01-12A | EA | MOLDING - VINYL WRAPPED - 1" X 96" - PORTSMOUTH OAK |
| 7E | 105004-01-13A | EA | MOLDING - VINYL WRAPPED 1" X 8' - CONCERT CHERRY/HONEY CHERRY |
| 7E | 105004-01-21A | EA | MOLDING - VINYL WRAPPED - 1" X 8' - WASHED MAPLE |
| 7E | 105004-01-22A | EA | MOLDING - VINYL WRAPPED - 1" X 8' - SIERRA MAPLE |
| 8E | 105709-02-000 | FT | MOLDING-T - W/EDGE LIP 3/4" FACE - BEIGE ILLUSION |

INTERIOR FINISH GROUP (CONTINUED)

MOLDINGS & TRIMS (CONTINUED)

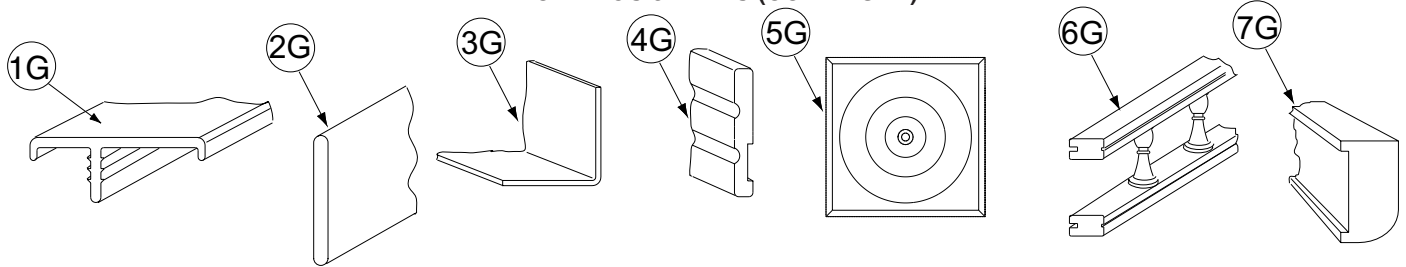


| KEY | PART NUMBER | U/M | DESCRIPTION |
|-----|---------------|-----|------------------------------------------------|
| 1F | 116951-11-N95 | EA | MOLDING - TRIM - 3.5" X 75.9" - PORTSMOUTH |
| 1F | 116951-11-KQ1 | EA | MOLDING - TRIM - 3.5" X 75.9" - CONCERT CHERRY |
| 1F | 116951-11-RE0 | EA | MOLDING - TRIM - 3.5" X 75.8" - HONEY CHERRY |
| 1F | 116951-23-R83 | EA | MOLDING - TRIM - 3.5" X 74.6" - PORTSMOUTH OAK |
| 1F | 116951-23-R84 | EA | MOLDING - TRIM - 3.5" X 74.6" - CONCERT CHERRY |
| 1F | 116951-23-R91 | EA | MOLDING - TRIM - 3.5" X 74.6" - WASHED MAPLE |
| 1F | 116951-23-RE0 | EA | MOLDING - TRIM - 3.5" X 74.6" - HONEY CHERRY |
| 1F | 116951-24-R83 | EA | MOLDING - TRIM - 3.5" X 74.6" - PORTSMOUTH OAK |
| 1F | 116951-24-R84 | EA | MOLDING - TRIM - 3.5" X 74.6" - CONCERT CHERRY |
| 1F | 116951-24-R91 | EA | MOLDING - TRIM - 3.5" X 74.6" - WASHED MAPLE |
| 1F | 116951-24-RE0 | EA | MOLDING - TRIM - 3.5" X 74.6" - HONEY CHERRY |
| 1F | 116951-25-SD0 | EA | MOLDING - TRIM - 5.5" X 69.8" - PORTSMOUTH OAK |
| 1F | 116951-25-SD1 | EA | MOLDING - TRIM - 5.5" X 69.8" - CONCERT CHERRY |
| 1F | 116951-25-SD2 | EA | MOLDING - TRIM - 5.5" X 69.8" - WASHED MAPLE |
| 1F | 116951-25-SD3 | EA | MOLDING - TRIM - 5.5" X 69.8" - HONEY CHERRY |
| 1F | 116951-27-N75 | EA | MOLDING - TRIM - 3.5" X 46.8" - PORTSMOUTH OAK |
| 1F | 116951-27-N85 | EA | MOLDING - TRIM - 3.5" X 46.8" - CONCERT CHERRY |
| 1F | 116951-27-N84 | EA | MOLDING - TRIM - 3.5" X 46.8" - WASHED MAPLE |
| 1F | 116951-28-N75 | EA | MOLDING - TRIM - 3.5" X 79.4" - PORTSMOUTH OAK |
| 1F | 116951-28-N85 | EA | MOLDING - TRIM - 3.5" X 79.4" - CONCERT CHERRY |
| 1F | 116951-28-N84 | EA | MOLDING - TRIM - 3.5" X 79.4" - WASHED MAPLE |
| 1F | 116951-29-N70 | EA | MOLDING - TRIM - 5.5" X 30.4" - PORTSMOUTH OAK |
| 1F | 116951-29-N85 | EA | MOLDING - TRIM - 5.5" X 30.4" - CONCERT CHERRY |
| 1F | 116951-29-N84 | EA | MOLDING - TRIM - 5.5" X 30.4" - WASHED MAPLE |
| 1F | 116951-29-RC3 | EA | MOLDING - TRIM - 5.5" X 30.4" - HONEY CHERRY |
| 1F | 116951-29-SA3 | EA | MOLDING - TRIM - 5.5" X 30.4" - SIERRA MAPLE |
| 1F | 116951-32-P75 | EA | MOLDING - TRIM - 1.5" X 33.4" - PORTSMOUTH OAK |
| 1F | 116951-32-P25 | EA | MOLDING - TRIM - 1.5" X 33.4" - CONCERT CHERRY |
| 1F | 116951-32-P28 | EA | MOLDING - TRIM - 1.5" X 33.4" - WASHED MAPLE |
| 1F | 116951-32-RE0 | EA | MOLDING - TRIM - 1.5" X 33.4" - HONEY CHERRY |
| 1F | 116951-34-P78 | EA | MOLDING - TRIM - 3.5" X 44.3" - PORTSMOUTH OAK |
| 1F | 116951-34-P79 | EA | MOLDING - TRIM - 3.5" X 44.3" - CONCERT CHERRY |
| 1F | 116951-34-P28 | EA | MOLDING - TRIM - 3.5" X 44.3" - WASHED MAPLE |
| 1F | 116951-34-RE0 | EA | MOLDING - TRIM - 3.5" X 44.3" - HONEY CHERRY |
| 1F | 116951-35-P78 | EA | MOLDING - TRIM - 3.5" X 96" - PORTSMOUTH OAK |
| 1F | 116951-35-P79 | EA | MOLDING - TRIM - 3.5" X 96" - CONCERT CHERRY |
| 1F | 116951-35-P28 | EA | MOLDING - TRIM - 3.5" X 96" - WASHED MAPLE |
| 1F | 116951-35-RE0 | EA | MOLDING - TRIM - 3.5" X 96" - HONEY CHERRY |
| 1F | 116951-36-R68 | EA | MOLDING - TRIM - 3.5" X 48.8" - PORTSMOUTH OAK |
| 1F | 116951-36-R69 | EA | MOLDING - TRIM - 3.5" X 48.8" - CONCERT CHERRY |
| 1F | 116951-36-R76 | EA | MOLDING - TRIM - 3.5" X 48.8" - WASHED MAPLE |
| 1F | 116951-37-R68 | EA | MOLDING - TRIM - 3.5" X 38.6" - PORTSMOUTH OAK |
| 1F | 116951-37-R69 | EA | MOLDING - TRIM - 3.5" X 38.6" - CONCERT CHERRY |
| 1F | 116951-37-R76 | EA | MOLDING - TRIM - 3.5" X 38.6" - WASHED MAPLE |
| 1F | 116951-38-R83 | EA | MOLDING - TRIM - 3.5" X 82.6" - PORTSMOUTH OAK |
| 1F | 116951-38-R84 | EA | MOLDING - TRIM - 3.5" X 82.6" - CONCERT CHERRY |
| 1F | 116951-38-R91 | EA | MOLDING - TRIM - 3.5" X 82.6" - WASHED MAPLE |
| 1F | 116951-38-RE0 | EA | MOLDING - TRIM - 3.5" X 82.6" - HONEY CHERRY |
| 1F | 116951-39-R83 | EA | MOLDING - TRIM - 3.5" X 73.9" - PORTSMOUTH OAK |
| 1F | 116951-39-R84 | EA | MOLDING - TRIM - 3.5" X 73.9" - CONCERT CHERRY |
| 1F | 116951-39-R91 | EA | MOLDING - TRIM - 3.5" X 73.9" - WASHED MAPLE |
| 1F | 116951-39-RE0 | EA | MOLDING - TRIM - 3.5" X 73.9" - HONEY CHERRY |
| 1F | 116951-40-R83 | EA | MOLDING - TRIM - 4.5" X 81.9" - PORTSMOUTH OAK |
| 1F | 116951-40-R84 | EA | MOLDING - TRIM - 4.5" X 81.9" - CONCERT CHERRY |
| 1F | 116951-40-R91 | EA | MOLDING - TRIM - 4.5" X 81.9" - WASHED MAPLE |
| 1F | 116951-40-RE0 | EA | MOLDING - TRIM - 4.5" X 81.9" - HONEY CHERRY |
| 1F | 116951-41-R83 | EA | MOLDING - TRIM - 3.5" X 36.8" - PORTSMOUTH OAK |
| 1F | 116951-41-R84 | EA | MOLDING - TRIM - 3.5" X 36.8" - CONCERT CHERRY |
| 1F | 116951-41-R91 | EA | MOLDING - TRIM - 3.5" X 36.8" - WASHED MAPLE |
| 1F | 116951-41-RE0 | EA | MOLDING - TRIM - 3.5" X 36.8" - HONEY CHERRY |

INTERIOR FINISH GROUP (CONTINUED)
MOLDINGS & TRIMS (CONTINUED)

| KEY | PART NUMBER | U/M | DESCRIPTION |
|-----|---------------|-----|------------------------------------------------|
| 1F | 116951-42-R83 | EA | MOLDING - TRIM - 3.5" X 46.8" - PORTSMOUTH OAK |
| 1F | 116951-42-R84 | EA | MOLDING - TRIM - 3.5" X 46.8" - CONCERT CHERRY |
| 1F | 116951-42-R91 | EA | MOLDING - TRIM - 3.5" X 46.8" - WASHED MAPLE |
| 1F | 116951-42-RE0 | EA | MOLDING - TRIM - 3.5" X 46.8" - HONEY CHERRY |
| 1F | 116951-43-R83 | EA | MOLDING - TRIM - 3.5" X 86.5" - PORTSMOUTH OAK |
| 1F | 116951-43-R84 | EA | MOLDING - TRIM - 3.5" X 86.5" - CONCERT CHERRY |
| 1F | 116951-43-R91 | EA | MOLDING - TRIM - 3.5" X 86.5" - WASHED MAPLE |
| 1F | 116951-43-RE0 | EA | MOLDING - TRIM - 3.5" X 86.5" - HONEY CHERRY |
| 1F | 116951-44-R83 | EA | MOLDING - TRIM - 3.5" X 76.1" - PORTSMOUTH OAK |
| 1F | 116951-44-R84 | EA | MOLDING - TRIM - 3.5" X 76.1" - CONCERT CHERRY |
| 1F | 116951-44-R91 | EA | MOLDING - TRIM - 3.5" X 76.1" - WASHED MAPLE |
| 1F | 116951-44-RE0 | EA | MOLDING - TRIM - 3.5" X 76.1" - HONEY CHERRY |
| 1F | 116951-45-R68 | EA | MOLDING - TRIM - 3" X 30.3" - PORTSMOUTH OAK |
| 1F | 116951-45-R69 | EA | MOLDING - TRIM - 3" X 30.3" - CONCERT CHERRY |
| 1F | 116951-45-R76 | EA | MOLDING - TRIM - 3" X 30.3" - WASHED MAPLE |
| 1F | 116951-46-R83 | EA | MOLDING - TRIM - 4.5" X 72.3" - PORTSMOUTH OAK |
| 1F | 116951-46-R84 | EA | MOLDING - TRIM - 4.5" X 72.3" - CONCERT CHERRY |
| 1F | 116951-46-R91 | EA | MOLDING - TRIM - 4.5" X 72.3" - WASHED MAPLE |
| 1F | 116951-46-RE0 | EA | MOLDING - TRIM - 4.5" X 72.3" - HONEY CHERRY |
| 1F | 116951-48-R83 | EA | MOLDING - TRIM - 4.5" X 76.1" - PORTSMOUTH OAK |
| 1F | 116951-48-R84 | EA | MOLDING - TRIM - 4.5" X 76.1" - CONCERT CHERRY |
| 1F | 116951-48-R91 | EA | MOLDING - TRIM - 4.5" X 76.1" - WASHED MAPLE |
| 1F | 116951-48-RE0 | EA | MOLDING - TRIM - 4.5" X 76.1" - HONEY CHERRY |
| 1F | 116951-49-R83 | EA | MOLDING - TRIM - 4.5" X 69.8" - PORTSMOUTH OAK |
| 1F | 116951-49-R84 | EA | MOLDING - TRIM - 4.5" X 69.8" - CONCERT CHERRY |
| 1F | 116951-49-R91 | EA | MOLDING - TRIM - 4.5" X 69.8" - WASHED MAPLE |
| 1F | 116951-49-RE0 | EA | MOLDING - TRIM - 4.5" X 69.8" - HONEY CHERRY |
| 1F | 116951-51-SA3 | EA | MOLDING - TRIM - 3.5" X 47.3" - SIERRA MAPLE |
| 1F | 116951-51-SA2 | EA | MOLDING - TRIM - 3.5" X 47.3" - WASHED MAPLE |
| 1F | 116951-51-SA0 | EA | MOLDING - TRIM - 3.5" X 47.3" - PORTSMOUTH OAK |
| 1F | 116951-51-SA1 | EA | MOLDING - TRIM - 3.5" X 47.3" - CONCERT CHERRY |
| 1F | 116951-52-SD0 | EA | MOLDING - TRIM - 4.5" X 73.3" - PORTSMOUTH OAK |
| 1F | 116951-52-SD1 | EA | MOLDING - TRIM - 4.5" X 73.3" - CONCERT CHERRY |
| 1F | 116951-52-SD2 | EA | MOLDING - TRIM - 4.5" X 73.3" - WASHED MAPLE |
| 1F | 116951-52-SD3 | EA | MOLDING - TRIM - 4.5" X 73.3" - HONEY CHERRY |
| 1F | 116951-53-SD0 | EA | MOLDING - TRIM - 4.5" X 53.4" - PORTSMOUTH OAK |
| 1F | 116951-53-SD1 | EA | MOLDING - TRIM - 4.5" X 53.4" - CONCERT CHERRY |
| 1F | 116951-53-SD2 | EA | MOLDING - TRIM - 4.5" X 53.4" - WASHED MAPLE |
| 1F | 116951-53-SD3 | EA | MOLDING - TRIM - 4.5" X 53.4" - HONEY CHERRY |

INTERIOR FINISH GROUP (CONTINUED)
MOLDINGS & TRIMS (CONTINUED)

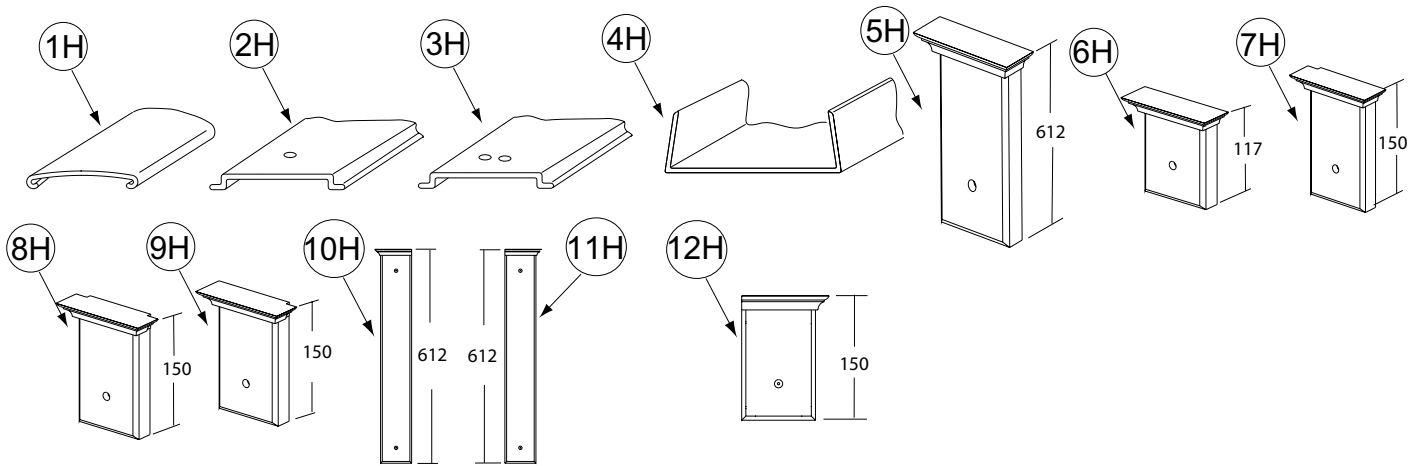


| KEY | PART NUMBER | U/M | DESCRIPTION |
|-----|---------------|-----|---------------------------------------------------------------------------------|
| 1G | 119520-01-01A | FT | MOLDING-T/OFFSET - W/EDGE LIP - 1"FACE - OFF WHITE |
| 1G | 119520-01-04A | FT | MOLDING-T - OFFSET W/EDGE LIP - 1"FACE - PORTSMOUTH OAK |
| 1G | 119520-01-02A | FT | MOLDING-T - OFFSET W/EDGE LIP - 1"FACE - CONCERT CHERRY/HONEY CHERRY |
| 1G | 119520-01-03A | FT | MOLDING-T - OFFSET W/EDGE LIP - 1"FACE - WASHED MAPLE |
| 2G | 127842-01-01A | FT | SEAL - SIGHT SHIELD - 2" BLACK |
| 3G | 130262-01-000 | EA | PROTECTOR - CORNER SAVER - .7" X .7" X 48" |
| 3G | 130262-03-000 | EA | PROTECTOR - CORNER - .75" X .75" |
| 3G | 130262-04-000 | EA | PROTECTOR - CORNER SAVER - .4" X .7" X 48" |
| 4G | 132663-03-08A | EA | MOLDING-VINYL WRAP/PRE DRILLED-.6"X3.8"X150.6" - PORTSMOUTH OAK |
| 4G | 132663-11-07A | EA | MOLDING-VINYL WRAP/PRE DRILLED-.6"X3.8"X110.5" - CONCERT CHERRY/HONEY CHERRY |
| 4G | 132663-11-21A | EA | MOLDING-VINYL WRAP/PRE DRILLED-.6"X3.4"X57.9" - WASHED MAPLE |
| 4G | 132663-11-22A | EA | MOLDING-VINYL WRAP/PRE DRILLED-.6"X3.4"X57.9" - SIERRA MAPLE |
| 4G | 132663-09-08A | EA | MOLDING-VINYL WRAP/PRE DRILLED-.6"X3.4"X96.5" - PORTSMOUTH OAK |
| 4G | 132663-09-07A | EA | MOLDING-VINYL WRAP/PRE DRILLED-.6"X3.4"X96.5" - CONCERT CHERRY/ HONEY CHERRY |
| 4G | 132663-18-21A | EA | MOLDING-VINYL WRAP/PRE DRILLED-.6" X 3.4" X 73.1" - WASHED MAPLE |
| 4G | 132663-18-22A | EA | MOLDING-VINYL WRAP/PRE DRILLED-.6" X 3.4" X 73.1" - SIERRA MAPLE |
| 4G | 132663-15-08A | EA | MOLDING-VINYL WRAP/PRE DRILLED-.6"X3"X96" - PORTSMOUTH OAK |
| 4G | 132663-15-07A | EA | MOLDING-VINYL WRAP/PRE DRILLED-.6"X3"X96" - CONCERT CHERRY/HONEY CHERRY |
| 4G | 132663-04-21A | EA | MOLDING-VINYL WRAP/PRE DRILLED - .6" X 3" X 70.2" - WASHED MAPLE |
| 4G | 132663-04-22A | EA | MOLDING-VINYL WRAP/PRE DRILLED - .6" X 3" X 70.2" - SIERRA MAPLE |
| 5G | 132844-01-08A | EA | BLOCK - CORNER - 3.9" X 3.9" - PORTSMOUTH OAK |
| 5G | 132844-01-02A | EA | BLOCK - CORNER - 3.9" X 3.9" - CONCERT CHERRY/HONEY CHERRY |
| 5G | 132844-01-21A | EA | BLOCK - CORNER - 3.9" X 3.9" - WASHED MAPLE |
| 5G | 132844-01-22A | EA | BLOCK - CORNER - 3.9" X 3.9" - SIERRA MAPLE |
| 5G | 132844-02-08A | EA | BLOCK - CORNER - 3.5" X 3.5" - PORTSMOUTH OAK |
| 5G | 132844-02-02A | EA | BLOCK - CORNER - 3.5" X 3.5" - CONCERT CHERRY/HONEY CHERRY |
| 5G | 132844-02-21A | EA | BLOCK - CORNER - 3.5" X 3.5" - WASHED MAPLE |
| 5G | 132844-02-22A | EA | BLOCK - CORNER - 3.5" X 3.5" - SIERRA MAPLE |
| 6G | 137108-01-07A | EA | RAIL - DECORATIVE - 96" - PORTSMOUTH OAK |
| 6G | 137108-01-02A | EA | RAIL - DECORATIVE - 96" - CONCERT CHERRY |
| 6G | 137108-01-03A | EA | RAIL - DECORATIVE - 96" - WASHED MAPLE |
| 6G | 137108-01-08A | EA | RAIL - DECORATIVE - 96" - HONEY CHERRY |
| 6G | 137108-01-09A | EA | RAIL - DECORATIVE - 96" W/O REVERSE SIDE GROOVE - SIERRA MAPLE |
| 6G | 150167-01-07A | EA | RAIL - DECORATIVE - 96" W/O REVERSE SIDE GROOVE - PORTSMOUTH OAK |
| 6G | 150167-01-02A | EA | RAIL - DECORATIVE - 96" W/O REVERSE SIDE GROOVE - SALEM CHERRY - CONCERT CHERRY |
| 6G | 150167-01-03A | EA | RAIL - DECORATIVE - 96" W/O REVERSE SIDE GROOVE - WASHED MAPLE |
| 6G | 150167-01-09A | EA | RAIL - DECORATIVE - 96" W/O REVERSE SIDE GROOVE - SIERRA MAPLE |
| | 137885-A2-438 | EA | LUMBER - VINYL WRAPPED - .7" X .75" X 96" - CONCERT CHERRY |
| | 137885-D2-438 | EA | LUMBER - VINYL WRAPPED - .7" X 1.5" X 96" - CONCERT CHERRY |
| | 137885-E2-438 | EA | LUMBER - VINYL WRAPPED - .7" X 2" X 96" - CONCERT CHERRY |
| | 137885-F2-438 | EA | LUMBER - VINYL WRAPPED - .7" X 2.5" X 96" - CONCERT CHERRY |
| | 137885-G2-438 | EA | LUMBER - VINYL WRAPPED - .7" X 3" X 96" - CONCERT CHERRY |
| | 137885-H2-438 | EA | LUMBER - VINYL WRAPPED - .7" X 3.5" X 96" - CONCERT CHERRY |
| | 137885-J2-438 | EA | LUMBER - VINYL WRAPPED - .7" X 5.5" X 96" - CONCERT CHERRY |
| | 137885-J2-743 | EA | LUMBER - VINYL WRAPPED - .7" X 5.5" X 108" - CONCERT CHERRY |
| | 137885-K2-438 | EA | LUMBER - VINYL WRAPPED - .7" X 3.9" X 96" - CONCERT CHERRY |
| | 137885-R2-438 | EA | LUMBER - VINYL WRAPPED - .7" X 3" X 96" - CONCERT CHERRY |
| 7G | 137887-D2-134 | EA | MOLDING - VINYL WRAPPED - .7" X 1.6" X 84" - CONCERT CHERRY |
| 7G | 137887-D2-743 | EA | MOLDING - VINYL WRAPPED - .7" X 1.6" X 108" - CONCERT CHERRY |
| 7G | 137887-F2-134 | EA | MOLDING - VINYL WRAPPED - .7" X 2.5" X 84" - CONCERT CHERRY |
| 7G | 137887-F2-743 | EA | MOLDING - VINYL WRAPPED - .7" X 2.5" X 108" - CONCERT CHERRY |
| 7G | 137887-F2-438 | EA | MOLDING - VINYL WRAPPED - .7" X 2.5" X 96" - CONCERT CHERRY |

INTERIOR FINISH GROUP (CONTINUED)
MOLDINGS & TRIMS (CONTINUED)

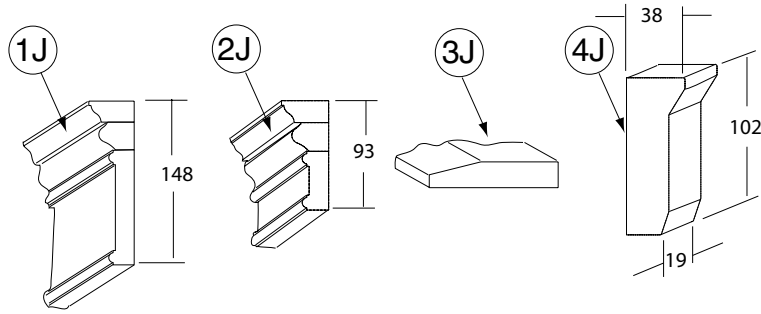
| KEY | PART NUMBER | U/M | DESCRIPTION |
|-----|---------------|-----|--------------------------------------------------------------|
| | 137894-A2-438 | EA | LUMBER - VINYL WRAPPED - .7" X .75" X 96" - PORTSMOUTH OAK |
| | 137894-D2-438 | EA | LUMBER - VINYL WRAPPED - .7" X 1.5" X 96" - PORTSMOUTH OAK |
| | 137894-E2-438 | EA | LUMBER - VINYL WRAPPED - .7" X 2" X 96" - PORTSMOUTH OAK |
| | 137894-F2-438 | EA | LUMBER - VINYL WRAPPED - .7" X 2.5" X 96" - PORTSMOUTH OAK |
| | 137894-G2-438 | EA | LUMBER - VINYL WRAPPED - .7" X 3" X 96" - PORTSMOUTH OAK |
| | 137894-H2-438 | EA | LUMBER - VINYL WRAPPED - .7" X 3.5" X 96" - PORTSMOUTH OAK |
| | 137894-J2-438 | EA | LUMBER - VINYL WRAPPED - .7" X 5.5" X 96" - PORTSMOUTH OAK |
| | 137894-J2-743 | EA | LUMBER - VINYL WRAPPED - .7" X 5.5" X 96" - PORTSMOUTH OAK |
| | 137894-K2-438 | EA | LUMBER - VINYL WRAPPED - .7" X 3.9" X 96" - PORTSMOUTH OAK |
| | 137894-R2-438 | EA | LUMBER - VINYL WRAPPED - .7" X 3" X 96" - PORTSMOUTH OAK |
| 7G | 137895-D2-134 | EA | MOLDING - VINYL WRAPPED - .7" X 1.6" X 84"-PORTSMOUTH OAK |
| 7G | 137895-D2-743 | EA | MOLDING - VINYL WRAPPED - .7" X 1.6" X 108"-PORTSMOUTH OAK |
| 7G | 137895-F2-743 | EA | MOLDING - VINYL WRAPPED - .7" X 2.5" X 108" - PORTSMOUTH OAK |
| | 146419-A2-438 | EA | LUMBER - VINYL WRAPPED - .7" X .75" X 96" - HONEY CHERRY |
| | 146419-D2-438 | EA | LUMBER - VINYL WRAPPED - .7" X 1.5" X 96" - HONEY CHERRY |
| | 146419-E2-438 | EA | LUMBER - VINYL WRAPPED - .7" X 2" X 96" - HONEY CHERRY |
| | 146419-F2-438 | EA | LUMBER - VINYL WRAPPED - .7" X 2.5" X 96" - HONEY CHERRY |
| | 146419-G2-438 | EA | LUMBER - VINYL WRAPPED - .7" X 3" X 96" - HONEY CHERRY |
| | 146419-H2-438 | EA | LUMBER - VINYL WRAPPED - .7" X 3.5" X 96" - HONEY CHERRY |
| | 146419-J2-438 | EA | LUMBER - VINYL WRAPPED - .7" X 5.5" X 96" - HONEY CHERRY |
| | 146419-J2-743 | EA | LUMBER - VINYL WRAPPED - .7" X 5.5" X 108" - HONEY CHERRY |
| | 146419-K2-438 | EA | LUMBER - VINYL WRAPPED - .7" X 3.9" X 96" - HONEY CHERRY |
| | 146419-R2-438 | EA | LUMBER - VINYL WRAPPED - .7" X 3" X 96" - HONEY CHERRY |
| 7G | 146425-D2-134 | EA | MOLDING - VINYL WRAPPED - .7" X 1.6" X 96" - HONEY CHERRY |
| 7G | 146425-F2-134 | EA | MOLDING - VINYL WRAPPED - .7" X 2.5" X 84" - HONEY CHERRY |
| 7G | 146425-F2-134 | EA | MOLDING - VINYL WRAPPED - .7" X 2.5" X 96" - HONEY CHERRY |
| 7G | 146425-F2-743 | EA | MOLDING - VINYL WRAPPED - .7" X 2.5" X 108" - HONEY CHERRY |
| | 149325-A2-438 | EA | LUMBER - VINYL WRAPPED - .7" X .75" X 96" - WASHED MAPLE |
| | 149325-D2-438 | EA | LUMBER - VINYL WRAPPED - .7" X 1.5" X 96" - WASHED MAPLE |
| | 149325-E2-438 | EA | LUMBER - VINYL WRAPPED - .7" X 2" X 96" - WASHED MAPLE |
| | 149325-F2-438 | EA | LUMBER - VINYL WRAPPED - .7" X 2.5" X 96" - WASHED MAPLE |
| | 149325-G2-438 | EA | LUMBER - VINYL WRAPPED - .7" X 3" X 96" - WASHED MAPLE |
| | 149325-H2-438 | EA | LUMBER - VINYL WRAPPED - .7" X 3.5" X 96" - WASHED MAPLE |
| | 149325-J2-438 | EA | LUMBER - VINYL WRAPPED - .7" X 5.5" X 96" - WASHED MAPLE |
| | 149325-J2-743 | EA | LUMBER - VINYL WRAPPED - .7" X 5.5" X 108" - WASHED MAPLE |
| | 149325-K2-438 | EA | LUMBER - VINYL WRAPPED - .7" X 3.9" X 96" - WASHED MAPLE |
| | 149325-R2-438 | EA | LUMBER - VINYL WRAPPED - .7" X 3" X 96" - WASHED MAPLE |
| 7G | 149326-D2-134 | EA | MOLDING - VINYL WRAPPED - .7" X 1.6" X 84" - WASHED MAPLE |
| 7G | 149326-F2-134 | EA | MOLDING - VINYL WRAPPED - .7" X 2.5" X 84" - WASHED MAPLE |
| 7G | 149326-F2-438 | EA | MOLDING - VINYL WRAPPED - .7" X 2.5" X 96" - WASHED MAPLE |
| 7G | 149326-F2-743 | EA | MOLDING - VINYL WRAPPED - .7" X 2.5" X 108" - WASHED MAPLE |
| | 149330-A2-438 | EA | LUMBER - VINYL WRAPPED - .7" X .75" X 96" - SIERRA MAPLE |
| | 149330-D2-438 | EA | LUMBER - VINYL WRAPPED - .7" X 1.5" X 96" - SIERRA MAPLE |
| | 149330-E2-438 | EA | LUMBER - VINYL WRAPPED - .7" X 2" X 96" - SIERRA MAPLE |
| | 149330-F2-438 | EA | LUMBER - VINYL WRAPPED - .7" X 2.5" X 96" - SIERRA MAPLE |
| | 149330-G2-438 | EA | LUMBER - VINYL WRAPPED - .7" X 3" X 96" - SIERRA MAPLE |
| | 149330-H2-438 | EA | LUMBER - VINYL WRAPPED - .7" X 3.5" X 96" - SIERRA MAPLE |
| | 149330-J2-438 | EA | LUMBER - VINYL WRAPPED - .7" X 5.5" X 96" - SIERRA MAPLE |
| | 149330-J2-743 | EA | LUMBER - VINYL WRAPPED - .7" X 5.5" X 108" - SIERRA MAPLE |
| | 149330-K2-438 | EA | LUMBER - VINYL WRAPPED - .7" X 3.9" X 96" - SIERRA MAPLE |
| | 149330-R2-438 | EA | LUMBER - VINYL WRAPPED - .7" X 3" X 96" - SIERRA MAPLE |
| 7G | 149331-D2-134 | EA | MOLDING - VINYL WRAPPED - .7" X 1.6" X 96" - SIERRA MAPLE |
| 7G | 149331-F2-134 | EA | MOLDING - VINYL WRAPPED - .7" X 2.5" X 84" - SIERRA MAPLE |
| 7G | 149331-F2-439 | EA | MOLDING - VINYL WRAPPED - .7" X 2.5" X 96" - SIERRA MAPLE |
| 7G | 149331-F2-743 | EA | MOLDING - VINYL WRAPPED - .7" X 2.5" X 108" - SIERRA MAPLE |

INTERIOR FINISH GROUP (CONTINUED)
MOLDINGS & TRIMS (CONTINUED)



| KEY | PART NUMBER | U/M | DESCRIPTION |
|-----|---------------|-----|-------------------------------------------------------------------------|
| 1H | 138359-01-01A | FT | COVER - ROOF BREAK - PEARL CREAM/PLASTIC - 96" |
| 2H | 138403-01-01A | EA | TRIM - ROOF - MILL |
| 3H | 138403-03-01A | EA | TRIM - ROOF - MILL |
| 4H | 141260-01-01A | FT | U-CHANNEL - 1" - VILLAGE OAK - PORTSMOUTH OAK/WASHED MAPLE/SIERRA MAPLE |
| 4H | 141260-01-02A | FT | U-CHANNEL - 1" - GRADY BROWN - CONCERT CHERRY/HONEY CHERRY |
| 5H | 141303-02-N53 | EA | MOLDING - CROWN/BLOCK - PORTSMOUTH OAK |
| 5H | 141303-02-N52 | EA | MOLDING - CROWN/BLOCK - CONCERT CHERRY |
| 5H | 141303-02-N62 | EA | MOLDING - CROWN/BLOCK - WASHED MAPLE |
| 5H | 141303-02-RA3 | EA | MOLDING - CROWN/BLOCK - HONEY CHERRY |
| 6H | 141303-03-N53 | EA | MOLDING - CROWN/BLOCK - PORTSMOUTH OAK |
| 6H | 141303-03-N52 | EA | MOLDING - CROWN/BLOCK - CONCERT CHERRY |
| 6H | 141303-03-N62 | EA | MOLDING - CROWN/BLOCK - WASHED MAPLE |
| 6H | 141303-03-RA3 | EA | MOLDING - CROWN/BLOCK - HONEY CHERRY |
| 7H | 141303-05-R89 | EA | MOLDING - CROWN/BLOCK - PORTSMOUTH OAK |
| 7H | 141303-05-R91 | EA | MOLDING - CROWN/BLOCK - WASHED MAPLE |
| 7H | 141303-05-R90 | EA | MOLDING - CROWN/BLOCK - CONCERT CHERRY |
| 7H | 141303-05-RE3 | EA | MOLDING - CROWN/BLOCK - HONEY CHERRY |
| 8H | 141303-06-R89 | EA | MOLDING - CROWN/BLOCK - PORTSMOUTH OAK |
| 8H | 141303-06-R90 | EA | MOLDING - CROWN/BLOCK - CONCERT CHERRY |
| 8H | 141303-06-R91 | EA | MOLDING - CROWN/BLOCK - WASHED MAPLE |
| 8H | 141303-06-RE3 | EA | MOLDING - CROWN/BLOCK - HONEY CHERRY |
| 9H | 141303-07-R89 | EA | MOLDING - CROWN/BLOCK - PORTSMOUTH OAK |
| 9H | 141303-07-R90 | EA | MOLDING - CROWN/BLOCK - CONCERT CHERRY |
| 9H | 141303-07-R91 | EA | MOLDING - CROWN/BLOCK - WASHED MAPLE |
| 9H | 141303-07-RE3 | EA | MOLDING - CROWN/BLOCK - HONEY CHERRY |
| 10H | 141303-08-R83 | EA | MOLDING - CROWN/BLOCK - PORTSMOUTH OAK |
| 10H | 141303-08-R84 | EA | MOLDING - CROWN/BLOCK - CONCERT CHERRY |
| 10H | 141303-08-R91 | EA | MOLDING - CROWN/BLOCK - WASHED MAPLE |
| 10H | 141303-08-RE0 | EA | MOLDING - CROWN/BLOCK - HONEY CHERRY |
| 11H | 141303-09-R83 | EA | MOLDING - CROWN/BLOCK - PORTSMOUTH OAK |
| 11H | 141303-09-R84 | EA | MOLDING - CROWN/BLOCK - CONCERT CHERRY |
| 11H | 141303-09-R91 | EA | MOLDING - CROWN/BLOCK - WASHED MAPLE |
| 11H | 141303-09-RE0 | EA | MOLDING - CROWN/BLOCK - HONEY CHERRY |
| 12H | 141303-10-R89 | EA | MOLDING - CROWN/BLOCK - PORTSMOUTH OAK |
| 12H | 141303-10-R90 | EA | MOLDING - CROWN/BLOCK - CONCERT CHERRY |
| 12H | 141303-10-R91 | EA | MOLDING - CROWN/BLOCK - WASHED MAPLE |
| 12H | 141303-10-RE3 | EA | MOLDING - CROWN/BLOCK - HONEY CHERRY |

INTERIOR FINISH GROUP (CONTINUED)
MOLDINGS & TRIMS (CONTINUED)



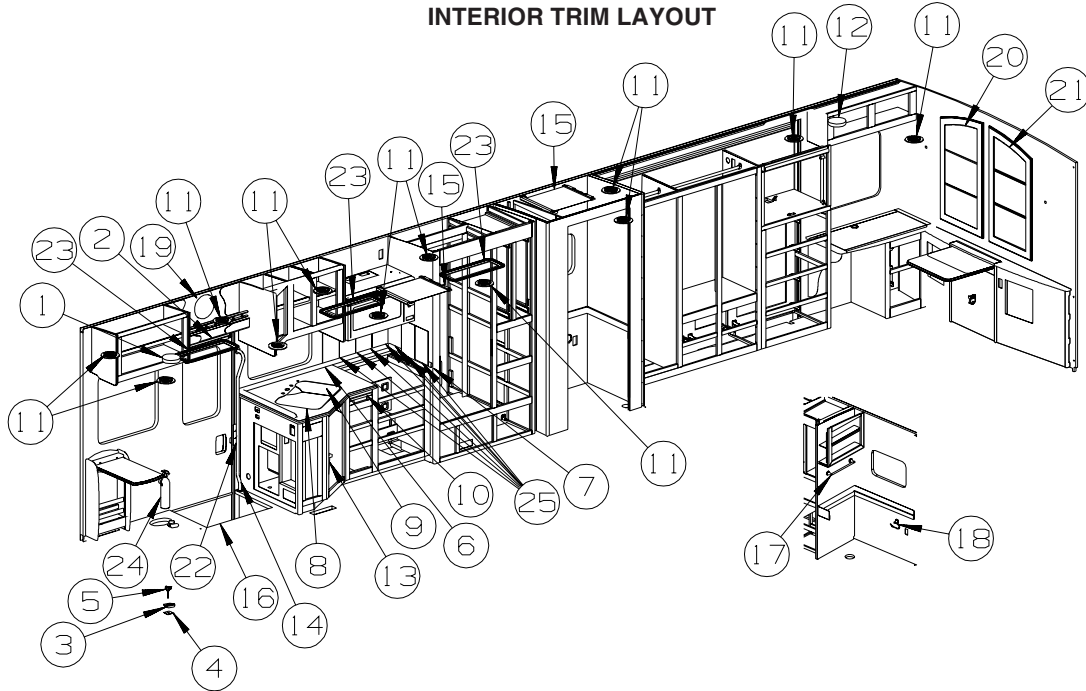
| KEY | PART NUMBER | U/M | DESCRIPTION |
|-----|---------------|-----|--------------------------------------------------------------|
| 1J | 144885-14-R83 | EA | MOLDING - F/SLIDEOUT - 86.5" - PORTSMOUTH OAK |
| 1J | 144885-14-R84 | EA | MOLDING - F/SLIDEOUT - 86.5" - CHERRY |
| 1J | 144885-14-RE0 | EA | MOLDING - F/SLIDEOUT - 86.5" - HONEY CHERRY |
| 1J | 144885-07-SD2 | EA | MOLDING - F/SLIDEOUT - 82.5" - WASHED MAPLE |
| 2J | 145379-01-R83 | EA | MOLDING/TRIM - 47.48" - PORTSMOUTH OAK |
| 2J | 145379-01-R84 | EA | MOLDING/TRIM - 47.48" - CONCERT CHERRY |
| 2J | 145379-01-RE0 | EA | MOLDING/TRIM - 47.48" - HONEY CHERRY |
| 2J | 145379-01-SD2 | EA | MOLDING/TRIM - 47.48" - WASHED MAPLE |
| 2J | 145379-02-R83 | E A | MOLDING/TRIM - 7.87" W/RIGHT SIDE ANGLE CUT - PORTSMOUTH OAK |
| 2J | 145379-02-R84 | EA | MOLDING/TRIM - 7.87" W/RIGHT SIDE ANGLE CUT - CONCERT CHERRY |
| 2J | 145379-02-RE0 | EA | MOLDING/TRIM - 7.87" W/RIGHT SIDE ANGLE CUT - HONEY CHERRY |
| 2J | 145379-02-SD2 | EA | MOLDING/TRIM - 7.87" W/RIGHT SIDE ANGLE CUT - WASHED MAPLE |
| 2J | 145379-03-R83 | EA | MOLDING/TRIM - 7.87" W/LEFT SIDE ANGLE CUT - PORTSMOUTH OAK |
| 2J | 145379-03-R84 | EA | MOLDING/TRIM - 7.87" W/LEFT SIDE ANGLE CUT - CONCERT CHERRY |
| 2J | 145379-03-RE0 | EA | MOLDING/TRIM - 7.87" W/LEFT SIDE ANGLE CUT - HONEY CHERRY |
| 2J | 145379-03-SD2 | EA | MOLDING/TRIM - 7.87" W/LEFT SIDE ANGLE CUT - WASHED MAPLE |
| 2J | 145379-05-R83 | EA | MOLDING/TRIM - 102.75" - PORTSMOUTH OAK |
| 2J | 145379-05-R84 | EA | MOLDING/TRIM - 102.75" - CONCERT CHERRY |
| 2J | 145379-05-SD2 | EA | MOLDING/TRIM - 102.75" - WASHED MAPLE |
| 2J | 145379-05-RE0 | EA | MOLDING/TRIM - 102.75" - HONEY CHERRY |
| 3J | 146306-01-01A | FT | TRANSITION - CARPET/TILE |
| 4J | 149151-01-S46 | EA | MOLDING - BLOCK - PORTSMOUTH OAK |
| 4J | 149151-01-S47 | EA | MOLDING - BLOCK - CONCERT CHERRY |
| 4J | 149151-01-S48 | EA | MOLDING - BLOCK - WASHED MAPLE |

INTERIOR FINISH GROUP (CONTINUED)
PANELING & LAMINATES

| KEY | PART NUMBER | U/M | DESCRIPTION |
|------------|--------------------|------------|------------------------------------------------------------------------------|
| | 000885-A5-000 | SF | PARTICLE BOARD - 3/8" X 4' X 8'- WHT PEB EMBOSSED-1 SIDED |
| | 000885-92-000 | SF | PARTICLE BOARD-3/8" X 4' X 8'-PORTSMOUTH OAK-VINYL 1 SIDED - PORTSMOUTH OAK |
| | 000885-B9-000 | SF | PARTICLE BOARD - 3/8" X 4' X 8' - CONCERT CHERRY - 1-SIDED - CONCERT CHERRY |
| | 000885-B5-000 | SF | PARTICLE BOARD - 3/8" X 4' X 8' - NEAT WASHED MAPLE - 1-SIDED - WASHED MAPLE |
| | 000885-B1-000 | SF | PARTICLE BOARD - 3/8" X 4' X 8' - SIERRA MAPLE - 1-SIDED - SIERRA MAPLE |
| | 000885-93-000 | SF | PARTICLE BOARD - 3/8" X 4' X 8' - PORTSMOUTH OAK - 2-SIDED - PORTSMOUTH OAK |
| | 000885-B8-000 | SF | PARTICLE BOARD - 3/8" X 4' X 8' - CONC CHERRY - 2 SIDED - CONCERT CHERRY |
| | 000885-B4-000 | SF | PARTICLE BOARD - 3/8" X 4' X 8' - NEAT WASHED MAPLE - 2-SIDED - WASHED MAPLE |
| | 000885-B0-000 | SF | PARTICLE BOARD - 3/8" X 4' X 8' - SIERRA MAPLE - 2-SIDED - SIERRA MAPLE |
| | 000885-95-000 | SF | PARTICLE BOARD - 3/4" X 4' X 8' - PORTSMOUTH OAK - 2-SIDED - PORTSMOUTH OAK |
| | 000885-C0-000 | SF | PARTICLE BOARD - 3/4" X 4' X 8' - CONC CHERRY - 2 SIDED - CONCERT CHERRY |
| | 000885-B6-000 | SF | PARTICLE BOARD - 3/4" X 4' X 8' - NEAT WASHED MAPLE - 2-SIDED - WASHED MAPLE |
| | 000885-B2-000 | SF | PARTICLE BOARD - 3/4" X 4' X 8' - SIERRA MAPLE - 2-SIDED - SIERRA MAPLE |
| | 057882-04-000 | SF | TAMBOUR - 48" X 96" SHEET - UNFINISHED - PORTSMOUTH OAK |
| | 057882-06-000 | SF | TAMBOUR - 48" X 96" - SHEET - CONCERT CHERRY |
| | 057882-05-000 | SF | TAMBOUR - 48" X 96" SHEET - UNFINISHED - WASHED MAPLE/SIERRA MAPLE |
| | 069733-87-000 | EA | BATT STRIP - WOODGRAINED/PORTSMOUTH OAK - 8' - PORTSMOUTH OAK |
| | 069733-88-000 | EA | BATT STRIP - WOODGRAINED/SALEM CHERRYK - 8' - CONCERT CHERRY |
| | 069733-89-000 | EA | BATT STRIP - WOODGRAINED/WASHED MAPLE - 8' - WASHED MAPLE |
| | 069733-90-000 | EA | BATT STRIP - WOODGRAINED/SIERRA MAPLE - 8' - SIERRA MAPLE |
| | 074498-40-000 | SF | LAMINATE - PLASTIC - OFF WHITE - 4' X 8' |
| | 074497-42-000 | SF | PANELING - PORTSMOUTH OAK - 4' X 8' - PORTSMOUTH OAK |
| | 074497-50-000 | SF | PANELING - CONC CHERRY - 4' X 8' - CONCERT CHERRY |
| | 074497-49-000 | SF | PANELING - NEAT WASHED MAPLE - 4' X 8' - WASHED MAPLE |
| | 074497-48-000 | SF | PANELING - SIERRA MAPLE - 4' X 8' - SIERRA MAPLE |
| | 074498-95-000 | SF | LAMINATE - PLASTIC - PORTSMOUTH OAK - 4' X 8' - PORTSMOUTH OAK |
| | 074498-96-000 | SF | LAMINATE - PLASTIC - CHERRY - 4' X 8' - CONCERT CHERRY |
| | 074498-A6-000 | SF | LAMINATE - PLASTIC - NEAT WASHED MAPLE - 4' X 8' - WASHED MAPLE |
| | 074498-A8-000 | SF | LAMINATE - PLASTIC - SIERRA MAPLE - 4' X 8' - SIERRA MAPLE |
| | 074498-A0-000 | SF | LAMINATE - PLASTIC - ROCKY MOUNTAIN HIGH - 4' X 8' (S76, S77, S78, S79) |
| | 074498-A1-000 | SF | LAMINATE - PLASTIC - LINO FRIEZE - 5' X 8' (S80, S81, S82, S83) |
| | 074498-97-000 | SF | LAMINATE - PLASTIC - GRAY TRANQUILITY - 4' X 8' (SS84, S85, S86, S87) |
| | 076325-78-000 | FT | MOLDING - EDGE BAND - .93" X .024" - PORTSMOUTH OAK |
| | 076325-79-000 | FT | MOLDING - EDGE BAND - .93" X .024" - CONCERT CHERRY |
| | 076325-82-000 | FT | MOLDING - EDGE BAND - .93" X .024" - WASHED MAPLE |
| | 076325-83-000 | FT | MOLDING - EDGE BAND - .93" X .024" - SIERRA MAPLE |
| | 076773-15-000 | SF | PANELING - 2 SIDED/PORTSMOUTH OAK - 1/8" X 4' X 8' - PORTSMOUTH OAK |
| | 076773-21-000 | SF | PANELING - 2 SIDED/CONC CHERRY - 1/8" X 4' X 8' - CONCERT CHERRY |
| | 076773-20-000 | SF | PANELING - 2 SIDED/NEAT WASHED MAPLE - 1/8" X 4' X 8' - WASHED MAPLE |
| | 076773-19-000 | SF | PANELING - 2 SIDED/SIERRA MAPLE - 1/8" X 4' X 8' - SIERRA MAPLE |
| | 079666-03-000 | SF | PANELING - CLOSET - CEDAR - 4' X 7' |
| | 080215-14-000 | SF | PANELING - 2 SIDED - PORTSMOUTH OAK - 3/16" X 4' X 8' - PORTSMOUTH OAK |
| | 080215-17-000 | SF | PANELING - 2 SIDED - CONC CHERRY - 3/16" X 4' X 8' - CONCERT CHERRY |
| | 080215-16-000 | SF | PANELING - 2 SIDED/WASHED MAPLE - 3/16" X 4' X 8' - WASHED MAPLE |
| | 080215-19-000 | SF | PANELING - 2 SIDED/SIERRA MAPLE - 3/16" X 4' X 8' - SIERRA MAPLE |
| | 085284-F7-000 | FT | TAPE/STRIP - TRUE GRIP - 1 1/2" WIDE - ADHESIVE BACKED - BLACK |
| | 085284-G8-000 | FT | BATT TAPE - ADHESIVE BACKED - PORTSMOUTH OAK |
| | 085284-J7-000 | FT | BATT TAPE - ADHESIVE BACKED - CONC CHERRY - CONCERT CHERRY |
| | 085284-H3-000 | FT | BATT TAPE - ADHESIVE BACKED - DECORATIVE - WASHED MAPLE |
| | 085284-J4-000 | FT | BATT TAPE - ADHESIVE BACKED - DECORATIVE - SIERRA MAPLE |
| | 085284-H0-000 | FT | BATT TAPE - ADHESIVE BACKED - DECORATIVE - STONE (S76, S77, S78, S79) |
| | 085284-H9-000 | FT | BATT TAPE - ADHESIVE BACKED - DECORATIVE - CYPRESS (S80, S81, S82, S83) |
| | 085284-H8-000 | FT | BATT TAPE - ADHESIVE BACKED - ROCKET SILVERADO (S84, S85, S86, S87) |
| | 088263-H6-000 | EA | BATT STRIP - DECORATIVE - STONE (S76, S77, S78, S79) |
| | 088263-H5-000 | EA | BATT STRIP - DECORATIVE - CYPRESS (S80, S81, S82, S83) |
| | 088263-H4-000 | EA | BATT STRIP - DECORATIVE - ROCKET SILVERADO (S84, S85, S86, S87) |
| | 088272-H9-000 | SF | PANELING - PEBBLE EMBOSSED - WHITE - 4' X 7' |
| | 088272-K7-000 | SF | PANELING - STONE - 4' X 7' (S76, S77, S78, S79) |
| | 088272-K6-000 | SF | PANELING - CYPRESS - 4' X 7' (S80, S81, S82, S83) |
| | 088272-K5-000 | SF | PANELING - SILVERADO - 4' X 7' (S84, S85, S86, S87) |
| | 132610-06-14A | FT | WALLPAPER - BORDER - 7" - SELF-ADHESIVE (S76, S77, S78, S79) |
| | 132610-06-13A | FT | WALLPAPER - BORDER - 7" - SELF-ADHESIVE (S80, S81, S82, S83) |
| | 132610-02-08A | FT | WALLPAPER - BORDER - 7" - SELF-ADHESIVE (S84, S85, S86, S87) |

INTERIOR FINISH GROUP (CONTINUED)

INTERIOR TRIM LAYOUT



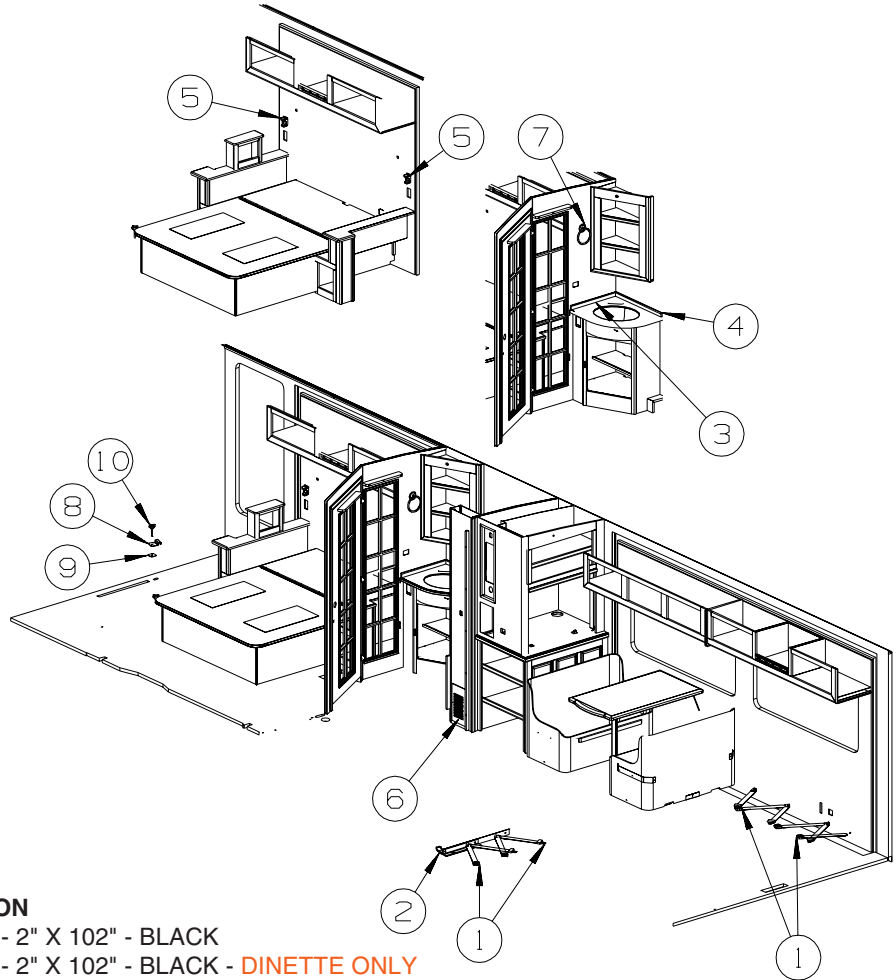
| KEY | PART NUMBER | U/M | DESCRIPTION |
|-----|---------------|-----|--------------------------------------------------------------------|
| 1 | 072852-01-000 | EA | DETECTOR - SMOKE - W/9 VOLT BATTERY - US |
| 1 | 072852-02-000 | EA | DETECTOR - SMOKE - W/9 VOLT BATTERY - CANADIAN |
| | 077956-01-000 | EA | LABEL - WARNING/SMOKE DETECTOR |
| 2 | 144628-02-02A | EA | SHADE - SCREEN DOOR - 23" X 33.4" - BLACK - FULL BODY PAINT |
| 2 | 144628-02-01A | EA | SHADE - SCREEN DOOR - 23" X 33.4" - BRIGHT WHITE |
| 3 | 134057-01-11B | EA | BRACKET - RECLINER - FLAT BLACK |
| 4 | 134128-02-02B | EA | PLATE - W/HOLES - W/WELDNUT - E-COATED |
| 5 | 134194-01-01A | EA | KNOB - HOLD DOWN/RECLINER - BLACK |
| 6 | 130813-05-05A | EA | BACKSPLASH/COUNTERTOP - 1/2" VENDURA - NATURES FLANNEL |
| 7 | 130813-42-05A | EA | BACKSPLASH/COUNTERTOP - 1/2" VENDURA - NATURES FLANNEL |
| | | | FROM: 00-00-00 THRU: 05-16-04 |
| 7 | 130813-27-05A | EA | BACKSPLASH/COUNTERTOP - 1/2" VENDURA - NATURES FLANNEL |
| | | | FROM: 05-17-04 THRU: 99-99-99 |
| 8 | 137489-01-04A | EA | COVER - SINK/LARGE - 13.8" X 17" - 1/4" VENDURA/NATURES FLANNEL |
| 9 | 137489-02-04A | EA | COVER - SINK/SMALL - 9.6" X 15.7" - 1/4" VENDURA/NATURES FLANNEL |
| 10 | 102778-03-000 | EA | BOARD - CUTTING - .7" X 10" X 17.7" - WOOD |
| 11 | 120134-01-02A | EA | REGISTER - W/DAMPER - 4" PIPE/6.4" O.D. FACE - WHITE |
| 11 | 120134-02-01A | EA | REGISTER - TRIM RING - WHITE |
| 12 | 125136-02-000 | EA | DETECTOR/CO - GAS MODEL - 9 VOLT |
| 13 | 130818-02-01A | EA | TRASH CONTAINER - 20 QUART ALMOND |
| 14 | 131058-03-02A | EA | HAND RAIL - INTERIOR ENTRY DOOR - BLACK |
| 15 | 144628-01-01A | EA | SHADE - VENT COVER - 15.7" X 15.7" - OFF WHITE |
| 16 | 139955-06-02A | EA | TRIM - STEP/ENTRY - 29.3" - TITANIUM |
| 17 | 142068-02-01A | EA | TOWEL BAR - 18" |
| 18 | 142069-02-01A | EA | TISSUE HOLDER |
| 19 | 142368-01-02A | EA | CLOCK - 8" ROUND - SATIN NICKEL |
| 20 | 147929-01-000 | EA | MIRROR - SAFETY GLASS - ARCHED TOP/LEFT HAND |
| 20 | 147947-01-03A | EA | FRAME/MIRROR - ARCHED TOP - PORTSMOUTH OAK |
| 20 | 147947-01-01A | EA | FRAME/MIRROR - ARCHED TOP - CONCERT CHERRY |
| 20 | 147947-01-02A | EA | FRAME/MIRROR - ARCHED TOP - WASHED MAPLE |
| 20 | 147947-01-04A | EA | FRAME/MIRROR - ARCHED TOP - SIERRA MAPLE |
| 21 | 147929-02-000 | EA | MIRROR - SAFETY GLASS - ARCHED TOP/RIGHT HAND |
| 21 | 147947-02-03A | EA | FRAME/MIRROR - ARCHED TOP - PORTSMOUTH OAK |
| 21 | 147947-02-01A | EA | FRAME/MIRROR - ARCHED TOP - CONCERT CHERRY |
| 21 | 147947-02-02A | EA | FRAME/MIRROR - ARCHED TOP - WASHED MAPLE |
| 21 | 147947-02-04A | EA | FRAME/MIRROR - ARCHED TOP - SIERRA MAPLE |
| 22 | 148362-01-01A | EA | COVER - BRACKET/STRIKE - BRIGHT WHITE |
| | 140151-02-02A | EA | COVER - SCREW - BRIGHT WHITE |

INTERIOR FINISH GROUP (CONTINUED)

INTERIOR TRIM LAYOUT (CONTINUED)

| KEY | PART NUMBER | U/M | DESCRIPTION |
|-----|---------------|-----|-----------------------------------------------------|
| 23 | 149160-01-05A | EA | TRIM - LIGHT RING - PORTSMOUTH OAK |
| 23 | 149160-01-01A | EA | TRIM - LIGHT RING - CONCERT CHERRY |
| 23 | 149160-01-03A | EA | TRIM - LIGHT RING - WASHED MAPLE |
| 23 | 149160-01-04A | EA | TRIM - LIGHT RING - SIERRA MAPLE |
| 24 | 094499-03-000 | EA | EXTINGUISHER/FIRE - DRY - 10BC - W/GAUGE/BRACKET |
| 24* | 094499-02-000 | EA | EXTINGUISHER/FIRE - DRY - 10BC - W/GAUGE - CANADIAN |
| | 094499-04-000 | EA | STRAP - FIRE EXTINGUISHER MOUNTING - METAL |
| 25 | 093606-43-000 | EA | MIRROR - BEVELED EDGE - 7.4" X 12.8" |

*COMPONENT PARTS LISTED LATER IN *



| KEY | PART NUMBER | U/M | DESCRIPTION |
|-----|---------------|-----|--------------------------------------------------------|
| 1 | 056271-01-000 | EA | SEAT BELT - 2" X 102" - BLACK |
| 1 | 056271-01-000 | EA | SEAT BELT - 2" X 102" - BLACK - DINETTE ONLY |
| | | | FROM: 00-00-00 THRU: 02-14-05 |
| 1 | 007021-01-000 | EA | SEAT BELT - 2" X 90" - BLACK - DINETTE ONLY |
| | | | FROM: 02-15-05 THRU: 99-99-99 |
| | 040221-01-02B | EA | WASHER - SEAT BELT - E-COAT |
| 2 | 151078-01-02B | EA | BRACKET - MOUNTING - SEAT BELT - E-COATED |
| 3 | 130813-23-05A | EA | BACKSPLASH/COUNTERTOP - 1/2" VENDURA - NATURES FLANNEL |
| 4 | 130813-60-05A | EA | BACKSPLASH/COUNTERTOP - 1/2" VENDURA - NATURES FLANNEL |
| 5 | 142411-05-000 | EA | HOLDER - F/CONTROL (SELECT COMFORT) |
| 6 | 093614-14-01A | EA | GRILLE - AIR RETURN - 7.9" X 13.9" - WHITE |
| 7 | 142066-02-01A | EA | TOWEL RING |
| 8 | 134057-03-11B | EA | BRACKET - HOLD DOWN/CHAIR - BLACK |
| 9 | 134128-02-02B | EA | PLATE - W/HOLES - W/WELDNUT - E-COATED |
| 10 | 134194-01-01A | EA | KNOB - HOLD DOWN/RECLINER - BLACK |

COMPONENT PARTS FOR INTERIOR TRIM LAYOUT

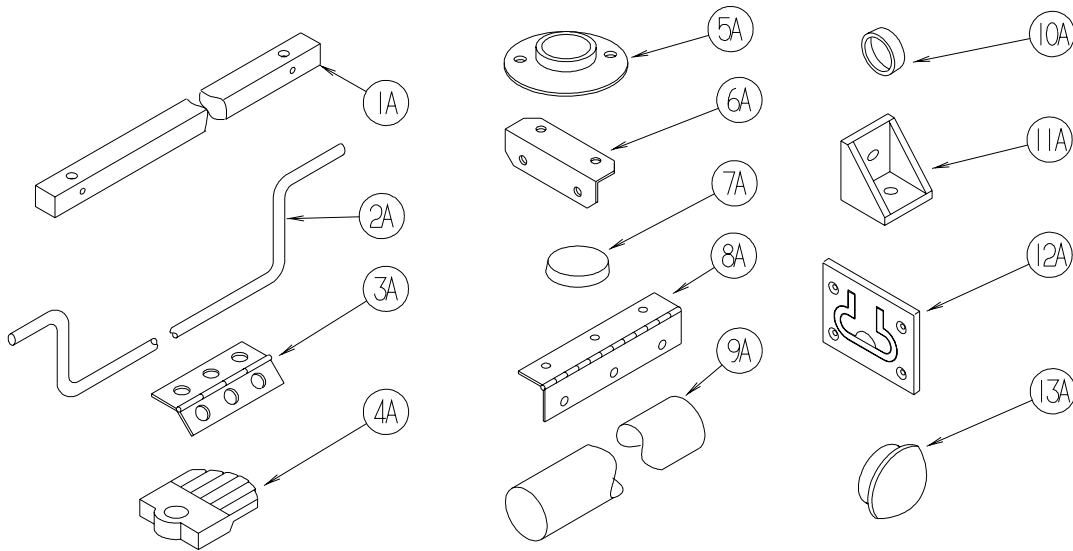
094499-02-000

| KEY | PART NUMBER | U/M | DESCRIPTION | VENDOR NO |
|-----|---------------|-----|----------------------------|-----------|
| | 094499-01-700 | EA | BRACKET MTG. W/PLAS. STRAP | 294039 |

INTERIOR FINISH GROUP (CONTINUED)

FLOOR COVERINGS

| KEY | PART NUMBER | U/M DESCRIPTION |
|-----|---------------|----------------------------------------------------------------------------------------------------------------------------|
| | 075233-01-000 | SY PAD - CARPET - 3/8" X 6' ROLL |
| | 089275-02-000 | FT STRIP - 3/4" X 84" BLACK POLYETHYLENE |
| | 131711-01-07A | EA TILE/FLOOR - VINYL - 12" X 12" - ASH |
| | 139056-11-000 | SY CARPET - MUSLIN - 4 SQUARE YARD INCREMENTS (S76, S77, S78, S79) FROM: 00-00-00 THRU: 11-07-04 |
| | 152251-05-02A | SY CARPET - 4 SQUARE YARD INCREMENTS - BURLWOOD (S76, S77, S78, S79) FROM: 11-08-04 THRU: 99-99-99 |
| | 096060-G8-000 | SY CARPET - CAMEL - 4 SQUARE YARDS INCREMENTS (S80, S81, S82, S83, S84, S85, S86, S87) FROM: 00-00-00 THRU: 10-31-04 |
| | 152251-05-04A | SY CARPET - 4 SQUARE YARD INCREMENTS - BUTTERCUP (S80, S81, S82, S83, S84, S85, S86, S87) FROM: 11-01-04 THRU: 99-99-99 |

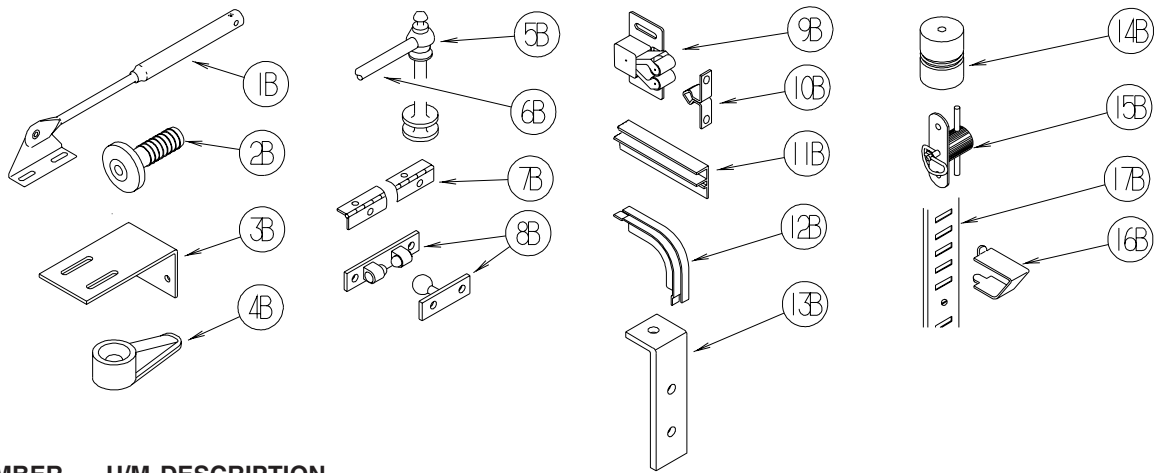


HARDWARE

| KEY | PART NUMBER | U/M DESCRIPTION |
|-----|---------------|-------------------------------------------------------|
| 1A | P34509-01-N01 | EA RAIL END - RH/LH - TOWEL RACK - PORTSMOUTH |
| 1A | P34509-01-P14 | EA RAIL END - RH/LH - TOWEL RACK - CONCERT CHERRY |
| 1A | P34509-01-J70 | EA RAIL END - RH/LH - TOWEL RACK - WASHED MAPLE |
| 1A | P34509-01-RE0 | EA RAIL END - RH/LH - TOWEL RACK - HONEY CHERRY |
| 1A | P34509-01-SA3 | EA RAIL END - RH/LH - TOWEL RACK - SIERRA MAPLE |
| 2A | 146801-01-01A | EA ROD/TOWEL BAR (OFFSET) - BRASS |
| 2A | 146801-01-02A | EA ROD/TOWEL BAR (OFFSET) - PEWTER |
| 3A | 009059-01-000 | EA HINGE - DOOR - 2" X 1.4" - BRASS |
| 3A | 009059-02-000 | EA HINGE - DOOR - 2" X 2.7" - BRASS |
| 3A | 009059-03-000 | EA HINGE - BRASS - 1.75" |
| 3A | 009059-04-000 | EA HINGE - 2" - ZINC |
| 4A | 009089-01-000 | EA CLIP - MIRROR |
| 5A | 009112-01-000 | EA FLANGE - PLASTIC - 1" CLOTHES ROD - OFF WHITE |
| 5A | 152301-01-01A | EA FLANGE - PLASTIC - 1" CLOTHES ROD HOLDER - WHITE |
| 6A | 016604-05-000 | EA BRACE - ANGLE - 2 1/2" - OFF WHITE METAL |
| 6A | 016604-10-000 | EA BRACE - SEAT ANGLE - 2.5" - BLACK |
| 7A | 023320-01-000 | EA PAD - FELT 3/8" DIAMETER |
| 8A | 041389-25-000 | EA HINGE - PIANO - 1 1/2" X 55" - UNPAINTED |
| 9A | 042438-02-000 | EA DOWEL - WOOD - 2" DIAMETER X 2' |
| 10A | 057671-01-000 | EA COVER - SCREW - #8 - OFF WHITE |
| 10A | 057671-15-000 | EA COVER - SCREW - #8 - BRIGHT WHITE |
| 10A | 057671-16-000 | EA COVER - SCREW - #8 - SOFT WHITE |
| 10A | 057671-17-000 | EA COVER - SCREW - VW LT GRAY - #8 |
| 11A | 065740-01-000 | EA BRACE - CABINET/CORNER - PLASTIC |
| 12A | 072871-01-000 | EA PULL - FLUSH - CHROME |
| 13A | 074045-08-000 | EA PLUG - OAK - 3/8" DOWEL-1/2" HEAD - CONCERT CHERRY |
| 13A | 074045-12-000 | EA PLUG - OAK - 3/8" DOWEL-1/2" HEAD - WASHED MAPLE |
| 13A | 074045-13-000 | EA PLUG - OAK - 3/8" DOWEL-1/2" HEAD - PORTSMOUTH OAK |
| 13A | 074045-14-000 | EA PLUG - OAK - 3/8" DOWEL-1/2" HEAD - HONEY CHERRY |
| 13A | 074045-15-000 | EA PLUG - OAK - 3/8" DOWEL-1/2" HEAD - SIERRA MAPLE |

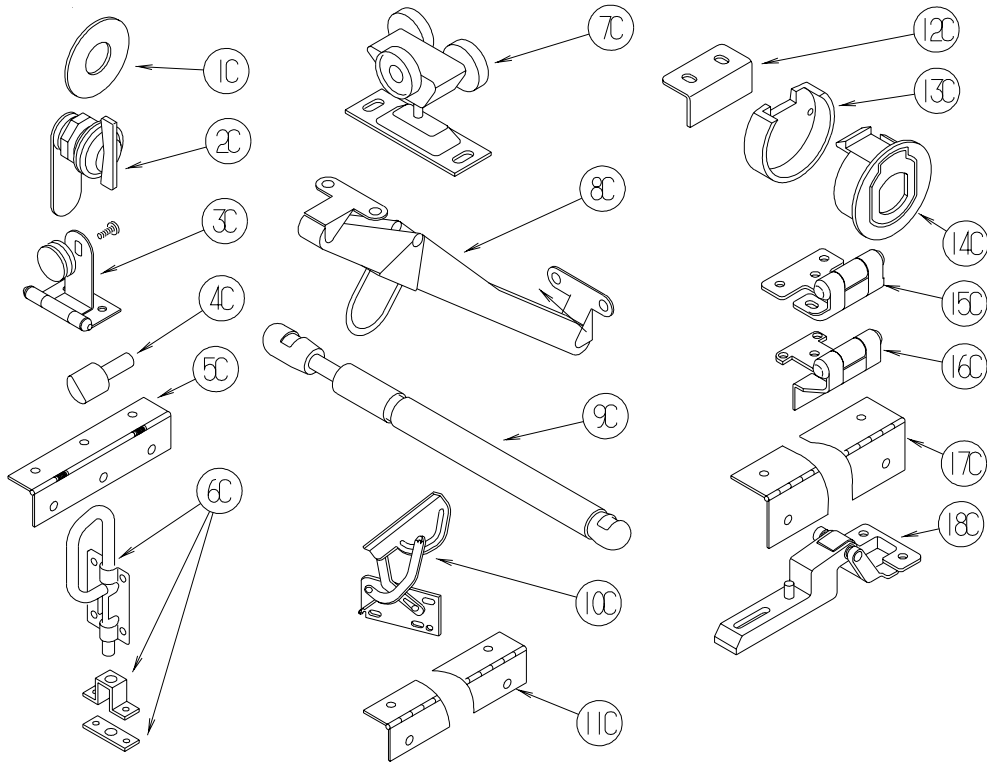
INTERIOR FINISH GROUP (CONTINUED)

HARDWARE (CONTINUED)



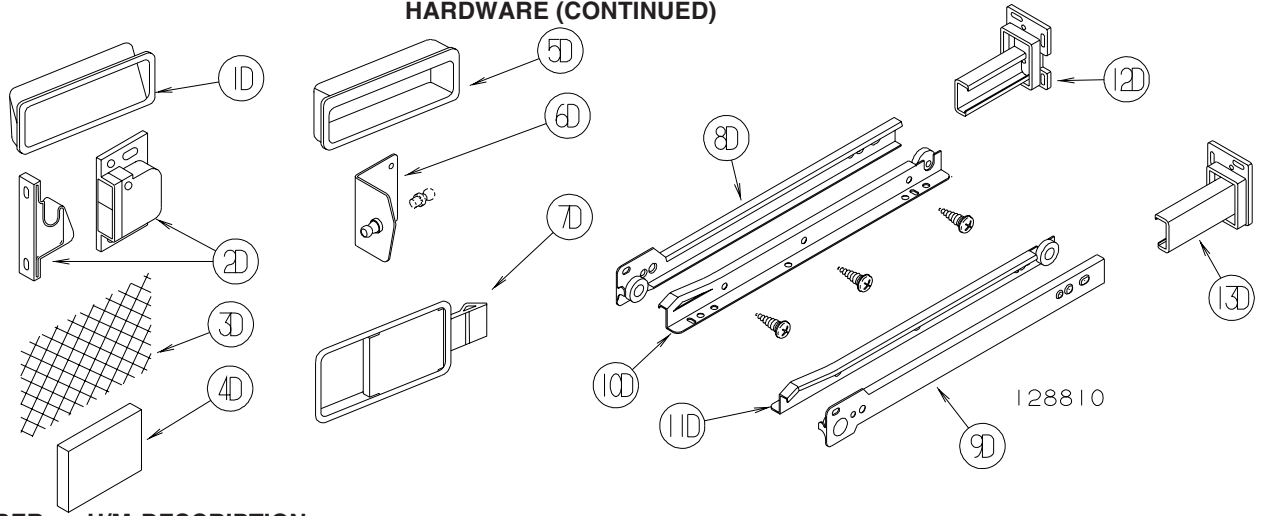
| KEY | PART NUMBER | U/M | DESCRIPTION |
|-----|---------------|-----|------------------------------------------------------|
| 1B | 074493-02-000 | EA | SUPPORT - PISTON SPRING - CABINET DOOR - 26 LBS |
| 1B | 074493-03-000 | EA | SUPPORT - PISTON SPRING - CABINET DOOR - 12 LBS |
| 2B | 079921-01-000 | EA | ROLLER - NYLON - W/STEEL SHAFT - BARBED |
| 3B | 083125-07-000 | EA | BRACE - ANGLE/COUCH - 2.5" - OFF WHITE |
| 4B | 083204-03-000 | EA | BUTTON - RETAINING MIRROR 5/16" TIP |
| 5B | 084070-03-000 | EA | POST - END - 2.4" - SHINY BRASS |
| 6B | 084071-20-000 | EA | ROD - BRASS - 9.8" |
| 6B | 146840-03-01A | EA | ROD - .25" DIAMETER - BRASS |
| 6B | 146840-03-02A | EA | ROD - .25" DIAMETER - PEWTER |
| 6B | 146840-04-01A | EA | ROD - .25" DIAMETER - BRASS |
| 6B | 146840-04-02A | EA | ROD - .25" DIAMETER - PEWTER |
| 6B | 146840-05-01A | EA | ROD - .25" DIAMETER - BRASS |
| 6B | 146840-05-02A | EA | ROD - .25" DIAMETER - PEWTER |
| 7B | 084413-01-000 | EA | HINGE - 1" X 72" - ALUMINUM - W/HOLES |
| 8B | 084451-01-000 | EA | CATCH & LATCH - 1.7" - BRASS |
| 9B | 093586-03-000 | EA | CATCH - SPRING ROLLER - .377" |
| 9B | 093586-06-000 | EA | CATCH - SPRING ROLLER - .236" |
| 10B | 093586-04-000 | EA | STRIKE - SPRING STEEL - 1.14" |
| 10B | 093586-05-000 | EA | STRIKE - SPRING STEEL - .943" |
| 11B | 093622-01-000 | EA | TRACK - DOOR - TAMBOUR - PLASTIC - 8' LENGTHS |
| 12B | 093623-01-000 | EA | CORNER - TRACK - TAMBOUR DOOR |
| 13B | 096826-01-01A | EA | BRACE-CABINET E-COATED |
| 14B | 097872-04-000 | EA | DOWEL - WOOD - 1" DIAMETER X 1.38" LONG - UNFINISHED |
| 15B | 098196-01-000 | EA | LATCH - 1/4 TURN - T-BAR |
| 16B | 098979-01-000 | EA | CLIP - ADJUSTABLE SHELF |
| 17B | 098980-01-000 | EA | PILASTER - ADJUSTABLE SHELF - 18" |
| 17B | 098980-02-000 | EA | PILASTER - ADJUSTABLE SHELF - 12" |
| 17B | 098980-03-000 | EA | PILASTER - ADJUSTABLE SHELF - 9" |
| 17B | 098980-04-000 | EA | PILASTER - ADJUSTABLE SHELF - 48" |
| 17B | 098980-05-000 | EA | PILASTER - ADJUSTABLE SHELF - 15" |
| 17B | 098980-06-000 | EA | PILASTER - ADJUSTABLE SHELF - 24" |

INTERIOR FINISH GROUP (CONTINUED)
HARDWARE (CONTINUED)



| KEY | PART NUMBER | U/M | DESCRIPTION |
|-----|---------------|-----|-----------------------------------------------------------|
| 1C | 100707-01-000 | EA | SPACER - GLASS DOOR - .8" DIA - .3" HOLE - PLASTIC |
| 2C | 100710-01-01A | EA | LOCK - GLASS DOOR/TWIST TYPE - BRASS |
| 3C | 100711-01-01A | EA | HINGE - GLASS DOOR |
| 4C | 101766-01-000 | EA | PIN - SUPPORT/GLASS DOOR |
| 5C | 102920-01-01A | EA | HINGE - SPRING LOADED - BRASS |
| 6C | 103256-01-000 | EA | LATCH COMPLETE (SLIDE) |
| 7C | 103874-01-000 | EA | HANGER - SLIDING DOOR |
| 8C | 104181-01-01A | EA | SUPPORT - LEAF 5.3" EXTENDS TO 7.5" - SAFETY RING - METAL |
| 9C | 142569-15-000 | EA | SPRING/GAS - 12" COMPRESSED/20" EXTENDED - 120 LB. |
| 9C | 142569-16-000 | EA | SPRING/GAS - 12" COMPRESSED/20" EXTENDED - 90 LB |
| 10C | 108126-01-000 | EA | TRAY HINGE SET (QTY. 2 PER SET) |
| 11C | 110496-01-01A | EA | HINGE - BRASS |
| 12C | 113375-02-01A | EA | STRIKE - DOOR - CHROME |
| 13C | 113375-05-01A | EA | LATCH - SLAM - BACK - .8" THICK |
| 14C | 113375-06-01A | EA | LATCH - SLAM - FACE - .7" THICK |
| 15C | 113676-01-01A | EA | HINGE - OVERLAY - VARIABLE - BURNISHED BRASS |
| 16C | 113677-01-01A | EA | HINGE - SELF CLOSING |
| 17C | 114278-02-000 | EA | HINGE - CONTINUOUS - 3" WIDE |
| 18C | 114443-01-01A | EA | HINGE - CABINET DOOR |

INTERIOR FINISH GROUP (CONTINUED)
HARDWARE (CONTINUED)



| KEY | PART NUMBER | U/M | DESCRIPTION |
|-----|---------------|-----|------------------------------------------------------------|
| 1D | 115994-01-01A | EA | HANDLE - POCKET |
| 2D | 117095-01-01A | EA | LATCH - DOOR - GRABBER W/KEEPER - PLASTIC - BLK-5 LB PULL |
| 2D | 117095-02-01A | EA | LATCH - DOOR - GRABBER W/KEEPER - PLASTIC - BLK-10 LB PULL |
| 3D | 118200-01-01A | SF | MESH - PLASTIC 1/2" - 48" X LENGTH = SF - BLACK |
| 4D | 122717-06-01A | FT | PAD - NON-SKID - PSA - 5"W |
| 5D | 124311-01-01A | EA | HANDLE - RECESSED - BRASS |
| 6D | 126263-06-02B | EA | BRACKET - GAS SPRING W/INSIDE BALL STUD - E-COATED |
| | 057460-02-000 | EA | BALL STUD - F/GAS SPRING .39" - 5/16" - 18 |
| 6D | 126263-08-02B | EA | BRACKET - GAS SPRING W/CENTERED BALL STUD - E-COATED |
| 7D | 127349-01-01A | EA | LATCH - PADDLE |

FROM: 00-00-00 THRU: 01-03-05

| | | | |
|-----|---------------|----|--------------------------------------|
| 8D | 128810-01-01A | EA | SLIDE - DRAWER - 12" - LEFT CABINET |
| 8D | 128810-05-01A | EA | SLIDE - DRAWER - 14" - LEFT CABINET |
| 8D | 128810-09-01A | EA | SLIDE - DRAWER - 16" - LEFT CABINET |
| 8D | 128810-13-01A | EA | SLIDE - DRAWER - 18" - LEFT CABINET |
| 8D | 128810-17-01A | EA | SLIDE - DRAWER - 20" - LEFT CABINET |
| 8D | 128810-21-01A | EA | SLIDE - DRAWER - 22" - LEFT CABINET |
| 8D | 128810-25-01A | EA | SLIDE - DRAWER - 24" - LEFT CABINET |
| 9D | 128810-02-01A | EA | SLIDE - DRAWER - 12" - RIGHT CABINET |
| 9D | 128810-06-01A | EA | SLIDE - DRAWER - 14" - RIGHT CABINET |
| 9D | 128810-10-01A | EA | SLIDE - DRAWER - 16" - RIGHT CABINET |
| 9D | 128810-14-01A | EA | SLIDE - DRAWER - 18" - RIGHT CABINET |
| 9D | 128810-18-01A | EA | SLIDE - DRAWER - 20" - RIGHT CABINET |
| 9D | 128810-22-01A | EA | SLIDE - DRAWER - 22" - RIGHT CABINET |
| 9D | 128810-26-01A | EA | SLIDE - DRAWER - 24" - RIGHT CABINET |
| 10D | 128810-03-01A | EA | SLIDE - DRAWER - 12" - LEFT DRAWER |
| 10D | 128810-07-01A | EA | SLIDE - DRAWER - 14" - LEFT DRAWER |
| 10D | 128810-11-01A | EA | SLIDE - DRAWER - 16" - LEFT DRAWER |
| 10D | 128810-15-01A | EA | SLIDE - DRAWER - 18" - LEFT DRAWER |
| 10D | 128810-19-01A | EA | SLIDE - DRAWER - 20" - LEFT DRAWER |
| 10D | 128810-23-01A | EA | SLIDE - DRAWER - 22" - LEFT DRAWER |
| 10D | 128810-27-01A | EA | SLIDE - DRAWER - 24" - LEFT DRAWER |
| 11D | 128810-04-01A | EA | SLIDE - DRAWER - 12" - RIGHT DRAWER |
| 11D | 128810-08-01A | EA | SLIDE - DRAWER - 14" - RIGHT DRAWER |
| 11D | 128810-12-01A | EA | SLIDE - DRAWER - 16" - RIGHT DRAWER |
| 11D | 128810-16-01A | EA | SLIDE - DRAWER - 18" - RIGHT DRAWER |
| 11D | 128810-20-01A | EA | SLIDE - DRAWER - 20" - RIGHT DRAWER |
| 11D | 128810-24-01A | EA | SLIDE - DRAWER - 22" - RIGHT DRAWER |
| 11D | 128810-28-01A | EA | SLIDE - DRAWER - 24" - RIGHT DRAWER |
| 12D | 128811-01-02A | EA | BACKSOCKET - ADJUSTABLE - LEFT |
| 13D | 128811-02-02A | EA | BACKSOCKET - ADJUSTABLE - RIGHT |

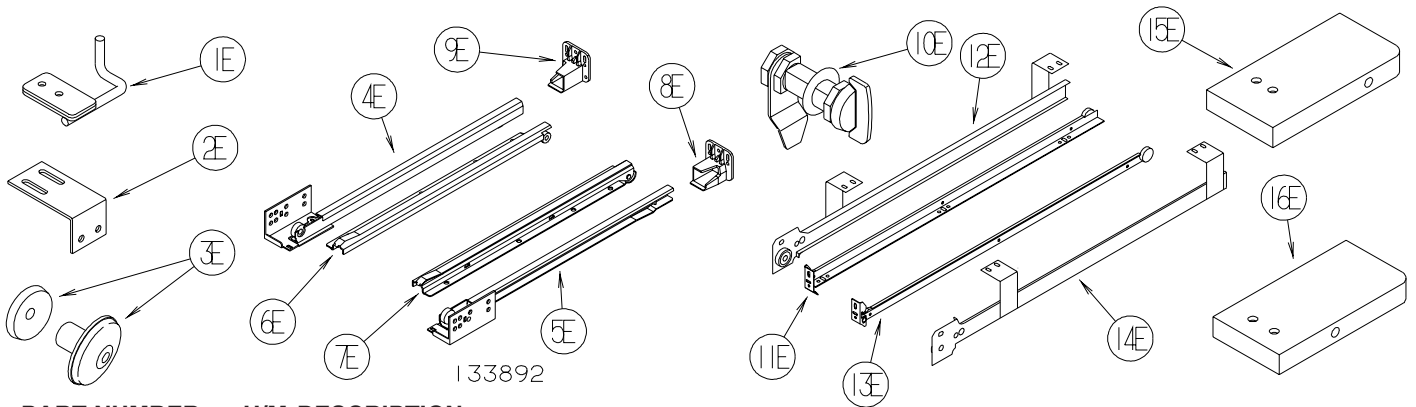
FROM: 01-04-05 THRU: 99-99-99

| | | |
|---------------|----|-------------------------------|
| 153000-01-01A | EA | SLIDE - CABINET MOUNT - 11.8" |
| 153000-02-01A | EA | SLIDE - DRAWER MOUNT - 11.8" |
| 153000-03-01A | EA | SLIDE - CABINET MOUNT - 13.8" |
| 153000-04-01A | EA | SLIDE - DRAWER MOUNT - 13.8" |
| 153000-05-01A | EA | SLIDE - CABINET MOUNT - 15.7" |
| 153000-06-01A | EA | SLIDE - DRAWER MOUNT - 15.7" |

INTERIOR FINISH GROUP (CONTINUED)

HARDWARE (CONTINUED)

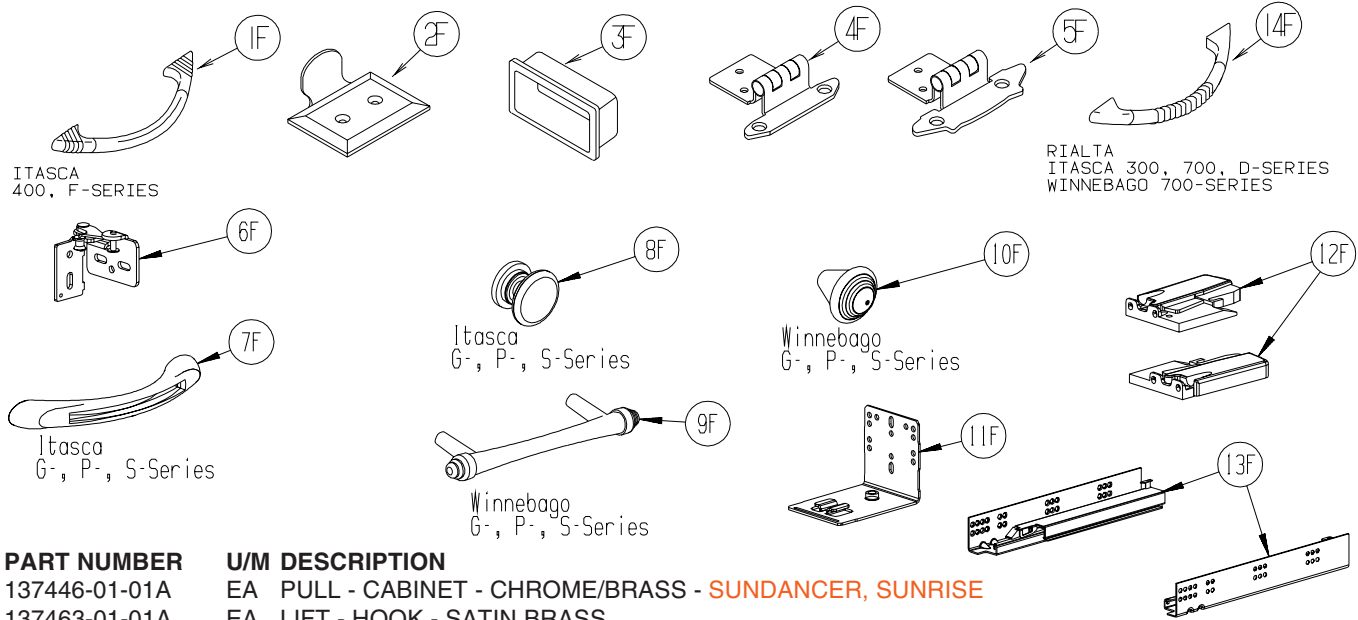
| KEY | PART NUMBER | U/M | DESCRIPTION |
|-----|---------------|-----|-------------------------------|
| | 153000-07-01A | EA | SLIDE - CABINET MOUNT - 17.7" |
| | 153000-08-01A | EA | SLIDE - DRAWER MOUNT - 17.7" |
| | 153000-09-01A | EA | SLIDE - CABINET MOUNT - 19.7" |
| | 153000-10-01A | EA | SLIDE - DRAWER MOUNT - 19.7" |
| | 153000-11-01A | EA | SLIDE - CABINET MOUNT - 21.6" |
| | 153000-12-01A | EA | SLIDE - DRAWER MOUNT - 21.6" |
| | 153000-14-01A | EA | SLIDE - CABINET MOUNT - 23.6" |
| | 153000-15-01A | EA | SLIDE - DRAWER MOUNT - 23.4" |
| | 153000-16-01A | EA | SLIDE - CABINET MOUNT - 7.9" |
| | 153000-17-01A | EA | SLIDE - DRAWER MOUNT - 7.7" |
| | 153000-18-01A | EA | SLIDE - CABINET MOUNT - 9.8" |
| | 153000-19-01A | EA | SLIDE - DRAWER MOUNT - 9.6" |
| | 153000-13-01A | EA | BACKSOCKET - DRAWER SLIDE |



| KEY | PART NUMBER | U/M | DESCRIPTION |
|-----|---------------|-----|---------------------------------------------------------------------------|
| 1E | 130798-01-02B | EA | GUIDE - POCKET DOOR - E-COATED |
| 2E | 132871-02-02B | EA | BRACKET/L-ANGLE W/HOLES - 1.9" X 2.8" - E-COATED |
| 3E | 133313-01-02A | EA | PULL - DOOR/DRAWER - BRIGHT BRASS - MINNIE, MINNIE WINNIE, BRAVE & SPIRIT |
| 3E | 133313-01-03A | EA | PULL - DOOR/DWR - CHROME/BRASS - SUNDANCER AND SUNRISE |
| 4E | 133892-01-01A | EA | SLIDE - DRAWER - 16" - LEFT CABINET |
| 4E | 133892-06-01A | EA | SLIDE - DRAWER - 22" - LEFT CABINET |
| 4E | 133892-10-01A | EA | SLIDE - DRAWER - 12" - LEFT CABINET |
| 4E | 133892-14-01A | EA | SLIDE - DRAWER - 18" - LEFT CABINET |
| 5E | 133892-02-01A | EA | SLIDE - DRAWER - 16" - RIGHT CABINET |
| 5E | 133892-07-01A | EA | SLIDE - DRAWER - 22" - RIGHT CABINET |
| 5E | 133892-11-01A | EA | SLIDE - DRAWER - 12" - RIGHT CABINET |
| 5E | 133892-15-01A | EA | SLIDE - DRAWER - 18" - RIGHT CABINET |
| 6E | 133892-03-01A | EA | SLIDE - DRAWER - 16" - LEFT DRAWER |
| 6E | 133892-08-01A | EA | SLIDE - DRAWER - 22" - LEFT DRAWER |
| 6E | 133892-12-01A | EA | SLIDE - DRAWER - 12" - LEFT DRAWER |
| 6E | 133892-16-01A | EA | SLIDE - DRAWER - 18" - LEFT DRAWER |
| 7E | 133892-04-01A | EA | SLIDE - DRAWER - 16" - RIGHT DRAWER |
| 7E | 133892-09-01A | EA | SLIDE - DRAWER - 22" - RIGHT DRAWER |
| 7E | 133892-13-01A | EA | SLIDE - DRAWER - 12" - RIGHT DRAWER |
| 7E | 133892-17-01A | EA | SLIDE - DRAWER - 18" - RIGHT DRAWER |
| 8E | 133907-01-01A | EA | BACKSOCKET - RIGHT HAND |
| 9E | 133907-02-01A | EA | BACKSOCKET - LEFT HAND |
| 10E | 135231-01-01A | EA | LATCH - COMPRESSION - BLACK |
| 11E | 136944-01-01A | EA | SLIDE - DRAWER/RIGHT HAND - 13.8" |
| 12E | 136944-02-01A | EA | SLIDE - CABINET/RIGHT HAND - 13.8" |
| 13E | 136944-03-01A | EA | SLIDE - DRAWER/LEFT HAND - 13.8" |
| 14E | 136944-04-01A | EA | SLIDE - CABINET/LEFT HAND - 13.8" |
| 15E | 137445-01-N42 | EA | STOP - F/SLIDING DOOR - PORTSMOUTH OAK |
| 15E | 137445-01-P46 | EA | STOP - F/SLIDING DOOR - CONCERT CHERRY |
| 15E | 137445-01-P56 | EA | STOP - F/SLIDING DOOR - WASHED MAPLE |
| 15E | 137445-01-S67 | EA | STOP - F/SLIDING DOOR - HONEY CHERRY |
| 16E | 137445-02-P45 | EA | STOP - F/SLIDING DOOR - PORTSMOUTH OAK |
| 16E | 137445-02-P46 | EA | STOP - F/SLIDING DOOR - CONCERT CHERRY |
| 16E | 137445-02-P56 | EA | STOP - F/SLIDING DOOR - WASHED MAPLE |
| 16E | 137445-02-S67 | EA | STOP - F/SLIDING DOOR - HONEY CHERRY |

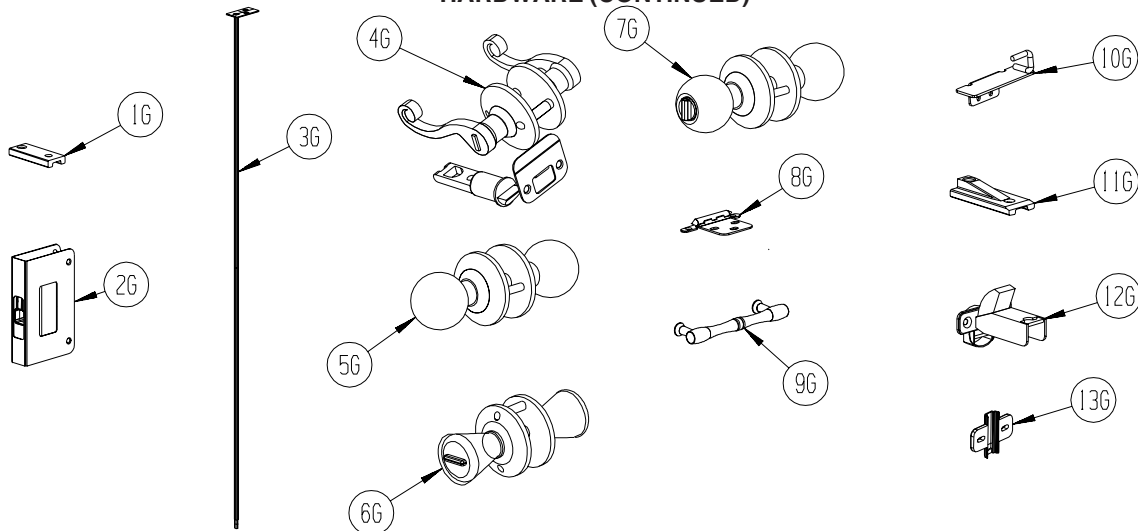
INTERIOR FINISH GROUP (CONTINUED)

HARDWARE (CONTINUED)



| KEY | PART NUMBER | U/M | DESCRIPTION |
|-----|---------------|-----|--------------------------------------------------------------------------|
| 1F | 137446-01-01A | EA | PULL - CABINET - CHROME/BRASS - SUNDANCER, SUNRISE |
| 2F | 137463-01-01A | EA | LIFT - HOOK - SATIN BRASS |
| 2F | 137463-01-02A | EA | LIFT - HOOK - PEWTER |
| 3F | 139136-01-01A | EA | HANDLE - RECESSED .7" - BRASS |
| 3F | 139136-02-01A | EA | HANDLE - RECESSED .35" - BRASS |
| 3F | 139136-02-02A | EA | HANDLE - RECESSED .35" - PEWTER |
| 4F | 143468-01-02A | EA | HINGE - SELF CLOSING - POLISHED BRASS |
| 5F | 143468-02-03A | EA | HINGE - SELF CLOSING - SATIN NICKEL |
| 6F | 144488-01-02A | EA | HINGE - CABINET - NICKEL - HORIZON |
| 7F | 144917-01-01A | EA | PULL - DRAWER - SATIN NICKEL - SUNCRUISER, MERIDIAN, HORIZON |
| 8F | 144918-01-01A | EA | PULL - DRAWER/KNOB - SATIN NICKEL - SUNCRUISER, MERIDIAN, HORIZON |
| 9F | 145172-01-01A | EA | PULL - CABINET DOOR - BRASS - ADVENTURER, JOURNEY, VECTRA |
| 9F | 145172-01-02A | EA | PULL - CABINET DOOR - CHROME - ADVENTURER, JOURNEY, VECTRA |
| 10F | 145172-02-01A | EA | KNOB - CABINET DOOR - BRASS - ADVENTURER, JOURNEY, VECTRA |
| 10F | 145172-02-02A | EA | KNOB - CABINET DOOR - CHROME - ADVENTURER, JOURNEY, VECTRA |
| 11F | 145739-01-000 | EA | BRACKET - REAR MOUNT |
| 12F | 145739-02-000 | EA | LOCKING MECHANISM - LEFT |
| 12F | 145739-03-000 | EA | LOCKING MECHANISM - RIGHT |
| 13F | 145739-04-000 | EA | SLIDE - DRAWER - 12" |
| 14F | 148816-01-01A | EA | PULL - CABINET DOOR - BRASS - RIALTA, SUNDANCER, SUNOVA |
| 14F | 148816-01-02A | EA | PULL - CABINET DOOR - NICKEL - ASPECT, CAMBRIA |

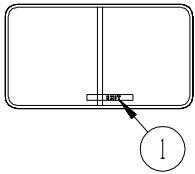
INTERIOR FINISH GROUP (CONTINUED)
HARDWARE (CONTINUED)



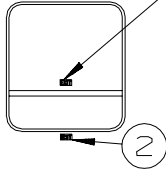
| KEY | PART NUMBER | U/M | DESCRIPTION |
|-----|---------------|-----|------------------------------------------------------------------------------|
| 1G | 145815-01-000 | EA | BLOCK - DOOR TRACK - 3" X 1.2" - BLACK |
| 2G | 145939-01-01A | EA | LATCH - SLIDE - AISLE DOOR(1" THICK DOOR) - BRASS |
| 2G | 145939-01-02A | EA | LATCH - SLIDE - AISLE DOOR(1" THICK DOOR) - NICKEL |
| 3G | 145939-03-01A | EA | ROD/LATCH - AISLE DOOR - BRASS |
| 3G | 145939-03-02A | EA | ROD/LATCH - AISLE DOOR - NICKEL |
| 4G | 146064-01-01A | EA | LOCK/PRIVACY (LOCKING) LEVER STYLE - POLISHED BRASS |
| 4G | 146064-01-02A | EA | LOCK/PRIVACY (LOCKING) LEVER STYLE - SATIN PEWTER |
| 5G | 146064-04-01A | EA | LOCK/PASSAGE (NON LOCKING) KNOB STYLE - POLISHED BRASS |
| 6G | 146064-05-01A | EA | LOCK/PRIVACY (LOCKING) KNOB STYLE - SATIN NICKEL |
| 7G | 146064-06-01A | EA | LOCK/PASSAGE (NON LOCKING) KNOB STYLE - SATIN NICKEL |
| 8G | 146553-01-01A | EA | HINGE - CABINET DOOR - BURNISHED BRASS |
| 8G | 146553-01-02A | EA | HINGE - CABINET DOOR - BRIGHT BRASS |
| 8G | 146553-01-03A | EA | HINGE - CABINET DOOR - SATIN NICKEL |
| 9G | 149090-01-01A | EA | PULL - CABINET DOOR - BRASS - MINNIE, MINNIE WINNIE, BRAVE, SIGHTSEER |
| 10G | 149607-01-02B | EA | GUIDE - F/POCKET DOOR - 1.6" BENT ROD - E-COATED |
| 10G | 149607-03-02B | EA | GUIDE - F/POCKET DOOR - 2.9" BENT ROD - E-COATED |
| 11G | 150983-01-01A | EA | BLOCK - DOOR TRACK - 3" X 1.2" - BLACK |
| 12G | 151305-01-01A | EA | HINGE - CONCEALED/SELF CLOSING - BRASS |
| 13G | 151305-02-01A | EA | PLATE/MOUNTING - F/HINGE - WHITE |

LABELS GROUP

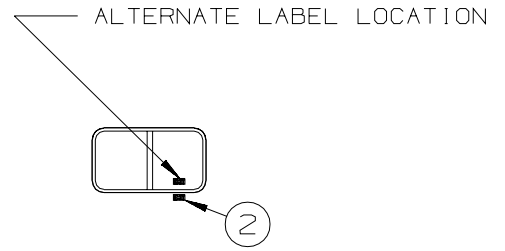
ALTERNATE LABEL LOCATION



EXIT WINDOW (POP-OUT STYLE)



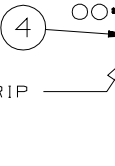
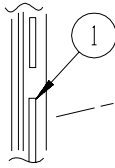
EXIT WINDOW (HINGE STYLE)



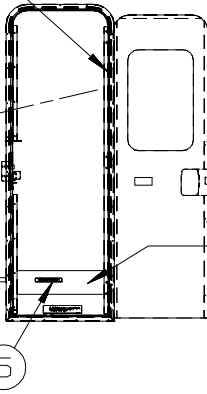
EXIT WINDOW (SLIDER STYLE)

| KEY | PART NUMBER | U/M | DESCRIPTION |
|-----|---------------|-----|----------------------------|
| 1 | 107571-01-000 | EA | LABEL - EXIT/ESCAPE WINDOW |
| 2 | 039290-01-000 | EA | LABEL - WARNING - EXIT |

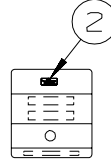
DOOR JAMB



FEATURE STRIP



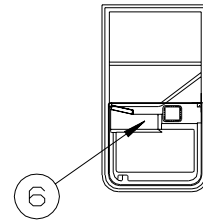
ENTRANCE DOOR



BATTERY BOX/STEP COVER
(BOTTOM SIDE)



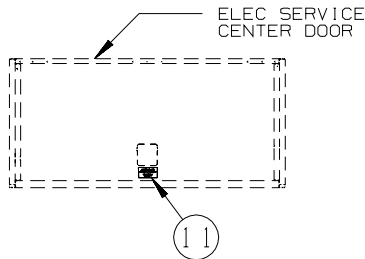
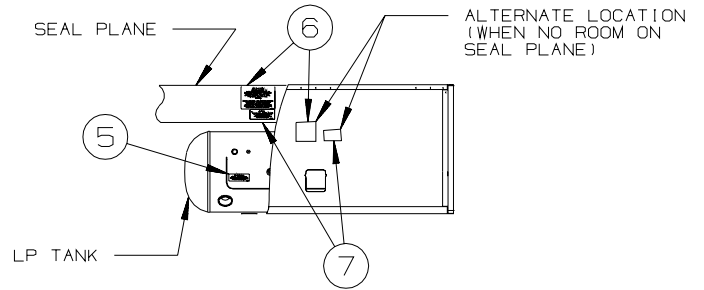
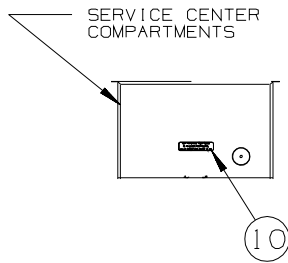
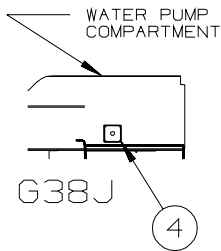
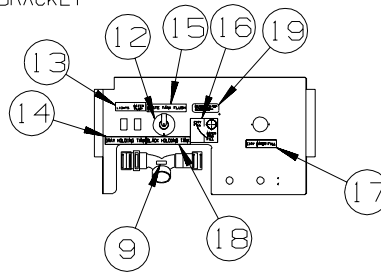
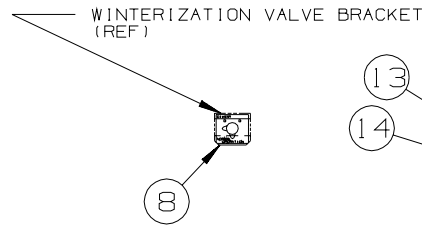
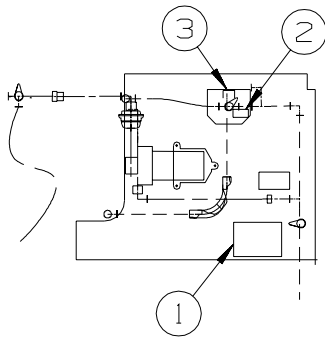
FUEL FILL



| KEY | PART NUMBER | U/M | DESCRIPTION |
|-----|---------------|-----|--------------------------------------------------|
| 1 | 135869-01-01A | EA | LABEL - MERCURY CONTENT - BLACK ON CLEAR |
| 2 | 124519-01-01A | EA | LABEL - WARNING/REFUELING - BLACK ON CLEAR |
| 2 | 124519-01-02A | EA | LABEL - WARNING/REFUELING - WHITE ON CLEAR |
| 2 | 124519-02-01A | EA | LABEL - WARNING/REFUELING - BLACK ON CLEAR - CSA |
| 2 | 124519-02-02A | EA | LABEL - WARNING/REFUELING - WHITE ON CLEAR - CSA |
| 3 | 087207-05-000 | EA | LABEL - FUEL CAP REMOVAL |
| 4 | 099509-01-000 | EA | LABEL - AWNING INSTALLATION |
| 5 | 065748-01-000 | EA | LABEL - WARNING - BATTERY CHARGING - UL |
| 5 | 065748-02-000 | EA | LABEL - WARNING - BATTERY CHARGING - CSA |
| 6 | 116775-01-000 | EA | LABEL/CAUTION - TRAVEL LATCH |

LABELS GROUP (CONTINUED)

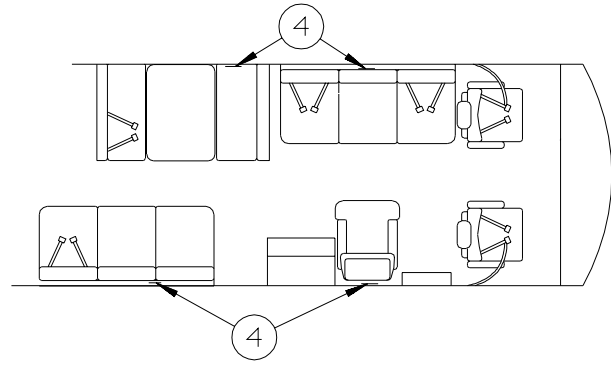
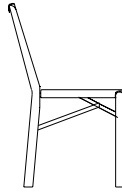
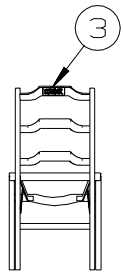
TYPICAL SERVICE PANEL



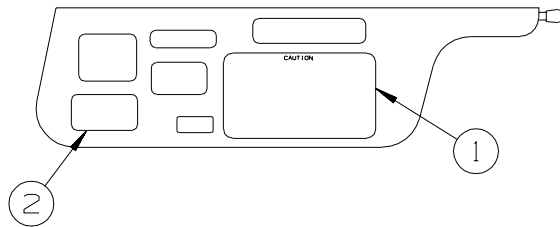
| KEY | PART NUMBER | U/M | DESCRIPTION |
|-----|---------------|-----|------------------------------------------------------------|
| 1 | 133423-01-01A | EA | LABEL - DRAIN |
| 2 | 133424-02-01A | EA | LABEL - NORMAL OPERATION |
| 3 | 133424-03-01A | EA | LABEL - WATER HEATER BYPASS - BLACK/CLEAR |
| 4 | 127170-01-000 | EA | LABEL - WATER TANK DRAIN |
| 5 | 079965-01-000 | EA | LABEL - LPG - 80% CAPACITY |
| 6 | 023769-01-000 | EA | LABEL - WARNING - LPG - CANADIAN |
| 6 | 124520-01-01A | EA | LABEL - LP GAS ONLY - BLACK ON CLEAR |
| 7 | 124519-01-01A | EA | LABEL - WARNING/REFUELING - BLACK ON CLEAR |
| 7 | 124519-01-02A | EA | LABEL - WARNING/REFUELING - WHITE ON CLEAR |
| 7 | 124519-02-01A | EA | LABEL - WARNING/REFUELING - BLACK ON CLEAR - CSA |
| 7 | 124519-02-02A | EA | LABEL - WARNING/REFUELING - WHITE ON CLEAR - CSA |
| 8 | 137997-01-01A | EA | LABEL - WINTERIZATION VALVE - BLACK/CLEAR |
| 9 | 144649-01-01A | EA | LABEL - ADJUSTABLE VALVE - WHITE ON CLEAR |
| 10 | 123562-01-000 | EA | LABEL - SERVICE/UTILITY ACCESS |
| 11 | 125306-01-01A | EA | LABEL - ELECTRICAL ENTRANCE - 110V 30 AMP - BLACK ON CLEAR |
| 11 | 125306-01-02A | EA | LABEL - ELECTRICAL ENTRANCE - 110V 30 AMP - WHITE ON CLEAR |
| 11 | 125306-04-01A | EA | LABEL - ELECTRICAL ENTRANCE-120/20V 50 AMP-BLACK ON CLEAR |
| 11 | 125306-04-02A | EA | LABEL - ELECTRICAL ENTRANCE-120/240V 50 AMP-WHITE ON CLEAR |
| 12 | 125697-07-000 | EA | LABEL - CAUTION - F/FLUSHING SYSTEM |
| 13 | 130170-02-000 | EA | LABEL - SWITCH PANEL - BLK/CLEAR BACKGROUND- 1.4"H X 3.9"L |
| 14 | 126247-05-000 | EA | LABEL - GRAY HOLDING TANK-BLACK LETTERS/CLEAR BACKGROUND |
| 15 | 130168-01-000 | EA | LABEL - WASTE TANK FLUSH |
| 16 | 117629-04-000 | EA | LABEL - CITY WATER/TANK FILL |
| 17 | 126249-03-000 | EA | LABEL - CITY WATER FILL-BLK LETTERS/CLEAR BACKGROUND .31" |
| 18 | 126247-06-000 | EA | LABEL - BLACK HOLDING TANK-BLACK LETTERS/CLEAR BACKGROUND |
| 19 | 154292-01-01A | EA | LABEL - TANK FILL VALVE |

LABELS GROUP (CONTINUED)

TYPICAL SEAT AND BELT CONFIGURATIONS

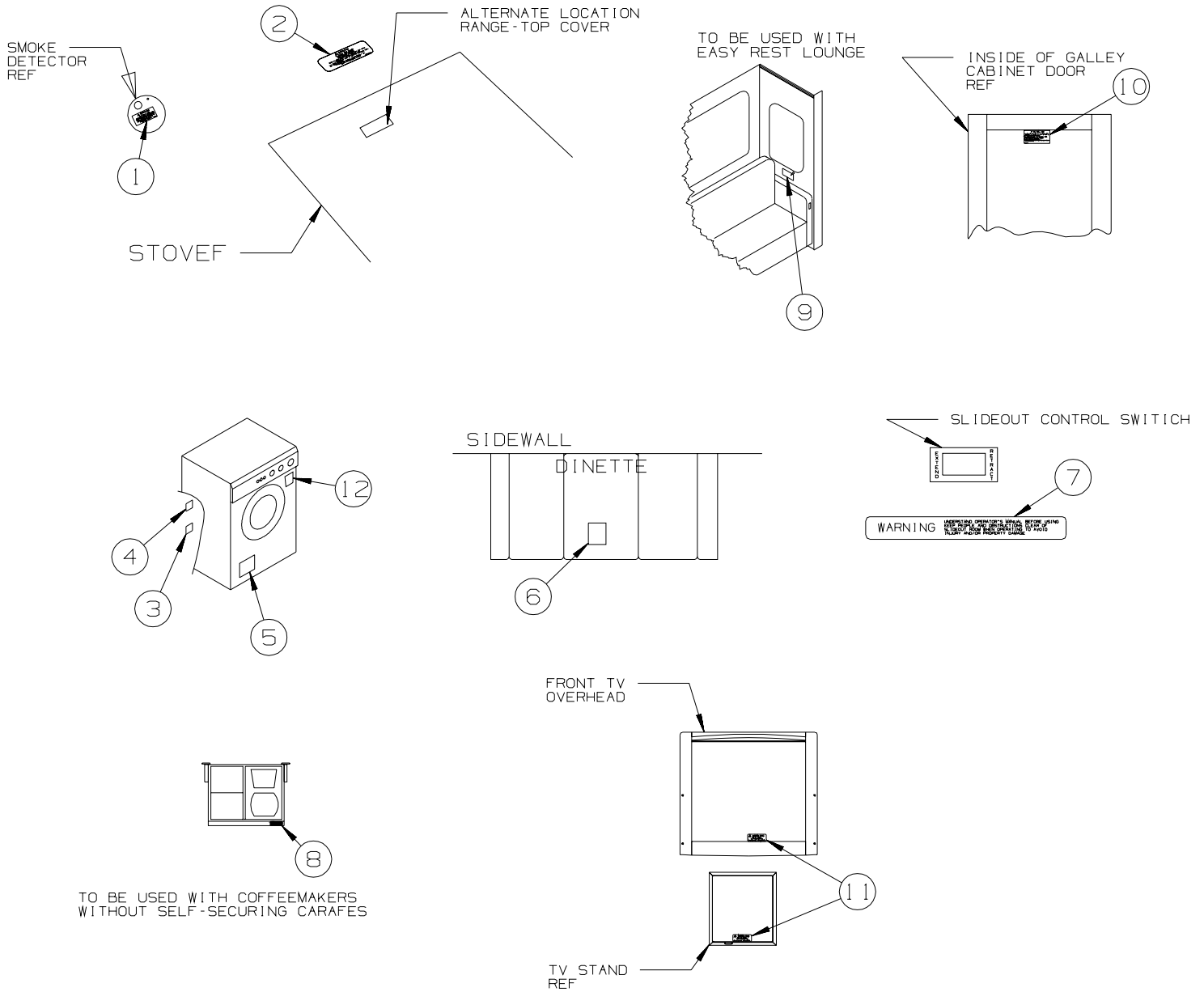


LABELS SHALL BE LOCATED ON OPPOSITE SIDE OF VISOR THAT THE AIR BAG LABEL IS INSTALLED ON



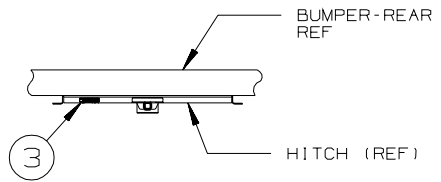
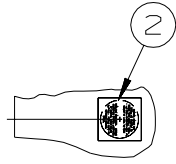
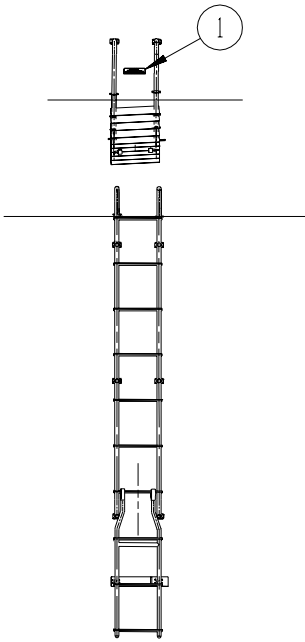
| KEY | PART NUMBER | U/M | DESCRIPTION |
|-----|---------------|-----|---------------------------------------------------------|
| 1 | 056259-01-000 | EA | LABEL - SAFETY CHECK LIST |
| 2 | 111802-01-000 | EA | LABEL - CFC WARNING |
| 3 | 134537-01-01A | EA | LABEL - OCCUPANCY - CHAIR - US |
| 3 | 134537-02-01A | EA | LABEL - OCCUPANCY - CHAIR - CSA |
| 4 | 134538-01-01A | EA | LABEL - OCCUPANCY - NO SEAT BELT - BLACK ON CLEAR - US |
| 4 | 134538-02-01A | EA | LABEL - OCCUPANCY - NO SEAT BELT - BLACK ON CLEAR - CSA |

LABELS GROUP (CONTINUED)



| KEY | PART NUMBER | U/M DESCRIPTION |
|-----|---------------|-----------------------------------------------------------|
| 1 | 077956-01-000 | EA LABEL - WARNING/SMOKE DETECTOR |
| 2 | 134539-01-01A | EA LABEL - WARNING - STOVE/HEATING - US - BLACK ON CLEAR |
| 2 | 134540-01-01A | EA LABEL - WARNING - STOVE/HEATING - CSA - BLACK ON CLEAR |
| 3 | 147524-01-000 | EA LABEL - DRYER VENTING |
| 4 | 147525-01-000 | EA LABEL - DRYER VENT CUTOUT |
| 5 | 130670-01-01A | EA LABEL - CAUTION DRYER VENTING - BLACK ON CLEAR |
| 6 | NOT USED | EA STICKER - STATIC CLING - ADVENTURER |
| 6 | NOT USED13 | EA STICKER - STATIC CLING - SUNCRUISER |
| 7 | 116549-01-000 | EA LABEL - WARNING - SLIDEOUT |
| 8 | 116829-02-000 | EA LABEL - COFFEEMAKER |
| 9 | 137260-01-01A | EA LABEL - WARNING - REST EASY SOFA - BLACK ON CLEAR |
| 10 | 073998-01-000 | EA LABEL - LPG/ODOR WARNING |
| 11 | 079966-01-000 | EA LABEL - WARNING - STOWED - MOTION |
| 12 | 153640-01-01A | EA LABEL - WINTERIZATION - WASHER/DRYER |

LABELS GROUP (CONTINUED)



| KEY | PART NUMBER | U/M | DESCRIPTION |
|-----|---------------|-----|----------------------------------------------------|
| 1 | 128218-01-01A | EA | LABEL - WARNING - SLIPPERY ROOF |
| 2 | 120431-01-000 | EA | LABEL - LOCATION - COAXIAL CABLE/SATELLITE ANTENNA |
| 3 | 129669-02-02A | EA | LABEL - HITCH/VEHICLE RATE - 500 - BLACK ON CLEAR |
| 3 | 129669-02-01A | EA | LABEL - HITCH/VEHICLE RATE - 500 - WHITE ON CLEAR |

LP GROUP
LP SYSTEM

| KEY | PART NUMBER | U/M | DESCRIPTION |
|-----|---------------|-----|------------------------------------------------------------|
| | 010265-01-000 | EA | ELBOW - BRASS - 90 DEGREE - 3/8"F X 1/2"FPT |
| | 010323-01-000 | EA | ADAPTER - 3/8"F X 1/2"MPT - BRASS |
| | 010326-01-000 | EA | ADAPTER - FLARE - W/CONE GASKET - 3/8"F X 1/2"F |
| | 010329-01-000 | EA | ADAPTER - 1/2"F X 1/2"MPT - BRASS |
| | 010377-02-000 | EA | NUT - 3/8" FLARE - FORGED - BRASS |
| | 010380-02-000 | EA | NUT - 1/2" FLARE - FORGED - BRASS |
| | 010589-01-000 | EA | NIPPLE - PIPE - 1/2" X 1 1/2" - BLACK |
| | 024250-01-000 | EA | ADAPTER - BRASS - 3/8"F X 1/2"FPT |
| | 040440-03-000 | EA | TRANSMITTER - DIAL/SNAP-ON - 0-90 OHM 2 TERM(POWER/GROUND) |
| | 045703-01-000 | EA | HOSE - LP - 3/8"ID X 24" - 3/8"MPT X 1/2"F SWIVEL - U.S. |
| | 045703-02-000 | EA | HOSE - LP - 3/8"ID X 24" - 3/8"MPT X 1/2"F SWIVEL - CANADA |
| | 045703-15-000 | EA | HOSE - LP - 3/8"ID X 142" - 1/2"F SWIVEL X 3/8"F SWIVEL |
| | 045703-25-000 | EA | HOSE - LP - 3/8"ID X 177" - 1/2"F SWIVEL X 13/8"M FL |
| | 106150-05-000 | EA | REGULATOR - TWO STAGE |
| | 144485-01-000 | EA | COMPARTMENT - LP REGULATOR |
| * | 144116-01-000 | EA | TANK - LP - 100 LB - 14"D X 47"L |

*COMPONENT PARTS LISTED LATER IN THIS GROUP

COMPONENT PARTS FOR LP SYSTEM

144116-01-000

| KEY | PART NUMBER | U/M | DESCRIPTION | VENDOR NO. |
|-----|---------------|-----|------------------------------|--------------|
| | 040421-01-712 | EA | VALVE-SERV. W/O VAPOR RELIEF | 29000853 |
| | 040421-01-713 | EA | VALVE-RELIEF 1" W/SPRING 7" | V-20479 |
| | 088253-09-700 | EA | SENDING UNIT-F/SNAP ON DIAL | SG14C0001466 |
| | 144116-01-700 | EA | VALVE-OUTAGE(NO STEM REMOVE) | V20058 |
| | 144116-01-701 | EA | VALVE/FILL 80 % W/YELLOW CAP | V13414 |

SEALANTS & FASTENERS GROUP
SEALANTS & ADHESIVES

| KEY | PART NUMBER | U/M | DESCRIPTION |
|------------|--------------------|------------|------------------------------------------------------------|
| | 004001-02-000 | EA | GUN - PLEXUS ADHESIVE - W/O NOZZLE |
| | 004001-05-000 | EA | ADHESIVE - SCOTCH-WELD - 3M DP100 - CLEAR - 50ML |
| | 004001-06-000 | EA | FASTWELD PIN TIPS |
| | 004011-01-000 | EA | ADHESIVE-3M-4475 TUBE |
| | 010405-02-000 | EA | TAPE - THREAD SEALING - 3/8" |
| | 034552-06-000 | EA | SILICONE - TUBE - W/O NOZZLE - OFF WHITE |
| | 034552-15-000 | EA | SILICONE - TUBE - W/O NOZZLE - BRIGHT WHITE |
| | 063642-01-000 | FT | TAPE - ADHESIVE - .4" X 1.5" X 180' |
| | 064075-07-000 | FT | SEAL - BULB - W/WIRED U CHANNEL - .3" X .5" CHANNEL-BLACK |
| | 067788-01-000 | EA | ADHESIVE - SPRAY - 3M - 19.5 OZ AEROSOL CAN |
| | 069640-01-000 | FT | SEALER - TAPE - .25" DIAMETER X 30' - BLACK OR GRAY |
| | 069640-02-000 | FT | SEALER - TAPE - .13" THICK X .5" WIDE X 60' - GRAY |
| | 069640-03-000 | FT | SEALER - TAPE - .13" THICK X .75" WIDE X 60' - BLACK |
| | 069640-07-000 | FT | SEALER - TAPE - .09" THICK X 2" WIDE X 45' - GRAY |
| | 069640-09-000 | FT | SEALER - TAPE - .03" THICK X 2.50" WIDE X 80' - GRAY |
| | 069640-10-000 | FT | SEALER - TAPE - .03" THICK X 1.50" WIDE X 90' - GRAY |
| | 069640-11-000 | FT | SEALER - TAPE - .19" THICK X .38" WIDE X 40' - BLACK |
| | 069640-13-000 | FT | SEALER - TAPE - .03" THICK X 2" WIDE X 45' - BLACK |
| | 069640-14-000 | FT | SEALER - TAPE - .06" THICK X 1" WIDE X 100' - GRAY |
| | 069640-15-000 | FT | SEALER - TAPE - .06" THICK X .38" WIDE X 100' - GRAY |
| | 069640-17-000 | FT | SEALER - TAPE - .03" THICK X 1" WIDE X 90' - GRAY |
| | 069640-18-000 | FT | SEALER - TAPE - .50" THICK X .13" WIDE X 60' - BRT WHITE |
| | 069640-19-000 | FT | SEALER - TAPE - .75" THICK X .13" WIDE X 60' - BRT WHITE |
| | 069640-20-000 | FT | SEALER - TAPE - .50" THICK X .5" WIDE X 60' - BLACK |
| | 069640-21-000 | FT | SEALER - TAPE - .50" THICK X .06" WIDE X 100' - BRT WHITE |
| | 069640-22-000 | FT | SEALER - TAPE - 1/32"THICK X 1/4"WIDE X 200 FT - BRT WHT |
| | 069640-23-000 | FT | SEALER - TAPE - 1/16"THICK X 3/4"WIDE X 100 FT - BRT WHT |
| | 069640-27-000 | FT | SEALER - TAPE - .06" THICK X 2.25" WIDE - BRIGHT WHITE |
| | 069640-28-000 | FT | SEALER - TAPE - .25" THICK X 1.86" WIDE X 90' - GRAY |
| | 069640-30-000 | FT | SEALER - TAPE - .03" THICK X .625" WIDE X 50' - GRAY |
| | 069640-31-000 | FT | SEALER - TAPE - .25"THICK X .75" WIDE X 15' - BLACK |
| | 069640-32-000 | FT | SEALER - RIBBON - 1/16" X 3/8" X 100' - BLACK |
| | 069640-33-000 | FT | SEALER - RIBBON - 3/8"DIAMETER X 20' - BLACK |
| | 072889-01-000 | EA | SEALANT - URETHANE - BLACK - TUBE W/NOZZLE TIP |
| | 072889-10-000 | EA | SEALANT - URETHANE - BRIGHT WHITE - TUBE W/NOZZLE TIP |
| | 072889-27-000 | EA | SEALANT - URETHANE - SILVER - 10 OZ TUBE W/NOZZLE TIP |
| | 076322-01-000 | FT | TAPE-DOUBLE COATED/ADHESIVE BK-.03"THK X .8"W X 216'- WHT |
| | 076322-02-000 | FT | TAPE-DOUBLE COATED/ADHESIVE BK-.05"THK X 1"W X 108' - WHT |
| | 076322-03-000 | FT | TAPE-DOUBLE COATED/ADHESIVE BK-.05"THK X .5"W X 108' - WHT |
| | 076322-04-000 | FT | TAPE-DOUBLE COATED/ADHESIVE BK-.05"THK X .8"W X 108' - WHT |
| | 076322-05-000 | FT | TAPE-DOUBLE COATED/ADHESIVE BK-.05"THK X .8"W X 108' - WHT |
| | 076322-07-000 | FT | TAPE-DOUBLE COATED/ADHESIVE BK-.05"THK X .5"W X 200' - BLK |
| | 076322-11-000 | FT | TAPE-DOUBLE COATED/ADHESIVE BK-.02"THK X 1"W X 216' - CLR |
| | 076322-21-000 | FT | TAPE - FOAM/DOUBLE COATED - .5" |
| | 076322-22-000 | FT | TAPE - FOAM/DOUBLE COATED - .045" X .75" |
| | 076322-23-000 | FT | TAPE - FOAM/DOUBLE COATED - .045" X 1" |
| | 076322-24-000 | FT | TAPE - FOAM/DOUBLE COATED - .025" X 1" |
| | 076322-25-000 | FT | TAPE - FOAM/DOUBLE COATED - .025" X .5" |
| | 076813-02-000 | FT | SEAL-D BULB, .5" X .7" - MEDIUM SPONGE RUBBER - BLACK |
| | 086276-01-000 | EA | TAPE - DOUBLE SIDED - 1/2" WIDE X 108' LONG (SOLD BY ROLL) |
| | 088479-01-000 | EA | TAPE - ALUMINUM - 3" |
| | 090340-01-000 | FT | SEAL - FOAM - CLOSED CELL - 1/4" X 1/2" X 50' |
| | 091255-02-000 | FT | SEAL - ADHESIVE BACKED/FOAM - 3/64" THICK X 3/16"W X 1000' |
| | 091255-03-000 | FT | SEAL - ADHESIVE BACKED/FOAM - 1/4" THICK X 1/4"W X 1000' |
| | 094401-01-000 | EA | SEALER - BODY SEAM - FLEXICLEAR |
| | 094401-03-000 | EA | SEALER - BODY SEAM - BLACK |
| | 094401-04-000 | EA | SEALER - BODY SEAM - CLEAR |
| | 094401-05-000 | EA | SEALER - BODY SEAM - 20OZ BLACK |
| | 094401-06-000 | EA | SEALER - BODY SEAM - 12OZ BLACK |
| | 098408-01-000 | FT | SEAL - SPONGE RUBBER - CLOSED CELL |
| | 099069-01-000 | FT | SEAL - RUBBER - CLOSED SPONGE - .5" WIDE X .12" THICK -BLK |
| | 099418-01-000 | FT | SEAL - D-SECTION/ADHESIVE BACK - .44" X .44"- BLK RUBBER |
| | 099418-02-000 | FT | SEAL - D-SECTION/ADHESIVE BACK - .44" X .44"- WHITE RUBBER |
| | 100128-02-000 | FT | SEAL - FOAM/ADHESIVE BACK - .37" WIDE X .37" THICK |

SEALANTS & FASTENERS GROUP (CONTINUED)

SEALANTS & ADHESIVES (CONTINUED)

| KEY | PART NUMBER | U/M | DESCRIPTION |
|-----|---------------|-----|------------------------------------------------------------|
| | 104692-01-000 | FT | SEAL - ADHESIVE BACKED FOAM - 3/4" THICK X 3/4" WIDE X 25' |
| | 104692-03-000 | FT | SEAL - ADHESIVE BACKED FOAM - 1" THICK X 1 3/16"WIDE X 15' |
| | 107828-01-000 | EA | SEALANT - SB - 190 EVERSEAL |
| | 109506-01-000 | EA | FILM - URETHANE - PROTECTANT - 4.25" X 26.75" |
| | 109506-12-000 | EA | FILM/ABRASION-RESISTANT - TRANSPARENT - 1" DIA. |
| | 109506-13-000 | EA | FILM/ABRASION-RESISTANT - TRANSPARENT - 1" DIA. |
| | 110274-01-000 | FT | TAPE - DOUBLE SIDED/FOAM - .45" X 1" X 216' - BLACK |
| | 112481-02-000 | EA | ADHESIVE - PLEXUS ETHACRYLATE - CARTRIDGE |
| | 112864-01-000 | FT | SEAL - FOAM/BUTYL COVERED - 3/8" X 35' |
| | 112864-02-000 | FT | FOAM - BUTYL COVERED - 5/16" X 44' |
| | 112864-04-000 | FT | FOAM - BUTYL COVERED - 3/8" X 1/8" |
| | 112901-02-000 | EA | ADHESIVE - PLEXUS - MA330 - 50ML - GRAY |
| | 112901-03-000 | EA | ADHESIVE - PLEXUS - MA300 - 50ML - WHITE |
| | 112902-01-000 | EA | NOZZLE - ELEMENT - 3/8 X 24 |
| | 112902-03-000 | EA | MIXER NOZZLE - F/GUN #00400102000 - SCOTCH-WELD & PLEXUS |
| | 112902-04-000 | EA | NOZZLE - ELEMENT - 1/4" X 3.5" |
| | 113366-01-000 | EA | ADHESIVE - INSTANT - 1 OZ |
| | 113452-02-000 | FT | SEAL/TRIM - FRONT - VINYL W/WIRE CARRIER - .027" |
| | 115933-01-000 | FT | TAPE - 1/64" X 3/8" X 100' |
| | 120074-02-03A | EA | SILICONE - TUBE - W/O NOZZLE - LOW ODOR - SMOKEY WHITE |
| | 120074-02-02A | EA | SILICONE - TUBE - W/O NOZZLE - LOW ODOR - SOFT WHITE |
| | 120534-01-01A | EA | TAPE - SCOTCH - 3M - 1/2" FINE LINE |
| | 123244-01-000 | FT | TAPE - DOUBLE SIDED/FOAM - 5/64" THICK X 3/4" WIDE X 108' |
| | 123816-01-000 | FT | TAPE - DOUBLE SIDED - 1" X 3/4" X 200' |
| | 123816-02-000 | FT | TAPE - DOUBLE SIDED - 1/2" X 1 1/3" X 200' |
| | 123816-03-000 | FT | TAPE - DOUBLE SIDED - 1/2" X 3/4" X 200' |
| | 123816-04-000 | FT | TAPE - DOUBLE SIDED - 6" X 750' |
| | 126427-01-000 | EA | ADHESIVE - ALL PURPOSE - ABS/PVC |
| | 126427-02-000 | EA | PRIMER - CLEANER - FLEX PIPING |
| | 131264-01-02A | EA | SILICONE - TUBE - W/O NOZZLE - CLEAR |
| | 131264-01-01A | EA | SILICONE - TUBE - W/O NOZZLE - BLACK |
| | 131264-02-01A | EA | SILICONE - TUBE - W/O NOZZLE - VW GRAY - BATH ONLY |
| | 131264-03-01A | EA | SILICONE - TUBE - W/O NOZZLE- SELF LEVELING - BRIGHT WHITE |
| | 131264-04-01A | EA | SILICONE/SEALANT/ADHESIVE - FAST CURE F/GLASS/VINYL - B/W |
| | 131264-05-01A | EA | SILICONE/SEALANT - ODORLESS - TUBE - W/NOZZLE - BLACK |
| | 131264-05-02A | EA | SILICONE/SEALANT - ODORLESS - TUBE - W/NOZZLE - CLEAR |
| | 131384-01-000 | EA | ADHESIVE - JET WELD |
| | 134651-01-000 | FT | SEAL - 1/2" X 3/4" PSA 1 SIDE |
| | 900390-01-000 | EA | NOZZLE - SILICONE TUBE - 2.5" LONG - W/EXTERNAL THREADS |
| | 900390-03-000 | EA | NOZZLE - SILICONE TUBE - 4.3" LONG W/INTERNAL THREADS |
| | 900563-17-000 | EA | TAPE - 2 SIDED, 2" X 36 YDS |

BOLTS, NUTS AND WASHERS

| KEY | PART NUMBER | U/M | DESCRIPTION |
|-----|---------------|-----|------------------------------------------------|
| | 0MC05K-08-055 | EA | BOLT - HEX - M08 X 1.25 X 2.2 |
| | 0MD16K-10-000 | EA | NUT - HEX PREV TORQUE M10 X 1 1/2 CLASS 8 |
| | 0MD39K-12-000 | EA | NUT - HEX W/NYLON LOCK - M12 X 1 3/4 |
| | 0MD40K-14-000 | EA | NUT - HEX W/NYLON LOCK - M14 X 2 |
| | 0MD54F-06-000 | EA | NUT-HEX SER FLG M6X1,0 SS - DIN6923A2M6 |
| | 0ME06K-14-280 | EA | WASHER - FLAT - 14 ID X 28 OD |
| | 000C12-04-08B | EA | BOLT - HEX - 1/4-20 X 1/2 - GRADE #5 - ZINC |
| | 000C12-04-12A | EA | BOLT - HEX - 1/4-20 X 3/4 - PLAIN 5 |
| | 000C12-04-40B | EA | BOLT - HEX - 1/4-20 X 2 1/2 - GRADE #5 ZINC |
| | 000C12-05-16B | EA | BOLT - HEX - 5/16 - 18X1 - GRADE #5 - ZINC |
| | 000C12-05-40B | EA | BOLT - HEX - 5/16"-18 X 2.5" - GRADE #5 - ZINC |
| | 000C12-06-44B | EA | BOLT - HEX - 3/8-16 X 2 3/4 - GRADE 5 - ZINC |
| | 000C12-06-16B | EA | BOLT - HEX - 3/8 - 16X1 - GRADE #5 - ZINC |
| | 000C12-08-28B | EA | BOLT - HEX - 1/2-13 X 1 3/4 - GRADE #5 - ZINC |
| | 000C12-08-24B | EA | BOLT - HEX - 1/2 - 13X1 1/2 - GRADE #5 - ZINC |
| | 000C12-08-16B | EA | BOLT - HEX - 1/2-13 X 1 - GRADE #5 - ZINC |
| | 000C12-10-24B | EA | BOLT - HEX - 5/8 - 11X1 1/2 - GRADE #5 - ZINC |
| | 000C13-07-48B | EA | BOLT - HEX - 7/16-20 X 3 - GRADE #5 - ZINC |
| | 000C13-07-40B | EA | BOLT - HEX - 7/16-20 X 2 1/2 - GRADE #5 - ZINC |
| | 000C14-07-28B | EA | BOLT - HEX - 7/16-14 X 1 3/4 - GRADE #8 - ZINC |

SEALANTS & FASTENERS GROUP (CONTINUED)
BOLTS, NUTS AND WASHERS (CONTINUED)

| KEY | PART NUMBER | U/M | DESCRIPTION |
|-----|---------------|-----|---------------------------------------------------------|
| | 000C14-10-32K | EA | BOLT - HEX - 5/8-11 X 2 - GRADE #8 - ZINC |
| | 000C16-07-16B | EA | BOLT - CARRIAGE - ASSIST HANDLE - 7/16-14 X 1 |
| | 000C18-05-40A | EA | BOLT - ELEVATOR - 5/16-18 X 2 1/2 - PL |
| | 000C26-04-10B | EA | BOLT - HEX - SERRATED FLANGE - 1/4-20 X 5/8 - ZINC |
| | 000C26-04-18B | EA | BOLT - HEX - SERRATED FLANGE - 1/4-20 X 1 1/8 - ZINC |
| | 000C26-04-14B | EA | BOLT - HEX - SERRATED FLANGE - 1/4-20 X 7/8 - ZINC |
| | 000C26-05-20B | EA | BOLT - HEX - SERRATED FLANGE - 5/16-18 X 1 1/4 - ZINC |
| | 000C26-05-12B | EA | BOLT - HEX - SERRATED FLANGE - 5/16-18 X 3/4 - ZINC |
| | 000C26-06-40B | EA | BOLT - HEX - SERRATED FLANGE - 3/8-16 X 2 1/2 - ZINC |
| | 000C26-06-28B | EA | BOLT - HEX - SERRATED FLANGE - 3/8-16 X 1 3/4 - ZINC |
| | 000C26-06-20B | EA | BOLT - HEX - SERRATED FLANGE - 3/8-16 X 1 1/4 - ZINC |
| | 000C26-06-12B | EA | BOLT - HEX - SERRATED FLANGE - 3/8-16 X 3/4 - ZINC |
| | 000C26-08-24B | EA | BOLT - HEX - SERRATED FLANGE - 1/2-13 X 1 1/2 - ZINC |
| | 000C27-04-40B | EA | BOLT - CARRIAGE - 1/4-20 X 2 1/2 - ZINC |
| | 000C27-07-40B | EA | BOLT - CARRIAGE - 7/16-14 X 2 1/2 - GRADE #5 |
| | 000C27-08-48B | EA | BOLT - CARRIAGE - 1/2-13 X 3 - GRADE #5 |
| | 000D16-07-00B | EA | NUT - HEX - 7/16-14 - ZINC |
| | 000D20-07-00B | EA | NUT - ACORN - ASSIST HANDLE - 7/16 - 14 |
| | 000D23-04-00B | EA | NUT - HEX SF/LK #4-40 |
| | 000D24-10-00B | EA | NUT - HEX - SELF LOCKING - 10-32 - ZINC |
| | 000D25-06-00B | EA | NUT-3/8" W/BURR - FASTENER HOUSE |
| | 000D28-10-00B | EA | NUT - HEX - W/NYLON LOCK - 10-32 ZINC |
| | 000D29-04-00B | EA | NUT - HEX - SELF LOCKING - 1/4 X 20 - ZINC |
| | 000D29-06-00B | EA | NUT - HEX - W/NYLON LOCK - 3/8-16 - ZINC |
| | 000D29-09-00B | EA | NUT - HEX - SELF LOCKING - 9/16-12 - ZINC |
| | 000D30-07-00B | EA | NUT - HEX LOCK - NYLON 7/16 X 20 |
| | 000D34-04-00B | EA | NUT - HEX - LOCKING - 1/4-20 - ZINC |
| | 000D34-06-00B | EA | NUT - HEX - LOCKING - 3/8-16 GRADE C - ZINC |
| | 000D39-04-00B | EA | NUT - HEX - LOCKING W/SERRATED FLANGE - 1/4-20 - ZINC |
| | 000D39-05-00B | EA | NUT - HEX - LOCKING W/SERRATED FLANGE - 5/16-18 - ZINC |
| | 000D39-06-00B | EA | NUT - HEX - LOCKING W/SERRATED FLANGE - 3/8-18 - ZINC |
| | 000D39-07-00B | EA | NUT - HEX - LOCKING W/SERRATED FLANGE - 7/16-14 - ZINC |
| | 000D39-08-00B | EA | NUT - HEX - LOCKING W/SERRATED FLANGE - 1/2-13 - ZINC |
| | 000D44-04-00B | EA | NUT - HEX - LOCKING W/SERRATED FLANGE - 1/4-28 - ZINC |
| | 000D44-07-00B | EA | NUT - HEX - LOCKING W/SERRATED FLANGE - 7/16-20 - ZINC |
| | 000D44-08-00B | EA | NUT - HEX - LOCKING W/SERRATED FLANGE - 1/2-20 - ZINC |
| | 000D46-04-00A | EA | NUT - HEX - WELD - 1/4-20 - PLAIN |
| | 000D58-06-00A | EA | NUT - HEX - WELD 3/8-16 - PLAIN |
| | 000D65-08-00B | EA | NUT - HEX - LOCKING W/SERRATED FLANGE - 8-32 - ZINC |
| | 000D67-10-00B | EA | NUT - HEX - LOCK - 5/8-11 - ZINC |
| | 000D73-08-00C | EA | NUT - HEX FLANGE - 1/2-13 |
| | 000D75-09-00B | EA | NUT - HEX LOCKING - 9/16-12 - ZINC |
| | 000D76-06-00B | EA | NUT - HEX FLANGE - 3/8-16 |
| | 000E11-04-00F | EA | WASHER - LOCKING - 1/4 MED SPLIT - STAINLESS STEEL |
| | 000E11-07-00B | EA | WASHER - LOCKING - 7/16 MED SPLIT - ZINC |
| | 000E11-08-00B | EA | WASHER - LOCKING - 1/2 MED SPLIT - ZINC |
| | 000E13-17-00B | EA | WASHER - FLAT - 3/8 AR - ZINC |
| | 000E13-18-00B | EA | WASHER - FLAT - 3/8 WIDE - ZINC |
| | 000E13-20-00B | EA | WASHER - FLAT - 7/16 WIDE - ZINC |
| | 000E13-22-00B | EA | WASHER - FLAT - 1/2 WIDE - ZINC |
| | 000E13-26-00B | EA | WASHER - FLAT - 5/8 WIDE - ZINC |
| | 000E14-10-00B | EA | WASHER - LOCKING - #10 EXTERNAL TOOTH - ZINC |
| | 000E16-10-00B | EA | WASHER - HARDENED - 5/8 - FLAT - ZINC |
| | 000G45-05-16B | EA | BOLT - LAG - 5/16-9 X 1 - ZINC |
| | 002329-01-000 | EA | WASHER-FLAT, 9/32" ID X 5/8" OD - NYLON |
| | 005081-01-000 | EA | NUT - SPEED - C-TYPE - #8 SCREW |
| | 040921-01-000 | EA | NUT - SPEED - U TYPE - #10-24 - BLACK |
| | 040921-03-000 | EA | NUT - SPEED - U TYPE - #10 |
| | 040921-04-000 | EA | NUT - SPEED - U TYPE - #8-.59" LENGTH X .44" WIDTH |
| | 040921-05-000 | EA | NUT - SPEED - U-TYPE - 8-.67" X .44" WIDE |
| | 041322-01-000 | EA | WASHER - FLANGE - 15/32 ID X 2 3/8 OD - F/SEAT BELT MTG |
| | 044364-02-000 | EA | NUT - SPEED - FLAT - ROUND |
| | 044533-01-000 | EA | WASHER - 1 3/8"OD - FOR BUTTONS - PLASTIC |
| | 051387-06-000 | EA | BOLT - CARRIAGE W/O HOLE - 5/16-18 X 9 1/2 - ZINC |

SEALANTS & FASTENERS GROUP (CONTINUED)
BOLTS, NUTS AND WASHERS (CONTINUED)

| KEY | PART NUMBER | U/M | DESCRIPTION |
|-----|---------------|-----|------------------------------------------------------------|
| | 058716-02-000 | EA | WASHER - FLAT NYLON |
| | 064081-03-000 | EA | NUT - WING 3/8-16 - W/WELD NUT |
| | 077071-01-000 | EA | WASHER - FENDER - 3/16"ID X 1"OD |
| | 084406-01-000 | EA | NUT - CAPPED - CROSS RECESSED - BLACK - 1/4-20 THD |
| | 087234-01-000 | EA | NUT - JACK - 1/4 X 20 THD - MOLLY |
| | 087718-01-000 | EA | MONOBOLT - STEEL - 3/16 DIAMETER |
| | 088787-12-000 | EA | STUD - WELD - 1/4 - 20 X 1.0 LG - MN |
| | 102333-01-06A | EA | BOLT - CARRIAGE - 7/16-14 STAINLESS STEEL CAP |
| | 103020-02-000 | EA | BOLT-U - #8-32 - GRADE 5 ZINC |
| | 106956-03-000 | EA | BOLT - HEX TAP - 1/2-12NC X 3 - GRADE 5 - FULL THREAD/ZINC |
| | 107397-01-000 | EA | WASHER - FENDER - 3/4"ID X 1"OD |
| | 108067-03-000 | EA | STUD - WELD - 1/4 - 20 X 1/2 CD |
| | 109917-01-000 | EA | WASHER - 1.5" X 1.25" |
| | 109917-03-000 | EA | WASHER - 1" X .50" |
| | 109917-04-000 | EA | WASHER - 1" X .75" |
| | 110794-01-000 | EA | WASHER - FLAT - 1"ID X 1 3/4"OD |
| | 113985-02-000 | EA | BOLT - FLANGE - M10-1 1/2 X 30CL 10.9 |
| | 114259-05-000 | EA | BOLT - 7/16-20 X 1 1/4 W/WASHER |
| | 128444-01-000 | EA | WASHER - SPRING - CONICAL |
| | 131377-01-000 | EA | NUT-HEX HEAD W/WASHER-1/4-20 X 2" STEEL W/3/4" OD WASHER |
| | 135092-02-01A | EA | BOLT - HEX - SERRATED FLANGE - 1/2-20 X 2 1/2-GRADE 5 ZINC |
| | 143399-01-01A | EA | NUT/RETAINING - 3/8"- 24 NFT |
| | 144904-01-01A | EA | BOLT - ADJUSTMENT - HEADLAMP |
| | 147284-01-000 | EA | NUT/SELF RETAINING - 3/8"-16 |
| | 147284-02-000 | EA | NUT/SELF RETAINING - 5/16"-18 |
| | 148817-01-000 | EA | WASHER/SPUR - LOCKING |

SCREWS

| KEY | PART NUMBER | U/M | DESCRIPTION |
|-----|---------------|-----|----------------------------------------------------|
| | 0G1106-06-160 | EA | SCREW - 6-20 X 3/8 PPH |
| | 0G1106-08-240 | EA | SCREW - 6-20 X 1/2 PPH - VW LIGHT GRAY |
| | 0G1208-12-170 | EA | SCREW - 8-18 X 3/4 POH - BRIGHT WHITE |
| | 0G3804-22-180 | EA | SCREW - MACHINE - 1/4-20 X 1 3/8 PFH - BLACK |
| | 0G3908-08-170 | EA | SCREW - SF/DR - 8-18 X 1/2 PPH - BRIGHT WHITE |
| | 0G3908-08-160 | EA | SCREW - SF/DR - 8-18 X 1/2 PPH - VW WHITE |
| | 0G3908-12-250 | EA | SCREW - SF/DR - 8-18 X 3/4 PPH - DARK GRAY |
| | 0G3908-16-170 | EA | SCREW - SF/DR - 8-18 X 1 PPH - BRIGHT WHITE |
| | 0G3908-24-170 | EA | SCREW - SF/DR - 8-18 X 1 1/2 PPH - BRIGHT WHITE |
| | 0G3910-10-330 | EA | SCREW - SF/DR - 20-16 X 5/8 PPH - PUTTY |
| | 0G3910-10-320 | EA | SCREW - SF/DR - 10-16 X 5/8 PPH - GLACIER |
| | 0G3910-12-240 | EA | SCREW - SF/DR - 10-16 X .75 PPH - VW LIGHT GRAY |
| | 0G3910-12-170 | EA | SCREW - SF/DR - 10-16 X 3/4 PPH - BRIGHT WHITE |
| | 0G3910-12-320 | EA | SCREW - SF/DR - 10-16 X 3/4 PPH - GLACIER |
| | 0G5508-08-380 | EA | SCREW - SF/DR - 8-18 X .5 PWH - CASHMERE |
| | 0G5508-08-370 | EA | SCREW - SF/DR - 8-18 X .5 PWH - RIVERSTONE |
| | 0G5508-12-240 | EA | SCREW - SF/DR - 8-18 X 3/4 PWH - VW LIGHT GRAY |
| | 0G5508-12-170 | EA | SCREW - SF/DR - 8-18 X 3/4 PWH - BRIGHT WHITE |
| | 0G5508-12-330 | EA | SCREW - SF/DR - 8-18 X 3/4 PWH - PUTTY |
| | 0G5508-12-320 | EA | SCREW - SF/DR - 8-18 X 3/4 PWH - GLACIER |
| | 0G5508-12-270 | EA | SCREW - SF/DR - 8-18 X 3/4 PWH - TITANIUM |
| | 0G5508-16-250 | EA | SCREW - SF/DR - 8-18 X 1 PWH - VW DARK GRAY |
| | 0G5508-16-320 | EA | SCREW - SF/DR - 8-18 X 1 PWH - GLACIER |
| | 0G6008-16-170 | EA | SCREW - SF/DR - 8-18 X 1 POH - BRIGHT WHITE |
| | 0G6710-08-130 | EA | SCREW - 10-12 X 1/2 PPH - TAUPE |
| | 0G6710-08-170 | EA | SCREW - 10-12 X 1/2 PPH - BRIGHT WHITE |
| | 0G6710-08-240 | EA | SCREW - 10-12 X 1/2 PPH - VW LIGHT GRAY |
| | 0G6710-12-170 | EA | SCREW - 10-12 X 3/4 PPH - BRIGHT WHITE |
| | 0G6806-16-170 | EA | SCREW - 6-18 X 1 POH - BRIGHT WHITE |
| | 0G6810-24-280 | EA | SCREW - 10-12 X 1 1/2 POH - SOFT WHITE |
| | 000C20-05-28F | EA | SCREW - 5/16-18 X 1 3/4 FLAT SOC - STAINLESS STEEL |
| | 000C20-06-24T | EA | SCREW - 3/8-16 X 1 1/2 - FLAT SOCKET |
| | 000G11-06-10J | EA | SCREW - 6-20 X 5/8 PPH - BRASS |

SEALANTS & FASTENERS GROUP (CONTINUED)
SCREWS (CONTINUED)

| KEY | PART NUMBER | U/M | DESCRIPTION |
|-----|---------------|-----|-------------------------------------------------------|
| | 000G11-06-08B | EA | SCREW - 6-20 X 1/2 PPH - ZINC |
| | 000G11-06-10B | EA | SCREW - 6-20 X 5/8 PPH - ZINC |
| | 000G11-07-08B | EA | SCREW - 7-19 X 1/2 PPH - ZINC |
| | 000G11-08-20G | EA | SCREW - 8-18 X 1 1/4 - ANTIQUE BRASS |
| | 000G11-08-20B | EA | SCREW - 8-18 X 1 1/4 PPH - ZINC |
| | 000G11-08-12T | EA | SCREW - 8-18 X 3/4 PPH - BLACK MAGNESIUM |
| | 000G11-08-12P | EA | SCREW - 8-18 X 3/4 PPH - DARK BROWN |
| | 000G11-08-12S | EA | SCREW - 8-18 X 3/4 PPH - OFF WHITE |
| | 000G11-08-12B | EA | SCREW - 8-18 X 3/4 PPH - ZINC |
| | 000G11-08-08T | EA | SCREW - 8-18 X 1/2 PPH - FLUOROCARBON COATING |
| | 000G11-08-06B | EA | SCREW - 8-18 X 3/8 PPH - ZINC |
| | 000G11-10-12D | EA | SCREW - 10-16 X 3/4 PPH - BLACK |
| | 000G12-06-12J | EA | SCREW - 6-20 X .75 POH - BRASS |
| | 000G12-06-08T | EA | SCREW - 6-20 X 1/2 POH - BLACK |
| | 000G13-05-10B | EA | SCREW - 5-12 X 5/8 PFH - ZINC |
| | 000G13-06-08G | EA | SCREW - 6-20 X 1/2 PFH - ANTIQUE BRASS |
| | 000G13-06-08B | EA | SCREW - 6-20 X 1/2 PFH - ZINC |
| | 000G13-06-06I | EA | SCREW - 6-20 X 3/8 PFH - BLACK ZINC |
| | 000G13-06-24J | EA | SCREW - 6-20 X 1 1/2 PFH - BRASS |
| | 000G13-06-16J | EA | SCREW - 6-20 X 1 PFH - BRASS |
| | 000G13-06-10J | EA | SCREW - 6-20 X 5/8 PFH - BRASS |
| | 000G13-06-10G | EA | SCREW - 6-20 X 5/8 PFH - ANTIQUE BRASS |
| | 000G13-07-10H | EA | SCREW - 7-19 X 5/8 PFH - BLACK |
| | 000G13-07-12B | EA | SCREW - 7-19 X 3/4 PFH - ZINC |
| | 000G13-08-16B | EA | SCREW - 8-18 X 1 PFH - ZINC |
| | 000G13-08-109 | EA | SCREW - 8-18 X 5/8 PFH |
| | 000G13-08-10B | EA | SCREW - 8-18 X 5/8 PFH - ZINC |
| | 000G13-08-24B | EA | SCREW - 8-18 X 1 1/2 PFH - ZINC |
| | 000G16-04-24B | EA | SCREW - MACHINE - 1/4-20 X 1 1/2 PPH |
| | 000G18-04-12B | EA | SCREW - MACHINE - 4-40 X 3/4 PPH - ZINC |
| | 000G18-08-12B | EA | SCREW - MACHINE - 8-32 X 3/4 PPH - ZINC |
| | 000G18-08-16B | EA | SCREW - MACHINE - 8-32 X 1 PPH - ZINC |
| | 000G18-08-24B | EA | SCREW - MACHINE - 8-32 X 1 1/2 PPH - ZINC |
| | 000G18-08-22B | EA | SCREW - MACHINE - 8-32 X 1 3/8 PPH - ZINC |
| | 000G19-10-10B | EA | SCREW - MACHINE - 10-32 X 5/8 - PPH - ZINC |
| | 000G19-10-08B | EA | SCREW - MACHINE - 10-32 X 1/2 PPH - ZINC |
| | 000G19-10-20B | EA | SCREW - MACHINE - 10-32 X 1 1/2 PPH - ZINC |
| | 000G19-10-40B | EA | SCREW-MACH,10-32X2.50 PPH ZN |
| | 000G19-10-12F | EA | SCREW - MACHINE - 10-32 X 3/4 PPH - STAINLESS STEEL |
| | 000G32-10-06B | EA | SCREW - 10-32 X 3/8 PPH - ZINC |
| | 000G36-10-12T | EA | SCREW - 10-24X 3/4 PFH TYPE 23 - BLACK |
| | 000G39-06-06J | EA | SCREW - 6-20 X 3/8 PPH - BRASS |
| | 000G39-06-10T | EA | SCREW - SF/DR - 6-20 X 5/8 PPH - BLACK |
| | 000G39-06-16T | EA | SCREW - SF/DR - 6-20 X 1 PPH - BLACK |
| | 000G39-08-08S | EA | SCREW - SF/DR - 8-18 X 1/2 PPH - OFF WHITE |
| | 000G39-08-08B | EA | SCREW - SF/DR - 8-18 X 1/2 PPH - ZINC |
| | 000G39-08-08T | EA | SCREW - SF/DR - 8-18 X 1/2 PPH - BLACK |
| | 000G39-08-06B | EA | SCREW - SF/DR - 8-18 X 3/8 PPH - ZINC |
| | 000G39-08-32B | EA | SCREW - SF/DR - 8-18 X 2 PPH - ZINC |
| | 000G39-08-24T | EA | SCREW - SF/DR - 8-18 X 1 1/2 PPH - BLACK |
| | 000G39-08-24S | EA | SCREW - SF/DR - 8-18 X 1 1/2 - OFF WHITE |
| | 000G39-08-24B | EA | SCREW - SF/DR - 8-18 X 1 1/2 PPH - ZINC |
| | 000G39-08-16T | EA | SCREW - SF/DR - 6-20 X 1 PPH - BLACK |
| | 000G39-08-16B | EA | SCREW - SF/DR - 8-18 X 1 PPH - ZINC |
| | 000G39-08-12B | EA | SCREW - SF/DR - 8-18 X 3/4 PPH - ZINC |
| | 000G39-08-12T | EA | SCREW - SF/DR - 8-18 X 3/4 PPH - BLACK |
| | 000G39-10-48T | EA | SCREW - SF/DR - 10-16 X 3 PPH - BLACK |
| | 000G39-10-48B | EA | SCREW - SF/DR - 10-16 X 3 - PPH - ZINC |
| | 000G39-10-40D | EA | SCREW - SF/DR - 10-16 X 2 1/2 PPH - BLACK |
| | 000G39-10-32B | EA | SCREW - SF/DR - 10-16 X 2 - PPH - ZINC |
| | 000G39-10-20T | EA | SCREW - SF/DR - 10-16 X 1 1/4 PPH - BLACK |
| | 000G39-10-20B | EA | SCREW - SF/DR - 10-16 X 1 1/4 PPH - ZINC |
| | 000G39-10-169 | EA | SCREW - SF/DR - 10-16 X 1 PPH - FLUOROCARBON SILVER |
| | 000G39-10-129 | EA | SCREW - SF/DR - 10-16 X 3/4 PPH - FLUOROCARBON SILVER |

SEALANTS & FASTENERS GROUP (CONTINUED)
SCREWS (CONTINUED)

| KEY | PART NUMBER | U/M | DESCRIPTION |
|-----|---------------|-----|-----------------------------------------------------------|
| | 000G39-10-12T | EA | SCREW - SF/DR - 10-16 X 3/4 - BLACK |
| | 000G39-10-10T | EA | SCREW - SF/DR - 10-16 X 5/8 - BLACK |
| | 000G39-10-10B | EA | SCREW - SF/DR - 10-16 X 5/8 PPH - ZINC |
| | 000G39-10-08B | EA | SCREW - SF/DR - 10-16 X 1/2 PPH - ZINC |
| | 000G39-12-12E | EA | SCREW - SF/DR - 12 - 14 X 3/4 PPH - CHROME |
| | 000G42-04-24B | EA | SCREW - SF/DR - 1/4-14 X 1 1/2 - ZINC |
| | 000G42-04-16B | EA | SCREW - SF/DR - 1/4-14 X 1 HWH - ZINC |
| | 000G42-04-24B | EA | SCREW - SF/DR - 1/4-14 X 1 1/2 - ZINC |
| | 000G46-08-24T | EA | SCREW - MACHINE - 8-32 X 1 1/2 PFH - BLACK |
| | 000G50-04-08B | EA | SCREW - MACHINE - 1/4-20 X 1/2 PTH - ZINC |
| | 000G52-06-05B | EA | SCREW - MACHINE - 6-32 X 5/16 PTH ZINC |
| | 000G52-06-06B | EA | SCREW - MACHINE - 6-32 X 3/8 PIN - ZINC |
| | 000G54-04-14B | EA | SCREW - 1/4-20 X 7/8 PTH - TYPE 23 - ZINC PLATED |
| | 000G55-08-124 | EA | SCREW - SF/DR - 8-18 X 3/4 PWH - ASH GRAY |
| | 000G55-08-16T | EA | SCREW - SF/DR - 8-18 X 1 PWH - BLACK |
| | 000G56-12-48B | EA | SCREW - WOOD - 12-11 X 3 POH - SPECIAL HARDENED |
| | 000G57-14-64B | EA | SCREW - 14-10 X 4 PFH ZINC |
| | 000G60-08-20F | EA | SCREW - SF/DR - 8-19X1.25 POH |
| | 000G60-08-16E | EA | SCREW - SF/DR - 8-1 X 1 POH - CHROME |
| | 000G60-08-22B | EA | SCREW - SF/DR - 8-18 X 1.38 POH - ZINC |
| | 000G60-10-209 | EA | SCREW - SF/DR - 10-16 X 1 1/4 POH - SILVER STALGAARD |
| | 000G60-10-20B | EA | SCREW - SF/DR - 10-16 X 1 1/4 POH - ZINC |
| | 000G60-10-16J | EA | SCREW - SF/DR - 10-16 X 1 POH - BRIGHT BRASS |
| | 000G60-10-28T | EA | SCREW - SF/DR - 10-16 X 1 3/4 - BLACK |
| | 000G62-08-24B | EA | SCREW - SF/DR - 8-18 X 1 1/2 PFH |
| | 000G67-08-32B | EA | SCREW - 8-15 X 2 PPH - ZINC |
| | 000G67-10-08B | EA | SCREW - 10-12 X 1/2 PPH - ZINC |
| | 000G67-10-32J | EA | SCREW-10-12X2 PPH - BRIGHT BRASS |
| | 000G67-10-24S | EA | SCREW - 10-12 X 1 1/2 PPH - OFF WHITE |
| | 000G67-10-24B | EA | SCREW - 10-12 X 1 1/2 PPH - ZINC |
| | 000G67-10-20D | EA | SCREW - 10-12 X 1 1/4 PPH - BLACK |
| | 000G67-10-12P | EA | SCREW - 10-12 X 3/4 PPH - DARK BROWN |
| | 000G67-10-12B | EA | SCREW - 10-12 X 3/4 PPH - ZINC |
| | 000G67-10-10T | EA | SCREW - 10-12 X 5/8 PPH - BLACK |
| | 000G67-10-10S | EA | SCREW - 10-12 X 5/8 PPH - OFF WHITE |
| | 000G67-10-10P | EA | SCREW - 10-12 X 5/8 PPH - DARK BROWN |
| | 000G67-10-10B | EA | SCREW - 10-12 X 5/8 PPH - ZINC - TYPE A |
| | 000G67-10-08S | EA | SCREW - 10-12 X 1/2 PPH - OFF WHITE |
| | 000G68-06-12B | EA | SCREW - 6-18 X 3/4 POH - ZINC & CLEAR |
| | 000G68-06-10J | EA | SCREW - 6-18 X 5/8 POH - BRASS |
| | 000G68-06-10G | EA | SCREW - 6-18 X 5/8 POH - ANTIQUE BRASS |
| | 000G68-06-12J | EA | SCREW - 6-18 X 3/4 POH - BRASS |
| | 029130-01-000 | EA | SCREW - SNAP STUD - #8-16 X 5/8" LONG |
| | 029130-03-000 | EA | SCREW - SNAP STUD - #8-16 X 1" LONG |
| | 049465-01-000 | EA | SCREW - 10-16 PTH W/WASHER - DARK BROWN |
| | 049465-03-000 | EA | SCREW - 10-16 X 1 POH W/WASHER - OFF WHITE |
| | 049465-04-000 | EA | SCREW - 10-16 X 1 PTH W/WASHER - BEIGE |
| | 049465-13-000 | EA | SCREW-10+16X1 PTH W/WASHER - *ASH GRAY |
| | 049465-17-000 | EA | SCREW - 10-16 X 1 POH W/WASHER - BRIGHT WHITE |
| | 054434-03-000 | EA | SCREW - SF/DR - 10-16 X 2 - PWH - ZINC |
| | 075908-01-000 | EA | SCREW - MACHINE - 10-32 X .56 PTH - EXTERNAL TOOTH - ZINC |
| | 076790-01-000 | EA | SCREW - 6-20 X 1 1/4 PPH - BLACK |
| | 076790-05-000 | EA | SCREW - 6-20 X 1/2 PPH - BLACK - THREAD CUTTING/WOOD |
| | 083554-01-000 | EA | SCREW - DRYWALL - 8 X 1 1/4 |
| | 083554-04-000 | EA | SCREW - DRYWALL - 8 X 2 1/2 |
| | 087721-01-000 | EA | SCREW - FLAT HEAD - TAPPING - 1/4 X 1 1/4 LONG - ZINC |
| | 087721-02-000 | EA | SCREW - FLAT HEAD - TAPPING - 1/4" X 2 1/4" LONG - ZINC |
| | 090033-02-000 | EA | SCREW - 1/4-20 X 5/8 - ROUND WASHER HEAD - OFF/WHITE |
| | 097974-01-000 | EA | SCREW - PARTICLE BOARD - 7-9 X 3/4 PPH |
| | 101618-01-000 | EA | SCREW - 1/4-20 X 3/4 HEX - TAPPING - STALGARD TYPE F |
| | 109235-01-05A | FT | COVER - SCREW - BRIGHT WHITE |
| | 109235-01-01A | FT | COVER - SCREW - MAT BLACK |
| | 113563-01-01A | EA | SCREW - 8 X 5/8 LONG SHOULDER/WASHER HEAD |
| | 116111-02-01A | EA | SCREW - TAPTITE - 1/4-20 X 3/8 PPH - ZINC |

SEALANTS & FASTENERS GROUP (CONTINUED)
SCREWS (CONTINUED)

| KEY | PART NUMBER | U/M | DESCRIPTION |
|-----|---------------|-----|----------------------------------------------------------|
| | 117478-01-04A | EA | SCREW - 8-18 X 3/4 PPH W/WASHER - VW LIGHT GRAY |
| | 118383-01-09A | EA | RETAINER/RECESSED - F/.22" SCREW - GLACIER |
| | 118383-01-06A | EA | RETAINER/RECESSED - F/.22" SCREW - ALLANTE ANTELOPE |
| | 118383-01-04A | EA | RETAINER/RECESSED - F/.22" SCREW - BRIGHT WHITE |
| | 118383-02-09A | EA | RETAINER/RECESSED - F/.27" SCREW - GLACIER |
| | 118383-02-05A | EA | RETAINER/RECESSED - F/.27" SCREW - VW LIGHT GRAY |
| | 118383-02-10A | EA | RETAINER/RECESSED - F/.27" SCREW - RIVERSTONE |
| | 118383-02-11A | EA | RETAINER/RECESSED - F/.27" SCREW - CASHMERE |
| | 118383-03-09A | EA | RETAINER/RECESSED - F/.32" SCREW - GLACIER |
| | 118383-04-04A | EA | CAP - F/RECESSED RETAINER - BRIGHT WHITE |
| | 118383-04-08A | EA | CAP - F/RECESSED RETAINER - CADDY CREAM |
| | 118383-04-05A | EA | CAP - F/RECESSED RETAINER - VW LIGHT GRAY |
| | 118383-04-11A | EA | CAP - F/RECESSED RETAINER - CASHMERE |
| | 118383-04-10A | EA | CAP - F/RECESSED RETAINER - RIVERSTONE |
| | 118383-04-09A | EA | CAP - F/RECESSED RETAINER - GLACIER |
| | 134126-01-01A | EA | SCREW/NAIL - HEX HEAD - 3/4" |
| | 140040-01-000 | EA | SCREW - 1/4-20 X 1 - BUTTON HEAD/SOCKET - W/LOCTITE |
| | 144078-01-01A | EA | SCREW - HEX/FLANGE HEAD CAP-1" W/.75" THREAD LENGTH-ZINC |
| | 149753-01-02A | EA | RETAINER/RECESSED - F/.22" SCREW - BRIGHT WHITE |
| | 149753-01-01A | EA | RETAINER/RECESSED - F/.22" SCREW - BLACK |
| | 149753-02-02A | EA | CAP - F/RECESSED RETAINER - BRIGHT WHITE |
| | 149753-02-01A | EA | CAP - F/RECESSED RETAINER - BLACK |

CLAMPS, CLIPS, GROMMETS, RIVETS & PLUGS

| KEY | PART NUMBER | U/M | DESCRIPTION |
|-----|---------------|-----|-----------------------------------------------------|
| | 000F10-06-32B | EA | PIN - COTTER - 3/16" X 2" - ZINC |
| | 000H14-06-06R | EA | RIVET-MANDREL BLIND,3/16 AL - CHERRY BSP-66 |
| | 000H16-04-06R | EA | RIVET - POP ALUMINUM - 1/8 X .313 - .375 |
| | 000H16-06-10R | EA | RIVET - POP ALUMINUM - 3/16 X .501 - .625 |
| | 007161-01-000 | EA | CLAMP - HOSE - SPRING TYPE - 1/2" |
| | 008386-01-000 | EA | GROMMET - SNAP - 3/8" DIAMETER - NYLON |
| | 010495-01-000 | EA | CLAMP - CABLE - 9/16"ID - BLACK |
| | 010495-02-000 | EA | CLAMP - CABLE - 3/8"ID - BLACK |
| | 010495-04-000 | EA | CLAMP - CABLE - 11/16"ID - WHITE |
| | 010497-01-000 | EA | CLAMP - CLOSED - 5/8"ID |
| | 010497-02-000 | EA | CLAMP - CLOSED - 1.5"ID |
| | 010497-03-000 | EA | CLAMP - CLOSED - 1"ID - CUSHIONED |
| | 010497-04-000 | EA | CLAMP - CLOSED - 1 5/8"ID |
| | 010497-05-000 | EA | CLAMP - CLOSED - 1/2"ID |
| | 010497-07-000 | EA | CLAMP - CLOSED - 3/8"ID |
| | 010497-09-000 | EA | CLAMP - CLOSED - 5/16"ID |
| | 010497-10-000 | EA | CLAMP - CLOSED - 7/8"ID |
| | 010499-01-000 | EA | CLAMP - CLOSED - 3/8"ID |
| | 016188-03-000 | EA | GROMMET - LP LINE - 3/8"HOLE X 2 1/2"LONG - RUBBER |
| | 016188-04-000 | EA | GROMMET - LP LINE - 1/2"HOLE X 2 1/2"LONG - RUBBER |
| | 016188-05-000 | EA | GROMMET - LP LINE - 3/8"HOLE X 1 1/4"LONG - RUBBER |
| | 016188-06-000 | EA | GROMMET - L/P LINE - 3/8"HOLE X 3 1/4"LONG - RUBBER |
| | 016188-08-000 | EA | GROMMET - LP LINE - 1/2"HOLE X 1 1/4"LONG - RUBBER |
| | 016188-09-000 | EA | GROMMET - LP LINE - .68"HOLE X 1 1/4"LONG - RUBBER |
| | 016188-10-000 | EA | GROMMET - LP LINE - .68"HOLE X 2.5"LONG - RUBBER |
| | 023942-01-000 | EA | GROMMET - RUBBER - 2" OD |
| | 034141-02-000 | EA | PLUG/NYLON - .38" - BLACK |
| | 061420-01-000 | EA | PLUG/PLASTIC - 1 3/4" DIAMETER - BROWN |
| | 061420-04-000 | EA | PLUG/PLASTIC - 1 1/4" DIAMETER |
| | 061420-05-000 | EA | PLUG/PLASTIC - 1 1/2" DIAMETER |
| | 061420-08-000 | EA | PLUG/PLASTIC - 2 1/2" DIAMETER |
| | 061420-09-000 | EA | PLUG/PLASTIC - 1.00" - DIAMETER |
| | 061420-10-000 | EA | PLUG/PLASTIC - 1 1/2" DIAMETER - BLACK |
| | 061420-14-000 | EA | PLUG/PLASTIC - 7/8" DIAMETER - BLACK |
| | 061420-15-000 | EA | PLUG/PLASTIC - 2" DIAMETER - BLACK |
| | 062401-01-000 | EA | CLAMP - HOSE - WORMGEAR - .25" - 1" |
| | 062401-02-000 | EA | CLAMP - HOSE - WORMGEAR - 1.56" - 2.5" |
| | 062401-03-000 | EA | CLAMP - HOSE - WORMGEAR - .22" - 1" |
| | 062401-04-000 | EA | CLAMP - HOSE - WORMGEAR - .69" - 1.25" |

SEALANTS & FASTENERS GROUP (CONTINUED)
CLAMPS, CLIPS, GROMMETS, RIVETS & PLUGS (CONTINUED)

| KEY | PART NUMBER | U/M | DESCRIPTION |
|-----|---------------|-----|----------------------------------------------------------|
| | 062401-05-000 | EA | CLAMP - HOSE - WORMGEAR - 2" - 3" ID |
| | 062401-06-000 | EA | CLAMP - HOSE - WORMGEAR - .22" - .62" ID |
| | 062401-09-000 | EA | CLAMP - HOSE - WORMGEAR - 2.8" - 3.75" |
| | 062401-11-000 | EA | CLAMP - HOSE - WORMGEAR - 3.50" - 4.50" |
| | 062401-12-000 | EA | CLAMP - HOSE - WORMGEAR - .79" X 1.26" |
| | 062401-13-000 | EA | CLAMP - HOSE - WORMGEAR |
| | 071015-01-000 | EA | GROMMET - RUBBER - .5"ID X 1"OD-W/.38" GROOVE - BLACK |
| | 071015-11-000 | EA | GROMMET - RUBBER - 1 ID - FITS .12 MATERIAL - BLACK |
| | 071015-13-000 | EA | GROMMET - RUBBER - .62 ID - FITS .09 GROOVE - BLACK |
| | 071015-19-000 | EA | GROMMET - RUBBER - .38 ID - FITS .06 MATERIAL - BLACK |
| | 071015-26-000 | EA | GROMMET - RUBBER - 1.5" ID X 2.1" OD W/.06" GROOVE-BLACK |
| | 071015-29-000 | EA | GROMMET - RUBBER - .3"ID X 1.3"OD W/.12" GROOVE - BLACK |
| | 071015-30-000 | EA | GROMMET - RUBBER - .3"ID X .81"OD W/.12" GROOVE - BLACK |
| | 071015-32-000 | EA | GROMMET - RUBBER - .75"ID X 1.375"OD W/.187" GROOVE-BLK |
| | 071015-37-000 | EA | GROMMET - .81 ID FITS .56 MTL |
| | 071015-39-000 | EA | GROMMET - .75 ID FITS .06 MTL |
| | 071015-40-000 | EA | GROMMET - .38 ID FITS .09 MTL |
| | 071015-41-000 | EA | GROMMET - .125 ID FITS .188 MTL |
| | 071015-42-000 | EA | GROMMET - RUBBER - .25 ID - FITS .06 MATERIAL - BLACK |
| | 075148-02-000 | EA | CLAMP - GROUNDING - BRONZE SCREWS |
| | 077955-01-000 | EA | CLIP/J - 3/8" - VINYL COATED |
| | 080211-03-000 | EA | CLIP - XMAS TREE W/PANEL RETAINING HEAD - 3/4" SHANK |
| | 080734-02-000 | EA | CLIP - WIRE NYLON |
| | 081211-01-000 | EA | PLUG - PLASTIC - .31"DIA - BLACK |
| | 081211-03-000 | EA | PLUG/PLASTIC - .50" DIAMETER - TRUSS HEAD - BLACK |
| | 081211-04-000 | EA | PLUG/PLASTIC - .46 DIAMETER - TRUSS HEAD - BLACK |
| | 083609-01-000 | EA | CLAMP - WIRE - DUAL - EQUAL DIAMETERS - 5/8" |
| | 083610-01-000 | EA | CLAMP - WIRE - DUAL - UNEQUAL DIAMETERS - 3/4" & 1 1/4" |
| | 083610-02-000 | EA | CLAMP - WIRE - DUAL - UNEQUAL DIAMETERS - 3/4" & 2" |
| | 083610-03-000 | EA | CLAMP - WIRE - DUAL - EQUAL DIAMETERS - 2" |
| | 088756-01-000 | EA | GROMMET - WEB - 1 1/8 " I.D. |
| | 089329-02-000 | EA | CLIP - SPRING |
| | 091952-01-000 | EA | CLIP - GRIPPER - 1" |
| | 091952-02-000 | EA | CLIP - GRIPPER - 3/4" |
| | 091952-03-000 | EA | CLIP - GRIPPER - 1/2" - BLACK VINYL COATED |
| | 094362-02-000 | EA | CLIP - XMAS TREE - BINDER HEAD - .9" LONG |
| | 094362-05-000 | EA | CLIP - XMAS TREE - ROUND HEAD - 1.4" LONG |
| | 113133-02-01A | EA | RIVET - POP - ALUMINUM - 3/16 X .252 - .504 - BLACK |
| | 114208-01-000 | EA | GROMMET - EDGE LINER - FITS 1 3/4" |
| | 114208-05-000 | EA | GROMMET - EDGE LINER - FITS 2" |
| | 115361-01-01A | EA | PLUG/PLASTIC - 1/2" DIAMETER |
| | 118626-01-02A | EA | RIVET - POP - ALUMINUM - 3/16 X .08 - .375 |
| | 118626-01-01A | EA | RIVET - POP - ALUMINUM - 3/16 X .08 - .375 |
| | 137014-01-02A | EA | GROMMET - CABLE - BROWN |
| | 137014-01-01A | EA | GROMMET - CABLE - ALMOND |
| | 137014-01-03A | EA | GROMMET - CABLE - BLACK |
| | 139118-02-01A | EA | GROMMET - SCREW - PLASTIC |
| | 140171-01-000 | EA | CLAMP - HOSE - STEPLESS EAR - .312 |

MISCELLANEOUS FASTENERS

| KEY | PART NUMBER | U/M | DESCRIPTION |
|-----|---------------|-----|------------------------------------------------------------|
| | 008343-01-000 | EA | TIE - WIRE - 6" |
| | 008343-02-000 | EA | TIE - WIRE - 14" |
| | 008343-03-000 | EA | TIE - WIRE - 7 1/2" - BLACK |
| | 029094-04-000 | YD | VELCRO TAPE - LOOP - 1" WIDE - BLACK |
| | 029096-03-000 | YD | VELCRO TAPE - HOOK - 1" WIDE - BLACK |
| | 029096-04-000 | YD | VELCRO TAPE/HOOK - 1" WIDE - BLACK - W/ADHESIVE BACK (PSA) |
| | 048394-02-000 | YD | VELCRO TAPE - HOOK - ADHESIVE BACK - 3/4" WIDE - BEIGE |
| | 085774-01-000 | FT | FASTENER - DUAL LOCK - 1" WIDE - ADHESIVE BACK - BLACK |
| | 085774-02-000 | FT | FASTENER - DUAL HOOK - 1" WIDE - ADHESIVE BACK - BLACK |
| | 085774-03-000 | FT | FASTENER - DUAL LOCK - 1/2" WIDE - ADHESIVE BACK - BLACK |
| | 085774-04-000 | FT | FASTENER - DUAL HOOK - 1/2" WIDE - ADHESIVE BACK - BLACK |
| | 088792-02-000 | YD | VELCRO TAPE - LOOP - 3/4" - ADHESIVE BACK - BEIGE |
| | 088792-04-000 | YD | VELCRO TAPE - HOOK - 5/8" - NON-ADHESIVE BACK - WHITE |

SEALANTS & FASTENERS GROUP (CONTINUED)

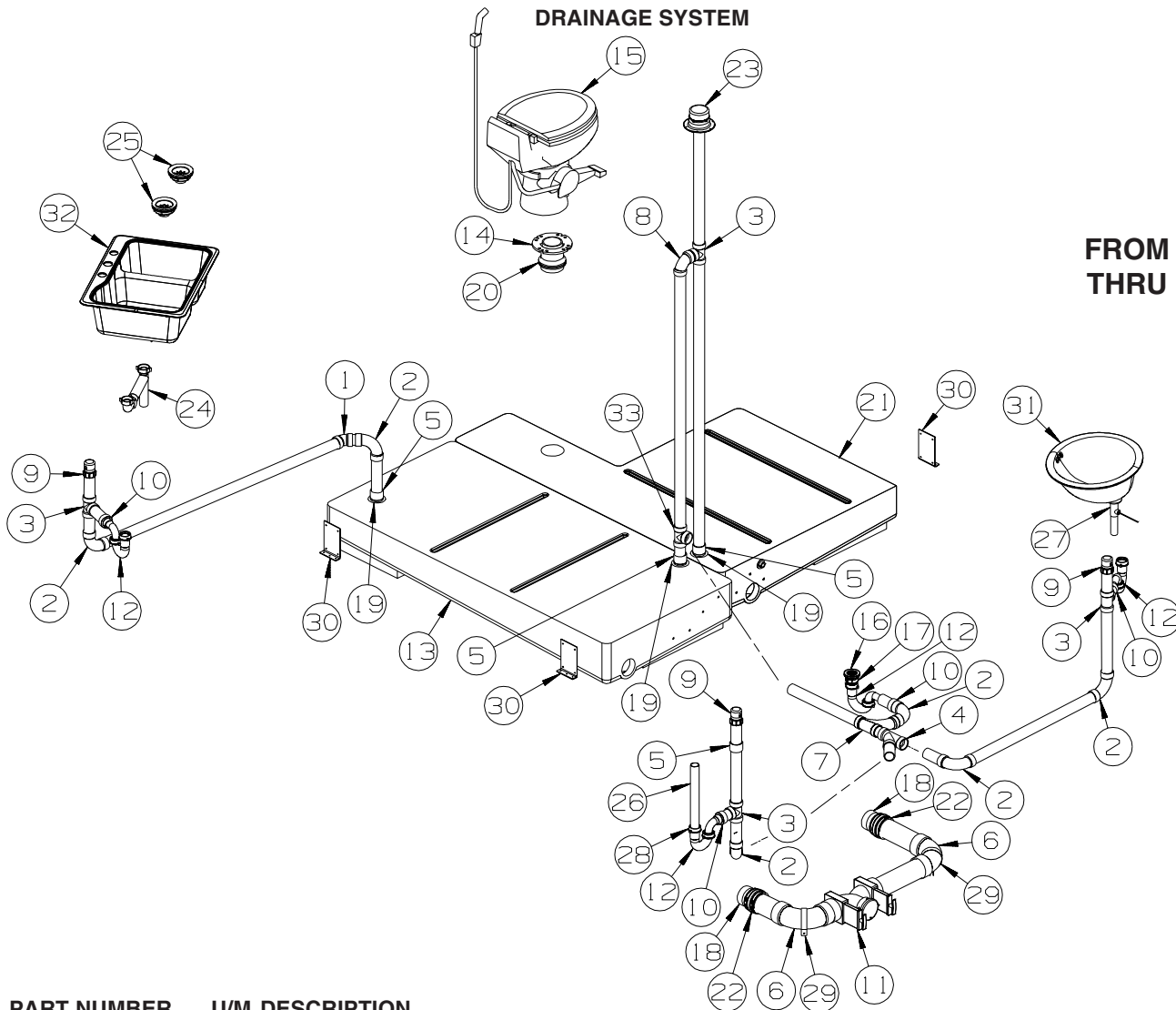
MISCELLANEOUS FASTENERS (CONTINUED)

| KEY | PART NUMBER | U/M | DESCRIPTION |
|-----|---------------|-----|----------------------------------------------------------|
| | 088792-05-000 | YD | VELCRO TAPE - LOOP - 5/8" - NON-ADHESIVE BACK - WHITE |
| | 108046-01-000 | EA | CABLE TIE - SCREW MOUNT 8" |
| | 108046-02-000 | EA | CABLE TIE - SCREW MOUNT 15" |
| | 110943-01-000 | FT | FELT STRIP - 3/8" - ADHESIVE BACK - BLACK - 75' PER ROLL |
| | 110943-02-000 | FT | FELT STRIP - 3/8" - ADHESIVE BACK - WHITE |
| | 127960-01-01A | EA | RETAINER - 3/8" - STAINLESS STEEL |

WATER & SEWAGE GROUP

DRAINAGE SYSTEM

**FROM 00-00-00
THRU 03-06-05**



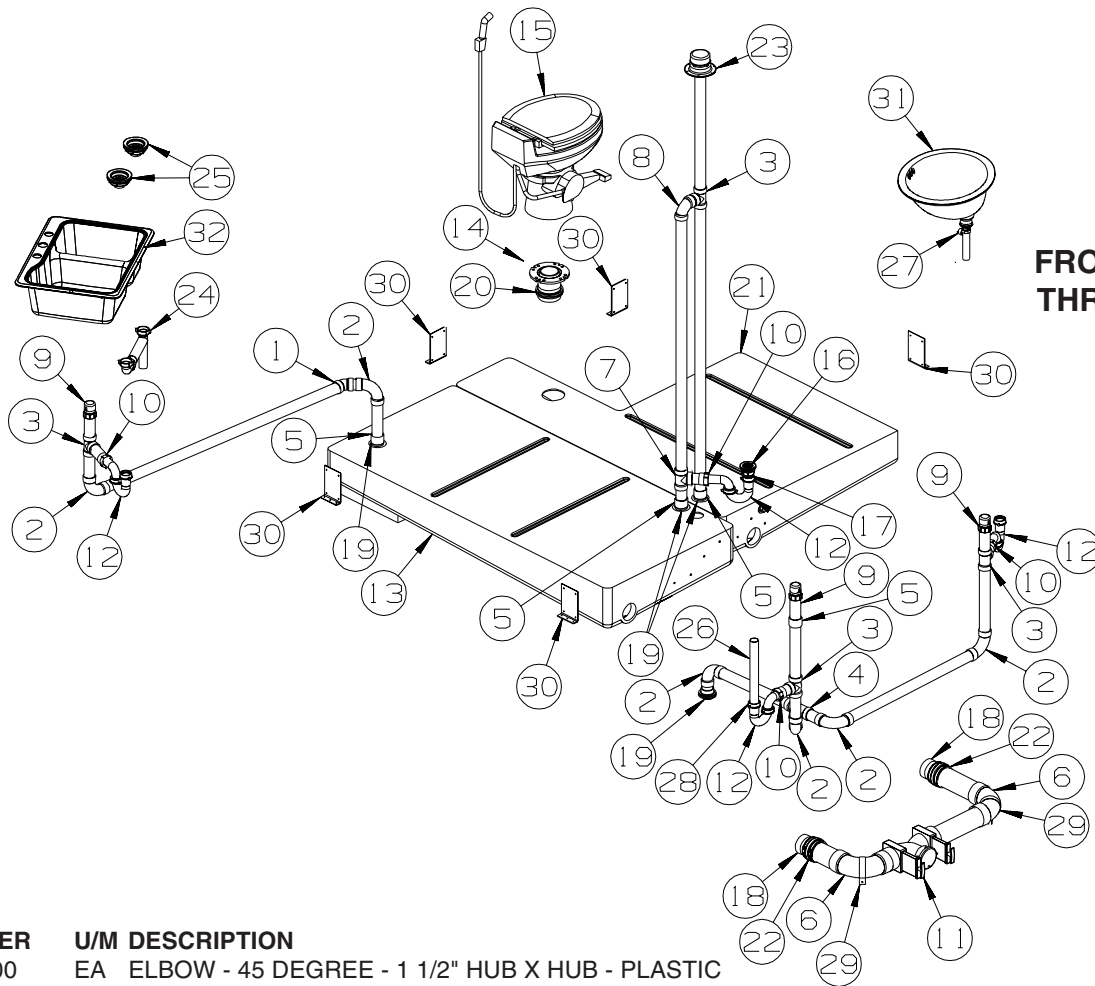
| KEY | PART NUMBER | U/M | DESCRIPTION |
|-----|---------------|-----|------------------------------------------------------------|
| 1 | 010006-01-000 | EA | ELBOW - 45 DEGREE - 1 1/2" HUB X HUB - PLASTIC |
| 2 | 010008-01-000 | EA | ELBOW - 90 DEGREE - 1 1/2" HUB X HUB - PLASTIC |
| 3 | 010071-01-000 | EA | TEE - SANITARY - 1 1/2" HUB X HUB X HUB - PLASTIC |
| 4 | 010073-01-000 | EA | WYE - 45 DEGREE - 1 1/2" HUB X HUB X HUB - PLASTIC |
| 5 | 010115-01-000 | EA | COUPLING - 1 1/2" HUB X HUB - PLASTIC |
| 6 | 031126-01-000 | EA | ELBOW - 1/4 BEND - 3" X 90" XLT - BLACK PLASTIC |
| 7 | 031365-02-000 | EA | TEE - PLASTIC - 1 1/2" EXTRA LONG TURN |
| 8 | 034250-01-000 | EA | ELBOW - 90 DEGREE - LONG TURN - 1 1/2" HUB X HUB - ABS |
| 9 | 079968-01-000 | EA | VENT - MECHANICAL/TRAP ARM - ANTI-SIPHON-2" X 7.3" PLASTIC |
| 10 | 109571-01-000 | EA | ADAPTER - P-TRAP - 1 1/2"P X 1 1/4"MPT |
| | | | FROM: 00-00-00 THRU: 10-12-04 |
| 10 | 152146-01-000 | EA | CONNECTOR - 1 1/2"P X 1 1/2"MPT |
| | | | FROM: 10-13-04 THRU: 99-99-99 |
| 11 | 136143-01-000 | EA | VALVE - DUAL - 3" X 3" |
| | 139513-01-000 | EA | HOSE - SEWER - 3" X 10' - W/ADAPTER |
| | 062416-01-000 | EA | ADAPTER - SEWER HOSE TO 3" PIPE |
| | 144728-01-000 | EA | VALVE - SEWER HOSE - 3" |
| | 147845-01-01A | EA | LABEL - DRIP VALVE |
| 12 | 107538-01-000 | EA | P-TRAP - PLASTIC - 1 1/4" W/EXTENSION ARM |
| | | | FROM: 00-00-00 THRU: 10-12-04 |
| 12 | 107538-02-000 | EA | P-TRAP - PLASTIC - 1 1/2" W/EXTENSION ARM |
| | | | FROM: 10-13-04 THRU: 99-99-99 |
| 12 | 011071-01-000 | EA | P-TRAP - PLASTIC - 1 1/2" - CSA - CANADIAN |
| 13 | 147607-01-700 | EA | TANK/HOLDING - GRAY - 53 GALLON W/3" OUTLET |
| | 049032-01-000 | EA | PATCH - SPINWELD - 3/8" - PLASTIC |

WATER & SEWAGE GROUP (CONTINUED)
DRAINAGE SYSTEM (CONTINUED)

| KEY | PART NUMBER | U/M | DESCRIPTION |
|-----|---------------|-----|--------------------------------------------------------------|
| 14 | 116644-01-000 | EA | FLANGE/CLOSET - 3" FEMALE - 4 BOLT |
| 15* | 132389-01-01A | EA | TOILET - CHINA - WHITE |
| | | | FROM: 00-00-00 THRU: 02-06-05 |
| 15* | 152830-01-01A | EA | TOILET/AQUA MAGIC STYLE PLUS - TALL - W/O SPRAY - WHITE |
| | | | FROM: 02-07-05 THRU: 99-99-99 |
| 16 | 066440-01-000 | EA | STRAINER - SHOWER DRAIN - W/RUBBER WASHER |
| | 127440-02-01A | EA | WASHER - RUBBER - 1.8" X .1" |
| 17 | 011069-06-000 | EA | TAILPIECE - 1 1/2" X 1 1/4" X 2 1/2" |
| | 130403-01-000 | EA | NUT - SLIP - W/WINGS 1 1/2" |
| 18 | 010129-03-000 | EA | NIPPLE - 3" X 3" TOE - PLASTIC |
| 19 | 061607-01-000 | EA | GROMMET - HOLDING TANK - 1 1/2" NPS |
| 20 | 061607-02-000 | EA | GROMMET - HOLDING TANK - 3" NPS |
| 21 | 147606-01-700 | EA | TANK/HOLDING - BLACK - 46 GALLON W/3" OUTLET |
| | 049032-01-000 | EA | PATCH - SPINWELD - 3/8" - PLASTIC |
| | 125697-02-000 | EA | NOZZLE - WELD-A-FLUSH |
| 22 | 078406-01-000 | EA | COUPLER - 3" X 3" W/CLAMPS - RUBBER |
| 23 | 083558-03-000 | EA | VENT W/COVER F/PLUMBING STACK - OFF WHITE |
| 24 | 011091-02-000 | EA | WASTE - CONTINUOUS |
| 25 | 092303-01-000 | EA | STRAINER - W/BASKET - GALLEY SINK - 4" OD |
| | 127440-02-01A | EA | WASHER - RUBBER - 1.8" X .1" |
| 26 | 126588-02-000 | EA | ARM - WASTE - 1 1/2" X 20" - FEMALE - WASHER/DRYER |
| 27 | 147930-01-000 | EA | WASHER/SEAL - FOAM - 1.4"ID X 2.1"OD - F/POP-UP DRAIN |
| 28 | 061420-10-000 | EA | PLUG/PLASTIC - 1 1/2" DIAMETER - BLACK - WASHER/DRYER |
| 29 | 141443-01-02B | EA | HOLDER - RING - E-COATED |
| 30 | 094756-01-01A | EA | BRACKET/ANGLE - W/HOLES |
| 31 | 143310-01-01A | EA | SINK - LAVATORY - OVAL - 19" X 16" - WHITE |
| | | | FROM: 00-00-00 THRU: 03-13-05 |
| 31 | 155318-01-01A | EA | SINK - LAVATORY - OVAL - 19.5" X 16.5" - CREAM |
| | | | FROM: 03-14-05 THRU: 99-99-99 |
| 32 | 148870-01-01A | EA | SINK/DOUBLE - LRG/SML BASIN - 25" X 19" X 7" |
| 33 | 010071-02-000 | EA | TEE - PLASTIC - 1 1/2 W/BAFFLE - H X H X H |

***COMPONENT PARTS LISTED LATER IN THIS GROUP**

WATER & SEWAGE GROUP (CONTINUED)
DRAINAGE SYSTEM (CONTINUED)



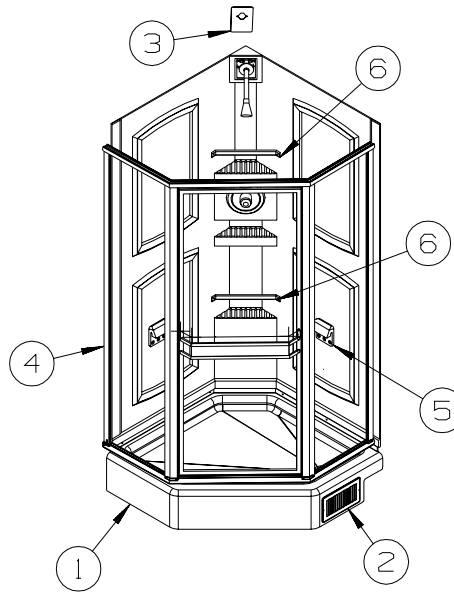
**FROM 03-07-05
 THRU 99-99-99**

| KEY | PART NUMBER | U/M | DESCRIPTION |
|-----|---------------|-----|------------------------------------------------------------|
| 1 | 010006-01-000 | EA | ELBOW - 45 DEGREE - 1 1/2" HUB X HUB - PLASTIC |
| 2 | 010008-01-000 | EA | ELBOW - 90 DEGREE - 1 1/2" HUB X HUB - PLASTIC |
| 3 | 010071-01-000 | EA | TEE - SANITARY - 1 1/2" HUB X HUB X HUB - PLASTIC |
| 4 | 010073-01-000 | EA | WYE - 45 DEGREE - 1 1/2" HUB X HUB X HUB - PLASTIC |
| 5 | 010115-01-000 | EA | COUPLING - 1 1/2" HUB X HUB - PLASTIC |
| 6 | 031126-01-000 | EA | ELBOW - 1/4 BEND - 3" X 90" XLT - BLACK PLASTIC |
| 7 | 010071-02-000 | EA | TEE - PLASTIC - 1 1/2 W/BAFFLE - H X H X H |
| 8 | 034250-01-000 | EA | ELBOW - 90 DEGREE - LONG TURN - 1 1/2" HUB X HUB - ABS |
| 9 | 079968-01-000 | EA | VENT - MECHANICAL/TRAP ARM - ANTI-SIPHON-2" X 7.3" PLASTIC |
| 10 | 109571-01-000 | EA | ADAPTER - P-TRAP - 1 1/2"P X 1 1/4"MPT |
| | | | FROM: 00-00-00 THRU: 10-12-04 |
| 10 | 152146-01-000 | EA | CONNECTOR - 1 1/2"P X 1 1/2"MPT |
| | | | FROM: 10-13-04 THRU: 99-99-99 |
| 11 | 136143-01-000 | EA | VALVE - DUAL - 3" X 3" |
| | 139513-01-000 | EA | HOSE - SEWER - 3" X 10' - W/ADAPTER |
| | 062416-01-000 | EA | ADAPTER - SEWER HOSE TO 3" PIPE |
| | 144728-01-000 | EA | VALVE - SEWER HOSE - 3" |
| | 147845-01-01A | EA | LABEL - DRIP VALVE |
| 12 | 107538-01-000 | EA | P-TRAP - PLASTIC - 1 1/4" W/EXTENSION ARM |
| | | | FROM: 00-00-00 THRU: 10-12-04 |
| 12 | 107538-02-000 | EA | P-TRAP - PLASTIC - 1 1/2" W/EXTENSION ARM |
| | | | FROM: 10-13-04 THRU: 99-99-99 |
| 12 | 011071-01-000 | EA | P-TRAP - PLASTIC - 1 1/2" - CSA - CANADIAN |
| 13 | 147607-01-700 | EA | TANK/HOLDING - GRAY - 53 GALLON W/3" OUTLET |
| | 049032-01-000 | EA | PATCH - SPINWELD - 3/8" - PLASTIC |
| 14 | 116644-01-000 | EA | FLANGE/CLOSET - 3" FEMALE - 4 BOLT |
| 15* | 132389-01-01A | EA | TOILET - CHINA - WHITE |
| | | | FROM: 00-00-00 THRU: 02-06-05 |
| 15* | 152830-01-01A | EA | TOILET/AQUA MAGIC STYLE PLUS - TALL - W/O SPRAY - WHITE |
| | | | FROM: 02-07-05 THRU: 99-99-99 |
| 16 | 066440-01-000 | EA | STRAINER - SHOWER DRAIN - W/RUBBER WASHER |
| | 127440-02-01A | EA | WASHER - RUBBER - 1.8" X .1" |

WATER & SEWAGE GROUP (CONTINUED)
DRAINAGE SYSTEM (CONTINUED)

| KEY | PART NUMBER | U/M | DESCRIPTION |
|-----|---------------|-----|--------------------------------------------------------------|
| 17 | 011069-06-000 | EA | TAILPIECE - 1 1/2" X 1 1/4" X 2 1/2" |
| | 130403-01-000 | EA | NUT - SLIP - W/WINGS 1 1/2" |
| 18 | 010129-03-000 | EA | NIPPLE - 3" X 3" TOE - PLASTIC |
| 19 | 061607-01-000 | EA | GROMMET - HOLDING TANK - 1 1/2" NPS |
| 20 | 061607-02-000 | EA | GROMMET - HOLDING TANK - 3" NPS |
| 21 | 147606-01-700 | EA | TANK/HOLDING - BLACK - 46 GALLON W/3" OUTLET |
| | 049032-01-000 | EA | PATCH - SPINWELD - 3/8" - PLASTIC |
| | 125697-02-000 | EA | NOZZLE - WELD-A-FLUSH |
| 22 | 078406-01-000 | EA | COUPLER - 3" X 3" W/CLAMPS - RUBBER |
| 23 | 083558-03-000 | EA | VENT W/COVER F/PLUMBING STACK - OFF WHITE |
| 24 | 011091-02-000 | EA | WASTE - CONTINUOUS |
| 25 | 092303-01-000 | EA | STRAINER - W/BASKET - GALLEY SINK - 4" OD |
| | 127440-02-01A | EA | WASHER - RUBBER - 1.8" X .1" |
| 26 | 126588-02-000 | EA | ARM - WASTE - 1 1/2" X 20" - FEMALE - WASHER/DRYER |
| 27 | 147930-01-000 | EA | WASHER/SEAL - FOAM - 1.4"ID X 2.1"OD - F/POP-UP DRAIN |
| 28 | 061420-10-000 | EA | PLUG/PLASTIC - 1 1/2" DIAMETER - BLACK - WASHER/DRYER |
| 29 | 141443-01-02B | EA | HOLDER - RING - E-COATED |
| 30 | 094756-01-01A | EA | BRACKET/ANGLE - W/HOLES |
| 31 | 143310-01-01A | EA | SINK - LAVATORY - OVAL - 19" X 16" - WHITE |
| | | | FROM: 00-00-00 THRU: 03-13-05 |
| 31 | 155318-01-01A | EA | SINK - LAVATORY - OVAL - 19.5" X 16.5" - CREAM |
| | | | FROM: 03-14-05 THRU: 99-99-99 |
| 32 | 148870-01-01A | EA | SINK/DOUBLE - LRG/SML BASIN - 25" X 19" X 7" |

***COMPONENT PARTS LISTED LATER IN THIS GROUP**



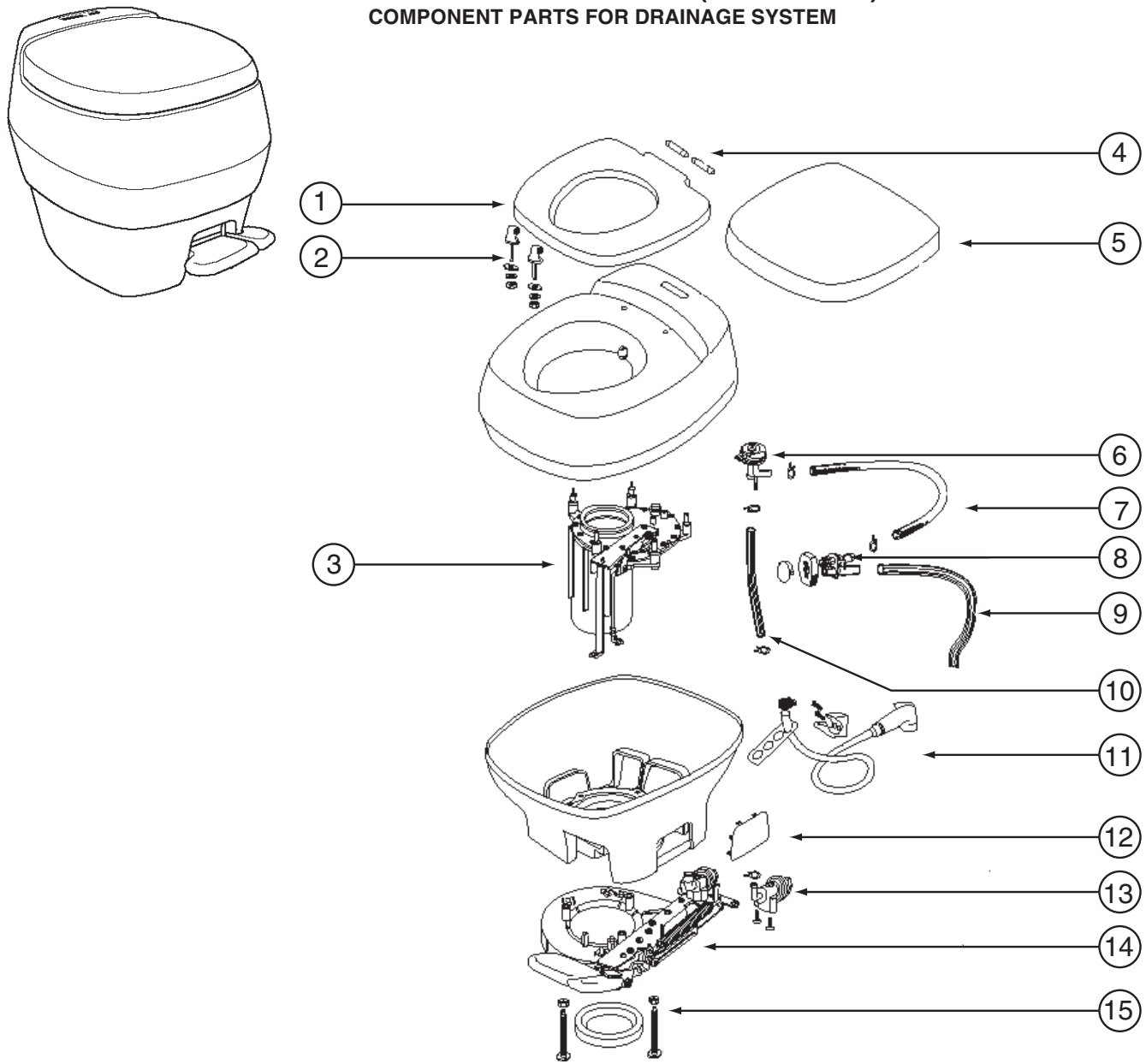
FROM 00-00-00 THRU 02-20-05

| KEY | PART NUMBER | U/M | DESCRIPTION |
|-----|---------------|-----|-----------------------------------------------------|
| 1 | M02630-61-N42 | EA | SHOWER PAN - W/STRAINER |
| 2 | 089326-02-000 | EA | GRILLE - FLOOR - 9.3" X 5.3" - SOFT WHITE |
| 3 | 131549-01-01A | EA | PLATE - COVER - SHOWER HEAD |
| 4 | 131311-01-01A | EA | ENCLOSURE - SHOWER - SIDES/BACK - 1 PIECE |
| 5 | 135607-03-01A | EA | SEAT - FOLDING(FOR REPLACEMENT OR OPTION INST ONLY) |
| 6 | 113714-02-02A | EA | RETAINER - SHELF/SHOWER - 10.6" - SOFT WHITE |

FROM 02-21-05 THRU 99-99-99

| KEY | PART NUMBER | U/M | DESCRIPTION |
|-----|---------------|-----|-----------------------------------------------------|
| 1 | M02630-85-S64 | EA | SHOWER PAN - W/STRAINER |
| 2 | 089326-02-000 | EA | GRILLE - FLOOR - 9.3" X 5.3" - SOFT WHITE |
| 3 | 131549-01-01A | EA | PLATE-COVER,SHOWER HEAD |
| 4 | 147575-01-01A | EA | ENCLOSURE - SHOWER - SIDES/BACK - 1 PIECE |
| 5 | 135607-03-01A | EA | SEAT - FOLDING(FOR REPLACEMENT OR OPTION INST ONLY) |
| 6 | 113714-02-02A | EA | RETAINER - SHELF/SHOWER - 10.6" - SOFT WHITE |

WATER & SEWAGE GROUP (CONTINUED)
COMPONENT PARTS FOR DRAINAGE SYSTEM

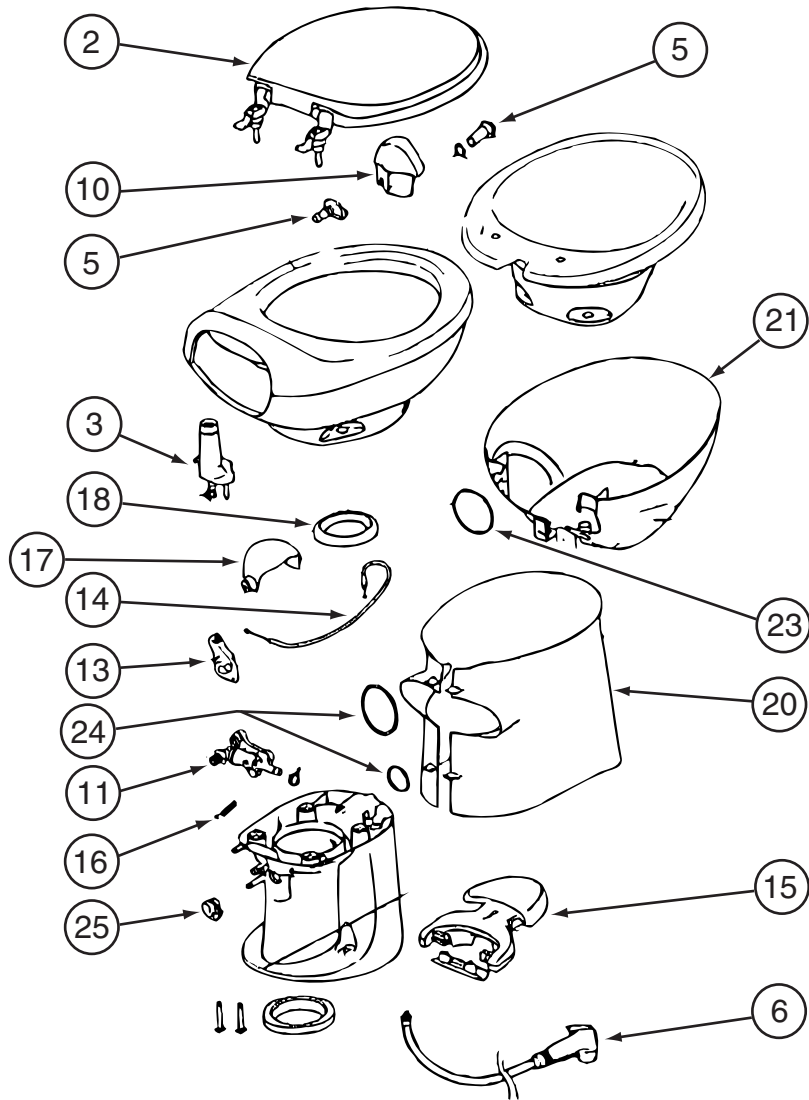


132389-01-01A

| KEY | PART NUMBER | U/M | DESCRIPTION | VENDOR NO. |
|-----|---------------|-----|-----------------------------|------------|
| 1 | 132389-01-700 | EA | SEAT ONLY - WHITE | 1927632 |
| 2 | 132389-01-701 | EA | HINGE POST KIT | 1927732 |
| 3 | 132389-01-702 | EA | UPPER MECHANISM KIT - WHITE | 1928432 |
| 4 | 132389-01-703 | EA | HINGE PINS | 19292 |
| 5 | 132389-01-704 | EA | COVER - SEAT - WHITE | 1929332 |
| 6 | 132389-01-705 | EA | VACUUM BREAKER PACKAGE | 19278 |
| 8 | 132389-01-706 | EA | FLUSH NOZZLE - PACKAGE | 1927932 |
| 10 | 132389-01-707 | EA | TUBE - WATER SUPPLY | 19282 |
| 11 | 132389-01-708 | EA | HAND SPRAY KIT | 19289 |
| 12 | 132389-01-709 | EA | COVER - SIDE ACCESS- WHITE | 1929832 |
| 13 | 132389-01-710 | EA | WATER VALVE PACKAGE | 19283 |
| 14 | 132389-01-711 | EA | LOWER MECHANISM - WHITE | 1928532 |
| 15 | 132389-01-712 | EA | CLOSET FLANGE-SEAL/BOLT PKG | 19309 |
| | 132389-01-713 | EA | SEAL - BLADE | 8308 |
| | 132389-01-714 | EA | BOLT PACKAGE - F/RISER | 24819 |
| | 132389-01-715 | EA | SEAL - FLANGE | 19325 |
| | 132389-01-716 | EA | SEAL KIT-UPPER MECHANISM | 28100 |

CONTACT WINNEBAGO PART SALES FOR UNLISTED COMPONENT(S)

WATER & SEWAGE GROUP (CONTINUED)
COMPONENT PARTS FOR DRAINAGE SYSTEM (CONTINUED)

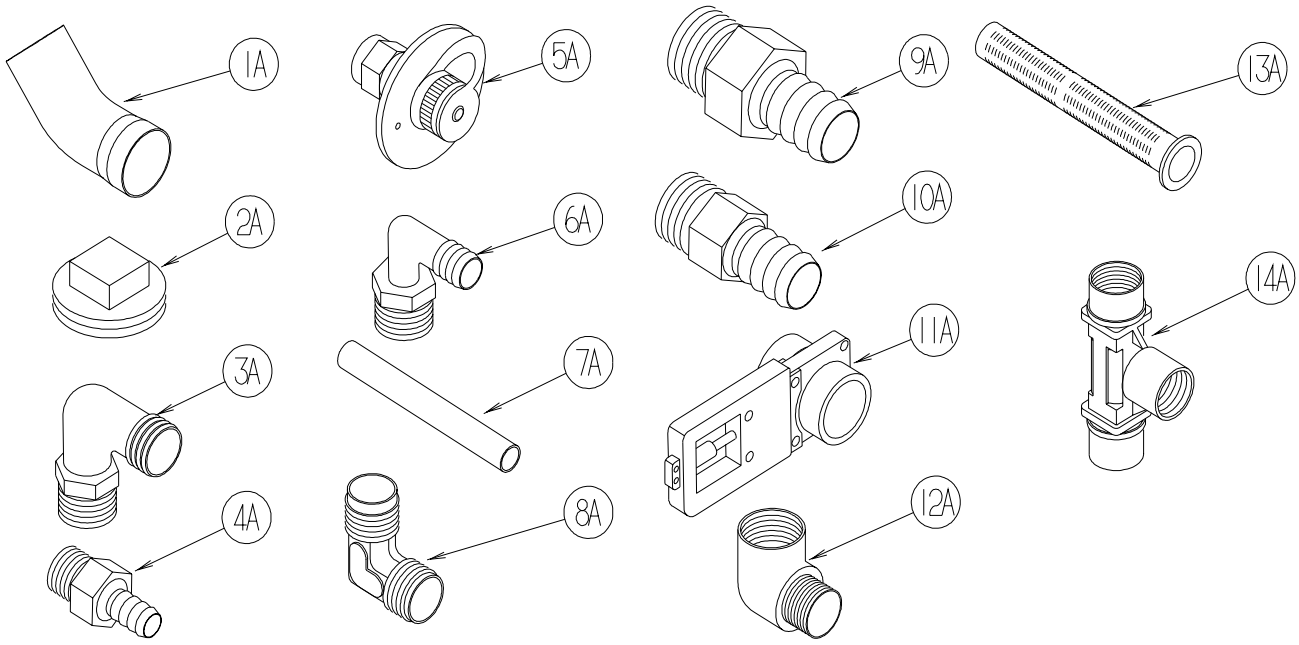


152830-01-01A

| KEY | PART NUMBER | U/M | DESCRIPTION | VENDOR NO. |
|-----|---------------|-----|-----------------------------|------------|
| 2 | 152829-01-700 | EA | SEAT/COVER ASSEMBLY - WHITE | 34144 |
| 3 | 152829-01-708 | EA | VACUUM BREAKER | 34122 |
| 5 | 152830-01-701 | EA | FLUSH NOZZLE - WHITE | 34127 |
| 11 | 152829-01-701 | EA | WATER VALVE | 34100 |
| 13 | 152829-01-703 | EA | WATER VALVE DRIVE ARM | 34104 |
| 14 | 152829-01-704 | EA | CABLE - F/PEDAL | 34106 |
| 15 | 152830-01-700 | EA | PEDAL PACKAGE - WHITE | 34114 |
| 16 | 152829-01-705 | EA | SPRING/RETURN-F/WATER VALVE | 34110 |
| 17 | 152829-01-706 | EA | WASTE BALL - WHITE | 34117 |
| 18 | 152829-01-707 | EA | SEAL - F/WASTE BALL | 34120 |
| 20 | 152830-01-703 | EA | SHROUD - TALL/WHITE | 34138 |
| 24 | 152830-01-702 | EA | O-RING PKG - F/SHROUD | 34136 |
| 25 | 152829-01-702 | EA | WASTE BALL DRIVE ARM | 34102 |

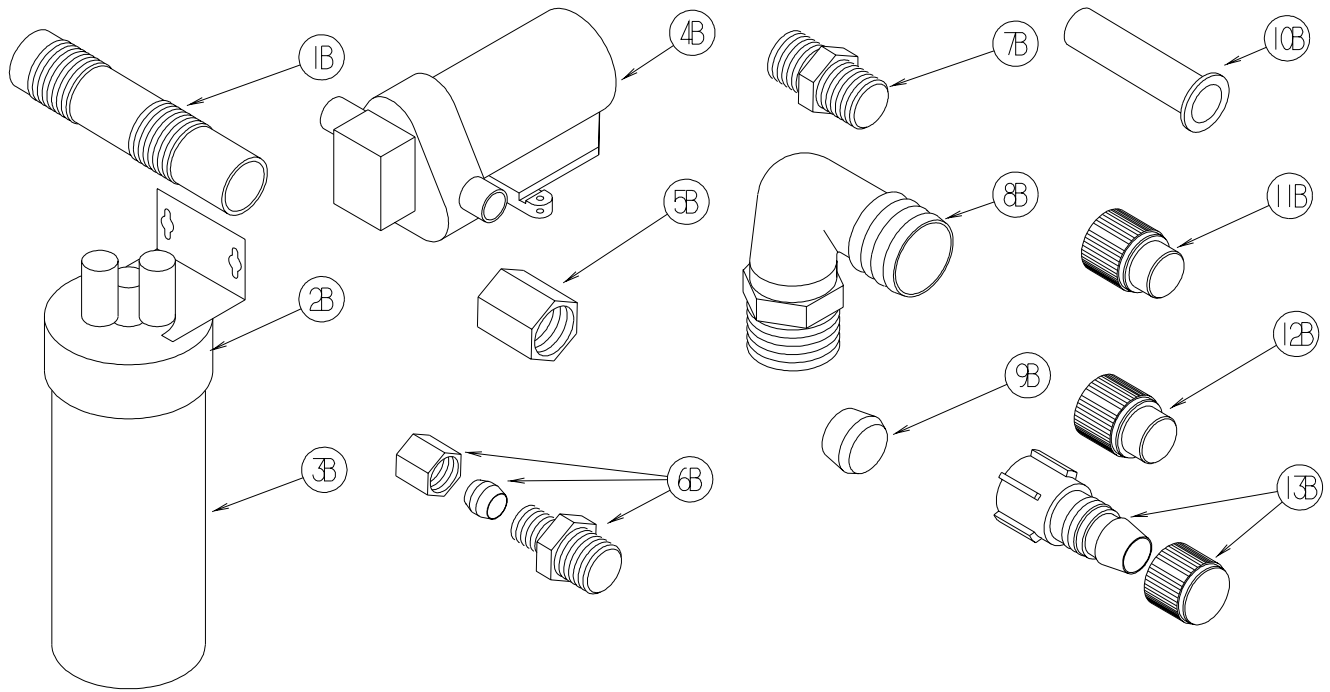
CONTACT WINNEBAGO PART SALES FOR UNLISTED COMPONENT(S)

WATER & SEWAGE GROUP (CONTINUED)
WATER SYSTEM



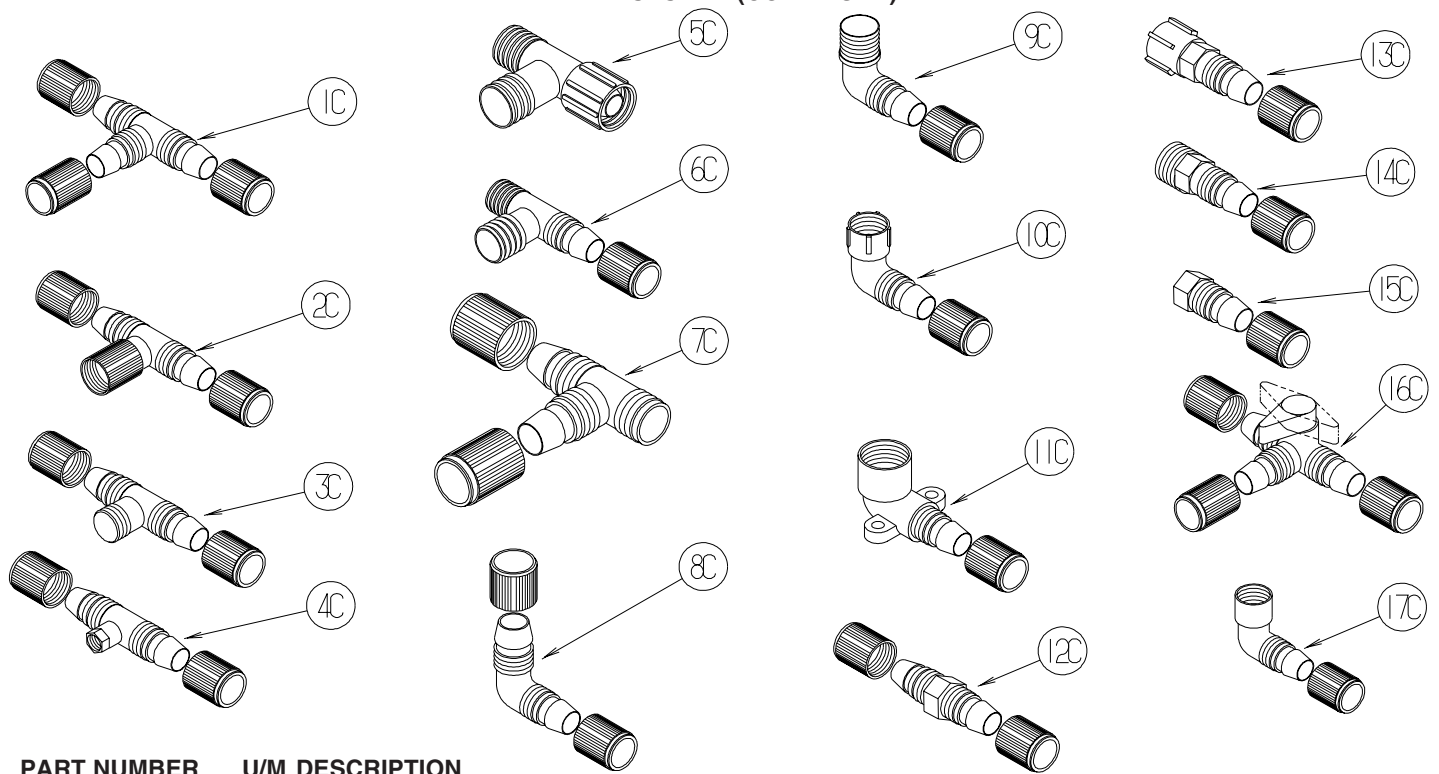
| KEY | PART NUMBER | U/M | DESCRIPTION |
|-----|---------------|-----|-----------------------------------------------------------|
| 1A | 010009-01-000 | EA | ELBOW - 90 DEGREE - 1/4 BEND - 1 1/2" PLASTIC |
| 2A | 010166-01-000 | EA | PLUG/THREADED - 1 1/4"MPT - PLASTIC - BLACK - UL |
| 3A | 010219-01-000 | EA | ELBOW - 1 1/4 MPT X 1 1/4 BARB - WATER FILL - PLASTIC |
| 4A | 010224-01-000 | EA | ADAPTER - HOSE TO PIPE - 3/8 MPT X 3/8 BARB - PLASTIC |
| 5A | 010230-06-000 | EA | FILL - CITY WATER - W/CHECK VALVE - MPT - BRUSHED ALUM |
| 6A | 035539-01-000 | EA | ELBOW - 3/8 MPT X 3/8 BARB - PLASTIC |
| 7A | 039800-04-000 | FT | TUBING - POLYBUTYL - 1/4"OD |
| 7A | 074462-02-000 | FT | TUBING - VINYL - 3/8 ID X 20' - CLEAR |
| 7A | 112176-01-000 | FT | TUBING - VINYL - REINFORCED - 1/2" ID |
| 7A | 124188-01-000 | FT | TUBING - PEX - 1/2" ID X 20' - BLUE(COLD) |
| 7A | 124188-02-000 | FT | TUBING - PEX - 1/2" ID X 20' - RED(HOT) |
| 8A | 039808-03-000 | EA | ELBOW - 1/2" MPT X 1/2" MPT - PLASTIC |
| 9A | 044927-01-000 | EA | ADAPTER - HOSE TO PIPE-1 1/4 MPTX1 1/4 BARB-BLACK PLASTIC |
| 10A | 044927-02-000 | EA | ADAPTER - REDUCING - 1" MPT X 1.3" BARB - PLASTIC |
| 11A | 062421-03-000 | EA | VALVE/DUMP W/O HANDLE - 1 1/2" X 1 1/2" HUB |
| | 062421-05-000 | EA | CABLE/ROD - F/DUMP VALVE - W/HANDLE - 48" |
| | 062421-07-000 | EA | CABLE/ROD - F/DUMP VALVE - W/HANDLE - 144" |
| | 062421-08-000 | EA | CABLE/ROD - F/DUMP VALVE - W/HANDLE - 108" |
| 12A | 065318-02-000 | EA | ELBOW - 90 DEGREE - 3/8" MPT TO 3/8" FPT |
| 13A | 077954-02-000 | EA | FILTER - WATER TANK - W/SCREEN IN TANK |
| 14A | 039798-01-000 | EA | TEE - 1/2"MPT X 1/2"MPT X 1/2"MPT - PLASTIC |

WATER & SEWAGE GROUP (CONTINUED)
WATER SYSTEM (CONTINUED)



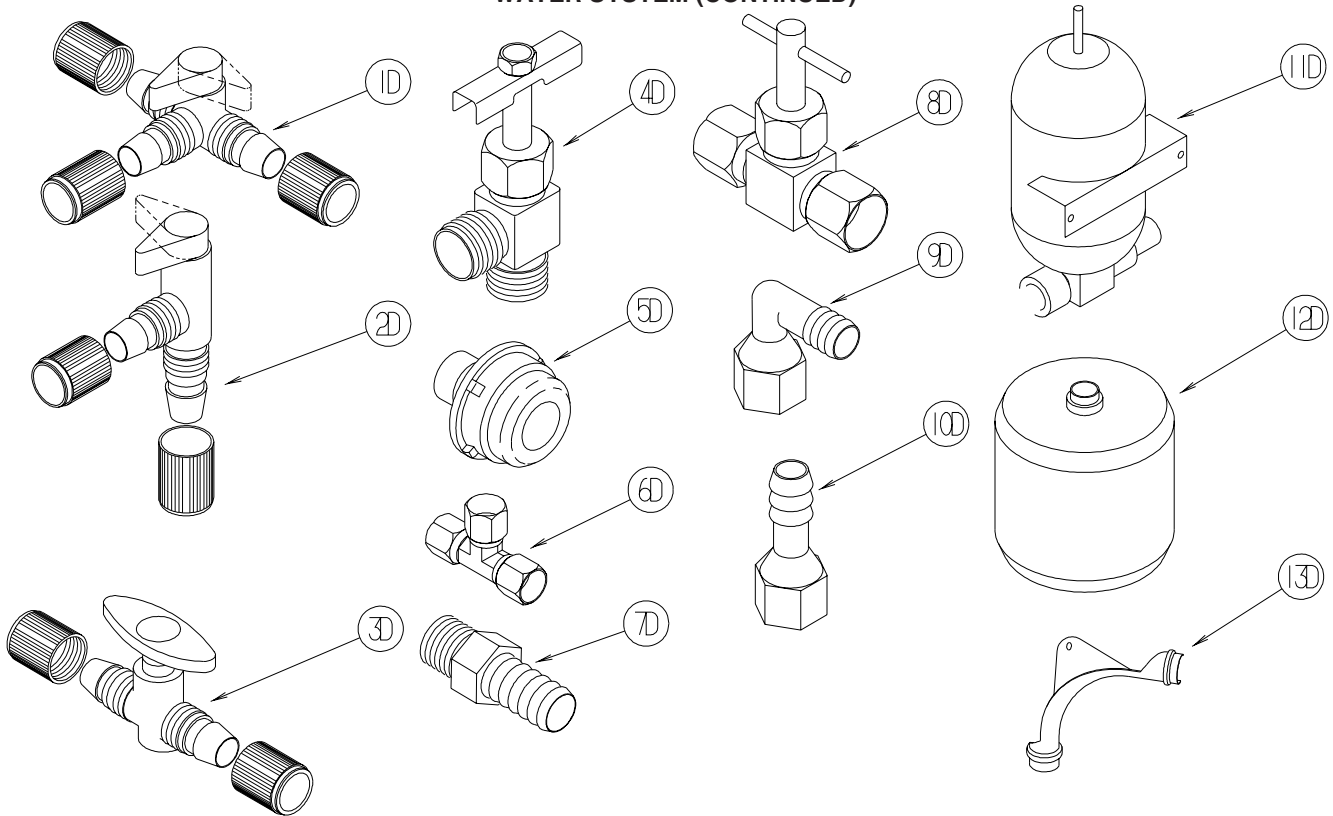
| KEY | PART NUMBER | U/M | DESCRIPTION |
|-----|---------------|-----|-----------------------------------------------------|
| 1B | 079381-01-000 | FT | TUBING - RIBBED FLEXIBLE - WATER FILL - 1.4" ID |
| 2B | 087200-01-000 | EA | FILTER-WATER PURIFICATION, EVERPURE QC2-AC |
| 3B | 087200-02-000 | EA | CARTRIDGE-WATER FILTER,AC - EVERPURE 9601-11 |
| 4B* | 098607-01-000 | EA | PUMP - WATER - W/.5" MPT FITTING - FLOW 2.8 GPM |
| 5B | 101814-01-000 | EA | COUPLING - FEMALE - 1/2" X 1/2" FPT - GRAY |
| 6B | 103798-01-000 | EA | CONNECTOR - 1/4 OD X 3/8 MPT |
| 7B | 110438-02-000 | EA | VALVE - CHECK - BRASS - 1/2 MPT X 1/2 MPT |
| 8B | 111223-02-000 | EA | ELBOW - 1/2" MPT X 3/8" BARB - PLASTIC |
| 8B | 111223-03-000 | EA | ELBOW - 3/4" MPT X 1/2" BARB - PLASTIC |
| 8B | 111223-04-000 | EA | ELBOW - 1/2" MPT X 1/2" BARB - PLASTIC |
| 9B | 111888-01-000 | EA | FERRULE - PLASTIC - .250 ID X .375 OD |
| 10B | 111888-02-000 | EA | INSERT - BRASS - 1/4 COMP |
| 11B | 113697-01-000 | EA | CAP - 3/8"P |
| 12B | 114427-01-000 | EA | CAP - 1/2"P |
| 13B | 114427-02-000 | EA | PLUG - W/COMP NUT - 1/2" PLASTIC PIPE/1/2" FLAIR-IT |

WATER & SEWAGE GROUP (CONTINUED)
WATER SYSTEM (CONTINUED)



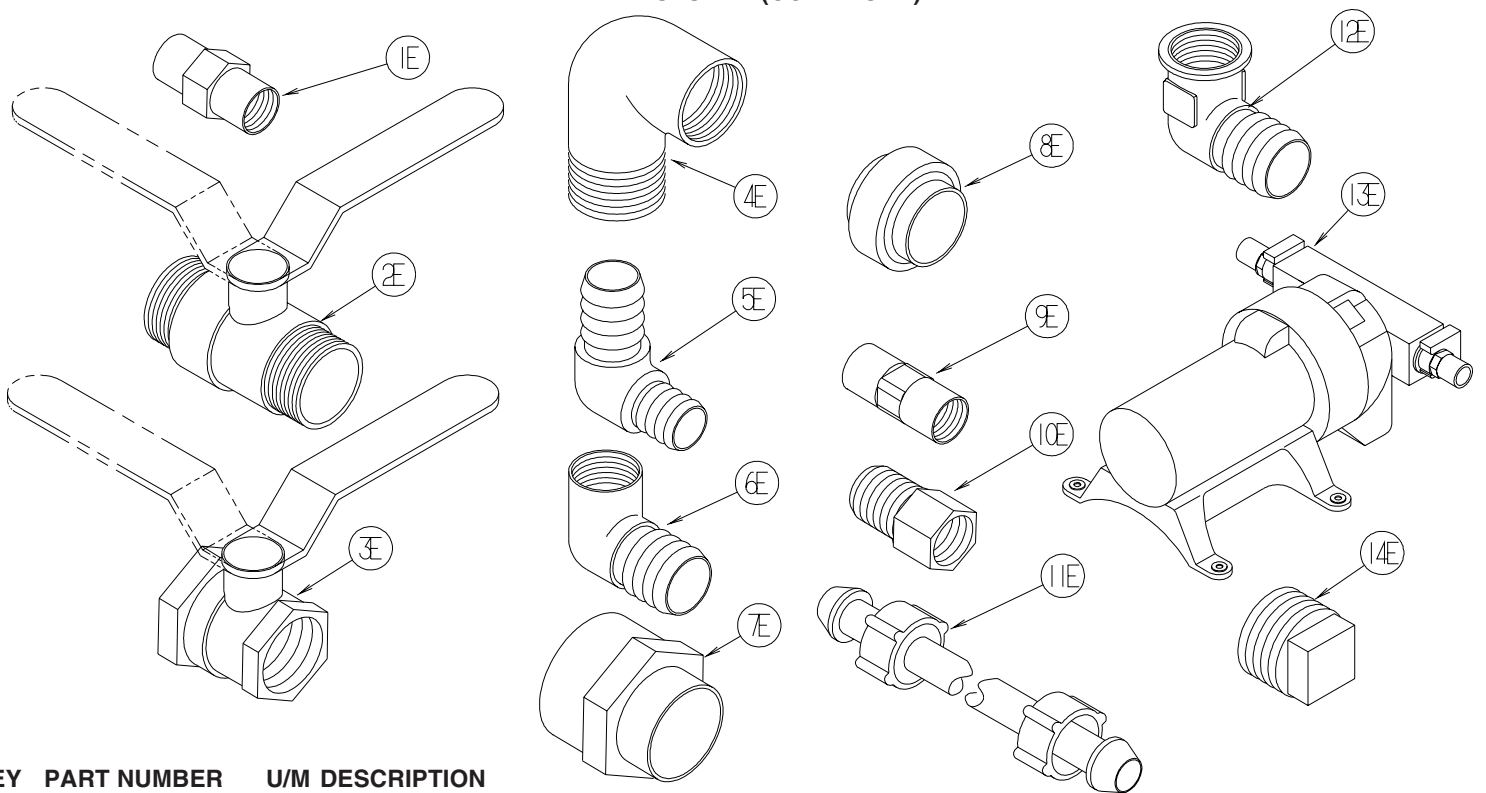
| KEY | PART NUMBER | U/M | DESCRIPTION |
|-----|---------------|-----|-----------------------------------------------------|
| 1C | 114428-01-000 | EA | TEE - 1/2"P X 1/2"P X 1/2"P |
| 2C | 114428-02-000 | EA | TEE - SWIVEL - 1/2"P X 1/2"P X 1/2"FPT |
| 3C | 114428-03-000 | EA | TEE - 1/2"P X 1/2"P X 1/2"MPT |
| 4C | 114428-04-000 | EA | TEE - 1/2"P X 1/2"P X 1/8"FPT |
| 5C | 114428-05-000 | EA | TEE - 1/2" SWIVEL X 1/2" MPT X 1/2" MPT |
| 6C | 114428-06-000 | EA | TEE - 1/2" P X 1/2" MPT X 1/2" MPT |
| 7C | 114428-07-000 | EA | TEE - 1/2" P X 1/2" MPT X 1/2" P |
| 8C | 114429-01-000 | EA | ELBOW - 1/2"P X 1/2"P |
| 9C | 114429-02-000 | EA | ELBOW - 1/2"P X 1/2"MPT |
| 9C | 114429-04-000 | EA | ELBOW - 1/2"P X 3/8"MPT |
| 9C | 114429-05-000 | EA | ELBOW - 1/2"P X 3/4"MPT |
| 9C | 114429-10-000 | EA | ELBOW - SWIVEL - 1/2"MPT X 1/2"FPT |
| 10C | 114429-06-000 | EA | ELBOW - SWIVEL - 1/2"P X 3/4"FPT |
| 10C | 114429-08-000 | EA | ELBOW - SWIVEL - 1/2"P X 1/2"FPT |
| 11C | 114429-09-000 | EA | ELBOW - 1/2"P X 1/2"FPT DROP EAR |
| 12C | 114430-01-000 | EA | ADAPTER - 1/2"P X 1/2"P |
| 13C | 114430-02-000 | EA | ADAPTER - SWIVEL - 1/2"P X 1/2"FPT |
| 13C | 114430-04-000 | EA | ADAPTER - SWIVEL - 1/2"P X 3/8"MPT |
| 14C | 114430-03-000 | EA | ADAPTER - 1/2"P X 1/2"MPT |
| 15C | 114430-06-000 | EA | ADAPTER - 1/2"P X 3/8"FPT |
| 15C | 114430-09-000 | EA | ADAPTER - 1/2"P X 1/2"FPT |
| 16C | 114431-01-000 | EA | VALVE - 180 DEGREE/CENTER DRAIN - 1/2"P - THREE WAY |
| 17C | 114429-11-000 | EA | ELBOW - 1/2"P X 1/2"FPT |

WATER & SEWAGE GROUP (CONTINUED)
WATER SYSTEM (CONTINUED)



| KEY | PART NUMBER | U/M | DESCRIPTION |
|-----|---------------|-----|----------------------------------------------------------|
| 1D | 114431-02-000 | EA | VALVE - WATER BYPASS - 1/2"P - THREE WAY (WATER HEATER) |
| 2D | 114431-03-000 | EA | VALVE - 90 DEGREE DRAIN - 1/2"P |
| 3D | 114431-04-000 | EA | VALVE - "INLINE SHUT-OFF" - 1/2"P |
| 4D | 114431-05-000 | EA | VALVE - NEEDLE - 1/8" MPT X 1/4" COMPRESSION (ICE MAKER) |
| 5D | 114966-01-000 | EA | FILTER - IN LINE - TWIST ON - 1/2" |
| | | | FROM: 00-00-00 THRU: 09-26-04 |
| 5D | 152925-01-01A | EA | FILTER - IN LINE - TWIST ON - 1/2" - BLACK |
| | | | FROM: 09-27-04 THRU: 99-99-99 |
| 6D | 118423-01-000 | EA | FITTING - BRASS-TEE - 1/4C X 1/4C X 1/4C |
| 7D | 118809-01-000 | EA | ADAPTER - 1/2" MPT X 3/8" BARB - PLASTIC |
| 7D | 118809-02-000 | EA | ADAPTER - 1/2" MPT X 1/2" BARB - PLASTIC |
| 8D | 120868-01-000 | EA | VALVE - NEEDLE - 1/4" COMPRESSION X 1/4" COMPRESSION |
| 9D | 123150-01-000 | EA | ELBOW - 1/2 FPT X 1/2 BARB - SWIVEL |
| 10D | 123152-01-000 | EA | ADAPTER - 1/2 FPT X 1/2 BARB - SWIVEL |
| 11D | 123243-01-000 | EA | TANK - ACCUMULATOR - 24 OZ |
| 12D | 123317-01-000 | EA | TANK - ACCUMULATOR - 2 GALLON |
| 13D | 124184-01-000 | EA | SUPPORT - WATER LINE - BEND |

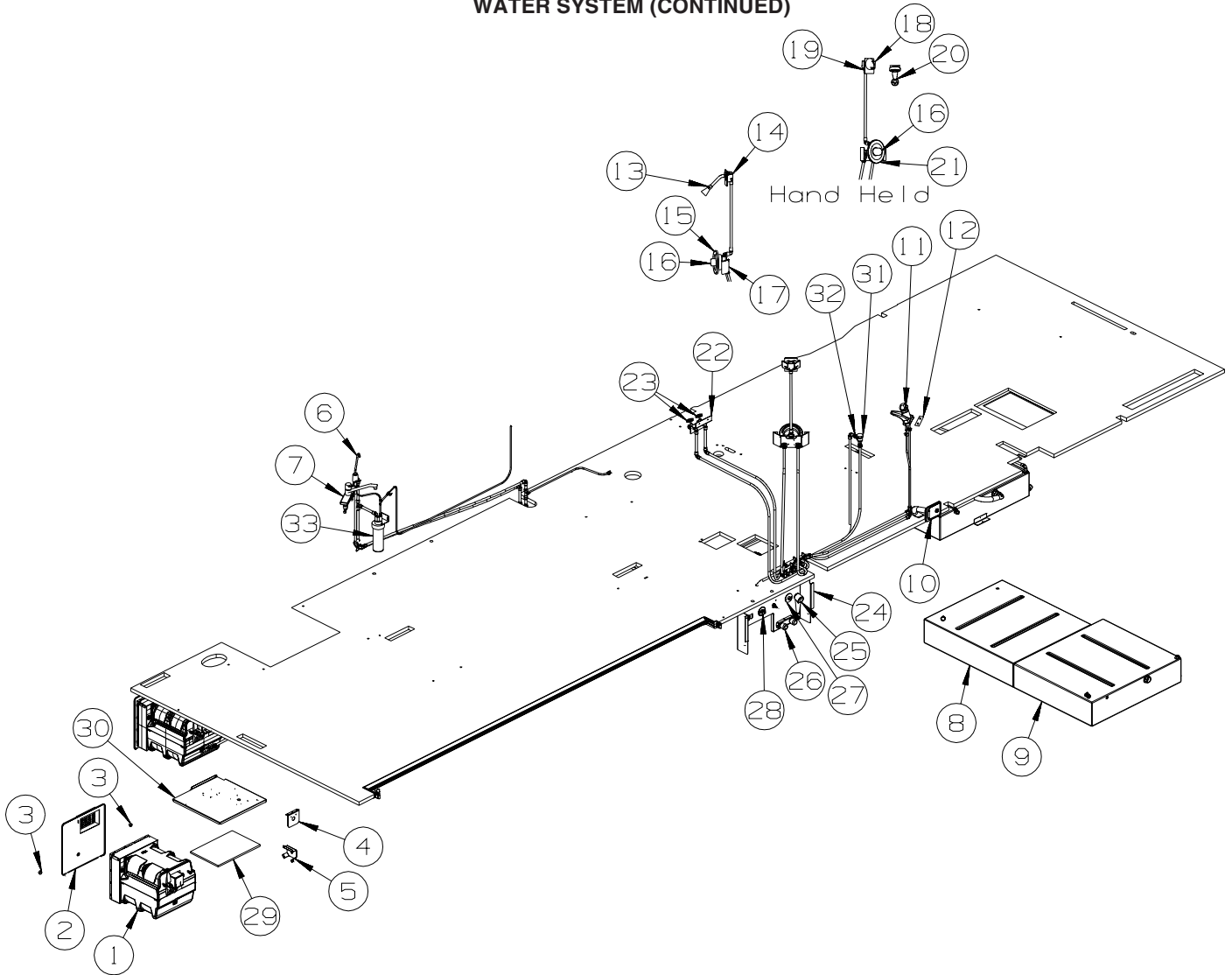
WATER & SEWAGE GROUP (CONTINUED)
WATER SYSTEM (CONTINUED)



| KEY | PART NUMBER | U/M | DESCRIPTION |
|------|---------------|-----|-----------------------------------------------------|
| 1E | 132148-01-000 | EA | CONNECTOR - 1/2" X 1/2"MPT - BRASS |
| 2E | 132483-01-000 | EA | VALVE/BALL - 1" - THREADED ENDS |
| 3E | 132483-02-000 | EA | VALVE/BALL - 1/2" - BRASS - FPT |
| 4E | 132484-01-000 | EA | ELBOW - 90 DEGREE - 1MPT X 1FPT - PLASTIC |
| 5E | 132781-01-000 | EA | ELBOW - 1.3" BARB X 1.3" BARB - 90 DEGREE - PLASTIC |
| 6E | 132782-01-000 | EA | ELBOW - 1"FPT X 1.3" BARB - 90 DEGREE - PLASTIC |
| 7E | 133835-01-000 | EA | ADAPTER - REDUCING - 1 1/2" X 1 1/4" |
| 8E | 133889-01-000 | EA | UNION - 1 1/2 DOUBLE SLIP - PVC |
| 9E | 135386-01-000 | EA | NIPPLE - 1/2" |
| 10E | 136333-01-000 | EA | ADAPTER - BRASS - 1/2"MPT X 1/2"FPT |
| 11E | 140821-01-000 | EA | TUBE - WATER SUPPLY - 3/8" X 24" |
| 11E | 140821-02-000 | EA | TUBE - WATER SUPPLY - 3/8" X 30" |
| 11E | 140821-03-000 | EA | TUBE - WATER SUPPLY - 3/8" X 36" |
| 11E | 140821-04-000 | EA | TUBE - WATER SUPPLY - 3/8" X 48" |
| 11E | 140821-05-000 | EA | TUBE - WATER SUPPLY - 3/8" X 54" |
| 11E | 140821-06-000 | EA | TUBE - WATER SUPPLY - 3/8" X 60" |
| 11E | 140821-07-000 | EA | TUBE - WATER SUPPLY - 3/8" X 72" |
| 12E | 142812-01-000 | EA | ELBOW - BRASS - 1/2"MPT X 1/2"FPT |
| 13E* | 144215-01-000 | EA | PUMP - WATER - 5.7 GPM - W/1/2" MPT |
| * | 144215-02-000 | EA | STRAINER - WATER PUMP |
| 14E | 145609-01-000 | EA | PLUG - BRASS - 1/2" MPT/HEX HEAD |

***COMPONENT PARTS LISTED LATER IN THIS GROUP**

WATER & SEWAGE GROUP (CONTINUED)
WATER SYSTEM (CONTINUED)

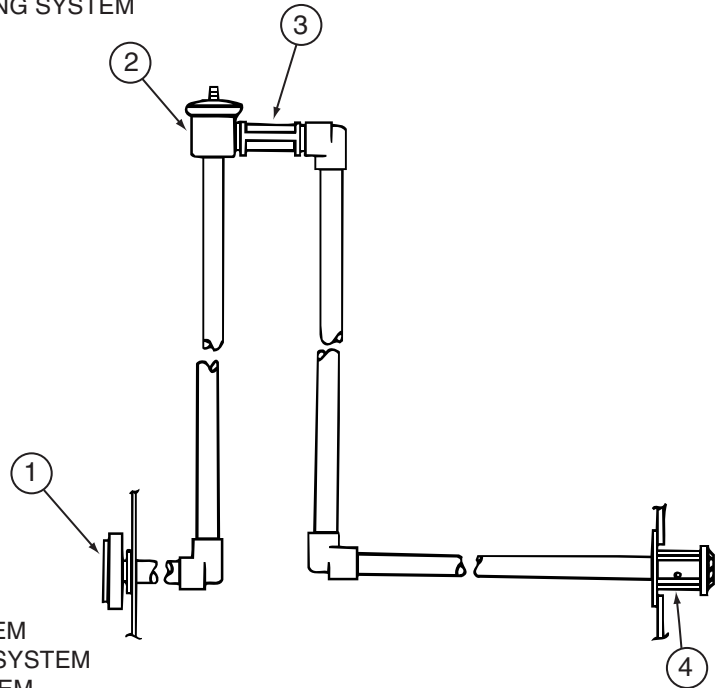


| KEY | PART NUMBER | U/M | DESCRIPTION |
|-----|---------------|-----|-----------------------------------------------------------|
| 1* | 145541-01-000 | EA | WATER HEATER - 10 GALLONS-GAS/120 DEGREES-REMOTE IGNITION |
| 2* | 125420-03-03A | EA | DOOR - WATER HEATER - BLACK |
| 3 | 117047-02-000 | EA | BUMPER - RUBBER/WASHER INSERT |
| 4 | 137410-01-12B | EA | BRACKET - VALVE - WINTERIZATION - BRIGHT WHITE |
| 5 | 138618-01-12B | EA | COVER - VALVE - BYPASS - BRIGHT WHITE |
| 6* | 103635-01-000 | EA | FAUCET - SINGLE CONTROL/DRINKING WATER |
| 7* | 123744-03-01A | EA | FAUCET - GALLEY/SINGLE CONTROL W/SPRAYER HEAD - CHROME |
| 8 | 132224-21-000 | EA | TANK - WATER - W/FITTINGS - 40 GALLON |
| | | | FROM: 00-00-00 THRU: 05-02-04 |
| 8 | 132224-32-000 | EA | TANK - WATER - W/FITTINGS - 40 GALLON - 37.8"X33.1"X8.3" |
| | | | FROM: 05-03-04 THRU: 99-99-99 |
| | 042989-03-000 | EA | FITTING - SPINWELD - 1 1/4"NPT - PLASTIC |
| | 042989-05-000 | EA | FITTING - SPINWELD - 1/2"FPT - PLASTIC |
| | 042989-08-000 | EA | FITTING - SPINWELD - 1"FPT - PLASTIC |
| | 049032-01-000 | EA | PATCH - SPINWELD - 3/8" - PLASTIC |
| | 132224-01-000 | EA | TANK - WATER - 40 GALLONS - W/O FITTINGS |
| 9 | 132224-22-000 | EA | TANK - WATER - W/FITTINGS - 40 GALLON |
| | 042989-03-000 | EA | FITTING - SPINWELD - 1 1/4"NPT - PLASTIC |
| | 042989-05-000 | EA | FITTING - SPINWELD - 1/2"FPT - PLASTIC |
| | 049032-01-000 | EA | PATCH - SPINWELD - 3/8" - PLASTIC |
| | 132224-01-000 | EA | TANK - WATER - 40 GALLONS - W/O FITTINGS |
| 10 | 137169-01-01A | EA | WATER FILL/GRAVITY - W/DOOR - W/O LOCK - BRIGHT WHITE |
| | 138290-03-000 | EA | CASE - W/CAM - W/O CYLINDER/KEY |
| | 141490-01-03A | EA | FAUCET - LAVATORY - W/STOP - CHROME/CHROME |
| 12 | 105218-01-01A | EA | SPACER - FAUCET/LAVATORY SINK - 2" X 5.9" - ABS PLASTIC |

WATER & SEWAGE GROUP (CONTINUED)
WATER SYSTEM (CONTINUED)

| KEY | PART NUMBER | U/M | DESCRIPTION |
|-----|---------------|-----|--------------------------------------------------------------|
| 13 | 128974-01-02A | EA | VALVE - SHOWER HEAD/WATER SAVER (ON/OFF) - CHROME |
| 14 | 131551-01-02B | EA | BRACKET - SHOWER HEAD |
| 15* | 144596-03-02A | EA | TRIM KIT - (KNOB-HANDLE/PLATE/SHOWER HEAD & ARM) - CHROME |
| 16* | 144596-01-01A | EA | FAUCET/VALVE ONLY - SHOWER - W/TEMP LIMIT STOP(MOEN 62300) |
| 17 | 131554-01-02B | EA | BRACKET/SHOWER CONTROL - E-COATED |
| 18 | 135028-01-02A | EA | DROP ELL - F/HAND HELD SHOWER HEAD - W/1/2"IPS - CHROME |
| | | | FROM: 00-00-00 THRU: 04-25-04 |
| 18 | 135028-02-02A | EA | DROP ELL - F/HAND HELD SHOWER HEAD/OVAL - W/1/2"IPS - CHROME |
| | | | FROM: 04-26-04 THRU: 99-99-99 |
| 19 | 130041-01-02A | EA | SPACER/SHOWER HEAD - SOFT WHITE |
| | | | FROM: 00-00-00 THRU: 05-09-04 |
| 19 | 130041-03-18A | EA | SPACER/SHOWER HEAD |
| | | | FROM: 05-10-04 THRU: 99-99-99 |
| 20* | 129390-03-02A | EA | SHOWER HEAD - W/HOSE & BRACKET - CHROME |
| 21* | 144596-02-02A | EA | TRIM KIT - (KNOB & PLATE) - CHATEAU - CHROME |
| 22 | 134472-01-02B | EA | BRACKET - FAUCET - WASHER - E-COATED |
| 23 | 098419-01-000 | EA | FAUCET - 90 DEGREE |
| 24 | 136034-11-12B | EA | PANEL/SERVICE CENTER - BRIGHT WHITE |
| 25 | 131383-01-02A | EA | SHOWER HEAD - W/60" HOSE & BRACKET - WHITE |
| 26* | 075241-06-000 | EA | FAUCET - SHOWER/BRIGHT WHITE - .5" MPT W/1.9" INLET PIPES |
| 27 | 010230-06-000 | EA | FILL - CITY WATER - W/CHECK VALVE - MPT- BRUSHED ALUM |
| 28 | 125697-05-000 | EA | INLET/WATER - F/FLUSHING SYSTEM |
| 29 | 140364-04-01A | EA | FOAM - PAD - .5" X 12" X 18" |
| 29 | 149477-01-02B | EA | PANEL - WATER PUMP - E-COATED |
| 30 | 149497-02-12B | EA | PANEL - F/VALVE BYPASS - BRIGHT WHITE |
| 31 | 125697-04-000 | EA | BREAKER/VACUUM - F/FLUSHING SYSTEM |
| 32 | 125697-03-000 | EA | CHECK VALVE - F/FLUSHING SYSTEM |
| | 125697-06-000 | EA | INSTRUCTIONS - USER - F/FLUSHING SYSTEM |
| 33 | 087200-01-000 | EA | FILTER - WATER PURIFICATION |
| 33 | 087200-02-000 | EA | CARTRIDGE - WATER FILTER |

*COMPONENT PARTS LISTED LATER IN THIS GROUP



| KEY | PART NUMBER | U/M | DESCRIPTION |
|-----|---------------|-----|-----------------------------------------|
| 1 | 125697-05-000 | EA | INLET/WATER - F/FLUSHING SYSTEM |
| 2 | 125697-04-000 | EA | BREAKER/VACUUM - F/FLUSHING SYSTEM |
| 3 | 125697-03-000 | EA | CHECK VALVE - F/FLUSHING SYSTEM |
| 4 | 125697-02-000 | EA | NOZZLE - WELD-A-FLUSH |
| | 125697-06-000 | EA | INSTRUCTIONS - USER - F/FLUSHING SYSTEM |

WATER & SEWAGE GROUP (CONTINUED)

COMPONENT PARTS FOR WATER SYSTEM

075241-04-000, 075241-05-000, 075241-06-000

| KEY | PART NUMBER | U/M | DESCRIPTION | VENDOR NO. |
|-----|---------------|-----|------------------------|------------|
| | 075240-05-700 | EA | CARTRIDGE - WASHERLESS | 9-P42 |

098607-01-000

| KEY | PART NUMBER | U/M | DESCRIPTION | VENDOR NO. |
|-----|---------------|-----|------------------------------|------------|
| | 098607-01-702 | EA | DIAPHRAGM/DRIVE ASSEMBLY KIT | 94-238-04 |
| | 098607-01-703 | EA | VALVE KIT | 94-232-00 |
| | 098607-01-705 | EA | VALVE-CHECK, KIT | 94-237-00 |
| | 098607-01-706 | EA | HOUSING, W/SWITCH ONLY | 94-231-20 |
| | 098607-01-707 | EA | MOTOR W/BASEPLATE | 11-148-04 |

103635-01-000

| KEY | PART NUMBER | U/M | DESCRIPTION | VENDOR NO. |
|-----|---------------|-----|-----------------|------------|
| | 103635-01-703 | EA | CARTRIDGE - 10" | ADC-959201 |

123744-03-01A

| KEY | PART NUMBER | U/M | DESCRIPTION | VENDOR NO. |
|-----|---------------|-----|------------------------------|------------|
| | 135027-01-700 | EA | CLIP - RETAINER | 883 |
| | 135027-01-705 | EA | CARTRIDGE F/SGL LEVER FAUCET | 1225 |

125420-01-02A, 125420-01-03A, 125420-03-03A, 125420-04-03A

| KEY | PART NUMBER | U/M | DESCRIPTION | VENDOR NO. |
|-----|---------------|-----|--------------------|------------|
| | 051391-01-705 | EA | FASTENER - CAMLOCK | 92609 |

128997-01-01A, 128997-01-02A

| KEY | PART NUMBER | U/M | DESCRIPTION | VENDOR NO. |
|-----|---------------|-----|---------------------------|--------------|
| | 119677-01-712 | EA | AERATOR - SPOUT - BATHTUB | 50-19PB |
| | 131340-01-700 | EA | BUTTON - HOT/COLD | N1201-16 |
| | 131340-01-701 | EA | KNOB - CLEAR | N1201-9 |
| | 131340-02-700 | EA | CARTRIDGE | 6-1201-5-0WB |

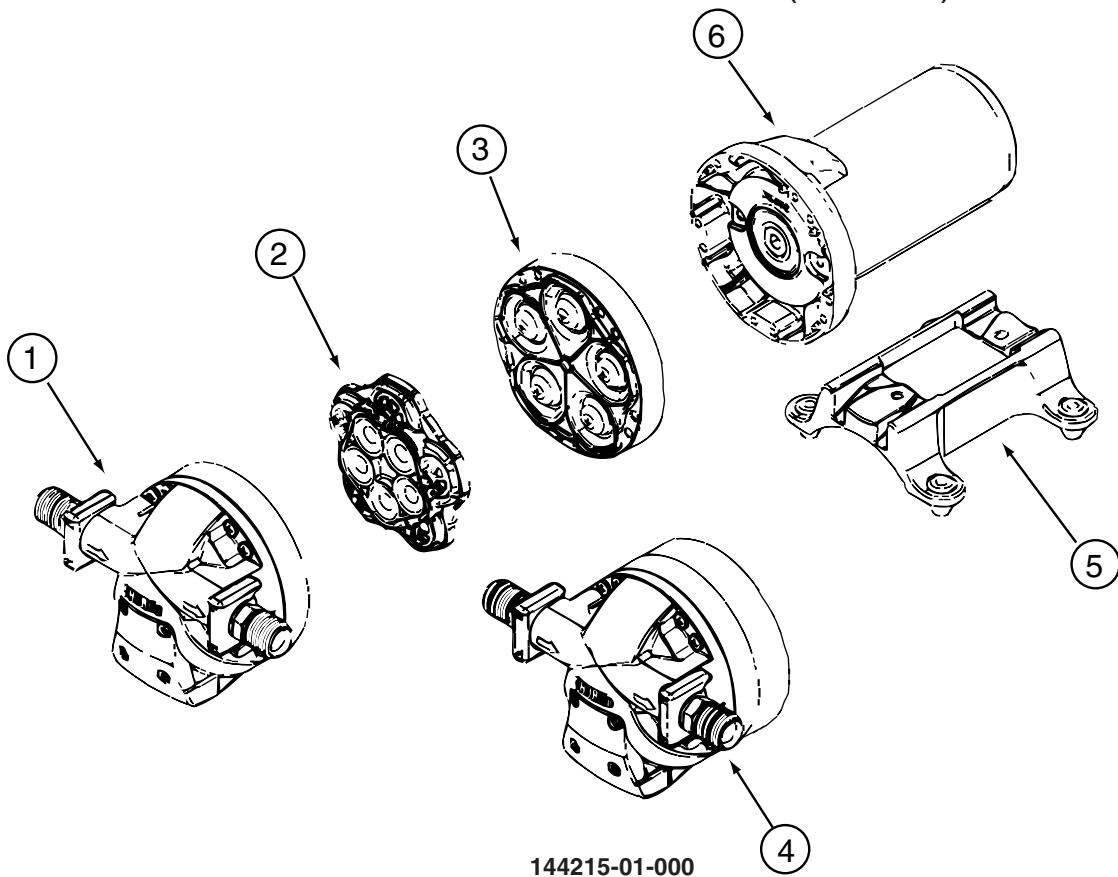
129390-03-01A

| KEY | PART NUMBER | U/M | DESCRIPTION | VENDOR NO. |
|-----|---------------|-----|----------------------------|------------|
| | 129390-03-700 | EA | BRACKET-HANGAR/SHOWER HEAD | 5001-210PK |
| | 129390 03 701 | EA | CONNECTOR-SWIVE | 4002-210PK |

141490-01-01A, 141490-01-02A

| KEY | PART NUMBER | U/M | DESCRIPTION | VENDOR NO. |
|-----|---------------|-----|-----------------------------|------------|
| | 132410-01-700 | EA | CARTRIDGE F/DBL HDLE FAUCET | 1224 |

WATER & SEWAGE GROUP (CONTINUED)
COMPONENT PARTS FOR WATER SYSTEM (CONTINUED)



144215-01-000

| KEY | PART NUMBER | U/M | DESCRIPTION | VENDOR NO. |
|------------|--------------------|------------|------------------------|-------------------|
| 2 | 144215-01-700 | EA | VALVE ASSEMBLY | 94-030-01 |
| 3 | 144215-01-701 | EA | DRIVE ASSEMBLY | 94-030-02 |
| | 144215-01-702 | EA | FITTING KIT - W/ORINGS | 94-615-06 |

CONTACT WINNEBAGO PARTS SALES FOR UNLISTED COMPONENT(S)

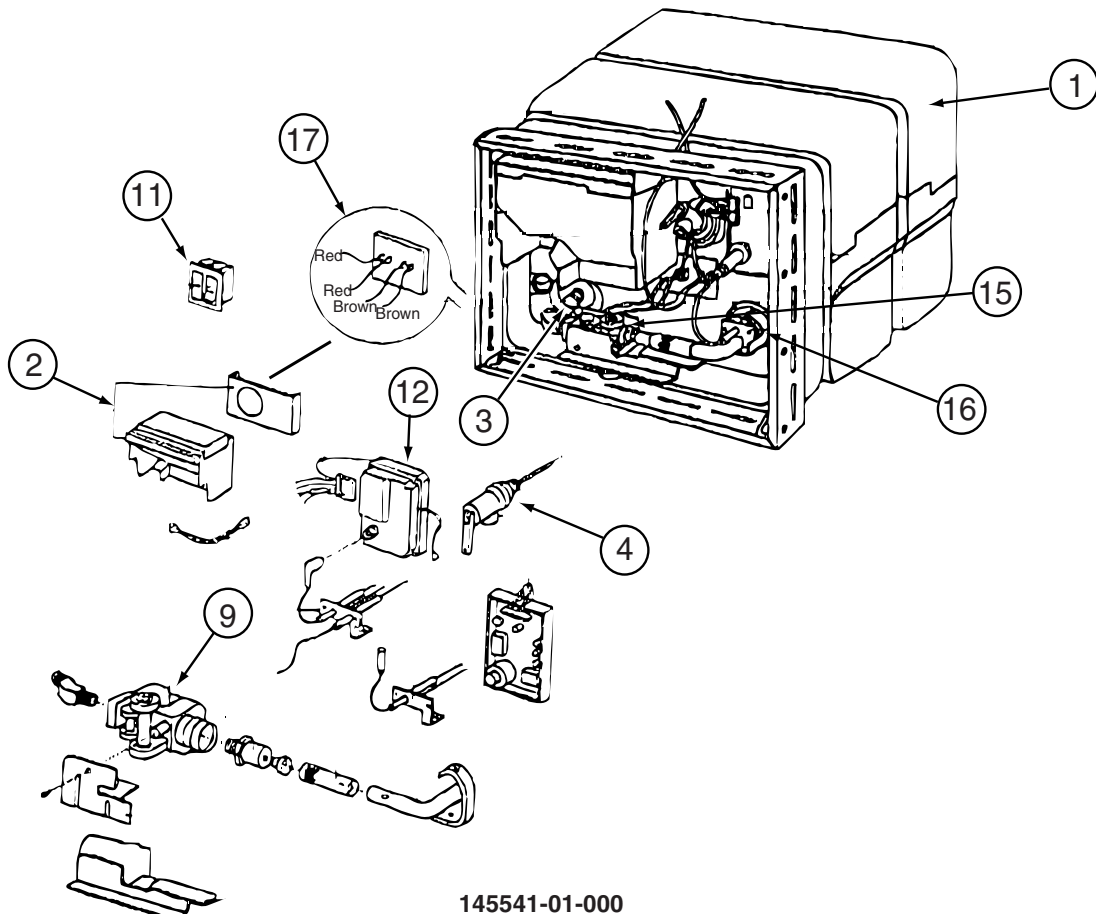
144215-02-000

| KEY | PART NUMBER | U/M | DESCRIPTION | VENDOR NO. |
|------------|--------------------|------------|------------------------------|-------------------|
| | 144215-02-700 | EA | FITTING KIT- COUPLER W/ORING | 94-637-00 |

144596-01-01A

| KEY | PART NUMBER | U/M | DESCRIPTION | VENDOR NO. |
|------------|--------------------|------------|-------------------------|-------------------|
| | 144596-01-700 | EA | CARTRIDGE (REPLACEMENT) | 1222 |

WATER & SEWAGE GROUP (CONTINUED)
COMPONENT PARTS FOR WATER SYSTEM (CONTINUED)

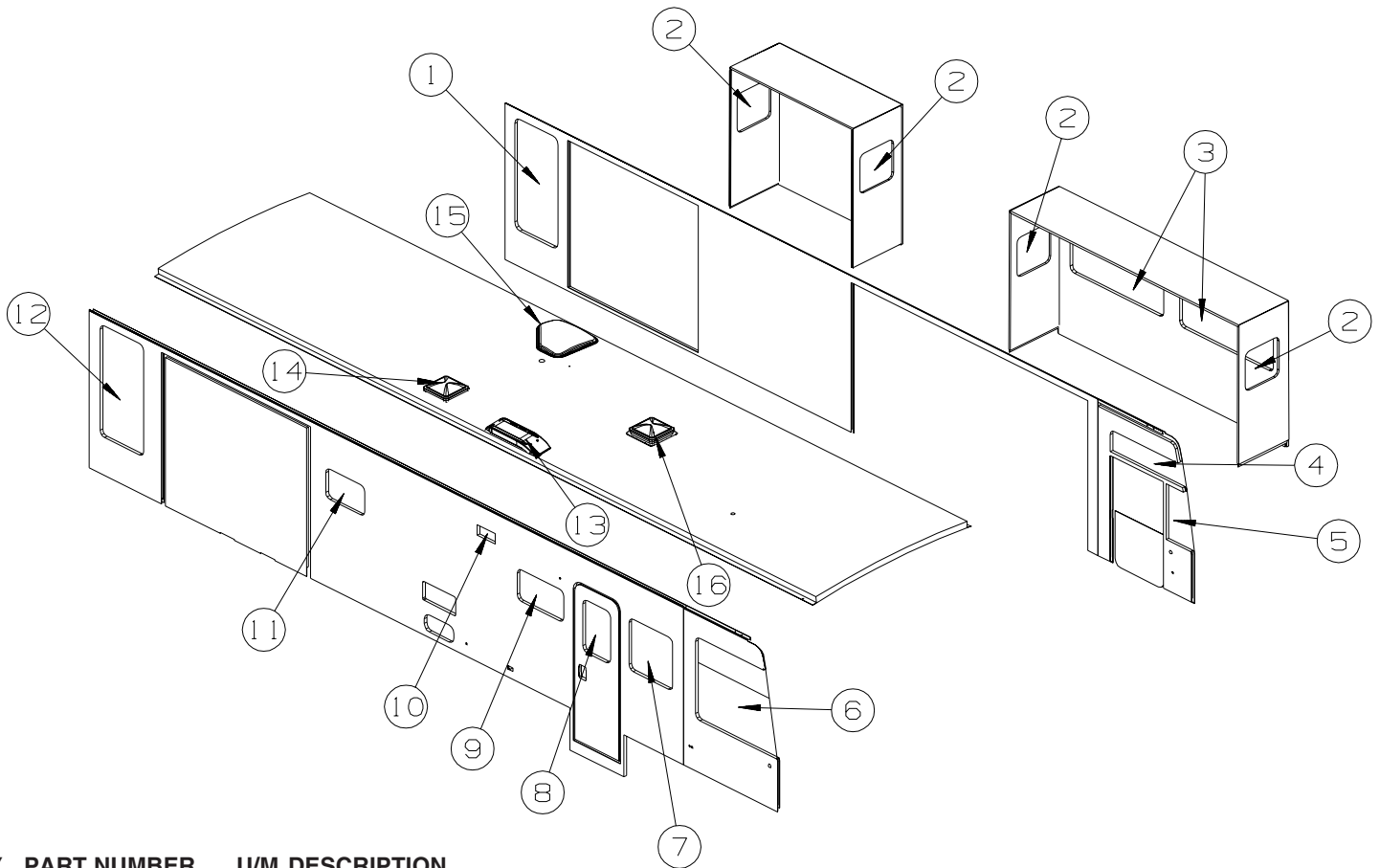


145541-01-000

| KEY | PART NUMBER | U/M | DESCRIPTION | VENDOR NO. |
|-----|---------------|-----|---------------------------------------------------------|----------------|
| 1 | 145541-01-700 | EA | TANK - W/INSULATION - 10 GAL | 91028 |
| 2 | 051391-04-707 | EA | KIT-EXHAUST, (FLUE & GASKET) | 90960 |
| 3 | 051391-01-715 | EA | PLUG-DRAIN, 1 EA = 2 PER PKG | 91857 |
| 4 | 051391-01-704 | EA | VALVE-RELIEF, 1/2" FITTING | 91604 |
| 9 | 051393-01-726 | EA | VALVE/SOLENOID - W/O BRACKET | 93870 |
| 11 | 145541-01-701 | EA | SWITCH - ON/OFF - WHITE | 91859 |
| 12 | 145541-01-702 | EA | CIRCUIT BOARD | 91226 |
| 15 | 145541-01-703 | EA | SWITCH - THERMAL CUT OFF | 93866 |
| 16 | 051393-01-725 | EA | ELECTRODE-SGL SPADE CONNECT. | 93868 |
| 17 | 051393-01-721 | EA | THERMOSTAT W/ECO, 140 FRT MT | 91447 |
| | 051391-05-706 | EA | ELEMENT-HEATING 1500 WATT | 92249 W/GASKET |
| | 051393-01-701 | EA | SWITCH - REMOTE - W/LIGHT | 91959 |
| | 145541-01-704 | EA | RELAY | 90061 |
| | 145541-01-705 | EA | JUNCTION BOX(PLASTIC) 10 GAL | 91224 |
| | | | CONTACT WINNEBAGO PARTS SALES FOR UNLISTED COMPONENT(S) | |

WINDOW & VENTS GROUP

WINDOW & VENT LAYOUT



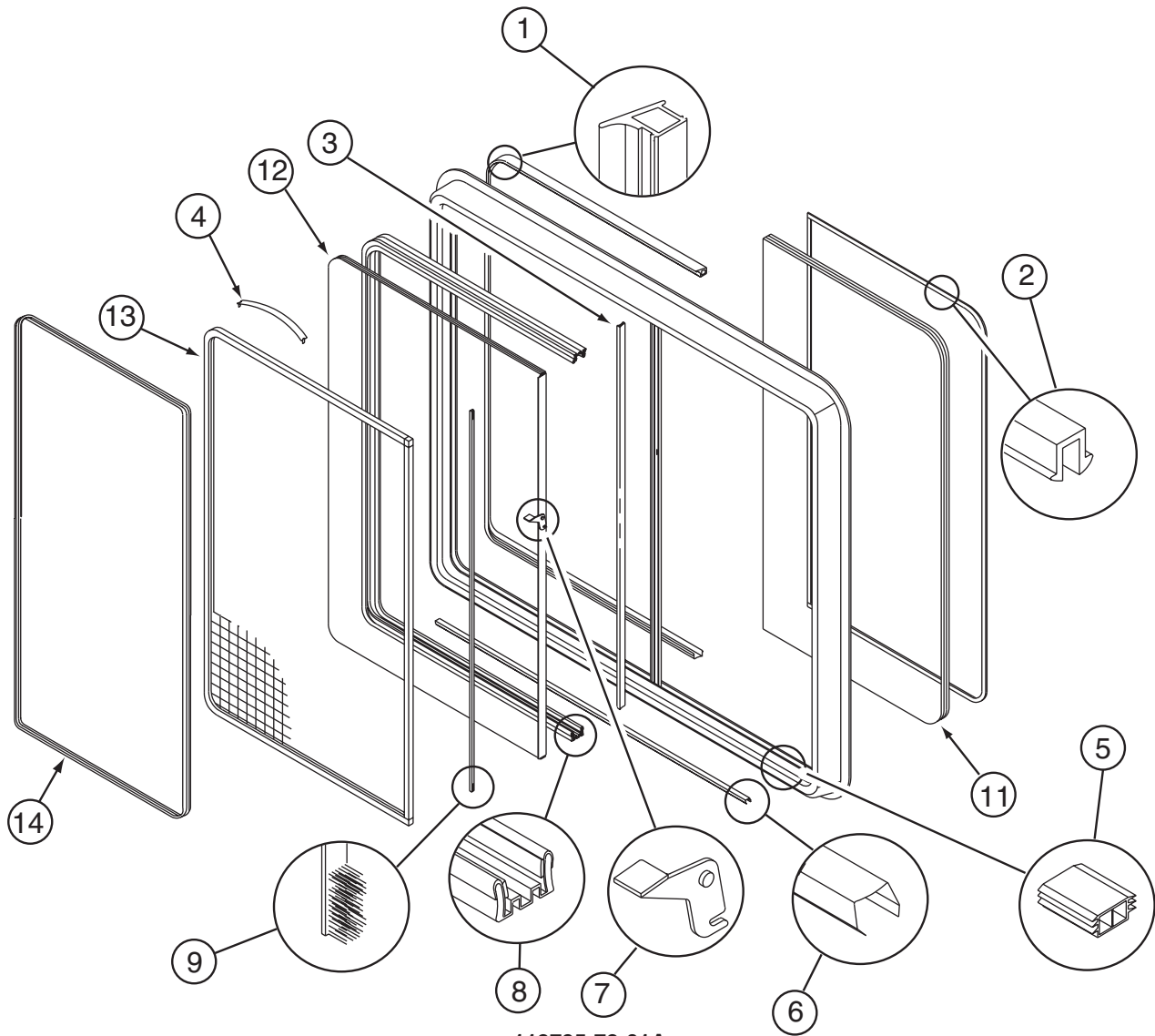
| KEY | PART NUMBER | U/M | DESCRIPTION |
|-----|---------------|-----|---------------------------------------------------------------------------------------------|
| 1* | 129929-13-01A | EA | WINDOW - TIPOUT/THERMO/ESCAPE W/TRIM - 26.5" X 56" FROM: 00-00-00 THRU: 05-02-04 |
| 1* | 150656-08-01A | EA | WINDOW - TIPOUT/FLUSH/ESCAPE/THERMO - 56.1" X 26.7" FROM: 05-03-04 THRU: 99-99-99 |
| 2* | 134004-03-01A | EA | WINDOW - VERT SLIDER/FLUSH O/S-THERMO W/TRIM - 21" X 19.8" FROM: 00-00-00 THRU: 05-02-04 |
| 2* | 150649-07-01A | EA | WINDOW - VERT SLIDER/FLUSH/THERMO - 19.8" X 20.8" FROM: 05-03-04 THRU: 99-99-99 |
| 2 | 151905-01-01A | EA | CLIP/BRACKET - SCREEN RETAINER - BLACK |
| 3* | 112795-77-01A | EA | WINDOW - DRVR HORIZ SLIDER/THERMO W/TRIM - 57.4" X 23.6" FROM: 00-00-00 THRU: 05-02-04 |
| 3* | 150648-07-01A | EA | WINDOW-HORIZ SLIDER/FLUSH/THERMO/LH - 23.8" X 57.7" FROM: 05-03-04 THRU: 99-99-99 |
| 4* | 125600-01-01A | EA | WINDOW - VISTA - THERMOPANE FROM: 00-00-00 THRU: 05-02-04 |
| 4 | 151074-01-01A | EA | WINDOW - CAB/VISTA/FLUSH/THERMO - 11.3" X 44.7"/41.8" FROM: 05-03-04 THRU: 99-99-99 |
| 5* | 125585-01-01A | EA | WINDOW - FRONT SLANT/THERMO - 11.6"T X 29.2"H X 16.8"B FROM: 00-00-00 THRU: 05-02-04 |
| 5* | 151073-01-01A | EA | WINDOW - CAB/FRT SLANT/FLUSH/THERMO - 28.1" X 19.7"/6.6" FROM: 05-03-04 THRU: 99-99-99 |
| 6* | 125583-01-01A | EA | WINDOW - PASS CAB-3 GLASS - THERMO - 42.9" X 51.2" X 42.6" FROM: 00-00-00 THRU: 05-02-04 |
| 6* | 151072-01-01A | EA | WINDOW - CAB/RIGHT HAND/FLUSH/THERMO - 41.5" X 50.2"/41.8" FROM: 05-03-04 THRU: 99-99-99 |
| 7* | 112898-25-01A | EA | WINDOW - VERTICAL SLIDER/THERMO-W/TRIM - 26.3" X 26.9" FROM: 00-00-00 THRU: 05-02-04 |
| 7* | 150649-03-01A | EA | WINDOW - VERT SLIDER/FLUSH/THERMO - 26.3" X 26.9" FROM: 05-03-04 THRU: 99-99-99 |
| 8* | 113733-10-01A | EA | WINDOW - STATIONARY W/TRIM - THERMO/EURO - 26.3" X 17" FROM: 00-00-00 THRU: 05-02-04 |
| 8* | 150651-01-01A | EA | WINDOW - STATIONARY/FLUSH/THERMO - 26.3" X 17" - BLACK FROM: 05-03-04 THRU: 99-99-99 |

WINDOW & VENTS GROUP (CONTINUED)
WINDOW & VENT LAYOUT (CONTINUED)

| KEY | PART NUMBER | U/M | DESCRIPTION |
|------------|--------------------|------------|-----------------------------------------------------------------------------------------------------|
| 9* | 112795-72-01A | EA | WINDOW - PASS HORIZ SLIDER/THERMO W/TRIM - 28.5" X 15.7" FROM: 00-00-00 THRU: 05-02-04 |
| 9* | 150648-04-01A | EA | WINDOW-HORIZ SLIDER/FLUSH/THERMO/RH - 16" X 28.7" FROM: 05-03-04 THRU: 99-99-99 |
| 10 | 138983-01-01A | EA | VENT - MICROWAVE/OUTER - BRIGHT WHITE |
| 10 | 138983-01-02A | EA | VENT - MICROWAVE/OUTER - BLACK - FULL BODY PAINT |
| 10 | 138983-03-01A | EA | COVER - VENT MICROWAVE/OUTER - BRIGHT WHITE |
| 11* | 112795-78-01A | EA | WINDOW - PASS HORIZ SLIDER/THERMO W/TRIM - 23.7" X 15" FROM: 00-00-00 THRU: 05-02-04 |
| 11* | 150648-08-01A | EA | WINDOW-HORIZ SLIDER/FLUSH/THERMO/RH - 15.2" X 24" FROM: 05-03-04 THRU: 99-99-99 |
| 12* | 129929-15-01A | EA | WINDOW - TIPOUT/THERMO W/TRIM - 26.5" X 56" FROM: 00-00-00 THRU: 05-02-04 |
| 12* | 150656-05-01A | EA | WINDOW - TIPOUT/FLUSH/THERMO - 56.1" X 26.7" FROM: 05-03-04 THRU: 99-99-99 |
| 12 | 150656-13-01A | EA | WINDOW - TIPOUT/FLUSH/THERMO - 24.6" X 26.9" - CABINET-DESK FROM: 05-03-04 THRU: 99-99-99 |
| 13 | 149508-01-01A | EA | CAP - ROOF/REFRIGERATOR VENT - GRAY |
| 13 | 149508-02-01A | EA | BASE - ROOF/REFRIGERATOR VENT - BLACK |
| 14* | 123780-10-01A | EA | FANTASTIC VENT-4"ROOF-W/FAN/PWR LIFT/DBL DOME-W/O THERM |
| | 009440-01-000 | EA | GEAR/ARM - LIFT - ROOF VENT COVER |
| 15 | 122214-01-02A | EA | PANEL - SKYLITE - INNER - W/ANGLED CORNER - WHITE |
| 15 | 138372-01-02B | EA | TRIM - CORNER - SKYLIGHT - E-COATED |
| 15 | 139411-01-01A | EA | PANEL/SKYLITE - OUTER - NEO ANGLE - WHITE |
| 16* | 123780-09-01A | EA | FANTASTIC VENT-4"ROOF- W/FAN/DBL DOME-W/O THERM/PWR LIFT |
| | 009440-01-000 | EA | GEAR/ARM - LIFT - ROOF VENT COVER |

***COMPONENT PARTS LISTED LATER IN THIS GROUP**

WINDOW & VENTS GROUP (CONTINUED)
COMPONENT PARTS FOR WINDOW & VENT LAYOUT



112795-72-01A

| KEY | PART NUMBER | U/M | DESCRIPTION | VENDOR NO. |
|-----|---------------|-----|------------------------------|------------|
| 1 | 112795-01-704 | FT | PLUG FILLER (DOUBLE GLAZED) | 122-018737 |
| 2 | 112795-01-705 | FT | VINYL - GLAZING | 132-025736 |
| 3 | 098644-01-706 | FT | WEATHERSTRIP - GLASS | 171-010668 |
| 4 | 098644-01-713 | EA | CLIP - SCREEN - METAL | 226-016966 |
| 4 | 125582-01-701 | EA | CLIP - SCREEN - PLASTIC | 130-005153 |
| | 098644-01-717 | FT | SPLINE - SCREEN | 132-004716 |
| 5 | 112795-01-701 | EA | SLIDE-STOP | 132-019092 |
| 6 | 098644-01-710 | FT | TRACK - SCREEN SPACER 12' | 132-017135 |
| 7 | 112795-01-700 | EA | LATCH ASM., BLK.,(BOLT ON) | DH287-CK |
| 8 | 112795-01-703 | IN | CHANNEL-RUN (INCHES) | 122-018736 |
| 9 | 098644-01-711 | FT | WEATHERSTRIP - SCREEN BLACK | 171-016965 |
| 11 | 112795-72-700 | EA | GLASS - STATIONARY | 390-028307 |
| 12 | 112795-72-701 | EA | GLASS - SLIDING W/SASH LATCH | DC29-G8 |
| 13 | 098647-31-704 | EA | SCREEN ASSY - W/SEAL & CLIPS | 410-019128 |
| 14 | 098647-31-705 | EA | RETAINER - TRIM | CH29-66 |

WINDOW & VENTS GROUP (CONTINUED)
COMPONENT PARTS FOR WINDOWS & VENT LAYOUT (CONTINUED)

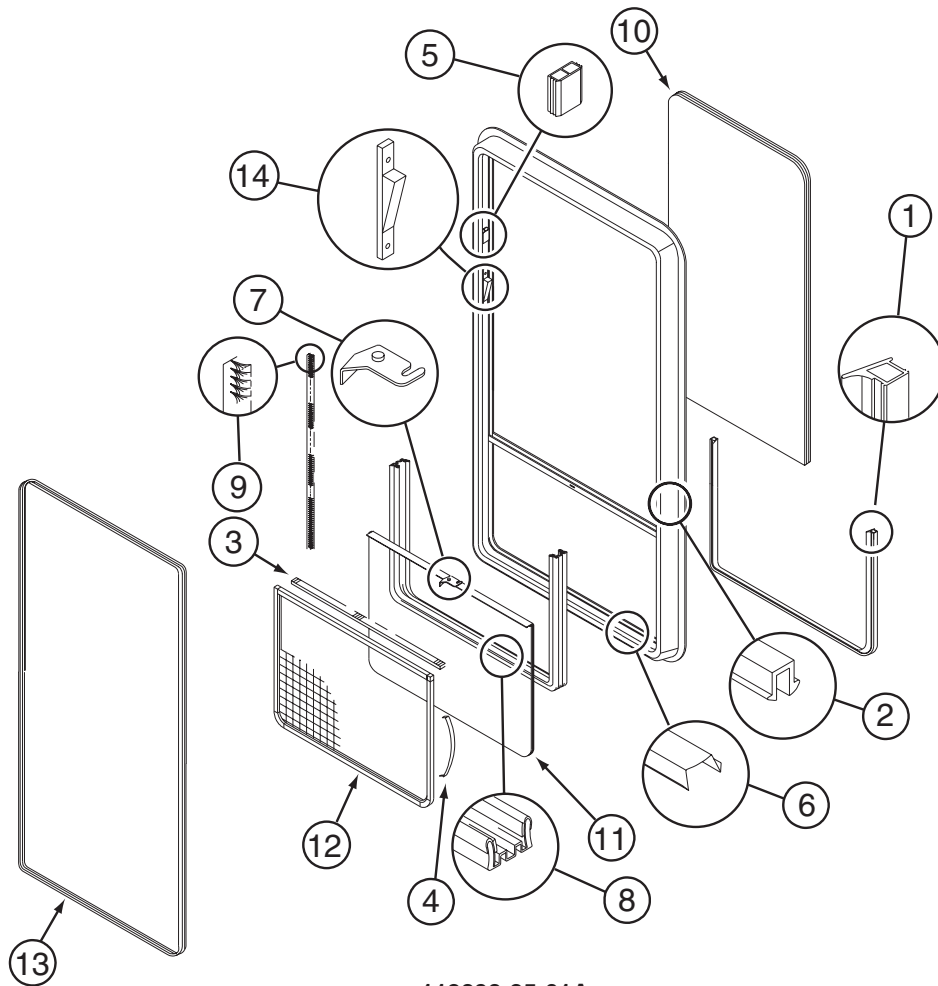
112795-77-01A

| KEY | PART NUMBER | U/M | DESCRIPTION | VENDOR NO. |
|------------|--------------------|------------|------------------------------|-------------------|
| 1 | 112795-01-704 | FT | PLUG FILLER (DOUBLE GLAZED) | 122-018737 |
| 2 | 112795-01-705 | FT | VINYL - GLAZING | 132-025736 |
| 3 | 098644-01-706 | FT | WEATHERSTRIP - GLASS | 171-010668 |
| 4 | 098644-01-713 | EA | CLIP - SCREEN - METAL | 226-016966 |
| 4 | 125582-01-701 | EA | CLIP - SCREEN - PLASTIC | 130-005153 |
| 5 | 112795-01-701 | EA | SLIDE-STOP | 132-019092 |
| 6 | 098644-01-710 | FT | TRACK - SCREEN SPACER 12' | 132-017135 |
| 7 | 112795-01-700 | EA | LATCH ASM., BLK.,(BOLT ON) | DH287-CK |
| 8 | 112795-01-703 | IN | CHANNEL-RUN (INCHES) | 122-018736 |
| 9 | 098644-01-711 | FT | WEATHERSTRIP - SCREEN BLACK | 171-016965 |
| 11 | 112795-77-700 | EA | GLASS - STATIONARY | 390-28313 |
| 12 | 112795-77-701 | EA | GLASS - SLIDING W/SASH LATCH | DH493-G8 |
| 13 | 098647-47-702 | EA | SCREEN ASSY - W/SEAL & CLIPS | 410-025226 |
| 14 | 098647-47-704 | EA | RETAINER - TRIM | H493-66 |
| | 098644-01-717 | FT | SPLINE - SCREEN | 132-004716 |

112795-78-01A

| KEY | PART NUMBER | U/M | DESCRIPTION | VENDOR NO. |
|------------|--------------------|------------|------------------------------|-------------------|
| 1 | 112795-01-704 | FT | PLUG FILLER (DOUBLE GLAZED) | 122-018737 |
| 2 | 112795-01-705 | FT | VINYL - GLAZING | 132-025736 |
| 3 | 098644-01-706 | FT | WEATHERSTRIP - GLASS | 171-010668 |
| 4 | 098644-01-713 | EA | CLIP - SCREEN - METAL | 226-016966 |
| 4 | 125582-01-701 | EA | CLIP - SCREEN - PLASTIC | 130-005153 |
| | 098644-01-717 | FT | SPLINE - SCREEN | 132-004716 |
| 5 | 112795-01-701 | EA | SLIDE-STOP | 132-019092 |
| 6 | 098644-01-710 | FT | TRACK - SCREEN SPACER 12' | 132-017135 |
| 7 | 112795-01-700 | EA | LATCH ASM., BLK.,(BOLT ON) | DH287-CK |
| 8 | 112795-01-703 | IN | CHANNEL-RUN (INCHES) | 122-018736 |
| 9 | 098644-01-711 | FT | WEATHERSTRIP - SCREEN BLACK | 171-016965 |
| 11 | 112795-78-700 | EA | GLASS - STATIONARY | 390-028338 |
| 12 | 112795-78-701 | EA | GLASS - SLIDING W/SASH LATCH | DB969-G8 |
| 13 | 112795-56-702 | EA | SCREEN ASSY - W/SEAL & CLIPS | 410-019414 |
| 14 | 112795-56-704 | EA | RETAINER - TRIM | B969-66 |

WINDOW & VENTS GROUP (CONTINUED)
COMPONENT PARTS FOR WINDOWS & VENT LAYOUT (CONTINUED)



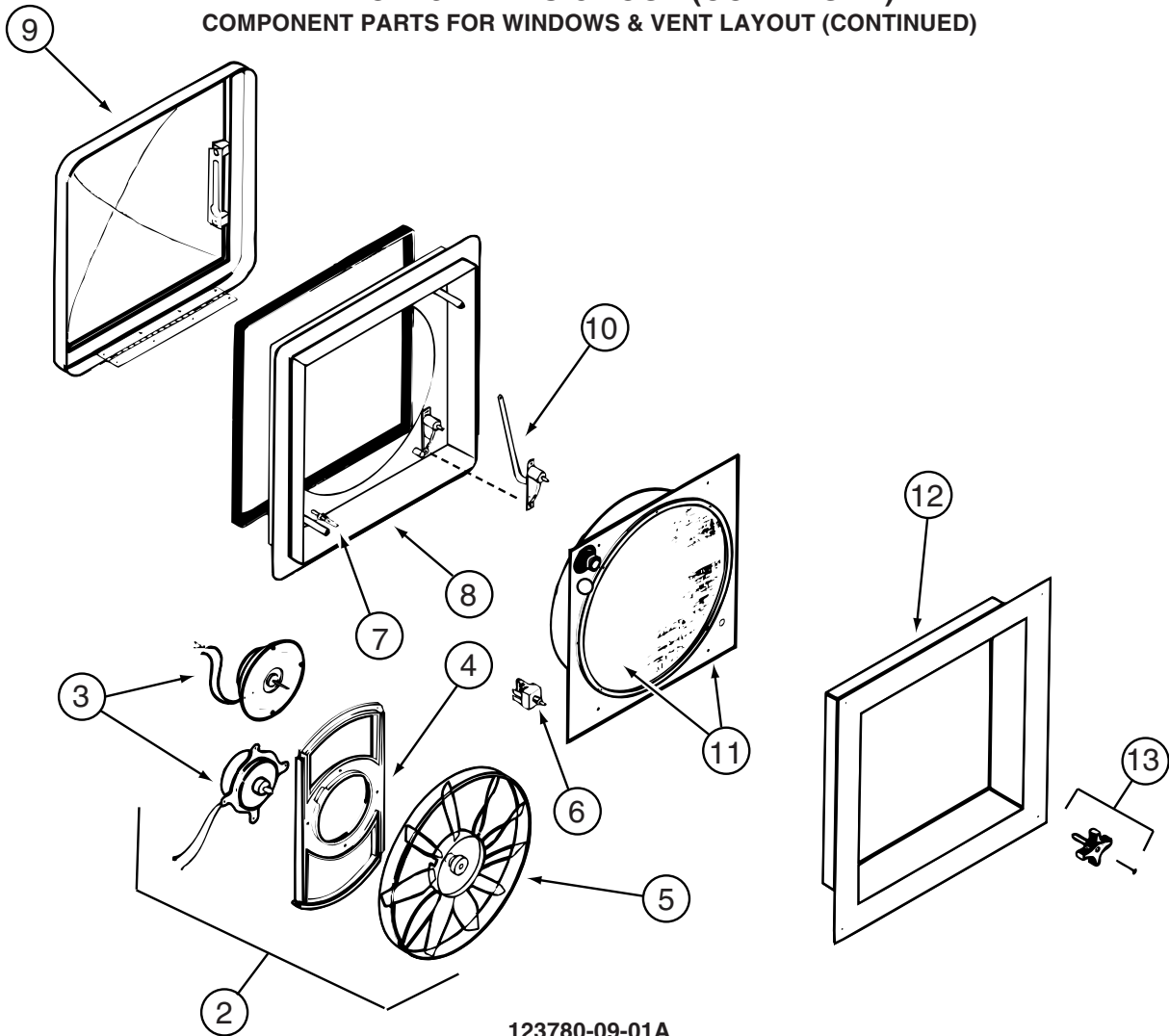
112898-25-01A

| KEY | PART NUMBER | U/M | DESCRIPTION | VENDOR NO. |
|-----|---------------|-----|------------------------------|------------|
| 1 | 112795-01-704 | FT | PLUG FILLER (DOUBLE GLAZED) | 122-018737 |
| 2 | 112795-01-705 | FT | VINYL - GLAZING | 132-025736 |
| 3 | 098644-01-706 | FT | WEATHERSTRIP - GLASS | 171-010668 |
| 4 | 098644-01-713 | EA | CLIP - SCREEN - METAL | 226-016966 |
| 4 | 125582-01-701 | EA | CLIP - SCREEN - PLASTIC | 130-005153 |
| 5 | 112795-01-701 | EA | SLIDE-STOP | 132-019092 |
| 6 | 098644-01-710 | FT | TRACK - SCREEN SPACER 12' | 132-017135 |
| 7 | 112795-01-700 | EA | LATCH ASM., BLK.,(BOLT ON) | DH287-CK |
| 8 | 112795-01-703 | IN | CHANNEL-RUN (INCHES) | 122-018736 |
| 9 | 098644-01-711 | FT | WEATHERSTRIP - SCREEN BLACK | 171-016965 |
| 10 | 112898-25-700 | EA | GLASS - STATIONARY | 390-028310 |
| 11 | 112898-25-701 | EA | GLASS-SLIDING W/SASH & LATCH | DH564-G8 |
| 12 | 112898-19-702 | EA | SCREEN ASM - W/SEALS & CLIPS | 410-026279 |
| 13 | 112898-19-703 | EA | RETAINER - TRIM | W564-66 |
| 14 | 112898-04-703 | EA | VERTICAL LATCH (SASH KIT) | DH343-CK |
| | 098644-01-717 | FT | SPLINE - SCREEN | 132-004716 |

113733-10-01A

| KEY | PART NUMBER | U/M | DESCRIPTION | VENDOR NO. |
|-----|---------------|-----|------------------|------------|
| | 112795-01-705 | FT | VINYL - GLAZING | 132-025736 |
| | 113733-10-700 | EA | GLASS-STATIONARY | 390-028306 |
| | 113733-10-701 | EA | RETAINER-TRIM | H416-66 |

WINDOW & VENTS GROUP (CONTINUED)
COMPONENT PARTS FOR WINDOWS & VENT LAYOUT (CONTINUED)

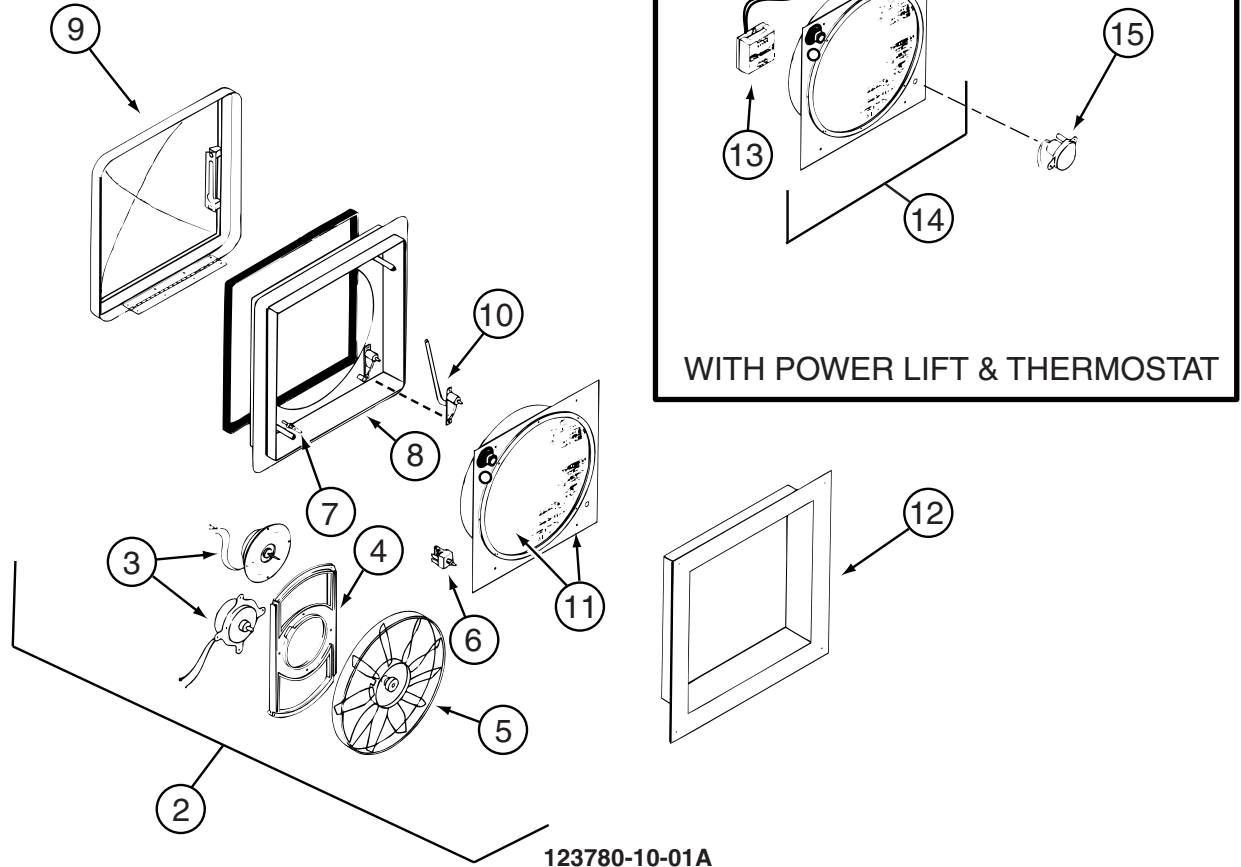


123780-09-01A

| KEY | PART NUMBER | U/M | DESCRIPTION | VENDOR NO. |
|-----|---------------|-----|------------------------------|------------|
| 2 | 084079-11-700 | EA | MOTOR & FAN BLADE W/BRACKET | K4017-09 |
| 3 | 084079-01-705 | EA | MOTOR/EXT BRKT/FAN BLADE KIT | 1080-00 |
| 5 | 084079-01-704 | EA | BLADE-FAN | 1138-00 |
| 6 | 084079-01-709 | EA | SWITCH - MAIN - 3 SPEED | 1031-05 |
| 7 | 084079-01-707 | EA | SWITCH - SAFETY | 1122-05 |
| 8 | 123780-05-700 | EA | BASE/MAIN-BRT WHT W/GASKET | 1010-81 |
| 9 | 123780-09-700 | EA | DOME (DOUBLE)WHT TRANSPARENT | K2020-82 |
| 11 | 123780-03-701 | EA | SCREEN ASM 78-100MM W/SWITCH | 1030BT-81 |
| 12 | 123780-03-700 | EA | GARNISH - INT. 3"-4" BRT/WHT | 2040-81 |
| 13 | 084079-01-703 | EA | KNOB-LIFT | 1140K-00 |
| | 084079-01-706 | EA | PLUG, 12 VOLT | 1090 |
| | 123780-01-702 | EA | SCREEN INSERT (SCREEN RING) | K1035-81 |

CONTACT WINNEBAGO PART SALES FOR UNLISTED COMPONENT(S)

WINDOW & VENTS GROUP (CONTINUED)
COMPONENT PARTS FOR WINDOW & VENT LAYOUT (CONTINUED)

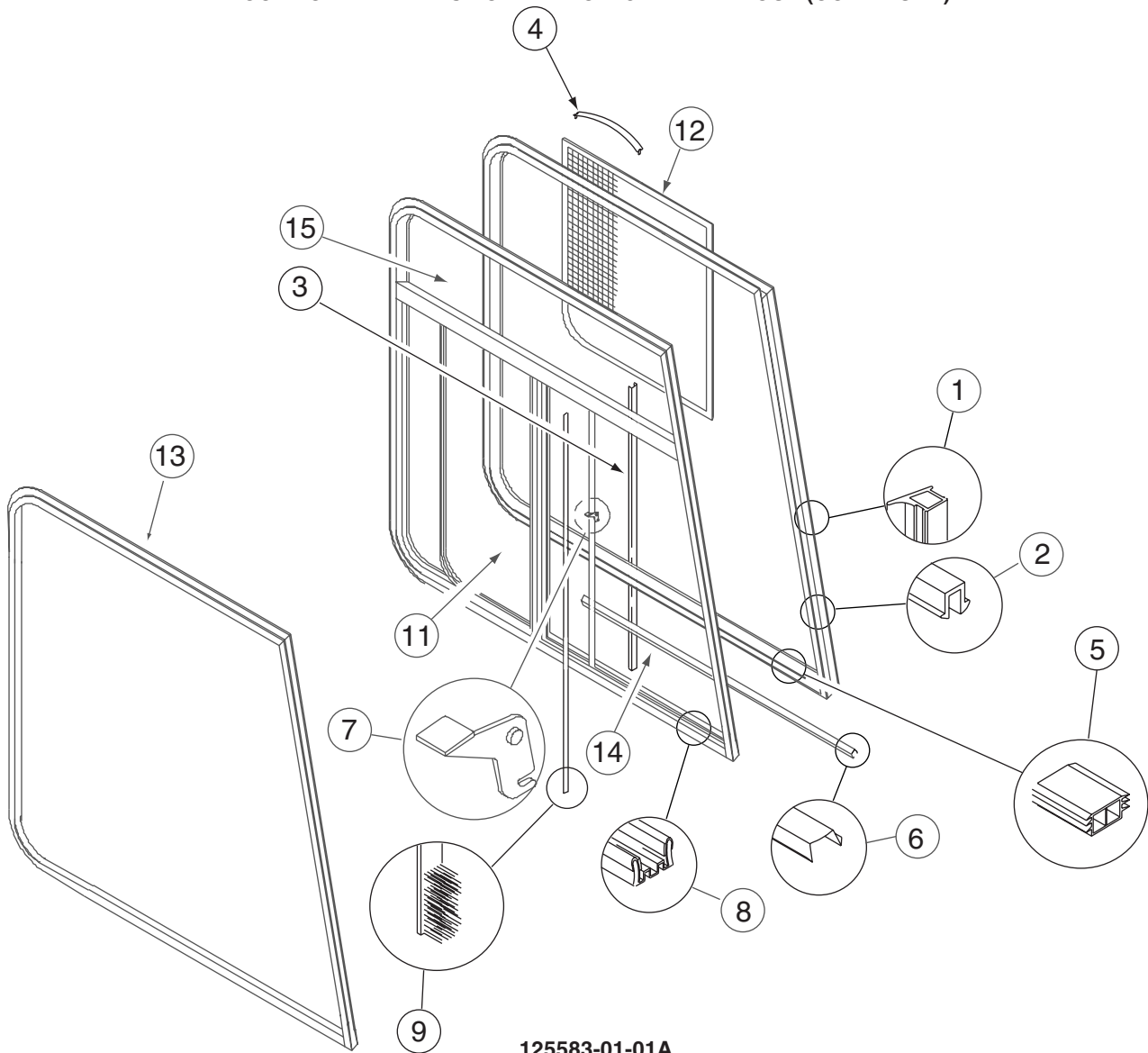


123780-10-01A

| KEY | PART NUMBER | U/M | DESCRIPTION | VENDOR NO. |
|-----|---------------|-----|------------------------------|------------|
| 2 | 084079-11-700 | EA | MOTOR & FAN BLADE W/BRACKET | K4017-09 |
| 3 | 084079-01-705 | EA | MOTOR/EXT BRKT/FAN BLADE KIT | 1080-00 |
| 4 | 084079-01-711 | EA | MOTOR MOUNT (BOWTIE) | 1015-00 |
| 5 | 084079-01-704 | EA | BLADE-FAN | 1138-00 |
| 6 | 084079-01-709 | EA | SWITCH - MAIN - 3 SPEED | 1031-05 |
| 7 | 084079-01-707 | EA | SWITCH - SAFETY | 1122-05 |
| 8 | 123780-05-700 | EA | BASE/MAIN-BRT WHT W/GASKET | 1010-81 |
| 9 | 123780-09-700 | EA | DOME (DOUBLE)WHT TRANSPARENT | K2020-82 |
| 11 | 123780-01-702 | EA | SCREEN INSERT (SCREEN RING) | K1035-81 |
| 12 | 123780-03-700 | EA | GARNISH - INT. 3"-4" BRT/WHT | 2040-81 |
| 13 | 084079-01-710 | EA | THERMOSTAT(WALL MT)ANY COLOR | 9988-81 |
| 14 | 123780-05-701 | EA | SCREEN INT W/ALL SWITCHES | KIT-81 |
| 15 | 084079-11-703 | EA | MOTOR/AUTO LIFT OFF/WHT CAP | 6050-80 OS |
| 15 | 084079-11-705 | EA | MOTOR - LIFT (BC MOTOR) | 5050-40 |
| 15 | 084079-11-707 | EA | MOTOR-AUTO LIFT-WHT CAP NS | 6050-81 NS |

CONTACT WINNEBAGO PART SALES FOR UNLISTED COMPONENT(S)

WINDOW & VENTS GROUP (CONTINUED)
COMPONENT PARTS FOR WINDOW & VENT LAYOUT (CONTINUED)



125583-01-01A

| KEY | PART NUMBER | U/M | DESCRIPTION | VENDOR NO. |
|-----|---------------|-----|--------------------------------------|------------|
| 1 | 112795-01-704 | FT | PLUG FILLER (DOUBLE GLAZED) | 122-018737 |
| 2 | 112795-01-705 | FT | VINYL-GLAZING | 132-027331 |
| 3 | 098644-01-706 | FT | WEATHERSTRIP - GLASS | 171-010668 |
| 4 | 098644-01-713 | EA | CLIP - SCREEN - METAL | 226-016966 |
| 4 | 125582-01-701 | EA | CLIP - SCREEN - PLASTIC | 130-005153 |
| 5 | 112795-01-701 | EA | SLIDE-STOP | 132-019092 |
| 6 | 098644-01-710 | FT | TRACK - SCREEN SPACER 12' | 32-017135 |
| 7 | 112795-01-700 | EA | LATCH ASM., BLK.,(BOLT ON) | DH287-CK |
| 8 | 112795-01-703 | IN | CHANNEL-RUN (INCHES) | 122-027566 |
| 9 | 098644-01-711 | FT | WEATHERSTRIP - SCREEN BLACK | 171-016965 |
| 11 | 125583-01-700 | EA | GLASS-SLIDING W/SASH & LATCH | DH573-A9R |
| 12 | 125582-01-705 | EA | SCREEN - PASSENGER - W/SEALS & CLIPS | 410-026545 |
| 13 | 125582-01-706 | EA | RETAINER - TRIM | H573-27R |
| 14 | 125583-01-702 | EA | GLASS - STATIONARY - R.H. | 390-026101 |
| 15 | 125583-01-701 | EA | GLASS - STATIONARY - UPPER | 390-026100 |
| | 125582-01-708 | EA | WEEPHOLE COVER - RIGHT HAND | 130-026598 |
| | 125582-01-709 | EA | WEEPHOLE COVER - LEFT HAND | 130-026599 |
| | 098644-01-717 | EA | SPLINE - SCREEN | 132-004716 |

125585-01-01A

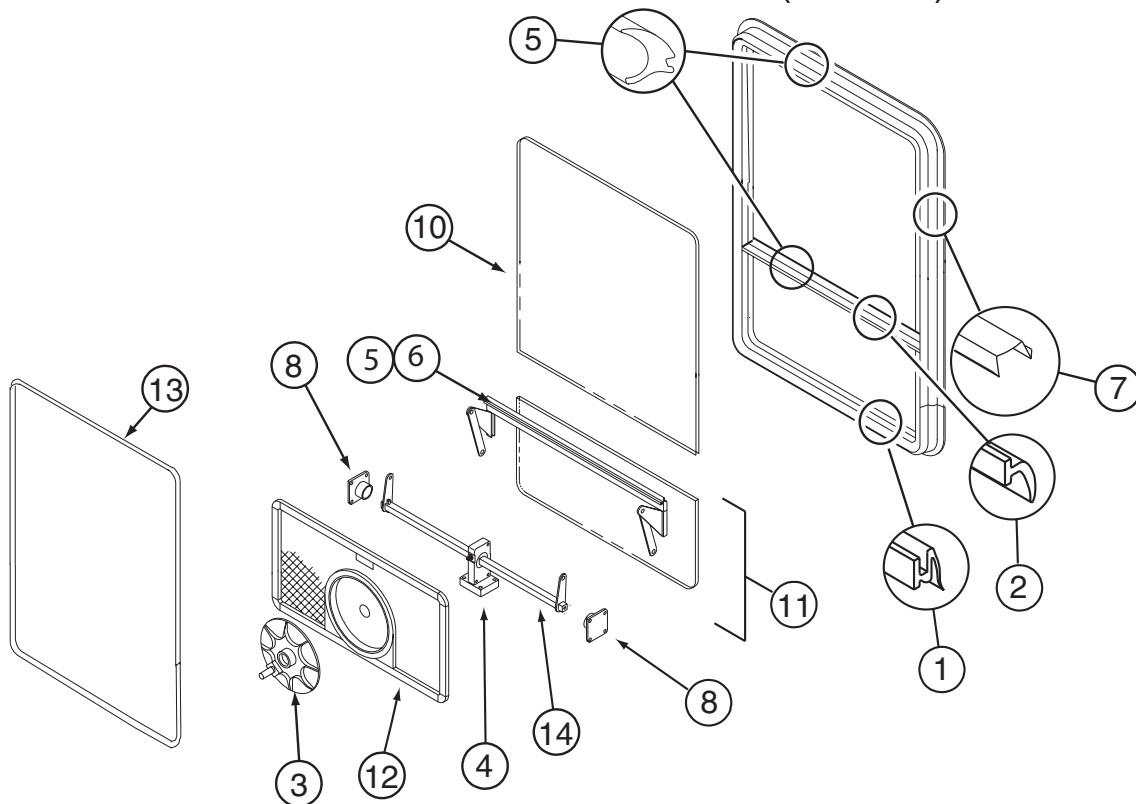
| KEY | PART NUMBER | U/M | DESCRIPTION | VENDOR NO. |
|-----|---------------|-----|--------------------|------------|
| | 125585-01-700 | EA | GLASS - STATIONARY | 390026092 |
| | 116000-01-704 | EA | VINYL - GLAZING | 132-018161 |
| | 125584-01-701 | EA | RETAINER - TRIM | 106026078 |

WINDOW & VENTS GROUP (CONTINUED)
COMPONENT PARTS FOR WINDOW & VENT LAYOUT (CONTINUED)

125600-01-01A

| KEY | PART NUMBER | U/M | DESCRIPTION | VENDOR NO. |
|------------|--------------------|------------|--------------------|-------------------|
| | 125600-01-700 | EA | GLASS - STATIONARY | 390026099 |
| | 116000-01-704 | EA | VINYL - GLAZING | 132-018161 |
| | 125586-01-701 | EA | RETAINER - TRIM | H57027L |

WINDOW & VENTS GROUP (CONTINUED)
COMPONENT PARTS FOR WINDOW & VENT LAYOUT (CONTINUED)



129929-13-01A

| KEY | PART NUMBER | U/M | DESCRIPTION | VENDOR NO . |
|-----|---------------|-----|-------------------------------------------------|-------------|
| 1 | 100322-01-701 | FT | SEAL-VENT | 122-016071 |
| 3 | 100322-01-718 | EA | HANDLE-DIAL | 410-016081 |
| 4 | 129929-01-710 | EA | TORQUE-CTR SUPPORT (2 HOLE) | 410-026806 |
| 5 | 129929-01-705 | FT | GLAZING VINYL | 132-026811 |
| 6 | 129929-01-707 | FT | COVER/SCREW-FILLER STRIP | 132-026808 |
| 8 | 129929-01-708 | EA | SUPPORT - TORQUE BAR - RT/LT | 130-026804 |
| 10 | 129929-13-700 | EA | GLASS - STATIONARY | 390-030042 |
| 11 | 129929-13-701 | EA | VENT GLASS ASSEMBLY | DTH028-G8 |
| 12 | 129929-13-702 | EA | SCREEN ASM - W/SEALS & CLIPS | 410-030044 |
| 13 | 129929-13-703 | EA | RETAINER - TRIM | DTH028-62 |
| 14 | 129929-13-704 | EA | OPERATOR BAR | DTH028-18 |
| | 129929-13-705 | EA | OPRTR BAR ASM - INCLUDES KEYS 4 & 14 | DTH028-15 |
| | 100322-01-717 | EA | E-RING | 245-015975 |
| | 129929-01-706 | FT | SEAL - TOP F/CENTER EGRESS | 132-026811 |
| | 129929-02-706 | FT | SEAL - FOAM | 140-027022 |
| | 112898-06-704 | EA | HANDLE/RH-(TIPOUT)ESCAPE-RED | 182-11293 |
| | 112898-06-705 | EA | HANDLE-LH-(TIPOUT)ESCAPE-RED | 182-11294 |

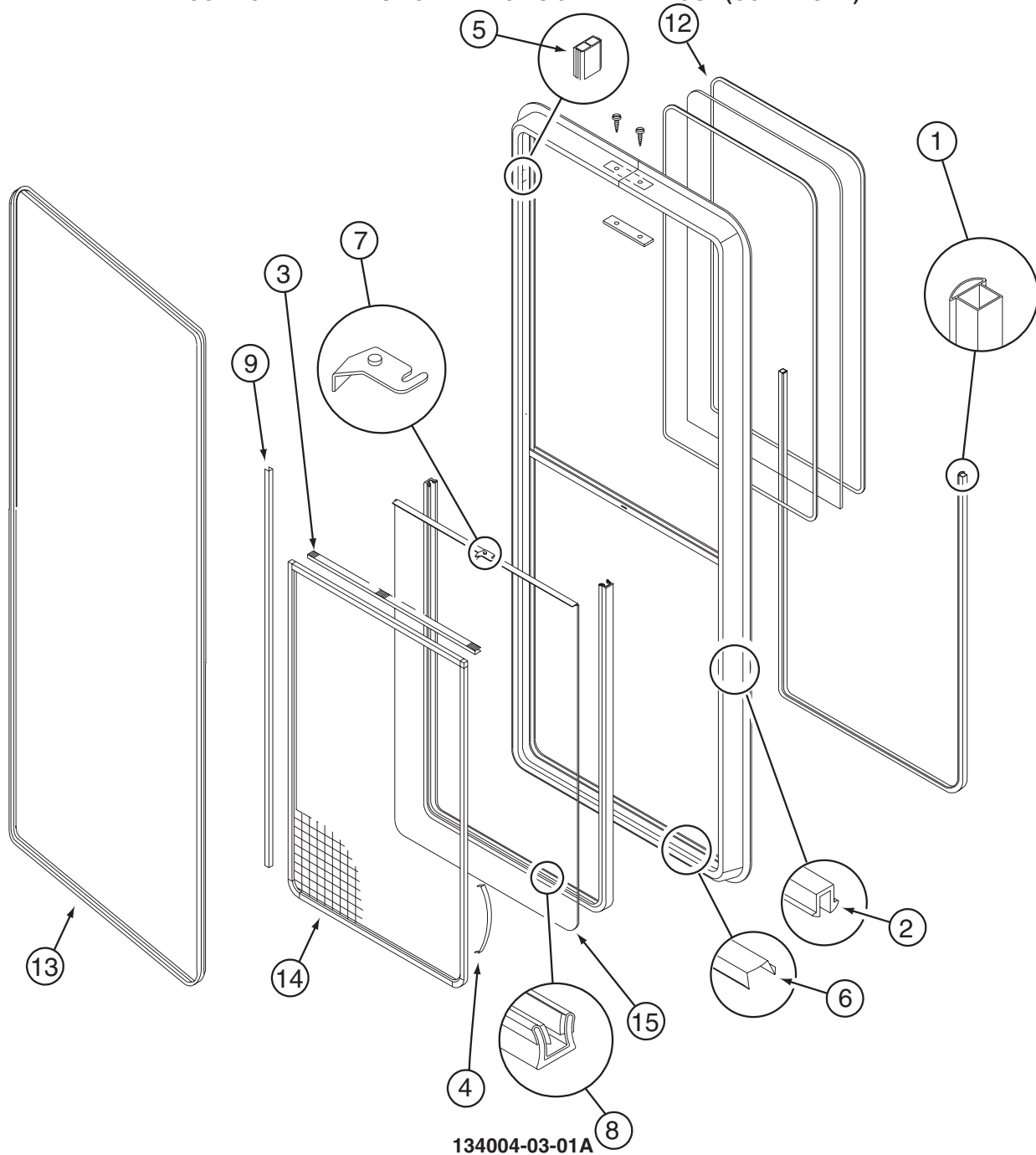
CONTACT WINNEBAGO PART SALES FOR UNLISTED COMPONENTS

129929-15-01A

| KEY | PART NUMBER | U/M | DESCRIPTION | VENDOR NO . |
|-----|---------------|-----|------------------------------|-------------|
| 1 | 100322-01-701 | FT | SEAL-VENT | 122-016071 |
| 3 | 100322-01-718 | EA | HANDLE-DIAL | 410-016081 |
| 4 | 129929-01-710 | EA | TORQUE-CTR SUPPORT (2 HOLE) | 410-026806 |
| 5 | 129929-01-705 | FT | GLAZING VINYL | 132-026811 |
| 6 | 129929-01-707 | FT | COVER/SCREW-FILLER STRIP | 132-026808 |
| 8 | 129929-01-708 | EA | SUPPORT - TORQUE BAR - RT/LT | 130-026804 |
| 10 | 129929-15-700 | EA | GLASS - STATIONARY | 390-030877 |
| 11 | 129929-15-701 | EA | VENT GLASS ASSEMBLY | DTH035 |
| 12 | 129929-15-702 | EA | SCREEN ASM - W/SEALS & CLIPS | 410-030878 |
| 13 | 129929-15-703 | EA | RETAINER - TRIM | DTH035-62 |
| 14 | 129929-15-704 | EA | OPERATOR BAR ASSEMBLY | DTH035-15 |
| | 100322-01-717 | EA | E-RING | 245-015975 |
| | 129929-01-706 | FT | SEAL - TOP F/CENTER EGRESS | 132-026811 |
| | 129929-02-706 | FT | SEAL - FOAM | 140-027022 |

CONTACT WINNEBAGO PART SALES FOR UNLISTED COMPONENTS

WINDOW & VENTS GROUP (CONTINUED)
COMPONENT PARTS FOR WINDOWS & VENT LAYOUT (CONTINUED)



134004-03-01A

| KEY | PART NUMBER | U/M | DESCRIPTION | VENDOR NO |
|-----|---------------|-----|------------------------------|------------|
| 1 | 112795-01-704 | FT | PLUG FILLER (DOUBLE GLAZED) | 122-018737 |
| 2 | 112795-01-705 | FT | VINYL - GLAZING | 132-027331 |
| 3 | 098644-01-706 | FT | WEATHERSTRIP - GLASS | 171-010668 |
| 4 | 098644-01-713 | EA | CLIP - SCREEN - METAL | 226-016966 |
| 4 | 125582-01-701 | EA | CLIP - SCREEN - PLASTIC | 130-005153 |
| 5 | 112795-01-701 | EA | SLIDE-STOP | 132-019092 |
| 6 | 098644-01-710 | FT | TRACK - SCREEN SPACER 12' | 132-017135 |
| 7 | 112795-01-700 | EA | LATCH ASM., BLK.,(BOLT ON) | DH287-CK |
| 8 | 112795-01-703 | IN | CHANNEL-RUN (INCHES) | 122-027566 |
| 9 | 075673-05-000 | FT | SEAL-PILE ADH BACK,BLK | AMESBURY |
| 12 | 134004-03-700 | EA | GLASS - STATIONARY | 390-028662 |
| 13 | 134004-03-702 | EA | RETAINER - TRIM | H702-56 |
| 14 | 098644-13-702 | EA | SCREEN ASM W/SEALS & CLIPS | 410-028663 |
| 15 | 134004-03-701 | EA | GLASS-SLIDING W/SASH & LATCH | DH702-G8 |
| | 098644-01-717 | FT | SPLINE - SCREEN | 132-004716 |
| | 112898-04-703 | EA | VERTICAL LATCH (SASH KIT) | DH343-CK |

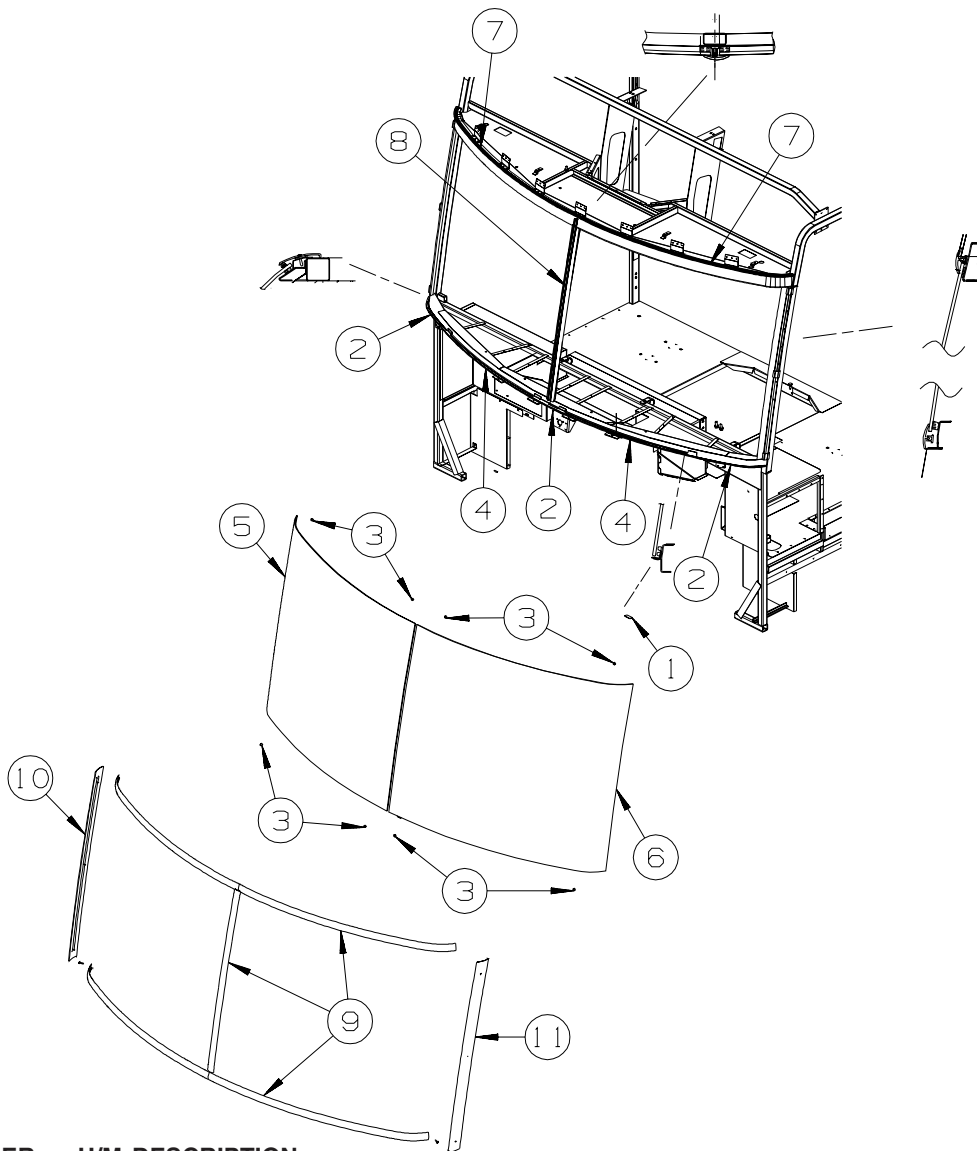
CONTACT WINNEBAGO PART SALES FOR UNLISTED COMPONENTS

WINDOW & VENTS GROUP (CONTINUED)
COMPONENT PARTS FOR WINDOWS & VENT LAYOUT (CONTINUED)

| 150648-04-01A | | | |
|----------------------|--------------------|---------------------------------|---------------------|
| KEY | PART NUMBER | U/M DESCRIPTION | VENDOR NO |
| | 151069-01-700 | EA CHANNEL-RUN, SLIDING | 122-030627 |
| 150648-07-01A | | | |
| KEY | PART NUMBER | U/M DESCRIPTION | VENDOR NO |
| | 112795-01-705 | FT VINYL - GLAZING | 132-027331 |
| | 150648-01-700 | EA LATCH-HORIZONTAL SLIDE-BLK | FH3000-CK |
| | 150648-01-702 | EA SCREEN ASM | 410-031156 |
| | 151069-01-700 | FT CHANNEL-RUN, SLIDING | 122-030627 |
| 150648-08-01A | | | |
| KEY | PART NUMBER | U/M DESCRIPTION | VENDOR NO |
| | 151069-01-700 | FT CHANNEL-RUN, SLIDING | 122-030627 |
| 150649-03-01A | | | |
| KEY | PART NUMBER | U/M DESCRIPTION | VENDOR NO |
| | 150649-01-700 | EA LATCH-VERTICLE SLIDE-BLK | FH3016-CK |
| 150649-07-01A | | | |
| KEY | PART NUMBER | U/M DESCRIPTION | VENDOR NO |
| | 112898-04-703 | EA VERTICAL LATCH/HOLD UP/OPEN | DH343-CK |
| | 150649-01-700 | EA LATCH-VERTICLE SLIDE-BLK | FH3016-CK |
| | 150649-01-701 | EA CLIP - SCREEN RETAINER | 132-035820 |
| 150651-01-01A | | | |
| KEY | PART NUMBER | U/M DESCRIPTION | VENDOR NO |
| | 112795-01-705 | FT VINYL - GLAZING | 132-027331 |
| 150656-05-01A | | | |
| KEY | PART NUMBER | U/M DESCRIPTION | VENDOR NO |
| | 150656-05-700 | EA GLASS-TIPOUT ASM | DTH3043G8 |
| | 150656-05-701 | EA SCREEN ASM | 410-035641 |
| 150656-08-01A | | | |
| KEY | PART NUMBER | U/M DESCRIPTION | VENDOR NO |
| | 100322-01-701 | FT SEAL - VINYL - F/VENT GLASS | 122-016071 |
| | 150656-08-700 | EA SEAL/DUAL - WINDOW - 100" | 132-030725 |
| | 150656-08-701 | EA OPERATOR - TIPOUT/LARGE | 410-036141 |
| 151072-01-01A | | | |
| KEY | PART NUMBER | U/M DESCRIPTION | VENDOR NO |
| | 150648-01-703 | EA PLUG - FILLER | 132-030308 |
| | 151069-01-700 | EA CHANNEL-RUN, SLIDING | 122-030627 |
| | 151069-03-705 | EA VINYL GLAZING - F/STATIONARY | DH567-12 MITER/WELD |
| | 151069-03-706 | EA VINYL GLAZING - F/STATIONARY | DH373-12 MITER/WELD |
| | 151072-01-700 | EA SCREEN ASM | 410-035507 |
| | 151072-01-701 | EA GLASS-SLIDING W/SASH & LATCH | FH3040A9R |
| | 151072-01-702 | EA GLASS - STATIONARY - UPPER | 390-036521 |
| 151073-01-01A | | | |
| KEY | PART NUMBER | U/M DESCRIPTION | VENDOR NO |
| | 125585-01-700 | EA GLASS - STATIONARY | 390026092 |
| | 151073-01-700 | EA VINYL BUTYL-MITERED/FORMED | FH56912 |

WINDSHIELD & WIPER GROUP

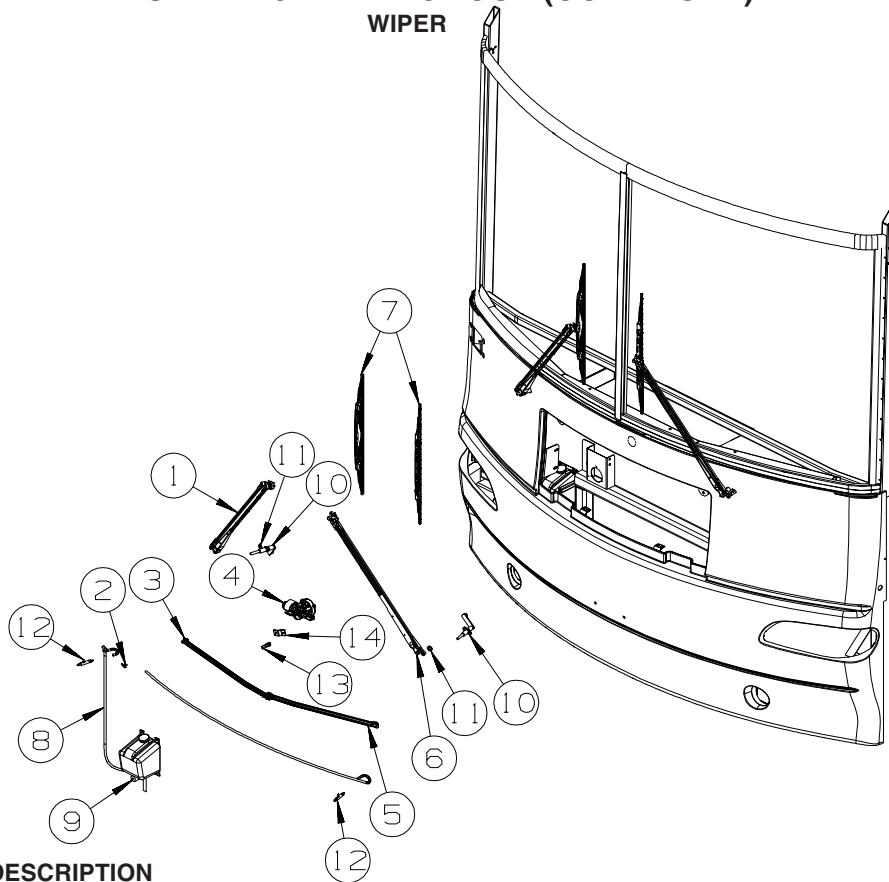
WINDSHIELD



| KEY | PART NUMBER | U/M | DESCRIPTION |
|-----|---------------|-----|-----------------------------------------------------|
| 1 | 002328-02-000 | EA | BLOCK - WINDSHIELD - .062" X .5" X .98" |
| 2 | 142036-01-000 | EA | CARRIER/REVEAL - WINDSHIELD |
| 3 | 081914-02-000 | EA | BUMPER - RUBBER - ROUND - 5/16" DIA. X 13/64" THICK |
| 4 | 132375-04-000 | EA | CARRIER/REVEAL - WINDSHIELD - 29.8" |
| 5 | 124328-01-000 | EA | WINDSHIELD - PASSENGER - 52" X 41" (CURVED) |
| 6 | 124328-02-000 | EA | WINDSHIELD - DRIVER - 52" X 41" (CURVED) |
| 7 | 127862-01-000 | EA | CARRIER/REVEAL - WINDSHIELD - 47.2" |
| 8 | 127862-09-000 | EA | CARRIER/REVEAL - WINDSHIELD - 38.6" |
| 9 | 120533-01-000 | FT | MOLDING - REVEAL - WINDSHIELD |
| 10 | 125384-01-02A | EA | TRIM - WINDSHIELD - A-PILLAR - PASSENGER - BLACK |
| 11 | 125384-02-02A | EA | TRIM - WINDSHIELD - A-PILLAR - DRIVER - BLACK |

WINDSHIELD & WIPER GROUP (CONTINUED)

WIPER



| KEY | PART NUMBER | U/M | DESCRIPTION |
|-----|---------------|-----|---------------------------------------------------------------------------------------|
| 1* | 149402-01-000 | EA | ARM - WINDSHIELD WIPER/PANTOGRAPH - RIGHT HAND - 28" FROM: 00-00-00 THRU: 03-18-05 |
| 1* | 149402-03-000 | EA | ARM - WINDSHIELD WIPER/PANTOGRAPH - RIGHT HAND - 28" FROM: 03-19-05 THRU: 99-99-99 |
| 2 | 146486-01-000 | EA | TEE - PLASTIC - 5/32" X 5/32" X 5/32" - ON LEFT SIDE OF WORKHORSE CHASSIS |
| 3 | 149403-01-000 | EA | LINK/CONNECTING-WINDSHIELD WIPER - CLOSED/CLOSED - 24" |
| 4 | 149409-01-000 | EA | MOTOR - WIPER - DYNAMIC PARK |
| 4 | 149409-02-000 | EA | MOTOR - WIPER - COAST TO PARK - WORKHORSE P32 (15,000/18,000) CHASSIS |
| 5 | 149403-02-000 | EA | LINK/CONNECTING-WINDSHIELD WIPER - OPEN/CLOSED GROMMET-24" |
| 6* | 149402-02-000 | EA | ARM - WINDSHIELD WIPER/PANTOGRAPH - LEFT HAND - 28" FROM: 00-00-00 THRU: 03-18-05 |
| 6* | 149402-04-000 | EA | ARM - WINDSHIELD WIPER/PANTOGRAPH - LEFT HAND - 28" FROM: 03-19-05 THRU: 99-99-99 |
| 7 | 149399-01-000 | EA | BLADE - WINDSHIELD WIPER - 24" |
| 8 | 045794-01-000 | FT | HOSE - WINDSHIELD WASHER - 5/32"ID - BLACK - ON LEFT SIDE OF WORKHORSE CHASSIS |
| 9 | 117766-02-000 | EA | RESERVOIR/PUMP - WINDSHIELD WASHER - ON LEFT SIDE OF WORKHORSE CHASSIS |
| 10* | 149401-01-000 | EA | SHAFT & PIVOT ASM. - WINDSHIELD WIPER FROM: 00-00-00 THRU: 04-15-05 |
| 10 | 149401-02-000 | EA | SHAFT & PIVOT ASM. - WINDSHIELD WIPER FROM: 04-16-05 THRU: 99-99-99 |
| 11 | 110742-03-000 | EA | GASKET - WIPER |
| 12 | 145698-01-01A | EA | SHAFT/IDLER - PANTOGRAPH - W/WASHER DIVERTER - STAINLESS |
| 13 | 149395-01-000 | EA | STUD/DOUBLE BALL CRANK - WIPER MOTOR |
| 14 | 149408-01-000 | EA | ARM - DRIVE/WIPER MOTOR |

*COMPONENT PARTS LISTED LATER IN THIS GROUP

COMPONENT PARTS FOR WIPER

149401-01-000

| KEY | PART NUMBER | U/M | DESCRIPTION | VENDOR NO. |
|-----|---------------|-----|------------------------------|-----------------|
| | 096505-02-703 | EA | NUT/ACORN - HD W/.687 BRL | 51065-40-NT27WC |
| | 149401-01-700 | EA | HARDWARE PKG - F/SHAFT&PIVOT | PSHWKIT |

149402-01-000, 149402-02-000, 149402-03-000, 149402-04-000

| KEY | PART NUMBER | U/M | DESCRIPTION | VENDOR NO. |
|-----|---------------|-----|----------------------------|-----------------|
| | 096931-01-705 | EA | CAP-PLASTIC | 52699-40-CP27WC |
| | 149402-01-700 | EA | WASHER NOZZLE KIT - W/HDWR | 5219140 |
| | 149402-01-701 | EA | COVER - SHAFT & PIVOT END | 300809 |