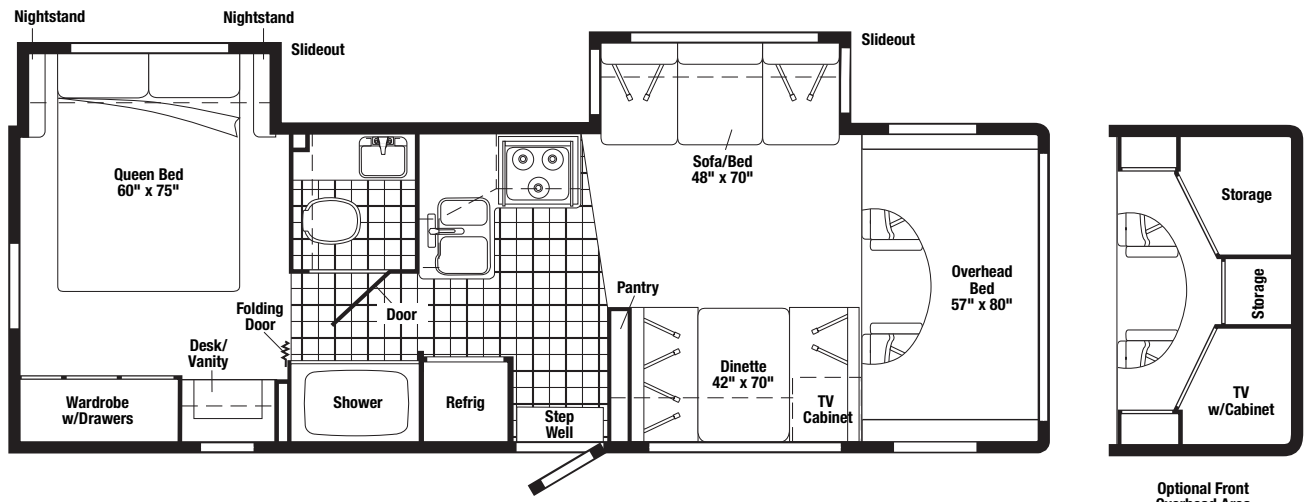


**2005
SPIRIT
IF329B & IF329SB
300-SERIES
PORTSMOUTH OAK
S04 PINEHURST - GREEN
S05 BLUE TOPAZ - BLUE
S06 TUMBLEWEED - NEUTRAL
SX1 MAPLE SUGAR - NEUTRAL
S97 MAPLE SUGAR - NEUTRAL
S98 PINE CREEK - GREEN
SIERRA MAPLE
S91 PINEHURST - GREEN
S92 BLUE TOPAZ - BLUE
S93 TUMBLEWEED - NEUTRAL**



FLOORPLAN

CONTENTS

| | |
|---|-----------|
| FLOORPLAN | 1 |
| ACCESSORIES GROUP | 6 |
| OPERATORS MANUAL | 6 |
| AUDIO VIDEO GROUP | 7 |
| RADIO SYSTEM | 7 |
| REAR MONITOR | 7 |
| CABINET & APPLIANCE GROUP | 8 |
| CABINET & APPLIANCE LAYOUT | 8 |
| APPLIANCES | 8 |
| COMPONENT PARTS FOR APPLIANCE | 11 |
| 112881-04-01A, 112881-05-01A | 11 |
| 121568-06-01A, 121568-07-01A, 121568-08-01A | 13 |
| 128527-09-000, 128527-10-000, 128527-13-000 | 17 |
| 136354-01-02A | 18 |
| 136354-02-02A | 19 |
| 136354-03-01A, 136354-04-01A | 20 |
| 151277-01-01A, 151277-02-01A | 21 |
| BATH | 25 |
| BEDROOM | 26 |
| DINETTE | 28 |
| GALLEY | 31 |
| LOUNGE | 33 |
| CHASSIS GROUP | 34 |
| FRAME | 34 |
| DRIVETRAIN | 34 |
| EXHAUST | 34 |
| HITCH | 35 |
| REAR BUMPER | 35 |
| FUEL | 36 |
| SPARE TIRE | 37 |
| SUSPENSION | 39 |
| WHEEL, TIRE, COVERS &/OR LINERS | 39 |
| COMPONENT PARTS FOR WHEEL, TIRE, COVERS &/OR LINERS | 39 |
| 109443-05-000 | 39 |
| 110435-13-000 | 39 |
| BRAKELINE | 39 |
| CURTAIN & CUSHION GROUP | 40 |
| NOTICE | 40 |
| CUSHION LAYOUT | 41 |
| BUCKET SEATS | 43 |
| SOFA | 45 |
| WINDOW TREATMENT | 47 |
| HARDWARE | 51 |
| ACCESSORIES | 52 |
| FABRICS | 53 |
| DRIVERS COMPARTMENT GROUP | 54 |
| FRONT INTERIOR | 54 |
| COMPONENT PARTS FOR FRONT INTERIOR | 55 |
| 106025-02-01A | 55 |
| CABINETS | 56 |

CONTENTS (CONTINUED)

| | |
|--|-----------|
| ELECTRICAL GROUP | 58 |
| 110V BODY WIRING | 58 |
| 12V BODY WIRING | 59 |
| EXTERIOR LAMPS | 64 |
| FRONT END | 65 |
| FRONT TV/VCR | 66 |
| SIDE TV/VCR | 67 |
| COMPONENT PARTS FOR WIRING | 68 |
| 076319-23-000 | 68 |
| 076319-25-000 | 68 |
| 081638-01-000 | 69 |
| 086231-10-000 | 69 |
| 087694-01-000 | 69 |
| 097917-01-06A | 69 |
| 108354-01-01A | 69 |
| 113589-01-000 | 69 |
| 113589-02-000 | 69 |
| 120269-07-01A | 69 |
| 121935-01-01A | 69 |
| 123775-01-01A | 69 |
| 134940-01-01A | 70 |
| 134940-02-01A | 71 |
| 134940-06-01A | 72 |
| 134940-07-01A | 72 |
| 137135-02-000 | 73 |
| 137417-01-01A, 137417-03-01A | 74 |
| 137417-02-01A | 74 |
| 137417-05-01A | 74 |
| 137417-06-01A | 74 |
| 145641-03-000 | 74 |
| 145641-04-000 | 74 |
| 148230-01-000, 148230-02-000 | 74 |
| 148230-03-000 | 74 |
| 148231-01-000 | 74 |
| 149040-02-000 | 74 |
| 150089-01-000 | 74 |
| CIRCUIT BREAKERS, FUSES & RELAYS | 75 |
| CONVERTER, INVERTER, LOAD CENTERS | 75 |
| BOXES & CORDS | 76 |
| WIRE ASSEMBLIES | 76 |
| CONNECTORS & CONDUIT | 77 |
| CHASSIS | 79 |
| EXTERIOR BODY GROUP | 80 |
| GRAPHICS & PAINT | 80 |
| PANELS & TRIMS | 82 |
| COMPONENT PARTS FOR PANELS & TRIMS | 86 |
| 072884-27-000 | 86 |
| 133908-01 THRU 133908-08, 133908-10 THRU 133908-13, 133908-16, 133908-17, -01A/-02A/-03A | 86 |
| STRUCTURAL COMPONENTS | 87 |
| AWNINGS | 87 |
| COMPONENT PARTS FOR AWNINGS | 88 |
| 113874-01-02A | 88 |

CONTENTS (CONTINUED)

| | |
|---|------------|
| EXTERIOR DOORS & COMPARTMENTS GROUP | 89 |
| DOOR & COMPARTMENT LAYOUT | 89 |
| COMPONENT PARTS FOR DOOR & COMPARTMENT LAYOUT | 93 |
| 084103-08-000 | 93 |
| 094708-03-01A | 93 |
| COMPARTMENT DOOR PIECE PARTS | 94 |
| COMPONENT PARTS FOR COMPARTMENT DOOR PIECE PARTS | 97 |
| 110506-A1-000, 110506-A2-000, 110506-26-000, 110506-27-000 | 97 |
| COMPONENT PARTS FOR COMPARTMENT DOOR PIECE PARTS 110506-A1-000, 110506-A2-000, 110506-26-000, 110506-27-000 | 97 |
| ENTRY | 98 |
| SCREEN | 99 |
| LATCH - ENTRY | 100 |
| EXTERIOR SLIDEOUT GROUP | 101 |
| FRONT LEFT | 101 |
| COMPONENT PARTS FOR FRONT LEFT | 103 |
| 140457-01-000 | 103 |
| LEFT REAR | 104 |
| COMPONENT PARTS FOR LEFT REAR | 106 |
| 140464-01-000 | 106 |
| GENERATOR GROUP | 107 |
| HEATING & A/C GROUP | 108 |
| FURNACE | 108 |
| COMPONENT PARTS FOR FURNACE | 109 |
| 139980-01-000 | 109 |
| 139980-02-000 | 109 |
| ROOF | 111 |
| COMPONENT PARTS FOR ROOF | 111 |
| 131184-01-01A | 111 |
| 131184-05-01A | 112 |
| 131185-03-01A | 113 |
| 131188-03-01A | 114 |
| 131188-04-01A | 115 |
| INTERIOR FINISH GROUP | 116 |
| MOLDINGS & TRIMS | 116 |
| PANELING & LAMINATES | 127 |
| INTERIOR TRIM LAYOUT | 128 |
| COMPONENT PARTS FOR INTERIOR TRIM LAYOUT | 129 |
| 094499-02-000 | 129 |
| 115011-03-01A | 130 |
| 131595-01-01A, 131595-05-01A, 131595-10-01A | 130 |
| 135615-01-01A, 135615-02-01A, 135615-05-01A | 131 |
| FLOOR COVERINGS | 132 |
| HARDWARE | 133 |
| LABELS GROUP | 140 |
| LP GROUP | 146 |
| LP SYSTEM | 146 |
| COMPONENT PARTS FOR LP SYSTEM | 146 |
| 144116-04-000 | 146 |
| SEALANTS & FASTENERS GROUP | 147 |
| SEALANTS & ADHESIVES | 147 |
| BOLTS, NUTS AND WASHERS | 148 |
| SCREWS | 150 |
| CLAMPS, CLIPS, GROMMETS, RIVETS & PLUGS | 153 |
| MISCELLANEOUS FASTENERS | 154 |

CONTENTS (CONTINUED)

| | |
|---|------------|
| WATER & SEWAGE GROUP | 156 |
| DRAINAGE SYSTEM | 156 |
| COMPONENT PARTS FOR DRAINAGE SYSTEM | 157 |
| 062415-01-000 | 157 |
| 096927-01-02A | 157 |
| 147421-01-01A, 147421-02-01A | 158 |
| 147421-03-01A | 158 |
| WATER SYSTEM | 159 |
| COMPONENT PARTS FOR WATER SYSTEM | 167 |
| 051391-03-000 | 167 |
| 075240-05-000 | 168 |
| 075241-04-000, 075241-05-000, 075241-06-000 | 168 |
| 098607-01-000 | 168 |
| 104114-05-01A | 168 |
| 144215-01-000 | 168 |
| 144215-02-000 | 168 |
| WINDOW & VENTS GROUP | 169 |
| WINDOW & VENT LAYOUT | 169 |
| COMPONENT PARTS FOR WINDOW & VENT LAYOUT | 172 |
| 098644-07-02A | 172 |
| 098644-13-01A | 172 |
| 098647-27-02A | 173 |
| 098647-30-02A | 174 |
| 098647-31-02A | 174 |
| 098647-32-02A | 174 |
| 098647-47-02A | 175 |
| 112795-69-01A | 176 |
| 112795-72-01A | 177 |
| 112795-73-01A | 177 |
| 112795-77-01A | 177 |
| 112898-22-01A | 178 |
| 113502-10-01A | 179 |
| 113733-10-01A | 180 |
| 115630-04-01A | 180 |
| 116976-02-02A | 180 |
| 122882-01-01A | 180 |
| 122882-02-01A, 122882-03-01A | 180 |
| 123780-03-01A | 181 |
| 129929-11-01A | 182 |
| 134004-03-01A | 183 |
| 150648-03-01A | 184 |
| 150648-04-01A | 184 |
| 150648-05-01A | 184 |
| 150648-07-01A | 184 |
| 150649-01-01A | 184 |
| 150649-07-01A | 184 |
| 150651-01-01A | 184 |
| 150652-01-01A | 184 |
| 151075-02-01A | 184 |

ACCESSORIES GROUP
OPERATORS MANUAL

| KEY | PART NUMBER | U/M | DESCRIPTION |
|------------|--------------------|------------|--|
| | 129079-01-01A | EA | CASE - VINYL/BLACK-EXPANDABLE ACCORDION SIDES-7"WX9"HX14"L |
| | 132000-12-005 | EA | MANUAL/OWNER - SPIRIT - 2005 |
| | 148923-01-000 | DW | TOP LEVEL - 300, 2005 |

**AUDIO VIDEO GROUP
RADIO SYSTEM**

| KEY | PART NUMBER | U/M | DESCRIPTION |
|------------|--------------------|------------|--|
| | 135420-09-000 | EA | RADIO-AM/FM/CASS/CD COMBO-AUX/CD CHANGER INPUT-REMOTE FROM: 00-00-00 THRU: 05-09-04 |
| | 135420-13-000 | EA | RADIO-AM/FM/CASS/CD COMBO-AUX/CD CHGR INPUT-IR REMOTE FROM: 05-10-04 THRU: 99-99-99 |
| | 135420-11-000 | EA | REMOTE CONTROL/RADIO (STEERING WHEEL MOUNT) FROM: 05-12-04 THRU: 99-99-99 |
| | 135420-05-000 | EA | MOUNTING KIT - RADIO - FORD |
| | 135420-14-000 | EA | RECEIVER - INFRARED FROM: 05-10-04 THRU: 99-99-99 |
| | 135420-10-000 | EA | REMOTE CONTROL/RADIO (CREDIT CARD SIZE) |
| | 108137-01-000 | EA | PLUG - ANTENNA |

REAR MONITOR

| KEY | PART NUMBER | U/M | DESCRIPTION |
|------------|--------------------|------------|--|
| | 144677-04-000 | EA | CAMERA - REAR VIEW W/BRACKET - BLACK & WHITE - VBBS150 |
| | 150079-01-000 | EA | MONITOR/LCD - 5" - NO AUDIO - SUNVISOR MOUNT (FORD) FROM: 00-00-00 THRU: 05-10-04 |
| | 150079-02-000 | EA | MONITOR/LCD - 5.6" - NO AUDIO - SUNVISOR MOUNT (FORD) FROM: 05-11-04 THRU: 99-99-99 |
| | 136514-02-000 | EA | CABLE - MONITOR/CAMERA |

**SEE 12V BODY WIRING IN THE ELECTRICAL GROUP FOR LOCATION OF OTHER
AUDIO VIDEO COMPONENTS**

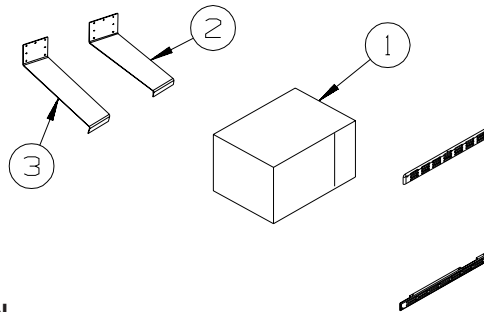
CABINET & APPLIANCE GROUP

CABINET & APPLIANCE LAYOUT

APPLIANCES

| KEY | PART NUMBER | U/M | DESCRIPTION |
|-----|---------------|-----|---|
| * | 136354-01-02A | EA | HOOD - RANGE - W/LITE/FAN - BLACK TEXTURED - US |
| * | 136354-03-01A | EA | HOOD - RANGE - W/LITE/FAN - US/NON VENTED - CHARCOAL - 322E |
| * | 136354-02-02A | EA | HOOD - RANGE - W/LITE/FAN - BLACK TEXTURED - CSA - CANADIAN |
| * | 136354-04-01A | EA | HOOD - RANGE - W/LITE/FAN - CSA/NON VENTED - CHARCOAL - CANADIAN, 322E |
| | 117806-01-000 | EA | BULB - 12V 1 #912 - 1.0 AMP |
| * | 112881-04-01A | EA | RANGE-16"-3 BRNR/NEW STYLE KNOBS/GRATE/HDL-BLK DOOR/TOP FROM: 00-00-00 THRU: 05-23-04 |
| * | 151277-01-01A | EA | RANGE-16"-3 BURNER - MERCURY FREE - BLACK DOOR/TEXTURED FROM: 05-24-04 THRU: 99-99-99 |
| * | 112881-05-01A | EA | RANGE-16"-3 BRNR/GRATE/HDL - BLK TEXTURE-CSA - CANADIAN SLIDEOUT GALLEY ONLY FROM: 00-00-00 THRU: 04-25-04 |
| * | 151277-02-01A | EA | RANGE-16"-3 BRNR - MERCURY FREE - BLK DR/TXTRD-CSA - CANADIAN SLIDEOUT GALLEY ONLY FROM: 04-26-04 THRU: 99-99-99 |
| | 116884-01-01B | EA | BRACKET - TIEDOWN - 322E |
| | 116884-02-01B | EA | BRACKET - TIEDOWN - 322E |
| | 140176-03-02B | EA | BRACKET/STOVE TIEDOWN - E-COATED - 322R, 324F, 324V, 326A, 331T, 331ST, 332G |
| | 140176-04-02B | EA | BRACKET/STOVE TIEDOWN - E-COATED - 322R, 324F, 324V, 326A, 331T, 331ST, 332G |
| | 140176-07-01B | EA | BRACKET/TIEDOWN - STOVE - MILL - 329B, 329SB, 329K, 327L |
| | 140176-08-01B | EA | BRACKET/TIEDOWN - STOVE - MILL - 329B, 329SB, 329K, 327L |

***COMPONENT PARTS LISTED LATER IN THIS GROUP**



| KEY | PART NUMBER | U/M | DESCRIPTION |
|-----|---------------|-----|---|
| 1* | 128527-09-000 | EA | OVEN/MICROWAVE W/TRIM KIT - 1.1 CUBIC FT - NON CONVECTION FROM: 00-00-00 THRU: 09-30-04 |
| 1* | 128527-13-000 | EA | OVEN/MICROWAVE W/TRIM KIT - 1.0 CUBIC FT - NON CONVECTION FROM: 10-01-04 THRU: 99-99-99 |
| 1* | 128527-10-000 | EA | OVEN/MICROWAVE W/TRIM KIT - 1.1 CUBIC FT - NON CONVECTION - CANADIAN FROM: 00-00-00 THRU: 11-07-04 |
| 1 | 128527-14-000 | EA | OVEN/MICROWAVE W/TRIM KIT - 1.0 CUBIC FT - NON CONV - CANADIAN FROM: 11-08-04 THRU: 99-99-99 |
| 2 | 143759-06-02B | EA | BRACKET - MICROWAVE - E-COATED |
| 3 | 143759-06-02B | EA | BRACKET - MICROWAVE - E-COATED |

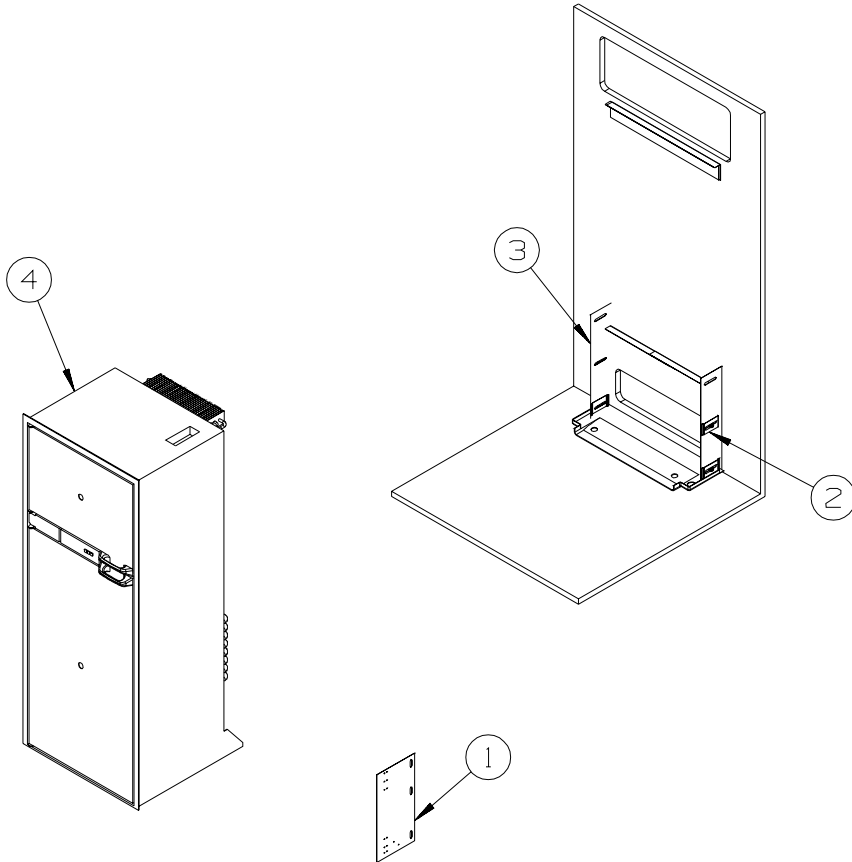
***COMPONENT PARTS LISTED LATER IN THIS GROUP**

322E

| KEY | PART NUMBER | U/M | DESCRIPTION |
|-----|---------------|-----|---|
| 1* | 128527-09-000 | EA | OVEN/MICROWAVE W/TRIM KIT - 1.1 CUBIC FT - NON CONVECTION FROM: 00-00-00 THRU: 09-30-04 |
| 1* | 128527-13-000 | EA | OVEN/MICROWAVE W/TRIM KIT - 1.0 CUBIC FT - NON CONVECTION FROM: 10-01-04 THRU: 99-99-99 |
| 1* | 128527-10-000 | EA | OVEN/MICROWAVE W/TRIM KIT - 1.1 CUBIC FT - NON CONVECTION - CANADIAN FROM: 00-00-00 THRU: 11-07-04 |
| 1 | 128527-14-000 | EA | OVEN/MICROWAVE W/TRIM KIT - 1.0 CUBIC FT - NON CONV - CANADIAN FROM: 11-08-04 THRU: 99-99-99 |
| 2 | 128711-01-02B | EA | BRACKET - MICROWAVE |
| 3 | 116843-03-02B | EA | BRACKET - MICROWAVE |

***COMPONENT PARTS LISTED LATER IN THIS GROUP**

CABINET & APPLIANCE GROUP (CONTINUED)
CABINET & APPLIANCE LAYOUT (CONTINUED)



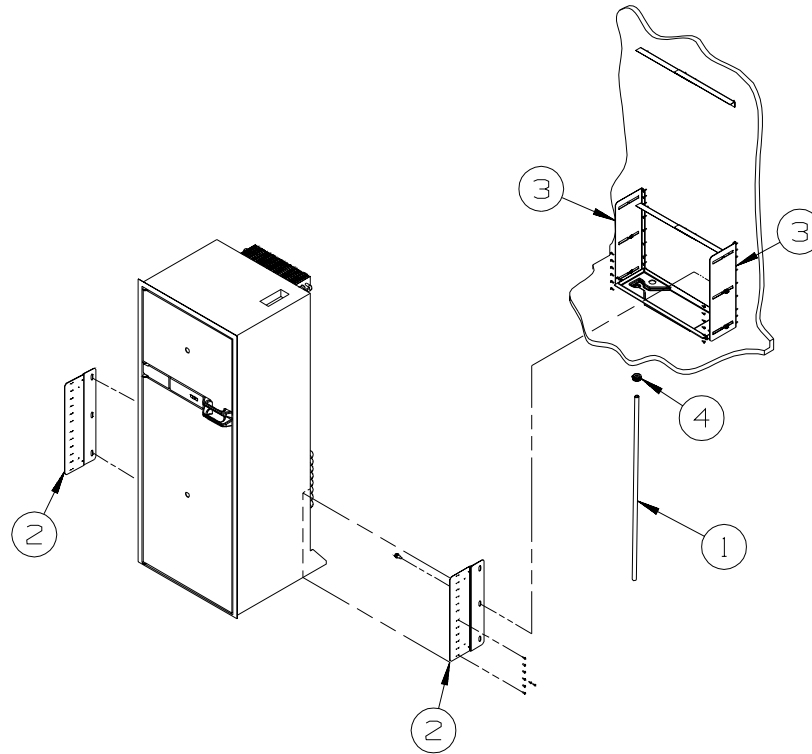
FROM: 00-00-00
THRU: 08-17-04

APPLIANCES (CONTINUED)

| KEY | PART NUMBER | U/M | DESCRIPTION |
|-----|---------------|-----|--|
| 1 | 141975-04-02B | EA | PLATE/TIEDOWN - REFRIGERATOR - E-COATED |
| 2 | 141550-01-02B | EA | BRACKET/TIEDOWN - REFRIGERATOR - E-COATED |
| 3 | 141550-02-02B | EA | BRACKET/TIEDOWN - REFRIGERATOR - E-COATED |
| 4* | 121568-07-01A | EA | REFRIGERATOR - DBL DR-LH/2 WAY- 52.8"HX23.5"WX24"D - 322E, 322R, 324F, 324V, 326A |
| 4* | 121568-06-01A | EA | REFRIG - DBL DR-RH/2 WAY- 52.8"HX23.5"WX24"D - 327L, 329B, 329SB, 329K, 331T, 331SST, 332G |
| | 112176-01-000 | FT | TUBING - VINYL - REINFORCED - 1/2" ID |
| | 090329-01-000 | FT | SEAL/T - REFRIGERATOR CABINET |
| | 116751-01-01A | EA | TRAY - REFRIGERATOR - 322E, 322R, 324V |
| | 116751-02-01A | EA | TRAY - REFRIGERATOR - BLACK - 327L, 331T, 331ST, 332G |
| | 116751-04-01A | EA | TRAY - REFRIGERATOR - BLACK - 324F, 326A |
| | 116751-05-01A | EA | TRAY - REFRIGERATOR - BLACK, 329SB, 329K |
| | 054450-01-000 | EA | LEVEL - REFRIGERATOR |

***COMPONENT PARTS LISTED LATER IN THIS GROUP**

CABINET & APPLIANCE GROUP (CONTINUED)
CABINET & APPLIANCE LAYOUT (CONTINUED)



FROM: 08-18-04
THRU: 99-99-99

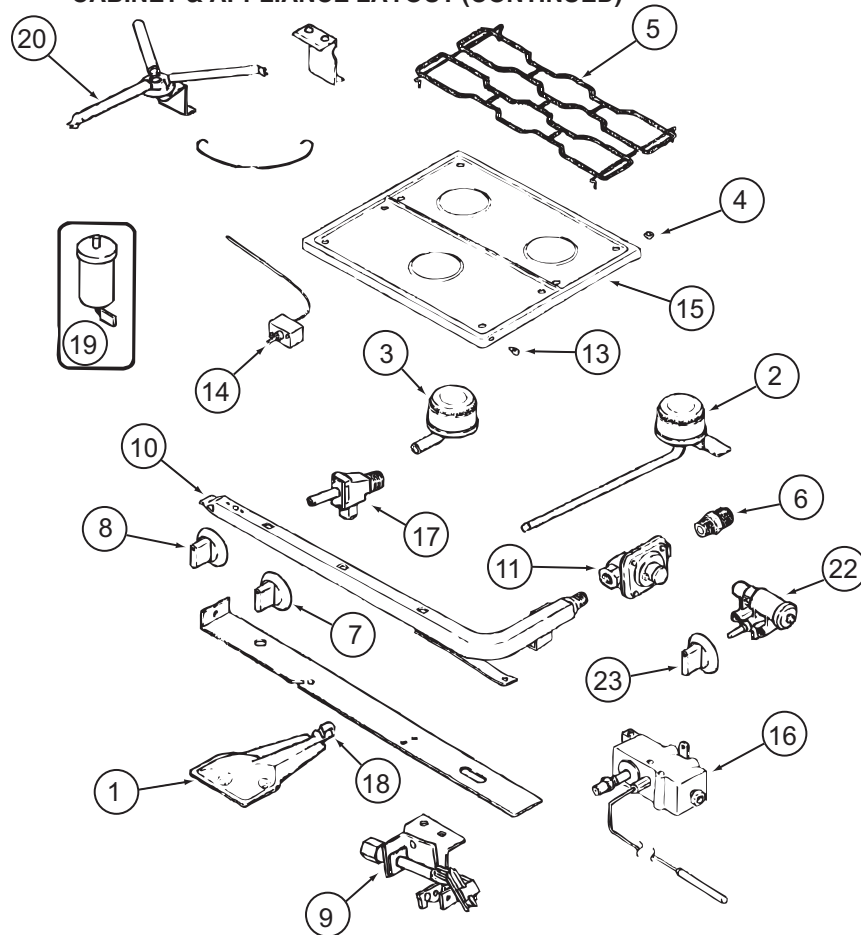
APPLIANCES (CONTINUED)

| KEY | PART NUMBER | U/M | DESCRIPTION |
|-----|---------------|-----|--|
| 1 | 112176-01-000 | FT | TUBING - VINYL - REINFORCED - 1/2" ID |
| 2 | 150740-01-02B | EA | BRACKET - REFRIGERATOR - E-COATED |
| 3 | 150740-02-02B | EA | BRACKET - REFRIGERATOR - E-COATED |
| 4 | 152417-01-01A | EA | CLAMP/RATCHET - F/REFRIDGERATOR DRIP TRAY HOSE - BLACK |
| 4* | 121568-07-01A | EA | REFRIGERATOR - DBL DR-LH/2 WAY- 52.8"HX23.5"WX24"D - 322E, 322R, 324F, 324V, 326A |
| 4* | 121568-06-01A | EA | REFRIG - DBL DR-RH/2 WAY- 52.8"HX23.5"WX24"D - 327L, 329B, 329SB, 329K, 331T, 331SST, 332G |
| | 090329-01-000 | FT | SEAL/T - REFRIGERATOR CABINET |
| | 116751-01-01A | EA | TRAY - REFRIGERATOR - 322E, 322R, 324V |
| | 116751-02-01A | EA | TRAY - REFRIGERATOR - BLACK - 327L, 331T, 331ST, 332G |
| | 116751-04-01A | EA | TRAY - REFRIGERATOR - BLACK - 324F, 326A |
| | 116751-05-01A | EA | TRAY - REFRIGERATOR - BLACK, 329SB, 329K |
| | 054450-01-000 | EA | LEVEL - REFRIGERATOR |

***COMPONENT PARTS LISTED LATER IN THIS GROUP**

CABINET & APPLIANCE GROUP (CONTINUED)

CABINET & APPLIANCE LAYOUT (CONTINUED)



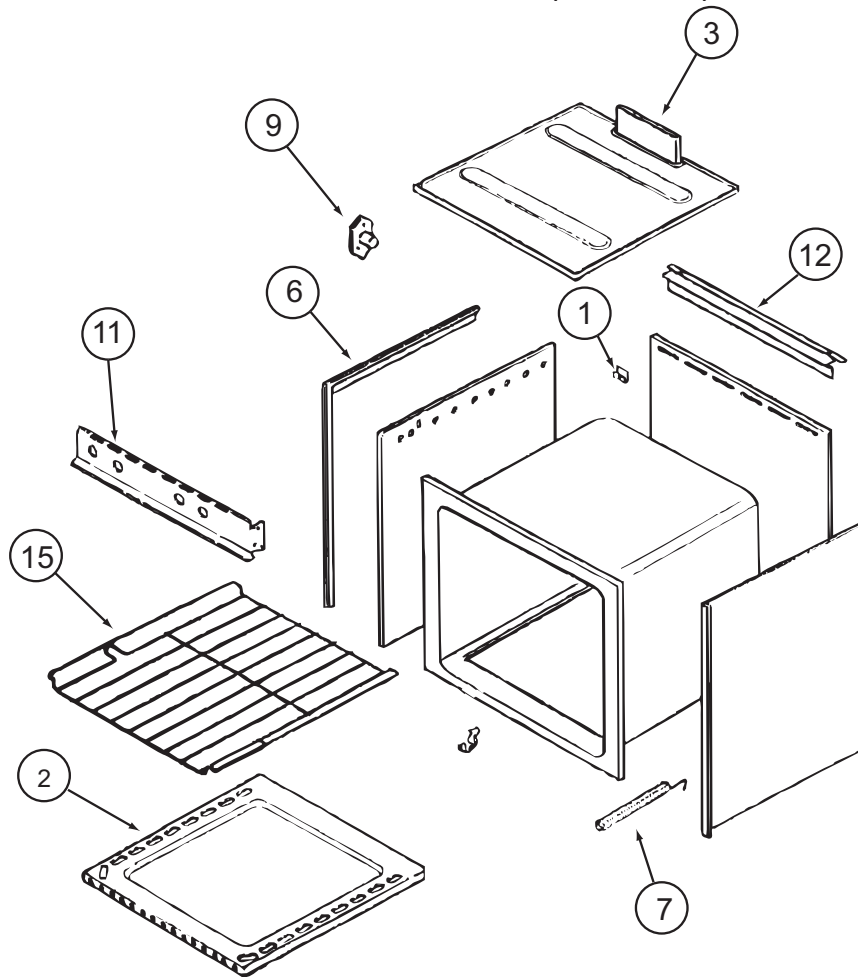
COMPONENT PARTS FOR APPLIANCE

112881-04-01A, 112881-05-01A

| KEY | PART NUMBER | U/M | DESCRIPTION | VENDOR NO. |
|-----|---------------|-----|------------------------------|------------------|
| 1 | 126023-01-717 | EA | BURNER - OVEN | 74003343 |
| 2 | 112881-04-700 | EA | BURNER - TOP/LEFT REAR | 74004584 |
| 2 | 126023-01-700 | EA | BURNER-TOP (RT-REAR) 5100BTU | 74004583 |
| 3 | 112881-04-701 | EA | BURNER - TOP/FRONT | 74004582 |
| 4 | 102020-01-709 | EA | BUMPER-GRATE | 8007P020-60 |
| 5 | 112881-04-702 | EA | GRATE - BLACK | 74007277 |
| 6 | 135065-03-700 | EA | FITTING - HALF UNION | 74004234 |
| 7 | 128728-01-701 | EA | KNOB - BURNER - REAR | 74003941 (1 PER) |
| 7 | 128728-01-702 | EA | KNOB - BURNER - FRONT | 74003942 (2 PER) |
| 8 | 112881-04-703 | EA | KNOB - THERMOSTAT - BLACK | 74004645 |
| 9 | 112881-04-706 | EA | PILOT - OVEN | 74006334 |
| 10 | 126023-02-702 | EA | PIPE - MANIFOLD | 74004360 |
| 11 | 126023-02-703 | EA | REGULATOR - PRESSURE | 74004235 |
| 13 | 102020-01-724 | EA | BUMPER-MAIN TOP | 8003P008-60 |
| 14 | 126023-01-734 | EA | THERMOSTAT OVEN SER#10/11&14 | 74006332 |
| 15 | 126023-01-728 | EA | TOP - MAIN (BLACK) | 74003323 |
| 16 | 112881-04-704 | EA | VALVE - OVEN | 74006333 |
| 17 | 126023-02-705 | EA | VALVE - BURNER - REAR | 74004362 |
| 17 | 126023-02-706 | EA | VALVE - BURNER - FRONT | 74004363 |
| 17 | 135065-03-701 | EA | SCREW - VALVE | 71003231 |
| 18 | 135656-01-701 | EA | MIXER/AIR | 3411F003-34 |
| 19 | 126023-01-711 | EA | ELECTRODE - IGNITER (ONLY) | 7432P077-60 |
| 20 | 126023-01-736 | EA | FLASH TUBE EXTENSION (REAR) | 74003326 |
| 20 | 126023-01-737 | EA | FLASH TUBE EXTENSION (FRONT) | 74003327 |
| 21 | 112881-04-708 | EA | CLIP-FLASH TUBE | 7112P068-60 |
| 22 | 126023-01-719 | EA | IGNITER HEAD - TOP BURNER | 74002413 |
| 23 | 128728-01-707 | EA | KNOB - IGNITOR | 74003944 |
| 26 | 112881-04-709 | EA | SHIELD-SPARK | 3604F211-45 |

CONTACT WINNEBAGO PART SALES FOR UNLISTED COMPONENT(S)

CABINET & APPLIANCE GROUP (CONTINUED)
CABINET & APPLIANCE LAYOUT (CONTINUED)



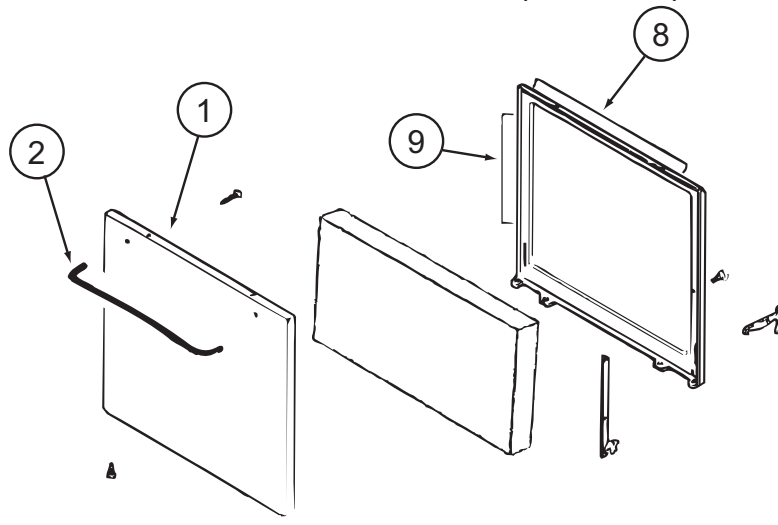
COMPONENT PARTS FOR APPLIANCE (CONTINUED)

112881-04-01A, 112881-05-01A, 151277-02-01A (CONTINUED)

| KEY | PART NUMBER | U/M | DESCRIPTION | VENDOR NO. |
|-----|---------------|-----|-------------------------------|-------------|
| 1 | 112881-03-702 | EA | CLIP - MAIN TOP | 74003998 |
| 2 | 126023-01-731 | EA | BOTTOM - OVEN | 2205F016-19 |
| 3 | 126023-01-718 | EA | FLUE BOX ASSEMBLY | 4006W075-80 |
| 6 | 112881-01-719 | EA | TRIM-FLAT LH BLACK TEXTURED | 74002813 |
| 6 | 112881-01-720 | EA | TRIM-FLAT RH BLACK TEXTURED | 74002812 |
| 7 | 112881-02-702 | EA | SPRING - OVEN DOOR F/1631 MOD | 7803P051-60 |
| 9 | 128728-01-703 | EA | PIN/T-NUT F/HINGE | 7103P109-60 |
| 11 | 112881-04-707 | EA | MANIFOLD - BLACK | 74007296 |
| 12 | 112881-01-723 | EA | DEFLECTOR/FLUE-BLK-NON SEAL | 74002809 |
| 15 | 126023-01-716 | EA | RACK - OVEN | 74003106 |

CONTACT WINNEBAGO PART SALES FOR UNLISTED COMPONENT(S)

CABINET & APPLIANCE GROUP (CONTINUED)
CABINET & APPLIANCE LAYOUT (CONTINUED)

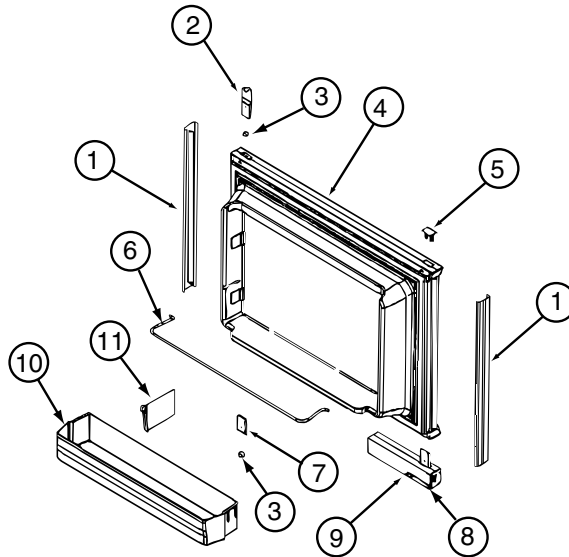


COMPONENT PARTS FOR APPLIANCE (CONTINUED)

112881-04-01A, 112881-05-01A, 151277-02-01A (CONTINUED)

| KEY | PART NUMBER | U/M | DESCRIPTION | VENDOR NO. |
|-----|---------------|-----|---------------------------------------|-------------|
| 1 | 112881-01-713 | EA | DR-TXT/BLK NO WNDW (112881-05/151277) | 2401F126-70 |
| 1 | 112881-02-705 | EA | DOOR-TXT/BLK-F/WINDOW (112881-04) | 74001273 |
| 2 | 128727-01-701 | EA | HANDLE - OVEN DOOR | 74003929 |
| 8 | 126023-01-732 | EA | SEAL/OVEN DR TOP | 7212P014-60 |
| 9 | 126023-01-733 | EA | SEAL/OVEN DR SIDES(2PCS) | 7212P038-60 |

CONTACT WINNEBAGO PART SALES FOR UNLISTED COMPONENT(S)

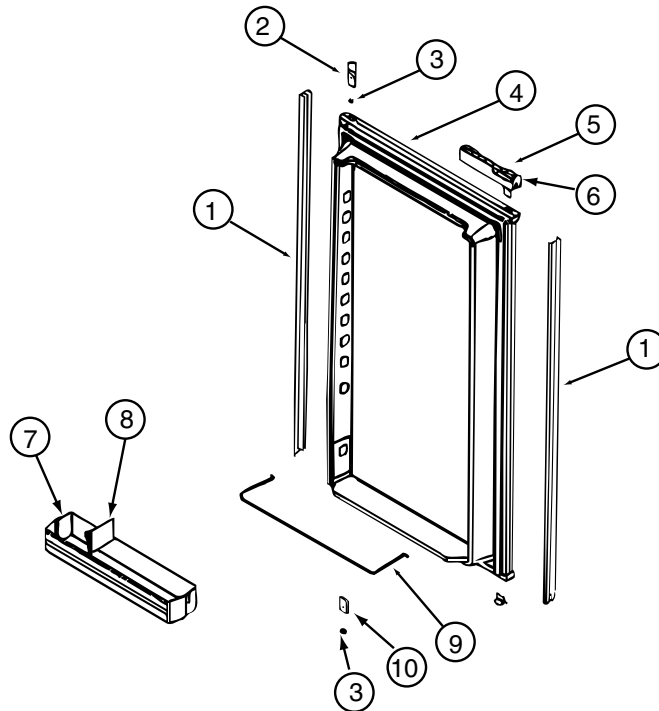


121568-06-01A, 121568-07-01A, 121568-08-01A

| KEY | PART NUMBER | U/M | DESCRIPTION | VENDOR NO. |
|-----|---------------|-----|------------------------------|------------|
| 1 | 121568-03-700 | EA | RETAINER - DOOR PANEL/BLACK | 619559 |
| 2 | 120075-01-701 | EA | HINGE-TOP RH/BOTTOM LH(DOOR) | 618511 |
| 3 | 121568-03-701 | EA | BUSHING - HINGE PIN/GRAY | 619671 |
| 4 | 121568-03-702 | EA | DOOR LINER - W/BLACK TRIM | 619627 |
| 5 | 120075-01-702 | EA | CAP, (HINGE PLUG) | 618160 |
| 6 | 121568-01-700 | EA | RAIL - DOOR UPPER | 618618 |
| 7 | 120075-01-705 | EA | HINGE-TOP LH/BOTTOM RH(DOOR) | 618510 |
| 8 | 121568-03-705 | EA | STORAGE LATCH - GRAY | 619648 |
| 9 | 121568-03-721 | EA | HANDLE/DOOR TOP LH/LWR RH | 621465 |
| 9 | 121568-03-722 | EA | HANDLE/DOOR LWR RH/TOP LH | 621469 |
| 10 | 121568-01-701 | EA | BIN - DOOR WHITE | 618619 |

CONTACT WINNEBAGO PART SALES FOR UNLISTED COMPONENT(S)

CABINET & APPLIANCE GROUP (CONTINUED)
CABINET & APPLIANCE LAYOUT (CONTINUED)



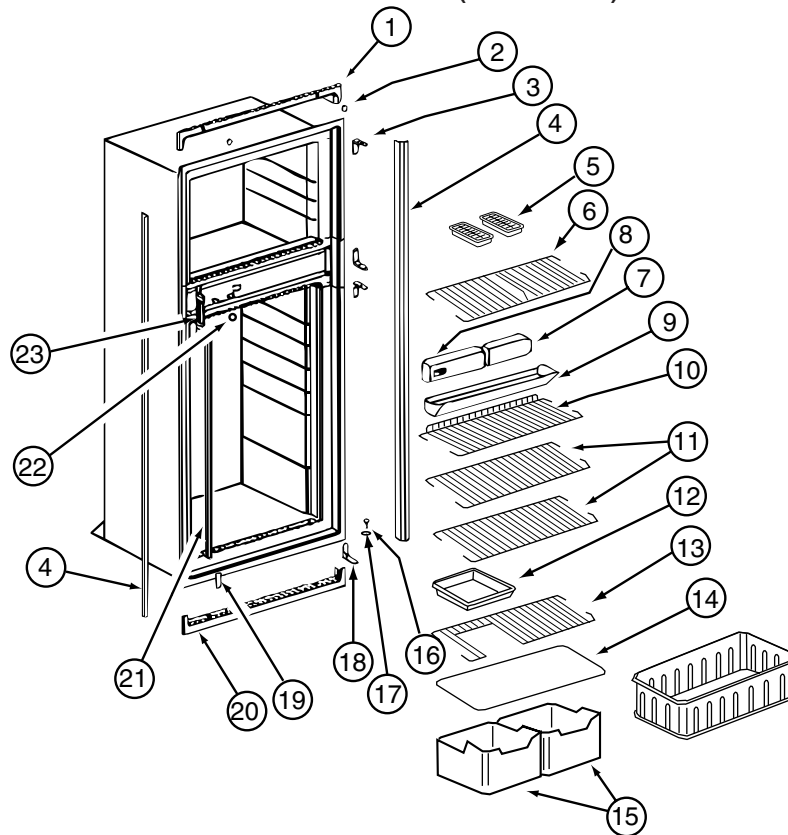
COMPONENT PARTS FOR APPLIANCE (CONTINUED)

121568-06-01A, 121568-07-01A, 121568-08-01A (CONTINUED)

| KEY | PART NUMBER | U/M | DESCRIPTION | VENDOR NO. |
|-----|---------------|-----|------------------------------|------------|
| 1 | 121568-03-706 | EA | RETAINER - DOOR PANEL/BLACK | 619559 |
| 2 | 120075-01-701 | EA | HINGE-TOP RH/BOTTOM LH(DOOR) | 618511 |
| 3 | 121568-03-701 | EA | BUSHING - HINGE PIN/GRAY | 619671 |
| 4 | 121568-03-707 | EA | DOOR LINER - W/BLACK TRIM | 619629 |
| 5 | 121568-03-721 | EA | HANDLE/DOOR TOP LH/LWR RH | 621465 |
| 5 | 121568-03-722 | EA | HANDLE/DOOR LWR RH/TOP LH | 621469 |
| 6 | 121568-03-705 | EA | STORAGE LATCH - GRAY | 619648 |
| 7 | 121568-01-701 | EA | BIN - DOOR WHITE | 618619 |
| 9 | 121568-01-704 | EA | RAIL - DOOR LOWER | 618578 |
| 10 | 120075-01-705 | EA | HINGE-TOP LH/BOTTOM RH(DOOR) | 618510 |

CONTACT WINNEBAGO PART SALES FOR UNLISTED COMPONENT(S)

CABINET & APPLIANCE GROUP (CONTINUED)
CABINET & APPLIANCE LAYOUT (CONTINUED)



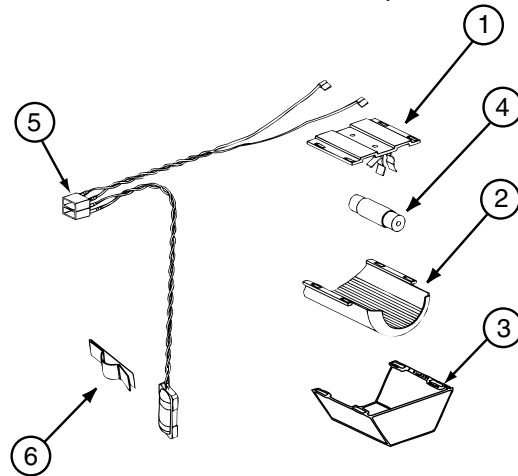
COMPONENT PARTS FOR APPLIANCE (CONTINUED)

121568-06-01A, 121568-07-01A, 121568-08-01A (CONTINUED)

| KEY | PART NUMBER | U/M | DESCRIPTION | VENDOR NO. |
|-----|---------------|-----|-------------------------------|------------|
| 1 | 120075-01-713 | EA | TRIM-TOP PIECE | 619687 |
| 2 | 120075-01-714 | EA | PLUG-HOLE (BLACK) | 618170 |
| 3 | 121568-03-710 | EA | HINGE/CABINET-TOP/RH-LWR/LH | 619335 |
| 4 | 121568-03-711 | EA | TRIM - SIDE/BLACK | 622295 |
| 6 | 121568-01-705 | EA | SHELF - WIRE FREEZER | 620250 |
| 7 | 121568-06-700 | EA | FRONT BOX-N611 | 622002 |
| 8 | 121568-06-701 | EA | CONTROL ASSEMBLY-OPTICAL/N611 | 621988 |
| 9 | 120075-01-720 | EA | TRAY-DRIP | 618137 |
| 9 | 120075-01-721 | EA | LOUVER-DRIP TRAY | 618176 |
| 11 | 121568-01-708 | EA | SHELF - WIRE | 620273 |
| 13 | 121568-01-707 | EA | SHELF - WIRE - SHORT | 620272 |
| 14 | 120075-01-725 | EA | COVER-CRISPER | 618158 |
| 15 | 121568-01-709 | EA | CRISPER | 618571 |
| 16 | 120075-01-727 | EA | PIN-HINGE | 618145 |
| 17 | 121568-03-701 | EA | BUSHING - HINGE PIN/GRAY | 619671 |
| 18 | 121568-03-715 | EA | HINGE/CABINET-TOP/LH-LWR/RH | 619336 |
| 19 | 121568-03-716 | EA | COVER - HINGE HOLES | 619301 |
| 20 | 120075-01-729 | EA | TRIM-BOTTOM PIECE | 620958 |
| 21 | 121568-06-702 | EA | CLIP - SHELF | 61536522 |
| 22 | 121568-06-703 | EA | HOLE PLUG - WHITE | 620282 |
| 23 | 120075-01-732 | EA | PLATE-STRIKE | 618167 |

CONTACT WINNEBAGO PART SALES FOR UNLISTED COMPONENT(S)

CABINET & APPLIANCE GROUP (CONTINUED)
CABINET & APPLIANCE LAYOUT (CONTINUED)

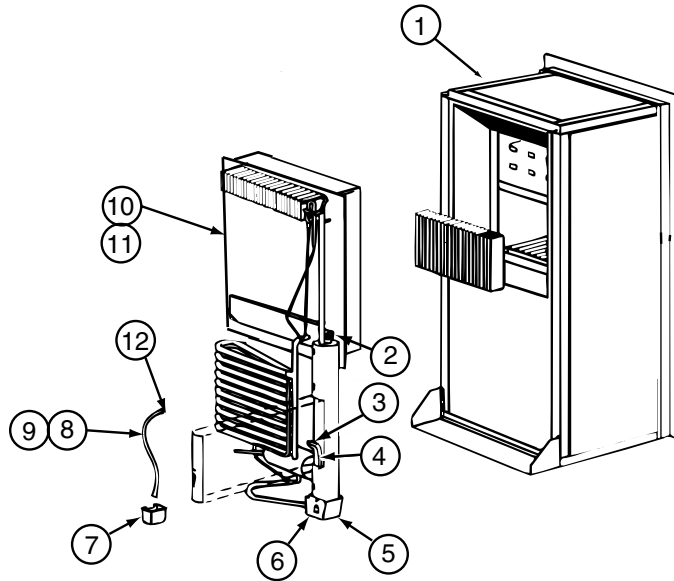


COMPONENT PARTS FOR APPLIANCE (CONTINUED)

121568-06-01A, 121568-07-01A, 121568-08-01A (CONTINUED)

| KEY | PART NUMBER | U/M | DESCRIPTION | VENDOR NO. |
|-----|---------------|-----|------------------------------|------------|
| 1 | 084880-01-760 | EA | CLIP (THERMISTER) | 61689122 |
| 2 | 120075-01-735 | EA | THERMISTER W/LAMP & WIRE/ASM | 618548 |
| 3 | 084880-03-705 | EA | BRACKET-LIGHT-INTERIOR | 61629722 |
| 4 | 084880-03-706 | EA | BULB-LAMP | 61628922 |
| 6 | 084880-03-707 | EA | COVER-LAMP, LENS | 61627922 |

CONTACT WINNEBAGO PART SALES FOR UNLISTED COMPONENT(S)

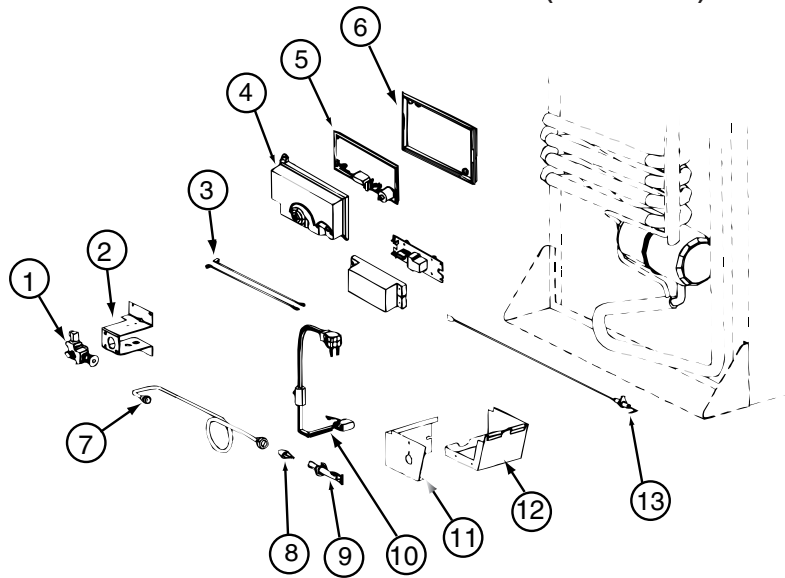


121568-06-01A, 121568-07-01A, 121568-08-01A (CONTINUED)

| KEY | PART NUMBER | U/M | DESCRIPTION | VENDOR NO. |
|-----|---------------|-----|----------------------------|------------|
| 4 | 121568-06-704 | EA | HEATER-AC/300W/120VAC | 621702 |
| 10 | 120076-01-704 | EA | COOLING UNIT, SERVICE PACK | 618543 |

CONTACT WINNEBAGO PART SALES FOR UNLISTED COMPONENT(S)

CABINET & APPLIANCE GROUP (CONTINUED)
CABINET & APPLIANCE LAYOUT (CONTINUED)



COMPONENT PARTS FOR APPLIANCE (CONTINUED)

121568-06-01A, 121568-07-01A, 121568-08-01A (CONTINUED)

| KEY | PART NUMBER | U/M | DESCRIPTION | VENDOR NO. |
|-----|---------------|-----|--|------------|
| 1 | 121568-06-705 | EA | GAS VALVE/BRKT ASSY-COMBO | 621439 |
| 1 | 121568-06-706 | EA | GAS VALVE-COMBO/WRENCH FLAT | 621329 |
| 4 | 120075-01-738 | EA | COVER-POWER BOARD | 618185 |
| 5 | 121568-06-707 | EA | BOARD/POWER-N611 | 621991 |
| 6 | 120075-01-740 | EA | COVER-BASE, POWER BOARD | 618186 |
| 8 | 121568-06-708 | EA | BURNER/ORFICE-ADAPTER KIT | 621957 |
| 13 | 104137-06-715 | EA | ELECTRODE-SPARK/SENSOR, SGL | 61692222 |
| | | | CONTACT WINNEBAGO PART SALES FOR UNLISTED COMPONENT(S) | |

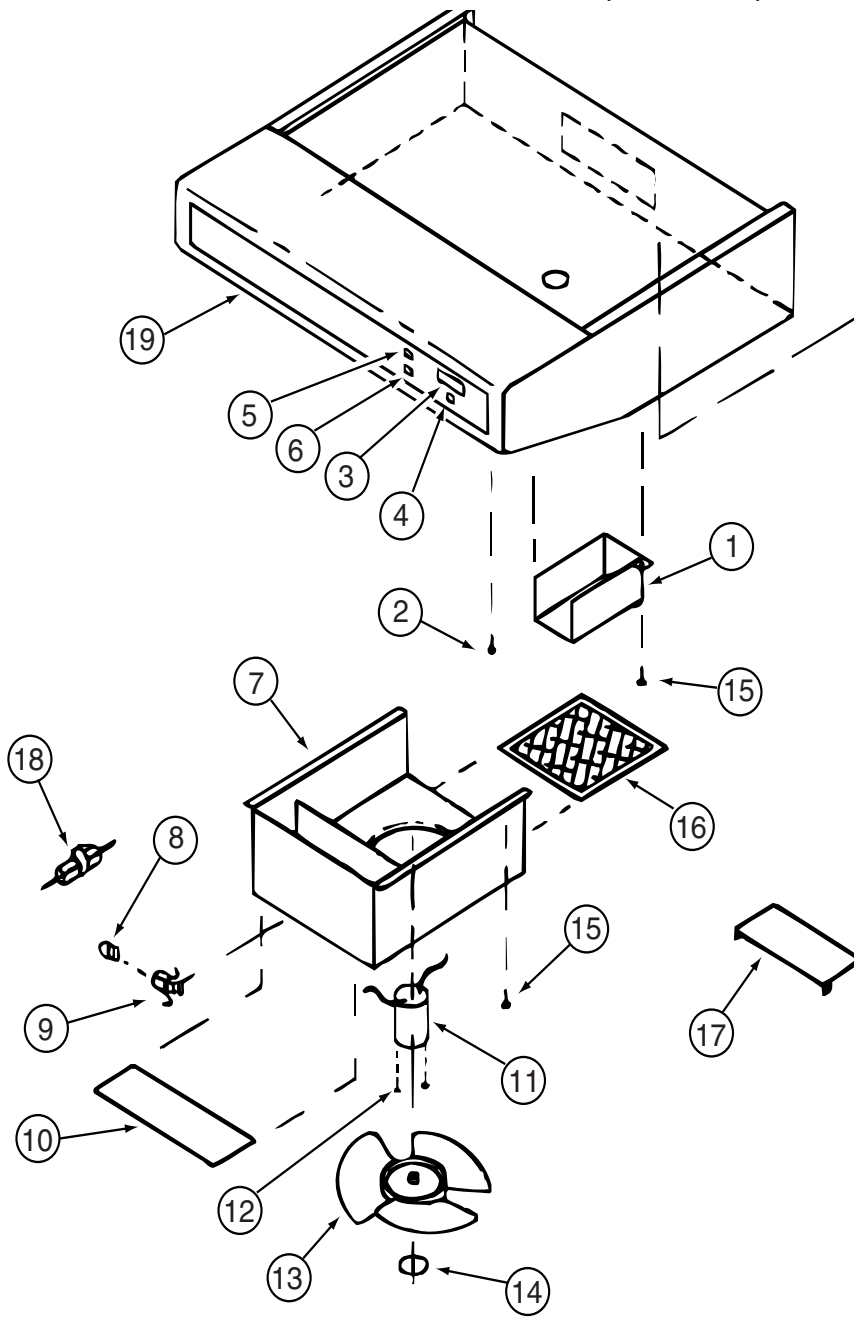
121568-05-01A, 121568-07-01A, 121568-08-01A (CONTINUED)

| KEY | PART NUMBER | U/M | DESCRIPTION | VENDOR NO. |
|-----|---------------|-----|---------------------------|------------|
| | 121568-05-700 | EA | FAN 12V KIT DBLE SIDEWALL | 619020 |

128527-09-000, 128527-10-000, 128527-13-000

| KEY | PART NUMBER | U/M | DESCRIPTION | VENDOR NO. |
|-----|---------------|-----|--------------------------|------------|
| | 128527-08-700 | EA | TRIM RING-F/1.0 NON CONV | MR10BB |

CABINET & APPLIANCE GROUP (CONTINUED)
CABINET & APPLIANCE LAYOUT (CONTINUED)



COMPONENT PARTS FOR APPLIANCE (CONTINUED)

136354-01-02A

| KEY | PART NUMBER | U/M | DESCRIPTION | VENDOR NO. |
|-----|---------------|-----|------------------------------|------------------|
| 3 | 100258-10-700 | EA | GAUGE-HOUR METER, SCREW ON | L0150-00 WAS 150 |
| 4 | 096983-01-702 | EA | SWITCH - MOM/OFF/MOM/3 TERM | L0112-00 |
| 5 | 096983-01-700 | EA | SWITCH/1 SPEED -ON/OFF- BLK | L0108-00 |
| 9 | 092696-01-710 | EA | HOLDER-LAMP | CB267-02 |
| 10 | 096983-01-708 | EA | LENS-LAMP | CC0179 |
| 11 | 136354-05-700 | EA | MOTOR-12 VOLT | VC0536-02 |
| 13 | 136354-05-701 | EA | BLADE-FAN 7" DIA | VD0216-00 |
| 16 | 096983-01-707 | EA | FILTER-MESH | CC0246-00 |
| 17 | 100258-01-701 | EA | DAMPER ASSEMBLY (METAL FLAP) | CA0565-00 |
| 19 | 100258-01-700 | EA | LABEL-HOOD NOSE | CC0428-00 |

CONTACT WINNEBAGO PART SALES FOR UNLISTED COMPONENT(S)

CABINET & APPLIANCE GROUP (CONTINUED)

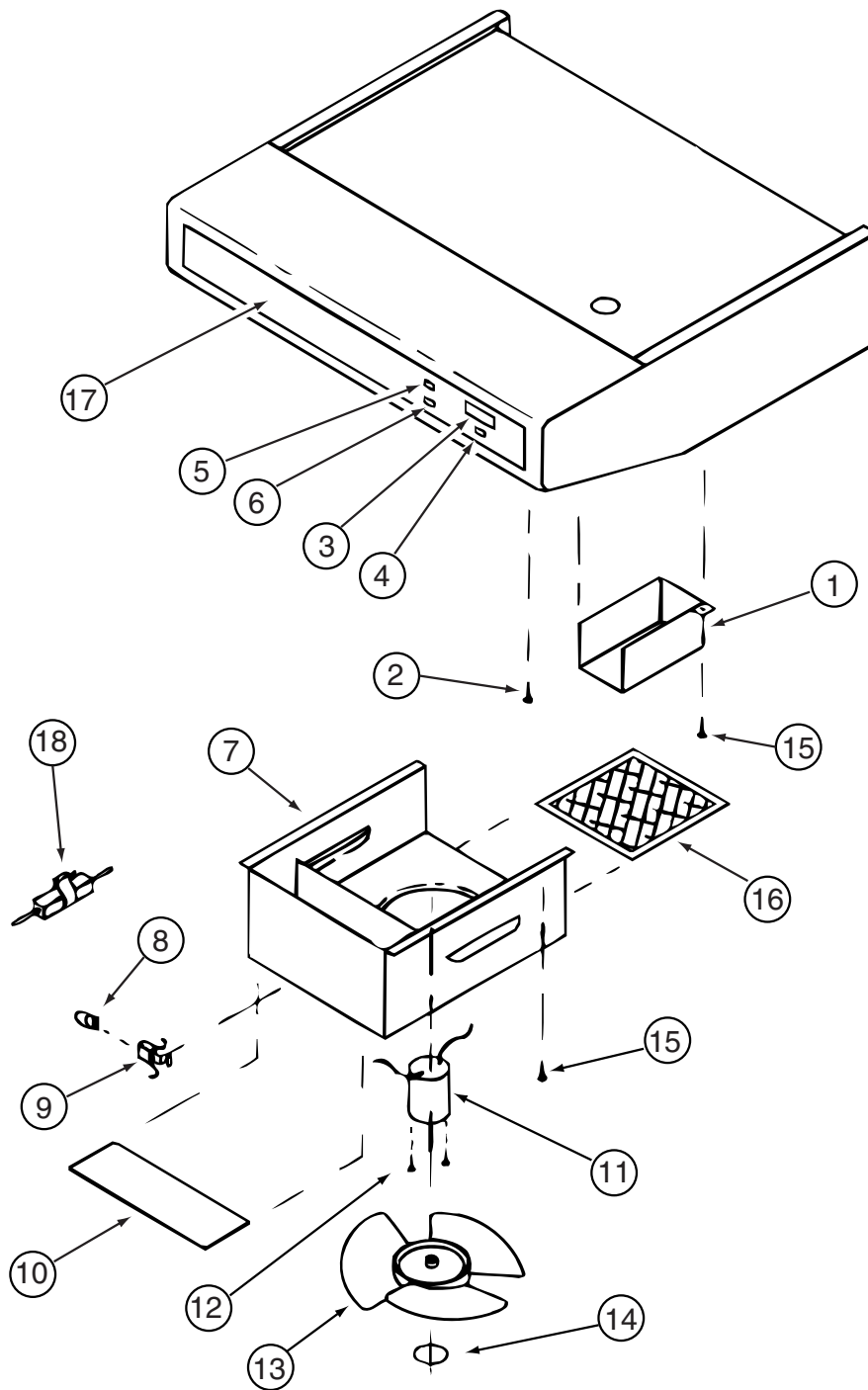
CABINET & APPLIANCE LAYOUT (CONTINUED)

COMPONENT PARTS FOR APPLIANCE (CONTINUED)

136354-02-02A

| KEY | PART NUMBER | U/M | DESCRIPTION | VENDOR NO. |
|-----|---------------|-----|--|------------|
| 5 | 096983-01-700 | EA | SWITCH/1 SPEED -ON/OFF- BLK | L0108-00 |
| 9 | 092696-01-710 | EA | HOLDER-LAMP | CB267-02 |
| 10 | 096983-01-708 | EA | LENS-LAMP | CC0179 |
| 11 | 136354-06-700 | EA | MOTOR - FAN (CSA) | VC0535-02 |
| 13 | 136354-05-701 | EA | BLADE-FAN 7" DIA | VD0216-00 |
| 16 | 096983-01-707 | EA | FILTER-MESH | CC0246-00 |
| 17 | 100258-01-701 | EA | DAMPER ASSEMBLY (METAL FLAP) | CA0565-00 |
| 19 | 100258-01-700 | EA | LABEL-HOOD NOSE | CC0428-00 |
| | | | CONTACT WINNEBAGO PART SALES FOR UNLISTED COMPONENT(S) | |

CABINET & APPLIANCE GROUP (CONTINUED)
CABINET & APPLIANCE LAYOUT (CONTINUED)



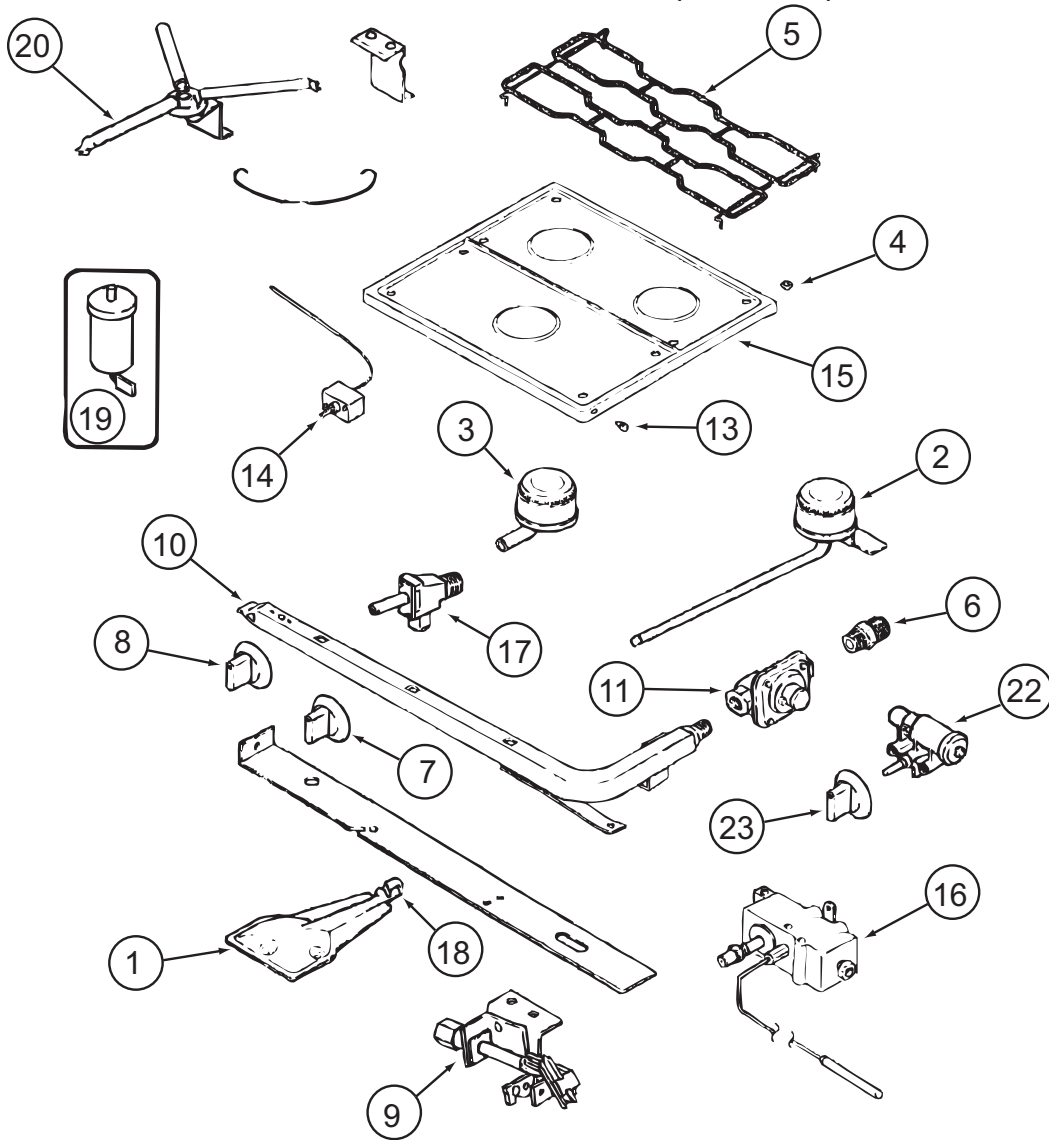
COMPONENT PARTS FOR APPLIANCE (CONTINUED)

136354-03-01A, 136354-04-01A

| KEY | PART NUMBER | U/M | DESCRIPTION | VENDOR NO. |
|-----|---------------|-----|-----------------------------|------------------|
| 3 | 100258-10-700 | EA | GAUGE-HOUR METER, SCREW ON | L0150-00 WAS 150 |
| 4 | 096983-01-702 | EA | SWITCH - MOM/OFF/MOM/3 TERM | L0112-00 |
| 6 | 096983-01-700 | EA | SWITCH/1 SPEED -ON/OFF- BLK | L0108-00 |
| 8 | 092696-01-709 | EA | LAMP #912 | VA415 |
| 9 | 092696-01-710 | EA | HOLDER-LAMP | CB0267-02 |
| 10 | 092696-02-701 | EA | LENS-LAMP | CC179-2 |
| 11 | 090973-01-700 | EA | MOTOR-12 VOLT, CSA & UL | CA508-1 |
| 13 | 090973-01-702 | EA | BLADE-FAN | VA183-1 |
| 16 | 096983-01-707 | EA | FILTER-MESH | CC0246-00 |
| 17 | 100258-01-700 | EA | LABEL-HOOD NOSE | CC0428-00 |

CONTACT WINNEBAGO PART SALES FOR UNLISTED COMPONENT(S)

CABINET & APPLIANCE GROUP (CONTINUED)
CABINET & APPLIANCE LAYOUT (CONTINUED)



COMPONENT PARTS FOR APPLIANCE (CONTINUED)

151277-01-01A, 151277-02-01A

CABINET & APPLIANCE GROUP (CONTINUED)

CABINET & APPLIANCE LAYOUT (CONTINUED)

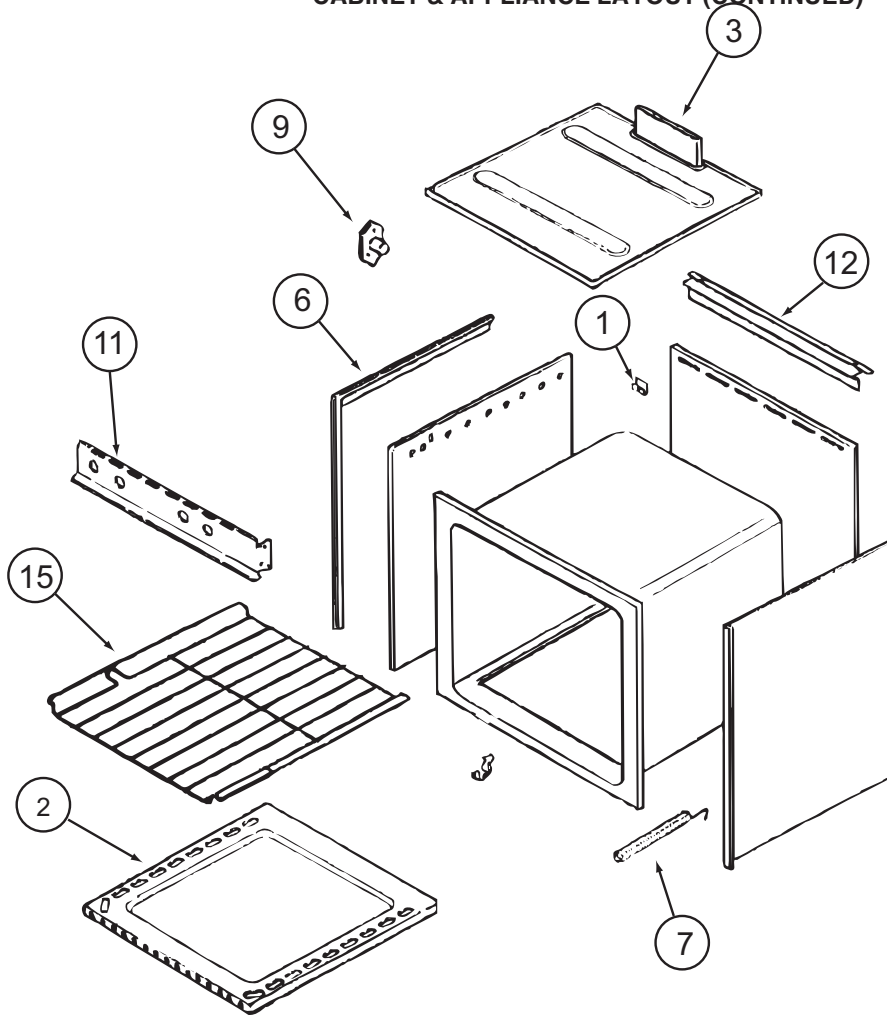
COMPONENT PARTS FOR APPLIANCE (CONTINUED)

151277-01-01A, 151277-02-01A (CONTINUED)

| KEY | PART NUMBER | U/M | DESCRIPTION | VENDOR NO. |
|-----|---------------|-----|--------------------------------|---------------------|
| 1 | 151279-02-700 | EA | BURNER - OVEN - W/SHUTTER | 74009853 |
| 2 | 112881-04-700 | EA | BURNER - TOP/LEFT REAR | 74004584 |
| 2 | 126023-01-700 | EA | BURNER-TOP (RT-REAR) 5100BTU | 74004583 |
| 3 | 112881-04-701 | EA | BURNER - TOP/FRONT | 74004582 |
| 4 | 102020-01-709 | EA | BUMPER-GRATE | 8007P020-60 |
| 5 | 112881-04-702 | EA | GRATE - BLACK | 74007277 |
| 6 | 135065-03-700 | EA | FITTING - HALF UNION | 74004234 |
| 7 | 128728-01-701 | EA | KNOB - BURNER - REAR | 74003941 (1 PER) |
| 7 | 128728-01-702 | EA | KNOB - BURNER - FRONT | 74003942 (2 PER) |
| 8 | 151279-02-701 | EA | KNOB - THERMOSTAT - BLACK | 74009858 |
| 9 | 151279-01-700 | EA | PILOT - BURNER - 16" SERIES | 74009852 |
| 10 | 151279-02-702 | EA | PIPE - MANIFOLD | 74009856 |
| 11 | 112881-03-701 | EA | REGULATOR KIT W/FITTINGS | 12001285 |
| 13 | 102020-01-724 | EA | BUMPER-MAIN TOP | 8003P008-60 |
| 14 | 151279-02-703 | EA | THERMOSTAT | 74009855 |
| 15 | 151277-01-700 | EA | TOP - MAIN (BLACK) | 74007287 |
| 16 | 151279-02-704 | EA | ELBOW BLOCK ASM (VALVE-OVEN) | 74009864 |
| 17 | 151277-01-701 | EA | VALVE/REAR - W/SET SCREW | 12002254 |
| 17 | 151277-01-702 | EA | VALVE/FRONT - W/SET SCREW | 12002246 |
| 19 | 112881-04-705 | EA | PUSH RING (ELECTRODE MTG) | 7104P002-60 |
| 19 | 126023-01-711 | EA | ELECTRODE - IGNITER (ONLY) | 7432P077-60 |
| 20 | 126023-01-736 | EA | FLASH TUBE EXTENSION (REAR) | 74003326 |
| 20 | 126023-01-737 | EA | FLASH TUBE EXTENSION (FRONT) | 74003327 |
| 21 | 112881-04-708 | EA | CLIP-FLASH TUBE | 7112P068-60 |
| 22 | 126023-01-735 | EA | KIT - IGNITOR TOP BRNER & KNOB | 12001296=74002413&4 |
| 23 | 128728-01-707 | EA | KNOB - IGNITOR | 74003944 |
| 26 | 112881-04-709 | EA | SHIELD-SPARK | 3604F211-45 |

CONTACT WINNEBAGO PART SALES FOR UNLISTED COMPONENT(S)

CABINET & APPLIANCE GROUP (CONTINUED)
CABINET & APPLIANCE LAYOUT (CONTINUED)



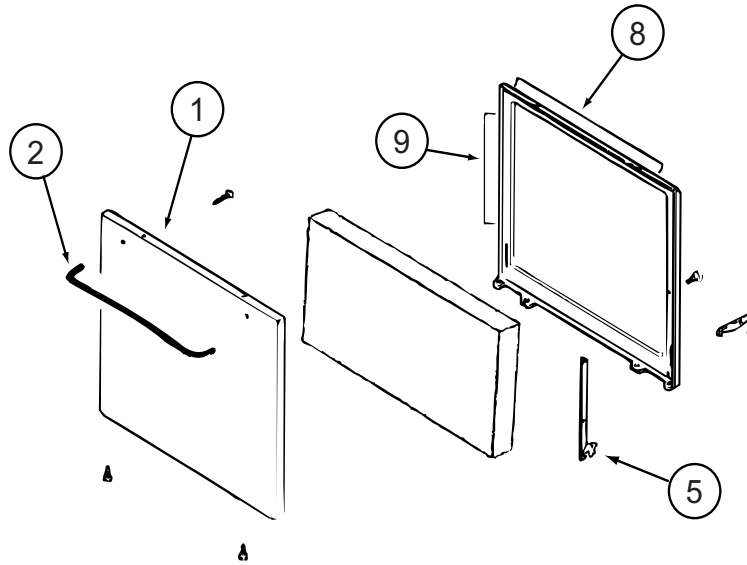
COMPONENT PARTS FOR APPLIANCE (CONTINUED)

151277-01-01A (CONTINUED)

| KEY | PART NUMBER | U/M | DESCRIPTION | VENDOR NO. |
|-----|---------------|-----|------------------------------|-------------|
| 1 | 112881-03-702 | EA | CLIP - MAIN TOP | 74003998 |
| 2 | 126023-01-731 | EA | BOTTOM - OVEN | 2205F016-19 |
| 3 | 126023-01-718 | EA | FLUE BOX ASSEMBLY | 4006W075-80 |
| 6 | 126023-01-713 | EA | TRIM - SIDE (RIGHT) BLACK | 74002827 |
| 6 | 126023-01-714 | EA | TRIM - SIDE (LEFT) BLACK | 74002828 |
| 7 | 135066-03-700 | EA | SPRING - OVEN DOOR | 74001835 |
| 9 | 128728-01-703 | EA | PIN/T-NUT F/HINGE | 7103P109-60 |
| 11 | 112881-04-707 | EA | MANIFOLD - BLACK | 74007296 |
| 12 | 112881-01-721 | EA | DEFLECTOR/FLUE-BLK-SEALED BR | 74002829 |
| 15 | 126023-01-716 | EA | RACK - OVEN | 74003106 |

CONTACT WINNEBAGO PART SALES FOR UNLISTED COMPONENT(S)

CABINET & APPLIANCE GROUP (CONTINUED)
CABINET & APPLIANCE LAYOUT (CONTINUED)



COMPONENT PARTS FOR APPLIANCE (CONTINUED)

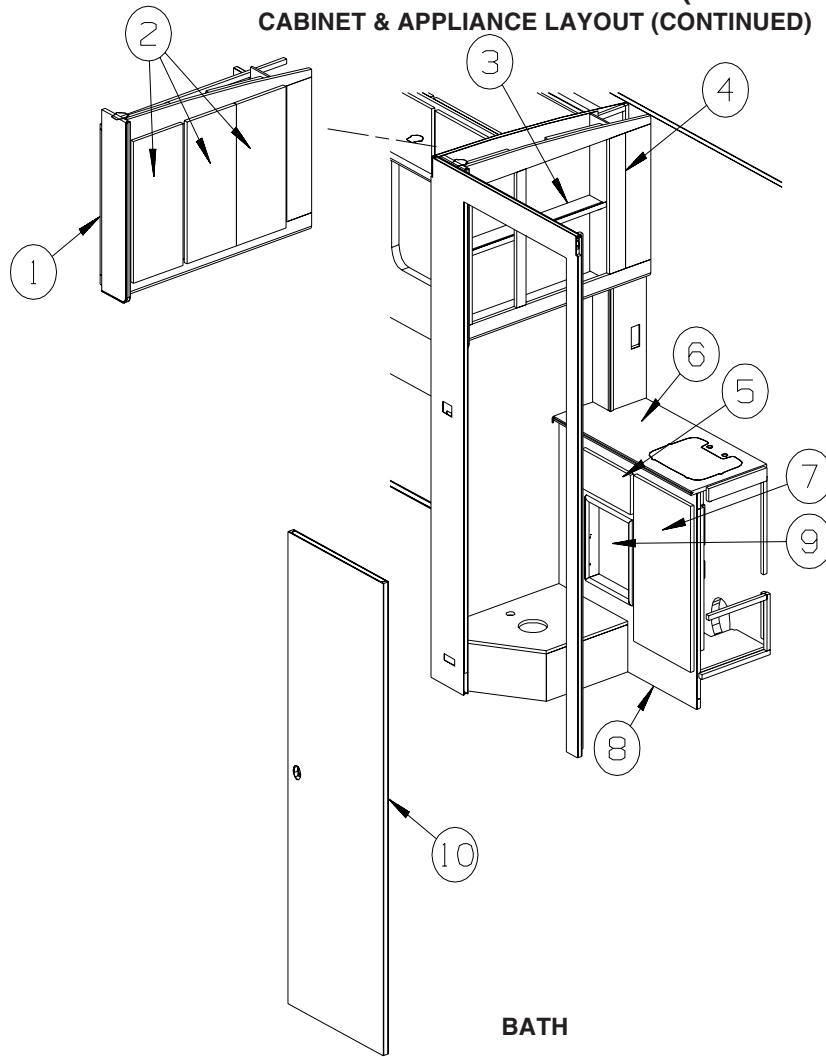
151277-01-01A (CONTINUED)

| KEY | PART NUMBER | U/M | DESCRIPTION | VENDOR NO. |
|-----|---------------|-----|------------------------------|-------------|
| 1 | 102022-01-704 | EA | GLASS-OUTER | 7902P261-60 |
| 1 | 112881-01-713 | EA | DOOR/OVEN-TEXT/BLK NO WINDOW | 2401F126-70 |
| 2 | 128727-01-701 | EA | HANDLE - OVEN DOOR | 74003929 |
| 5 | 151277-01-704 | EA | HINGE KIT-OVEN DR/LT | 12400028 |
| 5 | 151277-01-705 | EA | HINGE KIT-OVEN DR/RT | 12400029 |
| 8 | 126023-01-732 | EA | SEAL/OVEN DR TOP | 7212P014-60 |
| 9 | 135066-03-714 | EA | SEAL - OVEN DOOR SIDES | 7212P039-60 |

CONTACT WINNEBAGO PART SALES FOR UNLISTED COMPONENT(S)

CABINET & APPLIANCE GROUP (CONTINUED)

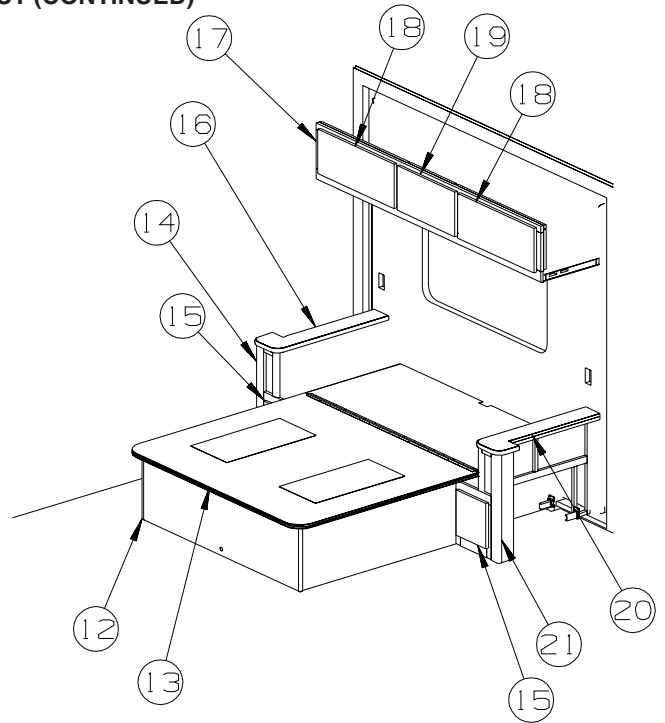
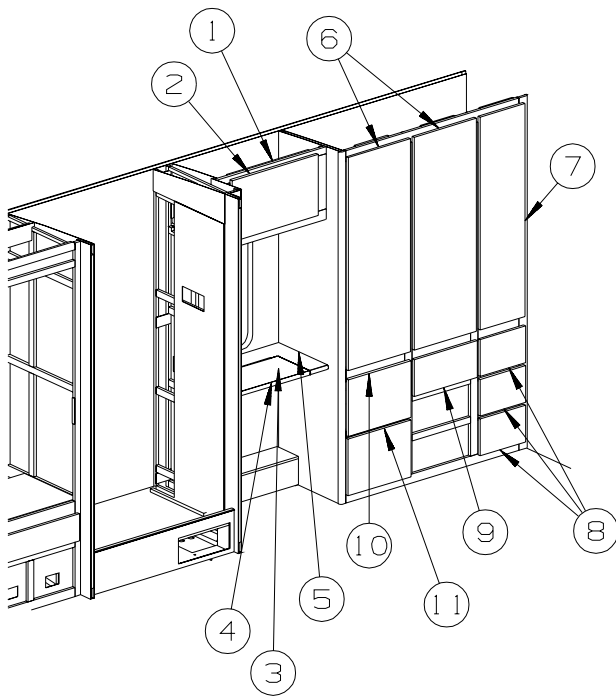
CABINET & APPLIANCE LAYOUT (CONTINUED)



BATH

| KEY | PART NUMBER | U/M | DESCRIPTION |
|-----|---------------|-----|---|
| 1 | 140307-15-P07 | EA | END CAP - OVERHEAD CABINET - PORTSMOUTH OAK |
| 1 | 140307-15-S88 | EA | END CAP - OVERHEAD CABINET - SIERRA MAPLE |
| 2 | 136955-40-S04 | EA | DOOR - RAISED PANEL/PENCIL EDGE - 10.8" X 21.8" - W/O HDW - PORTSMOUTH OAK |
| 2 | 136955-40-S91 | EA | DOOR - RAISED PANEL/PENCIL EDGE - 10.8" X 21.8" - W/O HDW - SIERRA MAPLE |
| 2 | 136919-40-S97 | EA | DOOR - FLAT/PENCIL EDGE - 10.8" X 21.8" - W/O HARDWARE - PORTSMOUTH OAK - 329SB |
| | 076767-04-000 | EA | CABLE - STAINLESS STEEL - 5.9" |
| 3 | 141319-14-P07 | EA | SHELF - W/PLASTIC EDGE MOLDING - PORTSMOUTH OAK |
| 3 | 141319-14-S88 | EA | SHELF - W/PLASTIC EDGE MOLDING - SIERRA MAPLE |
| 4 | 141319-01-P07 | EA | CABINET - MEDICINE - W/O DOORS/HARDWARE - PORTSMOUTH OAK |
| 4 | 141319-01-S88 | EA | CABINET - MEDICINE - W/O DOORS/HARDWARE - SIERRA MAPLE |
| 5 | 145492-36-R10 | EA | DRAWER - PENCIL EDGE - 10.7"W X 13.8"D - W/O SLIDES/HDW - PORTSMOUTH OAK |
| 5 | 145492-36-SJ3 | EA | DRAWER - PENCIL EDGE - 10.7"W X 13.8"D - W/O SLIDES/HDW - SIERRA MAPLE |
| 6 | 133654-33-R09 | EA | COUNTERTOP - LAMINATED - LINO FRIEZE/PORTSMOUTH OAK (S04, S98) |
| 6 | 133654-33-R08 | EA | COUNTERTOP - LAMINATED - GRAY TRANQUILITY/PORTSMOUTH OAK (S05) |
| 6 | 133654-33-R07 | EA | COUNTERTOP - LAMINATED - EGGSHELL/PORTSMOUTH OAK (S06, S97) |
| 6 | 133654-33-S88 | EA | COUNTERTOP - LAMINATED - LINO FRIEZE/SIERRA MAPLE (S91) |
| 6 | 133654-33-S89 | EA | COUNTERTOP - LAMINATED - GRAY TRANQUILITY/SIERRA MAPLE (S92) |
| 6 | 133654-33-S90 | EA | COUNTERTOP - LAMINATED - EGGSHELL/SIERRA MAPLE (S93) |
| 7 | 136919-C3-S04 | EA | DOOR - FLAT/PENCIL EDGE - 15.3" X 25.6" - W/O HARDWARE - PORTSMOUTH OAK |
| 7 | 136919-C3-SJ3 | EA | DOOR - FLAT/PENCIL EDGE - 15.3" X 25.6" - W/O HARDWARE - SIERRA MAPLE |
| 8 | 140079-01-N01 | EA | CABINET - LAVATORY - W/O COUNTERTOP/DOORS/DRAWERS/HDW - PORTSMOUTH OAK |
| 8 | 140079-01-S88 | EA | CABINET - LAVATORY - W/O COUNTERTOP/DOORS/DRAWERS/HDW - SIERRA MAPLE |
| 8 | 140079-02-S01 | EA | CABINET - LAVATORY - W/O COUNTERTOP/DOORS/DRAWERS/HDW - PORTSMOUTH OAK - 329SB |
| 9 | 137602-07-N01 | EA | POCKET - MAGAZINE - BRASS/PORTSMOUTH OAK |
| 9 | 137602-07-S67 | EA | POCKET - MAGAZINE - BRASS/SIERRA MAPLE |
| 10 | 144645-04-R13 | EA | DOOR - BATH - W/O FRAME (PICTURE)/TOWEL RACK/HDW - PORTSMOUTH OAK |
| 10 | 144645-04-S67 | EA | DOOR - BATH - W/O FRAME (PICTURE)/TOWEL RACK/HDW - SIERRA MAPLE |

CABINET & APPLIANCE GROUP (CONTINUED)
CABINET & APPLIANCE LAYOUT (CONTINUED)



BEDROOM

| KEY | PART NUMBER | U/M | DESCRIPTION |
|-----|---------------|-----|--|
| 1 | 141320-02-P07 | EA | CABINET - OVERHEAD/VANITY - W/O DOORS/HARDWARE - PORTSMOUTH OAK |
| 1 | 141320-02-SW0 | EA | CABINET - OVERHEAD/VANITY - W/O DOORS/HARDWARE - SERRIA MAPLE |
| 2 | 136955-97-S04 | EA | DOOR - RAISED PANEL/PENCIL EDGE - 13.8" X 23.2" - W/O HDW - PORTSMOUTH OAK |
| 2 | 136955-97-S91 | EA | DOOR - RAISED PANEL/PENCIL EDGE - 13.8" X 23.2" - W/O HDW - SERRIA MAPLE |
| 2 | 136919-97-S97 | EA | DOOR - FLAT/PENCIL EDGE - 13.8" X 23.2" - W/O HARDWARE - PORTSMOUTH OAK - 329SB |
| 3 | 133655-20-R09 | EA | COUNTERTOP/LID (HINGED) - LINO FRIEZE/PORTSMOUTH OAK (S04) |
| 3 | 133655-20-P13 | EA | COUNTERTOP/LID (HINGED) - GRAY TRANQUILITY/PORTSMOUTH OAK (S05) |
| 3 | 133655-20-P15 | EA | COUNTERTOP/LID (HINGED) - EGGSHELL/PORTSMOUTH OAK (S06) |
| 3 | 133655-20-S83 | EA | COUNTERTOP/LID (HINGED) - LINO FRIEZE/SIERRA MAPLE (S91) |
| 3 | 133655-20-S75 | EA | COUNTERTOP/LID (HINGED) - GRAY TRANQUILITY/SIERRA MAPLE (S92) |
| 3 | 133655-20-S67 | EA | COUNTERTOP/LID (HINGED) - EGGSHELL/SIERRA MAPLE (S93) |
| 4 | 136937-01-M07 | EA | DRAWER/VANITY - W/O COUNTERTOP/MIRROR - PORTSMOUTH OAK |
| 4 | 136937-01-SJ0 | EA | DRAWER/VANITY - W/O COUNTERTOP/MIRROR - SERRIA MAPLE |
| | 140374-35-000 | EA | MIRROR - SAFETY GLASS - 9" X 14.9" |
| 5 | 133655-21-R09 | EA | COUNTERTOP/VANITY - W/HINGED LID - LINO FRIEZE/PORTS OAK (S04) |
| 5 | 133655-21-P13 | EA | COUNTERTOP/VANITY - W/HINGED LID - GREY TRANQ/PORTS OAK (S05) |
| 5 | 133655-21-P15 | EA | COUNTERTOP/VANITY - W/HINGED LID - EGGSHELL/PORTSMOUTH OAK (S06) |
| 5 | 133655-21-S88 | EA | COUNTERTOP/VANITY - W/HINGED LID - LINO FRIEZE/SIERRA MPL (S91) |
| 5 | 133655-21-S89 | EA | COUNTERTOP/VANITY - W/HINGED LID - GRAY TRANQ/SIERRA MAPLE (S92) |
| 5 | 133655-21-S90 | EA | COUNTERTOP/VANITY - W/HINGED LID - EGGSHELL/SIERRA MAPLE (S93) |
| 5 | 140889-26-S95 | EA | COUNTERTOP - VANITY (S97) - 329SB |
| 5 | 140889-26-S96 | EA | COUNTERTOP - VANITY (S98) - 329SB |
| 6 | 134786-02-N04 | EA | DOOR - MIRROR/MITERED CORNERS - 16.7" X 47.9"-W/O HARDWARE - PORTSMOUTH OAK FROM: 00-00-00 THRU: 04-25-04 |
| 6 | 141507-03-S31 | EA | DOOR - MIRROR/PENCIL EDGE - 16.7" X 48" - W/O HARDWARE - PORTSMOUTH OAK FROM: 04-26-04 THRU: 99-99-99 |
| 6 | 141507-03-S91 | EA | DOOR - MIRROR/PENCIL EDGE - 16.7" X 48" - W/O HDW - SERRIA MAPLE |
| 7 | 136955-76-S04 | EA | DOOR - RAISED PANEL/PENCIL EDGE - 12" X 48" - W/O HDW - PORTSMOUTH OAK |
| 7 | 136955-76-S91 | EA | DOOR - RAISED PANEL/PENCIL EDGE - 12" X 48" - W/O HDW - SERRIA MAPLE |
| 7 | 136919-76-S31 | EA | DOOR - FLAT/PENCIL EDGE - 12" X 48" - W/O HARDWARE - PORTSMOUTH OAK - 329SB |
| 8 | 145492-P4-R38 | EA | DRAWER - PENCIL EDGE - 9.8"W X 11.8"D - W/O SLIDES/HDW - PORTSMOUTH OAK |
| 8 | 145492P4-S91 | EA | DRAWER - PENCIL EDGE - 9.8"W X 11.8"D - W/O SLIDES/HDW - SERRIA MAPLE |
| 9 | 145492-A0-R19 | EA | DRAWER - PENCIL EDGE - 14.7"W X 17.7"D - W/O SLIDES/HDW - PORTSMOUTH OAK |
| 9 | 145492-A0-SJ3 | EA | DRAWER - PENCIL EDGE - 14.7"W X 17.7"D - W/O SLIDES/HDW - SERRIA MAPLE |
| 10 | 145492-50-R19 | EA | DRAWER - PENCIL EDGE - 14.6"W X 17.7"D - W/O SLIDES/HDW - PORTSMOUTH OAK |
| 10 | 145492-50-SJ3 | EA | DRAWER - PENCIL EDGE - 14.6"W X 17.7"D - W/O SLIDES/HDW - SERRIA MAPLE |
| 11 | 145386-35-R44 | EA | DRAWER - PENCIL EDGE - 15.1"W X 11.8"D - W/O SLIDES/HDW - PORTSMOUTH OAK |
| 11 | 145386-35-SJ3 | EA | DRAWER - PENCIL EDGE - 15.1"W X 11.8"D - W/O SLIDES/HDW - SERRIA MAPLE |

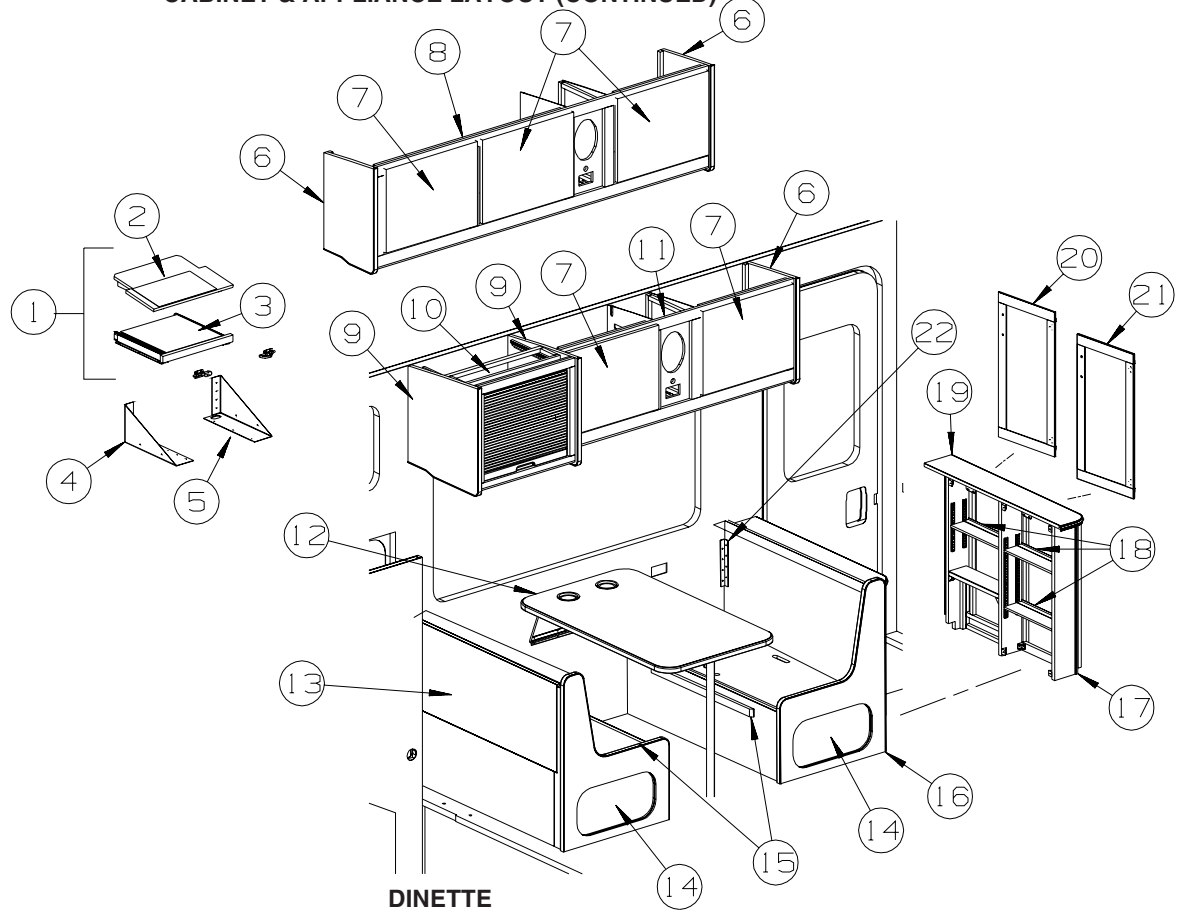
CABINET & APPLIANCE GROUP (CONTINUED)

CABINET & APPLIANCE LAYOUT (CONTINUED)

BEDROOM (CONTINUED)

| KEY | PART NUMBER | U/M | DESCRIPTION |
|-----|---------------|-----|---|
| 12 | 140655-01-P21 | EA | CABINET/BASE - W/O DOOR/HARDWARE - F/QUEEN BED - PORTSMOUTH OAK |
| 12 | 140655-01-S88 | EA | CABINET/BASE - W/O DOOR/HARDWARE - F/QUEEN BED - SERRIA MAPLE |
| 13 | 137406-01-N42 | EA | BEDBOARD - W/HINGE/T-MOLDING/SLIPNOT - FLIP-UP |
| 14 | 136885-07-N09 | EA | CABINET - NIGHTSTAND/LH - W/O CTRTP/DOOR/DWR/HDW - PORTSMOUTH OAK |
| 14 | 136885-07-SJ0 | EA | CABINET - NIGHTSTAND/LH - W/O CTRTP/DOOR/DWR/HDW - SERRIA MAPLE |
| 15 | 145492-51-R44 | EA | DRAWER - PENCIL EDGE - 7.6"W X 23.6"D - W/O SLIDES/HDW - PORTSMOUTH OAK |
| 15 | 145492-51-S79 | EA | DRAWER - PENCIL EDGE - 7.6"W X 23.6"D - W/O SLIDES/HDW - SERRIA MAPLE |
| 16 | 140888-08-R09 | EA | COUNTERTOP - LAMINATED - LINO FRIEZE/PORTSMOUTH OAK (S04, S98) |
| 16 | 140888-08-P13 | EA | COUNTERTOP - LAMINATED - GRAY TRANQUILITY/PORTSMOUTH OAK (S05) |
| 16 | 140888-08-P15 | EA | COUNTERTOP - LAMINATED - EGGSHELL/PORTSMOUTH OAK (S06, S97) |
| 16 | 140888-08-SJ0 | EA | COUNTERTOP - LAMINATED - LINO FRIEZE/SIERRA MAPLE (S91) |
| 16 | 140888-08-SJ2 | EA | COUNTERTOP - LAMINATED - GRAY TRANQUILITY/SIERRA MAPLE (S92) |
| 16 | 140888-08-SJ1 | EA | COUNTERTOP - LAMINATED - EGGSHELL/SIERRA MAPLE (S93) |
| 17 | 136936-01-P13 | EA | CABINET - OVERHEAD/REAR - W/O DOORS/HARDWARE - PORTSMOUTH OAK |
| 17 | 136936-01-SW0 | EA | CABINET - OVERHEAD/REAR - W/O DOORS/HARDWARE - SERRIA MAPLE |
| 18 | 136955-25-S31 | EA | DOOR - RAISED PANEL/PENCIL EDGE - 10" X 25.2" - W/O HDW - PORTSMOUTH OAK |
| 18 | 136955-22-S91 | EA | DOOR - RAISED PANEL/PENCIL EDGE - 10" X 19.1" - W/O HDW - SERRIA MAPLE |
| 18 | 136919-25-S31 | EA | DOOR - FLAT/PENCIL EDGE - 10" X 25.2" - W/O HARDWARE - PORTSMOUTH OAK - 329SB |
| 19 | 136955-22-S31 | EA | DOOR - RAISED PANEL/PENCIL EDGE - 10" X 19.1" - W/O HDW - PORTSMOUTH OAK |
| 19 | 136955-25-S91 | EA | DOOR - RAISED PANEL/PENCIL EDGE - 10" X 25.2" - W/O HDW - SERRIA MAPLE |
| 19 | 136919-22-S31 | EA | DOOR - FLAT/PENCIL EDGE - 10" X 19.1" - W/O HARDWARE - PORTSMOUTH OAK - 329SB |
| 20 | 140888-09-R15 | EA | COUNTERTOP - LAMINATED - LINO FRIEZE/PORTSMOUTH OAK (S04, S98) |
| 20 | 140888-09-P13 | EA | COUNTERTOP - LAMINATED - GRAY TRANQUILITY/PORTSMOUTH OAK (S05) |
| 20 | 140888-09-P15 | EA | COUNTERTOP - LAMINATED - EGGSHELL/PORTSMOUTH OAK (S06, S97) |
| 20 | 140888-09-SJ0 | EA | COUNTERTOP - LAMINATED - LINO FRIEZE/SIERRA MAPLE (S91) |
| 20 | 140888-09-SJ2 | EA | COUNTERTOP - LAMINATED - GRAY TRANQUILITY/SIERRA MAPLE (S92) |
| 20 | 140888-09-SJ1 | EA | COUNTERTOP - LAMINATED - EGGSHELL/SIERRA MAPLE (S93) |
| 21 | 136885-08-N09 | EA | CABINET - NIGHTSTAND/RH - W/O CTRTP/DOOR/DWR/HDW - PORTSMOUTH OAK |
| 21 | 136885-08-SJ0 | EA | CABINET - NIGHTSTAND/RH - W/O CTRTP/DOOR/DWR/HDW - SERRIA MAPLE |

CABINET & APPLIANCE GROUP (CONTINUED)
CABINET & APPLIANCE LAYOUT (CONTINUED)



| KEY | PART NUMBER | U/M | DESCRIPTION |
|-----|---------------|-----|--|
| 1 | 149638-18-S01 | EA | SHELF - W/SLIDE AND SWIVEL - PORTSMOUTH OAK |
| 1 | 149638-18-S88 | EA | SHELF - W/SLIDE AND SWIVEL - SIERRA MAPLE |
| 2 | 091261-01-000 | FT | SLIPNOT - ANTISLIP - 1' WIDE X 12' - BLACK |
| 3 | 116773-02-000 | EA | SWIVEL/SLIDES - F/TV SHELF - B.9"D X 1.6"H X 15.3"W |
| 4 | 122298-03-02B | EA | BRACKET - TV/VCR W/ANGLE - RIGHT HAND - E-COATED |
| 5 | 122298-02-02B | EA | BRACKET - TV/VCR W/ANGLE - LEFT HAND - E-COATED |
| 6 | 140307-14-P07 | EA | END CAP - OVHD CABINET - PORTSMOUTH OAK |
| 6 | 140307-14-S88 | EA | END CAP - OVHD CABINET - SIERRA MAPLE |
| 7 | 136955-D0-S04 | EA | DOOR - RAISED PANEL/PENCIL EDGE - 15.7" X 20.5" - W/O HDW - PORTSMOUTH OAK |
| 7 | 136955-D0-S91 | EA | DOOR - RAISED PANEL/PENCIL EDGE - 15.7" X 20.5" - W/O HDW - SIERRA MAPLE |
| 8 | 141244-06-S04 | EA | CABINET - OVHD/FRONT - W/O DOORS/HDW |
| 8 | 141244-06-S05 | EA | CABINET - OVHD/FRONT - W/O DOORS/HDW |
| 8 | 141244-06-S06 | EA | CABINET - OVHD/FRONT - W/O DOORS/HDW |
| 8 | 141244-06-S91 | EA | CABINET - OVHD/FRONT - W/O DOORS/HDW |
| 8 | 141244-06-S92 | EA | CABINET - OVHD/FRONT - W/O DOORS/HDW |
| 8 | 141244-06-S93 | EA | CABINET - OVHD/FRONT - W/O DOORS/HDW |
| 8 | 141244-06-S97 | EA | CABINET - OVHD/FRONT - W/O DOORS/HDW |
| 8 | 141244-06-S98 | EA | CABINET - OVHD/FRONT - W/O DOORS/HDW |
| 9 | 140307-11-P07 | EA | END CAP - OVHD CABINET - PORTSMOUTH OAK |
| 9 | 140307-11-S88 | EA | END CAP - OVHD CABINET - SIERRA MAPLE |
| 10 | 149638-05-S01 | EA | CABINET - OVHD/TV - W/TAMBOUR DOOR - PORTSMOUTH OAK - TV-13" W/DVD-12V |
| 10 | 149638-05-S88 | EA | CABINET - OVHD/TV - W/TAMBOUR DOOR - SIERRA MAPLE - TV-13" W/DVD-12V |
| 10 | 149638-06-S01 | EA | CABINET - OVHD/STORAGE - W/O TV SLIDE - W/TAMBOUR DOOR - PORTSMOUTH OAK |
| 10 | 149638-06-S88 | EA | CABINET - OVHD/STORAGE - W/O TV SLIDE - W/TAMBOUR DOOR - SIERRA MAPLE |
| 11 | 141085-04-S04 | EA | CABINET - OVHD/FRONT - W/O DOORS/HDW |
| 11 | 141085-04-S05 | EA | CABINET - OVHD/FRONT - W/O DOORS/HDW |
| 11 | 141085-04-S06 | EA | CABINET - OVHD/FRONT - W/O DOORS/HDW |
| 11 | 141085-04-S91 | EA | CABINET - OVHD/FRONT - W/O DOORS/HDW |
| 11 | 141085-04-S92 | EA | CABINET - OVHD/FRONT - W/O DOORS/HDW |
| 11 | 141085-04-S93 | EA | CABINET - OVHD/FRONT - W/O DOORS/HDW |
| 11 | 141085-04-S97 | EA | CABINET - OVHD/FRONT - W/O DOORS/HDW |
| 11 | 141085-04-S98 | EA | CABINET - OVHD/FRONT - W/O DOORS/HDW |

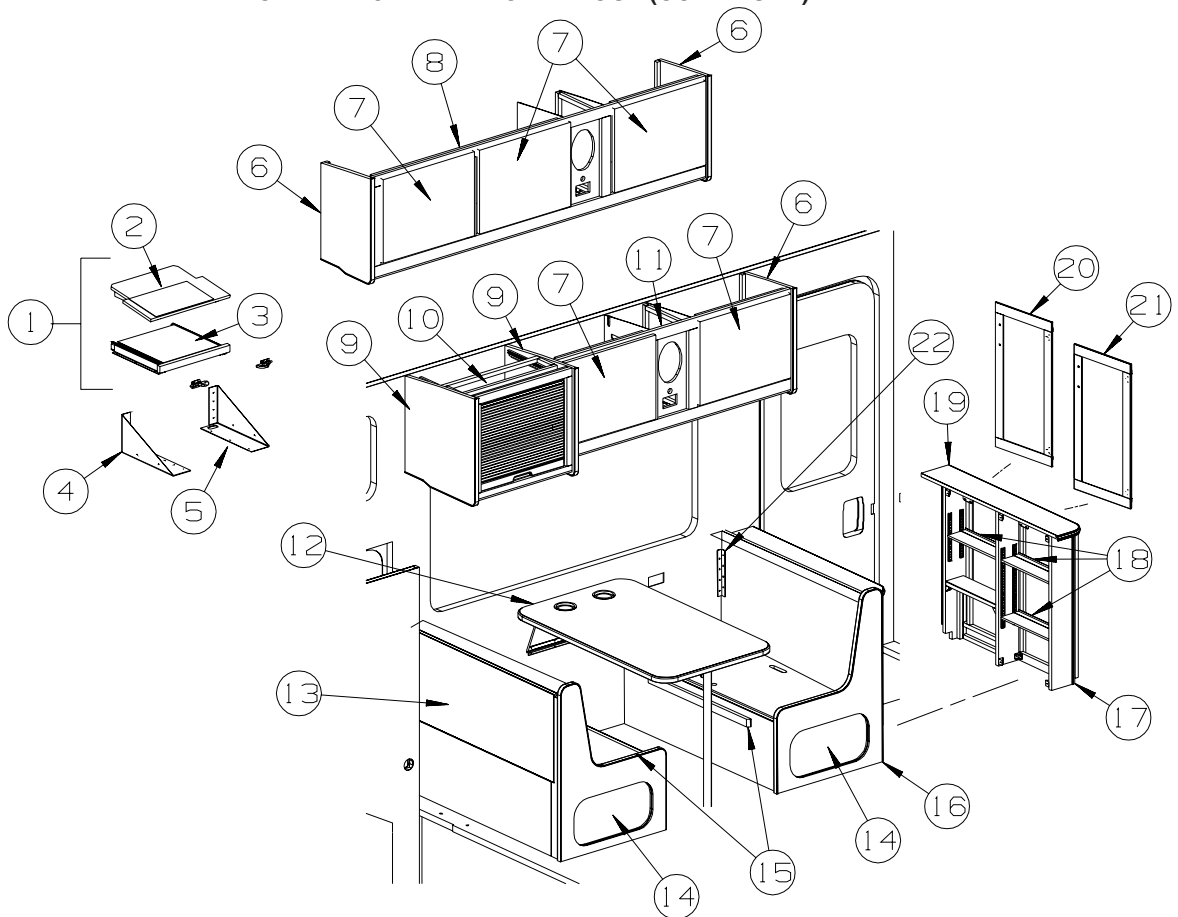
CABINET & APPLIANCE GROUP (CONTINUED)

CABINET & APPLIANCE LAYOUT (CONTINUED)

DINETTE (CONTINUED)

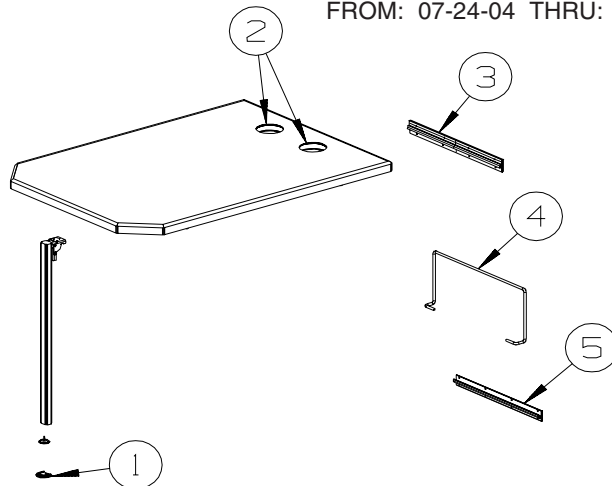
| KEY | PART NUMBER | U/M | DESCRIPTION |
|-----|---------------|-----|---|
| 12 | 144605-01-R09 | EA | TABLE/DINETTE - LAMINATED-41.6"X25"-LINO FRIEZE/PORTS OAK (S04) |
| 12 | 144605-01-R08 | EA | TABLE/DINETTE - LAMINATED-41.6"X25"-GRAY TRAN/PORTS OAK (S05) |
| 12 | 144605-01-R07 | EA | TABLE/DINETTE - LAMINATED-41.6"X25"-EGGSHELL/PORTS OAK (S06) |
| 12 | 144605-01-S88 | EA | TABLE/DINETTE - LAMINATED-41.6"X25"-LINO FRIEZE/SIERRA MPL (S91) |
| 12 | 144605-01-S89 | EA | TABLE/DINETTE - LAMINATED-41.6"X25"-GRAY TRANQ/SIERRA MPL (S92) |
| 12 | 144605-01-S90 | EA | TABLE/DINETTE - LAMINATED-41.6"X25"-EGGSHELL/SIERRA MAPLE (S93) |
| 12 | 144605-07-S03 | EA | TABLE - DINETTE - 41.6" X 27.8" - W/O HARDWARE (S97) |
| 12 | 144605-07-S01 | EA | TABLE - DINETTE - 41.6" X 27.8" - W/O HARDWARE (S98) |
| 13 | 145004-05-P07 | EA | CABINET/DINETTE-LH-W/END CAP/BACK/FACE-W/O DOOR/SEAT BOARD - PORTSMOUTH OAK |
| 13 | 145004-05-S88 | EA | CABINET/DINETTE-LH-W/END CAP/BACK/FACE-W/O DOOR/SEAT BOARD - SIERRA MAPLE |
| 13 | 145004-14-S95 | EA | CABINET/DINETTE-LH-W/END CAP/BACK/FACE-W/O DR/SEAT BOARD - PORTSMOUTH OAK - 329SB |
| 14 | 134783-02-S31 | EA | DOOR - RAIL/SOLID PANEL - 10" X 19.1" - W/O HARDWARE - PORTSMOUTH OAK FROM: 00-00-00 THRU: 04-25-04 |
| 14 | 147084-08-S04 | EA | DOOR - FLAT PANEL/PENCIL EDGE - 10" X 19.1" - W/O HDW - PORTSMOUTH OAK FROM: 04-26-04 THRU: 99-99-99 |
| 14 | 147084-08-S91 | EA | DOOR - FLAT PANEL/PENCIL EDGE - 10" X 19.1" - W/O HDW - SIERRA MAPLE |
| 15 | 081295-01-N70 | EA | SUPPORT - BED/DINETTE - 28" LONG - PORTSMOUTH OAK |
| 15 | 081295-01-RE0 | EA | SUPPORT - BED/DINETTE - 28" LONG - SIERRA MAPLE |
| 16 | 145004-06-P07 | EA | CABINET/DINETTE-RH-W/END CAP/BACK/FACE-W/O DOOR/SEAT BOARD - PORTSMOUTH OAK |
| 16 | 145004-06-S88 | EA | CABINET/DINETTE-RH-W/END CAP/BACK/FACE-W/O DOOR/SEAT BOARD - SIERRA MAPLE |
| 16 | 145004-15-S97 | EA | CABINET/DINETTE-RH-W/END CAP/BACK/FACE-W/O DR/SEAT BOARD - PORTSMOUTH OAK - 329SB |
| 17 | 144141-01-S04 | EA | CABINET - STORAGE - W/O DOORS/HDW FROM: 00-00-00 THRU: 06-06-04 |
| 17 | 144141-04-S04 | EA | CABINET - STORAGE - W/O DOORS/HDW FROM: 06-07-04 THRU: 99-99-99 |
| 17 | 144141-01-S05 | EA | CABINET - STORAGE - W/O DOORS/HDW FROM: 00-00-00 THRU: 06-06-04 |
| 17 | 144141-04-S05 | EA | CABINET - STORAGE - W/O DOORS/HDW FROM: 06-07-04 THRU: 99-99-99 |
| 17 | 144141-01-S06 | EA | CABINET - STORAGE - W/O DOORS/HDW FROM: 00-00-00 THRU: 06-06-04 |
| 17 | 144141-04-S06 | EA | CABINET - STORAGE - W/O DOORS/HDW FROM: 06-07-04 THRU: 99-99-99 |
| 17 | 144141-04-S91 | EA | CABINET - STORAGE - W/O DOORS/HDW |
| 17 | 144141-04-S92 | EA | CABINET - STORAGE - W/O DOORS/HDW |
| 17 | 144141-04-S93 | EA | CABINET - STORAGE - W/O DOORS/HDW |
| 17 | 144141-02-S04 | EA | CABINET - STORAGE - W/O DOORS/HDW - TWO-WAY RADIO FROM: 00-00-00 THRU: 06-06-04 |
| 17 | 144141-05-S04 | EA | CABINET - STORAGE - W/O DOORS/HDW - TWO-WAY RADIO FROM: 06-07-04 THRU: 99-99-99 |
| 17 | 144141-02-S05 | EA | CABINET - STORAGE - W/O DOORS/HDW - TWO-WAY RADIO FROM: 00-00-00 THRU: 06-06-04 |
| 17 | 144141-05-S05 | EA | CABINET - STORAGE - W/O DOORS/HDW - TWO-WAY RADIO FROM: 06-07-04 THRU: 99-99-99 |
| 17 | 144141-02-S06 | EA | CABINET - STORAGE - W/O DOORS/HDW - TWO-WAY RADIO FROM: 00-00-00 THRU: 06-06-04 |
| 17 | 144141-05-S06 | EA | CABINET - STORAGE - W/O DOORS/HDW - TWO-WAY RADIO FROM: 06-07-04 THRU: 99-99-99 |
| 17 | 144141-05-S91 | EA | CABINET - STORAGE - W/O DOORS/HDW - RADIOS - TWO WAY (4) |
| 17 | 144141-05-S92 | EA | CABINET - STORAGE - W/O DOORS/HDW - RADIOS - TWO WAY (4) |
| 17 | 144141-05-S93 | EA | CABINET - STORAGE - W/O DOORS/HDW - RADIOS - TWO WAY (4) |
| 18 | 144141-17-R07 | EA | SHELF - W/PLASTIC EDGE MOLDING - PORTSMOUTH OAK - 329B |
| 18 | 144141-17-S88 | EA | SHELF - W/PLASTIC EDGE MOLDING - SIERRA MAPLE - 329B |
| 19 | 140887-14-R09 | EA | COUNTERTOP - LAMINATED - LINO FRIEZE/PORTSMOUTH OAK (S04) |
| 19 | 140887-14-R08 | EA | COUNTERTOP - LAMINATED - GRAY TRANQUILITY/PORTSMOUTH OAK (S05) |
| 19 | 140887-14-R07 | EA | COUNTERTOP - LAMINATED - EGG SHELL/PORTSMOUTH OAK (S06) |
| 19 | 140887-14-SJ0 | EA | COUNTERTOP - LAMINATED - LINO FRIEZE/SIERRA MAPLE (S91) |
| 19 | 140887-14-SJ2 | EA | COUNTERTOP - LAMINATED - GRAY TRANQUILITY/SIERRA MAPLE (S92) |
| 19 | 140887-14-SJ1 | EA | COUNTERTOP - LAMINATED - EGG SHELL/SIERRA MAPLE (S93) |
| 20 | 136919-93-S04 | EA | DOOR - FLAT/PENCIL EDGE - 13.6" X 27.1" - W/O HARDWARE - PORTSMOUTH OAK |
| 20 | 136919-93-S91 | EA | DOOR - FLAT/PENCIL EDGE - 13.6" X 27.1" - W/O HARDWARE - CONCERT CHERRY |

CABINET & APPLIANCE GROUP (CONTINUED)
CABINET & APPLIANCE LAYOUT (CONTINUED)



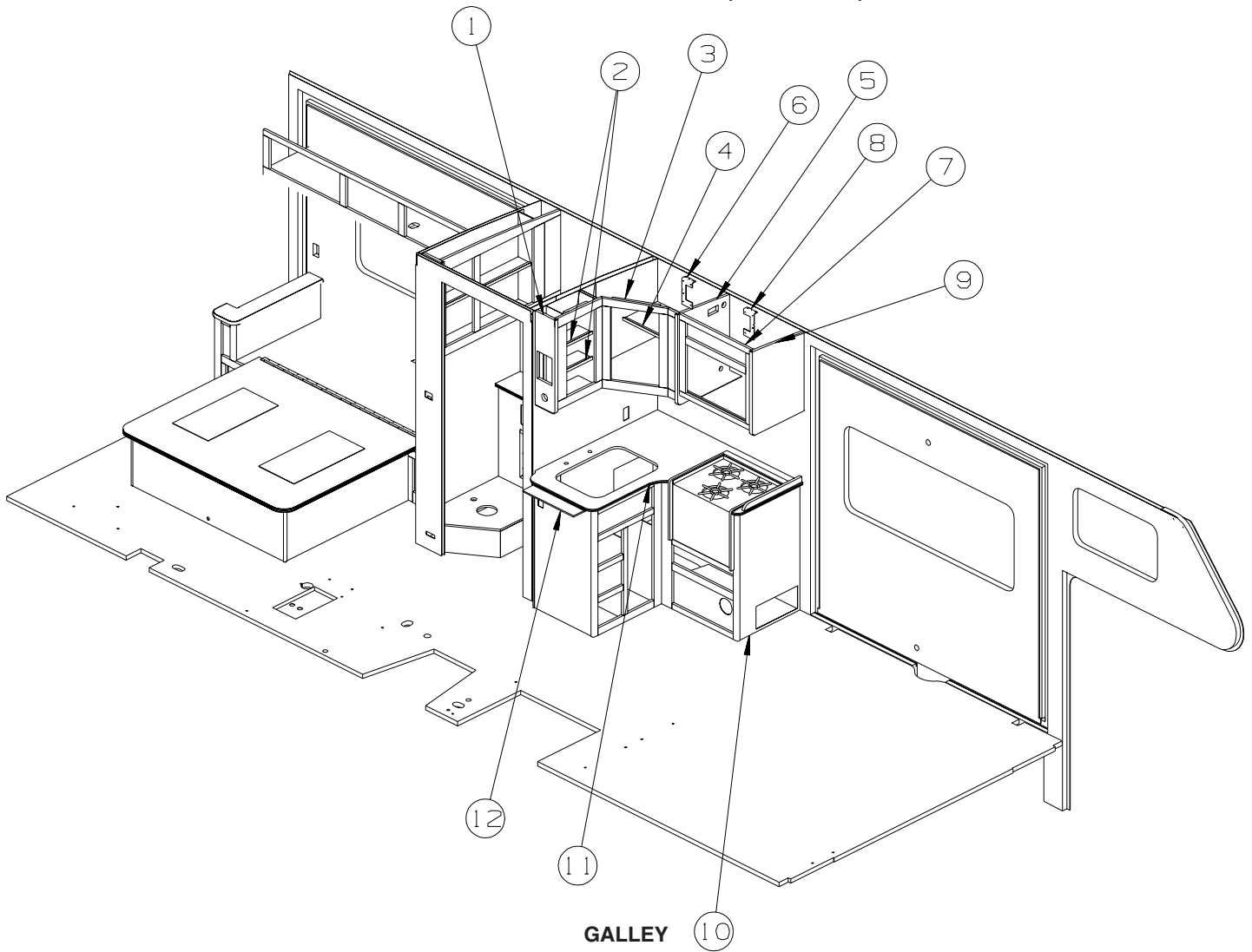
DINETTE (CONTINUED)

| KEY | PART NUMBER | U/M | DESCRIPTION |
|-----|---------------|-----|---|
| 21 | 136919-92-S04 | EA | DOOR - FLAT/PENCIL EDGE - 13.6" X 27.1" - W/O HARDWARE - PORTSMOUTH OAK |
| 21 | 136919-92-S91 | EA | DOOR - FLAT/PENCIL EDGE - 13.6" X 27.1" - W/O HARDWARE - CONCERT CHERRY |
| 22 | 122021-02-02A | EA | ANGLE - W/HOLES - 13.7" LONG - OFF WHITE FROM: 00-00-00 THRU: 07-23-04 |
| 22 | 122021-01-02A | EA | ANGLE - W/HOLES - 8.6" LONG - OFF WHITE FROM: 07-24-04 THRU: 99-99-99 |



| KEY | PART NUMBER | U/M | DESCRIPTION |
|-----|---------------|-----|---|
| 1 | 143798-01-01A | EA | CATCH - FLOOR TO TABLE LEG - BRIGHT WHITE |
| 2 | 064781-06-000 | EA | HOLDER/CUP - TWO STEP - OFF WHITE |
| 3 | 140921-02-01A | EA | BRACKET/TABLE SUPPORT - 18.5" - OFF WHITE |
| 4 | 024275-13-000 | EA | ROD - TABLE LIFT - OFF/WHITE |
| 5 | 024281-15-000 | EA | BRACKET/TABLE - LIFT ROD/LOWER WALL MOUNTED - 17.1" |

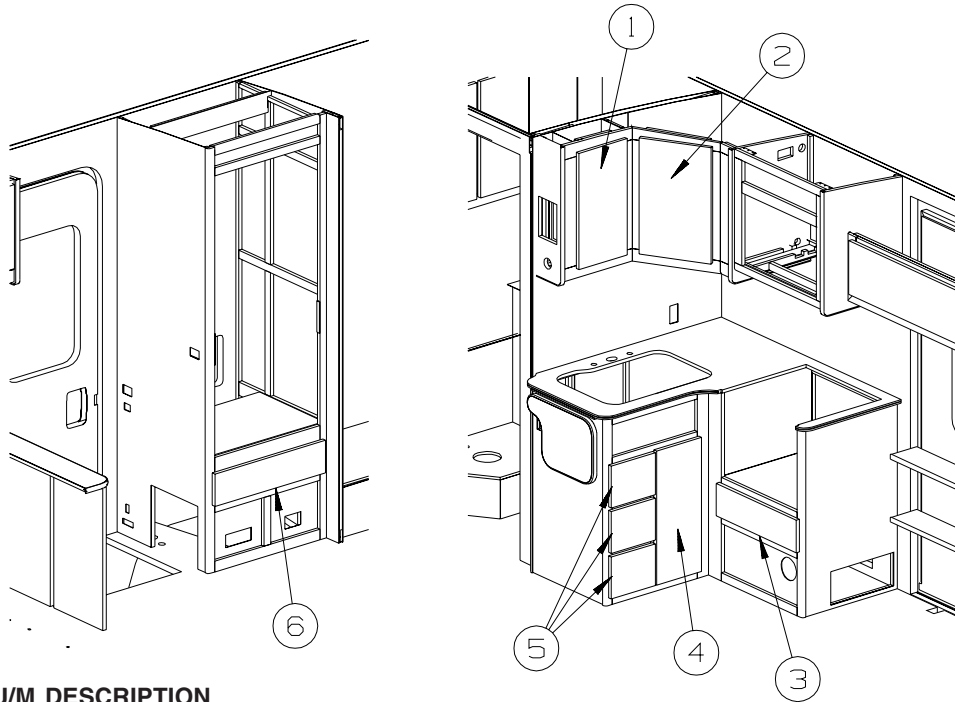
CABINET & APPLIANCE GROUP (CONTINUED)
CABINET & APPLIANCE LAYOUT (CONTINUED)



| KEY | PART NUMBER | U/M | DESCRIPTION |
|-----|---------------|-----|--|
| 1 | 140307-16-P07 | EA | END CAP - OVERHEAD CABINET - PORTSMOUTH OAK |
| 1 | 140307-16-S88 | EA | END CAP - OVERHEAD CABINET - SIERRA MAPLE |
| 2 | 141318-23-P07 | EA | SHELF - W/PLASTIC EDGE MOLDING - PORTSMOUTH OAK |
| 2 | 141318-23-S88 | EA | SHELF - W/PLASTIC EDGE MOLDING - SIERRA MAPLE |
| 3 | 141318-02-P07 | EA | CABINET - OVERHEAD/GALLEY - W/O DRS/HDW - PORTSMOUTH OAK - HEATED DRAINAGE SYSTEM |
| 3 | 141318-02-S88 | EA | CABINET - OVERHEAD/GALLEY - W/O DRS/HDW - SIERRA MAPLE - HEATED DRAINAGE SYSTEM |
| 3 | 141318-01-P07 | EA | CABINET - OVERHEAD/GALLEY - W/O DOORS/HARDWARE - PORTSMOUTH OAK |
| 3 | 141318-01-S88 | EA | CABINET - OVERHEAD/GALLEY - W/O DOORS/HARDWARE - SIERRA MAPLE |
| 4 | 141318-21-P07 | EA | SHELF - W/PLASTIC EDGE MOLDING - PORTSMOUTH OAK |
| 4 | 141318-21-S88 | EA | SHELF - W/PLASTIC EDGE MOLDING - SIERRA MAPLE |
| 5 | 140307-01-P13 | EA | END CAP - OVERHEAD CABINET - PORTSMOUTH OAK |
| 5 | 140307-01-S88 | EA | END CAP - OVERHEAD CABINET - SIERRA MAPLE |
| 6 | 098916-33-02B | EA | BRACE - MICROWAVE CABINET - LEFT HAND - E-COATED |
| 7 | 141087-02-P07 | EA | CABINET - OVERHEAD/MICROWAVE - W/O DOORS/HARDWARE - PORTSMOUTH OAK |
| 7 | 141087-02-S88 | EA | CABINET - OVERHEAD/MICROWAVE - W/O DOORS/HARDWARE - SIERRA MAPLE |
| 8 | 098916-34-02B | EA | BRACE - MICROWAVE CABINET - RIGHT HAND - E-COATED |
| 9 | 140307-12-P07 | EA | END CAP - OVERHEAD CABINET - PORTSMOUTH OAK |
| 9 | 140307-12-S88 | EA | END CAP - OVERHEAD CABINET - SIERRA MAPLE |
| 10 | P40041-02-P07 | EA | CABINET - GALLEY - W/O COUNTERTOP/DOORS/DRAWERS/HARDWARE - PORTSMOUTH OAK FROM: 00-00-00 THRU: 06-13-04 |
| 10 | P40041-03-S01 | EA | CABINET - GALLEY - W/O COUNTERTOP/DOORS/DRAWERS/HARDWARE - PORTSMOUTH OAK FROM: 06-14-04 THRU: 99-99-99 |
| 10 | P40041-03-S88 | EA | CABINET - GALLEY - W/O COUNTERTOP/DOORS/DRAWERS/HARDWARE - SIERRA MAPLE |

CABINET & APPLIANCE GROUP (CONTINUED)
CABINET & APPLIANCE LAYOUT (CONTINUED)
GALLEY (CONTINUED)

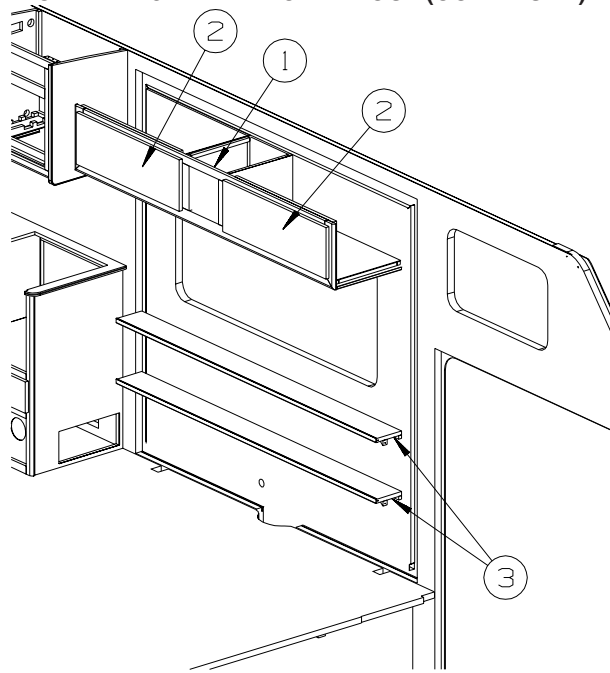
| KEY | PART NUMBER | U/M | DESCRIPTION |
|-----|---------------|-----|--|
| 11 | 133653-35-R09 | EA | COUNTERTOP - LAMINATED - LINO FRIEZE/PORTSMOUTH OAK (S04) |
| 11 | 133653-35-R08 | EA | COUNTERTOP - LAMINATED - GREY TRANQUILITY/PORTSMOUTH OAK (S05) |
| 11 | 133653-35-R07 | EA | COUNTERTOP - LAMINATED - EGGHELL/PORTSMOUTH OAK (S06) |
| 11 | 133653-35-S88 | EA | COUNTERTOP - LAMINATED - LINO FRIEZE/SIERRA MAPLE (S91) |
| 11 | 133653-35-S89 | EA | COUNTERTOP - LAMINATED - GRAY TRANQUILITY/SIERRA MAPLE (S92) |
| 11 | 133653-35-S90 | EA | COUNTERTOP - LAMINATED - EGGHELL/SIERRA MAPLE (S93) |
| 11 | 133653-35-R07 | EA | COUNTERTOP - LAMINATED - EGGHELL/PORTSMOUTH OAK (S97) FROM: 00-00-00 THRU: 08-29-04 |
| 11 | 133653-46-S95 | EA | COUNTERTOP - LAMINATED - EGGHELL/PORTSMOUTH OAK (S97) FROM: 08-30-04 THRU: 99-99-99 |
| 11 | 133653-35-R09 | EA | COUNTERTOP - LAMINATED - LINO FRIEZE/PORTSMOUTH OAK (S98) FROM: 00-00-00 THRU: 08-29-04 |
| 11 | 133653-46-S96 | EA | COUNTERTOP - LAMINATED - LINO FRIEZE/PORTSMOUTH OAK (S98) FROM: 08-30-04 THRU: 99-99-99 |
| 12 | 143175-02-R09 | EA | EXTENSION - GALLEY - LAMINATED - LINO FRIEZE/PORTS OAK (S04,S98) |
| 12 | 143175-02-R08 | EA | EXTENSION - GALLEY - LAMINATED - GRAY TRANQUILITY/PTSM OAK (S05) |
| 12 | 143175-02-R07 | EA | EXTENSION - GALLEY - LAMINATED - EGGHELL/PORTSMOUTH OAK (S06,S97) |
| 12 | 143175-02-S88 | EA | EXTENSION - GALLEY - LAMINATED - LINO FRIEZE/SIERRA MAPLE (S91) |
| 12 | 143175-02-S89 | EA | EXTENSION - GALLEY - LAMINATED - GRAY TRANQ/SIERRA MAPLE (S92) |
| 12 | 143175-02-S90 | EA | EXTENSION - GALLEY - LAMINATED - EGGHELL/SIERRA MAPLE (S92) |



| KEY | PART NUMBER | U/M | DESCRIPTION |
|-----|---------------|-----|--|
| 1 | 136955-40-S04 | EA | DOOR - RAISED PANEL/PENCIL EDGE - 10.8" X 21.8" - W/O HDW - PORTSMOUTH OAK |
| 1 | 136955-40-S91 | EA | DOOR - RAISED PANEL/PENCIL EDGE - 10.8" X 21.8" - W/O HDW - SIERRA MAPLE |
| 2 | 136955-88-S31 | EA | DOOR - RAISED PANEL/PENCIL EDGE - 13.4" X 21.9" - W/O HDW - PORTSMOUTH OAK |
| 2 | 136955-88-S91 | EA | DOOR - RAISED PANEL/PENCIL EDGE - 13.4" X 21.9" - W/O HDW - SIERRA MAPLE |
| 3 | 145492-10-R10 | EA | DRAWER - PENCIL EDGE - 19.8"W X 15.7"D - W/O SLIDES/HDW - PORTSMOUTH OAK |
| 3 | 145492-10-S91 | EA | DRAWER - PENCIL EDGE - 19.8"W X 15.7"D - W/O SLIDES/HDW - SIERRA MAPLE |
| 4 | 136919-27-S04 | EA | DOOR - FLAT/PENCIL EDGE - 10" X 25.2" - W/O HARDWARE - PORTSMOUTH OAK |
| 4 | 136919-27-S91 | EA | DOOR - FLAT/PENCIL EDGE - 10" X 25.2" - W/O HARDWARE - SIERRA MAPLE |
| | 076767-07-000 | EA | CABLE - STAINLESS STEEL - 7.1" |
| 5 | 145492-73-R10 | EA | DRAWER - PENCIL EDGE - 7.6"W X 15.7"D - W/O SLIDES/HDW - PORTSMOUTH OAK |
| 5 | 145492-73-S91 | EA | DRAWER - PENCIL EDGE - 7.6"W X 15.7"D - W/O SLIDES/HDW - SIERRA MAPLE |
| 6 | 145492-06-R10 | EA | DRAWER - PENCIL EDGE - 22.5"W X 13.8"D - W/O SLIDES/HDW - PORTSMOUTH OAK |
| 6 | 145492-06-S91 | EA | DRAWER - PENCIL EDGE - 22.5"W X 13.8"D - W/O SLIDES/HDW - SIERRA MAPLE |

CABINET & APPLIANCE GROUP (CONTINUED)

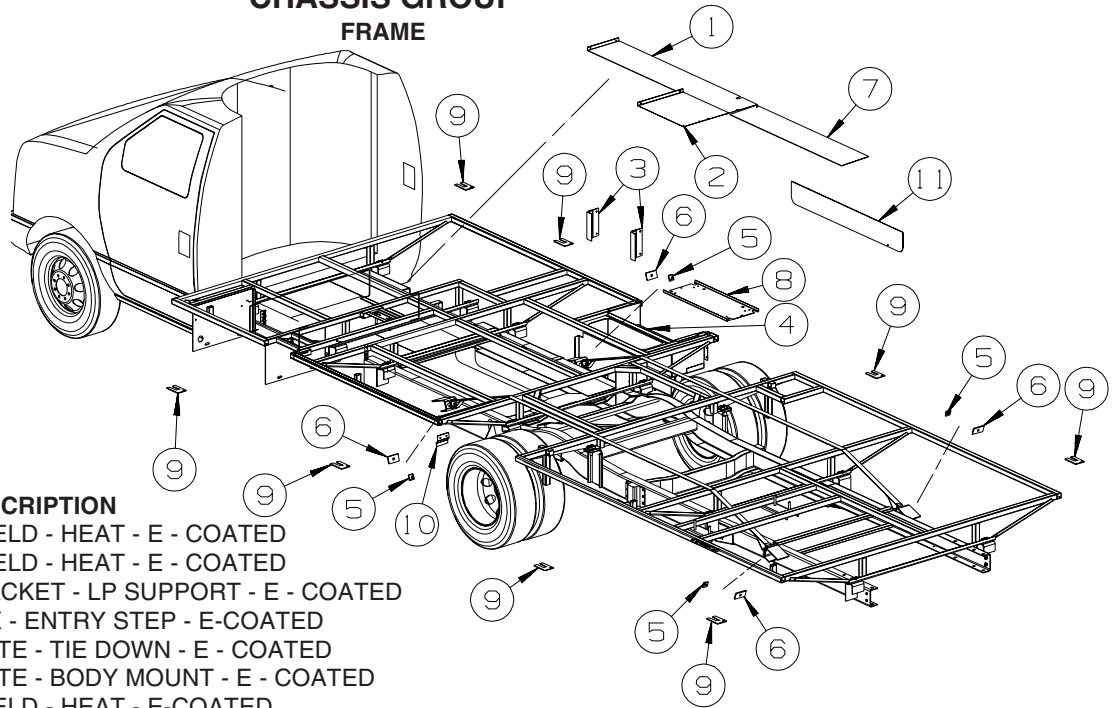
CABINET & APPLIANCE LAYOUT (CONTINUED)



LOUNGE

| KEY | PART NUMBER | U/M | DESCRIPTION |
|-----|---------------|-----|--|
| 1 | 139912-01-S04 | EA | CABINET - OVERHEAD/FRONT COUCH - W/O DOORS/HARDWARE |
| 1 | 139912-01-S05 | EA | CABINET - OVERHEAD/FRONT COUCH - W/O DOORS/HARDWARE |
| 1 | 139912-01-S06 | EA | CABINET - OVERHEAD/FRONT COUCH - W/O DOORS/HARDWARE |
| 1 | 139912-01-S91 | EA | CABINET - OVERHEAD/FRONT COUCH - W/O DOORS/HARDWARE |
| 1 | 139912-01-S92 | EA | CABINET - OVERHEAD/FRONT COUCH - W/O DOORS/HARDWARE |
| 1 | 139912-01-S93 | EA | CABINET - OVERHEAD/FRONT COUCH - W/O DOORS/HARDWARE |
| 1 | 139912-01-S97 | EA | CABINET - OVERHEAD/FRONT COUCH - W/O DOORS/HARDWARE |
| 1 | 139912-01-S98 | EA | CABINET - OVERHEAD/FRONT COUCH - W/O DOORS/HARDWARE |
| 2 | 136955-28-S31 | EA | DOOR - RAISED PANEL/PENCIL EDGE - 10" X 29.5" - W/O HDW - PORTSMOUTH OAK |
| 2 | 136955-28-S91 | EA | DOOR - RAISED PANEL/PENCIL EDGE - 10" X 29.5" - W/O HDW - SIERRA MAPLE |
| 3 | 140246-01-N01 | EA | SHELF - W/EDGE MOLDING - F/SLIDEOUT - 74.3" - PORTSMOUTH OAK |
| 3 | 140246-01-S88 | EA | SHELF - W/EDGE MOLDING - F/SLIDEOUT - 74.3" - SIERRA MAPLE |

CHASSIS GROUP FRAME



| KEY | PART NUMBER | U/M | DESCRIPTION |
|-----|---------------|-----|--|
| 1 | 135676-02-02B | EA | SHIELD - HEAT - E - COATED |
| 2 | 135676-03-02B | EA | SHIELD - HEAT - E - COATED |
| 3 | 136042-01-02B | EA | BRACKET - LP SUPPORT - E - COATED |
| 4 | 135458-04-02B | EA | BOX - ENTRY STEP - E-COATED |
| 5 | 141901-02-02B | EA | PLATE - TIE DOWN - E - COATED |
| 6 | 135712-01-02B | EA | PLATE - BODY MOUNT - E - COATED |
| 7 | 145027-01-02B | EA | SHIELD - HEAT - E-COATED |
| 8 | 139998-01-01B | EA | SUPPORT-BASE,ENTRANCE S,MILL |
| 9 | 128310-02-02B | EA | SHIM - BODY - MOUNT - 14GA - E-COAT |
| 10 | 141003-01-02B | EA | PLATE - VALVE - AIR SPRING - E-COATED - AIR SPRINGS REAR |
| 11 | 140219-12-02B | EA | SHIELD - HEAT/EXHAUST - E-COATED |

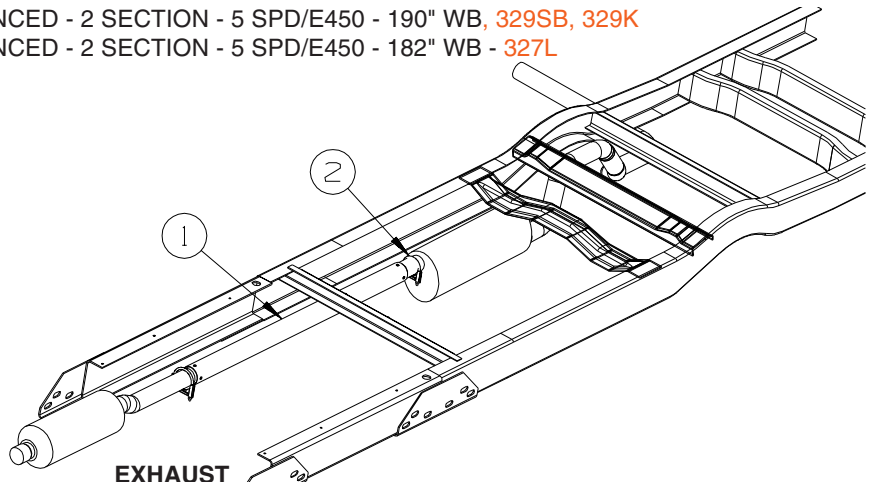
DRIVETRAIN

FROM 00-00-00 TO 08-24-04

| KEY | PART NUMBER | U/M | DESCRIPTION |
|-----|---------------|-----|---|
| | 103653-23-000 | EA | BOLT - U-JOINT - 5/16-24 X .75 |
| | 103653-24-000 | EA | STRAP - U-JOINT |
| | 131695-06-000 | EA | DRIVESHAFT - 3 BALANCED - 220" WHEELBASE - 331T, 331ST |
| | 131695-09-000 | EA | DRIVESHAFT - 3 BALANCED - 215" WHEELBASE - 332G |
| | 131694-09-000 | EA | DRIVESHAFT ASSEMBLY - BALANCED PAIR - 190" WHEELBASE, 329SB, 329K |
| | 131694-10-000 | EA | DRIVESHAFT ASSEMBLY - BALANCED PAIR - 182" WHEELBASE - 327L |

FROM 08-25-04 TO 99-99-99

| KEY | PART NUMBER | U/M | DESCRIPTION |
|-----|---------------|-----|--|
| | 103653-23-000 | EA | BOLT - U-JOINT - 5/16-24 X .75 |
| | 103653-24-000 | EA | STRAP - U-JOINT |
| | 152619-04-000 | EA | DRIVESHAFT - BALANCED - 3 SECTION - 5 SPD/E450 - 220" WB - 331T, 331ST |
| | 152619-02-000 | EA | DRIVESHAFT - BALANCED - 3 SECTION - 5 SPD/E450 - 215" WB - 332G |
| | 152618-04-000 | EA | DRIVESHAFT - BALANCED - 2 SECTION - 5 SPD/E450 - 190" WB, 329SB, 329K |
| | 152618-03-000 | EA | DRIVESHAFT - BALANCED - 2 SECTION - 5 SPD/E450 - 182" WB - 327L |

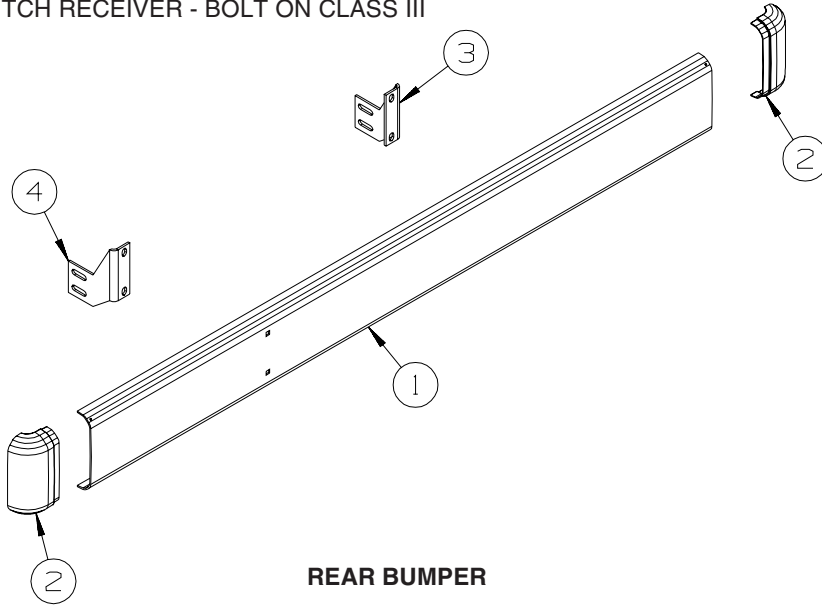


| KEY | PART NUMBER | U/M | DESCRIPTION |
|-----|---------------|-----|--|
| 1 | 111478-02-000 | EA | EXHAUST PIPE - DOUBLE WALL STAINLESS STEEL - 34" - GAS |
| 2 | 094918-06-000 | EA | CLAMP - EXHAUST - 3" - HEAVY DUTY |

CHASSIS GROUP (CONTINUED)

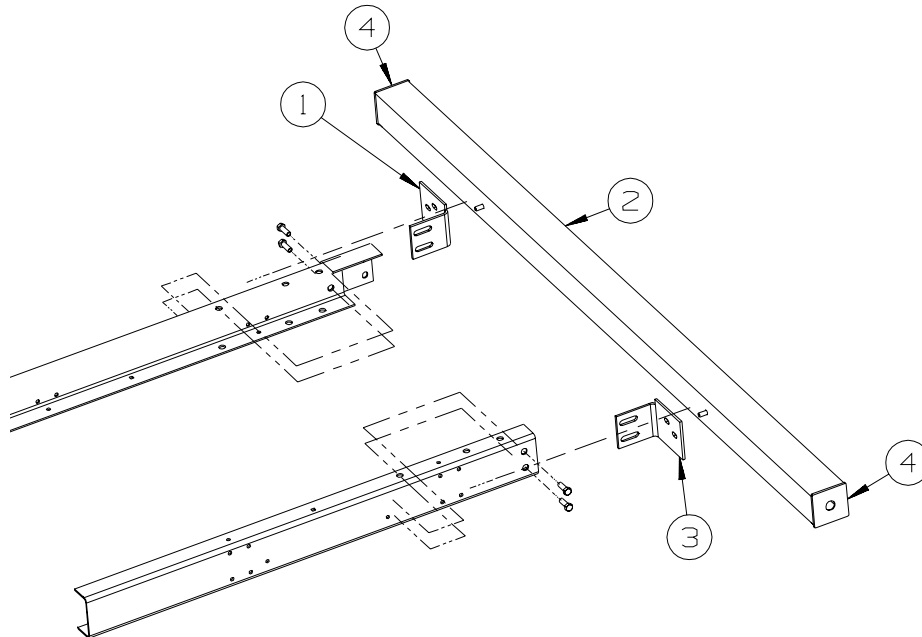
HITCH

| KEY | PART NUMBER | U/M DESCRIPTION |
|-----|---------------|---------------------------------------|
| | 130339-11-000 | EA HITCH RECEIVER - BOLT ON CLASS III |



REAR BUMPER

| KEY | PART NUMBER | U/M DESCRIPTION |
|-----|---------------|---|
| 1 | 103099-05-02A | EA BUMPER - REAR - 91.7" - BRIGHT WHITE |
| 2 | 106147-02-03A | EA END CAP - BUMPER - BRIGHT WHITE |
| 3 | 136945-03-02B | EA BRACKET - BUMPER - REAR - E-COATED |
| 4 | 136945-04-02B | EA BRACKET - BUMPER - REAR - E-COATED |
| | 038327-01-000 | EA TAPE - ANTI-SLIP - 2" X 60' |

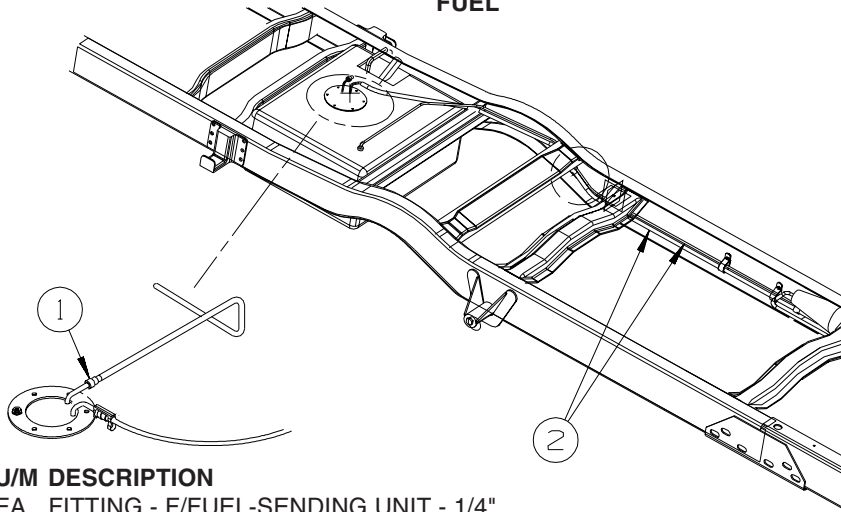


329SB & 331ST

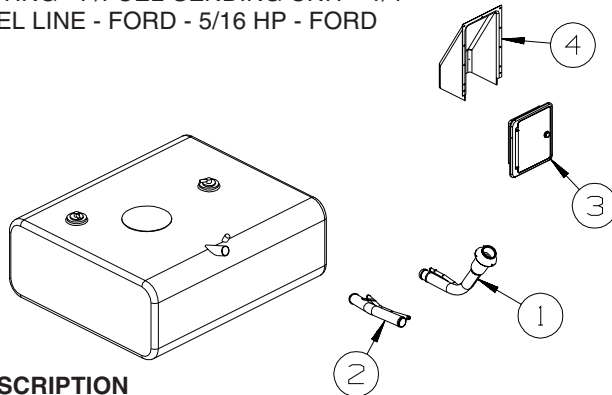
| KEY | PART NUMBER | U/M DESCRIPTION |
|-----|---------------|---|
| 1 | 104420-01-000 | EA SUPPORT/ANGLE - REAR BUMPER - RIGHT HAND |
| 2 | 103422-05-02A | EA BUMPER - REAR - SQUARE ALUMINUM - 97.3" - BRIGHT WHITE |
| 3 | 104420-02-000 | EA SUPPORT/ANGLE - REAR BUMPER - LEFT HAND |
| 4 | 039779-01-000 | EA CAP - BUMPER - RUBBER - 4" X 4" - BLACK |
| | 038327-01-000 | EA TAPE - ANTI-SLIP - 2" X 60' |

CHASSIS GROUP (CONTINUED)

FUEL

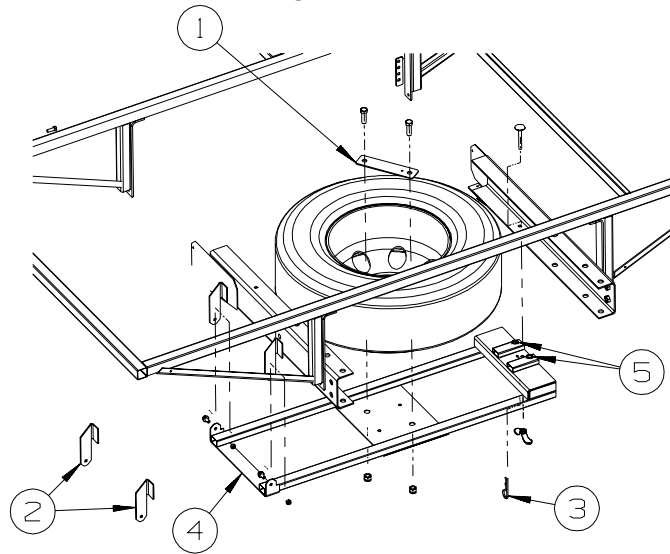


| KEY | PART NUMBER | U/M | DESCRIPTION |
|-----|---------------|-----|--------------------------------------|
| 1 | 149468-01-000 | EA | FITTING - F/FUEL-SENDING UNIT - 1/4" |
| 2 | 106388-10-000 | EA | FUEL LINE - FORD - 5/16 HP - FORD |



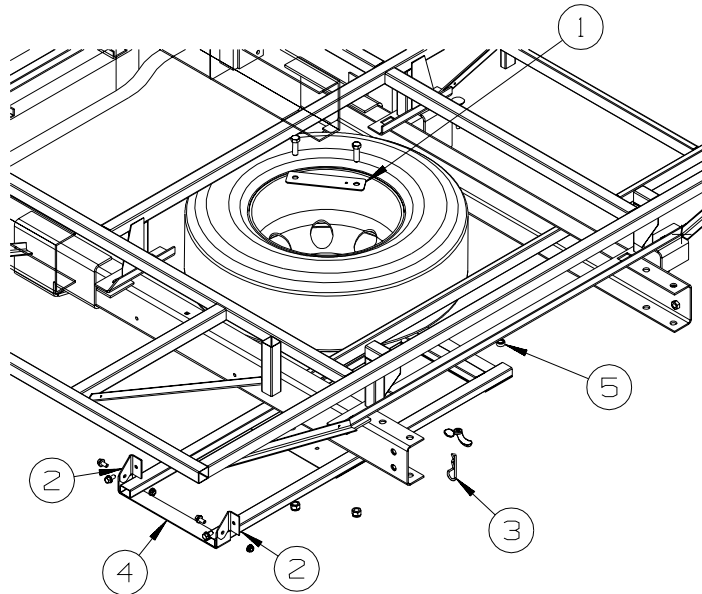
| KEY | PART NUMBER | U/M | DESCRIPTION |
|-----|---------------|-----|--|
| 1 | 148789-01-000 | EA | NECK - FUEL FILL |
| 2 | 148769-01-000 | EA | NECK - FILLER/MAIN/EXTENSION |
| 3 | 147587-01-01A | EA | DOOR - FUEL FILL |
| | 137169-02-01A | EA | ADAPTER/LOCK - (WASHER) F/GRAVITY WATERFILL |
| | | | FROM: 00-00-00 THRU: 02-24-05 |
| | 138637-03-000 | EA | LOCK ASM. - KEYED - .9" CASE (CYLINDER/CAM/HDWR PKG) |
| | | | FROM: 00-00-00 THRU: 02-24-05 |
| | 138637-52-000 | EA | CASE/CYLINDER - LOCKING - W/O CAM/KEY - .9" |
| | | | FROM: 00-00-00 THRU: 02-24-05 |
| | 138637-52-001 | EA | CASE/CYLINDER - LOCKING - W/O CAM/KEY - .9" |
| | | | FROM: 00-00-00 THRU: 02-24-05 |
| | 138637-52-002 | EA | CASE/CYLINDER - LOCKING - W/O CAM/KEY - .9" |
| | | | FROM: 00-00-00 THRU: 02-24-05 |
| | 138637-52-003 | EA | CASE/CYLINDER - LOCKING - W/O CAM/KEY - .9" |
| | | | FROM: 00-00-00 THRU: 02-24-05 |
| | 138637-52-004 | EA | CASE/CYLINDER - LOCKING - W/O CAM/KEY - .9" |
| | | | FROM: 00-00-00 THRU: 02-24-05 |
| | 138637-52-005 | EA | CASE/CYLINDER - LOCKING - W/O CAM/KEY - .9" |
| | | | FROM: 00-00-00 THRU: 02-24-05 |
| | 138637-52-006 | EA | CASE/CYLINDER - LOCKING - W/O CAM/KEY - .9" |
| | | | FROM: 00-00-00 THRU: 02-24-05 |
| | 138637-52-007 | EA | CASE/CYLINDER - LOCKING - W/O CAM/KEY - .9" |
| | | | FROM: 00-00-00 THRU: 02-24-05 |
| | 138637-52-008 | EA | CASE/CYLINDER - LOCKING - W/O CAM/KEY - .9" |
| | | | FROM: 00-00-00 THRU: 02-24-05 |
| | 138637-52-009 | EA | CASE/CYLINDER - LOCKING - W/O CAM/KEY - .9" |
| | | | FROM: 00-00-00 THRU: 02-24-05 |
| | 138637-62-000 | EA | CAM - LATCHING - DOG LEG - 1" LONG |
| | | | FROM: 00-00-00 THRU: 02-24-05 |
| | 144474-01-000 | EA | ADAPTER - LOCK - 180 DEGREE |
| | | | FROM: 00-00-00 THRU: 02-24-05 |
| | 138290-03-000 | EA | CASE - W/CAM - W/O CYLINDER/KEY |
| | | | FROM: 02-25-05 THRU: 99-99-99 |
| 4 | 135557-02-01A | EA | SHROUD - FUEL FILL - UPPER - 13.5" X 8.2" |

CHASSIS GROUP (CONTINUED) SPARE TIRE



**324F, 324V,
327L, 329B,
329SB & 329K**

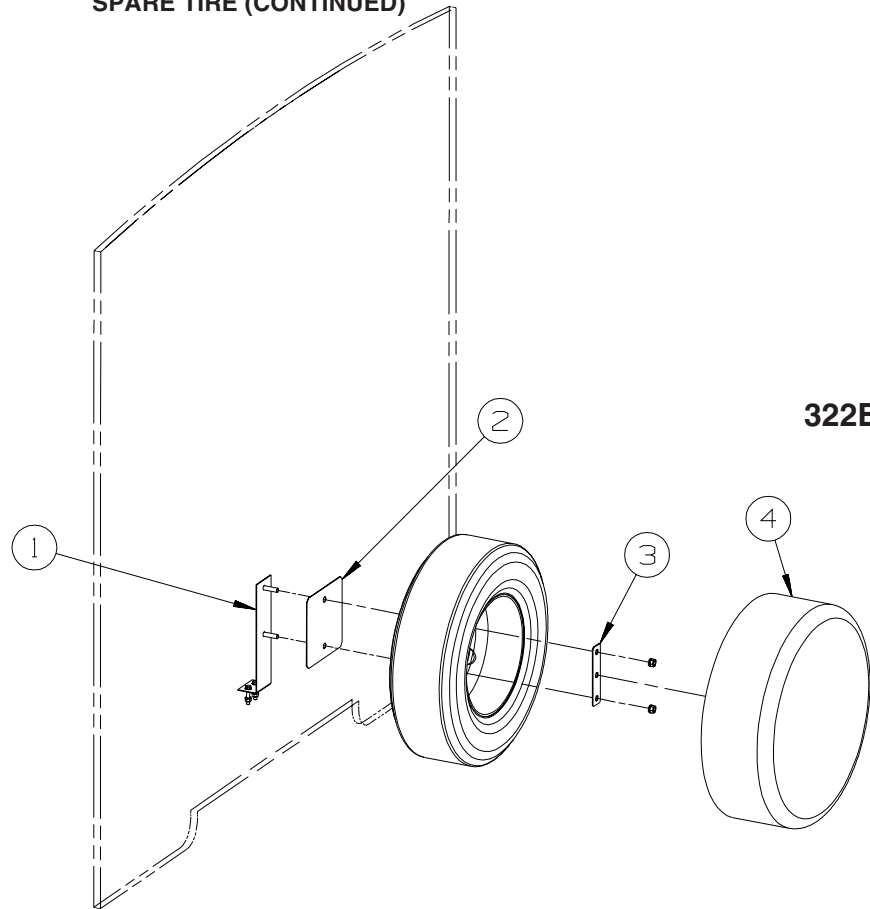
| KEY | PART NUMBER | U/M | DESCRIPTION |
|-----|---------------|-----|---|
| 1 | 116338-02-02B | EA | BRACKET/CLAMP - SPARE TIRE - E-COATED |
| 2 | 116349-04-02B | EA | BRACKET - HINGE - SPARE TIRE - E-COATED |
| 3 | 034513-01-000 | EA | PIN - HITCH - 3/16" WIRE |
| 4 | 135796-02-02B | EA | CRADLE - SPARE TIRE - E-COATED |
| 5 | 069726-02-000 | EA | BUMPER - .88" OD X .40" THICK - BLACK |



331T & 331ST

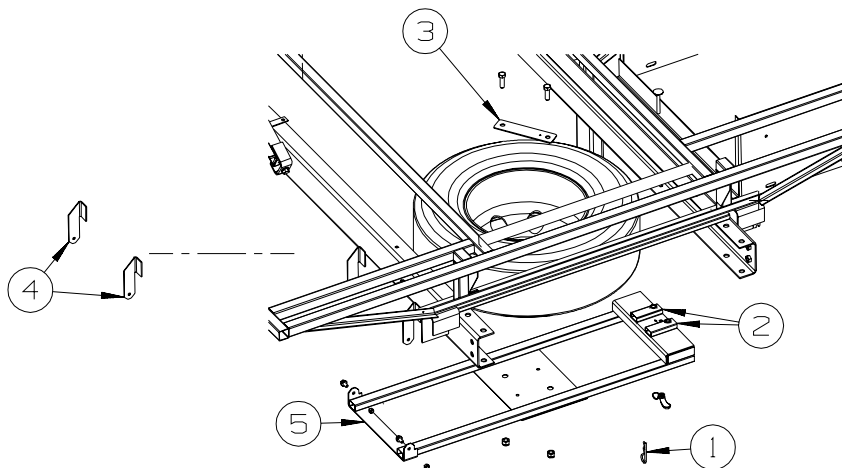
| KEY | PART NUMBER | U/M | DESCRIPTION |
|-----|---------------|-----|---|
| 1 | 116338-02-02B | EA | BRACKET/CLAMP - SPARE TIRE - E-COATED |
| 2 | 116349-01-02B | EA | BRACKET - HINGE - SPARE TIRE - E-COATED |
| 3 | 034513-01-000 | EA | PIN - HITCH - 3/16" WIRE |
| 4 | 135796-04-02B | EA | CRADLE - SPARE TIRE - E-COATED |
| 5 | 069726-02-000 | EA | BUMPER - .88" OD X .40" THICK - BLACK |

CHASSIS GROUP (CONTINUED)
SPARE TIRE (CONTINUED)



322E & 322R

| KEY | PART NUMBER | U/M | DESCRIPTION |
|-----|---------------|-----|----------------------------------|
| 1 | 105209-05-C52 | EA | BRACKET ASSEMBLY - SPARE TIRE |
| 2 | 105208-01-000 | EA | PLATE - SPARE TIRE |
| 3 | 143547-01-02B | EA | RETAINER - SPARE TIRE - E-COATED |
| 4 | 073322-09-S01 | EA | COVER - TIRE - 30" |
| | 073322-50-000 | EA | COVER - UNIVERSAL LINER |



326A & 332G

| KEY | PART NUMBER | U/M | DESCRIPTION |
|-----|---------------|-----|---|
| 1 | 034513-01-000 | EA | PIN - HITCH - 3/16" WIRE |
| 2 | 069726-02-000 | EA | BUMPER - .88" OD X .40" THICK - BLACK |
| 3 | 116338-02-02B | EA | BRACKET/CLAMP - SPARE TIRE - E-COATED |
| 4 | 116349-04-02B | EA | BRACKET - HINGE - SPARE TIRE - E-COATED |
| 5 | 135796-02-02B | EA | CRADLE - SPARE TIRE - E-COATED |

CHASSIS GROUP (CONTINUED)
SUSPENSION

| KEY | PART NUMBER | U/M | DESCRIPTION |
|------------|--------------------|------------|--|
| | 144887-02-000 | EA | AIRSPRING - 4" DIAMETER/TWIN BAG SYSTEM - FIRESTONE - AIR SPRINGS REAR |

WHEEL, TIRE, COVERS &/OR LINERS

| KEY | PART NUMBER | U/M | DESCRIPTION |
|------------|--------------------|------------|---|
| | 112358-01-000 | EA | WRENCH - LUG - 7/8" - L-SHAPE |
| * | 109443-05-000 | EA | WHEEL COVER SET - GM 16" STAINLESS/8 LUG (1 SET=4 COVERS) |
| | 083425-14-000 | EA | TIRE - LT225/75R16 LRE - MICHELIN LTX M/S |
| | 083617-04-000 | EA | WHEEL - STEEL - 6" X 16" - FORD |
| * | 110435-13-000 | EA | LINER - WHEEL - SET OF 4 - 16" (8 HOLE) |
| | 077030-01-000 | EA | EXTENSION - VALVE STEM - 1.25" - METAL |
| | 095012-05-000 | EA | EXTENSION/VALVE STEM - LIVE - 5" |
| | 095012-06-000 | EA | STABILIZER/VALVE EXTENSION - LIVE - 2" |
| | 051377-04-000 | EA | VALVE STEM - .5" X 2" |

***COMPONENT PARTS LISTED LATER IN THIS GROUP**

COMPONENT PARTS FOR WHEEL, TIRE, COVERS &/OR LINERS

109443-05-000

| KEY | PART NUMBER | U/M | DESCRIPTION | VENDOR NO. |
|------------|--------------------|------------|--------------------------|-------------------|
| | 098532-01-700 | EA | COVER-LUG NUT (CHROME) | SHAU-LNC |
| | 109443-05-700 | EA | COVER-WHEEL, 16" SS EA=1 | SHFM16-CVR |

110435-13-000

| KEY | PART NUMBER | U/M | DESCRIPTION | VENDOR NO. |
|------------|--------------------|------------|----------------------------|-------------------|
| | 110435-01-711 | EA | DECAL-CENTER CAP, 2" | 2" DECAL |
| | 110435-10-705 | EA | TOOL/JAMB NUT INSTALLATION | V195P7-TOL |
| | 110435-13-700 | EA | LINER - WHEEL - FRONT | V160F7-FWC |
| | 110435-13-701 | EA | LINER - WHEEL - REAR | V160F7-RWC |
| | 110435-13-702 | EA | JAMB NUT W/COVER - 9/16" | V160F7-EJN |

BRAKELINE

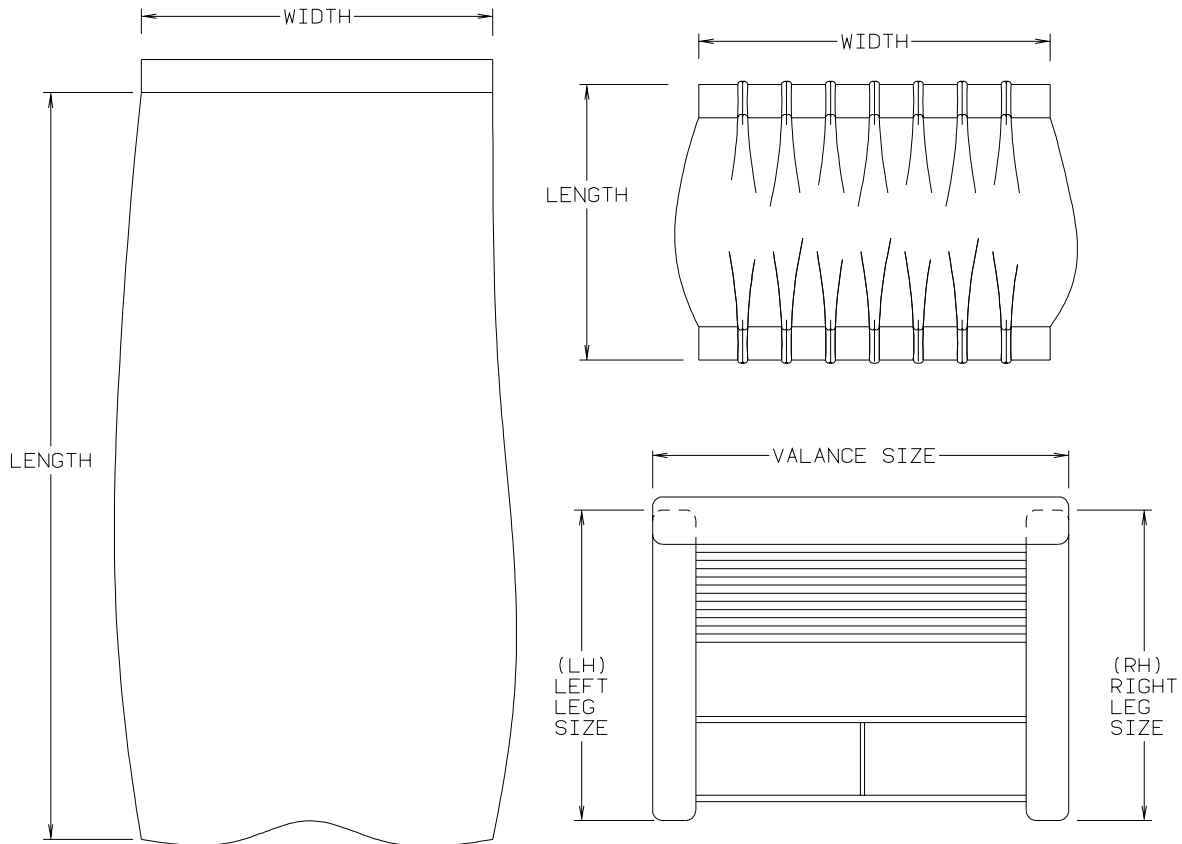
| KEY | PART NUMBER | U/M | DESCRIPTION |
|------------|--------------------|------------|---------------------------------------|
| | 088498-01-000 | EA | UNION - INVERTED FLARE - BRASS - 3/16 |

CURTAIN & CUSHION GROUP

NOTICE

IN ORDER TO ASSIST OUR PARTS SALES DEPT. IN PROVIDING INTERIOR SOFTWARE ITEMS, PLEASE INCLUDE THE SERIAL NUMBER AND THE COLOR CODE NUMBER FROM THE VEHICLE CERTIFICATION LABEL WHEN ORDERING. THIS LABEL IS LOCATED ON THE LEFT SIDEWALL AT THE END OF THE DASH (A-BODY), OR ON THE DRIVER'S DOOR LATCH PLATE (C-BODY).

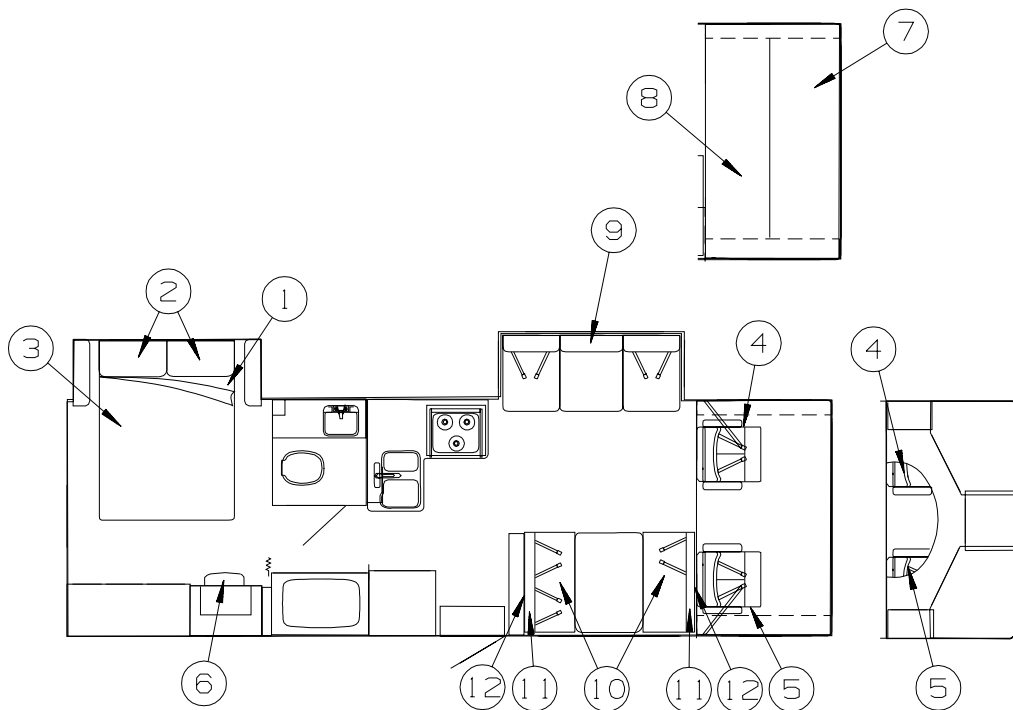
AN EXAMPLE OF A COLOR CODE NUMBER IS B07, WHICH DESIGNATES AN OVERALL COLOR SCHEME OF A PARTICULAR UNIT. THE COLOR LISTED AFTER THE ITEM DESCRIPTION ON THE MICROFICHE, INDICATES THE OVERALL UNIT COLOR. ORDER THE ITEM YOU DESIRE ACCORDING TO UNIT COLOR CODE. IF ALL COLORS USE THE SAME ITEM NO COLOR CODE WILL BE NOTED.



NOTE: USE THIS ILLUSTRATION WHEN DETERMINING LENGTH AND WIDTH MEASUREMENTS FOR CURTAINS. YOU WILL NOTE THE WIDTH MEASUREMENT IS TAKEN ON THE TOP OF THE CURTAIN WITH THE CURTAIN FULLY EXTENDED. THE LENGTH MEASUREMENT IS TAKEN FROM TOP TO BOTTOM. LEFT AND RIGHT WINDOW LEGS ARE DETERMINED WHEN FACING THE WINDOW.

CURTAIN & CUSHION GROUP (CONTINUED)

CUSHION LAYOUT



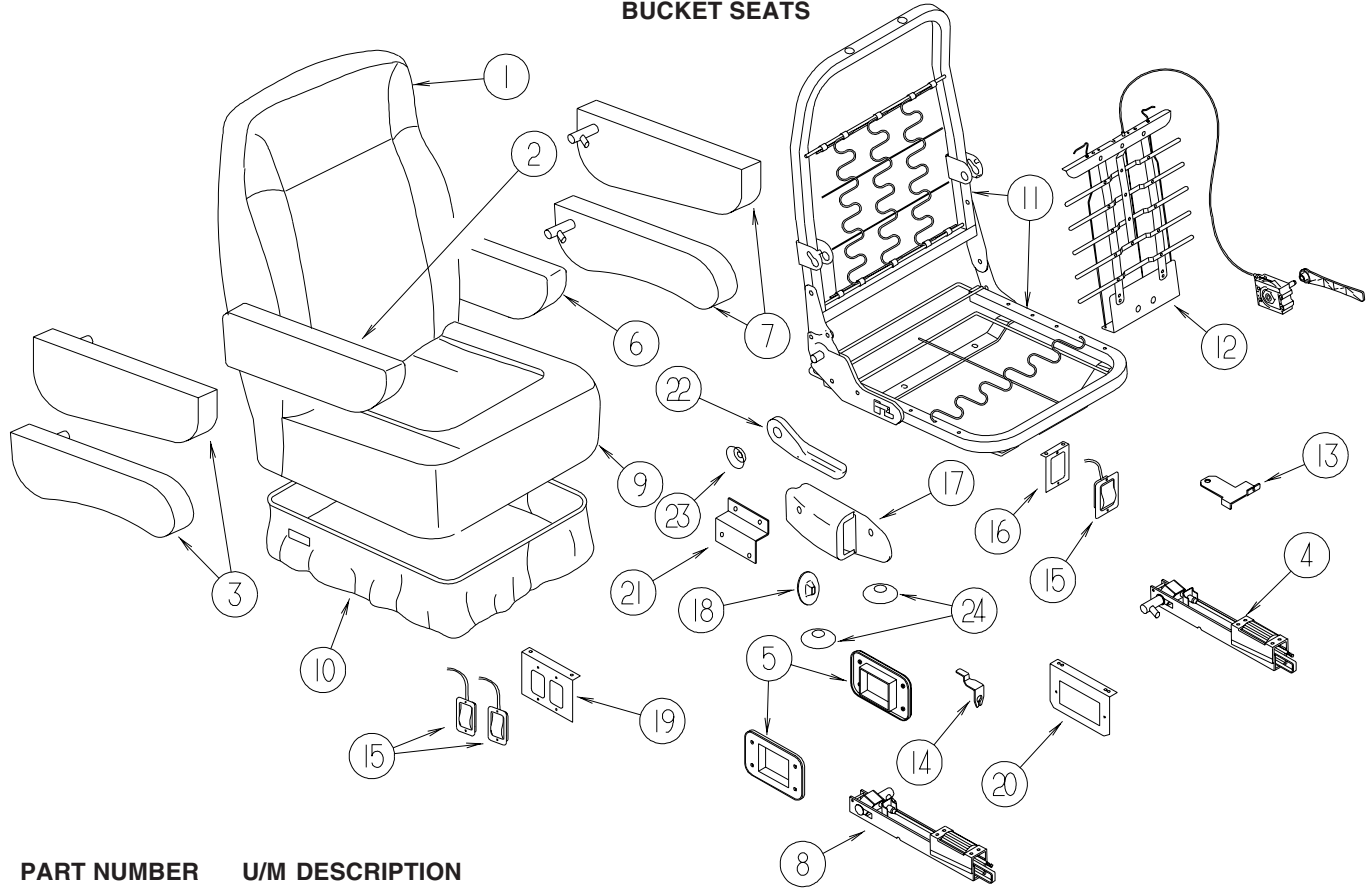
| KEY | PART NUMBER | U/M | DESCRIPTION |
|-----|---------------|-----|--|
| 1 | 123015-06-000 | EA | MATTRESS - INNERSPRING - 60" X 74.5" FROM: 00-00-00 THRU: 01-02-05 |
| 1 | 154430-01-000 | EA | MATTRESS - INNERSPRING - 60" X 74.5" FROM: 01-03-05 THRU: 99-99-99 |
| 2 | 104176-04-S04 | EA | PILLOW SHAM - 30" (S04, S91) |
| 2 | 104176-04-S05 | EA | PILLOW SHAM - 30" (S05, S92) |
| 2 | 104176-04-S06 | EA | PILLOW SHAM - 30" (S06, S93) |
| 3 | 132336-01-S04 | EA | BEDSPREAD/CAP - 60" X 75" (S04, S91) |
| 3 | 132336-01-S05 | EA | BEDSPREAD/CAP - 60" X 75" (S05, S92) |
| 3 | 132336-01-S06 | EA | BEDSPREAD/CAP - 60" X 75" (S06, S93) |
| 3 | 132336-01-S97 | EA | BEDSPREAD/CAP - 60" X 75" (S97) |
| 3 | 132336-01-S98 | EA | BEDSPREAD/CAP - 60" X 75" (S98) |
| 4 | 149587-01-S04 | EA | SEAT - BUCKET/DRIVER (S04, S91) |
| 4 | 149587-01-S05 | EA | SEAT - BUCKET/DRIVER (S05, S92) |
| 4 | 149587-01-S06 | EA | SEAT - BUCKET/DRIVER (S06, S93) |
| 4 | 149587-01-S97 | EA | SEAT - BUCKET/DRIVER (S97) |
| 4 | 149587-01-S98 | EA | SEAT - BUCKET/DRIVER (S98) |
| 4 | 149587-05-S04 | EA | SEAT - BUCKET/DRIVER - LEATHER - CAB SEATS-ULTRA LEATHER |
| 5 | 149587-02-S04 | EA | SEAT - BUCKET/PASSENGER (S04, S91) |
| 5 | 149587-02-S05 | EA | SEAT - BUCKET/PASSENGER (S05, S92) |
| 5 | 149587-02-S06 | EA | SEAT - BUCKET/PASSENGER (S06, S93) |
| 5 | 149587-02-S97 | EA | SEAT - BUCKET/PASSENGER (S97) |
| 5 | 149587-02-S98 | EA | SEAT - BUCKET/PASSENGER (S98) |
| 5 | 149587-06-S04 | EA | SEAT - BUCKET/PASSENGER - LEATHER - CAB SEATS-ULTRA LEATHER |
| 6 | 135600-W6-000 | EA | CHAIR - FOLDING - WILD RICE/PORTSMOUTH OAK (S04) FROM: 00-00-00 THRU: 07-18-04 |
| 6 | 150547-01-S04 | EA | CHAIR - VANITY (S04, S91) FROM: 07-19-04 THRU: 99-99-99 |
| 6 | 135600-W7-000 | EA | CHAIR - FOLDING - EAGAN SPRING/PORTSMOUTH OAK (S05) FROM: 00-00-00 THRU: 07-18-04 |
| 6 | 150547-01-S05 | EA | CHAIR - VANITY (S05, S92) FROM: 07-19-04 THRU: 99-99-99 |
| 6 | 135600-W8-000 | EA | CHAIR - FOLDING - RAFFIA/PORTSMOUTH OAK (S06) FROM: 00-00-00 THRU: 07-18-04 |
| 6 | 150547-01-S06 | EA | CHAIR - VANITY (S06, S93) FROM: 07-19-04 THRU: 99-99-99 |
| | 151827-01-01A | EA | PULL - VANITY STOOL - BRASS |

CURTAIN & CUSHION GROUP (CONTINUED)
CUSHION LAYOUT (CONTINUED)

| KEY | PART NUMBER | U/M | DESCRIPTION |
|-----|---------------|-----|---|
| 7 | 105573-18-S04 | EA | CUSHION - OVERHEAD BUNK/FRONT - 32.5" X 80" X 5" (S04, S91) |
| 7 | 105573-18-S05 | EA | CUSHION - OVERHEAD BUNK/FRONT - 32.5" X 80" X 5" (S05, S92) |
| 7 | 105573-18-S06 | EA | CUSHION - OVERHEAD BUNK/FRONT - 32.5" X 80" X 5" (S06, S93) |
| 7 | 105573-18-S97 | EA | CUSHION - OVERHEAD BUNK/FRONT - 32.5" X 80" X 5" (S97) |
| 7 | 105573-18-S98 | EA | CUSHION - OVERHEAD BUNK/FRONT - 32.5" X 80" X 5" (S98) |
| | P05573-18-S04 | EA | COVER - CUSHION/OVERHEAD/FRT BUNK -32.5"X80"X5"-DBL ANGLED (S04, S91) |
| | P05573-18-S05 | EA | COVER - CUSHION/OVERHEAD/FRT BUNK -32.5"X80"X5"-DBL ANGLED (S05, S92) |
| | P05573-18-S06 | EA | COVER - CUSHION/OVERHEAD/FRT BUNK -32.5"X80"X5"-DBL ANGLED (S06, S93) |
| | P05573-18-S97 | EA | COVER - CUSHION/OVERHEAD/FRT BUNK -32.5"X80"X5"-DBL ANGLED (S97) |
| | P05573-18-S98 | EA | COVER - CUSHION/OVERHEAD/FRT BUNK -32.5"X80"X5"-DBL ANGLED (S98) |
| 8 | 105573-21-S04 | EA | CUSHION - OVERHEAD BUNK/REAR - 27" X 23" X 80" X 5" (S04, S91) |
| 8 | 105573-21-S05 | EA | CUSHION - OVERHEAD BUNK/REAR - 27" X 23" X 80" X 5" (S05, S92) |
| 8 | 105573-21-S06 | EA | CUSHION - OVERHEAD BUNK/REAR - 27" X 23" X 80" X 5" (S06, S93) |
| 8 | 105573-21-S97 | EA | CUSHION - OVERHEAD BUNK/REAR - 27" X 23" X 80" X 5" (S97) |
| 8 | 105573-21-S98 | EA | CUSHION - OVERHEAD BUNK/REAR - 27" X 23" X 80" X 5" (S98) |
| | P05573-21-S04 | EA | COVER - CUSHION/OVERHEAD BUNK/REAR - 27" X 23" X 80" X 5" (S04, S91) |
| | P05573-21-S05 | EA | COVER - CUSHION/OVERHEAD BUNK/REAR - 27" X 23" X 80" X 5" (S05, S92) |
| | P05573-21-S06 | EA | COVER - CUSHION/OVERHEAD BUNK/REAR - 27" X 23" X 80" X 5" (S06, S93) |
| | P05573-21-S97 | EA | COVER - CUSHION/OVERHEAD BUNK/REAR - 27" X 23" X 80" X 5" (S97) |
| | P05573-21-S98 | EA | COVER - CUSHION/OVERHEAD BUNK/REAR - 27" X 23" X 80" X 5" (S98) |
| 9 | | | SEE SOFA AREA |
| 10 | 105603-23-S04 | EA | CUSHION - SEAT - 21" X 42" X 5" (S04, S91) |
| 10 | 105603-23-S05 | EA | CUSHION - SEAT - 21" X 42" X 5" (S05, S92) |
| 10 | 105603-23-S06 | EA | CUSHION - SEAT - 21" X 42" X 5" (S06, S93) |
| 10 | 105603-23-S97 | EA | CUSHION - SEAT - 21" X 42" X 5" (S97) |
| 10 | 105603-23-S98 | EA | CUSHION - SEAT - 21" X 42" X 5" (S98) |
| | P05603-23-S04 | EA | COVER - SEAT - 21" X 42" X 5" (S04, S91) |
| | P05603-23-S05 | EA | COVER - SEAT - 21" X 42" X 5" (S05, S92) |
| | P05603-23-S06 | EA | COVER - SEAT - 21" X 42" X 5" (S06, S93) |
| | P05603-23-S97 | EA | COVER - SEAT - 21" X 42" X 5" (S97) |
| | P05603-23-S98 | EA | COVER - SEAT - 21" X 42" X 5" (S98) |
| 11 | 111897-14-S04 | EA | CUSHION - BACK - 13.5" X 42" X 5" (S04, S91) |
| 11 | 111897-14-S05 | EA | CUSHION - BACK - 13.5" X 42" X 5" (S05, S92) |
| 11 | 111897-14-S06 | EA | CUSHION - BACK - 13.5" X 42" X 5" (S06, S93) |
| 11 | 111897-14-S97 | EA | CUSHION - BACK - 13.5" X 42" X 5" (S97) |
| 11 | 111897-14-S98 | EA | CUSHION - BACK - 13.5" X 42" X 5" (S98) |
| | P11897-14-S04 | EA | COVER - BACK - 13.5" X 42" X 5" (S04, S91) |
| | P11897-14-S05 | EA | COVER - BACK - 13.5" X 42" X 5" (S05, S92) |
| | P11897-14-S06 | EA | COVER - BACK - 13.5" X 42" X 5" (S06, S93) |
| | P11897-14-S97 | EA | COVER - BACK - 13.5" X 42" X 5" (S97) |
| | P11897-14-S98 | EA | COVER - BACK - 13.5" X 42" X 5" (S98) |
| 12 | 111338-11-S04 | EA | PAD - DINETTE SEATBACK (S04, S91) |
| 12 | 111338-11-S05 | EA | PAD - DINETTE SEATBACK (S05, S92) |
| 12 | 111338-11-S06 | EA | PAD - DINETTE SEATBACK (S06, S93) |
| 12 | 111338-11-S97 | EA | PAD - DINETTE SEATBACK (S97) |
| 12 | 111338-11-S98 | EA | PAD - DINETTE SEATBACK (S98) |

CURTAIN & CUSHION GROUP (CONTINUED)

BUCKET SEATS



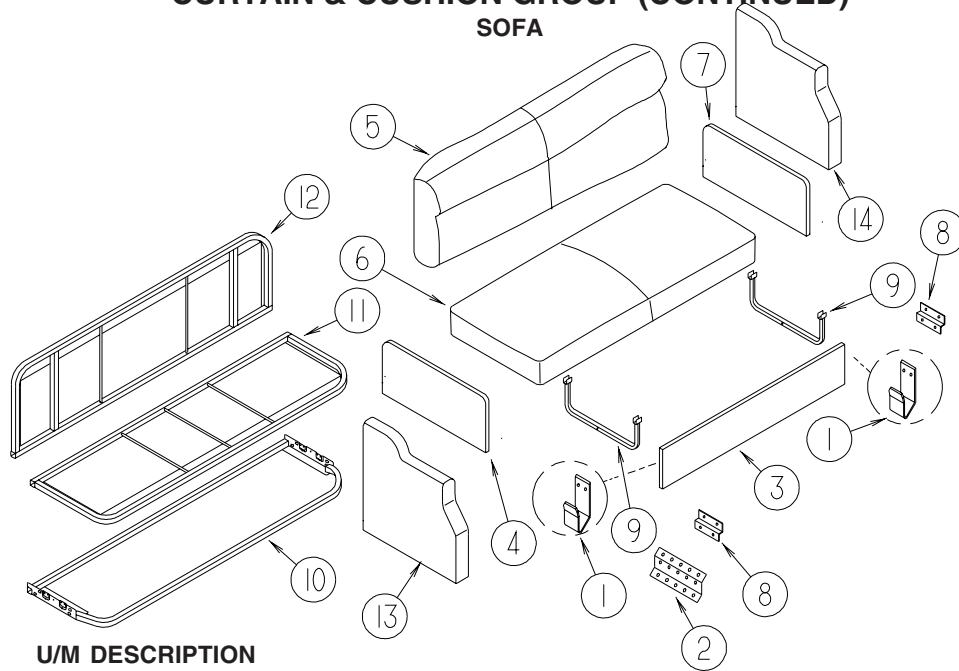
| KEY | PART NUMBER | U/M | DESCRIPTION |
|-----|---------------|-----|---|
| 1 | M05962-L3-S04 | EA | COVER/BACK (S04, S91) |
| 1 | M05962-L3-S05 | EA | COVER/BACK (S05, S92) |
| 1 | M05962-L3-S06 | EA | COVER/BACK (S06, S93) |
| 1 | M05962-L3-S97 | EA | COVER/BACK (S97, SX1) |
| 1 | M05962-L3-S98 | EA | COVER/BACK (S98) |
| 1 | M05962-M3-S04 | EA | COVER/BACK - LEATHER - CAB SEATS-ULTRALEATHER |
| 2 | 129666-07-S04 | EA | ARMREST - RIGHT HAND (S04, S91) |
| 2 | 129666-07-S05 | EA | ARMREST - RIGHT HAND (S05, S92) |
| 2 | 129666-07-S06 | EA | ARMREST - RIGHT HAND (S06, S93) |
| 2 | 129666-07-S97 | EA | ARMREST - RIGHT HAND (S97, SX1) |
| 2 | 129666-07-S98 | EA | ARMREST - RIGHT HAND (S98) |
| 2 | 129666-09-M04 | EA | ARMREST - RIGHT HAND - CAB SEATS-ULTRALEATHER |
| | P29666-07-S04 | EA | COVER/ARMREST - RIGHT HAND (S04, S91) |
| | P29666-07-S05 | EA | COVER/ARMREST - RIGHT HAND (S05, S92) |
| | P29666-07-S06 | EA | COVER/ARMREST - RIGHT HAND (S06, S93) |
| | P29666-07-S97 | EA | COVER/ARMREST - RIGHT HAND (S97, SX1) |
| | P29666-07-S98 | EA | COVER/ARMREST - RIGHT HAND (S98) |
| | P29666-09-M04 | EA | COVER/ARMREST - RIGHT HAND - CAB SEATS-ULTRALEATHER |
| 3 | 130698-01-000 | EA | ARMREST/MOLDED - RIGHT - W/O COVER |
| 4 | NOT USED | | |
| 5 | NOT USED | | |
| 6 | 129666-08-S04 | EA | ARMREST - LEFT HAND (S04, S91) |
| 6 | 129666-08-S05 | EA | ARMREST - LEFT HAND (S05, S92) |
| 6 | 129666-08-S06 | EA | ARMREST - LEFT HAND (S06, S93) |
| 6 | 129666-08-S97 | EA | ARMREST - LEFT HAND (S97, SX1) |
| 6 | 129666-08-S98 | EA | ARMREST - LEFT HAND (S98) |
| 6 | 129666-10-M04 | EA | ARMREST - LEFT HAND - CAB SEATS-ULTRALEATHER |
| | P29666-08-S04 | EA | COVER/ARMREST - LEFT HAND (S04, S91) |
| | P29666-08-S05 | EA | COVER/ARMREST - LEFT HAND (S05, S92) |
| | P29666-08-S06 | EA | COVER/ARMREST - LEFT HAND (S06, S93) |
| | P29666-08-S97 | EA | COVER/ARMREST - LEFT HAND (S97, SX1) |
| | P29666-08-S98 | EA | COVER/ARMREST - LEFT HAND (S98) |
| | P29666-10-M04 | EA | COVER/ARMREST - LEFT HAND - CAB SEATS-ULTRALEATHER |
| 7 | 130698-02-000 | EA | ARMREST/MOLDED - LEFT - W/O COVER |

CURTAIN & CUSHION GROUP (CONTINUED)
BUCKET SEATS (CONTINUED)

| KEY | PART NUMBER | U/M | DESCRIPTION |
|-----|---------------|-----|---|
| 8 | NOT USED | | |
| 9 | M05962-N9-S04 | EA | COVER/SEAT - PASSENGER (S04, S91) |
| 9 | M05962-N9-S05 | EA | COVER/SEAT - PASSENGER (S05, S92) |
| 9 | M05962-N9-S06 | EA | COVER/SEAT - PASSENGER (S06, S93) |
| 9 | M05962-N9-S97 | EA | COVER/SEAT - PASSENGER (S97, SX1) |
| 9 | M05962-N9-S98 | EA | COVER/SEAT - PASSENGER (S98) |
| 9 | M05962-P3-S04 | EA | COVER/SEAT - PASSENGER - CAB SEATS-ULTRALEATHER |
| 9 | M05962-P0-S04 | EA | COVER/SEAT - DRIVER (S04, S91) |
| 9 | M05962-P0-S05 | EA | COVER/SEAT - DRIVER (S05, S92) |
| 9 | M05962-P0-S06 | EA | COVER/SEAT - DRIVER (S06, S93) |
| 9 | M05962-P0-S97 | EA | COVER/SEAT - DRIVER (S97, SX1) |
| 9 | M05962-P0-S98 | EA | COVER/SEAT - DRIVER (S98) |
| 9 | M05962-P4-S04 | EA | COVER/SEAT - DRIVER - CAB SEATS-ULTRALEATHER |
| 10 | NOT USED | | |
| 11 | 132875-03-000 | EA | FRAME - RIGHT HAND CHAIR/TAPERED BACK |
| 11 | 132875-04-000 | EA | FRAME - LEFT HAND CHAIR/TAPERED BACK |
| 12 | NOT USED | | |
| 13 | NOT USED | | |
| 14 | NOT USED | | |
| 15 | NOT USED | | |
| 16 | NOT USED | | |
| 17 | NOT USED | | |
| 18 | NOT USED | | |
| 19 | NOT USED | | |
| 20 | NOT USED | | |
| 21 | 147457-01-02B | EA | BRACKET - ZEE W/HOLES - 2.8" - E-COATED |
| 22 | 130802-02-000 | EA | LEVER - RIGHT HAND |
| | 130802-01-000 | EA | LEVER - LEFT HAND |
| 23 | 130802-03-000 | EA | SCREW F/LEVER |
| 24 | 007221-01-000 | EA | SPACER - SEAT/ADJUSTER |
| | 029134-01-000 | EA | CLIP - FINISH - UPHOLSTERY |

CURTAIN & CUSHION GROUP (CONTINUED)

SOFA

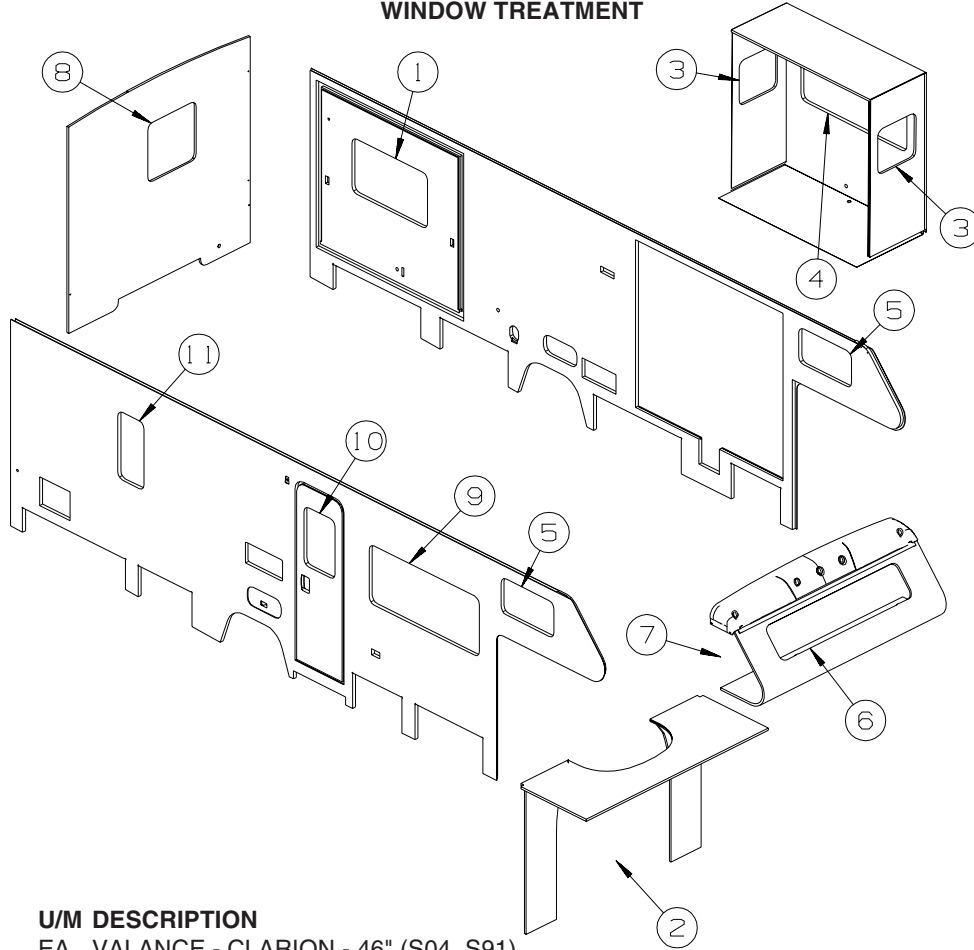


| KEY | PART NUMBER | U/M | DESCRIPTION |
|-----|---------------|-----|--|
| 1 | 121906-01-02B | EA | BRACKET - KICKBOARD - E-COATED |
| 2 | 116104-04-02B | EA | BRACKET - ZEE W/HOLES - 3.2" - E-COATED - MOUNTS ARM TO FLOOR |
| 3 | 120992-18-S04 | EA | PANEL/FRONT KICK - SOFA/BED - 70" - FABRIC COVERED (S04, S91) |
| 3 | 120992-18-S05 | EA | PANEL/FRONT KICK - SOFA/BED - 70" - FABRIC COVERED (S05, S92) |
| 3 | 120992-18-S06 | EA | PANEL/FRONT KICK - SOFA/BED - 70" - FABRIC COVERED (S06, S93) |
| 3 | 120992-18-S97 | EA | PANEL/FRONT KICK - SOFA/BED - 70" - FABRIC COVERED (S97) |
| 3 | 120992-18-S98 | EA | PANEL/FRONT KICK - SOFA/BED - 70" - FABRIC COVERED (S98) |
| 4 | 134282-01-S04 | EA | PANEL - RIGHT END/SHORT - SOFA/BED - FABRIC COVERED (S04, S91) |
| 4 | 134282-01-S05 | EA | PANEL - RIGHT END/SHORT - SOFA/BED - FABRIC COVERED (S05, S92) |
| 4 | 134282-01-S06 | EA | PANEL - RIGHT END/SHORT - SOFA/BED - FABRIC COVERED (S06, S93) |
| 4 | 134282-01-S97 | EA | PANEL - RIGHT END/SHORT - SOFA/BED - FABRIC COVERED (S97) |
| 4 | 134282-01-S98 | EA | PANEL - RIGHT END/SHORT - SOFA/BED - FABRIC COVERED (S98) |
| 5 | 135138-12-S04 | EA | BACK - SOFA/BED - 70" (S04, S91) |
| 5 | 135138-12-S05 | EA | BACK - SOFA/BED - 70" (S05, S92) |
| 5 | 135138-12-S06 | EA | BACK - SOFA/BED - 70" (S06, S93) |
| 5 | 135138-12-S97 | EA | BACK - SOFA/BED - 70" (S97) |
| 5 | 135138-12-S98 | EA | BACK - SOFA/BED - 70" (S98) |
| | P35138-12-S04 | EA | COVER/BACK - SOFA/BED - 70" (S04, S91) |
| | P35138-12-S05 | EA | COVER/BACK - SOFA/BED - 70" (S05, S92) |
| | P35138-12-S06 | EA | COVER/BACK - SOFA/BED - 70" (S06, S93) |
| | P35138-12-S97 | EA | COVER/BACK - SOFA/BED - 70" (S97) |
| | P35138-12-S98 | EA | COVER/BACK - SOFA/BED - 70" (S98) |
| 6 | 136278-12-S04 | EA | SEAT - SOFA/BED - 70" (S04, S91) |
| 6 | 136278-12-S05 | EA | SEAT - SOFA/BED - 70" (S05, S92) |
| 6 | 136278-12-S06 | EA | SEAT - SOFA/BED - 70" (S06, S93) |
| 6 | 136278-12-S97 | EA | SEAT - SOFA/BED - 70" (S97) |
| 6 | 136278-12-S98 | EA | SEAT - SOFA/BED - 70" (S98) |
| | P36278-12-S04 | EA | COVER/SEAT - SOFA/BED - 70" (S04, S91) |
| | P36278-12-S05 | EA | COVER/SEAT - SOFA/BED - 70" (S05, S92) |
| | P36278-12-S06 | EA | COVER/SEAT - SOFA/BED - 70" (S06, S93) |
| | P36278-12-S97 | EA | COVER/SEAT - SOFA/BED - 70" (S97) |
| | P36278-12-S98 | EA | COVER/SEAT - SOFA/BED - 70" (S98) |
| 7 | 134282-02-S04 | EA | PANEL - LEFT END/SHORT - SOFA/BED - FABRIC COVERED (S04, S91) |
| 7 | 134282-02-S05 | EA | PANEL - LEFT END/SHORT - SOFA/BED - FABRIC COVERED (S05, S92) |
| 7 | 134282-02-S06 | EA | PANEL - LEFT END/SHORT - SOFA/BED - FABRIC COVERED (S06, S93) |
| 7 | 134282-02-S97 | EA | PANEL - LEFT END/SHORT - SOFA/BED - FABRIC COVERED (S97) |
| 7 | 134282-02-S98 | EA | PANEL - LEFT END/SHORT - SOFA/BED - FABRIC COVERED (S98) |
| 8 | 101926-01-02A | EA | BRACKET - ZEE - 2" - BLACK |
| 9 | 127335-07-000 | EA | LEG - SOFA/BED - 8" |

CURTAIN & CUSHION GROUP (CONTINUED)
SOFA (CONTINUED)

| KEY | PART NUMBER | U/M | DESCRIPTION |
|------------|--------------------|------------|---|
| 10 | 132870-03-000 | EA | FRAME/BASE - 70" - CUSTOM LOUNGE FROM: 00-00-00 THRU: 03-24-05 |
| 10 | 151290-21-000 | EA | FRAME - BASE - 27.25" X 70" FROM: 03-25-05 THRU: 99-99-99 |
| | 136534-15-001 | EA | MOTOR - DRIVE - REST EASY SOFA |
| 11 | 151290-06-000 | EA | FRAME - SEAT - 70" |
| 12 | 132870-01-000 | EA | FRAME/BACK - 70" - CUSTOM LOUNGE |
| 13 | NOT USED | | |
| 14 | NOT USED | | |

CURTAIN & CUSHION GROUP (CONTINUED)
WINDOW TREATMENT

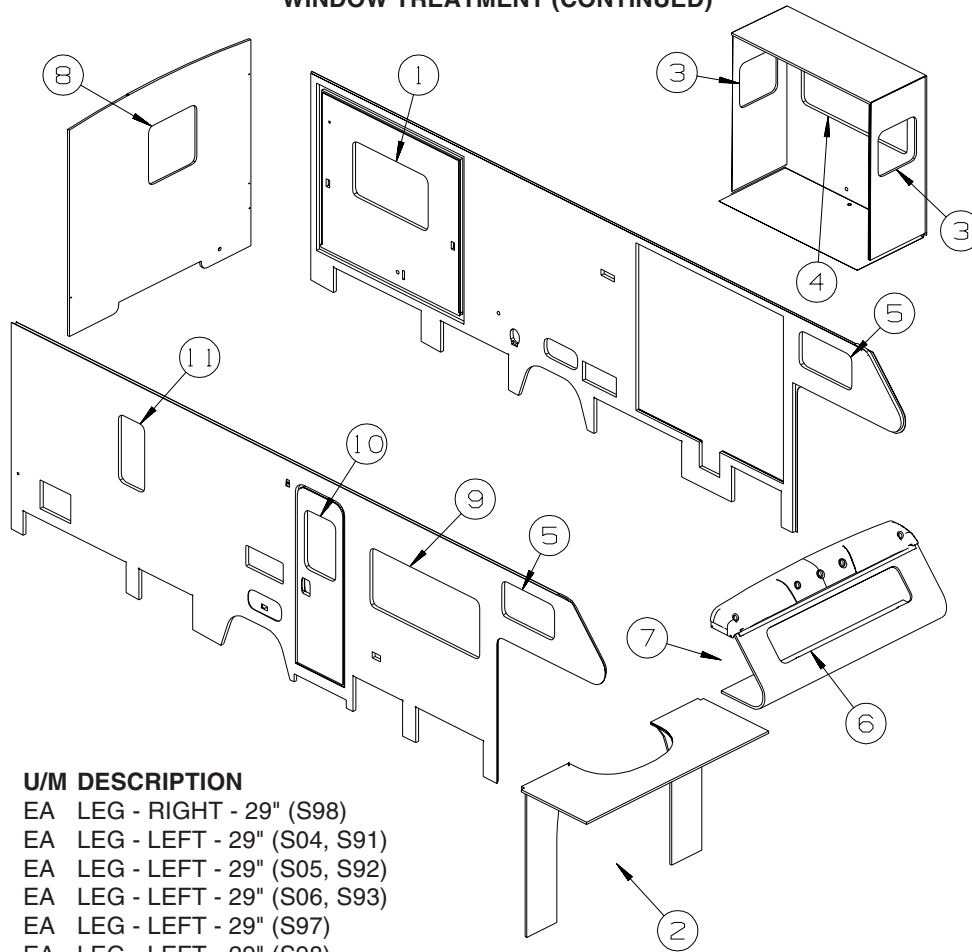


| KEY | PART NUMBER | U/M | DESCRIPTION |
|-----|---------------|-----|--|
| 1 | 149263-04-S04 | EA | VALANCE - CLARION - 46" (S04, S91) |
| 1 | 149263-04-S05 | EA | VALANCE - CLARION - 46" (S05, S92) |
| 1 | 149263-04-S06 | EA | VALANCE - CLARION - 46" (S06, S93) |
| 1 | 152170-03-S97 | EA | VALANCE - JACOB - 46" (S97) |
| 1 | 152170-03-S98 | EA | VALANCE - JACOB - 46" (S98) |
| 1 | 152664-21-S04 | EA | LEG - RIGHT - 29" (S04, S91) |
| 1 | 152664-21-S05 | EA | LEG - RIGHT - 29" (S05, S92) |
| 1 | 152664-21-S06 | EA | LEG - RIGHT - 29" (S06, S93) |
| 1 | 136988-51-S97 | EA | LEG - RIGHT - 29" (S97) |
| 1 | 136988-51-S98 | EA | LEG - RIGHT - 29" (S98) |
| 1 | 152664-22-S04 | EA | LEG - LEFT - 29" (S04, S91) |
| 1 | 152664-22-S05 | EA | LEG - LEFT - 29" (S05, S92) |
| 1 | 152664-22-S06 | EA | LEG - LEFT - 29" (S06, S93) |
| 1 | 136988-52-S97 | EA | LEG - LEFT - 29" (S97) |
| 1 | 136988-52-S98 | EA | LEG - LEFT - 29" (S98) |
| 1 | 140789-02-N02 | EA | BLIND - DAY/NIGHTER - 43" X 28" (S04, S05, S06, S91, S92, S93) |
| 1 | 109802-64-N21 | EA | BLIND - PLEATED - 43" X 28" (S97, S98) |
| 2 | 076892-30-S04 | EA | CURTAIN - CAB PRIVACY - 47.5" X 74" (S04, S91) |
| 2 | 076892-30-P08 | EA | CURTAIN - CAB PRIVACY - 47.5" X 74" (S05, S92) |
| 2 | 076892-30-S06 | EA | CURTAIN - CAB PRIVACY - 47.5" X 74" (S06, S93) |
| 2 | 076892-30-S97 | EA | CURTAIN - CAB PRIVACY - 47.5" X 74" (S97) |
| 2 | 076892-30-S96 | EA | CURTAIN - CAB PRIVACY - 47.5" X 74" (S98) |
| 2 | 076892-29-S04 | EA | CURTAIN - CAB PRIVACY - 47.5" X 74" (S04, S91) - TV-24" COLOR, STEREO W/REMOTE |
| 2 | 076892-29-P08 | EA | CURTAIN - CAB PRIVACY - 47.5" X 74" (S05, S92) - TV-24" COLOR, STEREO W/REMOTE |
| 2 | 076892-29-S06 | EA | CURTAIN - CAB PRIVACY - 47.5" X 74" (S06, S93) - TV-24" COLOR, STEREO W/REMOTE |
| 2 | 076892-29-S97 | EA | CURTAIN - CAB PRIVACY - 47.5" X 74" (S97) - TV-24" COLOR, STEREO W/REMOTE |
| 2 | 076892-29-S98 | EA | CURTAIN - CAB PRIVACY - 47.5" X 74" (S98) - TV-24" COLOR, STEREO W/REMOTE |
| 3 | 149263-03-S04 | EA | VALANCE - CLARION - 26" (S04, S91) |
| 3 | 149263-03-S05 | EA | VALANCE - CLARION - 26" (S05, S92) |
| 3 | 149263-03-S06 | EA | VALANCE - CLARION - 26" (S06, S93) |
| 3 | 152664-01-S04 | EA | LEG - RIGHT - 21.5" (S04, S91) |
| 3 | 152664-01-S05 | EA | LEG - RIGHT - 21.5" (S05, S92) |
| 3 | 152664-01-S06 | EA | LEG - RIGHT - 21.5" (S06, S93) |
| 3 | 152664-02-S04 | EA | LEG - LEFT - 21.5" (S04, S91) |

CURTAIN & CUSHION GROUP (CONTINUED)
WINDOW TREATMENT (CONTINUED)

| KEY | PART NUMBER | U/M | DESCRIPTION |
|-----|---------------|-----|--|
| 3 | 152664-02-S05 | EA | LEG - LEFT - 21.5" (S05, S92) |
| 3 | 152664-02-S06 | EA | LEG - LEFT - 21.5" (S06, S93) |
| 3 | 140789-07-N02 | EA | BLIND - DAY/NIGHTER - 22.5" X 23" (S04, S05, S06, S91, S92, S93) |
| 4 | 149263-02-S04 | EA | VALANCE - CLARION - 63" (S04, S91) |
| 4 | 149263-02-S05 | EA | VALANCE - CLARION - 63" (S05, S92) |
| 4 | 149263-02-S06 | EA | VALANCE - CLARION - 63" (S06, S93) |
| 4 | 152170-01-S97 | EA | VALANCE - JACOB - 63" (S97) |
| 4 | 152170-01-S98 | EA | VALANCE - JACOB - 63" (S98) |
| 4 | 152445-03-S04 | EA | LEG - RIGHT - 23.5" (S04, S91) |
| 4 | 152445-03-S05 | EA | LEG - RIGHT - 23.5" (S05, S92) |
| 4 | 152445-03-S06 | EA | LEG - RIGHT - 23.5" (S06, S93) |
| 4 | 136988-D6-S97 | EA | LEG - RIGHT - 26" (S97) |
| 4 | 136988-D6-S98 | EA | LEG - RIGHT - 26" (S98) |
| 4 | 152445-04-S04 | EA | LEG - LEFT - 23.5" (S04, S91) |
| 4 | 152445-04-S05 | EA | LEG - LEFT - 23.5" (S05, S92) |
| 4 | 152445-04-S06 | EA | LEG - LEFT - 23.5" (S06, S93) |
| 4 | 136988-D7-S98 | EA | LEG - LEFT - 26" (S98) |
| 4 | 136988-D7-S97 | EA | LEG - LEFT - 26" (S97) |
| 4 | 140789-08-N02 | EA | BLIND - DAY/NIGHTER - 59" X 26.5" (S04, S05, S06, S91, S92, S93) |
| 4 | 109802-27-L02 | EA | BLIND - PLEATED - 59" X 26.5" (S97, S98) |
| 5 | 101034-63-S04 | EA | CURTAIN - PRIVACY/RIGHT HAND - 19.5" X 31" (S04, S91) |
| 5 | 101034-63-P08 | EA | CURTAIN - PRIVACY/RIGHT HAND - 19.5" X 31" (S05, S92) |
| 5 | 101034-63-S06 | EA | CURTAIN - PRIVACY/RIGHT HAND - 19.5" X 31" (S06, S93) |
| 5 | 101034-63-S97 | EA | CURTAIN - PRIVACY/RIGHT HAND - 19.5" X 31" (S97) |
| 5 | 101034-63-S96 | EA | CURTAIN - PRIVACY/RIGHT HAND - 19.5" X 31" (S98) |
| 5 | 101034-64-S04 | EA | CURTAIN - PRIVACY/LEFT HAND - 19.5" X 31" (S04, S91) |
| 5 | 101034-64-P08 | EA | CURTAIN - PRIVACY/LEFT HAND - 19.5" X 31" (S05, S92) |
| 5 | 101034-64-S06 | EA | CURTAIN - PRIVACY/LEFT HAND - 19.5" X 31" (S06, S93) |
| 5 | 101034-64-S97 | EA | CURTAIN - PRIVACY/LEFT HAND - 19.5" X 31" (S97) |
| 5 | 101034-64-S96 | EA | CURTAIN - PRIVACY/LEFT HAND - 19.5" X 31" (S98) |
| 6 | 101034-66-S04 | EA | CURTAIN - PRIVACY/RIGHT HAND - 19" X 56" (S04, S91) |
| 6 | 101034-66-P08 | EA | CURTAIN - PRIVACY/RIGHT HAND - 19" X 56" (S05, S92) |
| 6 | 101034-66-S06 | EA | CURTAIN - PRIVACY/RIGHT HAND - 19" X 56" (S06, S93) |
| 6 | 101034-66-S97 | EA | CURTAIN - PRIVACY/RIGHT HAND - 19" X 56" (S97) |
| 6 | 101034-66-S96 | EA | CURTAIN - PRIVACY/RIGHT HAND - 19" X 56" (S98) |
| 6 | 101034-67-S04 | EA | CURTAIN - PRIVACY/LEFT HAND - 19" X 56" (S04, S91) |
| 6 | 101034-67-P08 | EA | CURTAIN - PRIVACY/LEFT HAND - 19" X 56" (S05, S92) |
| 6 | 101034-67-S06 | EA | CURTAIN - PRIVACY/LEFT HAND - 19" X 56" (S06, S93) |
| 6 | 101034-67-S97 | EA | CURTAIN - PRIVACY/LEFT HAND - 19" X 56" (S97) |
| 6 | 101034-67-S96 | EA | CURTAIN - PRIVACY/LEFT HAND - 19" X 56" (S98) |
| 7 | 101668-39-S04 | EA | CURTAIN - PRIVACY/BUNK/RIGHT HAND - 35" X 50" (S04, S91) |
| 7 | 101668-39-P08 | EA | CURTAIN - PRIVACY/BUNK/RIGHT HAND - 35" X 50" (S05, S92) |
| 7 | 101668-39-S06 | EA | CURTAIN - PRIVACY/BUNK/RIGHT HAND - 35" X 50" (S06, S93) |
| 7 | 101668-39-S97 | EA | CURTAIN - PRIVACY/BUNK/RIGHT HAND - 35" X 50" (S97) |
| 7 | 101668-39-S96 | EA | CURTAIN - PRIVACY/BUNK/RIGHT HAND - 35" X 50" (S98) |
| 7 | 101668-40-S04 | EA | CURTAIN - PRIVACY/BUNK/LEFT HAND - 35" X 50" (S04, S91) |
| 7 | 101668-40-P08 | EA | CURTAIN - PRIVACY/BUNK/LEFT HAND - 35" X 50" (S05, S92) |
| 7 | 101668-40-S06 | EA | CURTAIN - PRIVACY/BUNK/LEFT HAND - 35" X 50" (S06, S93) |
| 7 | 101668-40-S97 | EA | CURTAIN - PRIVACY/BUNK/LEFT HAND - 35" X 50" (S97) |
| 7 | 101668-40-S96 | EA | CURTAIN - PRIVACY/BUNK/LEFT HAND - 35" X 50" (S98) |
| 7 | 073260-23-S04 | EA | TIEBACK - 3" X 18" (S04, S91) |
| 7 | 073260-23-P08 | EA | TIEBACK - 3" X 18" (S05, S92) |
| 7 | 073260-23-S06 | EA | TIEBACK - 3" X 18" (S06, S93) |
| 7 | 073260-23-S97 | EA | TIEBACK - 3" X 18" (S97) |
| 7 | 073260-23-S96 | EA | TIEBACK - 3" X 18" (S98) |
| 8 | 149263-05-S04 | EA | VALANCE - CLARION - 31" (S04, S91) |
| 8 | 149263-05-S05 | EA | VALANCE - CLARION - 31" (S05, S92) |
| 8 | 149263-05-S06 | EA | VALANCE - CLARION - 31" (S06, S93) |
| 8 | 152170-05-S97 | EA | VALANCE - JACOB - 31" (S97) |
| 8 | 152170-05-S98 | EA | VALANCE - JACOB - 31" (S98) |
| 8 | 152664-21-S04 | EA | LEG - RIGHT - 29" (S04, S91) |
| 8 | 152664-21-S05 | EA | LEG - RIGHT - 29" (S05, S92) |
| 8 | 152664-21-S06 | EA | LEG - RIGHT - 29" (S06, S93) |
| 8 | 136988-51-S97 | EA | LEG - RIGHT - 29" (S97) |

CURTAIN & CUSHION GROUP (CONTINUED)
WINDOW TREATMENT (CONTINUED)



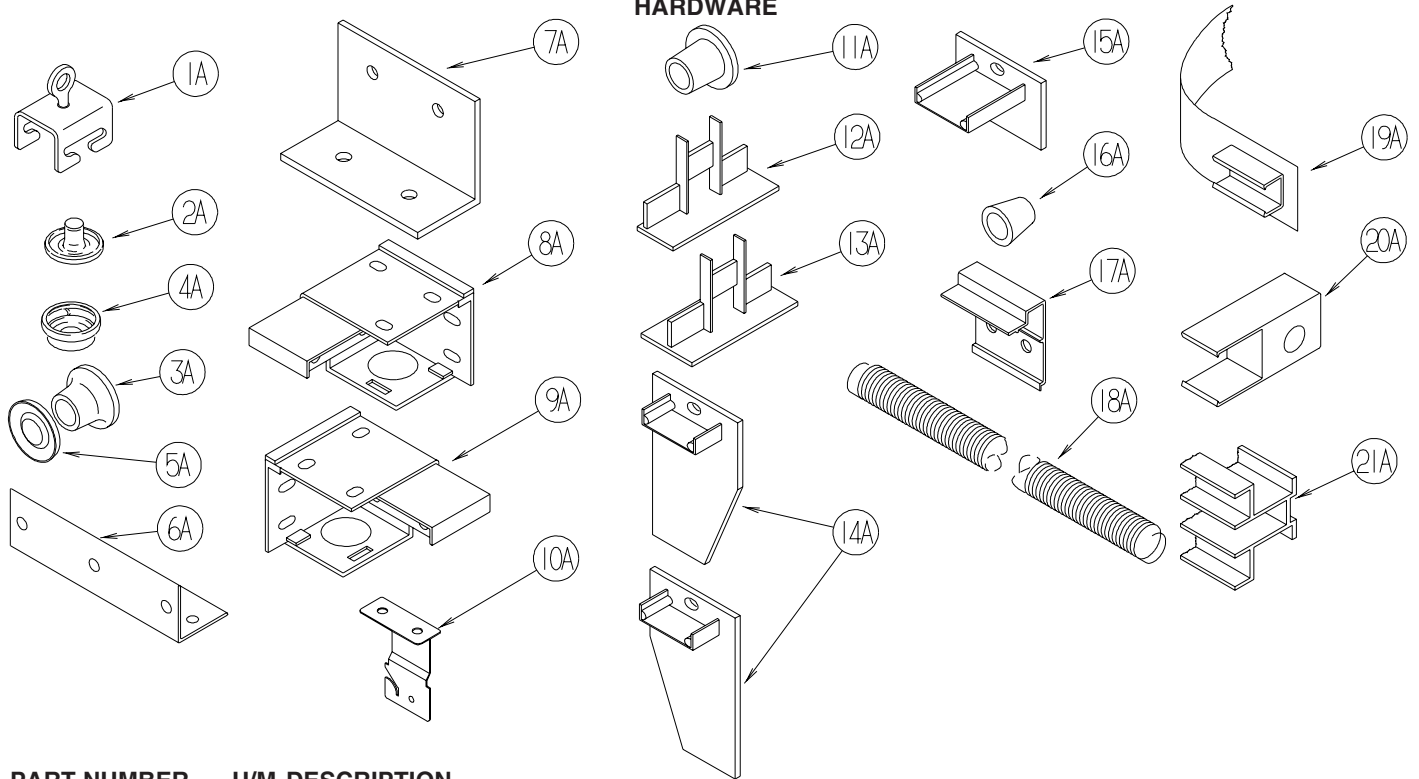
| KEY | PART NUMBER | U/M | DESCRIPTION |
|-----|---------------|-----|--|
| 8 | 136988-51-S98 | EA | LEG - RIGHT - 29" (S98) |
| 8 | 152664-22-S04 | EA | LEG - LEFT - 29" (S04, S91) |
| 8 | 152664-22-S05 | EA | LEG - LEFT - 29" (S05, S92) |
| 8 | 152664-22-S06 | EA | LEG - LEFT - 29" (S06, S93) |
| 8 | 136988-52-S97 | EA | LEG - LEFT - 29" (S97) |
| 8 | 136988-52-S98 | EA | LEG - LEFT - 29" (S98) |
| 8 | 140789-06-N30 | EA | BLIND - DAY/NIGHTER - 28" X 28" (S04, S05, S06, S91, S92, S93) |
| 8 | 109802-54-S95 | EA | BLIND - PLEATED - 28" X 28" (S97, S98) |
| 9 | 149263-01-S04 | EA | VALANCE - CLARION - 65" (S04, S91) |
| 9 | 149263-01-S05 | EA | VALANCE - CLARION - 65" (S05, S92) |
| 9 | 149263-01-S06 | EA | VALANCE - CLARION - 65" (S06, S93) |
| 9 | 152170-04-S97 | EA | VALANCE - JACOB - 65" (S97) |
| 9 | 152170-04-S98 | EA | VALANCE - JACOB - 65" (S98) |
| 9 | 152445-01-S04 | EA | LEG - RIGHT - 25" (S04, S91) |
| 9 | 152445-01-S05 | EA | LEG - RIGHT - 25" (S05, S92) |
| 9 | 152445-01-S06 | EA | LEG - RIGHT - 25" (S06, S93) |
| 9 | 136988-D6-S97 | EA | LEG - RIGHT - 26" (S97) |
| 9 | 136988-D6-S98 | EA | LEG - RIGHT - 26" (S98) |
| 9 | 152445-02-S04 | EA | LEG - LEFT - 25" (S04, S91) |
| 9 | 152445-02-S05 | EA | LEG - LEFT - 25" (S05, S92) |
| 9 | 152445-02-S06 | EA | LEG - LEFT - 25" (S06, S93) |
| 9 | 136988-D7-S97 | EA | LEG - LEFT - 26" (S97) |
| 9 | 136988-D7-S98 | EA | LEG - LEFT - 26" (S98) |
| 9 | 140789-14-N02 | EA | BLIND - DAY/NIGHTER - 61" X 28.5" (S04, S05, S06, S91, S92, S93) |
| 9 | 109802-58-S97 | EA | BLIND - PLEATED - 61" X 28.5" (S97, S98) |
| 10 | 121410-E2-S04 | EA | VALANCE - MODERATE - 31" (S04, S91) |
| 10 | 121410-E2-S05 | EA | VALANCE - MODERATE - 31" (S05, S92) |
| 10 | 121410-E2-S06 | EA | VALANCE - MODERATE - 31" (S06, S93) |
| 10 | 116582-06-000 | EA | VALANCE - ENTRY DOOR - 31" X 5" (S04, S05, S06, S91, S92, S93) |
| 10 | 084755-57-P37 | EA | SHADE - PULL - 27.25" (S04, S05, S06, S91, S92, S93) |
| 11 | 149263-06-S04 | EA | VALANCE - CLARION - 19" (S04, S91) |
| 11 | 149263-06-S05 | EA | VALANCE - CLARION - 19" (S05, S92) |
| 11 | 149263-06-S06 | EA | VALANCE - CLARION - 19" (S06, S93) |
| 11 | 152170-06-S97 | EA | VALANCE - JACOB - 19" (S97) |
| 11 | 152170-06-S98 | EA | VALANCE - JACOB - 19" (S98) |
| 11 | 152664-23-S04 | EA | LEG - RIGHT - 26" (S04, S91) |
| 11 | 152664-23-S05 | EA | LEG - RIGHT - 26" (S05, S92) |
| 11 | 152664-23-S06 | EA | LEG - RIGHT - 26" (S06, S93) |

CURTAIN & CUSHION GROUP (CONTINUED)
WINDOW TREATMENT (CONTINUED)

| KEY | PART NUMBER | U/M | DESCRIPTION |
|------------|--------------------|------------|--|
| 11 | 136988-37-S97 | EA | LEG - RIGHT - 26" (S97) |
| 11 | 136988-37-S98 | EA | LEG - RIGHT - 26" (S98) |
| 11 | 152664-24-S04 | EA | LEG - LEFT - 26" (S04, S91) |
| 11 | 152664-24-S05 | EA | LEG - LEFT - 26" (S05, S92) |
| 11 | 152664-24-S06 | EA | LEG - LEFT - 26" (S06, S93) |
| 11 | 136988-38-S97 | EA | LEG - LEFT - 26" (S97) |
| 11 | 136988-38-S98 | EA | LEG - LEFT - 26" (S98) |
| 11 | 140789-23-N02 | EA | BLIND - DAY/NIGHTER - 15.5" X 33" (S04, S05, S06, S91, S92, S93) |
| 11 | 109802-41-S95 | EA | BLIND - PLEATED - 15.5" X 33" (S97, S98) |

CURTAIN & CUSHION GROUP (CONTINUED)

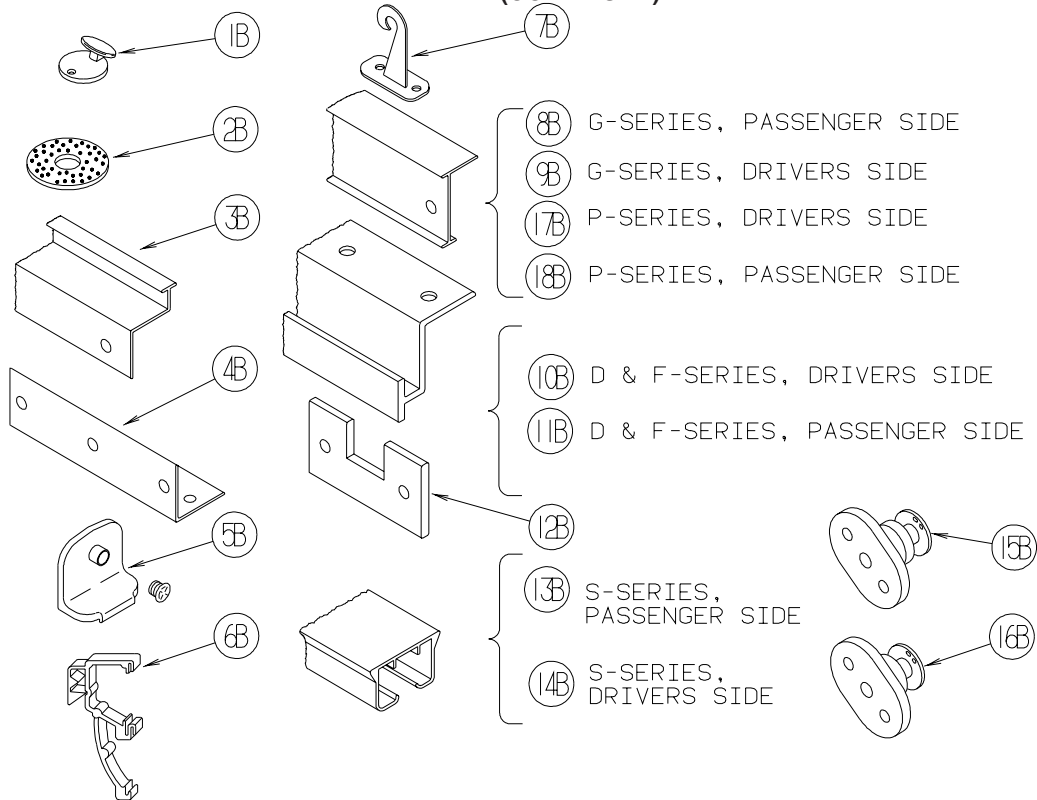
HARDWARE



| KEY | PART NUMBER | U/M | DESCRIPTION |
|-----|---------------|-----|---|
| 1A | 009702-01-000 | EA | END STOP - CURTAIN CARRIER - L ROD |
| 2A | 029155-01-000 | EA | CAP - SNAP - 5/32" OUTSIDE DIAMETER OF PIN |
| 3A | 029156-01-000 | EA | SOCKET - SNAP - 9/16" O.D. |
| 4A | 046867-02-000 | EA | WASHER - HANDY BUTTON #3 |
| 5A | 046867-03-000 | EA | GROMMET - HANDY BUTTON #3 |
| 6A | 075943-10-000 | EA | BRACE - VALANCE - 20" - OFF WHITE |
| 7A | 083125-08-000 | EA | BRACE - WINDOW MOUNT - .75" - OFF WHITE |
| 8A | 083170-01-000 | EA | BRACKET/BLIND - LEFT SIDE WHEN FACING WINDOW - CLEAR |
| 9A | 083170-02-000 | EA | BRACKET/BLIND - RIGHT SIDE WHEN FACING WINDOW - CLEAR |
| 10A | 084434-01-000 | EA | BRACKET - MOUNTING - ROLLER SHADE - 1 3/8" |
| 11A | 094896-02-000 | EA | GROMMET - CORD/PLEATED BLIND - NYLON - GRAY |
| 12A | 094907-02-000 | EA | END CAP - PLEATED BLIND/TOP - RH/LH - GRAY PLASTIC |
| 13A | 094907-04-000 | EA | END CAP - PLEATED BLIND/BOTTOM - RH/LH |
| 14A | 094907-05-000 | EA | END CAP - PLEATED BLIND/BOTTOM - PULL TYPE - PLASTIC |
| 15A | 094907-06-000 | EA | END CAP/BLIND - TOP RH/LH |
| | 094907-09-000 | EA | END CAP/BLIND - CENTER RAIL - RH/LH |
| 16A | 097564-03-000 | EA | HANDLE - KNOB - E-Z LIFT SHADE - TAN |
| 16A | 097564-06-000 | EA | HANDLE - KNOB - E-Z LIFT SHADE - ALABASTER |
| | 097593-02-000 | FT | CORD - BLIND - PLEATED - GRAY |
| | 097593-06-000 | FT | CORD - BLIND - PLEATED - PEWTER |
| | 097593-10-000 | FT | CORD - BLIND - PLEATED - VANILLA |
| | 109353-09-01A | EA | BLIND - SLAT - 21' - ALABASTER PEARL |
| 17A | 097565-01-000 | EA | BRACKET - MOUNTING - PLEATED BLIND |
| 18A | 097591-01-000 | EA | SPRING - EXTENSION - PLEATED BLIND |
| 19A | 101031-01-000 | YD | TAPE/GLIDE - 4.25" SPACING |
| 20A | 101033-02-000 | EA | END CAP - LOW PROFILE TRACK - CLEAR |
| 21A | 101033-08-000 | EA | TRACK/WALL - 75" - FRT BUNK WINDOW MINNIE/SPIRIT 300-SERIES |
| 21A | 101033-09-000 | EA | TRACK/WALL - 32" - SIDE BUNK WINDOW MINNIE/SPIRIT 300-SERIES |

CURTAIN & CUSHION GROUP (CONTINUED)

HARDWARE (CONTINUED)



| KEY | PART NUMBER | U/M DESCRIPTION |
|-----|---------------|---|
| 1B | 102555-03-000 | EA BRACKET - (CLEAT TYPE) - F/BLIND HOLDDOWN - MILKY WHITE |
| 2B | 103242-01-000 | EA VELCRO HOOK - BEIGE 7/8" ROUND W/CENTER HOLE |
| 2B | 103242-02-000 | EA VELCRO HOOK - BLACK 7/8" ROUND W/CENTER HOLE |
| 3B | 105450-14-01A | EA TRACK - CURTAIN - 90" - OFF WHITE - FRONT BUNK PRIVACY MINNIE/SPIRIT 300-SERIES |
| 4B | 105648-01-02A | EA BRACE - VALANCE - OFF/WHITE - 14" |
| 5B | 106544-01-000 | EA PULL - SHADE/BRASS |
| 5B | 106544-01-001 | EA SCREW - SHADE/BRASS |
| 5B | 106544-02-000 | EA PULL-SHADE - NICKEL |
| 6B | 109353-04-000 | EA CLIP - VALANCE SLAT MOUNTING - CLEAR PLASTIC |
| 7B | 109441-03-000 | EA BRACKET/HOOK - BLIND HOLD DOWN - NEW DESIGN/CLEAR |
| 8B | 126456-03-04A | EA TRACK/WRAPAROUND - PASSENGER - GLACIER - ADVENTURER/SUNCRUISER G-SERIES |
| 9B | 126456-04-04A | EA TRACK/WRAPAROUND - DRIVER - GLACIER - ADVENTURER/SUNCRUISER G-SERIES |
| 10B | 127254-04-05A | EA TRACK/WRAPAROUND-DRVR-GLACIER - SIGHTSEER/SUNOVA D-SERIES, BRAVE/SUNRISE F-SERIES |
| 11B | 127254-14-03A | EA TRACK/WRAPAROUND-PASS-GLACIER - SIGHTSEER/SUNOVA D-SERIES, BRAVE/SUNRISE F-SERIES |
| 12B | 130549-01-01A | EA STOP - CURTAIN TRACK |
| 13B | 138460-07-02A | EA TRACK/CURTAIN - PASSENGER -W/BRACKET/CARRIER/PULLEY - WHT - VECTRA/HORIZON S-SERIES |
| 14B | 138460-08-02A | EA TRACK/CURTAIN - DRIVER - W/BRACKET/CARRIER/PULLEY - WHT - VECTRA/HORIZON S-SERIES |
| 15B | 141634-01-000 | EA BRACKET-(BOBBIN TYPE) 7/8"H HOLDUPBASE(OVAL)-2 HOLE-CLEAR |
| 16B | 143805-01-000 | EA BRACKET-(BOBBIN TYPE) 1/2"H HOLDUPBASE(OVAL)-2 HOLES CLEAR |
| 17B | 146591-01-01A | EA TRACK - CURTAIN - LEFT HAND - GLACIER - JOURNEY/MERIDIAN P-SERIES |
| 18B | 146591-02-01A | EA TRACK - CURTAIN - RIGHT HAND - GLACIER - JOURNEY/MERIDIAN P-SERIES |

ACCESSORIES

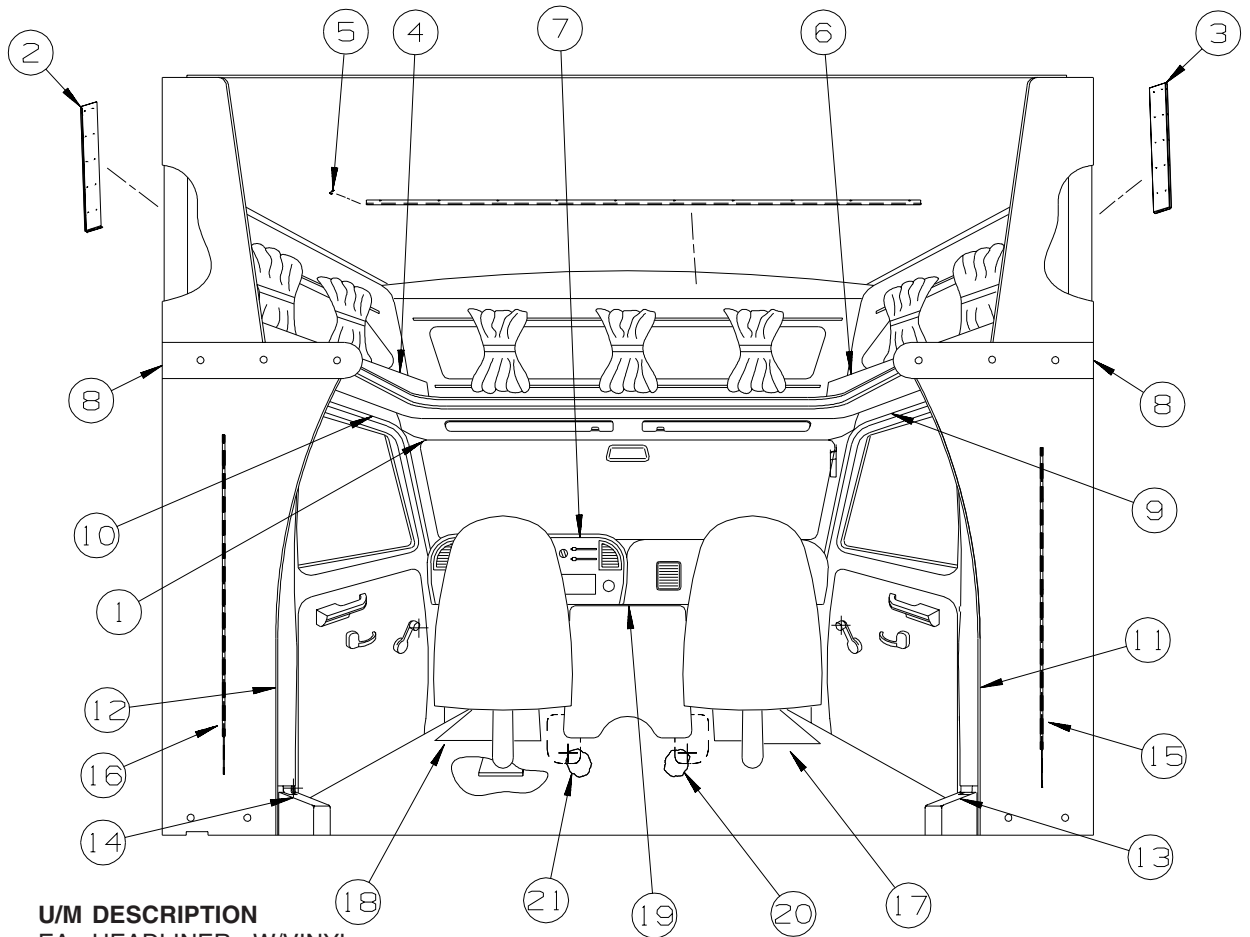
| KEY | PART NUMBER | U/M DESCRIPTION |
|-----|---------------|-----------------------------------|
| | 057534-01-000 | EA TIEBACK - CLEAR PLASTIC - 6" |
| | 057534-03-000 | EA TIEBACK - CLEAR PLASTIC - 7.5" |

CURTAIN & CUSHION GROUP (CONTINUED)
FABRICS

SX1 IS NOT AVAILABLE

| | S04/S91 PINEHURST | S05/S92 BLUE TOPAZ | S06/S93 TUMBLEWEED | S97 MAPLE SUGAR | S98 PINE CREEK |
|--|------------------------------|------------------------------|------------------------------|----------------------------------|----------------------------------|
| 2005 FAMILY BUCKET | 562H BUCKET | 562H BUCKET | 562H BUCKET | 562H BUCKET | 562H BUCKET |
| | 126883-Y8-000 | 148797-01-000 | 148797-14-000 | 148797-54-000 | 148797-56-000 |
| | *OPT. ULTRA/STEEL GRAY | *OPT. ULTRA/STEEL GRAY | *OPT. ULTRA/STEEL GRAY | | |
| | 079680-39-000 | 079680-39-000 | 079680-39-000 | | |
| DINETTE | SQUARE CLUB | SQUARE CLUB | SQUARE CLUB | SQUARE CLUB | SQUARE CLUB |
| | 126883-Y7-000 | 126883-Y9-000 | 148797-13-000 | 148797-53-000 | 148797-55-000 |
| DINETTE PADS | 126883-Y8-000 | 148797-01-000 | 148797-14-000 | 137813-A3-000 | 138713-E4-000 |
| SOFA | 695 BACK W/685 SEAT | 695 BACK W/685 SEAT | 695 BACK W/685 SEAT | 695 SOFA | 695 SOFA |
| | #325 STYLE JACK KNIFE | #325 STYLE JACK KNIFE | #325 STYLE JACK KNIFE | #325 STYLE JACK KNIFE | #325 STYLE JACK KNIFE |
| | 126883-Y7-000 | 126883-Y9-000 | 148797-13-000 | 148797-53-000 | 148797-55-000 |
| LOUNGE CHAIR | 465 CHAIR | 465 CHAIR | 465 CHAIR | NOT NEEDED | NOT NEEDED |
| | 126883-Y8-000 | 148797-01-000 | 148797-14-000 | | |
| LOUNGE WINDOWS | CLARION VALANCE | CLARION VALANCE | CLARION VALANCE | JACOB VALANCE | JACOB VALANCE |
| | WRAP - 126883-Y7-000 | WRAP - 126883-Y9-000 | WRAP - 148797-13-000 | OVERLAY - 148797-53-000 | OVERLAY - 148797-55-000 |
| | ½ WELT (TOP) - 126883-Y8-000 | ½ WELT (TOP) - 148797-01-000 | ½ WELT (TOP) - 148797-14-000 | UNDERLAY - 148797-54-000 | UNDERLAY - 148797-54-000 |
| | ¼ WELT (BTM) - 126883-Y8-000 | ¼ WELT (BTM) - 148797-01-000 | ¼ WELT (BTM) - 148797-14-000 | ½ WELT (TOP) - 148797-54-000 | ½ WELT (TOP) - 148797-56-000 |
| | LEGS - 126883-Y7-000 | LEGS - 126883-Y9-000 | LEGS - 148797-13-000 | 1/2" WELT (SIDE) - 148797-54-000 | 1/2" WELT (SIDE) - 148797-56-000 |
| ENTRANCE DOOR | MODERATE VALANCE W/WELT | MODERATE VALANCE W/WELT | MODERATE VALANCE W/WELT | | |
| | WRAP - 126883-Y7-000 | WRAP - 126883-Y9-000 | WRAP - 148797-13-000 | FROSTED GLASS | FROSTED GLASS |
| | WELT - 126883-Y8-000 | WELT - 148797-01-000 | WELT - 148797-14-000 | NO PULL SHADE | NO PULL SHADE |
| LOUNGE PILLOW | NOT NEEDED | NOT NEEDED | NOT NEEDED | NOT NEEDED | NOT NEEDED |
| | | | | | |
| FWA, PRIVACY & OVHD. CURTAINS | 137813-B6-000 | 137813-27-000 | 137813-C1-000 | 137813-A3-000 | 137813-E4-000 |
| OVERHEAD BUNK | 126883-Y8-000 | 148797-01-000 | 148797-14-000 | 137813-A3-000 | 137813-E4-000 |
| DIVIDER CURTAIN | 137813-B6/137813-B5 | 137813-27/137813-B7 | 137813-C1/137813-C0 | 137813-A3/137813-F6 | 137813-E4/137813-F7 |
| DAY/NIGHTER | 094911-53/094911-50 | 094911-53/094911-50 | 094911-53/094911-50 | 094911-53/094911-50 | 094911-53/094911-50 |
| | COTTON/WT. DECO | COTTON/WT. DECO | COTTON/WT. DECO | COTTON/WT. DECO | COTTON/WT. DECO |
| GALLEY BLINDS | 386 SNOCAP | 386 SNOCAP | 386 SNOCAP | 386 SNOCAP | 386 SNOCAP |
| BEDROOM WDO TREATMENT | CLARION VALANCE | CLARION VALANCE | CLARION VALANCE | JACOB VALANCE | JACOB VALANCE |
| | WRAP - 137813-B5-000 | WRAP - 137813-B7-000 | WRAP - 137813-C0-000 | OVERLAY - 137813-F6-000 | OVERLAY - 137813-F7-000 |
| | ½ WELT (TOP) - 137813-B6-000 | ½ WELT (TOP) - 137813-27-000 | ½ WELT (TOP) - 137813-C1-000 | UNDERLAY - 137813-A3-000 | UNDERLAY - 137813-A4-000 |
| | ¼ WELT (BTM) - 137813-B6-000 | ¼ WELT (BTM) - 137813-27-000 | ¼ WELT (BTM) - 137813-C1-000 | ½ WELT (TOP) - 137813-A3-000 | ½ WELT (TOP) - 137813-A4-000 |
| | LEGS - 137813-B5-000 | LEGS - 137813-B7-000 | LEGS - 137813-C0-000 | 1/2" WELT (SIDE) - 137813-A3-000 | 1/2" WELT (SIDE) - 137813-A4-000 |
| BEDCOVER | BEDCAP | BEDCAP | BEDCAP | FITTED QUILTED | FITTED QUILTED |
| | 137813-B5-000 | 137813-B7-000 | 137813-C0-000 | 137813-F6-000 | 137813-F7-000 |
| QUILT PATTERN | DIAMOND | DIAMOND | DIAMOND | DIAMOND | DIAMOND |
| BED PILLOW | NOT NEEDED | NOT NEEDED | NOT NEEDED | NOT NEEDED | NOT NEEDED |
| SHAMS | 1/2" NON-GATH. WELT | 1/2" NON-GATH. WELT | 1/2" NON-GATH. WELT | NOT NEEDED | NOT NEEDED |
| | 137813-B5/137813-B6 | 137813-B7/137813-27 | 137813-C0/137813-C1 | | |
| VANITY CHAIR | REM FOLDING CHAIR | REM FOLDING CHAIR | REM FOLDING CHAIR | NOT NEEDED | NOT NEEDED |
| | 126883-Y8-000 | 148797-01-000 | 148797-14-000 | | |
| CARPET | 139056-21-000 | 139056-26-000 | 096060-H1-000 | 139056-22-000 | 139056-21-000 |
| | PALE SAGE | SKY BLUE | TAPIOCA | BURLWOOD | PALE SAGE |
| CEILING | 113979-07-01A SOFT GEO | 113979-07-01A SOFT GEO | 113979-07-01A SOFT GEO | 113979-07-01A SOFT GEO | 113979-07-01A SOFT GEO |

DRIVERS COMPARTMENT GROUP FRONT INTERIOR



| KEY | PART NUMBER | U/M | DESCRIPTION |
|-----|---------------|-----|---|
| | | EA | HEADLINER - W/VINYL |
| 2 | 109709-01-01A | EA | BRACKET - WINGWALL - OFF WHITE |
| 3 | 109709-02-01A | EA | BRACKET - WINGWALL - OFF WHITE |
| 4 | 141795-01-S01 | EA | CABINET/HAMPER - FRONT - W/DOOR - W/O HARDWARE (S04, S91, S98, SX1) |
| 4 | 141795-01-R08 | EA | CABINET/HAMPER - FRONT - W/DOOR - W/O HARDWARE (S05, S92) |
| 4 | 141795-01-S03 | EA | CABINET/HAMPER - FRONT - W/DOOR - W/O HARDWARE (S06, S93, S97) |
| 5 | 141829-01-01A | EA | TRIM - J MOLDING - OFF WHITE - 96" |
| 6 | 141795-02-S01 | EA | CABINET/HAMPER - FRONT - W/DOOR - W/O HARDWARE (S04, S91, S98, SX1) |
| 6 | 141795-02-R08 | EA | CABINET/HAMPER - FRONT - W/DOOR - W/O HARDWARE (S05, S92) |
| 6 | 141795-02-S03 | EA | CABINET/HAMPER - FRONT - W/DOOR - W/O HARDWARE (S06, S93, S97) |
| 7 | 136524-04-04A | EA | APPLIQUE - BEZEL - DASH - WOOD GRAINED/BRUSHED PEWTER - INSTRUMENT PANEL APPLIQUE FROM: 00-00-00 THRU: 07-27-04 |
| 7 | 150974-01-03A | EA | APPLIQUE - BEZEL - INSTRUMENT PANEL - BRUSHED PEWTER - INSTRUMENT PANEL APPLIQUE FROM: 07-28-04 THRU: 99-99-99 |
| 8 | 141793-01-S01 | EA | CAP - SLEEPERBOARD (S04, S98, SX1) |
| 8 | 141793-01-R08 | EA | CAP - SLEEPERBOARD (S05) |
| 8 | 141793-01-S03 | EA | CAP - SLEEPERBOARD (S06, S97) |
| 8 | 141793-01-S88 | EA | CAP - SLEEPERBOARD (S91) |
| 8 | 141793-01-S89 | EA | CAP - SLEEPERBOARD (S92) |
| 8 | 141793-01-S90 | EA | CAP - SLEEPERBOARD (S93) |
| 9 | 106447-09-R13 | EA | TRIM - CAB DOOR - UPPER/RIGHT HAND |
| 10 | 106447-10-P13 | EA | TRIM - CAB DOOR - UPPER/LEFT HAND |
| 11 | 125031-01-H04 | EA | TRIM - CAB - B-PILLAR - PASSENGER SIDE |
| 12 | 125031-02-H04 | EA | TRIM - CAB - B-PILLAR - DRIVER SIDE |
| 13 | 106431-01-02A | EA | COVER - SEATBELT RECOIL - PASSENGER SIDE - VW GREY |
| 14 | 106431-02-02A | EA | COVER - SEATBELT RECOIL - DRIVER SIDE - VW GRAY |
| 15 | 106445-06-H07 | EA | TRIM - WINGWALL - VINYL WRAPPED - DRIVER SIDE |
| 16 | 106445-08-H04 | EA | TRIM - WINGWALL - VINYL WRAPPED - PASSENGER SIDE |
| 17 | 125780-03-000 | EA | MAT - FLOOR - FRONT PASSENGER - "I" - FORD (GRAY) |
| 18 | 125780-04-000 | EA | MAT - FLOOR - FRONT DRIVER - "I" - FORD (GRAY) |
| 19 | 147623-01-01A | EA | TRAY - BEVERAGE - MOTOR COVER |
| | 151391-01-01A | EA | PAD/TRAY - BEVERAGE TRAY |
| | 151391-02-01A | EA | PAD/CUP - BEVERAGE TRAY |

DRIVERS COMPARTMENT GROUP (CONTINUED)
FRONT INTERIOR (CONTINUED)

| KEY | PART NUMBER | U/M | DESCRIPTION |
|------------|--------------------|------------|--|
| 20 | 135426-02-000 | EA | CAB FLOOR INSULATION - RIGHT HAND |
| 21 | 135426-01-000 | EA | CAB FLOOR INSULATION - LEFT HAND |
| * | 106025-02-01A | EA | LADDER - BUNK - 52" |
| | 094658-02-N01 | EA | HANDLE - BUNK - 1.1" X 2" X 14.2" - PORTSMOUTH OAK |
| | 094658-02-S88 | EA | HANDLE - BUNK - 1.1" X 2" X 14.2" - SIERRA MAPLE |

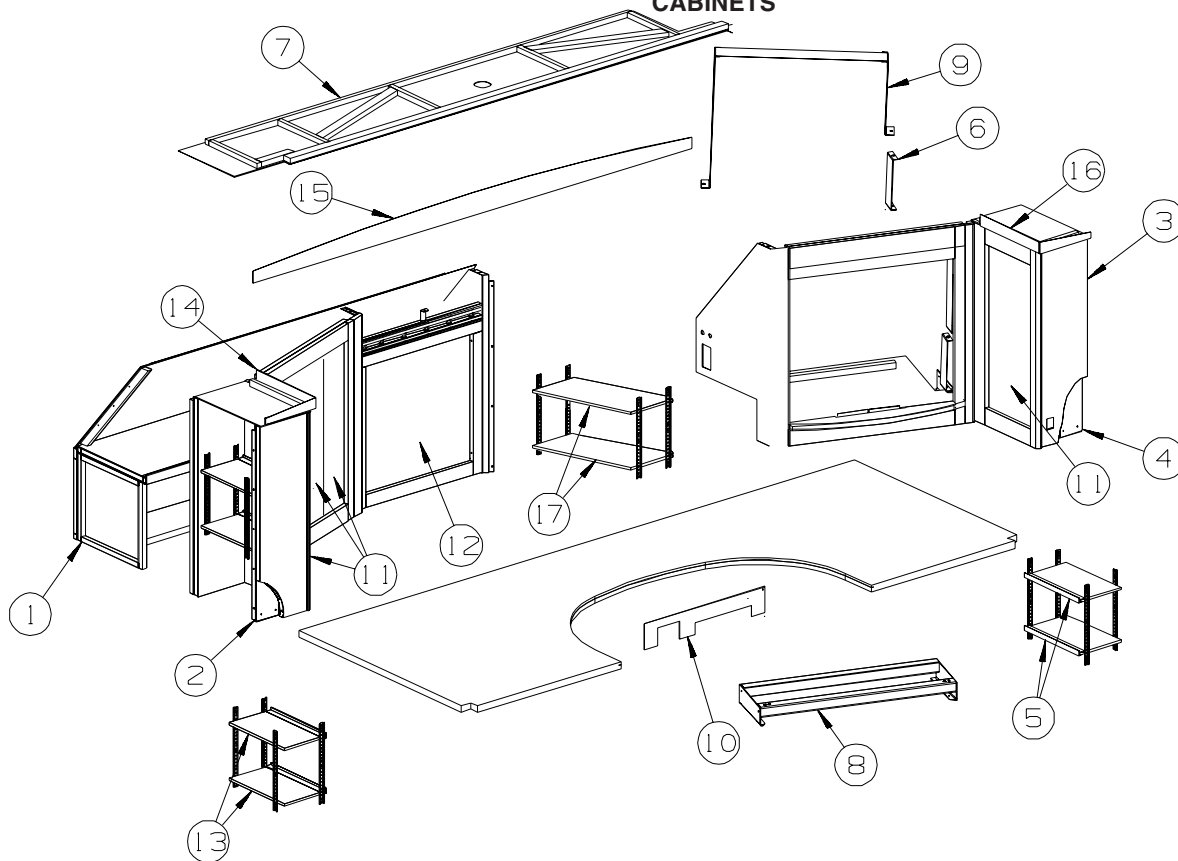
***COMPONENT PARTS LISTED LATER IN THIS GROUP**

COMPONENT PARTS FOR FRONT INTERIOR

| KEY | PART NUMBER | U/M | DESCRIPTION | 106025-02-01A | VENDOR NO. |
|------------|--------------------|------------|-----------------------------|----------------------|-------------------|
| | 106025-01-700 | EA | BRACKET SET-F/BUNK LADDER | | 08-0030-00 |
| | 106025-01-701 | EA | END CAP-F/STEP LADDER RUNGS | | |

DRIVERS COMPARTMENT GROUP (CONTINUED)

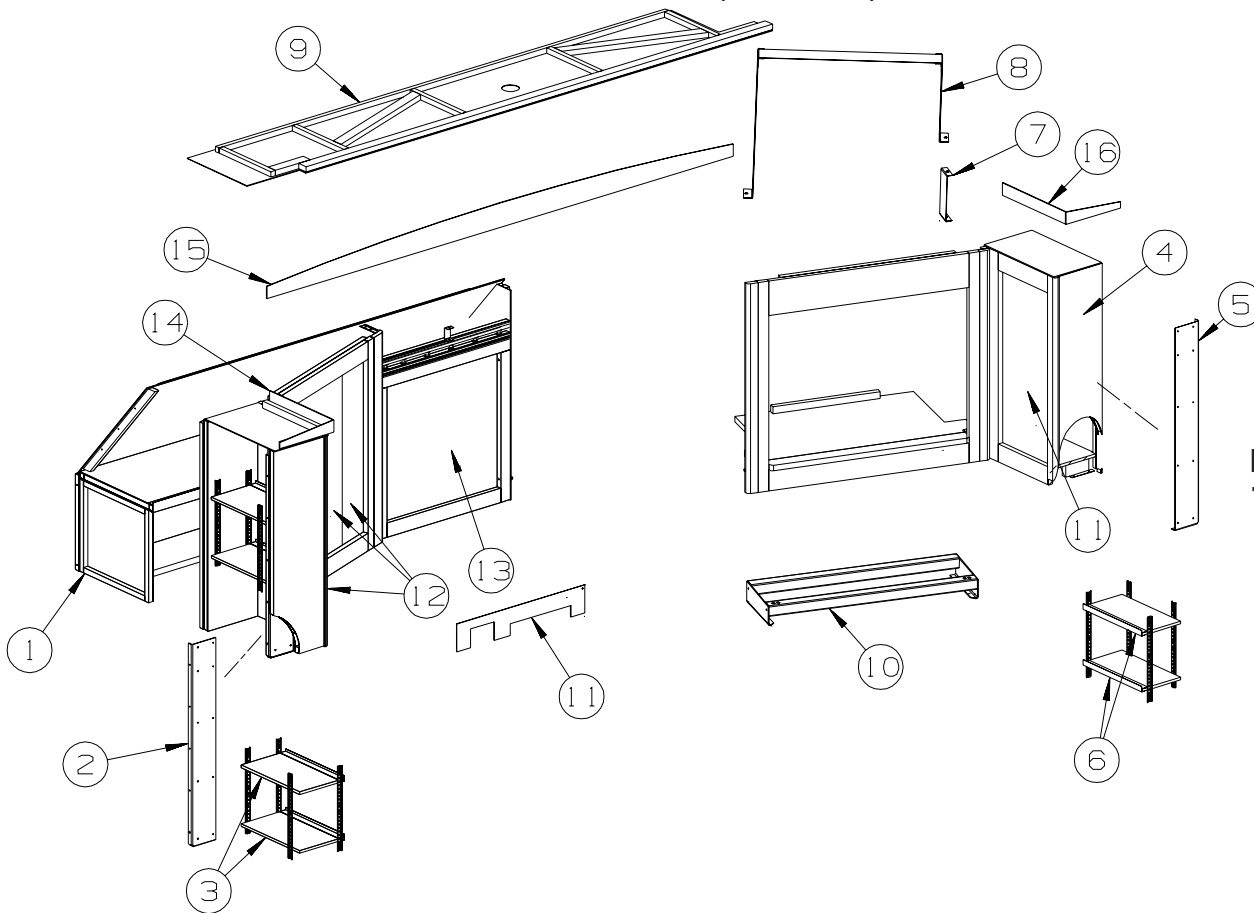
CABINETS



FROM 00-00-00
THRU 01-02-05

| KEY | PART NUMBER | U/M | DESCRIPTION |
|-----|---------------|-----|--|
| 1 | 148347-05-S01 | EA | CABINET - ENTERTAINMENT CENTER - LEFT HAND - W/O DOORS/HDW - PORTSMOUTH OAK |
| 1 | 148347-05-S88 | EA | CABINET - ENTERTAINMENT CENTER - LEFT HAND - W/O DOORS/HDW - SIERRA MAPLE |
| 1 | 148347-06-S01 | EA | CABT CTR/LH-W/O DRS/HDW - PORTSMOUTH OAK - HOME THEATER SYSTEM OR DVD/VCR STEREO |
| 1 | 148347-06-S88 | EA | CABT CTR/LH-W/O DRS/HDW - SIERRA MAPLE - HOME THEATER SYSTEM OR DVD/VCR STEREO |
| 2 | 136268-04-03B | EA | BRACKET - WINGWALL - OFF WHITE |
| 3 | 148339-01-R07 | EA | CABINET - ENTERTAINMENT CENTER/TV - W/O DOORS/HDW - PORTSMOUTH OAK |
| 3 | 148339-01-S88 | EA | CABINET - ENTERTAINMENT CENTER/TV - W/O DOORS/HDW - SIERRA MAPLE |
| | 096764-02-000 | EA | SLIPNOT - ANTISLIP - 1'WIDE (180' ROLLS) - WHITE |
| 4 | 136268-03-03B | EA | BRACKET - WINGWALL - OFF WHITE |
| 5 | 148339-22-R07 | EA | SHELF - W/PLASTIC EDGE MOLDING - PORTSMOUTH OAK |
| 5 | 148339-22-S88 | EA | SHELF - W/PLASTIC EDGE MOLDING - SIERRA MAPLE |
| 6 | 136269-08-02B | EA | BRACKET/TV TIEDOWN - E-COATED |
| 7 | 148349-01-R07 | EA | CABINET - ENTERTAINMENT CENTER/TOP - W/O DOORS/HARDWARE |
| 8 | 148344-01-02B | EA | BRACKET - ENTERTAINMENT CENTER - E-COATED |
| 9 | 148247-03-02B | EA | BRACKET/TV TIEDOWN - E-COATED |
| 10 | 142200-01-P07 | EA | PANEL - VINYL COVERED |
| 10 | 142200-03-P07 | EA | PANEL - VINYL COVERED - INVERTER |
| 11 | 136955-70-S04 | EA | DOOR - RAISED PANEL/PENCIL EDGE - 12" X 26" - W/O HDW - PORTSMOUTH OAK |
| 11 | 136955-70-S91 | EA | DOOR - RAISED PANEL/PENCIL EDGE - 12" X 26" - W/O HDW - SIERRA MAPLE |
| | 076767-04-000 | EA | CABLE - STAINLESS STEEL - 5.9" |
| 12 | 100708-30-000 | EA | DOOR/GLASS - TV CABINET - 18.8" X 18.8" - W/O HARDWARE |
| 13 | 148347-34-R07 | EA | SHELF - W/PLASTIC EDGE MOLDING - PORTSMOUTH OAK |
| 13 | 148347-34-S88 | EA | SHELF - W/PLASTIC EDGE MOLDING - SIERRA MAPLE |
| 14 | 148348-01-R07 | EA | TRIM - ENTERTAINMENT CENTER |
| 15 | 148348-02-R07 | EA | TRIM - ENTERTAINMENT CENTER |
| 16 | 148348-03-R07 | EA | TRIM - ENTERTAINMENT CENTER |
| 17 | 148347-46-R07 | EA | SHELF - W/PLASTIC EDGE MOLDING - PORTSMOUTH OAK |
| 17 | 148347-46-S88 | EA | SHELF - W/PLASTIC EDGE MOLDING - SIERRA MAPLE |

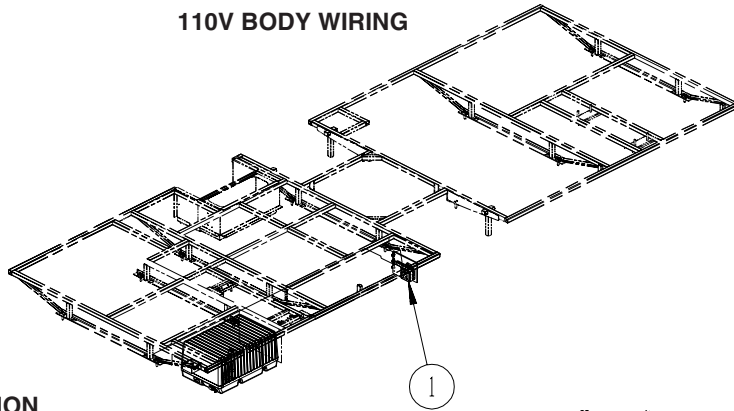
DRIVERS COMPARTMENT GROUP (CONTINUED)
CABINETS (CONTINUED)



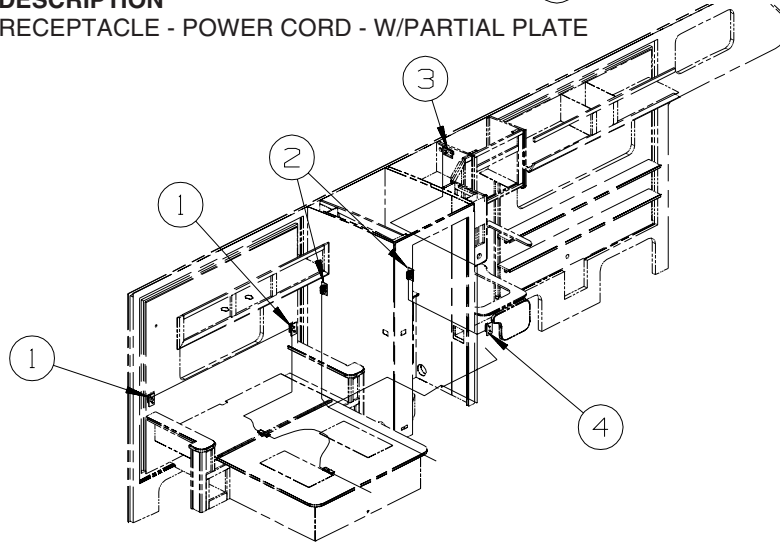
**FROM 01-03-05
THRU 99-99-99**

| KEY | PART NUMBER | U/M | DESCRIPTION |
|-----|---------------|-----|---|
| 1 | 149244-05-S01 | EA | CABINET - ENTERTAINMENT CENTER - LEFT HAND - W/O DOORS/HDW - PORTSMOUTH OAK |
| 1 | 149244-05-S88 | EA | CABINET - ENTERTAINMENT CENTER - LEFT HAND - W/O DOORS/HDW - SIERRA MAPLE |
| 1 | 149244-06-S01 | EA | CABT CTR/LH-W/O DRS/HDW - PORTSMOUTH OAK - HOME THEATER SYSTEM OR DVD/VCR STEREO |
| 1 | 149244-06-S88 | EA | CABT CTR/LH-W/O DRS/HDW - SIERRA MAPLE - HOME THEATER SYSTEM OR DVD/VCR STEREO |
| 2 | 136268-04-03B | EA | BRACKET - WINGWALL - OFF WHITE |
| 3 | 149244-34-S07 | EA | SHELF - W/PLASTIC EDGE MOLDING - PORTSMOUTH OAK |
| 3 | 149244-34-SW0 | EA | SHELF - W/PLASTIC EDGE MOLDING - SIERRA MAPLE |
| 4 | 153382-01-S01 | EA | CABINET - ENTERTAINMENT CENTER/TV - W/O DOORS/HDW - PORTSMOUTH OAK |
| 4 | 153382-01-S88 | EA | CABINET - ENTERTAINMENT CENTER/TV - W/O DOORS/HDW - SIERRA MAPLE |
| | 096764-02-000 | EA | SLIPNOT - ANTISLIP - 1'WIDE (180' ROLLS) - WHITE |
| 5 | 136268-03-03B | EA | BRACKET - WINGWALL - OFF WHITE |
| 6 | 153382-22-S01 | EA | SHELF - W/PLASTIC EDGE MOLDING - PORTSMOUTH OAK |
| 6 | 153382-22-S88 | EA | SHELF - W/PLASTIC EDGE MOLDING - SIERRA MAPLE |
| 7 | 136269-08-02B | EA | BRACKET/TV TIEDOWN - E-COATED |
| 8 | 148247-08-02B | EA | STRAP/TIEDOWN - TV - E-COATED |
| 9 | 148349-01-S01 | EA | CABINET - ENTERTAINMENT CENTER/TOP - W/O DOORS/HARDWARE |
| 10 | 148344-01-02B | EA | BRACKET - ENTERTAINMENT CENTER - E-COATED |
| 11 | 142200-01-P07 | EA | PANEL - VINYL COVERED |
| | | | FROM: 00-00-00 THRU: 02-10-05 |
| 11 | 142200-05-S01 | EA | PANEL - VINYL COVERED |
| | | | FROM: 02-11-05 THRU: 99-99-99 |
| 11 | 142200-03-P07 | EA | PANEL - VINYL COVERED - INVERTER |
| | | | FROM: 00-00-00 THRU: 02-10-05 |
| 11 | 142200-04-S01 | EA | PANEL - VINYL COVERED - INVERTER |
| | | | FROM: 02-11-05 THRU: 99-99-99 |
| 12 | 136955-70-S04 | EA | DOOR - RAISED PANEL/PENCIL EDGE - 12" X 26" - W/O HDW - PORTSMOUTH OAK |
| 12 | 136955-70-S91 | EA | DOOR - RAISED PANEL/PENCIL EDGE - 12" X 26" - W/O HDW - SIERRA MAPLE |
| | 076767-04-000 | EA | CABLE - STAINLESS STEEL - 5.9" |
| 13 | 100708-30-000 | EA | DOOR/GLASS - TV CABINET - 18.8" X 18.8" - W/O HARDWARE |
| 14 | 148348-01-R07 | EA | TRIM - ENTERTAINMENT CENTER |
| 15 | 148348-02-R07 | EA | TRIM - ENTERTAINMENT CENTER |
| 16 | 148348-03-R07 | EA | TRIM - ENTERTAINMENT CENTER |

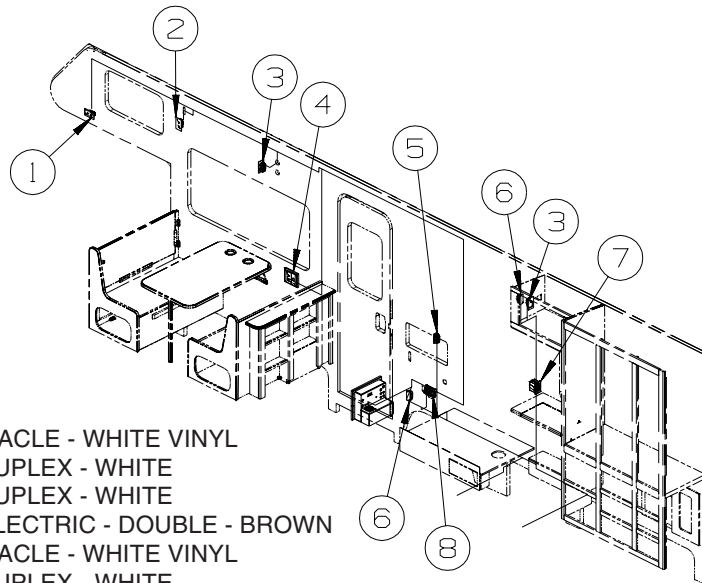
ELECTRICAL GROUP 110V BODY WIRING



| KEY | PART NUMBER | U/M | DESCRIPTION |
|-----|---------------|-----|---|
| 1 | 024924-02-000 | EA | RECEPTACLE - POWER CORD - W/PARTIAL PLATE |



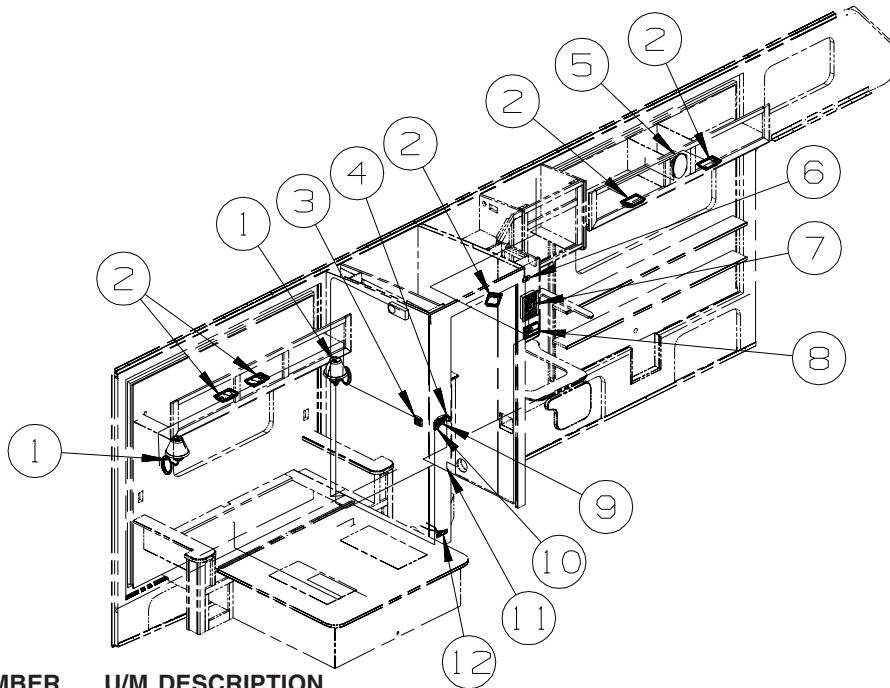
| KEY | PART NUMBER | U/M | DESCRIPTION |
|-----|---------------|-----|--|
| 1 | 133713-01-20A | EA | SPACER/RECEPTACLE - WHITE VINYL |
| 1 | 058708-06-000 | EA | RECEPTACLE - DUPLEX - WHITE |
| 2 | 058708-06-000 | EA | RECEPTACLE - DUPLEX - WHITE |
| 3 | 058708-05-000 | EA | RECEPTACLE - ELECTRIC - SINGLE - BROWN |
| 4 | 058708-01-000 | EA | RECEPTACLE - ELECTRIC - DOUBLE - BROWN |



| KEY | PART NUMBER | U/M | DESCRIPTION |
|-----|---------------|-----|--|
| 1 | 133713-01-20A | EA | SPACER/RECEPTACLE - WHITE VINYL |
| 1 | 058708-06-000 | EA | RECEPTACLE - DUPLEX - WHITE |
| 2 | 058708-06-000 | EA | RECEPTACLE - DUPLEX - WHITE |
| 3 | 058708-01-000 | EA | RECEPTACLE - ELECTRIC - DOUBLE - BROWN |
| 4 | 133713-04-20A | EA | SPACER/RECEPTACLE - WHITE VINYL |
| 4 | 058708-06-000 | EA | RECEPTACLE - DUPLEX - WHITE |
| 5 | 058707-01-000 | EA | RECEPTACLE - ELECTRIC - SINGLE - BROWN |
| 6 | 058707-02-000 | EA | RECEPTACLE - BLANK - JUNCTION BOX |
| 7 | 147446-01-01A | EA | RECEPTACLE - GFCI - 15A 125V - WHITE |
| 7 | 147450-01-01A | EA | PLATE - ELECTRICAL OUTLET - WHITE |
| 8 | 131826-01-01A | EA | RECEPTACLE - EXTERIOR - W/COVER/GASKET - WHITE |

ELECTRICAL GROUP (CONTINUED)

12V BODY WIRING

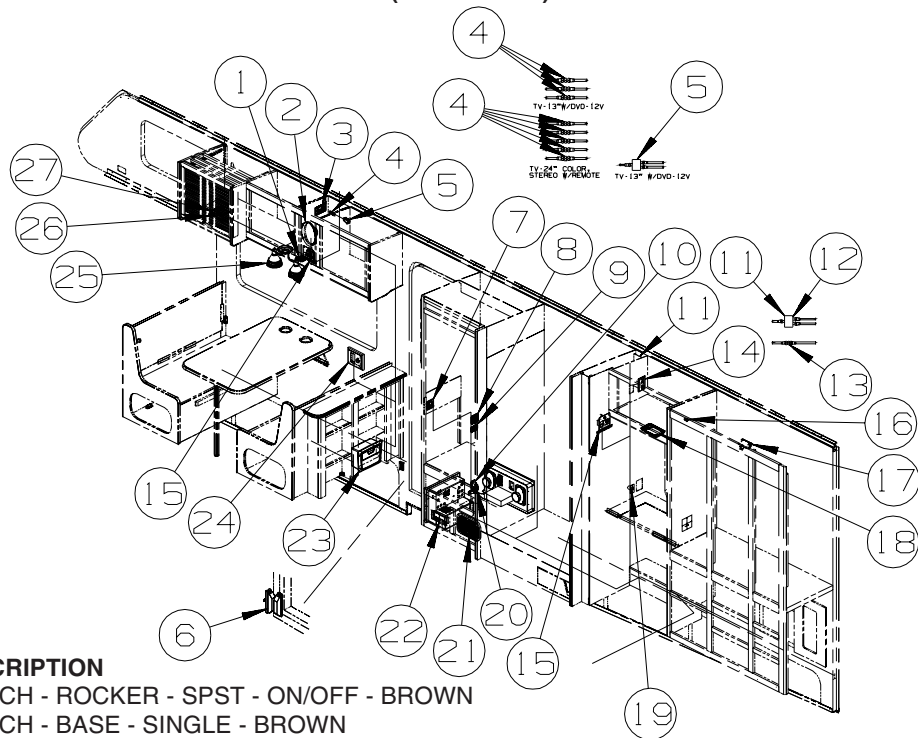


| KEY | PART NUMBER | U/M | DESCRIPTION |
|-----|---------------|-----|--|
| 1 | 119258-31-01A | EA | LAMP - WALL - BRASS - UL/CSA |
| 1 | 119257-08-01A | EA | SHADE - LAMP - SHORT - CRYSTAL/SMALL DIAMOND |
| 1 | 067479-01-000 | EA | BULB - 12V - #1076 - 1.80 AMP |
| 2* | 137417-02-01A | EA | LIGHT - DOME - SINGLE - W/SWITCH/OPTIC LENS - WHITE |
| 3 | 135740-01-02A | EA | SWITCH - ROCKER - SPST - ON/OFF - WHITE - CEILING |
| 3 | 135740-02-02A | EA | SWITCH - ROCKER - SPDT - ON/ON - WHITE - AISLE |
| 3 | 135741-02-02A | EA | SWITCH - BASE - DOUBLE - WHITE |
| 3 | 135742-13-01A | EA | BEZEL - SWITCH - CEILING/AISLE - WHITE |
| 4 | 108357-15-000 | EA | SWITCH - ROCKER - DPDT - ON/NONE/ON - W/LIGHT W/O COVER |
| 4 | 108356-04-01A | EA | COVER/ACTUATOR SWITCH - 2 ROWS DIMPLES W/LENS - BLACK |
| 4 | 108355-01-000 | EA | HOUSING - SWITCH |
| 5 | 110465-01-000 | EA | SPEAKER KIT,4 5X7 SPEAKERS |
| 6 | 079364-08-000 | EA | SWITCH - ON/OFF LIGHTED - GREEN |
| 6 | 098351-01-01A | EA | PLATE/SWITCH - 1 GANG - POLISHED BRASS - W/O LABEL |
| 6 | 134563-01-01A | EA | LABEL - SWITCH - HEATER |
| 7* | 134940-01-01A | EA | PANEL - MONITOR - 2 TANK - W/GENERATOR SWITCH/HOUR METER - GENERATOR FROM: 00-00-00 THRU: 05-02-04 |
| 7* | 134940-06-01A | EA | PANEL - MONITOR - 2 TANK - W/GENERATOR SWITCH - GENERATOR FROM: 05-03-04 THRU: 99-99-99 |
| 7* | 134940-02-01A | EA | PANEL - MONITOR - 2 TANK - W/O GENERATOR SWITCH/HOUR METER FROM: 00-00-00 THRU: 05-02-04 |
| 7* | 134940-07-01A | EA | PANEL - MONITOR - 2 TANK FROM: 05-03-04 THRU: 99-99-99 |
| 8 | 135618-03-01A | EA | THERMOSTAT - ROOF A/C & FURNACE - WHITE |
| 8 | 135618-01-01A | EA | THERMOSTAT - HEAT PUMP/FURNACE - WHITE |
| 9 | 135740-01-02A | EA | SWITCH - ROCKER - SPST - ON/OFF - WHITE - SHOWER |
| 9 | 135740-02-02A | EA | SWITCH - ROCKER - SPDT - ON/ON - WHITE - CEILING |
| 9 | 135741-02-02A | EA | SWITCH - BASE - DOUBLE - WHITE |
| 9 | 135742-15-01A | EA | BEZEL - SWITCH - CEILING/SHOWER - WHITE |
| 10 | 135740-01-01A | EA | SWITCH - ROCKER - SPST - ON/OFF - BROWN |
| 10 | 135741-01-01A | EA | SWITCH - BASE - SINGLE - BROWN |
| 10 | 135742-07-02A | EA | BEZEL - SWITCH - CEILING - BROWN |
| 11 | 139335-01-02B | EA | PLATE - ELECTRICAL - E-COATED |
| 11 | 082134-01-000 | EA | ADAPTER - TV - CABLE TO CABLE |
| 12 | 061424-01-000 | EA | LIGHT - AISLE - 12 VOLT - RECTANGULAR |
| | 036196-01-000 | EA | BULB - 12V - #194 - .27 AMP - BAYONETTE |

*COMPONENT PARTS LISTED LATER IN THIS GROUP

ELECTRICAL GROUP (CONTINUED)

12V BODY WIRING (CONTINUED)



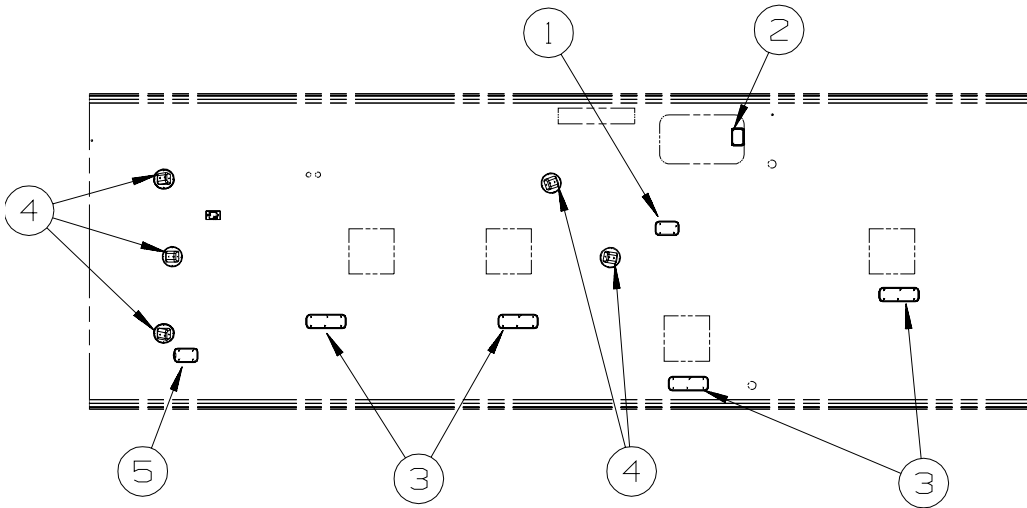
| KEY | PART NUMBER | U/M | DESCRIPTION |
|-----|---------------|-----|---|
| 1 | 135740-01-01A | EA | SWITCH - ROCKER - SPST - ON/OFF - BROWN |
| 1 | 135741-01-01A | EA | SWITCH - BASE - SINGLE - BROWN |
| 1 | 135742-01-01A | EA | BEZEL - SWITCH - SINGLE - BROWN |
| 2 | 110465-01-000 | EA | SPEAKER KIT,4 5X7 SPEAKERS |
| 3 | 149557-05-01A | EA | PLATE/WALL - DUAL COAXIAL/HORIZONTAL - WHITE |
| 4 | 082134-01-000 | EA | ADAPTER - TV - CABLE TO CABLE |
| 5 | 086756-01-000 | EA | SPLITTER - TV/2 WAY |
| 6 | 116995-02-000 | EA | SWITCH/MAGNET - ELECTRIC STEP - BLACK/WHITE- NORMALLY OPEN |
| 7 | 135740-01-02A | EA | SWITCH - ROCKER - SPST - ON/OFF - WHITE - CEILING |
| 7 | 135740-02-02A | EA | SWITCH - ROCKER - SPDT - ON/ON - WHITE - HALL |
| 7 | 135741-02-02A | EA | SWITCH - BASE - DOUBLE - WHITE |
| 7 | 135742-16-01A | EA | BEZEL - SWITCH - CEILING/HALL - WHITE |
| 8 | 135740-01-02A | EA | SWITCH - ROCKER - SPST - ON/OFF - WHITE |
| 8 | 135741-02-02A | EA | SWITCH - BASE - DOUBLE - WHITE |
| 8 | 135742-19-01A | EA | BEZEL - SWITCH - CEILING/PORCH - WHITE |
| 9 | 135740-01-01A | EA | SWITCH - ROCKER - SPST - ON/OFF - BROWN |
| 9 | 135741-01-01A | EA | SWITCH - BASE - SINGLE - BROWN |
| 9 | 135742-11-02A | EA | BEZEL - SWITCH - STEP - BROWN |
| 10 | 108357-06-000 | EA | SWITCH - ROCKER - DPDT - MOM/OFF/MOM - 6 TERM - W/O COVER |
| 10 | 108356-11-01A | EA | COVER/ACTUATOR SWITCH - 3 GROOVES - AUX BATT - BLACK |
| 10 | 108355-01-000 | EA | HOUSING - SWITCH |
| 10 | 098351-07-01A | EA | PLATE/SWITCH - 1 GANG - POLISHED BRASS - GENERATOR |
| 11 | 082134-01-000 | EA | ADAPTER - TV - CABLE TO CABLE |
| 12 | 086756-01-000 | EA | SPLITTER - TV/2 WAY - ENTERTAINMENT CENTER/EXT W/CD |
| 13 | 082134-01-000 | EA | ADAPTER - TV - CABLE TO CABLE |
| 14 | 076319-27-000 | EA | WALLPLATE/RECEPTACLE - WHITE |
| 15 | 140464-02-000 | EA | CONTROL PANEL/SLIDEOUT - 2 CIRCUIT BOARDS/1 LED |
| 15 | 116549-01-000 | EA | LABEL - WARNING - SLIDEOUT |
| 16 | 056264-01-000 | EA | SWITCH - LEAF ACTUATOR |
| 17* | 087694-01-000 | EA | LIGHT - WARDROBE/CLOSET - W/SWITCH |
| 18* | 137417-02-01A | EA | LIGHT - DOME - SINGLE - W/SWITCH/OPTIC LENS - WHITE |
| 19 | 111414-01-000 | EA | RECEPTACLE/SOCKET - 12 VOLT |
| 19 | 111386-01-04B | EA | PLATE - RECEPTACLE - 12 VOLT - BLACK |
| 20 | 061424-01-000 | EA | LIGHT - AISLE - 12 VOLT - RECTANGULAR |
| 21 | 150090-01-000 | EA | SPEAKER - 6" X 9" - SUB-WOOFER - MAGNADYNE LS69W - HOME THEATHER SYSTEM |
| 21 | 124885-01-000 | EA | GRILLE - SPEAKER - 6" X 9" - SUB WOOFER - HOME THEATHER SYSTEM |
| | | | FROM: 00-00-00 THRU: 05-09-04 |
| 21 | 151569-01-01A | EA | GRILLE - SPEAKER - 6" X 9" - SUB WOOFER - BLACK - HOME THEATHER SYSTEM |
| | | | FROM: 05-10-04 THRU: 99-99-99 |
| 22 | 150138-01-02A | EA | DETECTOR - LP GAS - BROWN |

ELECTRICAL GROUP (CONTINUED)

12V BODY WIRING (CONTINUED)

| KEY | PART NUMBER | U/M | DESCRIPTION |
|-----|---------------|-----|---|
| 23 | 141679-03-000 | EA | CHARGER/DOCK STATION ONLY - FOR #GMRS100 TWO-WAY RADIO |
| 23 | 141679-04-000 | EA | RADIO/TWO-WAY W/BATTERY (EACH = 1) - 5 MILE - ASA GMRS100 |
| 24 | 132958-01-000 | EA | RECEPTACLE - 12 VOLT - MOUNTING FLANGE - BLACK |
| 25 | 093575-12-01A | EA | LIGHT - CEILING/DOUBLE - BRASS - UL/CSA |
| 25 | 117805-01-000 | EA | BULB - 12V - #921F - 1.4 AMPS |
| 25* | 137417-05-01A | EA | LIGHT - DOME - DOUBLE - W/SWITCH/OPTIC LENS - WHITE - 329SB |
| 26 | 132180-02-01A | EA | SWITCH - PADDLE - SPDT - ON/ON - BLACK - TV-24" COLOR,STEREO W/REMOTE |
| 26 | 098351-01-01A | EA | PLATE/SWITCH - 1 GANG - POLISHED BRASS - W/O LABEL - TV-24" COLOR,STEREO W/REMOTE |
| 26 | 132180-02-01A | EA | SWITCH - PADDLE - SPDT - ON/ON - BLACK - TV-13" W/DVD-12V |
| 26 | 132180-01-01A | EA | SWITCH - PADDLE - SPST - ON/OFF - BLACK - TV-13" W/DVD-12V |
| 26 | 098351-15-01A | EA | PLATE/SWITCH - 2 GANG - POLISHED BRASS - COURTESY LAMP/TV - TV-13" W/DVD-12V |
| 27 | 086777-02-000 | EA | WALLPLATE/TV CABLE W/ANTENNA SWITCH/BOOSTER - 2 TV - BLACK - TV-13" W/DVD-12V |
| 27 | 086777-06-000 | EA | WALLPLATE/TV CABLE - W/ANT. BOOSTER/1 OUTPUT-BLACK - TV-24" COLOR,STEREO W/REMOTE |

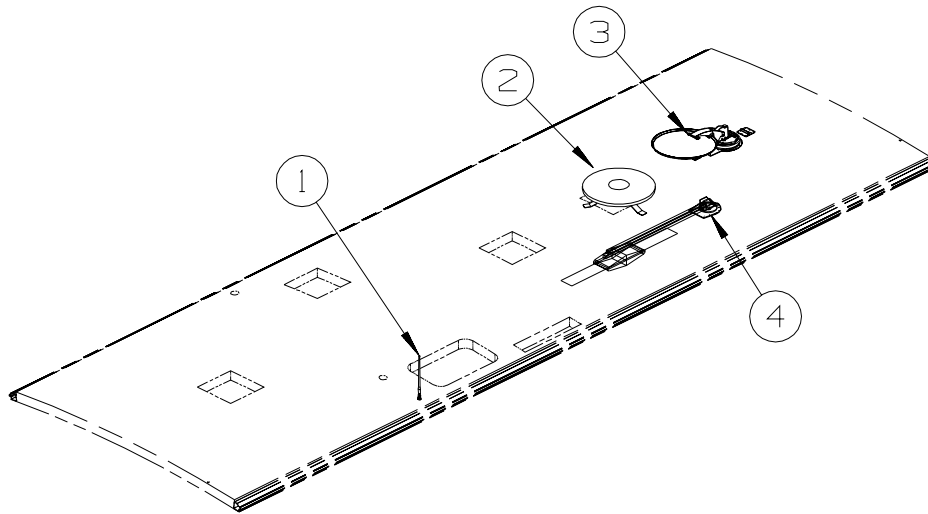
*COMPONENT PARTS LISTED LATER IN THIS GROUP



| KEY | PART NUMBER | U/M | DESCRIPTION |
|-----|---------------|-----|---|
| 1* | 137417-03-01A | EA | LIGHT - DOME - SINGLE - W/O SWITCH - W/FROSTED LENS-WHITE |
| 2* | 121935-01-01A | EA | LIGHT - DOME - SHOWER |
| 3* | 137417-06-01A | EA | LIGHT - DOME - DOUBLE - W/O SWITCH - W/FROSTED LENS-WHITE |
| 4 | 150091-01-01A | EA | SPEAKER - CUBE - W/ADJ BRACKET - SILVER -MAGNADYNE LS3S - HOME THEATHER SYSTEM FROM: 00-00-00 THRU: 05-09-04 |
| 4 | 151314-01-01A | EA | SPEAKER - CUBE/CEILING - WHITE - MAGNADYNE - LS3CM-WN - HOME THEATHER SYSTEM FROM: 05-10-04 THRU: 99-99-99 |
| 5* | 137417-01-01A | EA | LIGHT - DOME - SINGLE - W/SWITCH/FROSTED LENS - WHITE FROM: 00-00-00 THRU: 11-30-04 |
| 5* | 137417-02-01A | EA | LIGHT - DOME - SINGLE - W/SWITCH/OPTIC LENS - WHITE FROM: 12-01-04 THRU: 99-99-99 |

*COMPONENT PARTS LISTED LATER IN THIS GROUP

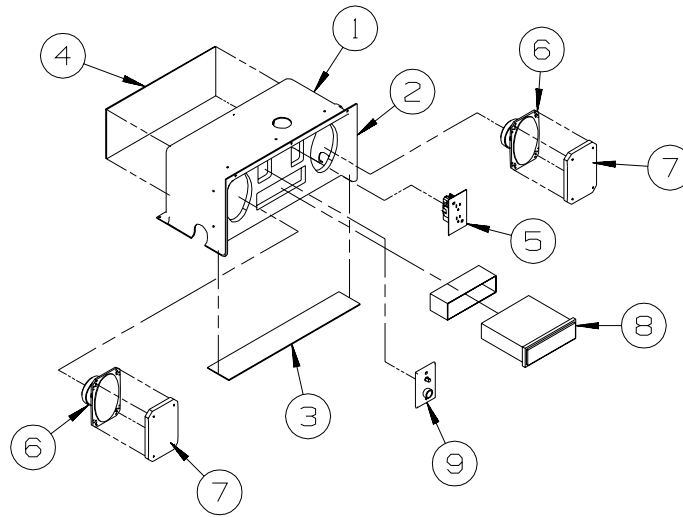
ELECTRICAL GROUP (CONTINUED)
12V BODY WIRING (CONTINUED)



| KEY | PART NUMBER | U/M | DESCRIPTION |
|-----|---------------|-----|--|
| 1 | 090944-01-000 | EA | ANTENNA - RADIO - 16" RUBBER - W/72" LEAD WIRE |
| 1 | 109889-04-000 | EA | EXTENDER - ANTENNA SHAFT - 3.7" |
| 1 | 147741-01-09B | EA | BRACKET - ANTENNA GROUND - GALVANIZED |
| 1 | 077069-02-000 | EA | CABLE/EXTENSION - RADIO ANTENNA - 96" |
| 2 | 132935-01-000 | EA | ANTENNA - TV ROOF MOUNT - ROUND - W/O POWER SUPPLY |
| 2 | 146488-01-000 | EA | PLATE - ROOF - CABLE ENTRY |
| 3* | 137135-02-000 | EA | ANTENNA - SATELLITE DSS - W/SENSOR |
| 4* | 076319-23-000 | EA | ANTENNA - TV ROOF MOUNT - 44.5" MAST |
| 4* | 076319-25-000 | EA | KIT - HARDWARE INTERIOR |

***COMPONENT PARTS LISTED LATER IN THIS GROUP**

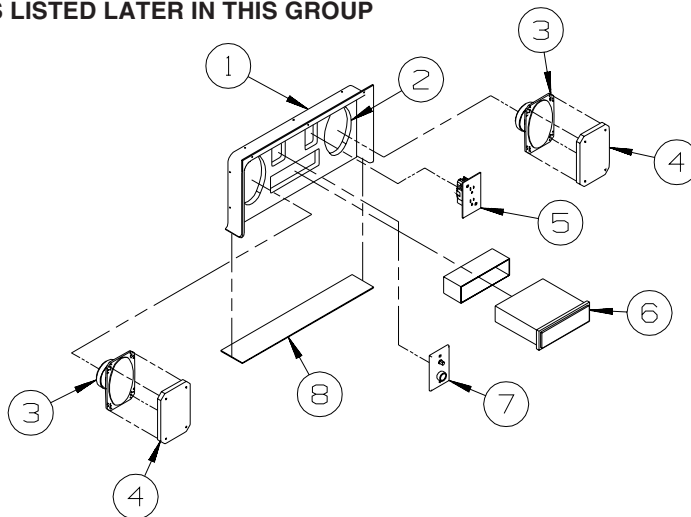
ELECTRICAL GROUP (CONTINUED)
12V BODY WIRING (CONTINUED)



**322R, 322E, 331T,
331ST**

| KEY | PART NUMBER | U/M | DESCRIPTION |
|-----|---------------|-----|--|
| 1 | 124696-01-01A | EA | BOX-ENTERTAINMENT CTR/EXT-19.4"W X 10"H X 10.2"D W/CUTOUTS |
| 2 | 127409-02-L15 | EA | PLATE - RADIO MOUNTING |
| 3 | 104898-01-02A | EA | PLATE - PLASTIC BOTTOM - BRIGHT WHITE |
| 4 | 104898-02-02A | EA | PLATE - PLASTIC BACK - BRIGHT WHITE |
| 5 | 058708-01-000 | EA | RECEPTACLE - ELECTRIC - DOUBLE - BROWN |
| 6 | 110469-01-000 | EA | SPEAKER - 4" X 6" OVAL - COAXIAL |
| 7 | 110470-01-01A | EA | GRILLE - 4" X 6" - OVAL SPEAKER - BLACK |
| 8* | 148231-01-000 | EA | RADIO - AM/FM CD W/REMOTE - MAGNADYNE M3100CD |
| | | | FROM: 00-00-00 THRU: 04-11-05 |
| 8* | 155619-01-000 | EA | RADIO - AM/FM CD - W/REMOTE - MAGNADYNE M3200CD |
| | | | FROM: 04-12-05 THRU: 99-99-99 |
| 9 | 076319-09-000 | EA | WALLPLATE - TV CABLE RECEPTACLE - SINGLE - BROWN |

***COMPONENT PARTS LISTED LATER IN THIS GROUP**



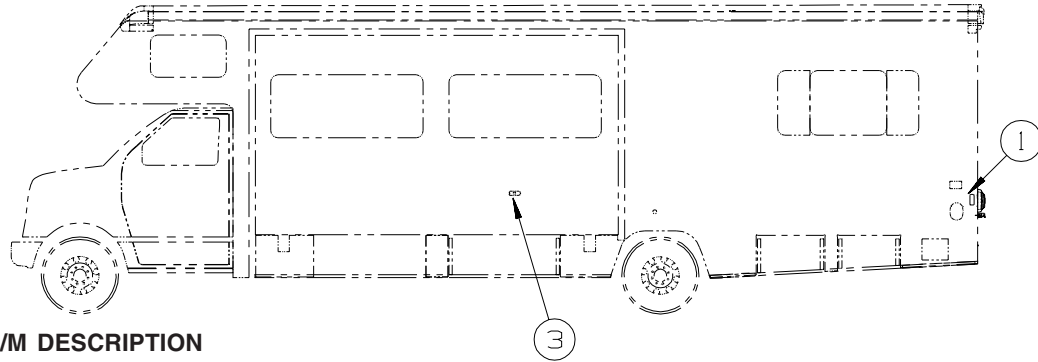
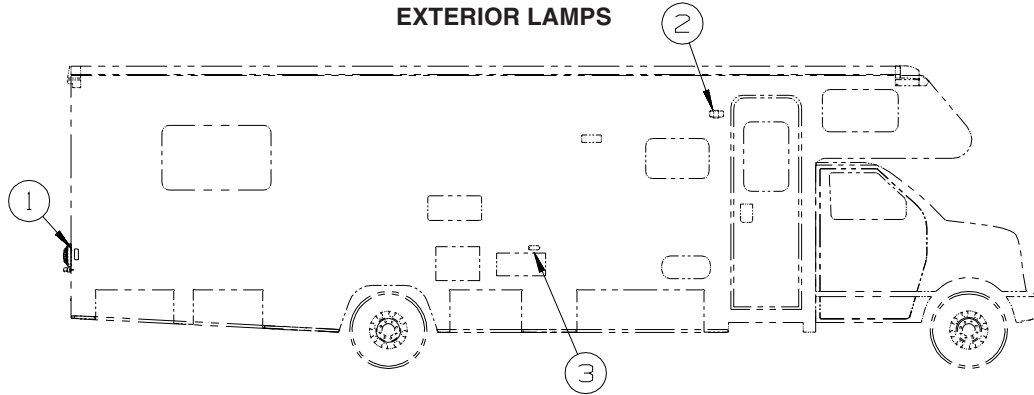
**324F, 324V, 326A, 327L,
329B, 329SB, 329K, 332G**

| KEY | PART NUMBER | U/M | DESCRIPTION |
|-----|---------------|-----|--|
| 1 | 124696-02-01A | EA | BOX-19.4"W X 10"H X 2.5"D - BRT WHT |
| | 124696-01-01A | EA | BOX-19.4"W X 10"H X 10.2"D W/CUTOUTS |
| 2 | 127409-02-L15 | EA | PLATE - RADIO MOUNTING |
| 3 | 110469-01-000 | EA | SPEAKER - 4" X 6" OVAL - COAXIAL |
| 4 | 110470-01-01A | EA | GRILLE - 4" X 6" - OVAL SPEAKER - BLACK |
| 5 | 058708-01-000 | EA | RECEPTACLE - ELECTRIC - DOUBLE - BROWN |
| 6* | 148231-01-000 | EA | RADIO - AM/FM CD W/REMOTE - MAGNADYNE M3100CD |
| | | | FROM: 00-00-00 THRU: 04-11-05 |
| 6* | 155619-01-000 | EA | RADIO - AM/FM CD - W/REMOTE - MAGNADYNE M3200CD |
| | | | FROM: 04-12-05 THRU: 99-99-99 |
| 7 | 076319-09-000 | EA | WALLPLATE - TV CABLE RECEPTACLE - SINGLE - BROWN |
| 8 | 104898-01-02A | EA | PLATE - PLASTIC BOTTOM - BRIGHT WHITE |

***COMPONENT PARTS LISTED LATER IN THIS GROUP**

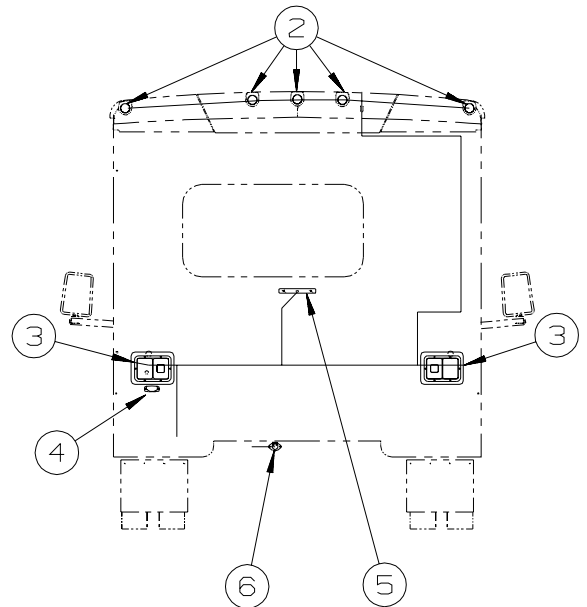
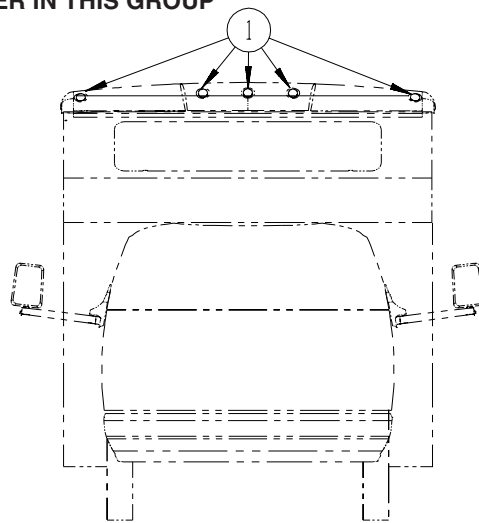
ELECTRICAL GROUP (CONTINUED)

EXTERIOR LAMPS



| KEY | PART NUMBER | U/M | DESCRIPTION |
|-----|---------------|-----|---|
| 1 | 111102-01-000 | EA | BASE - MARKER LAMP |
| | 036196-01-000 | EA | BULB - 12V - #194 - .27 AMP - BAYONETTE |
| 1 | 111102-03-000 | EA | LENS - RED - MARKER LAMP |
| 2* | 097917-01-06A | EA | LIGHT - PORCH - BRIGHT WHITE |
| | 008215-01-000 | EA | BULB - 12 VOLT - #1003 - .94 AMP |
| 3 | 111102-01-000 | EA | BASE - MARKER LAMP |
| | 036196-01-000 | EA | BULB - 12V - #194 - .27 AMP - BAYONETTE |
| 3 | 111102-02-000 | EA | LENS - AMBER - MARKER LAMP |

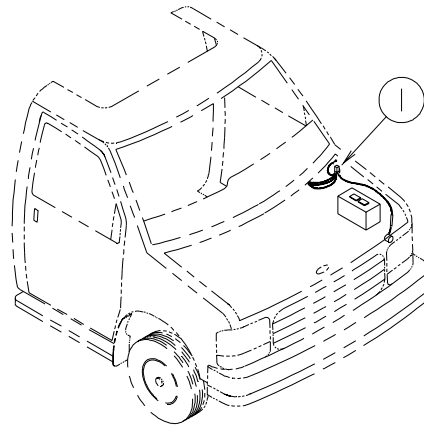
*COMPONENT PARTS LISTED LATER IN THIS GROUP



| KEY | PART NUMBER | U/M | DESCRIPTION |
|-----|---------------|-----|---|
| 1 | 138996-01-000 | EA | LAMP - CLEARANCE - AMBER |
| 1 | 138996-03-000 | EA | BRACKET - CLEARANCE LIGHT |
| 2 | 138996-02-000 | EA | LAMP - CLEARANCE - RED |
| 2 | 138996-03-000 | EA | BRACKET - CLEARANCE LIGHT |
| 3* | 081638-01-000 | EA | TAILLIGHT/DOUBLE W/BLACK TRIM - DRIVER/PASSENGER SIDE |
| 3 | 103355-02-01A | EA | POD - TAIL LIGHT - BRIGHT WHITE |
| 4 | 066432-02-000 | EA | LIGHT - LICENSE - BLACK |
| 4 | 066432-03-000 | EA | BRACKET - LICENSE PLATE |
| 5 | 136916-01-000 | EA | LIGHT - CENTER BRAKE - L.E.D. |
| 6* | 113589-01-000 | EA | CONNECTOR - PLUG - TRAILER |
| 6* | 113589-02-000 | EA | CONNECTOR - SOCKET - TRAILER |

*COMPONENT PARTS LISTED LATER IN THIS GROUP

ELECTRICAL GROUP (CONTINUED)
FRONT END



| KEY | PART NUMBER | U/M DESCRIPTION |
|-----|---------------|--|
| 1 | 100138-01-000 | EA MODULE - DAYTIME/RUNNING LIGHT - HAMSAR DRL #H8005B |



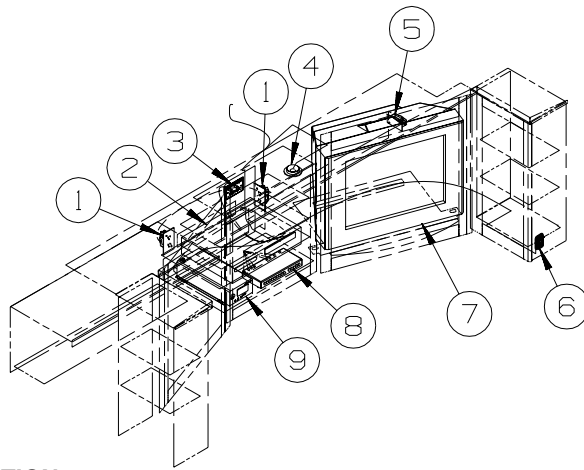
DRIVERS DOOR

| KEY | PART NUMBER | U/M DESCRIPTION |
|-----|---------------|--|
| * | 120269-07-01A | EA PANEL - W/ELECTRIC MIRROR/HEAT SWITCH - F/#L28X OPTION - MIRRORS-EXTERIOR W/DEFROST |

***COMPONENT PARTS LISTED LATER IN THIS GROUP**

ELECTRICAL GROUP (CONTINUED)

FRONT TV/VCR

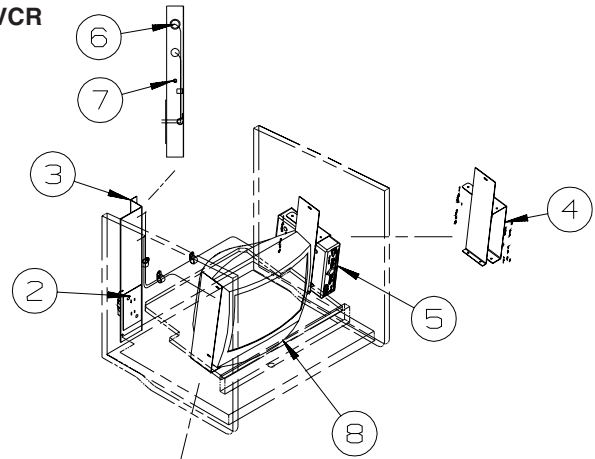


| KEY | PART NUMBER | U/M | DESCRIPTION |
|-----|---------------|-----|---|
| 1 | 058708-01-000 | EA | RECEPTACLE - ELECTRIC - DOUBLE - BROWN |
| 2* | 150089-01-000 | EA | DVD/VCR - HOME THEATER SYSTEM - RCA RTD300/SP - HOME THEATER SYSTEM |
| 2* | 145641-03-000 | EA | DVD/VCR PLAYER - RCA DRC6200N - DVD/VCR STEREO FROM: 00-00-00 08-22-04 |
| 2* | 145641-02-000 | EA | DVD/VCR PLAYER - RCA DRC6100N - DVD/VCR STEREO FROM: 08-23-04 THRU: 10-17-04 |
| 2* | 145641-04-000 | EA | DVD/VCR PLAYER - RCA DRC6300N - DVD/VCR STEREO FROM: 10-18-04 THRU: 99-99-99 |
| 3 | 149557-05-01A | EA | PLATE/WALL - DUAL COAXIAL/HORIZONTAL - WHITE |
| 4* | 123775-01-01A | EA | LIGHT - HALOGEN - ROUND |
| 5 | 058707-02-000 | EA | RECEPTACLE - BLANK - JUNCTION BOX |
| 6 | 135740-01-01A | EA | SWITCH - ROCKER - SPST - ON/OFF - BROWN |
| 6 | 135741-01-01A | EA | SWITCH - BASE - SINGLE - BROWN |
| 6 | 135742-07-02A | EA | BEZEL - SWITCH - CEILING - BROWN |
| 7* | 148230-01-000 | EA | TV - 24" - STEREO/3 JACKS - RCA 24V510T FROM: 00-00-00 THRU: 01-02-05 |
| 7* | 152441-01-000 | EA | TV - 24" - STEREO/3 JACKS - RCA 24V511T FROM: 01-03-05 THRU: 99-99-99 |
| 7* | 148230-03-000 | EA | TV - 24" - STEREO/5 JACKS - RCA 24V510TAO - HOME THEATER SYSTEM FROM: 00-00-00 THRU: 11-14-04 |
| 7* | 148230-01-000 | EA | TV - 24" - STEREO/3 JACKS - RCA 24V510T - HOME THEATER SYSTEM FROM: 11-15-04 THRU: 01-02-05 |
| 7* | 152441-01-000 | EA | TV - 24" - STEREO/3 JACKS - RCA 24V511T - HOME THEATER SYSTEM FROM: 01-03-05 THRU: 99-99-99 |
| 8 | 086757-04-000 | EA | CONTROL CENTER - SWITCH - VCR/TV - 5 INPUTS |
| 9 | 099048-04-000 | EA | INVERTER - 300 WATT |

*COMPONENT PARTS LISTED LATER IN THIS GROUP

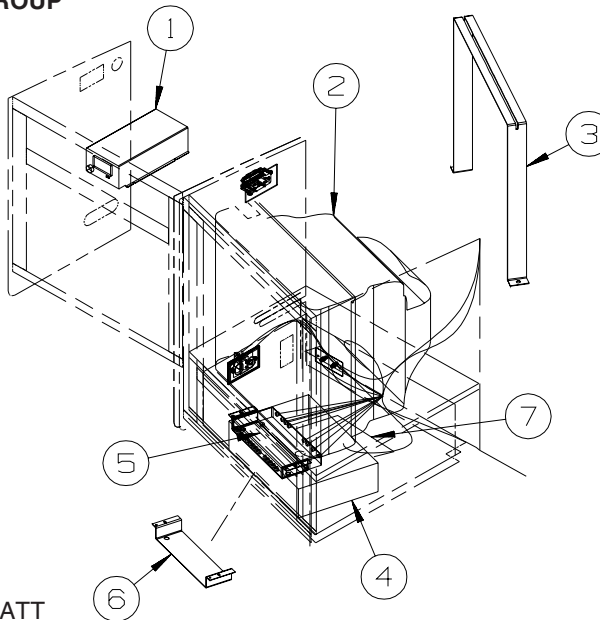
ELECTRICAL GROUP (CONTINUED)

SIDE TV/VCR



| KEY | PART NUMBER | U/M | DESCRIPTION |
|-----|---------------|-----|---|
| 1 | 143650-01-02B | EA | BRACKET - TV - E-COATED |
| 2 | 058708-01-000 | EA | RECEPTACLE - ELECTRIC - DOUBLE - BROWN |
| 3 | 122469-01-02B | EA | BRACKET - ZEE - 13" TV W/DVD-12V |
| 3 | 122469-02-02B | EA | BRACKET - ZEE - W/CUTOUT - E-COATED |
| 4 | 143676-03-02B | EA | BRACKET - DVD - E-COATED - 13" TV W/DVD-12V |
| 5* | 149925-01-000 | EA | DVD PLAYER - AUDIOVOX AVD300 |
| 6 | 111414-01-000 | EA | RECEPTACLE/SOCKET - 12 VOLT |
| 7 | 082134-01-000 | EA | ADAPTER - TV - CABLE TO CABLE |
| 8* | 086231-10-000 | EA | TV - 13" COLOR - AUDIOVOX - FLEX VISION/AVT-1498/DC |

***COMPONENT PARTS LISTED LATER IN THIS GROUP**

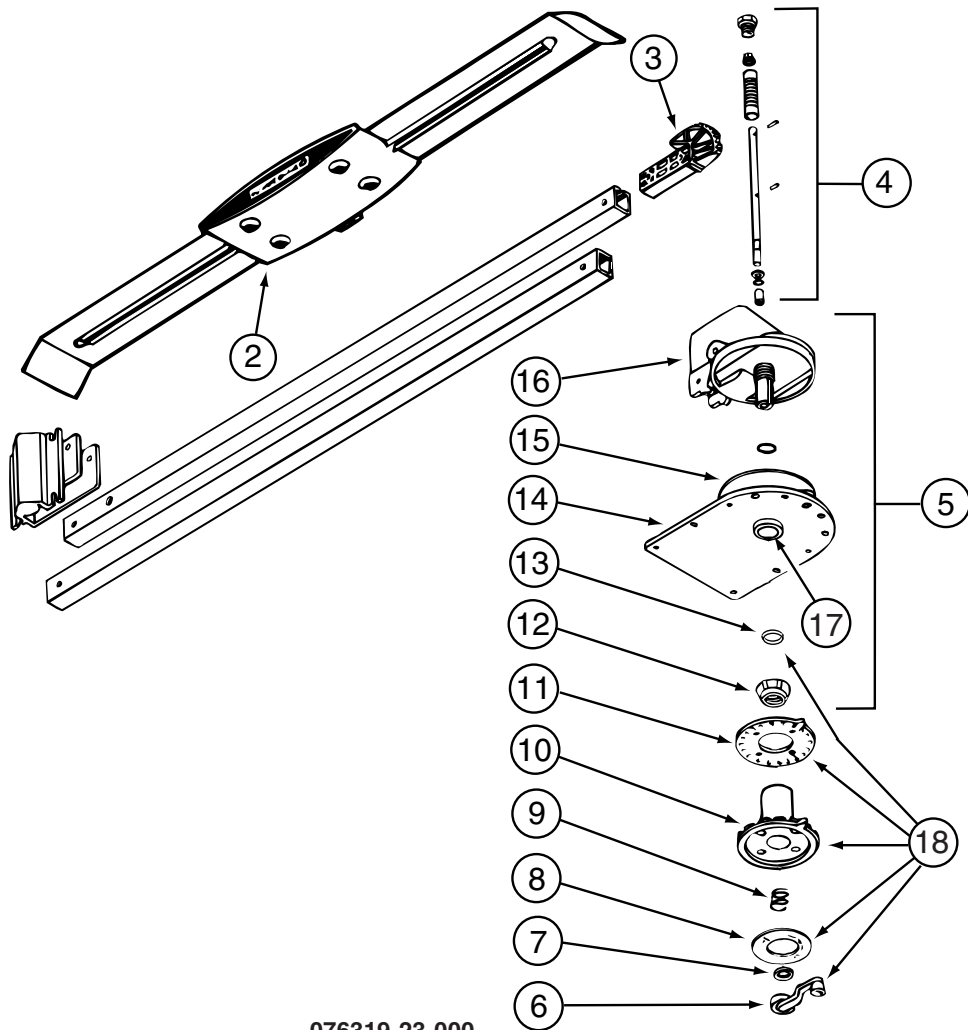


331T, 331ST

| KEY | PART NUMBER | U/M | DESCRIPTION |
|-----|---------------|-----|--|
| 1 | 099048-04-000 | EA | INVERTER - 300 WATT |
| 2* | 124075-07-000 | EA | TV - 19" - 1/8 JACK - W/RCA INPUT - RCA F19431 FROM: 00-00-00 THRU: 04-04-04 |
| 2* | 149040-02-000 | EA | TV - 20" FLAT SCREEN/STEREO - RCA 20F410T FROM: 04-05-04 THRU: 99-99-99 |
| 3 | 146843-02-02B | EA | BRACKET/TIEDOWN - TV - E-COATED FROM: 00-00-00 THRU: 04-04-04 |
| 3 | 148247-05-02B | EA | STRAP/TIEDOWN - TV - E-COATED FROM: 04-05-04 THRU: 99-99-99 |
| 4* | 145641-03-000 | EA | DVD/VCR PLAYER - RCA DRC6200N - DVD/VCR STEREO FROM: 00-00-00 08-22-04 |
| 4* | 145641-02-000 | EA | DVD/VCR PLAYER - RCA DRC6100N - DVD/VCR STEREO FROM: 08-23-04 THRU: 10-17-04 |
| 4* | 145641-04-000 | EA | DVD/VCR PLAYER - RCA DRC6300N - DVD/VCR STEREO FROM: 10-18-04 THRU: 99-99-99 |
| 5 | 086757-04-000 | EA | CONTROL CENTER - SWITCH - VCR/TV - 5 INPUTS |
| 6 | 118847-02-02B | EA | MOUNT - SWITCH BOX - E-COATED |
| 7 | 136860-01-000 | EA | CABLE - RCA - #3 MALE TO #12F MALE CONNECTOR - DVD/VCR STEREO |

***COMPONENT PARTS LISTED LATER IN THIS GROUP**

ELECTRICAL GROUP (CONTINUED)
COMPONENT PARTS FOR WIRING



076319-23-000

| KEY | PART NUMBER | U/M | DESCRIPTION | VENDOR NO. |
|-----|---------------|-----|-------------------------|------------|
| 2 | 076319-01-700 | EA | HEAD-ANTENNA, AMPLIFIED | RVSA U/V |
| 3 | 076319-01-701 | EA | GEAR-ELEVATING, PLASTIC | 2200046 |
| 4 | 076319-01-702 | EA | SHAFT ASM-ELEVATING | RP-4000 |
| 5 | 076319-01-711 | EA | BASE & LIFT ASM | 2762802 |
| 7 | 076319-01-705 | EA | GROMMET-NYLON, 7/8"ID | 3200658 |
| 8 | 076319-01-708 | EA | DECAL-CRANK | 5413002 |
| 9 | 076319-01-707 | EA | SPRING-HANDLE | 2160822 |
| 11 | 076319-01-712 | EA | PLATE - CEILING | 3200608 |
| 12 | 076319-01-715 | EA | NUT (GEAR HOUSING) | 2200047 |
| 14 | 076319-01-713 | EA | PLATE-BASE, STEEL | 3100523 |
| 15 | 076319-01-703 | EA | BEARING-NYLON, 5"OD | 3200656 |
| 16 | 076319-01-714 | EA | HOUSING, ROTATING GEAR | 2200049 |
| 17 | 076319-01-704 | EA | BEARING-NYLON, 1.25"OD | 3200657 |
| 18 | 076319-01-709 | EA | HANDLE-HEAD DIRECTIONAL | 200644 |
| | 076319-01-716 | EA | TUBING, ELEVATING | RP-2900 |

CONTACT WINNEBAGO PART SALES FOR UNLISTED COMPONENT(S)

076319-25-000

| KEY | PART NUMBER | U/M | DESCRIPTION | VENDOR NO. |
|-----|---------------|-----|------------------------------|------------|
| 6 | 076319-01-706 | EA | CRANK-W/SET SCREW UNIV/BEIGE | 2750897 |
| 6 | 120233-01-710 | EA | HANDLE-CRANK W/SCREW - WHITE | RP-6795 |
| 8 | 076319-01-708 | EA | DECAL-CRANK | 5413002 |
| 10 | 076319-25-700 | EA | DIRECTIONAL HANDLE(WHITE) | 3200612 |
| 11 | 076319-25-701 | EA | PLATE - CEILING(WHITE) | 3200609 |
| 13 | 120233-01-709 | EA | WASHER-NYLON | RP-2658 |

CONTACT WINNEBAGO PART SALES FOR UNLISTED COMPONENT(S)

ELECTRICAL GROUP (CONTINUED)
COMPONENT PARTS FOR WIRING (CONTINUED)

081638-01-000

| KEY | PART NUMBER | U/M | DESCRIPTION | VENDOR NO. |
|------------|--------------------|------------|--------------------------|-------------------|
| | 081638 01 700 | EA | LENS-TAILLIGHT, RED | 30-84-010 |
| | 081638 01 701 | EA | LENS-TAILLIGHT, W/BACKUP | 30-84-700 |

086231-10-000

| KEY | PART NUMBER | U/M | DESCRIPTION | VENDOR NO. |
|------------|--------------------|------------|------------------------------|-------------------|
| | 086231-08-700 | EA | REMOTE-UNIVERSAL | 0892325 |
| | 086231-10-700 | EA | ADAPTER WIRE - (CIGARETTE) | 0894000 |
| | 086231-10-701 | EA | CONVERTER/POWER SUP 110/12 V | 0891412 |

087694-01-000

| KEY | PART NUMBER | U/M | DESCRIPTION | VENDOR NO. |
|------------|--------------------|------------|--------------------|-------------------|
| | 087694-01-700 | EA | BULB | GE561 |

097917-01-06A

| KEY | PART NUMBER | U/M | DESCRIPTION | VENDOR NO. |
|------------|--------------------|------------|--------------------|-------------------|
| | 097917-01-700 | EA | LENS-LIGHT, CLEAR | 30-78-021 |

108354-01-01A

| KEY | PART NUMBER | U/M | DESCRIPTION | VENDOR NO. |
|------------|--------------------|------------|---------------------|-------------------|
| | 108354-01-700 | EA | BULB-COURTESY LIGHT | 395-B |

113589-01-000

| KEY | PART NUMBER | U/M | DESCRIPTION | VENDOR NO. |
|------------|--------------------|------------|----------------------|-------------------|
| | 113589-01-700 | EA | ADAPTER, 4-WAY/6-WAY | 5291 |

113589-02-000

| KEY | PART NUMBER | U/M | DESCRIPTION | VENDOR NO. |
|------------|--------------------|------------|----------------------------|-------------------|
| | 113589-03-700 | EA | ADAPTER 7 RND SPADE/4 FLAT | 5290 |

120269-07-01A

| KEY | PART NUMBER | U/M | DESCRIPTION | VENDOR NO. |
|------------|--------------------|------------|------------------------|-------------------|
| | 120269-07-700 | EA | SWITCH - REMOTE | 7475720 |
| | 133908-09-700 | EA | SWITCH - MIRROR HEATER | 7475150 |

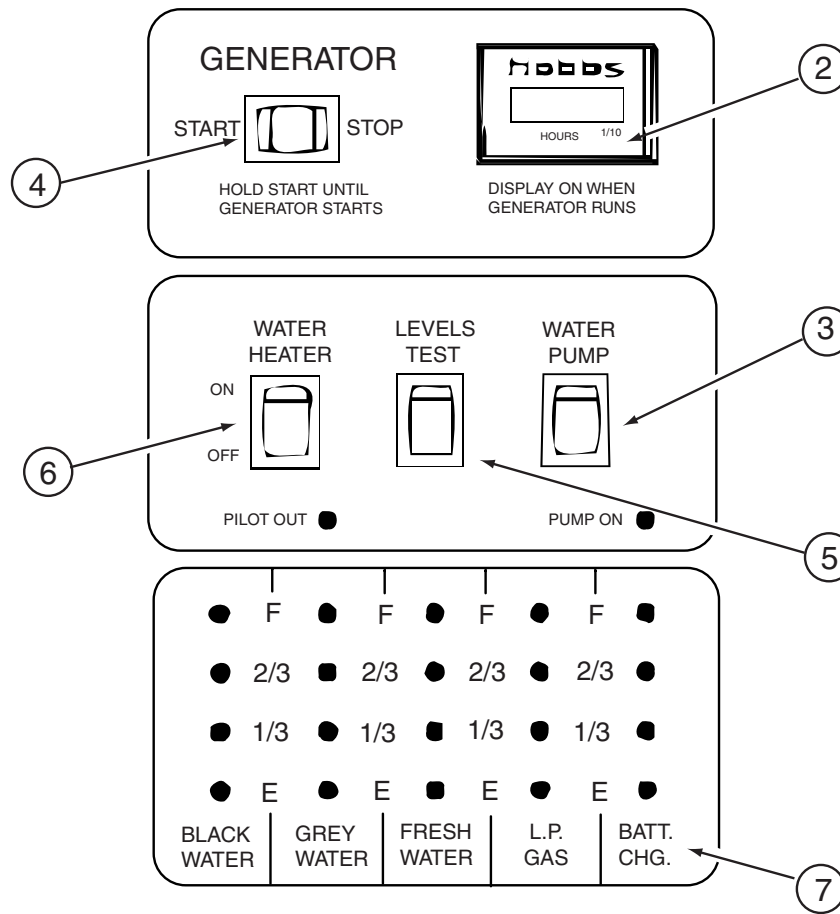
121935-01-01A

| KEY | PART NUMBER | U/M | DESCRIPTION | VENDOR NO. |
|------------|--------------------|------------|--------------------|-------------------|
| | 121935-01-700 | EA | LENS ONLY | 809511 |

123775-01-01A

| KEY | PART NUMBER | U/M | DESCRIPTION | VENDOR NO. |
|------------|--------------------|------------|-----------------------------|---------------------|
| | 123775-01-700 | EA | BULB - 10 WATT - HALOGEN | 71-JC10 |
| | 123775-01-701 | EA | BEZEL/LENS - RECESSED LIGHT | 99 BEZEL/LENS-BRASS |

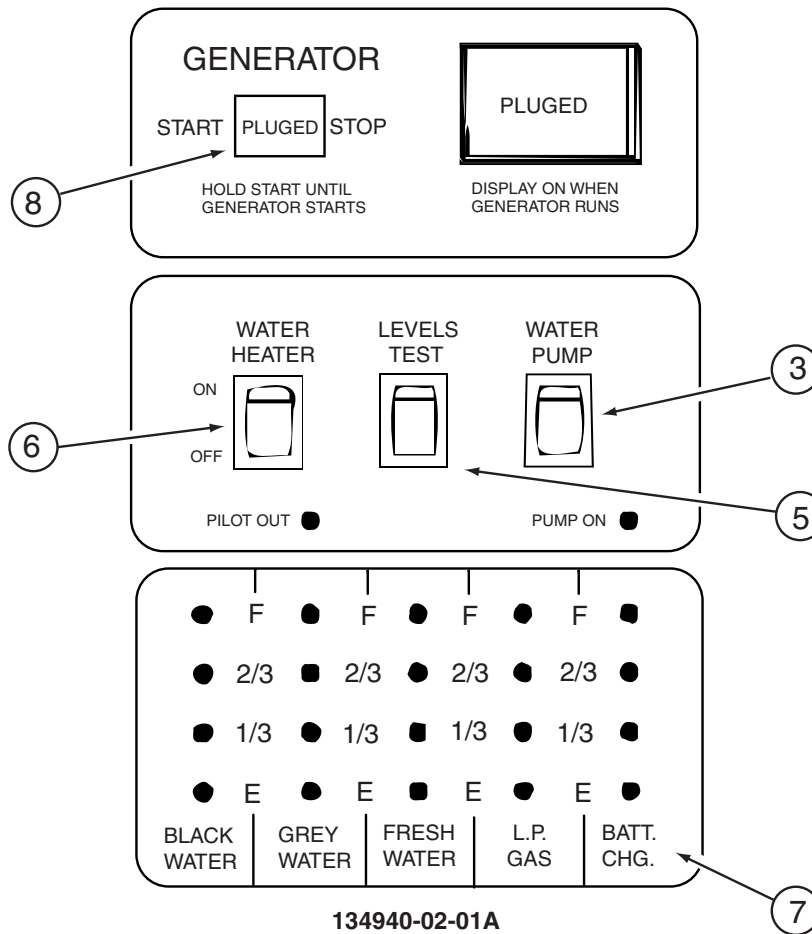
ELECTRICAL GROUP (CONTINUED)
COMPONENT PARTS FOR WIRING (CONTINUED)



134940-01-01A

| KEY | PART NUMBER | U/M | DESCRIPTION | VENDOR NO. |
|-----|---------------|-----|------------------------------|------------|
| 2 | 100258-10-701 | EA | GAUGE-HR METER ONLY (LCD) | L0775-00 |
| 3 | 096983-01-703 | EA | SWITCH - ON/ON | L0115-00 |
| 4 | 096983-01-702 | EA | SWITCH - MOM/OFF/MOM/3 TERM | L0112-00 |
| 5 | 096983-01-701 | EA | SWITCH - SPST/MOM 2 TERMINAL | L0111-00 |
| 6 | 134940-01-701 | EA | SWITCH-SPST/ON-OFF/BLK W/LGT | L0109 |
| 7 | 134940-01-702 | EA | CHASSIS - SILKSCREENED | CC0558-00 |
| | 100258-10-702 | EA | HOUR METER(SNAP-IN)SW & WIRE | L4441-00 |
| | 134940-01-700 | EA | BOARD - PC | L5118-01 |

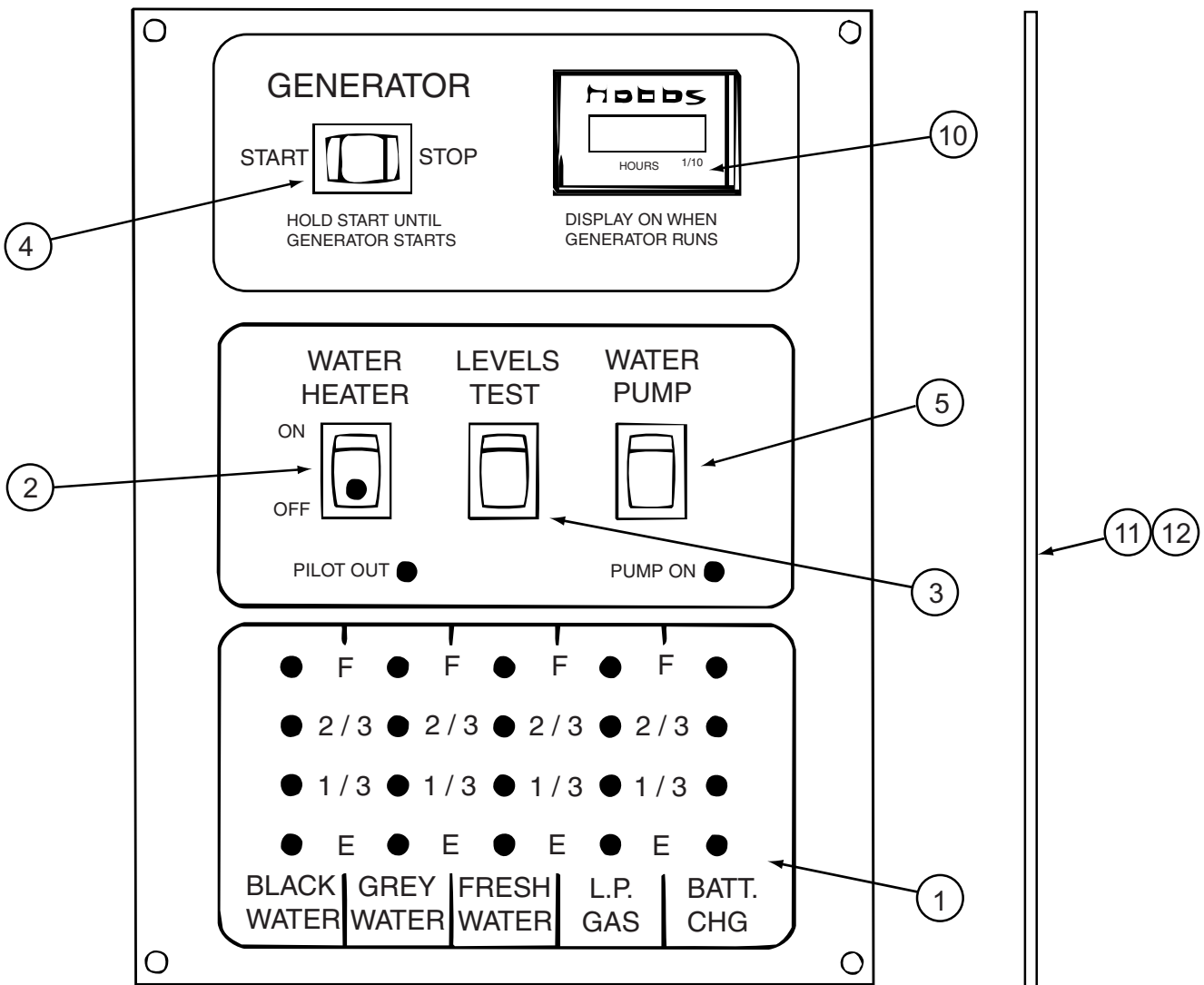
ELECTRICAL GROUP (CONTINUED)
COMPONENT PARTS FOR WIRING (CONTINUED)



134940-02-01A

| KEY | PART NUMBER | U/M | DESCRIPTION | VENDOR NO. |
|-----|---------------|-----|------------------------------|------------|
| | 134940-01-700 | EA | BOARD - PC | L5118-01 |
| 3 | 096983-01-703 | EA | SWITCH - ON/ON | L0115-00 |
| 5 | 096983-01-701 | EA | SWITCH - SPST/MOM 2 TERMINAL | L0111-00 |
| 6 | 134940-01-701 | EA | SWITCH-SPST/ON-OFF/BLK W/LGT | L0109 |
| 7 | 134940-01-702 | EA | CHASSIS - SILKSCREENED | CC0558-00 |
| 8 | 134940-02-700 | EA | SWITCH - DUMMY | L0118 |

ELECTRICAL GROUP (CONTINUED)
COMPONENT PARTS FOR WIRING (CONTINUED)



134940-06-01A

| KEY | PART NUMBER | U/M | DESCRIPTION | VENDOR NO. |
|-----|---------------|-----|------------------------------|------------|
| 1 | 134940-01-702 | EA | CHASSIS - SILKSCREENED | CC0558-00 |
| 2 | 134940-01-701 | EA | SWITCH-SPST/ON-OFF/BLK W/LGT | L0109 |
| 3 | 096983-01-701 | EA | SWITCH - SPST/MOM 2 TERMINAL | L0111-00 |
| 4 | 096983-01-702 | EA | SWITCH - MOM/OFF/MOM/3 TERM | L0112-00 |
| 5 | 096983-01-703 | EA | SWITCH - ON/ON | L0115-00 |
| 10 | 100258-10-701 | EA | GAUGE-HR METER ONLY (LCD) | L0775-00 |
| 11 | 134940-06-700 | EA | PC BOARD - SENSOR SYSTEM/RED | L5131-02 |

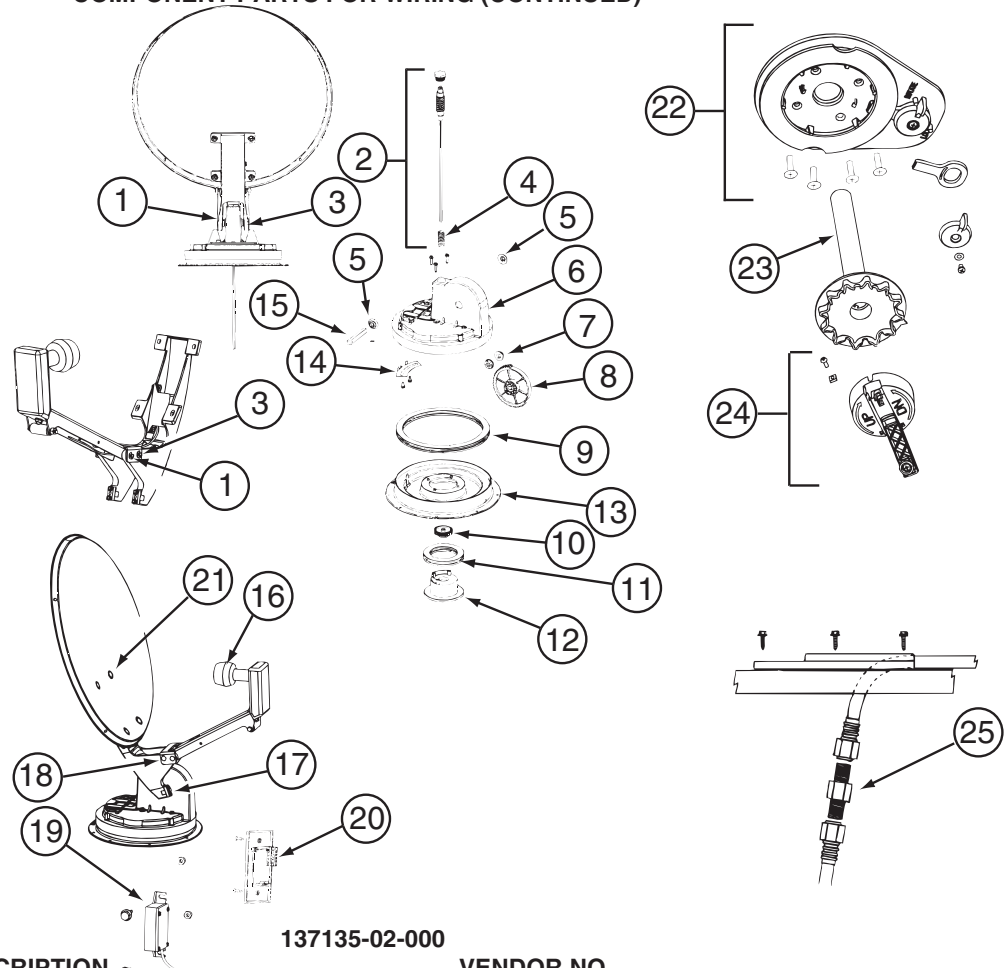
CONTACT WINNEBAGO PART SALES FOR UNLISTED COMPONENT(S)

134940-07-01A

| KEY | PART NUMBER | U/M | DESCRIPTION | VENDOR NO. |
|-----|---------------|-----|------------------------------|------------|
| 1 | 134940-01-702 | EA | CHASSIS - SILKSCREENED | CC0558-00 |
| 2 | 134940-01-701 | EA | SWITCH-SPST/ON-OFF/BLK W/LGT | L0109 |
| 3 | 096983-01-701 | EA | SWITCH - SPST/MOM 2 TERMINAL | L0111-00 |
| 4 | 096983-01-703 | EA | SWITCH - ON/ON | L0115-00 |
| 5 | 134940-02-700 | EA | SWITCH - DUMMY | L0118 |
| 11 | 134940-06-700 | EA | PC BOARD - SENSOR SYSTEM/RED | L5131-02 |

CONTACT WINNEBAGO PART SALES FOR UNLISTED COMPONENT(S)

ELECTRICAL GROUP (CONTINUED)
COMPONENT PARTS FOR WIRING (CONTINUED)



137135-02-000

| KEY | PART NUMBER | U/M DESCRIPTION | VENDOR NO. |
|-----|---------------|---------------------------------|----------------|
| 1 | 120233-01-714 | EA CLIP-E | 5160818 |
| 2 | 137135-01-703 | EA KIT ELEV - SHAFT/GEAR/SPRING | RP-4400 |
| 3 | 137135-01-704 | EA PIN - 1/4" X 3.25" | 2160813 |
| 4 | 137135-01-705 | EA SPRING | 2160818 |
| 5 | 137135-01-707 | EA SEAL - PIVOT SHAFT | 2200852 |
| 6 | 137135-01-708 | EA TURRET | 3100728 |
| 7 | 137135-01-709 | EA PIVOT BEARING | 2200470 |
| 8 | 137135-01-711 | EA GEAR - ELEVATING | 2200464 |
| 9 | 137135-01-712 | EA BEARING - OUTER | 2590347 |
| 10 | 137135-01-714 | EA GEAR - ELEVATING SHAFT | 2200465 |
| 11 | 137135-01-715 | EA BEARING - INNER | 2590348 |
| 12 | 137135-01-716 | EA HUB | 3100731 |
| 13 | 137135-01-713 | EA TURRET BASE | 3100730 |
| 14 | 137135-01-710 | EA PLATE - ROTATE LIMIT | 3720052 |
| 16 | 137135-02-703 | EA LOW NOISE BLOCK FILTER | LB-6000 - DUAL |
| 17 | 137135-01-722 | EA CLAMP | 2590343 |
| 18 | 137135-01-719 | EA BRACKET - PIVOT | 2744945 |
| 19 | 137135-01-720 | EA DE-SENSOR UNIT W/43" CABLE | DM4000 |
| 20 | 137135-02-701 | EA BOX - SURFACE MOUNT | SM-100 |
| 21 | 137135-01-717 | EA BOLT - FLAT HEAD | 2160362 |
| 22 | 120233-01-737 | EA PLATE/INT-W/DIRECTIONAL HDLE | RK-CEIL |
| 23 | 120233-01-704 | EA DIAL/DIRECTIONAL 4"W/SPRING | 3200364 |
| 24 | 120233-01-738 | EA HDW PKG-HANDLE/SPRING/WASHER | RK-HAND |
| 25 | 137135-01-701 | EA CONNECTOR - F - MALE TO MALE | FS-8100 |
| | 120233-04-700 | EA KIT-WALL PLATE/CABLE - GRAY | DM4000 |
| | 137135-01-700 | EA ROOF WEDGE W/GASKET | RW-5000 |
| | 137135-01-706 | EA KIT-TURRET/SEAL/BEARING/GEAR | RP-RM30 |
| | 137135-01-718 | EA REFLECTOR/WHITE-46CM W/HDW | RP-35RM |
| | 137135-02-700 | EA DE-SENSOR | 2780096 |
| | 137135-02-704 | EA KIT-UPDATE DIRECTIONAL HDL | RP-RMDH |
| | 137135-02-705 | EA KIT-TURRET & SHAFT COMPLETE | RP-RM46 |

CONTACT WINNEBAGO PART SALES FOR UNLISTED COMPONENT(S)

ELECTRICAL GROUP (CONTINUED)
COMPONENT PARTS FOR WIRING (CONTINUED)

| | | | 137417-01-01A, 137417-03-01A | |
|------------|--------------------|----------------------------|------------------------------|-------------------|
| KEY | PART NUMBER | U/M DESCRIPTION | | VENDOR NO. |
| | 137417-01-700 | EA LENS - SINGLE (FROSTED) | | 810868 |
| | | | 137417-02-01A | |
| KEY | PART NUMBER | U/M DESCRIPTION | | VENDOR NO. |
| | 137417-02-700 | EA LENS - SINGLE OPTIC | | 810844 |
| | | | 137417-05-01A | |
| KEY | PART NUMBER | U/M DESCRIPTION | | VENDOR NO. |
| | 137417-05-700 | EA LENS - DOUBLE OPTIC | | 810845 |
| | | | 137417-06-01A | |
| KEY | PART NUMBER | U/M DESCRIPTION | | VENDOR NO. |
| | 137417-06-700 | EA LENS - DOUBLE WHITE | | 810867 |
| | | | 145641-03-000 | |
| KEY | PART NUMBER | U/M DESCRIPTION | | VENDOR NO. |
| | 145641-03-700 | EA REMOTE | | RCR311DA1 |
| | | | 145641-04-000 | |
| KEY | PART NUMBER | U/M DESCRIPTION | | VENDOR NO. |
| | 145641-02-700 | EA REMOTE | | 260607 |
| | | | 148230-01-000, 148230-02-000 | |
| KEY | PART NUMBER | U/M DESCRIPTION | | VENDOR NO. |
| | 148230-01-700 | EA REMOTE (TV) | | 260605 |
| | | | 148230-03-000 | |
| KEY | PART NUMBER | U/M DESCRIPTION | | VENDOR NO. |
| | 149040-02-700 | EA REMOTE (TV) | | RCR311TBM1-RCA |
| | | | 148231-01-000 | |
| KEY | PART NUMBER | U/M DESCRIPTION | | VENDOR NO. |
| | 148231-01-700 | EA REMOTE | | RC3100 |
| | | | 149040-02-000 | |
| KEY | PART NUMBER | U/M DESCRIPTION | | VENDOR NO. |
| | 149040-02-700 | EA REMOTE - TV | | RCR311TBM1-RCA |
| | | | 150089-01-000 | |
| KEY | PART NUMBER | U/M DESCRIPTION | | VENDOR NO. |
| | 150089-01-700 | EA REMOTE | | 265683 |

ELECTRICAL GROUP (CONTINUED)
CIRCUIT BREAKERS, FUSES & RELAYS

| KEY | PART NUMBER | U/M | DESCRIPTION |
|------------|--------------------|------------|--|
| | 008235-01-000 | EA | FUSE - 15 AMP/12VOLT - AUTOMOTIVE |
| | 033573-01-000 | EA | CIRCUIT BREAKER W/MOUNT-20A, 12V - FASCO 1711-2026 |
| | 062901-02-000 | EA | FUSE - 5 AMP - AUTOMOTIVE |
| | 062901-04-000 | EA | FUSE - 10 AMP - AUTOMOTIVE |
| | 062901-05-000 | EA | FUSE - 15 AMP - AUTOMOTIVE |
| | 062901-06-000 | EA | FUSE - 20 AMP - AUTOMOTIVE |
| | 062901-07-000 | EA | FUSE - 25 AMP - AUTOMOTIVE |
| | 062901-08-000 | EA | FUSE - 30 AMP - AUTOMOTIVE |
| | 063910-01-000 | EA | HOUSING - RELAY |
| | 063912-02-000 | EA | RELAY - CANISTER - SPDT |
| | 083209-01-000 | EA | CIRCUIT BREAKER - 15 AMP - 120 VOLT - CANADIAN |
| | 083209-02-000 | EA | CIRCUIT BREAKER - 15/15 AMP - 120 VOLT |
| | 083209-03-000 | EA | CIRCUIT BREAKER - 15/20 AMP - 120 VOLT |
| | 083209-04-000 | EA | CIRCUIT BREAKER - 30 AMP - 120 VOLT |
| | 083209-05-000 | EA | CIRCUIT BREAKER - 20 AMP - 120 VOLT |
| | 083209-06-000 | EA | CIRCUIT BREAKER - 30/15 AMP - 120 VOLT |
| | 083209-07-000 | EA | CIRCUIT BREAKER - 20/20 AMP - 120 VOLT |
| | 083209-10-000 | EA | CIRCUIT BREAKER - 20/30 AMP - 120 VOLT |
| | 083209-11-000 | EA | CIRCUIT BREAKER - 20/15 AMP - 120 VOLT |
| | 092786-03-000 | EA | BUSS BAR - 6.9" LONG |
| | 092786-06-000 | EA | BUSS BAR |
| | 093654-01-000 | EA | CIRCUIT BREAKER - 6 AMP - 12 VOLT - PUSH BUTTON - WHITE |
| | 093654-02-000 | EA | CIRCUIT BREAKER - 15 AMP - 12 VOLT - PUSH BUTTON - WHITE |
| | 093654-03-000 | EA | CIRCUIT BREAKER - 20 AMP - 12 VOLT - PUSH BUTTON - WHITE |
| | 093654-11-000 | EA | COVER - RESET BUTTON |
| | 093655-01-000 | EA | CIRCUIT BREAKER - 25 AMP - 12 VOLT - PUSH BUTTON - WHITE |
| | 093655-02-000 | EA | CIRCUIT BREAKER - 30 AMP - 12 VOLT - PUSH BUTTON - WHITE |
| | 093655-03-000 | EA | CIRCUIT BREAKER - 40 AMP - 12 VOLT - PUSH BUTTON - WHITE |
| | 097611-01-000 | EA | CIRCUIT BREAKER - 10 AMP |
| | 097611-02-000 | EA | CIRCUIT BREAKER - 30 AMP |
| | 097611-03-000 | EA | CIRCUIT BREAKER - 20 AMP |
| | 097611-04-000 | EA | CIRCUIT BREAKER - 25 AMP |
| | 100341-01-000 | EA | FUSE HOLDER - IN LINE TYPE |
| | 106656-01-000 | EA | FUSE BLOCK - 4 CAVITY - AUTOFUSE |
| | 108567-01-000 | EA | CIRCUIT BREAKER - 40 AMP - 12 VOLT - TYPE II |
| | 111683-01-000 | EA | FUSE - HOLDER - GLASS - 1/4" X 1 1/4" |
| | 113482-01-000 | EA | CIRCUIT BREAKER - 55 AMP - MANUAL |
| | 115187-01-000 | EA | FUSE - 300 AMP - NON-DELAY |
| | 115187-02-000 | EA | FUSE HOLDER - BUSS ANN/ANL BLOCK |
| | 119930-01-000 | EA | CAPACITOR - ELECTROLYTIC |
| | 122811-01-000 | EA | CIRCUIT BREAKER - 20/50/50/20 AMP - 250V |
| | 125986-02-000 | EA | FUSE - 5 AMP - AUTO - MINI BLADE |
| | 125986-04-000 | EA | FUSE - 10 AMP - AUTO - MINI BLADE |
| | 125986-05-000 | EA | FUSE - 15 AMP - AUTO - MINI BLADE |
| | 125986-06-000 | EA | FUSE - 20 AMP - AUTO - MINI BLADE |
| | 125986-07-000 | EA | FUSE - 25 AMP - AUTO - MINI BLADE |
| | 134127-01-000 | EA | CIRCUIT BREAKER - 10 AMP - MINI |
| | 141789-01-000 | EA | SPACER - CIRCUIT BREAKER |

CONVERTER, INVERTER, LOAD CENTERS

| KEY | PART NUMBER | U/M | DESCRIPTION |
|------------|--------------------|------------|--|
| | 083208-06-000 | EA | CONTROL CENTER - 45 AMP/120V/12V - W/O BREAKERS/ELECTRONIC |
| | 099048-04-000 | EA | INVERTER - 300 WATT |

ELECTRICAL GROUP (CONTINUED)

BOXES & CORDS

| KEY | PART NUMBER | U/M | DESCRIPTION |
|-----|---------------|-----|--|
| | 008054-01-000 | EA | CORD - POWER - 10/3 WIRE - 30 AMP - 25' |
| | 008289-01-000 | EA | BOX - ELECTRIC/STEEL - 4" X 4" - 1/2" & 3/4" KNOCKOUTS |
| | 008294-01-000 | EA | COVER - ELECTRIC BOX - BLANK/STEEL - 4" X 4" - GRAY |
| | 069238-01-000 | EA | COVER - ELECTRICAL BOX - W/HOLE - 4" X 4" - GRAY |
| | 084993-01-000 | EA | STRAP - BATTERY - 43.2" LONG |
| | 084993-02-000 | EA | STRAP - BATTERY - 55" LONG |
| | 091910-01-000 | EA | BOX - ELECTRIC - 3.8" X 3.5" X 1.8" - PLASTIC |
| | 091910-02-000 | EA | BOX - ELECTRIC - 2.2" X 3.5" X 1.8" - PLASTIC |
| | 131679-01-000 | EA | BOX/ELECTRIC-WATERPROOF-4" X 4" - W/4 3/4"OUTLETS-UL/CSA |
| | 131680-01-000 | EA | COVER - F/ELECTRIC BOX W/GASKET 4" X 4" - UL/CSA |
| | 141272-01-02B | EA | BOX - ELECTRICAL - E-COATED |
| | 141273-01-02B | EA | COVER - ELECTRICAL BOX - E-COATED |
| | 084077-03-000 | EA | COVER/BLANK - WIRE ACCESS - 5.2" X 3.5" - IVORY |
| | 107165-01-01A | EA | BOX - CIRCUIT BREAKER - 14.6" X 4" - PLASTIC |
| | 115832-01-000 | FT | CORD - HEAVY DUTY - 14-2 W/GROUND |
| | 131679-01-000 | EA | BOX/ELECTRIC-WATERPROOF-4" X 4" - W/4 3/4"OUTLETS-UL/CSA |
| | 131680-01-000 | EA | COVER - F/ELECTRIC BOX W/GASKET 4" X 4" - UL/CSA |
| | 133070-01-000 | EA | BOX - ELECTRIC/PLASTIC - 3" X 2" X 2.8" - UL |
| | 133070-02-000 | EA | BOX - ELECTRIC/PLASTIC - 3" X 2" X 2.8" - CSA |

WIRE ASSEMBLIES

| KEY | PART NUMBER | U/M | DESCRIPTION |
|-----|---------------|-----|---|
| | 096449-01-000 | EA | WIRE ASSEMBLY - WATER TANK TO MONITOR PANEL |
| | 097618-02-000 | EA | WIRE ASSEMBLY/MONITOR PANEL - 3 WIRES & RESISTOR - 102.4" |
| | 096450-01-000 | EA | WIRE F/SENSORS - BLACK WATER - 39.3" FROM: 00-00-00 THRU: 05-02-04 |
| | 096450-02-000 | EA | WIRE F/SENSORS - BLACK WATER - 59" FROM: 00-00-00 THRU: 05-02-04 |
| | 096450-05-000 | EA | WIRE F/SENSORS - BLACK WATER - 23.6" FROM: 00-00-00 THRU: 05-02-04 |
| | 151317-01-000 | EA | WIRE ASM-W/NO CONTACT SENSORS - FRESH WATER/BLK TANK - MALE PLUG - 3.9" FROM: 05-03-04 THRU: 99-99-99 |
| | 151317-02-000 | EA | WIRE ASM-W/NO CONTACT SENSORS - FRESH WATER/BLK TANK - MALE PLUG - 23.6" FROM: 05-03-04 THRU: 99-99-99 |
| | 151317-03-000 | EA | WIRE ASM-W/NO CONTACT SENSORS - FRESH WATER/BLK TANK - MALE PLUG - 43.2" FROM: 05-03-04 THRU: 99-99-99 |
| | 151317-04-000 | EA | WIRE ASM-W/NO CONTACT SENSORS - FRESH WATER/BLK TANK - MALE PLUG - 62.9" FROM: WIRE THRU: 99-99-99 |
| | 096451-03-000 | EA | WIRE F/SENSORS - GREY WATER - 78.6" FROM: 00-00-00 THRU: 05-02-04 |
| | 096451-05-000 | EA | WIRE F/SENSORS - GREY WATER - 43.2" FROM: 00-00-00 THRU: 05-02-04 |
| | 096451-06-000 | EA | WIRE F/SENSORS - GREY WATER - 23.6" FROM: 00-00-00 THRU: 05-02-04 |
| | 151316-02-000 | EA | WIRE ASM - W/NO CONTACT SENSORS - GREY WATER - FEMALE PLUG - 23.6" FROM: 05-03-04 THRU: 99-99-99 |
| | 151316-03-000 | EA | WIRE ASM - W/NO CONTACT SENSORS - GREY WATER - FEMALE PLUG - 43.2" FROM: 05-03-04 THRU: 99-99-99 |
| | 151316-06-000 | EA | WIRE ASM - W/NO CONTACT SENSORS - GREY WATER - FEMALE PLUG - 78.6" FROM: 05-03-04 THRU: 99-99-99 |
| | 106851-01-000 | EA | WIRE ASSEMBLY - RUNNING LIGHTS - FUSE |
| | 116894-01-000 | EA | WIRE ASSEMBLY - SPEED SENSOR EXTENDED |
| | 120269-08-000 | EA | HARNESS/WIRE - F/ELECTRIC MIRRORS |
| | 125853-04-000 | EA | WIRE LOOM - ENTERTAINMENT CENTER |
| | 126501-01-000 | EA | WIRE ASSEMBLY - REMOTE MIRRORS - FORD |
| | 134550-01-000 | EA | WIRE ASSEMBLY - HEATER/RELAY |
| | 134551-06-000 | EA | WIRE ASSEMBLY - HEATER/TANKS - 3 PAD - 331T, 331ST |
| | 134551-08-000 | EA | WIRE ASSEMBLY - HEATER/TANKS - 2 PAD - 322E, 322R, 324F, 326A, 327L, 332G |
| | 134551-09-000 | EA | WIRE ASSEMBLY - HEATER/TANKS - 2 PAD - 324V |
| | 134551-10-000 | EA | WIRE ASSEMBLY - HEATER/TANKS - 2 PAD - 329B, 329SB, 329K |
| | 135420-08-000 | EA | WIRE - RADIO - FORD C - 4 PIN |
| | 136514-02-000 | EA | CABLE - MONITOR/CAMERA |
| | 137135-03-000 | EA | WIRE LOOM - DIGITAL ELEVATION SENSOR |
| | 137135-04-000 | EA | WIRE HARNESS - POWER - DIGITAL ELEVATION SENSOR |

ELECTRICAL GROUP (CONTINUED)
CONNECTORS & CONDUIT

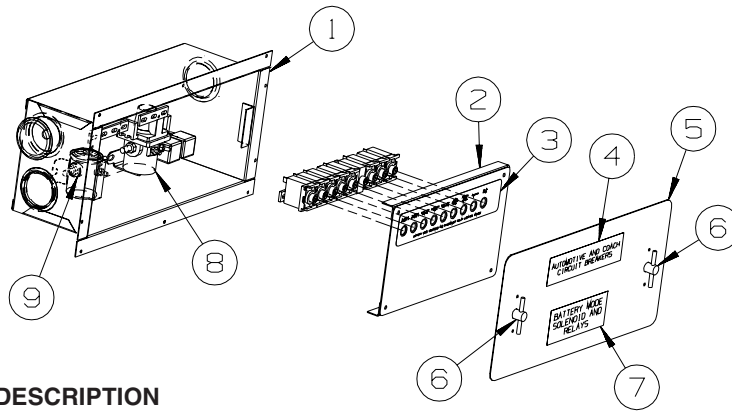
| KEY | PART NUMBER | U/M | DESCRIPTION |
|-----|---------------|-----|--|
| | 007940-01-000 | EA | RECEPTACLE/SLIDE 16 TO 12 AWG - FEMALE END |
| | 007940-02-000 | EA | RECEPTACLE-SLIDE 10 AWG - AMP 180351-2 |
| | 007954-01-000 | EA | RECEPTACLE - HOUSING - 6 POSITION |
| | 007956-05-000 | EA | INSULATOR - SHRINK - 1/4"ID X 1 1/2" |
| | 008058-01-000 | EA | ADAPTER - POWER CORD - 30 AMP TO 15 AMP |
| | 008311-01-000 | EA | CONNECTOR - WIRE NUT - INSULATED - RED |
| | 008312-01-000 | EA | CONNECTOR - WIRE NUT - INSULATED - BLUE |
| | 008313-01-000 | EA | CONNECTOR - WIRE NUT - INSULATED - YELLOW |
| | 008314-01-000 | EA | CONNECTOR - WIRE NUT - INSULATED - GRAY |
| | 008326-01-000 | EA | TERMINAL - RING - 16/14 WIRE - 3/8" STUD |
| | 008328-01-000 | EA | TERMINAL - RING - 12/10 WIRE - #10 STUD FIT |
| | 008331-01-000 | EA | TERMINAL - RING - TONGUE - #4 WIRE - 3/8" STUD - COPPER |
| | 008348-01-000 | EA | TERMINAL - RING - 3/8" STUD 2 GA. WIRE |
| | 008355-01-000 | EA | CONNECTOR - CABLE CLAMPING - 3/4" |
| | 008356-01-000 | EA | CONNECTOR - PLASTIC - 3/8" |
| | 008356-02-000 | EA | CONNECTOR - PLASTIC - 21/32" |
| | 008394-01-000 | FT | CONDUIT - FLEXIBLE - 1/2" |
| | 008398-01-000 | EA | CONNECTOR - 1/2" X 90 DEGREE - FLEX CONDUIT - UL & CSA |
| | 035416-04-000 | EA | TERMINAL - RING - #10 STUD FIT - INSULATED BARREL #16/14 |
| | 041953-01-000 | FT | CONDUIT - CONVOLUTE SLIT - .5" ID - POLYETHYLENE |
| | 041953-03-000 | FT | CONDUIT - CONVOLUTE SLIT - 1" ID (CLOTHES ROD COVER) |
| | 041953-06-000 | FT | CONDUIT - CONVOLUTE SLIT - .4" ID - POLYETHYLENE |
| | 041953-07-000 | FT | CONDUIT - CONVOLUTE SLIT - .25" ID - POLYETHYLENE |
| | 041953-08-000 | FT | CONDUIT - CONVOLUTE SLIT - 1.5" ID - POLYETHYLENE |
| | 041953-09-000 | FT | CONDUIT - CONVOLUTE SLIT - .5" ID - NYLON |
| | 041953-10-000 | FT | CONDUIT - CONVOLUTE SLIT - .75" ID - NYLON |
| | 041953-11-000 | FT | CONDUIT - CONVOLUTE SLIT - 1.06" ID - NYLON |
| | 041953-12-000 | FT | CONDUIT - CONVOLUTE SOLID - 1.1" ID - NYLON |
| | 041953-13-000 | FT | CONDUIT - CONVOLUTE SLIT - 1.25" ID |
| | 041953-14-000 | FT | CONDUIT - CONVOLUTE SLIT - 1.5" ID |
| | 041953-15-000 | FT | CONDUIT - CONVOLUTE SLIT - 2" |
| | 041953-16-000 | FT | CONDUIT - CONVOLUTE SLIT - 2" |
| | 047443-01-000 | EA | TERMINAL - .250 RECEPTACLE FIT - INSULATED - 16/14 AWG |
| | 047443-02-000 | EA | TERMINAL - .250 RECEPTACLE FIT - INSULATED - 12/10 AWG |
| | 058028-01-000 | EA | CONNECTOR - ELECTRICAL PIGTAIL - NYLON - CLEAR |
| | 062036-01-000 | EA | TERMINAL - PACK - CON - 12/10 AWG |
| | 077479-01-000 | EA | BOOT - BATTERY TERMINAL - DOUBLE CABLE |
| | 077479-02-000 | EA | BOOT - BATTERY TERMINAL - SINGLE CABLE |
| | 080015-02-000 | EA | RECEPTACLE - FLAG - .185 - 16/14 GAUGE |
| | 080015-03-000 | EA | RECEPTACLE - FLAG - .250 - 14/16 GAUGE |
| | 082109-01-000 | EA | HOUSING - CONNECTOR - PACKARD |
| | 082741-01-000 | EA | CONNECTOR BODY - 2 CONNECTOR MALE |
| | 087225-01-000 | FT | SLEEVING - 1/2" - TYPE H |
| | 087949-01-000 | EA | BUSS BAR - 2 POSITION - .6" X 1.5" |
| | 087949-03-000 | EA | BUSS BAR - 4 POSITION |
| | 088473-01-000 | EA | HOUSING - PIN - 12 CAVITY (3 ROWS OF 4) |
| | 088473-02-000 | EA | HOUSING - PIN - 15 CAVITY (3 ROWS OF 5) |
| | 088473-03-000 | EA | HOUSING - PIN - 9 CAVITY (3 ROWS OF 3) |
| | 088473-04-000 | EA | HOUSING - PIN - 8 CAVITY IN-LINE |
| | 088473-06-000 | EA | HOUSING - PIN - 6 CAVITY (2 ROWS OF 3) |
| | 088473-07-000 | EA | HOUSING - PIN - 5 CAVITY - IN-LINE |
| | 088473-08-000 | EA | HOUSING - PIN - 4 CAVITY - IN-LINE |
| | 088473-09-000 | EA | HOUSING - PIN - 3 CAVITY - IN-LINE |
| | 088473-10-000 | EA | HOUSING - PIN - 2 CAVITY - IN LINE |
| | 088474-01-000 | EA | HOUSING - SOCKET - 12 CAVITY |
| | 088474-02-000 | EA | HOUSING - SOCKET - 15 CAVITY |
| | 088474-03-000 | EA | HOUSING - SOCKET - 9 CAVITY |
| | 088474-06-000 | EA | HOUSING - SOCKET - 6 CAVITY |
| | 088474-07-000 | EA | HOUSING - SOCKET - 5 CAVITY |
| | 088474-08-000 | EA | HOUSING - SOCKET - 4 CAVITY |
| | 088474-09-000 | EA | HOUSING - SOCKET - 3 CAVITY |
| | 088474-10-000 | EA | HOUSING - SOCKET - 2 CAVITY |

ELECTRICAL GROUP (CONTINUED)
CONNECTORS & CONDUIT (CONTINUED)

| KEY | PART NUMBER | U/M | DESCRIPTION |
|------------|--------------------|------------|---|
| | 088475-01-000 | EA | PIN - CONNECTOR - 14-20 AWG |
| | 088475-02-000 | EA | PIN - CONNECTOR - 10-12 AWG |
| | 088476-01-000 | EA | TERMINAL - ELECTRICAL |
| | 088476-02-000 | EA | SOCKET - CONNECTOR - 12-10 GA - PRE-TIN |
| | 098261-01-000 | EA | SOCKET - CONNECTOR - WEATHERPACK - 12 AWG |
| | 098261-02-000 | EA | SOCKET - CONNECTOR - WEATHERPACK - 14-18 AWG |
| | 098262-01-000 | EA | SEAL - CONNECTOR - WEATHERPACK |
| | 098264-01-000 | EA | HOUSING - 2 PIN - WEATHER PACK - MALE W/FEMALE PINS |
| | 098264-02-000 | EA | HOUSING - 2 PIN - WEATHER PACK - FEMALE W/MALE PINS |
| | 098265-02-000 | EA | PIN - CONNECTOR - WEATHER PACK |
| | 102777-02-000 | EA | TERMINAL - RING - #6 STUD - 10 AWG |
| | 103608-01-000 | EA | SOCKET - WEDGE BASE W/LEADS |
| | 104100-01-000 | EA | HOUSING - 1 POSITION - 75 AMPS |
| | 104100-03-000 | EA | TERMINAL - 75 AMP |
| | 110178-01-000 | EA | HOUSING - WIPER MOTOR |
| | 112823-01-000 | EA | SPLICE - REDUCER - 16-14 TO 18-22 |
| | 113135-01-000 | EA | TERMINAL - FEMALE - M/P - 14-16 - F/SEALED TERMINAL |
| | 113308-01-000 | EA | TERMINAL - FEMALE - M/P - 14-16 - 280 |
| | 113468-01-000 | EA | HOUSING - 2 POSITION-FEMALE-USED ON WIPER/WASHER WIRE ASM |
| | 115931-02-000 | EA | COVER - CONNECTOR - 50 AMP W/LOCKING RING |
| | 115932-01-000 | EA | CONNECTOR - FEMALE - 30 AMP/120 VOLT |
| | 116811-01-000 | EA | TERMINAL - .110 RECEPTACLE - 16-14 AWG |
| | 118571-01-000 | EA | CONNECTOR - 3-WAY - MALE/SEALED |
| | 118571-02-000 | EA | CONNECTOR - 3-WAY - FEMALE/SEALED |
| | 118571-05-000 | EA | LOCK - SECONDARY - FEMALE/SEALED |
| | 118571-06-000 | EA | LOCK - SECONDARY - MALE |
| | 118599-02-000 | EA | TERMINAL - MALE - M/P - 280/14-12 |
| | 118820-01-000 | EA | INSULATOR - TERMINAL |
| | 129233-01-000 | EA | HOUSING - 2-POSITION/FEMALE - 280-SERIES |
| | 129233-02-000 | EA | HOUSING - 2-POSITION/FEMALE - 280-SERIES |
| | 131681-01-000 | EA | CONNECTOR - 3/4" SO CORD - UL/CS |
| | 137207-01-000 | EA | HOUSING - PIN - 2 CAVITY/HIGH AMP |
| | 137208-01-000 | EA | HOUSING - SOCKET - 2 CAVITY/HIGH AMP |
| | 137209-01-000 | EA | PIN - CONNECTOR - 10AWG/HIGH AMP |
| | 137210-01-000 | EA | SOCKET - CONNECTOR - 10 AWG/HIGH AMP |
| | 138419-03-000 | EA | SOCKET - TURN SIGNAL LAMP - 3 WIRE |
| | 142520-01-000 | EA | TERMINAL - FEMALE - MINI-FIT 16 |
| | 142522-01-000 | EA | HOUSING - 4 PIN/MALE - MINI FIT |
| | 142524-01-000 | EA | HOUSING - 4 PIN/FEMALE - WEATHER PACK |
| | 142524-02-000 | EA | HOUSING - 4 PIN/FEMALE - WEATHER PACK |
| | 144283-01-000 | EA | CONNECTOR - 110V - F/USE WITH SOW WIRE - BLUE |
| | 144283-02-000 | EA | CONNECTOR - 110V - F/USE WITH NM ROMEX WIRE - CLEAR |
| | 145171-01-000 | EA | CONNECTOR - COAXIAL |
| | 149687-01-000 | EA | HOUSING - 2 POSITION/MALE - PACKARD |
| | 149687-02-000 | EA | LOCK - F/2 POSITION HOUSING - PACKARD |
| | 149688-01-000 | EA | TERMINAL - MALE - 16 GAUGE WIRE |

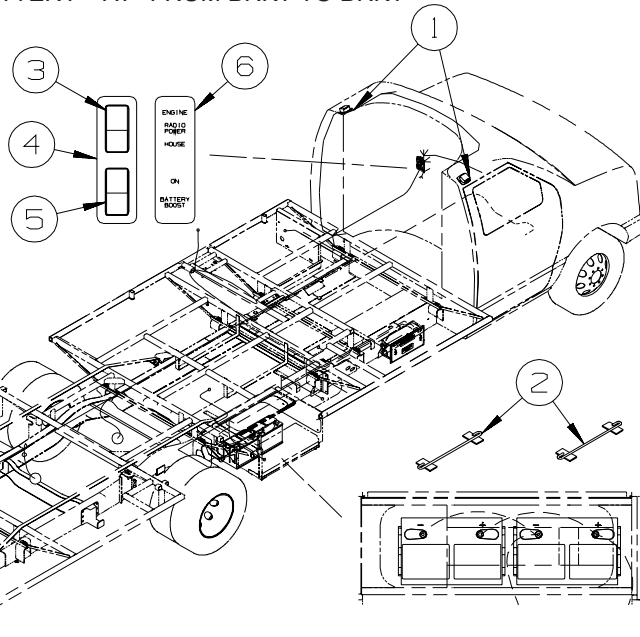
ELECTRICAL GROUP (CONTINUED)

CHASSIS



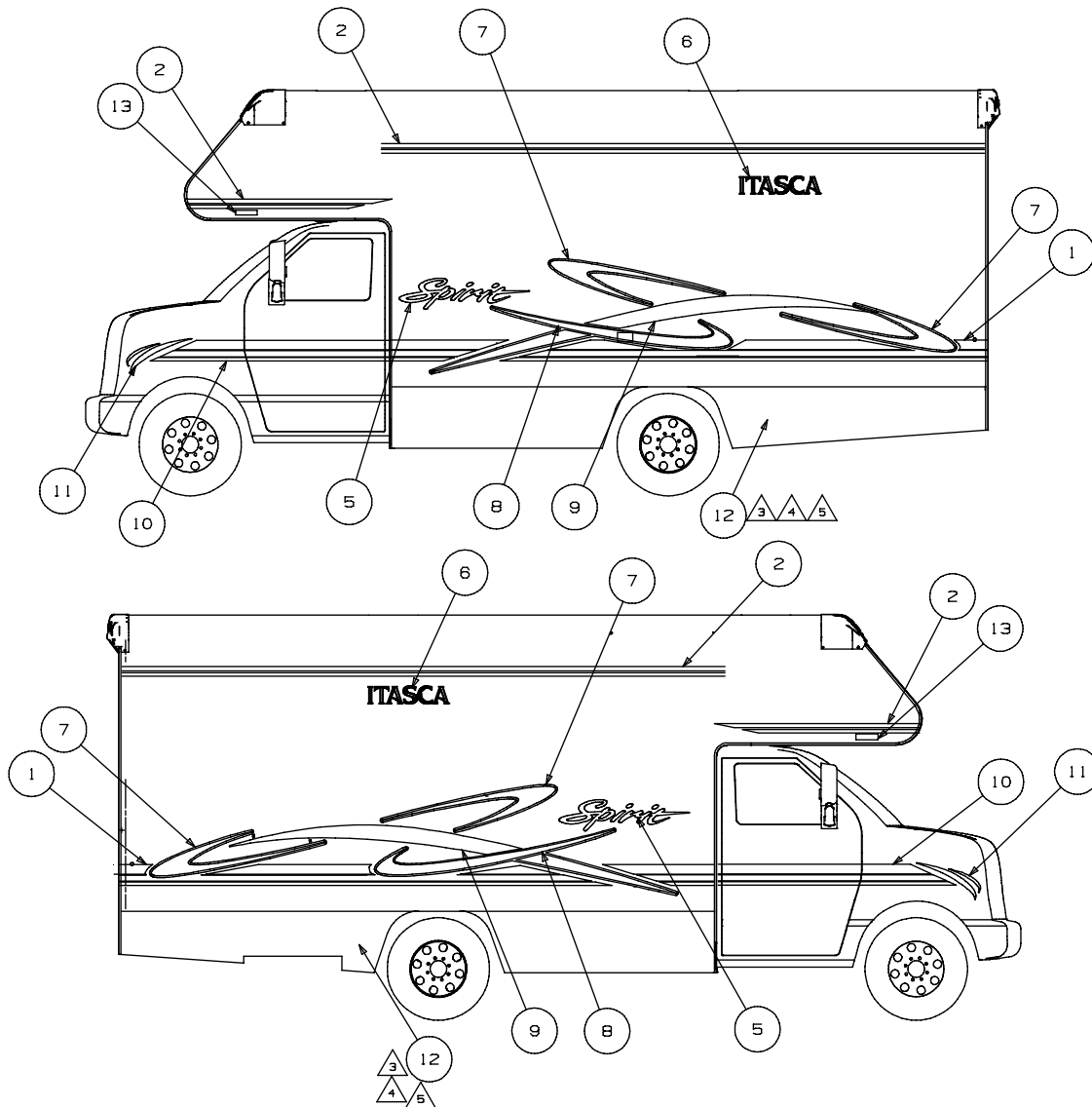
| KEY | PART NUMBER | U/M | DESCRIPTION |
|-----|---------------|-----|--|
| 1 | 141272-01-02B | EA | BOX - ELECTRICAL - E-COATED |
| 2 | 139067-04-02B | EA | PLATE - CIRCUIT BREAKER/HOUSE - E-COATED |
| 3 | 093236-38-000 | EA | LABEL - CIRCUIT BREAKER |
| 4 | 098379-01-000 | EA | LABEL - CIRCUIT BREAKER - FRONT BOX |
| 5 | 141273-01-02B | EA | COVER - ELECTRICAL BOX - E-COATED |
| 5 | 092492-16-000 | EA | SEAL - ELECTRICAL BOX |
| 6 | 098196-01-000 | EA | LATCH - 1/4 TURN - T-BAR |
| 7 | 098379-04-000 | EA | LABEL - ELECTRICAL BOX - SIDE |
| 8 | 086273-01-000 | EA | RELAY - BATTERY DISCONNECT |
| 9 | 008188-01-000 | EA | SOLENOID - 3 POST - BATTERY CHANGE OVER |

| KEY | PART NUMBER | U/M | DESCRIPTION |
|-----|---------------|-----|--|
| | 065450-05-000 | EA | TIEDOWN - BATTERY - 8.4" TUBE |
| | 065451-05-000 | EA | BRACKET/TIEDOWN - BATTERY - 7.7" FROM BRKT TO BRKT |



| KEY | PART NUMBER | U/M | DESCRIPTION |
|-----|---------------|-----|---|
| 1 | 112643-01-000 | EA | LIGHT - SINGLE - SWIVEL |
| 1 | 112642-01-06A | EA | TRIM RING - SINGLE LIGHT - BLACK |
| 2 | 065451-05-000 | EA | BRACKET/TIEDOWN - BATTERY - 7.7" FROM BRKT TO BRKT |
| | 065450-05-000 | EA | TIEDOWN - BATTERY - 8.4" TUBE |
| 3 | 108357-08-000 | EA | SWITCH - ROCKER - DPDT - 0N/NONE/ON - 6 TERM - W/O COVER |
| 3 | 108356-02-01A | EA | COVER/ACTUATOR SWITCH - 2 ROWS DIMPLES - BLACK |
| 3 | 108355-01-000 | EA | HOUSING - SWITCH |
| 4 | 144363-12-04B | EA | PLATE - SWITCH - BLACK |
| 5 | 108357-09-000 | EA | SWITCH - ROCKER - SPDT - ON/NONE/MOM - 3 TERM - W/O COVER |
| 5 | 108356-02-01A | EA | COVER/ACTUATOR SWITCH - 2 ROWS DIMPLES - BLACK |
| 5 | 108355-01-000 | EA | HOUSING - SWITCH |
| 6 | 145731-01-01A | EA | LABEL - SWITCH - RADIO/BATTERY - BLACK |

EXTERIOR BODY GROUP GRAPHICS & PAINT



5. CLEAR COAT TO BE APPLIED ON PAINTED AREAS TO PROPECT PAINT.

4. PAINTED AREA IS TO BE BELOW FEATURE STRIPE, FOR OPTIONAL PAINTED MODELS & CONTINUES ON CAB DOORS TO WHEEL WELL.

3. OPTIONAL PAINT PACKAGE.

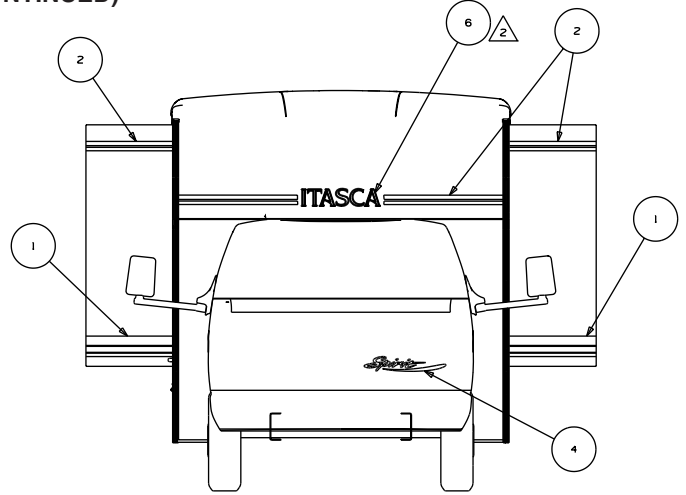
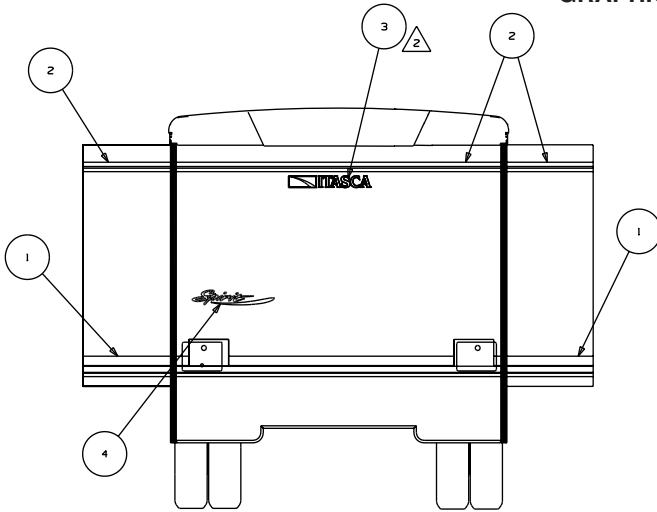
2. CENTERED ON UNIT.

1. APPLY PROTECTOR 116424-01-000 TO WATER HEATER DOOR LATCH.

| KEY | PART NUMBER | U/M | DESCRIPTION |
|-----|--------------------|-----|--|
| 1 | 094443-79-CHT(O2A) | FT | MULTISTRIPE-152.4MM - VIOLET BLUE/LAGO BLUE/CRYSTAL GREEN |
| 2 | 105781-82-CHT(O4A) | FT | MULTISTRIPE-69.9MM - LAGO BLUE/CRYSTAL GREEN |
| 3 | 124806-01-CHT(28A) | EA | DECAL-ITASCA W/ICON - LAGO BLUE BRT WHITE |
| 4 | 137507-01-CHT(O4A) | EA | DECAL-SPIRIT,SML W/SLASH - CRYSTAL GREEN/LAGO BLUE/BRT WHITE/VIOLET BLUE |
| 5 | 137508-01-CHT(O4A) | EA | DECAL-SPIRIT - CRYSTAL GREEN/LAGO BLUE/BRT WHITE |
| 6 | 144587-02-CHT(O3A) | EA | DECAL-ITASCA - LAGO BLUE/BRT WHITE |
| 7 | 144638-01-CHT(O2A) | EA | DECAL-SWEEP,RH - BRT WHITE/ARCTIC BLUE |
| 7 | 144638-02-CHT(O2A) | EA | DECAL-SWEEP,LH - BRT WHITE/ARCTIC BLUE |
| 8 | 144639-01-CHT(O2A) | EA | DECAL-SWISH,RH - BRT WHITE/CRYSTAL GREEN/LAGO BLUE |
| 8 | 144639-02-CHT(O2A) | EA | DECAL-SWISH,LH - BRT WHITE/CRYSTAL GREEN/LAGO BLUE |
| 9 | 144640-01-CHT(O2A) | EA | DECAL-SLASH,RH - LAGO BLUE |
| 9 | 144640-02-CHT(O2A) | EA | DECAL-SLASH,LH - LAGO BLUE |
| 10 | 144641-01-CHT(O2A) | EA | DECAL-CAB STRIPE,RH - VIOLET BLUE/LAGO BLUE/CRYSTAL GREEN |
| 10 | 144641-02-CHT(O2A) | EA | DECAL-CAB STRIPE,LH - VIOLET BLUE/LAGO BLUE/CRYSTAL GREEN |
| 11 | 144642-01-CHT(O2A) | EA | DECAL-SWEEPS,CAB,RH - VIOLET BLUE/CRYSTAL GREEN |
| 11 | 144642-02-CHT(O2A) | EA | DECAL-SWEEPS,CAB,LH - VIOLET BLUE/CRYSTAL GREEN |
| 12 | ----- | GL | PAINT - GLACIERGREEN MET - SPIES-HECKER #61322 |
| 13 | 132664-01-CHT(O1A) | EA | DECAL-WINNEBAGO,DOMED - GOLD CHROME/BLACK |

**IF329SB AND IF331ST DO NOT USE KEYS 1 AND 2 MULTISTRIPE
KEY 5 SPECIAL EDITION DECAL 147534-01-01A**

EXTERIOR BODY GROUP (CONTINUED)
GRAPHICS & PAINT (CONTINUED)



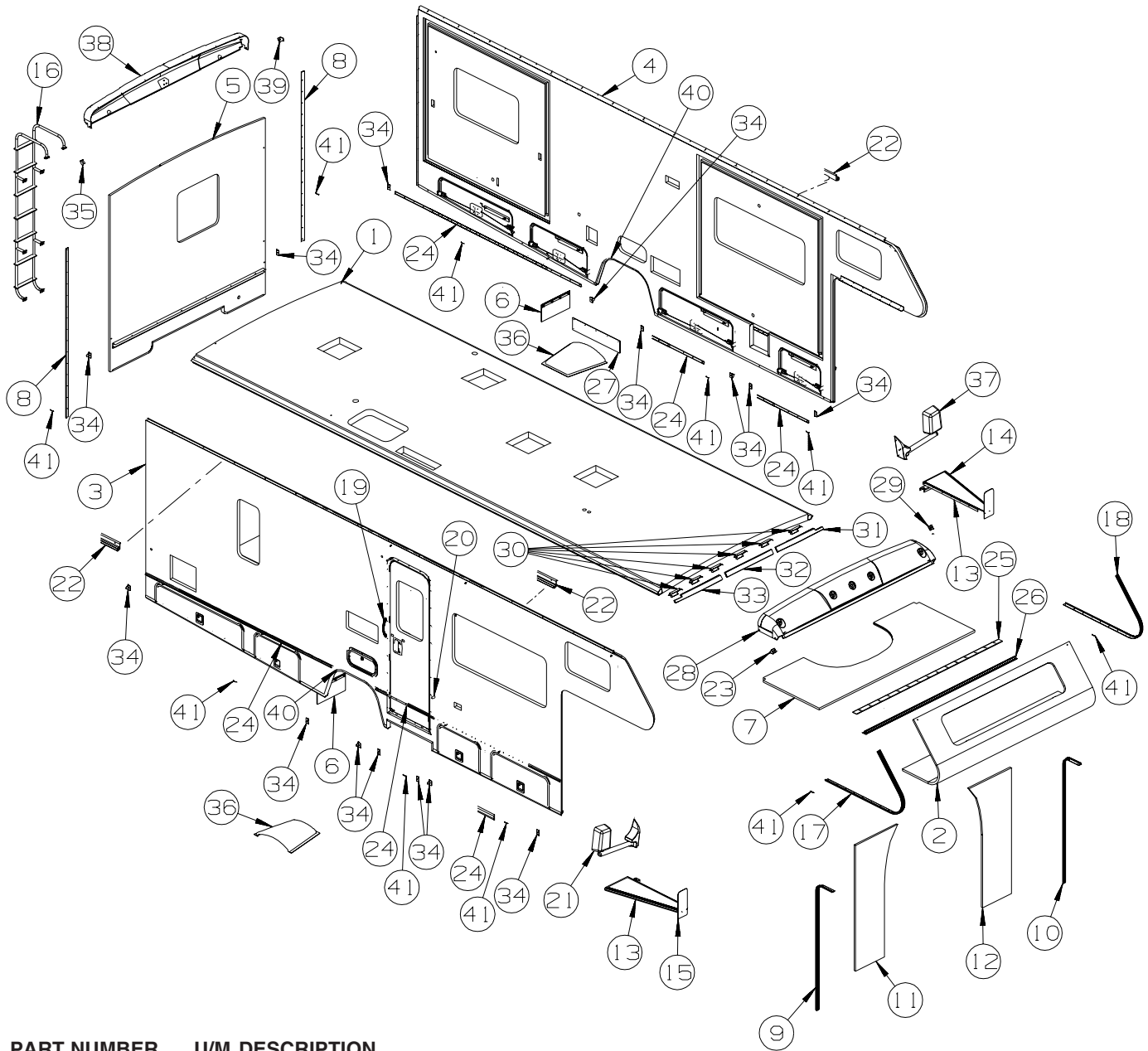
| KEY | PART NUMBER | U/M | DESCRIPTION |
|-----|--------------------|-----|--|
| 1 | 094443-79-CHT(02A) | FT | MULTISTRIPE-152.4MM - VIOLET BLUE/LAGO BLUE/CRYSTAL GREEN |
| 2 | 105761-82-CHT(04A) | FT | MULTISTRIPE-69.9MM - LAGO BLUE/CRYSTAL GREEN |
| 3 | 124806-01-CHT(28A) | EA | DECAL-ITASCA W/ICON - LAGO BLUE BRT WHITE |
| 4 | 137507-01-CHT(04A) | EA | DECAL-SPIRIT,SML W/SLASH - CRYSTAL GREEN/LAGO BLUE/BRT WHITE/VIOLET BLUE |
| 5 | 137508-01-CHT(04A) | EA | DECAL-SPIRIT - CRYSTAL GREEN/LAGO BLUE/BRT WHITE |
| 6 | 144587-02-CHT(03A) | EA | DECAL-ITASCA - LAGO BLUE/BRT WHITE |
| 7 | 144638-01-CHT(02A) | EA | DECAL-SWEEP,RH - BRT WHITE/ARCTIC BLUE |
| 7 | 144638-02-CHT(02A) | EA | DECAL-SWEEP,LH - BRT WHITE/ARCTIC BLUE |
| 8 | 144639-01-CHT(02A) | EA | DECAL-SWISH,RH - BRT WHITE/CRYSTAL GREEN/LAGO BLUE |
| 8 | 144639-02-CHT(02A) | EA | DECAL-SWISH,LH - BRT WHITE/CRYSTAL GREEN/LAGO BLUE |
| 9 | 144640-01-CHT(02A) | EA | DECAL-SLASH,RH - LAGO BLUE |
| 9 | 144640-02-CHT(02A) | EA | DECAL-SLASH,LH - LAGO BLUE |
| 10 | 144641-01-CHT(02A) | EA | DECAL-CAB STRIPE,RH - VIOLET BLUE/LAGO BLUE/CRYSTAL GREEN |
| 10 | 144641-02-CHT(02A) | EA | DECAL-CAB STRIPE,LH - VIOLET BLUE/LAGO BLUE/CRYSTAL GREEN |
| 11 | 144642-01-CHT(02A) | EA | DECAL-SWEEPS,CAB,RH - VIOLET BLUE/CRYSTAL GREEN |
| 11 | 144642-02-CHT(02A) | EA | DECAL-SWEEPS,CAB,LH - VIOLET BLUE/CRYSTAL GREEN |
| 12 | ----- | GL | PAINT - GLACIERGREEN MET - SPIES-HECKER #61322 |
| 13 | 132664-01-CHT(01A) | EA | DECAL-WINNEBAGO,DOMED - GOLD CHROME/BLACK |

| KEY | PART NUMBER | U/M | DESCRIPTION |
|-----|---------------|-----|--------------------------------------|
| | 041561-03-000 | EA | PAINT/SPRAY - 12 OZ. NET - OFF WHITE |
| | 116424-01-000 | EA | PROTECTOR - LATCH - WATER HEATER |

**IF329SB AND IF331ST DO NOT USE KEYS 1 AND 2 MULTISTRIPE
 KEY 5 SPECIAL EDITION DECAL 147534-01-01A**

**DUPONT COLOR CODES ARE NOW FOUND IN THE PAINT CODE MANUAL.
 YOU CAN FIND THIS MANUAL ON YOUR DEALER INDEX WEBPAGE UNDER SERVICE.**

EXTERIOR BODY GROUP (CONTINUED) PANELS & TRIMS



| KEY | PART NUMBER | U/M | DESCRIPTION |
|-----|---------------|-----|--|
| 1 | 148292-01-S01 | EA | ROOF - W/O LIGHTS/VENTS - W/WIRING (S04, S05, S06) |
| 1 | 151733-01-S95 | EA | ROOF - W/O LIGHTS/VENTS - W/WIRING (S97, S98) |
| 2 | 141126-01-S01 | EA | ROOF - FT SECTION - W/O LIGHTS/VENTS - W/WIRING |
| 2 | 141126-02-S01 | EA | ROOF - FT SECTION - FRONT BUNK WINDOW DELETE/BUNK FRONT OVHD-DOUBLE |
| 2 | 141126-03-S01 | EA | ROOF - FRONT SECTION - W/O LIGHTS/VENTS - W/WIRING - TV-24" COLOR,STEREO W/REMOTE |
| 3 | P48289-01-S01 | EA | SIDEWALL - PASSENGER - W/O WINDOWS/TRIMS (S04) |
| 3 | P48289-01-S02 | EA | SIDEWALL - PASSENGER - W/O WINDOWS/TRIMS (S05) |
| 3 | P48289-01-S03 | EA | SIDEWALL - PASSENGER - W/O WINDOWS/TRIMS (S06) |
| 3 | P51698-01-S95 | EA | SIDEWALL - PASSENGER - W/O WINDOWS/TRIMS (S97) |
| 3 | P51698-01-S96 | EA | SIDEWALL - PASSENGER - W/O WINDOWS/TRIMS (S98) |
| 4 | P48290-01-S01 | EA | SIDEWALL - DRIVER - W/O WINDOWS/TRIMS (S04) |
| 4 | P48290-01-S02 | EA | SIDEWALL - DRIVER - W/O WINDOWS/TRIMS (S05) |
| 4 | P48290-01-S03 | EA | SIDEWALL - DRIVER - W/O WINDOWS/TRIMS (S06) |
| 4 | P51699-01-S95 | EA | SIDEWALL - DRIVER - W/O WINDOWS/TRIMS (S97) |
| 4 | P51699-01-S96 | EA | SIDEWALL - DRIVER - W/O WINDOWS/TRIMS (S98) |

EXTERIOR BODY GROUP (CONTINUED)
PANELS & TRIMS (CONTINUED)

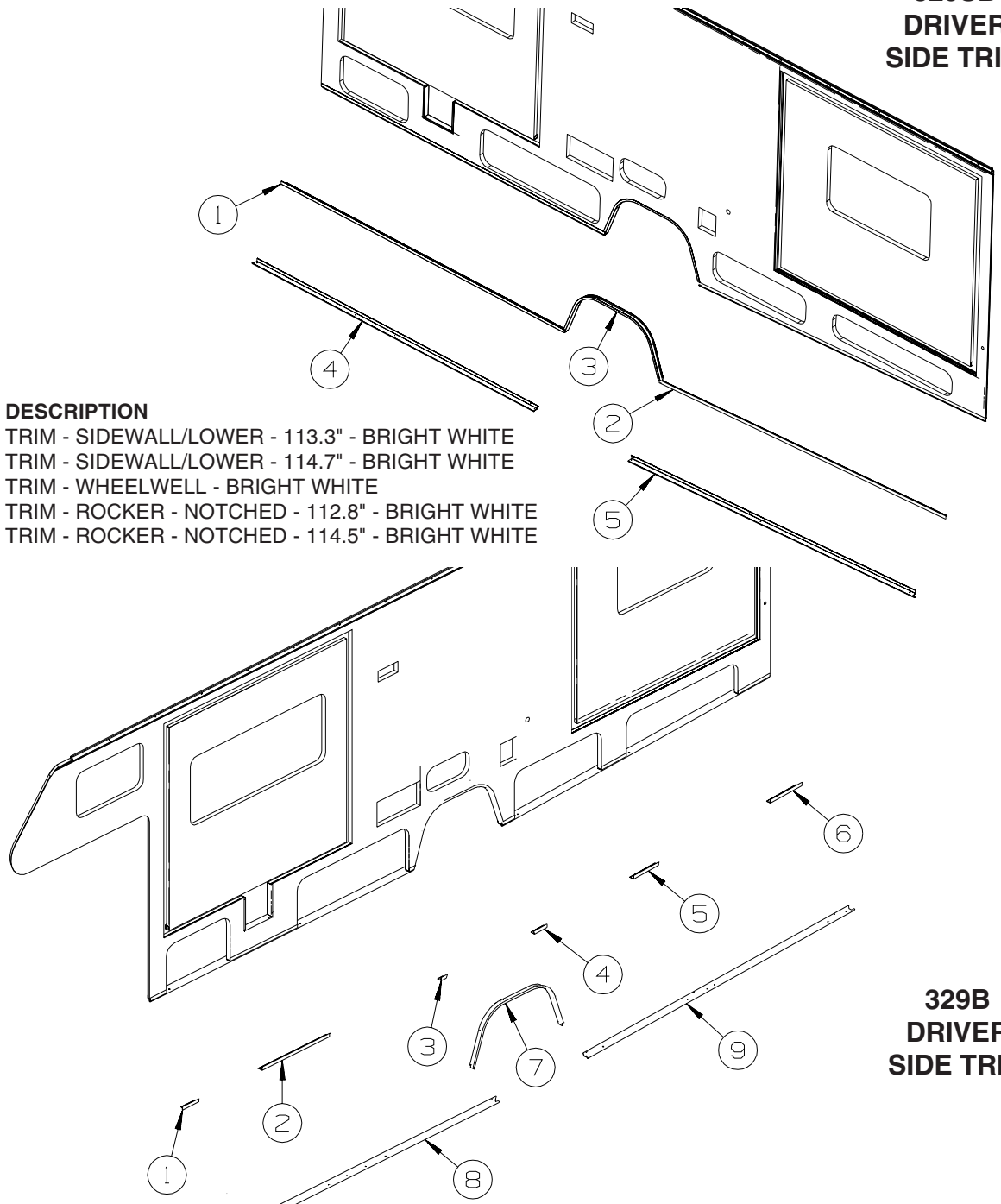
| KEY | PART NUMBER | U/M | DESCRIPTION |
|-----|---------------|-----|--|
| 5 | 148293-01-S01 | EA | BACKWALL - W/O WINDOWS/TRIMS (S04) |
| 5 | 148293-01-S02 | EA | BACKWALL - W/O WINDOWS/TRIMS (S05) |
| 5 | 148293-01-S03 | EA | BACKWALL - W/O WINDOWS/TRIMS (S06) |
| 5 | 151734-01-S95 | EA | BACKWALL - W/O WINDOWS/TRIMS (S97) |
| 5 | 151734-01-S96 | EA | BACKWALL - W/O WINDOWS/TRIMS (S98) |
| 5 | 148293-02-S01 | EA | BACKWALL - W/O WINDOWS/TRIMS (S04) - DUAL PANE |
| 5 | 148293-02-S02 | EA | BACKWALL - W/O WINDOWS/TRIMS (S05) - DUAL PANE |
| 5 | 148293-02-S03 | EA | BACKWALL - W/O WINDOWS/TRIMS (S06) - DUAL PANE |
| 6 | 017516-05-000 | EA | MUD FLAP - 9"H X 18"W - RUBBER - BLACK |
| 6 | 140922-01-02B | EA | RETAINER - MUD FLAP - 1" X 17.7" - E-COATED/BLACK |
| 7 | P25129-01-P07 | EA | SLEEPERBOARD |
| 8 | 096854-14-01A | EA | TRIM - CONTOUR - 88.2" - BRIGHT WHITE |
| | 105312-01-07A | FT | INSERT - FEATURE STRIP - VINYL - BRIGHT WHITE |
| 9 | 104479-09-02A | EA | TRIM - WINGWALL - PASSENGER SIDE - VERTICAL - BRIGHT WHITE |
| 10 | 104479-10-02A | EA | TRIM - WINGWALL - DRIVER SIDE - VERTICAL - BRIGHT WHITE |
| 11 | 125088-08-N01 | EA | WINGWALL - RIGHT HAND |
| 12 | 125088-09-N01 | EA | WINGWALL - LEFT HAND |
| 13* | 072884-27-000 | EA | RUNNING BOARD SET - 39" - FORD - ALUMINUM |
| 14 | 149604-02-01A | EA | RUNNING BOARD/WEDGE - DR- FORD - PRIMED - LOWER EXTERIOR PAINT |
| 14 | 149604-06-01A | EA | MUD FLAP - FIBERGLASS - DRIVER - LOWER EXTERIOR PAINT |
| 14 | 149604-09-000 | EA | HARDWARE KIT (RUNNING BOARD INSTALL) - LOWER EXTERIOR PAINT |
| 14 | 146515-04-01A | EA | MAT - ANTI SLIP - LEFT HAND - BLACK - LOWER EXTERIOR PAINT |
| 15 | 149604-01-01A | EA | RUNNING BOARD/WEDGE - PASS- FORD - PRIMED - LOWER EXTERIOR PAINT |
| 15 | 149604-05-01A | EA | MUD FLAP - FIBERGLASS - PASSENGER - LOWER EXTERIOR PAINT |
| 15 | 149604-09-000 | EA | HARDWARE KIT (RUNNING BOARD INSTALL) - LOWER EXTERIOR PAINT |
| 15 | 146515-03-01A | EA | MAT - ANTI SLIP - RIGHT HAND - BLACK - LOWER EXTERIOR PAINT |
| 16 | 129639-04-01A | EA | LADDER - 85.1" - 6 STEP - BRUSHED ALUMINUM |
| 17 | 136826-13-01A | EA | TRIM - CONTOUR - 80.2" - BRIGHT WHITE |
| | 105312-01-07A | FT | INSERT - FEATURE STRIP - VINYL - BRIGHT WHITE |
| 18 | 136826-14-01A | EA | TRIM - CONTOUR - 80.2" - BRIGHT WHITE |
| | 105312-01-07A | FT | INSERT - FEATURE STRIP - VINYL - BRIGHT WHITE |
| 19 | 009126-03-000 | EA | HANDLE - ASSIST - BLACK TEXTURED |
| 20 | 117046-02-000 | EA | BUMPER - RUBBER/ROUND END - 1.5" |
| 21* | 133908-10-01A | EA | MIRROR/PASS - 102" C BODY/FORD 4-BOLT MT - BRIGHT WHITE |
| 21* | 133908-12-01A | EA | MIRROR/PASS-102" C BODY/FORD 4 BOLT MT-HEATED/RMT-B/W - MIRRORS-EXTERIOR W/DEFROST |
| 22 | 131483-01-01A | EA | RAIL - AWNING - 192" - BRIGHT WHITE |
| 23 | 140476-01-01A | EA | CAP - TRIM - CORNER/PASSENGER |
| 24 | 108688-06-03A | EA | STRIP - FEATURE - W/O INSERT/END CAPS - 96.9" - BRIGHT WHT |
| | 105312-01-07A | FT | INSERT - FEATURE STRIP - VINYL - BRIGHT WHITE |
| 25 | 100085-05-01A | EA | TRIM/STRAP - SLEEPERBOARD - OFF/WHITE - 92.9" |
| 26 | 100086-04-01A | EA | TRIM - SLEEPERBOARD/ROOF/LOWER - BRIGHT WHITE - 96.5" |
| | | | FROM: 00-00-00 THRU: 06-13-04 |
| 26 | 100086-03-02A | EA | TRIM - SLEEPER BOARD BRIGHT WHITE - 2" X 96.5" |
| | | | FROM: 06-14-04 THRU: 99-99-99 |
| 27 | 121948-02-000 | EA | SHIELD - SIGHT |
| 28 | 140443-02-P07 | EA | CAP - ROOF/FRONT - W/O LIGHTS/VENTS - W/WIRING |
| 29 | 140476-02-01A | EA | CAP - TRIM - CORNER/DRIVER |
| 30 | 134774-01-02B | EA | BRACKET - CAB ATTACHMENT - E-COATED |
| 31 | 141718-01-02B | EA | BRACKET - ROOF CAP - END/RIGHT HAND - E-COATED |
| 32 | 140805-01-02B | EA | BRACKET - ROOF CAP/FRONT - E-COATED |
| 33 | 141718-02-02B | EA | BRACKET - ROOF CAP - END/LEFT HAND - E-COATED |
| 34 | 108651-01-01A | EA | END CAP - FEATURE STRIP |
| 35 | 140620-01-01A | EA | CAP - TRIM - REAR/RIGHT - BRIGHT WHITE |
| 36 | 112435-03-000 | EA | WHEELWELL |
| 37* | 133908-11-01A | EA | MIRROR/DRVR - 102" C BODY/FORD 4-BOLT MT - BRIGHT WHITE |
| 37* | 133908-13-01A | EA | MIRROR/DRVR-102" C BODY/FORD 4-BOLT MT-HEATED/RMT-B/W - MIRRORS-EXTERIOR W/DEFROST |
| 38 | 140596-02-P07 | EA | CAP - ROOF/REAR - W/O LIGHTS/VENTS/WIRING-W/STEEL SUPPORT |
| 39 | 140620-02-01A | EA | CAP - TRIM - REAR/LEFT - BRIGHT WHITE |
| 40 | 104692-01-000 | FT | SEAL - ADHESIVE BACKED FOAM - 3/4" THICK X 3/4" WIDE X 25' |
| 41 | 105312-01-07A | FT | INSERT - FEATURE STRIP - VINYL - BRIGHT WHITE |

*COMPONENT PARTS LISTED LATER IN THIS GROUP

EXTERIOR BODY GROUP (CONTINUED)
PANELS & TRIMS (CONTINUED)

**329SB
DRIVER
SIDE TRIM**

| KEY | PART NUMBER | U/M | DESCRIPTION |
|-----|---------------|-----|---|
| 1 | 148759-A0-01A | EA | TRIM - SIDEWALL/LOWER - 113.3" - BRIGHT WHITE |
| 2 | 148759-99-01A | EA | TRIM - SIDEWALL/LOWER - 114.7" - BRIGHT WHITE |
| 3 | 127848-01-01A | EA | TRIM - WHEELWELL - BRIGHT WHITE |
| 4 | 148760-06-01A | EA | TRIM - ROCKER - NOTCHED - 112.8" - BRIGHT WHITE |
| 5 | 148760-07-01A | EA | TRIM - ROCKER - NOTCHED - 114.5" - BRIGHT WHITE |

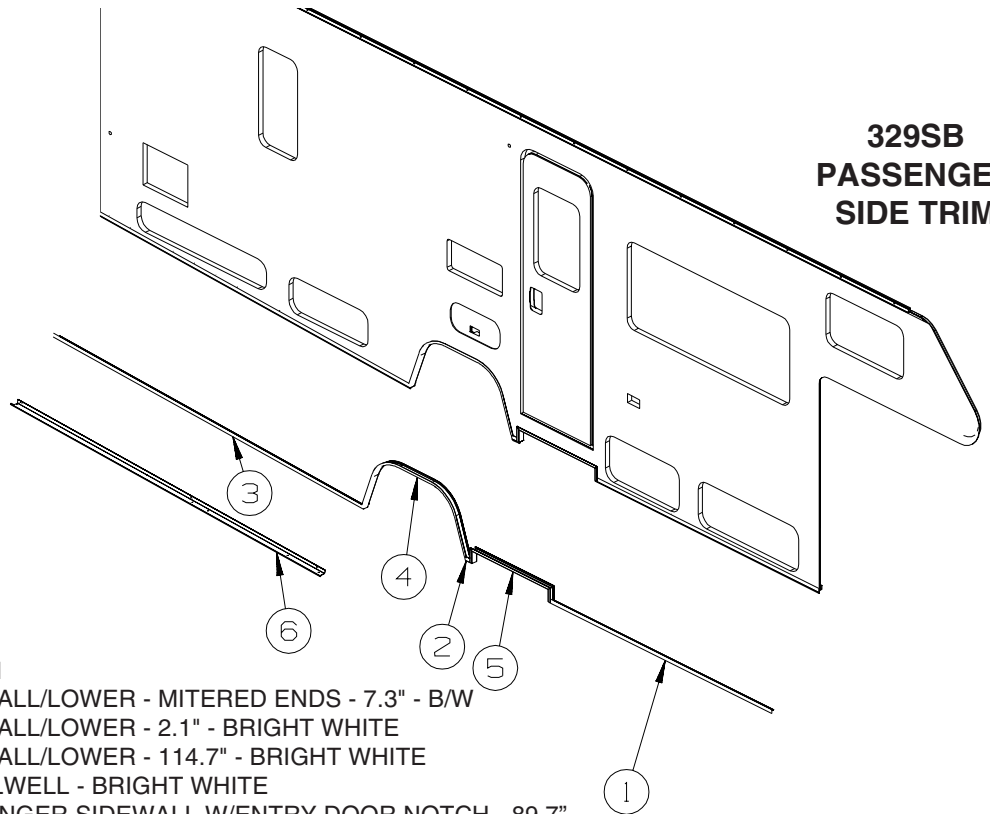


**329B
DRIVER
SIDE TRIM**

| KEY | PART NUMBER | U/M | DESCRIPTION |
|-----|---------------|-----|---|
| 1 | 148759-20-01A | EA | TRIM - SIDEWALL/LOWER - 6.9" - BRIGHT WHITE |
| 2 | 148759-21-01A | EA | TRIM - SIDEWALL/LOWER - 27.2" - BRIGHT WHITE |
| 3 | 148759-22-01A | EA | TRIM - SIDEWALL/LOWER - 4.2" - BRIGHT WHITE |
| 4 | 148759-23-01A | EA | TRIM - SIDEWALL/LOWER - 5.6" - BRIGHT WHITE |
| 5 | 148759-24-01A | EA | TRIM - SIDEWALL/LOWER - 10.8" - BRIGHT WHITE |
| 6 | 148759-25-01A | EA | TRIM - SIDEWALL/LOWER - 13.6" - BRIGHT WHITE |
| 7 | 127848-01-01A | EA | TRIM - WHEELWELL - BRIGHT WHITE |
| 8 | 148760-06-01A | EA | TRIM - ROCKER - NOTCHED - 112.8" - BRIGHT WHITE |
| 8 | 148760-34-01A | EA | TRIM - ROCKER - NOTCHED - 111.9" - BRIGHT WHITE FROM: 00-00-00 THRU: 06-03-04 |
| 9 | 148760-07-01A | EA | TRIM - ROCKER - NOTCHED - 114.5" - BRIGHT WHITE FROM: 06-04-04 THRU: 99-99-99 |
| 9 | 148760-35-01A | EA | TRIM - ROCKER - NOTCHED - 103.8" - BRIGHT WHITE FROM: 00-00-00 THRU: 06-03-04 FROM: 06-04-04 THRU: 99-99-99 |

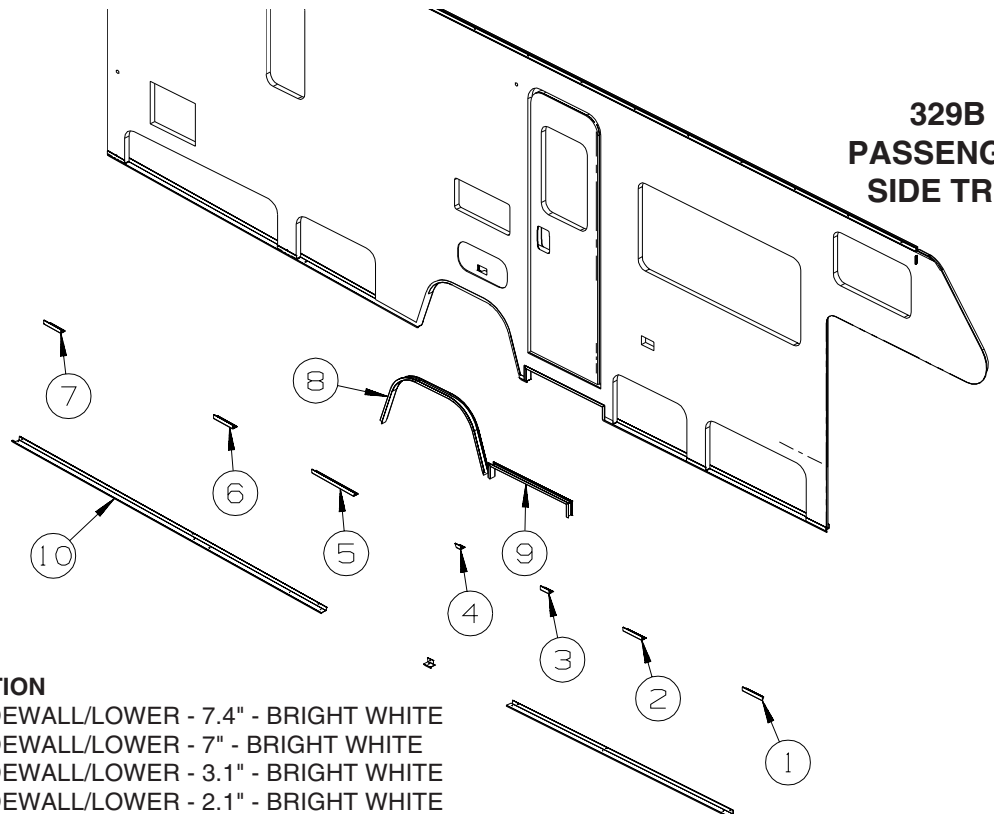
EXTERIOR BODY GROUP (CONTINUED)
PANELS & TRIMS (CONTINUED)

**329SB
 PASSENGER
 SIDE TRIM**



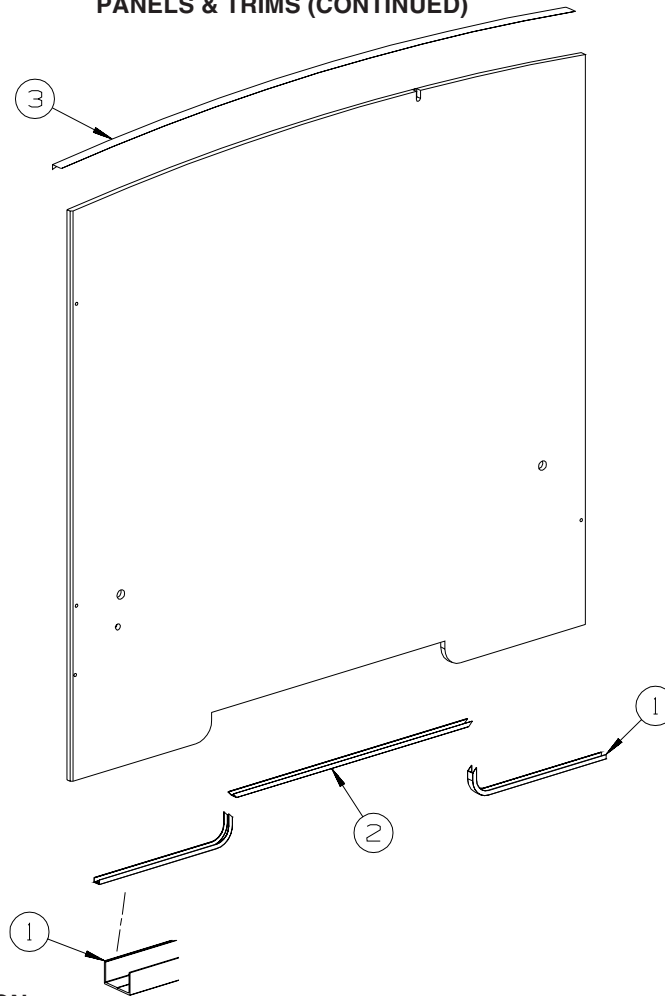
| KEY | PART NUMBER | U/M | DESCRIPTION |
|-----|---------------|-----|--|
| 1 | 148759-97-01A | EA | TRIM - SIDEWALL/LOWER - MITERED ENDS - 7.3" - B/W |
| 2 | 148759-10-01A | EA | TRIM - SIDEWALL/LOWER - 2.1" - BRIGHT WHITE |
| 3 | 148759-98-01A | EA | TRIM - SIDEWALL/LOWER - 114.7" - BRIGHT WHITE |
| 4 | 127848-01-01A | EA | TRIM - WHEELWELL - BRIGHT WHITE |
| 5 | 128732-12-S01 | EA | TRIM - PASSENGER SIDEWALL W/ENTRY DOOR NOTCH - 89.7" |
| 6 | 148760-08-01A | EA | TRIM - ROCKER - NOTCHED - 114.5" - BRIGHT WHITE |

**329B
 PASSENGER
 SIDE TRIM**



| KEY | PART NUMBER | U/M | DESCRIPTION |
|-----|---------------|-----|--|
| 1 | 148759-13-01A | EA | TRIM - SIDEWALL/LOWER - 7.4" - BRIGHT WHITE |
| 2 | 148759-14-01A | EA | TRIM - SIDEWALL/LOWER - 7" - BRIGHT WHITE |
| 3 | 148759-15-01A | EA | TRIM - SIDEWALL/LOWER - 3.1" - BRIGHT WHITE |
| 4 | 148759-10-01A | EA | TRIM - SIDEWALL/LOWER - 2.1" - BRIGHT WHITE |
| 5 | 148759-17-01A | EA | TRIM - SIDEWALL/LOWER - 15.9" - BRIGHT WHITE |
| 6 | 148759-18-01A | EA | TRIM - SIDEWALL/LOWER - 7.1" - BRIGHT WHITE |
| 7 | 148759-19-01A | EA | TRIM - SIDEWALL/LOWER - 6.4" - BRIGHT WHITE |
| 8 | 127848-01-01A | EA | TRIM - WHEELWELL - BRIGHT WHITE |
| 9 | 128732-12-S01 | EA | TRIM - PASSENGER SIDEWALL W/ENTRY DOOR NOTCH - 89.7" |
| 10 | 148760-08-01A | EA | TRIM - ROCKER - NOTCHED - 114.5" - BRIGHT WHITE |

EXTERIOR BODY GROUP (CONTINUED)
PANELS & TRIMS (CONTINUED)



BACKWALL

| KEY | PART NUMBER | U/M | DESCRIPTION |
|-----|---------------|-----|--|
| 1 | 103334-03-02A | EA | TRIM - BACKWALL - LOWER/DRIVER/PASSENGER - 25.6" - BRT WHT |
| 2 | 103335-02-02A | EA | TRIM - BACKWALL - LOWER/CENTER - 46.3" - BRIGHT WHITE |
| 3 | 114248-02-01A | EA | ANGLE - PLASTIC - 96.6" |

COMPONENT PARTS FOR PANELS & TRIMS

072884-27-000

| KEY | PART NUMBER | U/M | DESCRIPTION | VENDOR NO. |
|-----|---------------|-----|------------------------------|------------|
| | 072884-27-700 | EA | BRACKET SET 12" 92 | RB2BRK/M |
| | 072884-27-701 | EA | RUNNING BOARD-FORD 39",RT< | |
| | 072884-27-702 | FT | TREAD TAPE | RB9202 |
| | 072884-27-703 | EA | MUD FLAP W/HOLES, 1EA=PAIR | 99171 |
| | 072884-27-704 | EA | CAP-ENDS, 1EA=PAIR | 99148 |

133908-01 THRU 133908-08, 133908-10 THRU 133908-13, 133908-16, 133908-17, -01A/-02A/-03A

| KEY | PART NUMBER | U/M | DESCRIPTION | VENDOR NO. |
|-----|---------------|-----|------------------------------|------------|
| | 117051-01-700 | EA | MIRROR-CONVEX | 723068-4 |
| | 120269-05-701 | EA | GLASS-HTD/REM RH/LH W/CONVEX | 709411 |
| | 133908-03-700 | EA | CAP - RECT/BLACK-W/O LIGHT | 709557 |
| | 133908-04-700 | EA | CAP-MIRROR/ROUND - W/O LIGHT | 7095470 |

EXTERIOR BODY GROUP (CONTINUED)
STRUCTURAL COMPONENTS

| KEY | PART NUMBER | U/M | DESCRIPTION |
|------------|--------------------|------------|--|
| | 002365-03-006 | EA | U-CHANNEL - EXTRUDED - 1" X 192" - BRIGHT WHITE |
| | 002726-01-001 | EA | GARNISH - U-CHANNEL - 1.38" X 19' - SERRATED |
| | 002766-01-001 | EA | ANGLE - EXTRUDED - 1" X 1 1/2" X 17' |
| | 068716-01-001 | EA | BRACE - 90 DEGREE - L- ANGLE - 16' |
| | 076054-AC-000 | EA | FIBERGLASS SHEET - 20" X 99.8" - OFF WHITE |
| | 076054-Z3-000 | EA | FIBERGLASS SHEET - 102" X 93.9" - ROOF/SIDEWALL - BRT WHT |
| | 089297-01-000 | SF | PLYWOOD - LUAN - OVERLAY GRADE - 4' X 8' |
| | 089297-02-000 | SF | PLYWOOD - LUAN - OVERLAY GRADE - 4' X 9' |
| | 089297-03-000 | SF | PLYWOOD - LUAN - OVERLAY GRADE - 4' X 8.3' |
| | 100619-01-000 | BF | FOAM - EXPANDED POLYSTYRENE - 1.34" X 48" X 96" |
| | 100619-02-000 | BF | FOAM - EXPANDED POLYSTYRENE - 1.5" X 48" X 96" |
| | 100619-04-000 | BF | FOAM - EXPANDED POLYSTYRENE - .5" X 48" X 96" |
| | 100619-05-000 | BF | FOAM - EXPANDED POLYSTYRENE - .75" X 48" X 96"-1.5"DENSITY |
| | 100619-16-000 | BF | FOAM - EXPANDED POLYSTYRENE - .75" X 48" X 96"-2" DENSITY |
| | 100619-27-000 | BF | FOAM - EXPANDED POLYSTYRENE - 3" X 48" X 92.8" |
| | 105077-10-000 | EA | FOAM - PLUG - ROOF CAP |
| | 108535-05-03A | SF | FIBERGLASS SHEET - 108" X 500' ROLL - BRIGHT WHITE |
| | 116942-03-01A | LB | ALUMINUM - .7" X 40" X 158" |
| | 120107-01-000 | EA | FOAM - ROOF COVE - 2.8" X 48" LONG |
| | 120107-02-000 | EA | FOAM - PLUG - ROOF TUBE - 2.2" X 2.9" X 1.8" LONG |
| | 120107-03-000 | EA | FOAM - PLUG - SIDEWALL TUBE - 1.2" X 2.1" X 1.8" LONG |
| | 148884-02-01A | EA | FIBERGLASS SHEET - 96.7" X 355.7" -HIGH GLOSS-BRIGHT WHITE |
| | 148884-04-01A | EA | FIBERGLASS SHEET - 99.5" X 100.2" -HIGH GLOSS-BRIGHT WHITE |
| | 148884-07-01A | EA | FIBERGLASS SHEET - 56.4" X 99.8" - HIGH GLOSS-BRIGHT WHITE |
| | 148884-10-01A | EA | FIBERGLASS SHEET - 22.1" X 68.2" - HIGH GLOSS-BRIGHT WHITE |
| | 148884-12-01A | EA | FIBERGLASS SHEET - 31.1" X 68.2" - HIGH GLOSS-BRIGHT WHITE |
| | 148884-20-01A | EA | FIBERGLASS SHEET - 4" X 93.8" - HIGH GLOSS - BRIGHT WHITE |
| | 148884-22-01A | EA | FIBERGLASS SHEET - 47.9" X 95.8" - HIGH GLOSS-BRIGHT WHITE |
| | 148884-23-01A | EA | FIBERGLASS SHEET - 47.9" X 95.8" - HIGH GLOSS-BRIGHT WHITE |
| | 151523-01-01A | EA | CEILING PANEL - 48" X 97.1" - LAMINATED VINYL/FOAM/LUAN |

AWNINGS

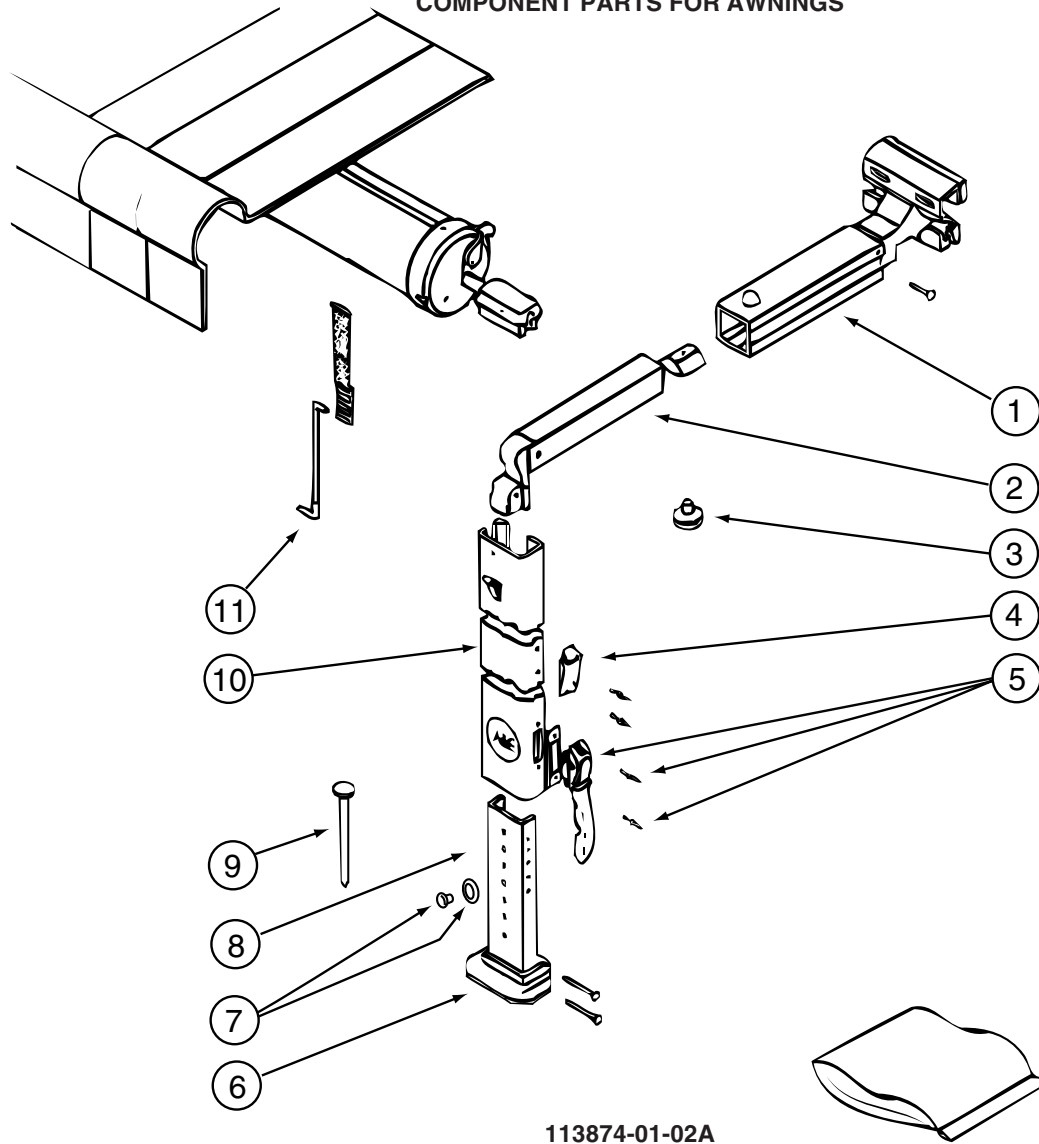
PATIO AWNINGS

| SERIES | MODEL | COLOR DESIGNATION | AWNING FABRIC | AWNING LENGTH | WEATHER WRAP(MANUAL) | AWNINGS PART # MANUAL |
|---------------|--------------|--------------------------|----------------------|----------------------|-----------------------------|------------------------------|
| SPIRIT | 322E | ALPINE GREEN (DY) | VINYL | 11.5' | VYL/BRT WHT | 113874-03-45A |
| SPIRIT | 322R | ALPINE GREEN (DY) | VINYL | 11.5' | VYL/BRT WHT | 113874-03-45A |
| SPIRIT | 324F | ALPINE GREEN (DY) | VINYL | 11.5' | VYL/BRT WHT | 113874-03-45A |
| SPIRIT | 324V | ALPINE GREEN (DY) | VINYL | 11.5' | VYL/BRT WHT | 113874-03-45A |
| SPIRIT | 326A | ALPINE GREEN (DY) | VINYL | 18' | VYL/BRT WHT | 113874-07-45A |
| SPIRIT | 327L | ALPINE GREEN (DY) | VINYL | 18' | VYL/BRT WHT | 113874-07-45A |
| SPIRIT | 329B | ALPINE GREEN (DY) | VINYL | 14' | VYL/BRT WHT | 113874-05-45A |
| SPIRIT SE | 329SB | ALPINE GREEN (DY) | VINYL | 14' | VYL/BRT WHT | 113874-05-45A |
| SPIRIT | 329K | ALPINE GREEN (DY) | VINYL | 14' | VYL/BRT WHT | 113874-05-45A |
| SPIRIT | 331T | ALPINE GREEN (DY) | VINYL | 16' | VYL/BRT WHT | 113874-06-45A |
| SPIRIT SE | 331ST | ALPINE GREEN (DY) | VINYL | 16' | VYL/BRT WHT | 113874-06-45A |
| SPIRIT | 332G | ALPINE GREEN (DY) | VINYL | 16' | VYL/BRT WHT | 113874-06-45A |

| KEY | PART NUMBER | U/M | DESCRIPTION |
|------------|--------------------|------------|---|
| * | 113874-01-02A | EA | HARDWARE KIT - AWNING - W/O STANDOFF BRACKET-BRIGHT WHITE |
| | 113874-11-01A | EA | SCREW/LAG - AWNING - 1/4" X 1" STAINLESS STEEL |
| | 113874-12-01A | EA | SCREW/LAG - AWNING - 1/4" X 2 3/4" STAINLESS STEEL |
| | 127647-02-01A | EA | ROD/AWNING GUARD - ENTRY DOOR - 12.7" LONG |
| | 137054-01-02A | EA | BRACKET - AWNING - BRIGHT WHITE |

***COMPONENT PARTS LISTED LATER IN THIS GROUP**

EXTERIOR BODY GROUP (CONTINUED)
COMPONENT PARTS FOR AWNINGS

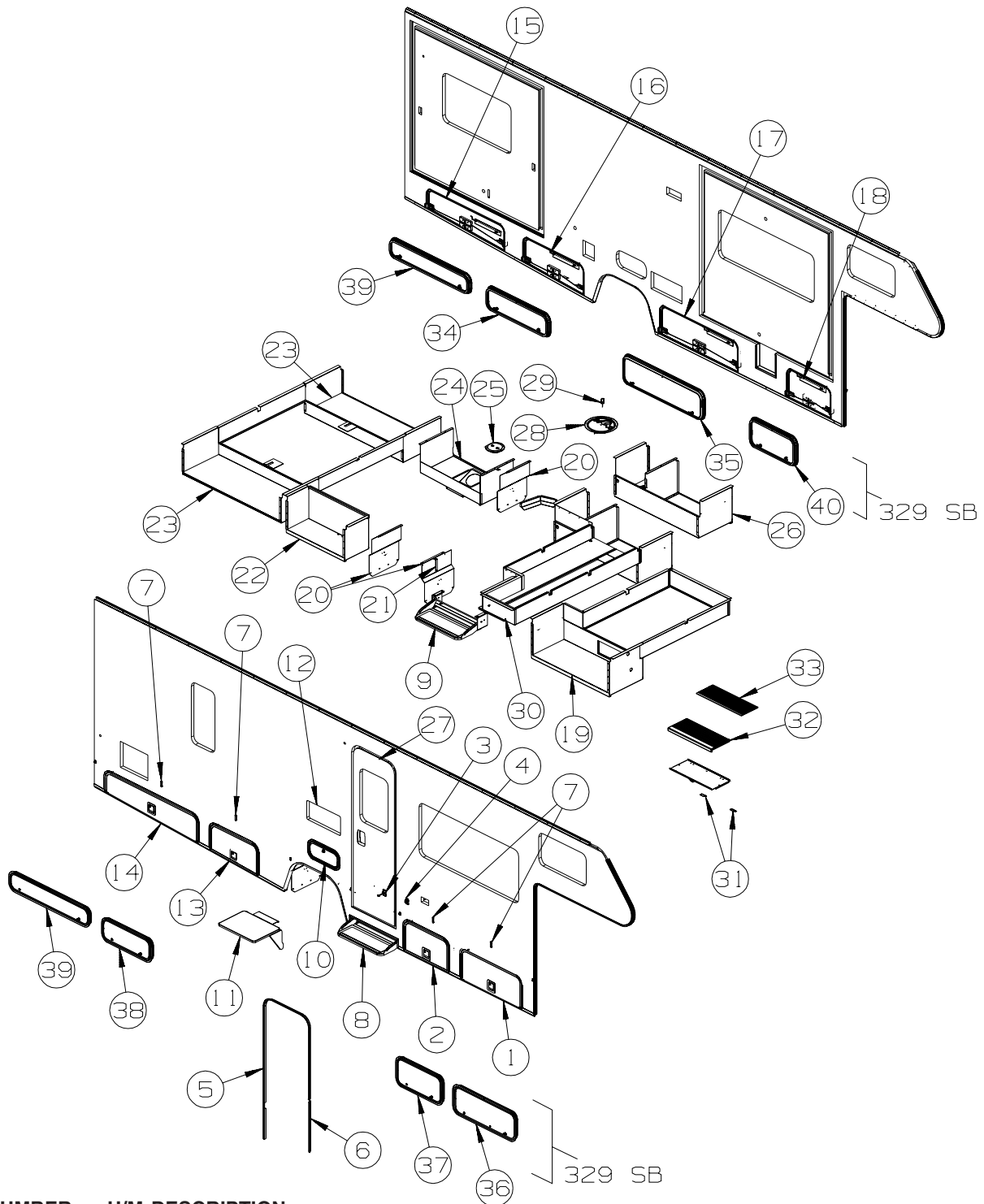


113874-01-02A

| KEY | PART NUMBER | U/M | DESCRIPTION | VENDOR NO. |
|-----|---------------|-----|-----------------------------|---------------|
| 1 | 113874-01-714 | EA | RAFTER - MAIN RH/LH BRT/WHT | 830295.536F |
| 2 | 113874-01-715 | EA | RAFTER - SECONDARY BRT/WHT | 830463.511F |
| 3 | 113874-01-702 | EA | KNOB - ADJUSTING | 3105421.014 |
| 4 | 113874-01-706 | EA | LOCK - TRAVEL | 830587.001 |
| 5 | 113874-01-707 | EA | HANDLE - LIFT W/RIVETS | 830644 |
| 6 | 113874-01-712 | EA | FOOT - PATIO | 730366-001 |
| 7 | 113874-01-710 | EA | PLUG-STOP KIT | 830456 |
| 8 | 113874-01-717 | EA | ARM - ADJUSTABLE BRT/WHT | 830467.517/F |
| 9 | 113874-01-709 | EA | NAIL-SPIKE, 8" | 113006 |
| 10 | 113874-01-716 | EA | ARM - MAIN SUPPORT BRT/WHT | 3104502.293/F |
| 11 | 113874-01-703 | EA | ROD-CENTER PULL W/ACCESSORY | 830152.102 |

EXTERIOR DOORS & COMPARTMENTS GROUP

DOOR & COMPARTMENT LAYOUT

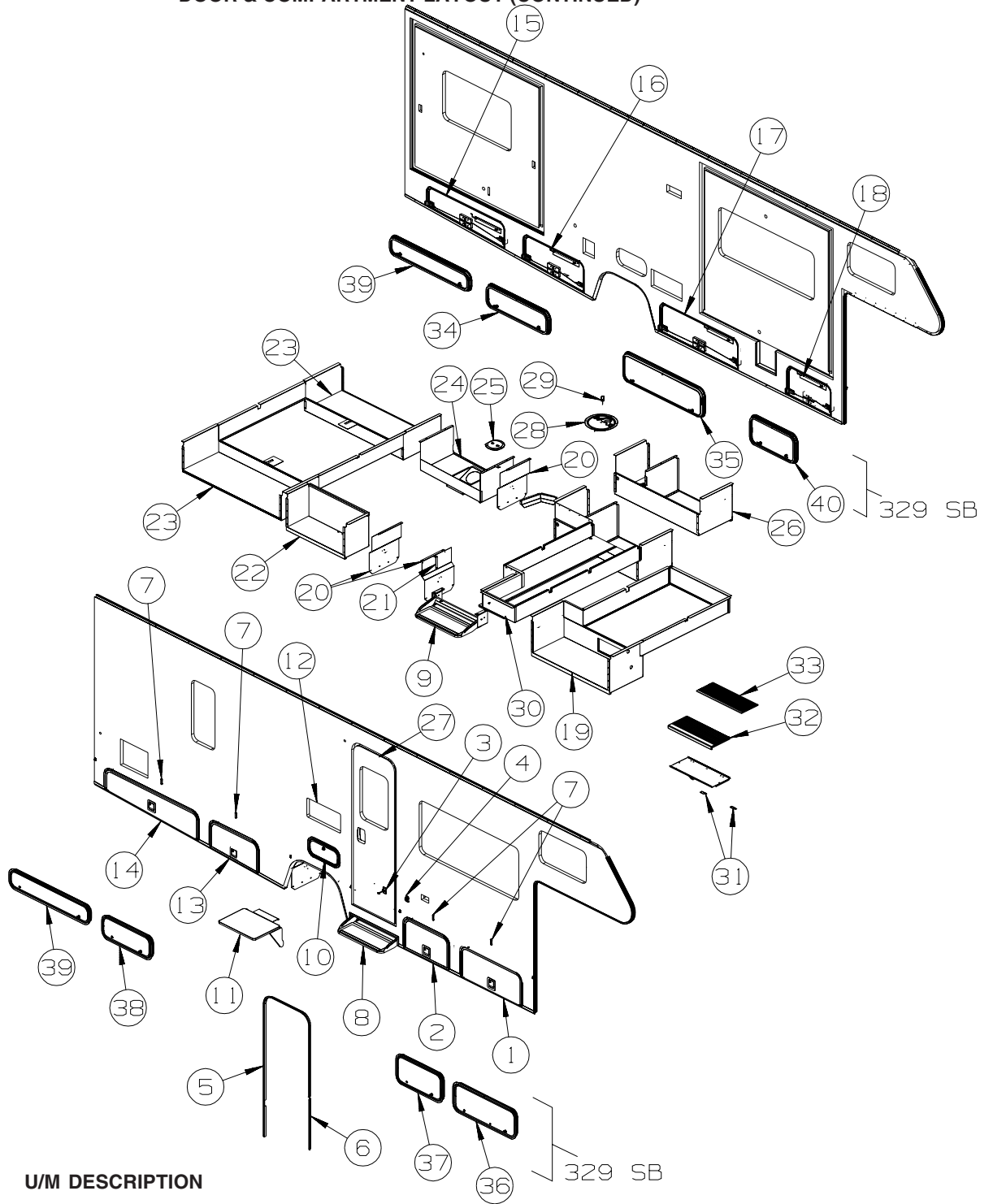


| KEY | PART NUMBER | U/M | DESCRIPTION |
|-----|---------------|-----|--|
| 1 | 148660-05-S01 | EA | DOOR/STORAGE - W/O HDW/ LATCH - 36.7" X 16" |
| 1 | 148660-05-AA1 | EA | DOOR/STORAGE - W/O HDW/ LATCH - 36.7" X 16" - LOWER EXTERIOR PAINT |
| | 107721-08-000 | FT | SEAL - ACCESS DOOR - .9" WIDE X .9" HIGH |
| 2 | 148660-10-S01 | EA | DOOR/STORAGE - W/O HDW/LATCH - 26.9" X 16" |
| 2 | 148660-10-AA1 | EA | DOOR/STORAGE - W/O HDW/ LATCH - 26.9" X 16" - LOWER EXTERIOR PAINT |
| | 107721-08-000 | FT | SEAL - ACCESS DOOR - .9" WIDE X .9" HIGH |
| 3 | 104099-01-04A | EA | CATCH - DOOR HOLDER - STRIKE - 3.9" - BRIGHT WHITE |
| 4 | 104099-02-04A | EA | CATCH/RETAINER - DOOR HOLDER - BRIGHT WHITE |
| 5 | 139100-02-01A | EA | GARNISH/RADIUS - ENTRY DOOR - BRIGHT WHITE |
| 6 | 139101-02-01A | EA | GARNISH/STRAIGHT - 35.31" - W/O NOTCHES - BRIGHT WHITE |
| 7 | 102768-01-000 | EA | HOLDER - COMPARTMENT/ENTRY DOOR - METAL - MILL FINISH |
| 8 | 139748-02-04B | EA | STEP/PULLOUT - W/BRACKETS - BLACK |

EXTERIOR DOORS & COMPARTMENTS GROUP (CONTINUED)
DOOR & COMPARTMENT LAYOUT (CONTINUED)

| KEY | PART NUMBER | U/M | DESCRIPTION |
|-----|---------------|-----|--|
| 8* | 094708-03-01A | EA | STEP - ELECTRIC - SINGLE - BLACK CONTROL BOX - KWIKEE |
| 9 | 102569-04-000 | EA | MAT - ANTI SLIP |
| 10 | 126945-09-P07 | EA | DOOR/STORAGE - W/O HARDWARE - 18" X 8.3" |
| 11 | 142034-02-01A | EA | SHelf - F/EXTERIOR TV - BRIGHT WHITE |
| 12* | 084103-08-000 | EA | DOOR - VENT - REFRIGERATOR - W/O JAMB - BRIGHT WHITE |
| 12 | 084104-08-000 | EA | JAMB - VENT DOOR/REFRIGERATOR - BRIGHT WHITE |
| 13 | 148661-04-S01 | EA | DOOR/STORAGE - PASS W/O HDW/LATCH - 13.9" X 28.9" X 15.3" |
| 13 | 148661-04-AA1 | EA | DOOR/STORAGE - PASS W/O HDW/LATCH - 13.9" X 28.9" X 15.3" - LOWER EXTERIOR PAINT |
| | 121577-06-01A | EA | PLATE - W/HOLE - 2.25" X 15.75" - BRIGHT WHITE |
| | 101667-04-000 | EA | PROP - ROD - 15" |
| | 107721-08-000 | FT | SEAL - ACCESS DOOR - .9" WIDE X .9" HIGH |
| 14 | 148661-05-S01 | EA | DOOR/STORAGE - PASS W/O HDW/LATCH - 11" X 56" X 13.6" |
| 14 | 148661-05-AA1 | EA | DOOR/STORAGE - PASS W/O HDW/LATCH - 11" X 56" X 13.6" - LOWER EXTERIOR PAINT |
| | 107721-08-000 | FT | SEAL - ACCESS DOOR - .9" WIDE X .9" HIGH |
| 15 | 148661-07-S01 | EA | DOOR/STORAGE - DRVR W/O HDW/LATCH - 13.6" X 47.3" X 11.4" |
| 15 | 148661-07-AA1 | EA | DOOR/STORAGE - DRVR W/O HDW/LATCH - 13.6" X 47.3" X 11.4" - LOWER EXTERIOR PAINT |
| | 107721-08-000 | FT | SEAL - ACCESS DOOR - .9" WIDE X .9" HIGH |
| | 101667-04-000 | EA | PROP - ROD - 15" |
| | 121577-06-01A | EA | PLATE - W/HOLE - 2.25" X 15.75" - BRIGHT WHITE |
| 16 | 148661-06-S01 | EA | DOOR/STORAGE - DRVR W/O HDW/LATCH - 15.8" X 36.7" X 14.1" |
| 16 | 148661-06-AA1 | EA | DOOR/STORAGE - DRVR W/O HDW/LATCH - 15.8" X 36.7" X 14.1" - LOWER EXTERIOR PAINT |
| | 107721-08-000 | FT | SEAL - ACCESS DOOR - .9" WIDE X .9" HIGH |
| | 101667-04-000 | EA | PROP - ROD - 15" |
| | 121577-06-01A | EA | PLATE - W/HOLE - 2.25" X 15.75" - BRIGHT WHITE |
| 17 | 148660-06-S01 | EA | DOOR/STORAGE - W/O HDW/PADDLE LATCH - 47.3" X 16" |
| 17 | 148660-06-AA1 | EA | DOOR/STORAGE - W/O HDW/PADDLE LATCH - 47.3" X 16" - LOWER EXTERIOR PAINT |
| | 107721-08-000 | FT | SEAL - ACCESS DOOR - .9" WIDE X .9" HIGH |
| | 101667-04-000 | EA | PROP - ROD - 15" |
| | 121577-06-01A | EA | PLATE - W/HOLE - 2.25" X 15.75" - BRIGHT WHITE |
| 18 | 148660-04-S01 | EA | DOOR/STORAGE - W/O HDW/PADDLE LATCH - 26.9" X 16" |
| 18 | 148660-04-AA1 | EA | DOOR/STORAGE - W/O HDW/PADDLE LATCH - 26.9" X 16" - LOWER EXTERIOR PAINT |
| | 107721-08-000 | FT | SEAL - ACCESS DOOR - .9" WIDE X .9" HIGH |
| | 101667-04-000 | EA | PROP - ROD - 15" |
| | 121577-06-01A | EA | PLATE - W/HOLE - 2.25" X 15.75" - BRIGHT WHITE |
| 19 | 137554-18-P07 | EA | COMPARTMENT - LUGGAGE |
| 20 | 137828-01-02B | EA | PANEL - ROCKGUARD/LP - E-COATED |
| 21 | 140220-04-02B | EA | STRAP - MUD GUARD SUPPORT |
| 22 | 137554-13-N01 | EA | COMPARTMENT - LUGGAGE |
| 23 | 137554-14-N01 | EA | COMPARTMENT - LUGGAGE |
| 24 | 140482-01-02B | EA | COMPARTMENT ASM-DRAINAG,E-CT |
| 25 | 092887-02-000 | EA | HATCH/PLATE - 7.4" FLANGE/6.5" R.O. - BLACK |
| 26 | 137554-17-P07 | EA | COMPARTMENT - LUGGAGE |
| 27 | P32206-09-S01 | EA | DOOR - ENTRY W/SCREEN DOOR - W/O WINDOW/LATCH (S04, S91, S97) |
| 27 | P32206-09-S02 | EA | DOOR - ENTRY W/SCREEN DOOR - W/O WINDOW/LATCH (S05, S92) |
| 27 | P32206-09-S03 | EA | DOOR - ENTRY W/SCREEN DOOR - W/O WINDOW/LATCH (S06, S93, S98) |
| 28 | 129015-01-K80 | EA | PORT W/HATCH - F/ELECTRICAL/DRAIN |
| 29 | 121175-02-01A | EA | LATCH - SWELL |
| 30 | 139529-02-02B | EA | PANEL/CLOSEOUT - E-COATED |
| 31 | 146747-01-02B | EA | BRACKET/CATCH - E-COATED |
| 32 | 147781-01-01A | EA | TREAD/STEP - RUBBER - TAUPE (S04, S06, S91, S93, S97) |
| 32 | 147781-01-03A | EA | TREAD/STEP - RUBBER - GRAY (S05, S92, S98) |
| 33 | 116975-01-01A | EA | LATCH - W/O STRIKE - BLACK - NEW STYLE |
| 33 | 133114-03-01A | EA | TREAD - STEP/RUBBER - 27.1" X 10.1" - TAUPE (S04, S06, S91, S93, S97) |
| 33 | 133114-03-03A | EA | TREAD - STEP/RUBBER - 27.1" X 10.1" - GRAY (S05, S92, S98) |
| 34 | 126946-65-S95 | EA | DOOR/STORAGE - W/O HARDWARE - 36.8" X 10.6" |
| | 056795-01-000 | FT | TAPE-SEAL, 1/8~ X 3/8~ WIDE - PRESS ON - BETWEEN FLANGE OF DOOR JAMB & SIDEWALL |
| 35 | 126946-53-S95 | EA | DOOR/STORAGE - W/O HARDWARE - 47.4" X 13.4" |
| 36 | 126946-60-S95 | EA | DOOR/STORAGE - W/O HARDWARE - 36.8" X 13.4" |
| 37 | 126946-61-S95 | EA | DOOR/STORAGE - W/O HARDWARE - 26.9" X 13.4" |
| 38 | 126946-62-S95 | EA | DOOR/STORAGE - W/O HARDWARE - 28.9" X 10.6" |
| 39 | 126946-63-S95 | EA | DOOR/STORAGE - W/O HARDWARE - 47.4" X 8.7" |
| 40 | 126946-64-S95 | EA | DOOR/STORAGE - W/O HARDWARE - 25.9" X 13.4" |

EXTERIOR DOORS & COMPARTMENTS GROUP (CONTINUED)
DOOR & COMPARTMENT LAYOUT (CONTINUED)



KEY PART NUMBER
EARLY LOCK ASM

U/M DESCRIPTION

FROM: 00-00-00 THRU: 02-24-05

| | |
|---------------|---|
| 138637-51-000 | EA KEYS - SET OF TWO |
| 138637-51-001 | EA KEYS - SET OF TWO |
| 138637-51-002 | EA KEYS - SET OF TWO |
| 138637-51-003 | EA KEYS - SET OF TWO |
| 138637-51-004 | EA KEYS - SET OF TWO |
| 138637-51-005 | EA KEYS - SET OF TWO |
| 138637-51-006 | EA KEYS - SET OF TWO |
| 138637-51-007 | EA KEYS - SET OF TWO |
| 138637-51-008 | EA KEYS - SET OF TWO |
| 138637-51-009 | EA KEYS - SET OF TWO |
| 138637-53-000 | EA CASE/CYLINDER - LOCKING - W/O CAM/KEY - 1.5" |
| 138637-53-001 | EA CASE/CYLINDER - LOCKING - W/O CAM/KEY - 1.5" |
| 138637-53-002 | EA CASE/CYLINDER - LOCKING - W/O CAM/KEY - 1.5" |

EXTERIOR DOORS & COMPARTMENTS GROUP (CONTINUED)
DOOR & COMPARTMENT LAYOUT (CONTINUED)

| KEY | PART NUMBER | U/M | DESCRIPTION |
|-----|---------------|-----|--|
| | 138637-53-003 | EA | CASE/CYLINDER - LOCKING - W/O CAM/KEY - 1.5" |
| | 138637-53-004 | EA | CASE/CYLINDER - LOCKING - W/O CAM/KEY - 1.5" |
| | 138637-53-005 | EA | CASE/CYLINDER - LOCKING - W/O CAM/KEY - 1.5" |
| | 138637-53-006 | EA | CASE/CYLINDER - LOCKING - W/O CAM/KEY - 1.5" |
| | 138637-53-007 | EA | CASE/CYLINDER - LOCKING - W/O CAM/KEY - 1.5" |
| | 138637-53-008 | EA | CASE/CYLINDER - LOCKING - W/O CAM/KEY - 1.5" |
| | 138637-53-009 | EA | CASE/CYLINDER - LOCKING - W/O CAM/KEY - 1.5" |

LATER LOCK ASM

FROM: 02-25-05 THRU: 99-99-99

| | | |
|---------------|----|--|
| 138288-01-000 | EA | KEY - REVERSIBLE - #1151 - T/M 16169-02-1151 |
| 138288-02-000 | EA | KEY - REVERSIBLE - #1152 - T/M 16169-02-1152 |
| 138288-03-000 | EA | KEY - REVERSIBLE - #1153 - T/M 16169-02-1153 |
| 138288-04-000 | EA | KEY - REVERSIBLE - #1154 - T/M 16169-02-1154 |
| 138288-05-000 | EA | KEY - REVERSIBLE - #1155 - T/M 16169-02-1155 |
| 138288-06-000 | EA | KEY - REVERSIBLE - #1156 - T/M 16169-02-1156 |
| 138288-07-000 | EA | KEY - REVERSIBLE - #1157 - T/M 16169-02-1157 |
| 138288-08-000 | EA | KEY - REVERSIBLE - #1158 - T/M 16169-02-1158 |
| 138288-09-000 | EA | KEY - REVERSIBLE - #1159 - T/M 16169-02-1159 |
| 138288-10-000 | EA | KEY - REVERSIBLE - #1150 - T/M 16169-02-1150 |
| 138289-01-000 | EA | CYLINDER/LOCK - ACCESS DOORS |
| 138289-02-000 | EA | CYLINDER/LOCK - ACCESS DOORS |
| 138289-03-000 | EA | CYLINDER/LOCK - ACCESS DOORS |
| 138289-04-000 | EA | CYLINDER/LOCK - ACCESS DOORS |
| 138289-05-000 | EA | CYLINDER/LOCK - ACCESS DOORS |
| 138289-06-000 | EA | CYLINDER/LOCK - ACCESS DOORS |
| 138289-07-000 | EA | CYLINDER/LOCK - ACCESS DOORS |
| 138289-08-000 | EA | CYLINDER/LOCK - ACCESS DOORS |
| 138289-09-000 | EA | CYLINDER/LOCK - ACCESS DOORS |
| 138289-10-000 | EA | CYLINDER/LOCK - ACCESS DOORS |

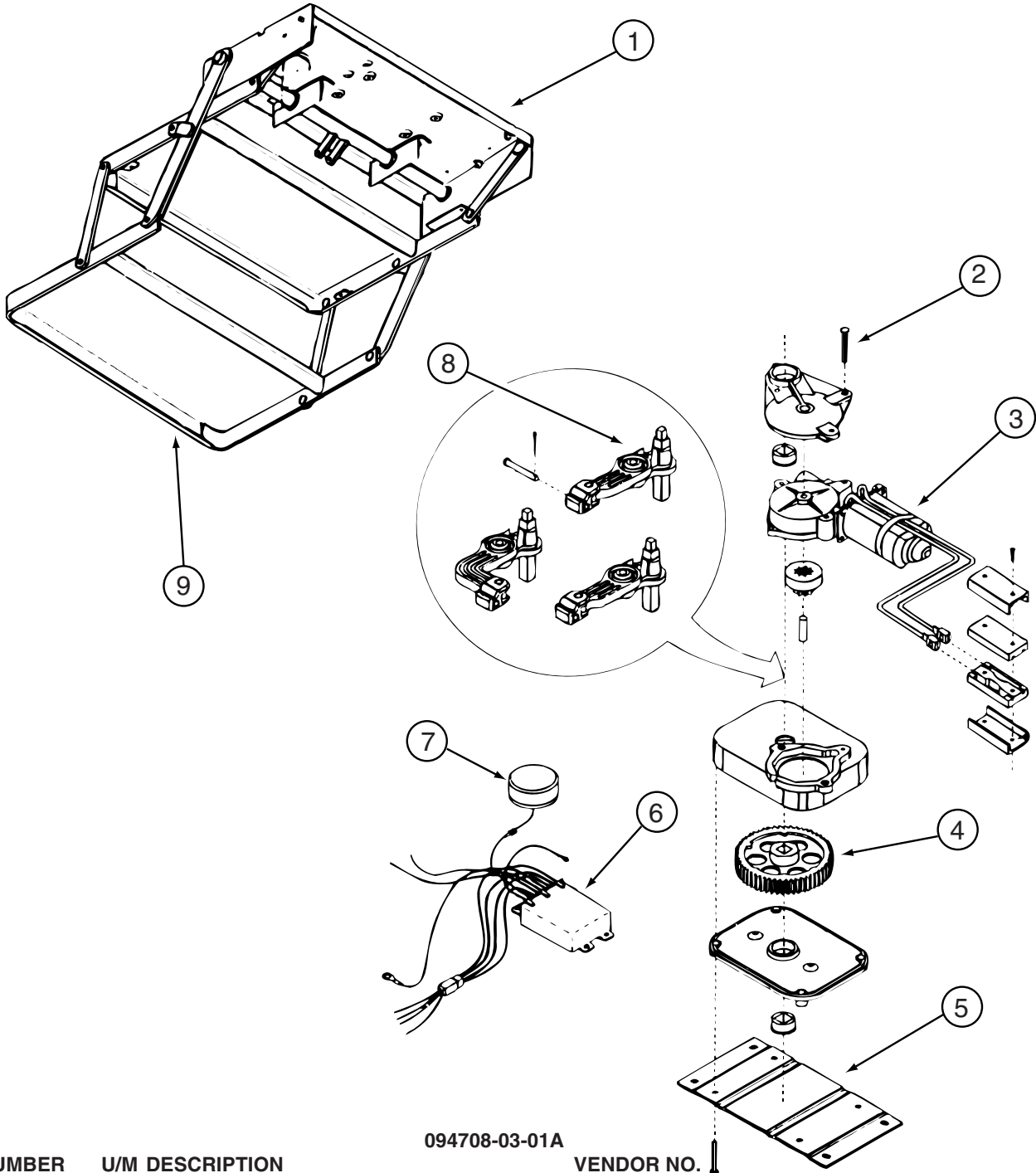
***COMPONENT PARTS LISTED LATER IN THIS GROUP**

EXTERIOR DOORS & COMPARTMENTS GROUP (CONTINUED)

COMPONENT PARTS FOR DOOR & COMPARTMENT LAYOUT

084103-08-000

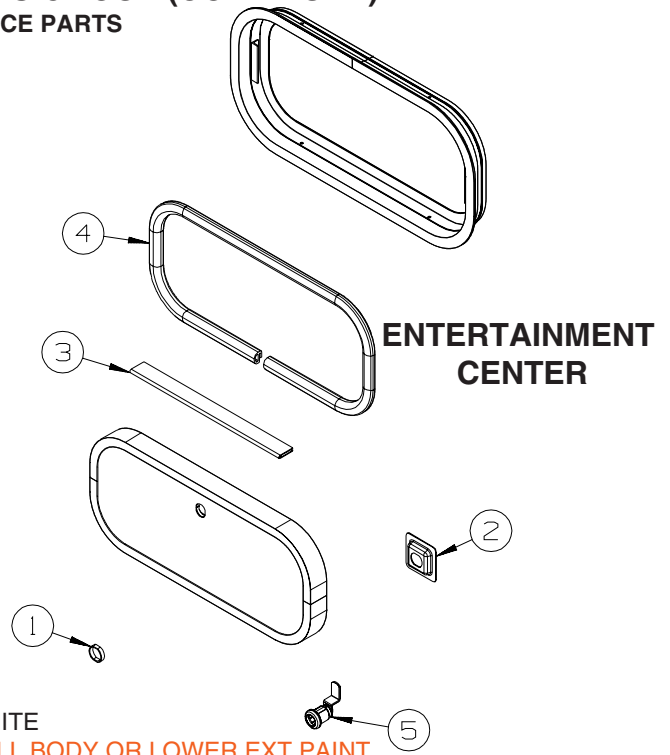
| KEY | PART NUMBER | U/M DESCRIPTION | VENDOR NO. |
|-----|---------------|--------------------------|-------------|
| | 084104-01-700 | EA LOCK-MALE, FASTENER | 201-721-010 |
| | 084104-01-701 | EA LOCK-FEMALE, FASTENER | 201-802-010 |



094708-03-01A

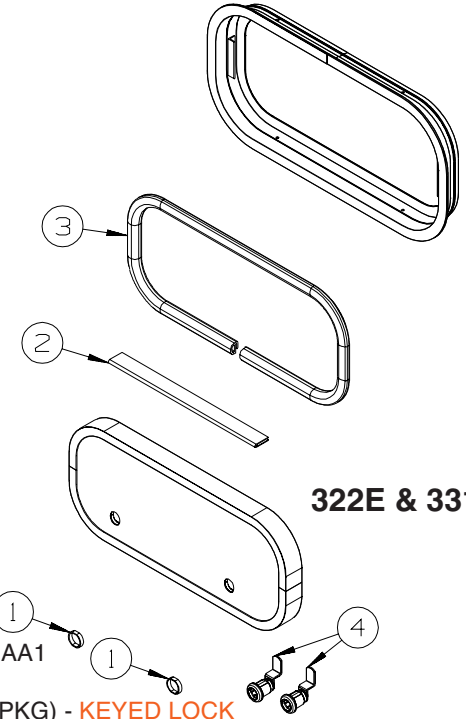
| KEY | PART NUMBER | U/M DESCRIPTION | VENDOR NO. |
|-----|---------------|---------------------------------|------------|
| 1 | 088746-01-709 | EA FRAME W/SGL STEP,2800 SERIES | 908028 |
| 2 | 094707-02-703 | EA BEARING & PINS | 909530 |
| 3 | 094707-02-700 | EA MOTOR ASM.,W/BEARINGS & PINS | 909520 |
| 4 | 094707-02-702 | EA GEAR KIT(GEAR-BEARING-PINS) | 909525 |
| 5 | 094707-02-704 | EA CONNECTOR-MOTOR ASM.W/PLATES | 909537 |
| 6 | 094707-03-700 | EA KIT CONTROL/SWITCH-RETROFIT | 909506005 |
| 7 | 088733-01-700 | EA BULB | 9004 |
| 7 | 088746-01-705 | EA LIGHT-UNDER STEP | 9004 |
| 8 | 094708-03-700 | EA LINKAGE ASSEMBLY-SERIES 28 | 909533 |
| 9 | 094707-02-707 | EA TREAD - NON-SKID - BLACK | 909333 |
| | 094707-03-701 | EA PLUG - 4-WAY - PACKARD | 909306 |

EXTERIOR DOORS & COMPARTMENTS GROUP (CONTINUED)
COMPARTMENT DOOR PIECE PARTS



ENTERTAINMENT CENTER

| KEY | PART NUMBER | U/M | DESCRIPTION |
|-----|---------------|-----|--|
| 1 | 139325-01-000 | EA | SPACER - LOCK - 6MM |
| | 139337-01-000 | EA | GASKET - LOCK |
| 2 | 097111-02-05A | EA | POCKET - LOCK - REAR DOOR - BRIGHT WHITE |
| 2 | 097111-02-04A | EA | POCKET - LOCK - REAR DOOR - BLACK - FULL BODY OR LOWER EXT PAINT |
| 3 | 081801-V3-000 | EA | HINGE - DOOR - PIANO - 2" X 96" - BRIGHT WHITE |
| 3 | 081801-FN-000 | EA | HINGE - DOOR - PIANO - 2" X 96" - BLACK - FULL BODY OR LOWER EXT PAINT |
| 4 | 106850-02-000 | FT | SEAL-E - SPONGE RUBBER - .43" X .75" |
| 5 | 138290-02-000 | EA | CASE - W/CAM - W/O CYLINDER/KEY |

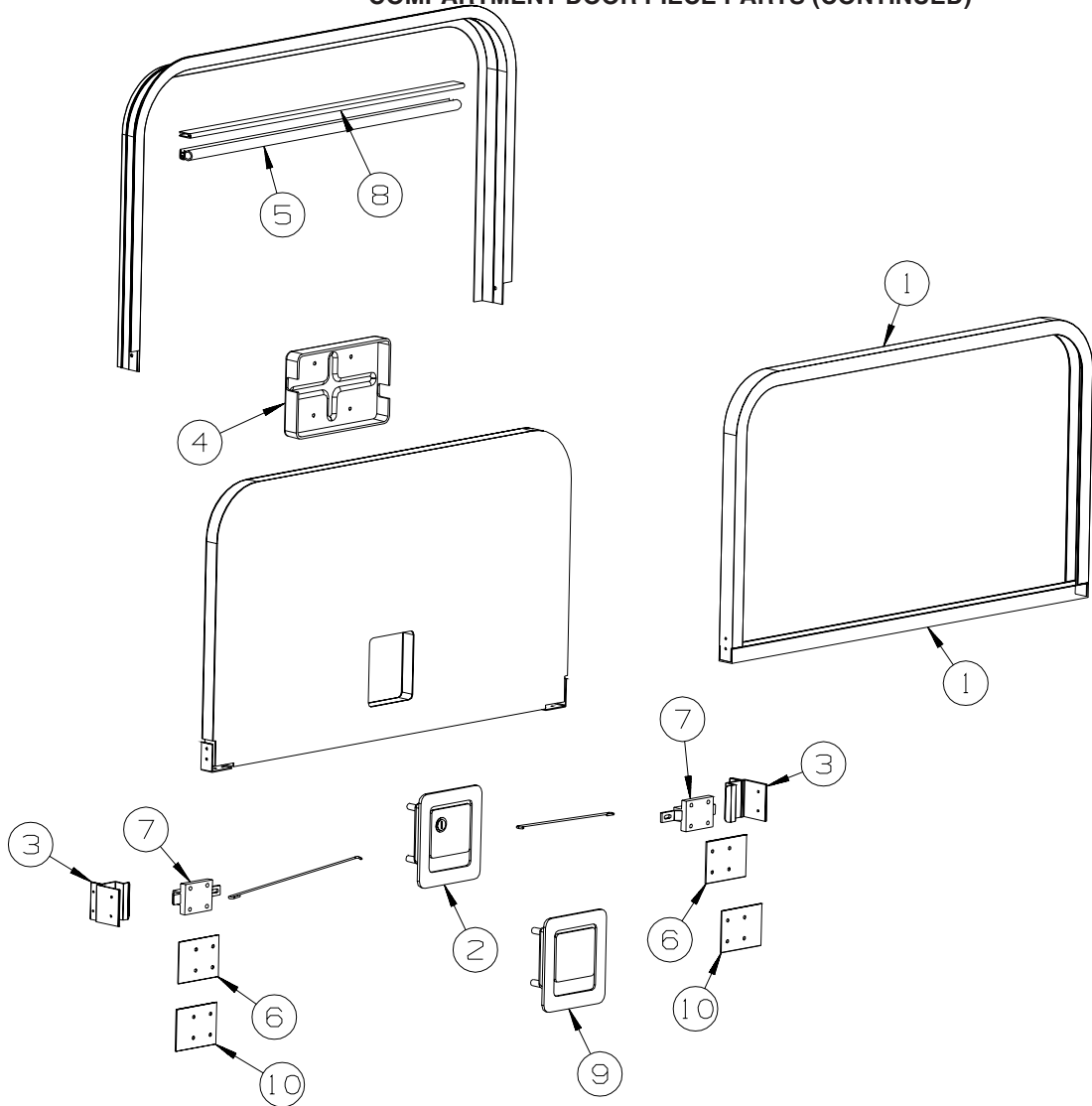


322E & 331ST

| KEY | PART NUMBER | U/M | DESCRIPTION |
|-----|---------------|-----|--|
| 1 | 144734-01-000 | EA | SPACER - COMPARTMENT DOOR LOCK - 9/16" DEEP |
| 2 | 081801-V3-000 | EA | HINGE - DOOR - PIANO - 2" X 96" - BRIGHT WHITE |
| 3 | 106850-02-000 | FT | SEAL-E - SPONGE RUBBER - .43" X .75" |
| 4* | 110506-27-000 | EA | LOCK - TWIST - 1.6" |
| | 110506-55-000 | EA | CASE/CYLINDER - TWIST LOCK - W/O CAM - 1.25" - 597312AA1 |
| | 110506-66-000 | EA | CAM - LATCHING - DOG LEG - 1.5" LONG - TWIST LOCK |
| 4 | 138637-04-000 | EA | LOCK ASM. - KEYED - 1.5" CASE (CYLINDER/CAM/HDWR PKG) - KEYED LOCK |
| | 144474-01-000 | EA | ADAPTER - LOCK - 180 DEGREE - KEYED LOCK |
| | 138637-63-000 | EA | CAM - LATCHING - DOG LEG - 1 1/2" LONG - KEYED LOCK |
| | 138637-53-000 | EA | CASE/CYLINDER - LOCKING - W/O CAM/KEY - 1.5" |
| | 138637-53-001 | EA | CASE/CYLINDER - LOCKING - W/O CAM/KEY - 1.5" |
| | 138637-53-002 | EA | CASE/CYLINDER - LOCKING - W/O CAM/KEY - 1.5" |
| | 138637-53-003 | EA | CASE/CYLINDER - LOCKING - W/O CAM/KEY - 1.5" |
| | 138637-53-004 | EA | CASE/CYLINDER - LOCKING - W/O CAM/KEY - 1.5" |
| | 138637-53-005 | EA | CASE/CYLINDER - LOCKING - W/O CAM/KEY - 1.5" |
| | 138637-53-006 | EA | CASE/CYLINDER - LOCKING - W/O CAM/KEY - 1.5" |
| | 138637-53-007 | EA | CASE/CYLINDER - LOCKING - W/O CAM/KEY - 1.5" |
| | 138637-53-008 | EA | CASE/CYLINDER - LOCKING - W/O CAM/KEY - 1.5" |
| | 138637-53-009 | EA | CASE/CYLINDER - LOCKING - W/O CAM/KEY - 1.5" |

*COMPONENT PARTS LISTED LATER IN THIS GROUP

EXTERIOR DOORS & COMPARTMENTS GROUP (CONTINUED)
COMPARTMENT DOOR PIECE PARTS (CONTINUED)

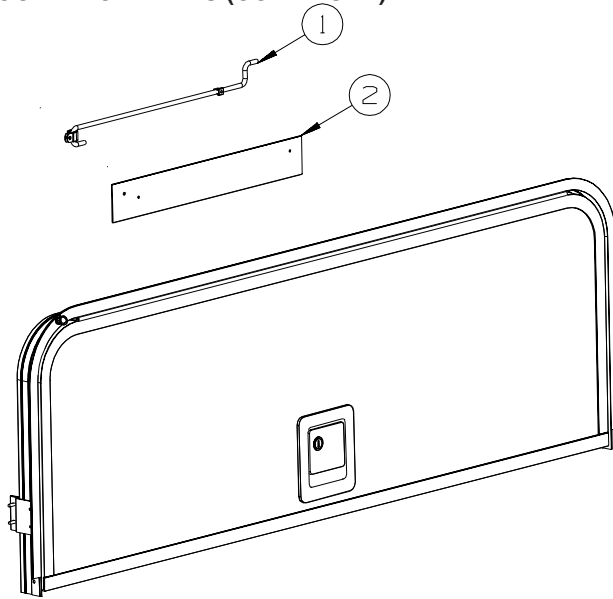


**PADDLE
LATCH DOORS**

| KEY | PART NUMBER | U/M DESCRIPTION |
|-----|---------------|--|
| 1 | 096217-55-006 | EA U-CHANNEL - 210" - BRIGHT WHITE |
| 1 | 096217-55-009 | EA U-CHANNEL - 210" - BLACK |
| 2 | 138277-01-01A | EA LATCH/PADDLE - COMPARTMENT DOOR - BLACK - KEY ONE |
| 2 | 138277-01-02A | EA LATCH/PADDLE - COMPARTMENT DOOR - WHITE - KEY ONE |
| 3 | 150789-01-S01 | EA STRIKER - STORAGE DOOR |
| 4 | 122277-06-02A | EA COVER - LATCH - WHITE |
| 5 | 151104-01-01A | FT SEAL - BULB - W/WIRED U CHANNEL - .3" X .5" CHANNEL-BLACK |
| 6 | 121577-07-01A | EA STRAP/PLATE - W/HOLE - 2.25" X 3" - BRIGHT WHITE |
| | 035648-51-001 | EA STRAP - EXTRUSION - 2.25" X 80.6" |
| 7 | 149741-01-01A | EA BOLT - SLIDE/LATCH |
| 8 | 151229-06-01A | EA HINGE - CONTINUOUS - 1.5" X 72.4" - BRIGHT WHITE |
| 8 | 151229-06-02A | EA HINGE - CONTINUOUS - 1.5" X 72.4" - BLACK |
| 8 | 151229-12-01A | EA HINGE - CONTINUOUS - 1.5" X 40.6" - BRIGHT WHITE |
| 8 | 151229-12-02A | EA HINGE - CONTINUOUS - 1.5" X 40.6" - BLACK |
| 9 | 112949-02-04A | EA LATCH/PADDLE - NON-LOCKING - BRIGHT WHITE |
| 9 | 112949-02-05A | EA LATCH/PADDLE - NON-LOCKING - BLACK |
| 10 | 149738-01-01A | EA SPACER - SLIDE BOLT |

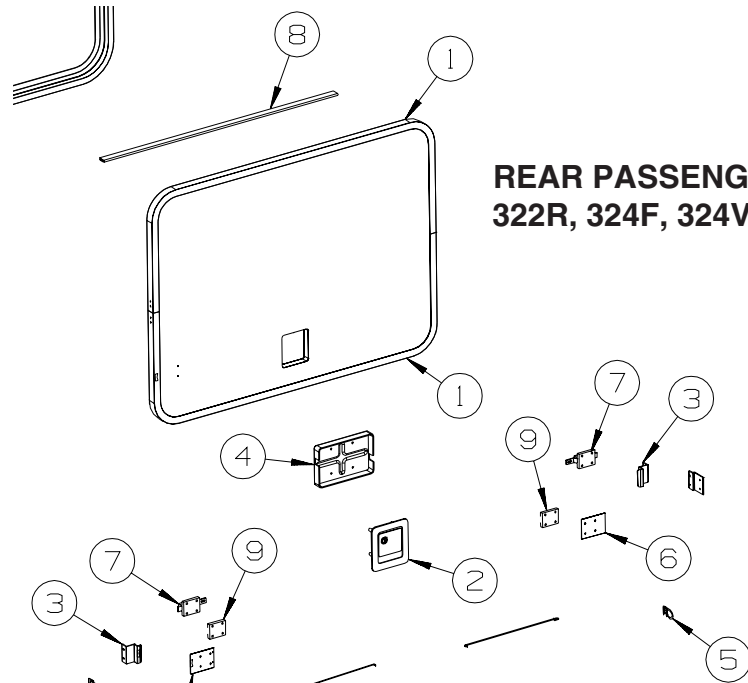
FROM: 00-00-00 THRU: 05-02-04

EXTERIOR DOORS & COMPARTMENTS GROUP (CONTINUED)
COMPARTMENT DOOR PIECE PARTS (CONTINUED)



**WITH PROP
RODS**

| KEY | PART NUMBER | U/M | DESCRIPTION |
|-----|---------------|-----|---|
| 1 | 155346-03-04B | EA | PROP ROD - 10.6" - BLACK |
| 1 | 155346-04-04B | EA | PROP ROD - 15.3" - BLACK |
| 1 | 155346-06-04B | EA | PROP ROD - 21" - BLACK |
| 1 | 155346-07-04B | EA | PROP ROD - 17.3" - BLACK |
| 2 | 121577-01-01A | EA | STRAP/PLATE - W/HOLE - 2.25" X 26" - BRIGHT WHITE |
| 2 | 121577-02-01A | EA | STRAP/PLATE - W/HOLE - 2.25" X 11.8" - BRIGHT WHITE |
| 2 | 121577-06-01A | EA | STRAP/PLATE - W/HOLE - 2.25" X 15.8" - BRIGHT WHITE |
| 2 | 121577-08-01A | EA | STRAP/PLATE - W/HOLE - 2.25" X 10" - BRIGHT WHITE |
| | 035648-51-001 | EA | EXTR - STRAP .062 X 2.25 X 2050 MM, 6063T5 |



**REAR PASSENGER SIDE
322R, 324F, 324V, & 326A**

| KEY | PART NUMBER | U/M | DESCRIPTION |
|-----|---------------|-----|---|
| 1 | 096217-55-006 | EA | U-CHANNEL - 210" - BRIGHT WHITE |
| 2 | 138277-01-02A | EA | LATCH/PADDLE - WHITE - KEY ONE |
| 3 | 149737-01-01A | EA | STRIKER - STORAGE DOOR - BRIGHT WHITE |
| 4 | 122277-06-02A | EA | COVER - LATCH - WHITE |
| 5 | 151104-01-01A | FT | SEAL - BULB - W/WIRED U CHANNEL - .3" X .5" CHANNEL-BLACK |
| 6 | 121577-07-01A | EA | PLATE - W/HOLE - BRIGHT WHITE |
| | 035648-51-001 | EA | EXTR - STRAP .062 X 2.25 X 2050 MM, 6063T5 |
| 7 | 149741-01-01A | EA | BOLT - SLIDE/LATCH |
| 8 | 151229-06-01A | EA | HINGE - CONTINUOUS - 1.5" X 72.4" - BRIGHT WHITE |
| 9 | 149738-01-01A | EA | SPACER - SLIDE BOLT |

FROM: 00-00-00 THRU: 05-06-04

EXTERIOR DOORS & COMPARTMENTS GROUP (CONTINUED)

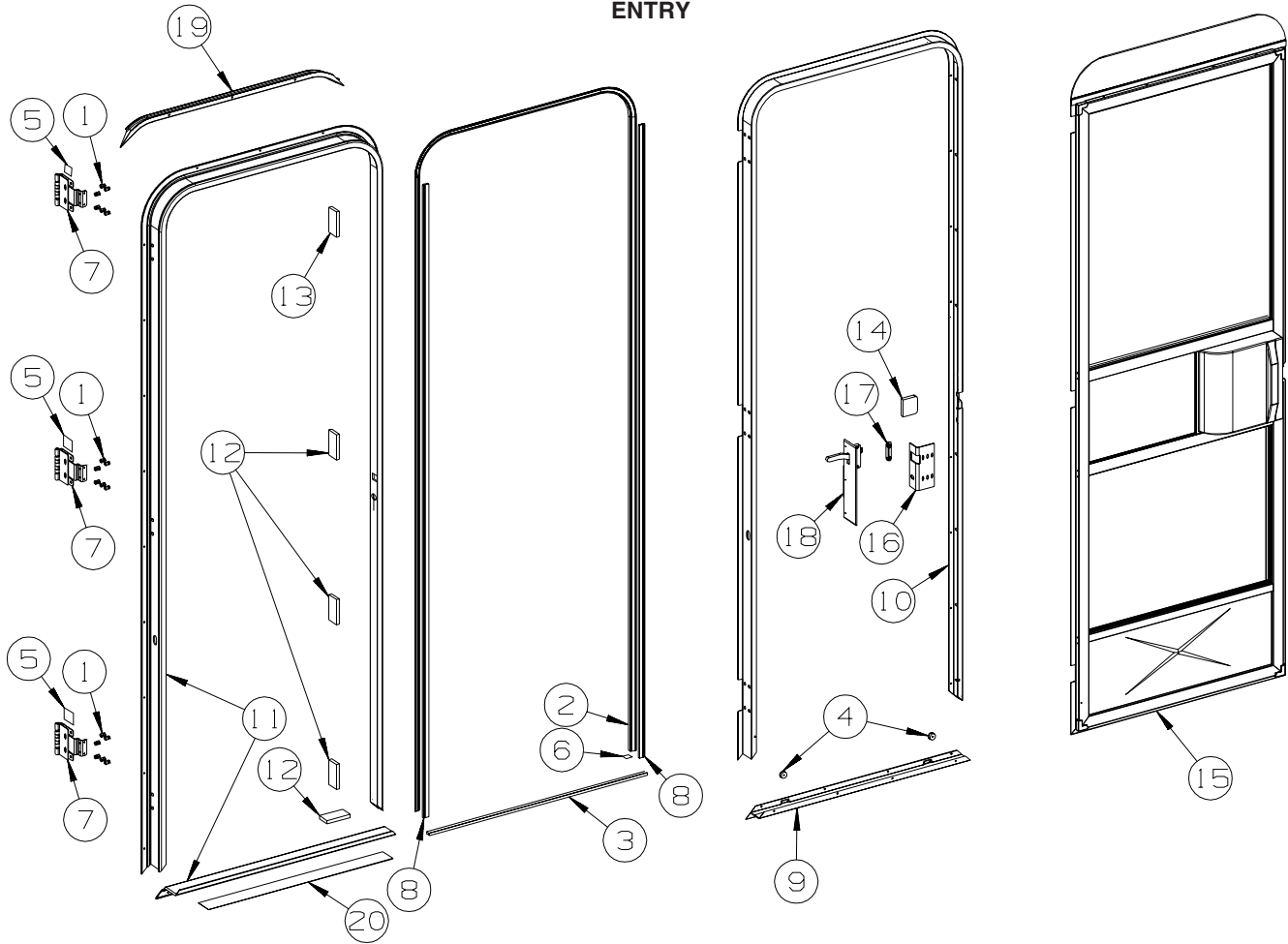
COMPONENT PARTS FOR COMPARTMENT DOOR PIECE PARTS

110506-A1-000, 110506-A2-000, 110506-26-000, 110506-27-000

| KEY | PART NUMBER | U/M | DESCRIPTION | VENDOR NO . |
|-----|---------------|-----|--------------------------------|-------------|
| | 110506-40-700 | EA | HARDWARE PACKAGE-CYLINDER/CASE | 596950AAL |

EXTERIOR DOORS & COMPARTMENTS GROUP (CONTINUED)

ENTRY

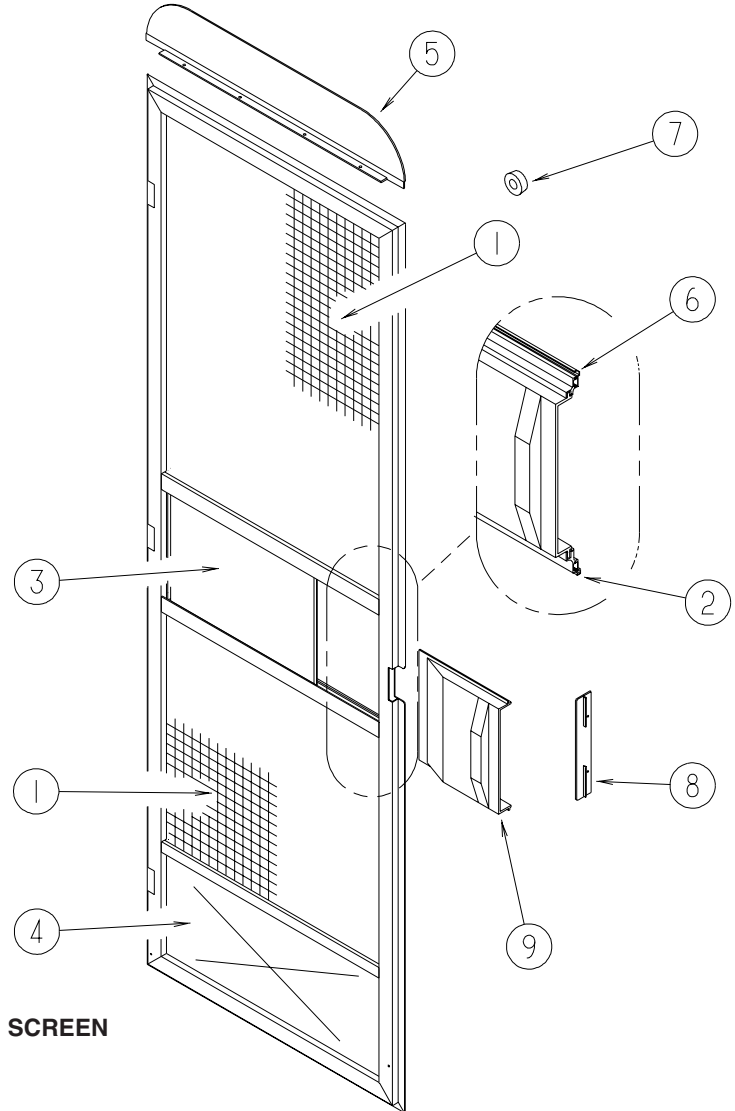


| KEY | PART NUMBER | U/M | DESCRIPTION |
|-----|---------------|-----|--|
| 1 | 039715-01-000 | EA | NUT-SERT - 1/4" DIAMETER - 20 THREADS |
| 2 | 075671-04-000 | FT | SEAL - SPONGE - LAZY T - W/ADHESIVE STRIP - .5" WIDE |
| 3 | 075673-05-000 | FT | SEAL/PILE - .5" HIGH W/ADHESIVE BACK - BLACK |
| 4 | 081914-02-000 | EA | BUMPER - RUBBER - ROUND - 5/16" DIA. X 13/64" THICK |
| 5 | 100128-02-000 | FT | SEAL - FOAM/ADHESIVE BACK - .37" WIDE X .37" THICK |
| 6 | 104692-01-000 | FT | SEAL - ADHESIVE BACKED FOAM - 3/4" THICK X 3/4" WIDE X 25' |
| 7 | 106719-01-05A | EA | HINGE - ENTRY DOOR - BRIGHT WHITE |
| 8 | 118929-01-01A | FT | SEAL - PILE - PUSH ON |
| 9 | 121893-01-01A | EA | FRAME - ENTRY DOOR/BOTTOM - BRIGHT WHITE |
| 10 | 121894-28-01A | EA | FRAME - ENTRY DOOR - BRIGHT WHITE |
| 11 | 121898-16-01A | EA | JAMB - DOOR/ENTRANCE - BRIGHT WHITE |
| 12 | 125724-01-000 | EA | SHIM - DOOR, ENTRANCE |
| 13 | 125724-02-000 | EA | SHIM - DOOR - ENTRANCE |
| 14 | 130096-05-000 | EA | FOAM - SCREEN DOOR, RETAINER |
| 15 | 132208-04-L07 | EA | DOOR - SCREEN - W/O HARDWARE |
| 16 | 137401-01-03B | EA | BRACKET - DOOR ANGLE - OFF WHITE |
| 17 | 148364-01-12B | EA | STRIKE - SCREEN DOOR - BRIGHT WHITE |
| | 138287-01-000 | EA | CYLINDER/LOCK - ENTRY DOOR (MASTER) |
| | 138287-02-000 | EA | CYLINDER/LOCK - ENTRY DOOR (MASTER) |
| | 138287-03-000 | EA | CYLINDER/LOCK - ENTRY DOOR (MASTER) |
| | 138287-04-000 | EA | CYLINDER/LOCK - ENTRY DOOR (MASTER) |
| | 138287-05-000 | EA | CYLINDER/LOCK - ENTRY DOOR (MASTER) |
| | 138287-06-000 | EA | CYLINDER/LOCK - ENTRY DOOR (MASTER) |
| | 138287-07-000 | EA | CYLINDER/LOCK - ENTRY DOOR (MASTER) |
| | 138287-08-000 | EA | CYLINDER/LOCK - ENTRY DOOR (MASTER) |
| | 138287-09-000 | EA | CYLINDER/LOCK - ENTRY DOOR (MASTER) |
| | 138287-10-000 | EA | CYLINDER/LOCK - ENTRY DOOR (MASTER) |

ROTOR

EXTERIOR DOORS & COMPARTMENTS GROUP (CONTINUED)
ENTRY (CONTINUED)

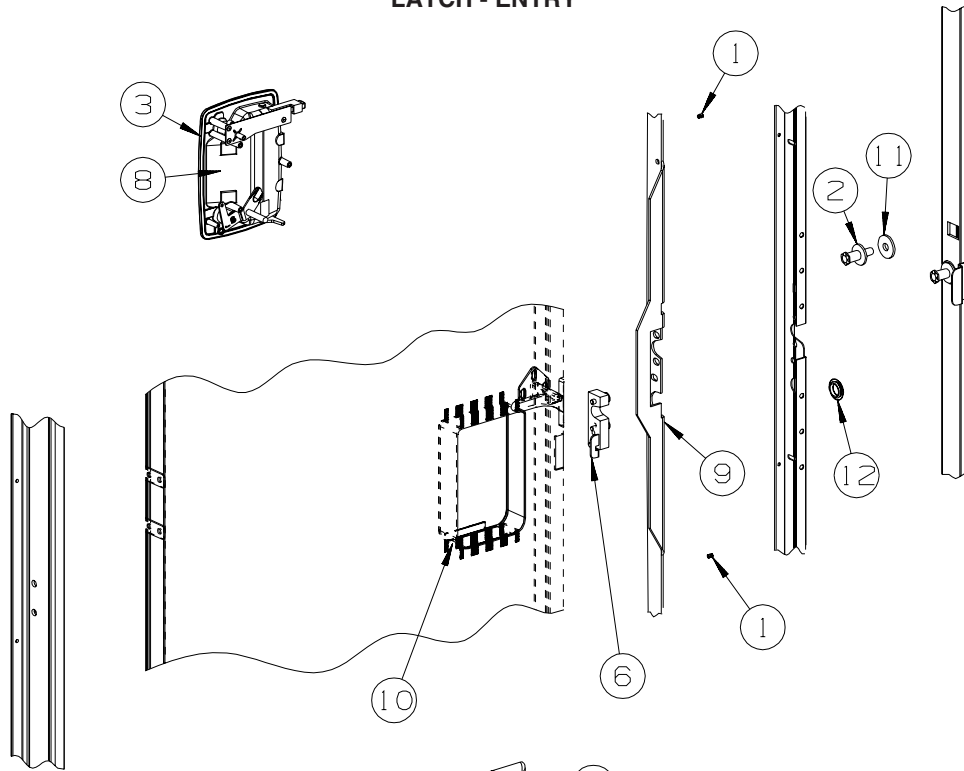
| KEY | PART NUMBER | U/M | DESCRIPTION |
|-----|---------------|-----|--|
| | 138288-01-000 | EA | KEY - REVERSIBLE - #1151 - T/M 16169-02-1151 |
| | 138288-02-000 | EA | KEY - REVERSIBLE - #1152 - T/M 16169-02-1152 |
| | 138288-03-000 | EA | KEY - REVERSIBLE - #1153 - T/M 16169-02-1153 |
| | 138288-04-000 | EA | KEY - REVERSIBLE - #1154 - T/M 16169-02-1154 |
| | 138288-05-000 | EA | KEY - REVERSIBLE - #1155 - T/M 16169-02-1155 |
| | 138288-06-000 | EA | KEY - REVERSIBLE - #1156 - T/M 16169-02-1156 |
| | 138288-07-000 | EA | KEY - REVERSIBLE - #1157 - T/M 16169-02-1157 |
| | 138288-08-000 | EA | KEY - REVERSIBLE - #1158 - T/M 16169-02-1158 |
| | 138288-09-000 | EA | KEY - REVERSIBLE - #1159 - T/M 16169-02-1159 |
| | 138288-10-000 | EA | KEY - REVERSIBLE - #1150 - T/M 16169-02-1150 |
| 18 | 132915-01-01A | EA | LATCH - SCREEN DOOR - BLACK |
| | 138292-01-000 | EA | SEAL - LOCK CYLINDER |
| 19 | 139054-01-01A | EA | CAP - DRIP - JAMB MOUNTED - BRIGHT WHITE |
| 20 | 038327-01-000 | EA | TAPE - ANTI-SLIP - 2" X 60' |



| KEY | PART NUMBER | U/M | DESCRIPTION |
|-----|---------------|-----|--|
| 1 | 002293-02-000 | SF | SCREEN - 26" - CHARCOAL |
| 2 | 002294-01-000 | FT | SPLINE - SCREENING - .13" X .14" |
| 3 | 016454-21-000 | EA | INSERT/CENTER - SCREEN DOOR |
| 4 | 078552-03-000 | EA | KICK PANEL - SCREEN DOOR - LOWER INSERT - UNPAINTED |
| 5 | 078595-01-000 | EA | TOP PLATE - SCREEN DOOR - CURVED TOP - 4.7" X 25.35" |
| 6 | 078777-08-000 | FT | CHANNEL - SLIDER - 4 FOOT INCREMENTS |
| 7 | 120863-06-000 | EA | BUMPER - RUBBER/RADIUS TOP - 3/4" X 3/8" - LT GRAY |
| | | | FROM: 00-00-00 THRU: 06-26-05 |
| 7 | 120863-09-000 | EA | BUMPER - RUBBER/RADIUS TOP - 3/4" X 3/8" - LT GRAY |
| | | | FROM: 06-27-05 THRU: 99-99-99 |
| 8 | 132081-01-01A | EA | STRIKE - SLIDER - SCREEN DOOR - BRIGHT WHITE |
| 9 | 132082-01-01A | EA | SLIDER - SCREEN DOOR - BRIGHT WHITE |

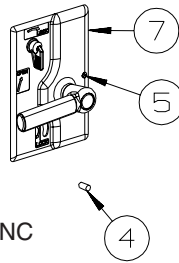
EXTERIOR DOORS & COMPARTMENTS GROUP (CONTINUED)

LATCH - ENTRY



KEY PART NUMBER

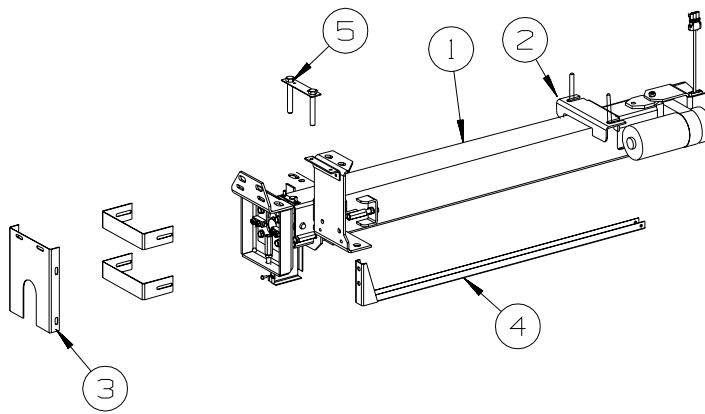
| KEY | PART NUMBER | U/M | DESCRIPTION |
|-----|---------------|-----|-------------------------------|
| 1 | 072893-04-000 | EA | NUTSERT - 10-32 |
| 2 | 092927-15-000 | EA | STRIKER - BOLT |
| 3 | 112782-04-01A | EA | GASKET |
| 4 | 112782-05-01A | EA | CAP - VINYL - RED |
| 5 | 112782-08-01A | EA | SCREW - MOUNTING/PLATE - ZINC |
| 6 | 112782-15-01A | EA | LATCH - SINGLE ROTOR |



| | | | | |
|----|---------------|----|--|-------------------------------|
| 6 | 112782-22-01A | EA | LATCH - SINGLE ROTOR | FROM: 00-00-00 THRU: 05-30-04 |
| 7 | 112782-16-01A | EA | LATCH - INTERIOR PLATE | FROM: 05-31-04 THRU: 99-99-99 |
| 7 | 112782-21-01A | EA | LATCH - INTERIOR PLATE | FROM: 00-00-00 THRU: 05-30-04 |
| 8 | 112782-18-01A | EA | LATCH - EXTERIOR - W/O LOCK CYLINDER W/ICON-REVERSIBLE KEY | FROM: 05-31-04 THRU: 99-99-99 |
| 8 | 112782-20-01A | EA | LATCH - EXTERIOR - W/O LOCK CYLINDER W/ICON-REVERSIBLE KEY | FROM: 00-00-00 THRU: 05-30-04 |
| 8 | 112782-20-01A | EA | LATCH - EXTERIOR - W/O LOCK CYLINDER W/ICON-REVERSIBLE KEY | FROM: 05-31-04 THRU: 99-99-99 |
| 9 | 132207-01-02B | EA | STIFFENER/DOOR - FORMED - E-COATED | |
| 10 | 137230-01-01A | EA | SPACER - NOTCHED, MILL | |
| 11 | 147900-01-01A | EA | SPACER - STRIKE BOLT, MILL | |
| 12 | 061420-14-000 | EA | PLUG/PLASTIC - 7/8" DIAMETER - BLACK | |

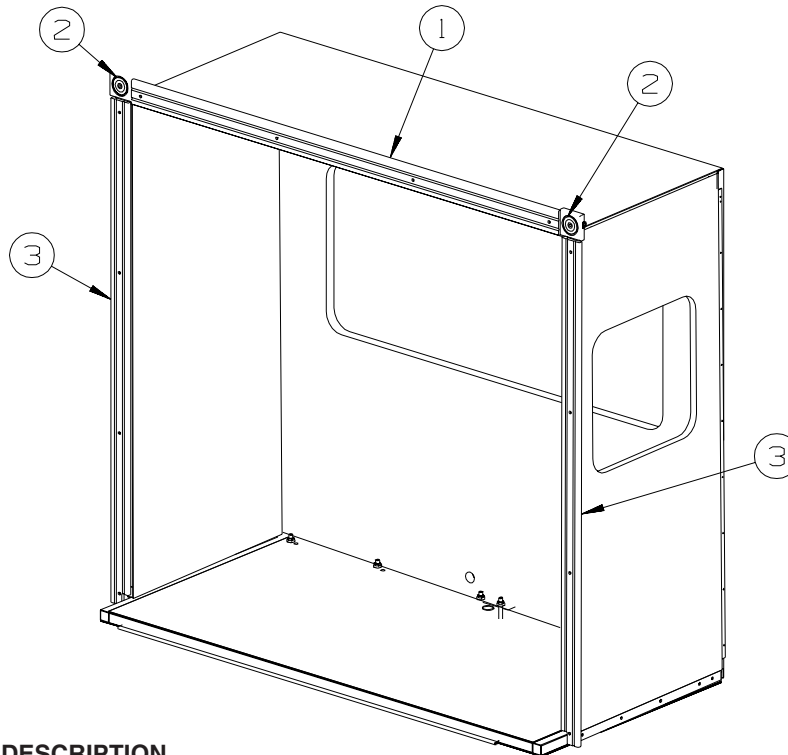
EXTERIOR SLIDEOUT GROUP

FRONT LEFT



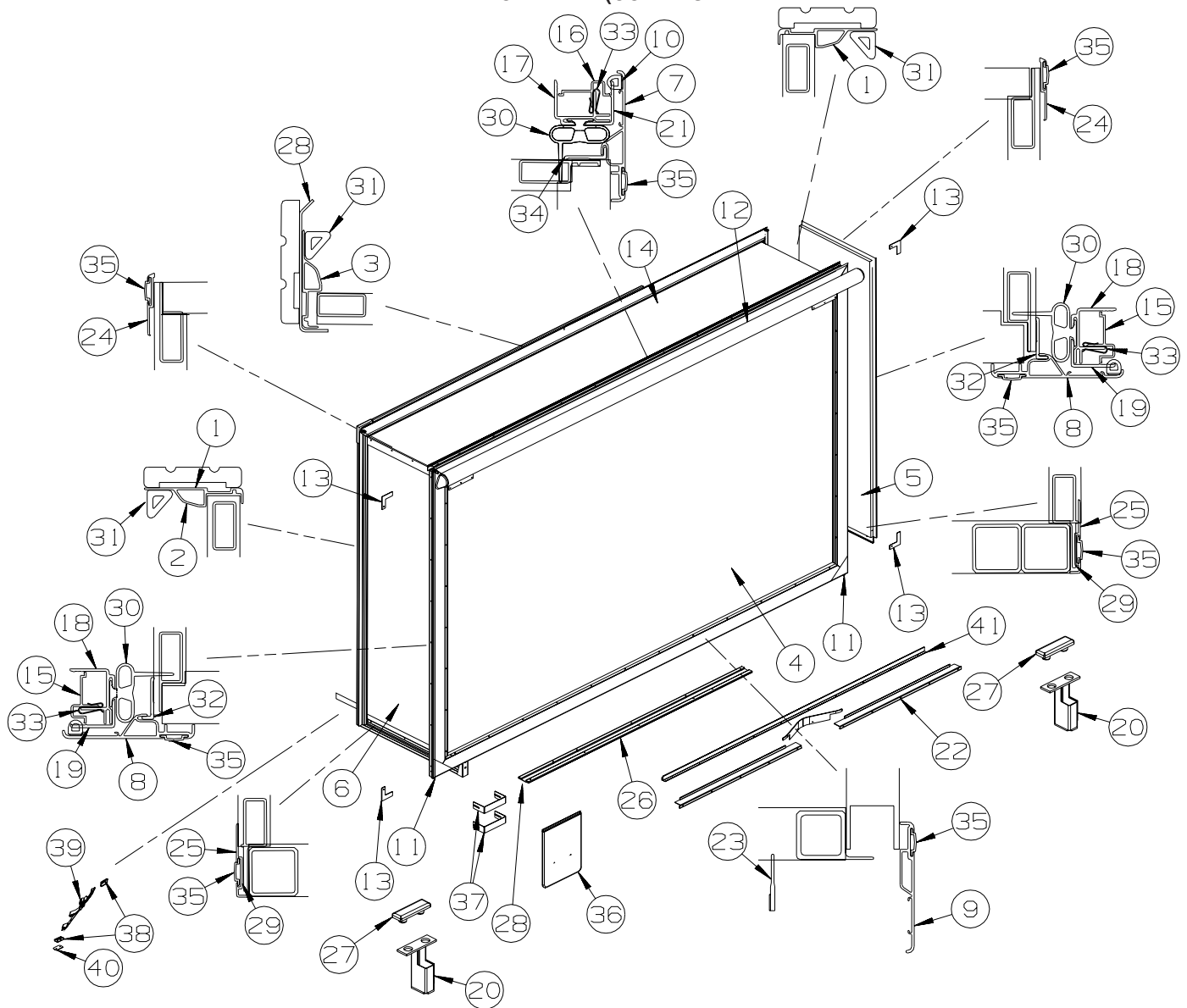
| KEY | PART NUMBER | U/M | DESCRIPTION |
|-----|---------------|-----|--|
| 1* | 140457-01-000 | EA | SLIDE ARM ASSEMBLY - FRONT/SINGLE |
| | 138173-05-000 | EA | HANDLE/CRANK - SLIDEOUT |
| 2 | 136995-03-02B | EA | PLATE W/BOLTS - 6.9" X 2" W/1/2" X 3" BOLTS |
| | 137165-02-01A | EA | PLATE - W.HOLES |
| 3 | 138082-02-02B | EA | BRACKET - COVER - E-COATED |
| 4 | 141019-01-02B | EA | SUPPORT - WIRE - E-COATED |
| 5 | 136995-06-02B | EA | PLATE W/BOLTS - 4.6" X 1" W/7/16" X 3" BOLTS |

***COMPONENT PARTS LISTED LATER IN THIS GROUP**



| KEY | PART NUMBER | U/M | DESCRIPTION |
|-----|---------------|-----|--|
| 1 | 132663-18-08A | EA | MOLDING-VINYL WRAP/PRE DRILLED - .6" X 3.4" X 73.2" - PORTSMOUTH OAK |
| 1 | 132663-18-22A | EA | MOLDING-VINYL WRAP/PRE DRILLED - .6" X 3.4" X 73.1" - SIERRA MAPLE |
| 2 | 132844-02-08A | EA | BLOCK - CORNER - 3.5" X 3.5" - PORTSMOUTH OAK |
| 2 | 132844-02-22A | EA | BLOCK - CORNER - 3.5" X 3.5" - SIERRA MAPLE |
| 3 | 132663-04-08A | EA | MOLDING - VINYL WRAP/PRE DRILLED - .6" X 3" X 70.2" - PORTSMOUTH OAK |
| 3 | 132663-04-22A | EA | MOLDING - VINYL WRAP/PRE DRILLED - .6" X 3" X 70.2" - SIERRA MAPLE |

EXTERIOR SLIDEOUT GROUP (CONTINUED)
FRONT LEFT (CONTINUED)



| KEY | PART NUMBER | U/M | DESCRIPTION |
|-----|---------------|-----|---|
| 1 | 139624-25-01A | EA | TRIM/SEAL - INNER/RIGHT HAND W/NOTCH - 73.3" - BRIGHT WHITE |
| 2 | 139624-26-01A | EA | TRIM/SEAL - INNER/LEFT HAND W/NOTCH - 73.3" - BRIGHT WHITE |
| 3 | 139624-04-01A | EA | TRIM/SEAL - INNER/TOP - 80.2" - BRIGHT WHITE |
| 4 | 148290-11-S01 | EA | SLUG - F/SLIDEOUT (S04,S91) |
| 4 | 148290-11-S02 | EA | SLUG - F/SLIDEOUT (S05,S92) |
| 4 | 148290-11-S03 | EA | SLUG - F/SLIDEOUT (S06,S93) |
| 4 | 151699-11-S95 | EA | SLUG - F/SLIDEOUT (S97) |
| 4 | 151699-11-S96 | EA | SLUG - F/SLIDEOUT (S98) |
| 5 | 137398-02-S01 | EA | PANEL - END - F/SLIDEOUT (S04,S91) |
| 5 | 137398-02-R08 | EA | PANEL - END - F/SLIDEOUT (S05,S92) |
| 5 | 137398-02-S03 | EA | PANEL - END - F/SLIDEOUT (S06,S93) |
| 5 | 137398-03-S95 | EA | PANEL - END - F/SLIDEOUT (S97) |
| 5 | 137398-03-S96 | EA | PANEL - END - F/SLIDEOUT (S98) |
| 6 | 137399-02-S01 | EA | PANEL - END - F/SLIDEOUT (S04,S91) |
| 6 | 137399-02-R08 | EA | PANEL - END - F/SLIDEOUT (S05,S92) |
| 6 | 137399-02-S03 | EA | PANEL - END - F/SLIDEOUT (S06,S93) |
| 6 | 137399-03-S95 | EA | PANEL - END - F/SLIDEOUT (S97) |
| 6 | 137399-03-S96 | EA | PANEL - END - F/SLIDEOUT (S98) |
| 7 | 139625-03-01A | EA | TRIM/SEAL - W/MITERED ENDS - 82" - BRIGHT WHITE |
| 8 | 139625-05-01A | EA | TRIM/SEAL - W/MITERED ENDS - 76.9" - BRIGHT WHITE |
| 9 | 142233-04-01A | EA | TRIM/SEAL - W/MITERED ENDS - 82" - BRIGHT WHITE |

EXTERIOR SLIDEOUT GROUP (CONTINUED)
FRONT LEFT (CONTINUED)

| KEY | PART NUMBER | U/M | DESCRIPTION |
|-----|---------------|-----|---|
| 10 | 099418-01-000 | FT | SEAL - D-SECTION/ADHESIVE BACK - .44" X .44" - BLK RUBBER |
| 11 | 135275-01-01A | EA | PROTECTOR - CORNER - SLIDEOUT - WHITE |
| 12 | 122977-12-03A | EA | AWNING/SLIDEOUT W/COVER - 81.8" - WHITE - VINYL/VINYL WRAP |
| 13 | 116444-04-12B | EA | TRIM/KEY CORNER - SLIDEOUT - 3.1" X 3.1" - BRT WHITE |
| 14 | 137400-01-N42 | EA | ROOF - F/SLIDEOUT |
| 15 | 142718-01-01A | EA | RETAINER - SIDEWALL/SLIDEOUT - 72.8" |
| 16 | 142718-23-01A | EA | RETAINER - SIDEWALL/SLIDEOUT - 79.9" |
| 17 | 142719-05-01A | EA | TRIM/SIDEWALL - TOP/SLIDEOUT - 81.3" - BRIGHT WHITE |
| 18 | 142720-09-01A | EA | TRIM - SIDEWALL/SLIDEOUT - 73.6" - BRIGHT WHITE |
| 19 | 136824-31-01A | EA | TRIM - SIDEWALL/SLIDEOUT - 73.6" - BRIGHT WHITE |
| 20 | 126313-09-02B | EA | SUPPORT - ROLLER - SLIDE-OUT ROOM - E-COATED |
| 21 | 136824-02-01A | EA | TRIM - SIDEWALL/SLIDEOUT - 81.2" - BRIGHT WHITE |
| 22 | 140282-02-P07 | EA | TRIM - SIDEWALL - 81.3" - BRIGHT WHITE |
| 23 | 123012-04-000 | FT | SEAL - SLIDEOUT - .09"/.13" THICK X 1.5" - W/ADHESIVE |
| 24 | 138659-01-01A | EA | TRIM/FEATURE STRIP - 181.7" - BRIGHT WHITE |
| 25 | 125051-03-01A | EA | TRIM - FEATURE STRIP/LOWER - 29.3" - BRIGHT WHITE |
| 26 | 115325-03-02A | EA | RAIL - FLOOR/SLIDEOUT ROOM - 64.5" LONG - BLACK |
| 26 | 134756-01-L76 | EA | RAMP - FABRIC COVERED - F/SLIDEOUT - 66.9" - VINYL FLOOR - THRU OUT |
| 27 | 134855-01-000 | EA | BEARING PAD - NARROW |
| 28 | 115661-01-000 | FT | SHOE/GLIDE - SLIDEOUT ROOM - 1/16" X 3" - POLYETHYLENE |
| 29 | 075673-05-000 | FT | SEAL - PILE - ADHESIVE BACK - BLACK |
| 30 | 136978-01-01A | FT | SEAL - SLIDEOUT - BLACK |
| 31 | 146056-01-000 | FT | SEAL - TRIANGLE - W/PSA |
| 32 | 133954-48-01A | EA | TRIM/SEAL - 71.7" - BRIGHT WHITE |
| 33 | 142549-01-000 | EA | CLIP - "S" TYPE |
| 34 | 133954-18-01A | EA | TRIM/SEAL - 76.5" - BRIGHT WHITE |
| 35 | 105312-01-07A | FT | INSERT - FEATURE STRIP - VINYL - BRIGHT WHITE |
| 36 | 140615-02-P07 | EA | COVER - RAM - BRIGHT WHITE |
| 37 | 138083-02-02B | EA | BRACKET - COVER - E-COATED |
| 38 | 135619-02-01A | EA | PLATE - TIEDOWN - SLIDEOUT ROOM |
| 39 | 135619-01-01A | EA | STRAP - TIEDOWN - SLIDEOUT ROOM |
| 40 | 135622-01-02B | EA | PLATE - TIEDOWN - SLIDEOUT ROOM |
| 41 | 151282-09-01A | EA | TRIM - CARPET EDGE/F-ANGLE - 75.4" - BLACK |

FROM: 04-19-04 THRU: 99-99-99

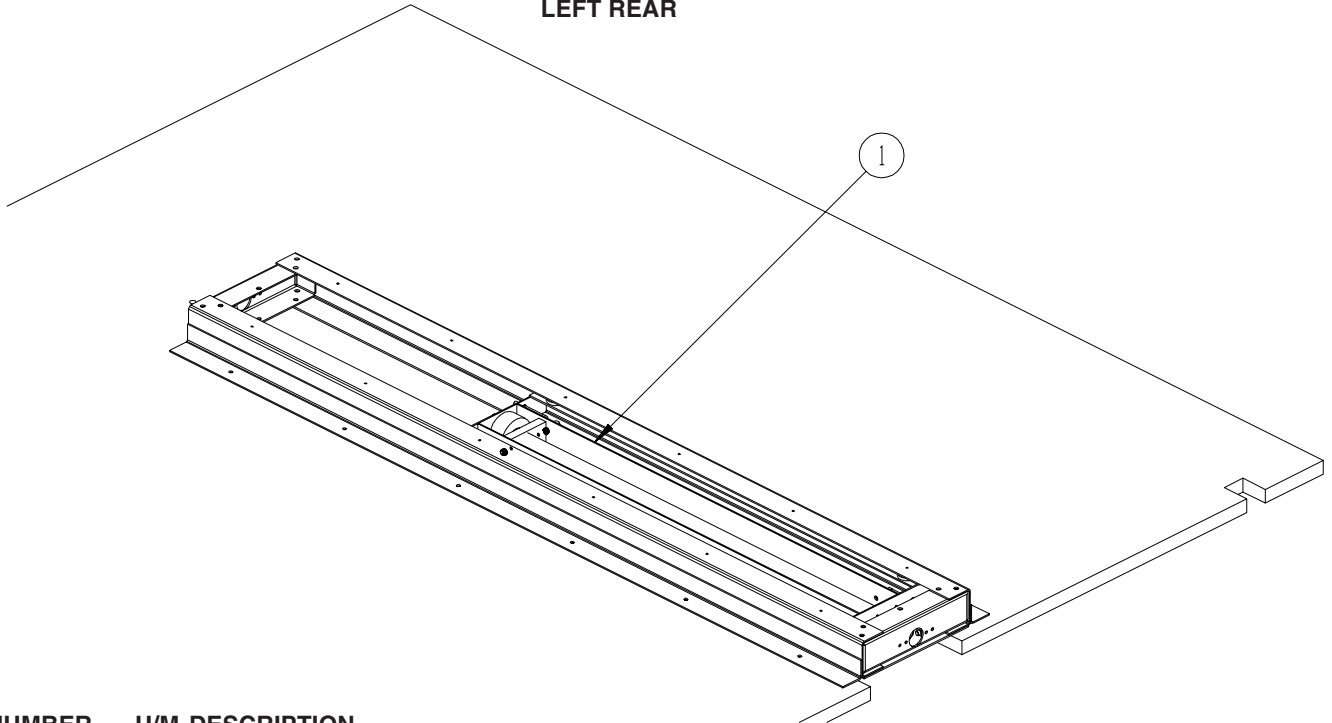
COMPONENT PARTS FOR FRONT LEFT

140457-01-000

| KEY | PART NUMBER | U/M | DESCRIPTION | VENDOR NO. |
|-----|---------------|-----|--|------------|
| | 138173-01-700 | EA | PIN/CLEVIS - PLATED/FRONT | 1213810 |
| | 138173-01-702 | EA | RING - RETAINER - 1/2" ROUND | 1216350 |
| | 138173-01-707 | EA | WEAR PUCK - PLASTIC F/DRIVE | 1612523 |
| | 140457-01-700 | EA | ROLLER - FRONT - CLEAR/ZINC | 1610058 |
| | 140457-01-701 | EA | BUSHING - 1" X 3/4" X 1/2"ID | 1614006 |
| | 140457-01-702 | EA | MOTOR - LINEAR - 30" STROKE | 1820107 |
| | 140457-01-703 | EA | SHAFT - F/FRONT ROLLER- 1/2" | 7204500 |
| | 140457-01-704 | EA | SHAFT/AXLE - F/REAR ROLLER - 1/2" X 1 1/4" | 7204523 |

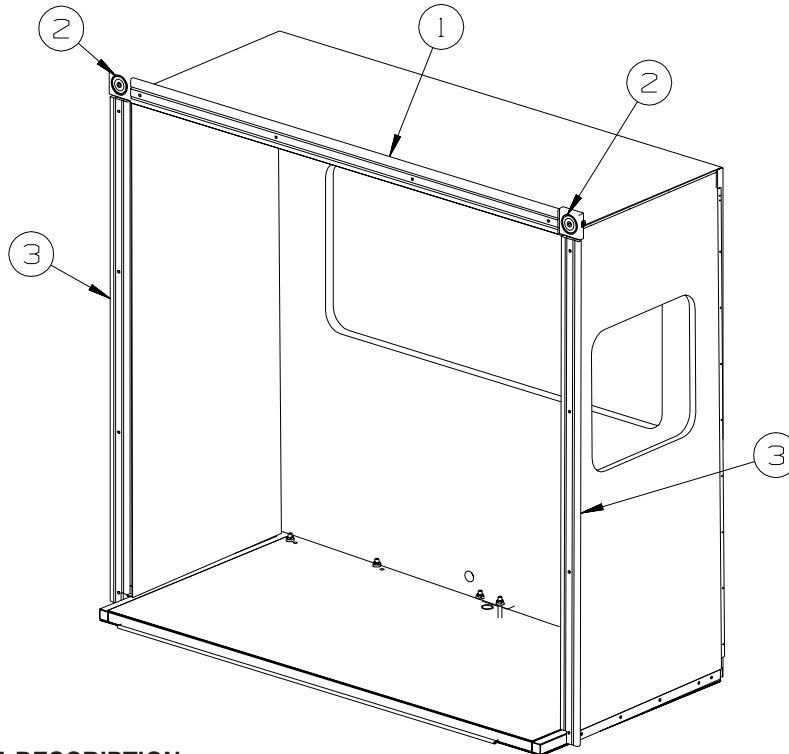
EXTERIOR SLIDEOUT GROUP (CONTINUED)

LEFT REAR



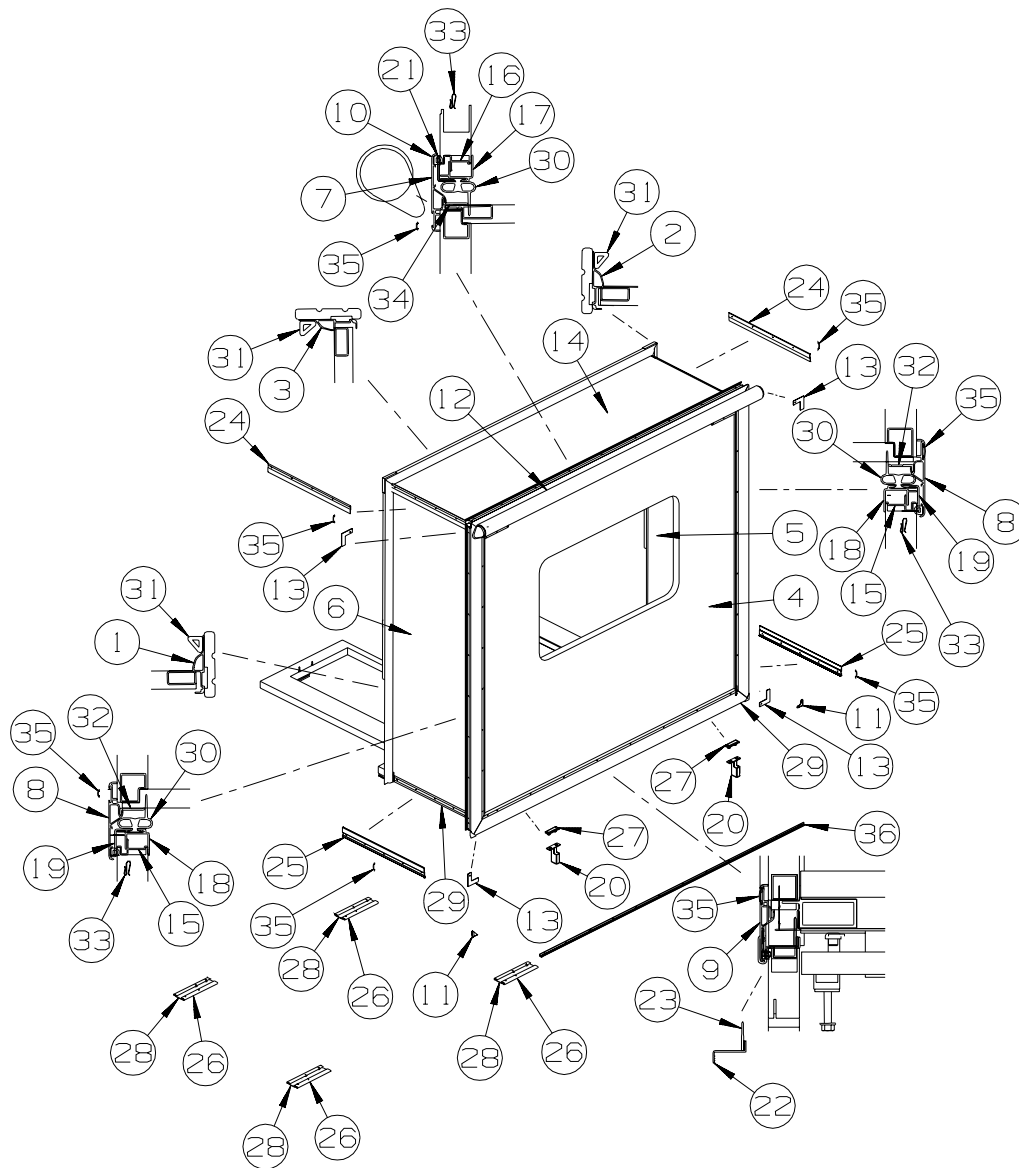
| KEY | PART NUMBER | U/M | DESCRIPTION |
|-----|---------------|-----|---|
| 1* | 140464-01-000 | EA | SLIDEOUT CYLINDER ASM - REAR/SINGLE - ELECTRIC - KWIKEE |
| | 140464-03-000 | EA | WRENCH - SLIDE ROOM RETRACT - RATCHET W/2 EXTENSIONS |

*COMPONENT PARTS LISTED LATER IN THIS GROUP



| KEY | PART NUMBER | U/M | DESCRIPTION |
|-----|---------------|-----|--|
| 1 | 132663-18-08A | EA | MOLDING-VINYL WRAP/PRE DRILLED - .6" X 3.4" X 73.2" - PORTSMOUTH OAK |
| 1 | 132663-18-22A | EA | MOLDING-VINYL WRAP/PRE DRILLED - .6" X 3.4" X 73.1" - SIERRA MAPLE |
| 2 | 132844-02-08A | EA | BLOCK - CORNER - 3.5" X 3.5" - PORTSMOUTH OAK |
| 2 | 132844-02-22A | EA | BLOCK - CORNER - 3.5" X 3.5" - SIERRA MAPLE |
| 3 | 132663-17-08A | EA | MOLDING-VINYL WRAP/PRE DRILLED-.6"X 3"X45.5" - PORTSMOUTH OAK |
| 3 | 132663-17-22A | EA | MOLDING-VINYL WRAP/PRE DRILLED-.6"X 3"X45.5" - SIERRA MAPLE |

EXTERIOR SLIDEOUT GROUP (CONTINUED)
LEFT REAR (CONTINUED)



| KEY | PART NUMBER | U/M | DESCRIPTION |
|-----|---------------|-----|--|
| 1 | 139624-10-01A | EA | TRIM/SEAL - INNER/RIGHT HAND - 73.4" - BRIGHT WHITE |
| 2 | 139624-11-01A | EA | TRIM/SEAL - INNER/LEFT HAND - 73.4" - BRIGHT WHITE |
| 3 | 139624-04-01A | EA | TRIM/SEAL - INNER/TOP - 80.2" - BRIGHT WHITE |
| 4 | 148290-12-S01 | EA | SLUG - F/SLIDEOUT (S04,S91) |
| 4 | 148290-12-S02 | EA | SLUG - F/SLIDEOUT (S05,S92) |
| 4 | 148290-12-S03 | EA | SLUG - F/SLIDEOUT (S06,S93) |
| 4 | 151699-12-S95 | EA | SLUG - F/SLIDEOUT (S97) |
| 4 | 151699-12-S96 | EA | SLUG - F/SLIDEOUT (S98) |
| 5 | 140270-01-S01 | EA | PANEL - END - F/SLIDEOUT (S04, S98, S91) |
| 5 | 140270-01-R08 | EA | PANEL - END - F/SLIDEOUT (S05, S92) |
| 5 | 140270-01-S03 | EA | PANEL - END - F/SLIDEOUT (S06, S97, S93) |
| 6 | 140269-01-S01 | EA | PANEL - END - F/SLIDEOUT (S04, S98, S91) |
| 6 | 140269-01-R08 | EA | PANEL - END - F/SLIDEOUT (S05, S92) |
| 6 | 140269-01-S03 | EA | PANEL - END - F/SLIDEOUT (S06, S97, S93) |
| 7 | 139625-03-01A | EA | TRIM/SEAL - W/MITERED ENDS - 82" - BRIGHT WHITE |
| 8 | 139625-11-01A | EA | TRIM/SEAL - W/MITERED ENDS - 75.9" - BRIGHT WHITE |
| 9 | 142233-04-01A | EA | TRIM/SEAL - W/MITERED ENDS - 82" - BRIGHT WHITE |
| 10 | 099418-01-000 | FT | SEAL - D-SECTION/ADHESIVE BACK - .44" X .44" - BLK RUBBER |
| 11 | 135275-01-01A | EA | PROTECTOR - CORNER - SLIDEOUT - WHITE |
| 12 | 122977-12-03A | EA | AWNING/SLIDEOUT W/COVER - 81.8" - WHITE - VINYL/VINYL WRAP |
| 13 | 116444-04-12B | EA | TRIM/KEY CORNER - SLIDEOUT - 3.1"X3.1" - BRT WHITE |
| 14 | 136557-01-S01 | EA | ROOF - F/SLIDEOUT |
| 15 | 142718-01-01A | EA | RETAINER - SIDEWALL/SLIDEOUT - 72.8" |
| 16 | 142718-23-01A | EA | RETAINER - SIDEWALL/SLIDEOUT - 79.9" |

EXTERIOR SLIDEOUT GROUP (CONTINUED)
LEFT REAR (CONTINUED)

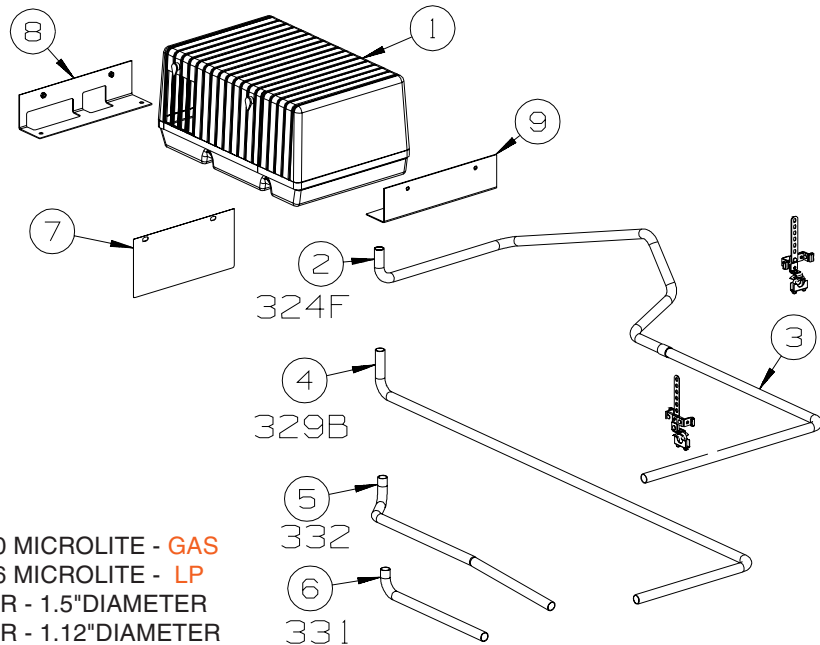
| KEY | PART NUMBER | U/M | DESCRIPTION |
|-----|---------------|-----|---|
| 17 | 142719-05-01A | EA | TRIM/SIDEWALL - TOP SLIDEOUT - 81.3" - BRIGHT WHITE |
| 18 | 142720-09-01A | EA | TRIM - SIDEWALL/SLIDEOUT - 73.6" - BRIGHT WHITE |
| 19 | 136824-31-01A | EA | TRIM - SIDEWALL/SLIDEOUT - 73.6" - BRIGHT WHITE |
| 20 | 126313-09-02B | EA | SUPPORT - ROLLER - SLIDE-OUT ROOM - E-COATED |
| 21 | 136824-02-01A | EA | TRIM - SIDEWALL/SLIDEOUT - 81.2" - BRIGHT WHITE |
| 22 | 141174-01-02A | EA | TRIM/ZEE - SIDEWALL - 81.4" - BRIGHT WHITE |
| 23 | 123012-04-000 | FT | SEAL - SLIDEOUT - .09"/.13" THICK X 1.5" - W/ADHESIVE |
| 24 | 138659-01-01A | EA | TRIM/FEATURE STRIP - 181.7" - BRIGHT WHITE |
| 25 | 125051-02-01A | EA | TRIM - FEATURE STRIP/LOWER - 24.3" - BRIGHT WHITE |
| 26 | 115325-16-01A | EA | RAIL - FLOOR/SLIDEOUT ROOM - 9.8" LONG - BLACK |
| 26 | 134756-05-N52 | EA | RAMP - FABRIC COVERED - F/SLIDEOUT - 15.7" - VINYL FLOOR - THRU OUT |
| 27 | 134855-01-000 | EA | BEARING PAD - NARROW |
| 28 | 115661-01-000 | FT | SHOE/GLIDE - SLIDEOUT ROOM - 1/16" X 3" - POLYETHYLENE |
| 29 | 075673-05-000 | FT | SEAL - PILE - ADHESIVE BACK - BLACK |
| 30 | 136978-01-01A | FT | SEAL - SLIDEOUT - BLACK |
| 31 | 146056-01-000 | FT | SEAL - TRIANGLE - W/PSA |
| 32 | 133954-48-01A | EA | TRIM/SEAL - 71.7" - BRIGHT WHITE |
| 33 | 142549-01-000 | EA | CLIP - "S" TYPE |
| 34 | 133954-18-01A | EA | TRIM/SEAL - 76.5" - BRIGHT WHITE |
| 35 | 105312-01-07A | FT | INSERT - FEATURE STRIP - VINYL - BRIGHT WHITE |
| 36 | 149821-01-02A | EA | TRIM/ANGLE - SIDEWALL - BRIGHT WHITE - 1/2" X 1/2" X 77.9" FROM: 00-00-00 THRU: 10-24-04 |
| 36 | 149821-01-01A | EA | TRIM/ANGLE - SIDEWALL - BLACK - 1/2" X 1/2" X 77.9" FROM: 10-25-04 THRU: 99-99-99 |

COMPONENT PARTS FOR LEFT REAR

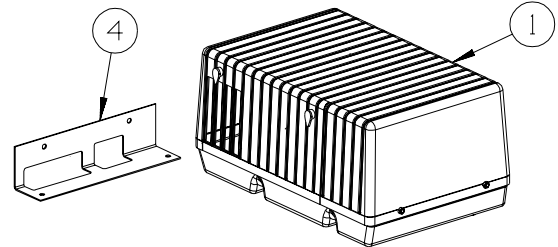
140464-01-000

| KEY | PART NUMBER | U/M | DESCRIPTION | VENDOR NO. |
|-----|---------------|-----|----------------------------|------------|
| | 138173-01-700 | EA | PIN/CLEVIS - PLATED/FRONT | 1213810 |
| | 138173-01-706 | EA | MOTOR - DRIVE W/WORM SHAFT | 1820106 |

GENERATOR GROUP

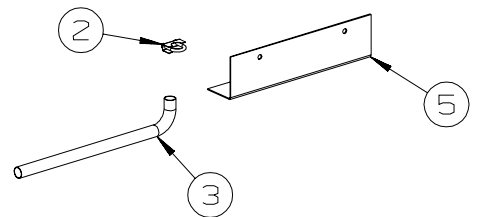


| KEY | PART NUMBER | U/M | DESCRIPTION |
|-----|---------------|-----|---|
| 1 | 109982-03-000 | EA | GENERATOR - 4.0 MICROLITE - GAS |
| 1 | 109982-04-000 | EA | GENERATOR - 3.6 MICROLITE - LP |
| | 007125-03-000 | EA | CLAMP - MUFFLER - 1.5"DIAMETER |
| | 007125-04-000 | EA | CLAMP - MUFFLER - 1.12"DIAMETER |
| | 007131-01-000 | EA | HANGER - TAILPIPE - 6 SLOTS |
| 2 | 138232-01-000 | EA | PIPE - EXHAUST - GENERATOR |
| 3 | 139763-01-000 | EA | PIPE - EXHAUST - GENERATOR |
| 4 | 141158-01-000 | EA | PIPE/EXHAUST - GENERATOR |
| 5 | 127920-01-000 | EA | PIPE - EXHAUST - GENERATOR |
| 6 | 105958-08-000 | EA | PIPE - EXHAUST/GENERATOR - 1.5" OD X 3.1" X 19.7" |
| 7 | 111848-07-02B | EA | SHIELD - HEAT - EXHAUST - E-COATED - 332G |
| 8 | 114070-02-02B | EA | SUPPORT - GENERATOR - LEFT |
| 9 | 114071-02-02B | EA | SUPPORT - GENERATOR - RIGHT |
| | 128139-03-000 | FT | HOSE - FUEL - LOW PERMEABILITY - 1/4 : DIAMETER |
| | 084884-01-000 | EA | PLUG - BRASS - 3/8" |



322E & 322R

| KEY | PART NUMBER | U/M | DESCRIPTION |
|-----|---------------|-----|---|
| 1 | 109982-03-000 | EA | GENERATOR - 4.0 MICROLITE |
| 2 | 007125-04-000 | EA | CLAMP - MUFFLER - 1.12"DIAMETER |
| 3 | 105958-08-000 | EA | PIPE - EXHAUST/GENERATOR - 1.5" OD X 3.1" X 19.7" |
| 4 | 114070-02-02B | EA | SUPPORT - GENERATOR - LEFT |
| 5 | 114071-02-02B | EA | SUPPORT - GENERATOR - RIGHT |
| | 088258-02-000 | EA | CLIP - RETAINING - FUEL LINE SINGLE |
| | 128139-03-000 | FT | HOSE - FUEL - LOW PERMEABILITY - 1/4 : DIAMETER |
| | 084884-01-000 | EA | PLUG - BRASS - 3/8" |



324V, 326A, 327L

| KEY | PART NUMBER | U/M | DESCRIPTION |
|-----|---------------|-----|--|
| 1 | 109982-03-000 | EA | GENERATOR - 4.0 MICROLITE |
| 2 | 007125-04-000 | EA | CLAMP - MUFFLER - 1.12"DIAMETER |
| 3 | 105958-08-000 | EA | PIPE - EXHAUST/GENERATOR - 1.5" OD X 3.1" X 19.7" |
| 4 | 114070-02-02B | EA | SUPPORT - GENERATOR - LEFT |
| 5 | 114071-02-02B | EA | SUPPORT - GENERATOR - RIGHT |
| | 088258-02-000 | EA | CLIP - RETAINING - FUEL LINE SINGLE - 324V & 327L |
| | 128139-03-000 | FT | HOSE - FUEL - LOW PERMEABILITY - 1/4 : DIAMETER |
| | 084884-01-000 | EA | PLUG - BRASS - 3/8" |

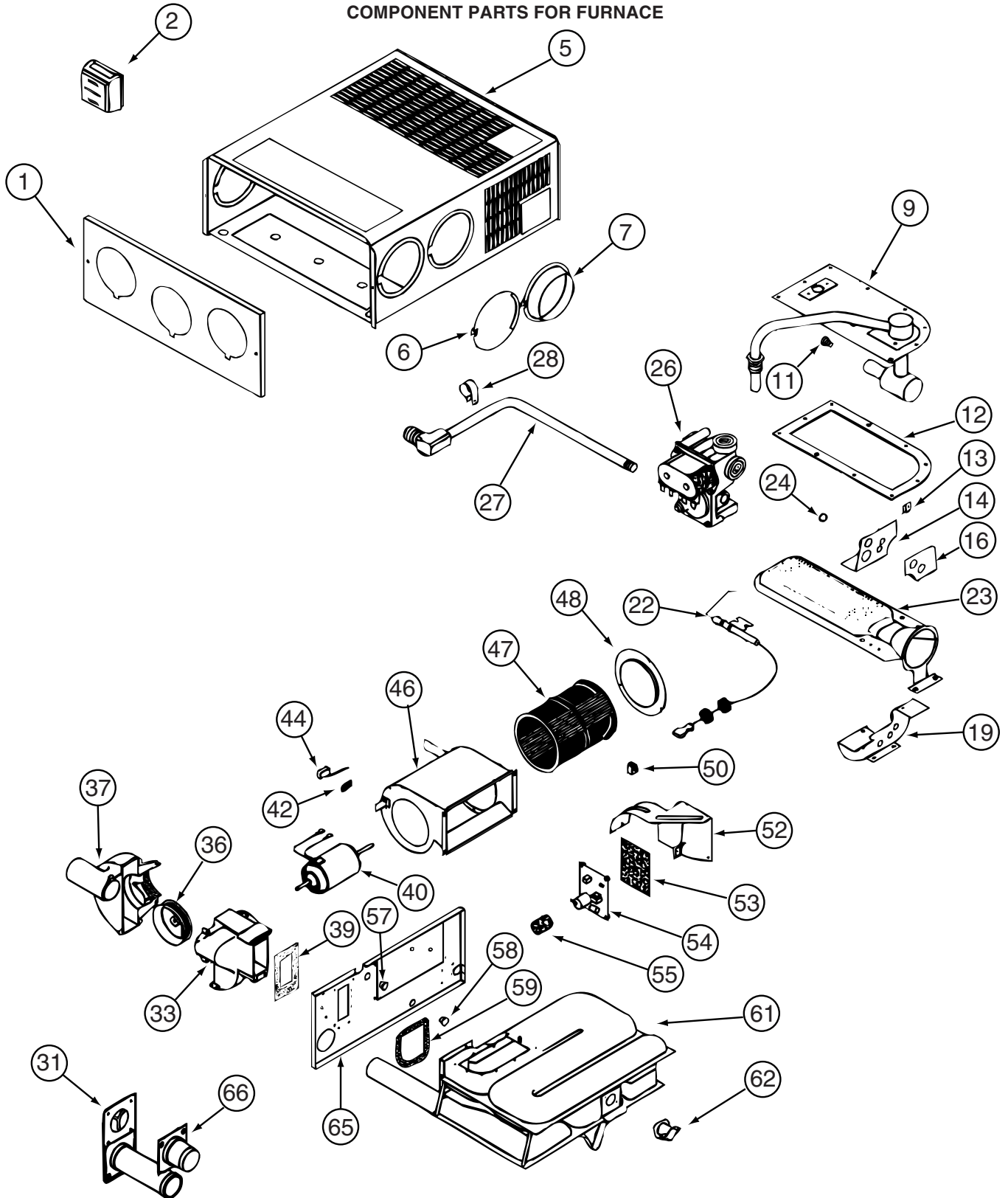
HEATING & A/C GROUP

FURNACE

| KEY | PART NUMBER | U/M | DESCRIPTION |
|-----|---------------|-----|---|
| * | 139980-01-000 | EA | FURNACE - 25000 BTU - SF QUIET - SUBURBAN SF-25 2320J - 322R, 324F, 324V |
| * | 139980-02-000 | EA | FURNACE - 30000 BTU - SF QT - SBRN SF-30 2321J - 322E, 326A, 327L, 329B/SB, 329K, 331T/ST, 332G |
| | 139980-07-000 | EA | ADAPTOR - VENT BOTTOM SF-30/35 - 332G |
| | 139980-08-000 | EA | GASKET - BOTTOM VENT SF-30/35 - 332G |
| | 098668-23-000 | EA | DOOR - ACCESS - FURNACE - BRIGHT WHITE |
| | 009198-01-000 | FT | DUCT - HEAT - FLEXIBLE - 4" ID X 25' |
| | 009198-02-000 | FT | DUCT - HEAT - FLEXIBLE - 2" ID X 25' |
| | 056464-09-000 | EA | REGISTER W/DAMPER - 4" DIAMETER - PLASTIC - BEIGE |
| | 056464-10-000 | EA | REGISTER W/O DAMPER - 4" DIAMETER - PLASTIC - BEIGE |
| | 056464-11-000 | EA | REGISTER W/O DAMPER - 4" DIAMETER - PLASTIC - OFF WHITE |
| | 137965-01-01A | EA | REGISTER - 11.2" X 3.6"(9.7 X 2.1"R/O) W/O DAMPER- ANTIQUE BRASS |
| | 069636-02-000 | EA | CONNECTOR - DUCT - 4" ID |
| | 009200-01-000 | EA | TAPE - FURNACE - 1 1/2" |
| | 089367-01-000 | EA | TEE - 4" OD - 7" LONG - METAL |
| | 089367-02-000 | EA | TEE - 4" X 2" X 4" |
| | 024990-11-000 | EA | OUTLET - DEFROSTER - W/SWIVEL - 2" SLEEVE/4" OD - CAD CRM |
| | 093614-01-02A | EA | GRILL - AIR RETURN - 15.9" X 7.9" - BIEGE |
| | 093614-11-01A | EA | GRILLE - AIR RETURN - 13.9" X 7.9" - BEIGE |

***COMPONENT PARTS LISTED LATER IN THIS GROUP**

HEATING & A/C GROUP (CONTINUED)
COMPONENT PARTS FOR FURNACE



139980-01-000

139980-02-000

HEATING & A/C GROUP (CONTINUED)
COMPONENT PARTS FOR FURNACE (CONTINUED)

139980-01-000 (CONTINUED)

| KEY | PART NUMBER | U/M | DESCRIPTION | VENDOR NO. |
|------------|--------------------|------------|--|-------------------|
| 9 | 139980-01-700 | EA | MANIFOLD ASSEMBLY | 171571 |
| 11 | 090039-01-703 | EA | ORIFICE-MAIN BURNER | 180193 |
| 12 | 098668-22-703 | EA | GASKET - BURNER ACCESS COVER | 070811 |
| 22 | 139980-01-701 | EA | ELECTRODE | 232286 |
| 23 | 098668-01-703 | EA | BURNER ASSEMBLY | 010762 |
| 26 | 098668-01-718 | EA | VALVE-GAS SF S.N.974903079 | 161122 |
| 27 | 139980-01-702 | EA | PIPE ASSEMBLY/GAS INLET | 171574 |
| 31 | 098668-01-707 | EA | TUBE ASSEMBLY, EXHAUST W/CAP | 260231 |
| 33 | 139980-01-703 | EA | HOUSING/COMB. - FRONT/HALF | 390852 |
| 36 | 098668-01-706 | EA | WHEEL-COMBUSTION AIR | 350184 |
| 37 | 139980-01-704 | EA | HOUSING/COMB. - REAR/HALF | 390848 |
| 39 | 139980-01-705 | EA | GASKET/FIREWALL-COMB AIR | 071084 |
| 40 | 139980-01-706 | EA | MOTOR ASSEMBLY W/GASKET | 232682 |
| 42 | 101990-01-714 | EA | GASKET-MICROSWITCH | 230877 |
| 44 | 098668-21-700 | EA | SWITCH-MICRO-W/O FLAG 3 1/4" | 232261 |
| 46 | 139980-01-708 | EA | BLOWER ASSEMBLY - ROOM AIR | 390739BK |
| 47 | 098668-01-711 | EA | WHEEL-BLOWER, ROOM AIR | 350129 |
| 48 | 139980-01-709 | EA | ORFICE RING | 390696 |
| 50 | 139980-01-710 | EA | SWITCH - ON/OFF | 232351 |
| 52 | 139980-01-711 | EA | PANEL ASSEMBLY-MODULE BD | 101663 |
| 53 | 139980-01-712 | EA | INSULATOR - MODULE BD | 070807 |
| 54 | 098668-22-705 | EA | MODULE BD W/RELAY TIME DELAY | 520820 |
| 55 | 139980-01-713 | EA | CAP/INSULATOR-MODULE BD | 070973 |
| 57 | 139980-01-714 | EA | BUSHING - UNIVERSAL | 070362 |
| 58 | 139980-01-715 | EA | BUSHING - STRAIN RELIEF | 231809 |
| 59 | 098668-01-716 | EA | GASKET-FIREWALL,CHAMBER SIDE | 070808 |
| 61 | 139980-01-716 | EA | CHAMBER ASSEMBLY - FINAL | 021149BK |
| 62 | 098668-21-701 | EA | SWITCH - LIMIT | 232504 |
| 66 | 098668-01-713 | EA | TUBE ASSEMBLY, INTAKE | 051248 |
| | 098668-19-700 | EA | DOOR/CABINET ACCESS | 101888 |
| | | | CONTACT WINNEBAGO PART SALES FOR UNLISTED COMPONENT(S) | |

139980-02-000 (CONTNUED)

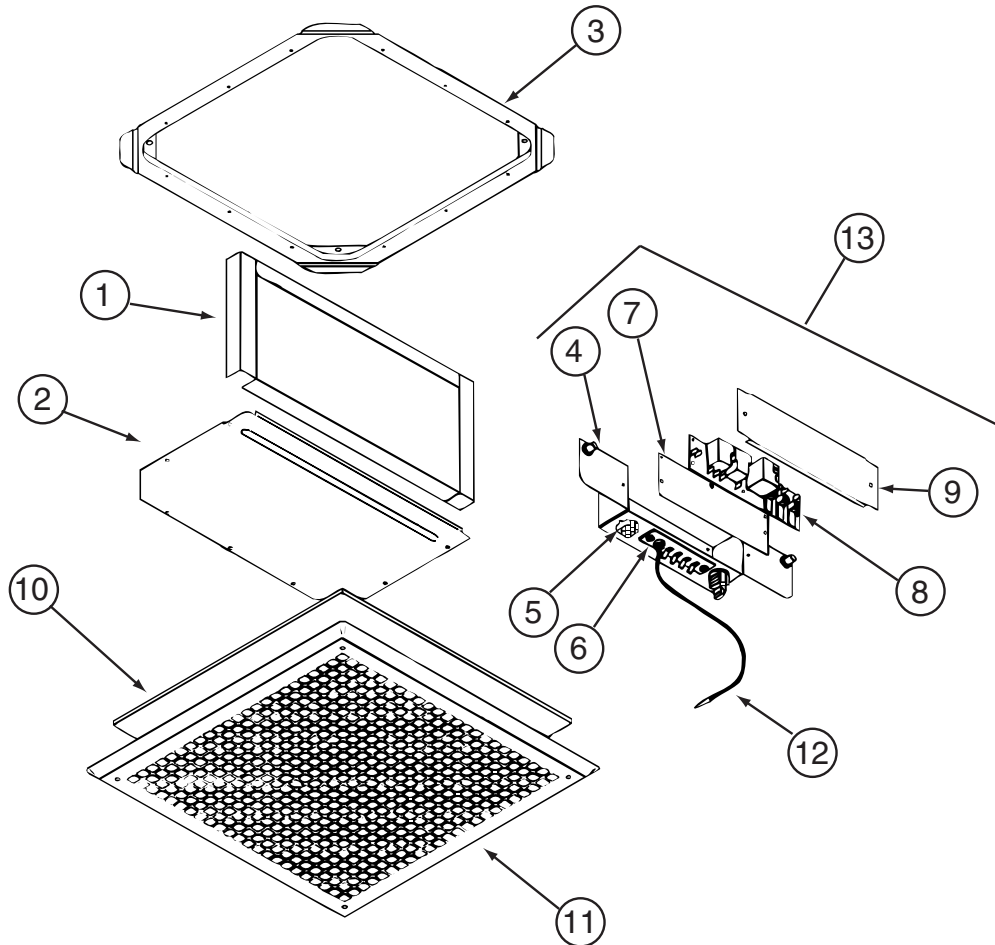
| KEY | PART NUMBER | U/M | DESCRIPTION | VENDOR NO. |
|------------|--------------------|------------|--|-------------------|
| 9 | 139980-01-700 | EA | MANIFOLD ASSEMBLY | 171571 |
| 11 | 092300-02-701 | EA | ORIFICE-MAIN BURNER (NT-30BW | 180214 |
| 12 | 098668-22-703 | EA | GASKET - BURNER ACCESS COVER | 070811 |
| 22 | 139980-01-701 | EA | ELECTRODE | 232286 |
| 23 | 098668-02-700 | EA | BURNER ASSEMBLY,SF-30 & SF35 | 010745 |
| 26 | 098668-01-718 | EA | VALVE-GAS SF S.N.974903079 | 161122 |
| 27 | 139980-01-702 | EA | PIPE ASSEMBLY/GAS INLET | 171574 |
| 31 | 098668-01-707 | EA | TUBE ASSEMBLY, EXHAUST W/CAP | 260231 |
| 33 | 139980-01-703 | EA | HOUSING/COMB. - FRONT/HALF | 390852 |
| 36 | 098668-01-706 | EA | WHEEL-COMBUSTION AIR | 350184 |
| 37 | 139980-01-704 | EA | HOUSING/COMB. - REAR/HALF | 390848 |
| 39 | 139980-01-705 | EA | GASKET/FIREWALL-COMB AIR | 071084 |
| 40 | 139980-01-706 | EA | MOTOR ASSEMBLY W/GASKET | 232682 |
| 42 | 101990-01-714 | EA | GASKET-MICROSWITCH | 230877 |
| 44 | 098668-21-700 | EA | SWITCH-MICRO-W/O FLAG 3 1/4" | 232261 |
| 46 | 139980-01-708 | EA | BLOWER ASSEMBLY - ROOM AIR | 390739BK |
| 47 | 098668-01-711 | EA | WHEEL-BLOWER, ROOM AIR | 350129 |
| 48 | 139980-01-709 | EA | ORFICE RING | 390696 |
| 50 | 139980-01-710 | EA | SWITCH - ON/OFF | 232351 |
| 52 | 139980-01-711 | EA | PANEL ASSEMBLY-MODULE BD | 101663 |
| 53 | 139980-01-712 | EA | INSULATOR - MODULE BD | 070807 |
| 54 | 098668-22-705 | EA | MODULE BD W/RELAY TIME DELAY | 520820 |
| 55 | 139980-01-713 | EA | CAP/INSULATOR-MODULE BD | 070973 |
| 57 | 139980-01-714 | EA | BUSHING - UNIVERSAL | 070362 |
| 58 | 139980-01-715 | EA | BUSHING - STRAIN RELIEF | 231809 |
| 59 | 098668-01-716 | EA | GASKET-FIREWALL,CHAMBER SIDE | 070808 |
| 61 | 139980-01-716 | EA | CHAMBER ASSEMBLY - FINAL | 021149BK |
| 62 | 098668-21-701 | EA | SWITCH - LIMIT | 232504 |
| 66 | 098668-01-713 | EA | TUBE ASSEMBLY, INTAKE | 051248 |
| | | | CONTACT WINNEBAGO PART SALES FOR UNLISTED COMPONENT(S) | |

HEATING & A/C GROUP (CONTINUED)

ROOF

| KEY | PART NUMBER | U/M | DESCRIPTION |
|-----|---------------|-----|---|
| * | 131185-03-01A | EA | A/C - ROOF - 13,500 BTU - MACH 3 WHITE |
| * | 131188-03-01A | EA | A/C/ROOF - 14,800 BTU/MACH 15 - NEW MODEL #8335B676 - WHT |
| * | 131188-04-01A | EA | A/C/ROOF - 14,800 BTU/HEAT PUMP - NEW MODEL #8535B676- WHT - A/C HEAT PUMP |
| * | 131184-01-01A | EA | CEILING ASSEMBLY - A/C DUCTED - WHITE |
| * | 131184-05-01A | EA | CEILING - HEAT PUMP - WHITE - A/C HEAT PUMP |
| | 131184-02-01A | EA | BOARD - DIVIDER - SILVER |

***COMPONENT PARTS LISTED LATER IN THIS GROUP**



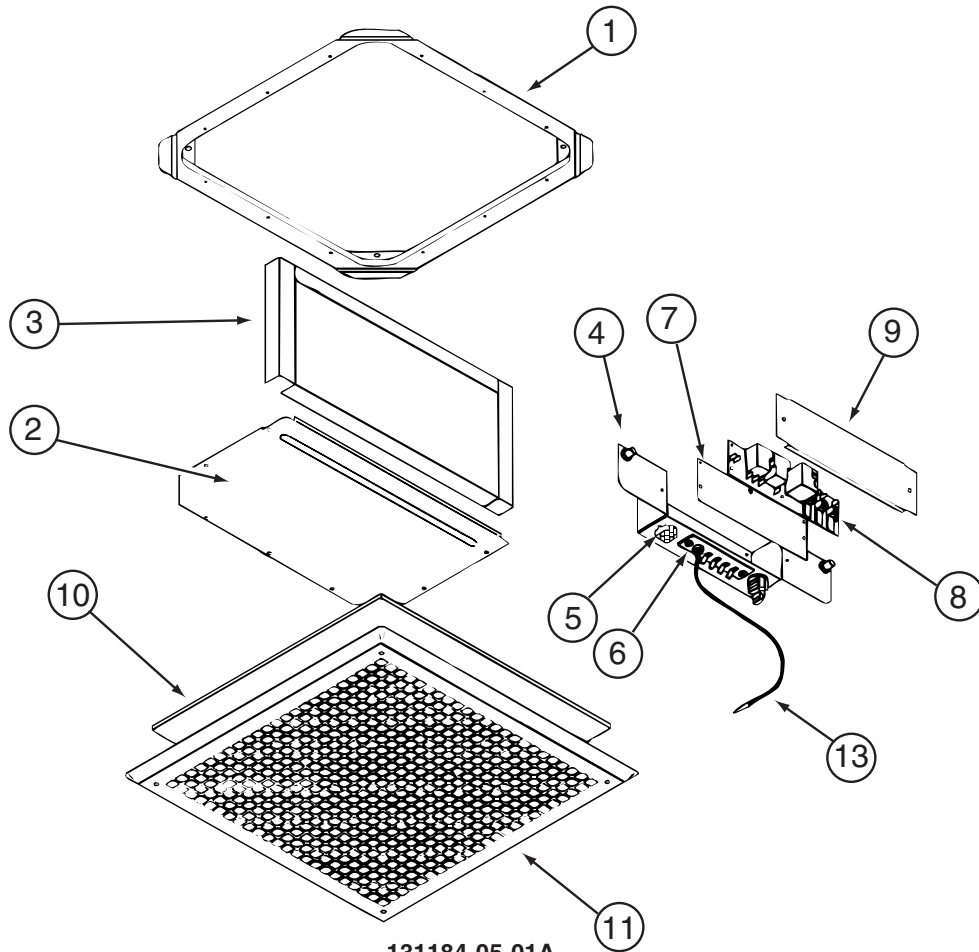
COMPONENT PARTS FOR ROOF

131184-01-01A

| KEY | PART NUMBER | U/M | DESCRIPTION | VENDOR NO. |
|-----|---------------|-----|-----------------------------|------------|
| 1 | 131184-01-707 | EA | DUCT DIVIDER | 8330-3501 |
| 5 | 131184-01-700 | EA | PLUG ASSEMBLY | 7330A389 |
| 6 | 131184-01-701 | EA | TERMINAL BOARD | 7330B3201 |
| 7 | 131184-01-702 | EA | ISOLATOR - BLANK | 7330C365 |
| 8 | 108892-01-702 | EA | BOARD-P.C. | 7330A3211 |
| 10 | 108892-01-703 | EA | FILTER | 6798A3761 |
| 11 | 108892-01-704 | EA | GRILLE 16 3/8X16 3/8 RETURN | 6798-3041 |
| 12 | 131184-01-704 | EA | COIL SENSOR | 7330-6111 |
| 13 | 131184-01-705 | EA | JUNCTION BOX ASSEMBLY | 7330B5551 |
| | 131184-01-703 | EA | SMALL PARTS PKG | 8330-5961 |

CONTACT WINNEBAGO PART SALES FOR UNLISTED COMPONENT(S)

HEATING & A/C GROUP (CONTINUED)
COMPONENT PARTS FOR ROOF (CONTINUED)

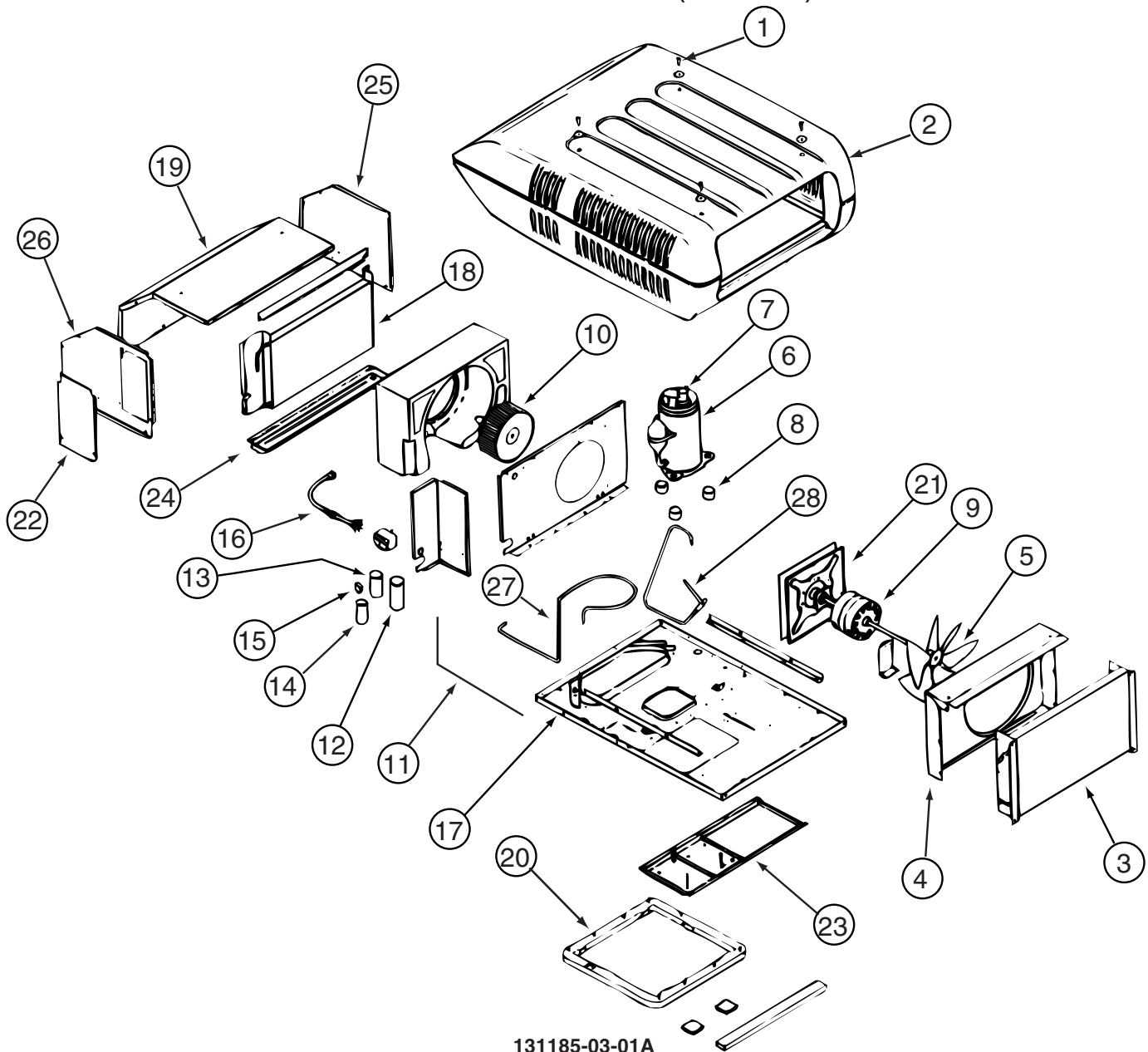


131184-05-01A

| KEY | PART NUMBER | U/M | DESCRIPTION | VENDOR NO. |
|-----|---------------|-----|-----------------------------|------------|
| 4 | 131184-05-700 | EA | BOX - JUNCTION | 8530-5091 |
| 5 | 131184-04-700 | EA | PLUG ASSEMBLY | 7530A340 |
| 6 | 131184-04-702 | EA | BOARD - TERMINAL | 7530B3201 |
| 7 | 131184-01-702 | EA | ISOLATOR - BLANK | 7330C365 |
| 8 | 131184-04-705 | EA | BOARD - P.C. | 7330B3311 |
| 10 | 108892-01-703 | EA | FILTER | 6798A3761 |
| 11 | 108892-01-704 | EA | GRILLE 16 3/8X16 3/8 RETURN | 6798-3041 |
| 13 | 105620-12-719 | EA | COIL SENSOR | 7330A3231 |
| | 131184-01-703 | EA | SMALL PARTS PKG | 8330-5961 |

CONTACT WINNEBAGO PART SALES FOR UNLISTED COMPONENT(S)

HEATING & A/C GROUP (CONTINUED)
COMPONENT PARTS FOR ROOF (CONTINUED)



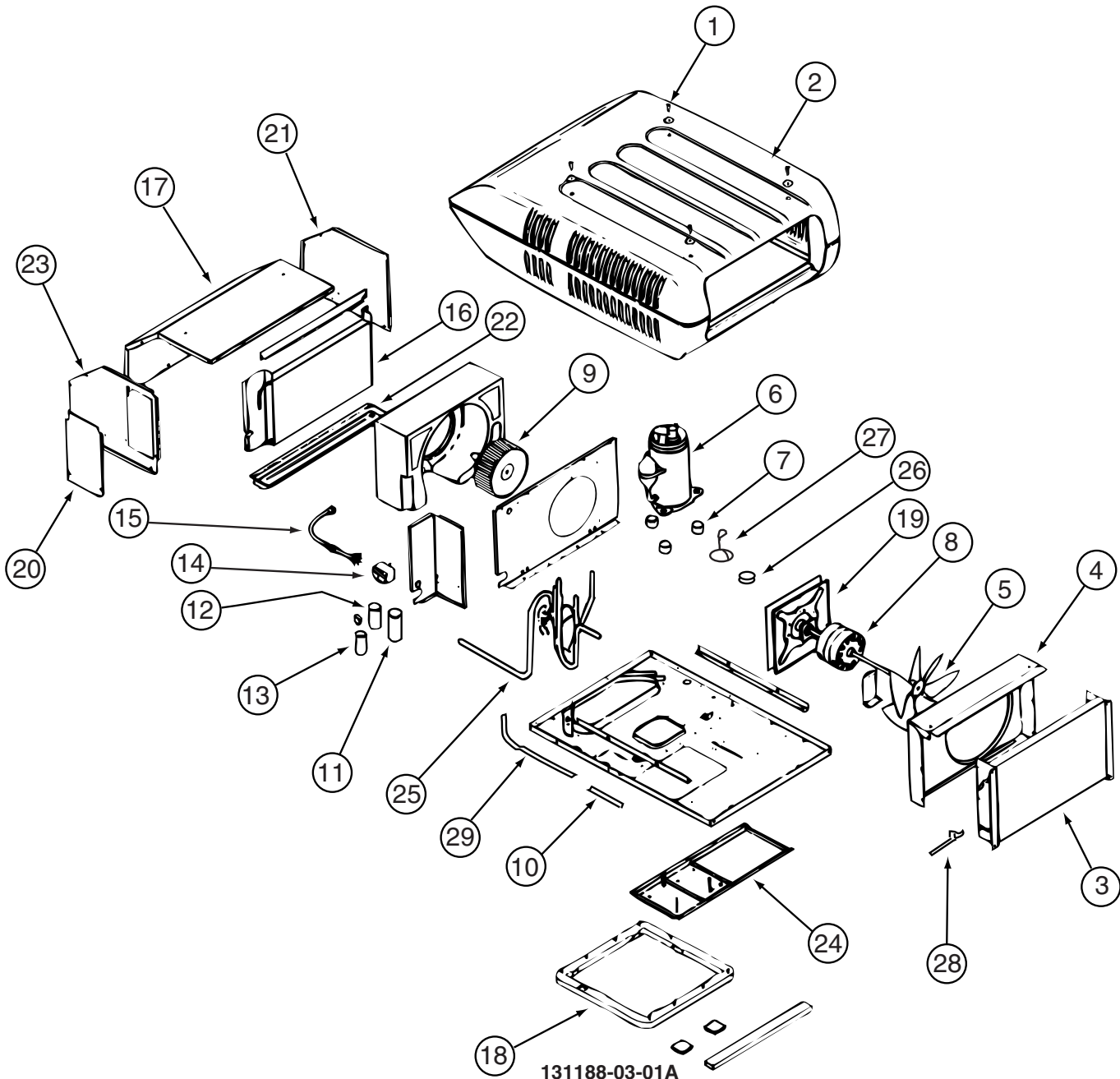
131185-03-01A

| KEY | PART NUMBER | U/M | DESCRIPTION | VENDOR NO. |
|-----|---------------|-----|------------------------------|------------|
| 2 | 131185-03-700 | EA | SHROUD - ROOF AIR | 8333-4161 |
| 3 | 131185-01-700 | EA | CONDENSER COIL | 1452A1451 |
| 5 | 093763-01-712 | EA | BLADE-FAN-CONDENSER | 6733-3221 |
| 6 | 131185-03-701 | EA | COMPRESSOR - (PANASONC) | 1450A2059 |
| 6 | 105620-01-706 | EA | MOUNTING PKG.,COMP., 3 PER | 6759-3081 |
| 7 | 131185-03-702 | EA | OVERLOAD | 1450-0141 |
| 9 | 131185-01-701 | EA | MOTOR (115V, 60HZ) | 1468-3069 |
| 10 | 131185-01-702 | EA | BLOWER WHEEL PACKAGE | 1472-1091 |
| 12 | 105620-12-725 | EA | COMPRESSOR RUN CAPACITO | 1499-5731 |
| 13 | 108889-01-708 | EA | CAPACITOR-FAN, 7.5MFD. 370U | 1499-5461 |
| 15 | 105620-10-704 | EA | START COMPACITOR | 1497-0861 |
| 15 | 105620-10-705 | EA | PTCR (START DEVICE) - W/CAP. | 8333A9021 |
| 18 | 131185-01-703 | EA | EVAPORATOR COIL | 1452A1491 |
| 20 | 037648-01-714 | EA | GASKET PACKAGE | 8332-3301 |
| 21 | 131185-01-704 | EA | MOTOR MOUNT & SEAL KIT | 8333-5151 |
| 27 | 131185-03-704 | EA | LINE - SUCTION | 8333B530 |
| 28 | 131185-03-705 | EA | LINE - DISCHARGE | 8333-131 |
| | 131185-03-703 | EA | PAD/FILLER (COND AIR SEAL) | 8332-3301 |
| | 093306-01-701 | EA | DECAL PACKAGE, LEFT & RIGHT | 6798B3591 |

CONTACT WINNEBAGO PART SALES FOR UNLISTED COMPONENTS

HEATING & A/C GROUP (CONTINUED)

COMPONENT PARTS FOR ROOF (CONTINUED)



131188-03-01A

| KEY | PART NUMBER | U/M | DESCRIPTION | VENDOR NO. |
|-----|---------------|-----|------------------------------|------------|
| 2 | 131185-03-700 | EA | SHROUD-ROOF AIR W/HAIL GUARD | 8333-4161 |
| 3 | 115219-01-700 | EA | COIL-CONDENSER | 1452A1321 |
| 5 | 093763-01-712 | EA | BLADE-FAN-CONDENSER | 6733-3221 |
| 6 | 131188-01-700 | EA | COMPRESSOR - TECUMSEH | 1450A2609 |
| 7 | 105620-01-706 | EA | MOUNTING PKG.,COMP., 3 PER | 6759-3081 |
| 8 | 131185-01-701 | EA | MOTOR (115V, 60HZ) | 1468-3069 |
| 9 | 131185-01-702 | EA | BLOWER WHEEL PACKAGE | 1472-1091 |
| 11 | 131188-01-701 | EA | RUN CAP. (COMP-40MFD/370V) | 1499-5721 |
| 12 | 108889-01-708 | EA | CAPACITOR-FAN, 7.5MFD. 370U | 1499-5461 |
| 13 | 126859-01-704 | EA | CAPACITOR - START | 1497-0871 |
| 14 | 091225-01-709 | EA | RELAY-START | 1497-4131 |
| 16 | 131186-01-701 | EA | EVAPORATOR COIL | 1452-1521 |
| 18 | 037648-01-714 | EA | GASKET PACKAGE | 8332-3301 |
| 19 | 131185-01-704 | EA | MOTOR MOUNT & SEAL KIT | 8333-5151 |
| | 093306-01-701 | EA | DECAL PACKAGE, LEFT & RIGHT | 6798B3591 |
| | 108889-01-710 | EA | PAD-FILLER, CONDENSER SEAL | 6759B3971 |
| | 131188-01-702 | EA | LINE - SUCTION | 7335A134 |
| | 131188-01-703 | EA | LINE - DISCHARGE | 7335A135 |

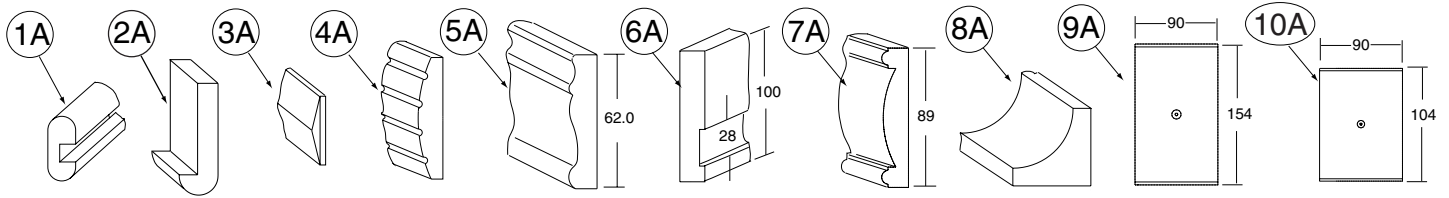
CONTACT WINNEBAGO PART SALES FOR UNLISTED COMPONENT(S)

HEATING & A/C GROUP (CONTINUED)
COMPONENT PARTS FOR ROOF (CONTINUED)

131188-04-01A

| KEY | PART NUMBER | U/M | DESCRIPTION | VENDOR NO. |
|-----|---------------|-----|--|------------|
| 3 | 131188-02-700 | EA | CONDENSER COIL | 1452-1441 |
| 5 | 093763-01-712 | EA | BLADE-FAN-CONDENSER | 6733-3221 |
| 6 | 131188-02-701 | EA | COMPRESSOR(TECUMSEH-RK225AT) | 1450A2069 |
| 7 | 105620-01-706 | EA | MOUNTING PKG.,COMP., 3 PER | 6759-3081 |
| 8 | 131185-01-701 | EA | MOTOR (115V, 60HZ) | 1468-3069 |
| 9 | 131185-01-702 | EA | BLOWER WHEEL PACKAGE | 1472-1091 |
| 10 | 131188-02-702 | EA | RESTRICTOR - BY FLOW | 1454-2501 |
| 11 | 131188-01-701 | EA | RUN CAP. (COMP-40MFD/370V) | 1499-5721 |
| 12 | 093763-01-704 | EA | CAPACITOR-FAN (INDOOR MOTOR) | 1499-5461 |
| 13 | 131188-02-703 | EA | CAPACITOR-START(21-25MFD) | 1497-0211 |
| 14 | 091225-01-709 | EA | RELAY-START | 1497-4131 |
| 16 | 131186-01-701 | EA | EVAPORATOR COIL | 1452-1521 |
| 18 | 037648-01-714 | EA | GASKET PACKAGE | 8332-3301 |
| 19 | 131185-01-704 | EA | MOTOR MOUNT & SEAL KIT | 8333-5151 |
| 25 | 131188-02-704 | EA | VALVE/REVERSE ASSEMBLY | 7535A5301 |
| 26 | 105620-12-708 | EA | COIL - SOLENOID | 1460-1081 |
| 27 | 131188-02-705 | EA | WIRE HARNESS F/SOLENOID | 7535-109 |
| 28 | 131188-02-706 | EA | SWITCH - FREEZE | 1460-2041 |
| 29 | 131188-02-707 | EA | LIQUID LINE | 7535-135 |
| | | | CONTACT WINNEBAGO PART SALES FOR UNLISTED COMPONENT(S) | |

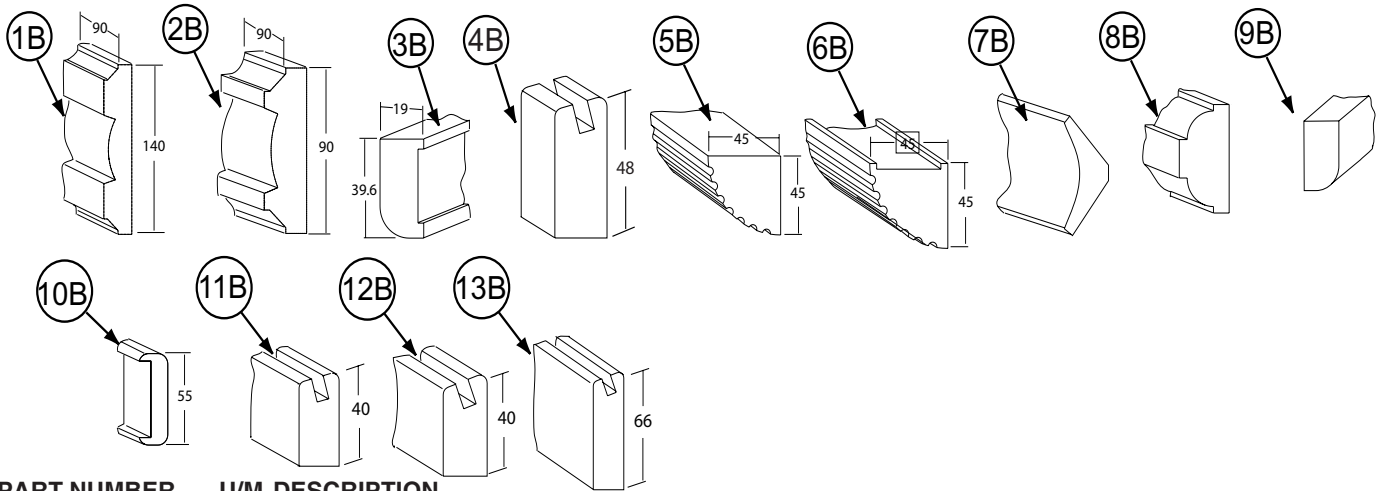
INTERIOR FINISH GROUP
MOLDINGS & TRIMS
PORTSMOUTH OAK AND SIERRA MAPLE



| KEY | PART NUMBER | U/M | DESCRIPTION |
|-----|---------------|-----|--|
| 1A | M09412-62-N42 | EA | MOLDING/SHELF EDGE - .6" X 1.3" X 96" - PORTSMOUTH OAK |
| 1A | M09412-62-M52 | EA | MOLDING/SHELF EDGE - .6" X 1.3" X 96" - CHERRY - CONCERT CHERRY |
| 1A | M09412-62-M62 | EA | MOLDING/SHELF EDGE - .6" X 1.3" X 96" - WASHED MAPLE - WASHED MAPLE |
| 1A | M09412-62-RC3 | EA | MOLDING/SHELF EDGE - .6" X 1.3" X 96" - HONEY CHERRY - HONEY CHERRY |
| 1A | M09412-62-SA3 | EA | MOLDING/SHELF EDGE - .6" X 1.3" X 96" - MAPLE - SIERRA MAPLE |
| 2A | M09438-25-N95 | EA | MOLDING - HARDWOOD-W/NOTCH - 1.4"X 80.2" - OAK/PORTS OAK - PORTSMOUTH OAK |
| 2A | M09438-25-N94 | EA | MOLDING - HARDWOOD-W/NOTCH - 1.4"X 80.2" - CHERRY/CHERRY IV - CONCERT CHERRY |
| 2A | M09438-25-NQ0 | EA | MOLDING - HARDWOOD-W/NOTCH - 1.4"X 80.2" - MAPLE/WASHED MP - WASHED MAPLE |
| 2A | M09438-25-RA3 | EA | MOLDING - HARDWOOD-W/NOTCH - 1.4"X 80.2" - CHERRY/HONEY - HONEY CHERRY |
| 2A | M09454-33-PC0 | EA | MOLDING - HARDWOOD-W/NOTCH - 1"X 77.6" - OAK/PORTS OAK - PORTSMOUTH OAK |
| 2A | M09454-33-PC1 | EA | MOLDING - HARDWOOD-W/NOTCH - 1"X 77.6" - CHERRY/CHERRY IV - CONCERT CHERRY |
| 2A | M09454-33-PC2 | EA | MOLDING - HARDWOOD-W/NOTCH - 1"X 77.6" - MAPLE/WASHED MP - WASHED MAPLE |
| 2A | M09454-33-RA3 | EA | MOLDING - HARDWOOD-W/NOTCH - 1"X 77.6" - CHERRY/HONEY - HONEY CHERRY |
| 3A | M09454-62-P54 | EA | MOLDING - TRIM/VEE - .2" X 1" X 3.5" - OAK - PORTSMOUTH OAK |
| 3A | M09454-62-P55 | EA | MOLDING - TRIM/VEE - .2" X 1" X 3.5" - CHERRY - CONCERT CHERRY |
| 3A | M09454-62-P56 | EA | MOLDING - TRIM/VEE - .2" X 1" X 3.5" - MAPLE - WASHED MAPLE |
| 3A | M09454-62-RE0 | EA | MOLDING - TRIM/VEE - .2" X 1" X 3.5" - CHERRY - HONEY CHERRY |
| 3A | M09462-50-R74 | EA | MOLDING - TRIM/VEE - .2" X 1" X 93.5" - PORTSMOUTH OAK |
| 3A | M09462-50-R75 | EA | MOLDING - TRIM/VEE - .2" X 1" X 93.5" - CHERRY/CHERRY - CONCERT CHERRY |
| 3A | M09462-50-R76 | EA | MOLDING - TRIM/VEE - .2" X 1" X 93.5" - MAPLE/MAPLE - WASHED MAPLE |
| 3A | M09462-50-SD3 | EA | MOLDING - TRIM/VEE - .2" X 1" X 93.5" - HONEY/CHERRY - HONEY CHERRY |
| 3A | M09462-50-S67 | EA | MOLDING - TRIM/VEE - .2" X 1" X 93.5" - SIERRA/MAPLE - SIERRA MAPLE |
| 4A | M09462-54-R89 | EA | MOLDING - FLUTED, CURVED - .6" X 6" X 82.7" - PORTSMOUTH OAK |
| 4A | M09462-54-R90 | EA | MOLDING - FLUTED, CURVED - .6" X 6" X 82.7" - CONCERT CHERRY |
| 4A | M09462-54-R91 | EA | MOLDING - FLUTED, CURVED - .6" X 6" X 82.7" - WASHED MAPLE |
| 4A | M09462-54-RE3 | EA | MOLDING - FLUTED, CURVED - .6" X 6" X 82.7" - HONEY CHERRY |
| 4A | M09471-09-R89 | EA | MOLDING - STAINED - 4" X 8' - PORTSMOUTH OAK |
| 4A | M09471-09-R90 | EA | MOLDING - STAINED - 4" X 8' - CONCERT CHERRY |
| 4A | M09471-09-R91 | EA | MOLDING - STAINED - 4" X 8' - WASHED MAPLE |
| 4A | M09471-09-RE3 | EA | MOLDING - STAINED - 4" X 8' - HONEY CHERRY |
| 4A | Y00202-42-438 | EA | MOLDING - FLUTED - .75" X 3.5" X 96" - UNSTAINED - OAK |
| 4A | Y00202-32-438 | EA | MOLDING - FLUTED - .75" X 3.5" X 96" - UNSTAINED - CHERRY |
| 4A | Y00202-22-438 | EA | MOLDING - FLUTED - .75" X 3.5" X 96" - UNSTAINED - MAPLE |
| 5A | M09462-66-R74 | EA | TRIM - RAIL - .5" X 2.4" X 96" - PORTSMOUTH OAK |
| 5A | M09462-66-R75 | EA | TRIM - RAIL - .5" X 2.4" X 96" - CONCERT CHERRY |
| 5A | M09462-66-R76 | EA | TRIM - RAIL - .5" X 2.4" X 96" - WASHED MAPLE |
| 5A | M09462-66-RE0 | EA | TRIM - RAIL - .5" X 2.4" X 96" - HONEY CHERRY |
| 5A | M09462-66-SA3 | EA | TRIM - RAIL - .5" X 2.4" X 96" - SIERRA MAPLE |
| 6A | M09471-20-R83 | EA | MOLDING - STAINED - .75" X 4" X 74.6" - PORTSMOUTH OAK |
| 6A | M09471-20-R84 | EA | MOLDING - STAINED - .75" X 4" X 74.6" - CONCERT CHERRY |
| 6A | M09471-20-R91 | EA | MOLDING - STAINED - .75" X 4" X 74.6" - WASHED MAPLE |
| 6A | M09471-20-RE0 | EA | MOLDING - STAINED - .75" X 4" X 74.6" - HONEY CHERRY |
| 7A | M09471-40-R83 | EA | MOLDING - STAINED - .7" X 3.5" X 70.4" - PORTSMOUTH OAK |
| 7A | M09471-40-R84 | EA | MOLDING - STAINED - .7" X 3.5" X 70.4" - CONCERT CHERRY |
| 7A | M09471-40-SD2 | EA | MOLDING - STAINED - .7" X 3.5" X 70.4" - WASHED MAPLE |
| 7A | M09471-40-RE0 | EA | MOLDING - STAINED - .7" X 3.5" X 70.4" - HONEY CHERRY |
| 8A | M09471-79-R38 | EA | MOLDING - TRIM/COVE - .8" X .8" X 95.8" - OAK/PORTS OAK - PORTSMOUTH OAK |
| 8A | M09471-79-R39 | EA | MOLDING - TRIM/COVE - .8" X .8" X 95.8" - CHERRY/CHERRY - CONCERT CHERRY |
| 8A | M09471-79-R46 | EA | MOLDING - TRIM/COVE - .8" X .8" X 95.8" - MAPLE/MAPLE - WASHED MAPLE |
| 8A | M09471-79-RE0 | EA | MOLDING - TRIM/COVE - .8" X .8" X 95.8" - HONEY/CHERRY - HONEY CHERRY |
| 8A | M09471-79-SA3 | EA | MOLDING - TRIM/COVE - .8" X .8" X 95.8" - HONEY/MAPLE - SIERRA MAPLE |
| 9A | P49186-01-SA0 | EA | MOLDING/BLOCK - PORTSMOUTH OAK |
| 9A | P49186-01-SA1 | EA | MOLDING/BLOCK - CONCERT CHERRY |
| 9A | P49186-01-SA2 | EA | MOLDING/BLOCK - WASHED MAPLE |
| 9A | P49186-01-SA3 | EA | MOLDING/BLOCK - SIERRA MAPLE |

INTERIOR FINISH GROUP (CONTINUED)
MOLDINGS & TRIMS (CONTINUED)

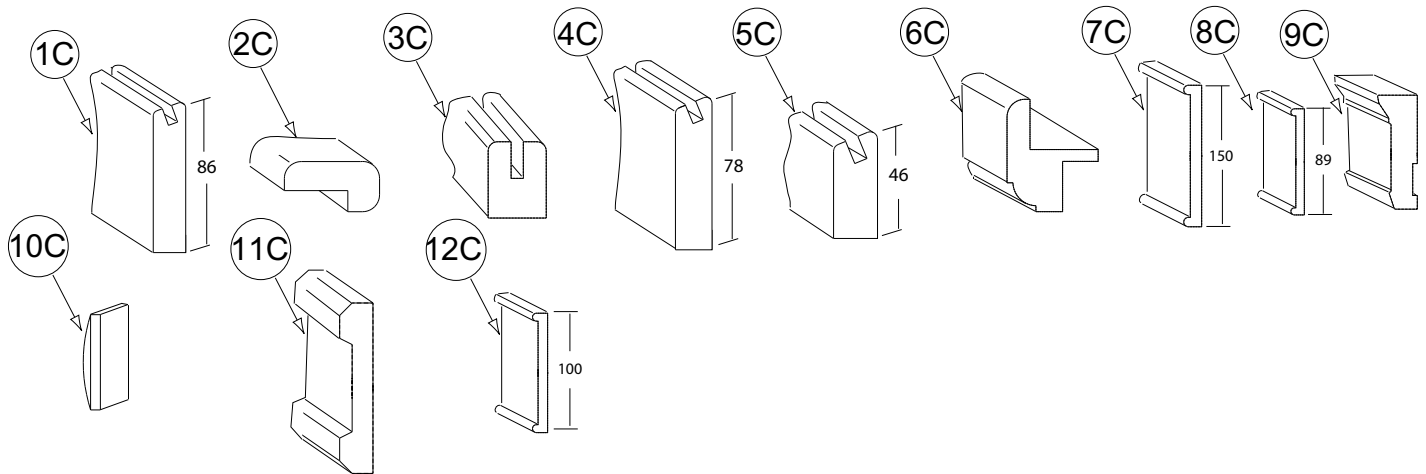
| KEY | PART NUMBER | U/M | DESCRIPTION |
|-----|---------------|-----|--------------------------------|
| 10A | P49186-02-SA0 | EA | MOLDING/BLOCK - PORTSMOUTH OAK |
| 10A | P49186-02-SA1 | EA | MOLDING/BLOCK - CONCERT CHERRY |
| 10A | P49186-02-SA2 | EA | MOLDING/BLOCK - WASHED MAPLE |
| 10A | P49186-02-SA3 | EA | MOLDING/BLOCK - SIERRA MAPLE |



| KEY | PART NUMBER | U/M | DESCRIPTION |
|-----|---------------|-----|---|
| 1B | P49188-01-SA0 | EA | MOLDING/BLOCK - PORTSMOUTH OAK |
| 1B | P49188-01-SA1 | EA | MOLDING/BLOCK - CONCERT CHERRY |
| 1B | P49188-01-SA2 | EA | MOLDING/BLOCK - WASHED MAPLE |
| 1B | P49188-01-SA3 | EA | MOLDING/BLOCK - SIERRA MAPLE |
| 2B | P49188-02-SA0 | EA | MOLDING/BLOCK - PORTSMOUTH OAK |
| 2B | P49188-02-SA1 | EA | MOLDING/BLOCK - CONCERT CHERRY |
| 2B | P49188-02-SA2 | EA | MOLDING/BLOCK - WASHED MAPLE |
| 2B | P49188-02-SA3 | EA | MOLDING/BLOCK - SIERRA MAPLE |
| 3B | Y00007-42-438 | EA | MOLDING - 12.7 RADIUS OAK - UNSTAINED |
| 3B | Y00007-32-438 | EA | MOLDING - 12.7 RADIUS CHERRY - UNSTAINED |
| 3B | Y00007-22-438 | EA | MOLDING - 12.7 RADIUS MAPLE - UNSTAINED |
| 3B | Y00287-42-438 | EA | MOLDING - 6.0 RADIUS OAK - UNSTAINED |
| 3B | Y00287-32-438 | EA | MOLDING - 6.0 RADIUS CHERRY - UNSTAINED |
| 3B | Y00287-22-438 | EA | MOLDING - 6.0 RADIUS MAPLE - UNSTAINED |
| 4B | Y00054-72-438 | EA | MOLDING - VINYL - W/SLOT - .7" X 1.9" X 96" - PORTSMOUTH OAK |
| 4B | Y00054-62-438 | EA | MOLDING - VINYL - W/SLOT - .7" X 1.9" X 96" - CONCERT CHERRY |
| 4B | Y00054-A2-438 | EA | MOLDING - VINYL - W/SLOT - .7" X 1.9" X 96" - WASHED MAPLE |
| 4B | Y00054-92-438 | EA | MOLDING - VINYL - W/SLOT - .7" X 1.9" X 96" - SIERRA MAPLE |
| 5B | Y00070-42-438 | EA | MOLDING/FLUTED - OAK - 96" |
| 5B | Y00070-32-438 | EA | MOLDING/FLUTED - CHERRY - 96" |
| 5B | Y00070-22-438 | EA | MOLDING/FLUTED - MAPLE - 96" |
| 6B | Y00071-42-438 | EA | MOLDING/FLUTED - W/NOTCH - OAK/UNSTAINED - 96" |
| 6B | Y00071-32-438 | EA | MOLDING/FLUTED - W/NOTCH - CHERRY/UNSTAINED - 96" |
| 6B | Y00071-22-438 | EA | MOLDING/FLUTED - W/NOTCH - MAPLE/UNSTAINED - 96" |
| 7B | Y00074-72-438 | EA | MOLDING/CROWN - VINYL WRAPPED - PORTSMOUTH OAK - 96" - PORTSMOUTH OAK |
| 7B | Y00074-62-438 | EA | MOLDING/CROWN - VINYL WRAPPED - CONCERT CHERRY - 96" - CONCERT CHERRY |
| 7B | Y00074-A2-438 | EA | MOLDING/CROWN - VINYL WRAPPED - MAPLE - 96" - WASHED MAPLE |
| 7B | Y00074-92-438 | EA | MOLDING/CROWN - VINYL WRAPPED - SIERRA MAPLE - 96" - SIERRA MAPLE |
| 8B | Y00076-42-438 | EA | MOLDING/TRIM - .5" X 1" X 96" - OAK (UNSTAINED) |
| 8B | Y00076-32-438 | EA | MOLDING/TRIM - .5" X 1" X 96" - CHERRY (UNSTAINED) |
| 8B | Y00076-22-438 | EA | MOLDING/TRIM - .5" X 1" X 96" - MAPLE (UNSTAINED) |
| 9B | Y00086-72-438 | EA | MOLDING - VINYL WRAP - .7" X 1.6" X 96" - PORTSMOUTH OAK - PORTSMOUTH OAK |
| 9B | Y00086-62-438 | EA | MOLDING - VINYL WRAP - .7" X 1.6" X 96" - CHERRY - CONCERT CHERRY |
| 9B | Y00086-A2-438 | EA | MOLDING - VINYL WRAP - .7" X 1.6" X 96" - WASHED MAPLE |
| 9B | Y00086-82-438 | EA | MOLDING - VINYL WRAP - .7" X 1.6" X 96" - HONEY CHERRY - HONEY CHERRY |
| 9B | Y00086-92-438 | EA | MOLDING - VINYL WRAP - .7" X 1.6" X 96" - SIERRA MAPLE - SIERRA MAPLE |
| 9B | Y00087-A2-438 | EA | MOLDING - VINYL WRAP - .7" X 2.9" X 96" - WASHED MAPLE |
| 9B | Y00087-62-438 | EA | MOLDING - VINYL WRAP - .7" X 2.9" X 96" - CONCERT CHERRY |
| 9B | Y00087-72-438 | EA | MOLDING - VINYL WRAP - .7" X 2.9" X 96" - PORTSMOUTH OAK |
| 9B | Y00087-82-438 | EA | MOLDING - VINYL WRAP - .7" X 2.9" X 96" - HONEY CHERRY |
| 9B | Y00087-92-438 | EA | MOLDING - VINYL WRAP - .7" X 2.9" X 96" - SIERRA MAPLE |
| 9B | Y00267-72-438 | EA | MOLDING - VINYL WRAP/MITERED - .6" X 96" - PORTSMOUTH OAK |

INTERIOR FINISH GROUP (CONTINUED)
MOLDINGS & TRIMS (CONTINUED)

| KEY | PART NUMBER | U/M | DESCRIPTION |
|-----|---------------|-----|--|
| 9B | Y00267-62-438 | EA | MOLDING - VINYL WRAP/MITERED - .6" X 96" - CONCERT CHERRY |
| 9B | Y00267-A2-438 | EA | MOLDING - VINYL WRAP/MITERED - .6" X 96" - WASHED MAPLE |
| 9B | Y00267-A2-438 | EA | MOLDING - VINYL WRAP/MITERED - .6" X 96" - SIERRA MAPLE |
| 10B | Y00103-42-438 | EA | MOLDING - STRAIGHT - .75" X 2.16" X 96" - UNSTAINED - OAK |
| 10B | Y00103-32-438 | EA | MOLDING - STRAIGHT - .75" X 2.16" X 96" - UNSTAINED - CHERRY |
| 10B | Y00103-22-438 | EA | MOLDING - STRAIGHT - .75" X 2.16" X 96" - UNSTAINED - MAPLE |
| 11B | Y00203-72-438 | EA | MOLDING - VINYL/BEVELED - 96" - PORTSMOUT OAK |
| 11B | Y00203-62-438 | EA | MOLDING - VINYL/BEVELED - 96" - CONCERT CHERRY |
| 11B | Y00203-A2-438 | EA | MOLDING - VINYL/BEVELED - 96" - WASHED MAPLE |
| 11B | Y00203-82-438 | EA | MOLDING - VINYL/BEVELED - 96" - HONEY CHERRY |
| 12B | Y00204-72-438 | EA | MOLDING - VINYL/BEVELED - 96" - PORTSMOUT OAK |
| 12B | Y00204-62-438 | EA | MOLDING - VINYL/BEVELED - 96" - CONCERT CHERRY |
| 12B | Y00204-A2-438 | EA | MOLDING - VINYL/BEVELED - 96" - WASHED MAPLE |
| 12B | Y00204-82-438 | EA | MOLDING - VINYL/BEVELED - 96" - HONEY CHERRY |
| 13B | Y00205-72-438 | EA | MOLDING - VINYL/BEVELED - 96" - PORTSMOUT OAK |
| 13B | Y00205-62-438 | EA | MOLDING - VINYL/BEVELED - 96" - CONCERT CHERRY |
| 13B | Y00205-A2-438 | EA | MOLDING - VINYL/BEVELED - WASHED MAPLE |
| 13B | Y00205-82-438 | EA | MOLDING - VINYL/BEVELED - 96" - HONEY CHERRY |

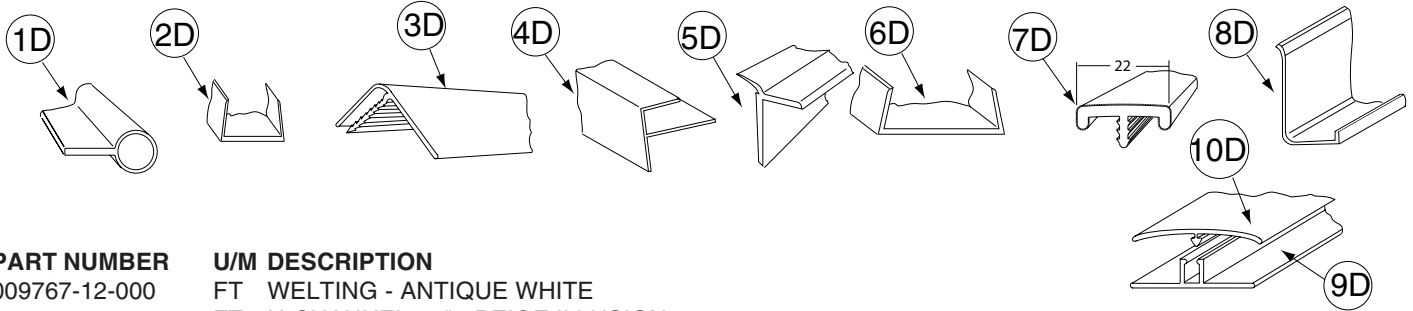


| KEY | PART NUMBER | U/M | DESCRIPTION |
|-----|---------------|-----|---|
| 1C | Y00206-72-438 | EA | MOLDING - VINYL/BEVELED - 96" - PORTSMOUT OAK |
| 1C | Y00206-62-438 | EA | MOLDING - VINYL/BEVELED - 96" - CONCERT CHERRY |
| 1C | Y00206-A2-438 | EA | MOLDING - VINYL/BEVELED - 96" - WASHED MAPLE |
| 1C | Y00206-82-438 | EA | MOLDING - VINYL/BEVELED - 96" - HONEY CHERRY |
| 2C | M09494-38-SD0 | EA | MOLDING - TRIM - W/NOTCH - 1" X 79.6" - OAK/PORTSMOUTH OAK - PORTSMOUTH OAK |
| 2C | M09494-38-SD1 | EA | MOLDING - TRIM - W/NOTCH - 1" X 79.6" - CHERRY/CHERRY - CONCERT CHERRY |
| 2C | M09494-38-SD2 | EA | MOLDING - TRIM - W/NOTCH - 1" X 79.6" - MAPLE/WASHED MAPLE - WASHED MAPLE |
| 2C | M09494-38-SD3 | EA | MOLDING - TRIM - W/NOTCH - 1" X 79.6" - HONEY/CHERRY - HONEY CHERRY |
| 2C | Y00207-42-438 | EA | MOLDING - .75" X 1.4" X 96" - UNSTAINED OAK |
| 2C | Y00207-32-438 | EA | MOLDING - .75" X 1.4" X 96" - UNSTAINED CHERRY |
| 2C | Y00207-22-438 | EA | MOLDING - .75" X 1.4" X 96" - UNSTAINED MAPLE |
| 3C | Y00223-42-438 | EA | MOLDING - HARDWOOD/OAK - .7" X 1" X 96" |
| 3C | Y00223-32-438 | EA | MOLDING - HARDWOOD/CHERRY - .7" X 1" X 96" |
| 3C | Y00223-22-438 | EA | MOLDING - HARDWOOD/MAPLE - .7" X 1" X 96" |
| 4C | Y00258-72-438 | EA | MOLDING/VINYL WRAP-BEVELED-.73" X 3.1" X 96" - PORTSMOUTH OAK |
| 4C | Y00258-62-438 | EA | MOLDING/VINYL WRAP-BEVELED-.73" X 3.1" X 96" - CONCERT CHERRY |
| 4C | Y00258-A2-438 | EA | MOLDING/VINYL WRAP-BEVELED ENDS-.73"X3.1"X96" - WASHED MAPLE |
| 4C | Y00258-92-438 | EA | MOLDING/VINYL WRAP-BEVELED-.73" X 3.1" X 96" - SIERRA MAPLE |
| 5C | Y00259-72-438 | EA | MOLDING/VINYL WRAP-BEVELED-.73" X 1.8" X 96" - PORTSMOUTH OAK |
| 5C | Y00259-62-438 | EA | MOLDING/VINYL WRAP-BEVELED-.73" X 1.8" X 96" - CONCERT CHERRY |
| 5C | Y00259-A2-438 | EA | MOLDING/VINYL WRAP-BEVELED-.73"X1.8"X96" - WASHED MAPLE |
| 5C | Y00259-92-438 | EA | MOLDING/VINYL WRAP-BEVELED-.73"X1.8"X96" - SIERRA MAPLE |
| 6C | Y00266-42-438 | EA | MOLDING - .75" X 1.5" X 96" OAK - .7" X 1" X 96" |
| 6C | Y00266-32-438 | EA | MOLDING - .75" X 1.5" X 96" CHERRY - .7" X 1" X 96" |
| 6C | Y00266-22-438 | EA | MOLDING - .75" X 1.5" X 96" MAPLE - .7" X 1" X 96" |
| 7C | Y00280-74-174 | EA | MOLDING/TRIM - VINYL - F/SLIDEOUT - 164.1" - PORTSMOUTH OAK |
| 7C | Y00280-64-174 | EA | MOLDING/TRIM - VINYL - F/SLIDEOUT - 164.1" - CONCERT CHERRY |

INTERIOR FINISH GROUP (CONTINUED)

MOLDINGS & TRIMS (CONTINUED)

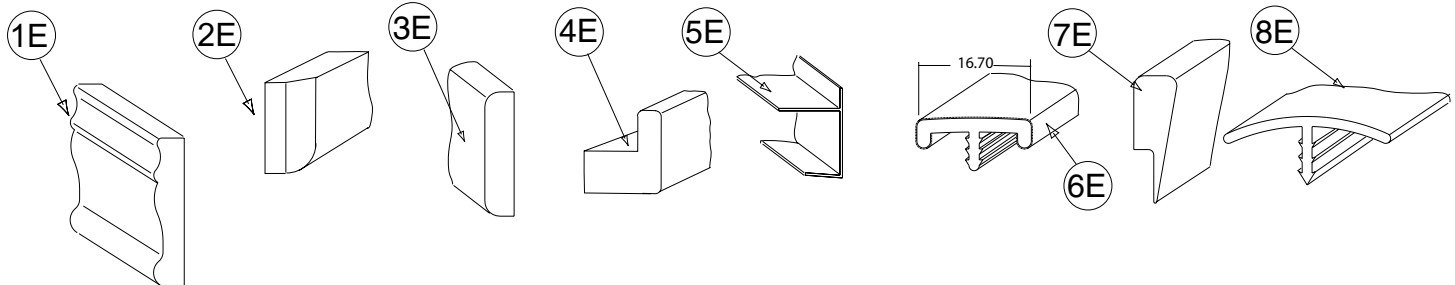
| KEY | PART NUMBER | U/M | DESCRIPTION |
|-----|---------------|-----|--|
| 7C | Y00280-A4-174 | EA | MOLDING/TRIM - VINYL - F/SLIDEOUT - 164.1" - WASHED MAPLE |
| 7C | Y00280-94-174 | EA | MOLDING/TRIM - VINYL - F/SLIDEOUT - 164.1" - SIERRA MAPLE |
| 8C | Y00281-72-438 | EA | MOLDING/TRIM - VINYL - F/SLIDEOUT - 96" - PORTSMTH OAK |
| 8C | Y00281-62-438 | EA | MOLDING/TRIM - VINYL - F/SLIDEOUT - 96" - CONCERT CHERRY |
| 8C | Y00281-A2-438 | EA | MOLDING/TRIM - VINYL - F/SLIDEOUT - 96" - WASHED MAPLE |
| 8C | Y00281-92-438 | EA | MOLDING/TRIM - VINYL - F/SLIDEOUT - 96" - SIERRA MAPLE |
| 9C | Y00282-72-438 | EA | MOLDING - SLIDEOUT/VINYL WRAP - 3.9" X 96"- PORTSMOUTH OAK |
| 9C | Y00282-62-438 | EA | MOLDING - SLIDEOUT/VINYL WRAP - 3.9" X 96"- CONCERT CHERRY |
| 9C | Y00282-A2-438 | EA | MOLDING - SLIDEOUT/VINYL WRAP - 3.9" X 96"- WASHED MAPLE |
| 10C | Y00284-42-438 | EA | MOLDING - STRAIGHT - .2" X 1.5" X 96"- UNSTAINED OAK |
| 10C | Y00284-32-438 | EA | MOLDING - STRAIGHT - .2" X 1.5" X 96"- UNSTAINED CHERRY |
| 10C | Y00284-22-438 | EA | MOLDING - STRAIGHT - .2" X 1.5" X 96"- UNSTAINED MAPLE |
| 11C | Y00285-42-438 | EA | MOLDING - STRAIGHT - .63" X 3.2" X 96"- UNSTAINED OAK |
| 11C | Y00285-32-438 | EA | MOLDING - STRAIGHT - .63" X 3.2" X 96"- UNSTAINED CHERRY |
| 11C | Y00285-22-438 | EA | MOLDING - STRAIGHT - .63" X 3.2" X 96"- UNSTAINED MAPLE |
| 12C | Y00291-72-438 | EA | MOLDING - VINYL WRAPPED - 4" X 96" - PORTSMTH OAK |
| 12C | Y00291-62-438 | EA | MOLDING - VINYL WRAPPED - 4" X 96" - CONCERT CHERRY |
| 12C | Y00291-A2-438 | EA | MOLDING - VINYL WRAPPED - 4" X 96" - WASHED MAPLE |
| 12C | Y00291-92-438 | EA | MOLDING - VINYL WRAPPED - 4" X 96" - SIERRA MAPLE |



| KEY | PART NUMBER | U/M | DESCRIPTION |
|-----|---------------|-----|---|
| 1D | 009767-12-000 | FT | WELTING - ANTIQUE WHITE |
| 2D | 009778-25-000 | FT | U-CHANNEL - 1" - BEIGE ILLUSION |
| 2D | 009778-32-000 | FT | U-CHANNEL - 1" - PORTSMOUTH OAK |
| 2D | 009778-34-000 | FT | U-CHANNEL - 1" - CONCERT CHERRY |
| 2D | 009778-35-000 | FT | U-CHANNEL - 1" - HONEY CHERRY |
| 2D | 009778-36-000 | FT | U-CHANNEL - 1" - SIERRA MAPLE |
| 2D | 009778-27-000 | FT | U-CHANNEL - 1" - WASHED MAPLE |
| 3D | 009809-30-000 | EA | MOLDING - CORNER - OUTSIDE - 1" X 84" - BEIGE ILLUSION |
| 3D | 009809-32-000 | EA | MOLDING - CORNER - OUTSIDE - 1" X 84" - PORTSMOUTH OAK |
| 3D | 009809-33-000 | EA | MOLDING - CORNER - OUTSIDE - 1" X 84" - CONCERT CHERRY |
| 3D | 009809-35-000 | EA | MOLDING - CORNER - OUTSIDE - 1" X 84" - SIERRA MAPLE |
| 3D | 009809-34-000 | EA | MOLDING - CORNER - OUTSIDE - 1" X 84" - HONEY CHERRY |
| 3D | 009809-31-000 | EA | MOLDING - CORNER - OUTSIDE - 1" X 84" - WASHED MAPLE |
| 4D | 009812-31-000 | EA | MOLDING - CORNER - 1/2" W/1/4"CHAN X 84" - BEIGE ILLUSION |
| 4D | 009812-34-000 | EA | MOLDING - CORNER - 1/2" W/1/4"CHAN X 84" - VW LIGHT GRAY |
| 4D | 009812-35-000 | EA | MOLDING - CORNER - 1/2" W/1/4"CHAN X 84" - PORTSMOUTH OAK |
| 4D | 009812-36-000 | EA | MOLDING - CORNER - 1/2" W/1/4"CHAN X 84" - CONCERT CHERRY |
| 4D | 009812-37-000 | EA | MOLDING - CORNER - 1/2" W/1/4"CHAN X 84" - HONEY CHERRY |
| 4D | 009812-38-000 | EA | MOLDING - CORNER - 1/2" W/1/4"CHAN X 84" - SIERRA MAPLE |
| 4D | 009812-33-000 | EA | MOLDING - CORNER - 1/2" W/1/4"CHAN X 84" - WASHED MAPLE |
| 5D | 022992-11-000 | FT | MOLDING - REVERSE COVE - T-SHAPED - IVORY |
| 5D | 022992-14-000 | FT | MOLDING - REVERSE COVE - T-SHAPED - BRIGHT WHITE |
| 5D | 022992-15-000 | FT | MOLDING - REVERSE COVE - T-SHAPED - VW GRAY |
| 6D | 070504-42-000 | FT | U-CHANNEL - PLASTIC - .13" X 84" - BEIGE ILLUSION |
| 6D | 070504-43-000 | FT | U-CHANNEL - PLASTIC - .9" X 96" - BEIGE ILLUSION |
| 6D | 070504-57-000 | FT | U-CHANNEL - PLASTIC - .13" X 84" - PORTSMOUTH OAK |
| 6D | 070504-58-000 | FT | U-CHANNEL - PLASTIC - .9" X 84" - PORTSMOUTH OAK |
| 6D | 070504-60-000 | FT | U-CHANNEL - PLASTIC - .13" X 84" - CONCERT CHERRY |
| 6D | 070504-61-000 | FT | U-CHANNEL - PLASTIC - .9" X 84" - CONCERT CHERRY |
| 6D | 070504-62-000 | FT | U-CHANNEL - PLASTIC - 1.65" X 84" - HONEY CHERRY |
| 6D | 070504-63-000 | FT | U-CHANNEL - PLASTIC - .9" X 84" - HONEY CHERRY |
| 6D | 070504-65-000 | FT | U-CHANNEL - PLASTIC - 1.65" X 84" - SIERRA MAPLE |
| 6D | 070504-66-000 | FT | U-CHANNEL - PLASTIC - .9" X 84" - SIERRA MAPLE |
| 6D | 070504-50-000 | FT | U-CHANNEL - PLASTIC - .13" X 96" - WASHED MAPLE |
| 6D | 070504-51-000 | FT | U-CHANNEL - PLASTIC - .9" X 96" - WASHED MAPLE |

INTERIOR FINISH GROUP (CONTINUED)
MOLDINGS & TRIMS (CONTINUED)

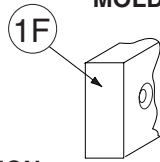
| KEY | PART NUMBER | U/M | DESCRIPTION |
|-----|---------------|-----|--|
| 7D | 083620-15-000 | FT | MOLDING-T - W/EDGE LIP - 7/8" FACE - BEIGE ILLUSION |
| 7D | 083620-20-000 | FT | MOLDING-T - W/EDGE LIP - 7/8" FACE - PORTSMOUTH OAK |
| 7D | 083620-21-000 | FT | MOLDING-T - W/EDGE LIP - 7/8" FACE - CONCERT CHERRY/HONEY CHERRY |
| 7D | 083620-22-000 | FT | MOLDING-T - W/EDGE LIP - 7/8" FACE - SIERRA MAPLE |
| 7D | 083620-19-000 | FT | MOLDING-T - W/EDGE LIP - 7/8" FACE - WASHED MAPLE |
| 8D | 085746-04-000 | FT | TRIM-J - CARPET 1.2" X .5" ANGLE - 12' LONG - OFF WHITE |
| 9D | 086229-01-000 | EA | RETAINER - BATTEN - .75" X 92.1" - ANY COLOR |
| 10D | 086229-20-000 | EA | BATTEN - 1" X 96" - BEIGE |



| KEY | PART NUMBER | U/M | DESCRIPTION |
|-----|---------------|-----|--|
| 1E | 100182-10-N47 | EA | TRIM/WOOD - CHAIR RAIL - 2.5" X 8' - PORTSMOUTH OAK |
| 1E | 100182-10-P85 | EA | TRIM/WOOD - CHAIR RAIL - 2.5" X 8' - CONCERT CHERRY |
| 1E | 100182-10-J70 | EA | TRIM/WOOD - CHAIR RAIL - 2.5" X 8' - WASHED MAPLE |
| 1E | 100182-10-RA3 | EA | TRIM/WOOD - CHAIR RAIL - 2.5" X 8' - HONEY CHERRY |
| 1E | 100182-10-S67 | EA | TRIM/WOOD - CHAIR RAIL - 2.5" X 8' - SIERRA MAPLE |
| 2E | 100659-30-N75 | EA | MOLDING - TRIM - 8' - PORTSMOUTH OAK |
| 2E | 100659-30-N74 | EA | MOLDING - TRIM - 8' - CONCERT CHERRY |
| 2E | 100659-30-M84 | EA | MOLDING - TRIM - 8' - WASHED MAPLE |
| 2E | 100659-27-RA3 | EA | MOLDING - TRIM - HONEY CHERRY |
| 2E | 100659-31-SA3 | EA | MOLDING - TRIM - SIERRA MAPLE |
| 3E | 100818-01-12A | EA | MOLDING - VINYL WRAPPED - 1.6" X .4" X 84" - PORTSMOUTH OAK |
| 3E | 100818-01-13A | EA | MOLDING - VINYL WRAPPED - 1.6" X .4" X 84" - CONCERT CHERRY |
| 3E | 100818-01-14A | EA | MOLDING - VINYL WRAPPED - 1.6" X .4" X 84" - HONEY CHERRY |
| 3E | 100818-01-21A | EA | MOLDING - VINYL WRAPPED - 1.6" X .4" X 84" - WASHED MAPLE |
| 3E | 100818-01-22A | EA | MOLDING - VINYL WRAPPED - 1.6" X .4" X 84" - SIERRA MAPLE |
| 4E | 100819-01-12A | EA | MOLDING - VINYL WRAPPED-L-SHAPED-1.5"X1.5"X84" - PORTSMOUTH OAK |
| 4E | 100819-01-13A | EA | MOLDING - VINYL WRAPPED-L-SHAPED-1.5"X1.5"X84" - CONCERT CHERRY |
| 4E | 100819-01-14A | EA | MOLDING - VINYL WRAPPED-L-SHAPED-1.5"X1.5"X84" - HONEY CHERRY |
| 4E | 100819-01-21A | EA | MOLDING - VINYL WRAPPED-L-SHAPED-1.5"X1.5"X84" - WASHED MAPLE |
| 4E | 100819-01-22A | EA | MOLDING - VINYL WRAPPED-L-SHAPED-1.5"X1.5"X84" - SIERRA MAPLE |
| 5E | 103186-01-07A | FT | MOLDING/PLASTIC - 3/8" U-CHANNEL-3/4" FACE -BEIGE ILLUSION |
| 5E | 103186-01-09A | FT | MOLDING/PLASTIC - 3/8" U-CHAN'L-3/4" FACE - PORTSMOUTH OAK |
| 5E | 103186-01-10A | FT | MOLDING/PLASTIC - 3/8" U-CHAN'L-3/4" FACE - CONCERT CHERRY |
| 5E | 103186-01-11A | FT | MOLDING/PLASTIC - 3/8" U-CHAN'L-3/4" FACE - HONEY CHERRY |
| 5E | 103186-01-12A | FT | MOLDING/PLASTIC - 3/8" U-CHAN'L-3/4" FACE - SIERRA MAPLE |
| 5E | 103186-01-08A | FT | MOLDING/PLASTIC - 3/8" U-CHANNEL-3/4"FACE-WASHED MAPLE 8' - WASHED MAPLE |
| 5E | 103186-02-07A | FT | MOLDING/PLASTIC-1" U-CHAN'L-1 3/8" FACE - BEIGE ILLUSION |
| 5E | 103186-02-09A | FT | MOLDING/PLASTIC - 1" U-CHAN'L-1 3/8" FACE - PORTSMOUTH OAK |
| 5E | 103186-02-10A | FT | MOLDING/PLASTIC - 1" U-CHAN'L-1 3/8" FACE - CONCERT CHERRY |
| 5E | 103186-02-11A | FT | MOLDING/PLASTIC - 1" U-CHAN'L-1 3/8" FACE - HONEY CHERRY |
| 5E | 103186-02-12A | FT | MOLDING/PLASTIC - 1" U-CHAN'L-1 3/8" FACE - SIERRA MAPLE |
| 5E | 103186-02-08A | FT | MOLDING/PLASTIC - 1" U-CHANNEL-1 3/8"FACE - WASHED MAPLE |
| 6E | 104676-02-08A | FT | MOLDING-T - W/EDGE LIP - 11/16" FACE - PORTSMOUTH OAK |
| 6E | 104676-02-09A | FT | MOLDING-T - W/EDGE LIP - 11/16" FACE - CONCERT CHERRY |
| 6E | 104676-02-10A | FT | MOLDING-T - W/EDGE LIP - 11/16" FACE - HONEY CHERRY |
| 6E | 104676-02-06A | FT | MOLDING-T - W/EDGE LIP - 11/16" FACE - WASHED MAPLE |
| 6E | 104676-02-12A | FT | MOLDING-T - W/EDGE LIP - 11/16" FACE - SIERRA MAPLE |
| 7E | 105004-01-12A | EA | MOLDING - VINYL WRAPPED - 1" X 96" - PORTSMOUTH OAK |
| 7E | 105004-01-13A | EA | MOLDING - VINYL WRAPPED 1" X 8' - CONCERT CHERRY/HONEY CHERRY |
| 7E | 105004-01-21A | EA | MOLDING - VINYL WRAPPED - 1" X 8' - WASHED MAPLE |
| 7E | 105004-01-22A | EA | MOLDING - VINYL WRAPPED - 1" X 8' - SIERRA MAPLE |
| 8E | 105709-02-000 | FT | MOLDING-T - W/EDGE LIP 3/4" FACE - BEIGE ILLUSION |

INTERIOR FINISH GROUP (CONTINUED)

MOLDINGS & TRIMS (CONTINUED)

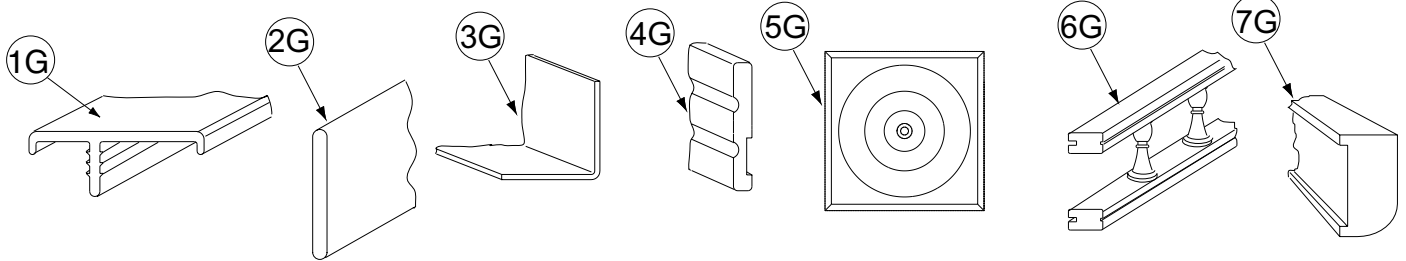


| KEY | PART NUMBER | U/M | DESCRIPTION |
|-----|---------------|-----|--|
| 1F | 116951-11-N95 | EA | MOLDING - TRIM - 3.5" X 75.9" - PORTSMOUTH |
| 1F | 116951-11-KQ1 | EA | MOLDING - TRIM - 3.5" X 75.9" - CONCERT CHERRY |
| 1F | 116951-11-RE0 | EA | MOLDING - TRIM - 3.5" X 75.8" - HONEY CHERRY |
| 1F | 116951-23-R83 | EA | MOLDING - TRIM - 3.5" X 74.6" - PORTSMOUTH OAK |
| 1F | 116951-23-R84 | EA | MOLDING - TRIM - 3.5" X 74.6" - CONCERT CHERRY |
| 1F | 116951-23-R91 | EA | MOLDING - TRIM - 3.5" X 74.6" - WASHED MAPLE |
| 1F | 116951-23-RE0 | EA | MOLDING - TRIM - 3.5" X 74.6" - HONEY CHERRY |
| 1F | 116951-24-R83 | EA | MOLDING - TRIM - 3.5" X 74.6" - PORTSMOUTH OAK |
| 1F | 116951-24-R84 | EA | MOLDING - TRIM - 3.5" X 74.6" - CONCERT CHERRY |
| 1F | 116951-24-R91 | EA | MOLDING - TRIM - 3.5" X 74.6" - WASHED MAPLE |
| 1F | 116951-24-RE0 | EA | MOLDING - TRIM - 3.5" X 74.6" - HONEY CHERRY |
| 1F | 116951-25-SD0 | EA | MOLDING - TRIM - 5.5" X 69.8" - PORTSMOUTH OAK |
| 1F | 116951-25-SD1 | EA | MOLDING - TRIM - 5.5" X 69.8" - CONCERT CHERRY |
| 1F | 116951-25-SD2 | EA | MOLDING - TRIM - 5.5" X 69.8" - WASHED MAPLE |
| 1F | 116951-25-SD3 | EA | MOLDING - TRIM - 5.5" X 69.8" - HONEY CHERRY |
| 1F | 116951-27-N75 | EA | MOLDING - TRIM - 3.5" X 46.8" - PORTSMOUTH OAK |
| 1F | 116951-27-N85 | EA | MOLDING - TRIM - 3.5" X 46.8" - CONCERT CHERRY |
| 1F | 116951-27-N84 | EA | MOLDING - TRIM - 3.5" X 46.8" - WASHED MAPLE |
| 1F | 116951-28-N75 | EA | MOLDING - TRIM - 3.5" X 79.4" - PORTSMOUTH OAK |
| 1F | 116951-28-N85 | EA | MOLDING - TRIM - 3.5" X 79.4" - CONCERT CHERRY |
| 1F | 116951-28-N84 | EA | MOLDING - TRIM - 3.5" X 79.4" - WASHED MAPLE |
| 1F | 116951-29-N70 | EA | MOLDING - TRIM - 5.5" X 30.4" - PORTSMOUTH OAK |
| 1F | 116951-29-N85 | EA | MOLDING - TRIM - 5.5" X 30.4" - CONCERT CHERRY |
| 1F | 116951-29-N84 | EA | MOLDING - TRIM - 5.5" X 30.4" - WASHED MAPLE |
| 1F | 116951-29-RC3 | EA | MOLDING - TRIM - 5.5" X 30.4" - HONEY CHERRY |
| 1F | 116951-29-SA3 | EA | MOLDING - TRIM - 5.5" X 30.4" - SIERRA MAPLE |
| 1F | 116951-32-P75 | EA | MOLDING - TRIM - 1.5" X 33.4" - PORTSMOUTH OAK |
| 1F | 116951-32-P25 | EA | MOLDING - TRIM - 1.5" X 33.4" - CONCERT CHERRY |
| 1F | 116951-32-P28 | EA | MOLDING - TRIM - 1.5" X 33.4" - WASHED MAPLE |
| 1F | 116951-32-RE0 | EA | MOLDING - TRIM - 1.5" X 33.4" - HONEY CHERRY |
| 1F | 116951-34-P78 | EA | MOLDING - TRIM - 3.5" X 44.3" - PORTSMOUTH OAK |
| 1F | 116951-34-P79 | EA | MOLDING - TRIM - 3.5" X 44.3" - CONCERT CHERRY |
| 1F | 116951-34-P28 | EA | MOLDING - TRIM - 3.5" X 44.3" - WASHED MAPLE |
| 1F | 116951-34-RE0 | EA | MOLDING - TRIM - 3.5" X 44.3" - HONEY CHERRY |
| 1F | 116951-35-P78 | EA | MOLDING - TRIM - 3.5" X 96" - PORTSMOUTH OAK |
| 1F | 116951-35-P79 | EA | MOLDING - TRIM - 3.5" X 96" - CONCERT CHERRY |
| 1F | 116951-35-P28 | EA | MOLDING - TRIM - 3.5" X 96" - WASHED MAPLE |
| 1F | 116951-35-RE0 | EA | MOLDING - TRIM - 3.5" X 96" - HONEY CHERRY |
| 1F | 116951-36-R68 | EA | MOLDING - TRIM - 3.5" X 48.8" - PORTSMOUTH OAK |
| 1F | 116951-36-R69 | EA | MOLDING - TRIM - 3.5" X 48.8" - CONCERT CHERRY |
| 1F | 116951-36-R76 | EA | MOLDING - TRIM - 3.5" X 48.8" - WASHED MAPLE |
| 1F | 116951-37-R68 | EA | MOLDING - TRIM - 3.5" X 38.6" - PORTSMOUTH OAK |
| 1F | 116951-37-R69 | EA | MOLDING - TRIM - 3.5" X 38.6" - CONCERT CHERRY |
| 1F | 116951-37-R76 | EA | MOLDING - TRIM - 3.5" X 38.6" - WASHED MAPLE |
| 1F | 116951-38-R83 | EA | MOLDING - TRIM - 3.5" X 82.6" - PORTSMOUTH OAK |
| 1F | 116951-38-R84 | EA | MOLDING - TRIM - 3.5" X 82.6" - CONCERT CHERRY |
| 1F | 116951-38-R91 | EA | MOLDING - TRIM - 3.5" X 82.6" - WASHED MAPLE |
| 1F | 116951-38-RE0 | EA | MOLDING - TRIM - 3.5" X 82.6" - HONEY CHERRY |
| 1F | 116951-39-R83 | EA | MOLDING - TRIM - 3.5" X 73.9" - PORTSMOUTH OAK |
| 1F | 116951-39-R84 | EA | MOLDING - TRIM - 3.5" X 73.9" - CONCERT CHERRY |
| 1F | 116951-39-R91 | EA | MOLDING - TRIM - 3.5" X 73.9" - WASHED MAPLE |
| 1F | 116951-39-RE0 | EA | MOLDING - TRIM - 3.5" X 73.9" - HONEY CHERRY |
| 1F | 116951-40-R83 | EA | MOLDING - TRIM - 4.5" X 81.9" - PORTSMOUTH OAK |
| 1F | 116951-40-R84 | EA | MOLDING - TRIM - 4.5" X 81.9" - CONCERT CHERRY |
| 1F | 116951-40-R91 | EA | MOLDING - TRIM - 4.5" X 81.9" - WASHED MAPLE |
| 1F | 116951-40-RE0 | EA | MOLDING - TRIM - 4.5" X 81.9" - HONEY CHERRY |
| 1F | 116951-41-R83 | EA | MOLDING - TRIM - 3.5" X 36.8" - PORTSMOUTH OAK |
| 1F | 116951-41-R84 | EA | MOLDING - TRIM - 3.5" X 36.8" - CONCERT CHERRY |
| 1F | 116951-41-R91 | EA | MOLDING - TRIM - 3.5" X 36.8" - WASHED MAPLE |
| 1F | 116951-41-RE0 | EA | MOLDING - TRIM - 3.5" X 36.8" - HONEY CHERRY |

INTERIOR FINISH GROUP (CONTINUED)
MOLDINGS & TRIMS (CONTINUED)

| KEY | PART NUMBER | U/M | DESCRIPTION |
|-----|---------------|-----|--|
| 1F | 116951-42-R83 | EA | MOLDING - TRIM - 3.5" X 46.8" - PORTSMOUTH OAK |
| 1F | 116951-42-R84 | EA | MOLDING - TRIM - 3.5" X 46.8" - CONCERT CHERRY |
| 1F | 116951-42-R91 | EA | MOLDING - TRIM - 3.5" X 46.8" - WASHED MAPLE |
| 1F | 116951-42-RE0 | EA | MOLDING - TRIM - 3.5" X 46.8" - HONEY CHERRY |
| 1F | 116951-43-R83 | EA | MOLDING - TRIM - 3.5" X 86.5" - PORTSMOUTH OAK |
| 1F | 116951-43-R84 | EA | MOLDING - TRIM - 3.5" X 86.5" - CONCERT CHERRY |
| 1F | 116951-43-R91 | EA | MOLDING - TRIM - 3.5" X 86.5" - WASHED MAPLE |
| 1F | 116951-43-RE0 | EA | MOLDING - TRIM - 3.5" X 86.5" - HONEY CHERRY |
| 1F | 116951-44-R83 | EA | MOLDING - TRIM - 3.5" X 76.1" - PORTSMOUTH OAK |
| 1F | 116951-44-R84 | EA | MOLDING - TRIM - 3.5" X 76.1" - CONCERT CHERRY |
| 1F | 116951-44-R91 | EA | MOLDING - TRIM - 3.5" X 76.1" - WASHED MAPLE |
| 1F | 116951-44-RE0 | EA | MOLDING - TRIM - 3.5" X 76.1" - HONEY CHERRY |
| 1F | 116951-45-R68 | EA | MOLDING - TRIM - 3" X 30.3" - PORTSMOUTH OAK |
| 1F | 116951-45-R69 | EA | MOLDING - TRIM - 3" X 30.3" - CONCERT CHERRY |
| 1F | 116951-45-R76 | EA | MOLDING - TRIM - 3" X 30.3" - WASHED MAPLE |
| 1F | 116951-46-R83 | EA | MOLDING - TRIM - 4.5" X 72.3" - PORTSMOUTH OAK |
| 1F | 116951-46-R84 | EA | MOLDING - TRIM - 4.5" X 72.3" - CONCERT CHERRY |
| 1F | 116951-46-R91 | EA | MOLDING - TRIM - 4.5" X 72.3" - WASHED MAPLE |
| 1F | 116951-46-RE0 | EA | MOLDING - TRIM - 4.5" X 72.3" - HONEY CHERRY |
| 1F | 116951-48-R83 | EA | MOLDING - TRIM - 4.5" X 76.1" - PORTSMOUTH OAK |
| 1F | 116951-48-R84 | EA | MOLDING - TRIM - 4.5" X 76.1" - CONCERT CHERRY |
| 1F | 116951-48-R91 | EA | MOLDING - TRIM - 4.5" X 76.1" - WASHED MAPLE |
| 1F | 116951-48-RE0 | EA | MOLDING - TRIM - 4.5" X 76.1" - HONEY CHERRY |
| 1F | 116951-49-R83 | EA | MOLDING - TRIM - 4.5" X 69.8" - PORTSMOUTH OAK |
| 1F | 116951-49-R84 | EA | MOLDING - TRIM - 4.5" X 69.8" - CONCERT CHERRY |
| 1F | 116951-49-R91 | EA | MOLDING - TRIM - 4.5" X 69.8" - WASHED MAPLE |
| 1F | 116951-49-RE0 | EA | MOLDING - TRIM - 4.5" X 69.8" - HONEY CHERRY |
| 1F | 116951-51-SA3 | EA | MOLDING - TRIM - 3.5" X 47.3" - SIERRA MAPLE |
| 1F | 116951-51-SA2 | EA | MOLDING - TRIM - 3.5" X 47.3" - WASHED MAPLE |
| 1F | 116951-51-SA0 | EA | MOLDING - TRIM - 3.5" X 47.3" - PORTSMOUTH OAK |
| 1F | 116951-51-SA1 | EA | MOLDING - TRIM - 3.5" X 47.3" - CONCERT CHERRY |
| 1F | 116951-52-SD0 | EA | MOLDING - TRIM - 4.5" X 73.3" - PORTSMOUTH OAK |
| 1F | 116951-52-SD1 | EA | MOLDING - TRIM - 4.5" X 73.3" - CONCERT CHERRY |
| 1F | 116951-52-SD2 | EA | MOLDING - TRIM - 4.5" X 73.3" - WASHED MAPLE |
| 1F | 116951-52-SD3 | EA | MOLDING - TRIM - 4.5" X 73.3" - HONEY CHERRY |
| 1F | 116951-53-SD0 | EA | MOLDING - TRIM - 4.5" X 53.4" - PORTSMOUTH OAK |
| 1F | 116951-53-SD1 | EA | MOLDING - TRIM - 4.5" X 53.4" - CONCERT CHERRY |
| 1F | 116951-53-SD2 | EA | MOLDING - TRIM - 4.5" X 53.4" - WASHED MAPLE |
| 1F | 116951-53-SD3 | EA | MOLDING - TRIM - 4.5" X 53.4" - HONEY CHERRY |

INTERIOR FINISH GROUP (CONTINUED)
MOLDINGS & TRIMS (CONTINUED)

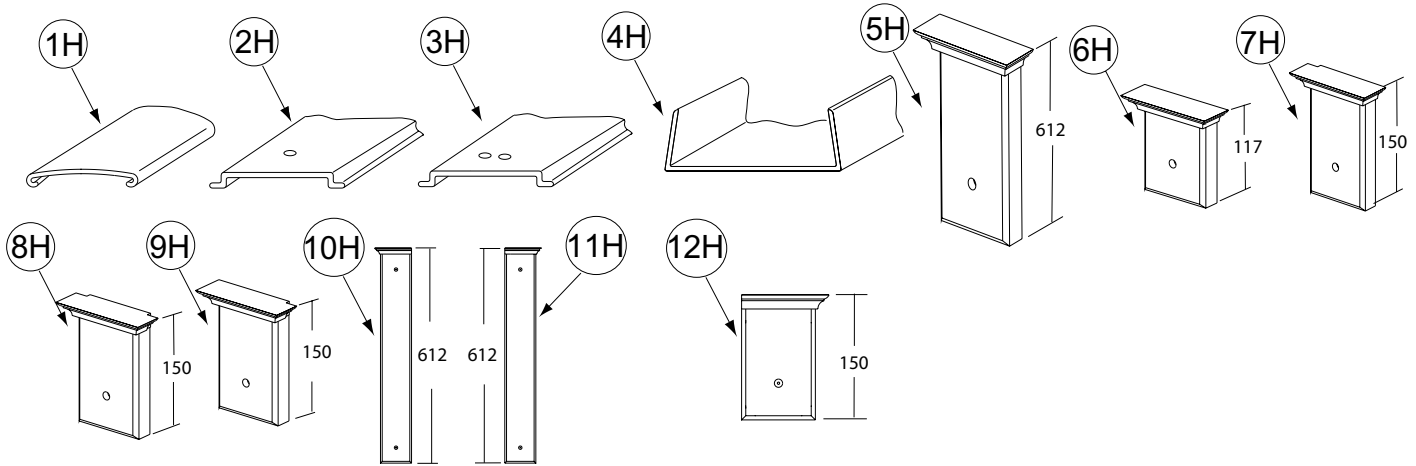


| KEY | PART NUMBER | U/M | DESCRIPTION |
|-----|---------------|-----|---|
| 1G | 119520-01-01A | FT | MOLDING-T/OFFSET - W/EDGE LIP - 1"FACE - OFF WHITE |
| 1G | 119520-01-04A | FT | MOLDING-T - OFFSET W/EDGE LIP - 1"FACE - PORTSMOUTH OAK |
| 1G | 119520-01-02A | FT | MOLDING-T - OFFSET W/EDGE LIP - 1"FACE - CONCERT CHERRY/HONEY CHERRY |
| 1G | 119520-01-03A | FT | MOLDING-T - OFFSET W/EDGE LIP - 1"FACE - WASHED MAPLE |
| 2G | 127842-01-01A | FT | SEAL - SIGHT SHIELD - 2" BLACK |
| 3G | 130262-01-000 | EA | PROTECTOR - CORNER SAVER - .7" X .7" X 48" |
| 3G | 130262-03-000 | EA | PROTECTOR - CORNER - .75" X .75" |
| 3G | 130262-04-000 | EA | PROTECTOR - CORNER SAVER - .4" X .7" X 48" |
| 4G | 132663-03-08A | EA | MOLDING-VINYL WRAP/PRE DRILLED-.6"X3.8"X150.6" - PORTSMOUTH OAK |
| 4G | 132663-11-07A | EA | MOLDING-VINYL WRAP/PRE DRILLED-.6"X3.8"X110.5" - CONCERT CHERRY/HONEY CHERRY |
| 4G | 132663-11-21A | EA | MOLDING-VINYL WRAP/PRE DRILLED-.6"X3.4"X57.9" - WASHED MAPLE |
| 4G | 132663-11-22A | EA | MOLDING-VINYL WRAP/PRE DRILLED-.6"X3.4"X57.9" - SIERRA MAPLE |
| 4G | 132663-09-08A | EA | MOLDING-VINYL WRAP/PRE DRILLED-.6"X3.4"X96.5" - PORTSMOUTH OAK |
| 4G | 132663-09-07A | EA | MOLDING-VINYL WRAP/PRE DRILLED-.6"X3.4"X96.5" - CONCERT CHERRY/ HONEY CHERRY |
| 4G | 132663-18-21A | EA | MOLDING-VINYL WRAP/PRE DRILLED-.6" X 3.4" X 73.1" - WASHED MAPLE |
| 4G | 132663-18-22A | EA | MOLDING-VINYL WRAP/PRE DRILLED-.6" X 3.4" X 73.1" - SIERRA MAPLE |
| 4G | 132663-15-08A | EA | MOLDING-VINYL WRAP/PRE DRILLED-.6"X3"X96" - PORTSMOUTH OAK |
| 4G | 132663-15-07A | EA | MOLDING-VINYL WRAP/PRE DRILLED-.6"X3"X96" - CONCERT CHERRY/HONEY CHERRY |
| 4G | 132663-04-21A | EA | MOLDING-VINYL WRAP/PRE DRILLED - .6" X 3" X 70.2" - WASHED MAPLE |
| 4G | 132663-04-22A | EA | MOLDING-VINYL WRAP/PRE DRILLED - .6" X 3" X 70.2" - SIERRA MAPLE |
| 5G | 132844-01-08A | EA | BLOCK - CORNER - 3.9" X 3.9" - PORTSMOUTH OAK |
| 5G | 132844-01-02A | EA | BLOCK - CORNER - 3.9" X 3.9" - CONCERT CHERRY/HONEY CHERRY |
| 5G | 132844-01-21A | EA | BLOCK - CORNER - 3.9" X 3.9" - WASHED MAPLE |
| 5G | 132844-01-22A | EA | BLOCK - CORNER - 3.9" X 3.9" - SIERRA MAPLE |
| 5G | 132844-02-08A | EA | BLOCK - CORNER - 3.5" X 3.5" - PORTSMOUTH OAK |
| 5G | 132844-02-02A | EA | BLOCK - CORNER - 3.5" X 3.5" - CONCERT CHERRY/HONEY CHERRY |
| 5G | 132844-02-21A | EA | BLOCK - CORNER - 3.5" X 3.5" - WASHED MAPLE |
| 5G | 132844-02-22A | EA | BLOCK - CORNER - 3.5" X 3.5" - SIERRA MAPLE |
| 6G | 137108-01-07A | EA | RAIL - DECORATIVE - 96" - PORTSMOUTH OAK |
| 6G | 137108-01-02A | EA | RAIL - DECORATIVE - 96" - CONCERT CHERRY |
| 6G | 137108-01-03A | EA | RAIL - DECORATIVE - 96" - WASHED MAPLE |
| 6G | 137108-01-08A | EA | RAIL - DECORATIVE - 96" - HONEY CHERRY |
| 6G | 137108-01-09A | EA | RAIL - DECORATIVE - 96" W/O REVERSE SIDE GROOVE - SIERRA MAPLE |
| 6G | 150167-01-07A | EA | RAIL - DECORATIVE - 96" W/O REVERSE SIDE GROOVE - PORTSMOUTH OAK |
| 6G | 150167-01-02A | EA | RAIL - DECORATIVE - 96" W/O REVERSE SIDE GROOVE - SALEM CHERRY - CONCERT CHERRY |
| 6G | 150167-01-03A | EA | RAIL - DECORATIVE - 96" W/O REVERSE SIDE GROOVE - WASHED MAPLE |
| 6G | 150167-01-09A | EA | RAIL - DECORATIVE - 96" W/O REVERSE SIDE GROOVE - SIERRA MAPLE |
| | 137885-A2-438 | EA | LUMBER - VINYL WRAPPED - .7" X .75" X 96" - CONCERT CHERRY |
| | 137885-D2-438 | EA | LUMBER - VINYL WRAPPED - .7" X 1.5" X 96" - CONCERT CHERRY |
| | 137885-E2-438 | EA | LUMBER - VINYL WRAPPED - .7" X 2" X 96" - CONCERT CHERRY |
| | 137885-F2-438 | EA | LUMBER - VINYL WRAPPED - .7" X 2.5" X 96" - CONCERT CHERRY |
| | 137885-G2-438 | EA | LUMBER - VINYL WRAPPED - .7" X 3" X 96" - CONCERT CHERRY |
| | 137885-H2-438 | EA | LUMBER - VINYL WRAPPED - .7" X 3.5" X 96" - CONCERT CHERRY |
| | 137885-J2-438 | EA | LUMBER - VINYL WRAPPED - .7" X 5.5" X 96" - CONCERT CHERRY |
| | 137885-J2-743 | EA | LUMBER - VINYL WRAPPED - .7" X 5.5" X 108" - CONCERT CHERRY |
| | 137885-K2-438 | EA | LUMBER - VINYL WRAPPED - .7" X 3.9" X 96" - CONCERT CHERRY |
| | 137885-R2-438 | EA | LUMBER - VINYL WRAPPED - .7" X 3" X 96" - CONCERT CHERRY |
| 7G | 137887-D2-134 | EA | MOLDING - VINYL WRAPPED - .7" X 1.6" X 84" - CONCERT CHERRY |
| 7G | 137887-D2-743 | EA | MOLDING - VINYL WRAPPED - .7" X 1.6" X 108" - CONCERT CHERRY |
| 7G | 137887-F2-134 | EA | MOLDING - VINYL WRAPPED - .7" X 2.5" X 84" - CONCERT CHERRY |
| 7G | 137887-F2-743 | EA | MOLDING - VINYL WRAPPED - .7" X 2.5" X 108" - CONCERT CHERRY |
| 7G | 137887-F2-438 | EA | MOLDING - VINYL WRAPPED - .7" X 2.5" X 96" - CONCERT CHERRY |

INTERIOR FINISH GROUP (CONTINUED)
MOLDINGS & TRIMS (CONTINUED)

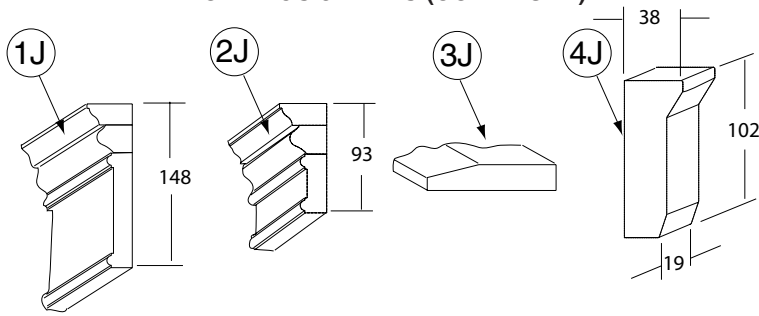
| KEY | PART NUMBER | U/M | DESCRIPTION |
|-----|---------------|-----|--|
| | 137894-A2-438 | EA | LUMBER - VINYL WRAPPED - .7" X .75" X 96" - PORTSMOUTH OAK |
| | 137894-D2-438 | EA | LUMBER - VINYL WRAPPED - .7" X 1.5" X 96" - PORTSMOUTH OAK |
| | 137894-E2-438 | EA | LUMBER - VINYL WRAPPED - .7" X 2" X 96" - PORTSMOUTH OAK |
| | 137894-F2-438 | EA | LUMBER - VINYL WRAPPED - .7" X 2.5" X 96" - PORTSMOUTH OAK |
| | 137894-G2-438 | EA | LUMBER - VINYL WRAPPED - .7" X 3" X 96" - PORTSMOUTH OAK |
| | 137894-H2-438 | EA | LUMBER - VINYL WRAPPED - .7" X 3.5" X 96" - PORTSMOUTH OAK |
| | 137894-J2-438 | EA | LUMBER - VINYL WRAPPED - .7" X 5.5" X 96" - PORTSMOUTH OAK |
| | 137894-J2-743 | EA | LUMBER - VINYL WRAPPED - .7" X 5.5" X 96" - PORTSMOUTH OAK |
| | 137894-K2-438 | EA | LUMBER - VINYL WRAPPED - .7" X 3.9" X 96" - PORTSMOUTH OAK |
| | 137894-R2-438 | EA | LUMBER - VINYL WRAPPED - .7" X 3" X 96" - PORTSMOUTH OAK |
| 7G | 137895-D2-134 | EA | MOLDING - VINYL WRAPPED - .7" X 1.6" X 84"-PORTSMOUTH OAK |
| 7G | 137895-D2-743 | EA | MOLDING - VINYL WRAPPED - .7" X 1.6" X 108"-PORTSMOUTH OAK |
| 7G | 137895-F2-743 | EA | MOLDING - VINYL WRAPPED - .7" X 2.5" X 108" - PORTSMOUTH OAK |
| | 146419-A2-438 | EA | LUMBER - VINYL WRAPPED - .7" X .75" X 96" - HONEY CHERRY |
| | 146419-D2-438 | EA | LUMBER - VINYL WRAPPED - .7" X 1.5" X 96" - HONEY CHERRY |
| | 146419-E2-438 | EA | LUMBER - VINYL WRAPPED - .7" X 2" X 96" - HONEY CHERRY |
| | 146419-F2-438 | EA | LUMBER - VINYL WRAPPED - .7" X 2.5" X 96" - HONEY CHERRY |
| | 146419-G2-438 | EA | LUMBER - VINYL WRAPPED - .7" X 3" X 96" - HONEY CHERRY |
| | 146419-H2-438 | EA | LUMBER - VINYL WRAPPED - .7" X 3.5" X 96" - HONEY CHERRY |
| | 146419-J2-438 | EA | LUMBER - VINYL WRAPPED - .7" X 5.5" X 96" - HONEY CHERRY |
| | 146419-J2-743 | EA | LUMBER - VINYL WRAPPED - .7" X 5.5" X 108" - HONEY CHERRY |
| | 146419-K2-438 | EA | LUMBER - VINYL WRAPPED - .7" X 3.9" X 96" - HONEY CHERRY |
| | 146419-R2-438 | EA | LUMBER - VINYL WRAPPED - .7" X 3" X 96" - HONEY CHERRY |
| 7G | 146425-D2-134 | EA | MOLDING - VINYL WRAPPED - .7" X 1.6" X 96" - HONEY CHERRY |
| 7G | 146425-F2-134 | EA | MOLDING - VINYL WRAPPED - .7" X 2.5" X 84" - HONEY CHERRY |
| 7G | 146425-F2-134 | EA | MOLDING - VINYL WRAPPED - .7" X 2.5" X 96" - HONEY CHERRY |
| 7G | 146425-F2-743 | EA | MOLDING - VINYL WRAPPED - .7" X 2.5" X 108" - HONEY CHERRY |
| | 149325-A2-438 | EA | LUMBER - VINYL WRAPPED - .7" X .75" X 96" - WASHED MAPLE |
| | 149325-D2-438 | EA | LUMBER - VINYL WRAPPED - .7" X 1.5" X 96" - WASHED MAPLE |
| | 149325-E2-438 | EA | LUMBER - VINYL WRAPPED - .7" X 2" X 96" - WASHED MAPLE |
| | 149325-F2-438 | EA | LUMBER - VINYL WRAPPED - .7" X 2.5" X 96" - WASHED MAPLE |
| | 149325-G2-438 | EA | LUMBER - VINYL WRAPPED - .7" X 3" X 96" - WASHED MAPLE |
| | 149325-H2-438 | EA | LUMBER - VINYL WRAPPED - .7" X 3.5" X 96" - WASHED MAPLE |
| | 149325-J2-438 | EA | LUMBER - VINYL WRAPPED - .7" X 5.5" X 96" - WASHED MAPLE |
| | 149325-J2-743 | EA | LUMBER - VINYL WRAPPED - .7" X 5.5" X 108" - WASHED MAPLE |
| | 149325-K2-438 | EA | LUMBER - VINYL WRAPPED - .7" X 3.9" X 96" - WASHED MAPLE |
| | 149325-R2-438 | EA | LUMBER - VINYL WRAPPED - .7" X 3" X 96" - WASHED MAPLE |
| 7G | 149326-D2-134 | EA | MOLDING - VINYL WRAPPED - .7" X 1.6" X 84" - WASHED MAPLE |
| 7G | 149326-F2-134 | EA | MOLDING - VINYL WRAPPED - .7" X 2.5" X 84" - WASHED MAPLE |
| 7G | 149326-F2-438 | EA | MOLDING - VINYL WRAPPED - .7" X 2.5" X 96" - WASHED MAPLE |
| 7G | 149326-F2-743 | EA | MOLDING - VINYL WRAPPED - .7" X 2.5" X 108" - WASHED MAPLE |
| | 149330-A2-438 | EA | LUMBER - VINYL WRAPPED - .7" X .75" X 96" - SIERRA MAPLE |
| | 149330-D2-438 | EA | LUMBER - VINYL WRAPPED - .7" X 1.5" X 96" - SIERRA MAPLE |
| | 149330-E2-438 | EA | LUMBER - VINYL WRAPPED - .7" X 2" X 96" - SIERRA MAPLE |
| | 149330-F2-438 | EA | LUMBER - VINYL WRAPPED - .7" X 2.5" X 96" - SIERRA MAPLE |
| | 149330-G2-438 | EA | LUMBER - VINYL WRAPPED - .7" X 3" X 96" - SIERRA MAPLE |
| | 149330-H2-438 | EA | LUMBER - VINYL WRAPPED - .7" X 3.5" X 96" - SIERRA MAPLE |
| | 149330-J2-438 | EA | LUMBER - VINYL WRAPPED - .7" X 5.5" X 96" - SIERRA MAPLE |
| | 149330-J2-743 | EA | LUMBER - VINYL WRAPPED - .7" X 5.5" X 108" - SIERRA MAPLE |
| | 149330-K2-438 | EA | LUMBER - VINYL WRAPPED - .7" X 3.9" X 96" - SIERRA MAPLE |
| | 149330-R2-438 | EA | LUMBER - VINYL WRAPPED - .7" X 3" X 96" - SIERRA MAPLE |
| 7G | 149331-D2-134 | EA | MOLDING - VINYL WRAPPED - .7" X 1.6" X 96" - SIERRA MAPLE |
| 7G | 149331-F2-134 | EA | MOLDING - VINYL WRAPPED - .7" X 2.5" X 84" - SIERRA MAPLE |
| 7G | 149331-F2-439 | EA | MOLDING - VINYL WRAPPED - .7" X 2.5" X 96" - SIERRA MAPLE |
| 7G | 149331-F2-743 | EA | MOLDING - VINYL WRAPPED - .7" X 2.5" X 108" - SIERRA MAPLE |

INTERIOR FINISH GROUP (CONTINUED)
MOLDINGS & TRIMS (CONTINUED)



| KEY | PART NUMBER | U/M | DESCRIPTION |
|-----|---------------|-----|---|
| 1H | 138359-01-01A | FT | COVER - ROOF BREAK - PEARL CREAM/PLASTIC - 96" |
| 2H | 138403-01-01A | EA | TRIM - ROOF - MILL |
| 3H | 138403-03-01A | EA | TRIM - ROOF - MILL |
| 4H | 141260-01-01A | FT | U-CHANNEL - 1" - VILLAGE OAK - PORTSMOUTH OAK/WASHED MAPLE/SIERRA MAPLE |
| 4H | 141260-01-02A | FT | U-CHANNEL - 1" - GRADY BROWN - CONCERT CHERRY/HONEY CHERRY |
| 5H | 141303-02-N53 | EA | MOLDING - CROWN/BLOCK - PORTSMOUTH OAK |
| 5H | 141303-02-N52 | EA | MOLDING - CROWN/BLOCK - CONCERT CHERRY |
| 5H | 141303-02-N62 | EA | MOLDING - CROWN/BLOCK - WASHED MAPLE |
| 5H | 141303-02-RA3 | EA | MOLDING - CROWN/BLOCK - HONEY CHERRY |
| 6H | 141303-03-N53 | EA | MOLDING - CROWN/BLOCK - PORTSMOUTH OAK |
| 6H | 141303-03-N52 | EA | MOLDING - CROWN/BLOCK - CONCERT CHERRY |
| 6H | 141303-03-N62 | EA | MOLDING - CROWN/BLOCK - WASHED MAPLE |
| 6H | 141303-03-RA3 | EA | MOLDING - CROWN/BLOCK - HONEY CHERRY |
| 7H | 141303-05-R89 | EA | MOLDING - CROWN/BLOCK - PORTSMOUTH OAK |
| 7H | 141303-05-R91 | EA | MOLDING - CROWN/BLOCK - WASHED MAPLE |
| 7H | 141303-05-R90 | EA | MOLDING - CROWN/BLOCK - CONCERT CHERRY |
| 7H | 141303-05-RE3 | EA | MOLDING - CROWN/BLOCK - HONEY CHERRY |
| 8H | 141303-06-R89 | EA | MOLDING - CROWN/BLOCK - PORTSMOUTH OAK |
| 8H | 141303-06-R90 | EA | MOLDING - CROWN/BLOCK - CONCERT CHERRY |
| 8H | 141303-06-R91 | EA | MOLDING - CROWN/BLOCK - WASHED MAPLE |
| 8H | 141303-06-RE3 | EA | MOLDING - CROWN/BLOCK - HONEY CHERRY |
| 9H | 141303-07-R89 | EA | MOLDING - CROWN/BLOCK - PORTSMOUTH OAK |
| 9H | 141303-07-R90 | EA | MOLDING - CROWN/BLOCK - CONCERT CHERRY |
| 9H | 141303-07-R91 | EA | MOLDING - CROWN/BLOCK - WASHED MAPLE |
| 9H | 141303-07-RE3 | EA | MOLDING - CROWN/BLOCK - HONEY CHERRY |
| 10H | 141303-08-R83 | EA | MOLDING - CROWN/BLOCK - PORTSMOUTH OAK |
| 10H | 141303-08-R84 | EA | MOLDING - CROWN/BLOCK - CONCERT CHERRY |
| 10H | 141303-08-R91 | EA | MOLDING - CROWN/BLOCK - WASHED MAPLE |
| 10H | 141303-08-RE0 | EA | MOLDING - CROWN/BLOCK - HONEY CHERRY |
| 11H | 141303-09-R83 | EA | MOLDING - CROWN/BLOCK - PORTSMOUTH OAK |
| 11H | 141303-09-R84 | EA | MOLDING - CROWN/BLOCK - CONCERT CHERRY |
| 11H | 141303-09-R91 | EA | MOLDING - CROWN/BLOCK - WASHED MAPLE |
| 11H | 141303-09-RE0 | EA | MOLDING - CROWN/BLOCK - HONEY CHERRY |
| 12H | 141303-10-R89 | EA | MOLDING - CROWN/BLOCK - PORTSMOUTH OAK |
| 12H | 141303-10-R90 | EA | MOLDING - CROWN/BLOCK - CONCERT CHERRY |
| 12H | 141303-10-R91 | EA | MOLDING - CROWN/BLOCK - WASHED MAPLE |
| 12H | 141303-10-RE3 | EA | MOLDING - CROWN/BLOCK - HONEY CHERRY |

INTERIOR FINISH GROUP (CONTINUED)
MOLDINGS & TRIMS (CONTINUED)



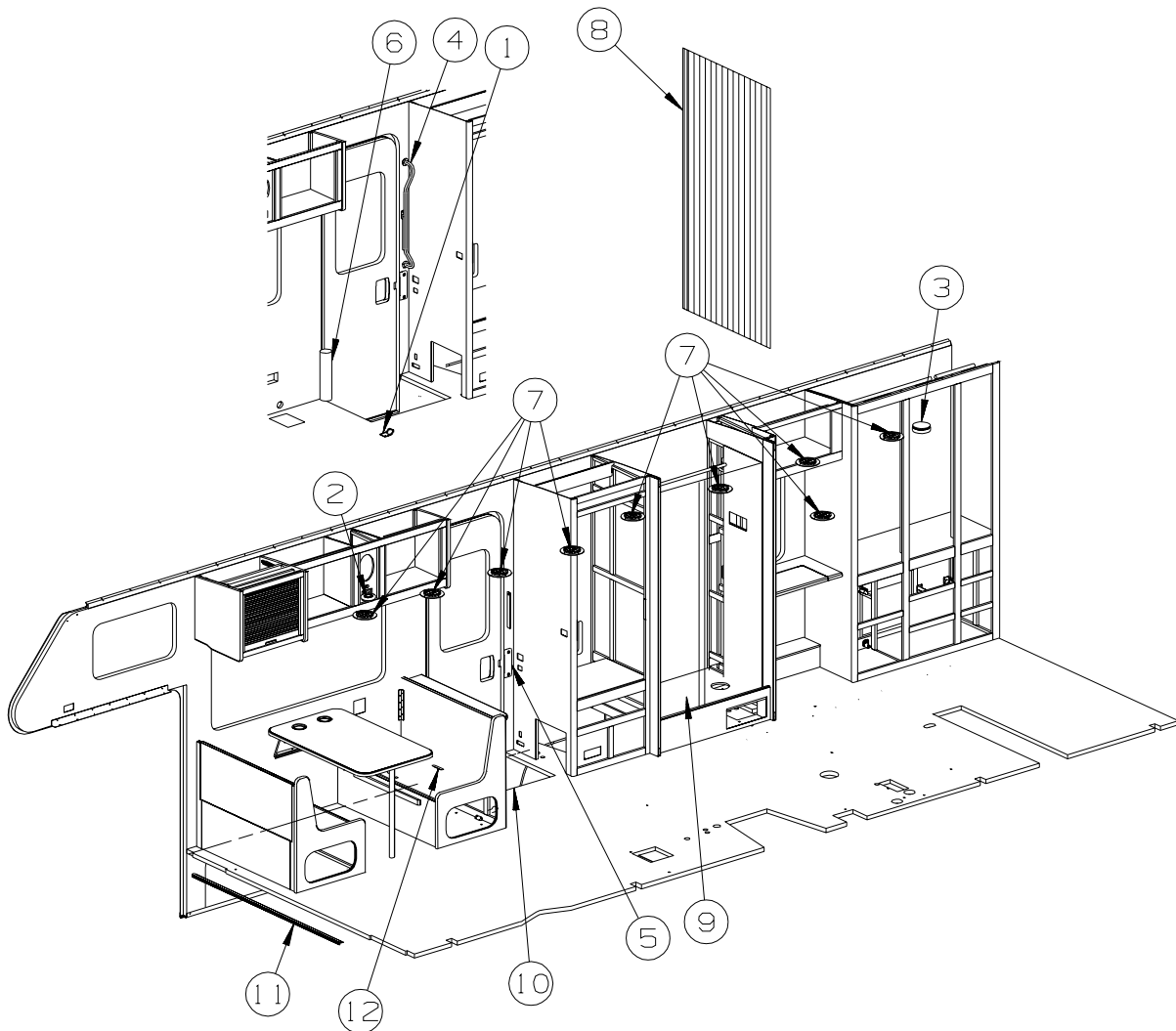
| KEY | PART NUMBER | U/M | DESCRIPTION |
|-----|---------------|-----|--|
| 1J | 144885-14-R83 | EA | MOLDING - F/SLIDEOUT - 86.5" - PORTSMOUTH OAK |
| 1J | 144885-14-R84 | EA | MOLDING - F/SLIDEOUT - 86.5" - CHERRY |
| 1J | 144885-14-RE0 | EA | MOLDING - F/SLIDEOUT - 86.5" - HONEY CHERRY |
| 1J | 144885-07-SD2 | EA | MOLDING - F/SLIDEOUT - 82.5" - WASHED MAPLE |
| 2J | 145379-01-R83 | EA | MOLDING/TRIM - 47.48" - PORTSMOUTH OAK |
| 2J | 145379-01-R84 | EA | MOLDING/TRIM - 47.48" - CONCERT CHERRY |
| 2J | 145379-01-RE0 | EA | MOLDING/TRIM - 47.48" - HONEY CHERRY |
| 2J | 145379-01-SD2 | EA | MOLDING/TRIM - 47.48" - WASHED MAPLE |
| 2J | 145379-02-R83 | E A | MOLDING/TRIM - 7.87" W/RIGHT SIDE ANGLE CUT - PORTSMOUTH OAK |
| 2J | 145379-02-R84 | EA | MOLDING/TRIM - 7.87" W/RIGHT SIDE ANGLE CUT - CONCERT CHERRY |
| 2J | 145379-02-RE0 | EA | MOLDING/TRIM - 7.87" W/RIGHT SIDE ANGLE CUT - HONEY CHERRY |
| 2J | 145379-02-SD2 | EA | MOLDING/TRIM - 7.87" W/RIGHT SIDE ANGLE CUT - WASHED MAPLE |
| 2J | 145379-03-R83 | EA | MOLDING/TRIM - 7.87" W/LEFT SIDE ANGLE CUT - PORTSMOUTH OAK |
| 2J | 145379-03-R84 | EA | MOLDING/TRIM - 7.87" W/LEFT SIDE ANGLE CUT - CONCERT CHERRY |
| 2J | 145379-03-RE0 | EA | MOLDING/TRIM - 7.87" W/LEFT SIDE ANGLE CUT - HONEY CHERRY |
| 2J | 145379-03-SD2 | EA | MOLDING/TRIM - 7.87" W/LEFT SIDE ANGLE CUT - WASHED MAPLE |
| 2J | 145379-05-R83 | EA | MOLDING/TRIM - 102.75" - PORTSMOUTH OAK |
| 2J | 145379-05-R84 | EA | MOLDING/TRIM - 102.75" - CONCERT CHERRY |
| 2J | 145379-05-SD2 | EA | MOLDING/TRIM - 102.75" - WASHED MAPLE |
| 2J | 145379-05-RE0 | EA | MOLDING/TRIM - 102.75" - HONEY CHERRY |
| 3J | 146306-01-01A | FT | TRANSITION - CARPET/TILE |
| 4J | 149151-01-S46 | EA | MOLDING - BLOCK - PORTSMOUTH OAK |
| 4J | 149151-01-S47 | EA | MOLDING - BLOCK - CONCERT CHERRY |
| 4J | 149151-01-S48 | EA | MOLDING - BLOCK - WASHED MAPLE |

INTERIOR FINISH GROUP (CONTINUED)
PANELING & LAMINATES

| KEY | PART NUMBER | U/M | DESCRIPTION |
|------------|--------------------|------------|---|
| | 000885-A5-000 | SF | PARTICLE BOARD - 3/8" X 4' X 8' - WHITE PEB EMB - 1 SIDED |
| | 000885-92-000 | SF | PARTICLE BOARD - 3/8" X 4' X 8' - PORTSMOUTH OAK - 1 SIDED - PORTSMOUTH OAK |
| | 000885-93-000 | SF | PARTICLE BOARD - 3/8" X 4' X 8' - PORTSMOUTH OAK - 2 SIDED - PORTSMOUTH OAK |
| | 000885-94-000 | SF | PARTICLE BOARD - 1/2" X 4' X 8' - PORTSMOUTH OAK - 2 SIDED - PORTSMOUTH OAK |
| | 000885-95-000 | SF | PARTICLE BOARD - 3/4" X 4' X 8' - PORTSMOUTH OAK - 2 SIDED - PORTSMOUTH OAK |
| | 000885-B0-000 | SF | PARTICLE BOARD - 3/8" X 4' X 8'- SIERRA MAPLE - 2 SIDED - SIERRA MAPLE |
| | 000885-B1-000 | SF | PARTICLE BOARD - 3/8" X 4' X 8'- SIERRA MAPLE - 1 SIDED - SIERRA MAPLE |
| | 000885-B2-000 | SF | PARTICLE BOARD - 3/4" X 4' X 8'- SIERRA MAPLE - 2 SIDED - SIERRA MAPLE |
| | 000885-B3-000 | SF | PARTICLE BOARD - 1/2" X 4' X 8'- SIERRA MAPLE - 2 SIDED - SIERRA MAPLE |
| | 057882-04-000 | SF | TAMBOUR - 48" X 96" SHEET - UNFINISHED |
| | 126339-01-000 | SF | BOARD - WHEAT - 60" X 72" |
| | 074497-42-000 | SF | PANELING - PORTSMOUTH OAK - 1/8" X 4' X 8' - PORTSMOUTH OAK |
| | 076773-15-000 | SF | PANELING - 2 SIDED/PORTSMOUTH OAK - 1/8" X 4' X 8' - PORTSMOUTH OAK |
| | 074497-48-000 | SF | PANELING - SIERRA MAPLE - 1/8" X 4' X 8' - SIERRA MAPLE |
| | 076773-19-000 | SF | PANELING - 2 SIDED/SIERRA MAPLE - 1/8" X 4' X 8' - SIERRA MAPLE |
| | 074497-52-000 | SF | PANELING/PAPER WRAPPED - SCULPTURES PA - 1/8" X 48" X 100" |
| | 088272-H9-000 | SF | PANELING - PEBBLE EMBOSSED - WHITE - 4' X 7' |
| | 088272-K6-000 | SF | PANELING - CYPRESS - 4' X 7' (S04, S91, S98, SX1) |
| | 088272-K5-000 | SF | PANELING - SILVERADO - 4' X 7' (S05, S92) |
| | 088272-K7-000 | SF | PANELING - STONE - 4' X 7' (S06, S93, S97) |
| | 074498-40-000 | SF | LAMINATE - PLASTIC - OFF WHITE - 4' X 8' |
| | 074498-A1-000 | SF | LAMINATE - PLASTIC - LINO FRIEZE - 5' X 8' (S04, S91, S98, SX1) |
| | 074498-97-000 | SF | LAMINATE - PLASTIC - GRAY TRANQUILITY - 4' X 8' (S05, S92) |
| | 074498-99-000 | SF | LAMINATE - PLASTIC - EGGSHELL - 5' X 8' (S06, S93, S97) |
| | 076325-39-000 | FT | MOLDING - EDGE BAND - 1 5/16" X .030" - ALMOND |
| | 076325-40-000 | FT | MOLDING - EDGE BAND - .93" X .024" - ALMOND |
| | 085284-F9-000 | FT | BATT TAPE - ADHESIVE BACKED - PEBBLE EMBOSSED |
| | 085284-H9-000 | FT | BATT TAPE - ADHESIVE BACKED - DECORATIVE - CYPRESS (S04, S91, S98, SX1) |
| | 085284-H8-000 | FT | BATT TAPE - ADHESIVE BACKED - DECORATIVE-ROCKET SILVERADO (S05, S92) |
| | 085284-H0-000 | FT | BATT TAPE - ADHESIVE BACKED - DECORATIVE - STONE (S06, S93, S97) |
| | 085284-J8-000 | FT | BATT TAPE - ADHESIVE BACK - SCULPTURES PARCHMENT |
| | 085284-G8-000 | FT | BATT TAPE - ADHESIVE BACKED/PAPER WRAP - PORTSMOUTH OAK |
| | 085284-J4-000 | FT | BATT TAPE - ADHESIVE BACKED - DECORATIVE-SIERRA MAPLE - SIERRA MAPLE |
| | 069733-87-000 | EA | BATT STRIP - WOODGRAINED/PORTSMOUTH OAK - 8' - PORTSMOUTH OAK |
| | 069733-90-000 | EA | BATT STRIP - WOODGRAINED/SIERRA MAPLE - 8' - SIERRA MAPLE |
| | 088263-J1-000 | EA | BATT STRIP - DECORATIVE - SIERRA MAPLE - SIERRA MAPLE |
| | 088263-H5-000 | EA | BATT STRIP - DECORATIVE - CYPRESS (S04, S91, S98, SX1) |
| | 088263-H4-000 | EA | BATT STRIP - DECORATIVE - ROCKET SILVERADO (S05, S92) |
| | 088263-H6-000 | EA | BATT STRIP - DECORATIVE - STONE (S06, S93, S97) |
| | 088263-J4-000 | EA | BATT STRIP - DECORATIVE - SCULPTURES PARCHMENT |

INTERIOR FINISH GROUP (CONTINUED)

INTERIOR TRIM LAYOUT

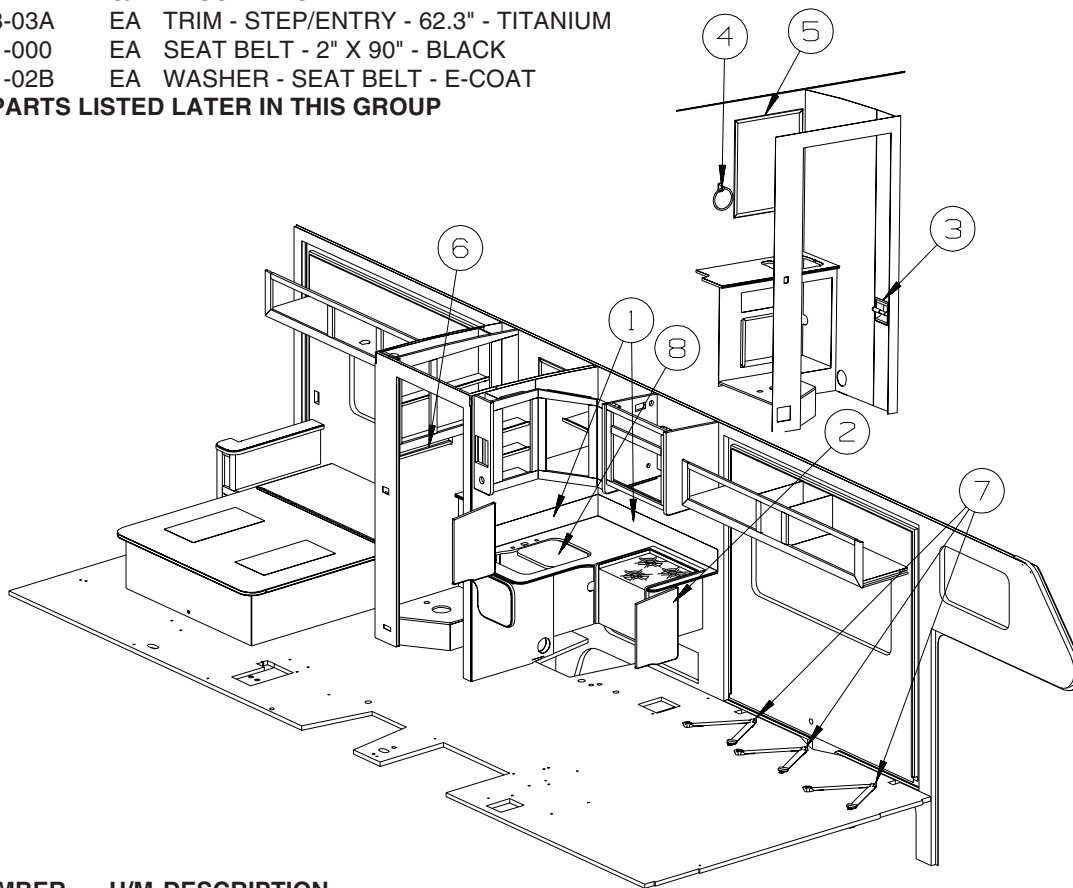


| KEY | PART NUMBER | U/M | DESCRIPTION |
|-----|---------------|-----|--|
| 1 | 150697-01-02B | EA | BRACKET - RESTRAINT/CHILD - E-COATED |
| 1 | 150700-02-02B | EA | PLATE/MOUNTING - RESTRAINT/CHILD - 1" X 2.3" - E-COATED FROM: 04-19-04 THRU: 06-06-04 |
| 1 | 150700-01-02B | EA | PLATE/MOUNTING - RESTRAINT/CHILD - 1" X 2.3" - E-COATED FROM: 06-07-04 THRU: 06-16-04 |
| 1 | 152054-01-02B | EA | PLATE/MOUNTING - RESTRAINT/CHILD FROM: 06-17-04 THRU: 99-99-99 |
| 2 | 072852-01-000 | EA | DETECTOR - SMOKE - W/9 VOLT BATTERY - US |
| 2 | 072852-02-000 | EA | DETECTOR - SMOKE - W/9 VOLT BATTERY - CANADIAN |
| 2 | 077956-01-000 | EA | LABEL - WARNING/SMOKE DETECTOR |
| 3 | 125136-02-000 | EA | DETECTOR/CO - GAS MODEL - 9 VOLT |
| 4 | 137605-01-01A | EA | RAIL - HAND - INTERIOR ENTRY DOOR - BLACK |
| 5 | 148362-01-01A | EA | COVER - BRACKET/STRIKE - BRIGHT WHITE |
| 5 | 140151-02-02A | EA | COVER - SCREW - BRIGHT WHITE |
| 6 | 094499-03-000 | EA | EXTINGUISHER/FIRE - DRY - 10BC - W/GAUGE/BRACKET |
| 6* | 094499-02-000 | EA | EXTINGUISHER/FIRE - DRY - 10BC - W/GAUGE - CANADIAN |
| 6 | 094499-04-000 | EA | STRAP - FIRE EXTINGUISHER MOUNTING - METAL |
| 7 | 120134-01-02A | EA | REGISTER - W/DAMPER - 4" PIPE/6.4" O.D. FACE - WHITE |
| 8* | 131595-01-01A | EA | DOOR/FOLDING-36.9"X 74.9"-4 CEILING BRKTS & STRAIGHT TRACK |
| 8 | 131595-07-01A | EA | TRACK - DOOR - CURVED/RIGHT - 28.5" |
| 8 | 057534-03-000 | EA | TIEBACK - CLEAR PLASTIC - 7.5" |
| 9* | 135615-05-01A | EA | DOOR - SHOWER/FOLDING - 39" X 66" - WHITE/WHITE |
| 9* | 115011-03-01A | EA | DOOR SHOWER - SLIDING/BYPASS W/40" LOWER TRACK - GOLD/AQUA - GLASS SHOWER DOOR |
| 10 | 139955-15-01A | EA | TRIM - STEP/ENTRY - 21.7" - MILL - VINYL FLOOR - THRU OUT/VINYL FLOOR FRONT |
| 10 | 139955-16-01A | EA | TRIM - STEP/ENTRY - 21.7" - MILL - VINYL FLOOR - THRU OUT/VINYL FLOOR FRONT |
| 10 | 139955-17-01A | EA | TRIM - STEP/ENTRY - 28" - MILL - VINYL FLOOR - THRU OUT/VINYL FLOOR FRONT |
| 10 | 139955-14-04A | EA | TRIM - STEP/ENTRY - 26.7" - TITANIUM |

INTERIOR FINISH GROUP (CONTINUED)
INTERIOR TRIM LAYOUT (CONTINUED)

| KEY | PART NUMBER | U/M | DESCRIPTION |
|-----|---------------|-----|--------------------------------------|
| 11 | 139955-18-03A | EA | TRIM - STEP/ENTRY - 62.3" - TITANIUM |
| 12 | 007021-01-000 | EA | SEAT BELT - 2" X 90" - BLACK |
| 12 | 140221-01-02B | EA | WASHER - SEAT BELT - E-COAT |

*COMPONENT PARTS LISTED LATER IN THIS GROUP



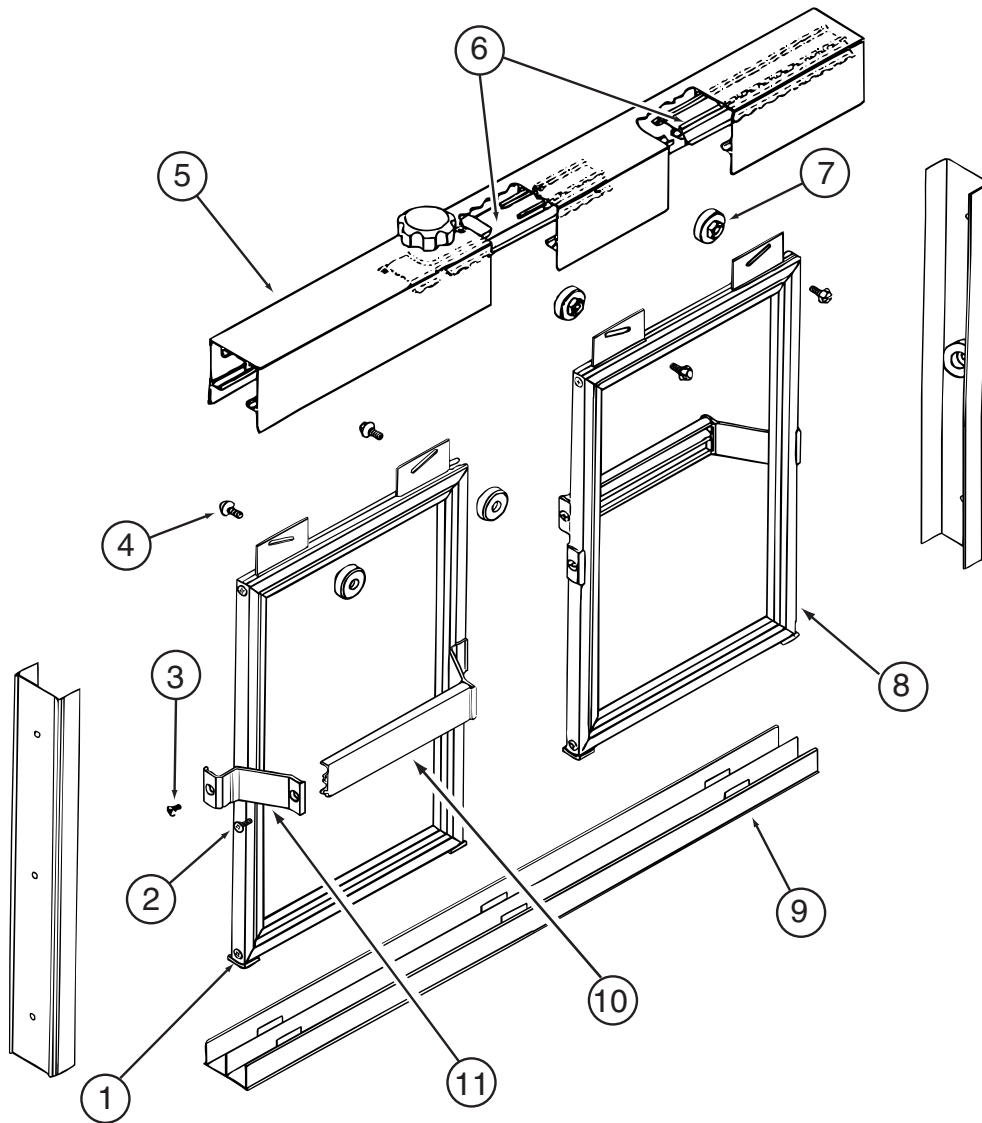
| KEY | PART NUMBER | U/M | DESCRIPTION |
|-----|---------------|-----|--|
| 1 | 132610-06-13A | FT | WALLPAPER - BORDER - 5 1/4" - SELF-ADHESIVE (S04,S91) FROM: 00-00-00 THRU: 10-03-04 |
| 1 | 132610-05-26A | FT | WALLPAPER - BORDER - 7" - SELF-ADHESIVE (S04,S91) FROM: 10-04-04 THRU: 99-99-99 |
| 1 | 132610-05-25A | FT | WALLPAPER - BORDER - 7" - SELF-ADHESIVE (S05,S92) |
| 1 | 132610-06-15A | FT | WALLPAPER - BORDER - 5 1/4" - SELF-ADHESIVE (S06,S93) |
| 1 | 132610-05-28A | FT | WALLPAPER - BORDER - 7" - SELF-ADHESIVE (S97) |
| 1 | 132610-05-26A | FT | WALLPAPER - BORDER - 7" - SELF-ADHESIVE (S98) |
| 2 | 118718-01-01A | EA | HOLDER/DRINK - COLLAPSIBLE MUG - BLACK PLASTIC |
| 2 | 118718-01-02A | EA | HOLDER/DRINK - COLLAPSIBLE MUG - WHITE PLASTIC |
| 3 | 145980-02-01A | EA | HOLDER - TOILET TISSUE - RECESSED - BRASS |
| 4 | 145980-06-01A | EA | TOWEL RING - BRASS |
| 5 | 140374-66-000 | EA | MIRROR - SAFETY GLASS - 20.1" X 25.2" |
| 6 | 145980-04-01A | EA | TOWEL BAR - POST - PAIR/BRASS |
| 6 | 145980-05-01A | EA | TOWEL BAR - 18" - BRASS |
| 7 | 007021-01-000 | EA | SEAT BELT - 2" X 90" - BLACK |
| 8 | 103610-04-R09 | EA | COVER - SINK - 15.7" X 13.8" - LINO FRIEZE (S04,S91,S97) |
| 8 | 103610-04-N30 | EA | COVER - SINK - 15.7" X 13.8" - GRAY TRANQUILITY (S05,S92) |
| 8 | 103610-04-P17 | EA | COVER - SINK - 15.7" X 13.8" - EGGSHELL MOSAIC (S06,S93,S98) |

COMPONENT PARTS FOR INTERIOR TRIM LAYOUT

094499-02-000

| KEY | PART NUMBER | U/M | DESCRIPTION | VENDOR NO |
|-----|---------------|-----|----------------------------|-----------|
| | 094499-01-700 | EA | BRACKET MTG. W/PLAS. STRAP | 294039 |

INTERIOR FINISH GROUP (CONTINUED)
COMPONENT PARTS FOR INTERIOR TRIM LAYOUT (CONTINUED)



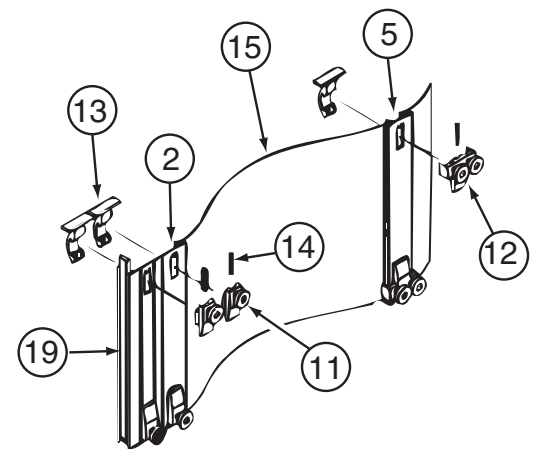
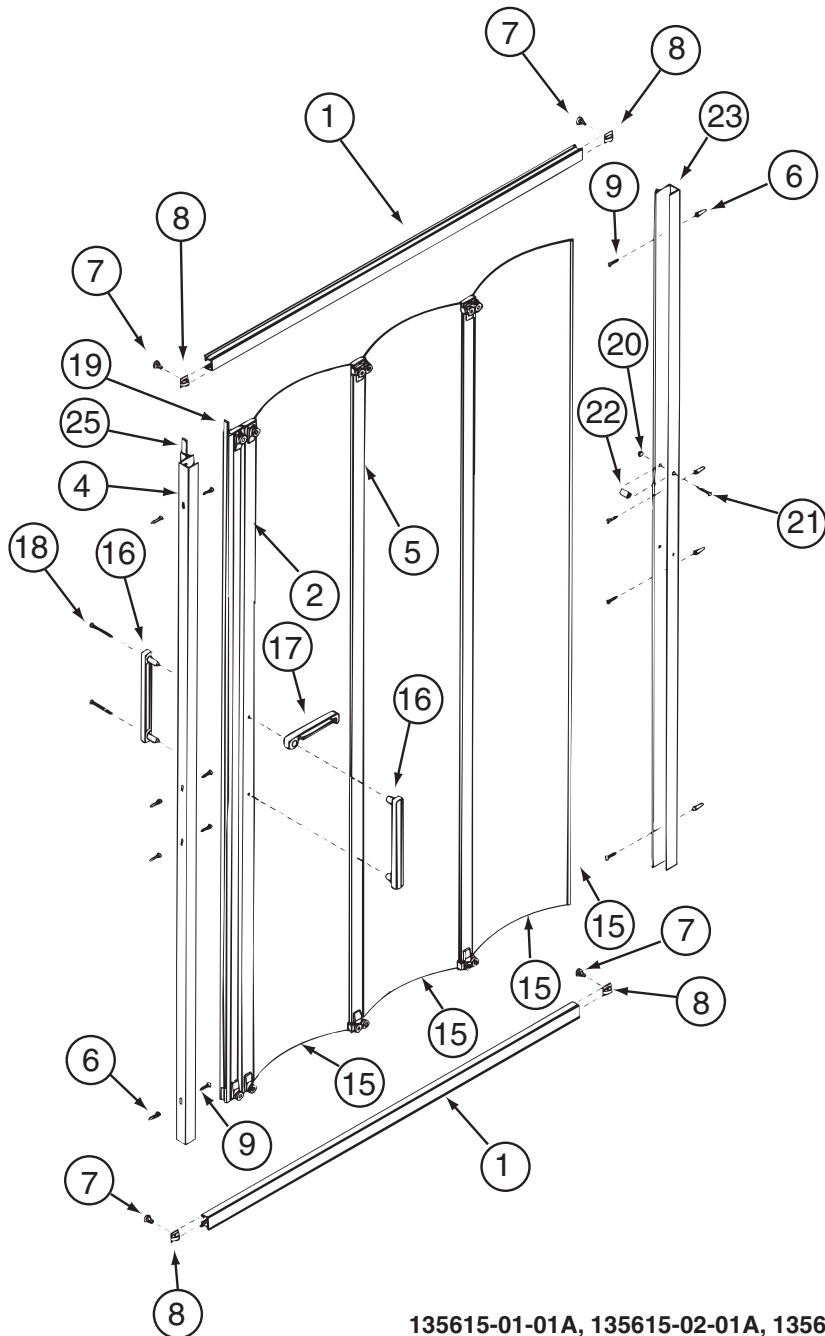
115011-03-01A

| KEY | PART NUMBER | U/M | DESCRIPTION | VENDOR NO. |
|-----|---------------|-----|------------------------------|-------------|
| 1 | 115011-01-701 | EA | GUIDE-NYLON, (W-TRACK) | 1104 |
| 2 | 115011-01-707 | EA | SCREW F/TOWEL BAR | 612F |
| 3 | 115011-01-708 | EA | SCREW F/TOWEL BAR BRKTS | 638F |
| 4 | 115011-01-705 | EA | SCREW-ROLLER, (HEX HEAD) | 832HEX |
| 5 | 115011-01-700 | EA | HEADER, W/O ANTI JUMP GUARD | 120G |
| 6 | 115011-01-710 | EA | HEADER LOCK (ANTI JUMP) ADJ | 130MIDDLE |
| 6 | 115011-01-716 | EA | GUARD-ANTI JUMP-W/O TENSION | 130END |
| 7 | 115011-01-704 | EA | ROLLERS | PN193 |
| 8 | 115011-01-706 | FT | GLAZING VINYL | C 169 |
| 9 | 115011-01-709 | EA | TRACK-BOTTOM- 50" | 90 |
| 10 | 115011-01-703 | EA | BAR-TOWEL | 136 |
| 11 | 115011-01-702 | EA | BRACKET-TOWEL BAR | 135 |
| | 115011-01-711 | EA | KNOB-TENSION,(HEADER W/BOLT) | 1420K-1420S |
| | 115011-01-714 | EA | BUMPER - RATTLE/SHOWER DOOR | 5168S |
| | 115011-01-715 | EA | PAD - FOAM | 116R |

131595-01-01A, 131595-05-01A, 131595-10-01A

| KEY | PART NUMBER | U/M | DESCRIPTION | VENDOR NO. |
|-----|---------------|-----|----------------------|------------|
| | 117431-01-707 | EA | CATCH/PIN - PLASTIC | |
| | 131595-01-700 | EA | END STOP ONLY | |
| | 131595-01-701 | EA | BRACKET/MOUNTING | 908956 |
| | 131595-01-702 | EA | TRACK/STRAIGHT - 37" | |

INTERIOR FINISH GROUP (CONTINUED)
COMPONENT PARTS FOR INTERIOR TRIM LAYOUT (CONTINUED)



Roller Assembly Detail

135615-01-01A, 135615-02-01A, 135615-05-01A

| KEY | PART NUMBER | U/M | DESCRIPTION | VENDOR NO. |
|-----|---------------|-----|--------------------------------|------------|
| 1 | 135615-01-702 | EA | TRACK - (TOP/BOTTOM) - 40" | 117W |
| 2 | 135615-01-701 | EA | STRIKE ASSEMBLY - 66" | 109W |
| 4 | 135615-01-703 | EA | JAMB/WALL - W/O MAG STRIKE 66" | 112W |
| 11 | 108351-01-703 | EA | BRACKET & ROLLER ASM. SINGLE | GRB1 |
| 12 | 108351-01-704 | EA | BRACKET & ROLLER ASM. DOUBLE | GRB2 |
| 13 | 108351-01-705 | EA | CLIP ONLY F/SGL/DBL ROLLER | GRC1 |
| 14 | 108351-01-706 | EA | SPRING-ROLLER BRACKET | GS1 |
| 16 | 108351-01-701 | EA | HANDLES-DOOR, SET | SFH |
| 17 | 108351-01-702 | EA | LATCH-DOOR | SFL |
| 23 | 135615-01-704 | EA | JAMB/WALL PANEL RECEIVER 66" | 110W |
| 25 | 135615-01-700 | EA | STRIP/MAGNETIC - 66" | 98-41W |

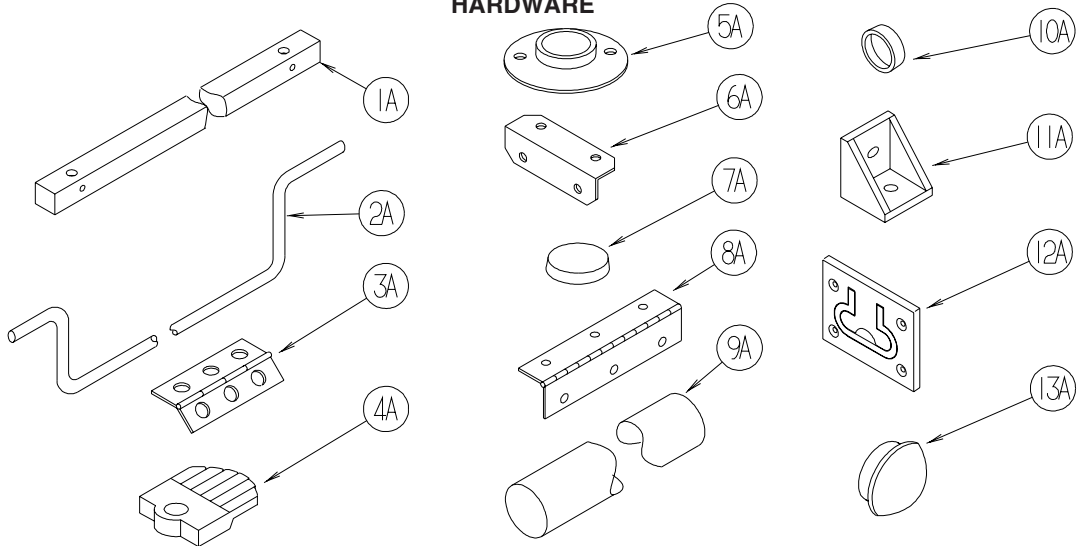
CONTACT WINNEBAGO PART SALES FOR UNLISTED COMPONENT(S)

INTERIOR FINISH GROUP (CONTINUED)
FLOOR COVERINGS

| KEY | PART NUMBER | U/M | DESCRIPTION |
|------------|--------------------|------------|---|
| | 042720-33-000 | SY | VINYL-FLOOR COVER, DIAMOND (S04, S05, S06, S91, S92, S93, SX1) |
| | 042720-34-000 | SY | VINYL - FLOOR COVERING - CALAY/SIERRA SAND (S97) |
| | 042720-35-000 | SY | VINYL - FLOOR COVERING - CALAY/MESA GRAY (S98) |
| | 075233-01-000 | SY | PAD - CARPET - 3/8" X 6' ROLL |
| | 089275-02-000 | FT | STRIP - 3/4" X 84" BLACK POLYETHYLENE |
| | 093486-01-000 | SY | CARPET - COMPARTMENT - 72" WIDE - DARK GRAY |
| | 096060-F0-000 | SY | CARPET - PALE SAGE - INCREMENTS OF 4 SQ YARDS (S04, S91, S98, SX1) FROM: 00-00-00 THRU: 11-14-04 |
| | 152251-05-01A | SY | CARPET - 4 SQUARE YARD INCREMENTS - SAGE (S04, S91, S98, SX1) FROM: 11-15-04 THRU: 99-99-99 |
| | 096060-E6-000 | SY | CARPET - OASIS - INCREMENTS OF 4 SQ YARDS (S05, S92) FROM: 00-00-00 THRU: 11-07-04 |
| | 152251-05-05A | SY | CARPET - 4 SQUARE YARD INCREMENTS - SKY BLUE (S05, S92) FROM: 11-08-04 THRU: 99-99-99 |
| | 096060-H1-000 | SY | CARPET - TAPIOCA - INCREMENTS OF 4 SQ YARDS (S06, S93, S97) FROM: 00-00-00 THRU: 01-23-05 |
| | 152251-06-01A | SY | CARPET - 4 SQUARE YARD INCREMENTS - WHEAT (S06, S93, S97) FROM: 01-24-05 THRU: 99-99-99 |

INTERIOR FINISH GROUP (CONTINUED)

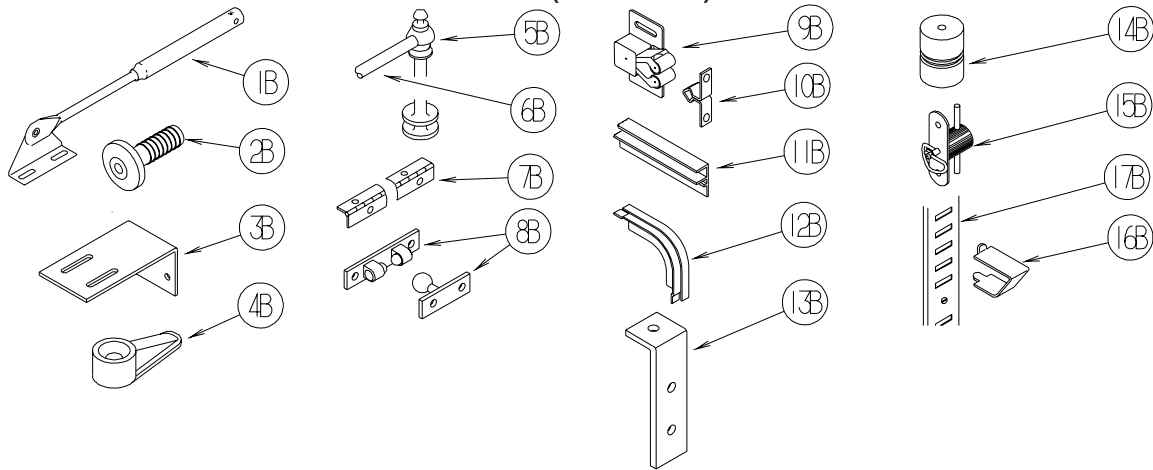
HARDWARE



| KEY | PART NUMBER | U/M | DESCRIPTION |
|-----|---------------|-----|--|
| 1A | P34509-01-N01 | EA | RAIL END - RH/LH - TOWEL RACK - PORTSMOUTH |
| 1A | P34509-01-P14 | EA | RAIL END - RH/LH - TOWEL RACK - CONCERT CHERRY |
| 1A | P34509-01-J70 | EA | RAIL END - RH/LH - TOWEL RACK - WASHED MAPLE |
| 1A | P34509-01-RE0 | EA | RAIL END - RH/LH - TOWEL RACK - HONEY CHERRY |
| 1A | P34509-01-SA3 | EA | RAIL END - RH/LH - TOWEL RACK - SIERRA MAPLE |
| 2A | 146801-01-01A | EA | ROD/TOWEL BAR (OFFSET) - BRASS |
| 2A | 146801-01-02A | EA | ROD/TOWEL BAR (OFFSET) - PEWTER |
| 3A | 009059-01-000 | EA | HINGE - DOOR - 2" X 1.4" - BRASS |
| 3A | 009059-02-000 | EA | HINGE - DOOR - 2" X 2.7" - BRASS |
| 3A | 009059-03-000 | EA | HINGE - BRASS - 1.75" |
| 3A | 009059-04-000 | EA | HINGE - 2" - ZINC |
| 4A | 009089-01-000 | EA | CLIP - MIRROR |
| 5A | 009112-01-000 | EA | FLANGE - PLASTIC - 1" CLOTHES ROD - OFF WHITE |
| 5A | 152301-01-01A | EA | FLANGE - PLASTIC - 1" CLOTHES ROD HOLDER - WHITE |
| 6A | 016604-05-000 | EA | BRACE - ANGLE - 2 1/2" - OFF WHITE METAL |
| 6A | 016604-10-000 | EA | BRACE - SEAT ANGLE - 2.5" - BLACK |
| 7A | 023320-01-000 | EA | PAD - FELT 3/8" DIAMETER |
| 8A | 041389-25-000 | EA | HINGE - PIANO - 1 1/2" X 55" - UNPAINTED |
| 9A | 042438-02-000 | EA | DOWEL - WOOD - 2" DIAMETER X 2' |
| 10A | 057671-01-000 | EA | COVER - SCREW - #8 - OFF WHITE |
| 10A | 057671-15-000 | EA | COVER - SCREW - #8 - BRIGHT WHITE |
| 10A | 057671-16-000 | EA | COVER - SCREW - #8 - SOFT WHITE |
| 10A | 057671-17-000 | EA | COVER - SCREW - VW LT GRAY - #8 |
| 11A | 065740-01-000 | EA | BRACE - CABINET/CORNER - PLASTIC |
| 12A | 072871-01-000 | EA | PULL - FLUSH - CHROME |
| 13A | 074045-08-000 | EA | PLUG - OAK - 3/8" DOWEL-1/2" HEAD - CONCERT CHERRY |
| 13A | 074045-12-000 | EA | PLUG - OAK - 3/8" DOWEL-1/2" HEAD - WASHED MAPLE |
| 13A | 074045-13-000 | EA | PLUG - OAK - 3/8" DOWEL-1/2" HEAD - PORTSMOUTH OAK |
| 13A | 074045-14-000 | EA | PLUG - OAK - 3/8" DOWEL-1/2" HEAD - HONEY CHERRY |
| 13A | 074045-15-000 | EA | PLUG - OAK - 3/8" DOWEL-1/2" HEAD - SIERRA MAPLE |

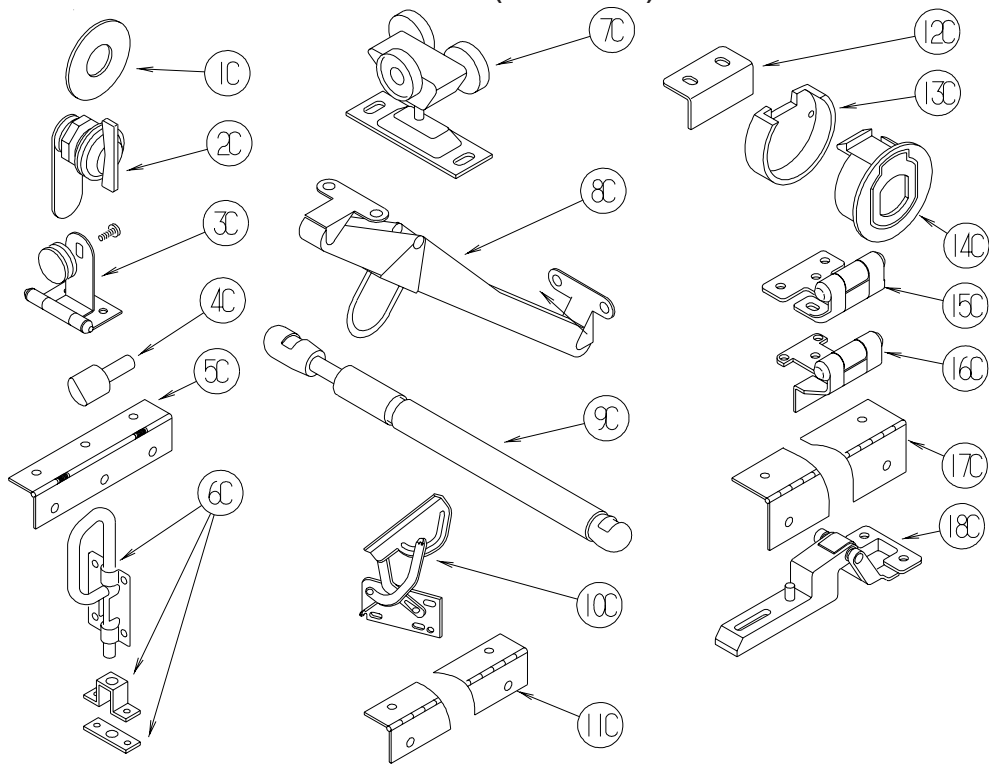
INTERIOR FINISH GROUP (CONTINUED)

HARDWARE (CONTINUED)



| KEY | PART NUMBER | U/M | DESCRIPTION |
|-----|---------------|-----|--|
| 1B | 074493-02-000 | EA | SUPPORT - PISTON SPRING - CABINET DOOR - 26 LBS |
| 1B | 074493-03-000 | EA | SUPPORT - PISTON SPRING - CABINET DOOR - 12 LBS |
| 2B | 079921-01-000 | EA | ROLLER - NYLON - W/STEEL SHAFT - BARBED |
| 3B | 083125-07-000 | EA | BRACE - ANGLE/COUCH - 2.5" - OFF WHITE |
| 4B | 083204-03-000 | EA | BUTTON - RETAINING MIRROR 5/16" TIP |
| 5B | 084070-03-000 | EA | POST - END - 2.4" - SHINY BRASS |
| 6B | 084071-20-000 | EA | ROD - BRASS - 9.8" |
| 6B | 146840-03-01A | EA | ROD - .25" DIAMETER - BRASS |
| 6B | 146840-03-02A | EA | ROD - .25" DIAMETER - PEWTER |
| 6B | 146840-04-01A | EA | ROD - .25" DIAMETER - BRASS |
| 6B | 146840-04-02A | EA | ROD - .25" DIAMETER - PEWTER |
| 6B | 146840-05-01A | EA | ROD - .25" DIAMETER - BRASS |
| 6B | 146840-05-02A | EA | ROD - .25" DIAMETER - PEWTER |
| 7B | 084413-01-000 | EA | HINGE - 1" X 72" - ALUMINUM - W/HOLES |
| 8B | 084451-01-000 | EA | CATCH & LATCH - 1.7" - BRASS |
| 9B | 093586-03-000 | EA | CATCH - SPRING ROLLER - .377" |
| 9B | 093586-06-000 | EA | CATCH - SPRING ROLLER - .236" |
| 10B | 093586-04-000 | EA | STRIKE - SPRING STEEL - 1.14" |
| 10B | 093586-05-000 | EA | STRIKE - SPRING STEEL - .943" |
| 11B | 093622-01-000 | EA | TRACK - DOOR - TAMBOUR - PLASTIC - 8' LENGTHS |
| 12B | 093623-01-000 | EA | CORNER - TRACK - TAMBOUR DOOR |
| 13B | 096826-01-01A | EA | BRACE-CABINET E-COATED |
| 14B | 097872-04-000 | EA | DOWEL - WOOD - 1" DIAMETER X 1.38" LONG - UNFINISHED |
| 15B | 098196-01-000 | EA | LATCH - 1/4 TURN - T-BAR |
| 16B | 098979-01-000 | EA | CLIP - ADJUSTABLE SHELF |
| 17B | 098980-01-000 | EA | PILASTER - ADJUSTABLE SHELF - 18" |
| 17B | 098980-02-000 | EA | PILASTER - ADJUSTABLE SHELF - 12" |
| 17B | 098980-03-000 | EA | PILASTER - ADJUSTABLE SHELF - 9" |
| 17B | 098980-04-000 | EA | PILASTER - ADJUSTABLE SHELF - 48" |
| 17B | 098980-05-000 | EA | PILASTER - ADJUSTABLE SHELF - 15" |
| 17B | 098980-06-000 | EA | PILASTER - ADJUSTABLE SHELF - 24" |

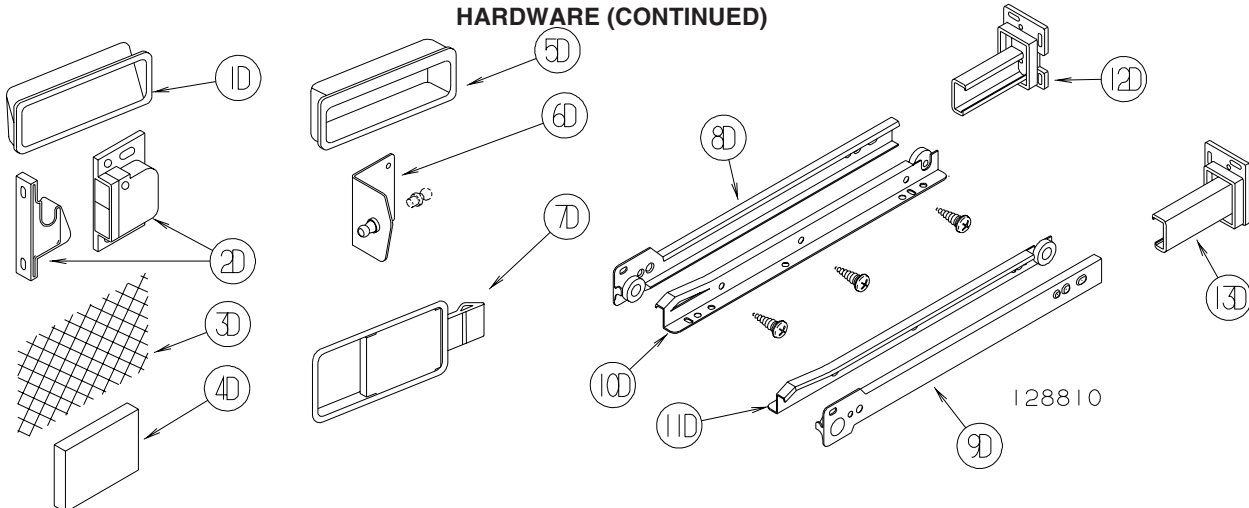
INTERIOR FINISH GROUP (CONTINUED)
HARDWARE (CONTINUED)



| KEY | PART NUMBER | U/M | DESCRIPTION |
|-----|---------------|-----|---|
| 1C | 100707-01-000 | EA | SPACER - GLASS DOOR - .8" DIA - .3" HOLE - PLASTIC |
| 2C | 100710-01-01A | EA | LOCK - GLASS DOOR/TWIST TYPE - BRASS |
| 3C | 100711-01-01A | EA | HINGE - GLASS DOOR |
| 4C | 101766-01-000 | EA | PIN - SUPPORT/GLASS DOOR |
| 5C | 102920-01-01A | EA | HINGE - SPRING LOADED - BRASS |
| 6C | 103256-01-000 | EA | LATCH COMPLETE (SLIDE) |
| 7C | 103874-01-000 | EA | HANGER - SLIDING DOOR |
| 8C | 104181-01-01A | EA | SUPPORT - LEAF 5.3" EXTENDS TO 7.5" - SAFETY RING - METAL |
| 9C | 142569-15-000 | EA | SPRING/GAS - 12" COMPRESSED/20" EXTENDED - 120 LB. |
| 9C | 142569-16-000 | EA | SPRING/GAS - 12" COMPRESSED/20" EXTENDED - 90 LB |
| 10C | 108126-01-000 | EA | TRAY HINGE SET (QTY. 2 PER SET) |
| 11C | 110496-01-01A | EA | HINGE - BRASS |
| 12C | 113375-02-01A | EA | STRIKE - DOOR - CHROME |
| 13C | 113375-05-01A | EA | LATCH - SLAM - BACK - .8" THICK |
| 14C | 113375-06-01A | EA | LATCH - SLAM - FACE - .7" THICK |
| 15C | 113676-01-01A | EA | HINGE - OVERLAY - VARIABLE - BURNISHED BRASS |
| 16C | 113677-01-01A | EA | HINGE - SELF CLOSING |
| 17C | 114278-02-000 | EA | HINGE - CONTINUOUS - 3" WIDE |
| 18C | 114443-01-01A | EA | HINGE - CABINET DOOR |

INTERIOR FINISH GROUP (CONTINUED)

HARDWARE (CONTINUED)



| KEY | PART NUMBER | U/M | DESCRIPTION |
|-----|---------------|-----|--|
| 1D | 115994-01-01A | EA | HANDLE - POCKET |
| 2D | 117095-01-01A | EA | LATCH - DOOR - GRABBER W/KEEPER - PLASTIC - BLK-5 LB PULL |
| 2D | 117095-02-01A | EA | LATCH - DOOR - GRABBER W/KEEPER - PLASTIC - BLK-10 LB PULL |
| 3D | 118200-01-01A | SF | MESH - PLASTIC 1/2" - 48" X LENGTH = SF - BLACK |
| 4D | 122717-06-01A | FT | PAD - NON-SKID - PSA - 5"W |
| 5D | 124311-01-01A | EA | HANDLE - RECESSED - BRASS |
| 6D | 126263-06-02B | EA | BRACKET - GAS SPRING W/INSIDE BALL STUD - E-COATED |
| 6D | 057460-02-000 | EA | BALL STUD - F/GAS SPRING .39" - 5/16" - 18 |
| 6D | 126263-08-02B | EA | BRACKET - GAS SPRING W/CENTERED BALL STUD - E-COATED |
| 7D | 127349-01-01A | EA | LATCH - PADDLE |

FROM: 00-00-00 THRU: 01-03-05

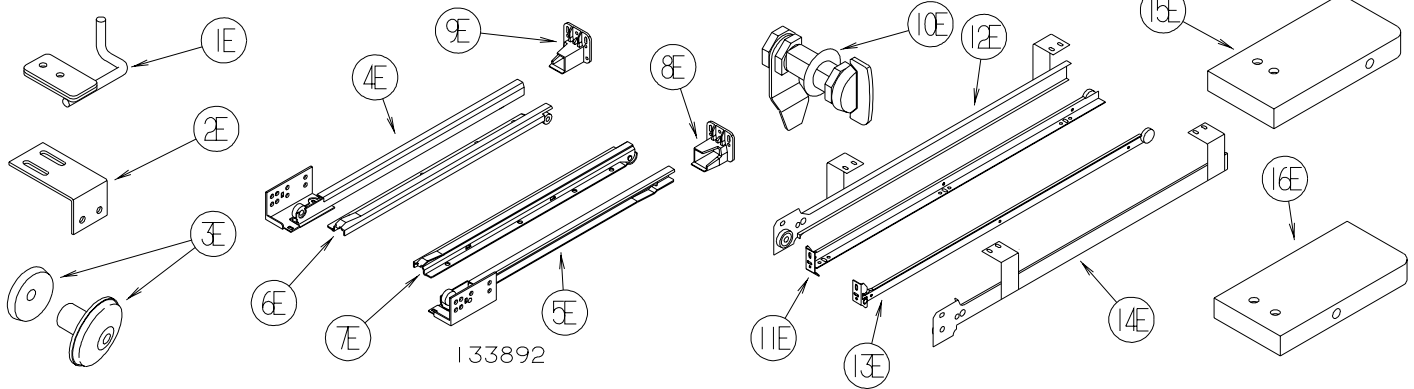
| | | | |
|-----|---------------|----|--------------------------------------|
| 8D | 128810-01-01A | EA | SLIDE - DRAWER - 12" - LEFT CABINET |
| 8D | 128810-05-01A | EA | SLIDE - DRAWER - 14" - LEFT CABINET |
| 8D | 128810-09-01A | EA | SLIDE - DRAWER - 16" - LEFT CABINET |
| 8D | 128810-13-01A | EA | SLIDE - DRAWER - 18" - LEFT CABINET |
| 8D | 128810-17-01A | EA | SLIDE - DRAWER - 20" - LEFT CABINET |
| 8D | 128810-21-01A | EA | SLIDE - DRAWER - 22" - LEFT CABINET |
| 8D | 128810-25-01A | EA | SLIDE - DRAWER - 24" - LEFT CABINET |
| 9D | 128810-02-01A | EA | SLIDE - DRAWER - 12" - RIGHT CABINET |
| 9D | 128810-06-01A | EA | SLIDE - DRAWER - 14" - RIGHT CABINET |
| 9D | 128810-10-01A | EA | SLIDE - DRAWER - 16" - RIGHT CABINET |
| 9D | 128810-14-01A | EA | SLIDE - DRAWER - 18" - RIGHT CABINET |
| 9D | 128810-18-01A | EA | SLIDE - DRAWER - 20" - RIGHT CABINET |
| 9D | 128810-22-01A | EA | SLIDE - DRAWER - 22" - RIGHT CABINET |
| 9D | 128810-26-01A | EA | SLIDE - DRAWER - 24" - RIGHT CABINET |
| 10D | 128810-03-01A | EA | SLIDE - DRAWER - 12" - LEFT DRAWER |
| 10D | 128810-07-01A | EA | SLIDE - DRAWER - 14" - LEFT DRAWER |
| 10D | 128810-11-01A | EA | SLIDE - DRAWER - 16" - LEFT DRAWER |
| 10D | 128810-15-01A | EA | SLIDE - DRAWER - 18" - LEFT DRAWER |
| 10D | 128810-19-01A | EA | SLIDE - DRAWER - 20" - LEFT DRAWER |
| 10D | 128810-23-01A | EA | SLIDE - DRAWER - 22" - LEFT DRAWER |
| 10D | 128810-27-01A | EA | SLIDE - DRAWER - 24" - LEFT DRAWER |
| 11D | 128810-04-01A | EA | SLIDE - DRAWER - 12" - RIGHT DRAWER |
| 11D | 128810-08-01A | EA | SLIDE - DRAWER - 14" - RIGHT DRAWER |
| 11D | 128810-12-01A | EA | SLIDE - DRAWER - 16" - RIGHT DRAWER |
| 11D | 128810-16-01A | EA | SLIDE - DRAWER - 18" - RIGHT DRAWER |
| 11D | 128810-20-01A | EA | SLIDE - DRAWER - 20" - RIGHT DRAWER |
| 11D | 128810-24-01A | EA | SLIDE - DRAWER - 22" - RIGHT DRAWER |
| 11D | 128810-28-01A | EA | SLIDE - DRAWER - 24" - RIGHT DRAWER |
| 12D | 128811-01-02A | EA | BACKSOCKET - ADJUSTABLE - LEFT |
| 13D | 128811-02-02A | EA | BACKSOCKET - ADJUSTABLE - RIGHT |

FROM: 01-04-05 THRU: 99-99-99

| | | |
|---------------|----|-------------------------------|
| 153000-01-01A | EA | SLIDE - CABINET MOUNT - 11.8" |
| 153000-02-01A | EA | SLIDE - DRAWER MOUNT - 11.8" |
| 153000-03-01A | EA | SLIDE - CABINET MOUNT - 13.8" |
| 153000-04-01A | EA | SLIDE - DRAWER MOUNT - 13.8" |
| 153000-05-01A | EA | SLIDE - CABINET MOUNT - 15.7" |
| 153000-06-01A | EA | SLIDE - DRAWER MOUNT - 15.7" |

INTERIOR FINISH GROUP (CONTINUED)
HARDWARE (CONTINUED)

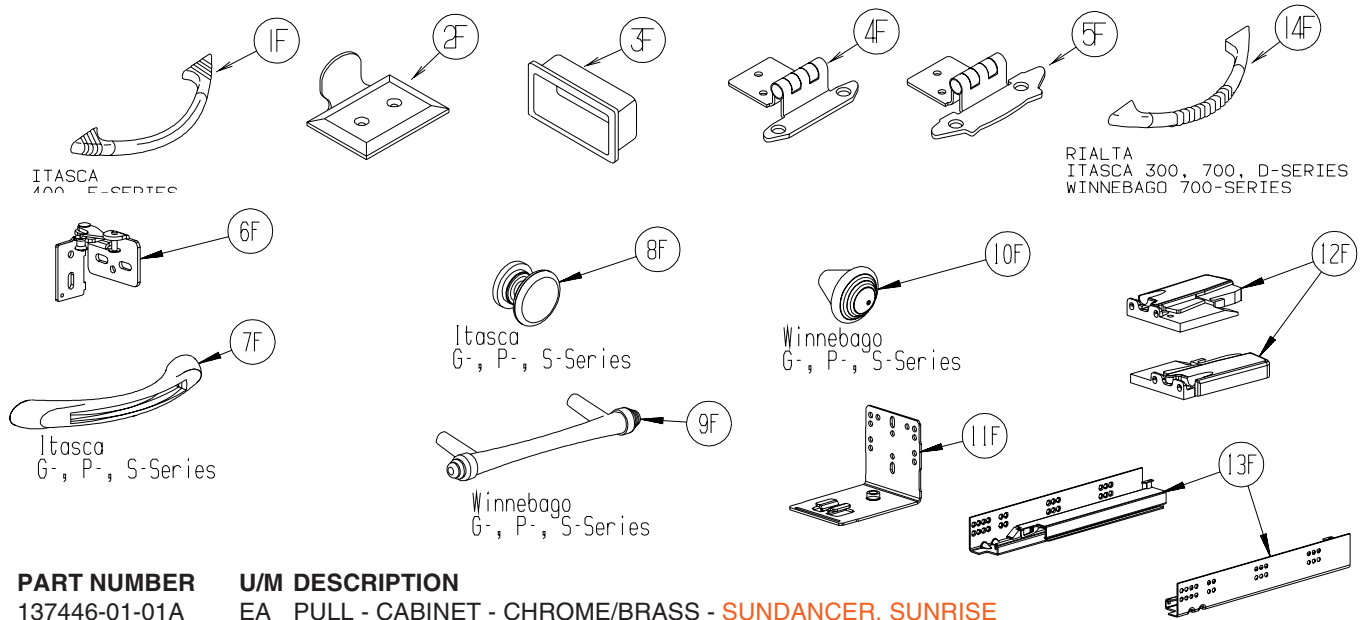
| KEY | PART NUMBER | U/M | DESCRIPTION |
|-----|---------------|-----|-------------------------------|
| | 153000-07-01A | EA | SLIDE - CABINET MOUNT - 17.7" |
| | 153000-08-01A | EA | SLIDE - DRAWER MOUNT - 17.7" |
| | 153000-09-01A | EA | SLIDE - CABINET MOUNT - 19.7" |
| | 153000-10-01A | EA | SLIDE - DRAWER MOUNT - 19.7" |
| | 153000-11-01A | EA | SLIDE - CABINET MOUNT - 21.6" |
| | 153000-12-01A | EA | SLIDE - DRAWER MOUNT - 21.6" |
| | 153000-14-01A | EA | SLIDE - CABINET MOUNT - 23.6" |
| | 153000-15-01A | EA | SLIDE - DRAWER MOUNT - 23.4" |
| | 153000-16-01A | EA | SLIDE - CABINET MOUNT - 7.9" |
| | 153000-17-01A | EA | SLIDE - DRAWER MOUNT - 7.7" |
| | 153000-18-01A | EA | SLIDE - CABINET MOUNT - 9.8" |
| | 153000-19-01A | EA | SLIDE - DRAWER MOUNT - 9.6" |
| | 153000-13-01A | EA | BACKSOCKET - DRAWER SLIDE |



| KEY | PART NUMBER | U/M | DESCRIPTION |
|-----|---------------|-----|--|
| 1E | 130798-01-02B | EA | GUIDE - POCKET DOOR - E-COATED |
| 2E | 132871-02-02B | EA | BRACKET/L-ANGLE W/HOLES - 1.9" X 2.8" - E-COATED |
| 3E | 133313-01-02A | EA | PULL - DOOR/DRAWER - BRIGHT BRASS - MINNIE, MINNIE WINNIE, BRAVE & SPIRIT |
| 3E | 133313-01-03A | EA | PULL - DOOR/DWR - CHROME/BRASS - SUNDANCER AND SUNRISE |
| 4E | 133892-01-01A | EA | SLIDE - DRAWER - 16" - LEFT CABINET |
| 4E | 133892-06-01A | EA | SLIDE - DRAWER - 22" - LEFT CABINET |
| 4E | 133892-10-01A | EA | SLIDE - DRAWER - 12" - LEFT CABINET |
| 4E | 133892-14-01A | EA | SLIDE - DRAWER - 18" - LEFT CABINET |
| 5E | 133892-02-01A | EA | SLIDE - DRAWER - 16" - RIGHT CABINET |
| 5E | 133892-07-01A | EA | SLIDE - DRAWER - 22" - RIGHT CABINET |
| 5E | 133892-11-01A | EA | SLIDE - DRAWER - 12" - RIGHT CABINET |
| 5E | 133892-15-01A | EA | SLIDE - DRAWER - 18" - RIGHT CABINET |
| 6E | 133892-03-01A | EA | SLIDE - DRAWER - 16" - LEFT DRAWER |
| 6E | 133892-08-01A | EA | SLIDE - DRAWER - 22" - LEFT DRAWER |
| 6E | 133892-12-01A | EA | SLIDE - DRAWER - 12" - LEFT DRAWER |
| 6E | 133892-16-01A | EA | SLIDE - DRAWER - 18" - LEFT DRAWER |
| 7E | 133892-04-01A | EA | SLIDE - DRAWER - 16" - RIGHT DRAWER |
| 7E | 133892-09-01A | EA | SLIDE - DRAWER - 22" - RIGHT DRAWER |
| 7E | 133892-13-01A | EA | SLIDE - DRAWER - 12" - RIGHT DRAWER |
| 7E | 133892-17-01A | EA | SLIDE - DRAWER - 18" - RIGHT DRAWER |
| 8E | 133907-01-01A | EA | BACKSOCKET - RIGHT HAND |
| 9E | 133907-02-01A | EA | BACKSOCKET - LEFT HAND |
| 10E | 135231-01-01A | EA | LATCH - COMPRESSION - BLACK |
| 11E | 136944-01-01A | EA | SLIDE - DRAWER/RIGHT HAND - 13.8" |
| 12E | 136944-02-01A | EA | SLIDE - CABINET/RIGHT HAND - 13.8" |
| 13E | 136944-03-01A | EA | SLIDE - DRAWER/LEFT HAND - 13.8" |
| 14E | 136944-04-01A | EA | SLIDE - CABINET/LEFT HAND - 13.8" |
| 15E | 137445-01-N42 | EA | STOP - F/SLIDING DOOR - PORTSMOUTH OAK |
| 15E | 137445-01-P46 | EA | STOP - F/SLIDING DOOR - CONCERT CHERRY |
| 15E | 137445-01-P56 | EA | STOP - F/SLIDING DOOR - WASHED MAPLE |
| 15E | 137445-01-S67 | EA | STOP - F/SLIDING DOOR - HONEY CHERRY |
| 16E | 137445-02-P45 | EA | STOP - F/SLIDING DOOR - PORTSMOUTH OAK |
| 16E | 137445-02-P46 | EA | STOP - F/SLIDING DOOR - CONCERT CHERRY |
| 16E | 137445-02-P56 | EA | STOP - F/SLIDING DOOR - WASHED MAPLE |
| 16E | 137445-02-S67 | EA | STOP - F/SLIDING DOOR - HONEY CHERRY |

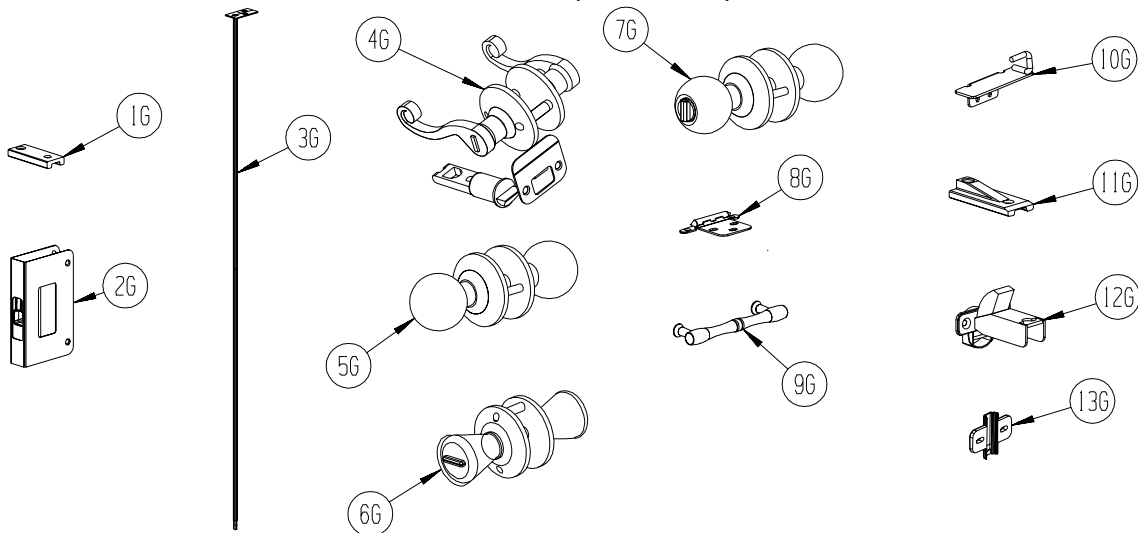
INTERIOR FINISH GROUP (CONTINUED)

HARDWARE (CONTINUED)



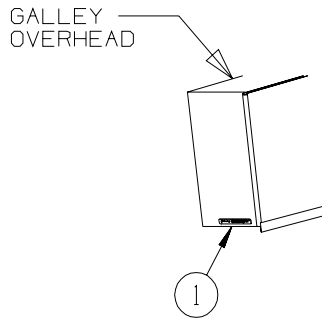
| KEY | PART NUMBER | U/M | DESCRIPTION |
|-----|---------------|-----|--|
| 1F | 137446-01-01A | EA | PULL - CABINET - CHROME/BRASS - SUNDANCER, SUNRISE |
| 2F | 137463-01-01A | EA | LIFT - HOOK - SATIN BRASS |
| 2F | 137463-01-02A | EA | LIFT - HOOK - PEWTER |
| 3F | 139136-01-01A | EA | HANDLE - RECESSED .7" - BRASS |
| 3F | 139136-02-01A | EA | HANDLE - RECESSED .35" - BRASS |
| 3F | 139136-02-02A | EA | HANDLE - RECESSED .35" - PEWTER |
| 4F | 143468-01-02A | EA | HINGE - SELF CLOSING - POLISHED BRASS |
| 5F | 143468-02-03A | EA | HINGE - SELF CLOSING - SATIN NICKEL |
| 6F | 144488-01-02A | EA | HINGE - CABINET - NICKEL - HORIZON |
| 7F | 144917-01-01A | EA | PULL - DRAWER - SATIN NICKEL - SUNCRUISER, MERIDIAN, HORIZON |
| 8F | 144918-01-01A | EA | PULL - DRAWER/KNOB - SATIN NICKEL - SUNCRUISER, MERIDIAN, HORIZON |
| 9F | 145172-01-01A | EA | PULL - CABINET DOOR - BRASS - ADVENTURER, JOURNEY, VECTRA |
| 9F | 145172-01-02A | EA | PULL - CABINET DOOR - CHROME - ADVENTURER, JOURNEY, VECTRA |
| 10F | 145172-02-01A | EA | KNOB - CABINET DOOR - BRASS - ADVENTURER, JOURNEY, VECTRA |
| 10F | 145172-02-02A | EA | KNOB - CABINET DOOR - CHROME - ADVENTURER, JOURNEY, VECTRA |
| 11F | 145739-01-000 | EA | BRACKET - REAR MOUNT |
| 12F | 145739-02-000 | EA | LOCKING MECHANISM - LEFT |
| 12F | 145739-03-000 | EA | LOCKING MECHANISM - RIGHT |
| 13F | 145739-04-000 | EA | SLIDE - DRAWER - 12" |
| 14F | 148816-01-01A | EA | PULL - CABINET DOOR - BRASS - RIALTA, SUNDANCER, SUNOVA |
| 14F | 148816-01-02A | EA | PULL - CABINET DOOR - NICKEL - ASPECT, CAMBRIA |

INTERIOR FINISH GROUP (CONTINUED)
HARDWARE (CONTINUED)

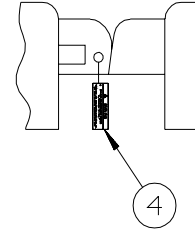
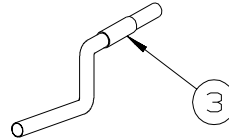
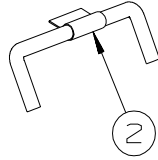
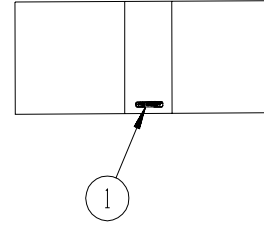


| KEY | PART NUMBER | U/M | DESCRIPTION |
|-----|---------------|-----|---|
| 1G | 145815-01-000 | EA | BLOCK - DOOR TRACK - 3" X 1.2" - BLACK |
| 2G | 145939-01-01A | EA | LATCH - SLIDE - AISLE DOOR(1" THICK DOOR) - BRASS |
| 2G | 145939-01-02A | EA | LATCH - SLIDE - AISLE DOOR(1" THICK DOOR) - NICKEL |
| 3G | 145939-03-01A | EA | ROD/LATCH - AISLE DOOR - BRASS |
| 3G | 145939-03-02A | EA | ROD/LATCH - AISLE DOOR - NICKEL |
| 4G | 146064-01-01A | EA | LOCK/PRIVACY (LOCKING) LEVER STYLE - POLISHED BRASS |
| 4G | 146064-01-02A | EA | LOCK/PRIVACY (LOCKING) LEVER STYLE - SATIN PEWTER |
| 5G | 146064-04-01A | EA | LOCK/PASSAGE (NON LOCKING) KNOB STYLE - POLISHED BRASS |
| 6G | 146064-05-01A | EA | LOCK/PRIVACY (LOCKING) KNOB STYLE - SATIN NICKEL |
| 7G | 146064-06-01A | EA | LOCK/PASSAGE (NON LOCKING) KNOB STYLE - SATIN NICKEL |
| 8G | 146553-01-01A | EA | HINGE - CABINET DOOR - BURNISHED BRASS |
| 8G | 146553-01-02A | EA | HINGE - CABINET DOOR - BRIGHT BRASS |
| 8G | 146553-01-03A | EA | HINGE - CABINET DOOR - SATIN NICKEL |
| 9G | 149090-01-01A | EA | PULL - CABINET DOOR - BRASS - MINNIE, MINNIE WINNIE, BRAVE, SIGHTSEER |
| 10G | 149607-01-02B | EA | GUIDE - F/POCKET DOOR - 1.6" BENT ROD - E-COATED |
| 10G | 149607-03-02B | EA | GUIDE - F/POCKET DOOR - 2.9" BENT ROD - E-COATED |
| 11G | 150983-01-01A | EA | BLOCK - DOOR TRACK - 3" X 1.2" - BLACK |
| 12G | 151305-01-01A | EA | HINGE - CONCEALED/SELF CLOSING - BRASS |
| 13G | 151305-02-01A | EA | PLATE/MOUNTING - F/HINGE - WHITE |

LABELS GROUP

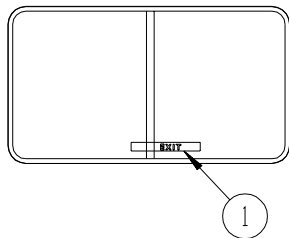


329B
OVERHEAD DINETTE CABINET

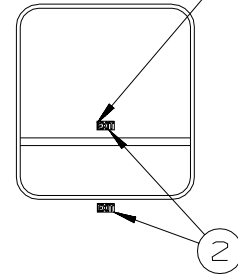


| KEY | PART NUMBER | U/M DESCRIPTION |
|-----|---------------|--------------------------------------|
| 1 | 116549-01-000 | EA LABEL - WARNING - SLIDEOUT |
| 2 | 128658-01-000 | EA LABEL - PROP ROD - ENTRY DOOR |
| 3 | 126024-01-01A | EA LABEL - TIRE HANGER REMOVAL |
| 4 | 126612-01-000 | EA LABEL - HANG TAG - AIR BAG - DASH |

ALTERNATE LABEL LOCATION

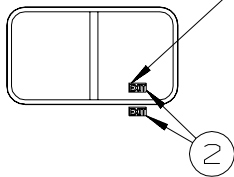


EXIT WINDOW POP-OUT STYLE



EXIT WINDOW HINGE STYLE

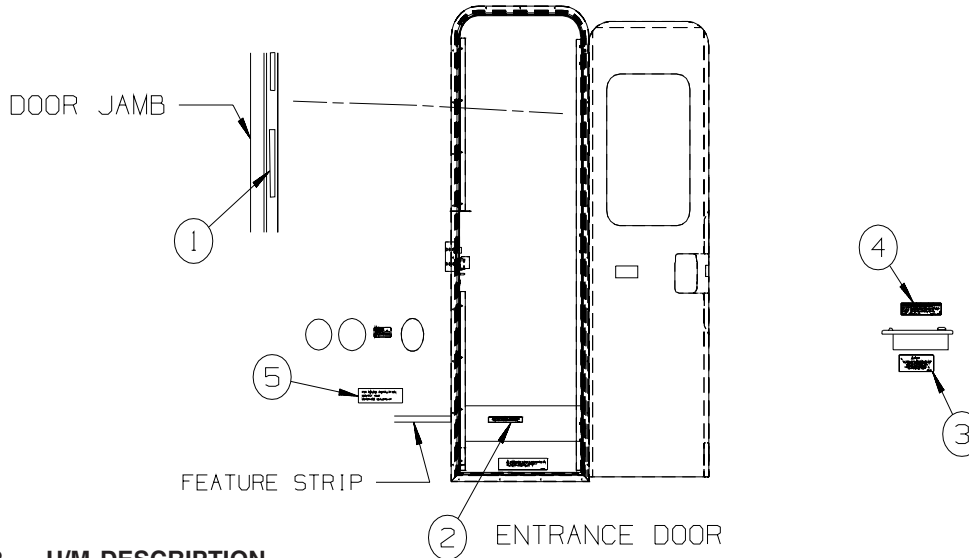
ALTERNATE LABEL LOCATION



EXIT WINDOW SLIDER STYLE

| KEY | PART NUMBER | U/M DESCRIPTION |
|-----|---------------|-------------------------------|
| 1 | 107571-01-000 | EA LABEL - EXIT/ESCAPE WINDOW |
| 2 | 039290-01-000 | EA LABEL - WARNING - EXIT |

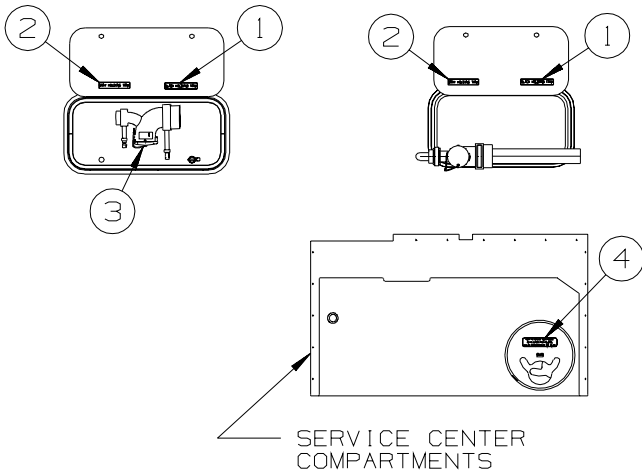
LABELS GROUP (CONTINUED)



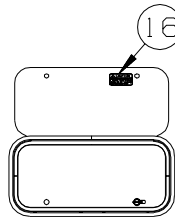
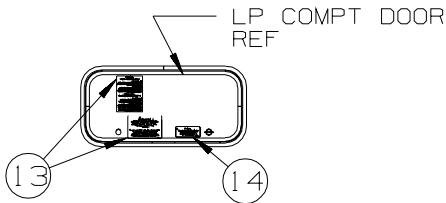
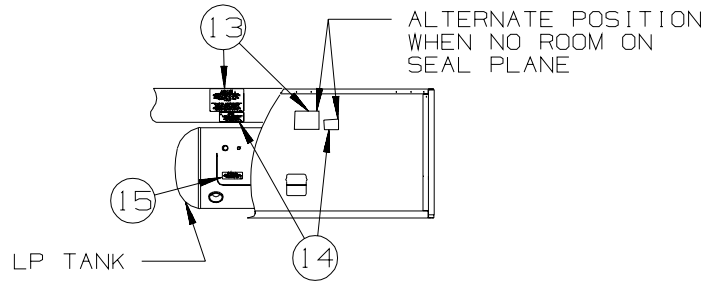
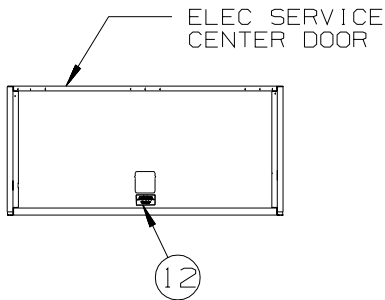
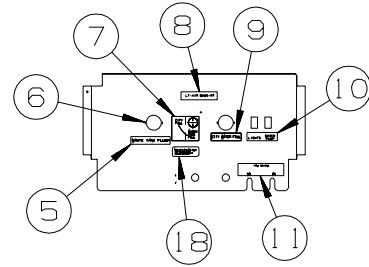
| KEY | PART NUMBER | U/M | DESCRIPTION |
|-----|---------------|-----|---|
| 1 | 135869-01-01A | EA | LABEL - MERCURY CONTENT - BLACK ON CLEAR |
| 1 | 135869-01-02A | EA | LABEL - MERCURY CONTENT - WHITE ON CLEAR |
| 2 | 065748-01-000 | EA | LABEL - WARNING - BATTERY CHARGING - UL |
| 2 | 065748-02-000 | EA | LABEL - WARNING - BATTERY CHARGING - CSA - CANADIAN |
| 3 | 124519-01-01A | EA | LABEL - WARNING/REFUELING - BLACK ON CLEAR |
| 3 | 124519-01-02A | EA | LABEL - WARNING/REFUELING - WHITE ON CLEAR |
| 3 | 124519-02-01A | EA | LABEL - WARNING/REFUELING - BLACK ON CLEAR - CSA - CANADIAN |
| 3 | 124519-02-02A | EA | LABEL - WARNING/REFUELING - WHITE ON CLEAR - CSA - CANADIAN |
| 4 | 068383-01-000 | EA | LABEL - DIESEL FUELFORD - FORD DIESEL |
| 5 | 099509-01-000 | EA | LABEL - AWNING INSTALLATION |

LABELS GROUP (CONTINUED)

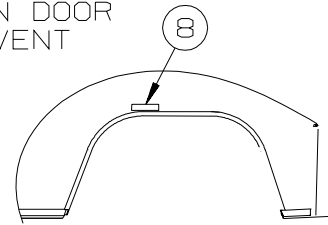
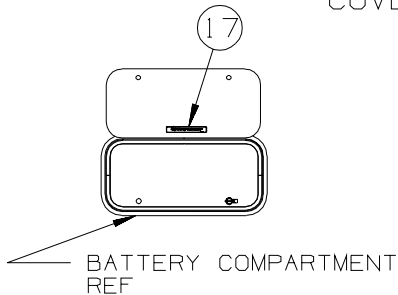
TYPICAL DRAINAGE AND UTILITY ACCESS



TYPICAL SERVICE PANEL



LOCATE ON INSIDE OF DOOR WHEN DOOR COVERS WATER HEATER EXHAUST VENT

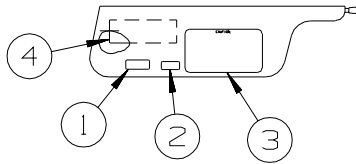


SIDEWALL LH

| KEY | PART NUMBER | U/M | DESCRIPTION |
|-----|---------------|-----|--|
| 1 | 126247-06-000 | EA | LABEL - BLACK HOLDING TANK-BLACK LETTERS/CLEAR BACKGROUND |
| 2 | 126247-05-000 | EA | LABEL - GRAY HOLDING TANK-BLACK LETTERS/CLEAR BACKGROUND |
| 3 | 144649-01-01A | EA | LABEL - ADJUSTABLE VALVE - WHITE ON CLEAR |
| 4 | 123562-01-000 | EA | LABEL - SERVICE/UTILITY ACCESS |
| 5 | 130168-01-000 | EA | LABEL - WASTE TANK FLUSH |
| 6 | 125697-07-000 | EA | LABEL - CAUTION - F/FLUSHING SYSTEM |
| 7 | 117629-04-000 | EA | LABEL - CITY WATER/TANK FILL |
| 8 | 136360-01-01A | EA | LABEL - AIR BAGS |
| 9 | 126249-03-000 | EA | LABEL - CITY WATER FILL-BLK LETTERS/CLEAR BACKGROUND .31" |
| 10 | 130170-02-000 | EA | LABEL - SWITCH PANEL - BLK/CLEAR BACKGROUND- 1.4"H X 3.9"L |
| 11 | 130166-02-000 | EA | LABEL - DRAIN |

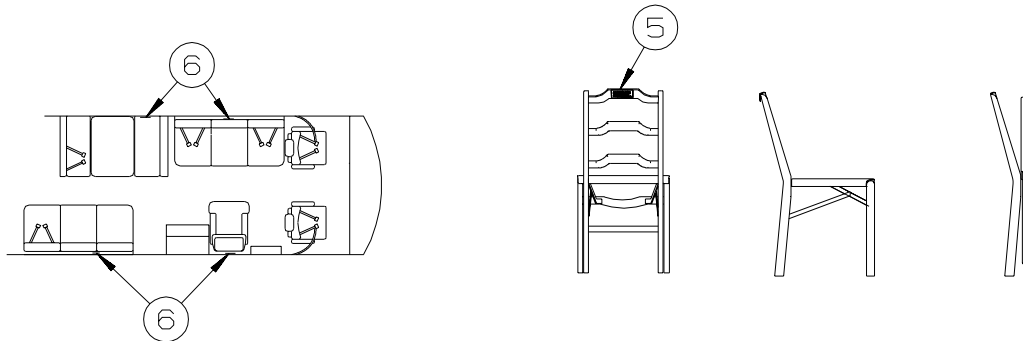
LABELS GROUP (CONTINUED)

| KEY | PART NUMBER | U/M | DESCRIPTION |
|-----|---------------|-----|--|
| 12 | 125306-01-01A | EA | LABEL - ELECTRICAL ENTRANCE - 110V 30 AMP - BLACK ON CLEAR |
| 12 | 125306-01-02A | EA | LABEL - ELECTRICAL ENTRANCE - 110V 30 AMP - WHITE ON CLEAR |
| 12 | 125306-04-01A | EA | LABEL - ELECTRICAL ENTRANCE-120/20V 50 AMP-BLACK ON CLEAR |
| 12 | 125306-04-02A | EA | LABEL - ELECTRICAL ENTRANCE-120/240V 50 AMP-WHITE ON CLEAR |
| 13 | 124520-01-01A | EA | LABEL - LP GAS ONLY - BLACK ON CLEAR |
| 13 | 124520-01-02A | EA | LABEL - LP GAS ONLY - WHITE ON CLEAR |
| 13 | 023769-01-000 | EA | LABEL - WARNING - LPG - CANADIAN - CANADIAN |
| 14 | 124519-01-01A | EA | LABEL - WARNING/REFUELING - BLACK ON CLEAR |
| 14 | 124519-01-02A | EA | LABEL - WARNING/REFUELING - WHITE ON CLEAR |
| 14 | 124519-02-01A | EA | LABEL - WARNING/REFUELING - BLACK ON CLEAR - CSA - CANADIAN |
| 14 | 124519-02-02A | EA | LABEL - WARNING/REFUELING - WHITE ON CLEAR - CSA - CANADIAN |
| 15 | 079965-01-000 | EA | LABEL - LPG - 80% CAPACITY |
| 16 | 113402-01-000 | EA | LABEL - CAUTION - WATER HEATER EXHAUST |
| 17 | 065748-01-000 | EA | LABEL - WARNING - BATTERY CHARGING - UL |
| 18 | 154292-01-01A | EA | LABEL - TANK FILL VALVE |



LABELS SHALL BE LOCATED ON OPPOSITE SIDE OF VISOR THAT THE AIR BAG LABEL IS INSTALLED ON.

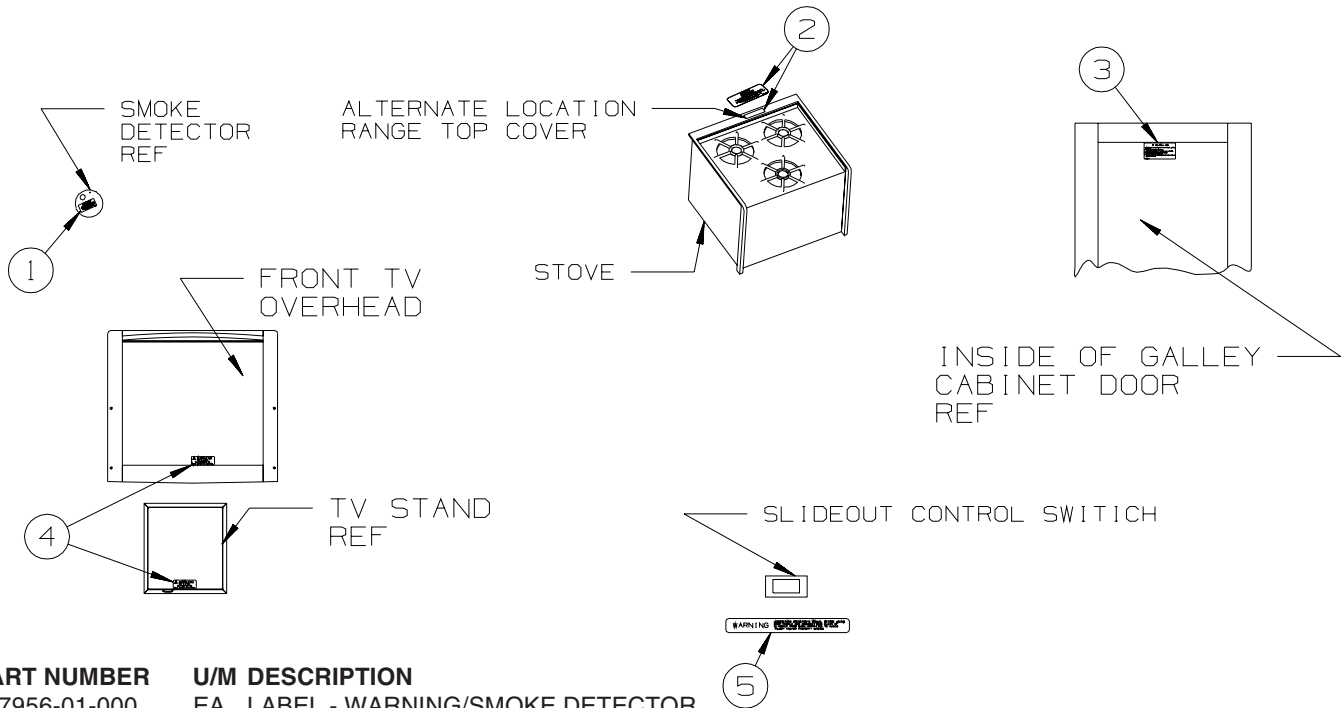
TYPICAL SEAT AND BELT CONFIGURATIONS



ATTACH LABEL ON OR NEXT TO:
 +ANY SINGLE CHAIR WITHOUT BELTS.
 +ANY DINETTE SEAT WITHOUT BELTS.
 +ANY COUCH WITHOUT BELTS OR ANY SEATING POSITION ON THAT COUCH.
 DO NOT ATTACH LABEL IF:
 +DINETTE SEAT HAS AT LEAST ONE SET OF BELTS INSTALLED.

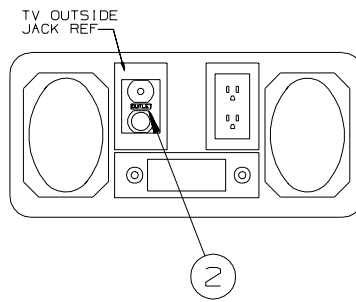
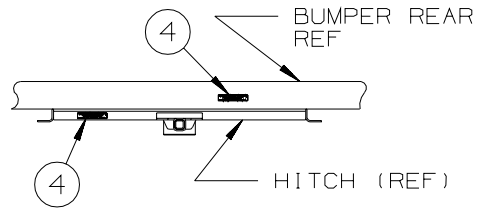
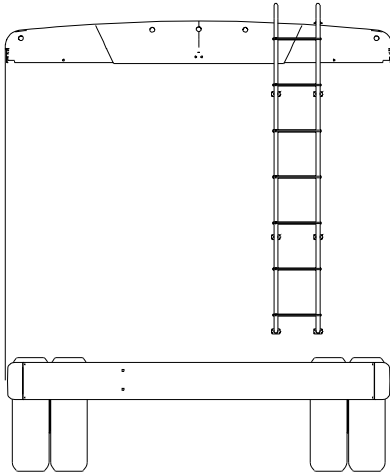
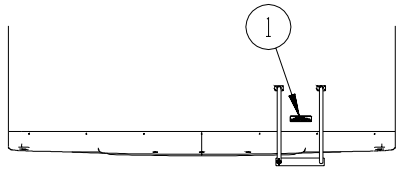
| KEY | PART NUMBER | U/M | DESCRIPTION |
|-----|---------------|-----|---|
| 1 | 111802-01-000 | EA | LABEL - CFC WARNING |
| 2 | 099689-01-000 | EA | LABEL - WARNING - CANCER/TOXICITY |
| 3 | 056259-01-000 | EA | LABEL - SAFETY CHECK LIST |
| 4 | 126611-01-000 | EA | LABEL - AIR BAG - VISOR |
| 5 | 134537-01-01A | EA | LABEL - OCCUPANCY - CHAIR - US |
| 5 | 134537-02-01A | EA | LABEL - OCCUPANCY - CHAIR - CSA - CANADIAN |
| 6 | 134538-01-01A | EA | LABEL - OCCUPANCY - NO SEAT BELT - BLACK ON CLEAR - US |
| 6 | 134538-02-01A | EA | LABEL - OCCUPANCY - NO SEAT BELT - BLACK ON CLEAR - CSA - CANADIAN |

LABELS GROUP (CONTINUED)

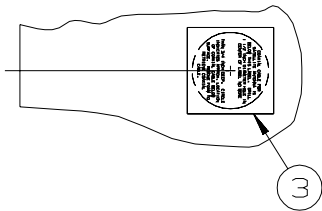


| KEY | PART NUMBER | U/M | DESCRIPTION |
|-----|---------------|-----|--|
| 1 | 077956-01-000 | EA | LABEL - WARNING/SMOKE DETECTOR |
| 2 | 134539-01-01A | EA | LABEL - WARNING - STOVE/HEATING - US - BLACK ON CLEAR |
| 2 | 134540-01-01A | EA | LABEL - WARNING - STOVE/HEATING - CSA - BLACK ON CLEAR - CANADIAN |
| 3 | 073998-01-000 | EA | LABEL - LPG/ODOR WARNING |
| 4 | 079966-01-000 | EA | LABEL - WARNING - STOWED - MOTION |
| 5 | 116549-01-000 | EA | LABEL - WARNING - SLIDEOUT |

LABELS GROUP (CONTINUED)



TYPICAL EXTERIOR
ENTERTAINMENT CENTER



| KEY | PART NUMBER | U/M | DESCRIPTION |
|-----|---------------|-----|--|
| 1 | 128218-01-01A | EA | LABEL - WARNING - SLIPPERY ROOF |
| 2 | 087236-02-000 | EA | LABEL - TV OUTLET |
| 3 | 120431-01-000 | EA | LABEL - LOCATION - COAXIAL CABLE/SATELLITE ANTENNA |
| 4 | 129669-01-01A | EA | LABEL - HITCH/VEHICLE RATE - 350 - WHITE ON CLEAR |
| 4 | 129669-01-02A | EA | LABEL - HITCH/VEHICLE RATE - 350 - BLACK ON CLEAR |

**LP GROUP
LP SYSTEM**

| KEY | PART NUMBER | U/M | DESCRIPTION |
|-----|---------------|-----|--|
| | 010323-01-000 | EA | ADAPTER - 3/8"F X 1/2"MPT - BRASS |
| | 010326-01-000 | EA | ADAPTER - FLARE - W/CONE GASKET - 3/8"F X 1/2"F |
| | 010329-01-000 | EA | ADAPTER - 1/2"F X 1/2"MPT - BRASS |
| | 024250-01-000 | EA | ADAPTER - BRASS - 3/8"F X 1/2"FPT |
| | 057042-01-000 | EA | ADAPTER - CROSS 1/2"PIPE |
| | 010377-02-000 | EA | NUT - 3/8" FLARE - FORGED - BRASS |
| | 010380-02-000 | EA | NUT - 1/2" FLARE - FORGED - BRASS |
| | 010589-01-000 | EA | NIPPLE - PIPE - 1/2" X 1 1/2" - BLACK |
| | 040440-02-000 | EA | TRANSMITTER - DIAL/BOLT-ON - 0-90 OHM 2 TERM(POWER/GROUND) |
| | 045703-03-000 | EA | HOSE - LP - 3/8"ID X 18" - 3/8"MPT X 1/2"F SWIVEL - US |
| | 045703-12-000 | EA | HOSE - LP - 3/8"ID X 18" - 3/8"MPT X 1/2"F SWIVEL - CANADIAN |
| | 045703-05-000 | EA | HOSE - LP - 3/8"ID X 28" - 3/8"MPT X 1/2"F SWIVEL - US |
| | 045703-06-000 | EA | HOSE - LP - 3/8"ID X 28" - 3/8"MPT X 1/2"F SWIVEL - CANADIAN |
| | 045703-07-000 | EA | HOSE - LP - 3/8"ID X 10" - 3/8"MPT X 1/2"F SWIVEL - US - FORD DIESEL |
| | 045703-15-000 | EA | HOSE - LP - 3/8"ID X 142" - 1/2"F SWIVEL X 3/8"F SWIVEL |
| | 073050-04-000 | EA | CLIP/MOUNTING - VALANCE PANEL |
| | 106150-05-000 | EA | REGULATOR - TWO STAGE |
| | 106150-06-000 | EA | REGULATOR - TWO STAGE - FORD DIESEL & 326A |
| | 111848-06-02B | EA | SHIELD - HEAT - EXHAUST - E-COATED - 322R |
| | 137828-01-02B | EA | PANEL - ROCKGUARD/LP - E-COATED - 324F, 324V, 326A |
| * | 144116-04-000 | EA | TANK - LP - 60 LB - 14"D X 29.75"L |
| | 144485-01-000 | EA | COMPARTMENT - LP REGULATOR |
| | 145639-01-02B | EA | BRACKET - REGULATOR - E-COATED - FORD DIESEL |

*COMPONENT PARTS LISTED LATER IN THIS GROUP

COMPONENT PARTS FOR LP SYSTEM

144116-04-000

| KEY | PART NUMBER | U/M | DESCRIPTION | VENDOR NO. |
|-----|---------------|-----|------------------------------|------------|
| | 040421-01-712 | EA | VALVE-SERV. W/O VAPOR RELIEF | V20373 |
| | 040421-01-713 | EA | VALVE-RELIEF 1" W/SPRING 7" | V20479 |
| | 144116-01-700 | EA | VALVE-OUTAGE(NO STEM REMOVE) | V20058 |
| | 144116-01-701 | EA | VALVE/FILL 80 % W/YELLOW CAP | V13414 |
| | 144116-04-700 | EA | FLOAT/SENDING UNIT W/O DIAL | G11530 |
| | 144116-04-701 | EA | DIAL - TRANSMITER | G12845 |

SEALANTS & FASTENERS GROUP
SEALANTS & ADHESIVES

| KEY | PART NUMBER | U/M | DESCRIPTION |
|-----|---------------|-----|--|
| | 004001-02-000 | EA | GUN - PLEXUS ADHESIVE - W/O NOZZLE |
| | 004001-05-000 | EA | ADHESIVE - SCOTCH-WELD - 3M DP100 - CLEAR - 50ML |
| | 004001-06-000 | EA | FASTWELD PIN TIPS |
| | 004011-01-000 | EA | ADHESIVE-3M-4475 TUBE |
| | 010405-02-000 | EA | TAPE - THREAD SEALING - 3/8" |
| | 034552-06-000 | EA | SILICONE - TUBE - W/O NOZZLE - OFF WHITE |
| | 034552-15-000 | EA | SILICONE - TUBE - W/O NOZZLE - BRIGHT WHITE |
| | 063642-01-000 | FT | TAPE - ADHESIVE - .4" X 1.5" X 180' |
| | 064075-07-000 | FT | SEAL - BULB - W/WIRED U CHANNEL - .3" X .5" CHANNEL-BLACK |
| | 067788-01-000 | EA | ADHESIVE - SPRAY - 3M - 19.5 OZ AEROSOL CAN |
| | 069640-01-000 | FT | SEALER - TAPE - .25" DIAMETER X 30' - BLACK OR GRAY |
| | 069640-02-000 | FT | SEALER - TAPE - .13" THICK X .5" WIDE X 60' - GRAY |
| | 069640-03-000 | FT | SEALER - TAPE - .13" THICK X .75" WIDE X 60' - BLACK |
| | 069640-07-000 | FT | SEALER - TAPE - .09" THICK X 2" WIDE X 45' - GRAY |
| | 069640-09-000 | FT | SEALER - TAPE - .03" THICK X 2.50" WIDE X 80' - GRAY |
| | 069640-10-000 | FT | SEALER - TAPE - .03" THICK X 1.50" WIDE X 90' - GRAY |
| | 069640-11-000 | FT | SEALER - TAPE - .19" THICK X .38" WIDE X 40' - BLACK |
| | 069640-13-000 | FT | SEALER - TAPE - .03" THICK X 2" WIDE X 45' - BLACK |
| | 069640-14-000 | FT | SEALER - TAPE - .06" THICK X 1" WIDE X 100' - GRAY |
| | 069640-15-000 | FT | SEALER - TAPE - .06" THICK X .38" WIDE X 100' - GRAY |
| | 069640-17-000 | FT | SEALER - TAPE - .03" THICK X 1" WIDE X 90' - GRAY |
| | 069640-18-000 | FT | SEALER - TAPE - .50" THICK X .13" WIDE X 60' - BRT WHITE |
| | 069640-19-000 | FT | SEALER - TAPE - .75" THICK X .13" WIDE X 60' - BRT WHITE |
| | 069640-20-000 | FT | SEALER - TAPE - .50" THICK X .5" WIDE X 60' - BLACK |
| | 069640-21-000 | FT | SEALER - TAPE - .50" THICK X .06" WIDE X 100' - BRT WHITE |
| | 069640-22-000 | FT | SEALER - TAPE - 1/32"THICK X 1/4"WIDE X 200 FT - BRT WHT |
| | 069640-23-000 | FT | SEALER - TAPE - 1/16"THICK X 3/4"WIDE X 100 FT - BRT WHT |
| | 069640-27-000 | FT | SEALER - TAPE - .06" THICK X 2.25" WIDE - BRIGHT WHITE |
| | 069640-28-000 | FT | SEALER - TAPE - .25" THICK X 1.86" WIDE X 90' - GRAY |
| | 069640-30-000 | FT | SEALER - TAPE - .03" THICK X .625" WIDE X 50' - GRAY |
| | 069640-31-000 | FT | SEALER - TAPE - .25"THICK X .75" WIDE X 15' - BLACK |
| | 069640-32-000 | FT | SEALER - RIBBON - 1/16" X 3/8" X 100' - BLACK |
| | 069640-33-000 | FT | SEALER - RIBBON - 3/8"DIAMETER X 20' - BLACK |
| | 072889-01-000 | EA | SEALANT - URETHANE - BLACK - TUBE W/NOZZLE TIP |
| | 072889-10-000 | EA | SEALANT - URETHANE - BRIGHT WHITE - TUBE W/NOZZLE TIP |
| | 072889-27-000 | EA | SEALANT - URETHANE - SILVER - 10 OZ TUBE W/NOZZLE TIP |
| | 076322-01-000 | FT | TAPE-DOUBLE COATED/ADHESIVE BK-.03"THK X .8"W X 216'- WHT |
| | 076322-02-000 | FT | TAPE-DOUBLE COATED/ADHESIVE BK-.05"THK X 1"W X 108' - WHT |
| | 076322-03-000 | FT | TAPE-DOUBLE COATED/ADHESIVE BK-.05"THK X .5"W X 108' - WHT |
| | 076322-04-000 | FT | TAPE-DOUBLE COATED/ADHESIVE BK-.05"THK X .8"W X 108' - WHT |
| | 076322-05-000 | FT | TAPE-DOUBLE COATED/ADHESIVE BK-.05"THK X .8"W X 108' - WHT |
| | 076322-07-000 | FT | TAPE-DOUBLE COATED/ADHESIVE BK-.05"THK X .5"W X 200' - BLK |
| | 076322-11-000 | FT | TAPE-DOUBLE COATED/ADHESIVE BK-.02"THK X 1"W X 216' - CLR |
| | 076322-21-000 | FT | TAPE - FOAM/DOUBLE COATED - .5" |
| | 076322-22-000 | FT | TAPE - FOAM/DOUBLE COATED - .045" X .75" |
| | 076322-23-000 | FT | TAPE - FOAM/DOUBLE COATED - .045" X 1" |
| | 076322-24-000 | FT | TAPE - FOAM/DOUBLE COATED - .025" X 1" |
| | 076322-25-000 | FT | TAPE - FOAM/DOUBLE COATED - .025" X .5" |
| | 076813-02-000 | FT | SEAL-D BULB, .5" X .7" - MEDIUM SPONGE RUBBER - BLACK |
| | 086276-01-000 | EA | TAPE - DOUBLE SIDED - 1/2" WIDE X 108' LONG (SOLD BY ROLL) |
| | 088479-01-000 | EA | TAPE - ALUMINUM - 3" |
| | 090340-01-000 | FT | SEAL - FOAM - CLOSED CELL - 1/4" X 1/2" X 50' |
| | 091255-02-000 | FT | SEAL - ADHESIVE BACKED/FOAM - 3/64" THICK X 3/16"W X 1000' |
| | 091255-03-000 | FT | SEAL - ADHESIVE BACKED/FOAM - 1/4" THICK X 1/4"W X 1000' |
| | 094401-01-000 | EA | SEALER - BODY SEAM - FLEXICLEAR |
| | 094401-03-000 | EA | SEALER - BODY SEAM - BLACK |
| | 094401-04-000 | EA | SEALER - BODY SEAM - CLEAR |
| | 094401-05-000 | EA | SEALER - BODY SEAM - 20OZ BLACK |
| | 094401-06-000 | EA | SEALER - BODY SEAM - 12OZ BLACK |
| | 098408-01-000 | FT | SEAL - SPONGE RUBBER - CLOSED CELL |
| | 099069-01-000 | FT | SEAL - RUBBER - CLOSED SPONGE - .5" WIDE X .12" THICK -BLK |
| | 099418-01-000 | FT | SEAL - D-SECTION/ADHESIVE BACK - .44" X .44"- BLK RUBBER |
| | 099418-02-000 | FT | SEAL - D-SECTION/ADHESIVE BACK - .44" X .44"- WHITE RUBBER |
| | 100128-02-000 | FT | SEAL - FOAM/ADHESIVE BACK - .37" WIDE X .37" THICK |

SEALANTS & FASTENERS GROUP (CONTINUED)
SEALANTS & ADHESIVES (CONTINUED)

| KEY | PART NUMBER | U/M | DESCRIPTION |
|------------|--------------------|------------|--|
| | 104692-01-000 | FT | SEAL - ADHESIVE BACKED FOAM - 3/4" THICK X 3/4" WIDE X 25' |
| | 104692-03-000 | FT | SEAL - ADHESIVE BACKED FOAM - 1" THICK X 1 3/16"WIDE X 15' |
| | 107828-01-000 | EA | SEALANT - SB - 190 EVERSEAL |
| | 109506-01-000 | EA | FILM - URETHANE - PROTECTANT - 4.25" X 26.75" |
| | 109506-12-000 | EA | FILM/ABRASION-RESISTANT - TRANSPARENT - 1" DIA. |
| | 109506-13-000 | EA | FILM/ABRASION-RESISTANT - TRANSPARENT - 1" DIA. |
| | 110274-01-000 | FT | TAPE - DOUBLE SIDED/FOAM - .45" X 1" X 216' - BLACK |
| | 112481-02-000 | EA | ADHESIVE - PLEXUS ETHACRYLATE - CARTRIDGE |
| | 112864-01-000 | FT | SEAL - FOAM/BUTYL COVERED - 3/8" X 35' |
| | 112864-02-000 | FT | FOAM - BUTYL COVERED - 5/16" X 44' |
| | 112864-04-000 | FT | FOAM - BUTYL COVERED - 3/8" X 1/8" |
| | 112901-02-000 | EA | ADHESIVE - PLEXUS - MA330 - 50ML - GRAY |
| | 112901-03-000 | EA | ADHESIVE - PLEXUS - MA300 - 50ML - WHITE |
| | 112902-01-000 | EA | NOZZLE - ELEMENT - 3/8 X 24 |
| | 112902-03-000 | EA | MIXER NOZZLE - F/GUN #00400102000 - SCOTCH-WELD & PLEXUS |
| | 112902-04-000 | EA | NOZZLE - ELEMENT - 1/4" X 3.5" |
| | 113366-01-000 | EA | ADHESIVE - INSTANT - 1 OZ |
| | 113452-02-000 | FT | SEAL/TRIM - FRONT - VINYL W/WIRE CARRIER - .027" |
| | 115933-01-000 | FT | TAPE - 1/64" X 3/8" X 100' |
| | 120074-02-03A | EA | SILICONE - TUBE - W/O NOZZLE - LOW ODOR - SMOKEY WHITE |
| | 120074-02-02A | EA | SILICONE - TUBE - W/O NOZZLE - LOW ODOR - SOFT WHITE |
| | 120534-01-01A | EA | TAPE - SCOTCH - 3M - 1/2" FINE LINE |
| | 123244-01-000 | FT | TAPE - DOUBLE SIDED/FOAM - 5/64" THICK X 3/4" WIDE X 108' |
| | 123816-01-000 | FT | TAPE - DOUBLE SIDED - 1" X 3/4" X 200' |
| | 123816-02-000 | FT | TAPE - DOUBLE SIDED - 1/2" X 1 1/3" X 200' |
| | 123816-03-000 | FT | TAPE - DOUBLE SIDED - 1/2" X 3/4" X 200' |
| | 123816-04-000 | FT | TAPE - DOUBLE SIDED - 6" X 750' |
| | 126427-01-000 | EA | ADHESIVE - ALL PURPOSE - ABS/PVC |
| | 126427-02-000 | EA | PRIMER - CLEANER - FLEX PIPING |
| | 131264-01-02A | EA | SILICONE - TUBE - W/O NOZZLE - CLEAR |
| | 131264-01-01A | EA | SILICONE - TUBE - W/O NOZZLE - BLACK |
| | 131264-02-01A | EA | SILICONE - TUBE - W/O NOZZLE - VW GRAY - BATH ONLY |
| | 131264-03-01A | EA | SILICONE - TUBE - W/O NOZZLE- SELF LEVELING - BRIGHT WHITE |
| | 131264-04-01A | EA | SILICONE/SEALANT/ADHESIVE - FAST CURE F/GLASS/VINYL - B/W |
| | 131264-05-01A | EA | SILICONE/SEALANT - ODORLESS - TUBE - W/NOZZLE - BLACK |
| | 131264-05-02A | EA | SILICONE/SEALANT - ODORLESS - TUBE - W/NOZZLE - CLEAR |
| | 131384-01-000 | EA | ADHESIVE - JET WELD |
| | 134651-01-000 | FT | SEAL - 1/2" X 3/4" PSA 1 SIDE |
| | 900390-01-000 | EA | NOZZLE - SILICONE TUBE - 2.5" LONG - W/EXTERNAL THREADS |
| | 900390-03-000 | EA | NOZZLE - SILICONE TUBE - 4.3" LONG W/INTERNAL THREADS |
| | 900563-17-000 | EA | TAPE - 2 SIDED, 2" X 36 YDS |

BOLTS, NUTS AND WASHERS

| KEY | PART NUMBER | U/M | DESCRIPTION |
|------------|--------------------|------------|--|
| | OMC05K-08-055 | EA | BOLT - HEX - M08 X 1.25 X 2.2 |
| | OMD16K-10-000 | EA | NUT - HEX PREV TORQUE M10 X 1 1/2 CLASS 8 |
| | OMD39K-12-000 | EA | NUT - HEX W/NYLON LOCK - M12 X 1 3/4 |
| | OMD40K-14-000 | EA | NUT - HEX W/NYLON LOCK - M14 X 2 |
| | OMD54F-06-000 | EA | NUT-HEX SER FLG M6X1,0 SS - DIN6923A2M6 |
| | OME06K-14-280 | EA | WASHER - FLAT - 14 ID X 28 OD |
| | 000C12-04-08B | EA | BOLT - HEX - 1/4-20 X 1/2 - GRADE #5 - ZINC |
| | 000C12-04-12A | EA | BOLT - HEX - 1/4-20 X 3/4 - PLAIN 5 |
| | 000C12-04-40B | EA | BOLT - HEX - 1/4-20 X 2 1/2 - GRADE #5 ZINC |
| | 000C12-05-16B | EA | BOLT - HEX - 5/16 - 18X1 - GRADE #5 - ZINC |
| | 000C12-05-40B | EA | BOLT - HEX - 5/16"-18 X 2.5" - GRADE #5 - ZINC |
| | 000C12-06-44B | EA | BOLT - HEX - 3/8-16 X 2 3/4 - GRADE 5 - ZINC |
| | 000C12-06-16B | EA | BOLT - HEX - 3/8 - 16X1 - GRADE #5 - ZINC |
| | 000C12-08-28B | EA | BOLT - HEX - 1/2-13 X 1 3/4 - GRADE #5 - ZINC |
| | 000C12-08-24B | EA | BOLT - HEX - 1/2 - 13X1 1/2 - GRADE #5 - ZINC |
| | 000C12-08-16B | EA | BOLT - HEX - 1/2-13 X 1 - GRADE #5 - ZINC |
| | 000C12-10-24B | EA | BOLT - HEX - 5/8 - 11X1 1/2 - GRADE #5 - ZINC |
| | 000C13-07-48B | EA | BOLT - HEX - 7/16-20 X 3 - GRADE #5 - ZINC |
| | 000C13-07-40B | EA | BOLT - HEX - 7/16-20 X 2 1/2 - GRADE #5 - ZINC |
| | 000C14-07-28B | EA | BOLT - HEX - 7/16-14 X 1 3/4 - GRADE #8 - ZINC |

SEALANTS & FASTENERS GROUP (CONTINUED)
BOLTS, NUTS AND WASHERS (CONTINUED)

| KEY | PART NUMBER | U/M | DESCRIPTION |
|-----|---------------|-----|---|
| | 000C14-10-32K | EA | BOLT - HEX - 5/8-11 X 2 - GRADE #8 - ZINC |
| | 000C16-07-16B | EA | BOLT - CARRIAGE - ASSIST HANDLE - 7/16-14 X 1 |
| | 000C18-05-40A | EA | BOLT - ELEVATOR - 5/16-18 X 2 1/2 - PL |
| | 000C26-04-10B | EA | BOLT - HEX - SERRATED FLANGE - 1/4-20 X 5/8 - ZINC |
| | 000C26-04-18B | EA | BOLT - HEX - SERRATED FLANGE - 1/4-20 X 1 1/8 - ZINC |
| | 000C26-04-14B | EA | BOLT - HEX - SERRATED FLANGE - 1/4-20 X 7/8 - ZINC |
| | 000C26-05-20B | EA | BOLT - HEX - SERRATED FLANGE - 5/16-18 X 1 1/4 - ZINC |
| | 000C26-05-12B | EA | BOLT - HEX - SERRATED FLANGE - 5/16-18 X 3/4 - ZINC |
| | 000C26-06-40B | EA | BOLT - HEX - SERRATED FLANGE - 3/8-16 X 2 1/2 - ZINC |
| | 000C26-06-28B | EA | BOLT - HEX - SERRATED FLANGE - 3/8-16 X 1 3/4 - ZINC |
| | 000C26-06-20B | EA | BOLT - HEX - SERRATED FLANGE - 3/8-16 X 1 1/4 - ZINC |
| | 000C26-06-12B | EA | BOLT - HEX - SERRATED FLANGE - 3/8-16 X 3/4 - ZINC |
| | 000C26-08-24B | EA | BOLT - HEX - SERRATED FLANGE - 1/2-13 X 1 1/2 - ZINC |
| | 000C27-04-40B | EA | BOLT - CARRIAGE - 1/4-20 X 2 1/2 - ZINC |
| | 000C27-07-40B | EA | BOLT - CARRIAGE - 7/16-14 X 2 1/2 - GRADE #5 |
| | 000C27-08-48B | EA | BOLT - CARRIAGE - 1/2-13 X 3 - GRADE #5 |
| | 000D16-07-00B | EA | NUT - HEX - 7/16-14 - ZINC |
| | 000D20-07-00B | EA | NUT - ACORN - ASSIST HANDLE - 7/16 - 14 |
| | 000D23-04-00B | EA | NUT - HEX SF/LK #4-40 |
| | 000D24-10-00B | EA | NUT - HEX - SELF LOCKING - 10-32 - ZINC |
| | 000D25-06-00B | EA | NUT-3/8" W/BURR - FASTENER HOUSE |
| | 000D28-10-00B | EA | NUT - HEX - W/NYLON LOCK - 10-32 ZINC |
| | 000D29-04-00B | EA | NUT - HEX - SELF LOCKING - 1/4 X 20 - ZINC |
| | 000D29-06-00B | EA | NUT - HEX - W/NYLON LOCK - 3/8-16 - ZINC |
| | 000D29-09-00B | EA | NUT - HEX - SELF LOCKING - 9/16-12 - ZINC |
| | 000D30-07-00B | EA | NUT - HEX LOCK - NYLON 7/16 X 20 |
| | 000D34-04-00B | EA | NUT - HEX - LOCKING - 1/4-20 - ZINC |
| | 000D34-06-00B | EA | NUT - HEX - LOCKING - 3/8-16 GRADE C - ZINC |
| | 000D39-04-00B | EA | NUT - HEX - LOCKING W/SERRATED FLANGE - 1/4-20 - ZINC |
| | 000D39-05-00B | EA | NUT - HEX - LOCKING W/SERRATED FLANGE - 5/16-18 - ZINC |
| | 000D39-06-00B | EA | NUT - HEX - LOCKING W/SERRATED FLANGE - 3/8-18 - ZINC |
| | 000D39-07-00B | EA | NUT - HEX - LOCKING W/SERRATED FLANGE - 7/16-14 - ZINC |
| | 000D39-08-00B | EA | NUT - HEX - LOCKING W/SERRATED FLANGE - 1/2-13 - ZINC |
| | 000D44-04-00B | EA | NUT - HEX - LOCKING W/SERRATED FLANGE - 1/4-28 - ZINC |
| | 000D44-07-00B | EA | NUT - HEX - LOCKING W/SERRATED FLANGE - 7/16-20 - ZINC |
| | 000D44-08-00B | EA | NUT - HEX - LOCKING W/SERRATED FLANGE - 1/2-20 - ZINC |
| | 000D46-04-00A | EA | NUT - HEX - WELD - 1/4-20 - PLAIN |
| | 000D58-06-00A | EA | NUT - HEX - WELD 3/8-16 - PLAIN |
| | 000D65-08-00B | EA | NUT - HEX - LOCKING W/SERRATED FLANGE - 8-32 - ZINC |
| | 000D67-10-00B | EA | NUT - HEX - LOCK - 5/8-11 - ZINC |
| | 000D73-08-00C | EA | NUT - HEX FLANGE - 1/2-13 |
| | 000D75-09-00B | EA | NUT - HEX LOCKING - 9/16-12 - ZINC |
| | 000D76-06-00B | EA | NUT - HEX FLANGE - 3/8-16 |
| | 000E11-04-00F | EA | WASHER - LOCKING - 1/4 MED SPLIT - STAINLESS STEEL |
| | 000E11-07-00B | EA | WASHER - LOCKING - 7/16 MED SPLIT - ZINC |
| | 000E11-08-00B | EA | WASHER - LOCKING - 1/2 MED SPLIT - ZINC |
| | 000E13-17-00B | EA | WASHER - FLAT - 3/8 AR - ZINC |
| | 000E13-18-00B | EA | WASHER - FLAT - 3/8 WIDE - ZINC |
| | 000E13-20-00B | EA | WASHER - FLAT - 7/16 WIDE - ZINC |
| | 000E13-22-00B | EA | WASHER - FLAT - 1/2 WIDE - ZINC |
| | 000E13-26-00B | EA | WASHER - FLAT - 5/8 WIDE - ZINC |
| | 000E14-10-00B | EA | WASHER - LOCKING - #10 EXTERNAL TOOTH - ZINC |
| | 000E16-10-00B | EA | WASHER - HARDENED - 5/8 - FLAT - ZINC |
| | 000G45-05-16B | EA | BOLT - LAG - 5/16-9 X 1 - ZINC |
| | 002329-01-000 | EA | WASHER-FLAT, 9/32" ID X 5/8" OD - NYLON |
| | 005081-01-000 | EA | NUT - SPEED - C-TYPE - #8 SCREW |
| | 040921-01-000 | EA | NUT - SPEED - U TYPE - #10-24 - BLACK |
| | 040921-03-000 | EA | NUT - SPEED - U TYPE - #10 |
| | 040921-04-000 | EA | NUT - SPEED - U TYPE - #8-.59" LENGTH X .44" WIDTH |
| | 040921-05-000 | EA | NUT - SPEED - U-TYPE - 8-.67" X .44" WIDE |
| | 041322-01-000 | EA | WASHER - FLANGE - 15/32 ID X 2 3/8 OD - F/SEAT BELT MTG |
| | 044364-02-000 | EA | NUT - SPEED - FLAT - ROUND |
| | 044533-01-000 | EA | WASHER - 1 3/8"OD - FOR BUTTONS - PLASTIC |
| | 051387-06-000 | EA | BOLT - CARRIAGE W/O HOLE - 5/16-18 X 9 1/2 - ZINC |

SEALANTS & FASTENERS GROUP (CONTINUED)
BOLTS, NUTS AND WASHERS (CONTINUED)

| KEY | PART NUMBER | U/M | DESCRIPTION |
|-----|---------------|-----|--|
| | 058716-02-000 | EA | WASHER - FLAT NYLON |
| | 064081-03-000 | EA | NUT - WING 3/8-16 - W/WELD NUT |
| | 077071-01-000 | EA | WASHER - FENDER - 3/16"ID X 1"OD |
| | 084406-01-000 | EA | NUT - CAPPED - CROSS RECESSED - BLACK - 1/4-20 THD |
| | 087234-01-000 | EA | NUT - JACK - 1/4 X 20 THD - MOLLY |
| | 087718-01-000 | EA | MONOBOLT - STEEL - 3/16 DIAMETER |
| | 088787-12-000 | EA | STUD - WELD - 1/4 - 20 X 1.0 LG - MN |
| | 102333-01-06A | EA | BOLT - CARRIAGE - 7/16-14 STAINLESS STEEL CAP |
| | 103020-02-000 | EA | BOLT-U - #8-32 - GRADE 5 ZINC |
| | 106956-03-000 | EA | BOLT - HEX TAP - 1/2-12NC X 3 - GRADE 5 - FULL THREAD/ZINC |
| | 107397-01-000 | EA | WASHER - FENDER - 3/4"ID X 1"OD |
| | 108067-03-000 | EA | STUD - WELD - 1/4 - 20 X 1/2 CD |
| | 109917-01-000 | EA | WASHER - 1.5" X 1.25" |
| | 109917-03-000 | EA | WASHER - 1" X .50" |
| | 109917-04-000 | EA | WASHER - 1" X .75" |
| | 110794-01-000 | EA | WASHER - FLAT - 1"ID X 1 3/4"OD |
| | 113985-02-000 | EA | BOLT - FLANGE - M10-1 1/2 X 30CL 10.9 |
| | 114259-05-000 | EA | BOLT - 7/16-20 X 1 1/4 W/WASHER |
| | 128444-01-000 | EA | WASHER - SPRING - CONICAL |
| | 131377-01-000 | EA | NUT-HEX HEAD W/WASHER-1/4-20 X 2" STEEL W/3/4" OD WASHER |
| | 135092-02-01A | EA | BOLT - HEX - SERRATED FLANGE - 1/2-20 X 2 1/2-GRADE 5 ZINC |
| | 143399-01-01A | EA | NUT/RETAINING - 3/8"- 24 NFT |
| | 144904-01-01A | EA | BOLT - ADJUSTMENT - HEADLAMP |
| | 147284-01-000 | EA | NUT/SELF RETAINING - 3/8"-16 |
| | 147284-02-000 | EA | NUT/SELF RETAINING - 5/16"-18 |
| | 148817-01-000 | EA | WASHER/SPUR - LOCKING |

SCREWS

| KEY | PART NUMBER | U/M | DESCRIPTION |
|-----|---------------|-----|--|
| | 0G1106-06-160 | EA | SCREW - 6-20 X 3/8 PPH |
| | 0G1106-08-240 | EA | SCREW - 6-20 X 1/2 PPH - VW LIGHT GRAY |
| | 0G1208-12-170 | EA | SCREW - 8-18 X 3/4 POH - BRIGHT WHITE |
| | 0G3804-22-180 | EA | SCREW - MACHINE - 1/4-20 X 1 3/8 PFH - BLACK |
| | 0G3908-08-170 | EA | SCREW - SF/DR - 8-18 X 1/2 PPH - BRIGHT WHITE |
| | 0G3908-08-160 | EA | SCREW - SF/DR - 8-18 X 1/2 PPH - VW WHITE |
| | 0G3908-12-250 | EA | SCREW - SF/DR - 8-18 X 3/4 PPH - DARK GRAY |
| | 0G3908-16-170 | EA | SCREW - SF/DR - 8-18 X 1 PPH - BRIGHT WHITE |
| | 0G3908-24-170 | EA | SCREW - SF/DR - 8-18 X 1 1/2 PPH - BRIGHT WHITE |
| | 0G3910-10-330 | EA | SCREW - SF/DR - 20-16 X 5/8 PPH - PUTTY |
| | 0G3910-10-320 | EA | SCREW - SF/DR - 10-16 X 5/8 PPH - GLACIER |
| | 0G3910-12-240 | EA | SCREW - SF/DR - 10-16 X .75 PPH - VW LIGHT GRAY |
| | 0G3910-12-170 | EA | SCREW - SF/DR - 10-16 X 3/4 PPH - BRIGHT WHITE |
| | 0G3910-12-320 | EA | SCREW - SF/DR - 10-16 X 3/4 PPH - GLACIER |
| | 0G5508-08-380 | EA | SCREW - SF/DR - 8-18 X .5 PWH - CASHMERE |
| | 0G5508-08-370 | EA | SCREW - SF/DR - 8-18 X .5 PWH - RIVERSTONE |
| | 0G5508-12-240 | EA | SCREW - SF/DR - 8-18 X 3/4 PWH - VW LIGHT GRAY |
| | 0G5508-12-170 | EA | SCREW - SF/DR - 8-18 X 3/4 PWH - BRIGHT WHITE |
| | 0G5508-12-330 | EA | SCREW - SF/DR - 8-18 X 3/4 PWH - PUTTY |
| | 0G5508-12-320 | EA | SCREW - SF/DR - 8-18 X 3/4 PWH - GLACIER |
| | 0G5508-12-270 | EA | SCREW - SF/DR - 8-18 X 3/4 PWH - TITANIUM |
| | 0G5508-16-250 | EA | SCREW - SF/DR - 8-18 X 1 PWH - VW DARK GRAY |
| | 0G5508-16-320 | EA | SCREW - SF/DR - 8-18 X 1 PWH - GLACIER |
| | 0G6008-16-170 | EA | SCREW - SF/DR - 8-18 X 1 POH - BRIGHT WHITE |
| | 0G6710-08-130 | EA | SCREW - 10-12 X 1/2 PPH - TAUPE |
| | 0G6710-08-170 | EA | SCREW - 10-12 X 1/2 PPH - BRIGHT WHITE |
| | 0G6710-08-240 | EA | SCREW - 10-12 X 1/2 PPH - VW LIGHT GRAY |
| | 0G6710-12-170 | EA | SCREW - 10-12 X 3/4 PPH - BRIGHT WHITE |
| | 0G6806-16-170 | EA | SCREW - 6-18 X 1 POH - BRIGHT WHITE |
| | 0G6810-24-280 | EA | SCREW - 10-12 X 1 1/2 POH - SOFT WHITE |
| | 000C20-05-28F | EA | SCREW - 5/16-18 X 1 3/4 FLAT SOC - STAINLESS STEEL |
| | 000C20-06-24T | EA | SCREW - 3/8-16 X 1 1/2 - FLAT SOCKET |
| | 000G11-06-10J | EA | SCREW - 6-20 X 5/8 PPH - BRASS |

SEALANTS & FASTENERS GROUP (CONTINUED)
SCREWS (CONTINUED)

| KEY | PART NUMBER | U/M | DESCRIPTION |
|-----|---------------|-----|---|
| | 000G11-06-08B | EA | SCREW - 6-20 X 1/2 PPH - ZINC |
| | 000G11-06-10B | EA | SCREW - 6-20 X 5/8 PPH - ZINC |
| | 000G11-07-08B | EA | SCREW - 7-19 X 1/2 PPH - ZINC |
| | 000G11-08-20G | EA | SCREW - 8-18 X 1 1/4 - ANTIQUE BRASS |
| | 000G11-08-20B | EA | SCREW - 8-18 X 1 1/4 PPH - ZINC |
| | 000G11-08-12T | EA | SCREW - 8-18 X 3/4 PPH - BLACK MAGNESIUM |
| | 000G11-08-12P | EA | SCREW - 8-18 X 3/4 PPH - DARK BROWN |
| | 000G11-08-12S | EA | SCREW - 8-18 X 3/4 PPH - OFF WHITE |
| | 000G11-08-12B | EA | SCREW - 8-18 X 3/4 PPH - ZINC |
| | 000G11-08-08T | EA | SCREW - 8-18 X 1/2 PPH - FLUOROCARBON COATING |
| | 000G11-08-06B | EA | SCREW - 8-18 X 3/8 PPH - ZINC |
| | 000G11-10-12D | EA | SCREW - 10-16 X 3/4 PPH - BLACK |
| | 000G12-06-12J | EA | SCREW - 6-20 X .75 POH - BRASS |
| | 000G12-06-08T | EA | SCREW - 6-20 X 1/2 POH - BLACK |
| | 000G13-05-10B | EA | SCREW - 5-12 X 5/8 PFH - ZINC |
| | 000G13-06-08G | EA | SCREW - 6-20 X 1/2 PFH - ANTIQUE BRASS |
| | 000G13-06-08B | EA | SCREW - 6-20 X 1/2 PFH - ZINC |
| | 000G13-06-06I | EA | SCREW - 6-20 X 3/8 PFH - BLACK ZINC |
| | 000G13-06-24J | EA | SCREW - 6-20 X 1 1/2 PFH - BRASS |
| | 000G13-06-16J | EA | SCREW - 6-20 X 1 PFH - BRASS |
| | 000G13-06-10J | EA | SCREW - 6-20 X 5/8 PFH - BRASS |
| | 000G13-06-10G | EA | SCREW - 6-20 X 5/8 PFH - ANTIQUE BRASS |
| | 000G13-07-10H | EA | SCREW - 7-19 X 5/8 PFH - BLACK |
| | 000G13-07-12B | EA | SCREW - 7-19 X 3/4 PFH - ZINC |
| | 000G13-08-16B | EA | SCREW - 8-18 X 1 PFH - ZINC |
| | 000G13-08-109 | EA | SCREW - 8-18 X 5/8 PFH |
| | 000G13-08-10B | EA | SCREW - 8-18 X 5/8 PFH - ZINC |
| | 000G13-08-24B | EA | SCREW - 8-18 X 1 1/2 PFH - ZINC |
| | 000G16-04-24B | EA | SCREW - MACHINE - 1/4-20 X 1 1/2 PPH |
| | 000G18-04-12B | EA | SCREW - MACHINE - 4-40 X 3/4 PPH - ZINC |
| | 000G18-08-12B | EA | SCREW - MACHINE - 8-32 X 3/4 PPH - ZINC |
| | 000G18-08-16B | EA | SCREW - MACHINE - 8-32 X 1 PPH - ZINC |
| | 000G18-08-24B | EA | SCREW - MACHINE - 8-32 X 1 1/2 PPH - ZINC |
| | 000G18-08-22B | EA | SCREW - MACHINE - 8-32 X 1 3/8 PPH - ZINC |
| | 000G19-10-10B | EA | SCREW - MACHINE - 10-32 X 5/8 - PPH - ZINC |
| | 000G19-10-08B | EA | SCREW - MACHINE - 10-32 X 1/2 PPH - ZINC |
| | 000G19-10-20B | EA | SCREW - MACHINE - 10-32 X 1 1/2 PPH - ZINC |
| | 000G19-10-40B | EA | SCREW-MACH,10-32X2.50 PPH ZN |
| | 000G19-10-12F | EA | SCREW - MACHINE - 10-32 X 3/4 PPH - STAINLESS STEEL |
| | 000G32-10-06B | EA | SCREW - 10-32 X 3/8 PPH - ZINC |
| | 000G36-10-12T | EA | SCREW - 10-24X 3/4 PFH TYPE 23 - BLACK |
| | 000G39-06-06J | EA | SCREW - 6-20 X 3/8 PPH - BRASS |
| | 000G39-06-10T | EA | SCREW - SF/DR - 6-20 X 5/8 PPH - BLACK |
| | 000G39-06-16T | EA | SCREW - SF/DR - 6-20 X 1 PPH - BLACK |
| | 000G39-08-08S | EA | SCREW - SF/DR - 8-18 X 1/2 PPH - OFF WHITE |
| | 000G39-08-08B | EA | SCREW - SF/DR - 8-18 X 1/2 PPH - ZINC |
| | 000G39-08-08T | EA | SCREW - SF/DR - 8-18 X 1/2 PPH - BLACK |
| | 000G39-08-06B | EA | SCREW - SF/DR - 8-18 X 3/8 PPH - ZINC |
| | 000G39-08-32B | EA | SCREW - SF/DR - 8-18 X 2 PPH - ZINC |
| | 000G39-08-24T | EA | SCREW - SF/DR - 8-18 X 1 1/2 PPH - BLACK |
| | 000G39-08-24S | EA | SCREW - SF/DR - 8-18 X 1 1/2 - OFF WHITE |
| | 000G39-08-24B | EA | SCREW - SF/DR - 8-18 X 1 1/2 PPH - ZINC |
| | 000G39-08-16T | EA | SCREW - SF/DR - 6-20 X 1 PPH - BLACK |
| | 000G39-08-16B | EA | SCREW - SF/DR - 8-18 X 1 PPH - ZINC |
| | 000G39-08-12B | EA | SCREW - SF/DR - 8-18 X 3/4 PPH - ZINC |
| | 000G39-08-12T | EA | SCREW - SF/DR - 8-18 X 3/4 PPH - BLACK |
| | 000G39-10-48T | EA | SCREW - SF/DR - 10-16 X 3 PPH - BLACK |
| | 000G39-10-48B | EA | SCREW - SF/DR - 10-16 X 3 - PPH - ZINC |
| | 000G39-10-40D | EA | SCREW - SF/DR - 10-16 X 2 1/2 PPH - BLACK |
| | 000G39-10-32B | EA | SCREW - SF/DR - 10-16 X 2 - PPH - ZINC |
| | 000G39-10-20T | EA | SCREW - SF/DR - 10-16 X 1 1/4 PPH - BLACK |
| | 000G39-10-20B | EA | SCREW - SF/DR - 10-16 X 1 1/4 PPH - ZINC |
| | 000G39-10-169 | EA | SCREW - SF/DR - 10-16 X 1 PPH - FLUOROCARBON SILVER |
| | 000G39-10-129 | EA | SCREW - SF/DR - 10-16 X 3/4 PPH - FLUOROCARBON SILVER |

SEALANTS & FASTENERS GROUP (CONTINUED)
SCREWS (CONTINUED)

| KEY | PART NUMBER | U/M | DESCRIPTION |
|-----|---------------|-----|---|
| | 000G39-10-12T | EA | SCREW - SF/DR - 10-16 X 3/4 - BLACK |
| | 000G39-10-10T | EA | SCREW - SF/DR - 10-16 X 5/8 - BLACK |
| | 000G39-10-10B | EA | SCREW - SF/DR - 10-16 X 5/8 PPH - ZINC |
| | 000G39-10-08B | EA | SCREW - SF/DR - 10-16 X 1/2 PPH - ZINC |
| | 000G39-12-12E | EA | SCREW - SF/DR - 12 - 14 X 3/4 PPH - CHROME |
| | 000G42-04-24B | EA | SCREW - SF/DR - 1/4-14 X 1 1/2 - ZINC |
| | 000G42-04-16B | EA | SCREW - SF/DR - 1/4-14 X 1 HWH - ZINC |
| | 000G42-04-24B | EA | SCREW - SF/DR - 1/4-14 X 1 1/2 - ZINC |
| | 000G46-08-24T | EA | SCREW - MACHINE - 8-32 X 1 1/2 PFH - BLACK |
| | 000G50-04-08B | EA | SCREW - MACHINE - 1/4-20 X 1/2 PTH - ZINC |
| | 000G52-06-05B | EA | SCREW - MACHINE - 6-32 X 5/16 PTH ZINC |
| | 000G52-06-06B | EA | SCREW - MACHINE - 6-32 X 3/8 PIN - ZINC |
| | 000G54-04-14B | EA | SCREW - 1/4-20 X 7/8 PTH - TYPE 23 - ZINC PLATED |
| | 000G55-08-124 | EA | SCREW - SF/DR - 8-18 X 3/4 PWH - ASH GRAY |
| | 000G55-08-16T | EA | SCREW - SF/DR - 8-18 X 1 PWH - BLACK |
| | 000G56-12-48B | EA | SCREW - WOOD - 12-11 X 3 POH - SPECIAL HARDENED |
| | 000G57-14-64B | EA | SCREW - 14-10 X 4 PFH ZINC |
| | 000G60-08-20F | EA | SCREW - SF/DR - 8-19X1.25 POH |
| | 000G60-08-16E | EA | SCREW - SF/DR - 8-1 X 1 POH - CHROME |
| | 000G60-08-22B | EA | SCREW - SF/DR - 8-18 X 1.38 POH - ZINC |
| | 000G60-10-209 | EA | SCREW - SF/DR - 10-16 X 1 1/4 POH - SILVER STALGAARD |
| | 000G60-10-20B | EA | SCREW - SF/DR - 10-16 X 1 1/4 POH - ZINC |
| | 000G60-10-16J | EA | SCREW - SF/DR - 10-16 X 1 POH - BRIGHT BRASS |
| | 000G60-10-28T | EA | SCREW - SF/DR - 10-16 X 1 3/4 - BLACK |
| | 000G62-08-24B | EA | SCREW - SF/DR - 8-18 X 1 1/2 PFH |
| | 000G67-08-32B | EA | SCREW - 8-15 X 2 PPH - ZINC |
| | 000G67-10-08B | EA | SCREW - 10-12 X 1/2 PPH - ZINC |
| | 000G67-10-32J | EA | SCREW-10-12X2 PPH - BRIGHT BRASS |
| | 000G67-10-24S | EA | SCREW - 10-12 X 1 1/2 PPH - OFF WHITE |
| | 000G67-10-24B | EA | SCREW - 10-12 X 1 1/2 PPH - ZINC |
| | 000G67-10-20D | EA | SCREW - 10-12 X 1 1/4 PPH - BLACK |
| | 000G67-10-12P | EA | SCREW - 10-12 X 3/4 PPH - DARK BROWN |
| | 000G67-10-12B | EA | SCREW - 10-12 X 3/4 PPH - ZINC |
| | 000G67-10-10T | EA | SCREW - 10-12 X 5/8 PPH - BLACK |
| | 000G67-10-10S | EA | SCREW - 10-12 X 5/8 PPH - OFF WHITE |
| | 000G67-10-10P | EA | SCREW - 10-12 X 5/8 PPH - DARK BROWN |
| | 000G67-10-10B | EA | SCREW - 10-12 X 5/8 PPH - ZINC - TYPE A |
| | 000G67-10-08S | EA | SCREW - 10-12 X 1/2 PPH - OFF WHITE |
| | 000G68-06-12B | EA | SCREW - 6-18 X 3/4 POH - ZINC & CLEAR |
| | 000G68-06-10J | EA | SCREW - 6-18 X 5/8 POH - BRASS |
| | 000G68-06-10G | EA | SCREW - 6-18 X 5/8 POH - ANTIQUE BRASS |
| | 000G68-06-12J | EA | SCREW - 6-18 X 3/4 POH - BRASS |
| | 029130-01-000 | EA | SCREW - SNAP STUD - #8-16 X 5/8" LONG |
| | 029130-03-000 | EA | SCREW - SNAP STUD - #8-16 X 1" LONG |
| | 049465-01-000 | EA | SCREW - 10-16 PTH W/WASHER - DARK BROWN |
| | 049465-03-000 | EA | SCREW - 10-16 X 1 POH W/WASHER - OFF WHITE |
| | 049465-04-000 | EA | SCREW - 10-16 X 1 PTH W/WASHER - BEIGE |
| | 049465-13-000 | EA | SCREW-10+16X1 PTH W/WASHER - *ASH GRAY |
| | 049465-17-000 | EA | SCREW - 10-16 X 1 POH W/WASHER - BRIGHT WHITE |
| | 054434-03-000 | EA | SCREW - SF/DR - 10-16 X 2 - PWH - ZINC |
| | 075908-01-000 | EA | SCREW - MACHINE - 10-32 X .56 PTH - EXTERNAL TOOTH - ZINC |
| | 076790-01-000 | EA | SCREW - 6-20 X 1 1/4 PPH - BLACK |
| | 076790-05-000 | EA | SCREW - 6-20 X 1/2 PPH - BLACK - THREAD CUTTING/WOOD |
| | 083554-01-000 | EA | SCREW - DRYWALL - 8 X 1 1/4 |
| | 083554-04-000 | EA | SCREW - DRYWALL - 8 X 2 1/2 |
| | 087721-01-000 | EA | SCREW - FLAT HEAD - TAPPING - 1/4 X 1 1/4 LONG - ZINC |
| | 087721-02-000 | EA | SCREW - FLAT HEAD - TAPPING - 1/4" X 2 1/4" LONG - ZINC |
| | 090033-02-000 | EA | SCREW - 1/4-20 X 5/8 - ROUND WASHER HEAD - OFF/WHITE |
| | 097974-01-000 | EA | SCREW - PARTICLE BOARD - 7-9 X 3/4 PPH |
| | 101618-01-000 | EA | SCREW - 1/4-20 X 3/4 HEX - TAPPING - STALGARD TYPE F |
| | 109235-01-05A | FT | COVER - SCREW - BRIGHT WHITE |
| | 109235-01-01A | FT | COVER - SCREW - MAT BLACK |
| | 113563-01-01A | EA | SCREW - 8 X 5/8 LONG SHOULDER/WASHER HEAD |
| | 116111-02-01A | EA | SCREW - TAPTITE - 1/4-20 X 3/8 PPH - ZINC |

SEALANTS & FASTENERS GROUP (CONTINUED)
SCREWS (CONTINUED)

| KEY | PART NUMBER | U/M | DESCRIPTION |
|-----|---------------|-----|--|
| | 117478-01-04A | EA | SCREW - 8-18 X 3/4 PPH W/WASHER - VW LIGHT GRAY |
| | 118383-01-09A | EA | RETAINER/RECESSED - F/.22" SCREW - GLACIER |
| | 118383-01-06A | EA | RETAINER/RECESSED - F/.22" SCREW - ALLANTE ANTELOPE |
| | 118383-01-04A | EA | RETAINER/RECESSED - F/.22" SCREW - BRIGHT WHITE |
| | 118383-02-09A | EA | RETAINER/RECESSED - F/.27" SCREW - GLACIER |
| | 118383-02-05A | EA | RETAINER/RECESSED - F/.27" SCREW - VW LIGHT GRAY |
| | 118383-02-10A | EA | RETAINER/RECESSED - F/.27" SCREW - RIVERSTONE |
| | 118383-02-11A | EA | RETAINER/RECESSED - F/.27" SCREW - CASHMERE |
| | 118383-03-09A | EA | RETAINER/RECESSED - F/.32" SCREW - GLACIER |
| | 118383-04-04A | EA | CAP - F/RECESSED RETAINER - BRIGHT WHITE |
| | 118383-04-08A | EA | CAP - F/RECESSED RETAINER - CADDY CREAM |
| | 118383-04-05A | EA | CAP - F/RECESSED RETAINER - VW LIGHT GRAY |
| | 118383-04-11A | EA | CAP - F/RECESSED RETAINER - CASHMERE |
| | 118383-04-10A | EA | CAP - F/RECESSED RETAINER - RIVERSTONE |
| | 118383-04-09A | EA | CAP - F/RECESSED RETAINER - GLACIER |
| | 134126-01-01A | EA | SCREW/NAIL - HEX HEAD - 3/4" |
| | 140040-01-000 | EA | SCREW - 1/4-20 X 1 - BUTTON HEAD/SOCKET - W/LOCTITE |
| | 144078-01-01A | EA | SCREW - HEX/FLANGE HEAD CAP-1" W/.75" THREAD LENGTH-ZINC |
| | 149753-01-02A | EA | RETAINER/RECESSED - F/.22" SCREW - BRIGHT WHITE |
| | 149753-01-01A | EA | RETAINER/RECESSED - F/.22" SCREW - BLACK |
| | 149753-02-02A | EA | CAP - F/RECESSED RETAINER - BRIGHT WHITE |
| | 149753-02-01A | EA | CAP - F/RECESSED RETAINER - BLACK |

CLAMPS, CLIPS, GROMMETS, RIVETS & PLUGS

| KEY | PART NUMBER | U/M | DESCRIPTION |
|-----|---------------|-----|---|
| | 000F10-06-32B | EA | PIN - COTTER - 3/16" X 2" - ZINC |
| | 000H14-06-06R | EA | RIVET-MANDREL BLIND,3/16 AL - CHERRY BSP-66 |
| | 000H16-04-06R | EA | RIVET - POP ALUMINUM - 1/8 X .313 - .375 |
| | 000H16-06-10R | EA | RIVET - POP ALUMINUM - 3/16 X .501 - .625 |
| | 007161-01-000 | EA | CLAMP - HOSE - SPRING TYPE - 1/2" |
| | 008386-01-000 | EA | GROMMET - SNAP - 3/8" DIAMETER - NYLON |
| | 010495-01-000 | EA | CLAMP - CABLE - 9/16"ID - BLACK |
| | 010495-02-000 | EA | CLAMP - CABLE - 3/8"ID - BLACK |
| | 010495-04-000 | EA | CLAMP - CABLE - 11/16"ID - WHITE |
| | 010497-01-000 | EA | CLAMP - CLOSED - 5/8"ID |
| | 010497-02-000 | EA | CLAMP - CLOSED - 1.5"ID |
| | 010497-03-000 | EA | CLAMP - CLOSED - 1"ID - CUSHIONED |
| | 010497-04-000 | EA | CLAMP - CLOSED - 1 5/8"ID |
| | 010497-05-000 | EA | CLAMP - CLOSED - 1/2"ID |
| | 010497-07-000 | EA | CLAMP - CLOSED - 3/8"ID |
| | 010497-09-000 | EA | CLAMP - CLOSED - 5/16"ID |
| | 010497-10-000 | EA | CLAMP - CLOSED - 7/8"ID |
| | 010499-01-000 | EA | CLAMP - CLOSED - 3/8"ID |
| | 016188-03-000 | EA | GROMMET - LP LINE - 3/8"HOLE X 2 1/2"LONG - RUBBER |
| | 016188-04-000 | EA | GROMMET - LP LINE - 1/2"HOLE X 2 1/2"LONG - RUBBER |
| | 016188-05-000 | EA | GROMMET - LP LINE - 3/8"HOLE X 1 1/4"LONG - RUBBER |
| | 016188-06-000 | EA | GROMMET - L/P LINE - 3/8"HOLE X 3 1/4"LONG - RUBBER |
| | 016188-08-000 | EA | GROMMET - LP LINE - 1/2"HOLE X 1 1/4"LONG - RUBBER |
| | 016188-09-000 | EA | GROMMET - LP LINE - .68"HOLE X 1 1/4"LONG - RUBBER |
| | 016188-10-000 | EA | GROMMET - LP LINE - .68"HOLE X 2.5"LONG - RUBBER |
| | 023942-01-000 | EA | GROMMET - RUBBER - 2" OD |
| | 034141-02-000 | EA | PLUG/NYLON - .38" - BLACK |
| | 061420-01-000 | EA | PLUG/PLASTIC - 1 3/4" DIAMETER - BROWN |
| | 061420-04-000 | EA | PLUG/PLASTIC - 1 1/4" DIAMETER |
| | 061420-05-000 | EA | PLUG/PLASTIC - 1 1/2" DIAMETER |
| | 061420-08-000 | EA | PLUG/PLASTIC - 2 1/2" DIAMETER |
| | 061420-09-000 | EA | PLUG/PLASTIC - 1.00" - DIAMETER |
| | 061420-10-000 | EA | PLUG/PLASTIC - 1 1/2" DIAMETER - BLACK |
| | 061420-14-000 | EA | PLUG/PLASTIC - 7/8" DIAMETER - BLACK |
| | 061420-15-000 | EA | PLUG/PLASTIC - 2" DIAMETER - BLACK |
| | 062401-01-000 | EA | CLAMP - HOSE - WORMGEAR - .25" - 1" |
| | 062401-02-000 | EA | CLAMP - HOSE - WORMGEAR - 1.56" - 2.5" |
| | 062401-03-000 | EA | CLAMP - HOSE - WORMGEAR - .22" - 1" |
| | 062401-04-000 | EA | CLAMP - HOSE - WORMGEAR - .69" - 1.25" |

SEALANTS & FASTENERS GROUP (CONTINUED)
CLAMPS, CLIPS, GROMMETS, RIVETS & PLUGS (CONTINUED)

| KEY | PART NUMBER | U/M | DESCRIPTION |
|-----|---------------|-----|--|
| | 062401-05-000 | EA | CLAMP - HOSE - WORMGEAR - 2" - 3" ID |
| | 062401-06-000 | EA | CLAMP - HOSE - WORMGEAR - .22" - .62" ID |
| | 062401-09-000 | EA | CLAMP - HOSE - WORMGEAR - 2.8" - 3.75" |
| | 062401-11-000 | EA | CLAMP - HOSE - WORMGEAR - 3.50" - 4.50" |
| | 062401-12-000 | EA | CLAMP - HOSE - WORMGEAR - .79" X 1.26" |
| | 062401-13-000 | EA | CLAMP - HOSE - WORMGEAR |
| | 071015-01-000 | EA | GROMMET - RUBBER - .5"ID X 1"OD-W/.38" GROOVE - BLACK |
| | 071015-11-000 | EA | GROMMET - RUBBER - 1 ID - FITS .12 MATERIAL - BLACK |
| | 071015-13-000 | EA | GROMMET - RUBBER - .62 ID - FITS .09 GROOVE - BLACK |
| | 071015-19-000 | EA | GROMMET - RUBBER - .38 ID - FITS .06 MATERIAL - BLACK |
| | 071015-26-000 | EA | GROMMET - RUBBER - 1.5" ID X 2.1" OD W/.06" GROOVE-BLACK |
| | 071015-29-000 | EA | GROMMET - RUBBER - .3"ID X 1.3"OD W/.12" GROOVE - BLACK |
| | 071015-30-000 | EA | GROMMET - RUBBER - .3"ID X .81"OD W/.12" GROOVE - BLACK |
| | 071015-32-000 | EA | GROMMET - RUBBER - .75"ID X 1.375"OD W/.187" GROOVE-BLK |
| | 071015-37-000 | EA | GROMMET - .81 ID FITS .56 MTL |
| | 071015-39-000 | EA | GROMMET - .75 ID FITS .06 MTL |
| | 071015-40-000 | EA | GROMMET - .38 ID FITS .09 MTL |
| | 071015-41-000 | EA | GROMMET - .125 ID FITS .188 MTL |
| | 071015-42-000 | EA | GROMMET - RUBBER - .25 ID - FITS .06 MATERIAL - BLACK |
| | 075148-02-000 | EA | CLAMP - GROUNDING - BRONZE SCREWS |
| | 077955-01-000 | EA | CLIP/J - 3/8" - VINYL COATED |
| | 080211-03-000 | EA | CLIP - XMAS TREE W/PANEL RETAINING HEAD - 3/4" SHANK |
| | 080734-02-000 | EA | CLIP - WIRE NYLON |
| | 081211-01-000 | EA | PLUG - PLASTIC - .31"DIA - BLACK |
| | 081211-03-000 | EA | PLUG/PLASTIC - .50" DIAMETER - TRUSS HEAD - BLACK |
| | 081211-04-000 | EA | PLUG/PLASTIC - .46 DIAMETER - TRUSS HEAD - BLACK |
| | 083609-01-000 | EA | CLAMP - WIRE - DUAL - EQUAL DIAMETERS - 5/8" |
| | 083610-01-000 | EA | CLAMP - WIRE - DUAL - UNEQUAL DIAMETERS - 3/4" & 1 1/4" |
| | 083610-02-000 | EA | CLAMP - WIRE - DUAL - UNEQUAL DIAMETERS - 3/4" & 2" |
| | 083610-03-000 | EA | CLAMP - WIRE - DUAL - EQUAL DIAMETERS - 2" |
| | 088756-01-000 | EA | GROMMET - WEB - 1 1/8 " I.D. |
| | 089329-02-000 | EA | CLIP - SPRING |
| | 091952-01-000 | EA | CLIP - GRIPPER - 1" |
| | 091952-02-000 | EA | CLIP - GRIPPER - 3/4" |
| | 091952-03-000 | EA | CLIP - GRIPPER - 1/2" - BLACK VINYL COATED |
| | 094362-02-000 | EA | CLIP - XMAS TREE - BINDER HEAD - .9" LONG |
| | 094362-05-000 | EA | CLIP - XMAS TREE - ROUND HEAD - 1.4" LONG |
| | 113133-02-01A | EA | RIVET - POP - ALUMINUM - 3/16 X .252 - .504 - BLACK |
| | 114208-01-000 | EA | GROMMET - EDGE LINER - FITS 1 3/4" |
| | 114208-05-000 | EA | GROMMET - EDGE LINER - FITS 2" |
| | 115361-01-01A | EA | PLUG/PLASTIC - 1/2" DIAMETER |
| | 118626-01-02A | EA | RIVET - POP - ALUMINUM - 3/16 X .08 - .375 |
| | 118626-01-01A | EA | RIVET - POP - ALUMINUM - 3/16 X .08 - .375 |
| | 137014-01-02A | EA | GROMMET - CABLE - BROWN |
| | 137014-01-01A | EA | GROMMET - CABLE - ALMOND |
| | 137014-01-03A | EA | GROMMET - CABLE - BLACK |
| | 139118-02-01A | EA | GROMMET - SCREW - PLASTIC |
| | 140171-01-000 | EA | CLAMP - HOSE - STEPLESS EAR - .312 |

MISCELLANEOUS FASTENERS

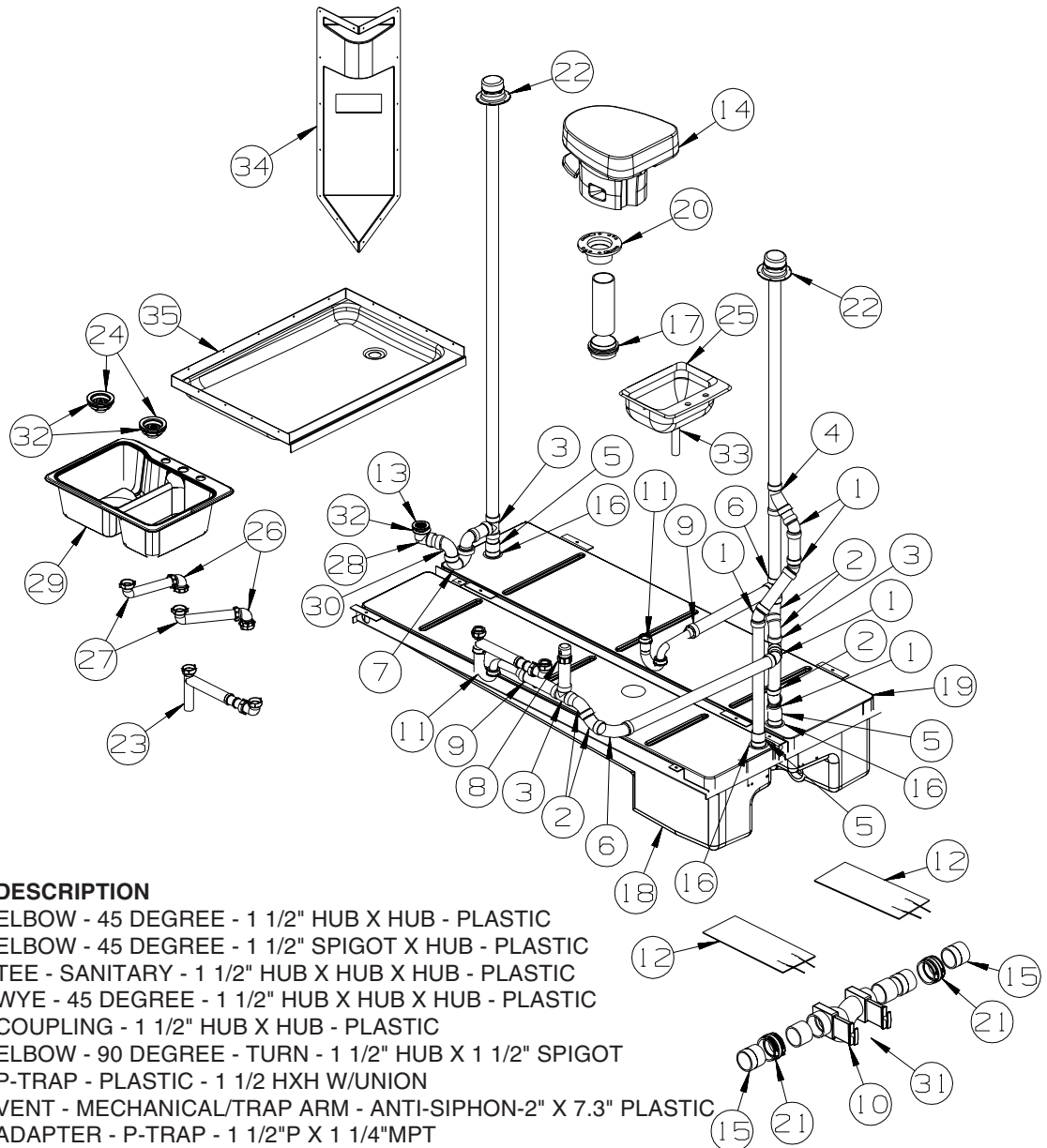
| KEY | PART NUMBER | U/M | DESCRIPTION |
|-----|---------------|-----|--|
| | 008343-01-000 | EA | TIE - WIRE - 6" |
| | 008343-02-000 | EA | TIE - WIRE - 14" |
| | 008343-03-000 | EA | TIE - WIRE - 7 1/2" - BLACK |
| | 029094-04-000 | YD | VELCRO TAPE - LOOP - 1" WIDE - BLACK |
| | 029096-03-000 | YD | VELCRO TAPE - HOOK - 1" WIDE - BLACK |
| | 029096-04-000 | YD | VELCRO TAPE/HOOK - 1" WIDE - BLACK - W/ADHESIVE BACK (PSA) |
| | 048394-02-000 | YD | VELCRO TAPE - HOOK - ADHESIVE BACK - 3/4" WIDE - BEIGE |
| | 085774-01-000 | FT | FASTENER - DUAL LOCK - 1" WIDE - ADHESIVE BACK - BLACK |
| | 085774-02-000 | FT | FASTENER - DUAL HOOK - 1" WIDE - ADHESIVE BACK - BLACK |
| | 085774-03-000 | FT | FASTENER - DUAL LOCK - 1/2" WIDE - ADHESIVE BACK - BLACK |
| | 085774-04-000 | FT | FASTENER - DUAL HOOK - 1/2" WIDE - ADHESIVE BACK - BLACK |
| | 088792-02-000 | YD | VELCRO TAPE - LOOP - 3/4" - ADHESIVE BACK - BEIGE |
| | 088792-04-000 | YD | VELCRO TAPE - HOOK - 5/8" - NON-ADHESIVE BACK - WHITE |

SEALANTS & FASTENERS GROUP (CONTINUED)

MISCELLANEOUS FASTENERS (CONTINUED)

| KEY | PART NUMBER | U/M | DESCRIPTION |
|-----|---------------|-----|--|
| | 088792-05-000 | YD | VELCRO TAPE - LOOP - 5/8" - NON-ADHESIVE BACK - WHITE |
| | 108046-01-000 | EA | CABLE TIE - SCREW MOUNT 8" |
| | 108046-02-000 | EA | CABLE TIE - SCREW MOUNT 15" |
| | 110943-01-000 | FT | FELT STRIP - 3/8" - ADHESIVE BACK - BLACK - 75' PER ROLL |
| | 110943-02-000 | FT | FELT STRIP - 3/8" - ADHESIVE BACK - WHITE |
| | 127960-01-01A | EA | RETAINER - 3/8" - STAINLESS STEEL |

WATER & SEWAGE GROUP DRAINAGE SYSTEM

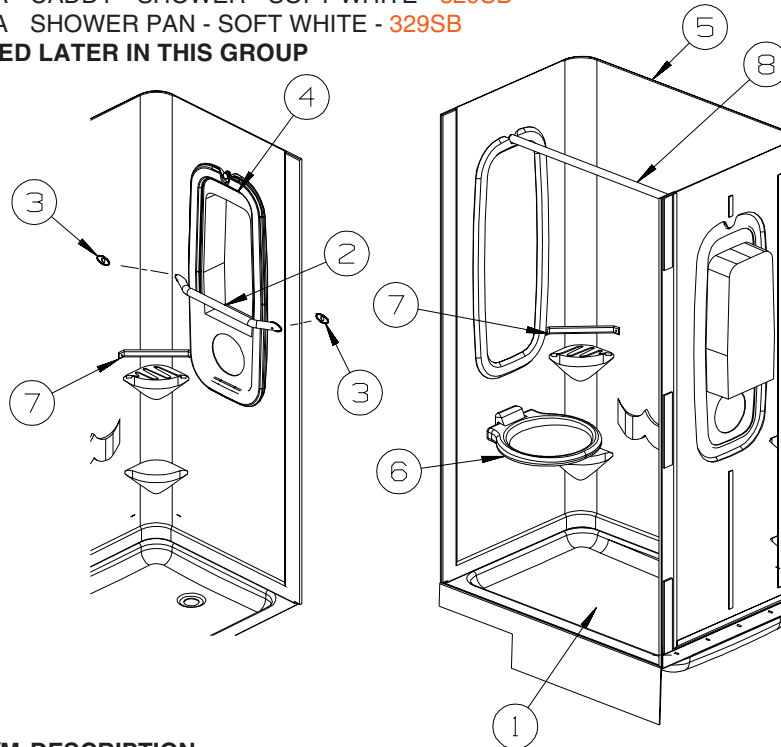


| KEY | PART NUMBER | U/M | DESCRIPTION |
|-----|---------------|-----|--|
| 1 | 010006-01-000 | EA | ELBOW - 45 DEGREE - 1 1/2" HUB X HUB - PLASTIC |
| 2 | 010051-01-000 | EA | ELBOW - 45 DEGREE - 1 1/2" SPIGOT X HUB - PLASTIC |
| 3 | 010071-01-000 | EA | TEE - SANITARY - 1 1/2" HUB X HUB X HUB - PLASTIC |
| 4 | 010073-01-000 | EA | WYE - 45 DEGREE - 1 1/2" HUB X HUB X HUB - PLASTIC |
| 5 | 010115-01-000 | EA | COUPLING - 1 1/2" HUB X HUB - PLASTIC |
| 6 | 033761-01-000 | EA | ELBOW - 90 DEGREE - TURN - 1 1/2" HUB X 1 1/2" SPIGOT |
| 7 | 037763-01-000 | EA | P-TRAP - PLASTIC - 1 1/2" HXH W/UNION |
| 8 | 079968-01-000 | EA | VENT - MECHANICAL/TRAP ARM - ANTI-SIPHON-2" X 7.3" PLASTIC |
| 9 | 109571-01-000 | EA | ADAPTER - P-TRAP - 1 1/2" P X 1 1/4" MPT |
| 9 | 152146-01-000 | EA | CONNECTOR - 1 1/2" P X 1 1/2" MPT FROM: 00-00-00 THRU: 10-12-04 |
| 10 | 136143-01-000 | EA | VALVE - DUAL - 3" X 3" |
| 11 | 107538-01-000 | EA | P-TRAP - PLASTIC - 1 1/4" W/EXTENSION ARM FROM: 00-00-00 THRU: 10-12-04 |
| 11 | 107538-02-000 | EA | P-TRAP - PLASTIC - 1 1/2" W/EXTENSION ARM FROM: 10-13-04 THRU: 99-99-99 |
| 11 | 011071-01-000 | EA | P-TRAP - PLASTIC - 1 1/2" - CSA - CANADIAN |
| 12 | 133972-04-000 | EA | PAD/HEATER - HOLDING TANK - F/34 GALLON - DRAINAGE SYSTEM-HEATED |
| 13 | 066440-01-000 | EA | STRAINER - SHOWER DRAIN - W/RUBBER WASHER |
| 14* | 147421-02-01A | EA | TOILET - AQUA MAGIC 5 - LOW/FOOTFLUSH/W/SPRAYER- WHITE |
| 14* | 147421-03-01A | EA | TOILET - AQUA MAGIC 5 (LOW) FOOTFLUSH - W/O SPRAY - WHITE - 329SB |
| 15 | 010129-03-000 | EA | NIPPLE - 3" X 3" TOE - PLASTIC |
| 16 | 061607-01-000 | EA | GROMMET - HOLDING TANK - 1 1/2" NPS |
| 17 | 061607-02-000 | EA | GROMMET - HOLDING TANK - 3" NPS |
| 18 | 139645-01-700 | EA | TANK - HOLDING - 25 GALLON - W/3" NIPPLE - W/O FITTINGS |
| 19 | 139646-01-700 | EA | TANK - HOLDING - W/O FITTINGS - W/3" NIPPLE |
| 20 | 024676-01-000 | EA | FLANGE/CLOSET - 4" X 3" - BLACK PLASTIC |
| 21 | 078406-01-000 | EA | COUPLER - 3" X 3" W/CLAMPS - RUBBER |
| 22 | 083558-03-000 | EA | VENT W/COVER F/PLUMBING STACK - OFF WHITE |
| 23 | 011091-02-000 | EA | WASTE - CONTINUOUS - DOUBLE SINK |
| 24 | 092303-01-000 | EA | STRAINER - W/BASKET - GALLEY SINK - 4" OD |

WATER & SEWAGE GROUP (CONTINUED)
DRAINAGE SYSTEM (CONTINUED)

| KEY | PART NUMBER | U/M | DESCRIPTION |
|-----|---------------|-----|--|
| 25* | 096927-01-02A | EA | SINK - LAVATORY - RECTANGULAR - PLASTIC - SOFT WHITE |
| 26 | 125569-01-000 | EA | ELBOW - 1 1/2" X 90 DEGREE - DOUBLE SLIP |
| 27 | 126588-02-000 | EA | ARM - WASTE - 1 1/2 X 20" - FEMALE |
| 28 | 131486-01-000 | EA | ELBOW - DRAIN - 1 1/2 LOW PROFILE - TUB DRAIN |
| 29 | 148870-04-01A | EA | SINK/DOUBLE - LRG/SML BASIN - 25" X 19" X 7" W/LT/RR NOTCH |
| | 148870-01-01A | EA | SINK/DOUBLE - LRG/SML BASIN - 25" X 19" X 7" |
| 30 | 010009-01-000 | EA | ELBOW - 90 DEGREE - 1/4 BEND - 1 1/2" PLASTIC |
| 31 | 139513-01-000 | EA | HOSE - SEWER - 3" X 10' - W/ADAPTER |
| | 062416-01-000 | EA | ADAPTER - SEWER HOSE TO 3" PIPE |
| 32 | 127440-02-01A | EA | WASHER - RUBBER - 1.8" X .1" |
| 33 | 106116-01-02A | EA | STRAINER/PLASTIC - STOPPER/TAILPIECE/GASKET & NUT-LAVATORY |
| 34 | 105707-01-02A | EA | CADDY - SHOWER - SOFT WHITE - 329SB |
| 35 | 152200-01-01A | EA | SHOWER PAN - SOFT WHITE - 329SB |

***COMPONENT PARTS LISTED LATER IN THIS GROUP**



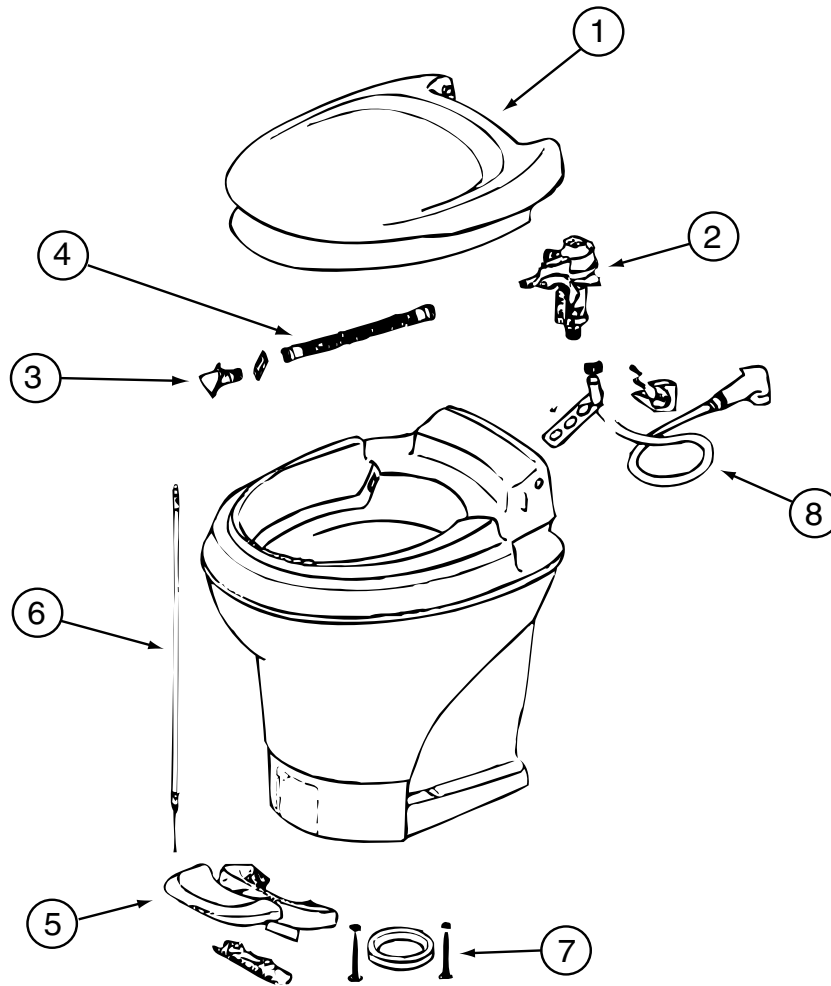
329B

| KEY | PART NUMBER | U/M | DESCRIPTION |
|-----|---------------|-----|---|
| 1 | M02630-80-R28 | EA | SHOWER PAN - W/STRAINER - SOFT WHITE |
| 2 | NOT USED | | |
| 3 | NOT USED | | |
| 4 | NOT USED | | |
| 5 | 147188-03-01A | EA | SURROUND/SHOWER - SOFT WHITE |
| 6 | NOT USED | | |
| 7 | 113714-04-02A | EA | RETAINER - SHELF/SHOWER - SOFT WHITE |
| 8 | 102075-18-02A | EA | ROD - SHOWER CURTAIN - 1" OD X 38.9" - SOFT WHITE |

COMPONENT PARTS FOR DRAINAGE SYSTEM

| KEY | PART NUMBER | U/M | DESCRIPTION | VENDOR NO. |
|-----|---------------|-----|--------------------------|----------------------|
| | | | | 062415-01-000 |
| | | | | 096927-01-02A |
| | | | | |
| KEY | PART NUMBER | U/M | DESCRIPTION | VENDOR NO. |
| | 062415-01-700 | EA | STRING-SEWER CAP | V#SV7 STRAP |
| | 096927-01-700 | EA | SINK STOPPER | M9801 |
| | 096927-01-701 | EA | TAILPIECE-DRAIN-LAVATORY | M9802 |

WATER & SEWAGE GROUP (CONTINUED)
COMPONENT PARTS FOR DRAINAGE SYSTEM (CONTINUED)



147421-01-01A, 147421-02-01A

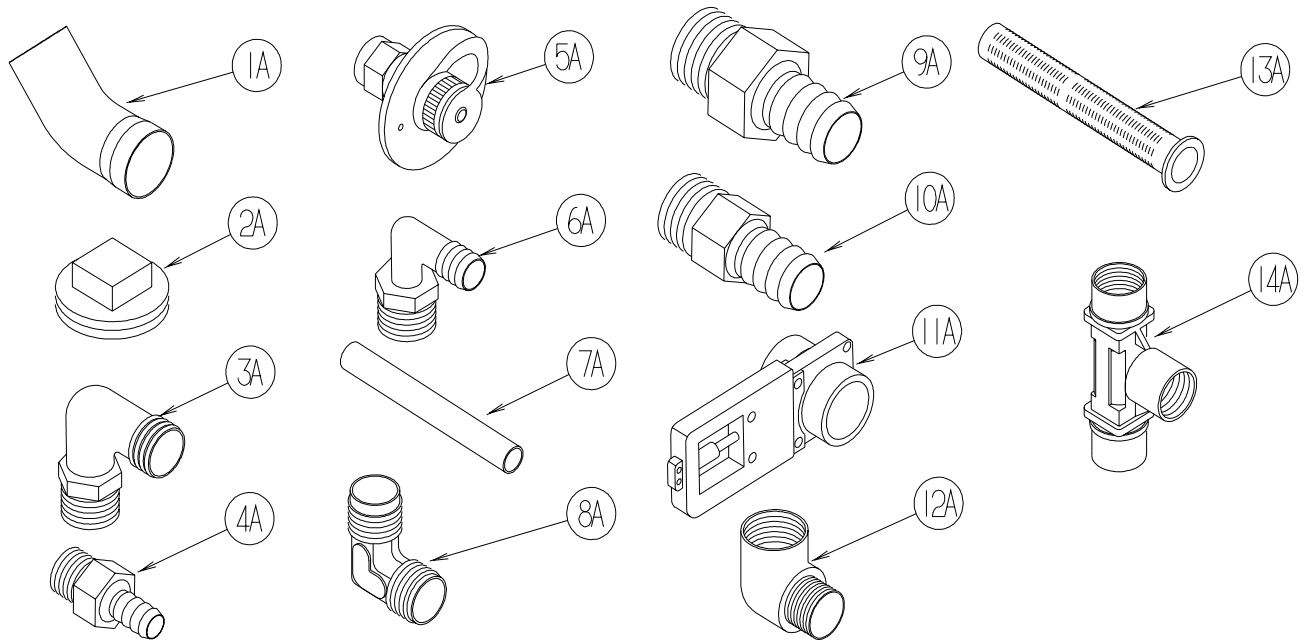
| KEY | PART NUMBER | U/M | DESCRIPTION | VENDOR NO. |
|-----|---------------|-----|------------------------------|----------------|
| 1 | 147421-01-700 | EA | SEAT & COVER ASSEMBLY(WHT) | 31703 |
| 2 | 147421-01-701 | EA | WATER MODULE ASSEMBLY | 31705 |
| 3 | 147421-01-702 | EA | NOZZLE ASSEMBLY | 31706 |
| 4 | 147421-01-703 | EA | LINK - WATER MODULE | 31621 |
| 5 | 147421-01-704 | EA | PEDAL - WHITE | 31709 |
| 6 | 147421-01-705 | EA | FOOT CABLE | 31711 |
| 7 | 063740-01-706 | EA | BOLT PACKAGE-FLOOR FLANGE | 12524 THETFORD |
| 8 | 132389-01-708 | EA | HAND SPRAY KIT | 19289 |
| | 147421-01-706 | EA | SEAL - BLADE | 31708 |
| | 147421-01-707 | EA | CAP (UNIVERSAL BOLT) - WHITE | 31713 |

147421-03-01A

| KEY | PART NUMBER | U/M | DESCRIPTION | VENDOR NO. |
|-----|---------------|-----|------------------------------|----------------|
| 1 | 147421-01-700 | EA | SEAT & COVER ASSEMBLY(WHT) | 31703 |
| 2 | 147421-01-701 | EA | WATER MODULE ASSEMBLY | 31705 |
| 3 | 147421-01-702 | EA | NOZZLE ASSEMBLY | 31706 |
| 4 | 147421-01-703 | EA | LINK - WATER MODULE | 31621 |
| 5 | 147421-01-704 | EA | PEDAL - WHITE | 31709 |
| 6 | 147421-01-705 | EA | FOOT CABLE | 31711 |
| 7 | 063740-01-706 | EA | BOLT PACKAGE-FLOOR FLANGE | 12524 THETFORD |
| | 147421-01-706 | EA | SEAL - BLADE | 31708 |
| | 147421-01-707 | EA | CAP (UNIVERSAL BOLT) - WHITE | 31713 |

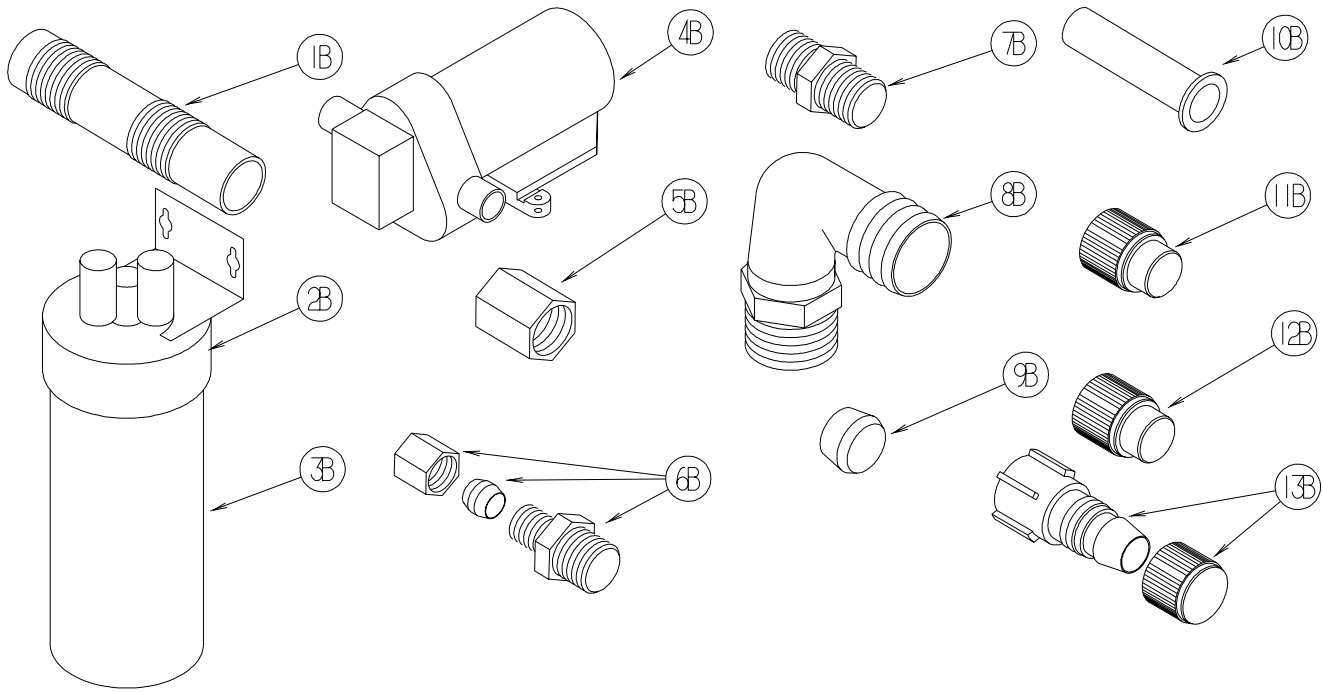
WATER & SEWAGE GROUP (CONTINUED)

WATER SYSTEM



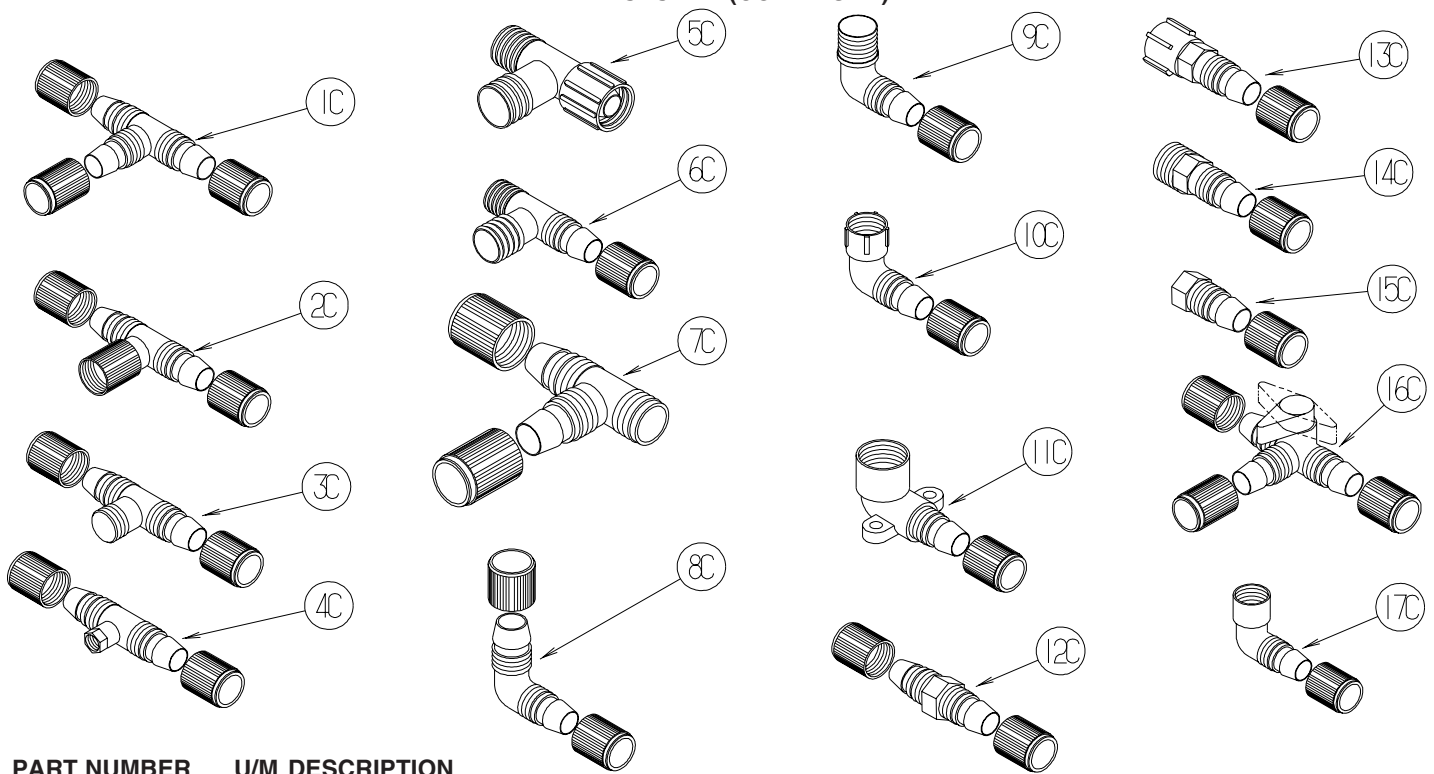
| KEY | PART NUMBER | U/M | DESCRIPTION |
|-----|---------------|-----|---|
| 1A | 010009-01-000 | EA | ELBOW - 90 DEGREE - 1/4 BEND - 1 1/2" PLASTIC |
| 2A | 010166-01-000 | EA | PLUG/THREADED - 1 1/4"MPT - PLASTIC - BLACK - UL |
| 3A | 010219-01-000 | EA | ELBOW - 1 1/4 MPT X 1 1/4 BARB - WATER FILL - PLASTIC |
| 4A | 010224-01-000 | EA | ADAPTER - HOSE TO PIPE - 3/8 MPT X 3/8 BARB - PLASTIC |
| 5A | 010230-06-000 | EA | FILL - CITY WATER - W/CHECK VALVE - MPT - BRUSHED ALUM |
| 6A | 035539-01-000 | EA | ELBOW - 3/8 MPT X 3/8 BARB - PLASTIC |
| 7A | 039800-04-000 | FT | TUBING - POLYBUTYL - 1/4"OD |
| 7A | 074462-02-000 | FT | TUBING - VINYL - 3/8 ID X 20' - CLEAR |
| 7A | 112176-01-000 | FT | TUBING - VINYL - REINFORCED - 1/2" ID |
| 7A | 124188-01-000 | FT | TUBING - PEX - 1/2" ID X 20' - BLUE(COLD) |
| 7A | 124188-02-000 | FT | TUBING - PEX - 1/2" ID X 20' - RED(HOT) |
| 8A | 039808-03-000 | EA | ELBOW - 1/2" MPT X 1/2" MPT - PLASTIC |
| 9A | 044927-01-000 | EA | ADAPTER - HOSE TO PIPE-1 1/4 MPTX1 1/4 BARB-BLACK PLASTIC |
| 10A | 044927-02-000 | EA | ADAPTER - REDUCING - 1" MPT X 1.3" BARB - PLASTIC |
| 11A | 062421-03-000 | EA | VALVE/DUMP W/O HANDLE - 1 1/2" X 1 1/2" HUB |
| | 062421-05-000 | EA | CABLE/ROD - F/DUMP VALVE - W/HANDLE - 48" |
| | 062421-07-000 | EA | CABLE/ROD - F/DUMP VALVE - W/HANDLE - 144" |
| | 062421-08-000 | EA | CABLE/ROD - F/DUMP VALVE - W/HANDLE - 108" |
| 12A | 065318-02-000 | EA | ELBOW - 90 DEGREE - 3/8" MPT TO 3/8" FPT |
| 13A | 077954-02-000 | EA | FILTER - WATER TANK - W/SCREEN IN TANK |
| 14A | 039798-01-000 | EA | TEE - 1/2"MPT X 1/2"MPT X 1/2"MPT - PLASTIC |

WATER & SEWAGE GROUP (CONTINUED)
WATER SYSTEM (CONTINUED)



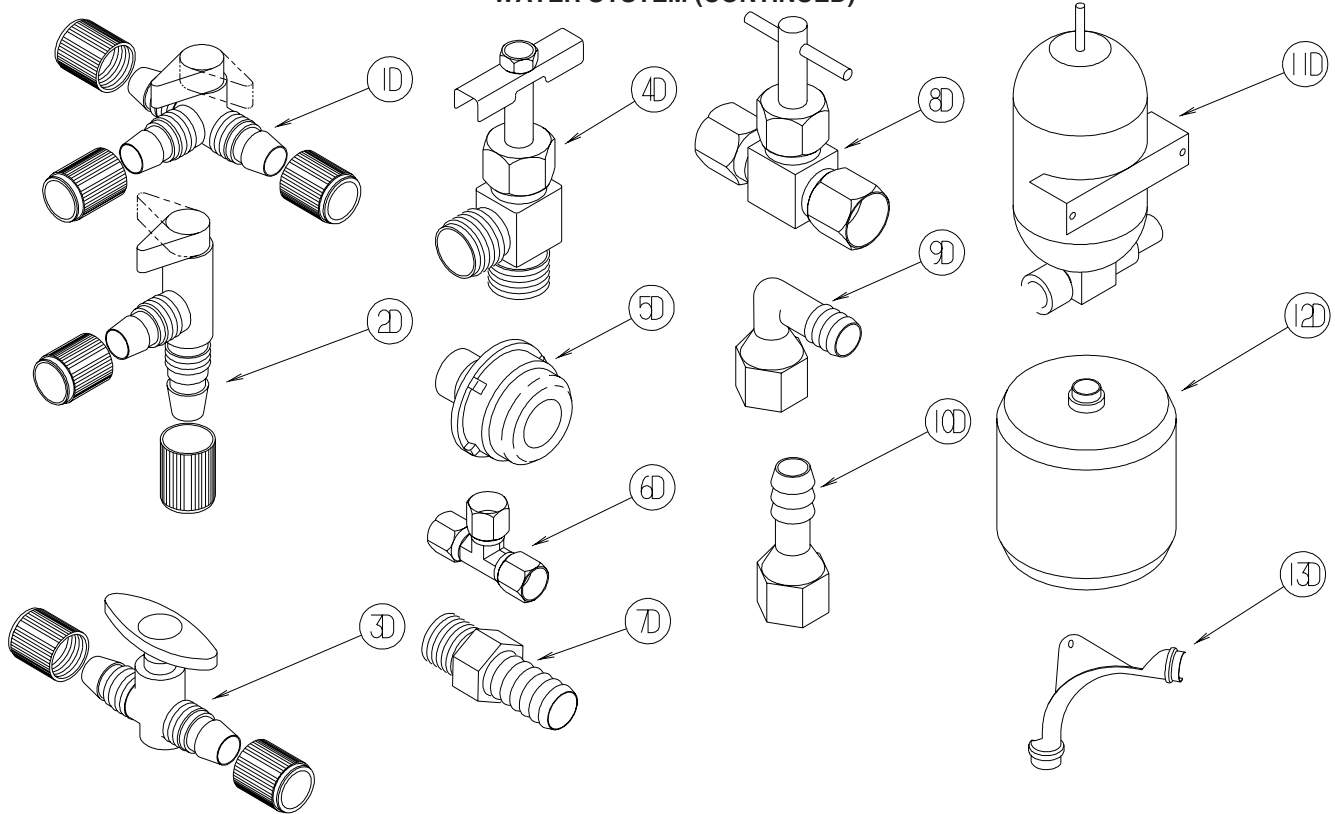
| KEY | PART NUMBER | U/M | DESCRIPTION |
|-----|---------------|-----|---|
| 1B | 079381-01-000 | FT | TUBING - RIBBED FLEXIBLE - WATER FILL - 1.4" ID |
| 2B | 087200-01-000 | EA | FILTER-WATER PURIFCATION, EVERPURE QC2-AC |
| 3B | 087200-02-000 | EA | CARTRIDGE-WATER FILTER,AC - EVERPURE 9601-11 |
| 4B* | 098607-01-000 | EA | PUMP - WATER - W/.5" MPT FITTING - FLOW 2.8 GPM |
| 5B | 101814-01-000 | EA | COUPLING - FEMALE - 1/2" X 1/2" FPT - GRAY |
| 6B | 103798-01-000 | EA | CONNECTOR - 1/4 OD X 3/8 MPT |
| 7B | 110438-02-000 | EA | VALVE - CHECK - BRASS - 1/2 MPT X 1/2 MPT |
| 8B | 111223-02-000 | EA | ELBOW - 1/2" MPT X 3/8" BARB - PLASTIC |
| 8B | 111223-03-000 | EA | ELBOW - 3/4" MPT X 1/2" BARB - PLASTIC |
| 8B | 111223-04-000 | EA | ELBOW - 1/2" MPT X 1/2" BARB - PLASTIC |
| 9B | 111888-01-000 | EA | FERRULE - PLASTIC - .250 ID X .375 OD |
| 10B | 111888-02-000 | EA | INSERT - BRASS - 1/4 COMP |
| 11B | 113697-01-000 | EA | CAP - 3/8"P |
| 12B | 114427-01-000 | EA | CAP - 1/2"P |
| 13B | 114427-02-000 | EA | PLUG - W/COMP NUT - 1/2" PLASTIC PIPE/1/2" FLAIR-IT |

WATER & SEWAGE GROUP (CONTINUED)
WATER SYSTEM (CONTINUED)



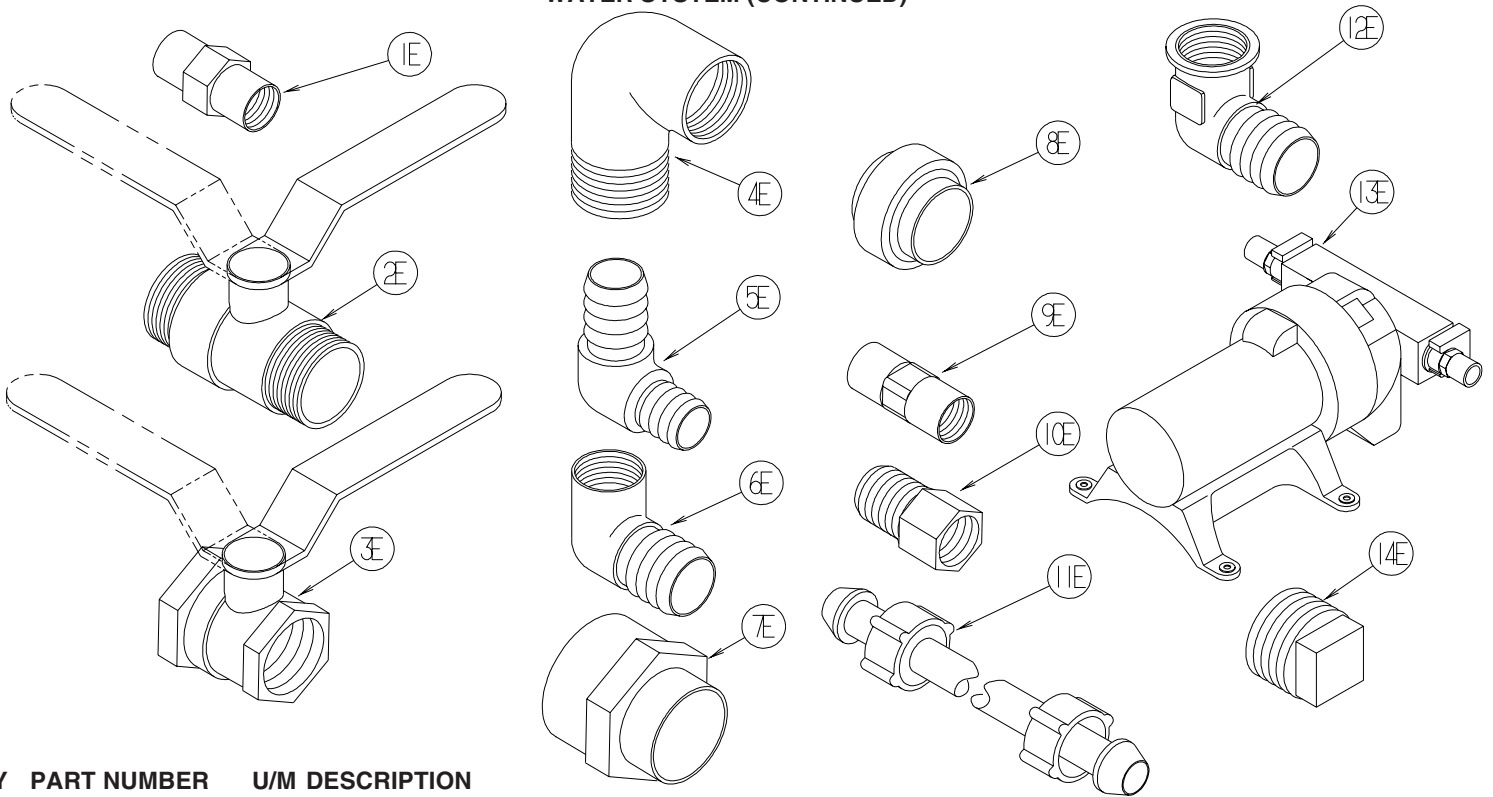
| KEY | PART NUMBER | U/M | DESCRIPTION |
|-----|---------------|-----|---|
| 1C | 114428-01-000 | EA | TEE - 1/2"P X 1/2"P X 1/2"P |
| 2C | 114428-02-000 | EA | TEE - SWIVEL - 1/2"P X 1/2"P X 1/2"FPT |
| 3C | 114428-03-000 | EA | TEE - 1/2"P X 1/2"P X 1/2"MPT |
| 4C | 114428-04-000 | EA | TEE - 1/2"P X 1/2"P X 1/8"FPT |
| 5C | 114428-05-000 | EA | TEE - 1/2" SWIVEL X 1/2" MPT X 1/2" MPT |
| 6C | 114428-06-000 | EA | TEE - 1/2" P X 1/2" MPT X 1/2" MPT |
| 7C | 114428-07-000 | EA | TEE - 1/2" P X 1/2" MPT X 1/2" P |
| 8C | 114429-01-000 | EA | ELBOW - 1/2"P X 1/2"P |
| 9C | 114429-02-000 | EA | ELBOW - 1/2"P X 1/2"MPT |
| 9C | 114429-04-000 | EA | ELBOW - 1/2"P X 3/8"MPT |
| 9C | 114429-05-000 | EA | ELBOW - 1/2"P X 3/4"MPT |
| 9C | 114429-10-000 | EA | ELBOW - SWIVEL - 1/2"MPT X 1/2"FPT |
| 10C | 114429-06-000 | EA | ELBOW - SWIVEL - 1/2"P X 3/4"FPT |
| 10C | 114429-08-000 | EA | ELBOW - SWIVEL - 1/2"P X 1/2"FPT |
| 11C | 114429-09-000 | EA | ELBOW - 1/2"P X 1/2"FPT DROP EAR |
| 12C | 114430-01-000 | EA | ADAPTER - 1/2"P X 1/2"P |
| 13C | 114430-02-000 | EA | ADAPTER - SWIVEL - 1/2"P X 1/2"FPT |
| 13C | 114430-04-000 | EA | ADAPTER - SWIVEL - 1/2"P X 3/8"MPT |
| 14C | 114430-03-000 | EA | ADAPTER - 1/2"P X 1/2"MPT |
| 15C | 114430-06-000 | EA | ADAPTER - 1/2"P X 3/8"FPT |
| 15C | 114430-09-000 | EA | ADAPTER - 1/2"P X 1/2"FPT |
| 16C | 114431-01-000 | EA | VALVE - 180 DEGREE/CENTER DRAIN - 1/2"P - THREE WAY |
| 17C | 114429-11-000 | EA | ELBOW - 1/2"P X 1/2"FPT |

WATER & SEWAGE GROUP (CONTINUED)
WATER SYSTEM (CONTINUED)



| KEY | PART NUMBER | U/M | DESCRIPTION |
|-----|---------------|-----|--|
| 1D | 114431-02-000 | EA | VALVE - WATER BYPASS - 1/2"P - THREE WAY (WATER HEATER) |
| 2D | 114431-03-000 | EA | VALVE - 90 DEGREE DRAIN - 1/2"P |
| 3D | 114431-04-000 | EA | VALVE - "INLINE SHUT-OFF" - 1/2"P |
| 4D | 114431-05-000 | EA | VALVE - NEEDLE - 1/8" MPT X 1/4" COMPRESSION (ICE MAKER) |
| 5D | 114966-01-000 | EA | FILTER - IN LINE - TWIST ON - 1/2" |
| | | | FROM: 00-00-00 THRU: 09-26-04 |
| 5D | 152925-01-01A | EA | FILTER - IN LINE - TWIST ON - 1/2" - BLACK |
| | | | FROM: 09-27-04 THRU: 99-99-99 |
| 6D | 118423-01-000 | EA | FITTING - BRASS-TEE - 1/4C X 1/4C X 1/4C |
| 7D | 118809-01-000 | EA | ADAPTER - 1/2" MPT X 3/8" BARB - PLASTIC |
| 7D | 118809-02-000 | EA | ADAPTER - 1/2" MPT X 1/2" BARB - PLASTIC |
| 8D | 120868-01-000 | EA | VALVE - NEEDLE - 1/4" COMPRESSION X 1/4" COMPRESSION |
| 9D | 123150-01-000 | EA | ELBOW - 1/2 FPT X 1/2 BARB - SWIVEL |
| 10D | 123152-01-000 | EA | ADAPTER - 1/2 FPT X 1/2 BARB - SWIVEL |
| 11D | 123243-01-000 | EA | TANK - ACCUMULATOR - 24 OZ |
| 12D | 123317-01-000 | EA | TANK - ACCUMULATOR - 2 GALLON |
| 13D | 124184-01-000 | EA | SUPPORT - WATER LINE - BEND |

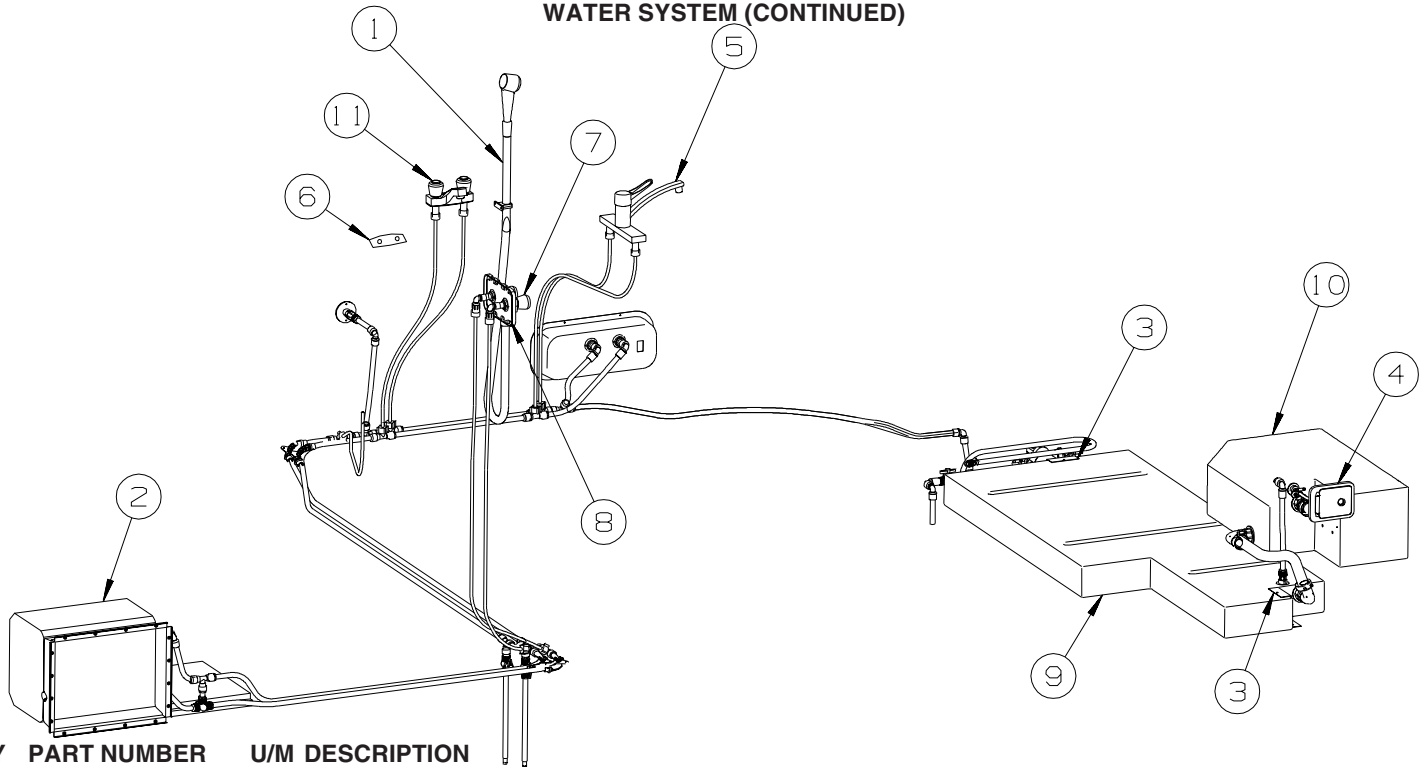
WATER & SEWAGE GROUP (CONTINUED)
WATER SYSTEM (CONTINUED)



| KEY | PART NUMBER | U/M | DESCRIPTION |
|------|---------------|-----|---|
| 1E | 132148-01-000 | EA | CONNECTOR - 1/2" X 1/2" MPT - BRASS |
| 2E | 132483-01-000 | EA | VALVE/BALL - 1" - THREADED ENDS |
| 3E | 132483-02-000 | EA | VALVE/BALL - 1/2" - BRASS - FPT |
| 4E | 132484-01-000 | EA | ELBOW - 90 DEGREE - 1 MPT X 1 FPT - PLASTIC |
| 5E | 132781-01-000 | EA | ELBOW - 1.3" BARB X 1.3" BARB - 90 DEGREE - PLASTIC |
| 6E | 132782-01-000 | EA | ELBOW - 1" FPT X 1.3" BARB - 90 DEGREE - PLASTIC |
| 7E | 133835-01-000 | EA | ADAPTER - REDUCING - 1 1/2" X 1 1/4" |
| 8E | 133889-01-000 | EA | UNION - 1 1/2" DOUBLE SLIP - PVC |
| 9E | 135386-01-000 | EA | NIPPLE - 1/2" |
| 10E | 136333-01-000 | EA | ADAPTER - BRASS - 1/2" MPT X 1/2" FPT |
| 11E | 140821-01-000 | EA | TUBE - WATER SUPPLY - 3/8" X 24" |
| 11E | 140821-02-000 | EA | TUBE - WATER SUPPLY - 3/8" X 30" |
| 11E | 140821-03-000 | EA | TUBE - WATER SUPPLY - 3/8" X 36" |
| 11E | 140821-04-000 | EA | TUBE - WATER SUPPLY - 3/8" X 48" |
| 11E | 140821-05-000 | EA | TUBE - WATER SUPPLY - 3/8" X 54" |
| 11E | 140821-06-000 | EA | TUBE - WATER SUPPLY - 3/8" X 60" |
| 11E | 140821-07-000 | EA | TUBE - WATER SUPPLY - 3/8" X 72" |
| 12E | 142812-01-000 | EA | ELBOW - BRASS - 1/2" MPT X 1/2" FPT |
| 13E* | 144215-01-000 | EA | PUMP - WATER - 5.7 GPM - W/1/2" MPT |
| * | 144215-02-000 | EA | STRAINER - WATER PUMP |
| 14E | 145609-01-000 | EA | PLUG - BRASS - 1/2" MPT/HEX HEAD |

***COMPONENT PARTS LISTED LATER IN THIS GROUP**

WATER & SEWAGE GROUP (CONTINUED)
WATER SYSTEM (CONTINUED)



| KEY | PART NUMBER | U/M | DESCRIPTION |
|-----|---------------|-----|---|
| 1 | 131383-01-02A | EA | SHOWER HEAD - W/60" HOSE & BRACKET - WHITE |
| 2* | 051391-03-000 | EA | WATER HEATER G6A-8E ELECTRONIC IGNITION |
| 2 | 052009-06-000 | EA | DOOR - WATER HEATER - BRIGHT WHITE - 18" X 14.6" |
| 3 | 142620-01-02B | EA | BRACKET/ZEE - W/HOLES - E-COATED |
| 4 | 137169-01-01A | EA | WATER FILL/GRAVITY - W/DOOR - W/O LOCK - BRIGHT WHITE |

EARLY LOCK ASM

FROM: 00-00-00 THRU: 02-24-05

| | | |
|---------------|----|--|
| 137169-02-01A | EA | ADAPTER/LOCK - (WASHER) F/GRAVITY WATERFILL |
| 138637-03-000 | EA | LOCK ASM. - KEYED - .9" CASE (CYLINDER/CAM/HDWR PKG) |
| 138637-52-000 | EA | CASE/CYLINDER - LOCKING - W/O CAM/KEY - .9" |
| 138637-52-001 | EA | CASE/CYLINDER - LOCKING - W/O CAM/KEY - .9" |
| 138637-52-002 | EA | CASE/CYLINDER - LOCKING - W/O CAM/KEY - .9" |
| 138637-52-003 | EA | CASE/CYLINDER - LOCKING - W/O CAM/KEY - .9" |
| 138637-52-004 | EA | CASE/CYLINDER - LOCKING - W/O CAM/KEY - .9" |
| 138637-52-005 | EA | CASE/CYLINDER - LOCKING - W/O CAM/KEY - .9" |
| 138637-52-006 | EA | CASE/CYLINDER - LOCKING - W/O CAM/KEY - .9" |
| 138637-52-007 | EA | CASE/CYLINDER - LOCKING - W/O CAM/KEY - .9" |
| 138637-52-008 | EA | CASE/CYLINDER - LOCKING - W/O CAM/KEY - .9" |
| 138637-52-009 | EA | CASE/CYLINDER - LOCKING - W/O CAM/KEY - .9" |
| 138637-62-000 | EA | CAM - LATCHING - DOG LEG - 1" LONG |
| 144474-01-000 | EA | ADAPTER - LOCK - 180 DEGREE |

LATER LOCK CASE

FROM: 02-25-05 THRU: 99-99-99

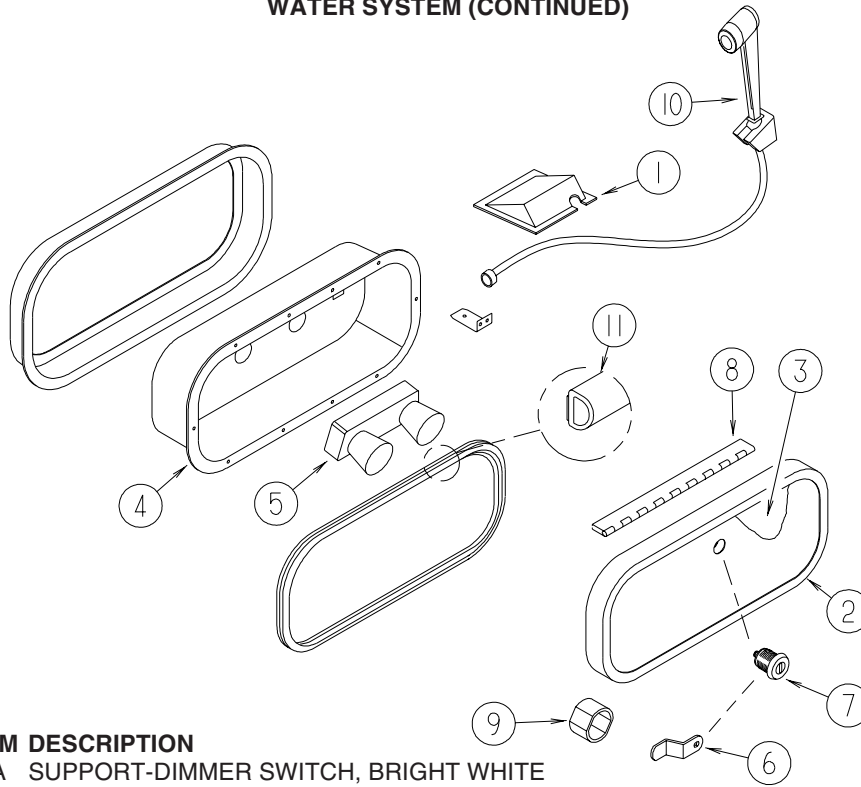
| | | |
|---------------|---------------|--|
| 138290-03-000 | EA | CASE - W/CAM - W/O CYLINDER/KEY |
| 5* | 104114-05-01A | EA FAUCET - GALLEY - SINGLE CONTROL/LOOP HANDLE - CHROME |
| | | FROM: 00-00-00 THRU: 11-15-04 |
| 5 | 149164-01-01A | EA FAUCET - GALLEY - SINGLE CONTROL - CHROME |
| | | FROM: 11-16-04 THRU: 99-99-99 |
| 6 | 091253-01-000 | EA GASKET - FAUCET - LAVATORY/GALLEY |
| 7* | 075241-04-000 | EA FAUCET - SHOWER/BRASS |
| 8 | 075606-03-000 | EA PANEL - FAUCET SHOWER - SOFT WHITE |
| 9 | 142398-02-01A | EA TANK - WATER - 36 GALLON - W/FITTINGS |
| | | FROM: 00-00-00 THRU: 05-02-04 |
| 9 | 142398-04-01A | EA TANK - WATER - 36 GALLON - W/FITTINGS |
| | | FROM: 05-03-04 THRU: 99-99-99 |
| 042989-03-000 | EA | FITTING - SPINWELD - 1 1/4"NPT - PLASTIC |
| 042989-05-000 | EA | FITTING - SPINWELD - 1/2"FPT - PLASTIC |
| 042989-08-000 | EA | FITTING - SPINWELD - 1"FPT - PLASTIC |
| 049032-01-000 | EA | PATCH - SPINWELD - 3/8" - PLASTIC |
| 142398-01-01A | EA | TANK - WATER - 36 GALLON - W/O FITTINGS |

WATER & SEWAGE GROUP (CONTINUED)
WATER SYSTEM (CONTINUED)

| KEY | PART NUMBER | U/M | DESCRIPTION |
|------------|--------------------|------------|--|
| 10 | 142399-02-01A | EA | TANK - WATER - 36 GALLON - W/FITTINGS FROM: 00-00-00 THRU: 05-02-04 |
| 10 | 142399-04-01A | EA | TANK - WATER - 36 GALLON - W/FITTINGS FROM: 05-03-04 THRU: 99-99-99 |
| | 042989-03-000 | EA | FITTING - SPINWELD - 1 1/4"NPT - PLASTIC |
| | 042989-04-000 | EA | FITTING - SPINWELD - 3/8"FPT - PLASTIC |
| | 042989-05-000 | EA | FITTING - SPINWELD - 1/2"FPT - PLASTIC |
| | 049032-01-000 | EA | PATCH - SPINWELD - 3/8" - PLASTIC |
| | 142399-01-01A | EA | TANK - WATER - 36 GALLON - W/O FITTINGS |
| 11* | 075240-05-000 | EA | FAUCET - LAVATORY/BRASS - W/CLEAR KNOBS |

***COMPONENT PARTS LISTED LATER IN THIS GROUP**

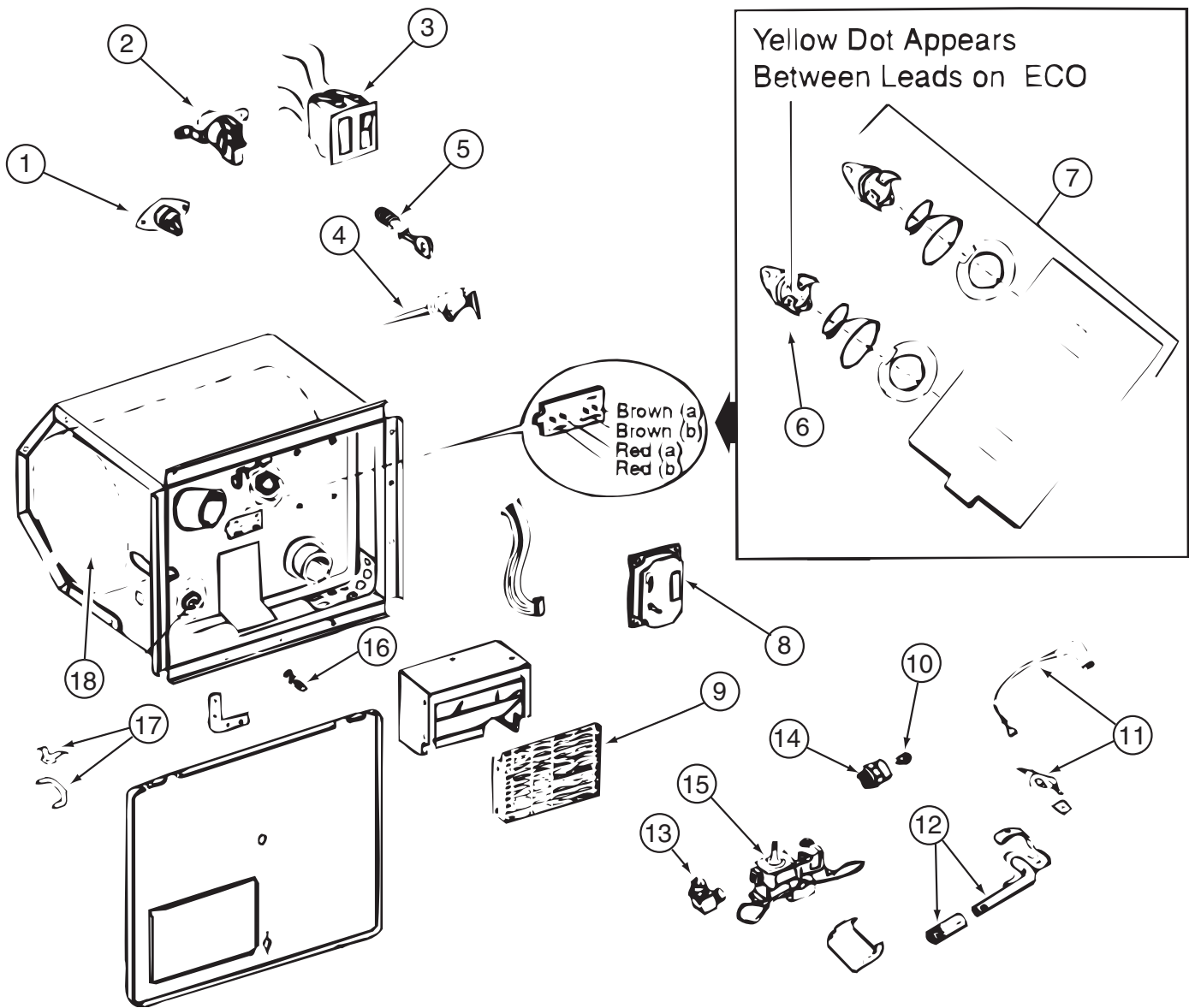
WATER & SEWAGE GROUP (CONTINUED)
WATER SYSTEM (CONTINUED)



| KEY | PART NUMBER | U/M | DESCRIPTION |
|-----|---------------|-----|---|
| 1 | 054250-09-000 | EA | SUPPORT-DIMMER SWITCH, BRIGHT WHITE |
| | 054250-04-000 | EA | COVER/ANGLED - W/O HOLE 3.6" X 4.5" - PLASTIC |
| 2 | 126945-04-J01 | EA | DOOR/STORAGE - W/O HARDWARE - 18.3" X 9.3" |
| 3 | 121577-04-01A | EA | PLATE - EXTERIOR SHOWER - BRIGHT WHITE |
| 4 | 106208-01-02A | EA | COMPARTMENT - SHOWER - EXTERIOR - BRIGHT WHITE |
| 5* | 075241-06-000 | EA | FAUCET - SHOWER/BRIGHT WHITE - 1/2"MPT X 1.9" INLET PIPES |
| 6 | 138637-63-000 | EA | CAM - LATCHING |
| 7 | 138637-04-000 | EA | LOCK ASM. - KEYED - 1.5" CASE (CYLINDER/CAM/HDWR PKG) |
| | 138637-53-000 | EA | CASE/CYLINDER - LOCKING - W/O CAM/KEY - 1.5" |
| | 138637-53-001 | EA | CASE/CYLINDER - LOCKING - W/O CAM/KEY - 1.5" |
| | 138637-53-002 | EA | CASE/CYLINDER - LOCKING - W/O CAM/KEY - 1.5" |
| | 138637-53-003 | EA | CASE/CYLINDER - LOCKING - W/O CAM/KEY - 1.5" |
| | 138637-53-004 | EA | CASE/CYLINDER - LOCKING - W/O CAM/KEY - 1.5" |
| | 138637-53-005 | EA | CASE/CYLINDER - LOCKING - W/O CAM/KEY - 1.5" |
| | 138637-53-006 | EA | CASE/CYLINDER - LOCKING - W/O CAM/KEY - 1.5" |
| | 138637-53-007 | EA | CASE/CYLINDER - LOCKING - W/O CAM/KEY - 1.5" |
| | 138637-53-008 | EA | CASE/CYLINDER - LOCKING - W/O CAM/KEY - 1.5" |
| | 138637-53-009 | EA | CASE/CYLINDER - LOCKING - W/O CAM/KEY - 1.5" |
| | 144474-01-000 | EA | ADAPTER - LOCK - 180 DEGREE |
| 8 | 081801-V3-000 | EA | HINGE - DOOR - PIANO - 2" X 96" - BRIGHT WHITE |
| 9 | 144734-01-000 | EA | SPACER - LOCK |
| 10 | 131383-01-02A | EA | SHOWER HEAD - W/60" HOSE & BRACKET - WHITE |
| 11 | 112160-02-000 | FT | SEAL - D SECTION - .2 X .3" - FOAM RUBBER |
| 12 | 131732-01-12B | EA | BRACKET - SQUEEGEE - BRIGHT WHITE |

*COMPONENT PARTS LISTED LATER IN THIS GROUP

WATER & SEWAGE GROUP (CONTINUED)
COMPONENT PARTS FOR WATER SYSTEM



051391-03-000

| KEY | PART NUMBER | U/M | DESCRIPTION | VENDOR NO. |
|-----|---------------|-----|-------------------------------|-----------------|
| 3 | 051393-01-701 | EA | SWITCH - REMOTE - W/LIGHT | 91959 |
| 4 | 051391-01-704 | EA | VALVE-RELIEF, 1/2" FITTING | 91604 |
| 5 | 051391-01-705 | EA | FASTENER-CAMLOCK | 92609 |
| 6 | 051391-04-701 | EA | THERMOSTAT 12V DC-120 PRESET | 91470 |
| 7 | 051393-01-721 | EA | THERMOSTAT W/ECO, 140 FRT MT | 91447 |
| 9 | 051391-04-707 | EA | KIT-EXHAUST, (FLUE & GASKET) | 90960 |
| 10 | 051391-01-710 | EA | ORIFICE-MAIN BURNER | 92742 |
| 12 | 051391-04-703 | EA | BURNER-MAIN/ELECTRONIC IG | 91638 |
| 13 | 051391-01-714 | EA | FITTING-ELBOW 45,3/8F X 3/8 | MPT 1044 |
| 14 | 051391-03-700 | EA | HOLDER-ORIFICE | 91563 |
| 16 | 051391-01-715 | EA | PLUG-DRAIN, 1 EA = 2 PER PKG | 91857 |
| 17 | 051391-01-700 | EA | HINGE KIT, (PIN & CLIP) | 92568&92559 |
| 18 | 051391-04-706 | EA | TANK-G6A-4E/6E/7E/8E-FRT.MT | 91641 |
| | 051391-01-717 | EA | GRILLE-WATER HEATER DOOR | 92640 |
| | 051393-01-723 | EA | SWITCH - THERMAL CUTOUT 2/PK | 93853 NOW 93866 |
| | 051393-01-724 | EA | BOARD-CIRCUIT, SPADE TERMINAL | 93865 |
| | 051393-01-725 | EA | ELECTRODE-SGL SPADE CONNECT. | 93868 |
| | 051393-01-726 | EA | VALVE/SOLENOID - W/O BRACKET | 93870 |
| | 111129-01-711 | EA | BRACKET-CORNER, SET OF FOUR | 91928 |

CONTACT WINNEBAGO PARTS SALES FOR UNLISTED COMPONENT(S)

WATER & SEWAGE GROUP (CONTINUED)
COMPONENT PARTS FOR WATER SYSTEM (CONTINUED)

075240-05-000

| KEY | PART NUMBER | U/M DESCRIPTION | VENDOR NO. |
|-----|---------------|---------------------------|------------|
| | 075240-05-700 | EA CARTRIDGE - WASHERLESS | 9-P42 |

075241-04-000, 075241-05-000, 075241-06-000

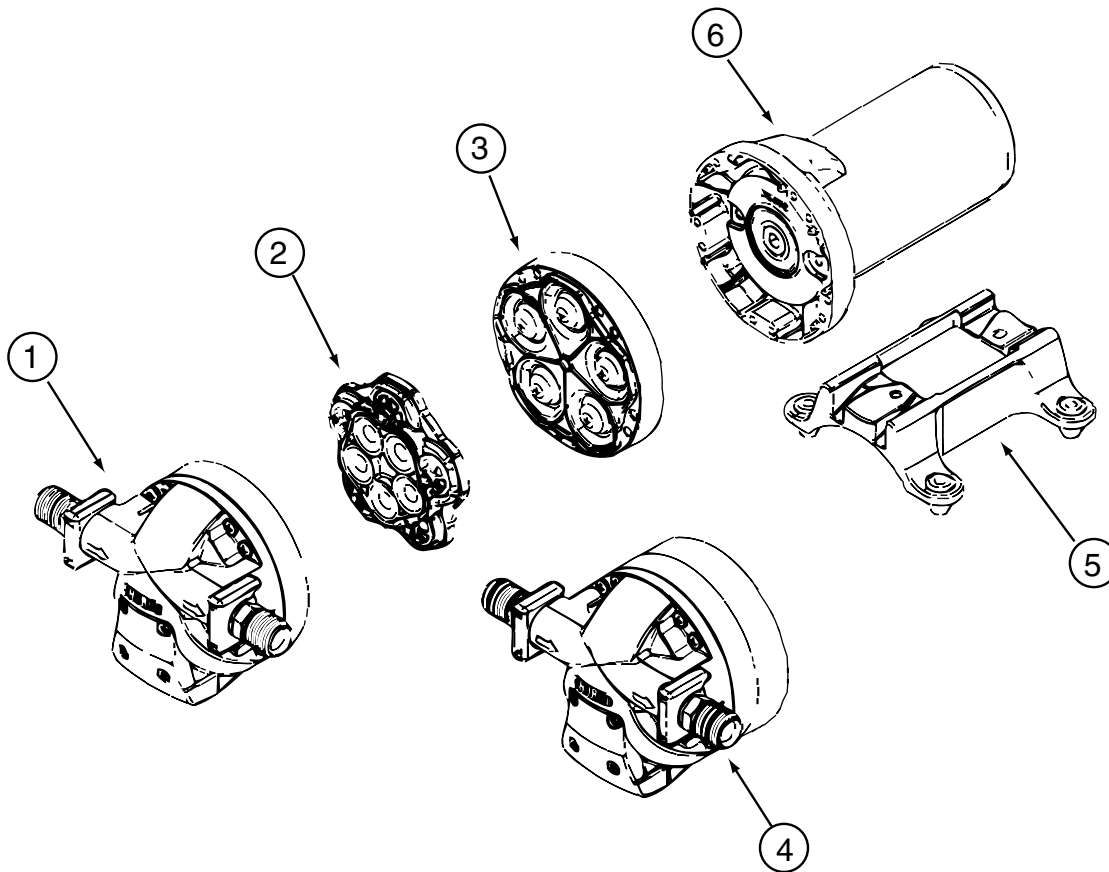
| KEY | PART NUMBER | U/M DESCRIPTION | VENDOR NO. |
|-----|---------------|---------------------------|------------|
| | 075240-05-700 | EA CARTRIDGE - WASHERLESS | 9-P42 |

098607-01-000

| KEY | PART NUMBER | U/M DESCRIPTION | VENDOR NO. |
|-----|---------------|---------------------------------|------------|
| | 098607-01-702 | EA DIAPHRAGM/DRIVE ASSEMBLY KIT | 94-238-04 |
| | 098607-01-703 | EA VALVE KIT | 94-232-00 |
| | 098607-01-705 | EA VALVE-CHECK, KIT | 94-237-00 |
| | 098607-01-706 | EA HOUSING, W/SWITCH ONLY | 94-231-20 |
| | 098607-01-707 | EA MOTOR W/BASEPLATE | 11-148-04 |

104114-05-01A

| KEY | PART NUMBER | U/M DESCRIPTION | VENDOR NO. |
|-----|---------------|--------------------------|---------------|
| | 104114-05-700 | EA CARTRIDGE- REPAIR KIT | 6-N1201-5-0WB |



144215-01-000

| KEY | PART NUMBER | U/M DESCRIPTION | VENDOR NO. |
|-----|---------------|---------------------------|------------|
| 2 | 144215-01-700 | EA VALVE ASSEMBLY | 94-030-01 |
| 3 | 144215-01-701 | EA DRIVE ASSEMBLY | 94-030-02 |
| | 144215-01-702 | EA FITTING KIT - W/ORINGS | 94-615-06 |

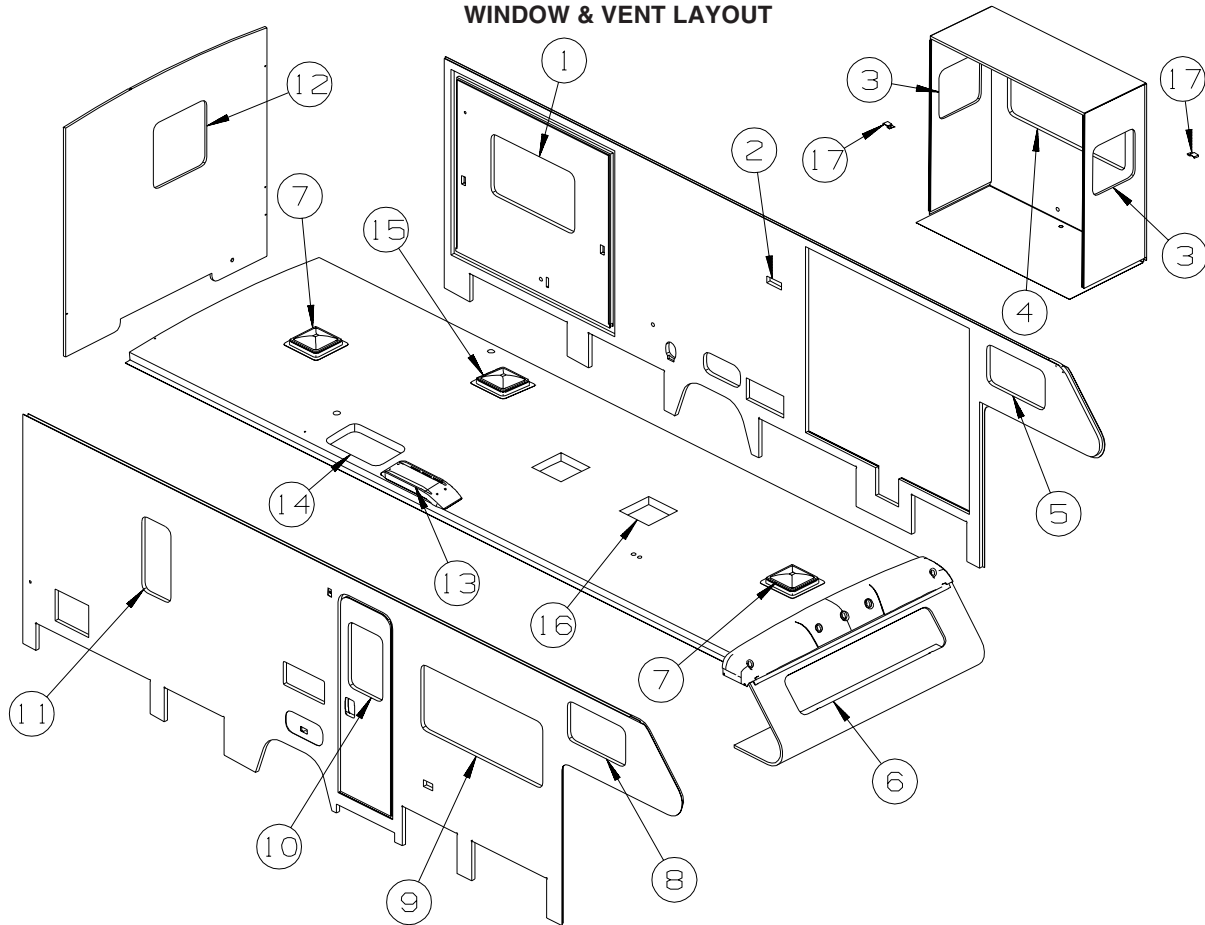
CONTACT WINNEBAGO PARTS SALES FOR UNLISTED COMPONENT(S)

144215-02-000

| KEY | PART NUMBER | U/M DESCRIPTION | VENDOR NO. |
|-----|---------------|---------------------------------|------------|
| | 144215-02-700 | EA FITTING KIT- COUPLER W/ORING | 94-637-00 |

WINDOW & VENTS GROUP

WINDOW & VENT LAYOUT



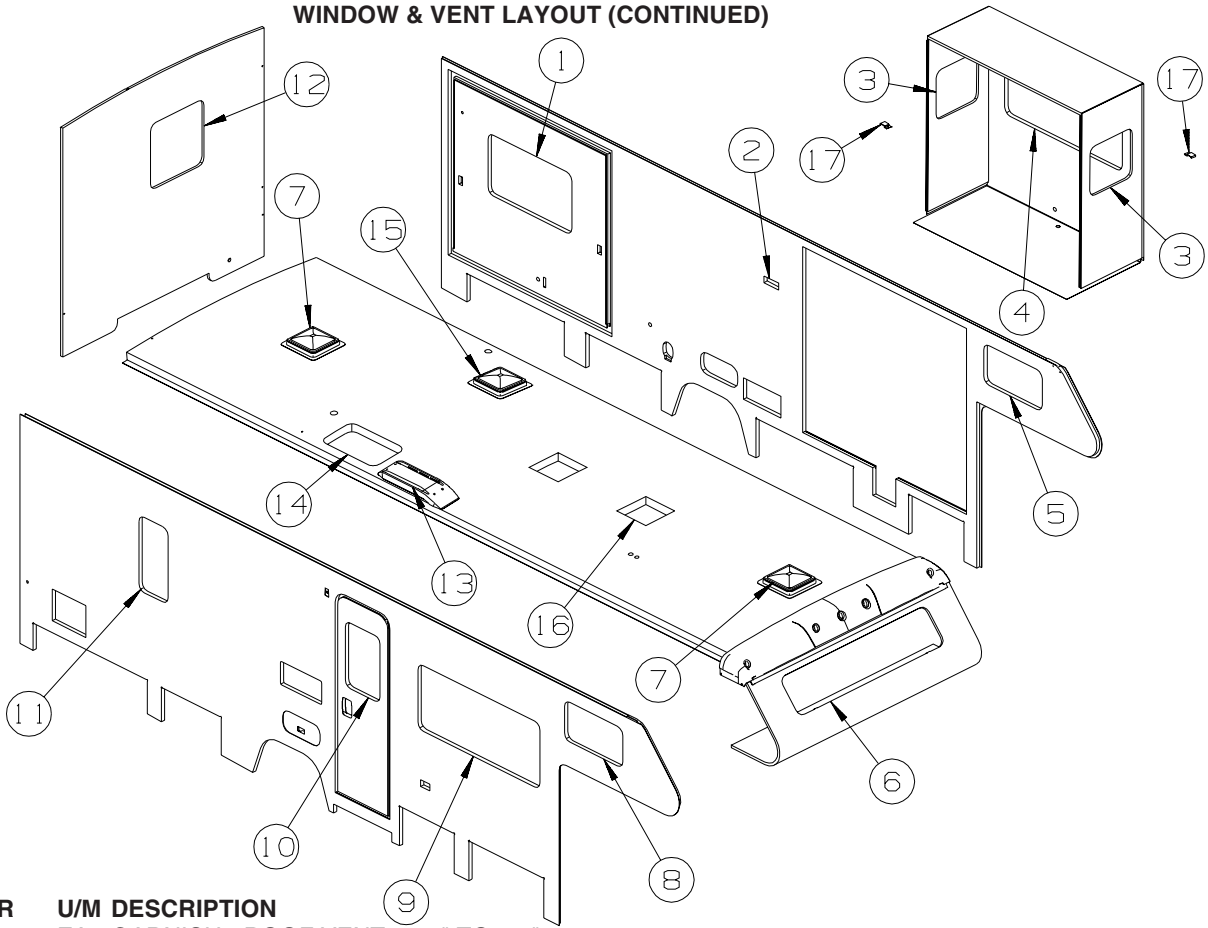
| KEY | PART NUMBER | U/M | DESCRIPTION |
|-----|---------------|-----|---|
| 1* | 098647-30-02A | EA | WINDOW - DRVR HORIZ SLIDER W/TRIM - CLEAR - 24.2" X 41" |
| 1* | 129929-11-01A | EA | WINDOW - TIPOUT/THERMO W/TRIM - 40.9" X 24.2" - DUAL PANE |
| | | | FROM: 00-00-00 THRU: 05-02-04 |
| 1 | 150656-03-01A | EA | WINDOW - TIPOUT/FLUSH/THERMO - 24.5" X 41.2" - DUAL PANE |
| | | | FROM: 05-03-04 THRU: 99-99-99 |
| 2 | 084878-09-000 | EA | VENT - EXHAUST/RANGE HOOD - OFF WHITE |
| | | | FROM: 00-00-00 THRU: 08-01-04 |
| 2 | 147821-01-01A | EA | VENT - EXHAUST/RANGE HOOD - BRIGHT WHITE |
| | | | FROM: 08-02-04 THRU: 99-99-99 |
| 2 | 084616-07-000 | EA | SHROUD - EXHAUST VENT/RANGE HOOD - BRIGHT WHITE |
| | | | FROM: 00-00-00 THRU: 08-01-04 |
| 2 | 147821-02-01A | EA | SHROUD - EXHAUST VENT/RANGE HOOD - BRIGHT WHITE |
| | | | FROM: 08-02-04 THRU: 99-99-99 |
| 3* | 098644-13-01A | EA | WINDOW - VERTICAL SLIDER W/TRIM - 19.8" X 20.9" |
| 3* | 134004-03-01A | EA | WINDOW - VERT SLIDER/FLUSH O/S-THERMO W/TRIM - 21" X 19.8" - DUAL PANE |
| | | | FROM: 00-00-00 THRU: 05-02-04 |
| 3* | 150649-07-01A | EA | WINDOW - VERT SLIDER/FLUSH/THERMO - 19.8" X 20.8" - DUAL PANE |
| | | | FROM: 05-03-04 THRU: 99-99-99 |
| 4* | 098647-47-02A | EA | WINDOW - DRVR HORIZ SLIDER W/TRIM - TINTED - 57.4" X 23.6" |
| | | | FROM: 00-00-00 THRU: 01-24-05 |
| 4 | 098647-74-01A | EA | WINDOW - DRIVER HORIZ SLIDER W/TRIM - 23.8" X 57.6" |
| | | | FROM: 01-25-05 THRU: 99-99-99 |
| 4* | 098647-47-02A | EA | WINDOW - DRVR HORIZ SLIDER W/TRIM - TINTED - 57.4" X 23.6" - 329SB |
| 4* | 112795-77-01A | EA | WINDOW - DRVR HORIZ SLIDER/THERMO W/TRIM - 57.4" X 23.6" - DUAL PANE |
| | | | FROM: 00-00-00 THRU: 05-02-04 |
| 4* | 150648-07-01A | EA | WINDOW-HORIZ SLIDER/FLUSH/THERMO/LH - 23.8" X 57.7" - DUAL PANE |
| | | | FROM: 05-03-04 THRU: 99-99-99 |
| 5* | 098647-32-02A | EA | WINDOW - DRVR HORIZ SLIDER W/TRIM - CLEAR- 15.7" X 28.5" |
| 5* | 112795-73-01A | EA | WINDOW - DRVR HORIZ SLIDER/THERMO W/TRIM - 28.7" X 15.7" - DUAL PANE |
| | | | FROM: 00-00-00 THRU: 05-02-04 |
| 5* | 150648-05-01A | EA | WINDOW-HORIZ SLIDER/FLUSH/THERMO/LH - 16" X 28.7" - DUAL PANE |
| | | | FROM: 05-03-04 THRU: 99-99-99 |

WINDOW & VENTS GROUP (CONTINUED)
WINDOW & VENT LAYOUT (CONTINUED)

| KEY | PART NUMBER | U/M | DESCRIPTION |
|-----|---------------|-----|--|
| 6 | 103313-04-P07 | EA | WINDOW - PICTURE - 14.3" X 71" |
| | 002181-33-000 | EA | GLASS - PICTURE WINDOW - 70.9"W X 14.2"H - GRAY |
| | 099154-01-000 | FT | CHANNEL - GLAZING - STATIONARY GLASS - .62" X .45" - BLK |
| | 117054-06-01A | EA | TRIM/RETAINER - INSIDE - 14.9" X 71.8" - BLACK |
| 6* | 115630-04-01A | EA | WINDOW - STATIONARY/THERMO W/TRIM - 15.2" X 72" - DUAL PANE FROM: 00-00-00 THRU: 05-02-04 |
| 6* | 150652-01-01A | EA | WINDOW - STATIONARY/FLUSH - BLACK - 15.2" X 71.9" - DUAL PANE FROM: 05-03-04 THRU: 99-99-99 |
| 7* | 122882-01-01A | EA | VENT - ROOF - NONPOWERED - W/O INSIDE GARNISH |
| | 009440-01-000 | EA | GEAR/ARM - LIFT - ROOF VENT COVER |
| 7 | 122882-07-01A | EA | GARNISH - ROOF VENT - 2.5" TO 4.1" |
| 8* | 098647-31-02A | EA | WINDOW - PASS HORIZ SLIDER W/TRIM - CLEAR - 15.7" X 28.5" |
| 8* | 112795-72-01A | EA | WINDOW - PASS HORIZ SLIDER/THERMO W/TRIM - 28.5" X 15.7" - DUAL PANE FROM: 00-00-00 THRU: 05-02-04 |
| 8* | 150648-04-01A | EA | WINDOW-HORIZ SLIDER/FLUSH/THERMO/RH - 16" X 28.7" - DUAL PANE FROM: 05-03-04 THRU: 99-99-99 |
| 9* | 098647-27-02A | EA | WINDOW - PASS HORIZ SLIDER W/TRIM - CLEAR - 26.1" X 59.7" |
| 9* | 112795-69-01A | EA | WINDOW - PASS HORIZ SLIDER/THERMO W/TRIM - 26.3" X 60" - DUAL PANE FROM: 00-00-00 THRU: 05-02-04 |
| 9* | 150648-03-01A | EA | WINDOW-HORIZ SLIDER/FLUSH/THERMO/RH - 26.3" X 59.9" - DUAL PANE FROM: 05-03-04 THRU: 99-99-99 |
| 10 | 117053-04-FB1 | EA | WINDOW - PICTURE/CLEAR - W/O TRIM - 17" X 26.4" |
| 10 | 117053-08-S95 | EA | WINDOW - PICTURE/CLEAR - W/O TRIM - 17" X 26.4" |
| | 002181-27-000 | EA | GLASS - PICTURE WINDOW - 25.8"W X 16.4"H - CLEAR |
| | 002181-34-000 | EA | GLASS - PICTURE WINDOW - 25.8"W X 16.4"H - FROSTED |
| | 087561-01-000 | FT | SEAL - GLASS - EXTERIOR - .5" WIDE - VINYL BLACK |
| 10 | 117054-02-02A | EA | TRIM/RETAINER - INSIDE - 16.9" X 26.2" - BRIGHT WHITE |
| 10* | 113733-10-01A | EA | WINDOW - STATIONARY W/TRIM - THERMO/EURO - 26.3" X 17" - DUAL PANE FROM: 00-00-00 THRU: 05-02-04 |
| 10* | 150651-01-01A | EA | WINDOW - STATIONARY/FLUSH/THERMO - 26.3" X 17" - DUAL PANE FROM: 05-03-04 THRU: 99-99-99 |
| 11* | 098644-07-02A | EA | WINDOW - VERTICAL SLIDER W/TRIM - TINTED - 14" X 30" FROM: 00-00-00 THRU: 01-24-05 |
| 11 | 098644-16-01A | EA | WINDOW - VERTICAL SLIDER W/TRIM - 30.2" X 14.3" FROM: 01-25-05 THRU: 99-99-99 |
| 11* | 098644-07-02A | EA | WINDOW - VERTICAL SLIDER W/TRIM - TINTED - 14" X 30" - 329SB |
| 11* | 112898-22-01A | EA | WINDOW - VERTICAL SLIDER/THERMO-W/TRIM - 30.9" X 14.2" - DUAL PANE FROM: 00-00-00 THRU: 05-02-04 |
| 11* | 150649-01-01A | EA | WINDOW - VERT SLIDER/FLUSH/THERMO - 30.9" X 14.2" - DUAL PANE FROM: 05-03-04 THRU: 99-99-99 |
| 12* | 116976-02-02A | EA | WINDOW - PICTURE/TINTED/ESCAPE W/TRIM - 26.1" X 26" FROM: 00-00-00 THRU: 05-02-04 |
| 12* | 151075-02-01A | EA | WINDOW - ESCAPE/PICTURE - 26.3" X 26.7" FROM: 05-03-04 THRU: 99-99-99 |
| 12* | 113502-10-01A | EA | WINDOW - REAR/ESCAPE - THERMO W/TRIM - 26.1" X 26" - DUAL PANE FROM: 00-00-00 THRU: 04-11-04 |
| 12 | 150651-04-01A | EA | WINDOW - STATIONARY/FLUSH/ESCAPE/THERMO - 26.3" X 26.2" - DUAL PANE FROM: 04-12-04 THRU: 99-99-99 |
| 13 | 149508-01-02A | EA | CAP - ROOF/REFRIGERATOR VENT - WHITE FROM: 00-00-00 THRU: 07-15-04 |
| 13 | 149508-01-02A | EA | CAP - ROOF/REFRIGERATOR VENT - WHITE FROM: 07-16-04 THRU: 99-99-99 |
| 13 | 149508-02-02A | EA | BASE - ROOF/REFRIGERATOR VENT - BRIGHT WHITE FROM: 00-00-00 THRU: 07-15-04 |
| 13 | 149508-02-02A | EA | BASE - ROOF/REFRIGERATOR VENT - BRIGHT WHITE FROM: 07-16-04 THRU: 99-99-99 |
| 14 | 122193-01-02A | EA | PANEL - SKYLITE - INNER - W/LIGHT INDENTATION |
| 14 | 138372-01-02B | EA | TRIM - CORNER - SKYLIGHT - E-COATED |
| 14 | 138379-02-01A | EA | PANEL/SKYLIGHT OTR - RECT/4"H CTR DOME-18.4" X 29.5 - WHT |
| 15* | 122882-02-01A | EA | VENT - ROOF - W/FAN - W/O INSIDE GARNISH - UL |
| 15* | 122882-03-01A | EA | VENT - ROOF - W/FAN - W/O INSIDE GARNISH - CSA |
| | 009440-01-000 | EA | GEAR/ARM - LIFT - ROOF VENT COVER |
| | 048648-01-000 | EA | MOTOR/ROOF VENT - W/RESISTER - 1/8"SHAFT - 12VOLT |
| | 048649-01-000 | EA | FAN BLADE - ROOF VENT - 6 BLADED - 6"RADIUS |

WINDOW & VENTS GROUP (CONTINUED)

WINDOW & VENT LAYOUT (CONTINUED)

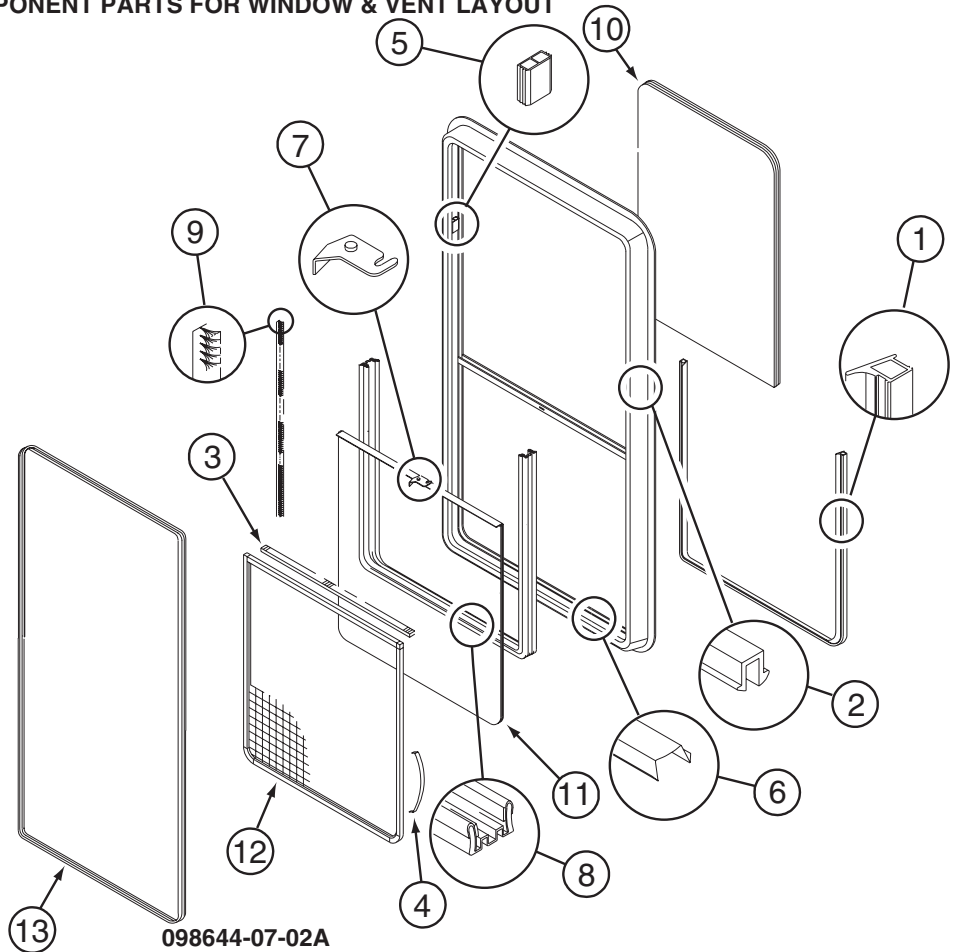


| KEY | PART NUMBER | U/M | DESCRIPTION |
|-----|-------------|---------------|--|
| | 15 | 122882-07-01A | EA GARNISH - ROOF VENT - 2.5" TO 4.1" |
| | 16* | 123780-03-01A | EA FANTASTIC VENT-3"/4"ROOF-W/FAN-W/O THERM/PWR LIFT/WHT CVR |
| | | 009440-01-000 | EA GEAR/ARM - LIFT - ROOF VENT COVER |
| | 17 | 151905-01-01A | EA CLIP/BRACKET - SCREEN RETAINER - BLACK |

FROM: 05-24-04 THRU: 99-99-99

*COMPONENT PARTS LISTED LATER IN THIS GROUP

WINDOW & VENTS GROUP (CONTINUED)
COMPONENT PARTS FOR WINDOW & VENT LAYOUT



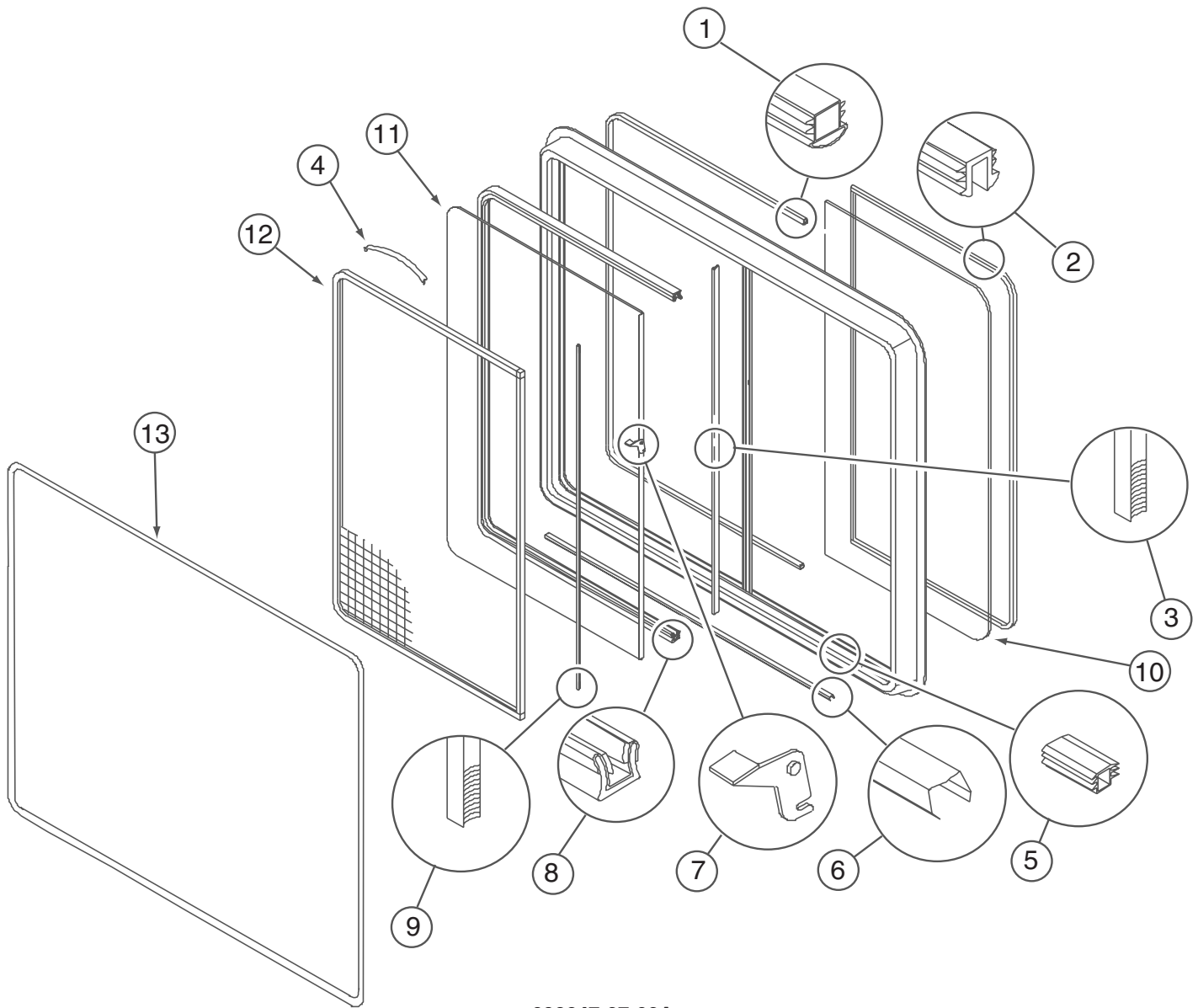
098644-07-02A

| KEY | PART NUMBER | U/M | DESCRIPTION | VENDOR NO. |
|-----|---------------|-----|------------------------------|------------|
| 1 | 098644-01-716 | FT | PLUG - FILLER | 132-014470 |
| 2 | 098644-01-705 | FT | GLAZING - STRIP | 132-010231 |
| 3 | 098644-01-706 | FT | WEATHERSTRIP - GLASS | 171-010668 |
| 4 | 098644-01-713 | EA | CLIP - SCREEN - METAL | 226-016966 |
| 4 | 125582-01-701 | EA | CLIP - SCREEN - PLASTIC | 130-005153 |
| 5 | 098644-01-719 | EA | STOP - SLIDER GLASS | 132-014203 |
| 6 | 098644-01-710 | FT | TRACK - SCREEN SPACER 12' | 132-017135 |
| 7 | 098644-01-700 | EA | LATCH - REPAIR KIT (BLACK) | B801-CK |
| 7 | 098647-54-701 | EA | LATCH - REPAIR KIT (RED) | B081-CK |
| 8 | 098644-01-708 | FT | CHANNEL - RUN PIERCED | 122-016543 |
| 9 | 098644-01-711 | FT | WEATHERSTRIP - SCREEN BLACK | 171-016965 |
| 10 | 098644-07-702 | EA | GLASS - STATIONARY | 106-015777 |
| 11 | 098644-07-703 | EA | GLASS-SLIDING W/SASH & LATCH | H170-G9 |
| 12 | 098644-07-704 | EA | SCREEN ASM - W/SEALS & CLIPS | 410-018863 |
| 13 | 098644-07-705 | EA | RETAINER - TRIM | CH02-66 |
| | 098644-01-717 | FT | SPLINE - SCREEN | 132-004716 |

098644-13-01A

| KEY | PART NUMBER | U/M | DESCRIPTION | VENDOR NO. |
|-----|---------------|-----|------------------------------|------------|
| 1 | 098644-01-716 | FT | PLUG - FILLER | 132-014470 |
| 2 | 098644-01-705 | FT | GLAZING - STRIP | 132-010231 |
| 3 | 098644-01-706 | FT | WEATHERSTRIP - GLASS | 171-010668 |
| 4 | 098644-01-713 | EA | CLIP - SCREEN - METAL | 226-016966 |
| 4 | 125582-01-701 | EA | CLIP - SCREEN - PLASTIC | 130-005153 |
| 5 | 098644-01-719 | EA | STOP - SLIDER GLASS | 132-014203 |
| 6 | 098644-01-710 | FT | TRACK - SCREEN SPACER 12' | 132-017135 |
| 7 | 098647-54-701 | EA | LATCH - REPAIR KIT (RED) | B081-CK |
| 8 | 098644-01-708 | FT | CHANNEL - RUN PIERCED | 122-016543 |
| 9 | 098644-01-711 | FT | WEATHERSTRIP - SCREEN BLACK | 171-016965 |
| 10 | 098644-13-700 | EA | GLASS - STATIONARY | 106-028698 |
| 11 | 098644-13-701 | EA | GLASS - SLIDING W/SASH/LATCH | H702-G9 |
| 12 | 098644-13-702 | EA | SCREEN ASM - W/SEALS/CLIPS | 410-028663 |
| 13 | 098644-13-703 | EA | RETAINER - TRIM | H702-60 |
| | 098644-01-717 | FT | SPLINE - SCREEN | 132-004716 |

WINDOW & VENTS GROUP (CONTINUED)
COMPONENT PARTS FOR WINDOW & VENT LAYOUT (CONTINUED)



098647-27-02A

| KEY | PART NUMBER | U/M | DESCRIPTION | VENDOR NO. |
|-----|---------------|-----|------------------------------|------------|
| 1 | 098644-01-716 | FT | PLUG - FILLER | 132-014470 |
| 2 | 098644-01-705 | FT | GLAZING - STRIP | 132-010231 |
| 3 | 098644-01-706 | FT | WEATHERSTRIP - GLASS | 171-010668 |
| 4 | 098644-01-713 | EA | CLIP - SCREEN - METAL | 226-016966 |
| 4 | 125582-01-701 | EA | CLIP - SCREEN - PLASTIC | 130-005153 |
| 5 | 098644-01-719 | EA | STOP - SLIDER GLASS | 132-014203 |
| 6 | 098644-01-710 | FT | TRACK - SCREEN SPACER 12' | 132-017135 |
| 7 | 098647-54-701 | EA | LATCH - REPAIR KIT (RED) | B081-CK |
| 8 | 098644-01-708 | FT | CHANNEL - RUN PIERCED | 122-016543 |
| 9 | 098644-01-711 | FT | WEATHERSTRIP - SCREEN BLACK | 171-016965 |
| 10 | 098647-27-702 | EA | GLASS - STATIONARY | 096-017868 |
| 11 | 098647-27-703 | EA | GLASS-SLIDING W/SASH & LATCH | H287-C8 |
| 12 | 098647-23-704 | EA | SCREEN ASM - W/SEALS & CLIPS | 410-019066 |
| 13 | 098647-27-704 | EA | RETAINER - TRIM | H287-66 |
| | 098644-01-717 | FT | SPLINE - SCREEN | 132-004716 |

WINDOW & VENTS GROUP (CONTINUED)
COMPONENT PARTS FOR WINDOW & VENT LAYOUT (CONTINUED)

098647-30-02A

| KEY | PART NUMBER | U/M | DESCRIPTION | VENDOR NO. |
|------------|--------------------|------------|------------------------------|-------------------|
| 1 | 098644-01-716 | FT | PLUG - FILLER | 132-014470 |
| 2 | 098644-01-705 | FT | GLAZING - STRIP | 132-010231 |
| 3 | 098644-01-706 | FT | WEATHERSTRIP - GLASS | 171-010668 |
| 4 | 098644-01-713 | EA | CLIP - SCREEN - METAL | 226-016966 |
| 4 | 125582-01-701 | EA | CLIP - SCREEN - PLASTIC | 130-005153 |
| 5 | 098644-01-719 | EA | STOP - SLIDER GLASS | 132-014203 |
| 6 | 098644-01-710 | FT | TRACK - SCREEN SPACER 12' | 132-017135 |
| 7 | 098647-54-701 | EA | LATCH - REPAIR KIT (RED) | B081-CK |
| 8 | 098644-01-708 | FT | CHANNEL - RUN PIERCED | 122-016543 |
| 9 | 098644-01-711 | FT | WEATHERSTRIP - SCREEN BLACK | 171-016965 |
| 10 | 098647-29-702 | EA | GLASS - STATIONARY | 096-019295 |
| 11 | 098647-29-703 | EA | GLASS-SLIDING W/SASH & LATCH | H172-C8 |
| 12 | 098647-29-704 | EA | SCREEN ASM - W/SEALS & CLIPS | 410-018864 |
| 13 | 098647-29-705 | EA | RETAINER - TRIM | CH04-66 |
| | 098644-01-717 | FT | SPLINE - SCREEN | 132-004716 |

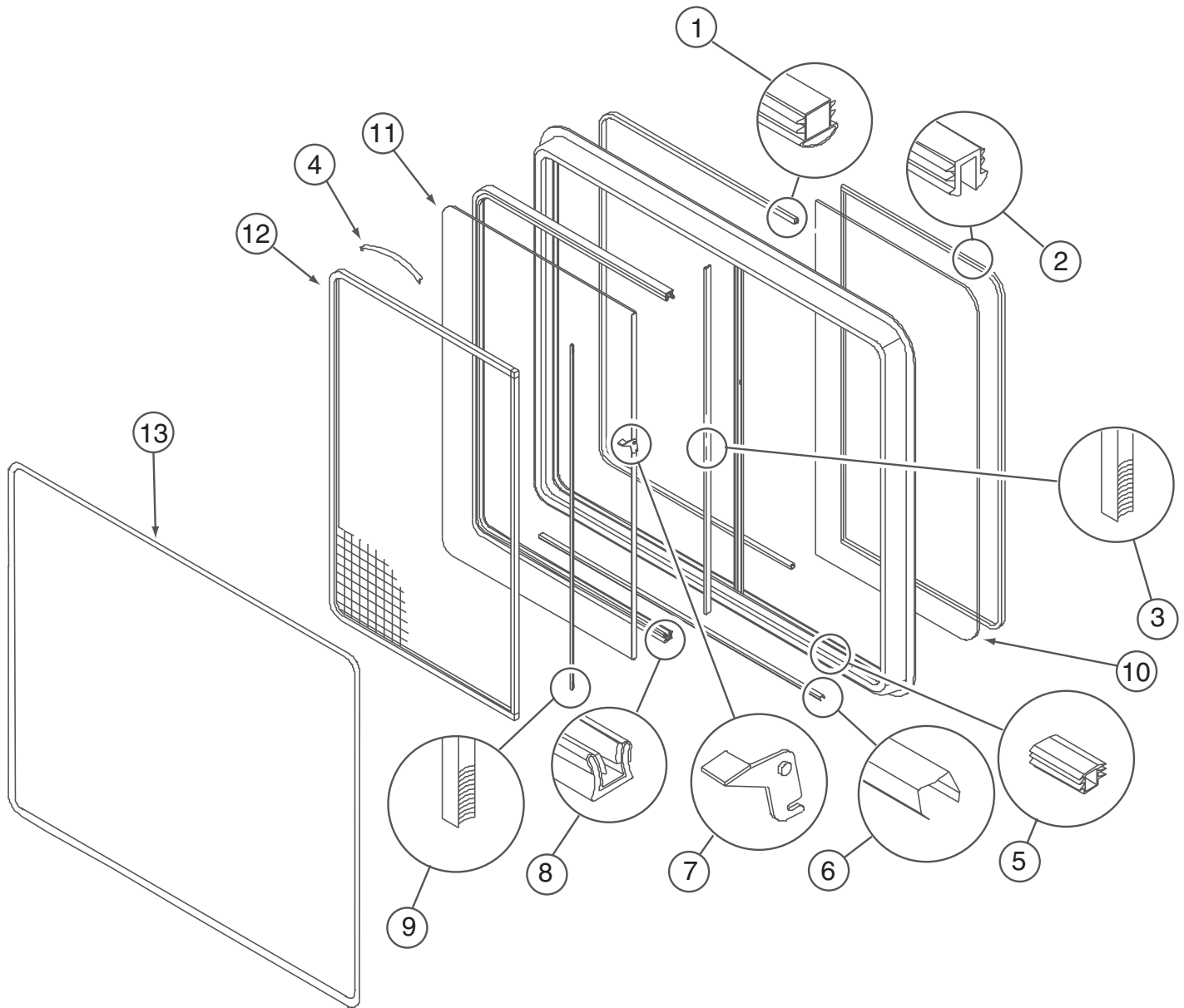
098647-31-02A

| KEY | PART NUMBER | U/M | DESCRIPTION | VENDOR NO. |
|------------|--------------------|------------|------------------------------|-------------------|
| 1 | 098644-01-716 | FT | PLUG - FILLER | 132-014470 |
| 2 | 098644-01-705 | FT | GLAZING - STRIP | 132-010231 |
| 3 | 098644-01-706 | FT | WEATHERSTRIP - GLASS | 171-010668 |
| 4 | 098644-01-713 | EA | CLIP - SCREEN - METAL | 226-016966 |
| 4 | 125582-01-701 | EA | CLIP - SCREEN - PLASTIC | 130-005153 |
| 5 | 098644-01-719 | EA | STOP - SLIDER GLASS | 132-014203 |
| 6 | 098644-01-710 | FT | TRACK - SCREEN SPACER 12' | 132-017135 |
| 7 | 098647-54-701 | EA | LATCH - REPAIR KIT (RED) | B081-CK |
| 8 | 098644-01-708 | FT | CHANNEL - RUN PIERCED | 122-016543 |
| 9 | 098644-01-711 | FT | WEATHERSTRIP - SCREEN BLACK | 171-016965 |
| 10 | 098647-31-702 | EA | GLASS - STATIONARY | 096-019299 |
| 11 | 098647-31-703 | EA | GLASS-SLIDING W/SASH & LATCH | H425-C8 |
| 12 | 098647-31-704 | EA | SCREEN ASM - W/SEALS & CLIPS | 410-019128 |
| 13 | 098647-31-705 | EA | RETAINER - TRIM | CH29-66 |
| | 098644-01-717 | FT | SPLINE - SCREEN | 132-004716 |

098647-32-02A

| KEY | PART NUMBER | U/M | DESCRIPTION | VENDOR NO. |
|------------|--------------------|------------|------------------------------|-------------------|
| 1 | 098644-01-716 | FT | PLUG - FILLER | 132-014470 |
| 2 | 098644-01-705 | FT | GLAZING - STRIP | 132-010231 |
| 3 | 098644-01-706 | FT | WEATHERSTRIP - GLASS | 171-010668 |
| 4 | 098644-01-713 | EA | CLIP - SCREEN - METAL | 226-016966 |
| 4 | 125582-01-701 | EA | CLIP - SCREEN - PLASTIC | 130-0 |
| 5 | 098644-01-719 | EA | STOP - SLIDER GLASS | 132-014203 |
| 6 | 098644-01-710 | FT | TRACK - SCREEN SPACER 12' | 132-017135 |
| 7 | 098647-54-701 | EA | LATCH - REPAIR KIT (RED) | B081-CK |
| 8 | 098644-01-708 | FT | CHANNEL - RUN PIERCED | 122-016543 |
| 9 | 098644-01-711 | FT | WEATHERSTRIP - SCREEN BLACK | 171-016965 |
| 10 | 098647-31-702 | EA | GLASS - STATIONARY | 096-019299 |
| 11 | 098647-31-703 | EA | GLASS-SLIDING W/SASH & LATCH | H425-C8 |
| 12 | 098647-31-704 | EA | SCREEN ASM - W/SEALS & CLIPS | 410-019128 |
| 13 | 098647-31-705 | EA | RETAINER - TRIM | CH29-66 |
| | 098644-01-717 | FT | SPLINE - SCREEN | 132-004716 |

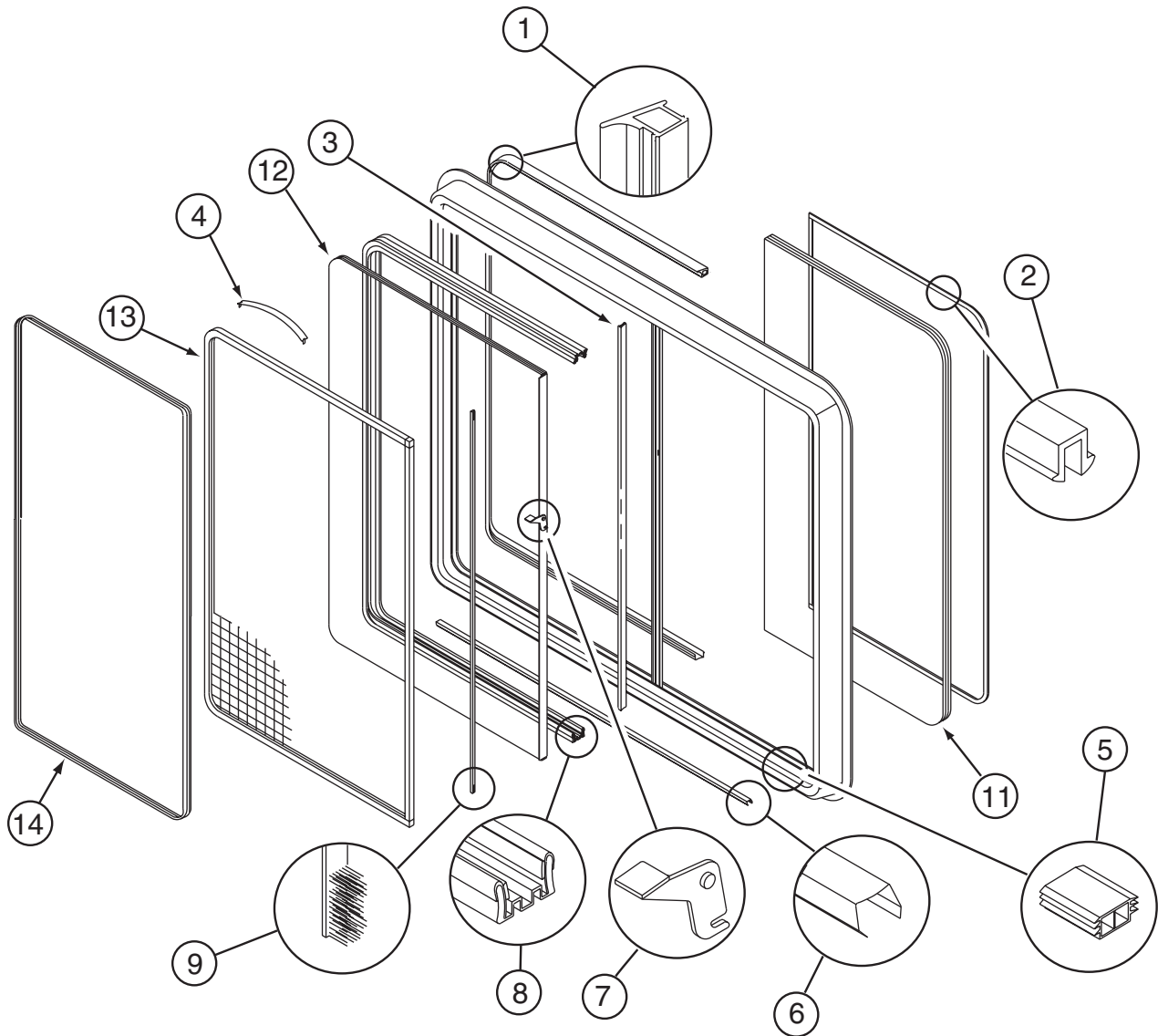
WINDOW & VENTS GROUP (CONTINUED)
COMPONENT PARTS FOR WINDOW & VENT LAYOUT (CONTINUED)



098647-47-02A

| KEY | PART NUMBER | U/M | DESCRIPTION | VENDOR NO. |
|-----|---------------|-----|------------------------------|------------|
| 1 | 098644-01-716 | FT | PLUG - FILLER | 132-014470 |
| 2 | 098644-01-705 | FT | GLAZING - STRIP | 132-010231 |
| 3 | 098644-01-706 | FT | WEATHERSTRIP - GLASS | 171-010668 |
| 4 | 098644-01-713 | EA | CLIP - SCREEN - METAL | 226-016966 |
| 4 | 125582-01-701 | EA | CLIP - SCREEN - PLASTIC | 130-005153 |
| 5 | 098644-01-719 | EA | STOP - SLIDER GLASS | 132-014203 |
| 6 | 098644-01-710 | FT | TRACK - SCREEN SPACER 12' | 132-017135 |
| 7 | 098644-01-700 | EA | LATCH - REPAIR KIT (BLACK) | B801-CK |
| 7 | 098647-54-701 | EA | LATCH - REPAIR KIT (RED) | B081-CK |
| 8 | 098644-01-708 | FT | CHANNEL - RUN PIERCED | 122-016543 |
| 9 | 098644-01-711 | FT | WEATHERSTRIP - SCREEN BLACK | 171-016965 |
| 10 | 098647-47-700 | EA | GLASS - STATIONARY | 106-025224 |
| 11 | 098647-47-701 | EA | GLASS-SLIDING W/SASH & LATCH | H493-G9 |
| 12 | 098647-47-702 | EA | SCREEN ASM - W/SEALS & CLIPS | 410-025226 |
| 13 | 098647-47-704 | EA | RETAINER - TRIM | H493-66 |
| | 098644-01-717 | FT | SPLINE - SCREEN | 132-004716 |

WINDOW & VENTS GROUP (CONTINUED)
COMPONENT PARTS FOR WINDOW & VENT LAYOUT (CONTINUED)



112795-69-01A

| KEY | PART NUMBER | U/M | DESCRIPTION | VENDOR NO. |
|-----|---------------|-----|------------------------------|------------|
| 1 | 112795-01-704 | FT | PLUG FILLER (DOUBLE GLAZED) | 122-018737 |
| 2 | 112795-01-705 | FT | VINYL - GLAZING | 132-025736 |
| 3 | 098644-01-706 | FT | WEATHERSTRIP - GLASS | 171-010668 |
| 4 | 098644-01-713 | EA | CLIP - SCREEN - METAL | 226-016966 |
| 4 | 125582-01-701 | EA | CLIP - SCREEN - PLASTIC | 130-005153 |
| | 098644-01-717 | FT | SPLINE - SCREEN | 132-004716 |
| 5 | 112795-01-701 | EA | SLIDE-STOP | 132-019092 |
| 6 | 098644-01-710 | FT | TRACK - SCREEN SPACER 12' | 132-017135 |
| 7 | 112795-01-700 | EA | LATCH ASM., BLK.,(BOLT ON) | DH287-CK |
| 8 | 112795-01-703 | IN | CHANNEL-RUN (INCHES) | 122-018736 |
| 9 | 098644-01-711 | FT | WEATHERSTRIP - SCREEN BLACK | 171-016965 |
| 11 | 112795-68-700 | EA | GLASS - STATIONARY | 390-028353 |
| 12 | 112795-68-701 | EA | GLASS - SLIDING W/SASH LATCH | 390-028353 |
| 13 | 098647-23-704 | EA | SCREEN ASSY - W/SEAL & CLIPS | 410-019066 |
| 14 | 098647-27-704 | EA | RETAINER - TRIM | H287-66 |

WINDOW & VENTS GROUP (CONTINUED)
COMPONENT PARTS FOR WINDOW & VENT LAYOUT (CONTINUED)

112795-72-01A

| KEY | PART NUMBER | U/M | DESCRIPTION | VENDOR NO. |
|------------|--------------------|------------|------------------------------|-------------------|
| 1 | 112795-01-704 | FT | PLUG FILLER (DOUBLE GLAZED) | 122-018737 |
| 2 | 112795-01-705 | FT | VINYL - GLAZING | 132-025736 |
| 3 | 098644-01-706 | FT | WEATHERSTRIP - GLASS | 171-010668 |
| 4 | 098644-01-713 | EA | CLIP - SCREEN - METAL | 226-016966 |
| 4 | 125582-01-701 | EA | CLIP - SCREEN - PLASTIC | 130-005153 |
| | 098644-01-717 | FT | SPLINE - SCREEN | 132-004716 |
| 5 | 112795-01-701 | EA | SLIDE-STOP | 132-019092 |
| 6 | 098644-01-710 | FT | TRACK - SCREEN SPACER 12' | 132-017135 |
| 7 | 112795-01-700 | EA | LATCH ASM., BLK.,(BOLT ON) | DH287-CK |
| 8 | 112795-01-703 | IN | CHANNEL-RUN (INCHES) | 122-018736 |
| 9 | 098644-01-711 | FT | WEATHERSTRIP - SCREEN BLACK | 171-016965 |
| 11 | 112795-72-700 | EA | GLASS - STATIONARY | 390-028307 |
| 12 | 112795-72-701 | EA | GLASS - SLIDING W/SASH LATCH | DC29-G8 |
| 13 | 098647-31-704 | EA | SCREEN ASSY - W/SEAL & CLIPS | 410-019128 |
| 14 | 098647-31-705 | EA | RETAINER - TRIM | CH29-66 |

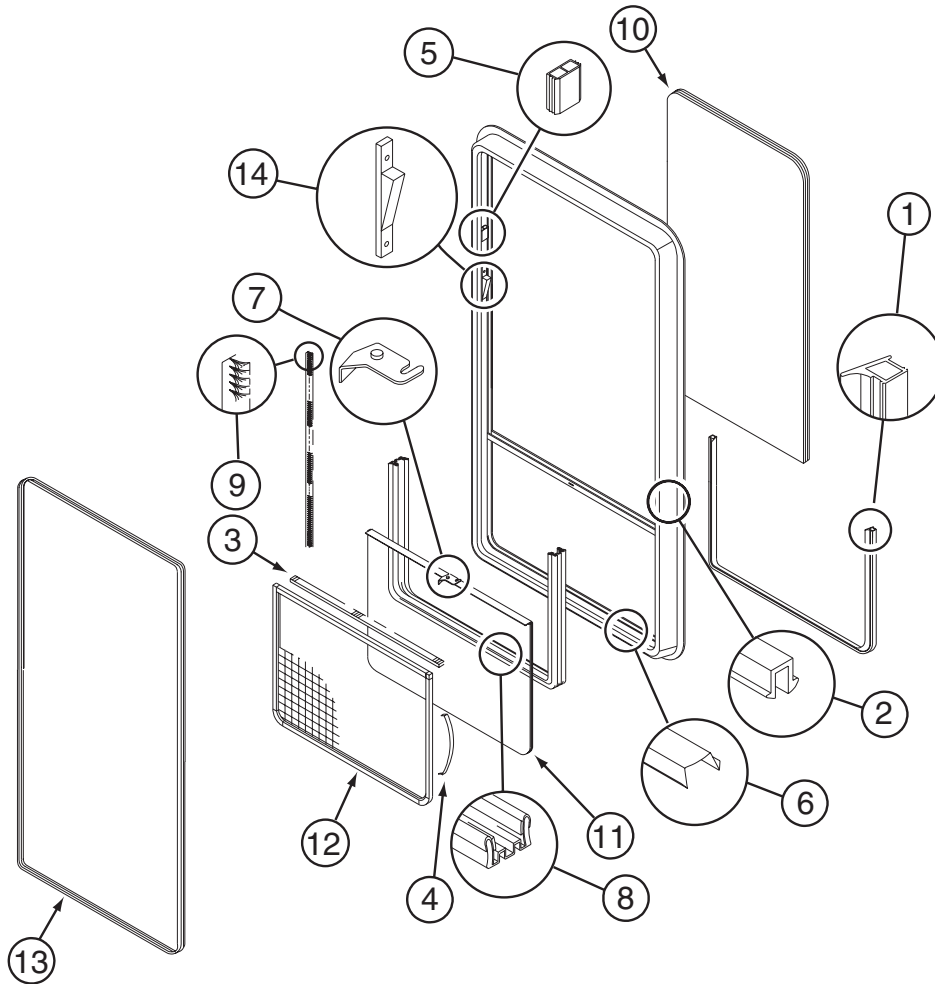
112795-73-01A

| KEY | PART NUMBER | U/M | DESCRIPTION | VENDOR NO. |
|------------|--------------------|------------|------------------------------|-------------------|
| 1 | 112795-01-704 | FT | PLUG FILLER (DOUBLE GLAZED) | 122-018737 |
| 2 | 112795-01-705 | FT | VINYL - GLAZING | 132-025736 |
| 3 | 098644-01-706 | FT | WEATHERSTRIP - GLASS | 171-010668 |
| 4 | 098644-01-713 | EA | CLIP - SCREEN - METAL | 226-016966 |
| 4 | 125582-01-701 | EA | CLIP - SCREEN - PLASTIC | 130-005153 |
| | 098644-01-717 | FT | SPLINE - SCREEN | 132-004716 |
| 5 | 112795-01-701 | EA | SLIDE-STOP | 132-019092 |
| 6 | 098644-01-710 | FT | TRACK - SCREEN SPACER 12' | 132-017135 |
| 7 | 112795-01-700 | EA | LATCH ASM., BLK.,(BOLT ON) | DH287-CK |
| 8 | 112795-01-703 | IN | CHANNEL-RUN (INCHES) | 122-018736 |
| 9 | 098644-01-711 | FT | WEATHERSTRIP - SCREEN BLACK | 171-016965 |
| 11 | 112795-72-700 | EA | GLASS - STATIONARY | 390-028307 |
| 12 | 112795-72-701 | EA | GLASS - SLIDING W/SASH LATCH | DC29-G8 |
| 13 | 098647-31-704 | EA | SCREEN ASSY - W/SEAL & CLIPS | 410-019128 |
| 14 | 098647-31-705 | EA | RETAINER - TRIM | CH29-66 |

112795-77-01A

| KEY | PART NUMBER | U/M | DESCRIPTION | VENDOR NO. |
|------------|--------------------|------------|------------------------------|-------------------|
| 1 | 112795-01-704 | FT | PLUG FILLER (DOUBLE GLAZED) | 122-018737 |
| 2 | 112795-01-705 | FT | VINYL - GLAZING | 132-025736 |
| 3 | 098644-01-706 | FT | WEATHERSTRIP - GLASS | 171-010668 |
| 4 | 098644-01-713 | EA | CLIP - SCREEN - METAL | 226-016966 |
| 4 | 125582-01-701 | EA | CLIP - SCREEN - PLASTIC | 130-005153 |
| 5 | 112795-01-701 | EA | SLIDE-STOP | 132-019092 |
| 6 | 098644-01-710 | FT | TRACK - SCREEN SPACER 12' | 132-017135 |
| 7 | 112795-01-700 | EA | LATCH ASM., BLK.,(BOLT ON) | DH287-CK |
| 8 | 112795-01-703 | IN | CHANNEL-RUN (INCHES) | 122-018736 |
| 9 | 098644-01-711 | FT | WEATHERSTRIP - SCREEN BLACK | 171-016965 |
| 11 | 112795-77-700 | EA | GLASS - STATIONARY | 390-28313 |
| 12 | 112795-77-701 | EA | GLASS - SLIDING W/SASH LATCH | DH493-G8 |
| 13 | 098647-47-702 | EA | SCREEN ASSY - W/SEAL & CLIPS | 410-025226 |
| 14 | 098647-47-704 | EA | RETAINER - TRIM | H493-66 |
| | 098644-01-717 | FT | SPLINE - SCREEN | 132-004716 |

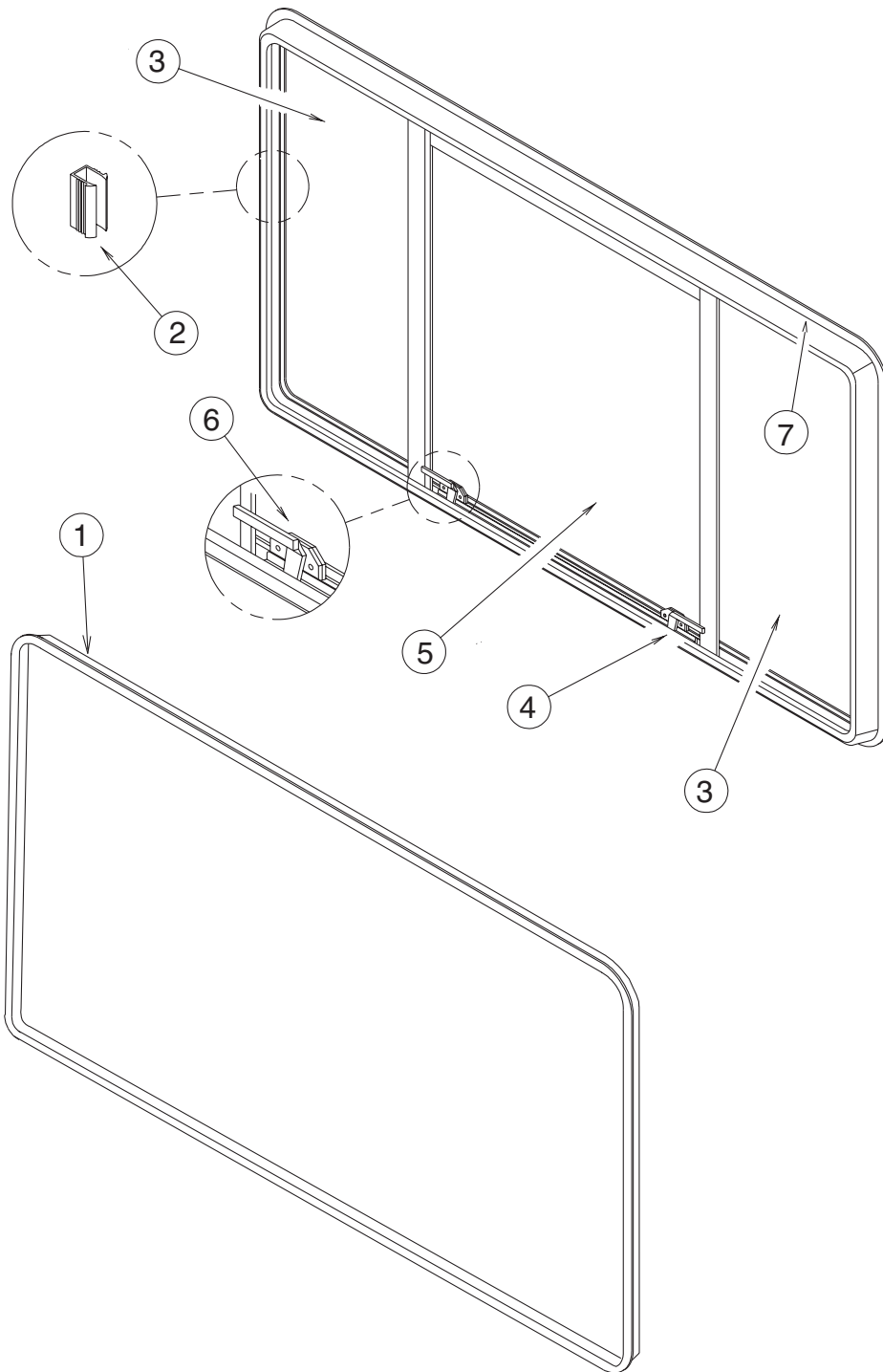
WINDOW & VENTS GROUP (CONTINUED)
COMPONENT PARTS FOR WINDOW & VENT LAYOUT (CONTINUED)



112898-22-01A

| KEY | PART NUMBER | U/M | DESCRIPTION | VENDOR NO. |
|-----|---------------|-----|------------------------------|------------|
| 1 | 112795-01-704 | FT | PLUG FILLER (DOUBLE GLAZED) | 122-018737 |
| 2 | 112795-01-705 | FT | VINYL - GLAZING | 132-025736 |
| 3 | 098644-01-706 | FT | WEATHERSTRIP - GLASS | 171-010668 |
| 4 | 098644-01-713 | EA | CLIP - SCREEN - METAL | 226-016966 |
| 4 | 125582-01-701 | EA | CLIP - SCREEN - PLASTIC | 130-005153 |
| 5 | 112795-01-701 | EA | SLIDE-STOP | 132-019092 |
| 6 | 098644-01-710 | FT | TRACK - SCREEN SPACER 12' | 132-017135 |
| 7 | 112795-01-700 | EA | LATCH ASM., BLK.,(BOLT ON) | DH287-CK |
| 8 | 112795-01-703 | IN | CHANNEL-RUN (INCHES) | 122-018736 |
| 9 | 098644-01-711 | FT | WEATHERSTRIP - SCREEN BLACK | 171-016965 |
| 10 | 112898-22-700 | EA | GLASS - STATIONARY | 390-028345 |
| 11 | 112898-22-701 | EA | GLASS-SLIDING-W/SASH & LATCH | DC02-G8 |
| 12 | 098644-07-704 | EA | SCREEN ASM - W/SEALS & CLIPS | 410-018863 |
| 13 | 098644-07-705 | EA | RETAINER - TRIM | CH02-66 |
| 14 | 112898-04-703 | EA | VERTICAL LATCH (SASH KIT) | DH343-CK |
| | 098644-01-717 | FT | SPLINE - SCREEN | 132-004716 |

WINDOW & VENTS GROUP (CONTINUED)
COMPONENT PARTS FOR WINDOW & VENT LAYOUT (CONTINUED)



113502-10-01A

| KEY | PART NUMBER | U/M | DESCRIPTION | VENDOR NO. |
|------------|--------------------|------------|------------------------------|-------------------|
| 1 | 113502-04-703 | EA | RETAINER - TRIM | H449-58 |
| 2 | 112795-24-706 | FT | SEAL - SPLINE/GRAY - ESCAPE | 132-010481 |
| 3 | 113502-10-700 | EA | GLASS - STATIONARY | 390-028328 |
| 4 | 112898-06-707 | EA | HANDLE-LATCH/RED-RH (SLIDER) | 182-025911 |
| 6 | 112898-06-708 | EA | HANDLE-LATCH/RED-LH (SLIDER) | 182-025912 |
| 7 | 098644-01-705 | FT | GLAZING - STRIP | 132-010231 |

CONTACT WINNEBAGO PART SALES FOR UNLISTED COMPONENTS

WINDOW & VENTS GROUP (CONTINUED)
COMPONENT PARTS FOR WINDOW & VENT LAYOUT (CONTINUED)

113733-10-01A

| KEY | PART NUMBER | U/M | DESCRIPTION | VENDOR NO. |
|------------|--------------------|------------|--------------------|-------------------|
| | 112795-01-705 | FT | VINYL - GLAZING | 132-025736 |
| | 113733-10-700 | EA | GLASS-STATIONARY | 390-028306 |
| | 113733-10-701 | EA | RETAINER-TRIM | H416-66 |

115630-04-01A

| KEY | PART NUMBER | U/M | DESCRIPTION | VENDOR NO. |
|------------|--------------------|------------|--------------------|-------------------|
| | 115630-04-701 | EA | RETAINER - TRIM | H829-60 |
| | 115630-04-700 | EA | GLASS-STATIONARY | 390-030159 |

116976-02-02A

| KEY | PART NUMBER | U/M | DESCRIPTION | VENDOR NO. |
|------------|--------------------|------------|------------------------------|-------------------|
| | 098644-01-705 | FT | GLAZING - STRIP | 132-010231 |
| | 100322-01-701 | FT | SEAL-VENT | 122-016071 |
| | 112898-06-707 | EA | HANDLE-LATCH/RED-RH (SLIDER) | 182-025911 |
| | 112898-06-708 | EA | HANDLE-LATCH/RED-LH (SLIDER) | 182-025912 |
| | 116976-01-702 | FT | FILLER PLUG | 132-016065 |
| | 116976-02-700 | EA | GLASS - STATIONARY | 106-018785 |
| | 116976-02-701 | EA | RETAINER - TRIM | H386-53 |

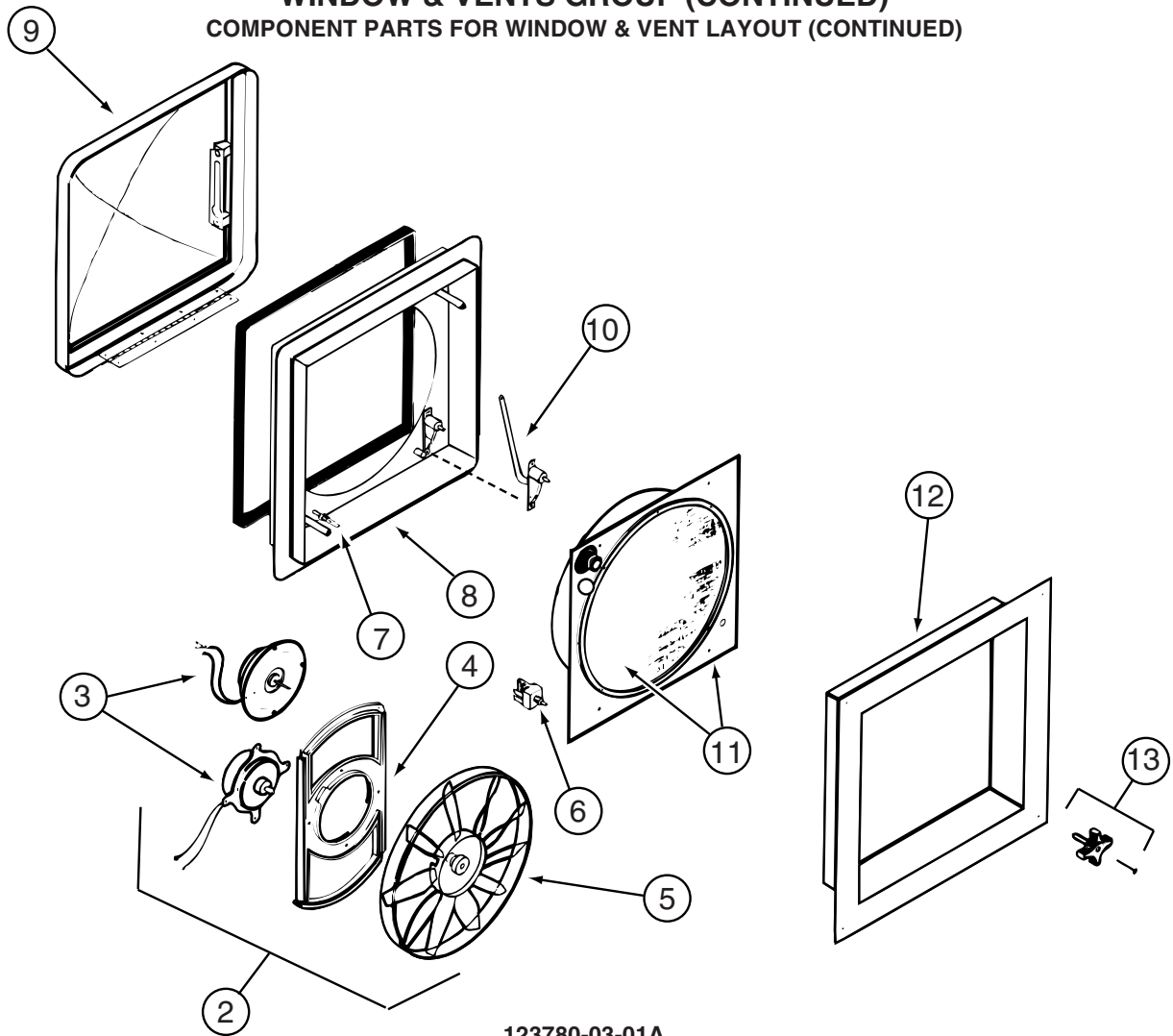
122882-01-01A

| KEY | PART NUMBER | U/M | DESCRIPTION | VENDOR NO. |
|------------|--------------------|------------|------------------------|-------------------|
| | 009440-01-000 | EA | GEAR-ARM-ROOF VENT | 705221K38 |
| | 064470-01-700 | EA | COVER - VENT | J7291 |
| | 064470-01-701 | EA | SLIDE BAR - VENT LID | JRP1291B |
| | 122882-01-700 | EA | HANDLE - CRANK - BLACK | 90128 |
| | 122882-01-701 | EA | SCREEN | JRP-1124-B |
| | 122882-01-702 | EA | HANDLE - CRANK - WHITE | JRP1031B |

122882-02-01A, 122882-03-01A

| KEY | PART NUMBER | U/M | DESCRIPTION | VENDOR NO. |
|------------|--------------------|------------|--------------------------|-------------------|
| | 064470-01-700 | EA | COVER - VENT | J7291 |
| | 064470-01-701 | EA | SLIDE BAR - VENT LID | JRP1291B |
| | 110051-03-700 | EA | SWITCH-BLACK/PUSH BUTTON | 27-0164 |
| | 122882-01-700 | EA | HANDLE - CRANK - BLACK | 90128 |
| | 122882-01-701 | EA | SCREEN | JRP-1124-B |
| | 122882-01-702 | EA | HANDLE - CRANK - WHITE | JRP1031B |

WINDOW & VENTS GROUP (CONTINUED)
COMPONENT PARTS FOR WINDOW & VENT LAYOUT (CONTINUED)

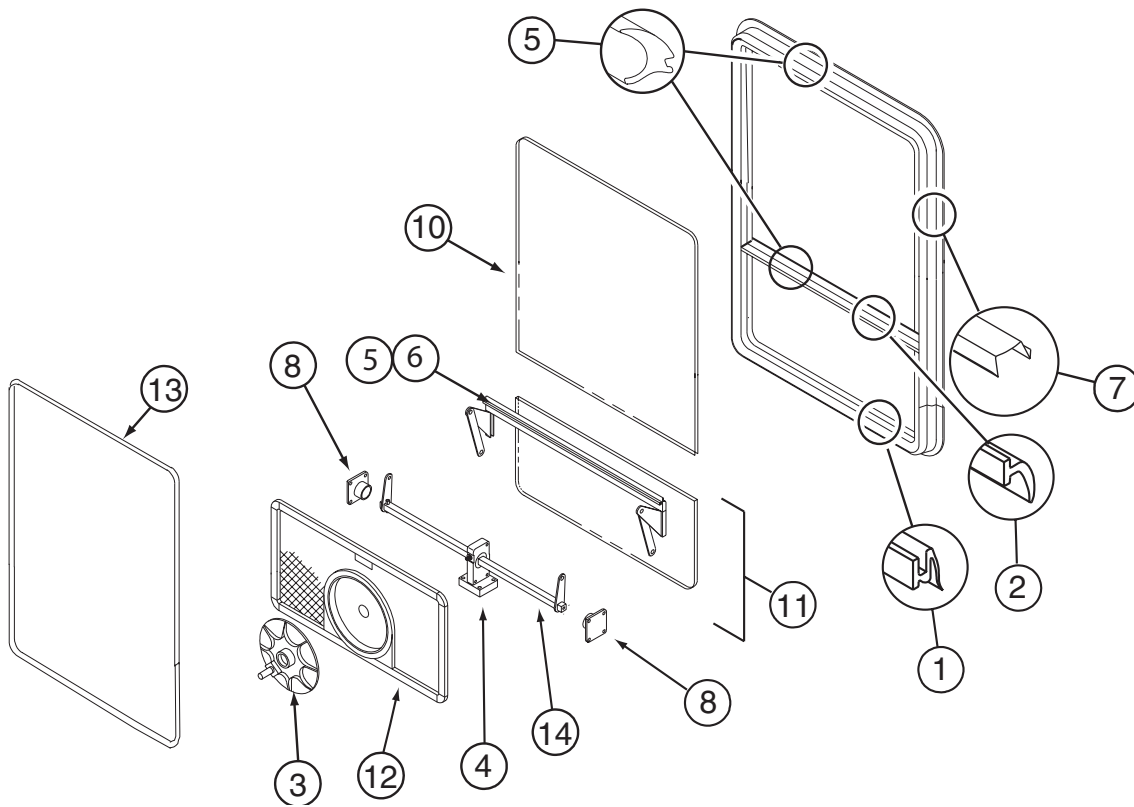


123780-03-01A

| KEY | PART NUMBER | U/M | DESCRIPTION | VENDOR NO. |
|-----|---------------|-----|------------------------------|------------|
| 2 | 084079-11-700 | EA | MOTOR & FAN BLADE W/BRACKET | K4017-09 |
| 3 | 084079-01-705 | EA | MOTOR/EXT BRKT/FAN BLADE KIT | 1080-00 |
| 4 | 084079-01-711 | EA | MOTOR MOUNT (BOWTIE) | 1015-00 |
| 5 | 084079-01-704 | EA | BLADE-FAN | 1138-00 |
| 6 | 084079-01-709 | EA | SWITCH - MAIN - 3 SPEED | 1031-05 |
| 7 | 084079-01-707 | EA | SWITCH - SAFETY | 1122-05 |
| 8 | 123780-05-700 | EA | BASE/MAIN-BRT WHT W/GASKET | 1010-81 |
| 9 | 123780-01-700 | EA | COVER - VENT W/HINGE & SLIDE | 1020K-81 |
| 11 | 123780-03-701 | EA | SCREEN ASM 78-100MM W/SWITCH | 1030BT-81 |
| 12 | 123780-03-700 | EA | GARNISH - INT. 3"-4" BRT/WHT | 2040-81 |
| 13 | 084079-01-703 | EA | KNOB-LIFT | 1140K-00 |
| | 084079-01-706 | EA | PLUG, 12 VOLT | 1090 |
| | 123780-01-702 | EA | SCREEN INSERT (SCREEN RING) | K1035-81 |

CONTACT WINNEBAGO PART SALES FOR UNLISTED COMPONENT(S)

WINDOW & VENTS GROUP (CONTINUED)
COMPONENT PARTS FOR WINDOW & VENT LAYOUT (CONTINUED)

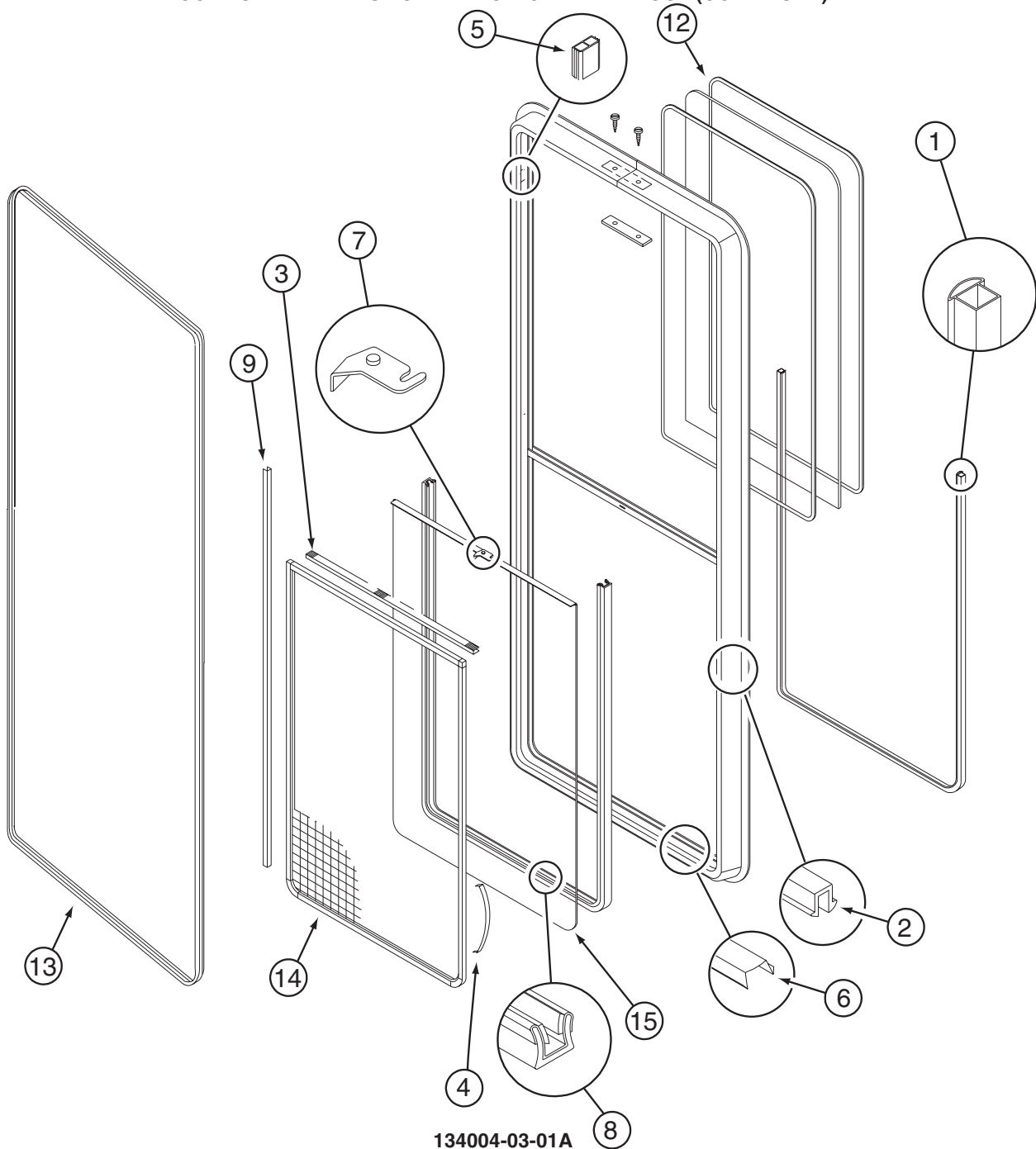


129929-11-01A

| KEY | PART NUMBER | U/M | DESCRIPTION | VENDOR NO. |
|-----|---------------|-----|------------------------------|------------|
| 1 | 100322-01-701 | FT | SEAL-VENT | 122-016071 |
| 3 | 100322-01-718 | EA | HANDLE-DIAL | 410-016081 |
| 4 | 129929-01-710 | EA | TORQUE-CTR SUPPORT (2 HOLE) | 410-026806 |
| 5 | 129929-01-705 | FT | GLAZING VINYL | 132-026811 |
| 6 | 129929-01-706 | FT | SEAL - TOP F/CENTER EGRESS | 132-026811 |
| 6 | 129929-02-706 | FT | SEAL - FOAM | 140-027022 |
| 7 | 129929-01-707 | FT | COVER/SCREW-FILLER STRIP | 132-026808 |
| 8 | 129929-01-708 | EA | SUPPORT - TORQUE BAR - RT/LT | 130-026804 |
| 10 | 129929-11-700 | EA | GLASS - STATIONARY | 390-028304 |
| 11 | 129929-11-701 | EA | VENT GLASS ASSEMBLY | DTH005-G8 |
| 12 | 129929-05-702 | EA | SCREEN ASM - W/SEALS & CLIPS | 410-026909 |
| 13 | 129929-05-705 | EA | RETAINER - TRIM | CH05-62 |
| 14 | 129929-05-704 | EA | OPERATOR BAR ASSEMBLY | DTH005-15 |
| | 100322-01-717 | EA | E-RING | 245-015975 |

CONTACT WINNEBAGO PART SALES FOR UNLISTED COMPONENTS

WINDOW & VENTS GROUP (CONTINUED)
COMPONENT PARTS FOR WINDOW & VENT LAYOUT (CONTINUED)



134004-03-01A

| KEY | PART NUMBER | U/M | DESCRIPTION | VENDOR NO |
|-----|---------------|-----|------------------------------|------------|
| 1 | 112795-01-704 | FT | PLUG FILLER (DOUBLE GLAZED) | 122-018737 |
| 2 | 112795-01-705 | FT | VINYL - GLAZING | 132-027331 |
| 3 | 098644-01-706 | FT | WEATHERSTRIP - GLASS | 171-010668 |
| 4 | 098644-01-713 | EA | CLIP - SCREEN - METAL | 226-016966 |
| 4 | 125582-01-701 | EA | CLIP - SCREEN - PLASTIC | 130-005153 |
| 5 | 112795-01-701 | EA | SLIDE-STOP | 132-019092 |
| 6 | 098644-01-710 | FT | TRACK - SCREEN SPACER 12' | 132-017135 |
| 7 | 112795-01-700 | EA | LATCH ASM., BLK.,(BOLT ON) | DH287-CK |
| 8 | 112795-01-703 | IN | CHANNEL-RUN (INCHES) | 122-027566 |
| 9 | 075673-05-000 | FT | SEAL-PILE ADH BACK,BLK | AMESBURY |
| 12 | 134004-03-700 | EA | GLASS - STATIONARY | 390-028662 |
| 13 | 134004-03-702 | EA | RETAINER - TRIM | H702-56 |
| 14 | 098644-13-702 | EA | SCREEN ASM W/SEALS & CLIPS | 410-028663 |
| 15 | 134004-03-701 | EA | GLASS-SLIDING W/SASH & LATCH | DH702-G8 |
| | 098644-01-717 | FT | SPLINE - SCREEN | 132-004716 |
| | 112898-04-703 | EA | VERTICAL LATCH (SASH KIT) | DH343-CK |

CONTACT WINNEBAGO PART SALES FOR UNLISTED COMPONENTS

WINDOW & VENTS GROUP (CONTINUED)
COMPONENT PARTS FOR WINDOW & VENT LAYOUT (CONTINUED)

| 150648-03-01A | | | |
|----------------------|--------------------|--------------------------------|---------------------|
| KEY | PART NUMBER | U/M DESCRIPTION | VENDOR NO |
| | 150648-19-700 | EA SCREEN ASM | 410-035332 |
| | 151069-01-700 | FT CHANNEL-RUN, SLIDING | 122-030627 |
| 150648-04-01A | | | |
| KEY | PART NUMBER | U/M DESCRIPTION | VENDOR NO |
| | 151069-01-700 | EA CHANNEL-RUN, SLIDING | 122-030627 |
| 150648-05-01A | | | |
| KEY | PART NUMBER | U/M DESCRIPTION | VENDOR NO |
| | 150648-05-7 | EA SCREEN ASM | 410-031158 |
| | 151069-01-700 | EA CHANNEL-RUN, SLIDING | 122-030627 |
| 150648-07-01A | | | |
| KEY | PART NUMBER | U/M DESCRIPTION | VENDOR NO |
| | 112795-01-705 | FT VINYL - GLAZING | 132-027331 |
| | 150648-01-700 | EA LATCH-HORIZONTAL SLIDE-BLK | FH3000-CK |
| | 150648-01-702 | EA SCREEN ASM | 410-031156 |
| | 151069-01-700 | FT CHANNEL-RUN, SLIDING | 122-030627 |
| 150649-01-01A | | | |
| KEY | PART NUMBER | U/M DESCRIPTION | VENDOR NO |
| | 150649-01-700 | EA LATCH-VERTICLE SLIDE-BLK | FH3016-CK |
| | 150649-01-702 | EA SCREEN ASM | 410-035464 |
| 150649-07-01A | | | |
| KEY | PART NUMBER | U/M DESCRIPTION | VENDOR NO |
| | 112898-04-703 | EA VERTICAL LATCH/HOLD UP/OPEN | DH343-CK |
| | 150649-01-700 | EA LATCH-VERTICLE SLIDE-BLK | FH3016-CK |
| | 150649-07-700 | EA GLASS - STATIONARY | 390-028662 |
| | 150649-07-701 | EA SCREEN ASM | 410-035475 |
| 150651-01-01A | | | |
| KEY | PART NUMBER | U/M DESCRIPTION | VENDOR NO |
| | 112795-01-705 | FT VINYL - GLAZING | 132-027331 |
| 150652-01-01A | | | |
| KEY | PART NUMBER | U/M DESCRIPTION | VENDOR NO |
| | 115630-01-705 | EA TAPE - BUTYL | 154-011956 |
| | 150652-01-700 | EA VINYL GLAZING - 1 PER GLASS | DG438-12 MITER/WELD |
| 151075-02-01A | | | |
| KEY | PART NUMBER | U/M DESCRIPTION | VENDOR NO |
| | 137867-05-706 | EA LOCK/CAM - RIGHT | 182-011293 |
| | 137867-05-707 | EA LOCK/CAM - LEFT | 182-011294 |