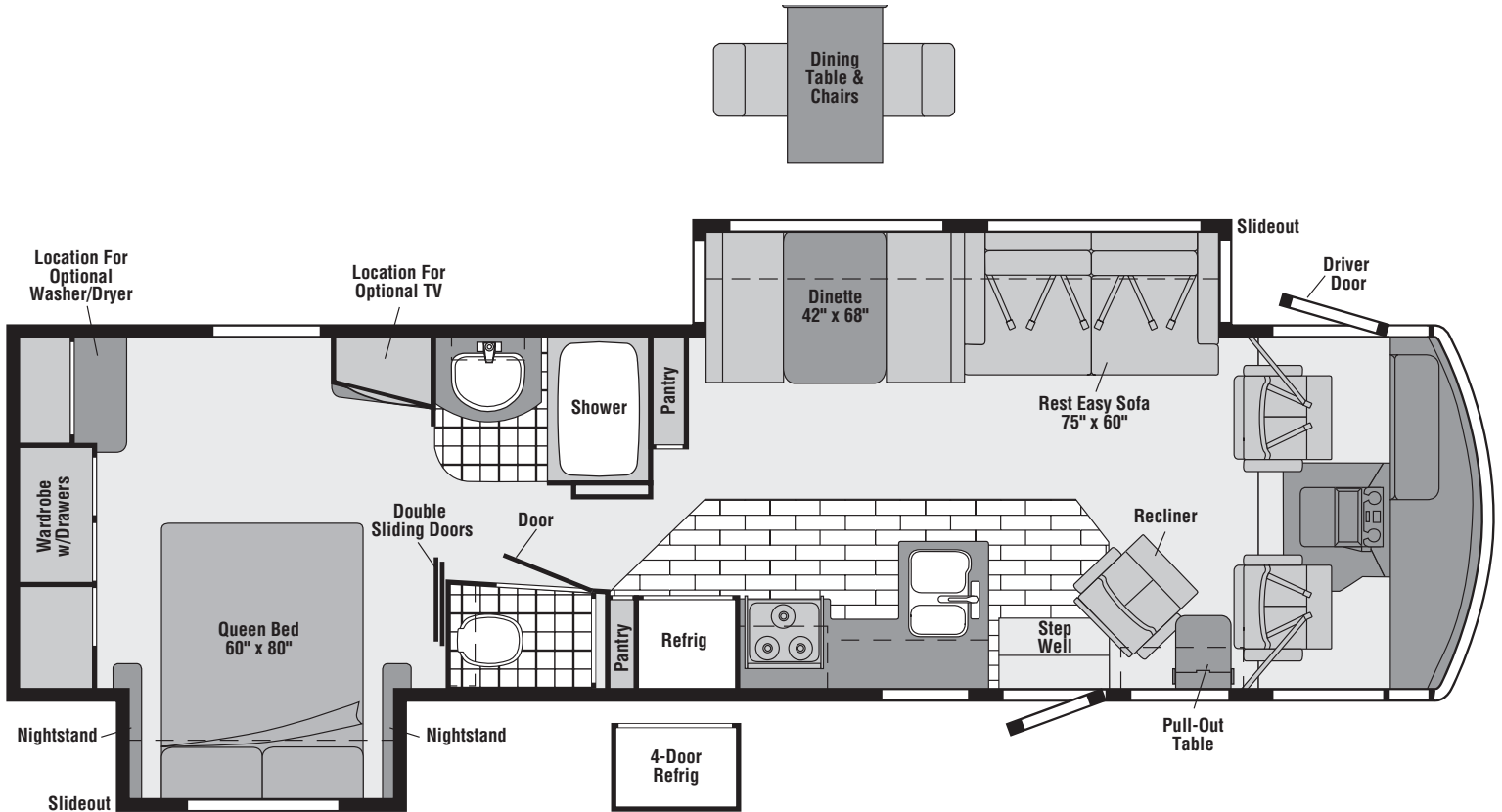


2004
BRAVE
WFF34D
F-SERIES
PORTSMOUTH OAK
R32 SAND FROST - NEUTRAL
R33 SAGEBRUSH - GREEN
R34 ALPINE BLUE - BLUE



FLOORPLAN

CONTENTS

| | |
|--|-----------|
| FLOORPLAN | 1 |
| ACCESSORIES GROUP | 7 |
| OPERATORS MANUAL | 7 |
| APPLIANCE GROUP | 8 |
| APPLIANCES | 8 |
| 114030-04-01A | 13 |
| 115504-01-000 | 15 |
| 119267-13-01A | 15 |
| 120075-12-01A, 120075-13-01A, 120075-14-01A, 120075-15-01A | 16 |
| 121569-05-01A, 121569-06-01A & 121569-07-01A | 22 |
| 125242-02-01A | 28 |
| 134940-01-01A | 38 |
| 134940-04-01A | 39 |
| 144972-01-01A | 40 |
| AUDIO VIDEO GROUP | 43 |
| RADIO SYSTEM | 43 |
| COMPONENT PARTS FOR RADIO SYSTEM | 44 |
| 102080-17-000 | 44 |
| 102080-18-000 | 44 |
| 102080-21-000 | 44 |
| 143509-01-000 | 44 |
| 148231-01-000 | 44 |
| REAR VIEW MONITOR | 45 |
| COMPONENT PARTS FOR REAR VIEW MONITOR | 46 |
| 093040-10-000 | 46 |
| TELEPHONE | 47 |
| TV & VCR | 47 |
| COMPONENT PARTS FOR TV & VCR | 48 |
| 076319-23-000 | 48 |
| 076319-25-000 | 49 |
| 124073-12-000 | 50 |
| 126696-07-000 | 50 |
| 130121-08-000 | 50 |
| 145641-01-000 | 50 |
| 145641-02-000 | 50 |
| 145641-03-000 | 50 |
| 137135-02-000 | 51 |
| EXTERIOR ENTERTAINMENT | 52 |
| BATH GROUP | 53 |
| CABINETS | 53 |
| DOORS & DRAWERS | 55 |
| SHOWER | 56 |
| COMPONENT PARTS FOR SHOWER | 57 |
| 115011-03-01A | 57 |
| BEDROOM GROUP | 58 |
| QUEEN CABINETS | 58 |
| QUEEN DOORS & DRAWERS | 59 |

CONTENTS (CONTINUED)

| | |
|--|------------|
| CHASSIS GROUP | 60 |
| FRAME | 60 |
| COMPONENT PARTS FOR FRAME | 62 |
| 132643-01-01A, 132643-06-01A, 132643-07-01A, 132643-09-01A | 62 |
| FRONT END | 63 |
| DRIVETRAIN | 67 |
| EXHAUST | 68 |
| FUEL | 71 |
| HYDRAULIC LEVELING | 73 |
| COMPONENT PARTS FOR HYDRAULIC LEVELING | 76 |
| 100536-48-000 | 76 |
| 128285-03-000 | 76 |
| 128571-05-000 | 76 |
| 144226-08-000 | 76 |
| 144226-09-000 | 76 |
| 144226-11-000 | 76 |
| 144226-20-000 | 76 |
| 144226-21-000 | 76 |
| 144226-23-000 | 77 |
| 144226-29-000 | 77 |
| SUSPENSION | 78 |
| COMPONENT PARTS FOR SUSPENSION | 79 |
| 122756-04-000 | 79 |
| WHEEL, TIRE, COVERS &/OR LINERS | 80 |
| COMPONENT PARTS FOR WHEEL, TIRE, COVERS &/OR LINERS | 81 |
| 110435-20-000 | 81 |
| 134609-02-000 | 81 |
| 134609-04-000 | 81 |
| 145580-03-000 | 81 |
| 145580-04-000 | 81 |
| BRAKE | 82 |
| BRAKELINE | 82 |
| CURTAIN & CUSHION GROUP | 83 |
| NOTICE | 83 |
| CUSHION LAYOUT | 84 |
| BUCKET SEATS | 86 |
| COMPONENT PARTS FOR BUCKET SEATS | 90 |
| 081373-03-000 | 90 |
| 122611-02-000 | 90 |
| LOUNGE CHAIR | 91 |
| SOFA | 92 |
| COMPONENTS PARTS FOR SOFA | 94 |
| 136534-13-000, 136534-15-000, 136534-28-000, 136534-29-000 | 94 |
| 136534-14-000 | 94 |
| 148226-01-000, 148226-02-000, 148226-03-000 | 94 |
| WINDOW TREATMENT | 95 |
| HARDWARE | 97 |
| ACCESSORIES | 99 |
| COMPONENT PARTS FOR ACCESSORIES | 100 |
| 091990-08-01A | 100 |
| FABRICS | 101 |
| DINETTE GROUP | 103 |
| CABINETS | 103 |
| TABLE | 104 |

CONTENTS (CONTINUED)

| | |
|--|------------|
| DRIVERS COMPARTMENT GROUP | 106 |
| DASH | 106 |
| MOTOR COVER | 108 |
| BEVERAGE TRAY | 110 |
| FRONT INTERIOR | 111 |
| CABINETS | 113 |
| ELECTRICAL GROUP | 114 |
| 12V BODY WIRING | 114 |
| FRONT END WIRING | 120 |
| COMPONENT PARTS FOR LIGHTS & SWITCHES | 122 |
| 086280-01-000 | 122 |
| 087694-01-000 | 122 |
| 091937-08-000 | 122 |
| 097917-01-06A | 122 |
| 108354-01-01A | 122 |
| 121935-01-01A | 122 |
| 137417-01-01A, 137417-03-01A | 122 |
| 137417-05-01A | 122 |
| 137417-06-01A | 122 |
| 148158-01-000 | 122 |
| CIRCUIT BREAKERS & FUSES | 123 |
| CONVERTER, INVERTER, LOAD CENTERS | 123 |
| 110V WIRING | 124 |
| ENTERTAINMENT WIRING | 125 |
| DRIVERS DOOR WIRING | 126 |
| ENTERTAINMENT WIRING | 127 |
| BOXES & CORDS | 128 |
| WIRE ASSEMBLIES | 128 |
| CONNECTORS & CONDUIT | 129 |
| BOOTS, SOLENOIDS, RELAYS & MISCELLANEOUS | 130 |
| EXTERIOR BODY GROUP | 131 |
| GRAPHICS & PAINT | 131 |
| PANELS & TRIMS | 132 |
| COMPONENT PARTS FOR PANELS & TRIMS | 137 |
| 132442-01-01A | 137 |
| FRONT END | 138 |
| LADDER | 140 |
| MIRRORS | 140 |
| COMPONENT PARTS FOR MIRRORS | 141 |
| 106015-18-01A, 106015-19-01A | 141 |
| STRUCTURAL COMPONENTS | 142 |
| AWNINGS | 142 |
| COMPONENT PARTS FOR AWNINGS | 143 |
| 113874-01-02A | 143 |
| EXTERIOR DOORS & COMPARTMENTS GROUP | 144 |
| DOOR & COMPARTMENT LAYOUT | 144 |
| COMPONENT PARTS FOR DOOR & COMPARTMENT LAYOUT | 149 |
| 084103-08-000 | 149 |
| 094707-03-01A | 150 |
| COMPARTMENT DOOR PIECE PARTS | 151 |
| DRIVERS | 153 |
| COMPONENT PARTS FOR DRIVERS | 154 |
| 125581-09-01A | 154 |
| ENTRY | 156 |
| SCREEN | 158 |
| LATCH - ENTRY | 159 |

CONTENTS (CONTINUED)

| | |
|---|------------|
| EXTERIOR SLIDEOUT GROUP | 160 |
| FRONT LEFT | 160 |
| COMPONENT PARTS FOR FRONT SLIDEOUT | 164 |
| 100536-42-000 | 164 |
| 140122-01-000 | 164 |
| RIGHT REAR | 165 |
| COMPONENT PARTS FOR RIGHT REAR SLIDEOUT | 169 |
| 100536-46-000 | 169 |
| 137390-01-000 | 169 |
| GALLEY GROUP | 170 |
| CABINETS | 170 |
| DOORS & DRAWERS | 173 |
| GENERATOR GROUP | 175 |
| GAS | 175 |
| HEATING & A/C GROUP | 176 |
| AUTOMOTIVE | 176 |
| COMPONENT PARTS FOR AUTOMOTIVE | 178 |
| 103930-44-000 | 178 |
| 103930-45-000 | 178 |
| 103930-46-000 | 178 |
| 103930-47-000 | 178 |
| 103930-49-000 | 178 |
| 103930-55-000 | 180 |
| FURNACE | 181 |
| COMPONENT PARTS FOR FURNACE | 182 |
| 143563-01-000 | 182 |
| 143563-02-000 | 184 |
| REAR HEATER | 186 |
| COMPONENT PARTS FOR REAR HEATER | 187 |
| 129205-01-000 | 187 |
| ROOF | 188 |
| COMPONENT PARTS FOR ROOF | 189 |
| 131184-01-01A | 189 |
| 131184-05-01A | 190 |
| 131186-02-01A | 191 |
| 131187-03-01A | 193 |
| 131187-04-01A | 193 |
| 131188-03-01A | 194 |
| 131188-04-01A | 195 |
| INTERIOR FINISH GROUP | 196 |
| MOLDINGS & TRIMS | 196 |
| PANELING & LAMINATES | 207 |
| ACCESSORIES | 208 |
| COMPONENT PARTS FOR ACCESSORIES | 209 |
| 094499-02-000 | 209 |
| FLOOR COVERINGS | 210 |
| HARDWARE | 211 |
| LABELS GROUP | 219 |
| LP GROUP | 248 |
| LP SYSTEM | 248 |
| COMPONENT PARTS FOR LP GROUP | 249 |
| 144116-01-000 | 249 |
| 144116-02-000, 144116-06-000, 144116-07-000 & 144116-08-000 | 249 |
| LOUNGE GROUP | 250 |
| CABINETS | 250 |
| TABLE | 251 |

CONTENTS (CONTINUED)

| | |
|--|------------|
| SEALANTS & FASTENERS GROUP | 252 |
| SEALANTS & ADHESIVES | 252 |
| BOLTS, NUTS AND WASHERS | 253 |
| SCREWS | 255 |
| CLAMPS, CLIPS, GROMMETS, RIVETS & PLUGS | 258 |
| MISCELLANEOUS FASTENERS | 260 |
| WATER & SEWAGE GROUP | 261 |
| DRAINAGE SYSTEM | 261 |
| COMPONENT PARTS FOR DRAINAGE SYSTEM | 263 |
| 140798-01-01A | 263 |
| WATER SYSTEM | 264 |
| COMPONENT PARTS FOR WATER SYSTEM | 272 |
| 051391-07-000 | 272 |
| 051393-01-000 | 274 |
| 075240-05-000 | 274 |
| 075241-04-000, 075241-05-000, 075241-06-000 | 274 |
| 098607-01-000 | 275 |
| 125420-01-02A, 125420-01-03A, 125420-03-03A, 125420-04-03A | 275 |
| 129390-03-01A | 275 |
| 141432-01-01A | 275 |
| 144215-01-000 | 275 |
| 144215-02-000 | 275 |
| 144596-01-01A | 275 |
| 144596-02-01A, 144596-03-01A | 275 |
| 145541-02-000 | 276 |
| WINDOW & VENTS GROUP | 277 |
| WINDOW & VENT LAYOUT | 277 |
| COMPONENT PARTS FOR WINDOWS & VENT LAYOUT | 279 |
| 098644-11-02A | 279 |
| 098644-13-01A | 280 |
| 098647-33-02A | 281 |
| 098647-47-02A | 282 |
| 112795-72-01A | 283 |
| 112795-77-01A | 284 |
| 112898-25-01A | 285 |
| 113500-01-02A | 286 |
| 113500-06-02A | 287 |
| 113733-10-01A | 288 |
| 122882-01-01A | 288 |
| 122882-02-01A, 122882-03-01A | 288 |
| 123780-03-01A | 289 |
| 125582-01-01A | 290 |
| 125583-01-01A | 291 |
| 125584-01-01A | 292 |
| 125585-01-01A | 292 |
| 125586-01-01A | 292 |
| 125600-01-01A | 292 |
| 129929-11-01A | 293 |
| 134004-03-01A | 294 |
| WINDSHIELD & WIPER GROUP | 295 |
| WINDSHIELD | 295 |
| WIPER | 296 |
| COMPONENT PARTS FOR WIPER | 297 |
| 095964-01-000 | 297 |
| 096505-09-000 | 297 |
| 117769-01-000 | 297 |

ACCESSORIES GROUP
OPERATORS MANUAL

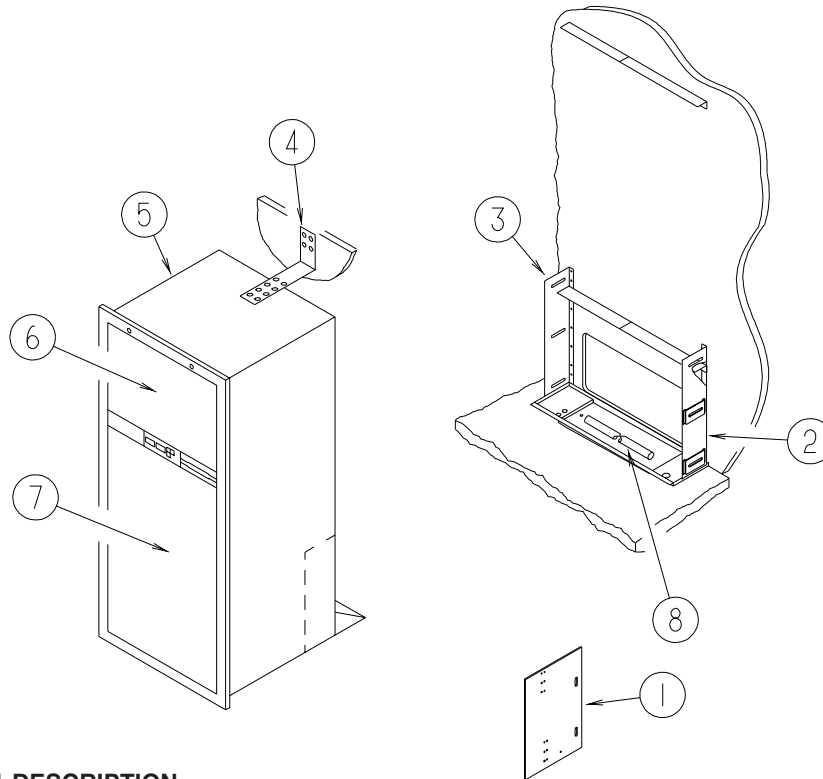
| KEY | PART NUMBER | U/M | DESCRIPTION |
|------------|--------------------|------------|--|
| | 129079-01-01A | EA | CASE - VINYL/BLACK-EXPANDABLE ACCORDION SIDES-7"WX9"HX14"L |
| | 132000-05-004 | EA | MANUAL/OWNER - BRAVE - 2004 |
| | 144250-01-000 | DW | TOP LEVEL-F,2004 |

APPLIANCE GROUP APPLIANCES

| KEY | PART NUMBER | U/M | DESCRIPTION |
|-----|---------------|-----|---|
| * | 115504-01-000 | EA | PANEL - SOLAR 10 WATT - 12.2"W X 26.9"L X 1.2"H |
| * | 134940-01-01A | EA | PANEL - MONITOR - 2 TANK - W/GENERATOR SWITCH/HOUR METER |
| * | 134940-04-01A | EA | PANEL - MONITOR - 2 TANK-W/GENERATOR SWITCH/SOLAR CHARGER |
| * | 144972-01-01A | EA | RANGE - 22" - 3 BURNER/LARGE KNOB/GRATES - BLACK - RANGE W/OVEN FROM: 00-00-00 THRU: 05-13-04 |
| | 151277-03-01A | EA | RANGE-22"-3 BURNER - MERCURY FREE - BLK DOOR/TEXTURED - RANGE W/OVEN FROM: 04-12-04 THRU: 99-99-99 |
| * | 114030-04-01A | EA | RANGE - 3 BRNR TOP/NEW STYLE KNOBS/GRATES-W/O OVEN-BLK |
| | 126022-05-01A | EA | COVER/RANGE - BI-FOLD - 22" - NEW GRATES |
| | 140176-03-02B | EA | BRACKET/STOVE TIEDOWN - E-COATED - RANGE W/OVEN |
| | 140176-04-02B | EA | BRACKET/STOVE TIEDOWN - E-COATED - RANGE W/OVEN |
| | 142139-01-02B | EA | BRACKET/TIEDOWN - STOVE - E-COATED - RANGE TOP, F30W FROM: 00-00-00 THRU: 03-07-04 |
| | 142139-02-02B | EA | BRACKET/TIEDOWN - STOVE - E-COATED - RANGE TOP, F30W FROM: 00-00-00 THRU: 03-07-04 |
| | 142139-17-02B | EA | BRACKET/TIEDOWN - STOVE - E-COATED - RANGE TOP, F30W FROM: 03-08-04 THRU: 99-99-99 |
| | 142139-18-02B | EA | BRACKET/TIEDOWN - STOVE - E-COATED - RANGE TOP, F30W FROM: 03-08-04 THRU: 99-99-99 |
| | 142139-03-02B | EA | BRACKET/TIEDOWN - STOVE - E-COATED - RANGE TOP, F32V, F34D, F36M |
| | 142139-04-02B | EA | BRACKET/TIEDOWN - STOVE - E-COATED - RANGE TOP, F32V, F34D, F36M |
| | 138584-03-01A | EA | COFFEE MAKER/CARAPE - NO TIMER - KRUPS #536-42 - BLACK FROM: 00-00-00 THRU: 04-11-04 |
| | 138584-02-01A | EA | COFFEEMAKER/COUNTERTOP - AROME PLUS/BLACK - KRUPS #466-42 FROM: 04-12-04 THRU: 99-99-99 |
| | 145832-01-000 | EA | STRAP-TIEDOWN - COFFEE MAKER |
| | 130818-02-01A | EA | TRASH CONTAINER - 20 QUART ALMOND |

*COMPONENT PARTS LISTED LATER IN THIS GROUP

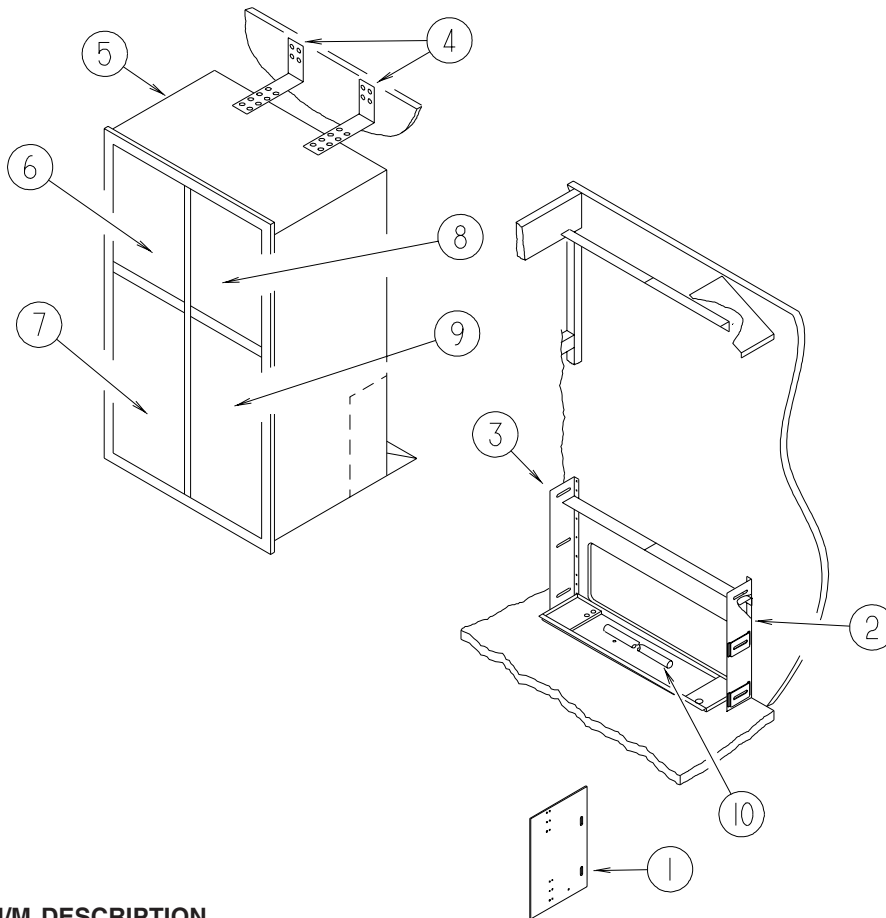
APPLIANCE GROUP (CONTINUED)
APPLIANCES (CONTINUED)



| KEY | PART NUMBER | U/M | DESCRIPTION |
|-----|---------------|-----|--|
| 1 | 141975-04-02B | EA | PLATE - TIEDOWN/REFRIGERATOR |
| 2 | 141550-01-02B | EA | BRACKET - TIEDOWN/REFRIGERATOR - RIGHT HAND |
| 3 | 141550-02-02B | EA | BRACKET - TIEDOWN/REFRIGERATOR - LEFT HAND |
| 4 | 145445-02-02B | EA | STRAP - REFRIGERATOR |
| 5* | 121569-05-01A | EA | REFRIGERATOR - LARGE DOUBLE DOOR/RH - 2-WAY - BLACK |
| 5* | 120075-13-01A | EA | REFRIGERATOR-LARGE DOUBLE DOOR/RH - 2-WAY -ICE MAKER-BLACK |
| 6 | 103251-07-01A | EA | INSERT/REFRIGERATOR DOOR - 21.6" X 14.5" - BLACK ACRYLIC |
| 7 | 103251-09-01A | EA | IINSERT/REFRIGERATOR DOOR - 21.6" X 38.6" - BLACK ACRYLIC |
| 8 | 112176-01-000 | FT | TUBING - VINYL - REINFORCED - 1/2" ID |
| | 116751-05-01A | EA | TRAY - REFRIGERATOR - BLACK |
| | 090329-01-000 | FT | SEAL/T - REFRIGERATOR CABINET |
| | 054450-01-000 | EA | LEVEL - REFRIGERATOR |

***COMPONENT PARTS LISTED LATER IN THIS GROUP**

APPLIANCE GROUP (CONTINUED)
APPLIANCES (CONTINUED)

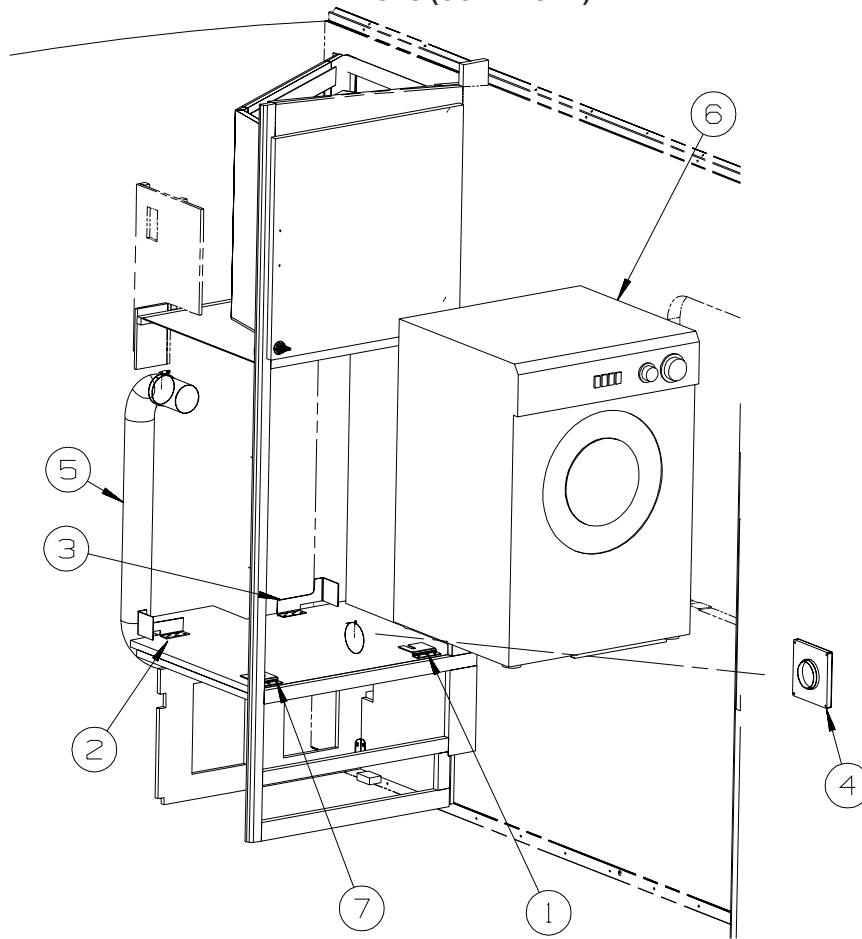


F34D, F36M

| KEY | PART NUMBER | U/M | DESCRIPTION |
|-----|---------------|-----|--|
| 1 | 141975-01-02B | EA | PLATE - TIEDOWN/REFRIGERATOR |
| 2 | 141550-01-02B | EA | BRACKET - TIEDOWN/REFRIGERATOR - RIGHT HAND |
| 3 | 141550-02-02B | EA | BRACKET - TIEDOWN/REFRIGERATOR - LEFT HAND |
| 4 | 145445-02-02B | EA | STRAP - REFRIGERATOR |
| 5* | 125242-02-01A | EA | REFRIGERATOR-4 DR-W/ICE MKR-W/CONTOURED HANDLE-NORCOLD1201 |
| 6 | 103251-10-01A | EA | INSERT/REFRIGERATOR DOOR - 16.2" X 18.4" - BLACK ACRYLIC |
| 7 | 103251-11-01A | EA | INSERT/REFRIGERATOR DOOR - 16.2" X 41.2" - BLACK ACRYLIC |
| 8 | 103251-10-01A | EA | INSERT/REFRIGERATOR DOOR - 16.2" X 18.4" - BLACK ACRYLIC |
| 9 | 103251-11-01A | EA | INSERT/REFRIGERATOR DOOR - 16.2" X 41.2" - BLACK ACRYLIC |
| 10 | 112176-01-000 | FT | TUBING - VINYL - REINFORCED - 1/2" ID |
| | 090329-01-000 | FT | SEAL/T - REFRIGERATOR CABINET |
| | 054450-01-000 | EA | LEVEL - REFRIGERATOR |
| | 118871-03-01A | EA | TRAY - REFRIGERATOR - SIDE/SIDE - BLACK |

***COMPONENT PARTS LISTED LATER IN THIS GROUP**

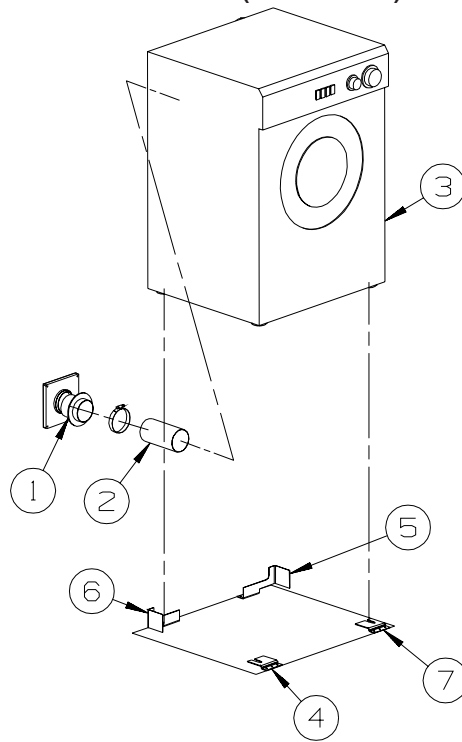
APPLIANCE GROUP (CONTINUED)
APPLIANCES (CONTINUED)



F34D

| KEY | PART NUMBER | U/M | DESCRIPTION |
|-----|---------------|-----|--|
| 1 | 111913-02-04B | EA | BRACKET/WASHER - TIE DOWN - BLACK |
| 2 | 113795-03-02B | EA | BRACKET - WASHER - E-COATED |
| 3 | 113795-04-02B | EA | BRACKET - WASHER - E-COATED |
| 4 | 111947-02-01A | EA | VENT - DRYER - 3" |
| 4 | 146292-01-01A | EA | COVER - DRYER VENT - BRIGHT WHITE FROM: 00-00-00 THRU: 08-17-03 |
| 4 | 146292-02-01A | EA | DRYER VENT - INNER - BRIGHT WHITE FROM: 08-18-03 THRU: 99-99-99 |
| 5 | 116653-02-000 | FT | DUCT - FLEXIBLE - 3' COMPRESSED/8' EXTENDED |
| 6 | 107753-04-01A | EA | WASHER - DRYER - VENTED - UL/CSA - WHITE |
| 7 | 111913-03-04B | EA | BRACKET/WASHER - TIE DOWN - BLACK |

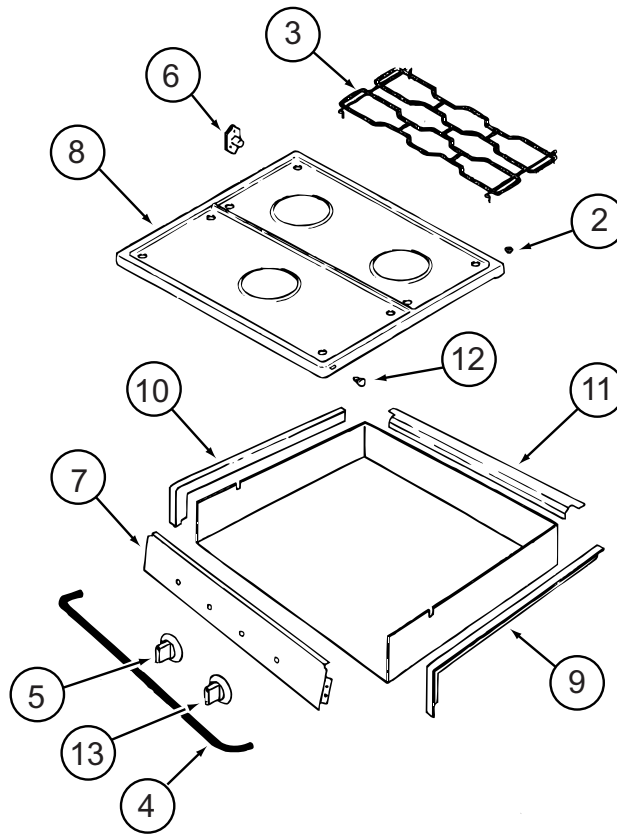
APPLIANCE GROUP (CONTINUED)
APPLIANCES (CONTINUED)



F36M

| KEY | PART NUMBER | U/M | DESCRIPTION |
|-----|---------------|-----|---|
| 1 | 111947-02-01A | EA | VENT - DRYER - 3" |
| 2 | 116653-02-000 | FT | DUCT - FLEXIBLE - 3' COMPRESSED/8' EXTENDED |
| 3 | 107753-04-01A | EA | WASHER - DRYER - VENTED - UL/CSA - WHITE |
| 4 | 111913-02-04B | EA | BRACKET/WASHER - TIE DOWN - BLACK |
| 5 | 113795-03-02B | EA | BRACKET - WASHER - E-COATED |
| 6 | 113795-04-02B | EA | BRACKET - WASHER - E-COATED |
| 7 | 111913-03-04B | EA | BRACKET/WASHER - TIE DOWN - BLACK |

APPLIANCE GROUP (CONTINUED)
COMPONENT PARTS FOR APPLIANCES (CONTINUED)

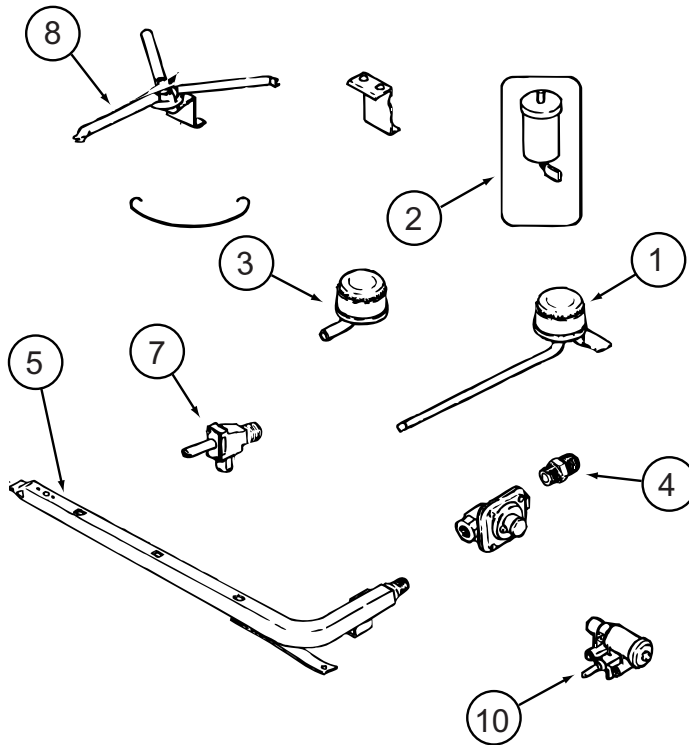


114030-04-01A

| KEY | PART NUMBER | U/M | DESCRIPTION | VENDOR NO. |
|-----|---------------|-----|-----------------------------|-------------|
| 2 | 102020-01-709 | EA | BUMPER-GRATE | 8007P020-60 |
| 3 | 112881-04-702 | EA | GRATE - BLACK | 74007277 |
| 4 | 114030-02-700 | EA | GUARD/FABRIC - TOWEL BAR | 3609F006-70 |
| 5 | 128728-01-701 | EA | KNOB - BURNER - REAR | 74003941 |
| 5 | 128728-01-702 | EA | KNOB - BURNER - FRONT | 74003942 |
| 6 | 128728-01-703 | EA | PIN/T-NUT F/HINGE | 7103P109-60 |
| 7 | 114030-04-700 | EA | PANEL - MANIFOLD - BLACK | 74007325 |
| 8 | 126023-01-728 | EA | TOP - MAIN (BLACK) | 74003323 |
| 9 | 114030-01-704 | EA | TRIM - RIGHT/BLACK TEXTURED | 74002839 |
| 10 | 114030-01-705 | EA | TRIM - LEFT/BLACK TEXTURED | 74002840 |
| 11 | 114030-01-706 | EA | TRIM - REAR/BLACK TEXTURED | 74002841 |
| 12 | 102020-01-724 | EA | BUMPER - MAIN TOP | 8003P008-60 |
| 13 | 128728-01-707 | EA | KNOB - IGNITER | 74003944 |

CONTACT WINNEBAGO PART SALES FOR UNLISTED COMPONENTS

APPLIANCE GROUP (CONTINUED)
COMPONENT PARTS FOR APPLIANCES (CONTINUED)



114030-04-01A (CONTINUED)

| KEY | PART NUMBER | U/M | DESCRIPTION | VENDOR NO. |
|-----|---------------|-----|--------------------------------|-------------|
| 1 | 126023-01-700 | EA | BURNER - TOP (RT-REAR) | 74004583 |
| 1 | 112881-04-700 | EA | BURNER - TOP /LEFT - REAR | 74004584 |
| 2 | 126023-01-711 | EA | ELECTRODE - IGNITER (ONLY) | 7432P077-60 |
| 2 | 112881-04-705 | EA | PUSH RING - ELECTRODE MOUNTING | 7104P002-60 |
| 3 | 112881-04-701 | EA | BURNER - TOP/FRONT | 74004582 |
| 4 | 135065-03-700 | EA | FITTING - HALF UNION | 74004234 |
| 5 | 126023-02-702 | EA | PIPE - MANIFOLD | 74004360 |
| 7 | 126023-02-705 | EA | VALVE - BURNER (REAR) | 74004362 |
| 7 | 126023-02-706 | EA | VALVE - BURNER (FRONT) | 74004363 |
| 8 | 126023-01-736 | EA | FLASH TUBE EXTENSION (REAR) | 74003326 |
| 8 | 126023-01-737 | EA | FLASH TUBE EXTENSION (FRONT) | 74003327 |
| 10 | 126023-01-719 | EA | IGNITER HEAD - TOP BURNER | 74002413 |

CONTACT WINNEBAGO PART SALES FOR UNLISTED COMPONENTS

APPLIANCE GROUP (CONTINUED)
COMPONENT PARTS FOR APPLIANCES (CONTINUED)

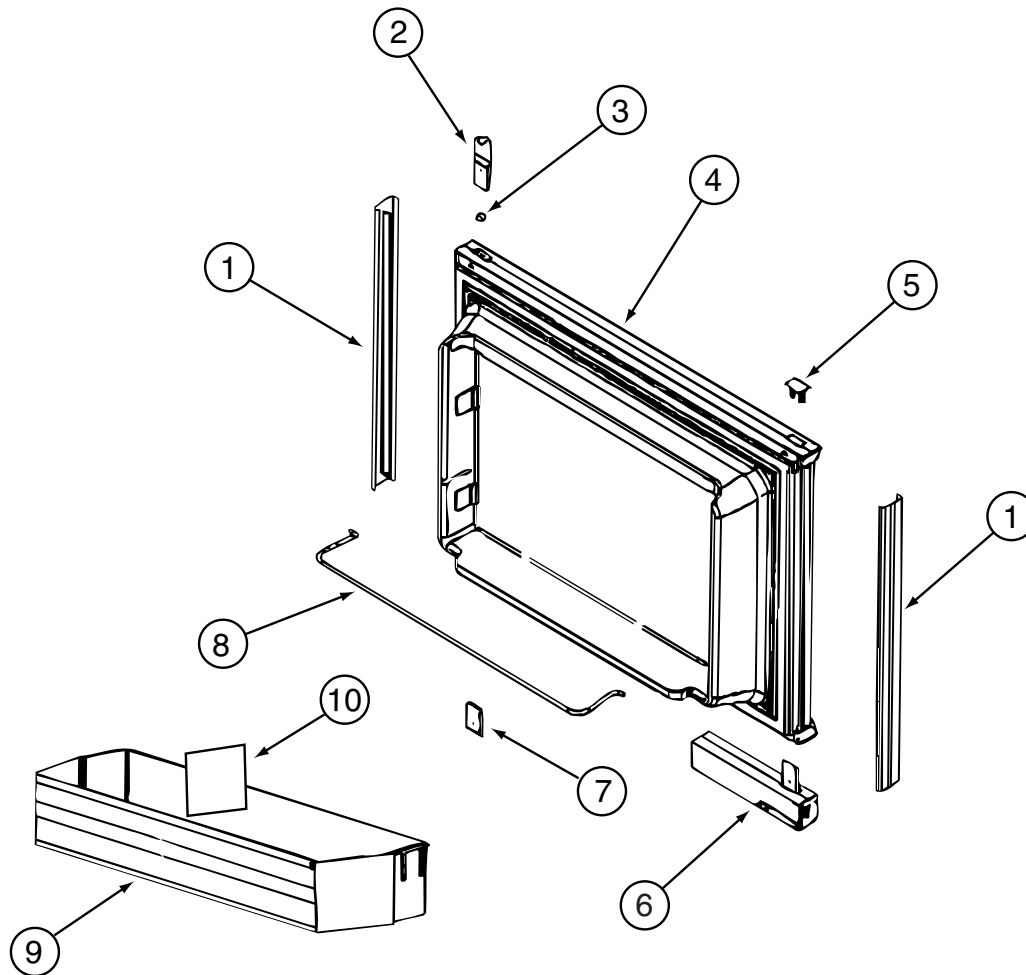
115504-01-000

| KEY | PART NUMBER | U/M | DESCRIPTION | VENDOR NO. |
|------------|--------------------|------------|-----------------------------|-------------------|
| | 115504-01-700 | EA | PLUG & CABLE, 10 WATT PANEL | 600-016 |

119267-13-01A

| KEY | PART NUMBER | U/M | DESCRIPTION | VENDOR NO. |
|------------|--------------------|------------|--------------------|-------------------|
| | 119267-04-700 | EA | FILTER-GREASE | BOO2 |

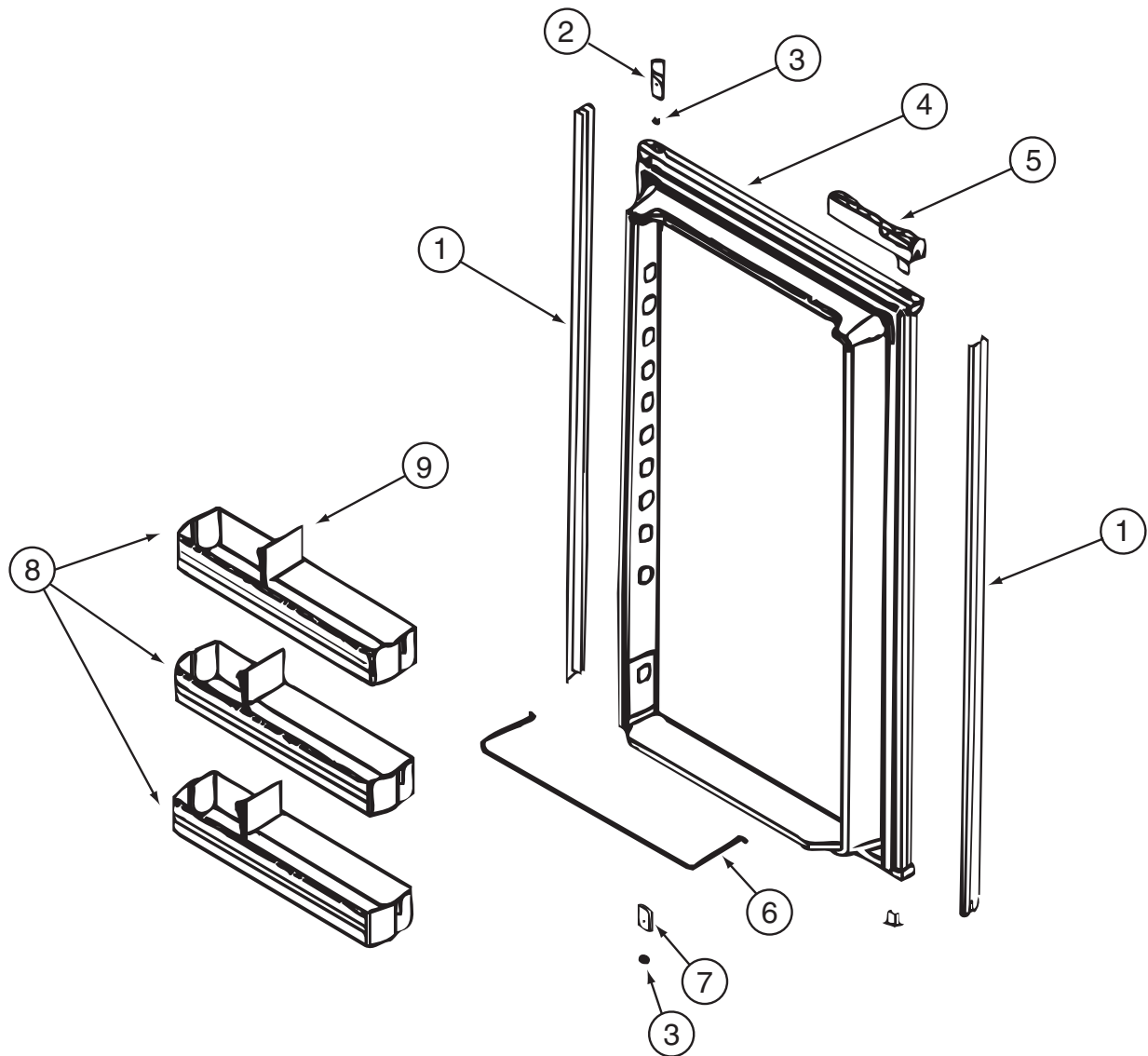
APPLIANCE GROUP (CONTINUED)
COMPONENT PARTS FOR APPLIANCES (CONTINUED)



120075-12-01A, 120075-13-01A, 120075-14-01A, 120075-15-01A

| KEY | PART NUMBER | U/M | DESCRIPTION | VENDOR NO. |
|-----|---------------|-----|------------------------------|---------------------|
| 1 | 121568-03-700 | EA | RETAINER - DOOR PANEL/BLACK | 619558 |
| 2 | 120075-01-701 | EA | HINGE-TOP RH/BOTTOM LH(DOOR) | 618511 |
| 3 | 121568-03-701 | EA | BUSHING - HINGE PIN/GRAY | 619671 |
| 4 | 121568-03-702 | EA | DOOR LINER - W/TRIM/BLACK | 619627 - SMALL DOOR |
| 5 | 120075-01-702 | EA | CAP, (HINGE PLUG) | 618160 |
| 6 | 120075-12-700 | EA | HANDLE(CONTOUR)TOP LH/BTM RH | 621105 |
| | 120075-12-702 | EA | HANDLE/HOUSING-TOP-LH/BTM RH | 618159GEN |
| 6 | 120075-12-701 | EA | HANDLE(CONTOUR)TOP RH/BTM LH | 621104 |
| | 120075-12-707 | EA | LATCH | 619648 |
| | 120075-12-709 | EA | HANDLE/HOUSING-BTM LH/TOP RH | 618122GEN |
| 6 | 121568-03-703 | EA | HANDLE/FLUSH-TOP/RH-LWR/LH | 619865 |
| 6 | 121568-03-708 | EA | HANDLE/FLUSH-TOP/LH-LWR/RH | 619866 |
| 7 | 120075-01-705 | EA | HINGE-TOP LH/BOTTOM RH(DOOR) | 618510 |
| 8 | 121568-01-700 | EA | RAIL - DOOR UPPER | 618618 |
| 9 | 120075-07-700 | EA | DOOR BIN - CLEAR | 619006 |
| 10 | 120075-07-701 | EA | DIVIDER/DOOR BIN CLEAR | 619008 |
| | 121568-03-704 | EA | TRAVEL LATCH - GRAY | 619647 |
| | 121568-03-705 | EA | STORAGE LATCH - GRAY | 619648 |

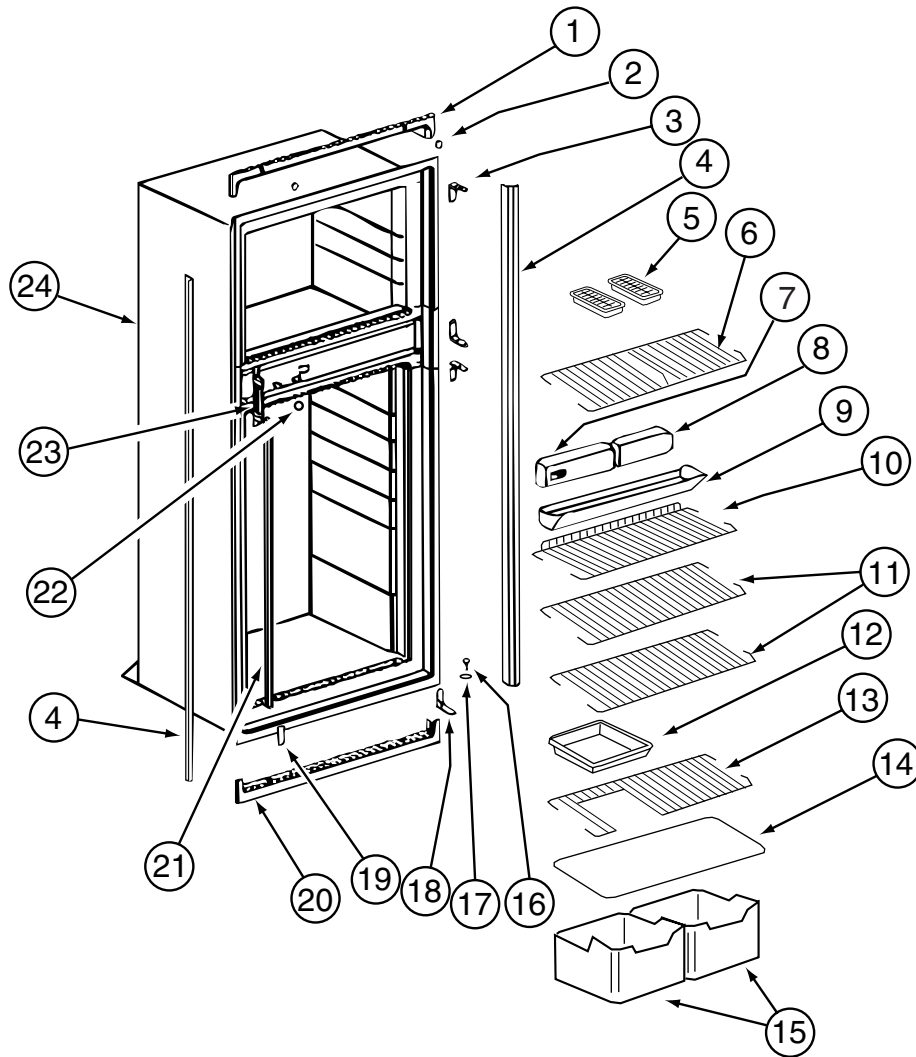
APPLIANCE GROUP (CONTINUED)
COMPONENT PARTS FOR APPLIANCES (CONTINUED)



120075-12-01A, 120075-13-01A, 120075-14-01A, 120075-15-01A (CONTINUED)

| KEY | PART NUMBER | U/M | DESCRIPTION | VENDOR NO. |
|-----|---------------|-----|------------------------------|---------------------|
| 1 | 120075-07-702 | EA | RETAINER - DOOR PANEL/BLACK | 619560 |
| 2 | 120075-01-701 | EA | HINGE-TOP RH/BOTTOM LH(DOOR) | 618511 |
| 3 | 121568-03-701 | EA | BUSHING - HINGE PIN/GRAY | 619671 |
| 4 | 120075-07-703 | EA | DOOR LINER - BLACK | 619631 - LARGE DOOR |
| 5 | 120075-12-700 | EA | HANDLE(CONTOUR)TOP LH/BTM RH | 621105 |
| | 120075-12-702 | EA | HANDLE/HOUSING-TOP-LH/BTM RH | 618159GEN |
| 5 | 120075-12-701 | EA | HANDLE(CONTOUR)TOP RH/BTM LH | 621104 |
| | 120075-12-707 | EA | LATCH | 619648 |
| | 120075-12-709 | EA | HANDLE/HOUSING-BTM LH/TOP RH | 618122GEN |
| 5 | 121568-03-703 | EA | HANDLE/FLUSH-TOP/RH-LWR/LH | 619865 |
| 5 | 121568-03-708 | EA | HANDLE/FLUSH-TOP/LH-LWR/RH | 619866 |
| 6 | 121568-01-704 | EA | RAIL - DOOR LOWER | 618578 |
| 7 | 120075-01-705 | EA | HINGE-TOP LH/BOTTOM RH(DOOR) | 618510 |
| 8 | 120075-07-700 | EA | DOOR BIN - CLEAR | 619006 |
| 8 | 120075-07-704 | EA | DOOR BIN - LARGE/CLEAR | 619005 |
| 9 | 120075-07-701 | EA | DIVIDER/DOOR BIN CLEAR | 619008 |
| | 121568-03-704 | EA | TRAVEL LATCH - GRAY | 619647 |
| | 121568-03-705 | EA | STORAGE LATCH - GRAY | 619648 |

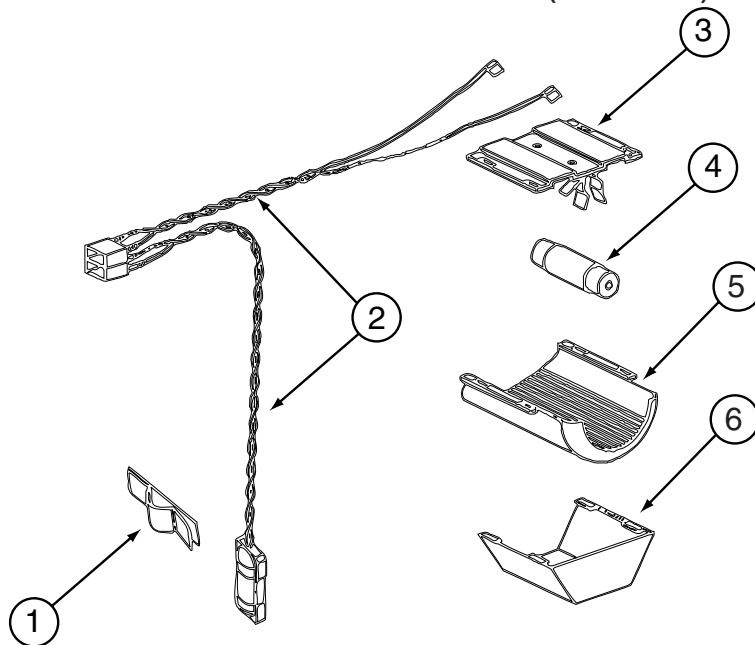
APPLIANCE GROUP (CONTINUED)
COMPONENT PARTS FOR APPLIANCES (CONTINUED)



120075-12-01A, 120075-13-01A, 120075-14-01A, 120075-15-01A (CONTINUED)

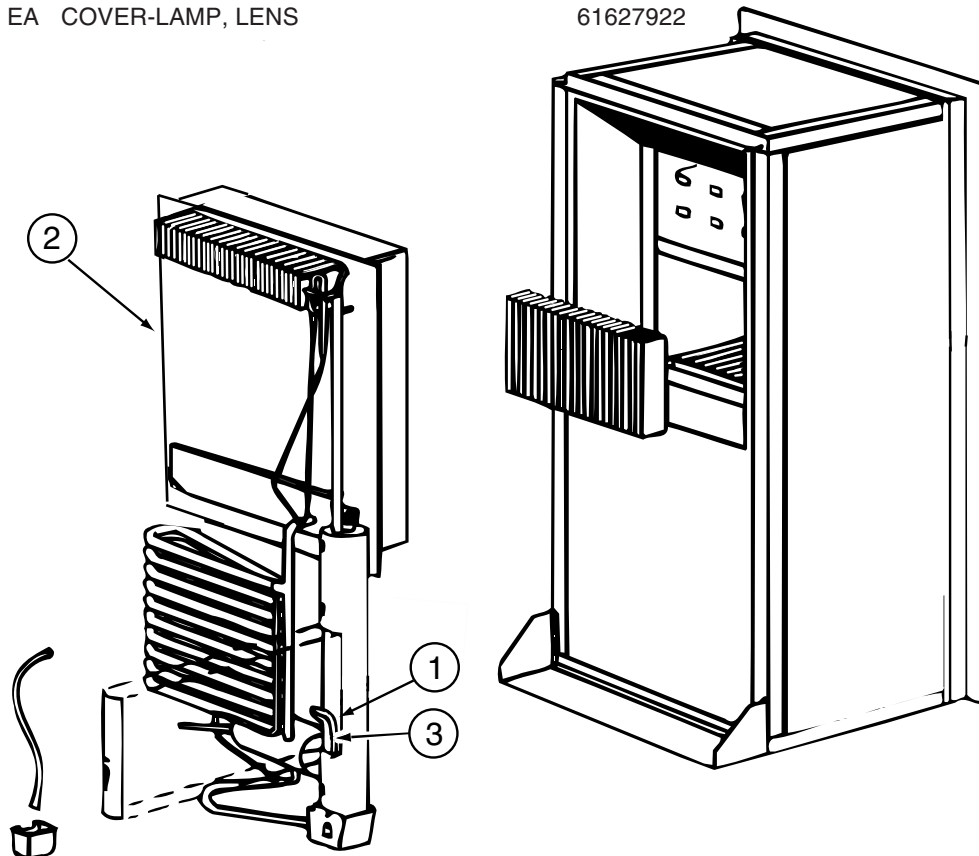
| KEY | PART NUMBER | U/M DESCRIPTION | VENDOR NO. |
|-----|---------------|---------------------------------|------------|
| 1 | 121568-03-709 | EA TRIM - TOP/BLACK | 619687 |
| 2 | 120075-01-714 | EA PLUG-HOLE (BLACK) | 618170 |
| 3 | 121568-03-710 | EA HINGE/CABINET-TOP/RH-LWR/LH | 619335 |
| 4 | 120075-07-705 | EA TRIM - SIDE - BLACK | 622296 |
| 5 | 104137-06-724 | EA ICE TRAY | 61630422 |
| 6 | 120075-07-706 | EA SHELF - WIRE/FREEZER | 620249 |
| 7 | 120075-07-707 | EA CONTROL BOX - BLACK | 619665 |
| 8 | 121568-03-713 | EA FRONT BOX/DECORATIVE-BLACK | 619282 |
| 9 | 120075-01-720 | EA TRAY-DRIP | 618137 |
| 10 | 120075-01-722 | EA SHELF-WIRE, SHORT | 620269 |
| 11 | 120075-01-723 | EA SHELF-WIRE | 620270 |
| 12 | 104137-06-718 | EA SHELF-TRAY, WHITE, W/CUTOUT | 617756 |
| 13 | 120075-01-724 | EA SHELF-WIRE, W/CUTOUT | 618177 |
| 14 | 120075-01-725 | EA COVER-CRISPER | 618158 |
| 15 | 120075-07-708 | EA CRISPER/ICE BIN | 619007 |
| 16 | 120075-01-727 | EA PIN-HINGE | 618145 |
| 17 | 121568-03-701 | EA BUSHING - HINGE PIN/GRAY | 619671 |
| 18 | 121568-03-715 | EA HINGE/CABINET-TOP/LH-LWR/RH | 619336 |
| 19 | 121568-03-716 | EA COVER - HINGE HOLES | 619301 |
| 20 | 120075-01-729 | EA TRIM-BOTTOM PIECE | 620958 |
| 21 | 120075-01-730 | EA RETAINER-SHELF(SER#926684 DN | 618181 |
| 22 | 121568-03-717 | EA HOLE PLUG - WHITE | 619561 |
| 23 | 120075-01-732 | EA PLATE-STRIKE | 618167 |
| 24 | 120075-09-700 | EA CABINET - FOAMED | 619660 |
| | 120075-01-721 | EA LOUVER-DRIP TRAY | 618176 |

APPLIANCE GROUP (CONTINUED)
COMPONENT PARTS FOR APPLIANCES (CONTINUED)



120075-12-01A, 120075-13-01A, 120075-14-01A, 120075-15-01A (CONTINUED)

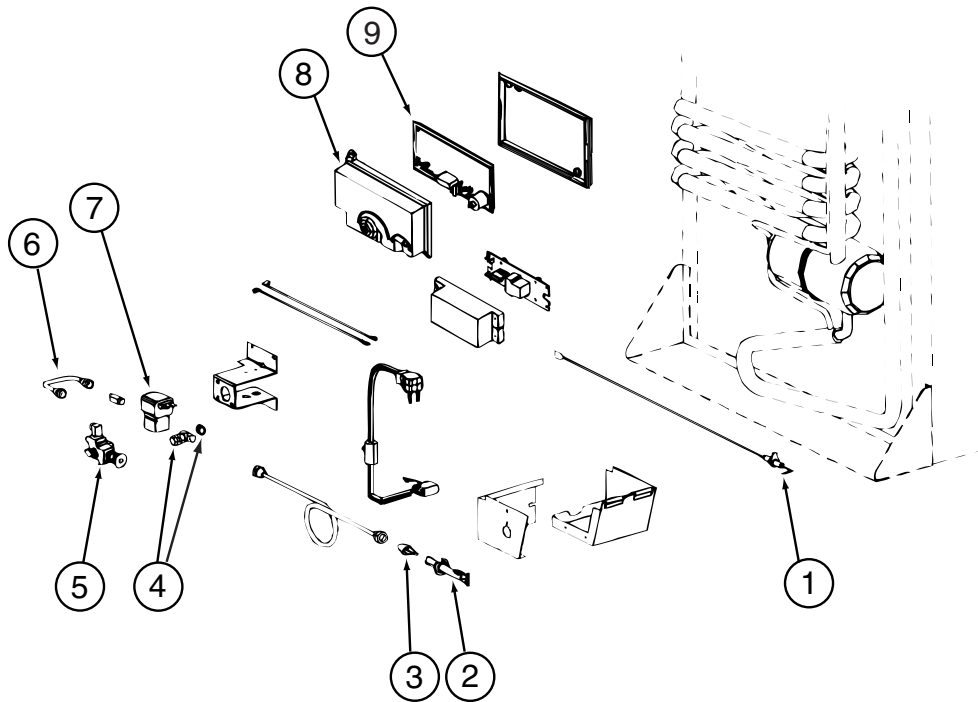
| KEY | PART NUMBER | U/M | DESCRIPTION | VENDOR NO. |
|-----|---------------|-----|------------------------------|------------|
| 1 | 084880-01-760 | EA | CLIP (THERMISTER) | 61689122 |
| 2 | 120075-01-735 | EA | THERMISTER W/LAMP & WIRE/ASM | 618548 |
| 3 | 084880-03-705 | EA | BRACKET-LIGHT-INTERIOR | 61629722 |
| 4 | 084880-03-706 | EA | BULB-LAMP | 61628922 |
| 5 | 120075-01-734 | EA | COVER-LENS | 618190 |
| 6 | 084880-03-707 | EA | COVER-LAMP, LENS | 61627922 |



120075-12-01A, 120075-13-01A, 120075-14-01A, 120075-15-01A (CONTINUED)

| KEY | PART NUMBER | U/M | DESCRIPTION | VENDOR NO. |
|-----|---------------|-----|----------------------------|------------|
| 1 | 088248-01-710 | EA | HEATER DC (HORIZONTAL) | 61562822 |
| 2 | 120075-01-736 | EA | COOLING UNIT, SERVICE PACK | 618542 |
| 3 | 088248-01-709 | EA | HEATER-AC (HORIZONTAL) | 61562722 |

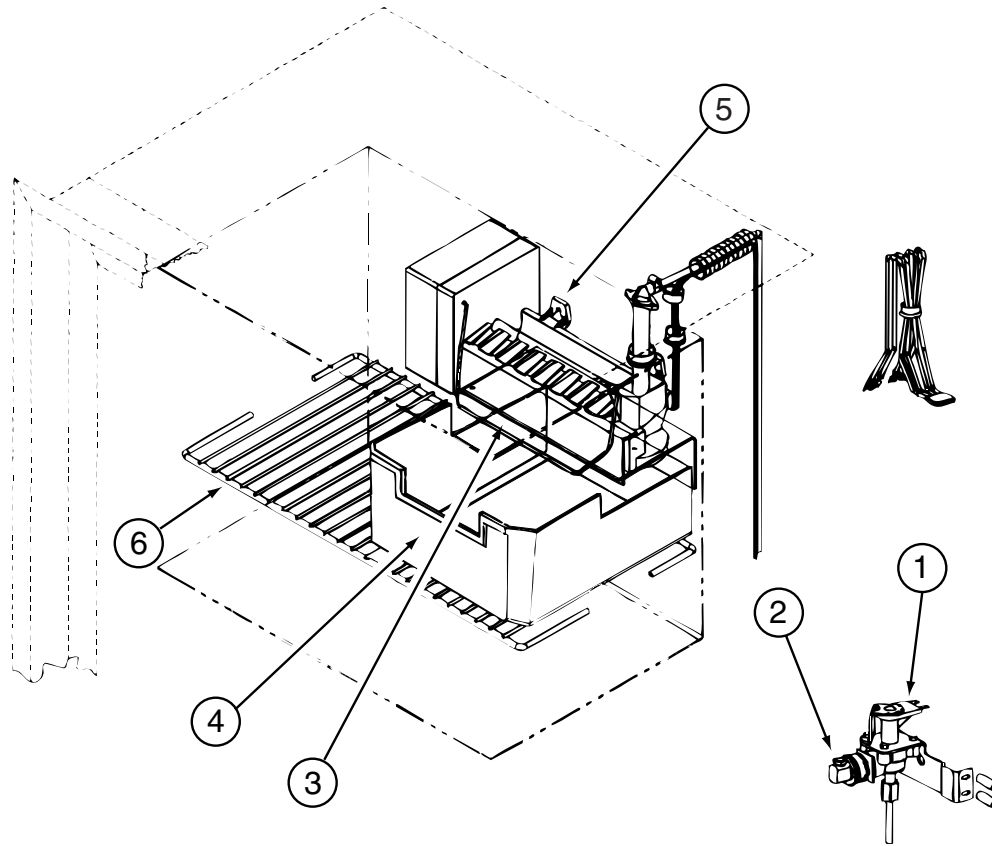
APPLIANCE GROUP (CONTINUED)
COMPONENT PARTS FOR APPLIANCES (CONTINUED)



120075-12-01A, 120075-13-01A, 120075-14-01A, 120075-15-01A (CONTINUED)

| KEY | PART NUMBER | U/M | DESCRIPTION | VENDOR NO. |
|-----|---------------|-----|------------------------------|-----------------|
| 1 | 104137-06-715 | EA | ELECTRODE-SPARK/SENSOR, SGL | 61692222 |
| 2 | 104137-06-714 | EA | BURNER ASSEMBLY, 5-SLOT | 61705222 |
| 3 | 120075-01-737 | EA | ORIFICE - JEWEL - .0155 | 618284 |
| 4 | 113737-01-702 | EA | PLUG 1/8" F/PRESSURE TAP | 61445322 |
| 4 | 113737-01-716 | EA | TAP-PRESSURE | 61594422 |
| 5 | 104137-06-734 | EA | VALVE-SHUT OFF/MAN-NEW STYLE | 618696 |
| 6 | 113737-01-750 | EA | TUBE-UNION | 61694622 |
| 7 | 084880-01-718 | EA | VALVE-GAS, (ASCO) | 621447 |
| 8 | 120075-01-738 | EA | COVER-POWER BOARD | 618185 |
| 9 | 120075-07-710 | EA | POWER - BOARD - 2-WAY | 619360 = 621269 |
| | 120075-01-744 | EA | KIT - GAS VALVE/BURNER TUBE | 620609 |

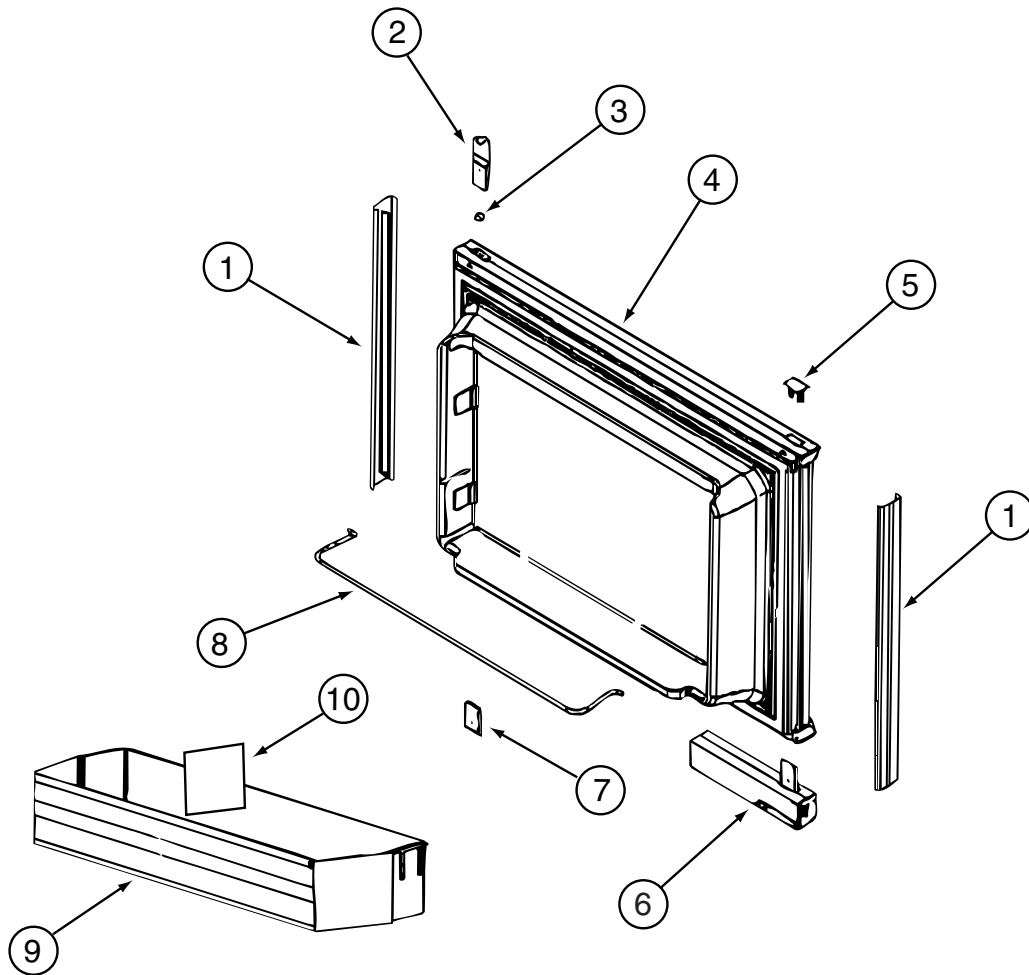
APPLIANCE GROUP (CONTINUED)
COMPONENT PARTS FOR APPLIANCES (CONTINUED)



120075-13-01A, 120075-14-01A (CONTINUED)

| KEY | PART NUMBER | U/M | DESCRIPTION | VENDOR NO. |
|-----|---------------|-----|---------------------------|------------|
| 1 | 120075-09-701 | EA | WATER VALVE W/BRACKET | 618253 |
| 2 | 120075-03-702 | EA | NUT/COMPRESSION - FITTING | 61678722 |
| 3 | 120075-03-703 | EA | ARM-SHUT OFF | 61656922 |
| 4 | 120075-03-704 | EA | BIN-ICE CUBE | 618154 |
| 5 | 094039-07-706 | EA | ICE MAKER W/O PLATES | 61656522 |
| 6 | 120075-01-717 | EA | SHELF-FREEZER, WIRE | 618172 |

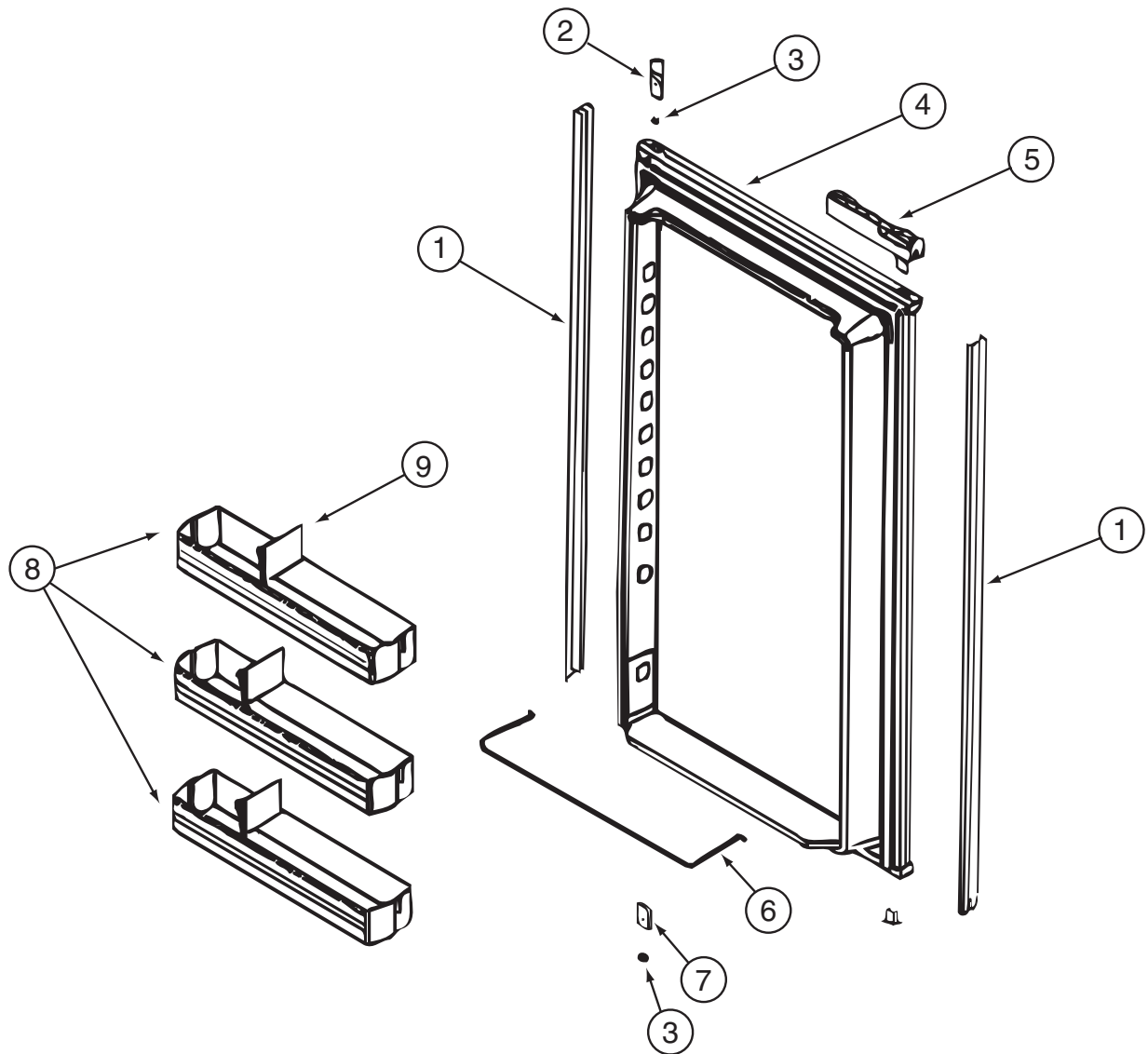
APPLIANCE GROUP (CONTINUED)
COMPONENT PARTS FOR APPLIANCES (CONTINUED)



121569-05-01A, 121569-06-01A & 121569-07-01A

| KEY | PART NUMBER | U/M | DESCRIPTION | VENDOR NO. |
|-----|---------------|-----|------------------------------|---------------------|
| 1 | 121568-03-700 | EA | RETAINER - DOOR PANEL/BLACK | 619558 |
| 2 | 120075-01-701 | EA | HINGE-TOP RH/BOTTOM LH(DOOR) | 618511 |
| 3 | 121568-03-701 | EA | BUSHING - HINGE PIN/GRAY | 619671 |
| 4 | 121568-03-702 | EA | DOOR LINER - W/TRIM/BLACK | 619627 - SMALL DOOR |
| 5 | 120075-01-702 | EA | CAP, (HINGE PLUG) | 618160 |
| 6 | 120075-12-700 | EA | HANDLE(CONTOUR)TOP LH/BTM RH | 621105 |
| 7 | 120075-01-705 | EA | HINGE-TOP LH/BOTTOM RH(DOOR) | 618510 |
| 8 | 121568-01-700 | EA | RAIL - DOOR UPPER | 618618 |
| 9 | 120075-07-700 | EA | DOOR BIN - CLEAR | 619006 |
| 10 | 120075-07-701 | EA | DIVIDER/DOOR BIN CLEAR | 619008 |
| | 121568-03-705 | EA | STORAGE LATCH - GRAY | 619648 |

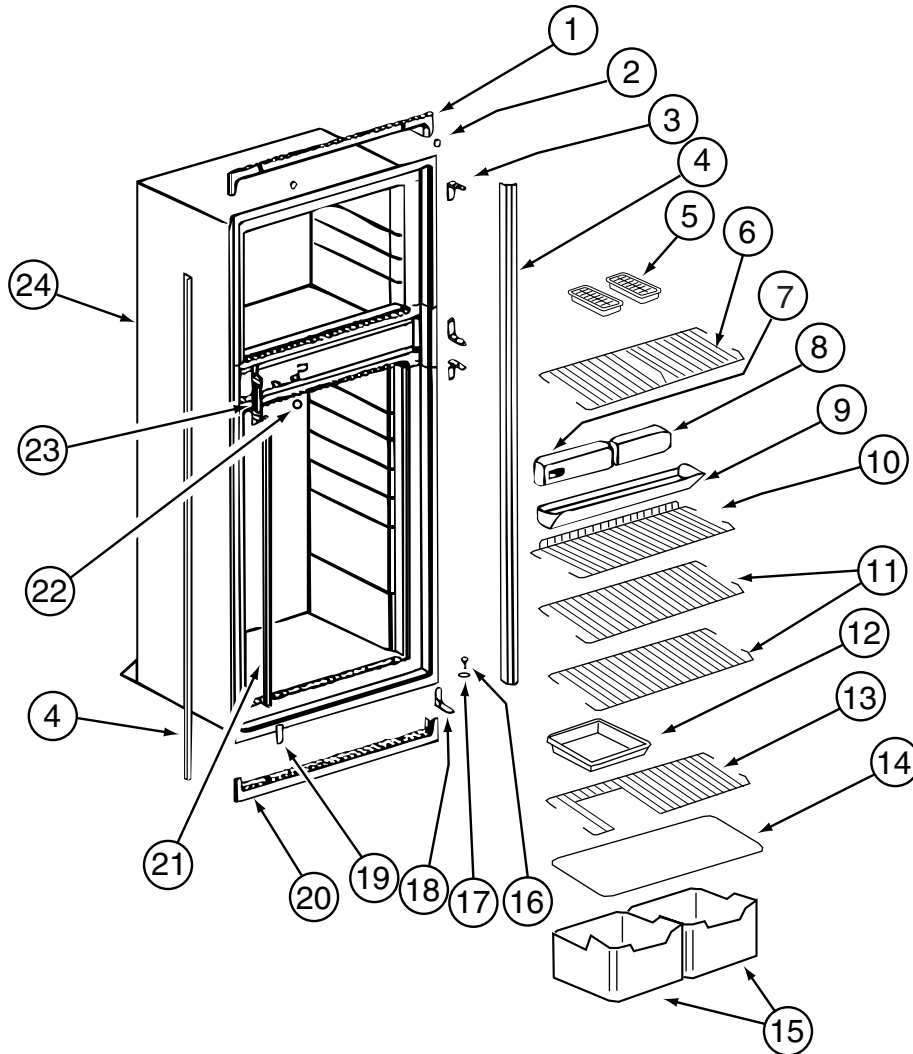
APPLIANCE GROUP (CONTINUED)
COMPONENT PARTS FOR APPLIANCES (CONTINUED)



121569-05-01A, 121569-06-01A & 121569-07-01A (CONTINUED)

| KEY | PART NUMBER | U/M | DESCRIPTION | VENDOR NO. |
|-----|---------------|-----|------------------------------|------------|
| 1 | 120075-07-702 | EA | RETAINER - DOOR PANEL/BLACK | 619560 |
| 2 | 120075-01-701 | EA | HINGE-TOP RH/BOTTOM LH(DOOR) | 618511 |
| 3 | 121568-03-701 | EA | BUSHING - HINGE PIN/GRAY | 619671 |
| 4 | 121568-03-707 | EA | DOOR LINER - W/BLACK TRIM | 619629 |
| 5 | 120075-12-701 | EA | HANDLE(CONTOUR)TOP RH/BTM LH | 621104 |
| 6 | 121568-01-704 | EA | RAIL - DOOR LOWER | 618578 |
| 7 | 120075-01-705 | EA | HINGE-TOP LH/BOTTOM RH(DOOR) | 618510 |
| 8 | 121568-01-701 | EA | BIN - DOOR WHITE | 618619 |
| 9 | 120075-07-701 | EA | DIVIDER/DOOR BIN CLEAR | 619008 |
| | 121568-03-705 | EA | STORAGE LATCH - GRAY | 619648 |

APPLIANCE GROUP (CONTINUED)
COMPONENT PARTS FOR APPLIANCES (CONTINUED)

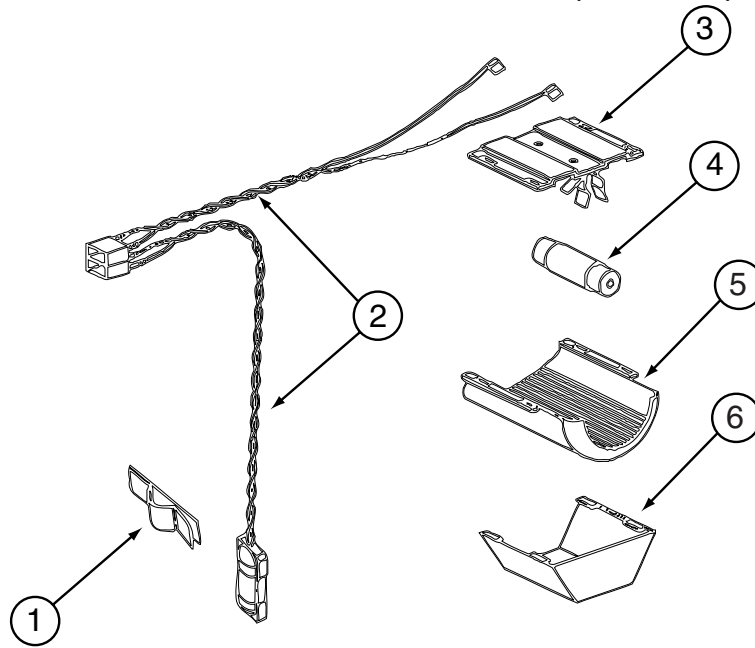


121569-05-01A, 121569-06-01A & 121569-07-01A (CONTINUED)

| KEY | PART NUMBER | U/M | DESCRIPTION | VENDOR NO. |
|-----|---------------|-----|-----------------------------|------------|
| 1 | 121568-03-709 | EA | TRIM - TOP/BLACK | 619687 |
| 2 | 120075-01-714 | EA | PLUG-HOLE | 618170 |
| 3 | 121568-03-710 | EA | HINGE/CABINET-TOP/RH-LWR/LH | 619335 |
| 4 | 120075-07-705 | EA | TRIM - SIDE - BLACK | 619802 |
| 6 | 121568-03-712 | EA | SHELF - WIRE/FREEZER | 620250 |
| 7 | 121568-03-714 | EA | CONTROL ASM - 2 WAY BLACK | 619350 |
| 8 | 121568-03-713 | EA | FRONT BOX/DECORATIVE-BLACK | 619282 |
| 9 | 120075-01-720 | EA | TRAY-DRIP | 618137 |
| 10 | 121568-01-707 | EA | SHELF - WIRE - SHORT | 618624 |
| 11 | 121568-01-708 | EA | SHELF - WIRE | 618589 |
| 14 | 120075-01-725 | EA | COVER-CRISPER | 618158 |
| 15 | 121568-01-709 | EA | CRISPER | 618571 |
| 16 | 120075-01-727 | EA | PIN-HINGE | 618145 |
| 18 | 121568-03-715 | EA | HINGE/CABINET-TOP/LH-LWR/RH | 619336 |
| 19 | 121568-03-716 | EA | COVER - HINGE HOLES | 619301 |
| 20 | 120075-01-729 | EA | TRIM-BOTTOM PIECE | 618136 |
| 21 | 120075-01-730 | EA | RETAINER-SHELF | 618181 |
| 22 | 121568-03-717 | EA | HOLE PLUG - WHITE | 619561 |
| 23 | 120075-01-732 | EA | PLATE-STRIKE | 618167 |
| 24 | 120075-07-709 | EA | CABINET - FOAMED | 619347 |
| | 120075-01-721 | EA | LOUVER-DRIP TRAY | 618176 |

CONTACT WINNEBAGO PART SALES FOR UNLISTED COMPONENTS

APPLIANCE GROUP (CONTINUED)
COMPONENT PARTS FOR APPLIANCES (CONTINUED)

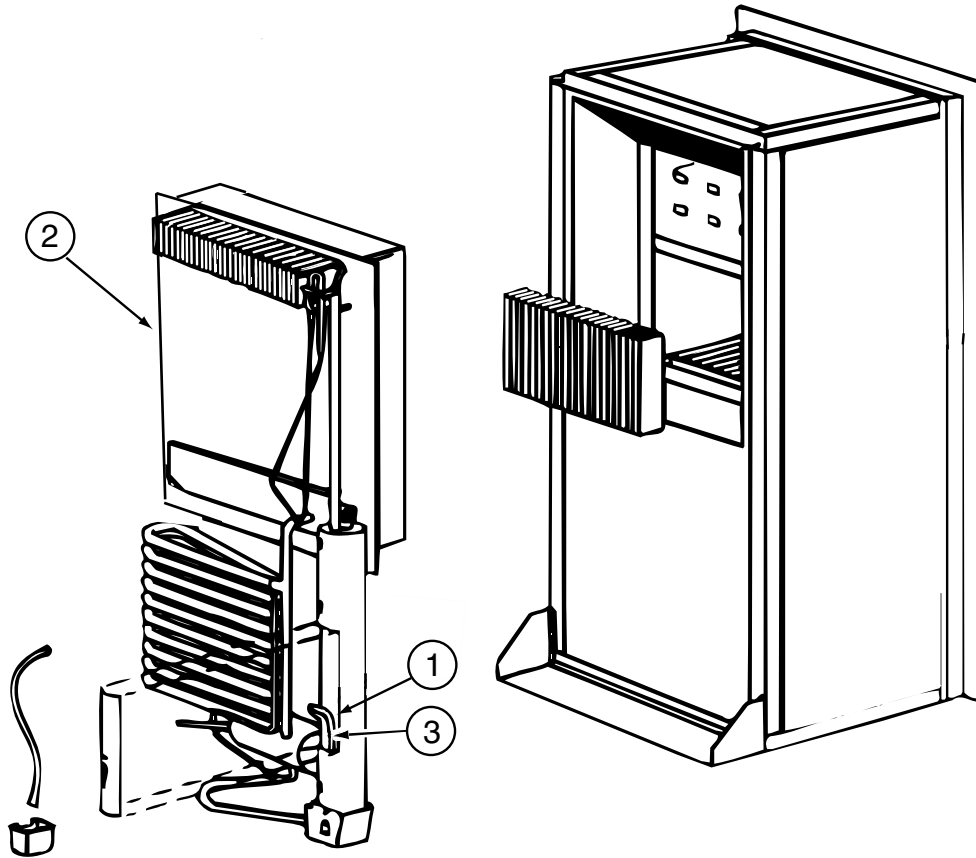


121569-05-01A, 121569-07-01A (CONTINUED)

| KEY | PART NUMBER | U/M | DESCRIPTION | VENDOR NO. |
|------------|--------------------|------------|------------------------------|-------------------|
| 1 | 084880-01-760 | EA | CLIP (THERMISTER) | 61689122 |
| 2 | 120075-01-735 | EA | THERMISTER W/LAMP & WIRE/ASM | 618548 |
| 3 | 084880-03-705 | EA | BRACKET-LIGHT-INTERIOR | 61629722 |
| 4 | 084880-03-706 | EA | BULB-LAMP | 61628922 |
| 6 | 084880-03-707 | EA | COVER-LAMP, LENS | 61627922 |

CONTACT WINNEBAGO PART SALES FOR UNLISTED COMPONENTS

APPLIANCE GROUP (CONTINUED)
COMPONENT PARTS FOR APPLIANCES (CONTINUED)

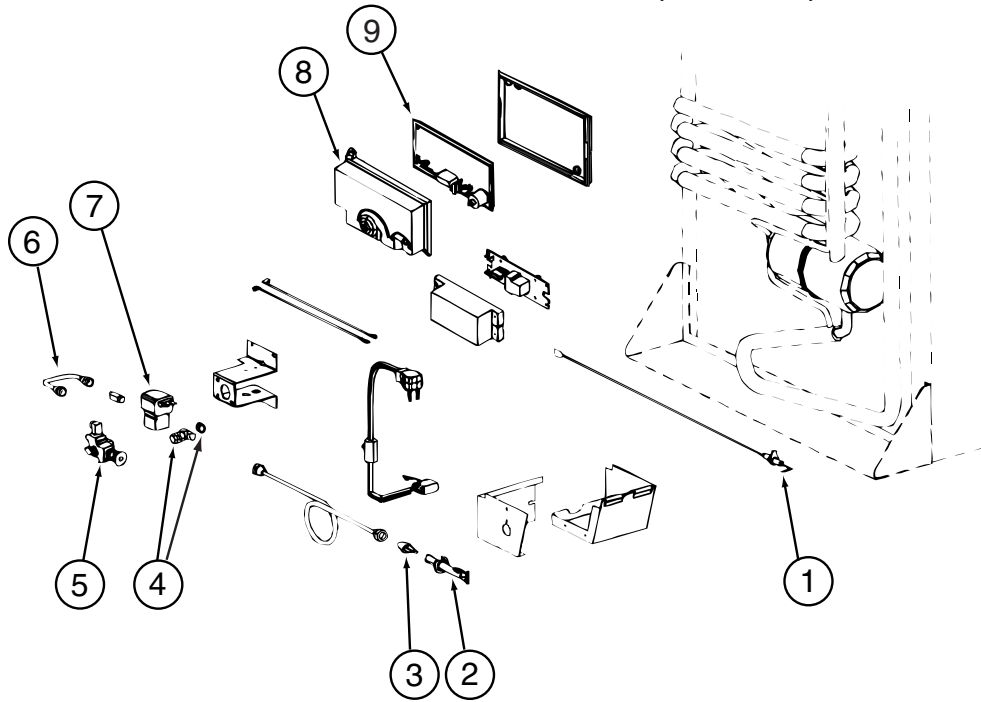


121569-05-01A, 121569-07-01A (CONTINUED)

| KEY | PART NUMBER | U/M | DESCRIPTION | VENDOR NO. |
|-----|---------------|-----|-----------------------------|------------|
| 2 | 120075-01-736 | EA | COOLING UNIT, SERVICE PACK | 618542 |
| 3 | 088248-01-709 | EA | HEATER-AC (HORIZONTAL) | 61562722 |
| | 120075-01-744 | EA | KIT - GAS VALVE/BURNER TUBE | 620609 |

CONTACT WINNEBAGO PART SALES FOR UNLISTED COMPONENTS

APPLIANCE GROUP (CONTINUED)
COMPONENT PARTS FOR APPLIANCES (CONTINUED)

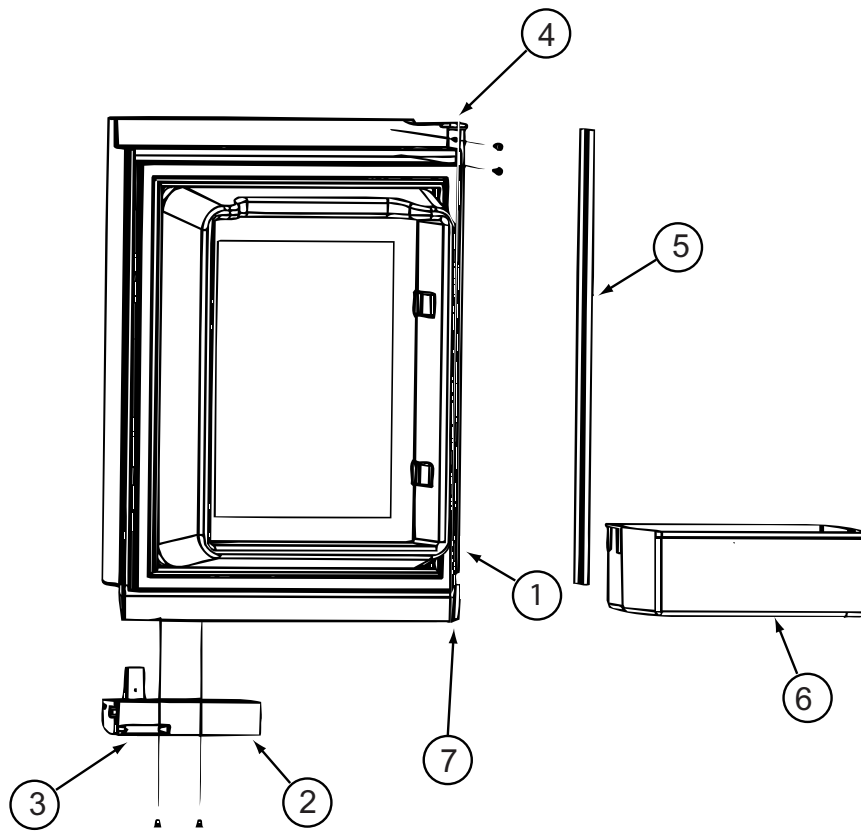


121569-05-01A, 121569-07-01A (CONTINUED)

| KEY | PART NUMBER | U/M | DESCRIPTION | VENDOR NO. |
|-----|---------------|-----|-----------------------------|------------|
| 1 | 104137-06-715 | EA | ELECTRODE-SPARK/SENSOR, SGL | 61692222 |
| 2 | 104137-06-714 | EA | BURNER ASSEMBLY, 5-SLOT | 61705222 |
| 3 | 120075-01-737 | EA | ORIFICE - JEWEL - .0155 | 618284 |
| 4 | 113737-01-702 | EA | PLUG 1/8" F/PRESSURE TAP | 61445322 |
| 4 | 113737-01-716 | EA | TAP-PRESSURE | 61594422 |
| 6 | 113737-01-750 | EA | TUBE-UNION | 61694622 |
| 7 | 084880-01-718 | EA | VALVE-GAS, (ASCO) | 61551822 |
| 8 | 120075-01-738 | EA | COVER-POWER BOARD | 618185 |
| 9 | 121568-03-719 | EA | POWER - BOARD - 2-WAY | 619353 |
| | 121568-03-720 | EA | VALVE/SHUT OF-MANUAL ELECT. | 618696 |

CONTACT WINNEBAGO PART SALES FOR UNLISTED COMPONENTS

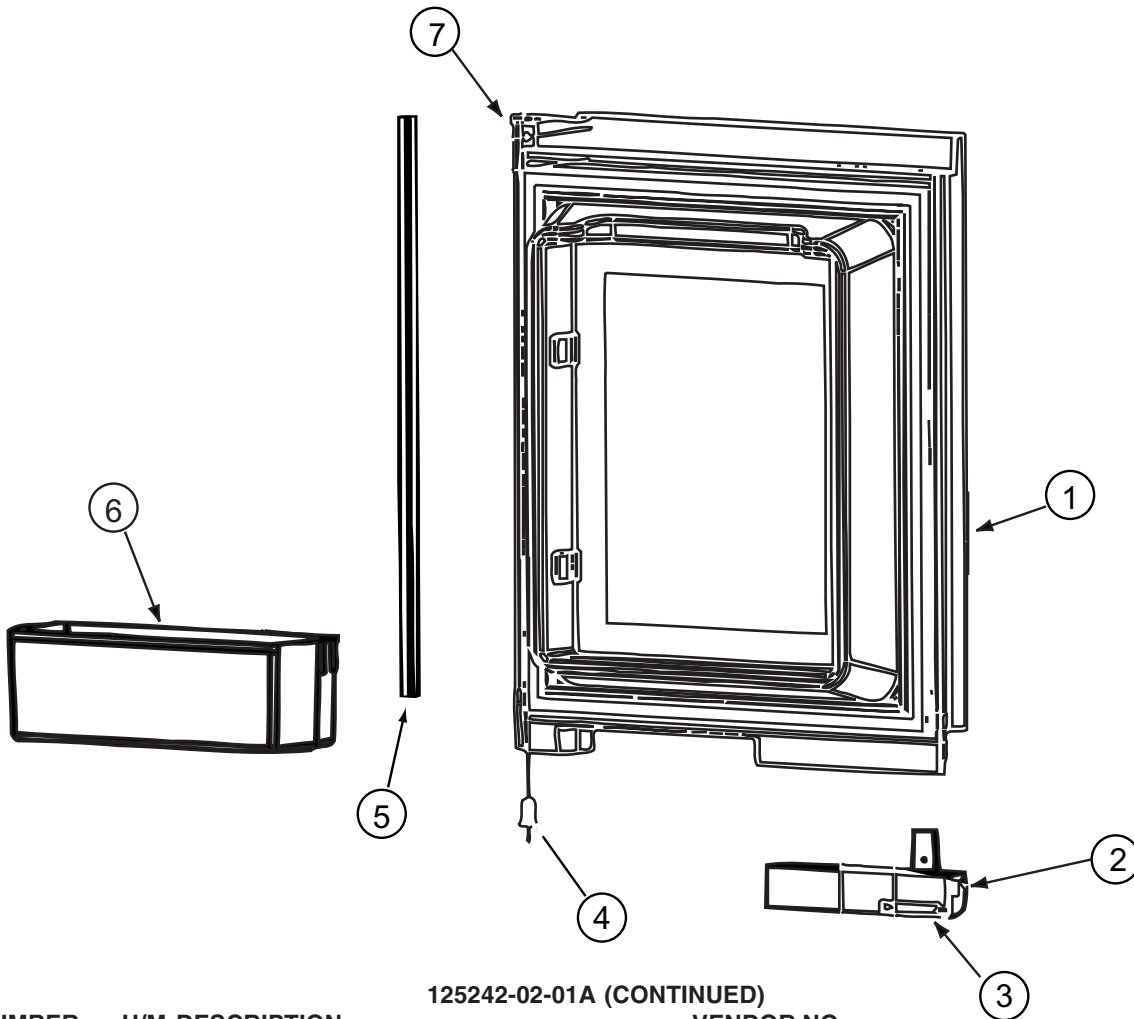
APPLIANCE GROUP (CONTINUED)
COMPONENT PARTS FOR APPLIANCES (CONTINUED)



125242-02-01A

| KEY | PART NUMBER | U/M | DESCRIPTION | VENDOR NO. |
|-----|---------------|-----|------------------------------|---------------------|
| 1 | 125242-01-762 | EA | LINER/FOAMED-UPPER/LH-WHITE | 619839 |
| 1 | 125242-02-734 | EA | LINER/FOAMED-UPPER/LH-BLACK | 625212 AFT #1291390 |
| 2 | 125242-02-700 | EA | HANDLE(CONTOUR)TOP LH BTM RH | 621107 |
| 3 | 125242-02-722 | EA | LATCH-STORAGE DR/BLK POINTED | 619374 |
| 4 | 125242-02-724 | EA | HINGE - DOOR | 618792 |
| 5 | 125242-02-723 | EA | RETAINER/PANEL-UPPER DOOR | 623166 |
| 6 | 125242-03-704 | EA | DOOR BIN | 622831 |
| 7 | 125242-01-704 | EA | BUSHING-HINGE MIDDLE | 618746 |
| | 125242-02-725 | EA | DOOR ASM/UPR LH/WHITE GASKET | 621148 |
| | 125242-02-735 | EA | DOOR ASM/UPR LH/BLACK GASKET | 625220 AFT #1291390 |
| | 125242-01-719 | EA | RETAINER-UPPER PANEL | 618825 = 623166 |

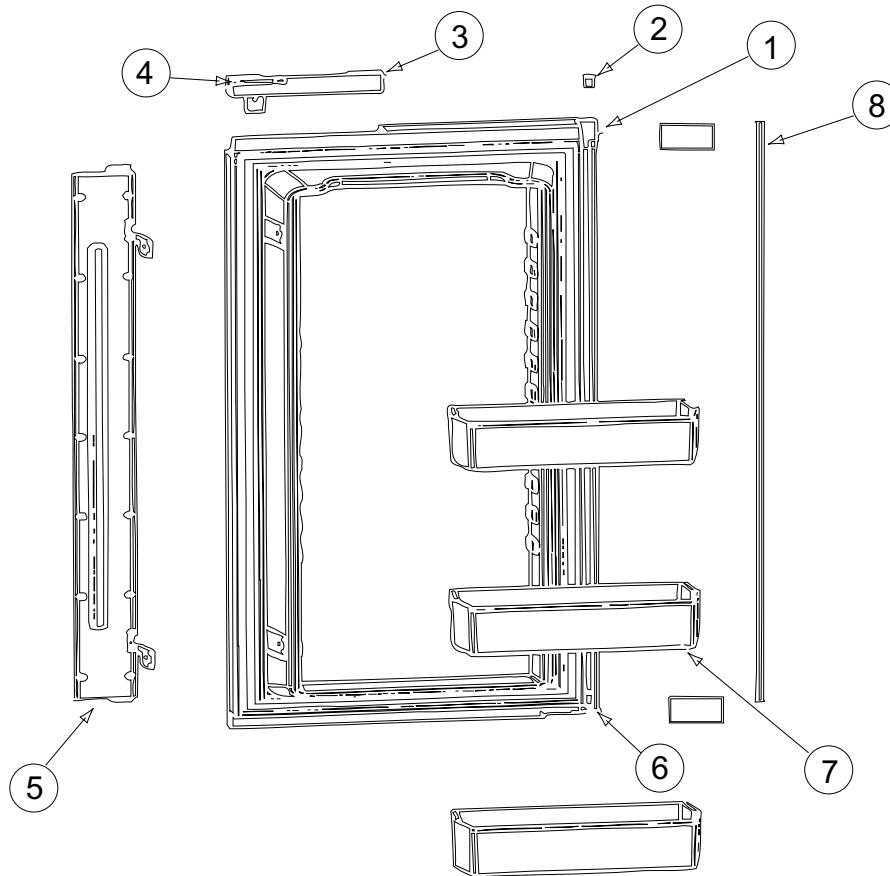
APPLIANCE GROUP (CONTINUED)
COMPONENT PARTS FOR APPLIANCES (CONTINUED)



125242-02-01A (CONTINUED)

| KEY | PART NUMBER | U/M | DESCRIPTION | VENDOR NO. |
|-----|---------------|-----|------------------------------|---------------------|
| 1 | 125242-01-763 | EA | LINER/FOAMED-UPPER/RH-WHITE | 619840 |
| 1 | 125242-01-733 | EA | LINER/FOAMED-UPPER/RH-BLACK | 625213 1291391 & UP |
| 2 | 125242-02-701 | EA | HANDLE(CONTOUR)TOP RH LWR LH | 621106 |
| 3 | 125242-02-722 | EA | LATCH-STORAGE DR/BLK POINTED | 619374 |
| 4 | 125242-01-704 | EA | BUSHING-HINGE MIDDLE | 618746 |
| 5 | 125242-02-723 | EA | RETAINER/PANEL-UPPER DOOR | 623166 |
| 6 | 125242-03-704 | EA | BIN - DOOR SHELF | 622831 |
| 7 | 125242-02-724 | EA | HINGE - DOOR | 618792 |
| | 125242-02-721 | EA | DOOR ASM-UPR/RH/WHITE GASKET | 621149 |
| | 125242-02-732 | EA | DOOR ASM-UPR/RH/BLACK GASKET | 625221 1291391 & UP |
| | 125242-01-719 | EA | RETAINER-UPPER PANEL | 618825 = 623166 |

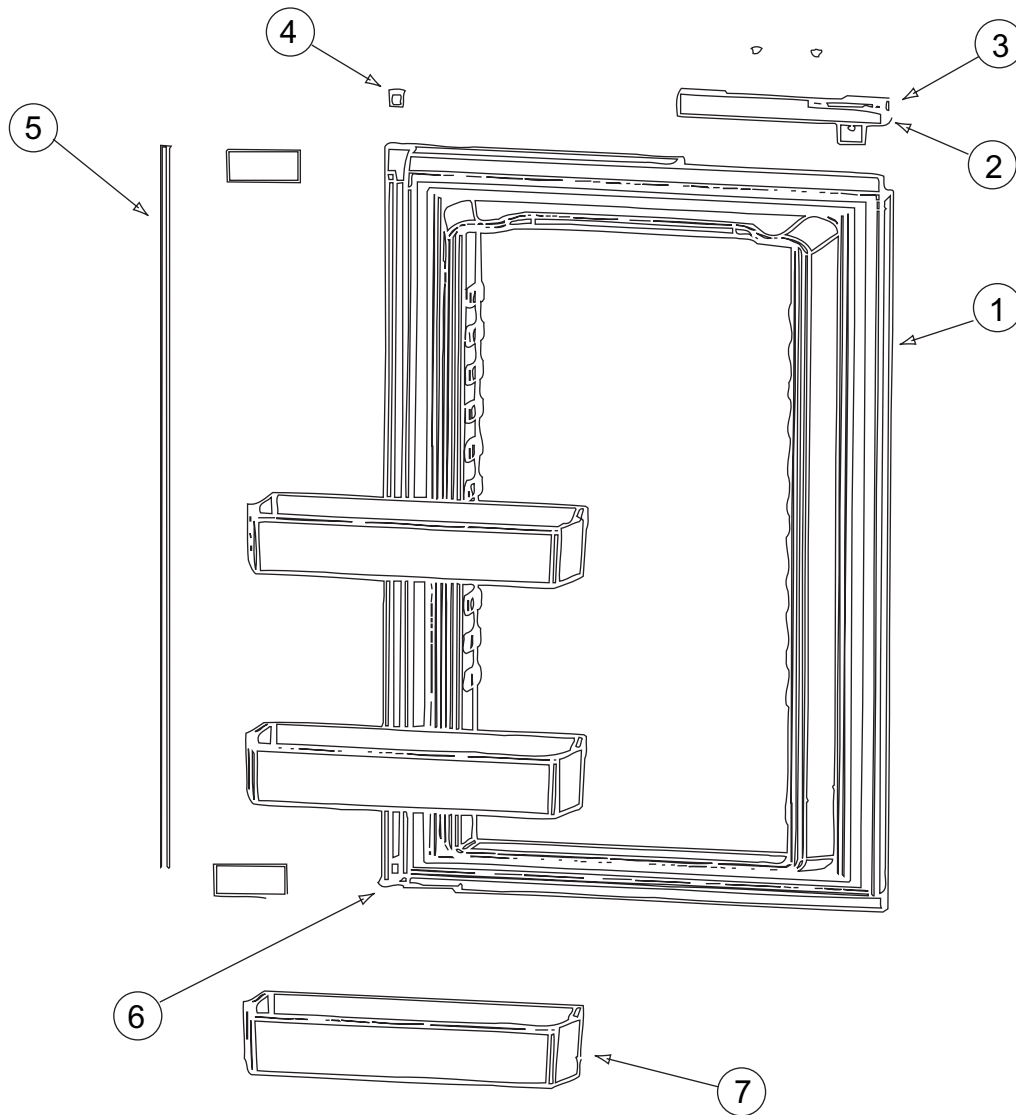
APPLIANCE GROUP (CONTINUED)
COMPONENT PARTS FOR APPLIANCES (CONTINUED)



125242-02-01A (CONTINUED)

| KEY | PART NUMBER | U/M | DESCRIPTION | VENDOR NO. |
|-----|---------------|-----|----------------------------------|---------------------|
| 1 | 125242-01-765 | EA | LINER/FOAMED-LOWER-LH-WHITE | 619837 |
| 1 | 125242-02-739 | EA | LINER/FOAMED-LOWER-LH-BLACK | 625214 1291390 & UP |
| 2 | 125242-01-704 | EA | BUSHING-HINGE MIDDLE | 618746 |
| 3 | 125242-02-701 | EA | HANDLE(CONTOUR)TOP RH LWR LH | 621106 |
| 4 | 125242-02-722 | EA | LATCH-STORAGE DR/BLK POINTED | 619374 |
| 5 | 125242-02-727 | EA | FLAPPER/DBL POLE (SER#540295) UP | 619845 |
| 5 | 125242-02-740 | EA | FLAPPER/DBL POLE SER#1291391 | 623887 1291391 & UP |
| 6 | 125242-02-724 | EA | HINGE - DOOR | 618792 |
| 7 | 125242-03-704 | EA | BIN - DOOR SHELF | 622831 |
| 8 | 125242-02-728 | EA | RETAINER/PANEL - LOWER | 623167 |
| | 125242-01-736 | EA | CONTACT-PROBE PIN | 618886 |
| | 125242-02-726 | EA | DOOR ASM-LWR LH/WHITE GASKET | 621150 |
| | 125242-02-738 | EA | DOOR ASM-LWR LH/BLACK GASKET | 625222 1291390 & UP |
| | 125242-02-716 | EA | GUIDE ASM LWR(SER#540294 DN) | 620042 |
| | 125242-02-717 | EA | GUIDE ASM LWR(SER#540295 UP) | 620043 |

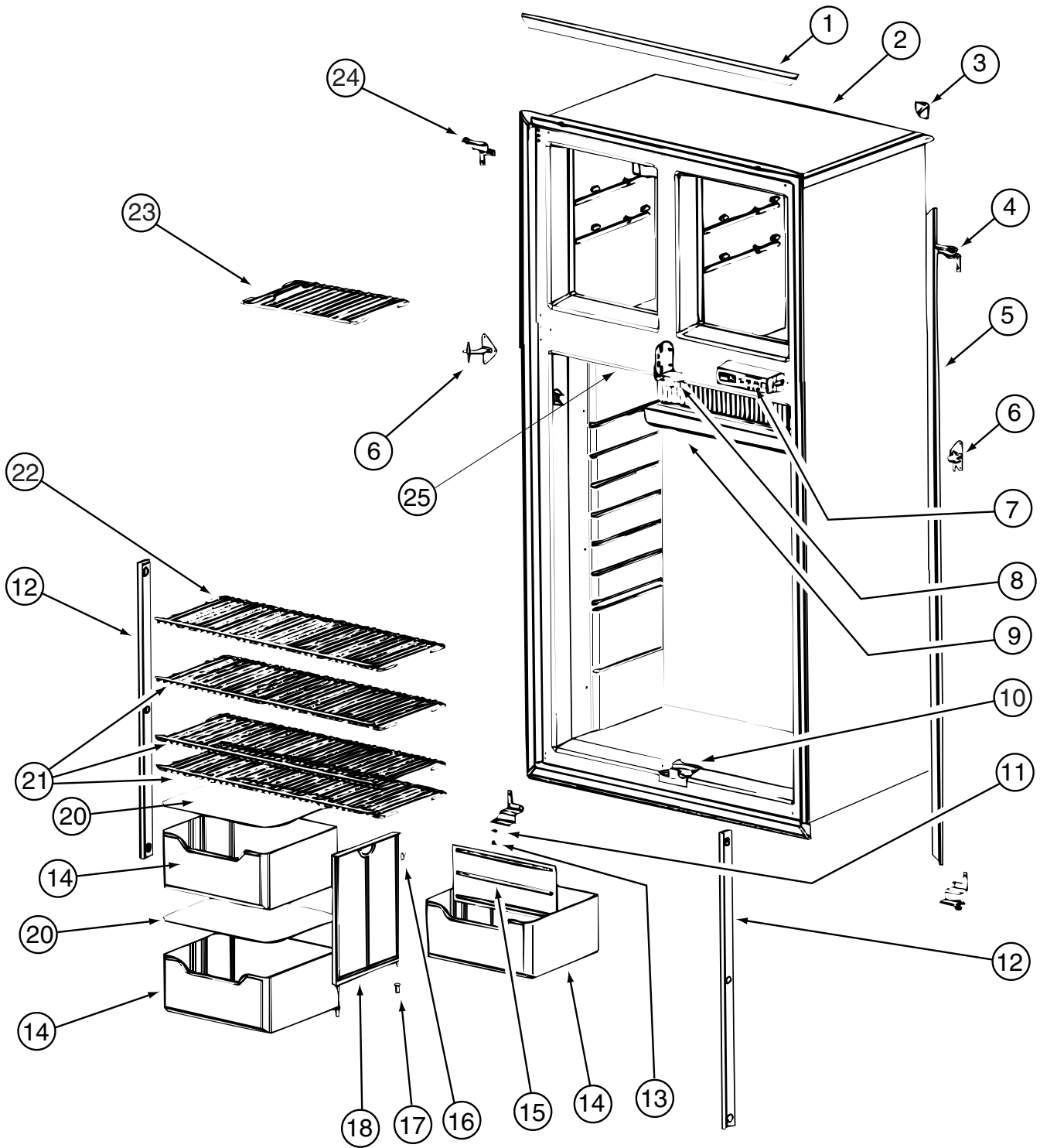
APPLIANCE GROUP (CONTINUED)
COMPONENT PARTS FOR APPLIANCES (CONTINUED)



125242-02-01A (CONTINUED)

| KEY | PART NUMBER | U/M | DESCRIPTION | VENDOR NO. |
|-----|---------------|-----|------------------------------|---------------------|
| 1 | 125242-01-764 | EA | LINER/FOAMED-LOWER/RH-WHITE | 619838 |
| 1 | 125242-02-737 | EA | LINER/FOAMED-LOWER/RH-BLACK | 625215 F/1291391&UP |
| 2 | 125242-02-700 | EA | HANDLE(CONTOUR)TOP LH BTM RH | 621107 |
| 3 | 125242-02-722 | EA | LATCH-STORAGE DR/BLK POINTED | 619374 |
| 4 | 125242-01-704 | EA | BUSHING-HINGE MIDDLE | 618746 |
| 5 | 125242-02-728 | EA | RETAINER/PANEL - LOWER | 623167 |
| 6 | 125242-02-724 | EA | HINGE - DOOR | 618792 |
| 7 | 125242-03-704 | EA | BIN - DOOR SHELF | 622831 |
| | 125242-02-729 | EA | DOOR ASM-LWR RH/WHITE GASKET | 621151 |
| | 125242-02-736 | EA | DOOR ASM-LWR RH/BLACK GASKET | 625223 F/1291391&UP |
| | 125242-02-716 | EA | GUIDE ASM LWR(SER#540294 DN) | 620042 |
| | 125242-02-717 | EA | GUIDE ASM LWR(SER#540295 UP) | 620043 |

APPLIANCE GROUP (CONTINUED)
COMPONENT PARTS FOR APPLIANCES (CONTINUED)



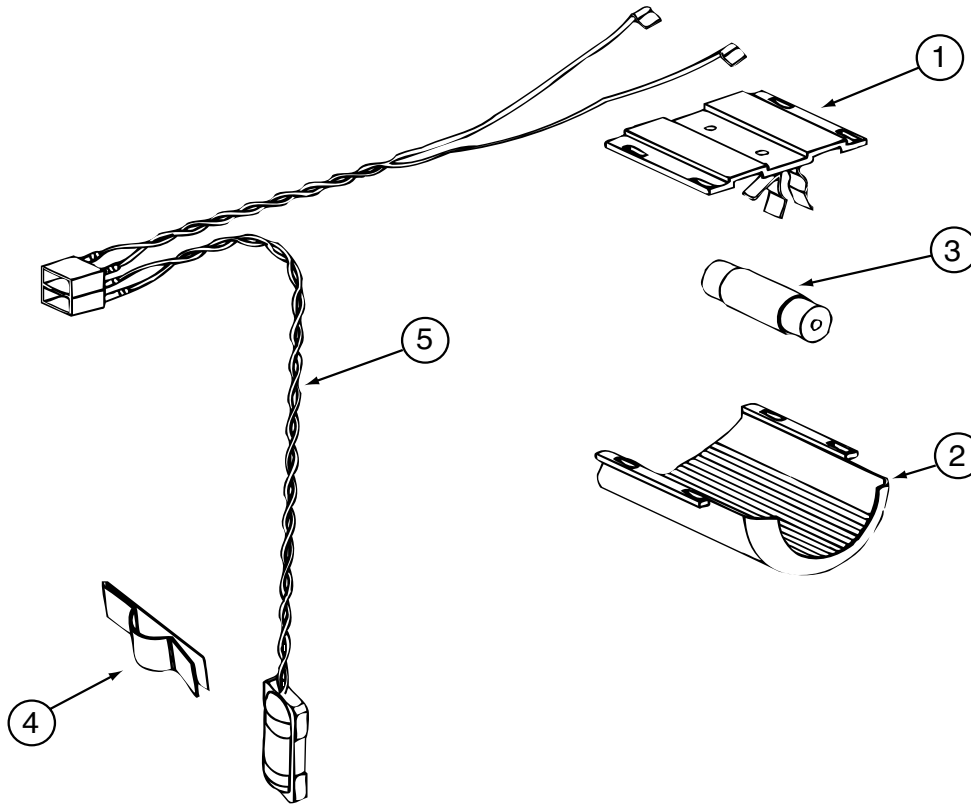
125242-02-01A (CONTINUED)

APPLIANCE GROUP (CONTINUED)
COMPONENT PARTS FOR APPLIANCES (CONTINUED)

125242-02-01A (CONTINUED)

| KEY | PART NUMBER | U/M | DESCRIPTION | VENDOR NO. |
|------------|--------------------|------------|------------------------------|-------------------|
| 1 | 125242-01-723 | EA | TRIM-HORIZONTAL-FRT SNAP ON | 618845 |
| 1 | 125242-02-730 | EA | TRIM - TOP/BOTTOM - SCREW ON | 623255 |
| 2 | 125242-01-748 | EA | CABINET/FOAMED ASSEMBLY | 618748 |
| 3 | 125242-01-722 | EA | TRIM-CORNER | 618844 |
| 3 | 125242-01-767 | EA | KIT INSTALL(U TRIM PCS)HDW | 623528 |
| 4 | 125242-01-715 | EA | HINGE - TOP RH/BOTTOM LH | 618798 |
| 5 | 125242-01-724 | EA | TRIM-LT/RT-FRT VERT SNAPON | 618846 |
| 5 | 125242-01-766 | EA | TRIM-LT/RT HAND-SCREW ON | 623254 |
| 6 | 125242-01-713 | EA | HINGE-MIDDLE (PAINTED) | 618794 |
| 7 | 125242-02-704 | EA | DISPLAY ASM (SER#832172) UP | 621188 |
| 8 | 125242-01-751 | EA | BLOCK - GUIDE - UPPER | 618789 |
| 9 | 125242-01-712 | EA | DRIP TRAY | 618774 |
| 10 | 125242-01-752 | EA | BLOCK - GUIDE - LOWER | 618788 |
| 11 | 120075-01-708 | EA | BUSHING-DOOR HINGE | 618144 |
| 12 | 120075-01-730 | EA | RETAINER-SHELF(SER#926684 DN | 618181 |
| 12 | 125242-02-720 | EA | RETAINER/SHELF(SER#926685 UP | 622033 |
| 13 | 120075-01-727 | EA | PIN-HINGE | 618145 |
| 14 | 125242-01-734 | EA | CRISPER/BOTTLE BIN | 618878 |
| 15 | 125242-01-733 | EA | DIVIDER-BOTTLE CRISPER | 618877 |
| 16 | 125242-01-750 | EA | CLIP | 61409622 |
| 17 | 113737-01-701 | EA | BUSHING-HINGE | 61742022 |
| 18 | 125242-01-749 | EA | SUPPORT - WALL | 618840 |
| 20 | 125242-01-706 | EA | COVER-CRISPER | 618757 |
| 21 | 125242-01-726 | EA | SHELF-WIRE (LONG) | 618848 |
| 22 | 125242-01-727 | EA | SHELF-WIRE (SHORT) | 618849 |
| 23 | 125242-01-725 | EA | SHELF-FREEZER (WIRE) | 618847 |
| 24 | 125242-01-714 | EA | HINGE - TOP LH/BOTTOM RH | 618796 |
| 25 | 125242-01-735 | EA | SWITCH - DOOR LIGHT | 618884 |
| 25 | 125242-01-768 | EA | SWITCH - DOOR LIGHT | 623918 |
| | 120075-01-714 | EA | PLUG-HOLE (BLACK) | 618170 |
| | 125242-01-728 | EA | CAP-SCREW WHITE | 618853 |

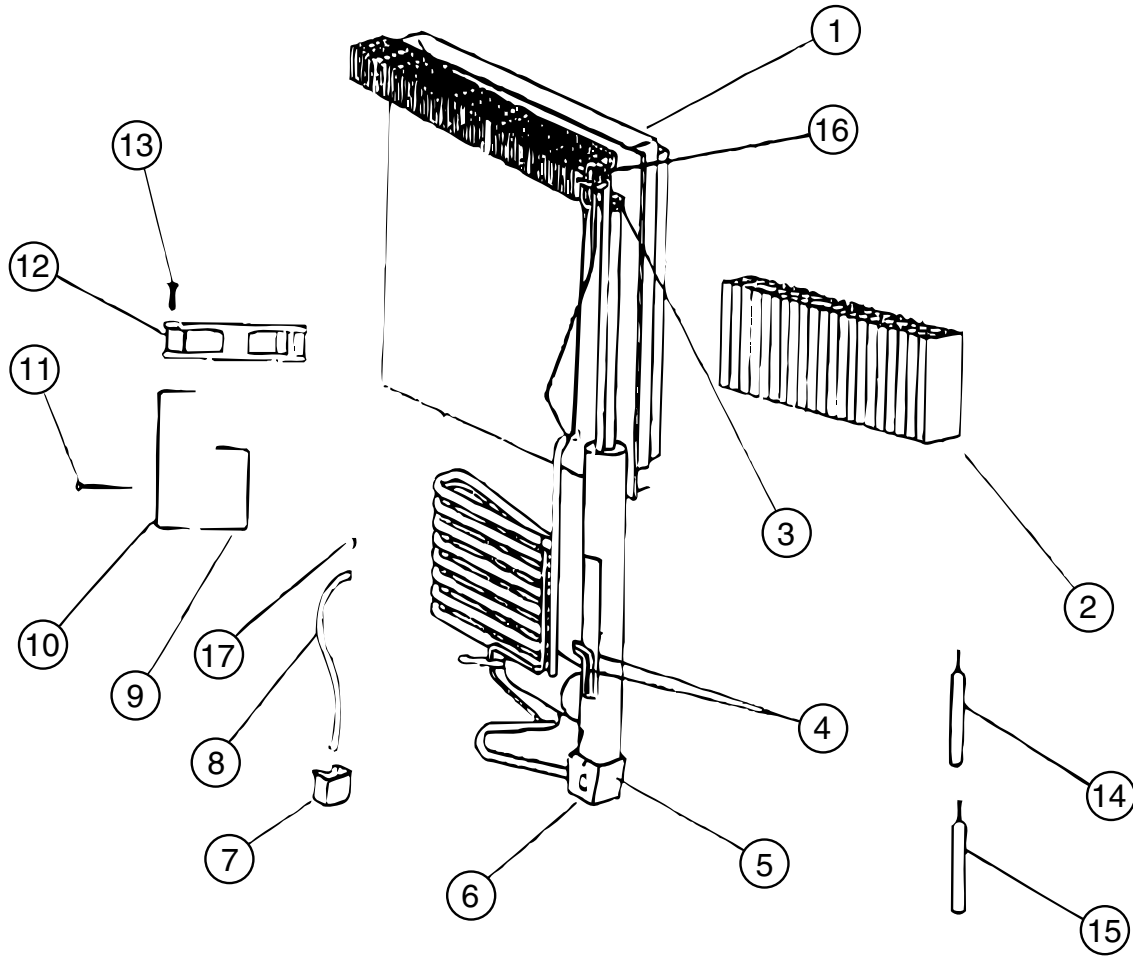
APPLIANCE GROUP (CONTINUED)
COMPONENT PARTS FOR APPLIANCES (CONTINUED)



125242-02-01A (CONTINUED)

| KEY | PART NUMBER | U/M | DESCRIPTION | VENDOR NO. |
|-----|---------------|-----|------------------------------|------------|
| 1 | 084880-03-705 | EA | BRACKET-LIGHT-INTERIOR | 61629722 |
| 2 | 120075-01-734 | EA | COVER-LENS | 618190 |
| 3 | 084880-03-706 | EA | BULB-LAMP | 61628922 |
| 4 | 084880-01-760 | EA | CLIP (THERMISTER) | 61689122 |
| 5 | 120075-01-735 | EA | THERMISTER W/LAMP & WIRE/ASM | 618548 |
| | 125242-02-706 | EA | LAMP/WIRE ASM/SER#849677 UP | 620871 |
| | 125242-02-707 | EA | LAMP/WIRE ASM SER#849677 DWN | 621742 |

APPLIANCE GROUP (CONTINUED)
COMPONENT PARTS FOR APPLIANCES (CONTINUED)

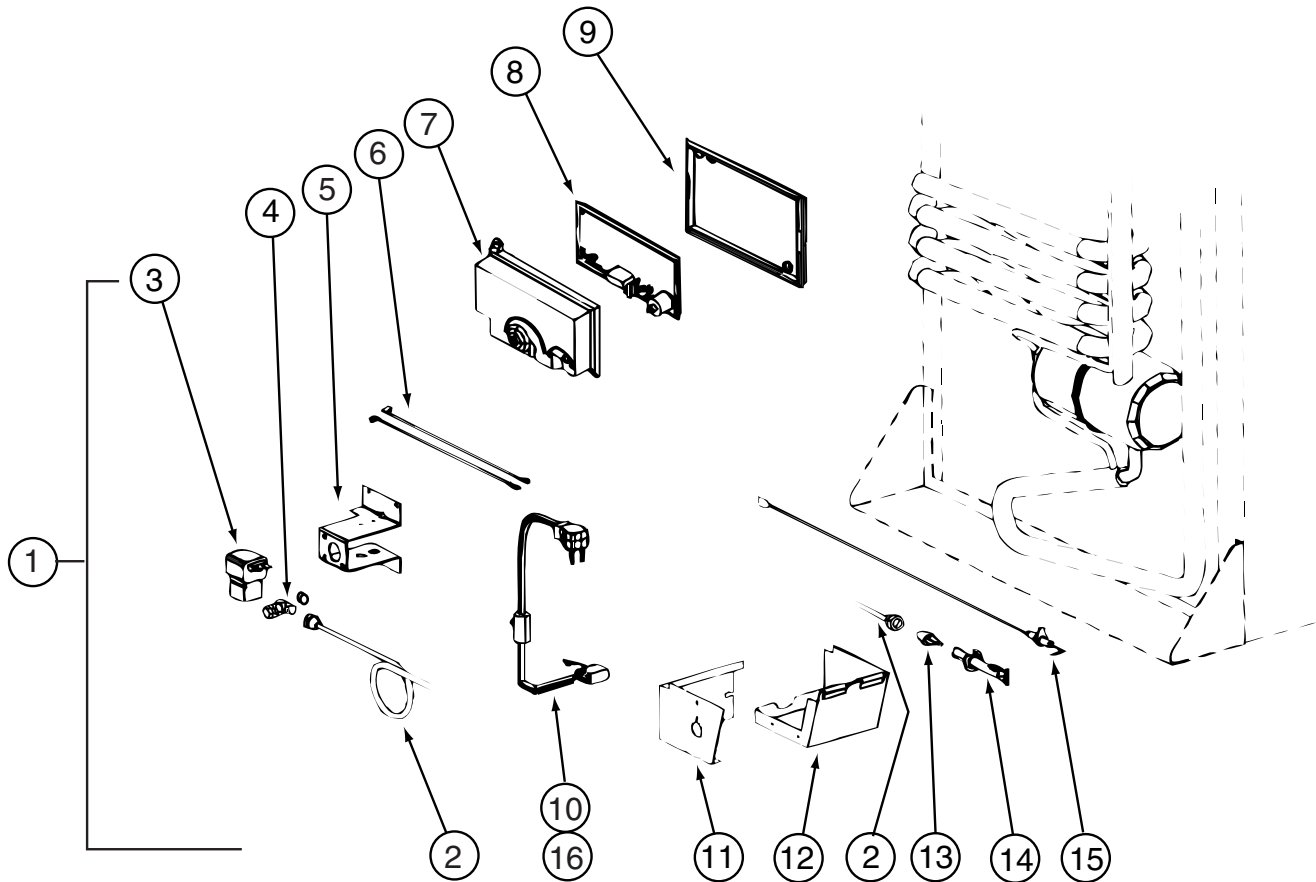


125242-02-01A (CONTINUED)

| KEY | PART NUMBER | U/M | DESCRIPTION | VENDOR NO. |
|-----|---------------|-----|-------------------------|------------|
| 1 | 125242-01-746 | EA | COOLING UNIT - 1200 | 618964 |
| 4 | 125242-01-732 | EA | HEATER AC - 225W/110VAC | 618872 |
| 5 | 125242-01-739 | EA | BASE-BURNER BOX | 618902 |
| 6 | 125242-01-740 | EA | COVER-BURNER BOX | 618910 |
| 9 | 125242-01-730 | EA | BRACKET-DC FAN | 618857 |
| 10 | 125242-01-741 | EA | SUPPORT-DC FAN | 618912 |
| 12 | 125242-01-729 | EA | FAN-EXTERNAL DC | 618856 |
| 16 | 113737-01-754 | EA | THERMOSTAT (FAN 12V DC) | 618093 |

CONTACT WINNEBAGO PART SALES FOR UNLISTED COMPONENTS

APPLIANCE GROUP (CONTINUED)
COMPONENT PARTS FOR APPLIANCES (CONTINUED)

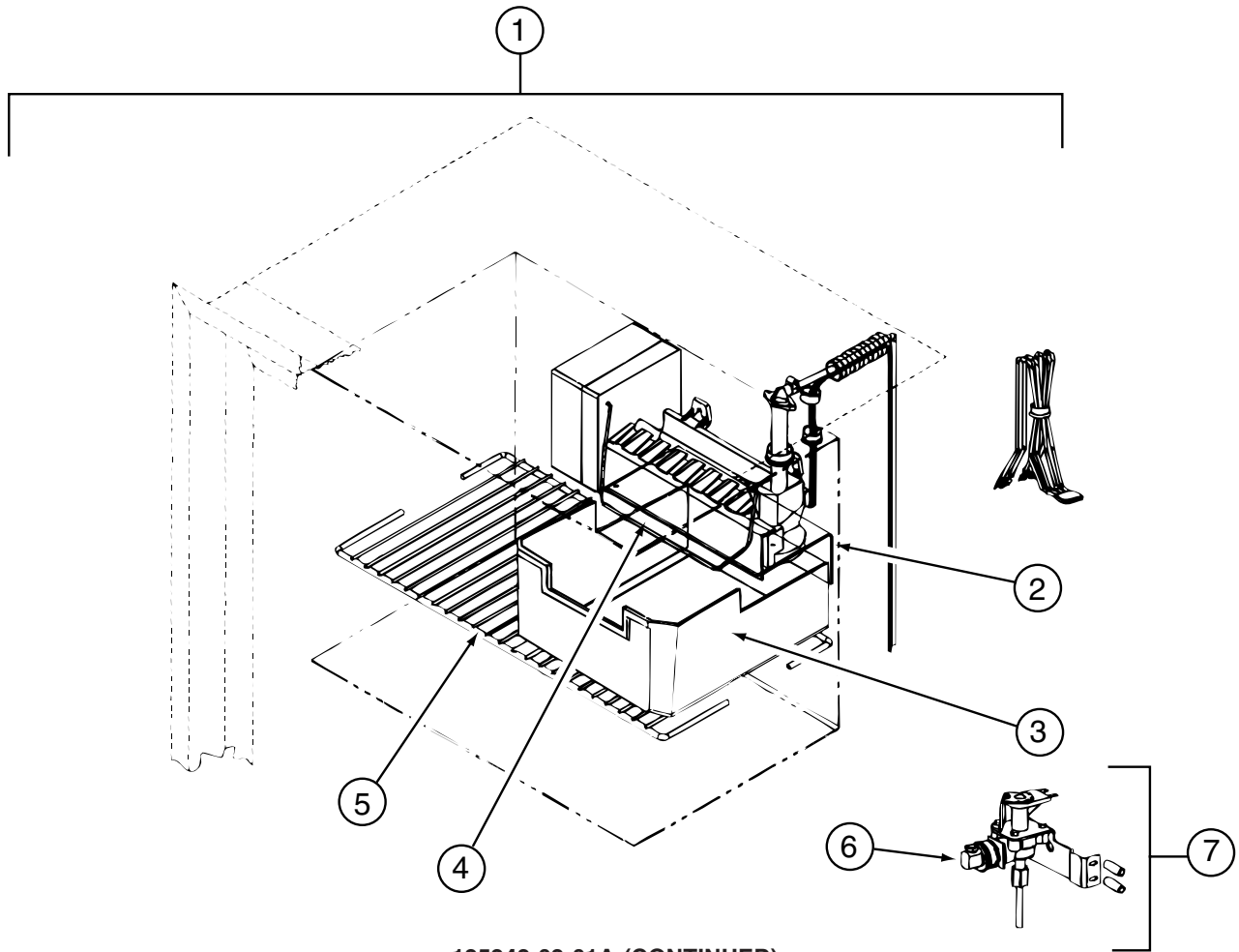


125242-02-01A (CONTINUED)

| KEY | PART NUMBER | U/M | DESCRIPTION | VENDOR NO. |
|-----|---------------|-----|------------------------------|------------|
| 1 | 125242-01-753 | EA | KIT-GAS VALVE/SOLENOID/TUBE | 621445 |
| 2 | 125242-01-744 | EA | BURNER TUBE | 618937 |
| 4 | 113737-01-716 | EA | TAP-PRESSURE | 61594422 |
| 7 | 120075-01-738 | EA | COVER-POWER BOARD | 618185 |
| 8 | 125242-02-703 | EA | POWER BOARD (SER #832171 UP) | 621271 |
| 9 | 120075-01-740 | EA | COVER-BASE, POWER BOARD | 618186 |
| 11 | 125242-01-740 | EA | COVER-BURNER BOX | 618910 |
| 12 | 125242-01-739 | EA | BASE-BURNER BOX | 618902 |
| 13 | 125242-01-717 | EA | ORIFICE-JEWELLED | 618814 |
| 14 | 125242-01-743 | EA | BURNER - 8 SLOT | 618932 |
| 15 | 104137-06-715 | EA | ELECTRODE-SPARK/SENSOR, SGL | 61692222 |

CONTACT WINNEBAGO PART SALES FOR UNLISTED COMPONENT(S)

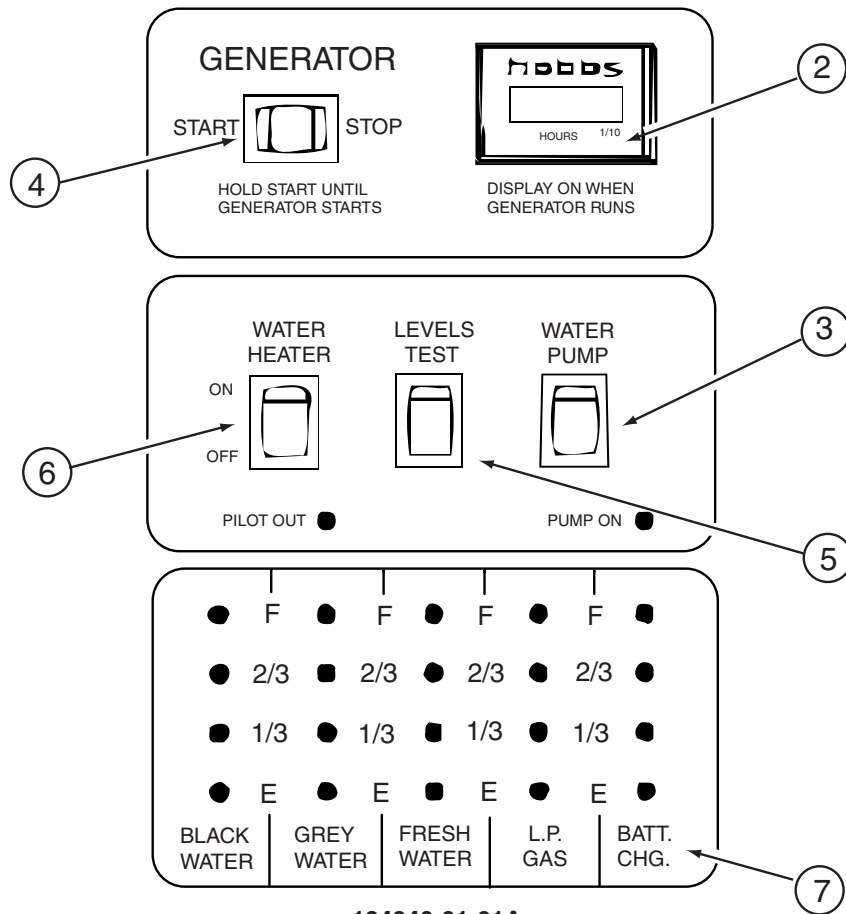
APPLIANCE GROUP (CONTINUED)
COMPONENT PARTS FOR APPLIANCES (CONTINUED)



125242-02-01A (CONTINUED)

| KEY | PART NUMBER | U/M | DESCRIPTION | VENDOR NO. |
|-----|---------------|-----|------------------------------|---------------|
| 1 | 094039-07-706 | EA | ICE MAKER W/O PLATES | 61656522 |
| 2 | 125242-01-737 | EA | BRACKET-MOUNTING (ICE MAKER) | 618894/620890 |
| 3 | 125242-01-716 | EA | ICE BIN | 618803 |
| 4 | 120075-03-703 | EA | ARM-SHUT OFF | 61656922 |
| 5 | 125242-01-725 | EA | SHELF-FREEZER (WIRE) | 618847 |
| 6 | 120075-03-702 | EA | NUT/COMPRESSION - FITTING | 61678722 |
| 7 | 120075-03-701 | EA | VALVE ASM., WATER, W/BRACKET | 618253 |

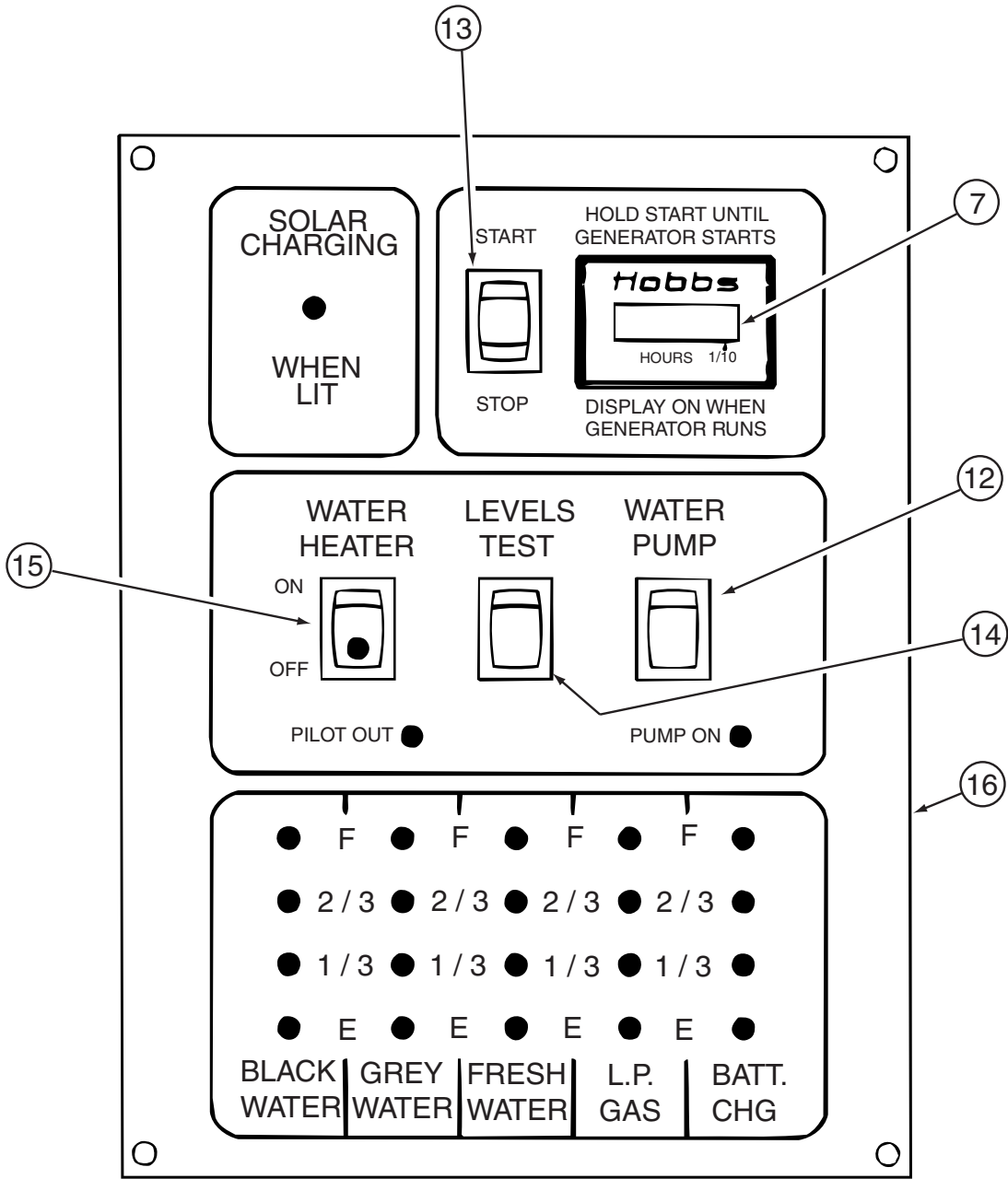
APPLIANCE GROUP (CONTINUED)
COMPONENT PARTS FOR APPLIANCES (CONTINUED)



134940-01-01A

| KEY | PART NUMBER | U/M | DESCRIPTION | VENDOR NO. |
|-----|---------------|-----|------------------------------|------------|
| | 134940-01-700 | EA | BOARD - PC | L5118-01 |
| 2 | 100258-10-701 | EA | GAUGE-HR METER ONLY (LCD) | L0775-00 |
| 3 | 096983-01-703 | EA | SWITCH - ON/ON | L0115-00 |
| 4 | 096983-01-702 | EA | SWITCH - MOM/OFF/MOM/3 TERM | L0112-00 |
| 5 | 096983-01-701 | EA | SWITCH - SPST/MOM 2 TERMINAL | L0111-00 |
| 6 | 134940-01-701 | EA | SWITCH-SPST/ON-OFF/BLK W/LGT | L0109 |
| 7 | 134940-01-702 | EA | CHASSIS - SILKSCREENED | CC0558-00 |
| | 100258-10-702 | EA | HOUR METER(CLIP ON)SW & WIRE | L4441-00 |

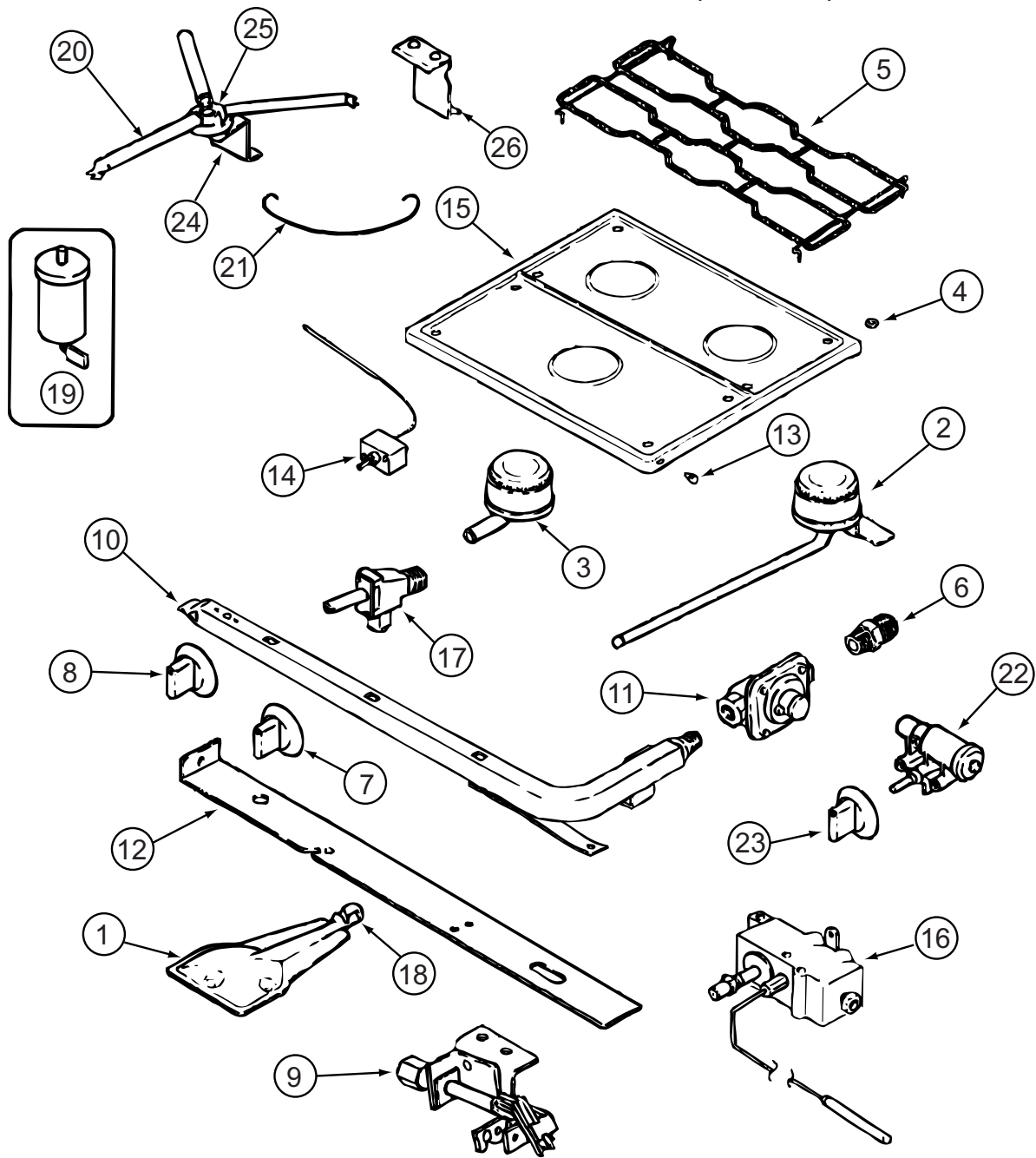
APPLIANCE GROUP (CONTINUED)
COMPONENT PARTS FOR APPLIANCES (CONTINUED)



134940-04-01A

| KEY | PART NUMBER | U/M | DESCRIPTION | VENDOR NO. |
|-----|---------------|-----|------------------------------|------------|
| 7 | 100258-10-701 | EA | GAUGE/HOUR METER-CLIP ON LCD | L0775-00 |
| 12 | 096983-01-703 | EA | SWITCH - ON/ON | L0115-00 |
| 13 | 096983-01-702 | EA | SWITCH - MOM/OFF/MOM/3 TERM | L0112-00 |
| 14 | 096983-01-701 | EA | SWITCH - SPST/MOM 2 TERMINAL | L0111-00 |
| 15 | 134940-01-701 | EA | SWITCH-SPST/ON-OFF/BLK W/LGT | L0109 |
| 16 | 134940-04-700 | EA | CHASSIS - SILKSCREENED | CE0136-00 |
| | 134940-04-701 | EA | BOARD - PC - SOLAR LIGHT | L5121-01 |

APPLIANCE GROUP (CONTINUED)
COMPONENT PARTS FOR APPLIANCES (CONTINUED)



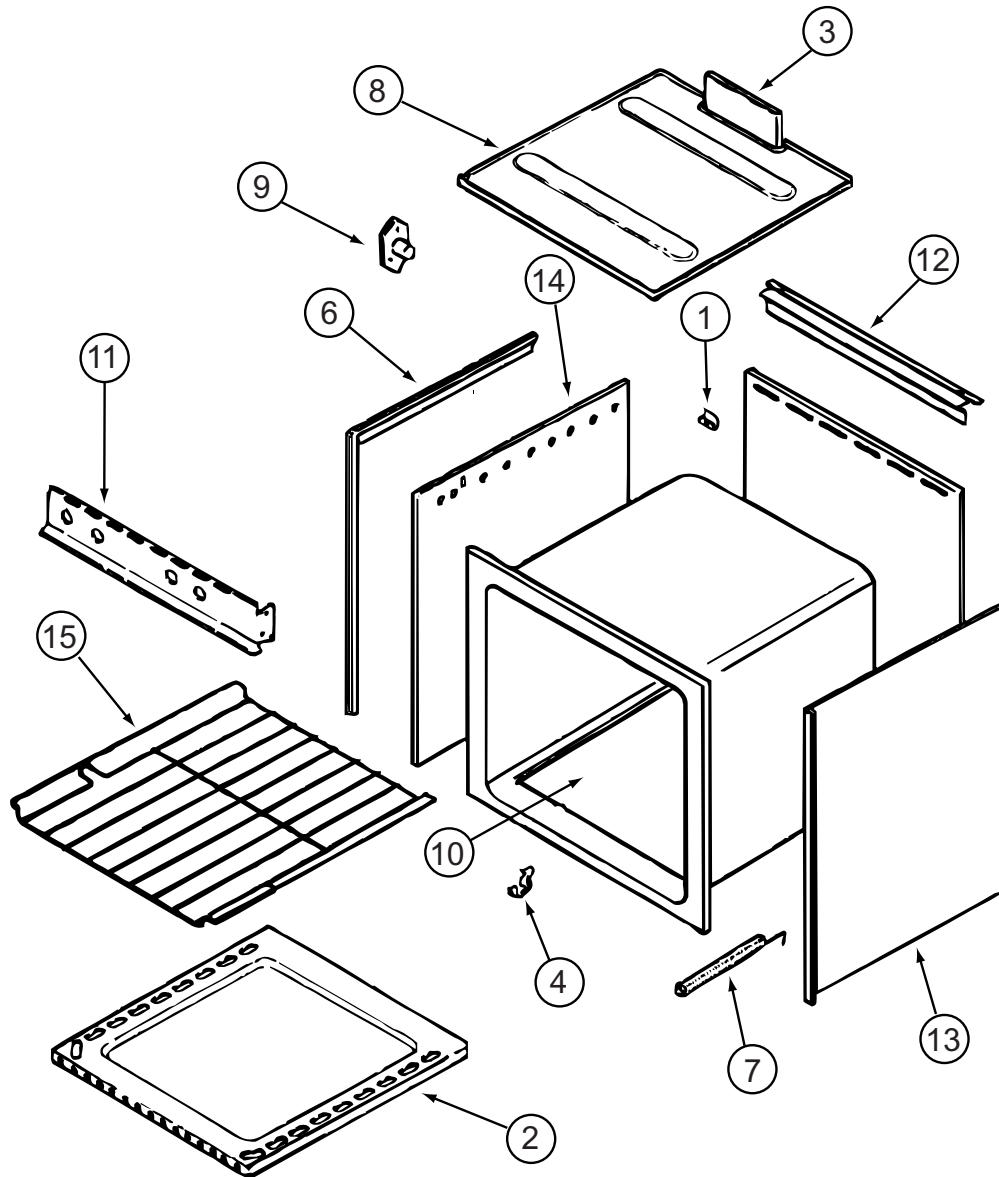
144972-01-01A

| KEY | PART NUMBER | U/M | DESCRIPTION | VENDOR NO. |
|-----|---------------|-----|------------------------------|--------------|
| 1 | 126023-01-717 | EA | BURNER - OVEN | 74003343 |
| 2 | 112881-04-700 | EA | BURNER - TOP/LEFT REAR | 74004584 |
| 2 | 126023-01-700 | EA | BURNER-TOP (RT-REAR) 5100BTU | 74004583 |
| 3 | 112881-04-701 | EA | BURNER - TOP/FRONT | 74004582 |
| 4 | 102020-01-709 | EA | BUMPER-GRATE | 8007-P020-60 |
| 5 | 112881-04-702 | EA | GRATE - BLACK | 74007277 |
| 6 | 135065-03-700 | EA | FITTING - HALF UNION | 74004234 |
| 7 | 128728-01-701 | EA | KNOB - BURNER - REAR | 74003941 |
| 7 | 128728-01-702 | EA | KNOB - BURNER - FRONT | 74003942 |
| 8 | 112881-04-703 | EA | KNOB - THERMOSTAT - BLACK | 74004645 |
| 9 | 112881-04-706 | EA | PILOT - OVEN | 74006334 |
| 10 | 126023-02-702 | EA | PIPE - MANIFOLD | 74004360 |
| 11 | 126023-02-703 | EA | REGULATOR - PRESSURE | 74004235 |
| 13 | 102020-01-724 | EA | BUMPER-MAIN TOP | 8003P008-60 |
| 14 | 126023-01-734 | EA | THERMOSTAT/OVEN SERIES #11 | 74006332 |
| 15 | 135065-03-705 | EA | TOP - MAIN (BLACK) | 74007300 |
| 16 | 112881-04-704 | EA | VALVE - OVEN | 74006333 |

APPLIANCE GROUP (CONTINUED)
COMPONENT PARTS FOR APPLIANCES (CONTINUED)

| KEY | PART NUMBER | U/M | DESCRIPTION | VENDOR NO. |
|-----|---------------|-----|------------------------------|-------------|
| 17 | 126023-02-705 | EA | VALVE - BURNER - REAR | 74004362 |
| 17 | 126023-02-706 | EA | VALVE - BURNER - FRONT | 74004363 |
| 17 | 135065-03-701 | EA | SCREW - VALVE | 71003231 |
| 18 | 135656-01-701 | EA | MIXER/AIR | 3411F003-34 |
| 19 | 112881-04-705 | EA | PUSH RING (ELECTRODE MTG) | 7104P002-60 |
| 19 | 126023-01-711 | EA | ELECTRODE - IGNITER (ONLY) | 7432P077-60 |
| 20 | 126023-01-736 | EA | FLASH TUBE EXTENSION (REAR) | 74003326 |
| 20 | 126023-01-737 | EA | FLASH TUBE EXTENSION (FRONT) | 74003327 |
| 22 | 126023-01-719 | EA | IGNITER HEAD - TOP BURNER | 74002413 |
| 23 | 128728-01-707 | EA | KNOB - IGNITOR | 74003944 |

CONTACT WINNEBAGO PART SALES FOR UNLISTED COMPONENTS

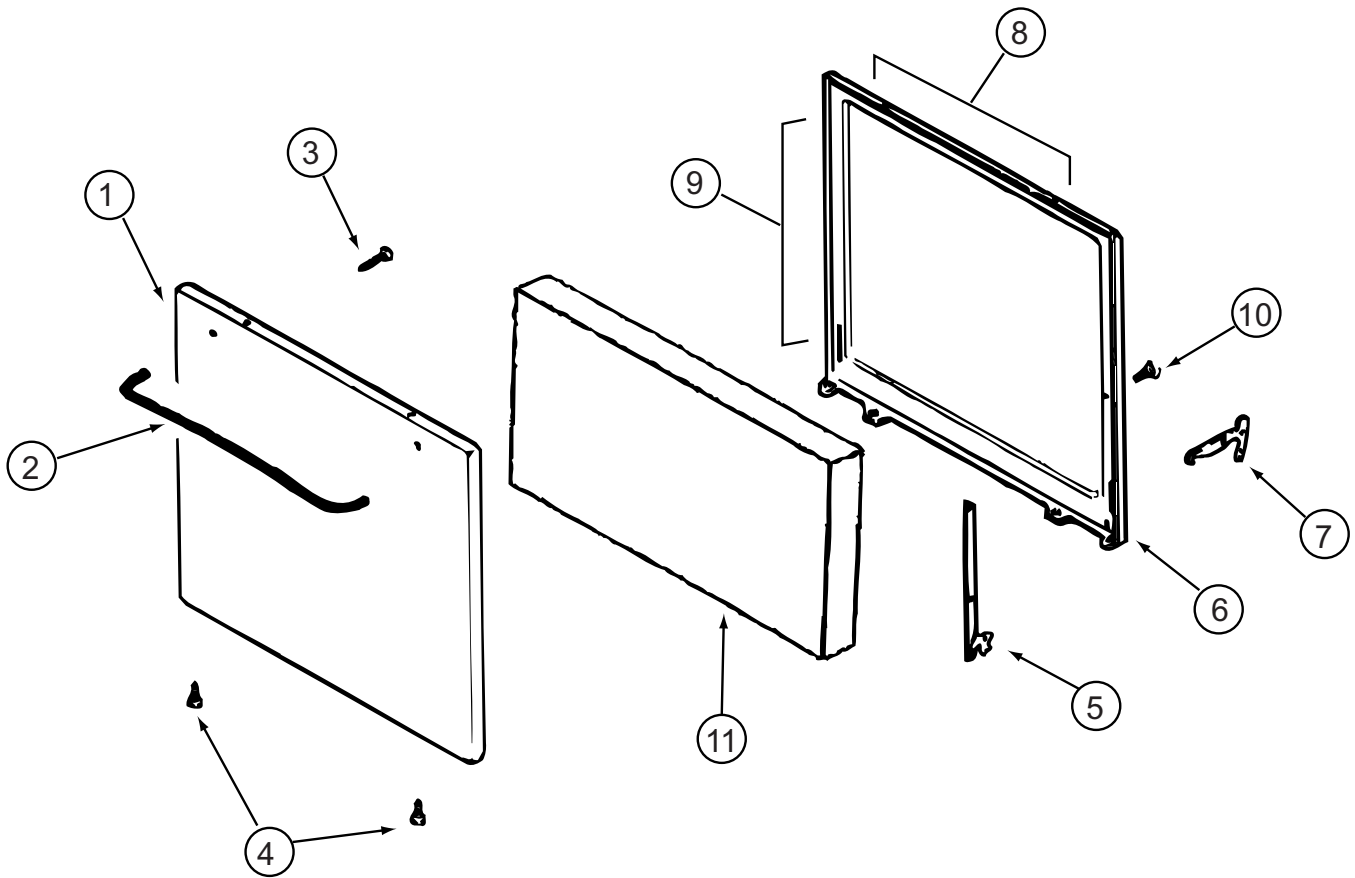


144972-01-01A (CONTINUED)

| KEY | PART NUMBER | U/M | DESCRIPTION | VENDOR NO. |
|-----|---------------|-----|------------------------------|-------------|
| 1 | 112881-03-702 | EA | CLIP - MAIN TOP | 74003998 |
| 2 | 126023-01-731 | EA | BOTTOM - OVEN | 2205F016-19 |
| 3 | 126023-01-718 | EA | FLUE BOX ASSEMBLY | 4006W075-80 |
| 6 | 126023-01-713 | EA | TRIM - SIDE (RIGHT) | 74002827 |
| 6 | 126023-01-714 | EA | TRIM - SIDE (LEFT) | 74002828 |
| 7 | 135066-03-700 | EA | SPRING - OVEN DOOR | 74001835 |
| 9 | 128728-01-703 | EA | PIN/T-NUT F/HINGE | 7103P109-60 |
| 11 | 144972-01-700 | EA | MANIFOLD - BLACK | 74002809 |
| 12 | 112881-01-721 | EA | DEFLECTOR/FLUE-BLK-SEALED BR | 74002829 |
| 15 | 126023-01-716 | EA | RACK - OVEN | 74003106 |

CONTACT WINNEBAGO PART SALES FOR UNLISTED COMPONENTS

APPLIANCE GROUP (CONTINUED)
COMPONENT PARTS FOR APPLIANCES (CONTINUED)



144972-01-01A (CONTINUED)

| KEY | PART NUMBER | U/M | DESCRIPTION | VENDOR NO. |
|-----|---------------|-----|--------------------------|-------------|
| 1 | 144972-01-701 | EA | PANEL (DOOR) BLACK | 2401F127-70 |
| 2 | 128727-01-701 | EA | HANDLE - OVEN DOOR | 74003929 |
| 8 | 126023-01-732 | EA | SEAL/OVEN DR TOP | 7212P014-60 |
| 9 | 126023-01-733 | EA | SEAL/OVEN DR SIDES(2PCS) | 7212P038-60 |

CONTACT WINNEBAGO PART SALES FOR UNLISTED COMPONENTS

AUDIO VIDEO GROUP
RADIO SYSTEM

| KEY | PART NUMBER | U/M | DESCRIPTION |
|-----|---------------|-----|---|
| | 077069-02-000 | EA | CABLE/EXTENSION - RADIO ANTENNA - 96" |
| | 077069-03-000 | EA | CABLE/EXTENSION - RADIO ANTENNA - 260" |
| | 123256-02-000 | EA | CABLE - CB - COAX |
| | 110470-01-01A | EA | GRILLE - 4" X 6" OVAL SPEAKER - BLACK - EXT ENTERTAINMENT CTR |
| | 139111-01-02A | EA | GRILLE - SPEAKER - 6" ROUND - GLACIER - RADIO SPEAKERS |
| | 090944-01-000 | EA | ANTENNA - RADIO - 16" RUBBER - W/72" LEAD WIRE |
| | 090944-02-000 | EA | ANTENNA - RADIO - 16" RUBBER - W/O LEAD WIRE |
| | 090944-03-000 | EA | CABLE - ANTENNA |
| | 123256-01-000 | EA | ANTENNA - CB - W/O CABLE |
| | 094097-01-000 | EA | SPEAKER - RADIO/TV - W/O GRILLE - 5.25" DIAMETER |
| | 110469-01-000 | EA | SPEAKER - 4" X 6" OVAL - COAXIAL |
| | 147741-01-09B | EA | BRACKET - ANTENNA GROUND |
| | 115916-01-01B | EA | BRACKET - ANTENNA MOUNT |
| | 109889-04-000 | EA | EXTENDER - ANTENNA SHAFT - 3.7" |
| | 147190-01-000 | EA | ANTENNA/SATELLITE-RADIO/SIRIUS-W/GRD PLANE PLATE/6" LEAD |
| | 147190-03-000 | EA | CABLE-ANTENNA SAT SIR W/O CO, RIVERPK SATSIR-CG |
| | 148114-01-000 | EA | CABLE - AUDIO - 1/8" TO RCA STEREO |
| | 148113-01-000 | EA | RADIO - SATELLITE - SIRIUS |
| | 148113-02-000 | EA | CRADLE - RADIO - KENWOOD |
| * | 143509-01-000 | EA | RADIO - AM/FM CD - W/REMOTE - JENSEN CD3010X-W - EXT ENTERTAINMENT CTR FROM: 00-00-00 THRU: 11-09-03 |
| * | 148231-01-000 | EA | RADIO - AM/FM CD - W/REMOTE - MAGNADYNE M3100CD - EXT ENTERTAINMENT CTR FROM: 11-10-03 THRU: 99-99-99 |
| | 135420-01-000 | EA | RADIO - AM/FM CASSETTE/CD COMBO - M9900 - 7.2" X 3.3" R.O - DASH FROM: 00-00-00 THRU: 08-17-03 |
| | 135420-09-000 | EA | RADIO-AM/FM/CASS/CD COMBO-AUX/CD CHANGER IMPUT-REMOTE COMP - DASH FROM: 08-18-03 THRU: 99-99-99 |
| | 135420-10-000 | EA | REMOTE CONTROL/RADIO (CREDIT CARD SIZE) - DASH FROM: 08-18-03 THRU: 99-99-99 |
| | 135420-07-000 | EA | RADIO - MOUNTING KIT - A-BODY - DASH |
| | 141679-01-000 | EA | CHARGING STATION ONLY - F/TWO WAY RADIO SYSTEM - 2-WAY RADIO FROM: 00-00-00 THRU: 10-05-03 |
| | 141679-03-000 | EA | RADIOS - TWO WAY/DOCK STATION - ASA GMRS4WMWIN - 2-WAY RADIO FROM: 10-06-03 THRU: 99-99-99 |
| | 141679-02-000 | EA | RADIO/BATTERY KIT - TWO WAY (4 RADIOS/8 BATTERIES) - 2-WAY RADIO FROM: 00-00-00 THRU: 10-05-03 |
| | 141679-04-000 | EA | RADIO - TWO WAY - 5 MILE/BATTERY - ASA GMRS100 - 2-WAY RADIO FROM: 10-06-03 THRU: 99-99-99 |
| * | 102080-17-000 | EA | CHANGER - COMPACT DISC - SONY CDX-555RF FROM: 00-00-00 THRU: 07-09-03 |
| | 102080-20-000 | EA | COMPACT DISC CHANGER - SONY CDX-565RF FROM: 07-10-03 THRU: 08-18-03 |
| * | 102080-18-000 | EA | CHANGER - CONTROL/FM MODULE & REMOTE - SONY CDX-555RF KIT FROM: 00-00-00 THRU: 06-22-03 |
| * | 102080-21-000 | EA | CHANGER - CONTROL/FM MODULE & REMOTE - SONY CDX-565RF FROM: 06-23-03 THRU: 08-17-03 |
| | 148134-01-000 | EA | CHANGER - COMPACT DISC - SANYO EAX-510 FROM: 08-19-03 THRU: 99-99-99 |

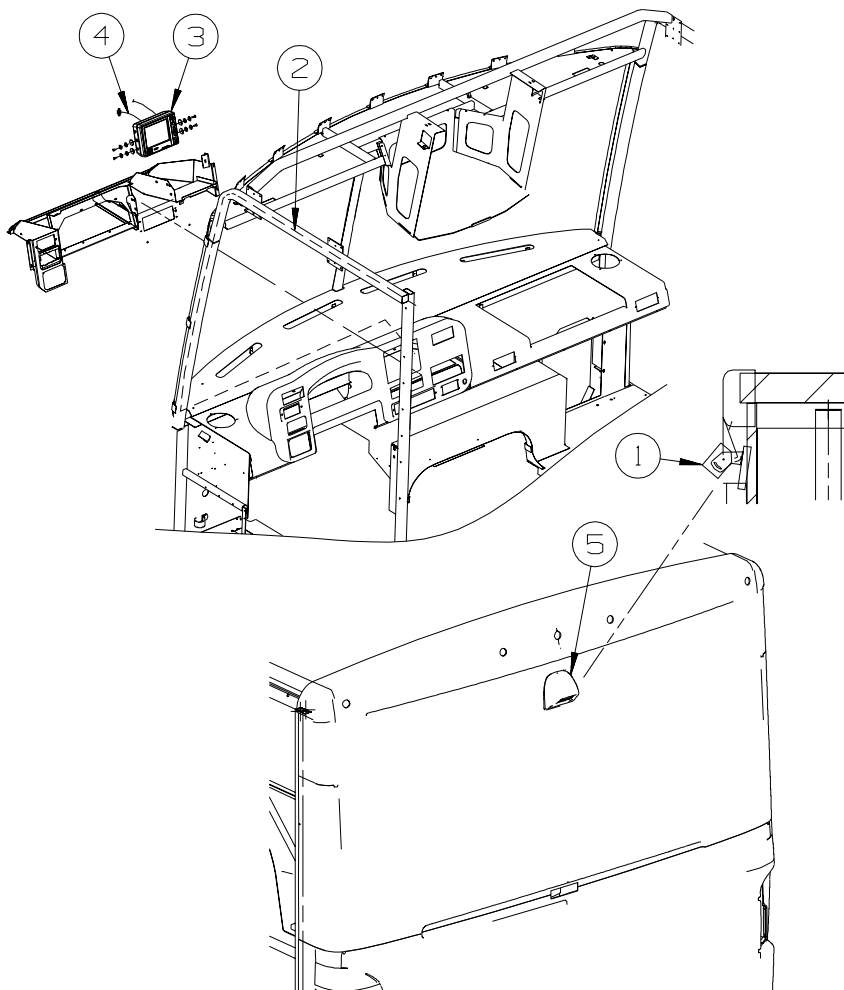
***COMPONENT PARTS LISTED LATER IN THIS GROUP**

AUDIO VIDEO GROUP (CONTINUED)
COMPONENT PARTS FOR RADIO SYSTEM

| 102080-17-000 | | | |
|----------------------|--------------------|------------------------|-------------------|
| KEY | PART NUMBER | U/M DESCRIPTION | VENDOR NO. |
| | 102080-17-700 | EA REMOTE (WIRED) | 1-476-488-V |
| | 102080-17-701 | EA REMOTE (WIRELESS) | A1-3220-786-11 |
| 102080-18-000 | | | |
| KEY | PART NUMBER | U/M DESCRIPTION | VENDOR NO. |
| | 102080-15-700 | EA REMOTE - WIRELESS | 1-476-488-11 |
| 102080-21-000 | | | |
| KEY | PART NUMBER | U/M DESCRIPTION | VENDOR NO. |
| | 102080-21-700 | EA REMOTE | RM-X84RF |
| 143509-01-000 | | | |
| KEY | PART NUMBER | U/M DESCRIPTION | VENDOR NO. |
| | 143509-01-700 | EA REMOTE - RADIO | VG70A0 |
| 148231-01-000 | | | |
| KEY | PART NUMBER | U/M DESCRIPTION | VENDOR NO. |
| | 148231-01-700 | EA REMOTE | RC3100 |

AUDIO VIDEO GROUP (CONTINUED)

REAR VIEW MONITOR



| KEY | PART NUMBER | U/M | DESCRIPTION |
|-----|---------------|-----|--|
| 1 | 143363-02-000 | EA | CAMERA/REAR - COLOR - W/BRACKET - SONY VCB-MHD1 FROM: 00-00-00 THRU: 04-23-03 |
| 1 | 093040-09-000 | EA | CAMERA - REAR VIEW - W/BRACKET - SONY FROM: 04-24-03 THRU: 99-99-99 |
| 2 | 143363-03-000 | EA | CABLE - MONITOR/CAMERA - COLOR - SONY VCB-MHC20 FROM: 00-00-00 THRU: 04-23-03 |
| 2 | 093041-01-000 | EA | CABLE - MONITOR/CAMERA - INTERNAL USE - 65.6' FROM: 04-24-03 THRU: 99-99-99 |
| 3 | 143363-01-000 | EA | MONITOR/REAR - COLOR - W/BRACKET - SONY VCB-MH1 FROM: 00-00-00 THRU: 04-23-03 |
| 3* | 093040-10-000 | EA | MONITOR - 7" REAR VIEW - W/BRACKET - SONY FROM: 04-24-03 THRU: 99-99-99 |
| 4 | 143545-01-000 | EA | WIRE ASSEMBLY - REAR MONITOR FROM: 00-00-00 THRU: 04-23-03 |
| 4 | 096717-04-000 | EA | WIRE ASSEMBLY - REAR MONITOR - UPPER FROM: 04-24-03 THRU: 99-99-99 |
| 5 | NOT USED | | |
| | 093214-01-03A | EA | GRILLE - SPEAKER - 4" - GLACIER FROM: 04-24-03 THRU: 99-99-99 |
| | 098819-01-000 | EA | SPEAKER - 4" - 2 WATT - 8 OHM FROM: 04-24-03 THRU: 99-99-99 |
| | 114870-01-000 | EA | PLUG - AUDIO W/LEADS - 48.5" |

*COMPONENT PARTS LISTED LATER IN THIS GROUP

AUDIO VIDEO GROUP (CONTINUED)
COMPONENT PARTS FOR REAR VIEW MONITOR

093040-10-000

| KEY | PART NUMBER | U/M | DESCRIPTION | VENDOR NO. |
|------------|--------------------|------------|------------------------------|-------------------|
| | 093040-10-700 | EA | LENS-MONITOR, REAR VIEW F/7" | 3-708-537-01 |

AUDIO VIDEO GROUP (CONTINUED)

TELEPHONE

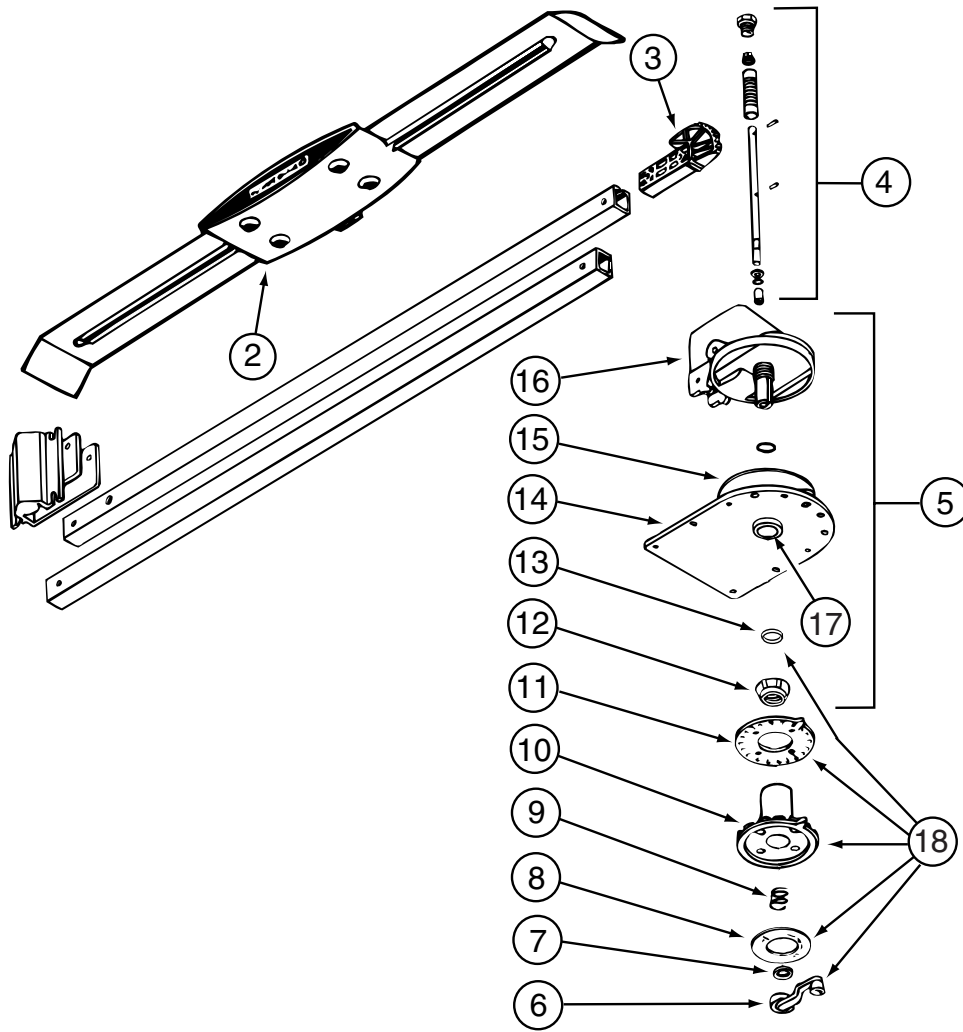
| KEY | PART NUMBER | U/M | DESCRIPTION |
|-----|---------------|-----|---------------------------------------|
| | 093253-01-03A | EA | PLATE - WALL - TELEPHONE - WHITE |
| | 130686-01-01A | EA | PLATE - WALL - TELEPHONE/COAX - WHITE |

TV & VCR

| KEY | PART NUMBER | U/M | DESCRIPTION |
|-----|---------------|-----|--|
| | 076319-09-000 | EA | WALLPLATE - CABLE RECEPTACLE - TV - SINGLE - BROWN |
| | 076319-27-000 | EA | WALLPLATE/RECEPTACLE - WHITE |
| | 136860-01-000 | EA | CABLE - RCA - #3 MALE TO #12F MALE CONNECTOR |
| | 145171-01-000 | EA | CONNECTOR - COAXIAL |
| * | 076319-23-000 | EA | ANTENNA - TV ROOF MOUNT - 44.5" MAST |
| * | 137135-02-000 | EA | ANTENNA - SATELLITE DSS - W/SENSOR |
| * | 076319-25-000 | EA | KIT - HARDWARE INTERIOR |
| | 082134-01-000 | EA | ADAPTER - TV - CABLE TO CABLE |
| | 082136-01-000 | EA | NUT - HEX JAM - 3/8-32 |
| | 086756-01-000 | EA | SPLITTER - TV/2 WAY |
| | 120233-03-000 | EA | CERTIFICATE - SATELLITE RECEIVER |
| * | 126696-07-000 | EA | TV - 19" COLOR - W/O 1/8" JACK - UL/CSA - GE 19GT243 |
| * | 130121-08-000 | EA | TV - 25" - COLOR/STEREO W/5 JACKS - RCA F25441A0 |
| * | 124073-12-000 | EA | VCR-VHS/HI-FI STEREO - SILVER CASE - RCA VR637HF |
| * | 145641-01-000 | EA | DVD/VCR PLAYER - COMBINATION - RCA DRC6000N FROM: 00-00-00 THRU: 08-10-03 |
| * | 145641-02-000 | EA | DVD/VCR PLAYER - COMBINATION - RCA DRC6100N FROM: 08-11-03 THRU: 11-02-03 |
| * | 145641-03-000 | EA | DVD/VCR - PLAYER/COMBINATION- RCA DRC6200N FROM: 11-03-03 THRU: 99-99-99 |
| | 123324-01-000 | EA | FILTER - GROUND LOOP |
| | 134006-01-03B | EA | PLATE - COAXIAL CABLE/OFF WHITE |
| | 142258-01-000 | EA | SWITCH - VIDEO/ANTENNA POWER SUPPLY |
| | 147139-01-000 | EA | AMPLIFIER - STEREO 2 CHANNEL |

*COMPONENT PARTS LISTED LATER IN THIS GROUP

AUDIO VIDEO GROUP (CONTINUED)
COMPONENT PARTS FOR TV & VCR

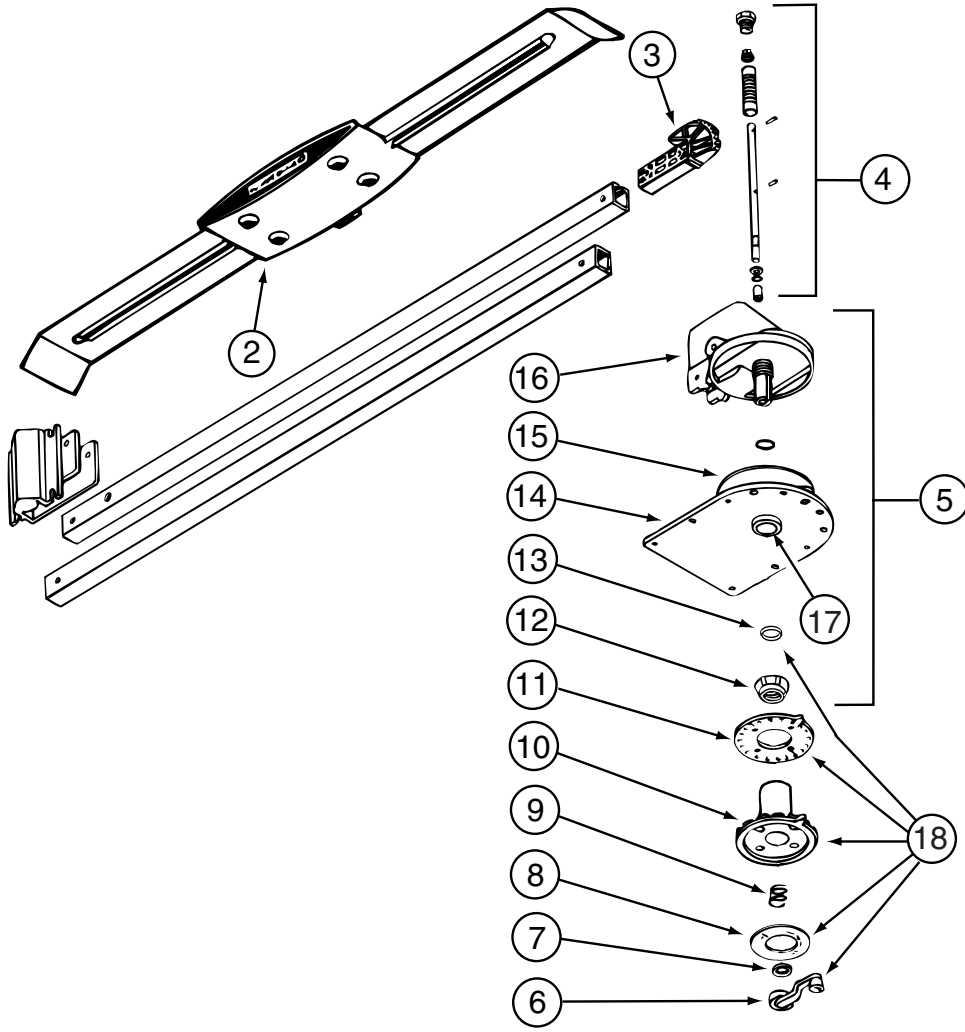


076319-23-000

| KEY | PART NUMBER | U/M | DESCRIPTION | VENDOR NO. |
|-----|---------------|-----|-------------------------|------------|
| 2 | 076319-01-700 | EA | HEAD-ANTENNA, AMPLIFIED | RVSA U/V |
| 3 | 076319-01-701 | EA | GEAR-ELEVATING, PLASTIC | 2200046 |
| 4 | 076319-01-702 | EA | SHAFT ASM-ELEVATING | RP-4000 |
| 5 | 076319-01-711 | EA | BASE & LIFT ASM | 2762802 |
| 7 | 076319-01-705 | EA | GROMMET-NYLON, 7/8"ID | 3200658 |
| 8 | 076319-01-708 | EA | DECAL-CRANK | 5413002 |
| 9 | 076319-01-707 | EA | SPRING-HANDLE | 2160822 |
| 11 | 076319-01-712 | EA | PLATE - CEILING | 3200608 |
| 12 | 076319-01-715 | EA | NUT (GEAR HOUSING) | 2200047 |
| 14 | 076319-01-713 | EA | BASE-PLATE, STEEL | 3100523 |
| 15 | 076319-01-703 | EA | BEARING-NYLON, 5"OD | 3200656 |
| 16 | 076319-01-714 | EA | HOUSING, ROTATING GEAR | 2200049 |
| | 076319-01-716 | EA | TUBING, ELEVATING | RP-2900 |
| 17 | 076319-01-704 | EA | BEARING-NYLON, 1.25"OD | 3200657 |
| 18 | 076319-01-709 | EA | HANDLE-HEAD DIRECTIONAL | 200644 |

CONTACT WINNEBAGO PART SALES FOR UNLISTED COMPONENT

AUDIO VIDEO GROUP (CONTINUED)
COMPONENT PARTS FOR TV & VCR (CONTINUED)



076319-25-000

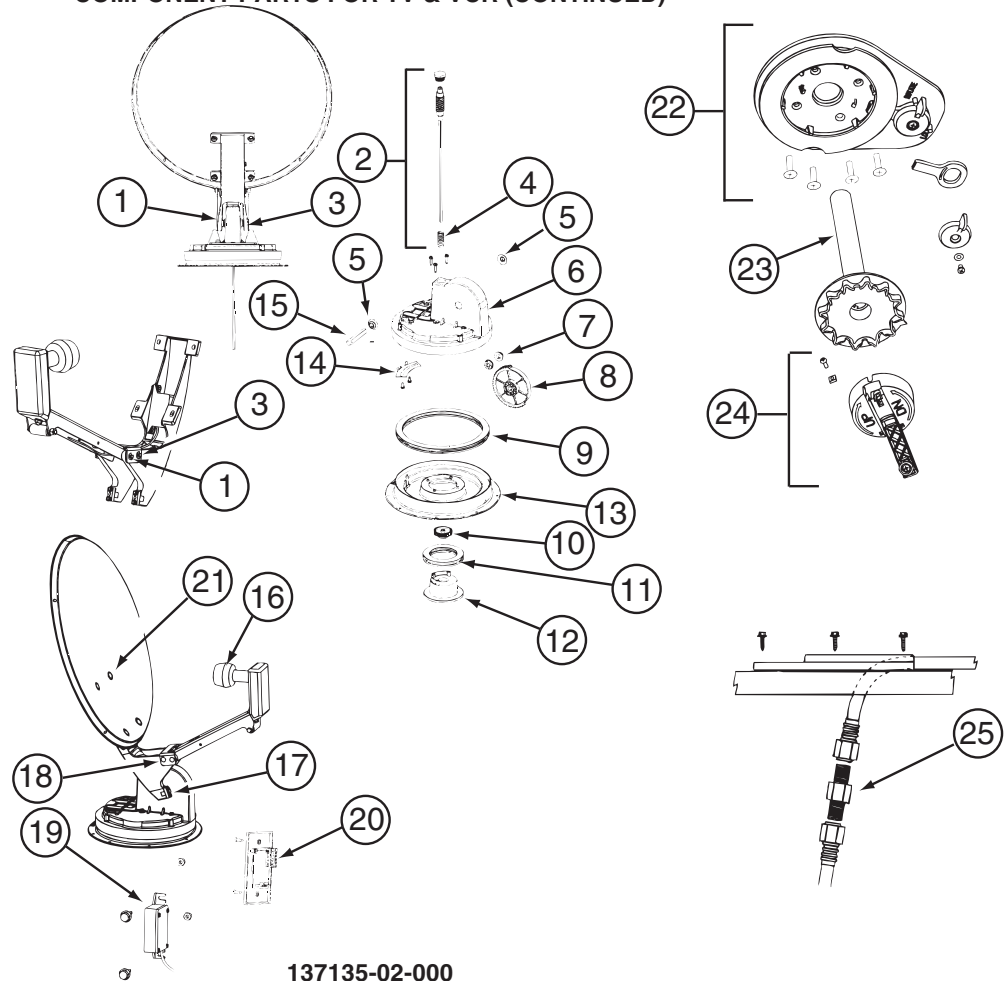
| KEY | PART NUMBER | U/M | DESCRIPTION | VENDOR NO. |
|-----|---------------|-----|------------------------------|------------|
| 6 | 076319-01-706 | EA | CRANK-W/SET SCREW UNIV/BEIGE | 2750897 |
| 6 | 120233-01-710 | EA | HANDLE-CRANK W/SCREW - WHITE | RP-6795 |
| 8 | 076319-01-708 | EA | DECAL-CRANK | 5413002 |
| 10 | 076319-25-700 | EA | DIRECTIONAL HANDLE(WHITE) | 3200612 |
| 11 | 076319-25-701 | EA | PLATE - CEILING(WHITE) | 3200609 |
| 13 | 120233-01-709 | EA | WASHER-NYLON | RP-2658 |

CONTACT WINNEBAGO PART SALES FOR UNLISTED COMPONENTS

AUDIO VIDEO GROUP (CONTINUED)
COMPONENT PARTS FOR TV & VCR (CONTINUED)

| | | | | |
|------------|--------------------|------------------------|----------------------|-------------------|
| | | | 124073-12-000 | |
| KEY | PART NUMBER | U/M DESCRIPTION | | VENDOR NO. |
| | 126697-04-700 | EA REMOTE | | 239040 |
| | | | 126696-07-000 | |
| KEY | PART NUMBER | U/M DESCRIPTION | | VENDOR NO. |
| | 133377-01-700 | EA REMOTE | | 240961 |
| | | | 130121-08-000 | |
| KEY | PART NUMBER | U/M DESCRIPTION | | VENDOR NO. |
| | 124075-04-700 | EA REMOTE | | 240959 |
| | | | 145641-01-000 | |
| KEY | PART NUMBER | U/M DESCRIPTION | | VENDOR NO. |
| | 145641-01-700 | EA REMOTE | | 258154 |
| | | | 145641-02-000 | |
| KEY | PART NUMBER | U/M DESCRIPTION | | VENDOR NO. |
| | 145641-02-700 | EA REMOTE | | 260607 |
| | | | 145641-03-000 | |
| KEY | PART NUMBER | U/M DESCRIPTION | | VENDOR NO. |
| | 145641-03-700 | EA REMOTE | | RCR311DA1 |

AUDIO VIDEO GROUP (CONTINUED)
COMPONENT PARTS FOR TV & VCR (CONTINUED)

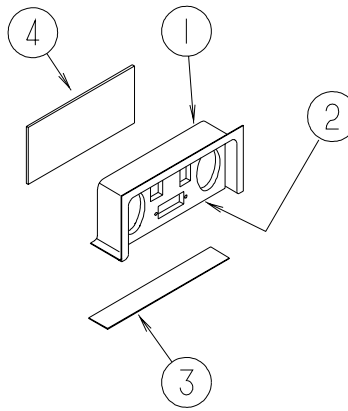


137135-02-000

| KEY | PART NUMBER | U/M | DESCRIPTION | VENDOR NO. |
|-----|---------------|-----|------------------------------|----------------|
| 1 | 120233-01-714 | EA | CLIP-E | 5160818 |
| 2 | 137135-01-703 | EA | KIT ELEV - SHAFT/GEAR/SPRING | RP-4400 |
| 3 | 137135-01-704 | EA | PIN - 1/4" X 3.25" | 2160813 |
| 4 | 137135-01-705 | EA | SPRING | 2160818 |
| 5 | 137135-01-707 | EA | SEAL - PIVOT SHAFT | 2200852 |
| 6 | 137135-01-708 | EA | TURRET | 3100728 |
| 7 | 137135-01-709 | EA | PIVOT BEARING | 2200470 |
| 8 | 137135-01-711 | EA | GEAR - ELEVATING | 2200464 |
| 9 | 137135-01-712 | EA | BEARING - OUTER | 2590347 |
| 10 | 137135-01-714 | EA | GEAR - ELEVATING SHAFT | 2200465 |
| 11 | 137135-01-715 | EA | BEARING - INNER | 2590348 |
| 12 | 137135-01-716 | EA | HUB | 3100731 |
| 13 | 137135-01-713 | EA | TURRET BASE | 3100730 |
| 14 | 137135-01-710 | EA | PLATE - ROTATE LIMIT | 3720052 |
| 16 | 137135-02-703 | EA | LOW NOISE BLOCK FILTER | LB-6000 - DUAL |
| 17 | 137135-01-722 | EA | CLAMP | 2590343 |
| 18 | 137135-01-719 | EA | BRACKET - PIVOT | 2744945 |
| 19 | 137135-01-720 | EA | DE-SENSOR UNIT W/43" CABLE | DM4000 |
| 20 | 137135-02-701 | EA | BOX - SURFACE MOUNT | SM-100 |
| 21 | 137135-01-717 | EA | BOLT - FLAT HEAD | 2160362 |
| 22 | 120233-01-737 | EA | PLATE/INT-W/DIRECTIONAL HDLE | RK-CEIL |
| 23 | 120233-01-704 | EA | DIAL/DIRECTIONAL 4"W/SPRING | 3200364 |
| 24 | 120233-01-738 | EA | HDW PKG-HANDLE/SPRING/WASHER | RK-HAND |
| 25 | 137135-01-701 | EA | CONNECTOR - F - MALE TO MALE | FS-8100 |
| | 120233-04-700 | EA | KIT-WALL PLATE/CABLE - GRAY | DM4000 |
| | 137135-01-700 | EA | ROOF WEDGE W/GASKET | RW-5000 |
| | 137135-01-706 | EA | KIT-TURRET/SEAL/BEARING/GEAR | RP-RM30 |
| | 137135-01-718 | EA | REFLECTOR/WHITE-46CM W/HDW | RP-35RM |
| | 137135-02-700 | EA | DE-SENSOR | 2780096 |
| | 137135-02-704 | EA | KIT-UPDATE DIRECTIONAL HDL | RP-RMDH |

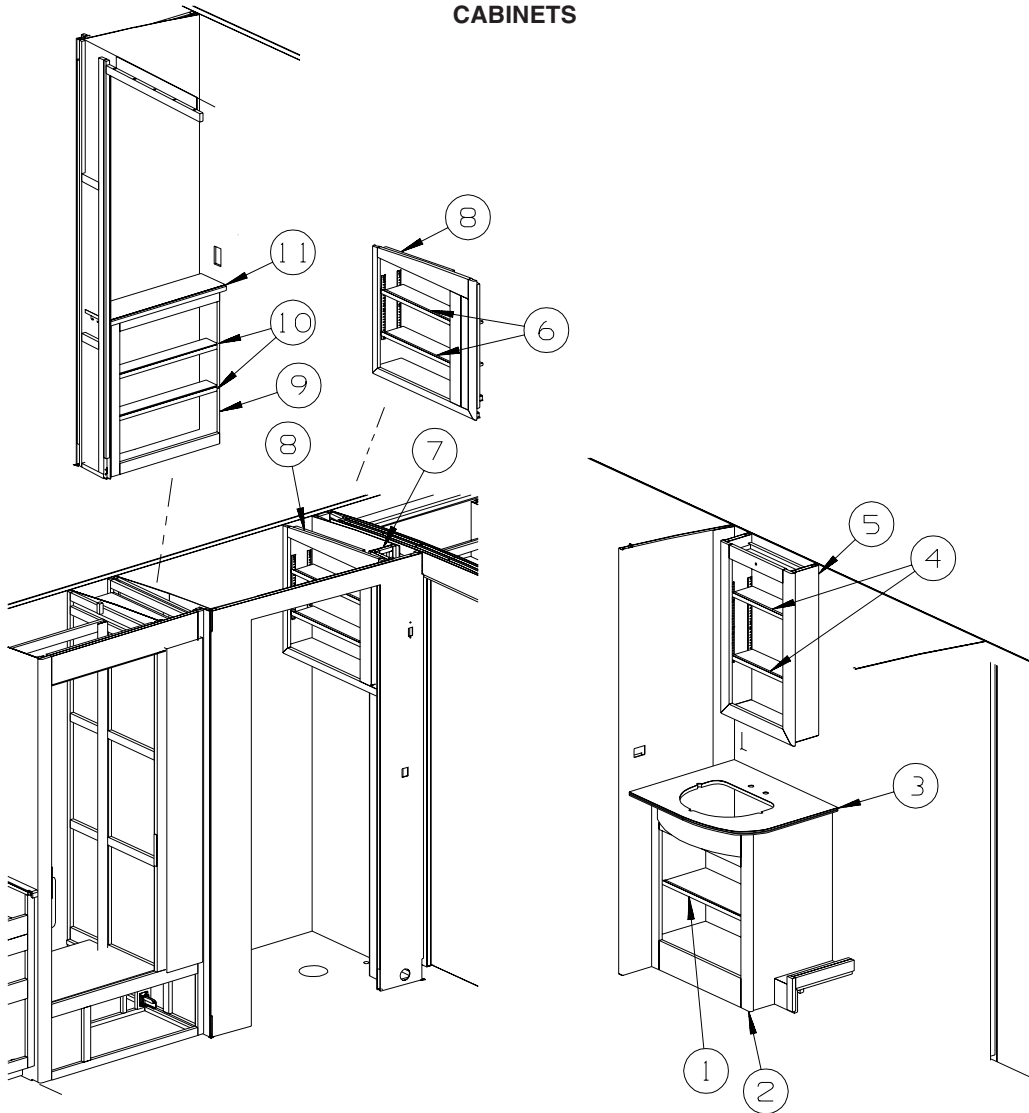
CONTACT WINNEBAGO PART SALES FOR UNLISTED COMPONENT(S)

AUDIO VIDEO GROUP (CONTINUED)
EXTERIOR ENTERTAINMENT



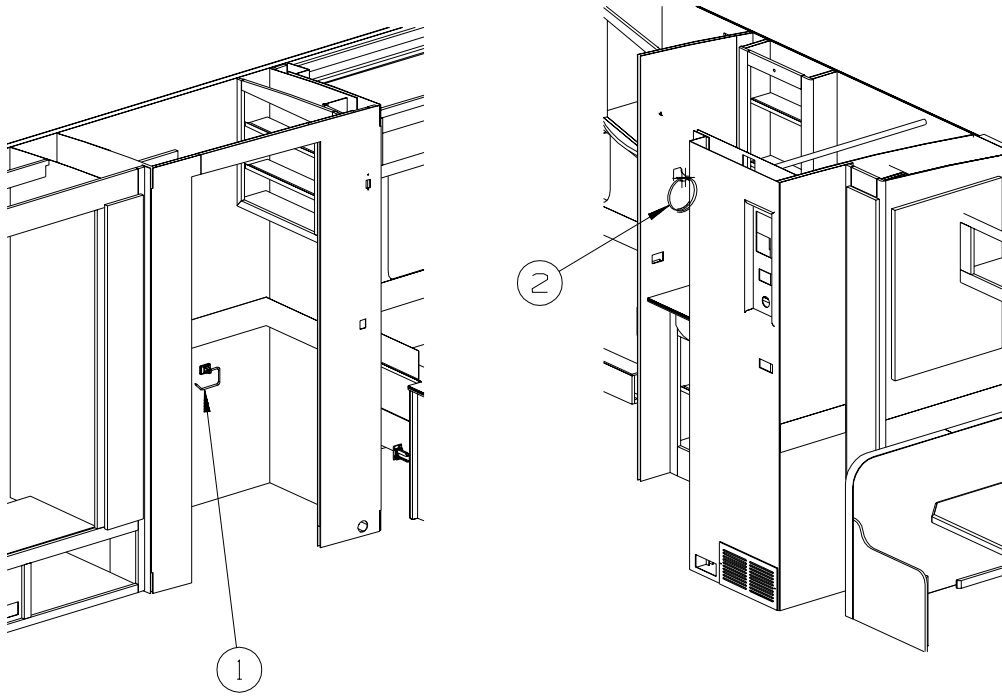
| KEY | PART NUMBER | U/M | DESCRIPTION |
|-----|---------------|-----|--|
| 1 | 124696-02-01A | EA | BOX - ENTERTAINMENT CENTER/EXTERIOR - BRIGHT WHITE |
| | 124696-01-01A | EA | BOX - ENTERTAINMENT CENTER/EXTERIOR - BRIGHT WHITE |
| 2 | 127409-02-L15 | EA | PLATE - RADIO MOUNTING |
| 3 | 104898-01-02A | EA | PLATE - PLASTIC BOTTOM - BRIGHT WHITE |
| 4 | NOT USED | | |

BATH GROUP CABINETS



| KEY | PART NUMBER | U/M | DESCRIPTION |
|-----|---------------|-----|--|
| 1 | 138515-20-N30 | EA | SHELF - W/PLASTIC EDGE MOLDING |
| 2 | 138515-02-N30 | EA | CABINET - LAVATORY - W/O COUNTERTOP/DOORS/DRAWERS/HARDWARE |
| 3 | 133654-14-R32 | EA | COUNTERTOP - LAMINATED - LINO FRIEZE/PORTSMOUTH OAK (R32) |
| 3 | 133654-14-P37 | EA | COUNTERTOP - LAMINATED - EGGSHELL/PORTSMOUTH OAK (R33) |
| 3 | 133654-14-N30 | EA | COUNTERTOP - LAMINATED - GRAY TRANQUILITY/PORTSMOUTH OAK (R34) |
| 4 | 139023-12-N30 | EA | SHELF - W/PLASTIC EDGE MOLDING |
| 5 | 139023-01-N30 | EA | CABINET - OVERHEAD/MEDICINE - W/O DOORS/HARDWARE |
| 6 | 138929-15-N30 | EA | SHELF - W/PLASTIC EDGE MOLDING |
| 7 | 138972-01-P37 | EA | CABINET - PIPE COVER (R32) |
| 7 | 138972-01-P38 | EA | CABINET - PIPE COVER (R33) |
| 7 | 138972-01-R34 | EA | CABINET - PIPE COVER (R34) |
| 8 | 138929-01-N30 | EA | CABINET - OVERHEAD/LINEN - W/O DOORS/HARDWARE |
| 9 | 142849-01-P37 | EA | CABINET/STORAGE - BATHROOM - W/O DOORS/HARDWARE |
| 10 | 142849-13-P37 | EA | SHELF - W/PLASTIC EDGE MOLDING |
| 11 | 140887-10-R32 | EA | COUNTERTOP - LAMINATED - LINO FRIEZE/PORTSMOUTH OAK (R32) |
| 11 | 140887-10-P37 | EA | COUNTERTOP - LAMINATED - EGGSHELL/PORTSMOUTH OAK (R33) |
| 11 | 140887-10-P39 | EA | COUNTERTOP - LAMINATED - GRAY TRANQUILITY/PORTSMOUTH OAK (R34) |

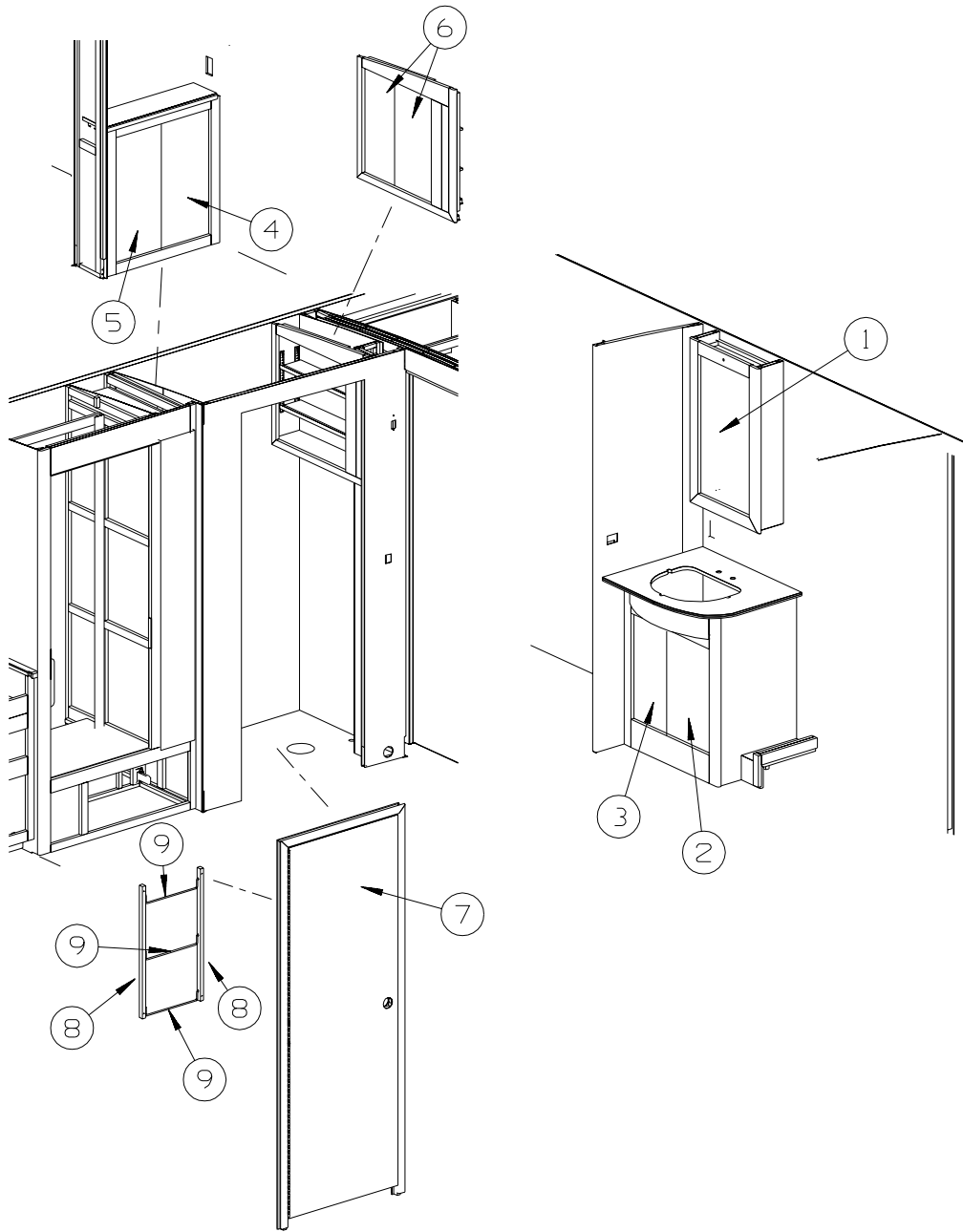
BATH GROUP (CONTINUED)
CABINETS (CONTINUED)



| KEY | PART NUMBER | U/M | DESCRIPTION |
|-----|---------------|-----|-----------------------------|
| 1 | 145980-03-01A | EA | PAPER HOLDER - EURO - BRASS |
| 2 | 145980-06-01A | EA | TOWEL RING - BRASS |

BATH GROUP (CONTINUED)

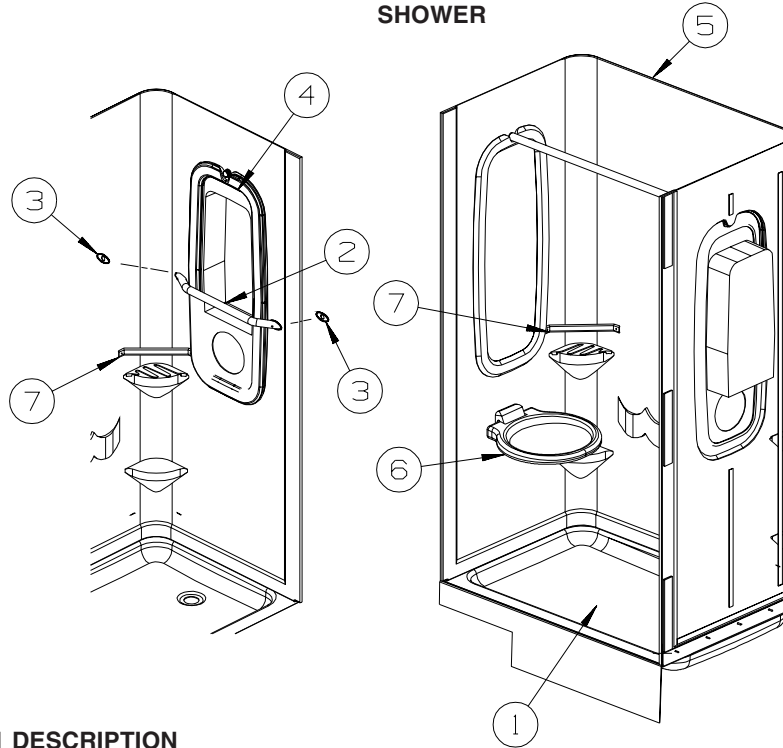
DOORS & DRAWERS



| KEY | PART NUMBER | U/M | DESCRIPTION |
|-----|---------------|-----|---|
| 1 | 132005-20-N42 | EA | DOOR - MIRROR/MITERED CORNERS - 15" X 27" - W/O HARDWARE |
| 1 | 076767-04-000 | EA | CABLE - STAINLESS STEEL - 5.9" |
| 2 | 136918-69-P37 | EA | DOOR - FLAT/OGEE EDGE - 12" X 21.8" - W/O HARDWARE |
| 3 | 136918-68-P37 | EA | DOOR - FLAT/OGEE EDGE - 12" X 21.8" - W/O HARDWARE |
| 4 | 136918-72-P37 | EA | DOOR - FLAT/OGEE EDGE - 12" X 25.9" - W/O HARDWARE |
| 5 | 136918-71-P37 | EA | DOOR - FLAT/OGEE EDGE - 12" X 25.9" - W/O HARDWARE |
| 6 | 136954-40-P37 | EA | DOOR - RAISED PANEL/OGEE EDGE - 10.8" X 21.8" - W/O HDW |
| 7 | 144645-04-R13 | EA | DOOR - BATH - W/O TOWEL RACK/HARDWARE |
| | 111155-05-01A | EA | LOCK - PRIVACY/LOCKING - POLISHED BRASS - "S" SHAPE HANDLE FROM: 00-00-00 THRU: 01-26-03 |
| | 146064-01-01A | EA | LOCK - PRIVACY HANDLE - POLISHED BRASS FROM: 01-27-03 THRU: 99-99-99 |
| 8 | P34509-01-N01 | EA | RAIL END - RH/LH - TOWEL RACK - PORTSMOUTH OAK |
| 9 | 146801-01-01A | EA | ROD/TOWEL BAR (OFFSET) - BRASS |

BATH GROUP (CONTINUED)

SHOWER



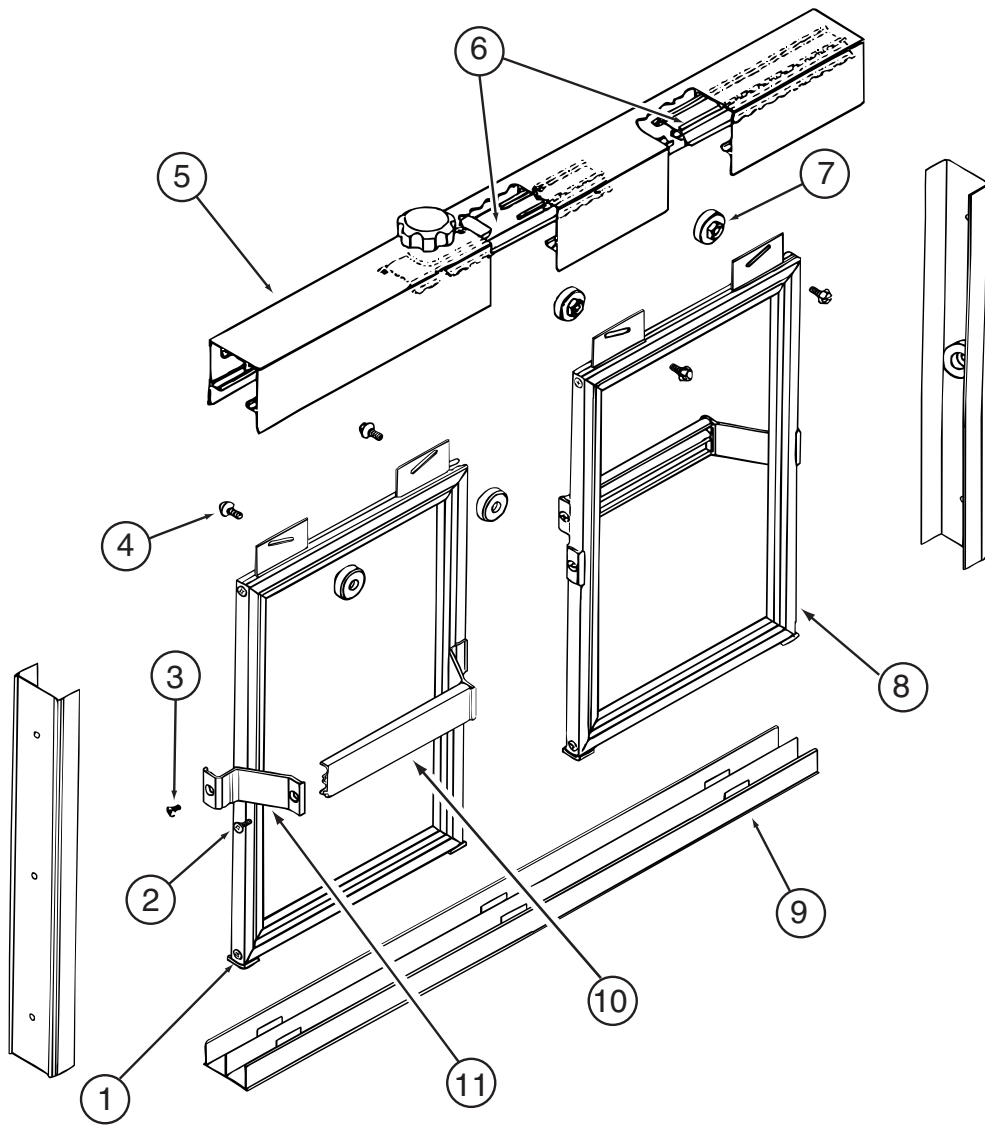
| KEY | PART NUMBER | U/M | DESCRIPTION |
|-----|---------------|-----|--|
| 1 | M02630-42-N30 | EA | SHOWER PAN - W/STRAINER |
| | | | FROM: 00-00-00 THRU: 08-24-03 |
| 1 | M02630-79-R38 | EA | SHOWER PAN - W/STRAINER - SOFT WHITE |
| | | | FROM: 08-25-03 THRU: 99-99-99 |
| 2 | 132083-01-02A | EA | HANDRAIL/ASSIST - 1" DIAMETER/W/END CAPS - SOFT WHITE |
| 3 | 132083-02-01A | EA | PAD - OVAL - BLACK RUBBER |
| 4 | 132192-03-01A | EA | CADDY - SHOWER - SOFT WHITE |
| | | | FROM: 00-00-00 THRU: 08-24-03 |
| 4 | 132192-01-01A | EA | CADDY - SHOWER - SOFT WHITE |
| | | | FROM: 08-25-03 THRU: 99-99-99 |
| 5 | 132216-01-01A | EA | SURROUND/SHOWER - SOFT WHITE |
| | | | FROM: 00-00-00 THRU: 08-24-03 |
| 5 | 147188-02-01A | EA | SURROUND - SHOWER - SOFT WHITE |
| | | | FROM: 08-25-03 THRU: 99-99-99 |
| 6 | 135607-03-01A | EA | SEAT - SHOWER/FOLDING(FOR REPLACEMENT OR OPTION INST ONLY) |
| 7 | NOT USED | | |

SHOWER DOORS

| KEY | PART NUMBER | U/M | DESCRIPTION |
|-----|---------------|-----|--|
| * | 115011-03-01A | EA | DOOR - SHOWER/BYPASS - 39.3" X 65" - W/HARDWARE & LOCK |

***COMPONENT PARTS LISTED LATER IN THIS GROUP**

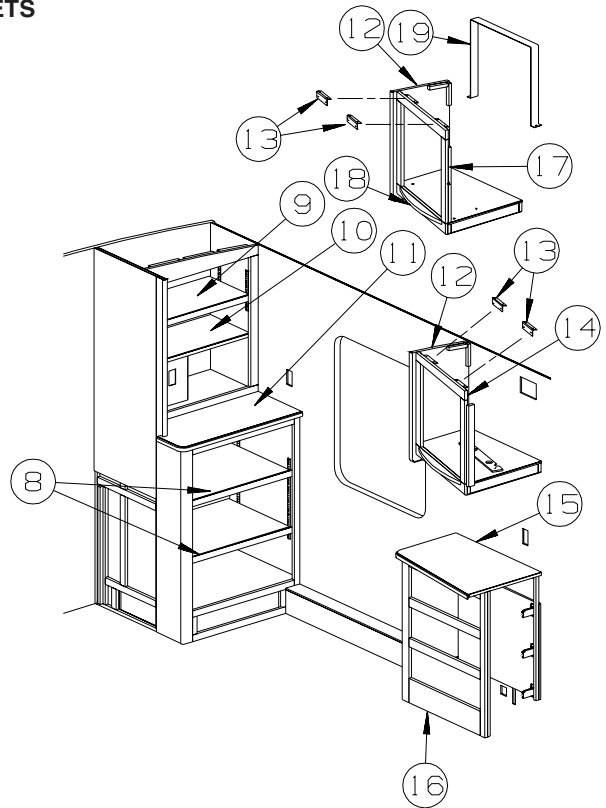
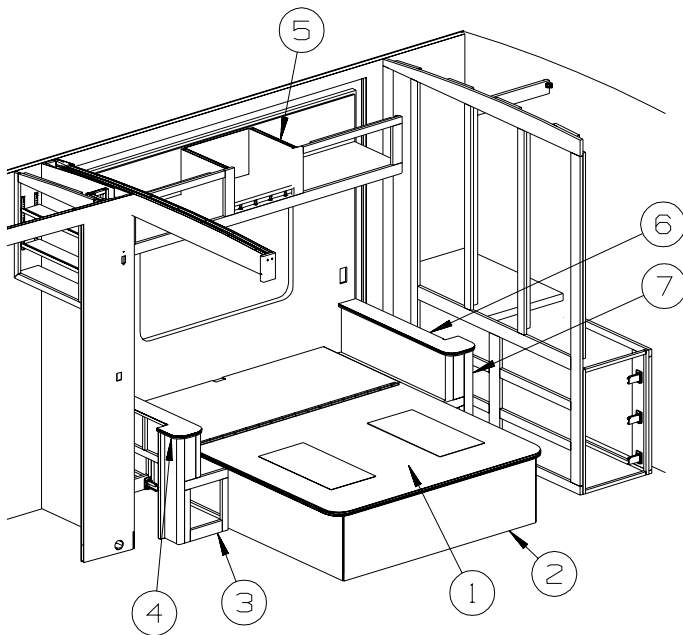
BATH GROUP (CONTINUED)
COMPONENT PARTS FOR SHOWER



115011-03-01A

| KEY | PART NUMBER | U/M | DESCRIPTION | VENDOR NO. |
|-----|---------------|-----|------------------------------|-------------|
| 1 | 115011-01-701 | EA | GUIDE-NYLON, (W-TRACK) | 1104 |
| 2 | 115011-01-707 | EA | SCREW F/TOWEL BAR | 612F |
| 3 | 115011-01-708 | EA | SCREW F/TOWEL BAR BRKTS | 638F |
| 4 | 115011-01-705 | EA | SCREW-ROLLER, (HEX HEAD) | 832HEX |
| 5 | 115011-01-700 | EA | HEADER, W/O ANTI JUMP GUARD | 120G |
| 6 | 115011-01-710 | EA | HEADER LOCK (ANTI JUMP) ADJ | 130MIDDLE |
| 6 | 115011-01-716 | EA | GUARD-ANTI JUMP-W/O TENSION | 130END |
| 7 | 115011-01-704 | EA | ROLLERS | PN193 |
| 8 | 115011-01-706 | FT | GLAZING VINYL | C 169 |
| 9 | 115011-01-709 | EA | TRACK-BOTTOM- 50" | 90 |
| 10 | 115011-01-703 | EA | BAR-TOWEL | 136 |
| 11 | 115011-01-702 | EA | BRACKET-TOWEL BAR | 135 |
| | 115011-01-711 | EA | KNOB-TENSION,(HEADER W/BOLT) | 1420K-1420S |
| | 115011-01-714 | EA | BUMPER - RATTLE/SHOWER DOOR | 5168S |
| | 115011-01-715 | EA | PAD - FOAM | 116R |

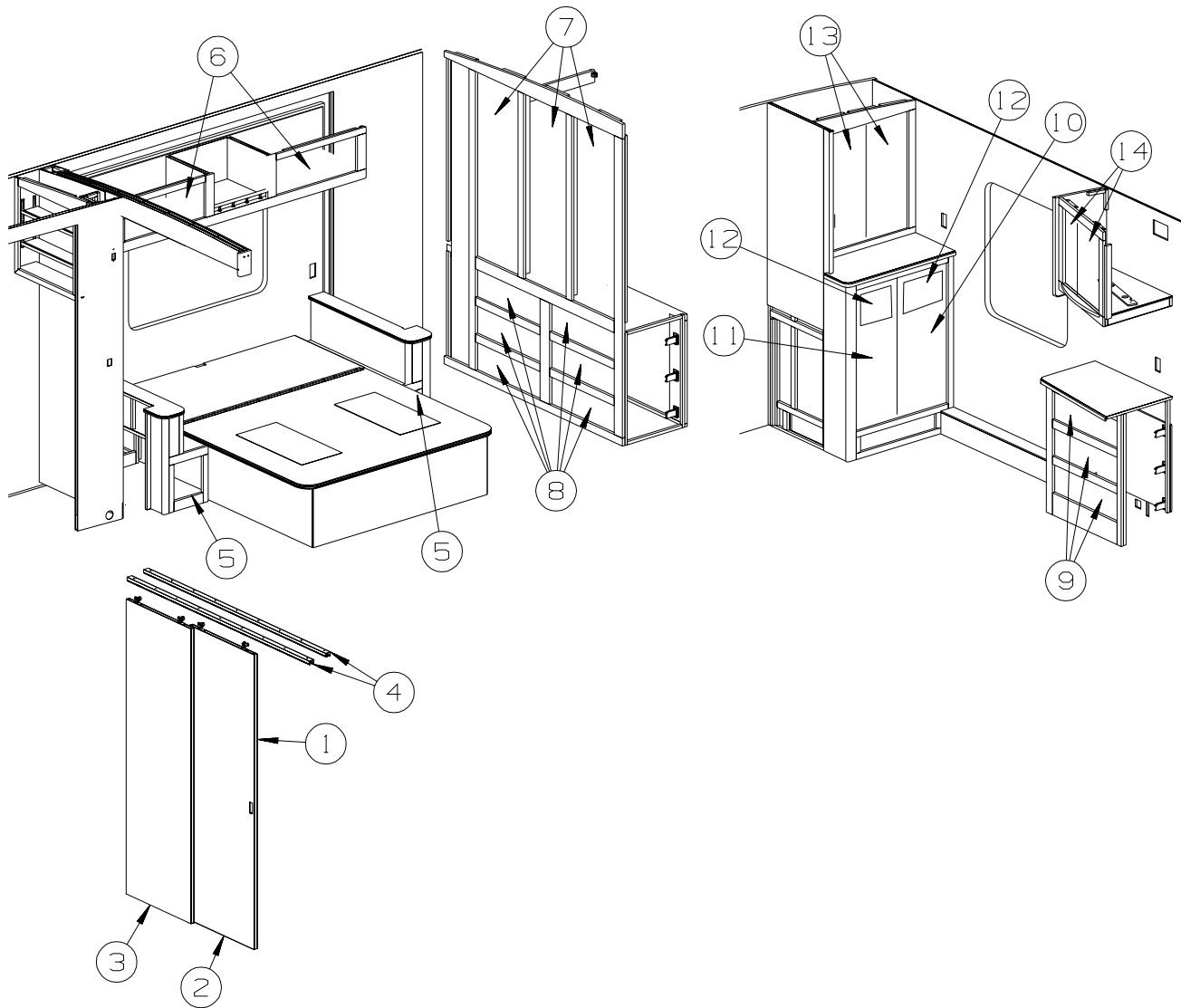
BEDROOM GROUP QUEEN CABINETS



| KEY | PART NUMBER | U/M | DESCRIPTION |
|-----|---------------|-----|--|
| 1 | 137406-04-N52 | EA | BEDBOARD - W/HINGE/T-MOLDING/SLIPNOT - FLIP-UP |
| 2 | 137388-01-P37 | EA | CABINET/BASE - W/O DOOR/DRAWER/HARDWARE - F/QUEEN BED |
| 3 | 136885-03-N42 | EA | CABINET - NIGHTSTAND/LH - W/O COUNTERTOP/DOOR/DRAWER/HDW |
| 4 | 133655-25-R32 | EA | COUNTERTOP - LAMINATED - LINO FRIEZE/PORTSMOUTH OAK (R32) |
| 4 | 133655-25-P37 | EA | COUNTERTOP - LAMINATED - EGGSHELL/PORTSMOUTH OAK (R33) |
| 4 | 133655-25-N44 | EA | COUNTERTOP - LAMINATED - GRAY TRANQUILITY/PORTSMOUTH OAK (R34) |
| 5 | 137367-01-R32 | EA | CABINET - OVERHEAD/REAR/RIGHT HAND - W/O DOORS/HARDWARE |
| 6 | 133655-26-R32 | EA | COUNTERTOP - LAMINATED - LINO FRIEZE/PORTSMOUTH OAK (R32) |
| 6 | 133655-26-P37 | EA | COUNTERTOP - LAMINATED - EGGSHELL/PORTSMOUTH OAK (R33) |
| 6 | 133655-26-N44 | EA | COUNTERTOP - LAMINATED - GRAY TRANQUILITY/PORTSMOUTH OAK (R34) |
| 7 | 136885-04-N47 | EA | CABINET - NIGHTSTAND/RH - W/O COUNTERTOP/DOOR/DRAWER/HDW |
| 8 | 140313-32-N30 | EA | SHELF - W/PLASTIC EDGE MOLDING |
| 9 | 140313-24-N30 | EA | SHELF - W/PLASTIC EDGE MOLDING |
| 10 | 140313-22-N30 | EA | SHELF - W/PLASTIC EDGE MOLDING |
| 11 | 133655-63-R32 | EA | COUNTERTOP - LAMINATED - LINO FRIEZE/PORTSMOUTH OAK (R32) |
| 11 | 133655-63-P37 | EA | COUNTERTOP - LAMINATED - EGGSHELL/PORTSMOUTH OAK (R33) |
| 11 | 133655-63-N30 | EA | COUNTERTOP - LAMINATED - GRAY TRANQUILITY/PORTSMOUTH OAK (R34) |
| 12 | 103128-88-N30 | EA | END CAP - OVERHEAD CABINET/LEFT HAND |
| 13 | 106699-01-01A | EA | BRACKET F/TV INSTALLATION - OVERHEAD CABINET |
| 14 | 142976-01-P37 | EA | CABINET - OVERHEAD/TV/REAR - W/O DOORS/HARDWARE |
| 15 | 133655-62-R32 | EA | COUNTERTOP - LAMINATED - LINO FRIEZE/PORTSMOUTH OAK (R32) |
| 15 | 133655-62-P37 | EA | COUNTERTOP - LAMINATED - EGGSHELL/PORTSMOUTH OAK (R33) |
| 15 | 133655-62-N30 | EA | COUNTERTOP - LAMINATED - GRAY TRANQUILITY/PORTSMOUTH OAK (R34) |
| 16 | 140312-01-N95 | EA | CABINET/DRESSER/LEFT HAND - W/O DRAWERS/HARDWARE |
| 17 | 142976-02-P37 | EA | CABINET - OVERHEAD/TV/REAR - W/O DOORS/HARDWARE - 19" TV WITH REMOTE |
| 18 | P39390-01-N30 | EA | TRIM - TV/CURVED |
| 19 | 115466-28-02B | EA | STRAP/TIEDOWN - TV - E-COATED |

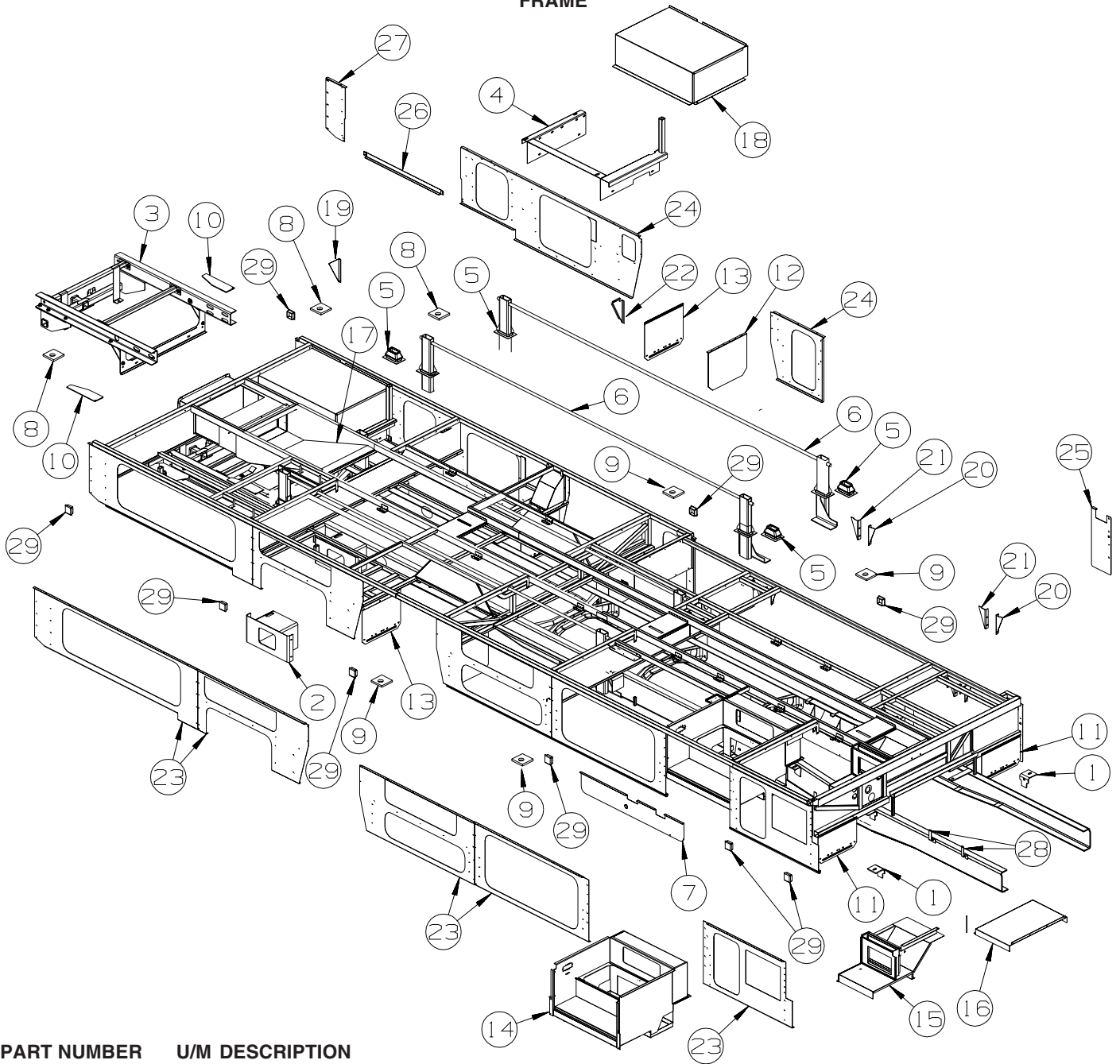
BEDROOM GROUP (CONTINUED)

QUEEN DOORS & DRAWERS



| KEY | PART NUMBER | U/M | DESCRIPTION |
|-----|---------------|-----|---|
| 1 | 137421-01-N42 | EA | DOOR - SLIDING |
| 2 | 137421-11-N42 | EA | PANEL - SLIDING DOOR - W/O HANGER |
| 3 | 137421-14-N42 | EA | PANEL - SLIDING DOOR - W/O HANGER |
| 4 | 137422-01-01A | EA | TRACK/DOOR - OFF WHITE |
| 5 | 145492-G4-R38 | EA | DRAWER - OGEE EDGE - 7.6"W X 23.6"D - W/O SLIDES/HARDWARE |
| 6 | 136954-25-P37 | EA | DOOR - RAISED PANEL/OGEE EDGE - 10" X 25.2" - W/O HDW |
| 7 | 141506-03-R32 | EA | DOOR - MIRROR/OGEE EDGE - 16.7" X 48" - W/O HARDWARE |
| 8 | 145492-S9-R32 | EA | DRAWER - OGEE EDGE - 22.5"W X 15.7"D - W/O SLIDES/HDW |
| 9 | 145492-J8-R32 | EA | DRAWER - OGEE EDGE - 22.5"W X 13.8"D - W/O SLIDES/HDW |
| 10 | P40283-04-N30 | EA | DOOR/COVER FOLDING ACCESS - W/O HARDWARE |
| 11 | P40283-05-N30 | EA | DOOR/COVER FOLDING ACCESS - W/O HARDWARE |
| 12 | 139560-03-11B | EA | MESH - GRILLE - FLAT BLACK |
| 13 | 136954-94-P37 | EA | DOOR - RAISED PANEL/OGEE EDGE - 13.6" X 30.3" - W/O HDW |
| 14 | 136954-34-P37 | EA | DOOR - RAISED PANEL/OGEE EDGE - 10.6" X 19.9" - W/O HDW |

CHASSIS GROUP FRAME



| KEY | PART NUMBER | U/M | DESCRIPTION |
|-----|---------------|-----|--|
| 1 | 117154-04-02B | EA | MOUNT - FRAME RAIL/FLOOR |
| 2 | 139255-01-02B | EA | SUPPORT - LP - BODY |
| 3* | 132643-06-01A | EA | HITCH/TIRE CARRIER - EXTENSION RAIL(REAR CLIP) - 43.1" |
| 4 | 138113-01-02B | EA | OUTRIGGER/GENERATOR - E-COATED |
| 5 | 139724-01-01A | EA | BOOT - TOWER - BLACK - FORD |
| 6 | 139949-02-01B | EA | ROD - STEEL/THREADED - FORD |
| 7 | 140219-04-02B | EA | SHIELD - HEAT/EXHAUST - E-COATED - WORKHORSE |
| 8 | 135712-02-02B | EA | PLATE - BODY MOUNT - E-COATED |
| 9 | 135712-01-02B | EA | PLATE - BODY MOUNT - E-COATED |
| 10 | 133095-01-02B | EA | PLATE - CLIP - E-COATED |
| 11 | 136391-01-02B | EA | GUARD/ROCK - STEEL - W/ANGLE - 18"W X 11"H - E-COATED |
| 12 | 134191-01-02B | EA | GUARD/ROCK - STEEL - W/BEND - 18"W X 14.9"H - E-COATED |
| 13 | 136391-02-02B | EA | GUARD/ROCK - STEEL - W/ANGLE - 18"W X 15"H - E-COATED |
| 14 | 132607-06-02B | EA | BOX - ENTRY STEP - E-COATED |
| 15 | 138369-01-02B | EA | COMPARTMENT - AUTO HEATER - E-COATED |
| 16 | 133203-02-02B | EA | COVER - TRANSMISSION - E-COATED |
| 17 | 144746-02-02B | EA | COMPARTMENT - FURNACE - E-COATED |
| 18 | 140930-02-02B | EA | COMPARTMENT - GENERATOR - E-COATED |
| 19 | 123440-07-02B | EA | SUPPORT - PANEL - 8.7" X 4.7" - E-COATED |
| 20 | 131531-06-02B | EA | GUSSET - SLIDEOUT - E-COATED |

CHASSIS GROUP (CONTINUED)
FRAME (CONTINUED)

| KEY | PART NUMBER | U/M | DESCRIPTION |
|------------|--------------------|------------|---|
| 21 | 131531-05-02B | EA | GUSSET - SLIDEOUT - E-COATED |
| 22 | 123440-02-02B | EA | SUPPORT - PANEL - 9.9"/7.6" X 4.7" - E-COATED |
| 23 | 144365-01-02B | EA | PLATE/SEAL - E-COATED - FORWARD PIECE |
| 23 | 144365-02-02B | EA | PLATE/SEAL - E-COATED - 2ND FROM THE FRONT |
| 23 | 144365-03-02B | EA | PLATE/SEAL - E-COATED - 3RD FROM THE FRONT |
| 23 | 137098-17-02B | EA | PLATE/SEAL - E-COATED - 2ND FROM THE REAR |
| 23 | 137098-13-02B | EA | PLATE/SEAL - E-COATED - REAR PIECE |
| 24 | 144365-04-02B | EA | PLATE/SEAL - E-COATED - FORWARD PIECE |
| 24 | 144365-16-02B | EA | PLATE/SEAL - E-COATED - REAR PIECE |
| 25 | 132606-01-02B | EA | PLATE/SEAL - E-COATED |
| 26 | 133612-05-02B | EA | ZEE/SEAL PLANE - BOTTOM - E-COATED |
| 27 | 137103-03-02B | EA | PLATE/SEAL - E-COATED |
| 28 | 117287-01-02B | EA | BRACKET - MOUNTING/CABLE - E-COAT |
| 29 | 119845-01-01A | EA | PLUG/PLASTIC - 1 1/2" SQUARE - BLACK |

***COMPONENT PARTS LISTED LATER IN THIS GROUP**

CHASSIS GROUP (CONTINUED)

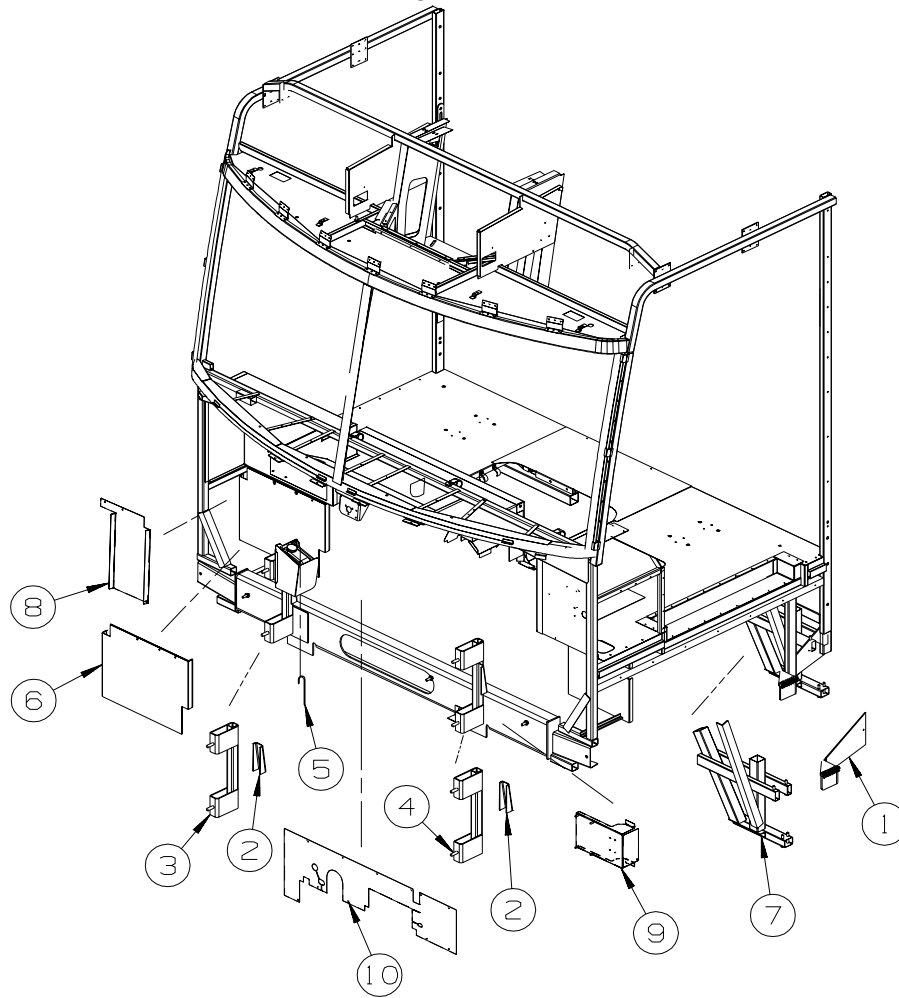
COMPONENT PARTS FOR FRAME

132643-01-01A, 132643-06-01A, 132643-07-01A, 132643-09-01A

| KEY | PART NUMBER | U/M | DESCRIPTION | VENDOR NO. |
|-----|---------------|-----|-----------------------------|------------|
| | 132643-01-700 | EA | HITCH/RECEIVER WELDED ASM. | 72430-47 |
| | 132643-01-701 | EA | TIRE CARRIER COMPLETE | 56610-47 |
| | 132643-01-702 | EA | RETAINER KIT/SPARE TIRE | 55290-47 |
| | 132643-01-703 | EA | BOLT IN CROSSMEMBER W/SPARE | 4132-03 |

CHASSIS GROUP (CONTINUED)

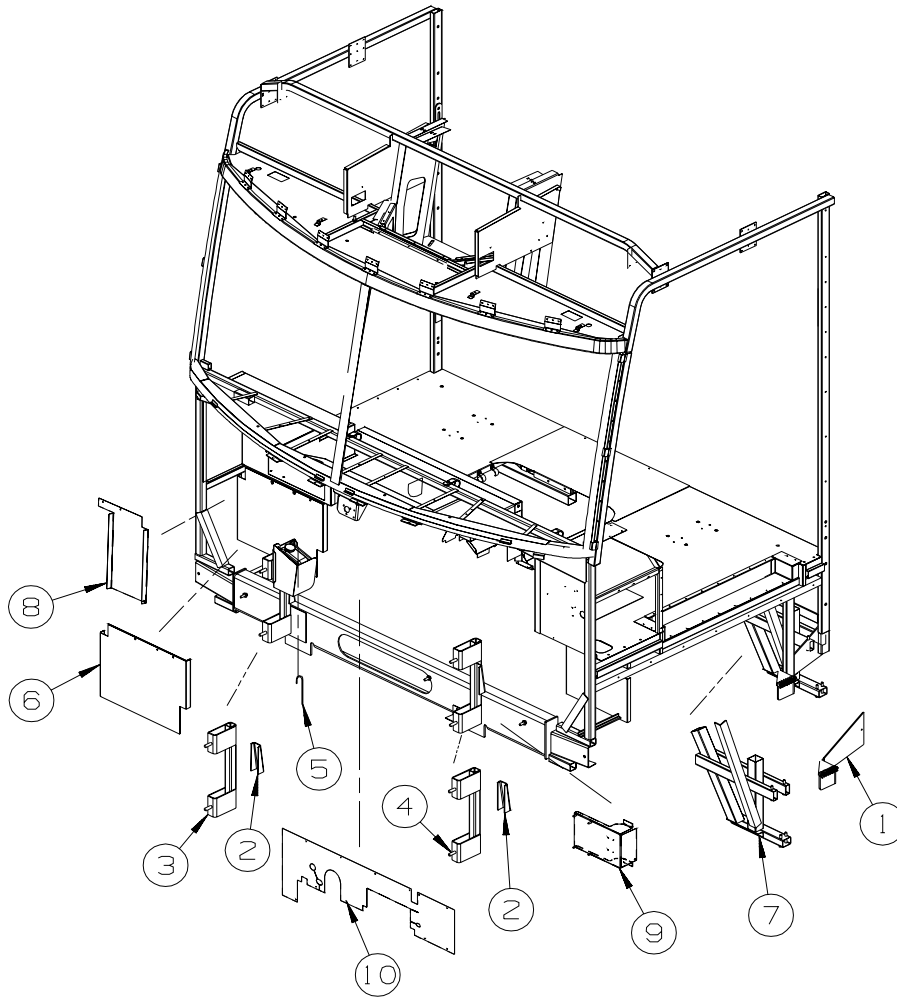
FRONT END



FORD

| KEY | PART NUMBER | U/M | DESCRIPTION |
|-----|---------------|-----|--|
| 1 | NOT USED | | |
| 2 | 117622-01-02B | EA | BRACE - TUBE/BUMPER - VERTICAL - E-COATED |
| 3 | 134807-03-02B | EA | SUPPORT - FRONT - E-COATED |
| 4 | 134807-04-02B | EA | SUPPORT - FRONT - E-COATED |
| 5 | NOT USED | | |
| 6 | 144679-02-02B | EA | SHIELD/SPLASH - HEADLIGHT - E-COATED |
| 7 | 138340-02-02B | EA | SUPPORT/STEP - DRIVER - E-COATED - 19.5 TIRE |
| 7 | 138340-01-02B | EA | SUPPORT/STEP - DRIVER - E-COATED - 22.5 TIRE |
| 8 | NOT USED | | |
| 9 | NOT USED | | |
| 10 | NOT USED | | |

CHASSIS GROUP (CONTINUED)
FRONT END (CONTINUED)

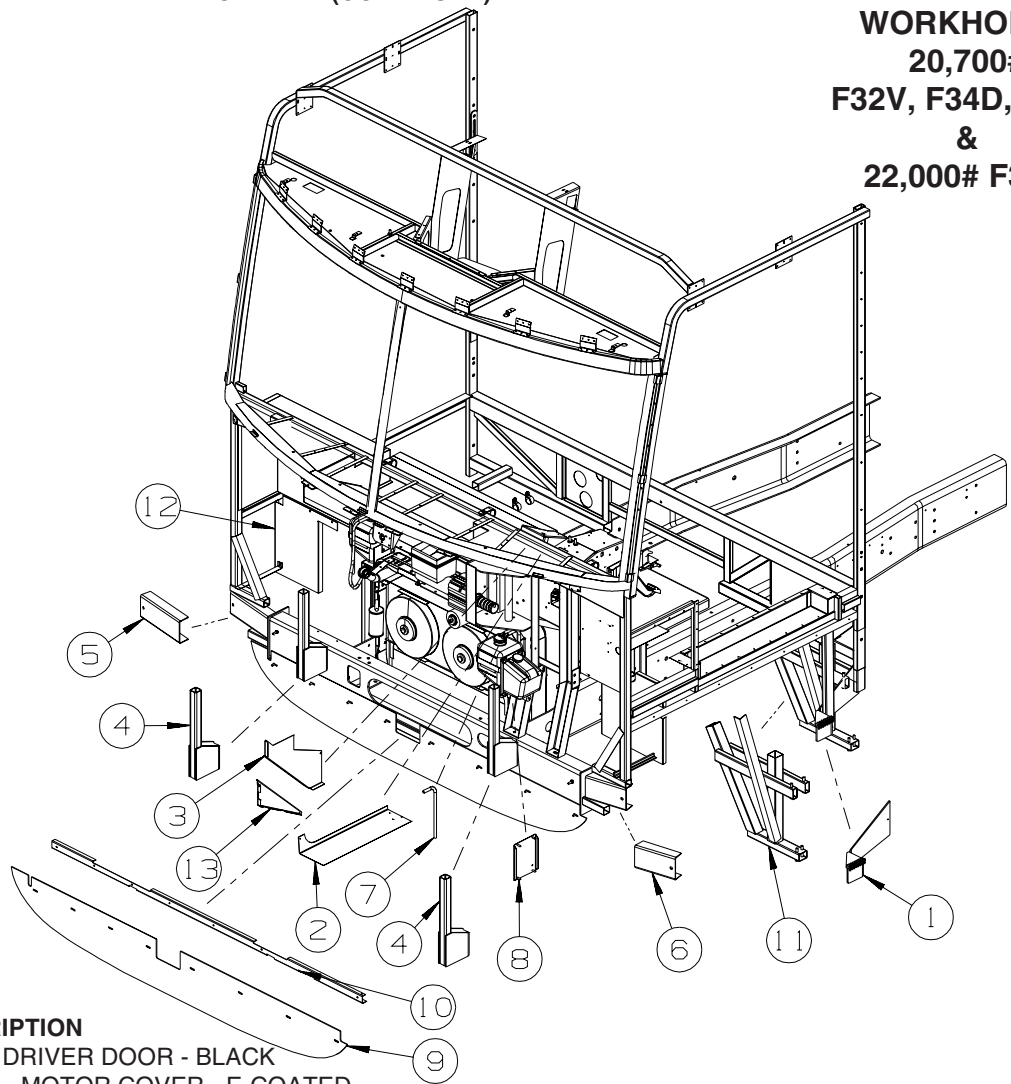


WORKHORSE
F30W &
F32V 18,000#

| KEY | PART NUMBER | U/M | DESCRIPTION |
|-----|---------------|-----|---|
| 1 | 128255-03-04B | EA | STEP - DRIVER DOOR - BLACK |
| 2 | 117622-01-02B | EA | BRACE - TUBE/BUMPER - VERTICAL - E-COATED |
| 3 | 134807-03-02B | EA | SUPPORT - FRONT - E-COATED |
| 4 | 134807-04-02B | EA | SUPPORT - FRONT - E-COATED |
| 5 | 044317-01-000 | FT | HOSE - FUEL - 3/8" ID |
| 6 | 144679-02-02B | EA | SHIELD/SPLASH - HEADLIGHT - E-COATED |
| 7 | NOT USED | | |
| 8 | 121962-02-02B | EA | SHIELD/SPLASH - HEADLIGHT - E-COATED |
| 9 | 137355-02-02B | EA | BRACKET - RESERVOIR/WASHER - E-COATED |
| 10 | 117749-03-000 | EA | BAFFLE - RADIATOR - TOP/P32 |

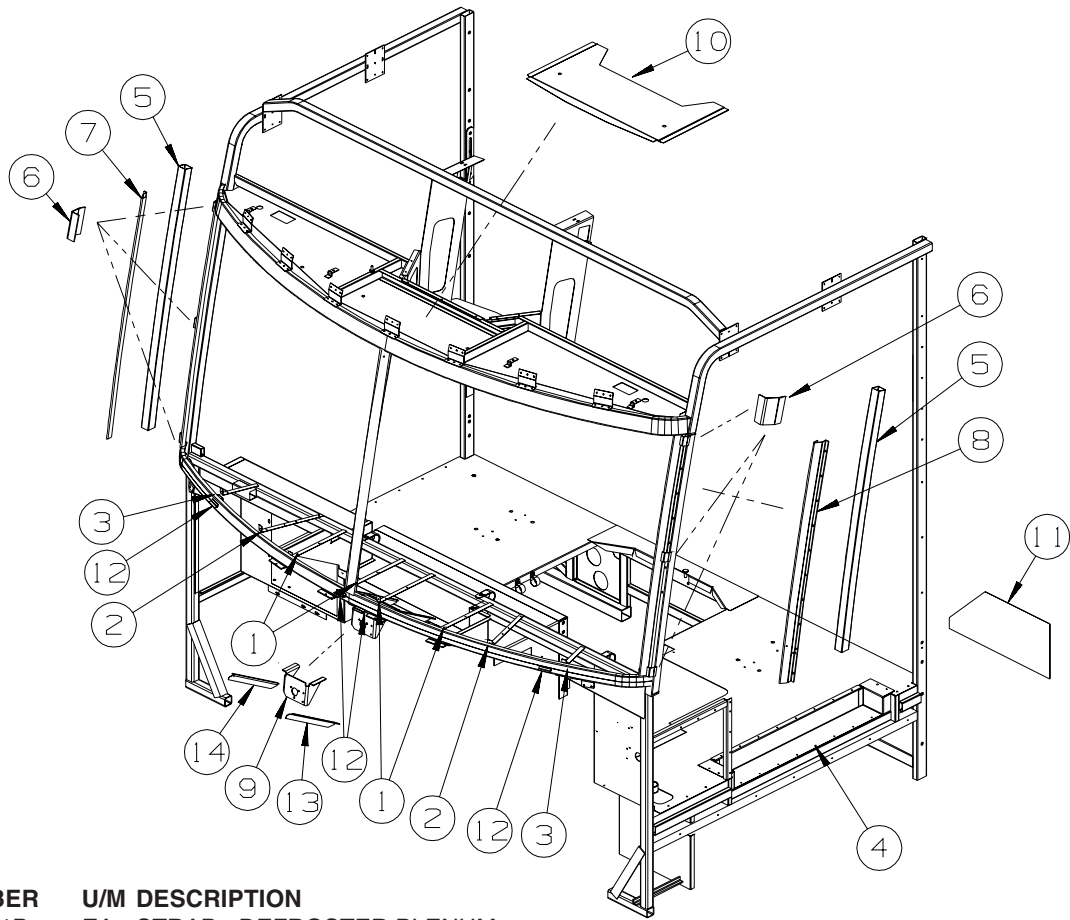
CHASSIS GROUP (CONTINUED)
FRONT END (CONTINUED)

WORKHORSE
20,700#
F32V, F34D, F36M
&
22,000# F36M



| KEY | PART NUMBER | U/M | DESCRIPTION |
|-----|---------------|-----|--|
| 1 | 128255-03-04B | EA | STEP - DRIVER DOOR - BLACK |
| 2 | 137041-01-02B | EA | ANGLE - MOTOR COVER - E-COATED |
| 3 | 137306-01-02B | EA | BRACKET - STRIKE SUPPORT - E-COATED |
| 3 | 150565-01-02B | EA | PANEL - CLOSE OUT - CAB - E-COATED |
| | | | FROM: 00-00-00 THRU: 02-12-04 |
| | | | FROM: 02-13-04 THRU: 99-99-99 |
| 4 | 134807-01-02B | EA | SUPPORT - FRONT - E-COATED |
| | | | FROM: 00-00-00 THRU: 04-08-04 |
| 4 | 134807-11-02B | EA | SUPPORT - FRONT - E-COATED - PASSENGER SIDE |
| | | | FROM: 04-09-04 THRU: 99-99-99 |
| 4 | 134807-12-02B | EA | SUPPORT - FRONT - E-COATED - DRIVER SIDE |
| | | | FROM: 04-09-04 THRU: 99-99-99 |
| 5 | 137048-02-02B | EA | CHANNEL - SUPPORT - FRONT - E-COATED |
| 6 | 137048-01-02B | EA | CHANNEL/SUPPORT - FRONT - E-COATED |
| 7 | 044317-01-000 | FT | HOSE - FUEL - 3/8" ID |
| 8 | 119656-02-02B | EA | BRACKET - RESERVOIR/WASHER - E-COATED |
| | | | FROM: 00-00-00 THRU: 04-08-04 |
| 8 | 134807-11-02B | EA | SUPPORT - FRONT - E-COATED - INCLUDES RESERVOIR BRACKET |
| | | | FROM: 04-09-04 THRU: 99-99-99 |
| 9 | 140782-01-01A | EA | SHIELD - SIGHT - BLACK PLASTIC |
| | | | FROM: 00-00-00 THRU: 05-16-03 |
| 9 | 140782-02-01A | EA | SHIELD/SIGHT - PLASTIC |
| | | | FROM: 05-17-03 THRU: 99-99-99 |
| 10 | 140790-01-02B | EA | ANGLE - SIGHT SHIELD - E-COATED |
| 11 | NOT USED | | |
| 12 | 121962-02-02B | EA | SHIELD/SPLASH - HEADLIGHT - E-COATED |
| 13 | 137043-01-02B | EA | PANEL/FILLER - E-COATED |
| | | | FROM: 00-00-00 THRU: 02-12-04 |
| 13 | 150565-01-02B | EA | PANEL - CLOSE OUT - CAB - E-COATED |
| | | | FROM: 02-13-04 THRU: 99-99-99 |

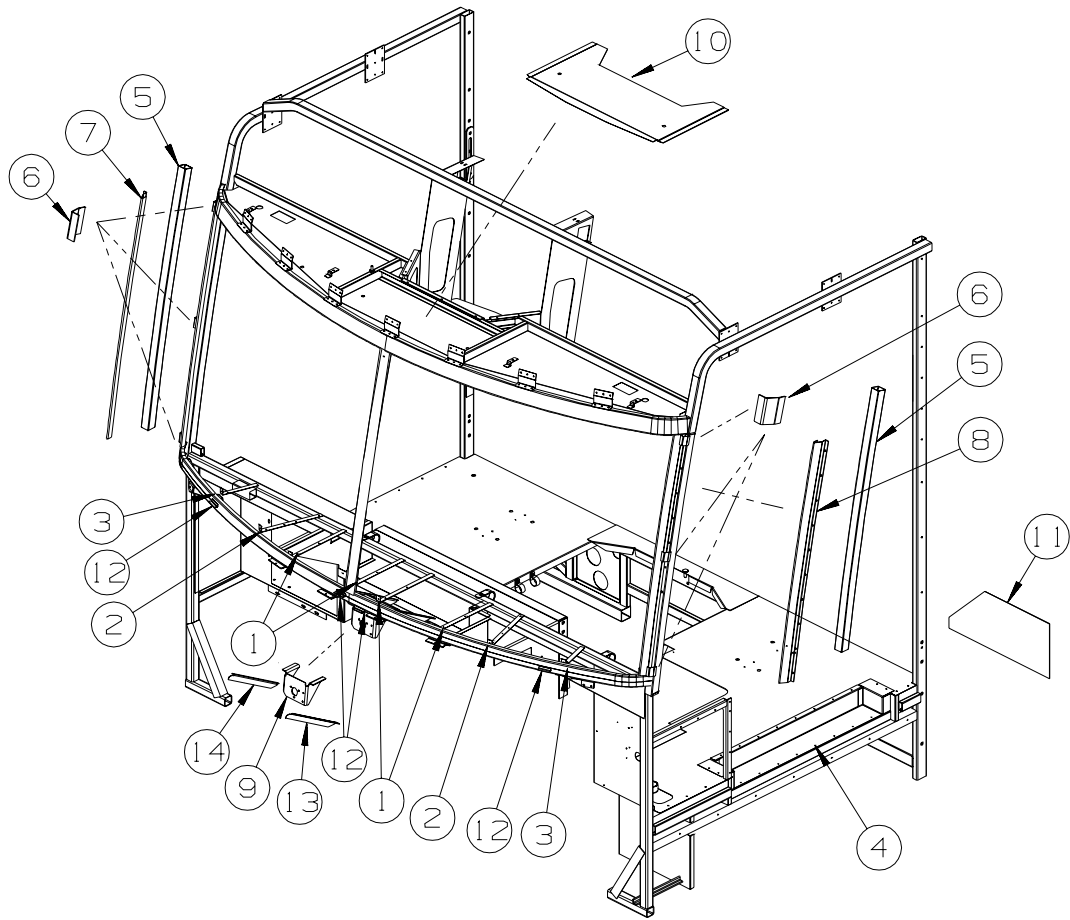
CHASSIS GROUP (CONTINUED)
FRONT END (CONTINUED)



FORD

| KEY | PART NUMBER | U/M | DESCRIPTION | |
|-----|---------------|-----|--------------------------------------|-------------------------------|
| 1 | 138846-03-01B | EA | STRAP - DEFROSTER PLENUM | |
| 2 | 138846-04-01B | EA | STRAP - DEFROSTER PLENUM | |
| 3 | 138846-05-01B | EA | STRAP - DEFROSTER PLENUM | |
| 4 | 106746-02-000 | EA | PANEL - STEPWELL | |
| 5 | 117273-01-01A | EA | TUBE - SUPPORT - A-PILLAR | |
| 6 | 120363-01-01B | EA | BRACKET - WINDSHIELD | |
| 7 | 121269-05-01B | EA | FRAME - WINDSHIELD - A-PILLAR - MILL | |
| 8 | 121269-06-01B | EA | FRAME - WINDSHIELD - A-PILLAR - MILL | |
| 9 | 134506-02-01B | EA | BRACKET - WIPER MOTOR | |
| 10 | 124904-04-01B | EA | HEADER/WINDSHIELD - CENTER - 27.5" | |
| 11 | NOT USED | | | |
| 12 | 076364-57-000 | EA | ANGLE - FORMED | |
| | | | | FROM: 00-00-00 THRU: 09-12-03 |
| 12 | 120363-01-01B | EA | BRACKET - WINDSHIELD | FROM: 09-13-03 THRU: 05-14-04 |
| 12 | 148935-01-01B | EA | BRACKET - WINDSHIELD, MILL | FROM: 05-15-04 THRU: 99-99-99 |
| 13 | 134371-01-01B | EA | ANGLE/MOUNT - WIPER MOTOR | |
| 14 | 134371-02-01B | EA | ANGLE/MOUNT - WIPER MOTOR | |

CHASSIS GROUP (CONTINUED)
FRONT END (CONTINUED)



WORKHORSE

| KEY | PART NUMBER | U/M | DESCRIPTION |
|-----|---------------|-----|--------------------------------------|
| 1 | 137047-04-01B | EA | STRAP - DEFROSTER PLENUM |
| 2 | 137047-05-01B | EA | STRAP - DEFROSTER PLENUM |
| 3 | 137047-06-01B | EA | STRAP - DEFROSTER PLENUM |
| 4 | 106746-02-000 | EA | PANEL - STEPWELL |
| 5 | 117273-01-01A | EA | TUBE - SUPPORT - A-PILLAR |
| 6 | 120363-01-01B | EA | BRACKET - WINDSHIELD |
| 6 | 148935-01-01B | EA | BRACKET - WINDSHIELD, MILL |
| 7 | 121269-05-01B | EA | FRAME - WINDSHIELD - A-PILLAR - MILL |
| 8 | 121269-06-01B | EA | FRAME - WINDSHIELD - A-PILLAR - MILL |
| 9 | 134506-02-01B | EA | BRACKET - WIPER MOTOR |
| 10 | 124904-04-01B | EA | HEADER/WINDSHIELD - CENTER - 27.5" |
| 11 | NOT USED | | |
| 12 | 126289-65-01B | EA | ANGLE - FORMED |
| 13 | 134371-01-01B | EA | ANGLE/MOUNT - WIPER MOTOR |
| 14 | 134371-02-01B | EA | ANGLE/MOUNT - WIPER MOTOR |

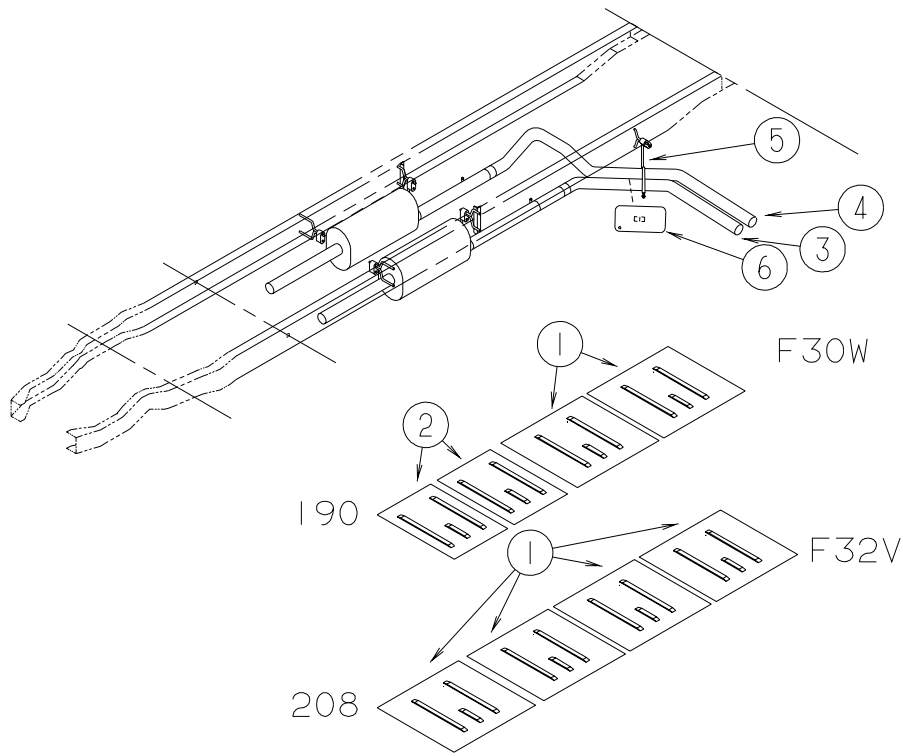
FROM: 00-00-00 THRU: 05-14-04
FROM: 05-15-04 THRU: 99-99-99

DRIVETRAIN

| KEY | PART NUMBER | U/M | DESCRIPTION |
|-----|---------------|-----|---|
| | 140691-07-000 | EA | DRIVESHAFT ASM-3 BALANCED - WORKHORSE 208"-220" STRETCH, F34D |
| | 138616-06-02B | EA | BRACKET - BEARING MOUNT - E-COATED - WORKHORSE 208"-220" STRETCH, F34D |
| | 129580-09-000 | EA | DRIVESHAFT - BALANCED - 220" WB - FORD 208"-220" STRETCH, F34D |
| | 128528-03-000 | EA | BOLT - U-JOINT - 3/8-24 X 3/4 - FORD, F30W |
| | | | FROM: 10-04-03 THRU: 99-99-99 |
| | 128528-04-000 | EA | STRAP - BEARING - 1480 JOINT - FORD, F30W |
| | | | FROM: 10-04-03 THRU: 99-99-99 |
| | 149203-01-000 | EA | DRIVESHAFT ASM-DANA 145, 190" - FORD, F30W |
| | | | FROM: 11-04-03 THRU: 99-99-99 |
| | 115043-03-000 | EA | BUSHING - DRIVESHAFT - FORD, F30W |
| | | | FROM: 11-04-03 THRU: 99-99-99 |

CHASSIS GROUP (CONTINUED)

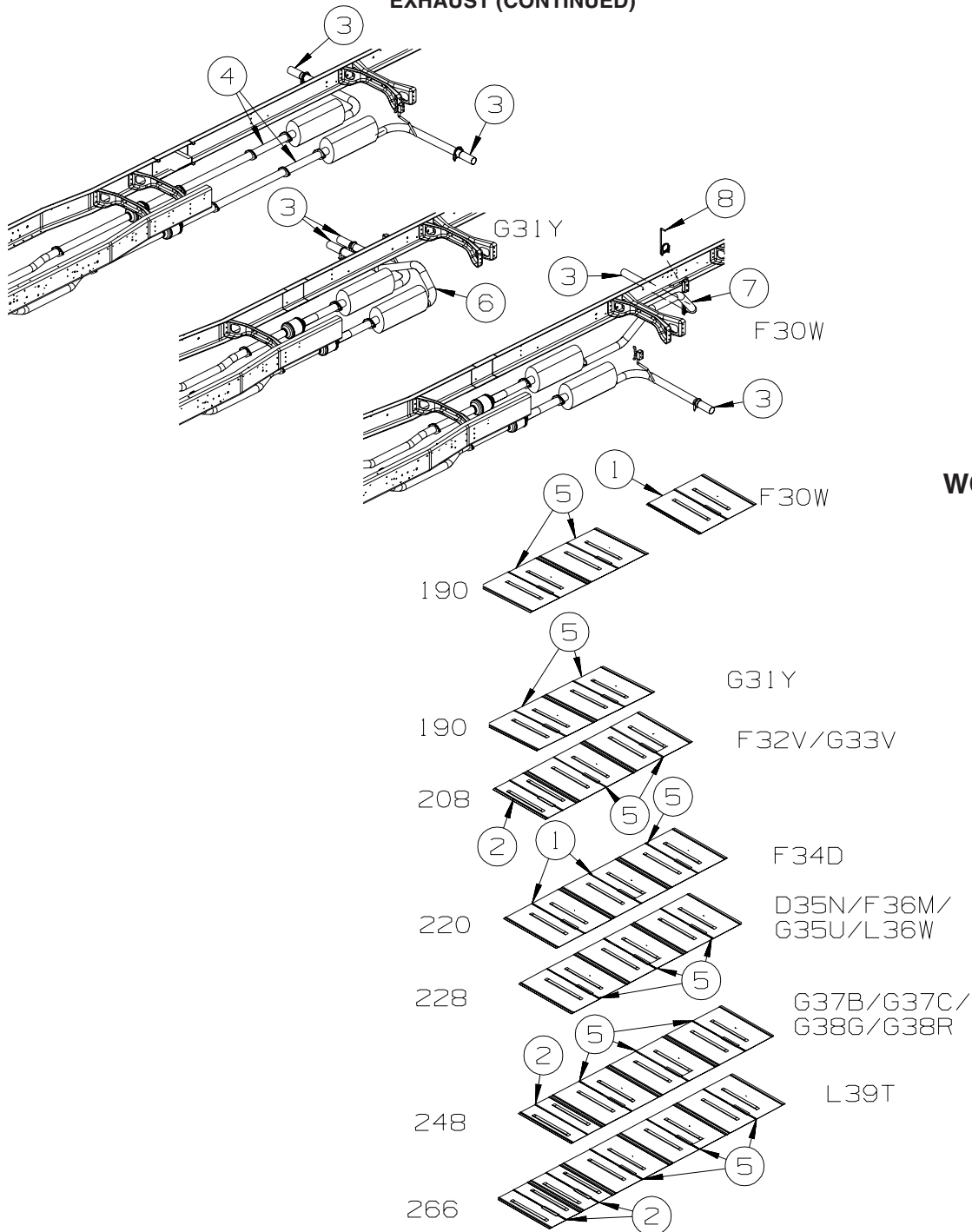
EXHAUST



WORKHORSE

| KEY | PART NUMBER | U/M | DESCRIPTION |
|-----|---------------|-----|---------------------------------------|
| 1 | 143712-02-02B | EA | SHIELD - HEAT/EXHAUST - E-COATED |
| 2 | 143712-01-02B | EA | SHIELD - HEAT/EXHAUST - E-COATED |
| 3 | 137336-01-000 | EA | PIPE - EXHAUST - SIDE |
| 4 | 137337-01-000 | EA | PIPE - EXHAUST - CROSSOVER |
| 5 | 122392-07-02B | EA | HANGER - TAILPIPE - DOUBLE - E-COATED |
| 6 | 143138-01-02B | EA | SHIELD - EXHAUST - E-COATED |

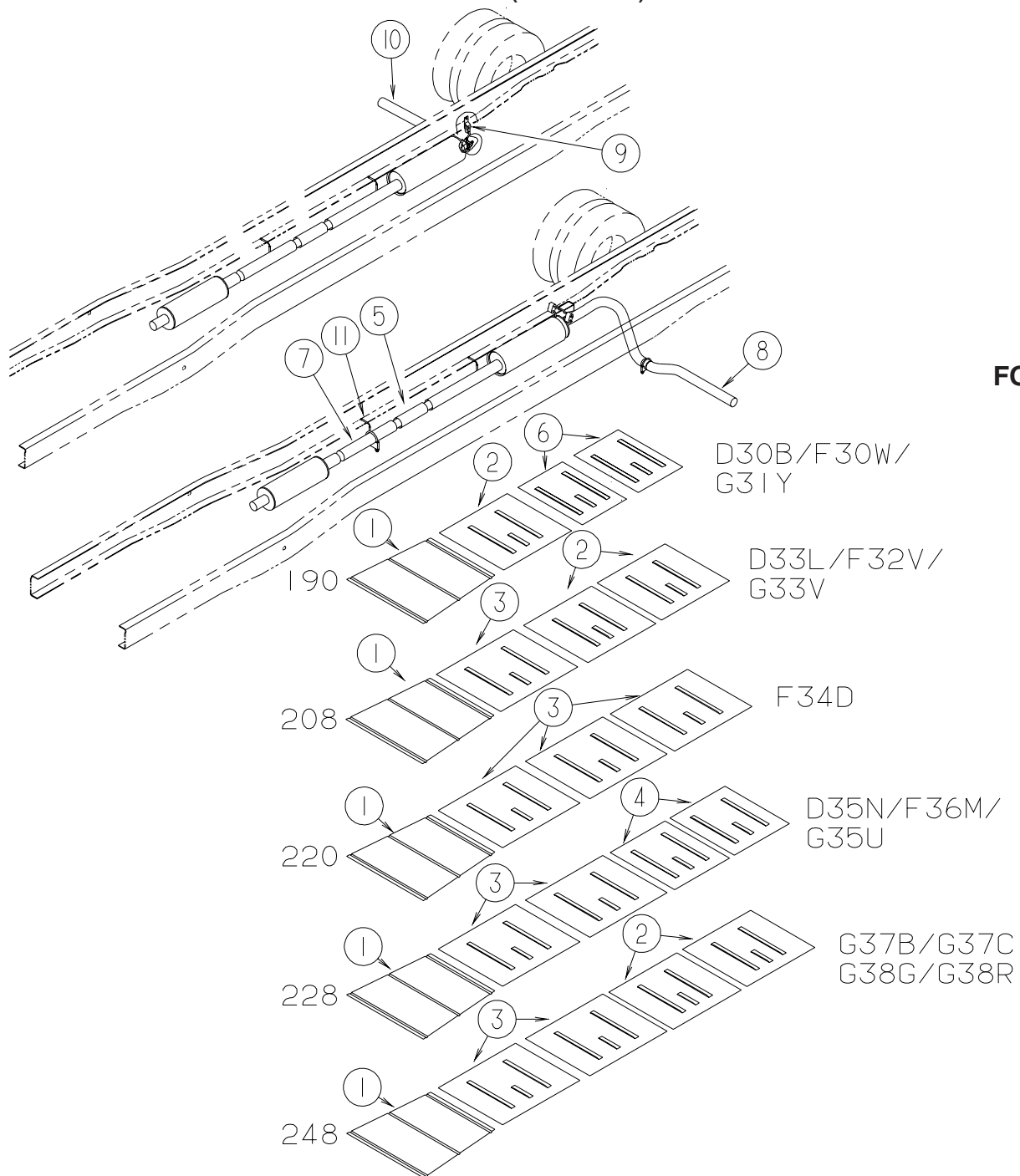
CHASSIS GROUP (CONTINUED) EXHAUST (CONTINUED)



WORKHORSE

| KEY | PART NUMBER | U/M | DESCRIPTION |
|-----|---------------|-----|---|
| 1 | 143712-02-02B | EA | SHIELD - HEAT/EXHAUST - E-COATED |
| 2 | 143712-01-02B | EA | SHIELD - HEAT/EXHAUST - E-COATED |
| 3 | 098762-05-000 | EA | EXTENSION - EXHAUST - STRAIGHT - 3" O.D X 7.9" LONG - SST |
| 3 | 094918-01-000 | EA | CLAMP - EXHAUST - 3" - GUILLOTINE STYLE |
| 4 | 137652-03-000 | EA | PIPE - EXHAUST - W/FLANGES - 208"-220" STRETCH, F34D |
| 4 | 137652-05-000 | EA | PIPE - EXHAUST - W/FLANGES - 190"-220" STRETCH, F34D |
| 5 | 143712-05-02B | EA | SHIELD - HEAT/EXHAUST - E-COATED |
| 6 | NOT USED | | |
| 7 | 137925-03-000 | EA | PIPE - EXHAUST - RIGHT HAND - 190" F30W FROM: 10-06-03 THRU: 02-13-04 |
| 7 | 137925-04-000 | EA | PIPE - EXHAUST - RIGHT HAND - 190" F30W FROM: 02-14-04 THRU: 99-99-99 |
| 8 | 122392-11-02B | EA | HANGER - TAILPIPE - E-COATED - 190" F30W FROM: 10-06-03 THRU: 02-08-04 |
| 8 | 122392-13-02B | EA | HANGER - TAILPIPE - E-COATED - 190" F30W FROM: 02-09-04 THRU: 99-99-99 |

CHASSIS GROUP (CONTINUED)
EXHAUST (CONTINUED)



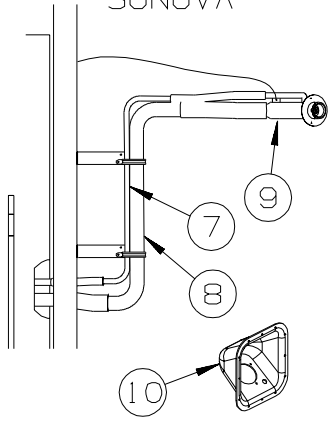
FORD

| KEY | PART NUMBER | U/M | DESCRIPTION |
|-----|---------------|-----|---|
| 1 | 128756-01-02B | EA | SHIELD - HEAT/EXHAUST - 33.9" X 16.9" - E-COATED |
| 2 | 143712-02-02B | EA | SHIELD - HEAT/EXHAUST - E-COATED |
| 3 | 143712-05-02B | EA | SHIELD - HEAT/EXHAUST - E-COATED |
| 4 | 143712-07-02B | EA | SHIELD - HEAT/EXHAUST - E-COATED |
| 5 | 112012-02-000 | EA | PIPE - EXHAUST - 3" DIAMETER - FORD CHASSIS - 208"-220" STRETCH, F34D |
| | 094918-06-000 | EA | CLAMP - EXHAUST - 3" - HEAVY DUTY |
| 6 | 143712-01-02B | EA | SHIELD - HEAT/EXHAUST - E-COATED |
| 7 | NOT USED | | |
| 8 | 142985-01-000 | EA | PIPE - EXHAUST |
| 9 | NOT USED | | |
| 10 | NOT USED | | |
| 11 | NOT USED | | |

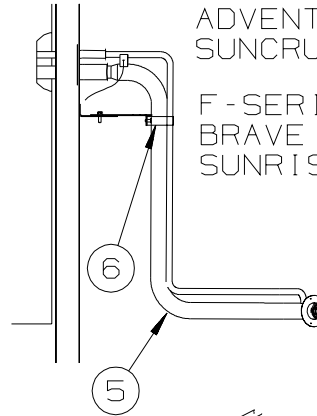
CHASSIS GROUP (CONTINUED)

FUEL

D-SERIES
SIGHTSEER
SONOVA

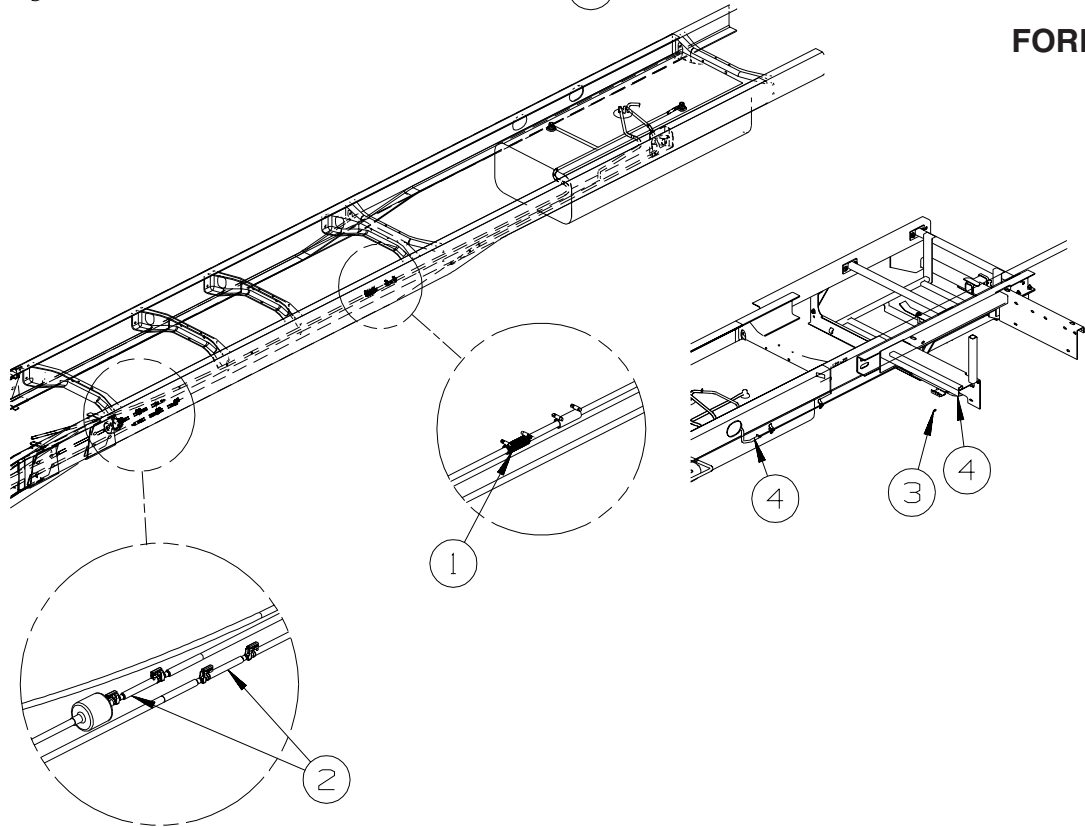


G-SERIES
ADVENTURER
SUNCRUISER



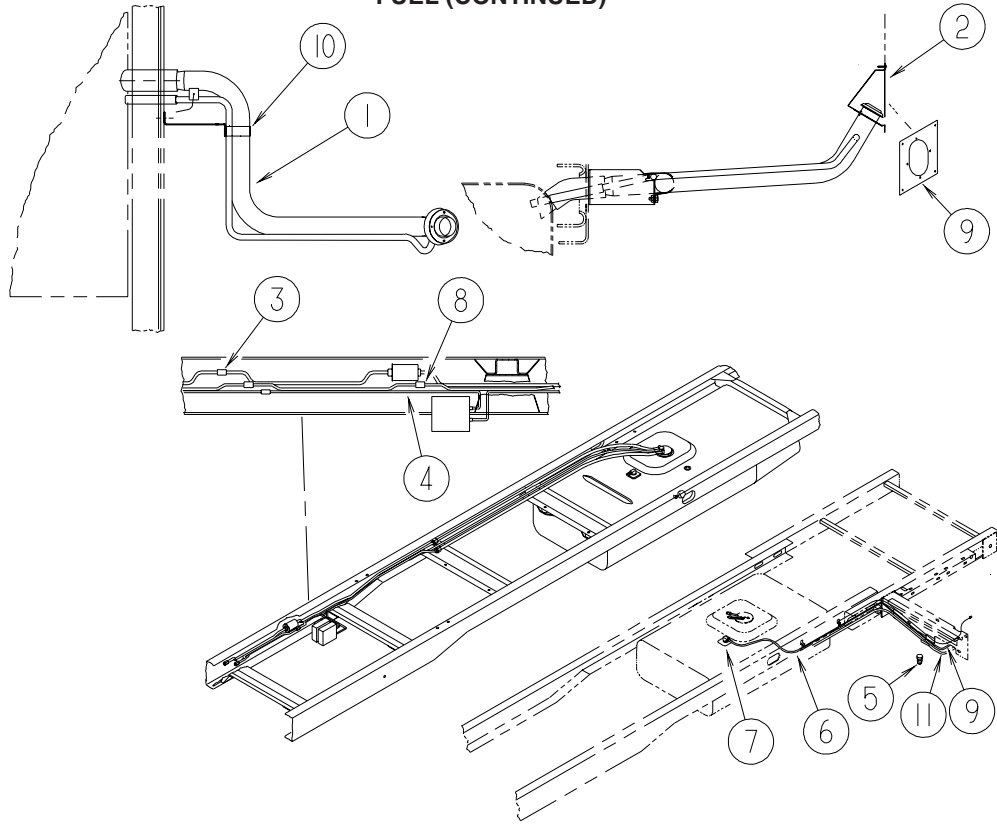
F-SERIES
BRAVE
SUNRISE

FORD



| KEY | PART NUMBER | U/M | DESCRIPTION |
|-----|---------------|-----|--|
| 1 | 128139-02-000 | FT | HOSE - FUEL - LOW PERMEABILITY - 5/8" DIAMETER - F34D |
| 2 | 129494-02-000 | EA | FUEL LINE - 5/16" X 34.9" - FORD CHASSIS - STRETCH, F34D |
| 3 | 084884-01-000 | EA | PLUG - BRASS - 3/8" |
| 4 | 128139-03-000 | FT | HOSE - FUEL - LOW PERMEABILITY - 1/4" DIAMETER |
| 5 | 135801-01-000 | EA | NECK - FUEL FILL |
| 6 | 140728-02-02B | EA | BRACKET - FUEL FILL - E-COATED |
| 7 | NOT USED | | |
| 8 | NOT USED | | |
| 9 | NOT USED | | |
| 10 | NOT USED | | |

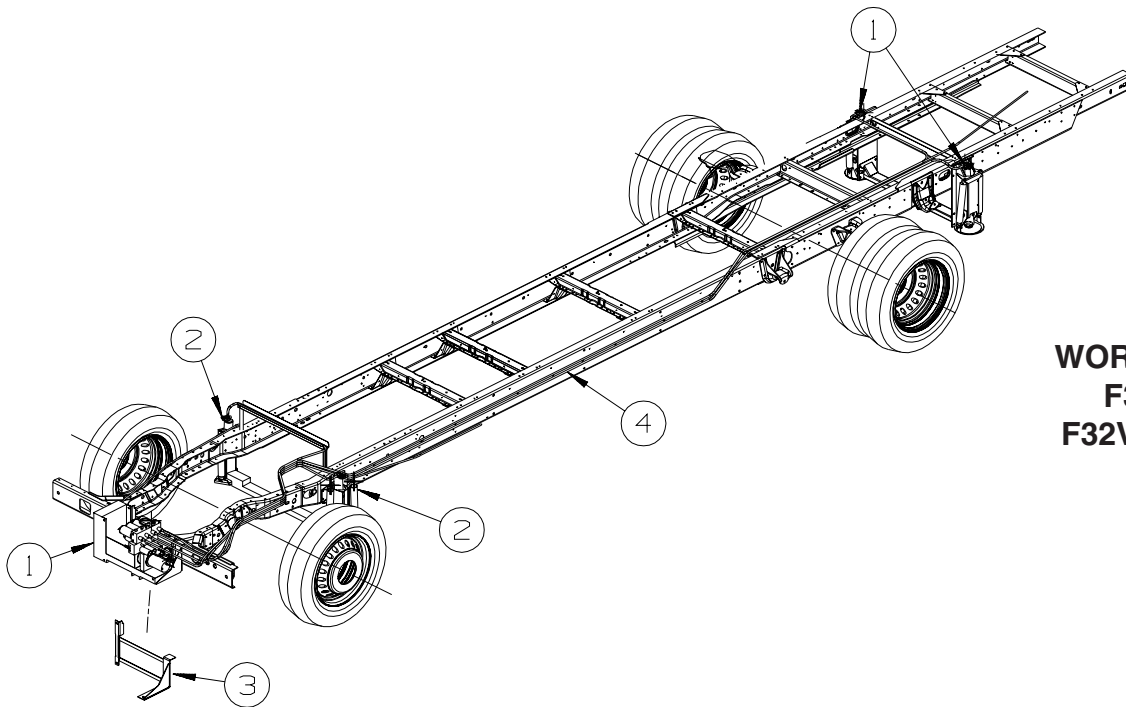
CHASSIS GROUP (CONTINUED)
FUEL (CONTINUED)



WORKHORSE

| KEY | PART NUMBER | U/M | DESCRIPTION |
|-----|---------------|-----|---|
| 1 | 136300-01-000 | EA | NECK - FUEL FILL - F30W, F32V W/P32 CHASSIS |
| 1 | 136300-02-000 | EA | NECK - FUEL FILL - F32V W/W20 CHASSIS, F34D, F36M |
| 2 | 128299-02-01A | EA | SHROUD - FUEL FILL |
| 3 | 098779-02-000 | EA | COUPLER - FUEL LINE - 1.2" LONG X 16MM THREAD - ALTERED LENGTH CHASSIS, F34D |
| 4 | N/A | | CONTACT WINNEBAGO PART SALES |
| 5 | 084884-01-000 | EA | PLUG - BRASS - 3/8" |
| 6 | 128139-03-000 | FT | HOSE - FUEL - LOW PERMEABILITY - 1/4" DIAMETER |
| 7 | 068382-06-000 | EA | BUSHING - BRASS - 3/8"MPT X 1/8"FPT |
| 7 | 114254-01-000 | EA | ADAPTER - 1/4 BARB X 1/8 MPT |
| 8 | 098779-01-000 | EA | COUPLER - FUEL LINE - 1.2" LONG X 14MM THREAD - 228"-248" STRETCH, 2003 CHASSIS |
| 9 | NOT USED | | |
| 10 | 140728-01-02B | EA | BRACKET - FUEL FILL - E-COATED |
| 11 | NOT USED | | |

CHASSIS GROUP (CONTINUED)
HYDRAULIC LEVELING

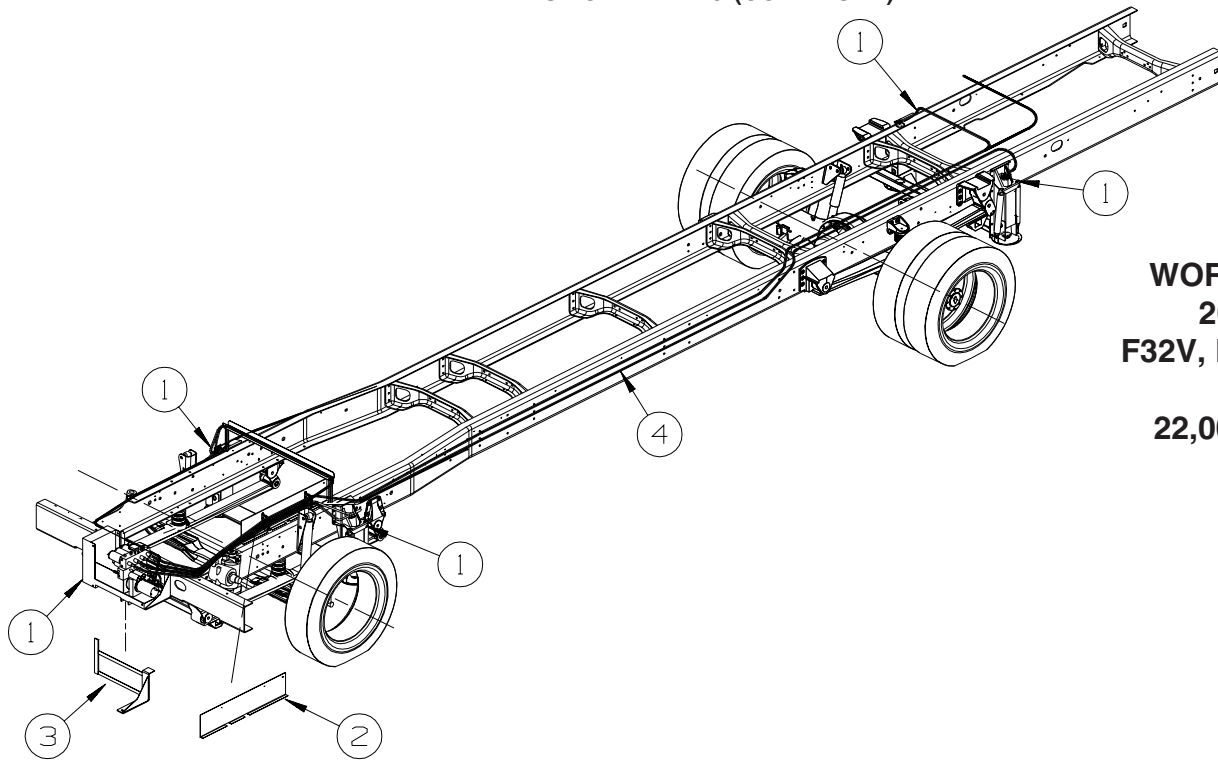


**WORKHORSE
F30W &
F32V 18,000#**

| KEY | PART NUMBER | U/M | DESCRIPTION |
|-----|---------------|-----|---|
| 1* | 144226-11-000 | EA | LEVELING SYSTEM - 325 SYSTEM W/2 SLIDEOUTS - P32 WORKHORSE FROM: 00-00-00 THRU: 08-31-03 |
| 1* | 144226-23-000 | EA | LEVELING SYSTEM - 325 SYSTEM W/2 SLIDEOUTS - P32 WORKHORSE FROM: 09-01-03 THRU: 99-99-99 |
| 2* | 128285-03-000 | EA | JACK/CROSSMEMBER ASSEMBLY - FRONT - WORKHORSE |
| 3 | 146973-01-02B | EA | BRACKET - LEVELING PUMP - E-COATED |
| 4* | 100536-48-000 | EA | HOSE KIT - LEVELING JACKS |

***COMPONENT PARTS LISTED LATER IN THIS GROUP**

CHASSIS GROUP (CONTINUED)
HYDRAULIC LEVELING (CONTINUED)

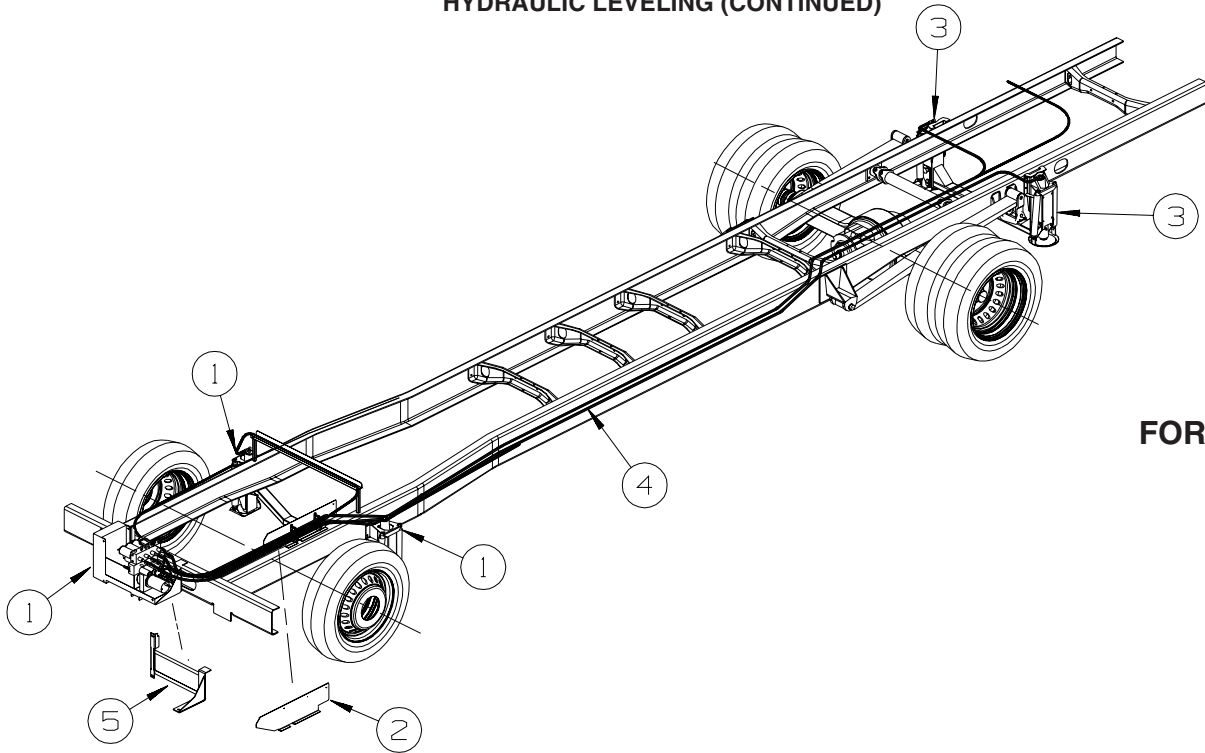


WORKHORSE
20,700#
F32V, F34D, F36M
&
22,000# F36M

| KEY | PART NUMBER | U/M | DESCRIPTION |
|-----|---------------|-----|---|
| 1* | 144226-08-000 | EA | LEVELING SYSTEM - W/2 SLIDEOUTS FROM: 00-00-00 THRU: 08-31-03 |
| 1* | 144226-20-000 | EA | LEVELING SYSTEM - 325 SYSTEM W/2 SLIDEOUTS - W22 WORKHORSE FROM: 09-01-03 THRU: 99-99-99 |
| 2 | 132999-02-02B | EA | SHIELD - HEAT - E-COATED |
| 3 | 146973-01-02B | EA | BRACKET - LEVELING PUMP - E-COATED |
| 4* | 100536-48-000 | EA | HOSE KIT - LEVELING JACKS |

***COMPONENT PARTS LISTED LATER IN THIS GROUP**

CHASSIS GROUP (CONTINUED)
HYDRAULIC LEVELING (CONTINUED)



FORD

| KEY | PART NUMBER | U/M | DESCRIPTION |
|-----|---------------|-----|--|
| 1* | 144226-09-000 | EA | LEVELING SYSTEM - 325 SYSTEM W/2 SLIDEOUTS - FORD - 2003 FORD CHASSIS FROM: 00-00-00 THRU: 08-31-03 |
| 1* | 144226-21-000 | EA | LEVELING SYSTEM - 325 SYSTEM W/2 SLIDEOUTS - FORD - 2003 FORD CHASSIS FROM: 09-01-03 THRU: 99-99-99 |
| 1* | 144226-29-000 | EA | LEVELING SYSTEM - 325 SYSTEM W/2 SLIDEOUTS - FORD - 2004 FORD CHASSIS |
| 2 | 132999-01-02B | EA | SHIELD - HEAT - E-COATED |
| 3* | 128571-05-000 | EA | JACK/CROSSMEMBER ASSEMBLY - REAR - FORD - 2003 FORD CHASSIS |
| 3 | 128571-06-000 | EA | JACK/CROSSMEMBER ASSEMBLY - REAR - FORD - 2004 FORD CHASSIS |
| 4* | 100536-48-000 | EA | HOSE KIT - LEVELING JACKS |
| 5 | 146973-01-02B | EA | BRACKET - LEVELING PUMP - E-COATED |

***COMPONENT PARTS LISTED LATER IN THIS GROUP**

CHASSIS GROUP (CONTINUED)
COMPONENT PARTS FOR HYDRAULIC LEVELING

100536-48-000

| KEY | PART NUMBER | U/M | DESCRIPTION | VENDOR NO. |
|------------|--------------------|------------|-------------------------|-------------------|
| | 100536-31-700 | EA | HOSE - HYDRAULIC - 360" | RAP4163 |
| | 100536-31-701 | EA | HOSE - HYDRAULIC - 96" | RAP5352 |
| | 100536-39-700 | EA | HOSE - HYDRAULIC - 384" | RAP4164 |
| | 100536-48-700 | EA | HOSE - 146" | RAP2443 |

128285-03-000

| KEY | PART NUMBER | U/M | DESCRIPTION | VENDOR NO. |
|------------|--------------------|------------|------------------------------|-------------------|
| | 100532-12-707 | EA | SPRING KIT (PAIR) | R3847 |
| | 100532-45-700 | EA | CYLINDER W/O FOOT - 6K X 13" | RAP90490/AP16112 |
| | 131306-02-700 | EA | FOOT - 6K JACK | RAP2004/AP13882 |
| | 144226-01-700 | EA | SWITCH - WARNING/MAGNETIC | RAP90968/AP26641 |

128571-05-000

| KEY | PART NUMBER | U/M | DESCRIPTION | VENDOR NO. |
|------------|--------------------|------------|---------------------------|-------------------|
| | 100532-12-707 | EA | SPRING KIT (PAIR) | R3847 |
| | 100532-53-700 | EA | CYLINDER W/O FOOT - 9K | RAP90491/AP15891 |
| | 131306-02-701 | EA | FOOT/JACK - 9K & 12K | RAP8464/AP17525 |
| | 144226-01-700 | EA | SWITCH - WARNING/MAGNETIC | RAP90968/AP26641 |

144226-08-000

| KEY | PART NUMBER | U/M | DESCRIPTION | VENDOR NO. |
|------------|--------------------|------------|------------------------------|-------------------|
| | 100532-53-700 | EA | CYLINDER W/O FOOT - 9K | RAP90491/AP15891 |
| | 131306-22-701 | EA | CROSSMEMBER - FRONT JACK | AP22754 |
| | 131306-26-700 | EA | MANIFOLD ASM. - 2 ROOM | RAP90870/AP20550 |
| | 131306-29-702 | EA | CROSSMEMBER - REAR JACK | AP20775 |
| | 144226-01-700 | EA | SWITCH - WARNING/MAGNETIC | RAP90968/AP26641 |
| | 144226-03-701 | EA | ENCLOSURE W/SENSING UNIT | RAP91269/AP29291 |
| | 144226-08-700 | EA | TOUCH PAD | RAP90938/AP29691 |
| | 144226-08-701 | EA | CONTROL BOX | AP30377/KURT P. |
| | 144226-08-702 | EA | SENSOR/BI-AXIS - PROGRAMABLE | RAP91172/AP28010 |
| | 144226-08-703 | EA | PUMP MOTOR/TANK ASM-MONARCH | RAP90916/AP30348 |

144226-09-000

| KEY | PART NUMBER | U/M | DESCRIPTION | VENDOR NO. |
|------------|--------------------|------------|------------------------------|-------------------|
| | 131306-26-700 | EA | MANIFOLD ASM. - 2 ROOM | RAP90870/AP20550 |
| | 144226-01-700 | EA | SWITCH - WARNING/MAGNETIC | RAP90968/AP26641 |
| | 144226-08-703 | EA | PUMP MOTOR/TANK ASM-MONARCH | RAP90916/AP30348 |
| | 144226-09-700 | EA | MANIFOLD/JACKS - LIGHT WH/FD | AP21901 |

144226-11-000

| KEY | PART NUMBER | U/M | DESCRIPTION | VENDOR NO. |
|------------|--------------------|------------|---------------------------|-------------------|
| | 144226-01-700 | EA | SWITCH - WARNING/MAGNETIC | RAP90968/AP26641 |

144226-20-000

| KEY | PART NUMBER | U/M | DESCRIPTION | VENDOR NO. |
|------------|--------------------|------------|------------------------------|-------------------|
| | 100532-12-707 | EA | SPRING KIT (PAIR) | R3847 |
| | 100532-53-700 | EA | CYLINDER W/O FOOT - 9K | RAP90491/AP15891 |
| | 131306-02-701 | EA | FOOT/JACK - 9K & 12K | RAP8464/AP17525 |
| | 131306-26-700 | EA | MANIFOLD ASM. - 2 ROOM | RAP90870/AP20550 |
| | 144226-01-700 | EA | SWITCH - WARNING/MAGNETIC | RAP90968/AP26641 |
| | 144226-08-702 | EA | SENSOR/BI-AXIS - PROGRAMABLE | RAP91172/AP28010 |
| | 144226-08-703 | EA | PUMP MOTOR/TANK ASM-MONARCH | RAP91168/AP30348 |
| | 144226-09-700 | EA | MANIFOLD/JACKS - LIGHT WH/FD | AP21901 |
| | 144226-20-700 | EA | TOUCH PAD - 325 GAS | RAP91259/AP31350 |
| | 144226-25-700 | EA | ENCLOSURE BOX W/SENSING UNIT | RAP91262/AP31348 |

144226-21-000

| KEY | PART NUMBER | U/M | DESCRIPTION | VENDOR NO. |
|------------|--------------------|------------|------------------------------|-------------------|
| | 100532-12-707 | EA | SPRING KIT (PAIR) | R3847 |
| | 100532-45-700 | EA | CYLINDER W/O FOOT - 6K X 13" | RAP90490/AP16112 |
| | 100532-53-700 | EA | CYLINDER W/O FOOT - 9K | RAP90491/AP15891 |
| | 131306-02-700 | EA | FOOT/JACK - 6K | RAP2004/AP13882 |
| | 131306-02-701 | EA | FOOT/JACK - 9K & 12K | RAP8464/AP17525 |
| | 131306-26-700 | EA | MANIFOLD ASM. - 2 ROOM | RAP90870/AP20550 |
| | 144226-01-700 | EA | SWITCH - WARNING/MAGNETIC | RAP90968/AP26641 |
| | 144226-08-703 | EA | PUMP MOTOR/TANK ASM-MONARCH | RAP91168/AP30348 |
| | 144226-18-700 | EA | CYLINDER W/O FOOT - 6K | RAP90490/AP26658 |

CHASSIS GROUP (CONTINUED)
COMPONENT PARTS FOR HYDRAULIC LEVELING (CONTINUED)

144226-23-000

| KEY | PART NUMBER | U/M | DESCRIPTION | VENDOR NO. |
|------------|--------------------|------------|------------------------------|-------------------|
| | 100532-12-707 | EA | SPRING KIT (PAIR) | R3847 |
| | 100532-45-700 | EA | CYLINDER W/O FOOT - 6K X 13" | RAP90490/AP16112 |
| | 100532-53-700 | EA | CYLINDER W/O FOOT - 9K | RAP90491/AP15891 |
| | 131306-02-700 | EA | FOOT - 6K JACK | RAP2004/AP13882 |
| | 131306-02-701 | EA | FOOT/JACK - 9K & 12K | RAP8464/AP17525 |
| | 131306-26-700 | EA | MANIFOLD ASM. - 2 ROOM | RAP90870/AP20550 |
| | 144226-01-700 | EA | SWITCH - WARNING/MAGNETIC | RAP90968/AP26641 |
| | 144226-08-703 | EA | PUMP MOTOR/TANK ASM-MONARCH | RAP91168/AP30348 |

144226-29-000

| KEY | PART NUMBER | U/M | DESCRIPTION | VENDOR NO. |
|------------|--------------------|------------|-----------------------------|-------------------|
| | 100532-12-707 | EA | SPRING KIT (PAIR) | R3847 |
| | 131306-02-700 | EA | FOOT - 6K JACK | RAP2004/AP13882 |
| | 131306-26-700 | EA | MANIFOLD ASM. - 2 ROOM | RAP90870/AP20550 |
| | 144226-01-700 | EA | SWITCH - WARNING/MAGNETIC | RAP90968/AP26641 |
| | 144226-08-703 | EA | PUMP MOTOR/TANK ASM-MONARCH | RAP90916/AP30348 |
| | 144226-29-700 | EA | CYLINDER - 6K (325) | RAP91184/AP31656 |

CHASSIS GROUP (CONTINUED)

SUSPENSION

F30W, F32V

KEY PART NUMBER U/M DESCRIPTION

* 122756-04-000 EA SHOCK & STABILIZER KIT - WORKHORSE/WIDE BODY CHASSIS

***COMPONENT PARTS LISTED LATER IN THIS GROUP**

CHASSIS GROUP (CONTINUED)
COMPONENT PARTS FOR SUSPENSION

122756-04-000

| KEY | PART NUMBER | U/M | DESCRIPTION | VENDOR NO. |
|------------|--------------------|------------|------------------------------|-------------------|
| | 122756-02-707 | EA | DAMPNER - STEERING | T818SD |
| | 122756-02-708 | EA | BOOT - DAMPNER | T818SDB |
| | 122756-02-709 | EA | BUSHING PKG-STEERING DAMPNER | T818SDBSH |
| | 122756-02-710 | EA | BOLT PKG - STEERING DAMPNER | T818BSD |
| | 122756-03-702 | EA | SHOCK | 557003 |
| | 122756-04-700 | EA | BRACKET ASSEMBLY - DRIVER | T818L-WW |
| | 122756-04-701 | EA | BRACKET ASSEMBLY - PASSENGER | T818R-WW |
| | 122756-04-702 | EA | BOLT PACKAGE KIT | T818B-WW |

CHASSIS GROUP (CONTINUED)

WHEEL, TIRE, COVERS &/OR LINERS

| KEY | PART NUMBER | U/M | DESCRIPTION |
|-----|---------------|-----|--|
| | 080208-02-000 | EA | BAR - LEVERAGE - LUG WRENCH - CHEVY/OSHKOSH - WORKHORSE 18.000 GVWR |
| | 080208-06-000 | EA | LUG WRENCH - 1" X 1.06" W/DEEP SOCKET ENDS - WORKHORSE 18.000 GVWR |
| | 080208-05-000 | EA | BAR - LEVERAGE - LUG WRENCH - .75"DIA. - WORKHORSE 20.700 & 22,000 GVWR |
| | 080208-04-000 | EA | LUG WRENCH - 1 3/16" - OSHKOSH/SPARTAN - WORKHORSE 20.700 & 22,000 GVWR |
| | 064963-03-000 | EA | WHEEL - STEEL - 6" X 19.5" - WORKHORSE 18.000 GVWR |
| | 118814-05-000 | EA | WHEEL - STEEL - 19.5" X 6.75" - W/STEM - GRAY - WORKHORSE 20.700 & 22,000 GVWR |
| | 091673-07-000 | EA | TIRE - 225/70R19.5 LRF - MICHELIN XRV - WORKHORSE 18.000 GVWR |
| | 102340-07-000 | EA | TIRE - 245/70R X 19.5 - LOAD RANGE F - MICHELIN XRV - WORKHORSE 20,700 GVWR, W22 |
| | 102340-09-000 | EA | TIRE - 245/70R X 19.5G - GOODYEAR - WORKHORSE 22,000 GVWR, W22 |
| | 102340-08-000 | EA | TIRE - 245/70R X 19.5F - GOODYEAR - FORD |
| * | 134609-04-000 | EA | LINER - WHEEL - SET OF 4 - 19.5" - WORKHORSE 18.000 GVWR FROM: 00-00-00 THRU: 12-03-03 |
| * | 145580-04-000 | EA | LINER - WHEEL(SET OF 4) - 19.5"/10 BOLT - WORKHORSE 18.000 GVWR FROM: 12-04-03 THRU: 99-99-99 |
| * | 134609-02-000 | EA | LINER - WHEEL - SET OF 4 - 19.5" - WORKHORSE 20.700 & 22,000 GVWR FROM: 00-00-00 THRU: 11-19-03 |
| * | 145580-03-000 | EA | LINER - WHEEL(SET OF 4) - 19.5" - 8 BOLT/4 HAND HOLE - WORKHORSE 20.700 & 22,000 GVWR FROM: 11-20-03 THRU: 99-99-99 |
| * | 110435-20-000 | EA | LINER - WHEEL - SET/4 - 19.5" - W/METRIC JAMB NUTS - FORD |
| | 110435-21-000 | EA | JAMB NUT W/CHROME NUT COVER - METRIC THREAD - 2003 FORD - FORD |
| | 051377-01-000 | EA | VALVE STEM |
| | 051377-06-000 | EA | VALVE STEM - .5" X 2 1/3" W/W22 DEGREE BEND |
| | 077030-01-000 | EA | EXTENSION - VALVE STEM - 1.25" - METAL |
| | 077030-10-000 | EA | EXTENSION - VALVE STEM - .50" - METAL |
| | 095012-09-000 | EA | EXTENSION - VALVE STEM - LIVE - 7.7" |
| | 095012-07-000 | EA | STABILIZER - VALVE EXTENSION - LIVE - 4" |

*COMPONENT PARTS LISTED LATER IN THIS GROUP

CHASSIS GROUP (CONTINUED)
COMPONENT PARTS FOR WHEEL, TIRE, COVERS &/OR LINERS

110435-20-000

| KEY | PART NUMBER | U/M | DESCRIPTION | VENDOR NO. |
|-----|---------------|-----|------------------------------|---------------|
| | 110435-02-704 | EA | COVER-JAMB NUT | V160F0-LNC |
| | 110435-04-705 | EA | DECAL-CTR HUB 2 3/4" DIAMOND | |
| | 110435-10-705 | EA | TOOL/JAMB NUT INSTALLATION | V195P7-TOL |
| | 110435-15-700 | EA | LINER - WHEEL - FRONT | V195F9-FWC |
| | 110435-15-701 | EA | LINER - WHEEL - REAR | V195F9-RWC |
| | 110435-20-700 | EA | LNC W/ENCL M14X1.5 JAM NUT | V195F9-EJN-MF |

134609-02-000

| KEY | PART NUMBER | U/M | DESCRIPTION | VENDOR NO. |
|-----|---------------|-----|-------------------------------------|--------------|
| | 091209-13-704 | EA | NUT-JAMB-A20, 22M THREAD FRT | A20 |
| | 091209-13-705 | EA | LINER - FT - 19.5" W/SST NUT COVERS | 507 |
| | 091209-13-706 | EA | LINER - RR W/SST NUT COVERS | 508 |
| | 091209-13-708 | EA | CAP-CENTER, STAINLESS | A26 |
| | 091209-13-709 | EA | TOOL/JAMB NUT-ULTG/ULTI'S | M9100 |
| | 091209-16-000 | EA | NUT - JAM/THREADED - 22MM | KAPER II A20 |
| | 134609-02-700 | EA | COVER - LUG NUT 1 3/4" | 302 |
| | 134609-02-701 | EA | COVER - LUG NUT(2"DEEP) | L502 |

134609-04-000

| KEY | PART NUMBER | U/M | DESCRIPTION | VENDOR NO. |
|-----|---------------|-----|------------------------------|------------|
| | 134609-01-706 | EA | TOOL - F/EXTENDER & JAMB NUT | M9800 |
| | 134609-04-700 | EA | LINER - WHEEL - FRONT | S850 |
| | 134609-04-701 | EA | LINER - WHEEL - REAR | S910 |
| | 134609-04-702 | EA | JAMB NUT/LUG NUT CVR (REAR) | L250 |
| | 134609-04-703 | EA | JAMB NUT/LUG NUT CVR (FRONT) | L251 |
| | 134609-04-704 | EA | STUD/PLASTIC | L253 |
| | 134609-04-705 | EA | NUT/PLASTIC-JAMB NUT | L252 |

145580-03-000

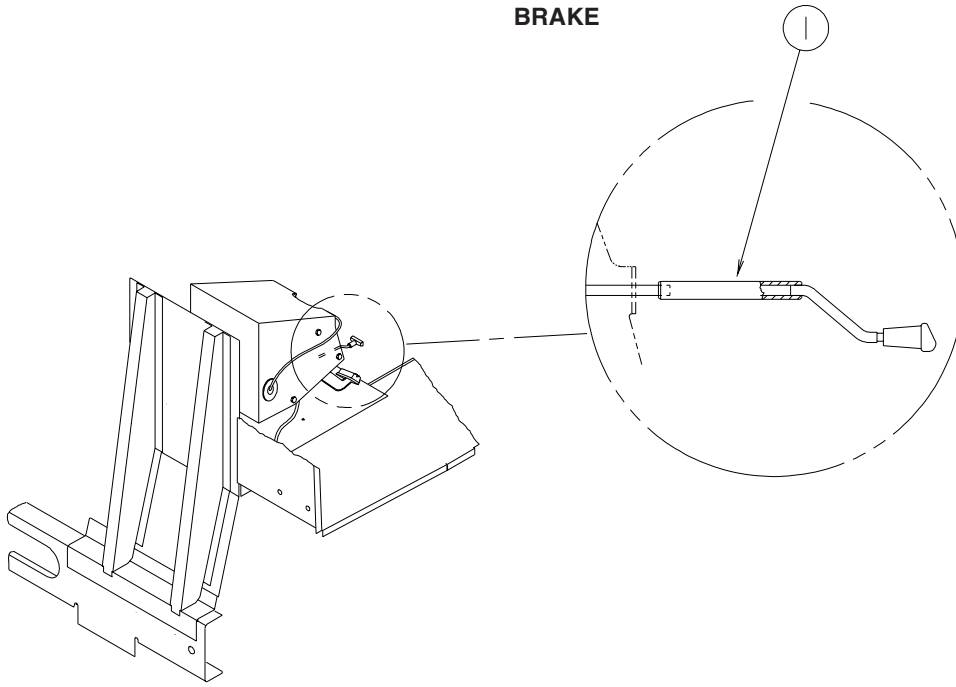
| KEY | PART NUMBER | U/M | DESCRIPTION | VENDOR NO. |
|-----|---------------|-----|-----------------------------|---------------------|
| | 110435-04-705 | EA | DECAL-CTR HUB 2 3/4" | 2 3/4 DECAL DIAMOND |
| | 110435-05-700 | EA | CAP-CENTER 4.50"D W/O DECAL | V22510-POC |
| | 110435-12-700 | EA | LINER - WHEEL - FRONT | V19580-FWC |
| | 110435-12-701 | EA | LINER - WHEEL - REAR | V19580-RWC |
| | 145580-01-702 | EA | COVER-LUG NUT/JAM NUT 22M | V19582-EJN |
| | 145580-01-703 | EA | TOOL-INSTALLATION | V22501-TOL |

145580-04-000

| KEY | PART NUMBER | U/M | DESCRIPTION | VENDOR NO. |
|-----|---------------|-----|------------------------------|---------------------|
| | 110435-04-705 | EA | DECAL-CTR HUB 2 3/4" | 2 3/4 DECAL DIAMOND |
| | 110435-10-701 | EA | LINER - WHEEL - REAR - 1 PC. | V195P7-RWC |
| | 110435-10-702 | EA | JAMB NUT W/JAMB NUT COVER | V195P7-EJN |
| | 110435-10-703 | EA | STUD - PLASTIC | V195P7-PST |
| | 110435-10-704 | EA | COVER-LUG NUT/PLASTIC JB NUT | V195P7-PJN |
| | 110435-10-705 | EA | TOOL/JAMB NUT INSTALLATION | V195P7-TOL |
| | 145580-04-700 | EA | LINER - WHEEL/FRONT - 1EA=1 | V195P72-FWC |

CHASSIS GROUP (CONTINUED)

BRAKE



FORD

| KEY | PART NUMBER | U/M | DESCRIPTION |
|-----|---------------|-----|--------------------------|
| 1 | 113007-01-000 | EA | PIN - SPRING - .375 X 3" |

BRAKELINE

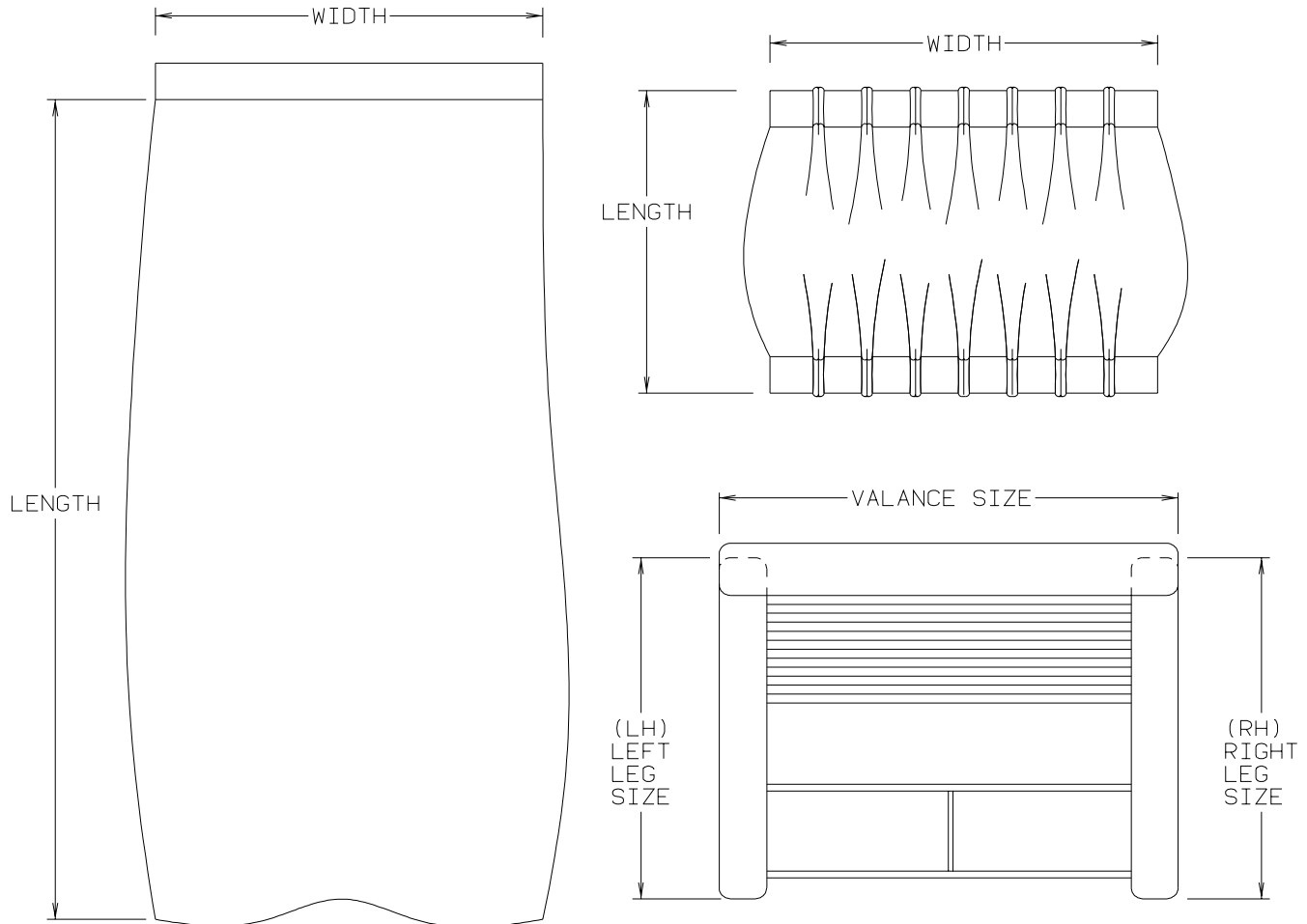
| KEY | PART NUMBER | U/M | DESCRIPTION |
|-----|---------------|-----|-------------------------------|
| | 075466-01-000 | EA | UNION - INVERTED FLAIR - 1/4" |

CURTAIN & CUSHION GROUP

NOTICE

IN ORDER TO ASSIST OUR PARTS SALES DEPT. IN PROVIDING INTERIOR SOFTWARE ITEMS, PLEASE INCLUDE THE SERIAL NUMBER AND THE COLOR CODE NUMBER FROM THE VEHICLE CERTIFICATION LABEL WHEN ORDERING. THIS LABEL IS LOCATED ON THE LEFT SIDEWALL AT THE END OF THE DASH (A-BODY), OR ON THE DRIVER'S DOOR LATCH PLATE (C-BODY).

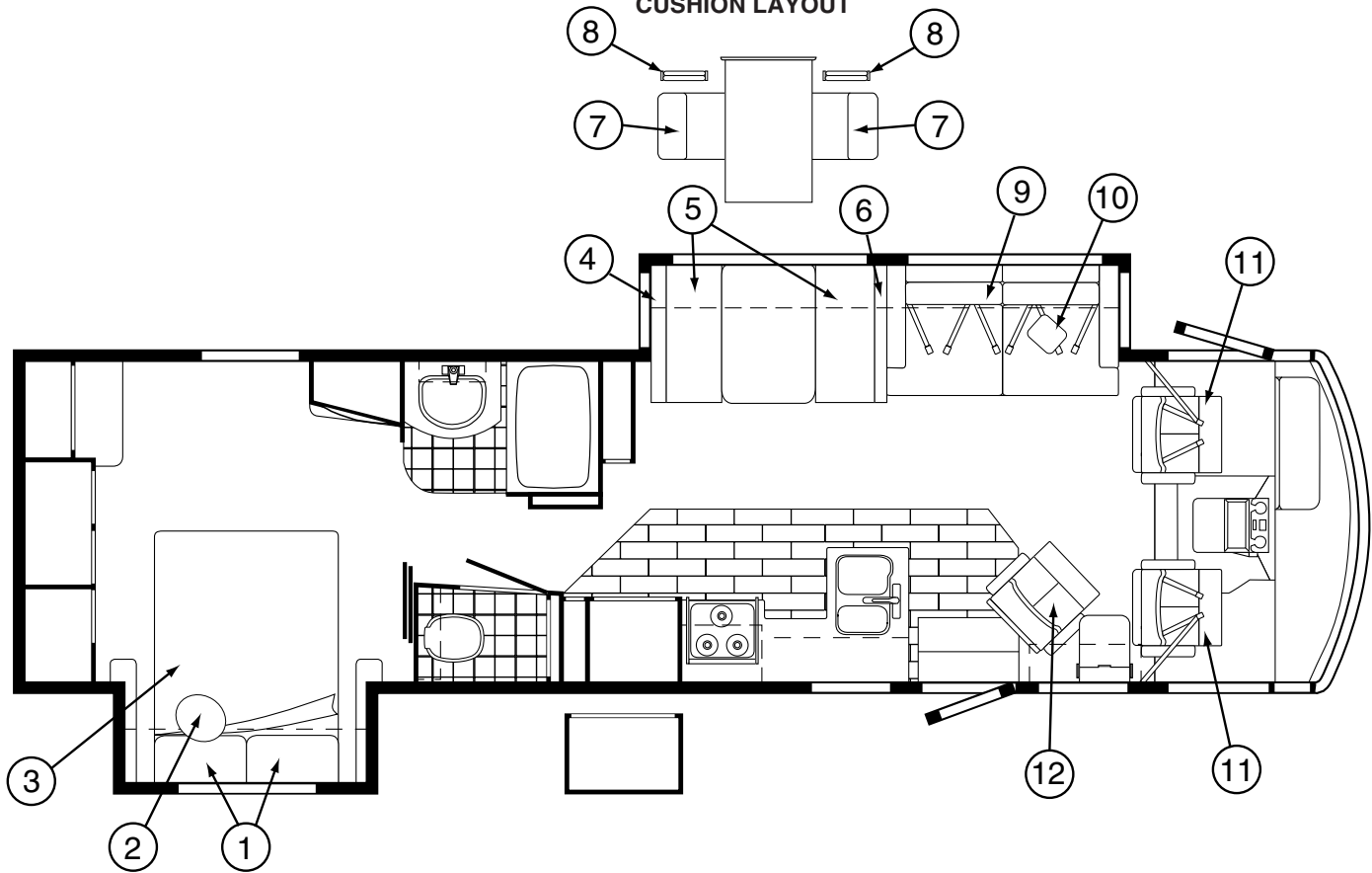
AN EXAMPLE OF A COLOR CODE NUMBER IS B07, WHICH DESIGNATES AN OVERALL COLOR SCHEME OF A PARTICULAR UNIT. THE COLOR LISTED AFTER THE ITEM DESCRIPTION ON THE MICROFICHE, INDICATES THE OVERALL UNIT COLOR. ORDER THE ITEM YOU DESIRE ACCORDING TO UNIT COLOR CODE. IF ALL COLORS USE THE SAME ITEM NO COLOR CODE WILL BE NOTED.



NOTE: USE THIS ILLUSTRATION WHEN DETERMINING LENGTH AND WIDTH MEASUREMENTS FOR CURTAINS. YOU WILL NOTE THE WIDTH MEASUREMENT IS TAKEN ON THE TOP OF THE CURTAIN WITH THE CURTAIN FULLY EXTENDED. THE LENGTH MEASUREMENT IS TAKEN FROM TOP TO BOTTOM. LEFT AND RIGHT WINDOW LEGS ARE DETERMINED WHEN FACING THE WINDOW.

CURTAIN & CUSHION GROUP (CONTINUED)

CUSHION LAYOUT



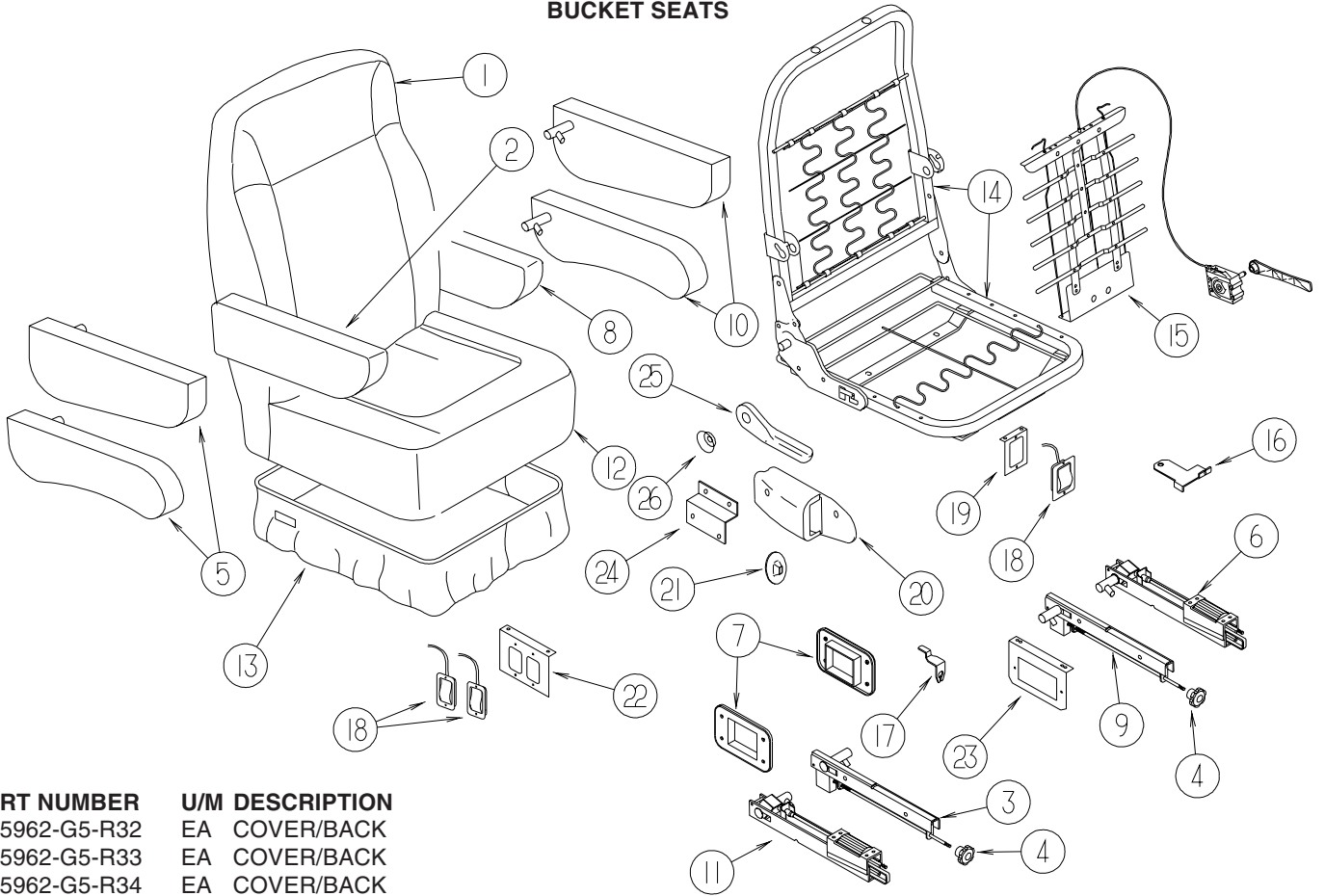
| KEY | PART NUMBER | U/M | DESCRIPTION |
|-----|---------------|-----|---|
| 1 | 104176-04-P37 | EA | PILLOW SHAM - 30" (R32) |
| 1 | 104176-04-P07 | EA | PILLOW SHAM - 30" (R33) |
| 1 | 104176-04-R34 | EA | PILLOW SHAM - 30" (R34) |
| 2 | 133822-04-P37 | EA | PILLOW - 16" - ROUND - W/BUTTON (R32) |
| 2 | 133822-04-P38 | EA | PILLOW - 16" - ROUND - W/BUTTON (R33) |
| 2 | 133822-04-R34 | EA | PILLOW - 16" - ROUND - W/BUTTON (R34) |
| 3 | 132336-17-P37 | EA | BEDSPREAD/CAP - 60" X 80" (R32) |
| 3 | 132336-17-P38 | EA | BEDSPREAD/CAP - 60" X 80" (R33) |
| 3 | 132336-17-R34 | EA | BEDSPREAD/CAP - 60" X 80" (R34) |
| 3 | 123015-07-000 | EA | MATTRESS - INNERSPRING - 60" X 79.5" |
| 4 | 142291-02-P37 | EA | BACK - DINETTE CUSHION - LEFT - 11" X 42" (R32) |
| 4 | 142291-02-P38 | EA | BACK - DINETTE CUSHION - LEFT - 11" X 42" (R33) |
| 4 | 142291-02-R34 | EA | BACK - DINETTE CUSHION - LEFT - 11" X 42" (R34) |
| | P42291-02-P37 | EA | COVER/BACK - DINETTE CUSHION - LEFT - 11" X 42" (R32) |
| | P42291-02-P38 | EA | COVER/BACK - DINETTE CUSHION - LEFT - 11" X 42" (R33) |
| | P42291-02-R34 | EA | COVER/BACK - DINETTE CUSHION - LEFT - 11" X 42" (R34) |
| 5 | 142292-01-P37 | EA | SEAT - DINETTE CUSHION (SPRUNG) - 22" X 37" (R32) |
| 5 | 142292-01-P38 | EA | SEAT - DINETTE CUSHION (SPRUNG) - 22" X 37" (R33) |
| 5 | 142292-01-R34 | EA | SEAT - DINETTE CUSHION (SPRUNG) - 22" X 37" (R34) |
| | P42292-01-P37 | EA | COVER/SEAT - DINETTE CUSHION (SPRUNG) - 22" X 37" (R32) |
| | P42292-01-P38 | EA | COVER/SEAT - DINETTE CUSHION (SPRUNG) - 22" X 37" (R33) |
| | P42292-01-R34 | EA | COVER/SEAT - DINETTE CUSHION (SPRUNG) - 22" X 37" (R34) |
| | 142366-03-000 | EA | FRAME - SPRUNG - DINETTE SEAT |
| | 143730-01-000 | EA | CAP - F/DINETTE BRACKET TUBE - PLASTIC |
| 6 | 142291-01-P37 | EA | BACK - DINETTE CUSHION - RIGHT - 11" X 42" (R32) |
| 6 | 142291-01-P38 | EA | BACK - DINETTE CUSHION - RIGHT - 11" X 42" (R33) |
| 6 | 142291-01-R34 | EA | BACK - DINETTE CUSHION - RIGHT - 11" X 42" (R34) |
| | P42291-01-P37 | EA | COVER/BACK - DINETTE CUSHION - RIGHT - 11" X 42" (R32) |
| | P42291-01-P38 | EA | COVER/BACK - DINETTE CUSHION - RIGHT - 11" X 42" (R33) |
| | P42291-01-R34 | EA | COVER/BACK - DINETTE CUSHION - RIGHT - 11" X 42" (R34) |
| 7 | 134017-53-000 | EA | CHAIR - DINETTE - IVORY/PORTSMOUTH OAK (R32) |
| 7 | 134017-54-000 | EA | CHAIR - DINETTE - SAGE/PORTSMOUTH OAK (R33) |
| 7 | 134017-69-000 | EA | CHAIR - DINETTE - MARTINE/PORTSMOUTH OAK (R34) |
| | 129529-02-000 | EA | STRAP - CHAIR RETAINING - 81.9" |

CURTAIN & CUSHION GROUP (CONTINUED)
CUSHION LAYOUT (CONTINUED)

| KEY | PART NUMBER | U/M | DESCRIPTION |
|------------|--------------------|------------|---|
| 8 | 135600-12-000 | EA | CHAIR - FOLDING - IVORY/PORTSMOUTH OAK (R32) |
| 8 | 135600-A0-000 | EA | CHAIR - FOLDING - SAGE/PORTSMOUTH OAK (R33) |
| 8 | 135600-F5-000 | EA | CHAIR - FOLDING - MARTINE/PORTSMOUTH OAK (R34) |
| 9 | 135822-15-P37 | EA | SOFA/SLEEPER - RECLINER/POWERED - W/TRUNDLE BED (R32) |
| 9 | 135822-15-P38 | EA | SOFA/SLEEPER - RECLINER/POWERED - W/TRUNDLE BED (R33) |
| 9 | 135822-15-R34 | EA | SOFA/SLEEPER - RECLINER/POWERED - W/TRUNDLE BED (R34) |
| 10 | 132319-57-R32 | EA | PILLOW - 18" - W/CENTER OVERLAY |
| 10 | 132319-57-R33 | EA | PILLOW - 18" - W/CENTER OVERLAY |
| 10 | 132319-57-R34 | EA | PILLOW - 18" - W/CENTER OVERLAY |
| 11 | 145242-01-R32 | EA | SEAT - BUCKET - MANUAL/RECLINING |
| 11 | 145242-01-R33 | EA | SEAT - BUCKET - MANUAL/RECLINING |
| 11 | 145242-01-R34 | EA | SEAT - BUCKET - MANUAL/RECLINING |
| 11 | 145242-02-R32 | EA | SEAT - BUCKET - W/LUMBAR - LEATHER |
| 12 | 145265-01-R32 | EA | CHAIR - RECLINING - W/HOOP/FOOTREST |
| 12 | 145265-01-R33 | EA | CHAIR - RECLINING - W/HOOP/FOOTREST |
| 12 | 145265-02-R34 | EA | CHAIR - RECLINING - W/HOOP/FOOTREST |

CURTAIN & CUSHION GROUP (CONTINUED)

BUCKET SEATS

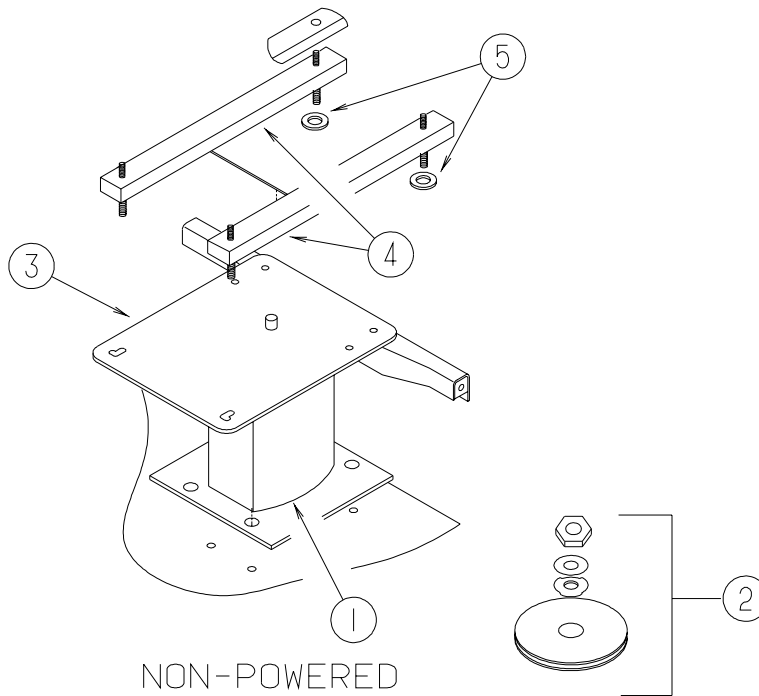


| KEY | PART NUMBER | U/M | DESCRIPTION |
|-----|---------------|-----|--------------------------------------|
| 1 | M05962-G5-R32 | EA | COVER/BACK |
| 1 | M05962-G5-R33 | EA | COVER/BACK |
| 1 | M05962-G5-R34 | EA | COVER/BACK |
| 1 | M05962-G7-R32 | EA | COVER/BACK - LEATHER |
| 2 | 129666-07-P37 | EA | ARMREST - RIGHT HAND (R32) |
| 2 | 129666-07-P07 | EA | ARMREST - RIGHT HAND (R33) |
| 2 | 129666-07-R34 | EA | ARMREST - RIGHT HAND (R34) |
| 2 | 129666-11-P37 | EA | ARMREST - RIGHT HAND - LEATHER |
| | P29666-07-P37 | EA | COVER/ARMREST - RIGHT HAND (R32) |
| | P29666-07-P07 | EA | COVER/ARMREST - RIGHT HAND (R33) |
| | P29666-07-R34 | EA | COVER/ARMREST - RIGHT HAND (R34) |
| | P29666-11-P37 | EA | COVER/ARMREST - RIGHT HAND - LEATHER |
| 3 | NOT USED | | |
| 4 | NOT USED | | |
| 5 | 130698-01-000 | EA | ARMREST/MOLDED - RIGHT - W/O COVER |
| 6 | NOT USED | | |
| 7 | NOT USED | | |
| 8 | 129666-08-P37 | EA | ARMREST - LEFT HAND (R32) |
| 8 | 129666-08-P07 | EA | ARMREST - LEFT HAND (R33) |
| 8 | 129666-08-R34 | EA | ARMREST - LEFT HAND (R34) |
| 8 | 129666-12-P37 | EA | ARMREST - LEFT HAND - LEATHER |
| | P29666-08-P37 | EA | COVER/ARMREST - LEFT HAND (R32) |
| | P29666-08-P07 | EA | COVER/ARMREST - LEFT HAND (R33) |
| | P29666-08-R34 | EA | COVER/ARMREST - LEFT HAND (R34) |
| | P29666-12-P37 | EA | COVER/ARMREST - LEFT HAND - LEATHER |
| 9 | NOT USED | | |
| 10 | 130698-02-000 | EA | ARMREST/MOLDED - LEFT - W/O COVER |
| 11 | NOT USED | | |
| 12 | M05962-G6-R32 | EA | COVER/SEAT |
| 12 | M05962-G6-R33 | EA | COVER/SEAT |
| 12 | M05962-G6-R34 | EA | COVER/SEAT |
| 12 | M05962-G8-R32 | EA | COVER/SEAT - LEATHER |
| 13 | 148630-01-R32 | EA | SKIRT - W/SEAT BELT SLOT |
| 13 | 148630-01-R33 | EA | SKIRT - W/SEAT BELT SLOT |
| 13 | 148630-01-R34 | EA | SKIRT - W/SEAT BELT SLOT |
| 13 | 148630-02-R32 | EA | SKIRT - W/SEAT BELT SLOT - LEATHER |

CURTAIN & CUSHION GROUP (CONTINUED)
BUCKET SEATS (CONTINUED)

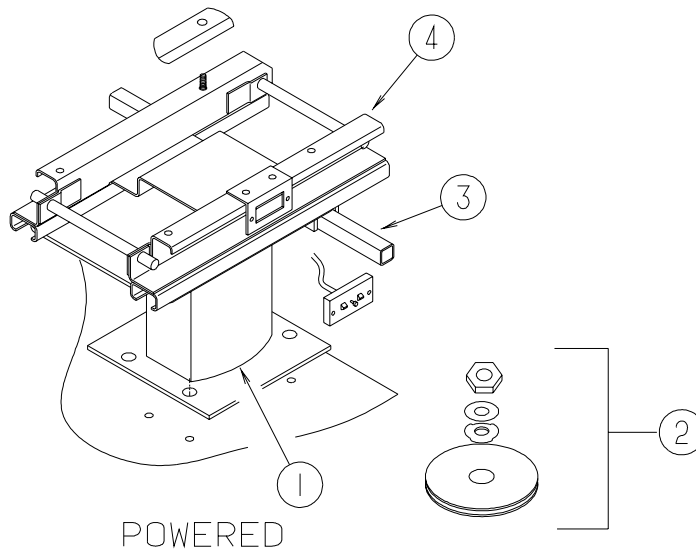
| KEY | PART NUMBER | U/M | DESCRIPTION |
|------------|--------------------|------------|---|
| 14 | 134532-01-000 | EA | FRAME - SEAT/HIGH BACK |
| 15* | 122611-02-000 | EA | LUMBAR - W/LEVER |
| 16 | 117125-01-02B | EA | BRACKET - CABLE MOUNT - ADJUSTER W/LOCK |
| 17 | 108049-02-000 | EA | CLIP - CABLE/PEDESTAL |
| 18 | 108049-04-000 | EA | CABLE - W/MINI LEVER ACTION SWITCH - 28" SHEATH/30" CABLE |
| 19 | NOT USED | | |
| 20 | NOT USED | | |
| 21 | NOT USED | | |
| 22 | 127159-02-02B | EA | BRACKET - SEAT RELEASE - DUAL REMOTE - E-COATED |
| 23 | NOT USED | | |
| 24 | 147457-01-02B | EA | BRACKET - ZEE W/HOLES - 2.8" - E-COATED |
| 25 | 130802-02-000 | EA | LEVER - RIGHT HAND |
| 26 | 130802-03-000 | EA | SCREW F/LEVER |

***COMPONENT PARTS LISTED LATER IN THIS GROUP**



| KEY | PART NUMBER | U/M | DESCRIPTION |
|------------|--------------------|------------|---|
| 1 | 133408-01-000 | EA | PEDESTAL - SEAT - DRIVER/PASSENGER - 9 3/4" |
| 2 | 107921-06-000 | EA | BEARING KIT - PEDESTAL |
| 3 | 133408-19-000 | EA | TOP PLATE - DRIVERS - W/ANCHOR |
| 4 | 131566-04-000 | EA | SLIDE/SEAT - HEAVY DUTY LOCKING - 5" |
| | 119952-07-000 | EA | WIRE - LATCH RELEASE/ROTARY |
| 5 | 131566-05-000 | EA | WASHER - SLIDE SPACER |
| | 133408-03-000 | EA | BRACKET - ANCHOR/PEDESTAL |
| | 133408-04-000 | EA | BRACKET - ANCHOR/FLOOR |

CURTAIN & CUSHION GROUP (CONTINUED)
BUCKET SEATS (CONTINUED)



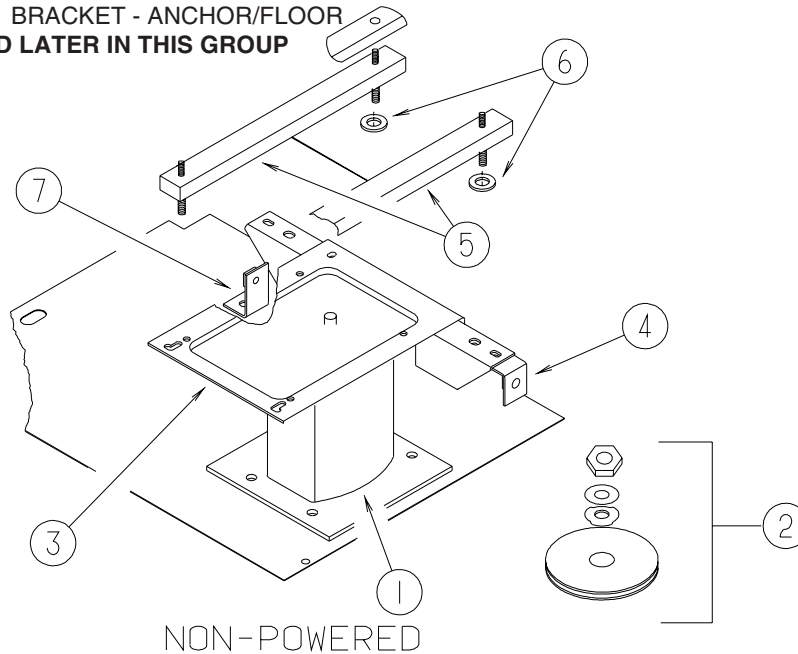
DRIVER

| KEY | PART NUMBER | U/M | DESCRIPTION |
|-----|---------------|-----|--------------------------------|
| 1 | 133408-05-000 | EA | PEDESTAL - SEAT - 5.75" |
| 2 | 107921-06-000 | EA | BEARING KIT - PEDESTAL |
| 3 | 133408-19-000 | EA | TOP PLATE - DRIVERS - W/ANCHOR |
| 4* | 081373-03-000 | EA | SEAT - POWER 6 WAY |
| 4 | 147767-01-000 | EA | SEAT - POWER - 6-WAY |
| | 133408-03-000 | EA | BRACKET - ANCHOR/PEDESTAL |
| | 133408-04-000 | EA | BRACKET - ANCHOR/FLOOR |

FROM: 00-00-00 THRU: 11-30-03

FROM: 12-01-03 THRU: 99-99-99

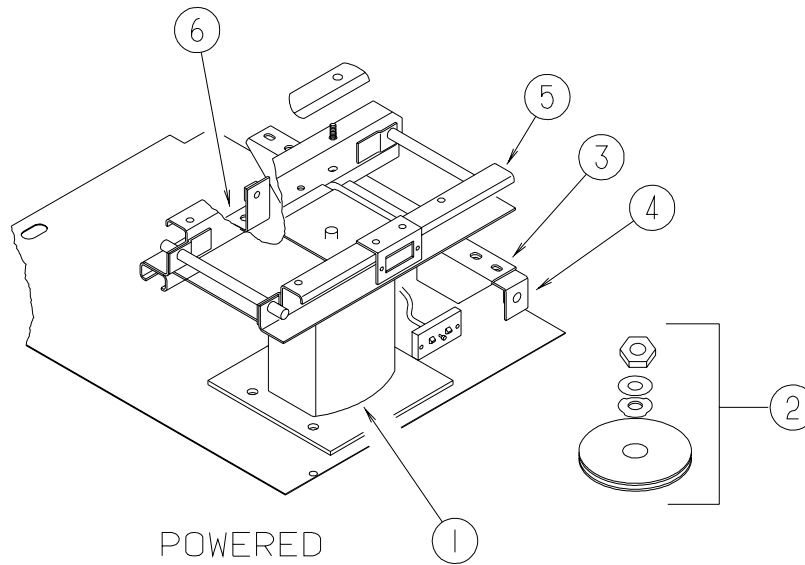
***COMPONENT PARTS LISTED LATER IN THIS GROUP**



PASSENGER

| KEY | PART NUMBER | U/M | DESCRIPTION |
|-----|---------------|-----|---|
| 1 | 133408-01-000 | EA | PEDESTAL - SEAT - DRIVER/PASSENGER - 9 3/4" |
| 2 | 107921-06-000 | EA | BEARING KIT - PEDESTAL |
| 3 | 133408-20-000 | EA | TOP PLATE - PASSENGER - W/ANCHOR |
| 4 | 133408-03-000 | EA | BRACKET - ANCHOR/PEDESTAL |
| 5 | 131566-04-000 | EA | SLIDE/SEAT - HEAVY DUTY LOCKING - 5" |
| | 119952-07-000 | EA | WIRE - LATCH RELEASE/ROTARY |
| 6 | 131566-05-000 | EA | WASHER - SLIDE SPACER |
| 7 | 133408-04-000 | EA | BRACKET - ANCHOR/FLOOR |

CURTAIN & CUSHION GROUP (CONTINUED)
BUCKET SEATS (CONTINUED)



| KEY | PART NUMBER | U/M | DESCRIPTION |
|-----|---------------|-----|----------------------------------|
| 1 | 133408-05-000 | EA | PEDESTAL - SEAT - 5.75" |
| 2 | 107921-06-000 | EA | BEARING KIT - PEDESTAL |
| 3 | 133408-20-000 | EA | TOP PLATE - PASSENGER - W/ANCHOR |
| 4 | 133408-03-000 | EA | BRACKET - ANCHOR/PEDESTAL |
| 5* | 081373-03-000 | EA | SEAT - POWER 6 WAY |

FROM: 00-00-00 THRU: 11-30-03

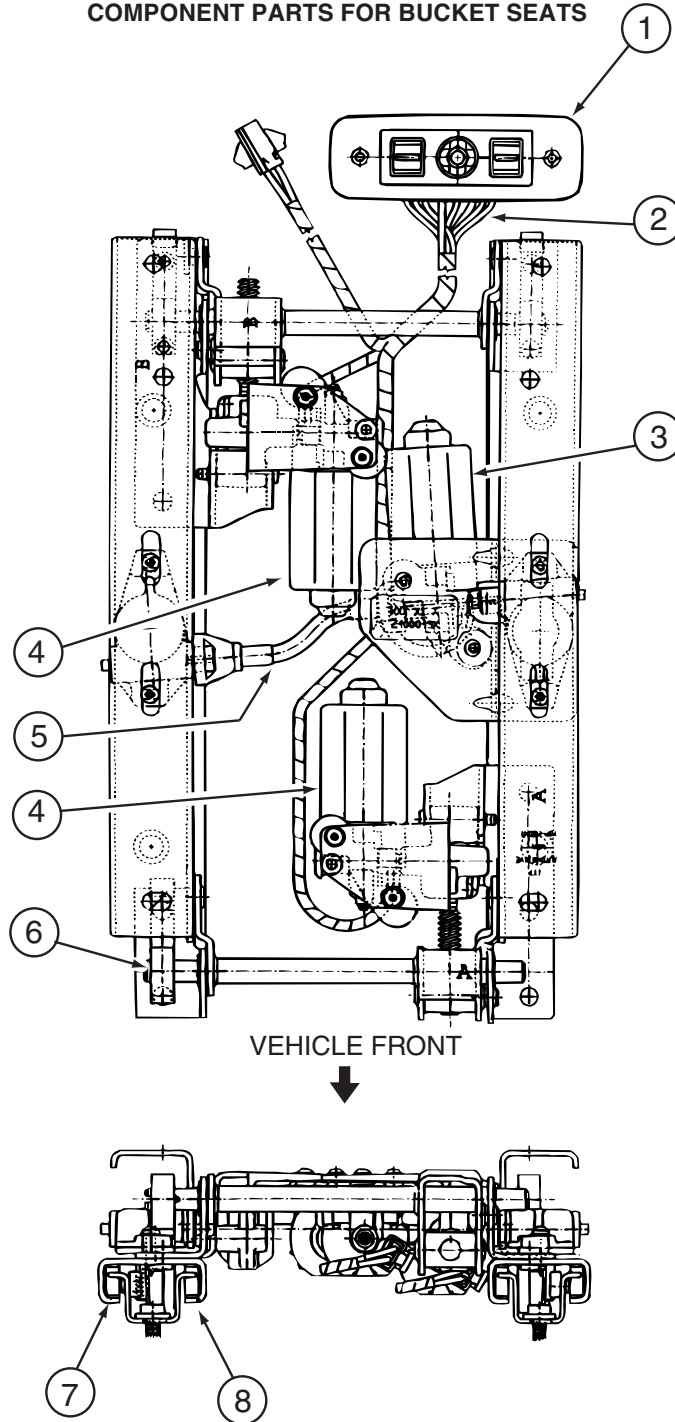
| | | | |
|---|---------------|----|----------------------|
| 5 | 147767-02-000 | EA | SEAT - POWER - 6-WAY |
|---|---------------|----|----------------------|

FROM: 12-01-03 THRU: 99-99-99

| | | | |
|---|---------------|----|------------------------|
| 6 | 133408-04-000 | EA | BRACKET - ANCHOR/FLOOR |
|---|---------------|----|------------------------|

***COMPONENT PARTS LISTED LATER IN THIS GROUP**

CURTAIN & CUSHION GROUP (CONTINUED)
COMPONENT PARTS FOR BUCKET SEATS



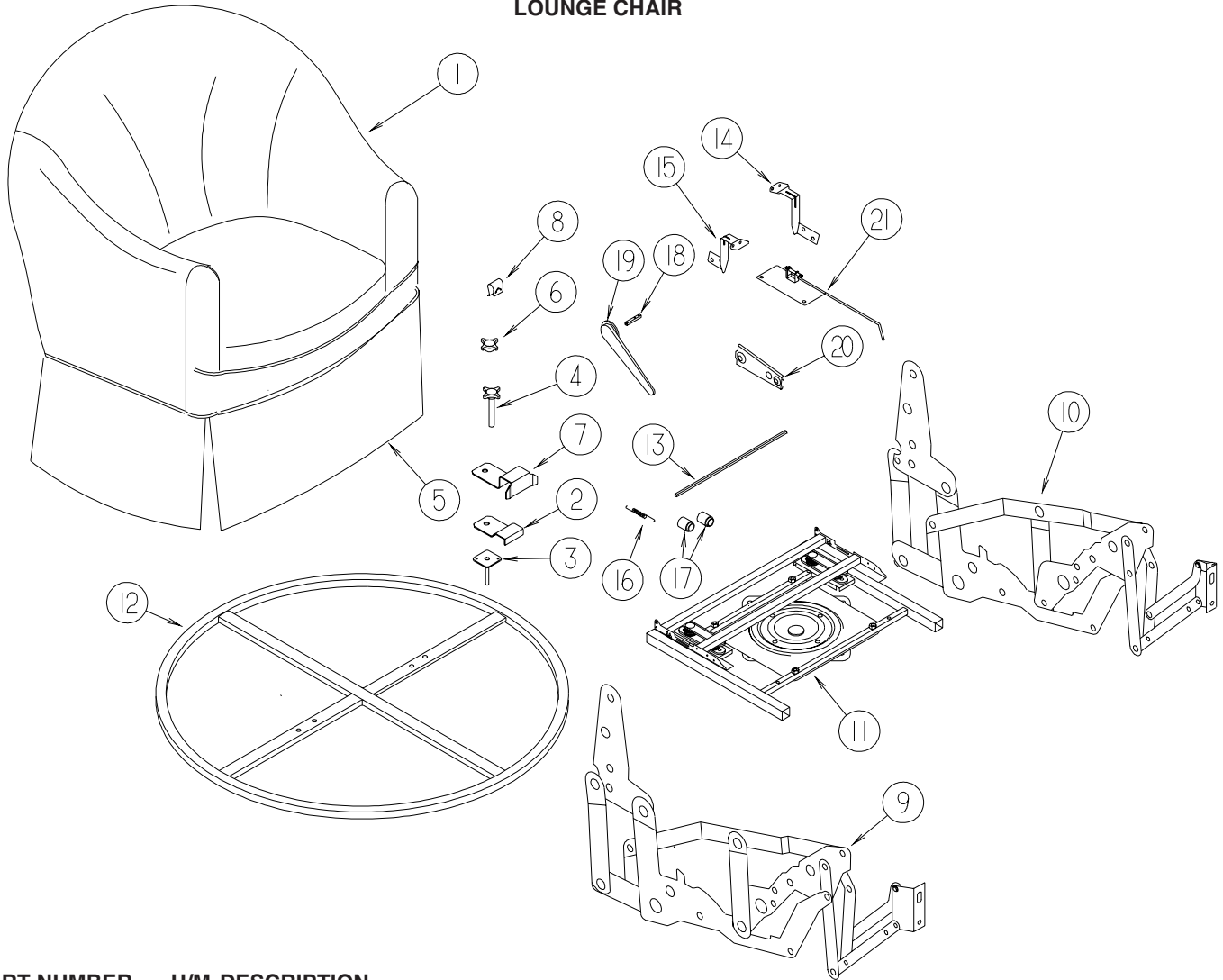
081373-03-000

| KEY | PART NUMBER | U/M | DESCRIPTION | VENDOR NO. |
|-----|---------------|-----|-----------------------------|------------------|
| 1 | 081373-03-700 | EA | SWITCH POWER | 22543667 BLACK |
| 2 | 081373-03-701 | EA | WIRE HARNESS ASM., LT. SIDE | 22138093 |
| 2 | 081373-03-702 | EA | WIRE HARNESS ASM., RT. SIDE | 22138094 |
| 3 | 081373-02-703 | EA | MOTOR / HORIZONTAL | 22128095 |
| 4 | 081373-02-704 | EA | MOTOR PKG. ADJ. VERTICAL | 22063238 & H-196 |
| 5 | 081373-03-704 | EA | DRIVE CABLE | 22143984 |
| 6 | 081373-03-705 | EA | SPRING | 22048978 |
| 7 | 081373-03-706 | EA | SHOE GUIDE (WHITE) | 22048993 |
| 8 | 081373-03-707 | EA | SHOE GUIDE (BLACK) | 22048994 |
| | 081373-03-700 | EA | SWITCH POWER | 22137945 |

122611-02-000

| KEY | PART NUMBER | U/M | DESCRIPTION | VENDOR NO. |
|-----|---------------|-----|------------------|-----------------|
| | 122611-02-701 | EA | LUMBAR - LEVER | 412 |
| | 122611-02-702 | EA | LUMBAR MECHANISM | 24395-FLEXSTEEL |

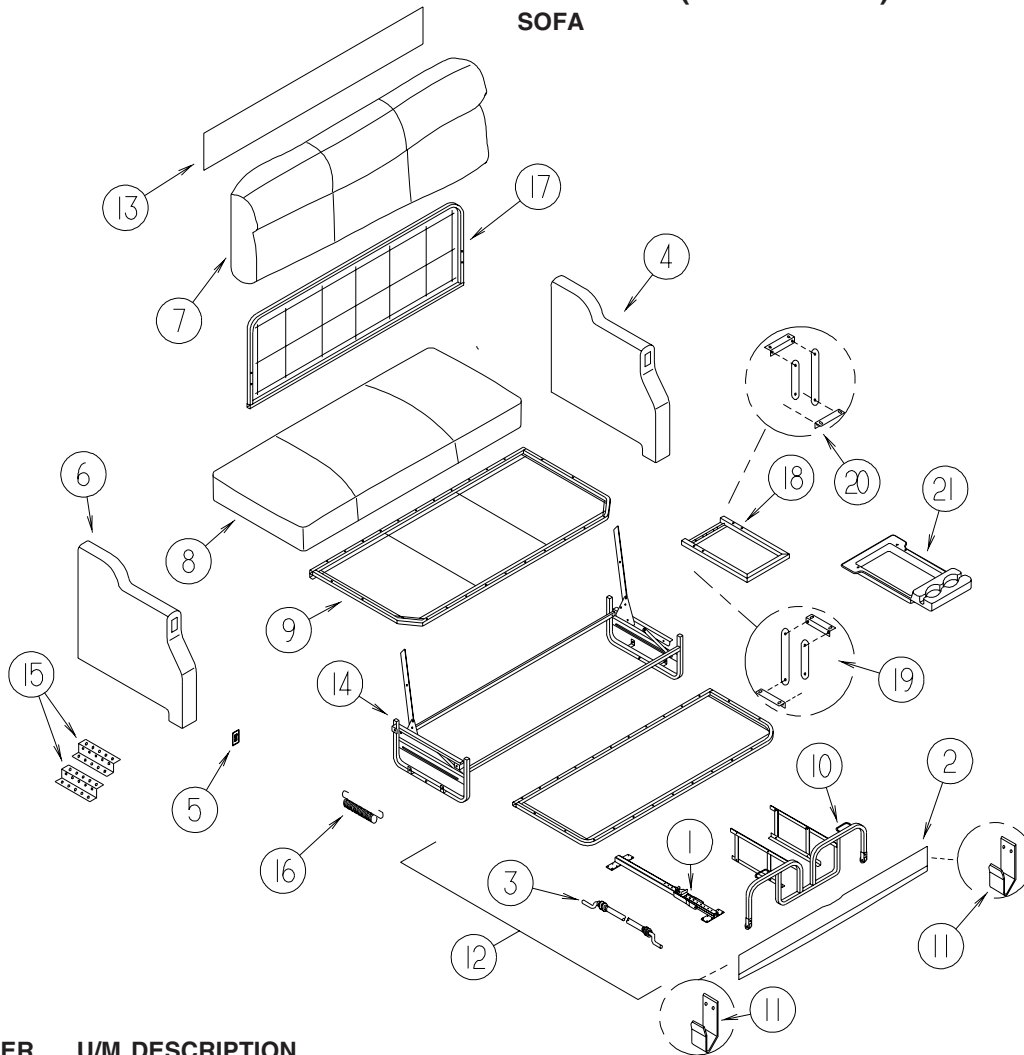
CURTAIN & CUSHION GROUP (CONTINUED)
LOUNGE CHAIR



| KEY | PART NUMBER | U/M | DESCRIPTION |
|-----|---------------|-----|---|
| 1 | P45265-01-R32 | EA | COVER - CHAIR/RECLINING - W/HOOP/FOOTREST |
| 1 | P45265-01-R33 | EA | COVER - CHAIR/RECLINING - W/HOOP/FOOTREST |
| 1 | P45265-02-R34 | EA | COVER - CHAIR/RECLINING - W/HOOP/FOOTREST |
| 2 | 134057-01-11B | EA | BRACKET - RECLINER - FLAT BLACK |
| 3 | 134128-02-02B | EA | PLATE - W/HOLES - W/WELDNUT - E-COATED |
| 4 | 134194-01-01A | EA | KNOB - HOLD DOWN/RECLINER - BLACK |
| 5 | | | NOT USED |
| 6 | | | NOT USED |
| 7 | | | NOT USED |
| 8 | 029134-01-000 | EA | CLIP - FINISH - UPHOLSTERY |
| 9 | 133126-01-000 | EA | RECLINER MECHANISM - RIGHT HAND (WHEN SITTING IN CHAIR) |
| 10 | 133126-02-000 | EA | RECLINER MECHANISM - LEFT HAND (WHEN SITTING IN CHAIR) |
| 11 | 133126-03-000 | EA | BASE - SWIVEL/ROCKER - W/O FLOOR RING |
| 12 | 133126-04-000 | EA | FLOOR RING - 24" DIAMETER |
| 13 | 133126-05-000 | EA | HANDLE TUBE/DRIVE - 23.3" LONG (JOINS OPERATORS) |
| 14 | 133126-06-000 | EA | BRACKET - OTTOMAN/FIXED MID - RIGHT HAND |
| 15 | 133126-07-000 | EA | BRACKET - OTTOMAN/FIXED MID - LEFT HAND |
| 16 | 133126-08-000 | EA | SPRING/LOCKING |
| 17 | 133126-09-000 | EA | BUSHING - F/HANDLE TUBE - PLASTIC |
| 18 | 133126-10-000 | EA | HANDLE MOUNTING TUBE - 3.3" LONG |
| 19 | 133126-11-000 | EA | HANDLE/RECLINE - PLASTIC |
| 20 | 133126-12-000 | EA | BRACKET - BACK SLEEVE |
| 21 | 147314-01-000 | EA | LOCKOUT - ROCKER/RECLINER |

CURTAIN & CUSHION GROUP (CONTINUED)

SOFA



| KEY | PART NUMBER | U/M | DESCRIPTION |
|-----|---------------|-----|---|
| 1* | 136534-14-000 | EA | SLIDE RAIL - W/LATCH MECHANISM/PLATES/STOP F/30" RAISED FROM: 00-00-00 THRU: 07-13-03 |
| 1* | 148226-02-000 | EA | SLIDE RAIL - W/LATCH MECH/PLATES/STOP F/30" RAISED FLOOR FROM: 07-14-03 THRU: 99-99-99 |
| 2 | 135824-07-P37 | EA | PANEL/FRONT KICK - SOFA/SLEEPER - 59.5" - FABRIC COVERED (R32) |
| 2 | 135824-07-P38 | EA | PANEL/FRONT KICK - SOFA/SLEEPER - 59.5" - FABRIC COVERED (R33) |
| 2 | 135824-07-R34 | EA | PANEL/FRONT KICK - SOFA/SLEEPER - 59.5" - FABRIC COVERED (R34) |
| 3 | 136534-19-000 | EA | CABLE ONLY - REMOTE - 34" W/Z-ENDS (F/LEVER HANDLE -30-) FROM: 00-00-00 THRU: 07-13-03 |
| 3 | 148225-01-000 | EA | CABLE ONLY - REMOTE - 31.9" W/Z-ENDS FROM: 07-14-03 THRU: 99-99-99 |
| 4 | 135823-08-P37 | EA | ARMREST - LEFT HAND (R32) |
| 4 | 135823-08-P38 | EA | ARMREST - LEFT HAND (R33) |
| 4 | 135823-08-R34 | EA | ARMREST - LEFT HAND (R34) |
| | P35823-08-P37 | EA | COVER/ARMREST - LEFT HAND (R32) |
| | P35823-08-P38 | EA | COVER/ARMREST - LEFT HAND (R33) |
| | P35823-08-R34 | EA | COVER/ARMREST - LEFT HAND (R34) |
| 5 | 136118-01-000 | EA | SWITCH - SOFA/RECLINER |
| 6 | 135823-07-P37 | EA | ARMREST - RIGHT HAND (R32) |
| 6 | 135823-07-P38 | EA | ARMREST - RIGHT HAND (R33) |
| 6 | 135823-07-R34 | EA | ARMREST - RIGHT HAND (R34) |
| | P35823-07-P37 | EA | COVER/ARMREST - RIGHT HAND (R32) |
| | P35823-07-P38 | EA | COVER/ARMREST - RIGHT HAND (R33) |
| | P35823-07-R34 | EA | COVER/ARMREST - RIGHT HAND (R34) |
| 7 | 135822-16-P37 | EA | BACK - SOFA/SLEEPER (R32) |
| 7 | 135822-16-P38 | EA | BACK - SOFA/SLEEPER (R33) |
| 7 | 135822-16-R34 | EA | BACK - SOFA/SLEEPER (R34) |
| | P35822-16-P37 | EA | COVER/BACK - SOFA/SLEEPER - RECLINER/POWERED (R32) |
| | P35822-16-P38 | EA | COVER/BACK - SOFA/SLEEPER - RECLINER/POWERED (R33) |
| | P35822-16-R34 | EA | COVER/BACK - SOFA/SLEEPER - RECLINER/POWERED (R34) |

CURTAIN & CUSHION GROUP (CONTINUED)
SOFA (CONTINUED)

| KEY | PART NUMBER | U/M | DESCRIPTION |
|-----|---------------|-----|---|
| 8 | 135822-03-P37 | EA | SEAT - SOFA/SLEEPER - RECLINER/POWERED (R32) |
| 8 | 135822-03-P38 | EA | SEAT - SOFA/SLEEPER - RECLINER/POWERED (R33) |
| 8 | 135822-03-R34 | EA | SEAT - SOFA/SLEEPER - RECLINER/POWERED (R34) |
| | P35822-03-P37 | EA | COVER/SEAT - SOFA/SLEEPER - RECLINER/POWERED (R32) |
| | P35822-03-P38 | EA | COVER/SEAT - SOFA/SLEEPER - RECLINER/POWERED (R33) |
| | P35822-03-R34 | EA | COVER/SEAT - SOFA/SLEEPER - RECLINER/POWERED (R34) |
| 9 | 136534-04-000 | EA | FRAME/SEAT - 26.5" X 60" W/FLEXOLATOR |
| 10* | 136534-17-000 | EA | TRUNDLE FRAME - 17.5" X 55" - W/LINKAGE, LATCH & HANDLE |
| 11 | 121906-01-02B | EA | BRACKET - KICKBOARD - E-COATED |
| 12 | 135822-17-P37 | EA | TRUNDLE - SOFA/SLEEPER (R32) |
| 12 | 135822-17-P38 | EA | TRUNDLE - SOFA/SLEEPER (R33) |
| 12 | 135822-17-R34 | EA | TRUNDLE - SOFA/SLEEPER (R34) |
| | P35822-17-P37 | EA | COVER/TRUNDLE - SOFA/SLEEPER (R32) |
| | P35822-17-P38 | EA | COVER/TRUNDLE - SOFA/SLEEPER (R33) |
| | P35822-17-R34 | EA | COVER/TRUNDLE - SOFA/SLEEPER (R34) |
| 13 | 139716-01-P37 | EA | SIGHT SHIELD - 58" - FULL BACK (R32) |
| 13 | 139716-01-P38 | EA | SIGHT SHIELD - 58" - FULL BACK (R33) |
| 13 | 139716-01-R34 | EA | SIGHT SHIELD - 58" - FULL BACK (R34) |
| 14* | 136534-13-000 | EA | BASE - 27.25" X 60" - POWERED |
| 15 | 116104-04-02B | EA | BRACKET - ZEE W/HOLES - 3.2" - E-COATED |
| 16 | 136534-33-000 | EA | SPRING/ASSIST - 1/2" X 7" W/HOOK ENDS - REST EASY SOFAS |
| 17 | 136534-18-000 | EA | FRAME/BACK - 16.5" X 60" |
| 18 | NOT USED | | |
| 19 | NOT USED | | |
| 20 | NOT USED | | |
| 21 | NOT USED | | |
| | 127335-10-000 | EA | BRACKET - CANADIAN LATCH - PREVENTS ABILITY TO CONVERT INTO BED |

*COMPONENT PARTS LISTED LATER IN THIS GROUP

CURTAIN & CUSHION GROUP (CONTINUED)

COMPONENTS PARTS FOR SOFA

136534-13-000, 136534-15-000, 136534-28-000, 136534-29-000

| KEY | PART NUMBER | U/M | DESCRIPTION | VENDOR NO. |
|-----|---------------|-----|------------------------------|--------------|
| | 136534-02-700 | EA | MOTOR | 9PL-MO-W/T-1 |
| | 136534-02-701 | EA | CABLE/DRV MTR-REST EASY SOFA | 9PL-FCA27.75 |

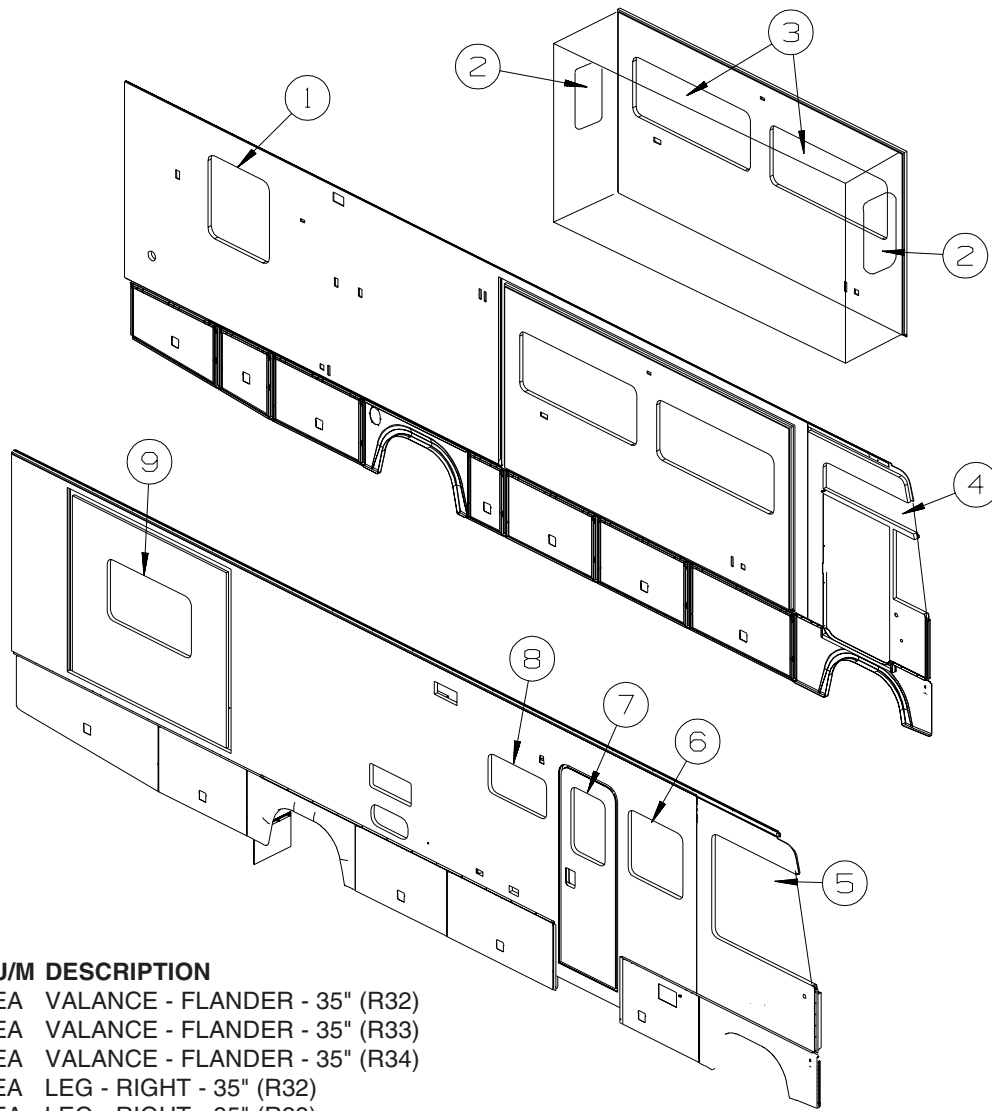
136534-14-000

| KEY | PART NUMBER | U/M | DESCRIPTION | VENDOR NO. |
|-----|---------------|-----|-----------------------------|--------------|
| | 136534-14-700 | EA | SLIDE MECHANISM ASM W/LATCH | PTN-SLD-BUSH |
| | 136534-14-701 | EA | BUSHING/GUIDE - F/MECHANISM | 9TN-SLD-GR-0 |

148226-01-000, 148226-02-000, 148226-03-000

| KEY | PART NUMBER | U/M | DESCRIPTION | VENDOR NO. |
|-----|---------------|-----|-----------------------------|---------------|
| | 148226-01-700 | EA | BUSHING/GUIDE - F/MECHANISM | 9TN-SLD-GR-1 |
| | 148226-01-701 | EA | SLIDE MECHANISM ASM W/LATCH | PTN-SLD-BUSH1 |

CURTAIN & CUSHION GROUP (CONTINUED)
WINDOW TREATMENT



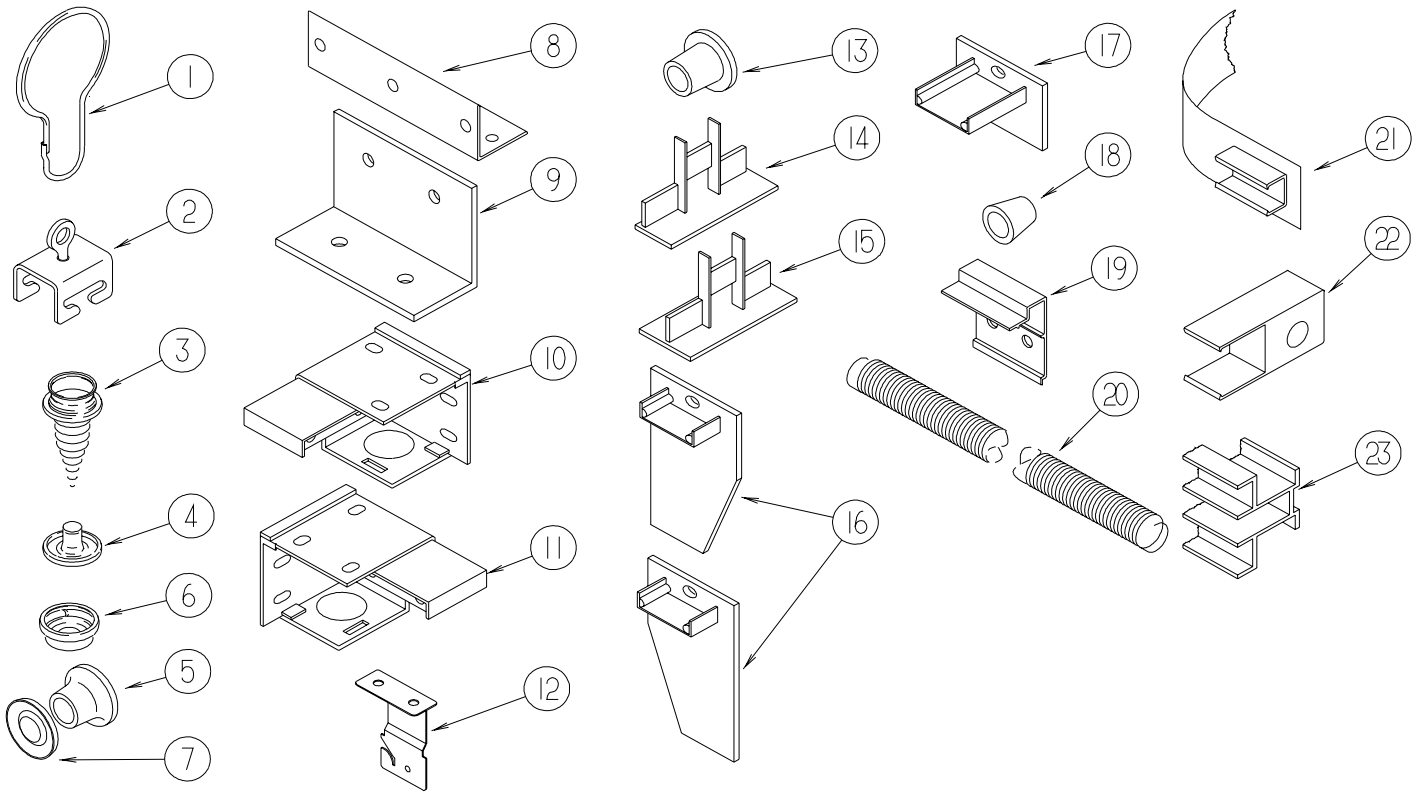
| KEY | PART NUMBER | U/M | DESCRIPTION |
|-----|---------------|-----|-----------------------------------|
| 1 | 142210-13-P37 | EA | VALANCE - FLANDER - 35" (R32) |
| 1 | 142210-13-P38 | EA | VALANCE - FLANDER - 35" (R33) |
| 1 | 142210-13-R34 | EA | VALANCE - FLANDER - 35" (R34) |
| 1 | 136988-29-P37 | EA | LEG - RIGHT - 35" (R32) |
| 1 | 136988-29-P38 | EA | LEG - RIGHT - 35" (R33) |
| 1 | 136988-29-R34 | EA | LEG - RIGHT - 35" (R34) |
| 1 | 136988-30-P37 | EA | LEG - LEFT - 35" (R32) |
| 1 | 136988-30-P38 | EA | LEG - LEFT - 35" (R33) |
| 1 | 136988-30-R34 | EA | LEG - LEFT - 35" (R34) |
| 1 | 140789-22-N30 | EA | BLIND - DAY/NIGHTER - 32" X 36" |
| 2 | 142210-03-P37 | EA | VALANCE - FLANDER - 26" (R32) |
| 2 | 142210-03-P38 | EA | VALANCE - FLANDER - 26" (R33) |
| 2 | 142210-19-R34 | EA | VALANCE - FLANDER - 26" (R34) |
| 2 | 136988-41-P37 | EA | LEG - RIGHT - 22" (R32) |
| 2 | 136988-41-P38 | EA | LEG - RIGHT - 22" (R33) |
| 2 | 136988-33-R34 | EA | LEG - RIGHT - 22" (R34) |
| 2 | 136988-42-P37 | EA | LEG - LEFT - 22" (R32) |
| 2 | 136988-42-P38 | EA | LEG - LEFT - 22" (R33) |
| 2 | 136988-34-R34 | EA | LEG - LEFT - 22" (R34) |
| 2 | 140789-07-N02 | EA | BLIND - DAY/NIGHTER - 22.5" X 23" |
| 3 | 142210-01-P37 | EA | VALANCE - FLANDER - 63" (R32) |
| 3 | 142210-01-P07 | EA | VALANCE - FLANDER - 63" (R33) |
| 3 | 142210-17-R34 | EA | VALANCE - FLANDER - 63" (R34) |
| 3 | 127017-47-P37 | EA | LEG - RIGHT - 23.5" (R32) |
| 3 | 127017-47-P07 | EA | LEG - RIGHT - 23.5" (R33) |
| 3 | 127017-43-R34 | EA | LEG - RIGHT - 23.5" (R34) |
| 3 | 127017-48-P37 | EA | LEG - LEFT - 23.5" (R32) |
| 3 | 127017-48-P07 | EA | LEG - LEFT - 23.5" (R33) |
| 3 | 127017-44-R34 | EA | LEG - LEFT - 23.5" (R34) |
| 3 | 140789-08-N02 | EA | BLIND - DAY/NIGHTER - 59" X 26.5" |

CURTAIN & CUSHION GROUP (CONTINUED)
WINDOW TREATMENT (CONTINUED)

| KEY | PART NUMBER | U/M | DESCRIPTION |
|-----|---------------|-----|---|
| 4 | 101668-68-J22 | EA | CURTAIN - LEFT HAND - 42" X 110" |
| 4 | 073260-42-M22 | EA | TIEBACK - 6" X 18" |
| 5 | 101668-67-J22 | EA | CURTAIN - RIGHT HAND/LEFT HAND - 42" X 110" |
| 5 | 073260-42-M22 | EA | TIEBACK - 6" X 18" |
| 6 | 142210-06-P37 | EA | VALANCE - FLANDER - 32" (R32) |
| 6 | 142210-06-P38 | EA | VALANCE - FLANDER - 32" (R33) |
| 6 | 142210-18-R34 | EA | VALANCE - FLANDER - 32" (R34) |
| 6 | 136988-91-P37 | EA | LEG - RIGHT - 26" (R32) |
| 6 | 136988-91-P38 | EA | LEG - RIGHT - 26" (R33) |
| 6 | 136988-B6-R34 | EA | LEG - RIGHT - 26" (R34) |
| 6 | 136988-92-P37 | EA | LEG - LEFT - 26" (R32) |
| 6 | 136988-92-P38 | EA | LEG - LEFT - 26" (R33) |
| 6 | 136988-B7-R34 | EA | LEG - LEFT - 26" (R34) |
| 6 | 140789-06-N30 | EA | BLIND - DAY/NIGHTER - 28" X 28" |
| 7 | 121410-70-P37 | EA | VALANCE - MODERATE - 15" X 30.5" (R32) |
| 7 | 121410-70-P38 | EA | VALANCE - MODERATE - 31" (R33) |
| 7 | 121410-31-R34 | EA | VALANCE - MODERATE - 15" X 31" (R34) |
| 7 | 084755-57-P37 | EA | SHADE - PULL - 27.25" |
| 8 | 109041-58-03A | EA | BLIND - MINI - 30.5" |
| 9 | 142210-05-P37 | EA | VALANCE - FLANDER - 46" (R32) |
| 9 | 142210-05-P07 | EA | VALANCE - FLANDER - 46" (R33) |
| 9 | 142210-05-R34 | EA | VALANCE - FLANDER - 46" (R34) |
| 9 | 136988-15-P37 | EA | LEG - RIGHT - 26" (R32) |
| 9 | 136988-15-P07 | EA | LEG - RIGHT - 26" (R33) |
| 9 | 136988-15-R34 | EA | LEG - RIGHT - 26" (R34) |
| 9 | 136988-16-P37 | EA | LEG - LEFT - 26" (R32) |
| 9 | 136988-16-P07 | EA | LEG - LEFT - 26" (R33) |
| 9 | 136988-16-R34 | EA | LEG - LEFT - 26" (R34) |
| 9 | 140789-02-N02 | EA | BLIND - DAY/NIGHTER - 43" X 28" |

CURTAIN & CUSHION GROUP (CONTINUED)

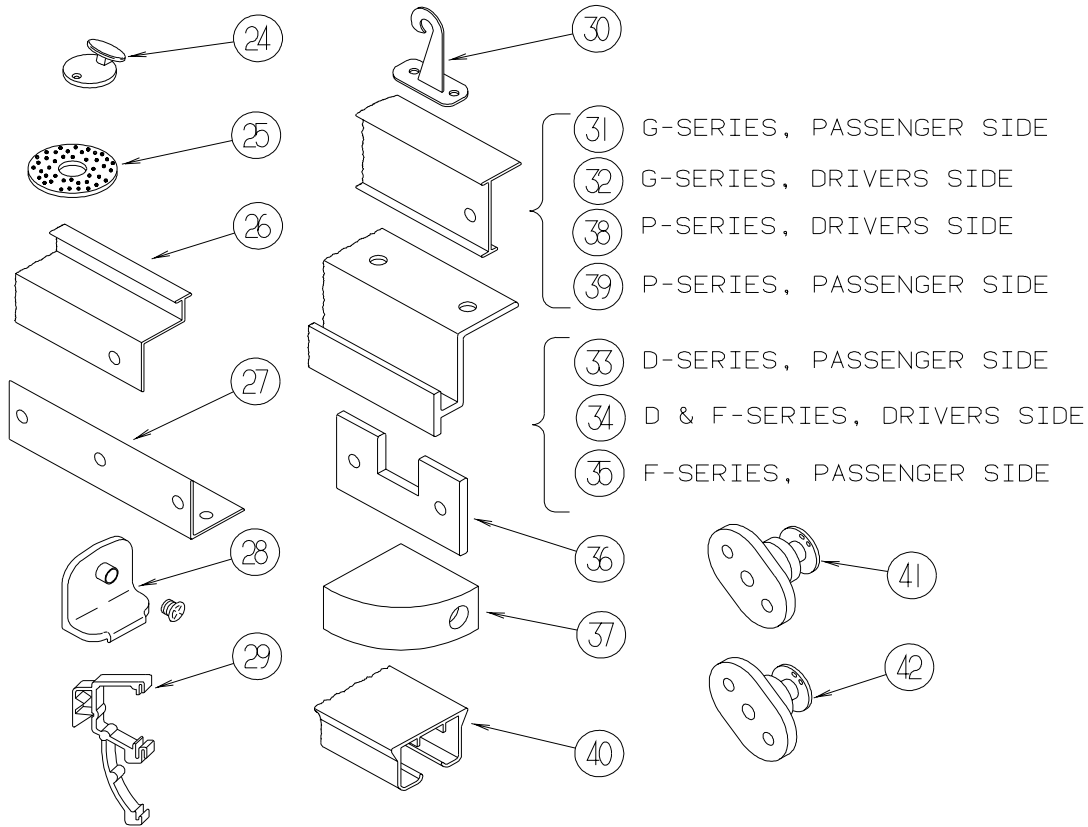
HARDWARE



| KEY | PART NUMBER | U/M | DESCRIPTION |
|-----|---------------|-----|--|
| 1 | 009136-02-000 | EA | HANGER - RING - PIN TYPE - CURTAIN - BRASS |
| 2 | 009702-01-000 | EA | END STOP - CURTAIN CARRIER - L - ROD |
| 3 | 029130-01-000 | EA | SCREW - SNAP STUD - #8-16 X 3/8" LONG |
| 3 | 029130-03-000 | EA | SCREW - SNAP STUD - #8-16 X 1" LONG |
| 4 | 029155-01-000 | EA | CAP - SNAP - 5/32" OUTSIDE DIAMETER OF PIN |
| 5 | 029156-01-000 | EA | SOCKET - SNAP - 9/16" O.D. |
| 6 | 046867-02-000 | EA | WASHER - HANDY BUTTON #3 |
| 7 | 046867-03-000 | EA | GROMMET - HANDY BUTTON #3 |
| 8 | 075943-10-000 | EA | BRACE - VALANCE - 20" - OFF WHITE |
| 9 | 083125-07-000 | EA | BRACE - ANGLE/COUCH - 2.5" - OFF WHITE |
| 9 | 083125-08-000 | EA | BRACE - WINDOW MOUNT - .75" - OFF WHITE |
| 10 | 083170-01-000 | EA | BRACKET/BLIND - LEFT SIDE WHEN FACING WINDOW - CLEAR |
| 11 | 083170-02-000 | EA | BRACKET/BLIND - RIGHT SIDE WHEN FACING WINDOW - CLEAR |
| 12 | 084434-01-000 | EA | BRACKET - MOUNTING - ROLLER SHADE - 1 3/8" |
| 13 | 094896-02-000 | EA | GROMMET - CORD/PLEATED BLIND - NYLON - GRAY |
| 14 | 094907-02-000 | EA | END CAP - PLEATED BLIND/TOP - RH/LH - GRAY PLASTIC |
| 15 | 094907-04-000 | EA | END CAP - PLEATED BLIND/BOTTOM - RH/LH |
| 16 | 094907-05-000 | EA | END CAP - PLEATED BLIND/BOTTOM - PULL TYPE - PLASTIC |
| 17 | 094907-06-000 | EA | END CAP - PLEATED BLIND/TOP |
| 18 | 097564-03-000 | EA | HANDLE - KNOB - E-Z LIFT SHADE - TAN |
| 18 | 097564-05-000 | EA | HANDLE - KNOB - E-Z LIFT SHADE - TEAL |
| 18 | 097564-06-000 | EA | HANDLE - KNOB - E-Z LIFT SHADE - ALABASTER |
| | 097593-02-000 | FT | CORD - BLIND - PLEATED - GRAY |
| | 097593-06-000 | FT | CORD - BLIND - PLEATED - PEWTER |
| | 097593-10-000 | FT | CORD - BLIND - PLEATED - VANILLA |
| 19 | 097565-01-000 | EA | BRACKET - MOUNTING - PLEATED BLIND |
| 19 | 097565-02-000 | EA | BRACKET - MOUNTING - PLEATED BLIND |
| 20 | 097591-01-000 | EA | SPRING - EXTENSION - PLEATED BLIND |
| 21 | 101031-01-000 | YD | TAPE/GLIDE - 4.25" SPACING |
| 22 | 101033-02-000 | EA | END CAP - LOW PROFILE TRACK - CLEAR |
| 23 | 101033-08-000 | EA | TRACK/WALL - 75" - FRT BUNK WINDOW 300 SERIES (MINNIE/SPIRIT) |
| 23 | 101033-09-000 | EA | TRACK/WALL - 32" - SIDE BUNK WINDOW 200 SERIES/300 SERIES (VISTA/SUNSTAR /MINNIE/SPIRIT) |

CURTAIN & CUSHION GROUP (CONTINUED)

HARDWARE (CONTINUED)

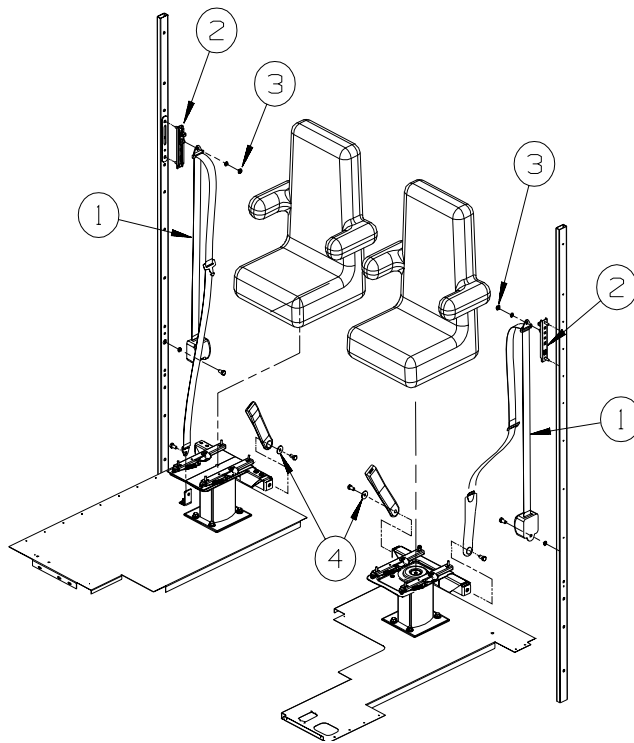


| KEY | PART NUMBER | U/M | DESCRIPTION |
|-----|---------------|-----|--|
| 24 | 102555-03-000 | EA | CLEAT - BLIND CORD - MILKY WHITE - PLASTIC |
| 25 | 103242-01-000 | EA | VELCRO HOOK - BEIGE 7/8" ROUND W/CENTER HOLE |
| 25 | 103242-02-000 | EA | VELCRO HOOK - BLACK 7/8" ROUND W/CENTER HOLE |
| 26 | 105450-14-01A | EA | TRACK - CURTAIN - 90" - OFF WHITE - FRONT BUNK PRIVACY 300 SERIES (MINNIE/SPIRIT) |
| 26 | 105450-15-01A | EA | TRACK - CURTAIN - 82.3" - OFF WHITE - FRONT BUNK PRIVACY 200 SERIES (VISTA/SUNSTAR) |
| 27 | 105648-01-02A | EA | BRACE - VALANCE - OFF/WHITE - 14" |
| 28 | 106544-01-000 | EA | PULL - SHADE/BRASS |
| | 106544-01-001 | EA | SCREW - SHADE/BRASS |
| 29 | 109353-04-000 | EA | CLIP - VALANCE SLAT MOUNTING - CLEAR PLASTIC |
| | 109441-02-000 | EA | SPACER/BRACKET - BLIND HOLD DOWN |
| 30 | 109441-03-000 | EA | BRACKET/HOOK - BLIND HOLD DOWN - NEW DESIGN/CLEAR |
| 31 | 126456-03-04A | EA | TRACK/WRAPAROUND - PASSENGER - GLACIER - G SERIES (ADVENTURER/SUNCRUISER) |
| 32 | 126456-04-04A | EA | TRACK/WRAPAROUND - DRIVER - GLACIER - G SERIES (ADVENTURER/SUNCRUISER) |
| 33 | 127254-03-05A | EA | TRACK/WRAPAROUND - PASSENGER - GLACIER - D SERIES (SIGHTSEER/SUNOVA) |
| | | | FROM: 00-00-00 THRU: 09-07-03 |
| 33 | 127254-14-03A | EA | TRACK/WRAP - PASS - GLACIER - D SERIES (SIGHTSEER/SUNOVA) |
| | | | FROM: 09-08-03 THRU: 99-99-99 |
| 34 | 127254-04-05A | EA | TRACK/WRAP - DRIVER - GLACIER - D SERIES/F SERIES (SIGHTSEER/SUNOVA/BRAVE/SUNRISE) |
| 35 | 127254-14-03A | EA | TRACK/WRAP - PASS - GLACIER - F SERIES (BRAVE/SUNRISE) |
| 36 | 130549-01-01A | EA | STOP - CURTAIN TRACK |
| 37 | 132504-01-N92 | EA | BRACKET - SHADE |
| 38 | 146591-01-01A | EA | TRACK - CURTAIN - LEFT HAND - GLACIER - P SERIES (JOURNEY/MERIDIAN) |
| 39 | 146591-02-01A | EA | TRACK - CURTAIN - RIGHT HAND - GLACIER - P SERIES (JOURNEY/MERIDIAN) |
| 40 | 138460-01-02A | EA | TRACK/CURTAIN - PASSENGER - WHITE - Q SERIES (ULTIMATE ADVANTAGE/ULTIMATE FREEDOM) |
| | 138460-02-02A | EA | TRACK/CURTAIN - DRIVER - WHITE - Q SERIES (ULTIMATE ADVANTAGE/ULTIMATE FREEDOM) |
| 40 | 138460-05-02A | EA | TRACK/CURTAIN - PASSENGER - WHITE - L SERIES (CHIEFTAIN/SUNFLYER) |
| | 138460-06-02A | EA | TRACK/CURTAIN - DRIVER - WHITE - L SERIES (CHIEFTAIN/SUNFLYER) |
| 40 | 138460-07-02A | EA | TRACK/CURTAIN - PASSENGER - WHITE - S SERIES (VECTRA/HORIZON) |
| | 138460-08-02A | EA | TRACK/CURTAIN - DRIVER - WHITE - S SERIES (VECTRA/HORIZON) |
| 41 | 141634-01-000 | EA | BRACKET-(BOBBIN TYPE) 7/8"H HOLDUPBASE(OVAL)-2 HOLE-CLEAR |
| 42 | 143805-01-000 | EA | BRACKET-(BOBBIN TYPE) 1/2"H HOLDUPBASE(OVAL)-2 HOLES CLEAR |

CURTAIN & CUSHION GROUP (CONTINUED)

ACCESSORIES

| KEY | PART NUMBER | U/M | DESCRIPTION |
|-----|---------------|-----|--------------------------------------|
| | 056271-01-000 | EA | SEAT BELT - 2" X 102" - BLACK |
| | 070578-02-N30 | EA | BUTTON - SCREW - STUD - #30 VINYL |
| | 129491-01-000 | EA | CATCH - SNAP HOOK - 1" - F32V |
| | 074494-02-000 | EA | BUTTON - RETAINING PIVOT - #60 |
| | 074494-04-000 | EA | BUTTON - JOINED/PIVOT - W 3/4 TACK |
| | 118337-02-P37 | EA | BUTTON - #60 - FABRIC COVERED (R32) |
| | 118337-02-P38 | EA | BUTTON - #60 - FABRIC COVERED (R33) |
| | 118337-02-R34 | EA | BUTTON - #60 - FABRIC COVERED (R34) |
| | 118337-06-P37 | EA | BUTTON - #60 - FABRIC COVERED (R32) |
| | 118337-06-P07 | EA | BUTTON - #60 - FABRIC COVERED (R33) |
| | 118337-06-R34 | EA | BUTTON - #60 - FABRIC COVERED (R34) |
| | 118337-04-P37 | EA | BUTTON - #60 - FABRIC COVERED (R32) |
| | 118337-04-P07 | EA | BUTTON - #60 - FABRIC COVERED (R33) |
| | 118337-04-R34 | EA | BUTTON - #60 - FABRIC COVERED (R34) |
| | 074494-02-000 | EA | BUTTON - RETAINING PIVOT - #60 |
| | 074494-03-000 | EA | BUTTON - SERRATED PIVOT - W/3/8 TACK |
| | 057534-01-000 | EA | TIEBACK - CLEAR PLASTIC - 6" |
| | 057534-03-000 | EA | TIEBACK - CLEAR PLASTIC - 7.5" |



| KEY | PART NUMBER | U/M | DESCRIPTION |
|-----|---------------|-----|--|
| 1* | 091990-08-01A | EA | SEAT BELT - 3 POINT - .766" DIAMETER HOLE IN D-LOOP BRKT |
| 2 | 127598-01-01A | EA | ADJUSTER - SEATBELT - D-LOOP |
| 3 | 127598-02-000 | EA | NUT - HEX FLANGE - M10 X 1.5 - CLASS 10 |
| 4 | NOT USED | | |

*COMPONENT PARTS LISTED LATER IN THIS GROUP

CURTAIN & CUSHION GROUP (CONTINUED)

COMPONENT PARTS FOR ACCESSORIES

091990-08-01A

| KEY | PART NUMBER | U/M | DESCRIPTION | VENDOR NO. |
|-----|---------------|-----|------------------------------|------------|
| | 091990-01-701 | EA | EXTENDER 9" FOR A8408 3 PT | I-1331-02 |
| | 091990-01-703 | EA | RECEIVER/FEMALE END-SEATBELT | I-1159-02 |
| | 091990-05-700 | EA | SLEEVE/BUCKLE COVER-PLASTIC | 209S-2 |
| | 091990-05-701 | EA | CAP/COVER - BOLT HOLE COVER | 209SC-02 |
| | 091990-05-702 | EA | SLEEVE/RETRACTABLE COVER | 309C-02 |

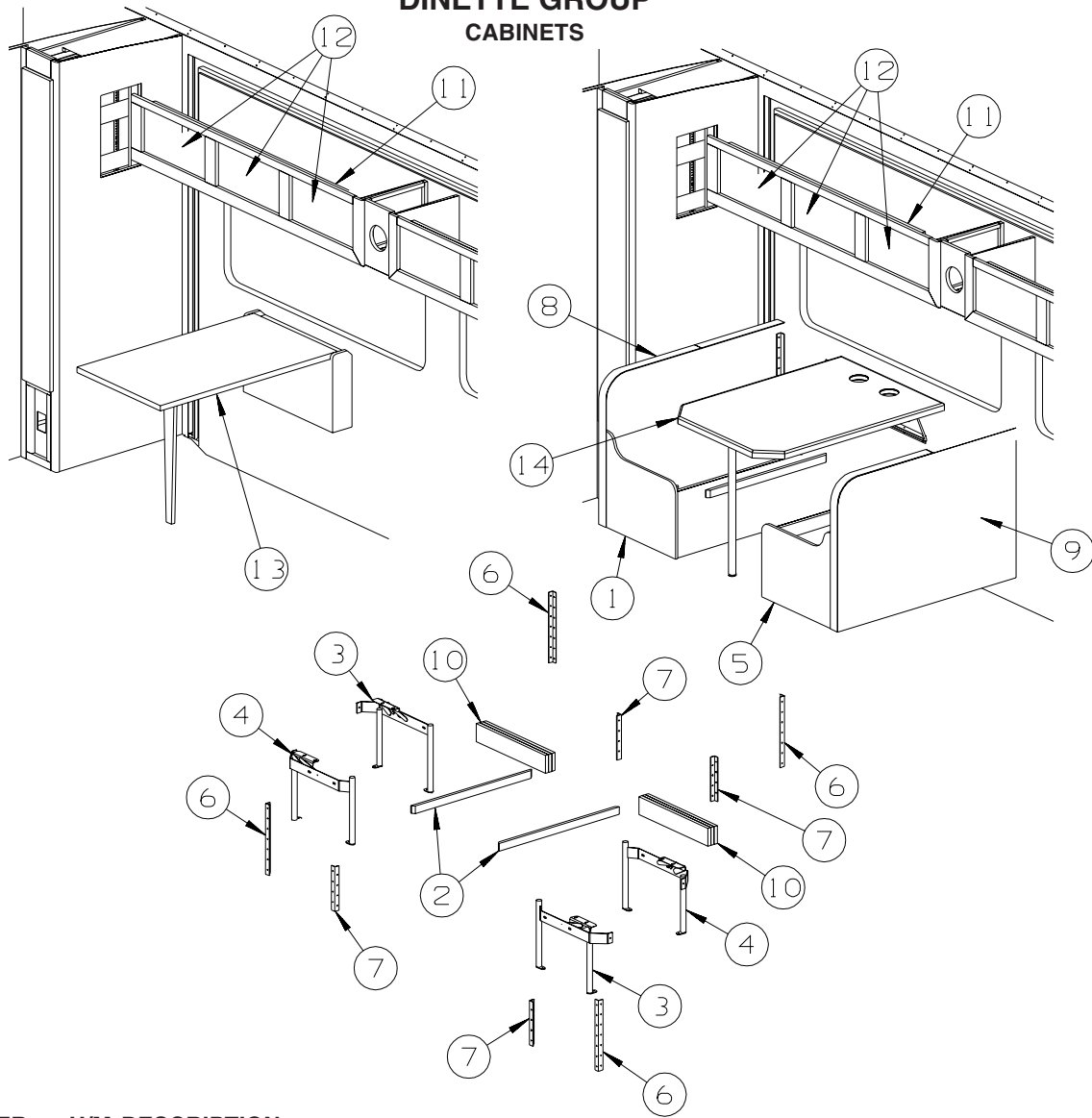
CURTAIN & CUSHION GROUP (CONTINUED)
FABRICS

| FAMILY | R32 SAND FROST | R33 SAGEBRUSH | R34 ALPINE BLUE |
|-----------------------------------|--|--|--|
| BRAVE BUCKET | 578 HL | 578 HL W/LUMBAR (DR.&PASS.) | 578 HL W/LUMBAR (DR.&PASS.) |
| | 126883-H4-000 | 126883-L3-000 | 126883-V4-000 |
| | *OPT. DOESKIN LEATHER | *OPT. DOESKIN LEATHER | *OPT. DOESKIN LEATHER |
| | 079680-50-000 | 079680-50-000 | 079680-50-000 |
| | *OPT. LEATH. DR&PASS W/LUMBAR | *OPT. LEATH. DR&PASS W/LUMBAR | *OPT. LEATH. DR&PASS W/LUMBAR |
| DINETTE | 735 CLUB W/RADIUS - SPRUNG | 735 CLUB W/RADIUS - SPRUNG | 735 CLUB W/RADIUS - SPRUNG |
| | 126883-N1-000 | 126883-L2-000 | 126883-V2-000 |
| DINETTE WRAP | 126883-H4-000 | 126883-L3-000 | 126883-V4-000 |
| DINETTE AND FOLDING CHAIRS | FLEXSTEEL C155 & REM FC200 | FLEXSTEEL C155 & REM FC200 | FLEXSTEEL C155 & REM FC200 |
| | 126883-H4-000 | 126883-L3-000 | 126883-V3-000 |
| SOFA | 800 REST EASY | 800 REST EASY | 800 REST EASY |
| | *F30W 695 SOFA | *F30W 695 SOFA | *F30W 695 SOFA |
| | 126883-N1-000 | 126883-L2-000 | 126883-V2-000 |
| LOUNGE CHAIR | 458 HOOP W/FOOTREST | 458 HOOP W/FOOTREST | 458 HOOP W/FOOTREST |
| | 126883-H4-000 | 126883-L3-000 | 126883-V4-000 |
| LOUNGE PILLOW 1 PER SOFA | SQ. W/CENTER OVLY. & WELT | SQ. W/CENTER OVLY. & WELT | SQ. W/CENTER OVLY. & WELT |
| | FACE CENTER OVLY. 126883-N1 | FACE CENTER OVLY. 126883-L2 | FACE CENTER OVLY. 126883-V2 |
| | BODY,WELT & BCK. 126883-H4 | BODY,WELT & BCK. 126883-L3 | BODY,WELT & BCK. 126883-V3 |
| LOUNGE WINDOWS | FLANDERS NON-GATH. VAL. | FLANDERS NON-GATH. VAL. | FLANDERS NON-GATH. VAL. |
| | UNDERLAY/OVERLAY | UNDERLAY/OVERLAY | UNDERLAY/OVERLAY |
| | 126883-N1-000/126883-H4-000 | 126883-L2-000/126883-L3-000 | 126883-V2-000/126883-V3-000 |
| | BUTTONS 126883-N1-000 | BUTTONS 126883-L2-000 | BUTTONS 126883-V2-000 |
| | LEGS 126883-H4-000 | LEGS 126883-L3-000 | LEGS 126883-V3-000 |
| LGE. OVHD. INSERTS | 126883-H4-000 | 126883-L3-000 | 126883-V4-000 |
| GALLEY BLIND | 386 SNOCAP | 386 SNOCAP | 386 SNOCAP |
| BEDSPREAD 6" CHANNEL QUILT | BEDCAP W/.5" NON-GATH. | BEDCAP W/.5" NON-GATH. | BEDCAP W/.5" NON-GATH. |
| | ACCENT WELT | ACCENT WELT | ACCENT WELT |
| | 137813-42-000/137813-43-000 | 137813-24-000/137813-25-000 | 105745-Y1-000/126883-V3-000 |
| HEADBOARD (horizon) | body and welt | body and welt | body and welt |
| | 137813-42-000 | 137813-24-000 | 105745-Y1-000 |
| | strap 137813-43-000 | strap 137813-25-000 | strap126883-v3-000 |

CURTAIN & CUSHION GROUP (CONTINUED)
FABRICS (CONTINUED)

| FAMILY | R32 SAND FROST | R33 SAGEBRUSH | R34 ALPINE BLUE |
|--------------------------------------|---|---|---|
| BRAVE SHAMS | NON-QUILTED W/.5" | NON-QUILTED W/.5" | NON-QUILTED W/.5" |
| | NON-GATH. .5" ACCENT WELT | NON-GATH. .5" ACCENT WELT | NON-GATH. .5" ACCENT WELT |
| | 137813-42-000/137813-43-000 | 137813-24-000/137813-25-000 | 105745-Y1-000/126883-V3-000 |
| BEDRM. PILLOW 1 PER MATTRESS | ROUND W/GATHERED BAND & CENTER BUTTON | ROUND W/GATHERED BAND & CENTER BUTTON | ROUND W/GATHERED BAND & CENTER BUTTON |
| | GATHERED BAND & BUTTON | GATHERED BAND & BUTTON | GATHERED BAND & BUTTON |
| | 137813-43-000 | 137813-25-000 | 126883-V3-000 |
| | CENTER PANEL & BACK | CENTER PANEL & BACK | CENTER PANEL & BACK |
| | 137813-42-000 | 137813-24-000 | 105745-Y1-000 |
| | | | |
| BEDROOM WINDOWS | GATHERED FLANDERS VAL. UNDERLAY/GATH. OVERLAY | GATHERED FLANDERS VAL. UNDERLAY/GATH. OVERLAY | GATHERED FLANDERS VAL. UNDERLAY/GATH. OVERLAY |
| | 137813-42-000/137813-43-000 | 137813-24-000/137813-25-000 | 105745-Y1-000/126883-V3-000 |
| | BUTTONS 137813-42-000 | BUTTONS 137813-24-000 | BUTTONS 105745-Y1-000 |
| | FLUSH LEGS 137813-43-000 | FLUSH LEGS 137813-25-000 | FLUSH LEGS 126883-V3-000 |
| | | | |
| BEDRM. OVHD. INSERTS | 137813-43-000 | 137813-25-000 | 126883-V3-000 |
| DAY-NITERS LGE. & BEDROOM | COTTON/WHITE DECO | COTTON/WHITE DECO | COTTON/WHITE DECO |
| | 094911-53-000/094911-50-000 | 094911-53-000/094911-50-000 | 094911-53-000/094911-50-000 |
| FRONT WRAP | CLOUDS MUSHROOM | CLOUDS MUSHROOM | CLOUDS MUSHROOM |
| | 072333-85-000 | 072333-85-000 | 072333-85-000 |
| SUNVISORS | GLACIER | GLACIER | GLACIER |
| | 123298-04-05A | 123298-04-05A | 123298-04-05A |
| FLOOR MATS | 096060-H1-000 CARPET | 096060-G9-000 CARPET | 096060-E6-000 CARPET |
| | 102695-12-000 TAPE | 102695-20-000 TAPE | 102695-22-000 TAPE |

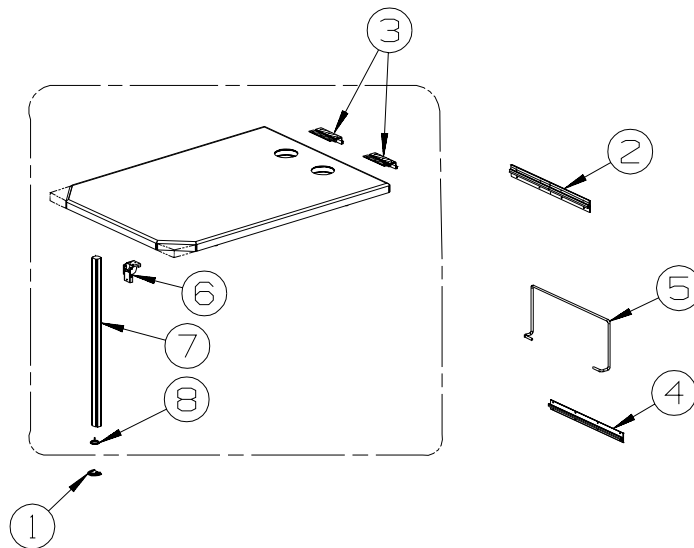
DINETTE GROUP CABINETS



| KEY | PART NUMBER | U/M | DESCRIPTION |
|-----|---------------|-----|---|
| 1 | 142046-03-P23 | EA | CABINET/BASE - DINETTE/FLIP UP - LEFT HAND - W/O BACK (R32) |
| 1 | 142046-03-P38 | EA | CABINET/BASE - DINETTE/FLIP UP - LEFT HAND - W/O BACK (R33) |
| 1 | 142046-03-R34 | EA | CABINET/BASE - DINETTE/FLIP UP - LEFT HAND - W/O BACK (R34) |
| 2 | 081295-01-N70 | EA | SUPPORT - BED/DINETTE - 28" LONG |
| 3 | 142033-01-000 | EA | BRACKET - DINETTE - RIGHT HAND |
| 4 | 142033-02-000 | EA | BRACKET - DINETTE - LEFT HAND |
| 5 | 142046-05-P23 | EA | CABINET/BASE - DINETTE/FLIP UP - RIGHT HAND - W/O BACK (R32) |
| 5 | 142046-05-P38 | EA | CABINET/BASE - DINETTE/FLIP UP - RIGHT HAND - W/O BACK (R33) |
| 5 | 142046-05-R34 | EA | CABINET/BASE - DINETTE/FLIP UP - RIGHT HAND - W/O BACK (R34) |
| 6 | 122021-02-02A | EA | ANGLE - W/HOLES - 13.7" LONG - OFF WHITE |
| 7 | 122021-01-02A | EA | ANGLE - W/HOLES - 8.6" LONG - OFF WHITE |
| 8 | 142046-65-P23 | EA | PANEL/BACK - DINETTE SEAT - LEFT HAND (R32) |
| 8 | 142046-65-P38 | EA | PANEL/BACK - DINETTE SEAT - LEFT HAND (R33) |
| 8 | 142046-65-R34 | EA | PANEL/BACK - DINETTE SEAT - LEFT HAND (R34) |
| 9 | 142046-69-P23 | EA | PANEL/BACK - DINETTE SEAT - RIGHT HAND |
| 9 | 142046-69-P38 | EA | PANEL/BACK - DINETTE SEAT - RIGHT HAND |
| 9 | 142046-69-R34 | EA | PANEL/BACK - DINETTE SEAT - RIGHT HAND |
| 10 | 142046-63-P23 | EA | SPACER/BASE - DINETTE SEAT (R32) |
| 10 | 142046-63-P38 | EA | SPACER/BASE - DINETTE SEAT (R33) |
| 10 | 142046-63-R34 | EA | SPACER/BASE - DINETTE SEAT (R34) |
| 11 | 139122-03-R32 | EA | CABINET - OVERHEAD/DINETTE - W/O DOORS/HARDWARE |
| 12 | 136954-22-P37 | EA | DOOR - RAISED PANEL/OGEE EDGE - 10" X 19.1" |
| 13 | 133856-01-N42 | EA | TABLE COMPLETE - LAMINATED - PORTSMOUTH OAK |
| 14 | 143304-03-R32 | EA | TABLE - DINETTE - 24" X 41.6" - LINO FRIEZE/PORTSMOUTH OAK (R32) |
| 14 | 143304-03-P37 | EA | TABLE - DINETTE - 24" X 41.6" - EGGSHELL/PORTSMOUTH OAK (R33) |
| 14 | 143304-03-P39 | EA | TABLE - DINETTE - 24" X 41.6" - GRAY TRANQUILITY/PORTSMOUTH OAK (R34) |

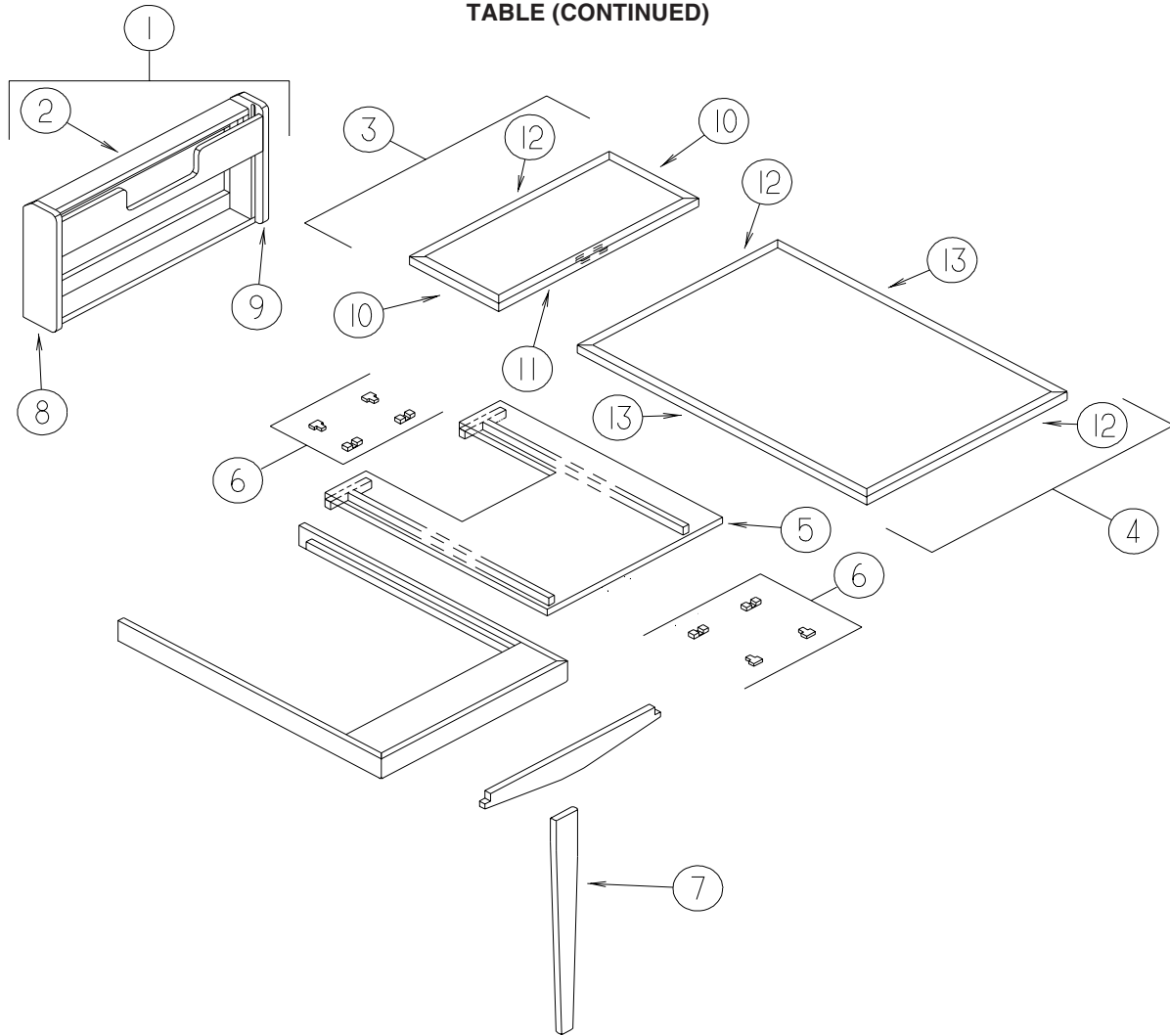
DINETTE GROUP (CONTINUED)

TABLE



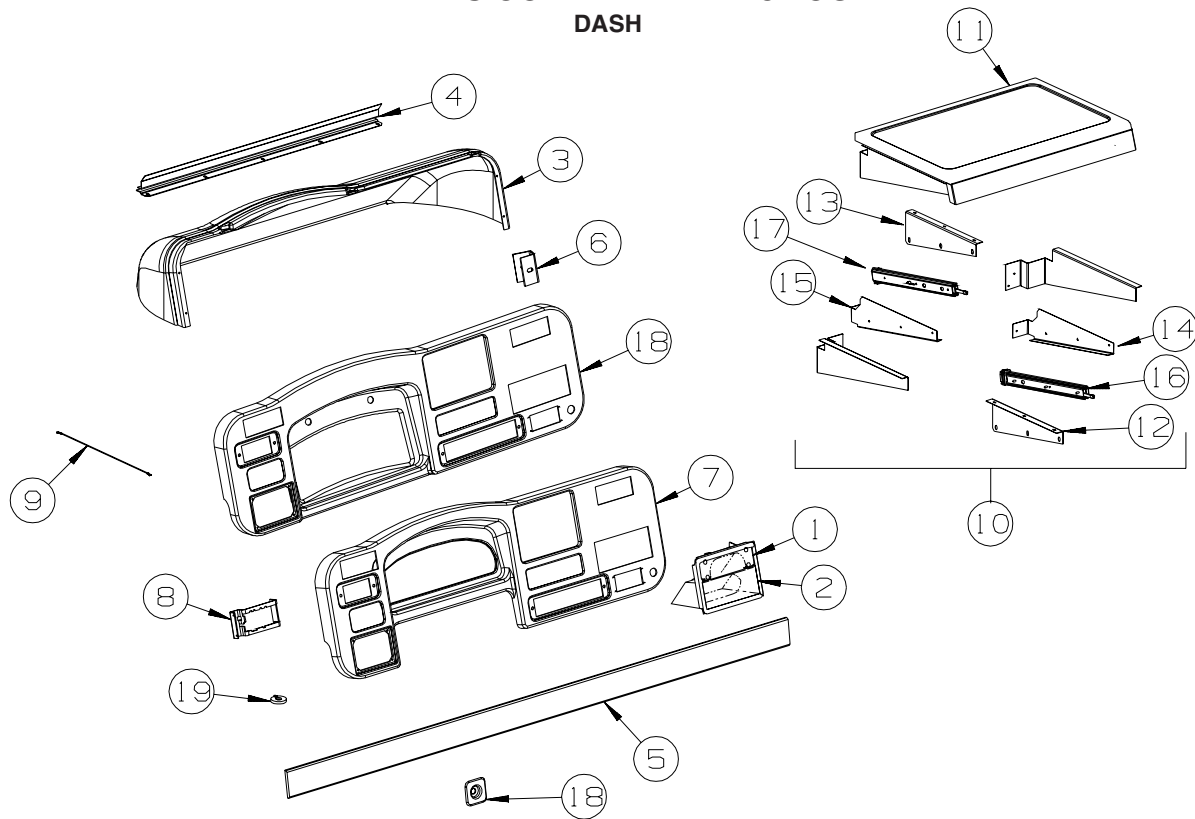
| KEY | PART NUMBER | U/M | DESCRIPTION |
|-----|---------------|-----|---|
| 1 | 143798-01-01A | EA | CATCH - FLOOR TO TABLE LEG - BRIGHT WHITE |
| 2 | 140921-02-01A | EA | SUPPORT - TABLE - 18.5" - OFF WHITE |
| 3 | 140921-03-01A | EA | HANGER - TABLE - W/VINYL - OFF WHITE |
| 4 | 024281-15-000 | EA | BRACKET/TABLE - LIFT ROD/LOWER WALL MOUNTED - 17.1" |
| 5 | 024275-13-000 | EA | ROD - TABLE LIFT - OFF/WHITE |
| 6 | 093550-01-000 | EA | BRACKET - HINGE - MOUNTS TO LEG & TABLE TOP - 1.7" X 2.6" |
| 7 | 092707-10-03A | EA | LEG - TABLE - W/O HARDWARE - 26.8" - PORTSMOUTH OAK |
| 8 | 143798-02-01A | EA | CATCH - TABLE LEG - BRIGHT WHITE |
| | 143798-03-01A | EA | WASHER - TABLE LEG - CATCH |

DINETTE GROUP (CONTINUED)
TABLE (CONTINUED)



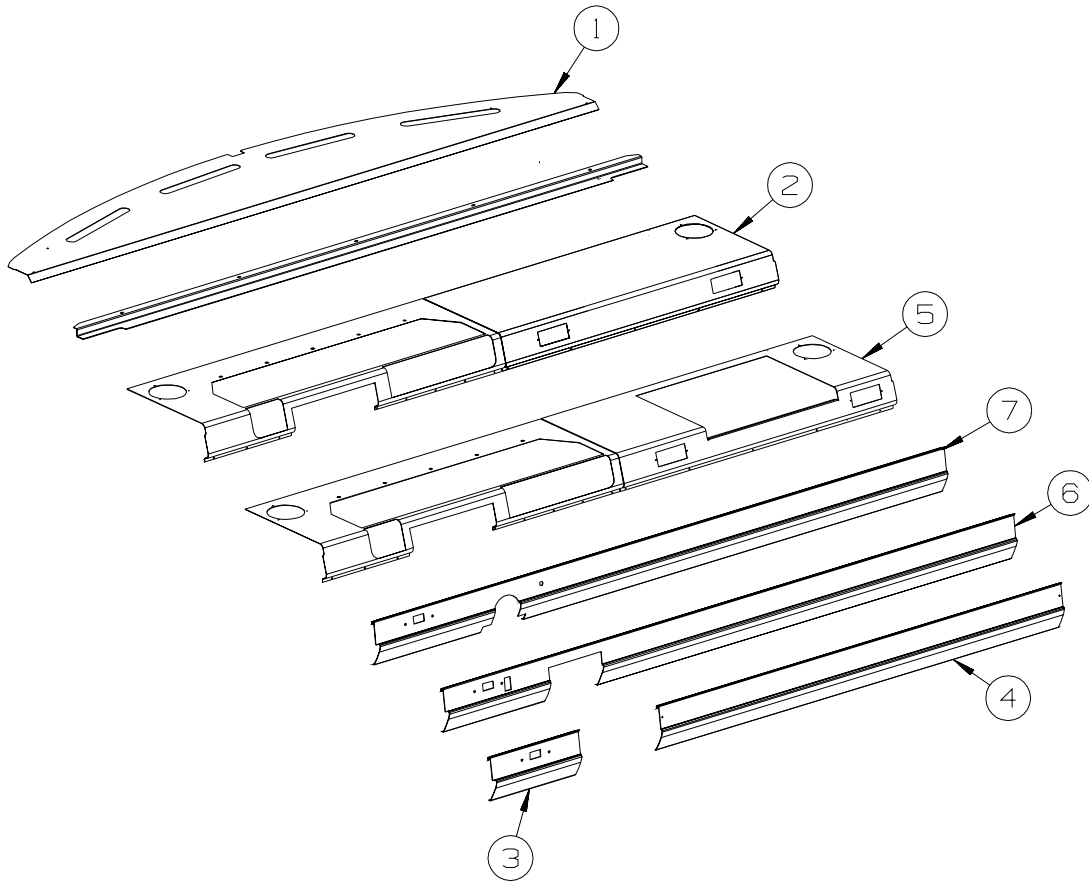
| KEY | PART NUMBER | U/M | DESCRIPTION |
|-----|---------------|-----|---|
| 1 | 133856-31-N42 | EA | CABINET/WALL - W/O COUNTERTOP - F/PULLOUT TABLE |
| 2 | 133856-23-N42 | EA | COUNTERTOP - F/WALL CABINET - LAMINATED - PORTSMOUTH OAK |
| 3 | 133856-12-N42 | EA | TABLE TOP - SMALL HINGED SECTION - LAMINATED PORTSMOUTH OAK |
| 4 | 133856-11-N42 | EA | TABLE TOP - LARGE SECTION - LAMINATED PORTSMOUTH OAK |
| 5 | 133856-17-N42 | EA | SLIDE - TABLE TOP |
| 6 | 009050-02-000 | EA | LEVELER - TABLE TOP - MALE END W/4 SCREWS - PLASTIC |
| 6 | 009050-03-000 | EA | LEVELER - TABLE TOP - FEMALE END W/2 SCREWS - PLASTIC |
| 7 | 133856-28-N42 | EA | LEG - F/TABLE |
| 8 | 133856-27-N42 | EA | END - LEFT HAND - F/TABLE CABINET |
| 9 | 133856-26-N42 | EA | END - RIGHT HAND - F/TABLE CABINET |
| 10 | 133856-15-N42 | EA | TRIM - TABLE MOLDING - 12" |
| 11 | 133856-16-N42 | EA | TRIM - TABLE MOLDING - 23.8" |
| 12 | 133856-14-N42 | EA | TRIM - TABLE MOLDING - 23.8" |
| 13 | 133856-13-N42 | EA | TRIM - TABLE MOLDING - 41.2" |

DRIVERS COMPARTMENT GROUP DASH



| KEY | PART NUMBER | U/M | DESCRIPTION |
|-----|---------------|-----|--|
| 1 | 096776-03-000 | EA | STORAGE BOX - CD'S - 4 DISC HOLDER - W/O REARVIEW MONITOR |
| 2 | 111350-01-01A | EA | POCKET - INSTRUMENT PANEL - UPPER - BLACK - W/O REARVIEW MONITOR |
| 3 | 132080-01-03A | EA | POD - INSTRUMENT PANEL - W/O HOLE - GLACIER |
| 3 | 132080-02-03A | EA | POD - INSTRUMENT PANEL - W/O HOLE - GLACIER - REARVIEW MONITOR/MAPPING SYSTEM |
| 4 | 129813-02-02A | EA | HINGE - DASH POD - GLACIER |
| 5 | NOT USED | | |
| 6 | 134257-02-02B | EA | CLIP - RETAINER - BEZEL - E-COATED |
| 7 | 138611-02-01A | EA | BEZEL - INSTRUMENT PANEL - BLK - FORD |
| 8 | 133849-01-02B | EA | MOUNT - HEADLAMP SWITCH - E-COATED - WORKHORSE |
| 9 | 076767-05-000 | EA | CABLE - STAINLESS STEEL - 15.5" |
| 10 | 135298-02-N52 | EA | TABLE COMPLETE - WORKSTATION |
| | | | FROM: 00-00-00 THRU: 05-08-03 |
| 10 | 135298-02-R32 | EA | TABLE COMPLETE - WORKSTATION |
| | | | FROM: 05-09-03 THRU: 99-99-99 |
| 11 | 135122-02-N52 | EA | TABLE TOP - PULLOUT/WORKSTATION |
| | | | FROM: 00-00-00 THRU: 05-08-03 |
| 11 | 135122-02-R32 | EA | TABLE TOP - PULLOUT/WORKSTATION |
| | | | FROM: 05-09-03 THRU: 99-99-99 |
| | 106569-09-06A | EA | VINYL - LAMINATE - ALLANTE DOESKIN - 1/4" X 25" X 100" |
| | | | FROM: 00-00-00 THRU: 05-08-03 |
| | 106569-09-07A | EA | VINYL - LAMINATE - 25" X 100" - MADRID |
| | | | FROM: 05-09-03 THRU: 99-99-99 |
| 12 | 135132-03-02B | EA | ANGLE-SLIDE,RH, E-CT |
| 13 | 135132-04-02B | EA | ANGLE-SLIDE,LH, E-CT |
| 14 | 135228-01-02B | EA | ANGLE - SLIDE - TRAY/RIGHT HAND - E-COATED |
| 15 | 135228-02-02B | EA | ANGLE - SLIDE - TRAY/LEFT HAND - E-COATED |
| 16 | 135314-01-01A | EA | SLIDE - DASH WORK STATION - RIGHT HAND |
| 17 | 135314-02-01A | EA | SLIDE - DASH WORK STATION - LEFT HAND |
| 18 | 142956-01-01A | EA | BEZEL - INSTRUMENT PNL - WORKHORSE - BLACK |
| | | | FROM: 00-00-00 THRU: 03-24-03 |
| 18 | 138612-02-01A | EA | BEZEL - INSTRUMENT PANEL - BLACK |
| | | | FROM: 03-25-03 THRU: 99-99-99 |
| 19 | 049176-01-000 | EA | HEDLOCK II - 3/4 DIAMETER SCREW MOUNT |

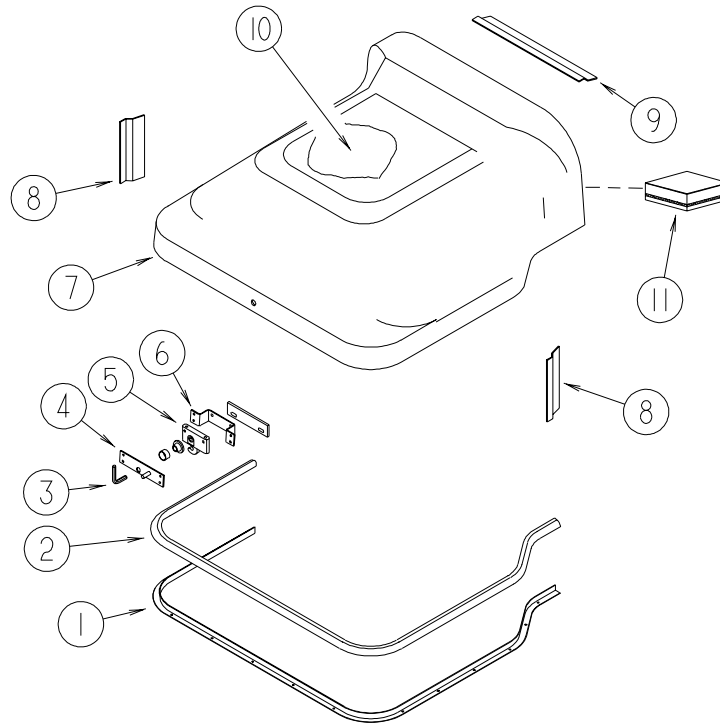
DRIVERS COMPARTMENT GROUP (CONTINUED)
DASH (CONTINUED)



| KEY | PART NUMBER | U/M | DESCRIPTION |
|-----|---------------|-----|---|
| 1 | 132126-02-02B | EA | PANEL - DASH TOP - E-COATED |
| | 106569-11-05A | EA | VINYL - LAMINATE - ALLANTE DOESKIN - 1/4" X 25" X 100" |
| 2 | 132128-01-02B | EA | DASH - E-COATED - W/O WORKSTATION, FORD |
| 2 | 142962-03-02B | EA | DASH - E-COATED - W/O WORKSTATION, WORKHORSE |
| 3 | 111528-12-05A | EA | TRIM - DASH/LOWER - DRIVER - GLACIER - FORD |
| 4 | 111528-10-05A | EA | TRIM - DASH/LOWER - PASSENGER - GLACIER - FORD |
| 5 | 135096-01-02B | EA | DASH - E-COATED - W/WORKSTATION, FORD |
| 5 | 142962-04-02B | EA | DASH - E-COATED - W/WORKSTATION, WORKHORSE |
| 6 | 137928-02-05A | EA | TRIM/DASH - LOWER - GLACIER - WORKHORSE 20,700 & 22,000 GVWR |
| 7 | 133776-02-05A | EA | TRIM/DASH - LOWER - GLACIER - WORKHORSE 18,000 GVWR |

DRIVERS COMPARTMENT GROUP (CONTINUED)

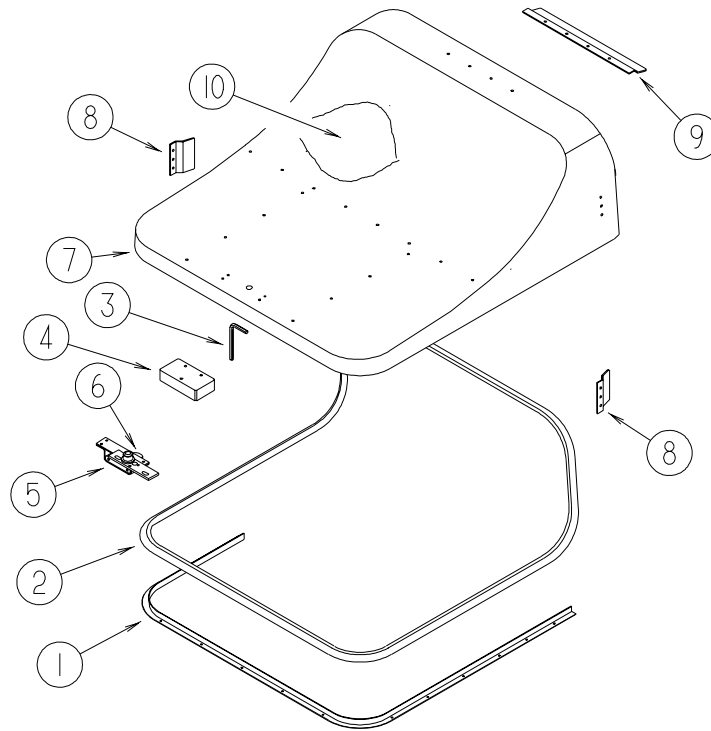
MOTOR COVER



**ALL FORD &
18,000# GVWR
WORKHORSE**

| KEY | PART NUMBER | U/M | DESCRIPTION |
|-----|---------------|-----|---|
| 1 | 115860-04-01A | EA | TRIM - MOTOR COVER - WORKHORSE 18,000 GVWR |
| 1 | 115860-05-01A | EA | TRIM - MOTOR COVER - MILL FINISH - FORD |
| 2 | 039623-01-000 | FT | SEAL - MOTOR COVER - RUBBER BULB TYPE |
| 3 | 116833-01-02B | EA | WRENCH - HEX MOTOR COVER - E-COATED |
| 4 | 115852-01-02B | EA | STRIKE - LATCH - MOTOR COVER - E-COATED |
| 5 | 116581-01-000 | EA | LATCH - W/O STRIKE - MOTOR COVER |
| 6 | 115850-01-02B | EA | RETAINER - LATCH - MOTOR COVER - RIGHT HAND - E-COATED |
| 7 | 129099-02-01A | EA | COVER - MOTOR - W/O CARPET - WORKHORSE 18,000 GVWR |
| 7 | 129099-04-01A | EA | COVER - MOTOR - W/O CARPET - FORD |
| 8 | 115855-02-02B | EA | RETAINER - MOTOR COVER/SIDE - E-COATED |
| 9 | 115855-01-02B | EA | RETAINER - MOTOR COVER/TOP - E-COATED |
| 10 | 072878-01-000 | EA | INSULATION - SOUND BARRIER PAD - .058" X 33" X 58" |
| 11 | NOT USED | | |

DRIVERS COMPARTMENT GROUP (CONTINUED)
MOTOR COVER (CONTINUED)

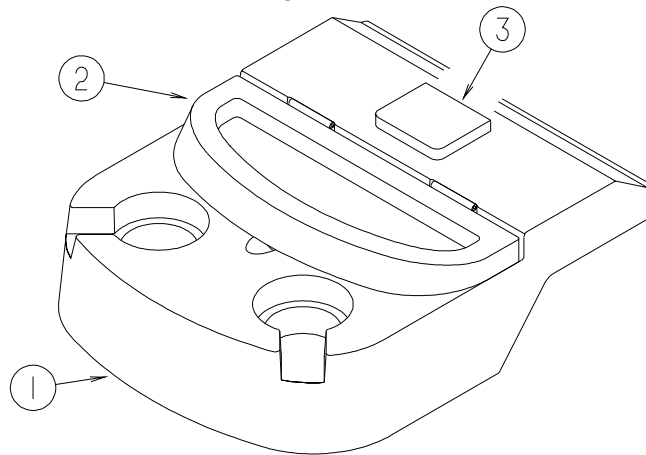


**20,700# & 22,000# GVWR
 WORKHORSE**

| KEY | PART NUMBER | U/M | DESCRIPTION |
|-----|---------------|-----|--|
| 1 | 137332-01-01A | EA | TRIM - MOTOR COVER |
| 2 | 039623-01-000 | FT | SEAL - MOTOR COVER - RUBBER BULB TYPE |
| 3 | 116833-01-02B | EA | WRENCH - HEX MOTOR COVER - E-COATED |
| 4 | 137305-02-02B | EA | BRACKET - STRIKE SUPPORT - E-COATED |
| 5 | 116581-01-000 | EA | LATCH - W/O STRIKE - MOTOR COVER |
| 6 | 115850-01-02B | EA | RETAINER - LATCH - MOTOR COVER - RIGHT HAND - E-COATED |
| 7 | 137096-01-01A | EA | COVER - MOTOR - W/O CARPET |
| 8 | 115855-04-02B | EA | RETAINER - MOTOR COVER - E-COATD |
| 9 | 115855-03-02B | EA | RETAINER - MOTOR COVER/TOP - E-COATED |
| 10 | 134497-01-000 | SF | FOIL/ALUMINUM - REINFORCED |

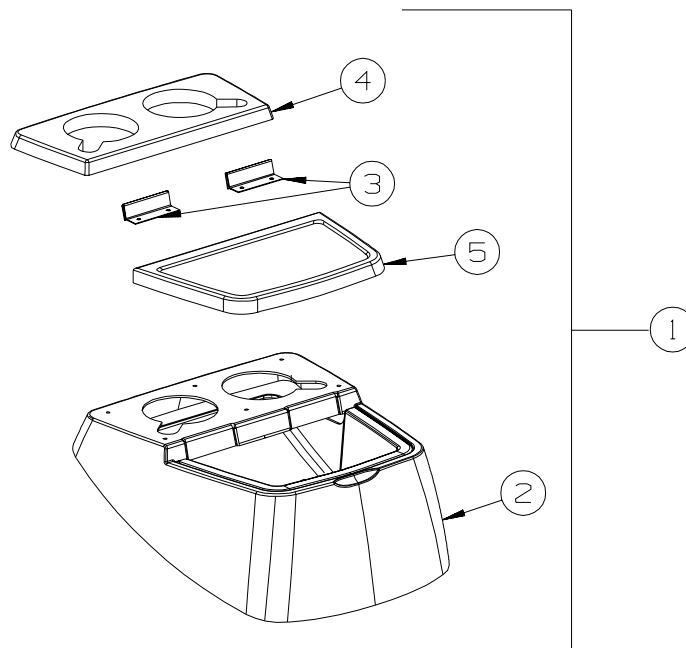
DRIVERS COMPARTMENT GROUP (CONTINUED)

BEVERAGE TRAY



**FORD &
18,000 GVWR
WORKHORSE**

| KEY | PART NUMBER | U/M | DESCRIPTION |
|-----|---------------|-----|-------------------------------------|
| 1 | 126008-02-N21 | EA | TRAY ASM-BEVERAGE - PORTSMOUTH OAK |
| | 128114-01-04A | EA | TRAY/BEVERAGE - GLACIER |
| 2 | 128113-01-N21 | EA | LID - BEVERAGE TRAY |
| 3 | 118719-01-01A | EA | ASHTRAY - TOP MOUNT - BLACK PLASTIC |
| | 126010-01-03A | EA | SPACER - BEVERAGE TRAY - GLACIER |

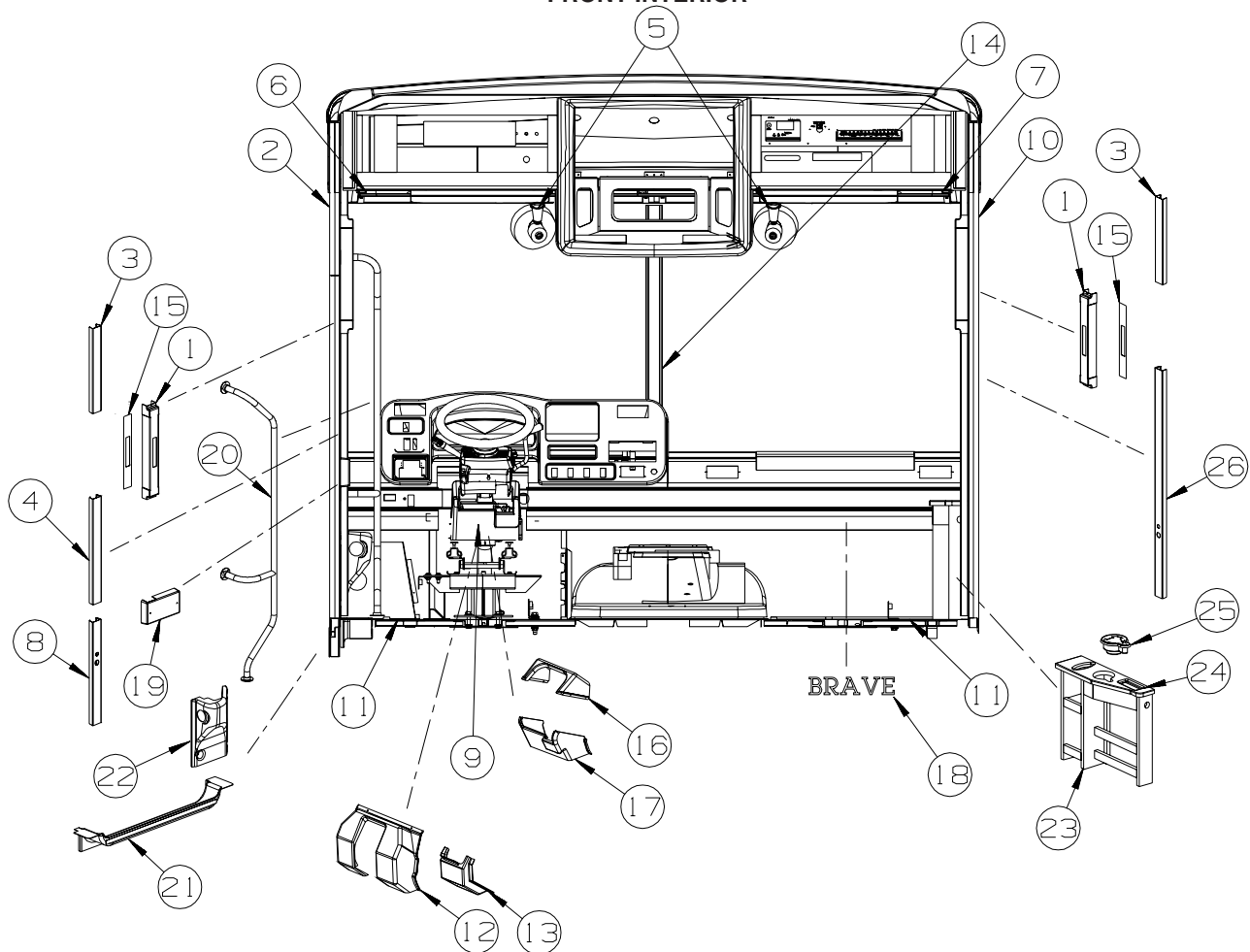


**20,700 & 22,000 GVWR
WORKHORSE**

| KEY | PART NUMBER | U/M | DESCRIPTION |
|-----|---------------|-----|-----------------------------------|
| 1 | 139275-01-N52 | EA | TRAY - BEVERAGE |
| | | | FROM: 00-00-00 THRU: 05-08-03 |
| 1 | 139275-01-R32 | EA | TRAY - BEVERAGE |
| | | | FROM: 05-09-03 THRU: 99-99-99 |
| 2 | 139268-01-01A | EA | TRAY - BEVERAGE - GLACIER |
| 3 | 139279-01-04B | EA | HINGE - BLACK |
| 4 | 139296-01-01A | EA | LID - BEVERAGE TRAY - OYSTER GRAY |
| | | | FROM: 00-00-00 THRU: 05-08-03 |
| 4 | 139296-01-03A | EA | LID - BEVERAGE TRAY - SANDSTONE |
| | | | FROM: 05-09-03 THRU: 99-99-99 |
| 5 | 139285-01-01A | EA | LID/DOOR - OYSTER GRAY |
| | | | FROM: 00-00-00 THRU: 05-08-03 |
| 5 | 139285-01-03A | EA | LID/DOOR - SANDSTONE |
| | | | FROM: 05-09-03 THRU: 99-99-99 |

DRIVERS COMPARTMENT GROUP (CONTINUED)

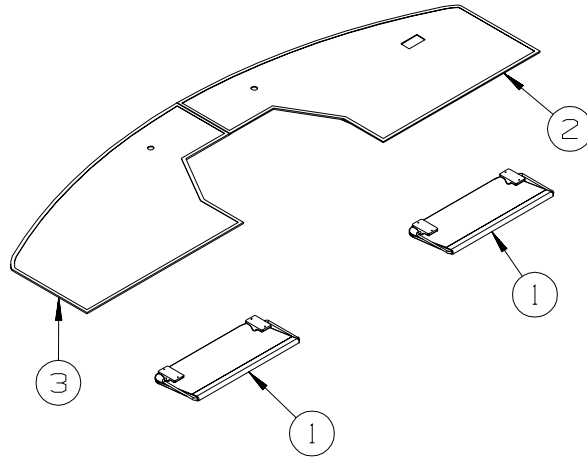
FRONT INTERIOR



| KEY | PART NUMBER | U/M | DESCRIPTION |
|-----|---------------|-----|---|
| 1 | 140151-01-01A | EA | COVER - SEAT BELT - OFF WHITE |
| | 140151-02-01A | EA | COVER - SCREW - OFF WHITE |
| 2 | 125508-02-03A | EA | TRIM - A-PILLAR - DRIVER/INTERIOR - GLACIER |
| 3 | 024700-58-000 | EA | COVER - ROLL BAR - SIDEWALL - 16.5" - OFF WHITE |
| 4 | 024700-66-000 | EA | COVER - ROLL BAR - SIDEWALL - 20.6" - OFF WHITE |
| 5 | 122856-01-01A | EA | FAN-DEFROSTER-2 SPEED W/SWIVEL BASE/NON-OSCILLATING-CHROME |
| 6 | 118453-04-03A | EA | TRIM - WINDSHIELD - INNER/TOP/DRIVER - GLACIER |
| 7 | 118453-03-03A | EA | TRIM - WINDSHIELD - INNER/TOP/PASSENGER - GLACIER |
| 8 | 024700-67-000 | EA | COVER - ROLL BAR - SIDEWALL - 20.1" - OFF WHITE |
| 9 | 103498-09-000 | EA | BOOT - STEERING COLUMN - W/1/2 CIRCLE - 18,000 GVWR WORKHORSE |
| 10 | 125508-01-03A | EA | TRIM - A-PILLAR - PASSENGER/INTERIOR - GLACIER |
| 11 | 105924-01-P41 | EA | MAT/FLOOR - 18" X 27" (R32) |
| 11 | 105924-01-P38 | EA | MAT/FLOOR - 18" X 27" (R33) |
| 11 | 105924-01-N72 | EA | MAT - FLOOR - 18" X 27" (R34) |
| 12 | 131804-01-04A | EA | COVER - STEERING COLUMN - UPPER - GLACIER - FORD & 18,000 GVWR WORKHORSE |
| 13 | 125795-01-04A | EA | COVER - STEERING COLUMN/LOWER - GLACIER - FORD & 18,000 GVWR WORKHORSE |
| 14 | 118452-04-03A | EA | TRIM - WINDSHIELD - CENTER - GLACIER |
| 15 | 140151-03-01A | EA | COVER - SEAT BELT SLIDE - BLACK |
| 16 | 137878-02-04A | EA | COVER - STEERING COLUMN - FRONT - GLACIER - 20,700 & 22,000 GVWR WORKHORSE |
| 17 | 137851-01-04A | EA | COVER - STEERING COLUMN - GLACIER - 20,700 & 22,000 GVWR WORKHORSE |
| 18 | 126340-01-03A | EA | DECAL - LOGO - BRAVE - 3D - CHAMPAGNE BEIGE |
| 19 | 141072-01-01A | EA | COVER - BRACKET/LATCH - OFF WHITE |
| | 140151-02-01A | EA | COVER - SCREW - OFF WHITE |
| 20 | 131058-04-02A | EA | HAND RAIL - INTERIOR CAB DOOR - BLACK |

DRIVERS COMPARTMENT GROUP (CONTINUED)
FRONT INTERIOR (CONTINUED)

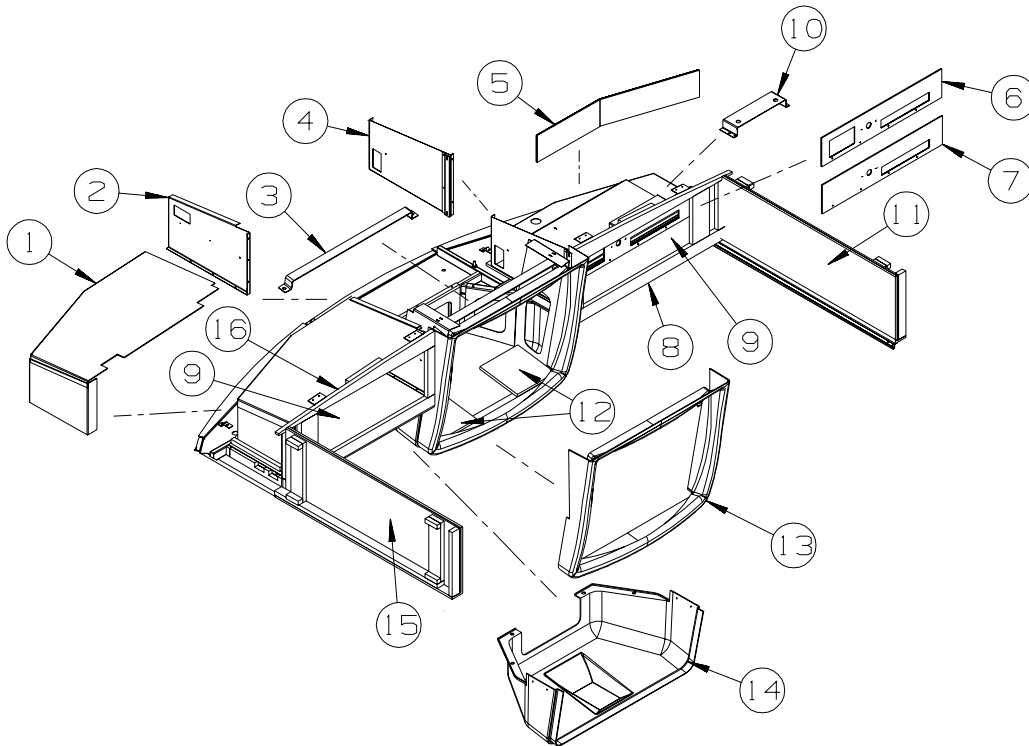
| KEY | PART NUMBER | U/M | DESCRIPTION |
|------------|--------------------|------------|---|
| 21 | 131849-02-01A | EA | TRIM - DRIVER STEP - GLACIER |
| | 102569-02-000 | EA | MAT - ANTI SLIP - LOWER |
| 22 | 132296-02-04A | EA | PANEL/TRIM - DASH/CAB DOOR - EXTERIOR MIRRORS W/DEFROST - GLACIER |
| | 132296-01-04A | EA | PANEL/TRIM - DASH/CAB DOOR - LOW MOUNT MIRRORS - GLACIER |
| 23 | 137644-01-N30 | EA | CABINET/ARMREST - RIGHT HAND |
| 24 | 137643-01-01A | EA | COUNTERTOP - WOOD/OYSTER GRAY |
| | | | FROM: 00-00-00 THRU: 05-08-03 |
| 24 | 137643-01-02A | EA | COUNTERTOP - WOOD/SANDSTONE |
| | | | FROM: 05-09-03 THRU: 99-99-99 |
| 25 | 133831-01-01A | EA | HOLDER - CUP W/THREE CENTERLINE RUBBER FINGERS |
| 26 | 024700-59-000 | EA | COVER - ROLL BAR - SIDEWALL - 44.1" - OFF WHITE |



| KEY | PART NUMBER | U/M | DESCRIPTION |
|------------|--------------------|------------|--|
| 1 | 123298-04-05A | EA | SUNVISOR - 10.5" X 21" - DRIVER/PASSENGER - GLACIER |
| 2 | 144661-01-R32 | EA | PANEL - OVERHEAD/FRONT/BOTTOM |
| 3 | 126440-18-N30 | EA | PANEL - OVERHEAD/FRONT/BOTTOM/DRIVER - VINYL COVERED |

DRIVERS COMPARTMENT GROUP (CONTINUED)

CABINETS

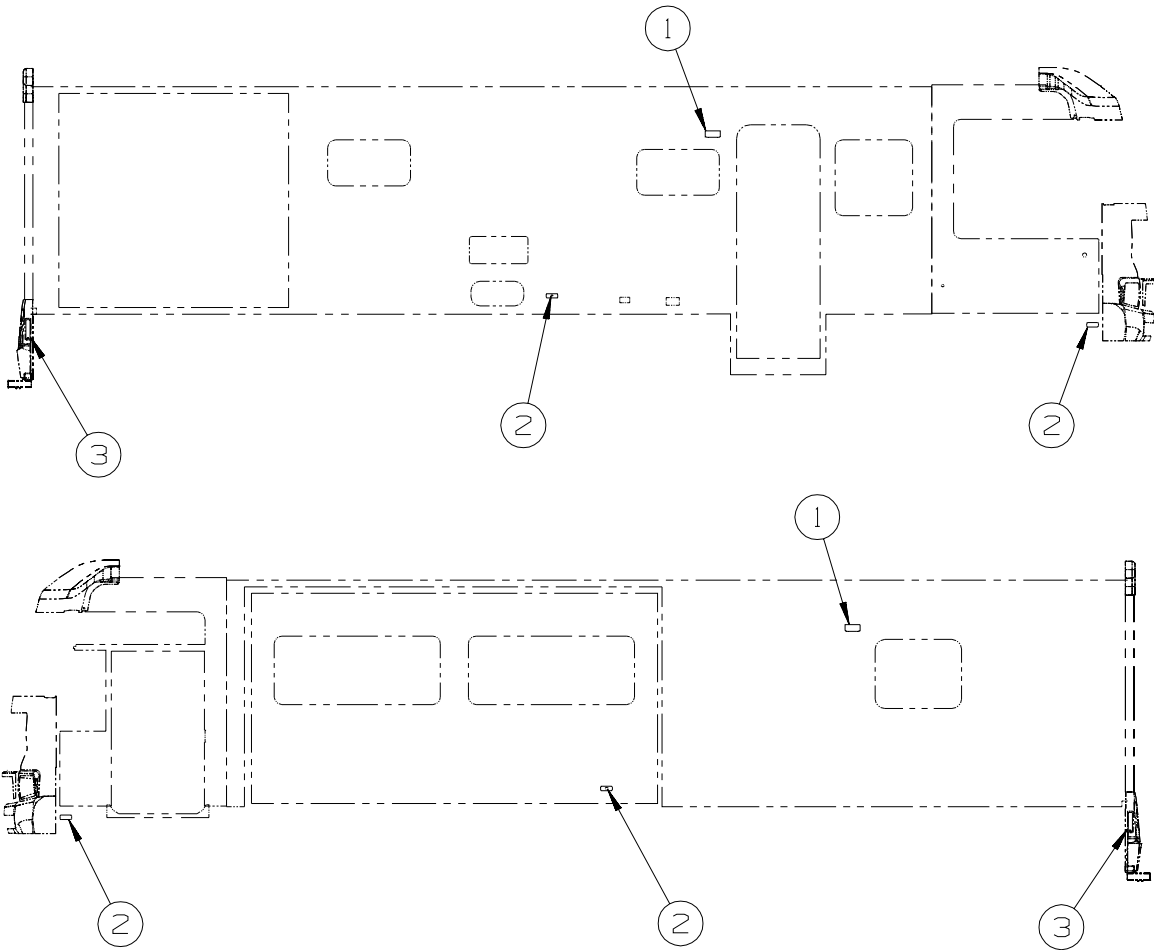


| KEY | PART NUMBER | U/M | DESCRIPTION |
|-----|---------------|-----|--|
| 1 | 126457-07-M42 | EA | PANEL - CLOSEOUT - OVERHEAD/FRONT/DRIVER |
| 2 | 132856-01-02B | EA | PANEL/SHELF - E-COATED |
| 3 | 133790-08-02B | EA | STRAP - TIEDOWN - TV - E-COATED |
| 4 | 126275-06-02B | EA | SHELF - OVERHEAD/FRONT/RIGHT HAND - E-COATED |
| 5 | 132909-06-R32 | EA | PANEL - FABRIC COVERED |
| 6 | 144652-01-R38 | EA | PANEL - VINYL COVERED - DC/AC INVERTER |
| 7 | 144652-02-R38 | EA | PANEL - VINYL COVERED |
| 8 | 141208-04-R32 | EA | CABINET - OVERHEAD/FRONT/RIGHT HAND - W/O DOORS/HARDWARE |
| 9 | 131995-V1-N42 | EA | DOOR - RAIL/GLASS INSERT - 10.8" X 23.8" - W/O HARDWARE |
| 10 | NOT USED | | |
| 11 | 144537-01-R32 | EA | PANEL - OVERHEAD/RIGHT HAND |
| 12 | 140364-01-01A | EA | FOAM - PAD - .5" X 8" X 8" |
| 13 | 130020-02-03A | EA | COVER - TV/OVERHEAD/FRONT - W/O HARDWARE - GLACIER |
| 14 | P30021-03-N42 | EA | COVER - TV - OVERHEAD/LOWER |
| 15 | 144537-02-R32 | EA | PANEL - OVERHEAD/LEFT HAND |
| 16 | 141208-03-R32 | EA | CABINET - OVERHEAD/FRONT/LEFT HAND - W/O DOORS/HARDWARE |
| | 137572-01-02B | EA | PANEL/SHELF - CD/DVD - E-COATED |

FROM: 08-04-03 THRU: 99-99-99

ELECTRICAL GROUP

12V BODY WIRING

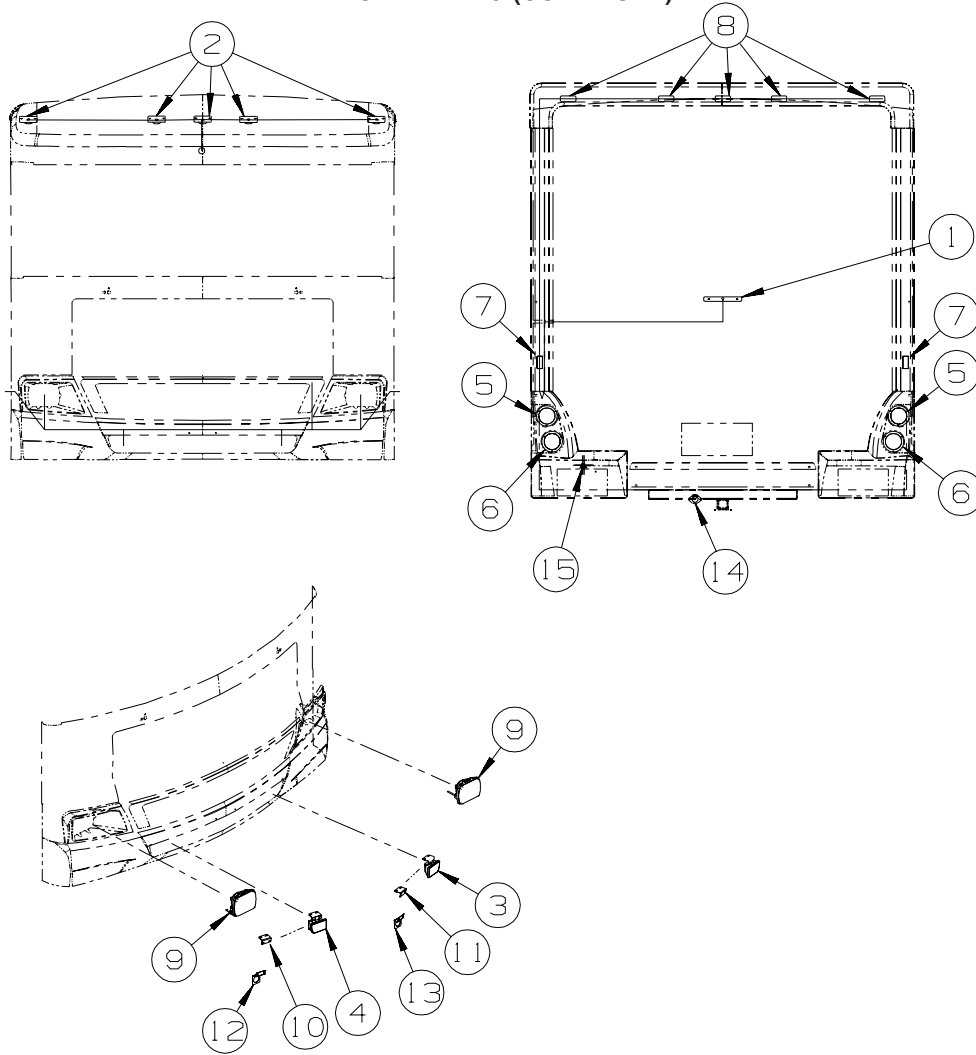


| KEY | PART NUMBER | U/M | DESCRIPTION |
|-----|---------------|-----|---|
| 1* | 097917-01-06A | EA | LIGHT - PORCH - BRIGHT WHITE |
| | 008215-01-000 | EA | BULB - 12 VOLT - #1003 - .94 AMP |
| 2 | 111102-02-000 | EA | LENS - AMBER - MARKER LAMP |
| 2 | 111102-01-000 | EA | BASE - MARKER LAMP |
| 2 | 036196-01-000 | EA | BULB - 12V - #194 - .27 AMP - BAYONETTE |
| 3 | 117826-01-000 | EA | SIDE MARKER LAMP ASSEMBLY - RED |
| 3 | 036196-01-000 | EA | BULB - 12V - #194 - .27 AMP - BAYONETTE |

***COMPONENT PARTS LISTED LATER IN THIS GROUP**

ELECTRICAL GROUP (CONTINUED)

12V BODY WIRING (CONTINUED)

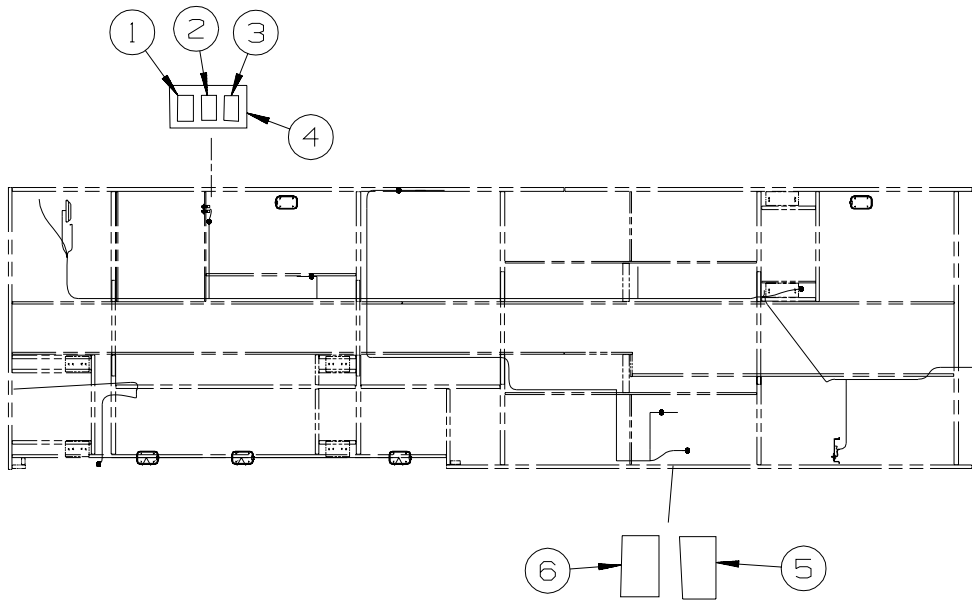


| KEY | PART NUMBER | U/M | DESCRIPTION |
|-----|---------------|-----|---|
| 1 | 136916-01-000 | EA | LIGHT - CENTER BRAKE - L.E.D. |
| 2 | 102520-01-000 | EA | LIGHT - CLEARANCE - W/O SOCKET/HOUSING - AMBER |
| 2 | 102541-01-000 | EA | GASKET - CLEARANCE LIGHT |
| 2 | 036196-01-000 | EA | BULB - 12V - #194 - .27 AMP - BAYONETTE |
| 3 | 138419-02-000 | EA | LAMP - PARK/TURN - DRIVER - AMBER |
| 3 | 037935-01-000 | EA | BULB - 12V - #1157 OR #2057 - 2.1 AMP - CLEAR GLASS |
| 4 | 138419-01-000 | EA | LAMP - PARK/TURN - PASSENGER - AMBER |
| 4 | 037935-01-000 | EA | BULB - 12V - #1157 OR #2057 - 2.1 AMP - CLEAR GLASS |
| 5 | 138441-01-000 | EA | LAMP - BRAKE/TAILO/TURN - 4 1/2" ROUND |
| 6 | 138441-02-000 | EA | LAMP - BACKUP - 4 1/2" ROUND |
| | 126403-01-000 | EA | CONNECTOR - 2 CIRCUIT |
| | 126403-02-000 | EA | CONNECTOR - 3 CIRCUIT |
| 7 | 106646-02-000 | EA | REFLECTOR - STICK ON - RED |
| 8 | 111102-03-000 | EA | LENS - RED - MARKER LAMP |
| 8 | 111102-01-000 | EA | BASE - MARKER LAMP |
| 8 | 036196-01-000 | EA | BULB - 12V - #194 - .27 AMP - BAYONETTE |
| 9 | 138767-01-000 | EA | HEADLAMP - HIGH/LOW - HALOGEN/BLACK |
| 9 | 049359-01-000 | EA | SPRING - RETAINER - HEADLAMP - GM #496096 |
| 9 | 110750-01-000 | EA | SCREW - HEADLAMP ADJUSTING |
| 10 | 137938-01-02B | EA | BRACKET - SIGNAL LAMP - E-COATED |
| 11 | 137938-02-02B | EA | BRACKET - SIGNAL LAMP - E-COATED |
| 12 | 139432-01-02B | EA | BRACKET - LAMP/SIGNAL - LOWER - E-COATED |
| 13 | 139432-02-02B | EA | BRACKET - LAMP/SIGNAL - LOWER - E-COATED |
| 14* | 113589-01-000 | EA | CONNECTOR - PLUG - TRAILER |
| 14* | 113589-02-000 | EA | CONNECTOR - SOCKET - TRAILER |
| 15 | 087201-01-000 | EA | LIGHT - HALF ROUND - 1" X 1.7" - PLASTIC - BLACK OR WHITE |
| | 067789-02-000 | EA | SOCKET - LAMP |

*COMPONENT PARTS LISTED LATER IN THIS GROUP

ELECTRICAL GROUP (CONTINUED)

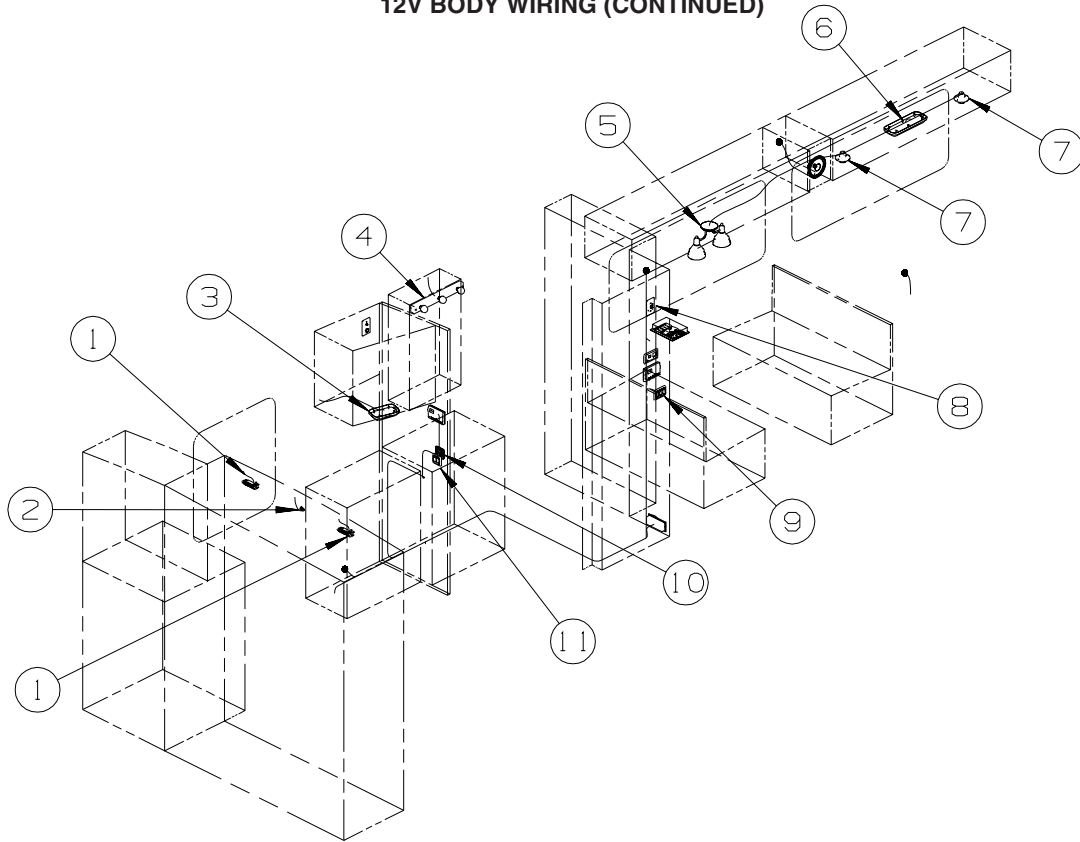
12V BODY WIRING (CONTINUED)



| KEY | PART NUMBER | U/M | DESCRIPTION |
|-----|---------------|-----|--|
| 1 | 108357-07-000 | EA | SWITCH - ROCKER - SPDT - MOM/OFF/MOM - 3 TERM - W/O COVER - ELECTRIC PATIO AWNING |
| 1 | 108356-12-01A | EA | COVER/ACTUATOR SWITCH - 3 GROOVES - ELECTRIC PATIO AWNING |
| 1 | 108355-01-000 | EA | HOUSING - SWITCH - ELECTRIC PATIO AWNING |
| 2 | 108357-06-000 | EA | SWITCH - ROCKER - DPDT - MOM/OFF/MOM - 6 TERM - W/O COVER |
| 2 | 108356-11-01A | EA | COVER/ACTUATOR SWITCH - 3 GROOVES - AUX BATT - BLACK |
| 2 | 108355-01-000 | EA | HOUSING - SWITCH |
| 3 | 108357-01-000 | EA | SWITCH - ROCKER - SPST - ON/OFF - 2 TERMINAL - W/O COVER |
| 3 | 108356-14-01A | EA | COVER/ACTUATOR SWITCH - 3 GROOVES |
| 3 | 108355-01-000 | EA | HOUSING - SWITCH |
| 4 | 098351-22-01A | EA | PLATE/SWITCH - 2 GANG - POLISHED BRASS |
| 4 | 098351-23-01A | EA | PLATE/SWITCH - 3 GANG - POLISHED BRASS - ELECTRIC PATIO AWNING |
| 5 | 108357-15-000 | EA | SWITCH - ROCKER - DPDT - ON/NONE/ON - W/LIGHT W/O COVER |
| 5 | 108356-04-01A | EA | COVER/ACTUATOR SWITCH - 2 ROWS DIMPLES W/LENS-CONTURA-BLK |
| 5 | 108355-01-000 | EA | HOUSING - SWITCH |
| 6 | 108357-01-000 | EA | SWITCH - ROCKER - SPST - ON/OFF - 2 TERMINAL - W/O COVER |
| 6 | 108356-02-01A | EA | COVER/ACTUATOR SWITCH - 2 ROWS DIMPLES- CONTURA II - BLACK |
| 6 | 108355-01-000 | EA | HOUSING - SWITCH |

ELECTRICAL GROUP (CONTINUED)

12V BODY WIRING (CONTINUED)

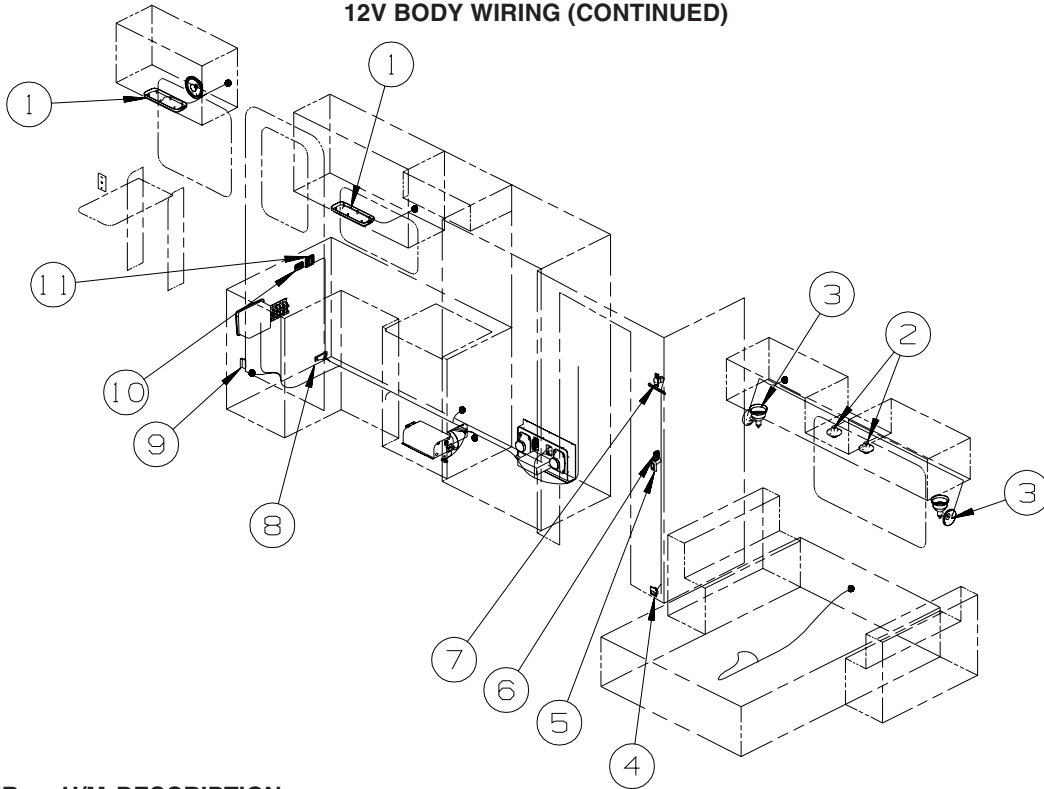


| KEY | PART NUMBER | U/M | DESCRIPTION |
|-----|---------------|-----|---|
| 1* | 087694-01-000 | EA | LIGHT - WARDROBE/CLOSET - W/SWITCH |
| 2 | 056264-01-000 | EA | SWITCH - LEAF ACTUATOR |
| 3* | 137417-01-01A | EA | LIGHT - DOME - SINGLE - W/SWITCH/FROSTED LENS - WHITE |
| 4 | 138116-01-01A | EA | LIGHT/MAKE UP - 3 BULB - CURVED - W/O BULB - BRASS |
| | 123918-01-000 | EA | BULB - 12V - MAKEUP - WHITE |
| 5 | 093575-21-01A | EA | LIGHT - CEILING/DOUBLE - UL/CSA |
| 5 | 117805-01-000 | EA | BULB - 12V - #921F - 1.4 AMPS |
| 6* | 137417-05-01A | EA | LIGHT - DOME - DOUBLE - W/SWITCH/OPTIC LENS - WHITE |
| 7 | 132427-01-01A | EA | LIGHT - READING - SWIVEL/ROUND - BRASS |
| 8 | 101894-03-01A | EA | SWITCH - TOGGLE - 15 AMP/120 VOLT - BROWN |
| | | | FROM: 00-00-00 THRU: 07-06-03 |
| 8 | 101911-01-01A | EA | WALL PLATE - SWITCH (1 GANG) |
| | | | FROM: 00-00-00 THRU: 07-06-03 |
| 8 | 135740-06-01A | EA | SWITCH - ROCKER - ON/OFF - LIGHTED - RED |
| | | | FROM: 07-07-03 THRU: 99-99-99 |
| 8 | 135741-01-01A | EA | SWITCH - BASE - SINGLE - BROWN |
| | | | FROM: 07-07-03 THRU: 99-99-99 |
| 8 | 135742-35-02A | EA | BEZEL - SWITCH - WATER HEATER/110 VOLT - BROWN |
| | | | FROM: 07-07-03 THRU: 99-99-99 |
| 9 | 135740-01-02A | EA | SWITCH - ROCKER - SPST - ON/OFF - WHITE - GALLEY, DINETTE |
| 9 | 135740-02-02A | EA | SWITCH - ROCKER - SPDT - ON/ON - WHITE - CEILING |
| 9 | 135741-03-02A | EA | SWITCH - BASE - TRIPLE - WHITE |
| 9 | 135742-27-01A | EA | BEZEL - SWITCH - CEILING/DINETTE/GALLEY - WHITE |
| 10 | 135740-01-02A | EA | SWITCH - ROCKER - SPST - ON/OFF - WHITE |
| 10 | 135741-02-02A | EA | SWITCH - BASE - DOUBLE - WHITE |
| 10 | 135742-20-01A | EA | BEZEL - SWITCH - SHOWER/MAKEUP - WHITE |
| 11 | 135740-01-02A | EA | SWITCH - ROCKER - SPST - ON/OFF - WHITE - CEILING |
| 11 | 135740-02-02A | EA | SWITCH - ROCKER - SPDT - ON/ON - WHITE - HALL |
| 11 | 135741-02-02A | EA | SWITCH - BASE - DOUBLE - WHITE |
| 11 | 135742-16-01A | EA | BEZEL - SWITCH - CEILING/HALL - WHITE |

*COMPONENT PARTS LISTED LATER IN THIS GROUP

ELECTRICAL GROUP (CONTINUED)

12V BODY WIRING (CONTINUED)

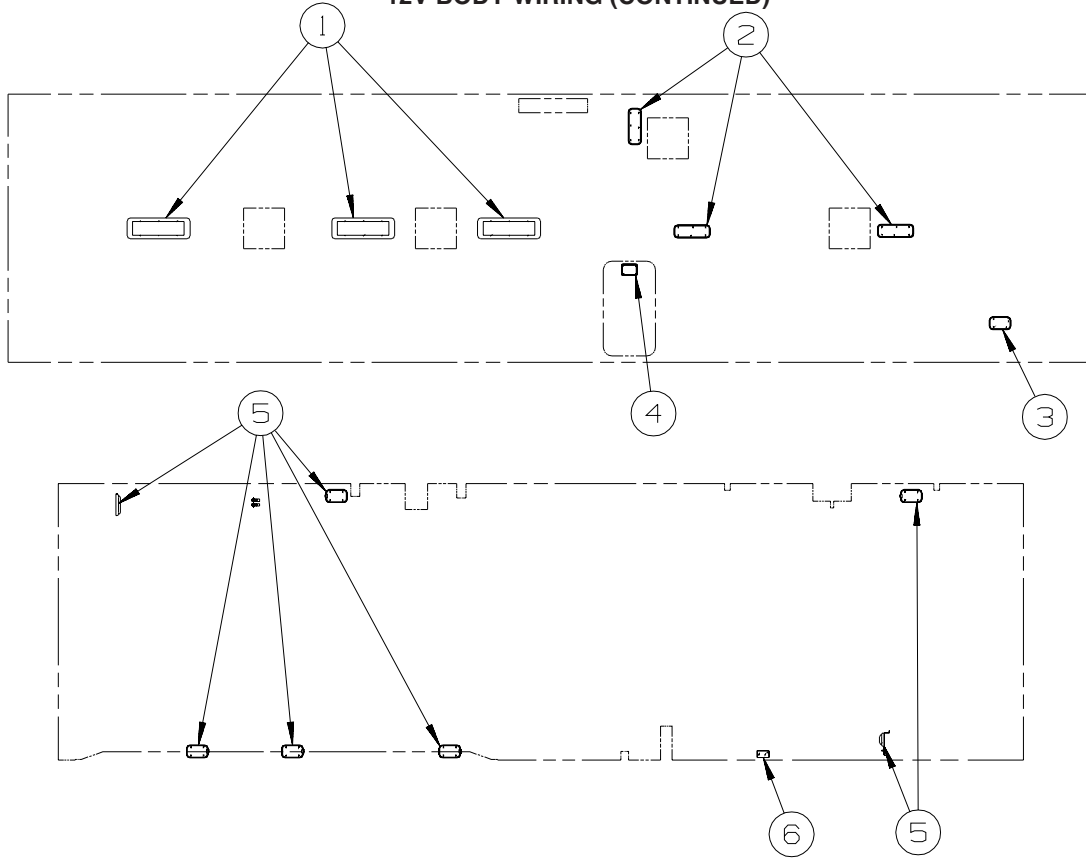


| KEY | PART NUMBER | U/M | DESCRIPTION |
|-----|---------------|-----|--|
| 1* | 137417-05-01A | EA | LIGHT - DOME - DOUBLE - W/SWITCH/OPTIC LENS - WHITE |
| 2 | 132427-01-01A | EA | LIGHT - READING - SWIVEL/ROUND - BRASS |
| | 123917-01-000 | EA | BULB - 12V - HALOGEN SPOT |
| 3 | 119258-28-01A | EA | LAMP - WALL - BRASS W/GLASS SHADE - UL/CSA |
| | 117805-02-000 | EA | BULB - 12V - #921 - 1.4 AMPS |
| 4* | 108354-01-01A | EA | LIGHT - COURTESY |
| 5 | 135740-01-02A | EA | SWITCH - ROCKER - SPST - ON/OFF - WHITE |
| 5 | 135741-01-02A | EA | SWITCH - BASE - SINGLE - WHITE |
| 5 | 135742-06-01A | EA | BEZEL - SWITCH - AISLE - WHITE |
| 6 | 135740-01-02A | EA | SWITCH - ROCKER - SPST - ON/OFF - WHITE |
| 6 | 135741-01-02A | EA | SWITCH - BASE - SINGLE - WHITE |
| 6 | 135742-07-01A | EA | BEZEL - SWITCH - CEILING - WHITE |
| 7 | 108357-06-000 | EA | SWITCH - ROCKER - DPDT - MOM/OFF/MOM - 6 TERM - W/O COVER |
| 7 | 108356-02-01A | EA | COVER/ACTUATOR SWITCH - 2 ROWS DIMPLES- CONTURA II - BLACK |
| 7 | 108355-01-000 | EA | HOUSING - SWITCH |
| 8 | 061424-01-000 | EA | LIGHT - AISLE - 12 VOLT - RECTANGULAR |
| 9 | 116995-02-000 | EA | SWITCH/MAGNET - ELECTRIC STEP - BLACK/WHITE-CLOSED CIRCUIT |
| 10 | 135740-01-02A | EA | SWITCH - ROCKER - SPST - ON/OFF - WHITE |
| 10 | 135741-01-02A | EA | SWITCH - BASE - SINGLE - WHITE |
| 10 | 135742-11-02A | EA | BEZEL - SWITCH - STEP - BROWN |
| 11 | 135740-01-02A | EA | SWITCH - ROCKER - SPST - ON/OFF - WHITE |
| 11 | 135741-01-02A | EA | SWITCH - BASE - SINGLE - WHITE |
| 11 | 135742-19-02A | EA | BEZEL - SWITCH - CEILING/PORCH - BROWN |

***COMPONENT PARTS LISTED LATER IN THIS GROUP**

ELECTRICAL GROUP (CONTINUED)

12V BODY WIRING (CONTINUED)

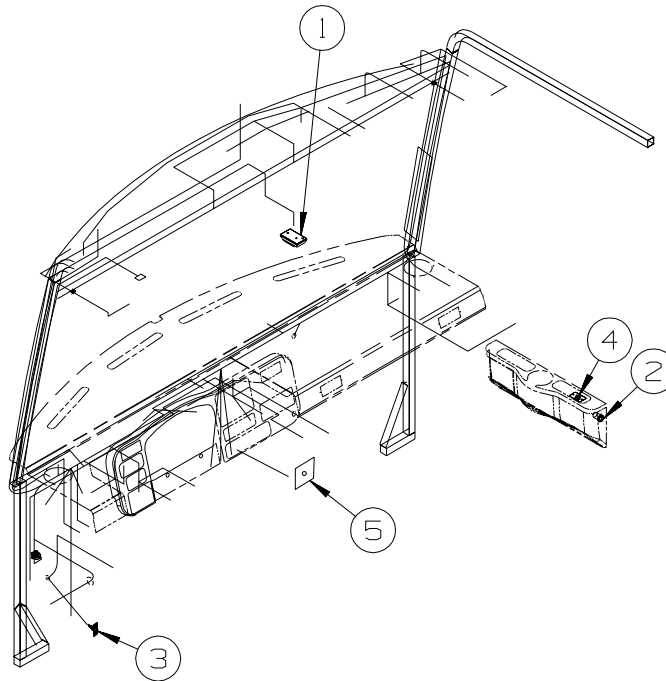


| KEY | PART NUMBER | U/M | DESCRIPTION |
|-----|---------------|-----|---|
| 1* | 091937-08-000 | EA | LIGHT - FLUORESCENT-12V/30WATT - RECESSED - W/O SWITCH |
| 2* | 137417-06-01A | EA | LIGHT - DOME - DOUBLE - W/FROSTED LENS - W/O SWITCH-WHITE |
| 3* | 137417-03-01A | EA | LIGHT - DOME - SINGLE - W/FROSTED LENS - W/O SWITCH-WHITE |
| 4* | 121935-01-01A | EA | LIGHT - DOME - SHOWER |
| 5* | 137417-01-01A | EA | LIGHT - DOME - SINGLE - W/SWITCH/FROSTED LENS - WHITE |
| 6* | 086280-01-000 | EA | LIGHT - SURFACE MOUNT - 12 VOLT |

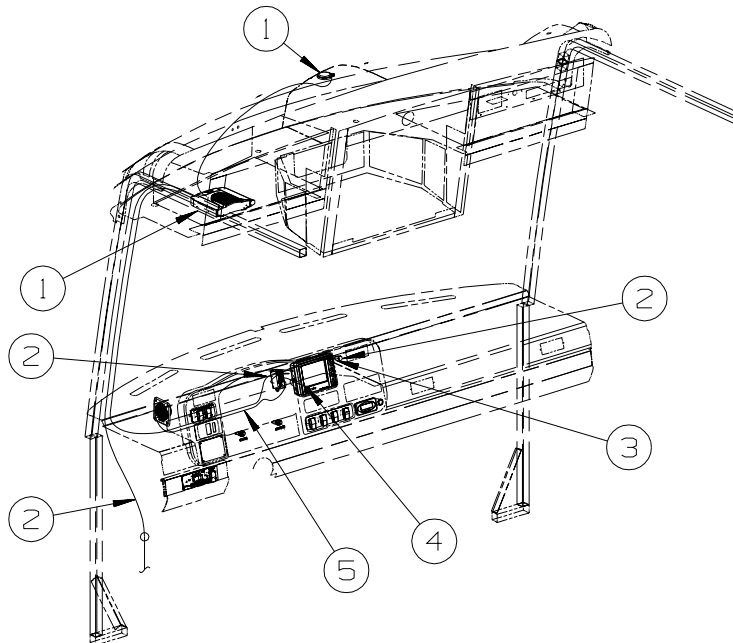
*COMPONENT PARTS LISTED LATER IN THIS GROUP

ELECTRICAL GROUP (CONTINUED)

FRONT END WIRING



| KEY | PART NUMBER | U/M | DESCRIPTION |
|-----|---------------|-----|---|
| 1 | 135376-01-01A | EA | LIGHT - DOME - CAB - BLACK |
| 2 | 132958-01-000 | EA | RECEPTACLE - 12 VOLT - MOUNTING FLANGE - BLACK |
| 3 | 041250-01-000 | EA | SWITCH - PUSH BUTTON/DOOR JAMB - METAL - CHROME |
| 4 | 132180-01-01A | EA | SWITCH - PADDLE - SPST - ON/OFF - BLACK |
| 4 | 098351-01-01A | EA | PLATE/SWITCH - 1 GANG - POLISHED BRASS - W/O LABEL |
| 5 | 133535-01-000 | EA | MODULE - TIMER 20 SECOND - WARNING LIGHT - TS61120P |

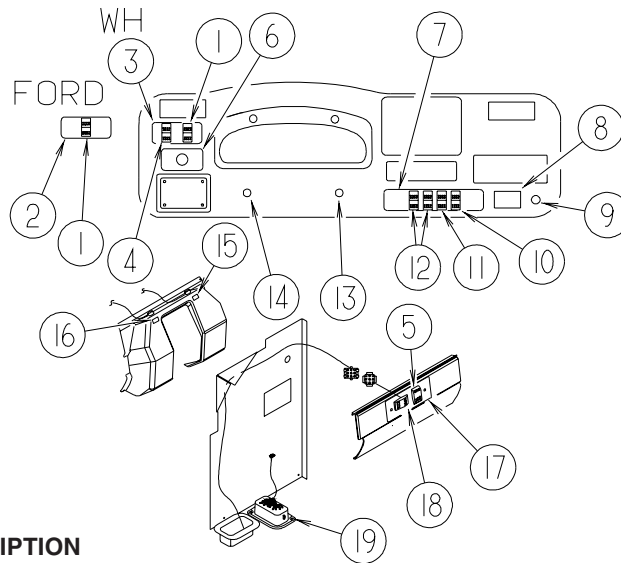


| KEY | PART NUMBER | U/M | DESCRIPTION |
|-----|---------------|-----|--|
| 1* | 148158-01-000 | EA | COMPUTER - GPS NAVIGATION SYSTEM - (MAGELLAN MAGNK-01W) |
| 2 | 148158-02-000 | EA | CABLES - F/GPS NAVIGATION SYSTEM - (MAGELLAN MAGNK-02W) |
| 3 | 144734-03-000 | EA | SPACER |
| 4 | 148112-01-000 | EA | CABLE - MONITOR - SONY AUX |
| 5 | 148592-01-000 | EA | CABLE - RCA MALE-1/4 FEMALE SPADES - RIVER PARK SCB-RCA120 |

*COMPONENT PARTS LISTED LATER IN THIS GROUP

ELECTRICAL GROUP (CONTINUED)

FRONT END WIRING (CONTINUED)



| KEY | PART NUMBER | U/M | DESCRIPTION |
|-----|---------------|-----|---|
| 1 | NOT USED | | |
| 2 | 132954-07-01A | EA | APPLIQUE - SWITCH - BLANK - BLACK - FORD |
| 3 | 132954-07-01A | EA | APPLIQUE - SWITCH - BLANK - BLACK - WORKHORSE 18,000 GVWR |
| 3 | 132954-05-01A | EA | APPLIQUE - SWITCH - OVER/DRIVE - BLACK - WORKHORSE 20,700 & 22,000 GVWR |
| 4 | 108357-08-000 | EA | SWITCH - ROCKER - DPDT - 0N/NONE/ON - 6 TERMINAL |
| 4 | 108356-02-01A | EA | COVER/ACTUATOR SWITCH - 2 ROWS DIMPLES- CONTURA II - BLACK |
| 4 | 108355-01-000 | EA | HOUSING - SWITCH |
| 5 | 108357-09-000 | EA | SWITCH - ROCKER - SPDT - ON/NONE/MOM - 3 TERMINAL |
| 5 | 108356-02-01A | EA | COVER/ACTUATOR SWITCH - 2 ROWS DIMPLES- CONTURA II - BLACK |
| 5 | 108355-01-000 | EA | HOUSING - SWITCH |
| 6 | 134088-01-01A | EA | APPLIQUE - SWITCH - HEADLAMP - BLACK - WORKHORSE |
| 7 | 132954-01-01A | EA | APPLIQUE - SWITCH - HEATER/RADIO/GENERATOR |
| 7 | 132047-02-02B | EA | INSERT - DASH/SWITCH-AUX FANS/RR HTR/RADIO PWR/GEN SW |
| 8 | NOT USED | | |
| 9 | 089294-01-000 | EA | LIGHTER - CIGARETTE - W/SOCKET & WIRE |
| 10 | 108357-10-000 | EA | SWITCH - ROCKER - SPDT - W/LIGHT - MOM/NONE/MOM-5 TERMINAL |
| 10 | 108356-04-01A | EA | COVER/ACTUATOR SWITCH - 2 ROWS DIMPLES W/LENS-CONTURA-BLK |
| 10 | 108355-01-000 | EA | HOUSING - SWITCH |
| 10 | 096241-03-000 | EA | SWITCH - BLANK - BLACK |
| 11 | 108357-08-000 | EA | SWITCH - ROCKER - DPDT - 0N/NONE/ON - 6 TERMINAL |
| 11 | 108356-02-01A | EA | COVER/ACTUATOR SWITCH - 2 ROWS DIMPLES- CONTURA II - BLACK |
| 11 | 108355-01-000 | EA | HOUSING - SWITCH |
| 12 | 108357-03-000 | EA | SWITCH - ROCKER - SPDT - ON/OFF/ON - 3 TERMINAL |
| 12 | 108356-02-01A | EA | COVER/ACTUATOR SWITCH - 2 ROWS DIMPLES- CONTURA II - BLACK |
| 12 | 108355-01-000 | EA | HOUSING - SWITCH |
| 12 | 096241-03-000 | EA | SWITCH - BLANK - BLACK |
| 13 | 133534-02-000 | EA | LIGHT - AMBER INDICATOR WITH 1/4" TERMINALS |
| 14 | 133534-01-000 | EA | LIGHT - RED INDICATOR WITH 1/4" TERMINALS |
| 15 | 133534-02-000 | EA | LIGHT - AMBER INDICATOR WITH 1/4" TERMINALS |
| 16 | 133534-01-000 | EA | LIGHT - RED INDICATOR WITH 1/4" TERMINALS |
| 17 | 132891-04-02B | EA | PLATE/SWITCH - E-COATED |
| 17 | 132946-03-01A | EA | APPLIQUE - SWITCH - SLIDEOUT - BLACK |
| 18 | 108357-06-000 | EA | SWITCH - ROCKER - DPDT - MOM/OFF/MOM - 6 TERMINAL |
| 18 | 108356-02-01A | EA | COVER/ACTUATOR SWITCH - 2 ROWS DIMPLES- CONTURA II - BLACK |
| 18 | 108355-01-000 | EA | HOUSING - SWITCH |
| 18 | 096241-03-000 | EA | SWITCH - BLANK - BLACK |
| 19 | 118571-03-000 | EA | BRACKET - MOUNTING |
| 19 | 118571-04-000 | EA | GASKET |
| | 077031-01-000 | EA | FILM - BLACK - 1" X 1.75" |
| | 077031-03-000 | EA | FILM - WHITE - .75" X 1" |

ELECTRICAL GROUP (CONTINUED)
COMPONENT PARTS FOR LIGHTS & SWITCHES

| | | | | |
|------------|--------------------|--------------------------------|-------------------------------------|-------------------|
| | | | 086280-01-000 | |
| KEY | PART NUMBER | U/M DESCRIPTION | | VENDOR NO. |
| | 086280-01-700 | EA BULB,12V | | ARP1089 |
| | | | 087694-01-000 | |
| KEY | PART NUMBER | U/M DESCRIPTION | | VENDOR NO. |
| | 087694-01-700 | EA BULB | | GE561 |
| | | | 091937-08-000 | |
| KEY | PART NUMBER | U/M DESCRIPTION | | VENDOR NO. |
| | 091937-08-700 | EA LENS - LIGHT - FLUORESCENT | | D-766 |
| | | | 097917-01-06A | |
| KEY | PART NUMBER | U/M DESCRIPTION | | VENDOR NO. |
| | 097917-01-700 | EA LENS-LIGHT, CLEAR | | 30-78-021 |
| | | | 108354-01-01A | |
| KEY | PART NUMBER | U/M DESCRIPTION | | VENDOR NO. |
| | 108354-01-700 | EA BULB-COURTESY LIGHT | | 395-B |
| | | | 121935-01-01A | |
| KEY | PART NUMBER | U/M DESCRIPTION | | VENDOR NO. |
| | 121935-01-700 | EA LENS ONLY | | 809511 |
| | | | 137417-01-01A, 137417-03-01A | |
| KEY | PART NUMBER | U/M DESCRIPTION | | VENDOR NO. |
| | 137417-01-700 | EA LENS - SINGLE (FROSTED) | | 810868 |
| | | | 137417-05-01A | |
| KEY | PART NUMBER | U/M DESCRIPTION | | VENDOR NO. |
| | 137417-05-700 | EA LENS - DOUBLE OPTIC | | 810845 |
| | | | 137417-06-01A | |
| KEY | PART NUMBER | U/M DESCRIPTION | | VENDOR NO. |
| | 137417-06-700 | EA LENS - DOUBLE WHITE | | 810867 |
| | | | 148158-01-000 | |
| KEY | PART NUMBER | U/M DESCRIPTION | | VENDOR NO. |
| | 148158-01-700 | EA ANTENNA - F/GPS W/20' CABLE | | DIS-CMP-ANTNGPS |

ELECTRICAL GROUP (CONTINUED)

CIRCUIT BREAKERS & FUSES

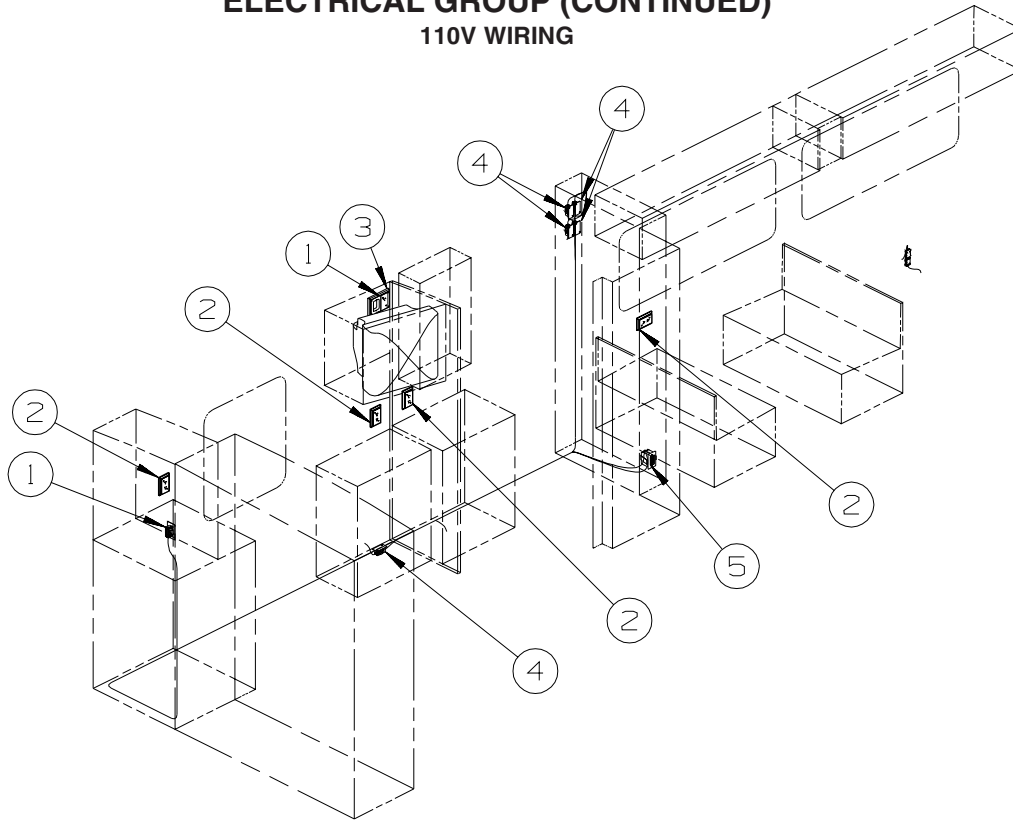
| KEY | PART NUMBER | U/M | DESCRIPTION |
|-----|---------------|-----|---|
| | 008233-01-000 | EA | FUSE - 12 VOLT - 6 AMP |
| | 008235-01-000 | EA | FUSE - 15 AMP/12VOLT - AUTOMOTIVE |
| | 033573-01-000 | EA | CIRCUIT BREAKER W/MOUNT-20A, 12V - FASCO 1711-2026 |
| | 062901-02-000 | EA | FUSE - 5 AMP - AUTOMOTIVE |
| | 062901-04-000 | EA | FUSE - 10 AMP - AUTOMOTIVE |
| | 062901-05-000 | EA | FUSE - 15 AMP - AUTOMOTIVE |
| | 062901-06-000 | EA | FUSE - 20 AMP - AUTOMOTIVE |
| | 062901-07-000 | EA | FUSE - 25 AMP - AUTOMOTIVE |
| | 062901-08-000 | EA | FUSE - 30 AMP - AUTOMOTIVE |
| | 083209-01-000 | EA | CIRCUIT BREAKER - 15 AMP - 120 VOLT - CANADIAN |
| | 083209-02-000 | EA | CIRCUIT BREAKER - 15/15 AMP - 120 VOLT |
| | 083209-03-000 | EA | CIRCUIT BREAKER - 15/20 AMP - 120 VOLT |
| | 083209-04-000 | EA | CIRCUIT BREAKER - 30 AMP - 120 VOLT |
| | 083209-05-000 | EA | CIRCUIT BREAKER - 20 AMP - 120 VOLT |
| | 083209-06-000 | EA | CIRCUIT BREAKER - 30/15 AMP - 120 VOLT |
| | 083209-07-000 | EA | CIRCUIT BREAKER - 20/20 AMP - 120 VOLT |
| | 083209-10-000 | EA | CIRCUIT BREAKER - 20/30 AMP - 120 VOLT |
| | 083209-11-000 | EA | CIRCUIT BREAKER - 20/15 AMP - 120 VOLT |
| | 092786-03-000 | EA | BUSS BAR - 6.9" LONG |
| | 092786-06-000 | EA | BUSS BAR |
| | 093654-01-000 | EA | CIRCUIT BREAKER - 6 AMP - 12 VOLT - PUSH BUTTON - WHITE |
| | 093654-02-000 | EA | CIRCUIT BREAKER - 15 AMP - 12 VOLT - PUSH BUTTON - WHITE |
| | 093654-03-000 | EA | CIRCUIT BREAKER - 20 AMP - 12 VOLT - PUSH BUTTON - WHITE |
| | 093654-11-000 | EA | COVER - RESET BUTTON |
| | 093655-01-000 | EA | CIRCUIT BREAKER - 25 AMP - 12 VOLT - PUSH BUTTON - WHITE |
| | 093655-02-000 | EA | CIRCUIT BREAKER - 30 AMP - 12 VOLT - PUSH BUTTON - WHITE |
| | 093655-03-000 | EA | CIRCUIT BREAKER - 40 AMP - 12 VOLT - PUSH BUTTON - WHITE |
| | 097611-01-000 | EA | CIRCUIT BREAKER - 10 AMP |
| | 097611-02-000 | EA | CIRCUIT BREAKER - 30 AMP |
| | 097611-03-000 | EA | CIRCUIT BREAKER - 20 AMP |
| | 097611-04-000 | EA | CIRCUIT BREAKER - 25 AMP |
| | 100341-01-000 | EA | FUSE HOLDER - IN LINE TYPE |
| | 106656-01-000 | EA | FUSE BLOCK - 4 CAVITY - AUTOFUSE |
| | 108567-01-000 | EA | CIRCUIT BREAKER - 40 AMP - 12 VOLT - TYPE II |
| | 111683-01-000 | EA | FUSE - HOLDER - GLASS - 1/4" X 1 1/4" |
| | 113482-01-000 | EA | CIRCUIT BREAKER - 55 AMP - MANUAL |
| | 115187-01-000 | EA | FUSE - 300 AMP - NON-DELAY |
| | 115187-02-000 | EA | FUSE HOLDER - BUSS ANN/ANL BLOCK |
| | 118531-05-02B | EA | PLATE - CIRCUIT BREAKER - E-COAT - CHIEFTAIN/SUNFLYER L-SERIES |
| | 122811-01-000 | EA | CIRCUIT BREAKER - 20/50/50/20 AMP - 250V |
| | 134127-01-000 | EA | CIRCUIT BREAKER - 10 AMP - MINI |
| | 139067-01-02B | EA | PLATE - CIRCUIT BRKR-HOUSE - E-CTD - 10 PLACE |
| | 139067-02-02B | EA | PLATE - CIRCUIT BRKR-HOUSE - E-CTD - 12 PLACE |
| | 139067-03-02B | EA | PLATE-CIRCUIT BKR/HOUSE-E-CTD - 14 PLACE |
| | 139067-04-02B | EA | PLATE - CIRCUIT BRKR-HOUSE - E-CTD - TOP 10 PLACE |
| | 139067-05-02B | EA | PLATE - CIRCUIT BREAKER/HOUSE - E-COATED - 16 PLACE |
| | 139067-06-02B | EA | PLATE - CIRCUIT BREAKER/HOUSE - E-COATED - 18 PLACE |
| | 139067-07-02B | EA | PLATE - CIRCUIT BREAKER/HOUSE - E-COATED - 21 PLACE |
| | 141789-01-000 | EA | SPACER - CIRCUIT BREAKER |

CONVERTER, INVERTER, LOAD CENTERS

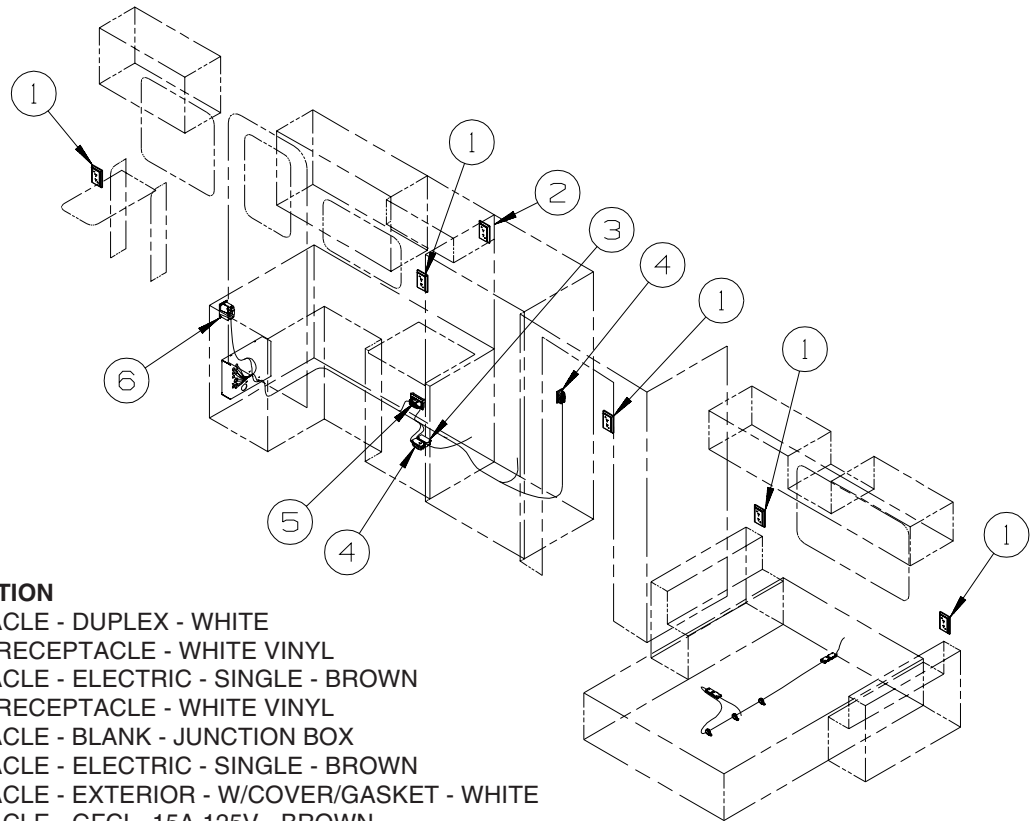
| KEY | PART NUMBER | U/M | DESCRIPTION |
|-----|---------------|-----|--|
| | 099048-04-000 | EA | INVERTER - 300 WATT |
| | 109677-01-000 | EA | LOAD CENTER - 120 VOLT - 40 AMP |
| | 123058-02-000 | EA | CONVERTER - 45 AMP - ELECTRONIC - 4 1/8"H X 7"W X 12 3/8"L |
| | 127002-05-000 | EA | PANEL/MONITOR - ENERGY MANAGEMENT SYSTEMS CTRL - W/PLUG |
| | 127002-07-000 | EA | SENSOR - CURRENT |
| | 127002-08-000 | EA | MODULE - EMS CENTER - W/REMOTE SENSOR |
| | 141258-01-000 | EA | LOAD CENTER - 120/240 - 50 AMP |
| | 141258-02-000 | EA | LOAD CENTER - COVER |

ELECTRICAL GROUP (CONTINUED)

110V WIRING

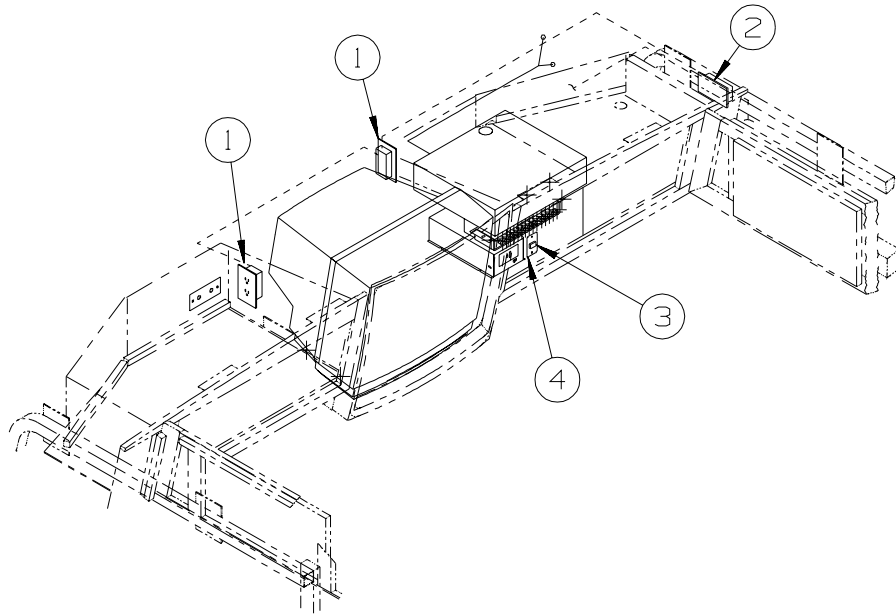


| KEY | PART NUMBER | U/M | DESCRIPTION |
|-----|---------------|-----|---|
| 1 | 058708-05-000 | EA | RECEPTACLE - ELECTRIC - SINGLE - BROWN |
| 2 | 058708-06-000 | EA | RECEPTACLE - DUPLEX - WHITE |
| 2 | 133713-01-20A | EA | SPACER/RECEPTACLE - WHITE VINYL |
| 3 | 133713-10-20A | EA | SPACER - RECEPTACLE 110 VOLT/TV - VINYL WHITE |
| 4 | 058707-02-000 | EA | RECEPTACLE - BLANK - JUNCTION BOX |
| 5 | 147446-01-02A | EA | RECEPTACLE - GFCI - 15A 125V - BROWN |
| 5 | 147450-01-02A | EA | PLATE - ELECTRICAL OUTLET - BROWN |



| KEY | PART NUMBER | U/M | DESCRIPTION |
|-----|---------------|-----|--|
| 1 | 058708-06-000 | EA | RECEPTACLE - DUPLEX - WHITE |
| 1 | 133713-01-20A | EA | SPACER/RECEPTACLE - WHITE VINYL |
| 2 | 058708-05-000 | EA | RECEPTACLE - ELECTRIC - SINGLE - BROWN |
| 2 | 133713-01-20A | EA | SPACER/RECEPTACLE - WHITE VINYL |
| 3 | 058707-02-000 | EA | RECEPTACLE - BLANK - JUNCTION BOX |
| 4 | 058707-01-000 | EA | RECEPTACLE - ELECTRIC - SINGLE - BROWN |
| 5 | 131826-01-01A | EA | RECEPTACLE - EXTERIOR - W/COVER/GASKET - WHITE |
| 6 | 147446-01-02A | EA | RECEPTACLE - GFCI - 15A 125V - BROWN |
| 6 | 147450-01-02A | EA | PLATE - ELECTRICAL OUTLET - BROWN |

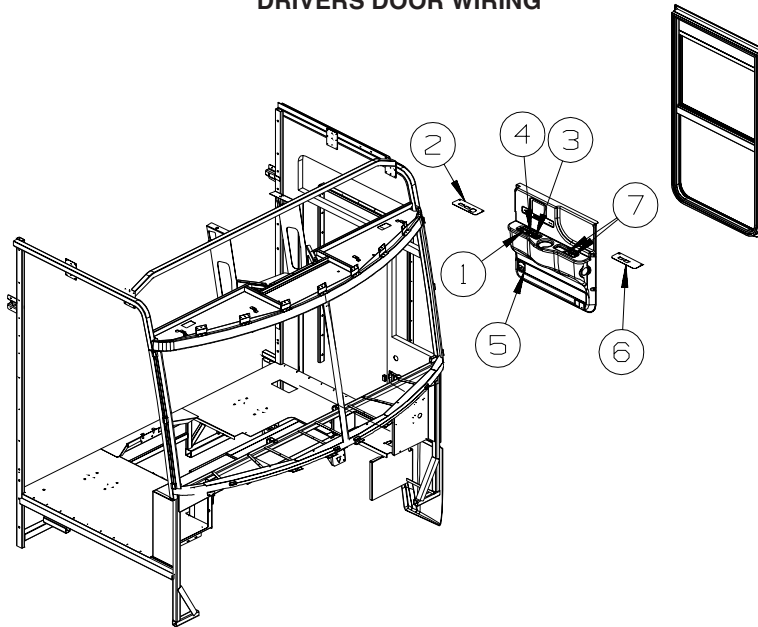
ELECTRICAL GROUP (CONTINUED)
ENTERTAINMENT WIRING



| KEY | PART NUMBER | U/M | DESCRIPTION |
|-----|---------------|-----|--|
| 1 | 058708-01-000 | EA | RECEPTACLE - ELECTRIC - DOUBLE - BROWN |
| 2 | 058707-02-000 | EA | RECEPTACLE - BLANK - JUNCTION BOX |
| 3 | 079364-04-000 | EA | SWITCH - ON/OFF ROCKER - 2 TERMINAL - BLACK |
| 4 | 098351-16-01A | EA | PLATE/SWITCH - 1 GANG - POLISHED BRASS |
| | | | FROM: 00-00-00 THRU: 03-17-03 |
| 4 | 098351-09-01A | EA | PLATE/SWITCH - 1 GANG - POLISHED BRASS - SPEAKER SELECT/TV |
| | | | FROM: 03-18-03 THRU: 99-99-99 |

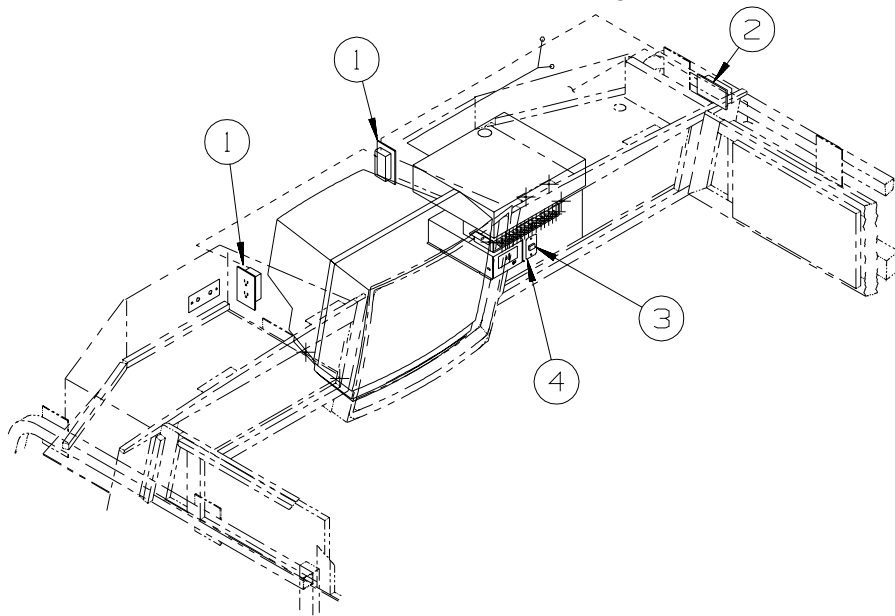
ELECTRICAL GROUP (CONTINUED)

DRIVERS DOOR WIRING

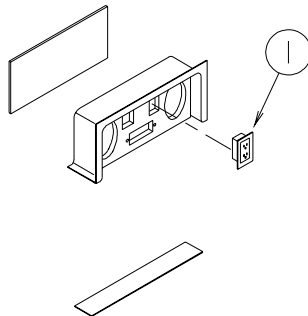


| KEY | PART NUMBER | U/M | DESCRIPTION |
|-----|---------------|-----|--|
| 1 | 108357-06-000 | EA | SWITCH - ROCKER - DPDT - MOM/OFF/MOM - 6 TERM - W/O COVER |
| 1 | 108356-01-01A | EA | COVER/ACTUATOR SWITCH - 3 GROOVES - - BLACK FROM: 00-00-00 THRU: 02-25-04 |
| 1 | 108356-02-01A | EA | COVER/ACTUATOR SWITCH - 2 ROWS DIMPLES - BLACK FROM: 02-26-04 THRU: 99-99-99 |
| 1 | 108355-01-000 | EA | HOUSING - SWITCH |
| 2 | 145243-03-02B | EA | PLATE - SWITCH - E-COATED |
| 3 | 088246-01-000 | EA | SWITCH/REMOTE MIRROR - W/2PIN & 6 PIN CONNECTORS/PIGTAIL |
| 4 | 108357-14-000 | EA | SWITCH - ROCKER - SPST - W/LIGHT - ON/OFF - 4 TERMINAL |
| 4 | 108356-03-01A | EA | COVER/ACTUATOR SWITCH - 3 GROOVES W/LENS - BLACK FROM: 00-00-00 THRU: 02-25-04 |
| 4 | 108356-04-01A | EA | COVER/ACTUATOR SWITCH - 2 ROWS DIMPLES W/LENS - BLACK FROM: 02-26-04 THRU: 99-99-99 |
| 4 | 108355-01-000 | EA | HOUSING - SWITCH |
| 5 | 108354-01-01A | EA | LIGHT - COURTESY |
| 6 | NOT USED | | |
| 7 | NOT USED | | |

ELECTRICAL GROUP (CONTINUED) ENTERTAINMENT WIRING



| KEY | PART NUMBER | U/M | DESCRIPTION |
|-----|---------------|-----|--|
| 1 | 058708-01-000 | EA | RECEPTACLE - ELECTRIC - DOUBLE - BROWN |
| 2 | 058707-02-000 | EA | RECEPTACLE - BLANK - JUNCTION BOX |
| 3 | 079364-04-000 | EA | SWITCH - ON/OFF ROCKER - 2 TERMINAL - BLACK |
| 4 | 098351-16-01A | EA | PLATE/SWITCH - 1 GANG - POLISHED BRASS |
| | | | FROM: 00-00-00 THRU: 03-17-03 |
| 4 | 098351-09-01A | EA | PLATE/SWITCH - 1 GANG - POLISHED BRASS - SPEAKER SELECT/TV |
| | | | FROM: 03-18-03 THRU: 99-99-99 |



| KEY | PART NUMBER | U/M | DESCRIPTION |
|-----|---------------|-----|--|
| 1 | 058708-01-000 | EA | RECEPTACLE - ELECTRIC - DOUBLE - BROWN |

ELECTRICAL GROUP (CONTINUED)

BOXES & CORDS

| KEY | PART NUMBER | U/M | DESCRIPTION |
|-----|---------------|-----|--|
| | 008054-01-000 | EA | CORD - POWER - 10/3 WIRE - 30 AMP - 25' |
| | 008289-01-000 | EA | BOX - ELECTRIC/STEEL - 4" X 4" - 1/2" & 3/4" KNOCKOUTS - F30W |
| | 008294-01-000 | EA | COVER - ELECTRIC BOX - BLANK/STEEL - 4" X 4" - GRAY - F30W |
| | 092492-11-000 | EA | SEAL - ELECTRIC BOX - 7" X 18.4" |
| | 106071-01-000 | EA | SWITCH - AUTOMATIC TRANSFER - 30 AMP - MAGNETEK - F30W |
| | 106071-06-000 | EA | SWITCH - AUTOMATIC TRANSFER |
| | 108934-02-000 | EA | CORD - POWER - 50 AMP - 4-WIRE - 36' |
| | 109925-04-000 | EA | DOOR - ELECTRICAL BOX - GM/FORD |
| | 115832-01-000 | FT | CORD - HEAVY DUTY - 14-2W GROUND |
| | 131679-01-000 | EA | BOX-ELEC-WATERPROOF SEALED 4" X 4" W/4 3/4"OUTLETS-UL/CSA - F32V, F34D, F36M |
| | 131680-01-000 | EA | COVER - W/GASKET FOR WATERPROOF 4" X 4" BOX - UL/CSA - F32V, F34D, F36M |
| | 133070-01-000 | EA | BOX - ELECTRIC/PLASTIC - 3" X 2" X 2.8" - UL |
| | 133070-02-000 | EA | BOX - ELECTRIC/PLASTIC - 3" X 2" X 2.8" - CSA |
| | 131679-01-000 | EA | BOX/ELECTRIC-WATERPROOF-4" X 4" - W/4 3/4"OUTLETS-UL/CSA - F32V, F34D, F36M |
| | 131680-01-000 | EA | COVER - F/ELECTRIC BOX W/GASKET 4" X 4" - UL/CSA |

WIRE ASSEMBLIES

| KEY | PART NUMBER | U/M | DESCRIPTION |
|-----|---------------|-----|--|
| | 090986-02-000 | EA | WIRE ASSEMBLY - ELECTRIC STEP - F36M |
| | 093040-06-000 | EA | WIRE ASSEMBLY-MONITOR-F/NON-PRE-WIRED AFTER MARKET INSTALL |
| | 096449-01-000 | EA | WIRE ASSEMBLY - WATER TANK TO MONITOR PANEL |
| | 096450-05-000 | EA | WIRE F/SENSORS - BLACK WATER - 23.6" |
| | 096451-06-000 | EA | WIRE F/SENSORS - GREY WATER - 23.6" - F32V, F34D, F36M |
| | 096451-07-000 | EA | WIRE F/SENSORS - GREY WATER - 3.9" - F30W |
| | 124125-02-000 | EA | WIRE - ELECTRICAL BOX |
| | 125853-04-000 | EA | WIRE LOOM - ENTERTAINMENT CENTER - W/COMPACT DISK |
| | 131279-02-000 | EA | WIRE LOOM - POWER SEAT - DRIVER |
| | 131386-02-000 | EA | WIRE ASSEMBLY - F/SLIDEOUT CONTROL - RIGHT REAR FROM: 00-00-00 THRU: 03-28-03 |
| | 132668-01-000 | EA | WIRE ASSEMBLY - AUXILIARY FANS |
| | 132669-01-000 | EA | WIRE ASSEMBLY - INSTRUMENT PANEL - AUXILIARY FANS |
| | 135420-02-000 | EA | WIRE LOOM - RADIO |
| | 137135-03-000 | EA | WIRE LOOM - DIGITAL ELEVATION SENSOR |
| | 137135-04-000 | EA | WIRE HARNESS - POWER - DIGITAL ELEVATION SENSOR |
| | 137626-01-000 | EA | WIRE - OVERDRIVE SWITCH |
| | 142258-02-000 | EA | WIRE LOOM - VIDEO SWITCH/POWER SUPPLY |
| | 147139-02-000 | EA | WIRE - STEREO KIT - ASA 100ZXIHAR |
| | 147313-01-000 | EA | WIRE ASM-TEMP SENSOR FROM: 06-10-03 THRU: 99-99-99 |
| | 148115-01-000 | EA | WIRE - POWER CABLE - SATELLITE RADIO |

ELECTRICAL GROUP (CONTINUED)
CONNECTORS & CONDUIT

| KEY | PART NUMBER | U/M | DESCRIPTION |
|-----|---------------|-----|--|
| | 007940-01-000 | EA | RECEPTACLE/SLIDE 16 TO 12 AWG - FEMALE END |
| | 007940-02-000 | EA | RECEPTACLE-SLIDE 10 AWG - AMP 180351-2 |
| | 007954-01-000 | EA | RECEPTACLE - HOUSING - 6 POSITION |
| | 007956-05-000 | EA | INSULATOR - SHRINK - 1/4" ID X 1 1/2" |
| | 008058-01-700 | EA | ADAP-ELEC.30AMP M X 50 AMP F 30M50F |
| | 008058-01-000 | EA | ADAPTER - POWER CORD - 30 AMP TO 15 AMP |
| | 008311-01-000 | EA | CONNECTOR - WIRE NUT - INSULATED - RED |
| | 008312-01-000 | EA | CONNECTOR - WIRE NUT - INSULATED - BLUE |
| | 008313-01-000 | EA | CONNECTOR - WIRE NUT - INSULATED - YELLOW |
| | 008314-01-000 | EA | CONNECTOR - WIRE NUT - INSULATED - GRAY |
| | 008326-01-000 | EA | TERMINAL - RING - 16/14 WIRE - 3/8" STUD |
| | 008328-01-000 | EA | TERMINAL - RING - 12/10 WIRE - #10 STUD FIT |
| | 008331-01-000 | EA | TERMINAL - RING - TONGUE - #4 WIRE - 3/8" STUD - COPPER |
| | 008348-01-000 | EA | TERMINAL - RING - 3/8" STUD 2 GA. WIRE |
| | 008355-01-000 | EA | CONNECTOR - CABLE CLAMPING - 3/4" |
| | 008356-01-000 | EA | CONNECTOR - PLASTIC - 3/8" |
| | 008356-02-000 | EA | CONNECTOR - PLASTIC - 21/32" |
| | 008394-01-000 | FT | CONDUIT - FLEXIBLE - 1/2" |
| | 008398-01-000 | EA | CONNECTOR - 1/2" X 90 DEGREE - FLEX CONDUIT - UL & CSA |
| | 035416-04-000 | EA | TERMINAL - RING - #10 STUD FIT - INSULATED BARREL #16/14 |
| | 041953-01-000 | FT | CONDUIT - CONVOLUTE SLIT - .5" ID - POLYETHYLENE |
| | 041953-02-000 | FT | CONDUIT - CONVOLUTE SLIT - .6" ID - POLYETHYLENE |
| | 041953-03-000 | FT | CONDUIT - CONVOLUTE SLIT - 1" ID (CLOTHES ROD COVER) |
| | 041953-06-000 | FT | CONDUIT - CONVOLUTE SLIT - .4" ID - POLYETHYLENE |
| | 041953-07-000 | FT | CONDUIT - CONVOLUTE SLIT - .25" ID - POLYETHYLENE |
| | 041953-08-000 | FT | CONDUIT - CONVOLUTE SLIT - 1.5" ID - POLYETHYLENE |
| | 041953-09-000 | FT | CONDUIT - CONVOLUTE SLIT - .5" ID - NYLON |
| | 041953-10-000 | FT | CONDUIT - CONVOLUTE SLIT - .75" ID - NYLON |
| | 041953-11-000 | FT | CONDUIT - CONVOLUTE SLIT - 1.06" ID - NYLON |
| | 041953-12-000 | FT | CONDUIT - CONVOLUTE SOLID - 1.1" ID - NYLON |
| | 041953-13-000 | FT | CONDUIT - CONVOLUTE SLIT - 1.25" ID |
| | 041953-14-000 | FT | CONDUIT - CONVOLUTE SLIT - 1.5" ID |
| | 041953-15-000 | FT | CONDUIT - CONVOLUTE SLIT - 2" |
| | 041953-16-000 | FT | CONDUIT - CONVOLUTE SLIT - 2" |
| | 047443-01-000 | EA | TERMINAL - .250 RECEPTACLE FIT - INSULATED - 16/14 AWG |
| | 047443-02-000 | EA | TERMINAL - .250 RECEPTACLE FIT - INSULATED - 12/10 AWG |
| | 058028-01-000 | EA | CONNECTOR - ELECTRICAL PIGTAIL - NYLON - CLEAR |
| | 062036-01-000 | EA | TERMINAL - PACK - CON - 12/10 AWG |
| | 074017-02-000 | EA | HOUSING - 5 POSITION - RIGHT ANGLED |
| | 077479-01-000 | EA | BOOT - BATTERY TERMINAL - DOUBLE CABLE |
| | 077479-02-000 | EA | BOOT - BATTERY TERMINAL - SINGLE CABLE |
| | 080015-02-000 | EA | RECEPTACLE - FLAG - .185 - 16/14 GAUGE |
| | 080015-03-000 | EA | RECEPTACLE - FLAG - .250 - 14/16 GAUGE |
| | 082109-01-000 | EA | HOUSING - CONNECTOR - PACKARD |
| | 082741-01-000 | EA | CONNECTOR BODY - 2 CONNECTOR MALE |
| | 087225-01-000 | FT | SLEEVING - 1/2" - TYPE H |
| | 087949-01-000 | EA | BUSS BAR - 2 POSITION - .6" X 1.5" |
| | 087949-03-000 | EA | BUSS BAR - 4 POSITION |
| | 087949-05-000 | EA | BUSS BAR - 7 POSITION |
| | 088473-01-000 | EA | HOUSING - PIN - 12 CAVITY (3 ROWS OF 4) |
| | 088473-02-000 | EA | HOUSING - PIN - 15 CAVITY (3 ROWS OF 5) |
| | 088473-03-000 | EA | HOUSING - PIN - 9 CAVITY (3 ROWS OF 3) |
| | 088473-04-000 | EA | HOUSING - PIN - 8 CAVITY IN-LINE |
| | 088473-06-000 | EA | HOUSING - PIN - 6 CAVITY (2 ROWS OF 3) |
| | 088473-07-000 | EA | HOUSING - PIN - 5 CAVITY - IN LINE |
| | 088473-08-000 | EA | HOUSING - PIN - 4 CAVITY - IN-LINE |
| | 088473-09-000 | EA | HOUSING - PIN - 3 CAVITY - IN-LINE |
| | 088473-10-000 | EA | HOUSING - PIN - 2 CAVITY - IN LINE |
| | 088474-01-000 | EA | HOUSING - SOCKET - 12 CAVITY |
| | 088474-02-000 | EA | HOUSING - SOCKET - 15 CAVITY |
| | 088474-03-000 | EA | HOUSING - SOCKET - 9 CAVITY |
| | 088474-06-000 | EA | HOUSING - SOCKET - 6 CAVITY |
| | 088474-07-000 | EA | HOUSING - SOCKET - 5 CAVITY |

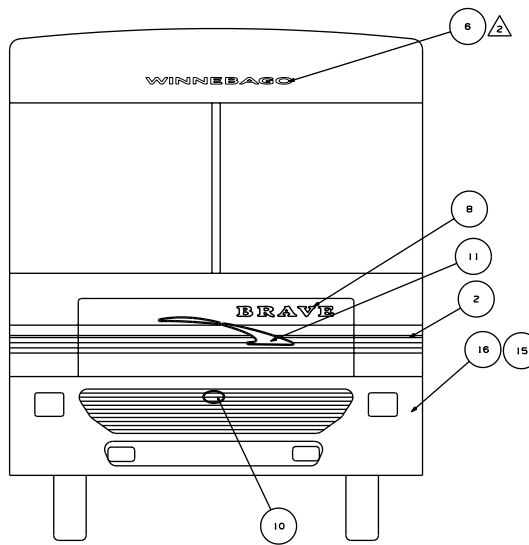
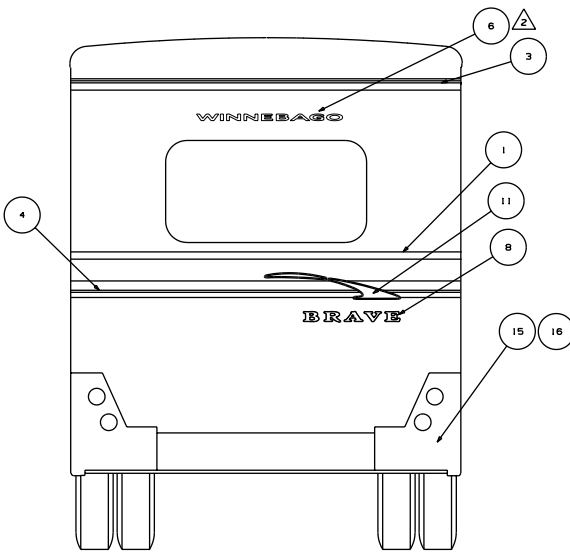
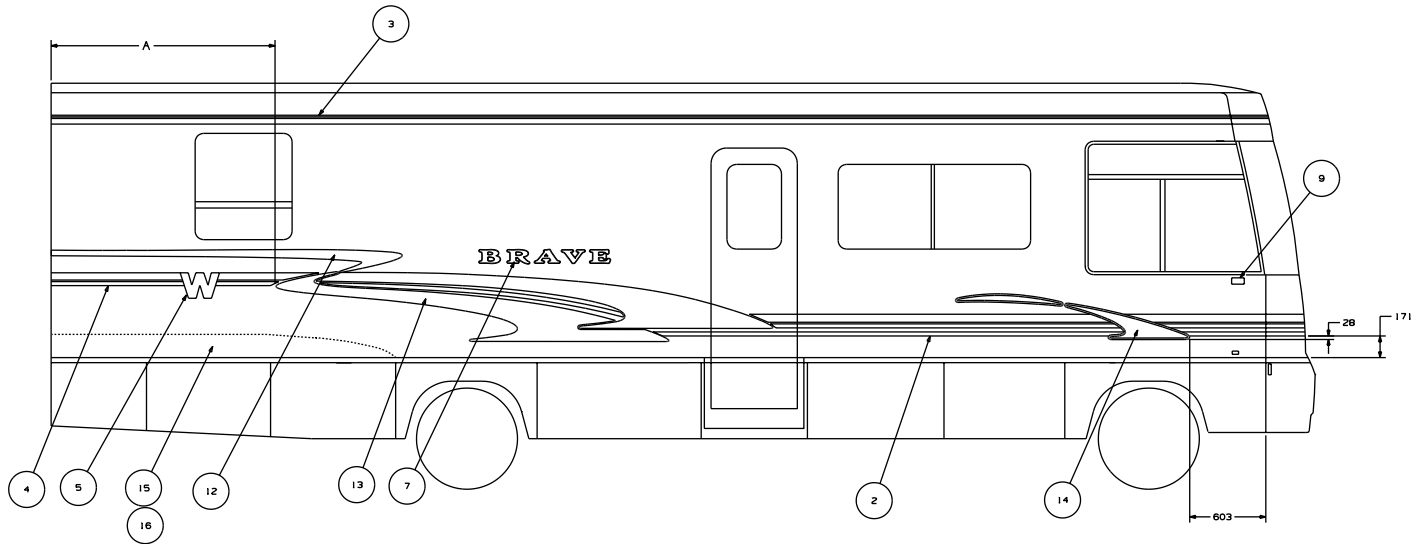
ELECTRICAL GROUP (CONTINUED)
CONNECTORS & CONDUIT (CONTINUED)

| KEY | PART NUMBER | U/M | DESCRIPTION |
|-----|---------------|-----|---|
| | 088474-08-000 | EA | HOUSING - SOCKET - 4 CAVITY |
| | 088474-09-000 | EA | HOUSING - SOCKET - 3 CAVITY |
| | 088474-10-000 | EA | HOUSING - SOCKET - 2 CAVITY |
| | 088475-01-000 | EA | PIN - CONNECTOR - 14-20 AWG |
| | 088475-02-000 | EA | PIN - CONNECTOR - 10-12 AWG |
| | 088476-01-000 | EA | TERMINAL - ELECTRICAL |
| | 088476-02-000 | EA | SOCKET - CONNECTOR - 12-10 GA - PRE-TIN |
| | 098261-01-000 | EA | SOCKET - CONNECTOR - WEATHERPACK - 12 AWG |
| | 098261-02-000 | EA | SOCKET - CONNECTOR - WEATHERPACK - 14-18 AWG |
| | 098262-01-000 | EA | SEAL - CONNECTOR - WEATHERPACK |
| | 098264-01-000 | EA | HOUSING - 2 PIN - WEATHER PACK - MALE W/FEMALE PINS |
| | 098264-02-000 | EA | HOUSING - 2 PIN - WEATHER PACK - FEMALE W/MALE PINS |
| | 098265-02-000 | EA | PIN - CONNECTOR - WEATHER PACK |
| | 101751-02-000 | EA | HOUSING - 1 PIN - WEATHERPACK |
| | 102777-02-000 | EA | TERMINAL - RING - #6 STUD - 10 AWG |
| | 103608-01-000 | EA | SOCKET - WEDGE BASE W/LEADS |
| | 104100-01-000 | EA | HOUSING - 1 POSITION - 75 AMPS |
| | 104100-03-000 | EA | TERMINAL - 75 AMP |
| | 110178-01-000 | EA | HOUSING - WIPER MOTOR |
| | 112823-01-000 | EA | SPLICE - REDUCER - 16-14 TO 18-22 |
| | 113135-01-000 | EA | TERMINAL - FEMALE - M/P - 14-16 - F/SEALED TERMINAL |
| | 113308-01-000 | EA | TERMINAL - FEMALE - M/P - 14-16 - 280 |
| | 113468-01-000 | EA | HOUSING - 2 POSITION-FEMALE-USED ON WIPER/WASHER WIRE ASM |
| | 113638-02-000 | EA | CONNECTOR - ACTUATOR |
| | 115931-01-000 | EA | COVER - CONNECTOR - 30 AMP W/LOCK RING |
| | 115931-02-000 | EA | COVER - CONNECTOR - 50 AMP W/LOCKING RING |
| | 115932-01-000 | EA | CONNECTOR - FEMALE - 30 AMP/120 VOLT |
| | 115932-02-000 | EA | CONNECTOR - FEMALE - 50 AMP/240 VOLT |
| | 116811-01-000 | EA | TERMINAL - .110 RECEPTACLE - 16-14 AWG |
| | 118571-01-000 | EA | CONNECTOR - 3-WAY - MALE/SEALED |
| | 118571-02-000 | EA | CONNECTOR - 3-WAY - FEMALE/SEALED |
| | 118571-05-000 | EA | LOCK - SECONDARY - FEMALE |
| | 118571-06-000 | EA | LOCK - SECONDARY - MALE |
| | 118599-02-000 | EA | TERMINAL - MALE - M/P - 280/14-12 |
| | 118820-01-000 | EA | INSULATOR - TERMINAL |
| | 129233-01-000 | EA | HOUSING - 2-POSITION/FEMALE - 280-SERIES |
| | 129233-02-000 | EA | HOUSING - 2-POSITION/FEMALE - 280-SERIES |
| | 131681-01-000 | EA | CONNECTOR - 3/4" SO CORD - UL/CS |
| | 137207-01-000 | EA | HOUSING - PIN - 2 CAVITY/HIGH AMP |
| | 137208-01-000 | EA | HOUSING - SOCKET - 2 CAVITY/HIGH AMP |
| | 137209-01-000 | EA | PIN - CONNECTOR - 10AWG/HIGH AMP |
| | 137210-01-000 | EA | SOCKET - CONNECTOR - 10 AWG/HIGH AMP |
| | 138419-03-000 | EA | SOCKET - LAMP - 3 WIRE |
| | 142520-01-000 | EA | TERMINAL - FEMALE - MINI-FIT 16 |
| | 142522-01-000 | EA | HOUSING - 4 PIN/MALE - MINI FIT |
| | 142522-02-000 | EA | HOUSING - 6 PIN/MALE - MINI FIT |
| | 142522-03-000 | EA | HOUSING - 8 PIN/MALE - MINI FIT |
| | 142524-01-000 | EA | HOUSING - 4 PIN/FEMALE - WEATHER PACK |
| | 142524-02-000 | EA | HOUSING - 4 PIN/WEATHER PACK/FEMALE |
| | 144283-01-000 | EA | CONNECTOR - WIRE, SOW, BLUE, MOLEX 19403-0011 |
| | 144283-02-000 | EA | CONNECTOR - WIRE, NM, CLEAR, MOLEX 19045-1000 |

BOOTS, SOLENOIDS, RELAYS & MISCELLANEOUS

| KEY | PART NUMBER | U/M | DESCRIPTION |
|-----|---------------|-----|--|
| | 008188-01-000 | EA | SOLENOID - 3 POST - BATTERY CHANGE OVER |
| | 063910-01-000 | EA | HOUSING - RELAY |
| | 063912-02-000 | EA | RELAY - CANISTER - SPDT |
| | 065450-05-000 | EA | TIEDOWN - BATTERY - 8.4" TUBE |
| | 065451-05-000 | EA | BRACKET/TIEDOWN - BATTERY - 7.7" FROM BRKT TO BRKT |
| | 086233-01-000 | EA | STUD - ISOLATED - 3/8" X 7/8" LONG |
| | 086273-01-000 | EA | RELAY - BATTERY DISCONNECT |
| | 136481-01-000 | EA | MODULE - AUTO ENERGY SELECTOR - F30W |

EXTERIOR BODY GROUP GRAPHICS & PAINT



92K EXT GRAPHICS-PKG #2
276 EXT GRAPHICS-PKG #1

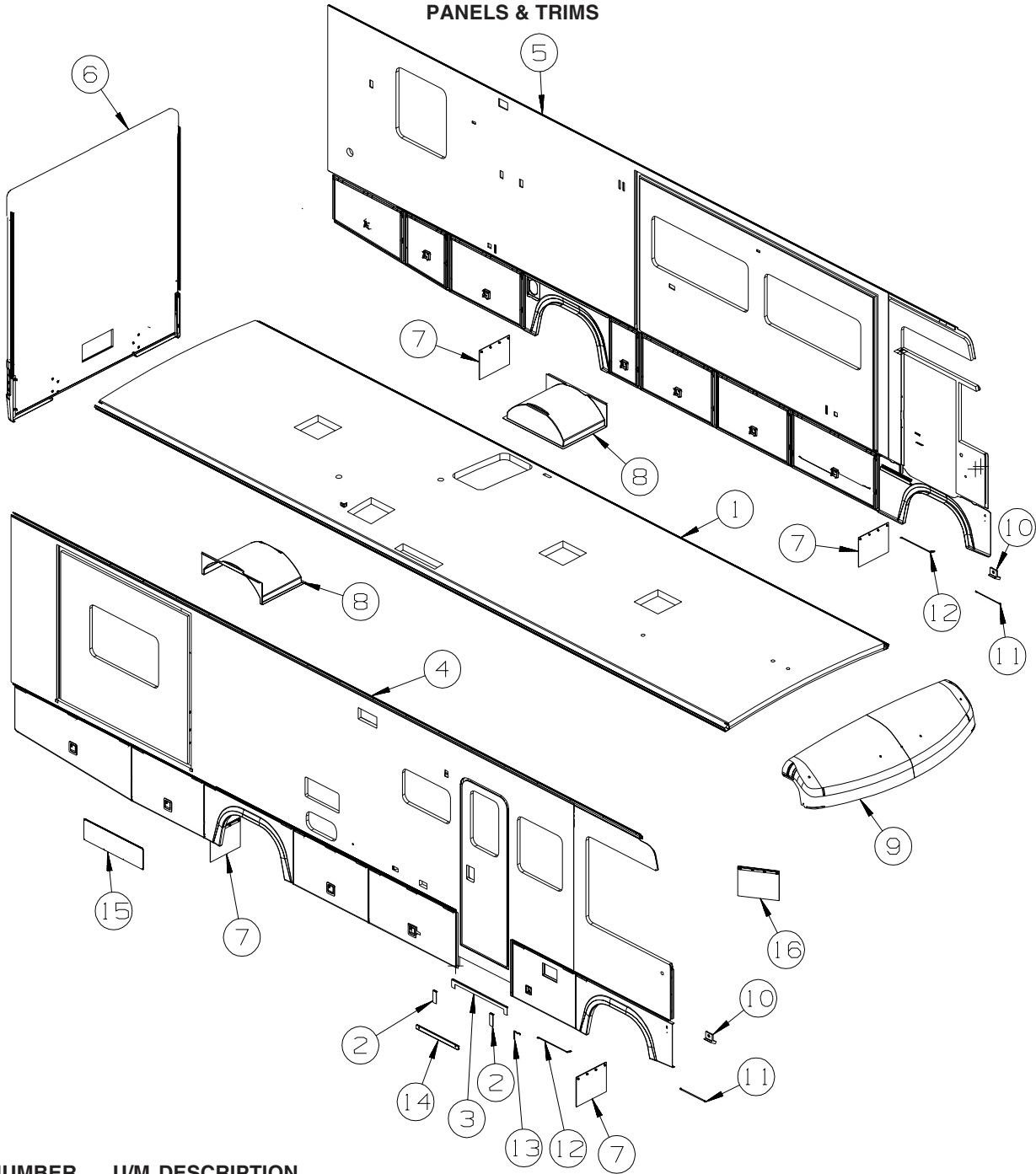
| KEY | PART NUMBER | U/M | DESCRIPTION |
|-----|---------------------|-----|--|
| 276 | 093681-54-CHT (03A) | FT | FILM-44.5 MM - DK TEAL |
| 92K | 093681-54-CHT (04A) | FT | FILM-44.5 MM - CANYON RED |
| 276 | 094443-75-CHT (02A) | FT | MULTI STRIPE-171.5 MM - BLUE ARROW/WARM SILVER/DK.TEAL |
| 92K | 094443-75-CHT (03A) | FT | MULTI STRIPE-171.5 MM - BLUE ARROW/LT.BLUE/CANYON RED |
| 276 | 105781-89-CHT (02A) | FT | MULTI STRIPE-69.8 MM - DK TEAL/BLUE ARROW |
| 92K | 105781-89-CHT (03A) | FT | MULTI STRIPE-69.8 MM - CANYON RED/BLUE ARROW |
| 276 | 105781-90-CHT (02A) | FT | MULTI STRIPE-101.6 MM - BLUE ARROW/WARM SILVER |
| 92K | 105781-90-CHT (03A) | FT | MULTI STRIPE-101.6 MM - BLUE ARROW/LT.BLUE |
| | 120700-10-CHT (03A) | EA | DECAL-W - BLUE ARROW |
| 276 | 120702-03-CHT (39A) | EA | DECAL-WINNEBAGO - BLUE ARROW |
| | 121437-01-CHT (11A) | EA | DECAL-BRAVE,LG - DK.TEAL/BLUE ARROW |
| 92K | 121437-01-CHT (12A) | EA | DECAL-BRAVE,LG - CANYON RED/BLUE ARROW |
| 276 | 121437-02-CHT (11A) | EA | DECAL-BRAVE,SML - DK TEAL/BLUE ARROW |
| 92K | 121437-02-CHT (12A) | EA | DECAL-BRAVE,SML - CANYON RED/BLUE ARROW |
| | 132664-01-CHT (01A) | EA | DECAL-WINNEBAGO,DOMED - GOLD/BLACK |
| | 137618-01-CHT (01A) | EA | DECAL-BEZEL,DOMED GRILLE LOGO - GOLD/BLACK |
| 276 | 141133-01-CHT (02A) | EA | DECAL-SWEEP W/TAI,HOOD - BRT.WHITE/BLUE ARROW |
| 92K | 141134-01-CHT (02A) | EA | DECAL-HOOK,RH - DK.TEAL |
| | 141134-01-CHT (03A) | EA | DECAL-HOOK,RH - CANYON RED |
| 276 | 141134-02-CHT (02A) | EA | DECAL-HOOK,LH - DK.TEAL |
| 92K | 141134-02-CHT (03A) | EA | DECAL-HOOK,LH - CANYON RED |
| | 141135-01-CHT (02A) | EA | DECAL-SWEEP,RH - BLUE ARROW/WARM SILVER/DK.TEAL |
| 276 | 141135-01-CHT (03A) | EA | DECAL-SWEEP,RH - BLUE ARROW/LT.BLUE/CANYON RED |
| 92K | 141135-02-CHT (02A) | EA | DECAL-SWEEP,LH - BLUE ARROW/WARM SILVER/DK.TEAL |
| 276 | 141135-02-CHT (03A) | EA | DECAL-SWEEP,LH - BLUE ARROW/LT.BLUE/CANYON RED |
| 92K | 141136-01-CHT (02A) | EA | DECAL-SWEEP W/TAI,RH - BRT.WHITE/BLUE ARROW |
| 276 | 141136-02-CHT (02A) | EA | DECAL-SWEEP W/TAI,LH - BRT.WHITE/BLUE ARROW |
| 92K | XXXXXXXXXXXXXXXXXX | GL | PAINT - SPIES-HECKER #27854,WARM SILVER MET |
| | XXXXXXXXXXXXXXXXXX | GL | PAINT - SPIES-HECKER #98116,CIRRUS BLUE MET |

| KEY | PART NUMBER | U/M | DESCRIPTION |
|-----|---------------|-----|---|
| | 041561-03-000 | EA | PAINT - 16 OUNCE SPRAY - OFF WHITE |
| | 099399-23-700 | EA | PAINT-SPRAY-BRT WHITE ENAMEL, B8951U DUPONT |

**DUPONT COLOR CODES ARE NOW FOUND IN THE PAINT CODE MANUAL.
YOU CAN FIND THIS MANUAL ON YOUR DEALER INDEX WEBPAGE UNDER SERVICE.**

EXTERIOR BODY GROUP (CONTINUED)

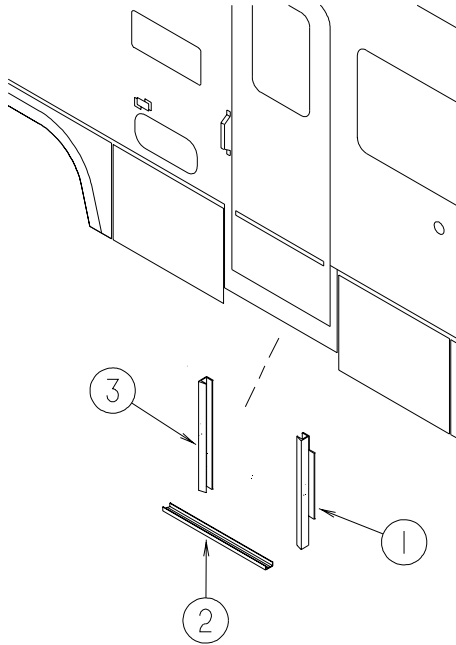
PANELS & TRIMS



| KEY | PART NUMBER | U/M | DESCRIPTION |
|-----|---------------|-----|--|
| 1 | 144515-01-R32 | EA | ROOF - W/O LIGHTS/VENTS - W/WIRING |
| 2 | 121117-05-02B | EA | ANGLE - W/O SLOTS - 5.7" X 2" - E-COATED - FORD |
| 3 | 138021-02-02B | EA | VALANCE/PANEL - ENTRY STEP/U-SHAPED - 33.2" X 4.1" E-COAT - WORKHORSE |
| 4 | 144516-01-R32 | EA | SIDEWALL - PASSENGER - W/O WINDOWS/TRIMS (R32) |
| 4 | 144516-01-R33 | EA | SIDEWALL - PASSENGER - W/O WINDOWS/TRIMS (R33) |
| 4 | 144516-01-R34 | EA | SIDEWALL - PASSENGER - W/O WINDOWS/TRIMS (R34) |
| 5 | 144221-01-R32 | EA | SIDEWALL - DRIVER - W/O WINDOWS/TRIMS (R32) |
| 5 | 144221-01-R33 | EA | SIDEWALL - DRIVER - W/O WINDOWS/TRIMS (R33) |
| 5 | 144221-01-R34 | EA | SIDEWALL - DRIVER - W/O WINDOWS/TRIMS (R34) |
| 6 | 144570-01-R32 | EA | BACKWALL - W/O WINDOWS/TRIMS (R32) |
| 6 | 144570-01-R33 | EA | BACKWALL - W/O WINDOWS/TRIMS (R33) |
| 6 | 144570-01-R34 | EA | BACKWALL - W/O WINDOWS/TRIMS (R34) |
| 7 | 017516-01-000 | EA | MUD FLAP - 14"H X 18"W - W/O MOUNTING HOLES - BLACK |
| | 140922-01-02B | EA | PLATE - MUD FLAP - E-COATED |
| 8 | 131365-01-000 | EA | WHEELWELL - PLASTIC |
| 9 | 125052-02-J20 | EA | CAP - ROOF - W/O LIGHTS/WIRING |
| 10 | 143143-01-01A | EA | ANGLE - SUPPORT/TRIM |
| 11 | 107865-06-000 | EA | ROD - SUPPORT - VALANCE PANEL - 15" |

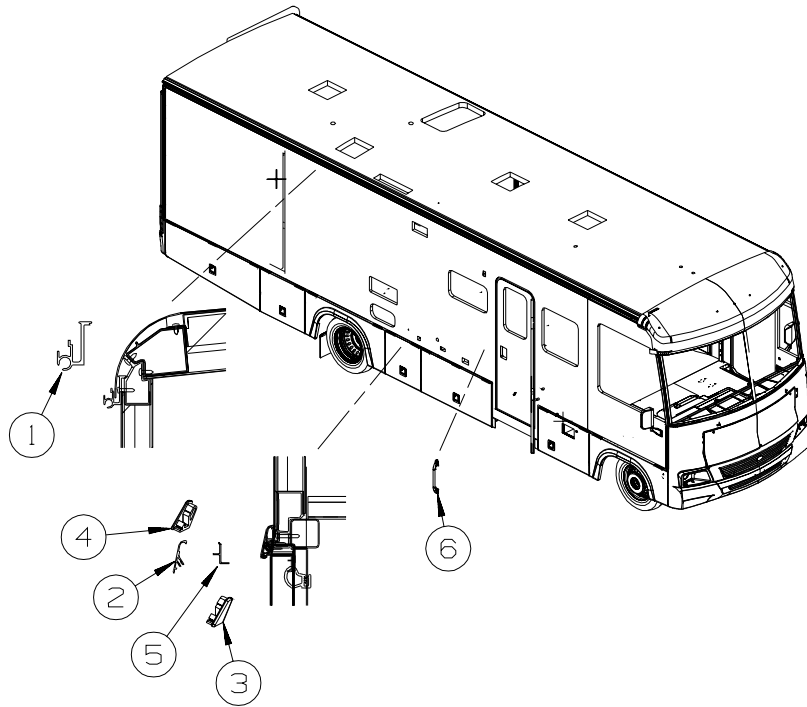
EXTERIOR BODY GROUP (CONTINUED)
PANELS & TRIMS (CONTINUED)

| KEY | PART NUMBER | U/M | DESCRIPTION |
|------------|--------------------|------------|--|
| 12 | 107865-25-000 | EA | ROD - SUPPORT - VALANCE PANEL - 18.9" |
| 13 | 093873-01-01A | EA | TRIM - CARPET - L-ANGLE 1.1" X 1.3" X 12' - GRAY VINYL |
| 14 | 133045-01-01A | EA | TRIM - SIDEWALL - 25.3" - BRIGHT WHITE |
| | | | FROM: 00-00-00 THRU: 12-07-03 |
| 14 | 149822-01-01A | EA | TRIM - SIDEWALL/ENTRY DOOR - 25.3" - BRIGHT WHITE |
| | | | FROM: 12-08-03 THRU: 99-99-99 |
| 15 | 133386-02-02B | EA | PANEL - CLOSEOUT - HOLDING TANK - E-COATED |
| 16 | 017516-01-000 | EA | MUD FLAP - 14"H X 18"W - W/O MOUNTING HOLES - BLACK |
| | 132695-01-02B | EA | ANGLE - MUDFLAP - E-COATED |
| | 140922-01-02B | EA | PLATE - MUD FLAP - E-COATED |



| KEY | PART NUMBER | U/M | DESCRIPTION |
|------------|--------------------|------------|--|
| 1 | 133100-05-01A | EA | TRIM - SIDEWALL - BLACK |
| 2 | 137599-01-01A | EA | TRIM - NOTCHED- SIDEWALL - 33.2" - BLACK |
| 3 | 133100-06-01A | EA | TRIM - SIDEWALL - BLACK |

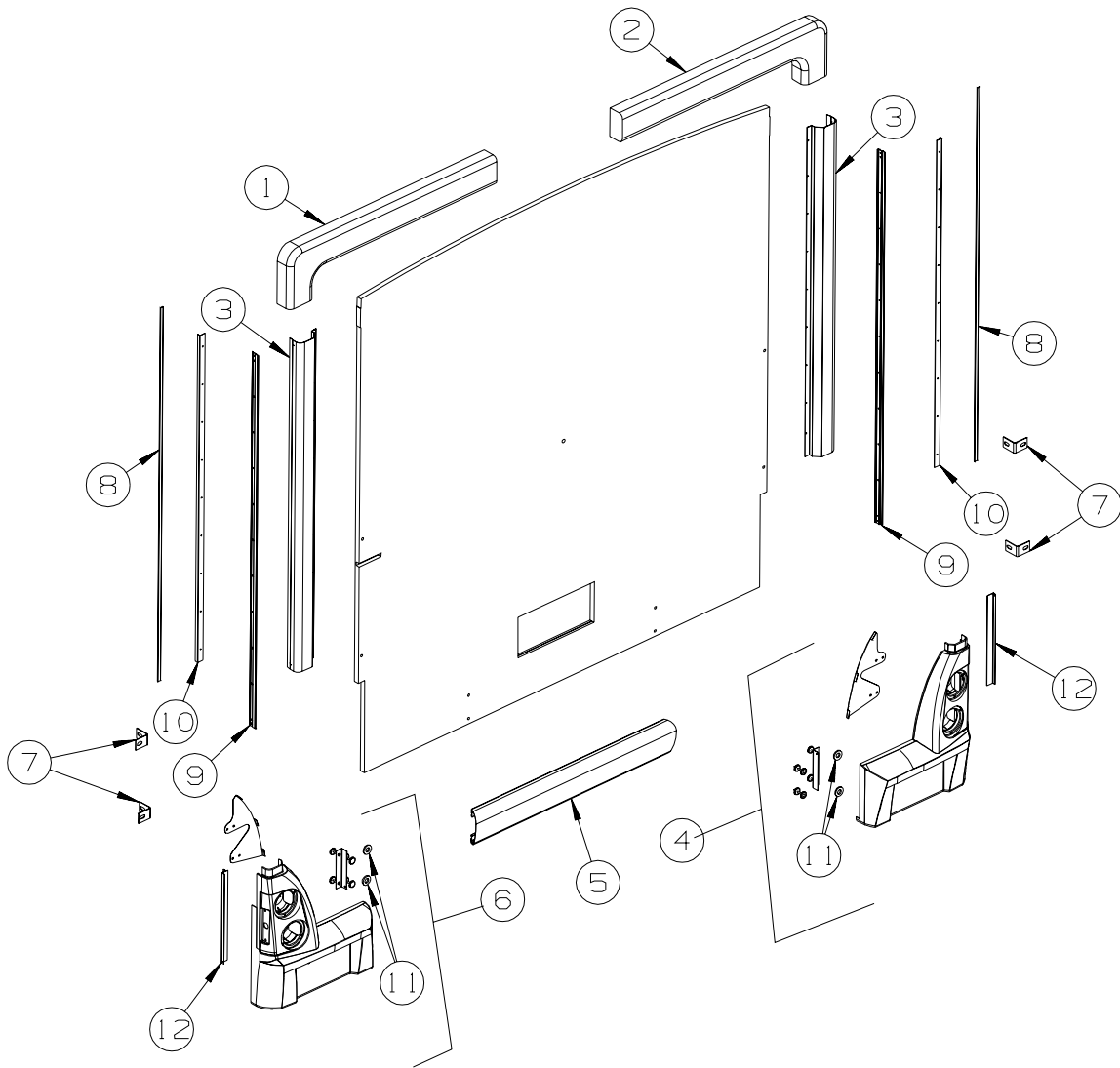
EXTERIOR BODY GROUP (CONTINUED)
PANELS & TRIMS (CONTINUED)



| KEY | PART NUMBER | U/M | DESCRIPTION |
|-----|---------------|-----|---|
| 1 | 131483-01-01A | EA | RAIL - AWNING - 192" - BRIGHT WHITE |
| 2 | 123993-01-02A | EA | TRIM - COVER - 182" ALUMINUM - BLACK |
| | | | FROM: 00-00-00 THRU: 12-07-03 |
| 2 | 146550-01-02A | EA | TRIM COVER - SIDEWALL - 182" - BLACK |
| | | | FROM: 12-08-03 THRU: 99-99-99 |
| 3 | 126775-01-02A | EA | END CAP - VALANCE TRIM - RIGHT HAND - BLACK |
| | | | FROM: 00-00-00 THRU: 12-07-03 |
| 3 | 146576-01-02A | EA | END CAP/TRIM - RIGHT HAND - BLACK |
| | | | FROM: 12-08-03 THRU: 99-99-99 |
| 4 | 126775-02-02A | EA | END CAP - VALANCE TRIM - LEFT HAND - BLACK |
| | | | FROM: 00-00-00 THRU: 12-07-03 |
| 4 | 146576-02-02A | EA | END CAP/TRIM - LEFT HAND- BLACK |
| | | | FROM: 12-08-03 THRU: 99-99-99 |
| 5 | 133376-01-01A | EA | TRIM - RETAINER - 144" - MILL |
| | | | FROM: 00-00-00 THRU: 12-07-03 |
| 5 | 146548-01-01A | EA | TRIM - RETAINER |
| | | | FROM: 12-08-03 THRU: 99-99-99 |
| 6* | 132442-01-01A | EA | HANDLE - ASSIST/WHITE METAL W/WHITE ENDS |

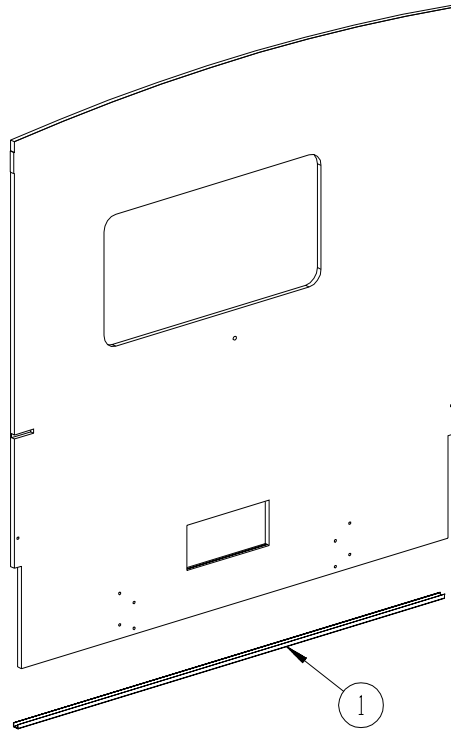
***COMPONENT PARTS LISTED LATER IN THIS GROUP**

EXTERIOR BODY GROUP (CONTINUED)
PANELS & TRIMS (CONTINUED)



| KEY | PART NUMBER | U/M | DESCRIPTION |
|-----|---------------|-----|---|
| 1 | 114873-02-02A | EA | TRIM - BACKWALL/TOP - DRIVER SIDE - BRIGHT WHITE |
| 2 | 114872-02-02A | EA | TRIM - BACKWALL/TOP - PASSENGER SIDE - BRIGHT WHITE |
| 3 | 114874-17-12B | EA | TRIM - BACKWALL - 68.4" - BRIGHT WHITE |
| 4 | 138062-04-P37 | EA | TRIM - BACKWALL - LOWER/RIGHT HAND - W/LIGHT CUTOUTS |
| 5 | 132521-02-01A | EA | BUMPER - REAR - BRIGHT WHITE |
| 6 | 138062-03-P37 | EA | TRIM - BACKWALL - LOWER/LEFT HAND - W/LIGHT CUTOUTS |
| 7 | 134533-01-02B | EA | BRACKET - MOUNT - TRIM/LOWER - E-COATED |
| 8 | 091985-01-07A | EA | INSERT - TRIM - .65" WIDE - BRIGHT WHITE |
| 9 | 092041-05-01A | EA | TRIM - BACKWALL/SIDEWALL - 77.6" - BRIGHT WHITE |
| 10 | 132273-01-02B | EA | BRACKET - REAR TRIM - E-COATED |
| 11 | 110742-02-000 | EA | GASKET - NEOPRENE - WIPER ADAPTER SHAFT - .5" ID X .9" OD |
| 12 | 132721-02-02B | EA | BRACKET/MOUNT - TRIM - REAR - E-COATED |

EXTERIOR BODY GROUP (CONTINUED)
PANELS & TRIMS (CONTINUED)



| KEY | PART NUMBER | U/M | DESCRIPTION |
|-----|---------------|-----|--|
| 1 | 103335-05-02A | EA | TRIM - BACKWALL - LOWER - 96.3" - BRIGHT WHITE |

EXTERIOR BODY GROUP (CONTINUED)

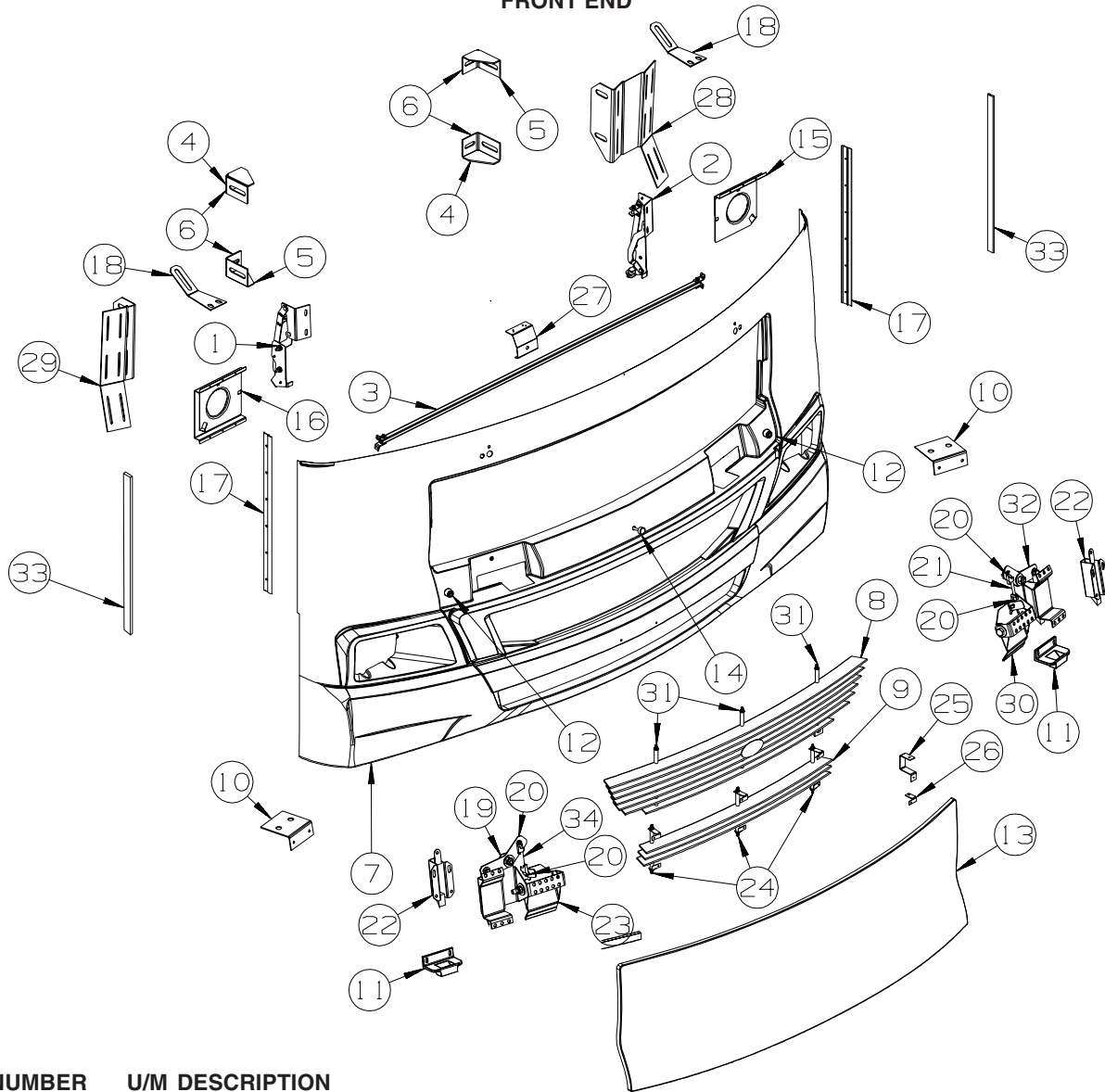
COMPONENT PARTS FOR PANELS & TRIMS

132442-01-01A

| KEY | PART NUMBER | U/M | DESCRIPTION | VENDOR NO. |
|-----|---------------|-----|-----------------------------|----------------|
| | 132442-01-700 | EA | BULB/ROPE - F/ASSIST HANDLE | ST012-0C/12MLX |

EXTERIOR BODY GROUP (CONTINUED)

FRONT END



| KEY | PART NUMBER | U/M | DESCRIPTION |
|-----|---------------|-----|--|
| 1 | 137072-03-01A | EA | HINGE - HOOD - RIGHT HAND - BLACK |
| 2 | 137072-04-01A | EA | HINGE - HOOD - LEFT HAND - BLACK |
| 3 | 137300-01-02B | EA | TUBE/TIMING - HOOD - E-COATED |
| 4 | 128455-01-02B | EA | BRACKET - BUMPER |
| 5 | 128455-02-02B | EA | BRACKET - BUMPER |
| 6 | 116617-02-02B | EA | SPACER - BUMPER |
| 7 | 137881-02-N30 | EA | PANEL - FRONT/LOWER - W/O HOOD/GRILLE/LIGHTS - BRT WHT |
| | | | FROM: 00-00-00 THRU: 03-10-03 |
| 7 | 137881-04-R32 | EA | PANEL - FRONT/LOWER - W/O HOOD/GRILLE/LIGHTS- BRIGHT WHITE |
| | | | FROM: 03-11-03 THRU: 99-99-99 |
| 8 | 137932-01-N90 | EA | GRILLE - FRONT/UPPER |
| 9 | 137931-01-N90 | EA | GRILLE - FRONT/LOWER |
| | 132717-02-02B | EA | ANGLE - GRILLE/MOUNT - E-COATED |
| | 132717-03-02B | EA | ANGLE - GRILLE/MOUNT - E-COATED |
| 10 | 133802-02-02B | EA | BRACKET - LATCH - ADJUSTING - E-COATED |
| 11 | 130053-02-01A | EA | STRIKER - LUGGAGE DOOR - OFF SET - BLACK |
| 12 | 117047-01-000 | EA | BUMPER - RUBBER - WASHER INSERT |
| 13 | 132370-01-L32 | EA | HOOD - FRONT |
| 14 | 058786-01-000 | EA | BOLT - HOOD ADJUSTMENT - 5/16"X18 X 1.5"-2" - W/BLACK PAD |
| 15 | 138700-01-02B | EA | PLATE - HEADLAMP - DUAL - E-COATED |
| 16 | 138700-02-02B | EA | PLATE - HEADLAMP - DUAL - E-COATED |
| 17 | 092041-06-01A | EA | TRIM - FRONT/REAR CAP (SIDEWALL) - 25.5" - BRIGHT WHITE |
| | | | FROM: 00-00-00 THRU: 12-07-03 |
| 17 | 092041-10-01A | EA | TRIM - FRONT/REAR CAP (SIDEWALL) - 25.2" - BRIGHT WHITE |
| | | | FROM: 12-08-03 THRU: 99-99-99 |

EXTERIOR BODY GROUP (CONTINUED)
FRONT END (CONTINUED)

| KEY | PART NUMBER | U/M | DESCRIPTION |
|------------|--------------------|------------|---|
| 18 | 141017-01-02B | EA | SUPPORT/HINGE - FRONT - E-COATED |
| 19 | 134418-08-02B | EA | PIVOT - LATCH/HOOD |
| 20 | 102265-01-000 | EA | CLIP - ROD END - 5/32" - BLACK PLASTIC |
| 21 | 134416-02-01A | EA | ROD/HOOD LATCH - STAINLESS STEEL - LEFT HAND |
| 22 | 113908-02-000 | EA | LATCH/PLUNGER - F/HOOD |
| 23 | 134415-01-02B | EA | LATCH/HOOD - PULL - RIGHT HAND - E-COATED |
| 24 | 088771-05-000 | EA | ROD - THREADED - .25 DIAMETER |
| 25 | 146139-01-02B | EA | BRACKET - GRILLE - FRONT - E-COATED |
| 26 | 146139-01-02B | EA | BRACKET - GRILLE - FRONT - E-COATED |
| 27 | 133770-02-02B | EA | BRACKET - HOOD SUPPORT - E-COATED |
| 28 | 134530-01-02B | EA | SUPPORT - HOOD LINK - E-COATED |
| 29 | 134530-02-02B | EA | SUPPORT - HOOD LINK - E-COATED |
| 30 | 134415-02-02B | EA | LATCH/HOOD - PULL - LEFT HAND - E-COATED |
| 31 | 088771-04-000 | EA | ROD - THREADED - .25 DIAMETER |
| 32 | 134418-08-02B | EA | PIVOT - LATCH/HOOD |
| 33 | 091985-01-07A | FT | INSERT - TRIM - .65" WIDE - BRIGHT WHITE |
| 34 | 134416-01-01A | EA | ROD/HOOD LATCH - STAINLESS STEEL - RIGHT HAND |

EXTERIOR BODY GROUP (CONTINUED)

LADDER

| KEY | PART NUMBER | U/M | DESCRIPTION |
|-----|---------------|-----|--|
| | 129639-03-01A | EA | LADDER - 89" - 7 STEP - BRUSHED ALUMINUM |
| | 130163-07-01A | EA | LADDER EXTENSION/LOWER - 21.9" - 2 STEP - BRUSHED ALUMINUM |

MIRRORS

| KEY | PART NUMBER | U/M | DESCRIPTION |
|-----|---------------|-----|---|
| * | 106015-18-01A | EA | MIRROR - EXTERIOR/REMOTE/HEAT - PASSENGER |
| * | 106015-19-01A | EA | MIRROR - EXTERIOR/REMOTE/HEAT - DRIVER |

*COMPONENT PARTS LISTED LATER IN THIS GROUP

EXTERIOR BODY GROUP (CONTINUED)

COMPONENT PARTS FOR MIRRORS

106015-18-01A, 106015-19-01A

| KEY | PART NUMBER | U/M | DESCRIPTION | VENDOR NO. |
|-----|---------------|-----|--------------------------------------|------------|
| | 106015-12-702 | EA | CAP/SCREW - (PKG OF 4) - BLK | 748329 RND |
| | 106015-16-700 | EA | GLASS-FLAT W/HEAT ELEMENT | 709450 |
| | 106015-18-700 | EA | GLASS/CONVEX-KIT W/CLIP | 709650 |
| | 106015-18-701 | EA | ACTUATOR - CONVEX GLASS | 7475410 |
| | 106015-18-702 | EA | MOTOR - FLAT GLASS | 747118 |
| | 106015-18-703 | EA | CONVEX REBUILT KIT | 709651 |
| | 106015-19-700 | EA | VIBRATION KIT - MIRROR GLASS, VELVAC | 709645 |

EXTERIOR BODY GROUP (CONTINUED)
STRUCTURAL COMPONENTS

| KEY | PART NUMBER | U/M | DESCRIPTION |
|-----|---------------|-----|--|
| | 002766-01-001 | EA | ANGLE - EXTRUDED - 1" X 1 1/2" X 17' |
| | 076054-Z3-000 | EA | FIBERGLASS SHEET - 102" X 93.9" - ROOF/SIDEWALL - BRT WHT |
| | 077517-62-000 | EA | FIBERGLASS SHEET - 48" X 96" - BRIGHT WHITE |
| | 108535-05-03A | SF | FIBERGLASS SHEET - 108" X 500' ROLL - BRIGHT WHITE |
| | 128782-11-01A | EA | FIBERGLASS SHEET - 79.1" X 407.8" - HIGH GLOSS - BRT WHT |
| | | | FROM: 00-00-00 THRU: 04-07-03 |
| | 128782-14-01A | EA | FIBERGLASS SHEET - 102.4" X 99.2" - HIGH GLOSS |
| | | | FROM: 04-09-03 THRU: 99-99-99 |
| | 128782-07-01A | EA | FIBERGLASS SHEET - 79" X 456" - HIGH GLOSS - BRIGHT WHITE |
| | 128782-09-01A | EA | FIBERGLASS SHEET - 31" X 68.2" - HIGH GLOSS - BRIGHT WHITE |
| | 128782-10-01A | EA | FIBERGLASS SHEET - 25" X 48" - HIGH GLOSS - BRIGHT WHITE |
| | 144884-22-01A | EA | FIBERGLASS SHEET - 47.9" X 95.8" - HIGH GLOSS-BRIGHT WHITE |
| | 089297-01-000 | SF | PLYWOOD - LUAN - OVERLAY GRADE - 4' X 8' |
| | 100619-01-000 | BF | FOAM - EXPANDED POLYSTYRENE - 1.34" X 48" X 96" |
| | 100619-02-000 | BF | FOAM - EXPANDED POLYSTYRENE - 1.5" X 48" X 96" |
| | 100619-04-000 | BF | FOAM - EXPANDED POLYSTYRENE - .5" X 48" X 96" |
| | 100619-05-000 | BF | FOAM - EXPANDED POLYSTYRENE - .75" X 48" X 96"-1.5 DENSITY |
| | 100619-13-000 | BF | FOAM - EXPANDED POLYSTYRENE - .34" X 34.65" X 96" |
| | 100619-16-000 | BF | FOAM - EXPANDED POLYSTYRENE - .75" X 48" X 96"-2.0 DENSITY |
| | 100619-27-000 | BF | FOAM - EXPANDED POLYSTYRENE - 48" X 92.8" X 3" |
| | 105077-08-000 | EA | FOAM - PLUG - ROOF CAP |
| | 120107-01-000 | EA | FOAM - ROOF COVE - 2.8" X 96" LONG |
| | 120107-02-000 | EA | FOAM - PLUG - ROOF TUBE - 2.2" X 2.9" X 1.8" LONG |
| | 120107-03-000 | EA | FOAM - PLUG - SIDEWALL TUBE - 1.2" X 2.1" X 1.8" LONG |

AWNINGS

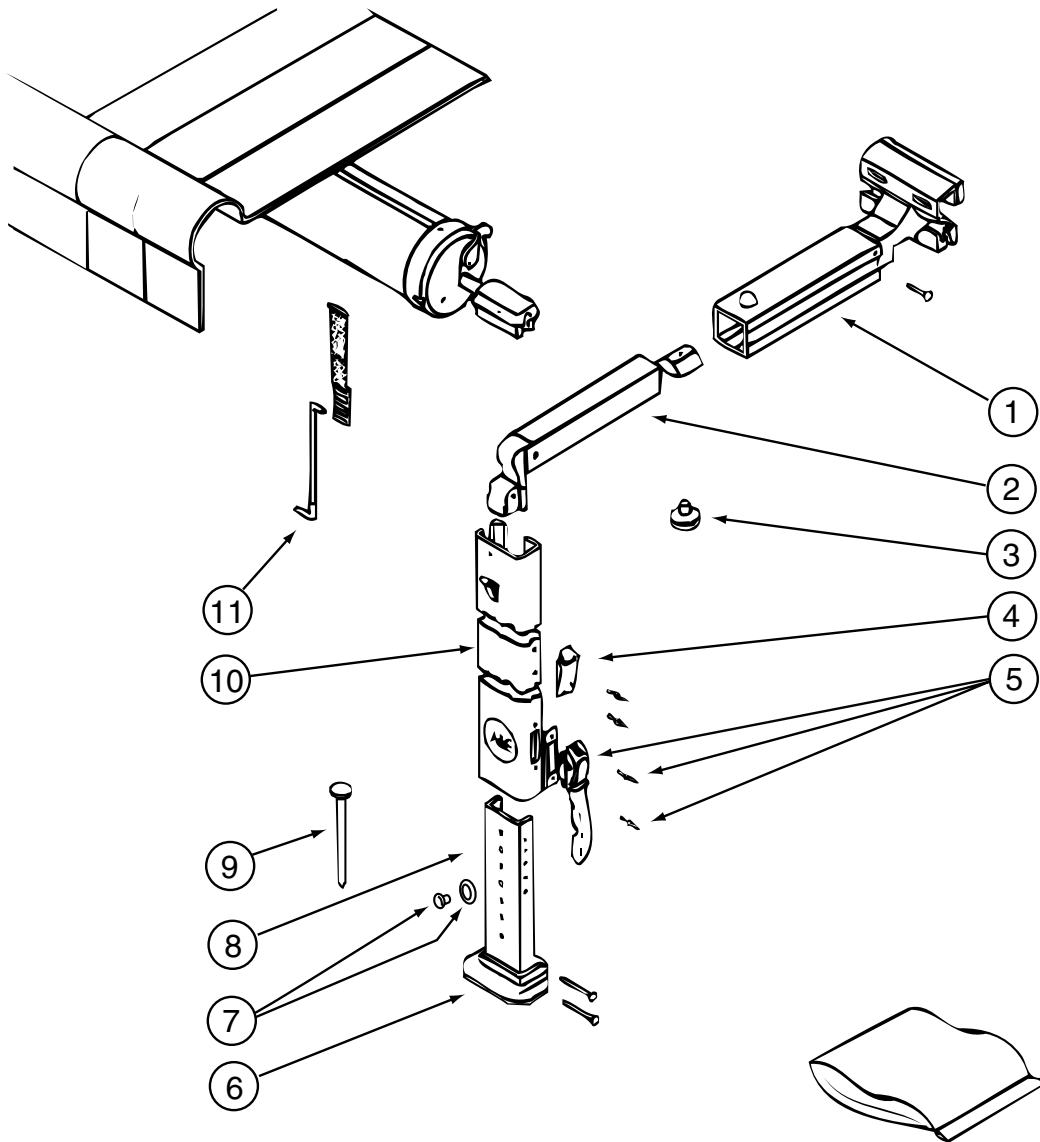
BRAVE PATIO AWNINGS

| SERIES | MODEL | COLOR | AWNING FABRIC | AWNING LENGTH | AWNING WEATHER WRAP(MANUAL) | PART # MANUAL | WEATHER WRAP(ELEC) | PART # ELECTRIC |
|--------|-------|----------------|---------------|---------------|-----------------------------|---------------|--------------------|-----------------|
| BRAVE | F30W | GULF BLUE (DX) | VINYL | 16' | VYL/BRT WHT | 113874-06-50A | MTL/BRT WHT | 143181-06-39A |
| | F32V | GULF BLUE (DX) | VINYL | 18' | VYL/BRT WHT | 113874-07-50A | MTL/BRT WHT | 143181-07-39A |
| | F34D | GULF BLUE (DX) | VINYL | 18' | VYL/BRT WHT | 113874-07-50A | MTL/BRT WHT | 143181-07-39A |
| | F36M | GULF BLUE (DX) | VINYL | 19' | VYL/BRT WHT | 113874-08-50A | MTL/BRT WHT | 143181-08-39A |

| KEY | PART NUMBER | U/M | DESCRIPTION |
|-----|---------------|-----|--|
| * | 113874-01-02A | EA | HARDWARE KIT - AWNING - W/O STANDOFF BRACKET-BRIGHT WHITE - PATIO AWNING |
| | 113874-11-01A | EA | SCREW/LAG - AWNING - 1/4" X 1" STAINLESS STEEL |
| | 113874-12-01A | EA | SCREW/LAG - AWNING - 1/4" X 2 3/4" STAINLESS STEEL - PATIO AWNING |
| | 137054-01-02A | EA | BRACKET - AWNING - BRIGHT WHITE - PATIO AWNING |
| | 143181-01-01A | EA | HARDWARE/AWNING - WEATHERPROOF - BRIGHT WHITE - PATIO AWNING ELECTRIC |
| | | | FROM: 00-00-00 THRU: 07-06-03 |
| | 143181-10-01A | EA | HARDWARE/AWNING - WEATHERPROOF - BRIGHT WHITE - PATIO AWNING ELECTRIC |
| | | | FROM: 07-07-03 THRU: 99-99-99 |
| | 143181-02-01A | EA | ELECTRICAL KIT/AWNING - WEATHERPROOF - PATIO AWNING ELECTRIC |

*COMPONENT PARTS LISTED LATER IN THIS GROUP

EXTERIOR BODY GROUP (CONTINUED)
COMPONENT PARTS FOR AWNINGS

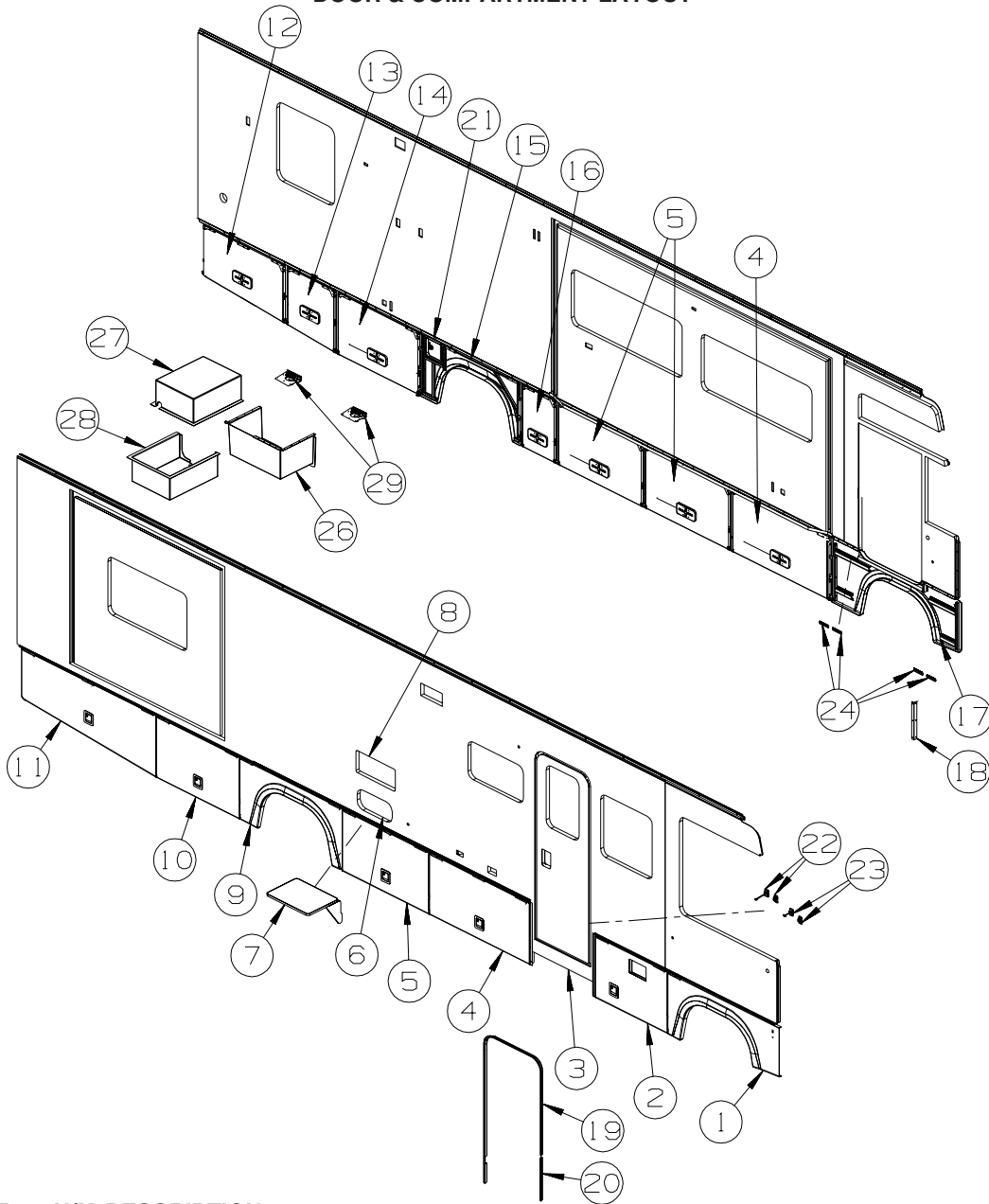


113874-01-02A

| KEY | PART NUMBER | U/M | DESCRIPTION | VENDOR NO. |
|-----|---------------|-----|-----------------------------|---------------|
| 1 | 113874-01-714 | EA | RAFTER - MAIN RH/LH BRT/WHT | 830295.536F |
| 2 | 113874-01-715 | EA | RAFTER - SECONDARY BRT/WHT | 830463.511F |
| 3 | 113874-01-702 | EA | KNOB - ADJUSTING | 3105421.014 |
| 4 | 113874-01-706 | EA | LOCK - TRAVEL | 830587.001 |
| 5 | 113874-01-707 | EA | HANDLE - LIFT W/RIVETS | 830644 |
| 6 | 113874-01-712 | EA | FOOT - PATIO | 730366-001 |
| 7 | 113874-01-710 | EA | PLUG-STOP KIT | 830456 |
| 8 | 113874-01-717 | EA | ARM - ADJUSTABLE BRT/WHT | 830467.517/F |
| 9 | 113874-01-709 | EA | NAIL-SPIKE, 8" | 113006 |
| 10 | 113874-01-716 | EA | ARM - MAIN SUPPORT BRT/WHT | 3104502.293/F |
| 11 | 113874-01-703 | EA | ROD-CENTER PULL W/ACCESSORY | 830152.102 |

EXTERIOR DOORS & COMPARTMENTS GROUP

DOOR & COMPARTMENT LAYOUT

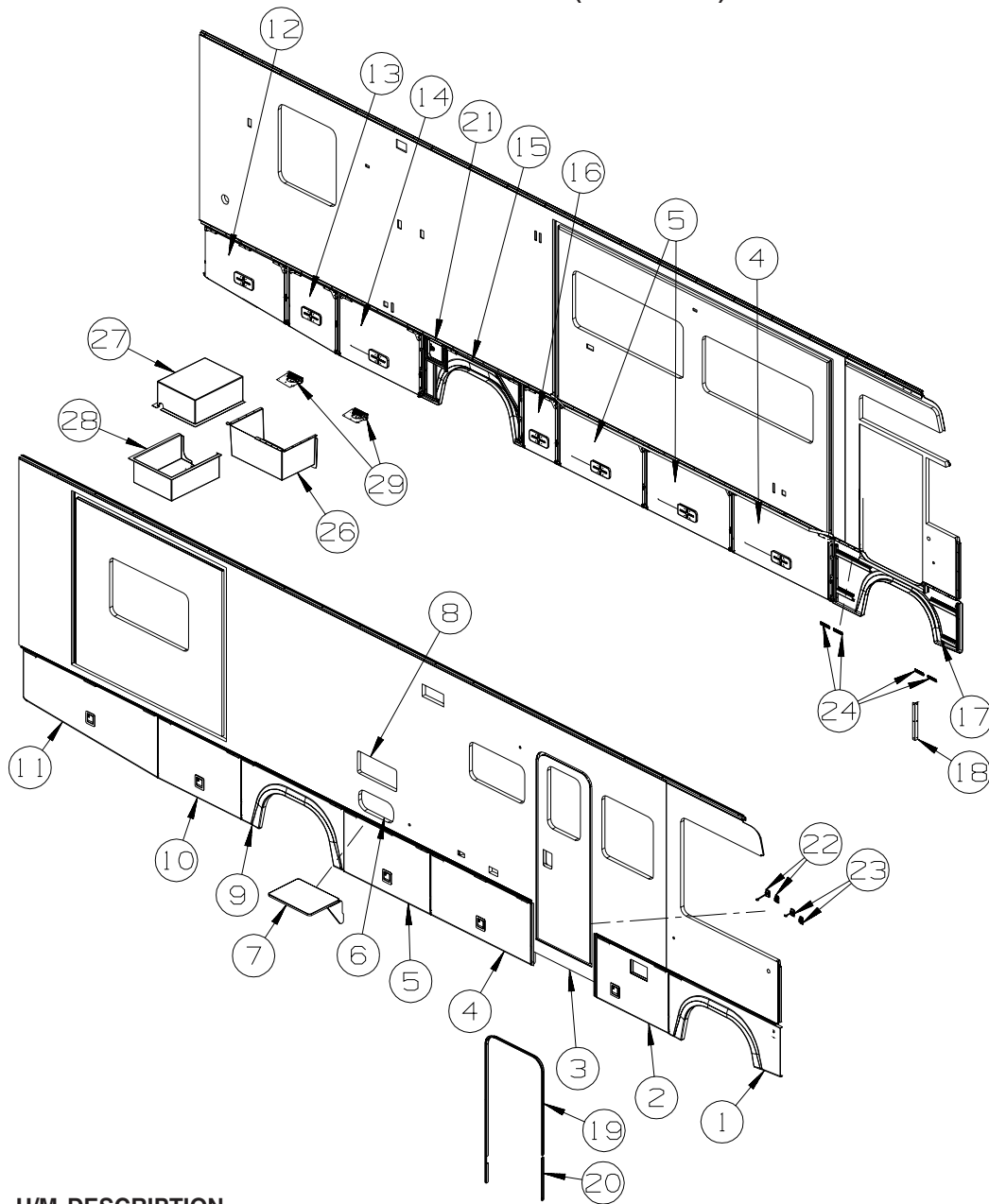


| KEY | PART NUMBER | U/M | DESCRIPTION |
|-----|---------------|-----|---|
| 1 | 141621-01-P37 | EA | PANEL/WHEEL LIP - PASSENGER/FRONT - FORD |
| 1 | 141621-07-P37 | EA | PANEL/WHEEL LIP - PASSENGER/FRONT - WORKHORSE |
| 2 | 140982-13-P37 | EA | VALANCE/DOOR - W/O PADDLE LATCH - 37.5" X 26.3" |
| | | | FROM: 00-00-00 THRU: 08-17-03 |
| 2 | 147682-04-R32 | EA | VALANCE/DOOR - W/O LATCH/HDWR - W/CUT-OUT - 37.2" X 26.9" |
| | | | FROM: 08-18-03 THRU: 99-99-99 |
| | 132873-35-000 | EA | ROD - LATCH - 21.8" W/3/4" DOG LEG |
| | | | FROM: 00-00-00 THRU: 09-15-03 |
| | 132873-D5-000 | EA | ROD - LATCH |
| | | | FROM: 09-16-03 THRU: 99-99-99 |
| | 132873-43-000 | EA | ROD - LATCH - 5.1" W/3/4" DOG LEG |
| | | | FROM: 00-00-00 THRU: 09-15-03 |
| | 132873-D6-000 | EA | ROD - LATCH |
| | | | FROM: 09-16-03 THRU: 99-99-99 |
| | 107796-32-000 | EA | SPRING/GAS - 9.5" COMPRESSED/15" EXTENDED - 90 LB - BLACK |
| 3* | 094707-03-01A | EA | STEP - ELECTRIC DOUBLE - W/BLACK CONTROL BOX - KWIKEE |
| 4 | 140982-10-P37 | EA | VALANCE/DOOR - W/O PADDLE LATCH - 52" X 26.3" |
| | | | FROM: 00-00-00 THRU: 08-17-03 |
| 4 | 147682-01-R32 | EA | VALANCE/DOOR - W/O PADDLE LATCH/HDWR - 51.8" X 26.3" |
| | | | FROM: 08-18-03 THRU: 99-99-99 |

EXTERIOR DOORS & COMPARTMENTS GROUP (CONTINUED)
DOOR & COMPARTMENT LAYOUT (CONTINUED)

| KEY | PART NUMBER | U/M | DESCRIPTION |
|-----|---------------|-----|---|
| | 132873-33-000 | EA | ROD - LATCH - 19.8" W/3/4" DOG LEG FROM: 00-00-00 THRU: 09-15-03 |
| | 132873-D1-000 | EA | ROD - LATCH FROM: 09-16-03 THRU: 99-99-99 |
| | 132873-34-000 | EA | ROD - LATCH - 21.6" W/3/4" DOG LEG FROM: 00-00-00 THRU: 09-15-03 |
| | 132873-D2-000 | EA | ROD - LATCH FROM: 09-16-03 THRU: 99-99-99 |
| 5 | 107796-32-000 | EA | SPRING/GAS - 9.5" COMPRESSED/15" EXTENDED - 90 LB - BLACK |
| | 140982-09-P37 | EA | VALANCE/DOOR - W/O PADDLE LATCH - 45" X 26.3" |
| | 132873-31-000 | EA | ROD - LATCH - 16.3" W/3/4" DOG LEG |
| | 132873-32-000 | EA | ROD - LATCH - 18.1" W/3/4" DOG LEG |
| | 107796-32-000 | EA | SPRING/GAS - 9.5" COMPRESSED/15" EXTENDED - 90 LB - BLACK |
| 6 | 126945-09-N42 | EA | DOOR/STORAGE - W/O HARDWARE - 18" X 8.3" |
| 7 | 142034-01-01A | EA | SHELF - F/EXTERIOR TV - BRIGHT WHITE |
| 8* | 084103-08-000 | EA | DOOR - VENT - REFRIGERATOR - W/O JAMB - BRIGHT WHITE |
| | 084104-08-000 | EA | JAMB - VENT DOOR/REFRIGERATOR - BRIGHT WHITE |
| 9 | 141621-21-P37 | EA | PANEL/WHEEL LIP - PASSENGER/REAR - FORD |
| 9 | 141621-23-P37 | EA | PANEL/WHEEL LIP - PASSENGER/REAR - WORKHORSE |
| 10 | 140982-08-P45 | EA | VALANCE/DOOR - W/O PADDLE LATCH - 43.2" X 26.3" |
| | 132873-29-000 | EA | ROD - LATCH - 15.4" W/3/4" DOG LEG |
| | 132873-30-000 | EA | ROD - LATCH - 17.2" W/3/4" DOG LEG |
| | 107796-32-000 | EA | SPRING/GAS - 9.5" COMPRESSED/15" EXTENDED - 90 LB - BLACK |
| 11 | 140982-17-P37 | EA | VALANCE/DOOR - PASS W/O PAD LATCH - 26.3" X 69.8" X 26.3" FROM: 00-00-00 THRU: 08-17-03 |
| 11 | 147682-10-R32 | EA | VALANCE/DOOR - PASS W/O LATCH/HDWR - 26.3" X 69.5" X 21.3" FROM: 08-18-03 THRU: 99-99-99 |
| | 132873-41-000 | EA | ROD - LATCH - 28.7" W/3/4" DOG LEG FROM: 00-00-00 THRU: 09-15-03 |
| | 132873-E2-000 | EA | ROD - LATCH FROM: 09-16-03 THRU: 99-99-99 |
| | 132873-42-000 | EA | ROD - LATCH - 30.5" W/3/4" DOG LEG FROM: 00-00-00 THRU: 09-15-03 |
| | 132873-E3-000 | EA | ROD - LATCH FROM: 09-16-03 THRU: 99-99-99 |
| | 142569-17-000 | EA | SPRING/GAS - 8.5" COMPRESSED/12" EXTENDED - 90 LB |
| 12 | 140982-16-P37 | EA | VALANCE/DOOR - DRVR W/O PAD LATCH - 24.4" X 43.4" X 21.3" FROM: 00-00-00 THRU: 08-17-03 |
| 12 | 147682-08-R32 | EA | VALANCE/DOOR - DRVR W/O LATCH/HDWR - 24.4" X 43.1" X 21.3" FROM: 08-18-03 THRU: 99-99-99 |
| | 132873-39-000 | EA | ROD - LATCH - 15.5" W/3/4" DOG LEG FROM: 00-00-00 THRU: 09-15-03 |
| | 132873-29-000 | EA | ROD - LATCH - 15.4" W/3/4" DOG LEG FROM: 09-16-03 THRU: 99-99-99 |
| | 132873-40-000 | EA | ROD - LATCH - 17.3" W/3/4" DOG LEG FROM: 00-00-00 THRU: 09-15-03 |
| | 132873-30-000 | EA | ROD - LATCH - 17.2" W/3/4" DOG LEG FROM: 09-16-03 THRU: 99-99-99 |
| | 142569-17-000 | EA | SPRING/GAS - 8.5" COMPRESSED/12" EXTENDED - 90 LB |
| 13 | 140982-15-P37 | EA | VALANCE/DOOR - DRVR W/O PAD LATCH - 26.3" X 26.1" X 24.4" |
| | 132873-21-000 | EA | ROD - LATCH - 6.8" W/3/4" DOG LEG |
| | 132873-22-000 | EA | ROD - LATCH - 8.7" W/3/4" DOG LEG |
| | 142569-17-000 | EA | SPRING/GAS - 8.5" COMPRESSED/12" EXTENDED - 90 LB |
| 14 | 140982-07-P45 | EA | VALANCE/DOOR - W/O PADDLE LATCH - 43.2" X 26.3" |
| | 132873-29-000 | EA | ROD - LATCH - 15.4" W/3/4" DOG LEG |
| | 132873-30-000 | EA | ROD - LATCH - 17.2" W/3/4" DOG LEG |
| | 107796-32-000 | EA | SPRING/GAS - 9.5" COMPRESSED/15" EXTENDED - 90 LB - BLACK |
| 15 | 144686-01-R32 | EA | PANEL/WHEEL LIP - DRIVER/REAR - FORD FROM: 00-00-00 THRU: 08-17-03 |
| 15 | 144686-08-R32 | EA | PANEL/WHEEL LIP - DRIVER/REAR - FORD FROM: 08-18-03 THRU: 99-99-99 |
| 15 | 144686-02-R32 | EA | PANEL/WHEEL LIP - DRIVER/REAR - WORKHORSE FROM: 00-00-00 THRU: 08-17-03 |
| 15 | 144686-09-R32 | EA | PANEL/WHEEL LIP - DRIVER/REAR - WORKHORSE FROM: 08-18-03 THRU: 99-99-99 |

EXTERIOR DOORS & COMPARTMENTS GROUP (CONTINUED)
DOOR & COMPARTMENT LAYOUT (CONTINUED)



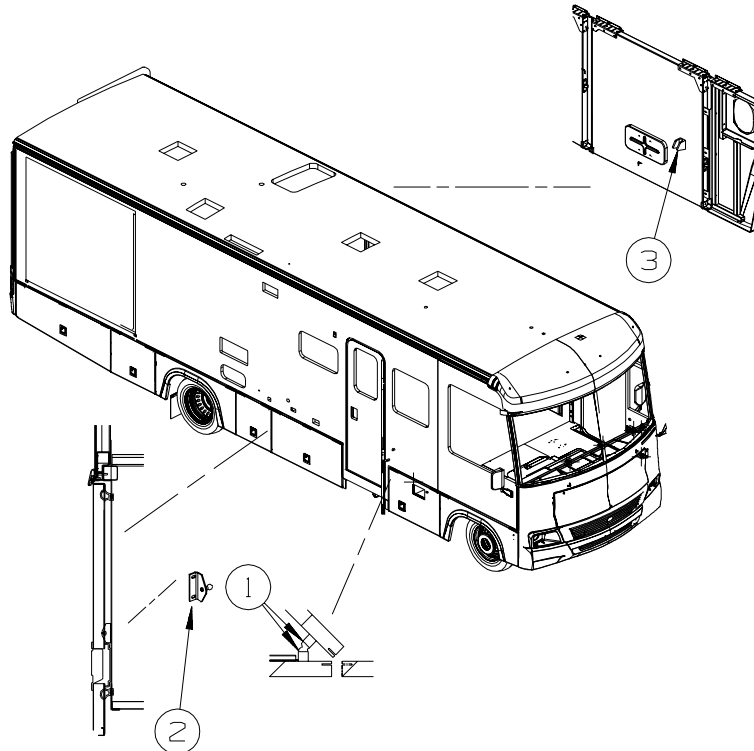
| KEY | PART NUMBER | U/M | DESCRIPTION |
|-----|---------------|-----|---|
| 16 | 140982-23-P37 | EA | VALANCE/DOOR - W/O PADDLE LATCH - 18.5" X 26.3" |
| | 132873-83-000 | EA | ROD - LATCH - 8.1" W/3/4" DOG LEG |
| | 132873-84-000 | EA | ROD - LATCH - 4.9" W/3/4" DOG LEG |
| | 142569-13-000 | EA | SPRING/GAS - 9.5" COMPRESSED/15" EXTENDED - 60 LB |
| | 076767-14-000 | EA | CABLE - STAINLESS STEEL - 14.9" |
| 17 | 141621-03-P37 | EA | PANEL/WHEEL LIP - DRIVER/FRONT - FORD |
| 17 | 141621-09-P37 | EA | PANEL/WHEEL LIP - DRIVER/FRONT - WORKHORSE |
| 18 | 113904-13-02B | EA | ANGLE - ATTACHMENT/WHEEL LIP - 15.7" - E-COAT |
| 19 | 139100-01-01A | EA | GARNISH/RADIUS - ENTRY DOOR - BRIGHT WHITE |
| 20 | 139101-01-01A | EA | GARNISH/STRAIGHT - W/NOTCH - 36.31" - BRIGHT WHITE |
| 21 | 131905-03-L32 | EA | DOOR - FUEL FILL W/O LOCK - BLACK |
| * | 110506-A2-000 | EA | LOCK - TWIST - 26.45" |
| | 110506-51-000 | EA | CASE/CYLINDER - TWIST LATCH - W/O CAM - 1" - 596669 |
| | 110506-78-000 | EA | CAM - LOCK |
| 22 | 104099-01-04A | EA | CATCH - DOOR HOLDER - STRIKE - 3.9" - BRIGHT WHITE |
| 23 | 104099-03-04A | EA | CATCH - DOOR HOLDER - STRIKE - 6" - BRIGHT WHITE |
| 24 | 132654-07-01A | EA | SUPPORT - WHEEL LIP - BLACK - 4.5" |
| 25 | 120863-05-000 | EA | BUMPER - RUBBER/RADIUS TOP - 3/4" X 3/8" |
| 26 | 144654-01-000 | EA | COMPARTMENT - DRAINAGE |
| | 107721-08-000 | EA | SEAL - ACCESS DOOR - .9"WIDE X .9"HIGH |

EXTERIOR DOORS & COMPARTMENTS GROUP (CONTINUED)

DOOR & COMPARTMENT LAYOUT (CONTINUED)

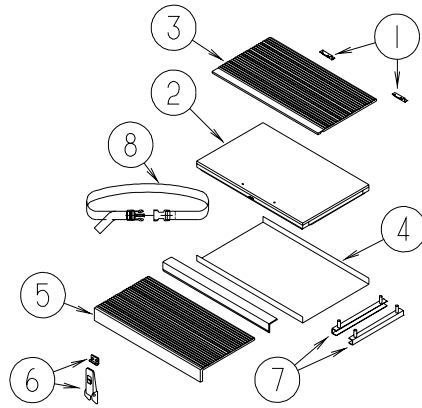
| KEY | PART NUMBER | U/M | DESCRIPTION |
|-----|---------------|-----|--|
| 27 | 132315-03-000 | EA | COMPARTMENT - POWER CORD |
| 28 | 132315-06-000 | EA | COMPARTMENT - POWER CORD - GENERATOR |
| | 107721-08-000 | EA | SEAL - ACCESS DOOR - .9"WIDE X .9"HIGH |
| 29 | 142226-02-01A | EA | HATCH - POWER |
| | 112949-06-000 | EA | KEY - REVERSIBLE (DOUBLE SIDED) |
| | 138292-01-000 | EA | SEAL - LOCK CYLINDER |
| | 138289-01-000 | EA | CYLINDER - LOCKING |
| | 138289-02-000 | EA | CYLINDER - LOCKING |
| | 138289-03-000 | EA | CYLINDER - LOCKING |
| | 138289-04-000 | EA | CYLINDER - LOCKING |
| | 138289-05-000 | EA | CYLINDER - LOCKING |
| | 138289-06-000 | EA | CYLINDER - LOCKING |
| | 138289-07-000 | EA | CYLINDER - LOCKING |
| | 138289-08-000 | EA | CYLINDER - LOCKING |
| | 138289-09-000 | EA | CYLINDER - LOCKING |
| | 138289-10-000 | EA | CYLINDER - LOCKING |
| | 138288-01-000 | EA | KEY - REVERSIBLE - #1151 - T/M 16169-02-3091 |
| | 138288-02-000 | EA | KEY - REVERSIBLE - #1152 - T/M 16169-02-3092 |
| | 138288-03-000 | EA | KEY - REVERSIBLE - #1153 - T/M 16169-02-3093 |
| | 138288-04-000 | EA | KEY - REVERSIBLE - #1154 - T/M 16169-02-3094 |
| | 138288-05-000 | EA | KEY - REVERSIBLE - #1155 - T/M 16169-02-3095 |
| | 138288-06-000 | EA | KEY - REVERSIBLE - #1156 - T/M 16169-02-3096 |
| | 138288-07-000 | EA | KEY - REVERSIBLE - #1157 - T/M 16169-02-3097 |
| | 138288-08-000 | EA | KEY - REVERSIBLE - #1158 - T/M 16169-02-3098 |
| | 138288-09-000 | EA | KEY - REVERSIBLE - #1159 - T/M 16169-02-3099 |
| | 138288-10-000 | EA | KEY - REVERSIBLE - #1150 - T/M 16169-02-3100 |

***COMPONENT PARTS LISTED LATER IN THIS GROUP**

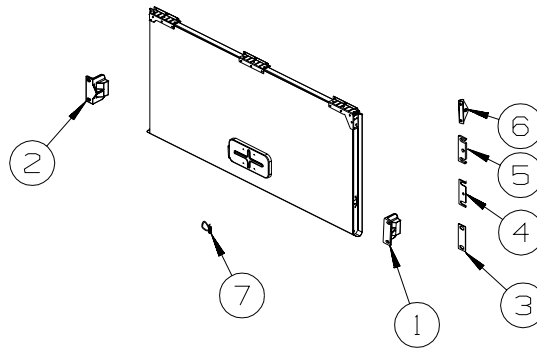


| KEY | PART NUMBER | U/M | DESCRIPTION |
|-----|---------------|-----|--|
| 1 | 120863-02-000 | EA | BUMPER - RUBBER/RADIUS TOP - 1" DIAMETER X 1.50" |
| 2 | 126263-02-02B | EA | BRACKET - GAS SPRING W/BALL STUD - E-COATED |
| 3 | 131383-03-02A | EA | BRACKET - SHOWER HEAD - WHITE |

EXTERIOR DOORS & COMPARTMENTS GROUP (CONTINUED)
DOOR & COMPARTMENT LAYOUT (CONTINUED)



| KEY | PART NUMBER | U/M | DESCRIPTION |
|-----|---------------|-----|--|
| 1 | 101222-01-04A | EA | BRACKET - CATCH - LID - E-COATED |
| 2 | P20256-07-000 | EA | LID/DOOR - ENTRY STEP - W/O CARPET/HARDWARE |
| 3 | 133114-02-01A | EA | TREAD - STEP/RUBBER - 28.4" - TAUPE (R32, R33) |
| 3 | 133114-02-03A | EA | TREAD - STEP/RUBBER - 28.4" - GRAY(R34) |
| 4 | 123330-03-02B | EA | SUPPORT - ENTRY STEP - E-COATED |
| 5 | 133114-01-01A | EA | TREAD - STEP/RUBBER - 29.3" - TAUPE(R32, R33) |
| 5 | 133114-01-03A | EA | TREAD - STEP/RUBBER - 29.2" - GRAY(R34) |
| 6 | 116975-01-01A | EA | LATCH - W/O STRIKE - BLACK - NEW STYLE |
| 7 | 138787-02-02B | EA | CHANNEL/MOUNT - E-COAT |
| 8 | 099856-11-000 | EA | STRAP - TIEDOWN - 7.9" |



| KEY | PART NUMBER | U/M | DESCRIPTION |
|-----|---------------|-----|--|
| 1 | 130053-01-01A | EA | STRIKER - LUGGAGE DOOR - FLUSH - BLACK |
| 2 | 130053-02-01A | EA | STRIKER - LUGGAGE DOOR - OFF SET - BLACK |
| 3 | 143793-01-01A | EA | SHIM/STRIKER - LUGGAGE - 1.5" - BLACK |
| 4 | 120494-03-02B | EA | SHIM - STRIKER - LUGGAGE DOOR - .20 - E-COATED |
| 5 | 120494-04-02B | EA | SHIM - STRIKER - LUGGAGE DOOR - .27 - E-COATED |
| 6 | 126263-02-02B | EA | BRACKET - GAS SPRING W/BALL STUD - E-COATED |
| 7 | 132892-02-01A | FT | SEAL - BULB |
| 7 | 132892-03-01A | FT | SEAL - BULB - W/LEG |

FROM: 00-00-00 THRU: 11-05-03

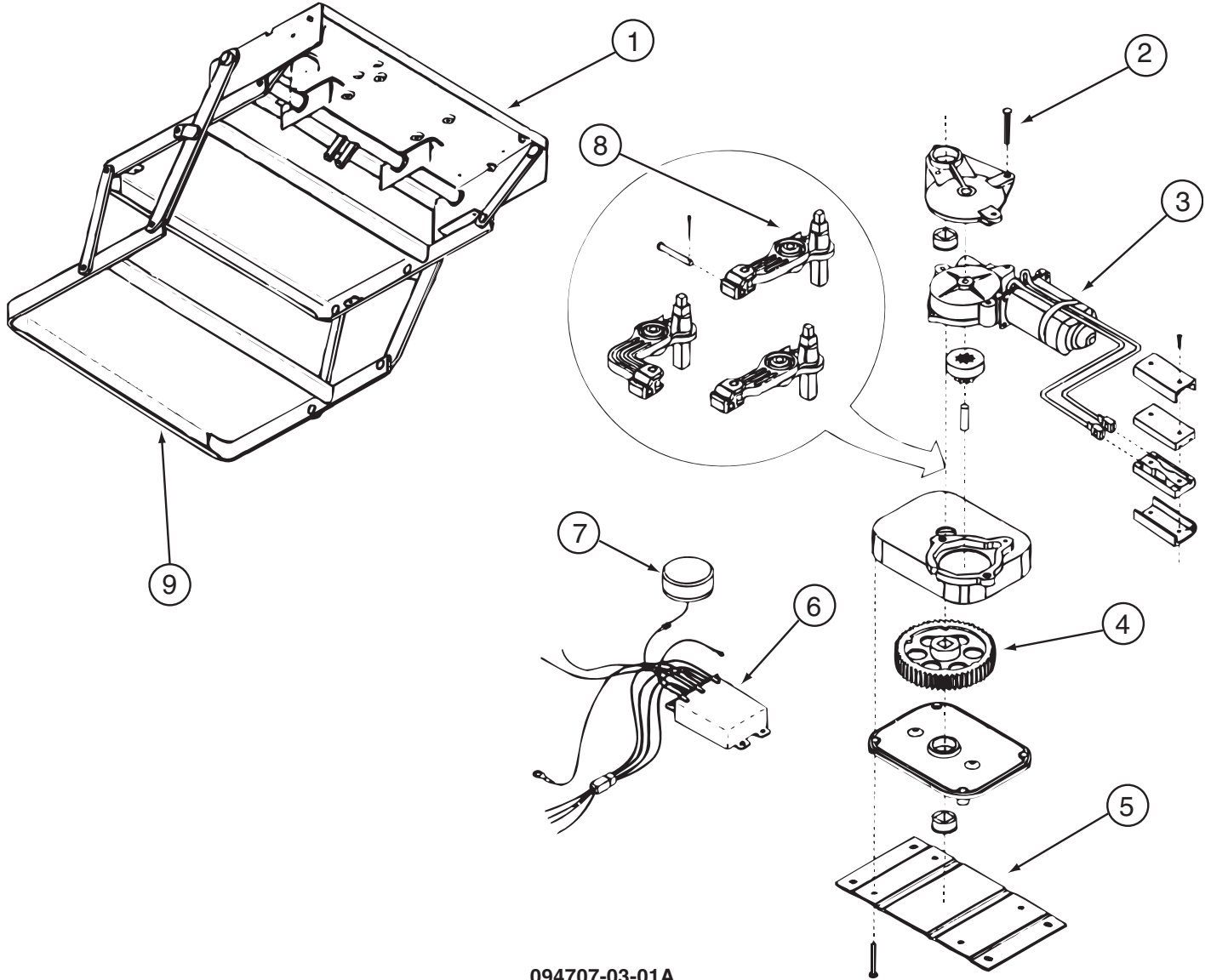
FROM: 11-06-03 THRU: 99-99-99

EXTERIOR DOORS & COMPARTMENTS GROUP (CONTINUED)
COMPONENT PARTS FOR DOOR & COMPARTMENT LAYOUT

084103-08-000

| KEY | PART NUMBER | U/M | DESCRIPTION | VENDOR NO. |
|------------|--------------------|------------|-----------------------|-------------------|
| | 084104-01-700 | EA | LOCK-MALE, FASTENER | 201-721-010 |
| | 084104-01-701 | EA | LOCK-FEMALE, FASTENER | 201-802-010 |

EXTERIOR DOORS & COMPARTMENTS GROUP (CONTINUED)
COMPONENT PARTS FOR DOOR & COMPARTMENT LAYOUT (CONTINUED)

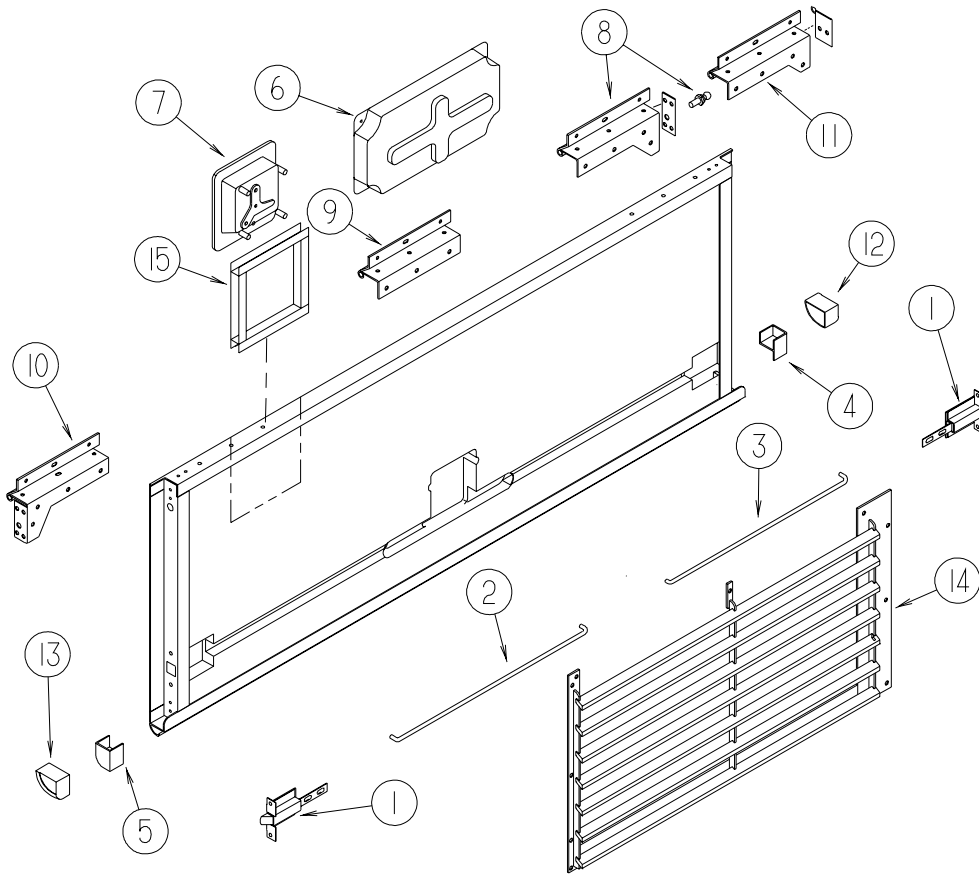


094707-03-01A

| KEY | PART NUMBER | U/M | DESCRIPTION | VENDOR NO. |
|-----|---------------|-----|------------------------------|------------|
| 1 | 094707-01-702 | EA | FRAME W/DBL STEP,3200 SERIES | 908032 |
| 2 | 094707-02-703 | EA | BEARING & PINS | 909530 |
| 3 | 094707-02-700 | EA | MOTOR - "UT" ASM W/BRGS/PIN | 909520 |
| 4 | 094707-02-702 | EA | GEAR KIT(GEAR-BEARING-PINS) | 909525 |
| 5 | 094707-02-704 | EA | CONNECTOR-MOTOR ASM.W/PLATES | 909537 |
| 6 | 094707-03-700 | EA | KIT CONTROL/SWITCH-RETROFIT | 909506005 |
| 7 | 088746-01-705 | EA | LIGHT-UNDER STEP | 9004 |
| 7 | 088733-01-700 | EA | BULB | 9004 |
| 8 | 094707-02-701 | EA | LINKAGE ASM. W/BEARINGS-PINS | 909534 |
| 9 | 094707-02-707 | EA | TREAD - NON-SKID - BLACK | 909333 |
| | 094707-02-706 | EA | GEAR BOX ASM. W/O MOTOR | 9524 |
| | 094707-02-708 | EA | TREAD - NON-SKID - YELLOW | 909331 |
| | 094707-03-701 | EA | PLUG - 4-WAY - PACKARD | 909306 |

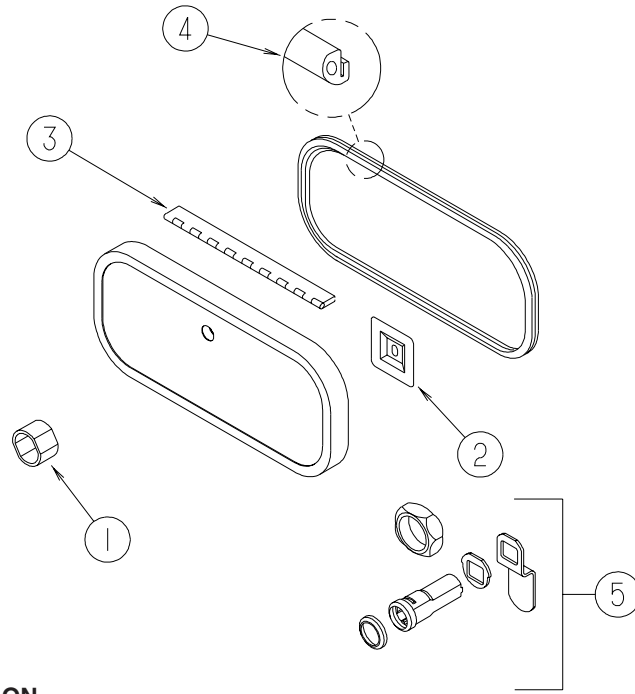
CONTACT WINNEBAGO PART SALES FOR UNLISTED COMPONENT(S)

EXTERIOR DOORS & COMPARTMENTS GROUP (CONTINUED)
COMPARTMENT DOOR PIECE PARTS



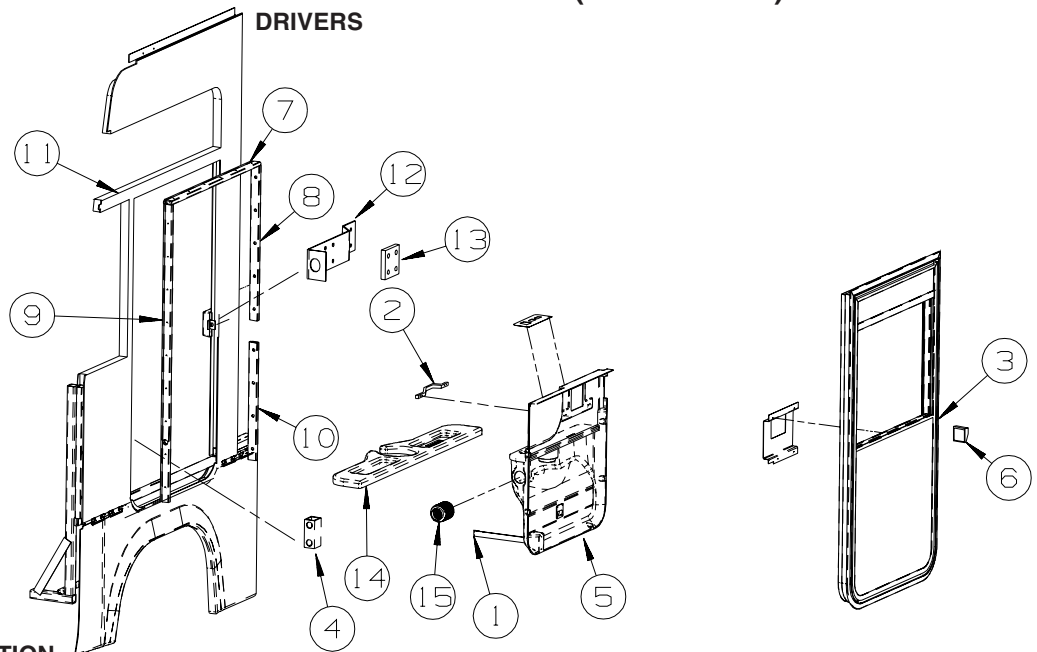
| KEY | PART NUMBER | U/M | DESCRIPTION |
|-----|---------------|-----|---|
| 1 | 121947-01-01A | EA | BOLT - SLIDE W/PLASTIC PLUNGER |
| 2 | 132873-01-000 | EA | ROD - LATCH (BLANK) - RIGHT HAND |
| 3 | 132873-02-000 | EA | ROD - LATCH (BLANK) - LEFT HAND |
| 4 | 135276-01-01A | EA | REINFORCEMENT - CORNER - RIGHT HAND |
| 5 | 135276-02-01A | EA | REINFORCEMENT - CORNER - LEFT HAND |
| 6 | 137359-01-01A | EA | COVER - LATCH - WHITE |
| 7 | 138277-01-01A | EA | LATCH/PADDLE - COMPARTMENT DOOR - BLACK - KEY ONE |
| 7 | 112949-02-04A | EA | LATCH - PADDLE NON-LOCKING - BRIGHT WHITE |
| 7 | 112949-02-05A | EA | LATCH - PADDLE NON-LOCKING - BLACK |
| 8 | 139793-01-01A | EA | HINGE - RIGHT HAND/VALANCE DOOR - W/BALL STUD |
| 9 | 139793-03-01A | EA | HINGE - CENTER/VALANCE DOOR - W/O BALL STUD |
| 10 | 139793-05-01A | EA | HINGE - LEFT HAND/VALANCE DOOR - W/O BALL STUD |
| 11 | 139793-04-01A | EA | HINGE - RIGHT HAND/VALANCE DOOR - W/O BALL STUD |
| 12 | 141601-02-01A | EA | END CAP/VALANCE DOOR - LEFT HAND |
| 13 | 141601-01-01A | EA | END CAP/VALANCE DOOR - RIGHT HAND |
| 14 | 113333-10-M42 | EA | GRILL/DOOR - A/C |
| 15 | 133049-02-L76 | EA | TRIM - COVER/WATER HEATER |

EXTERIOR DOORS & COMPARTMENTS GROUP (CONTINUED)
COMPARTMENT DOOR PIECE PARTS (CONTINUED)



| KEY | PART NUMBER | U/M | DESCRIPTION |
|-----|---------------|-----|--|
| 1 | 139325-01-000 | EA | SPACER - LOCK - 6MM |
| | 139337-01-000 | EA | GASKET - LOCK |
| 2 | 097111-02-04A | EA | POCKET - LOCK - REAR DOOR - BLACK |
| 2 | 097111-02-05A | EA | POCKET - LOCK - REAR DOOR - BRIGHT WHITE |
| 3 | 081801-V3-000 | EA | HINGE - ALUMINUM - 2" X 96" - BRIGHT WHITE |
| 4 | 106850-02-000 | FT | SEAL-E - SPONGE RUBBER - .43" X .75" |
| 5 | 138290-02-000 | EA | CASE - W/CAM - W/O CYLINDER/KEY |

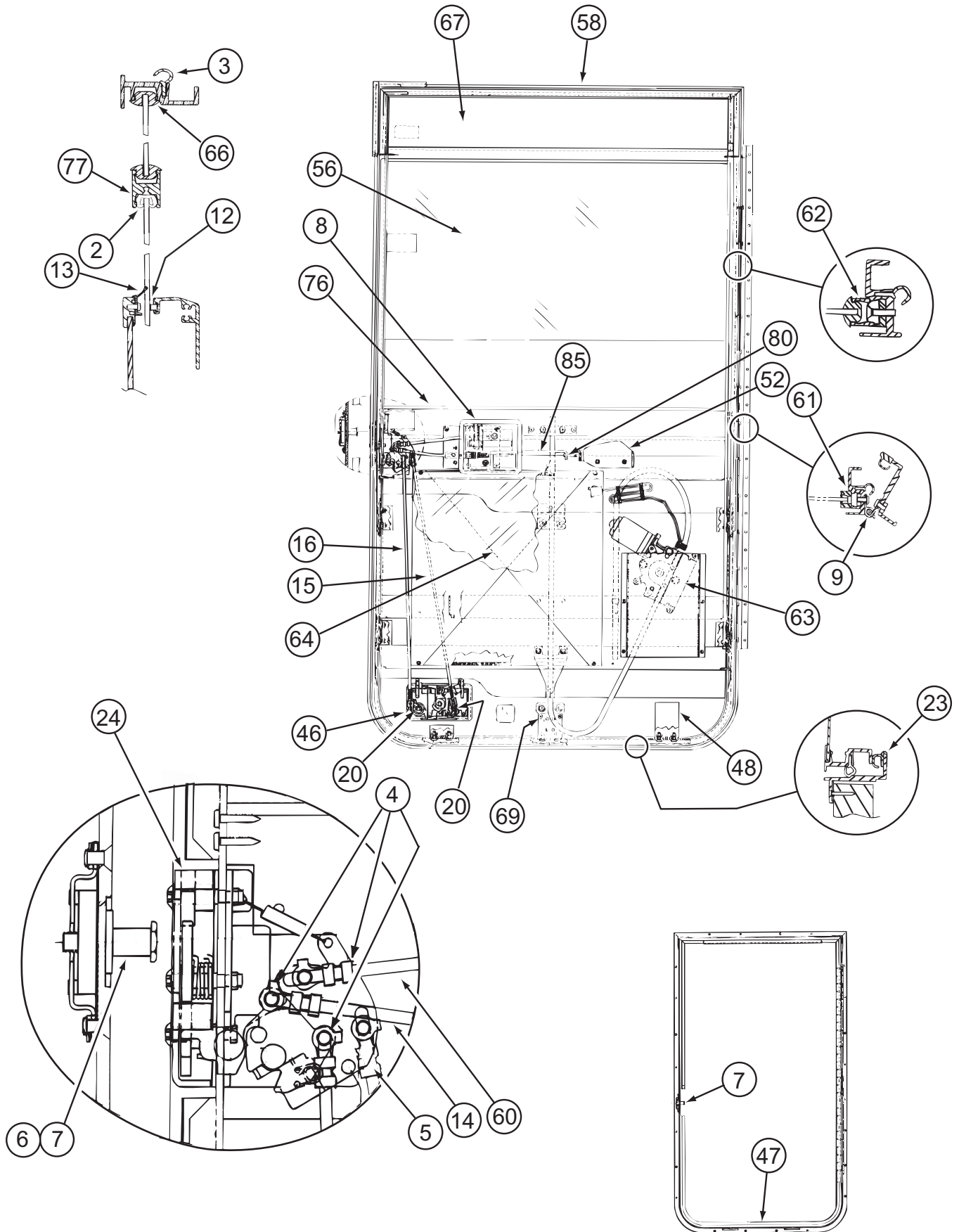
EXTERIOR DOORS & COMPARTMENTS GROUP (CONTINUED)



| KEY | PART NUMBER | U/M | DESCRIPTION |
|-----|---------------|-----|--|
| 1 | 109378-01-000 | EA | STRAP - CHECK - DRIVER DOOR - 12.8" |
| 2 | 110604-01-01A | EA | HANDLE - ASSIST - DRIVER DOOR - 10.8" LONG - BLACK |
| 3* | 125581-09-01A | EA | DOOR - DRIVER - POWER WINDOW/LOCK |
| 4 | 128131-01-01A | EA | SPACER/SWITCH - DOME - BLACK |
| 5 | 132298-05-04A | EA | PANEL/DOOR - INNER/DRIVER - W/O BEVERAGE TRAY - GLACIER |
| 5 | 132298-05-19A | EA | PANEL/DOOR - INNER/DRIVER - W/O BEVERAGE TRAY - RIVERSTONE |
| 6 | 109235-01-05A | FT | COVER - SCREW - BRIGHT WHITE |
| 7 | 125725-01-01A | EA | FRAME - DRIVER DOOR - 33.5" - BLACK |
| 8 | 125725-03-01A | EA | FRAME - DRIVER DOOR - 27.8" - BLACK |
| 9 | 125725-07-01A | EA | FRAME - DRIVER DOOR - 53.3" - BLACK |
| 10 | 125725-08-01A | EA | FRAME - DRIVER DOOR - 21.4" - BLACK |
| 11 | 125804-02-02B | EA | ANGLE - DOOR SUPPORT - E-COATED |
| 12 | 126506-01-02B | EA | BRACKET - STRIKE - DRIVER DOOR - E-COATED |
| 13 | 126534-01-02B | EA | SPACER - STRIKE - DRIVER DOOR - E-COATED |
| 14 | 132297-03-04A | EA | PANEL/TRIM - W/BEVERAGE HOLDER - PORTSMOUTH OAK |
| 14 | 132297-03-02A | EA | PANEL/TRIM - W/BEVERAGE HOLDER - CONCERT CHERRY |
| 14 | 132297-03-03A | EA | PANEL/TRIM - W/BEVERAGE HOLDER - WASHED MAPLE |
| 14 | 132297-03-05A | EA | PANEL/TRIM - W/BEVERAGE HOLDER - OYSTER GRAY |
| 15 | 117802-01-000 | EA | GROMMET - CONVOLUTED - 2" |
| 16 | 133533-04-01A | EA | LABEL - WINDOW/MIRROR HEAT - BLACK/CLEAR |
| 17 | 122717-07-01A | EA | PAD - NON-SKID - PSA - 3.2" X 8.3" |
| 18 | 133533-03-01A | EA | LABEL - LOCK/UNLOCK - BLACK/WHITE |
| | 138288-01-000 | EA | KEY - REVERSIBLE - #1151 - T/M 16169-02-3091 |
| | 138288-02-000 | EA | KEY - REVERSIBLE - #1152 - T/M 16169-02-3092 |
| | 138288-03-000 | EA | KEY - REVERSIBLE - #1153 - T/M 16169-02-3093 |
| | 138288-04-000 | EA | KEY - REVERSIBLE - #1154 - T/M 16169-02-3094 |
| | 138288-05-000 | EA | KEY - REVERSIBLE - #1155 - T/M 16169-02-3095 |
| | 138288-06-000 | EA | KEY - REVERSIBLE - #1156 - T/M 16169-02-3096 |
| | 138288-07-000 | EA | KEY - REVERSIBLE - #1157 - T/M 16169-02-3097 |
| | 138288-08-000 | EA | KEY - REVERSIBLE - #1158 - T/M 16169-02-3098 |
| | 138288-09-000 | EA | KEY - REVERSIBLE - #1159 - T/M 16169-02-3099 |
| | 138288-10-000 | EA | KEY - REVERSIBLE - #1150 - T/M 16169-02-3100 |
| | 138289-01-000 | EA | CYLINDER - LOCKING |
| | 138289-02-000 | EA | CYLINDER - LOCKING |
| | 138289-03-000 | EA | CYLINDER - LOCKING |
| | 138289-04-000 | EA | CYLINDER - LOCKING |
| | 138289-05-000 | EA | CYLINDER - LOCKING |
| | 138289-06-000 | EA | CYLINDER - LOCKING |
| | 138289-07-000 | EA | CYLINDER - LOCKING |
| | 138289-08-000 | EA | CYLINDER - LOCKING |
| | 138289-09-000 | EA | CYLINDER - LOCKING |
| | 138289-10-000 | EA | CYLINDER - LOCKING |
| | 138292-01-000 | EA | SEAL - LOCK CYLINDER |

*COMPONENT PARTS LISTED LATER IN THIS GROUP

EXTERIOR DOORS & COMPARTMENTS GROUP (CONTINUED)
COMPONENT PARTS FOR DRIVERS



125581-09-01A

EXTERIOR DOORS & COMPARTMENTS GROUP (CONTINUED)
COMPONENT PARTS FOR DRIVERS (CONTINUED)

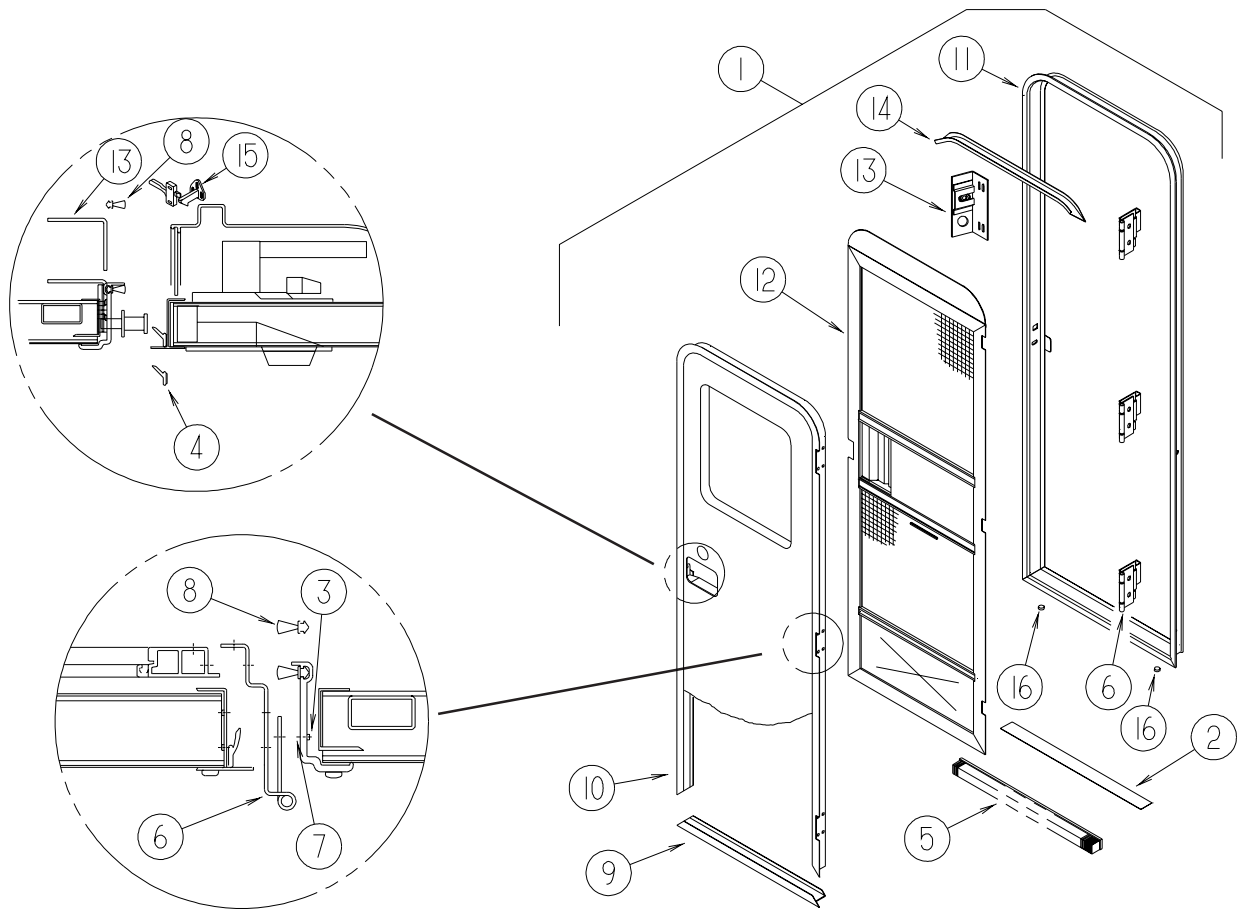
125581-09-01A (CONTINUED)

| KEY | PART NUMBER | U/M | DESCRIPTION | VENDOR NO. |
|------------|--------------------|------------|------------------------------|-------------------|
| 2 | 106469-01-705 | FT | CHANNEL-RUN, SLIDING | 122-010850 |
| 3 | 106469-01-702 | EA | SEAL-DOOR FRAME (DOOR)EA=1 | 122-040984 |
| 4 | 106469-04-714 | EA | ROD-CLIP, RH | 80801 |
| 5 | 106469-04-713 | EA | ROD-CLIP, LH | 80802 |
| 6 | 106469-04-704 | EA | NUT ASSEMBLY-CAGED W/STRIKER | 11920-16 |
| 7 | 106469-04-703 | EA | BOLT-STRIKER, W/WASHER | 10335-16 |
| 8 | 106469-04-712 | EA | HANDLE/DOOR-INNER W/HARDWARE | 11297-01 |
| 9 | 106469-05-702 | EA | HINGE - 42" | 211-041194 |
| 12 | 106469-01-709 | FT | WEATHERSTRIP FUZZY | 171-040630 |
| 13 | 125581-03-703 | EA | WEATHERSTRIP - BELTING | 132-041069 |
| 14 | 106469-04-711 | EA | ROD-LOCK, HORIZONTAL | 15508-01 |
| 15 | 125581-04-700 | EA | ROD - LATCH/VERTICAL ADJUST. | 203-041767 |
| 16 | 125581-04-701 | EA | ROD - LOCK/VERTICAL ADJUST. | 203-041768 |
| 20 | 128913-01-707 | EA | NUT - HEX/NYLOCK - 1/4 - 20 | 233-062447 |
| 23 | 106469-01-723 | EA | SEAL-BULB ASM. (DOOR JAMB) | 171-040985 |
| 24 | 106469-05-706 | EA | LATCH-ROTARY, W/LINKAGE | 16512-01 |
| 46 | 125581-09-700 | EA | PADDLE-W/O LOCK RH (REV KEY) | 17191-02 |
| 46 | 125581-09-701 | EA | LATCH/LOCK-DRVR DR (REV KEY) | PARTS DEPT |
| 46 | 125581-09-702 | EA | LATCH/LOCK-DRVR DR (REV KEY) | PARTS DEPT |
| 46 | 125581-09-703 | EA | LATCH/LOCK-DRVR DR (REV KEY) | PARTS DEPT |
| 46 | 125581-09-704 | EA | LATCH/LOCK-DRVR DR (REV KEY) | PARTS DEPT |
| 46 | 125581-09-705 | EA | LATCH/LOCK-DRVR DR (REV KEY) | PARTS DEPT |
| 46 | 125581-09-706 | EA | LATCH/LOCK-DRVR DR (REV KEY) | PARTS DEPT |
| 46 | 125581-09-707 | EA | LATCH/LOCK-DRVR DR (REV KEY) | PARTS DEPT |
| 46 | 125581-09-708 | EA | LATCH/LOCK-DRVR DR (REV KEY) | PARTS DEPT |
| 46 | 125581-09-709 | EA | LATCH/LOCK-DRVR DR (REV KEY) | PARTS DEPT |
| 46 | 125581-09-710 | EA | LATCH/LOCK-DRVR DR (REV KEY) | PARTS DEPT |
| 47 | 125581-04-703 | EA | FRAME - MOUNTING - BLACK | V180-35L |
| 48 | 125581-07-703 | EA | BRACKET-ALUMINUM "L"(INSIDE) | N135-55 |
| 56 | 125581-08-703 | EA | GLASS-ROLL UP 29.46"X29.37" | 106-042081 |
| 56 | 125581-09-711 | EA | GLASS-ROLL UP 24"H X 29.37"W | 490207 |
| 58 | 125581-08-702 | EA | FRAME/DOOR - SUB ASSY-BLACK | V220-98L |
| 60 | 106469-04-705 | EA | ROD-LATCH, HORIZONTAL | 203-041139 |
| 61 | 125581-08-701 | EA | CHANNEL/VERT ROLL UP-BLACK | V220-60 |
| 62 | 125581-08-700 | EA | CHANNEL/VERT STA GLASS-BLACK | V220-61 |
| 63 | 125581-03-702 | EA | REGULATOR-ELECTRIC-SPEC RH | 410-040966 |
| 64 | 125581-06-700 | EA | PANEL/INTERIOR | V164-97 |
| 66 | 125581-04-710 | FT | VINYL - GLAZING | 132-041484 |
| 67 | 125581-07-701 | EA | GLASS-STATIONERY/4.95"X29.5" | 106-042082 |
| 69 | 125581-04-711 | EA | CHANNEL-GLASS - LIFT BRKT | N135-66 |
| 74 | 125581-07-704 | EA | BRACKET - STRAP/JAMB & DOOR | 248-080394 |
| 76 | 125581-03-701 | EA | SILL - INNER - BLACK | V123-68L |
| 77 | 125581-03-700 | EA | MULLION RAIL- BLACK | V123-84 |
| | 125581-07-705 | EA | BRACKET (L) F/SEAL PROTECT | 490201 |

CONTACT WINNEBAGO PART SALES FOR UNLISTED COMPONENT

EXTERIOR DOORS & COMPARTMENTS GROUP (CONTINUED)

ENTRY

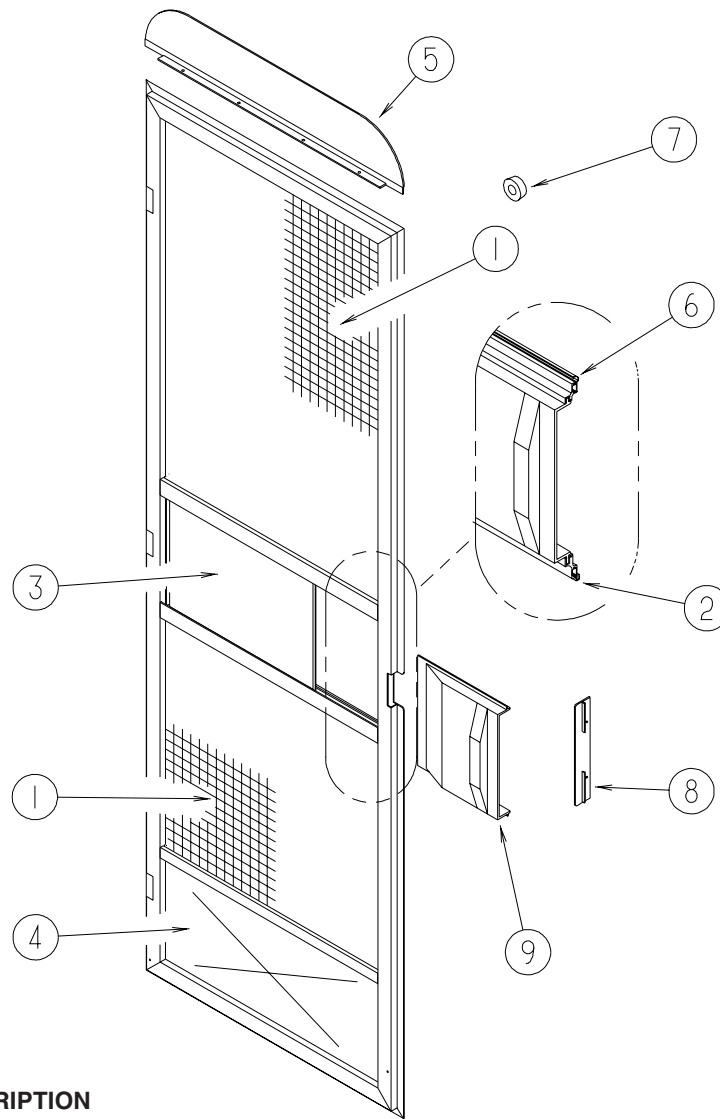


| KEY | PART NUMBER | U/M | DESCRIPTION |
|-----|---------------|-----|--|
| 1 | P32206-08-P32 | EA | DOOR - ENTRY W/SCREEN DOOR - W/O WINDOW LATCH (R32) |
| 1 | P32206-08-P31 | EA | DOOR - ENTRY W/SCREEN DOOR - W/O WINDOW LATCH (R33) |
| 1 | P32206-08-R34 | EA | DOOR - ENTRY W/SCREEN DOOR - W/O WINDOW LATCH (R34) |
| 2 | 038327-01-000 | EA | TAPE - ANTI-SLIP - 2" X 60" |
| 3 | 039715-01-000 | EA | NUT-SERT - 1/4" DIAMETER - 20 THREADS |
| 4 | 075671-04-000 | FT | SEAL - SPONGE - LAZY T - W/ADHESIVE STRIP - .5" WIDE |
| 5 | 075673-05-000 | FT | SEAL - PILE - ADHESIVE BACK - BLACK |
| 6 | 106719-01-05A | EA | HINGE - ENTRY DOOR - BRIGHT WHITE |
| 7 | 116111-02-01A | EA | SCREW - TAPTITE - 1/4-20 X 3/8 PPH 0 ZINC |
| 8 | 118929-01-01A | FT | SEAL - PILE - PUSH ON |
| 9 | 121893-03-02A | EA | FRAME - ENTRY DOOR/LOWER - BRIGHT WHITE |
| 10 | 121894-16-01A | EA | FRAME - ENTRY DOOR - BRIGHT WHITE |
| 11 | 121898-14-01A | EA | JAMB - ENTRY DOOR |
| 12 | 132208-02-L32 | EA | DOOR - SCREEN - W/O HARDWARE |
| 13 | 137401-01-03B | EA | BRACKET - DOOR ANGLE - OFF WHITE |
| 14 | 139054-19-01A | EA | CAP - DRIP - JAMB MOUNTED - BRIGHT WHITE |
| 15 | 132915-01-01A | EA | LATCH - SCREEN DOOR - BLACK |
| | 148364-01-02A | EA | STRIKE - SCREEN DOOR - BRIGHT WHITE |
| | | | FROM: 12-19-03 THRU: 02-11-04 |
| | 148364-01-12B | EA | STRIKE - SCREEN DOOR - BRIGHT WHITE |
| | | | FROM: 02-12-04 THRU: 99-99-99 |
| 16 | 081914-02-000 | EA | BUMPER - RUBBER - ROUND - 5/16" DIA. X 13/64" THICK |
| | 138287-01-000 | EA | CYLINDER/LOCK - ENTRY DOOR (MASTER) |
| | 138287-02-000 | EA | CYLINDER/LOCK - ENTRY DOOR (MASTER) |
| | 138287-03-000 | EA | CYLINDER/LOCK - ENTRY DOOR (MASTER) |
| | 138287-04-000 | EA | CYLINDER/LOCK - ENTRY DOOR (MASTER) |
| | 138287-05-000 | EA | CYLINDER/LOCK - ENTRY DOOR (MASTER) |
| | 138287-06-000 | EA | CYLINDER/LOCK - ENTRY DOOR (MASTER) |
| | 138287-07-000 | EA | CYLINDER/LOCK - ENTRY DOOR (MASTER) |
| | 138287-08-000 | EA | CYLINDER/LOCK - ENTRY DOOR (MASTER) |
| | 138287-09-000 | EA | CYLINDER/LOCK - ENTRY DOOR (MASTER) |
| | 138287-10-000 | EA | CYLINDER/LOCK - ENTRY DOOR (MASTER) |

EXTERIOR DOORS & COMPARTMENTS GROUP (CONTINUED)
ENTRY (CONTINUED)

| KEY | PART NUMBER | U/M | DESCRIPTION |
|------------|--------------------|------------|--|
| | 138288-01-000 | EA | KEY - REVERSIBLE - #1151 - T/M 16169-02-3091 |
| | 138288-02-000 | EA | KEY - REVERSIBLE - #1152 - T/M 16169-02-3092 |
| | 138288-03-000 | EA | KEY - REVERSIBLE - #1153 - T/M 16169-02-3093 |
| | 138288-04-000 | EA | KEY - REVERSIBLE - #1154 - T/M 16169-02-3094 |
| | 138288-05-000 | EA | KEY - REVERSIBLE - #1155 - T/M 16169-02-3095 |
| | 138288-06-000 | EA | KEY - REVERSIBLE - #1156 - T/M 16169-02-3096 |
| | 138288-07-000 | EA | KEY - REVERSIBLE - #1157 - T/M 16169-02-3097 |
| | 138288-08-000 | EA | KEY - REVERSIBLE - #1158 - T/M 16169-02-3098 |
| | 138288-09-000 | EA | KEY - REVERSIBLE - #1159 - T/M 16169-02-3099 |
| | 138288-10-000 | EA | KEY - REVERSIBLE - #1150 - T/M 16169-02-3100 |

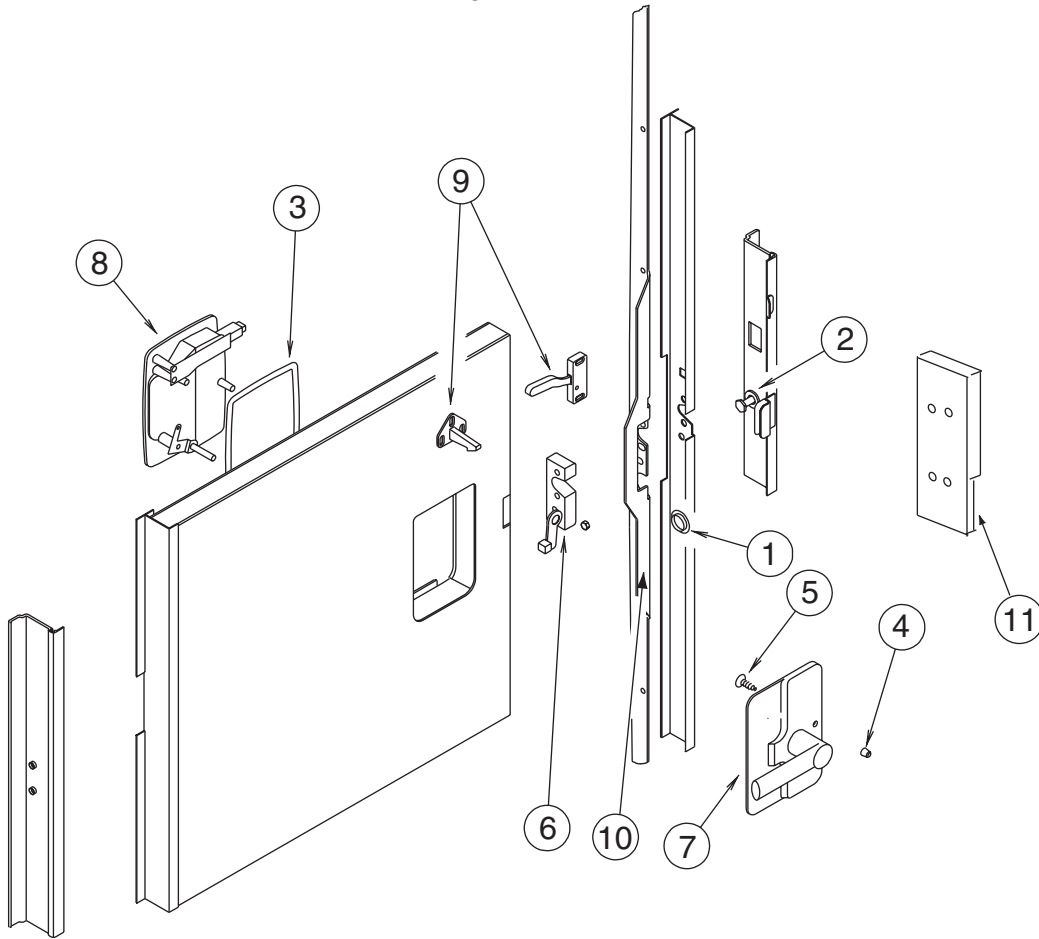
EXTERIOR DOORS & COMPARTMENTS GROUP (CONTINUED)
SCREEN



| KEY | PART NUMBER | U/M | DESCRIPTION |
|-----|---------------|-----|--|
| 1 | 002293-02-000 | SF | SCREEN - 26" - CHARCOAL |
| 2 | 002294-01-000 | FT | SPLINE - SCREENING - .13" X .14" |
| 3 | 016454-18-000 | EA | INSERT/CENTER - SCREEN DOOR |
| 4 | 078552-09-000 | EA | INSERT - SCREEN DOOR - LOWER |
| 5 | 078595-03-000 | EA | PLATE - SCREEN DOOR |
| 6 | 078777-08-000 | FT | CHANNEL - SLIDER - 4 FOOT INCREMENTS |
| 7 | 120863-06-000 | EA | BUMPER - RUBBER/RADIUS TOP - 3/4" X 3/8" - LT GRAY |
| 8 | 132081-01-01A | EA | STRIKE - SLIDER - SCREEN DOOR - BRIGHT WHITE |
| 8 | 132081-01-03A | EA | STRIKE - SLIDER - SCREEN DOOR - BLACK - FULL BODY PAINT |
| 9 | 132082-01-01A | EA | SLIDER - SCREEN DOOR - BRIGHT WHITE |
| 9 | 132082-01-03A | EA | SLIDER - SCREEN DOOR - BLACK - FULL BODY PAINT |

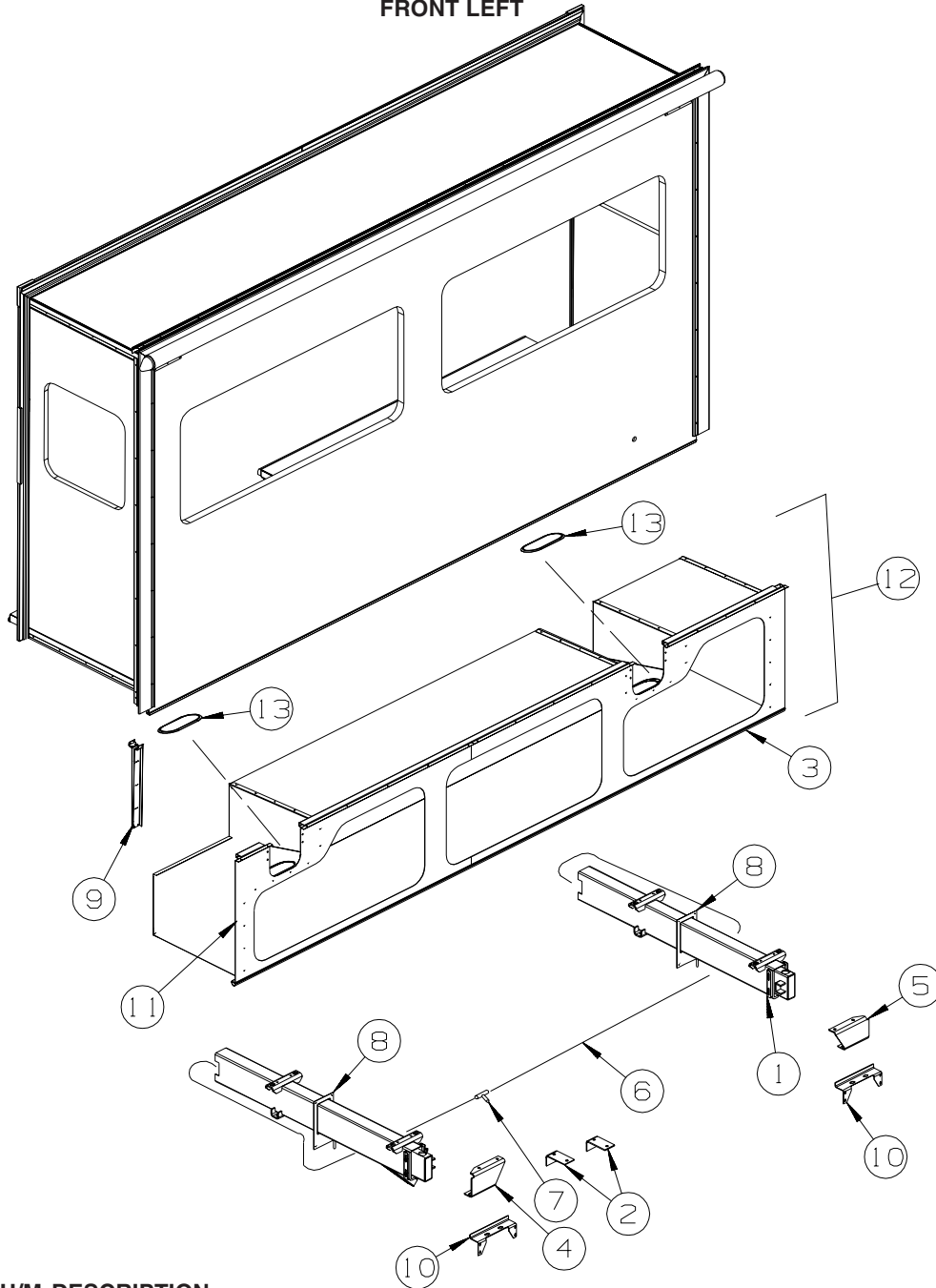
EXTERIOR DOORS & COMPARTMENTS GROUP (CONTINUED)

LATCH - ENTRY



| KEY | PART NUMBER | U/M | DESCRIPTION |
|-----|---------------|-----|--|
| 1 | 061420-14-000 | EA | PLUG/PLASTIC - .034" DIAMETER |
| 2 | 092927-14-000 | EA | STRIKER - ROUND - JAMB MOUNTED |
| | | | FROM: 00-00-00 THRU: 11-02-03 |
| 2 | 092927-15-000 | EA | STRIKER - ROUND - JAMB MOUNTED |
| | | | FROM: 11-03-03 THRU: 99-99-99 |
| 3 | 112782-04-01A | EA | GASKET |
| 4 | 112782-05-01A | EA | CAP - VINYL - RED |
| 5 | 112782-08-01A | EA | SCREW - MOUNTING/PLATE - ZINC |
| 6 | 112782-15-01A | EA | LATCH - SINGLE ROTOR |
| 7 | 112782-16-01A | EA | LATCH - INTERIOR PLATE |
| 8 | 112782-18-01A | EA | LATCH - EXTERIOR - W/O LOCK CYLINDER W/ICON-REVERSIBLE KEY |
| 9 | 132915-01-01A | EA | LATCH - SCREEN DOOR |
| 10 | 132207-01-02B | EA | STIFFENER/DOOR - FORMED - E-COATED |
| | 072893-04-000 | EA | NUTSERT - 10-32 |
| 11 | 139102-01-01A | EA | COVER - BRACKET - STRIKE - BRIGHT WHITE |

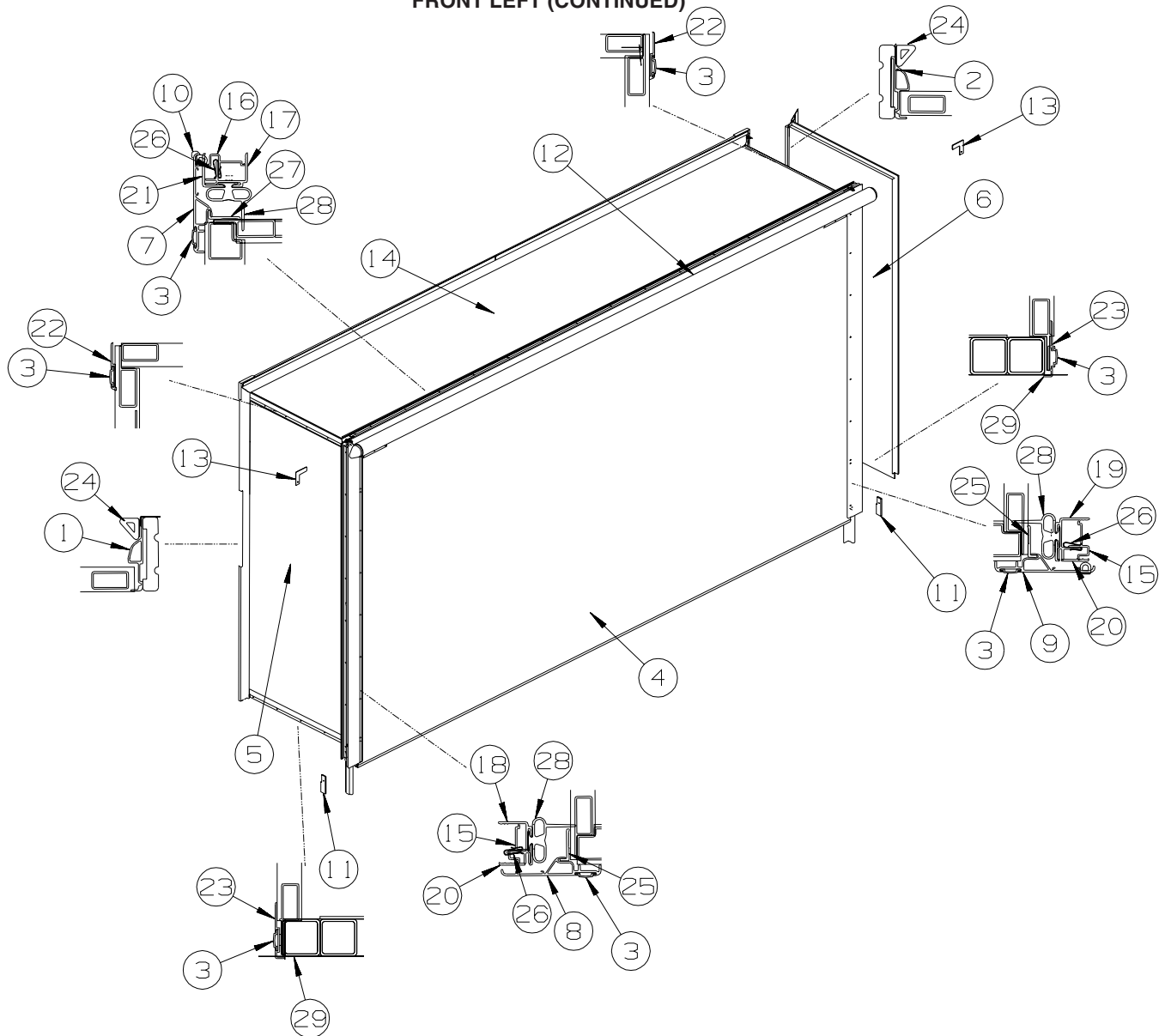
EXTERIOR SLIDEOUT GROUP FRONT LEFT



| KEY | PART NUMBER | U/M | DESCRIPTION |
|-----|---------------|-----|--|
| 1* | 140122-01-000 | EA | SLIDEOUT - HYDRAULIC - 29.12" |
| 2 | 122922-02-02B | EA | BRACKET/CYLINDER SUPPORT - E-COATED |
| 3 | 126516-01-01A | FT | TRIM - VINYL/EXTRUDED - 8' |
| 4 | 145328-02-02B | EA | BRACKET/MOUNT - SLIDEOUT - E-COATED |
| 5 | 145328-01-02B | EA | BRACKET/MOUNT - SLIDEOUT - E-COATED |
| 6* | 100536-42-000 | EA | HOSE KIT - PUMP TO SLIDE-OUT VALVE |
| 7 | 123264-01-000 | EA | TEE - UNION - 1/4" X 1/4" X 1/4" |
| 8 | 125828-02-02B | EA | FILLER/STEEL - SLIDEOUT - E-COATED |
| 9 | 126591-01-02B | EA | CARRIER/EXTENSION - F/SLIDEOUT-F/EXT. OF WIRE LOOM/HOSES |
| 10 | 128386-02-02B | EA | BRACKET - SLIDEOUT COMPARTMENT - E-COATED |
| 11 | 144138-02-02B | EA | SEAL PLANE - E-COATED |
| 12 | 144137-02-R32 | EA | COMPARTMENT - F/SLIDEOUT |
| 13 | 148331-01-01A | EA | PLUG - OVAL/LARGE - BLACK |

*COMPONENT PARTS LISTED LATER IN THIS GROUP

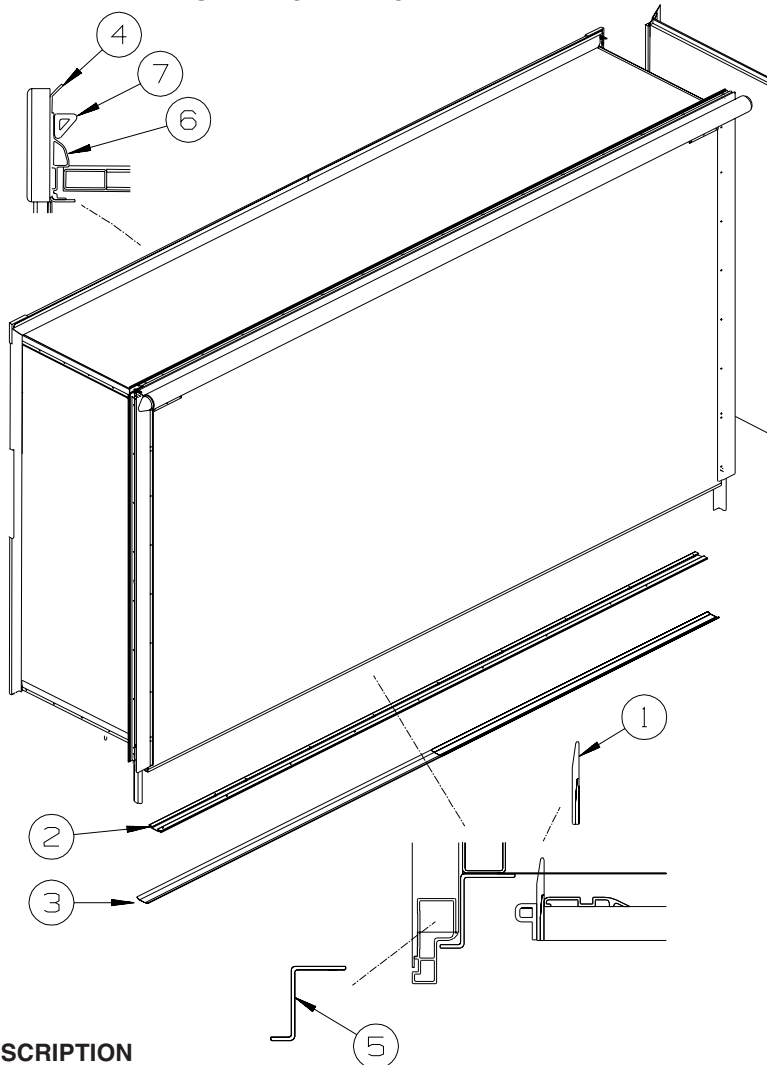
EXTERIOR SLIDEOUT GROUP (CONTINUED)
FRONT LEFT (CONTINUED)



| KEY | PART NUMBER | U/M | DESCRIPTION |
|-----|---------------|-----|--|
| 1 | 139624-01-01A | EA | TRIM/SEAL - INNER/RIGHT HAND - 73.4" - BRIGHT WHITE |
| 2 | 139624-02-01A | EA | TRIM/SEAL - INNER/LEFT HAND - 73.4" - BRIGHT WHITE |
| 3 | 105312-01-07A | FT | INSERT - FEATURE STRIP - VINYL - BRIGHT WHITE |
| 4 | 144221-11-R32 | EA | SLUG - F/SLIDEOUT |
| 4 | 144221-11-R33 | EA | SLUG - F/SLIDEOUT |
| 4 | 144221-11-R34 | EA | SLUG - F/SLIDEOUT |
| 5 | 143066-01-P37 | EA | PANEL/Front - F/SLIDEOUT (R32) |
| 5 | 143066-01-P38 | EA | PANEL/Front - F/SLIDEOUT (R33) |
| 5 | 143066-01-R34 | EA | PANEL/Front - F/SLIDEOUT (R34) |
| 6 | 143067-01-P37 | EA | PANEL/REAR - F/SLIDEOUT (R32) |
| 6 | 143067-01-P38 | EA | PANEL/REAR - F/SLIDEOUT (R33) |
| 6 | 143067-01-R34 | EA | PANEL/REAR - F/SLIDEOUT (R34) |
| 7 | 139625-06-01A | EA | TRIM/SEAL - TOP/W/MITERED ENDS - 147" - BRIGHT WHITE |
| 8 | 139625-01-01A | EA | TRIM/SEAL - W/RH MITERED END - 76.4" - BRIGHT WHITE |
| | | | FROM: 00-00-00 THRU: 12-07-03 |
| 8 | 139625-42-01A | EA | TRIM/SEAL - W/RH MITERED END - 76.2" - BRIGHT WHITE |
| | | | FROM: 12-08-03 THRU: 99-99-99 |
| 9 | 139625-02-01A | EA | TRIM/SEAL - W/LH MITERED END - 76.4" - BRIGHT WHITE |
| | | | FROM: 00-00-00 THRU: 12-07-03 |
| 9 | 139625-43-01A | EA | TRIM/SEAL - W/LH MITERED END - 76.2" - BRIGHT WHITE |
| | | | FROM: 12-08-03 THRU: 99-99-99 |
| 10 | 117058-01-01A | FT | TAPE - LOOP - 3/4" WIDE - ADHESIVE BACKED |
| 11 | 126546-01-02A | EA | COVER - END/SIDEWALL SLIDEOUT - BRIGHT WHITE |

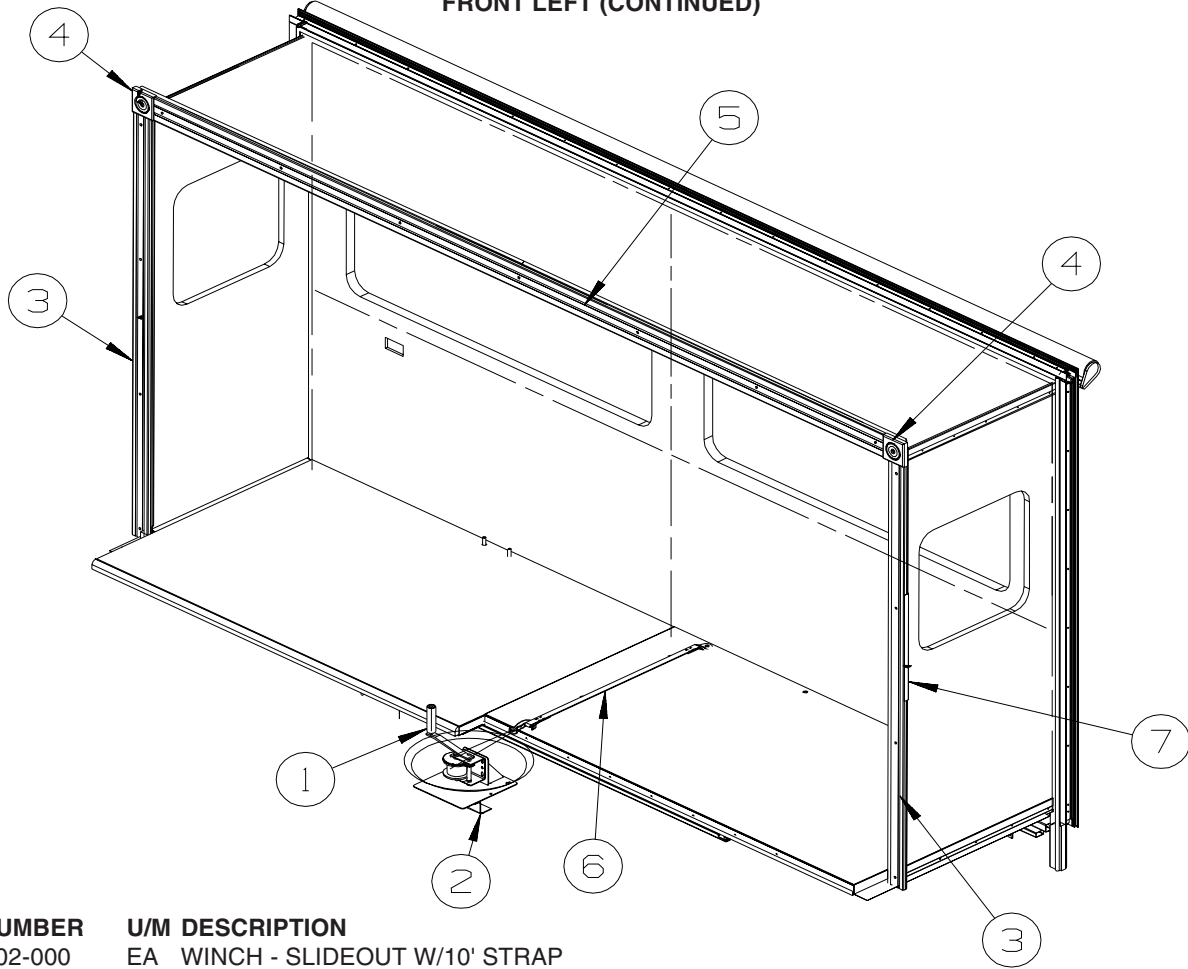
EXTERIOR SLIDEOUT GROUP (CONTINUED)
FRONT LEFT (CONTINUED)

| KEY | PART NUMBER | U/M | DESCRIPTION |
|-----|---------------|-----|---|
| 12 | 122977-07-03A | EA | AWNING/SLIDEOUT W/COVER - 147" - WHITE - VINYL/VINYL WRAP |
| 13 | 116444-04-12B | EA | TRIM/KEY CORNER - SLIDEOUT - 3.1"X3.1" - BRT WHT |
| 14 | 137383-01-N42 | EA | ROOF - F/LEFT FRONT SLIDEOUT - W/LIGHTS/VENTS |
| 15 | 142718-01-01A | EA | RETAINER - SIDEWALL/SLIDEOUT - 72.8" |
| 16 | 142718-02-01A | EA | RETAINER - SIDEWALL/SLIDEOUT - 144.9" - MILL |
| 17 | 142719-01-01A | EA | TRIM - SIDEWALL/TOP SLIDEOUT - 146.7" - BRIGHT WHITE |
| 18 | 142720-08-01A | EA | TRIM - SIDEWALL/SLIDEOUT - 74.4" - BRIGHT WHITE |
| 19 | 142720-06-01A | EA | TRIM - SIDEWALL/SLIDEOUT - 74.4" - BRIGHT WHITE |
| 20 | 136824-38-01A | EA | TRIM - SIDEWALL/SLIDEOUT - 74.6" - BRIGHT WHITE |
| | | | FROM: 00-00-00 THRU: 12-07-03 |
| 20 | 136824-45-01A | EA | TRIM - SIDEWALL/SLIDEOUT - 74.4" |
| | | | FROM: 12-08-03 THRU: 99-99-99 |
| 21 | 136824-05-01A | EA | TRIM - SIDEWALL/SLIDEOUT - 146.4" - BRIGHT WHITE |
| 22 | 138659-01-01A | EA | TRIM/FEATURE STRIP - 181.7" - BRIGHT WHITE |
| 23 | 125051-03-01A | EA | TRIM - FEATURE STRIP/LOWER - 29.3" - BRIGHT WHITE |
| 24 | 146056-01-000 | FT | SEAL - TRIANGLE - W/PSA |
| 25 | 133954-09-01A | EA | TRIM/SEAL - W/MITERED ENDS - 71.6" - BRIGHT WHITE |
| 26 | 142549-01-000 | EA | CLIP-S TYPE |
| 27 | 133954-07-01A | EA | TRIM/SEAL - W/MITERED ENDS - 141.8" - BRIGHT WHITE |
| 28 | 136978-01-01A | FT | SEAL - SLIDEOUT - BLACK |
| 29 | 075673-05-000 | FT | SEAL - PILE - ADHESIVE BACK - BLACK |

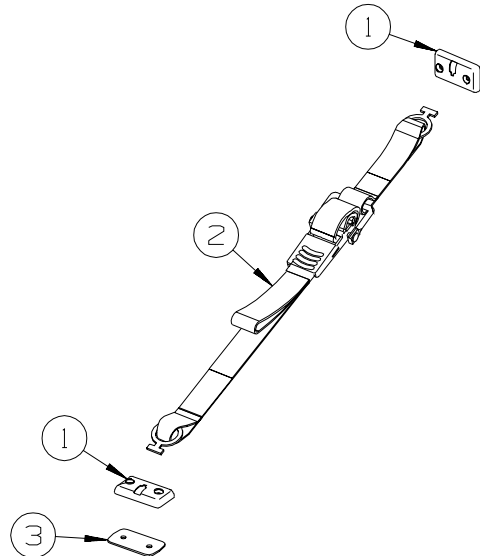


| KEY | PART NUMBER | U/M | DESCRIPTION |
|-----|---------------|-----|--|
| 1 | 115075-03-000 | FT | SEAL - WIPE - .25" X 2.9" |
| 2 | 115325-04-02A | EA | RAIL - FLOOR/SLIDEOUT ROOM - 134.2" LONG - BLACK |
| 3 | 115661-01-000 | FT | SHOE/GLIDE - SLIDEOUT ROOM - 1/16" X 3" - POLYETHYLENE |
| 4 | 125466-02-02A | EA | SUPPORT - ROOF/INTERIOR - BRIGHT WHITE |
| 5 | 128621-34-01A | EA | BRACKET/ZEE - SLIDEOUT - 142.6" |
| 6 | 139624-06-01A | EA | TRIM/SEAL - INNER/TOP - 145.2" - BRIGHT WHITE |
| 7 | 146056-01-000 | FT | SEAL - TRIANGLE - W/PSA |

EXTERIOR SLIDEOUT GROUP (CONTINUED)
FRONT LEFT (CONTINUED)



| KEY | PART NUMBER | U/M | DESCRIPTION |
|-----|---------------|-----|--|
| 1 | 115767-02-000 | EA | WINCH - SLIDEOUT W/10' STRAP |
| 2 | 116082-03-02B | EA | BRACKET - WINCH |
| 3 | 132663-04-08A | EA | MOLDING - VINYL WRAP/PRE DRILLED - .6" X 3" X 70.4" - OAK - PORTSMOUTH OAK |
| 4 | 132844-01-08A | EA | BLOCK - CORNER - 3.9" X 3.9" - PORTSMOUTH OAK |
| 5 | 132663-06-08A | EA | MOLDING-VINYL WRAP/PRE DRILLED-.6"X3.8"X137.4 - OAK - PORTSMOUTH OAK |
| 6 | 116101-02-F31 | EA | STRAP - WINCH - 34" CENTER BRACKET/STRAP END |
| 7 | 130262-04-000 | EA | PROTECTOR - CORNER SAVER - .4" X .7" X 48" |



| KEY | PART NUMBER | U/M | DESCRIPTION |
|-----|---------------|-----|---------------------------------|
| 1 | 135619-02-01A | EA | PLATE - TIEDOWN - SLIDEOUT ROOM |
| 2 | 135619-01-01A | EA | STRAP - TIEDOWN - SLIDEOUT ROOM |
| 3 | 135622-01-02B | EA | PLATE - TIEDOWN - SLIDEOUT ROOM |

EXTERIOR SLIDEOUT GROUP (CONTINUED)
COMPONENT PARTS FOR FRONT SLIDEOUT

100536-42-000

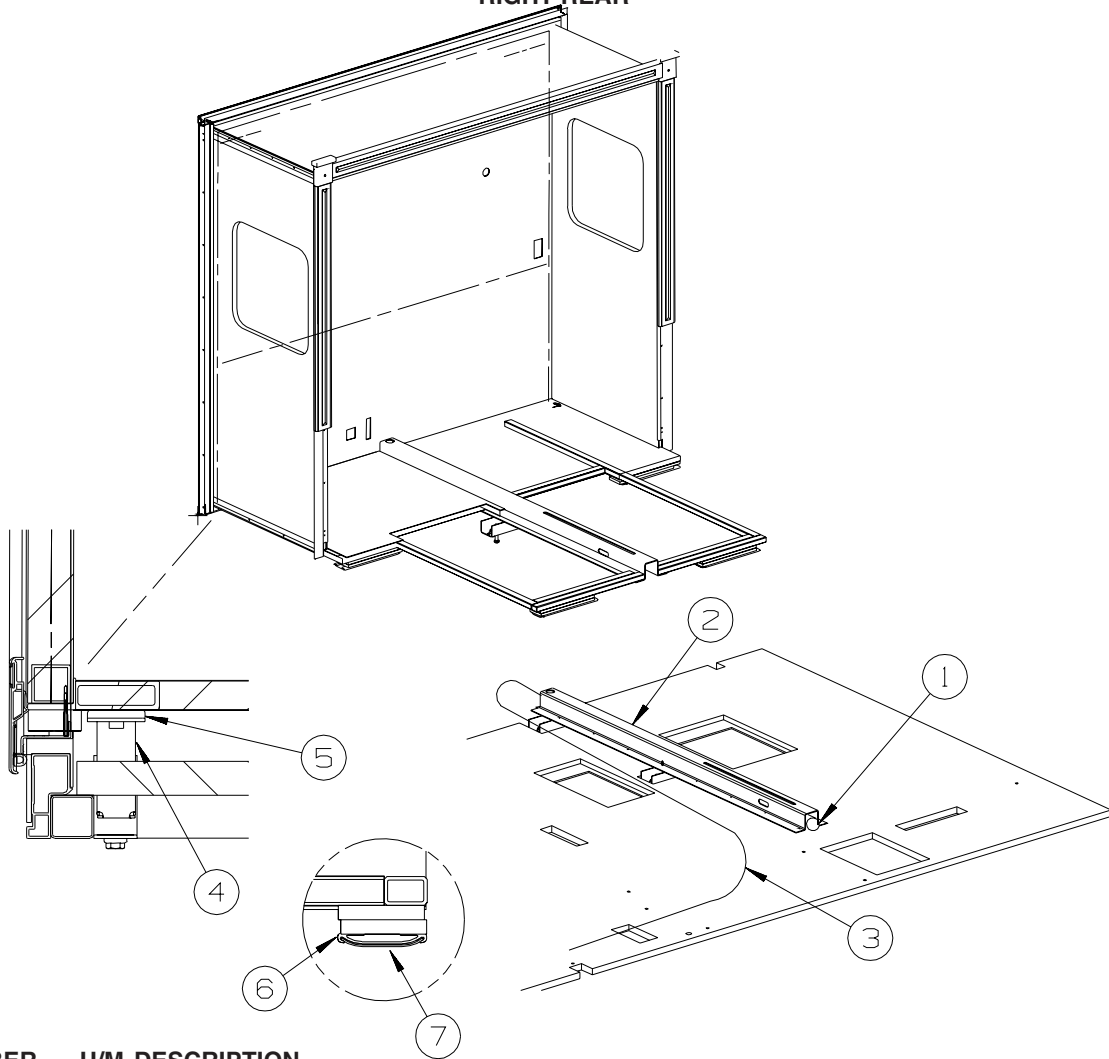
| KEY | PART NUMBER | U/M | DESCRIPTION | VENDOR NO. |
|------------|--------------------|------------|--------------------------------|-------------------|
| | 100536-42-700 | EA | HOSE/HYDRAULIC - 180" - PRESS | RAP90120/AP5965 |
| | 100536-42-701 | EA | HOSE/HYDRAULIC - 175" - RETURN | RAP90350/AP7358 |

140122-01-000

| KEY | PART NUMBER | U/M | DESCRIPTION | VENDOR NO. |
|------------|--------------------|------------|------------------------------|-------------------|
| | 128599-06-703 | EA | BEARING KIT - SLIDE-OUT TUBE | RAP90698 |
| | 128599-06-704 | EA | BEARING PAD - SLIDE-OUT | P14811 |
| | 132540-01-700 | EA | RAM - SLIDEOUT ROOM | RAP90689/AP19616 |
| | 132540-01-701 | EA | CYLINDER - SYNCRONIZING | RAP90690/AP17966 |
| | 132540-01-706 | EA | BOLT - SLIDE ROOM ADJUSTER | RAP90865/P19611 |
| | 137196-01-700 | EA | HOSE-HYDRAULIC - 1/8" X 120" | AP24642 |
| | 137196-01-701 | EA | HOSE-HYDRAULIC - 1/4" X 116" | AP5384 |

EXTERIOR SLIDEOUT GROUP (CONTINUED)

RIGHT REAR

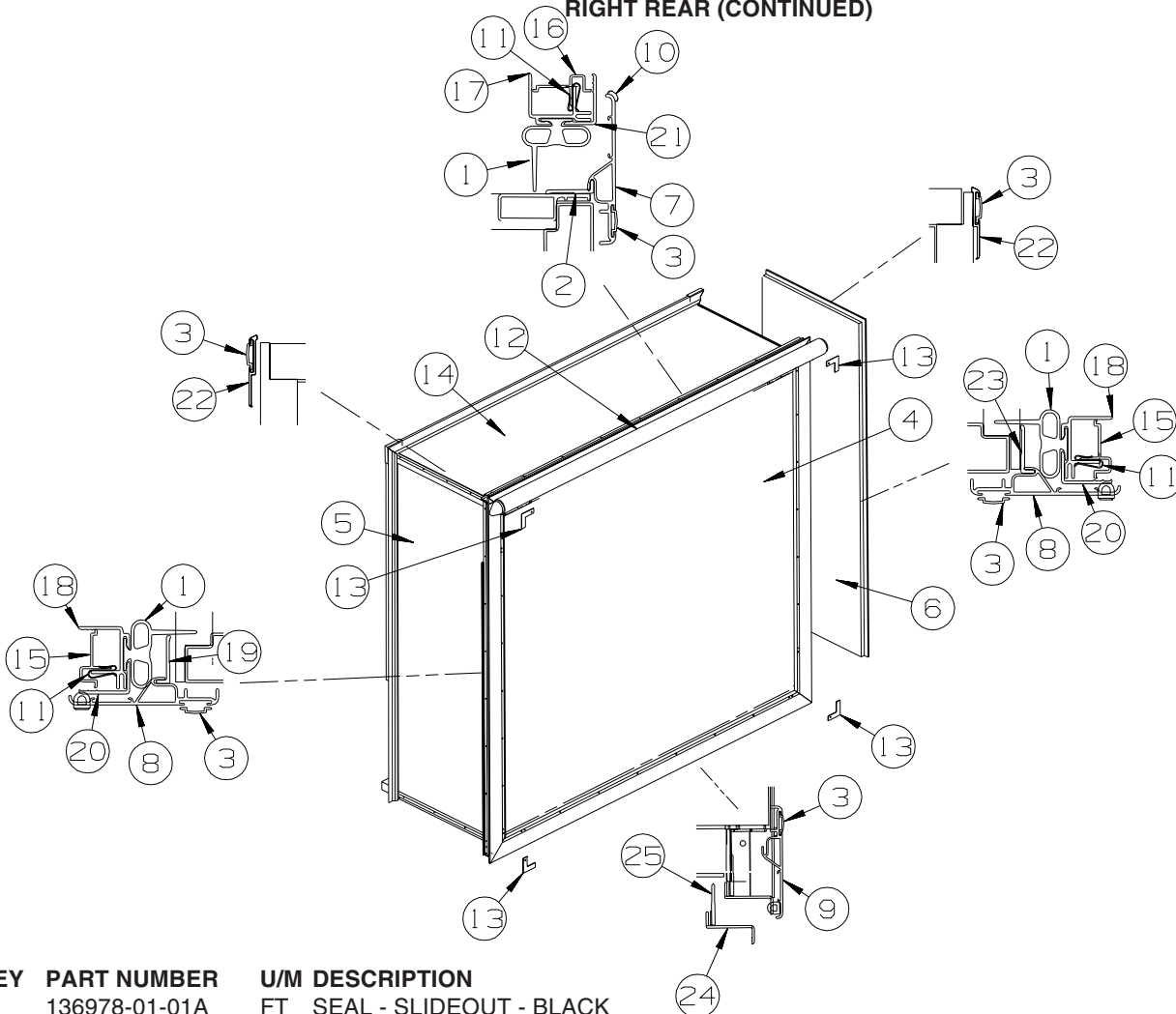


| KEY | PART NUMBER | U/M | DESCRIPTION |
|-----|---------------|-----|--|
| 1* | 137390-01-000 | EA | HYDRAULIC/BED - F/SLIDEOUT |
| 2 | 137390-02-000 | EA | CHANNEL - HYDRAULIC - F/SLIDEOUT |
| 3* | 100536-46-000 | EA | HOSE KIT - F/SLIDEOUT |
| 4 | 126313-10-02B | EA | SUPPORT - ROLLER - E-COATED |
| | 142881-03-01B | EA | CHANNEL/GUIDE - F/SLIDEOUT - MILL |
| 5 | 128599-03-000 | EA | PAD - F/SLIDEOUT |
| 6 | 115325-08-01A | EA | RAIL - FLOOR/SLIDEOUT ROOM - BLACK |
| 7 | 115661-01-000 | FT | SHOE/GLIDE - SLIDEOUT ROOM - 1/16" X 3" - POLYETHYLENE |

*COMPONENT PARTS LISTED LATER IN THIS GROUP

EXTERIOR SLIDEOUT GROUP (CONTINUED)

RIGHT REAR (CONTINUED)

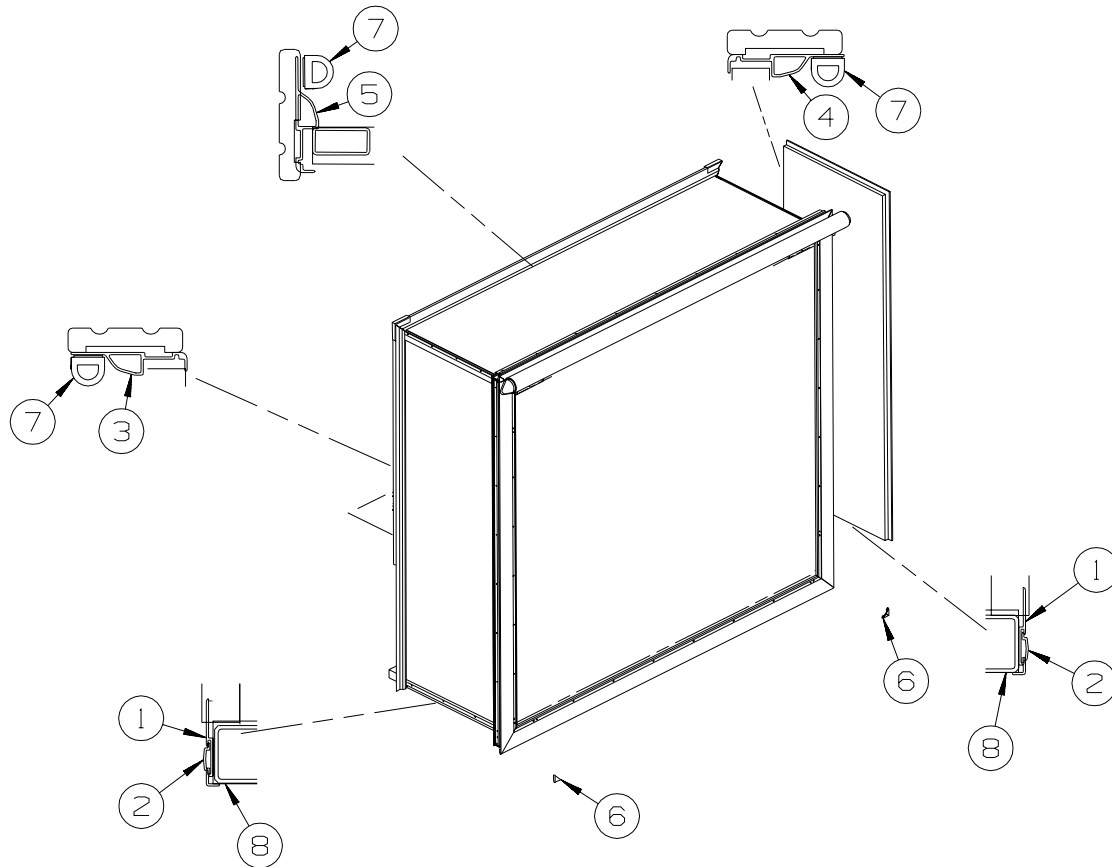


| KEY | PART NUMBER | U/M | DESCRIPTION |
|-----|---------------|-----|--|
| 1 | 136978-01-01A | FT | SEAL - SLIDEOUT - BLACK |
| 2 | 133954-03-01A | EA | TRIM/SEAL - W/MITERED ENDS - 73.3" - BRIGHT WHITE FROM: 00-00-00 THRU: 03-16-03 |
| 2 | 133954-18-01A | EA | TRIM/SEAL - W/MITERED ENDS - 76.5" - BRIGHT WHITE FROM: 03-17-03 THRU: 99-99-99 |
| 3 | 105312-01-07A | FT | INSERT - FEATURE STRIP - VINYL - BRIGHT WHITE |
| 4 | 144516-11-R32 | EA | SLUG - F/SLIDEOUT |
| 4 | 144516-11-R33 | EA | SLUG - F/SLIDEOUT |
| 4 | 144516-11-R34 | EA | SLUG - F/SLIDEOUT |
| 5 | 141708-01-P37 | EA | PANEL/REAR - F/REAR SLIDEOUT (R32) |
| 5 | 141708-01-P38 | EA | PANEL/REAR - F/REAR SLIDEOUT (R33) |
| 5 | 141708-01-R34 | EA | PANEL/REAR - F/REAR SLIDEOUT (R34) |
| 6 | 141706-01-P37 | EA | PANEL/FRONT - F/REAR SLIDEOUT (R32) |
| 6 | 141706-01-P38 | EA | PANEL/FRONT - F/REAR SLIDEOUT (R33) |
| 6 | 141706-01-R34 | EA | PANEL/FRONT - F/REAR SLIDEOUT (R34) |
| 7 | 139625-03-01A | EA | TRIM/SEAL - TOP/W/MITERED ENDS - 81.8" - BRIGHT WHITE |
| 8 | 139625-11-01A | EA | TRIM/SEAL - TOP/W/MITERED ENDS - 75.6" - BRIGHT WHITE |
| 9 | 142233-04-01A | EA | TRIM/SEAL - W/MITERED ENDS - 81.8" - BRIGHT WHITE |
| 10 | 117058-01-01A | FT | TAPE - LOOP - 3/4" WIDE - ADHESIVE BACKED |
| 11 | 142549-01-000 | EA | CLIP-S TYPE |
| 12 | 122977-12-03A | EA | AWNING/SLIDEOUT W/COVER - 81.8" - WHITE - VINYL/VINYL WRAP |
| 13 | 116444-04-12B | EA | TRIM/KEY CORNER - SLIDEOUT - 3.1"X3.1" - BRT WHT |
| 14 | 137400-01-N42 | EA | ROOF - F/REAR SLIDEOUT - W/O LIGHTS/VENTS |
| 15 | 142718-01-01A | EA | RETAINER - SIDEWALL/SLIDEOUT - 72.8" |
| 16 | 142718-23-01A | EA | RETAINER - SIDEWALL/SLIDEOUT - 79.9" |
| 17 | 142719-05-01A | EA | TRIM - SIDEWALL/TOP SLIDEOUT - 81.3" - BRIGHT WHITE |
| 18 | 142720-11-01A | EA | TRIM - SIDEWALL/SLIDEOUT - 72.9" - BRIGHT WHITE |
| 19 | 133954-37-01A | EA | TRIM/SEAL - W/MITERED ENDS - 67.1" - BRIGHT WHITE FROM: 00-00-00 THRU: 03-16-03 |
| 19 | 133954-46-01A | EA | TRIM/SEAL - W/MITERED ENDS - 68.8" - BRIGHT WHITE FROM: 03-17-03 THRU: 99-99-99 |

EXTERIOR SLIDEOUT GROUP (CONTINUED)

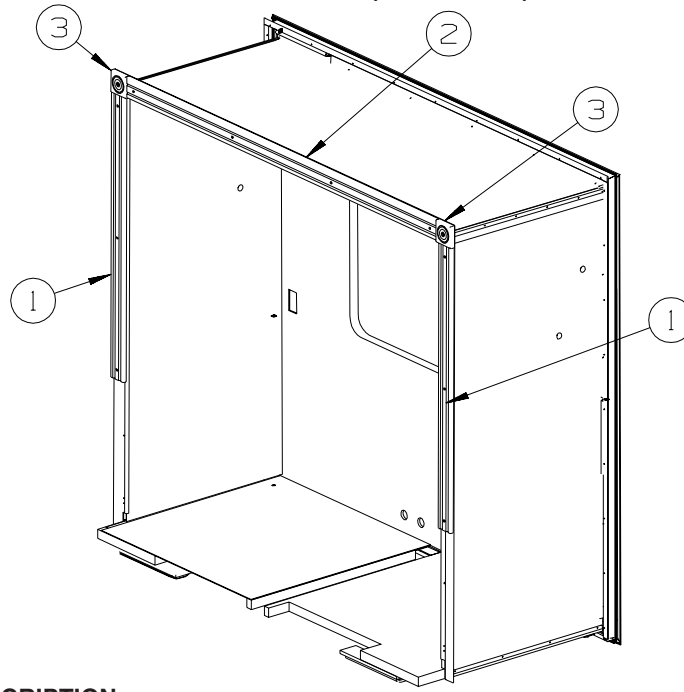
RIGHT REAR (CONTINUED)

| KEY | PART NUMBER | U/M | DESCRIPTION |
|-----|---------------|-----|--|
| 20 | 136824-16-01A | EA | TRIM - SIDEWALL/SLIDEOUT - 72.7" - BRIGHT WHITE |
| 21 | 136824-02-01A | EA | TRIM - SIDEWALL/SLIDEOUT - 81.2" - BRIGHT WHITE |
| 22 | 138659-01-01A | EA | TRIM/FEATURE STRIP - 181.7" - BRIGHT WHITE |
| 23 | 133954-37-01A | EA | TRIM/SEAL - W/MITERED ENDS - 67.1" - BRIGHT WHITE |
| | | | FROM: 00-00-00 THRU: 03-16-03 |
| 23 | 133954-46-01A | EA | TRIM/SEAL - W/MITERED ENDS - 68.8" - BRIGHT WHITE |
| | | | FROM: 03-17-03 THRU: 99-99-99 |
| 24 | 141174-01-02A | EA | TRIM/ZEE - SIDEWALL - 81.4" - BRIGHT WHITE |
| 25 | 123012-01-000 | FT | SEAL - SLIDEOUT - .09"/.13" THICK X 1.25" - W/ADHESIVE |
| | 149821-01-02A | EA | TRIM/ANGLE - SIDEWALL - BRIGHT WHITE - 1/2" X 1/2" X 77.9" |
| | | | FROM: 12-08-03 THRU: 99-99-99 |



| KEY | PART NUMBER | U/M | DESCRIPTION |
|-----|---------------|-----|---|
| 1 | 141435-01-01A | EA | TRIM - FEATURE - LOWER - 30.4" - BRIGHT WHITE |
| | | | FROM: 00-00-00 THRU: 03-16-03 |
| 1 | 141435-03-01A | EA | TRIM - FEATURE - LOWER - 29.1" - BRIGHT WHITE |
| | | | FROM: 03-17-03 THRU: 99-99-99 |
| | 141434-51-001 | EA | TRIM - FLOOR/SIDEWALL - 16' |
| 2 | 105312-01-07A | FT | INSERT - FEATURE STRIP - VINYL - BRIGHT WHITE |
| 3 | 139624-15-01A | EA | TRIM/SEAL - INNER/RIGHT HAND - 72.9" - BRIGHT WHITE |
| 4 | 139624-16-01A | EA | TRIM/SEAL - INNER/LEFT HAND - 72.9" - BRIGHT WHITE |
| 5 | 139624-04-01A | EA | TRIM/SEAL - INNER/TOP - 80.2" - BRIGHT WHITE |
| 6 | 135275-01-01A | EA | PROTECTOR - CORNER - SLIDEOUT - WHITE |
| 7 | 146056-01-000 | FT | SEAL - TRIANGLE - W/PSA |
| 8 | 075673-05-000 | FT | SEAL - PILE - ADHESIVE BACK - BLACK |

EXTERIOR SLIDEOUT GROUP (CONTINUED)
RIGHT REAR (CONTINUED)



| KEY | PART NUMBER | U/M | DESCRIPTION |
|-----|---------------|-----|--|
| 1 | 132663-24-08A | EA | MOLDING-VINYL WRAP/PRE DRILLED - .6" X 3" X 45.8" - OAK - PORTSMOUTH OAK |
| 2 | 132663-18-08A | EA | MOLDING-VINYL WRAP/PRE DRILLED - .6" X 3.4" X 73.2" - OAK - PORTSMOUTH OAK |
| 3 | 132844-02-08A | EA | BLOCK - CORNER - 3.5" X 3.5" - PORTSMOUTH OAK |

EXTERIOR SLIDEOUT GROUP (CONTINUED)

COMPONENT PARTS FOR RIGHT REAR SLIDEOUT

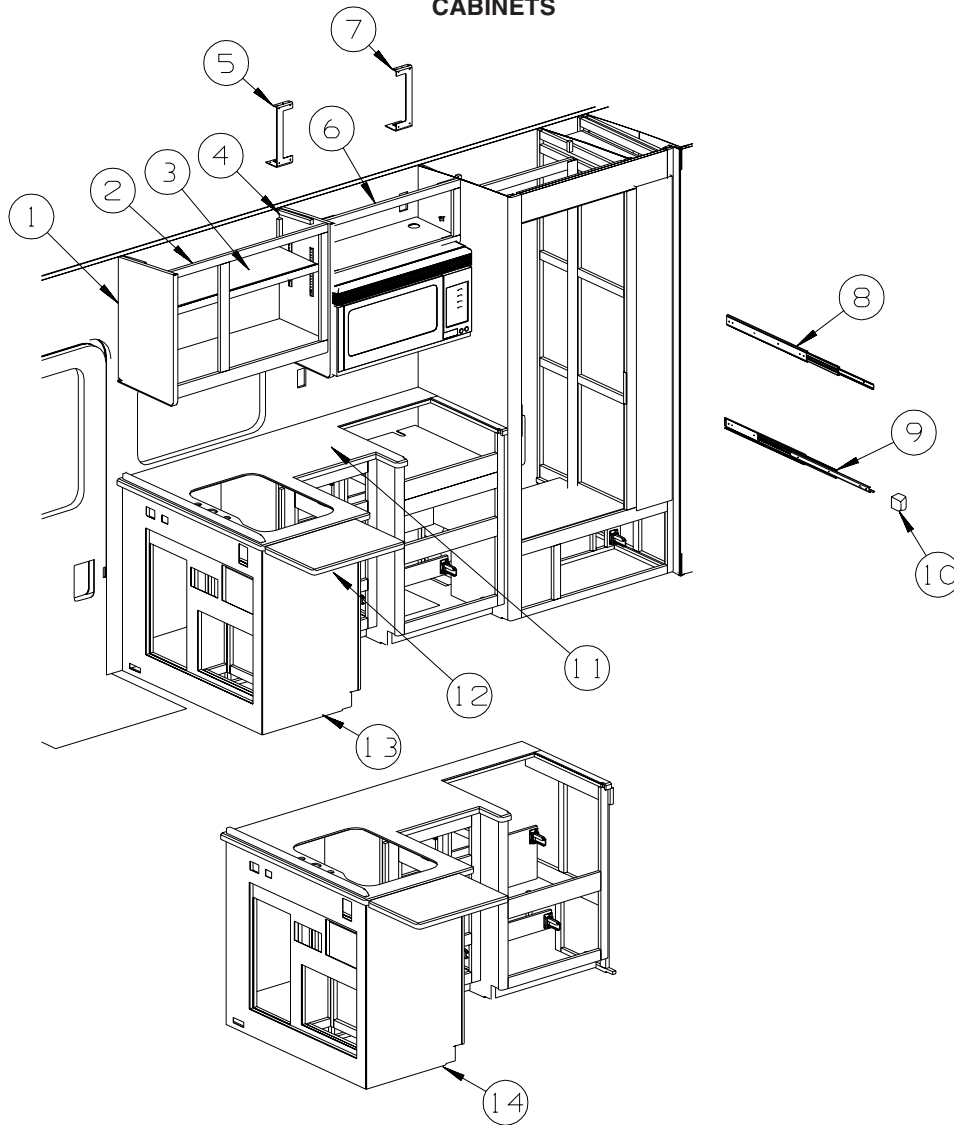
100536-46-000

| KEY | PART NUMBER | U/M | DESCRIPTION | VENDOR NO. |
|-----|---------------|-----|------------------------------|----------------|
| | 100536-46-700 | EA | HOSE/HYDRAULIC - 1/4" X 408" | RAP4669/AP4669 |
| | 100536-46-701 | EA | HOSE/HYDRAULIC - 1/4" X 412" | AP7130 |

137390-01-000

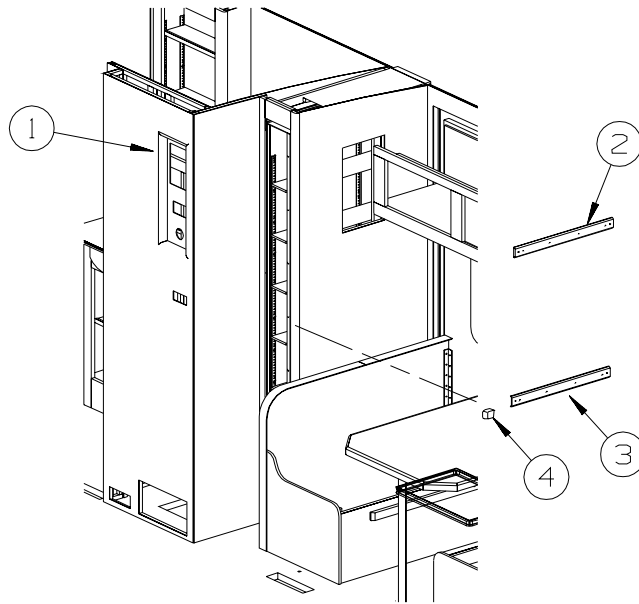
| KEY | PART NUMBER | U/M | DESCRIPTION | VENDOR NO. |
|-----|---------------|-----|------------------------------|------------------|
| | 128599-06-700 | EA | HOSE/HYDRAULIC - 1/8" X 72" | AP24635 |
| | 128599-06-701 | EA | HOSE/HYDRAULIC - 1/8" X 84" | AP24636 |
| | 128599-06-703 | EA | BEARING KIT - SLIDE-OUT TUBE | RAP90698 |
| | 128599-06-704 | EA | BEARING PAD - SLIDE-OUT | P14811 |
| | 137390-01-700 | EA | RAM/CYLINDER - SLIDEOUT ROOM | RAP90876/AP23425 |
| | 137390-01-701 | EA | CYLINDER NUT KIT - SLIDEOUT | RAP90947 |
| | 137390-01-702 | EA | SLOT COVER ASM. - RUBBER | AP26959 |

GALLEY GROUP CABINETS

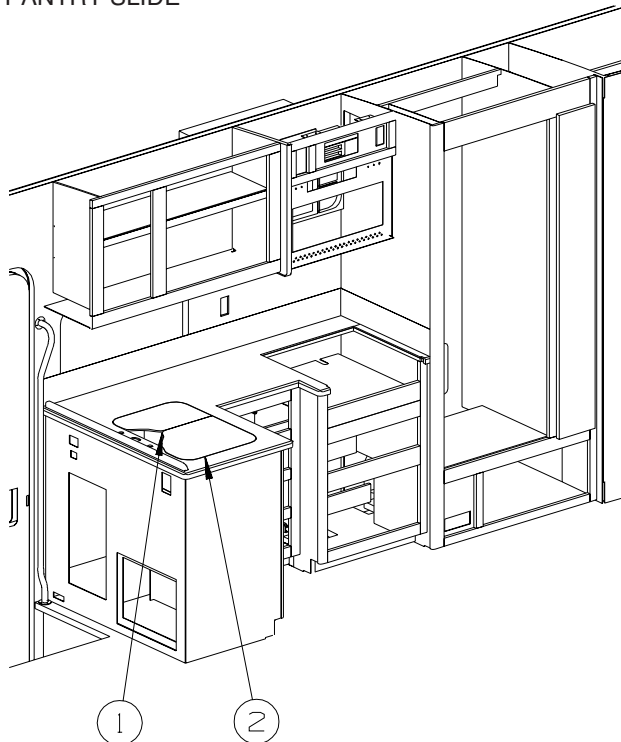


| KEY | PART NUMBER | U/M | DESCRIPTION |
|-----|---------------|-----|---|
| 1 | 103128-86-N30 | EA | END CAP - OVERHEAD CABINET/LEFT HAND |
| 2 | 144287-01-R32 | EA | CABINET - OVERHEAD/GALLEY - W/O DOORS/HARDWARE |
| 3 | 144287-14-R32 | EA | SHELF - W/PLASTIC EDGE MOLDING |
| 4 | 103128-47-M42 | EA | END CAP - OVERHEAD CABINET/RIGHT HAND |
| 5 | 130736-03-02B | EA | BRACKET - MICROWAVE - E-COATED |
| 6 | 141733-02-P45 | EA | CABINET - OVERHEAD/MICROWAVE - W/O DOORS/HARDWARE |
| 7 | 130736-04-02B | EA | BRACKET - MICROWAVE - E-COATED |
| 8 | 122360-02-000 | EA | SLIDE - PANTRY - W/O LOCK - RIGHT/LEFT HAND |
| 9 | 122360-03-000 | EA | SLIDE - PANTRY - W/LOCK - RIGHT HAND (FACING PANEL) |
| 10 | 123673-01-01A | EA | KNOB - PANTRY SLIDE |
| 11 | 137475-09-02A | EA | COUNTERTOP - 1/4" VENDURA - ALMONDINE |
| 12 | 141784-02-02A | EA | COUNTERTOP - EXTENSION - 1/4" VENDURA - ALMONDINE |
| 13 | P44260-01-R32 | EA | CABINET - GALLEY - W/O COUNTERTOP/DRS/DWR/HDW - 3 BURNER RANGE TOP |
| 13 | P44260-03-R32 | EA | CABINET - GALLEY - W/O COUNTERTOP/DRS/DWR/HDW - 3 BURNER RANGE TOP - 2-WAY RADIO |
| 14 | P44260-02-R32 | EA | CABINET - GALLEY - W/O COUNTERTOP/DRS/DWR/HDW - RANGE 3 BURNER W/OVEN |
| 14 | P44260-04-R32 | EA | CABINET - GALLEY - W/O COUNTERTOP/DRS/DWR/HDW - RANGE 3 BURNER W/OVEN - 2-WAY RADIO |

GALLEY GROUP (CONTINUED)
CABINETS (CONTINUED)

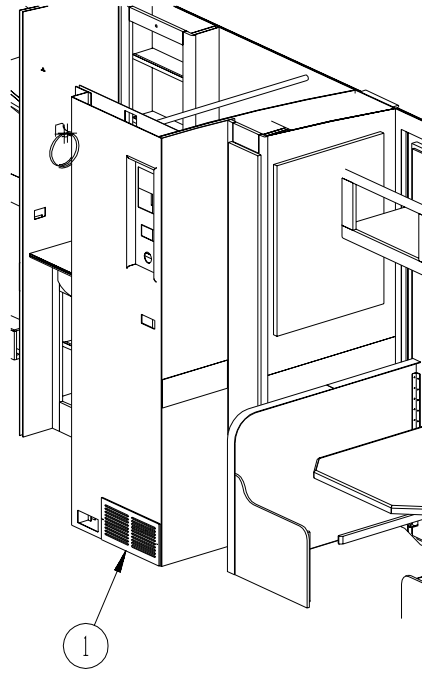


| KEY | PART NUMBER | U/M | DESCRIPTION |
|-----|---------------|-----|--|
| 1 | 137602-04-n30 | EA | POCKET - MONITOR PANEL |
| 1 | 137602-86-R32 | EA | POCKET - MONITOR PANEL - 6 GALLON ELECTRIC WATER HEATER W/MOTOR FROM: 00-00-00 THRU: 07-06-03 |
| 1 | 137602-C7-R32 | EA | POCKET - MONITOR PANEL - 6 GALLON ELECTRIC WATER HEATER W/MOTOR FROM: 07-07-03 THRU: 99-99-99 |
| 2 | 122360-02-000 | EA | SLIDE - PANTRY - W/O LOCK - RIGHT/LEFT HAND |
| 3 | 122360-01-000 | EA | SLIDE - PANTRY - W/LOCK - LEFT HAND (FACING PANEL) |
| 4 | 123673-01-01a | EA | KNOB - PANTRY SLIDE |



| KEY | PART NUMBER | U/M | DESCRIPTION |
|-----|---------------|-----|--|
| 1 | 137489-01-02A | EA | COVER - SINK/LARGE - 13.8" X 17" - 1/4" VENDURA/ALMONDINE |
| 2 | 137489-02-02A | EA | COVER - SINK/SMALL - 9.6" X 15.7" - 1/4" VENDURA/ALMONDINE |

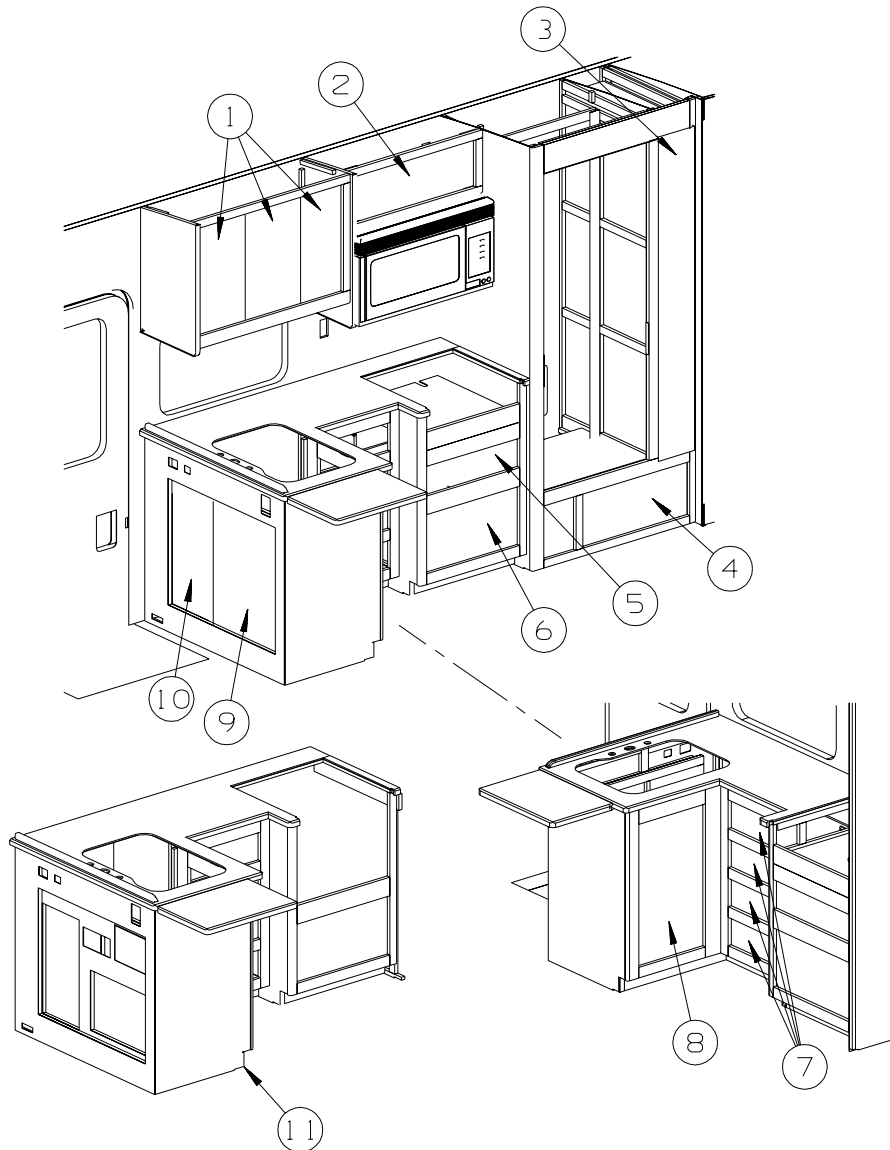
GALLEY GROUP (CONTINUED)
CABINETS (CONTINUED)



| KEY | PART NUMBER | U/M | DESCRIPTION |
|------------|--------------------|------------|--|
| 1 | 093614-01-02A | EA | GRILLE - AIR RETURN - 15.9" X 7.9" - BEIGE |

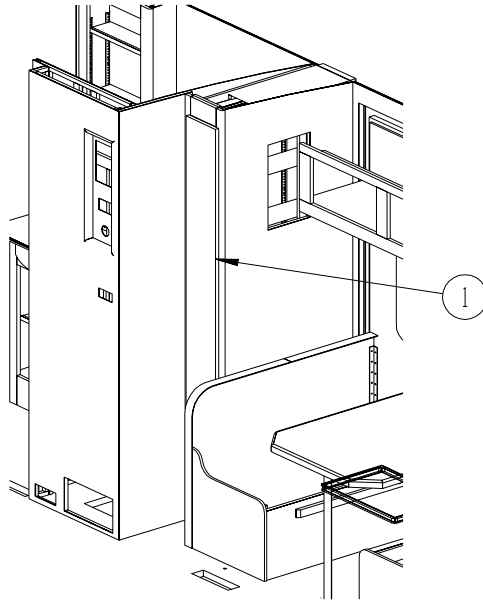
GALLEY GROUP (CONTINUED)

DOORS & DRAWERS



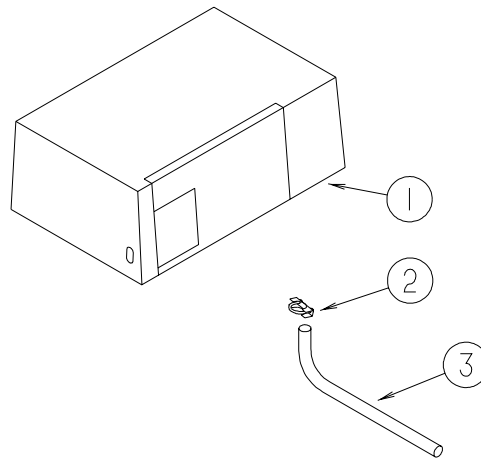
| KEY | PART NUMBER | U/M | DESCRIPTION |
|-----|---------------|-----|--|
| 1 | 136954-40-P37 | EA | DOOR - RAISED PANEL/OGEE EDGE - 10.8" X 21.8" - W/O HDW |
| 2 | 136954-28-P45 | EA | DOOR - RAISED PANEL/OGEE EDGE - 10" X 29.5" - W/O HDW |
| 3 | 132141-D7-N42 | EA | DOOR - RAIL/VENEER - 8" X 60.7" - W/O HARDWARE |
| 3 | 145268-06-R32 | EA | DOOR - RAISED PANEL/OGEE EDGE - 60.7" X 8.1" - W/O HDW FROM: 00-00-00 THRU: 04-25-04 FROM: 04-26-04 THRU: 99-99-99 |
| 4 | 145492-E8-R32 | EA | DRAWER - OGEE EDGE - 22.1"W X 13.7"D - W/O SLIDES/HARDWARE |
| 5 | 145492-C1-R32 | EA | DRAWER - OGEE EDGE - 19.8"W X 17.7"D - W/O SLIDES/HARDWARE |
| 6 | 145492-G0-R32 | EA | DRAWER - OGEE EDGE - 19.8"W X 13.8"D - W/O SLIDES/HARDWARE |
| 7 | 145492-F9-R32 | EA | DRAWER - OGEE EDGE - 15.4"W X 11.8"D - W/O SLIDES/HARDWARE |
| 8 | 136918-D5-P37 | EA | DOOR - FLAT/OGEE EDGE - 15.7" X 27.9" - W/O HARDWARE |
| 9 | 136918-C3-R32 | EA | DOOR - FLAT/OGEE EDGE - 15.3" X 25.6" - W/O HARDWARE |
| 10 | 136918-C2-P13 | EA | DOOR - FLAT/OGEE EDGE - 15.3" X 25.6" - W/O HARDWARE |
| 11 | 145492-P9-R32 | EA | DRAWER - OGEE EDGE - 19.8"W X 13.8"D - W/O SLIDES/HARDWARE |

GALLEY GROUP (CONTINUED)
DOORS & DRAWERS (CONTINUED)



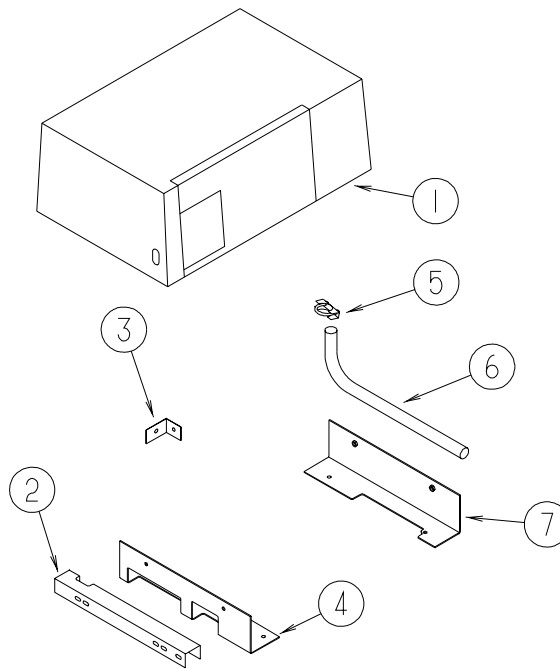
| KEY | PART NUMBER | U/M | DESCRIPTION |
|-----|---------------|-----|---|
| 1 | 132141-D8-N30 | EA | DOOR - RAIL/VENEER - 8" X 60.7" - W/O HARDWARE FROM: 00-00-00 THRU: 04-25-04 |
| 1 | 145268-42-R32 | EA | DOOR - RAISED PANEL/OGEE EDGE - 8.1" X 60.7" - W/O HDW FROM: 04-26-04 THRU: 99-99-99 |

GENERATOR GROUP GAS



MARQUIS GOLD

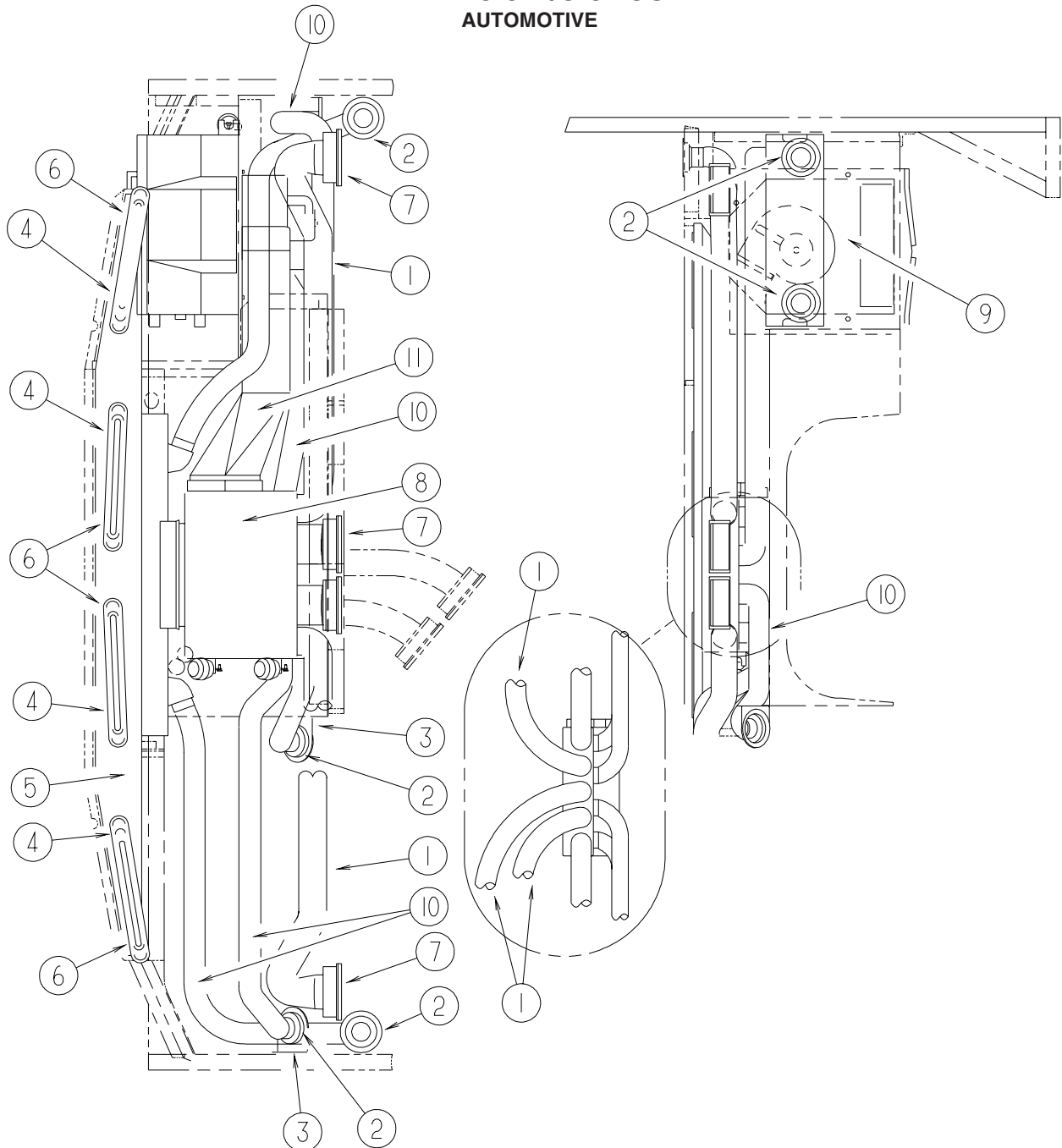
| KEY | PART NUMBER | U/M | DESCRIPTION |
|-----|---------------|-----|---|
| 1 | 135707-02-000 | EA | GENERATOR - 7.0 - 30/20 - GAS - MARQUIS GOLD - 7.0 KW ONAN - 30 AMP |
| 1 | 135707-01-000 | EA | GENERATOR - 7.0 - 30/30 - GAS - MARQUIS GOLD - 7.0 KW ONAN - 50 AMP |
| 1 | 135707-07-000 | EA | GENERATOR - 5.5 - 30/20 - GAS - MARQUIS GOLD - 5.5 KW ONAN - 30 AMP |
| 1 | 135707-06-000 | EA | GENERATOR - 5.5 - 30/30 - GAS - MARQUIS GOLD - 5.5 KW ONAN - 50 AMP |
| 2 | 007125-03-000 | EA | CLAMP - MUFFLER - 1.5" DIAMETER |
| 3 | 105958-14-000 | EA | PIPE - GENERATOR EXHAUST - F30W ONLY |
| 3 | 105958-25-000 | EA | PIPE - GENERATOR EXHAUST |



MICROLITE - F30W ONLY

| KEY | PART NUMBER | U/M | DESCRIPTION |
|-----|---------------|-----|---|
| 1 | 109982-03-000 | EA | GENERATOR - 4.0 MICROLITE - 4.0 KW ONAN |
| 2 | 135825-01-02B | EA | CHANNEL - SPACER - GENERATOR - E-COATED |
| 3 | 135826-01-02B | EA | ANGLE - SUPPORT - GENERATOR - E-COATED |
| 4 | 114070-02-02B | EA | SUPPORT - GENERATOR - LEFT |
| 5 | 007125-04-000 | EA | CLAMP - MUFFLER - 1.12" DIAMETER |
| 6 | 105958-10-000 | EA | PIPE - GENERATOR EXHAUST - 1.3" OD X 5.9" X 19.7" |
| 7 | 114071-02-02B | EA | SUPPORT - GENERATOR - RIGHT |

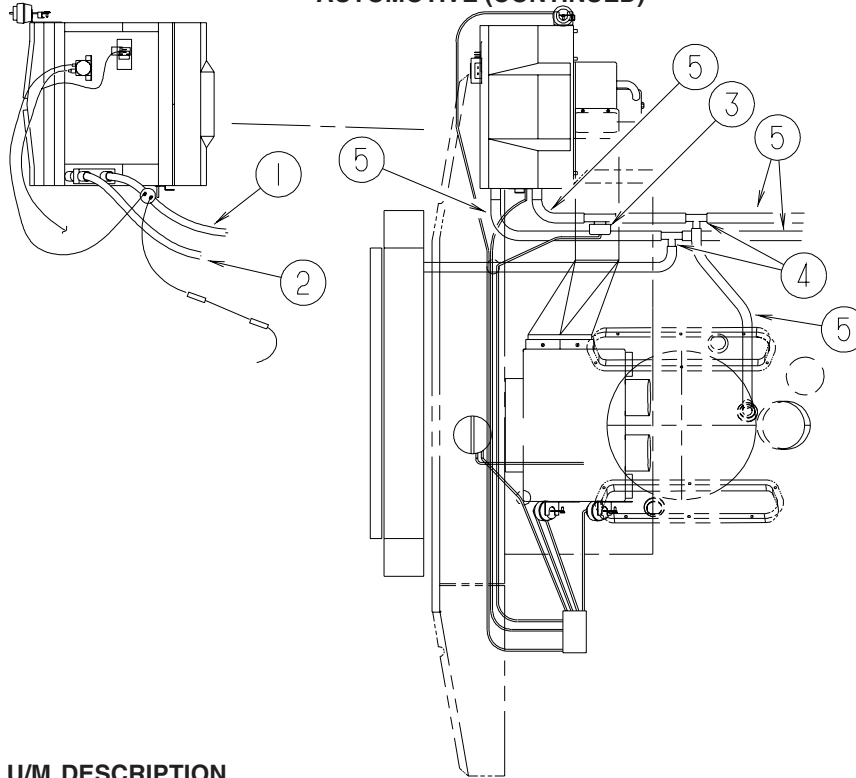
HEATING & A/C GROUP AUTOMOTIVE



| KEY | PART NUMBER | U/M | DESCRIPTION |
|-----|---------------|-----|--|
| 1 | 007281-01-000 | EA | HOSE - FLEXIBLE PVC - 2 1/2" ID X 50' |
| 2 | 024990-05-000 | EA | OUTLET - DEFROSTER - W/SWIVEL - 2" SLEEVE/4" OD - BLACK - 4 USED |
| 3 | 136157-03-02B | EA | BRACKET - HEATER - E-COATED - 1 USED |
| 4 | 077075-01-000 | EA | GASKET - INSTRUMENT PANEL/DEFROSTER PLENUM - .6" X 10.2" |
| 5 | 103017-03-000 | EA | PLENUM - DEFROSTER |
| 6 | 135265-01-04A | EA | VENT - DEFROSTER - PLASTIC - GLACIER |
| 7 | 135803-01-01A | EA | LOUVER - A/C - 2.5" X 5.2" - BLACK - 2 USED |
| 7 | 135803-02-01A | EA | LOUVER - A/C - 2.5" - 5.7" - W/SCREW HOLES - BLACK - 2 USED |
| 8* | 103930-49-000 | EA | CONTROL/PLENUM - LARGE ROTARY |
| 9* | 103930-55-000 | EA | EVAPORATOR/HEATER - NONCHARGED - SINGLE OUTPUT |
| 10 | 007076-01-000 | EA | HOSE - FLEXIBLE PVC - 2" ID - INCREMENTS OF 50' |
| 11 | 103016-03-000 | EA | PLENUM - TRANSITION |
| | 103930-54-000 | EA | MANUAL - OWNERS - HEATER/AC |

*COMPONENT PARTS LISTED LATER IN THIS GROUP

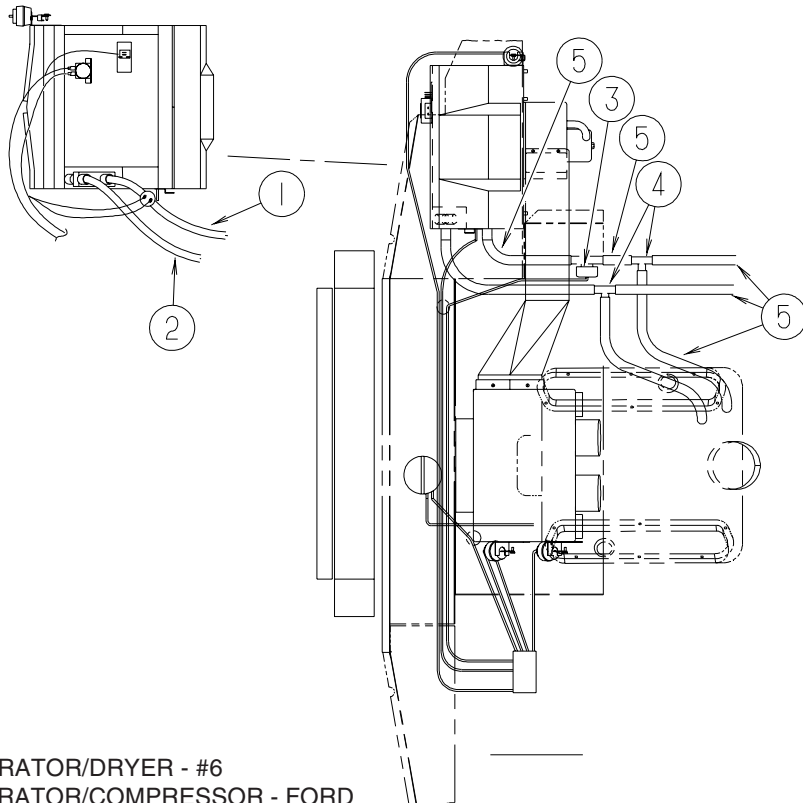
HEATING & A/C GROUP (CONTINUED) AUTOMOTIVE (CONTINUED)



WORKHORSE

| KEY | PART NUMBER | U/M | DESCRIPTION |
|-----|---------------|-----|---|
| 1* | 103930-47-000 | EA | HOSE - EXPANSION VALVE-EVAPORATOR/DRIER |
| 2* | 103930-46-000 | EA | HOSE - EXPANSION BLOCK (EVAPORATOR) TO COMPRESSOR |
| 3 | 103930-23-000 | EA | VALVE/WATER - 2 PORT/VACUUM CONTROLLED - "NEW DESIGN" |
| 4 | 076776-01-000 | EA | TEE - BEADED - 5/8" X 5/8" X 5/8" |
| 5 | 007108-01-000 | FT | HOSE - HEATER - 5/8" ID - HI-TEMP |

***COMPONENT PARTS LISTED LATER IN THIS GROUP**



FORD

| KEY | PART NUMBER | U/M | DESCRIPTION |
|-----|---------------|-----|---|
| 1* | 103930-44-000 | EA | HOSE - EVAPORATOR/DRYER - #6 |
| 2* | 103930-45-000 | EA | HOSE - EVAPORATOR/COMPRESSOR - FORD |
| 3 | 103930-23-000 | EA | VALVE/WATER - 2 PORT/VACUUM CONTROLLED - "NEW DESIGN" |
| 4 | 076776-01-000 | EA | TEE - BEADED - 5/8" X 5/8" X 5/8" |
| 5 | 007108-01-000 | FT | HOSE - HEATER - 5/8" ID - HI-TEMP |

***COMPONENT PARTS LISTED LATER IN THIS GROUP**

HEATING & A/C GROUP (CONTINUED)

COMPONENT PARTS FOR AUTOMOTIVE

103930-44-000

| KEY | PART NUMBER | U/M | DESCRIPTION | VENDOR NO |
|-----|---------------|-----|------------------------------|-----------|
| | 103930-29-701 | EA | O'RING F/LOW PRESSURE SWITCH | 045-0483 |
| | 103930-44-700 | EA | HOSE ASSEMBLY #6 | 085-0462 |
| | 113245-01-711 | EA | O'RING #6 | 045-0129 |

103930-45-000

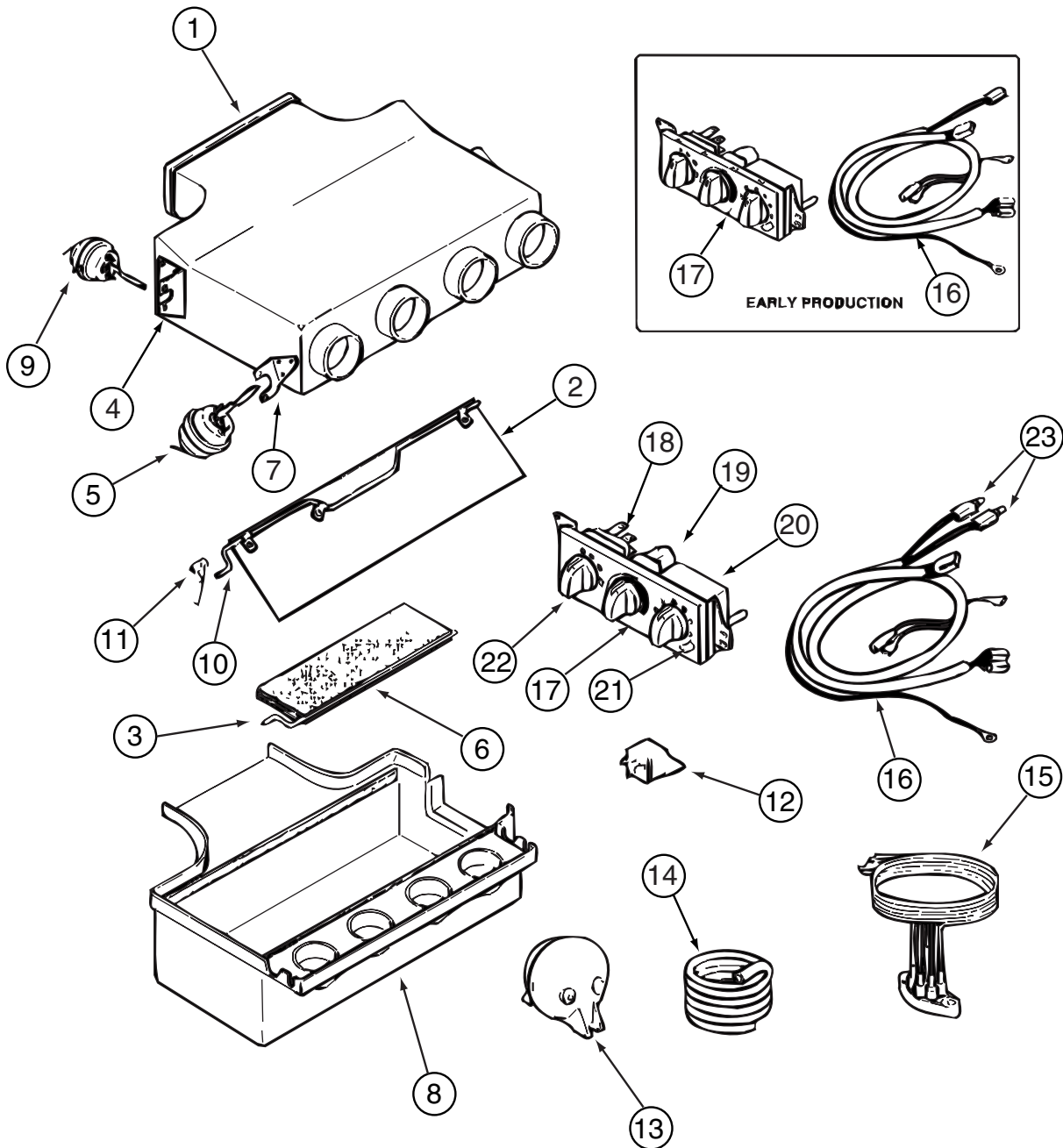
| KEY | PART NUMBER | U/M | DESCRIPTION | VENDOR NO. |
|-----|---------------|-----|-------------|------------|
| | 103930-17-702 | EA | O'RING #10 | 045-0127 |

103930-46-000

| KEY | PART NUMBER | U/M | DESCRIPTION | VENDOR NO |
|-----|---------------|-----|------------------------------|-----------|
| | 103930-17-702 | EA | O'RING #10 | 045-0127 |
| | 103930-29-701 | EA | O'RING F/LOW PRESSURE SWITCH | 045-0483 |
| | 103930-46-700 | EA | HOSE - #10 EVAP/COMP - 4.3' | 085-0486 |

103930-47-000

| KEY | PART NUMBER | U/M | DESCRIPTION | VENDOR NO |
|-----|---------------|-----|-----------------------------|-----------|
| | 103930-47-700 | EA | HOSE - #6-EVAP/DRIER - 2.2' | 085-0485 |
| | 113245-01-710 | EA | O'RING, #12 | 045-0128 |



103930-49-000

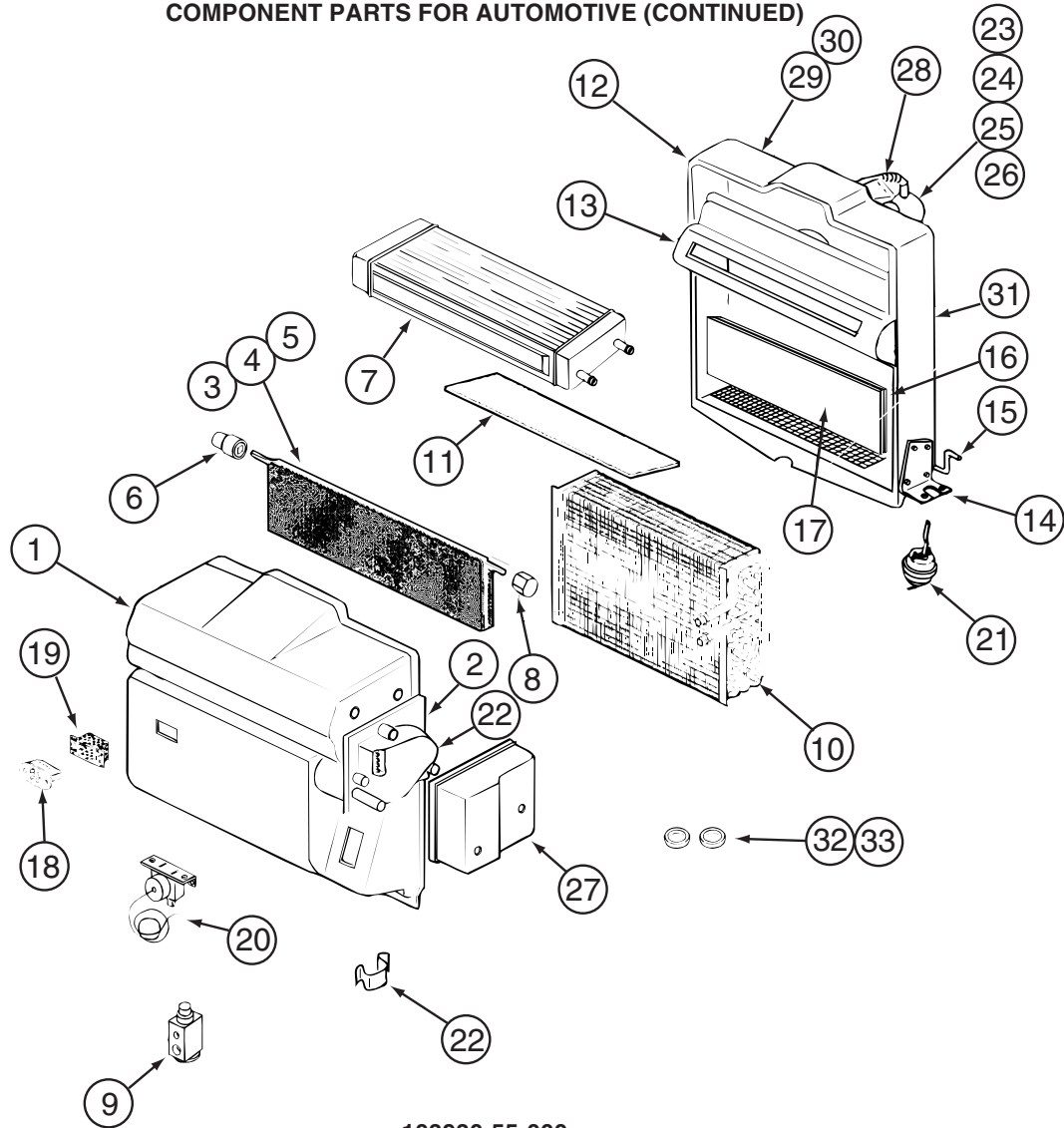
HEATING & A/C GROUP (CONTINUED)
COMPONENT PARTS FOR AUTOMOTIVE (CONTINUED)

103930-49-000 (CONTINUED)

| KEY | PART NUMBER | U/M | DESCRIPTION | VENDOR NO. |
|------------|--------------------|------------|------------------------------|-------------------|
| 1 | 103930-39-705 | EA | PLENUM - TOP | 060-0482 |
| 2 | 103930-04-700 | EA | DOOR - DEFROSTER-A/C | 071-0149 |
| 3 | 103930-39-700 | EA | ROD - DOOR - AC/HEAT | 073-067 |
| 5 | 103930-02-708 | EA | MOTOR-VACUUM SERVO, A/C | 030-0025 |
| 6 | 103930-39-706 | EA | PLATE - DOOR - A/C | 071-0623 |
| 8 | 103930-39-707 | EA | PLENUM - BOTTOM | 060-0483 |
| 9 | 103930-33-701 | EA | MOTOR - VACUUM, 3 STAGE | 030-0105 |
| 10 | 103930-39-701 | EA | ROD - DOOR - AC/DEFROST | 073-0069 |
| 11 | 103930-39-704 | EA | SPRING | 022-0119 |
| 12 | 103930-02-707 | EA | RELAY-BOSCH W/RESISTER | 031-0001 |
| 13 | 103930-02-710 | EA | CANISTER-VACUUM | 054-0002 |
| 15 | 103930-33-703 | EA | VACUUM HARNESS | 036-0466 |
| 16 | 103930-49-700 | EA | HARNESS - WIRE | 036-556 |
| 16 | 103930-49-701 | EA | HARNESS - WIRE W/BULBS | 036-0557 |
| 17 | 103930-49-702 | EA | CONTROL PANEL-RECESSED FACE | 032-0054 |
| 17 | 103930-49-703 | EA | CONTROL PANEL - NON RECESSED | 083-0223 |
| 18 | 103930-49-704 | EA | SWITCH - BLOWER | 032-0332 |
| 19 | 103930-49-705 | EA | POTENTIOMETER | 032-0182 |
| 20 | 103930-49-706 | EA | SWITCH - VACUUM | 032-0185 |
| 21 | 103930-49-707 | EA | DECAL CONTROL PANEL-N/RECESS | 058-0144 |
| 22 | 103930-49-708 | EA | KNOB - BLOWER - NONRECESSED | 062-0620 |
| 23 | 103930-33-705 | EA | LIGHT BULBS | 035-0030 |

CONTACT WINNEBAGO PART SALES FOR UNLISTED COMPONENTS

HEATING & A/C GROUP (CONTINUED)
COMPONENT PARTS FOR AUTOMOTIVE (CONTINUED)



103930-55-000

| KEY | PART NUMBER | U/M | DESCRIPTION | VENDOR NO. |
|-----|---------------|-----|------------------------------|------------|
| 1 | 103930-55-701 | EA | CASE - FRONT | 062-0658 |
| 2 | 103930-30-701 | EA | PLATE - MOTOR MOUNT | 062-0544 |
| 3 | 103930-55-705 | EA | DOOR - BLEND AIR | 071-0892 |
| 6 | 103930-30-702 | EA | BUSHING/DRIVE (BLEND DOOR) | 062-0168 |
| 7 | 103930-55-706 | EA | CORE - HEATER - W/GASKET | 084-0271 |
| 8 | 103930-30-709 | EA | COUPLING - BLEND DOOR SHAFT | 062-0634 |
| 9 | 103930-20-700 | EA | VALVE-EXPANSION-BLOCK, 2 TON | 034-0032 |
| 10 | 103930-55-700 | EA | CORE-EVAPORATOR | 041-00168 |
| 12 | 103930-55-702 | EA | CASE-REAR | 062-0657 |
| 14 | 103930-01-708 | EA | BRACKET-VACUUM MOTOR | 070-0113 |
| 15 | 103930-20-704 | EA | ROD-DOOR-RECIRCULATING | 073-0018 |
| 16 | 103930-55-707 | EA | DOOR - RECIRCULATION | 071-0891 |
| 18 | 103930-01-710 | EA | RESISTOR-FUSED, A/C 4 TERM | 035-0006 |
| 20 | 103930-01-711 | EA | THERMOSTAT | 033-0003 |
| 21 | 103930-02-708 | EA | MOTOR-VACUUM SERVO, A/C | 030-0025 |
| 22 | 103930-30-703 | EA | MOTOR - SERVO | 030-0104 |
| 23 | 103930-20-707 | EA | HOUSING-BLOWER | 062-0145 |
| 24 | 103930-55-703 | EA | MOTOR-BLOWER W/O PIGTAIL | 030-0137 |
| 25 | 103930-01-717 | EA | WHEEL-BLOWER, CLOCKWISE | 062-0010 |
| 26 | 103930-20-708 | EA | CLIP-MOTOR SHAFT | 022-0001 |
| 27 | 103930-30-704 | EA | COVER - SERVO | 062-0545 |
| 32 | 113245-01-707 | EA | O'RING #8 | 045-0126 |
| 33 | 103930-17-702 | EA | O'RING #10 | 045-0127 |
| | 103930-55-704 | EA | CORE-HEATER | 042-0059 |
| | 110279-01-703 | EA | HOSE-VENT F/BLOWER MOTOR | 051-0034 |

CONTACT WINNEBAGO PART SALES FOR UNLISTED COMPONENT(S)

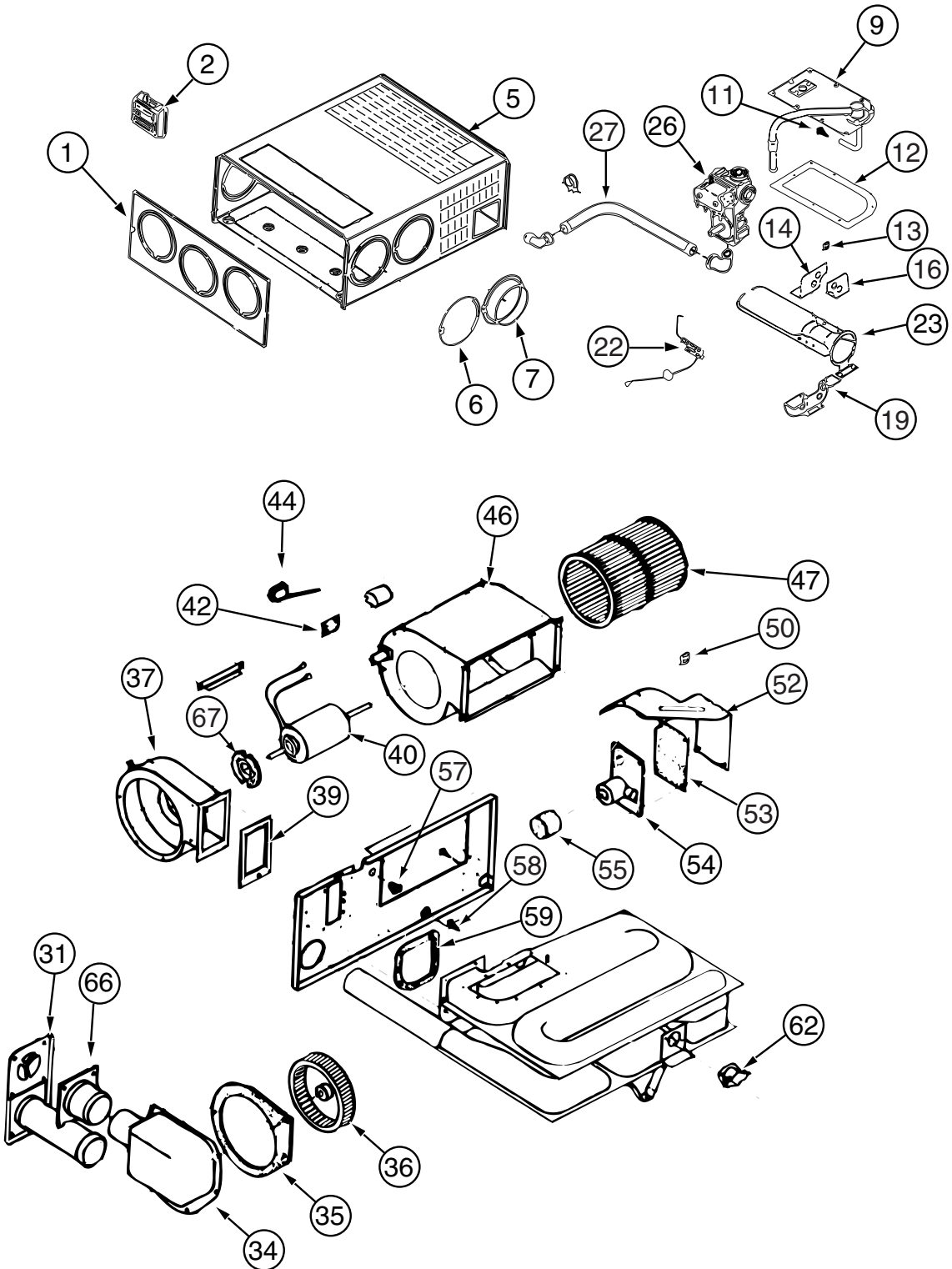
HEATING & A/C GROUP (CONTINUED)

FURNACE

| KEY | PART NUMBER | U/M | DESCRIPTION |
|-----|---------------|-----|---|
| * | 143563-01-000 | EA | FURNACE - 35000 BTU/HIGH QUIET - SUBURBAN SH-35 2322 - F30W, F32V |
| * | 143563-02-000 | EA | FURNACE - 40000 BTU HIGH QUIET - SUBURBAN SH-40 2322 - F34D, F36M |
| | 093614-11-01A | EA | GRILLE - AIR RETURN - 13.9" X 7.9" - BEIGE - F36M |
| | 093614-13-02A | EA | GRILLE - AIR RETURN - 15.9" X 11.9" - BEIGE - F32V, F36M |
| | 093614-01-02A | EA | GRILLE - AIR RETURN - 15.9" X 7.9" - BEIGE |
| | 098668-16-000 | EA | VENT - INTAKE |
| | 143563-03-01A | EA | DOOR/ACCESS - FURNACE - W/FRAME - WHITE |
| | 143563-04-000 | EA | PLATE END - COLLAR |
| | 143563-05-000 | EA | GASKET - FIBERGLASS - SUBURBAN #071018 |
| | 137965-01-01A | EA | REGISTER - 2.25" X 10" - W/O DAMPER - ANTIQUE BRASS |
| | 137965-02-01A | EA | REGISTER - 2.25" X 10" - W/DAMPER - ANTIQUE BRASS |
| | 009198-02-000 | FT | DUCT - HEAT - FLEXIBLE - 2" ID X 25' - F34D |
| | 024990-08-000 | EA | OUTLET - DEFROSTER - W/O SWIVEL - 2" SLEEVE/4"OD - WHITE - F34D |
| | 092776-01-000 | EA | ADAPTER - DUCT - 2" - F34D |

*COMPONENT PARTS LISTED LATER IN THIS GROUP

HEATING & A/C GROUP (CONTINUED)
COMPONENT PARTS FOR FURNACE



143563-01-000

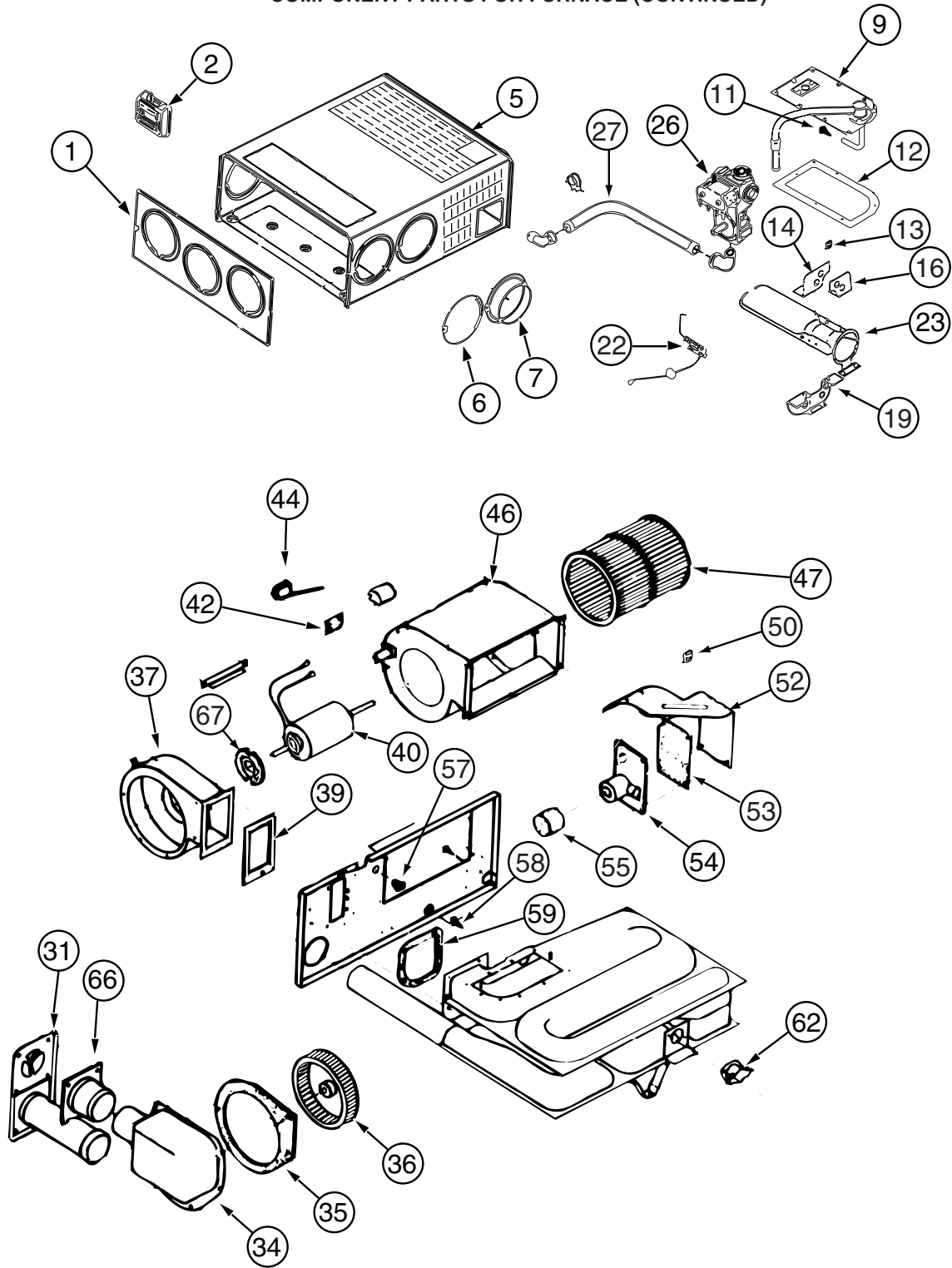
HEATING & A/C GROUP (CONTINUED)
COMPONENT PARTS FOR FURNACE (CONTINUED)

143563-01-000 (CONTINUED)

| KEY | PART NUMBER | U/M | DESCRIPTION | VENDOR NO. |
|-----|---------------|-----|---|------------|
| 1 | 143563-01-700 | EA | CABINET - FRONT | 101907 |
| 2 | | | SEE EITHER FURNACE OR 12 VOLT WIRING AREAS FOR CORRECT THERMOSTAT | |
| 5 | 143563-01-701 | EA | CABINET | 101921 |
| 7 | 075696-02-703 | EA | COLLAR - DUCT | 050715 |
| 9 | 143563-01-702 | EA | MANIFOLD ASSEMBLY | 171599 |
| 11 | 143563-01-703 | EA | ORFICE - MAIN BURNER | 180308 |
| 12 | 098668-22-703 | EA | GASKET - BURNER ACCESS COVER | 070811 |
| 14 | 143563-01-704 | EA | PLATE - SECONDARY AIR/TOP BACK | 063199 |
| 16 | 143563-01-705 | EA | PLATE - SECONDARY AIR/TOP FRT | 062936 |
| 19 | 143563-01-706 | EA | PLATE - SECONDARY AIR/BOTTOM | 062938 |
| 22 | 139980-01-701 | EA | ELECTRODE | 232286 |
| 23 | 098668-02-700 | EA | BURNER ASSEMBLY,SF-30 & SF35 | 010745 |
| 26 | 098668-01-718 | EA | VALVE-GAS SF S.N.974903079 | 161122 |
| 27 | 143563-01-707 | EA | PIPE ASSEMBLY (GAS INLET) | 171603 |
| 31 | 098668-01-707 | EA | TUBE ASSEMBLY, EXHAUST W/CAP | 260231 |
| 34 | 143563-01-708 | EA | BOX ASM (COMB. AIR INTAKE) | 051430BK |
| 35 | 143563-01-709 | EA | GASKET (COMB. AIR HOUSING) | 071108 |
| 36 | 143563-01-710 | EA | WHEEL (COMBUSTION AIR) | 350199 |
| 37 | 143563-01-711 | EA | HOUSING (COMBUSTION AIR) | 390862BK |
| 39 | 143563-01-715 | EA | GASKET-FIREWALL/COMB. AIR | 071107 |
| 40 | 143563-01-712 | EA | MOTOR ASSEMBLY | 232727 |
| 42 | 098668-01-712 | EA | BOARD-MODULE | 520741 |
| 44 | 098668-21-700 | EA | SWITCH-MICRO-W/O FLAG 3 1/4" | 232261 |
| 46 | 143563-01-713 | EA | BLOWER ASSEMBLY(ROOM AIR) | 390867BK |
| 47 | 143563-01-714 | EA | WHEEL - ROOM AIR | 350198 |
| 50 | 139980-01-710 | EA | SWITCH - ON/OFF | 232351 |
| 52 | 139980-01-711 | EA | PANEL ASSEMBLY-MODULE BD | 101663 |
| 53 | 139980-01-712 | EA | INSULATOR - MODULE BD | 070807 |
| 54 | 098668-22-705 | EA | MODULE BD W/RELAY TIME DELAY | 520820 |
| 55 | 139980-01-713 | EA | CAP/INSULATOR-MODULE BD | 070973 |
| 57 | 139980-01-714 | EA | BUSHING - UNIVERSAL | 070362 |
| 58 | 139980-01-715 | EA | BUSHING - STRAIN RELIEF | 231809 |
| 59 | 098668-01-716 | EA | GASKET-FIREWALL,CHAMBER SIDE | 070808 |
| 62 | 098668-21-701 | EA | SWITCH - LIMIT | 232504 |
| 66 | 098668-01-713 | EA | TUBE ASSEMBLY, INTAKE | 051248 |
| 67 | 075697-07-703 | EA | GASKET - MOTOR | 070448 |

CONTACT WINNEBAGO PART SALES FOR UNLISTED COMPONENTS

HEATING & A/C GROUP (CONTINUED)
COMPONENT PARTS FOR FURNACE (CONTINUED)



143563-02-000

HEATING & A/C GROUP (CONTINUED)
COMPONENT PARTS FOR FURNACE (CONTINUED)

143563-02-000 (CONTINUED)

| KEY | PART NUMBER | U/M | DESCRIPTION | VENDOR NO. |
|-----|---------------|-----|---|------------|
| 1 | 143563-01-700 | EA | CABINET - FRONT | 101907 |
| 2 | | | SEE EITHER FURNACE OR 12 VOLT WIRING AREAS FOR CORRECT THERMOSTAT | |
| 5 | 143563-02-700 | EA | CABINET | 101915 |
| 7 | 075696-02-703 | EA | COLLAR - DUCT | 050715 |
| 9 | 143563-01-702 | EA | MANIFOLD ASSEMBLY | 171599 |
| 11 | 143563-02-701 | EA | ORFICE - MAIN BURNER | 180309 |
| 12 | 098668-22-703 | EA | GASKET - BURNER ACCESS COVER | 070811 |
| 14 | 143563-02-702 | EA | PLATE - SECONDARY AIR/TOP BACK | 063198 |
| 16 | 143563-02-703 | EA | PLATE - SECONDARY AIR/TOP FRT | 062933 |
| 19 | 143563-02-704 | EA | PLATE - SECONDARY AIR/BOTTOM | 062935 |
| 22 | 139980-01-701 | EA | ELECTRODE | 232286 |
| 23 | 098668-11-701 | EA | BURNER ASSEMBLY,SF-30 & SF35 | 010799 |
| 26 | 098668-01-718 | EA | VALVE-GAS SF S.N.974903079 | 161122 |
| 27 | 143563-01-707 | EA | PIPE ASSEMBLY (GAS INLET) | 171603 |
| 31 | 098668-01-707 | EA | TUBE ASSEMBLY, EXHAUST W/CAP | 260231 |
| 34 | 143563-01-708 | EA | BOX ASM (COMB. AIR INTAKE) | 051430BK |
| 35 | 143563-01-709 | EA | GASKET (COMB. AIR HOUSING) | 071108 |
| 36 | 143563-01-710 | EA | WHEEL (COMBUSTION AIR) | 350199 |
| 37 | 143563-01-711 | EA | HOUSING (COMBUSTION AIR) | 390862BK |
| 39 | 143563-01-715 | EA | GASKET-FIREWALL/COMB. AIR | 071107 |
| 40 | 143563-02-705 | EA | MOTOR ASSEMBLY | 232726 |
| 42 | 101990-01-714 | EA | GASKET-MICROSWITCH | 230877 |
| 44 | 098668-21-700 | EA | SWITCH-MICRO-W/O FLAG 3 1/4" | 232261 |
| 46 | 143563-01-713 | EA | BLOWER ASSEMBLY(ROOM AIR) | 390867BK |
| 47 | 143563-01-714 | EA | WHEEL - ROOM AIR | 350198 |
| 50 | 139980-01-710 | EA | SWITCH - ON/OFF | 232351 |
| 52 | 139980-01-711 | EA | PANEL ASSEMBLY-MODULE BD | 101663 |
| 53 | 139980-01-712 | EA | INSULATOR - MODULE BD | 070807 |
| 54 | 098668-22-705 | EA | MODULE BD W/RELAY TIME DELAY | 520820 |
| 55 | 139980-01-713 | EA | CAP/INSULATOR-MODULE BD | 070973 |
| 57 | 139980-01-714 | EA | BUSHING - UNIVERSAL | 070362 |
| 58 | 139980-01-715 | EA | BUSHING - STRAIN RELIEF | 231809 |
| 59 | 098668-01-716 | EA | GASKET-FIREWALL,CHAMBER SIDE | 070808 |
| 62 | 143563-02-706 | EA | SWITCH - LIMIT | 232735 |
| 66 | 098668-01-713 | EA | TUBE ASSEMBLY, INTAKE | 051248 |
| 67 | 075697-07-703 | EA | GASKET - MOTOR | 070448 |
| | 143563-02-707 | EA | CHAMBER ASM. - FINAL | 021172BK |

CONTACT WINNEBAGO PART SALES FOR UNLISTED COMPONENTS

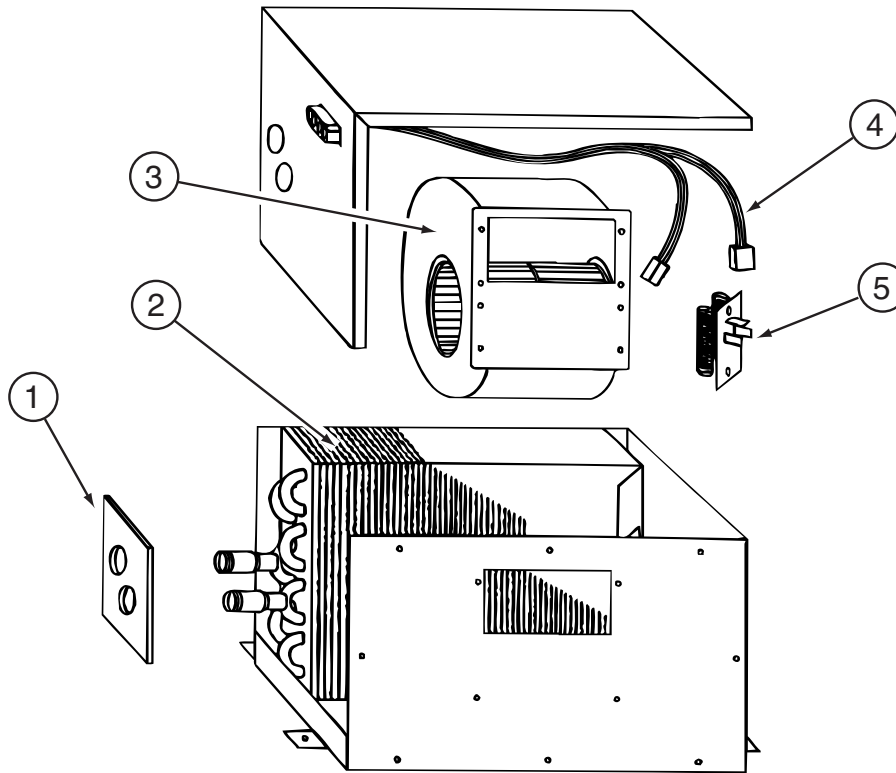
HEATING & A/C GROUP (CONTINUED)

REAR HEATER

| KEY | PART NUMBER | U/M | DESCRIPTION |
|-----|---------------|-----|--|
| * | 129205-01-000 | EA | HEATER - REAR |
| | 007108-01-000 | FT | HOSE - HEATER - 5/8" ID - HI-TEMP |
| | 079059-01-000 | EA | HOSE - 90 DEGREE - 5/8"ID X 4" X 36" - F30W, F32V, F34D |
| | 079059-13-000 | FT | HOSE - 90 DEGREE - .62" ID X 4" X 48" - F36M |
| | 137965-01-01A | EA | REGISTER - 2.25" X 10" - W/O DAMPER - ANTIQUE BRASS - F30W, F32V, F34D |

***COMPONENT PARTS LISTED LATER IN THIS GROUP**

HEATING & A/C GROUP (CONTINUED)
COMPONENT PARTS FOR REAR HEATER



129205-01-000

| KEY | PART NUMBER | U/M | DESCRIPTION | VENDOR NO. |
|-----|---------------|-----|------------------|------------|
| 1 | 129205-01-700 | EA | SEAL - CORE TUBE | HV218421 |
| 2 | 129205-01-701 | EA | CORE - HEATER | HV218426 |
| 3 | 129205-01-702 | EA | BLOWER ASSEMBLY | HV218419 |
| 4 | 129205-01-703 | EA | WIRE HARNESS | HV218420 |
| 5 | 129205-01-704 | EA | RESISTOR | HV218125 |

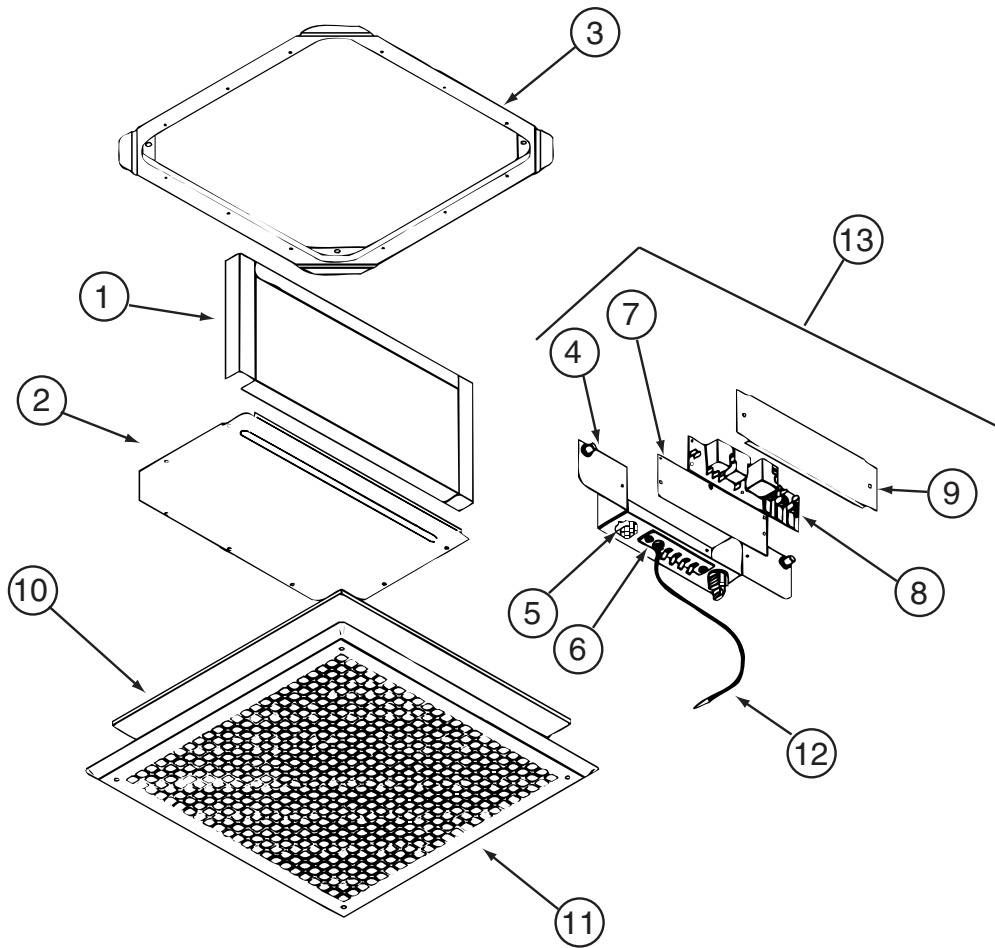
HEATING & A/C GROUP (CONTINUED)
ROOF

| KEY | PART NUMBER | U/M | DESCRIPTION |
|------------|--------------------|------------|--|
| * | 131186-02-01A | EA | A/C - ROOF - MACH 1 POWER SAVER - 11,000 BTU - WHITE - 2 HIGH EFFICIENCY EMS |
| * | 131187-03-01A | EA | A/C - ROOF - MACH 3 POWER SAVER - WHITE - 2 HIGH EFFICIENCY EMS |
| * | 131187-04-01A | EA | A/C - ROOF - MACH 3 POWER SAVER - WHITE - 2 HIGH EFFICIENCY HEAT PUMP |
| * | 131188-03-01A | EA | A/C/ROOF - 14,800 BTU/MACH 15 - NEW MODEL #8335B676 - WHT - F30W |
| * | 131188-04-01A | EA | A/C/ROOF - 14,800 BTU/HEAT PUMP - NEW MODEL #8535B676- WHT - F30W |
| | 120134-01-02A | EA | REGISTER - W/DAMPER - 4" PIPE/7" O.D. FACE - WHITE |
| | 131184-02-01A | EA | BOARD - DIVIDER - SILVER |
| * | 131184-05-01A | EA | CEILING - HEAT PUMP - WHITE |
| * | 131184-01-01A | EA | CEILING ASSEMBLY - A/C DUCTED - WHITE |
| | 135618-01-01A | EA | THERMOSTAT - HEAT PUMP/FURNACE - WHITE - ONE HEAT PUMP & 2 HIGH EF HEAT PUMP |
| | 135618-03-01A | EA | THERMOSTAT - A/C & FURNACE - WHITE - 2 HIGH EFFICIENCY EMS & ONE 14,800 BTU |
| | 135618-04-01A | EA | THERMOSTAT - A/C ONLY - WHITE - 2 HIGH EFFICIENCY EMS |

***COMPONENT PARTS LISTED LATER IN THIS GROUP**

HEATING & A/C GROUP (CONTINUED)

COMPONENT PARTS FOR ROOF

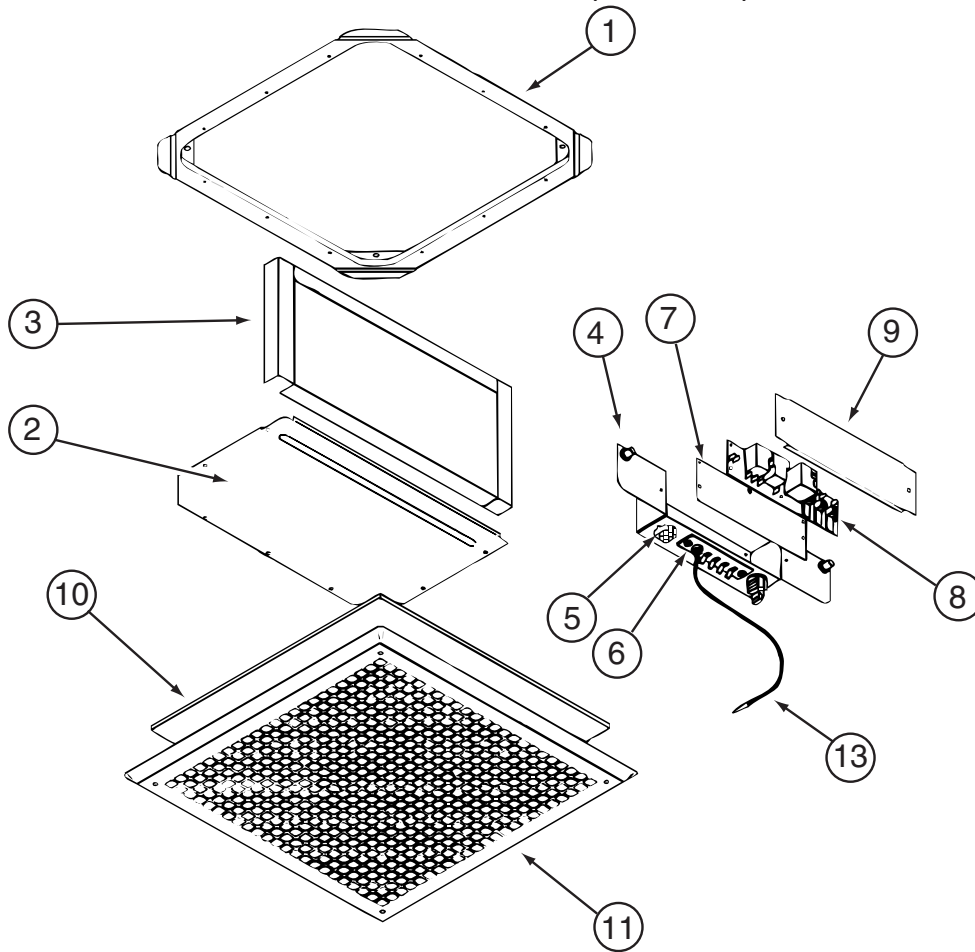


131184-01-01A

| KEY | PART NUMBER | U/M | DESCRIPTION | VENDOR NO. |
|-----|---------------|-----|-----------------------------|------------|
| 1 | 131184-01-707 | EA | DUCT DIVIDER | 8330-3501 |
| 5 | 131184-01-700 | EA | PLUG ASSEMBLY | 7330A389 |
| 6 | 131184-01-701 | EA | TERMINAL BOARD | 7330B3201 |
| 7 | 131184-01-702 | EA | ISOLATOR - BLANK | 7330C365 |
| 8 | 108892-01-702 | EA | BOARD-P.C. | 7330A3211 |
| 10 | 108892-01-703 | EA | FILTER | 6798A3761 |
| 11 | 108892-01-704 | EA | GRILLE 16 3/8X16 3/8 RETURN | 6798-3041 |
| 12 | 131184-01-704 | EA | COIL SENSOR | 7330-6111 |
| 13 | 131184-01-705 | EA | JUNCTION BOX ASSEMBLY | 7330B5551 |
| | 131184-01-703 | EA | SMALL PARTS PKG | 8330-5961 |

CONTACT WINNEBAGO PART SALES FOR UNLISTED COMPONENTS

HEATING & A/C GROUP (CONTINUED)
COMPONENT PARTS FOR ROOF (CONTINUED)

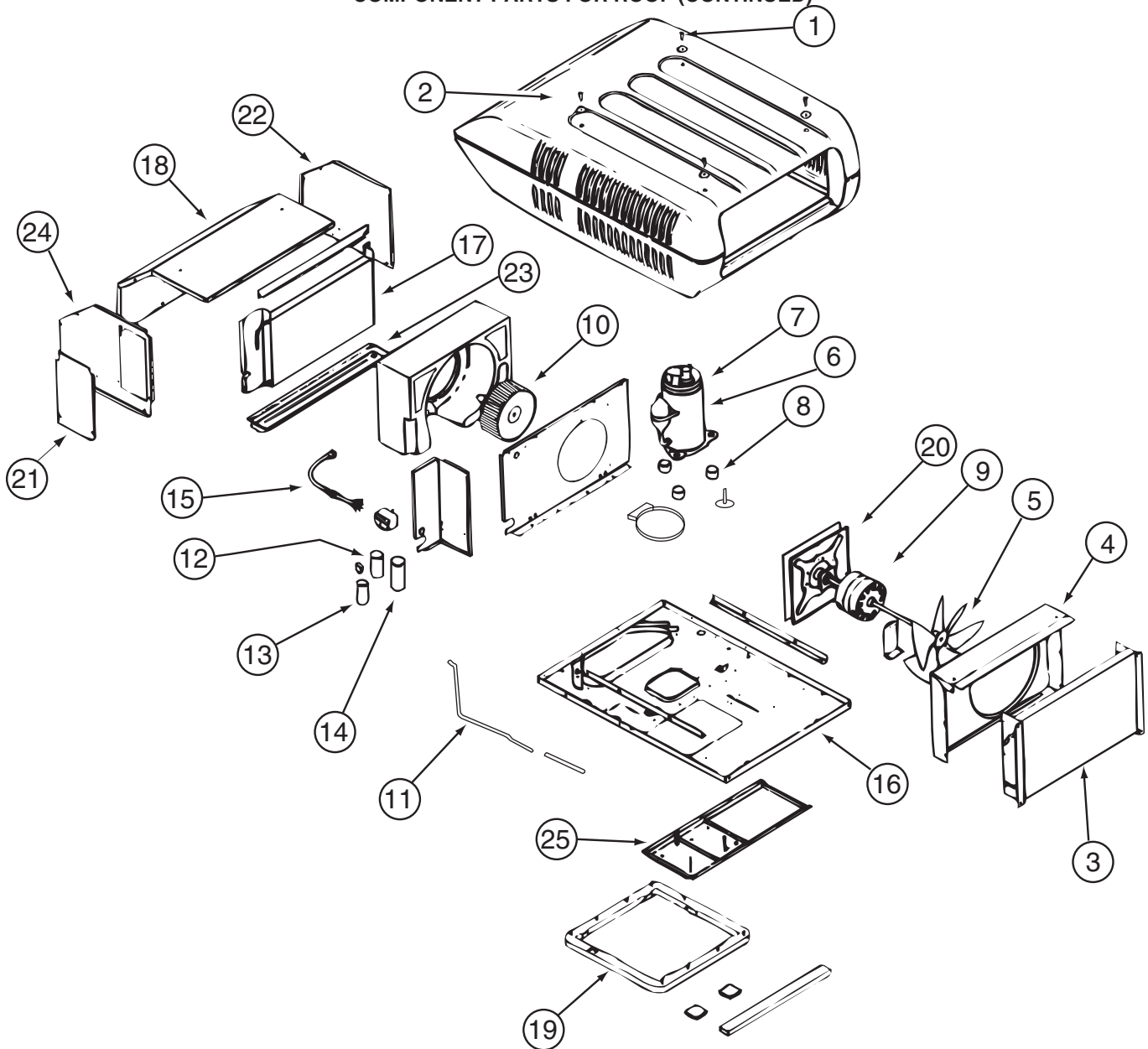


131184-05-01A

| KEY | PART NUMBER | U/M | DESCRIPTION | VENDOR NO. |
|-----|---------------|-----|-------------------------------|------------|
| 4 | 131184-04-703 | EA | BOX - JUNCTION | 7330-113 |
| 5 | 131184-04-700 | EA | PLUG ASSEMBLY | 7530A340 |
| 6 | 131184-04-702 | EA | BOARD - TERMINAL | 7530B3201 |
| 7 | 131184-01-702 | EA | ISOLATOR - BLANK | 7330C365 |
| 8 | 131184-04-705 | EA | BOARD - P.C. | 7330B3311 |
| 10 | 108892-01-703 | EA | FILTER | 6798A3761 |
| 11 | 108892-01-704 | EA | GRILLE 16 3/8X16 3/8 RETURN | 6798-3041 |
| 13 | 105620-12-719 | EA | COIL SENSOR | 7330A3231 |
| | 131184-01-703 | EA | SMALL PARTS PKG | 8330-5961 |
| | 131184-04-706 | EA | JUNCTION BOX AMS. (HEAT PUMP) | 7530-508 |

CONTACT WINNEBAGO PART SALES FOR UNLISTED COMPONENT

HEATING & A/C GROUP (CONTINUED)
COMPONENT PARTS FOR ROOF (CONTINUED)

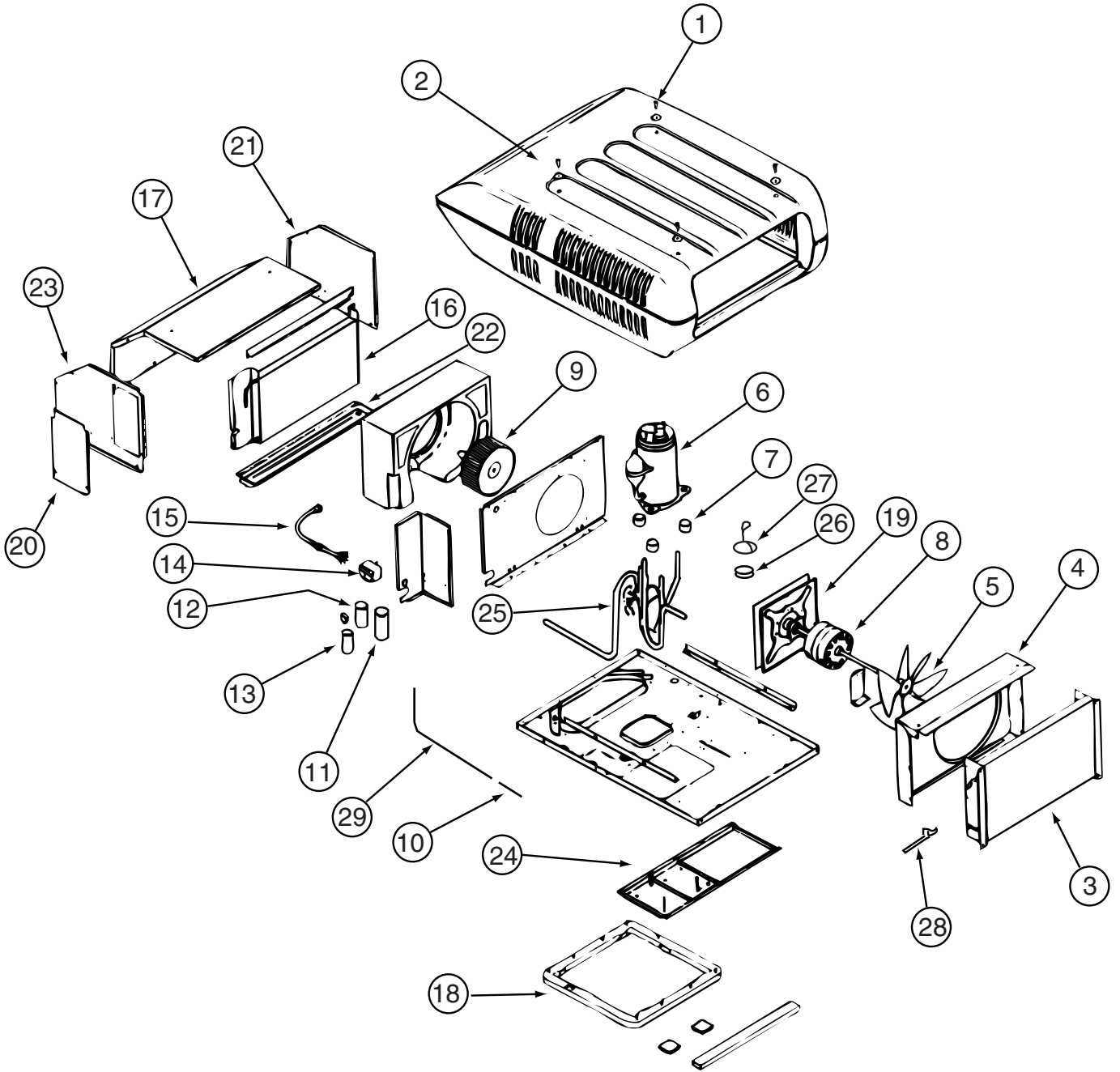


131186-02-01A

| KEY | PART NUMBER | U/M | DESCRIPTION | VENDOR NO. |
|-----|---------------|-----|------------------------------|------------|
| 2 | 131185-03-700 | EA | SHROUD - ROOF AIR | 8333-4161 |
| 3 | 115219-01-700 | EA | COIL-CONDENSER | 1452A1321 |
| 5 | 093763-01-712 | EA | BLADE-FAN-CONDENSER | 6733-3221 |
| 6 | 126859-01-700 | EA | COMPRESSOR RK124AT-001-A4Y | 1450-2109 |
| 7 | 126859-01-701 | EA | OVERLOAD PROTECTORMRA# 4761 | 1450-0061 |
| 8 | 105620-01-706 | EA | MOUNTING PKG.,COMP., 3 PER | 6759-3081 |
| 9 | 131186-01-700 | EA | MOTOR - 115V, 60 HURTZ | 1468-3109 |
| 10 | 131185-01-702 | EA | BLOWER WHEEL PACKAGE | 1472-1091 |
| 12 | 126859-01-703 | EA | CAPACITOR - RUN | 1499-5671 |
| 13 | 093763-01-704 | EA | CAPACITOR-FAN | 1499-5461 |
| 14 | 105620-10-704 | EA | START COMPACITOR | 1497-0861 |
| 15 | 105620-10-705 | EA | PTCR (START DEVICE) - W/CAP. | 8333A9021 |
| 18 | 131186-01-701 | EA | EVAPORATOR COIL | 1452-1521 |
| 21 | 131185-01-704 | EA | MOTOR MOUNT & SEAL KIT | 8333-5151 |
| | 093306-01-701 | EA | DECAL PACKAGE, LEFT & RIGHT | 6798B3591 |
| | 108889-01-710 | EA | PAD-FILLER, CONDENSER SEAL | 6759B3971 |
| | 126859-01-706 | EA | LINE - SUCTION | 7532A130 |

CONTACT WINNEBAGO PART SALES FOR UNLISTED COMPONENT

HEATING & A/C GROUP (CONTINUED)
COMPONENT PARTS FOR ROOF (CONTINUED)



HEATING & A/C GROUP (CONTINUED)
COMPONENT PARTS FOR ROOF (CONTINUED)

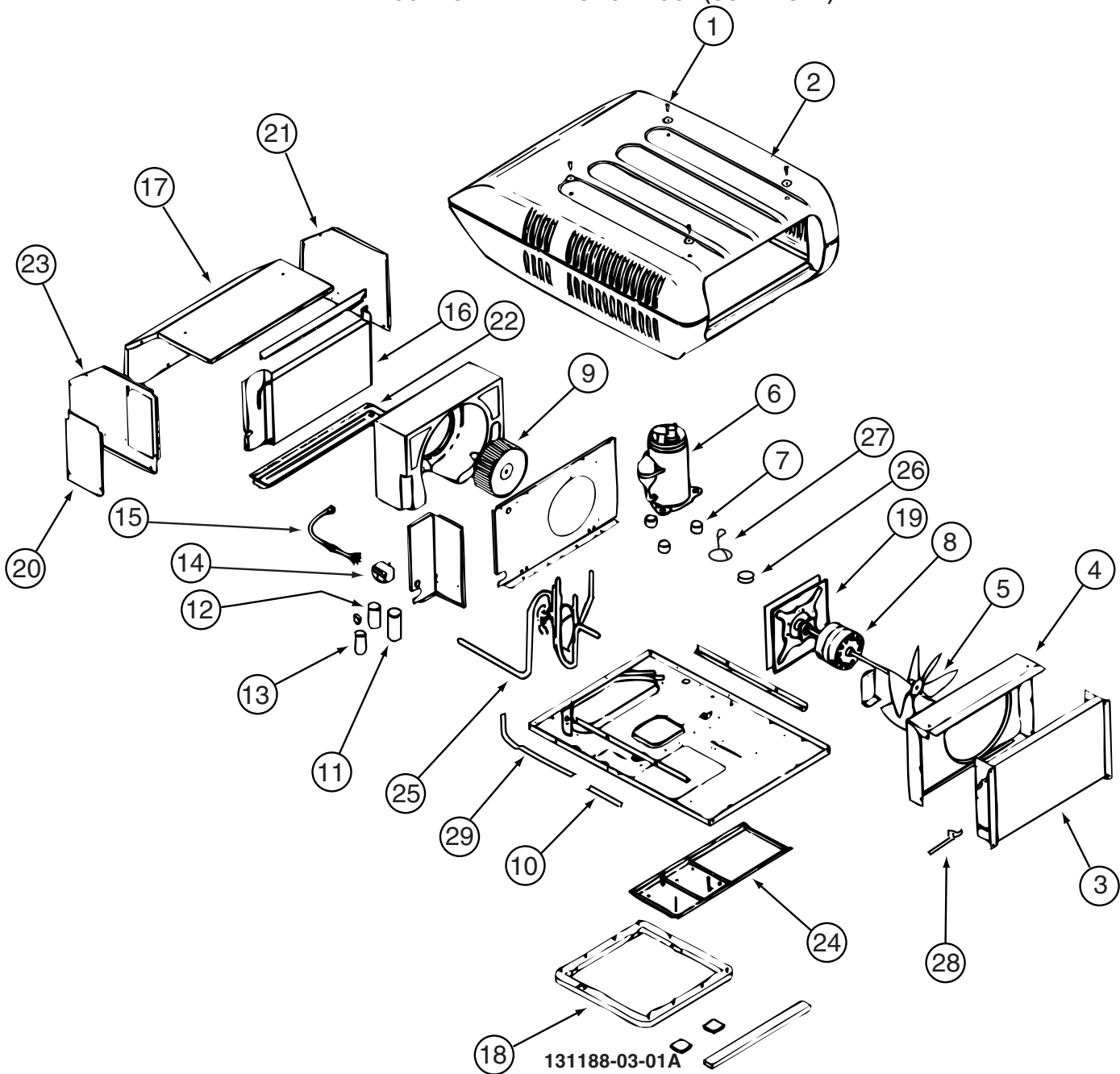
131187-03-01A

| KEY | PART NUMBER | U/M | DESCRIPTION | VENDOR NO. |
|------------|--------------------|------------|---|-------------------|
| 2 | 131185-03-700 | EA | SHROUD - ROOF AIR | 8333-4161 |
| 3 | 115219-01-700 | EA | COIL-CONDENSER | 1452A1321 |
| 5 | 093763-01-712 | EA | BLADE-FAN-CONDENSER | 6733-3221 |
| 6 | 126860-01-700 | EA | COMPRESSOR RK136AT-002-A4Y | 1450A2119 |
| 7 | 105620-01-706 | EA | MOUNTING PKG.,COMP., 3 PER | 6759-3081 |
| 8 | 131186-01-700 | EA | MOTOR - 115V, 60 HURTZ | 1468-3109 |
| 9 | 131185-01-702 | EA | BLOWER WHEEL PACKAGE | 1472-1091 |
| 11 | 126859-01-703 | EA | CAPACITOR - RUN | 1499-5671 |
| 12 | 105620-01-725 | EA | CAPACITOR-BLOWER,I.D. 7.5MFD | 1499-5461 |
| 13 | 105620-10-705 | EA | PTCR (START DEVICE) - W/CAP. | 8333A9021 |
| 16 | 131186-01-701 | EA | EVAPORATOR COIL | 1452-1521 |
| 19 | 131185-01-704 | EA | MOTOR MOUNT & SEAL KIT | 8333-5151 |
| | 093306-01-701 | EA | DECAL PACKAGE, LEFT & RIGHT | 6798B3591 |
| | 105620-10-704 | EA | START COMPACITOR | 1497-0861 |
| | 108889-01-710 | EA | PAD-FILLER, CONDENSER SEAL | 6759B3971 |
| | 126859-01-706 | EA | LINE - SUCTION | 7532A130 |
| | 126860-01-701 | EA | OVERLOAD PROTECTOR MRA# 1460 | 1450-0071 |
| | | | CONTACT WINNEBAGO PART SALES FOR UNLISTED COMPONENT | |

131187-04-01A

| KEY | PART NUMBER | U/M | DESCRIPTION | VENDOR NO. |
|------------|--------------------|------------|---|-------------------|
| 2 | 131185-03-700 | EA | SHROUD - ROOF AIR | 8333-4161 |
| 3 | 131188-02-700 | EA | CONDENSER COIL | 1452-1441 |
| 5 | 093763-01-712 | EA | BLADE-FAN-CONDENSER | 6733-3221 |
| 6 | 126860-01-700 | EA | COMPRESSOR RK136AT-002-A4Y | 1450A2119 |
| 7 | 105620-01-706 | EA | MOUNTING PKG.,COMP., 3 PER | 6759-3081 |
| 8 | 131186-01-700 | EA | MOTOR - 115V, 60 HURTZ | 1468-3109 |
| 9 | 131185-01-702 | EA | BLOWER WHEEL PACKAGE | 1472-1091 |
| 10 | 105620-12-711 | EA | RESTRICTOR - BY FLOW | 1454-2521 |
| 11 | 126859-01-703 | EA | CAPACITOR - RUN | 1499-5671 |
| 12 | 093763-01-704 | EA | CAPACITOR-FAN | 1499-5461 |
| 13 | 105620-10-705 | EA | PTCR (START DEVICE) - W/CAP. | 8333A9021 |
| 16 | 131186-01-701 | EA | EVAPORATOR COIL | 1452-1521 |
| 18 | 037648-01-714 | EA | GASKET PACKAGE | 8332-3301 |
| 19 | 131185-01-704 | EA | MOTOR MOUNT & SEAL KIT | 8333-5151 |
| 25 | 131188-02-704 | EA | VALVE/REVERSE ASSEMBLY | 7535A5301 |
| 26 | 105620-12-708 | EA | COIL - SOLENOID | 1460-1081 |
| 27 | 131188-02-705 | EA | WIRE HARNESS F/SOLENOID | 7535-109 |
| 28 | 131188-02-706 | EA | SWITCH - FREEZE | 1460-2041 |
| 29 | 131188-02-707 | EA | LIQUID LINE | 7535-135 |
| | | | CONTACT WINNEBAGO PART SALES FOR UNLISTED COMPONENT | |

HEATING & A/C GROUP (CONTINUED)
COMPONENT PARTS FOR ROOF (CONTINUED)



| KEY | PART NUMBER | U/M | DESCRIPTION | VENDOR NO. |
|-----|---------------|-----|-----------------------------|------------|
| 2 | 108889-05-700 | EA | SHROUD-BRIGHT/WHT. W/O LOGO | 7333-4601 |
| 3 | 115219-01-700 | EA | COIL-CONDENSER | 1452A1321 |
| 5 | 093763-01-712 | EA | BLADE-FAN-CONDENSER | 6733-3221 |
| 6 | 131188-01-700 | EA | COMPRESSOR - TECUMSEH | 1450A2609 |
| 7 | 105620-01-706 | EA | MOUNTING PKG.,COMP., 3 PER | 6759-3081 |
| 8 | 131185-01-701 | EA | MOTOR (115V, 60HZ) | 1468-3069 |
| 9 | 131185-01-702 | EA | BLOWER WHEEL PACKAGE | 1472-1091 |
| 11 | 131188-01-701 | EA | RUN CAP. (COMP-40MFD/370V) | 1499-5721 |
| 12 | 108889-01-708 | EA | CAPACITOR-FAN, 7.5MFD. 370U | 1499-5461 |
| 13 | 126859-01-704 | EA | CAPACITOR - START | 1497-0871 |
| 14 | 091225-01-709 | EA | RELAY-START | 1497-4131 |
| 16 | 131186-01-701 | EA | EVAPORATOR COIL | 1452-1521 |
| 18 | 037648-01-714 | EA | GASKET PACKAGE | 8332-3301 |
| 19 | 131185-01-704 | EA | MOTOR MOUNT & SEAL KIT | 8333-5151 |
| | 093306-01-701 | EA | DECAL PACKAGE, LEFT & RIGHT | 6798B3591 |
| | 108889-01-710 | EA | PAD-FILLER, CONDENSER SEAL | 6759B3971 |
| | 131188-01-702 | EA | LINE - SUCTION | 7335A134 |
| | 131188-01-703 | EA | LINE - DISCHARGE | 7335A135 |

CONTACT WINNEBAGO PART SALES FOR UNLISTED COMPONENT

HEATING & A/C GROUP (CONTINUED)
COMPONENT PARTS FOR ROOF (CONTINUED)

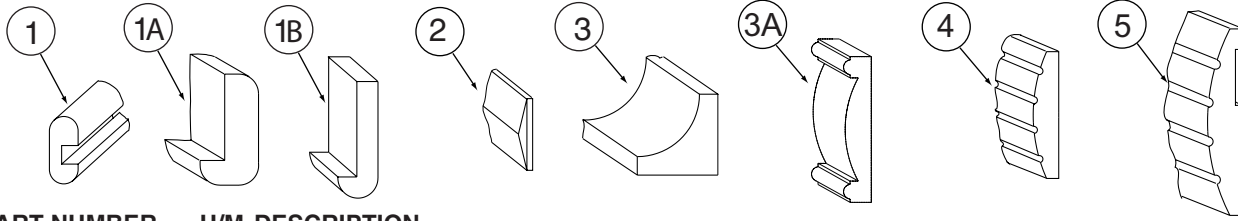
131188-04-01A

| KEY | PART NUMBER | U/M | DESCRIPTION | VENDOR NO. |
|-----|---------------|-----|------------------------------|------------|
| 3 | 131188-02-700 | EA | CONDENSER COIL | 1452-1441 |
| 5 | 093763-01-712 | EA | BLADE-FAN-CONDENSER | 6733-3221 |
| 6 | 131188-02-701 | EA | COMPRESSOR(TECUMSEH-RK225AT) | 1450A2069 |
| 7 | 105620-01-706 | EA | MOUNTING PKG.,COMP., 3 PER | 6759-3081 |
| 8 | 131185-01-701 | EA | MOTOR (115V, 60HZ) | 1468-3069 |
| 9 | 131185-01-702 | EA | BLOWER WHEEL PACKAGE | 1472-1091 |
| 10 | 131188-02-702 | EA | RESTRICTOR - BY FLOW | 1454-2501 |
| 11 | 131188-01-701 | EA | RUN CAP. (COMP-40MFD/370V) | 1499-5721 |
| 12 | 093763-01-704 | EA | CAPACITOR-FAN | 1499-5461 |
| 13 | 131188-02-703 | EA | CAPACITOR-START(21-25MFD) | 1497-0211 |
| 14 | 091225-01-709 | EA | RELAY-START | 1497-4131 |
| 16 | 131186-01-701 | EA | EVAPORATOR COIL | 1452-1521 |
| 18 | 037648-01-714 | EA | GASKET PACKAGE | 8332-3301 |
| 19 | 131185-01-704 | EA | MOTOR MOUNT & SEAL KIT | 8333-5151 |
| 25 | 131188-02-704 | EA | VALVE/REVERSE ASSEMBLY | 7535A5301 |
| 26 | 105620-12-708 | EA | COIL - SOLENOID | 1460-1081 |
| 27 | 131188-02-705 | EA | WIRE HARNESS F/SOLENOID | 7535-109 |
| 28 | 131188-02-706 | EA | SWITCH - FREEZE | 1460-2041 |
| 29 | 131188-02-707 | EA | LIQUID LINE | 7535-135 |

CONTACT WINNEBAGO PART SALES FOR UNLISTED COMPONENT

INTERIOR FINISH GROUP

MOLDINGS & TRIMS PORTSMOUTH OAK

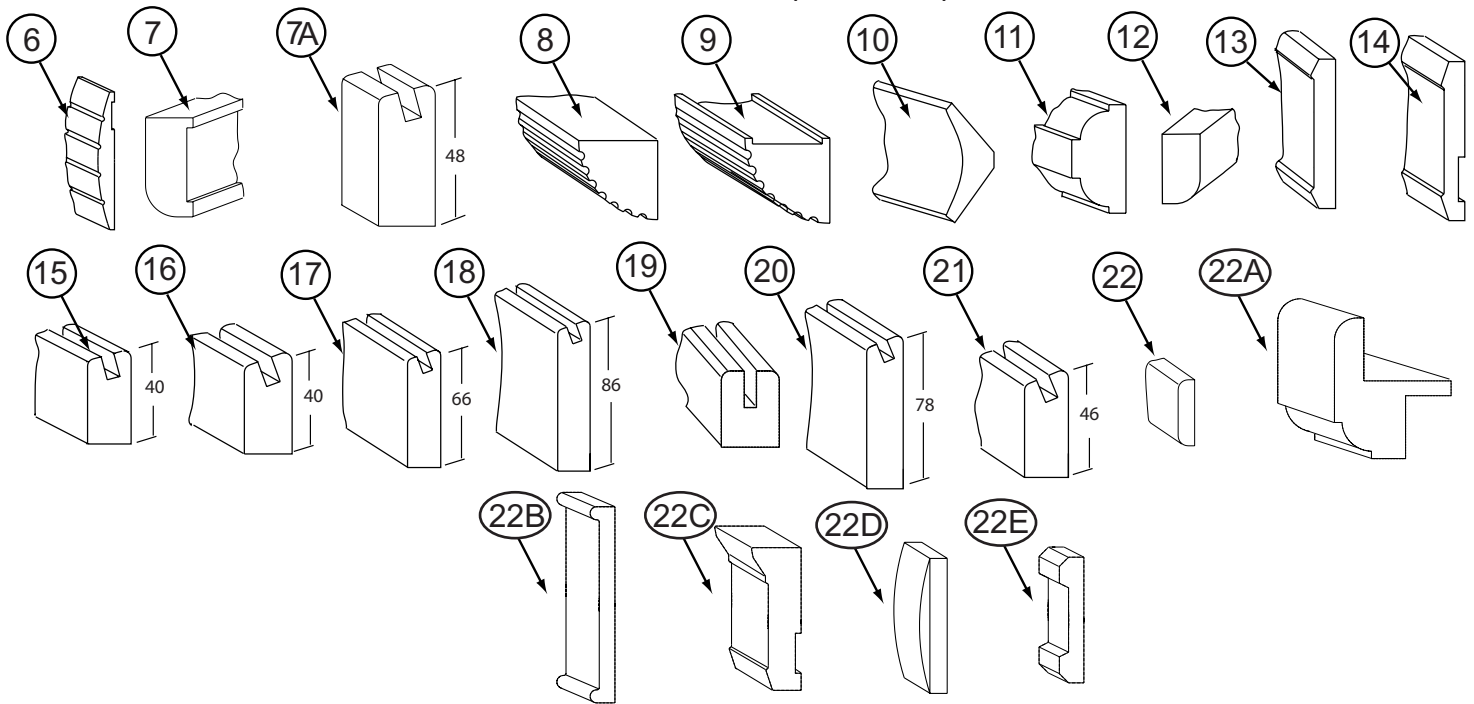


| KEY | PART NUMBER | U/M | DESCRIPTION |
|-----|---------------|-----|---|
| 1 | M09412-62-N42 | EA | MOLDING/SHELF EDGE - W/.4" NOTCH - PORTSMOUTH II - PORTSMOUTH OAK |
| 1 | M09412-62-M52 | EA | MOLDING/SHELF EDGE - W/.4" NOTCH - CHERRY IV - CONCERT CHERRY |
| 1 | M09412-62-M62 | EA | MOLDING/SHELF EDGE - W/.4" NOTCH - WASHED MAPLE |
| 1 | M09412-62-RC3 | EA | MOLDING/SHELF EDGE - W/.4" NOTCH - .6" X 1.3" X 96" - HONEY CHERRY |
| 1A | M09438-02-N70 | EA | MOLDING - HARDWOOD-W/NOTCH - 1.4"X 80.5" - OAK/PORTS OAK - PORTSMOUTH OAK |
| 1A | M09438-02-N85 | EA | MOLDING - HARDWOOD-W/NOTCH - 1.4"X 80.5" - CHERRY/CHERRY IV - CONCERT CHERRY |
| 1A | M09438-02-N84 | EA | MOLDING - HARDWOOD-W/NOTCH - 1.4"X 80.5" - MAPLE/WASHED MP - WASHED MAPLE |
| 1B | M09438-21-N95 | EA | MOLDING/TRIM - .8" X 2.2" X 80.2" - OAK/PORTS OAK - PORTSMOUTH OAK |
| 1B | M09438-21-N94 | EA | MOLDING/TRIM - .8" X 2.2" X 80.2" - CHERRY/CHERRY IV - CONCERT CHERRY |
| 1B | M09438-21-NQ0 | EA | MOLDING/TRIM - .8" X 2.2" X 80.2" - MAPLE/WASHED MP - WASHED MAPLE |
| 1B | M09438-23-N95 | EA | MOLDING - HARDWOOD-W/NOTCH - 4" X 80.2" - OAK/PORTS OAK - PORTSMOUTH OAK |
| 1B | M09438-23-N94 | EA | MOLDING - HARDWOOD-W/NOTCH - 4" X 80.2" - CHERRY/CHERRY IV - CONCERT CHERRY |
| 1B | M09438-23-NQ0 | EA | MOLDING - HARDWOOD-W/NOTCH - 4" X 80.2" - MAPLE/WASHED MP - WASHED MAPLE |
| 1B | M09438-25-N95 | EA | MOLDING - HARDWOOD-W/NOTCH - 1.4"X 80.2" - OAK/PORTS OAK - PORTSMOUTH OAK |
| 1B | M09438-25-N94 | EA | MOLDING - HARDWOOD-W/NOTCH - 1.4"X 80.2" - CHERRY/CHERRY IV - CONCERT CHERRY |
| 1B | M09438-25-NQ0 | EA | MOLDING - HARDWOOD-W/NOTCH - 1.4"X 80.2" - MAPLE/WASHED MP - WASHED MAPLE |
| 1B | M09438-25-RA3 | EA | MOLDING - HARDWOOD-W/NOTCH - 1.4"X 80.2" - CHERRY/HONEY - HONEY CHERRY |
| 1B | M09450-77-PC0 | EA | MOLDING - TRIM/HDWD W/LIP -.4"X3.2"X79.6" - OAK/PORTS OAK - PORTSMOUTH OAK |
| 1B | M09450-77-PC1 | EA | MOLDING - TRIM/HDWD W/LIP -.4"X3.2"X79.6" - CHERRY/CHERRY IV - CONCERT CHERRY |
| 1B | M09450-77-PC2 | EA | MOLDING - TRIM/HDWD W/LIP -.4"X3.2"X79.6" - MAPLE/WASHED MP - WASHED MAPLE |
| 1B | M09450-77-RC3 | EA | MOLDING - TRIM/HDWD W/LIP -.4"X3.2"X79.6" - CHERRY/HONEY - HONEY CHERRY |
| 1B | M09462-75-R38 | EA | MOLDING/TRIM - .75" X 1.2" X 80.2" - PORTSMOUTH OAK |
| 1B | M09462-75-R39 | EA | MOLDING/TRIM - .75" X 1.2" X 80.2" - CONCERT CHERRY |
| 1B | M09462-75-R46 | EA | MOLDING/TRIM - .75" X 1.2" X 80.2" - WASHED MAPLE |
| 2 | M09454-62-P54 | EA | MOLDING - TRIM/VEE - .2" X 1" X 3.5" - OAK - PORTSMOUTH OAK |
| 2 | M09454-62-P55 | EA | MOLDING - TRIM/VEE - .2" X 1" X 3.5" - CHERRY - CONCERT CHERRY |
| 2 | M09454-62-P56 | EA | MOLDING - TRIM/VEE - .2" X 1" X 3.5" - MAPLE - WASHED MAPLE |
| 2 | M09454-62-RE0 | EA | MOLDING - TRIM/VEE - .2" X 1" X 3.5" - CHERRY - HONEY CHERRY |
| 2 | M09462-50-R74 | EA | MOLDING - TRIM/VEE - .2" X 1" X 93.5" - PORTSMOUTH OAK |
| 2 | M09462-50-R75 | EA | MOLDING - TRIM/VEE - .2" X 1" X 93.5" - CONCERT CHERRY |
| 2 | M09462-50-R76 | EA | MOLDING - TRIM/VEE - .2" X 1" X 93.5" - WASHED MAPLE |
| 2 | M09477-18-R83 | EA | MOLDING - TRIM/VEE - .2" X 1" X 32" - OAK - PORTSMOUTH OAK |
| 2 | M09477-18-R84 | EA | MOLDING - TRIM/VEE - .2" X 1" X 32" - CHERRY - CONCERT CHERRY |
| 2 | M09477-18-R91 | EA | MOLDING - TRIM/VEE - .2" X 1" X 32" - MAPLE - WASHED MAPLE |
| 2 | M09477-18-RE0 | EA | MOLDING - TRIM/VEE - .2" X 1" X 32" - CHERRY - HONEY CHERRY |
| 3 | M09471-79-R38 | EA | MOLDING-STAINED - PORTSMOUTH OAK |
| 3 | M09471-79-R39 | EA | MOLDING-STAINED - CONCERT CHERRY |
| 3 | M09471-79-R46 | EA | MOLDING-STAINED - WASHED MAPLE |
| 3 | M09471-79-RE0 | EA | MOLDING-STAINED - HONEY CHERRY |
| 3A | M09471-40-R83 | EA | MOLDING-STAINED - PORTSMOUTH OAK |
| 3A | M09471-40-R84 | EA | MOLDING-STAINED - CONCERT CHERRY |
| 3A | M09471-40-RE0 | EA | MOLDING-STAINED - HONEY CHERRY |
| 4 | M09454-52-PA0 | EA | MOLDING - FLUTED - .75" X 3.5" X 76.7" - OAK - PORTSMOUTH OAK |
| 4 | M09454-52-PA1 | EA | MOLDING - FLUTED - .75" X 3.5" X 76.7" - CHERRY - CONCERT CHERRY |
| 4 | M09454-52-PA2 | EA | MOLDING - FLUTED - .75" X 3.5" X 76.7" - MAPLE - WASHED MAPLE |
| 4 | P39129-01-N53 | EA | MOLDING - FLUTED/CURVED - 3.5" X 44.5" - PORTSMOUTH OAK |
| 4 | P39129-01-N52 | EA | MOLDING - FLUTED/CURVED - 3.5" X 44.5" - CONCERT CHERRY |
| 4 | P39129-01-N62 | EA | MOLDING - FLUTED/CURVED - 3.5" X 44.5" - WASHED MAPLE |
| 4 | P39129-01-RA3 | EA | MOLDING - FLUTED/CURVED - 3.5" X 44.5" - HONEY CHERRY |

INTERIOR FINISH GROUP (CONTINUED)
MOLDINGS & TRIMS (CONTINUED)

| KEY | PART NUMBER | U/M | DESCRIPTION |
|-----|---------------|-----|--|
| 4 | P39129-08-N53 | EA | MOLDING - FLUTED/CURVED - 3.5" X 45.5" - PORTSMOUTH OAK |
| 4 | P39129-08-N52 | EA | MOLDING - FLUTED/CURVED - 3.5" X 45.5" - CONCERT CHERRY |
| 4 | P39129-08-N62 | EA | MOLDING - FLUTED/CURVED - 3.5" X 45.5" - WASHED MAPLE |
| 4 | P39129-08-RA3 | EA | MOLDING - FLUTED/CURVED - 3.5" X 45.5" - HONEY CHERRY |
| 4 | P39129-14-PA0 | EA | MOLDING - FLUTED/CURVED - 3.5" X 40.8" - PORTSMOUTH OAK |
| 4 | P39129-14-PA1 | EA | MOLDING - FLUTED/CURVED - 3.5" X 40.8" - CONCERT CHERRY |
| 4 | P39129-14-PA2 | EA | MOLDING - FLUTED/CURVED - 3.5" X 40.8" - WASHED MAPLE |
| 4 | P39129-14-RA3 | EA | MOLDING - FLUTED/CURVED - 3.5" X 40.8" - HONEY CHERRY |
| 4 | P39129-20-PA0 | EA | MOLDING - FLUTED/CURVED - 3.5" X 33.4" - PORTSMOUTH OAK |
| 4 | P39129-20-PA1 | EA | MOLDING - FLUTED/CURVED - 3.5" X 33.4" - CONCERT CHERRY |
| 4 | P39129-20-PA2 | EA | MOLDING - FLUTED/CURVED - 3.5" X 33.4" - WASHED MAPLE |
| 4 | P39129-20-RA3 | EA | MOLDING - FLUTED/CURVED - 3.5" X 33.4" - HONEY CHERRY |
| 4 | P39129-25-PA0 | EA | MOLDING - FLUTED/CURVED - 3.5" X 46.6" - PORTSMOUTH OAK |
| 4 | P39129-25-PA1 | EA | MOLDING - FLUTED/CURVED - 3.5" X 46.6" - CONCERT CHERRY |
| 4 | P39129-25-PA2 | EA | MOLDING - FLUTED/CURVED - 3.5" X 46.6" - WASHED MAPLE |
| 4 | P39129-25-RA3 | EA | MOLDING - FLUTED/CURVED - 3.5" X 46.6" - HONEY CHERRY |
| 4 | P39129-31-PA0 | EA | MOLDING - FLUTED/CURVED - 3.5" X 80.7" - PORTSMOUTH OAK |
| 4 | P39129-31-PA1 | EA | MOLDING - FLUTED/CURVED - 3.5" X 80.7" - CONCERT CHERRY |
| 4 | P39129-31-PA2 | EA | MOLDING - FLUTED/CURVED - 3.5" X 80.7" - WASHED MAPLE |
| 4 | P39129-31-RA3 | EA | MOLDING - FLUTED/CURVED - 3.5" X 80.7" - HONEY CHERRY |
| 4 | P39129-32-RA0 | EA | MOLDING - FLUTED/CURVED - 3.5" X 99.2" - PORTSMOUTH OAK |
| 4 | P39129-32-RA1 | EA | MOLDING - FLUTED/CURVED - 3.5" X 99.2" - CONCERT CHERRY |
| 4 | P39129-32-RA2 | EA | MOLDING - FLUTED/CURVED - 3.5" X 99.2" - WASHED MAPLE |
| 4 | P39129-32-RA3 | EA | MOLDING - FLUTED/CURVED - 3.5" X 99.2" - HONEY CHERRY |
| 4 | P39129-33-RA0 | EA | MOLDING - FLUTED/CURVED - 3.5" X 98.58" - PORTSMOUTH OAK |
| 4 | P39129-33-RA1 | EA | MOLDING - FLUTED/CURVED - 3.5" X 98.58" - CONCERT CHERRY |
| 4 | P39129-33-RA2 | EA | MOLDING - FLUTED/CURVED - 3.5" X 98.58" - WASHED MAPLE |
| 4 | P39129-33-RA3 | EA | MOLDING - FLUTED/CURVED - 3.5" X 98.58" - HONEY CHERRY |
| 5 | P39129-19-PA0 | EA | MOLDING - FLUTED/CURVED - 5.9" X 32.1" - PORTSMOUTH OAK |
| 5 | P39129-19-PA1 | EA | MOLDING - FLUTED/CURVED - 5.9" X 32.1" - CONCERT CHERRY |
| 5 | P39129-19-PA2 | EA | MOLDING - FLUTED/CURVED - 5.9" X 32.1" - WASHED MAPLE |
| 5 | P39129-19-RA3 | EA | MOLDING - FLUTED/CURVED - 5.9" X 32.1" - HONEY CHERRY |
| 5 | P39129-28-PA0 | EA | MOLDING - FLUTED/CURVED - 5.9" X 63.3" - PORTSMOUTH OAK |
| 5 | P39129-28-PA1 | EA | MOLDING - FLUTED/CURVED - 5.9" X 63.3" - CONCERT CHERRY |
| 5 | P39129-28-PA2 | EA | MOLDING - FLUTED/CURVED - 5.9" X 63.3" - WASHED MAPLE |
| 5 | P39129-28-RA3 | EA | MOLDING - FLUTED/CURVED - 5.9" X 63.3" - HONEY CHERRY |
| 5 | P39129-29-PA0 | EA | MOLDING - FLUTED/CURVED - 5.9" X 70.1" - PORTSMOUTH OAK |
| 5 | P39129-29-PA1 | EA | MOLDING - FLUTED/CURVED - 5.9" X 70.1" - CONCERT CHERRY |
| 5 | P39129-29-PA2 | EA | MOLDING - FLUTED/CURVED - 5.9" X 70.1" - WASHED MAPLE |
| 5 | P39129-29-RA3 | EA | MOLDING - FLUTED/CURVED - 5.9" X 70.1" - HONEY CHERRY |

INTERIOR FINISH GROUP (CONTINUED)
MOLDINGS & TRIMS (CONTINUED)



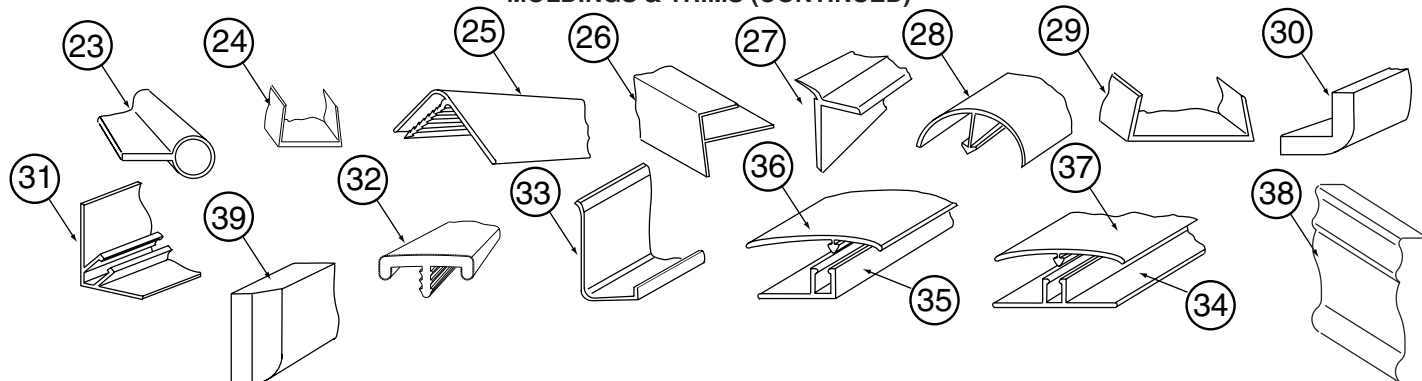
| KEY | PART NUMBER | U/M | DESCRIPTION |
|-----|---------------|-----|---|
| 6 | P39129-21-PA0 | EA | MOLDING - FLUTED/CURVED - 5.9" X 2.5" - PORTSMOUTH OAK |
| 6 | P39129-21-PA1 | EA | MOLDING - FLUTED/CURVED - 5.9" X 2.5" - CONCERT CHERRY |
| 6 | P39129-21-PA2 | EA | MOLDING - FLUTED/CURVED - 5.9" X 2.5" - WASHED MAPLE |
| 6 | P39129-21-RA3 | EA | MOLDING - FLUTED/CURVED - 5.9" X 2.5" - HONEY CHERRY |
| 6 | P39129-22-PA0 | EA | MOLDING - FLUTED/CURVED - 5.9" X 5.3" - PORTSMOUTH OAK |
| 6 | P39129-22-PA1 | EA | MOLDING - FLUTED/CURVED - 5.9" X 5.3" - CONCERT CHERRY |
| 6 | P39129-22-PA2 | EA | MOLDING - FLUTED/CURVED - 5.9" X 5.3" - WASHED MAPLE |
| 6 | P39129-22-RA3 | EA | MOLDING - FLUTED/CURVED - 5.9" X 5.3" - HONEY CHERRY |
| 7 | Y00007-22-438 | EA | MOLDING - MAPLE - UNSTAINED |
| 7 | Y00007-32-438 | EA | MOLDING - CHERRY - UNSTAINED |
| 7 | Y00007-42-438 | EA | MOLDING - OAK - UNSTAINED |
| 7A | Y00054-72-438 | EA | MOLDING - VINYL - W/SLOT - .7"X 1.9"X 96" - PORTSMOUTH OAK |
| 7A | Y00054-62-438 | EA | MOLDING - VINYL - W/SLOT - .7"X 1.9"X 96" - CONCERT CHERRY |
| 7A | Y00054-A2-438 | EA | MOLDING - VINYL - W/SLOT - .7"X 1.9"X 96" - WASHED MAPLE |
| 8 | Y00070-22-438 | EA | MOLDING/FLUTED - MAPLE - 96" - WASHED MAPLE |
| 8 | Y00070-32-438 | EA | MOLDING/FLUTED - CHERRY - 96" - CONCERT CHERRY |
| 8 | Y00070-42-438 | EA | MOLDING/FLUTED - OAK - 96" - PORTSMOUTH OAK |
| 9 | Y00071-22-438 | EA | MOLDING/FLUTED - W/NOTCH - MAPLE/UNSTAINED - 96" |
| 9 | Y00071-32-438 | EA | MOLDING/FLUTED - W/NOTCH - CHERRY/UNSTAINED - 96" |
| 9 | Y00071-42-438 | EA | MOLDING/FLUTED - W/NOTCH - OAK/UNSTAINED - 96" |
| 10 | Y00074-A2-438 | EA | MOLDING/CROWN - VINYL WRAPPED - MAPLE - 96" - WASHED MAPLE |
| 10 | Y00074-62-438 | EA | MOLDING/CROWN - VINYL WRAPPED - CONCERT CHERRY - 96" - CONCERT CHERRY |
| 10 | Y00074-72-438 | EA | MOLDING/CROWN - VINYL WRAPPED - PORTSMOUTH OAK - 96" - PORTSMOUTH OAK |
| 11 | Y00076-22-438 | EA | MOLDING/TRIM - .5" X 1" X 96" - MAPLE (UNSTAINED) |
| 11 | Y00076-32-438 | EA | MOLDING/TRIM - .5" X 1" X 96" - CHERRY (UNSTAINED) |
| 11 | Y00076-42-438 | EA | MOLDING/TRIM - .5" X 1" X 96" - OAK (UNSTAINED) |
| 12 | Y00086-A2-438 | EA | MOLDING - VINYL WRAP - .7" X 1.6" X 96" - WASHED MAPLE |
| 12 | Y00086-62-438 | EA | MOLDING - VINYL WRAP - .7" X 1.6" X 96" - CONCERT CHERRY |
| 12 | Y00086-72-438 | EA | MOLDING - VINYL WRAP - .7" X 1.6" X 96" - PORTSMOUTH OAK |
| 12 | Y00086-82-438 | EA | MOLDING - VINYL WRAP - .7" X 1.6" X 96" - HONEY CHERRY |
| 12 | Y00087-A2-438 | EA | MOLDING - VINYL WRAP - .7" X 2.9" X 96" - WASHED MAPLE |
| 12 | Y00087-62-438 | EA | MOLDING - VINYL WRAP - .7" X 2.9" X 96" - CONCERT CHERRY |
| 12 | Y00087-72-438 | EA | MOLDING - VINYL WRAP - .7" X 2.9" X 96" - PORTSMOUTH OAK |
| 12 | Y00087-82-438 | EA | MOLDING - VINYL WRAP - .7" X 2.9" X 96" - HONEY CHERRY |
| 12 | Y00267-72-438 | EA | MOLDING - VINYL WRAP/MITERED - .6" X 96" - PORTSMOUTH OAK |
| 12 | Y00267-62-438 | EA | MOLDING - VINYL WRAP/MITERED - .6" X 96" - CONCERT CHERRY |
| 12 | Y00267-A2-438 | EA | MOLDING - VINYL WRAP/MITERED - .6" X 96" - WASHED MAPLE |

INTERIOR FINISH GROUP (CONTINUED)
MOLDINGS & TRIMS (CONTINUED)

| KEY | PART NUMBER | U/M | DESCRIPTION |
|-----|---------------|-----|---|
| 13 | Y00152-A2-438 | EA | MOLDING/TRIM - VINYL - .6" X 3.5" X 96" - WASHED MAPLE |
| 13 | Y00152-62-438 | EA | MOLDING/TRIM - VINYL - .6" X 3.5" X 96" - CONCERT CHERRY |
| 13 | Y00152-72-438 | EA | MOLDING/TRIM - VINYL - .6" X 3.5" X 96" - PORTSMOUTH OAK |
| 14 | Y00153-A2-438 | EA | MOLDING/TRIM - VINYL - .6" X 3.9" X 96" - WASHED MAPLE |
| 14 | Y00153-62-438 | EA | MOLDING/TRIM - VINYL - .6" X 3.9" X 96" - CONCERT CHERRY |
| 14 | Y00153-72-438 | EA | MOLDING/TRIM - VINYL - .6" X 3.9" X 96" - PORTSMOUTH OAK |
| 14 | Y00153-82-438 | EA | MOLDING/TRIM - VINYL - .6" X 3.9" X 96" - HONEY CHERRY |
| 15 | Y00203-A2-438 | EA | MOLDING - VINYL/BEVELED - 96" - WASHED MAPLE |
| 15 | Y00203-62-438 | EA | MOLDING - VINYL/BEVELED - 96" - CONCERT CHERRY |
| 15 | Y00203-72-438 | EA | MOLDING - VINYL/BEVELED - 96" - PORTSMOUT OAK |
| 15 | Y00203-82-438 | EA | MOLDING - VINYL/BEVELED - 96" - HONEY CHERRY |
| 16 | Y00204-A2-438 | EA | MOLDING - VINYL/BEVELED - 96" - WASHED MAPLE |
| 16 | Y00204-62-438 | EA | MOLDING - VINYL/BEVELED - 96" - CONCERT CHERRY |
| 16 | Y00204-72-438 | EA | MOLDING - VINYL/BEVELED - 96" - PORTSMOUT OAK |
| 16 | Y00204-82-438 | EA | MOLDING - VINYL/BEVELED - 96" - HONEY CHERRY |
| 17 | Y00205-A2-438 | EA | MOLDING - VINYL/BEVELED - 96" - WASHED MAPLE |
| 17 | Y00205-62-438 | EA | MOLDING - VINYL/BEVELED - 96" - CONCERT CHERRY |
| 17 | Y00205-72-438 | EA | MOLDING - VINYL/BEVELED - 96" - PORTSMOUT OAK |
| 17 | Y00205-82-438 | EA | MOLDING - VINYL/BEVELED - 96" - HONEY CHERRY |
| 18 | Y00206-A2-438 | EA | MOLDING - VINYL/BEVELED - 96" - WASHED MAPLE |
| 18 | Y00206-62-438 | EA | MOLDING - VINYL/BEVELED - 96" - CONCERT CHERRY |
| 18 | Y00206-72-438 | EA | MOLDING - VINYL/BEVELED - 96" - PORTSMOUT OAK |
| 18 | Y00206-82-438 | EA | MOLDING - VINYL/BEVELED - 96" - HONEY CHERRY |
| 19 | Y00223-22-438 | EA | MOLDING - HARDWOOD/MAPLE - .7" X 1" X 96" |
| 19 | Y00223-32-438 | EA | MOLDING - HARDWOOD/CHERRY - .7" X 1" X 96" |
| 19 | Y00223-42-438 | EA | MOLDING - HARDWOOD/OAK - .7" X 1" X 96" |
| 20 | Y00258-A2-438 | EA | MOLDING - VINYL/BEVELED - 96" - WASHED MAPLE |
| 20 | Y00258-62-438 | EA | MOLDING - VINYL/BEVELED - 96" - CONCERT CHERRY |
| 20 | Y00258-72-438 | EA | MOLDING - VINYL/BEVELED - 96" - PORTSMOUT OAK |
| 20 | Y00258-82-438 | EA | MOLDING - VINYL/BEVELED - 96" - HONEY CHERRY |
| 21 | Y00259-A2-438 | EA | MOLDING - VINYL/BEVELED - 96" - WASHED MAPLE |
| 21 | Y00259-62-438 | EA | MOLDING - VINYL/BEVELED - 96" - CONCERT CHERRY |
| 21 | Y00259-72-438 | EA | MOLDING - VINYL/BEVELED - 96" - PORTSMOUT OAK |
| 21 | Y00259-82-438 | EA | MOLDING - VINYL/BEVELED - 96" - HONEY CHERRY |
| 22 | Y00262-22-438 | EA | MOLDING - 96" - MAPLE, UNSTAINED |
| 22 | Y00262-32-438 | EA | MOLDING - 96" - CHERRY, UNSTAINED |
| 22 | Y00262-42-438 | EA | MOLDING - 96" - OAK, UNSTAINED |
| 22A | Y00266-42-438 | EA | MOLDING - .75" X 1.5" X 96" OAK - .7" X 1" X 96" |
| 22A | Y00266-32-438 | EA | MOLDING - .75" X 1.5" X 96" CHERRY - .7" X 1" X 96" |
| 22A | Y00266-22-438 | EA | MOLDING - .75" X 1.5" X 96" MAPLE - .7" X 1" X 96" |
| 22B | Y00280-74-174 | EA | MOLDING/TRIM - VINYL - F/SLIDEOUT - 164.1" - PORTSMOUTH OAK |
| 22B | Y00280-64-174 | EA | MOLDING/TRIM - VINYL - F/SLIDEOUT - 164.1" - CONCERT CHERRY |
| 22B | Y00280-A4-174 | EA | MOLDING/TRIM - VINYL - F/SLIDEOUT - 164.1" - WASHED MAPLE |
| 22B | Y00281-72-438 | EA | MOLDING/TRIM - VINYL - F/SLIDEOUT - 96" - PORTSMTH OAK |
| 22B | Y00281-62-438 | EA | MOLDING/TRIM - VINYL - F/SLIDEOUT - 96" - CONCERT CHERRY |
| 22B | Y00281-A2-438 | EA | MOLDING/TRIM - VINYL - F/SLIDEOUT - 96" - WASHED MAPLE |
| 22B | Y00291-72-438 | EA | MOLDING - VINYL WRAPPED - 4" X 96" - PORTSMTH OAK |
| 22B | Y00291-62-438 | EA | MOLDING - VINYL WRAPPED - 4" X 96" - CONCERT CHERRY |
| 22B | Y00291-A2-438 | EA | MOLDING - VINYL WRAPPED - 4" X 96" - WASHED MAPLE |
| 22C | Y00282-72-438 | EA | MOLDING - SLIDEOUT/VINYL WRAP - 3.9" X 96"- PORTSMOUTH OAK |
| 22C | Y00282-62-438 | EA | MOLDING - SLIDEOUT/VINYL WRAP - 3.9" X 96"- CONCERT CHERRY |
| 22C | Y00282-A2-438 | EA | MOLDING - SLIDEOUT/VINYL WRAP - 3.9" X 96"- WASHED MAPLE |
| 22D | Y00284-42-438 | EA | MOLDING - STRAIGHT - .2" X1.5" X 96"- UNSTAINED OAK |
| 22D | Y00284-32-438 | EA | MOLDING - STRAIGHT - .2" X1.5" X 96"- UNSTAINED CHERRY |
| 22D | Y00284-22-438 | EA | MOLDING - STRAIGHT - .2" X1.5" X 96"- UNSTAINED MAPLE |
| 22E | Y00285-42-438 | EA | MOLDING - STRAIGHT - .63" X 3.2" X 96"- UNSTAINED OAK |
| 22E | Y00285-32-438 | EA | MOLDING - STRAIGHT - .63" X 3.2" X 96"- UNSTAINED CHERRY |
| 22E | Y00285-22-438 | EA | MOLDING - STRAIGHT - .63" X 3.2" X 96"- UNSTAINED MAPLE |

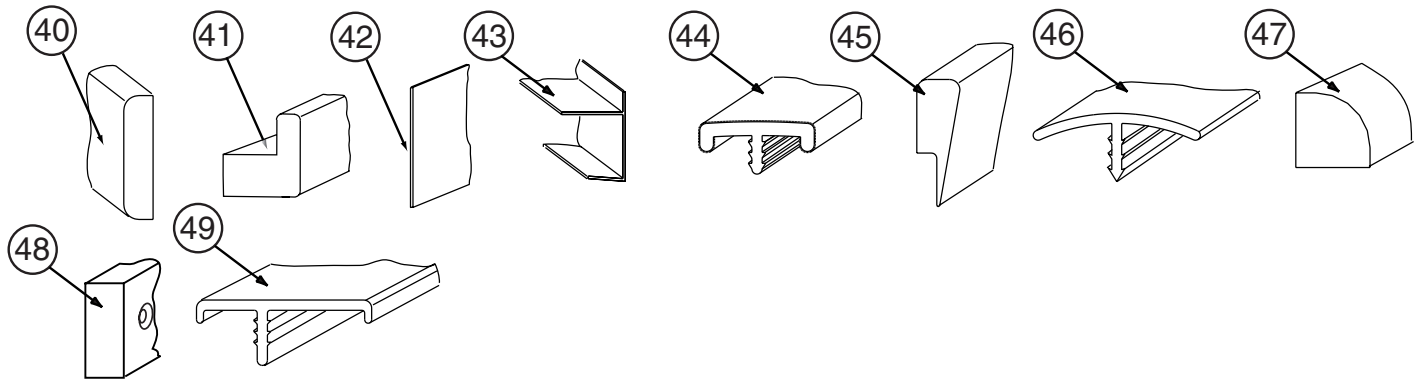
INTERIOR FINISH GROUP (CONTINUED)

MOLDINGS & TRIMS (CONTINUED)



| KEY | PART NUMBER | U/M | DESCRIPTION |
|-----|---------------|-----|--|
| 23 | 009767-12-000 | FT | WELTING - ANTIQUE WHITE |
| 24 | 009778-25-000 | FT | U-CHANNEL - 1" - BEIGE ILLUSION |
| 24 | 009778-27-000 | FT | U-CHANNEL - 1" - WASHED MAPLE |
| 24 | 009778-32-000 | FT | U-CHANNEL - 1" - PORTSMOUTH OAK |
| 24 | 009778-34-000 | FT | U-CHANNEL - 1" - CONCERT CHERRY |
| 24 | 009778-35-000 | FT | U-CHANNEL - 1" - HONEY CHERRY |
| 25 | 009809-30-000 | EA | MOLDING - CORNER - OUTSIDE - 1" X 84" - BEIGE ILLUSION |
| 25 | 009809-32-000 | EA | MOLDING - CORNER - OUTSIDE - 1" X 84" - PORTSMOUTH OAK |
| 25 | 009809-31-000 | EA | MOLDING - CORNER - OUTSIDE - 1" X 84" - WASHED MAPLE |
| 25 | 009809-33-000 | EA | MOLDING - CORNER - OUTSIDE - 1" X 84" - CONCERT CHERRY |
| 25 | 009809-34-000 | EA | MOLDING - CORNER - OUTSIDE - 1" X 84" - HONEY CHERRY |
| 26 | 009812-31-000 | EA | MOLDING - CORNER - 1/2" W/1/4"CHAN X 84" - BEIGE ILLUSION |
| 26 | 009812-33-000 | EA | MOLDING - CORNER - 1/2" W/1/4"CHAN X 84" - WASHED MAPLE |
| 26 | 009812-34-000 | EA | MOLDING - CORNER - 1/2" W/1/4"CHAN X 84" - VW LIGHT GRAY |
| 26 | 009812-35-000 | EA | MOLDING - CORNER - 1/2" W/1/4"CHAN X 84" - PORTSMOUTH OAK |
| 26 | 009812-36-000 | EA | MOLDING - CORNER - 1/2" W/1/4"CHAN X 84" - CONCERT CHERRY |
| 26 | 009812-37-000 | EA | MOLDING - CORNER - 1/2" W/1/4"CHAN X 84" - HONEY CHERRY |
| 27 | 022992-11-000 | FT | MOLDING - REVERSE COVE - T-SHAPED - IVORY |
| 27 | 022992-14-000 | FT | MOLDING - REVERSE COVE - T-SHAPED - BRIGHT WHITE |
| 27 | 022992-15-000 | FT | MOLDING - REVERSE COVE - T-SHAPED - VW GRAY |
| 28 | 042357-25-000 | EA | MOLDING - CORNER - RADIUS/PLASTIC - WASHED MAPLE |
| 29 | 070504-42-000 | FT | U-CHANNEL - PLASTIC - .13" X 84" - BEIGE ILLUSION |
| 29 | 070504-50-000 | FT | U-CHANNEL - PLASTIC - .13" X 96" - WASHED MAPLE |
| 29 | 070504-51-000 | FT | U-CHANNEL - PLASTIC - .9" X 96" - WASHED MAPLE |
| 29 | 070504-54-000 | FT | U-CHANNEL - PLASTIC - .9" X 96" - VILLAGE OAK |
| 29 | 070504-57-000 | FT | U-CHANNEL - PLASTIC - .13" X 84" - PORTSMOUTH OAK |
| 29 | 070504-58-000 | FT | U-CHANNEL - PLASTIC - .9" X 84" - PORTSMOUTH OAK |
| 29 | 070504-60-000 | FT | U-CHANNEL - PLASTIC - .13" X 84" - CONCERT CHERRY |
| 29 | 070504-61-000 | FT | U-CHANNEL - PLASTIC - .9" X 84" - CONCERT CHERRY |
| 29 | 070504-62-000 | FT | U-CHANNEL - PLASTIC - 1.65" X 84" - HONEY CHERRY |
| 29 | 070504-63-000 | FT | U-CHANNEL - PLASTIC - .9" X 84" - HONEY CHERRY |
| 29 | 070504-64-000 | FT | U-CHANNEL - PLASTIC - .7" X 84" - HONEY CHERRY |
| 30 | 080176-08-000 | EA | CAP - CORNER - RADIUS MOLDING - PLASTIC - WASHED MAPLE |
| 31 | 081521-02-007 | EA | MOUNT - METAL MOLDING - F/RADIUS CORNER MOLDING - 151.5" |
| 32 | 083620-15-000 | FT | MOLDING-T - W/EDGE LIP - 7/8" FACE - BEIGE ILLUSION |
| 32 | 083620-19-000 | FT | MOLDING-T - W/EDGE LIP - 7/8" FACE - WASHED MAPLE |
| 32 | 083620-20-000 | FT | MOLDING-T - W/EDGE LIP - 7/8" FACE - PORTSMOUTH OAK |
| 32 | 083620-21-000 | FT | MOLDING-T - W/EDGE LIP - 7/8" FACE - CONCERT CHERRY/HONEY CHERRY |
| 33 | 085746-04-000 | FT | TRIM-J - CARPET 1.2" X .5" ANGLE - 10' LONG - OFF WHITE |
| 34 | 086229-01-000 | EA | RETAINER - BATTEN - .75" X 92.1" - ANY COLOR |
| 35 | 086229-11-000 | EA | RETAINER - OFFSET - 97" |
| 36 | 086229-21-000 | EA | BATTEN - 1.5" X 83.9" OFFSET - WHITE |
| 37 | 086229-20-000 | EA | BATTEN - 1" X 96" - BEIGE |
| 38 | 100182-10-J70 | EA | TRIM/WOOD - CHAIR RAIL - 2.5" X 8' - WASHED MAPLE |
| 38 | 100182-10-N47 | EA | TRIM/WOOD - CHAIR RAIL - 2.5" X 8' - PORTSMOUTH OAK |
| 38 | 100182-10-P85 | EA | TRIM/WOOD - CHAIR RAIL - 2.5" X 8' - CHERRY - CONCERT CHERRY |
| 38 | 100182-10-RA3 | EA | TRIM/WOOD - CHAIR RAIL - 2.5" X 8' - HONEY CHERRY |
| 39 | 100659-30-N75 | EA | MOLDING - TRIM - 8' - PORTSMOUTH OAK |
| 39 | 100659-30-N74 | EA | MOLDING - TRIM - 8' - CHERRY - CONCERT CHERRY |
| 39 | 100659-30-M84 | EA | MOLDING - TRIM - 8' - WASHED MAPLE |
| 39 | 100659-27-RA2 | EA | MOLDING - TRIM - HONEY CHERRY |

INTERIOR FINISH GROUP (CONTINUED)
MOLDINGS & TRIMS (CONTINUED)

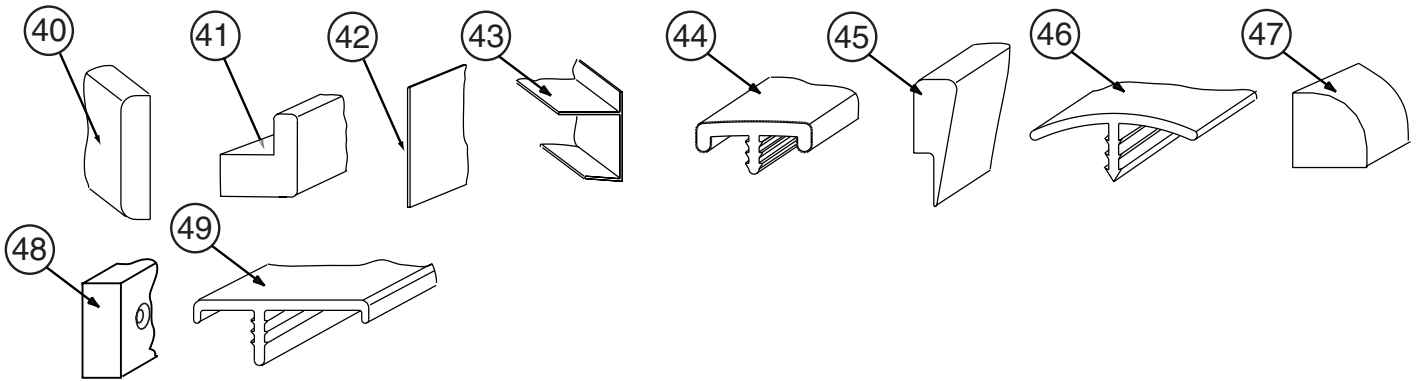


| KEY | PART NUMBER | U/M | DESCRIPTION |
|-----|---------------|-----|---|
| 40 | 100818-01-21A | EA | MOLDING - VINYL WRAPPED - 1.6" X .4" X 84" - WASHED MAPLE |
| 40 | 100818-01-12A | EA | MOLDING - VINYL WRAPPED - 1.6" X .4" X 84" - PORTSMOUTH OAK |
| 40 | 100818-01-13A | EA | MOLDING - VINYL WRAPPED - 1.6" X .4" X 84" - CHERRY - CONCERT CHERRY |
| 40 | 100818-01-14A | EA | MOLDING - VINYL WRAPPED - 1.6" X .4" X 84" - HONEY CHERRY |
| 41 | 100819-01-21A | EA | MOLDING - VINYL WRAPPED-L-SHAPED-1.5"X1.5"X84" - WASHED MAPLE |
| 41 | 100819-01-12A | EA | MOLDING - VINYL WRAPPED-L-SHAPED - 1.5" X 1.5" X 84" - OAK - PORTSMOUTH OAK |
| 41 | 100819-01-13A | EA | MOLDING - VINYL WRAPPED-L-SHAPED-1.5"X1.5"X84" - CONCERT CHERRY |
| 41 | 100819-01-14A | EA | MOLDING - VINYL WRAPPED-L-SHAPED-1.5"X1.5"X84" - HONEY CHERRY |
| 42 | 101957-01-06A | EA | EXTRUDED - PLASTIC - WASHED MAPLE |
| 43 | 103186-01-07A | FT | MOLDING/PLASTIC - 3/8" U-CHANNEL-3/4"FACE - BEIGE ILLUS 8' |
| 43 | 103186-01-08A | FT | MOLDING/PLASTIC - 3/8" U-CHANNEL-3/4"FACE-WASHED MAPLE 8' - WASHED MAPLE |
| 43 | 103186-01-09A | FT | MOLDING/PLASTIC - 3/8" U-CHAN'L-3/4"FACE-PORTSMOUTH OAK 8' - PORTSMOUTH OAK |
| 43 | 103186-01-10A | FT | MOLDING/PLASTIC-3/8" U-CHAN'L-3/4"FACE-CONCERT CHERRY 8' - CONCERT CHERRY |
| 43 | 103186-01-11A | FT | MOLDING/PLASTIC-3/8" U-CHAN'L-3/4"FACE-CONCERT CHERRY 8' - HONEY CHERRY |
| 43 | 103186-02-07A | FT | MOLDING/PLASTIC-1" U-CHAN'L-1 3/8"FACE-BEIGE ILLUSION - 8' |
| 43 | 103186-02-08A | FT | MOLDING/PLASTIC - 1" U-CHANNEL-1 3/8"FACE-WASHED MAPLE 8' - WASHED MAPLE |
| 43 | 103186-02-09A | FT | MOLDING/PLASTIC - 1" U-CHAN'L-1 3/8"FACE-PORTSMOUTH OAK 8' - PORTSMOUTH OAK |
| 43 | 103186-02-10A | FT | MOLDING/PLASTIC - 1" U-CHAN'L-1 3/8"FACE-CONCERT CHERRY 8' - CONCERT CHERRY |
| 43 | 103186-02-11A | FT | MOLDING/PLASTIC - 1" U-CHAN'L-1 3/8"FACE-CONCERT CHERRY 8' - HONEY CHERRY |
| 44 | 104676-02-06A | FT | MOLDING-T - W/EDGE LIP - 11/16" FACE - WASHED MAPLE |
| 44 | 104676-02-08A | FT | MOLDING-T - W/EDGE LIP - 11/16" FACE - PORTSMOUTH OAK |
| 44 | 104676-02-09A | FT | MOLDING-T - W/EDGE LIP - 11/16" FACE - CONCERT CHERRY |
| 44 | 104676-02-10A | FT | MOLDING-T - W/EDGE LIP - 11/16" FACE - HONEY CHERRY |
| 45 | 105004-01-21A | EA | MOLDING - VINYL WRAPPED - 1" X 96" - WASHED MAPLE |
| 45 | 105004-01-12A | EA | MOLDING - VINYL WRAPPED 1" X 96" - PORTSMOUTH OAK |
| 45 | 105004-01-13A | EA | MOLDING - VINYL WRAPPED 1" X 96" - CONCERT CHERRY |
| 45 | 105004-01-14A | EA | MOLDING - VINYL WRAPPED 1" X 96" - HONEY CHERRY |
| 46 | 105709-02-000 | FT | MOLDING-T - W/EDGE LIP - 3/4" FACE - BEIGE ILLUSION |
| 47 | 109410-01-P25 | EA | MOLDING - TRIM - 8' - BLACK CHERRY/CHERRY IV - CONCERT CHERRY |
| 47 | 109410-01-N75 | EA | MOLDING - TRIM - 8' - PORTSMOUTH OAK |
| 47 | 109410-01-J70 | EA | MOLDING - TRIM - 8' - WHITE MAPLE - WASHED MAPLE |
| 48 | 116951-11-KQ0 | EA | MOLDING - TRIM - 3.5" X 75.9" - WASHED MAPLE |
| 48 | 116951-11-KQ1 | EA | MOLDING - TRIM - 3.5" X 75.9" - CONCERT CHERRY |
| 48 | 116951-11-N95 | EA | MOLDING - TRIM - 3.5" X 75.9" - PORTSMOUTH OAK |
| 48 | 116951-11-RE0 | EA | MOLDING - TRIM - 3.5" X 75.9" - HONEY CHERRY |
| 48 | 116951-16-K37 | EA | MOLDING - TRIM - 3.5" X 74.3" - CONCERT CHERRY |
| 48 | 116951-16-K90 | EA | MOLDING - TRIM - 3.5" X 74.3" - WASHED MAPLE |
| 48 | 116951-16-N75 | EA | MOLDING - TRIM - 3.5" X 74.3" - PORTSMOUTH OAK |
| 48 | 116951-16-RC3 | EA | MOLDING - TRIM - 3.5" X 74.3" - HONEY CHERRY |
| 48 | 116951-23-L52 | EA | MOLDING - TRIM - 3.5" X 74.3" - CONCERT CHERRY |
| 48 | 116951-23-L58 | EA | MOLDING - TRIM - 3.5" X 74.3" - WASHED MAPLE |
| 48 | 116951-23-RE0 | EA | MOLDING - TRIM - 3.5" X 74.3" - HONEY CHERRY |
| 48 | 116951-23-R83 | EA | MOLDING - TRIM - 3.5" X 74.3" - PORTSMOUTH OAK |
| 48 | 116951-24-L52 | EA | MOLDING - TRIM - 3.5" X 74.6" - CONCERT CHERRY |
| 48 | 116951-24-L58 | EA | MOLDING - TRIM - 3.5" X 74.6" - WASHED MAPLE |
| 48 | 116951-24-RE0 | EA | MOLDING - TRIM - 3.5" X 74.6" - HONEY CHERRY |
| 48 | 116951-24-R83 | EA | MOLDING - TRIM - 3.5" X 74.6" - PORTSMOUTH OAK |
| 48 | 116951-27-N75 | EA | MOLDING - TRIM - 3.5" X 46.8" - PORTSMOUTH OAK |
| 48 | 116951-27-N84 | EA | MOLDING - TRIM - 3.5" X 46.8" - WASHED MAPLE |
| 48 | 116951-27-N85 | EA | MOLDING - TRIM - 3.5" X 46.8" - CONCERT CHERRY |
| 48 | 116951-28-N75 | EA | MOLDING - TRIM - 3.5" X 79.4" - PORTSMOUTH OAK |

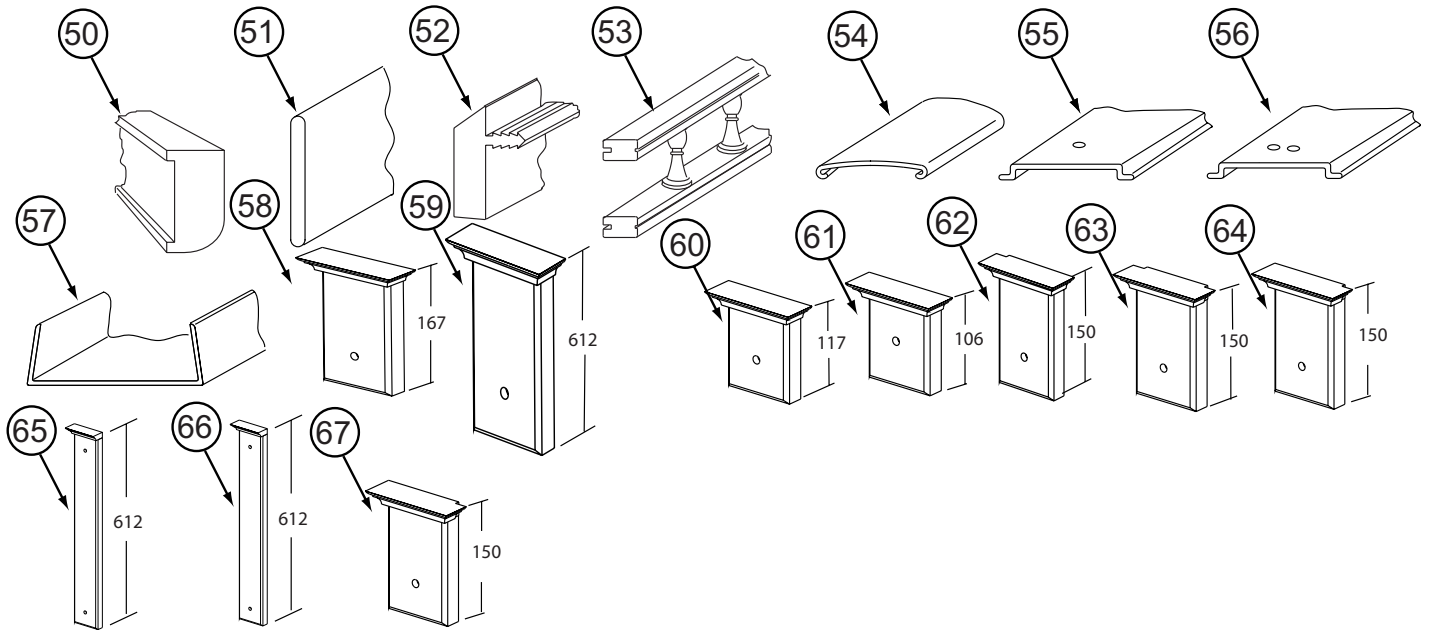
INTERIOR FINISH GROUP (CONTINUED)
MOLDINGS & TRIMS (CONTINUED)

| KEY | PART NUMBER | U/M | DESCRIPTION |
|------------|--------------------|------------|--|
| 48 | 116951-28-N84 | EA | MOLDING - TRIM - 3.5" X 79.4" - WASHED MAPLE |
| 48 | 116951-28-N85 | EA | MOLDING - TRIM - 3.5" X 79.4" - CONCERT CHERRY |
| 48 | 116951-29-N70 | EA | MOLDING - TRIM - 5.5" X 30.4" - PORTSMOUTH OAK |
| 48 | 116951-29-N84 | EA | MOLDING - TRIM - 5.5" X 30.4" - WASHED MAPLE |
| 48 | 116951-29-N85 | EA | MOLDING - TRIM - 5.5" X 30.4" - CONCERT CHERRY |
| 48 | 116951-29-RC3 | EA | MOLDING - TRIM - 5.5" X 30.4" - HONEY CHERRY |
| 48 | 116951-32-P75 | EA | MOLDING - TRIM - 3" X 33.4" - PORTSMOUTH OAK |
| 48 | 116951-32-P25 | EA | MOLDING - TRIM - 3" X 33.4" - CONCERT CHERRY |
| 48 | 116951-32-P28 | EA | MOLDING - TRIM - 3" X 33.4" - WASHED MAPLE |
| 48 | 116951-32-RE0 | EA | MOLDING - TRIM - 3" X 33.4" - HONEY CHERRY |
| 48 | 116951-34-P28 | EA | MOLDING - TRIM - 3" X 33.4" - WASHED MAPLE |
| 48 | 116951-34-P78 | EA | MOLDING - TRIM - 3" X 33.4" - PORTSMOUTH OAK |
| 48 | 116951-34-P79 | EA | MOLDING - TRIM - 3" X 33.4" - CONCERT CHERRY |
| 48 | 116951-34-RE0 | EA | MOLDING - TRIM - 3" X 33.4" - HONEY CHERRY |
| 48 | 116951-35-P28 | EA | MOLDING - TRIM - 3.5" X 96" - WASHED MAPLE |
| 48 | 116951-35-P78 | EA | MOLDING - TRIM - 3.5" X 96" - PORTSMOUTH OAK |
| 48 | 116951-35-P79 | EA | MOLDING - TRIM - 3.5" X 96" - CONCERT CHERRY |
| 48 | 116951-35-RE0 | EA | MOLDING - TRIM - 3.5" X 96" - HONEY CHERRY |
| 48 | 116951-36-R68 | EA | MOLDING - TRIM - 3.5" X 48.8" - WASHED MAPLE |
| 48 | 116951-36-R69 | EA | MOLDING - TRIM - 3.5" X 48.8" - PORTSMOUTH OAK |
| 48 | 116951-36-R76 | EA | MOLDING - TRIM - 3.5" X 48.8" - CONCERT CHERRY |
| 48 | 116951-37-R68 | EA | MOLDING - TRIM - 3.5" X 38.6" - WASHED MAPLE |
| 48 | 116951-37-R69 | EA | MOLDING - TRIM - 3.5" X 38.6" - PORTSMOUTH OAK |
| 48 | 116951-37-R76 | EA | MOLDING - TRIM - 3.5" X 38.6" - CONCERT CHERRY |
| 48 | 116951-38-RE0 | EA | MOLDING - TRIM - 3.5" X 82.6" - HONEY CHERRY |
| 48 | 116951-38-R83 | EA | MOLDING - TRIM - 3.5" X 82.6" - PORTSMOUTH OAK |
| 48 | 116951-38-R84 | EA | MOLDING - TRIM - 3.5" X 82.6" - CONCERT CHERRY |
| 48 | 116951-38-R91 | EA | MOLDING - TRIM - 3.5" X 82.6" - WASHED MAPLE |
| 48 | 116951-39-RE0 | EA | MOLDING - TRIM - 3.5" X 73.9" - HONEY CHERRY |
| 48 | 116951-39-R83 | EA | MOLDING - TRIM - 3.5" X 73.9" - PORTSMOUTH OAK |
| 48 | 116951-39-R84 | EA | MOLDING - TRIM - 3.5" X 73.9" - CONCERT CHERRY |
| 48 | 116951-39-R91 | EA | MOLDING - TRIM - 3.5" X 73.9" - WASHED MAPLE |
| 48 | 116951-40-RE0 | EA | MOLDING - TRIM - 4.5" X 81.9" - HONEY CHERRY |
| 48 | 116951-40-R83 | EA | MOLDING - TRIM - 4.5" X 81.9" - PORTSMOUTH OAK |
| 48 | 116951-40-R84 | EA | MOLDING - TRIM - 4.5" X 81.9" - CONCERT CHERRY |
| 48 | 116951-40-R91 | EA | MOLDING - TRIM - 4.5" X 81.9" - WASHED MAPLE |
| 48 | 116951-41-RE0 | EA | MOLDING - TRIM - 3.5" X 36.8" - HONEY CHERRY |
| 48 | 116951-41-R83 | EA | MOLDING - TRIM - 3.5" X 36.8" - PORTSMOUTH OAK |
| 48 | 116951-41-R84 | EA | MOLDING - TRIM - 3.5" X 36.8" - CONCERT CHERRY |
| 48 | 116951-41-R91 | EA | MOLDING - TRIM - 3.5" X 36.8" - WASHED MAPLE |
| 48 | 116951-42-RE0 | EA | MOLDING - TRIM - 3.5" X 46.8" - HONEY CHERRY |
| 48 | 116951-42-R83 | EA | MOLDING - TRIM - 3.5" X 46.8" - PORTSMOUTH OAK |
| 48 | 116951-42-R84 | EA | MOLDING - TRIM - 3.5" X 46.8" - CONCERT CHERRY |
| 48 | 116951-42-R91 | EA | MOLDING - TRIM - 3.5" X 46.8" - WASHED MAPLE |
| 48 | 116951-43-RE0 | EA | MOLDING - TRIM - 3.5" X 86.5" - HONEY CHERRY |
| 48 | 116951-43-R83 | EA | MOLDING - TRIM - 3.5" X 86.5" - PORTSMOUTH OAK |
| 48 | 116951-43-R84 | EA | MOLDING - TRIM - 3.5" X 86.5" - CONCERT CHERRY |
| 48 | 116951-43-R91 | EA | MOLDING - TRIM - 3.5" X 86.5" - WASHED MAPLE |
| 48 | 116951-44-RE0 | EA | MOLDING - TRIM - 3.5" X 76.1" - HONEY CHERRY |
| 48 | 116951-44-R83 | EA | MOLDING - TRIM - 3.5" X 76.1" - PORTSMOUTH OAK |
| 48 | 116951-44-R84 | EA | MOLDING - TRIM - 3.5" X 76.1" - CONCERT CHERRY |
| 48 | 116951-44-R91 | EA | MOLDING - TRIM - 3.5" X 76.1" - WASHED MAPLE |
| 48 | 116951-45-R68 | EA | MOLDING - TRIM - 3" X 30.3" - PORTSMOUTH OAK |
| 48 | 116951-45-R69 | EA | MOLDING - TRIM - 3" X 30.3" - CONCERT CHERRY |
| 48 | 116951-45-R76 | EA | MOLDING - TRIM - 3" X 30.3" - WASHED MAPLE |
| 48 | 116951-46-RE0 | EA | MOLDING - TRIM - 4.5" X 72.3" - HONEY CHERRY |
| 48 | 116951-46-R83 | EA | MOLDING - TRIM - 4.5" X 72.3" - PORTSMOUTH OAK |
| 48 | 116951-46-R84 | EA | MOLDING - TRIM - 4.5" X 72.3" - CONCERT CHERRY |
| 48 | 116951-46-R91 | EA | MOLDING - TRIM - 4.5" X 72.3" - WASHED MAPLE |
| 48 | 116951-48-RE0 | EA | MOLDING - TRIM - 4.5" X 76.1" - HONEY CHERRY |
| 48 | 116951-48-R83 | EA | MOLDING - TRIM - 4.5" X 76.1" - PORTSMOUTH OAK |
| 48 | 116951-48-R84 | EA | MOLDING - TRIM - 4.5" X 76.1" - CONCERT CHERRY |
| 48 | 116951-48-R91 | EA | MOLDING - TRIM - 4.5" X 76.1" - WASHED MAPLE |
| 48 | 116951-49-RE0 | EA | MOLDING - TRIM - 4.5" X 69.8" - HONEY CHERRY |

INTERIOR FINISH GROUP (CONTINUED)
MOLDINGS & TRIMS (CONTINUED)



| KEY | PART NUMBER | U/M DESCRIPTION |
|-----|---------------|---|
| 48 | 116951-49-R83 | EA MOLDING - TRIM - 4.5" X 69.8" - PORTSMOUTH OAK |
| 48 | 116951-49-R84 | EA MOLDING - TRIM - 4.5" X 69.8" - CONCERT CHERRY |
| 48 | 116951-49-R91 | EA MOLDING - TRIM - 4.5" X 69.8" - WASHED MAPLE |
| 48 | 116951-50-RE0 | EA MOLDING - TRIM - 4.5" X 70.3" - HONEY CHERRY |
| 48 | 116951-50-R83 | EA MOLDING - TRIM - 4.5" X 70.3" - PORTSMOUTH OAK |
| 48 | 116951-50-R84 | EA MOLDING - TRIM - 4.5" X 70.3" - CONCERT CHERRY |
| 48 | 116951-50-R91 | EA MOLDING - TRIM - 4.5" X 70.3" - WASHED MAPLE |
| 49 | 119520-01-01A | FT MOLDING-T/OFFSET - W/EDGE LIP - 1.3" FACE - OFF WHITE |
| 49 | 119520-01-04A | FT MOLDING-T/OFFSET - W/EDGE LIP - 1.3" FACE - PORTSMOUTH OAK |
| 49 | 119520-01-02A | FT MOLDING-T/OFFSET - W/EDGE LIP - 1.3" FACE - CONCERT CHERRY |
| 49 | 119520-01-03A | FT MOLDING-T/OFFSET - W/EDGE LIP - 1.3" FACE - WASHED MAPLE |
| 49 | 119520-02-01A | FT MOLDING-T - OFFSET W/EDGE LIP - 1.3" FACE - OFF WHITE |

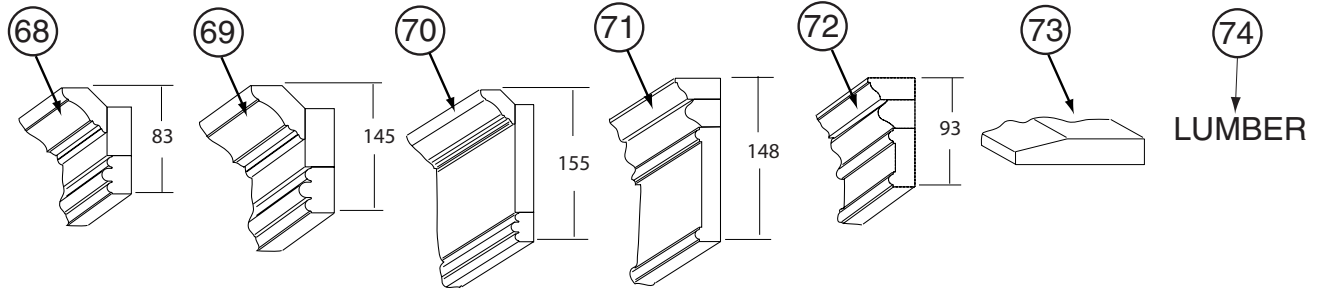


| KEY | PART NUMBER | U/M DESCRIPTION |
|-----|---------------|---|
| 50 | 149326-D2-134 | EA MOLDING - VINYL WRAPPED - .7" X 1.6" X 84" - WASHED MAPLE |
| 50 | 149326-F2-134 | EA MOLDING - VINYL WRAPPED - .7" X 2.5" X 84" - WASHED MAPLE |
| 50 | 137887-D2-134 | EA MOLDING - VINYL WRAPPED - .7" X 1.6" X 96" - CONCERT CHERRY |
| 50 | 137887-D2-743 | EA MOLDING - VINYL WRAPPED - .7" X 1.6" X 108" - CONCERT CHERRY |
| 50 | 137887-F2-134 | EA MOLDING - VINYL WRAPPED - .7" X 2.5" X 84" - CONCERT CHERRY |
| 50 | 137887-F2-743 | EA MOLDING - VINYL WRAPPED - .7" X 2.5" X 108" - CONCERT CHERRY |
| 50 | 137895-D2-134 | EA MOLDING - VINYL WRAPPED - .7" X 1.6" X 84" - PORTSMOUTH OAK |
| 50 | 137895-D2-743 | EA MOLDING - VINYL WRAPPED - .7" X 1.5" X 108" - PORTSMOUTH OAK |
| 50 | 137895-F2-743 | EA MOLDING - VINYL WRAPPED - .7" X 2.5" X 108" - PORTSMOUTH OAK |
| 50 | 146425-D2-134 | EA MOLDING - VINYL WRAPPED - .7" X 1.6" X 96" - HONEY CHERRY |
| 50 | 146425-F2-134 | EA MOLDING - VINYL WRAPPED - .7" X 2.5" X 84" - HONEY CHERRY |
| 50 | 146425-F2-743 | EA MOLDING - VINYL WRAPPED - .7" X 2.5" X 108" - HONEY CHERRY |
| 51 | 127842-01-01A | FT SEAL - SIGHT SHIELD - 2" BLACK |
| 52 | 130247-01-02A | FT MOLDING-T/OFF SET - 1.3" FACE - WASHED MAPLE |
| 52 | 130247-01-04A | FT MOLDING-T/OFF SET - 1.3" FACE - PORTSMOUTH OAK |
| 52 | 130247-01-05A | FT MOLDING-T/OFF SET - 1.3" FACE - CONCERT CHERRY/HONEY CHERRY |

INTERIOR FINISH GROUP (CONTINUED)
MOLDINGS & TRIMS (CONTINUED)

| KEY | PART NUMBER | U/M | DESCRIPTION |
|-----|---------------|-----|---|
| 53 | 137108-01-02A | EA | RAIL - DECORATIVE - SALEM CHERRY - CONCERT CHERRY |
| 53 | 137108-01-03A | EA | RAIL - DECORATIVE - WASHED MAPLE |
| 53 | 137108-01-07A | EA | RAIL - DECORATIVE - PORTSMOUTH OAK |
| 53 | 137108-01-08A | EA | RAIL - DECORATIVE - HONEY CHERRY |
| 54 | 138359-01-01A | FT | COVER - ROOF BREAK - PEARL CREAM/PLASTIC - 96" |
| 55 | 138403-01-01A | EA | TRIM - ROOF - MILL |
| 56 | 138403-02-01A | EA | TRIM - ROOF - MILL |
| 56 | 138403-03-01A | EA | TRIM - ROOF - MILL |
| 57 | 141260-01-01A | FT | U-CHANNEL - 1" - VILLAGE OAK |
| 57 | 141260-01-02A | FT | U-CHANNEL - 1" - GRADY BROWN |
| 58 | 141303-01-N52 | EA | MOLDING - CROWN/BLOCK - CONCERT CHERRY |
| 58 | 141303-01-N53 | EA | MOLDING - CROWN/BLOCK - PORTSMOUTH OAK |
| 58 | 141303-01-N62 | EA | MOLDING - CROWN/BLOCK - WASHED MAPLE |
| 58 | 141303-01-RA3 | EA | MOLDING - CROWN/BLOCK - HONEY CHERRY |
| 59 | 141303-02-N52 | EA | MOLDING - CROWN/BLOCK - CONCERT CHERRY |
| 59 | 141303-02-N53 | EA | MOLDING - CROWN/BLOCK - PORTSMOUTH OAK |
| 59 | 141303-02-N62 | EA | MOLDING - CROWN/BLOCK - WASHED MAPLE |
| 59 | 141303-02-RA3 | EA | MOLDING - CROWN/BLOCK - HONEY CHERRY |
| 60 | 141303-03-N52 | EA | MOLDING - CROWN/BLOCK - CONCERT CHERRY |
| 60 | 141303-03-N53 | EA | MOLDING - CROWN/BLOCK - PORTSMOUTH OAK |
| 60 | 141303-03-N62 | EA | MOLDING - CROWN/BLOCK - WASHED MAPLE |
| 60 | 141303-03-RA3 | EA | MOLDING - CROWN/BLOCK - HONEY CHERRY |
| 61 | 141303-04-PC0 | EA | MOLDING - CROWN/BLOCK - PORTSMOUTH OAK |
| 61 | 141303-04-PC1 | EA | MOLDING - CROWN/BLOCK - CONCERT CHERRY |
| 61 | 141303-04-PC2 | EA | MOLDING - CROWN/BLOCK - WASHED MAPLE |
| 61 | 141303-04-RA3 | EA | MOLDING - CROWN/BLOCK - HONEY CHERRY |
| 62 | 141303-05-RE3 | EA | MOLDING - CROWN/BLOCK - HONEY CHERRY |
| 62 | 141303-05-R89 | EA | MOLDING - CROWN/BLOCK - PORTSMOUTH OAK |
| 62 | 141303-05-R90 | EA | MOLDING - CROWN/BLOCK - CONCERT CHERRY |
| 62 | 141303-05-R91 | EA | MOLDING - CROWN/BLOCK - WASHED MAPLE |
| 63 | 141303-06-RE3 | EA | MOLDING - CROWN/BLOCK - HONEY CHERRY |
| 63 | 141303-06-R89 | EA | MOLDING - CROWN/BLOCK - PORTSMOUTH OAK |
| 63 | 141303-06-R90 | EA | MOLDING - CROWN/BLOCK - CONCERT CHERRY |
| 63 | 141303-06-R91 | EA | MOLDING - CROWN/BLOCK - WASHED MAPLE |
| 64 | 141303-07-RE3 | EA | MOLDING - CROWN/BLOCK - HONEY CHERRY |
| 64 | 141303-07-R89 | EA | MOLDING - CROWN/BLOCK - PORTSMOUTH OAK |
| 64 | 141303-07-R90 | EA | MOLDING - CROWN/BLOCK - CONCERT CHERRY |
| 64 | 141303-07-R91 | EA | MOLDING - CROWN/BLOCK - WASHED MAPLE |
| 65 | 141303-08-RE3 | EA | MOLDING - CROWN/BLOCK - HONEY CHERRY |
| 65 | 141303-08-R89 | EA | MOLDING - CROWN/BLOCK - PORTSMOUTH OAK |
| 65 | 141303-08-R90 | EA | MOLDING - CROWN/BLOCK - CONCERT CHERRY |
| 65 | 141303-08-R91 | EA | MOLDING - CROWN/BLOCK - WASHED MAPLE |
| 66 | 141303-09-RE3 | EA | MOLDING - CROWN/BLOCK - HONEY CHERRY |
| 66 | 141303-09-R89 | EA | MOLDING - CROWN/BLOCK - PORTSMOUTH OAK |
| 66 | 141303-09-R90 | EA | MOLDING - CROWN/BLOCK - CONCERT CHERRY |
| 66 | 141303-09-R91 | EA | MOLDING - CROWN/BLOCK - WASHED MAPLE |
| 67 | 141303-10-RE3 | EA | MOLDING - CROWN/BLOCK - HONEY CHERRY |
| 67 | 141303-10-R89 | EA | MOLDING - CROWN/BLOCK - PORTSMOUTH OAK |
| 67 | 141303-10-R90 | EA | MOLDING - CROWN/BLOCK - CONCERT CHERRY |
| 67 | 141303-10-R91 | EA | MOLDING - CROWN/BLOCK - WASHED MAPLE |

INTERIOR FINISH GROUP (CONTINUED)
MOLDINGS & TRIMS (CONTINUED)



| KEY | PART NUMBER | U/M | DESCRIPTION |
|-----|---------------|-----|--|
| 68 | 141915-29-PC0 | EA | MOLDING - F/SLIDEOUT - 81.8" - PORTSMOUTH OAK |
| 68 | 141915-29-PC1 | EA | MOLDING - F/SLIDEOUT - 81.8" - CONCERT CHERRY |
| 68 | 141915-29-PC2 | EA | MOLDING - F/SLIDEOUT - 81.8" - WASHED MAPLE |
| 68 | 141915-29-RC3 | EA | MOLDING - F/SLIDEOUT - 81.8" - HONEY CHERRY |
| 69 | 141915-35-RC0 | EA | MOLDING - F/SLIDEOUT - 8.89' - PORTSMOUTH OAK |
| 69 | 141915-35-RC1 | EA | MOLDING - F/SLIDEOUT - 8.89' - CONCERT CHERRY |
| 69 | 141915-35-RC2 | EA | MOLDING - F/SLIDEOUT - 8.89' - WASHED MAPLE |
| 69 | 141915-35-RC3 | EA | MOLDING - F/SLIDEOUT - 8.89' - HONEY CHERRY |
| 70 | 141915-47-RC0 | EA | MOLDING - F/SLIDEOUT - 6.82' - PORTSMOUTH OAK |
| 70 | 141915-47-RC1 | EA | MOLDING - F/SLIDEOUT - 6.82' - CONCERT CHERRY |
| 70 | 141915-47-RC2 | EA | MOLDING - F/SLIDEOUT - 6.82' - WASHED MAPLE |
| 70 | 141915-47-RC3 | EA | MOLDING - F/SLIDEOUT - 6.82' - HONEY CHERRY |
| 71 | 144885-14-RE0 | EA | MOLDING - F/SLIDEOUT - 86.5" - HONEY CHERRY |
| 71 | 144885-14-R83 | EA | MOLDING - F/SLIDEOUT - 86.5" - PORTSMOUTH OAK |
| 71 | 144885-14-R84 | EA | MOLDING - F/SLIDEOUT - 86.5" - CONCERT CHERRY |
| 72 | 145379-01-RE0 | EA | MOLDING/TRIM - 47.48" - HONEY CHERRY |
| 72 | 145379-01-R83 | EA | MOLDING/TRIM - 47.48" - PORTSMOUTH OAK |
| 72 | 145379-01-R84 | EA | MOLDING/TRIM - 47.48" - CONCERT CHERRY |
| 72 | 145379-02-RE0 | EA | MOLDING/TRIM - 7.87" W/RIGHT SIDE ANGLE CUT - HONEY CHERRY |
| 72 | 145379-02-R83 | EA | MOLDING/TRIM - 7.87" W/RIGHT SIDE ANGLE CUT - PORTSMOUTH OAK |
| 72 | 145379-02-R84 | EA | MOLDING/TRIM - 7.87" W/RIGHT SIDE ANGLE CUT - CONCERT CHERRY |
| 72 | 145379-03-RE0 | EA | MOLDING/TRIM - 7.87" W/LEFT SIDE ANGLE CUT - HONEY CHERRY |
| 72 | 145379-03-R83 | EA | MOLDING/TRIM - 7.87" W/LEFT SIDE ANGLE CUT - PORTSMOUTH OAK |
| 72 | 145379-03-R84 | EA | MOLDING/TRIM - 7.87" W/LEFT SIDE ANGLE CUT - CONCERT CHERRY |
| 72 | 145379-04-RE0 | EA | MOLDING/TRIM - 86.61" - HONEY CHERRY |
| 72 | 145379-04-R83 | EA | MOLDING/TRIM - 86.61" - PORTSMOUTH OAK |
| 72 | 145379-04-R84 | EA | MOLDING/TRIM - 86.61" - CONCERT CHERRY |
| 72 | 145379-05-RE0 | EA | MOLDING/TRIM - 102.75" - HONEY CHERRY |
| 72 | 145379-05-R83 | EA | MOLDING/TRIM - 102.75" - PORTSMOUTH OAK |
| 72 | 145379-05-R84 | EA | MOLDING/TRIM - 102.75" - CONCERT CHERRY |
| 73 | 146306-01-01A | FT | TRANSITION - CARPET/TILE |
| 74 | 149325-A2-438 | EA | LUMBER - VINYL WRAPPED - .7" X .75" X 96" - WASHED MAPLE |
| 74 | 149325-D2-438 | EA | LUMBER - VINYL WRAPPED - .7" X 1.5" X 96" - WASHED MAPLE |
| 74 | 149325-E2-438 | EA | LUMBER - VINYL WRAPPED - .7" X 2" X 96" - WASHED MAPLE |
| 74 | 149325-F2-438 | EA | LUMBER - VINYL WRAPPED - .7" X 2.5" X 96" - WASHED MAPLE |
| 74 | 149325-G2-438 | EA | LUMBER - STAINED - .7" X 3" X 96" - WASHED MAPLE |
| 74 | 149325-H2-438 | EA | LUMBER - STAINED - .7" X 3.5" X 96" - WASHED MAPLE |
| 74 | 149325-J2-438 | EA | LUMBER - VINYL WRAPPED - .7" X 5.5" X 96" - WASHED MAPLE |
| 74 | 149325-J2-743 | EA | LUMBER - VINYL WRAPPED - .7" X 5.5" X 108" - WASHED MAPLE |
| 74 | 149325-K2-438 | EA | LUMBER - VINYL WRAPPED - .7" X 3.9" X 96" - WASHED MAPLE |
| 74 | 149325-R2-438 | EA | LUMBER - VINYL WRAPPED - .7" X 3" X 96" - WASHED MAPLE |
| 74 | 137885-A2-438 | EA | LUMBER - VINYL WRAPPED - .7" X .75" X 96" - CHERRY - CONCERT CHERRY |
| 74 | 137885-D2-438 | EA | LUMBER - VINYL WRAPPED - .7" X 1.5" X 96" - CHERRY - CONCERT CHERRY |
| 74 | 137885-E2-438 | EA | LUMBER - VINYL WRAPPED - .7" X 2" X 96" - CHERRY - CONCERT CHERRY |
| 74 | 137885-F2-438 | EA | LUMBER - VINYL WRAPPED - .7" X 2.5" X 96" - CHERRY - CONCERT CHERRY |
| 74 | 137885-G2-438 | EA | LUMBER - VINYL WRAPPED - .7" X 3" X 96" - CHERRY - CONCERT CHERRY |
| 74 | 137885-H2-438 | EA | LUMBER - VINYL WRAPPED - .7" X 3.5" X 96" - CHERRY - CONCERT CHERRY |
| 74 | 137885-J2-438 | EA | LUMBER - VINYL WRAPPED - .7" X 5.5" X 96" - CHERRY - CONCERT CHERRY |
| 74 | 137885-J2-743 | EA | LUMBER - VINYL WRAPPED - .7" X 5.5" X 108" - CHERRY - CONCERT CHERRY |
| 74 | 137885-K2-438 | EA | LUMBER - VINYL WRAPPED - .7" X 3.9" X 96" - CHERRY - CONCERT CHERRY |
| 74 | 137885-R2-438 | EA | LUMBER - VINYL WRAPPED - .7" X 3" X 96" - CHERRY - CONCERT CHERRY |
| 74 | 137894-A2-438 | EA | LUMBER - VINYL WRAPPED - .7" X .75" X 96" - PORTSMOUTH OAK |
| 74 | 137894-D2-438 | EA | LUMBER - VINYL WRAPPED - .7" X 1.5" X 96" - PORTSMOUTH OAK |

INTERIOR FINISH GROUP (CONTINUED)
MOLDINGS & TRIMS (CONTINUED)

| KEY | PART NUMBER | U/M | DESCRIPTION |
|------------|--------------------|------------|--|
| 74 | 137894-E2-438 | EA | LUMBER - VINYL WRAPPED - .7" X 2" X 96" - PORTSMOUTH OAK |
| 74 | 137894-F2-438 | EA | LUMBER - VINYL WRAPPED - .7" X 2.5" X 96" - PORTSMOUTH OAK |
| 74 | 137894-G2-438 | EA | LUMBER - VINYL WRAPPED - .7" X 3" X 96" - PORTSMOUTH OAK |
| 74 | 137894-H2-438 | EA | LUMBER - VINYL WRAPPED - .7" X 3.5" X 96" - PORTSMOUTH OAK |
| 74 | 137894-J2-438 | EA | LUMBER - VINYL WRAPPED - .7" X 5.5" X 96" - PORTSMOUTH OAK |
| 74 | 137894-J2-743 | EA | LUMBER - VINYL WRAPPED - .7" X 5.5" X 96" - PORTSMOUTH OAK |
| 74 | 137894-K2-438 | EA | LUMBER - VINYL WRAPPED - .7" X 3.9" X 96" - PORTSMOUTH OAK |
| 74 | 137894-R2-438 | EA | LUMBER - VINYL WRAPPED - .7" X 3" X 96" - PORTSMOUTH OAK |
| 74 | 146419-A2-438 | EA | LUMBER - VINYL WRAPPED - .7" X .75" X 96" - HONEY CHERRY |
| 74 | 146419-D2-438 | EA | LUMBER - VINYL WRAPPED - .7" X 1.5" X 96" - HONEY CHERRY |
| 74 | 146419-E2-438 | EA | LUMBER - VINYL WRAPPED - .7" X 2" X 96" - HONEY CHERRY |
| 74 | 146419-F2-438 | EA | LUMBER - VINYL WRAPPED - .7" X 2.5" X 96" - HONEY CHERRY |
| 74 | 146419-G2-438 | EA | LUMBER - VINYL WRAPPED - .7" X 3" X 96" - HONEY CHERRY |
| 74 | 146419-H2-438 | EA | LUMBER - VINYL WRAPPED - .7" X 3.5" X 96" - HONEY CHERRY |
| 74 | 146419-J2-438 | EA | LUMBER - VINYL WRAPPED - .7" X 5.5" X 96" - HONEY CHERRY |
| 74 | 146419-J2-743 | EA | LUMBER - VINYL WRAPPED - .7" X 5.5" X 108" - HONEY CHERRY |
| 74 | 146419-K2-438 | EA | LUMBER - VINYL WRAPPED - .7" X 3.9" X 96" - HONEY CHERRY |
| 74 | 146419-R2-438 | EA | LUMBER - VINYL WRAPPED - .7" X 3" X 96" - HONEY CHERRY |

INTERIOR FINISH GROUP (CONTINUED)
PANELING & LAMINATES

| KEY | PART NUMBER | U/M | DESCRIPTION |
|-----|---------------|-----|--|
| | 000885-A5-000 | SF | PARTICLE BOARD - 3/8" X 4' X 8'- WHT PEB EMBOSSED-1 SIDED |
| | 000885-92-000 | SF | PARTICLE BOARD - 3/8" X 4' X 8' - PORTSMOUTH OAK - 1 SIDED |
| | 000885-93-000 | SF | PARTICLE BOARD - 3/8" X 4' X 8' - PORTSMOUTH OAK - 2-SIDED |
| | 000885-95-000 | SF | PARTICLE BOARD - 3/4" X 4' X 8' - PORTSMOUTH OAK - 2-SIDED |
| | 000885-94-000 | SF | PARTICLE BOARD - 1/2" X 4' X 8' - PORTSMOUTH OAK - 2-SIDED |
| | 057882-04-700 | EA | DOOR - TAMBOUR - 4' X 4'-PORTSMOUTH OAK/PRE-FINISHED |
| | 074497-42-000 | SF | PANELING - PORTSMOUTH OAK - 4' X 8' |
| | 069733-87-000 | EA | BATT STRIP - WOODGRAINED/PORTSMOUTH OAK - 8' |
| | 085284-G8-000 | FT | BATT TAPE - ADHESIVE BACKED - PORTSMOUTH OAK |
| | 074498-95-000 | SF | LAMINATE - PLASTIC - PORTSMOUTH OAK - 4' X 8' |
| | 074498-A1-000 | SF | LAMINATE - PLASTIC - LINO FRIEZE - 5' X 8' (R32) |
| | 074498-99-000 | SF | LAMINATE - PLASTIC - EGGSHELL - 4' X 8' (R33) |
| | 074498-97-000 | SF | LAMINATE - PLASTIC - GRAY TRANQUILITY- 4' X 8' (R34) |
| | 076325-78-000 | FT | MOLDING - EDGE BAND - .93" X .024" - PORTSMOUTH OAK |
| | 076773-15-000 | SF | PANELING - 2 SIDED/PORTSMOUTH OAK - 1/8" X 4' X 8' |
| | 080215-14-000 | SF | PANELING - 2 SIDED - PORTSMOUTH OAK - 3/16" X 4' X 8' |
| | 085284-F7-000 | FT | TAPE/STRIP - TRUE GRIP - 1 1/2" WIDE - ADHESIVE BACKED |
| | 088263-G9-000 | EA | BATT STRIP - DECORATIVE - CORK/ALABASTER - 8' (R32) |
| | 088263-H2-000 | EA | BATT STRIP - DECORATIVE - MULTI - 8' LONG (R33) |
| | 088263-H4-000 | EA | BATT STRIP - DECORATIVE - ROCKET SILVERADO (R34) |
| | 085284-G9-000 | FT | BATT TAPE - ADHESIVE BACKED - DECORATIVE - ALABASTER (R32) |
| | 085284-H6-000 | FT | BATT TAPE - ADHESIVE BACKED - DECORATIVE - MULTI (R33) |
| | 085284-H8-000 | FT | BATT TAPE - ADHESIVE BACKED - ROCKET SILVERADO (R34) |
| | 088272-H9-000 | SF | PANELING - PEBBLE EMBOSSED - WHITE - 4' X 7' |
| | 088263-G1-000 | EA | BATT STRIP - DECORATIVE - PEBBLE EMBOSSED - 8' LONG |
| | 085284-F9-000 | FT | BATT TAPE - ADHESIVE BACKED - PEBBLE EMBOSSED |
| | 088272-J9-000 | SF | PANELING - ALABASTER - 4' X 7' (R32) |
| | 088272-K4-000 | SF | PANELING - MULTI - 4' X 7' (R33) |
| | 088272-K5-000 | SF | PANELING - SILVERADO - 4' X 7' (R34) |
| | 126339-01-000 | SF | BOARD - WHEAT - 60" X 72" |
| | 132610-10-10A | FT | WALLPAPER - BORDER - 5 3/4" - SELF ADHESIVE (R32) FROM: 00-00-00 THRU: 03-09-03 |
| | 132610-05-10A | FT | WALLPAPER - BORDER - 5 3/4" - SELF ADHESIVE (R32) FROM: 03-10-03 THRU: 99-99-99 |
| | 132610-10-07A | FT | WALLPAPER - BORDER - 5 3/4" - SELF ADHESIVE (R33) FROM: 00-00-00 THRU: 03-09-03 |
| | 132610-05-01A | FT | WALLPAPER - BORDER - 5 3/4" - SELF ADHESIVE (R33) FROM: 03-10-03 THRU: 99-99-99 |
| | 132610-05-20A | FT | WALLPAPER - BORDER - 7" - SELF-ADHESIVE (R34) FROM: 00-00-00 THRU: 03-09-03 |
| | 132610-08-01A | FT | WALLPAPER - BORDER - 4 3/4" - SELF-ADHESIVE (R34) FROM: 03-10-03 THRU: 99-99-99 |

INTERIOR FINISH GROUP (CONTINUED)
ACCESSORIES

| KEY | PART NUMBER | U/M | DESCRIPTION |
|-----|---------------|-----|---|
| | 064781-06-000 | EA | HOLDER/CUP - TWO STEP - OFF WHITE |
| | 072852-01-000 | EA | DETECTOR - SMOKE - W/9 VOLT BATTERY - US |
| | 072852-02-000 | EA | DETECTOR - SMOKE - W/9 VOLT BATTERY - CANADIAN |
| | 088742-16-000 | EA | MIRROR - BEVELED/SAFETY GLASS - 14.4" X 18.5" - F36M |
| | 091261-01-000 | FT | SLIPNOT - ANTISLIP - 1' WIDE X 12' - BLACK |
| * | 094499-02-000 | EA | EXTINGUISHER/FIRE - DRY - 10BC - W/GAUGE - CANADIAN |
| | 094499-03-000 | EA | EXTINGUISHER/FIRE - DRY - 10BC - W/GAUGE/BRACKET |
| | 094499-04-000 | EA | STRAP - FIRE EXTINGUISHER MOUNTING - METAL |
| | 096764-02-000 | FT | SLIPNOT - ANTISLIP - 1'WIDE (180' ROLLS) - WHITE |
| | 125136-02-000 | EA | DETECTOR/CO - GAS MODEL - 9 VOLT |
| | 131058-03-02A | EA | HAND RAIL - INTERIOR ENTRY DOOR - BLACK |
| | 131493-02-14A | EA | PICTURE - DECORATIVE - 13" X 15" - WINTER WHITE (R32) |
| | 131493-02-17A | EA | PICTURE - DECORATIVE - 13" X 15" - ORCHIDS (R33) |
| | | | FROM: 00-00-00 THRU: 11-03-03 |
| | 131493-02-14A | EA | PICTURE - DECORATIVE - 13" X 15" - WINTER WHITE (R33) |
| | | | FROM: 11-04-03 THRU: 99-99-99 |
| | 131493-02-12A | EA | PICTURE - DECORATIVE - 13" X 15" - AFRICAN LILY (R34) |
| | 131494-05-01A | EA | MIRROR - ARCHED W/BEVELED DIAMOND - 20" X 30" - F32V, F34D |
| | 133831-01-01A | EA | HOLDER - CUP W/THREE CENTERLINE RUBBER FINGERS |
| | 134566-01-01A | EA | HOLDER - CUP - TWO STEP - BLACK |
| | 140374-30-000 | EA | MIRROR - SAFETY GLASS - 25.6" X 31.5" - F30W, F32V |
| | 140374-61-000 | EA | MIRROR - SAFETY GLASS - 24" X 30" - F30W, F36M |
| | 142631-02-03A | EA | FRAME - MIRROR - 35.8"H X 29.9"W - PORTSMOUTH OAK- F30W, F32V |
| | 142368-01-01A | EA | CLOCK - 8" ROUND - BRASS |

*COMPONENT PARTS LISTED LATER IN THIS GROUP

INTERIOR FINISH GROUP (CONTINUED)
COMPONENT PARTS FOR ACCESSORIES

094499-02-000

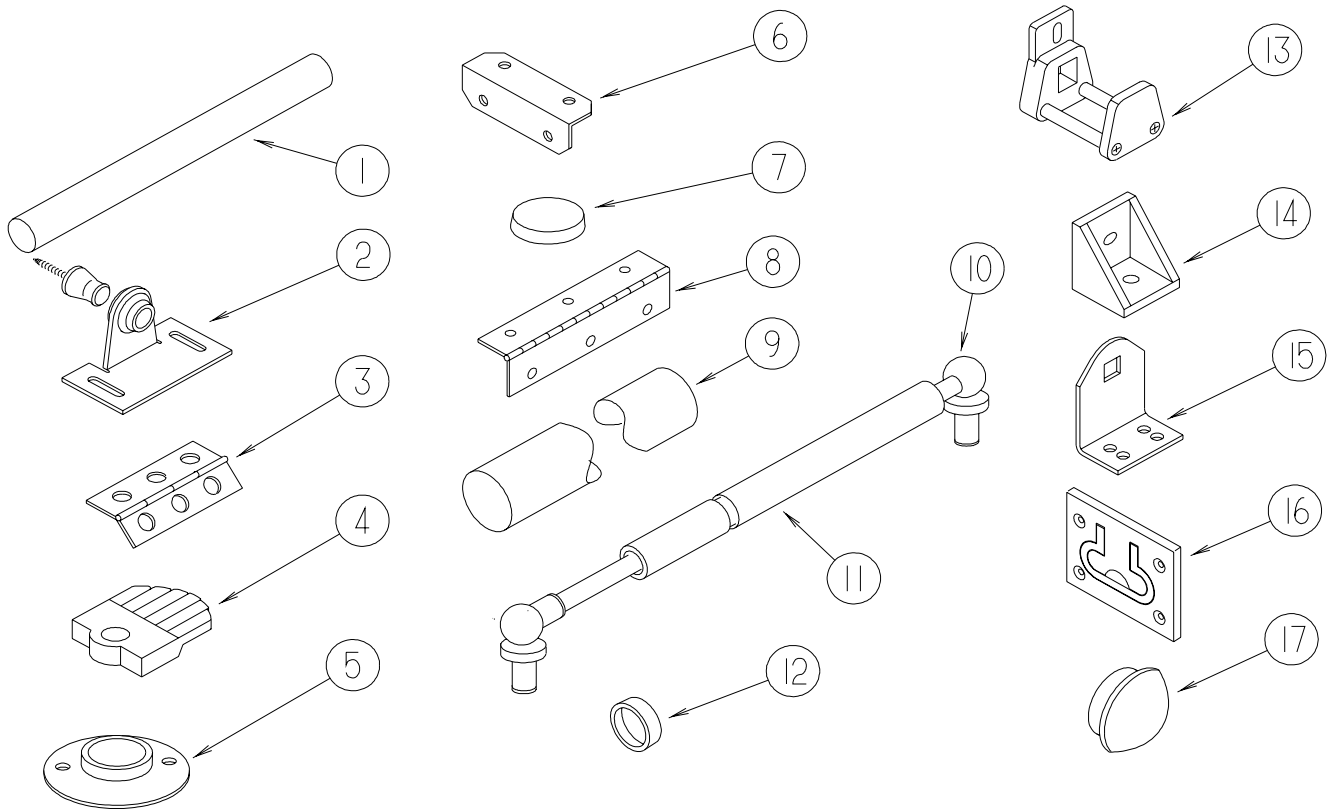
| KEY | PART NUMBER | U/M | DESCRIPTION | VENDOR NO |
|------------|--------------------|------------|----------------------------|------------------|
| | 094499-01-700 | EA | BRACKET MTG. W/PLAS. STRAP | 294039 |

INTERIOR FINISH GROUP (CONTINUED)
FLOOR COVERINGS

| KEY | PART NUMBER | U/M | DESCRIPTION |
|------------|--------------------|------------|---|
| | 042720-29-000 | SY | VINYL - FLOOR COVERING - 7.5' WIDE - DIAMOND |
| | 075233-01-000 | SY | PAD - CARPET EDGE/SLIDEOUT - 69.6" - BLACK |
| | 089275-02-000 | FT | STRIP - 3/4" X 84" BLACK POLYETHYLENE |
| | 093486-01-000 | SY | CARPET - COMPARTMENT - 72" WIDE - DARK GRAY |
| | 096060-H1-000 | SY | CARPET - TAPIOCA - INCREMENTS OF 4 SQ YARDS (R32) |
| | 096060-G9-000 | SY | CARPET - LAUREL - INCREMENTS OF 4 SQ YARDS (R33) |
| | 096060-E6-000 | SY | CARPET - OASIS - INCREMENTS OF 4 SQ YDS (R34) |
| | 124253-01-02A | EA | VINYL - FLOOR PLANK - 3" X 12" - MAPLE |

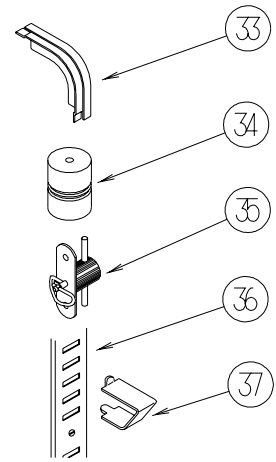
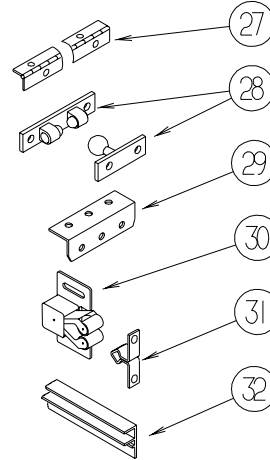
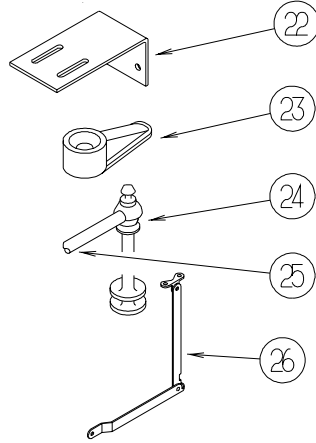
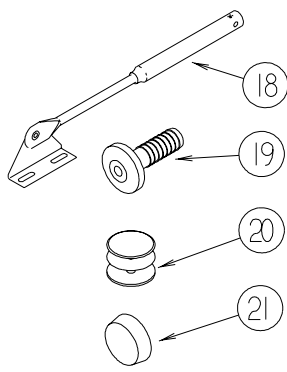
INTERIOR FINISH GROUP (CONTINUED)

HARDWARE



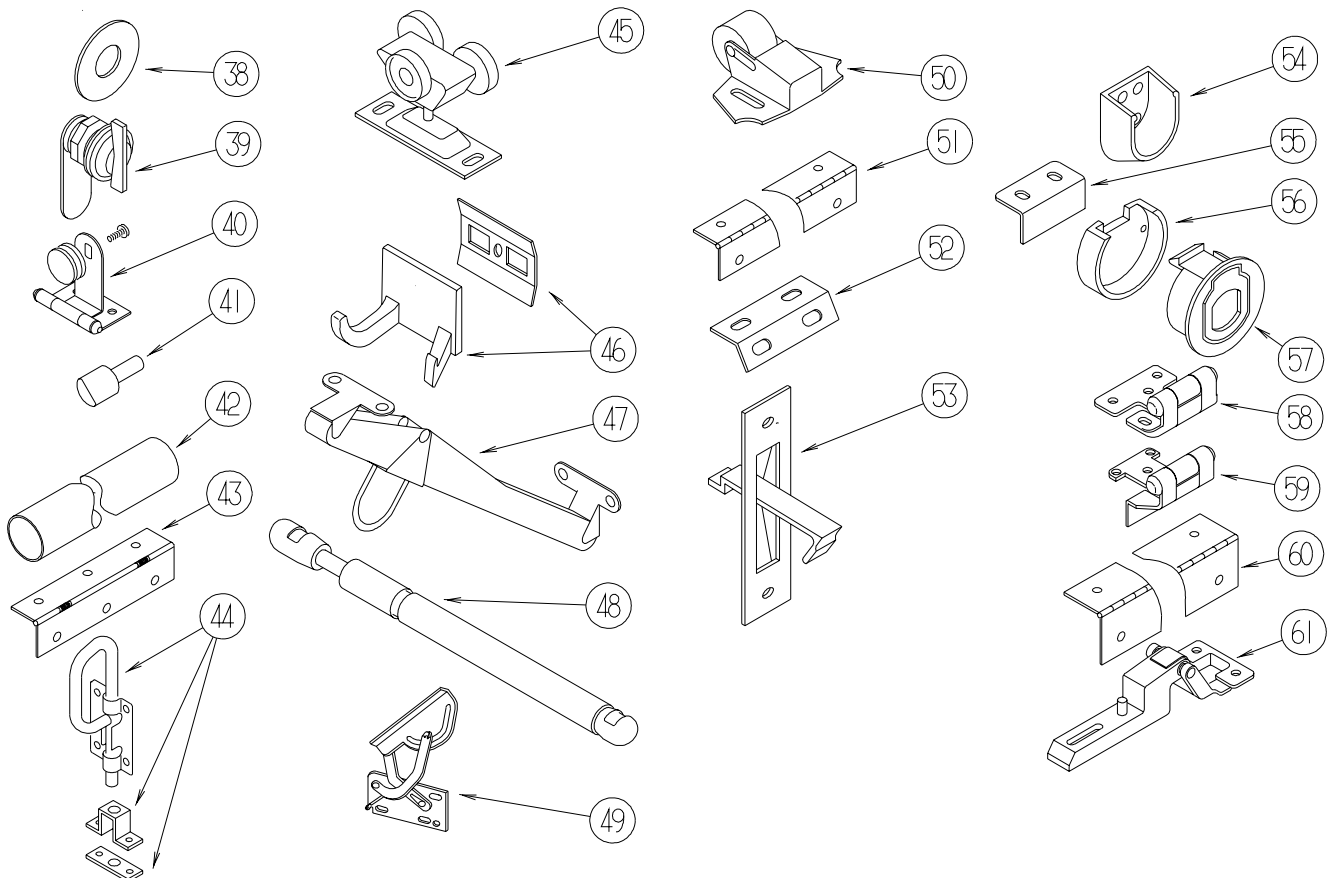
| KEY | PART NUMBER | U/M | DESCRIPTION |
|-----|---------------|-----|---|
| 1 | Y00136-21-218 | EA | DOWEL - WOOD - 1" X 4' |
| 2 | 009013-01-000 | EA | CATCH - BULLDOG - MALE/FEMALE |
| 3 | 009059-01-000 | EA | HINGE - DOOR - 2" X 1.4" - BRASS |
| 3 | 009059-02-000 | EA | HINGE - DOOR - 2" X 2.7" - BRASS |
| 3 | 009059-03-000 | EA | HINGE - BRASS - 1.75" |
| 3 | 009059-04-000 | EA | HINGE - 2" - ZINC |
| 4 | 009089-01-000 | EA | CLIP - MIRROR |
| 5 | 009112-01-000 | EA | FLANGE - PLASTIC - 1" CLOTHES ROD - OFF WHITE |
| 6 | 016604-01-000 | EA | BRACE - ANGLE - 2 1/2" - UNPAINTED METAL |
| 6 | 016604-05-000 | EA | BRACE - ANGLE - 2 1/2" - OFF WHITE METAL |
| 6 | 016604-10-000 | EA | BRACE - SEAT ANGLE - 2.5" - BLACK |
| 7 | 023320-01-000 | EA | PAD - FELT 3/8" DIAMETER |
| 8 | 041389-25-000 | EA | HINGE - PIANO - 1 1/2" X 55" - UNPAINTED |
| 9 | 042438-02-000 | EA | DOWEL - WOOD - 2" DIAMETER X 2' |
| 10 | 057460-02-000 | EA | BALL STUD - F/GAS SPRING .39" - 5/16"-18 |
| 11 | 057460-04-000 | EA | SPRING/GAS - BALL STUD STYLE - 120 PI - "SPD6209" |
| 12 | 057671-01-000 | EA | COVER - SCREW - #8 - OFF WHITE |
| 12 | 057671-15-000 | EA | COVER - SCREW - #8 - BRIGHT WHITE |
| 12 | 057671-16-000 | EA | COVER - SCREW - #8 - SOFT WHITE |
| 12 | 057671-17-000 | EA | COVER - SCREW - VW LT GRAY - #8 |
| 13 | 064467-01-000 | EA | GUIDE - POCKET - SLIDING DOOR - WALL MOUNTED |
| 14 | 065740-01-000 | EA | BRACE - CABINET/CORNER - PLASTIC |
| 15 | 069178-03-000 | EA | BRACKET/MOUNTING - ASSIST HANDLE - BRIGHT WHITE |
| 16 | 072871-01-000 | EA | PULL - FLUSH - CHROME |
| 17 | 074045-08-000 | EA | PLUG - OAK - 3/8" DOWEL-1/2" HEAD - SALEM CHERRY - CONCERT CHERRY |
| 17 | 074045-12-000 | EA | PLUG - OAK - 3/8" DOWEL-1/2" HEAD - WASHED MAPLE |
| 17 | 074045-13-000 | EA | PLUG - OAK - 3/8" DOWEL-1/2" HEAD - PORTSMOUTH OAK |
| 17 | 074045-14-000 | EA | PLUG - OAK - 3/8" DOWEL-1/2" HEAD - HONEY CHERRY |

INTERIOR FINISH GROUP (CONTINUED)
HARDWARE (CONTINUED)



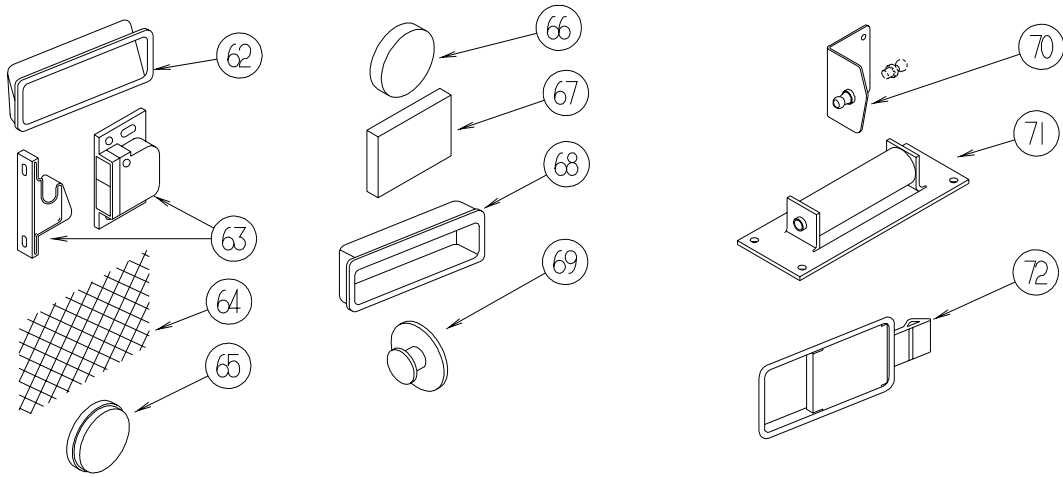
| KEY | PART NUMBER | U/M | DESCRIPTION |
|-----|---------------|-----|--|
| 18 | 074493-02-000 | EA | SUPPORT - PISTON SPRING - CABINET DOOR - 26 LBS |
| 18 | 074493-03-000 | EA | SUPPORT - PISTON SPRING - CABINET DOOR - 12 LBS |
| 19 | 079921-01-000 | EA | ROLLER - NYLON - W/STEEL SHAFT - BARBED |
| 20 | 081114-02-000 | EA | CAP - INSERT - ROUND - 1" DIAMETER - WHITE PLASTIC |
| 21 | 004354-01-000 | EA | BUMPER - RUBBER - 1/2" DIA - BROWN |
| 21 | 081914-01-000 | EA | BUMPER - RUBBER - ROUND - 1/2" DIA. X 1/8" THICK |
| 22 | 083125-07-000 | EA | BRACE - ANGLE/COUCH - 2.5" - OFF WHITE |
| 22 | 132871-02-02B | EA | BRACKET/L-SHAPED W/HOLES - 1.9" X 2.8" - E-COATED |
| 23 | 083204-03-000 | EA | BUTTON - RETAINING MIRROR 5/16" TIP |
| 24 | 084070-03-000 | EA | POST - END - 2.4" - SHINY BRASS |
| 25 | 084071-05-000 | EA | ROD - BRASS - 15" |
| 25 | 084071-19-000 | EA | ROD - BRASS - 7.1" |
| 25 | 084071-20-000 | EA | ROD - BRASS - 9.8" |
| 25 | 084071-23-000 | EA | ROD - BRASS - 13.1" |
| 25 | 084071-24-000 | EA | ROD - BRASS - 3.8" |
| 25 | 084071-33-000 | EA | ROD - BRASS - 20.4" |
| 25 | 146840-01-01A | EA | ROD - .25" DIAMETER - BRASS |
| 25 | 146840-01-02A | EA | ROD - .25" DIAMETER - PEWTER |
| 25 | 146840-02-01A | EA | ROD - .25" DIAMETER - BRASS |
| 25 | 146840-02-02A | EA | ROD - .25" DIAMETER - PEWTER |
| 25 | 146840-03-01A | EA | ROD - .25" DIAMETER - BRASS |
| 25 | 146840-03-02A | EA | ROD - .25" DIAMETER - PEWTER |
| 25 | 146840-04-01A | EA | ROD - .25" DIAMETER - BRASS |
| 25 | 146840-04-02A | EA | ROD - .25" DIAMETER - PEWTER |
| 25 | 146840-05-01A | EA | ROD - .25" DIAMETER - BRASS |
| 25 | 146840-05-02A | EA | ROD - .25" DIAMETER - PEWTER |
| 26 | 084412-01-000 | EA | SUPPORT/HINGE KIT (LEFT & RIGHT HINGES) |
| 27 | 084413-01-000 | EA | HINGE - 1" X 72" - ALUMINUM - W/HOLES |
| 28 | 084451-01-000 | EA | CATCH & LATCH - 1.7" - BRASS |
| 29 | 089025-01-000 | EA | SUPPORT - SPRING TO BED - ANGLE 1.5" X 11.8" |
| 30 | 093586-03-000 | EA | CATCH - SPRING ROLLER - .377" |
| 30 | 093586-06-000 | EA | CATCH - SPRING ROLLER - .236" |
| 31 | 093586-04-000 | EA | STRIKE - SPRING STEEL - 1.14" |
| 31 | 093586-05-000 | EA | STRIKE - SPRING STEEL - .943" |
| 32 | 093622-01-000 | EA | TRACK - DOOR - TAMBOUR - PLASTIC - 8' LENGTHS |
| 33 | 093623-01-000 | EA | CORNER - TRACK - TAMBOUR DOOR |
| 34 | 097872-04-000 | EA | DOWEL - WOOD - 1" DIAMETER X 1.38" LONG - UNFINISHED |
| 35 | 098196-01-000 | EA | LATCH - 1/4 TURN - T-BAR |
| 36 | 098979-01-000 | EA | CLIP - ADJUSTABLE SHELF |
| 37 | 098980-01-000 | EA | PILASTER - ADJUSTABLE SHELF - 18" |
| 37 | 098980-02-000 | EA | PILASTER - ADJUSTABLE SHELF - 12" |
| 37 | 098980-03-000 | EA | PILASTER - ADJUSTABLE SHELF - 9" |
| 37 | 098980-04-000 | EA | PILASTER - ADJUSTABLE SHELF - 48" |
| 37 | 098980-05-000 | EA | PILASTER - ADJUSTABLE SHELF - 15" |
| 37 | 098980-06-000 | EA | PILASTER - ADJUSTABLE SHELF - 24" |

INTERIOR FINISH GROUP (CONTINUED)
HARDWARE (CONTINUED)



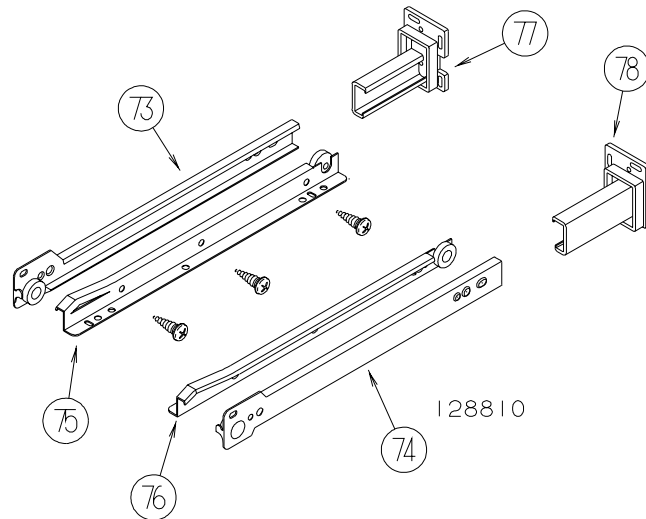
| KEY | PART NUMBER | U/M | DESCRIPTION |
|-----|---------------|-----|---|
| 38 | 100707-01-000 | EA | SPACER - GLASS DOOR - .8" DIA - .3" HOLE - PLASTIC |
| 39 | 100710-01-01A | EA | LOCK - GLASS DOOR/TWIST TYPE - BRASS |
| 40 | 100711-01-01A | EA | HINGE - GLASS DOOR |
| 41 | 101766-01-000 | EA | PIN - SUPPORT/GLASS DOOR |
| 42 | 102075-10-02A | EA | ROD - SHOWER CURTAIN - 1" OD X 46.3" - SOFT WHITE |
| 43 | 102920-01-01A | EA | HINGE - SPRING LOADED - BRASS |
| 44 | 103256-01-000 | EA | LATCH COMPLETE (SLIDE) |
| 45 | 103874-01-000 | EA | HANGER - SLIDING DOOR |
| 46 | 104174-01-000 | EA | HOOK - ROBE - DOUBLE |
| 47 | 104181-01-01A | EA | SUPPORT - LEAF 5.3" EXTENDS TO 7.5" - SAFETY RING - METAL |
| 48 | 142569-15-000 | EA | SPRING/GAS - 12" COMPRESSED/20" EXTENDED - 120 LB. |
| 48 | 142569-16-000 | EA | SPRING/GAS - 12" COMPRESSED/20" EXTENDED - 90 LB |
| 48 | 142569-05-000 | EA | SPRING - GAS - 15 LB. - 39.9" |
| 48 | 142569-18-000 | EA | SPRING/GAS - 6.5" COMPRESSED/9.6" EXTENDED - 65 LB. |
| 49 | 108126-01-000 | EA | TRAY HINGE SET (QTY. 2 PER SET) |
| 50 | 109403-01-000 | EA | CATCH - SINGLE ROLLER - SCREEN DOOR |
| 51 | 110496-01-01A | EA | HINGE - BRASS |
| 52 | 111866-01-02A | EA | BRACE - SEAT - ANGLE - OFF WHITE |
| 53 | 113130-01-01A | EA | PULL - DOOR POCKET |
| 54 | 113236-01-01A | EA | BRACKET - CLOTHES - ROD |
| 55 | 113375-02-01A | EA | STRIKE - DOOR - CHROME |
| 56 | 113375-05-01A | EA | LATCH - SLAM - BACK - .8" THICK |
| 57 | 113375-06-01A | EA | LATCH - SLAM - FACE - .7" THICK |
| 58 | 113676-01-01A | EA | HINGE - OVERLAY - VARIABLE - BURNISHED BRASS |
| 59 | 113677-01-01A | EA | HINGE - SELF CLOSING |
| 60 | 114278-02-000 | EA | HINGE - CONTINUOUS - 3" WIDE |
| 61 | 114443-01-01A | EA | HINGE - CABINET DOOR |

INTERIOR FINISH GROUP (CONTINUED)
HARDWARE (CONTINUED)



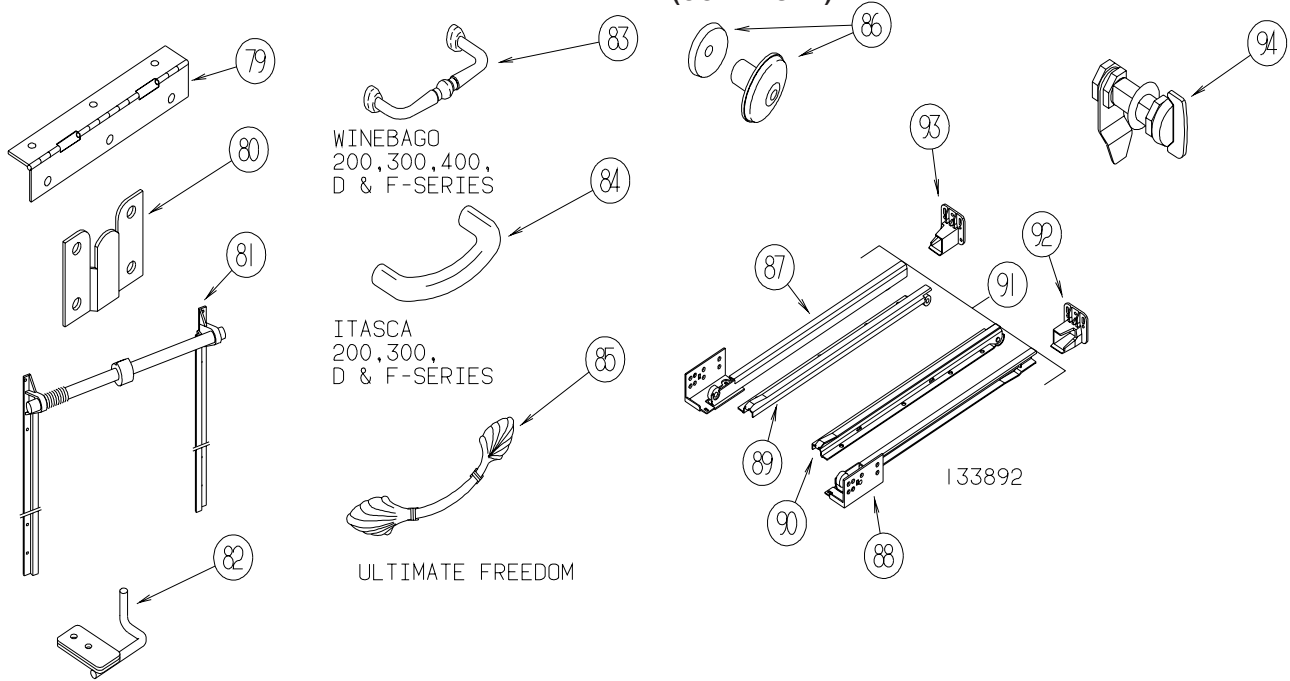
| KEY | PART NUMBER | U/M | DESCRIPTION |
|-----|---------------|-----|--|
| 62 | 115994-01-01A | EA | HANDLE - POCKET |
| 63 | 117095-01-01A | EA | LATCH - DOOR - GRABBER W/KEEPER - PLASTIC - BLK-5 LB PULL |
| 63 | 117095-02-01A | EA | LATCH - DOOR - GRABBER W/KEEPER - PLASTIC - BLK-10 LB PULL |
| 64 | 118200-01-01A | SF | MESH - PLASTIC 1/2" - 48" X LENGTH = SF - BLACK |
| 65 | 120760-01-000 | EA | RUBBER BUMPER - CLEAR - .1" THICK X .8" DIAMETER |
| 66 | 122717-01-01A | EA | PAD - NON-SKID - 4" DIAMETER ROUND |
| 67 | 122717-06-01A | FT | PAD - NON-SKID - PSA - 5"W |
| 68 | 124311-01-01A | EA | HANDLE - RECESSED - BRASS |
| 69 | 125221-01-01A | EA | PULL - MIRROR - W/ROUND HANDLE |
| 70 | 126263-06-02B | EA | BRACKET - GAS SPRING W/INSIDE BALL STUD - E-COATED |
| 70 | 126263-08-02B | EA | BRACKET - GAS SPRING W/CENTERED BALL STUD - E-COATED |
| 71 | 126584-02-000 | EA | ROLLER - FLAT |
| 72 | 127349-01-01A | EA | LATCH - PADDLE |

INTERIOR FINISH GROUP (CONTINUED)
HARDWARE (CONTINUED)



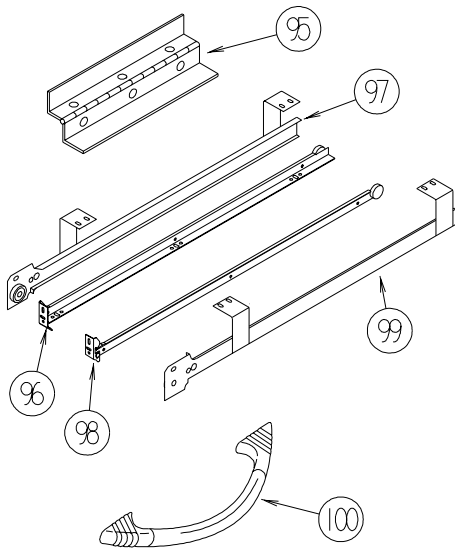
| KEY | PART NUMBER | U/M | DESCRIPTION |
|-----|---------------|-----|--------------------------------------|
| 73 | 128810-01-01A | EA | SLIDE - DRAWER - 12" - LEFT CABINET |
| 73 | 128810-05-01A | EA | SLIDE - DRAWER - 14" - LEFT CABINET |
| 73 | 128810-09-01A | EA | SLIDE - DRAWER - 16" - LEFT CABINET |
| 73 | 128810-13-01A | EA | SLIDE - DRAWER - 18" - LEFT CABINET |
| 73 | 128810-17-01A | EA | SLIDE - DRAWER - 20" - LEFT CABINET |
| 73 | 128810-21-01A | EA | SLIDE - DRAWER - 22" - LEFT CABINET |
| 73 | 128810-25-01A | EA | SLIDE - DRAWER - 24" - LEFT CABINET |
| 73 | 128810-29-01A | EA | SLIDE - DRAWER - 9" - LEFT CABINET |
| 74 | 128810-02-01A | EA | SLIDE - DRAWER - 12" - RIGHT CABINET |
| 74 | 128810-06-01A | EA | SLIDE - DRAWER - 14" - RIGHT CABINET |
| 74 | 128810-10-01A | EA | SLIDE - DRAWER - 16" - RIGHT CABINET |
| 74 | 128810-14-01A | EA | SLIDE - DRAWER - 18" - RIGHT CABINET |
| 74 | 128810-18-01A | EA | SLIDE - DRAWER - 20" - RIGHT CABINET |
| 74 | 128810-22-01A | EA | SLIDE - DRAWER - 22" - RIGHT CABINET |
| 74 | 128810-26-01A | EA | SLIDE - DRAWER - 24" - RIGHT CABINET |
| 74 | 128810-30-01A | EA | SLIDE - DRAWER - 9" - RIGHT CABINET |
| 75 | 128810-03-01A | EA | SLIDE - DRAWER - 12" - LEFT DRAWER |
| 75 | 128810-07-01A | EA | SLIDE - DRAWER - 14" - LEFT DRAWER |
| 75 | 128810-11-01A | EA | SLIDE - DRAWER - 16" - LEFT DRAWER |
| 75 | 128810-15-01A | EA | SLIDE - DRAWER - 18" - LEFT DRAWER |
| 75 | 128810-19-01A | EA | SLIDE - DRAWER - 20" - LEFT DRAWER |
| 75 | 128810-23-01A | EA | SLIDE - DRAWER - 22" - LEFT DRAWER |
| 75 | 128810-27-01A | EA | SLIDE - DRAWER - 24" - LEFT DRAWER |
| 75 | 128810-27-01A | EA | SLIDE - DRAWER - 24" - LEFT DRAWER |
| 75 | 128810-31-01A | EA | SLIDE - DRAWER - 9" - LEFT DRAWER |
| 76 | 128810-04-01A | EA | SLIDE - DRAWER - 12" - RIGHT DRAWER |
| 76 | 128810-08-01A | EA | SLIDE - DRAWER - 14" - RIGHT DRAWER |
| 76 | 128810-12-01A | EA | SLIDE - DRAWER - 16" - RIGHT DRAWER |
| 76 | 128810-16-01A | EA | SLIDE - DRAWER - 18" - RIGHT DRAWER |
| 76 | 128810-20-01A | EA | SLIDE - DRAWER - 20" - RIGHT DRAWER |
| 76 | 128810-24-01A | EA | SLIDE - DRAWER - 22" - RIGHT DRAWER |
| 76 | 128810-28-01A | EA | SLIDE - DRAWER - 24" - RIGHT DRAWER |
| 76 | 128810-32-01A | EA | SLIDE - DRAWER - 9" - RIGHT DRAWER |
| 77 | 128811-01-02A | EA | BACKSOCKET - ADJUSTABLE - LEFT |
| 78 | 128811-02-02A | EA | BACKSOCKET - ADJUSTABLE - RIGHT |

INTERIOR FINISH GROUP (CONTINUED) HARDWARE (CONTINUED)

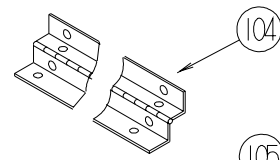
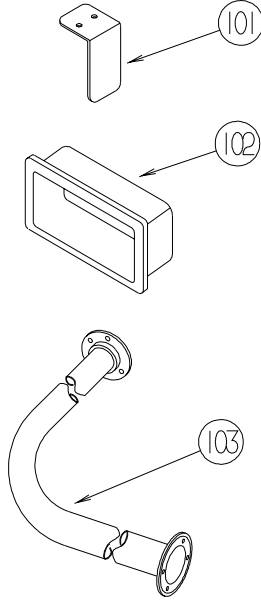


| KEY | PART NUMBER | U/M | DESCRIPTION |
|-----|---------------|-----|---|
| 79 | 129753-01-01A | EA | HINGE - SPRING LOADED - 19" X 19" - BLACK |
| 80 | 130120-01-01A | EA | BRACKET - MIRROR |
| 81 | 130787-02-000 | EA | TRACK - TAMBOUR DOOR/SPRING - 24" |
| 81 | 130787-04-000 | EA | TRACK - TAMBOUR DOOR - SPRING |
| 82 | 130798-01-02B | EA | GUIDE - POCKET DOOR - E-COATED |
| 83 | 131963-01-01A | EA | PULL - POLISHED BRASS - WINNEBAGO VISTA/MINNIE/MINNIE WINNIE/SIGHTSEER & BRAVE |
| 84 | 131964-01-01A | EA | PULL - POLISHED BRASS - ITASCA SUNSTAR/SPIRIT/SUNOVA & SUNRISE |
| 85 | 131965-01-01A | EA | PULL - DOOR/DRAWER - 6.3" - BURNISHED BRASS - ULTIMATE FREEDOM |
| 86 | 133313-01-02A | EA | PULL - DOOR/DRAWER - BRIGHT BRASS |
| 86 | 133313-01-03A | EA | PULL - DOOR/DWR - CHROME/BRASS - ITASCA SUNDANCER/SUNCRUISER/SUNFLYER/MERIDIAN |
| 87 | 133892-01-01A | EA | SLIDE - DRAWER - 16" - LEFT CABINET |
| 87 | 133892-06-01A | EA | SLIDE - DRAWER - 22" - LEFT CABINET |
| 87 | 133892-10-01A | EA | SLIDE - DRAWER - 12" - LEFT CABINET |
| 87 | 133892-14-01A | EA | SLIDE - DRAWER - 18" - LEFT CABINET |
| 88 | 133892-02-01A | EA | SLIDE - DRAWER - 16" - RIGHT CABINET |
| 88 | 133892-07-01A | EA | SLIDE - DRAWER - 22" - RIGHT CABINET |
| 88 | 133892-11-01A | EA | SLIDE - DRAWER - 12" - RIGHT CABINET |
| 88 | 133892-15-01A | EA | SLIDE - DRAWER - 18" - RIGHT CABINET |
| 89 | 133892-03-01A | EA | SLIDE - DRAWER - 16" - LEFT DRAWER |
| 89 | 133892-08-01A | EA | SLIDE - DRAWER - 22" - LEFT DRAWER |
| 89 | 133892-12-01A | EA | SLIDE - DRAWER - 12" - LEFT DRAWER |
| 89 | 133892-16-01A | EA | SLIDE - DRAWER - 18" - LEFT DRAWER |
| 90 | 133892-04-01A | EA | SLIDE - DRAWER - 16" - RIGHT DRAWER |
| 90 | 133892-09-01A | EA | SLIDE - DRAWER - 22" - RIGHT DRAWER |
| 90 | 133892-13-01A | EA | SLIDE - DRAWER - 12" - RIGHT DRAWER |
| 90 | 133892-17-01A | EA | SLIDE - DRAWER - 18" - RIGHT DRAWER |
| 91 | 133892-05-01A | EA | SLIDE - DRAWER - 9" - FULL SET |
| 92 | 133907-01-01A | EA | BACKSOCKET - RIGHT HAND |
| 93 | 133907-02-01A | EA | BACKSOCKET - LEFT HAND |
| 94 | 135231-01-01A | EA | LATCH - COMPRESSION - BLACK |

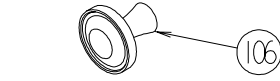
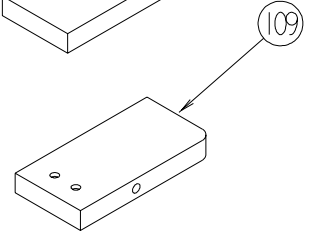
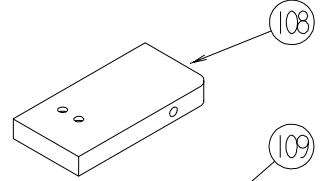
INTERIOR FINISH GROUP (CONTINUED) HARDWARE (CONTINUED)



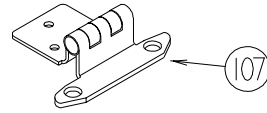
ITASCA
400, G, L P-SERIES



ULTIMATE ADVANTAGE

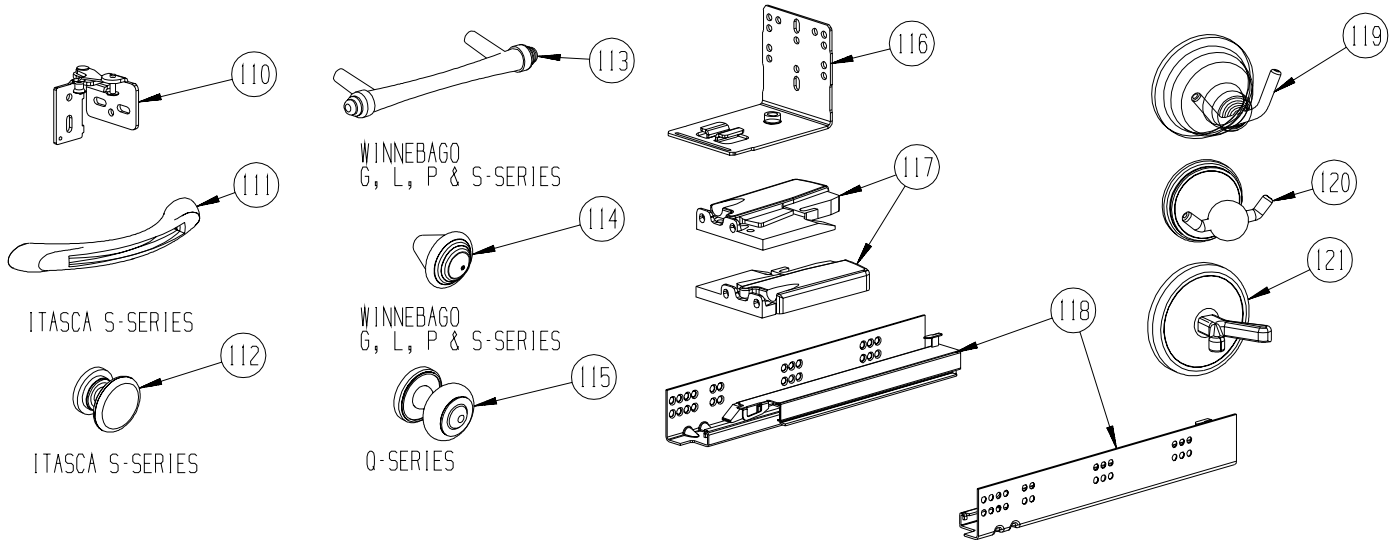


WINNEBAGO
S-SERIES & Q-SERIES

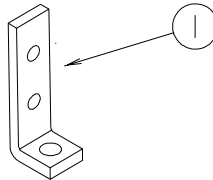


| KEY | PART NUMBER | U/M | DESCRIPTION |
|-----|---------------|-----|---|
| 95 | 135538-01-01A | EA | HINGE - PIANO - FULL WRAP - BRASS PLATED |
| 95 | 135538-03-01A | EA | HINGE - PIANO - FULL WRAP - STOCKER BRASS |
| 95 | 135538-06-01A | EA | HINGE - PIANO - FULL WRAP |
| 96 | 136944-01-01A | EA | SLIDE - DRAWER/RIGHT HAND - 13.8" |
| 97 | 136944-02-01A | EA | SLIDE - CABINET/RIGHT HAND - 13.8" |
| 98 | 136944-03-01A | EA | SLIDE - DRAWER/LEFT HAND - 13.8" |
| 99 | 136944-04-01A | EA | SLIDE - CABINET/LEFT HAND - 13.8" |
| 100 | 137446-01-01A | EA | PULL - CABINET - CHROME/BRASS - ITASCA SUNDANCE/SUNCRUISER/SUNFLYER & MERIDIAN |
| 101 | 138136-02-02B | EA | GUIDE - DOOR - E-COATED |
| 102 | 139136-01-01A | EA | HANDLE - RECESSED - BRASS |
| 102 | 139136-02-01A | EA | HANDLE - RECESSED - BRASS |
| 102 | 139136-02-02A | EA | HANDLE - RECESSED - PEWTER |
| 103 | 140494-01-01A | EA | ROD - SHOWER |
| 103 | 140494-01-02A | EA | ROD - SHOWER - SOFT WHITE |
| 104 | 142276-01-01A | EA | HINGE - PIANO - FULL WRAP - BRASS |
| 105 | 142909-01-01A | EA | PULL - CABINET - BRASS - ULTIMATE ADVANTAGE |
| 106 | 142910-01-01A | EA | KNOB - CABINET - BRASS - WINNEBAGO VECTRA & ULTIMATE ADVANTAGE |
| 107 | 143468-01-01A | EA | HINGE - SELF CLOSING - BURNISHED BRASS - ULTIMATE FREEDOM |
| 107 | 143468-01-02A | EA | HINGE - SELF CLOSING - POLISHED BRASS |
| 107 | 143468-02-02A | EA | HINGE - SELF CLOSING - POLISHED BRASS |
| 107 | 143468-02-03A | EA | HINGE - SELF CLOSING - SATIN NICKEL - ITASCA SUNFLYER, L-SERIES |
| 107 | 146553-01-02A | EA | HINGE - CABINET DOOR - BRIGHT BRASS |
| 107 | 146553-01-03A | EA | HINGE - CABINET DOOR - SATIN NICKEL |
| 108 | 137445-01-N42 | EA | STOP - F/SLIDING DOOR |
| 108 | 137445-01-P46 | EA | STOP - F/SLIDING DOOR |
| 108 | 137445-01-P56 | EA | STOP - F/SLIDING DOOR |
| 109 | 137445-02-P45 | EA | STOP - F/SLIDING DOOR |
| 109 | 137445-02-P46 | EA | STOP - F/SLIDING DOOR |
| 109 | 137445-02-P56 | EA | STOP - F/SLIDING DOOR |

INTERIOR FINISH GROUP (CONTINUED)
HARDWARE (CONTINUED)



| KEY | PART NUMBER | U/M | DESCRIPTION |
|-----|---------------|-----|--|
| 110 | 144488-01-01A | EA | HINGE - CABINET - ANTIQUE BRASS |
| 110 | 144488-01-02A | EA | HINGE - CABINET - NICKEL - ITASCA HORIZON |
| 111 | 144917-01-01A | EA | PULL - DRAWER - SATIN NICKEL - ITASCA HORIZON |
| 112 | 144918-01-01A | EA | PULL - DRAWER/KNOB - SATIN NICKEL - ITASCA HORIZON |
| 113 | 145172-01-01A | EA | PULL - CABINET DOOR - WINNEBAGO ADVENTURER/CHIEFTAIN/JOURNEY & VECTRA |
| 114 | 145172-02-01A | EA | PULL - DRAWER/DNOB - WINNEBAGO ADVENTURER/CHIEFTAIN & JOURNEY |
| 115 | 145180-01-01A | EA | KNOB - CABINET DOOR - ULTIMATE FREEDOM |
| 116 | 145739-01-000 | EA | BRACKET - REAR MOUNT |
| 117 | 145739-02-000 | EA | LOCKING MECHANISM - LEFT |
| 117 | 145739-03-000 | EA | LOCKING MECHANISM - RIGHT |
| 118 | 145739-04-000 | EA | SLIDE - DRAWER - 12" |
| 119 | 145849-01-01A | EA | ROBE HOOK - TWIN - BRASS |
| 119 | 145849-02-01A | EA | ROBE HOOK - TWIN - CHROME |
| 120 | 145849-03-01A | EA | ROBE HOOK - TWIN - BRASS |
| 121 | 145849-04-01A | EA | ROBE HOOK - TWIN - CHROME/BRASS |



| KEY | PART NUMBER | U/M | DESCRIPTION |
|-----|---------------|-----|------------------------|
| 1 | 096826-01-01A | EA | BRACE-CABINET E-COATED |

LABELS GROUP

SEWAGE

KEY PART NUMBER U/M DESCRIPTION
006187-01-000 EA LABEL - SEWAGE

WASTE WATER

KEY PART NUMBER U/M DESCRIPTION
006188-01-000 EA LABEL - WASTE WATER

WARNING

THIS SYSTEM IS DESIGNED FOR USE WITH PROPANE ONLY
DO NOT CONNECT NATURAL GAS TO THIS SYSTEM

BEFORE TURNING ON PROPANE:

- (A) BE CERTAIN APPLIANCES ARE CERTIFIED FOR PROPANE AND ARE EQUIPPED WITH CORRECT BURNING ORIFICES.
- (B) MAKE CERTAIN ALL PROPANE CONNECTIONS ARE TIGHT BY TESTING WITH SOAPY WATER. ALL APPLIANCE VALVES ARE TURNED OFF, AND ANY UNCONNECTED OUTLETS ARE CAPPED.

AFTER TURNING ON PROPANE:

- (A) LIGHT ALL PILOT LIGHTS
- (B) (B) ALL CONNECTIONS, INCLUDING THOSE AT THE APPLIANCES, REGULATORS AND CYLINDERS SHOULD BE LEAK-TESTED PERIODICALLY WITH SOAPY WATER BY THE OCCUPANT. NEVER USE A LIGHTED MATCH OR OTHER FLAME WHEN CHECKING FOR LEAKS.
- (C) DO NOT LEAVE SYSTEM TURNED ON OF CONTAINERS CONNECTED UNTIL THE SYSTEM HAS BEEN PROVEN TO BE FREE OF LEAKS.
- (D) COOKING APPLIANCES SHOULD NOT BE USED FOR SPACE HEATING.
- (E) WHEN THE CONTAINERS ARE DISCONNECTED THE PROPANE SUPPLY LINE SHOULD BE CAPPED OR PLUGGED.

AVERTISSEMENT

CETTE INSTALLATION EST CONCUE POUR LE PROPANE SEULEMENT
NE PAS L'ALIMENTER EN GAZ NATUREL

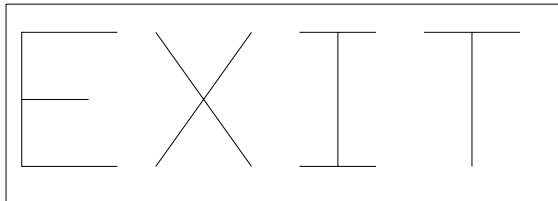
AVANT LA MISE EN SERVICE:

- (A) S'ASSURER QUE LES APPAREILS SONT CERTIFIES POUR LE PROPANE ET MUNIS D'ORIFICES DE BRULEUR APPROPRIES.
- (B) VERIFIER L'ETANCHEITE DE TOUS LES RACCORDEMENTS AU PROPANE. LA PERMUTURE DE TOUS LES ROBINETS D'APPAREILS ET L'OBTURATION DE TOUTES LES SORTIES NON RACCORDEES.

APRES LA MISE EN SERVICE:

- (A) ALLUMER TOUTES LES VEILLEUSES.
- (B) L'OCCUPANT DOIT EPROUVER PERIODIQUEMENT L'ETANCHEITE DE TOUS LES RACCORDEMENTS Y COMPRIS CEUX AUX APPAREILS, AUX DETENDEURS ET AUX BOUTEELLES. EN Y APPLIQUANT DE L'EAU SAVONNEUSE NE JAMA'S SE SERVIR D'UNE ALLUMETTE OU AUTRE POUR LA DETECTION DES FUITES.
- (C) NE PAS LAISSER L'ALIMENTATION OUVERTE NI LES RECIPIENTS RACCORDES AVANT D'AVOIR COMPLETE L'EPREUVE D'ETANCHEITE AU PROPANE DE L'INSTALLATION.
- (D) LES APPAREILS DE CUISSON NE DOIVENT PAS ETRE UTILISES POUR LE CHAUFFAGE DES LOCAUX.
- (E) LORSQUE LES RECIPIENTS SONT DECONNECTES, L'ALIMENTATION DE PROPANE DOIT ETRE OBTUREE OU SCELLEE.

KEY PART NUMBER U/M DESCRIPTION
023769-01-000 EA LABEL - WARNING - LPG - CANADIAN



KEY PART NUMBER U/M DESCRIPTION
039290-01-000 EA LABEL - WARNING - EXIT

LABELS GROUP (CONTINUED)



KEY PART NUMBER U/M DESCRIPTION
040944-01-000 EA LABEL - ENTRANCE DOOR - "OPEN"

CAUTION

THIS MOTOR HOME HAS BEEN DESIGNED, MANUFACTURED AND TESTED WITH CONCERN FOR THE PROTECTION OF IT'S OCCUPANTS. WE RECOMMEND YOU PERFORM THE FOLLOWING INSPECTIONS FOR YOUR SAFETY AND THE SAFETY OF YOUR PASSENGERS BEFORE STARTING YOUR VEHICLE.

1. LP GAS SYSTEM- TURN OFF AT TANK FOR TRAVELING. TEST FOR LEAKS UPON ARRIVAL AT DESTINATION. BEFORE LIGHTING PILOTS.
2. WHEELS- INSPECT FOR DAMAGE AND CHECK LUG NUTS FOR TIGHTNESS.
3. TIRES- INSPECT FOR WEAR AND DAMAGE AND CHECK FOR RECOMMENDED AIR PRESSURE.
4. LIGHTING- TEST FOR PROPER OPERATION OF ALL INTERIOR AND EXTERIOR LIGHTS INCLUDING DASH LIGHTS, HEADLIGHTS, TAIL LIGHTS, BRAKE LIGHTS, CLEARANCE LIGHTS AND TURN SIGNALS.
5. EXITS- INSPECT RELEASE MECHANISM ON EMERGENCY EXIT WINDOW. TEST BOTH LOCKS ON MAIN ENTRANCE DOOR FOR EASE OF OPERATION AND INSTRUCT PASSENGERS HOW TO USE BOTH MEANS OF EXIT.
6. SEAT BELTS- DIRECT PASSENGERS TO DESIGNATED SEATS AND REQUIRE USE OF SEAT BELTS.
7. APPLIANCES- TURN OFF AND LATCH OR LOCK DOORS WHERE PROVIDED.
8. LOOSE PARCELS- STORE SECURELY.
9. UTILITY SUPPLY LINES- DISCONNECT ALL ELECTRIC, SEWER AND WATER LINES AND SECURE PROPERLY.
10. ENTRANCE DOOR STEP- PLACE IN RETRACTED POSITION FOR TRAVELING.

READ YOUR MOTOR HOME AND CHASSIS OWNER'S MANUAL FOR FURTHER PRECAUTIONS

KEY PART NUMBER U/M DESCRIPTION
056259-01-000 EA LABEL - SAFETY CHECK LIST

UNLEADED FUEL ONLY

KEY PART NUMBER U/M DESCRIPTION
062043-01-000 EA LABEL - FUEL - UNLEADED

WARNING DISCONNECT BATTERIES BEFORE CONNECTING EXTERNAL CHARGING EQUIPMENT.

KEY PART NUMBER U/M DESCRIPTION
065748-01-000 EA LABEL - WARNING - BATTERY CHARGING - UL

AVERTISSEMENT : DEBRANCHER LES BATTERIES AVANT DE BRANCHER TOUT EQUIPEMENT DE CHARGE EXTERIEUR.

KEY PART NUMBER U/M DESCRIPTION
065748-02-000 EA LABEL - WARNING - BATTERY CHARGING - CSA - CANADIAN

DIESEL FUEL ONLY

KEY PART NUMBER U/M DESCRIPTION
068383-01-000 EA LABEL - DIESEL FUEL

VEHICLE EMISSION CONTROL INFORMATION
THIS VEHICLE CONFORMS TO U.S. EPA REGULATIONS APPLICABLE TO XXXX MODEL YEAR NEW VEHICLES.

072887-07-000-2 CATALYST

KEY PART NUMBER U/M DESCRIPTION
072887-14-000 EA LABEL - EPA - 2003 MODEL YEAR

LABELS GROUP (CONTINUED)

IF YOU SMELL GAS

1. EXTINGUISH ANY OPEN FLAME, PILOT LIGHTS AND ALL SMOKING MATERIALS.
2. DO NOT TOUCH ELECTRICAL SWITCHES.
3. SHUT OFF THE GAS SUPPLY AT THE TANK VALVE(S) OR GAS SUPPLY CONNECTION.
4. OPEN DOORS AND OTHER VENTILATING OPENINGS.
5. LEAVE THE AREA UNTIL ODOR CLEARS.
6. HAVE THE GAS SYSTEM CHECKED AND LEAKAGE SOURCE CORRECTED BEFORE USING AGAIN.

KEY PART NUMBER U/M DESCRIPTION
073998-01-000 EA LABEL - LPG ODOR WARNING

WARNING: TEST SMOKE DETECTOR OPERATION AFTER VEHICLE HAS BEEN IN STORAGE, BEFORE EACH TRIP AND AT LEAST ONCE PER WEEK DURING USE.

KEY PART NUMBER U/M DESCRIPTION
077956-01-000 EA LABEL - WARNING - SMOKE DETECTOR

DO NOT FILL LP-GAS CONTAINER(S) TO MORE THAN 80% OF CAPACITY.

KEY PART NUMBER U/M DESCRIPTION
079965-01-000 EA LABEL - LPG - 80% CAPACITY

WARNING
MUST BE STOWED IN LATCHED POSITION WHILE VEHICLE IS IN MOTION

KEY PART NUMBER U/M DESCRIPTION
079966-01-000 EA LABEL - WARNING - STOWED - MOTION

W
A
T
E
R
H
E
A
T
E
R
O
N
O
F
F

KEY PART NUMBER U/M DESCRIPTION
083588-01-000 EA LABEL - ON/OFF - WATER HEATER

E
N
G
I
N
E
H
E
A
T
E
R
O
N
O
F
F

KEY PART NUMBER U/M DESCRIPTION
083588-02-000 EA LABEL - ON/OFF - ENGINE HEATER
083588-04-000 EA LABEL - ON/OFF - ENGINE HEATER

LABELS GROUP (CONTINUED)

| | |
|---|--|
| <p>CAUTION</p> | <p>TO HELP AVOID PERSONAL INJURY DURING REMOVAL OF FUEL FILLER CAP, SLOWLY LOOSEN CAP 1/2 TURN TO ALLOW ANY FUEL PRESSURE TO BE RELIEVED BEFORE TURNING CAP FURTHER.</p> |
| <p>FUEL SPRAY MAY CAUSE PERSONAL INJURY</p> | <p>STOP ADDING FUEL AFTER FIRST SHUTOFF BY AUTOMATIC NOZZLE WHEN TANK IS NEARLY FULL. DO NOT OVERFILL FUEL TANK.</p> <p>SEE OWNERS MANUAL FOR ADDITIONAL INFORMATION.</p> <p style="font-size: small;">PRINTED IN U.S.A. WLC PT NO 15611763</p> |

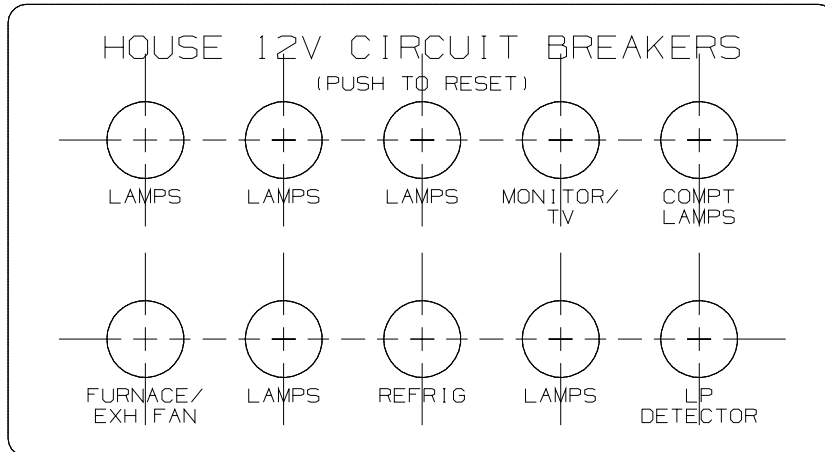
KEY PART NUMBER U/M DESCRIPTION
 087207-05-000 EA LABEL - FUEL CAP REMOVAL



KEY PART NUMBER U/M DESCRIPTION
 087236-01-000 EA LABEL - CABLE - INPUT

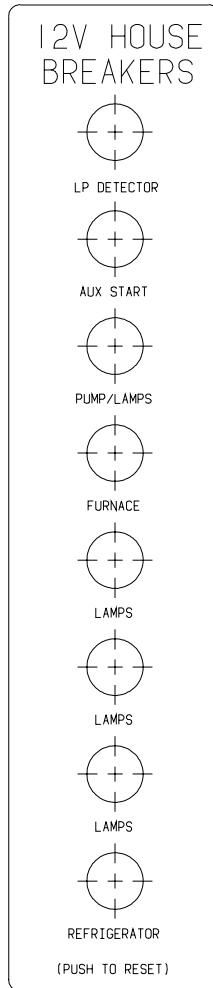


KEY PART NUMBER U/M DESCRIPTION
 087236-02-000 EA LABEL - TV OUTLET

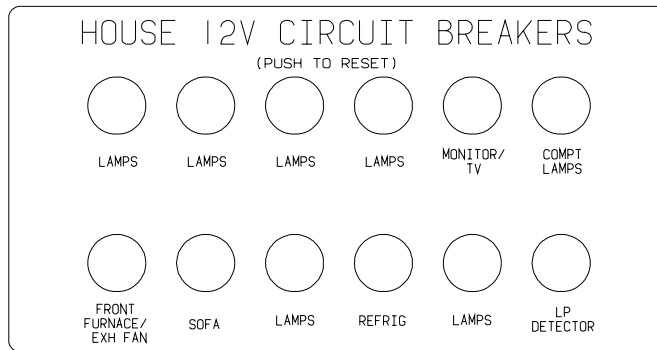


KEY PART NUMBER U/M DESCRIPTION
 092547-06-000 EA LABEL - CIRCUIT BREAKER

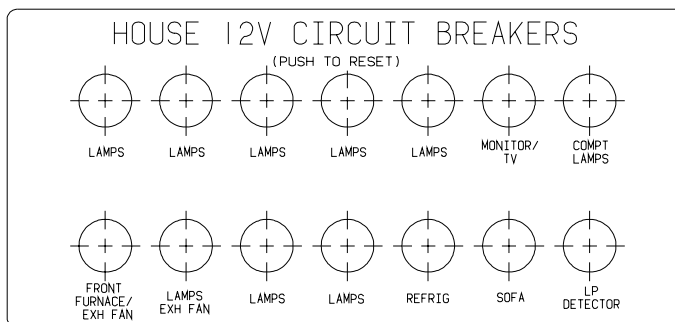
LABELS GROUP (CONTINUED)



| KEY | PART NUMBER | U/M DESCRIPTION |
|-----|---------------|----------------------------|
| | 092547-08-000 | EA LABEL - CIRCUIT BREAKER |

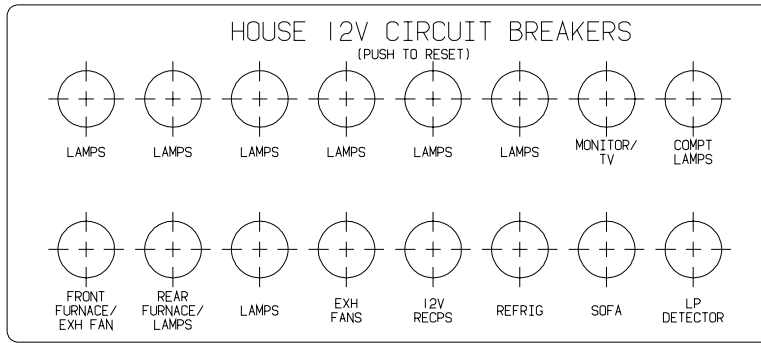


| KEY | PART NUMBER | U/M DESCRIPTION |
|-----|---------------|----------------------------|
| | 092547-10-000 | EA LABEL - CIRCUIT BREAKER |

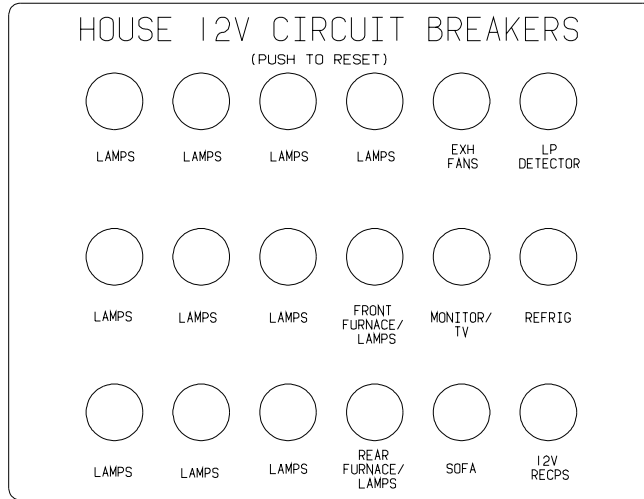


| KEY | PART NUMBER | U/M DESCRIPTION |
|-----|---------------|----------------------------|
| | 092547-12-000 | EA LABEL - CIRCUIT BREAKER |

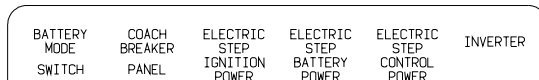
LABELS GROUP (CONTINUED)



KEY PART NUMBER **U/M DESCRIPTION**
 092547-13-000 EA LABEL - CIRCUIT BREAKER



KEY PART NUMBER **U/M DESCRIPTION**
 092547-14-000 EA LABEL - CIRCUIT BREAKER



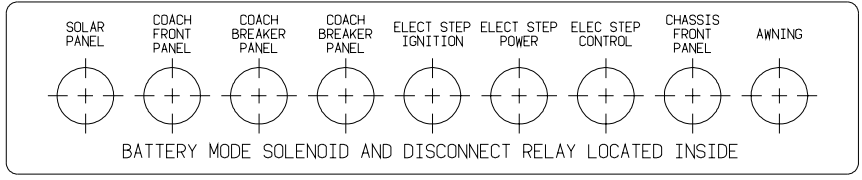
KEY PART NUMBER **U/M DESCRIPTION**
 093236-08-000 EA LABEL - CIRCUIT BREAKER

LABELS GROUP (CONTINUED)



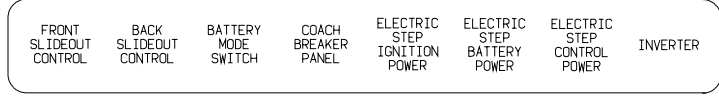
KEY PART NUMBER
093236-21-000

U/M DESCRIPTION
EA LABEL - CIRCUIT BREAKER



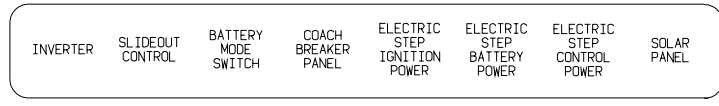
KEY PART NUMBER
093236-26-000

U/M DESCRIPTION
EA LABEL - CIRCUIT BREAKER



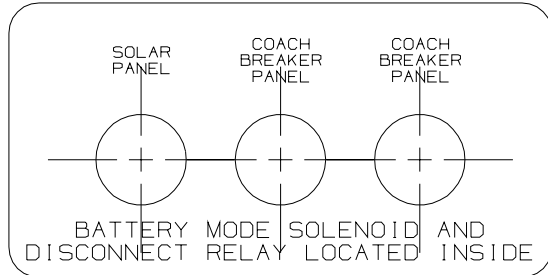
KEY PART NUMBER
093236-28-000

U/M DESCRIPTION
EA LABEL - CIRCUIT BREAKER



KEY PART NUMBER
093236-29-000

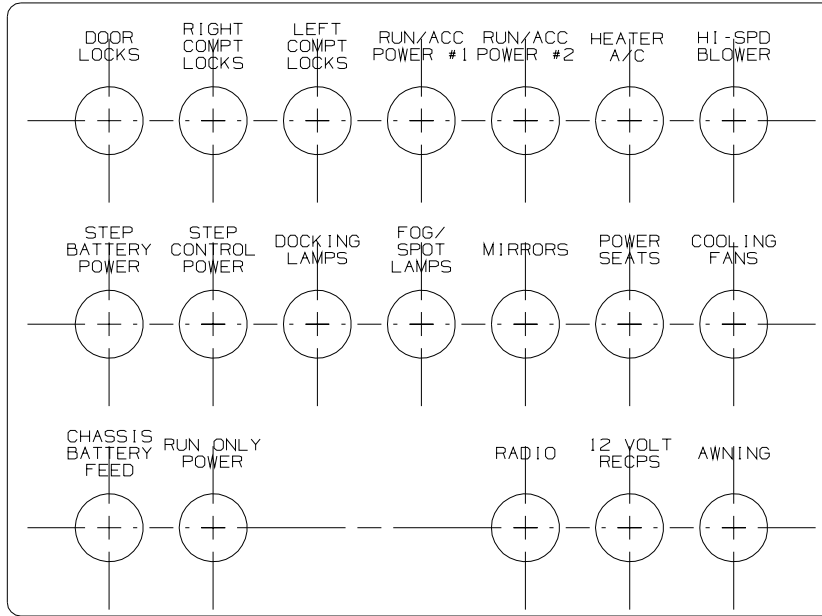
U/M DESCRIPTION
EA LABEL - CIRCUIT BREAKER



KEY PART NUMBER
093236-31-000

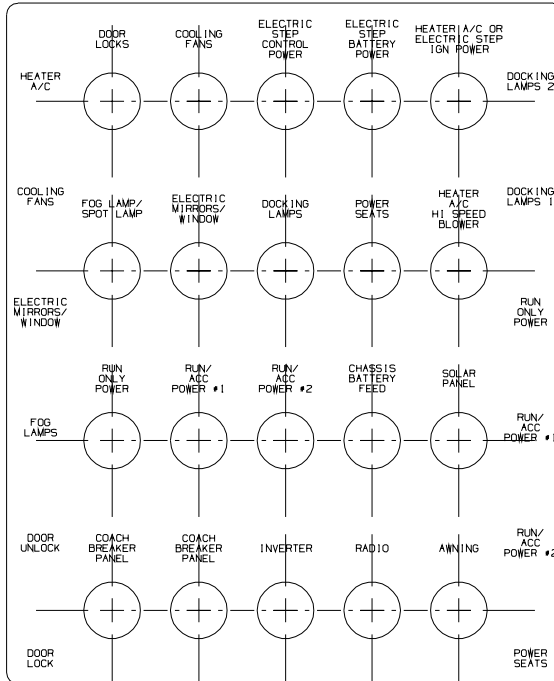
U/M DESCRIPTION
EA LABEL - CIRCUIT BREAKER

LABELS GROUP (CONTINUED)



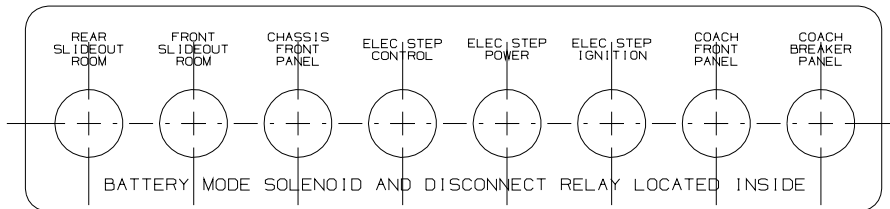
KEY PART NUMBER
093236-32-000

U/M DESCRIPTION
EA LABEL - CIRCUIT BREAKER



KEY PART NUMBER
093236-33-000

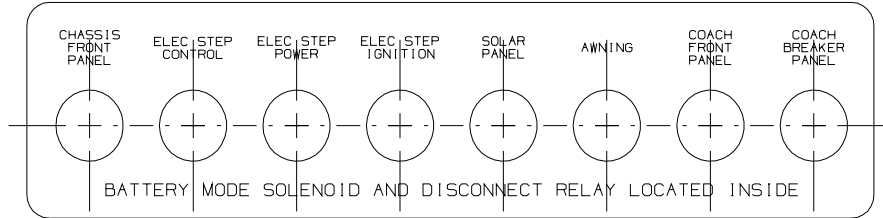
U/M DESCRIPTION
EA LABEL - CIRCUIT BREAKER



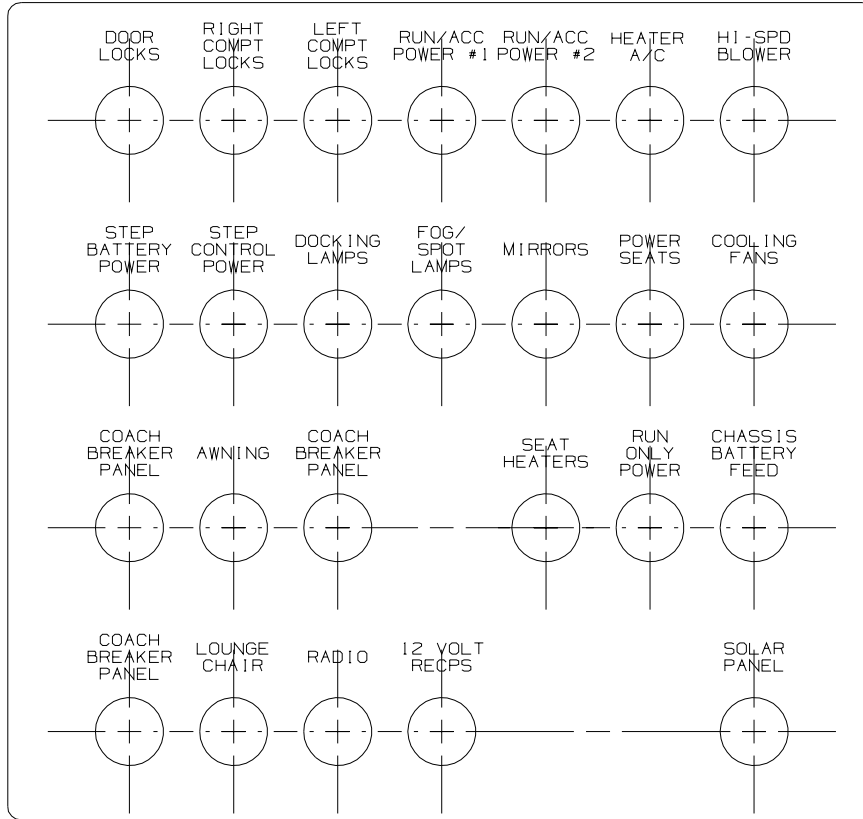
KEY PART NUMBER
093236-34-000

U/M DESCRIPTION
EA LABEL - CIRCUIT BREAKER

LABELS GROUP (CONTINUED)



| KEY | PART NUMBER | U/M | DESCRIPTION |
|-----|---------------|-----|-------------------------|
| | 093236-35-000 | EA | LABEL - CIRCUIT BREAKER |



| KEY | PART NUMBER | U/M | DESCRIPTION |
|-----|---------------|-----|-------------------------|
| | 093236-37-000 | EA | LABEL - CIRCUIT BREAKER |

LABELS GROUP (CONTINUED)

| | | | | | |
|---------------------------------|--|--------------------------------|--------------------------------|--------------------------------|---|
| S U B M A I N | D I S H W A S H E R | R E C P S 1 | R E C P S 2 | R E C P S 3 | M I C R O W A V E |
|---------------------------------|--|--------------------------------|--------------------------------|--------------------------------|---|

KEY PART NUMBER U/M DESCRIPTION
 095721-20-000 EA LABEL - CONTROL CENTER W/INVERTER

| | | | | | | | | | |
|---|------------------|---|---|---|--------------------------------|--------------------------------|--------------------------------|--|--|
| A / C C I R C U I T 1 | M A I N | A / C C I R C U I T 2 | R E F R I G / C O N V | M I C R O W A V E | R E C P S 1 | R E C P S 2 | R E C P S 3 | | |
|---|------------------|---|---|---|--------------------------------|--------------------------------|--------------------------------|--|--|

KEY PART NUMBER U/M DESCRIPTION
 095721-27-000 EA LABEL - CONTROL CENTER - 30 AMP

| | | | | | | | | | | |
|---|------------------|---|---|---|--------------------------------|--------------------------------|--------------------------------|--|---|--|
| A / C C I R C U I T 1 | M A I N | A / C C I R C U I T 2 | R E F R I G / C O N V | M I C R O W A V E | R E C P S 1 | R E C P S 2 | R E C P S 3 | W A S H E R / D R Y E R | W A T E R H E A T E R | |
|---|------------------|---|---|---|--------------------------------|--------------------------------|--------------------------------|--|---|--|

KEY PART NUMBER U/M DESCRIPTION
 095721-31-000 EA LABEL - CONTROL CENTER - 30 AMP - US

LABELS GROUP (CONTINUED)

| | | | | | | | | | | |
|-----------------------------|---------|---------|-----------------------------|-------------------------|-------------------|----------------|----------------|----------------|-------------------------|--------------------------|
| A / C C I R C U I T 1 | M A I N | M A I N | A / C C I R C U I T 2 | R E F F R I G / C O N V | M I C R O W A V E | R E C P S 1 | R E C P S 2 | R E C P S 3 | W A S H E R / D R Y E R | W A T E R H E A T E R |
|-----------------------------|---------|---------|-----------------------------|-------------------------|-------------------|----------------|----------------|----------------|-------------------------|--------------------------|

KEY PART NUMBER U/M DESCRIPTION
 095721-33-000 EA LABEL - CONTROL CENTER - 50 AMP - US

| | | | | | |
|---------|-------------------|-------------------|---------------------|-----------------|-------|
| M A I N | M I C R O W A V E | G F I / R E C P S | R E F E R / C O N V | W A T E R H T R | A / C |
|---------|-------------------|-------------------|---------------------|-----------------|-------|

KEY PART NUMBER U/M DESCRIPTION
 095721-38-000 EA LABEL - CONTROL CENTER - 30 AMP - US

| | | | | | | | | | | |
|-----------------------------|---------|---------|-----------------------------|--------------------------------------|-------------------------|--------------------------|--------------------------|---------------------|---|---|
| A / C C I R C U I T 1 | M A I N | M A I N | A / C C I R C U I T 2 | I N V E R T E R / C H A R G E E R | W A S H E R / D R Y E R | W A T E R H E A T E R | W A T E R H E A T E R | D I S H W A S H E R | F I R E P L A C C E / R E C P S 4 | F I R E P L A C C E / R E C P S 4 |
|-----------------------------|---------|---------|-----------------------------|--------------------------------------|-------------------------|--------------------------|--------------------------|---------------------|---|---|

KEY PART NUMBER U/M DESCRIPTION
 095721-44-000 EA LABEL - CONTROL CENTER - 30 AMP - US

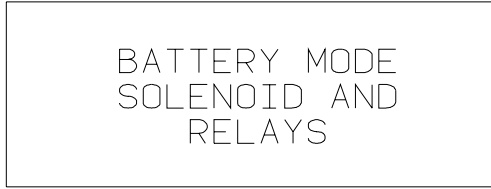
AUTOMOTIVE AND COACH
CIRCUIT BREAKERS

KEY PART NUMBER U/M DESCRIPTION
 098379-01-000 EA LABEL - CIRCUIT BREAKER - FRONT BOX

CIRCUIT BREAKERS
AND AUTOMOTIVE
FUSE PANEL

KEY PART NUMBER U/M DESCRIPTION
 098379-03-000 EA LABEL - ELECTRICAL BOX - FRONT

LABELS GROUP (CONTINUED)



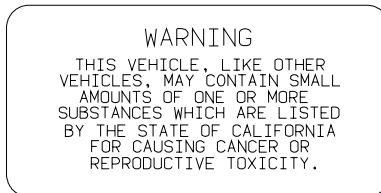
KEY PART NUMBER U/M DESCRIPTION
098379-04-000 EA LABEL - ELECTRICAL BOX - SIDE



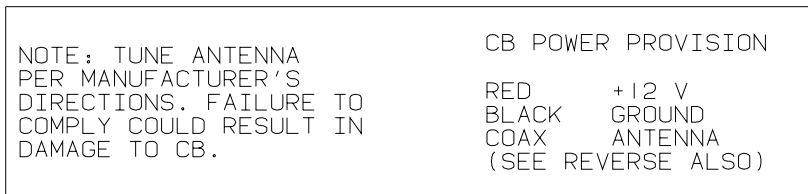
KEY PART NUMBER U/M DESCRIPTION
098641-01-000 EA LABEL - FUEL - UNLEADED - DASH



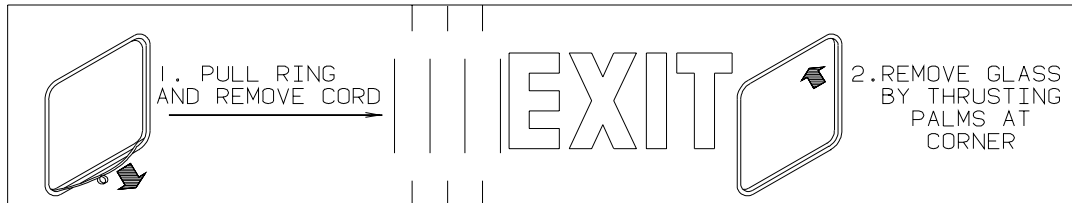
KEY PART NUMBER U/M DESCRIPTION
099509-01-000 EA LABEL - AWNING INSTALLATION



KEY PART NUMBER U/M DESCRIPTION
099689-01-000 EA LABEL - WARNING - CANCER/TOXICITY

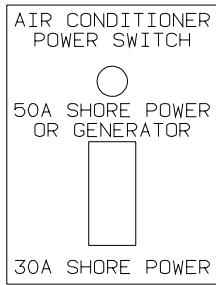


KEY PART NUMBER U/M DESCRIPTION
104678-01-000 EA LABEL - CB PREP



KEY PART NUMBER U/M DESCRIPTION
107571-01-000 EA LABEL - EXIT/ESCAPE WINDOW

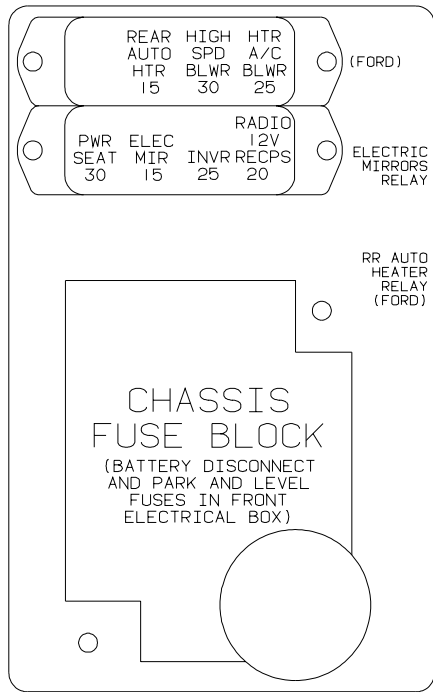
LABELS GROUP (CONTINUED)



| KEY | PART NUMBER | U/M DESCRIPTION |
|-----|---------------|----------------------------------|
| | 109051-02-000 | EA LABEL - SWITCH - 50 AMP POWER |

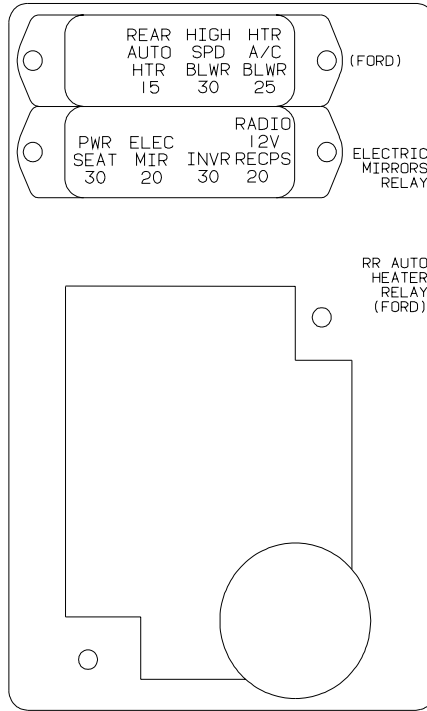
DO NOT USE HITCH BEFORE
READING OWNERS MANUAL REGARDING
VEHICLE LOADING AND TOWING

| KEY | PART NUMBER | U/M DESCRIPTION |
|-----|---------------|--|
| | 111104-01-000 | EA LABEL - HITCH - READ MANUAL - WHITE |



| KEY | PART NUMBER | U/M DESCRIPTION |
|-----|---------------|------------------|
| | 111537-08-000 | EA LABEL - FUSES |

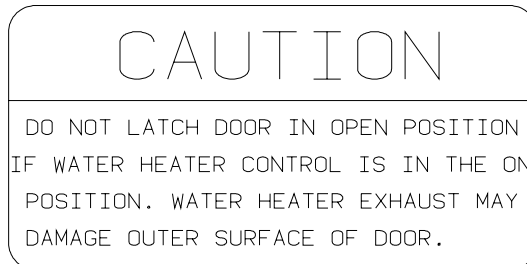
LABELS GROUP (CONTINUED)



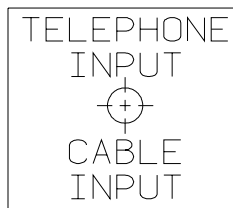
KEY PART NUMBER U/M DESCRIPTION
 111537-09-000 EA LABEL - FUSES

WARNING: CONTAINS "CFC" A SUBSTANCE WHICH HARMS PUBLIC HEALTH AND ENVIRONMENT BY DESTROYING OZONE IN THE UPPER ATMOSPHERE.

KEY PART NUMBER U/M DESCRIPTION
 111802-01-000 EA LABEL - CFC WARNING

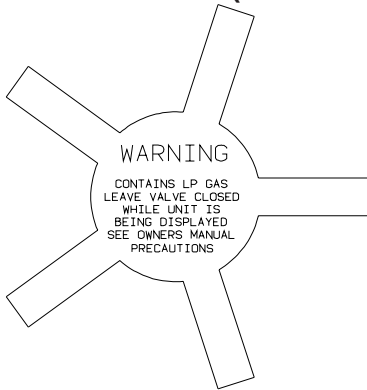


KEY PART NUMBER U/M DESCRIPTION
 113402-01-000 EA LABEL - CAUTION - WATER HEATER EXHAUST



KEY PART NUMBER U/M DESCRIPTION
 114866-02-000 EA LABEL - PHONE & CABLE INPUT - WHITE/CLEAR BACKGROUND

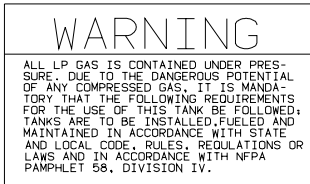
LABELS GROUP (CONTINUED)



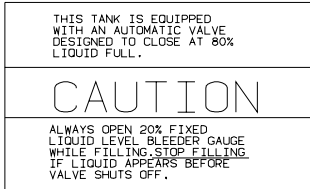
KEY PART NUMBER U/M DESCRIPTION
 115600-01-000 EA LABEL - WARNING LPG VALVE

WARNING: REPLACE TIRE ONLY WITH ONE OF EXACTLY SAME TYPE AND RATING. DO NOT REPLACE WITH PASSENGER CAR TIRE. SEE OPERATOR'S MANUAL FOR MORE INFORMATION CALL WINNEBAGO OWNER RELATIONS AT 1-800-537-1885.

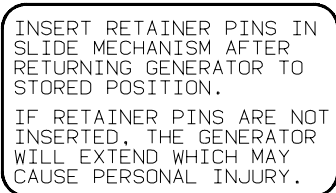
KEY PART NUMBER U/M DESCRIPTION
 115869-01-000 EA LABEL - WARNING - TIRE



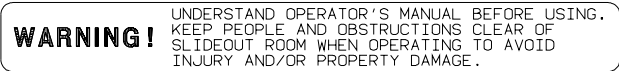
KEY PART NUMBER U/M DESCRIPTION
 116112-01-000 EA LABEL - CAUTION - LP



KEY PART NUMBER U/M DESCRIPTION
 116113-01-000 EA LABEL - CAUTION - LP

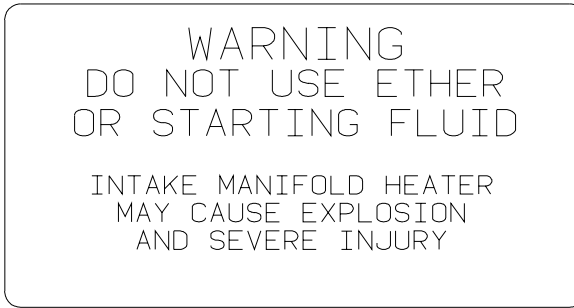


KEY PART NUMBER U/M DESCRIPTION
 116273-01-000 EA LABEL - WARNING - GENERATOR



KEY PART NUMBER U/M DESCRIPTION
 116549-01-000 EA LABEL - WARNING - SLIDEOUT

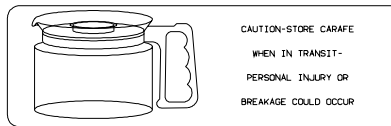
LABELS GROUP (CONTINUED)



| KEY | PART NUMBER | U/M DESCRIPTION |
|-----|---------------|--|
| | 116756-02-000 | EA LABEL - WARNING - ETHER/STARTING - RED W/CLEAR BACKGROUND |
| | 116756-03-000 | EA LABEL - WARNING - ETHER/STARTING - RED W/WHITE BACKGROUND |



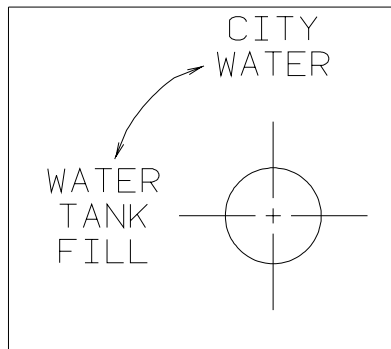
| KEY | PART NUMBER | U/M DESCRIPTION |
|-----|---------------|---------------------------------|
| | 116775-01-000 | EA LABEL/CAUTION - TRAVEL LATCH |



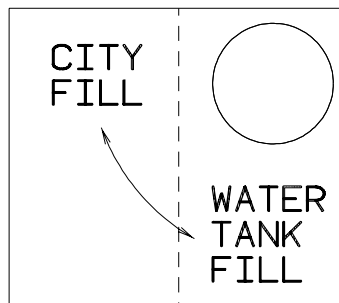
| KEY | PART NUMBER | U/M DESCRIPTION |
|-----|---------------|------------------------|
| | 116829-02-000 | EA LABEL - COFFEEMAKER |



| KEY | PART NUMBER | U/M DESCRIPTION |
|-----|---------------|--|
| | 117628-02-000 | EA LABEL - SWITCH - WATER PUMP/LIGHTS-WHITE/CLEAR BACKGROUND |

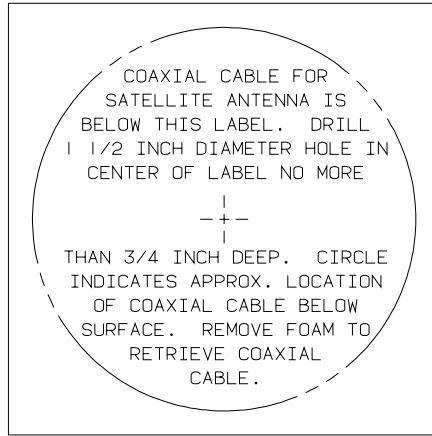


| KEY | PART NUMBER | U/M DESCRIPTION |
|-----|---------------|--|
| | 117629-01-000 | EA LABEL - WATER PUMP/FILL-BLK LETTER/CLEAR BACKGROUND-.24" |
| | 117629-03-000 | EA LABEL - WATER PUMP/FILL-BLK LETTERS/CLEAR BACKGROUND-.31" |

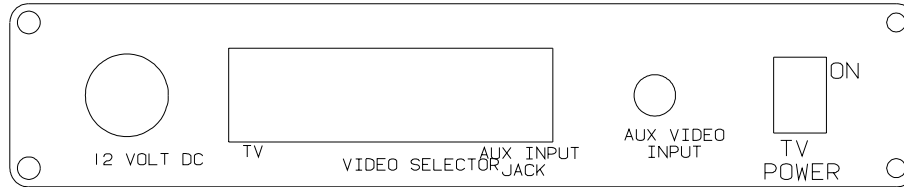


| KEY | PART NUMBER | U/M DESCRIPTION |
|-----|---------------|---------------------------------|
| | 117629-04-000 | EA LABEL - CITY WATER/TANK FILL |

LABELS GROUP (CONTINUED)



| | | |
|------------|-------------------------------------|---|
| KEY | PART NUMBER 120431-01-000 | U/M DESCRIPTION EA LABEL - LOCATION - COAXIAL CABLE/SATELLITE ANTENNA |
|------------|-------------------------------------|---|



| | | |
|------------|-------------------------------------|---|
| KEY | PART NUMBER 120677-01-000 | U/M DESCRIPTION EA LABEL - TV |
|------------|-------------------------------------|---|

KEEP THE SERVICE INLET ACCESS
IN THE CLOSED POSITION WHEN
UTILITY CONNECTIONS ARE NOT IN USE

| | | |
|------------|-------------------------------------|---|
| KEY | PART NUMBER 123562-01-000 | U/M DESCRIPTION EA LABEL - SERVICE/UTILITY ACCESS |
|------------|-------------------------------------|---|

WARNING

ALL PILOT LIGHTS, APPLIANCES AND THIER
IGNITORS (SEE OPERATING INSTRUCTIONS) SHALL
BE TURNED OFF DURING REFUELING OF MOTOR
FUEL TANKS AND/OR LP GAS CONTAINERS

| | | |
|------------|--|--|
| KEY | PART NUMBER 124519-01-01A 124519-01-02A | U/M DESCRIPTION EA LABEL - WARNING/REFUELING - BLACK ON CLEAR EA LABEL - WARNING/REFUELING - WHITE ON CLEAR |
|------------|--|--|

WARNING:

ALL PILOT LIGHTS AND APPLIANCES SHALL BE TURNED
OFF DURING REFUELING OF MOTOR FUEL TANKS AND/
OR PROPANE CONTAINERS.

AVERTISSEMENT:

FERMER TOUTES LES VEILLEUSES AINSI QUE TOUTS LES
APPAREILS LORSQU'ON FAIT LE PLEIN DES RESERVOIRS
À CARBURANT OU À PROPANE.

124519-02

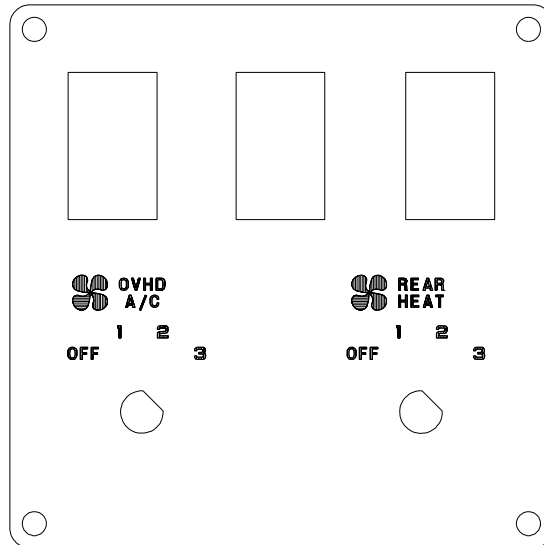
| | | |
|------------|--|--|
| KEY | PART NUMBER 124519-02-01A 124519-02-02A | U/M DESCRIPTION EA LABEL - WARNING/REFUELING - BLACK ON CLEAR - CSA EA LABEL - WARNING/REFUELING - WHITE ON CLEAR - CSA |
|------------|--|--|

LABELS GROUP (CONTINUED)

LP-GAS SYSTEM
THIS GAS PIPING SYSTEM IS
DESIGNED FOR USE OF
LIQUIFIED PETROLEUM GAS
ONLY. DO NOT CONNECT
NATURAL GAS TO THIS
SYSTEM.
SECURE CAP INLET(S) WHEN NOT
CONNECTED FOR USE. AFTER TURNING
ON GAS, EXCEPT AFTER NORMAL
CONTAINER REPLACEMENT, TEST GAS
PIPING AND CONNECTIONS TO
APPLIANCES FOR LEAKAGE WITH SOAPY
WATER OR BUBBLE SOLUTION. DO NOT
USE PRODUCTS THAT CONTAIN AMMONIA
OR CLORINE.

124520

| KEY | PART NUMBER | U/M | DESCRIPTION |
|-----|---------------|-----|--------------------------------------|
| | 124520-01-01A | EA | LABEL - LP GAS ONLY - BLACK ON CLEAR |
| | 124520-01-02A | EA | LABEL - LP GAS ONLY - WHITE ON CLEAR |



| KEY | PART NUMBER | U/M | DESCRIPTION |
|-----|---------------|-----|------------------|
| | 124572-01-000 | EA | LABEL - SWITCHES |

THIS CONNECTION IS FOR
(B) VOLT AC, 60 HZ (CYCLES)
(A) AMPERE SUPPLY

DO NOT CONNECT TO
HIGHER VOLTAGE

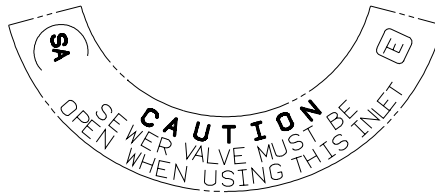
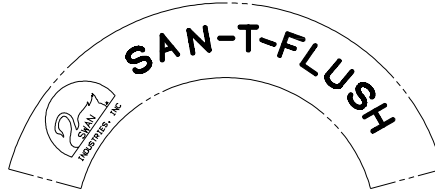
| KEY | PART NUMBER | U/M | DESCRIPTION |
|-----|---------------|-----|--|
| | 125306-01-01A | EA | LABEL - ELECTRICAL ENTRANCE - 110V 30 AMP - BLACK ON CLEAR |

LABELS GROUP (CONTINUED)

THIS CONNECTION IS FOR
 (B) VOLT AC, 3-POLE, 4 WIRE
 60 HZ (CYCLES), (A) AMPERE SUPPLY

DO NOT CONNECT TO
 HIGHER VOLTAGE

| KEY | PART NUMBER | U/M | DESCRIPTION |
|-----|---------------|-----|--|
| | 125306-04-01A | EA | LABEL-ELECTRICAL ENTRANCE-120/240V 50 AMP-BLACK ON CLEAR |
| | 125306-04-02A | EA | LABEL - ELECTRICAL ENTRANCE-120/240V 50 AMP-WHITE ON CLEAR |



| KEY | PART NUMBER | U/M | DESCRIPTION |
|-----|---------------|-----|-----------------------------------|
| | 125697-07-000 | EA | LABEL - CAUTION - FLUSHING SYSTEM |

REMOVE PRIMARY TIRE HANGER BEFORE USING
 SPARE TIRE HOIST-SEE OWNERS MANUAL- PERSONAL
 INJURY MAY RESULT IF NOT FOLLOWED

| KEY | PART NUMBER | U/M | DESCRIPTION |
|-----|---------------|-----|-----------------------------|
| | 126024-01-01A | EA | LABEL - TIRE HANGER REMOVAL |

GRAY HOLDING TANK

| KEY | PART NUMBER | U/M | DESCRIPTION |
|-----|---------------|-----|--|
| | 126247-01-000 | EA | LABEL - GRAY HOLDING TANK-WHITE LETTERS/CLEAR BACKGROUND |
| | 126247-05-000 | EA | LABEL - GRAY HOLDING TANK-BLACK LETTERS/CLEAR BACKGROUND |

BLACK HOLDING TANK

| KEY | PART NUMBER | U/M | DESCRIPTION |
|-----|---------------|-----|---|
| | 126247-02-000 | EA | LABEL - BLACK HOLDING TANK-WHITE LETTERS/BLACK BACKGROUND |
| | 126247-06-000 | EA | LABEL - BLACK HOLDING TANK-BLACK LETTERS/CLEAR BACKGROUND |

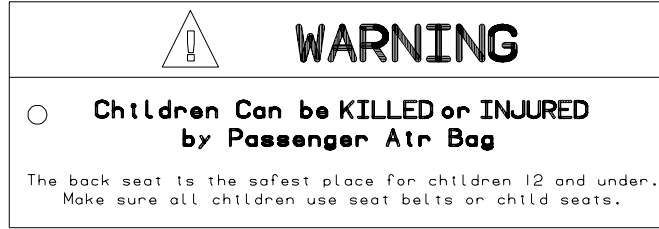
EXTERIOR SHOWER

| KEY | PART NUMBER | U/M | DESCRIPTION |
|-----|---------------|-----|-------------------------|
| | 126248-03-000 | EA | LABEL - EXTERIOR SHOWER |

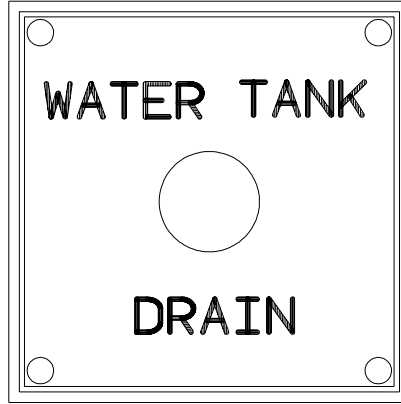
CITY WATER FILL

| KEY | PART NUMBER | U/M | DESCRIPTION |
|-----|---------------|-----|---|
| | 126249-03-000 | EA | LABEL - CITY WATER FILL-BLK LETTERS/CLEAR BACKGROUND .31" |

LABELS GROUP (CONTINUED)



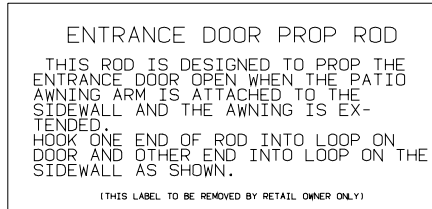
KEY PART NUMBER U/M DESCRIPTION
 126612-01-000 EA LABEL - HANG TAG - AIR BAG - DASH



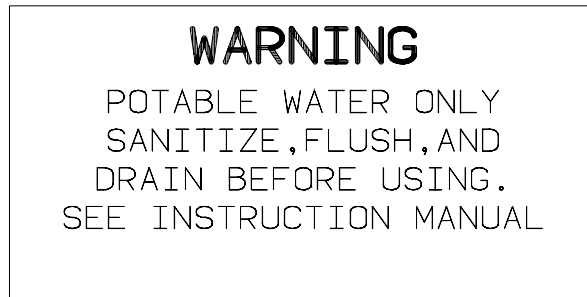
KEY PART NUMBER U/M DESCRIPTION
 127170-01-000 EA LABEL - WATER TANK DRAIN



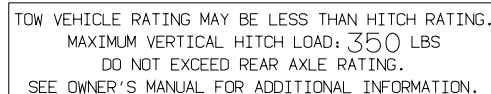
KEY PART NUMBER U/M DESCRIPTION
 128218-01-01A EA LABEL - WARNING - SLIPPERY ROOF



KEY PART NUMBER U/M DESCRIPTION
 128658-01-000 EA LABEL - PROP ROD - ENTRY DOOR



KEY PART NUMBER U/M DESCRIPTION
 128725-01-01A EA LABEL - POTABLE WATER ONLY - BLACK ON CLEAR

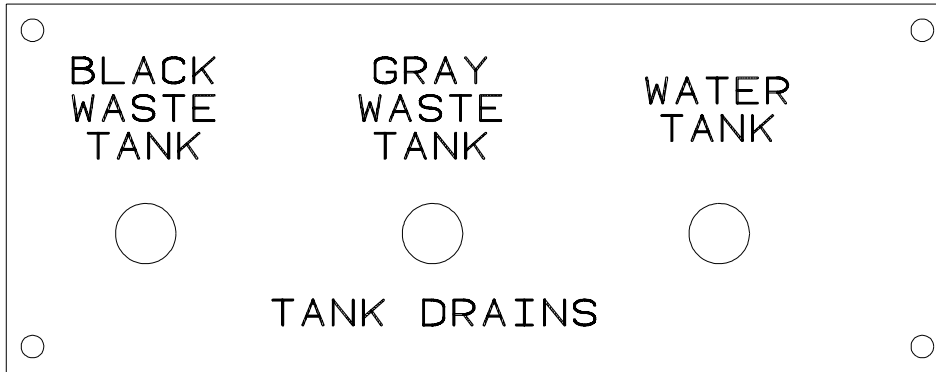


KEY PART NUMBER U/M DESCRIPTION
 129669-01-01A EA LABEL - HITCH/VEHICLE RATE - 350 - WHITE ON CLEAR
 129669-01-02A EA LABEL - HITCH/VEHICLE RATE - 350 - BLACK ON CLEAR
 129669-02-01A EA LABEL - HITCH/VEHICLE RATE - 500 - WHITE ON CLEAR
 129669-02-02A EA LABEL - HITCH/VEHICLE RATE - 500 - BLACK ON CLEAR

LABELS GROUP (CONTINUED)

TIRE ROTATION
SEE RIALTA OWNERS MANUAL
SECTION 9

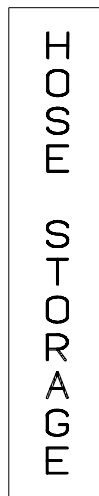
KEY PART NUMBER U/M DESCRIPTION
129684-01-000 EA LABEL - TIRE ROTATION



KEY PART NUMBER U/M DESCRIPTION
130166-01-000 EA LABEL - DRAIN



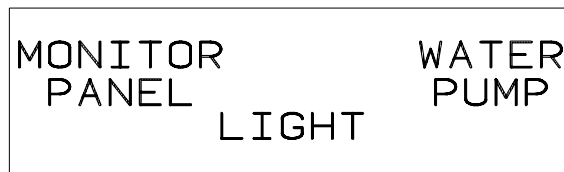
KEY PART NUMBER U/M DESCRIPTION
130166-02-000 EA LABEL - DRAIN



KEY PART NUMBER U/M DESCRIPTION
130167-02-000 EA LABEL - HOSE STORAGE



KEY PART NUMBER U/M DESCRIPTION
130168-01-000 EA LABEL - WASTE TANK FLUSH

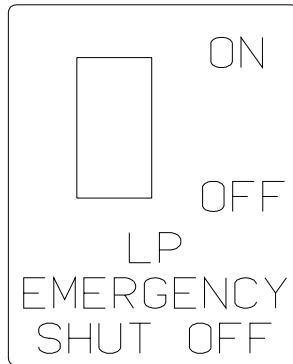


KEY PART NUMBER U/M DESCRIPTION
130170-01-000 EA LABEL - SWITCH PANEL - BLK/CLEAR BACKGROUND-1.8"H X 5.9"L

LABEL GROUP (CONTINUED)



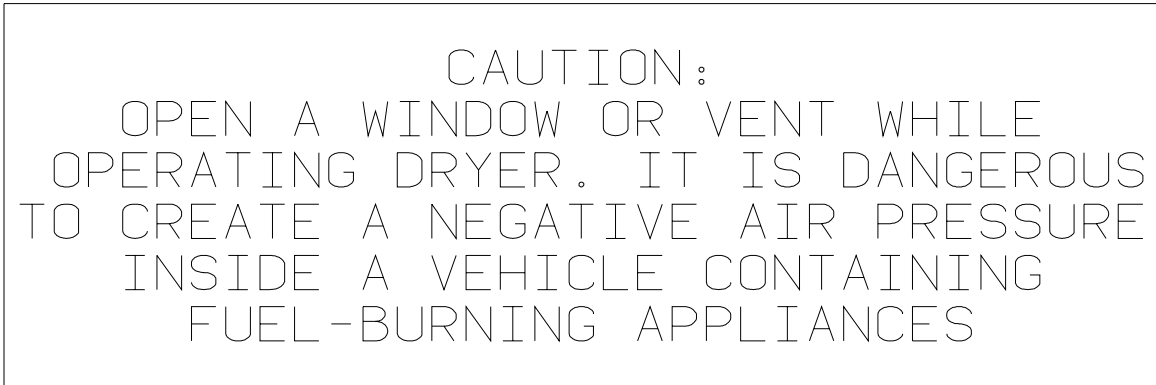
KEY PART NUMBER U/M DESCRIPTION
 130170-02-000 EA LABEL - SWITCH PANEL-BLK/CLEAR BACKGROUND-1.4"H X 3.9"L



KEY PART NUMBER U/M DESCRIPTION
 130170-04-000 EA LABEL - SWITCH PANEL



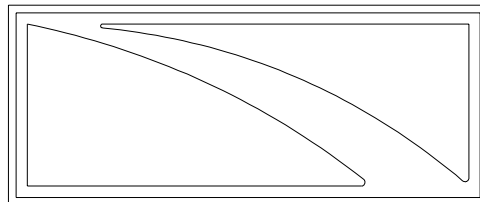
KEY PART NUMBER U/M DESCRIPTION
 130170-05-000 EA LABEL - SWITCH PANEL



KEY PART NUMBER U/M DESCRIPTION
 130670-01-01A EA LABEL - CAUTION DRYER VENTING - BLACK ON CLEAR

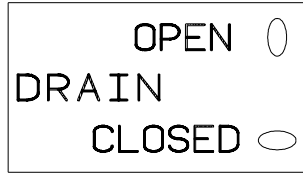


KEY PART NUMBER U/M DESCRIPTION
 131779-01-01A EA LABEL - GENERATOR



KEY PART NUMBER U/M DESCRIPTION
 132651-01-01A EA DECAL - MIRROR/GALLEY

LABEL GROUP (CONTINUED)



KEY PART NUMBER U/M DESCRIPTION
133423-01-01A EA LABEL - DRAIN



KEY PART NUMBER U/M DESCRIPTION
133424-01-01A EA LABEL - WATER HEATER BYPASS - BLACK/CLEAR



KEY PART NUMBER U/M DESCRIPTION
133424-02-01A EA LABEL - NORMAL OPERATION



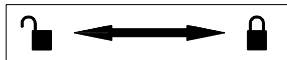
KEY PART NUMBER U/M DESCRIPTION
133424-03-01A EA LABEL - WATER HEATER BYPASS - BLACK/CLEAR



KEY PART NUMBER U/M DESCRIPTION
133533-01-01A EA LABEL - JACKS DOWN - CLEAR W/WHITE LETTERING



KEY PART NUMBER U/M DESCRIPTION
133533-02-01A EA LABEL - CHECK ANTENNA - CLEAR W/WHITE LETTERING



KEY PART NUMBER U/M DESCRIPTION
133533-03-01A EA LABEL - LOCK/UNLOCK - BLACK/WHITE



KEY PART NUMBER U/M DESCRIPTION
133533-04-01A EA LABEL - WINDOW/MIRROR HEAT- BLACK/CLEAR

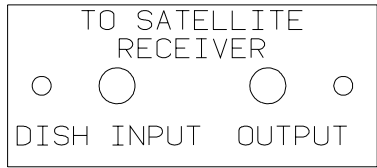


KEY PART NUMBER U/M DESCRIPTION
133533-05-01A EA LABEL - SUNVISOR - DRIVER/PASSENGER - BLACK/CLEAR

LABELS GROUP (CONTINUED)



KEY PART NUMBER U/M DESCRIPTION
 133533-06-01A EA LABEL - MAP LIGHT/SUNVISOR - BLACK/CLEAR



KEY PART NUMBER U/M DESCRIPTION
 134250-01-01A EA LABEL - SATELLITE RECEIVER - BLACK/CLEAR

THIS CHAIR IS NOT INTENDED FOR OCCUPANCY WHEN VEHICLE IS IN MOTION AND MUST BE RETURNED TO STOWED POSITION

| | |
|---|---|
| DTS ISICE SIEGE N/EST PAS DESTINE A ETRE OCCUPE LORSQUE LE VEHICULE EST IN MOVEMENT ET IL FAUT QUE LE RANGER | THIS CHAIR IS NOT INTENDED FOR OCCUPANCY WHEN VEHICLE IS IN MOTION AND MUST BE RETURNED TO STOWED POSITION |
|---|---|

KEY PART NUMBER U/M DESCRIPTION
 134537-01-01A EA LABEL - OCCUPANCY - CHAIR - US

THIS SEAT IS NOT INTENDED
FOR OCCUPANCY WHEN
VEHICLE IS IN MOTION

KEY PART NUMBER U/M DESCRIPTION
 134538-01-01A EA LABEL - OCCUPANCY - NO SEAT BELT - BLACK ON CLEAR - US

| | |
|---|--|
| DST ISICE SIEGE N/EST PAS DESTINE A ETRE OCCUPE LORSQUE LE VEHICULE EST IN MOVEMENT | THIS SEAT IS NOT INTENDED FOR OCCUPANCY WHILE VEHICLE IS IN MOTION |
|---|--|

KEY PART NUMBER U/M DESCRIPTION
 134538-02-01A EA LABEL - OCCUPANCY - NO SEAT BELT - BLACK ON CLEAR - CSA

WARNING

IT IS NOT SAFE TO USE COOKING
APPLICANCES FOR COMFORT HEATING

COOKING APPLICANCES NEED FRESH AIR FOR SAFE OPERATION
BEFORE OPERATION.

1. OPEN OVERHEAD VENT OR TURN ON EXHAUST FAN AND;
2. OPEN WINDOW.

KEY PART NUMBER U/M DESCRIPTION
 134539-01-01A EA LABEL - WARNING - STOVE/HEATING - US - BLACK ON CLEAR

LABELS GROUP (CONTINUED)

| | |
|---|--|
| TO ENSURE A SUPPLY OF FRESH AIR TO OCCUPANTS, OPEN VENTILATORS WHEN FUEL-BURNING RANGE, FUEL-BURNING CARRY-ON APPLIANCES AND/OR FUEL-BURNING LIGHTS ARE IN OPERATION. | DE MANIERE A ASSURER UNE ALIMENTATION EN AIR FRAIS AUX OCCUPANTS, OUVRIER LES VENTILATEURS LORSQUE LA CUISINIERE LES APPAREILS DE CHAUFFAGE PORTABLES ET/OU LES LAMPES DE COMBUSTION D'HUILE SONT EN FONCTIONNEMENT. |
| COOKING APPLIANCES SHOULD NOT BE USED FOR SPACE HEATING PURPOSES. | LES APPAREILS DE CUISSON NE DOIVENT PAS SERVIR AU CHAUFFAGE DES LOCAUX. |

KEY PART NUMBER U/M DESCRIPTION
 134540-01-01A EA LABEL - WARNING - STOVE/HEATING - CSA - BLACK ON CLEAR

HOLDING TANK HEATER
 TURN OFF WHEN NOT IN USE
 SEE OPERATOR'S MANUAL

KEY PART NUMBER U/M DESCRIPTION
 134563-01-01A EA LABEL - SWITCH - HEATER

THIS VEHICLE MAY INCLUDE MERCURY-CONTAINING DEVICES INSTALLED BY THE MANUFACTURER:
FLUORESCENT TUBES, RANGES WITH OVEN, HWH LEVEL SENSING UNIT.

REMOVE DEVICES BEFORE VEHICLE DISPOSAL UPON REMOVAL OF DEVICES: PLEASE REUSE, RECYCLE, OR DISPOSE AS HAZARDOUS WASTE

135869-01A

KEY PART NUMBER U/M DESCRIPTION
 135869-01-01A EA LABEL - MERCURY CONTENT - BLACK ON CLEAR
 135869-01-02A EA LABEL - MERCURY CONTENT - WHITE ON CLEAR

LIQUID SOAP

KEY PART NUMBER U/M DESCRIPTION
 136047-01-01A EA LABEL - LIQUID SOAP

| | | | | | | | |
|---------------|---------------|-----------------------|-------------------------|----------------------|------------------------------|--------------------|------------|
| DOOR LOCK | DOOR UNLOCK | RIGHT COMPT DOOR LOCK | RIGHT COMPT DOOR UNLOCK | LEFT COMPT DOOR LOCK | LEFT COMPT DOOR UNLOCK | AUX START SOLENOID | AMP SOURCE |
| POWER MIRRORS | HEATER BLOWER | PASS HEATER BLOWER | FOG LAMPS | DOCKING LAMPS | DOCKING LAMPS SWITCH TRIGGER | COOLING FANS | |

KEY PART NUMBER U/M DESCRIPTION
 136161-01-01A EA LABEL - RELAY - MATTE BLACK/WHITE LETTERS

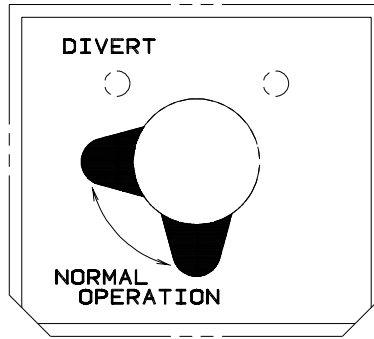
| | | | | | | | | |
|---------------|---------------|-----------------------|-------------------------|----------------------|------------------------------|--------------------|------------------|-------------|
| DOOR LOCK | DOOR UNLOCK | RIGHT COMPT DOOR LOCK | RIGHT COMPT DOOR UNLOCK | LEFT COMPT DOOR LOCK | LEFT COMPT DOOR UNLOCK | AUX START SOLENOID | RUN/ACC POWER #1 | POWER SEATS |
| POWER MIRRORS | HEATER BLOWER | RUN ONLY POWER | FOG LAMPS | DOCKING LAMPS | DOCKING LAMPS SWITCH TRIGGER | COOLING FANS | RUN/ACC POWER #2 | |

KEY PART NUMBER U/M DESCRIPTION
 136161-02-01A EA LABEL - RELAY - BLACK/WHITE

LT - AIR BAGS - RT

KEY PART NUMBER U/M DESCRIPTION
 136360-01-01A EA LABEL - AIR BAGS

LABELS GROUP (CONTINUED)




KEY PART NUMBER 137997-01-01A
U/M DESCRIPTION EA LABEL - WINTERIZATION VALVE - BLACK/CLEAR



KEY PART NUMBER 140190-01-01A
U/M DESCRIPTION EA DECAL/LOGO - V6 (DOMED) - CYAN/MAGENTA/YELLOW/BLACK

WASHER/DRYER
BRACKETS

KEY PART NUMBER 141523-01-01A
U/M DESCRIPTION EA LABEL - WASHER/DRYER BRACKETS - BLACK/WHITE

 **WARNING:** COMPRESSED AIR CAN BE HAZARDOUS.

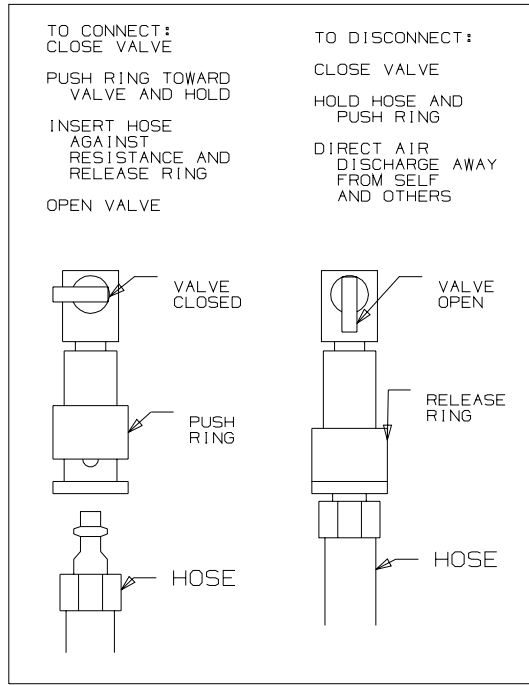
PROPER EYE PROTECTION MUST BE WORN WHEN CONNECTING, DISCONNECTING OR USING AIR HOSE.

CLOSE VALVE BEHIND CONNECTOR BEFORE CONNECTING OR DISCONNECTING AIR HOSE.

HOSE DISCONNECT WILL PRODUCE AIR DISCHARGE FROM HOSE. DIRECT AIR DISCHARGE AWAY FROM SELF AND OTHERS.

KEY PART NUMBER 142771-01-01A
U/M DESCRIPTION EA LABEL - WARNING/COMPRESSED AIR - WHITE LETTERING ON CLEAR

LABELS GROUP (CONTINUED)



| | | |
|------------|--------------------|--|
| KEY | PART NUMBER | U/M DESCRIPTION |
| | 142773-01-01A | EA LABEL - CONNECT/COMPRESS AIR - WHITE LETTERING ON CLEAR |



| | | |
|------------|--------------------|------------------------|
| KEY | PART NUMBER | U/M DESCRIPTION |
| | 142908-01-000 | EA LABEL - FREON CHARG |



| | | |
|------------|--------------------|---|
| KEY | PART NUMBER | U/M DESCRIPTION |
| | 144040-01-01A | EA COUNTERTOP - MEDALLION/GOLD - CORIAN |



| | | |
|------------|--------------------|--|
| KEY | PART NUMBER | U/M DESCRIPTION |
| | 144183-01-01A | EA LABEL - CAUTION RELEASE CATCH - WHITE/CLEAR |

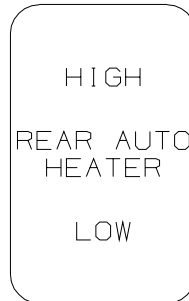


| | | |
|------------|--------------------|--|
| KEY | PART NUMBER | U/M DESCRIPTION |
| | 144649-01-01A | EA LABEL - ADJUSTABLE VALVE - WHITE ON CLEAR |

LABELS GROUP (CONTINUED)



| KEY | PART NUMBER | U/M DESCRIPTION |
|------------|--------------------|---|
| | 145731-01-01A | EA LABEL - SWITCH - RADIO/BATTERY - BLACK |



| KEY | PART NUMBER | U/M DESCRIPTION |
|------------|--------------------|--|
| | 145731-03-01A | EA LABEL - SWITCH - REAR AUTO HEATER - BLACK |

LABELS GROUP (CONTINUED)



KEY PART NUMBER **U/M DESCRIPTION**
146057-01-01A EA LABEL - LP SHUT OFF - RED LETTER/WHITE BACK

FOR FUTURE INSTALLATION OF WASHER/DRYER EXHAUST DUCT

(A) A CLOTHES DRYER MOISTURE-LINT EXHAUST DUCT SHALL NOT BE CONNECTED TO ANY OTHER DUCT, VENT, OR CHIMNEY.

(B) THE EXHAUST DUCT SHALL BE OF SUFFICIENT LENGTH SO AS NOT TO TERMINATE BENEATH THE RECREATION VEHICLE.

(C) MOISTURE-LINT EXHAUST DUCTS SHALL NOT BE CONNECTED WITH SHEET METAL SCREWS OR OTHER FASTENING DEVICES THAT EXTEND INTO THE INTERIOR OF THE DUCT.

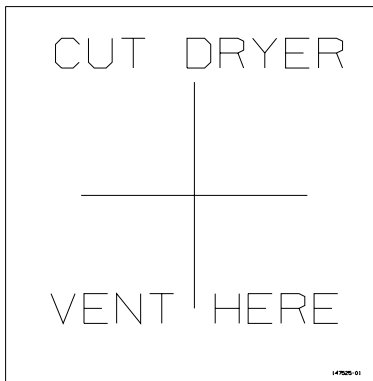
(D) MOISTURE-LINT EXHAUST DUCT AND TERMINATION FITTINGS SHALL BE INSTALLED IN ACCORDANCE WITH THE APPLIANCE MANUFACTURER'S PRINTED INSTRUCTIONS.

(E) SEE MARKED INTERIOR AREA ON SIDEWALL TO LOCATE CUTOUT FOR EXHAUST VENT.

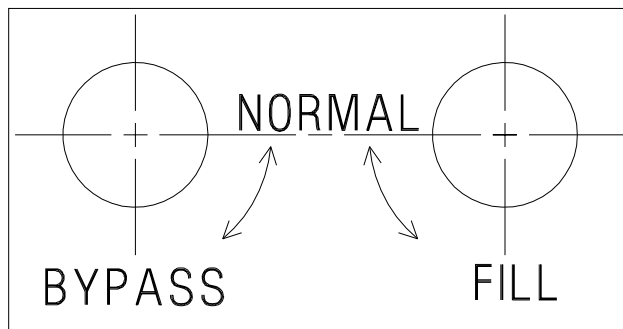
(F) AS PART OF WASHER/DRYER PREP 4 HOLD DOWN BRACKETS WERE SHIPPED WITH YOUR VEHICLE WHICH ARE INTENDED TO BE USED WITH THE WINNEBAGO OFFERED APPLIANCE.

147524-01

KEY PART NUMBER **U/M DESCRIPTION**
147524-01-000 EA LABEL - DRYER VENTING



KEY PART NUMBER **U/M DESCRIPTION**
147525-01-000 EA LABEL - DRYER VENT CUTOUT



KEY PART NUMBER **U/M DESCRIPTION**
147581-01-01A EA LABEL - WATERFILL/BYPASS - BLACK/CLEAR

YOUR MOTORHOME IS EQUIPPED WITH A SEWER HOSE END ELBOW WHICH INCLUDES A CLOSEABLE DRIP VALVE. AFTER PLACING THE END OF THE HOSE ELBOW INTO THE PARK SEWER DISPOSAL OPENING, USE THUMB TO LIFT HANDLE LOCK AND MOVE HANDLE FORWARD TO OPEN VALVE.

NEVER OPERATE TANK VALVES WITHOUT FIRST OPENING THE DRIP VALVE.

AFTER TANKS ARE EMPTY, CLOSE TANK VALVES, THEN PULL HANDLE ON ELBOW TO A VERTICAL CARRYING POSITION TO CLOSE DRIP VALVE. THIS WILL ELIMINATE ANY DRIPPING FROM THE HOSE INTO YOUR STORAGE AREA. SEE OPERATORS MANUAL FOR ADDITIONAL INFORMATION.

147845-01A

KEY PART NUMBER **U/M DESCRIPTION**
147845-01-01A EA LABEL - DRIP VALVE - BLACK/WHITE

LP GROUP
LP SYSTEM

| KEY | PART NUMBER | U/M | DESCRIPTION |
|-----|---------------|-----|--|
| | 045703-01-000 | EA | HOSE - LP - 3/8"ID X 24" - 3/8"MPT X 1/2"F SWIVEL - U.S. |
| | 045703-02-000 | EA | HOSE - LP - 3/8"ID X 24" - 3/8"MPT X 1/2"F SWIVEL - CANADA |
| | 045703-03-000 | EA | HOSE - LP - 3/8"ID X 18" - 3/8"MPT X 1/2"F SWIVEL - U.S. |
| | 045703-05-000 | EA | HOSE - LP - 3/8"ID X 28" - 3/8"MPT X 1/2"F SWIVEL - U.S. |
| | 045703-06-000 | EA | HOSE - LP - 3/8"ID X 28" - 3/8"MPT X 1/2"F SWIVEL - CANADA |
| | 045703-12-000 | EA | HOSE - LP - 3/8"ID X 18" - 3/8"MPT X 1/2"F SWIVEL - CANADA |
| | 045703-14-000 | EA | HOSE - LP - 3/8"ID X 157.5" - 1/2"F SWIVEL X 1/2"F SWIVEL |
| | 045703-15-000 | EA | HOSE - LP - 3/8"ID X 142" - 1/2"F SWIVEL X 3/8"F SWIVEL |
| | 105658-01-000 | EA | COMPARTMENT - LP REGULATOR |
| | 144485-01-000 | EA | COMPARTMENT - LP REGULATOR - F36M |
| | 106150-05-000 | EA | REGULATOR - TWO STAGE |
| | 010323-01-000 | EA | ADAPTER - 3/8"F X 1/2"MPT - BRASS |
| | 010326-01-000 | EA | ADAPTER - FLARE - W/CONE GASKET - 3/8"F X 1/2"F |
| | 010329-01-000 | EA | ADAPTER - BRASS - 1/2"F X 1/2"MPT |
| | 010265-01-000 | EA | ELBOW - BRASS - 90 DEGREE - 3/8"F X 1/2"FPT |
| | 024250-01-000 | EA | ADAPTER - BRASS - 3/8"F X 1/2"FPT |
| | 040440-03-000 | EA | TRANSMITTER - DIAL/SNAP-ON - 0-90 OHM 2 TERM(POWER/GROUND) |
| * | 144116-01-000 | EA | TANK - LP - 100 LB - 14"D X 47"L |
| * | 144116-06-000 | EA | TANK - LP - 80 LB - 16"D X 30.75"L - F30W |
| | 010377-02-000 | EA | NUT - BRASS - 3/8" FLARE - FORGED |
| | 010380-02-000 | EA | NUT - BRASS - 1/2" FLARE - FORGED |
| | 103613-03-000 | EA | DETECTOR - LP GAS - W/O SHUT-OFF VALVE |
| | | | FROM: 00-00-00 THRU: 02-08-04 |
| | 150138-01-01A | EA | DETECTOR - LP GAS - WHITE |
| | | | FROM: 02-09-04 THRU: 99-99-99 |
| | 150138-01-02A | EA | DETECTOR - LP GAS - BROWN |
| | | | FROM: 02-09-04 THRU: 99-99-99 |

*COMPONENT PARTS LISTED LATER IN THIS GROUP

LP GROUP GROUP (CONTINUED)
COMPONENT PARTS FOR LP GROUP

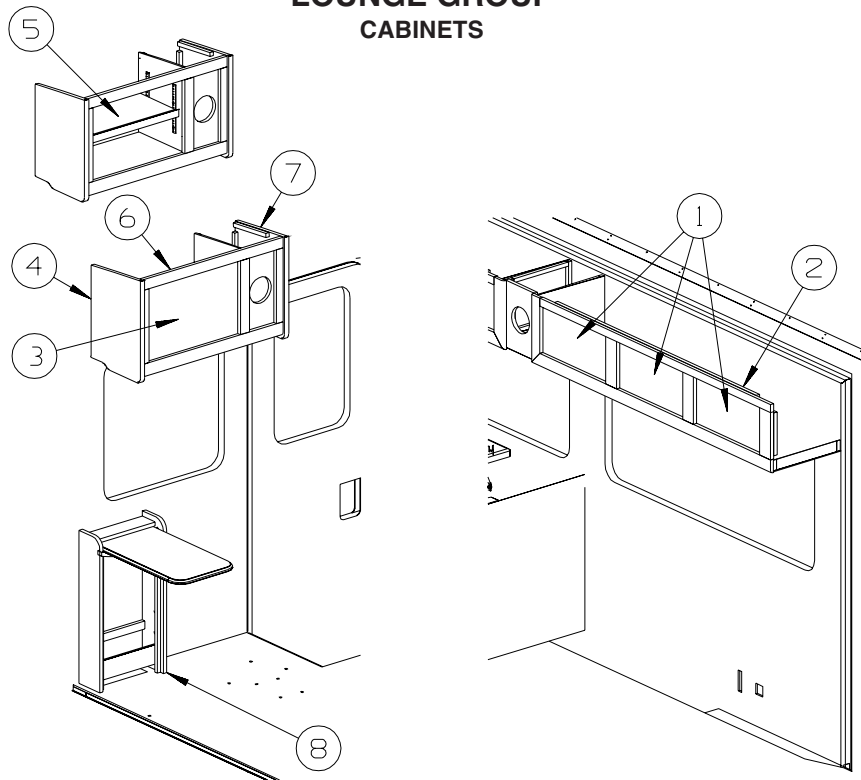
144116-01-000

| KEY | PART NUMBER | U/M | DESCRIPTION | VENDOR NO. |
|------------|--------------------|------------|------------------------------|-------------------|
| | 040421-01-712 | EA | VALVE-SERV. W/O VAPOR RELIEF | 29000853 |
| | 040421-01-713 | EA | VALVE-RELIEF 1" W/SPRING 7" | V-20479 |
| | 088253-09-700 | EA | SENDING UNIT-F/SNAP ON DIAL | SG14C0001466 |
| | 144116-01-700 | EA | VALVE-OUTAGE(NO STEM REMOVE) | V20058 |
| | 144116-01-701 | EA | VALVE/FILL 80 % W/YELLOW CAP | V13414 |

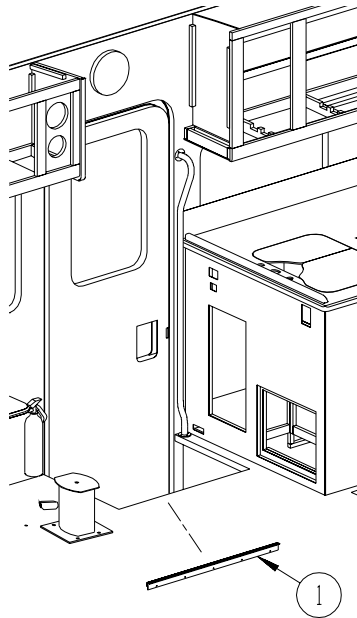
144116-02-000, 144116-06-000, 144116-07-000 & 144116-08-000

| KEY | PART NUMBER | U/M | DESCRIPTION | VENDOR NO. |
|------------|--------------------|------------|------------------------------|-------------------|
| | 040421-01-712 | EA | VALVE-SERV. W/O VAPOR RELIEF | 29000853 |
| | 040421-01-713 | EA | VALVE-RELIEF 1" W/SPRING 7" | V-20479 |
| | 088253-01-702 | EA | FLOAT/SCREW IN-SNAP ON DIAL | SG16C0001442 |
| | 144116-01-700 | EA | VALVE-OUTAGE(NO STEM REMOVE) | V20058 |
| | 144116-01-701 | EA | VALVE/FILL 80 % W/YELLOW CAP | V13414 |

LOUNGE GROUP CABINETS

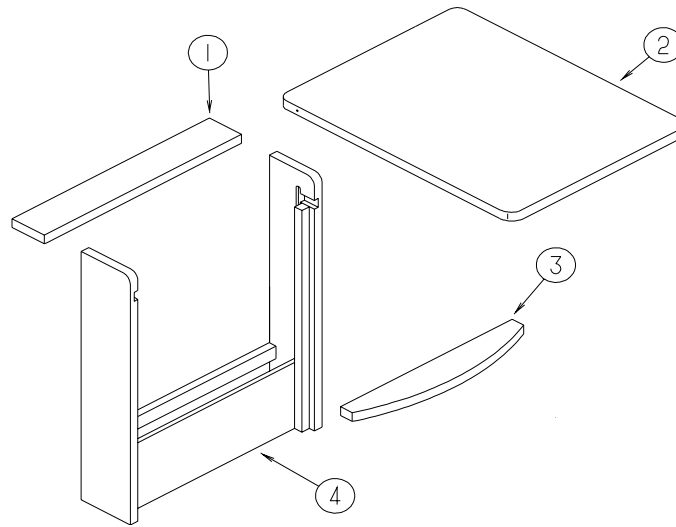


| KEY | PART NUMBER | U/M | DESCRIPTION |
|-----|---------------|-----|--|
| 1 | 136954-22-P37 | EA | DOOR - RAISED PANEL/OGEE - 10" X 19.1" - W/O HARDWARE |
| 2 | 139026-01-N30 | EA | CABINET - OVERHEAD/COUCH - W/O DOORS/HARDWARE |
| 3 | 136954-B8-P37 | EA | DOOR - RAISED PANEL/OGEE EDGE - 15" X 21.9" - W/O HDW |
| 4 | 103128-38-M30 | EA | END CAP - OVERHEAD CABINET/LEFT HAND |
| 5 | 139032-15-N30 | EA | SHELF - W/PLASTIC EDGE MOLDING |
| 6 | 139032-02-R32 | EA | CABINET - OVERHEAD/FRONT/RIGHT HAND - W/O DOORS/HARDWARE |
| 7 | 103128-10-M42 | EA | END CAP - OVERHEAD CABINET/RIGHT HAND |
| 8 | 136683-02-N42 | EA | CABINET - W/PULLOUT TABLE - 13.3" X 23.8" - PORTSMOUTH OAK |



| KEY | PART NUMBER | U/M | DESCRIPTION |
|-----|---------------|-----|------------------------------|
| 1 | 139955-06-02A | EA | TRIM - STEP/ENTRY - TITANIUM |

LOUNGE GROUP (CONTINUED)
TABLE



| KEY | PART NUMBER | U/M | DESCRIPTION |
|-----|---------------|-----|---|
| 1 | 136683-20-M53 | EA | TOP ONLY - F/PULLOUT CABINET |
| 2 | 136683-22-N42 | EA | TABLE TOP ONLY - F/PULLOUT TABLE - PORTSMOUTH OAK |
| 3 | 136683-19-M53 | EA | SHELF - TABLE STABILIZER W/EDGE MOLDING |
| 4 | 136683-21-M53 | EA | PANEL - LOWER/FRONT |

SEALANTS & FASTENERS GROUP
SEALANTS & ADHESIVES

| KEY | PART NUMBER | U/M | DESCRIPTION |
|-----|---------------|-----|--|
| | 004001-05-000 | EA | ADHESIVE - SCOTCH-WELD - 3M DP100 - CLEAR - 50ML |
| | 010405-02-000 | EA | TAPE - THREAD SEALING - 3/8" |
| | 034552-06-000 | EA | SILICONE - TUBE - W/O NOZZLE - OFF WHITE |
| | 034552-15-000 | EA | SILICONE - TUBE - W/O NOZZLE - BRIGHT WHITE |
| | 063642-01-000 | FT | TAPE - ADHESIVE - .4" X 1.5" X 180' |
| | 064075-07-000 | FT | SEAL - BULB - W/WIRED U CHANNEL - .3" X .5" CHANNEL-BLACK |
| | 067788-01-000 | EA | ADHESIVE - SPRAY - 3M - 19.5 OZ AEROSOL CAN |
| | 069640-01-000 | FT | SEALER - TAPE - .25" DIAMETER X 30' - BLACK OR GRAY |
| | 069640-02-000 | FT | SEALER - TAPE - .13" THICK X .5" WIDE X 60' - GRAY |
| | 069640-03-000 | FT | SEALER - TAPE - .13" THICK X .75" WIDE X 60' - BLACK |
| | 069640-07-000 | FT | SEALER - TAPE - .09" THICK X 2" WIDE X 45' - GRAY |
| | 069640-09-000 | FT | SEALER - TAPE - .03" THICK X 2.50" WIDE X 80' - GRAY |
| | 069640-10-000 | FT | SEALER - TAPE - .03" THICK X 1.50" WIDE X 90' - GRAY |
| | 069640-11-000 | FT | SEALER - TAPE - .19" THICK X .38" WIDE X 40' - BLACK |
| | 069640-13-000 | FT | SEALER - TAPE - .03" THICK X 2" WIDE X 45' - BLACK |
| | 069640-14-000 | FT | SEALER - TAPE - .06" THICK X 1" WIDE X 100' - GRAY |
| | 069640-15-000 | FT | SEALER - TAPE - .06" THICK X .38" WIDE X 100' - GRAY |
| | 069640-17-000 | FT | SEALER - TAPE - .03" THICK X 1" WIDE X 90' - GRAY |
| | 069640-18-000 | FT | SEALER - TAPE - .50" THICK X .13" WIDE X 60' - BRT WHITE |
| | 069640-19-000 | FT | SEALER - TAPE - .75" THICK X .13" WIDE X 60' - BRT WHITE |
| | 069640-20-000 | FT | SEALER - TAPE - .50" THICK X .5" WIDE X 60' - BLACK |
| | 069640-21-000 | FT | SEALER - TAPE - .50" THICK X .06" WIDE X 100' - BRT WHITE |
| | 069640-22-000 | FT | SEALER - TAPE - 1/32" THICK X 1/4" WIDE X 200' - BRT WHITE |
| | 069640-23-000 | FT | SEALER - TAPE - 1/16" THICK X 3/4" WIDE X 100' - BRT WHITE |
| | 069640-27-000 | FT | SEALER - TAPE - .06" THICK X 2.25" WIDE - BRIGHT WHITE |
| | 069640-28-000 | FT | SEALER - TAPE - .25" THICK X 1.86" WIDE X 90' - GRAY |
| | 069640-30-000 | FT | SEALER - TAPE - .03" THICK X .625" WIDE X 50' - GRAY |
| | 069640-31-000 | FT | SEALER - TAPE - .25" THICK X .75" WIDE X 15' - BLACK |
| | 069640-32-000 | FT | SEALER - RIBBON - 1/16" X 3/8" X 100' - BLACK |
| | 072889-01-000 | EA | SEALANT - URETHANE - BLACK - TUBE W/NOZZLE TIP |
| | 072889-27-000 | EA | SEALANT - URETHANE - SILVER 10 OZ - TUBE W/NOZZLE TIP |
| | 076322-01-000 | FT | TAPE-DOUBLE COATED/ADHESIVE BK-.03"THK X .8"W X 216'- WHT |
| | 076322-02-000 | FT | TAPE-DOUBLE COATED/ADHESIVE BK-.05"THK X 1"W X 108' - WHT |
| | 076322-03-000 | FT | TAPE-DOUBLE COATED/ADHESIVE BK-.05"THK X .5"W X 108' - WHT |
| | 076322-04-000 | FT | TAPE-DOUBLE COATED/ADHESIVE BK-.05"THK X .8"W X 108' - WHT |
| | 076322-05-000 | FT | TAPE-DOUBLE COATED/ADHESIVE BK-.05"THK X .8"W X 108' - WHT |
| | 076322-07-000 | FT | TAPE-DOUBLE COATED/ADHESIVE BK-.05"THK X .5"W X 200' - WHT |
| | 076322-11-000 | FT | TAPE-DOUBLE COATED/ADHESIVE BK-.02"THK X 1"W X 216' - CLR |
| | 076322-21-000 | FT | TAPE - FOAM/DOUBLE COATED - .5" |
| | 076322-22-000 | FT | TAPE - FOAM/DOUBLE COATED - .045" X .75" |
| | 076322-23-000 | FT | TAPE - FOAM/DOUBLE COATED - .045" X 1" |
| | 076322-24-000 | FT | TAPE - FOAM/DOUBLE COATED - .025" X 1" |
| | 076322-25-000 | FT | TAPE - FOAM/DOUBLE COATED - .025" X .5" |
| | 086276-01-000 | EA | TAPE - DOUBLE SIDED - 1/2" WIDE X 108' LONG (SOLD BY ROLL) |
| | 088479-01-000 | EA | TAPE - ALUMINUM - 3" |
| | 090340-01-000 | FT | SEAL - FOAM - CLOSED CELL - 1/4" X 1/2" X 50' |
| | 091255-02-000 | FT | SEAL - ADHESIVE BACKED/FOAM - 3/64" THICK X 3/16"W X 1000' |
| | 091255-03-000 | FT | SEAL - ADHESIVE BACKED/FOAM - 1/4" THICK X 1/4"W X 1000' |
| | 094401-01-000 | EA | SEALER - BODY SEAM - FLEXICLEAR |
| | 094401-03-000 | EA | SEALER - BODY SEAM - BLACK |
| | 094401-04-000 | EA | SEALER - BODY SEAM - CLEAR |
| | 098408-01-000 | FT | SEAL - SPONGE RUBBER - CLOSED CELL |
| | 099069-01-000 | FT | SEAL - RUBBER - CLOSED SPONGE - .5" WIDE X .12" THICK -BLK |
| | 099418-01-000 | FT | SEAL - D-SECTION/ADHESIVE BACK - .44" X .44"- BLK RUBBER |
| | 099418-02-000 | FT | SEAL - D-SECTION/ADHESIVE BACK - .44" X .44"- WHITE RUBBER |
| | 100128-02-000 | FT | SEAL - FOAM/ADHESIVE BACK - .37" WIDE X .37" THICK |
| | 104692-01-000 | FT | SEAL - ADHESIVE BACKED FOAM - 3/4" THICK X 3/4" WIDE X 25' |
| | 104692-03-000 | FT | SEAL - ADHESIVE BACKED FOAM - 1" THICK X 1 3/16"WIDE X 15' |
| | 107828-01-000 | EA | SEALANT - SB - 190 EVERSEAL |
| | 109506-12-000 | EA | FILM/ABRASION-RESISTANT - TRANSPARENT - 1" DIA. |
| | 110274-01-000 | FT | TAPE - DOUBLE SIDED/FOAM - .45" X 1" X 216' - BLACK |
| | 112481-02-000 | EA | ADHESIVE - PLEXUS ETHACRYLATE - CARTRIDGE |
| | 112864-01-000 | FT | SEAL - FOAM/BUTYL COVERED - 3/8" X 35' |

SEALANTS & FASTENERS GROUP (CONTINUED)

SEALANTS & ADHESIVES (CONTINUED)

| KEY | PART NUMBER | U/M | DESCRIPTION |
|-----|---------------|-----|---|
| | 112091-01-000 | FT | SEAL/D - NEOPRENE - HEAT ACTIVE ADHESIVE - .9" X .7" |
| | 112901-03-000 | EA | ADHESIVE - PLEXUS - MA300 - 50ML - WHITE |
| | 112902-01-000 | EA | NOZZLE - ELEMENT - 3/8 X 24 |
| | 112902-03-000 | EA | MIXER NOZZLE - F/GUN #00400102000 - SCOTCH-WELD & PLEXUS |
| | 112902-04-000 | EA | NOZZLE - ELEMENT - 1/4" X 3.5" |
| | 113366-01-000 | EA | ADHESIVE - INSTANT - 1 OZ |
| | 113452-02-000 | FT | SEAL/TRIM - FRONT - VINYL W/WIRE CARRIER - .027" |
| | 120074-02-03A | EA | SILICONE - TUBE - W/O NOZZLE - LOW ODOR - SMOKEY WHITE |
| | 120074-02-02A | EA | SILICONE - TUBE - W/O NOZZLE - LOW ODOR - SOFT WHITE |
| | 120534-01-01A | EA | TAPE - SCOTCH - 3M - 1/2" FINE LINE |
| | 123244-01-000 | FT | TAPE - DOUBLE SIDED/FOAM - 5/64" THICK X 3/4" WIDE X 108' |
| | 123816-01-000 | FT | TAPE - DOUBLE SIDED - 1" X 3/4" X 200' |
| | 123816-02-000 | FT | TAPE - DOUBLE SIDED - 1/2" X 1 1/3" X 200' |
| | 123816-03-000 | FT | TAPE - DOUBLE SIDED - 1/2" X 3/4" X 200' |
| | 123816-04-000 | FT | TAPE - DOUBLE SIDED - 6" X 750' |
| | 126427-01-000 | EA | ADHESIVE - ALL PURPOSE - ABS/PVC |
| | 126427-02-000 | EA | PRIMER - CLEANER - FLEX PIPING |
| | 131264-01-02A | EA | SILICONE - TUBE - W/O NOZZLE - CLEAR |
| | 131264-01-01A | EA | SILICONE - TUBE - W/O NOZZLE - BLACK |
| | 131264-02-01A | EA | SILICONE - TUBE - W/O NOZZLE - VW GRAY - BATH ONLY |
| | 131264-03-01A | EA | SILICONE - TUBE - W/O NOZZLE - SELF LEVELING - BRIGHT WHITE |
| | 131264-04-01A | EA | SILICONE/SEALANT/ADHESIVE - FAST CURE F/GLASS/VINYL - B/W |
| | 131384-01-000 | EA | ADHESIVE - JET WELD |
| | 134651-01-000 | FT | SEAL - 1/2" X 3/4" PSA 1 SIDE |
| | 900390-01-000 | EA | NOZZLE - SILICONE TUBE - 2.5" LONG - W/EXTERNAL THREADS |
| | 900390-03-000 | EA | NOZZLE - SILICONE TUBE - 4.3" LONG W/INTERNAL THREADS |

BOLTS, NUTS AND WASHERS

| KEY | PART NUMBER | U/M | DESCRIPTION |
|-----|---------------|-----|---|
| | OMC04K-06-016 | EA | BOLT - HEX - M06 X 1 X 016 |
| | OMC05K-08-055 | EA | BOLT - HEX - M08 X 1.25 X 2.2 |
| | OMC13K-14-110 | EA | BOLT - HEX |
| | OMC13K-14-070 | EA | BOLT - HEX - M14 X 2 X 2 3/4 |
| | OMC31K-08-020 | EA | BOLT - HEX - SERRATED FLANGE - M8 X 020 |
| | OMC32K-10-030 | EA | BOLT - HEX - SERRATED FLANGE - M10 X 1 1/2 |
| | OMD16K-10-000 | EA | NUT - HEX PREV TORQUE M10 X 1 1/2 CLASS 8 |
| | OMD39K-12-000 | EA | NUT - HEX W/NYLON LOCK - M12 X 1 3/4 |
| | OMD40K-14-000 | EA | NUT - HEX W/NYLON LOCK - M14 X 2 |
| | OMD54F-06-000 | EA | NUT-HEX SER FLG M6X1,0 SS - DIN6923A2M6 |
| | OME06K-14-280 | EA | WASHER - FLAT - 14 ID X 28 OD |
| | 000C12-04-08B | EA | BOLT - HEX - 1/4-20 X 1/2 - GRADE #5 - ZINC |
| | 000C12-04-12A | EA | BOLT - HEX - 1/4-20 X 3/4 - PLAIN 5 |
| | 000C12-04-40B | EA | BOLT - HEX - 1/4-20 X 2 1/2 - GRADE 5 ZINC |
| | 000C12-05-16B | EA | BOLT - HEX - 5/16 - 18X1 - GRADE #5 - ZINC |
| | 000C12-06-44B | EA | BOLT - HEX - 3/8-16 X 2 3/4 - GRADE 5 - ZINC |
| | 000C12-06-16B | EA | BOLT - HEX - 3/8 - 16X1 - GRADE #5 - ZINC |
| | 000C12-08-28B | EA | BOLT - HEX - 1/2-13 X 1 3/4 - GRADE #5 - ZINC |
| | 000C12-08-24B | EA | BOLT - HEX - 1/2 - 13X1 1/2 - GRADE #5 - ZINC |
| | 000C12-08-16B | EA | BOLT - HEX - 1/2-13 X 1 - GRADE #5 - ZINC |
| | 000C12-10-24B | EA | BOLT - HEX - 5/8 - 11X1 1/2 - GRADE #5 - ZINC |
| | 000C13-07-48B | EA | BOLT - HEX - 7/16-20 X 3 - GRADE #5 - ZINC |
| | 000C13-07-40B | EA | BOLT - HEX - 7/16-20 X 2 1/2 - GRADE #5 - ZINC |
| | 000C14-07-28B | EA | BOLT - HEX - 7/16-14 X 1 3/4 - GRADE #8 - ZINC |
| | 000C14-10-32K | EA | BOLT - HEX - 5/8-11 X 2 - GRADE #8 - ZINC |
| | 000C14-10-24K | EA | BOLT - HEX - 5/8-11 X 1 1/2 - GRADE #8 - ZINC |
| | 000C16-07-16B | EA | BOLT - CARRIAGE - ASSIST HANDLE - 7/16TH - 14 X 1 |
| | 000C18-05-40A | EA | BOLT - ELEVATOR - 5/16-18 X 2 1/2 - PL |
| | 000C26-04-10B | EA | BOLT - HEX - SERRATED FLANGE - 1/4-20 X 5/8 - ZINC |
| | 000C26-04-18B | EA | BOLT - HEX - SERRATED FLANGE - 1/4-20 X 1 1/8 - ZINC |
| | 000C26-04-14B | EA | BOLT - HEX - SERRATED FLANGE - 1/4-20 X 7/8 - ZINC |
| | 000C26-05-20B | EA | BOLT - HEX - SERRATED FLANGE - 5/16-18 X 1 1/4 - ZINC |

SEALANTS & FASTENERS GROUP (CONTINUED)
BOLTS, NUTS AND WASHERS (CONTINUED)

| KEY | PART NUMBER | U/M | DESCRIPTION |
|-----|---------------|-----|--|
| | 000C26-06-12B | EA | BOLT - HEX - SERRATED FLANGE - 3/8-16 X 3/4 - ZINC |
| | 000C26-08-24B | EA | BOLT - HEX - SERRATED FLANGE - 1/2-13 X 1 1/2 - ZINC |
| | 000C27-04-40B | EA | BOLT - CARRIAGE - 1/4-20 X 2 1/2 - ZINC |
| | 000C27-07-40B | EA | BOLT - CARRIAGE - 7/16-14 X 2 1/2 - GRADE #5 |
| | 000C27-08-48B | EA | BOLT - CARRIAGE - 1/2-13 X 3 - GRADE #5 |
| | 000D16-07-00B | EA | NUT - HEX - 7/16-14 - ZINC |
| | 000D20-07-00B | EA | NUT - ACORN - ASSIST HANDLE - 7/16 - 14 |
| | 000D24-10-00B | EA | NUT - HEX - SELF LOCKING - 10-32 - ZINC |
| | 000D28-10-00B | EA | NUT - HEX - W/NYLON LOCK - 10-32 ZINC |
| | 000D29-04-00B | EA | NUT - HEX - SELF LOCKING - 1/4 X 20 - ZINC |
| | 000D29-06-00B | EA | NUT - HEX - W/NYLON LOCK - 3/8-16 - ZINC |
| | 000D29-09-00B | EA | NUT - HEX - SELF LOCKING - 9/16-12 - ZINC |
| | 000D30-07-00B | EA | NUT - HEX LOCK - NYLON 7/16 X 20 |
| | 000D34-04-00B | EA | NUT - HEX - LOCKING - 1/4-20 - ZINC |
| | 000D34-06-00B | EA | NUT - HEX - LOCKING - 3/8-16 GRADE C - ZINC |
| | 000D39-04-00B | EA | NUT - HEX - LOCKING W/SERRATED FLANGE - 1/4-20 - ZINC |
| | 000D39-05-00B | EA | NUT - HEX - LOCKING W/SERRATED FLANGE - 5/16-18 - ZINC |
| | 000D39-06-00B | EA | NUT - HEX - LOCKING W/SERRATED FLANGE - 3/8-18 - ZINC |
| | 000D39-07-00B | EA | NUT - HEX - LOCKING W/SERRATED FLANGE - 7/16-14 - ZINC |
| | 000D39-08-00B | EA | NUT - HEX - LOCKING W/SERRATED FLANGE - 1/2-13 - ZINC |
| | 000D44-04-00B | EA | NUT - HEX - LOCKING W/SERRATED FLANGE - 1/4-28 - ZINC |
| | 000D44-07-00B | EA | NUT - HEX - LOCKING W/SERRATED FLANGE - 7/16-20 - ZINC |
| | 000D44-08-00B | EA | NUT - HEX - LOCKING W/SERRATED FLANGE - 1/2-20 - ZINC |
| | 000D46-04-00A | EA | NUT - HEX - WELD - 1/4-20 - PLAIN |
| | 000D58-06-00A | EA | NUT - HEX - WELD 3/8-16 - PLAIN |
| | 000D65-08-00B | EA | NUT - HEX - LOCKING W/SERRATED FLANGE - 8-32 - ZINC |
| | 000D67-10-00B | EA | NUT - HEX - LOCK - 5/8-11 - ZINC |
| | 000D73-08-00C | EA | NUT - HEX FLANGE - 1/2-13 |
| | 000D75-09-00B | EA | NUT - HEX LOCKING - 9/16-12 - ZINC |
| | 000D76-06-00B | EA | NUT - HEX FLANGE - 3/8-16 |
| | 000E11-04-00F | EA | WASHER - LOCKING - 1/4 MED SPLIT - STAINLESS STEEL |
| | 000E11-07-00B | EA | WASHER - LOCKING - 7/16 MED SPLIT - ZINC |
| | 000E11-08-00B | EA | WASHER - LOCKING - 1/2 MED SPLIT - ZINC |
| | 000E13-17-00B | EA | WASHER - FLAT - 3/8 AR - ZINC |
| | 000E13-18-00B | EA | WASHER - FLAT - 3/8 WIDE - ZINC |
| | 000E13-20-00B | EA | WASHER - FLAT - 7/16 WIDE - ZINC |
| | 000E13-22-00B | EA | WASHER - FLAT - 1/2 WIDE - ZINC |
| | 000E13-26-00B | EA | WASHER - FLAT - 5/8 WIDE - ZINC |
| | 000E14-10-00B | EA | WASHER - LOCKING - #10 EXTERNAL TOOTH - ZINC |
| | 000E16-10-00B | EA | WASHER - HARDENED - 5/8 - FLAT - ZINC |
| | 000G45-05-16B | EA | BOLT - LAG - 5/16-9 X 1 - ZINC |
| | 000G62-08-24B | EA | SCREW - SF/DR - 8-18 X 1 1/2 PFH |
| | 005081-01-000 | EA | NUT - SPEED - C-TYPE - #8 SCREW |
| | 040921-03-000 | EA | NUT - SPEED - U TYPE - #10 |
| | 040921-04-000 | EA | NUT - SPEED - U TYPE - #8-.59" LENGTH X .44" WIDTH |
| | 040921-05-000 | EA | NUT - SPEED - U-TYPE - 8-.67" X .44" WIDE |
| | 041322-01-000 | EA | WASHER - FLANGE - 15/32 ID X 2 3/8 OD - F/SEAT BELT MTG |
| | 044364-02-000 | EA | NUT - SPEED - FLAT - ROUND |
| | 044533-01-000 | EA | WASHER - 1 3/8"OD - FOR BUTTONS - PLASTIC |
| | 051387-06-000 | EA | BOLT - CARRIAGE W/O HOLE - 5/16-18 X 9 1/2 - ZINC |
| | 058716-02-000 | EA | WASHER - FLAT NYLON |
| | 064081-03-000 | EA | NUT - WING 3/8-16 - W/WELD NUT |
| | 077071-01-000 | EA | WASHER - FENDER - 3/16"ID X 1"OD |
| | 084406-01-000 | EA | NUT - CAPPED - CROSS RECESSED - BLACK - 1/4-20 THD |
| | 087234-01-000 | EA | NUT - JACK - 1/4 X 20 THD - MOLLY |
| | 088787-12-000 | EA | STUD - WELD - 1/4 - 20 X 1.0 LG - MN |
| | 102333-01-06A | EA | BOLT - CARRIAGE - 7/16-14 STAINLESS STEEL CAP |
| | 103020-02-000 | EA | BOLT-U - #8-32 - GRADE 5 ZINC |
| | 106166-01-000 | EA | BOLT/COLLARED HANGER - 8-32 X 1 |
| | 106956-03-000 | EA | BOLT - HEX TAP - 1/2-12NC X 3 - GRADE 5 - FULL THREAD/ZINC |
| | 106956-08-000 | EA | BOLT - HEX TAP - 1/2-13NC X 4 - GRADE 5 - FULL THREAD/ZINC |
| | 107397-01-000 | EA | WASHER - FENDER - 3/4"ID X 1"OD |
| | 108067-03-000 | EA | STUD - WELD - 1/4 - 20 X 1/2 CD |

SEALANTS & FASTENERS GROUP (CONTINUED)
BOLTS, NUTS AND WASHERS (CONTINUED)

| KEY | PART NUMBER | U/M | DESCRIPTION |
|-----|---------------|-----|--|
| | 103020-02-000 | EA | BOLT-U - #8-32 - GRADE 5 ZINC |
| | 106166-01-000 | EA | BOLT/COLLARED HANGER - 8-32 X 1 |
| | 106956-03-000 | EA | BOLT - HEX TAP - 1/2-12NC X 3 - GRADE 5 - FULL THREAD/ZINC |
| | 106956-08-000 | EA | BOLT - HEX TAP - 1/2-13NC X 4 - GRADE 5 - FULL THREAD/ZINC |
| | 107397-01-000 | EA | WASHER - FENDER - 3/4"ID X 1"OD |
| | 108067-03-000 | EA | STUD - WELD - 1/4 - 20 X 1/2 CD |
| | 109235-01-05A | FT | COVER - SCREW - BRIGHT WHITE |
| | 109235-01-01A | FT | COVER - SCREW - MAT BLACK |
| | 109917-03-000 | EA | WASHER - 1" X .50" |
| | 109917-04-000 | EA | WASHER - 1" X .75" |
| | 110794-01-000 | EA | WASHER - FLAT - 1" ID X 1 3/4" OD |
| | 121511-01-000 | EA | WASHER - SPUR |
| | 113985-02-000 | EA | BOLT - FLANGE - M10-1 1/2 X 30CL 10.9 |
| | 114259-05-000 | EA | BOLT - 7/16-20 X 1 1/4 W/WASHER |
| | 128444-01-000 | EA | WASHER - SPRING - CONICAL |
| | 131377-01-000 | EA | NUT-HEX HEAD W/WASHER-1/4-20 X 2" STEEL W/3/4" OD WASHER |
| | 135092-01-01A | EA | BOLT - HEX - SERRATED FLANGE - 1/2-20 X 1 3/4-GRADE 5 ZINC |
| | 135092-02-01A | EA | BOLT - HEX - SERRATED FLANGE - 1/2-20 X 2 1/2-GRADE 5 ZINC |
| | 143399-01-01A | EA | NUT/RETAINING - 3/8"- 24 NFT |
| | 144904-01-01A | EA | BOLT - ADJUSTMENT - HEADLAMP |
| | 148817-01-000 | EA | WASHER/SPUR - LOCKING |

SCREWS

| KEY | PART NUMBER | U/M | DESCRIPTION |
|-----|---------------|-----|--|
| | 0G1106-06-160 | EA | SCREW - 6-20 X 3/8 PPH |
| | 0G1106-08-240 | EA | SCREW - 6-20 X 1/2 PPH - VW LIGHT GRAY |
| | 0G1108-12-240 | EA | SCREW - 8-18 X 3/4 PPH - VW LIGHT GRAY |
| | 0G1108-16-240 | EA | SCREW - 8-18 X 1.00 PPS - VW LIGHT GRAY |
| | 0G1208-12-170 | EA | SCREW - 8-18 X 3/4 POH - BRIGHT WHITE |
| | 0G1308-10-240 | EA | SCREW - 8-18 X 5/8 PFH - VW LIGHT GRAY |
| | 0G3804-22-180 | EA | SCREW - MACHINE - 1/4-20 X 1 3/8 PFH - BLACK |
| | 0G3908-08-170 | EA | SCREW - SF/DR - 8-18 X 1/2 PPH - BRIGHT WHITE |
| | 0G3908-08-160 | EA | SCREW - SF/DR - 8-18 X 1/2 PPH - VW WHITE |
| | 0G3908-08-240 | EA | SCREW - SF/DR - 8-18 X 1/2 PPH - VW LIGHT GRAY |
| | 0G3908-12-250 | EA | SCREW - SF/DR - 8-18 X 3/4 PPH - DARK GRAY |
| | 0G3908-12-240 | EA | SCREW - SF/DR - 8-18 X .75 PPH - VW LIGHT GRAY |
| | 0G3908-16-170 | EA | SCREW - SF/DR - 8-18 X 1 PPH - BRIGHT WHITE |
| | 0G3908-24-170 | EA | SCREW - SF/DR - 8-18 X 1 1/2 PPH - BRIGHT WHITE |
| | 0G3910-10-330 | EA | SCREW - SF/DR - 20-16 X 5/8 PPH - PUTTY |
| | 0G3910-10-320 | EA | SCREW - SF/DR - 10-16 X 5/8 PPH - GLACIER |
| | 0G3910-10-240 | EA | SCREW - SF/DR - 10-16 X 5/8 PPH - VW LIGHT GRAY |
| | 0G3910-12-240 | EA | SCREW - SF/DR - 10-16 X .75 PPH - VW LIGHT GRAY |
| | 0G3910-12-170 | EA | SCREW - SF/DR - 10-16 X 3/4 PPH - BRIGHT WHITE |
| | 0G3910-12-320 | EA | SCREW - SF/DR - 10-16 X 3/4 PPH - GLACIER |
| | 0G5508-12-240 | EA | SCREW - SF/DR - 8-18 X 3/4 PWH - VW LIGHT GRAY |
| | 0G5508-12-170 | EA | SCREW - SF/DR - 8-18 X 3/4 PWH - BRIGHT WHITE |
| | 0G5508-12-330 | EA | SCREW - SF/DR - 8-18 X 3/4 PWH - PUTTY |
| | 0G5508-12-320 | EA | SCREW - SF/DR - 8-18 X 3/4 PWH - GLACIER |
| | 0G5508-12-260 | EA | SCREW - SF/DR - 8-18 X 3/4 PWH - ALLANTE ANTELOPE |
| | 0G5508-12-270 | EA | SCREW - SF/DR - 8-18 X 3/4 PWH - TITANIUM |
| | 0G5508-16-250 | EA | SCREW - SF/DR - 8-18 X 1 PWH - VW DARK GRAY |
| | 0G5508-16-330 | EA | SCREW - SF/DR - 8-18 X 1 PWH - PUTTY |
| | 0G5508-16-320 | EA | SCREW - SF/DR - 8-18 X 1 PWH - GLACIER |
| | 0G6008-16-170 | EA | SCREW - SF/DR - 8-18 X 1 POH - BRIGHT WHITE |
| | 0G6710-08-130 | EA | SCREW - 10-12 X 1/2 PPH - TAUPE |
| | 0G6710-08-170 | EA | SCREW - 10-12 X 1/2 PPH - BRIGHT WHITE |
| | 0G6710-08-240 | EA | SCREW - 10-12 X 1/2 PPH - VW LIGHT GRAY |
| | 0G6710-12-170 | EA | SCREW - 10-12 X 3/4 PPH - BRIGHT WHITE |
| | 0G6806-16-170 | EA | SCREW - 6-18 X 1 POH - BRIGHT WHITE |
| | 0G6810-24-280 | EA | SCREW - 10-12 X 1 1/2 POH - SOFT WHITE |
| | 000C20-04-16A | EA | SCREW - 1/4-20X 1 - FLAT SOCKET HEAD |
| | 000C20-05-28F | EA | SCREW - 5/16-18 X 1 3/4 FLAT SOC - STAINLESS STEEL |
| | 000C20-06-24T | EA | SCREW - 3/8-16 X 1 1/2 - FLAT SOCKET |

SEALANTS & FASTENERS GROUP (CONTINUED)
SCREWS (CONTINUED)

| KEY | PART NUMBER | U/M | DESCRIPTION |
|-----|---------------|-----|---|
| | 000G11-06-10J | EA | SCREW - 6-20 X 5/8 PPH - BRASS |
| | 000G11-06-08P | EA | SCREW - 6-20 X 1/2 PPH - DARK BROWN |
| | 000G11-06-08B | EA | SCREW - 6-20 X 1/2 PPH - ZINC |
| | 000G11-07-08B | EA | SCREW - 7-19 X 1/2 PPH - ZINC |
| | 000G11-08-20G | EA | SCREW - 8-18 X 1 1/4 - ANTIQUE BRASS |
| | 000G11-08-20B | EA | SCREW - 8-18 X 1 1/4 PPH - ZINC |
| | 000G11-08-16B | EA | SCREW - 8-18 X 1 PPH - ZINC |
| | 000G11-08-12T | EA | SCREW - 8-18 X 3/4 PPH - BLACK MAGNESIUM |
| | 000G11-08-12P | EA | SCREW - 8-18 X 3/4 PPH - DARK BROWN |
| | 000G11-08-12B | EA | SCREW - 8-18 X 3/4 PPH - ZINC |
| | 000G11-08-08T | EA | SCREW - 8-18 X 1/2 PPH - FLUOROCARBON COATING |
| | 000G11-08-06B | EA | SCREW - 8-18 X 3/8 PPH - ZINC |
| | 000G11-10-24P | EA | SCREW - 10-16 X 1 1/2 PPH - DARK BROWN |
| | 000G11-10-12D | EA | SCREW - 10-16 X 3/4 PPH - BLACK |
| | 000G12-06-12J | EA | SCREW - 6-20 X .75 POH - BRASS |
| | 000G12-06-08T | EA | SCREW - 6-20 X 1/2 POH - BLACK |
| | 000G13-05-10B | EA | SCREW - 5-12 X 5/8 PFH - ZINC |
| | 000G13-06-08G | EA | SCREW - 6-20 X 1/2 PFH - ANTIQUE BRASS |
| | 000G13-06-08B | EA | SCREW - 6-20 X 1/2 PFH - ZINC |
| | 000G13-06-06I | EA | SCREW - 6-20 X 3/8 PFH - BLACK ZINC |
| | 000G13-06-24J | EA | SCREW - 6-20 X 1 1/2 PFH - BRASS |
| | 000G13-06-16J | EA | SCREW - 6-20 X 1 PFH - BRASS |
| | 000G13-06-10J | EA | SCREW - 6-20 X 5/8 PFH - BRASS |
| | 000G13-06-10G | EA | SCREW - 6-20 X 5/8 PFH - ANTIQUE BRASS |
| | 000G13-07-10H | EA | SCREW - 7-19 X 5/8 PFH - BLACK |
| | 000G13-08-16B | EA | SCREW - 8-18 X 1 PFH - ZINC |
| | 000G13-08-109 | EA | SCREW - 8-18 X 5/8 PFH |
| | 000G13-08-10B | EA | SCREW - 8-18 X 5/8 PFH - ZINC |
| | 000G13-08-24B | EA | SCREW - 8-18 X 1 1/2 PFH - ZINC |
| | 000G13-10-16I | EA | SCREW - 10-16 X 1 PFH - BLACK |
| | 000G16-04-24B | EA | SCREW - MACHINE - 1/4-20 X 1 1/2 PPH |
| | 000G18-08-16B | EA | SCREW - MACHINE - 8-32 X 1 PPH - ZINC |
| | 000G18-08-24B | EA | SCREW - MACHINE - 8-32 X 1 1/2 PPH - ZINC |
| | 000G18-08-22B | EA | SCREW - MACHINE - 8-32 X 1 3/8 PPH - ZINC |
| | 000G19-10-10B | EA | SCREW - MACHINE - 10-32 X 5/8 - PPH - ZINC |
| | 000G19-10-08B | EA | SCREW - MACHINE - 10-32 X 1/2 PPH - ZINC |
| | 000G19-10-20B | EA | SCREW - MACHINE - 10-32 X 1 1/2 PPH - ZINC |
| | 000G19-10-12F | EA | SCREW - MACHINE - 10-32 X 3/4 PPH - STAINLESS STEEL |
| | 000G36-10-12T | EA | SCREW - 10-24X 3/4 PFH TYPE 23 - BLACK |
| | 000G39-06-10T | EA | SCREW - SF/DR - 6-20 X 5/8 PPH - BLACK |
| | 000G39-06-16T | EA | SCREW - SF/DR - 6-20 X 1 PPH - BLACK |
| | 000G39-08-08S | EA | SCREW - SF/DR - 8-18 X 1/2 PPH - OFF WHITE |
| | 000G39-08-08B | EA | SCREW - SF/DR - 8-18 X 1/2 PPH - ZINC |
| | 000G39-08-08T | EA | SCREW - SF/DR - 8-18 X 1/2 PPH - BLACK |
| | 000G39-08-06B | EA | SCREW - SF/DR - 8-18 X 3/8 PPH - ZINC |
| | 000G39-08-32B | EA | SCREW - SF/DR - 8-18 X 2 PPH - ZINC |
| | 000G39-08-24T | EA | SCREW - SF/DR - 8-18 X 1 1/2 PPH - BLACK |
| | 000G39-08-24S | EA | SCREW - SF/DR - 8-18 X 1 1/2 - OFF WHITE |
| | 000G39-08-24B | EA | SCREW - SF/DR - 8-18 X 1 1/2 PPH - ZINC |
| | 000G39-08-16T | EA | SCREW - SF/DR - 6-20 X 1 PPH - BLACK |
| | 000G39-08-16B | EA | SCREW - SF/DR - 8-18 X 1 PPH - ZINC |
| | 000G39-08-12B | EA | SCREW - SF/DR - 8-18 X 3/4 PPH - ZINC |
| | 000G39-08-12T | EA | SCREW - SF/DR - 8-18 X 3/4 PPH - BLACK |
| | 000G39-10-48T | EA | SCREW - SF/DR - 10-16 X 3 PPH - BLACK |
| | 000G39-10-48B | EA | SCREW - SF/DR - 10-16 X 3 - PPH - ZINC |
| | 000G39-10-40D | EA | SCREW - SF/DR - 10-16 X 2 1/2 PPH - BLACK |
| | 000G39-10-32B | EA | SCREW - SF/DR - 10-16 X 2 - PPH - ZINC |
| | 000G39-10-20T | EA | SCREW - SF/DR - 10-16 X 1 1/4 PPH - BLACK |
| | 000G39-10-20B | EA | SCREW - SF/DR - 10-16 X 1 1/4 PPH - ZINC |
| | 000G39-10-169 | EA | SCREW - SF/DR - 10-16 X 1 PPH - FLUOROCARBON SILVER |
| | 000G39-10-129 | EA | SCREW - SF/DR - 10-16 X 3/4 PPH - FLUOROCARBON SILVER |
| | 000G39-10-12T | EA | SCREW - SF/DR - 10-16 X 3/4 - BLACK |
| | 000G39-10-10T | EA | SCREW - SF/DR - 10-16 X 5/8 - BLACK |

SEALANTS & FASTENERS GROUP (CONTINUED)
SCREWS (CONTINUED)

| KEY | PART NUMBER | U/M | DESCRIPTION |
|------------|--------------------|------------|---|
| | 000G39-10-10B | EA | SCREW - SF/DR - 10-16 X 5/8 PPH - ZINC |
| | 000G39-10-08B | EA | SCREW - SF/DR - 10-16 X 1/2 PPH - ZINC |
| | 000G39-10-088 | EA | SCREW - SF/DR - 10-16 X 1/2 PPH - FLEX FLUOROCARBON |
| | 000G39-12-12E | EA | SCREW - SF/DR - 12 - 14 X 3/4 PPH - CHROME |
| | 000G42-04-24B | EA | SCREW - SF/DR - 1/4-14 X 1 1/2 - ZINC |
| | 000G42-04-16B | EA | SCREW - SF/DR - 1/4-14 X 1 HWH - ZINC |
| | 000G42-04-24B | EA | SCREW - SF/DR - 1/4-14 X 1 1/2 - ZINC |
| | 000G46-08-24T | EA | SCREW - MACHINE - 8-32 X 1 1/2 PFH - BLACK |
| | 000G50-04-48B | EA | SCREW - MACHINE - 1/4-14 X 3 - ZINC |
| | 000G52-06-05B | EA | SCREW - MACHINE - 6-32 X 5/16 PTH ZINC |
| | 000G52-06-06B | EA | SCREW - MACHINE - 6-32 X 3/8 PIN - ZINC |
| | 000G54-04-14B | EA | SCREW - 1/4-20 X 7/8 PTH - TYPE 23 - ZINC PLATED |
| | 000G55-08-124 | EA | SCREW - SF/DR - 8-18 X 3/4 PWH - ASH GRAY |
| | 000G55-08-12M | EA | SCREW - SF/DR - 8-19 X .75 PWH - GRAY |
| | 000G55-08-165 | EA | SCREW - SF/DR - 8-18 X 1 PWH - WILLOW |
| | 000G55-08-16T | EA | SCREW - SF/DR - 8-18 X 1 PWH - BLACK |
| | 000G55-08-16S | EA | SCREW - SF/DR - 8-18 X 1.00 - PWH - OFF WHITE |
| | 000G56-12-48B | EA | SCREW - WOOD - 12-11 X 3 POH - SPECIAL HARDENED |
| | 000G57-14-72B | EA | SCREW-14-10-X4 1/2 PFH ZN GENERAL MOTORHOMES |
| | 000G57-14-64B | EA | SCREW - 14-10 X 4 PFH ZINC |
| | 000G60-08-20F | EA | SCREW - SF/DR - 8-19X1.25 POH |
| | 000G60-08-16E | EA | SCREW - SF/DR - 8-1 X 1 POH - CHROME |
| | 000G60-08-22B | EA | SCREW - SF/DR - 8-18 X 1.38 POH - ZINC |
| | 000G60-10-209 | EA | SCREW - SF/DR - 10-16 X 1 1/4 POH - SILVER STALGAARD |
| | 000G60-10-20B | EA | SCREW - SF/DR - 10-16 X 1 1/4 POH - ZINC |
| | 000G60-10-16J | EA | SCREW - SF/DR - 10-16 X 1 POH - BRIGHT BRASS |
| | 000G60-10-28T | EA | SCREW - SF/DR - 10-16 X 1 3/4 - BLACK |
| | 000G67-08-32B | EA | SCREW - 8-15 X 2 PPH - ZINC |
| | 000G67-10-08B | EA | SCREW - 10-12 X 1/2 PPH - ZINC |
| | 000G67-10-24S | EA | SCREW - 10-12 X 1 1/2 PPH - OFF WHITE |
| | 000G67-10-24B | EA | SCREW - 10-12 X 1 1/2 PPH - ZINC |
| | 000G67-10-20D | EA | SCREW - 10-12 X 1 1/4 PPH - BLACK |
| | 000G67-10-12P | EA | SCREW - 10-12 X 3/4 PPH - DARK BROWN |
| | 000G67-10-12B | EA | SCREW - 10-12 X 3/4 PPH - ZINC |
| | 000G67-10-10T | EA | SCREW - 10-12 X 5/8 PPH - BLACK |
| | 000G67-10-10S | EA | SCREW - 10-12 X 5/8 PPH - OFF WHITE |
| | 000G67-10-10P | EA | SCREW - 10-12 X 5/8 PPH - DARK BROWN |
| | 000G67-10-10B | EA | SCREW - 10-12 X 5/8 PPH - ZINC - TYPE A |
| | 000G67-10-08S | EA | SCREW - 10-12 X 1/2 PPH - OFF WHITE |
| | 000G68-06-10J | EA | SCREW - 6-18 X 5/8 POH - BRASS |
| | 000G68-06-10G | EA | SCREW - 6-18 X 5/8 POH - ANTIQUE BRASS |
| | 000G68-06-12J | EA | SCREW - 6-18 X 3/4 POH - BRASS |
| | 000G68-06-12B | EA | SCREW - 6-18 X 3/4 POH - ZINC & CLEAR |
| | 029130-01-000 | EA | SCREW - SNAP STUD - #8-16 X 5/8" LONG |
| | 029130-03-000 | EA | SCREW - SNAP STUD - #8-16 X 1" LONG |
| | 049465-01-000 | EA | SCREW - 10-16 PTH W/WASHER - DARK BROWN |
| | 049465-03-000 | EA | SCREW - 10-16 X 1 POH W/WASHER - OFF WHITE |
| | 049465-04-000 | EA | SCREW - 10-16 X 1 PTH W/WASHER - BEIGE |
| | 049465-13-000 | EA | SCREW-10+16X1 PTH W/WASHER - *ASH GRAY |
| | 049465-17-000 | EA | SCREW - 10-16 X 1 POH W/WASHER - BRIGHT WHITE |
| | 049465-23-000 | EA | SCREW - 10-16 X 1.5 POH W/WASHER - VW LIGHT GRAY |
| | 054434-02-000 | EA | SCREW - SF/DR - 10-16 X 2 - ZINC |
| | 054434-03-000 | EA | SCREW - SF/DR - 10-16 X 2 - PWH - ZINC |
| | 075908-01-000 | EA | SCREW - MACHINE - 10-32 X .56 PTH - EXTERNAL TOOTH - ZINC |
| | 076790-01-000 | EA | SCREW - 6-20 X 1 1/4 PPH - BLACK |
| | 076790-05-000 | EA | SCREW - 6-20 X 1/2 PPH - BLACK - THREAD CUTTING/WOOD |
| | 083554-01-000 | EA | SCREW - DRYWALL - 8 X 1 1/4 |
| | 083554-04-000 | EA | SCREW - DRYWALL - 8 X 2 1/2 |
| | 087721-01-000 | EA | SCREW - FLAT HEAD - TAPPING - 1/4 X 1 1/4 LONG - ZINC |
| | 087721-02-000 | EA | SCREW - FLAT HEAD - TAPPING - 1/4 X 2 1/4 LONG - ZINC |
| | 090033-02-000 | EA | SCREW - 1/4-20 X 5/8 - ROUND WASHER HEAD - OFF/WHITE |
| | 097974-01-000 | EA | SCREW - PARTICLE BOARD - 7-9 X 3/4 PPH |
| | 101618-01-000 | EA | SCREW - 1/4-20 X 3/4 HEX - TAPPING - STALGARD TYPE F |

SEALANTS & FASTENERS GROUP (CONTINUED)
SCREWS (CONTINUED)

| KEY | PART NUMBER | U/M | DESCRIPTION |
|-----|---------------|-----|--|
| | 110460-05-02A | EA | SCREW - MACHINE - 10-24 X 2 1/2 PFH - WHITE |
| | 113563-01-01A | EA | SCREW - 8 X 5/8 LONG SHOULDER/WASHER HEAD |
| | 114469-01-02A | EA | COVER - SCREW - VW DARK GRAY |
| | 117478-01-04A | EA | SCREW - 8-18 X 3/4 PPH W/WASHER - VW LIGHT GRAY |
| | 118383-01-09A | EA | RETAINER/RECESSED - F/.22" SCREW - GLACIER |
| | 118383-01-06A | EA | RETAINER/RECESSED - F/.22" SCREW - ALLANTE ANTELOPE |
| | 118383-01-05A | EA | RETAINER/RECESSED - F/.22" SCREW - VW LIGHT GRAY |
| | 118383-01-04A | EA | RETAINER/RECESSED - F/.22" SCREW - BRIGHT WHITE |
| | 118383-02-09A | EA | RETAINER/RECESSED - F/.27" SCREW - GLACIER |
| | 118383-02-05A | EA | RETAINER/RECESSED - F/.27" SCREW - VW LIGHT GRAY |
| | 118383-02-04A | EA | RETAINER/RECESSED - F/.27" SCREW - BRIGHT WHITE |
| | 118383-03-09A | EA | RETAINER/RECESSED - F/.32" SCREW - GLACIER |
| | 118383-04-05A | EA | CAP - F/RECESSED RETAINER - VW LIGHT GRAY |
| | 118383-04-04A | EA | CAP - F/RECESSED RETAINER - BRIGHT WHITE |
| | 118383-04-09A | EA | CAP - F/RECESSED RETAINER - GLACIER |
| | 118383-04-06A | EA | CAP - F/RECESSED RETAINER - ALLANTE ANTELOPE |
| | 134126-01-01A | EA | SCREW/NAIL - HEX HEAD - 3/4" |
| | 140040-01-000 | EA | SCREW - 1/4-20 X 1 - BUTTON HEAD/SOCKET - W/LOCTITE |
| | 144078-01-01A | EA | SCREW - HEX/FLANGE HEAD CAP - 1" W/.75" THREAD LENGTH - ZINC |
| | 149753-01-01A | EA | RETAINER/RECESSED - F/.22" SCREW - BLACK |
| | 149753-01-02A | EA | RETAINER/RECESSED - F/.22" SCREW - BRIGHT WHITE |
| | 149753-02-01A | EA | CAP - F/RECESSED RETAINER - BLACK |
| | 149753-02-02A | EA | CAP - F/RECESSED RETAINER - BRIGHT WHITE |

CLAMPS, CLIPS, GROMMETS, RIVETS & PLUGS

| KEY | PART NUMBER | U/M | DESCRIPTION |
|-----|---------------|-----|---|
| | 000F10-06-32B | EA | PIN - COTTER - 3/16" X 2" - ZINC |
| | 000H14-06-06R | EA | RIVET-MANDREL BLIND,3/16 AL - CHERRY BSP-66 |
| | 000H16-04-06R | EA | RIVET - POP ALUMINUM - 1/8 X .313 - .375 |
| | 000H16-06-10R | EA | RIVET - POP ALUMINUM - 3/16 X .501 - .625 |
| | 007161-01-000 | EA | CLAMP - HOSE - SPRING TYPE - 1/2" |
| | 008386-01-000 | EA | GROMMET - SNAP - 3/8" DIAMETER - NYLON |
| | 010495-01-000 | EA | CLAMP - CABLE - 9/16"ID - BLACK |
| | 010495-02-000 | EA | CLAMP - CABLE - 3/8"ID - BLACK |
| | 010495-04-000 | EA | CLAMP - CABLE - 11/16"ID - WHITE |
| | 010497-01-000 | EA | CLAMP - CLOSED - 5/8"ID |
| | 010497-02-000 | EA | CLAMP - CLOSED - 1.5"ID |
| | 010497-03-000 | EA | CLAMP - CLOSED - 1"ID - CUSHIONED |
| | 010497-04-000 | EA | CLAMP - CLOSED - 1 5/8"ID |
| | 010497-07-000 | EA | CLAMP - CLOSED - 3/8"ID |
| | 010497-09-000 | EA | CLAMP - CLOSED - 5/16"ID |
| | 010497-10-000 | EA | CLAMP - CLOSED - 7/8"ID |
| | 010499-01-000 | EA | CLAMP - CLOSED - 3/8"ID |
| | 016188-03-000 | EA | GROMMET - LP LINE - 3/8"HOLE X 2 1/2"LONG - RUBBER |
| | 016188-04-000 | EA | GROMMET - LP LINE - 1/2"HOLE X 2 1/2"LONG - RUBBER |
| | 016188-05-000 | EA | GROMMET - LP LINE - 3/8"HOLE X 1 1/4"LONG - RUBBER |
| | 016188-06-000 | EA | GROMMET - L/P LINE - 3/8"HOLE X 3 1/4"LONG - RUBBER |
| | 016188-08-000 | EA | GROMMET - LP LINE - 1/2"HOLE X 1 1/4"LONG - RUBBER |
| | 016188-09-000 | EA | GROMMET - LP LINE - .68"HOLE X 1 1/4"LONG - RUBBER |
| | 016188-10-000 | EA | GROMMET - LP LINE - .68"HOLE X 2.5"LONG - RUBBER |
| | 023942-01-000 | EA | GROMMET - RUBBER - 2" OD |
| | 034141-02-000 | EA | PLUG/NYLON - .38" - BLACK |
| | 061420-01-000 | EA | PLUG/PLASTIC - 1 3/4" DIAMETER - BROWN |
| | 061420-04-000 | EA | PLUG/PLASTIC - 1 1/4" DIAMETER |
| | 061420-05-000 | EA | PLUG/PLASTIC - 1 1/2" DIAMETER |
| | 061420-08-000 | EA | PLUG/PLASTIC - 2 1/2" DIAMETER |
| | 061420-09-000 | EA | PLUG/PLASTIC - 1.00" - DIAMETER |
| | 061420-10-000 | EA | PLUG/PLASTIC - 1 1/2" DIAMETER - BLACK |
| | 061420-13-000 | EA | PLUG/PLASTIC - 3/8 - 3" |
| | 061420-14-000 | EA | PLUG/PLASTIC - 7/8" DIAMETER - BLACK |
| | 061420-15-000 | EA | PLUG/PLASTIC - 2" DIAMETER - BLACK |
| | 061420-16-000 | EA | PLUG/PLASTIC - 2 1/8" DIAMETER - BLACK |

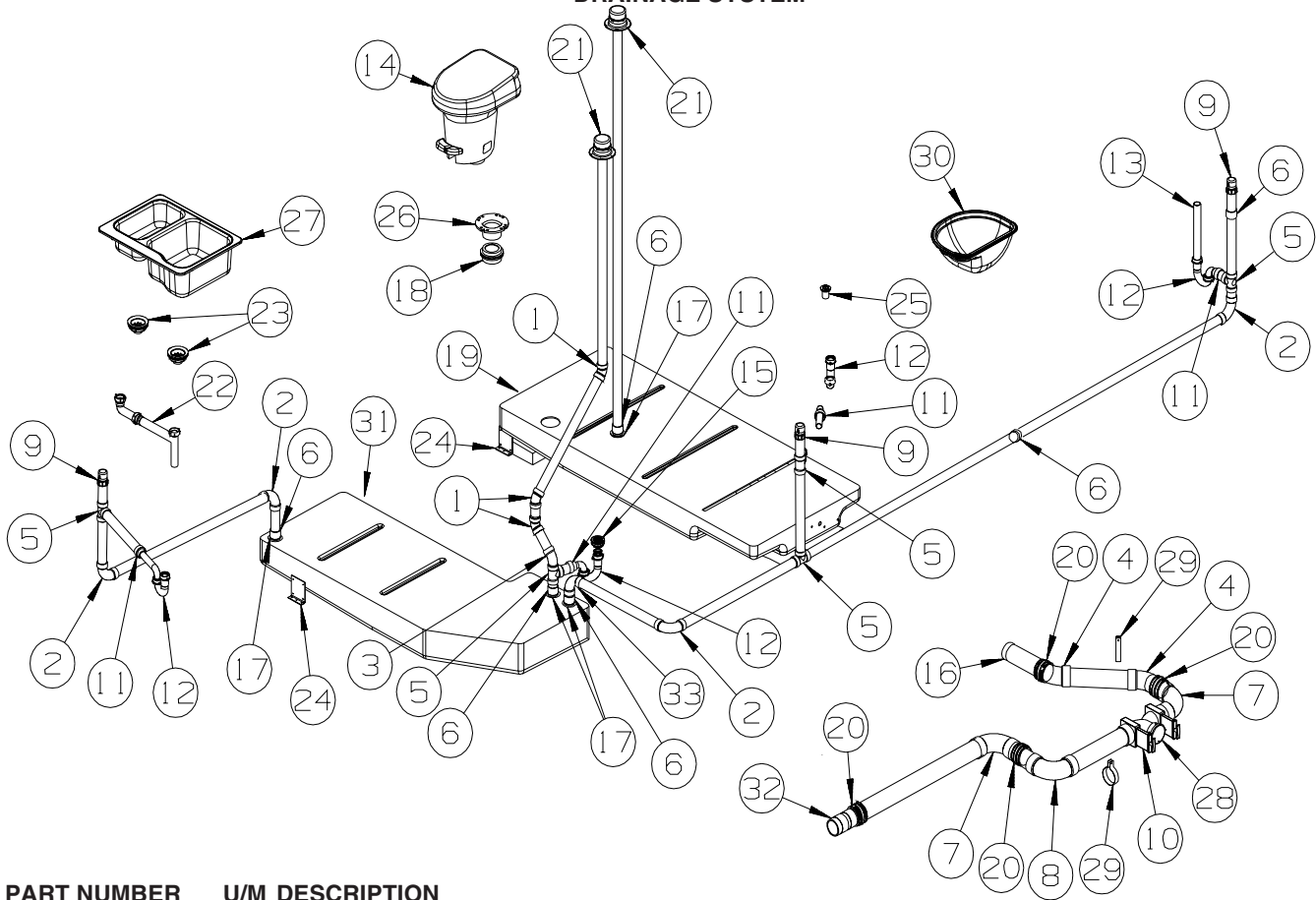
SEALANTS & FASTENERS GROUP (CONTINUED)
CLAMPS, CLIPS, GROMMETS, RIVETS & PLUGS (CONTINUED)

| KEY | PART NUMBER | U/M | DESCRIPTION |
|-----|---------------|-----|--|
| | 062401-01-000 | EA | CLAMP - HOSE - WORMGEAR - .25" - 1" |
| | 062401-02-000 | EA | CLAMP - HOSE - WORMGEAR - 1.56" - 2.5" |
| | 062401-03-000 | EA | CLAMP - HOSE - WORMGEAR - .22" - 1" |
| | 062401-04-000 | EA | CLAMP - HOSE - WORMGEAR - .69" - 1.25" |
| | 062401-05-000 | EA | CLAMP - HOSE - WORMGEAR - 2" - 3" ID |
| | 062401-06-000 | EA | CLAMP - HOSE - WORMGEAR - .22" - .62" ID |
| | 062401-09-000 | EA | CLAMP - HOSE - WORMGEAR - 2.8" - 3.75" |
| | 062401-11-000 | EA | CLAMP - HOSE - WORMGEAR - 3.50" - 4.50" |
| | 062401-12-000 | EA | CLAMP - HOSE - WORMGEAR - .79" X 1.26" |
| | 071015-11-000 | EA | GROMMET - RUBBER - 1 ID - FITS .12 MATERIAL - BLACK |
| | 071015-13-000 | EA | GROMMET - RUBBER - .62 ID - FITS .09 GROOVE - BLACK |
| | 071015-19-000 | EA | GROMMET - RUBBER - .38 ID - FITS .06 MATERIAL - BLACK |
| | 071015-22-000 | EA | GROMMET - RUBBER - .62 ID - 1.12 OD - W/.19 GROOVE - BLACK |
| | 071015-26-000 | EA | GROMMET - RUBBER - 1.5" ID X 2.1" OD W/.06" GROOVE-BLACK |
| | 071015-29-000 | EA | GROMMET - RUBBER - .3" ID X 1.3"OD W/.12" GROOVE - BLACK |
| | 071015-30-000 | EA | GROMMET - RUBBER - .3" ID X .81"OD W/.12" GROOVE - BLACK |
| | 071015-32-000 | EA | GROMMET - RUBBER - .75 ID X 1.375 OD W/.187 GROOVE - BLACK |
| | 071015-40-000 | EA | GROMMET - RUBBER - .38 ID - FITS .09 MATERIAL - BLACK |
| | 071015-41-000 | EA | GROMMET - .125 ID FITS .188 MTL |
| | 071015-42-000 | EA | GROMMET - RUBBER - .25 ID - FITS .06 MATERIAL - BLACK |
| | 075148-02-000 | EA | CLAMP - GROUNDING - BRONZE SCREWS |
| | 077955-01-000 | EA | CLIP/J - 3/8" - VINYL COATED |
| | 080734-02-000 | EA | CLIP - WIRE NYLON |
| | 081211-01-000 | EA | PLUG/PLASTIC - .31" DIAMETER - BLACK |
| | 081211-03-000 | EA | PLUG/PLASTIC - .50" DIAMETER - TRUSS HEAD - BLACK |
| | 081211-04-000 | EA | PLUG/PLASTIC - .46 DIAMETER - TRUSS HEAD - BLACK |
| | 083609-01-000 | EA | CLAMP - WIRE - DUAL - EQUAL DIAMETERS - 5/8" |
| | 083610-01-000 | EA | CLAMP - WIRE - DUAL - UNEQUAL DIAMETERS - 3/4" & 1 1/4" |
| | 083610-02-000 | EA | CLAMP - WIRE - DUAL - UNEQUAL DIAMETERS - 3/4" & 2" |
| | 083610-03-000 | EA | CLAMP - WIRE - DUAL - EQUAL DIAMETERS - 2" |
| | 088756-01-000 | EA | GROMMET - WEB - 1 1/8 " I.D. |
| | 089329-02-000 | EA | CLIP - SPRING |
| | 091952-01-000 | EA | CLIP - GRIPPER - 1" |
| | 091952-02-000 | EA | CLIP - GRIPPER - 3/4" |
| | 091952-03-000 | EA | CLIP - GRIPPER - 1/2" - BLACK VINYL COATED |
| | 094362-02-000 | EA | CLIP - XMAS TREE - BINDER HEAD - .9" LONG |
| | 094362-05-000 | EA | CLIP - XMAS TREE - ROUND HEAD - 1.4" LONG |
| | 114208-01-000 | EA | GROMMET - EDGE LINER - FITS 1 3/4" |
| | 114208-03-000 | EA | GROMMET - EDGE LINER - FITS 2 1/2" |
| | 114208-05-000 | EA | GROMMET - EDGE LINER - FITS 2" |
| | 118626-01-02A | EA | RIVET - POP - ALUMINUM - 3/16 X .08 - .375 |
| | 118626-01-01A | EA | RIVET - POP - ALUMINUM - 3/16 X .08 - .375 |
| | 118626-02-01A | EA | RIVET - POP - ALUMINUM - 3/16 X .500 - .750 |
| | 137014-01-01A | EA | GROMMET - CABLE - ALMOND |
| | 137014-01-02A | EA | GROMMET - CABLE - BROWN |
| | 137014-01-03A | EA | GROMMET - CABLE - BLACK |
| | 139118-02-01A | EA | GROMMET - SCREW - PLASTIC |
| | 140171-01-000 | EA | CLAMP - HOSE - STEPLESS EAR - .312 |
| | 140171-02-000 | EA | CLAMP - HOSE - STEPLESS EAR - .250 |

SEALANTS & FASTENERS GROUP (CONTINUED)
MISCELLANEOUS FASTENERS

| KEY | PART NUMBER | U/M | DESCRIPTION |
|------------|--------------------|------------|---|
| | 008343-01-000 | EA | TIE - WIRE - 6" |
| | 008343-02-000 | EA | TIE - WIRE - 14" |
| | 008343-03-000 | EA | TIE - WIRE - 7 1/2" - BLACK |
| | 029094-04-000 | YD | VELCRO TAPE - LOOP - 1" WIDE - BLACK |
| | 029094-06-000 | YD | VELCRO TAPE - LOOP - 2" WIDE - BLACK |
| | 029096-03-000 | YD | VELCRO TAPE - HOOK - 1" WIDE - BLACK |
| | 029096-04-000 | YD | VELCRO TAPE/HOOK - 1"WIDE - BLACK - W/ADHESIVE BACK (PSA) |
| | 048394-02-000 | YD | VELCRO TAPE - HOOK - ADHESIVE BACK - 3/4" WIDE - BEIGE |
| | 085774-01-000 | FT | FASTENER - DUAL LOCK - 1" WIDE - ADHESIVE BACK - BLACK |
| | 085774-02-000 | FT | FASTENER - DUAL HOOK - 1" WIDE - ADHESIVE BACK - BLACK |
| | 085774-07-000 | FT | FASTENER - DUAL HOOK - 1" WIDE |
| | 088792-02-000 | YD | VELCRO TAPE - LOOP - 3/4" - ADHESIVE BACK - BEIGE |
| | 088792-04-000 | YD | VELCRO TAPE - HOOK - 5/8" - NON-ADHESIVE BACK - WHITE |
| | 088792-05-000 | YD | VELCRO TAPE - LOOP - 5/8" - NON-ADHESIVE BACK - WHITE |
| | 108046-01-000 | EA | CABLE TIE - SCREW MOUNT 8" |
| | 108046-02-000 | EA | CABLE TIE - SCREW MOUNT 15" |
| | 110943-01-000 | FT | FELT STRIP - 3/8" - ADHESIVE BACK - BLACK |
| | 110943-02-000 | FT | FELT STRIP - 3/8" - ADHESIVE BACK - WHITE |
| | 113133-02-01A | EA | RIVET - POP - ALUMINUM - 3/16 X .252 - .504 - BLACK |
| | 115361-01-01A | EA | PLUG/PLASTIC - 1/2" DIAMETER |
| | 127960-01-01A | EA | RETAINER - 3/8" - STAINLESS STEEL |

WATER & SEWAGE GROUP DRAINAGE SYSTEM



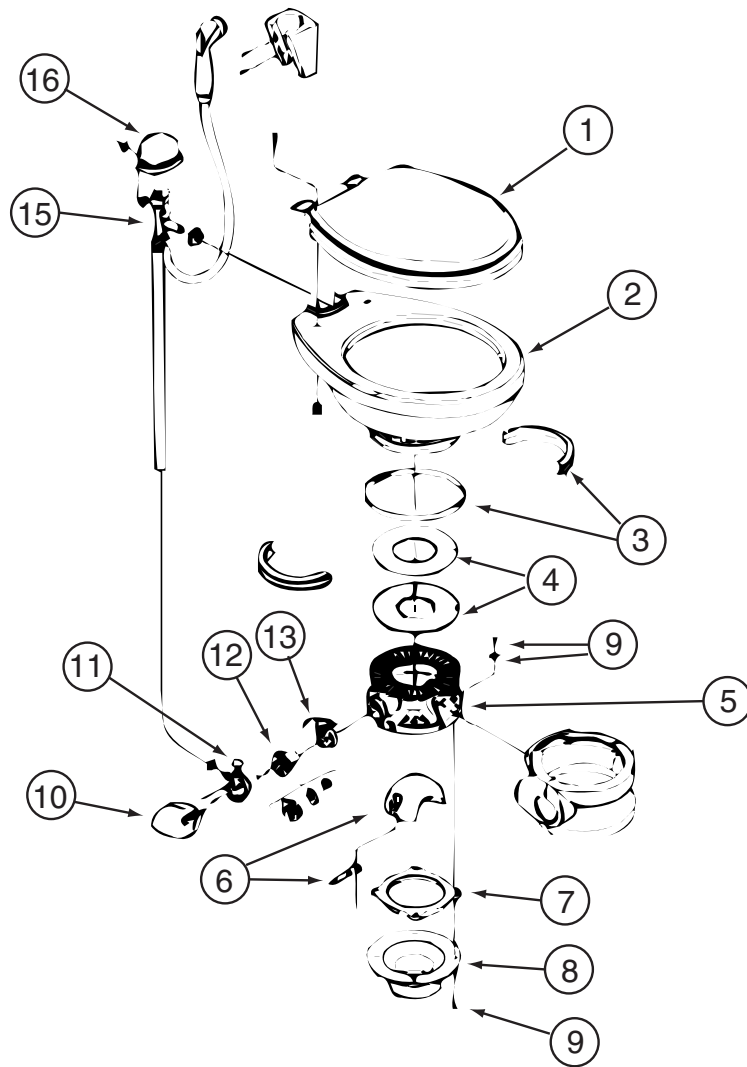
| KEY | PART NUMBER | U/M | DESCRIPTION |
|-----|---------------|-----|--|
| 1 | 010006-01-000 | EA | ELBOW - 45 DEGREE - 1 1/2" HUB X HUB - PLASTIC |
| 2 | 010008-01-000 | EA | ELBOW - 90 DEGREE - 1 1/2" HUB X HUB - PLASTIC |
| 3 | 010051-01-000 | EA | ELBOW - 45 DEGREE - 1 1/2" SPIGOT X HUB - PLASTIC |
| 4 | 010061-01-000 | EA | ELBOW - 45 DEGREE ST - 3" SPIGOT & HUB - PLASTIC |
| 5 | 010071-01-000 | EA | TEE - SANITARY - 1 1/2" HUB X HUB X HUB - PLASTIC |
| 6 | 010115-01-000 | EA | COUPLING - 1 1/2" HUB X HUB - PLASTIC |
| 7 | 031126-01-000 | EA | ELBOW - 1/4 BEND - 3" X 90" XLT - BLACK PLASTIC |
| 8 | 041956-01-000 | EA | ELBOW - 3" STREET - 90 DEGREE PLASTIC |
| 9 | 079968-01-000 | EA | VENT - MECHANICAL/TRAP ARM - ANTI-SIPHON-2" X 7.3" PLASTIC |
| 10 | 136143-01-000 | EA | VALVE - DUAL - 3" X 3" |
| 11 | 109571-01-000 | EA | ADAPTER - P-TRAP - 1 1/2"P X 1 1/4"MPT |
| 12 | 107538-01-000 | EA | P-TRAP - PLASTIC - 1 1/4" W/EXTENSION ARM - USA |
| 12 | 011071-01-000 | EA | P-TRAP - PLASTIC - 1 1/2" - CSA - CANADIAN |
| 13 | 126588-02-000 | EA | ARM - WASTE - 1 1/2 X 20" - FEMALE |
| 14* | 140798-01-01A | EA | TOILET - TRAVELER LITE - TALL - WHITE |
| 15 | 066440-01-000 | EA | STRAINER - SHOWER DRAIN - W/RUBBER WASHER |
| | 130403-01-000 | EA | NUT - SLIP - W/WINGS 1 1/2" |
| | 127440-02-01A | EA | WASHER - RUBBER - 1.8" X .1" |
| | 011069-02-000 | EA | TAILPIECE - TUB/SHOWER - 1 1/2" X 1 1/4" X 4" - BRASS |
| 16 | 010129-05-000 | EA | NIPPLE - PLASTIC - 3" X 10" |
| 17 | 061607-01-000 | EA | GROMMET - HOLDING TANK - 1 1/2" NPS |
| 18 | 061607-02-000 | EA | GROMMET - HOLDING TANK - 3" NPS |
| 19 | 139423-01-01A | EA | TANK - HOLDING - W/O FITTINGS |
| 20 | 078406-01-000 | EA | COUPLER - 3" X 3" W/CLAMPS - RUBBER |
| 21 | 083558-03-000 | EA | VENT W/COVER F/PLUMBING STACK - OFF WHITE |
| 22 | 091980-01-000 | EA | WASTE - CONTINUOUS |
| | | | FROM: 00-00-00 THRU: 01-18-04 |
| 22 | 011091-02-000 | EA | WASTE - CONTINUOUS - DOUBLE SINK |
| | | | FROM: 01-19-04 THRU: 99-99-99 |
| 23 | 092303-01-000 | EA | STRAINER - W/BASKET - GALLEY SINK - 4" OD |
| | 127440-02-01A | EA | WASHER - RUBBER - 1.8" X .1" |
| 24 | 094756-02-01A | EA | BRACKET - L - 6.1" LONG X 3.9" WIDE - STEEL |
| 25 | 106116-01-02A | EA | STRAINER/PLASTIC - STOPPER/TAILPIECE/GASKET & NUT-LAVATORY |
| | 106116-02-01A | EA | GASKET - STRAINER |

WATER & SEWAGE GROUP (CONTINUED)
DRAINAGE SYSTEM (CONTINUED)

| KEY | PART NUMBER | U/M | DESCRIPTION |
|------------|--------------------|------------|--|
| 26 | 116644-01-000 | EA | FLANGE/CLOSET - 3" FEMALE - 4 BOLT |
| 27 | 136828-01-01A | EA | SINK/DBL - LGE/SM BASIN-25"X19"X7" W/O NOTCH/FAUCET HOLES FROM: 00-00-00 THRU: 01-18-04 |
| 27 | 148870-01-01A | EA | SINK/DOUBLE - LGE/SML BASIN-25"X19"X7" FROM: 01-19-04 THRU: 99-99-99 |
| 28 | 139513-01-000 | EA | HOSE - SEWER - 3" X 10' - W/ADAPTER |
| | 062416-01-000 | EA | ADAPTER - SEWER HOSE TO 3" PIPE |
| 29 | 141443-01-02B | EA | HOLDER - RING - E-COATED |
| 30 | 142285-01-01A | EA | SINK - LAVATORY |
| 31 | 135367-01-700 | EA | TANK-HOLDING W/3" NIPPLE |
| | 049032-01-000 | EA | PATCH - SPINWELD - 3/8" - PLASTIC |
| 32 | 010129-03-000 | EA | NIPPLE - 3" X 3" TOE - PLASTIC |
| 33 | 033761-01-000 | EA | ELBOW - 90 DEGREE - TURN - 1 1/2" HUB X 1 1/2" SPIGOT |

***COMPONENT PARTS LISTED LATER IN THIS GROUP**

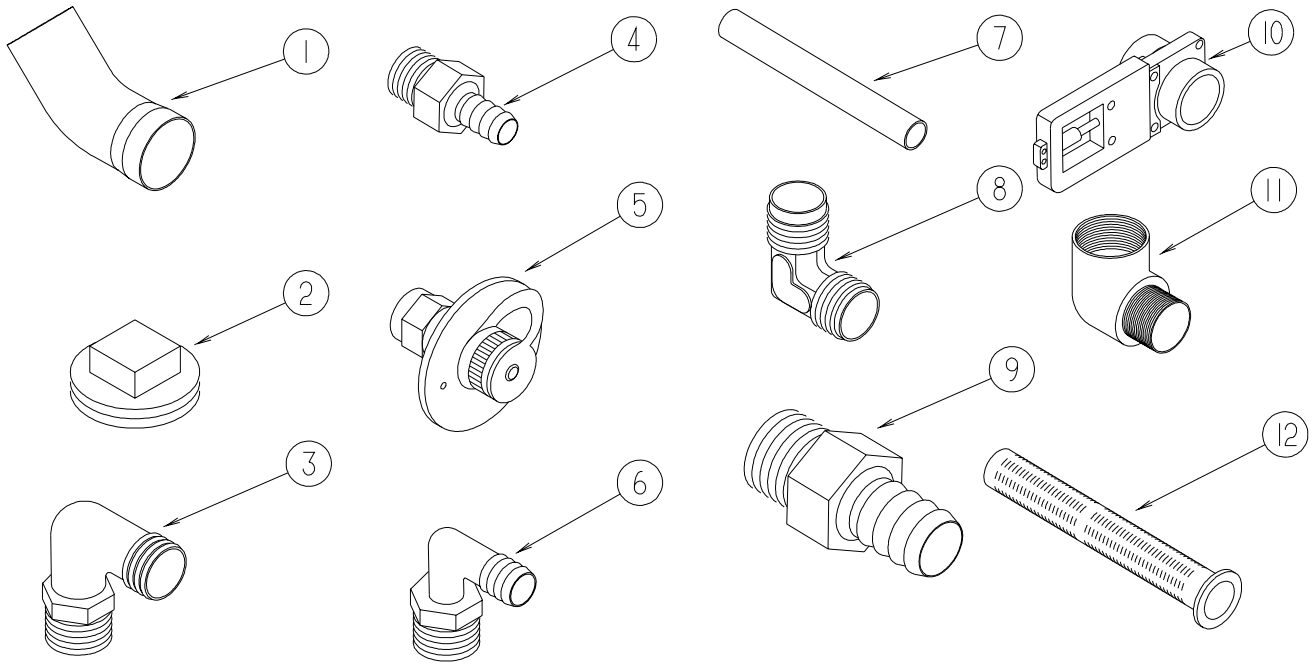
WATER & SEWAGE GROUP (CONTINUED)
COMPONENT PARTS FOR DRAINAGE SYSTEM



140798-01-01A

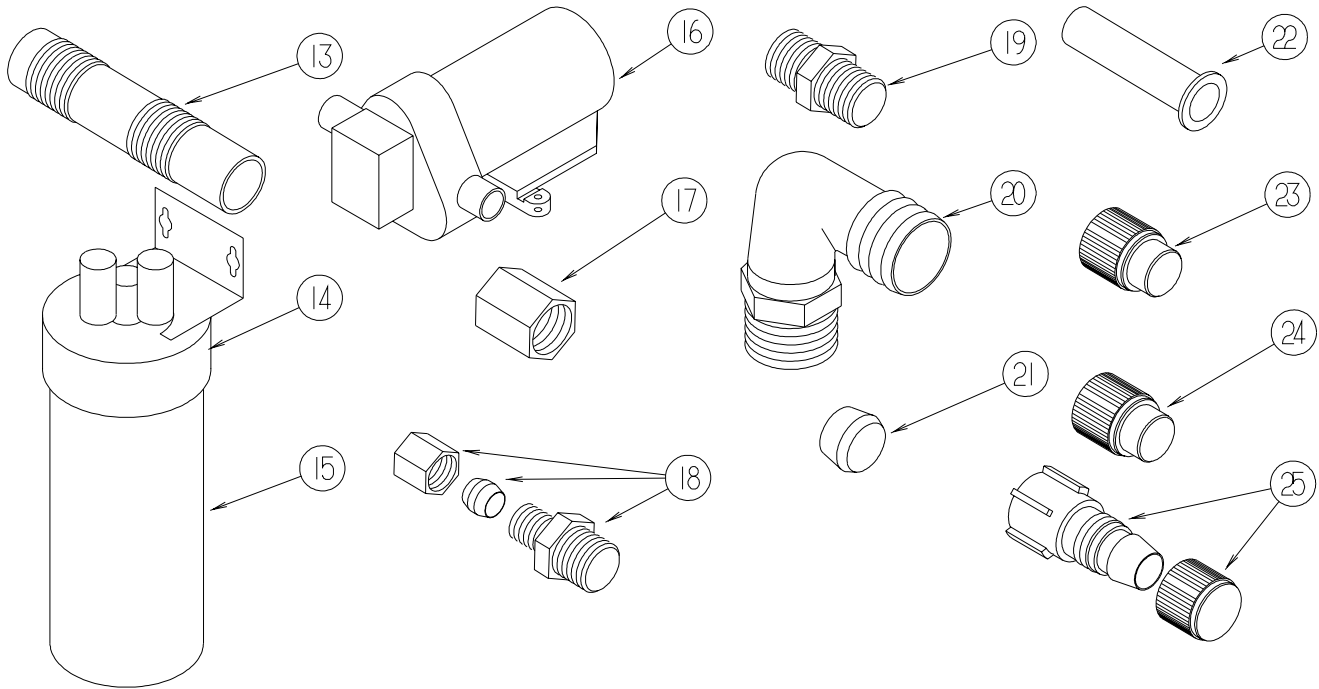
| KEY | PART NUMBER | U/M | DESCRIPTION | VENDOR NO. |
|-----|---------------|-----|------------------------------|------------|
| 1 | 140798-01-700 | EA | SEAT ASSEMBLY - WHITE | 344089 |
| 2 | 140798-01-701 | EA | BOWL/CHINA - WHITE | 310790 |
| 3 | 140798-01-702 | EA | RING & HALF CLAMP KIT-WHITE | 310025 |
| 4 | 140798-01-703 | EA | TEFLON & RUBBER SEAL KIT | 316140 |
| 5 | 140798-01-704 | EA | BASE KIT - WHITE | 310123 |
| 6 | 140798-01-705 | EA | BALL/SHAFT/CARTRIDGE KIT | 318162 |
| 7 | 085330-01-723 | EA | SEAL - FLOOR FLANGE | 341549 |
| 8 | 085330-01-716 | EA | FLANGE-FLOOR, 3" MPT | 345889 |
| 9 | 085330-01-717 | EA | BOLT MOUNTING PACKAGE | 3100-64 |
| 10 | 140798-01-706 | EA | PEDAL COVER KIT - WHITE | 310117 |
| 11 | 140798-01-707 | EA | WATER VALVE KIT | 314349 |
| 12 | 140798-01-708 | EA | SPRING CARTRIDGE KIT | 236096 |
| 13 | 140798-01-709 | EA | FLUSH LEVER | 340425 |
| 15 | 140798-01-710 | EA | VACUUM BREAKER KIT W/O SPRAY | 310687 |
| 16 | 140798-01-711 | EA | VACUUM BREAKER COVER KIT WHT | 310795 |
| | 085330-04-701 | EA | HAND SPRAY W/HOSE(500 & 900) | 340683 |
| | 085330-06-701 | EA | BREAKER-VACUUM/DIVERTER(900) | 230335 |

WATER & SEWAGE GROUP (CONTINUED)
WATER SYSTEM



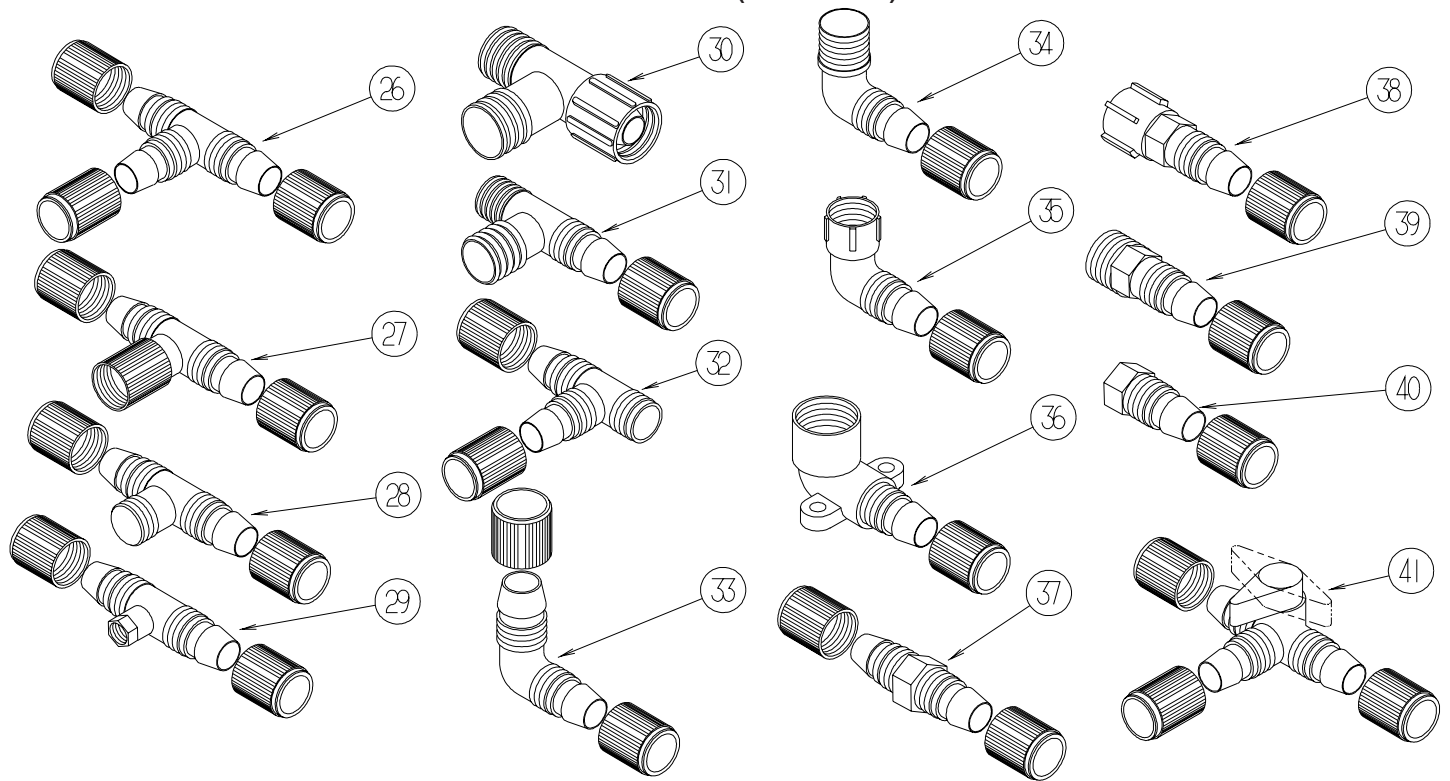
| KEY | PART NUMBER | U/M | DESCRIPTION |
|-----|---------------|-----|---|
| 1 | 010009-01-000 | EA | ELBOW - 90 DEGREE - 1/4 BEND - 1 1/2" PLASTIC |
| 2 | 010166-01-000 | EA | PLUG/THREADED - 1 1/4"MPT - PLASTIC - BLACK - UL |
| 3 | 010219-01-000 | EA | ELBOW - 1 1/4 MPT X 1 1/4 BARB - WATER FILL - PLASTIC |
| 4 | 010224-01-000 | EA | ADAPTER - HOSE TO PIPE - 3/8 MPT X 3/8 BARB - PLASTIC |
| 5 | 010230-06-000 | EA | FILL - CITY WATER - W/CHECK VALVE - MPT - BRUSHED ALUM |
| 6 | 035539-01-000 | EA | ELBOW - 3/8 MPT X 3/8 BARB - PLASTIC |
| 7 | 039800-04-000 | FT | TUBING - POLYBUTYL - 1/4"OD |
| 7 | 074462-02-000 | FT | TUBING - VINYL - 3/8 ID X 20' - CLEAR |
| 7 | 112176-01-000 | FT | TUBING - VINYL - REINFORCED - 1/2" ID |
| 7 | 124188-01-000 | FT | TUBING - PEX - 1/2" ID X 20' - BLUE(COLD) |
| 7 | 124188-02-000 | FT | TUBING - PEX - 1/2" ID X 20' - RED(HOT) |
| 8 | 039808-03-000 | EA | ELBOW - 1/2" MPT X 1/2" MPT - PLASTIC |
| 9 | 044927-01-000 | EA | ADAPTER - HOSE TO PIPE-1 1/4 MPTX1 1/4 BARB-BLACK PLASTIC |
| 10 | 062421-03-000 | EA | VALVE/DUMP W/O HANDLE - 1 1/2" X 1 1/2" HUB |
| | 062421-05-000 | EA | CABLE/ROD - F/DUMP VALVE - W/HANDLE - 48" |
| 11 | 065318-02-000 | EA | ELBOW - 90 DEGREE - 3/8" MPT TO 3/8" FPT |
| 12 | 077954-02-000 | EA | FILTER - WATER TANK - W/SCREEN IN TANK |

WATER & SEWAGE GROUP (CONTINUED)
WATER SYSTEM (CONTINUED)



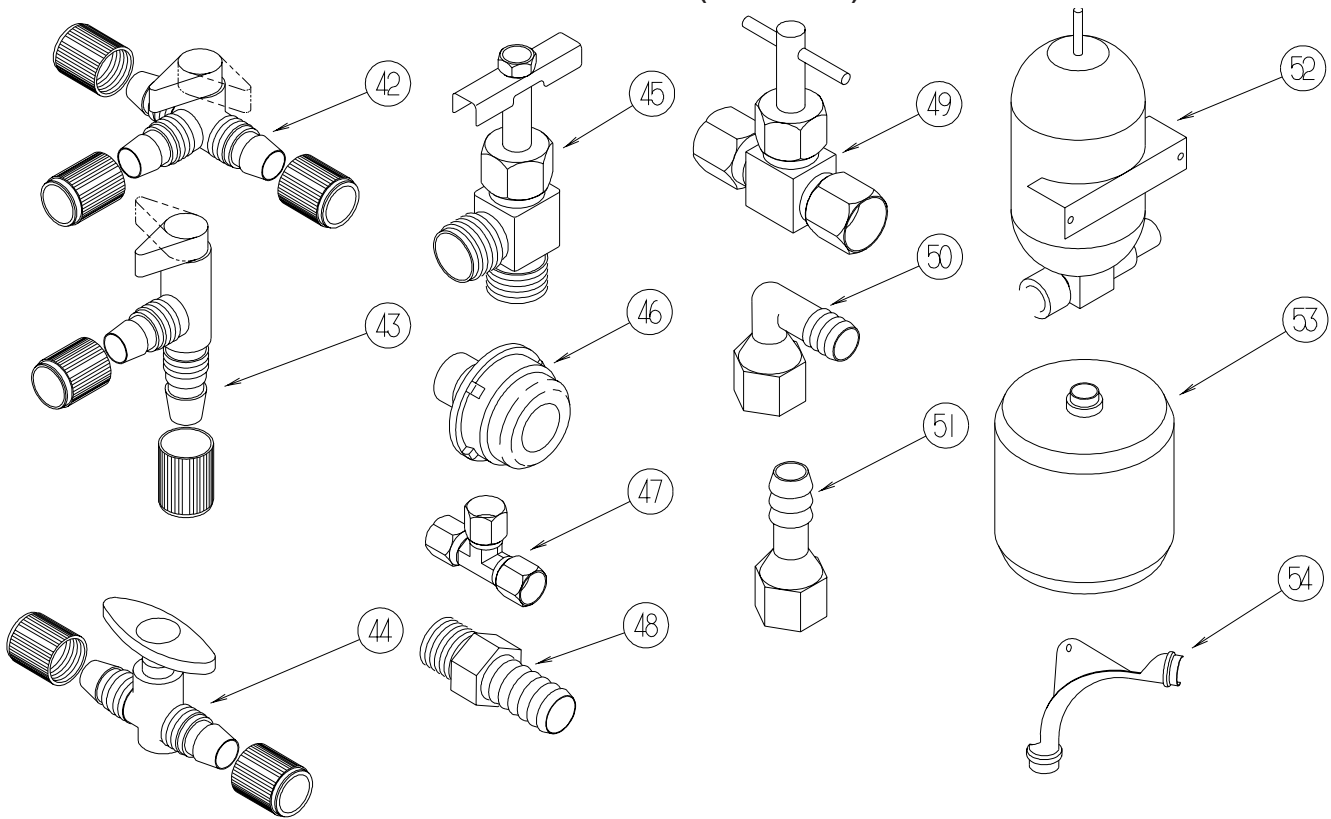
| KEY | PART NUMBER | U/M | DESCRIPTION |
|-----|---------------|-----|---|
| 13 | 079381-01-000 | FT | TUBING - RIBBED FLEXIBLE - WATER FILL - 1.4" ID |
| 14 | 087200-01-000 | EA | FILTER-WATER PURIFICATION, EVERPURE QC2-AC |
| 15 | 087200-02-000 | EA | CARTRIDGE-WATER FILTER,AC - EVERPURE 9601-11 |
| 16* | 098607-01-000 | EA | PUMP - WATER - W/.5" MPT FITTING - FLOW 2.8 GPM |
| 17 | 101814-01-000 | EA | COUPLING - FEMALE - 1/2" X 1/2" FPT - GRAY |
| 18 | 103798-01-000 | EA | CONNECTOR - 1/4 OD X 3/8 MPT |
| 19 | 110438-02-000 | EA | VALVE - CHECK - BRASS - 1/2 MPT X 1/2 MPT |
| 20 | 111223-02-000 | EA | ELBOW - 1/2" MPT X 3/8" BARB - PLASTIC |
| 20 | 111223-03-000 | EA | ELBOW - 3/4" MPT X 1/2" BARB - PLASTIC |
| 20 | 111223-04-000 | EA | ELBOW - 1/2" MPT X 1/2" BARB - PLASTIC |
| 21 | 111888-01-000 | EA | FERRULE - PLASTIC - .250 ID X .375 OD |
| 22 | 111888-02-000 | EA | INSERT - BRASS - 1/4 COMP |
| 23 | 113697-01-000 | EA | CAP - 3/8"P |
| 24 | 114427-01-000 | EA | CAP - 1/2"P |
| 25 | 114427-02-000 | EA | PLUG - W/COMP NUT - 1/2" PLASTIC PIPE/1/2" FLAIR-IT |

WATER & SEWAGE GROUP (CONTINUED)
WATER SYSTEM (CONTINUED)



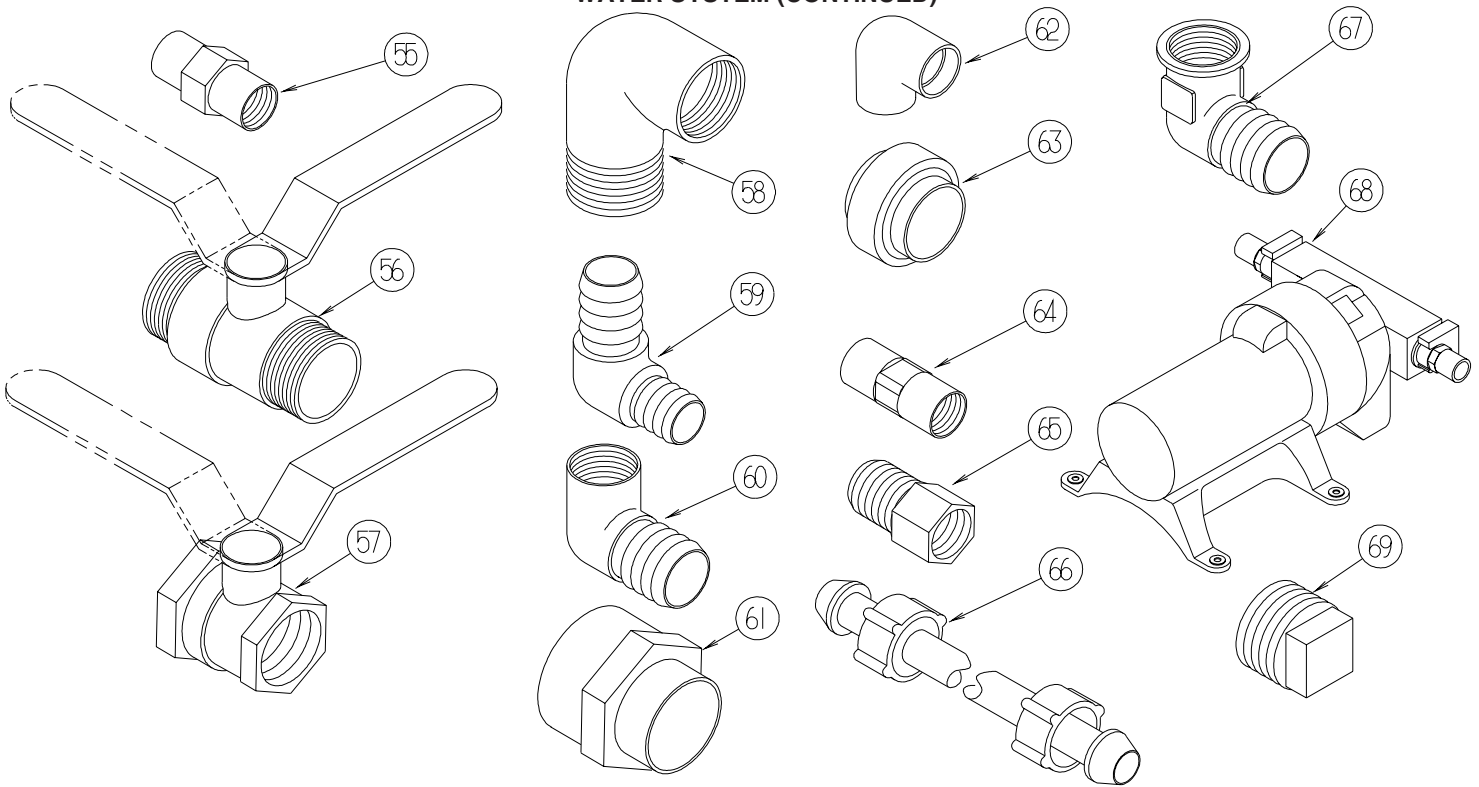
| KEY | PART NUMBER | U/M | DESCRIPTION |
|-----|---------------|-----|---|
| | 039798-01-000 | EA | TEE - 1/2"MPT X 1/2"MPT X 1/2"MPT - PLASTIC |
| 26 | 114428-01-000 | EA | TEE - 1/2"P X 1/2"P X 1/2"P |
| 27 | 114428-02-000 | EA | TEE - SWIVEL - 1/2"P X 1/2"P X 1/2"FPT |
| 28 | 114428-03-000 | EA | TEE - 1/2"P X 1/2"P X 1/2"MPT |
| 29 | 114428-04-000 | EA | TEE - 1/2"P X 1/2"P X 1/8"FPT |
| 30 | 114428-05-000 | EA | TEE - 1/2" SWIVEL X 1/2" MPT X 1/2" MPT |
| 31 | 114428-06-000 | EA | TEE - 1/2" P X 1/2" MPT X 1/2" MPT |
| 32 | 114428-07-000 | EA | TEE - 1/2" P X 1/2" MPT X 1/2" P |
| 33 | 114429-01-000 | EA | ELBOW - 1/2"P X 1/2"P |
| 34 | 114429-02-000 | EA | ELBOW - 1/2"P X 1/2"MPT |
| 34 | 114429-04-000 | EA | ELBOW - 1/2"P X 3/8"MPT |
| 34 | 114429-05-000 | EA | ELBOW - 1/2"P X 3/4"MPT |
| 34 | 114429-10-000 | EA | ELBOW - SWIVEL - 1/2"MPT X 1/2"FPT |
| 35 | 114429-03-000 | EA | ELBOW - SWIVEL - 1/2"P X 1/2"FPT |
| 35 | 114429-06-000 | EA | ELBOW - SWIVEL - 1/2"P X 3/4"FPT |
| 35 | 114429-08-000 | EA | ELBOW - SWIVEL - 1/2"P X 1/2"FPT |
| 35 | 114429-11-000 | EA | ELBOW - 1/2"P X 1/2"FPT |
| 36 | 114429-09-000 | EA | ELBOW - 1/2"P X 1/2"FPT DROP EAR |
| 37 | 114430-01-000 | EA | ADAPTER - 1/2"P X 1/2"P |
| 38 | 114430-02-000 | EA | ADAPTER - SWIVEL - 1/2"P X 1/2"FPT |
| 38 | 114430-04-000 | EA | ADAPTER - SWIVEL - 1/2"P X 3/8"MPT |
| 39 | 114430-03-000 | EA | ADAPTER - 1/2"P X 1/2"MPT |
| 40 | 114430-06-000 | EA | ADAPTER - 1/2"P X 3/8"FPT |
| 40 | 114430-09-000 | EA | ADAPTER - 1/2"P X 1/2"FPT |
| 41 | 114431-01-000 | EA | VALVE - 180 DEGREE/CENTER DRAIN - 1/2"P - THREE WAY |

WATER & SEWAGE GROUP (CONTINUED)
WATER SYSTEM (CONTINUED)



| KEY | PART NUMBER | U/M | DESCRIPTION |
|-----|---------------|-----|--|
| 42 | 114431-02-000 | EA | VALVE - WATER BYPASS - 1/2" P - THREE WAY (WATER HEATER) |
| 43 | 114431-03-000 | EA | VALVE - 90 DEGREE DRAIN - 1/2" P |
| 44 | 114431-04-000 | EA | VALVE - "INLINE SHUT-OFF" - 1/2" P |
| 45 | 114431-05-000 | EA | VALVE - NEEDLE - 1/8" MPT X 1/4" COMPRESSION (ICE MAKER) |
| 46 | 114966-01-000 | EA | FILTER - IN LINE - TWIST ON - 1/2" |
| 47 | 118423-01-000 | EA | FITTING - BRASS-TEE - 1/4" X 1/4" X 1/4" |
| 48 | 118809-01-000 | EA | ADAPTER - 1/2" MPT X 3/8" BARB - PLASTIC |
| 48 | 118809-02-000 | EA | ADAPTER - 1/2" MPT X 1/2" BARB - PLASTIC |
| 49 | 120868-01-000 | EA | VALVE - NEEDLE - 1/4" COMPRESSION X 1/4" COMPRESSION |
| 50 | 123150-01-000 | EA | ELBOW - 1/2 FPT X 1/2 BARB - SWIVEL |
| 51 | 123152-01-000 | EA | ADAPTER - 1/2 FPT X 1/2 BARB - SWIVEL |
| 52 | 123243-01-000 | EA | TANK - ACCUMULATOR - 24 OZ |
| 53 | 123317-01-000 | EA | TANK - ACCUMULATOR - 2 GALLON |
| 54 | 124184-01-000 | EA | SUPPORT - WATER LINE - BEND |

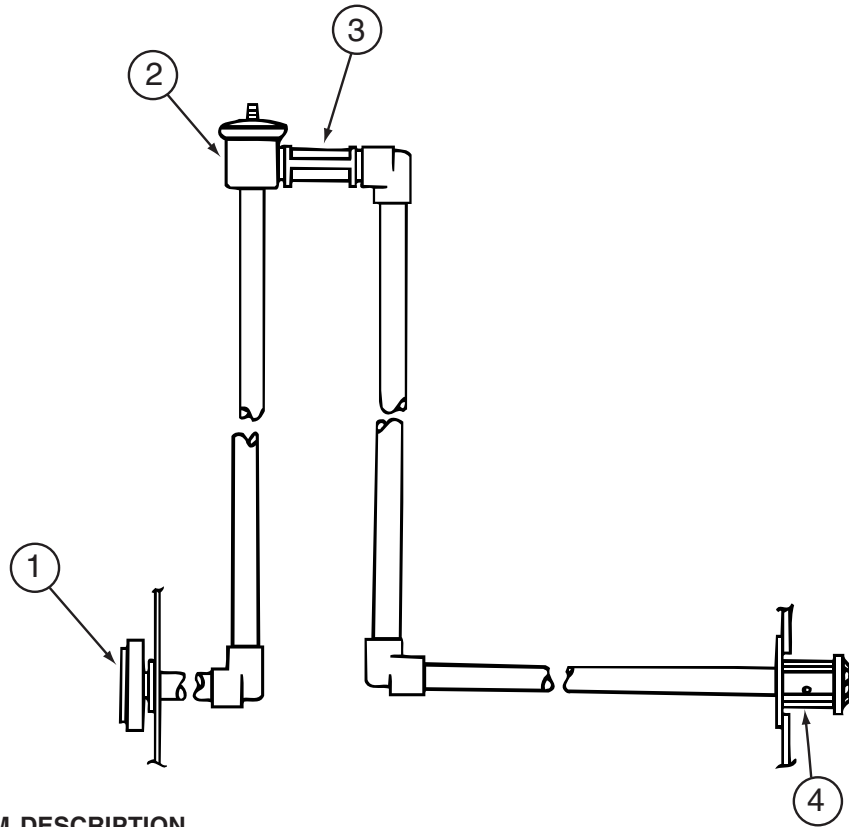
WATER & SEWAGE GROUP (CONTINUED)
WATER SYSTEM (CONTINUED)



| KEY | PART NUMBER | U/M | DESCRIPTION |
|-----|---------------|-----|---|
| 55 | 132148-01-000 | EA | CONNECTOR - 1/2" X 1/2"MPT - BRASS |
| 56 | 132483-01-000 | EA | VALVE/BALL - 1" - THREADED ENDS |
| 57 | 132483-02-000 | EA | VALVE/BALL - 1/2" - BRASS - FPT |
| 58 | 132484-01-000 | EA | ELBOW - 90 DEGREE - 1MPT X 1FPT - PLASTIC |
| 59 | 132781-01-000 | EA | ELBOW - 1.3" BARB X 1.3" BARB - 90 DEGREE - PLASTIC |
| 60 | 132782-01-000 | EA | ELBOW - 1"FPT X 1.3" BARB - 90 DEGREE - PLASTIC |
| 61 | 133835-01-000 | EA | ADAPTER - REDUCING - 1 1/2" X 1 1/4" |
| 62 | 133837-01-000 | EA | ELBOW - 1 1/2" X 90 DEGREE - DOUBLE SLIP |
| 63 | 133889-01-000 | EA | UNION - 1 1/2 DOUBLE SLIP - PVC |
| 64 | 135386-01-000 | EA | NIPPLE - 1/2" |
| 65 | 136333-01-000 | EA | ADAPTER - BRASS - 1/2"MPT X 1/2"FPT |
| 66 | 140821-01-000 | EA | TUBE - WATER SUPPLY - 3/8" X 24" |
| 66 | 140821-02-000 | EA | TUBE - WATER SUPPLY - 3/8" X 30" |
| 66 | 140821-03-000 | EA | TUBE - WATER SUPPLY - 3/8" X 36" |
| 66 | 140821-04-000 | EA | TUBE - WATER SUPPLY - 3/8" X 48" |
| 66 | 140821-05-000 | EA | TUBE - WATER SUPPLY - 3/8" X 54" |
| 66 | 140821-06-000 | EA | TUBE - WATER SUPPLY - 3/8" X 60" |
| 66 | 140821-07-000 | EA | TUBE - WATER SUPPLY - 3/8" X 72" |
| 67 | 142812-01-000 | EA | ELBOW - BRASS - 1/2"MPT X 1/2"FPT |
| 68* | 144215-01-000 | EA | PUMP - WATER - 5.7 GPM - W/1/2" MPT |
| * | 144215-02-000 | EA | STRAINER - WATER PUMP |
| 69 | 145609-01-000 | EA | PLUG - BRASS - 1/2" MPT/HEX HEAD |

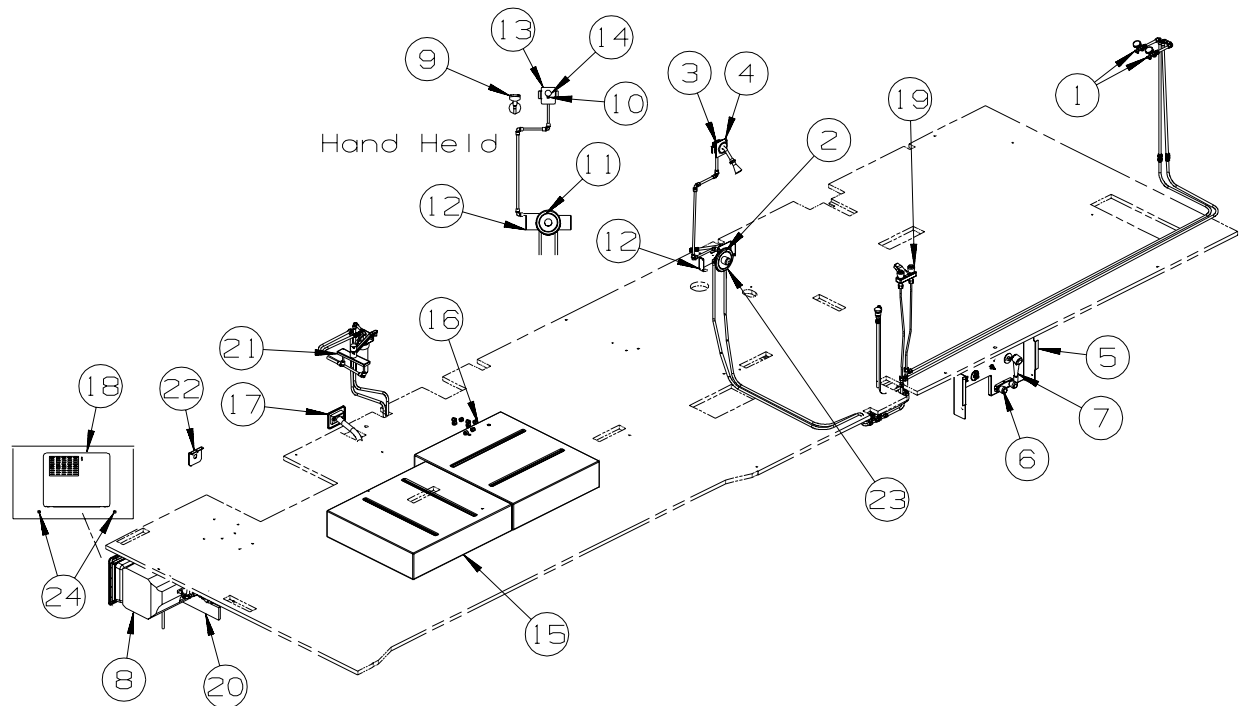
***COMPONENT PARTS LISTED LATER IN THIS GROUP**

WATER & SEWAGE GROUP (CONTINUED)
WATER SYSTEM (CONTINUED)



| KEY | PART NUMBER | U/M | DESCRIPTION |
|-----|---------------|-----|---|
| 1 | 125697-05-000 | EA | INLET/WATER - F/FLUSHING SYSTEM |
| 2 | 125697-04-000 | EA | BREAKER/VACUUM - F/FLUSHING SYSTEM |
| 3 | 125697-03-000 | EA | CHECK VALVE - F/FLUSHING SYSTEM |
| 4 | 125697-02-000 | EA | NOZZLE - WELD-A-FLUSH |
| | 125697-06-000 | EA | INSTRUCTIONS - USER - F/FLUSHING SYSTEM |

WATER & SEWAGE GROUP (CONTINUED)
WATER SYSTEM (CONTINUED)



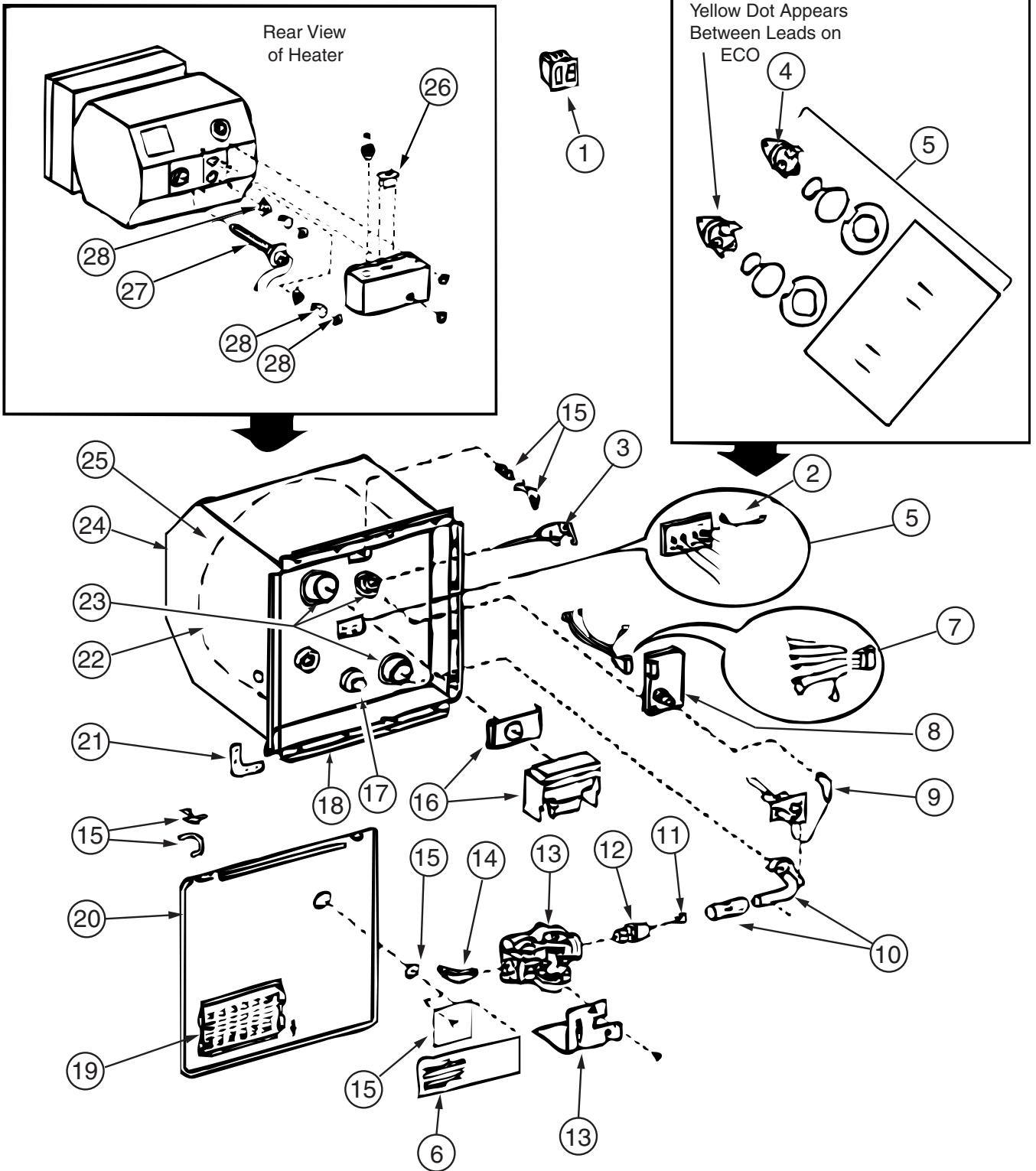
| KEY | PART NUMBER | U/M | DESCRIPTION |
|-----|---------------|-----|---|
| 1 | 098419-01-000 | EA | FAUCET - 90 DEGREE |
| 2* | 144596-01-01A | EA | FAUCET/VALVE ONLY - SHOWER - W/TEMP LIMIT STOP(MOEN 62300) |
| 3 | 133727-01-02B | EA | BRACKET - SHOWER HEAD - E-COATED |
| 4 | 130041-02-02A | EA | SPACER/SHOWER HEAD - SOFT WHITE |
| 5 | 136034-02-12B | EA | PANEL/SERVICE CENTER - BRIGHT WHITE |
| 6* | 075241-06-000 | EA | FAUCET - SHOWER/BRIGHT WHITE - .5" MPT W/1.9" INLET PIPES |
| 7 | 131383-01-02A | EA | SHOWER HEAD - W/60" HOSE & BRACKET - WHITE |
| 8* | 051393-01-000 | EA | WATER HEATER - GH6-8E - ELECTRONIC IGNITION W/MOTOR AID |
| 8* | 051391-07-000 | EA | WATER HEATER/MOTOR AID-GAS/ELECT IGN - GCH6A-9E - 6 GAL-WTR HTR-6GAL/ELE/LP/MOTORAID FROM: 00-00-00 THRU: 01-17-03 |
| 8* | 145541-02-000 | EA | WATER HEATER-6 GAL-GAS/ELEC/120'-REM IGN-W/HEAT EXC-4E -WTR HTR-6GAL/ELE/LP/MOTORAID FROM: 01-18-03 THRU: 99-99-99 |
| 9* | 129390-03-01A | EA | SHOWER HEAD - W/HOSE & BRACKET - BRASS |
| 10 | 130041-01-02A | EA | SPACER/SHOWER HEAD - SOFT WHITE FROM: 00-00-00 THRU: 05-09-04 |
| 10 | 130041-03-18A | EA | SPACER/SHOWER HEAD FROM: 05-10-04 THRU: 99-99-99 |
| 11* | 144596-02-01A | EA | TRIM KIT - (KNOB & PLATE) - CHATEAU - POLISHED BRASS |
| 12 | 133721-01-02B | EA | BRACKET - SHOWER CONTROL - E-COATED |
| 13 | 133727-01-02B | EA | BRACKET - SHOWER HEAD - E-COATED |
| 14 | 135028-01-01A | EA | DROP ELL - F/HAND HELD SHOWER HEAD - 1/2"IPS - BRASS FROM: 00-00-00 THRU: 05-09-04 |
| 14 | 135028-02-01A | EA | DROP ELL - F/HAND HELD SHOWER HEAD/OVAL - 1/2"IP-BRASS FROM: 05-10-04 THRU: 99-99-99 |
| 15 | 132224-01-000 | EA | TANK - WATER - 40 GALLONS - W/O FITTINGS |
| 15 | 132224-05-000 | EA | TANK - WATER - 40 GAL - W/FITTINGS - SECONDARY |
| | 042989-03-000 | EA | FITTING - SPINWELD - 1 1/4"NPT - PLASTIC |
| | 042989-05-000 | EA | FITTING - SPINWELD - 1/2"FPT - PLASTIC |
| | 049032-01-000 | EA | PATCH - SPINWELD - 3/8" - PLASTIC |
| 16 | 132224-01-000 | EA | TANK - WATER - 40 GALLONS - W/O FITTINGS |
| 16 | 132224-09-000 | EA | TANK - WATER - 40 GAL - W/FITTINGS - SECONDARY |
| | 042989-03-000 | EA | FITTING - SPINWELD - 1 1/4"NPT - PLASTIC |
| | 042989-05-000 | EA | FITTING - SPINWELD - 1/2"FPT - PLASTIC |
| | 042989-08-000 | EA | FITTING - SPINWELD - 1"FPT - PLASTIC |
| | 049032-01-000 | EA | PATCH - SPINWELD - 3/8" - PLASTIC |
| 17 | 137169-01-01A | EA | WATER FILL/GRAVITY - W/DOOR - W/O LOCK - BRIGHT WHITE |
| | 138290-03-000 | EA | CASE - W/CAM - W/O CYLINDER/KEY |
| | 138289-01-000 | EA | CYLINDER - LOCKING |
| | 138289-02-000 | EA | CYLINDER - LOCKING |
| | 138289-03-000 | EA | CYLINDER - LOCKING |

WATER & SEWAGE GROUP (CONTINUED)
WATER SYSTEM (CONTINUED)

| KEY | PART NUMBER | U/M | DESCRIPTION |
|------------|--------------------|------------|--|
| | 138289-04-000 | EA | CYLINDER - LOCKING |
| | 138289-05-000 | EA | CYLINDER - LOCKING |
| | 138289-06-000 | EA | CYLINDER - LOCKING |
| | 138289-07-000 | EA | CYLINDER - LOCKING |
| | 138289-08-000 | EA | CYLINDER - LOCKING |
| | 138289-09-000 | EA | CYLINDER - LOCKING |
| | 138289-10-000 | EA | CYLINDER - LOCKING |
| 18* | 125420-04-03A | EA | DOOR - WATER HEATER - BLACK |
| 19* | 075240-05-000 | EA | FAUCET - LAVATORY/BRASS - W/CLEAR KNOBS |
| 20 | 138618-01-12B | EA | COVER - VALVE - BYPASS - BRIGHT WHITE |
| 21* | 141432-01-01A | EA | FAUCET - GALLEY - SINGLE CONTROL |
| 22 | 137410-01-12B | EA | BRACKET - VALVE - WINTERIZATION - BRIGHT WHITE |
| 23* | 144596-03-01A | EA | TRIM KIT - (KNOB-HANDLE/PLATE/SHOWER HEAD & ARM) - BRASS |
| 24 | 117047-02-000 | EA | BUMPER - RUBBER/WASHER INSERT |

***COMPONENT PARTS LISTED LATER IN THIS GROUP**

WATER & SEWAGE GROUP (CONTINUED)
COMPONENT PARTS FOR WATER SYSTEM



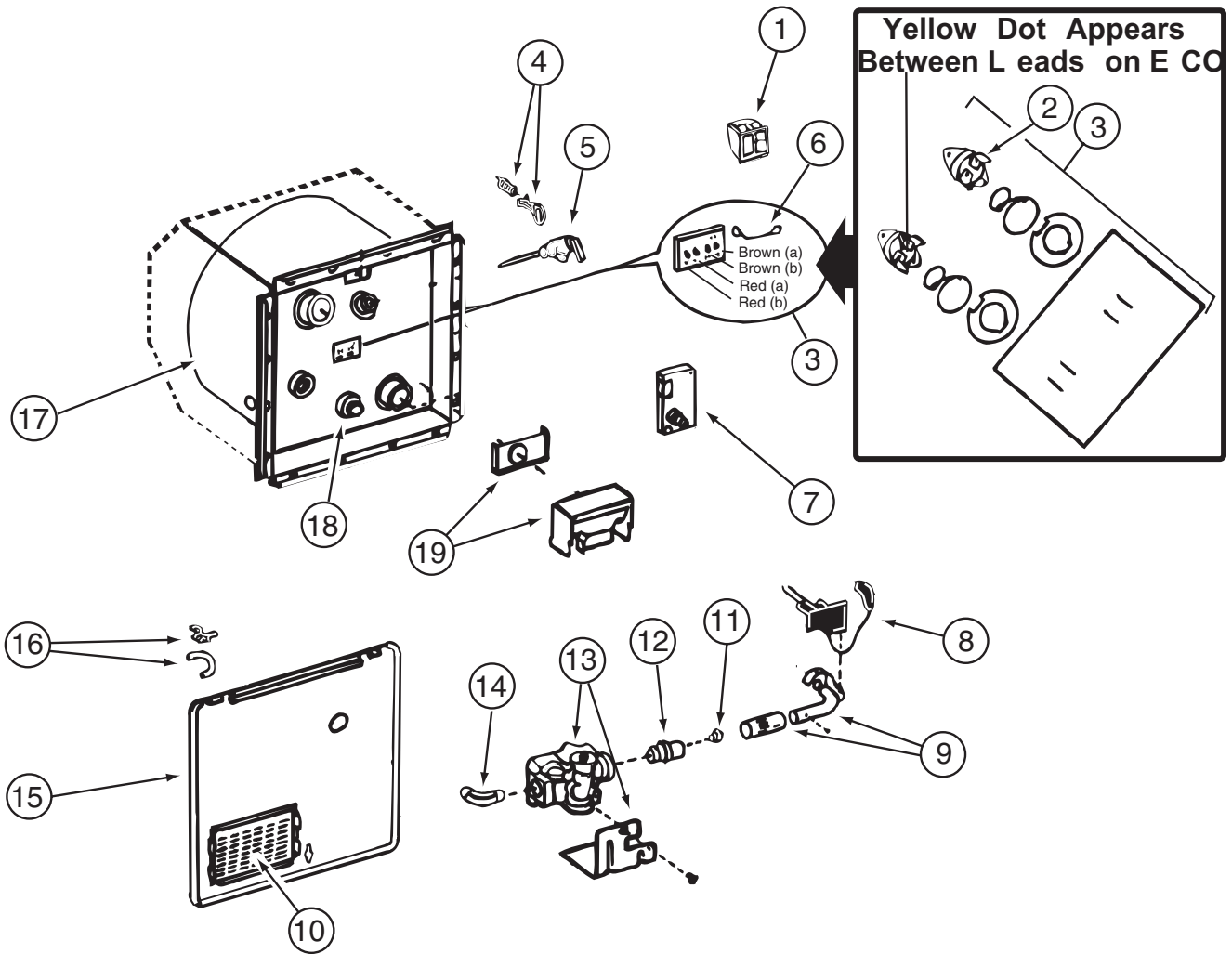
051391-07-000

WATER & SEWAGE GROUP (CONTINUED)
COMPONENT PARTS FOR WATER SYSTEM (CONTINUED)

051391-07-000 (CONTINUED)

| KEY | PART NUMBER | U/M | DESCRIPTION | VENDOR NO. |
|-----|---------------|-----|---|----------------|
| 1 | 051393-01-701 | EA | SWITCH - REMOTE - W/LIGHT | 91959 |
| 2 | 051393-01-723 | EA | SWITCH - THERMAL CUTOUT 2/PK | 93866 |
| 3 | 051391-01-704 | EA | VALVE-RELIEF, 1/2" FITTING | 91604 |
| 4 | 051391-04-701 | EA | THERMOSTAT 12V DC-120 PRESET | 91470 |
| 5 | 051393-01-721 | EA | THERMOSTAT W/ECO, 140 FRT MT | 91447 |
| 9 | 051393-01-725 | EA | ELECTRODE-SGL SPADE CONNECT. | 93868 |
| 10 | 051391-04-703 | EA | BURNER-MAIN/ELECTRONIC IG | 91638 |
| 11 | 051391-01-710 | EA | ORIFICE-MAIN BURNER | 92742 |
| 12 | 051391-03-700 | EA | HOLDER-ORIFICE | 91563 |
| 13 | 051393-01-726 | EA | VALVE-SOLENOID, W/O BRACKET | 93870 |
| 15 | 051391-05-703 | EA | HARDWARE KIT-DOOR | 91858 |
| 16 | 051391-04-707 | EA | KIT-EXHAUST, (FLUE & GASKET) | 90960 |
| 17 | 051391-01-715 | EA | PLUG-DRAIN, 1 EA = 2 PER PKG | 91857 |
| 19 | 051391-01-717 | EA | GRILLE-WATER HEATER DOOR | 92640 |
| 21 | 111129-01-711 | EA | BRACKET-CORNER, SET OF FOUR | 91928 |
| 22 | 051391-07-701 | EA | TANK-INNER W/JACKET/INSUL | 91592 |
| 26 | 051391-07-700 | EA | SWITCH ON/OFF - 110 VAC | 92857 |
| 27 | 051391-05-706 | EA | ELEMENT-HEATING 1500 WATT | 91160 W/GASKET |
| 28 | 051391-05-707 | EA | THERMOSTAT & ECO - 110 VOLT | 91873 |
| | | | CONTACT WINNEBAGO PART SALES FOR UNLISTED COMPONENT | |

WATER & SEWAGE GROUP (CONTINUED)
COMPONENT PARTS FOR WATER SYSTEM (CONTINUED)



051393-01-000

| KEY | PART NUMBER | U/M | DESCRIPTION | VENDOR NO. |
|-----|---------------|-----|--|---------------|
| 1 | 051393-01-701 | EA | SWITCH PACKAGE | 91959 |
| 2 | 051391-04-701 | EA | THERMOSTAT 12V DC-120 PRESET | 91470 |
| 3 | 051393-01-721 | EA | ECO & THERMOSTAT ASM - FRT MT - 140° | 91447 |
| 4 | 051391-01-705 | EA | FASTENER - CAMLOC | 92609 |
| 5 | 051391-01-704 | EA | VALVE - RELIEF - 1/2" FITTING | 91604 |
| 6 | 051393-01-723 | EA | SWITCH - ENERGY CUT-OFF | 93866 |
| 7 | 051393-01-724 | EA | CIRCUIT BOARD - W/ SPADE TERMINAL | 93867 |
| 8 | 051393-01-725 | EA | ELECTRODE - SINGLE SPADE CNT | 93868 |
| 9 | 051391-04-703 | EA | BURNER - MAIN | 91638 |
| 10 | 051391-01-717 | EA | GRILLE | 92640 |
| 11 | 051391-01-710 | EA | ORIFICE - MAIN BURNER | 92742 |
| 12 | 051391-03-700 | EA | ORIFICE HOLDER | 91563 |
| 13 | 051393-01-726 | EA | SOLENOID VALVE & BRACKET | 93870 |
| 14 | 051391-01-714 | EA | ELBOW - 45 DEGREE - 3/8" F X 3/8" MPT | 91044 |
| 15 | | EA | DOOR-WATER HEATER - SEE EXTERIOR DOOR & COMPARTMENT GROUP BY MODEL | |
| 16 | 051391-01-700 | EA | HINGE KIT - W/CLIP | 92568 & 92559 |
| 17 | 051391-04-704 | EA | TANK - INNER | 91642 |
| 18 | 051391-01-715 | EA | DRAIN PLUG | 91857 |
| 19 | 051391-04-707 | EA | FLUE & GASKET | 90960 |
| | 111129-01-711 | EA | BRACKET-CORNER, SET OF FOUR | 91928 |

075240-05-000

| KEY | PART NUMBER | U/M | DESCRIPTION | VENDOR NO. |
|-----|---------------|-----|------------------------|------------|
| | 075240-05-700 | EA | CARTRIDGE - WASHERLESS | 9-P42 |

075241-04-000, 075241-05-000, 075241-06-000

| KEY | PART NUMBER | U/M | DESCRIPTION | VENDOR NO. |
|-----|---------------|-----|------------------------|------------|
| | 075240-05-700 | EA | CARTRIDGE - WASHERLESS | 9-P42 |

WATER & SEWAGE GROUP (CONTINUED)
COMPONENT PARTS FOR WATER SYSTEM (CONTINUED)

098607-01-000

| KEY | PART NUMBER | U/M DESCRIPTION | VENDOR NO. |
|-----|---------------|---------------------------------|------------|
| | 098607-01-702 | EA DIAPHRAGM/DRIVE ASSEMBLY KIT | 94-238-04 |
| | 098607-01-703 | EA VALVE KIT | 94-232-00 |
| | 098607-01-705 | EA VALVE-CHECK, KIT | 94-237-00 |
| | 098607-01-706 | EA HOUSING, W/SWITCH ONLY | 94-231-20 |
| | 098607-01-707 | EA MOTOR W/BASEPLATE | 11-148-04 |

125420-01-02A, 125420-01-03A, 125420-03-03A, 125420-04-03A

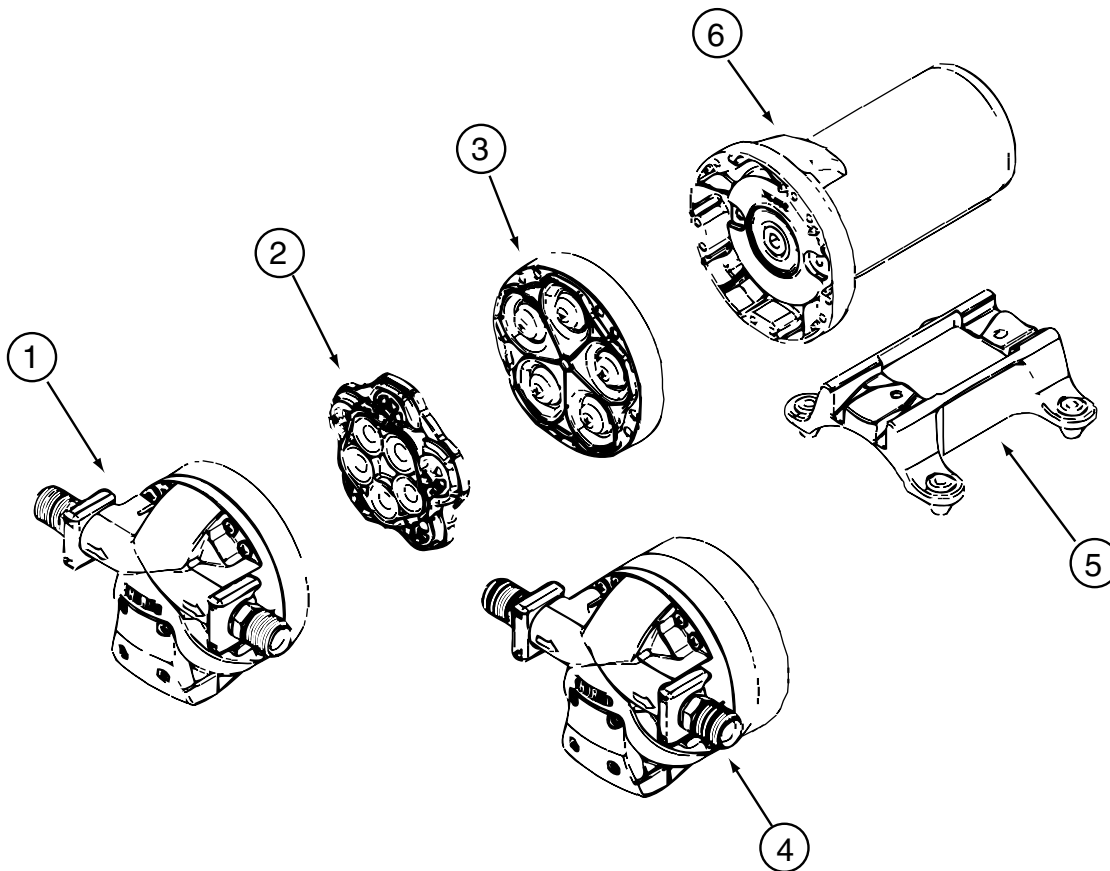
| KEY | PART NUMBER | U/M DESCRIPTION | VENDOR NO. |
|-----|---------------|-----------------------|------------|
| | 051391-01-705 | EA FASTENER - CAMLOCK | 92609 |

129390-03-01A

| KEY | PART NUMBER | U/M DESCRIPTION | VENDOR NO. |
|-----|---------------|-------------------------------|------------|
| | 129390-03-700 | EA BRACKET-HANGAR/SHOWER HEAD | 5001-210PK |
| | 129390 03 701 | EA CONNECTOR-SWIVE | 4002-210PK |

141432-01-01A

| KEY | PART NUMBER | U/M DESCRIPTION | VENDOR NO. |
|-----|---------------|----------------------------------|------------|
| | 135027-01-705 | EA CARTRIDGE F/SGL LEVER FAUCET, | 1225 |



144215-01-000

| KEY | PART NUMBER | U/M DESCRIPTION | VENDOR NO. |
|-----|---------------|---------------------------|------------|
| 2 | 144215-01-700 | EA VALVE ASSEMBLY | 94-030-01 |
| 3 | 144215-01-701 | EA DRIVE ASSEMBLY | 94-030-02 |
| | 144215-01-702 | EA FITTING KIT - W/ORINGS | 94-615-06 |

CONTACT WINNEBAGO PARTS SALES FOR UNLISTED COMPONENT(S)

144215-02-000

| KEY | PART NUMBER | U/M DESCRIPTION | VENDOR NO. |
|-----|---------------|---------------------------------|------------|
| | 144215-02-700 | EA FITTING KIT- COUPLER W/ORING | 94-637-00 |

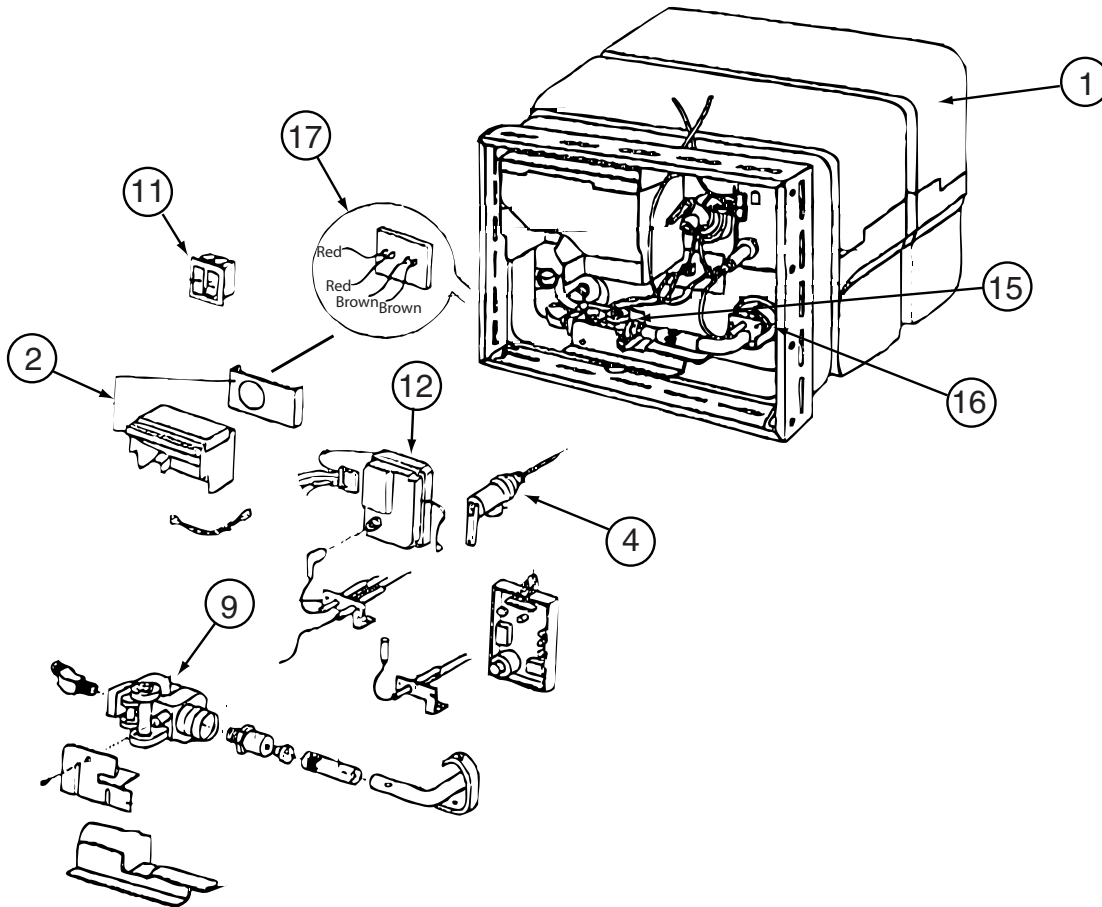
144596-01-01A

| KEY | PART NUMBER | U/M DESCRIPTION | VENDOR NO. |
|-----|---------------|----------------------------|------------|
| | 144596-01-700 | EA CARTRIDGE (REPLACEMENT) | MO-1222B |

144596-02-01A, 144596-03-01A

| KEY | PART NUMBER | U/M DESCRIPTION | VENDOR NO. |
|-----|---------------|---------------------------------|------------|
| | 144596-03-700 | EA KNOB (INSERT KIT) WHITE/GOLD | MO-91754 |

WATER & SEWAGE GROUP (CONTINUED)
COMPONENT PARTS FOR WATER SYSTEM (CONTINUED)



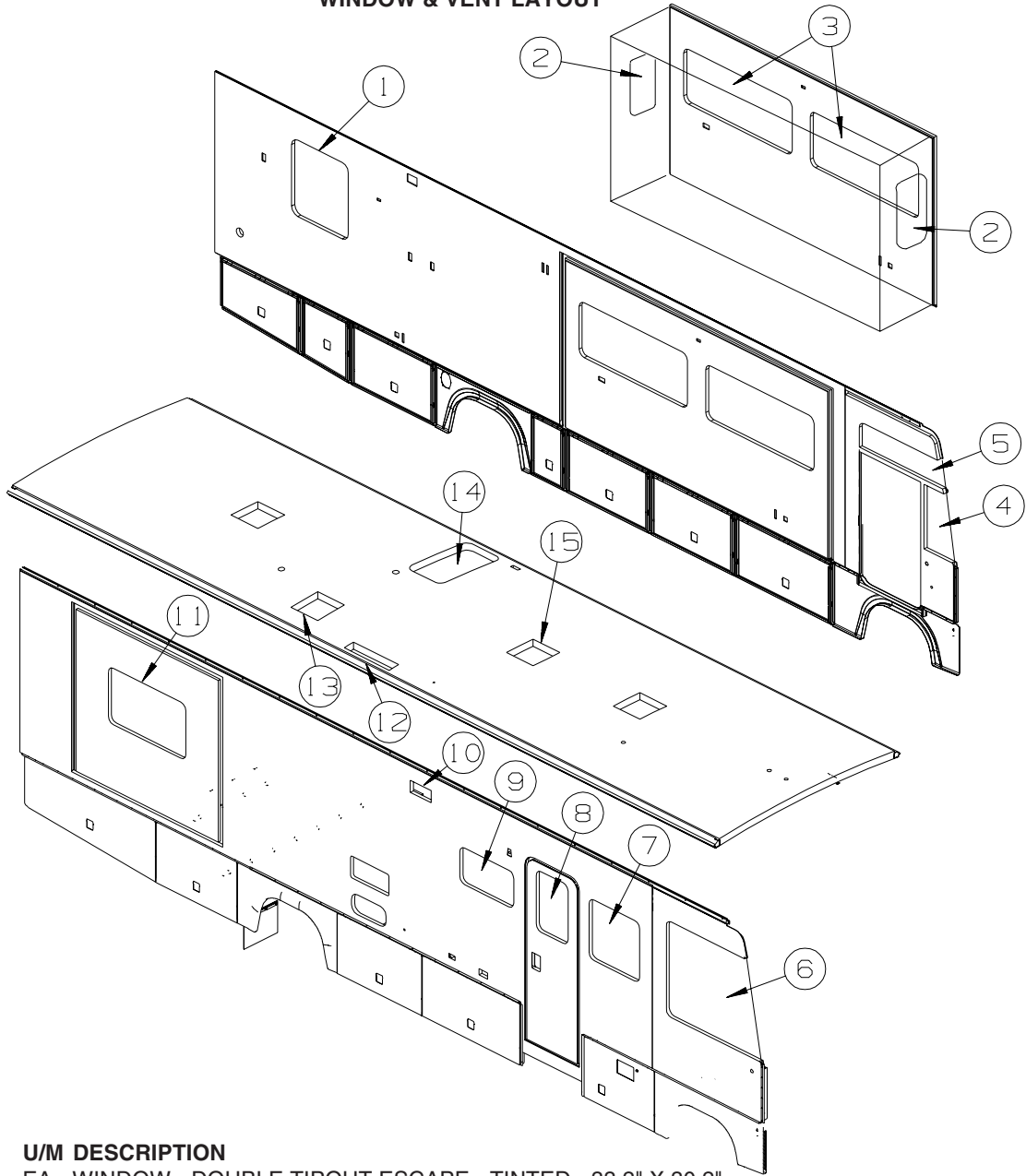
145541-02-000

| KEY | PART NUMBER | U/M | DESCRIPTION | VENDOR NO. |
|-----|---------------|-----|------------------------------|----------------|
| 1 | 145541-02-700 | EA | TANK - W/INSULATION - 06 GAL | |
| 2 | 051391-04-707 | EA | KIT-EXHAUST, (FLUE & GASKET) | 90960 |
| 3 | 051391-01-715 | EA | PLUG-DRAIN, 1 EA = 2 PER PKG | 91857 |
| 4 | 051391-01-704 | EA | VALVE-RELIEF, 1/2" FITTING | 91604 |
| 9 | 051393-01-726 | EA | VALVE-SOLENOID, W/O BRACKET | 93870 |
| 11 | 145541-01-701 | EA | SWITCH - ON/OFF - WHITE | 91859 |
| 11 | 051393-01-701 | EA | SWITCH - REMOTE - W/LIGHT | 91959 |
| 12 | 145541-01-702 | EA | CIRCUIT BOARD | 91226 |
| 15 | 145541-01-703 | EA | SWITCH - THERMAL CUT OFF | 93866 |
| 16 | 051393-01-725 | EA | ELECTRODE-SGL SPADE CONNECT. | 93868 |
| 17 | 051393-01-721 | EA | THERMOSTAT W/ECO, 140 FRT MT | 91447 |
| | 051391-05-706 | EA | ELEMENT-HEATING 1500 WATT | 91160 W/GASKET |
| | 145541-01-704 | EA | RELAY | 90061 |
| | 145541-02-701 | EA | JUNCTION BOX(PLASTIC) 6 GAL | 91222 |

CONTACT WINNEBAGO PARTS SALES FOR UNLISTED COMPONENTS

WINDOW & VENTS GROUP

WINDOW & VENT LAYOUT



| KEY | PART NUMBER | U/M | DESCRIPTION |
|-----|---------------|-----|---|
| 1* | 113500-06-02A | EA | WINDOW - DOUBLE TIPOUT ESCAPE - TINTED - 33.2" X 30.2" |
| 1* | 137867-02-01A | EA | WINDOW - DOUBLE TIPOUT ESCAPE/THERMO - 33.2"X 30.2" - DUAL PANE |
| 2* | 098644-13-01A | EA | WINDOW - VERTICAL SLIDER W/TRIM - 19.8" X 20.9" |
| 2* | 134004-03-01A | EA | WINDOW - VERT SLIDER/FLUSH O/S-THERMO - 21" X 19.8" - DUAL PANE |
| 3* | 098647-47-02A | EA | WINDOW - DRVR HORIZ SLIDER TINTED W/RETAINER-57.4" X 23.6" |
| 3* | 112795-77-01A | EA | WINDOW - DRIVER HORIZONTAL SLIDER - THERMO - 57.4" X 23.6" - DUAL PANE |
| 4* | 125584-01-01A | EA | WINDOW - FRONT SLANT - LEFT HAND |
| 4* | 125585-01-01A | EA | WINDOW - FRONT SLANT/THERMO - 11.6"T X 29.2"H X 16.8"B - DUAL PANE |
| 5* | 125586-01-01A | EA | WINDOW - VISTA |
| 5* | 125600-01-01A | EA | WINDOW - VISTA - THERMOPANE - DUAL PANE |
| 6* | 125582-01-01A | EA | WINDOW - PASSENGER CAB/3 WINDOW - 42.9"T X 42.6"H X 51.2"B |
| 6* | 125583-01-01A | EA | WINDOW - CAB PASS-3 GLASS THERMO- 42.9"T X 51.2"B X 42.6"H - DUAL PANE |
| 7* | 098644-11-02A | EA | WINDOW - VERTICAL SLIDER W/TRIM - TINTED - 26.4" X 27" |
| 7* | 112898-25-01A | EA | WINDOW - VERTICAL SLIDER - THERMOPANE - 26.3" X 26.9" - DUAL PANE |
| 8 | 117053-02-F36 | EA | WINDOW - PICTURE - 60% TINTING - 26.4" X 17" |
| | 002181-25-000 | EA | GLASS - PICTURE WINDOW - 25.8"W X 16.4"H |
| | 087561-01-000 | FT | SEAL - GLASS - EXTERIOR - .5" WIDE - VINYL BLACK |
| 8 | 117054-02-02A | EA | RETAINER - TRIM - BRIGHT WHITE |
| 8* | 113733-10-01A | EA | WINDOW - STATIONARY - THERMO/EUROPEAN - 26.3" X 17" - DUAL PANE |
| 9* | 098647-33-02A | EA | WINDOW - PASS HORIZ SLIDER W/TRIM - CLEAR - 28.5" X 15.7" |
| 9* | 112795-72-01A | EA | WINDOW - PASSENGER HORIZ SLIDER - THERMO - 28.5" X 15.7" - DUAL PANE |

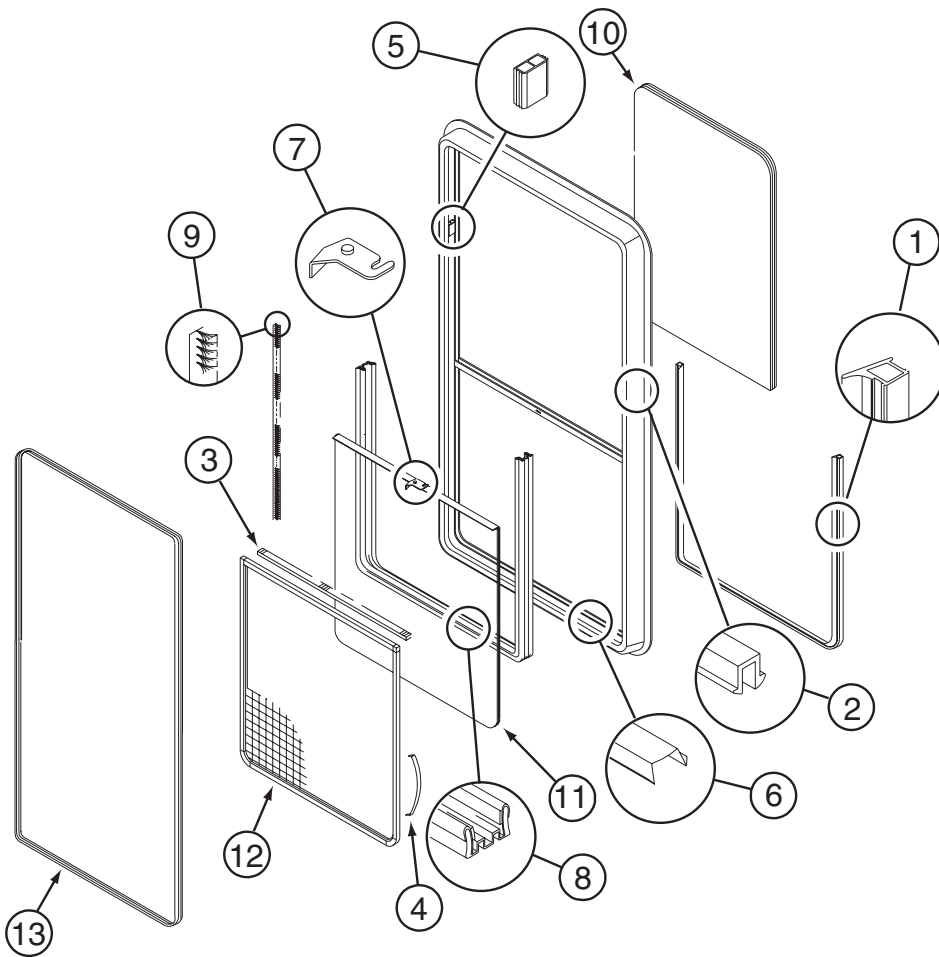
*COMPONENT PARTS LISTED LATER IN THIS GROUP

WINDOW & VENTS GROUP (CONTINUED)
WINDOWS & VENT LAYOUT (CONTINUED)

| KEY | PART NUMBER | U/M | DESCRIPTION |
|-----|---------------|-----|--|
| 10 | 138983-01-01A | EA | VENT - MICROWAVE OUTER - BRIGHT WHITE |
| 10 | 138983-03-01A | EA | COVER - VENT MICROWAVE OUTER - BRIGHT WHITE |
| 11* | 113500-01-02A | EA | WINDOW - DOUBLE TIPOUT - TINTED - 40.9" X 24.2" |
| 11* | 129929-11-01A | EA | WINDOW - TORQUE - THERMO - 40.9" X 24.2" - DUAL PANE |
| 12 | 084073-04-000 | EA | BASE/VENT - ROOF/REFRIGERATOR - BLACK - NORCOLD FROM: 00-00-00 THRU: 11-09-03 |
| 12 | 149508-02-02A | EA | BASE - REFRIGERATOR ROOF VENT - BRIGHT WHITE FROM: 11-10-03 THRU: 99-99-99 |
| 12 | 084073-07-000 | EA | CAP - ROOF/REFRIGERATOR VENT - 10" X 32" - BRIGHT WHITE FROM: 00-00-00 THRU: 11-09-03 |
| 12 | 149508-01-02A | EA | CAP - ROOF/REFRIGERATOR VENT - WHITE FROM: 11-10-03 THRU: 99-99-99 |
| 13* | 122882-02-01A | EA | VENT - ROOF - W/FAN - W/O INSIDE GARNISH - UL - U.S. - POWER VENT |
| | 009440-01-000 | EA | GEAR/ARM - LIFT - ROOF VENT COVER |
| | 048648-01-000 | EA | MOTOR/ROOF VENT - W/RESISTER - 1/8 SHAFT - 12VOLT |
| | 048649-01-000 | EA | FAN BLADE - ROOF VENT - 6 BLADES - 6" |
| 13 | 122882-07-01A | EA | GARNISH - ROOF VENT - 2.5" TO 4.1" |
| 13* | 122882-03-01A | EA | VENT - ROOF - W/FAN - W/O INSIDE GARNISH - CSA - CANADIAN - POWER VENT |
| | 009440-01-000 | EA | GEAR/ARM - LIFT - ROOF VENT COVER |
| | 048648-01-000 | EA | MOTOR/ROOF VENT - W/RESISTER - 1/8 SHAFT - 12VOLT |
| | 048649-01-000 | EA | FAN BLADE - ROOF VENT - 6 BLADES - 6" |
| 13 | 122882-07-01A | EA | GARNISH - ROOF VENT - 2.5" TO 4.1" |
| 14 | 122191-01-02A | EA | PANEL - SKYLIGHT - INNER W/LIGHT CUTOUT - 20.7" X 35.4" |
| 14 | 138372-01-12B | EA | TRIM - CORNER - SKYLIGHT - BRIGHT WHITE |
| 14 | 138380-01-01A | EA | PANEL/SKYLIGHT - LARGE/OUTER - RECTANGULAR - WHITE |
| 15* | 122882-01-01A | EA | VENT - ROOF - NONPOWERED - W/O INSIDE GARNISH - NON-POWERED |
| | 009440-01-000 | EA | GEAR/ARM - LIFT - ROOF VENT COVER |
| 15 | 122882-07-01A | EA | GARNISH - ROOF VENT - 2.5" TO 4.1" |
| 15* | 123780-03-01A | EA | FANTASTIC VENT-3"/4"ROOF-W/FAN-W/O THERM/PWR LIFT - POWERED VENT W/VENTILATOR |
| | 009440-01-000 | EA | GEAR/ARM - LIFT - ROOF VENT COVER |

***COMPONENT PARTS LISTED LATER IN THIS GROUP**

WINDOW & VENTS GROUP (CONTINUED)
COMPONENT PARTS FOR WINDOWS & VENT LAYOUT



098644-11-02A

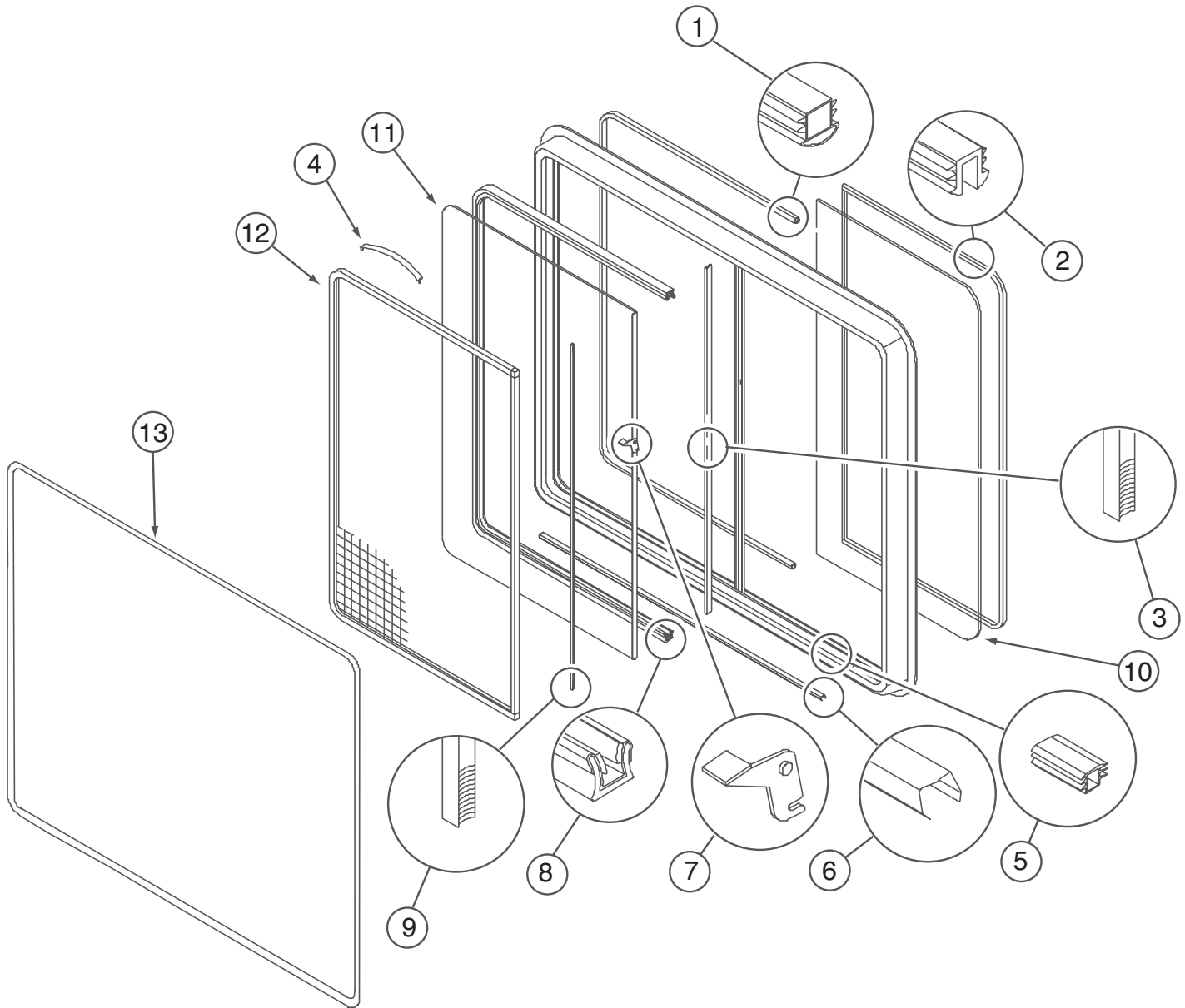
| KEY | PART NUMBER | U/M | DESCRIPTION | VENDOR NO. |
|-----|---------------|-----|------------------------------|------------|
| 1 | 098644-01-716 | FT | PLUG - FILLER | 132-014470 |
| 2 | 098644-01-705 | FT | GLAZING - STRIP | 132-010231 |
| 3 | 098644-01-706 | FT | WEATHERSTRIP - GLASS | 171-010668 |
| 4 | 098644-01-713 | EA | CLIP - SCREEN - METAL | 226-016966 |
| 4 | 125582-01-701 | EA | CLIP - SCREEN - PLASTIC | 130-005153 |
| 5 | 098644-01-719 | EA | STOP - SLIDER GLASS | 132-014203 |
| 6 | 098644-01-710 | FT | TRACK - SCREEN SPACER 12' | 132-017135 |
| 7 | 098647-54-701 | EA | LATCH - REPAIR KIT (RED) | B081-CK |
| 8 | 098644-01-708 | FT | CHANNEL - RUN PIERCED | 122-016543 |
| 9 | 098644-01-711 | FT | WEATHERSTRIP - SCREEN BLACK | 171-016965 |
| 10 | 098644-11-700 | EA | GLASS - STATIONARY | 106-026280 |
| 11 | 098644-11-701 | EA | GLASS-SLIDING W/SASH & LATCH | H564-G9 |
| 12 | 112898-19-702 | EA | SCREEN ASM - W/SEALS & CLIPS | 410-026279 |
| 13 | 098644-11-702 | EA | RETAINER - TRIM | H564-66 |
| | 098644-01-717 | FT | SPLINE - SCREEN | 132-004716 |

WINDOW & VENTS GROUP (CONTINUED)
COMPONENT PARTS FOR WINDOWS & VENT LAYOUT (CONTINUED)

098644-13-01A

| KEY | PART NUMBER | U/M | DESCRIPTION | VENDOR NO. |
|-----|---------------|-----|------------------------------|------------|
| 1 | 098644-01-716 | FT | PLUG - FILLER | 132-014470 |
| 2 | 098644-01-705 | FT | GLAZING - STRIP | 132-010231 |
| 3 | 098644-01-706 | FT | WEATHERSTRIP - GLASS | 171-010668 |
| 4 | 098644-01-713 | EA | CLIP - SCREEN - METAL | 226-016966 |
| 4 | 125582-01-701 | EA | CLIP - SCREEN - PLASTIC | 130-005153 |
| 5 | 098644-01-719 | EA | STOP - SLIDER GLASS | 132-014203 |
| 6 | 098644-01-710 | FT | TRACK - SCREEN SPACER 12' | 132-017135 |
| 7 | 098647-54-701 | EA | LATCH - REPAIR KIT (RED) | B081-CK |
| 8 | 098644-01-708 | FT | CHANNEL - RUN PIERCED | 122-016543 |
| 9 | 098644-01-711 | FT | WEATHERSTRIP - SCREEN BLACK | 171-016965 |
| 10 | 098644-13-700 | EA | GLASS - STATIONARY | 106-028698 |
| 11 | 098644-13-701 | EA | GLASS - SLIDING W/SASH/LATCH | H702-G9 |
| 12 | 098644-13-702 | EA | SCREEN ASM - W/SEALS/CLIPS | 410-028663 |
| 13 | 098644-13-703 | EA | RETAINER - TRIM | H702-60 |
| | 098644-01-717 | FT | SPLINE - SCREEN | 132-004716 |

WINDOW & VENTS GROUP (CONTINUED)
COMPONENT PARTS FOR WINDOWS & VENT LAYOUT (CONTINUED)



098647-33-02A

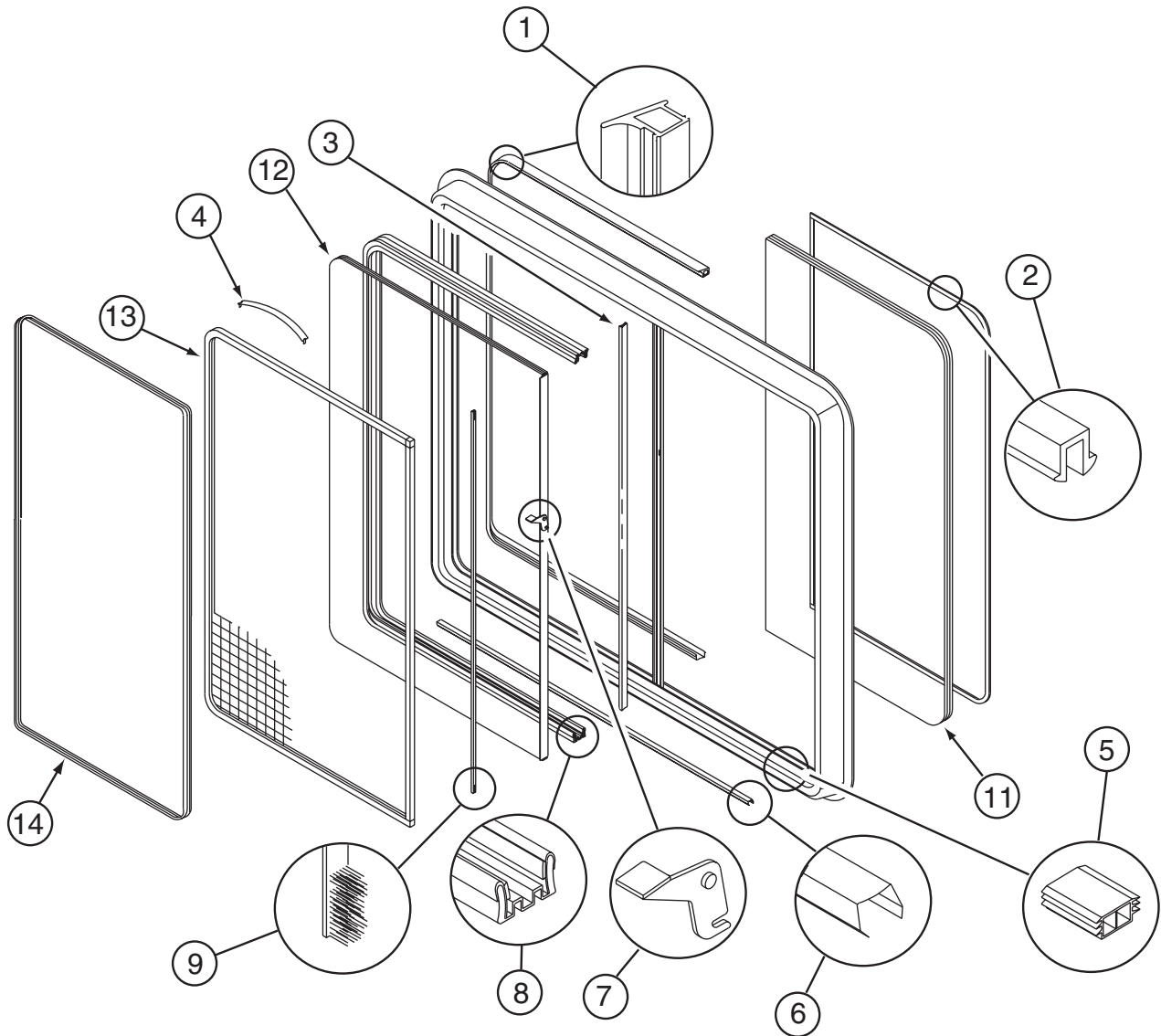
| KEY | PART NUMBER | U/M | DESCRIPTION | VENDOR NO. |
|-----|---------------|-----|------------------------------|------------|
| 1 | 098644-01-716 | FT | PLUG - FILLER | 132-014470 |
| 2 | 098644-01-705 | FT | GLAZING - STRIP | 132-010231 |
| 3 | 098644-01-706 | FT | WEATHERSTRIP - GLASS | 171-010668 |
| 4 | 098644-01-713 | EA | CLIP - SCREEN - METAL | 226-016966 |
| 4 | 125582-01-701 | EA | CLIP - SCREEN - PLASTIC | 130-0 |
| 5 | 098644-01-719 | EA | STOP - SLIDER GLASS | 132-014203 |
| 6 | 098644-01-710 | FT | TRACK - SCREEN SPACER 12' | 132-017135 |
| 7 | 098647-54-701 | EA | LATCH - REPAIR KIT (RED) | B081-CK |
| 8 | 098644-01-708 | FT | CHANNEL - RUN PIERCED | 122-016543 |
| 9 | 098644-01-711 | FT | WEATHERSTRIP - SCREEN BLACK | 171-016965 |
| 10 | 098647-33-702 | EA | GLASS - STATIONARY | 106-019297 |
| 11 | 098647-33-703 | EA | GLASS-SLIDING W/SASH & LATCH | H425-G9 |
| 12 | 098647-33-704 | EA | SCREEN ASM - W/SEALS & CLIPS | 410-019134 |
| 13 | 098647-31-705 | EA | RETAINER - TRIM | CH29-66 |
| | 098644-01-717 | FT | SPLINE - SCREEN | 132-004716 |

WINDOW & VENTS GROUP (CONTINUED)
COMPONENT PARTS FOR WINDOWS & VENT LAYOUT (CONTINUED)

098647-47-02A

| KEY | PART NUMBER | U/M | DESCRIPTION | VENDOR NO. |
|-----|---------------|-----|------------------------------|------------|
| 1 | 098644-01-716 | FT | PLUG - FILLER | 132-014470 |
| 2 | 098644-01-705 | FT | GLAZING - STRIP | 132-010231 |
| 3 | 098644-01-706 | FT | WEATHERSTRIP - GLASS | 171-010668 |
| 4 | 098644-01-713 | EA | CLIP - SCREEN - METAL | 226-016966 |
| 4 | 125582-01-701 | EA | CLIP - SCREEN - PLASTIC | 130-0 |
| 5 | 098644-01-719 | EA | STOP - SLIDER GLASS | 132-014203 |
| 6 | 098644-01-710 | FT | TRACK - SCREEN SPACER 12' | 132-017135 |
| 7 | 098647-54-701 | EA | LATCH - REPAIR KIT (RED) | B081-CK |
| 8 | 098644-01-708 | FT | CHANNEL - RUN PIERCED | 122-016543 |
| 9 | 098644-01-711 | FT | WEATHERSTRIP - SCREEN BLACK | 171-016965 |
| 10 | 098647-47-700 | EA | GLASS - STATIONARY | 106-025224 |
| 11 | 098647-47-701 | EA | GLASS-SLIDING W/SASH & LATCH | H493-G9 |
| 12 | 098647-47-702 | EA | SCREEN ASM - W/SEALS & CLIPS | 410-025226 |
| 13 | 098647-47-704 | EA | RETAINER - TRIM | H493-66 |
| | 098644-01-717 | FT | SPLINE - SCREEN | 132-004716 |

WINDOW & VENTS GROUP (CONTINUED)
COMPONENT PARTS FOR WINDOW & VENT LAYOUT (CONTINUED)



112795-72-01A

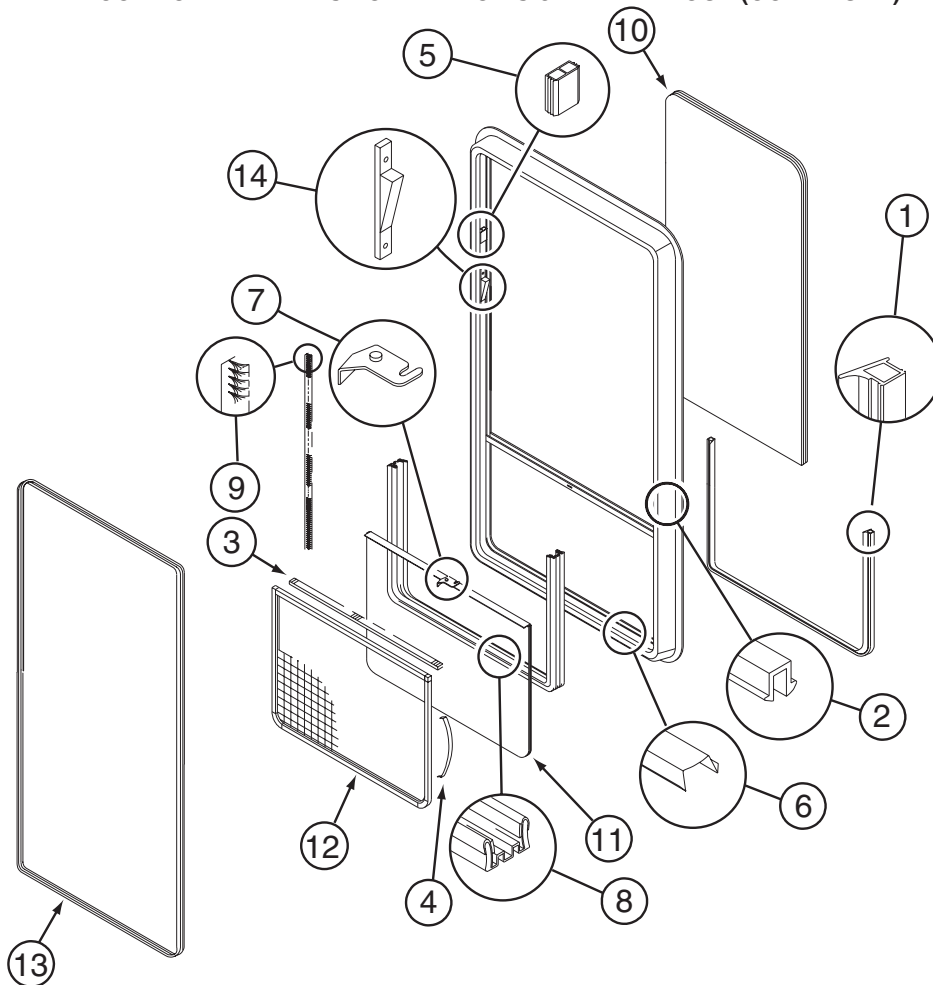
| KEY | PART NUMBER | U/M | DESCRIPTION | VENDOR NO. |
|-----|---------------|-----|------------------------------|------------|
| 1 | 112795-01-704 | FT | PLUG FILLER (DOUBLE GLAZED) | 122-018737 |
| 2 | 112795-01-705 | FT | VINYL - GLAZING | 132-025736 |
| 3 | 098644-01-706 | FT | WEATHERSTRIP - GLASS | 171-010668 |
| 4 | 098644-01-713 | EA | CLIP - SCREEN - METAL | 226-016966 |
| 4 | 125582-01-701 | EA | CLIP - SCREEN - PLASTIC | 130-005153 |
| | 098644-01-717 | FT | SPLINE - SCREEN | 132-004716 |
| 5 | 112795-01-701 | EA | SLIDE-STOP | 132-019092 |
| 6 | 098644-01-710 | FT | TRACK - SCREEN SPACER 12' | 132-017135 |
| 7 | 112795-01-700 | EA | LATCH ASM., BLK.,(BOLT ON) | DH287-CK |
| 8 | 112795-01-703 | IN | CHANNEL-RUN (INCHES) | 122-018736 |
| 9 | 098644-01-711 | FT | WEATHERSTRIP - SCREEN BLACK | 171-016965 |
| 11 | 112795-72-700 | EA | GLASS - STATIONARY | 390-028307 |
| 12 | 112795-72-701 | EA | GLASS - SLIDING W/SASH LATCH | DC29-G8 |
| 13 | 098647-31-704 | EA | SCREEN ASSY - W/SEAL & CLIPS | 410-019128 |
| 14 | 098647-31-705 | EA | RETAINER - TRIM | CH29-66 |

WINDOW & VENTS GROUP (CONTINUED)
COMPONENT PARTS FOR WINDOW & VENT LAYOUT (CONTINUED)

112795-77-01A

| KEY | PART NUMBER | U/M | DESCRIPTION | VENDOR NO. |
|-----|---------------|-----|------------------------------|------------|
| 1 | 112795-01-704 | FT | PLUG FILLER (DOUBLE GLAZED) | 122-018737 |
| 2 | 112795-01-705 | FT | VINYL - GLAZING | 132-025736 |
| 3 | 098644-01-706 | FT | WEATHERSTRIP - GLASS | 171-010668 |
| 4 | 098644-01-713 | EA | CLIP - SCREEN - METAL | 226-016966 |
| 4 | 125582-01-701 | EA | CLIP - SCREEN - PLASTIC | 130-005153 |
| 5 | 112795-01-701 | EA | SLIDE-STOP | 132-019092 |
| 6 | 098644-01-710 | FT | TRACK - SCREEN SPACER 12' | 132-017135 |
| 7 | 112795-01-700 | EA | LATCH ASM., BLK.,(BOLT ON) | DH287-CK |
| 8 | 112795-01-703 | IN | CHANNEL-RUN (INCHES) | 122-018736 |
| 9 | 098644-01-711 | FT | WEATHERSTRIP - SCREEN BLACK | 171-016965 |
| 11 | 112795-77-700 | EA | GLASS - STATIONARY | 390-28313 |
| 12 | 112795-77-701 | EA | GLASS - SLIDING W/SASH LATCH | DH493-G8 |
| 13 | 098647-47-702 | EA | SCREEN ASSY - W/SEAL & CLIPS | 410-025226 |
| 14 | 098647-47-704 | EA | RETAINER - TRIM | H493-66 |
| | 098644-01-717 | FT | SPLINE - SCREEN | 132-004716 |

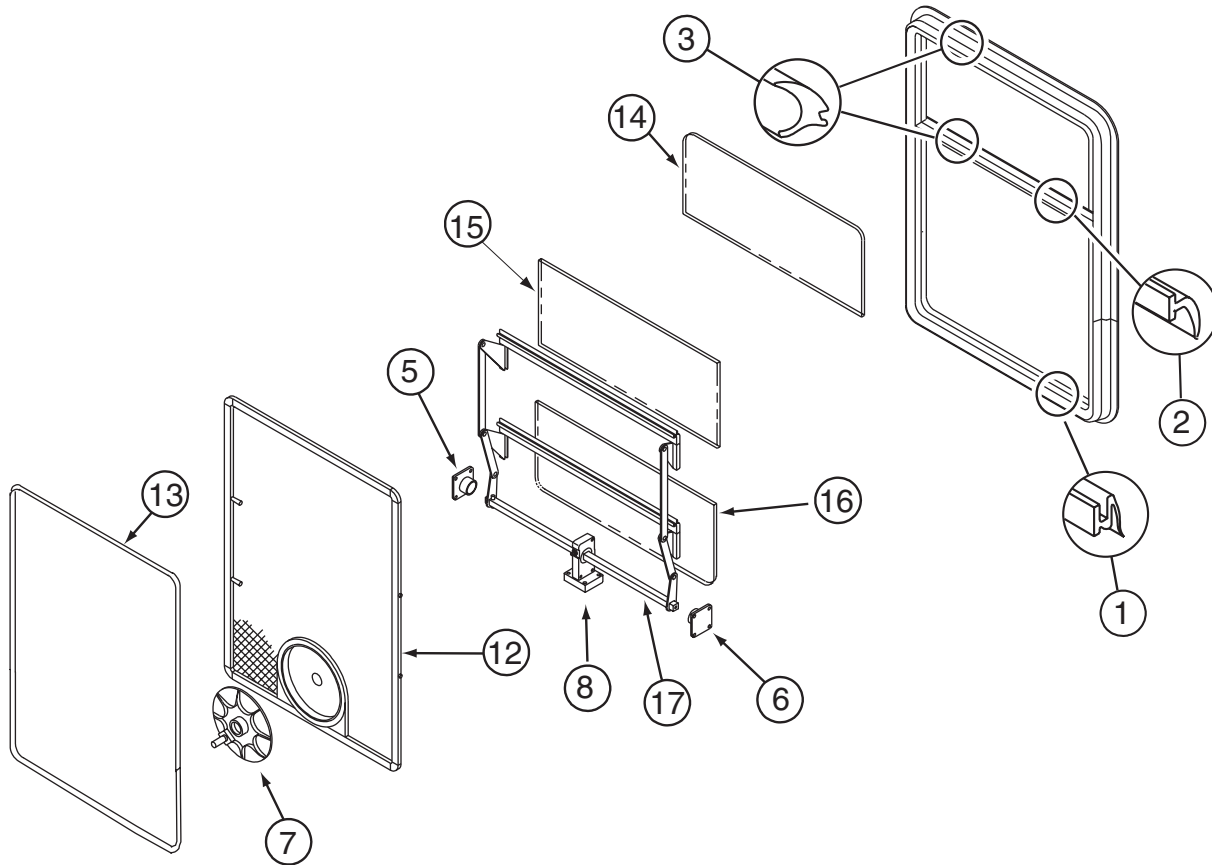
WINDOW & VENTS GROUP (CONTINUED)
COMPONENT PARTS FOR WINDOWS & VENT LAYOUT (CONTINUED)



112898-25-01A

| KEY | PART NUMBER | U/M | DESCRIPTION | VENDOR NO. |
|-----|---------------|-----|------------------------------|------------|
| 1 | 112795-01-704 | FT | PLUG FILLER (DOUBLE GLAZED) | 122-018737 |
| 2 | 112795-01-705 | FT | VINYL - GLAZING | 132-025736 |
| 3 | 098644-01-706 | FT | WEATHERSTRIP - GLASS | 171-010668 |
| 4 | 098644-01-713 | EA | CLIP - SCREEN - METAL | 226-016966 |
| 4 | 125582-01-701 | EA | CLIP - SCREEN - PLASTIC | 130-005153 |
| 5 | 112795-01-701 | EA | SLIDE-STOP | 132-019092 |
| 6 | 098644-01-710 | FT | TRACK - SCREEN SPACER 12' | 132-017135 |
| 7 | 112795-01-700 | EA | LATCH ASM., BLK.,(BOLT ON) | DH287-CK |
| 8 | 112795-01-703 | IN | CHANNEL-RUN (INCHES) | 122-018736 |
| 9 | 098644-01-711 | FT | WEATHERSTRIP - SCREEN BLACK | 171-016965 |
| 10 | 112898-25-700 | EA | GLASS - STATIONARY | 390-028310 |
| 11 | 112898-25-701 | EA | GLASS-SLIDING W/SASH & LATCH | DH564-G8 |
| 12 | 112898-19-702 | EA | SCREEN ASM - W/SEALS & CLIPS | 410-026279 |
| 13 | 112898-19-703 | EA | RETAINER - TRIM | W564-66 |
| 14 | 112898-04-703 | EA | VERTICAL LATCH (SASH KIT) | DH343-CK |
| | 098644-01-717 | FT | SPLINE - SCREEN | 132-004716 |

WINDOW & VENTS GROUP (CONTINUED)
COMPONENT PARTS FOR WINDOWS & VENT LAYOUT (CONTINUED)



113500-01-02A

| KEY | PART NUMBER | U/M | DESCRIPTION | VENDOR NO. |
|-----|---------------|-----|------------------------------|------------|
| 1 | 116976-01-702 | FT | FILLER PLUG | 132-016065 |
| 2 | 100322-01-701 | FT | SEAL-VENT | 122-016071 |
| 3 | 100322-01-702 | EA | WEATHERSTRIP-HORIZ RAIL-148" | 132-019631 |
| | 100322-01-703 | FT | VINYL-GLAZING, BUTYL | 132-010723 |
| 5 | 100322-01-714 | EA | SUPPORT-TORQUE BAR, LH | 130-015978 |
| 6 | 100322-01-715 | EA | SUPPORT-TORQUE BAR, RH | 130-015979 |
| 7 | 100322-01-718 | EA | HANDLE-DIAL | 410-016081 |
| 8 | 112519-01-702 | EA | OPERATOR-VENT-CENTER SUPPORT | 410-016123 |
| 12 | 113500-01-700 | EA | SCREEN ASM - W/SEALS & CLIPS | 410-016020 |
| 13 | 113500-01-709 | EA | RETAINER - TRIM | CB04-59 |
| 14 | 113500-01-703 | EA | GLASS - TOP STATIONARY | 106-015970 |
| 15 | 113500-01-704 | EA | GLASS - UPPER VENT ASSEMBLY | CH04-G7 |
| 16 | 113500-01-705 | EA | GLASS - LOWER VENT ASSEMBLY | CH04-G9 |
| 17 | 113500-01-706 | EA | OPERATOR & BAR ASSEMBLY | CH04-15 |
| | 100322-01-717 | EA | E-RING | 245-015975 |
| | 112463-02-706 | FT | SEAL - FOAM RUBBER | 140-014727 |

CONTACT WINNEBAGO PART SALES FOR UNLISTED COMPONENTS

WINDOW & VENTS GROUP (CONTINUED)
COMPONENT PARTS FOR WINDOWS & VENT LAYOUT (CONTINUED)

113500-06-02A

| KEY | PART NUMBER | U/M | DESCRIPTION | VENDOR NO. |
|-----|---------------|-----|------------------------------|------------|
| 1 | 116976-01-702 | FT | FILLER PLUG | 132-016065 |
| 2 | 100322-01-701 | FT | SEAL-VENT | 122-016071 |
| 3 | 100322-01-702 | EA | WEATHERSTRIP-HORIZ RAIL-148" | 132-019631 |
| | 100322-01-703 | FT | VINYL-GLAZING, BUTYL | 132-010723 |
| 5 | 100322-01-714 | EA | SUPPORT-TORQUE BAR, LH | 130-015978 |
| 6 | 100322-01-715 | EA | SUPPORT-TORQUE BAR, RH | 130-015979 |
| 7 | 100322-01-718 | EA | HANDLE-DIAL | 410-016081 |
| 8 | 112519-01-702 | EA | OPERATOR-VENT-CENTER SUPPORT | 410-016123 |
| 12 | 113500-06-704 | EA | SCREEN ASM - W/SEALS & CLIPS | 410-025661 |
| 13 | 112463-05-704 | EA | RETAINER - TRIM | CB101-59 |
| 14 | 113500-06-700 | EA | GLASS - STATIONARY | 106-025658 |
| 15 | 113500-06-701 | EA | VENT ASM (UPPER) | CH105-D7 |
| 16 | 113500-06-702 | EA | VENT ASM (LOWER) | CH105-D9 |
| 17 | 113500-06-703 | EA | OPERATOR BAR ASSEMBLY | CH65-15 |
| | 112898-06-704 | EA | HANDLE-LATCH/RED-RH (TIPOUT) | 182-11293 |
| | 112898-06-705 | EA | HANDLE-LATCH/RED-LH (TIPOUT) | 182-11294 |
| | 100322-01-717 | EA | E-RING | 245-015975 |
| | 112463-02-706 | FT | SEAL - FOAM RUBBER | 140-014727 |

WINDOW & VENTS GROUP (CONTINUED)
COMPONENT PARTS FOR WINDOW & VENT LAYOUT (CONTINUED)

113733-10-01A

| KEY | PART NUMBER | U/M | DESCRIPTION | VENDOR NO. |
|------------|--------------------|------------|--------------------|-------------------|
| | 112795-01-705 | FT | VINYL - GLAZING | 132-025736 |
| | 113733-10-700 | EA | GLASS-STATIONARY | 390-028306 |
| | 113733-10-701 | EA | RETAINER-TRIM | H416-66 |

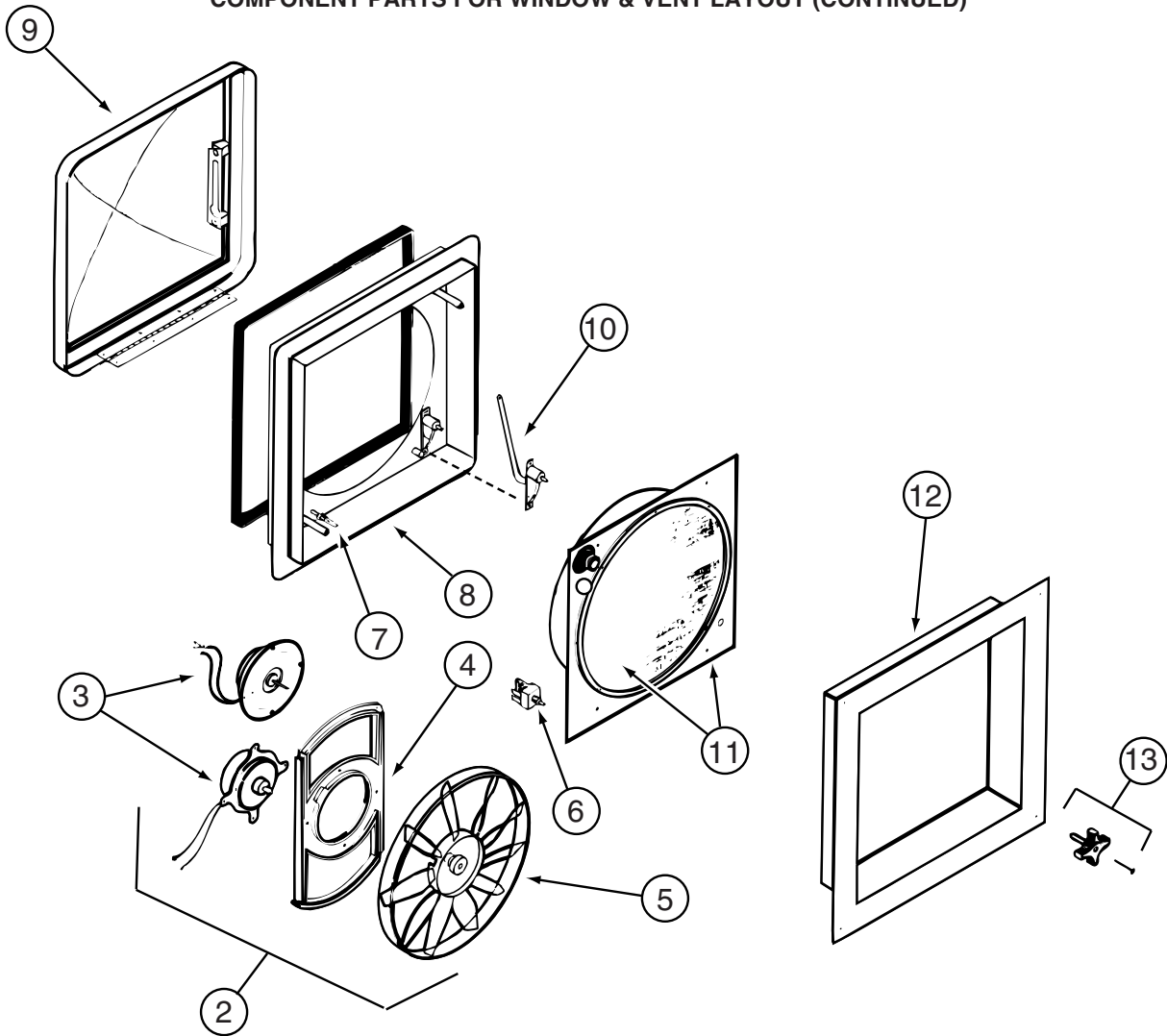
122882-01-01A

| KEY | PART NUMBER | U/M | DESCRIPTION | VENDOR NO. |
|------------|--------------------|------------|------------------------------|-------------------|
| | 009440-01-000 | EA | GEAR-ARM-ROOF VENT | 705221K38 |
| | 064470-01-700 | EA | COVER - VENT - W/O SLIDE BAR | J7291 |
| | 064470-01-701 | EA | SLIDE BAR - VENT LID | JRP1291B |
| | 122882-01-700 | EA | HANDLE - CRANK - BLACK | 90128 |
| | 122882-01-701 | EA | SCREEN | JRP-1124-B |
| | 122882-01-702 | EA | HANDLE - CRANK - WHITE | JRP1031B |

122882-02-01A, 122882-03-01A

| KEY | PART NUMBER | U/M | DESCRIPTION | VENDOR NO. |
|------------|--------------------|------------|------------------------------|-------------------|
| | 064470-01-700 | EA | COVER - VENT - W/O SLIDE BAR | J7291 |
| | 009440-01-000 | EA | GEAR-ARM-ROOF VENT | 705221K38 |
| | 048648-01-000 | EA | MOTOR-12V NONVENTED 1/8 SFT | |
| | 048649-01-000 | EA | FAN-PLAS-6 IN 6 BLADED | |
| | 122882-01-700 | EA | HANDLE - CRANK - BLACK | 90128 |
| | 122882-01-701 | EA | SCREEN | JRP-1124-B |
| | 122882-01-702 | EA | HANDLE - CRANK - WHITE | JRP1031B |
| | 064470-01-701 | EA | SLIDE BAR - VENT LID | JRP1291B |
| | 110051-03-700 | EA | SWITCH-BLACK/PUSH BUTTON | 27-0164 |

WINDOW & VENTS GROUP (CONTINUED)
COMPONENT PARTS FOR WINDOW & VENT LAYOUT (CONTINUED)

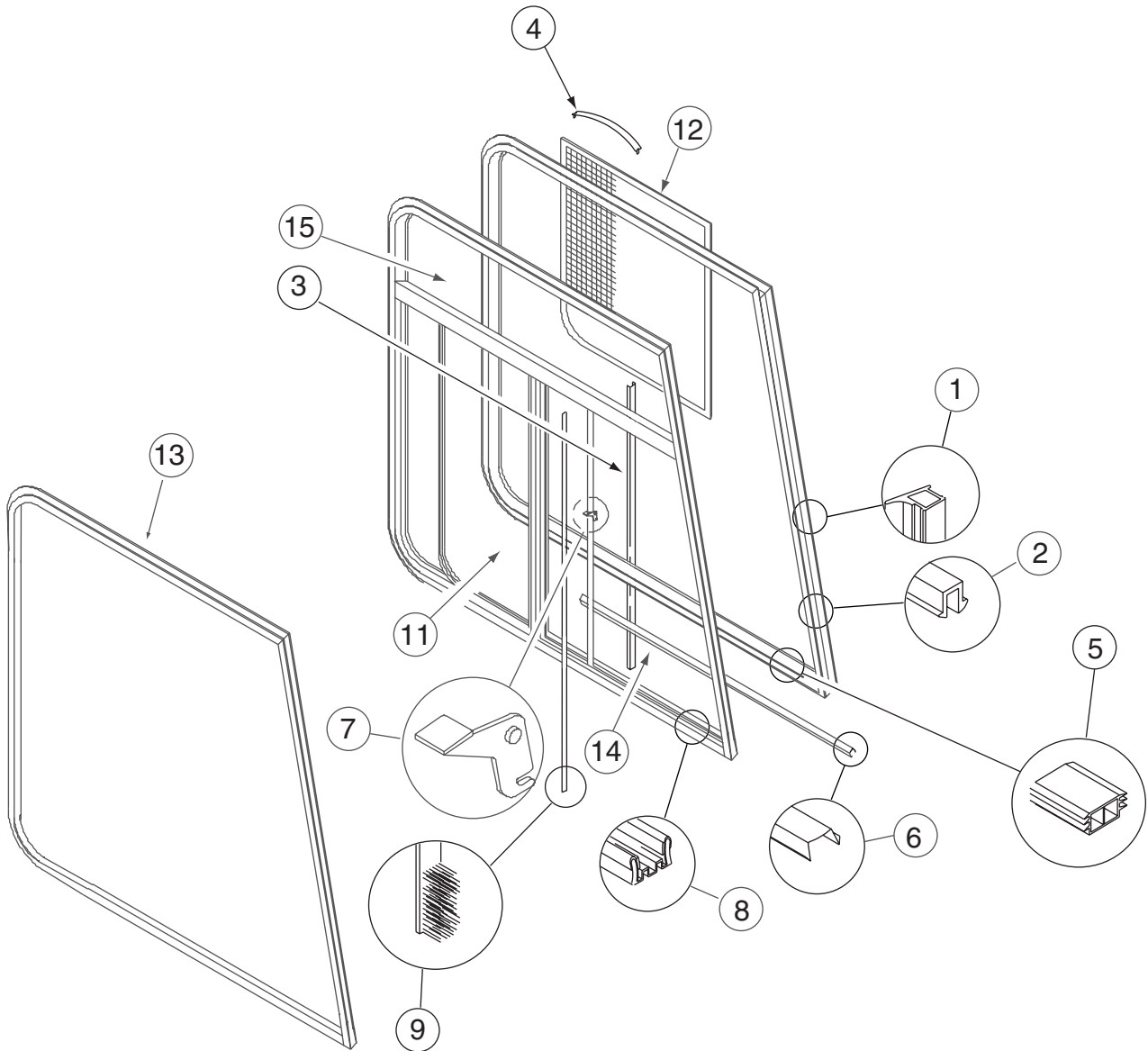


123780-03-01A

| KEY | PART NUMBER | U/M | DESCRIPTION | VENDOR NO. |
|-----|---------------|-----|------------------------------|------------|
| 2 | 084079-11-700 | EA | MOTOR & FAN BLADE W/BRACKET | K4017-09 |
| 3 | 084079-01-705 | EA | MOTOR/EXT BRKT/FAN BLADE KIT | 1080-00 |
| 4 | 084079-01-711 | EA | MOTOR MOUNT (BOWTIE) | 1015-00 |
| 5 | 084079-01-704 | EA | BLADE-FAN | 1138-00 |
| 6 | 084079-01-709 | EA | SWITCH - MAIN - 3 SPEED | 1031-05 |
| 7 | 084079-01-707 | EA | SWITCH - SAFETY | 1122-05 |
| 8 | 123780-05-700 | EA | BASE/MAIN-BRT WHT W/GASKET | 1010-81 |
| 9 | 123780-01-700 | EA | COVER - VENT W/HINGE & SLIDE | 1020K-81 |
| 10 | 009440-01-000 | EA | GEAR-ARM-ROOF VENT | 705221K38 |
| 11 | 123780-03-701 | EA | SCREEN ASM 78-100MM W/SWITCH | 1030BT-81 |
| 12 | 123780-03-700 | EA | GARNISH - INT. 3"-4" BRT/WHT | 2040-81 |
| 13 | 084079-01-703 | EA | KNOB-LIFT, W/EXT. | 1140K-00 |
| | 123780-01-702 | EA | SCREEN INSERT (SCREEN RING) | K1035-81 |
| | 084079-01-706 | EA | PLUG, 12 VOLT | 1090 |

CONTACT WINNEBAGO PART SALES FOR UNLISTED COMPONENTS

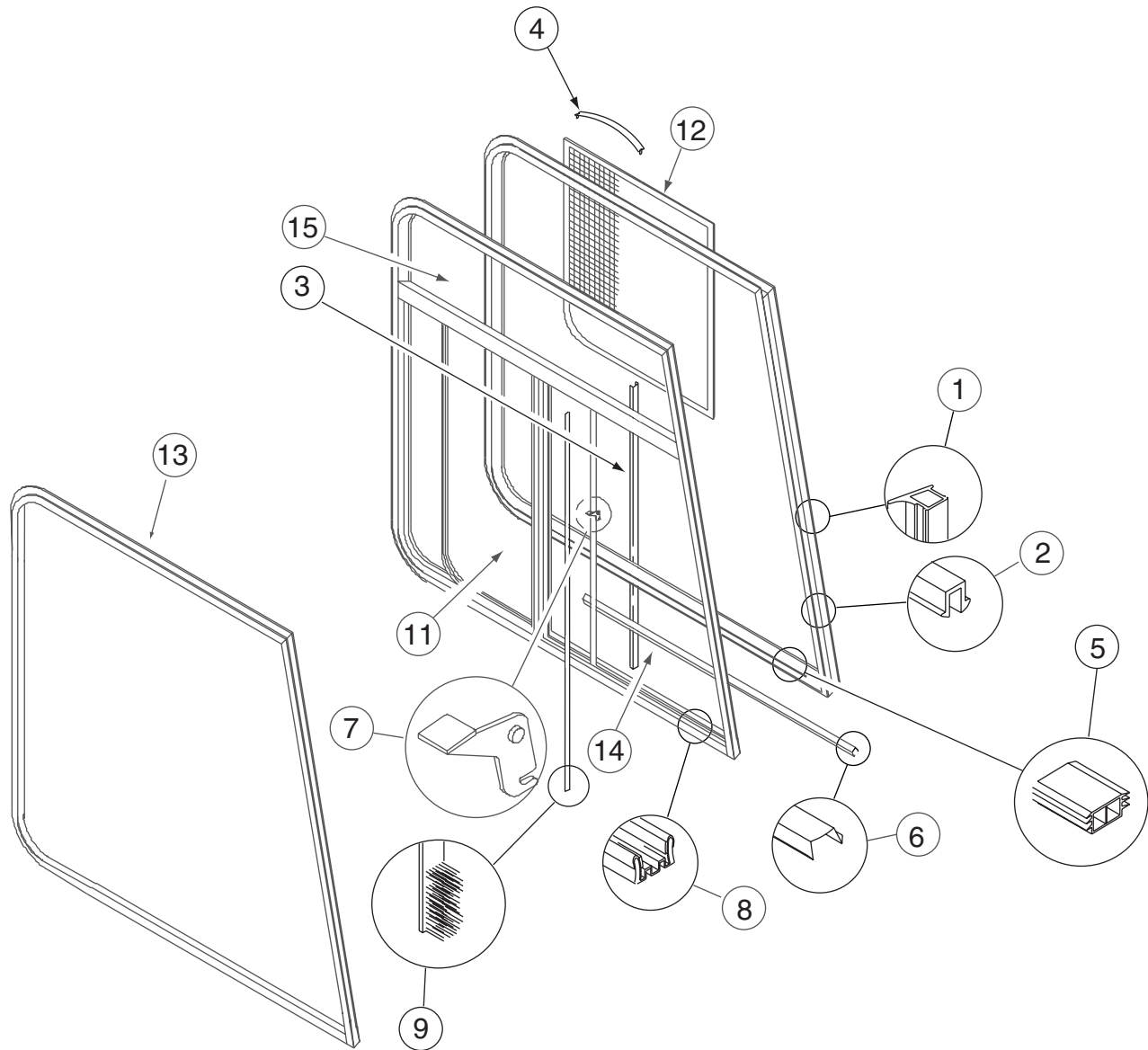
WINDOW & VENTS GROUP (CONTINUED)
COMPONENT PARTS FOR WINDOW & VENT LAYOUT (CONTINUED)



125582-01-01A

| KEY | PART NUMBER | U/M | DESCRIPTION | VENDOR NO. |
|-----|---------------|-----|--------------------------------------|------------|
| 1 | 098644-01-716 | FT | PLUG - FILLER | 132-014470 |
| 2 | 098644-01-705 | FT | GLAZING - STRIP | 132-010231 |
| 3 | 098644-01-706 | FT | WEATHERSTRIP - GLASS | 171-010668 |
| 4 | 098644-01-713 | EA | CLIP - SCREEN - METAL | 226-016966 |
| 4 | 125582-01-701 | EA | CLIP - SCREEN - PLASTIC | 130-005153 |
| 5 | 098644-01-719 | EA | STOP - SLIDER GLASS | 132-014203 |
| 6 | 098644-01-710 | FT | TRACK - SCREEN SPACER 12' | 132-017135 |
| 7 | 098644-01-700 | EA | LATCH - REPAIR KIT (BLACK) | B801-CK |
| 8 | 098644-01-708 | FT | CHANNEL - RUN PIERCED | 122-016543 |
| 9 | 098644-01-711 | FT | WEATHERSTRIP - SCREEN BLACK | 171-016965 |
| 11 | 125582-01-704 | EA | GLASS-SLIDING W/SASH & LATCH | H573-A9R |
| 12 | 125582-01-705 | EA | SCREEN - PASSENGER - W/SEALS & CLIPS | 410-026545 |
| 13 | 125582-01-706 | EA | RETAINER - TRIM | H573-27R |
| 14 | 125582-01-703 | EA | GLASS - STATIONARY - LOWER | 106-026083 |
| 15 | 125582-01-702 | EA | GLASS - STATIONARY - UPPER | 106-026082 |
| | 098644-01-717 | FT | SPLINE - SCREEN | 132-004716 |
| | 112520-01-706 | EA | WEATHERSTRIP-SCREEN, (FUZZY) | 171-017245 |
| | 125582-01-708 | EA | WEEPHOLE COVER - RIGHT HAND | 130-026598 |
| | 125582-01-709 | EA | WEEPHOLE COVER - LEFT HAND | 130-026599 |

WINDOW & VENTS GROUP (CONTINUED)
COMPONENT PARTS FOR WINDOW & VENT LAYOUT (CONTINUED)



125583-01-01A

| KEY | PART NUMBER | U/M | DESCRIPTION | VENDOR NO. |
|-----|---------------|-----|--------------------------------------|------------|
| 1 | 112795-01-704 | FT | PLUG FILLER (DOUBLE GLAZED) | 122-018737 |
| 2 | 112795-01-705 | FT | VINYL-GLAZING | 132-027331 |
| 3 | 098644-01-706 | FT | WEATHERSTRIP - GLASS | 171-010668 |
| 4 | 098644-01-713 | EA | CLIP - SCREEN - METAL | 226-016966 |
| 4 | 125582-01-701 | EA | CLIP - SCREEN - PLASTIC | 130-005153 |
| 5 | 112795-01-701 | EA | SLIDE-STOP | 132-019092 |
| 6 | 098644-01-710 | FT | TRACK - SCREEN SPACER 12' | 32-017135 |
| 7 | 112795-01-700 | EA | LATCH ASM., BLK.,(BOLT ON) | DH287-CK |
| 8 | 112795-01-703 | IN | CHANNEL-RUN (INCHES) | 122-027566 |
| 9 | 098644-01-711 | FT | WEATHERSTRIP - SCREEN BLACK | 171-016965 |
| 11 | 125583-01-700 | EA | GLASS-SLIDING W/SASH & LATCH | DH573-A9R |
| 12 | 125582-01-705 | EA | SCREEN - PASSENGER - W/SEALS & CLIPS | 410-026545 |
| 13 | 125582-01-706 | EA | RETAINER - TRIM | H573-27R |
| 14 | 125583-01-702 | EA | GLASS - STATIONARY - R.H. | 390-026101 |
| 15 | 125583-01-701 | EA | GLASS - STATIONARY - UPPER | 390-026100 |
| | 125582-01-708 | EA | WEEPHOLE COVER - RIGHT HAND | 130-026598 |
| | 125582-01-709 | EA | WEEPHOLE COVER - LEFT HAND | 130-026599 |
| | 098644-01-717 | EA | SPLINE - SCREEN | 132-004716 |

WINDOW & VENTS GROUP (CONTINUED)
COMPONENT PARTS FOR WINDOW & VENT LAYOUT (CONTINUED)

125584-01-01A

| KEY | PART NUMBER | U/M | DESCRIPTION | VENDOR NO. |
|------------|--------------------|------------|------------------------|-------------------|
| | 125584-01-700 | EA | GLASS - STATIONARY | 106026078 |
| | 100322-01-703 | EA | VINYL - GLAZING, BUTYL | 132-010723 |
| | 125584-01-701 | EA | RETAINER - TRIM | H56927L B969 GRL |

125585-01-01A

| KEY | PART NUMBER | U/M | DESCRIPTION | VENDOR NO. |
|------------|--------------------|------------|--------------------|-------------------|
| | 125585-01-700 | EA | GLASS - STATIONARY | 390026092 |
| | 116000-01-704 | EA | VINYL - GLAZING | 132-018161 |
| | 125584-01-701 | EA | RETAINER - TRIM | 106026078 |

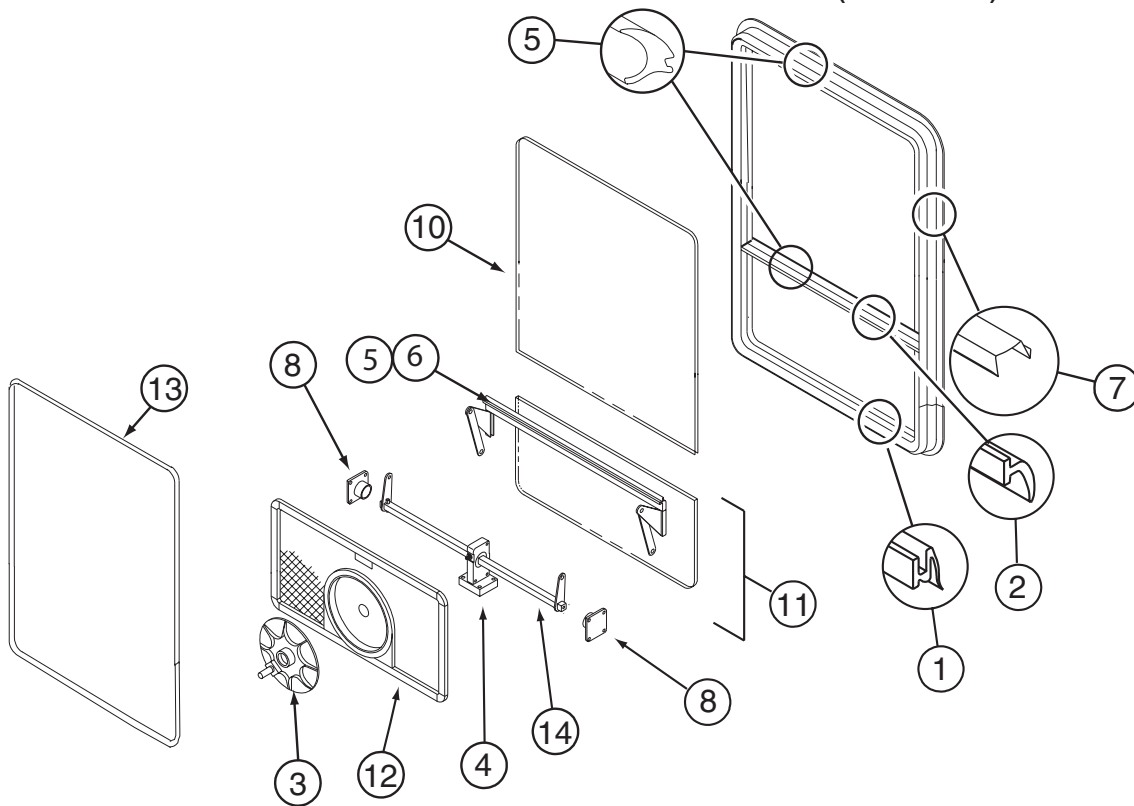
125586-01-01A

| KEY | PART NUMBER | U/M | DESCRIPTION | VENDOR NO. |
|------------|--------------------|------------|------------------------|-------------------|
| | 125586-01-700 | EA | GLASS - STATIONARY | 106026079 |
| | 100322-01-703 | EA | VINYL - GLAZING, BUTYL | 132-010723 |
| | 125586-01-701 | EA | RETAINER - TRIM | H57027L |

125600-01-01A

| KEY | PART NUMBER | U/M | DESCRIPTION | VENDOR NO. |
|------------|--------------------|------------|--------------------|-------------------|
| | 125600-01-700 | EA | GLASS - STATIONARY | 390026099 |
| | 116000-01-704 | EA | VINYL - GLAZING | 132-018161 |
| | 125586-01-701 | EA | RETAINER - TRIM | H57027L |

WINDOW & VENTS GROUP (CONTINUED)
COMPONENT PARTS FOR WINDOWS & VENT LAYOUT (CONTINUED)

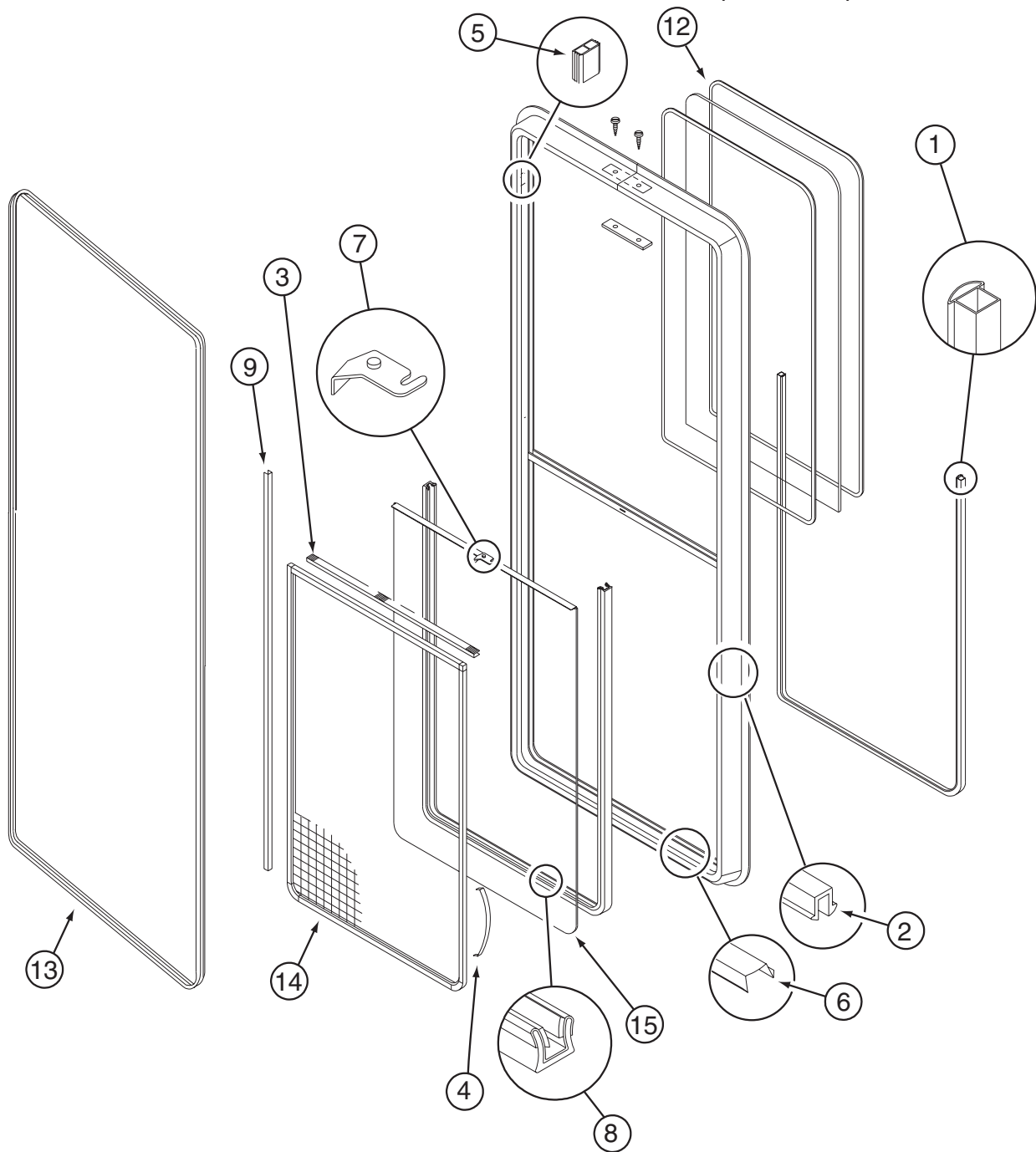


129929-11-01A

| KEY | PART NUMBER | U/M | DESCRIPTION | VENDOR NO. |
|-----|---------------|-----|------------------------------|------------|
| 1 | 100322-01-701 | FT | SEAL-VENT | 122-016071 |
| 3 | 100322-01-718 | EA | HANDLE-DIAL | 410-016081 |
| 4 | 129929-01-710 | EA | TORQUE-CTR SUPPORT (2 HOLE) | 410-026806 |
| 5 | 129929-01-705 | FT | GLAZING VINYL | 132-026811 |
| 6 | 129929-01-706 | FT | SEAL - TOP F/CENTER EGRESS | 132-026811 |
| 6 | 129929-02-706 | FT | SEAL - FOAM | 140-027022 |
| 7 | 129929-01-707 | FT | COVER/SCREW-FILLER STRIP | 132-026808 |
| 8 | 129929-01-708 | EA | SUPPORT - TORQUE BAR - RT/LT | 130-026804 |
| 10 | 129929-11-700 | EA | GLASS - STATIONARY | 390-028304 |
| 11 | 129929-11-701 | EA | VENT GLASS ASSEMBLY | DTH005-G8 |
| 12 | 129929-05-702 | EA | SCREEN ASM - W/SEALS & CLIPS | 410-026909 |
| 13 | 129929-05-705 | EA | RETAINER - TRIM | CH05-62 |
| 14 | 129929-05-704 | EA | OPERATOR BAR ASSEMBLY | DTH005-15 |
| | 100322-01-717 | EA | E-RING | 245-015975 |

CONTACT WINNEBAGO PART SALES FOR UNLISTED COMPONENTS

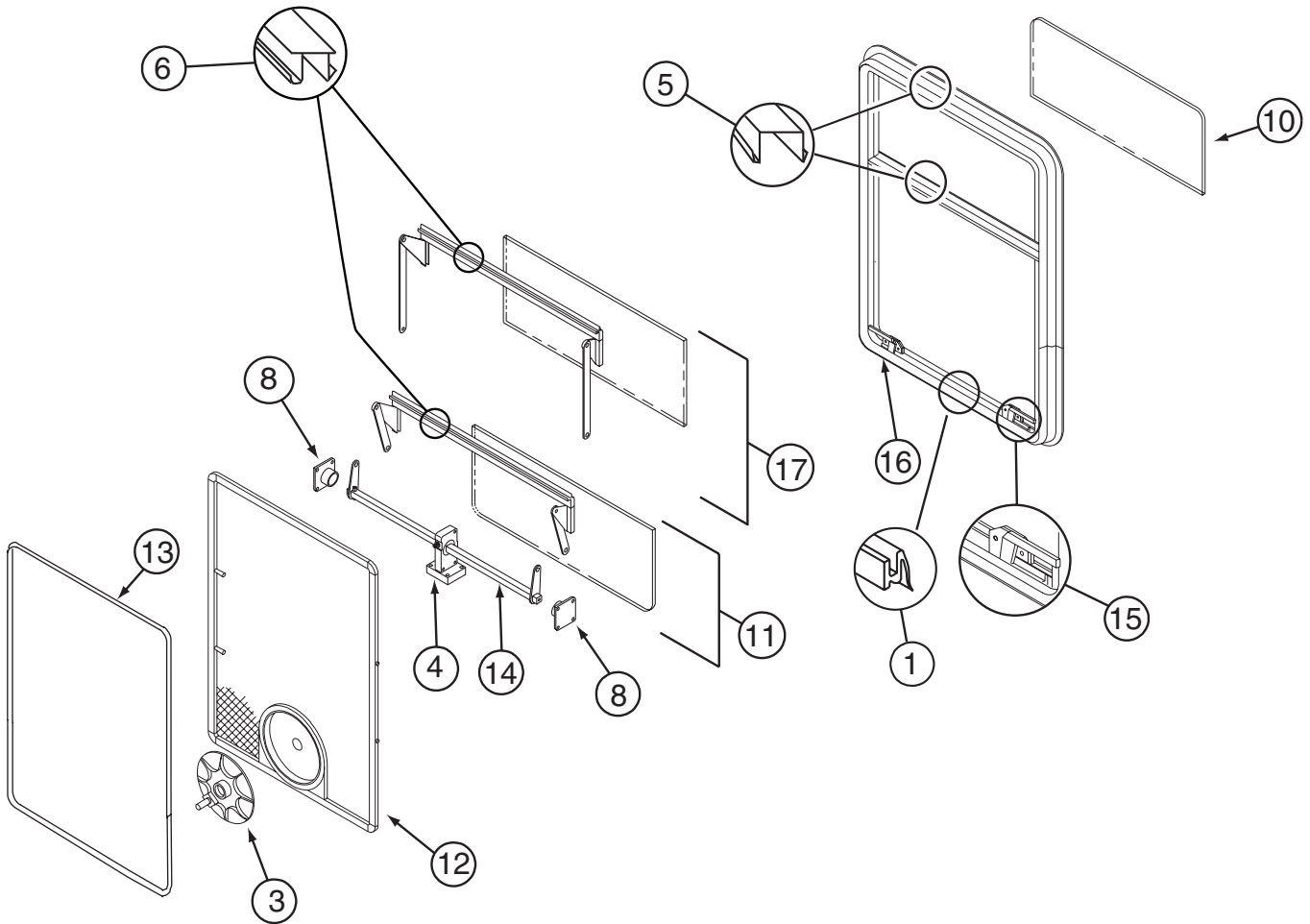
WINDOW & VENTS GROUP (CONTINUED)
COMPONENT PARTS FOR WINDOWS & VENT LAYOUT (CONTINUED)



134004-03-01A

| KEY | PART NUMBER | U/M | DESCRIPTION | VENDOR NO |
|-----|---------------|-----|------------------------------|------------|
| 1 | 112795-01-704 | FT | PLUG FILLER (DOUBLE GLAZED) | 122-018737 |
| 2 | 112795-01-705 | FT | VINYL - GLAZING | 132-027331 |
| 3 | 098644-01-706 | FT | WEATHERSTRIP - GLASS | 171-010668 |
| 4 | 098644-01-713 | EA | CLIP - SCREEN - METAL | 226-016966 |
| 4 | 125582-01-701 | EA | CLIP - SCREEN - PLASTIC | 130-005153 |
| 5 | 112795-01-701 | EA | SLIDE-STOP | 132-019092 |
| 6 | 098644-01-710 | FT | TRACK - SCREEN SPACER 12' | 132-017135 |
| 7 | 112795-01-700 | EA | LATCH ASM., BLK.,(BOLT ON) | DH287-CK |
| 8 | 112795-01-703 | IN | CHANNEL-RUN (INCHES) | 122-027566 |
| 9 | 075673-05-000 | FT | SEAL-PILE ADH BACK,BLK | AMESBURY |
| 12 | 134004-03-700 | EA | GLASS - STATIONARY | 390-028662 |
| 13 | 134004-03-702 | EA | RETAINER - TRIM | H702-56 |
| 14 | 098644-13-702 | EA | SCREEN ASM W/SEALS & CLIPS | 410-028663 |
| 15 | 134004-03-701 | EA | GLASS-SLIDING W/SASH & LATCH | DH702-G8 |
| | 098644-01-717 | FT | SPLINE - SCREEN | 132-004716 |
| | 112898-04-703 | EA | VERTICAL LATCH (SASH KIT) | DH343-CK |

WINDOW & VENTS GROUP (CONTINUED)
COMPONENT PARTS FOR WINDOW & VENT LAYOUT (CONTINUED)



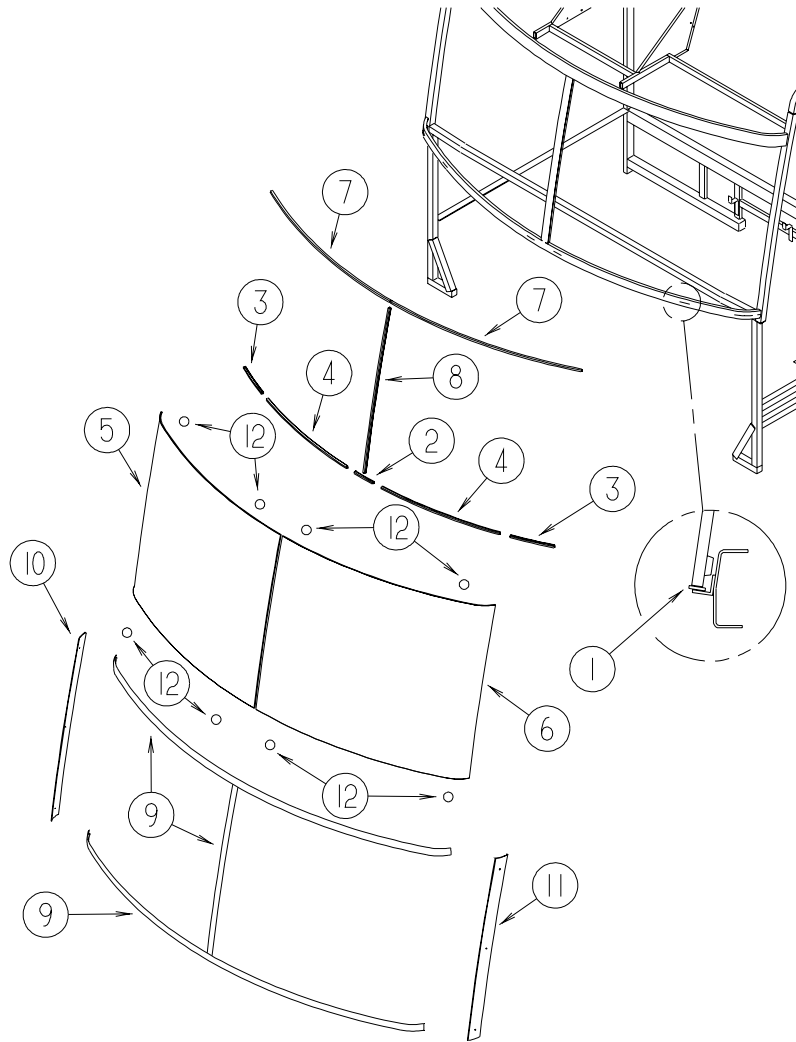
137867-02-01A

| KEY | PART NUMBER | U/M | DESCRIPTION | VENDOR NO. |
|-----|---------------|-----|------------------------------|------------|
| 1 | 100322-01-701 | FT | SEAL-VENT | 122-016071 |
| 3 | 100322-01-718 | EA | HANDLE-DIAL | 410-016081 |
| 4 | 129929-01-710 | EA | TORQUE-CTR SUPPORT (2 HOLE) | 410-026806 |
| 5 | 129929-01-705 | FT | GLAZING VINYL | 132-026811 |
| 6 | 129929-01-707 | FT | COVER/SCREW-FILLER STRIP | 132-026808 |
| 8 | 129929-01-708 | EA | SUPPORT - TORQUE BAR - RT/LT | 130-026804 |
| 10 | 137867-02-700 | EA | GLASS - STATIONARY (DBL GLZ) | 390-029123 |
| 11 | 137867-02-701 | EA | VENT ASSEMBLY LWR (DBL GLZ) | DTH023-G8 |
| 12 | 137867-03-702 | EA | SCREEN ASSEMBLY | 410-029122 |
| 13 | 137867-02-703 | EA | RETAINER - TRIM | CH101-62 |
| 14 | 137867-03-704 | EA | OPERATOR BAR ASSEMBLY | DTH025-15 |
| 15 | 112898-06-704 | EA | HANDLE-LATCH/RED-RH (TIPOUT) | 182-11293 |
| 16 | 112898-06-705 | EA | HANDLE-LATCH/RED-LH (TIPOUT) | 182-11294 |
| 17 | 137867-02-702 | EA | VENT ASSEMBLY UPR (DBL GLZ) | DTH023-G6 |
| | 100322-01-717 | EA | E-RING | 245-015975 |
| | 129929-01-706 | IN | SEAL - TOP F/CENTER EGRESS | 132-026811 |
| | 129929-02-706 | FT | SEAL - FOAM | 140-027022 |

CONTACT WINNEBAGO PART SALES FOR UNLISTED COMPONENTS

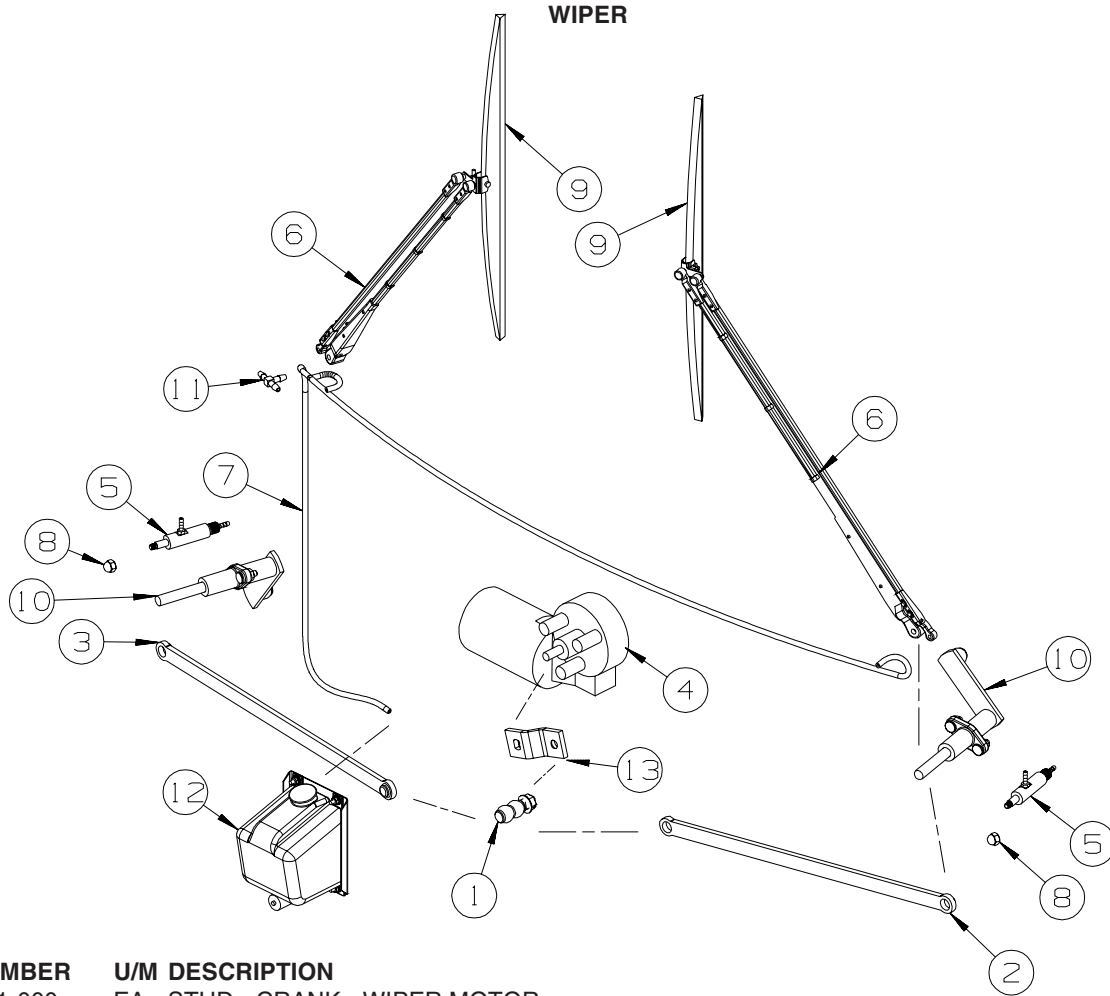
WINDSHIELD & WIPER GROUP

WINDSHIELD



| KEY | PART NUMBER | U/M | DESCRIPTION |
|-----|---------------|-----|---|
| 1 | 002328-02-000 | EA | BLOCK - WINDSHIELD - .062" X .5" X .98" |
| 2 | 142036-01-000 | EA | CARRIER/REVEAL - WINDSHIELD |
| 3 | 142036-02-000 | EA | CARRIER/REVEAL - WINDSHIELD |
| 3 | 142036-01-000 | EA | CARRIER/REVEAL - WINDSHIELD |
| | | | FROM: 00-00-00 THRU: 08-03-03 |
| | | | FROM: 08-04-03 THRU: 99-99-99 |
| 4 | 132375-04-000 | EA | CARRIER/REVEAL - WINDSHIELD - 29.8" |
| 5 | 124328-01-000 | EA | WINDSHIELD - PASSENGER - 52" X 41" (CURVED) |
| 6 | 124328-02-000 | EA | WINDSHIELD - DRIVER - 52" X 41" (CURVED) |
| 7 | 127862-01-000 | EA | CARRIER/REVEAL - WINDSHIELD - 47.2" |
| 8 | 127862-09-000 | EA | CARRIER/REVEAL - WINDSHIELD - 38.6" |
| 9 | 120533-01-000 | FT | MOLDING - REVEAL - WINDSHIELD |
| 10 | 125384-01-02A | EA | TRIM - WINDSHIELD - A-PILLAR - PASSENGER - BLACK |
| 11 | 125384-02-02A | EA | TRIM - WINDSHIELD - A-PILLAR - DRIVER - BLACK |
| 12 | 081914-02-000 | EA | BUMPER - RUBBER - ROUND - 5/16" DIA. X 13/64" THICK |

WINDSHIELD & WIPER GROUP (CONTINUED)



| KEY | PART NUMBER | U/M | DESCRIPTION |
|-----|---------------|-----|--|
| 1 | 067188-01-000 | EA | STUD - CRANK - WIPER MOTOR |
| | 117322-01-000 | EA | SCREW - 1/4-28 UNFINISHED - 2A - TORX |
| 2 | 117770-01-000 | EA | LINK - CONNECTING - 24" - CLOSED GROMMET/OPEN GROMMET |
| 3 | 117770-02-000 | EA | LINK - CONNECTING - 24" - CLOSED GROMMET/CLOSED GROMMET |
| 4 | 104346-04-000 | EA | WIPER MOTOR - "COAST TO PARK" W/BKR - W/GRN/RED/WHITE WIRE - 18,000 GVWR WORKHORSE |
| 4 | 104346-05-000 | EA | WIPER MOTOR - "DYNAMIC PARK" - W/INT BREAKER |
| 5 | 117768-01-000 | EA | SHAFT - ADAPTER - PANTOGRAPH ARM |
| 5 | 145698-01-01A | EA | SHAFT/ADAPTER - PANTOGRAPH - W/WASHER DIVERTER - STAINLESS FROM: 00-00-00 THRU: 03-10-03 FROM: 03-11-03 THRU: 99-99-99 |
| 6* | 117769-01-000 | EA | ARM - WIPER - PANTOGRAPH - 28" |
| 7 | 045794-01-000 | FT | HOSE - WASHER - WINDSHIELD - 5/32" ID - BLACK |
| 8 | 077049-02-000 | EA | NUT - ACORN - 10-32 BLACK/ANODIZED |
| 9* | 095964-01-000 | EA | BLADE - WINDSHIELD WIPER - 24" |
| 10* | 096505-09-000 | EA | SHAFT/PIVOT - WINDSHIELD WIPER |
| 11 | 110605-01-000 | EA | TEE - PLASTIC - BARBED - 1/8" X 1/8" X 3/16" FROM: 00-00-00 THRU: 03-10-03 |
| 11 | 146486-01-000 | EA | TEE - PLASTIC - 5/32" X 5/32" X 5/32" FROM: 03-11-03 THRU: 99-99-99 |
| 12 | 117766-02-000 | EA | RESERVOIR/PUMP - WINDSHIELD WASHER |
| 13 | 104347-04-000 | EA | ARM - DRIVE - WIPER MOTOR |
| | 110742-02-000 | EA | GASKET - NEOPRENE - WIPER ADAPTER SHAFT - .5" ID X .9" OD FROM: 00-00-00 THRU: 05-25-03 |
| | 110742-03-000 | EA | GASKET - WIPER FROM: 05-26-03 THRU: 99-99-99 |

*COMPONENT PARTS LISTED LATER IN THIS GROUP

WINDSHIELD & WIPER GROUP (CONTINUED)

COMPONENT PARTS FOR WIPER

095964-01-000

| KEY | PART NUMBER | U/M | DESCRIPTION | VENDOR NO. |
|-----|---------------|-----|-----------------------------|------------|
| | 095964-01-700 | EA | BLADE-REFILL 24" EA= 1 PAIR | 12360 |

096505-09-000

| KEY | PART NUMBER | U/M | DESCRIPTION | VENDOR NO. |
|-----|---------------|-----|------------------------------|-----------------|
| | 096505-02-700 | EA | DRIVER-KNURLED,(HD) BRL .687 | NT721017 |
| | 096505-02-701 | EA | NUT-HEX (HD) W/.687 BARREL | NT721021 |
| | 096505-02-702 | EA | CAP-RUBBER (HD) BARREL .687 | CP721084 |
| | 096505-02-703 | EA | NUT/ACORN - HD W/.687 BRL | 51065-40-NT27WC |

117769-01-000

| KEY | PART NUMBER | U/M | DESCRIPTION | VENDOR NO. |
|-----|---------------|-----|-------------------------|-------------|
| | 096931-01-700 | FT | HOSE - WASHER - 1/8" ID | XTU-66-0001 |
| | 117769-01-700 | EA | RETAINER CLIP - HOSE | |