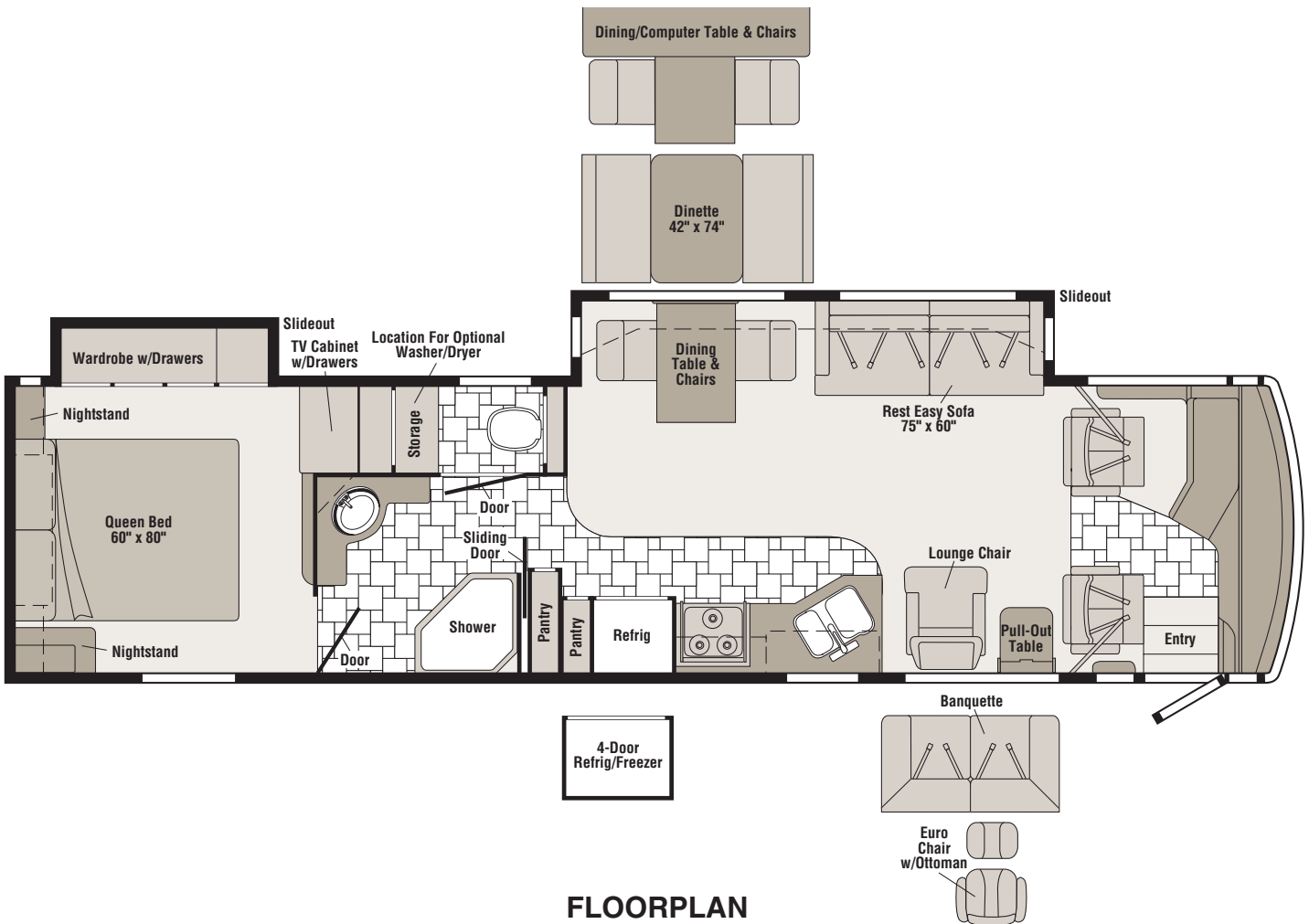


**2004  
HORIZON  
IKS36GD  
S-SERIES**

- PORTSMOUTH OAK**  
**R89 BRIARWOOD - TAUPE**  
**R92 FERNBLOCK - GREEN**  
**R95 HARBOR BREEZE - BLUE**  
**CONCERT CHERRY**  
**R90 BRAIRWOOD - TAUPE**  
**R93 FERNBLOCK - GREEN**  
**R96 HARBOR BREEZE - BLUE**  
**WASHED MAPLE**  
**R91 BRIARWOOD - TAUPE**  
**R94 FERNBLOCK - GREEN**  
**R97 HARBOR BREEZE - BLUE**  
**HONEY CHERRY**  
**RE3 BRIARWOOD - TAUPE**  
**RE4 FERNBLOCK - GREEN**  
**RE5 HARBOR BREEZE - BLUE**



**FLOORPLAN**

# CONTENTS

<b>FLOORPLAN</b> .....	<b>1</b>
<b>ACCESSORIES GROUP</b> .....	<b>7</b>
OPERATORS MANUAL .....	7
<b>APPLIANCE GROUP</b> .....	<b>8</b>
APPLIANCES .....	8
COMPONENT PARTS FOR APPLIANCES .....	18
108186-02-000 .....	18
108186-03-000 .....	18
115504-01-000 .....	18
119267-12-02A .....	18
119267-13-01A .....	18
119296-03-01A .....	19
120075-16-01A, 120075-17-01A, 120075-18-01A, 120075-19-01A, 120075-21-01A, 122075-22-01A .....	21
125242-03-01A .....	27
129561-01-01A .....	36
133004-02-01A .....	37
135065-01-01A, 135065-01-02A, 135065-02-01A .....	38
135065-03-01A, 135065-03-03A, 135065-04-01A .....	40
135066-02-01A .....	42
135066-03-01A, 135066-03-04A, 150778-01-01A, 151277-03-01A, 151279-02-01A .....	46
140147-04-01A, 140147-04-02A .....	50
<b>AUDIO VIDEO GROUP</b> .....	<b>51</b>
RADIO SYSTEM .....	51
COMPONENT PARTS FOR RADIO SYSTEM .....	53
102080-17-000 .....	53
102080-18-000 .....	53
102080-21-000 .....	53
143509-01-000 .....	53
148231-01-000 .....	53
REAR VIEW MONITOR .....	54
TELEPHONE .....	55
TV & VCR .....	55
COMPONENT PARTS FOR TV & VCR .....	56
076319-23-000 .....	56
076319-25-000 .....	56
124075-06-000 .....	56
124075-07-000 .....	56
137135-02-000 .....	57
141454-01-01A .....	58
141454-03-01A .....	59
144377-01-000 .....	60
146298-01-000 .....	60
146299-01-000 .....	60
146396-01-000 .....	60
146396-02-000 .....	60
EXTERIOR ENTERTAINMENT .....	61
<b>BATH GROUP</b> .....	<b>62</b>
CABINETS .....	62
SHOWER .....	66
COMPONENT PARTS FOR SHOWER DOOR .....	67
139047-05-02A .....	67
<b>BEDROOM GROUP</b> .....	<b>68</b>
QUEEN CABINETS .....	68
QUEEN DOORS & DRAWERS .....	71

# CONTENTS (CONTINUED)

<b>CHASSIS GROUP</b> .....	<b>73</b>
FRAME .....	73
FRONT END .....	74
INSULATION .....	75
STEPWELL COVER .....	77
COMPONENT PARTS FOR STEPWELL COVER .....	78
145122-01-01A .....	78
EXHAUST .....	79
HITCH .....	79
REAR MUD GUARD .....	80
FUEL OR FUEL FILL .....	80
HYDRAULIC LEVELING .....	81
COMPONENT PARTS FOR HYDRAULIC LEVELING .....	82
144226-02-000 .....	82
144226-03-000 .....	82
144226-26-000 .....	82
144226-27-000 .....	82
WHEEL, TIRES, COVERS &/OR LINERS .....	83
<b>CURTAIN &amp; CUSHION GROUP</b> .....	<b>84</b>
NOTICE .....	84
CUSHION LAYOUT .....	85
BUCKET SEATS .....	88
COMPONENT PARTS FOR BUCKET SEATS .....	91
081373-03-000 .....	91
122611-02-000 .....	91
LOUNGE CHAIR .....	92
SOFA .....	93
COMPONENT PARTS FOR SOFA .....	98
136534-07-000, 136534-17-000 .....	98
136534-13-000, 136534-15-000, 136534-28-000, 136534-29-000 .....	98
148226-01-000, 148226-02-000, 148226-03-000 .....	98
WINDOW TREATMENT .....	99
HARDWARE .....	101
ACCESSORIES .....	103
COMPONENT PARTS FOR ACCESSORIES .....	104
091990-08-01A .....	104
FABRICS .....	105
<b>DINETTE GROUP</b> .....	<b>107</b>
CABINETS .....	107
TABLE .....	109
<b>DRIVERS COMPARTMENT GROUP</b> .....	<b>111</b>
DASH .....	111
FRONT INTERIOR .....	112
CABINETS .....	115

# CONTENTS (CONTINUED)

<b>ELECTRICAL GROUP</b> .....	<b>119</b>
12V BODY WIRING .....	119
FRONT END WIRING .....	126
COMPONENT PARTS FOR LIGHTS & SWITCHES .....	130
086280-01-000 .....	130
087694-01-000 .....	130
091937-08-000 .....	130
091937-09-000 .....	130
091937-10-000 .....	130
102756-03-000 .....	130
108354-01-01A .....	130
121935-01-01A .....	130
123775-01-01A .....	130
130672-01-02A .....	130
133416-02-000 .....	130
136119-01-000 .....	130
137417-01-01A, 137417-03-01A .....	130
137424-01-000 .....	131
139134-01-02A .....	131
143591-05-000 .....	131
CIRCUIT BREAKERS & FUSES .....	132
CONVERTER, INVERTER, LOAD CENTERS .....	133
110V WIRING .....	133
ENTERTAINMENT WIRING .....	136
BOXES & CORDS .....	137
WIRE ASSEMBLIES .....	137
CONNECTORS & CONDUIT .....	138
BOOTS, SOLENOIDS, RELAYS & MISCELLANEOUS .....	139
<b>EXTERIOR BODY GROUP</b> .....	<b>140</b>
AIR HORN .....	140
COMPONENT PARTS FOR AIR HORN .....	141
077497-06-000 .....	141
GRAPHICS & PAINT .....	142
PANELS & TRIMS .....	144
FRONT END .....	148
LADDER .....	150
MIRRORS .....	150
COMPONENT PARTS FOR MIRRORS .....	151
106015-20-01A, 106015-21-01A .....	151
131431-07-01A, 131431-08-01A .....	151
142721-01-01A, 142721-02-01A .....	151
STRUCTURAL COMPONENTS .....	152
AWNINGS .....	153
<b>EXTERIOR DOORS &amp; COMPARTMENTS GROUP</b> .....	<b>154</b>
DOOR & COMPARTMENT LAYOUT .....	154
COMPONENT PARTS FOR DOOR & COMPARTMENT LAYOUT .....	160
084103-08-000 .....	160
094707-03-01A .....	160
142226-02-01A .....	160
COMPARTMENT DOOR PIECE PARTS .....	161
ENTRY .....	163
COMPONENT PARTS FOR ENTRY .....	164
128913-12-01A .....	164

## CONTENTS (CONTINUED)

<b>EXTERIOR SLIDEOUT GROUP</b> .....	<b>169</b>
LEFT FRONT .....	169
COMPONENT PARTS FOR LEFT FRONT .....	173
100536-52-000 .....	173
145494-01-000 .....	173
145494-02-000 .....	173
LEFT REAR .....	174
COMPONENT PARTS FOR LEFT REAR .....	178
100536-46-000 .....	178
139507-01-000 .....	178
<b>GALLEY GROUP</b> .....	<b>179</b>
CABINETS .....	179
DOORS & DRAWERS .....	181
<b>GENERATOR GROUP</b> .....	<b>183</b>
DIESEL .....	183
<b>HEATING &amp; A/C GROUP</b> .....	<b>184</b>
AUTOMOTIVE .....	184
COMPONENT PARTS FOR AUTOMOTIVE .....	186
103930-55-000 .....	186
103930-58-000 .....	187
FURNACE .....	188
COMPONENT PARTS FOR FURNACE .....	189
139980-01-000 .....	189
143563-02-000 .....	191
CENTRAL .....	193
COMPONENT PARTS FOR CENTRAL .....	195
105620-12-000 .....	195
105620-15-000 .....	196
105620-16-000 .....	197
<b>INTERIOR FINISH GROUP</b> .....	<b>199</b>
MOLDINGS & TRIMS .....	199
PANELING & LAMINATES .....	210
ACCESSORIES .....	211
COMPONENT PARTS FOR ACCESSORIES .....	212
094499-02-000 .....	212
FLOOR COVERINGS .....	213
HARDWARE .....	214
<b>LABELS GROUP</b> .....	<b>222</b>
<b>LP GROUP</b> .....	<b>250</b>
LP SYSTEM .....	250
COMPONENT PARTS FOR LP SYSTEM .....	251
144251-01-000 .....	251
<b>LOUNGE GROUP</b> .....	<b>252</b>
CABINETS .....	252
TABLES .....	253
<b>SEALANTS &amp; FASTENERS GROUP</b> .....	<b>254</b>
SEALANTS & ADHESIVES .....	254
BOLTS, NUTS AND WASHERS .....	255
SCREWS .....	257
CLAMPS, CLIPS, GROMMETS, RIVETS & PLUGS .....	260
MISCELLANEOUS FASTENERS .....	262

## CONTENTS (CONTINUED)

<b>WATER &amp; SEWAGE GROUP .....</b>	<b>263</b>
DRAINAGE SYSTEM .....	263
COMPONENT PARTS FOR DRAINAGE SYSTEM .....	265
136729-01-01A .....	265
146770-01-01A .....	266
WATER SYSTEM .....	267
COMPONENT PARTS FOR WATER SYSTEM .....	275
075241-04-000, 075241-05-000, 075241-06-000 .....	275
098607-01-000 .....	275
103635-01-000 .....	275
125420-01-02A, 125420-01-03A, 125420-03-03A, 125420-04-03A .....	275
136915-01-000 .....	275
141490-01-01A, 141490-01-02A .....	275
144215-01-000 .....	275
144215-02-000 .....	276
144444-01-01A .....	276
144596-01-01A .....	276
145541-01-000 .....	276
<b>WINDOW &amp; VENTS GROUP .....</b>	<b>277</b>
WINDOW & VENT LAYOUT .....	277
COMPONENT PARTS FOR WINDOWS & VENT LAYOUT .....	279
106466-14-01A .....	279
112795-73-01A .....	280
112795-77-01A .....	281
112795-78-01A .....	281
112795-81-01A .....	281
112795-82-01A .....	282
112898-27-01A .....	283
123780-15-01A .....	284
123780-17-01A .....	284
129929-08-01A .....	285
134004-03-01A .....	286
137867-04-01A .....	287
<b>WINDSHIELD &amp; WIPER GROUP .....</b>	<b>288</b>
WINDSHIELD .....	288
WIPER .....	289
COMPONENT PARTS FOR WIPER .....	290
145270-01-000 .....	290

**ACCESSORIES GROUP**  
**OPERATORS MANUAL**

<b>KEY</b>	<b>PART NUMBER</b>	<b>U/M</b>	<b>DESCRIPTION</b>
	129079-04-01A	EA	CASE - VINYL/BLK-EXPANDABLE ACCORDION SIDES-11"WX9"HX14"L
	132000-23-004	EA	MANUAL/OWNER - HORIZON - 2004
	137943-01-000	EA	SAFE - STEEL - 9.8" X 9.8" FACE / 7.7" X 8.7" X 8.7" R.O.
	145433-01-000	DW	TOP LEVEL-S,2004

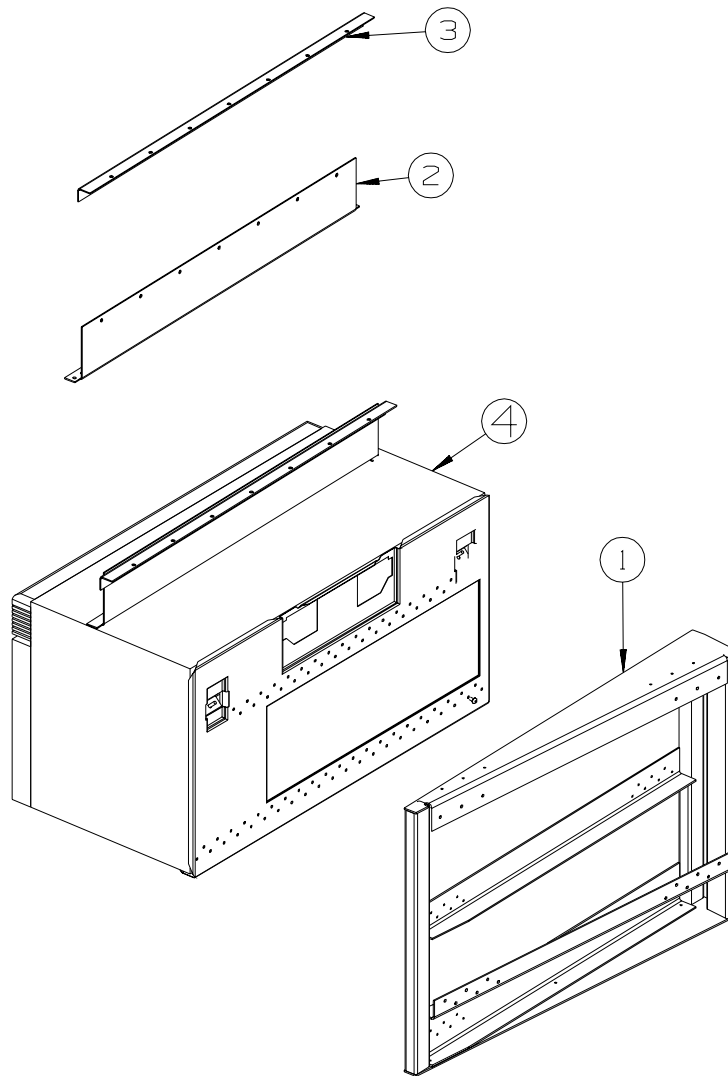
## APPLIANCE GROUP APPLIANCES

KEY	PART NUMBER	U/M	DESCRIPTION
	107752-04-01A	EA	DISHWASHER - 18" - BLACK - <b>BUILT-IN</b>
	146340-01-01A	EA	DRAWER-NO FACE (DISHWASHER) - <b>DRAWER-STYLE</b>
	108186-05-000	EA	BAG/CANVAS - CADDY W/POCKETS
	108186-06-000	EA	RACK - VACUUM HOSE/CADDY
	144676-01-000	EA	VACUUM CLEANER - RECHARGEABLE - EUREKA 77A
*	115504-01-000	EA	PANEL - SOLAR 10 WATT - 12.2"W X 26.9"L X 1.2"H
*	129561-01-01A	EA	PANEL/MONITOR - READ OUT ONLY - HOLDING/WATER TANK
*	133004-02-01A	EA	PANEL/MONITOR-2 TANK-DIGITAL VOLT MT/SOLAR-W/WATER HTR SWT
*	119296-03-01A	EA	FREEZER - PORTABLE - DUAL PLUG
	120320-02-000	EA	TRAY - REFRIGERATOR/FREEZER
			FROM: 00-00-00 THRU: 06-01-03
	130818-02-01A	EA	TRASH CONTAINER - 20 QUART ALMOND
*	135065-03-03A	EA	RANGE-3 BURNER (SEALED)-W/O OVEN-NEW STYLE KNOBS-STAINLESS - <b>RANGE TOP</b>
*	135065-02-01A	EA	RANGE - 3 BURNER (SEALED) - W/O OVEN - CSA - BLACK TOP - <b>RANGE TOP, CANADIAN</b>
			FROM: 00-00-00 THRU: 01-18-04
*	135065-04-01A	EA	RANGE - 3 BURNER (SEALED) - W/O OVEN - CSA - BLACK TOP - <b>RANGE TOP, CANADIAN</b>
			FROM: 01-19-04 THRU: 99-99-99
*	135066-03-04A	EA	RANGE-3 BURNER (SEALED)-W/OVEN-NEW STYLE KNOBS - <b>RANGE W/OVEN</b>
			FROM: 00-00-00 THRU: 05-17-04
	151279-02-02A	EA	RANGE-22"-3 BURNER/SEALED-MERCURY FREE-BLK DOOR/GLASS - <b>RANGE W/OVEN</b>
			FROM: 05-18-04 THRU: 99-99-99
*	135066-02-01A	EA	RANGE - 3 BURNER (SEALED) - W/OVEN - BLACK - CSA - <b>RANGE W/OVEN, CANADIAN</b>
			FROM: 00-00-00 THRU: 02-22-04
*	150778-01-01A	EA	RANGE - 3 BURNER (SEALED) - W/OVEN - BLACK - CSA - <b>RANGE W/OVEN, CANADIAN</b>
			FROM: 02-23-04 THRU: 99-99-99
	144823-01-04B	EA	BRACKET/STOVE TIEDOWN - BLACK - LEFT HAND - <b>RANGE TOP - S40AD</b>
	144823-02-04B	EA	BRACKET/STOVE TIEDOWN - BLACK - RIGHT HAND - <b>RANGE TOP - S40AD</b>
	144823-05-04B	EA	BRACKET/STOVE TIEDOWN - BLACK - LEFT HAND - <b>RANGE TOP - S34TD, S36GD, S40QD</b>
	144823-06-04B	EA	BRACKET/STOVE TIEDOWN - BLACK - RIGHT HAND - <b>RANGE TOP - S34TD, S36GD, S40QD</b>
	144823-09-04B	EA	BRACKET/STOVE TIEDOWN - BLACK - LEFT HAND - <b>RANGE TOP - S40WD</b>
	144823-10-04B	EA	BRACKET/STOVE TIEDOWN - BLACK - RIGHT HAND - <b>RANGE TOP - S40WD</b>
	144823-13-04B	EA	BRACKET/STOVE TIEDOWN - BLACK - LEFT HAND - <b>RANGE TOP - S40KD</b>
	144823-14-04B	EA	BRACKET/STOVE TIEDOWN - BLACK - RIGHT HAND - <b>RANGE TOP - S40KD</b>
	144823-03-04B	EA	BRACKET/STOVE TIEDOWN - BLACK - LEFT HAND - <b>RANGE W/OVEN - S40AD</b>
	144823-04-04B	EA	BRACKET/STOVE TIEDOWN - BLACK - RIGHT HAND - <b>RANGE W/OVEN - S40AD</b>
	144823-07-04B	EA	BRACKET/STOVE TIEDOWN - BLACK - LEFT HAND - <b>RANGE W/OVEN - S34TD, S36GD, S40QD</b>
	144823-08-04B	EA	BRACKET/STOVE TIEDOWN - BLACK - RIGHT HAND - <b>RANGE W/OVEN - S34TD, S36GD, S40QD</b>
	144823-11-04B	EA	BRACKET/STOVE TIEDOWN - BLACK - LEFT HAND - <b>RANGE W/OVEN - S40WD</b>
	144823-12-04B	EA	BRACKET/STOVE TIEDOWN - BLACK - RIGHT HAND - <b>RANGE W/OVEN - S40WD</b>
	144823-15-04B	EA	BRACKET/STOVE TIEDOWN - BLACK - LEFT HAND - <b>RANGE W/OVEN - S40KD</b>
	144823-16-04B	EA	BRACKET/STOVE TIEDOWN - BLACK - RIGHT HAND - <b>RANGE W/OVEN - S40KD</b>
	138584-02-01A	EA	COFFEEMAKER/COUNTERTOP - AROME PLUS/BLACK - KRUPS 466-42
	145832-01-000	EA	STRAP - TIEDOWN
	143981-01-000	EA	FLASHLIGHT - RECHARGEABLE - 13.3" X 6.8" X 3.5"
	144713-01-03A	EA	COVER - STOVE TOP - 1/2" CORIAN/FOSSIL - 10.2" X 22.2" - <b>RANGE TOP</b>
	144713-02-03A	EA	COVER-STOVE TOP-1/2" CORIAN/FOSSIL-10.2" X 22.2" W/CUTOUT - <b>RANGE W/OVEN</b>
	144713-03-03A	EA	COVER - STOVE TOP-1/2" CORIAN/FOSSIL-10.8" X 15.1" X 22.2" - <b>S40AD</b>
	144713-04-03A	EA	COVER -STOVE TOP-1/2" CORIAN/FOSSIL-7.9" X 10.5" X 22.2" - <b>S34TD, S36GD, S40KD, S40QD, S40WD</b>

**\*COMPONENT PARTS LISTED LATER IN THIS GROUP**



**APPLIANCE GROUP (CONTINUED)**  
**APPLIANCES (CONTINUED)**



**S40AD**

KEY	PART NUMBER	U/M	DESCRIPTION
1	139201-02-02B	EA	BRACKET - MICROWAVE - E-COATED
2	129836-04-02B	EA	ANGLE - W/HOLES - .7" X 2.2" X 28.3" - E-COATED
3	129836-02-02B	EA	ANGLE - W/HOLES - .7" X 1" X 28.3" - E-COATED
4*	119267-12-02A	EA	OVEN - MICROWAVE/CONVECTION W/HOOD US - #R-1874
4*	119267-13-01A	EA	OVEN - MICROWAVE/CONVECTION W/HOOD CSA - #R-1875A - <b>CANADIAN</b>

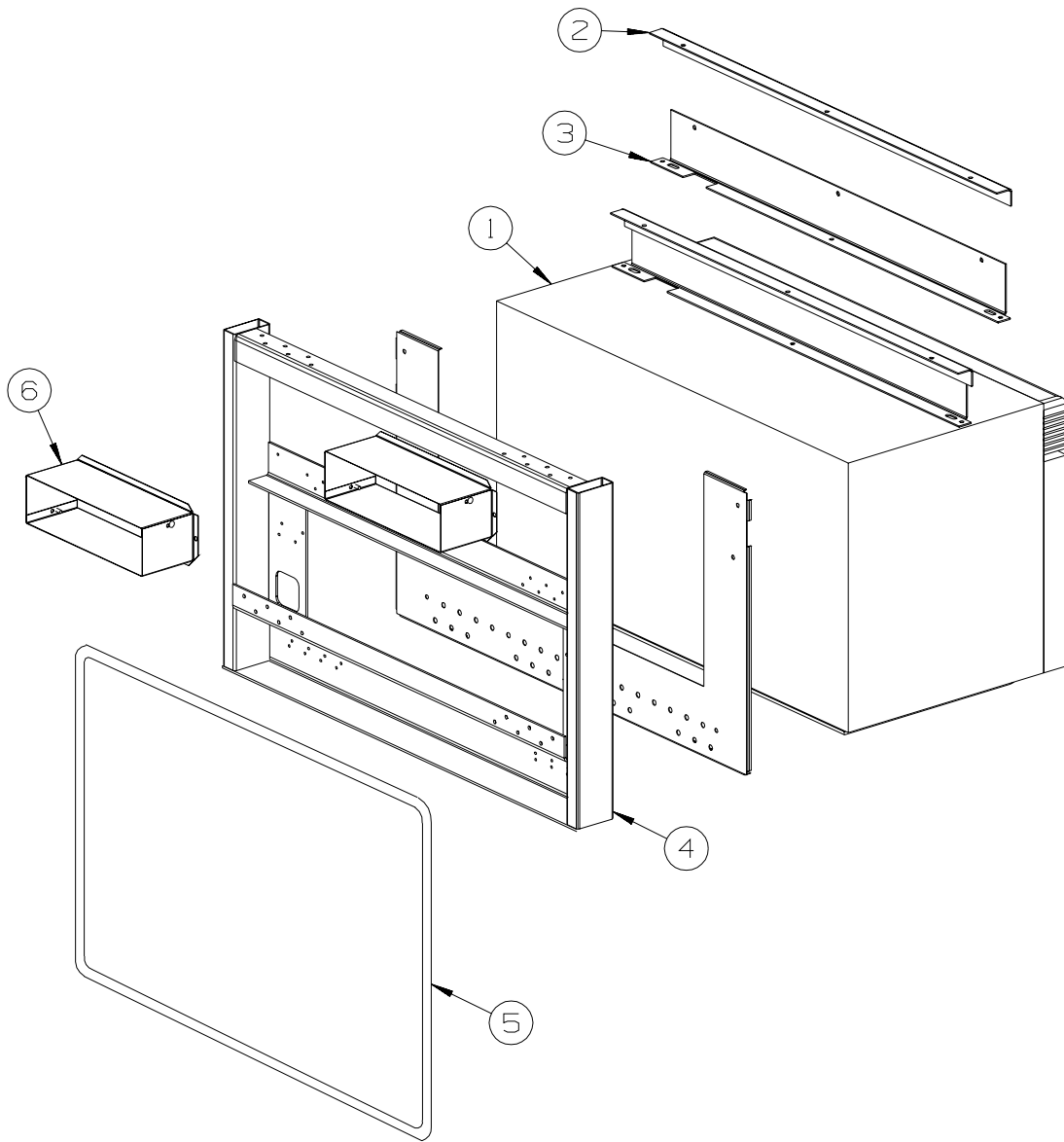
**\*COMPONENT PARTS LISTED LATER IN THIS GROUP**

**S40AD**

KEY	PART NUMBER	U/M	DESCRIPTION
1	139201-02-02B	EA	BRACKET - MICROWAVE - E-COATED
2	129836-06-02B	EA	ANGLE - W/HOLES - E-COATED - <b>SPEEDCOOK OVEN</b>
3	129836-02-02B	EA	ANGLE - W/HOLES - .7" X 1" X 28.3" - E-COATED
4*	140147-04-01A	EA	OVEN/MICROWAVE - 1.4 CU FT - ADVANTIUM/STAINLESS STEEL - <b>SPEEDCOOK OVEN</b> FROM: 00-00-00 THRU: 02-22-04
4*	140147-04-02A	EA	OVEN/MICROWAVE - 1.4 CU FT - ADVANTIUM/STAINLESS STEEL - <b>SPEEDCOOK OVEN</b> FROM: 02-23-04 THRU: 99-99-99

**\*COMPONENT PARTS LISTED LATER IN THIS GROUP**

**APPLIANCE GROUP (CONTINUED)**  
**APPLIANCES (CONTINUED)**



**S40KD, S40WD**

KEY	PART NUMBER	U/M	DESCRIPTION
1*	119267-12-02A	EA	OVEN - MICROWAVE/CONVECTION W/HOOD US - #R-1874
1*	119267-13-01A	EA	OVEN - MICROWAVE/CONVECTION W/HOOD CSA - #R-1875A - <b>CANADIAN</b>
2	129836-02-02B	EA	ANGLE - W/HOLES - .7" X 1" X 28.3" - E-COATED
3	129836-05-02B	EA	ANGLE - W/HOLES - E-COATED
4	137824-02-02B	EA	BRACKET - MICROWAVE - E-COATED
5	NOT USED		
6	140093-01-02B	EA	DUCT ASM, E-CT

**\*COMPONENT PARTS LISTED LATER IN THIS GROUP**

**S40KD, S40WD**

KEY	PART NUMBER	U/M	DESCRIPTION
1*	140147-04-01A	EA	OVEN/MICROWAVE - 1.4 CU FT - ADVANTIUM/STAINLESS STEEL - <b>SPEEDCOOK OVEN</b> FROM: 00-00-00 THRU: 02-22-04
1*	140147-04-02A	EA	OVEN/MICROWAVE - 1.4 CU FT - ADVANTIUM/STAINLESS STEEL - <b>SPEEDCOOK OVEN</b> FROM: 02-23-04 THRU: 99-99-99
2	129836-02-02B	EA	ANGLE - W/HOLES - .7" X 1" X 28.3" - E-COATED
3	129836-05-02B	EA	ANGLE - W/HOLES - E-COATED
4	137824-02-02B	EA	BRACKET - MICROWAVE - E-COATED
5	NOT USED		
6	140093-04-02B	EA	DUCT ASM, E-CT - <b>SPEEDCOOK OVEN</b>

**\*COMPONENT PARTS LISTED LATER IN THIS GROUP**

## APPLIANCE GROUP (CONTINUED)

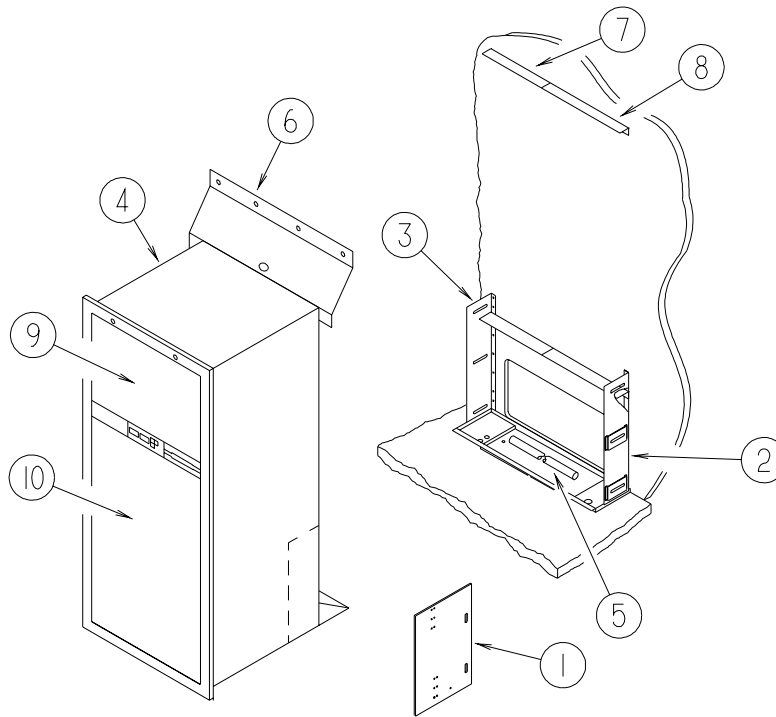
### APPLIANCES (CONTINUED)

#### S34TD, S36GD, S40QD

KEY	PART NUMBER	U/M	DESCRIPTION
1*	119267-12-02A	EA	OVEN - MICROWAVE/CONVECTION W/HOOD US - #R-1874
1*	119267-13-01A	EA	OVEN - MICROWAVE/CONVECTION W/HOOD CSA - #R-1875A - CANADIAN
1*	140147-04-01A	EA	OVEN/MICROWAVE - 1.4 CU FT - ADVANTIUM/STAINLESS STEEL - SPEEDCOOK OVEN FROM: 00-00-00 THRU: 02-22-04
1*	140147-04-02A	EA	OVEN/MICROWAVE - 1.4 CU FT - ADVANTIUM/STAINLESS STEEL - SPEEDCOOK OVEN FROM: 02-23-04 THRU: 99-99-99
2	NOT USED		
3	NOT USED		
4	NOT USED		
5	NOT USED		
6	NOT USED		

\*COMPONENT PARTS LISTED LATER IN THIS GROUP

**APPLIANCE GROUP (CONTINUED)**  
**APPLIANCES (CONTINUED)**



**S34TD**

KEY	PART NUMBER	U/M	DESCRIPTION
1	141975-04-02B	EA	PLATE - TIEDOWN/REFRIGERATOR
2	141550-01-02B	EA	BRACKET/TIEDOWN - REFRIGERATOR - E-COATED
3	141550-02-02B	EA	BRACKET/TIEDOWN - REFRIGERATOR - E-COATED
4*	120075-19-01A	EA	REFRIGERATOR-LGE DBL SST DOOR/LH-W/FAN-PROUD HANDLE(WINN)
5	112176-01-000	FT	TUBING - VINYL - REINFORCED - 1/2" ID
6	136966-04-02B	EA	BAFFLE - REFRIGERATOR - E-COATED
7	143195-01-02B	EA	BAFFLE - REFRIGERATOR - E-COATED
8	143195-02-02B	EA	BAFFLE - REFRIGERATOR - E-COATED
9	NOT USED - USE WOODGRAIN PANELING		
10	NOT USED - USE WOODGRAIN PANELING		
	054450-01-000	EA	LEVEL - REFRIGERATOR
	090329-01-000	FT	SEAL - "T" - REFRIGERATOR CABINET
	136907-01-01A	EA	TRAY - REFRIGERATOR - BLACK

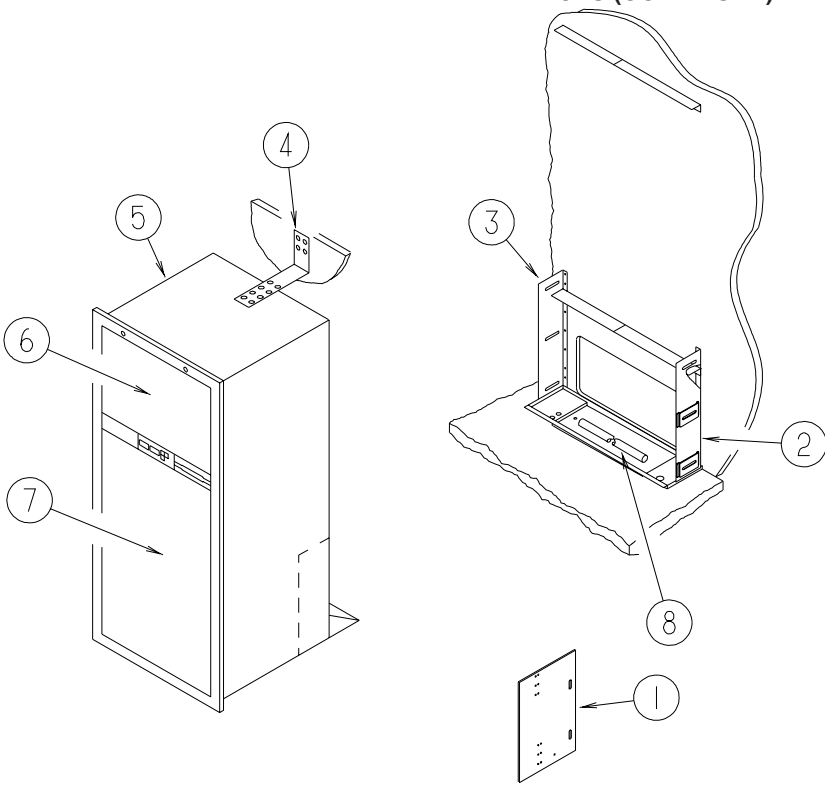
**\*COMPONENT PARTS LISTED LATER IN THIS GROUP**

**S40AD**

KEY	PART NUMBER	U/M	DESCRIPTION
1	141975-04-02B	EA	PLATE/TIEDOWN - REFRIGERATOR - E-COATED
2	141550-01-02B	EA	BRACKET/TIEDOWN - REFRIGERATOR - E-COATED
3	141550-02-02B	EA	BRACKET/TIEDOWN - REFRIGERATOR - E-COATED
4*	120075-18-01A	EA	REFRIGERATOR-LGE DBL SST DOOR/RH-W/FAN-PROUD HANDLE (WINN)
5	NOT USED		
6	136966-04-02B	EA	BAFFLE - REFRIGERATOR - E-COATED
7	143195-01-02B	EA	BAFFLE - REFRIGERATOR - E-COATED
8	143195-02-02B	EA	BAFFLE - REFRIGERATOR - E-COATED
9	NOT USED - USE WOODGRAIN PANELING		
10	NOT USED - USE WOODGRAIN PANELING		
	054450-01-000	EA	LEVEL - REFRIGERATOR
	090329-01-000	FT	SEAL - "T" - REFRIGERATOR CABINET
	145669-01-01A	EA	TRAY - REFRIGERATOR - BLACK

**\*COMPONENT PARTS LISTED LATER IN THIS GROUP**

**APPLIANCE GROUP (CONTINUED)**  
**APPLIANCES (CONTINUED)**

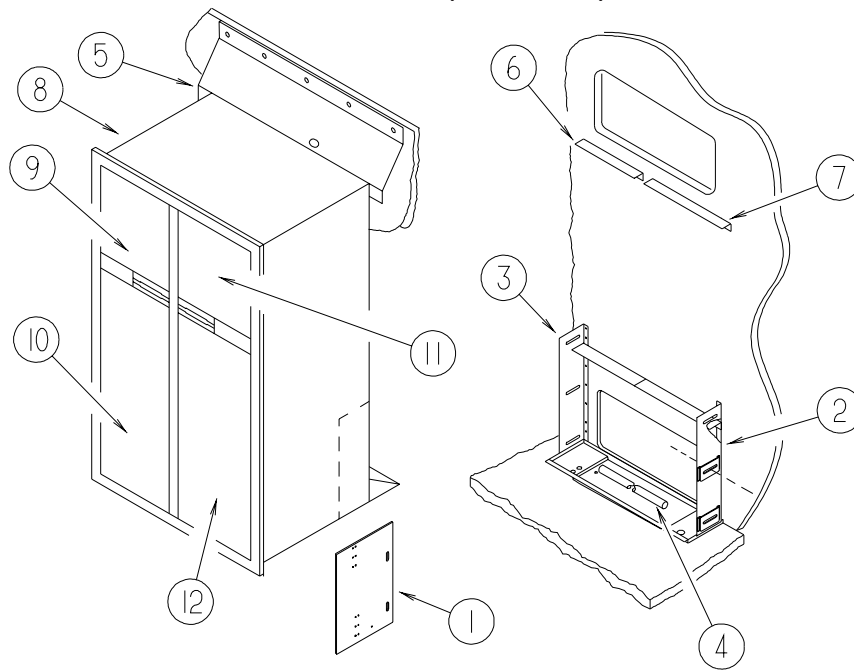


**S36GD, S40KD, S40QD, S40WD**

KEY	PART NUMBER	U/M	DESCRIPTION
1	141975-04-02B	EA	PLATE/TIEDOWN - REFRIGERATOR - E-COATED
2	141550-01-02B	EA	BRACKET/TIEDOWN - REFRIGERATOR - E-COATED
3	141550-02-02B	EA	BRACKET/TIEDOWN - REFRIGERATOR - E-COATED
4	145445-02-02B	EA	STRAP - REFRIGERATOR - E-COATED
5*	120075-18-01A	EA	REFRIGERATOR-LGE DBL SST DOOR/RH/W/FAN-PROUD HANDLE (WINN)
6	NOT USED - USE WOODGRAIN PANELING		
7	NOT USED - USE WOODGRAIN PANELING		
8	112176-01-000	FT	TUBING - VINYL - REINFORCED - 1/2" ID
	054450-01-000	EA	LEVEL - REFRIGERATOR
	090329-01-000	FT	SEAL - "T" - REFRIGERATOR CABINET
	116751-02-01A	EA	TRAY - REFRIGERATOR - BLACK

**\*COMPONENT PARTS LISTED LATER IN THIS GROUP**

**APPLIANCE GROUP (CONTINUED)**  
**APPLIANCES (CONTINUED)**



**S34TD**

KEY	PART NUMBER	U/M	DESCRIPTION
1	141975-04-02B	EA	PLATE/TIEDOWN - REFRIGERATOR - E-COATED
2	141550-01-02B	EA	BRACKET/TIEDOWN - REFRIGERATOR - E-COATED
3	141550-02-02B	EA	BRACKET/TIEDOWN - REFRIGERATOR - E-COATED
4	112176-01-000	FT	TUBING - VINYL - REINFORCED - 1/2" ID
5	136966-03-02B	EA	BAFFLE - REFRIGERATOR - E-COATED
6	143195-01-02B	EA	BAFFLE - REFRIGERATOR - E-COATED
7	143195-02-02B	EA	BAFFLE - REFRIGERATOR - E-COATED
8*	125242-03-01A	EA	REFRIGERATOR - 4 DOOR - W/ICE MAKER - STAINLESS STEEL
9	NOT USED - USE WOODGRAIN PANELING		
10	NOT USED - USE WOODGRAIN PANELING		
11	NOT USED - USE WOODGRAIN PANELING		
12	NOT USED - USE WOODGRAIN PANELING		
	054450-01-000	EA	LEVEL - REFRIGERATOR
	090329-01-000	FT	SEAL - "T" - REFRIGERATOR CABINET
	137495-01-01A	EA	TRAY - REFRIGERATOR - BLACK

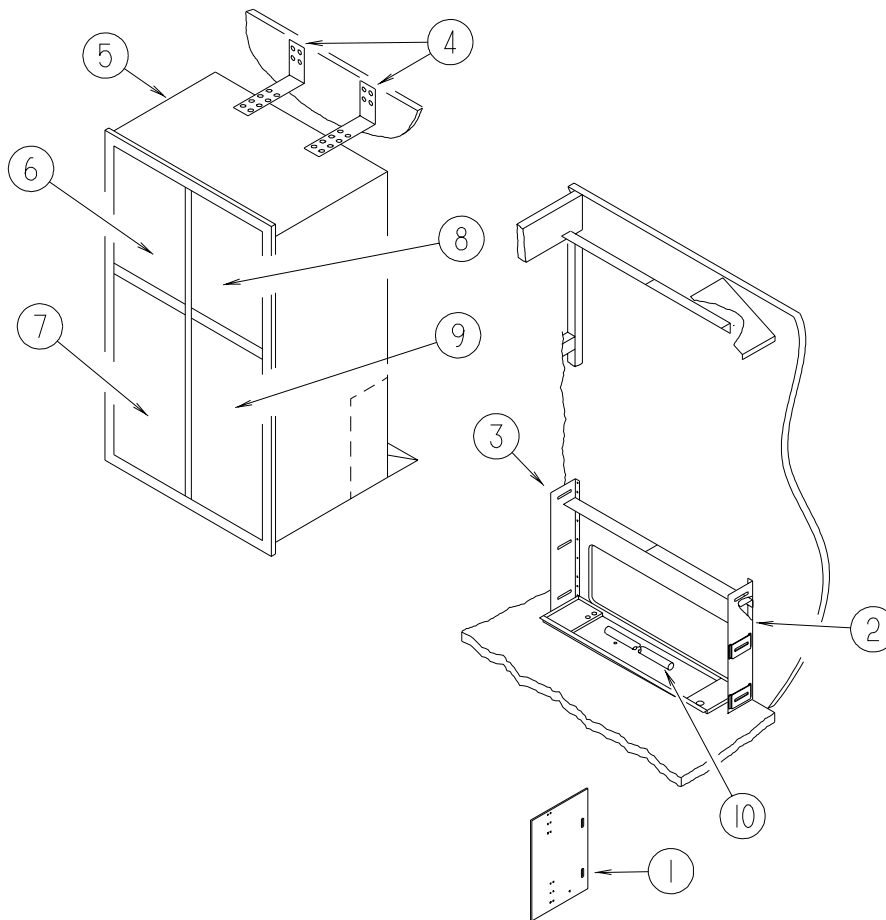
**\*COMPONENT PARTS LISTED LATER IN THIS GROUP**

**S40AD**

KEY	PART NUMBER	U/M	DESCRIPTION
1	141975-04-02B	EA	PLATE/TIEDOWN - REFRIGERATOR - E-COATED
2	141550-01-02B	EA	BRACKET/TIEDOWN - REFRIGERATOR - E-COATED
3	141550-02-02B	EA	BRACKET/TIEDOWN - REFRIGERATOR - E-COATED
4	NOT USED		
5	136966-05-02B	EA	BAFFLE - REFRIGERATOR - E-COATED
6	143195-01-02B	EA	BAFFLE - REFRIGERATOR - E-COATED
7	143195-02-02B	EA	BAFFLE - REFRIGERATOR - E-COATED
8*	125242-03-01A	EA	REFRIGERATOR - 4 DOOR - W/ICE MAKER - STAINLESS STEEL
9	NOT USED - USE WOODGRAIN PANELING		
10	NOT USED - USE WOODGRAIN PANELING		
11	NOT USED - USE WOODGRAIN PANELING		
12	NOT USED - USE WOODGRAIN PANELING		
	054450-01-000	EA	LEVEL - REFRIGERATOR
	090329-01-000	FT	SEAL - "T" - REFRIGERATOR CABINET
	145670-01-01A	EA	TRAY - REFRIGERATOR - BLACK

**\*COMPONENT PARTS LISTED LATER IN THIS GROUP**

**APPLIANCE GROUP (CONTINUED)**  
**APPLIANCES (CONTINUED)**

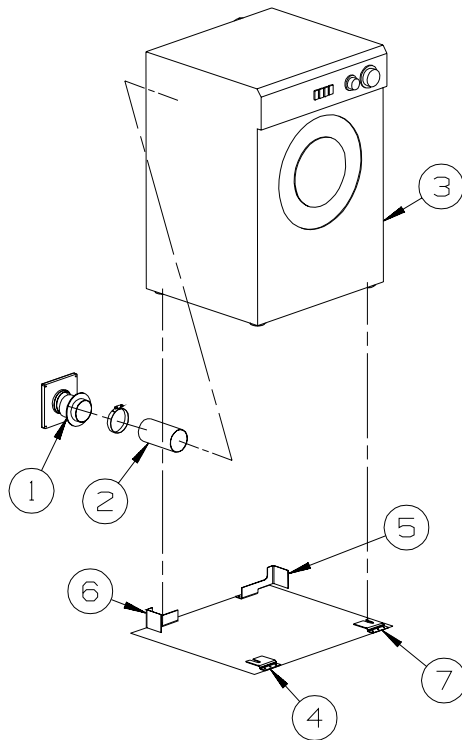


**S36GD, S40KD, S40QD, S40WD**

KEY	PART NUMBER	U/M	DESCRIPTION
1	141975-01-02B	EA	PLATE/TIEDOWN - E-COATED
2	141550-01-02B	EA	BRACKET/TIEDOWN - REFRIGERATOR - E-COATED
3	141550-02-02B	EA	BRACKET/TIEDOWN - REFRIGERATOR - E-COATED
4	145445-02-02B	EA	STRAP - REFRIGERATOR - E-COATED
5*	125242-03-01A	EA	REFRIGERATOR - 4 DOOR - W/ICE MAKER - STAINLESS STEEL
6	NOT USED - USE WOODGRAIN PANELING		
7	NOT USED - USE WOODGRAIN PANELING		
8	NOT USED - USE WOODGRAIN PANELING		
9	NOT USED - USE WOODGRAIN PANELING		
10	112176-01-000	FT	TUBING - VINYL - REINFORCED - 1/2" ID
	054450-01-000	EA	LEVEL - REFRIGERATOR
	090329-01-000	FT	SEAL - "T" - REFRIGERATOR CABINET
	118871-02-01A	EA	TRAY - REFRIGERATOR - SIDE/SIDE - BLACK - 34.4" LONG - S40QD, S40WD
	118871-05-01A	EA	TRAY - REFRIGERATOR - SIDE/SIDE - BLACK - 35.5" LONG - S36GD, S40KD

**\*COMPONENT PARTS LISTED LATER IN THIS GROUP**

**APPLIANCE GROUP (CONTINUED)**  
**APPLIANCES (CONTINUED)**



**S34TD, S36GD, S40AD, S40KD, S40WD**

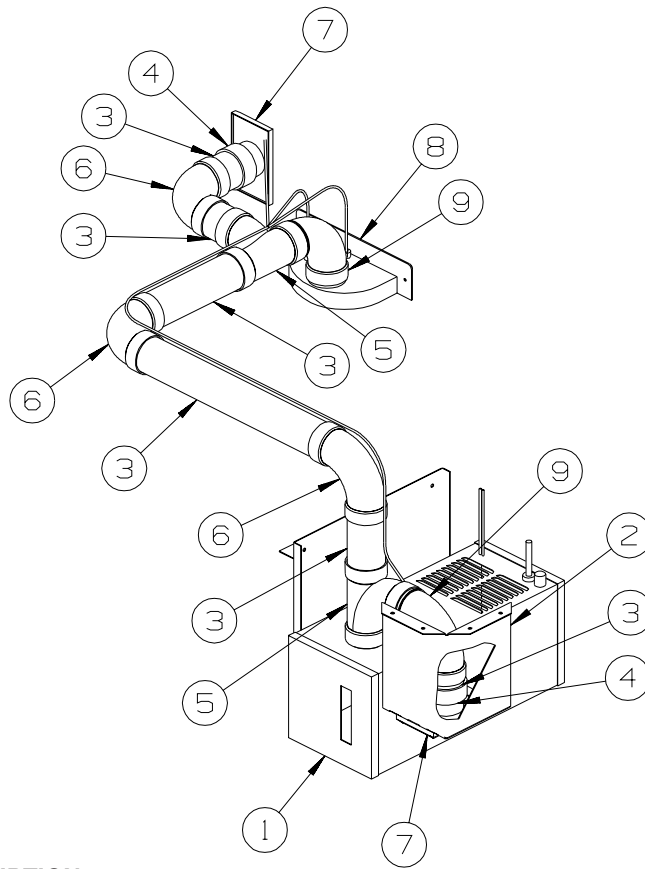
KEY	PART NUMBER	U/M	DESCRIPTION
1	111947-02-01A	EA	VENT - DRYER - 3" FROM: 00-00-00 THRU: 08-17-03
1	146292-01-01A	EA	COVER - DRYER VENT - BRIGHT WHITE FROM: 08-18-03 THRU: 99-99-99
1	146292-02-01A	EA	DRYER VENT - INNER - BRIGHT WHITE FROM: 08-18-03 THRU: 99-99-99
2	116653-02-000	FT	DUCT - FLEXIBLE - 3' COMPRESSED/8' EXTENDED
3	107753-04-01A	EA	WASHER - DRYER - VENTED - UL/CSA - WHITE
4	111913-02-04B	EA	BRACKET/WASHER - TIE DOWN - BLACK
5	113795-01-02B	EA	BRACKET - WASHER - E-COATED
6	113795-02-02B	EA	BRACKET - WASHER - E-COATED
7	111913-03-04B	EA	BRACKET/WASHER - TIE DOWN - BLACK

**S40QD**

KEY	PART NUMBER	U/M	DESCRIPTION
1	111947-02-01A	EA	VENT - DRYER - 3" FROM: 00-00-00 THRU: 08-17-03
1	146292-01-01A	EA	COVER - DRYER VENT - BRIGHT WHITE FROM: 08-18-03 THRU: 99-99-99
1	146292-02-01A	EA	DRYER VENT - INNER - BRIGHT WHITE FROM: 08-18-03 THRU: 99-99-99
2	116653-02-000	FT	DUCT - FLEXIBLE - 3' COMPRESSED/8' EXTENDED
3	107753-04-01A	EA	WASHER - DRYER - VENTED - UL/CSA - WHITE
4	111913-02-04B	EA	BRACKET/WASHER - TIE DOWN - BLACK
5	113795-03-02B	EA	BRACKET - WASHER - E-COATED
6	113795-04-02B	EA	BRACKET - WASHER - E-COATED
7	111913-03-04B	EA	BRACKET/WASHER - TIE DOWN - BLACK



**APPLIANCE GROUP (CONTINUED)**  
**APPLIANCES (CONTINUED)**



KEY	PART NUMBER	U/M	DESCRIPTION
1*	108186-03-000	EA	VACUUM CLEANER - BUILT IN - W/O HOSE/TOOL KIT
1*	108186-02-000	EA	TOOL SET - VACUUM - W/O POWER BRUSH W/30' HOSE
2	146946-02-02B	EA	BRACKET - CENTRAL VACUUM - E-COATED
3	108187-01-000	EA	PIPE - 2" X 8' - VACUUM SYSTEM - PVC
4	108187-06-000	EA	INLET - REDUCER
5	108187-10-000	EA	TEE - 90 DEGREE - TY 2"
6	108187-12-000	EA	ELBOW - 90 DEGREE - 2"SPGXSPG
7	108187-13-000	EA	VALVE/INLET - VACUUM CLEANER - WHITE
8	142348-01-000	EA	VACPAN-WHITE
9	108187-02-000	EA	ELBOW - 90 DEGREE STREET - VACUUM SYSTEM - PVC

**\*COMPONENT PARTS LISTED LATER IN THIS GROUP**

**APPLIANCE GROUP (CONTINUED)**  
**COMPONENT PARTS FOR APPLIANCES**

**108186-02-000**

<b>KEY</b>	<b>PART NUMBER</b>	<b>U/M</b>	<b>DESCRIPTION</b>	<b>VENDOR NO.</b>
	092304-02-702	EA	TOOL-RUG	4982
	092304-02-707	EA	TOOL-UPHOLSTERY	7029
	092304-02-708	EA	WAND-PLASTIC	4978
	092304-02-709	EA	HOSE ASM., 30' COMPLETE	4988-30-G

**108186-03-000**

<b>KEY</b>	<b>PART NUMBER</b>	<b>U/M</b>	<b>DESCRIPTION</b>	<b>VENDOR NO.</b>
	092304-02-700	EA	BRUSH-POWER, VACUUM (RUGRAT)	6970
	092304-02-702	EA	TOOL-RUG	4982
	092304-02-707	EA	TOOL-UPHOLSTERY	7029
	092304-02-708	EA	WAND-PLASTIC	4978
	092304-02-709	EA	HOSE ASM., 30' COMPLETE	4988-30-G
	092304-02-710	EA	SECONDARY FILTER	4929
	108186-03-700	EA	PAPER BAG - 3-PKG	7767
	108186-03-701	EA	MOTOR F/RV2000	7756
	108186-03-702	EA	REDUCER	5531
	108186-03-703	EA	VALVE - INLET - WHITE	4935
	108186-03-704	EA	BRUSH - TURBINE (HAND HELD)	7834-B

**115504-01-000**

<b>KEY</b>	<b>PART NUMBER</b>	<b>U/M</b>	<b>DESCRIPTION</b>	<b>VENDOR NO.</b>
	115504-01-700	EA	PLUG & CABLE, 10 WATT PANEL	600-016

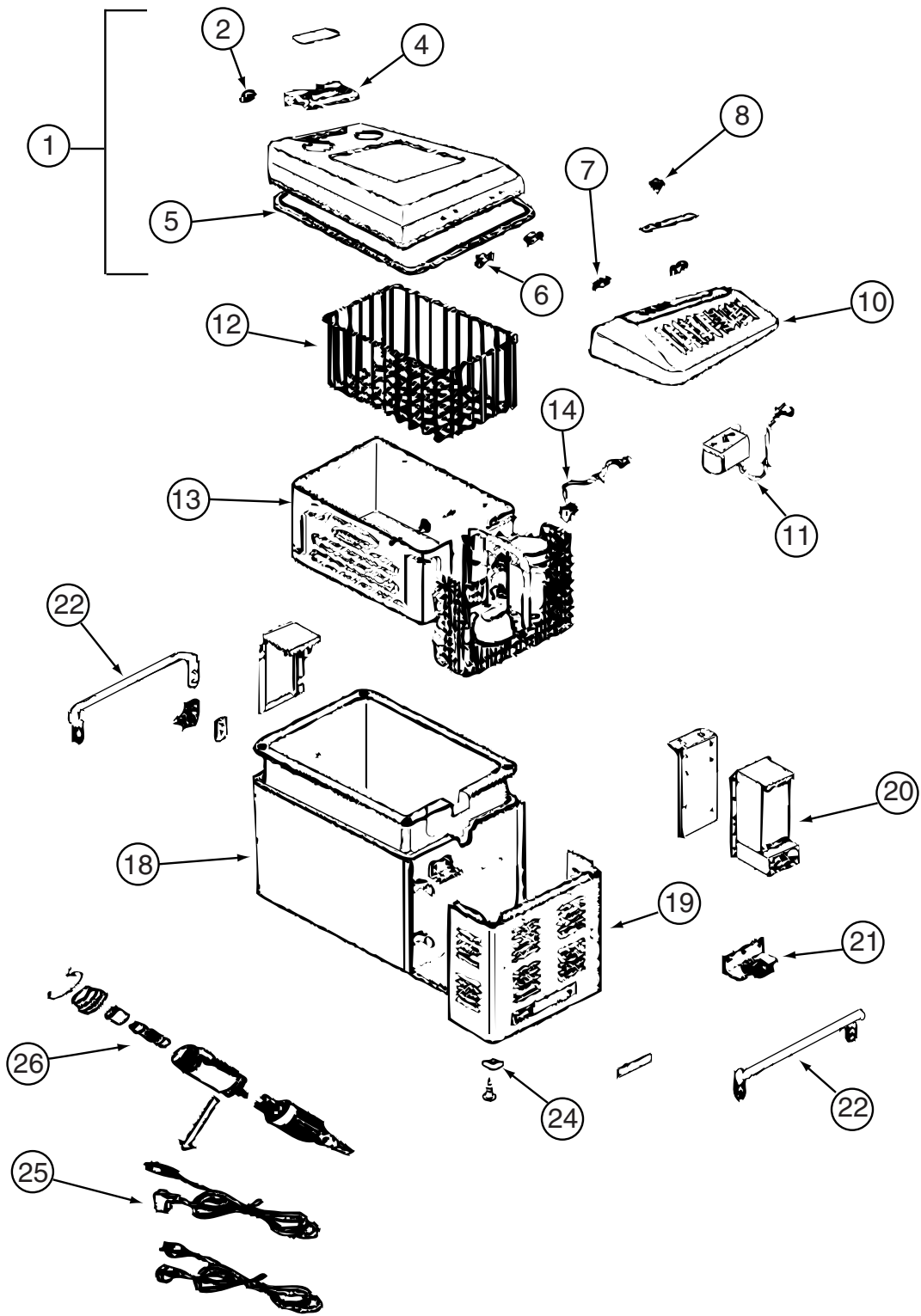
**119267-12-02A**

<b>KEY</b>	<b>PART NUMBER</b>	<b>U/M</b>	<b>DESCRIPTION</b>	<b>VENDOR NO.</b>
	119267-04-700	EA	FILTER-GREASE	BOO2
	119267-04-703	EA	PLATE - MOUNTING	FANGTB003MRYO
	119267-04-704	EA	LIGHT COVER-F/MOD R1480/1850	FANGKB009MRYO
	119267-04-705	EA	SCREW	LX-BZB011MREO
	119267-12-700	EA	LOUVER-EXHAUST	PDIF-BO32MRFO

**119267-13-01A**

<b>KEY</b>	<b>PART NUMBER</b>	<b>U/M</b>	<b>DESCRIPTION</b>	<b>VENDOR NO.</b>
	119267-04-700	EA	FILTER-GREASE	BOO2

**APPLIANCE GROUP (CONTINUED)**  
**COMPONENT PARTS FOR APPLIANCES (CONTINUED)**



119296-03-01A

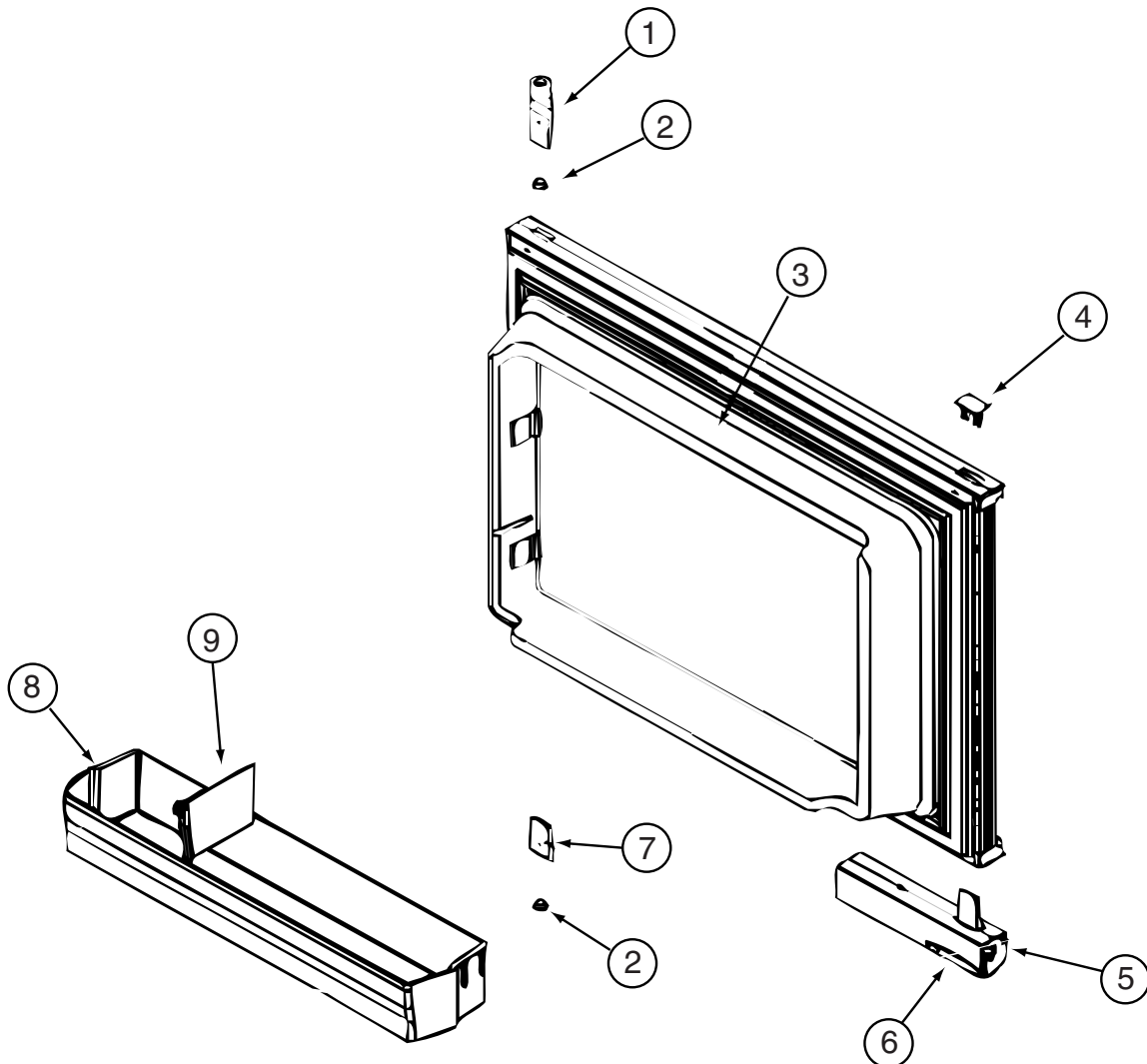
**APPLIANCE GROUP (CONTINUED)**  
**COMPONENT PARTS FOR APPLIANCES (CONTINUED)**

**119296-03-01A (CONTINUED)**

<b>KEY</b>	<b>PART NUMBER</b>	<b>U/M</b>	<b>DESCRIPTION</b>	<b>VENDOR NO.</b>
1	119296-03-700	EA	DOOR ASSEMBLY/STAT/EVAPORATOR	160044800
2	119296-03-701	EA	LATCH ASSEMBLY	160935600
4	119296-01-702	EA	HANDLE-DOOR	422500401
5	119296-03-702	EA	DOOR GASKET	414803100
6	119296-03-703	EA	HINGE ASSEMBLY SET	160934500
8	119296-01-709	EA	DIAL ASSEMBLY, THERMOSTAT	160206700
10	119296-03-704	EA	MOTOR COVER ASSEMBLY	160220300
11	119296-03-705	EA	THERMOSTAT	160116910
12	119296-03-706	EA	BASKET	523003800
13	119296-03-707	EA	COOLING UNIT	161011610
14	119296-02-703	EA	THERMISTER - EVAPORATOR	605505410
18	119296-03-708	EA	CABINET ASSEMBLY	160044700
19	119296-03-709	EA	COVER ASSEMBLY-CASE	160934700
20	119296-03-710	EA	POWER SUPPLY	160116810
21	119296-02-706	EA	FAN ASSEMBLY	160928900
22	119296-03-711	EA	HANDLE-CABINET	32330100
24	119296-03-712	EA	CUSHION-CORNER	427400930
25	119296-03-713	EA	CORD ASSEMBLY-DC	191240400
26	119296-03-714	EA	FUSE-SPECIAL TERMINAL	160300200

CONTACT WINNEBAGO PART SALES FOR UNLISTED COMPONENT(S)

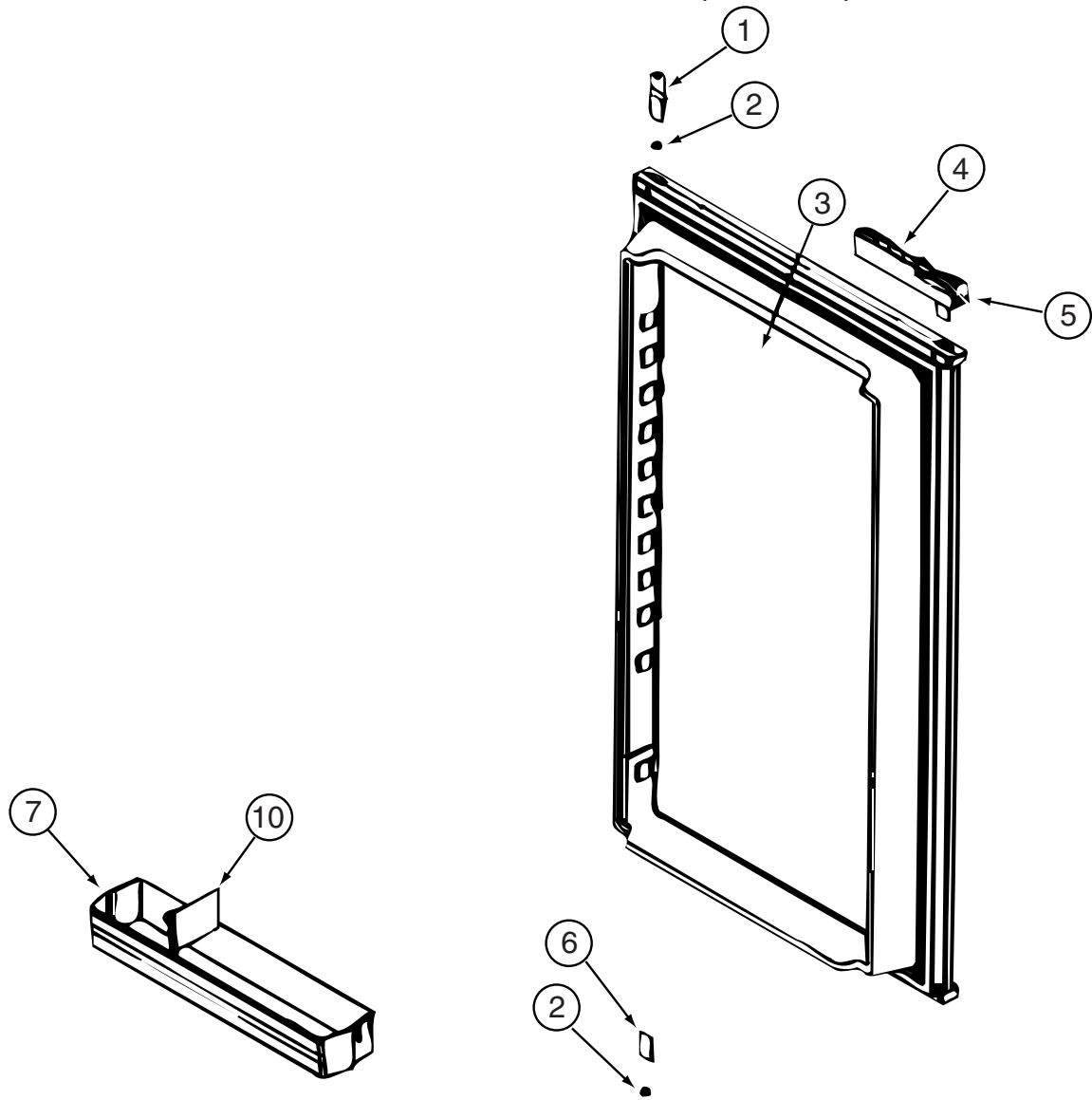
**APPLIANCE GROUP (CONTINUED)**  
**COMPONENT PARTS FOR APPLIANCES (CONTINUED)**



120075-16-01A, 120075-17-01A, 120075-18-01A, 120075-19-01A, 120075-21-01A, 122075-22-01A

KEY	PART NUMBER	U/M	DESCRIPTION	VENDOR NO.
1	120075-01-701	EA	HINGE-TOP RH/BOTTOM LH(DOOR)	618511
2	121568-03-701	EA	BUSHING - HINGE PIN/GRAY	619671
3	120075-16-700	EA	LINER/DOOR-UPR WRAPPED SS	623272
4	120075-01-702	EA	CAP, (HINGE PLUG)	618160
5	120075-12-700	EA	HANDLE(CONTOUR) TOP LH/BTM RH	621105
5	120075-12-701	EA	HANDLE(CONTOUR) TOP RH/BTM LH	621104
6	121568-03-705	EA	STORAGE LATCH - GRAY	619648
7	120075-01-705	EA	HINGE-TOP LH/BOTTOM RH(DOOR)	618510
8	120075-07-700	EA	DOOR BIN - SMALL/CLEAR	619006
9	120075-07-701	EA	DIVIDER/DOOR BIN CLEAR	619008

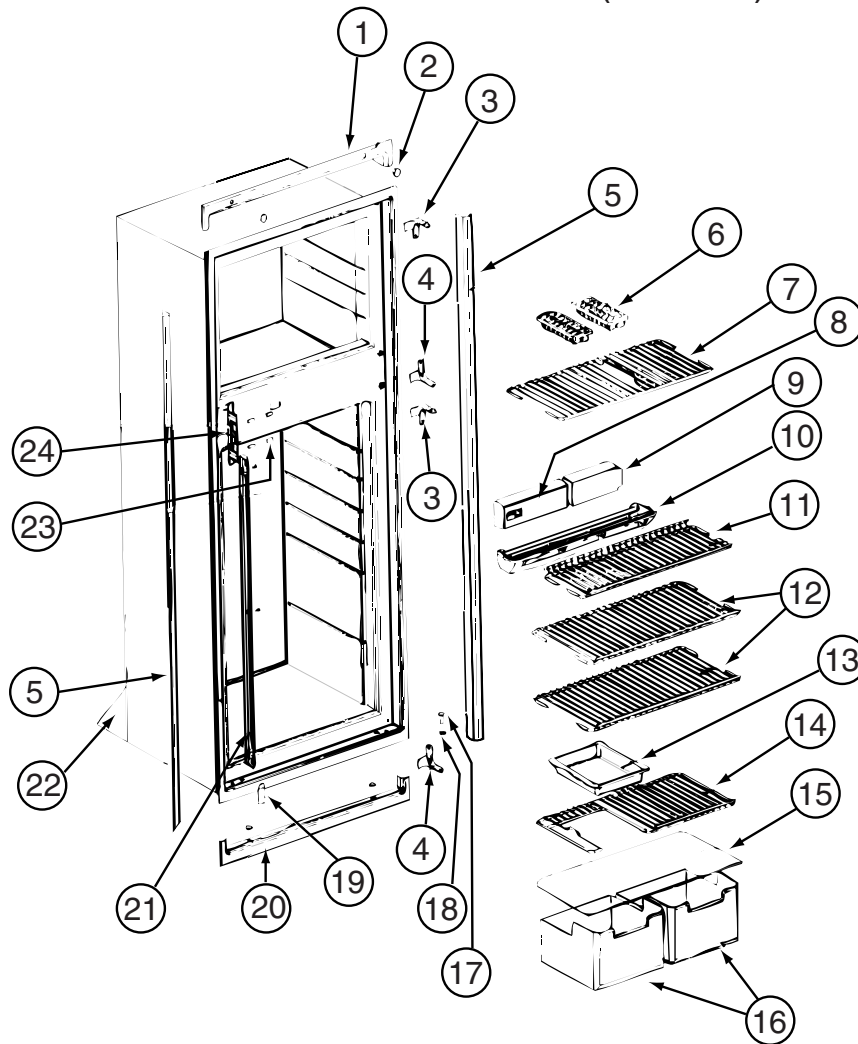
**APPLIANCE GROUP (CONTINUED)**  
**COMPONENT PARTS FOR APPLIANCES (CONTINUED)**



120075-16-01A, 120075-17-01A, 120075-18-01A, 120075-19-01A, 120075-21-01A, 120075-22-01A (CONTINUED)

KEY	PART NUMBER	U/M	DESCRIPTION	VENDOR NO.
1	120075-01-701	EA	HINGE-TOP RH/BOTTOM LH(DOOR)	618511
2	121568-03-701	EA	BUSHING - HINGE PIN/GRAY	619671
3	120075-16-701	EA	LINER/DOOR-LWR WRAPPED SS	623273
4	120075-12-700	EA	HANDLE(CONTOUR) TOP LH/BTM RH	621105
4	120075-12-701	EA	HANDLE(CONTOUR) TOP RH/BTM LH	621104
5	121568-03-705	EA	STORAGE LATCH - GRAY	619648
6	120075-01-705	EA	HINGE-TOP LH/BOTTOM RH(DOOR)	618510
7	120075-07-700	EA	DOOR BIN - SMALL/CLEAR	619006
7	120075-07-704	EA	DOOR BIN - LARGE/CLEAR	619005
10	120075-07-701	EA	DIVIDER/DOOR BIN CLEAR	619008

**APPLIANCE GROUP (CONTINUED)**  
**COMPONENT PARTS FOR APPLIANCES (CONTINUED)**

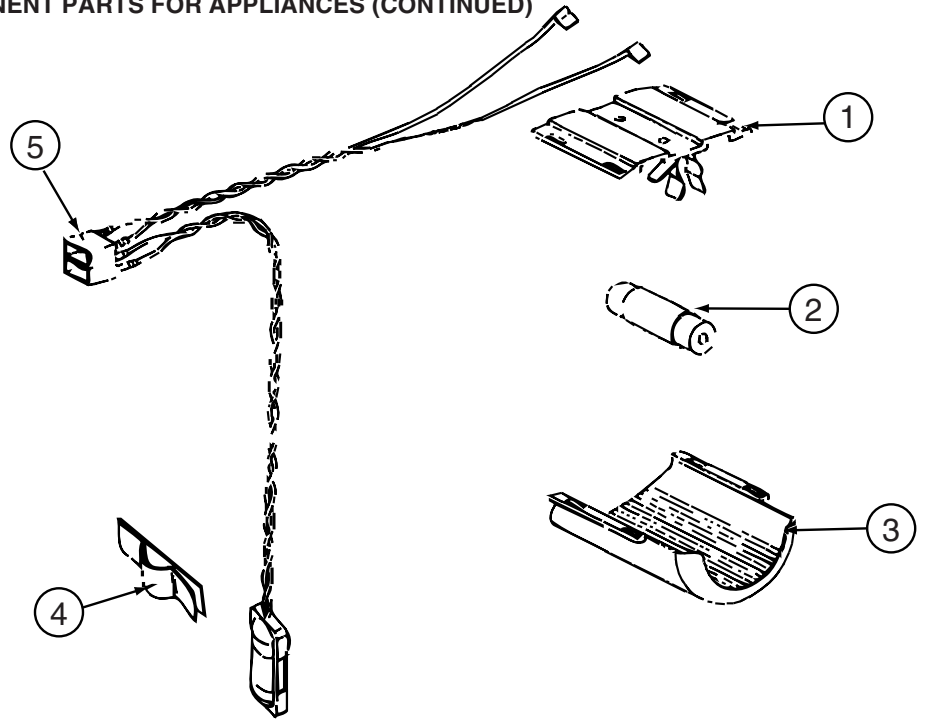


**120075-16-01A THRU 120075-23-01A (CONTINUED)**

KEY	PART NUMBER	U/M	DESCRIPTION	VENDOR NO.
1	120075-20-700	EA	TRIM/TOP ASM W/INSERTS-BLACK	622319
2	120075-01-714	EA	PLUG-HOLE (BLACK)	618170
3	121568-03-710	EA	HINGE/CABINET-TOP/RH-LWR/LH	619335
4	121568-03-715	EA	HINGE/CABINET-TOP/LH-LWR/RH	619336
5	120075-07-705	EA	TRIM - SIDE - BLACK	622296
6	104137-06-724	EA	ICE TRAY	61630422
7	121568-03-712	EA	SHELF-WIRE NON ICE MAKER MDL	620250
8	120075-07-707	EA	CONTROL BOX - BLACK	619665
9	121568-03-713	EA	FRONT BOX/DECORATIVE-BLACK	619282
10	120075-20-701	EA	TRAY/DRIP(INSIDE 1 PC)LOUVER	623250
11	120075-01-722	EA	SHELF-WIRE, SHORT	620269
12	120075-01-723	EA	SHELF-WIRE	620270
13	104137-06-718	EA	SHELF-TRAY, WHITE, W/CUTOUT	617756
14	120075-20-703	EA	SHELF - WIRE W/CUTOUT	620268
15	120075-01-725	EA	COVER-CRISPER	618158
16	120075-07-708	EA	CRISPER/ICE BIN	619007
17	120075-01-727	EA	PIN-HINGE	618145
18	121568-03-701	EA	BUSHING - HINGE PIN/GRAY	619671
19	121568-03-716	EA	COVER - HINGE HOLES	619301
20	120075-20-702	EA	TRIM PC(FOAM/TAPE)BTM BLACK	622323
21	120075-01-730	EA	RETAINER-SHELF(SER#926684 DN	618181
21	125242-02-720	EA	RETAINER/SHELF(SER#926685 UP	622033
23	121568-06-703	EA	HOLE PLUG - WHITE	620282
24	120075-01-732	EA	PLATE-STRIKE	618167

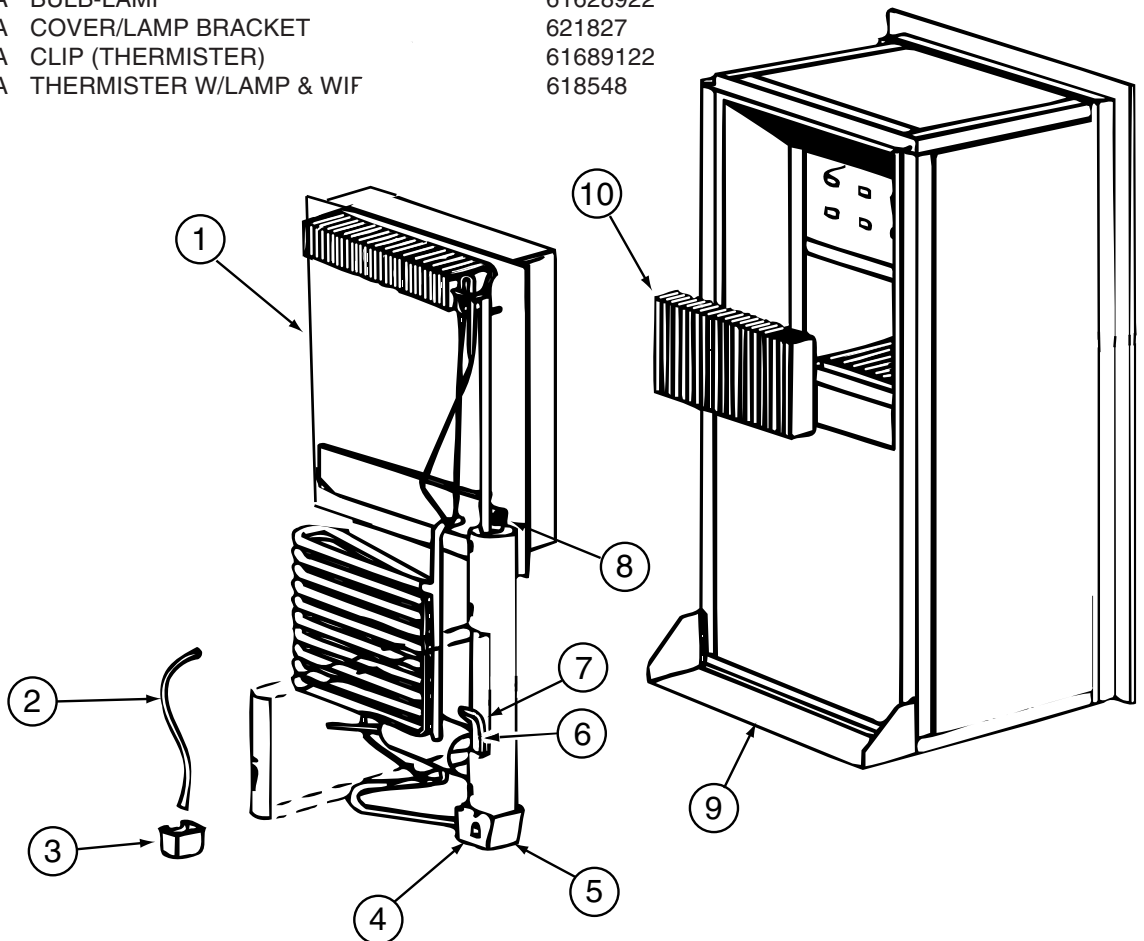
CONTACT WINNEBAGO PART SALES FOR UNLISTED COMPONENT(S)

**APPLIANCE GROUP (CONTINUED)**  
**COMPONENT PARTS FOR APPLIANCES (CONTINUED)**



**120075-16-01A THRU 120075-23-01A (CONTINUED)**

KEY	PART NUMBER	U/M	DESCRIPTION	VENDOR NO.
1	084880-03-705	EA	BRACKET-LIGHT-INTERIOR	61629722
2	084880-03-706	EA	BULB-LAMP	61628922
3	125242-02-708	EA	COVER/LAMP BRACKET	621827
4	084880-01-760	EA	CLIP (THERMISTER)	61689122
5	120075-01-735	EA	THERMISTER W/LAMP & WIF	618548



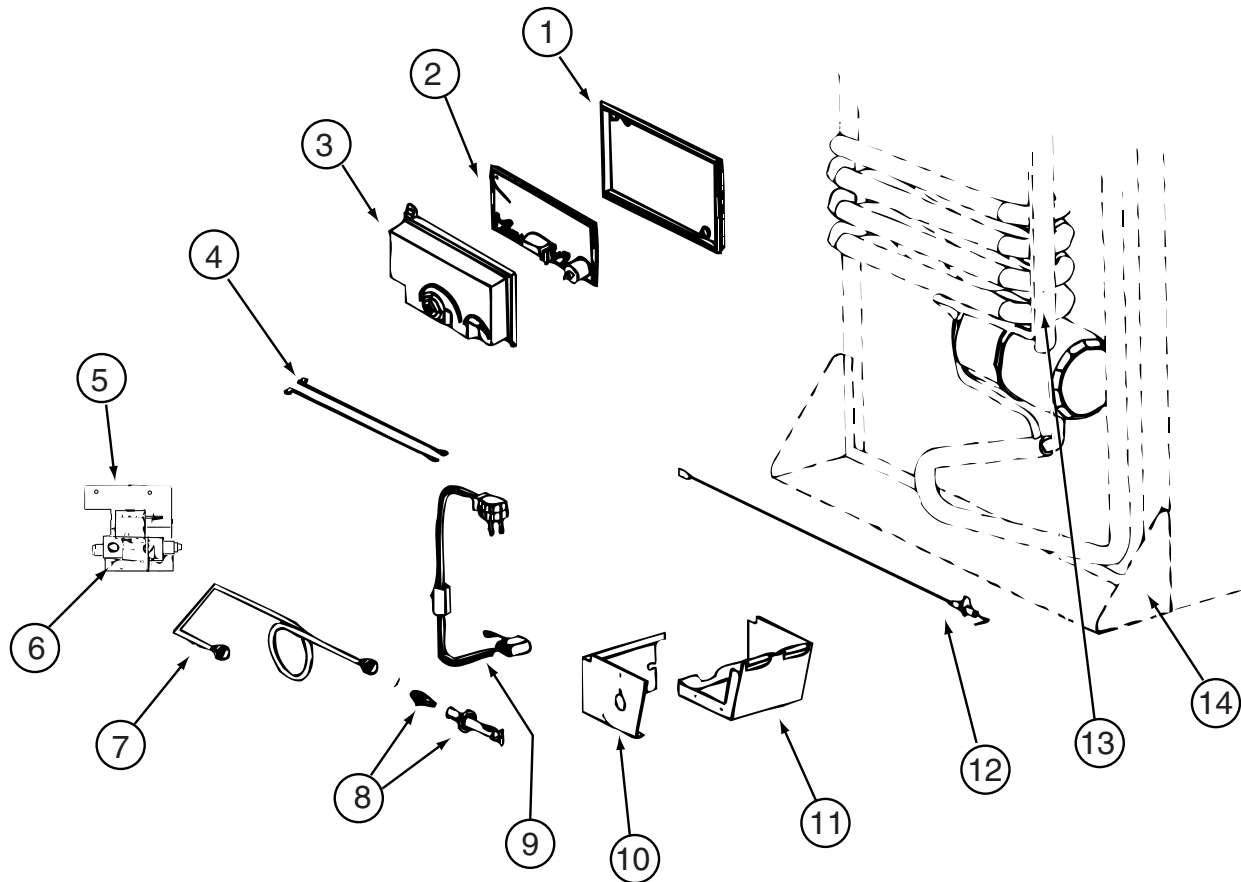
**120075-16-01A THRU 120075-23-01A (CONTINUED)**

KEY	PART NUMBER	U/M	DESCRIPTION	VENDOR NO.
1	120075-01-736	EA	COOLING UNIT, SERVICE PACK	618542
6	121568-06-704	EA	HEATER-AC/300W/120VAC	621702

CONTACT WINNEBAGO PART SALES FOR UNLISTED COMPONENT(S)



**APPLIANCE GROUP (CONTINUED)**  
**COMPONENT PARTS FOR APPLIANCES (CONTINUED)**

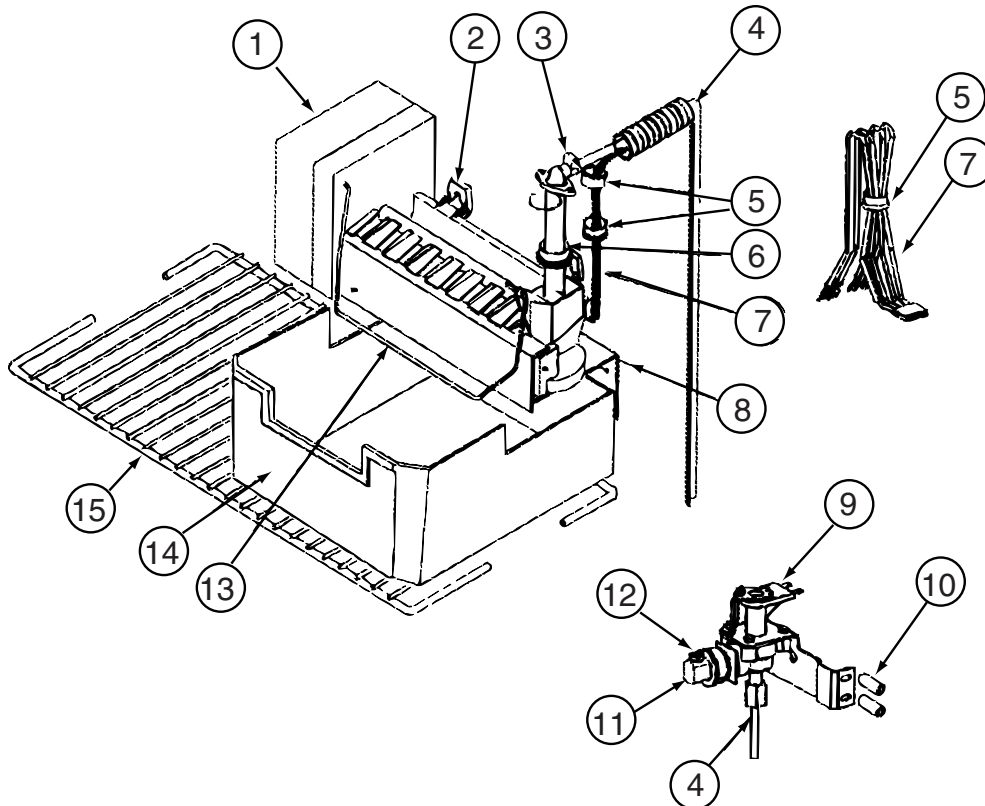


**120075-16-01A THRU 120075-23-01A (CONTINUED)**

KEY	PART NUMBER	U/M	DESCRIPTION	VENDOR NO.
1	120075-01-740	EA	COVER-BASE, POWER BOARD	618186
2	120075-20-704	EA	KIT-POWER BOARD/EG2-2 WAY	621269001
3	120075-01-738	EA	COVER-POWER BOARD	618185
4	125242-02-709	EA	WIRE/WHITE/9"/GAS VALVE	621448
5	125242-02-710	EA	GAS VALVE/BRKT/WIRES COMB.	621334
6	121568-06-706	EA	GAS VALVE-COMBO/WRENCH FLAT	621329
7	120075-20-705	EA	TUBE/BURNER - N8/N6	620033
8	121568-06-708	EA	BURNER/ORFICE-ADAPTER KIT	621957
12	104137-06-715	EA	ELECTRODE-SPARK/SENSOR, SGL	61692222

CONTACT WINNEBAGO PART SALES FOR UNLISTED COMPONENT(S)

**APPLIANCE GROUP (CONTINUED)**  
**COMPONENT PARTS FOR APPLIANCES (CONTINUED)**



**120075-16-01A, 120075-17-01A, 120075-18-01A, 120075-19-01A, 120075-20-01A, 120075-23-01A (CONTINUED)**

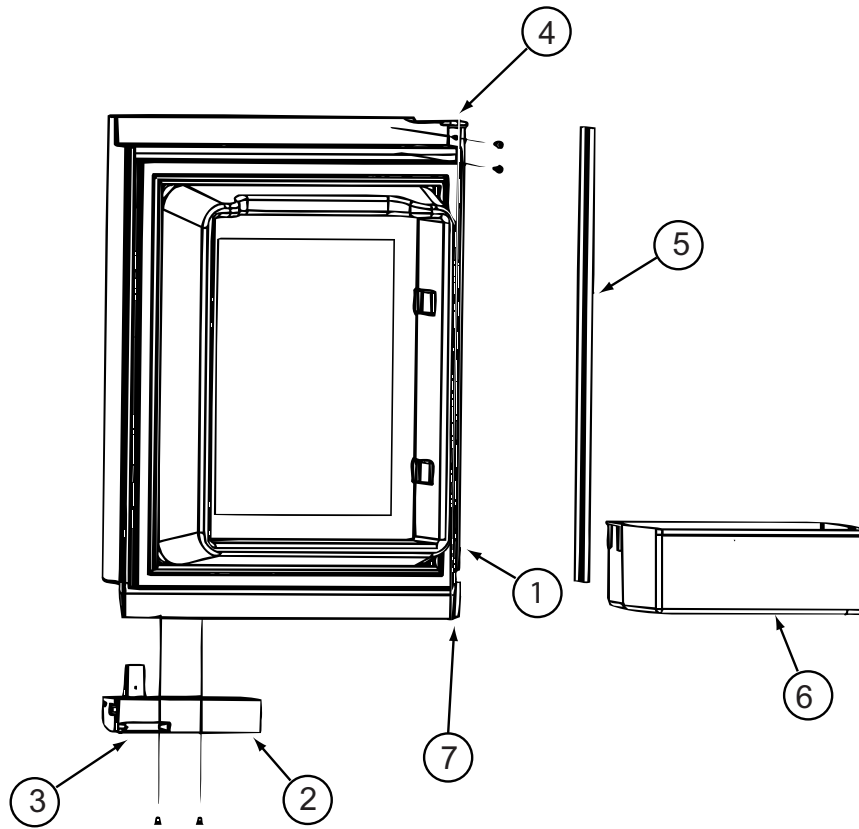
KEY	PART NUMBER	U/M	DESCRIPTION	VENDOR NO.
2	094039-07-706	EA	ICE MAKER W/O PLATES	61656522
9	120075-03-701	EA	VALVE ASM., WATER, W/BACKET	618253
13	120075-03-703	EA	ARM-SHUT OFF	61656922
14	120075-07-708	EA	CRISPER/ICE BIN	619007
15	120075-07-706	EA	SHELF-WIRE F/ICEMAKER MODELS	620249

CONTACT WINNEBAGO PART SALES FOR UNLISTED COMPONENTS

**120075-18-01A, 120075-19-01A, 120075-20-01A (CONTINUED)**

KEY	PART NUMBER	U/M	DESCRIPTION	VENDOR NO.
	113737-01-754	EA	THERMOSTAT (FAN 12V DC)	618093
	125242-01-729	EA	FAN-EXTERNAL DC	618856
	125242-01-730	EA	BRACKET-DC FAN	618857

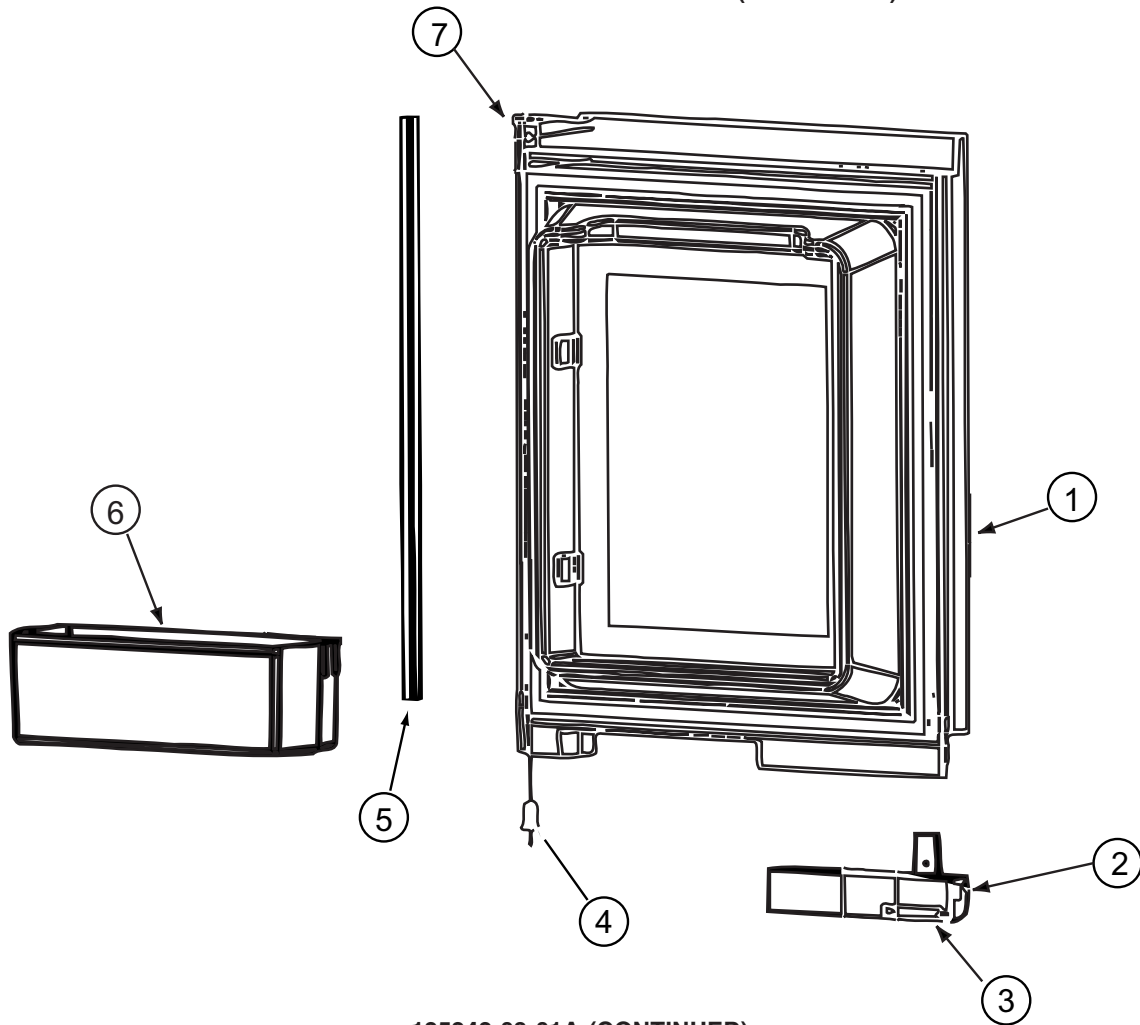
**APPLIANCE GROUP (CONTINUED)**  
**COMPONENT PARTS FOR APPLIANCES (CONTINUED)**



125242-03-01A

KEY	PART NUMBER	U/M	DESCRIPTION	VENDOR NO.
1	125242-03-708	EA	LINER-FOAMED/UPPER LH/SS	623811
2	125242-02-700	EA	HANDLE(CONTOUR)TOP LH BTM RH	621107
3	125242-02-722	EA	LATCH-STORAGE DR/BLK POINTED	619374
4	125242-02-724	EA	HINGE - DOOR	618792
5	125242-02-723	EA	RETAINER/PANEL-UPPER DOOR	623166
6	125242-03-704	EA	BIN - DOOR SHELF	622831
7	125242-01-704	EA	BUSHING-HINGE MIDDLE	618746
	125242-03-700	EA	DOOR-COMP UPR/LH(SS WRAPPED)	623924

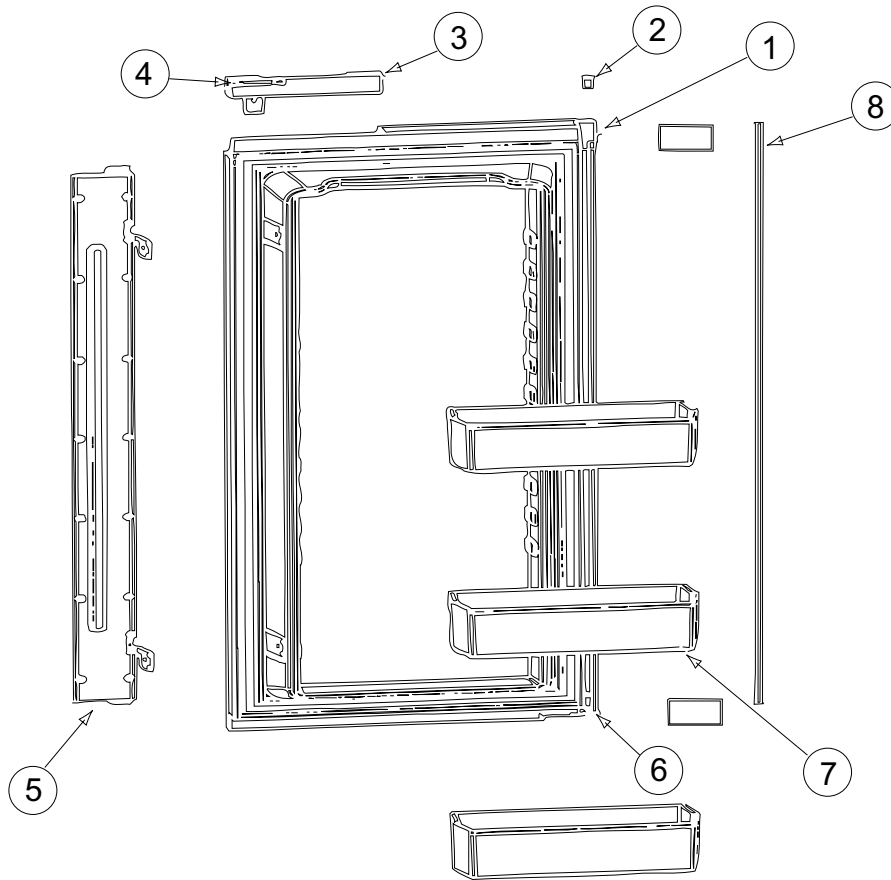
**APPLIANCE GROUP (CONTINUED)**  
**COMPONENT PARTS FOR APPLIANCES (CONTINUED)**



**125242-03-01A (CONTINUED)**

KEY	PART NUMBER	U/M	DESCRIPTION	VENDOR NO.
1	125242-03-707	EA	LINER-FOAMED/UPPER RH/SS	623812
2	125242-02-701	EA	HANDLE(CONTOUR)TOP RH LWR LH	621106
3	125242-02-722	EA	LATCH-STORAGE DR/BLK POINTED	619374
4	125242-01-704	EA	BUSHING-HINGE MIDDLE	618746
5	125242-02-723	EA	RETAINER/PANEL-UPPER DOOR	623166
6	125242-03-704	EA	BIN - DOOR SHELF	622831
7	125242-02-724	EA	HINGE - DOOR	618792
	125242-03-701	EA	DOOR-COMP UPR/RH(SS WRAPPED)	623925

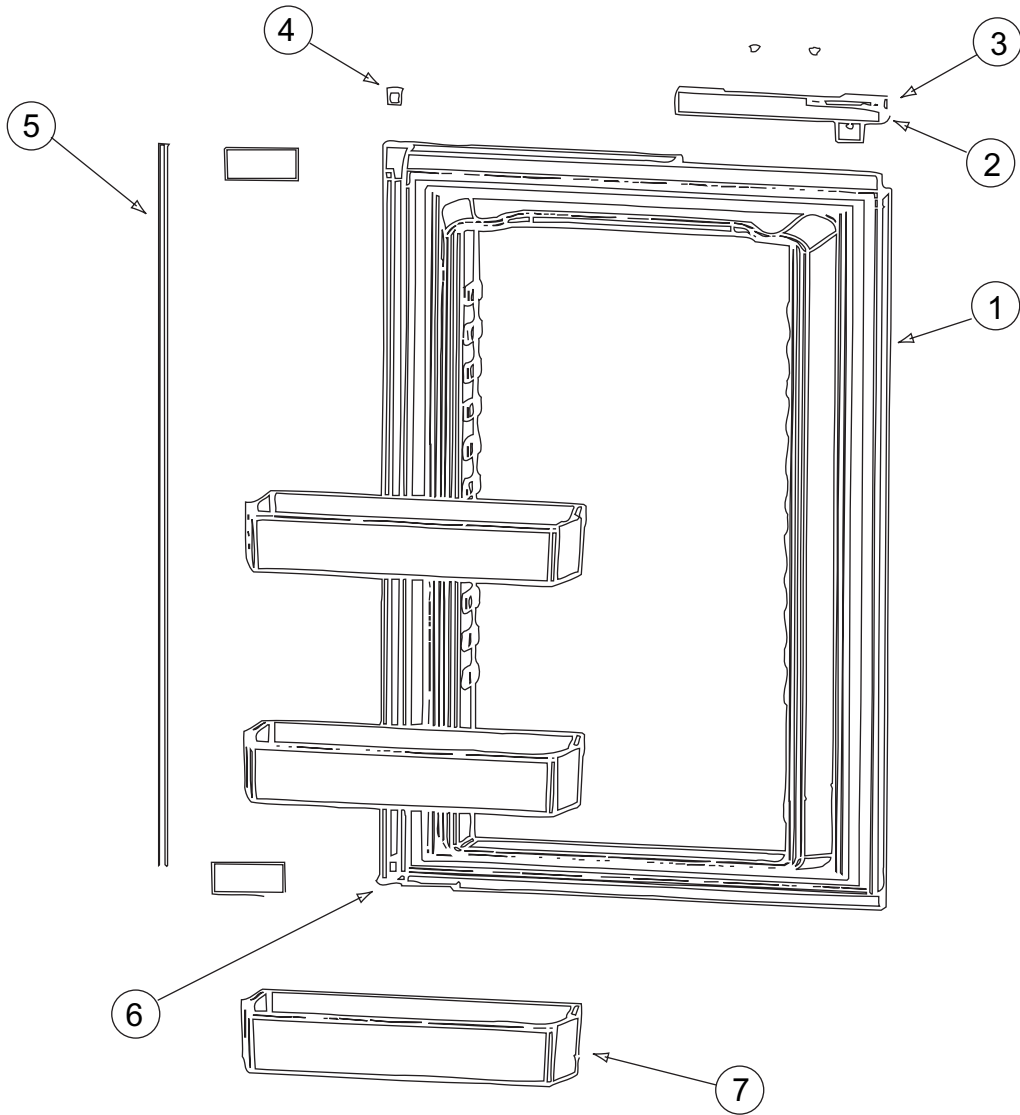
**APPLIANCE GROUP (CONTINUED)**  
**COMPONENT PARTS FOR APPLIANCES (CONTINUED)**



**125242-03-01A (CONTINUED)**

KEY	PART NUMBER	U/M	DESCRIPTION	VENDOR NO.
1	125242-03-710	EA	LINER-FOAMED/LOWER LH/SS	623813
2	125242-01-704	EA	BUSHING-HINGE MIDDLE	618746
3	125242-02-701	EA	HANDLE(CONTOUR)TOP RH LWR LH	621106
4	125242-02-722	EA	LATCH-STORAGE DR/BLK POINTED	619374
5	125242-03-705	EA	FLAPPER ASM.-DBL POLE BLACK	623887
6	125242-02-724	EA	HINGE - DOOR	618792
7	125242-03-704	EA	BIN - DOOR SHELF	622831
8	125242-02-728	EA	RETAINER/PANEL - LOWER	623167
	125242-03-702	EA	DOOR-COMP LWR/LH(SS WRAPPED)	623926
	125242-03-706	EA	PROBE - CONTACT/LARGE	620689

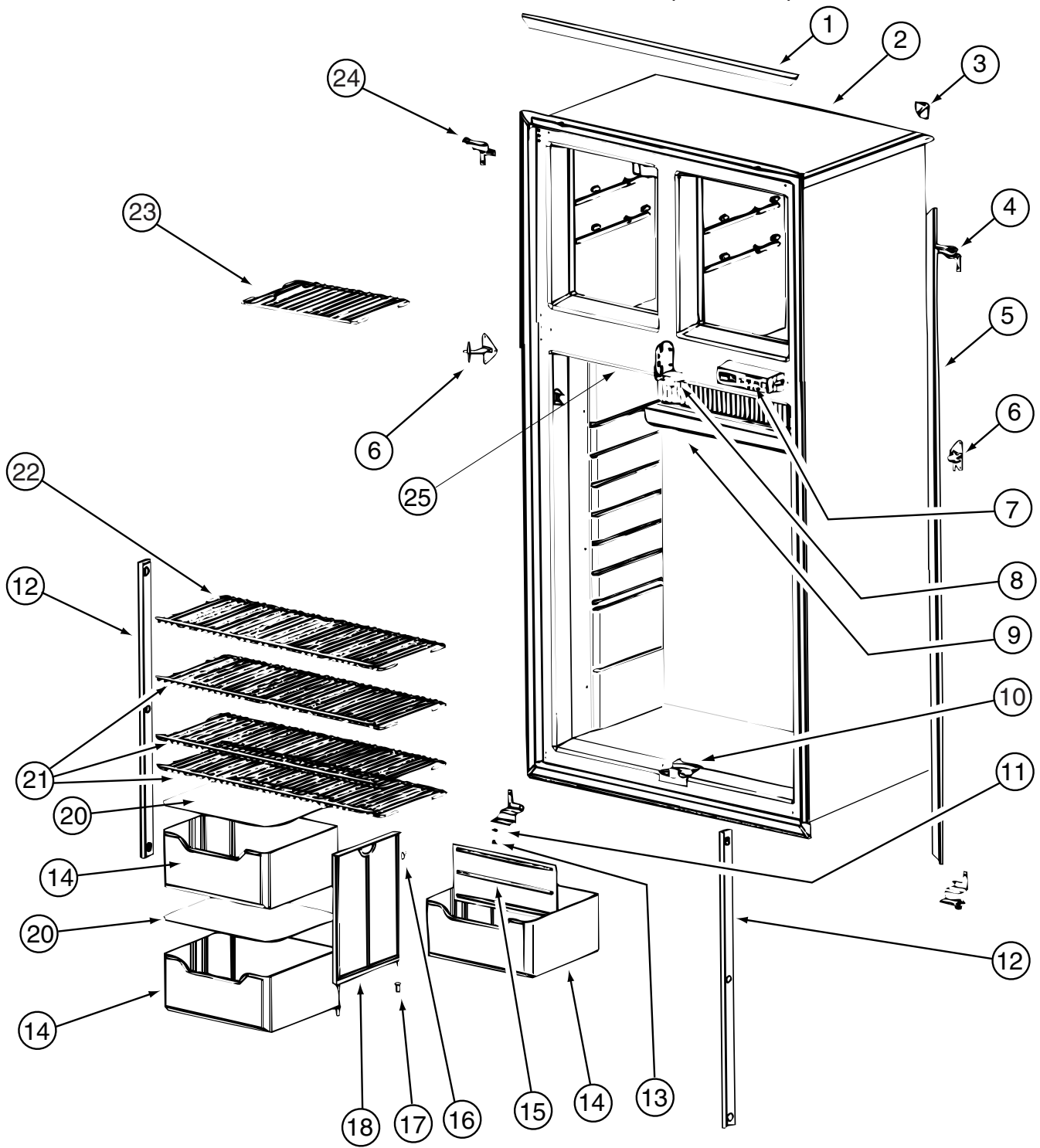
**APPLIANCE GROUP (CONTINUED)**  
**COMPONENT PARTS FOR APPLIANCES (CONTINUED)**



**125242-03-01A (CONTINUED)**

KEY	PART NUMBER	U/M	DESCRIPTION	VENDOR NO.
1	125242-03-709	EA	LINER-FOAMED/LOWER RH/SS	623814
2	125242-02-700	EA	HANDLE(CONTOUR)TOP LH BTM RH	621107
3	125242-02-722	EA	LATCH-STORAGE DR/BLK POINTED	619374
4	125242-01-704	EA	BUSHING-HINGE MIDDLE	618746
5	125242-02-728	EA	RETAINER/PANEL - LOWER	623167
6	125242-02-724	EA	HINGE - DOOR	618792
7	125242-03-704	EA	BIN - DOOR SHELF	622831
	125242-03-703	EA	DOOR-COMP LWR/RH(SS WRAPPED)	623927

**APPLIANCE GROUP (CONTINUED)**  
**COMPONENT PARTS FOR APPLIANCES (CONTINUED)**



125242-03-01A (CONTINUED)

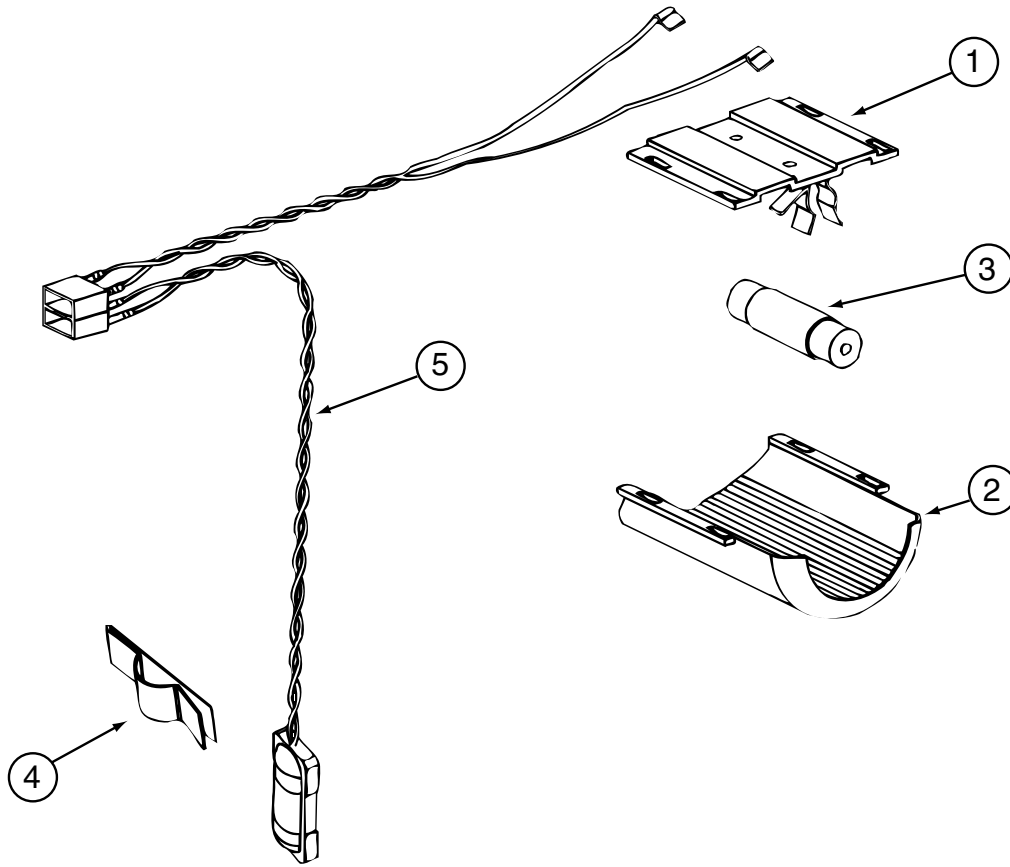
**APPLIANCE GROUP (CONTINUED)**  
**COMPONENT PARTS FOR APPLIANCES (CONTINUED)**

**125242-03-01A (CONTINUED)**

<b>KEY</b>	<b>PART NUMBER</b>	<b>U/M</b>	<b>DESCRIPTION</b>	<b>VENDOR NO.</b>
1	125242-02-730	EA	TRIM - TOP/BOTTOM - SCREW ON	623255
4	125242-03-711	EA	HINGE-UPR RH/LWR LH WRAP/DRS	623824
5	125242-01-766	EA	TRIM-LT/RT HAND-SCREW ON	623254
6	125242-01-713	EA	HINGE-MIDDLE (PAINTED)	618794
7	125242-02-704	EA	DISPLAY ASM (SER#832172) UP	621188
7	125242-03-712	EA	CONTROL-OPT/GRAY-SN832172 UP	624868
8	125242-01-721	EA	STRIKE PLATE	618835
9	125242-01-712	EA	DRIP TRAY	618774
10	125242-03-713	EA	GUIDE BLOCK/FLAPPER/BTM BLK	624140
11	120075-01-708	EA	BUSHING-DOOR HINGE	618144
12	120075-01-730	EA	RETAINER-SHELF(SER#926684 DN	618181
12	125242-02-720	EA	RETAINER/SHEF(SER#926685 UP	622033
13	125242-03-715	EA	HINGE PIN/UPR-WRAPPED DOORS	623899
14	125242-01-734	EA	CRISPER/BOTTLE BIN	618878
15	125242-01-733	EA	DIVIDER-BOTTLE CRISPER	618877
16	125242-01-750	EA	CLIP	61409622
17	120075-01-708	EA	BUSHING-DOOR HINGE	618144
18	125242-01-749	EA	SUPPORT - WALL	618840
20	125242-01-706	EA	COVER-CRISPER	618757
21	125242-01-726	EA	SHELF-WIRE (LONG)	618848
22	125242-01-727	EA	SHELF-WIRE (SHORT)	618849
23	125242-01-725	EA	SHELF-FREEZER (WIRE)	618847
24	125242-03-716	EA	HINGE-TOP LH/WRAPPED DOORS	623823
25	125242-01-735	EA	SWITCH - DOOR LIGHT	618884
	120075-01-714	EA	PLUG-HOLE (BLACK)	618170
	125242-02-741	EA	STRIP-FREEZER-BLACK #1291391 & UP	625210
	125242-03-714	EA	GUIDE-FLAPPERTOP/BLACK	624141
			CONTACT WINNEBAGO PART SALES FOR UNLISTED COMPONENT(S)	



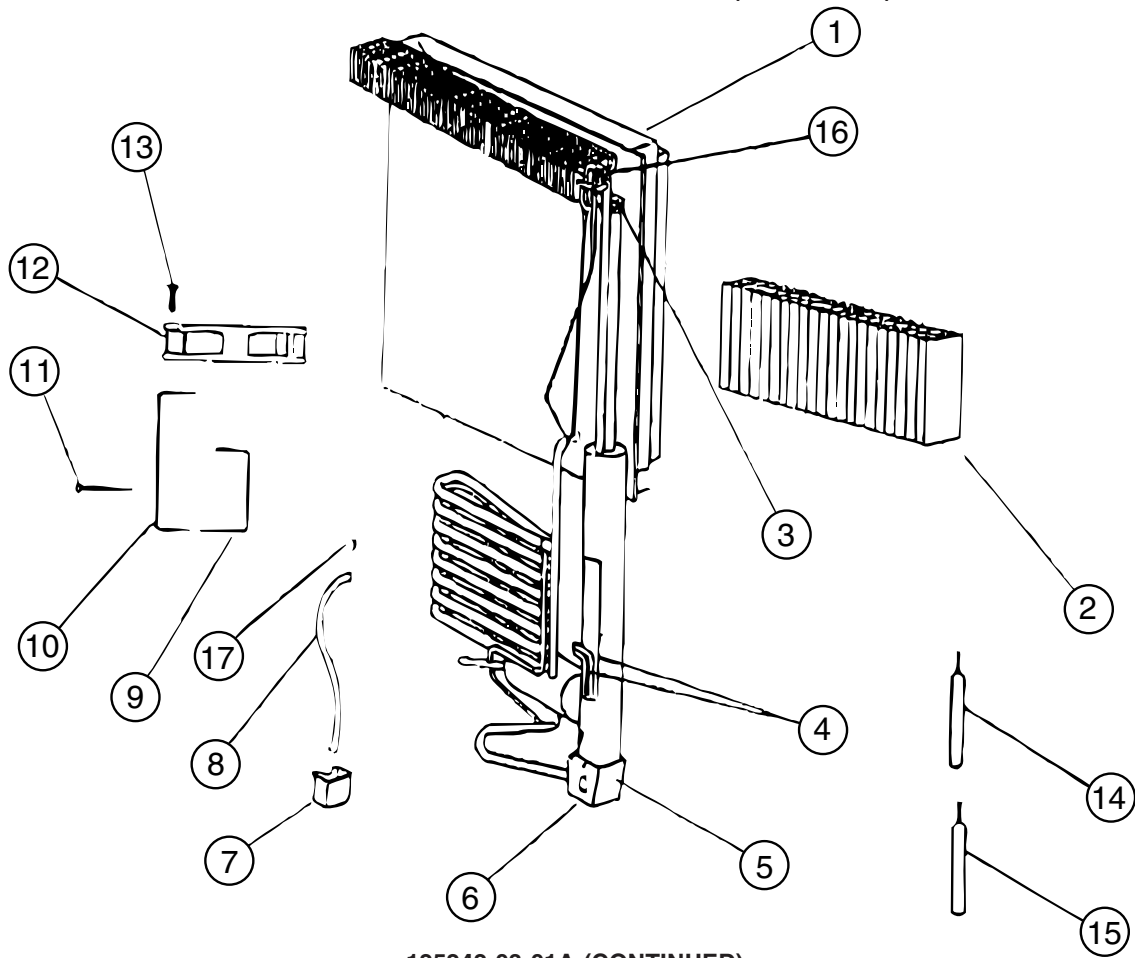
**APPLIANCE GROUP (CONTINUED)**  
**COMPONENT PARTS FOR APPLIANCES (CONTINUED)**



**125242-03-01A (CONTINUED)**

KEY	PART NUMBER	U/M	DESCRIPTION	VENDOR NO.
1	084880-03-705	EA	BRACKET-LIGHT-INTERIOR	61629722
2	120075-01-734	EA	COVER-LENS	618190
3	084880-03-706	EA	BULB-LAMP	61628922
4	084880-01-760	EA	CLIP (THERMISTER)	61689122
5	120075-01-735	EA	THERMISTER W/LAMP & WIRE/ASM	618548
	125242-02-706	EA	LAMP/WIRE ASM/SER#849677 UP	620871
	125242-02-707	EA	LAMP/WIRE ASM SER#849677 DWN	621742

**APPLIANCE GROUP (CONTINUED)**  
**COMPONENT PARTS FOR APPLIANCES (CONTINUED)**

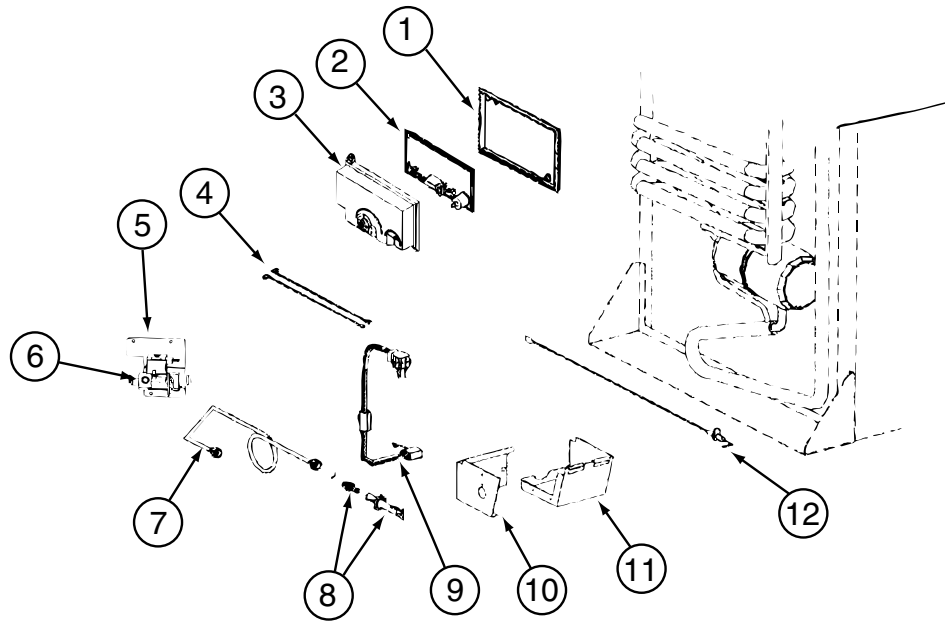


125242-03-01A (CONTINUED)

KEY	PART NUMBER	U/M	DESCRIPTION	VENDOR NO.
1	125242-01-746	EA	COOLING UNIT - 1200	618964
4	125242-01-732	EA	HEATER AC - 225W/110VAC	618872
5	125242-01-739	EA	BASE-BURNER BOX	618902
6	125242-01-740	EA	COVER-BURNER BOX	618910
9	125242-01-730	EA	BRACKET-DC FAN	618857
10	125242-01-741	EA	SUPPORT-DC FAN	618912
12	125242-01-729	EA	FAN-EXTERNAL DC	618856
16	113737-01-754	EA	THERMOSTAT (FAN 12V DC)	618093
	125242-01-742	EA	WIRE ASM.-BAFFLE 55.15"	618915

CONTACT WINNEBAGO PART SALES FOR UNLISTED COMPONENT(S)

**APPLIANCE GROUP (CONTINUED)**  
**COMPONENT PARTS FOR APPLIANCES (CONTINUED)**

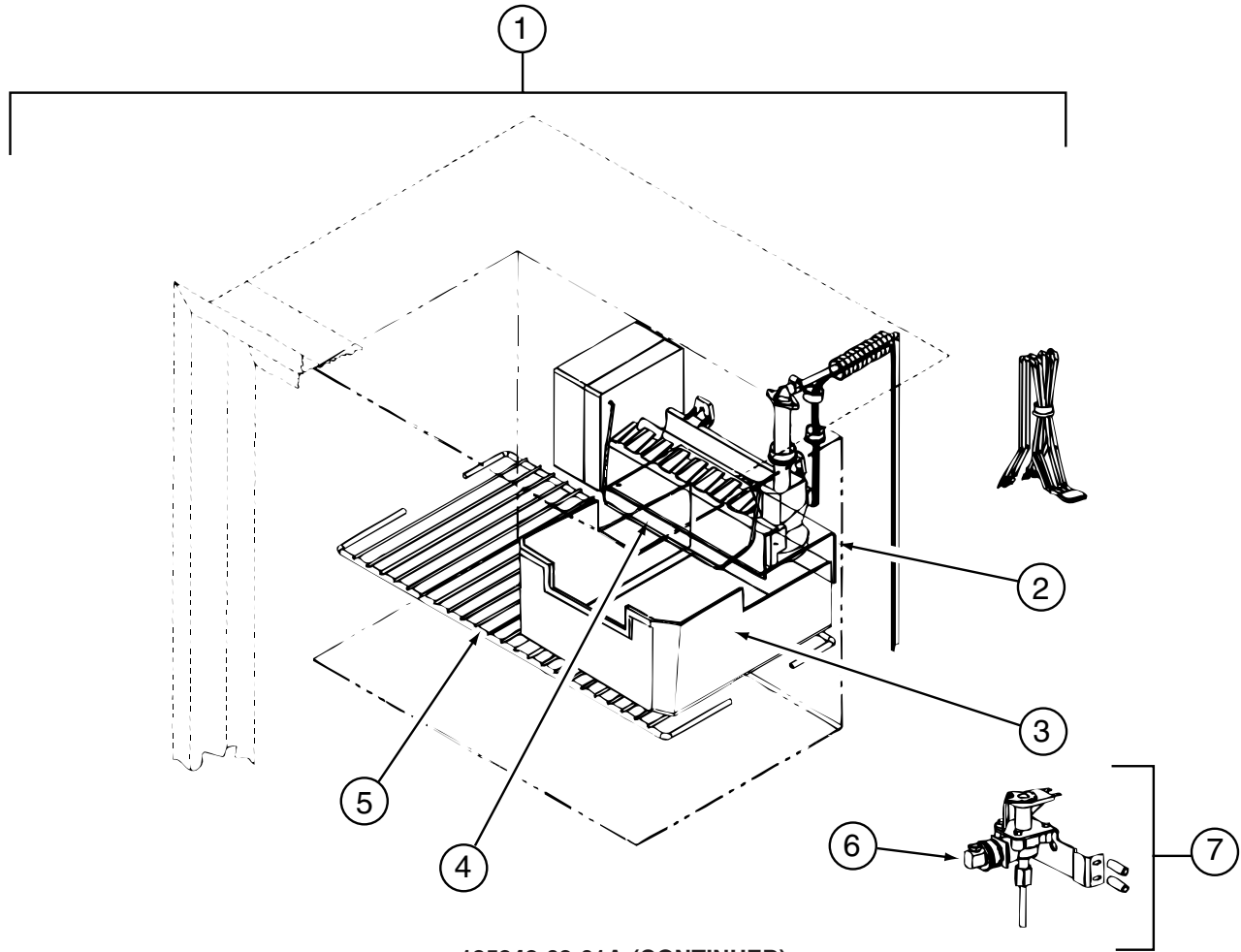


**125242-03-01A (CONTINUED)**

KEY	PART NUMBER	U/M	DESCRIPTION	VENDOR NO.
1	120075-01-740	EA	COVER-BASE, POWER BOARD	618186
2	125242-01-720	EA	POWER BOARD (SER#832170 DN)	619819
2	125242-02-731	EA	POWER BD KIT SER#832172 UP	621271001
3	120075-01-738	EA	COVER-POWER BOARD	618185
4	125242-02-709	EA	WIRE/WHITE/9"/GAS VALVE	621448
6	121568-06-706	EA	GAS VALVE-COMBO/WRENCH FLAT	621329
6	125242-02-710	EA	GAS VALVE/BRKT/WIRES COMB.	621334
7	125242-02-711	EA	BURNER TUBE	620034
8	125242-02-712	EA	BURNER ORFICE ADAPTER ASSY	621959
10	125242-01-740	EA	COVER-BURNER BOX	618910
11	125242-01-739	EA	BASE-BURNER BOX	618902
12	104137-06-715	EA	ELECTRODE-SPARK/SENSOR, SGL	61692222
	121568-01-713	EA	KIT-GAS VALVE/BURNER TUBE	621444

CONTACT WINNEBAGO PART SALES FOR UNLISTED COMPONENT(S)

**APPLIANCE GROUP (CONTINUED)**  
**COMPONENT PARTS FOR APPLIANCES (CONTINUED)**



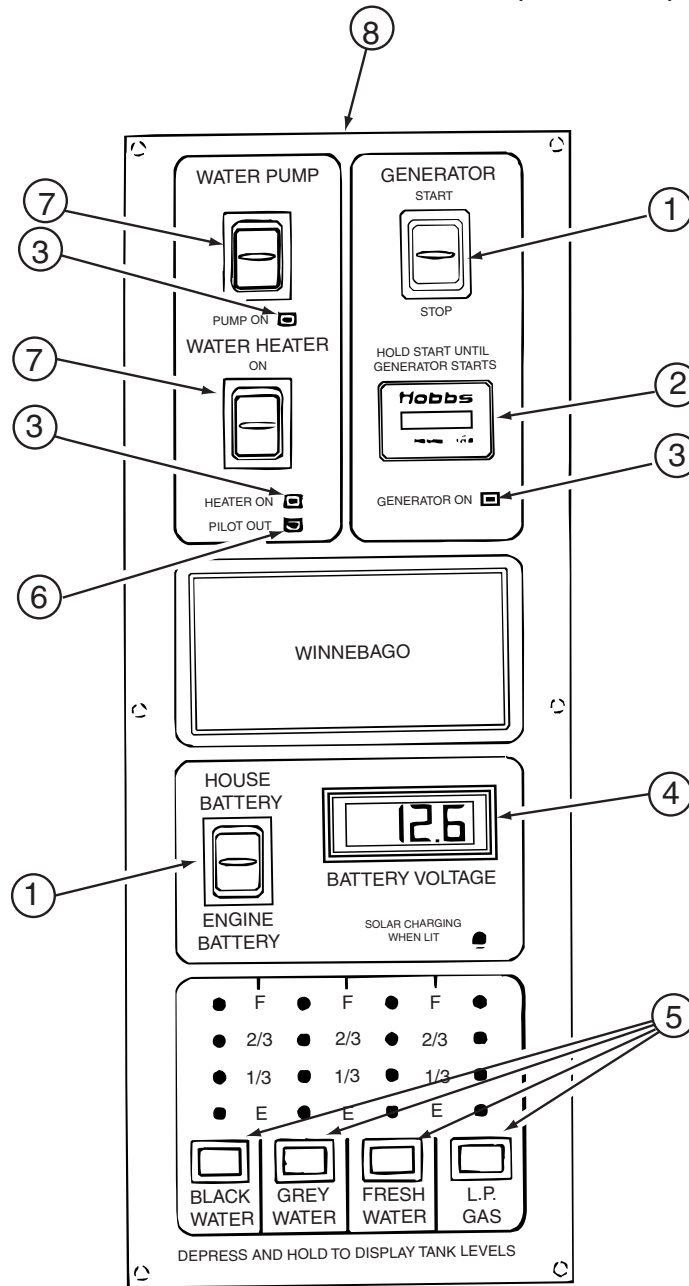
**125242-03-01A (CONTINUED)**

KEY	PART NUMBER	U/M	DESCRIPTION	VENDOR NO.
1	094039-07-706	EA	ICE MAKER W/O PLATES	61656522
2	125242-01-737	EA	BRACKET-MOUNTING (ICE MAKER)	618894/620890
3	125242-01-716	EA	ICE BIN	618803
4	120075-03-703	EA	ARM-SHUT OFF	61656922
5	125242-01-725	EA	SHELF-FREEZER (WIRE)	618847
6	120075-03-702	EA	NUT/COMPRESSION - FITTING	61678722
7	120075-03-701	EA	VALVE ASM., WATER, W/BRACKET	618253

**129561-01-01A**

KEY	PART NUMBER	U/M	DESCRIPTION	VENDOR NO.
	129561-01-700	EA	PC BOARD	L5097-09
	129561-01-701	EA	CHASSIS SCREENED	C00399
	129561-01-702	EA	LABEL	L0451-0
	129561-01-703	EA	HARNESS	L7694-00

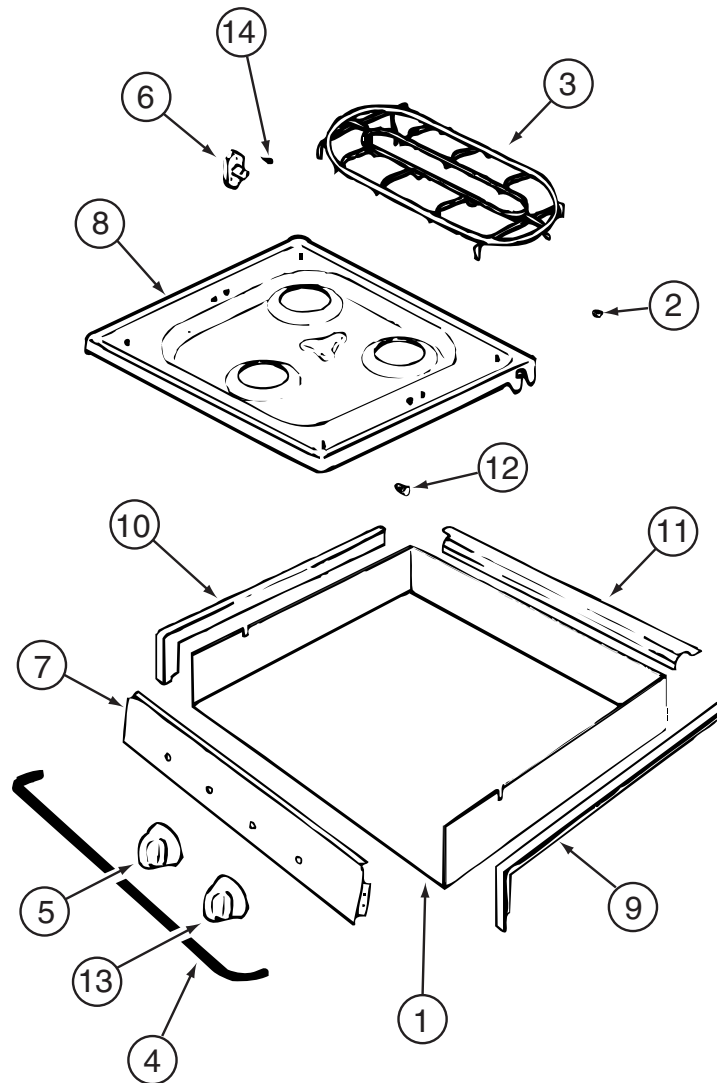
**APPLIANCE GROUP (CONTINUED)**  
**COMPONENT PARTS FOR APPLIANCES (CONTINUED)**



**133004-02-01A**

KEY	PART NUMBER	U/M	DESCRIPTION	VENDOR NO.
1	133004-01-702	EA	SWITCH/DPDT MOM=ON-OFF-ON	L1011-00
2	100258-10-701	EA	GAUGE-HR METER ONLY (LCD)	L0775-00
3	133004-01-706	EA	L.E.D. GREEN-PANEL MOUNT	L0785
4	133004-01-704	EA	METER/VOLT-DIGITAL - LCD	L1008-00
5	133004-01-705	EA	SWITCH/MOM ON - PUSH BUTTON	L0950-00
6	133004-01-703	EA	L.E.D. RED-PANEL MOUNT	L1009-00
7	133004-01-701	EA	SWITCH/DPDT ON-ON/MAINTAINED	L1025-00
8	133004-02-701	EA	SCREENED - CHASSIS	CC0547-00
	133004-02-700	EA	BOARD - PC	L5113-03

**APPLIANCE GROUP (CONTINUED)**  
**COMPONENT PARTS FOR APPLIANCES (CONTINUED)**

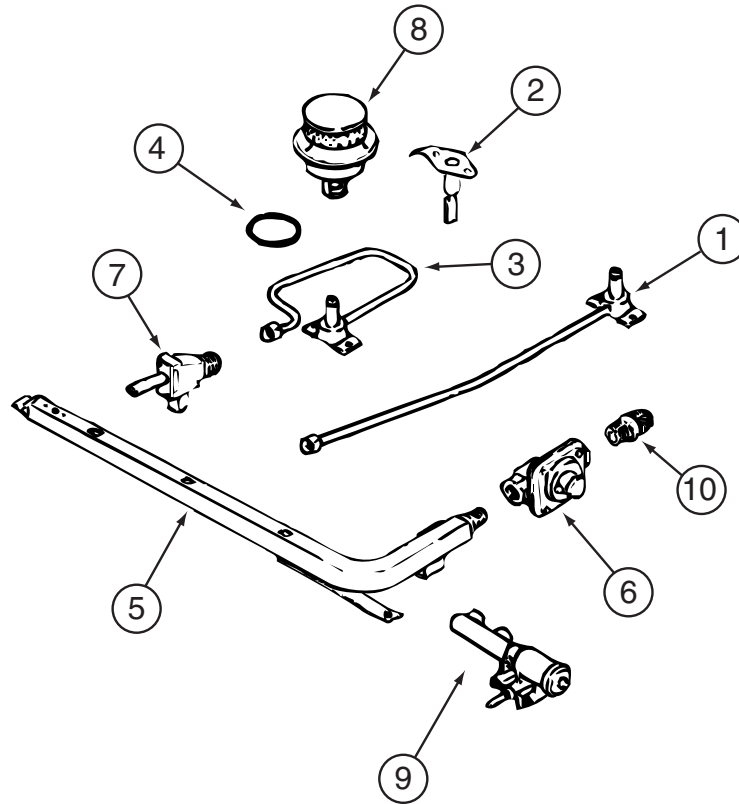


135065-01-01A, 135065-01-02A, 135065-02-01A

KEY	PART NUMBER	U/M	DESCRIPTION	VENDOR NO.
2	102020-01-709	EA	BUMPER-GRATE	8007-P020-60
3	128728-01-700	EA	GRATE - BURNER	74003948
4	114030-02-700	EA	GUARD/FABRIC - TOWEL BAR	3609F006-70
5	112881-01-705	EA	KNOB-TOP BURNER	7733P072-60
5	112881-01-718	EA	KNOB - TOP BURNER HI-OUTPUT	74001794
6	128728-01-703	EA	PIN/T-NUT F/HINGE	7103P109-60
7	135065-01-700	EA	PANEL/MANIFOLD	74003354
8	128728-01-705	EA	TOP - MAIN - BLACK	74003928
8	135066-01-700	EA	TOP - MAIN - BISQUE	74005332
9	114030-01-704	EA	TRIM - RIGHT/BLACK TEXTURED	74002839
10	114030-01-705	EA	TRIM - LEFT/BLACK TEXTURED	74002840
11	114030-01-706	EA	TRIM - REAR/BLACK TEXTURED	74002841
12	102020-01-724	EA	BUMPER-MAIN TOP	8003P008-60
13	126023-01-720	EA	KNOB - IGNITER	74002414

CONTACT WINNEBAGO PART SALES FOR UNLISTED COMPONENTS

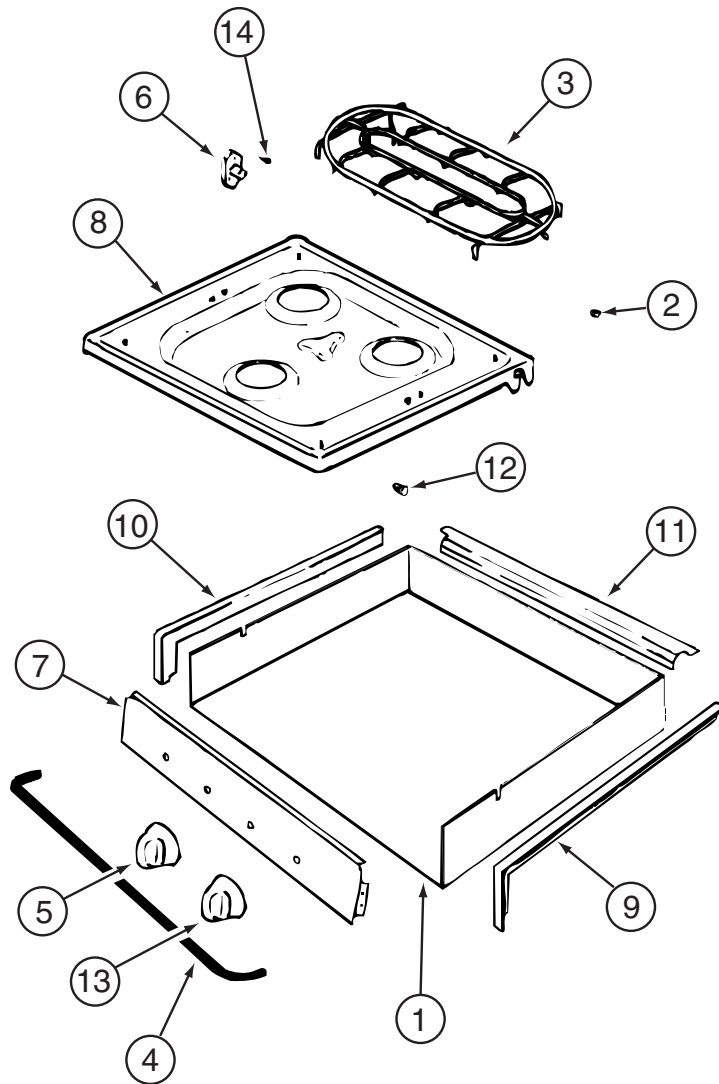
**APPLIANCE GROUP (CONTINUED)**  
**COMPONENT PARTS FOR APPLIANCES (CONTINUED)**



**135065-01-01A, 135065-01-02A, 135065-02-01A (CONTINUED)**

KEY	PART NUMBER	U/M	DESCRIPTION	VENDOR NO.
1	128728-01-708	EA	FITTING W/ORFICE/TUBE - REAR	74003931
2	135065-01-701	EA	IGNITOR/PORCELAIN-TOP BURNER	74004053
3	128728-01-710	EA	FITTING W/ORFICE/TUBE - FRT	74003930
4	128728-01-711	EA	GASKET - BURNER	74002745
5	135065-01-702	EA	PIPE/MANIFOLD	74004642
6	126023-02-703	EA	REGULATOR - PRESSURE	74004235
7	135065-01-703	EA	VALVE/BURNER - REAR	74004643
7	135065-01-704	EA	VALVE/BURNER-FRT-HI	74004644
8	135065-01-705	EA	BURNER/SEALED ASSEMBLY	12001497
9	128728-01-716	EA	BURNER - IGNITOR	74003946
9	128728-01-717	EA	WIRES - IGNITOR	74003947

**APPLIANCE GROUP (CONTINUED)**  
**COMPONENT PARTS FOR APPLIANCES (CONTINUED)**



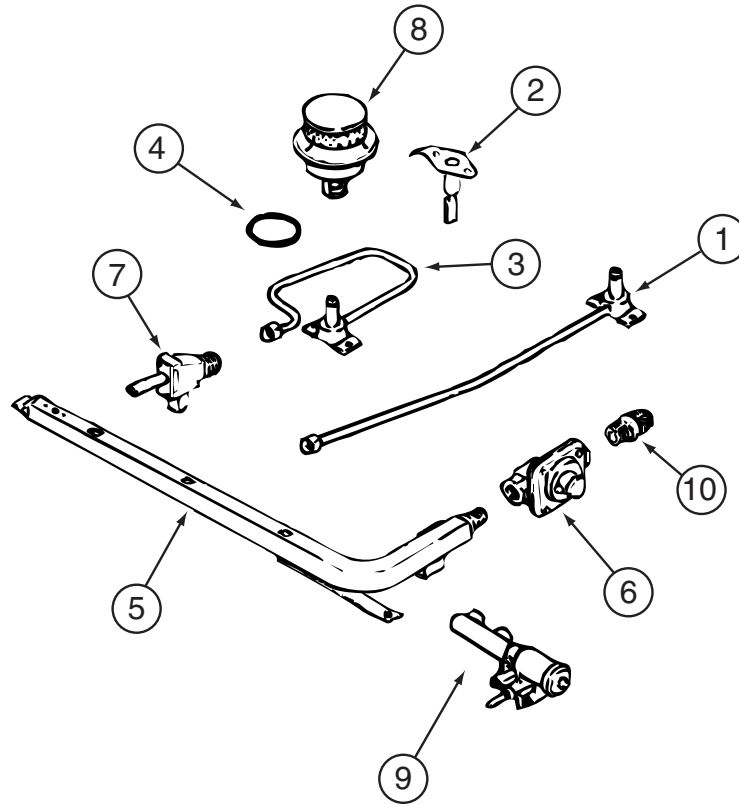
135065-03-01A, 135065-03-03A, 135065-04-01A

KEY	PART NUMBER	U/M	DESCRIPTION	VENDOR NO.
2	102020-01-709	EA	BUMPER-GRATE	8007-P020-60
3	135065-03-703	EA	GRATE - BLACK(SEALED BURNER)	74007304
4	114030-02-700	EA	GUARD/FABRIC - TOWEL BAR	3609F006-70
5	128728-01-701	EA	KNOB - BURNER - REAR	74003941
5	128728-01-702	EA	KNOB - BURNER - FRONT	74003942
6	128728-01-703	EA	PIN/T-NUT F/HINGE	7103P109-60
7	135065-03-704	EA	PANEL - MANIFOLD (BLACK)	74007330
8	128728-01-705	EA	TOP - MAIN - BLACK	74003928
8	135065-03-715	EA	TOP - MAIN - STAINLESS STEEL	74007299
9	114030-01-704	EA	TRIM - RIGHT/BLACK TEXTURED	74002839
10	114030-01-705	EA	TRIM - LEFT/BLACK TEXTURED	74002840
11	114030-01-706	EA	TRIM - REAR/BLACK TEXTURED	74002841
12	102020-01-724	EA	BUMPER-MAIN TOP	8003P008-60
13	128728-01-707	EA	KNOB - IGNITOR	74003944

CONTACT WINNEBAGO PART SALES FOR UNLISTED COMPONENTS



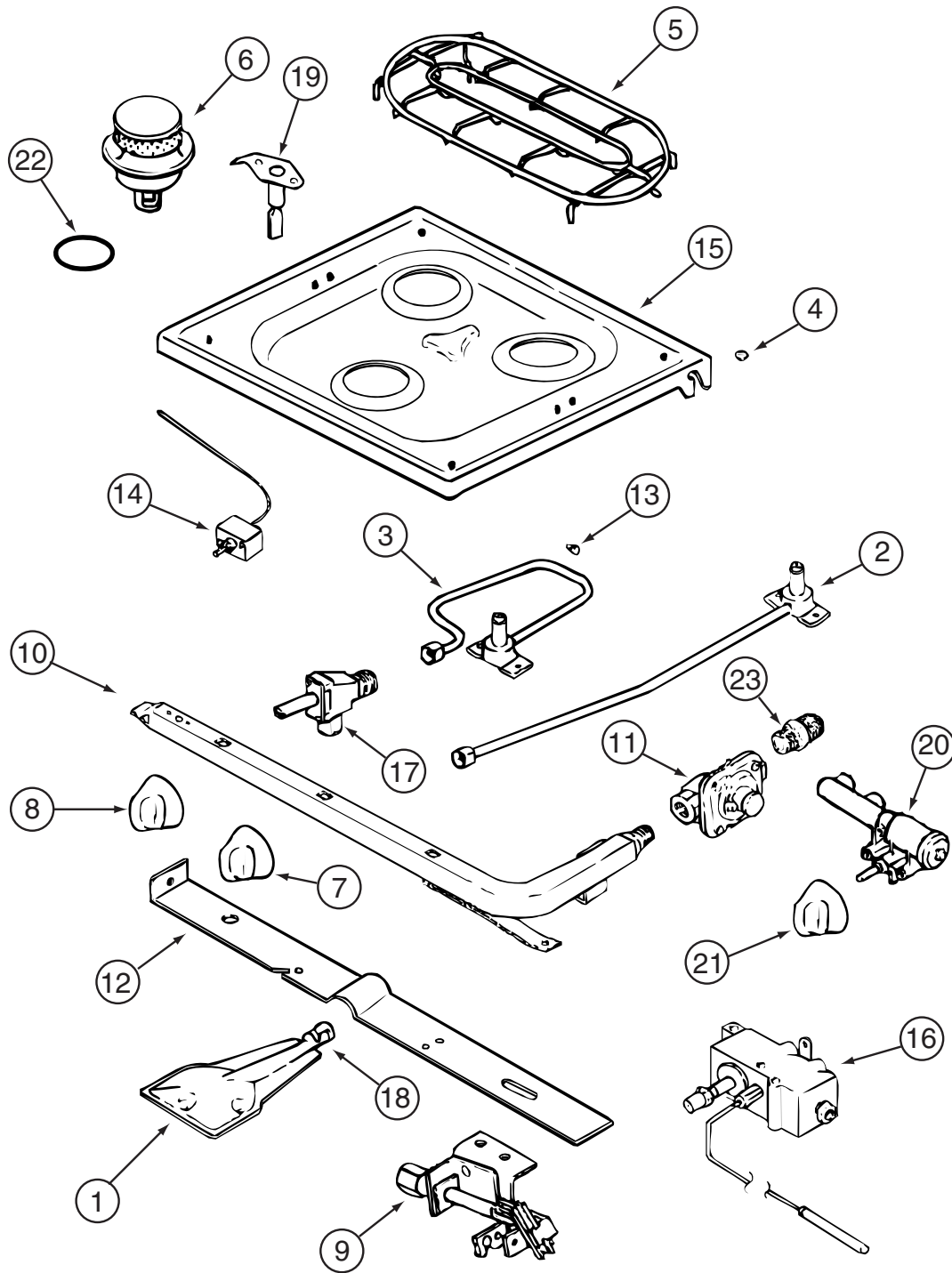
**APPLIANCE GROUP (CONTINUED)**  
**COMPONENT PARTS FOR APPLIANCES (CONTINUED)**



135065-03-01A, 135065-03-03A, 135065-04-01A (CONTINUED)

KEY	PART NUMBER	U/M	DESCRIPTION	VENDOR NO.
1	128728-01-708	EA	FITTING W/ORFICE/TUBE - REAR	74003931
2	135065-01-701	EA	IGNITOR/PORCELAIN-TOP BURNER	74004053
3	128728-01-710	EA	FITTING W/ORFICE/TUBE - FRT	74003930
4	135065-03-700	EA	FITTING - HALF UNION	74004234
5	135065-01-702	EA	PIPE/MANIFOLD	74004642
6	126023-02-703	EA	REGULATOR - PRESSURE	74004235
7	135065-01-703	EA	VALVE/BURNER - REAR	74004643
7	135065-01-704	EA	VALVE/BURNER-FRT-HI	74004644
7	135065-03-701	EA	SCREW - VALVE	71003231
8	135065-03-702	EA	SEALED BURNER ASM.(BLACK) RV	74003967
9	128728-01-716	EA	BURNER - IGNITOR	74003946
9	128728-01-717	EA	WIRES - IGNITOR	74003947

**APPLIANCE GROUP (CONTINUED)**  
**COMPONENT PARTS FOR APPLIANCES (CONTINUED)**



135066-02-01A

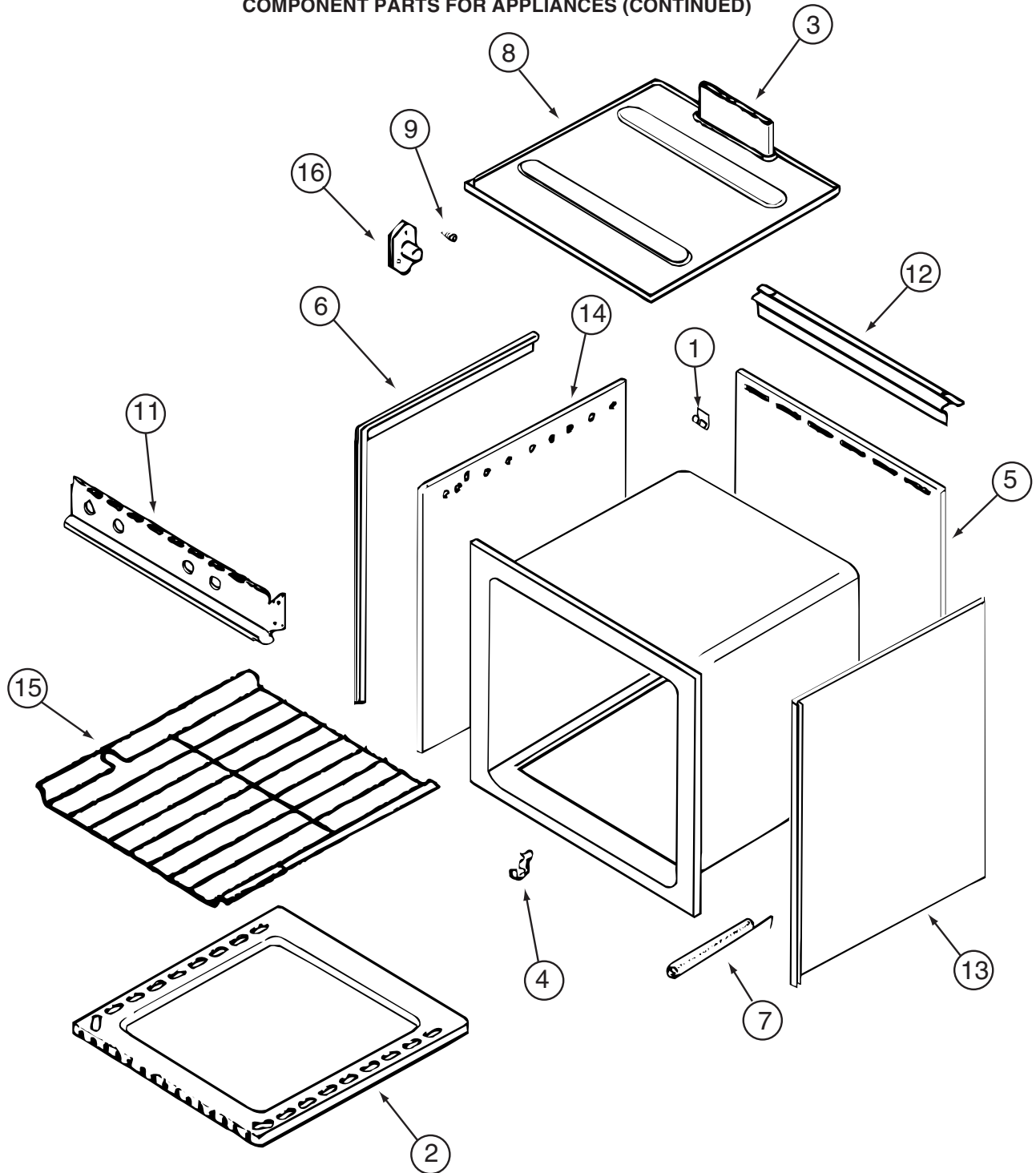
**APPLIANCE GROUP (CONTINUED)**  
**COMPONENT PARTS FOR APPLIANCES (CONTINUED)**

**135066-02-01A (CONTINUED)**

<b>KEY</b>	<b>PART NUMBER</b>	<b>U/M</b>	<b>DESCRIPTION</b>	<b>VENDOR NO.</b>
1	126023-01-717	EA	BURNER - OVEN	74003343
2	128728-01-708	EA	FITTING W/ORFICE/TUBE - REAR	74003931
3	128728-01-710	EA	FITTING W/ORFICE/TUBE - FRT	74003930
4	102020-01-709	EA	BUMPER-GRATE	8007-P020-60
5	128728-01-700	EA	GRATE - BURNER	74003948
6	135065-01-705	EA	BURNER/SEALED ASSEMBLY	12001497
7	112881-01-705	EA	KNOB-TOP BURNER	7733P072-60
7	112881-01-718	EA	KNOB - TOP BURNER HI-OUTPUT	74001794
8	135656-01-700	EA	KNOB/THERMOSTAT	74002529
9	126023-02-701	EA	PILOT - OVEN	74004586
10	126023-02-702	EA	PIPE - MANIFOLD	74004360
11	135066-02-700	EA	REGULATOR - PRESSURE	74004236
13	102020-01-724	EA	BUMPER-MAIN TOP	8003P008-60
14	126023-01-734	EA	THERMOSTAT/OVEN SERIES #11	74006332
15	128728-01-705	EA	TOP - MAIN - BLACK	74003928
16	126023-02-704	EA	VALVE/OVEN - MERCURY	74004585
17	135065-01-703	EA	VALVE/BURNER - REAR	74004643
17	135065-01-704	EA	VALVE/BURNER-FRT-HI	74004644
18	135656-01-701	EA	MIXER/AIR	3411F003-34
19	135065-01-701	EA	IGNITOR/PORCELAIN-TOP BURNER	74004053
20	128728-01-716	EA	BURNER - IGNITOR	74003946
20	128728-01-717	EA	WIRES - IGNITOR	74003947
21	126023-01-720	EA	KNOB - IGNITER	74002414

CONTACT WINNEBAGO PART SALES FOR UNLISTED COMPONENTS

**APPLIANCE GROUP (CONTINUED)**  
**COMPONENT PARTS FOR APPLIANCES (CONTINUED)**

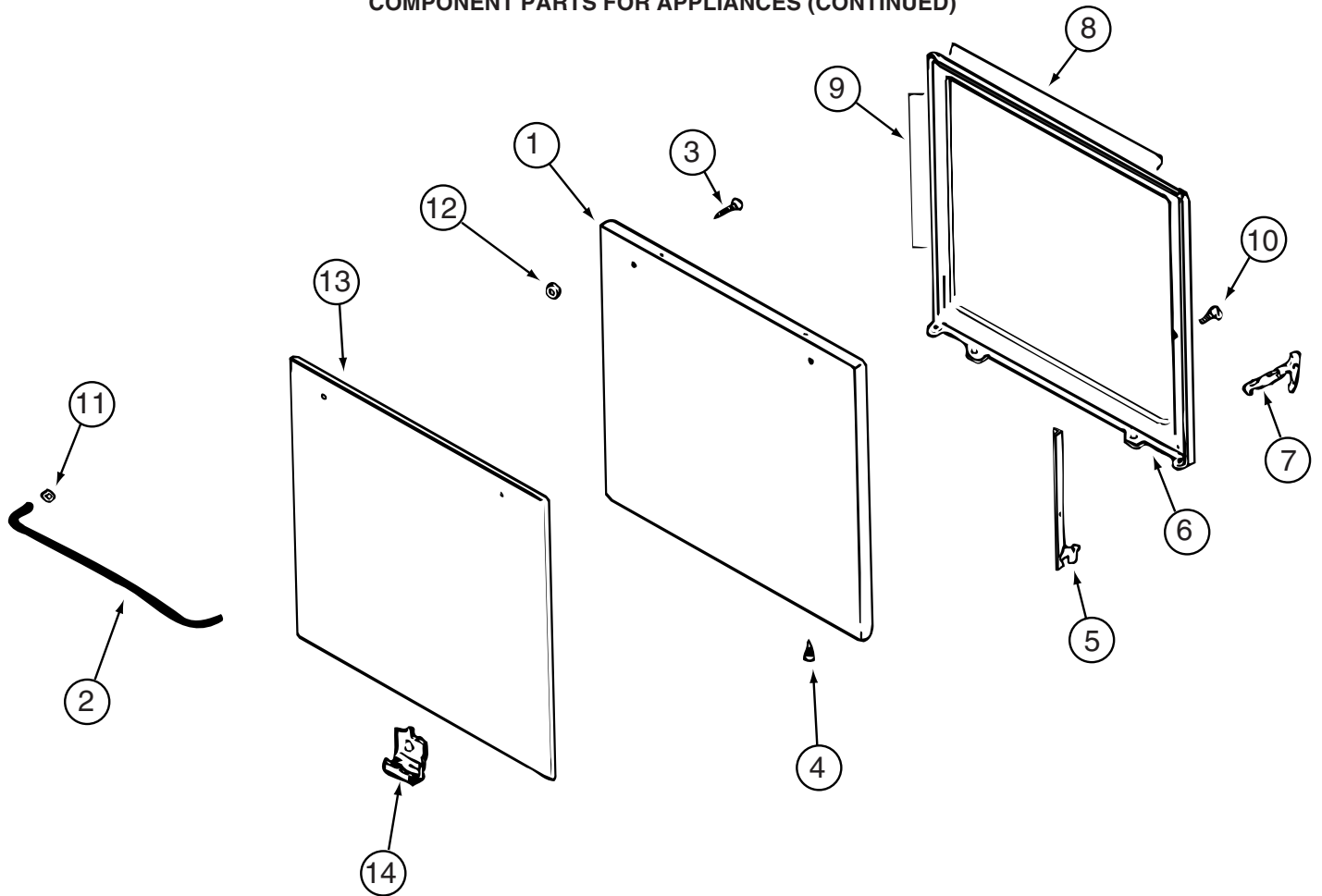


135066-01-01A, 135066-01-02A, 135066-02-01A (CONTINUED)

KEY	PART NUMBER	U/M	DESCRIPTION	VENDOR NO.
1	112881-03-702	EA	CLIP - MAIN TOP	74003998
2	126023-01-731	EA	BOTTOM - OVEN	2205F016-19
3	126023-01-718	EA	FLUE BOX ASSEMBLY	4006W075-80
6	126023-01-713	EA	TRIM - SIDE (RIGHT)	74002827
6	126023-01-714	EA	TRIM - SIDE (LEFT)	74002828
11	126023-01-729	EA	PANEL - MANIFOLD	74003351
15	126023-01-716	EA	RACK - OVEN	74003106
	126023-01-738	EA	CLIP - GLASS OVEN/BLACK	7112P093-60

CONTACT WINNEBAGO PART SALES FOR UNLISTED COMPONENTS

**APPLIANCE GROUP (CONTINUED)**  
**COMPONENT PARTS FOR APPLIANCES (CONTINUED)**

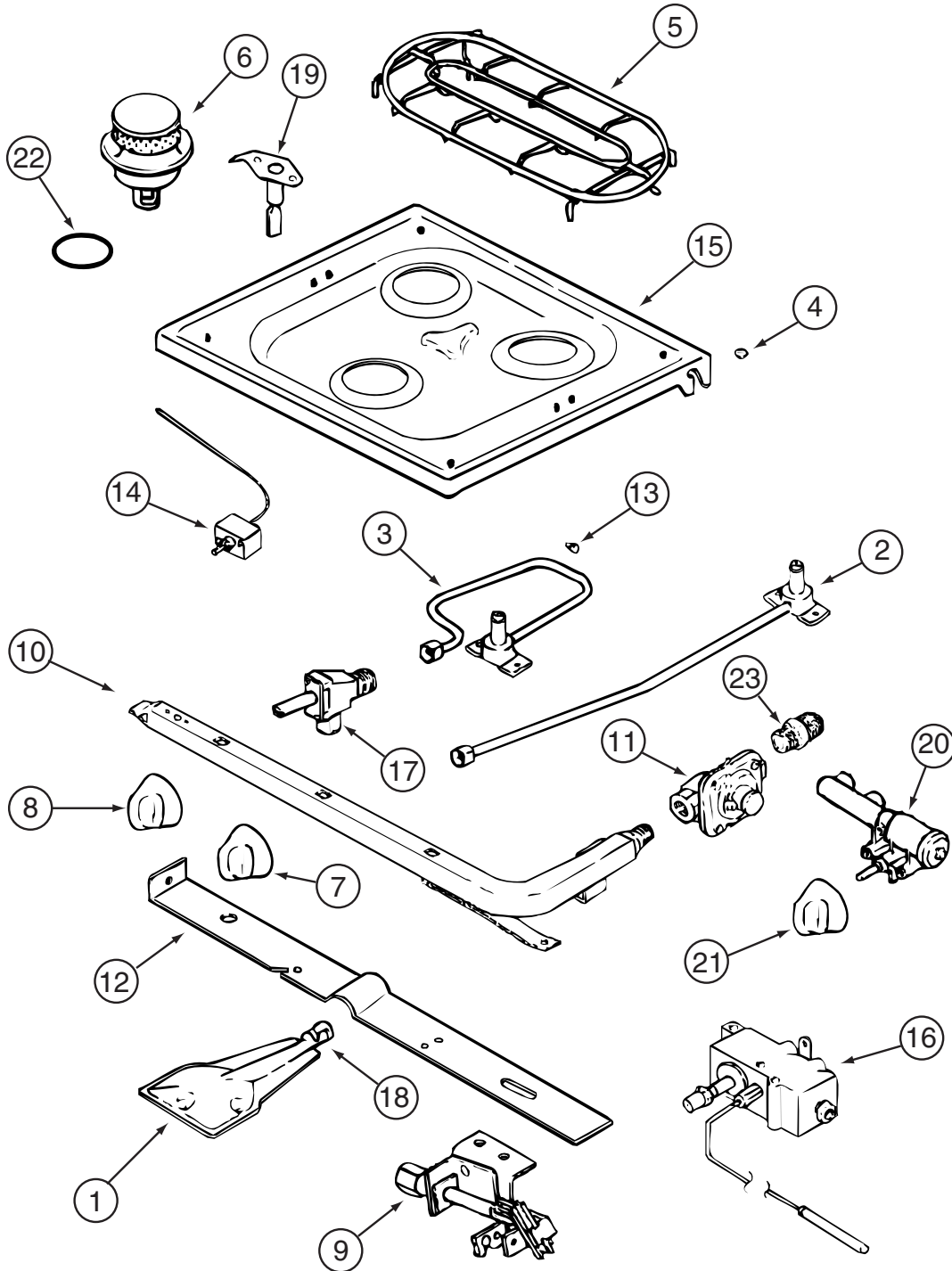


**135066-01-01A, 135066-01-02A, 135066-02-01A (CONTINUED)**

KEY	PART NUMBER	U/M	DESCRIPTION	VENDOR NO.
1	126023-01-712	EA	PANEL - DOOR (BLACK)	74001190
2	102020-01-701	EA	HANDLE,DOOR	7701P092-60
8	126023-01-732	EA	SEAL/OVEN DR TOP	7212P014-60
9	126023-01-733	EA	SEAL/OVEN DR SIDES(2PCS)	7212P038-60
13	102020-01-725	EA	GLASS OUTER	7902P266-60

CONTACT WINNEBAGO PART SALES FOR UNLISTED COMPONENTS

**APPLIANCE GROUP (CONTINUED)**  
**COMPONENT PARTS FOR APPLIANCES (CONTINUED)**



135066-03-01A, 135066-03-04A, 150778-01-01A, 151277-03-01A, 151279-02-01A

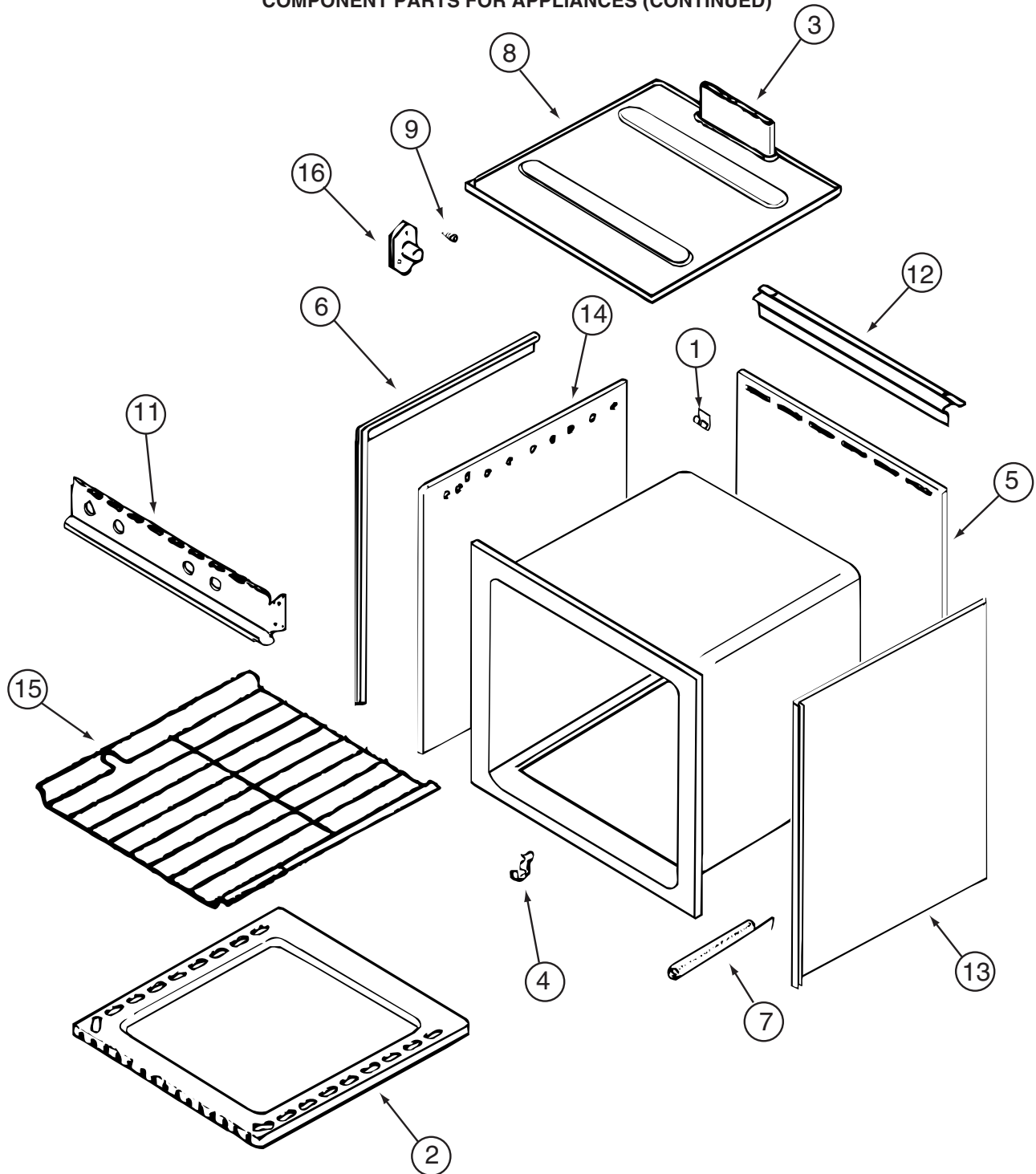
**APPLIANCE GROUP (CONTINUED)**  
**COMPONENT PARTS FOR APPLIANCES (CONTINUED)**

135066-03-01A, 135066-03-04A, 150778-01-01A, 151277-03-01A, 151279-02-01A (CONTINUED)

KEY	PART NUMBER	U/M	DESCRIPTION	VENDOR NO.
1	126023-01-717	EA	BURNER - OVEN	74003343
2	128728-01-708	EA	FITTING W/ORFICE/TUBE - REAR	74003931
3	128728-01-710	EA	FITTING W/ORFICE/TUBE - FRT	74003930
4	102020-01-709	EA	BUMPER-GRATE	8007-P020-60
5	135065-03-703	EA	GRATE - BLACK(SEALED BURNER)	74007304
6	135065-03-702	EA	SEALED BURNER ASM.(BLACK) RV	74003967
7	128728-01-701	EA	KNOB - BURNER - REAR	74003941
7	128728-01-702	EA	KNOB - BURNER - FRONT	74003942
8	112881-04-703	EA	KNOB - THERMOSTAT - BLACK	74004645
9	112881-04-706	EA	PILOT - OVEN	74006334
10	126023-02-702	EA	PIPE - MANIFOLD	74004360
11	126023-02-703	EA	REGULATOR - PRESSURE	74004235
13	102020-01-724	EA	BUMPER-MAIN TOP	8003P008-60
14	126023-01-734	EA	THERMOSTAT/OVEN SERIES #11	74006332
15	128728-01-705	EA	TOP - MAIN - BLACK	74003928
15	135065-03-705	EA	TOP - MAIN - BLACK F/1512790201A ONLY	74007300
15	135065-03-715	EA	TOP - MAIN - STAINLESS STEEL	74007299
16	112881-04-704	EA	VALVE - OVEN	74006333
17	135065-01-703	EA	VALVE/BURNER - REAR	74004643
17	135065-01-704	EA	VALVE/BURNER-FRT-HI	74004644
17	135065-03-701	EA	SCREW - VALVE	71003231
18	135656-01-701	EA	MIXER/AIR	3411F003-34
19	135065-01-701	EA	IGNITOR/PORCELAIN-TOP BURNER	74004053
20	128728-01-716	EA	BURNER - IGNITOR	74003946
20	128728-01-717	EA	WIRES - IGNITOR	74003947
21	128728-01-707	EA	KNOB - IGNITOR	74003944
22	135065-03-700	EA	FITTING - HALF UNION	74004234

CONTACT WINNEBAGO PART SALES FOR UNLISTED COMPONENTS

**APPLIANCE GROUP (CONTINUED)**  
**COMPONENT PARTS FOR APPLIANCES (CONTINUED)**



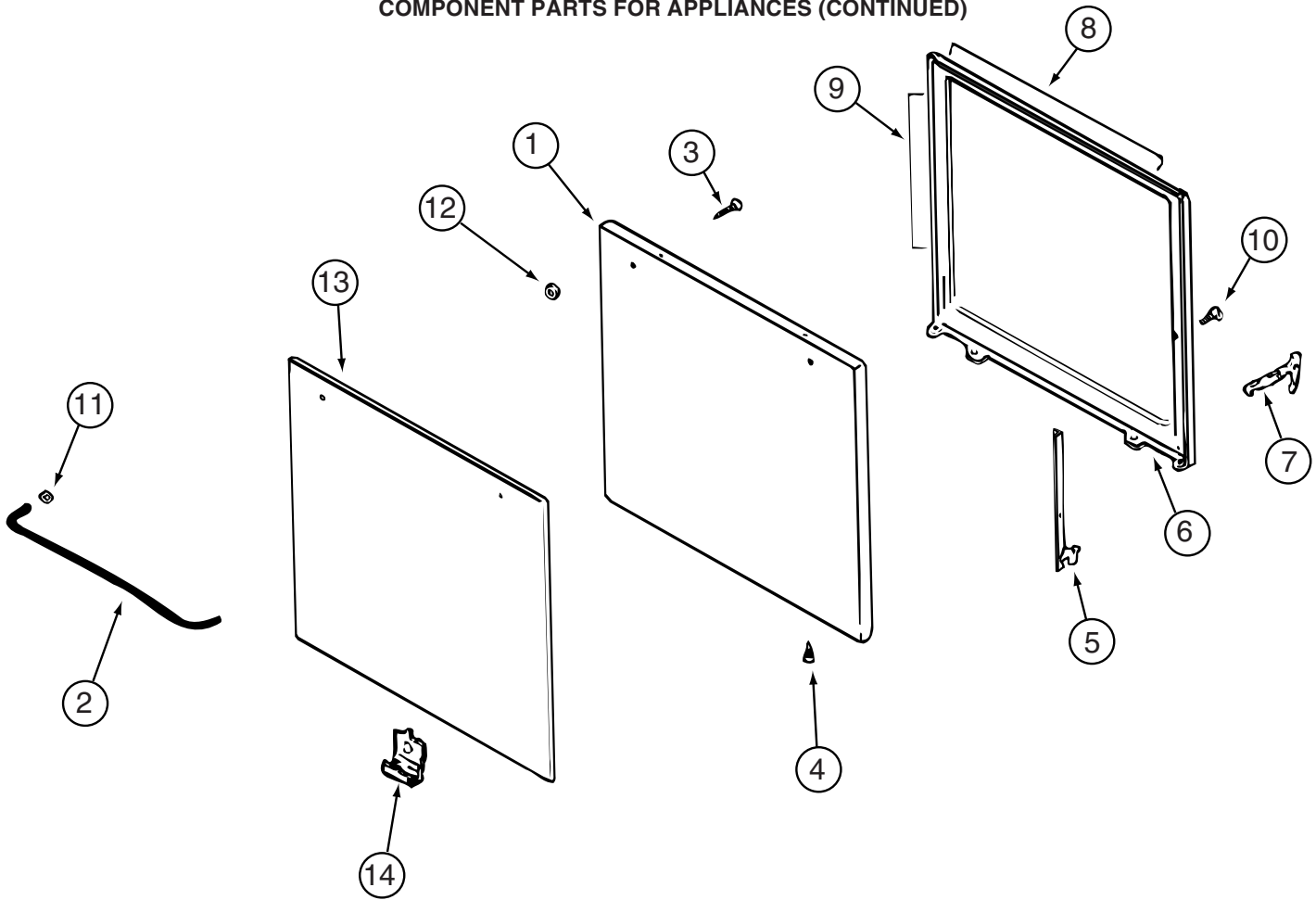
135066-03-01A, 135066-03-04A, 150778-01-01A, 151277-03-01A, 151279-02-01A (CONTINUED)

KEY	PART NUMBER	U/M	DESCRIPTION	VENDOR NO.
1	112881-03-702	EA	CLIP - MAIN TOP	74003998
2	126023-01-731	EA	BOTTOM - OVEN	2205F016-19
3	126023-01-718	EA	FLUE BOX ASSEMBLY	4006W075-80
6	126023-01-713	EA	TRIM - SIDE (RIGHT)	74002827
6	126023-01-714	EA	TRIM - SIDE (LEFT)	74002828
7	135066-03-708	EA	SPRING - OVEN DOOR	7803P053-60
9	128728-01-703	EA	PIN/T-NUT F/HINGE	7103P109-60
11	135066-03-701	EA	PANEL - MANIFOLD - BLACK	74007306
12	112881-01-721	EA	DEFLECTOR/FLUE-BLK-SEALED BR	74002829
15	126023-01-716	EA	RACK - OVEN	74003106

CONTACT WINNEBAGO PART SALES FOR UNLISTED COMPONENT(S)



**APPLIANCE GROUP (CONTINUED)**  
**COMPONENT PARTS FOR APPLIANCES (CONTINUED)**

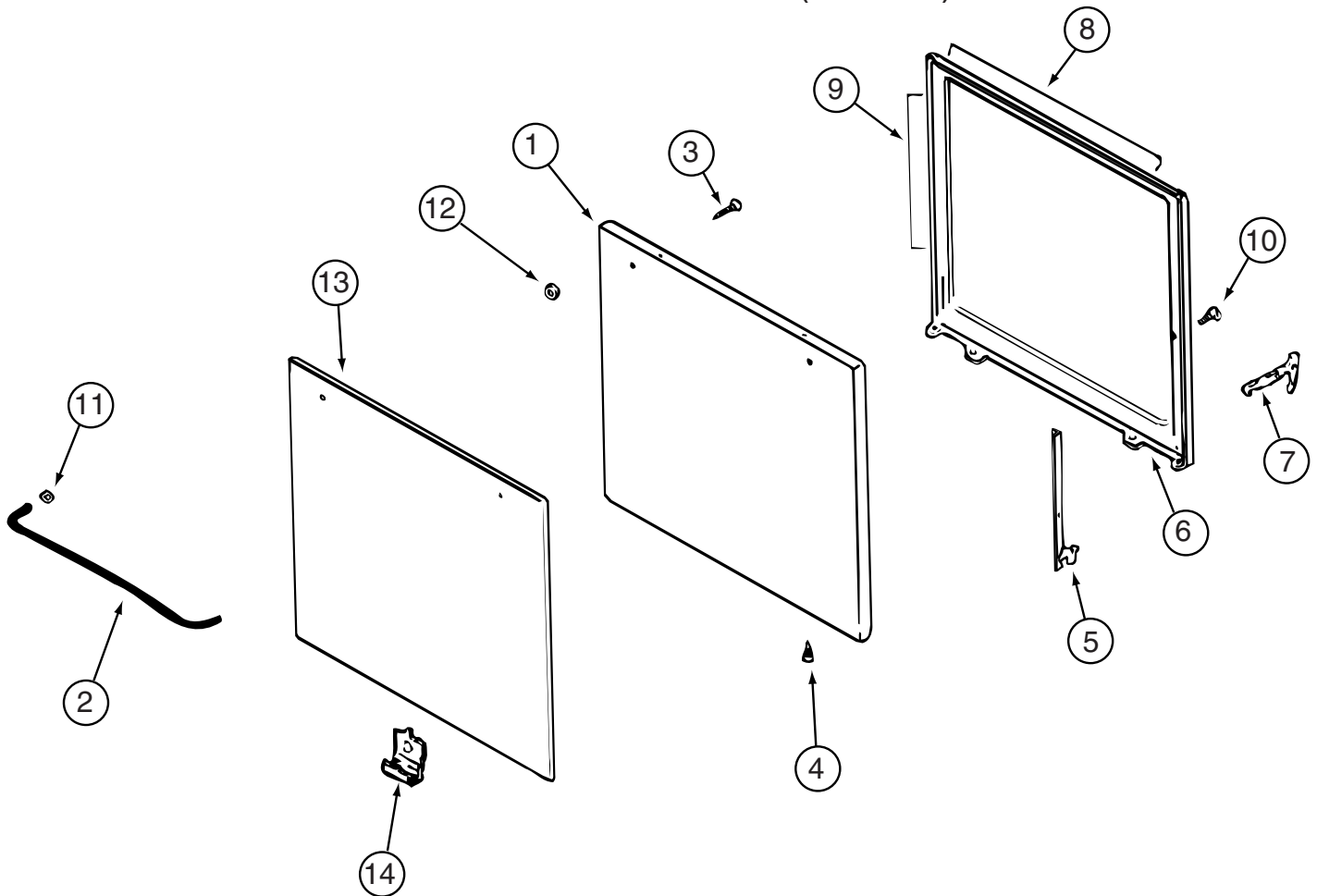


**135066-03-01A, 135066-03-04A (CONTINUED)**

KEY	PART NUMBER	U/M	DESCRIPTION	VENDOR NO.
1	126023-01-712	EA	PANEL - DOOR (BLACK)	74001190
1	135066-03-702	EA	PANEL - DOOR - STAINLESS STEEL	74007313
2	102020-01-701	EA	HANDLE,DOOR	7701P092-60
8	126023-01-732	EA	SEAL/OVEN DR TOP	7212P014-60
9	126023-01-733	EA	SEAL/OVEN DR SIDES(2PCS)	7212P038-60
13	102020-01-725	EA	GLASS OUTER	7902P266-60

CONTACT WINNEBAGO PART SALES FOR UNLISTED COMPONENT(S)

**APPLIANCE GROUP (CONTINUED)**  
**COMPONENT PARTS FOR APPLIANCES (CONTINUED)**



**150778-01-01A, 151277-03-01A, 151279-02-01A (CONTINUED)**

KEY	PART NUMBER	U/M	DESCRIPTION	VENDOR NO.
1	126023-01-712	EA	PANEL - DOOR (BLACK)	74001190
2	128727-01-701	EA	HANDLE - OVEN DOOR	74003929
8	126023-01-732	EA	SEAL/OVEN DR TOP	7212P014-60
9	135066-03-714	EA	SEAL - OVEN DOOR SIDES	7212P039-60
13	102020-01-725	EA	GLASS OUTER	7902P266-60
14	126023-01-738	EA	CLIP - GLASS OVEN/BLACK	7112P093-60

CONTACT WINNEBAGO PART SALES FOR UNLISTED COMPONENT(S)

**140147-04-01A, 140147-04-02A**

KEY	PART NUMBER	U/M	DESCRIPTION	VENDOR NO.
	140147-02-700	EA	TRAY-GLASS	WB49X10074
	140147-02-701	EA	FILTER-GREASE (SOLD AS PAIR)	WB6X10309 - 2/PKG.
	140147-02-702	EA	TRAY-METAL PAN	WB49X10053

## AUDIO VIDEO GROUP RADIO SYSTEM

KEY	PART NUMBER	U/M	DESCRIPTION
	077069-02-000	EA	CABLE/EXTENSION - RADIO ANTENNA - 96"
	077069-03-000	EA	CABLE/EXTENSION - RADIO ANTENNA - 260"
	090944-03-000	EA	CABLE - ANTENNA
	123256-02-000	EA	CABLE - CB - COAX
	147190-03-000	EA	CABLE/ANTENNA-SAT RADIO SIRRUS-22' W/O RADIO END CONNECTOR - <b>SATELLITE RADIO</b>
	148114-01-000	EA	CABLE - AUDIO - 1/8" TO RCA STEREO - <b>SATELLITE RADIO</b>
	089340-02-000	EA	GRILLE - SPEAKER - 6.5" SQUARE
	110470-01-01A	EA	GRILLE - 4" X 6" - OVAL SPEAKER - BLACK
	124883-04-000	EA	GRILLE/SPEAKER - F/CUBE SPEAKER
			FROM: 00-00-00 THRU: 07-13-03
	148026-02-01A	EA	SPEAKER GRILLE - CUBE - SILVER
			FROM: 07-14-03 THRU: 99-99-99
	124885-01-000	EA	GRILLE - SPEAKER - 6" X 9" - SUB WOOFER
	132352-01-L32	EA	GRILLE - SPEAKER - FABRIC COVERED
	090944-01-000	EA	ANTENNA - RADIO - 16" RUBBER - W/72" LEAD WIRE
	090944-02-000	EA	ANTENNA - RADIO - 16" RUBBER - W/O LEAD WIRE
	123256-01-000	EA	ANTENNA - CB - W/O CABLE
	147190-01-000	EA	ANTENNA/SATELLITE-RADIO/SIRIUS-W/GRD PLANE PLATE/6" LEAD - <b>SATELLITE RADIO</b>
	094097-01-000	EA	SPEAKER - RADIO/TV - W/O GRILLE - 5.25" DIAMETER
	110469-01-000	EA	SPEAKER - 4" X 6" OVAL - COAXIAL
	124883-02-000	EA	SPEAKER/CUBE - W/BACKET - <b>24" COLOR STEREO TV W/REMOTE</b>
			FROM: 00-00-00 THRU: 07-13-03
	148026-01-01A	EA	SPEAKER - CUBE - W/FIXED BRACKET - SILVER - <b>24" COLOR STEREO TV W/REMOTE</b>
			FROM: 07-14-03 THRU: 99-99-99
	124883-03-000	EA	SPEAKER/CUBE - W/O CASE
			FROM: 00-00-00 THRU: 07-13-03
	148026-03-01A	EA	SPEAKER - CUBE - W/O CASE
			FROM: 07-14-03 THRU: 99-99-99
	124884-01-000	EA	SPEAKER - 6" X 9" - SUB-WOOFER - W/O GRILLE
*	102080-17-000	EA	CHANGER - COMPACT DISC - SONY CDX-555RF
			FROM: 00-00-00 THRU: 07-09-03
	102080-20-000	EA	COMPACT DISC CHANGER - SONY CDX-565RF
			FROM: 07-10-03 THRU: 08-18-03
	148134-01-000	EA	CHANGER - COMPACT DISC - SANYO EAX-510
			FROM: 08-19-03 THRU: 99-99-99
*	102080-18-000	EA	CONTROLER/FM MODULATOR & WIRED REMOTE - SONY CDX-555RF KIT
			FROM: 00-00-00 THRU: 06-22-03
*	102080-21-000	EA	CONTROLER/FM MODULATOR & WIRED REMOTE - W/O CHANGER
			FROM: 06-23-03 THRU: 08-17-03
	109889-04-000	EA	EXTENDER - ANTENNA SHAFT - 3.7"
	124881-02-000	EA	AMPLIFIER - AUDIO - MTS Q SURROUND - ORANGE LABEL (LATEST)
	133307-02-000	EA	RADIO - WALL MOUNT - CD W/ALARM - AUDIOVOX AWN-930 - <b>REAR STEREO SYSTEM W/CD</b>
	135420-01-000	EA	RADIO - AM/FM CASSETTE/CD COMBO - M9900 - 7.2" X 3.3" R.O. - <b>DASH</b>
			FROM: 00-00-00 THRU: 08-17-03
	135420-09-000	EA	RADIO-AM/FM/CASS/CD COMBO-AUX/CD CHANGER INPUT-REMOTE COMP - <b>DASH</b>
			FROM: 08-18-03 THRU: 99-99-99
	135420-07-000	EA	RADIO - MOUNTING KIT - A-BODY - <b>DASH</b>
	135420-10-000	EA	REMOTE CONTROL/RADIO (CREDIT CARD SIZE) - <b>DASH</b>
			FROM: 08-18-03 THRU: 99-99-99
	148113-01-000	EA	RADIO - SATELLITE - SIRIUS - <b>DASH, SATELLITE RADIO</b>
	148113-02-000	EA	CRADLE - RADIO - KENWOOD - <b>DASH, SATELLITE RADIO</b>
*	143509-01-000	EA	RADIO - AM/FM CD - W/REMOTE - JENSEN CD3010X-W - <b>EXT ENTERTAINMENT CENTER W/CD</b>
			FROM: 00-00-00 THRU: 11-09-03
*	148231-01-000	EA	RADIO - AM/FM CD W/REMOTE - MAGNADYNE M3100CD - <b>EXT ENTERTAINMENT CENTER W/CD</b>
			FROM: 11-10-03 THRU: 99-99-99
	141679-02-000	EA	RADIO/BATTERY KIT - TWO WAY (4 RADIOS/8 BATTERIES)
			FROM: 00-00-00 THRU: 10-05-03
	141679-04-000	EA	RADIO - TWO WAY W/BATTERY (EACH = 1) - 5 MILE - ASA GMRS100
			FROM: 10-06-03 THRU: 99-99-99
	141679-01-000	EA	CHARGING STATION ONLY - F/TWO WAY RADIO SYSTEM
			FROM: 00-00-00 THRU: 10-05-03
	141679-03-000	EA	CHARGER/DOCK STATION ONLY - FOR #GMRS100 TWO-WAY RADIO
			FROM: 10-06-03 THRU: 99-99-99

**AUDIO VIDEO GROUP (CONTINUED)**  
**RADIO SYSTEM (CONTINUED)**

<b>KEY</b>	<b>PART NUMBER</b>	<b>U/M</b>	<b>DESCRIPTION</b>
	140600-06-01B	EA	BRACKET/ANTENNA MOUNT - MILL FINISH
	147741-01-09B	EA	BRACKET - ANTENNA GROUND - GALVINIZED
	148798-01-02B	EA	BRACKET - MOUNT - SIRIUS SATELITE RADIO - <b>SATELLITE RADIO</b>

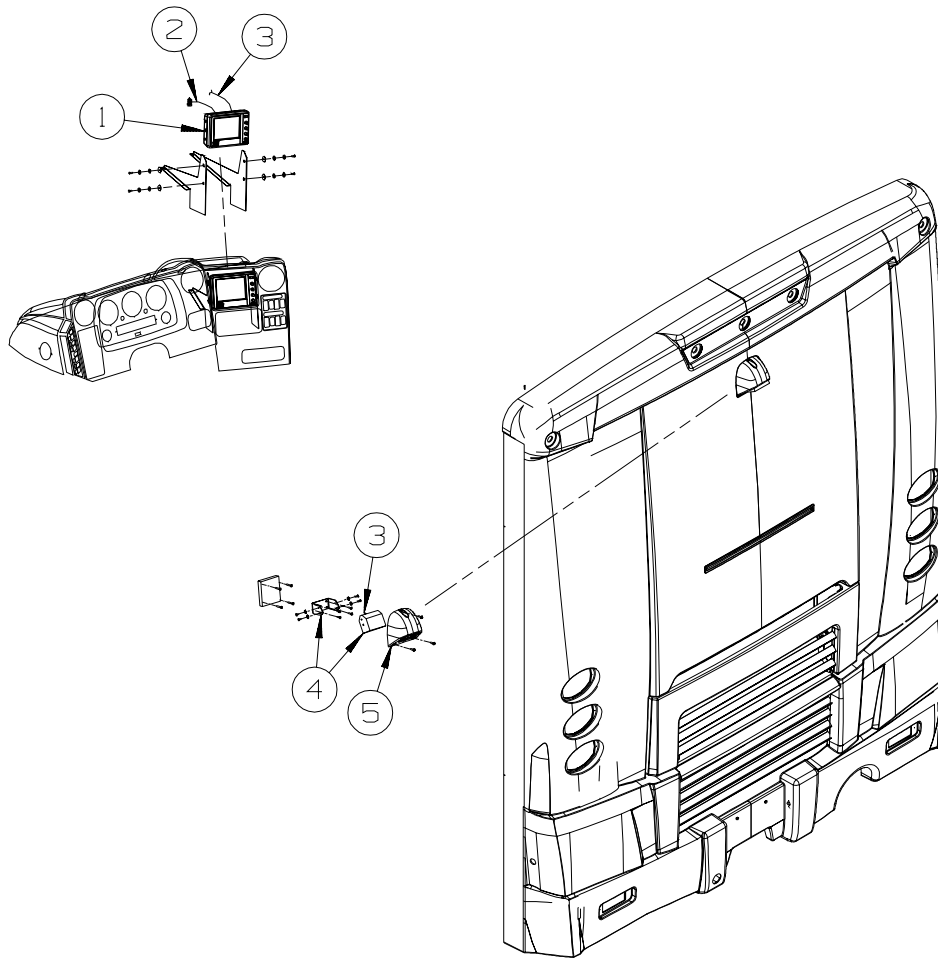
**\*COMPONENT PARTS LISTED LATER IN THIS GROUP**

**AUDIO VIDEO GROUP (CONTINUED)**  
**COMPONENT PARTS FOR RADIO SYSTEM**

			<b>102080-17-000</b>	
<b>KEY</b>	<b>PART NUMBER</b>	<b>U/M DESCRIPTION</b>		<b>VENDOR NO.</b>
	102080-17-700	EA REMOTE (WIRED)		1-476-488-V
	102080-17-701	EA REMOTE (WIRELESS)		A1-3220-786-11
			<b>102080-18-000</b>	
<b>KEY</b>	<b>PART NUMBER</b>	<b>U/M DESCRIPTION</b>		<b>VENDOR NO.</b>
	102080-15-700	EA REMOTE - WIRELES		1-476-488-11
			<b>102080-21-000</b>	
<b>KEY</b>	<b>PART NUMBER</b>	<b>U/M DESCRIPTION</b>		<b>VENDOR NO.</b>
	102080-21-700	EA REMOTE		RM-X84RF
			<b>143509-01-000</b>	
<b>KEY</b>	<b>PART NUMBER</b>	<b>U/M DESCRIPTION</b>		<b>VENDOR NO.</b>
	143509-01-700	EA REMOTE - RADIO		VG70A0
			<b>148231-01-000</b>	
<b>KEY</b>	<b>PART NUMBER</b>	<b>U/M DESCRIPTION</b>		<b>VENDOR NO.</b>
	148231-01-700	EA REMOTE		RC3100

## AUDIO VIDEO GROUP (CONTINUED)

### REAR VIEW MONITOR



KEY	PART NUMBER	U/M	DESCRIPTION
1	143363-01-000	EA	MONITOR/REAR - COLOR - W/BRACKET - SONY VCB-MH1
2	143545-01-000	EA	WIRE ASSEMBLY - REAR MONITOR
3	143363-03-000	EA	CABLE - MONITOR/CAMERA - COLOR - SONY VCB-MHC20
4	143363-02-000	EA	CAMERA/REAR - COLOR - W/BRACKET - SONY VCB-MHD1
			FROM: 00-00-00 THRU: 08-25-03
4	143363-05-000	EA	CAMERA - REAR - COLOR W/BRACKET - SONY VCB-MH3
			FROM: 08-26-03 THRU: 99-99-99
5	137919-01-01A	EA	SHROUD - CAMERA - OUTER - BRIGHT WHITE
			FROM: 00-00-00 THRU: 08-25-03
5	137919-02-01A	EA	SHROUD - CAMERA - OUTER - BRIGHT WHITE
			FROM: 08-26-03 THRU: 99-99-99

## AUDIO VIDEO GROUP (CONTINUED)

### TELEPHONE

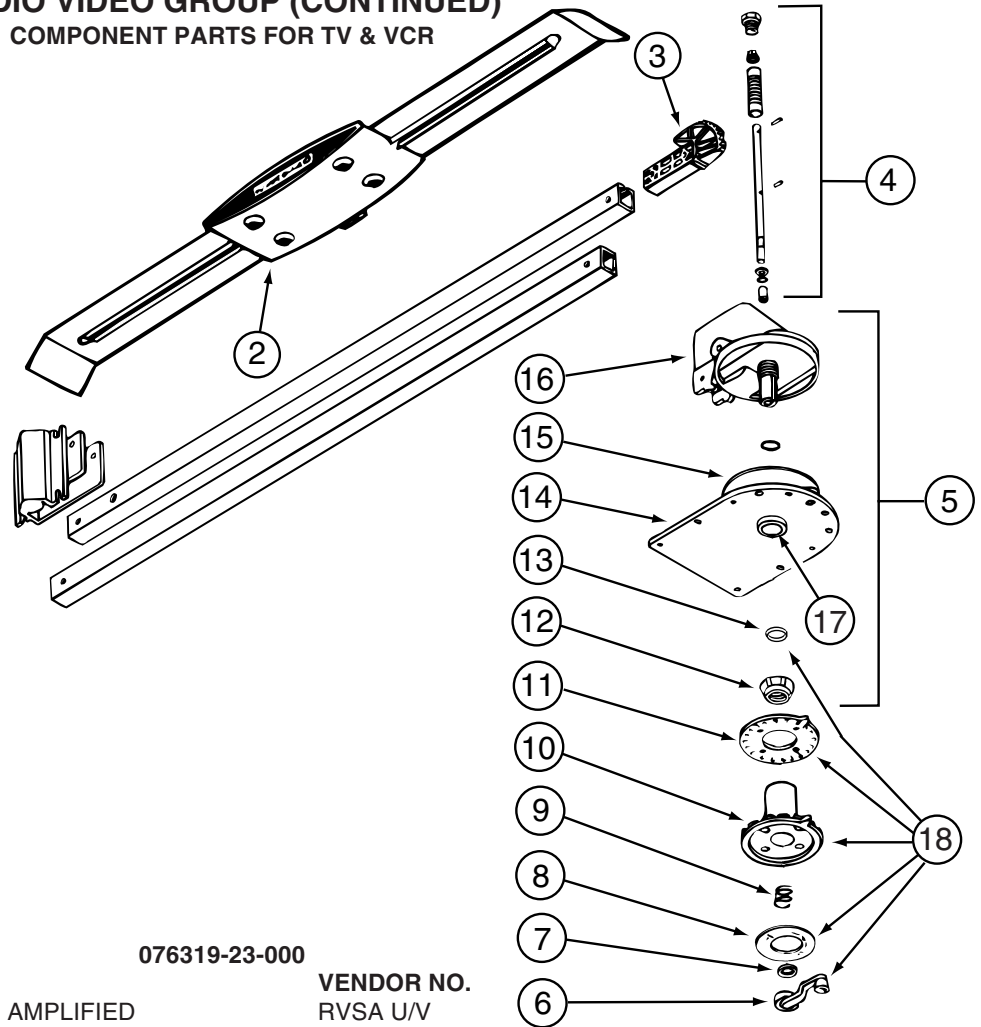
KEY	PART NUMBER	U/M	DESCRIPTION
	093253-01-02A	EA	PLATE - WALL - TELEPHONE - BROWN
	093253-01-03A	EA	PLATE - WALL - TELEPHONE - WHITE
	130686-01-01A	EA	PLATE - WALL - TELEPHONE/COAX - WHITE

### TV & VCR

KEY	PART NUMBER	U/M	DESCRIPTION
	069726-02-000	EA	BUMPER - .88" OD X .40" THICK - BLACK
	076319-03-000	FT	CABLE - COAXIAL - 75 OHM
	117420-03-000	EA	CABLE - W/MALE RCA ENDS - SHIELDED - 20'
	136860-01-000	EA	CABLE - RCA - #3 MALE TO #12F MALE CONNECTOR - <b>SURROUND SOUND</b>
	076319-09-000	EA	WALLPLATE - TV CABLE RECEPTACLE - SINGLE - BROWN
	134006-01-03B	EA	PLATE - COAXIAL CABLE/OFF WHITE
	146488-01-000	EA	PLATE - ROOF - CABLE ENTRY
	076319-12-000	EA	CONNECTOR - COAXIAL - ONE PIECE
	145171-01-000	EA	CONNECTOR - COAXIAL
*	076319-23-000	EA	ANTENNA - TV ROOF MOUNT - 44.5" MAST
*	137135-02-000	EA	ANTENNA - SATELLITE DSS - W/SENSOR
*	141454-01-01A	EA	ANTENNA/SATELLITE-AUTOMATIC SEARCH WHILE PARKED/GPS SYST- <b>AUTOMATIC SATELLITE DISH</b> FROM: 00-00-00 THRU: 07-06-03
*	141454-03-01A	EA	ANTENNA/SATELLITE - "AUTO SEARCH WHILE PARKED/GPS SYSTEM" - <b>AUTOMATIC SATELLITE DISH</b> FROM: 07-07-03 THRU: 99-99-99
*	144377-01-000	EA	ANTENNA/MOBILE TELEVISION SATELLITE - "SEARCH IN MOTION" - <b>IN-MOTION SATELLITE SYSTEM</b>
*	076319-25-000	EA	KIT - HARDWARE INTERIOR
	082134-01-000	EA	ADAPTER - TV - CABLE TO CABLE
	082136-01-000	EA	NUT - HEX JAM - 3/8-32
	086756-01-000	EA	SPLITTER - TV/2 WAY
	123324-01-000	EA	FILTER - GROUND LOOP
*	124075-06-000	EA	TV - 19" - 1/8 JACK - UL/CSA - RCA F19424M - <b>19" COLORED STEREO TV</b> FROM: 00-00-00 THRU: 03-02-03
*	124075-07-000	EA	TV - 19" - 1/8 JACK - W/RCA INPUT - RCA F19431 - <b>19" COLORED STEREO TV</b> FROM: 03-03-03 THRU: 99-99-99
*	146298-01-000	EA	TV - 27" STEREO W/5 JACKS - SONY 27FS100 - <b>27" COLORED TV STEREO W/REMOTE</b>
*	146299-01-000	EA	TV - 24" STEREO W/5 JACKS - SONY 24FS100 - <b>24" COLORED TV STEREO W/REMOTE</b>
	124883-03-000	EA	SPEAKER/CUBE - W/O CASE - <b>SURROUND SOUND</b> FROM: 00-00-00 THRU: 07-13-03
	148026-03-01A	EA	SPEAKER - CUBE - W/O CASE - <b>SURROUND SOUND</b> FROM: 07-14-03 THRU: 99-99-99
	124883-04-000	EA	GRILLE/SPEAKER - F/CUBE SPEAKER - <b>SURROUND SOUND</b> FROM: 00-00-00 THRU: 07-13-03
	148026-02-01A	EA	SPEAKER GRILLE - CUBE - SILVER - <b>SURROUND SOUND</b> FROM: 07-14-03 THRU: 99-99-99
	142258-01-000	EA	SWITCH - VIDEO/ANTENNA POWER SUPPLY - <b>VIDEO SELECTION SYSTEM</b>
*	146396-01-000	EA	DVD/VCR - COMBINATION PLAYER - SONY SLV-D100 FROM: 00-00-00 THRU: 06-01-03
*	146396-02-000	EA	DVD/VCR COMBINATION PLAYER - SONY SLV-D300P FROM: 06-02-03 THRU: 99-99-99

\*COMPONENT PARTS LISTED LATER IN THIS GROUP

**AUDIO VIDEO GROUP (CONTINUED)**  
**COMPONENT PARTS FOR TV & VCR**



**076319-23-000**

KEY	PART NUMBER	U/M	DESCRIPTION	VENDOR NO.
2	076319-01-700	EA	HEAD-ANTENNA, AMPLIFIED	RVSA U/V
3	076319-01-701	EA	GEAR-ELEVATING, PLASTIC	2200046
4	076319-01-702	EA	SHAFT ASM-ELEVATING	RP-4000
5	076319-01-711	EA	BASE & LIFT ASM	2762802
7	076319-01-705	EA	GROMMET-NYLON, 7/8"ID	3200658
8	076319-01-708	EA	DECAL-CRANK	5413002
9	076319-01-707	EA	SPRING-HANDLE	2160822
11	076319-01-712	EA	PLATE - CEILING	3200608
12	076319-01-715	EA	NUT (GEAR HOUSING)	2200047
14	076319-01-713	EA	BASE-PLATE, STEEL	3100523
15	076319-01-703	EA	BEARING-NYLON, 5"OD	3200656
16	076319-01-714	EA	HOUSING, ROTATING GEAR	2200049
	076319-01-716	EA	TUBING, ELEVATING	RP-2900
17	076319-01-704	EA	BEARING-NYLON, 1.25"OD	3200657
18	076319-01-709	EA	HANDLE-HEAD DIRECTIONAL	200644

CONTACT WINNEBAGO PART SALES FOR UNLISTED COMPONENT

**076319-25-000**

KEY	PART NUMBER	U/M	DESCRIPTION	VENDOR NO.
6	076319-01-706	EA	CRANK-W/SET SCREW UNIV/BEIGE	2750897
6	120233-01-710	EA	HANDLE-CRANK W/SCREW - WHITE	RP-6795
8	076319-01-708	EA	DECAL-CRANK	5413002
10	076319-25-700	EA	DIRECTIONAL HANDLE(WHITE)	3200612
11	076319-25-701	EA	PLATE - CEILING(WHITE)	3200609
13	120233-01-709	EA	WASHER-NYLON	RP-2658

CONTACT WINNEBAGO PART SALES FOR UNLISTED COMPONENTS

**124075-06-000**

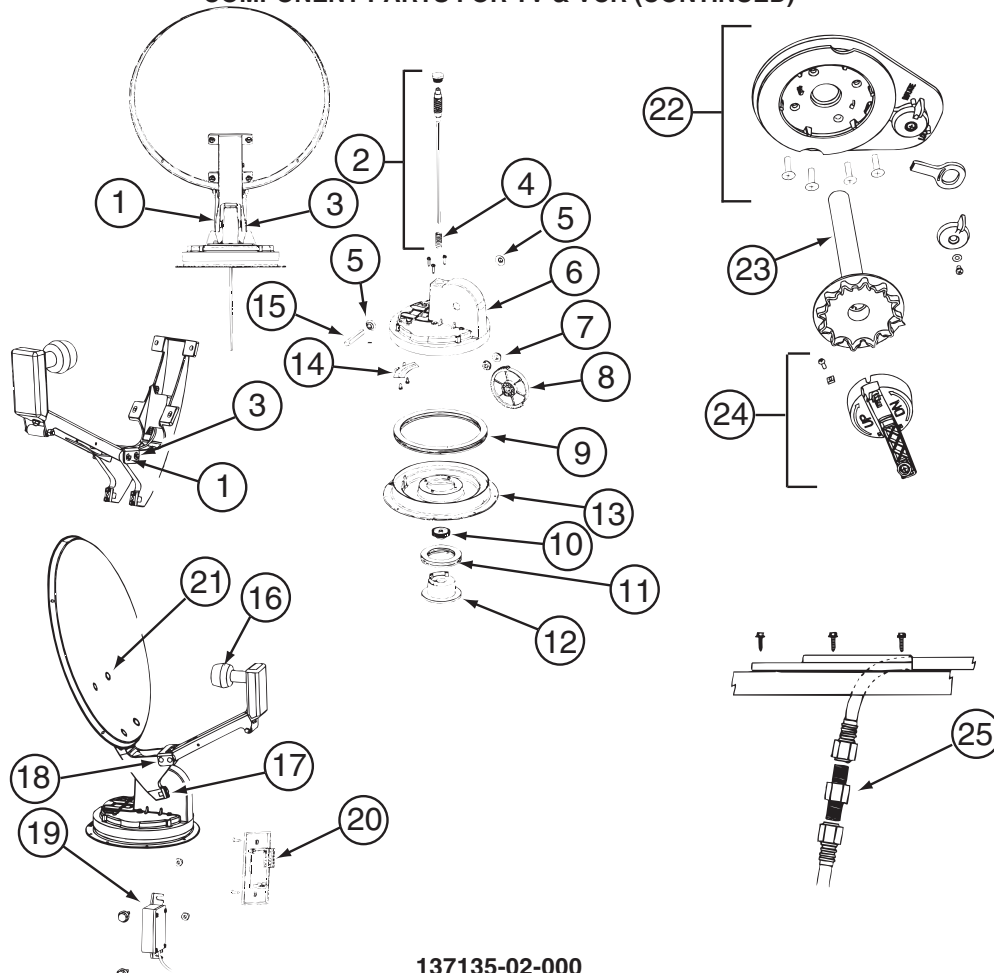
KEY	PART NUMBER	U/M	DESCRIPTION	VENDOR NO.
	124075-05-700	EA	REMOTE	242778

**124075-07-000**

KEY	PART NUMBER	U/M	DESCRIPTION	VENDOR NO.
	124075-04-700	EA	REMOTE	240959



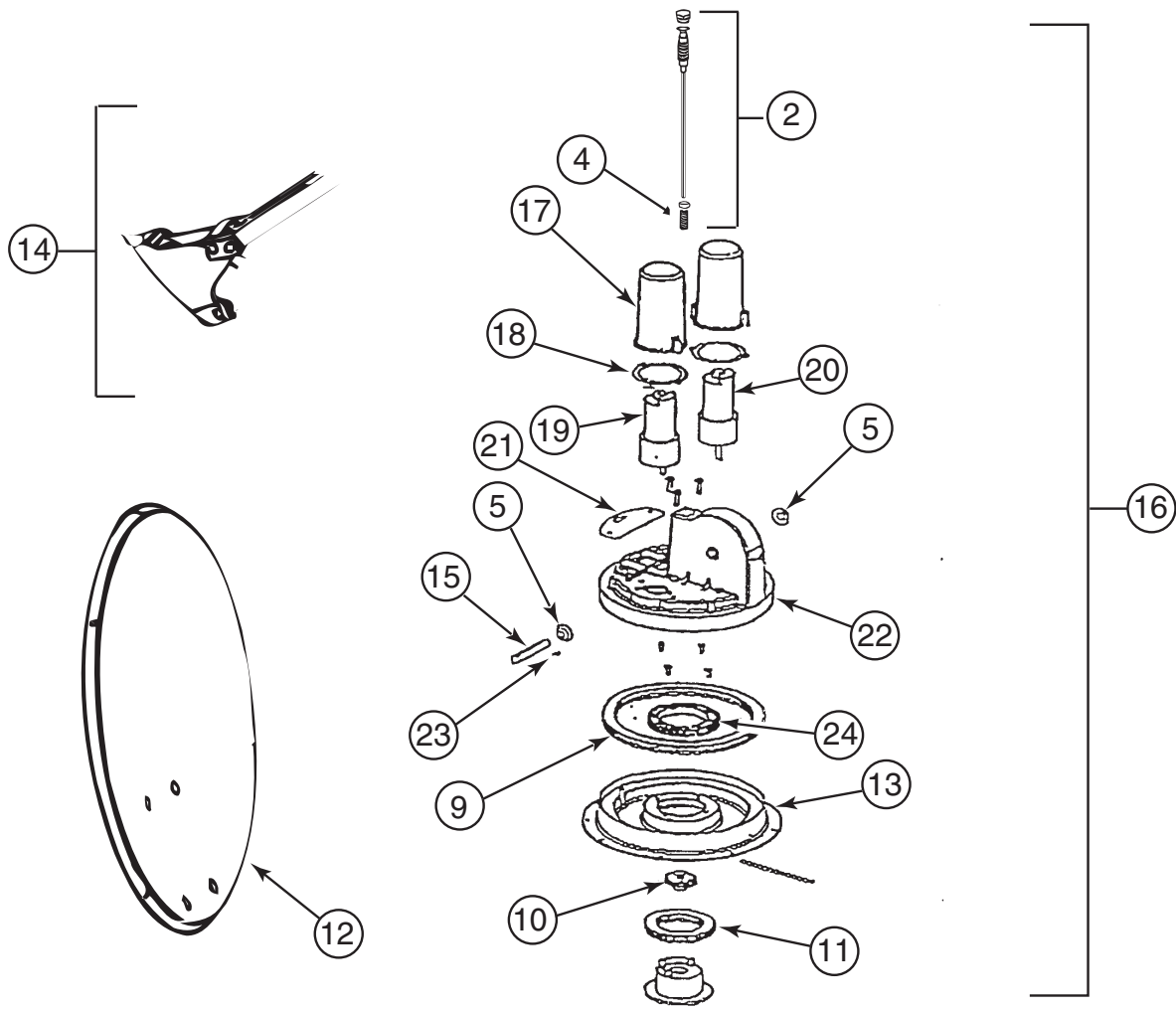
**AUDIO VIDEO GROUP (CONTINUED)**  
**COMPONENT PARTS FOR TV & VCR (CONTINUED)**



137135-02-000

KEY	PART NUMBER	U/M	DESCRIPTION	VENDOR NO.
1	120233-01-714	EA	CLIP-E	5160818
2	137135-01-703	EA	KIT ELEV - SHAFT/GEAR/SPRING	RP-4400
3	137135-01-704	EA	PIN - 1/4" X 3.25"	2160813
4	137135-01-705	EA	SPRING	2160818
5	137135-01-707	EA	SEAL - PIVOT SHAFT	2200852
6	137135-01-708	EA	TURRET	3100728
7	137135-01-709	EA	PIVOT BEARING	2200470
8	137135-01-711	EA	GEAR - ELEVATING	2200464
9	137135-01-712	EA	BEARING - OUTER	2590347
10	137135-01-714	EA	GEAR - ELEVATING SHAFT	2200465
11	137135-01-715	EA	BEARING - INNER	2590348
12	137135-01-716	EA	HUB	3100731
13	137135-01-713	EA	TURRET BASE	3100730
14	137135-01-710	EA	PLATE - ROTATE LIMIT	3720052
16	137135-02-703	EA	LOW NOISE BLOCK FILTER	LB-6000 - DUAL
17	137135-01-722	EA	CLAMP	2590343
18	137135-01-719	EA	BRACKET - PIVOT	2744945
19	137135-01-720	EA	DE-SENSOR UNIT W/43" CABLE	DM4000
20	137135-02-701	EA	BOX - SURFACE MOUNT	SM-100
21	137135-01-717	EA	BOLT - FLAT HEAD	2160362
22	120233-01-737	EA	PLATE/INT-W/DIRECTIONAL HDLE	RK-CEIL
23	120233-01-704	EA	DIAL/DIRECTIONAL 4"W/SPRING	3200364
24	120233-01-738	EA	HDW PKG-HANDLE/SPRING/WASHER	RK-HAND
25	137135-01-701	EA	CONNECTOR - F - MALE TO MALE	FS-8100
	120233-04-700	EA	KIT-WALL PLATE/CABLE - GRAY	DM4000
	137135-01-700	EA	ROOF WEDGE W/GASKET	RW-5000
	137135-01-706	EA	KIT-TURRET/SEAL/BEARING/GEAR	RP-RM30
	137135-01-718	EA	REFLECTOR/WHITE-46CM W/HDW	RP-35RM
	137135-02-700	EA	DE-SENSOR	2780096
	137135-02-704	EA	KIT-UPDATE DIRECTIONAL HDL	RP-RMDH
			CONTACT WINNEBAGO PART SALES FOR UNLISTED COMPONENT(S)	

**AUDIO VIDEO GROUP (CONTINUED)**  
**COMPONENT PARTS FOR TV & VCR (CONTINUED)**

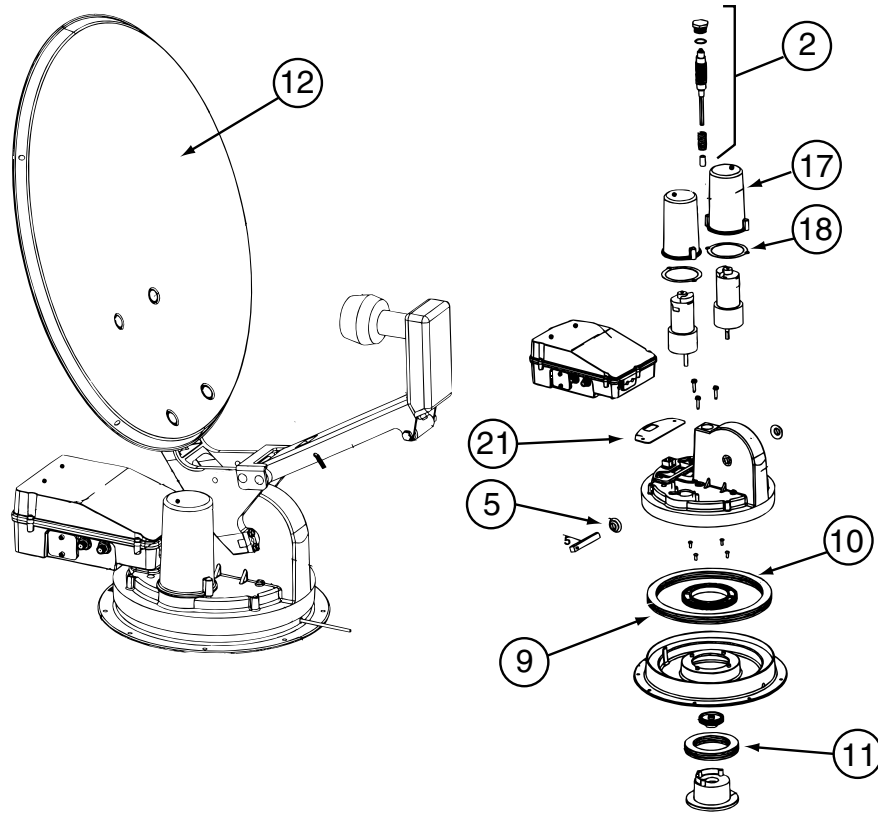


141454-01-01A

KEY	PART NUMBER	U/M	DESCRIPTION	VENDOR NO.
2	141454-01-700	EA	KIT ELEV-SHAFT/GEARS/SPRING	RP-RM20
4	137135-01-705	EA	SPRING	2160818
5	137135-01-707	EA	SEAL - PIVOT SHAFT	2200852
9	137135-01-712	EA	BEARING - OUTER	2590347
10	137135-01-714	EA	GEAR - ELEVATING SHAFT	2200465
11	137135-01-715	EA	BEARING - INNER	2590348
12	137135-01-718	EA	REFLECTOR/WHITE-46CM W/HDWE	RP-35RM
13	137135-01-713	EA	TURRET BASE	3100730
14	137135-01-723	EA	SUPPORT/FRAME-BACKUP-W/HDWE	RP-RM00
16	141454-01-704	EA	KIT LIFT ASSEMBLY COMPLETE	RP-RM05
17	141454-01-705	EA	HOUSING - MOTOR	3200260
18	141454-01-706	EA	GASKET - MOTOR HOUSING	2240054
19	141454-01-707	EA	MOTOR - AZIMUTH	2665039
20	141454-01-708	EA	MOTOR - ELEVATION	2665038
21	141454-01-709	EA	GASKET	2240056
22	141454-01-710	EA	TURRET	3100729
23	141454-01-711	EA	ROLL PIN	2160842
24	141454-01-712	EA	GEAR - ROTATE	2200469
	120233-01-714	EA	CLIP-E	5160818
	137135-01-704	EA	PIN - 1/4" X 3.25"	2160813
	137135-01-719	EA	BRACKET - PIVOT	2744945
	141454-01-701	EA	KIT - GEAR/MOTOR-GEAR/ROTATE	RP-RM25
	141454-01-702	EA	HOUSING/ELECTRONICS - UPPER	RP-RM10
	141454-01-703	EA	HOUSING/ELECTRONICS - LOWER	RP-RM15
	141454-01-713	EA	PANEL/FRT-W/DIGITAL READOUT	2764586
	141454-01-714	EA	KIT - TURRET ANTI-RATTLE	RP-RM45

CONTACT WINNEBAGO PART SALES FOR UNLISTED COMPONENT(S)

**AUDIO VIDEO GROUP (CONTINUED)**  
**COMPONENT PARTS FOR TV & VCR (CONTINUED)**



141454-03-01A

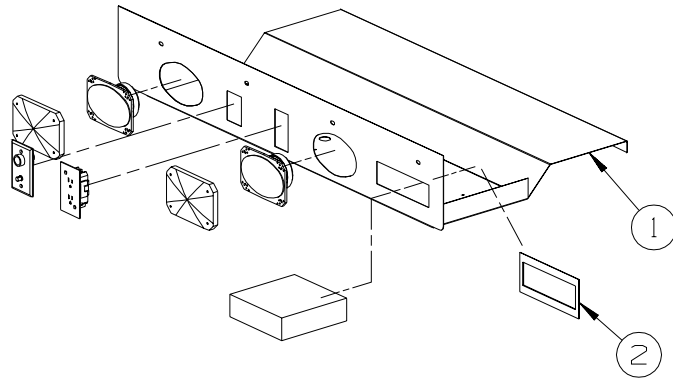
KEY	PART NUMBER	U/M	DESCRIPTION	VENDOR NO.
2	141454-01-700	EA	KIT ELEV-SHAFT/GEARS/SPRING	RP-RM20
4	137135-01-705	EA	SPRING	2160818
5	137135-01-707	EA	SEAL - PIVOT SHAFT	2200852
9	137135-01-712	EA	BEARING - OUTER	2590347
10	137135-01-714	EA	GEAR - ELEVATING SHAFT	2200465
10	141454-01-712	EA	GEAR - ROTATE	2200469
11	137135-01-715	EA	BEARING - INNER	2590348
12	137135-01-718	EA	REFLECTOR/WHITE-46CM W/HDWE	RP-35RM
13	137135-01-713	EA	TURRET BASE	3100730
17	141454-01-705	EA	HOUSING - MOTOR	3200260
18	141454-01-706	EA	GASKET - MOTOR HOUSING	2240054
21	141454-01-709	EA	GASKET	2240056
	120233-01-714	EA	CLIP-E	5160818
	137135-01-704	EA	PIN - 1/4" X 3.25"	2160813
	137135-01-719	EA	BRACKET - PIVOT	2744945
	137135-01-722	EA	CLAMP	2590343
	137135-01-723	EA	SUPPORT/FRAME-BACKUP-W/HDWE	RP-RM00
	137135-02-703	EA	LOW NOISE BLOCK FILTER	LB-6000 - DUAL
	141454-01-701	EA	KIT - GEAR/MOTOR-GEAR/ROTATE	RP-RM25
	141454-01-702	EA	HOUSING/ELECTRONICS - UPPER	RP-RM10
	141454-01-703	EA	HOUSING/ELECTRONICS - LOWER	RP-RM15
	141454-01-704	EA	KIT LIFT ASSEMBLY COMPLETE	RP-RM05
	141454-03-700	EA	MOTOR (AZIMUTH)	2665042
	141454-03-701	EA	MOTOR (ELEVATION)	2665041
	141454-03-702	EA	CIRCUIT BOARD(CONTROL BOARD)	RP-RM80
	141454-03-703	EA	CONTRL PANEL W/BOX (AS2003)	RP-AS85

CONTACT WINNEBAGO PART SALES FOR UNLISTED COMPONENT(S)

**AUDIO VIDEO GROUP (CONTINUED)**  
**COMPONENT PARTS FOR TV & VCR (CONTINUED)**

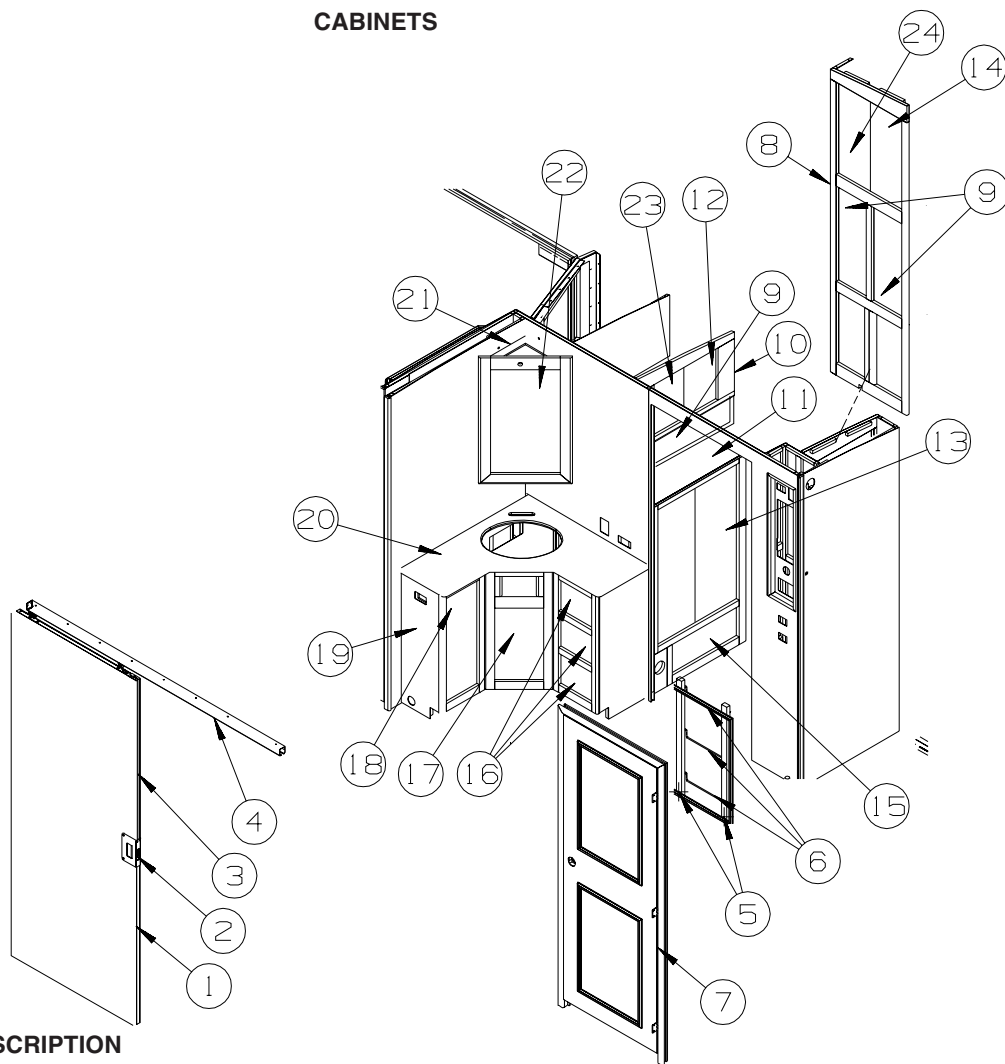
<b>144377-01-000</b>			
<b>KEY</b>	<b>PART NUMBER</b>	<b>U/M DESCRIPTION</b>	<b>VENDOR NO.</b>
	144377-01-700	EA SWITCH	2400101
	144377-01-701	EA PLATE F/SWITCH	3202239
	144377-01-702	EA DOME W/NOTCHES	2780402
<b>146298-01-000</b>			
<b>KEY</b>	<b>PART NUMBER</b>	<b>U/M DESCRIPTION</b>	<b>VENDOR NO.</b>
	146298-01-700	EA REMOTE - TV	1-477-119-21
<b>146299-01-000</b>			
<b>KEY</b>	<b>PART NUMBER</b>	<b>U/M DESCRIPTION</b>	<b>VENDOR NO.</b>
	146299-01-700	EA REMOTE - TV	1-476-680-11
<b>146396-01-000</b>			
<b>KEY</b>	<b>PART NUMBER</b>	<b>U/M DESCRIPTION</b>	<b>VENDOR NO.</b>
	146396-01-700	EA REMOTE - DVD/VCR	1-477-582-11
<b>146396-02-000</b>			
<b>KEY</b>	<b>PART NUMBER</b>	<b>U/M DESCRIPTION</b>	<b>VENDOR NO.</b>
	146396-02-700	EA REMOTE	9-885-035-23

**AUDIO VIDEO GROUP (CONTINUED)**  
**EXTERIOR ENTERTAINMENT**



<b>KEY</b>	<b>PART NUMBER</b>	<b>U/M</b>	<b>DESCRIPTION</b>
1	145905-01-02B	EA	PANEL - ENTERTAINMENT CENTER - E-COATED
2	146214-01-02B	EA	SPACER - RADIO - E-COATED

## BATH GROUP CABINETS

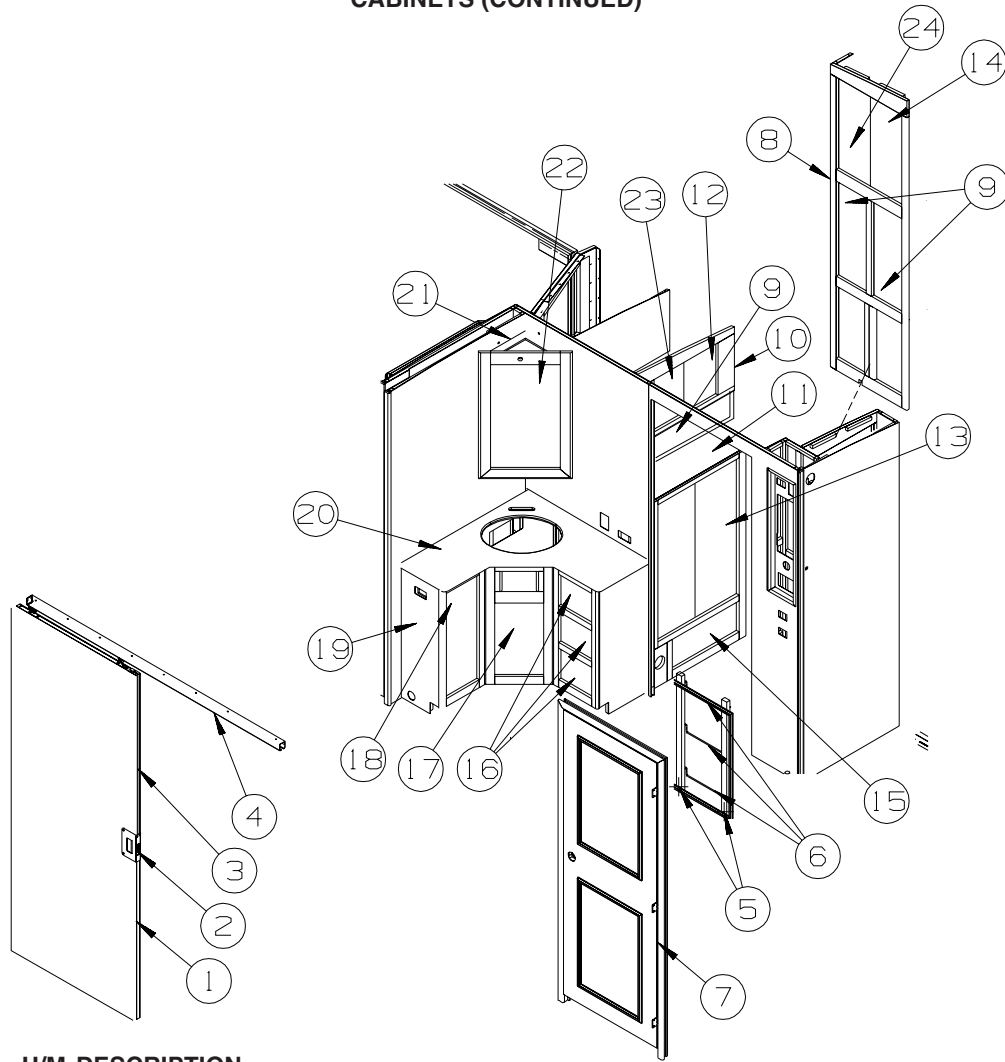


KEY	PART NUMBER	U/M	DESCRIPTION
1	146047-05-R89	EA	DOOR - SLIDING - W/O HARDWARE - PORTSMOUTH OAK
1	146047-05-R90	EA	DOOR - SLIDING - W/O HARDWARE - CONCERT CHERRY
1	146047-05-R91	EA	DOOR - SLIDING - W/O HARDWARE - WASHED MAPLE
1	146047-05-RW5	EA	DOOR - SLIDING - W/O HARDWARE - WASHED MAPLE FROM: 00-00-00 THRU: 01-04-04
1	146047-05-RE3	EA	DOOR - SLIDING - W/O HARDWARE - HONEY CHERRY
2	145939-01-02A	EA	LATCH - SLIDE - AISLE DOOR(1" THICK DOOR) - NICKEL FROM: 00-00-00 THRU: 05-31-04
2	145939-04-02A	EA	LATCH - SLIDE - AISLE DOOR(1" THICK DOOR) - NICKEL FROM: 06-01-04 THRU: 99-99-99
3	145939-03-01A	EA	ROD/LATCH - AISLE DOOR - BRASS
4	145608-08-01A	EA	TRACK - DOOR - 62.2" - OFF WHITE
5	P34509-01-N01	EA	RAIL END - RH/LH - TOWEL RACK - PORTSMOUTH OAK
5	P34509-01-P14	EA	RAIL END - RH/LH - TOWEL RACK - CONCERT CHERRY
5	P34509-01-J70	EA	RAIL END - RH/LH - TOWEL RACK - WASHED MAPLE
5	P34509-01-RE0	EA	RAIL END - RH/LH - TOWEL RACK - HONEY CHERRY
6	146801-01-02A	EA	ROD/TOWEL BAR (OFFSET) - PEWTER
7	146572-04-R89	EA	DOOR - BATH - 28" X 73" - W/LOCK/TOWEL RACK/JAMB/HINGES - PORTSMOUTH OAK
7	146572-04-R90	EA	DOOR - BATH - 28" X 73" - W/LOCK/TOWEL RACK/JAMB/HINGES - CONCERT CHERRY
7	146572-04-R91	EA	DOOR - BATH - 28" X 73" - W/LOCK/TOWEL RACK/JAMB/HINGES - WASHED MAPLE
7	146572-04-RE3	EA	DOOR - BATH - 28" X 73" - W/LOCK/TOWEL RACK/JAMB/HINGES - HONEY CHERRY
	146064-01-02A	EA	LOCK - PRIVACY HANDLE - SATIN PEWTER
8	147395-02-R89	EA	CABINET - STORAGE/BATH - W/O DOORS/HARDWARE - PORTSMOUTH OAK
8	147395-02-R90	EA	CABINET - STORAGE/BATH - W/O DOORS/HARDWARE - CONCERT CHERRY
8	147395-02-R91	EA	CABINET - STORAGE/BATH - W/O DOORS/HARDWARE - WASHED MAPLE FROM: 00-00-00 THRU: 01-04-04
8	147395-02-RW5	EA	CABINET - STORAGE/BATH - W/O DOORS/HARDWARE - WASHED MAPLE FROM: 01-05-04 THRU: 99-99-99
8	147395-02-RE3	EA	CABINET - STORAGE/BATH - W/O DOORS/HARDWARE - HONEY CHERRY

**BATH GROUP (CONTINUED)**  
**CABINETS (CONTINUED)**

KEY	PART NUMBER	U/M	DESCRIPTION
9	144000-25-R89	EA	DOOR - RAISED PANEL/HDWD/FLUTED - 10" X 25.2" - W/O HDW - PORTSMOUTH OAK
9	144000-25-R90	EA	DOOR - RAISED PANEL/HDWD/FLUTED - 10" X 25.2" - W/O HDW - CONCERT CHERRY
9	144000-25-R91	EA	DOOR - RAISED PANEL/HDWD/FLUTED - 10" X 25.2" - W/O HDW - WASHED MAPLE
9	144000-25-RE3	EA	DOOR - RAISED PANEL/HDWD/FLUTED - 10" X 25.2" - W/O HDW - HONEY CHERRY
9	076767-04-000	EA	CABLE - STAINLESS STEEL - 5.9"
10	147394-05-R89	EA	CABINET - LINEN - W/O CONTERTOP/DOORS/DRAWERS/HARDWARE - PORTSMOUTH OAK
10	147394-05-R90	EA	CABINET - LINEN - W/O CONTERTOP/DOORS/DRAWERS/HARDWARE - CONCERT CHERRY
10	147394-05-R91	EA	CABINET - LINEN - W/O CONTERTOP/DOORS/DRAWERS/HARDWARE - WASHED MAPLE FROM: 00-00-00 THRU: 01-04-04
10	147394-05-RW5	EA	CABINET - LINEN - W/O CONTERTOP/DOORS/DRAWERS/HARDWARE - WASHED MAPLE FROM: 01-05-04 THRU: 99-99-99
10	147394-05-RE3	EA	CABINET - LINEN - W/O CONTERTOP/DOORS/DRAWERS/HARDWARE - HONEY CHERRY
10	147394-07-R89	EA	CABINET - LINEN - W/O CONTERTOP/DOORS/DRWRS/HDW - PORTSMOUTH OAK - WASHER/DRYER
10	147394-07-R90	EA	CABINET - LINEN - W/O CONTERTOP/DOORS/DRWRS/HDW - CONCERT CHERRY - WASHER/DRYER
10	147394-07-R91	EA	CABINET - LINEN - W/O CONTERTOP/DOORS/DRWRS/HDW - WASHED MAPLE - WASHER/DRYER FROM: 00-00-00 THRU: 01-04-04
10	147394-07-RW5	EA	CABINET - LINEN - W/O CONTERTOP/DOORS/DRWRS/HDW - WASHED MAPLE - WASHER/DRYER FROM: 01-05-04 THRU: 99-99-99
10	147394-07-RE3	EA	CABINET - LINEN - W/O CONTERTOP/DOORS/DRWRS/HDW - HONEY CHERRY - WASHER/DRYER
11	145212-22-R83	EA	COUNTERTOP - LAMINATED - OAK - PORTSMOUTH OAK
11	145212-22-R84	EA	COUNTERTOP - LAMINATED - CHERRY/CHERRY IV - CONCERT CHERRY
11	145212-22-R91	EA	COUNTERTOP - LAMINATED - MAPLE - WASHED MAPLE
11	145212-22-RE0	EA	COUNTERTOP - LAMINATED - OAK/HONEY OAK - HONEY CHERRY
12	141524-16-R89	EA	DOOR - WIDE RAIL/ARCHED/RH/FLUTED - 9.8" X 14.5"-W/O HDW - PORTSMOUTH OAK
12	141524-16-R90	EA	DOOR - WIDE RAIL/ARCHED/RH/FLUTED - 9.8" X 14.5"-W/O HDW - CONCERT CHERRY
12	141524-16-R91	EA	DOOR - WIDE RAIL/ARCHED/RH/FLUTED - 9.8" X 14.5"-W/O HDW - WASHED MAPLE
12	141524-16-RE3	EA	DOOR - WIDE RAIL/ARCHED/RH/FLUTED - 9.8" X 14.5"-W/O HDW - HONEY CHERRY
13	148893-01-R89	EA	DOOR - LOUVERED/FLUTED - PORTSMOUTH OAK
13	148893-01-R90	EA	DOOR - LOUVERED/FLUTED - CONCERT CHERRY
13	148893-01-R91	EA	DOOR - LOUVERED/FLUTED - WASHED MAPLE
13	148893-01-RE3	EA	DOOR - LOUVERED/FLUTED - HONEY CHERRY
14	141524-25-R89	EA	DOOR - WIDE RAIL/ARCHED/RH/FLUTED - 10" X 25.2"-W/O HDW - PORTSMOUTH OAK
14	141524-25-R90	EA	DOOR - WIDE RAIL/ARCHED/RH/FLUTED - 10" X 25.2"-W/O HDW - CONCERT CHERRY
14	141524-25-R91	EA	DOOR - WIDE RAIL/ARCHED/RH/FLUTED - 10" X 25.2"-W/O HDW - WASHED MAPLE
14	141524-25-RE3	EA	DOOR - WIDE RAIL/ARCHED/RH/FLUTED - 10" X 25.2"-W/O HDW - HONEY CHERRY
15	145386-L7-R89	EA	DRAWER - FLUTED EDGE - 19"W X 15.7"D - W/O SLIDES/HARDWARE - PORTSMOUTH OAK
15	145386-L7-R90	EA	DRAWER - FLUTED EDGE - 19"W X 15.7"D - W/O SLIDES/HARDWARE - CONCERT CHERRY
15	145386-L7-R91	EA	DRAWER - FLUTED EDGE - 19"W X 15.7"D - W/O SLIDES/HARDWARE - WASHED MAPLE
15	145386-L7-RE3	EA	DRAWER - FLUTED EDGE - 19"W X 15.7"D - W/O SLIDES/HARDWARE - HONEY CHERRY
16	145386-J5-R89	EA	DRAWER - FLUTED EDGE - 9.2"W X 9.8"D - W/O SLIDES/HARDWARE - PORTSMOUTH OAK
16	145386-J5-R90	EA	DRAWER - FLUTED EDGE - 9.2"W X 9.8"D - W/O SLIDES/HARDWARE - CONCERT CHERRY
16	145386-J5-R91	EA	DRAWER - FLUTED EDGE - 9.2"W X 9.8"D - W/O SLIDES/HARDWARE - WASHED MAPLE
16	145386-J5-RE3	EA	DRAWER - FLUTED EDGE - 9.2"W X 9.8"D - W/O SLIDES/HARDWARE - HONEY CHERRY
17	144000-53-R89	EA	DOOR - RAISED PANEL/HDWD/FLUTED - 11.2" X 19.7" - W/O HDW - PORTSMOUTH OAK
17	144000-53-R90	EA	DOOR - RAISED PANEL/HDWD/FLUTED - 11.2" X 19.7" - W/O HDW - CONCERT CHERRY
17	144000-53-R91	EA	DOOR - RAISED PANEL/HDWD/FLUTED - 11.2" X 19.7" - W/O HDW - WASHED MAPLE
17	144000-53-RE3	EA	DOOR - RAISED PANEL/HDWD/FLUTED - 11.2" X 19.7" - W/O HDW - HONEY CHERRY
18	144000-47-R89	EA	DOOR - RAISED PANEL/HDWD/FLUTED - 10.8" X 27.9" - W/O HDW - PORTSMOUTH OAK
18	144000-47-R90	EA	DOOR - RAISED PANEL/HDWD/FLUTED - 10.8" X 27.9" - W/O HDW - CONCERT CHERRY
18	144000-47-R91	EA	DOOR - RAISED PANEL/HDWD/FLUTED - 10.8" X 27.9" - W/O HDW - WASHED MAPLE
18	144000-47-RE3	EA	DOOR - RAISED PANEL/HDWD/FLUTED - 10.8" X 27.9" - W/O HDW - HONEY CHERRY
19	P47422-01-R83	EA	CABINET - LAVATORY - W/O COUNTERTOP/DOORS/DRAWERS/HARDWARE - PORTSMOUTH OAK
19	P47422-01-R84	EA	CABINET - LAVATORY - W/O COUNTERTOP/DOORS/DRAWERS/HARDWARE - CONCERT CHERRY
19	P47422-01-R91	EA	CABINET - LAVATORY - W/O COUNTERTOP/DOORS/DRAWERS/HARDWARE - WASHED MAPLE FROM: 00-00-00 THRU: 01-04-04
19	P47422-01-RW5	EA	CABINET - LAVATORY - W/O COUNTERTOP/DOORS/DRAWERS/HARDWARE - WASHED MAPLE FROM: 01-05-04 THRU: 99-99-99
19	P47422-01-RE0	EA	CABINET - LAVATORY - W/O COUNTERTOP/DOORS/DRAWERS/HARDWARE - HONEY CHERRY
20	138786-35-03A	EA	COUNTERTOP - 1/2" CORIAN - FOSSIL

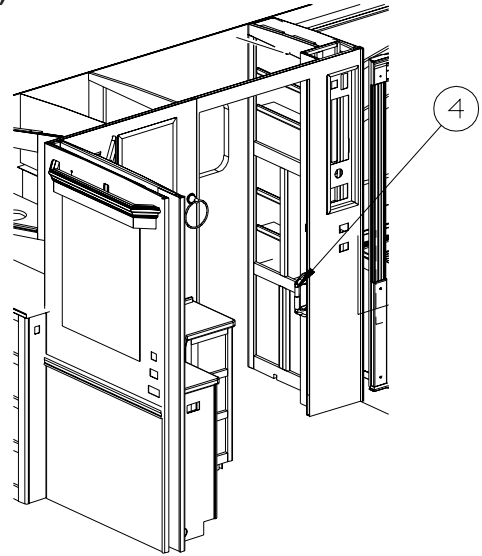
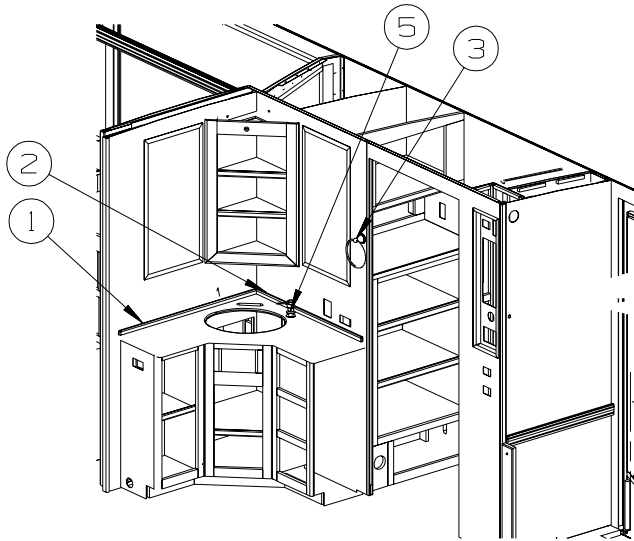
**BATH GROUP (CONTINUED)**  
**CABINETS (CONTINUED)**



KEY	PART NUMBER	U/M	DESCRIPTION
21	147807-02-R89	EA	CABINET - OVERHEAD/MEDICINE - W/O DOORS/HARDWARE - PORTSMOUTH OAK
21	147807-02-R90	EA	CABINET - OVERHEAD/MEDICINE - W/O DOORS/HARDWARE - CONCERT CHERRY
21	147807-02-R91	EA	CABINET - OVERHEAD/MEDICINE - W/O DOORS/HARDWARE - WASHED MAPLE
			FROM: 00-00-00 THRU: 01-04-04
21	147807-02-RW5	EA	CABINET - OVERHEAD/MEDICINE - W/O DOORS/HARDWARE - WASHED MAPLE
			FROM: 01-05-04 THRU: 99-99-99
21	147807-02-RE3	EA	CABINET - OVERHEAD/MEDICINE - W/O DOORS/HARDWARE - HONEY CHERRY
22	147873-06-R89	EA	DOOR - FLUTED EDGE/MIRRORED - 15.7" X 27.9" - W/O HARDWARE - PORTSMOUTH OAK
22	147873-06-R90	EA	DOOR - FLUTED EDGE/MIRRORED - 15.7" X 27.9" - W/O HARDWARE - CONCERT CHERRY
22	147873-06-R91	EA	DOOR - FLUTED EDGE/MIRRORED - 15.7" X 27.9" - W/O HARDWARE - WASHED MAPLE
			FROM: 00-00-00 THRU: 01-04-04
22	147873-06-RW5	EA	DOOR - FLUTED EDGE/MIRRORED - 15.7" X 27.9" - W/O HARDWARE - WASHED MAPLE
			FROM: 01-05-04 THRU: 99-99-99
22	147873-06-RE3	EA	DOOR - FLUTED EDGE/MIRRORED - 15.7" X 27.9" - W/O HARDWARE - HONEY CHERRY
	140374-67-000	EA	MIRROR - SAFETY GLASS - 11.8" X 24"
	076767-04-000	EA	CABLE - STAINLESS STEEL - 5.9"
23	143842-16-R89	EA	DOOR - WIDE RAIL/ARCHED/LH/FLUTED - 9.8" X 14.5"-W/O HDW - PORTSMOUTH OAK
23	143842-16-R90	EA	DOOR - WIDE RAIL/ARCHED/LH/FLUTED - 9.8" X 14.5"-W/O HDW - CONCERT CHERRY
23	143842-16-R91	EA	DOOR - WIDE RAIL/ARCHED/LH/FLUTED - 9.8" X 14.5" - WASHED MAPLE
23	143842-16-RE3	EA	DOOR - WIDE RAIL/ARCHED/LH/FLUTED - 9.8" X 14.5"-W/O HDW - HONEY CHERRY
24	143842-25-R89	EA	DOOR - WIDE RAIL/ARCHED/LH/FLUTED - 10" X 25.2"-W/O HDW - PORTSMOUTH OAK
24	143842-25-R90	EA	DOOR - WIDE RAIL/ARCHED/LH/FLUTED - 10" X 25.2"-W/O HDW - CONCERT CHERRY
24	143842-25-R91	EA	DOOR - WIDE RAIL/ARCHED/LH/FLUTED - 10" X 25.2" - WASHED MAPLE
24	143842-25-RE3	EA	DOOR - WIDE RAIL/ARCHED/LH/FLUTED - 10" X 25.2"-W/O HDW - HONEY CHERRY

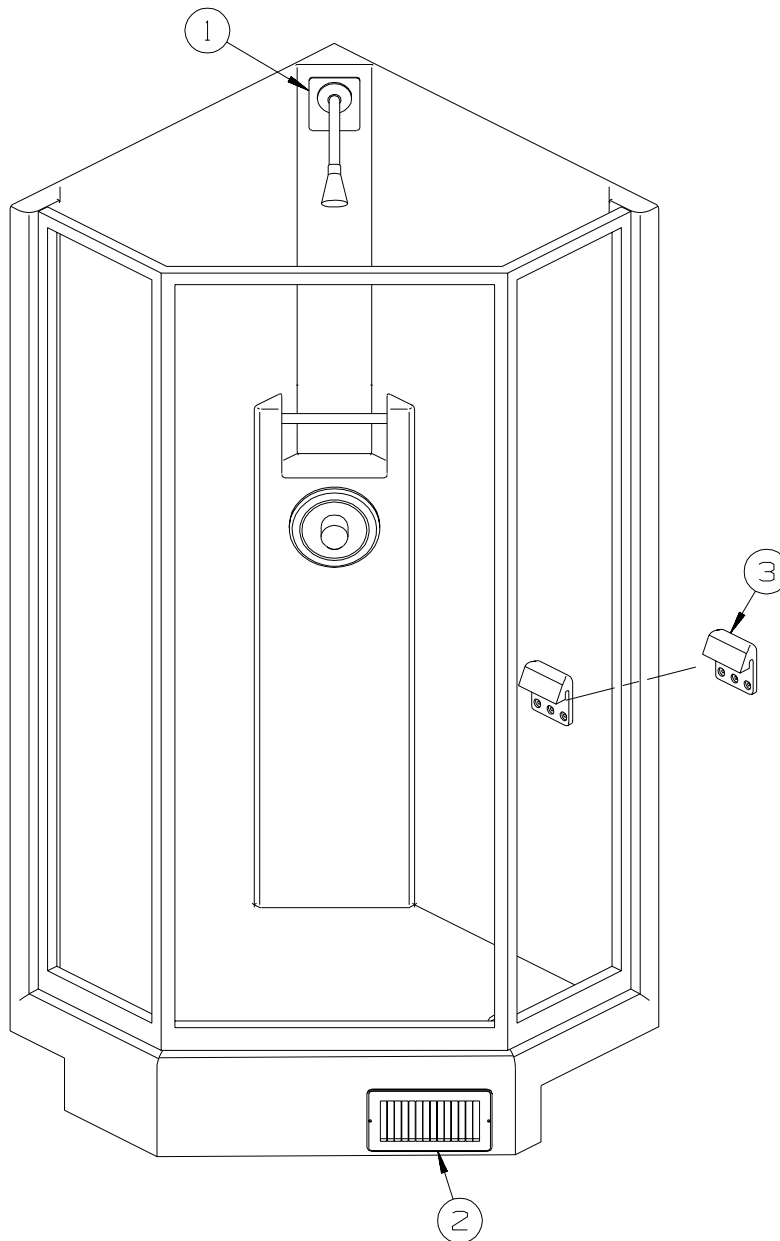


**BATH GROUP (CONTINUED)**  
**CABINETS (CONTINUED)**



KEY	PART NUMBER	U/M	DESCRIPTION
1	142772-26-03A	EA	BACKSPLASH - COUNTERTOP - CORIAN - FOSSIL
2	142772-27-03A	EA	BACKSPLASH - COUNTERTOP - CORIAN - FOSSIL
3	142066-02-01A	EA	TOWEL RING
4	142069-02-01A	EA	TISSUE HOLDER
5	144884-02-01A	EA	DISPENSER - SOAP/LOTION - CHROME

## BATH GROUP (CONTINUED) SHOWER



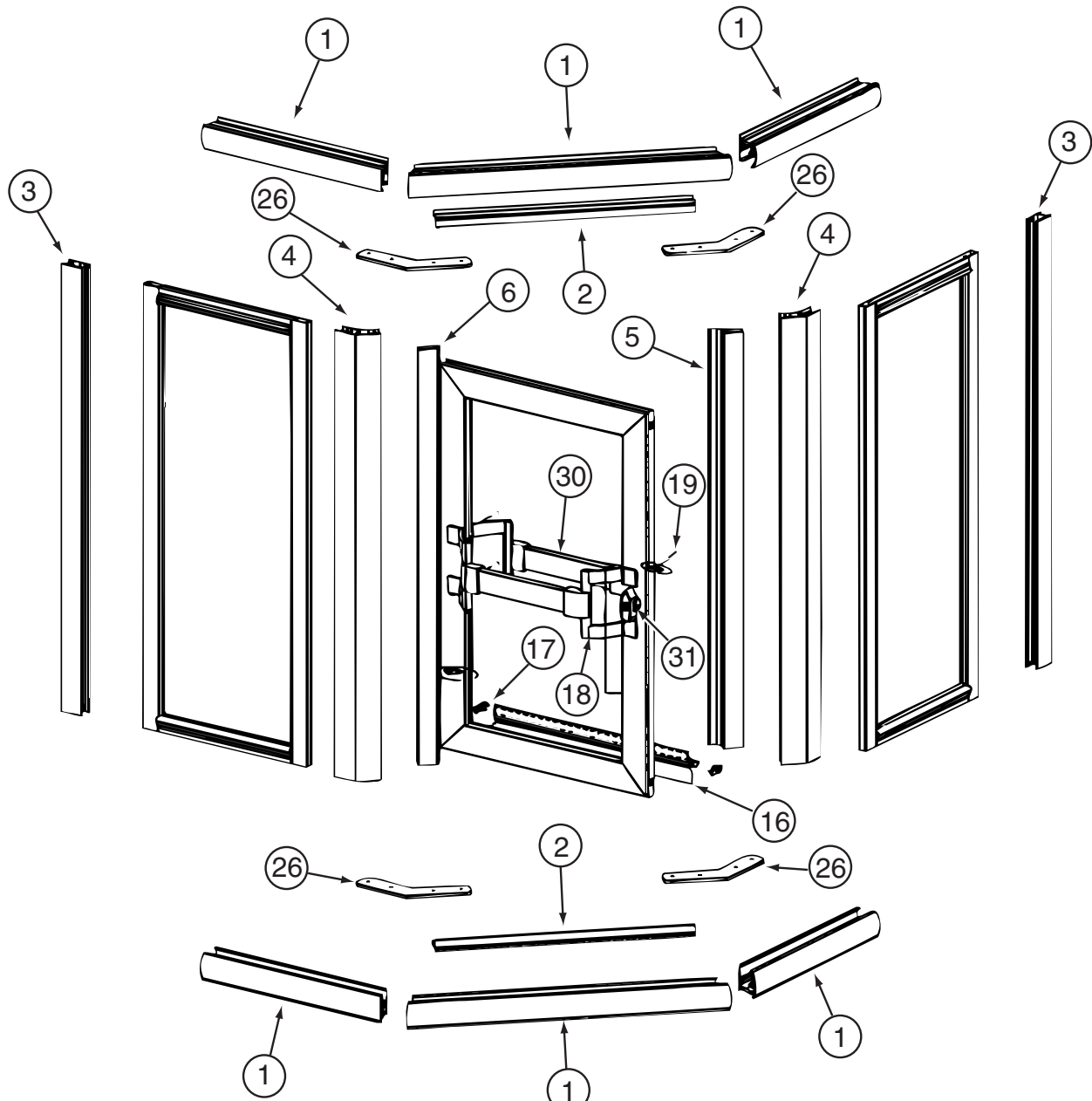
KEY	PART NUMBER	U/M	DESCRIPTION
1	143218-01-02A	EA	PLATE/COVER - SHOWER HEAD - SOFT WHITE
2	089326-02-000	EA	GRILLE - FLOOR - HEATING - 9.3" X 5.3" - SOFT WHITE
3	135607-03-01A	EA	SEAT - SHOWER/FOLDING(FOR REPLACEMENT OR OPTION INST ONLY)

## SHOWER DOOR

KEY	PART NUMBER	U/M	DESCRIPTION
*	139047-05-02A	EA	DOOR - SHOWER - NEO ANGLE - 66.4" TALL - CHROME/RAIN

**\*COMPONENT PARTS LISTED LATER IN THIS GROUP**

**BATH GROUP (CONTINUED)**  
**COMPONENT PARTS FOR SHOWER DOOR**

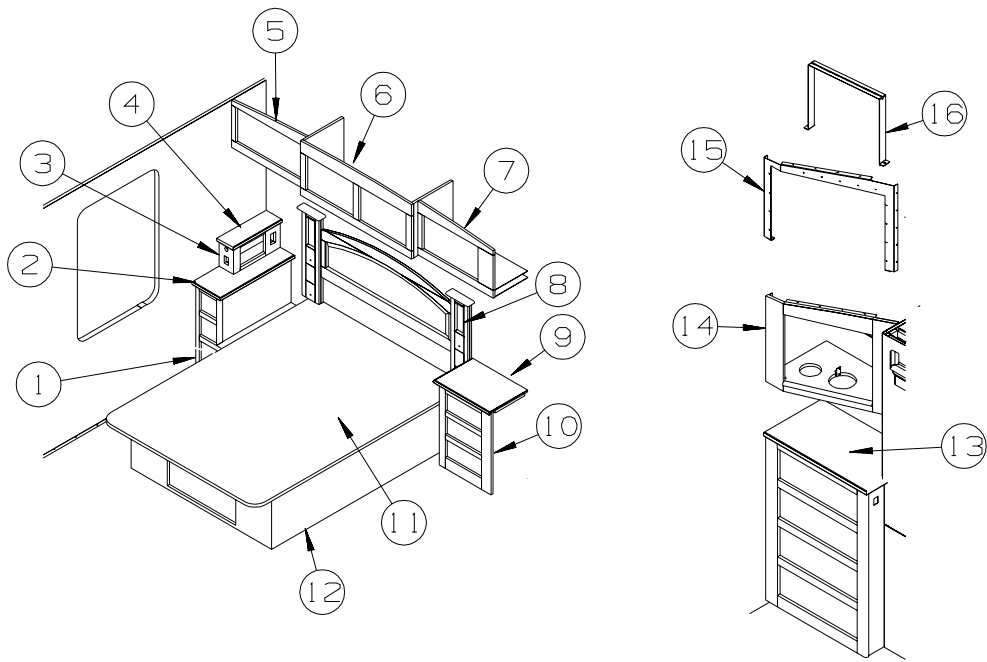


139047-05-02A

KEY	PART NUMBER	U/M	DESCRIPTION	VENDOR NO.
1	139047-03-700	EA	HEADER/SILL - 30" (PAIR)	900B
2	139047-03-701	EA	DAM STRIP-TOP/BOTTOM-35.4"	901B
3	139047-03-702	EA	JAMB - WALL - 65.9"	903B
4	139047-03-703	EA	CORNER POST-45 DEGREE- 65.9"	909B
5	139047-03-704	EA	STRIKE - JAMB - 64.6"	926B
6	139047-03-705	EA	HINGE/POST - DOOR - 64.5"	920B
16	139047-01-710	EA	VINYL SWEEP	C176G
17	139047-01-711	EA	PLUG - DRIP CAP (SET)	CP933
18	147577-01-701	EA	BRACKET-DOOR PULL/TOWEL BAR	8141B
19	147577-01-706	EA	SCREW - F/TOWEL BAR	83212B
26	139047-01-712	E	HEADER - CORNER BRACKET	313.45C
30	147577-01-708	EA	BAR - TOWEL - 17 5/16"	68B
31	089318-01-707	EA	LATCH/CATCH - SAFETY - BLACK	9730N
	139047-01-706	EA	HINGE PINS	CP932
	139047-01-707	EA	WASHERS - HINGE	CP148TW
	139047-01-708	EA	HINGE - SLEEVE - 61.5"	C921B
	139047-01-709	EA	STRIP/MAGNETIC- 55" (NARROW)	98-42
	147577-01-704	EA	DRIP - RAIL - (SWEEP)	927B

CONTACT WINNEBAGO PART SALES FOR UNLISTED COMPONENT(S)

## BEDROOM GROUP QUEEN CABINETS

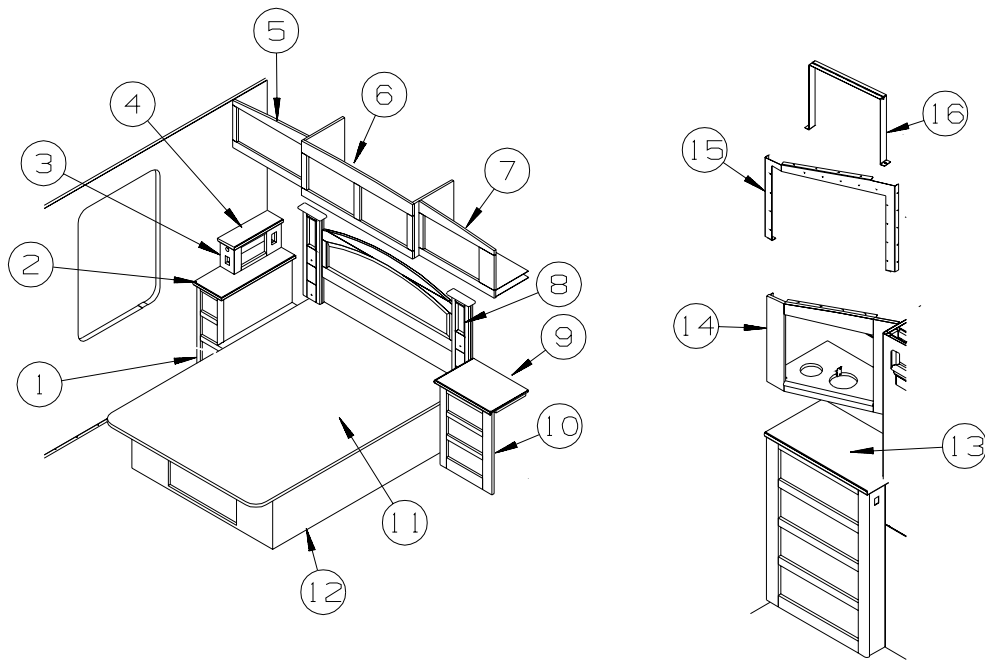


KEY	PART NUMBER	U/M	DESCRIPTION
1	147875-01-R83	EA	CABINET - NIGHTSTAND/RH - W/O COUNTERTOP/DOOR/HARDWARE (R89)
1	147875-01-R84	EA	CABINET - NIGHTSTAND/RH - W/O COUNTERTOP/DOOR/HARDWARE (R90)
1	147875-01-R91	EA	CABINET - NIGHTSTAND/RH - W/O COUNTERTOP/DOOR/HARDWARE (R91)
1	147875-01-RW5	EA	CABINET - NIGHTSTAND/RH - W/O COUNTERTOP/DOOR/HARDWARE (R91) FROM: 00-00-00 THRU: 01-04-04 FROM: 01-05-04 THRU: 99-99-99
1	147875-01-R85	EA	CABINET - NIGHTSTAND/RH - W/O COUNTERTOP/DOOR/HARDWARE (R92)
1	147875-01-R86	EA	CABINET - NIGHTSTAND/RH - W/O COUNTERTOP/DOOR/HARDWARE (R93)
1	147875-01-R94	EA	CABINET - NIGHTSTAND/RH - W/O COUNTERTOP/DOOR/HARDWARE (R94)
1	147875-01-RW6	EA	CABINET - NIGHTSTAND/RH - W/O COUNTERTOP/DOOR/HARDWARE (R94) FROM: 00-00-00 THRU: 01-04-04 FROM: 01-05-04 THRU: 99-99-99
1	147875-01-R87	EA	CABINET - NIGHTSTAND/RH - W/O COUNTERTOP/DOOR/HARDWARE (R95)
1	147875-01-R88	EA	CABINET - NIGHTSTAND/RH - W/O COUNTERTOP/DOOR/HARDWARE (R96)
1	147875-01-R97	EA	CABINET - NIGHTSTAND/RH - W/O COUNTERTOP/DOOR/HARDWARE (R97)
1	147875-01-RW9	EA	CABINET - NIGHTSTAND/RH - W/O COUNTERTOP/DOOR/HARDWARE (R97) FROM: 00-00-00 THRU: 01-04-04 FROM: 01-05-04 THRU: 99-99-99
1	147875-01-RE0	EA	CABINET - NIGHTSTAND/RH - W/O COUNTERTOP/DOOR/HARDWARE (RE3)
1	147875-01-RE1	EA	CABINET - NIGHTSTAND/RH - W/O COUNTERTOP/DOOR/HARDWARE (RE4)
1	147875-01-RE2	EA	CABINET - NIGHTSTAND/RH - W/O COUNTERTOP/DOOR/HARDWARE (RE5)
	140594-17-01A	EA	GRILLE - RETURN AIR - ALUMINUM - 9" X 18.8" - BLACK
2	145212-19-R83	EA	COUNTERTOP - LAMINATED - OAK - PORTSMOUTH OAK
2	145212-19-R84	EA	COUNTERTOP - LAMINATED - CHERRY/CHERRY IV - CONCERT CHERRY
2	145212-19-R91	EA	COUNTERTOP - LAMINATED - MAPLE - WASHED MAPLE
2	145212-19-RE0	EA	COUNTERTOP - LAMINATED - OAK - HONEY CHERRY
3	140452-03-P78	EA	CABINET - F/RADIO - W/O HARDWARE - PORTSMOUTH OAK
3	140452-03-P79	EA	CABINET - F/RADIO - W/O HARDWARE - CONCERT CHERRY
3	140452-03-P28	EA	CABINET - F/RADIO - W/O HARDWARE - WASHED MAPLE
3	140452-03-RE0	EA	CABINET - F/RADIO - W/O HARDWARE - HONEY CHERRY
4	145212-23-R83	EA	COUNTERTOP - LAMINATED - OAK - PORTSMOUTH OAK
4	145212-23-R84	EA	COUNTERTOP - LAMINATED - CHERRY/CHERRY IV - CONCERT CHERRY
4	145212-23-R91	EA	COUNTERTOP - LAMINATED - MAPLE - WASHED MAPLE
4	145212-23-RE0	EA	COUNTERTOP - LAMINATED - OAK - HONEY CHERRY

**BEDROOM GROUP (CONTINUED)**  
**QUEEN CABINETS (CONTINUED)**

KEY	PART NUMBER	U/M	DESCRIPTION
5	147308-03-R89	EA	CABINET - OVERHEAD/REAR/RH - W/O DOORS/HARDWARE - PORTSMOUTH OAK
5	147308-03-R90	EA	CABINET - OVERHEAD/REAR/RH - W/O DOORS/HARDWARE - CONCERT CHERRY
5	147308-03-R91	EA	CABINET - OVERHEAD/REAR/RH - W/O DOORS/HARDWARE - WASHED MAPLE FROM: 00-00-00 THRU: 01-04-04
5	147308-03-RW5	EA	CABINET - OVERHEAD/REAR/RH - W/O DOORS/HARDWARE - WASHED MAPLE FROM: 01-05-04 THRU: 99-99-99
5	147308-03-RE3	EA	CABINET - OVERHEAD/REAR/RH - W/O DOORS/HARDWARE - HONEY CHERRY
5	147308-04-R89	EA	CABINET - OVERHEAD/REAR/RH - W/O DOORS/HARDWARE - PORTSMOUTH OAK - RR STEREO SYS
5	147308-04-R90	EA	CABINET - OVERHEAD/REAR/RH - W/O DOORS/HARDWARE - CONCERT CHERRY - RR STEREO SYS
5	147308-04-R91	EA	CABINET - OVERHEAD/REAR/RH - W/O DOORS/HARDWARE - WASHED MAPLE - RR STEREO SYS FROM: 00-00-00 THRU: 01-04-04
5	147308-04-RW5	EA	CABINET - OVERHEAD/REAR/RH - W/O DOORS/HARDWARE - WASHED MAPLE - RR STEREO SYS FROM: 01-05-04 THRU: 99-99-99
5	147308-04-RE3	EA	CABINET - OVERHEAD/REAR/RH - W/O DOORS/HARDWARE - HONEY CHERRY - RR STEREO SYS
6	147325-02-R89	EA	CABINET - OVERHEAD/REAR/CENTER - W/O DOORS/HARDWARE - PORTSMOUTH OAK
6	147325-02-R90	EA	CABINET - OVERHEAD/REAR/CENTER - W/O DOORS/HARDWARE - CONCERT CHERRY
6	147325-02-R91	EA	CABINET - OVERHEAD/REAR/CENTER - W/O DOORS/HARDWARE - WASHED MAPLE FROM: 00-00-00 THRU: 01-04-04
6	147325-02-RW5	EA	CABINET - OVERHEAD/REAR/CENTER - W/O DOORS/HARDWARE - WASHED MAPLE FROM: 01-05-04 THRU: 99-99-99
6	147325-02-RE3	EA	CABINET - OVERHEAD/REAR/CENTER - W/O DOORS/HARDWARE - HONEY CHERRY
7	147315-03-R89	EA	CABINET - OVERHEAD/REAR/LEFT HAND - W/O DOORS/HARDWARE - PORTSMOUTH OAK
7	147315-03-R90	EA	CABINET - OVERHEAD/REAR/LEFT HAND - W/O DOORS/HARDWARE - CONCERT CHERRY
7	147315-03-R91	EA	CABINET - OVERHEAD/REAR/LEFT HAND - W/O DOORS/HARDWARE - WASHED MAPLE FROM: 00-00-00 THRU: 01-04-04
7	147315-03-RW5	EA	CABINET - OVERHEAD/REAR/LEFT HAND - W/O DOORS/HARDWARE - WASHED MAPLE FROM: 01-05-04 THRU: 99-99-99
7	147315-03-RE3	EA	CABINET - OVERHEAD/REAR/LEFT HAND - W/O DOORS/HARDWARE - HONEY CHERRY
7	147315-04-R89	EA	CABINET - OVERHEAD/REAR/LEFT HAND - W/O DOORS/HDW - PORTSMOUTH OAK - RR STEREO SYS
7	147315-04-R90	EA	CABINET - OVERHEAD/REAR/LEFT HAND - W/O DOORS/HDW - CONCERT CHERRY - RR STEREO SYS
7	147315-04-R91	EA	CABINET - OVERHEAD/REAR/LEFT HAND - W/O DOORS/HDW - WASHED MAPLE - RR STEREO SYS FROM: 00-00-00 THRU: 01-04-04
7	147315-04-RW5	EA	CABINET - OVERHEAD/REAR/LEFT HAND - W/O DOORS/HDW - WASHED MAPLE - RR STEREO SYS FROM: 01-05-04 THRU: 99-99-99
7	147315-04-RE3	EA	CABINET - OVERHEAD/REAR/LEFT HAND - W/O DOORS/HDW - HONEY CHERRY - RR STEREO SYS
8	140843-01-N95	EA	CABINET/HEADBOARD - QUEEN - W/O HARDWARE - PORTSMOUTH OAK
8	140843-01-N94	EA	CABINET/HEADBOARD - QUEEN - W/O HARDWARE - CONCERT CHERRY
8	140843-01-PC2	EA	CABINET/HEADBOARD - QUEEN - W/O HARDWARE - WASHED MAPLE FROM: 00-00-00 THRU: 01-04-04
8	140843-01-RW5	EA	CABINET/HEADBOARD - QUEEN - W/O HARDWARE - WASHED MAPLE FROM: 01-05-04 THRU: 99-99-99
8	140843-01-RE0	EA	CABINET/HEADBOARD - QUEEN - W/O HARDWARE - HONEY CHERRY
9	145212-20-R83	EA	COUNTERTOP - LAMINATED - PORTSMOUTH OAK
9	145212-20-R84	EA	COUNTERTOP - LAMINATED - CONCERT CHERRY
9	145212-20-R91	EA	COUNTERTOP - LAMINATED - WASHED MAPLE
9	145212-20-RE0	EA	COUNTERTOP - LAMINATED - OAK - HONEY CHERRY
10	147334-02-R83	EA	CABINET - NIGHTSTAND/LEFT HAND - W/O DOORS/HARDWARE - PORTSMOUTH OAK
10	147334-02-R84	EA	CABINET - NIGHTSTAND/LEFT HAND - W/O DOORS/HARDWARE - CONCERT CHERRY
10	147334-02-R91	EA	CABINET - NIGHTSTAND/LEFT HAND - W/O DOORS/HARDWARE - WASHED MAPLE FROM: 00-00-00 THRU: 01-04-04
10	147334-02-RW5	EA	CABINET - NIGHTSTAND/LEFT HAND - W/O DOORS/HARDWARE - WASHED MAPLE FROM: 01-05-04 THRU: 99-99-99
10	147334-02-RE0	EA	CABINET - NIGHTSTAND/LEFT HAND - W/O DOORS/HARDWARE - HONEY CHERRY
11	137406-04-N52	EA	BEDBOARD - W/HINGE/T-MOLDING/SLIPNOT - FLIP-UP

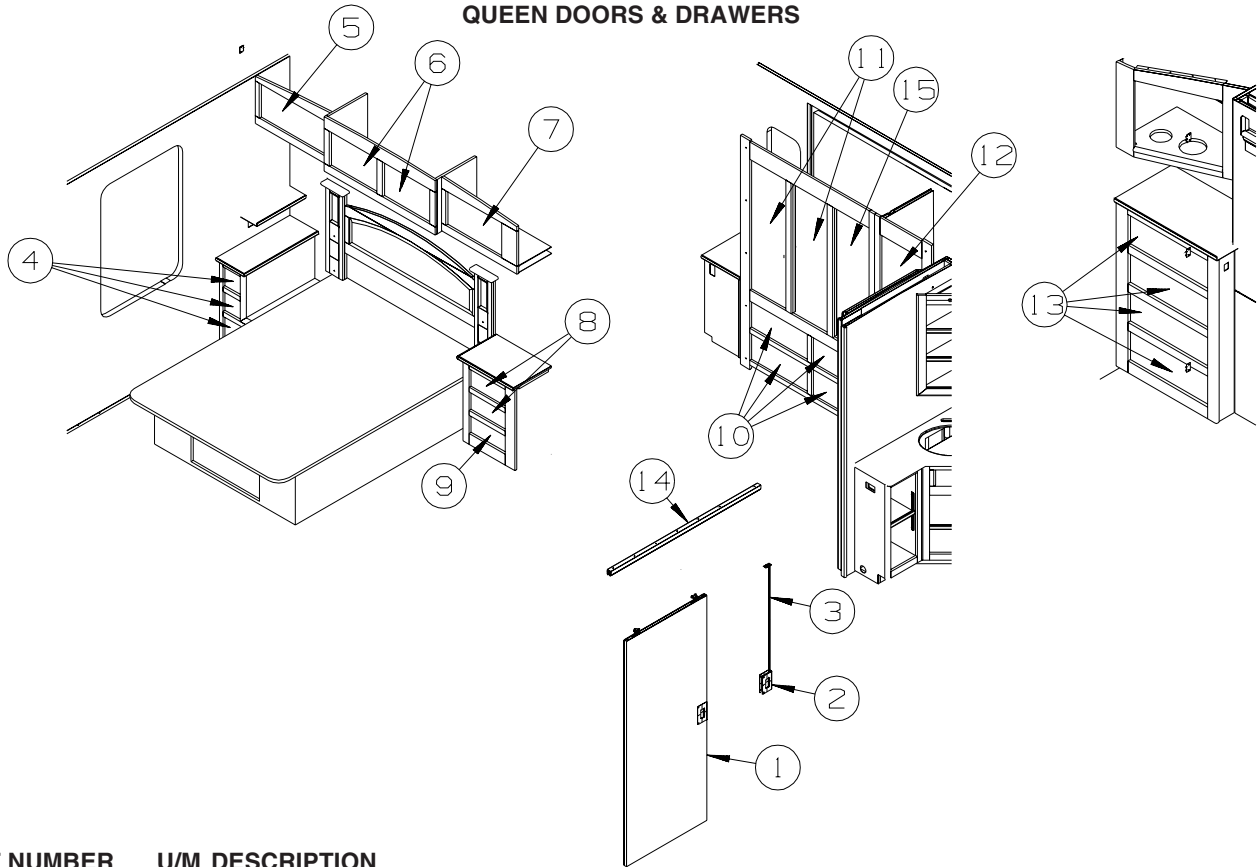
**BEDROOM GROUP (CONTINUED)**  
**QUEEN CABINETS (CONTINUED)**



KEY	PART NUMBER	U/M	DESCRIPTION
12	P47425-02-R83	EA	CABINET/BASE - F/QUEEN BED - W/O DOORS/DRAWERS/HARDWARE - PORTSMOUTH OAK
12	P47425-02-R84	EA	CABINET/BASE - F/QUEEN BED - W/O DOORS/DRAWERS/HARDWARE - CONCERT CHERRY
12	P47425-02-R91	EA	CABINET/BASE - F/QUEEN BED - W/O DOORS/DRAWERS/HARDWARE - WASHED MAPLE
12	P47425-02-RW5	EA	CABINET/BASE - F/QUEEN BED - W/O DOORS/DRAWERS/HARDWARE - WASHED MAPLE FROM: 00-00-00 THRU: 01-04-04
12	P47425-02-RE0	EA	CABINET/BASE - F/QUEEN BED - W/O DOORS/DRAWERS/HARDWARE - HONEY CHERRY
12	P47425-04-R83	EA	CABINET/BASE - F/QUEEN BED - W/O DRS/DRAWERS/HDW - PORTSMOUTH OAK - SECURITY SAFE
12	P47425-04-R84	EA	CABINET/BASE - F/QUEEN BED - W/O DRS/DRAWERS/HDW - CONCERT CHERRY - SECURITY SAFE
12	P47425-04-R91	EA	CABINET/BASE - F/QUEEN BED - W/O DRS/DRAWERS/HDW - WASHED MAPLE - SECURITY SAFE
12	P47425-04-RW5	EA	CABINET/BASE - F/QUEEN BED - W/O DRS/DRAWERS/HDW - WASHED MAPLE - SECURITY SAFE FROM: 01-05-04 THRU: 99-99-99
12	P47425-04-RE0	EA	CABINET/BASE - F/QUEEN BED - W/O DRS/DRAWERS/HDW - HONEY CHERRY - SECURITY SAFE
13	145212-21-R83	EA	COUNTERTOP - LAMINATED - OAK - PORTSMOUTH OAK
13	145212-21-R84	EA	COUNTERTOP - LAMINATED - CHERRY/CHERRY IV - CONCERT CHERRY
13	145212-21-R91	EA	COUNTERTOP - LAMINATED - MAPLE - WASHED MAPLE
13	145212-21-RE0	EA	COUNTERTOP - LAMINATED - OAK - HONEY CHERRY
14	139328-02-R83	EA	CABINET - OVERHEAD/TV-19" - W/O DOORS/HARDWARE - PORTSMOUTH OAK FROM: 00-00-00 THRU: 09-28-03
14	P48872-01-R83	EA	CABINET - OVERHEAD/TV - F/19" TV - W/O DOORS/HARDWARE - PORTSMOUTH OAK FROM: 09-29-03 THRU: 99-99-99
14	139328-02-R84	EA	CABINET - OVERHEAD/TV-19" - W/O DOORS/HARDWARE - CONCERT CHERRY FROM: 00-00-00 THRU: 09-28-03
14	P48872-01-R84	EA	CABINET - OVERHEAD/TV - F/19" TV - W/O DOORS/HARDWARE - CONCERT CHERRY FROM: 09-29-03 THRU: 99-99-99
14	139328-02-R91	EA	CABINET - OVERHEAD/TV-19" - W/O DOORS/HARDWARE - WASHED MAPLE FROM: 00-00-00 THRU: 09-28-03
14	P48872-01-R91	EA	CABINET - OVERHEAD/TV - F/19" TV - W/O DOORS/HARDWARE - WASHED MAPLE FROM: 09-29-03 THRU: 99-99-99
14	P48872-01-RE0	EA	CABINET - OVERHEAD/TV - F/19" TV - W/O DOORS/HARDWARE - HONEY CHERRY
15	136518-02-02B	EA	BRACKET - TV - FACE - E-COATED
16	148247-02-02B	EA	STRAP/TIEDOWN - TV - E-COATED

## BEDROOM GROUP (CONTINUED)

### QUEEN DOORS & DRAWERS



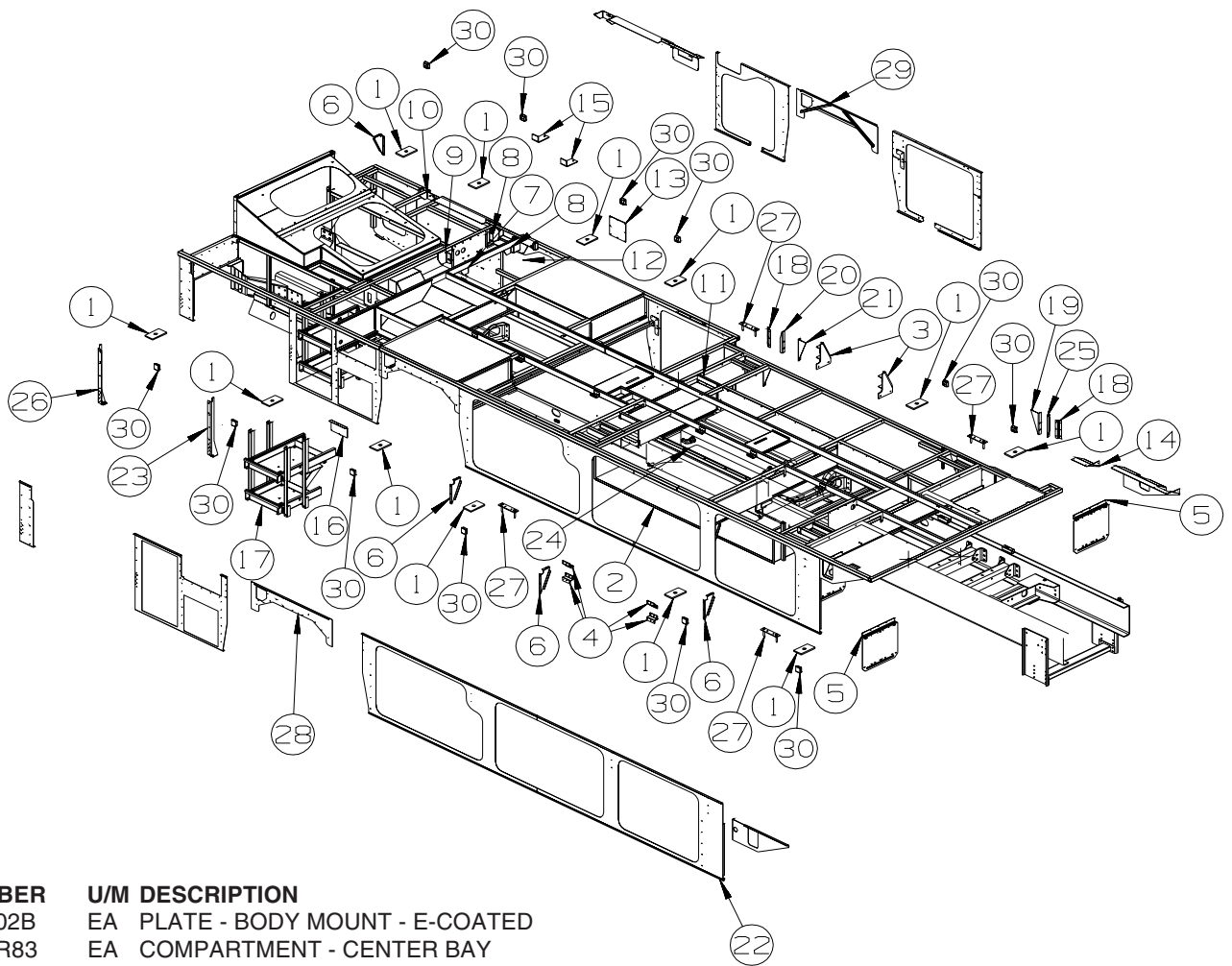
KEY	PART NUMBER	U/M	DESCRIPTION
1	146047-04-R89	EA	DOOR - SLIDING - W/O HARDWARE - PORTSMOUTH OAK
1	146047-04-R90	EA	DOOR - SLIDING - W/O HARDWARE - CONCERT CHERRY
1	146047-04-R91	EA	DOOR - SLIDING - W/O HARDWARE - WASHED MAPLE
1	146047-04-RW5	EA	DOOR - SLIDING - W/O HARDWARE - WASHED MAPLE FROM: 00-00-00 THRU: 01-04-04
1	146047-04-RE3	EA	DOOR - SLIDING - W/O HARDWARE - HONEY CHERRY FROM: 01-05-04 THRU: 99-99-99
2	145939-01-02A	EA	LATCH - SLIDE - AISLE DOOR(1" THICK DOOR) - NICKEL FROM: 00-00-00 THRU: 05-31-04
2	145939-04-02A	EA	LATCH - SLIDE - AISLE DOOR(1" THICK DOOR) - NICKEL FROM: 06-01-04 THRU: 99-99-99
3	145939-03-01A	EA	ROD/LATCH - AISLE DOOR - BRASS
4	145386-H9-R89	EA	DRAWER - PENCIL EDGE - 5.7"W X 19.7"D - W/O SLIDES/HDW - PORTSMOUTH OAK
4	145386-H9-R90	EA	DRAWER - PENCIL EDGE - 5.7"W X 19.7"D - W/O SLIDES/HDW - CONCERT CHERRY
4	145386-H9-R91	EA	DRAWER - PENCIL EDGE - 5.7"W X 19.7"D - W/O SLIDES/HDW - WASHED MAPLE
4	145386-H9-RE3	EA	DRAWER - PENCIL EDGE - 5.7"W X 19.7"D - W/O SLIDES/HDW - HONEY CHERRY
5	141525-70-R89	EA	DOOR - WIDE RAIL/ARCHED/HORIZ/FLUTED - 12" X 25.9"-W/O HDW - PORTSMOUTH OAK
5	141525-70-R90	EA	DOOR - WIDE RAIL/ARCHED/HORIZ/FLUTED - 12" X 25.9"-W/O HDW - CONCERT CHERRY
5	141525-70-R91	EA	DOOR - WIDE RAIL/ARCHED/HORIZ/FLUTED - 12" X 25.9" - WASHED MAPLE
5	141525-70-RE3	EA	DOOR - WIDE RAIL/ARCHED/HORIZ/FLUTED - 12" X 25.9"-W/O HDW - HONEY CHERRY
6	141525-64-R89	EA	DOOR - WIDE RAIL/ARCHED/HORIZ/FLUTED - 12" X 18.7"-W/O HDW - PORTSMOUTH OAK
6	141525-64-R90	EA	DOOR - WIDE RAIL/ARCHED/HORIZ/FLUTED - 12" X 18.7"-W/O HDW - CONCERT CHERRY
6	141525-64-R91	EA	DOOR - WIDE RAIL/ARCHED/HORIZ/FLUTED - 12" X 18.7" - WASHED MAPLE
6	141525-64-RE3	EA	DOOR - WIDE RAIL/ARCHED/HORIZ/FLUTED - 12" X 18.7"-W/O HDW - HONEY CHERRY
7	141525-67-R89	EA	DOOR - WIDE RAIL/ARCHED/HORIZ/FLUTED - 12" X 21.8"-W/O HDW - PORTSMOUTH OAK
7	141525-67-R90	EA	DOOR - WIDE RAIL/ARCHED/HORIZ/FLUTED - 12" X 21.8"-W/O HDW - CONCERT CHERRY
7	141525-67-R91	EA	DOOR - WIDE RAIL/ARCHED/HORIZ/FLUTED - 12" X 21.8" - WASHED MAPLE
7	141525-67-RE3	EA	DOOR - WIDE RAIL/ARCHED/HORIZ/FLUTED - 12" X 21.8"-W/O HDW - HONEY CHERRY
8	145386-J1-R89	EA	DRAWER - FLUTED EDGE - 12.7"W X 9.8"D - W/O SLIDES/HDW - PORTSMOUTH OAK
8	145386-J1-R90	EA	DRAWER - FLUTED EDGE - 12.7"W X 9.8"D - W/O SLIDES/HDW - CONCERT CHERRY
8	145386-J1-R91	EA	DRAWER - FLUTED EDGE - 12.7"W X 9.8"D - W/O SLIDES/HDW - WASHED MAPLE
8	145386-J1-RE3	EA	DRAWER - FLUTED EDGE - 12.7"W X 9.8"D - W/O SLIDES/HDW - HONEY CHERRY
9	144803-CY-R89	EA	FACE/DRAWER - SOLID PANEL/FLUTED EDGE-6.7" X 14.5"-W/OPULL - PORTSMOUTH OAK
9	144803-CY-R90	EA	FACE/DRAWER - SOLID PANEL/FLUTED EDGE-6.7" X 14.5"-W/OPULL - CONCERT CHERRY
9	144803-CY-R91	EA	FACE/DRAWER - SOLID PANEL/FLUTED EDGE-6.7" X 14.5"-W/OPULL - WASHED MAPLE
9	144803-CY-RE3	EA	FACE/DRAWER - SOLID PANEL/FLUTED EDGE-6.7" X 14.5"-W/OPULL - HONEY CHERRY

**BEDROOM GROUP (CONTINUED)**  
**QUEEN DOORS & DRAWERS (CONTINUED)**

KEY	PART NUMBER	U/M	DESCRIPTION
10	145386-J3-R89	EA	DRAWER - FLUTED EDGE - 20.6"W X 15.7"D - W/O SLIDES/HDW - PORTSMOUTH OAK
10	145386-J3-R90	EA	DRAWER - FLUTED EDGE - 20.6"W X 15.7"D - W/O SLIDES/HDW - CONCERT CHERRY
10	145386-J3-R91	EA	DRAWER - FLUTED EDGE - 20.6"W X 15.7"D - W/O SLIDES/HDW - WASHED MAPLE
10	145386-J3-RE3	EA	DRAWER - FLUTED EDGE - 20.6"W X 15.7"D - W/O SLIDES/HDW - HONEY CHERRY
11	143842-E2-R89	EA	DOOR - WIDE RAIL/ARCHED/LH/FLUTED - 14.3" X 45.4"-W/O HDW - PORTSMOUTH OAK
11	143842-E2-R90	EA	DOOR - WIDE RAIL/ARCHED/LH/FLUTED - 14.3" X 45.4"-W/O HDW - CONCERT CHERRY
11	143842-E2-R91	EA	DOOR - WIDE RAIL/ARCHED/LH/FLUTED - 14.3" X 45.4" - WASHED MAPLE
11	143842-E2-RE3	EA	DOOR - WIDE RAIL/ARCHED/LH/FLUTED - 14.3" X 45.4"-W/O HDW - HONEY CHERRY
12	147873-01-R89	EA	DOOR - FLUTED EDGE/MIRRORED - 16.1" X 65.3" - W/O HARDWARE - PORTSMOUTH OAK
12	147873-01-R90	EA	DOOR - FLUTED EDGE/MIRRORED - 16.1" X 65.3" - W/O HARDWARE - CONCERT CHERRY
12	147873-01-R91	EA	DOOR - FLUTED EDGE/MIRRORED - 16.1" X 65.3" - W/O HARDWARE - WASHED MAPLE
			FROM: 00-00-00 THRU: 01-04-04
12	147873-01-RW5	EA	DOOR - FLUTED EDGE/MIRRORED - 16.1" X 65.3" - W/O HARDWARE - WASHED MAPLE
			FROM: 01-05-04 THRU: 99-99-99
12	147873-01-RE3	EA	DOOR - FLUTED EDGE/MIRRORED - 16.1" X 65.3" - W/O HARDWARE - HONEY CHERRY
	140374-68-000	EA	MIRROR - SAFETY GLASS - 12.2" X 61.3"
13	145386-J9-R89	EA	DRAWER - FLUTED EDGE - 23"W X 13.8"D - W/O SLIDES/HARDWARE - PORTSMOUTH OAK
13	145386-J9-R90	EA	DRAWER - FLUTED EDGE - 23"W X 13.8"D - W/O SLIDES/HARDWARE - CONCERT CHERRY
13	145386-J9-R91	EA	DRAWER - FLUTED EDGE - 23"W X 13.8"D - W/O SLIDES/HARDWARE - WASHED MAPLE
13	145386-J9-RE3	EA	DRAWER - FLUTED EDGE - 23"W X 13.8"D - W/O SLIDES/HARDWARE - HONEY CHERRY
14	145608-11-01A	EA	TRACK - DOOR - 55.4" - OFF WHITE
15	141524-E2-R89	EA	DOOR - WIDE RAIL/ARCHED/RH/FLUTED - 14.3" X 45.4"-W/O HDW - PORTSMOUTH OAK
15	141524-E2-R90	EA	DOOR - WIDE RAIL/ARCHED/RH/FLUTED - 14.3" X 45.4"-W/O HDW - CONCERT CHERRY
15	141524-E2-R91	EA	DOOR - WIDE RAIL/ARCHED/RH/FLUTED - 14.3" X 45.4" - WASHED MAPLE
15	141524-E2-RE3	EA	DOOR - WIDE RAIL/ARCHED/RH/FLUTED - 14.3" X 45.4"-W/O HDW - HONEY CHERRY



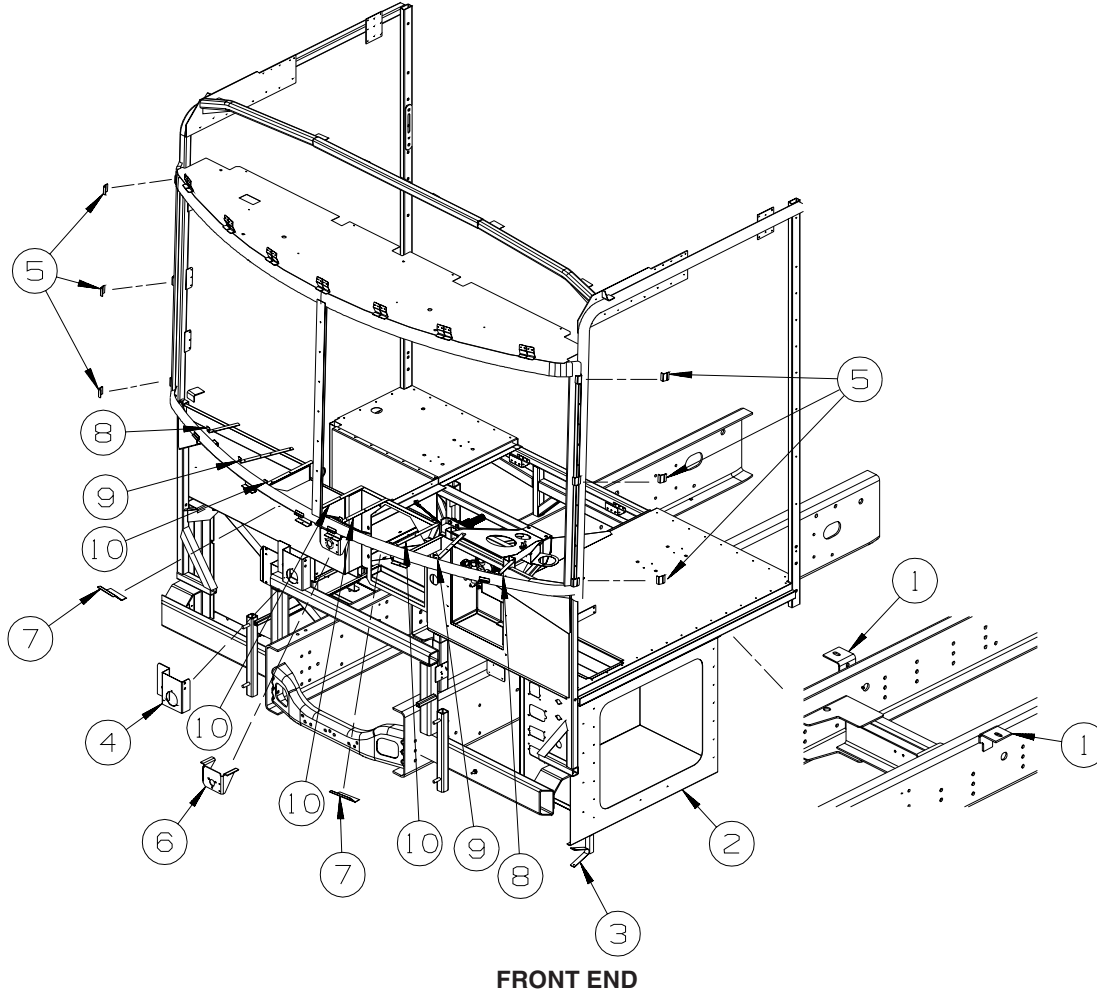
# CHASSIS GROUP FRAME



KEY	PART NUMBER	U/M	DESCRIPTION
1	135712-01-02B	EA	PLATE - BODY MOUNT - E-COATED
2	144319-03-R83	EA	COMPARTMENT - CENTER BAY
2	144319-06-R83	EA	COMPARTMENT - CENTER BAY - <b>SLIDEOUT TRAY</b>
	145993-01-000	FT	SEAL - "D SECTION" W/ADHESIVE BACK
	146093-01-02B	EA	RETAINER - DUMP VALVE - E-COATED
	143994-01-12B	EA	BRACKET/MOUNTING - VALVE - BRIGHT WHITE
3	144237-01-02B	EA	BRACKET - LP - E-COATED
4	116104-09-02B	EA	BRACKET - ZEE W/HOLES - 4" - E-COATED
5	140273-01-02B	EA	BRACE - ROCK GUARD - E-COATED
5	136391-02-02B	EA	GUARD/ROCK - STEEL - W/ANGLE - 18"W X 15"H - E-COATED
6	123440-04-02B	EA	SUPPORT - PANEL - 9.9"/7.6" X 4.7" - SLIDEOUT - E-COATED
7	136910-03-02B	EA	BRACKET - CYLINDER (RAM) - E-COATED
8	136910-01-02B	EA	BRACKET - CYLINDER/RAM - RIGHT HAND - E-COATED
9	136910-04-02B	EA	BRACKET - CYLINDER (RAM) - E-COATED
10	139409-02-02B	EA	BRACKET - MOUNTING - CYLINDER - E-COATED
11	147111-01-02B	EA	COVER - RAM - E-COATED
12	144120-02-02B	EA	COMPARTMENT/POWER CORD - E-COATED
13	134297-02-02B	EA	PLATE - COVER - E-COATED
14	143530-01-02B	EA	COVER/HOLE - SEAL ACCESS/SLIDEOUT - E-COATED
15	122922-02-02B	EA	BRACKET/CYLINDER SUPPORT - E-COATED
16	139982-01-02B	EA	PANEL/COVER - ACCESS - RAM - E-COATED
17	138866-01-01A	EA	SLIDE - BATTERY TRAY
18	116104-06-02B	EA	BRACKET - ZEE W/HOLES - 7.9" - E-COATED
19	131531-01-02B	EA	GUSSET - SLIDEOUT - E-COATED
20	131531-07-02B	EA	GUSSET - SLIDEOUT - E-COATED
21	131531-02-02B	EA	GUSSET - SLIDEOUT - E-COATED
22	147390-01-02B	EA	SEAL/PLANE - E-COAT
23	141649-02-02B	EA	BRACKET - A/C - E-COATED
			FROM: 00-00-00 THRU: 04-02-04
23	141649-03-02B	EA	BRACKET - A/C - E-COATED
			FROM: 04-03-04 THRU: 99-99-99
24	144192-01-02B	EA	COMPARTMENT - WATER - E-COATED
	145714-01-000	EA	TEE - PLASTIC - 1 1/4" BARB

## CHASSIS GROUP (CONTINUED) FRAME (CONTINUED)

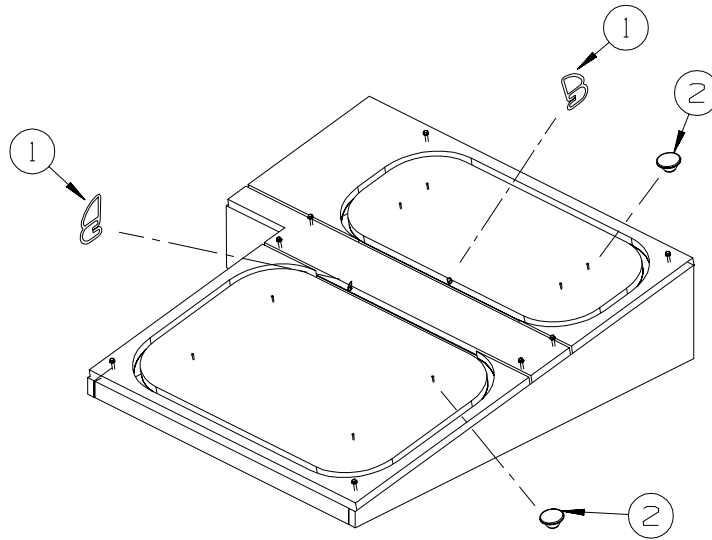
KEY	PART NUMBER	U/M	DESCRIPTION
25	131531-04-02B	EA	GUSSET - SLIDEOUT - E-COATED
26	141649-01-02B	EA	BRACKET - A/C - E-COATED
27	136995-02-02B	EA	PLATE W/BOLTS - 8.3" X 2" W/1/2" X 3" BOLTS
28	119750-10-02B	EA	PANEL/SEAL PLANE - WHEELWELL - E-COATED
29	119750-09-02B	EA	PANEL/SEAL PLANE - WHEELWELL - E-COATED
30	119845-01-01A	EA	PLUG/PLASTIC - 1 1/2" SQUARE - BLACK



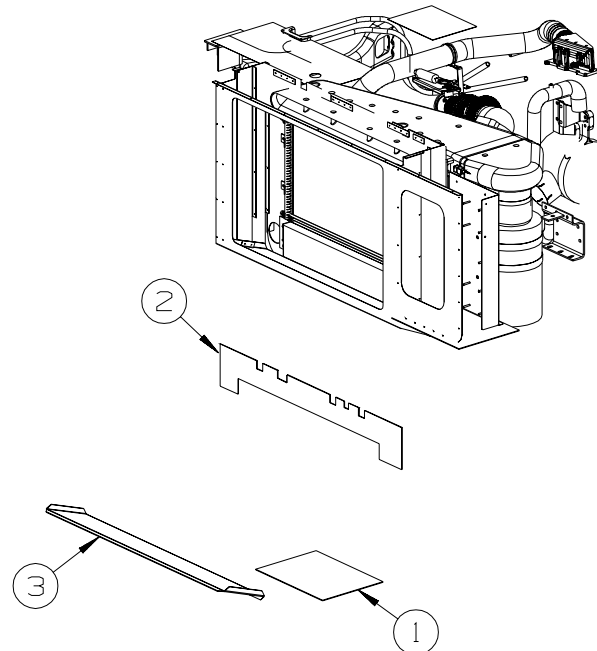
KEY	PART NUMBER	U/M	DESCRIPTION
1	117154-04-02B	EA	MOUNT - FRAME RAIL/FLOOR
2	145992-01-02B	EA	PANEL - SEAL - FRONT - E-COATED
2	123764-06-02B	EA	COMPARTMENT/LUGGAGE - E-COATED
3	115023-01-000	EA	ISOLATOR - RUBBER
4	142478-01-01B	EA	BRACKET - GAUGE - AIR SOURCE - MILL
5	120363-01-01B	EA	BRACKET - WINDSHIELD
			FROM: 00-00-00 THRU: 04-02-04
5	148935-01-01B	EA	BRACKET - WINDSHIELD, MILL
			FROM: 04-03-04 THRU: 99-99-99
6	134506-01-01B	EA	BRACKET - WIPER MOTOR
7	134202-01-01B	EA	REINFORCEMENT - SUPPORT - LOWER WINDSHIELD/MIDDLE
8	137047-06-01B	EA	STRAP - DEFROSTER PLENUM
9	137047-05-01B	EA	STRAP - DEFROSTER PLENUM
10	137047-04-01B	EA	STRAP - DEFROSTER PLENUM
	126289-65-01B	EA	ANGLE - FORMED

## CHASSIS GROUP (CONTINUED)

### INSULATION



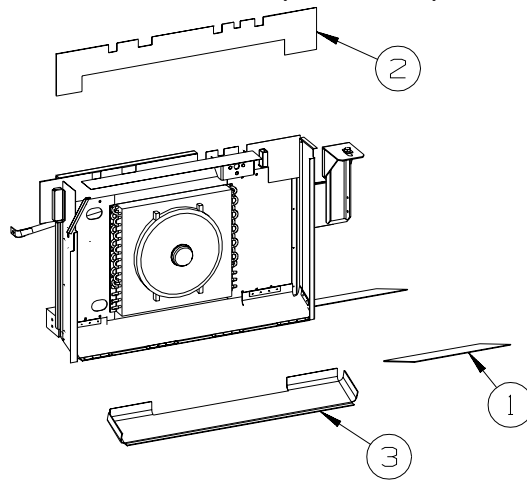
KEY	PART NUMBER	U/M	DESCRIPTION
1	039623-01-000	FT	SEAL - MOTOR COVER - RUBBER BULB TYPE
2	106648-01-000	EA	CAP - STUD - .120 TO .130 DIAMETER
	072877-03-000	EA	INSULATION - SOUND BARRIER- 1" X 36" X 57" - ADHESIVE BACK



## SIDE RADIATOR

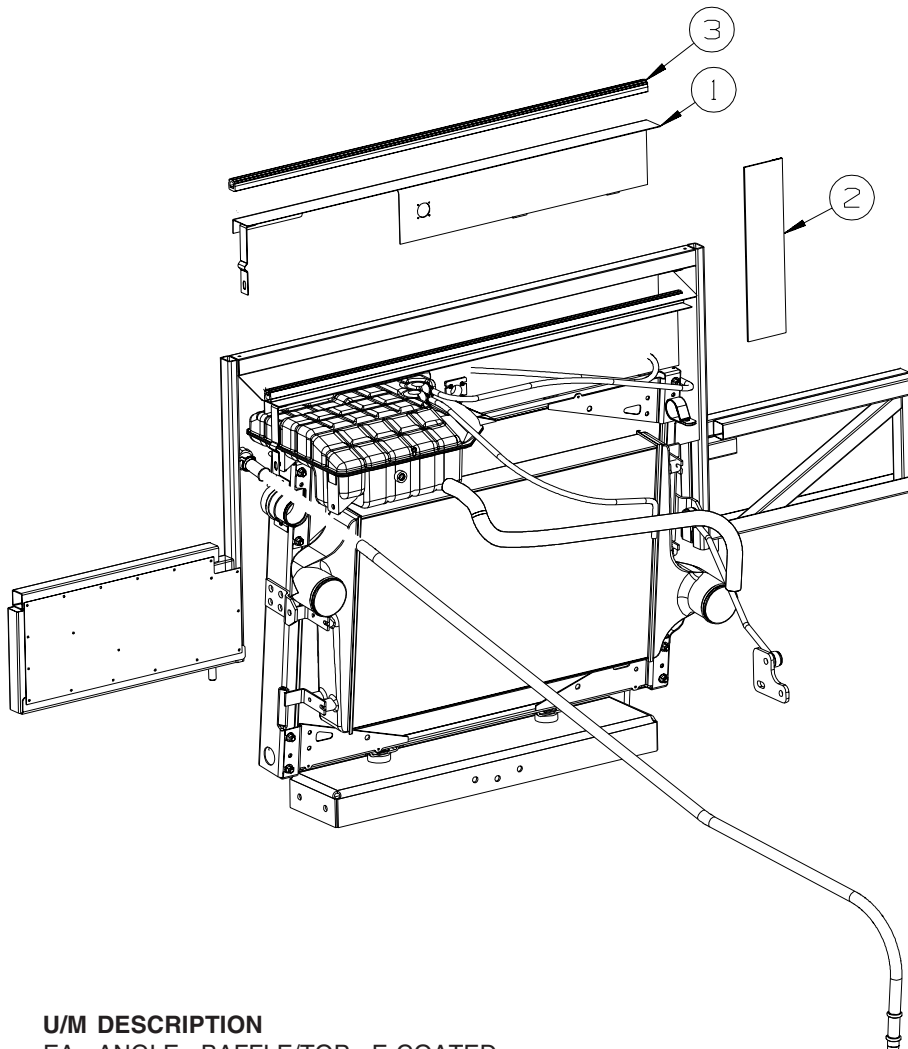
KEY	PART NUMBER	U/M	DESCRIPTION
1	076310-07-000	EA	SHEET/RUBBER - RADIATER BAFFLE - .12" X 12" X 18.5"
2	146844-01-000	EA	SHEET/RUBBER - 7.9" X 49.9"
3	146200-01-000	EA	SHEET/RUBBER - 12.8" X 50.9"

**CHASSIS GROUP (CONTINUED)**  
**INSULATION (CONTINUED)**



**REAR RADIATOR**

KEY	PART NUMBER	U/M	DESCRIPTION
1	076310-07-000	EA	SHEET/RUBBER - RADIATOR BAFFLE - .12" X 12" X 18.5" FROM: 00-00-00 THRU: 11-14-03
2	146844-01-000	EA	SHEET/RUBBER - 7.9" X 49.9"
3	146200-01-000	EA	SHEET/RUBBER - 12.8" X 50.9" FROM: 00-00-00 THRU: 11-14-03
3	149047-01-000	EA	RUBBER-SHEET FROM: 11-15-03 THRU: 99-99-99

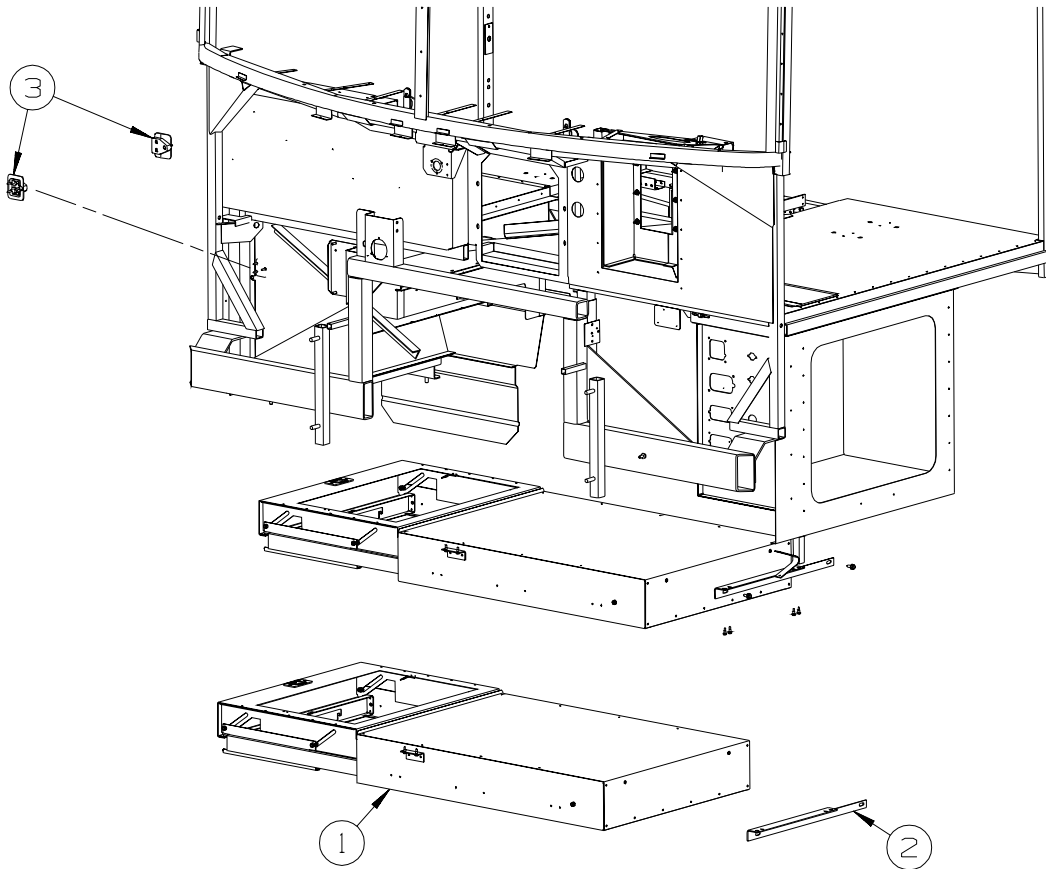


**REAR RADIATOR**

KEY	PART NUMBER	U/M	DESCRIPTION
1	134068-05-02B	EA	ANGLE - BAFFLE/TOP - E-COATED
2	076310-05-000	EA	SHEET/RUBBER - RADIATOR BAFFLE - .12" X 4" X 16"
3	107721-07-000	FT	SEAL - ACCESS DOOR - .9"WIDE X 1.1"HIGH

## CHASSIS GROUP (CONTINUED)

### STEPWELL COVER



KEY	PART NUMBER	U/M	DESCRIPTION
1*	145122-01-01A	EA	STEP COVER - SLIDING
2	145661-02-02B	EA	BRACKET - STEP COVER - E-COATED
			FROM: 00-00-00 THRU: 08-31-03
2	145661-03-02B	EA	BRACKET - STEP COVER - E-COATED
			FROM: 09-01-03 THRU: 99-99-99
3	142499-02-01A	EA	BLOCK/SUPPORT (STEP COVER)

**\*COMPONENT PARTS LISTED LATER IN THIS GROUP**

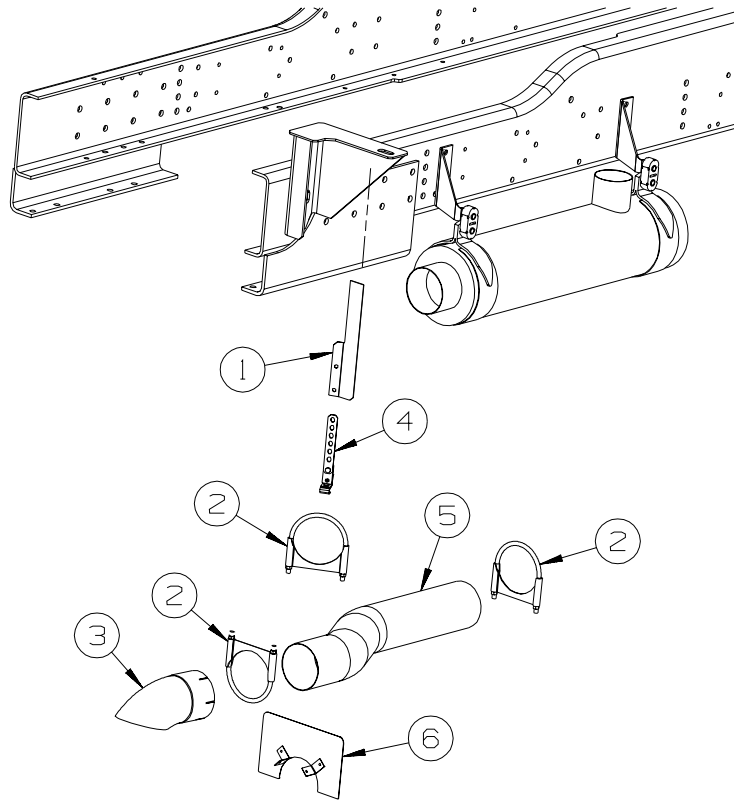
**CHASSIS GROUP (CONTINUED)**  
**COMPONENT PARTS FOR STEPWELL COVER**

145122-01-01A

<b>KEY</b>	<b>PART NUMBER</b>	<b>U/M</b>	<b>DESCRIPTION</b>	<b>VENDOR NO.</b>
	141691-01-703	EA	LATCH-CABLE RELEASE	1912125
	141691-01-704	EA	SPRING - CABLE PRELOAD	1217507
	141691-01-708	EA	MOTOR W/9 TOOTH PINION	1820122
	145122-01-700	EA	CABLE - 80" W/STOPS	1218753
	145122-01-701	EA	CABLE - 54" W/STOPS	1218754
	145122-01-702	EA	CAP/END - F/DRUM - PLASTIC	1612535
	145122-01-703	EA	BUSHING - .6"ID X .8"OD	1614003
	145122-01-704	EA	HARNESS/ADAPTER	1809938
	145122-01-705	EA	CABLE/RELEASE - 8" W/EYE	1213000
	145122-01-706	EA	COVER - EMERGENCY RETRACT	1612532
	145122-01-707	EA	SHOE/CABLE - PLASTIC	1612533
	145122-01-708	EA	GUIDE/ARM SLIDE - PLASTIC	1612542
	145122-01-709	EA	BUSHING/BRONZE - .38" X .50"	1614007

## CHASSIS GROUP (CONTINUED)

### EXHAUST



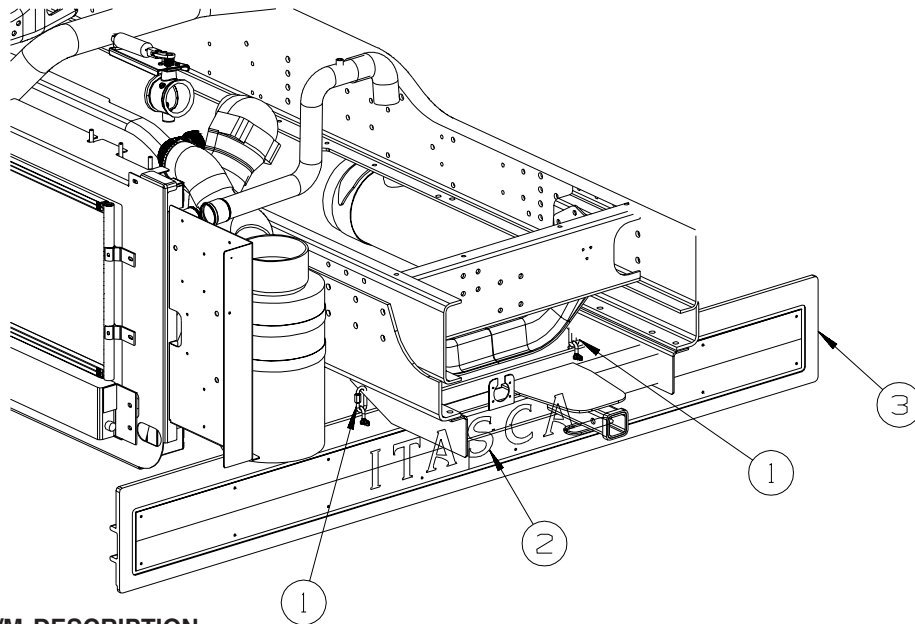
KEY	PART NUMBER	U/M	DESCRIPTION
1	144916-01-02B	EA	BRACKET/HANGER - TAILPIPE - E-COATED - <b>SIDE RADIATOR</b>
2	094918-08-000	EA	CLAMP - EXHAUST - 5"
3	116425-02-000	EA	EXTENSION - EXHAUST - CHROMED - 5"
			FROM: 00-00-00 THRU: 04-20-04
3	116425-04-000	EA	EXTENSION - EXHAUST - CHROMED - 5"
			FROM: 04-21-04 THRU: 99-99-99
4	007131-01-000	EA	HANGER - TAILPIPE - 6 SLOTS
5	114869-13-000	EA	PIPE - EXHAUST - <b>CUMMINS ENGINE</b>
			FROM: 00-00-00 THRU: 06-13-03
5	114869-14-000	EA	PIPE - EXHAUST - <b>CUMMINS ENGINE</b>
			FROM: 06-14-03 THRU: 99-99-99
5	114869-15-000	EA	PIPE - EXHAUST - <b>CAT ENGINE</b>
5	114869-15-000	EA	PIPE - EXHAUST - <b>CAT ENGINE W/SIDE RADIATOR</b>
			FROM: 00-00-00 THRU: 11-12-03
5	114869-14-000	EA	PIPE - EXHAUST - <b>CAT ENGINE W/SIDE RADIATOR</b>
			FROM: 11-13-03 THRU: 99-99-99
6	143766-02-02B	EA	SHIELD - EXHAUST/TAILPIPE - E-COATED

### HITCH

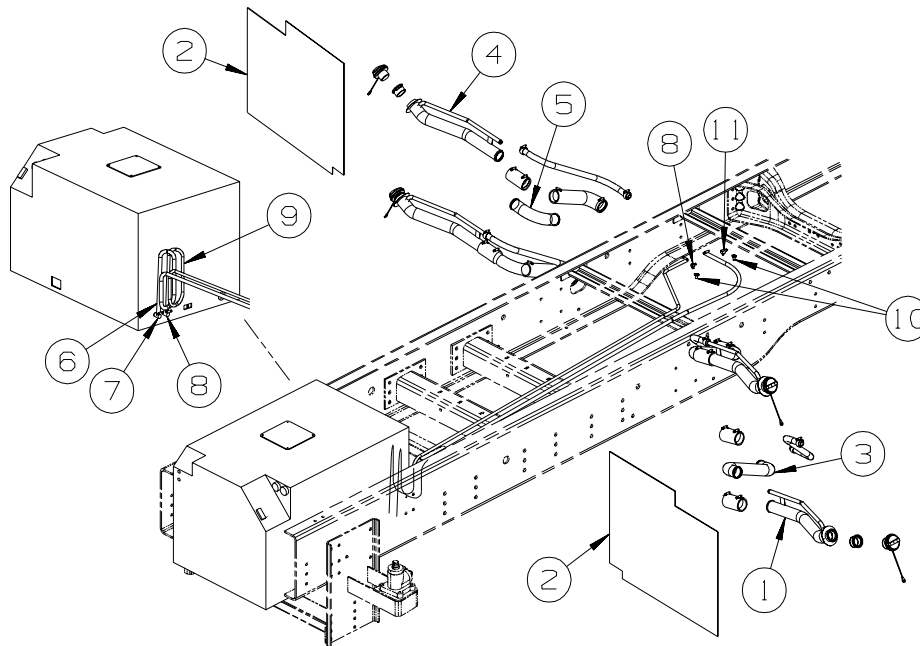
KEY	PART NUMBER	U/M	DESCRIPTION
	134016-03-01A	EA	DRAWBAR/HITCH - CLASS 4

## CHASSIS GROUP (CONTINUED)

### REAR MUD GUARD



KEY	PART NUMBER	U/M DESCRIPTION
1	139818-01-01A	EA LINK - QUICK - STAINLESS STEEL
2	142627-01-01A	EA DECAL - LOGO - "ITASCA" - MUDFLAP - CHROME/BLACK
3	143924-05-02A	EA MUD FLAP - REAR - POLISHED ALUMINUM



### FUEL OR FUEL FILL

KEY	PART NUMBER	U/M DESCRIPTION
1	144990-01-000	EA NECK - FUEL FILL - LEFT HAND
2	118726-05-000	EA BAFFLE - FUEL FILL
3	100140-09-000	EA TUBE-FUEL INLET
4	144990-02-000	EA NECK - FUEL FILL - RIGHT HAND
5	145835-01-000	EA ELBOW - FUEL FILL
5	145835-02-000	EA ELBOW - FUEL FILL
6	024138-01-000	FT HOSE - FUEL - 5/16" ID
7	114253-04-000	EA ELBOW - 5/16 SINGLE BARB X 1/8 MPT
8	114253-01-000	EA ELBOW - 1/4 SINGLE BARB X 1/8 MPT
9	128139-03-000	FT HOSE - FUEL - LOW PERMEABILITY - 1/4" DIAMETER
10	068382-06-000	EA BUSHING - 3/8"MPT X 1/8"FPT - BRASS
11	114253-02-000	EA ELBOW - 5/16 SINGLE BARB X 1/4 MPT

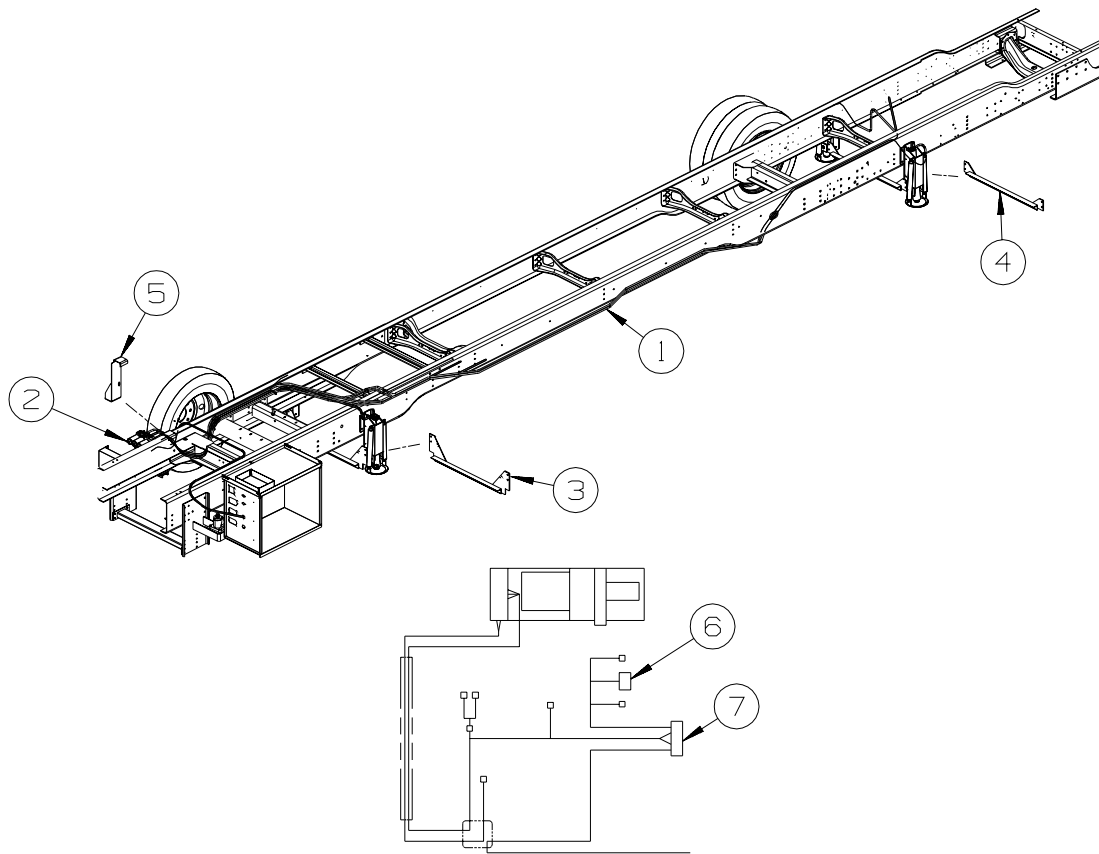
FROM: 00-00-00 THRU: 11-09-03

FROM: 11-10-03 THRU: 99-99-99



## CHASSIS GROUP (CONTINUED)

### HYDRAULIC LEVELING



KEY	PART NUMBER	U/M	DESCRIPTION
1	100536-47-000	EA	HOSE KIT - LEVELING JACKS - S34TD, S36GD
1	100536-50-000	EA	HOSE KIT - LEVELING JACKS - S40AD, S40KD, S40QD, S40WD
2*	144226-03-000	EA	LEVELING SYSTEM - F/2 SLIDEOUTS - 2 SLIDEOUT ROOMS FROM: 00-00-00 THRU: 08-31-03
2*	144226-27-000	EA	LEVELING SYSTEM - 325 SYSTEM W/2 SLIDEOUTS - 2 SLIDEOUT ROOMS FROM: 09-01-03 THRU: 99-99-99
2*	144226-02-000	EA	LEVELING SYSTEM - F/3 SLIDEOUTS - 3 SLIDEOUT ROOMS FROM: 00-00-00 THRU: 08-31-03
2*	144226-26-000	EA	LEVELING SYSTEM - 325 SYSTEM W/3 SLIDEOUTS - 3 SLIDEOUT ROOMS FROM: 09-01-03 THRU: 99-99-99
3	128411-06-02B	EA	BRACKET - JACK - E-COATED FROM: 00-00-00 THRU: 05-12-04
3	128411-07-02B	EA	BRACKET - JACK - E-COATED FROM: 05-13-04 THRU: 99-99-99
4	114748-05-02B	EA	CROSSMEMBER - REAR JACK MOUNTING - CUMMINS ENGINE FROM: 00-00-00 THRU: 03-25-04
4	114748-08-02B	EA	BRACKET - JACKS/REAR - E-COATED - CAT ENGINE FROM: 00-00-00 THRU: 03-25-04
4	128411-06-02B	EA	BRACKET - JACK - E-COATED FROM: 03-26-04 THRU: 05-10-04
4	114748-08-02B	EA	BRACKET - JACKS/REAR - E-COATED FROM: 05-11-04 THRU: 99-99-99
5	144224-01-01A	EA	BRACKET - PUMP/LEVELING - BLACK
6	134092-04-000	EA	CHIME KIT - LEVELING SYSTEM - 325 FROM: 00-00-00 THRU: 08-31-03
6	134092-05-000	EA	CHIME KIT - LEVELING SYSTEM - 325/625 FROM: 09-01-03 THRU: 99-99-99
7	107889-07-000	EA	PANEL - CONTROL - 325 AIR DUMP FROM: 00-00-00 THRU: 08-31-03
7	107889-09-000	EA	PANEL - CONTROL - 325 AIR DUMP FROM: 09-01-03 THRU: 99-99-99

\*COMPONENT PARTS LISTED LATER IN THIS GROUP

**CHASSIS GROUP (CONTINUED)**  
**COMPONENT PARTS FOR HYDRAULIC LEVELING**

**144226-02-000**

<b>KEY</b>	<b>PART NUMBER</b>	<b>U/M</b>	<b>DESCRIPTION</b>	<b>VENDOR NO.</b>
	144226-01-700	EA	SWITCH - WARNING/MAGNETIC	RAP90968/AP26641
	144226-01-701	EA	PUMP MOTOR/TANK ASM-MONRACH	RAP91169/AP30349
	144226-03-701	EA	ENCLOSURE W/SENSING UNIT	RAP91269/AP29291
	144226-08-702	EA	SENSOR/BI-AXIS - PROGRAMABLE	RAP91172/AP28010

**144226-03-000**

<b>KEY</b>	<b>PART NUMBER</b>	<b>U/M</b>	<b>DESCRIPTION</b>	<b>VENDOR NO.</b>
	131306-26-700	EA	MANIFOLD ASM. - 2 ROOM	RAP90870/AP20550
	144226-01-700	EA	SWITCH - WARNING/MAGNETIC	RAP90968/AP26641
	144226-01-701	EA	PUMP MOTOR/TANK ASM-MONRACH	RAP91169/AP30349

**144226-26-000**

<b>KEY</b>	<b>PART NUMBER</b>	<b>U/M</b>	<b>DESCRIPTION</b>	<b>VENDOR NO.</b>
	100532-12-707	EA	SPRING KIT (PAIR)	R3847
	100532-25-702	EA	CYLINDER ONLY (12,000# JACK)	RAP9517
	131306-02-701	EA	FOOT/JACK - 9K & 12K	RAP8464/AP17525
	144226-01-700	EA	SWITCH - WARNING/MAGNETIC	RAP90968/AP26641
	144226-26-700	EA	PUMP MOTOR/TANK ASM-PARKER	RAP91243/AP29808
	144226-26-701	EA	ENCLOSURE BOX W/SENSING UNIT	RAP91263/AP31343

**144226-27-000**

<b>KEY</b>	<b>PART NUMBER</b>	<b>U/M</b>	<b>DESCRIPTION</b>	<b>VENDOR NO.</b>
	100532-12-707	EA	SPRING KIT (PAIR)	R3847
	100532-25-702	EA	CYLINDER ONLY (12,000# JACK)	RAP9517
	131306-02-701	EA	FOOT/JACK - 9K & 12K	RAP8464/AP17525
	131306-26-700	EA	MANIFOLD ASM. - 2 ROOM	RAP90870/AP20550
	144226-01-700	EA	SWITCH - WARNING/MAGNETIC	RAP90968/AP26641
	144226-26-700	EA	PUMP MOTOR/TANK ASM-PARKER	RAP91243/AP29808

**CHASSIS GROUP (CONTINUED)**  
**WHEEL, TIRES, COVERS &/OR LINERS**

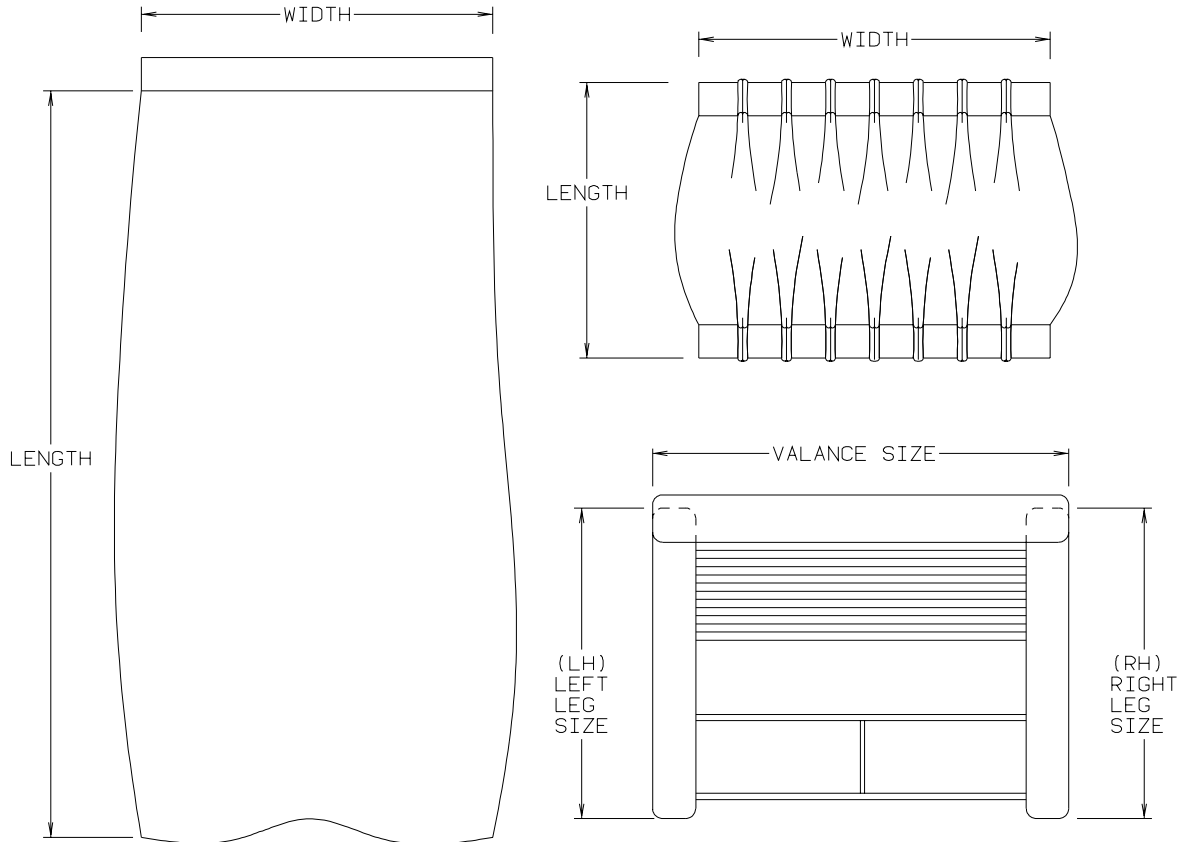
<b>KEY</b>	<b>PART NUMBER</b>	<b>U/M</b>	<b>DESCRIPTION</b>
	080208-04-000	EA	LUG WRENCH - 1.2"/1.3" SOCKETS X 13.8" LONG - OSHKOSH/SPART
	080208-05-000	EA	BAR/LEVERAGE - LUG WRENCH - .75" DIA. - OSHKOSH/SPARTAN ALUMINUM WHEELS ARE CHASSIS SUPPLIED

## CURTAIN & CUSHION GROUP

### NOTICE

IN ORDER TO ASSIST OUR PARTS SALES DEPT. IN PROVIDING INTERIOR SOFTWARE ITEMS, PLEASE INCLUDE THE SERIAL NUMBER AND THE COLOR CODE NUMBER FROM THE VEHICLE CERTIFICATION LABEL WHEN ORDERING. THIS LABEL IS LOCATED ON THE LEFT SIDEWALL AT THE END OF THE DASH (A-BODY), OR ON THE DRIVER'S DOOR LATCH PLATE (C-BODY).

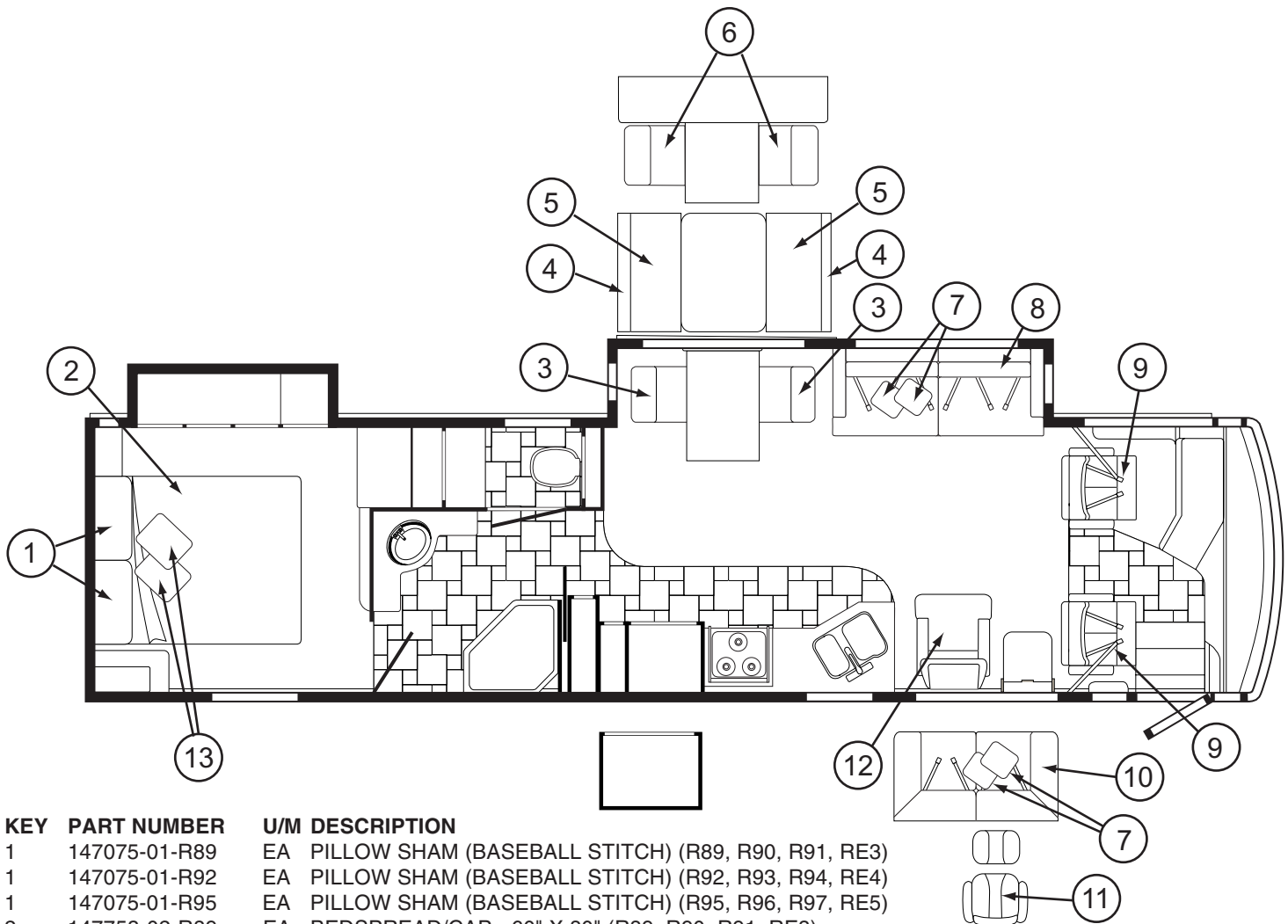
AN EXAMPLE OF A COLOR CODE NUMBER IS B07, WHICH DESIGNATES AN OVERALL COLOR SCHEME OF A PARTICULAR UNIT. THE COLOR LISTED AFTER THE ITEM DESCRIPTION ON THE MICROFICHE, INDICATES THE OVERALL UNIT COLOR. ORDER THE ITEM YOU DESIRE ACCORDING TO UNIT COLOR CODE. IF ALL COLORS USE THE SAME ITEM NO COLOR CODE WILL BE NOTED.



NOTE: USE THIS ILLUSTRATION WHEN DETERMINING LENGTH AND WIDTH MEASUREMENTS FOR CURTAINS. YOU WILL NOTE THE WIDTH MEASUREMENT IS TAKEN ON THE TOP OF THE CURTAIN WITH THE CURTAIN FULLY EXTENDED. THE LENGTH MEASUREMENT IS TAKEN FROM TOP TO BOTTOM. LEFT AND RIGHT WINDOW LEGS ARE DETERMINED WHEN FACING THE WINDOW.

## CURTAIN & CUSHION GROUP (CONTINUED)

### CUSHION LAYOUT

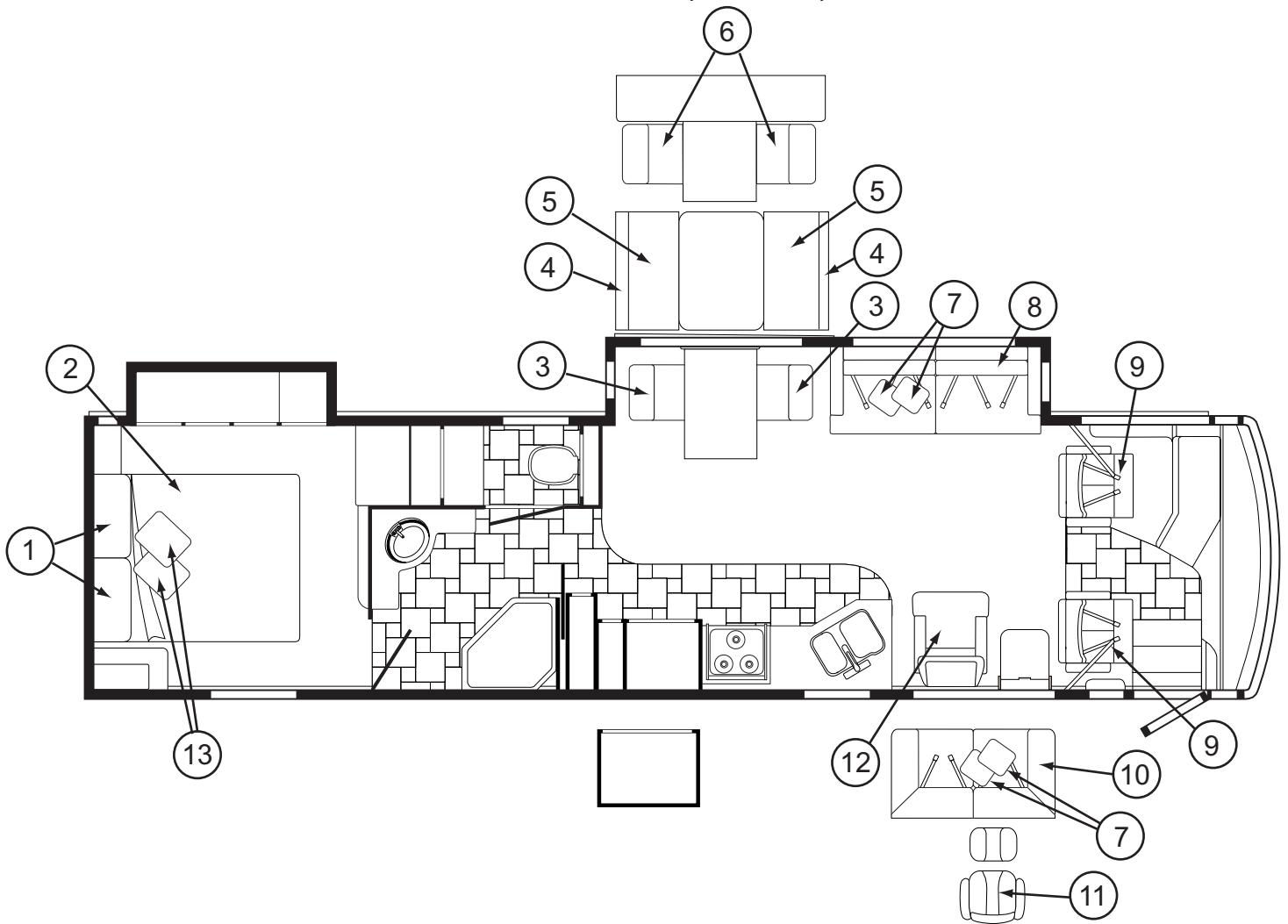


KEY	PART NUMBER	U/M	DESCRIPTION
1	147075-01-R89	EA	PILLOW SHAM (BASEBALL STITCH) (R89, R90, R91, RE3)
1	147075-01-R92	EA	PILLOW SHAM (BASEBALL STITCH) (R92, R93, R94, RE4)
1	147075-01-R95	EA	PILLOW SHAM (BASEBALL STITCH) (R95, R96, R97, RE5)
2	147753-02-R89	EA	BEDSPREAD/CAP - 60" X 80" (R89, R90, R91, RE3)
2	147753-02-R92	EA	BEDSPREAD/CAP - 60" X 80" (R92, R93, R94, RE4)
2	147753-02-R95	EA	BEDSPREAD/CAP - 60" X 80" (R95, R96, R97, RE5)
2	142411-02-000	EA	MATTRESS/AIR - 60" X 80" - SELECT COMFORT
2	142411-03-000	EA	AIR PUMP W/CONTROLS - F/SELECT COMFORT MATTRESS
3	132571-53-000	EA	CHAIR - DINETTE - SAND/PORTSMOUTH OAK (R89)
3	132571-54-000	EA	CHAIR - DINETTE - SAND/CONCERT CHERRY (R90)
3	132571-55-000	EA	CHAIR - DINETTE - SAND/WASHED MAPLE (R91)
3	132571-71-000	EA	CHAIR - DINETTE - SAND/HONEY CHERRY (RE3)
3	132571-65-000	EA	CHAIR - DINETTE - THYME/PORTSMOUTH OAK (R92)
3	132571-66-000	EA	CHAIR - DINETTE - THYME/CONCERT CHERRY (R93)
3	132571-67-000	EA	CHAIR - DINETTE - THYME/WASHED MAPLE (R94)
3	132571-72-000	EA	CHAIR - DINETTE - THYME/HONEY CHERRY (RE4)
3	132571-68-000	EA	CHAIR - DINETTE - SLATE/PORTSMOUTH OAK (R95)
3	132571-69-000	EA	CHAIR - DINETTE - SLATE/CONCERT CHERRY (R96)
3	132571-70-000	EA	CHAIR - DINETTE - SLATE/WASHED MAPLE (R97)
3	132571-73-000	EA	CHAIR - DINETTE - SLATE/HONEY CHERRY (RE5)
	135600-H2-000	EA	CHAIR - FOLDING - SAND/PORTSMOUTH OAK (R89)
	135600-H3-000	EA	CHAIR - FOLDING - SAND/CONCERT CHERRY (R90)
	135600-H4-000	EA	CHAIR - FOLDING - SAND/WASHED MAPLE (R91)
	135600-L8-000	EA	CHAIR - FOLDING - SAND/HONEY CHERRY (RE3)
	135600-H5-000	EA	CHAIR - FOLDING - THYME/PORTSMOUTH OAK (R92)
	135600-H6-000	EA	CHAIR - FOLDING - THYME/CONCERT CHERRY (R93)
	135600-H7-000	EA	CHAIR - FOLDING - THYME/WASHED MAPLE (R94)
	135600-L9-000	EA	CHAIR - FOLDING - THYME/HONEY CHERRY (RE4)
	135600-H8-000	EA	CHAIR - FOLDING - SLATE/PORTSMOUTH OAK (R95)
	135600-H9-000	EA	CHAIR - FOLDING - SLATE/CONCERT CHERRY (R96)
	135600-J0-000	EA	CHAIR - FOLDING - SLATE/WASHED MAPLE (R97)
	135600-M0-000	EA	CHAIR - FOLDING - SLATE/HONEY CHERRY (RE5)

**CURTAIN & CUSHION GROUP (CONTINUED)**  
**CUSHION LAYOUT (CONTINUED)**

KEY	PART NUMBER	U/M	DESCRIPTION
4	142723-02-R89	EA	BACK - DINETTE - 13.5" X 40" (R89, R90, R91, RE3)
4	142723-02-R92	EA	BACK - DINETTE - 13.5" X 40" (R92, R93, R94, RE4)
4	142723-02-R95	EA	BACK - DINETTE - 13.5" X 40" (R95, R96, R97, RE5)
	P42723-02-R89	EA	COVER/BACK - DINETTE - 13.5" X 40" (R89, R90, R91, RE3)
	P42723-02-R92	EA	COVER/BACK - DINETTE - 13.5" X 40" (R92, R93, R94, RE4)
	P42723-02-R95	EA	COVER/BACK - DINETTE - 13.5" X 40" (R95, R96, R97, RE5)
	143730-01-000	EA	CAP - F/DINETTE BRACKET TUBE - PLASTIC
5	142292-05-R89	EA	SEAT - DINETTE CUSHION (SPRUNG) - 23" X 38.5" (R89, R90, R91, RE3)
5	142292-05-R92	EA	SEAT - DINETTE CUSHION (SPRUNG) - 23" X 38.5" (R92, R93, R94, RE4)
5	142292-05-R95	EA	SEAT - DINETTE CUSHION (SPRUNG) - 23" X 38.5" (R95, R96, R97, RE5)
	P42292-05-R89	EA	COVER/SEAT - DINETTE CUSHION (SPRUNG) - 23.5" X 38.5" (R89, R90, R91, RE3)
	P42292-05-R92	EA	COVER/SEAT - DINETTE CUSHION (SPRUNG) - 23.5" X 38.5" (R92, R93, R94, RE4)
	P42292-05-R95	EA	COVER/SEAT - DINETTE CUSHION (SPRUNG) - 23.5" X 38.5" (R95, R96, R97, RE5)
	142366-01-000	EA	FRAME - SPRUNG - DINETTE SEAT
6	141091-96-000	EA	CHAIR - COMPUTER - SAND/PORTSMOUTH OAK (R89)
6	141091-97-000	EA	CHAIR - COMPUTER - SAND/CONCERT CHERRY (R90)
6	141091-98-000	EA	CHAIR - COMPUTER - SAND/WASHED MAPLE (R91)
6	141091-B8-000	EA	CHAIR - COMPUTER - SAND/HONEY CHERRY (RE3)
6	141091-99-000	EA	CHAIR - COMPUTER - THYME/PORTSMOUTH OAK (R92)
6	141091-A0-000	EA	CHAIR - COMPUTER - THYME/CONCERT CHERRY (R93)
6	141091-A1-000	EA	CHAIR - COMPUTER - THYME/WASHED MAPLE (R94)
6	141091-B9-000	EA	CHAIR - COMPUTER - THYME/HONEY CHERRY (RE4)
6	141091-A2-000	EA	CHAIR - COMPUTER - SLATE/PORTSMOUTH OAK (R95)
6	141091-A3-000	EA	CHAIR - COMPUTER - SLATE/CONCERT CHERRY (R96)
6	141091-A4-000	EA	CHAIR - COMPUTER - SLATE/WASHED MAPLE (R97)
6	141091-C0-000	EA	CHAIR - COMPUTER - SLATE/HONEY CHERRY (RE5)
	135600-H2-000	EA	CHAIR - FOLDING - SAND/PORTSMOUTH OAK (R89)
	135600-H3-000	EA	CHAIR - FOLDING - SAND/CONCERT CHERRY (R90)
	135600-H4-000	EA	CHAIR - FOLDING - SAND/WASHED MAPLE (R91)
	135600-L8-000	EA	CHAIR - FOLDING - SAND/HONEY CHERRY (RE3)
	135600-H5-000	EA	CHAIR - FOLDING - THYME/PORTSMOUTH OAK (R92)
	135600-H6-000	EA	CHAIR - FOLDING - THYME/CONCERT CHERRY (R93)
	135600-H7-000	EA	CHAIR - FOLDING - THYME/WASHED MAPLE (R94)
	135600-L9-000	EA	CHAIR - FOLDING - THYME/HONEY CHERRY (RE4)
	135600-H8-000	EA	CHAIR - FOLDING - SLATE/PORTSMOUTH OAK (R95)
	135600-H9-000	EA	CHAIR - FOLDING - SLATE/CONCERT CHERRY (R96)
	135600-J0-000	EA	CHAIR - FOLDING - SLATE/WASHED MAPLE (R97)
	135600-M0-000	EA	CHAIR - FOLDING - SLATE/HONEY CHERRY (RE5)
7	132319-64-R89	EA	PILLOW - 17" (R89, R90, R91, RE3)
7	132319-64-R92	EA	PILLOW - 17" (R92, R93, R94, RE4)
7	132319-64-R95	EA	PILLOW - 17" (R95, R96, R97, RE5)
8	138095-17-R89	EA	SOFA/SLEEPER - REST EASY #805/805 ARMS - 30"F - W/TRAY (R89, R90, R91, RE3) - REST EASY
8	138095-17-R92	EA	SOFA/SLEEPER - REST EASY #805/805 ARMS - 30"F - W/TRAY (R92, R93, R94, RE4) - REST EASY
8	138095-17-R95	EA	SOFA/SLEEPER - REST EASY #805/805 ARMS - 30"F - W/TRAY (R95, R96, R97, RE5) - REST EASY
8	138095-18-N84	EA	SOFA/SLEEPER - REST EASY #805/805 ARMS - 30"F - W/TRAY - REST EASY, ULTRALEATHER
8	138647-24-R89	EA	SOFA/SLEEPER - REST EASY/DUAL CONTROLS (R89, R90, R91, RE3) - DUAL REST EASY
8	138647-24-R92	EA	SOFA/SLEEPER - REST EASY/DUAL CONTROLS (R92, R93, R94, RE4) - DUAL REST EASY
8	138647-24-R95	EA	SOFA/SLEEPER - REST EASY/DUAL CONTROLS (R95, R96, R97, RE5) - DUAL REST EASY
8	138647-18-R89	EA	SOFA/SLEEPER - REST EASY/DUAL CONTROLS -30"FF - DUAL REST EASY, ULTRALEATHER
9	146990-01-R89	EA	BUCKET SEAT - DRIVER - W/LUMBAR - ULTRALEATHER FROM: 00-00-00 THRU: 09-07-03
9	146990-03-R89	EA	BUCKET SEAT - DRIVER - W/LUMBAR - ULTRALEATHER FROM: 09-08-03 THRU: 99-99-99
10	145563-17-R89	EA	LOVE SEAT - 40" (R89, R90, R91, RE3)
10	145563-17-R92	EA	LOVE SEAT - 40" (R92, R93, R94, RE4)
10	145563-17-R95	EA	LOVE SEAT - 40" (R95, R96, R97, RE5)
10	145563-21-R74	EA	LOVE SEAT - 40" - LEATHER - ULTRALEATHER
11	147147-02-000	EA	CHAIR - EURO RECLINER W/OTTOMAN W/INSTRUCTIONS - NATURAL (R89, R91, R92, R94, R95, R97)
11	147147-01-000	EA	CHAIR - EURO RECLINER W/OTTOMAN W/INSTRUCTIONS - TEAK (R90, R93, R96, RE3, RE4, RE5)

**CURTAIN & CUSHION GROUP (CONTINUED)**  
**CUSHION LAYOUT (CONTINUED)**

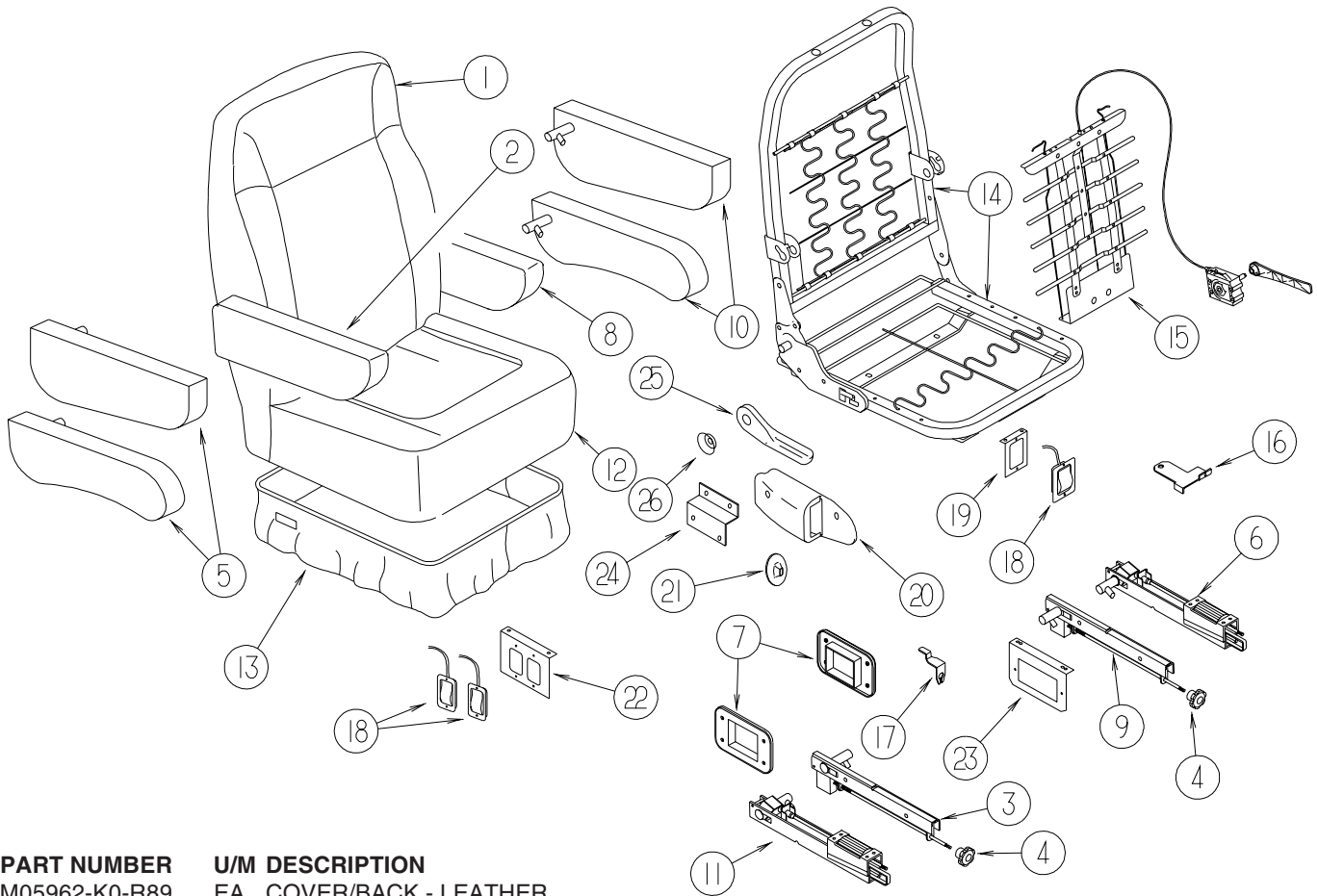


KEY	PART NUMBER	U/M	DESCRIPTION
12	135477-05-R89	EA	CHAIR - RECLINER/SWIVEL/ROCKER - W/FOOTREST (R89, R90, R91, RE3)
12	135477-05-R92	EA	CHAIR - RECLINER/SWIVEL/ROCKER - W/FOOTREST (R92, R93, R94, RE4)
12	135477-05-R95	EA	CHAIR - RECLINER/SWIVEL/ROCKER - W/FOOTREST (R95, R96, R97, RE5)
12	135477-09-R59	EA	CHAIR - RECLINER/SWIVEL/ROCKER - W/FOOTREST - <b>ULTRALEATHER</b>
13	132319-63-R89	EA	PILLOW - 17" (R89, R90, R91, RE3)
13	132319-63-R92	EA	PILLOW - 17" (R92, R93, R94, RE4)
13	132319-63-R95	EA	PILLOW - 17" (R95, R96, R97, RE5)

**\*COMPONENT PARTS LISTED LATER IN THIS GROUP**

## CURTAIN & CUSHION GROUP (CONTINUED)

### BUCKET SEATS



KEY	PART NUMBER	U/M	DESCRIPTION
1	M05962-K0-R89	EA	COVER/BACK - LEATHER
	145958-02-000	EA	PILLOW - HEAD - W/HORIZON LOGO
2	129666-17-P54	EA	ARMREST - RIGHT HAND - LEATHER
			FROM: 00-00-00 THRU: 09-07-03
2	148705-03-R74	EA	ARMREST - RIGHT - LEATHER
			FROM: 09-08-03 THRU: 99-99-99
	P29666-17-P54	EA	COVER/ARMREST - RIGHT HAND - LEATHER
			FROM: 00-00-00 THRU: 09-07-03
	P48705-03-R74	EA	COVER/ARMREST - RIGHT - LEATHER
			FROM: 09-08-03 THRU: 99-99-99
3	122622-04-000	EA	BRACKET - ARMREST/RIGHT HAND
			FROM: 00-00-00 THRU: 09-07-03
4	122622-06-000	EA	KNOB - W/3/8" THREAD INSERT
			FROM: 00-00-00 THRU: 09-07-03
5	130699-01-000	EA	ARMREST/MOLDED - RIGHT - W/O COVER
			FROM: 00-00-00 THRU: 09-07-03
6	148751-01-000	EA	BRACKET - RIGHT (ADJUSTABLE) W/ROLLER
			FROM: 09-08-03 THRU: 99-99-99
7	148751-03-000	EA	BRACKET - ROLLER TRIM PLATE
			FROM: 09-08-03 THRU: 99-99-99
8	129666-18-P54	EA	ARMREST - LEFT HAND - LEATHER
			FROM: 00-00-00 THRU: 09-07-03
8	148705-04-R74	EA	ARMREST - LEFT - LEATHER
			FROM: 09-08-03 THRU: 99-99-99
	P29666-18-P54	EA	COVER/ARMREST - LEFT HAND - LEATHER
			FROM: 00-00-00 THRU: 09-07-03
	P48705-04-R74	EA	COVER/ARMREST - LEFT - LEATHER
			FROM: 09-08-03 THRU: 99-99-99
9	122622-05-000	EA	BRACKET - ARMREST/LEFT HAND
			FROM: 00-00-00 THRU: 09-07-03
10	130699-02-000	EA	ARMREST/MOLDED - LEFT - W/O COVER
			FROM: 00-00-00 THRU: 09-07-03
11	148751-02-000	EA	BRACKET - LEFT (ADJUSTABLE) W/ROLLER
			FROM: 09-08-03 THRU: 99-99-99

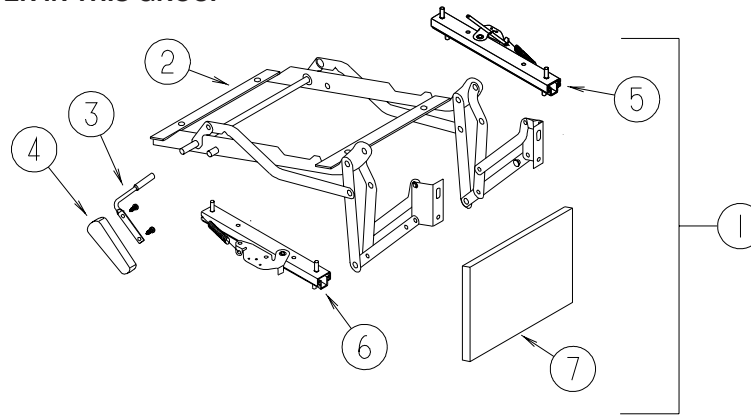


## CURTAIN & CUSHION GROUP (CONTINUED)

### BUCKET SEATS (CONTINUED)

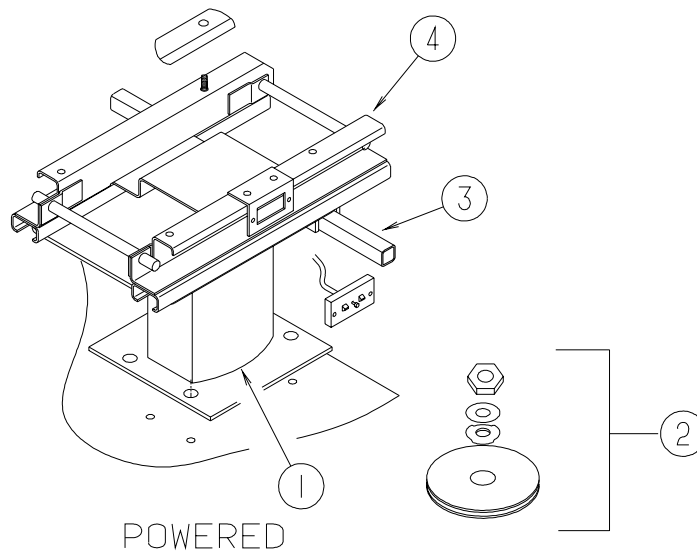
KEY	PART NUMBER	U/M	DESCRIPTION
12	M05962-K1-R89	EA	COVER/SEAT - LEATHER
13	071126-79-R74	EA	SKIRT - 10.5" (FOOTREST) LEATHER - PASSENGER
13	071126-86-R35	EA	SKIRT - BUCKET SEAT - W/FRONT SLIDE RELEASE - LEATHER - DRIVER
14	134532-01-000	EA	FRAME - SEAT/HIGH BACK
15*	122611-02-000	EA	LUMBAR - W/LEVER
16	117125-01-02B	EA	BRACKET - CABLE MOUNT - ADJUSTER W/LOCK
17	108049-02-000	EA	CLIP - CABLE/PEDESTAL
18	108049-04-000	EA	CABLE - W/MINI LEVER ACTION SWITCH - 28" SHEATH/30" CABLE
19	127159-01-02B	EA	BRACKET - SEAT RELEASE - SINGLE REMOTE - E-COATED - POWER SEAT
20	NOT USED		
21	NOT USED		
22	127159-02-02B	EA	BRACKET - SEAT RELEASE - DUAL REMOTE - E-COATED
23	128699-01-02B	EA	BRACKET - SEAT SWITCH - E-COATED - POWER SEAT
24	147457-01-02B	EA	BRACKET - ZEE W/HOLES - 2.8" - E-COATED
25	130802-02-000	EA	LEVER - RIGHT HAND
26	130802-03-000	EA	SCREW F/LEVER

\*COMPONENT PARTS LISTED LATER IN THIS GROUP



KEY	PART NUMBER	U/M	DESCRIPTION
1	131613-04-R89	EA	FOOTREST - BUCKET SEAT/PASSENGER
2	131566-01-000	EA	FOOTREST - MECHANICAL
3	131566-02-000	EA	ROD/LEVER - FOOT-REST EXTENSION
4	131566-03-000	EA	WOOD HANDLE
5	131566-04-000	EA	SLIDE/SEAT - HEAVY DUTY LOCKING - 5"
	131566-05-000	EA	WASHER - SLIDE SPACER
6	131566-07-000	EA	5" DOUBLE LOCKING SLIDE W/TAB
7	131613-99-000	EA	FOOTREST/WOOD - W/T-NUT

**CURTAIN & CUSHION GROUP (CONTINUED)**  
**BUCKET SEATS (CONTINUED)**



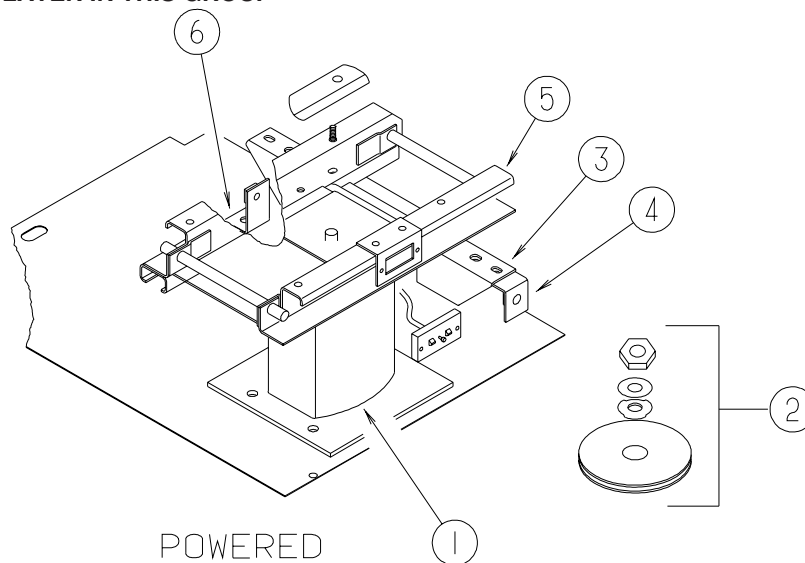
**DRIVER**

KEY	PART NUMBER	U/M	DESCRIPTION
1	133408-05-000	EA	PEDESTAL - SEAT - 5.75"
2	107921-06-000	EA	BEARING KIT - PEDESTAL
3	133408-19-000	EA	TOP PLATE - DRIVERS - W/ANCHOR
4*	081373-03-000	EA	SEAT - POWER 6 WAY
4	147767-01-000	EA	SEAT - POWER - 6-WAY
	133408-03-000	EA	BRACKET - ANCHOR/PEDESTAL
	133408-04-000	EA	BRACKET - ANCHOR/FLOOR

FROM: 00-00-00 THRU: 11-30-03

FROM: 12-01-03 THRU: 99-99-99

**\*COMPONENT PARTS LISTED LATER IN THIS GROUP**



**PASSENGER**

KEY	PART NUMBER	U/M	DESCRIPTION
1	133408-05-000	EA	PEDESTAL - SEAT - 5.75"
2	107921-06-000	EA	BEARING KIT - PEDESTAL
3	133408-20-000	EA	TOP PLATE - PASSENGER - W/ANCHOR
4	133408-03-000	EA	BRACKET - ANCHOR/PEDESTAL
5*	081373-03-000	EA	SEAT - POWER 6 WAY

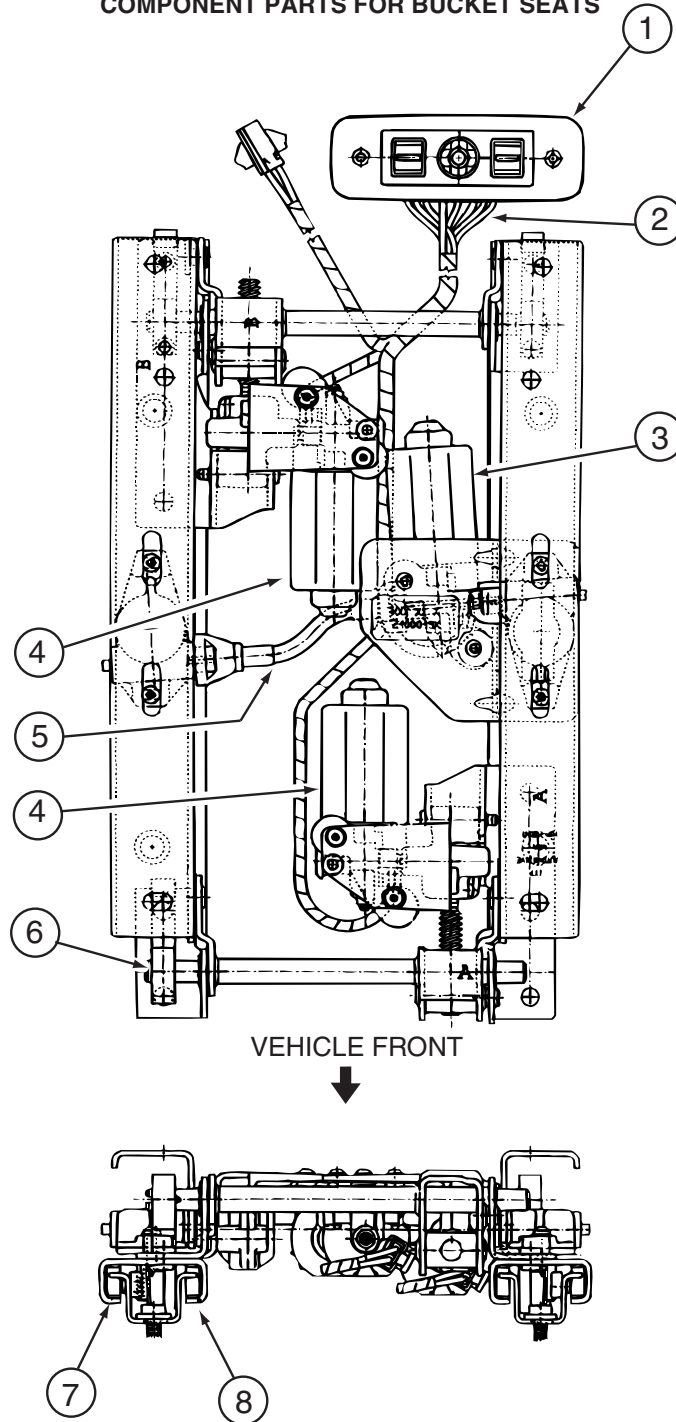
FROM: 00-00-00 THRU: 11-30-03

FROM: 12-01-03 THRU: 99-99-99

6	133408-04-000	EA	BRACKET - ANCHOR/FLOOR
---	---------------	----	------------------------

**\*COMPONENT PARTS LISTED LATER IN THIS GROUP**

**CURTAIN & CUSHION GROUP (CONTINUED)**  
**COMPONENT PARTS FOR BUCKET SEATS**



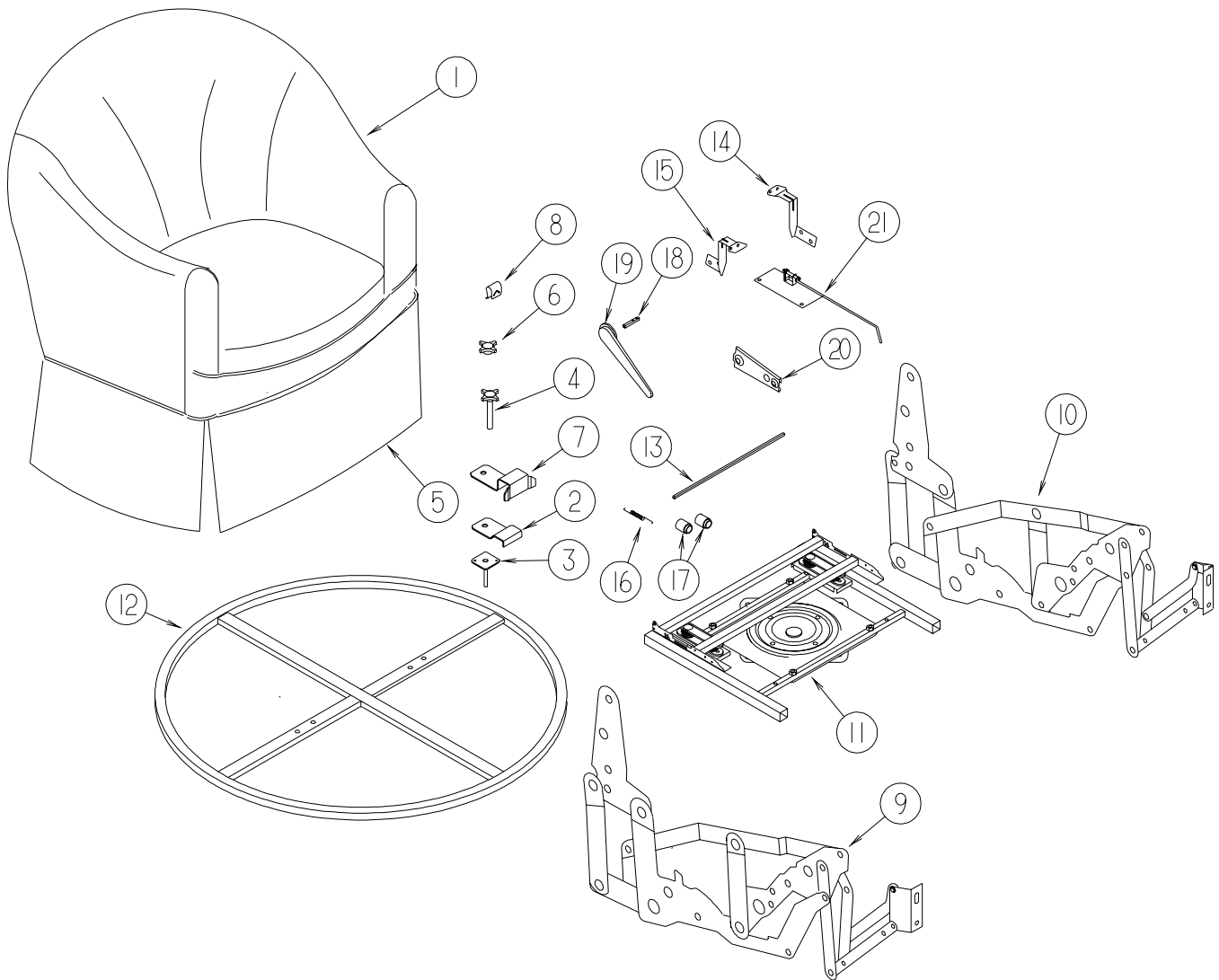
**081373-03-000**

KEY	PART NUMBER	U/M	DESCRIPTION	VENDOR NO.
1	081373-03-700	EA	SWITCH POWER	22543667 BLACK
2	081373-03-701	EA	WIRE HARNESS ASM., LT. SIDE	22138093
2	081373-03-702	EA	WIRE HARNESS ASM., RT. SIDE	22138094
3	081373-02-703	EA	MOTOR / HORIZONTAL	22128095
4	081373-02-704	EA	MOTOR PKG. ADJ. VERTICAL	22063238 & H-196
5	081373-03-704	EA	DRIVE CABLE	22143984
6	081373-03-705	EA	SPRING	22048978
7	081373-03-706	EA	SHOE GUIDE (WHITE)	22048993
8	081373-03-707	EA	SHOE GUIDE (BLACK)	22048994
	081373-03-700	EA	SWITCH POWER	22137945

**122611-02-000**

KEY	PART NUMBER	U/M	DESCRIPTION	VENDOR NO.
	122611-02-701	EA	LUMBAR - LEVER	412
	122611-02-702	EA	LUMBAR MECHANISM	24395-FLEXSTEEL

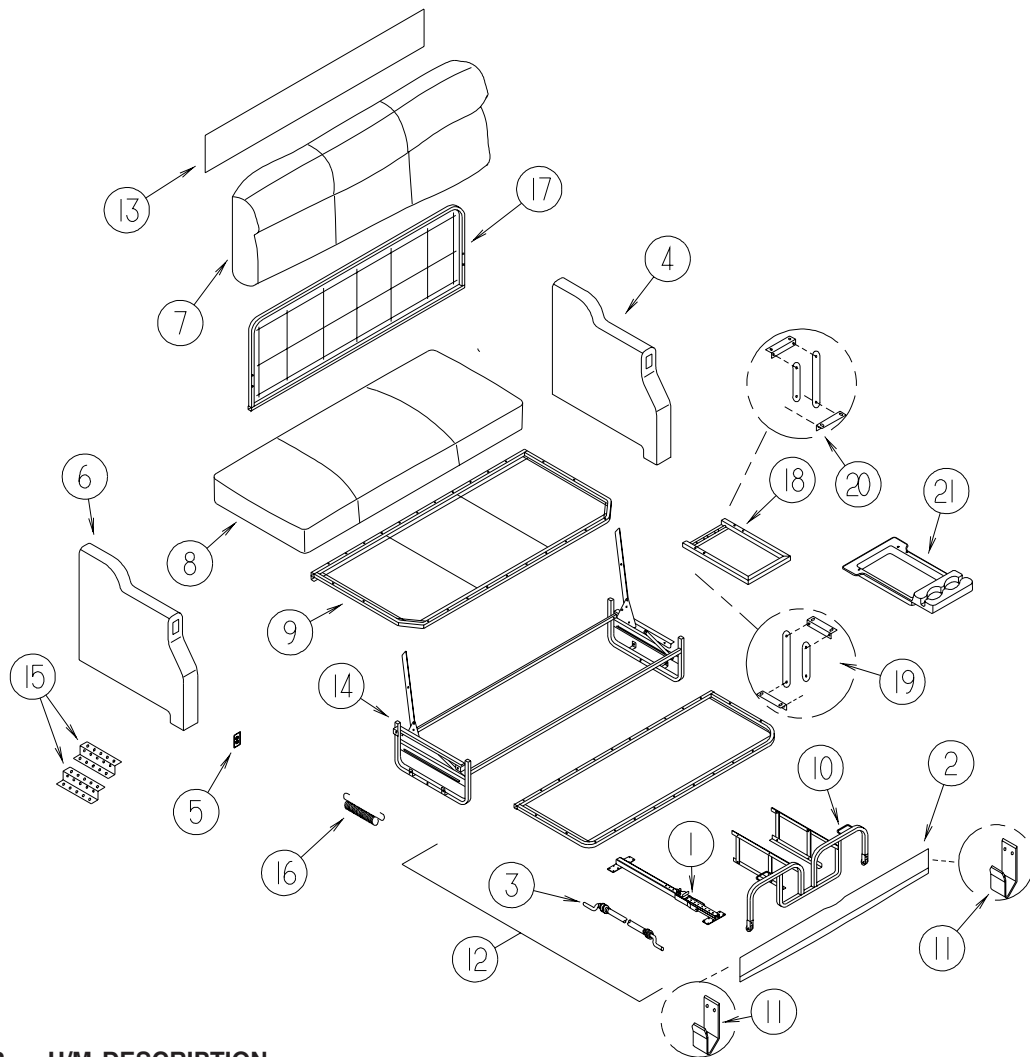
**CURTAIN & CUSHION GROUP (CONTINUED)**  
**LOUNGE CHAIR**



KEY	PART NUMBER	U/M	DESCRIPTION
1	P35477-05-R89	EA	COVER - RECLINER/SWIVEL/ROCKER - W/FOOTREST (R89, R90, R91, RE3)
1	P35477-05-R92	EA	COVER - RECLINER/SWIVEL/ROCKER - W/FOOTREST (R92, R93, R94, RE4)
1	P35477-05-R95	EA	COVER - RECLINER/SWIVEL/ROCKER - W/FOOTREST (R95, R96, R97, RE5)
1	P35477-09-R59	EA	COVER - RECLINER/SWIVEL/ROCKER - W/FOOTREST - <b>ULTRALEATHER</b>
2	134057-01-11B	EA	BRACKET - RECLINER - FLAT BLACK
2	134057-02-11B	EA	BRACKET - RECLINER - FLAT BLACK - <b>WHEN CHAIR IS LOCATED IN SLIDEOUT ROOM</b>
3	134128-02-02B	EA	PLATE - W/HOLES - W/WELDNUT - E-COATED
4	134194-01-01A	EA	KNOB - HOLD DOWN/RECLINER - BLACK
5	NOT USED		
6	140334-01-01A	EA	KNOB HOLD DOWN/RECLINER - <b>WHEN CHAIR IS LOCATED IN SLIDEOUT ROOM</b>
7	143956-01-04B	EA	BRACKET/TIEDOWN - EURO CHAIR - BLACK - <b>EURO LOUNGE CHAIR</b>
8	029134-01-000	EA	CLIP - FINISH - UPHOLSTERY
9	133126-01-000	EA	RECLINER MECHANISM - RIGHT HAND (WHEN SITTING IN CHAIR)
10	133126-02-000	EA	RECLINER MECHANISM - LEFT HAND (WHEN SITTING IN CHAIR)
11	133126-03-000	EA	BASE - SWIVEL/ROCKER - W/O FLOOR RING
12	133126-04-000	EA	FLOOR RING - 24" DIAMETER
13	133126-05-000	EA	HANDLE TUBE/DRIVE - 23.3" LONG (JOINS OPERATORS)
14	133126-06-000	EA	BRACKET - OTTOMAN/FIXED MID - RIGHT HAND
15	133126-07-000	EA	BRACKET - OTTOMAN/FIXED MID - LEFT HAND
16	133126-08-000	EA	SPRING/LOCKING
17	133126-09-000	EA	BUSHING - F/HANDLE TUBE - PLASTIC
18	133126-10-000	EA	HANDLE MOUNTING TUBE - 3.3" LONG
19	133126-11-000	EA	HANDLE/RECLINE - PLASTIC
20	133126-12-000	EA	BRACKET - BACK SLEEVE
21	147314-01-000	EA	LOCKOUT - ROCKER/RECLINER

## CURTAIN & CUSHION GROUP (CONTINUED)

### SOFA



**REST EASY**

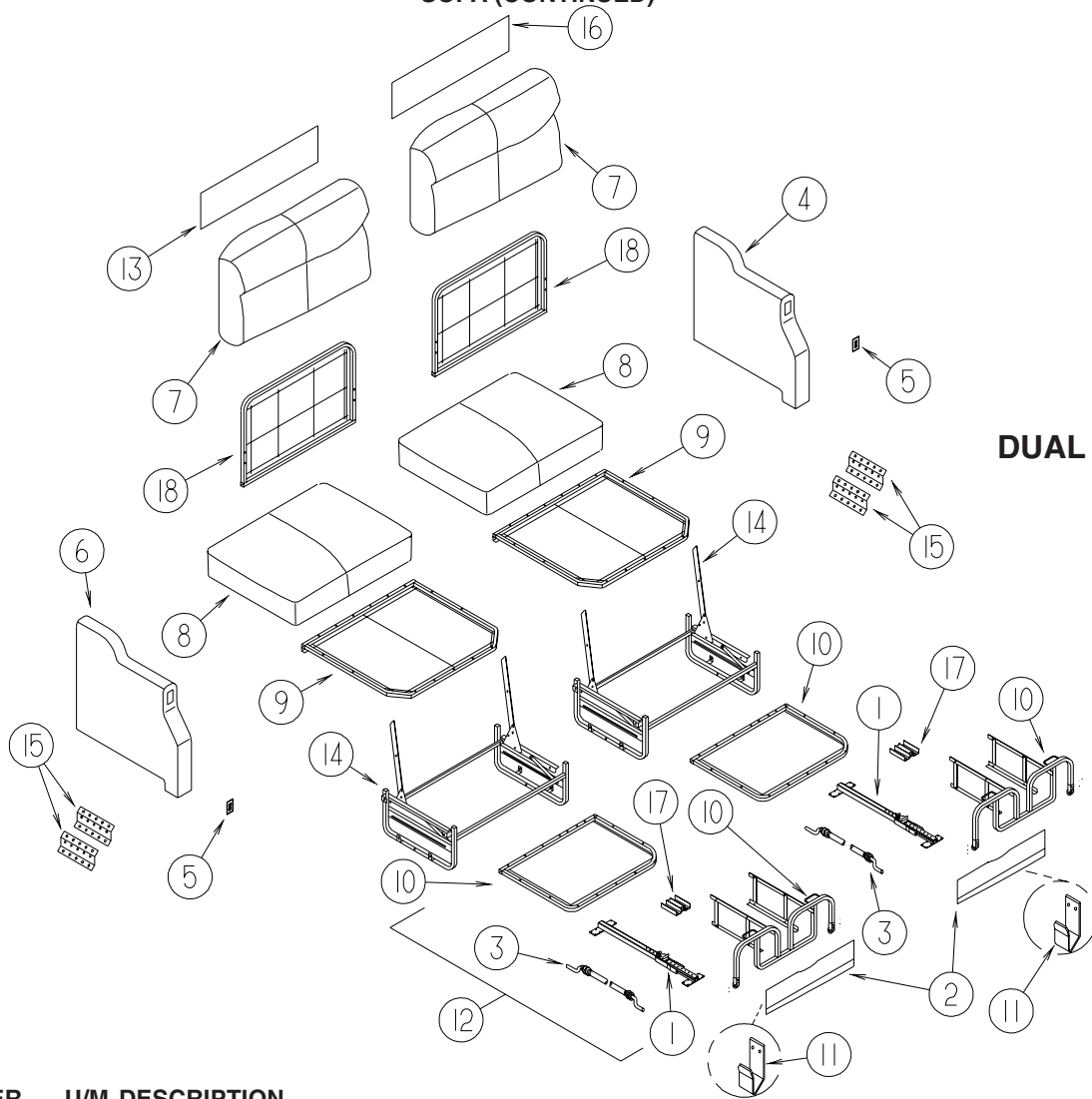
KEY	PART NUMBER	U/M	DESCRIPTION
1*	148226-01-000	EA	SLIDE RAIL - W/LATCH MECH/PLATES/STOP F/30" FLAT FLOOR
2	135824-07-R89	EA	PANEL/FRONT KICK - SOFA/SLEEPER - 59.5" - FABRIC COVERED (R89, R90, R91, RE3)
2	135824-07-R92	EA	PANEL/FRONT KICK - SOFA/SLEEPER - 59.5" - FABRIC COVERED (R92, R93, R94, RE4)
2	135824-07-R95	EA	PANEL/FRONT KICK - SOFA/SLEEPER - 59.5" - FABRIC COVERED (R95, R96, R97, RE5)
2	135824-09-N84	EA	PANEL/FRONT KICK - SOFA/SLEEPER - 59.5" - FABRIC COVERED - <b>ULTRALEATHER</b>
3	148225-01-000	EA	CABLE ONLY - REMOTE - 31.9" W/Z-ENDS
4	139116-12-R89	EA	ARMREST - LEFT HAND (R89, R90, R91, RE3)
4	139116-12-R92	EA	ARMREST - LEFT HAND (R92, R93, R94, RE4)
4	139116-12-R95	EA	ARMREST - LEFT HAND (R95, R96, R97, RE5)
4	139116-14-N84	EA	ARMREST - LEFT HAND - <b>ULTRALEATHER</b>
	P39116-12-R89	EA	COVER-ARM,805 SOFA,LT. (R89, R90, R91, RE3)
	P39116-12-R92	EA	COVER-ARM,805 SOFA,LT. (R92, R93, R94, RE4)
	P39116-12-R95	EA	COVER-ARM,805 SOFA,LT. (R95, R96, R97, RE5)
	P39116-14-N84	EA	COVER/ARMREST - LEFT HAND - <b>ULTRALEATHER</b>
5	136118-01-000	EA	SWITCH - SOFA/RECLINER
6	139116-11-R89	EA	ARMREST - RIGHT HAND (R89, R90, R91, RE3)
6	139116-11-R92	EA	ARMREST - RIGHT HAND (R92, R93, R94, RE4)
6	139116-11-R95	EA	ARMREST - RIGHT HAND (R95, R96, R97, RE5)
6	139116-13-N84	EA	ARMREST - RIGHT HAND - <b>ULTRALEATHER</b>
	P39116-11-R89	EA	COVER/ARMREST - LEFT HAND (R89, R90, R91, RE3)
	P39116-11-R92	EA	COVER/ARMREST - LEFT HAND (R92, R93, R94, RE4)
	P39116-11-R95	EA	COVER/ARMREST - LEFT HAND (R95, R96, R97, RE5)
	P39116-13-N84	EA	COVER/ARMREST - LEFT HAND - <b>ULTRALEATHER</b>
7	138095-02-R89	EA	BACK - SOFA/SLEEPER - RECLINER/POWERED (R89, R90, R91, RE3)
7	138095-02-R92	EA	BACK - SOFA/SLEEPER - RECLINER/POWERED (R92, R93, R94, RE4)
7	138095-02-R95	EA	BACK - SOFA/SLEEPER - RECLINER/POWERED (R95, R96, R97, RE5)
7	138095-06-M62	EA	BACK - SOFA/SLEEPER - RECLINER/POWERED - LEATHER - <b>ULTRALEATHER</b>

**CURTAIN & CUSHION GROUP (CONTINUED)**  
**SOFA (CONTINUED)**

<b>KEY</b>	<b>PART NUMBER</b>	<b>U/M</b>	<b>DESCRIPTION</b>
	P38095-02-R89	EA	COVER/BACK - SOFA/SLEEPER - RECLINER/POWERED (R89, R90, R91, RE3)
	P38095-02-R92	EA	COVER/BACK - SOFA/SLEEPER - RECLINER/POWERED (R92, R93, R94, RE4)
	P38095-02-R95	EA	COVER/BACK - SOFA/SLEEPER - RECLINER/POWERED (R95, R96, R97, RE5)
	P38095-06-M62	EA	COVER/BACK - SOFA/SLEEPER - RECLINER/POWERED - <b>ULTRALEATHER</b>
8	138095-03-R89	EA	SEAT - SOFA/SLEEPER - RECLINER/POWERED (R89, R90, R91, RE3)
8	138095-03-R92	EA	SEAT - SOFA/SLEEPER - RECLINER/POWERED (R92, R93, R94, RE4)
8	138095-03-R95	EA	SEAT - SOFA/SLEEPER - RECLINER/POWERED (R95, R96, R97, RE5)
8	138095-07-M62	EA	SEAT - SOFA/SLEEPER - RECLINER/POWERED - LEATHER - <b>ULTRALEATHER</b>
	P38095-03-R89	EA	COVER/SEAT - SOFA/SLEEPER - RECLINER/POWERED (R89, R90, R91, RE3)
	P38095-03-R92	EA	COVER/SEAT - SOFA/SLEEPER - RECLINER/POWERED (R92, R93, R94, RE4)
	P38095-03-R95	EA	COVER/SEAT - SOFA/SLEEPER - RECLINER/POWERED (R95, R96, R97, RE5)
	P38095-07-M62	EA	COVER/SEAT - SOFA/SLEEPER - RECLINER/POWERED - <b>ULTRALEATHER</b>
9	136534-04-000	EA	FRAME/SEAT - 26.5" X 60" W/FLEXOLATOR
10*	136534-17-000	EA	TRUNDLE FRAME - 17.5" X 55" - W/LINKAGE, LATCH & HANDLE
11	121906-01-02B	EA	BRACKET - KICKBOARD - E-COATED
12	138095-04-R89	EA	TRUNDLE - SOFA/SLEEPER (R89, R90, R91, RE3)
12	138095-04-R92	EA	TRUNDLE - SOFA/SLEEPER (R92, R93, R94, RE4)
12	138095-04-R95	EA	TRUNDLE - SOFA/SLEEPER (R95, R96, R97, RE5)
12	138095-08-M62	EA	TRUNDLE - SOFA/SLEEPER - LEATHER - <b>ULTRALEATHER</b>
	P38095-04-R89	EA	COVER/TRUNDLE - SOFA/SLEEPER (R89, R90, R91, RE3)
	P38095-04-R92	EA	COVER/TRUNDLE - SOFA/SLEEPER (R92, R93, R94, RE4)
	P38095-04-R95	EA	COVER/TRUNDLE - SOFA/SLEEPER (R95, R96, R97, RE5)
	P38095-08-M62	EA	COVER/TRUNDLE - SOFA/SLEEPER - <b>ULTRALEATHER</b>
13	139716-04-R89	EA	SIGHT SHIELD - 58" - FULL BACK - W/BEVERAGE TRAY (R89, R90, R91, RE3)
13	139716-04-R92	EA	SIGHT SHIELD - 58" - FULL BACK - W/BEVERAGE TRAY (R92, R93, R94, RE4)
13	139716-04-R95	EA	SIGHT SHIELD - 58" - FULL BACK - W/BEVERAGE TRAY (R95, R96, R97, RE5)
13	139716-05-N47	EA	SIGHT SHIELD - 58" - FULL BACK - W/BEVERAGE TRAY - <b>ULTRALEATHER</b>
14*	136534-15-000	EA	BASE - 27.5" X 60" - POWERED CL - W/10.5" OVERHANG
15	116104-04-02B	EA	BRACKET - ZEE W/HOLES - 3.2" - E-COATED
16	136534-33-000	EA	SPRING/ASSIST - 1/2" X 7" W/HOOK ENDS - REST EASY SOFAS
17	136534-20-000	EA	BACK - FRAME - BEVERAGE TRAY
18	136534-21-000	EA	FRAME - BEVERAGE TRAY
19	136534-22-000	EA	HINGE - RIGHT
20	136534-23-000	EA	HINGE - LEFT
21	139758-01-01A	EA	TRAY-BEVERAGE

**\*COMPONENT PARTS LISTED LATER IN THIS GROUP**

**CURTAIN & CUSHION GROUP (CONTINUED)**  
**SOFA (CONTINUED)**



**DUAL REST EASY**

KEY	PART NUMBER	U/M	DESCRIPTION
1*	148226-01-000	EA	SLIDE RAIL - W/LATCH MECH/PLATES/STOP F/30" FLAT FLOOR
2	135824-12-R89	EA	PANEL/FRONT KICK - SOFA/SLEEPER (DUAL) - 30.2" (R89, R90, R91, RE3)
2	135824-12-R92	EA	PANEL/FRONT KICK - SOFA/SLEEPER (DUAL) - 30.2" (R92, R93, R94, RE4)
2	135824-12-R95	EA	PANEL/FRONT KICK - SOFA/SLEEPER (DUAL) - 30.2" (R95, R96, R97, RE5)
2	135824-11-N84	EA	PANEL/FRONT KICK - SOFA/SLEEPER (DUAL) - 30.2" - LEATHER - <b>ULTRALEATHER</b>
3	148225-01-000	EA	CABLE ONLY - REMOTE - 31.9" W/Z-ENDS
4	139116-17-R89	EA	ARMREST - LEFT HAND (R89, R90, R91, RE3)
4	139116-17-R92	EA	ARMREST - LEFT HAND (R92, R93, R94, RE4)
4	139116-17-R95	EA	ARMREST - LEFT HAND (R95, R96, R97, RE5)
4	139116-14-N84	EA	ARMREST - LEFT HAND - <b>ULTRALEATHER</b>
	P39116-12-R89	EA	COVER-ARM,805 SOFA,LT. (R89, R90, R91, RE3)
	P39116-12-R92	EA	COVER-ARM,805 SOFA,LT. (R92, R93, R94, RE4)
	P39116-12-R95	EA	COVER-ARM,805 SOFA,LT. (R95, R96, R97, RE5)
	P39116-14-N84	EA	COVER/ARMREST - LEFT HAND - <b>ULTRALEATHER</b>
5	136118-01-000	EA	SWITCH - SOFA/RECLINER
6	139116-18-R89	EA	ARMREST - RIGHT HAND (R89, R90, R91, RE3)
6	139116-18-R92	EA	ARMREST - RIGHT HAND (R92, R93, R94, RE4)
6	139116-18-R95	EA	ARMREST - RIGHT HAND (R95, R96, R97, RE5)
6	139116-13-N84	EA	ARMREST - RIGHT HAND - <b>ULTRALEATHER</b>
	P39116-11-R89	EA	COVER/ARMREST - LEFT HAND (R89, R90, R91, RE3)
	P39116-11-R92	EA	COVER/ARMREST - LEFT HAND (R92, R93, R94, RE4)
	P39116-11-R95	EA	COVER/ARMREST - LEFT HAND (R95, R96, R97, RE5)
	P39116-13-N84	EA	COVER/ARMREST - LEFT HAND - <b>ULTRALEATHER</b>
7	138647-20-R89	EA	BACK - SOFA/SLEEPER - REST EASY/DUAL CONTROLLED (R89, R90, R91, RE3)
7	138647-20-R92	EA	BACK - SOFA/SLEEPER - REST EASY/DUAL CONTROLLED (R92, R93, R94, RE4)
7	138647-20-R95	EA	BACK - SOFA/SLEEPER - REST EASY/DUAL CONTROLLED (R95, R96, R97, RE5)
7	138647-16-R44	EA	BACK - SOFA/SLEEPER - REST EASY/DUAL CONTROLLED - LEATHER - <b>ULTRALEATHER</b>

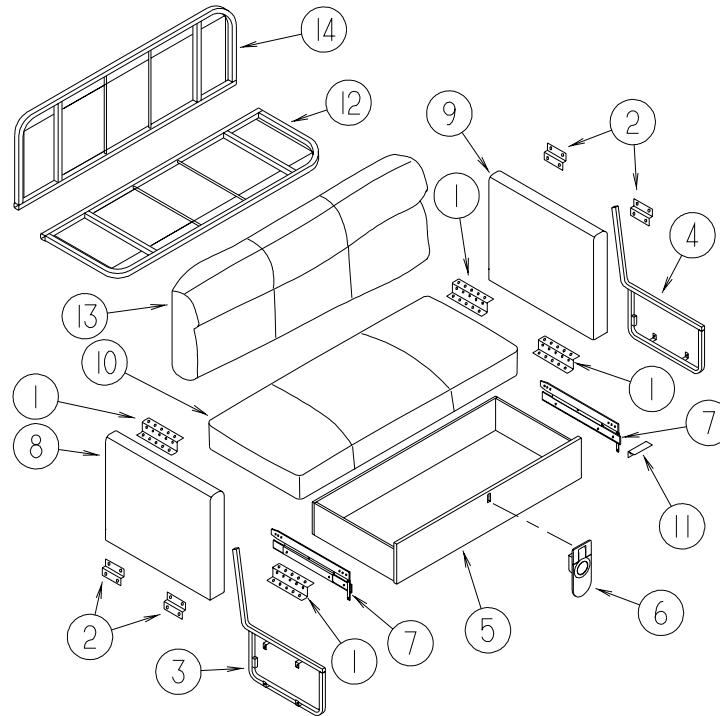
**CURTAIN & CUSHION GROUP (CONTINUED)**  
**SOFA (CONTINUED)**

<b>KEY</b>	<b>PART NUMBER</b>	<b>U/M</b>	<b>DESCRIPTION</b>
	P38647-20-R89	EA	COVER/BACK - REST EASY/DUAL CONTROLLED - SOFA/SLEEPER (R89, R90, R91, RE3)
	P38647-20-R92	EA	COVER/BACK - REST EASY/DUAL CONTROLLED - SOFA/SLEEPER (R92, R93, R94, RE4)
	P38647-20-R95	EA	COVER/BACK - REST EASY/DUAL CONTROLLED - SOFA/SLEEPER (R95, R96, R97, RE5)
	P38647-16-R44	EA	COVER/BACK - REST EASY/DUAL CONTROLLED - SOFA/SLEEPER - <b>ULTRALEATHER</b>
8	138647-21-R89	EA	SEAT - SOFA/SLEEPER - REST EASY/DUAL CONTROLLED (R89, R90, R91, RE3)
8	138647-21-R92	EA	SEAT - SOFA/SLEEPER - REST EASY/DUAL CONTROLLED (R92, R93, R94, RE4)
8	138647-21-R95	EA	SEAT - SOFA/SLEEPER - REST EASY/DUAL CONTROLLED (R95, R96, R97, RE5)
8	138647-17-R44	EA	SEAT - SOFA/SLEEPER - REST EASY/DUAL CONTROLLED - <b>ULTRALEATHER</b>
	P38647-21-R89	EA	COVER/SEAT - REST EASY/DUAL CONTROLLED - SOFA/SLEEPER (R89, R90, R91, RE3)
	P38647-21-R92	EA	COVER/SEAT - REST EASY/DUAL CONTROLLED - SOFA/SLEEPER (R92, R93, R94, RE4)
	P38647-21-R95	EA	COVER/SEAT - REST EASY/DUAL CONTROLLED - SOFA/SLEEPER (R95, R96, R97, RE5)
	P38647-17-R44	EA	COVER/SEAT - REST EASY/DUAL CONTROLLED - SOFA/SLEEPER - <b>ULTRALEATHER</b>
9	136534-26-000	EA	FRAME/SEAT - FOR DUAL REST EASY SOFA - ONE SIDE ONLY
10	136534-27-000	EA	TRUNDLE FRAME - 26" WIDE/DUAL - W/LINKAGE, LATCH & HANDLE
11	121906-01-02B	EA	BRACKET - KICKBOARD - E-COATED
12	138647-22-R89	EA	TRUNDLE - SOFA/SLEEPER - REST EASY/DUAL CONTROLLED (R89, R90, R91, RE3)
12	138647-22-R92	EA	TRUNDLE - SOFA/SLEEPER - REST EASY/DUAL CONTROLLED (R92, R93, R94, RE4)
12	138647-22-R95	EA	TRUNDLE - SOFA/SLEEPER - REST EASY/DUAL CONTROLLED (R95, R96, R97, RE5)
12	138647-04-R89	EA	TRUNDLE - SOFA/SLEEPER - REST EASY/DUAL CONTROLLED - <b>ULTRALEATHER</b>
	P38647-22-R89	EA	COVER/TRUNDLE - REST EASY/DUAL CONTROLLED - SOFA/SLEEPER (R89, R90, R91, RE3)
	P38647-22-R92	EA	COVER/TRUNDLE - REST EASY/DUAL CONTROLLED - SOFA/SLEEPER (R92, R93, R94, RE4)
	P38647-22-R95	EA	COVER/TRUNDLE - REST EASY/DUAL CONTROLLED - SOFA/SLEEPER (R95, R96, R97, RE5)
	P38647-04-R89	EA	COVER/TRUNDLE - REST EASY/DUAL CONTROLLED - SOFA/SLEEPER - <b>ULTRALEATHER</b>
13	139716-07-R89	EA	SIGHT SHIELD - 28" - DUAL BACK/RIGHT HAND (R89, R90, R91, RE3)
13	139716-07-R92	EA	SIGHT SHIELD - 28" - DUAL BACK/RIGHT HAND (R92, R93, R94, RE4)
13	139716-07-R95	EA	SIGHT SHIELD - 28" - DUAL BACK/RIGHT HAND (R95, R96, R97, RE5)
13	139716-03-N84	EA	SIGHT SHIELD - 28" - DUAL BACK/RIGHT HAND - <b>ULTRALEATHER</b>
14*	136534-29-000	EA	BASE - 27.25" X 30" - POWERED/DUAL - FLAT
15	116104-04-02B	EA	BRACKET - ZEE W/HOLES - 3.2" - E-COATED
16	139716-08-R89	EA	SIGHT SHIELD - 28" - DUAL BACK/LEFT HAND (R89, R90, R91, RE3)
16	139716-08-R92	EA	SIGHT SHIELD - 28" - DUAL BACK/LEFT HAND (R92, R93, R94, RE4)
16	139716-08-R95	EA	SIGHT SHIELD - 28" - DUAL BACK/LEFT HAND (R95, R96, R97, RE5)
16	139716-06-N84	EA	SIGHT SHIELD - 28" - DUAL BACK/LEFT HAND - <b>ULTRALEATHER</b>
17	136534-32-000	EA	BRACKET - DUAL BASE
25	136534-25-000	EA	FRAME/BACK - FOR DUAL REST EASY SOFA - ONE SIDE ONLY

**\*COMPONENT PARTS LISTED LATER IN THIS GROUP**



## CURTAIN & CUSHION GROUP (CONTINUED) SOFA (CONTINUED)



KEY	PART NUMBER	U/M	DESCRIPTION
1	101926-01-02A	EA	BRACKET - ZEE - 2" - BLACK
2	116104-04-02B	EA	BRACKET - ZEE W/HOLES - 3.2" - E-COATED
3	134306-03-000	EA	LEG - RIGHT W/O DRAWER TRACK - 48"
4	134306-04-000	EA	LEG - LEFT W/O DRAWER TRACK - 48"
5	134307-07-R89	EA	DRAWER - 40" - FABRIC COVERED (R89, R90, R91, RE3)
5	134307-07-R92	EA	DRAWER - 40" - FABRIC COVERED (R92, R93, R94, RE4)
5	134307-07-R95	EA	DRAWER - 40" - FABRIC COVERED (R95, R96, R97, RE5)
5	134307-09-N84	EA	DRAWER - 40" - FABRIC COVERED - <b>ULTRALEATHER</b>
6	134511-01-000	EA	LATCH - BANQUETTE
7	134576-01-000	EA	SLIDE/RAIL KIT - HEAVY DUTY (PAIR) - 22"
8	138998-09-R89	EA	ARMREST - RIGHT HAND (R89, R90, R91, RE3)
8	138998-09-R92	EA	ARMREST - RIGHT HAND (R92, R93, R94, RE4)
8	138998-09-R95	EA	ARMREST - RIGHT HAND (R95, R96, R97, RE5)
8	138998-11-N84	EA	ARMREST - RIGHT HAND - <b>ULTRALEATHER</b>
9	138998-10-R89	EA	ARMREST - LEFT HAND (R89, R90, R91, RE3)
9	138998-10-R92	EA	ARMREST - LEFT HAND (R92, R93, R94, RE4)
9	138998-10-R95	EA	ARMREST - LEFT HAND (R95, R96, R97, RE5)
9	138998-12-N84	EA	ARMREST - LEFT HAND - <b>ULTRALEATHER</b>
10	139819-10-R89	EA	SEAT - LOVE SEAT - 40" (R89, R90, R91, RE3)
10	139819-10-R92	EA	SEAT - LOVE SEAT - 40" (R92, R93, R94, RE4)
10	139819-10-R95	EA	SEAT - LOVE SEAT - 40" (R95, R96, R97, RE5)
10	139819-17-N84	EA	SEAT - LOVE SEAT - 40" - <b>ULTRALEATHER</b>
	P39819-10-R89	EA	COVER/SEAT - LOVE SEAT - 40" (R89, R90, R91, RE3)
	P39819-10-R92	EA	COVER/SEAT - LOVE SEAT - 40" (R92, R93, R94, RE4)
	P39819-10-R95	EA	COVER/SEAT - LOVE SEAT - 40" (R95, R96, R97, RE5)
	P39819-17-N84	EA	COVER/SEAT - LOVE SEAT - 40" - <b>ULTRALEATHER</b>
11	128298-01-12B	EA	CATCH - F/LOCK - COMPARTMENT DOORS
12	134306-07-000	EA	FRAME ASM-SEAT,676,40"
13	139819-11-R89	EA	BACK - LOVE SEAT - 40" (R89, R90, R91, RE3)
13	139819-11-R92	EA	BACK - LOVE SEAT - 40" (R92, R93, R94, RE4)
13	139819-11-R95	EA	BACK - LOVE SEAT - 40" (R95, R96, R97, RE5)
13	139819-18-N84	EA	BACK - LOVE SEAT - 40" - <b>ULTRALEATHER</b>
	P39819-11-R89	EA	COVER/BACK - LOVE SEAT - 40" (R89, R90, R91, RE3)
	P39819-11-R92	EA	COVER/BACK - LOVE SEAT - 40" (R92, R93, R94, RE4)
	P39819-11-R95	EA	COVER/BACK - LOVE SEAT - 40" (R95, R96, R97, RE5)
	P39819-18-N84	EA	COVER/BACK - LOVE SEAT - 40" - <b>ULTRALEATHER</b>
14	134306-08-000	EA	FRAME ASM-BACK,676,40"

**CURTAIN & CUSHION GROUP (CONTINUED)**  
**COMPONENT PARTS FOR SOFA**

**136534-07-000, 136534-17-000**

<b>KEY</b>	<b>PART NUMBER</b>	<b>U/M</b>	<b>DESCRIPTION</b>	<b>VENDOR NO.</b>
	136534-07-701	EA	WHEEL - NYLON - 1 5/8", 9WHEEL-1.62	

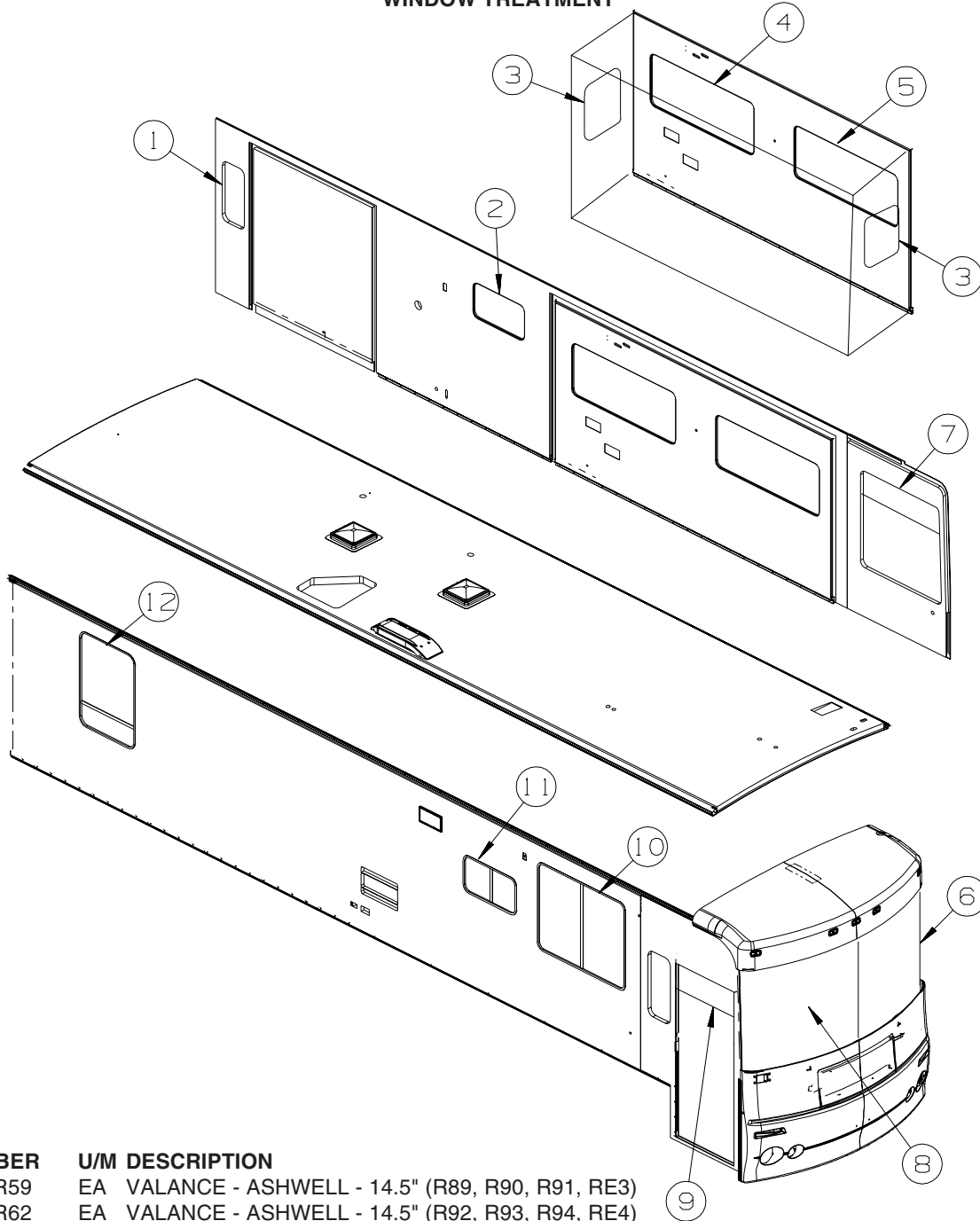
**136534-13-000, 136534-15-000, 136534-28-000, 136534-29-000**

<b>KEY</b>	<b>PART NUMBER</b>	<b>U/M</b>	<b>DESCRIPTION</b>	<b>VENDOR NO.</b>
	136534-02-700	EA	MOTOR	9PL-MO-W/T-1
	136534-02-701	EA	CABLE/DRV MTR-REST EASY SOFA	9PL-FCA27.75

**148226-01-000, 148226-02-000, 148226-03-000**

<b>KEY</b>	<b>PART NUMBER</b>	<b>U/M</b>	<b>DESCRIPTION</b>	<b>VENDOR NO.</b>
	148226-01-700	EA	BUSHING/GUIDE - F/MECHANISM	9TN-SLD-GR-1
	148226-01-701	EA	SLIDE MECHANISM ASM W/LATCH	PTN-SLD-BUSH1

**CURTAIN & CUSHION GROUP (CONTINUED)**  
**WINDOW TREATMENT**



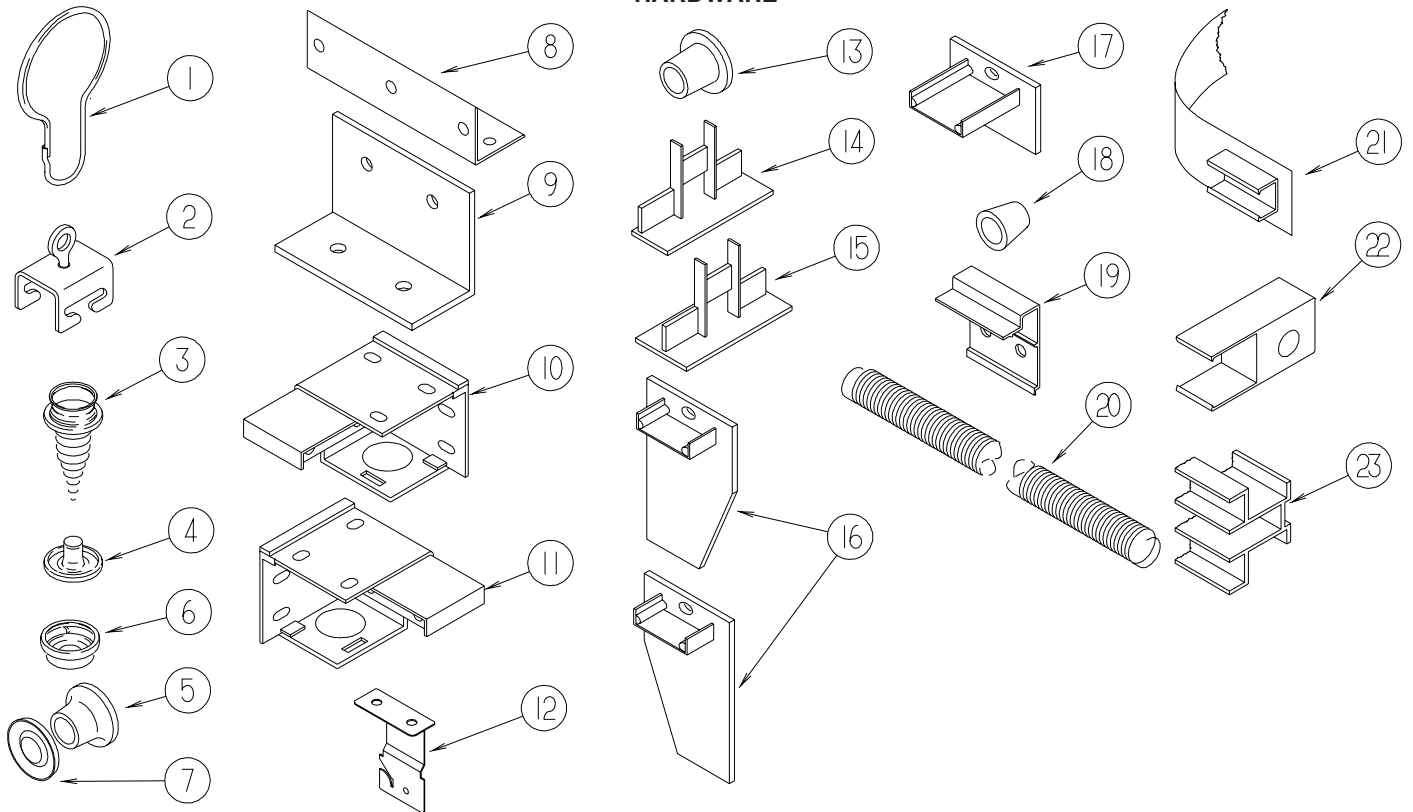
KEY	PART NUMBER	U/M	DESCRIPTION
1	142437-01-R59	EA	VALANCE - ASHWELL - 14.5" (R89, R90, R91, RE3)
1	142437-01-R62	EA	VALANCE - ASHWELL - 14.5" (R92, R93, R94, RE4)
1	142437-01-R95	EA	VALANCE - ASHWELL - 14.5" (R95, R96, R97, RE5)
1	140789-10-N54	EA	BLIND - DAY/NIGHTER - 13.5" X 28.5" (R89, R90, R91, RE3)
1	140789-10-N66	EA	BLIND - DAY/NIGHTER - 13.5" X 28.5" (R92, R93, R94, R95, R96, R97, RE4, RE5)
2	147000-04-R89	EA	VALANCE - AVATAR - 32" (R89, R90, R91, RE3)
2	147000-04-R92	EA	VALANCE - AVATAR - 32" (R92, R93, R94, RE4)
2	147000-04-R95	EA	VALANCE - AVATAR - 32" (R95, R96, R97, RE5)
2	111861-09-01A	EA	BLIND - MINI - 30.5" X 18" - ALABASTER PEARL
3	146962-04-R89	EA	VALANCE - BENTLEY - 26" (R89, R90, R91, RE3)
3	146962-08-R92	EA	VALANCE - BENTLEY - 26" (R92, R93, R94, RE4)
3	147072-04-R95	EA	VALANCE - BISMARK - 26" (R95, R96, R97, RE5)
3	140789-07-N44	EA	BLIND - DAY/NIGHTER - 22.5" X 23" (R89, R90, R91, RE3)
3	140789-07-N42	EA	BLIND - DAY/NIGHTER - 22.5" X 23" (R92, R93, R94, R95, R96, R97, RE4, RE5)
3	136988-41-R89	EA	LEG - RIGHT - 22" (R89, R90, R91, RE3)
3	136988-41-R92	EA	LEG - RIGHT - 22" (R92, R93, R94, RE4)
3	136988-41-R95	EA	LEG - RIGHT - 22" (R95, R96, R97, RE5)
3	136988-42-R89	EA	LEG - LEFT - 22" (R89, R90, R91, RE3)
3	136988-42-R92	EA	LEG - LEFT - 22" (R92, R93, R94, RE4)
3	136988-42-R95	EA	LEG - LEFT - 22" (R95, R96, R97, RE5)

**CURTAIN & CUSHION GROUP (CONTINUED)**  
**WINDOW TREATMENT (CONTINUED)**

<b>KEY</b>	<b>PART NUMBER</b>	<b>U/M</b>	<b>DESCRIPTION</b>
4	146962-13-R89	EA	LAMBREQUIN - BENTLEY - 61" (R89, R90, R91, RE3)
4	146962-14-R92	EA	LAMBREQUIN - BENTLEY - 61" (R92, R93, R94, RE4)
4	147072-05-R95	EA	LAMBREQUIN - BISMARK - 61" (R95, R96, R97, RE5)
4	146962-15-R89	EA	LAMBREQUIN - BENTLEY - 61" (R89, R90, R91, RE3) - DINING/COMPUTER TABLE/CHAIRS
4	146962-16-R92	EA	LAMBREQUIN - BENTLEY - 61" (R92, R93, R94, RE4) - DINING/COMPUTER TABLE/CHAIRS
4	147072-06-R95	EA	LAMBREQUIN - BISMARK - 61" (R95, R96, R97, RE5) - DINING/COMPUTER TABLE/CHAIRS
4	140789-08-N44	EA	BLIND - DAY/NIGHTER - 59" X 26.5" (R89, R90, R91, RE3)
4	140789-08-N09	EA	BLIND - DAY/NIGHTER - 59" X 26.5" (R92, R93, R94, R95, R96, R97, RE4, RE5)
5	146962-13-R89	EA	LAMBREQUIN - BENTLEY - 61" (R89, R90, R91, RE3)
5	146962-14-R92	EA	LAMBREQUIN - BENTLEY - 61" (R92, R93, R94, RE4)
5	147072-05-R95	EA	LAMBREQUIN - BISMARK - 61" (R95, R96, R97, RE5)
5	140789-08-N44	EA	BLIND - DAY/NIGHTER - 59" X 26.5" (R89, R90, R91, RE3)
5	140789-08-N09	EA	BLIND - DAY/NIGHTER - 59" X 26.5" (R92, R93, R94, R95, R96, R97, RE4, RE5)
6	139479-09-01A	EA	CURTAIN - DRIVER WRAP/PRIVACY/STEPPED - 42.75" X 90"
7	126841-03-000	EA	SHADE - PULL - CHARCOAL MESH - 40.3" X 60"
8	139479-10-01A	EA	CURTAIN - PASSENGER WRAP/PRIVACY/FRONT - 42" X 120"
8	139479-11-01A	EA	CURTAIN - PASSENGER WRAP/PRIVACY/REAR - 43.5" X 75"
9	126841-04-000	EA	SHADE - PULL - CHARCOAL MESH - 30.3" X 60"
10	146962-23-R89	EA	LAMBREQUIN - BENTLEY - 51" (R89, R90, R91, RE3)
10	146962-24-R92	EA	LAMBREQUIN - BENTLEY - 51" (R92, R93, R94, RE4)
10	147072-08-R95	EA	LAMBREQUIN - BISMARK - 51" (R95, R96, R97, RE5)
10	140789-17-N72	EA	BLIND - DAY/NIGHTER - 49" X 41" (R89, R90, R91, RE3)
10	140789-17-N70	EA	BLIND - DAY/NIGHTER - 49" X 41" (R92, R93, R94, R95, R96, R97, RE4, RE5)
11	146962-19-R89	EA	LAMBREQUIN - BENTLEY - 27" (R89, R90, R91, RE3)
11	146962-20-R92	EA	LAMBREQUIN - BENTLEY - 27" (R92, R93, R94, RE4)
11	147072-10-R95	EA	LAMBREQUIN - BISMARK - 27" (R95, R96, R97, RE5)
11	111861-15-03A	EA	BLIND - MINI - 25" X 17" - ALABASTER PEARL
12	147000-05-R89	EA	VALANCE - AVATAR - 35.5" (R89, R90, R91, RE3)
12	147000-05-R92	EA	VALANCE - AVATAR - 35.5" (R92, R93, R94, RE4)
12	147000-05-R95	EA	VALANCE - AVATAR - 35.5" (R95, R96, R97, RE5)
12	140789-12-N72	EA	BLIND - DAY/NIGHTER - 32" X 46" (R89, R90, R91, RE3)
12	140789-12-N70	EA	BLIND - DAY/NIGHTER - 32" X 46" (R92, R93, R94, R95, R96, R97, RE4, RE5)
12	136988-C0-R89	EA	LEG - RIGHT - 42" (R89, R90, R91, RE3)
12	136988-C0-R92	EA	LEG - RIGHT - 42" (R92, R93, R94, RE4)
12	136988-C0-R95	EA	LEG - RIGHT - 42" (R95, R96, R97, RE5)
12	136988-C1-R89	EA	LEG - LEFT - 42" (R89, R90, R91, RE3)
12	136988-C1-R92	EA	LEG - LEFT - 42" (R92, R93, R94, RE4)
12	136988-C1-R95	EA	LEG - LEFT - 42" (R95, R96, R97, RE5)

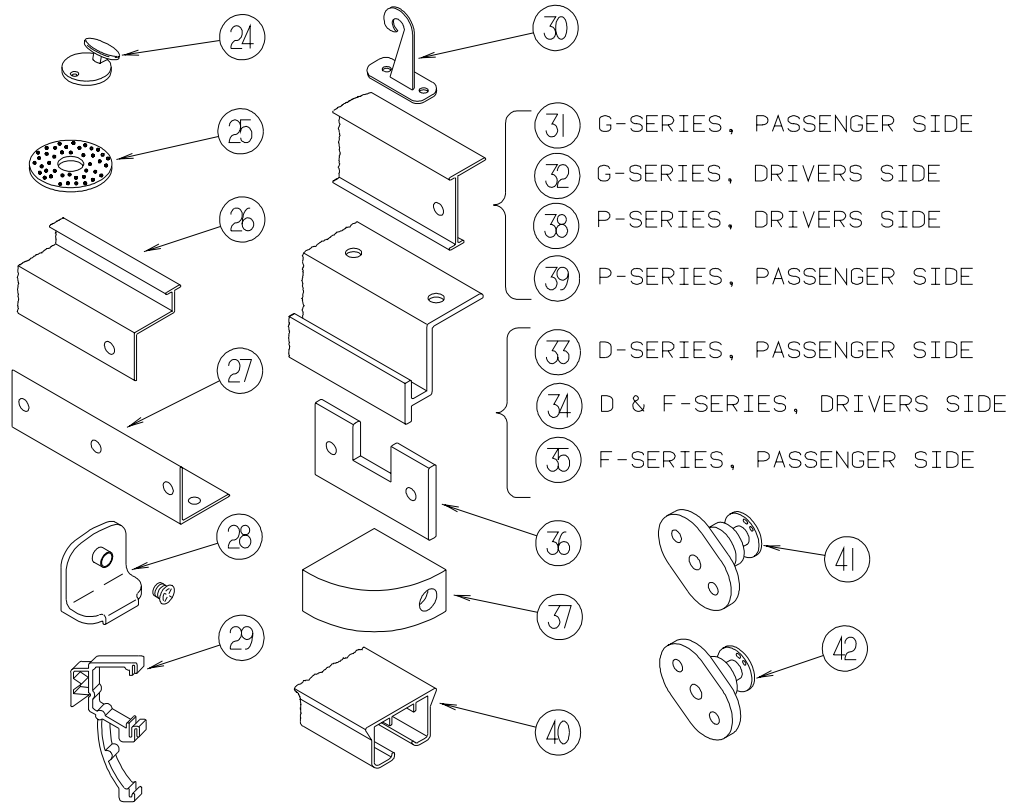
# CURTAIN & CUSHION GROUP (CONTINUED)

## HARDWARE



KEY	PART NUMBER	U/M	DESCRIPTION
1	009136-02-000	EA	HANGER - RING - PIN TYPE - CURTAIN - BRASS
2	009702-01-000	EA	END STOP - CURTAIN CARRIER - L - ROD
3	029130-01-000	EA	SCREW - SNAP STUD - #8-16 X 3/8" LONG
3	029130-03-000	EA	SCREW - SNAP STUD - #8-16 X 1" LONG
4	029155-01-000	EA	CAP - SNAP - 5/32" OUTSIDE DIAMETER OF PIN
5	029156-01-000	EA	SOCKET - SNAP - 9/16" O.D.
6	046867-02-000	EA	WASHER - HANDY BUTTON #3
7	046867-03-000	EA	GROMMET - HANDY BUTTON #3
8	075943-10-000	EA	BRACE - VALANCE - 20" - OFF WHITE
9	083125-07-000	EA	BRACE - ANGLE/COUCH - 2.5" - OFF WHITE
9	083125-08-000	EA	BRACE - WINDOW MOUNT - .75" - OFF WHITE
10	083170-01-000	EA	BRACKET/BLIND - LEFT SIDE WHEN FACING WINDOW - CLEAR
11	083170-02-000	EA	BRACKET/BLIND - RIGHT SIDE WHEN FACING WINDOW - CLEAR
12	084434-01-000	EA	BRACKET - MOUNTING - ROLLER SHADE - 1 3/8"
13	094896-02-000	EA	GROMMET - CORD/PLEATED BLIND - NYLON - GRAY
14	094907-02-000	EA	END CAP - PLEATED BLIND/TOP - RH/LH - GRAY PLASTIC
15	094907-04-000	EA	END CAP - PLEATED BLIND/BOTTOM - RH/LH
16	094907-05-000	EA	END CAP - PLEATED BLIND/BOTTOM - PULL TYPE - PLASTIC
17	094907-06-000	EA	END CAP - PLEATED BLIND/TOP
18	097564-03-000	EA	HANDLE - KNOB - E-Z LIFT SHADE - TAN
18	097564-05-000	EA	HANDLE - KNOB - E-Z LIFT SHADE - TEAL
18	097564-06-000	EA	HANDLE - KNOB - E-Z LIFT SHADE - ALABASTER
	097593-02-000	FT	CORD - BLIND - PLEATED - GRAY
	097593-06-000	FT	CORD - BLIND - PLEATED - PEWTER
	097593-10-000	FT	CORD - BLIND - PLEATED - VANILLA
19	097565-01-000	EA	BRACKET - MOUNTING - PLEATED BLIND
19	097565-02-000	EA	BRACKET - MOUNTING - PLEATED BLIND
20	097591-01-000	EA	SPRING - EXTENSION - PLEATED BLIND
21	101031-01-000	YD	TAPE/GLIDE - 4.25" SPACING
22	101033-02-000	EA	END CAP - LOW PROFILE TRACK - CLEAR
23	101033-08-000	EA	TRACK/WALL - 75" - <b>FRT BUNK WINDOW 300 SERIES (MINNIE/SPIRIT)</b>
23	101033-09-000	EA	TRACK/WALL - 32" - <b>SIDE BUNK WINDOW 200 SERIES/300 SERIES (VISTA/SUNSTAR /MINNIE/SPIRIT)</b>

**CURTAIN & CUSHION GROUP (CONTINUED)**  
**HARDWARE (CONTINUED)**

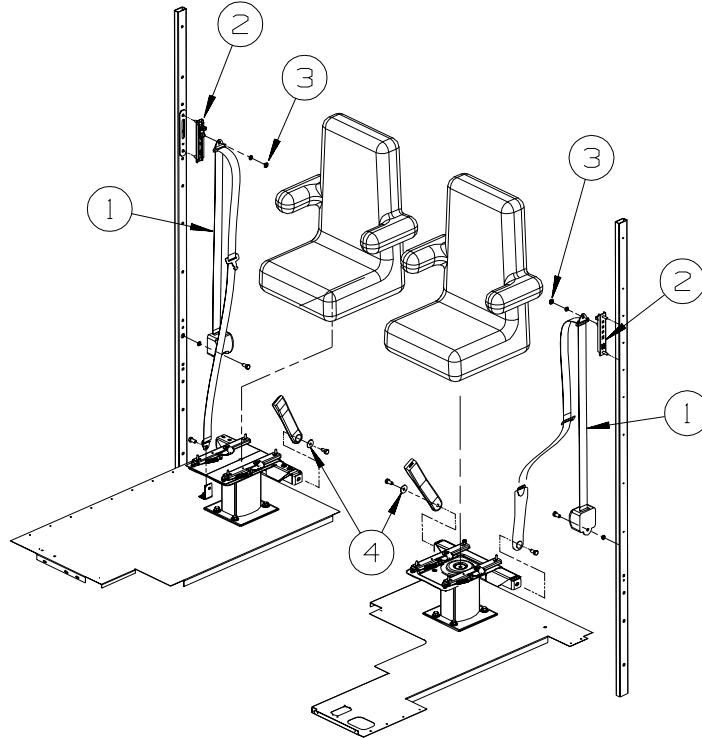


KEY	PART NUMBER	U/M	DESCRIPTION
24	102555-03-000	EA	CLEAT - BLIND CORD - MILKY WHITE - PLASTIC
25	103242-01-000	EA	VELCRO HOOK - BEIGE 7/8" ROUND W/CENTER HOLE
25	103242-02-000	EA	VELCRO HOOK - BLACK 7/8" ROUND W/CENTER HOLE
26	105450-14-01A	EA	TRACK - CURTAIN - 90" - OFF WHITE - <b>FRONT BUNK PRIVACY 300 SERIES (MINNIE/SPIRIT)</b>
26	105450-15-01A	EA	TRACK - CURTAIN - 82.3" - OFF WHITE - <b>FRONT BUNK PRIVACY 200 SERIES (VISTA/SUNSTAR)</b>
27	105648-01-02A	EA	BRACE - VALANCE - OFF/WHITE - 14"
28	106544-01-000	EA	PULL - SHADE/BRASS
	106544-01-001	EA	SCREW - SHADE/BRASS
29	109353-04-000	EA	CLIP - VALANCE SLAT MOUNTING - CLEAR PLASTIC
	109441-02-000	EA	SPACER/BRACKET - BLIND HOLD DOWN
	109441-03-000	EA	BRACKET/HOOK - BLIND HOLD DOWN - NEW DESIGN/CLEAR
31	126456-03-04A	EA	TRACK/WRAPAROUND - PASSENGER - GLACIER - <b>G SERIES (ADVENTURER/SUNCRUISER)</b>
32	126456-04-04A	EA	TRACK/WRAPAROUND - DRIVER - GLACIER - <b>G SERIES (ADVENTURER/SUNCRUISER)</b>
33	127254-03-05A	EA	TRACK/WRAPAROUND - PASSENGER - GLACIER - <b>D SERIES (SIGHTSEER/SUNOVA)</b>
			FROM: 00-00-00 THRU: 09-07-03
33	127254-14-03A	EA	TRACK/WRAP - PASS - GLACIER - <b>D SERIES (SIGHTSEER/SUNOVA)</b>
			FROM: 09-08-03 THRU: 99-99-99
34	127254-04-05A	EA	TRACK/WRAP - DRIVER - GLACIER - <b>D SERIES/F SERIES (SIGHTSEER/SUNOVA/BRAVE/SUNRISE)</b>
35	127254-14-03A	EA	TRACK/WRAP - PASS - GLACIER - <b>F SERIES (BRAVE/SUNRISE)</b>
36	130549-01-01A	EA	STOP - CURTAIN TRACK
37	132504-01-N92	EA	BRACKET - SHADE
38	146591-01-01A	EA	TRACK - CURTAIN - LEFT HAND - GLACIER - <b>P SERIES (JOURNEY/MERIDIAN)</b>
39	146591-02-01A	EA	TRACK - CURTAIN - RIGHT HAND - GLACIER - <b>P SERIES (JOURNEY/MERIDIAN)</b>
40	138460-01-02A	EA	TRACK/CURTAIN - PASSENGER - WHITE - <b>Q SERIES (ULTIMATE ADVANTAGE/ULTIMATE FREEDOM)</b>
	138460-02-02A	EA	TRACK/CURTAIN - DRIVER - WHITE - <b>Q SERIES (ULTIMATE ADVANTAGE/ULTIMATE FREEDOM)</b>
40	138460-05-02A	EA	TRACK/CURTAIN - PASSENGER - WHITE - <b>L SERIES (CHIEFTAIN/SUNFLYER)</b>
	138460-06-02A	EA	TRACK/CURTAIN - DRIVER - WHITE - <b>L SERIES (CHIEFTAIN/SUNFLYER)</b>
40	138460-07-02A	EA	TRACK/CURTAIN - PASSENGER - WHITE - <b>S SERIES (VECTRA/HORIZON)</b>
	138460-08-02A	EA	TRACK/CURTAIN - DRIVER - WHITE - <b>S SERIES (VECTRA/HORIZON)</b>
41	141634-01-000	EA	BRACKET-(BOBBIN TYPE) 7/8"H HOLDUPBASE(OVAL)-2 HOLE-CLEAR
42	143805-01-000	EA	BRACKET-(BOBBIN TYPE) 1/2"H HOLDUPBASE(OVAL)-2 HOLES CLEAR

## CURTAIN & CUSHION GROUP (CONTINUED)

### ACCESSORIES

KEY	PART NUMBER	U/M	DESCRIPTION
	056271-01-000	EA	SEAT BELT - 2" X 102" - BLACK
	057534-04-000	EA	TIEBACK - CLEAR PLASTIC - 20"
	057534-08-000	EA	TIEBACK - CLEAR PLASTIC - 16"
	105402-03-000	EA	STRAP - DINING CHAIR/TIEDOWN - 18"
	105402-04-000	EA	STRAP - DINING CHIAR/TIEDOWN - 35"
	140221-01-02B	EA	WASHER - SEAT BELT - E-COAT



KEY	PART NUMBER	U/M	DESCRIPTION
1*	091990-08-01A	EA	SEAT BELT - 3 POINT - .766" DIAMETER HOLE IN D-LOOP BRKT
2	127598-01-01A	EA	ADJUSTER - SEATBELT - D-LOOP
3	127598-02-000	EA	NUT - HEX FLANGE - M10 X 1.5 - CLASS 10
4	NOT USED		

\*COMPONENT PARTS LISTED LATER IN THIS GROUP

**CURTAIN & CUSHION GROUP (CONTINUED)**  
**COMPONENT PARTS FOR ACCESSORIES**

091990-08-01A

<b>KEY</b>	<b>PART NUMBER</b>	<b>U/M</b>	<b>DESCRIPTION</b>	<b>VENDOR NO.</b>
	091990-01-701	EA	EXTENDER 9" FOR A8408 3 PT	I-1331-02
	091990-01-703	EA	RECEIVER/FEMALE END-SEATBELT	I-1159-02
	091990-05-700	EA	SLEEVE/BUCKLE COVER-PLASTIC	209S-2
	091990-05-701	EA	CAP/COVER - BOLT HOLE COVER	209SC-02
	091990-05-702	EA	SLEEVE/RETRACTABLE COVER	309C-02



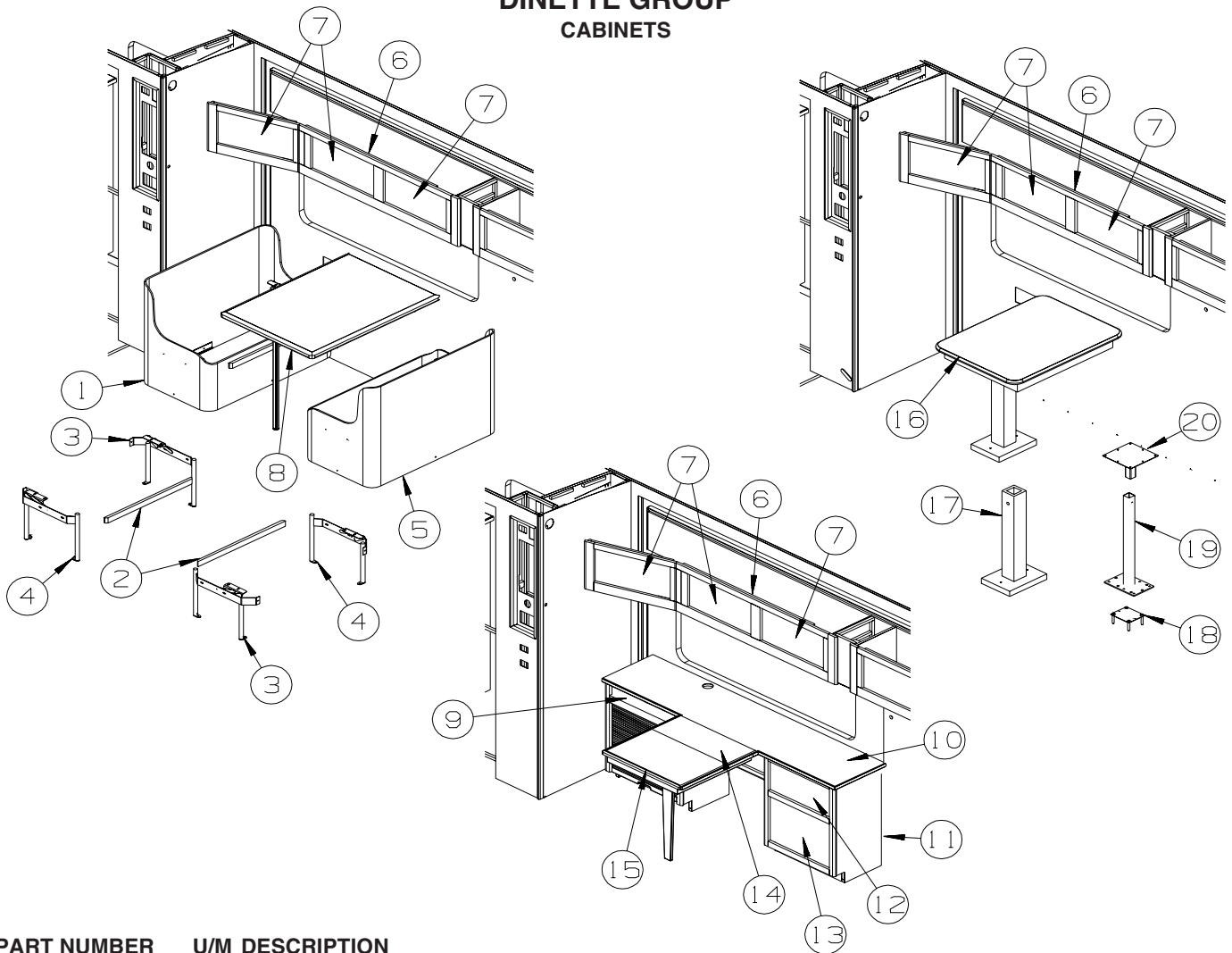
**CURTAIN & CUSHION GROUP (CONTINUED)**  
**FABRICS**

<b>FAMILY ITASCA S's HORIZON</b>	<b>R89/R90/R91 BRIARWOOD</b>	<b>R92/R93/R94 FERNBLOCK</b>	<b>R95/R96/R97 HARBOR BREEZE</b>
<b>BUCKET</b>	584TL W/ADJ. ARMS DRV./PASS. W/HORIZON LOGO	584TL W/ADJ. ARMS DRV./PASS. W/HORIZON LOGO	584TL W/ADJ. ARMS DRV./PASS. W/HORIZON LOGO
	<b>ANTIQUÉ PEARL</b>	<b>ANTIQUÉ PEARL</b>	<b>ANTIQUÉ PEARL</b>
<b>DINETTE</b>	730 TEAR DROP BCK/728 SEAT 126883-T8-000	730 TEAR DROP BCK/728 SEAT 126883-T9-000	730 TEAR DROP BCK/728 SEAT 126883-U0-000
<b>DINETTE WRAP</b>	126883-U9-000	126883-U7-000	126883-T7-000
<b>DINETTE CHAIRS &amp; FOLDING CHAIRS</b>	FLEX. C5703 DINETTE CHAIR REM FC200 FOLDING CHAIR 126883-T8-000	FLEX. C5703 DINETTE CHAIR REM FC200 FOLDING CHAIR 126883-U6-000	FLEX. C5703 DINETTE CHAIR REM FC200 FOLDING CHAIR 126883-T7-000
<b>SOFA</b>	805 W/805 OR 800 ARMS 126883-T8-000	805 W/805 OR 800 ARMS 126883-T9-000	805 W/805 OR 800 ARMS 126883-U0-000
	<b>*OPT. ANTIQUÉ PEARL</b>	<b>*OPT. ANTIQUÉ PEARL</b>	<b>*OPT. ANTIQUÉ PEARL</b>
	079680-36-000	079680-36-000	079680-36-000
<b>BANQUETTE</b>	676 W/805 ARMS 126883-T8-000	676 W/805 ARMS 126883-T9-000	676 W/805 ARMS 126883-U0-000
	<b>*OPT. ANTIQUÉ PEARL</b>	<b>*OPT. ANTIQUÉ PEARL</b>	<b>*OPT. ANTIQUÉ PEARL</b>
	079680-36-000	079680-36-000	079680-36-000
<b>LOUNGE CHAIR</b>	455 HOOP 126883-V0-000	455 HOOP 126883-U7-000	455 HOOP 126883-T7-000
	<b>*OPT. ANTIQUÉ PEARL</b>	<b>*OPT. ANTIQUÉ PEARL</b>	<b>*OPT. ANTIQUÉ PEARL</b>
	079680-36-000	079680-36-000	079680-36-000
<b>EURO RECLINER</b>	EKRONES" W/WOOD BOTTOM <b>ANTIQUÉ PEARL</b>	EKRONES" W/WOOD BOTTOM <b>ANTIQUÉ PEARL</b>	EKRONES" W/WOOD BOTTOM <b>ANTIQUÉ PEARL</b>
<b>LOUNGE WINDOWS</b>	BENTLEY LAMBREQUIN WRAP - 126883-V0-000 OVERLAY - 126883-T8-000	BENTLEY LAMBREQUIN WRAP - 126883-U7-000 OVERLAY - 126883-U6-000	BISMARCK LAMBREQUIN WRAP - 126883-T7-000 OVERLAY - 126883-U0-000
<b>HALLWAY (34TD)</b>	MODERATE VALANCE W/WELT 126883-V0-000/126883-T8-000	MODERATE VALANCE W/WELT 126883-U7-000/126883-T9-000	MODERATE VALANCE W/WELT 126883-T7-000/126883-U0-000
<b>LOUNGE PILLOWS 2 PER SOFA/BANQ.</b>	(2) 17" AVATAR W/B.BALL STITCH. 4 SQUARE DESIGN FACE & BACK 126883-T8-000/126883-V0-000	(2) 17" AVATAR W/B.BALL STITCH. 4 SQUARE DESIGN FACE & BACK 126883-T9-000/126883-U7-000	(2) 17" AVATAR W/B.BALL STITCH. 4 SQUARE DESIGN FACE & BACK 126883-U0-000/126883-T7-000
<b>BEDSPREAD</b>	BEDCAP W/CENTER BASEBALL STITCHING & CENTER SEAM 137813-70-000 W/SELF WELT	BEDCAP W/CENTER BASEBALL STITCHING & CENTER SEAM 137813-71-000 W/SELF WELT	BEDCAP W/CENTER BASEBALL STITCHING & CENTER SEAM 137813-05-000 W/SELF WELT

**CURTAIN & CUSHION GROUP (CONTINUED)**  
**FABRICS (CONTINUED)**

<b>FAMILY ITASCA S's HORIZON</b>	<b>R89/R90/R91 BRIARWOOD</b>	<b>R82/R93/R94 FERNBLOCK</b>	<b>R95/R96/R97 HARBOR BREEZE</b>
<b>SHAMS</b>	AVATAR W/BASEBALL STITCH. 4 RECT. DESIGN/STAGGERED 137813-70/137813-72	AVATAR W/BASEBALL STITCH. 4 RECT. DESIGN/STAGGERED 137813-71/137813-73	AVATAR W/BASEBALL STITCH. 4 RECT. DESIGN/STAGGERED 137813-05/137813-91
	<b>BEDROOM PILLOW 2 PER</b>	(2) 17" AVATAR W/B.BALL STITCH. 4 SQUARE DESIGN FACE & BACK 126883-70-000/137813-72-000	(2) 17" AVATAR W/B.BALL STITCH. 4 SQUARE DESIGN FACE & BACK 137813-71-000/137813-73-000
	<b>BEDROOM WINDOWS</b>	AVATAR VALANCE 4 RECT. DESIGN/STAGGERED 126883-70-000/137813-72-000 LEGS - 137813-72-000	AVATAR VALANCE 4 RECT. DESIGN/STAGGERED 137813-71-000/137813-73-000 LEGS - 137813-73-000
<b>ASHWELL *WHEN NEEDED</b>	126883-70-000/137813-72-000	137813-71-000/137813-73-000	137813-05-000/137813-91-000
<b>HEADBOARD</b>	NOT NEEDED	NOT NEEDED	NOT NEEDED
<b>BEDBOARD</b>	137813-72-000	137813-73-000	137813-91-000
<b>BATH VALANCE</b>	MODERATE 126883-70-000/137813-72-000	MODERATE 137813-71-000/137813-73-000	MODERATE 137813-05-000/137813-91-000
<b>DAY-NITERS LOUNGE &amp; BEDROOM</b>	EGGSHELL/WHITE DECO 094911-56-000/094911-50-000	PUTTY/WHITE DECO 094911-58-000/094911-50-000	PUTTY/WHITE DECO 094911-58-000/094911-50-000
<b>GALLEY &amp; BATH</b>	ALABASTER PEARL	ALABASTER PEARL	ALABASTER PEARL
<b>OVERHEAD INSERTS LOUNGE &amp; BEDROOM</b>	LOUNGE 126883-U9-000 BEDROOM 137813-72-000	LOUNGE 126883-U7-000 BEDROOM 137813-71-000	LOUNGE 126833-T7-000 BEDROOM 137813-91-000
<b>FRONT WRAP</b>	PURCHASED PLEATED	PURCHASED PLEATED	PURCHASED PLEATED
<b>FLOOR MAT DRIVER'S ONLY</b>	CARPET 139056-11-000 TAPE 102695-18-000	CARPET 139056-10-000 TAPE 102695-12-000	CARPET 096060-J7-000 TAPE 102695-12-000
<b>NON-WOVEN FABRIC</b>	3.1 oz. 069627-01-000 250 Elite 069627-03-000	3.1 oz. 069627-01-000 250 Elite 069627-03-000	3.1 oz. 069627-01-000 250 Elite 069627-03-000
<b>VINYL</b>	SEA OYSTER Laminate 1/4" X 54" 106569-14-01A	SEA OYSTER Laminate 1/4" X 54" 106569-14-01A	SEA OYSTER Laminate 1/4" X 54" 106569-14-01A
<b>CEILING MATERIAL</b>	SOFT GEOMETRIC/PEARL CREAM 102" 113979-09-01A 21.5" 113979-10-01A	SOFT GEOMETRIC/PEARL CREAM 102" 113979-09-01A 21.5" 113979-10-01A	SOFT GEOMETRIC/PEARL CREAM 102" 113979-09-01A 21.5" 113979-10-01A

## DINETTE GROUP CABINETS



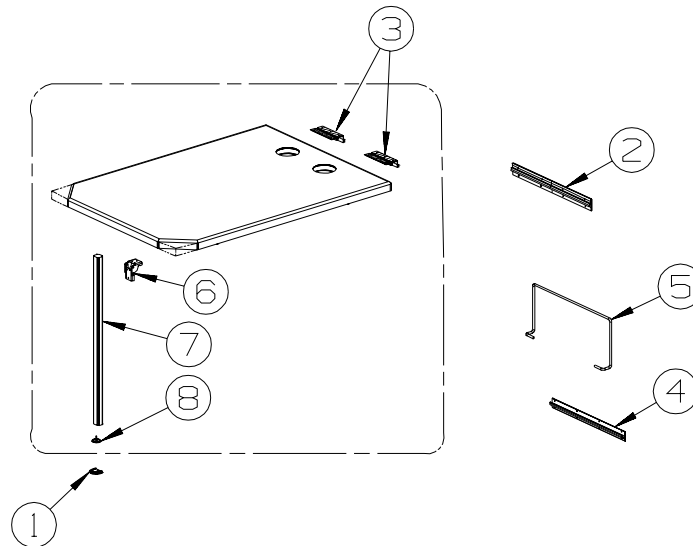
KEY	PART NUMBER	U/M	DESCRIPTION
1	141859-01-R89	EA	CABINET/BENCH - DINETTE - W/O DOORS/HARDWARE (R89)
1	141859-01-R90	EA	CABINET/BENCH - DINETTE - W/O DOORS/HARDWARE (R90)
1	141859-01-R91	EA	CABINET/BENCH - DINETTE - W/O DOORS/HARDWARE (R91)
1	141859-01-R92	EA	CABINET/BENCH - DINETTE - W/O DOORS/HARDWARE (R92)
1	141859-01-R93	EA	CABINET/BENCH - DINETTE - W/O DOORS/HARDWARE (R93)
1	141859-01-R94	EA	CABINET/BENCH - DINETTE - W/O DOORS/HARDWARE (R94)
1	141859-01-R87	EA	CABINET/BENCH - DINETTE - W/O DOORS/HARDWARE (R95)
1	141859-01-R88	EA	CABINET/BENCH - DINETTE - W/O DOORS/HARDWARE (R96)
1	141859-01-R97	EA	CABINET/BENCH - DINETTE - W/O DOORS/HARDWARE (R97)
1	141859-01-RE3	EA	CABINET/BENCH - DINETTE - W/O DOORS/HARDWARE (RE3)
1	141859-01-RE4	EA	CABINET/BENCH - DINETTE - W/O DOORS/HARDWARE (RE4)
1	141859-01-RE2	EA	CABINET/BENCH - DINETTE - W/O DOORS/HARDWARE (RE5)
2	081295-01-N70	EA	SUPPORT - BED/DINETTE - 28" LONG - PORTSMOUTH OAK
2	081295-01-M52	EA	SUPPORT - BED/DINETTE - 28" LONG - CONCERT CHERRY
2	081295-01-H37	EA	SUPPORT - BED/DINETTE - 28" LONG - WASHED MAPLE
2	081295-01-RE0	EA	SUPPORT - BED/DINETTE - 28" LONG - HONEY CHERRY
3	142033-01-000	EA	BRACKET - DINETTE - RIGHT HAND
4	142033-02-000	EA	BRACKET - DINETTE - LEFT HAND
5	141859-02-R89	EA	CABINET/BENCH - DINETTE - W/O DOORS/HARDWARE (R89)
5	141859-02-R90	EA	CABINET/BENCH - DINETTE - W/O DOORS/HARDWARE (R90)
5	141859-02-R91	EA	CABINET/BENCH - DINETTE - W/O DOORS/HARDWARE (R91)
5	141859-02-R92	EA	CABINET/BENCH - DINETTE - W/O DOORS/HARDWARE (R92)
5	141859-02-R93	EA	CABINET/BENCH - DINETTE - W/O DOORS/HARDWARE (R93)
5	141859-02-R94	EA	CABINET/BENCH - DINETTE - W/O DOORS/HARDWARE (R94)
5	141859-02-R87	EA	CABINET/BENCH - DINETTE - W/O DOORS/HARDWARE (R95)
5	141859-02-R88	EA	CABINET/BENCH - DINETTE - W/O DOORS/HARDWARE (R96)
5	141859-02-R97	EA	CABINET/BENCH - DINETTE - W/O DOORS/HARDWARE (R97)
5	141859-02-RE3	EA	CABINET/BENCH - DINETTE - W/O DOORS/HARDWARE (RE3)
5	141859-02-RE4	EA	CABINET/BENCH - DINETTE - W/O DOORS/HARDWARE (RE4)
5	141859-02-RE2	EA	CABINET/BENCH - DINETTE - W/O DOORS/HARDWARE (RE5)

**DINETTE GROUP (CONTINUED)**  
**CABINETS (CONTINUED)**

KEY	PART NUMBER	U/M	DESCRIPTION
6	147464-02-R89	EA	CABINET - OVERHEAD/SLIDEOUT - W/O DOORS/HARDWARE - PORTSMOUTH OAK
6	147464-02-R90	EA	CABINET - OVERHEAD/SLIDEOUT - W/O DOORS/HARDWARE - CONCERT CHERRY
6	147464-02-R91	EA	CABINET - OVERHEAD/SLIDEOUT - W/O DOORS/HARDWARE - WASHED MAPLE
			FROM: 00-00-00 THRU: 01-04-04
6	147464-02-RW5	EA	CABINET - OVERHEAD/SLIDEOUT - W/O DOORS/HARDWARE - WASHED MAPLE
			FROM: 01-05-04 THRU: 99-99-99
6	147464-02-RE3	EA	CABINET - OVERHEAD/SLIDEOUT - W/O DOORS/HARDWARE - HONEY CHERRY
7	141525-31-R89	EA	DOOR - WIDE RAIL/ARCHED/HORIZ/FLUTED-10.2" X 21.4"-W/O HDW - PORTSMOUTH OAK
7	141525-31-R90	EA	DOOR - WIDE RAIL/ARCHED/HORIZ/FLUTED-10.2" X 21.4"-W/O HDW - CONCERT CHERRY
7	141525-31-R91	EA	DOOR - WIDE RAIL/ARCHED/HORIZ/FLUTED-10.2" X 21.4"-W/O HDW - WASHED MAPLE
7	141525-31-RE3	EA	DOOR - WIDE RAIL/ARCHED/HORIZ/FLUTED-10.2" X 21.4"-W/O HDW - HONEY CHERRY
8	143257-14-R83	EA	TABLE - 37.7" X 29.7" - PORTSMOUTH OAK/PORTSMOUTH OAK - PORTSMOUTH OAK
8	143257-14-R84	EA	TABLE - 37.7" X 29.7" - BROWN PLANK CHERRY/CONCERT CHERRY - CONCERT CHERRY
8	143257-14-R91	EA	TABLE - 37.7" X 29.7" - WASHED MAPLE
			FROM: 00-00-00 THRU: 01-04-04
8	143257-14-RW5	EA	TABLE - 37.7" X 29.7" - WASHED MAPLE
			FROM: 01-05-04 THRU: 99-99-99
8	143257-14-RE0	EA	TABLE - 37.7" X 29.7" - HONEY CHERRY
9	P36353-04-R89	EA	DRAWER-KEYBOARD - W/DRAWER SLIDES - W/O CABINET SLIDES/HDW - PORTSMOUTH OAK
9	P36353-04-R90	EA	DRAWER-KEYBOARD - W/DRAWER SLIDES - W/O CABINET SLIDES/HDW - CONCERT CHERRY
9	P36353-04-R91	EA	DRAWER-KEYBOARD - W/DRAWER SLIDES - W/O CABINET SLIDES/HDW - WASHED MAPLE
9	P36353-04-RE3	EA	DRAWER-KEYBOARD - W/DRAWER SLIDES - W/O CABINET SLIDES/HDW - HONEY CHERRY
10	133539-78-03A	EA	COUNTERTOP - CORIAN - FOSSIL
11	P43782-05-RD4	EA	CABINET - DINETTE/COMPUTER - W/O COUNTERTOPS/DRAWERS/HDW (R89, R95)
11	P43782-05-RD5	EA	CABINET - DINETTE/COMPUTER - W/O COUNTERTOPS/DRAWERS/HDW (R90, R96)
11	P43782-05-RD6	EA	CABINET - DINETTE/COMPUTER - W/O COUNTERTOPS/DRAWERS/HDW (R91, R97)
			FROM: 00-00-00 THRU: 01-04-04
11	P43782-05-RW5	EA	CABINET - DINETTE/COMPUTER - W/O COUNTERTOPS/DRAWERS/HDW (R91, R97)
			FROM: 01-05-04 THRU: 99-99-99
11	P43782-05-RC0	EA	CABINET - DINETTE/COMPUTER - W/O COUNTERTOPS/DRAWERS/HDW (R92)
11	P43782-05-RC1	EA	CABINET - DINETTE/COMPUTER - W/O COUNTERTOPS/DRAWERS/HDW (R93)
11	P43782-05-RC2	EA	CABINET - DINETTE/COMPUTER - W/O COUNTERTOPS/DRAWERS/HDW (R94)
			FROM: 00-00-00 THRU: 01-04-04
11	P43782-05-RW6	EA	CABINET - DINETTE/COMPUTER - W/O COUNTERTOPS/DRAWERS/HDW (R94)
			FROM: 01-05-04 THRU: 99-99-99
11	P43782-05-RE0	EA	CABINET - DINETTE/COMPUTER - W/O COUNTERTOPS/DRAWERS/HDW (RE3, RE5)
11	P43782-05-RE1	EA	CABINET - DINETTE/COMPUTER - W/O COUNTERTOPS/DRAWERS/HDW (RE4)
12	145386-B9-R89	EA	DRAWER - FLUTED EDGE - 19"W X 11.8"D - W/O SLIDES/HARDWARE - PORTSMOUTH OAK
12	145386-B9-R90	EA	DRAWER - FLUTED EDGE - 19"W X 11.8"D - W/O SLIDES/HARDWARE - CONCERT CHERRY
12	145386-B9-R91	EA	DRAWER - FLUTED EDGE - 19"W X 11.8"D - W/O SLIDES/HARDWARE - WASHED MAPLE
12	145386-B9-RE3	EA	DRAWER - FLUTED EDGE - 19"W X 11.8"D - W/O SLIDES/HARDWARE - HONEY CHERRY
13	145386-C0-R89	EA	DRAWER - FLUTED EDGE - 19"W X 11.8"D - W/O SLIDES/HARDWARE - PORTSMOUTH OAK
13	145386-C0-R90	EA	DRAWER - FLUTED EDGE - 19"W X 11.8"D - W/O SLIDES/HARDWARE - CONCERT CHERRY
13	145386-C0-R91	EA	DRAWER - FLUTED EDGE - 19"W X 11.8"D - W/O SLIDES/HARDWARE - WASHED MAPLE
13	145386-C0-RE3	EA	DRAWER - FLUTED EDGE - 19"W X 11.8"D - W/O SLIDES/HARDWARE - HONEY CHERRY
14	133539-77-03A	EA	COUNTERTOP - CORIAN - FOSSIL
15	133539-76-03A	EA	COUNTERTOP - CORIAN - FOSSIL
16	139294-03-04A	EA	TABLE - DINETTE - FREE STANDING - OAK - PORTSMOUTH OAK
16	139294-03-03A	EA	TABLE - DINETTE - FREE STANDING - CHERRY - CONCERT CHERRY
16	139294-03-02A	EA	TABLE - DINETTE - FREE STANDING - MAPLE - WASHED MAPLE
16	139294-03-05A	EA	TABLE - DINETTE - FREE STANDING - HONEY CHERRY
17	139294-04-04A	EA	TABLE BASE - DINETTE - OAK - PORTSMOUTH OAK
17	139294-04-03A	EA	TABLE BASE - DINETTE - CHERRY - CONCERT CHERRY
17	139294-04-02A	EA	TABLE BASE - DINETTE - MAPLE - WASHED MAPLE
17	139294-04-05A	EA	TABLE BASE - DINETTE - HONEY CHERRY
18	141071-02-02B	EA	PLATE/BASE - TABLE - DINETTE - E-COATED
19	139459-01-02B	EA	SUPPORT/TABLE - DINETTE - E-COATED
20	139466-01-02B	EA	SUPPORT - TABLE - UPPER - E-COATED

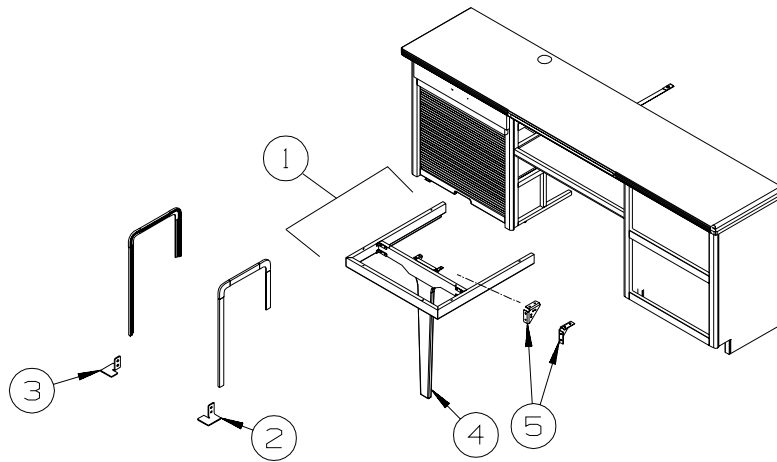
## DINETTE GROUP (CONTINUED)

### TABLE

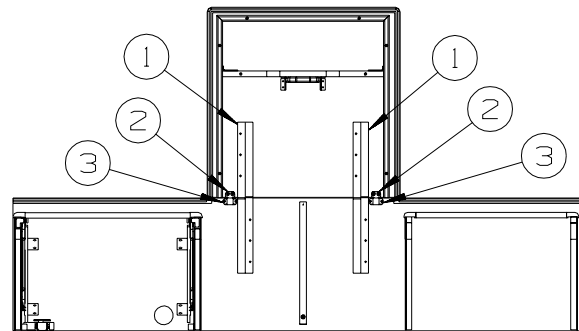


KEY	PART NUMBER	U/M	DESCRIPTION
1	143798-01-01A	EA	CATCH - FLOOR TO TABLE LEG - BRIGHT WHITE
2	140921-02-01A	EA	SUPPORT - TABLE - 18.5" - OFF WHITE
3	140921-03-01A	EA	HANGER - TABLE - W/VINYL - OFF WHITE
4	024281-15-000	EA	BRACKET/TABLE - LIFT ROD/LOWER WALL MOUNTED - 17.1"
5	024275-13-000	EA	ROD - TABLE LIFT - OFF/WHITE
6	093550-01-000	EA	BRACKET - HINGE - MOUNTS TO LEG & TABLE TOP - 1.7" X 2.6"
7	092707-04-10A	EA	LEG - TABLE - W/O HARDWARE - 27" - PORTSMOUTH OAK
7	092707-10-03A	EA	LEG - TABLE - W/O HARDWARE - 26.8" - PORTSMOUTH OAK FROM: 00-00-00 THRU: 10-05-03
7	092707-04-04A	EA	LEG - TABLE - W/O HARDWARE - 27" - CONCERT CHERRY FROM: 10-06-03 THRU: 99-99-99
7	092707-10-01A	EA	LEG - TABLE - W/O HARDWARE - 26.8" - CONCERT CHERRY FROM: 00-00-00 THRU: 10-05-03
7	092707-04-08A	EA	LEG - TABLE - W/O HARDWARE - 27" - WASHED MAPLE FROM: 10-06-03 THRU: 99-99-99
7	092707-10-02A	EA	LEG - TABLE - W/O HARDWARE - 26.8" - WASHED MAPLE FROM: 00-00-00 THRU: 10-05-03
7	092707-10-05A	EA	LEG - TABLE - W/O HARDWARE - 26.8" - HONEY CHERRY FROM: 10-06-03 THRU: 01-04-04
8	143798-02-01A	EA	CATCH - TABLE LEG - BRIGHT WHITE
	143798-03-01A	EA	WASHER - TABLE LEG - CATCH

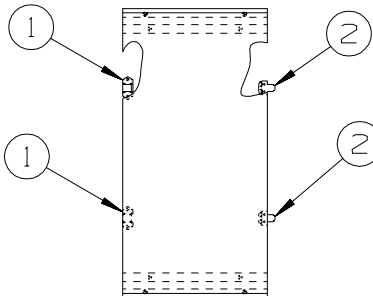
## DINETTE GROUP (CONTINUED) TABLE (CONTINUED)



KEY	PART NUMBER	U/M	DESCRIPTION
1	P43782-34-PA0	EA	SUPPORT/FRAME - W/LEG - W/O TOP - PORTSMOUTH OAK
1	P43782-34-PA1	EA	SUPPORT/FRAME - W/LEG - W/O TOP - CONCERT CHERRY
1	P43782-34-PA2	EA	SUPPORT/FRAME - W/LEG - W/O TOP - WASHED MAPLE
1	P43782-34-RC3	EA	SUPPORT/FRAME - W/LEG - W/O TOP - HONEY CHERRY
2	139264-01-02B	EA	STOP - DOOR - TAMBOUR - E-COATED
3	139264-02-02B	EA	STOP - DOOR - TAMBOUR - E-COATED
4	143782-39-PA0	EA	LEG - TABLE - PORTSMOUTH OAK
4	143782-39-PA1	EA	LEG - TABLE - CONCERT CHERRY
4	143782-39-PA2	EA	LEG - TABLE - WASHED MAPLE
4	143782-39-RC3	EA	LEG - TABLE - HONEY CHERRY
5	102810-01-04A	EA	BRACE - TABLE LEG - BLACK

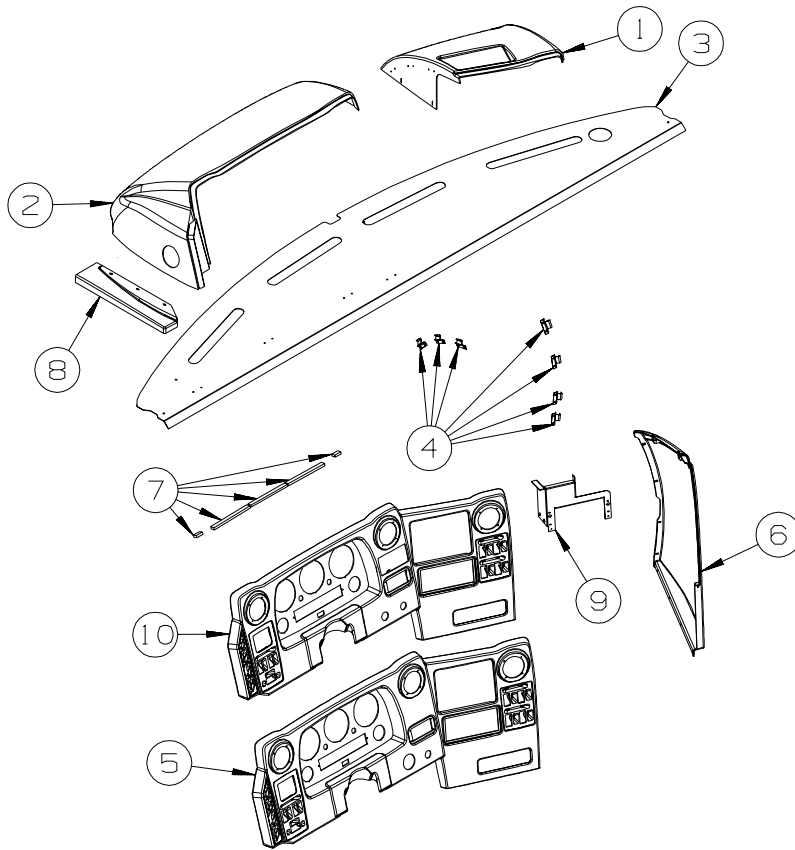


KEY	PART NUMBER	U/M	DESCRIPTION
1	110749-01-000	EA	SLIDE/EXTENSION - 19 3/4" TO 33 1/4"
2	009050-02-000	EA	LEVELER - TABLE TOP - MALE END W/4 SCREWS - PLASTIC
3	009050-03-000	EA	LEVELER - TABLE TOP - FEMALE END W/2 SCREWS - PLASTIC



KEY	PART NUMBER	U/M	DESCRIPTION
1	009050-03-000	EA	LEVELER - TABLE TOP - FEMALE END W/2 SCREWS - PLASTIC
2	009050-02-000	EA	LEVELER - TABLE TOP - MALE END W/4 SCREWS - PLASTIC

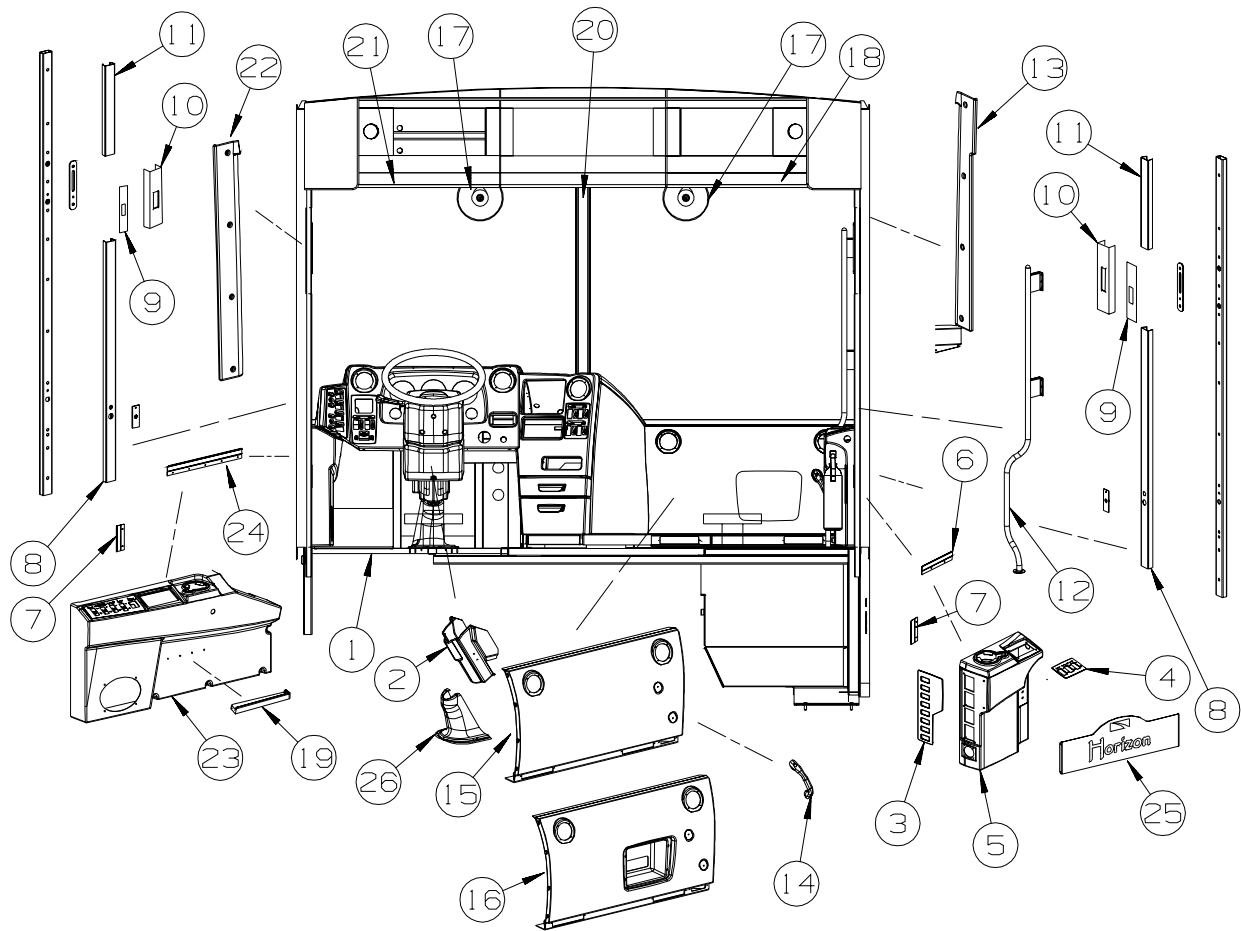
## DRIVERS COMPARTMENT GROUP DASH



KEY	PART NUMBER	U/M	DESCRIPTION
1	144235-01-01A	EA	POD - INSTRUMENT PANEL - RIGHT HAND - GLACIER
2	144234-01-01A	EA	POD - INSTRUMENT PANEL - GLACIER
3	106569-09-06A	EA	VINYL - LAMINATE - ALLANTE DOESKIN - 1/4" X 25" X 100"
4	073050-04-000	EA	CLIP/MOUNTING - VALANCE PANEL
5	144236-02-01A	EA	BEZEL - INSTRUMENT PANEL - TITANIUM - <b>CUMMINS ENGINE</b>
6	145041-01-01A	EA	PANEL - CENTER CONSOLE - RIGHT HAND - GLACIER
7	110530-01-000	FT	SEAL - SPONGE - .31" X .62"
8	145604-01-03A	EA	PANEL/TRIM - DASH/LEFT HAND
9	145763-02-01B	EA	MOUNT - HEATER CONTROL - E-COATED
			FROM: 00-00-00 THRU: 06-18-03
10	144236-03-01A	EA	BEZEL - INSTRUMENT PANEL -TITANIUM - <b>CAT ENGINE</b>

# DRIVERS COMPARTMENT GROUP (CONTINUED)

## FRONT INTERIOR



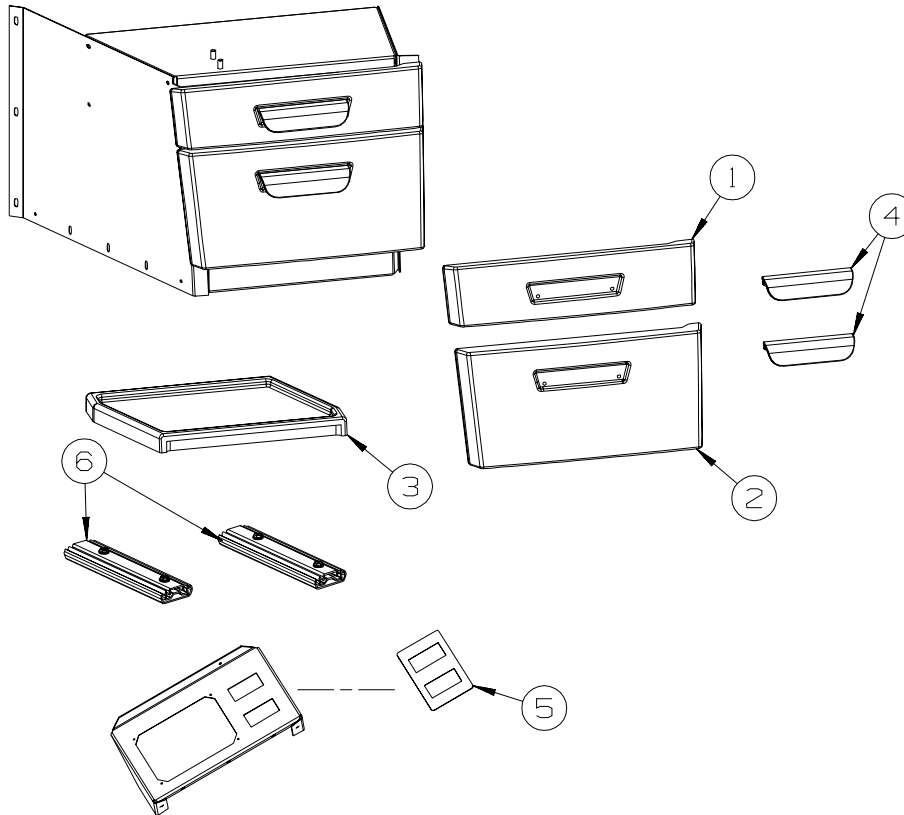
KEY	PART NUMBER	U/M	DESCRIPTION
1	105924-01-P78	EA	MAT/FLOOR - 18" X 27" (R89, R90, R91, RE3) FROM: 00-00-00 THRU: 08-17-03
1	148646-01-R83	EA	MAT - FLOOR/DRIVER (R89, R90, R91, RE3) FROM: 08-18-03 THRU: 99-99-99
1	105924-01-R85	EA	MAT/FLOOR - 18" X 27" (R92, R93, R94, RE4) FROM: 00-00-00 THRU: 08-17-03
1	148646-01-R85	EA	MAT - FLOOR/DRIVER (R92, R93, R94, RE4) FROM: 08-18-03 THRU: 99-99-99
1	105924-01-R87	EA	MAT/FLOOR - 18" X 27" (R95, R96, R97, RE5) FROM: 00-00-00 THRU: 08-17-03
1	148646-01-R87	EA	MAT - FLOOR/DRIVER (R95, R96, R97, RE5) FROM: 08-18-03 THRU: 99-99-99
2	147432-01-03A	EA	COVER - STEERING COLUMN/LOWER - BLACK
3	145926-04-02B	EA	INSERT - SWITCH PLATE - 8 HOLE - E-COATED
3	144722-05-02A	EA	APPLIQUE - PANEL - RIGHT HAND/LOWER - DARK GREY
4	145926-02-02B	EA	INSERT - SWITCH PLATE - 3 HOLE - E-COATED
4	144722-04-02A	EA	APPLIQUE - PANEL - RIGHT HAND/UPPER - DARK GREY
5	145219-01-02A	EA	PANEL/TRIM - INNER/RIGHT HAND - TITANIUM
6	130034-02-02B	EA	CLIP - TRIM - E-COATED
7	130034-03-02B	EA	CLIP - TRIM - E-COATED
8	024700-59-000	EA	COVER - ROLL BAR - SIDEWALL - 44.1" - OFF WHITE
9	140151-03-01A	EA	COVER - SLIDING - F/SEATBELT - BLACK
10	140151-01-01A	EA	COVER - SEAT BELT - OFF WHITE
10	140151-02-01A	EA	COVER - SCREW - OFF WHITE
11	024700-58-000	EA	COVER - ROLL BAR - SIDEWALL - 16.5" - OFF WHITE
12	123577-01-01A	EA	HANDRAIL - ASSIST - ENTRY
13	146842-01-01A	EA	TRIM - A PILLAR - INTERIOR/PASSENGER - GLACIER
14	123246-01-05A	EA	HANDLE - GRAB - GLACIER
15	145040-01-01A	EA	PANEL/TRIM - DASH/RIGHT/LOWER - GLACIER
16	145040-02-01A	EA	PANEL/TRIM - DASH/RIGHT/LOWER - W/RADIO - GLACIER - <b>TWO-WAY RADIOS</b>
17	122856-01-01A	EA	FAN-DEFROSTER-2 SPEED W/SWIVEL BASE/NON-OSCILLATING-CHROME
18	129004-01-05A	EA	TRIM - WINDSHIELD - INTERIOR/PASSENGER TOP - GLACIER



## DRIVERS COMPARTMENT GROUP (CONTINUED)

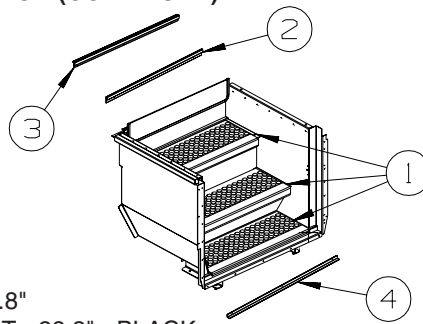
### FRONT INTERIOR (CONTINUED)

KEY	PART NUMBER	U/M	DESCRIPTION
19	147266-01-01A	EA	SHELF - DRIVER CONSOLE - LEFT HAND - OYSTER GRAY FROM: 00-00-00 THRU: 05-08-03
19	147266-01-02A	EA	SHELF - DRIVER CONSOLE - LEFT HAND - SANDSTONE FROM: 05-09-03 THRU: 99-99-99
20	118452-09-04A	EA	TRIM - WINDSHIELD/CENTER - GLACIER
21	129004-02-05A	EA	TRIM - WINDSHIELD - INTERIOR/DRIVER TOP - GLACIER
22	131792-01-04A	EA	TRIM - A-PILLAR - INTERIOR/DRIVER - GLACIER
23	145231-01-02A	EA	PANEL/TRIM - INNER/LEFT HAND - TITANIUM
24	130034-10-02B	EA	CLIP - TRIM - E-COATED
25	146411-03-01A	EA	PANEL/KICK - W/LOGO
26	148023-01-01A	EA	COVER - STEERING SHAFT - BLACK



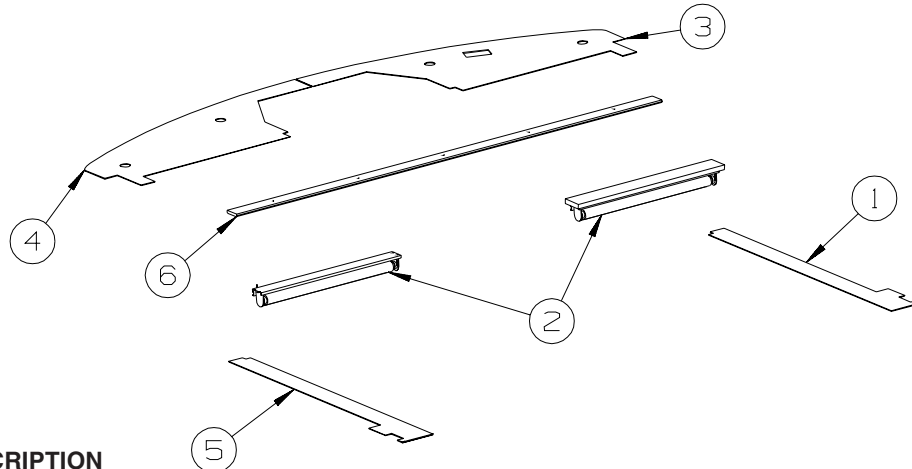
KEY	PART NUMBER	U/M	DESCRIPTION
1	146144-01-01A	EA	PANEL - DRAWER FACE - CONSOLE - OYSTER GREY FROM: 00-00-00 THRU: 05-08-03
1	146144-01-02A	EA	PANEL - DRAWER FACE - CONSOLE - SANDSTONE FROM: 05-09-03 THRU: 99-99-99
2	146144-02-01A	EA	PANEL - DRAWER FACE - CONSOLE - OYSTER GREY FROM: 00-00-00 THRU: 05-08-03
2	146144-02-02A	EA	PANEL - DRAWER FACE - CONSOLE - SANDSTONE FROM: 05-09-03 THRU: 99-99-99
3	146145-01-01A	EA	TRAY - CENTER CONSOLE - OYSTER GREY FROM: 00-00-00 THRU: 05-08-03
3	146145-01-02A	EA	TRAY - CENTER CONSOLE - SANDSTONE FROM: 05-09-03 THRU: 99-99-99
4	074762-01-000	EA	PULL - CABINET - 4.8" X .9" - BLACK PLASTIC
5	132946-05-01A	EA	APPLIQUE - SWITCH - F/SLIDEOUT
6	146260-01-01A	EA	SLIDE - FULL EXTENSION 8"

**DRIVERS COMPARTMENT GROUP (CONTINUED)**  
**FRONT INTERIOR (CONTINUED)**



KEY	PART NUMBER	U/M	DESCRIPTION
1	120231-01-02A	EA	FLOORING - RUBBER - 66.4" X 19.8"
2	136839-07-01A	EA	TRIM-J - CARPET EDGE/SLIDEOUT - 28.3" - BLACK
3	139955-19-03A	EA	TRIM - STEP/ENTRY - 29.5" - BLACK
4	136002-63-02A	EA	ANGLE - W/HOLES - BRIGHT WHITE

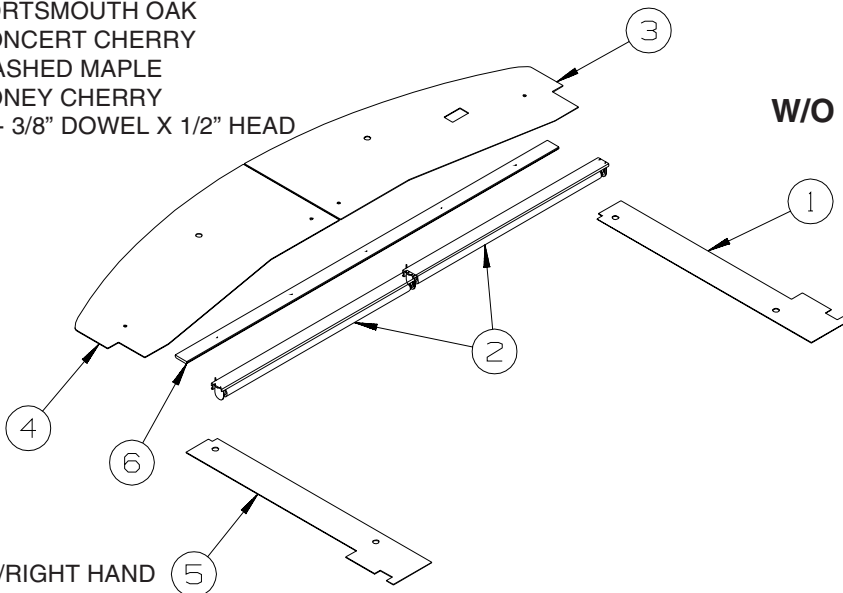
FROM: 07-07-03 THRU: 99-99-99



**W/TV**

KEY	PART NUMBER	U/M	DESCRIPTION
1	146600-01-R68	EA	PANEL - OVERHEAD/RIGHT HAND
2	142380-01-01A	EA	SHADE - POWER - 25.7"
3	133017-05-R68	EA	PANEL - OVERHEAD/FRONT/BOTTOM/RIGHT HAND
4	133017-06-R68	EA	PANEL - OVERHEAD/FRONT/BOTTOM/LEFT HAND
5	146600-02-R68	EA	PANEL - OVERHEAD/LEFT HAND
6	133771-04-R68	EA	MOLDING - CAP - PORTSMOUTH OAK
6	133771-04-R69	EA	MOLDING - CAP - CONCERT CHERRY
6	133771-04-R76	EA	MOLDING - CAP - WASHED MAPLE
6	133771-04-RE0	EA	MOLDING - CAP - HONEY CHERRY
	042356-01-000	EA	PLUG - MAHOGANY - 3/8" DOWEL X 1/2" HEAD

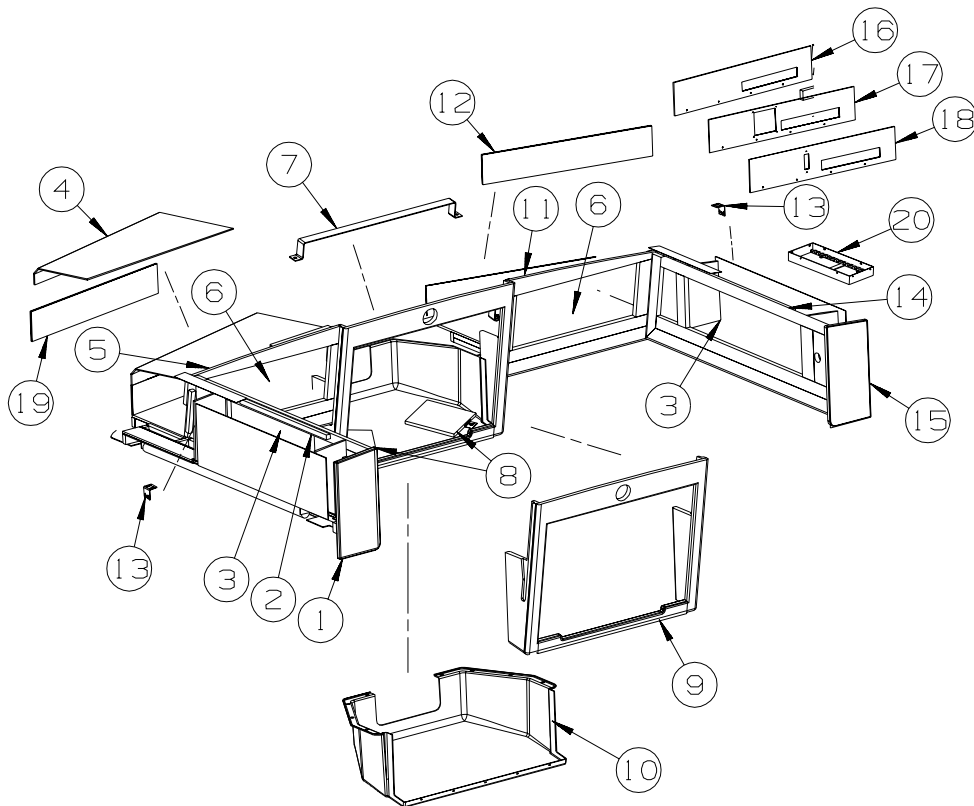
**W/O TV**



KEY	PART NUMBER	U/M	DESCRIPTION
1	145842-01-R83	EA	PANEL - OVERHEAD/RIGHT HAND
2	142380-02-01A	EA	SHADE - POWER - 41.2"
3	145721-01-R83	EA	PANEL - OVERHEAD/FRONT/BOTTOM/RIGHT HAND - W/O HARDWARE
4	145721-02-R83	EA	PANEL - OVERHEAD/FRONT/BOTTOM/LEFT HAND - W/O HARDWARE
5	145842-02-R83	EA	PANEL - OVERHEAD/LEFT HAND
6	133771-01-N75	EA	MOLDING - CAP - PORTSMOUTH OAK
6	133771-01-L85	EA	MOLDING - CAP - CONCERT CHERRY
6	133771-01-L84	EA	MOLDING - CAP - WASHED MAPLE
6	133771-01-RE0	EA	MOLDING - CAP - HONEY CHERRY
	042356-01-000	EA	PLUG - MAHOGANY - 3/8" DOWEL X 1/2" HEAD

## DRIVERS COMPARTMENT GROUP (CONTINUED)

### CABINETS



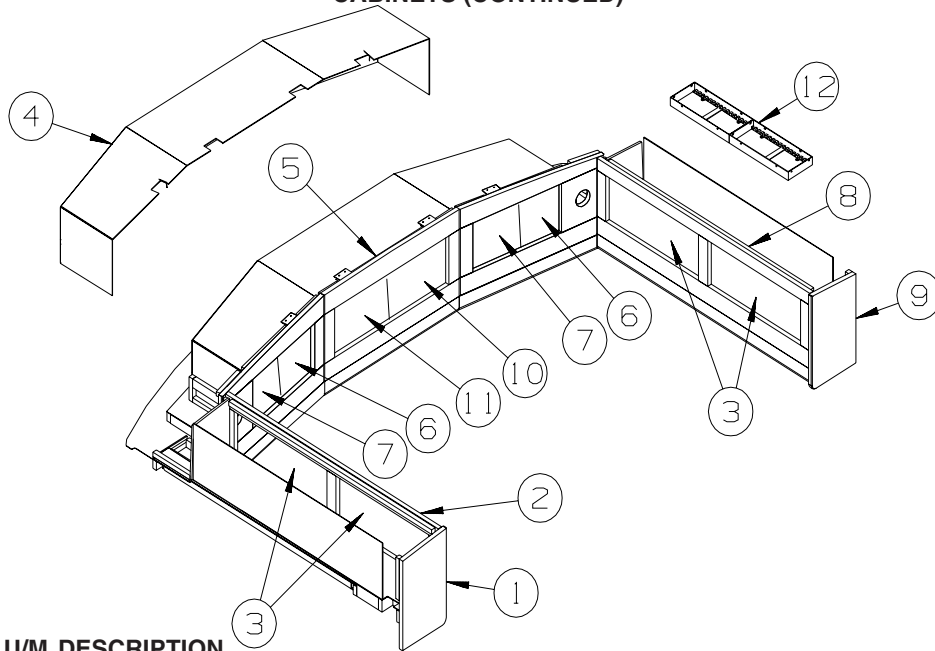
W/TV

KEY	PART NUMBER	U/M	DESCRIPTION
1	146568-36-R83	EA	END CAP - OVERHEAD CABINET - PORTSMOUTH OAK
1	146568-36-R84	EA	END CAP - OVERHEAD CABINET - CONCERT CHERRY
1	146568-36-R91	EA	END CAP - OVERHEAD CABINET - WASHED MAPLE
1	146568-36-RE0	EA	END CAP - OVERHEAD CABINET - HONEY CHERRY
2	146568-04-R89	EA	CABINET - FRONT/DRIVER SIDE - W/O DOORS/HARDWARE
2	146568-04-R90	EA	CABINET - FRONT/DRIVER SIDE - W/O DOORS/HARDWARE
2	146568-04-R91	EA	CABINET - FRONT/DRIVER SIDE - W/O DOORS/HARDWARE
2	146568-04-RW5	EA	CABINET - FRONT/DRIVER SIDE - W/O DOORS/HARDWARE FROM: 00-00-00 THRU: 01-04-04 FROM: 01-05-04 THRU: 99-99-99
2	146568-04-R92	EA	CABINET - FRONT/DRIVER SIDE - W/O DOORS/HARDWARE
2	146568-04-R93	EA	CABINET - FRONT/DRIVER SIDE - W/O DOORS/HARDWARE
2	146568-04-R94	EA	CABINET - FRONT/DRIVER SIDE - W/O DOORS/HARDWARE
2	146568-04-RW6	EA	CABINET - FRONT/DRIVER SIDE - W/O DOORS/HARDWARE FROM: 00-00-00 THRU: 01-04-04 FROM: 01-05-04 THRU: 99-99-99
2	146568-04-R95	EA	CABINET - FRONT/DRIVER SIDE - W/O DOORS/HARDWARE
2	146568-04-R96	EA	CABINET - FRONT/DRIVER SIDE - W/O DOORS/HARDWARE
2	146568-04-R97	EA	CABINET - FRONT/DRIVER SIDE - W/O DOORS/HARDWARE
2	146568-04-RW9	EA	CABINET - FRONT/SIDE - W/O DOORS/HARDWARE FROM: 00-00-00 THRU: 01-04-04 FROM: 01-05-04 THRU: 99-99-99
2	146568-04-RE3	EA	CABINET - FRONT/SIDE - W/O DOORS/HARDWARE
2	146568-04-RE4	EA	CABINET - FRONT/SIDE - W/O DOORS/HARDWARE
2	146568-04-RE5	EA	CABINET - FRONT/SIDE - W/O DOORS/HARDWARE
3	145522-09-R89	EA	DOOR - ARCHED PANEL/FLUTED EDGE - 30.3" X 12" - W/O HDW - PORTSMOUTH OAK
3	145522-09-R90	EA	DOOR - ARCHED PANEL/FLUTED EDGE - 30.3" X 12" - W/O HDW - CONCERT CHERRY
3	145522-09-R91	EA	DOOR - ARCHED PANEL/FLUTED EDGE - 30.3" X 12" - W/O HDW - WASHED MAPLE
3	145522-09-RE3	EA	DOOR - ARCHED PANEL/FLUTED EDGE - 30.3" X 12" - W/O HDW - HONEY CHERRY
4	132909-07-R83	EA	PANEL - VINYL COVERED
5	145656-06-R89	EA	CABINET - OVERHEAD/FRONT - W/O DOORS/HARDWARE - PORTSMOUTH OAK
5	145656-06-R90	EA	CABINET - OVERHEAD/FRONT - W/O DOORS/HARDWARE - CONCERT CHERRY
5	145656-06-R91	EA	CABINET - OVERHEAD/FRONT - W/O DOORS/HARDWARE - WASHED MAPLE
5	145656-06-RE3	EA	CABINET - OVERHEAD/FRONT - W/O DOORS/HARDWARE - HONEY CHERRY

**DRIVERS COMPARTMENT GROUP (CONTINUED)**  
**CABINETS (CONTINUED)**

KEY	PART NUMBER	U/M	DESCRIPTION
6	146028-04-R89	EA	DOOR - GLASS/FLUTED EDGE - 12" X 23.8" - W/O HARDWARE - PORTSMOUTH OAK
6	146028-04-R90	EA	DOOR - GLASS/FLUTED EDGE - 12" X 23.8" - W/O HARDWARE - CONCERT CHERRY
6	146028-04-R91	EA	DOOR - GLASS/FLUTED EDGE - 12" X 23.8" - W/O HARDWARE - WASHED MAPLE FROM: 00-00-00 THRU: 01-04-04
6	146028-04-RW5	EA	DOOR - GLASS/FLUTED EDGE - 12" X 23.8" - W/O HARDWARE - WASHED MAPLE FROM: 01-05-04 THRU: 99-99-99
6	146028-04-RE3	EA	DOOR - GLASS/FLUTED EDGE - 12" X 23.8" - W/O HARDWARE - HONEY CHERRY
	100708-34-000	EA	DOOR/GLASS - TV CABINET - 9" X 21" - W/O HARDWARE
7	133790-18-02B	EA	STRAP - TIEDOWN - TV - E-COATED
8	146030-01-02B	EA	ANGLE/FORMED - W/STUD WELD - E-COATED
8	140364-01-01A	EA	FOAM - PAD - .5" X 8" X 8"
9	145658-02-R38	EA	CABINET/FACE - TV/FRONT OVERHEAD - W/O DOORS/HARDWARE - PORTSMOUTH OAK
9	145658-02-R39	EA	CABINET/FACE - TV/FRONT OVERHEAD - W/O DOORS/HARDWARE - CONCERT CHERRY
9	145658-02-R46	EA	CABINET/FACE - TV/FRONT OVERHEAD - W/O DOORS/HARDWARE - WASHED MAPLE
9	145658-02-RE0	EA	CABINET/FACE - TV/FRONT OVERHEAD - W/O DOORS/HARDWARE - HONEY CHERRY
10	145659-01-01A	EA	COVER - FRONT TV/OVERHEAD - GLACIER
11	145656-05-R89	EA	CABINET - OVERHEAD/FRONT - W/O DOORS/HARDWARE - PORTSMOUTH OAK
11	145656-05-R90	EA	CABINET - OVERHEAD/FRONT - W/O DOORS/HARDWARE - CONCERT CHERRY
11	145656-05-R91	EA	CABINET - OVERHEAD/FRONT - W/O DOORS/HARDWARE - WASHED MAPLE
11	145656-05-RE3	EA	CABINET - OVERHEAD/FRONT - W/O DOORS/HARDWARE - HONEY CHERRY
12	132909-04-R83	EA	PANEL - VINYL COVERED
13	140309-03-02B	EA	ANGLE - FURNACE DOOR - E-COATED
14	146568-03-R89	EA	CABINET - FRONT/PASSENGER SIDE - W/O DOORS/HARDWARE (R89)
14	146568-03-R90	EA	CABINET - FRONT/PASSENGER SIDE - W/O DOORS/HARDWARE (R90)
14	146568-03-R91	EA	CABINET - FRONT/PASSENGER SIDE - W/O DOORS/HARDWARE(R91) FROM: 00-00-00 THRU: 01-04-04
14	146568-03-RW5	EA	CABINET - FRONT/PASSENGER SIDE - W/O DOORS/HARDWARE (R91) FROM: 01-05-04 THRU: 99-99-99
14	146568-03-R92	EA	CABINET - FRONT/PASSENGER SIDE - W/O DOORS/HARDWARE (R92)
14	146568-03-R93	EA	CABINET - FRONT/PASSENGER SIDE - W/O DOORS/HARDWARE (R93)
14	146568-03-R94	EA	CABINET - FRONT/PASSENGER SIDE - W/O DOORS/HARDWARE (R94) FROM: 00-00-00 THRU: 01-04-04
14	146568-03-RW6	EA	CABINET - FRONT/PASSENGER SIDE - W/O DOORS/HARDWARE (R94) FROM: 01-05-04 THRU: 99-99-99
14	146568-03-R95	EA	CABINET - FRONT/PASSENGER SIDE - W/O DOORS/HARDWARE (R95)
14	146568-03-R96	EA	CABINET - FRONT/PASSENGER SIDE - W/O DOORS/HARDWARE (R96)
14	146568-03-R97	EA	CABINET - FRONT/PASSENGER SIDE - W/O DOORS/HARDWARE (R97) FROM: 00-00-00 THRU: 01-04-04
14	146568-03-RW9	EA	CABINET - FRONT/PASSENGER SIDE - W/O DOORS/HARDWARE (R97) FROM: 01-05-04 THRU: 99-99-99
14	146568-03-RE3	EA	CABINET - FRONT/PASSENGER SIDE - W/O DOORS/HARDWARE (RE3)
14	146568-03-RE4	EA	CABINET - FRONT/PASSENGER SIDE - W/O DOORS/HARDWARE (RE4)
14	146568-03-RE5	EA	CABINET - FRONT/PASSENGER SIDE - W/O DOORS/HARDWARE (RE5)
15	146568-24-R83	EA	END CAP - OVERHEAD CABINET - PORTSMOUTH OAK
15	146568-24-R84	EA	END CAP - OVERHEAD CABINET - CONCERT CHERRY
15	146568-24-R91	EA	END CAP - OVERHEAD CABINET - WASHED MAPLE
15	146568-24-RE0	EA	END CAP - OVERHEAD CABINET - HONEY CHERRY
16	144652-03-R83	EA	PANEL/VINYL COVERED - WIRE HOLE CUT (SATELLITE SYSTEM)
17	144652-08-R83	EA	PANEL/VINYL COVERED - WIRE HOLE CUT (SATELLITE DISH POWER) - AUTOMATIC SATELLITE DISH
18	144652-09-R83	EA	PANEL/VINYL COVERED-WIRE HOLE CUT(SATELLITE SYS MOTION) - IN-MOTION SATELLITE SYSTEM
19	132909-08-R83	EA	PANEL - VINYL COVERED FROM: 06-16-03 THRU: 99-99-99
20	135717-01-01A	EA	HOLDER - CD STORAGE - 5.2" X 12.6" - BLACK

**DRIVERS COMPARTMENT GROUP (CONTINUED)**  
**CABINETS (CONTINUED)**



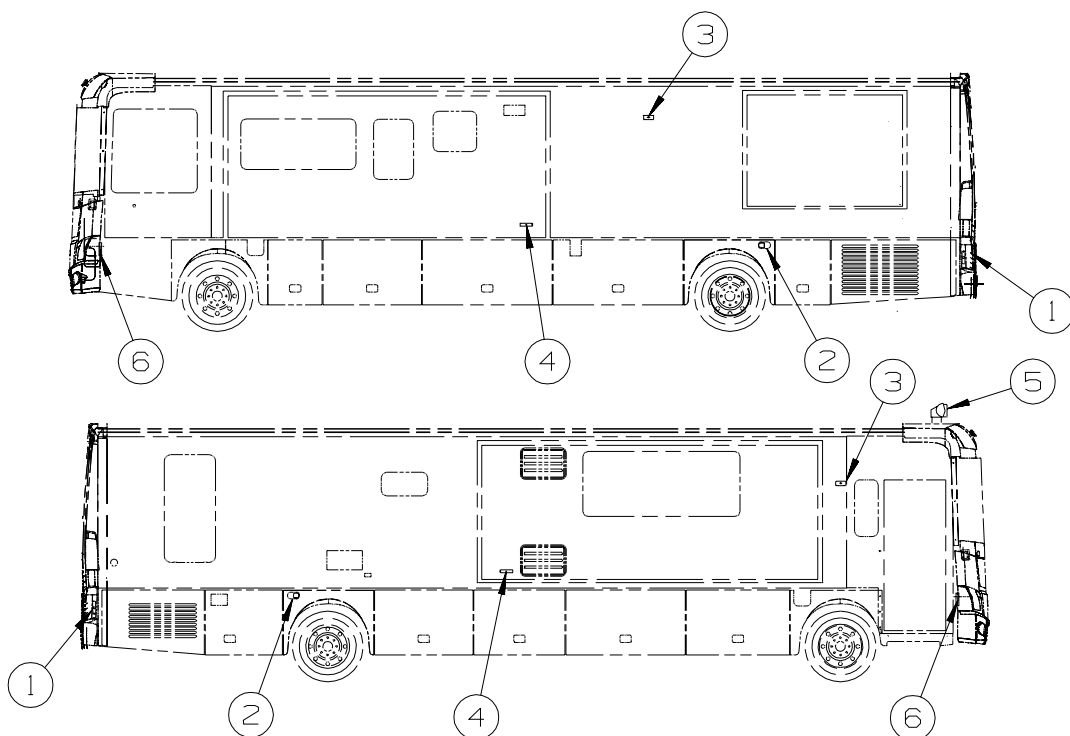
**W/O TV**

KEY	PART NUMBER	U/M	DESCRIPTION
1	145719-21-R83	EA	END CAP - OVERHEAD CABINET - PORTSMOUTH OAK
1	145719-21-R84	EA	END CAP - OVERHEAD CABINET - CONCERT CHERRY
1	145719-21-R91	EA	END CAP - OVERHEAD CABINET - WASHED MAPLE
1	145719-21-RE0	EA	END CAP - OVERHEAD CABINET - HONEY CHERRY
2	145719-02-R89	EA	CABINET - OVERHEAD/FRONT/LEFT HAND - W/O DOORS/HARDWARE - PORTSMOUTH OAK
2	145719-02-R90	EA	CABINET - OVERHEAD/FRONT/LEFT HAND - W/O DOORS/HARDWARE - CONCERT CHERRY
2	145719-02-R91	EA	CABINET - OVERHEAD/FRONT/LEFT HAND - W/O DOORS/HARDWARE - WASHED MAPLE
2	145719-02-RW5	EA	CABINET - OVERHEAD/FRONT/LEFT HAND - W/O DOORS/HARDWARE - WASHED MAPLE FROM: 00-00-00 THRU: 01-04-04
2	145719-02-RE3	EA	CABINET - OVERHEAD/FRONT/LEFT HAND - W/O DOORS/HARDWARE - HONEY CHERRY
3	145522-06-R89	EA	DOOR - ARCHED/FLUTED - 20.8" X 12.4" - W/O HARDWARE - PORTSMOUTH OAK
3	145522-06-R90	EA	DOOR - ARCHED/FLUTED - 20.8" X 12.4" - W/O HARDWARE - CONCERT CHERRY
3	145522-06-R91	EA	DOOR - ARCHED/FLUTED - 20.8" X 12.4" - W/O HARDWARE - WASHED MAPLE
3	145522-06-RE3	EA	DOOR - ARCHED/FLUTED - 20.8" X 12.4" - W/O HARDWARE - HONEY CHERRY
4	145729-01-R83	EA	PANEL/CLOSEOUT - OVERHEAD/FRONT - <b>IN MOTION SATELLITE SYS/AUTOMATIC SATELLITE DISH</b>
4	145729-02-R83	EA	PANEL/CLOSEOUT - OVERHEAD/FRONT - <b>SATELLITE SYSTEM READY/SATELLITE DISH</b>
5	145717-02-R89	EA	CABINET - OVERHEAD/FRONT - W/O DOORS/HARDWARE - PORTSMOUTH OAK
5	145717-02-R90	EA	CABINET - OVERHEAD/FRONT - W/O DOORS/HARDWARE - CONCERT CHERRY
5	145717-02-R91	EA	CABINET - OVERHEAD/FRONT - W/O DOORS/HARDWARE - WASHED MAPLE
5	145717-02-RW5	EA	CABINET - OVERHEAD/FRONT - W/O DOORS/HARDWARE - WASHED MAPLE FROM: 00-00-00 THRU: 01-04-04
5	145717-02-RE3	EA	CABINET - OVERHEAD/FRONT - W/O DOORS/HARDWARE - HONEY CHERRY
6	145522-02-R89	EA	DOOR - ARCHED/FLUTED - 8.7" X 12.4" - W/O HARDWARE - PORTSMOUTH OAK
6	145522-02-R90	EA	DOOR - ARCHED/FLUTED - 8.7" X 12.4" - W/O HARDWARE - CONCERT CHERRY
6	145522-02-R91	EA	DOOR - ARCHED/FLUTED - 8.7" X 12.4" - W/O HARDWARE - WASHED MAPLE
6	145522-02-RE3	EA	DOOR - ARCHED/FLUTED - 8.7" X 12.4" - W/O HARDWARE - HONEY CHERRY
7	145522-03-R89	EA	DOOR - ARCHED/FLUTED - 8.7" X 12.4" - W/O HARDWARE - PORTSMOUTH OAK
7	145522-03-R90	EA	DOOR - ARCHED/FLUTED - 8.7" X 12.4" - W/O HARDWARE - CONCERT CHERRY
7	145522-03-R91	EA	DOOR - ARCHED/FLUTED - 8.7" X 12.4" - W/O HARDWARE - WASHED MAPLE
7	145522-03-RE3	EA	DOOR - ARCHED/FLUTED - 8.7" X 12.4" - W/O HARDWARE - HONEY CHERRY
8	145718-03-R89	EA	CABINET - OVERHEAD/FRONT/RIGHT HAND - W/O DOORS/HARDWARE - PORTSMOUTH OAK
8	145718-03-R90	EA	CABINET - OVERHEAD/FRONT/RIGHT HAND - W/O DOORS/HARDWARE - CONCERT CHERRY
8	145718-03-R91	EA	CABINET - OVERHEAD/FRONT/RIGHT HAND - W/O DOORS/HARDWARE - WASHED MAPLE
8	145718-03-RW5	EA	CABINET - OVERHEAD/FRONT/RIGHT HAND - W/O DOORS/HARDWARE - WASHED MAPLE FROM: 00-00-00 THRU: 01-04-04
8	145718-03-RE3	EA	CABINET - OVERHEAD/FRONT/RIGHT HAND - W/O DOORS/HARDWARE - HONEY CHERRY
9	145718-22-R83	EA	END CAP - OVERHEAD CABINET - PORTSMOUTH OAK
9	145718-22-R84	EA	END CAP - OVERHEAD CABINET - CONCERT CHERRY
9	145718-22-R91	EA	END CAP - OVERHEAD CABINET - WASHED MAPLE
9	145718-22-RE0	EA	END CAP - OVERHEAD CABINET - HONEY CHERRY

**DRIVERS COMPARTMENT GROUP (CONTINUED)**  
**CABINETS (CONTINUED)**

<b>KEY</b>	<b>PART NUMBER</b>	<b>U/M</b>	<b>DESCRIPTION</b>
10	145522-04-R89	EA	DOOR - ARCHED/FLUTED - 10.6" X 12.4" - W/O HARDWARE - PORTSMOUTH OAK
10	145522-04-R90	EA	DOOR - ARCHED/FLUTED - 10.6" X 12.4" - W/O HARDWARE - CONCERT CHERRY
10	145522-04-R91	EA	DOOR - ARCHED/FLUTED - 10.6" X 12.4" - W/O HARDWARE - WASHED MAPLE
10	145522-04-RE3	EA	DOOR - ARCHED/FLUTED - 10.6" X 12.4" - W/O HARDWARE - HONEY CHERRY
11	145522-05-R89	EA	DOOR - ARCHED/FLUTED - 10.6" X 12.4" - W/O HARDWARE - PORTSMOUTH OAK
11	145522-05-R90	EA	DOOR - ARCHED/FLUTED - 10.6" X 12.4" - W/O HARDWARE - CONCERT CHERRY
11	145522-05-R91	EA	DOOR - ARCHED/FLUTED - 10.6" X 12.4" - W/O HARDWARE - WASHED MAPLE
11	145522-05-RE3	EA	DOOR - ARCHED/FLUTED - 10.6" X 12.4" - W/O HARDWARE - HONEY CHERRY
12	135717-01-01A	EA	HOLDER - CD STORAGE - 5.2" X 12.6" - BLACK

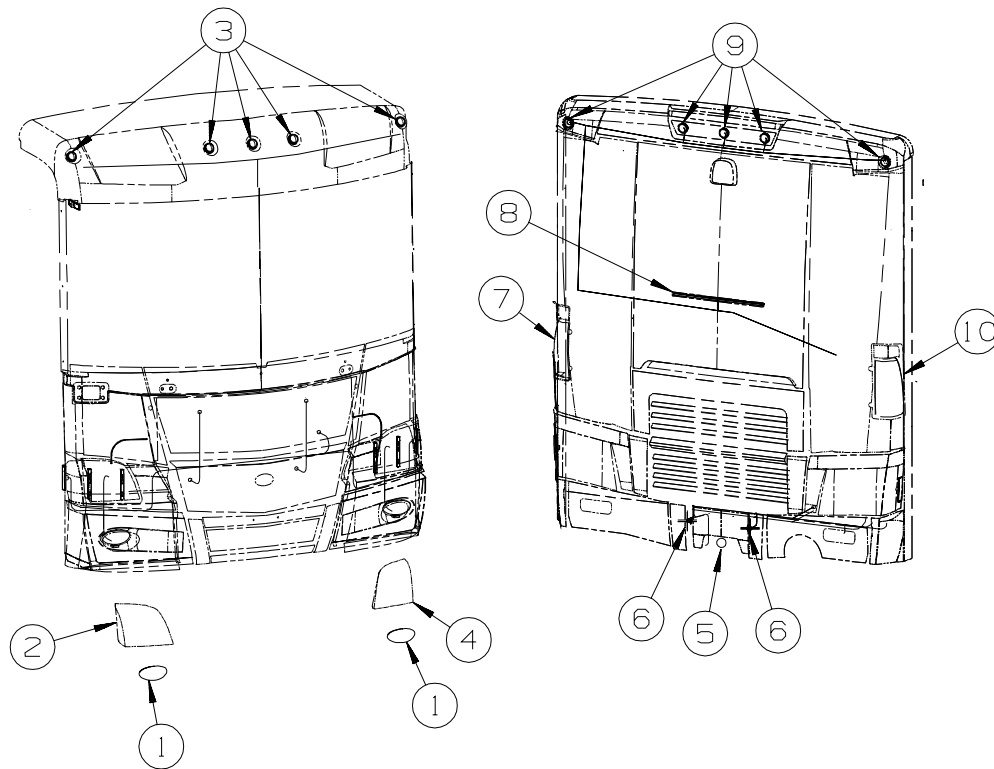
## ELECTRICAL GROUP 12V BODY WIRING



KEY	PART NUMBER	U/M	DESCRIPTION
1	117826-01-000	EA	LAMP/SIDE MARKER ASSEMBLY - RED
1	117826-03-000	EA	GASKET/SIDE MARKER LIGHT
1	036196-01-000	EA	BULB - 12V - #194 - .27 AMP - BAYONETTE
1	067789-02-000	EA	SOCKET - LAMP
2	129746-01-000	EA	LAMP - DOCKING/DRIVING W/MOUNT BRACKET
2	120494-03-02B	EA	SHIM - STRIKER - LUGGAGE DOOR - .20 - E-COATED
3	097917-01-08A	EA	LIGHT/PORCH - CHROME
	008215-01-000	EA	BULB - 12 VOLT - #1003 - .94 AMP
4	111102-02-000	EA	LENS - AMBER - MARKER LAMP
4	111102-01-000	EA	BASE - MARKER LAMP
	036196-01-000	EA	BULB - 12V - #194 - .27 AMP - BAYONETTE
5*	130672-01-02A	EA	SPOTLIGHT - POWER/REMOTE - BLACK
6	NOT USED		

\*COMPONENT PARTS LISTED LATER IN THIS GROUP

**ELECTRICAL GROUP (CONTINUED)**  
**12V BODY WIRING (CONTINUED)**

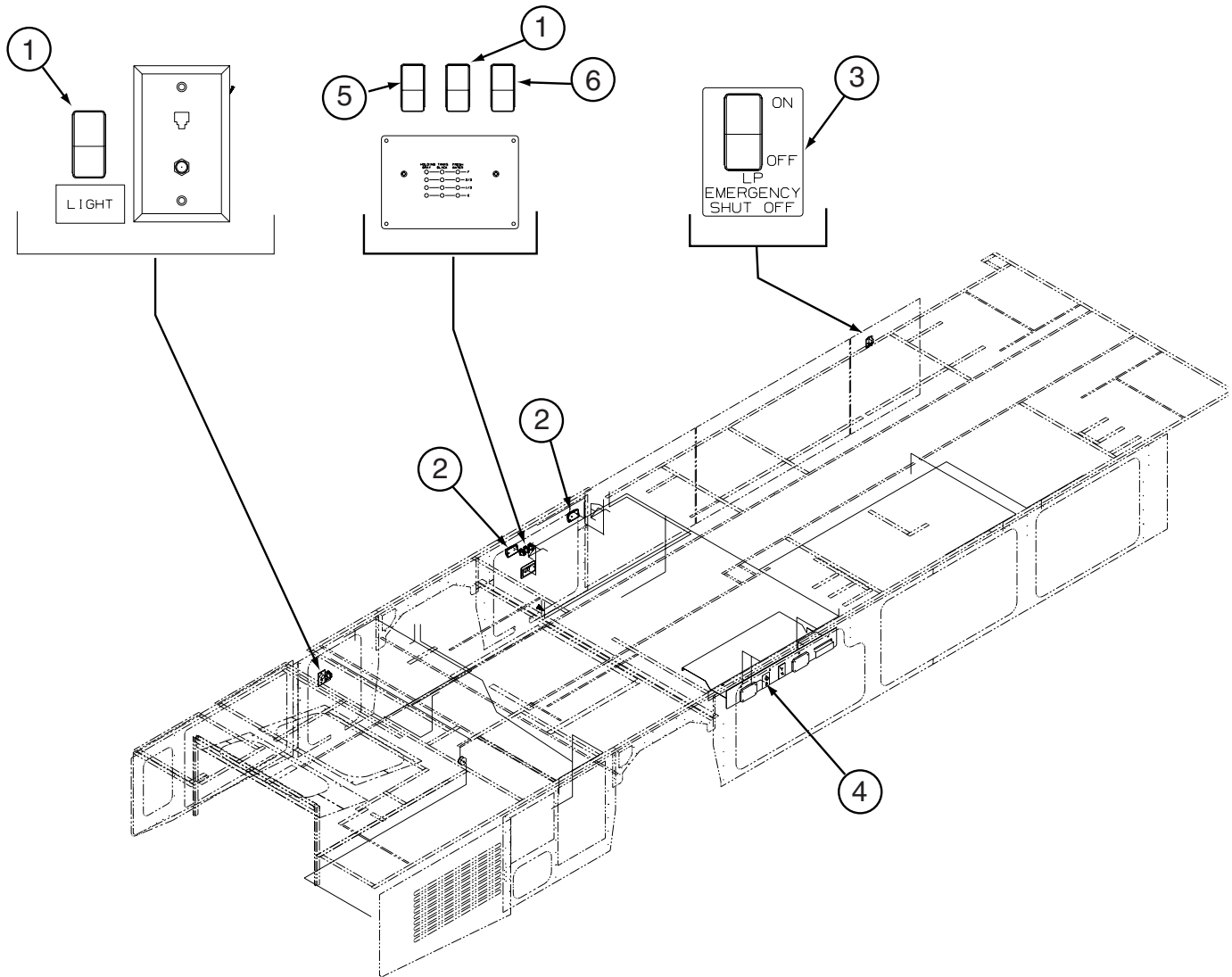


KEY	PART NUMBER	U/M	DESCRIPTION
1	146332-01-000	EA	LAMP - FOG - CLEAR/OVAL
1	146673-01-000	EA	BULB - 12 VOLT NO9040 - 3.51 AMPS
2	146331-01-000	EA	HEADLAMP - W/PARK & TURN - RIGHT HAND
2	049359-01-000	EA	SPRING - RETAINER - HEADLAMP - GM #496096
2	088758-01-000	EA	HOUSING - HEADLAMP - CONNECTOR TERMINAL W/3 WIRES
2	124187-01-000	EA	SOCKET/HOUSING - LOW BEAM HEADLAMP
3	138996-01-000	EA	LAMP - CLEARANCE - AMBER
3	138996-03-000	EA	BRACKET - CLEARANCE LIGHT
3	138996-04-000	EA	CONNECTOR - LAMP
4	146331-02-000	EA	HEADLAMP - W/PARK & TURN - LEFT HAND
4	049359-01-000	EA	SPRING - RETAINER - HEADLAMP - GM #496096
4	088758-01-000	EA	HOUSING - HEADLAMP - CONNECTOR TERMINAL W/3 WIRES
4	124187-01-000	EA	SOCKET/HOUSING - LOW BEAM HEADLAMP
5	146246-01-000	EA	CONNECTOR/PLUG - TRAILER - 7 PIN
6	087201-01-000	EA	LIGHT - HALF ROUND - 1" X 1.7" - PLASTIC - BLACK OR WHITE
7	146326-02-000	EA	LAMP - STOP/TURN/TAIL/BACK UP - LEFT
7	112708-01-000	EA	BULB - 12 VOLT - #3157 - .59/2.10 AMP
7	120760-01-000	EA	RUBBER BUMPER - CLEAR - .1" THICK X .8" DIAMETER
7	146326-03-000	EA	SOCKET - 3 WIRE - GRAY
7	146326-04-000	EA	SOCKET - 2 WIRE - CREAM
7	146326-05-000	EA	SOCKET - 2 WIRE - LIGHT GRAY
8	146204-01-000	EA	LIGHT - THIRD BRAKE - LED
9	138996-02-000	EA	LAMP - CLEARANCE - RED
9	138996-03-000	EA	BRACKET - CLEARANCE LIGHT
9	138996-04-000	EA	CONNECTOR - LAMP
10	146326-01-000	EA	LAMP - STOP/TURN/TAIL/BACK UP - RIGHT
10	112708-01-000	EA	BULB - 12 VOLT - #3157 - .59/2.10 AMP
10	120760-01-000	EA	RUBBER BUMPER - CLEAR - .1" THICK X .8" DIAMETER
10	146326-03-000	EA	SOCKET - 3 WIRE - GRAY
10	146326-04-000	EA	SOCKET - 2 WIRE - CREAM
10	146326-05-000	EA	SOCKET - 2 WIRE - LIGHT GRAY



## ELECTRICAL GROUP (CONTINUED)

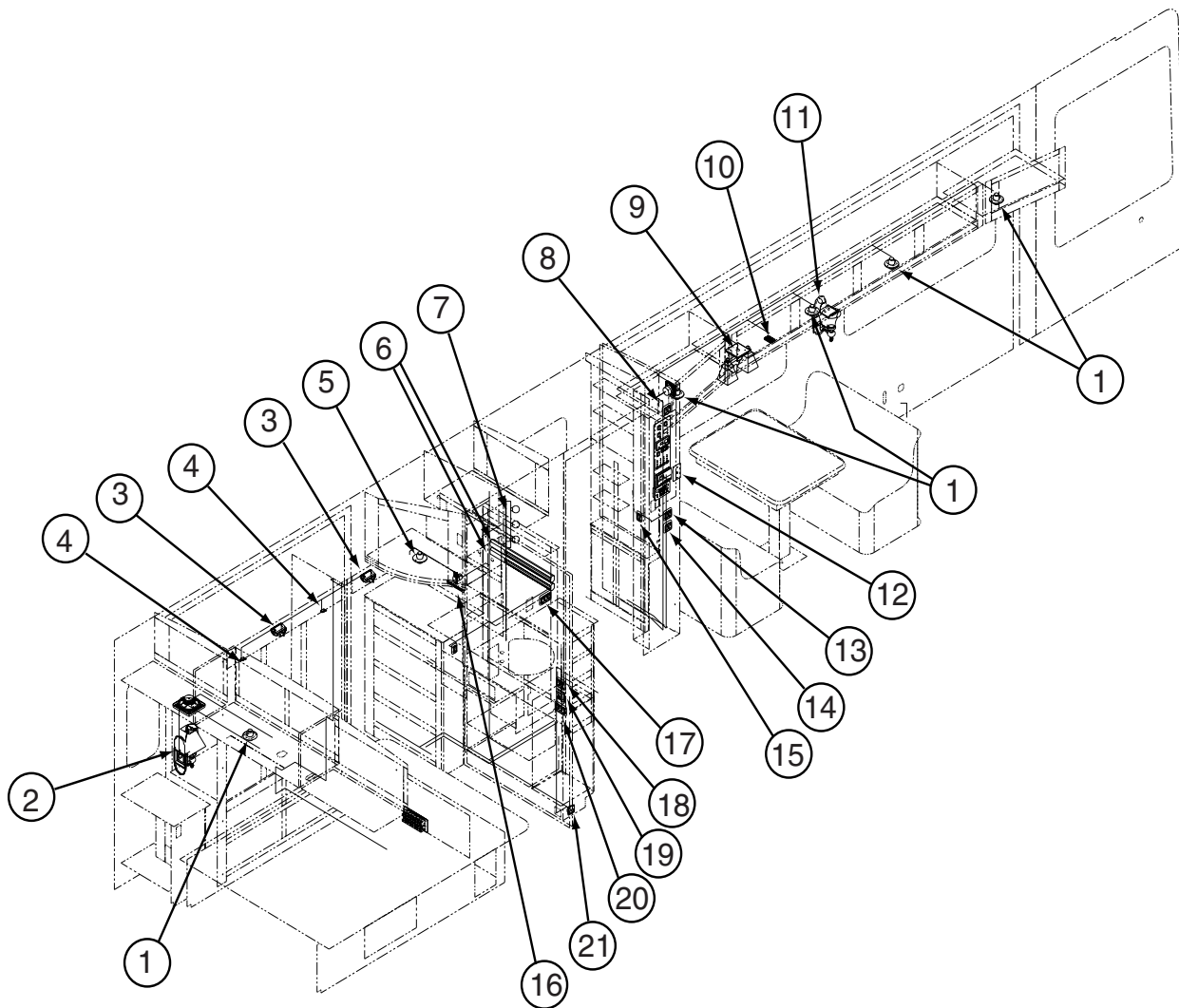
### 12V BODY WIRING (CONTINUED)



KEY	PART NUMBER	U/M	DESCRIPTION
1	108357-05-000	EA	SWITCH - ROCKER - SPDT - ON/NONE/ON - 3 TERMINAL-W/O COVER
1	108356-02-01A	EA	COVER/ACTUATOR SWITCH - 2 ROWS DIMPLES- CONTURA II - BLACK
1	108355-01-000	EA	HOUSING - SWITCH
2*	086280-01-000	EA	LIGHT - SURFACE MOUNT - 12 VOLT
3	108357-01-000	EA	SWITCH - ROCKER - SPST - ON/OFF - 2 TERMINAL - W/O COVER
3	108356-02-01A	EA	COVER/ACTUATOR SWITCH - 2 ROWS DIMPLES- CONTURA II - BLACK
3	108355-01-000	EA	HOUSING - SWITCH
4	132958-01-000	EA	RECEPTACLE - 12 VOLT - MOUNTING FLANGE - BLACK
5	108357-09-000	EA	SWITCH - ROCKER - SPDT - ON/NONE/MOM - 3 TERM - W/O COVER
5	108356-02-01A	EA	COVER/ACTUATOR SWITCH - 2 ROWS DIMPLES- CONTURA II - BLACK
5	108355-01-000	EA	HOUSING - SWITCH
6	108357-15-000	EA	SWITCH - ROCKER - DPDT - ON/NONE/ON - LIGHTED
6	108356-04-01A	EA	COVER/ACTUATOR SWITCH - 2 ROWS DIMPLES W/LENS-CONTURA-BLK
6	108355-01-000	EA	HOUSING - SWITCH

\*COMPONENT PARTS LISTED LATER IN THIS GROUP

**ELECTRICAL GROUP (CONTINUED)**  
**12V BODY WIRING (CONTINUED)**



KEY	PART NUMBER	U/M	DESCRIPTION
1	132427-01-01A	EA	LIGHT - READING - SWIVEL/ROUND - BRASS
	123917-01-000	EA	BULB - 12V - HALOGEN SPOT
2	119258-37-03A	EA	LAMP - WALL - SATIN NICKEL
2	119257-18-01A	EA	SHADE - LAMP - PARCHMENT
2	067479-01-000	EA	BULB - 12V - #1076 - 1.80 AMP
3*	087694-01-000	EA	LIGHT - WARDROBE/CLOSET - W/SWITCH
4	056264-01-000	EA	SWITCH - LEAF ACTUATOR
5*	123775-01-01A	EA	LIGHT - HALOGEN - ROUND
5	123775-02-01A	EA	COLLAR - F/SURFACE MOUNT
6	113371-02-000	EA	LIGHT-FLUORESCENT 24", STRIP
7	138116-01-01A	EA	LIGHT/MAKE UP - 3 BULB - CURVED - W/O BULB - BRASS
	123918-01-000	EA	BULB - 12V - MAKEUP WHITE
8	135740-01-01A	EA	SWITCH - ROCKER - SPST - ON/OFF - BROWN
8	135740-06-01A	EA	SWITCH - ROCKER - ON/OFF - LIGHTED - RED
8	135741-02-01A	EA	SWITCH - BASE - DOUBLE - BROWN
8	135742-34-02A	EA	BEZEL - SWITCH - WATER HEATER/LP - BROWN
9	093575-23-03A	EA	LIGHT - CEILING/DOUBLE - SATIN NICKEL
9	117805-02-000	EA	BULB - 12V - #921 - 1.4 AMPS
10	135740-01-01A	EA	SWITCH - ROCKER - SPST - ON/OFF - BROWN
10	135741-01-01A	EA	SWITCH - BASE - SINGLE - BROWN
10	135742-01-01A	EA	BEZEL - SWITCH - SINGLE - BROWN
11	119258-35-03A	EA	LAMP - WALL - SATIN NICKEL
11	117805-02-000	EA	BULB - 12V - #921 - 1.4 AMPS
12	132958-01-000	EA	RECEPTACLE - 12 VOLT - MOUNTING FLANGE - BLACK

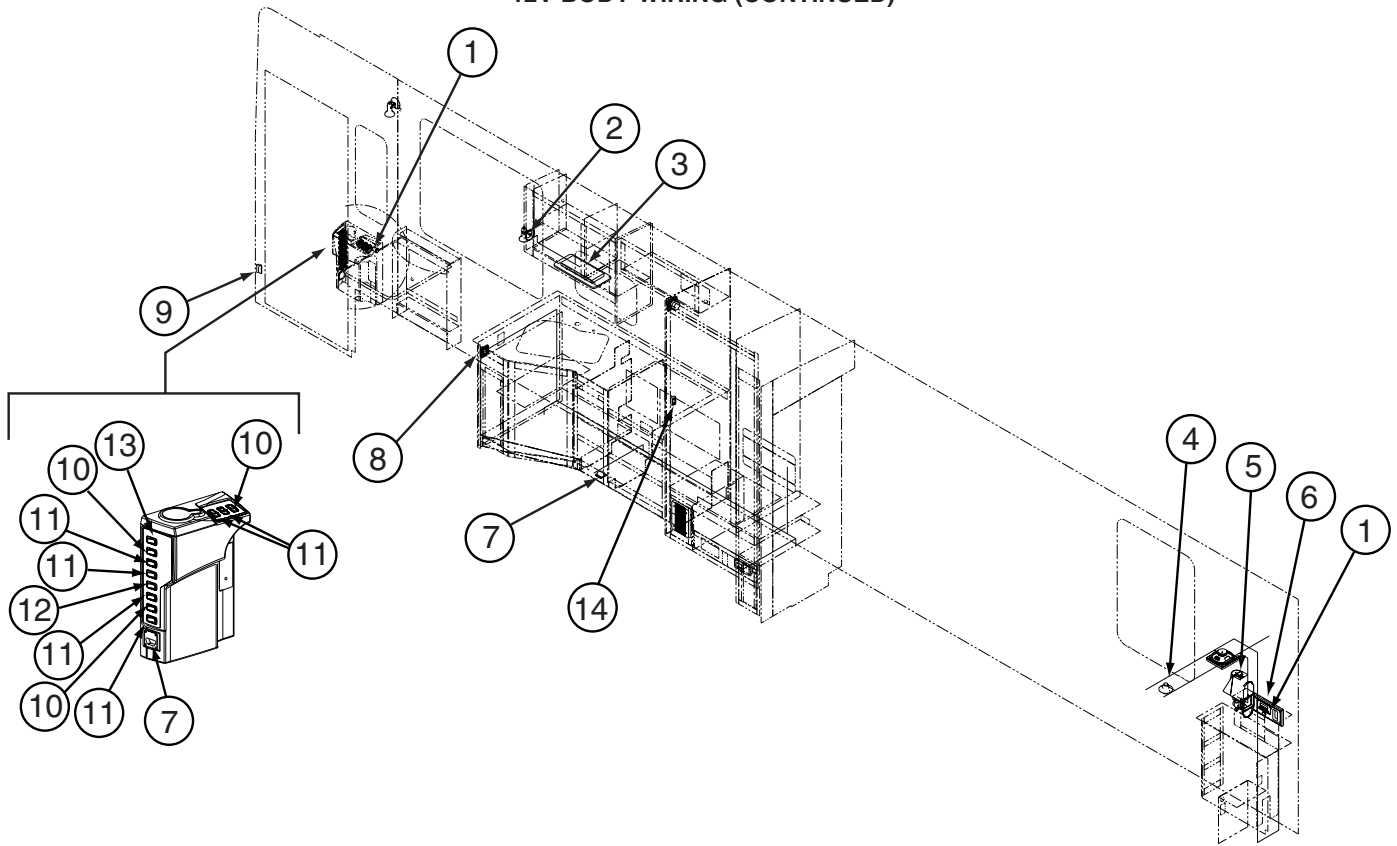
**ELECTRICAL GROUP (CONTINUED)**  
**12V BODY WIRING (CONTINUED)**

<b>KEY</b>	<b>PART NUMBER</b>	<b>U/M</b>	<b>DESCRIPTION</b>
13	135740-01-01A	EA	SWITCH - ROCKER - SPST - ON/OFF - BROWN - GALLEY
13	135740-02-01A	EA	SWITCH - ROCKER - SPDT - ON/ON - BROWN - LOUNGE
13	135741-02-01A	EA	SWITCH - BASE - DOUBLE - BROWN
13	135742-18-02A	EA	BEZEL - SWITCH - LOUNGE/GALLEY - BROWN
14	135740-01-01A	EA	SWITCH - ROCKER - SPST - ON/OFF - BROWN
14	135741-02-01A	EA	SWITCH - BASE - DOUBLE - BROWN
14	135742-31-02A	EA	BEZEL - SWITCH - CEILING/MONITOR - BROWN
15	135740-01-02A	EA	SWITCH - ROCKER - SPST - ON/OFF - WHITE
15	135741-01-02A	EA	SWITCH - BASE - SINGLE - WHITE
15	135742-07-01A	EA	BEZEL - SWITCH - CEILING - WHITE
16	108357-06-000	EA	SWITCH - ROCKER - DPDT - MOM/OFF/MOM - 6 TERM - W/O COVER
16	108356-02-01A	EA	COVER/ACTUATOR SWITCH - 2 ROWS DIMPLES- CONTURA II - BLACK
16	108355-01-000	EA	HOUSING - SWITCH
17	135740-01-02A	EA	SWITCH - ROCKER - SPST - ON/OFF - WHITE - MAKEUP/SHOWER
17	135740-02-02A	EA	SWITCH - ROCKER - SPDT - ON/ON - WHITE - CEILING
17	135741-03-02A	EA	SWITCH - BASE - TRIPLE - WHITE
17	135742-28-01A	EA	BEZEL - SWITCH - CEILING/SHOWER/MAKEUP - WHITE
18	135740-01-02A	EA	SWITCH - ROCKER - SPST - ON/OFF - WHITE
18	135741-02-02A	EA	SWITCH - BASE - DOUBLE - WHITE
18	135742-14-01A	EA	BEZEL - SWITCH - MAKEUP/CEILING - WHITE
19	137889-01-000	EA	SWITCH - LIGHT DIMMER
20	135740-04-02A	EA	SWITCH - ROCKER - SPDT - ON/OFF/ON - FAN
20	135740-02-02A	EA	SWITCH - ROCKER - SPDT - ON/ON - WHITE - CEILING/AISLE
20	138253-01-01A	EA	SWITCH - BLANK - WHITE - DECORATIVE LIGHT - CEILING
20	135741-03-02A	EA	SWITCH - BASE - TRIPLE - WHITE
20	135742-23-01A	EA	BEZEL - SWITCH - CEILING/FAN/AISLE - WHITE
21*	108354-01-01A	EA	LIGHT - COURTESY

**\*COMPONENT PARTS LISTED LATER IN THIS GROUP**

## ELECTRICAL GROUP (CONTINUED)

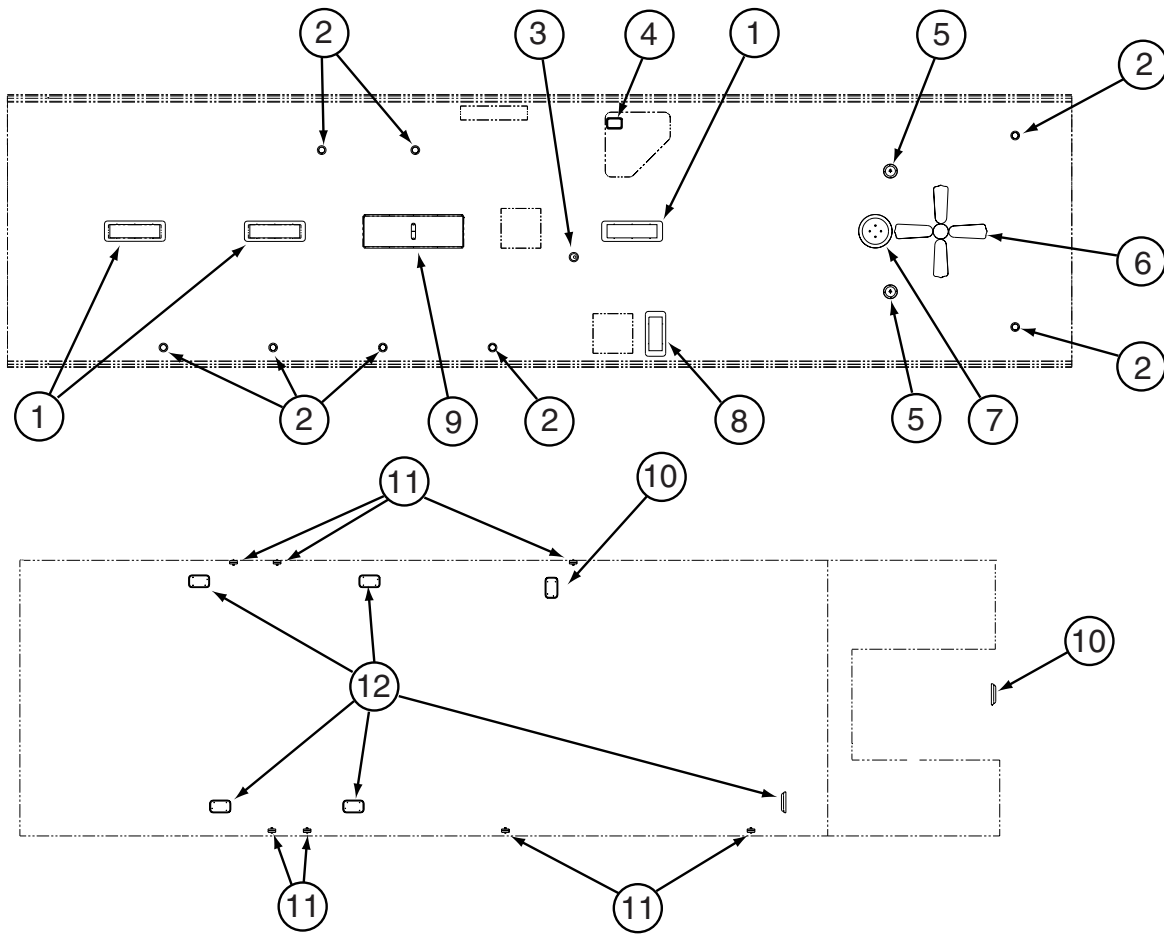
### 12V BODY WIRING (CONTINUED)



KEY	PART NUMBER	U/M	DESCRIPTION
1	132958-01-000	EA	RECEPTACLE - 12 VOLT - MOUNTING FLANGE - BLACK
2	128786-02-01A	EA	LIGHT - READING/SWIVEL - W/O SWITCH - BRASS
3*	091937-09-000	EA	LIGHT-FLOURESCENT-12V/16 WATT RECESSED - W/SWITCH
4	132427-01-01A	EA	LIGHT - READING - SWIVEL/ROUND - BRASS
	123917-01-000	EA	BULB - 12V - HALOGEN SPOT
5	119258-37-03A	EA	LAMP - WALL - SATIN NICKEL
5	119257-18-01A	EA	SHADE - LAMP - PARCHMENT
5	067479-01-000	EA	BULB - 12V - #1076 - 1.80 AMP
6	133713-07-20A	EA	SPACER/RECEPTACLE - PHONE/CLOCK - WHITE VINYL
7*	108354-01-01A	EA	LIGHT - COURTESY
8	135740-01-01A	EA	SWITCH - ROCKER - SPST - ON/OFF - BROWN - <b>READING</b>
8	135740-02-01A	EA	SWITCH - ROCKER - SPDT - ON/ON - BROWN - <b> AISLE</b>
8	135741-02-01A	EA	SWITCH - BASE - DOUBLE - BROWN
8	135742-21-02A	EA	BEZEL - SWITCH - AISLE/READING - BROWN
9	116995-02-000	EA	SWITCH/MAGNET - ELECTRIC STEP - BLACK/WHITE-CLOSED CIRCUIT
10	145638-01-01A	EA	SWITCH/ROCKER - SINGLE PULL/SINGLE THROW - BLACK
11	145638-09-01A	EA	SWITCH/ROCKER - DOUBLE PULL/DOUBLE THROW - BLACK
12	145638-07-01A	EA	SWITCH/ROCKER - SINGLE PULL/SINGLE THROW
13	145638-10-01A	EA	SWITCH/ROCKER - SINGLE PULL/DOUBLE THROW - BLACK
14	135740-01-02A	EA	SWITCH - ROCKER - SPST - ON/OFF - WHITE
14	135741-02-02A	EA	SWITCH - BASE - DOUBLE - WHITE
14	135742-33-01A	EA	BEZEL - SWITCH - CEILING/FAN - WHITE

\*COMPONENT PARTS LISTED LATER IN THIS GROUP

**ELECTRICAL GROUP (CONTINUED)**  
**12V BODY WIRING (CONTINUED)**

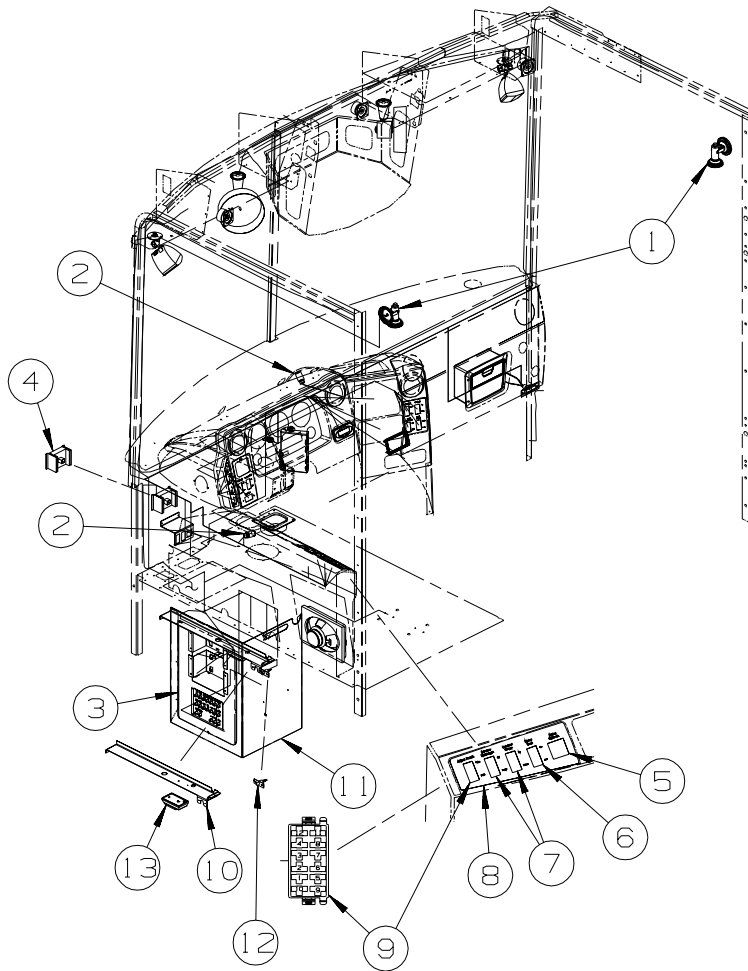


KEY	PART NUMBER	U/M	DESCRIPTION
1*	091937-08-000	EA	LIGHT-FLOURESCENT-12V/30 WATT RECESSED - W/O SWITCH
	091937-03-000	EA	BULB - FLUORESCENT LIGHT - 12 VOLT
2*	123775-01-01A	EA	LIGHT - HALOGEN - ROUND
3	146048-01-01A	EA	LIGHT - HALOGEN/ADJUSTABLE - WHITE
3	123917-01-000	EA	BULB - 12V - HALOGEN SPOT
4*	121935-01-01A	EA	LIGHT - DOME - SHOWER
5	093575-27-01A	EA	LIGHT - CEILING - ROUND - BRASS - UL/CSA
5	117805-02-000	EA	BULB - 12V - #921 - 1.4 AMPS
6*	139134-01-02A	EA	FAN - CEILING - 35" - BRIGHT BRASS - W/O SWITCH
7	093575-33-01A	EA	LIGHT - CEILING/ROUND - BRASS
	117805-02-000	EA	BULB - 12V - #921 - 1.4 AMPS
8*	091937-10-000	EA	LIGHT-FLOURESCENT-12V/16 WATT RECESSED - W/O SWITCH
9*	133416-02-000	EA	LIGHT - FLUORESCENT W/O LENS - 36" - 1 BULB
10*	137417-01-01A	EA	LIGHT - DOME - SINGLE - W/SWITCH/FROSTED LENS - WHITE
11	041250-01-000	EA	SWITCH - PUSH BUTTON/DOOR JAMB - METAL - CHROME
11	138494-01-02B	EA	BRACKET - SWITCH/LIGHT - E-COATED
12*	137417-03-01A	EA	LIGHT - DOME - SINGLE - W/O SWITCH - W/FROSTED LENS-WHITE

\*COMPONENT PARTS LISTED LATER IN THIS GROUP

## ELECTRICAL GROUP (CONTINUED)

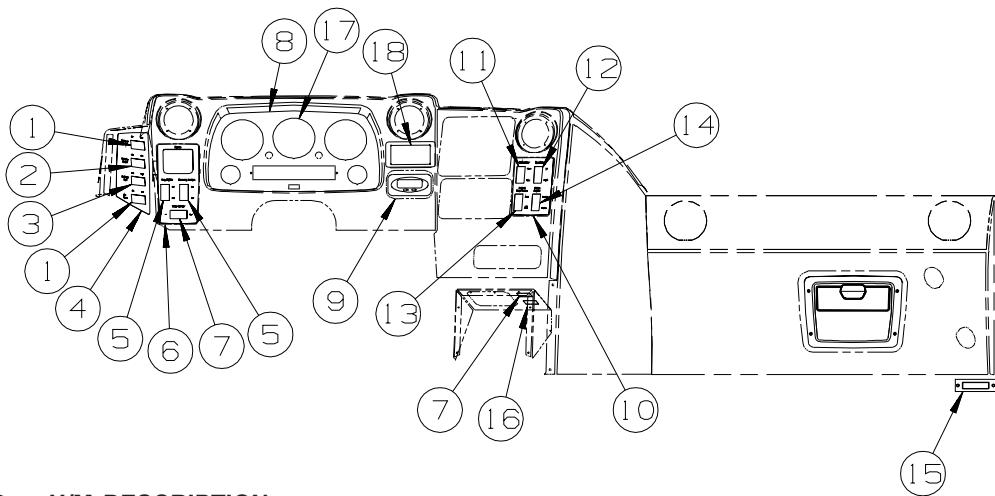
### FRONT END WIRING



KEY	PART NUMBER	U/M	DESCRIPTION
1	128786-02-02A	EA	LIGHT - READING/SWIVEL - W/O SWITCH - SATIN NICKEL
1	123917-01-000	EA	BULB - 12V - HALOGEN SPOT
2	111414-01-000	EA	RECEPTACLE/SOCKET - 12 VOLT
3	145066-02-02B	EA	DOOR - ELECTRICAL COMPARTMENT - E-COATED - CUMMINS ENGINE
3	145066-03-02B	EA	DOOR - ELECTRICAL COMPARTMENT - E-COATED - CAT ENGINE
4	134090-02-000	EA	MODULE - DAY TIME RUNNING LIGHT - SURE POWER #1325F
5	088246-01-000	EA	SWITCH/REMOTE MIRROR - W/2PIN & 6 PIN CONNECTORS/PIGTAIL
5	108355-01-000	EA	HOUSING - SWITCH
6	145638-02-01A	EA	SWITCH/ROCKER - SINGLE PULL/SINGLE THROW - BLACK
6	108355-01-000	EA	HOUSING - SWITCH
7	145638-09-01A	EA	SWITCH/ROCKER - DOUBLE PULL/DOUBLE THROW - BLACK
7	108355-01-000	EA	HOUSING - SWITCH
8	145926-06-02B	EA	INSERT - SWITCH PLATE - 9 HOLE/RELAY SLOT - E-COATED
8	144722-06-02A	EA	APPLIQUE - PANEL - LEFT HAND - DARK GREY
8	103603-01-000	EA	BULB - 12V - #74 - .12A WEDGE - GE 22-25 USED IN DASH
9	145638-09-01A	EA	SWITCH/ROCKER - DOUBLE PULL/DOUBLE THROW - BLACK
9	108355-02-000	EA	HOUSING - SWITCH - 12 POSITION
10	145061-01-02B	EA	COVER - WIRE - LUGGAGE COMPARTMENT - E-COATED
11	145063-01-02B	EA	PANEL - CLOSEOUT/ELECTRICAL - E-COATED
12	041250-01-000	EA	SWITCH - PUSH BUTTON/DOOR JAMB - METAL/CHROME
13*	086280-01-000	EA	LIGHT - SURFACE MOUNT - 12 VOLT
	007093-01-000	EA	SIGNAL FLASHER
	103603-01-000	EA	BULB - 12V - #74 - .12A WEDGE - GE 22-25 USED IN DASH
	103608-01-000	EA	SOCKET - WEDGE BASE W/LEADS
	113452-01-000	FT	SEAL/TRIM - FRONT - VINYL W/WIRE CARRIER - .020"

\*COMPONENT PARTS LISTED LATER IN THIS GROUP

**ELECTRICAL GROUP (CONTINUED)**  
**FRONT END WIRING (CONTINUED)**

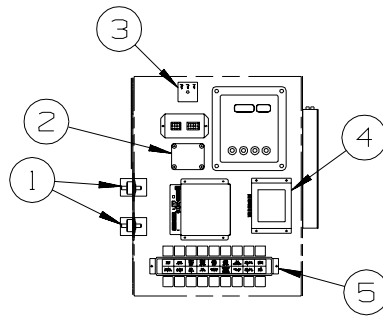


KEY	PART NUMBER	U/M	DESCRIPTION
1	145638-08-01A	EA	SWITCH/ROCKER - DOUBLE PULL/DOUBLE THROW - BLACK - CUMMINS ENGINE
1	145638-02-01A	EA	SWITCH/ROCKER - SINGLE PULL/SINGLE THROW - BLACK - 8.3L/350 HP CAT ENGINE
1	145638-11-01A	EA	SWITCH/ROCKER - DPDT (ON/OFF/ON) - LIGHTED - BLACK - 8.9L/400 HP CAT ENGINE
1	108355-02-000	EA	HOUSING - SWITCH - 12 POSITION
2	145638-04-01A	EA	SWITCH/ROCKER - SINGLE PULL/DOUBLE THROW
2	108355-01-000	EA	HOUSING - SWITCH
3	145638-03-01A	EA	SWITCH/ROCKER - SINGLE PULL/DOUBLE THROW - BLACK
3	108355-01-000	EA	HOUSING - SWITCH
4	144722-02-02A	EA	APPLIQUE - BEZEL - LEFT - DARK GREY - CUMMINS ENGINE, 8.3L/350 HP CAT ENGINE
4	144722-08-02A	EA	APPLIQUE - BEZEL - LEFT - DARK GRAY - 8.9L/400 HP CAT ENGINE
4	103603-01-000	EA	BULB - 12V - #74 - .12A WEDGE - GE 22-25 USED IN DASH
5	145638-02-01A	EA	SWITCH/ROCKER - SINGLE PULL/SINGLE THROW - BLACK
5	108355-01-000	EA	HOUSING - SWITCH
6	144722-03-02A	EA	APPLIQUE - BEZEL - CENTER/LEFT - DARK GREY
6	103603-01-000	EA	BULB - 12V - #74 - .12A WEDGE - GE 22-25 USED IN DASH
7	145638-09-01A	EA	SWITCH/ROCKER - DOUBLE PULL/DOUBLE THROW - BLACK
7	108355-01-000	EA	HOUSING - SWITCH
8	144722-07-02A	EA	APPLIQUE/BEZEL - DARK GREY
9*	136119-01-000	EA	COMPASS/THERMOMETER - ELECTRONIC- 4.5" X 2.3" DISPLAY FACE
10	144722-01-02A	EA	APPLIQUE - BEZEL - RIGHT - DARK GREY
10	103603-01-000	EA	BULB - 12V - #74 - .12A WEDGE - GE 22-25 USED IN DASH
11	145638-06-01A	EA	SWITCH/ROCKER - SINGLE PULL/DOUBLE THROW - BLACK
11	108355-01-000	EA	HOUSING - SWITCH
12	145638-01-01A	EA	SWITCH/ROCKER - SINGLE PULL/SINGLE THROW - BLACK
12	108355-01-000	EA	HOUSING - SWITCH
13	145638-05-01A	EA	SWITCH/ROCKER - SINGLE PULL/DOUBLE THROW - BLACK
13	108355-01-000	EA	HOUSING - SWITCH
14	145638-07-01A	EA	SWITCH/ROCKER - DOUBLE PULL/DOUBLE THROW - BLACK
14	108355-01-000	EA	HOUSING - SWITCH
15	061424-01-000	EA	LIGHT - AISLE - 12 VOLT - RECTANGULAR
	036196-01-000	EA	BULB - 12V - #194 - .27 AMP - BAYONETTE
16	145638-09-01A	EA	SWITCH/ROCKER - DOUBLE PULL/DOUBLE THROW - BLACK - FRONT RIGHT SLIDEOUT
16	108355-01-000	EA	HOUSING - SWITCH
16	145754-01-01A	EA	SWITCH - BLANK - BLACK
17	133196-05-000	EA	SPEEDOMETER - FREIGHTLINER - KILOMETERS - CANADIAN 2003 CHASSIS
17	149032-01-01A	EA	SPEEDOMETER/KM - FACE/BEZEL - 5" - BLACK - CANADIAN 2004 CHASSIS
18	147844-01-01A	EA	BEZEL - INFO CENTER DISPLAY - BLACK

\*COMPONENT PARTS LISTED LATER IN THIS GROUP

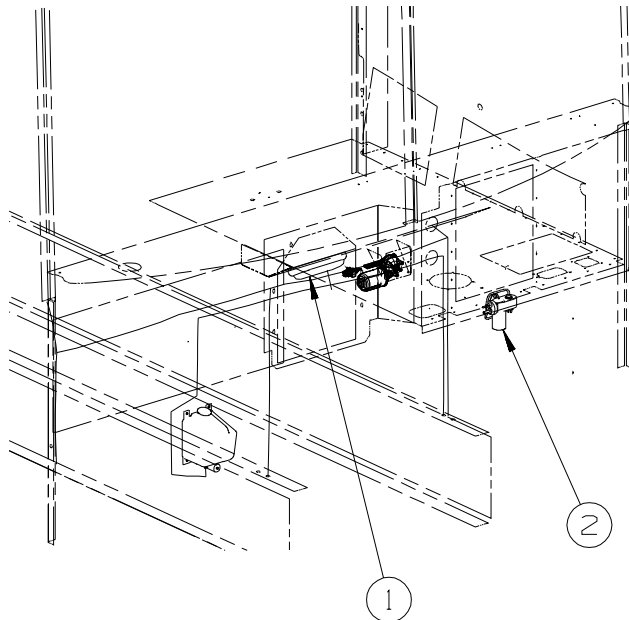
## ELECTRICAL GROUP (CONTINUED)

### FRONT END WIRING (CONTINUED)



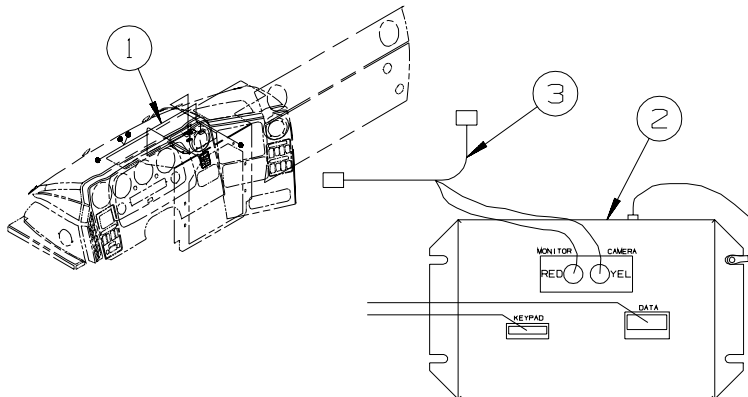
KEY	PART NUMBER	U/M	DESCRIPTION
1	118571-03-000	EA	BRACKET - MOUNTING
1	118571-04-000	EA	GASKET
2	128074-02-000	EA	FILTER - NOISE - 12 VOLT DC W/PLUGS
3	133535-01-000	EA	MODULE - TIMER 20 SECOND - WARNING LIGHT - TS61120P
4*	102756-03-000	EA	KEYLESS ENTRY SYSTEM - ENTRY DOOR & CARGO DOORS - W/REMOTE
5	136120-02-02B	EA	BRACKET - RELAY - E-COATED

**\*COMPONENT PARTS LISTED LATER IN THIS GROUP**



KEY	PART NUMBER	U/M	DESCRIPTION
1*	137417-01-01A	EA	LIGHT - DOME - SINGLE - W/SWITCH/FROSTED LENS - WHITE
2	114802-01-000	EA	PUMP - VACUUM - 12V

**\*COMPONENT PARTS LISTED LATER IN THIS GROUP**

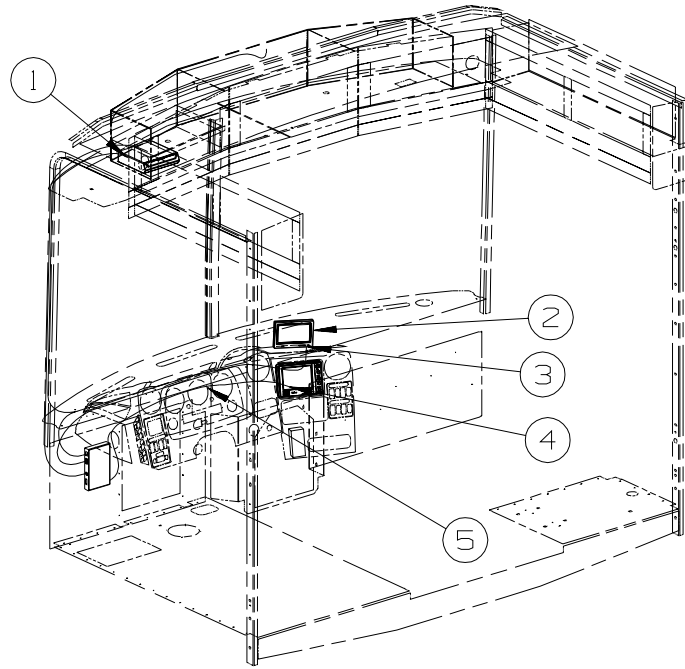


KEY	PART NUMBER	U/M	DESCRIPTION
1	143591-02-000	EA	WIRE LOOM - COMPUTER TRIP/ENGINE MONITOR-TRIP TEK 02-04007
2*	143591-05-000	EA	COMPUTER - TRIP/ENGINE MONITOR - F/COLOR MONITOR - #2500-3
3	143591-04-000	EA	CABLE - CAMERA INTERFACE - F/COLOR MONITOR

**\*COMPONENT PARTS LISTED LATER IN THIS GROUP**



**ELECTRICAL GROUP (CONTINUED)**  
**FRONT END WIRING (CONTINUED)**



KEY	PART NUMBER	U/M	DESCRIPTION
1*	137424-01-000	EA	GPS-NAVAGATION SYS-W/DVD DIVIT/MAPS/GPS ANT & WIRE HARNESS
2	137424-03-000	EA	MONITOR/LCD - COLOR
3	137424-04-000	EA	BRACKET - MONITOR
4	148112-01-000	EA	CABLE - MONITOR - SONY AUX
5	148591-01-000	EA	CABLE - RCA MALE/RCA MALE - RIVER PARK 55-862-1

**\*COMPONENT PARTS LISTED LATER IN THIS GROUP**

**ELECTRICAL GROUP (CONTINUED)**  
**COMPONENT PARTS FOR LIGHTS & SWITCHES**

			<b>086280-01-000</b>
<b>KEY</b>	<b>PART NUMBER</b>	<b>U/M DESCRIPTION</b>	<b>VENDOR NO.</b>
	086280-01-700	EA BULB,12V	ARP1089
			<b>087694-01-000</b>
<b>KEY</b>	<b>PART NUMBER</b>	<b>U/M DESCRIPTION</b>	<b>VENDOR NO.</b>
	087694-01-700	EA BULB	GE561
			<b>091937-08-000</b>
<b>KEY</b>	<b>PART NUMBER</b>	<b>U/M DESCRIPTION</b>	<b>VENDOR NO.</b>
	091937-08-700	EA LENS - LIGHT - FLUORESCENT	D-766
			<b>091937-09-000</b>
<b>KEY</b>	<b>PART NUMBER</b>	<b>U/M DESCRIPTION</b>	<b>VENDOR NO.</b>
	091937-09-700	EA LENS - LIGHT - FLUORESCENT	D-762
			<b>091937-10-000</b>
<b>KEY</b>	<b>PART NUMBER</b>	<b>U/M DESCRIPTION</b>	<b>VENDOR NO.</b>
	091937-09-700	EA LENS - LIGHT - FLUORESCENT	D-762
			<b>102756-03-000</b>
<b>KEY</b>	<b>PART NUMBER</b>	<b>U/M DESCRIPTION</b>	<b>VENDOR NO.</b>
	102756-02-702	EA BATTERY-12 VOLT	402-1002
	102756-03-700	EA MODULE BOARD	202-3219
	102756-03-701	EA REMOTE-KEYLESS ENTRY	412-1115
	102756-03-702	EA RELAY- 30AMP - SPDT	463-1000
	102756-03-703	EA WIRE HARNESS - KEYLESS ENTRY	203-6879
			<b>108354-01-01A</b>
<b>KEY</b>	<b>PART NUMBER</b>	<b>U/M DESCRIPTION</b>	<b>VENDOR NO.</b>
	108354-01-700	EA BULB-COURTESY LIGHT	395-B
			<b>121935-01-01A</b>
<b>KEY</b>	<b>PART NUMBER</b>	<b>U/M DESCRIPTION</b>	<b>VENDOR NO.</b>
	121935-01-700	EA LENS ONLY	809511
			<b>123775-01-01A</b>
<b>KEY</b>	<b>PART NUMBER</b>	<b>U/M DESCRIPTION</b>	<b>VENDOR NO</b>
	123775-01-700	EA BULB - 10 WATT - HALOGEN	71-JC10
	123775-01-701	EA BEZEL/LENS - RECESSED LIGHT	
			<b>130672-01-02A</b>
<b>KEY</b>	<b>PART NUMBER</b>	<b>U/M DESCRIPTION</b>	<b>VENDOR NO.</b>
	130672-02-700	EA REMOTE-WHITE BEZEL(GOLIGHT)	7900T
	130672-02-701	EA HEAD	49250
	130672-02-702	EA BULB	49000
			<b>133416-02-000</b>
<b>KEY</b>	<b>PART NUMBER</b>	<b>U/M DESCRIPTION</b>	<b>VENDOR NO.</b>
	133416-02-700	EA BULB/FLOURESCENT - 36"	F30T8-CW
			<b>136119-01-000</b>
<b>KEY</b>	<b>PART NUMBER</b>	<b>U/M DESCRIPTION</b>	<b>VENDOR NO.</b>
	136119-01-700	EA COMPASS SENSOR (BLACK BOX )	AP-SUB-005
	136119-01-701	EA PROBE/TEMPERATURE SENSOR(V1)	AP-SUB-004A
	136119-01-702	EA DISPLAY MODULE-LED (V1)	AP-SUB-004B
	136119-01-703	EA HARNESS - COMPASS POWER	AP-HRN-175
	136119-01-704	EA HARNESS - COMPASS ENGINE	AP-HRN-176
	136119-01-705	EA HRNSS-COMP.TEMP SENSOR V1	AP-HRN-177
	136119-01-706	EA PROBE/TEMPERATURE SENSOR (V2)	AP-SUB-006
	136119-01-707	EA DISPLAY MODULE - VISUAL (V2)	AP-SUB-007
	136119-01-708	EA HARNESS/COMP. COMP/THERM(V2)	AP-HRN-239 W/PACKRD
			<b>137417-01-01A, 137417-03-01A</b>
<b>KEY</b>	<b>PART NUMBER</b>	<b>U/M DESCRIPTION</b>	<b>VENDOR NO.</b>
	137417-01-700	EA LENS - SINGLE (FROSTED)	810868

**ELECTRICAL GROUP (CONTINUED)**  
**COMPONENT PARTS FOR LIGHTS & SWITCHES (CONTINUED)**

**137424-01-000**

<b>KEY</b>	<b>PART NUMBER</b>	<b>U/M</b>	<b>DESCRIPTION</b>	<b>VENDOR NO.</b>
	137424-01-700	EA	DISC - SETUP - DVD	NVD-A131
	137424-01-701	EA	REMOTE	RUE-4190

**139134-01-02A**

<b>KEY</b>	<b>PART NUMBER</b>	<b>U/M</b>	<b>DESCRIPTION</b>	<b>VENDOR NO.</b>
	139134-01-711	EA	BLADES (36") WHITE MATT	A70050-5W
	139134-01-712	EA	MOTOR	A70050-1
	139134-01-713	EA	HOLDER/BLADE	A70050-4B
	139134-01-714	EA	SWITCH/SLIDE-MOTOR HOUSING	A70050-6

**143591-05-000**

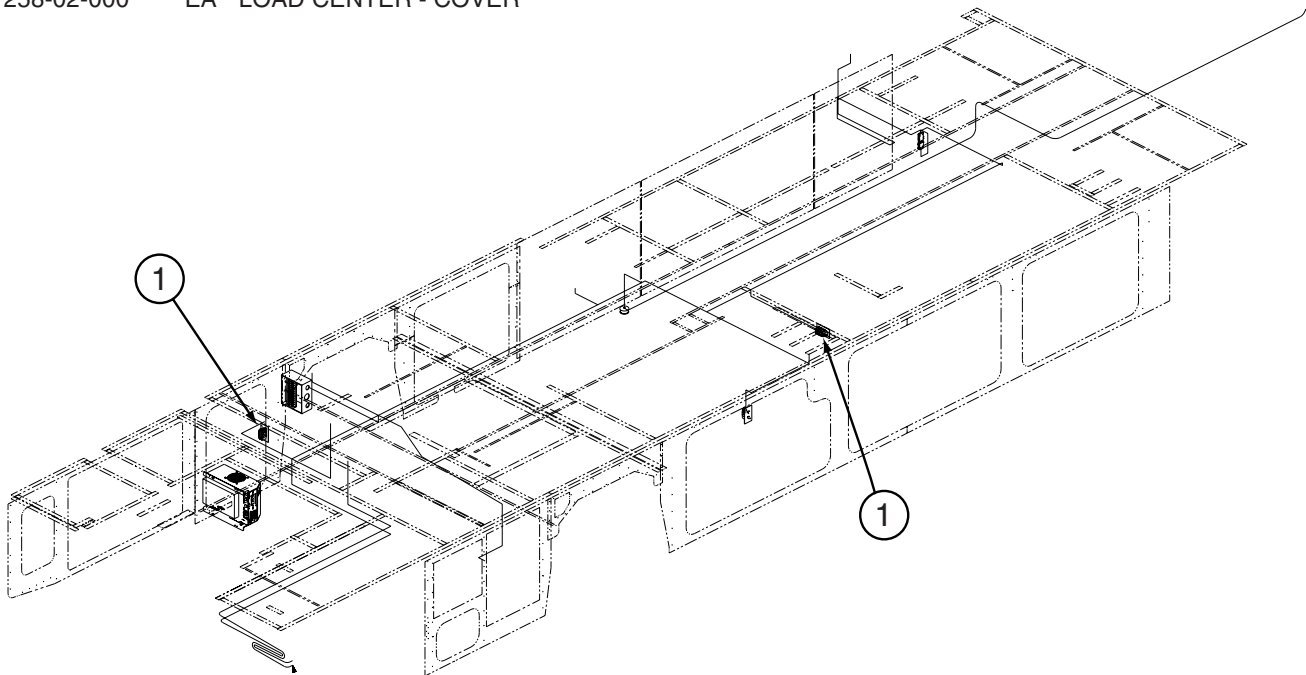
<b>KEY</b>	<b>PART NUMBER</b>	<b>U/M</b>	<b>DESCRIPTION</b>	<b>VENDOR NO.</b>
	143591-05-700	EA	TOUCH PAD W/WIRE/CIRCUIT BRD	TRIP TEK #01-02002

**ELECTRICAL GROUP (CONTINUED)**  
**CIRCUIT BREAKERS & FUSES**

KEY	PART NUMBER	U/M	DESCRIPTION
	008233-01-000	EA	FUSE - 12 VOLT - 6 AMP
	008235-01-000	EA	FUSE - 15 AMP/12VOLT - AUTOMOTIVE
	033573-01-000	EA	CIRCUIT BREAKER W/MOUNT-20A, 12V - FASCO 1711-2026
	062901-02-000	EA	FUSE - 5 AMP - AUTOMOTIVE
	062901-04-000	EA	FUSE - 10 AMP - AUTOMOTIVE
	062901-05-000	EA	FUSE - 15 AMP - AUTOMOTIVE
	062901-06-000	EA	FUSE - 20 AMP - AUTOMOTIVE
	062901-07-000	EA	FUSE - 25 AMP - AUTOMOTIVE
	062901-08-000	EA	FUSE - 30 AMP - AUTOMOTIVE
	083209-01-000	EA	CIRCUIT BREAKER - 15 AMP - 120 VOLT - CANADIAN
	083209-02-000	EA	CIRCUIT BREAKER - 15/15 AMP - 120 VOLT
	083209-03-000	EA	CIRCUIT BREAKER - 15/20 AMP - 120 VOLT
	083209-04-000	EA	CIRCUIT BREAKER - 30 AMP - 120 VOLT
	083209-05-000	EA	CIRCUIT BREAKER - 20 AMP - 120 VOLT
	083209-06-000	EA	CIRCUIT BREAKER - 30/15 AMP - 120 VOLT
	083209-07-000	EA	CIRCUIT BREAKER - 20/20 AMP - 120 VOLT
	083209-10-000	EA	CIRCUIT BREAKER - 20/30 AMP - 120 VOLT
	083209-11-000	EA	CIRCUIT BREAKER - 20/15 AMP - 120 VOLT
	092786-03-000	EA	BUSS BAR - 6.9" LONG
	092786-06-000	EA	BUSS BAR
	093654-01-000	EA	CIRCUIT BREAKER - 6 AMP - 12 VOLT - PUSH BUTTON - WHITE
	093654-02-000	EA	CIRCUIT BREAKER - 15 AMP - 12 VOLT - PUSH BUTTON - WHITE
	093654-03-000	EA	CIRCUIT BREAKER - 20 AMP - 12 VOLT - PUSH BUTTON - WHITE
	093654-11-000	EA	COVER - RESET BUTTON
	093655-01-000	EA	CIRCUIT BREAKER - 25 AMP - 12 VOLT - PUSH BUTTON - WHITE
	093655-02-000	EA	CIRCUIT BREAKER - 30 AMP - 12 VOLT - PUSH BUTTON - WHITE
	093655-03-000	EA	CIRCUIT BREAKER - 40 AMP - 12 VOLT - PUSH BUTTON - WHITE
	097611-01-000	EA	CIRCUIT BREAKER - 10 AMP
	097611-02-000	EA	CIRCUIT BREAKER - 30 AMP
	097611-03-000	EA	CIRCUIT BREAKER - 20 AMP
	097611-04-000	EA	CIRCUIT BREAKER - 25 AMP
	100341-01-000	EA	FUSE HOLDER - IN LINE TYPE
	106656-01-000	EA	FUSE BLOCK - 4 CAVITY - AUTOFUSE
	108567-01-000	EA	CIRCUIT BREAKER - 40 AMP - 12 VOLT - TYPE II
	111683-01-000	EA	FUSE - HOLDER - GLASS - 1/4" X 1 1/4"
	113482-01-000	EA	CIRCUIT BREAKER - 55 AMP - MANUAL
	115187-01-000	EA	FUSE - 300 AMP - NON-DELAY
	115187-02-000	EA	FUSE HOLDER - BUSS ANN/ANL BLOCK
	118531-05-02B	EA	PLATE - CIRCUIT BREAKER - E-COAT - <b>CHIEFTAIN/SUNFLYER L-SERIES</b>
	122811-01-000	EA	CIRCUIT BREAKER - 20/50/50/20 AMP - 250V
	134127-01-000	EA	CIRCUIT BREAKER - 10 AMP - MINI
	139067-01-02B	EA	PLATE - CIRCUIT BRKR-HOUSE - E-CTD - <b>10 PLACE</b>
	139067-02-02B	EA	PLATE - CIRCUIT BRKR-HOUSE - E-CTD - <b>12 PLACE</b>
	139067-03-02B	EA	PLATE-CIRCUIT BKR/HOUSE-E-CTD - <b>14 PLACE</b>
	139067-04-02B	EA	PLATE - CIRCUIT BRKR-HOUSE - E-CTD - <b>TOP 10 PLACE</b>
	139067-05-02B	EA	PLATE - CIRCUIT BREAKER/HOUSE - E-COATED - <b>16 PLACE</b>
	139067-06-02B	EA	PLATE - CIRCUIT BREAKER/HOUSE - E-COATED - <b>18 PLACE</b>
	139067-07-02B	EA	PLATE - CIRCUIT BREAKER/HOUSE - E-COATED - <b>21 PLACE</b>
	141789-01-000	EA	SPACER - CIRCUIT BREAKER

**ELECTRICAL GROUP (CONTINUED)**  
**CONVERTER, INVERTER, LOAD CENTERS**

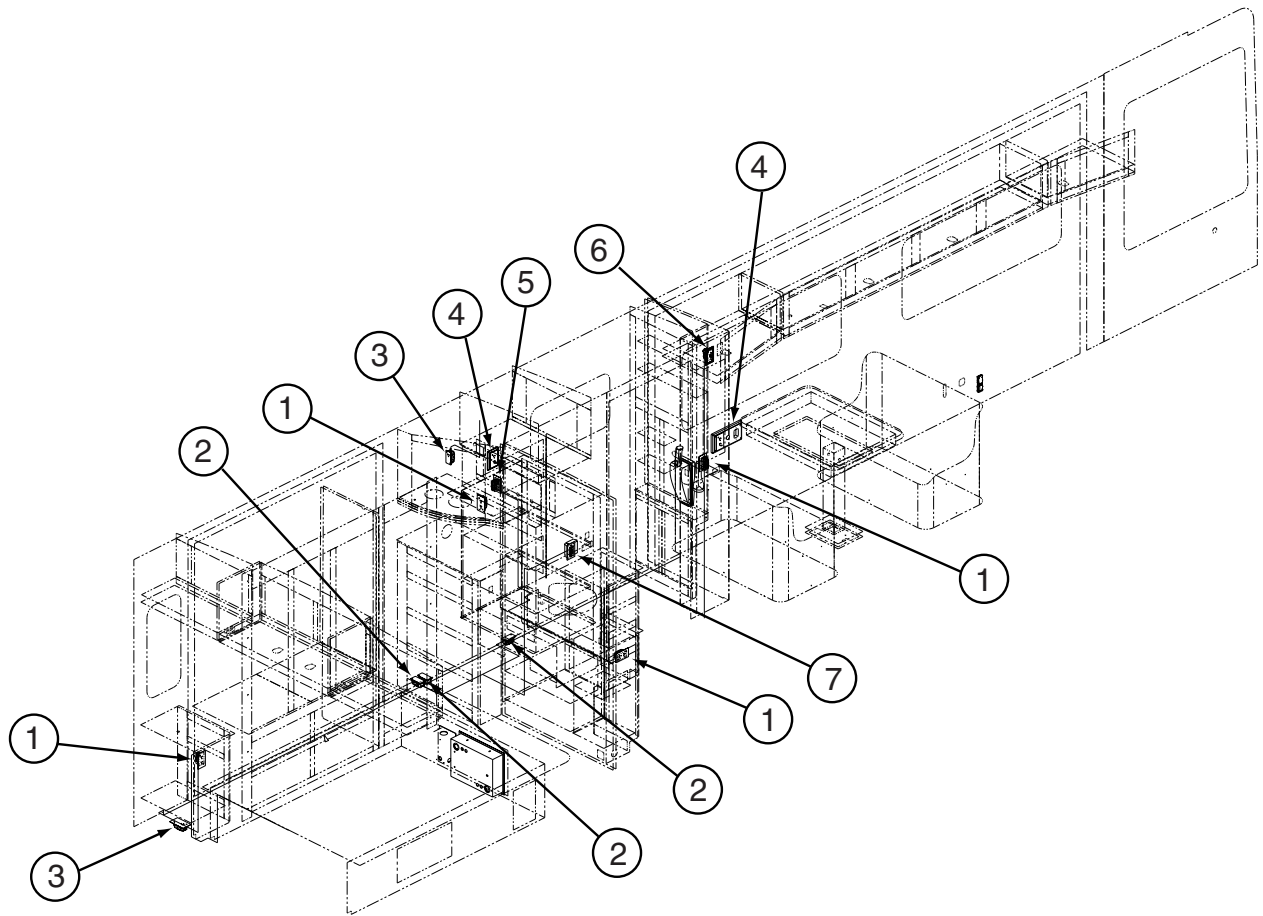
KEY	PART NUMBER	U/M	DESCRIPTION
	109677-01-000	EA	LOAD CENTER - 120 VOLT - 40 AMP
	113685-08-000	EA	INVERTER/CHARGER - 2000W
			FROM: 00-00-00 THRU: 08-03-03
	148254-01-000	EA	INVERTER - CHARGER - 2000W AC
			FROM: 08-04-03 THRU: 99-99-99
	113685-05-000	EA	REMOTE PANEL - INVERTER/CHARGER
			FROM: 00-00-00 THRU: 08-03-03
	148254-02-000	EA	REMOTE - PANEL/INVERTER/CHARGER
			FROM: 08-04-03 THRU: 99-99-99
	113685-06-000	EA	CABLE/HEART INVERTOR - W/6 PIN MODULAR PHONE JACK - 50'
			FROM: 00-00-00 THRU: 08-03-03
	148254-03-000	EA	CABLE/DIMEN INVERTOR - W/8 PIN MODULAR PHONE JACK - 50'
			FROM: 08-04-03 THRU: 99-99-99
	127002-05-000	EA	PANEL/MONITOR - ENERGY MANAGEMENT SYSTEMS CTRL - W/PLUG
	127002-07-000	EA	SENSOR - CURRENT
	127002-08-000	EA	MODULE - EMS CENTER - W/REMOTE SENSOR - #620
	141258-01-000	EA	LOAD CENTER - 120/240 - 50 AMP
	141258-02-000	EA	LOAD CENTER - COVER



**110V WIRING**

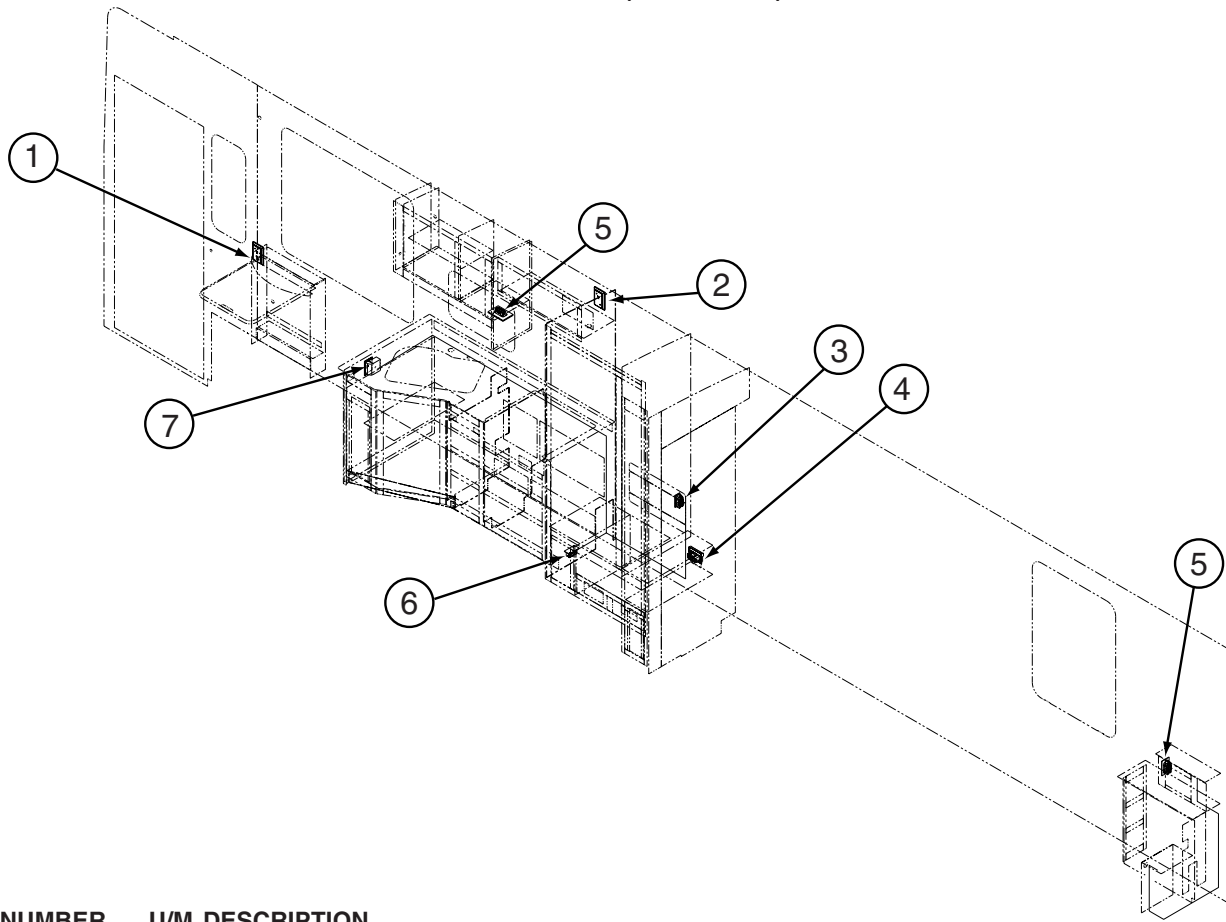
KEY	PART NUMBER	U/M	DESCRIPTION
1	058708-05-000	EA	RECEPTACLE - ELECTRIC - SINGLE - BROWN
1	058708-07-000	EA	RECEPTACLE - ELECTRICAL - SINGLE - WHITE

**ELECTRICAL GROUP (CONTINUED)**  
**110V WIRING (CONTINUED)**



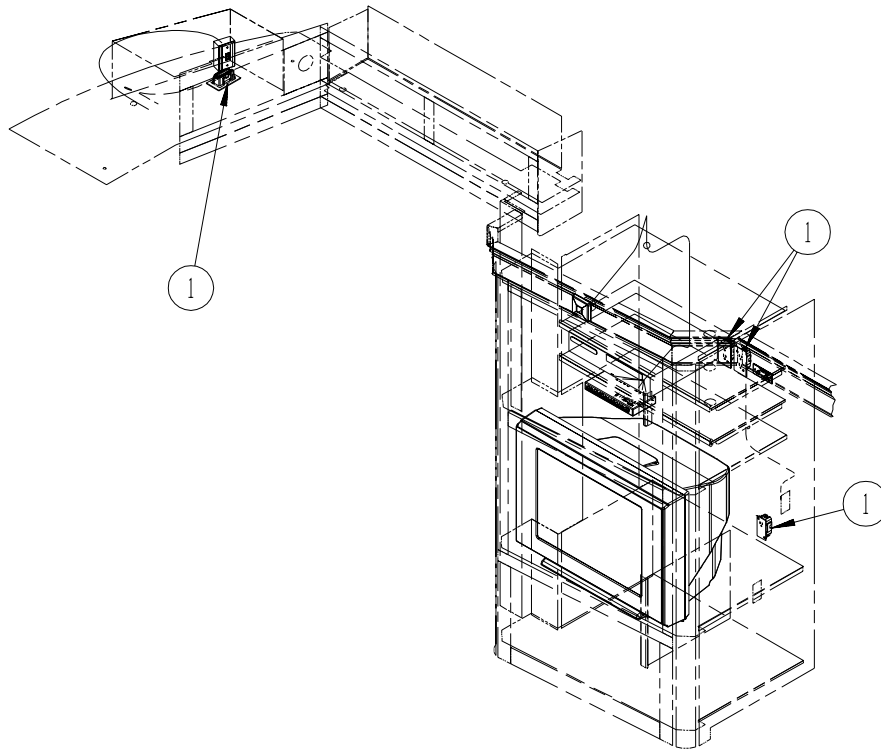
KEY	PART NUMBER	U/M	DESCRIPTION
1	058708-01-000	EA	RECEPTACLE - ELECTRIC - DOUBLE - BROWN
2	058707-02-000	EA	RECEPTACLE - BLANK - JUNCTION BOX
3	058707-01-000	EA	RECEPTACLE - ELECTRIC - SINGLE - BROWN
4	058708-06-000	EA	RECEPTACLE - DUPLEX - WHITE
4	133713-01-20A	EA	SPACER/RECEPTACLE - WHITE VINYL - WHITE
5	058708-05-000	EA	RECEPTACLE - ELECTRIC - SINGLE - BROWN
5	058708-07-000	EA	RECEPTACLE - ELECTRICAL - SINGLE - WHITE
6	084420-01-000	EA	SWITCH - TOGGLE - 15 AMP/120 VOLT - BROWN
7	147446-01-01A	EA	RECEPTACLE - GFCI - 15A 125V - WHITE
7	147450-01-01A	EA	PLATE - ELECTRICAL OUTLET - WHITE

**ELECTRICAL GROUP (CONTINUED)**  
**110V WIRING (CONTINUED)**

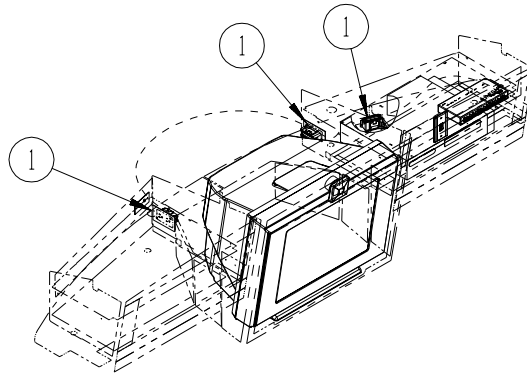


KEY	PART NUMBER	U/M	DESCRIPTION
1	058708-06-000	EA	RECEPTACLE - DUPLEX - WHITE
1	133713-01-20A	EA	SPACER/RECEPTACLE - WHITE VINYL - WHITE
2	058708-05-000	EA	RECEPTACLE - ELECTRIC - SINGLE - BROWN
2	058708-07-000	EA	RECEPTACLE - ELECTRICAL - SINGLE - WHITE
2	133713-01-20A	EA	SPACER/RECEPTACLE - WHITE VINYL - WHITE
3	058707-01-000	EA	RECEPTACLE - ELECTRIC - SINGLE - BROWN
4	131826-01-01A	EA	RECEPTACLE - EXTERIOR - W/COVER/GASKET - WHITE
5	058708-01-000	EA	RECEPTACLE - ELECTRIC - DOUBLE - BROWN
6	058707-02-000	EA	RECEPTACLE - BLANK - JUNCTION BOX
7	147446-01-02A	EA	RECEPTACLE - GFCI - 15A 125V - BROWN
7	147450-01-02A	EA	PLATE - ELECTRICAL OUTLET - BROWN

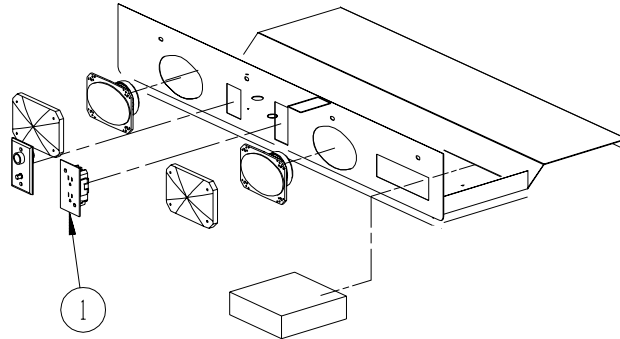
**ELECTRICAL GROUP (CONTINUED)**  
**ENTERTAINMENT WIRING**



KEY	PART NUMBER	U/M DESCRIPTION
1	058708-01-000	EA RECEPTACLE - ELECTRIC - DOUBLE - BROWN



KEY	PART NUMBER	U/M DESCRIPTION
1	058708-01-000	EA RECEPTACLE - ELECTRIC - DOUBLE - BROWN



KEY	PART NUMBER	U/M DESCRIPTION
1	058708-01-000	EA RECEPTACLE - ELECTRIC - DOUBLE - BROWN



## ELECTRICAL GROUP (CONTINUED)

### BOXES & CORDS

KEY	PART NUMBER	U/M	DESCRIPTION
	091910-01-000	EA	BOX - ELECTRIC - 3.8" X 3.5" X 1.8" - PLASTIC
	091910-02-000	EA	BOX - ELECTRIC - 2.2" X 3.5" X 1.8" - PLASTIC
	133070-01-000	EA	BOX - ELECTRIC/PLASTIC - 3" X 2" X 2.8" - UL
	133070-02-000	EA	BOX - ELECTRIC/PLASTIC - 3" X 2" X 2.8" - CSA
	106071-06-000	EA	SWITCH - AUTOMATIC TRANSFER
	108934-02-000	EA	CORD - POWER - 50 AMP - 4-WIRE - 36'
	109172-01-000	EA	CORD - POWER - 13 AMP - 3 WIRE - 4'
	115832-01-000	FT	CORD - HEAVY DUTY - 14-2W GROUND
	144858-02-000	EA	REEL - POWERED

### WIRE ASSEMBLIES

KEY	PART NUMBER	U/M	DESCRIPTION
	097618-01-000	EA	WIRE ASSEMBLY/MONITOR PANEL - 3 WIRES & RESISTOR - 15.7"
	124336-01-000	EA	WIRE - REAR STEREO - 12 PIN
	124882-09-000	EA	WIRE LOOM - AMPLIFIER - Q SURROUND
	125853-07-000	EA	WIRE LOOM - ENTERTAINMENT CENTER
	129560-01-000	EA	WIRE LOOM - 2 MONITOR PANEL
	129619-01-000	EA	WIRE F/SENSORS - BLACK WATER
	129620-01-000	EA	WIRE F/SENSORS - GREY WATER
	132267-01-000	EA	WIRE ASM-DOOR LOCK
	135131-01-000	EA	WIRE LOOM - THERMOSTAT
	135420-02-000	EA	WIRE LOOM - RADIO
	136028-01-000	EA	WIRE ASM - SOFA, REST EASY
	137135-03-000	EA	WIRE LOOM - DIGITAL ELEVATION SENSOR
	137135-04-000	EA	WIRE HARNESS - POWER - DIGITAL ELEVATION SENSOR
	139297-01-000	EA	RESISTOR - 10 OHM/10W CERAMIC
	139583-01-000	EA	WIRE LOOM - SOFA/DOUBLE REST EASY
	139583-02-000	EA	WIRE LOOM - SOFA/REAR SWITCH
	140167-01-000	EA	WIRE LOOM - GPS ADAPTER
	140195-01-000	EA	WIRE LOOM - RESISTOR/FAN
	141454-02-000	EA	WIRE LOOM - SATELLITE - AUTOMATIC
			FROM: 00-00-00 THRU: 07-06-03
	141454-04-000	EA	WIRE - SATELLITE - AUTOMATIC
			FROM: 07-07-03 THRU: 99-99-99
	142258-02-000	EA	WIRE LOOM - VIDEO SWITCH/POWER SUPPLY
	143545-01-000	EA	WIRE ASSEMBLY - REAR MONITOR
	143591-02-000	EA	WIRE LOOM - COMPUTER TRIP/ENGINE MONITOR-TRIP TEK 02-04007
	145778-01-000	EA	WIRE - WINDSHIELD WIPER/WASHER - F/FL SYSTEM 3 ELECTRONICS
	145778-02-000	EA	WIRE - WINDSHIELD WIPER/WASHER - F/FL MMDC ELECTRICAL SYST
	148115-01-000	EA	WIRE/POWER CABLE - TRI STAR 1700003001 - SATELLITE RADIO

**ELECTRICAL GROUP (CONTINUED)**  
**CONNECTORS & CONDUIT**

KEY	PART NUMBER	U/M	DESCRIPTION
	007940-01-000	EA	RECEPTACLE/SLIDE 16 TO 12 AWG - FEMALE END
	007940-02-000	EA	RECEPTACLE-SLIDE 10 AWG - AMP 180351-2
	007954-01-000	EA	RECEPTACLE - HOUSING - 6 POSITION
	007956-05-000	EA	INSULATOR - SHRINK - 1/4" ID X 1 1/2"
	008058-01-700	EA	ADAP-ELEC.30AMP M X 50 AMP F 30M50F
	008058-01-000	EA	ADAPTER - POWER CORD - 30 AMP TO 15 AMP
	008311-01-000	EA	CONNECTOR - WIRE NUT - INSULATED - RED
	008312-01-000	EA	CONNECTOR - WIRE NUT - INSULATED - BLUE
	008313-01-000	EA	CONNECTOR - WIRE NUT - INSULATED - YELLOW
	008314-01-000	EA	CONNECTOR - WIRE NUT - INSULATED - GRAY
	008326-01-000	EA	TERMINAL - RING - 16/14 WIRE - 3/8" STUD
	008328-01-000	EA	TERMINAL - RING - 12/10 WIRE - #10 STUD FIT
	008331-01-000	EA	TERMINAL - RING - TONGUE - #4 WIRE - 3/8" STUD - COPPER
	008348-01-000	EA	TERMINAL - RING - 3/8" STUD 2 GA. WIRE
	008355-01-000	EA	CONNECTOR - CABLE CLAMPING - 3/4"
	008356-01-000	EA	CONNECTOR - PLASTIC - 3/8"
	008356-02-000	EA	CONNECTOR - PLASTIC - 21/32"
	008394-01-000	FT	CONDUIT - FLEXIBLE - 1/2"
	008398-01-000	EA	CONNECTOR - 1/2" X 90 DEGREE - FLEX CONDUIT - UL & CSA
	035416-04-000	EA	TERMINAL - RING - #10 STUD FIT - INSULATED BARREL #16/14
	041953-01-000	FT	CONDUIT - CONVOLUTE SLIT - .5" ID - POLYETHYLENE
	041953-02-000	FT	CONDUIT - CONVOLUTE SLIT - .6" ID - POLYETHYLENE
	041953-03-000	FT	CONDUIT - CONVOLUTE SLIT - 1" ID (CLOTHES ROD COVER)
	041953-06-000	FT	CONDUIT - CONVOLUTE SLIT - .4" ID - POLYETHYLENE
	041953-07-000	FT	CONDUIT - CONVOLUTE SLIT - .25" ID - POLYETHYLENE
	041953-08-000	FT	CONDUIT - CONVOLUTE SLIT - 1.5" ID - POLYETHYLENE
	041953-09-000	FT	CONDUIT - CONVOLUTE SLIT - .5" ID - NYLON
	041953-10-000	FT	CONDUIT - CONVOLUTE SLIT - .75" ID - NYLON
	041953-11-000	FT	CONDUIT - CONVOLUTE SLIT - 1.06" ID - NYLON
	041953-12-000	FT	CONDUIT - CONVOLUTE SOLID - 1.1" ID - NYLON
	041953-13-000	FT	CONDUIT - CONVOLUTE SLIT - 1.25" ID
	041953-14-000	FT	CONDUIT - CONVOLUTE SLIT - 1.5" ID
	041953-15-000	FT	CONDUIT - CONVOLUTE SLIT - 2"
	041953-16-000	FT	CONDUIT - CONVOLUTE SLIT - 2"
	047443-01-000	EA	TERMINAL - .250 RECEPTACLE FIT - INSULATED - 16/14 AWG
	047443-02-000	EA	TERMINAL - .250 RECEPTACLE FIT - INSULATED - 12/10 AWG
	058028-01-000	EA	CONNECTOR - ELECTRICAL PIGTAIL - NYLON - CLEAR
	062036-01-000	EA	TERMINAL - PACK - CON - 12/10 AWG
	074017-02-000	EA	HOUSING - 5 POSITION - RIGHT ANGLED
	077479-01-000	EA	BOOT - BATTERY TERMINAL - DOUBLE CABLE
	077479-02-000	EA	BOOT - BATTERY TERMINAL - SINGLE CABLE
	080015-02-000	EA	RECEPTACLE - FLAG - .185 - 16/14 GAUGE
	080015-03-000	EA	RECEPTACLE - FLAG - .250 - 14/16 GAUGE
	082109-01-000	EA	HOUSING - CONNECTOR - PACKARD
	082741-01-000	EA	CONNECTOR BODY - 2 CONNECTOR MALE
	087225-01-000	FT	SLEEVING - 1/2" - TYPE H
	087949-01-000	EA	BUSS BAR - 2 POSITION - .6" X 1.5"
	087949-03-000	EA	BUSS BAR - 4 POSITION
	087949-05-000	EA	BUSS BAR - 7 POSITION
	088473-01-000	EA	HOUSING - PIN - 12 CAVITY (3 ROWS OF 4)
	088473-02-000	EA	HOUSING - PIN - 15 CAVITY (3 ROWS OF 5)
	088473-03-000	EA	HOUSING - PIN - 9 CAVITY (3 ROWS OF 3)
	088473-04-000	EA	HOUSING - PIN - 8 CAVITY IN-LINE
	088473-06-000	EA	HOUSING - PIN - 6 CAVITY (2 ROWS OF 3)
	088473-07-000	EA	HOUSING - PIN - 5 CAVITY - IN LINE
	088473-08-000	EA	HOUSING - PIN - 4 CAVITY - IN-LINE
	088473-09-000	EA	HOUSING - PIN - 3 CAVITY - IN-LINE
	088473-10-000	EA	HOUSING - PIN - 2 CAVITY - IN LINE
	088474-01-000	EA	HOUSING - SOCKET - 12 CAVITY
	088474-02-000	EA	HOUSING - SOCKET - 15 CAVITY
	088474-03-000	EA	HOUSING - SOCKET - 9 CAVITY
	088474-06-000	EA	HOUSING - SOCKET - 6 CAVITY
	088474-07-000	EA	HOUSING - SOCKET - 5 CAVITY

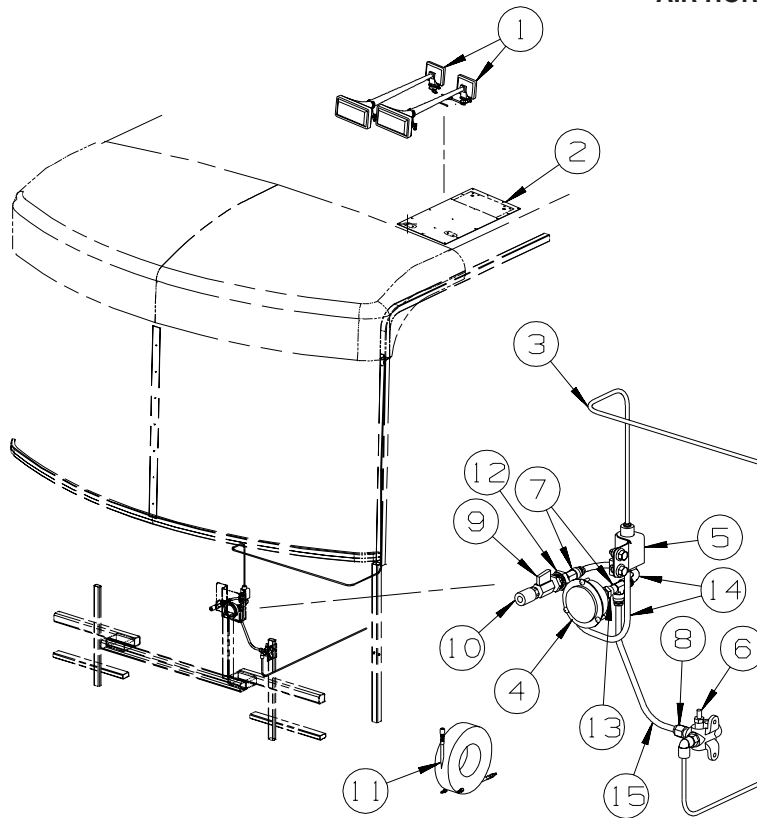
**ELECTRICAL GROUP (CONTINUED)**  
**CONNECTORS & CONDUIT (CONTINUED)**

<b>KEY</b>	<b>PART NUMBER</b>	<b>U/M</b>	<b>DESCRIPTION</b>
	088474-08-000	EA	HOUSING - SOCKET - 4 CAVITY
	088474-09-000	EA	HOUSING - SOCKET - 3 CAVITY
	088474-10-000	EA	HOUSING - SOCKET - 2 CAVITY
	088475-01-000	EA	PIN - CONNECTOR - 14-20 AWG
	088475-02-000	EA	PIN - CONNECTOR - 10-12 AWG
	088476-01-000	EA	TERMINAL - ELECTRICAL
	088476-02-000	EA	SOCKET - CONNECTOR - 12-10 GA - PRE-TIN
	098261-01-000	EA	SOCKET - CONNECTOR - WEATHERPACK - 12 AWG
	098261-02-000	EA	SOCKET - CONNECTOR - WEATHERPACK - 14-18 AWG
	098262-01-000	EA	SEAL - CONNECTOR - WEATHERPACK
	098264-01-000	EA	HOUSING - 2 PIN - WEATHER PACK - MALE W/FEMALE PINS
	098264-02-000	EA	HOUSING - 2 PIN - WEATHER PACK - FEMALE W/MALE PINS
	098265-02-000	EA	PIN - CONNECTOR - WEATHER PACK
	101751-02-000	EA	HOUSING - 1 PIN - WEATHERPACK
	102777-02-000	EA	TERMINAL - RING - #6 STUD - 10 AWG
	103608-01-000	EA	SOCKET - WEDGE BASE W/LEADS
	104100-01-000	EA	HOUSING - 1 POSITION - 75 AMPS
	104100-03-000	EA	TERMINAL - 75 AMP
	110178-01-000	EA	HOUSING - WIPER MOTOR
	112823-01-000	EA	SPLICE - REDUCER - 16-14 TO 18-22
	113135-01-000	EA	TERMINAL - FEMALE - M/P - 14-16 - F/SEALED TERMINAL
	113308-01-000	EA	TERMINAL - FEMALE - M/P - 14-16 - 280
	113468-01-000	EA	HOUSING - 2 POSITION-FEMALE-USED ON WIPER/WASHER WIRE ASM
	113638-02-000	EA	CONNECTOR - ACTUATOR
	115931-01-000	EA	COVER - CONNECTOR - 30 AMP W/LOCK RING
	115931-02-000	EA	COVER - CONNECTOR - 50 AMP W/LOCKING RING
	115932-01-000	EA	CONNECTOR - FEMALE - 30 AMP/120 VOLT
	115932-02-000	EA	CONNECTOR - FEMALE - 50 AMP/240 VOLT
	116811-01-000	EA	TERMINAL - .110 RECEPTACLE - 16-14 AWG
	118571-01-000	EA	CONNECTOR - 3-WAY - MALE/SEALED
	118571-02-000	EA	CONNECTOR - 3-WAY - FEMALE/SEALED
	118571-05-000	EA	LOCK - SECONDARY - FEMALE
	118571-06-000	EA	LOCK - SECONDARY - MALE
	118599-02-000	EA	TERMINAL - MALE - M/P - 280/14-12
	118820-01-000	EA	INSULATOR - TERMINAL
	129233-01-000	EA	HOUSING - 2-POSITION/FEMALE - 280-SERIES
	129233-02-000	EA	HOUSING - 2-POSITION/FEMALE - 280-SERIES
	131681-01-000	EA	CONNECTOR - 3/4" SO CORD - UL/CS
	137207-01-000	EA	HOUSING - PIN - 2 CAVITY/HIGH AMP
	137208-01-000	EA	HOUSING - SOCKET - 2 CAVITY/HIGH AMP
	137209-01-000	EA	PIN - CONNECTOR - 10AWG/HIGH AMP
	137210-01-000	EA	SOCKET - CONNECTOR - 10 AWG/HIGH AMP
	138419-03-000	EA	SOCKET - LAMP - 3 WIRE
	142520-01-000	EA	TERMINAL - FEMALE - MINI-FIT 16
	142522-01-000	EA	HOUSING - 4 PIN/MALE - MINI FIT
	142522-02-000	EA	HOUSING - 6 PIN/MALE - MINI FIT
	142522-03-000	EA	HOUSING - 8 PIN/MALE - MINI FIT
	142524-01-000	EA	HOUSING - 4 PIN/FEMALE - WEATHER PACK
	142524-02-000	EA	HOUSING - 4 PIN/WEATHER PACK/FEMALE
	144283-01-000	EA	CONNECTOR - WIRE, SOW, BLUE, MOLEX 19403-0011
	144283-02-000	EA	CONNECTOR - WIRE, NM, CLEAR, MOLEX 19045-1000

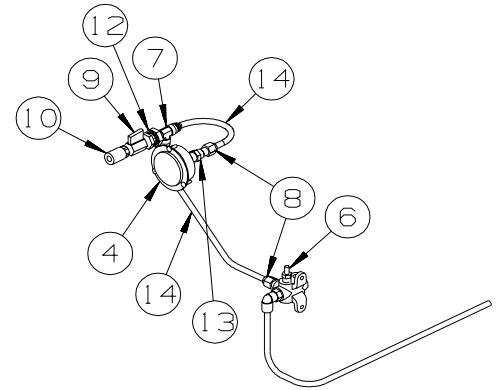
**BOOTS, SOLENOIDS, RELAYS & MISCELLANEOUS**

<b>KEY</b>	<b>PART NUMBER</b>	<b>U/M</b>	<b>DESCRIPTION</b>
	008188-02-000	EA	SOLENOID - VENTED - HEAVY DUTY
	063910-01-000	EA	HOUSING - RELAY
	063912-02-000	EA	RELAY - CANISTER - SPDT
	086273-01-000	EA	RELAY - BATTERY DISCONNECT
	086233-01-000	EA	STUD - ISOLATED - 3/8" X 7/8" LONG
	138914-01-02B	EA	STRAP - BATTERY TIE DOWN - E-COATED

## EXTERIOR BODY GROUP AIR HORN



W/Air Horns



W/O Air Horns

KEY	PART NUMBER	U/M	DESCRIPTION
1*	077497-06-000	EA	HORN - AIR - CHROME - TWIN
2	125123-01-12B	EA	PLATE/MOUNT - AIR HORN - 25" X 13" - BRIGHT WHITE
3	071390-04-000	FT	TUBING - AIR BRAKE - 1/4" OD-BLK WEATHERHEAD(BRKS & HORN)
4	142609-01-000	EA	GAUGE/AIR - 2.5" MOUNTING FLANGE - 1/4" MPT
5	077497-11-000	EA	SOLENOID - HORN - REMOTE MOUNT
6	086241-01-000	EA	VALVE - AIR - 1/4 MPT X TIRE STEM
7	142570-01-000	EA	TEE - 3/8"T X 1/4"P
8	142571-01-000	EA	CONNECTOR - 3/8"T X 1/4"P
9	142597-01-000	EA	VALVE - BALL - AIR - 1/4"MFPT
10	142595-01-000	EA	COUPLER - QUICK CONNECT - AIR - 1/4"MPT
11	142607-03-000	EA	HOSE - AIR - 50'
12	071374-03-000	EA	FITTING - BULKHEAD - 1/4" X 1/4" MNPT
13	075155-03-000	EA	COUPLING-PIPE,1/4 BRASS
14	071390-07-000	FT	TUBING - AIR BRAKE - 3/8" - BLACK
15	071390-06-000	FT	TUBING - FUEL/DIESEL - 3/8" - BLUE (AIR HORNS) - <b>S-SERIES</b>

\*COMPONENT PARTS LISTED LATER IN THIS GROUP

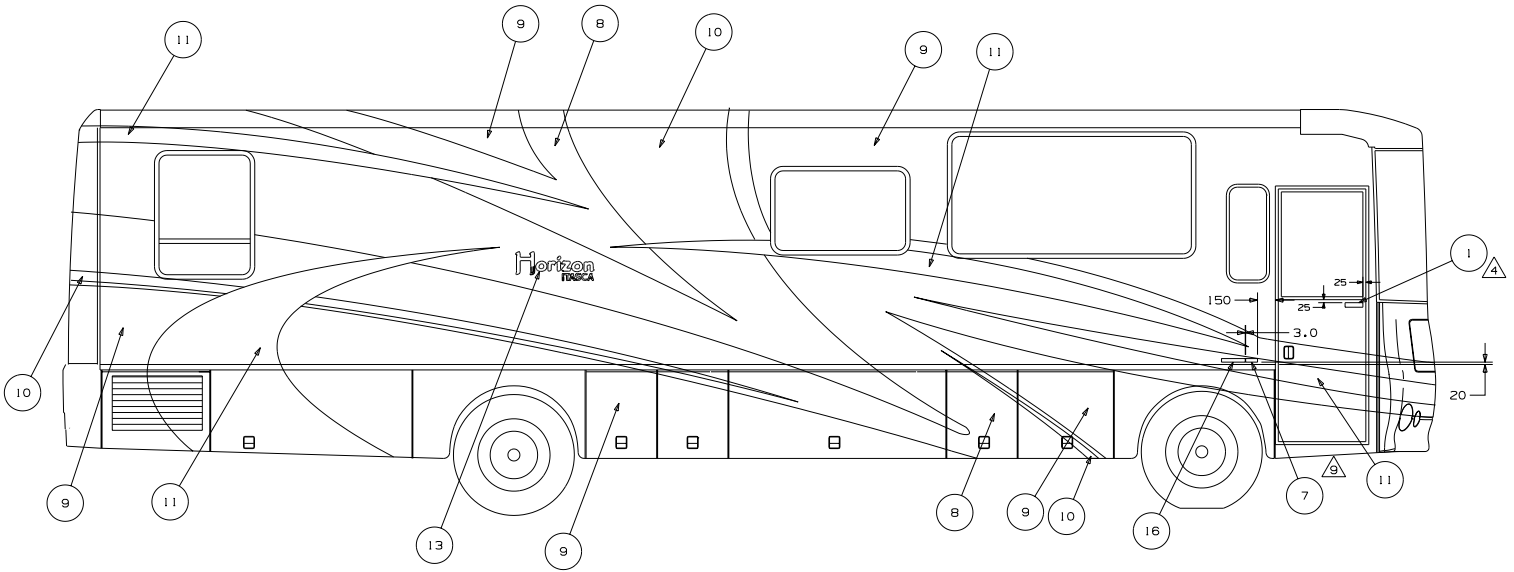
**EXTERIOR BODY GROUP (CONTINUED)**  
**COMPONENT PARTS FOR AIR HORN**

077497-06-000

<b>KEY</b>	<b>PART NUMBER</b>	<b>U/M</b>	<b>DESCRIPTION</b>	<b>VENDOR NO.</b>
	077497-01-701	EA	SWITCH - COMPRESSOR	13940-S
	077497-01-702	EA	SWITCH - TOGGLE - W/WIRE	12949-S

# EXTERIOR BODY GROUP (CONTINUED)

## GRAPHICS & PAINT



10. APPLY PROTECTOR 116424-01-000 TO WATER HEATER DOOR.

▲ PROTECTIVE FILM 109506-01-000

▲ SATELLITE DOME TO BE PAINTED.

▲ DIE CUT ACRYLIC 3M FILM USED TO PROTECT FULL BODY PAINTED UNITS.

6. ON FULL BODY PAINT UNITS, USE 145487-02-000 (100 FT) TO COVER UNSEALED ROOF SEAMS.

▲ CLEAR COAT TO BE PAINTED ON ENTIRE UNIT.

▲ DECAL IS PUT ON DRIVERS SIDE ALSO.

3. CONTINUE MULTISTRIPE ONTO ENDBALLS OF SLIDEOUT.

▲ CENTER ON UNIT.

1. SUGGESTED VENDOR: SHARPLINE.

NOTES:

- (24P) FRT EXT PROTECTION MASK
- (27A) EXT GRAPHICS-PKG 1
- (92A) EXT GRAPHICS-PKG 2
- (24C) EXT GRAPHICS-PKG 3

(27A) KEY	PART NUMBER	U/M	DESCRIPTION SEABREEZE EXTERIOR
1	132664-01-CHT(01A)	EA	DECAL-WINNEBAGO,DOMED - GOLD CHROME/BLACK
2	135089-01-CHT(01A)	EA	DECAL-DOMED HORSEPOWER - 350
(IFS) (IFF) 3	135089-02-CHT(01A)	EA	DECAL-DOMED HORSEPOWER - 330
4	137618-02-CHT(01A)	EA	DECAL-BEZEL,DOMED,GRILLE,LOGO - BLACK/CHROME
▲ (24P) 5	147347-01-000	EA	KIT-3M PAINT PROTECTION
6	XXXXXXXXXXXXXXXXXXXX	EA	PLATE-FREIGHTLINER LG - CHASSIS SUPPLIED
7	XXXXXXXXXXXXXXXXXXXX	EA	PLATE-FREIGHTLINER SML - CHASSIS SUPPLIED
8	XXXXXXXXXXXXXXXXXXXX	GL	PAINT - LT. BRONZE MIST MET - SHERWIN WILLIAMS #63528
9	XXXXXXXXXXXXXXXXXXXX	GL	PAINT - SMOKED SILVER MET - SHERWIN WILLIAMS #60588
10	XXXXXXXXXXXXXXXXXXXX	GL	PAINT - BLUESTONE MET - SHERWIN WILLIAMS #60728
11	XXXXXXXXXXXXXXXXXXXX	GL	PAINT - GALAXY BLUE MET - SHERWIN WILLIAMS #51238
▲ (S) 12	XXXXXXXXXXXXXXXXXXXX	GL	PAINT - CLEAR COAT
13	144680-01-CHT(01A)	EA	DECAL-HORIZON,DOMED,LG - TRANS BLACK/CHROME/WHITE/TRANS GOLD/TRANS WHITE
14	144680-02-CHT(01A)	EA	DECAL-HORIZON,DOMED,SML - TRANS BLACK/CHROME/WHITE/TRANS GOLD/TRANS WHITE
▲ (B) 15	-----	GL	PAINT - CUSTOM BLEND NON-METALLIC PAINT TO MATCH SMOKED SILVER MET #60588
16	148636-01-CHT(01A)	EA	DECAL-LOGO,EVOLUTION CHASSIS - CHROME/BLACK/RED

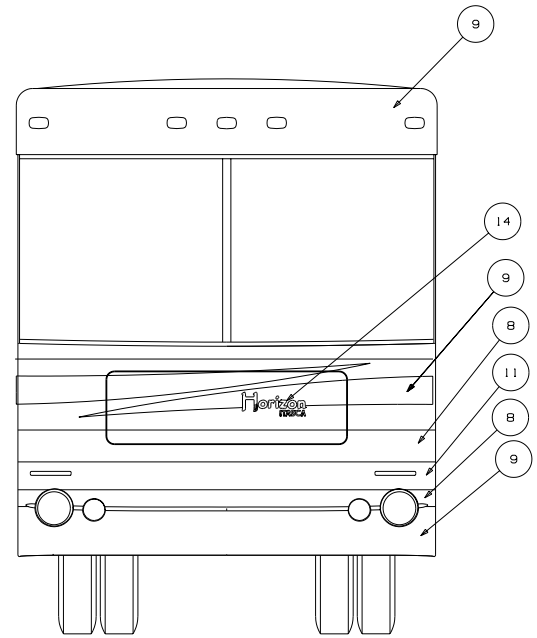
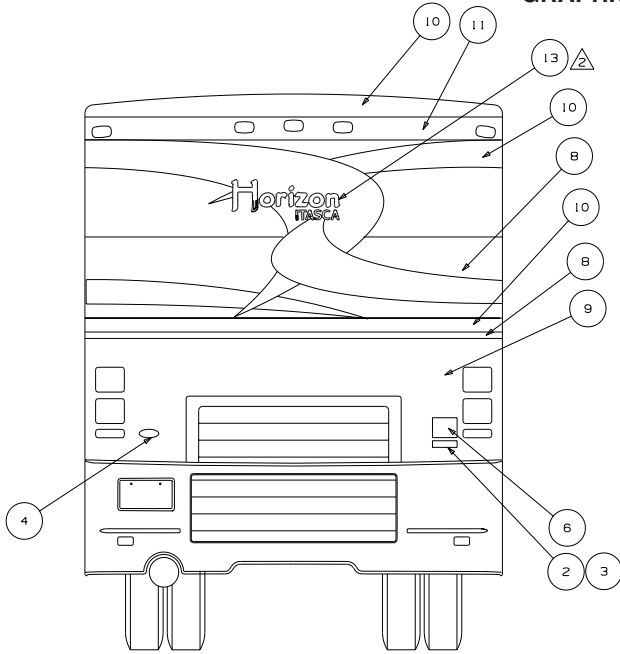
  

(92A) KEY	PART NUMBER	U/M	DESCRIPTION BRIARWOOD EXTERIOR
1	132664-01-CHT(01A)	EA	DECAL-WINNEBAGO,DOMED - GOLD CHROME/BLACK
2	135089-01-CHT(01A)	EA	DECAL-DOMED HORSEPOWER - 350
(IFS) (IFF) 3	135089-02-CHT(01A)	EA	DECAL-DOMED HORSEPOWER - 330
4	137618-02-CHT(01A)	EA	DECAL-BEZEL,DOMED,GRILLE,LOGO - BLACK/CHROME
▲ (24P) 5	147347-01-000	EA	KIT-3M PAINT PROTECTION
6	XXXXXXXXXXXXXXXXXXXX	EA	PLATE-FREIGHTLINER LG - CHASSIS SUPPLIED
7	XXXXXXXXXXXXXXXXXXXX	EA	PLATE-FREIGHTLINER SML - CHASSIS SUPPLIED
8	XXXXXXXXXXXXXXXXXXXX	GL	PAINT - LT. BRONZE MIST MET - SHERWIN WILLIAMS #63528
9	XXXXXXXXXXXXXXXXXXXX	GL	PAINT - MOJAVE MIST MET - SHERWIN WILLIAMS #64139
10	XXXXXXXXXXXXXXXXXXXX	GL	PAINT - ROMAN BRONZE MET - SHERWIN WILLIAMS #63034
11	XXXXXXXXXXXXXXXXXXXX	GL	PAINT - SEDONA BRONZE MET - SHERWIN WILLIAMS #60751
▲ (S) 12	XXXXXXXXXXXXXXXXXXXX	GL	PAINT - CLEAR COAT
13	144680-01-CHT(01A)	EA	DECAL-HORIZON,DOMED,LG - TRANS BLACK/CHROME/WHITE/TRANS GOLD/TRANS WHITE
14	144680-02-CHT(01A)	EA	DECAL-HORIZON,DOMED,SML - TRANS BLACK/CHROME/WHITE/TRANS GOLD/TRANS WHITE
▲ (B) 15	-----	GL	PAINT - CUSTOM BLEND NON-METALLIC PAINT TO MATCH MOJAVE MIST MET #64139
16	148636-01-CHT(01A)	EA	DECAL-LOGO,EVOLUTION CHASSIS - CHROME/BLACK/RED

(24C) KEY	PART NUMBER	U/M	DESCRIPTION FERNBLOCK EXTERIOR
1	132664-01-CHT(01A)	EA	DECAL-WINNEBAGO,DOMED - GOLD CHROME/BLACK
2	135089-01-CHT(01A)	EA	DECAL-DOMED HORSEPOWER - 350
(IFS) (IFF) 3	135089-02-CHT(01A)	EA	DECAL-DOMED HORSEPOWER - 330
4	137618-02-CHT(01A)	EA	DECAL-BEZEL,DOMED,GRILLE,LOGO - BLACK/CHROME
▲ (24P) 5	147347-01-000	EA	KIT-3M PAINT PROTECTION
6	XXXXXXXXXXXXXXXXXXXX	EA	PLATE-FREIGHTLINER LG - CHASSIS SUPPLIED
7	XXXXXXXXXXXXXXXXXXXX	EA	PLATE-FREIGHTLINER SML - CHASSIS SUPPLIED
8	XXXXXXXXXXXXXXXXXXXX	GL	PAINT - LT. BRONZE MIST MET - SHERWIN WILLIAMS #63528
9	XXXXXXXXXXXXXXXXXXXX	GL	PAINT - NEW WIND VEIL MET - SHERWIN WILLIAMS #62974
10	XXXXXXXXXXXXXXXXXXXX	GL	PAINT - FOREST GREEN MET - SHERWIN WILLIAMS #62494
11	XXXXXXXXXXXXXXXXXXXX	GL	PAINT - DANUBE GREEN MICA - SHERWIN WILLIAMS #63942
▲ (S) 12	XXXXXXXXXXXXXXXXXXXX	GL	PAINT - CLEAR COAT
13	144680-01-CHT(01A)	EA	DECAL-HORIZON,DOMED,LG - TRANS BLACK/CHROME/WHITE/TRANS GOLD/TRANS WHITE
14	144680-02-CHT(01A)	EA	DECAL-HORIZON,DOMED,SML - TRANS BLACK/CHROME/WHITE/TRANS GOLD/TRANS WHITE
▲ (B) 15	-----	GL	PAINT - CUSTOM BLEND NON-METALLIC PAINT TO MATCH NEW WIND VEIL MET #62974
16	148636-01-CHT(01A)	EA	DECAL-LOGO,EVOLUTION CHASSIS - CHROME/BLACK/RED

## EXTERIOR BODY GROUP (CONTINUED) GRAPHICS & PAINT (CONTINUED)



**(27A) KEY**

KEY	PART NUMBER	U/M
1	132664-01-CHT(01A)	EA
IFW 2	135089-01-CHT(01A)	EA
IFS IFF 3	135089-02-CHT(01A)	EA
4	137618-02-CHT(01A)	EA
7 24P 5	147347-01-000	EA
6	XXXXXXXXXXXXXXXXXXXX	EA
7	XXXXXXXXXXXXXXXXXXXX	EA
8	XXXXXXXXXXXXXXXXXXXX	GL
9	XXXXXXXXXXXXXXXXXXXX	GL
10	XXXXXXXXXXXXXXXXXXXX	GL
11	XXXXXXXXXXXXXXXXXXXX	GL
5 12	XXXXXXXXXXXXXXXXXXXX	GL
13	144680-01-CHT(01A)	EA
8 14	144680-02-CHT(01A)	EA
15	-----	GL
16	148636-01-CHT(01A)	EA

**DESCRIPTION SEABREEZE EXTERIOR**

DECAL-WINNEBAGO,DOMED - GOLD CHROME/BLACK  
 DECAL-DOMED HORSEPOWER - 350  
 DECAL-DOMED HORSEPOWER - 330  
 DECAL-BEZEL,DOMED,GRILLE,LOGO - BLACK/CHROME  
 KIT-3M PAINT PROTECTION  
 PLATE-FREIGHTLINER LG - CHASSIS SUPPLIED  
 PLATE-FREIGHTLINER SML - CHASSIS SUPPLIED  
 PAINT - LT. BRONZE MIST MET - SHERWIN WILLIAMS #63528  
 PAINT - SMOKED SILVER MET - SHERWIN WILLIAMS #60588  
 PAINT - BLUESTONE MET - SHERWIN WILLIAMS #60728  
 PAINT - GALAXY BLUE MET - SHERWIN WILLIAMS #51238  
 PAINT - CLEAR COAT  
 DECAL-HORIZON,DOMED,LG - TRANS BLACK/CHROME/WHITE/TRANS GOLD/TRANS WHITE  
 DECAL-HORIZON,DOMED,SML - TRANS BLACK/CHROME/WHITE/TRANS GOLD/TRANS WHITE  
 PAINT - CUSTOM BLEND NON-METALLIC PAINT TO MATCH SMOKED SILVER MET #60588  
 DECAL-LOGO,EVOLUTION CHASSIS - CHROME/BLACK/RED

**(92A) KEY**

KEY	PART NUMBER	U/M
1	132664-01-CHT(01A)	EA
IFW 2	135089-01-CHT(01A)	EA
IFS IFF 3	135089-02-CHT(01A)	EA
4	137618-02-CHT(01A)	EA
7 24P 5	147347-01-000	EA
6	XXXXXXXXXXXXXXXXXXXX	EA
7	XXXXXXXXXXXXXXXXXXXX	EA
8	XXXXXXXXXXXXXXXXXXXX	GL
9	XXXXXXXXXXXXXXXXXXXX	GL
10	XXXXXXXXXXXXXXXXXXXX	GL
11	XXXXXXXXXXXXXXXXXXXX	GL
5 12	XXXXXXXXXXXXXXXXXXXX	GL
13	144680-01-CHT(01A)	EA
14	144680-02-CHT(01A)	EA
15	-----	GL
16	148636-01-CHT(01A)	EA

**DESCRIPTION BRIARWOOD EXTERIOR**

DECAL-WINNEBAGO,DOMED - GOLD CHROME/BLACK  
 DECAL-DOMED HORSEPOWER - 350  
 DECAL-DOMED HORSEPOWER - 330  
 DECAL-BEZEL,DOMED,GRILLE,LOGO - BLACK/CHROME  
 KIT-3M PAINT PROTECTION  
 PLATE-FREIGHTLINER LG - CHASSIS SUPPLIED  
 PLATE-FREIGHTLINER SML - CHASSIS SUPPLIED  
 PAINT - LT. BRONZE MIST MET - SHERWIN WILLIAMS #63528  
 PAINT - MOJAVE MIST MET - SHERWIN WILLIAMS #64139  
 PAINT - ROMAN BRONZE MET - SHERWIN WILLIAMS #63034  
 PAINT - SEDONA BRONZE MET - SHERWIN WILLIAMS #60751  
 PAINT - CLEAR COAT  
 DECAL-HORIZON,DOMED,LG - TRANS BLACK/CHROME/WHITE/TRANS GOLD/TRANS WHITE  
 DECAL-HORIZON,DOMED,SML - TRANS BLACK/CHROME/WHITE/TRANS GOLD/TRANS WHITE  
 PAINT - CUSTOM BLEND NON-METALLIC PAINT TO MATCH MOJAVE MIST MET #64139  
 DECAL-LOGO,EVOLUTION CHASSIS - CHROME/BLACK/RED

**(24C) KEY**

KEY	PART NUMBER	U/M
1	132664-01-CHT(01A)	EA
IFW 2	135089-01-CHT(01A)	EA
IFS IFF 3	135089-02-CHT(01A)	EA
4	137618-02-CHT(01A)	EA
7 24P 5	147347-01-000	EA
6	XXXXXXXXXXXXXXXXXXXX	EA
7	XXXXXXXXXXXXXXXXXXXX	EA
8	XXXXXXXXXXXXXXXXXXXX	GL
9	XXXXXXXXXXXXXXXXXXXX	GL
10	XXXXXXXXXXXXXXXXXXXX	GL
11	XXXXXXXXXXXXXXXXXXXX	GL
5 12	XXXXXXXXXXXXXXXXXXXX	GL
13	144680-01-CHT(01A)	EA
14	144680-02-CHT(01A)	EA
15	-----	GL
16	148636-01-CHT(01A)	EA

**DESCRIPTION FERNBLOCK EXTERIOR**

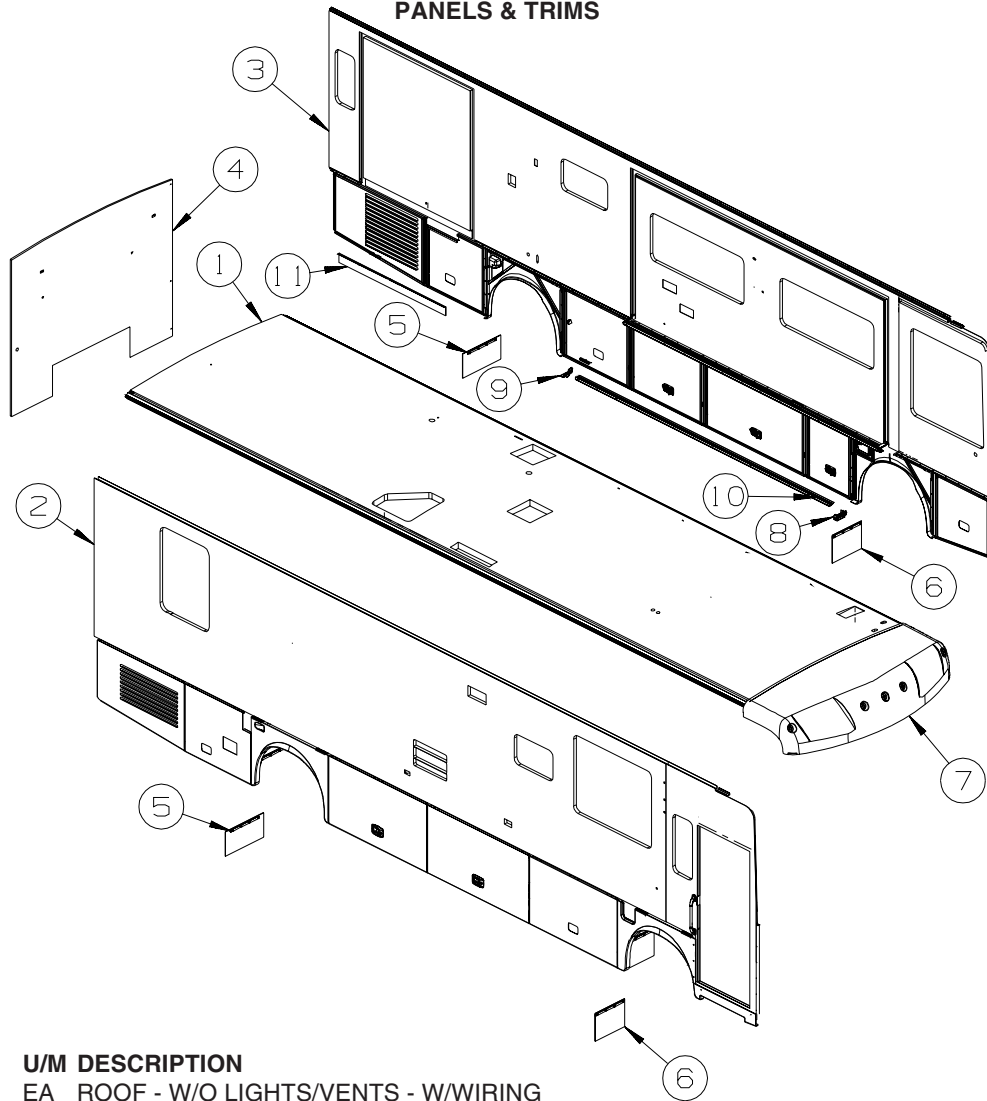
DECAL-WINNEBAGO,DOMED - GOLD CHROME/BLACK  
 DECAL-DOMED HORSEPOWER - 350  
 DECAL-DOMED HORSEPOWER - 330  
 DECAL-BEZEL,DOMED,GRILLE,LOGO - BLACK/CHROME  
 KIT-3M PAINT PROTECTION  
 PLATE-FREIGHTLINER LG - CHASSIS SUPPLIED  
 PLATE-FREIGHTLINER SML - CHASSIS SUPPLIED  
 PAINT - LT. BRONZE MIST MET - SHERWIN WILLIAMS #63528  
 PAINT - NEW WIND VEIL MET - SHERWIN WILLIAMS #62974  
 PAINT - FOREST GREEN MET - SHERWIN WILLIAMS #62494  
 PAINT - DANUBE GREEN MICA - SHERWIN WILLIAMS #63942  
 PAINT - CLEAR COAT  
 DECAL-HORIZON,DOMED,LG - TRANS BLACK/CHROME/WHITE/TRANS GOLD/TRANS WHITE  
 DECAL-HORIZON,DOMED,SML - TRANS BLACK/CHROME/WHITE/TRANS GOLD/TRANS WHITE  
 PAINT - CUSTOM BLEND NON-METALLIC PAINT TO MATCH NEW WIND VEIL MET #62974  
 DECAL-LOGO,EVOLUTION CHASSIS - CHROME/BLACK/RED

KEY	PART NUMBER	U/M	DESCRIPTION
	041561-03-000	EA	PAINT/SPRAY - 12 OZ. NET - OFF WHITE
	093681-39-01A	FT	FILM - 3.1" - MATTE BLACK
	135089-05-01A	EA	DECAL - DOMED - 400 HORSE POWER - BRT WHITE/CHROME/BLACK - 8.9L/400 HP CAT ENGINE

**DUPONT COLOR CODES ARE NOW FOUND IN THE PAINT CODE MANUAL.  
 YOU CAN FIND THIS MANUAL ON YOUR DEALER INDEX WEB PAGE UNDER SERVICE.**

## EXTERIOR BODY GROUP (CONTINUED)

### PANELS & TRIMS



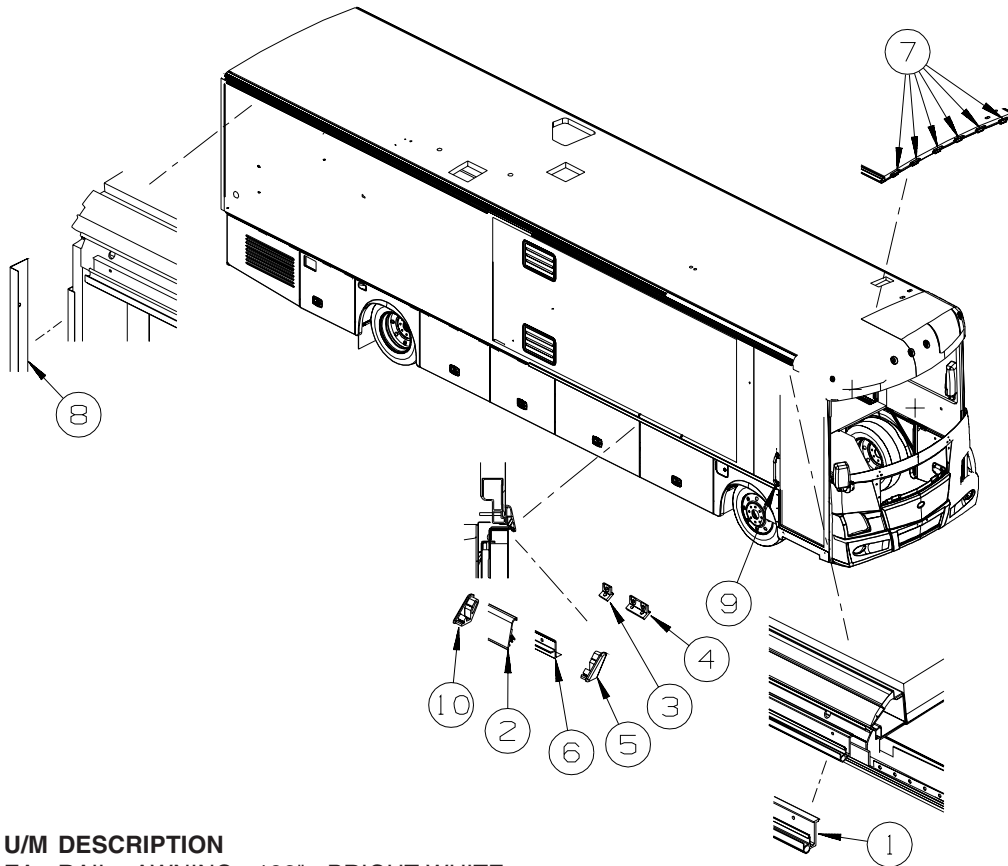
KEY	PART NUMBER	U/M	DESCRIPTION
1	147018-01-R83	EA	ROOF - W/O LIGHTS/VENTS - W/WIRING
2	147016-01-R83	EA	SIDEWALL - PASSENGER - W/O WINDOWS/TRIMS (R89, R95)
2	147016-01-R84	EA	SIDEWALL - PASSENGER - W/O WINDOWS/TRIMS (R90, R96)
2	147016-01-R91	EA	SIDEWALL - PASSENGER - W/O WINDOWS/TRIMS (R91, R97)
			FROM: 00-00-00 THRU: 01-04-04
2	147016-01-RW5	EA	SIDEWALL - PASSENGER - W/O WINDOWS/TRIMS (R91, R97)
			FROM: 01-05-04 THRU: 99-99-99
2	147016-01-R85	EA	SIDEWALL - PASSENGER - W/O WINDOWS/TRIMS (R92)
2	147016-01-R86	EA	SIDEWALL - PASSENGER - W/O WINDOWS/TRIMS (R93)
2	147016-01-R94	EA	SIDEWALL - PASSENGER - W/O WINDOWS/TRIMS (R94)
			FROM: 00-00-00 THRU: 01-04-04
2	147016-01-RW6	EA	SIDEWALL - PASSENGER - W/O WINDOWS/TRIMS (R94)
			FROM: 01-05-04 THRU: 99-99-99
2	147016-01-RE0	EA	SIDEWALL - PASSENGER - W/O WINDOWS/TRIMS (RE3, RE5)
2	147016-01-RE1	EA	SIDEWALL - PASSENGER - W/O WINDOWS/TRIMS (RE4)
3	147017-01-R83	EA	SIDEWALL - DRIVER - W/O WINDOWS/TRIMS (R89, R95)
3	147017-01-R84	EA	SIDEWALL - DRIVER - W/O WINDOWS/TRIMS (R90, R96)
3	147017-01-R91	EA	SIDEWALL - DRIVER - W/O WINDOWS/TRIMS (R91, R97)
			FROM: 00-00-00 THRU: 01-04-04
3	147017-01-RW5	EA	SIDEWALL - DRIVER - W/O WINDOWS/TRIMS (R91, R97)
			FROM: 01-05-04 THRU: 99-99-99
3	147017-01-R85	EA	SIDEWALL - DRIVER - W/O WINDOWS/TRIMS (R92)
3	147017-01-R86	EA	SIDEWALL - DRIVER - W/O WINDOWS/TRIMS (R93)
3	147017-01-R94	EA	SIDEWALL - DRIVER - W/O WINDOWS/TRIMS (R94)
			FROM: 00-00-00 THRU: 01-04-04
3	147017-01-RW6	EA	SIDEWALL - DRIVER - W/O WINDOWS/TRIMS (R94)
			FROM: 01-05-04 THRU: 99-99-99
3	147017-01-RE1	EA	SIDEWALL - DRIVER - W/O WINDOWS/TRIMS (RE4)
3	147017-01-RE0	EA	SIDEWALL - DRIVER - W/O WINDOWS/TRIMS (RE3, RE5)



## EXTERIOR BODY GROUP (CONTINUED)

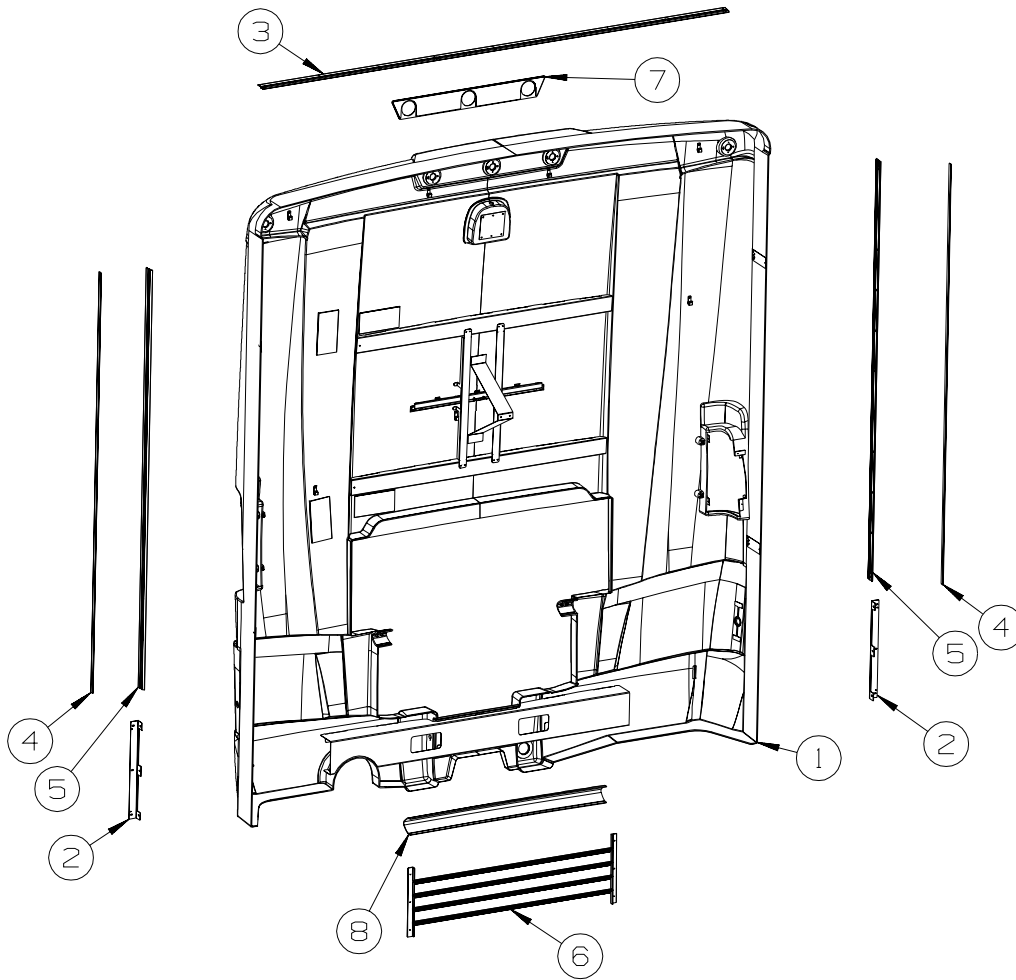
### PANELS & TRIMS (CONTINUED)

KEY	PART NUMBER	U/M	DESCRIPTION
4	147871-01-R83	EA	BACKWALL - W/O WIRING/TRIMS (R89, R90, R91, R95, R96, R97, RE3, RE5)
4	147871-01-R85	EA	BACKWALL - W/O WIRING/TRIMS (R92, R93, R94, RE4)
5	017516-07-000	EA	MUD FLAP - 14"H X 23.5"W - BLACK
	140922-01-02B	EA	PLATE - MUD FLAP - E-COATED
6	017516-01-000	EA	MUD FLAP - 14"H X 18"W - W/O MOUNTING HOLES - BLACK
	140922-01-02B	EA	PLATE - MUD FLAP - E-COATED
7	143622-02-R83	EA	CAP - ROOF/FRONT - W/O LIGHTS/WIRING
8	143219-01-01A	EA	SEAL - CORNER - F/REAR SLIDEOUT
9	143219-02-01A	EA	SEAL - CORNER - F/REAR SLIDEOUT
10	143905-01-000	FT	SEAL - LOWER - F/SLIDEOUT
11	136967-04-02B	EA	ANGLE - W/HOLES - F/SLIDEOUT - E-COATED
	093614-11-01A	EA	GRILLE - AIR RETURN-13.9" X 7.9" - BEIGE



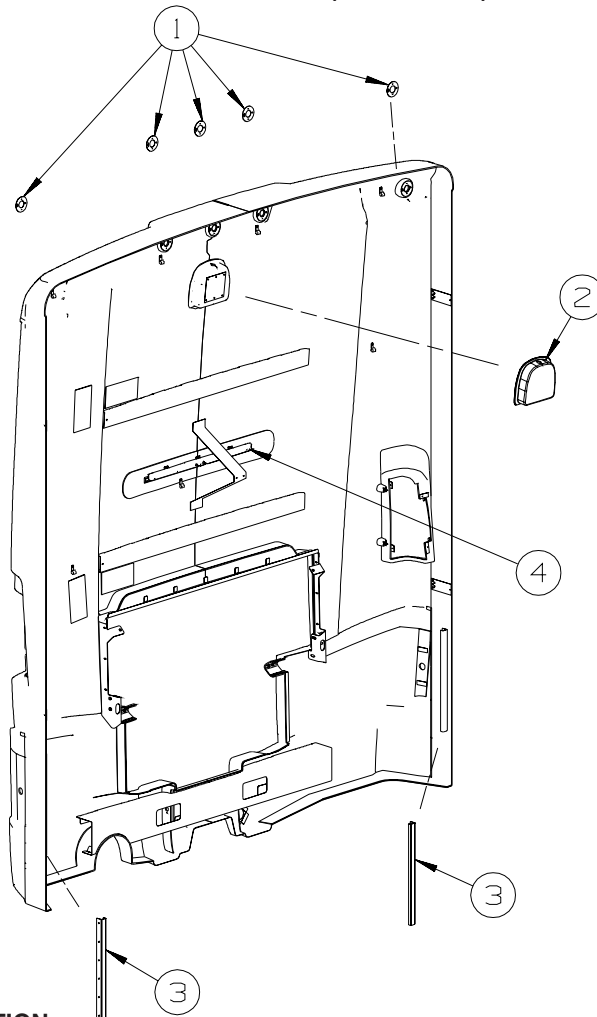
KEY	PART NUMBER	U/M	DESCRIPTION
1	131483-01-01A	EA	RAIL - AWNING - 192" - BRIGHT WHITE
2	123993-01-02A	EA	TRIM - COVER - 182" ALUMINUM - BLACK
			FROM: 00-00-00 THRU: 12-07-03
2	146550-01-02A	EA	TRIM COVER - SIDEWALL
			FROM: 12-08-03 THRU: 99-99-99
3	143143-01-01A	EA	ANGLE - SUPPORT/TRIM
4	143143-02-01A	EA	ANGLE - SUPPORT/TRIM
5	126775-01-02A	EA	END CAP - VALANCE TRIM - RIGHT HAND - BLACK
			FROM: 00-00-00 THRU: 12-07-03
5	146576-01-02A	EA	CAP - END/TRIM - RIGHT HAND
			FROM: 12-08-03 THRU: 99-99-99
6	133376-01-01A	EA	TRIM - RETAINER - 144" - MILL
			FROM: 00-00-00 THRU: 12-07-03
6	146548-01-01A	EA	TRIM - RETAINER
			FROM: 12-08-03 THRU: 99-99-99
7	134774-01-02B	EA	BRACKET - CAB ATTACHMENT - E-COATED
8	132273-01-02B	EA	BRACKET - REAR TRIM - E-COATED
9	132442-07-01A	EA	HANDLE - ASSIST/"ITASCA" LOGO/LIGHTED/20" W/CHROME ENDS
10	126775-02-02A	EA	END CAP - VALANCE TRIM - LEFT HAND - BLACK
			FROM: 00-00-00 THRU: 12-07-03
10	146576-02-02A	EA	CAP - END/TRIM - LEFT HAND- BLACK
			FROM: 12-08-03 THRU: 99-99-99

**EXTERIOR BODY GROUP (CONTINUED)**  
**PANELS & TRIMS (CONTINUED)**



KEY	PART NUMBER	U/M	DESCRIPTION
1	145527-01-R89	EA	PANEL/REAR CAP - W/O GRILLE/DOOR/SHROUD - W/CAMERA CUT-OUT
2	138789-01-02B	EA	ANGLE/MOUNT - WHEEL LIP/BACKWALL - E-COATED FROM: 00-00-00 THRU: 08-17-03
2	138789-02-02B	EA	ANGLE/MOUNT - WHEEL LIP - E-COATED FROM: 08-18-03 THRU: 99-9-99
3	083805-23-000	EA	TRIM - ROOF CAP - 92.1" - BRIGHT WHITE
4	091985-01-07A	FT	INSERT - TRIM - REAR CAP TO SIDEWALL - .66" - BRIGHT WHITE
5	092041-05-01A	EA	TRIM - BACKWALL/SIDEWALL - 77.6" - BRIGHT WHITE FROM: 00-00-00 THRU: 01-11-04
5	092041-09-01A	EA	TRIM - FRONT/REAR CAP (SIDEWALL) - 77.3" - BRIGHT WHITE FROM: 01-12-04 THRU: 99-9-99
6	144171-01-R83	EA	GRILLE - REAR CAP
7	145389-01-01A	EA	TRIM - LIGHTS - REAR - BRUSHED STAINLESS STEEL
8	145388-01-01A	EA	TRIM - BUMPER - REAR - BRUSHED STAINLESS STEEL

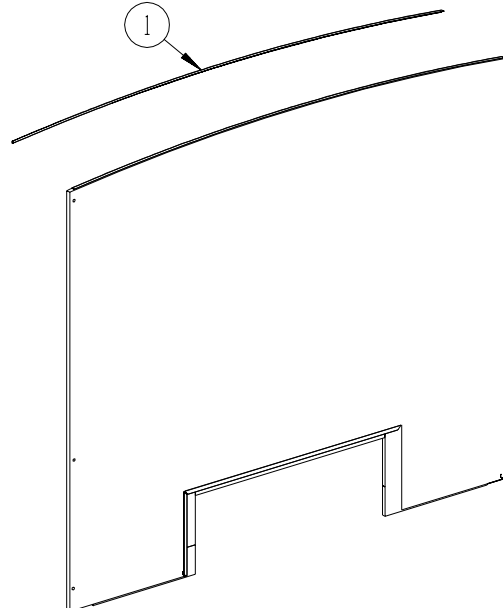
**EXTERIOR BODY GROUP (CONTINUED)**  
**PANELS & TRIMS (CONTINUED)**



KEY	PART NUMBER	U/M DESCRIPTION
1	138423-01-12B	EA PLATE/BACKING - LITE - BRIGHT WHITE
2	138227-01-01A	EA SHROUD - CAMERA - INNER - BLACK
3	138467-03-02B	EA BRACKET/SUPPORT - BUMPER - E-COATED
4	144519-01-01A	EA TRIM - REAR BRAKE LAMP

FROM: 00-00-00 THRU: 08-25-03

FROM: 00-00-00 THRU: 08-05-03

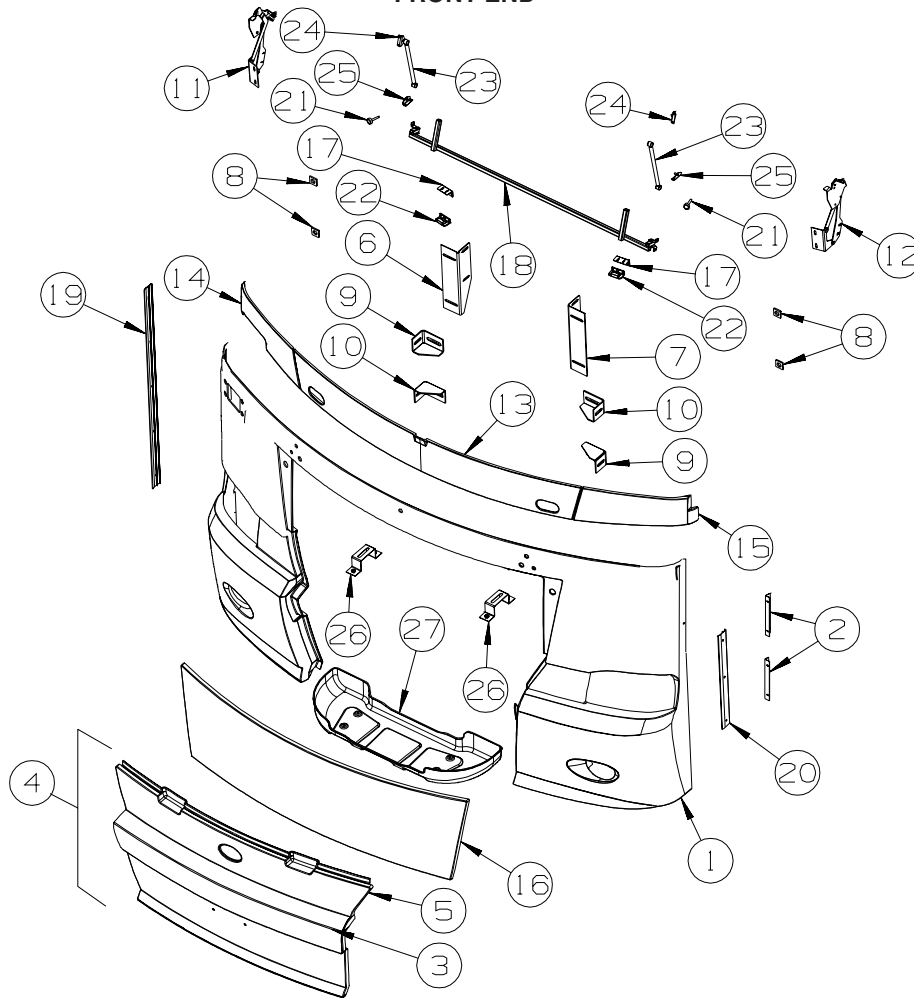


**BACKWALL**

KEY	PART NUMBER	U/M DESCRIPTION
1	114248-02-01A	EA ANGLE - PLASTIC - 96.6"

# EXTERIOR BODY GROUP (CONTINUED)

## FRONT END

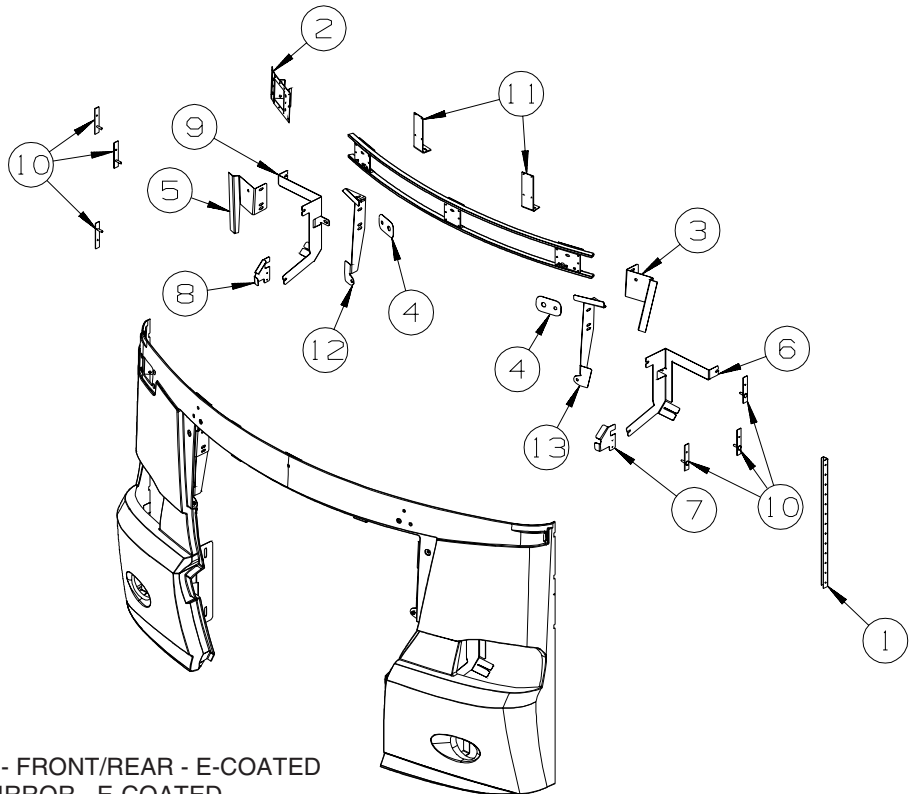


KEY	PART NUMBER	U/M	DESCRIPTION
1	145368-01-R89	EA	PANEL - FRONT/LOWER - W/O HOOD/HEADLIGHTS
2	113041-16-02B	EA	ANGLE/MOUNT - BUMPER - E-COATED
3	145387-01-01A	EA	BUMPER (ACCENT TRIM) - FRONT - POLISHED STAINLESS STEEL
4	145372-01-R89	EA	PANEL/DOOR - GENERATOR
5	145371-01-01A	EA	PANEL/DOOR - GENERATOR - BLACK/FIBERGLASS
6	145505-01-02B	EA	ANGLE - BUMPER MOUNT/RIGHT HAND - E-COATED
7	145505-02-02B	EA	ANGLE - BUMPER MOUNT/LEFT HAND - E-COATED
8	116617-02-02B	EA	SPACER - BUMPER
9	128455-01-02B	EA	BRACKET - BUMPER - E-COATED
10	128455-02-02B	EA	BRACKET - BUMPER - E-COATED
11	137072-07-01A	EA	HINGE - HOOD - PASSENGER - BLACK
12	137072-08-01A	EA	HINGE - HOOD - DRIVER - BLACK
13	143973-01-01A	EA	COWL - WINDSHIELD - CENTER - BLACK
14	143977-01-01A	EA	COWL - WINDSHIELD - PASSENGER - BLACK
15	143977-02-01A	EA	COWL - WINDSHIELD - DRIVER - BLACK
16	145373-01-R89	EA	HOOD - FRONT - W/O HARDWARE
17	144209-01-02B	EA	ANGLE/STRIKER - HOOD - E-COATED
18	145507-01-02B	EA	TUBE/TIMING - HOOD - 52.5" - E-COATED
19	140447-02-01A	EA	TRIM - GRILLE PANEL/SIDEWALL - 47.4" - BRIGHT WHITE
20	140447-03-01A	EA	TRIM - GRILLE PANEL/SIDEWALL - 21.4" - BRIGHT WHITE
			FROM: 00-00-00 THRU: 09-07-03
20	140447-01-01A	EA	TRIM - GRILLE PANEL/SIDEWALL - 22" - BRIGHT WHITE
			FROM: 09-08-03 THRU: 99-99-99
21	058786-01-000	EA	BOLT - HOOD ADJUSTMENT - 5/16"-18 X 1.5"-2" - W/BLACK PAD
22	130053-01-01A	EA	STRIKER - LUGGAGE DOOR - FLUSH - BLACK
23	107796-23-000	EA	SPRING/GAS - 11.3" COMPRESSED/18.5" EXTENDED - 45 LB.
			FROM: 00-00-00 THRU: 08-07-03
23	142569-08-000	EA	SPRING/GAS - 45 LB. - 18.5" EXTENDED/11"COMPRESSED
			FROM: 08-08-03 THRU: 99-99-99
24	126263-02-02B	EA	BRACKET - GAS SPRING W/BALL STUD - E-COATED

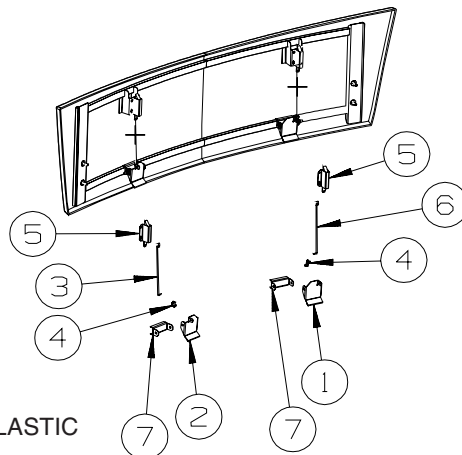
## EXTERIOR BODY GROUP (CONTINUED)

### FRONT END (CONTINUED)

KEY	PART NUMBER	U/M	DESCRIPTION
25	126263-03-02B	EA	BRACKET - GAS SPRING W/BALL STUD - E/COATED
26	146357-02-02B	EA	BRACKET/PLATE - SKID - E-COATED
27	146365-01-01A	EA	BELLY PAN - FRONT LOWER - PLASTIC - BLACK



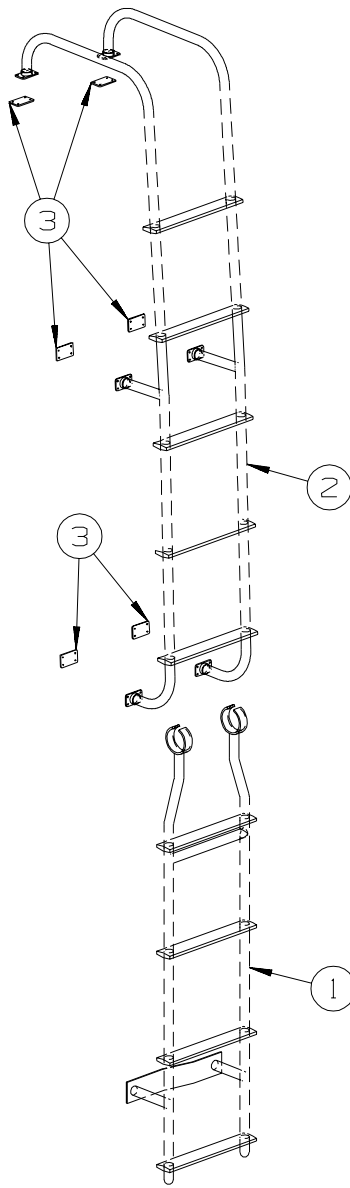
KEY	PART NUMBER	U/M	DESCRIPTION
1	132071-01-02B	EA	BRACKET - BUMPER - FRONT/REAR - E-COATED
2	120850-04-02B	EA	PLATE - SUPPORT/MIRROR - E-COATED
3	145509-04-02B	EA	SUPPORT/HINGE - LEFT HAND - E-COATED
4	145222-01-01A	EA	BOOT/COWL
5	145509-03-02B	EA	SUPPORT/HINGE - LEFT HAND - E-COATED
			FROM: 00-00-00 THRU: 08-03-03
6	145512-02-02B	EA	BRACKET/HEADLAMP - INNER/DRIVER - E-COATED
7	145514-02-02B	EA	SUPPORT/HEADLAMP - LOWER/DRIVER - E-COATED
8	145514-01-02B	EA	SUPPORT/HEADLAMP - LOWER/PASSENGER - E-COATED
9	145512-01-02B	EA	BRACKET/HEADLAMP - INNER/PASSENGER - E-COATED
10	146557-02-02B	EA	PLATE - STUD - E-COATED
11	144208-01-02B	EA	BRACKET/STRIKER - HOOD - E-COATED
12	147403-03-02B	EA	SUPPORT - BUMPER - RIGHT HAND - E-COATED
			FROM: 05-09-03 THRU: 08-03-03
13	147403-04-02B	EA	SUPPORT - BUMPER - LEFT HAND - E-COATED
			FROM: 05-09-03 THRU: 08-03-03



KEY	PART NUMBER	U/M	DESCRIPTION
1	147388-01-02B	EA	LATCH/PADDLE - E-COAT
2	147388-02-02B	EA	LATCH/PADDLE - E-COAT
3	145521-02-01A	EA	ROD - HOOD LATCH
4	102265-01-000	EA	CLIP/ROD END - 5/32" - BLACK PLASTIC
5	113908-02-000	EA	LATCH/PLUNGER - F/HOOD
6	145521-01-01A	EA	ROD - HOOD LATCH (PADDLE/PLUNGER)
7	139160-01-01A	EA	BRACKET - LATCH - PADDLE

## EXTERIOR BODY GROUP (CONTINUED)

### LADDER



KEY	PART NUMBER	U/M	DESCRIPTION
1	145618-01-01A	EA	LADDER - LOWER - BRUSHED ALUMINUM
2	145614-01-01A	EA	LADDER - UPPER - BRUSHED ALUMINUM
3	129375-02-000	EA	SEAL - LADDER BRACKET

### MIRRORS

KEY	PART NUMBER	U/M	DESCRIPTION
*	106015-21-01A	EA	MIRROR - EXTERIOR/REMOTE/HEAT - DRIVER - W/TURN SIGNAL FROM: 00-00-00 THRU: 04-20-03
*	142721-02-01A	EA	MIRROR - EXTERIOR REMOTE/HEAT/DRVR - (BREAKAWAY) - BLACK FROM: 04-21-03 THRU: 99-99-99
*	131431-07-01A	EA	MIRROR - EXTERIOR/REMOTE/HEAT - PASSENGER - W/TURN SIGNAL
	108825-03-000	EA	GASKET - MIRROR
	133379-01-01A	EA	SCREW - MACHINE - 5/16-18 X 2.00 - TORX

\*COMPONENT PARTS LISTED LATER IN THIS GROUP

**EXTERIOR BODY GROUP (CONTINUED)**  
**COMPONENT PARTS FOR MIRRORS**

**106015-20-01A, 106015-21-01A**

<b>KEY</b>	<b>PART NUMBER</b>	<b>U/M</b>	<b>DESCRIPTION</b>	<b>VENDOR NO.</b>
	106015-12-702	EA	CAP/SCREW - (PKG OF 4) - BLK	748329 RND
	106015-16-700	EA	GLASS/FLAT-W/HEAT ELEMENT	709450
	106015-18-700	EA	GLASS/CONVEX	709650
	106015-18-703	EA	GLASS/CONVEX-ACT/HOUSING	709651
	106015-19-700	EA	GLASS/FLAT-W/BEZEL/HEAT/ANTI	709645
	131431-03-700	EA	LIGHT/TURN SIGNAL - AMBER	7475510

**131431-07-01A, 131431-08-01A**

<b>KEY</b>	<b>PART NUMBER</b>	<b>U/M</b>	<b>DESCRIPTION</b>	<b>VENDOR NO.</b>
	106015-16-700	EA	GLASS-FLAT W/HEAT ELEMENT	709450
	106015-18-700	EA	GLASS/CONVEX	709650
	106015-18-701	EA	ACTUATOR - CONVEX GLASS	7475410
	106015-18-702	EA	MOTOR - FLAT GLASS	7471180
	106015-18-703	EA	GLASS/CONVEX-ACT/HOUSING	709651
	131431-03-700	EA	LIGHT/TURN SIGNAL - AMBER	7475510
	131431-07-700	EA	KIT(SCREW CVR BLK)ROUND/OVAL	748344

**142721-01-01A, 142721-02-01A**

<b>KEY</b>	<b>PART NUMBER</b>	<b>U/M</b>	<b>DESCRIPTION</b>	<b>VENDOR NO.</b>
	106015-16-700	EA	GLASS/FLAT-W/HEAT ELEMENT	709450
	106015-18-700	EA	GLASS/CONVEX	709650
	106015-18-702	EA	MOTOR - FLAT GLASS	7471180
	106015-18-703	EA	GLASS/CONVEX-ACT/HOUSING	709651
	131431-03-700	EA	LIGHT/TURN SIGNAL - AMBER	7475510
	142721-01-700	EA	COVER/CAP - BOTTOM	Q709678
	142721-01-701	EA	CAP - RECTANGULAR (VELVAC)	709557
	142721-01-702	EA	BRACKET/MOUNT - MIRROR	7096800
	142721-01-703	EA	GASKET/MOUNT - MIRROR	7094700
	142721-01-704	EA	SET SCREW - 5/16"-18 X 1.25"	4082140

**EXTERIOR BODY GROUP (CONTINUED)**  
**STRUCTURAL COMPONENTS**

<b>KEY</b>	<b>PART NUMBER</b>	<b>U/M</b>	<b>DESCRIPTION</b>
	002726-01-001	EA	GARNISH - U-CHANNEL - 1.38" X 19' - SERRATED
	076054-Z3-000	EA	FIBERGLASS SHEET - 102" X 93.9" - ROOF/SIDEWALL - BRT WHT
	108535-05-03A	SF	FIBERGLASS SHEET - 108" X 500' ROLL - BRIGHT WHITE
	128782-03-01A	EA	FIBERGLASS SHEET - 26.1" X 68.2" - HIGH GLOSS/SLIDEOUT-B/W
	128782-07-01A	EA	FIBERGLASS SHEET - 79" X 456" - HIGH GLOSS - BRIGHT WHITE
	128782-08-01A	EA	FIBERGLASS SHEET - 22" X 68.3" - HIGH GLOSS - BRIGHT WHITE
	128782-09-01A	EA	FIBERGLASS SHEET - 31" X 68.2" - HIGH GLOSS - BRIGHT WHITE
	128782-10-01A	EA	FIBERGLASS SHEET - 25" X 48" - HIGH GLOSS - BRIGHT WHITE
	148884-22-01A	EA	FIBERGLASS SHEET - 47.9" X 95.8" - HIGH GLOSS-BRIGHT WHITE
	089297-01-000	SF	PLYWOOD - LUAN - OVERLAY GRADE - 4' X 8'
	100619-01-000	BF	FOAM - EXPANDED POLYSTYRENE - 1.34" X 48" X 96"
	100619-02-000	BF	FOAM - EXPANDED POLYSTYRENE - 1.5" X 48" X 96"
	100619-05-000	BF	FOAM - EXPANDED POLYSTYRENE - .75" X 48" X 96"-1.5"DENSITY
	100619-13-000	BF	FOAM - EXPANDED POLYSTYRENE-.34" X 34.7" X 96"-2" DENSITY
	100619-16-000	BF	FOAM - EXPANDED POLYSTYRENE - .75" X 48" X 96"-2" DENSITY
	100619-27-000	BF	FOAM - EXPANDED POLYSTYRENE - 3" X 48" X 92.8"
	120107-01-000	EA	FOAM - ROOF COVE - 2.8" X 96" LONG
	120107-02-000	EA	FOAM - PLUG - ROOF TUBE - 2.2" X 2.9" X 1.8" LONG
	120107-03-000	EA	FOAM - PLUG - SIDEWALL TUBE - 1.2" X 2.1" X 1.8" LONG
	120107-07-000	EA	FOAM - ROOF COVE
	120107-08-000	EA	FOAM - PLUG - ROOF TUBE
	116942-03-700	EA	ALUM - .019 X 43" X 240", PART (ROOF - FLOOR)



## EXTERIOR BODY GROUP (CONTINUED)

### AWNINGS

#### PATIO AWNINGS

MODEL	COLOR CODE	AWNING COLOR	HARDWARE COLOR	PATIO ROLLER	AWNING LENGTH	PATIO HARDWARE	SPACER KIT	PATIO ELECTRICAL KIT
S40AD	27A	NAVY	CHAMPAGNE	143181-12-55E	20'	143181-10-02A	143181-11-02A	143181-02-01A
S40KD	27A	NAVY	CHAMPAGNE	143181-13-55E	19'	143181-10-02A	143181-11-02A	143181-02-01A
S40WD	27A	NAVY	CHAMPAGNE	143181-09-55E	20'	143181-01-02A	NA	143181-02-01A
S40QD	27A	NAVY	CHAMPAGNE	143181-09-55E	20'	143181-01-02A	NA	143181-02-01A
S36GD	27A	NAVY	CHAMPAGNE	143181-09-55E	20'	143181-01-02A	NA	143181-02-01A
S36LD	27A	NAVY	CHAMPAGNE	143181-09-55E	20'	143181-01-02A	NA	143181-02-01A
S34TD	27A	NAVY	CHAMPAGNE	143181-06-55E	18'	143181-01-02A	NA	143181-02-01A
S40AD	92A	TRUE BROWN	CHAMPAGNE	143181-12-26E	20'	143181-10-02A	143181-11-02A	143181-02-01A
S40KD	92A	TRUE BROWN	CHAMPAGNE	143181-13-26E	19'	143181-10-02A	143181-11-02A	143181-02-01A
S40WD	92A	TRUE BROWN	CHAMPAGNE	143181-09-26E	20'	143181-01-02A	NA	143181-02-01A
S40QD	92A	TRUE BROWN	CHAMPAGNE	143181-09-26E	20'	143181-01-02A	NA	143181-02-01A
S36GD	92A	TRUE BROWN	CHAMPAGNE	143181-09-26E	20'	143181-01-02A	NA	143181-02-01A
S36LD	92A	TRUE BROWN	CHAMPAGNE	143181-09-26E	20'	143181-01-02A	NA	143181-02-01A
S34TD	92A	TRUE BROWN	CHAMPAGNE	143181-06-26E	18'	143181-01-02A	NA	143181-02-01A
S40AD	24C	SPRUCE	CHAMPAGNE	143181-12-56E	20'	143181-10-02A	143181-11-02A	143181-02-01A
S40KD	24C	SPRUCE	CHAMPAGNE	143181-13-56E	19'	143181-10-02A	143181-11-02A	143181-02-01A
S40WD	24C	SPRUCE	CHAMPAGNE	143181-09-56E	20'	143181-01-02A	NA	143181-02-01A
S40QD	24C	SPRUCE	CHAMPAGNE	143181-09-56E	20'	143181-01-02A	NA	143181-02-01A
S36GD	24C	SPRUCE	CHAMPAGNE	143181-09-56E	20'	143181-01-02A	NA	143181-02-01A
S36LD	24C	SPRUCE	CHAMPAGNE	143181-09-56E	20'	143181-01-02A	NA	143181-02-01A
S34TD	24C	SPRUCE	CHAMPAGNE	143181-06-56E	18'	143181-01-02A	NA	143181-02-01A

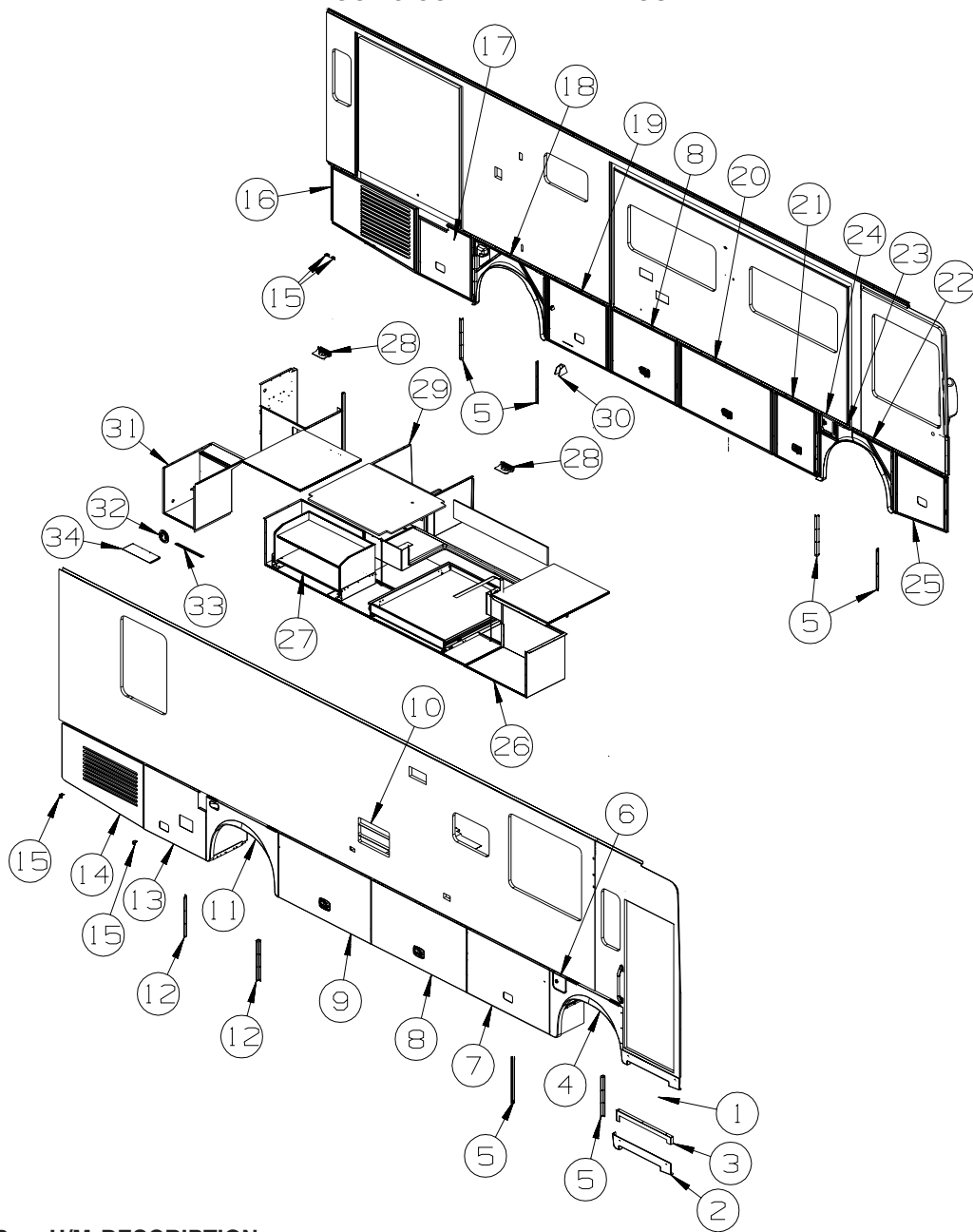
#### ENTRY DOOR AND WINDOW AWNINGS

MODEL	COLOR CODE	DOOR	WINDOW LT FRONT ROLLER	WINDOW LT FRONT HARDWARE	WINDOW LT MID ROLLER	WINDOW LT MID HARDWARE	WINDOW RT REAR ROLLER	WINDOW RT REAR HARDWARE
S40AD	27A	136767-02-55E	142199-10-55E	142199-01-02A			142199-05-55E	142199-02-02A
S40KD	27A W/LAVATORY IN BEDROOM	136767-02-55E	142199-10-55E	142199-01-02A	142199-03-55E	142199-01-02A	142199-05-55E	142199-02-02A
S40KD	27A W/CHEST OF DRAWERS	136767-02-55E	142199-10-55E	142199-01-02A	142199-03-55E	142199-01-02A	142199-11-55E	142199-02-02A
S40WD	27A	136767-02-55E	142199-07-55E	142199-01-02A	142199-03-55E	142199-01-02A	142199-05-55E	142199-02-02A
S40QD	27A	136767-02-55E	142199-08-55E	142199-01-02A			142199-05-55E	142199-02-02A
S36GD	27A	136767-02-55E	142199-08-55E	142199-01-02A	142199-03-55E	142199-01-02A	142199-05-55E	142199-02-02A
S36LD	27A	136767-02-55E	142199-07-55E	142199-01-02A	142199-03-55E	142199-01-02A	142199-05-55E	142199-02-02A
S34TD	27A	136767-02-55E	142199-06-55E	142199-01-02A	142199-04-55E	142199-01-02A	142199-12-55E	142199-02-02A
S40AD	92A	136767-02-26E	142199-10-26E	142199-01-02A			142199-05-26E	142199-02-02A
S40KD	92A W/LAVATORY IN BEDROOM	136767-02-26E	142199-10-26E	142199-01-02A	142199-03-26E	142199-01-02A	142199-05-26E	142199-02-02A
S40KD	92A W/CHEST OF DRAWERS	136767-02-26E	142199-10-26E	142199-01-02A	142199-03-26E	142199-01-02A	142199-11-26E	142199-02-02A
S40WD	92A	136767-02-26E	142199-07-26E	142199-01-02A	142199-03-26E	142199-01-02A	142199-05-26E	142199-02-02A
S40QD	92A	136767-02-26E	142199-08-26E	142199-01-02A			142199-05-26E	142199-02-02A
S36GD	92A	136767-02-26E	142199-08-26E	142199-01-02A	142199-03-26E	142199-01-02A	142199-05-26E	142199-02-02A
S36LD	92A	136767-02-26E	142199-07-26E	142199-01-02A	142199-03-26E	142199-01-02A	142199-05-26E	142199-02-02A
S34TD	92A	136767-02-26E	142199-06-26E	142199-01-02A	142199-04-26E	142199-01-02A	142199-12-26E	142199-02-02A
S40AD	24C	136767-02-56E	142199-10-56E	142199-01-02A			142199-05-56E	142199-02-02A
S40KD	24C W/LAVATORY IN BEDROOM	136767-02-56E	142199-10-56E	142199-01-02A	142199-03-56E	142199-01-02A	142199-05-56E	142199-02-02A
S40KD	24C W/CHEST OF DRAWERS	136767-02-56E	142199-10-56E	142199-01-02A	142199-03-56E	142199-01-02A	142199-11-56E	142199-02-02A
S40WD	24C	136767-02-56E	142199-07-56E		142199-03-56E	142199-01-02A	142199-05-56E	142199-02-02A
S40QD	24C	136767-02-56E	142199-08-56E	142199-01-02A			142199-05-56E	142199-02-02A
S36GD	24C	136767-02-56E	142199-08-56E	142199-01-02A	142199-03-56E	142199-01-02A	142199-05-56E	142199-02-02A
S36LD	24C	136767-02-56E	142199-07-56E	142199-01-02A	142199-03-56E	142199-01-02A	142199-05-56E	142199-02-02A
S34TD	24C	136767-02-56E	142199-06-56E	142199-01-02A	142199-04-56E	142199-01-02A	142199-12-56E	142199-02-02A

KEY	PART NUMBER	U/M	DESCRIPTION
	113874-11-01A	EA	SCREW/LAG - AWNING - 1/4" X 1" STAINLESS STEEL - PATIO
	146457-01-02A	EA	BRACKET-AWNING, BLACK - PATIO
	125320-01-01A	EA	FILM - PROTECTIVE - PATIO
	136770-03-02A	EA	SPACER - AWNING - 2" - BLACK - ENTRANCE DOOR
	137029-01-02A	EA	BRACKET - AWNING - BLACK - ENTRANCE DOOR

# EXTERIOR DOORS & COMPARTMENTS GROUP

## DOOR & COMPARTMENT LAYOUT



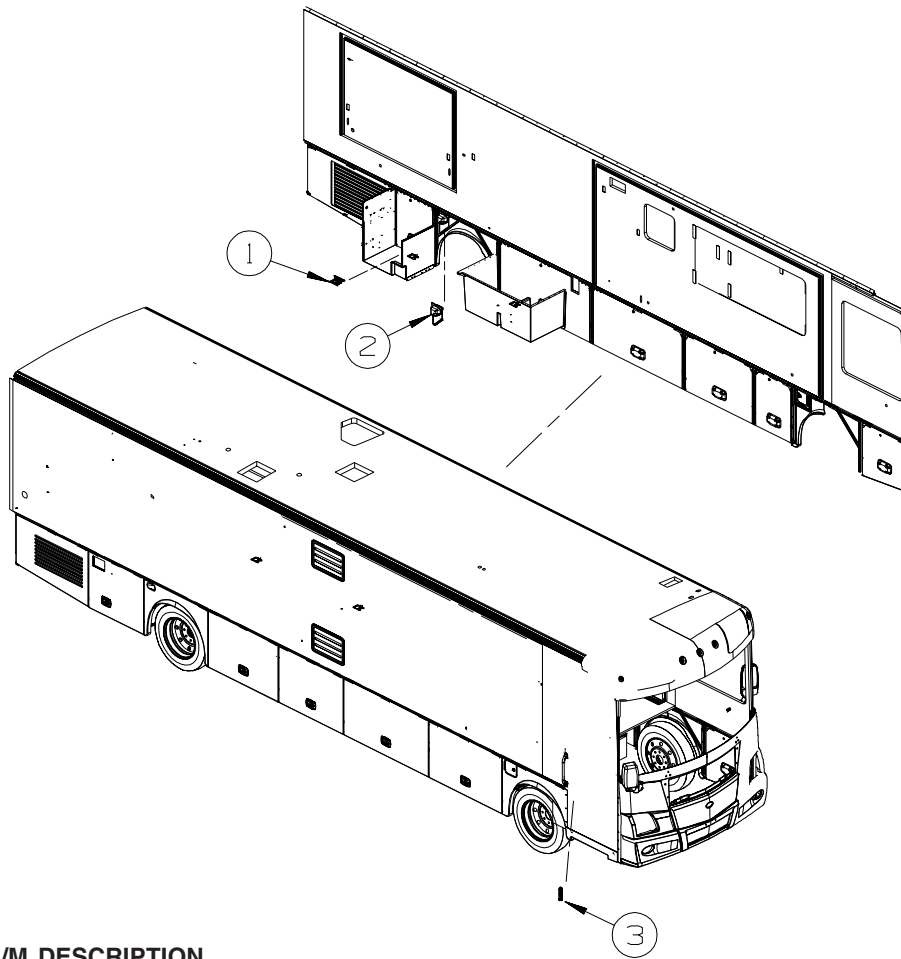
KEY	PART NUMBER	U/M DESCRIPTION
1*	094707-03-01A	EA STEP - ELECTRIC DOUBLE - W/BLACK CONTROL BOX - KWIKEE
2	131900-04-R83	EA VALANCE/PANEL - ENTRY DOOR - PLASTIC - BLACK
	143362-02-02B	EA CLIP - TRIM - E-COATED
3	134125-04-02B	EA SUPPORT - DOOR/VALANCE - E-COATED
4	144658-01-R83	EA PANEL/WHEEL LIP - FRONT/PASSENGER
5	113904-11-02B	EA ANGLE - ATTACHMENT/WHEEL LIP - 21.6" - E-COAT
6	131905-05-N70	EA PANEL/DOOR - FUEL FILL - W/O LOCK - BLACK
		FROM: 00-00-00 THRU: 08-25-03
6	131905-07-R83	EA PANEL/DOOR - FUEL FILL - W/O LOCK - BLACK
		FROM: 08-26-03 THRU: 99-99-99
	009065-01-000	EA HINGE - ALUMINUM - 1 1/2" X 96" - UNPAINTED
	138290-01-000	EA CASE - W/CAM - W/O CYLINDER/KEY
7	144342-01-R83	EA VALANCE/DOOR - W/O HARDWARE - 54.1" X 34.3"
	142569-15-000	EA SPRING/GAS - 120 LB. - 20" EXTENDED/12" COMPRESSED
8	144342-02-R83	EA VALANCE/DOOR - W/O HARDWARE - 62.4" X 34.3"
	142569-15-000	EA SPRING/GAS - 120 LB. - 20" EXTENDED/12" COMPRESSED
9	144342-12-R83	EA VALANCE/DOOR - W/O LATCH/HDW - 60.5" X 34.93"
	142569-15-000	EA SPRING/GAS - 120 LB. - 20" EXTENDED/12" COMPRESSED
10*	084103-08-000	EA DOOR - VENT - REFRIGERATOR - W/O JAMB - BRIGHT WHITE
	084104-08-000	EA JAMB - VENT DOOR/REFRIGERATOR - BRIGHT WHITE

**EXTERIOR DOORS & COMPARTMENTS GROUP (CONTINUED)**  
**DOOR & COMPARTMENT LAYOUT (CONTINUED)**

KEY	PART NUMBER	U/M	DESCRIPTION
11	144658-03-R83	EA	PANEL/WHEEL LIP - REAR/PASSENGER
	129961-05-02B	EA	BRACKET - DOCKING LIGHT - E-COATED
12	113904-11-02B	EA	ANGLE - ATTACHMENT/WHEEL LIP - 21.6" - E-COAT
13	144442-11-R83	EA	VALANCE/PANEL-W/O LATCH/HDWR W/NOTCH/CUT-OUT-40.6" X 34.3"
	142569-16-000	EA	SPRING/GAS - 90 LB. - 20" EXTENDED/12"COMPRESSED
14	144442-10-R83	EA	VALANCE/PANEL - PASS W/O LATCH/HINGE - 34" X 53.4" X 29.7"
	145993-01-000	FT	SEAL - BULB
15	140309-03-02B	EA	ANGLE - FURNACE DOOR - E-COATED
16	144442-09-R83	EA	VALANCE/PANEL - DRVR W/O LATCH/HINGE - 34" X 57.2" X 29.8"
	113904-21-02B	EA	ANGLE - ATTACHMENT/WHEEL LIP - E-COATED
17	144442-12-R83	EA	VALANCE/DOOR - W/O LATCH/HINGE W/NOTCH - 36.8" X 33.9"
	142569-14-000	EA	SPRING/GAS - 100 LB. - 20" EXTENDED/12"COMPRESSED
18	144658-06-R83	EA	PANEL/WHEEL LIP - REAR/DRIVER
	129961-06-02B	EA	BRACKET - DOCKING LIGHT - E-COATED
19	144342-11-R83	EA	VALANCE/DOOR - W/O LATCH/HDWR - 41.1" X 34.3"
	142569-22-000	EA	SPRING/GAS - 90 LB. - 17" EXTENDED/12"COMPRESSED
20	144342-10-R83	EA	VALANCE/DOOR - W/O LATCH/HDWR - 44.9" X 34.3"
	142569-14-000	EA	SPRING/GAS - 100 LB. - 20" EXTENDED/12"COMPRESSED
21	144342-09-R83	EA	VALANCE/DOOR - W/O LATCH/HDWR - 28.3" X 34.3"
	142569-16-000	EA	SPRING/GAS - 90 LB. - 20" EXTENDED/12"COMPRESSED
22	144658-04-R83	EA	PANEL/WHEEL LIP - FRONT/LEFT HAND
23	144658-05-R83	EA	PANEL/WHEEL LIP - FRONT/LEFT HAND
24	131905-05-N70	EA	PANEL/DOOR - FUEL FILL - BLACK
	009065-01-000	EA	HINGE - ALUMINUM - 1 1/2" X 96" - UNPAINTED
	138290-01-000	EA	CASE - W/CAM - W/O CYLINDER/KEY
25	144442-05-R83	EA	VALANCE/PANEL - PASS W/O LATCH/HDW - 32.4" X 34.5" X 28.7"
	142569-22-000	EA	SPRING/GAS - 90 LB. - 17" EXTENDED/12"COMPRESSED
26	144347-01-RS2	EA	COMPARTMENT
27	144347-02-RS2	EA	COMPARTMENT - <b>W/O SLIDE</b>
27	144347-03-R83	EA	COMPARTMENT - <b>W/SLIDE</b>
28*	142226-02-01A	EA	HATCH - POWER
29	147136-01-R83	EA	COMPARTMENT - DRAINAGE
	147135-01-01A	EA	COMPARTMENT - DRAINAGE
	145746-01-02B	EA	PLATE - BACKING - PUMP - E-COATED
30	131383-03-02A	EA	BRACKET - SHOWER HEAD - WHITE
31	132902-04-R83	EA	COMPARTMENT - LUGGAGE
32	092887-03-000	EA	HATCH/PLATE - 6.1" FLANGE/4.5" R.O. - BLACK
33	130034-08-02B	EA	CLIP - TRIM - E-COATED
34	142436-02-02B	EA	PLATE-COVER, E-COATED
	138288-01-000	EA	KEY - REVERSIBLE - #1151 - T/M 16169-02-3091
	138288-02-000	EA	KEY - REVERSIBLE - #1151 - T/M 16169-02-3091
	138288-03-000	EA	KEY - REVERSIBLE - #1151 - T/M 16169-02-3091
	138288-04-000	EA	KEY - REVERSIBLE - #1151 - T/M 16169-02-3091
	138288-05-000	EA	KEY - REVERSIBLE - #1151 - T/M 16169-02-3091
	138288-06-000	EA	KEY - REVERSIBLE - #1151 - T/M 16169-02-3091
	138288-07-000	EA	KEY - REVERSIBLE - #1151 - T/M 16169-02-3091
	138288-08-000	EA	KEY - REVERSIBLE - #1151 - T/M 16169-02-3091
	138288-09-000	EA	KEY - REVERSIBLE - #1151 - T/M 16169-02-3091
	138288-10-000	EA	KEY - REVERSIBLE - #1151 - T/M 16169-02-3091
	138289-01-000	EA	CYLINDER - LOCKING
	138289-02-000	EA	CYLINDER - LOCKING
	138289-03-000	EA	CYLINDER - LOCKING
	138289-04-000	EA	CYLINDER - LOCKING
	138289-05-000	EA	CYLINDER - LOCKING
	138289-06-000	EA	CYLINDER - LOCKING
	138289-07-000	EA	CYLINDER - LOCKING
	138289-08-000	EA	CYLINDER - LOCKING
	138289-09-000	EA	CYLINDER - LOCKING
	138289-10-000	EA	CYLINDER - LOCKING
	138292-01-000	EA	SEAL - LOCK CYLINDER

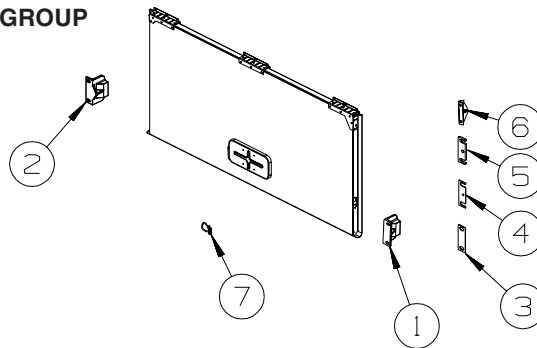
\*COMPONENT PARTS LISTED LATER IN THIS GROUP

**EXTERIOR DOORS & COMPARTMENTS GROUP (CONTINUED)**  
**DOOR & COMPARTMENT LAYOUT (CONTINUED)**



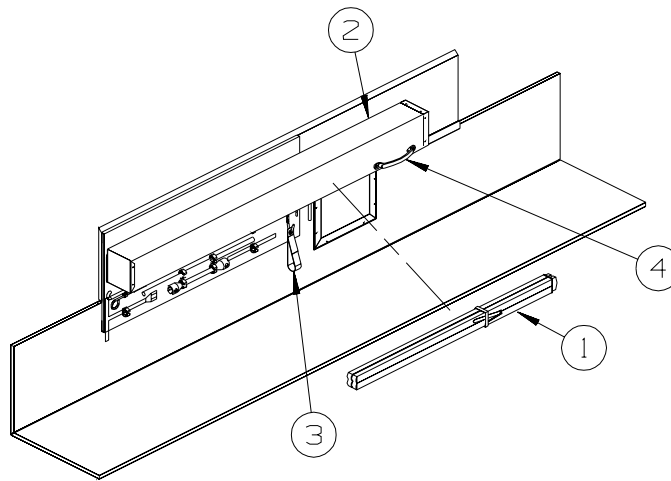
KEY	PART NUMBER	U/M	DESCRIPTION
1*	142226-02-01A	EA	HATCH - POWER
2	129301-03-01A	EA	COVER - DOCKING LIGHT - BLACK
3	113041-15-02B	EA	ANGLE/MOUNT - BUMPER - E-COATED

**\*COMPONENT PARTS LISTED LATER IN THIS GROUP**

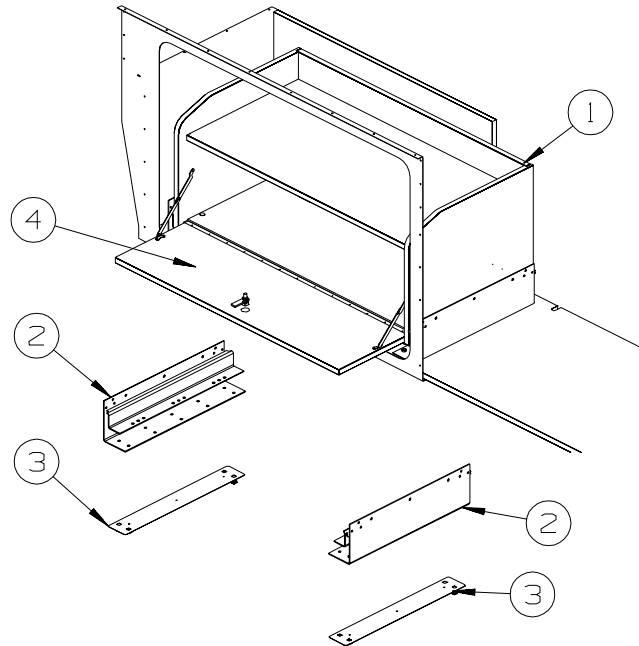


KEY	PART NUMBER	U/M	DESCRIPTION
1	130053-01-01A	EA	STRIKER - LUGGAGE DOOR - FLUSH - BLACK
2	130053-02-01A	EA	STRIKER - LUGGAGE DOOR - OFF SET - BLACK
3	143793-01-01A	EA	SHIM/STRIKER - LUGGAGE - 1.5" - BLACK
4	120494-03-02B	EA	SHIM - STRIKER - LUGGAGE DOOR - .20 - E-COATED
5	NOT USED		
6	126263-02-02B	EA	BRACKET - GAS SPRING W/BALL STUD - E-COATED
7	132892-02-01A	FT	SEAL - BULB - W/WIRED U CHANNEL - 1.3" X 1" - BLACK
7	107721-07-000	FT	SEAL - ACCESS DOOR - .9"WIDE X 1.1"HIGH

**EXTERIOR DOORS & COMPARTMENTS GROUP (CONTINUED)**  
**DOOR & COMPARTMENT LAYOUT (CONTINUED)**

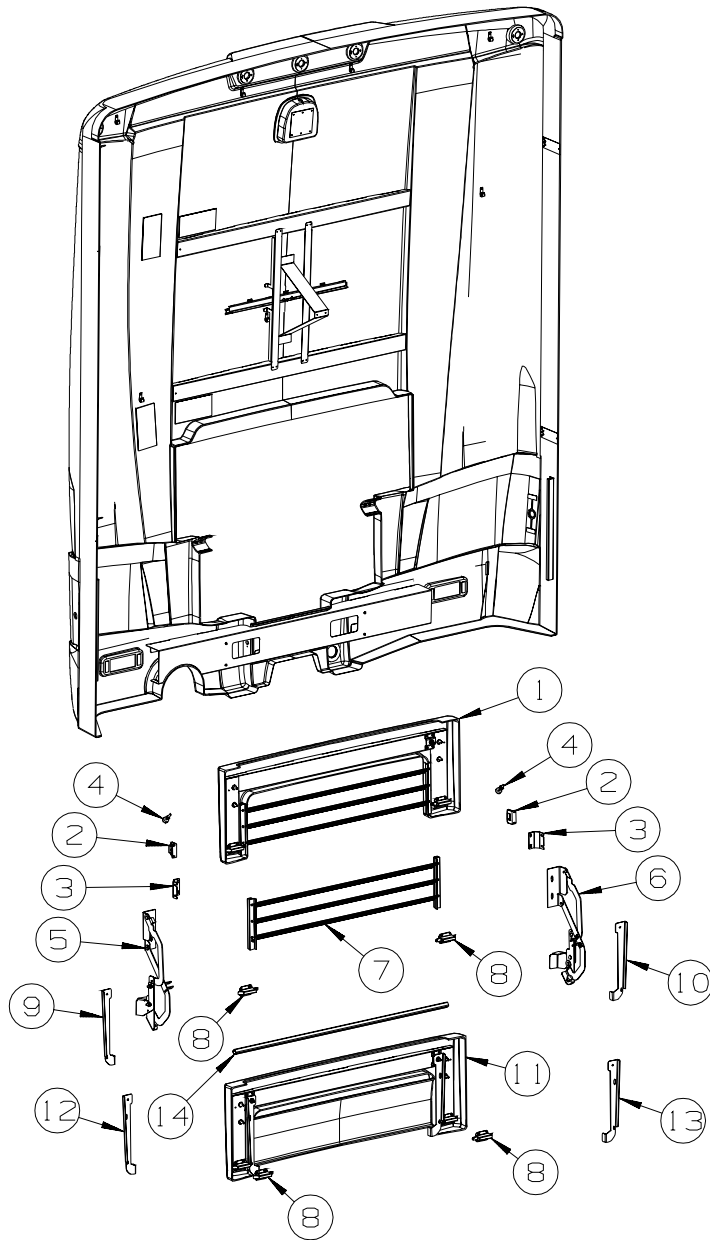


KEY	PART NUMBER	U/M	DESCRIPTION
1	148880-01-01A	EA	LADDER - FOLDING - ALUMINUM - S34TD, S36GD, S40KD
1	148880-02-01A	EA	LADDER - FOLDING - ALUMINUM - S40AD, S40QD, S40WD
2	148788-02-R83	EA	CABINET - LADDER BOX - S34TD, S36GD, S40KD
2	148788-01-R83	EA	CABINET - LADDER BOX - S40AD, S40QD, S40WD
3	143505-01-01A	EA	STRAP - RETAINING W/VELCRO - BLACK
3	143506-01-000	EA	HOOK - J
4	009126-03-000	EA	HANDLE - ASSIST - BLACK TEXTURED
	115661-01-000	FT	SHOE/GLIDE - SLIDEOUT ROOM - 1/16" X 3" - POLYETHYLENE



KEY	PART NUMBER	U/M	DESCRIPTION
1	148728-01-R83	EA	CABINET - STORAGE BOX - W/DOOR - W/O HARDWARE
2	145663-01-000	EA	SLIDE - TRAY/LUGGAGE - KWIKEE
3	147393-01-02B	EA	RETAINER - COMPARTMENT - E-COATED
4	148728-11-R83	EA	DOOR - LAMINTATED - F/EXTERIOR STORAGE CABINET - W/O HDW

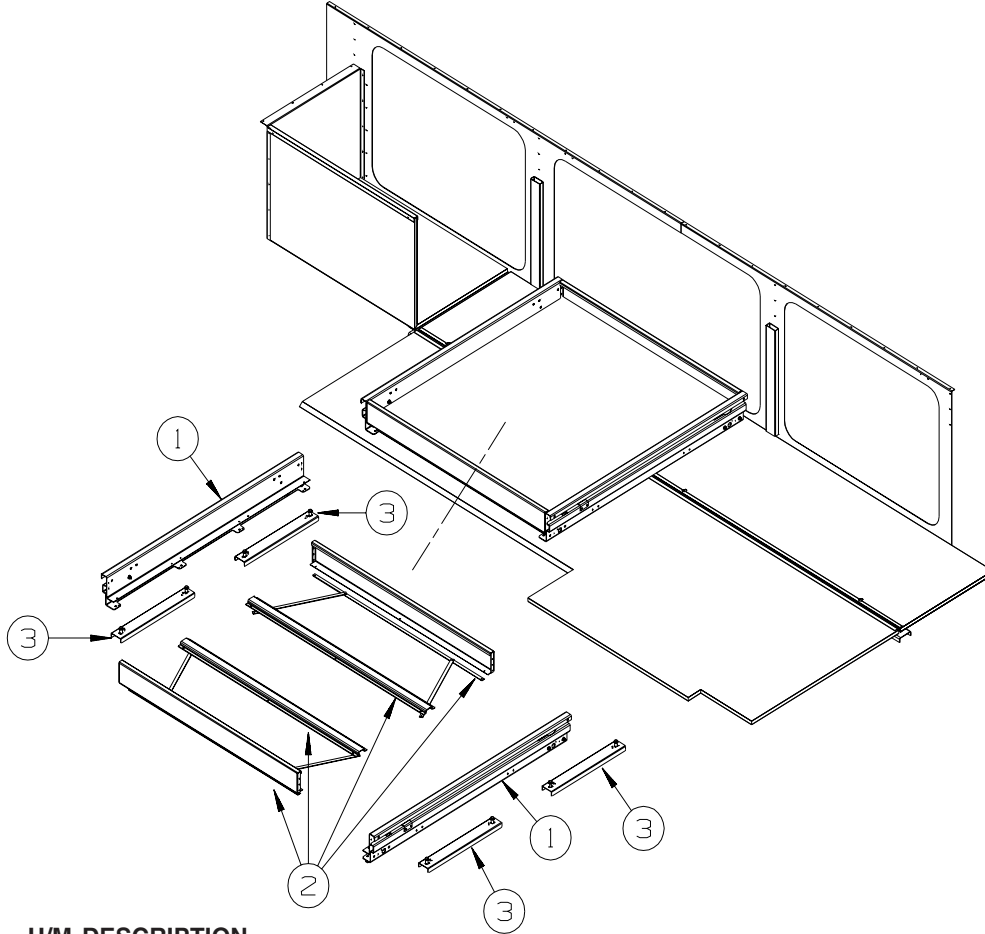
**EXTERIOR DOORS & COMPARTMENTS GROUP (CONTINUED)**  
**DOOR & COMPARTMENT LAYOUT (CONTINUED)**



KEY	PART NUMBER	U/M	DESCRIPTION
1	P44163-01-R83	EA	DOOR - REAR ENGINE W/HARDWARE & GRILLE - <b>REAR RADIATOR</b>
1	P44163-01-R83	EA	DOOR - REAR ENGINE W/HARDWARE & GRILLE - <b>SIDE RADIATOR</b>
			FROM: 00-00-00 THRU: 10-19-03
2	130053-01-01A	EA	STRIKER - LUGGAGE DOOR - FLUSH - BLACK
3	145539-01-02B	EA	BRACKET - DOOR CATCH - E-COATED
4	058786-01-000	EA	BOLT - HOOD ADJUSTMENT - 5/16"-18 X 1.5"-2"- W/BLACK PAD
5	146226-01-01A	EA	HINGE/DOOR - REAR - RIGHT HAND - BLACK
6	146226-02-01A	EA	HINGE/DOOR - REAR - LEFT HAND - BLACK
7	144165-01-R83	EA	GRILLE - TRUNK DOOR - <b>REAR RADIATOR</b>
7	144165-01-R83	EA	GRILLE - TRUNK DOOR - <b>SIDE RADIATOR</b>
			FROM: 00-00-00 THRU: 10-19-03
8	113908-01-000	EA	LATCH/PLUNGER - F/HOOD
			FROM: 00-00-00 THRU: 08-03-03
8	113908-02-000	EA	LATCH/PLUNGER - F/HOOD/REAR TRUNK/ENGINE DOOR
			FROM: 08-04-03 THRU: 99-99-99
9	145540-01-02B	EA	HANDLE - DOOR LATCH - RIGHT HAND - E-COATED - <b>REAR RADIATOR</b>
9	145540-01-02B	EA	HANDLE - DOOR LATCH - RIGHT HAND - E-COATED - <b>SIDE RADIATOR</b>
			FROM: 00-00-00 THRU: 10-19-03
10	145540-02-02B	EA	HANDLE - DOOR LATCH - LEFT HAND - E-COATED - <b>REAR RADIATOR</b>
10	145540-02-02B	EA	HANDLE - DOOR LATCH - LEFT HAND - E-COATED - <b>SIDE RADIATOR</b>
			FROM: 00-00-00 THRU: 10-19-03

**EXTERIOR DOORS & COMPARTMENTS GROUP (CONTINUED)**  
**DOOR & COMPARTMENT LAYOUT (CONTINUED)**

KEY	PART NUMBER	U/M	DESCRIPTION
11	P48209-01-R83	EA	DOOR - REAR ENGINE W/HARDWARE/GRILLE - <b>SIDE RADIATOR</b> FROM: 10-20-03 THRU: 99-99-99
12	145540-03-02B	EA	HANDLE - DOOR LATCH - RIGHT HAND - E-COATED - <b>SIDE RADIATOR</b> FROM: 10-20-03 THRU: 99-99-99
13	145540-04-02B	EA	HANDLE - DOOR LATCH - LEFT HAND - E-COATED - <b>SIDE RADIATOR</b> FROM: 10-20-03 THRU: 99-99-99
14	137300-05-02B	EA	TUBE/TIMING - HOOD - 46" - E-COATED

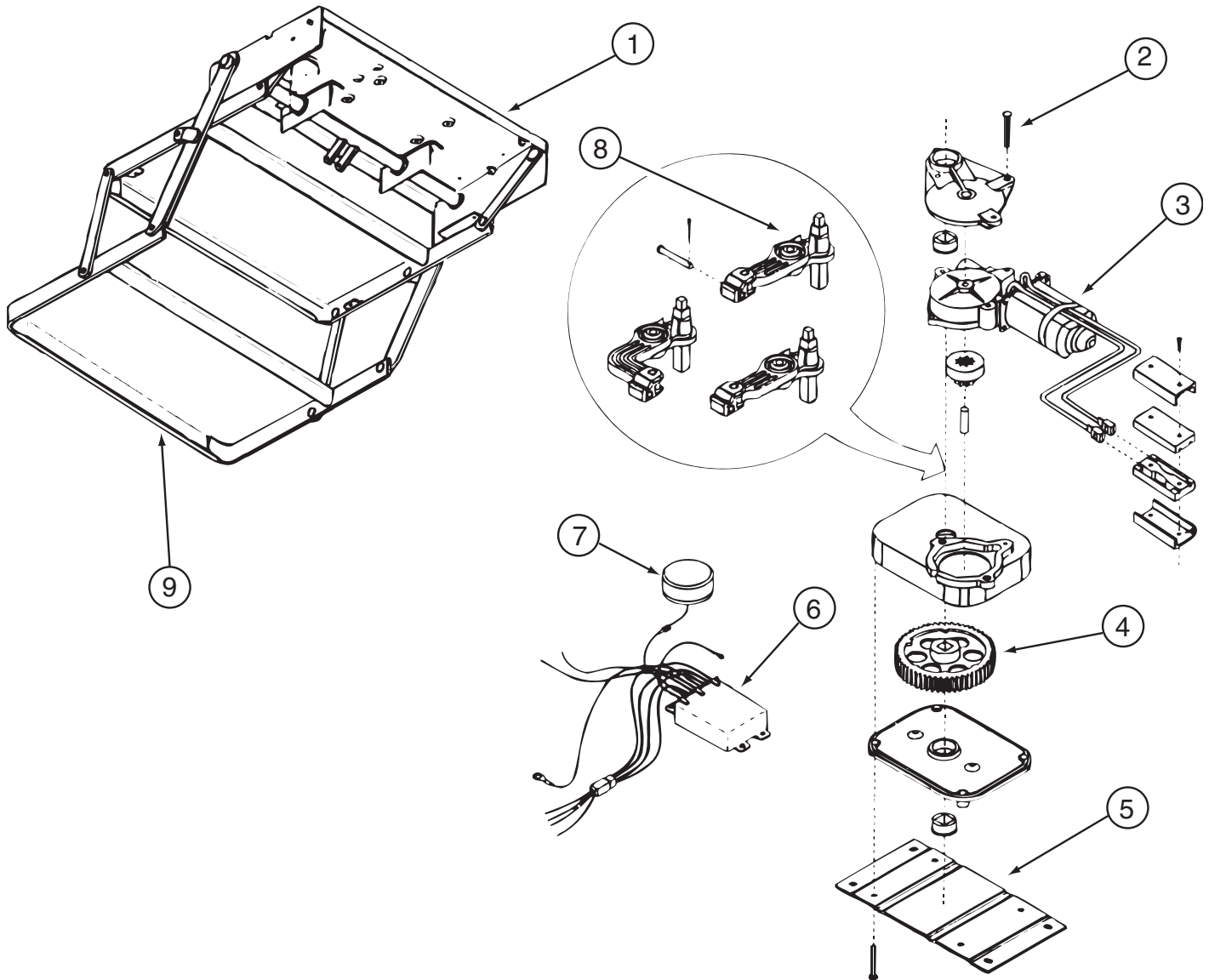


KEY	PART NUMBER	U/M	DESCRIPTION
1	148027-01-000	EA	SLIDES - LUGGAGE RAILS
2	148027-03-000	EA	SLIDE - LUGGAGE TRIM KIT - <b>S34TD</b>
2	148027-02-000	EA	SLIDE - LUGGAGE TRIM KIT - <b>S36GD, S40AD, S40KD, S40QD, S40WD</b>
3	147393-02-02B	EA	RETAINER - COMPARTMENT - E-COATED
	117046-01-000	EA	BUMPER - RUBBER/ROUND END - .9"

**EXTERIOR DOORS & COMPARTMENTS GROUP (CONTINUED)**  
**COMPONENT PARTS FOR DOOR & COMPARTMENT LAYOUT**

084103-08-000

KEY	PART NUMBER	U/M DESCRIPTION	VENDOR NO.
	084104-01-700	EA LOCK-MALE, FASTENER	201-721-010
	084104-01-701	EA LOCK-FEMALE, FASTENER	201-802-010



094707-03-01A

KEY	PART NUMBER	U/M DESCRIPTION	VENDOR NO.
1	094707-01-702	EA FRAME W/DBL STEP,3200 SERIES	908032
2	094707-02-703	EA BEARING & PINS	909530
3	094707-02-700	EA MOTOR - "UT" ASM W/BRGS/PIN	909520
4	094707-02-702	EA GEAR KIT(GEAR-BEARING-PINS)	909525
5	094707-02-704	EA CONNECTOR-MOTOR ASM.W/PLATES	909537
6	094707-03-700	EA KIT CONTROL/SWITCH-RETROFIT	909506005
7	088746-01-705	EA LIGHT-UNDER STEP	9004
7	088733-01-700	EA BULB	9004
8	094707-02-701	EA LINKAGE ASM. W/BEARINGS-PINS	909534
9	094707-02-707	EA TREAD - NON-SKID - BLACK	909333
	094707-02-706	EA GEAR BOX ASM. W/O MOTOR	9524
	094707-02-708	EA TREAD - NON-SKID - YELLOW	909331
	094707-03-701	EA PLUG - 4-WAY - PACKARD	909306

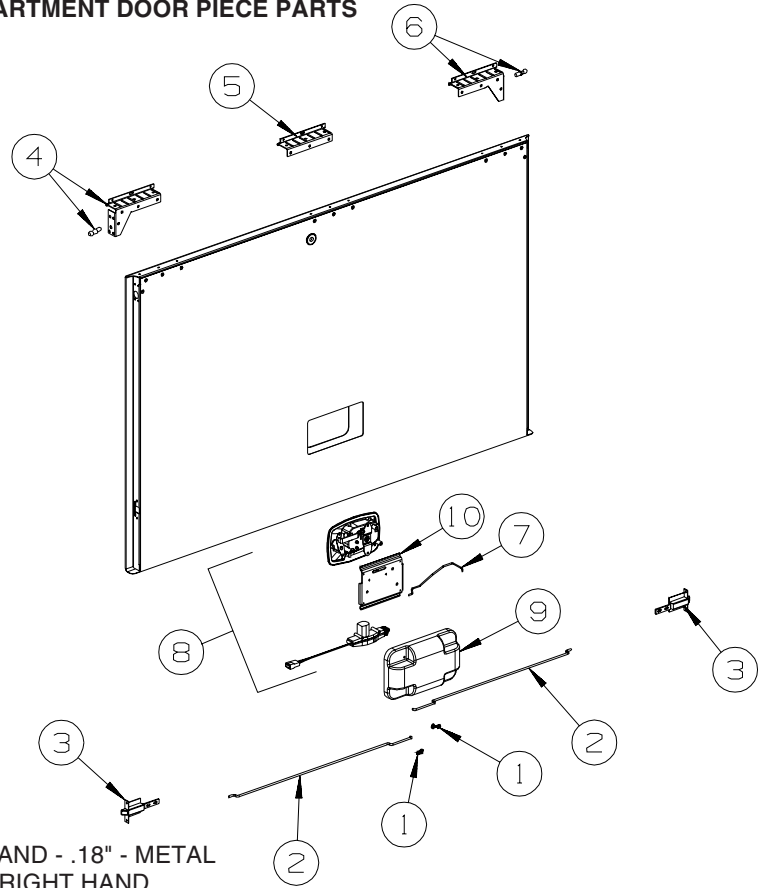
CONTACT WINNEBAGO PART SALES FOR UNLISTED COMPONENT(S)

142226-02-01A

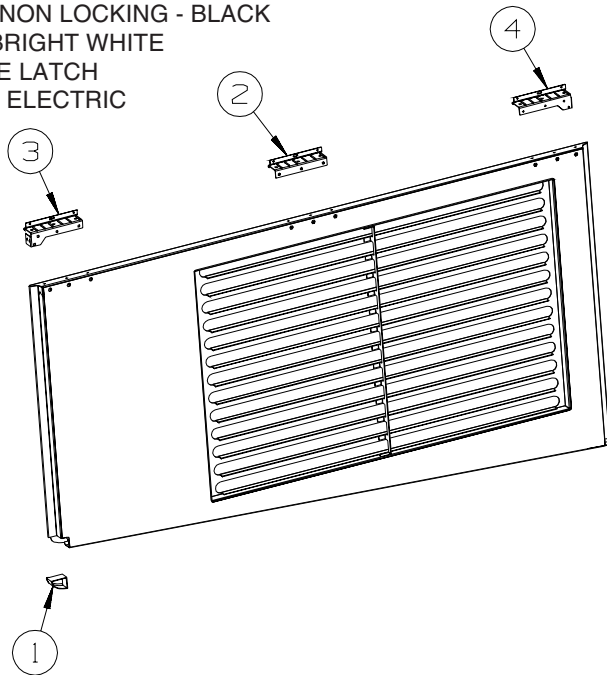
KEY	PART NUMBER	U/M DESCRIPTION	VENDOR NO
	142226-02-700	EA TAB/LOCKING - ESCAPE (RED)	9667709



**EXTERIOR DOORS & COMPARTMENTS GROUP (CONTINUED)**  
**COMPARTMENT DOOR PIECE PARTS**

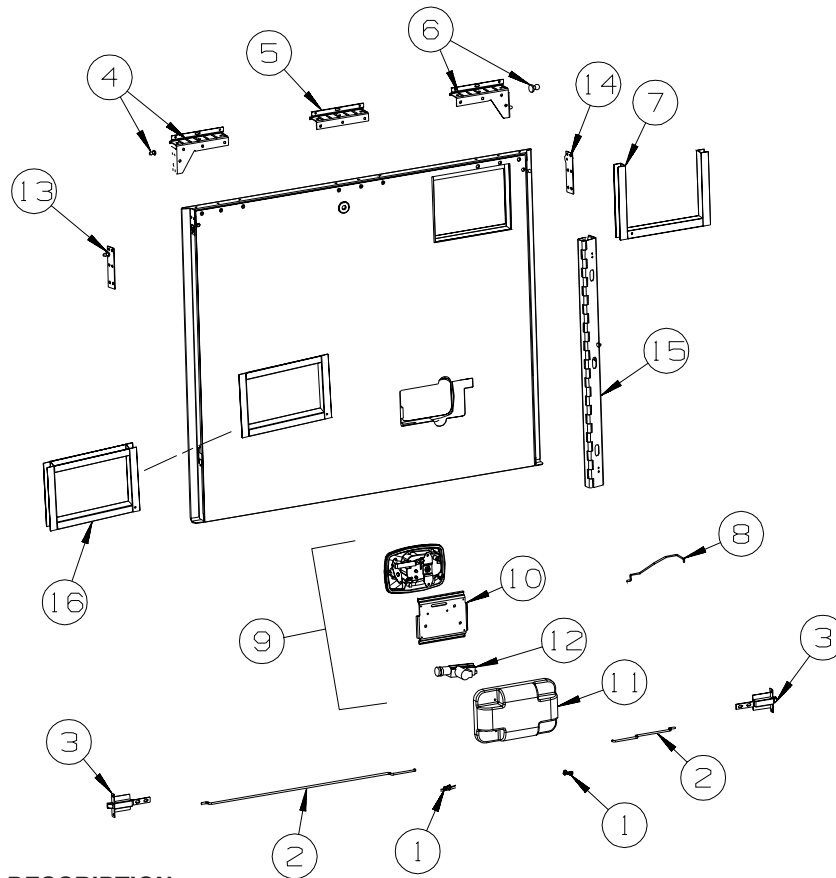


KEY	PART NUMBER	U/M	DESCRIPTION
1	102265-03-000	EA	CLIP/ROD END - LEFT HAND - .18" - METAL
2	132873-01-000	EA	ROD - LATCH (BLANK) - RIGHT HAND
3	121947-01-01A	EA	BOLT - SLIDE/LATCH - W/PLASTIC PLUNGER
4	139793-02-01A	EA	HINGE - LEFT HAND/VALANCE DOOR - W/BALL STUD
5	139793-03-01A	EA	HINGE - CENTER/VALANCE DOOR - W/O BALL STUD
6	139793-01-01A	EA	HINGE - RIGHT HAND/VALANCE DOOR - W/BALL STUD
7	141940-03-01A	EA	ROD - PADDLE LATCH
8	141940-01-01A	EA	LATCH - PADDLE - BLACK - <b>LOCKING</b>
	141940-02-01A	EA	LATCH - PADDLE - NON LOCKING - BLACK
9	144172-01-01A	EA	COVER - LATCH - BRIGHT WHITE
10	141940-04-01A	EA	BRACKET - PADDLE LATCH
	138898-01-000	EA	ACTUATOR/LOCK - ELECTRIC
	147513-01-01A	EA	BALL STUD



KEY	PART NUMBER	U/M	DESCRIPTION
1	138643-01-01A	EA	CORNER-VAL DOOR,REAR,RH,BLK
	138643-02-01A	EA	CORNER-VAL DOOR,REAR,LH,BLK
2	139793-03-01A	EA	HINGE - CENTER/VALANCE DOOR - W/O BALL STUD
3	139793-05-01A	EA	HINGE - LEFT HAND/VALANCE DOOR - W/O BALL STUD
4	139793-04-01A	EA	HINGE - RIGHT HAND/VALANCE DOOR - W/O BALL STUD

**EXTERIOR DOORS & COMPARTMENT GROUP (CONTINUED)**  
**COMPARTMENT DOOR PIECE PARTS (CONTINUED)**



KEY	PART NUMBER	U/M	DESCRIPTION
1	102265-03-000	EA	CLIP/ROD END - LEFT HAND - .18" - METAL
2	132873-01-000	EA	ROD - LATCH (BLANK) - RIGHT HAND
3	121947-01-01A	EA	BOLT - SLIDE/LATCH - W/PLASTIC PLUNGER
4	139793-02-01A	EA	HINGE - LEFT HAND/VALANCE DOOR - W/BALL STUD
	139793-05-01A	EA	HINGE - LEFT HAND/VALANCE DOOR - W/O BALL STUD
5	139793-03-01A	EA	HINGE - CENTER/VALANCE DOOR - W/O BALL STUD
6	139793-01-01A	EA	HINGE - RIGHT HAND/VALANCE DOOR - W/BALL STUD
	139793-04-01A	EA	HINGE - RIGHT HAND/VALANCE DOOR - W/O BALL STUD
7	146925-01-R83	EA	TRIM - WATER HEATER COVER
8	141940-03-01A	EA	ROD - PADDLE LATCH
9	141940-01-01A	EA	LATCH - PADDLE - BLACK
10	141940-04-01A	EA	BRACKET - PADDLE LATCH
11	144172-01-01A	EA	COVER - LATCH - BRIGHT WHITE
12	138898-01-000	EA	ACTUATOR/LOCK - ELECTRIC
13	147513-02-01A	EA	BALL STUD
14	147513-01-01A	EA	BALL STUD
15	137228-02-02B	EA	HINGE - PIANO - COMPARTMENT DOOR - 27" - E-COATED
16	133049-01-L76	EA	TRIM - COVER - WATER HEATER

## EXTERIOR DOORS & COMPARTMENTS GROUP (CONTINUED)

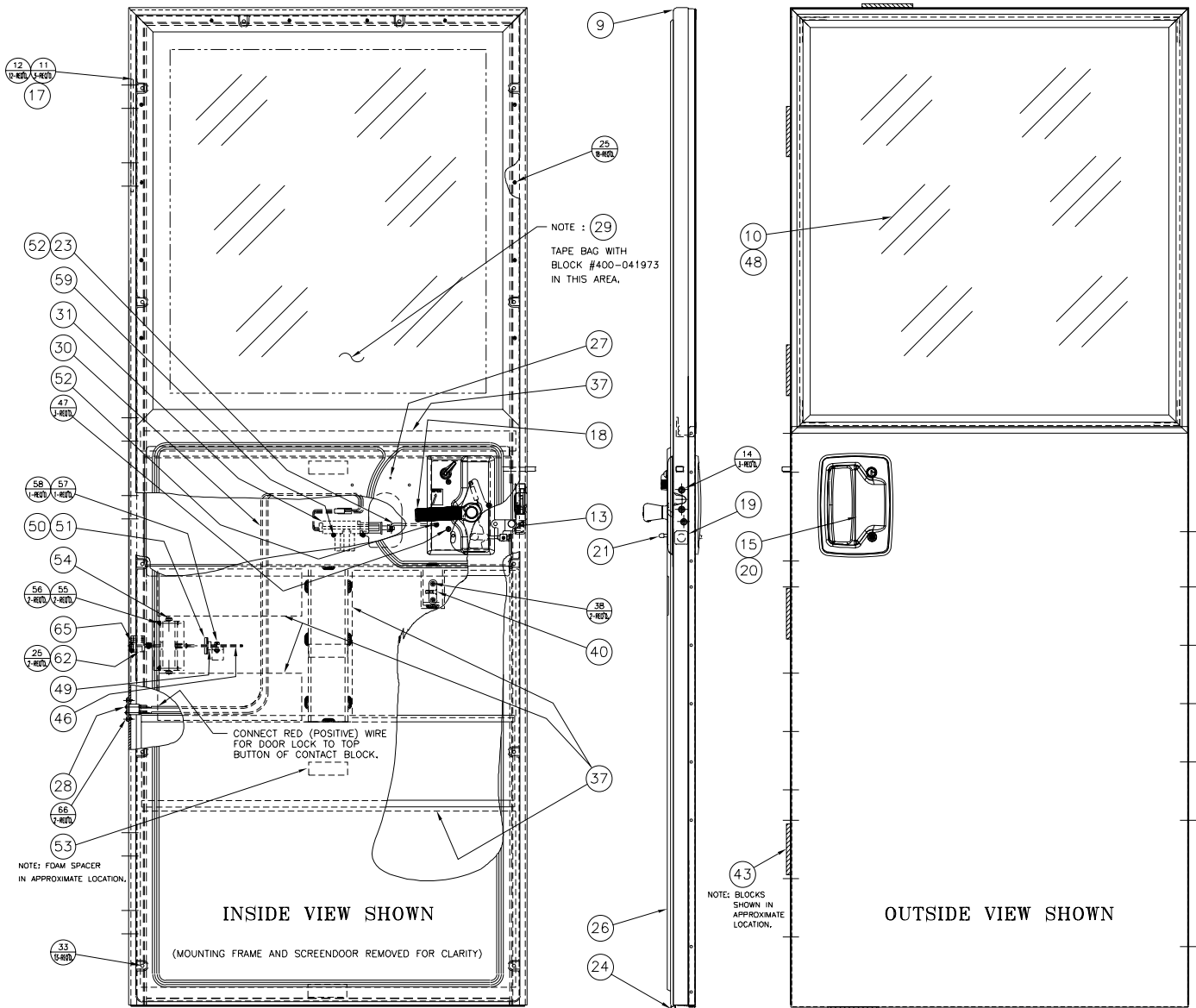
### ENTRY

KEY	PART NUMBER	U/M	DESCRIPTION
*	128913-12-01A	EA	DOOR - ENTRY/FRONT - POWER LOCK - BLACK
	112782-04-01A	EA	GASKET
	134450-02-01A	EA	TAPE - ANTI SLIP - 1.25" X 29.9" - BLACK
	138287-01-000	EA	CYLINDER/LOCK - ENTRY DOOR (MASTER)
	138287-02-000	EA	CYLINDER/LOCK - ENTRY DOOR (MASTER)
	138287-03-000	EA	CYLINDER/LOCK - ENTRY DOOR (MASTER)
	138287-04-000	EA	CYLINDER/LOCK - ENTRY DOOR (MASTER)
	138287-05-000	EA	CYLINDER/LOCK - ENTRY DOOR (MASTER)
	138287-06-000	EA	CYLINDER/LOCK - ENTRY DOOR (MASTER)
	138287-07-000	EA	CYLINDER/LOCK - ENTRY DOOR (MASTER)
	138287-08-000	EA	CYLINDER/LOCK - ENTRY DOOR (MASTER)
	138287-09-000	EA	CYLINDER/LOCK - ENTRY DOOR (MASTER)
	138287-10-000	EA	CYLINDER/LOCK - ENTRY DOOR (MASTER)
	138288-01-000	EA	KEY - REVERSIBLE - #1151 - T/M 16169-02-1151
	138288-02-000	EA	KEY - REVERSIBLE - #1152 - T/M 16169-02-1152
	138288-03-000	EA	KEY - REVERSIBLE - #1153 - T/M 16169-02-1153
	138288-04-000	EA	KEY - REVERSIBLE - #1154 - T/M 16169-02-1154
	138288-05-000	EA	KEY - REVERSIBLE - #1155 - T/M 16169-02-1155
	138288-06-000	EA	KEY - REVERSIBLE - #1156 - T/M 16169-02-1156
	138288-07-000	EA	KEY - REVERSIBLE - #1157 - T/M 16169-02-1157
	138288-08-000	EA	KEY - REVERSIBLE - #1158 - T/M 16169-02-1158
	138288-09-000	EA	KEY - REVERSIBLE - #1159 - T/M 16169-02-1159
	138288-10-000	EA	KEY - REVERSIBLE - #1150 - T/M 16169-02-1150
	138292-01-000	EA	SEAL - LOCK CYLINDER

\*COMPONENT PARTS LISTED LATER IN THIS GROUP

# EXTERIOR DOORS & COMPARTMENTS GROUP (CONTINUED)

## COMPONENT PARTS FOR ENTRY



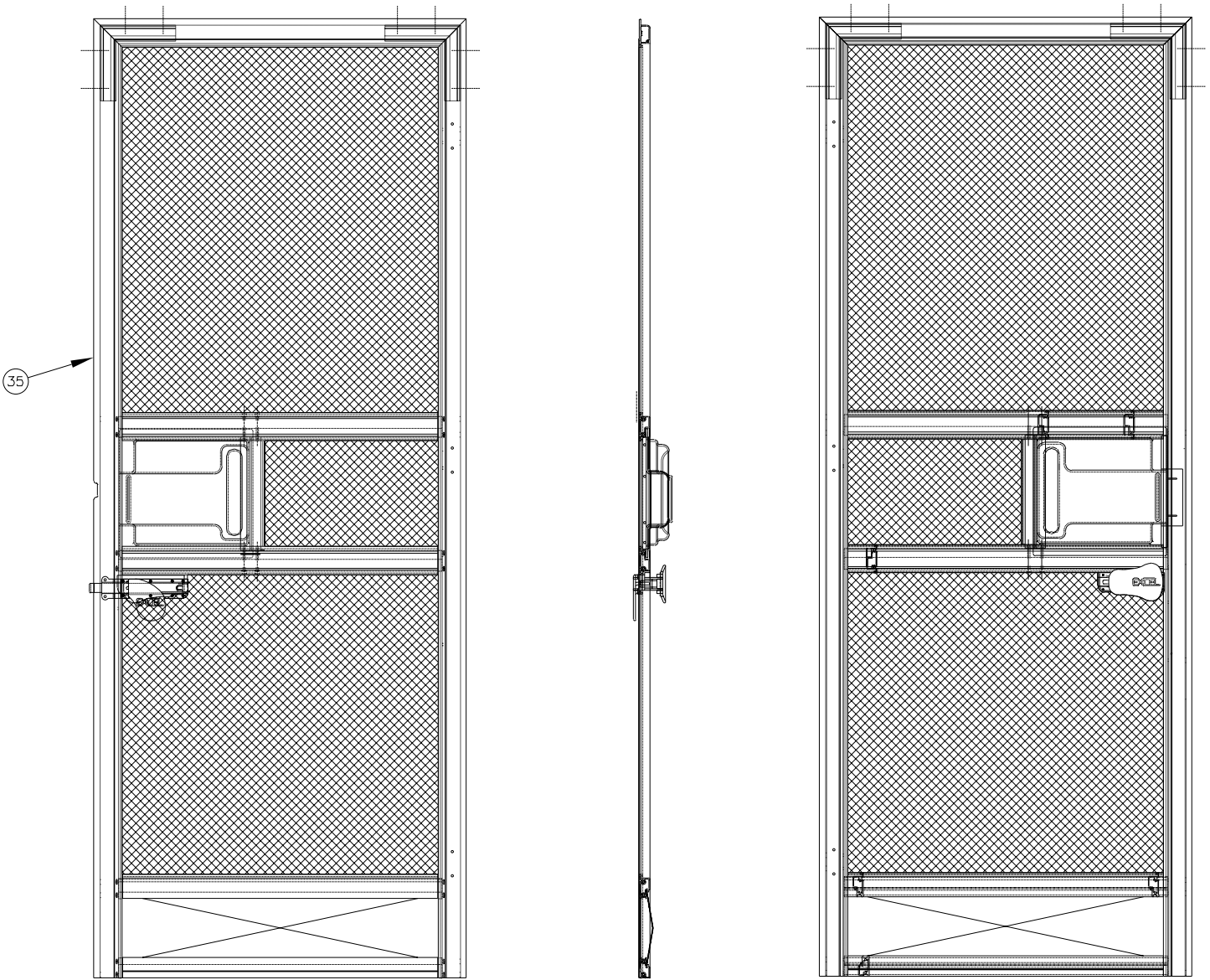
**128913-12-01A**

**EXTERIOR DOORS & COMPARTMENTS GROUP (CONTINUED)**  
**COMPONENT PARTS FOR ENTRY (CONTINUED)**

**128913-12-01A (CONTINUED)**

<b>KEY</b>	<b>PART NUMBER</b>	<b>U/M</b>	<b>DESCRIPTION</b>	<b>VENDOR NO.</b>
9	128913-12-704	EA	FRAME/DOOR-SUB ASM BLACK	490488
10	128913-12-701	EA	WINDOW-DUAL PANE	490505
10	128913-12-700	FT	SEAL - GLAZING	132-030529
13	128913-04-706	EA	LATCH/ROTARY - W/LINKAGE RH	B248-041726/T/M179
15	128913-08-701	EA	PADDLE ASM - OUTSIDE	490060
18	128913-08-700	EA	HANDLE - INSIDE - REV.	248-041725
20	112782-04-01A	EA	GASKET	*T/M 81480
21	128913-04-717	EA	CAP - VINYL - RED	130-042257
23	128913-04-704	EA	ROD/LOCK - (POWER)	17705-01
24	128913-01-744	EA	SEAL/BULB-STICK ON/THRESHOLD	122-042230
26	128913-04-712	EA	PANEL - INNER PLASTIC	490057
28	128913-01-714	EA	CONTACT - MALE/2-POSITION	400-041934
29	128913-01-713	EA	CONTACT - FEMALE/2-POSITION	400-041973
30	128913-01-712	EA	WIRE HARNESS-POWER DOOR LOCK	400-041935
31	128913-01-702	EA	ACTUATOR	410-041096
40	128913-01-710	EA	STRIKER - LATCH/SCREEN DOOR	130-041815
46	128913-02-711	EA	SLIDE BAR ASSEMBLY	V196-29
47	128913-01-746	EA	SCREW #8 X 3/4" OVAL HEAD	276-042030
48	128913-04-700	FT	TAPE/BUTYL - FOAM CORE	154-041549
49	128913-02-712	EA	PIN - COILED SPRING	248-042237
50	128913-02-713	EA	BUMPER STOP	V196-24
52	106469-05-700	EA	ROD CLIP	231-041095
54	128913-01-733	EA	DOOR CHECK KIT - ADJ SUB ASM	V196-04
57	128913-01-705	EA	BOLT - SHOULDER - #10 X 1/4	268-042011
62	128913-02-714	EA	GUIDE BLOCK - DOOR CHECK	146-042045
65	128913-04-709	EA	PIN/CLEVIS-GROOVED W/E-RING	245-042260
			CONTACT WINNEBAGO PARTS SALES FOR UNLISTED COMPONENT(S)	

**EXTERIOR DOORS & COMPARTMENTS GROUP (CONTINUED)**  
**COMPONENT PARTS FOR ENTRY (CONTINUED)**



OUTSIDE VIEW SHOWN

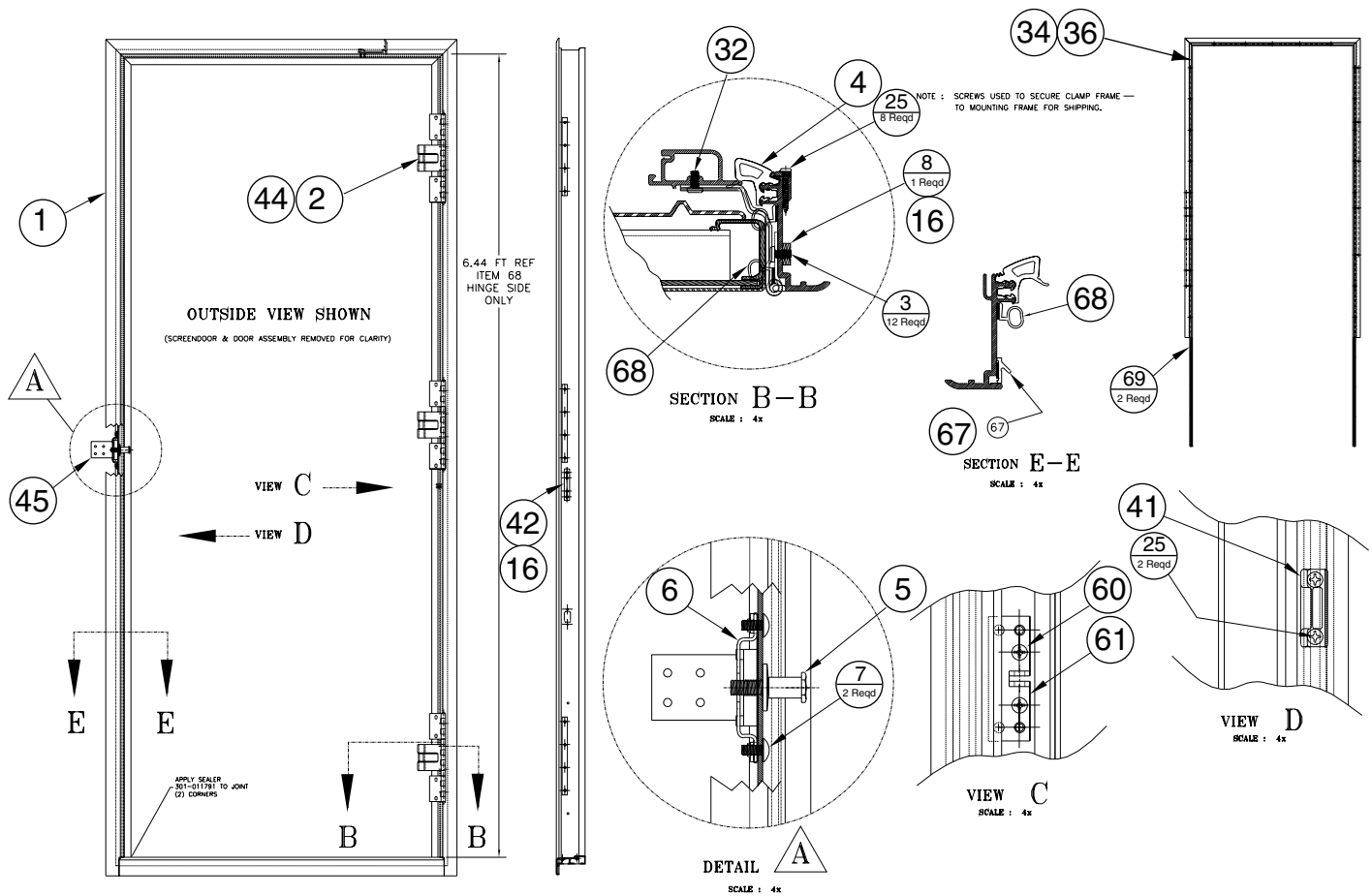
INSIDE VIEW SHOWN

**128913-12-01A (CONTINUED)**

KEY	PART NUMBER	U/M	DESCRIPTION	VENDOR NO.
35	128913-09-700	EA	SCREEN DOOR ASSEMBLY	490056
CONTACT WINNEBAGO PARTS SALES FOR UNLISTED COMPONENT(S)				

# EXTERIOR DOORS & COMPARTMENTS GROUP (CONTINUED)

## COMPONENT PARTS FOR ENTRY (CONTINUED)

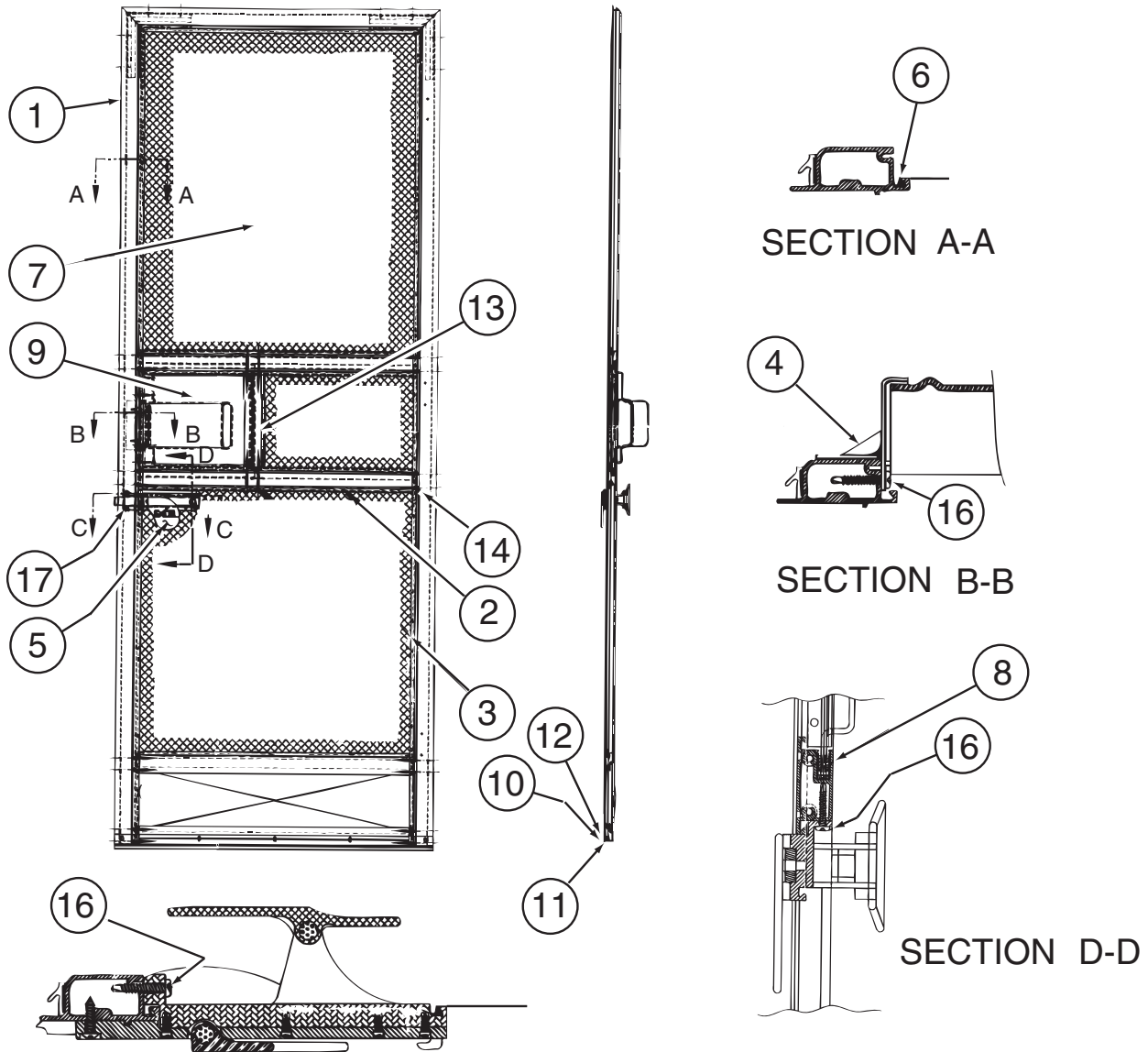


### 128913-12-01A (CONTINUED)

KEY	PART NUMBER	U/M	DESCRIPTION	VENDOR NO.
1	128913-12-702	EA	FRAME/MOUNTING-SUB ASM BLACK	490486
2	128913-12-703	EA	HINGE (TAKES 3)	490487
4	128913-01-728	EA	SEAL - DOOR/CORNER- MITERED	122-041917
5	128913-01-727	EA	STRIKER - BOLT - LONG	11628-16
6	128913-01-726	EA	NUT ASSEMBLY-CAGED (STRIKER)	11920-16
36	128913-10-700	EA	FRAME/CLAMP - WELD ASM BLACK	490195
41	128913-01-709	EA	STRIKER-SCREEN DR/FRAME MT	130-041824
44	128913-03-708	EA	SEAL/HINGE (3 PER DOOR)	124-042236
45	128913-02-700	EA	LATCH - BRACKET	210-042215
61	128913-01-704	EA	BRACKET - PIVOT/BRASS	370-042315
67	128913-01-732	FT	SEAL - LAZY T	122-041986
68	128913-01-748	FT	SEAL/BULB	132-042483

CONTACT WINNEBAGO PARTS SALES FOR UNLISTED COMPONENT(S)

**EXTERIOR DOORS & COMPARTMENTS GROUP (CONTINUED)**  
**COMPONENT PARTS FOR ENTRY (CONTINUED)**



**SECTION C-C**

128913-10-01A/02A, 128913-11-01A, 128913-12-01A, 128913-13-01A/02A (CONTINUED)

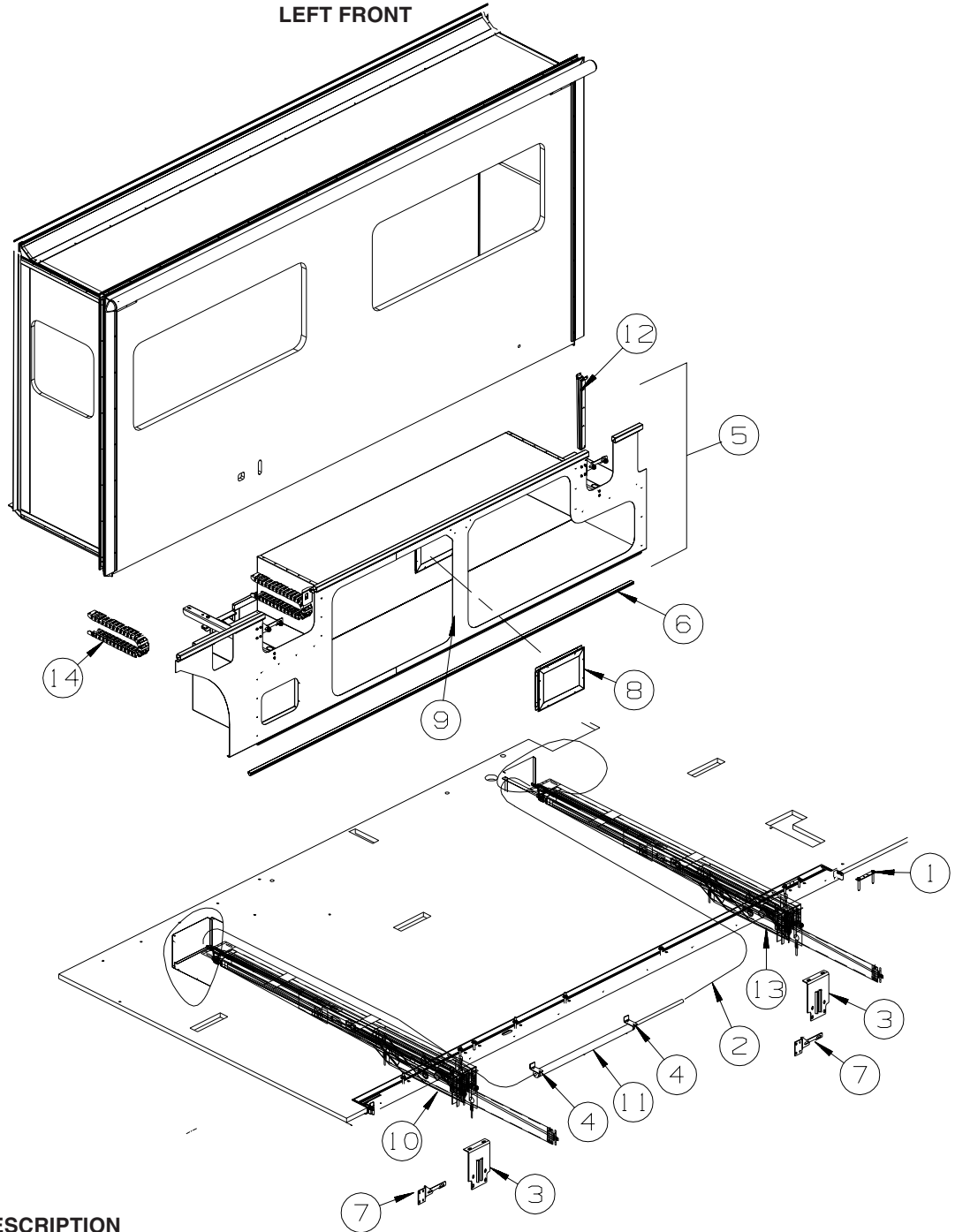
KEY	PART NUMBER	U/M	DESCRIPTION	VENDOR NO.
2	128913-09-704	EA	RAIL/MID SCREEN-GLACIER BEIGE	490054
4	128913-09-703	EA	END CAP/SLIDER - GLACIER BEIGE	490061
5	128913-01-731	EA	LATCH - SCREEN DOOR	146-041950
6	128913-01-742	FT	SPLINE - SCREEN	132-041775
7	128913-01-741	EA	SCREEN ONLY - SCREENDOOR	110-041928
8	128913-01-740	FT	RUN CHANNEL-SCREEN DR SLIDER	170-041263
9	128913-09-702	EA	SLIDER/SCREENDOOR - GLACIER	490059
10	128913-09-701	EA	SWEeper/SCREENDOOR- GLACIER	490052
11	128913-01-736	FT	WEATHERSTRIP-SCREEN DOOR	171-041284
13	128913-01-738	FT	WEATHERSTRIP - SLIDER	171-041285

CONTACT WINNEBAGO PARTS SALES FOR UNLISTED COMPONENT(S)



# EXTERIOR SLIDEOUT GROUP

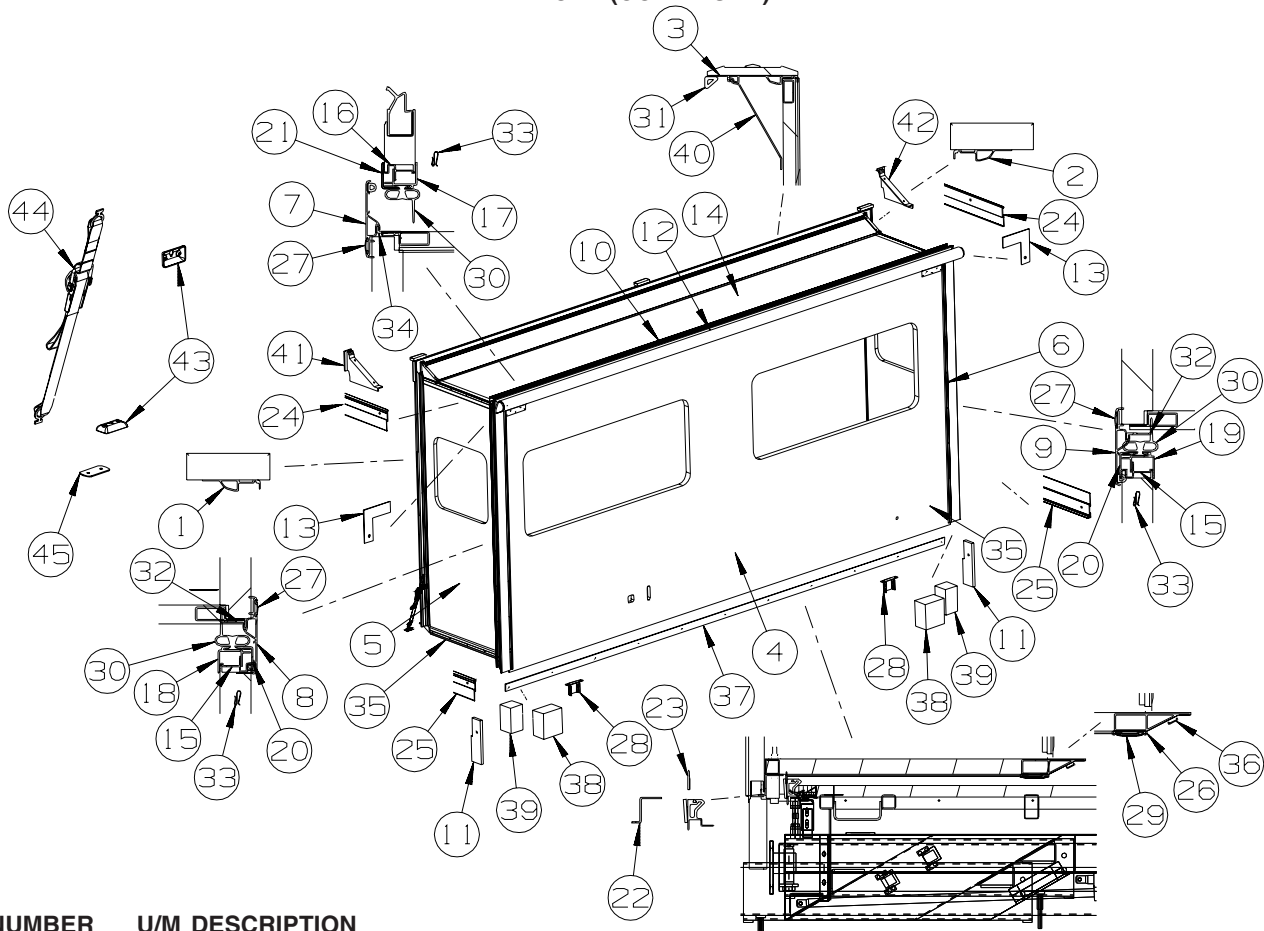
## LEFT FRONT



KEY	PART NUMBER	U/M	DESCRIPTION
1	136995-05-02B	EA	PLATE W/BOLTS - 5.9" X 1" W/7/16" X 3" BOLTS
2*	100536-52-000	EA	HOSE KIT - F/SLIDEOUT
3	145179-01-02B	EA	BRACKET - F/SLIDEOUT - E-COATED
4	122922-02-02B	EA	BRACKET/CYLINDER SUPPORT - E-COATED
5	147632-01-R83	EA	COMPARTMENT - F/SLIDEOUT
6	126516-01-01A	EA	TRIM - VINYL/EXTRUDED - 8'
7	143183-02-02B	EA	BRACKET - SLIDEOUT COMPARTMENT - E-COATED
8	145973-01-R83	EA	DOOR/ACCESS - COMPARTMENT - 13.5" X 9.6"
9	147630-01-02B	EA	SEAL PLANE - F/SLIDEOUT - E-COATED
10*	145494-02-000	EA	SLIDEOUT - HYDRAULIC
10	151323-02-000	EA	BOLT - HANGER/STOREMORE - LONG - 1/2" THREADS
11	145494-03-000	EA	SLIDEOUT - HYDRAULIC KIT
12	126591-02-02B	EA	CARRIER - WIRE LOOM - F/SLIDEOUT ROOM
13*	145494-01-000	EA	SLIDEOUT - HYDRAULIC
13	151323-02-000	EA	BOLT - HANGER/STOREMORE - LONG - 1/2" THREADS
	143738-01-000	EA	WRENCH - RATCHET - 13/16" X 7/8"
14	143541-01-01A	EA	CARRIER/WIRING - F/SLIDE-OUT ROOM - 29 LINKS

\*COMPONENT PARTS LISTED LATER IN THIS GROUP

**EXTERIOR SLIDEOUT GROUP (CONTINUED)**  
**LEFT FRONT (CONTINUED)**



KEY	PART NUMBER	U/M	DESCRIPTION
1	139624-18-01A	EA	TRIM/SEAL - INNER/RIGHT HAND - 71.3" - BRIGHT WHITE
2	139624-19-01A	EA	TRIM/SEAL - INNER/LEFT HAND - 71.3" - BRIGHT WHITE
3	141893-01-01A	EA	TRIM/SEAL - F/SLIDEOUT - BRIGHT WHITE
3	148916-01-01A	EA	TRIM/SEAL - W/MITERED CORNERS - F/SLIDEOUT - 158.5" - B/W FROM: 00-00-00 THRU: 10-26-03 FROM: 10-27-03 THRU: 99-99-99
4	147017-11-R83	EA	SLUG - F/SLIDEOUT (R89, R90, R91, R95, R96, R97, RE3, RE5)
4	147017-11-R85	EA	SLUG - F/SLIDEOUT (R92, R93, R94, RE4)
5	141972-02-N96	EA	PANEL/SLIDEOUT - FRONT (R89, R90, R91, R95, R96, R97, RE3, RE5)
5	141972-02-N98	EA	PANEL/SLIDEOUT - FRONT (R92, R93, R94, RE4)
6	141973-04-R83	EA	PANEL/REAR - F/FRONT SLIDEOUT (R89, R95)
6	141973-04-R84	EA	PANEL/REAR - F/FRONT SLIDEOUT (R90, R96)
6	141973-04-R85	EA	PANEL/REAR - F/FRONT SLIDEOUT (R92)
6	141973-04-R86	EA	PANEL/REAR - F/FRONT SLIDEOUT (R93)
6	141973-04-R91	EA	PANEL/REAR - F/FRONT SLIDEOUT (R91, R97) FROM: 00-00-00 THRU: 01-04-04
6	141973-04-RW5	EA	PANEL/REAR - F/FRONT SLIDEOUT (R91, R97) FROM: 01-05-04 THRU: 99-99-99
6	141973-04-R94	EA	PANEL/REAR - F/FRONT SLIDEOUT (R94) FROM: 00-00-00 THRU: 01-04-04
6	141973-04-RW6	EA	PANEL/REAR - F/FRONT SLIDEOUT (R94) FROM: 01-05-04 THRU: 99-99-99
6	141973-04-RE0	EA	PANEL/REAR - F/FRONT SLIDEOUT (RE3, RE5)
6	141973-04-RE1	EA	PANEL/REAR - F/FRONT SLIDEOUT (RE4)
7	139625-10-02A	EA	TRIM/SEAL - TOP/W/MITERED ENDS - 160" - BLACK
8	139625-16-02A	EA	TRIM/SEAL - LEFT HAND - 76.1" - BLACK FROM: 00-00-00 THRU: 12-07-03
8	139625-44-02A	EA	TRIM/SEAL - TOP W/RH MITERED END - 75.9" - BLACK FROM: 12-08-03 THRU: 99-99-99
9	139625-17-02A	EA	TRIM/SEAL - RIGHT HAND - 76.1" - BLACK FROM: 00-00-00 THRU: 12-07-03
9	139625-45-02A	EA	TRIM/SEAL - TOP W/LH MITERED END - 75.9" - BLACK FROM: 12-08-03 THRU: 99-99-99

**EXTERIOR SLIDEOUT GROUP (CONTINUED)**  
**LEFT FRONT (CONTINUED)**

<b>KEY</b>	<b>PART NUMBER</b>	<b>U/M</b>	<b>DESCRIPTION</b>
10	117058-01-01A	FT	TAPE - LOOP - 3/4" WIDE - ADHESIVE BACKED FROM: 00-00-00 THRU: 04-30-04
11	126546-01-02A	EA	COVER - END/SIDEWALL SLIDEOUT - BRIGHT WHITE
12			SLIDEOUT AWNING

**SLIDEOUT AWNINGS UP TO 08-03-03**

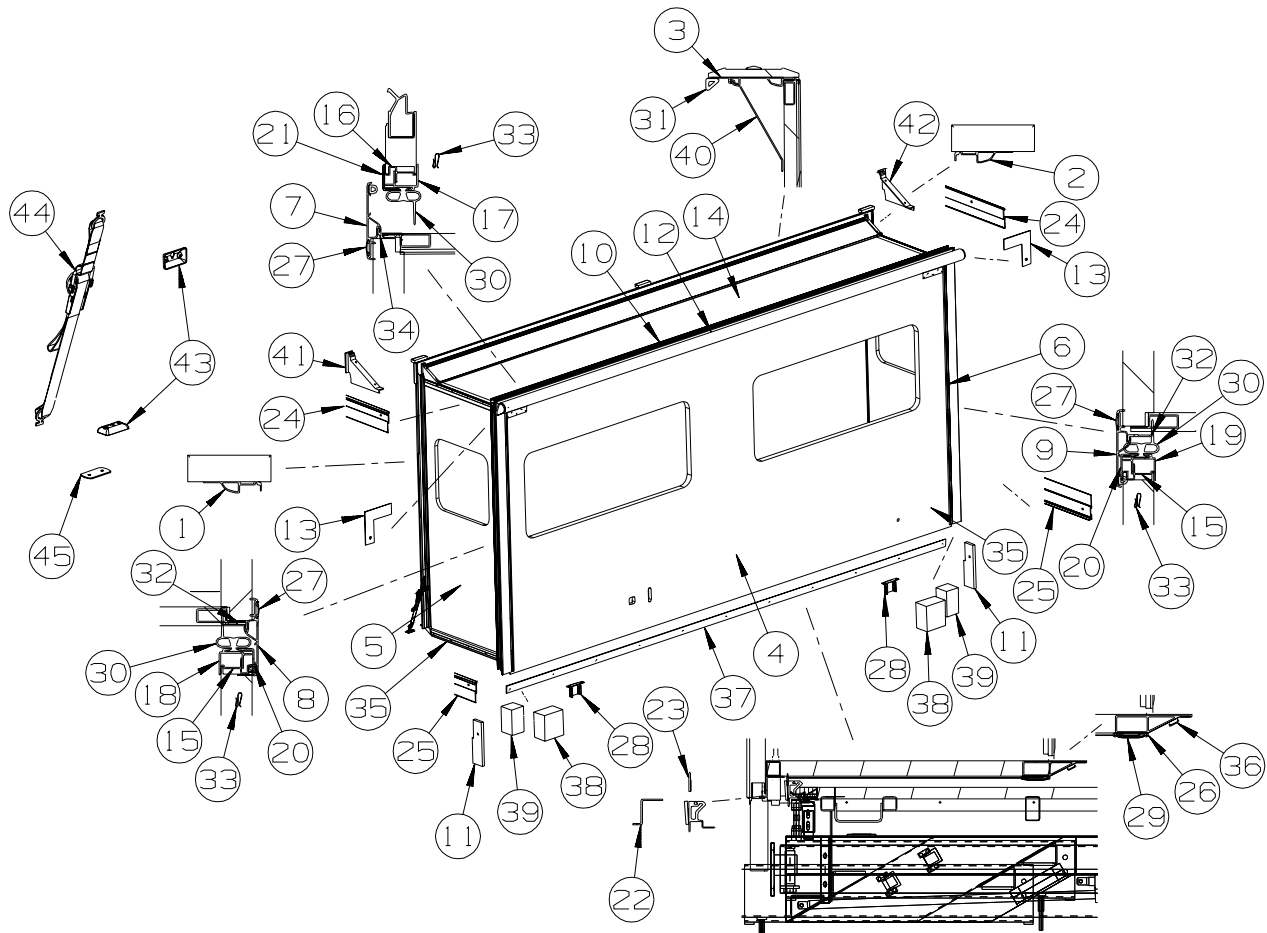
<b>MODEL</b>	<b>COLOR CODE</b>	<b>HARDWARE COLOR</b>	<b>SLIDEROOM LT FRONT</b>	<b>SLIDEROOM LT REAR</b>	<b>SLIDEROOM RT FRONT</b>	<b>SLIDEROOM RT REAR</b>
S40AD	27A, 92A, 24C	CHAMPAGNE	122977-09-04A	122977-04-04A	122977-21-04A	NA
S40KD	27A, 92A, 24C	CHAMPAGNE	122977-22-04A	122977-19-04A	122977-23-04A	NA
S40WD	27A, 92A, 24C	CHAMPAGNE	122977-06-04A	122977-19-04A	NA	NA
S40QD	27A, 92A, 24C	CHAMPAGNE	122977-06-04A	122977-04-04A	NA	NA
S36GD	27A, 92A, 24C	CHAMPAGNE	122977-06-04A	122977-18-04A	NA	NA
S36LD	27A, 92A, 24C	CHAMPAGNE	122977-06-04A	122977-18-04A	NA	NA
S34TD	27A, 92A, 24C	CHAMPAGNE	122977-11-04A	NA	NA	122977-04-04A

**SLIDEOUT AWNINGS AFTER 08-03-03**

<b>MODEL</b>	<b>COLOR CODE</b>	<b>HARDWARE COLOR</b>	<b>SLIDEROOM LT FRONT</b>	<b>SLIDEROOM LT REAR</b>	<b>SLIDEROOM RT FRONT</b>	<b>SLIDEROOM RT REAR</b>
S40AD	27A, 92A, 24C	CHAMPAGNE	122977-09-06A	122977-04-06A	122977-21-06A	NA
S40KD	27A, 92A, 24C	CHAMPAGNE	122977-22-06A	122977-19-06A	122977-23-06A	NA
S40WD	27A, 92A, 24C	CHAMPAGNE	122977-06-06A	122977-19-06A	NA	NA
S40QD	27A, 92A, 24C	CHAMPAGNE	122977-06-06A	122977-04-06A	NA	NA
S36GD	27A, 92A, 24C	CHAMPAGNE	122977-06-06A	122977-18-06A	NA	NA
S36LD	27A, 92A, 24C	CHAMPAGNE	122977-06-06A	122977-18-06A	NA	NA
S34TD	27A, 92A, 24C	CHAMPAGNE	122977-11-06A	NA	NA	122977-04-06A

<b>KEY</b>	<b>PART NUMBER</b>	<b>U/M</b>	<b>DESCRIPTION</b>
13	116444-04-02B	EA	TRIM/KEY CORNER - SLIDEOUT - 3.1"X3.1" - BLACK
14	145206-01-R83	EA	ROOF - F/SLIDEOUT
15	142718-01-01A	EA	RETAINER - SIDEWALL/SLIDEOUT - 72.8"
16	142718-09-01A	EA	RETAINER - SIDEWALL/SLIDEOUT - 157.9"
17	142719-11-01A	EA	TRIM/SIDEWALL - TOP/SLIDEOUT - 159.5" - BRIGHT WHITE
18	142720-02-01A	EA	TRIM - SIDEWALL/SLIDEOUT - 74.8" - BRIGHT WHITE
19	142720-01-01A	EA	TRIM - SIDEWALL/SLIDEOUT - 74.8" - BRIGHT WHITE
20	136824-39-02A	EA	TRIM - SIDEWALL/SLIDEOUT - 74.8" - BLACK FROM: 00-00-00 THRU: 12-07-03
20	136824-38-02A	EA	TRIM - SIDEWALL/SLIDEOUT - 74.6" - BLACK FROM: 12-08-03 THRU: 99-99-99
21	136824-11-02A	EA	TRIM - SIDEWALL/SLIDEOUT - 159.8" - BLACK
22	131520-19-01A	EA	EXTRUSION/ZEE - F/SLIDEOUT - 150.6" - MILL
23	123012-01-000	FT	SEAL - SLIDEOUT - .09"/.13" THICK X 1.25" - W/ADHESIVE
24	138659-01-02A	EA	TRIM/FEATURE STRIP - 181.7" - BLACK
25	125051-03-02A	EA	TRIM - FEATURE STRIP/LOWER - 29.3" - BLACK
26	115325-01-02A	EA	RAIL - FLOOR/SLIDEOUT ROOM - 147.2" LONG - BLACK
27	105312-01-13A	FT	INSERT - FEATURE STRIP - VINYL - BLACK
28	133233-01-02B	EA	BRACKET - SLIDEOUT - E-COATED
29	115661-01-000	FT	SHOE/GLIDE - SLIDEOUT ROOM - 1/16" X 3" - POLYETHYLENE
30	136978-01-01A	FT	SEAL - SLIDEOUT - BLACK
31	146056-01-000	FT	SEAL - TRIANGLE - W/PSA
32	133954-16-02A	EA	TRIM/SEAL - 71.2" - BLACK
33	142549-01-000	EA	CLIP-S TYPE
34	133954-01-02A	EA	TRIM/SEAL - 154.3" - BLACK
35	075673-05-000	FT	SEAL - PILE - ADHESIVE BACK - BLACK
36	131358-01-01A	EA	RETAINER - U-CHANNEL - 153.4" - BLACK
37	137343-01-02B	EA	PLATE - W/HOLES - E-COATED

**EXTERIOR SLIDEOUT GROUP (CONTINUED)**  
**LEFT FRONT (CONTINUED)**



KEY	PART NUMBER	U/M	DESCRIPTION
38	137408-01-000	EA	SEAL - BLOCK - F/SLIDEOUT - 2.2" FROM: 00-00-00 THRU: 11-02-03
38	134588-01-000	EA	GASKET - DUCT - 15.5" X 18.2" IS - 17.4" X 20.2" OS FROM: 11-03-03 THRU: 99-99-99
39	137408-02-000	EA	SEAL - BLOCK - F/SLIDEOUT - 1.4"
40	131579-01-02A	EA	TRIM - RETAINER - BLACK FROM: 00-00-00 THRU: 10-26-03
40	148915-01-02A	EA	RETAINER/TRIM - 154.3" - BLACK FROM: 10-27-03 THRU: 99-99-99
41	131584-01-02A	EA	COVER - TRIM - SLIDEOUT - FRONT - BLACK FROM: 00-00-00 THRU: 10-26-03
41	148913-01-01A	EA	COVER/TRIM - RH - F/SLIDEOUT - BLACK FROM: 10-27-03 THRU: 99-99-99
42	131584-02-02A	EA	COVER - TRIM - SLIDEOUT - REAR - BLACK FROM: 00-00-00 THRU: 10-26-03
42	148913-02-01A	EA	COVER/TRIM - LH - F/SLIDEOUT - BLACK FROM: 10-27-03 THRU: 99-99-99
43	135619-02-01A	EA	PLATE - TIEDOWN - SLIDEOUT ROOM
44	135619-01-01A	EA	STRAP - TIEDOWN - SLIDEOUT ROOM
45	135622-01-02B	EA	PLATE - TIEDOWN - SLIDEOUT ROOM

**EXTERIOR SLIDEOUT GROUP (CONTINUED)**  
**COMPONENT PARTS FOR LEFT FRONT**

**100536-52-000**

<b>KEY</b>	<b>PART NUMBER</b>	<b>U/M DESCRIPTION</b>	<b>VENDOR NO.</b>
	100536-52-700	EA HOSE-HYDRAULIC - 1/4" X 207"	RAP90119/AP11212
	100536-52-701	EA HOSE-HYDRAULIC 1/4" X 228"	AP5924

**145494-01-000**

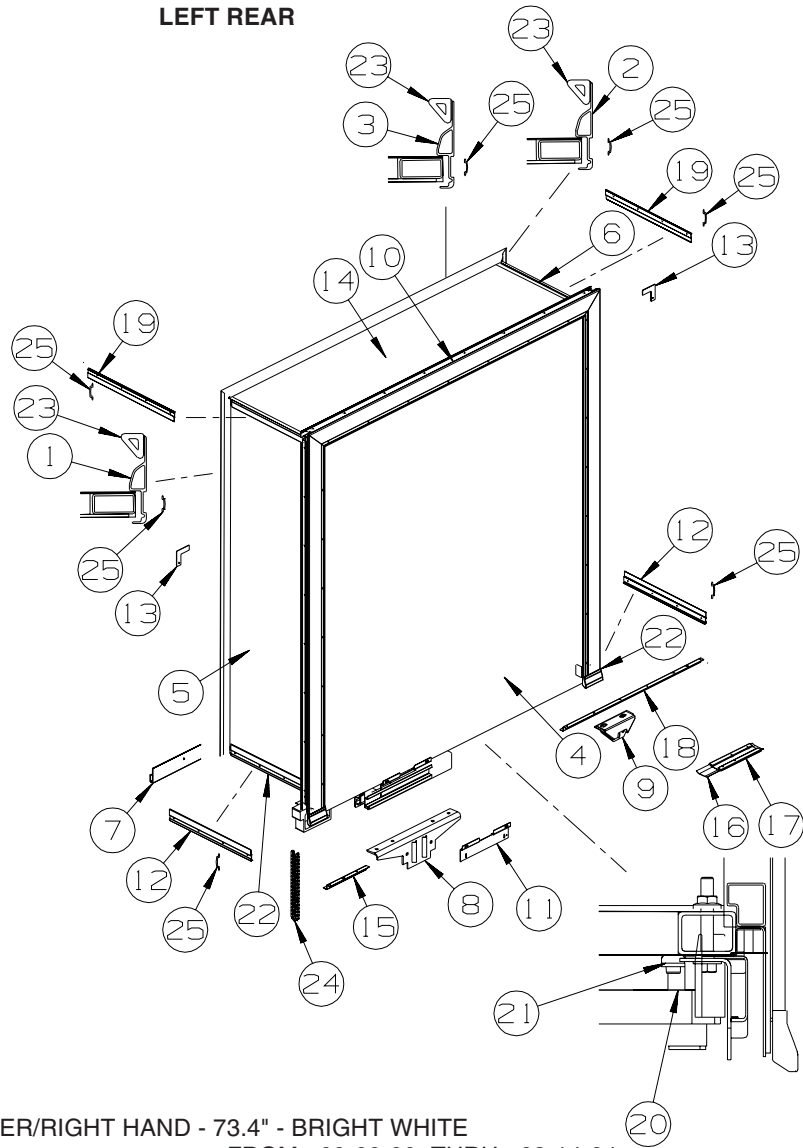
<b>KEY</b>	<b>PART NUMBER</b>	<b>U/M DESCRIPTION</b>	<b>VENDOR NO.</b>
	131360-01-709	EA PIN/UPPER MOUNT - FLAT FLOOR, P19685	

**145494-02-000**

<b>KEY</b>	<b>PART NUMBER</b>	<b>U/M DESCRIPTION</b>	<b>VENDOR NO.</b>
	131360-01-704	EA STUD/COMPT MOUNT-3 3/8" LONG	P19715
	131360-01-705	EA STUD/COMPT MOUNT-4 5/8" LONG	P19716
	131360-01-709	EA PIN/UPPER MOUNT - FLAT FLOOR	P19685
	131360-01-711	EA STUD KIT - COMPT.MOUNT	RAP91341
	145494-02-700	EA ROD - THREADED F/RETRACTING	AP27277
	145494-02-701	EA BLOCK/BUSHING- THREADED	P26340
	145494-02-702	EA BEARING PAD/RH - TRIANGULAR	P18229
	145494-02-703	EA BEARING PAD/LH - TRIANGULAR	P18230
	145494-02-704	EA RAM/CYLINDER - SLIDEOUT ROOM	RAP91371/AP28614
	145494-02-705	EA KIT - ROOM RETRACTING	RAP91357

# EXTERIOR SLIDEOUT GROUP (CONTINUED)

## LEFT REAR

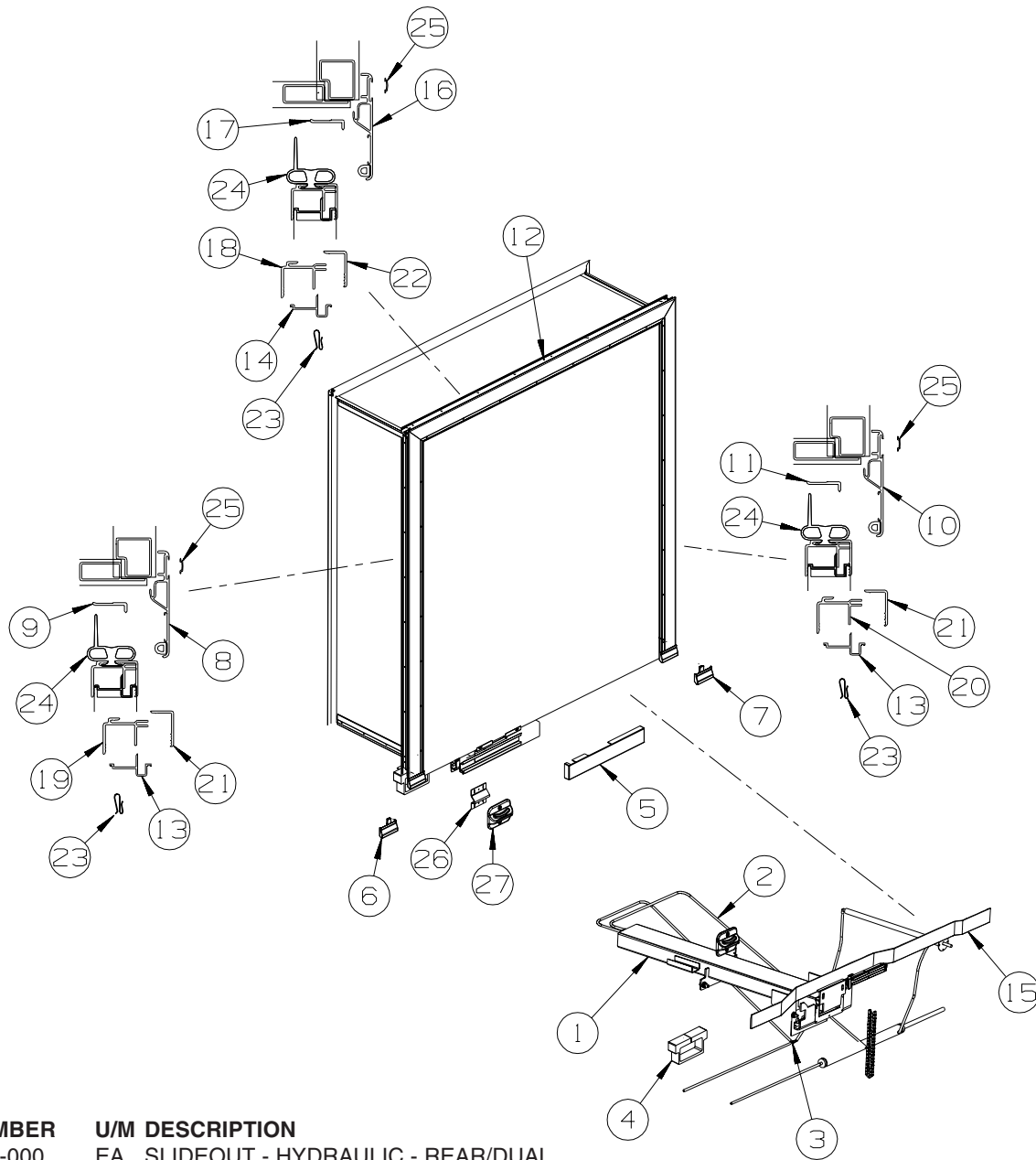


KEY	PART NUMBER	U/M	DESCRIPTION
1	139624-01-01A	EA	TRIM/SEAL - INNER/RIGHT HAND - 73.4" - BRIGHT WHITE FROM: 00-00-00 THRU: 03-14-04
1	139624-15-01A	EA	TRIM/SEAL - INNER/RIGHT HAND - 72.9" - BRIGHT WHITE FROM: 03-15-04 THRU: 99-99-99
2	139624-02-01A	EA	TRIM/SEAL - INNER/LEFT HAND - 73.4" - BRIGHT WHITE FROM: 00-00-00 THRU: 03-14-04
2	139624-16-01A	EA	TRIM/SEAL - INNER/LEFT HAND - 72.9" - BRIGHT WHITE FROM: 03-15-04 THRU: 99-99-99
3	139624-08-01A	EA	TRIM/SEAL - INNER/TOP - 70.1" - BRIGHT WHITE
4	147017-12-R83	EA	SLUG - F/SLIDEOUT (R89, R90, R91, R95, R96, R97, RE3, RE5)
4	147017-12-R85	EA	SLUG - F/SLIDEOUT (R92, R93, R94, RE4)
5	134728-02-N78	EA	PANEL/FRAMED WALL - FRONT - F/SLIDEOUT (R89, R90, R91, R95, R96, R97, RE3, RE5)
5	134728-02-M76	EA	PANEL/FRAMED WALL - FRONT - F/SLIDEOUT (R92, R93, R94, RE4)
6	134729-02-N78	EA	PANEL/FRAMED WALL - REAR (R89, R90, R91, R95, R96, R97, RE3, RE5)
6	134729-02-M76	EA	PANEL - SLIDEOUT - REAR (R92, R93, R94, RE4)
7	136839-06-01A	EA	TRIM-J - CARPET EDGE/SLIDEOUT - 62.7" - BLACK FROM: 00-00-00 THRU: 04-18-04
7	151282-06-01A	EA	TRIM-J - CARPET EDGE/SLIDEOUT - 62.7" - BLACK FROM: 04-19-04 THRU: 99-99-99
8	136963-01-02B	EA	BRACKET - SLIDEOUT - E-COATED
9	139407-02-02B	EA	BRACKET/MOUNT - F/SLIDEOUT - E-COATED FROM: 00-00-00 THRU: 03-14-04
9	139407-03-02B	EA	BRACKET/MOUNT - F/SLIDEOUT - E-COATED FROM: 03-15-04 THRU: 99-99-99
	136995-07-02B	EA	PLATE W/BOLTS - 5.9" X 1" W/1/2" X 2" BOLTS FROM: 04-19-04 THRU: 99-99-99
10	117058-01-01A	FT	TAPE - LOOP - 3/4" WIDE - ADHESIVE BACKED FROM: 00-00-00 THRU: 03-29-04

**EXTERIOR SLIDEOUT GROUP (CONTINUED)**  
**LEFT REAR (CONTINUED)**

KEY	PART NUMBER	U/M	DESCRIPTION
11	137112-02-02B	EA	BRACKET - COVER - SLIDEOUT - E-COATED
12	125051-01-03A	EA	TRIM - FEATURE STRIP/LOWER - 20.2" - BLACK FROM: 00-00-00 THRU: 03-14-04
12	141435-05-02A	EA	TRIM - FEATURE - LOWER - 20" - BLACK FROM: 03-15-04 THRU: 99-99-99
13	116444-04-02B	EA	TRIM/KEY CORNER - SLIDEOUT - 3.1"X3.1" - E-COATED
14	141228-02-R83	EA	ROOF - F/SLIDEOUT
15	136968-06-02B	EA	ZEE - F/SLIDEOUT - E-COATED FROM: 00-00-00 THRU: 03-14-04
15	136968-11-02B	EA	ZEE - F/SLIDEOUT - 7.4" - E-COATED FROM: 03-15-04 THRU: 99-99-99
16	115661-01-000	FT	SHOE/GLIDE - SLIDEOUT ROOM - 1/16" X 3" - POLYETHYLENE
17	115325-16-01A	EA	RAIL - FLOOR/SLIDEOUT ROOM - 9.8" LONG - BLACK
18	136968-03-02B	EA	ZEE - F/SLIDEOUT - 40.2" - E-COATED FROM: 00-00-00 THRU: 03-14-04
18	136968-10-02B	EA	ZEE - F/SLIDEOUT - 33.8" - E-COATED FROM: 03-15-04 THRU: 99-99-99
19	138659-01-02A	EA	TRIM/FEATURE STRIP - 181.7" - BLACK
20	126313-09-02B	EA	SUPPORT - ROLLER - E-COATED
21	134855-01-000	EA	BEARING PAD - NARROW
22	075673-05-000	FT	SEAL - PILE - ADHESIVE BACK - BLACK
23	146056-01-000	FT	SEAL - TRIANGLE - W/PSA
24	143172-01-01A	EA	CARRIER ASM-WIRE,BLACK
25	105312-01-13A	FT	INSERT - FEATURE STRIP - VINYL - BLACK

**EXTERIOR SLIDEOUT GROUP (CONTINUED)**  
**LEFT REAR (CONTINUED)**



KEY	PART NUMBER	U/M	DESCRIPTION
1*	139507-01-000	EA	SLIDEOUT - HYDRAULIC - REAR/DUAL
2*	100536-46-000	EA	HOSE KIT - SLIDEOUT
3	123264-01-000	EA	TEE - UNION - 1/4" X 1/4" X 1/4"
4	140664-01-01A	EA	SEAL/RAM - F/SLIDEOUT
5	137125-04-N74	EA	COVER - RAM - F/SLIDEOUT
5	137125-02-M76	EA	COVER - RAM - F/SLIDEOUT
6	139182-01-01A	EA	CAP - TRIM - F/SLIDEOUT - BRIGHT WHITE
7	139182-02-01A	EA	CAP - TRIM - F/SLIDEOUT - BRIGHT WHITE
8	139625-01-02A	EA	TRIM/SEAL - LEFT HAND - 76.4" - BLACK
9	133954-48-02A	EA	TRIM/SEAL - 71.7" - BLACK
10	139625-02-02A	EA	TRIM/SEAL - RIGHT HAND - 76.4" - BLACK
11	133954-48-02A	EA	TRIM/SEAL - 71.7" - BLACK

FROM: 00-00-00 THRU: 01-11-04

FROM: 01-12-04 THRU: 99-99-99



**EXTERIOR SLIDEOUT GROUP (CONTINUED)**  
**LEFT REAR (CONTINUED)**

**KEY PART NUMBER U/M DESCRIPTION**  
 12 SLIDEOUT AWNING

**SLIDEOUT AWNINGS UP TO 08-03-03**

MODEL	COLOR CODE	HARDWARE COLOR	SLIDEROOM LT FRONT	SLIDEROOM LT REAR	SLIDEROOM RT FRONT	SLIDEROOM RT REAR
S40AD	27A, 92A, 24C	CHAMPAGNE	122977-09-04A	122977-04-04A	122977-21-04A	NA
S40KD	27A, 92A, 24C	CHAMPAGNE	122977-22-04A	122977-19-04A	122977-23-04A	NA
S40WD	27A, 92A, 24C	CHAMPAGNE	122977-06-04A	122977-19-04A	NA	NA
S40QD	27A, 92A, 24C	CHAMPAGNE	122977-06-04A	122977-04-04A	NA	NA
S36GD	27A, 92A, 24C	CHAMPAGNE	122977-06-04A	122977-18-04A	NA	NA
S36LD	27A, 92A, 24C	CHAMPAGNE	122977-06-04A	122977-18-04A	NA	NA
S34TD	27A, 92A, 24C	CHAMPAGNE	122977-11-04A	NA	NA	122977-04-04A

**SLIDEOUT AWNINGS AFTER 08-03-03**

MODEL	COLOR CODE	HARDWARE COLOR	SLIDEROOM LT FRONT	SLIDEROOM LT REAR	SLIDEROOM RT FRONT	SLIDEROOM RT REAR
S40AD	27A, 92A, 24C	CHAMPAGNE	122977-09-06A	122977-04-06A	122977-21-06A	NA
S40KD	27A, 92A, 24C	CHAMPAGNE	122977-22-06A	122977-19-06A	122977-23-06A	NA
S40WD	27A, 92A, 24C	CHAMPAGNE	122977-06-06A	122977-19-06A	NA	NA
S40QD	27A, 92A, 24C	CHAMPAGNE	122977-06-06A	122977-04-06A	NA	NA
S36GD	27A, 92A, 24C	CHAMPAGNE	122977-06-06A	122977-18-06A	NA	NA
S36LD	27A, 92A, 24C	CHAMPAGNE	122977-06-06A	122977-18-06A	NA	NA
S34TD	27A, 92A, 24C	CHAMPAGNE	122977-11-06A	NA	NA	122977-04-06A

**KEY PART NUMBER U/M DESCRIPTION**

13	142718-01-01A	EA	RETAINER - SIDEWALL/SLIDEOUT - 72.8"			
14	142718-21-01A	EA	RETAINER - SIDEWALL/SLIDEOUT - 69.5"			
15	115075-03-000	FT	SEAL - WIPE - .25" X 2.9"			
16	139625-09-02A	EA	TRIM/SEAL - TOP/W/MITERED ENDS - 71.8" - BLACK			
17	133954-20-02A	EA	TRIM/SEAL - 64.1" - BLACK			
18	142719-07-01A	EA	TRIM/SIDEWALL - TOP/SLIDEOUT - 71.3" - BRIGHT WHITE			
19	142720-08-01A	EA	TRIM - SIDEWALL/SLIDEOUT - 74.4" - BRIGHT WHITE			
20	142720-06-01A	EA	TRIM - SIDEWALL/SLIDEOUT - 74.4" - BRIGHT WHITE			
21	136824-38-02A	EA	TRIM - SIDEWALL/SLIDEOUT - 74.6" - BLACK			
22	136824-12-02A	EA	TRIM - SIDEWALL/SLIDEOUT - 71.4" - BLACK			
23	142549-01-000	EA	CLIP - "S" TYPE			
24	136978-01-01A	FT	SEAL - SLIDEOUT - BLACK			
25	105312-01-13A	FT	INSERT - FEATURE STRIP - VINYL - BLACK			
26	148706-01-02B	EA	BRACKET/RETAINING - F/SLIDEOUT - E-COATED			
			FROM: 01-12-04 THRU: 04-12-04			
27	148707-01-01A	EA	COVER/BRACKET - F/SLIDEOUT			
			FROM: 01-12-04 THRU: 04-12-04			

**\*COMPONENT PARTS LISTED LATER IN THIS GROUP**

**EXTERIOR SLIDEOUT GROUP (CONTINUED)**  
**COMPONENT PARTS FOR LEFT REAR**

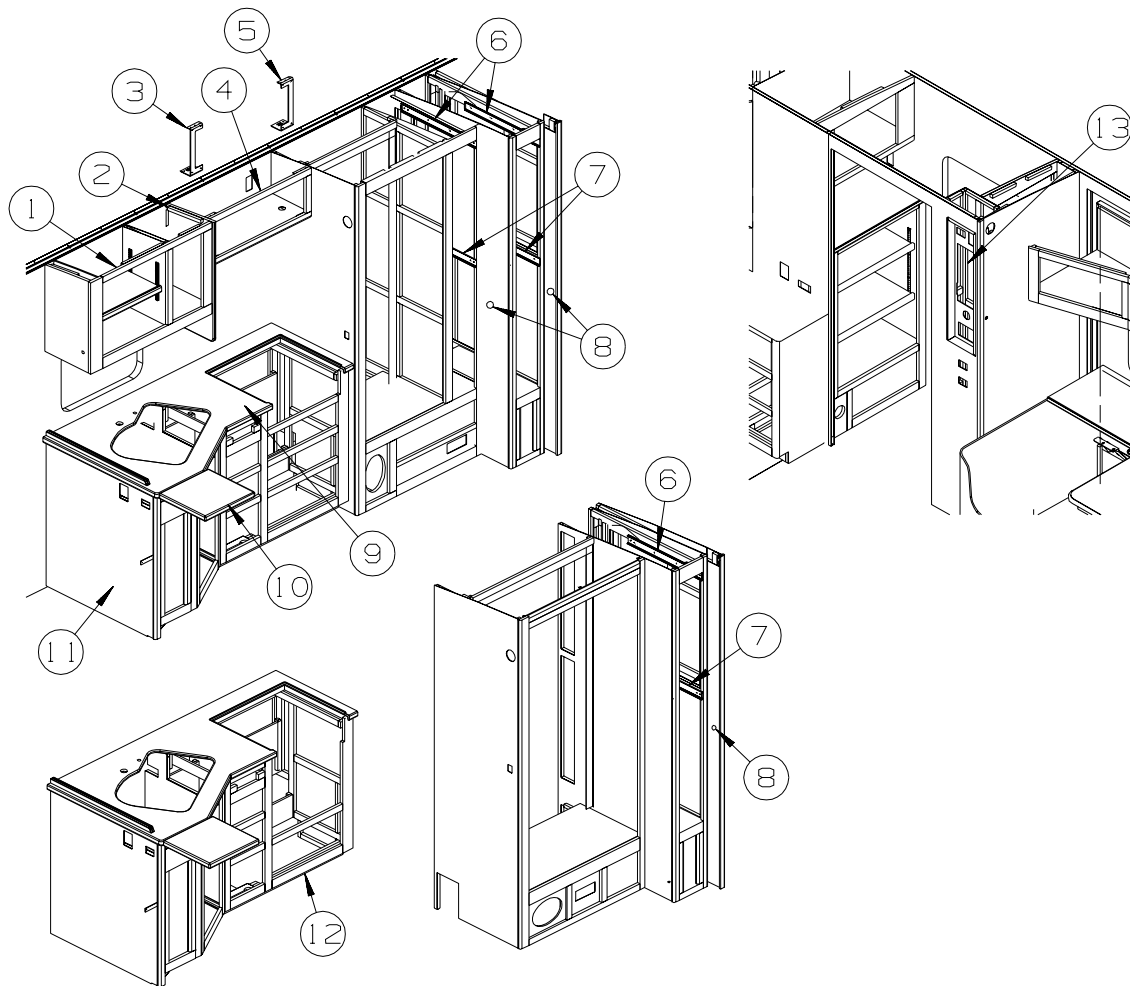
**100536-46-000**

<b>KEY</b>	<b>PART NUMBER</b>	<b>U/M</b>	<b>DESCRIPTION</b>	<b>VENDOR NO.</b>
	100536-46-700	EA	HOSE/HYDRAULIC - 1/4" X 408"	RAP4669/AP4669
	100536-46-701	EA	HOSE/HYDRAULIC - 1/4" X 412"	AP7130

**139507-01-000**

<b>KEY</b>	<b>PART NUMBER</b>	<b>U/M</b>	<b>DESCRIPTION</b>	<b>VENDOR NO.</b>
	139507-01-700	EA	CYLINDER - SYNCRONIZING	RAP90879/AP24825
	139507-01-701	EA	HOSE - HYDRAULIC 1/8" X 102"	AP23738
	139507-01-702	EA	CYLINDER - ASSIST	RAP90878/AP25743
	139507-01-703	EA	CYLINDER/RAM - MAIN	RAP90877/AP23286

## GALLEY GROUP CABINETS

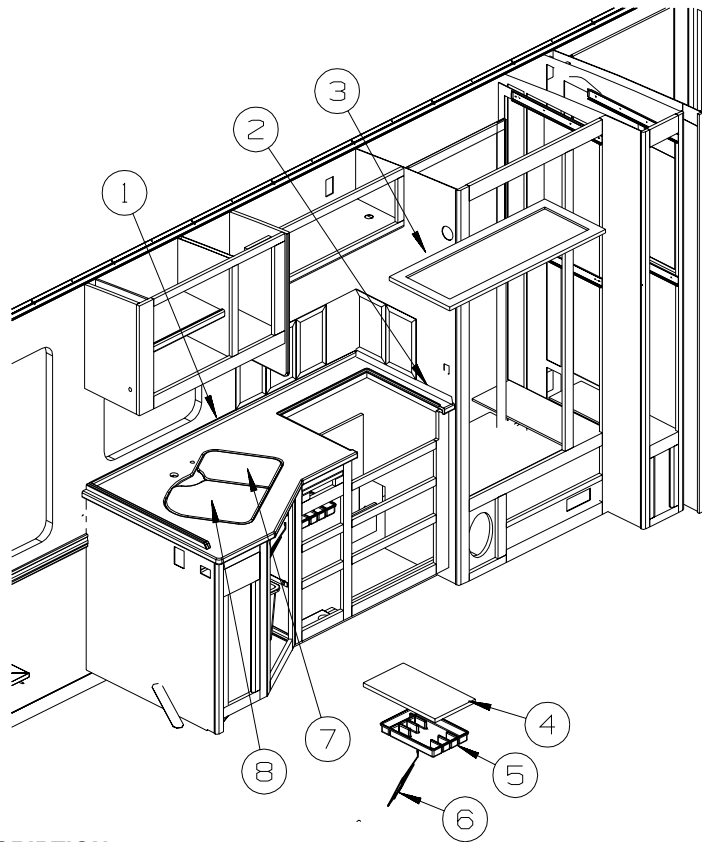


KEY	PART NUMBER	U/M	DESCRIPTION
1	146082-02-R89	EA	CABINET - OVERHEAD/GALLEY - W/O DOORS/HARDWARE - PORTSMOUTH OAK
1	146082-02-R90	EA	CABINET - OVERHEAD/GALLEY - W/O DOORS/HARDWARE - CONCERT CHERRY
1	146082-02-R91	EA	CABINET - OVERHEAD/GALLEY - W/O DOORS/HARDWARE - WASHED MAPLE
			FROM: 00-00-00 THRU: 01-04-04
1	146082-02-RW5	EA	CABINET - OVERHEAD/GALLEY - W/O DOORS/HARDWARE - WASHED MAPLE
			FROM: 01-05-04 THRU: 99-99-99
1	146082-02-RE3	EA	CABINET - OVERHEAD/GALLEY - W/O DOORS/HARDWARE - HONEY CHERRY
2	146082-33-R83	EA	END CAP - OVERHEAD CABINET - PORTSMOUTH OAK
2	146082-33-R84	EA	END CAP - OVERHEAD CABINET - CONCERT CHERRY
2	146082-33-R91	EA	END CAP - OVERHEAD CABINET - WASHED MAPLE
2	146082-33-RE0	EA	END CAP - OVERHEAD CABINET - HONEY CHERRY
3	130736-03-02B	EA	BRACKET - MICROWAVE - E-COATED
4	141733-04-R83	EA	CABINET - OVERHEAD/MICRO. - W/O DRS/HDW - PORTSMOUTH OAK - MICO/CONVECTION OVEN
4	141733-04-R84	EA	CABINET - OVERHEAD/MICRO. - W/O DRS/HDW - CONCERT CHERRY - MICO/CONVECTION OVEN
4	141733-04-R91	EA	CABINET - OVERHEAD/MICRO. - W/O DRS/HDW - WASHED MAPLE - MICO/CONVECTION OVEN
4	141733-04-RE0	EA	CABINET - OVERHEAD/MICRO. - W/O DRS/HDW - HONEY CHERRY - MICO/CONVECTION OVEN
4	141733-05-R83	EA	CABINET - OVERHEAD/MICRO. - W/O DRS/HDW - PORTSMOUTH OAK - MICO/SPEEDCOOK OVEN
4	141733-05-R84	EA	CABINET - OVERHEAD/MICRO. - W/O DRS/HDW - CONCERT CHERRY - MICO/SPEEDCOOK OVEN
4	141733-05-R91	EA	CABINET - OVERHEAD/MICRO. - W/O DRS/HDW - WASHED MAPLE - MICO/SPEEDCOOK OVEN
4	141733-05-RE0	EA	CABINET - OVERHEAD/MICRO. - W/O DRS/HDW - HONEY CHERRY - MICO/SPEEDCOOK OVEN
5	130736-04-02B	EA	BRACKET - MICROWAVE - E-COATED
6	122360-02-000	EA	SLIDE - PANTRY - W/O LOCK - RIGHT/LEFT HAND
7	122360-03-000	EA	SLIDE - PANTRY - W/LOCK - RIGHT HAND (FACING PANEL)
8	123673-01-01A	EA	KNOB - PANTRY SLIDE
9	138775-10-03A	EA	COUNTERTOP - 1/2" CORIAN - FOSSIL
10	138775-11-03A	EA	COUNTERTOP - 1/2" CORIAN - FOSSIL
	120863-03-000	EA	BUMPER - RUBBER/RADIUS TOP - 1/2" X 1/4"

## GALLEY GROUP (CONTINUED)

### CABINETS (CONTINUED)

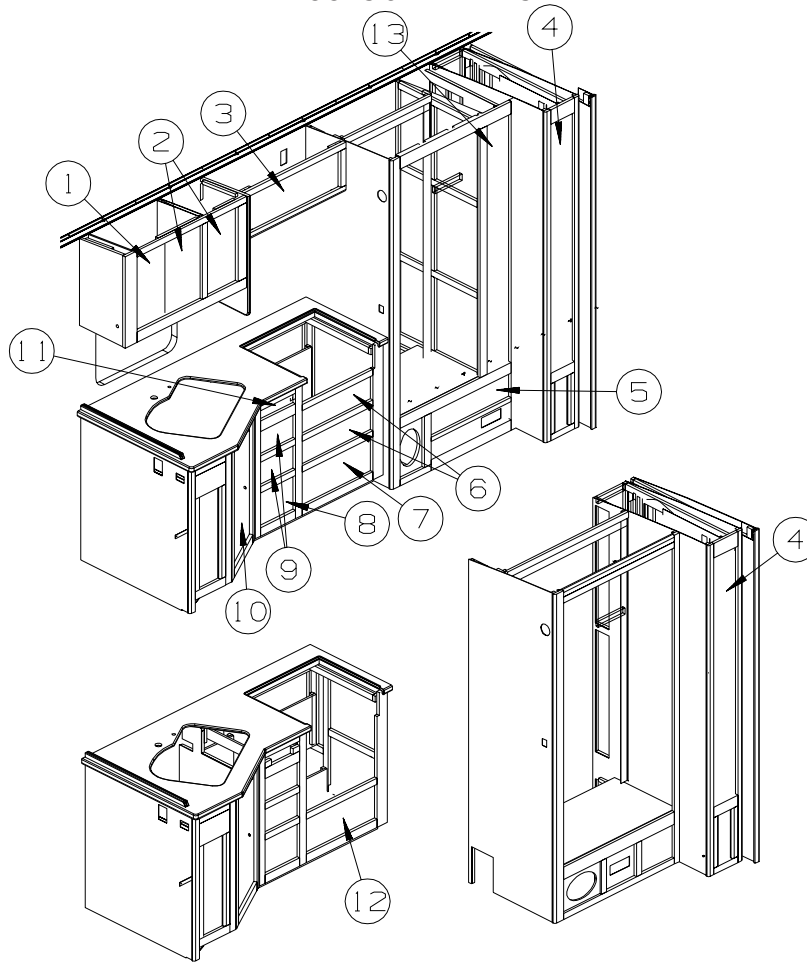
KEY	PART NUMBER	U/M	DESCRIPTION
11	P46191-01-R83	EA	CABINET - GALLEY - W/O COUNTERTOP/DOORS/DRAWERS/HARDWARE - PORTSMOUTH OAK
11	P46191-01-R84	EA	CABINET - GALLEY - W/O COUNTERTOP/DOORS/DRAWERS/HARDWARE - CONCERT CHERRY
11	P46191-01-R91	EA	CABINET - GALLEY - W/O COUNTERTOP/DOORS/DRAWERS/HARDWARE - WASHED MAPLE
11	P46191-01-RW5	EA	CABINET - GALLEY - W/O COUNTERTOP/DOORS/DRAWERS/HARDWARE - WASHED MAPLE FROM: 00-00-00 THRU: 01-04-04
11	P46191-01-RE0	EA	CABINET - GALLEY - W/O COUNTERTOP/DOORS/DRAWERS/HARDWARE - HONEY CHERRY
12	P46191-02-R83	EA	CABINET - GALLEY - W/O COUNTERTOP/DOORS/DRAWERS/HARDWARE - PORTSMOUTH OAK
12	P46191-02-R84	EA	CABINET - GALLEY - W/O COUNTERTOP/DOORS/DRAWERS/HARDWARE - CONCERT CHERRY
12	P46191-02-R91	EA	CABINET - GALLEY - W/O COUNTERTOP/DOORS/DRAWERS/HARDWARE - WASHED MAPLE
12	P46191-02-RW5	EA	CABINET - GALLEY - W/O COUNTERTOP/DOORS/DRAWERS/HARDWARE - WASHED MAPLE FROM: 00-00-00 THRU: 01-04-04
12	P46191-02-RE0	EA	CABINET - GALLEY - W/O COUNTERTOP/DOORS/DRAWERS/HARDWARE - HONEY CHERRY
13	137602-C9-R83	EA	POCKET - MONITOR PANEL - PORTSMOUTH OAK
13	137602-C9-R84	EA	POCKET - MONITOR PANEL - CONCERT CHERRY
13	137602-C9-R91	EA	POCKET - MONITOR PANEL - WASHED MAPLE
13	137602-C9-RW5	EA	POCKET - MONITOR PANEL - WASHED MAPLE FROM: 00-00-00 THRU: 01-04-04
13	137602-C9-RE0	EA	POCKET - MONITOR PANEL - HONEY CHERRY FROM: 01-05-04 THRU: 99-99-99



KEY	PART NUMBER	U/M	DESCRIPTION
1	142772-22-03A	EA	BACKSPLASH - COUNTERTOP - CORIAN - FOSSIL
2	142772-23-03A	EA	BACKSPLASH - COUNTERTOP - CORIAN - FOSSIL
3	145978-02-R89	EA	CABINET - OVERHEAD/LIGHT - W/O DOORS/HARDWARE - PORTSMOUTH OAK
3	145978-02-R90	EA	CABINET - OVERHEAD/LIGHT - W/O DOORS/HARDWARE - CONCERT CHERRY
3	145978-02-R91	EA	CABINET - OVERHEAD/LIGHT - W/O DOORS/HARDWARE - WASHED MAPLE
3	145978-02-RE3	EA	CABINET - OVERHEAD/LIGHT - W/O DOORS/HARDWARE - HONEY CHERRY
3	133312-01-01A	EA	LENS - CLEAR DIFFUSER - 23.7" X 47.8"
4	102778-03-000	EA	BOARD - CUTTING - .7" X 10" X 17.7" - WOOD
5	100081-01-01A	EA	TRAY - SILVERWARE - 9" X 13.3" RUBBERMAID ALMOND PLASTIC
6	093605-02-01A	EA	RACK - TOWEL/WIRE - ALMOND
7	107044-14-03A	EA	COVER - RECESSED SINK - 1/2" CORIAN - FOSSIL
8	107044-13-03A	EA	COVER - RECESSED SINK - 1/2" CORIAN - FOSSIL

## GALLEY GROUP (CONTINUED)

### DOORS & DRAWERS

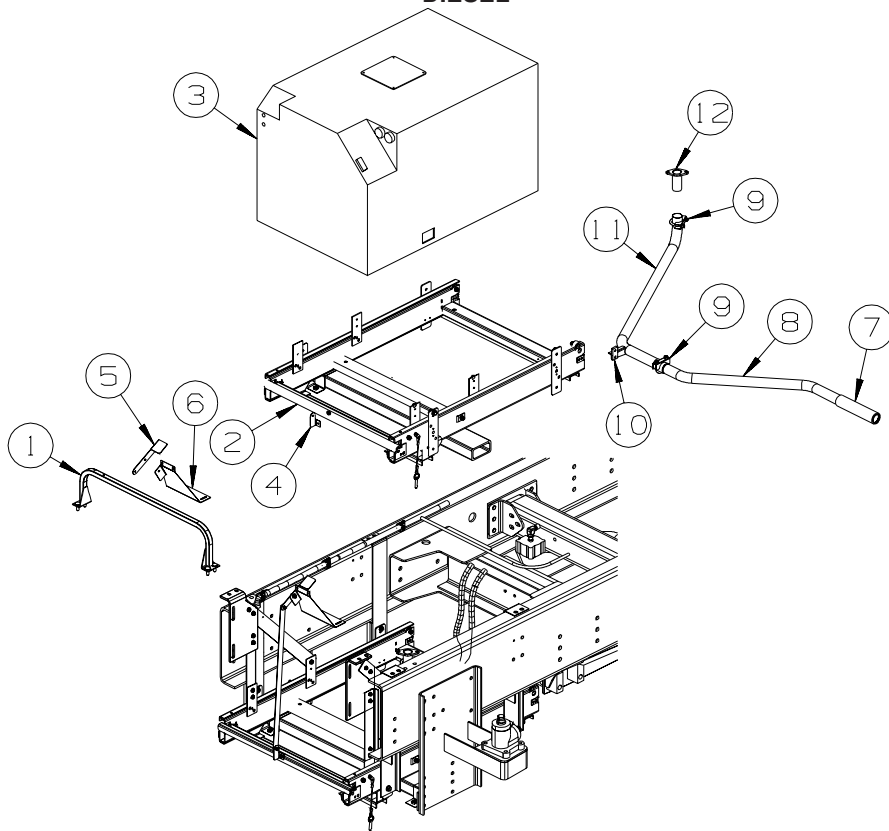


KEY	PART NUMBER	U/M	DESCRIPTION
1	143842-24-R89	EA	DOOR - WIDE RAIL/ARCHED/LH/FLUTED - 10" X 19.1"-W/O HDW - PORTSMOUTH OAK
1	143842-24-R90	EA	DOOR - WIDE RAIL/ARCHED/LH/FLUTED - 10" X 19.1"-W/O HDW - CONCERT CHERRY
1	143842-24-R91	EA	DOOR - WIDE RAIL/ARCHED/LH/FLUTED - 10" X 19.1"-W/O HDW - WASHED MAPLE
1	143842-24-RE3	EA	DOOR - WIDE RAIL/ARCHED/LH/FLUTED - 10" X 19.1"-W/O HDW - HONEY CHERRY
2	141524-23-R89	EA	DOOR - WIDE RAIL/ARCHED/RH/FLUTED - 10" X 19.1" - W/O HDW - PORTSMOUTH OAK
2	141524-23-R90	EA	DOOR - WIDE RAIL/ARCHED/RH/FLUTED - 10" X 19.1" - W/O HDW - CONCERT CHERRY
2	141524-23-R91	EA	DOOR - WIDE RAIL/ARCHED/RH/FLUTED - 10" X 19.1" - W/O HDW - WASHED MAPLE
2	141524-23-RE3	EA	DOOR - WIDE RAIL/ARCHED/RH/FLUTED - 10" X 19.1" - W/O HDW - HONEY CHERRY
3	141525-28-R89	EA	DOOR - WIDE RAIL/ARCHED/HORIZ/FLUTED - 10" X 29.5"-W/O HDW - PORTSMOUTH OAK
3	141525-28-R90	EA	DOOR - WIDE RAIL/ARCHED/HORIZ/FLUTED - 10" X 29.5"-W/O HDW - CONCERT CHERRY
3	141525-28-R91	EA	DOOR - WIDE RAIL/ARCHED/HORIZ/FLUTED - 10" X 29.5"-W/O HDW - WASHED MAPLE
3	141525-28-RE3	EA	DOOR - WIDE RAIL/ARCHED/HORIZ/FLUTED - 10" X 29.5"-W/O HDW - HONEY CHERRY
4	143959-04-R59	EA	DOOR - RAISED PANEL/PENCIL EDGE - 8.1" X 60.7" - W/O HDW - PORTSMOUTH OAK FROM: 00-00-00 THRU: 04-25-04
4	143959-64-R89	EA	DOOR - RAISED PANEL/FLUTED EDGE - 8.1" X 60.7" - W/O HDW - PORTSMOUTH OAK FROM: 04-26-04 THRU: 99-99-99
4	143959-04-R60	EA	DOOR - RAISED PANEL/PENCIL EDGE - 8.1" X 60.7" - W/O HDW - CONCERT CHERRY FROM: 00-00-00 THRU: 04-25-04
4	143959-64-R90	EA	DOOR - RAISED PANEL/FLUTED EDGE - 8.1" X 60.7" - W/O HDW - CONCERT CHERRY FROM: 04-26-04 THRU: 99-99-99
4	143959-04-R61	EA	DOOR - RAISED PANEL/PENCIL EDGE - 8.1" X 60.7" - W/O HDW - WASHED MAPLE FROM: 00-00-00 THRU: 04-25-04
4	143959-64-R91	EA	DOOR - RAISED PANEL/FLUTED EDGE - 8.1" X 60.7" - W/O HDW - WASHED MAPLE FROM: 04-26-04 THRU: 99-99-99
4	143959-04-RE3	EA	DOOR - RAISED PANEL/PENCIL EDGE - 8.1" X 60.7" - W/O HDW - HONEY CHERRY FROM: 00-00-00 THRU: 04-25-04
4	143959-64-RE3	EA	DOOR - RAISED PANEL/FLUTED EDGE - 8.1" X 60.7" - W/O HDW - HONEY CHERRY FROM: 04-26-04 THRU: 99-99-99

**GALLEY GROUP (CONTINUED)**  
**DOORS & DRAWERS (CONTINUED)**

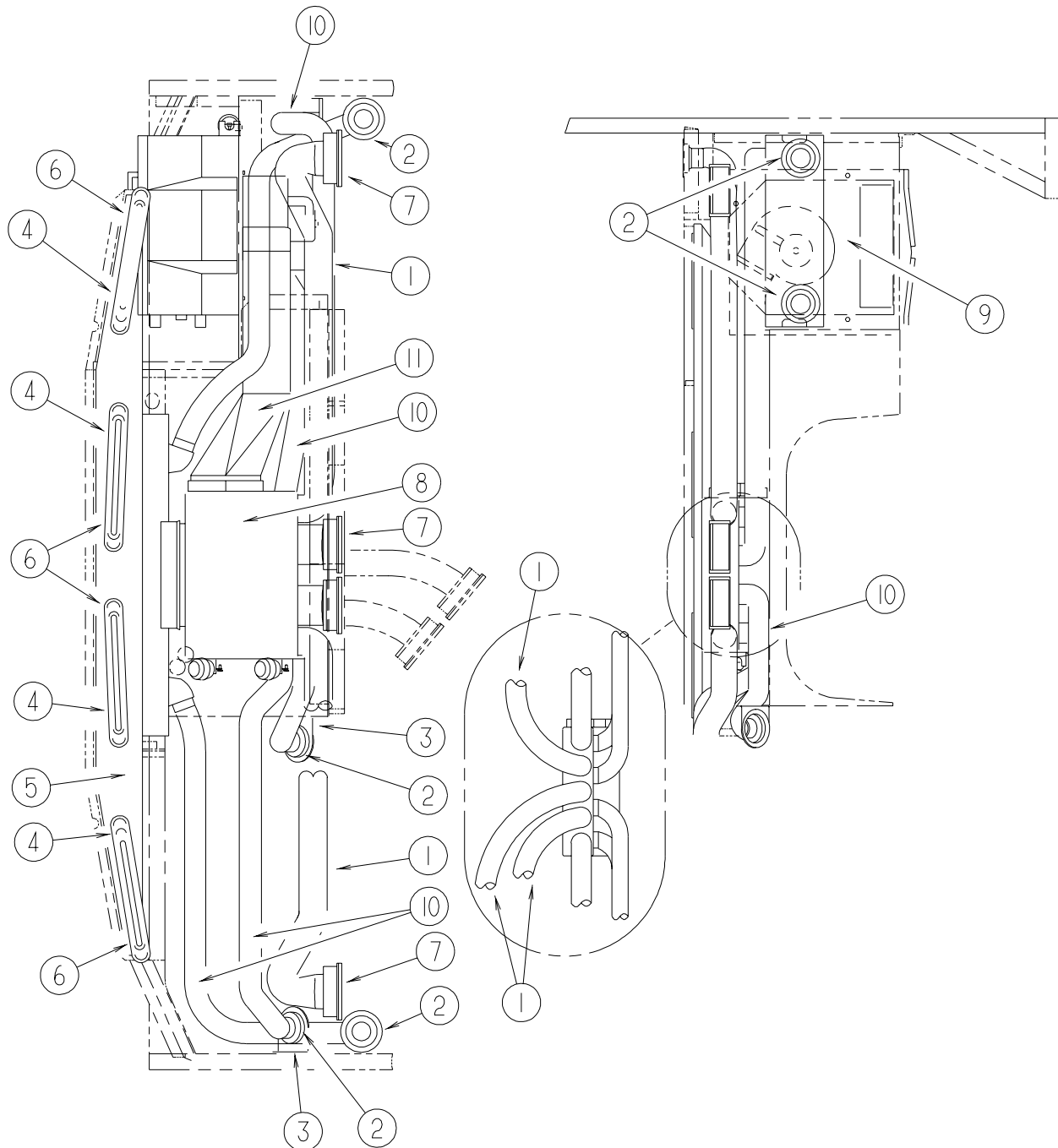
KEY	PART NUMBER	U/M	DESCRIPTION
5	145386-F4-R89	EA	DRAWER - FLUTED EDGE - 23"W X 13.8"D - W/O SLIDES/HARDWARE - PORTSMOUTH OAK
5	145386-F4-R90	EA	DRAWER - FLUTED EDGE - 23"W X 13.8"D - W/O SLIDES/HARDWARE - CONCERT CHERRY
5	145386-F4-R91	EA	DRAWER - FLUTED EDGE - 23"W X 13.8"D - W/O SLIDES/HARDWARE - WASHED MAPLE
5	145386-F4-RE3	EA	DRAWER - FLUTED EDGE - 23"W X 13.8"D - W/O SLIDES/HARDWARE - HONEY CHERRY
6	145386-H0-R89	EA	DRAWER - FLUTED EDGE - 20.2"W X 19.7"D-W/O SLIDES/HARDWARE - PORTSMOUTH OAK
6	145386-H0-R90	EA	DRAWER - FLUTED EDGE - 20.2"W X 19.7"D-W/O SLIDES/HARDWARE - CONCERT CHERRY
6	145386-H0-R91	EA	DRAWER - FLUTED EDGE - 20.2"W X 19.7"D-W/O SLIDES/HARDWARE - WASHED MAPLE
6	145386-H0-RE3	EA	DRAWER - FLUTED EDGE - 20.2"W X 19.7"D-W/O SLIDES/HARDWARE - HONEY CHERRY
7	145386-A3-R89	EA	DRAWER - FLUTED EDGE - 20.2"W X 15.7"D-W/O SLIDES/HARDWARE - PORTSMOUTH OAK
7	145386-A3-R90	EA	DRAWER - FLUTED EDGE - 20.2"W X 15.7"D-W/O SLIDES/HARDWARE - CONCERT CHERRY
7	145386-A3-R91	EA	DRAWER - FLUTED EDGE - 20.2"W X 15.7"D-W/O SLIDES/HARDWARE - WASHED MAPLE
7	145386-A3-RE3	EA	DRAWER - FLUTED EDGE - 20.2"W X 15.7"D-W/O SLIDES/HARDWARE - HONEY CHERRY
8	145386-F5-R89	EA	DRAWER - FLUTED EDGE - 9.6"W X 15.7"D-W/O SLIDES/HARDWARE - PORTSMOUTH OAK
8	145386-F5-R90	EA	DRAWER - FLUTED EDGE - 9.6"W X 15.7"D-W/O SLIDES/HARDWARE - CONCERT CHERRY
8	145386-F5-R91	EA	DRAWER - FLUTED EDGE - 9.6"W X 15.7"D-W/O SLIDES/HARDWARE - WASHED MAPLE
8	145386-F5-RE3	EA	DRAWER - FLUTED EDGE - 9.6"W X 15.7"D-W/O SLIDES/HARDWARE - HONEY CHERRY
9	145386-A1-R89	EA	DRAWER - FLUTED EDGE - 9.6"W X 15.7"D-W/O SLIDES/HARDWARE - PORTSMOUTH OAK
9	145386-A1-R90	EA	DRAWER - FLUTED EDGE - 9.6"W X 15.7"D-W/O SLIDES/HARDWARE - CONCERT CHERRY
9	145386-A1-R91	EA	DRAWER - FLUTED EDGE - 9.6"W X 15.7"D-W/O SLIDES/HARDWARE - WASHED MAPLE
9	145386-A1-RE3	EA	DRAWER - FLUTED EDGE - 9.6"W X 15.7"D-W/O SLIDES/HARDWARE - HONEY CHERRY
10	144000-C5-R89	EA	DOOR - RAISED PANEL/HDWD/FLUTED - 15.5" X 29.5" - W/O HDW - PORTSMOUTH OAK
10	144000-C5-R90	EA	DOOR - RAISED PANEL/HDWD/FLUTED - 15.5" X 29.5" - W/O HDW - CONCERT CHERRY
10	144000-C5-R91	EA	DOOR - RAISED PANEL/HDWD/FLUTED - 15.5" X 29.5" - W/O HDW - WASHED MAPLE
10	144000-C5-RE3	EA	DOOR - RAISED PANEL/HDWD/FLUTED - 15.5" X 29.5" - W/O HDW - HONEY CHERRY
11	144803-BX-R89	EA	FACE - DOOR (DUMMY) - 4.8" X 11.8" - W/O HARDWARE - PORTSMOUTH OAK
11	144803-BX-R90	EA	FACE - DOOR (DUMMY) - 4.8" X 11.8" - W/O HARDWARE - CONCERT CHERRY
11	144803-BX-R91	EA	FACE - DOOR (DUMMY) - 4.8" X 11.8" - W/O HARDWARE - WASHED MAPLE
11	144803-BX-RE3	EA	FACE - DOOR (DUMMY) - 4.8" X 11.8" - W/O HARDWARE - HONEY CHERRY
12	145386-H1-R89	EA	DRAWER - FLUTED EDGE - 20.2"W X 15.7"D-W/O SLIDES/HARDWARE - PORTSMOUTH OAK
12	145386-H1-R90	EA	DRAWER - FLUTED EDGE - 20.2"W X 15.7"D-W/O SLIDES/HARDWARE - CONCERT CHERRY
12	145386-H1-R91	EA	DRAWER - FLUTED EDGE - 20.2"W X 15.7"D-W/O SLIDES/HARDWARE - WASHED MAPLE
12	145386-H1-RE3	EA	DRAWER - FLUTED EDGE - 20.2"W X 15.7"D-W/O SLIDES/HARDWARE - HONEY CHERRY
13	143959-04-R59	EA	DOOR - RAISED PANEL/PENCIL EDGE - 8.1" X 60.7" - W/O HDW - PORTSMOUTH OAK FROM: 00-00-00 THRU: 04-25-04
13	143959-64-R89	EA	DOOR - RAISED PANEL/FLUTED EDGE - 8.1" X 60.7" - W/O HDW - PORTSMOUTH OAK FROM: 04-26-04 THRU: 99-99-99
13	143959-04-R60	EA	DOOR - RAISED PANEL/PENCIL EDGE - 8.1" X 60.7" - W/O HDW - CONCERT CHERRY FROM: 00-00-00 THRU: 04-25-04
13	143959-64-R90	EA	DOOR - RAISED PANEL/FLUTED EDGE - 8.1" X 60.7" - W/O HDW - CONCERT CHERRY FROM: 04-26-04 THRU: 99-99-99
13	143959-04-R61	EA	DOOR - RAISED PANEL/PENCIL EDGE - 8.1" X 60.7" - W/O HDW - WASHED MAPLE FROM: 00-00-00 THRU: 04-25-04
13	143959-64-R91	EA	DOOR - RAISED PANEL/FLUTED EDGE - 8.1" X 60.7" - W/O HDW - WASHED MAPLE FROM: 04-26-04 THRU: 99-99-99
13	143959-04-RE3	EA	DOOR - RAISED PANEL/PENCIL EDGE - 8.1" X 60.7" - W/O HDW - HONEY CHERRY FROM: 00-00-00 THRU: 04-25-04
13	143959-64-RE3	EA	DOOR - RAISED PANEL/FLUTED EDGE - 8.1" X 60.7" - W/O HDW - HONEY CHERRY FROM: 04-26-04 THRU: 99-99-99

# GENERATOR GROUP DIESEL



KEY	PART NUMBER	U/M	DESCRIPTION
1	114169-02-02B	EA	HANDLE - BUMPER MOUNT - E-COATED
2	130294-04-01A	EA	SLIDE - GENERATOR - MANUAL
3	122425-01-000	EA	GENERATOR - DIESEL - 7.5
4	131696-02-02B	EA	BRACKET - GENERATOR - E-COATED
5	131696-01-02B	EA	BRACKET - GENERATOR - E-COATED
6	131507-01-02B	EA	BRACKET - GENERATOR - E-COATED
7	138246-01-01A	EA	EXTENSION - TAILPIPE - 1.6"ID X 7.7"
8	116381-12-000	EA	PIPE - EXHAUST - GENERATOR
9	007125-03-000	EA	CLAMP - MUFFLER - 1.5" DIAMETER
10	007131-03-000	EA	HANGER - TAILPIPE
11	116381-11-000	EA	PIPE - EXHAUST - GENERATOR
12	106235-01-000	EA	ADAPTOR - GENERATOR EXHAUST

## HEATING & A/C GROUP AUTOMOTIVE

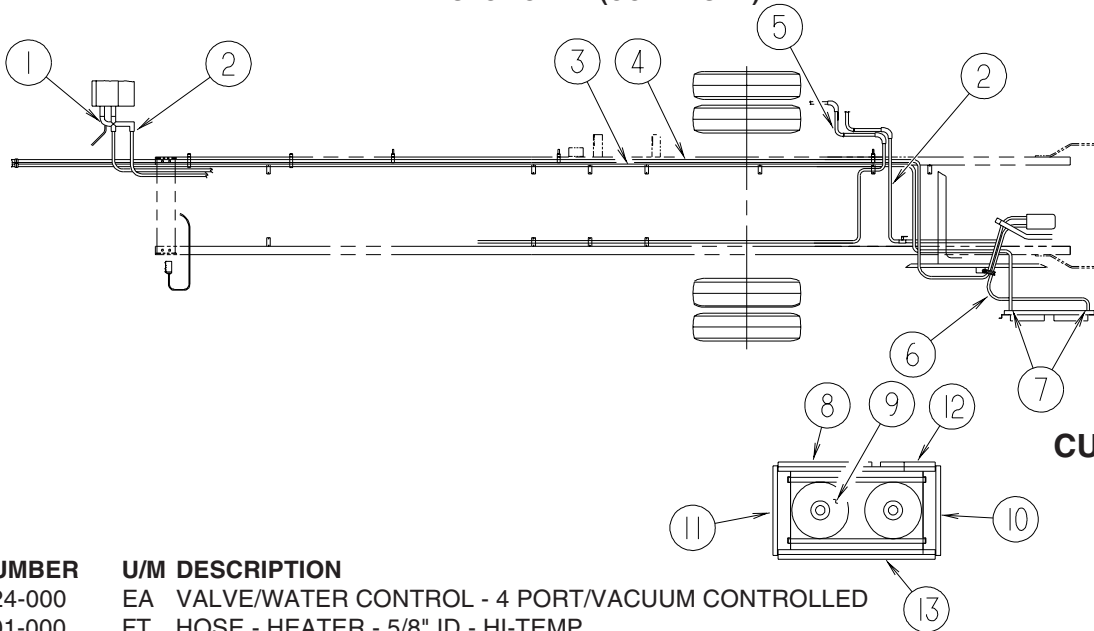


KEY	PART NUMBER	U/M	DESCRIPTION
1	007281-01-000	EA	HOSE - FLEXIBLE PVC - 2 1/2" ID X 50'
2	024990-05-000	EA	OUTLET - DEFROSTER - W/SWIVEL - 2" SLEEVE/4" OD - BLACK - <b>1 USED</b>
2	024990-12-000	EA	OUTLET - DEFROSTER - W/SWIVEL - 2" SLEEVE/4" OD - GLACIER - <b>3 USED</b>
3	136157-03-02B	EA	BRACKET - HEATER - E-COATED
4	077075-01-000	EA	GASKET - INSTRUMENT PANEL/DEFROSTER PLENUM - .6" X 10.2"
5	103017-03-000	EA	PLENUM - DEFROSTER
6	135265-01-04A	EA	VENT - DEFROSTER - PLASTIC - GLACIER
7	146504-01-02A	EA	LOUVER - ROUND 2.5" - GRAY - <b>5 USED</b>
7	146505-01-01A	EA	LOUVER - RECTANGULAR - 1.5" X 8" - BLACK - <b>2 USED</b>
8*	103930-58-000	EA	CONTROL/PLENUM - LARGE ROTARY
9*	103930-55-000	EA	EVAPORATOR/HEATER - NONCHARGED - SINGLE OUTPUT
10	007076-01-000	EA	HOSE - FLEXIBLE PVC - 2" ID - INCREMENTS OF 50'
11	134275-01-01A	EA	PLENUM - TRANSITION
	103930-54-000	EA	MANUAL - OWNERS - HEATER/AC

**\*COMPONENT PARTS LISTED LATER IN THIS GROUP**

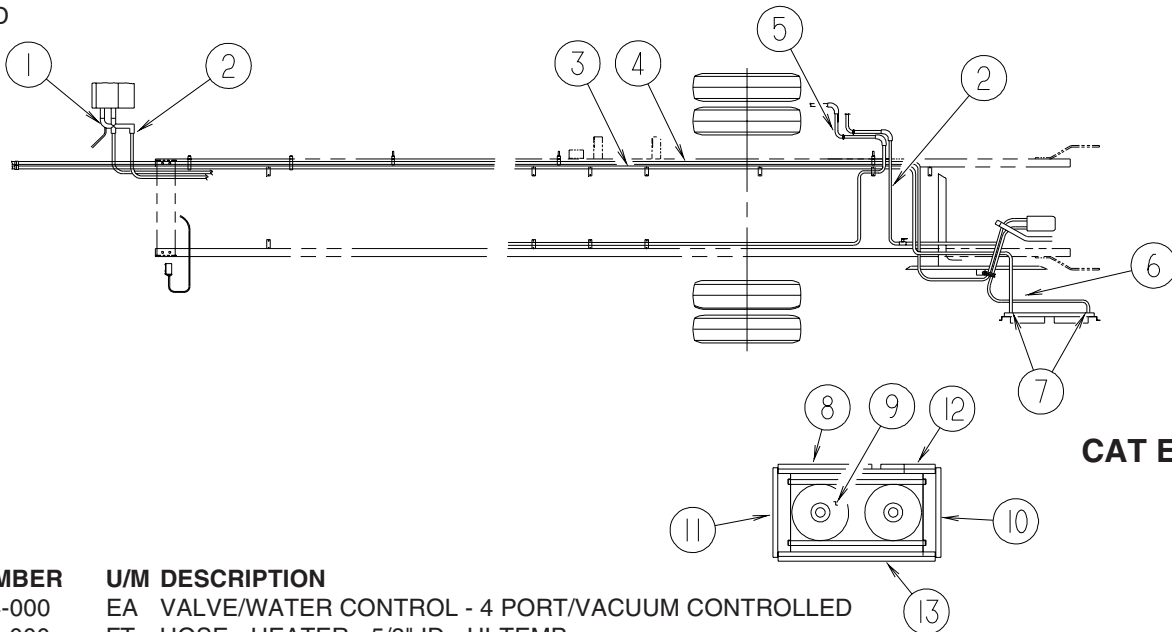


## HEATING & A/C GROUP (CONTINUED) AUTOMOTIVE (CONTINUED)



**CUMMINS ENGINE**

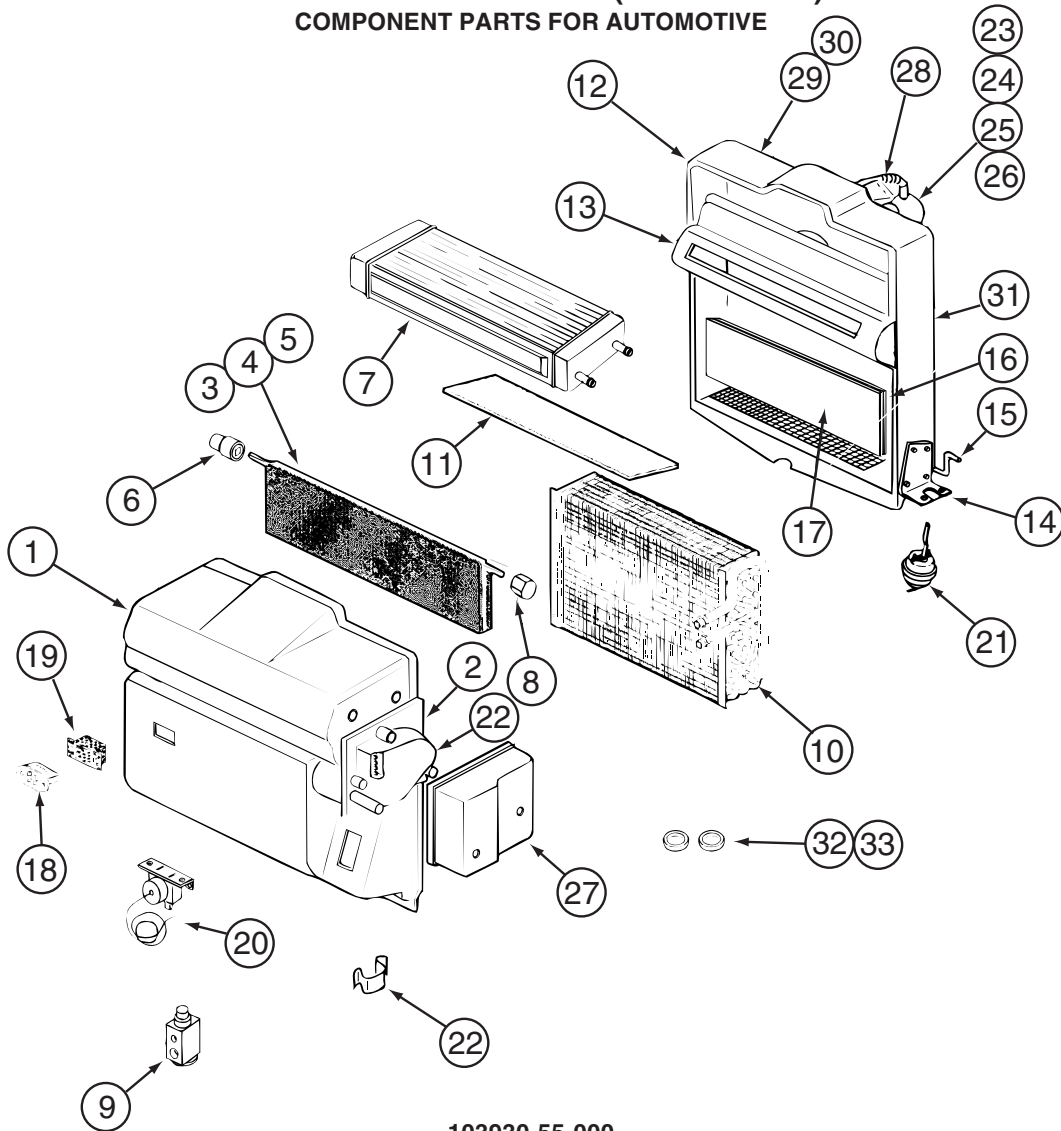
KEY	PART NUMBER	U/M	DESCRIPTION
1	103930-24-000	EA	VALVE/WATER CONTROL - 4 PORT/VACUUM CONTROLLED
2	007108-01-000	FT	HOSE - HEATER - 5/8" ID - HI-TEMP
3	072342-24-000	EA	HOSE/#6 - 48" LONG (DRIER TO EVAPORATOR)
4	103930-59-000	EA	HOSE/#12 - 80" LONG (EVAPORATOR TO COMPRESSOR)
5	079059-01-000	EA	HOSE - 90 DEGREE - 5/8"ID X 4" X 36"
6	NOT USED		
7	072368-02-000	EA	TRIM - VINYL - EDGE - BLACK
8	NOT USED		
9	NOT USED		
10	NOT USED		
11	NOT USED		
12	NOT USED		
13	NOT USED		



**CAT ENGINE**

KEY	PART NUMBER	U/M	DESCRIPTION
1	103930-24-000	EA	VALVE/WATER CONTROL - 4 PORT/VACUUM CONTROLLED
2	007108-01-000	FT	HOSE - HEATER - 5/8" ID - HI-TEMP
3	072342-24-000	EA	HOSE/#6 - 48" LONG (DRIER TO EVAPORATOR)
4	103930-59-000	EA	HOSE/#12 - 80" LONG (EVAPORATOR TO COMPRESSOR)
5	079059-01-000	EA	HOSE - 90 DEGREE - 5/8"ID X 4" X 36"
6	NOT USED		
7	072368-02-000	EA	TRIM - VINYL - EDGE - BLACK
8	NOT USED		
9	NOT USED		
10	NOT USED		
11	NOT USED		
12	NOT USED		
13	NOT USED		

**HEATING & A/C GROUP (CONTINUED)**  
**COMPONENT PARTS FOR AUTOMOTIVE**



103930-55-000

KEY	PART NUMBER	U/M	DESCRIPTION	VENDOR NO.
1	103930-55-701	EA	CASE - FRONT	062-0658
2	103930-30-701	EA	PLATE - MOTOR MOUNT	062-0544
3	103930-55-705	EA	DOOR - BLEND AIR	071-0892
6	103930-30-702	EA	BUSHING/DRIVE (BLEND DOOR)	062-0168
7	103930-55-706	EA	CORE - HEATER - W/GASKET	084-0271
8	103930-30-709	EA	COUPLING - BLEND DOOR SHAFT	062-0634
9	103930-20-700	EA	VALVE-EXPANSION-BLOCK, 2 TON	034-0032
10	103930-55-700	EA	CORE-EVAPORATOR	041-00168
12	103930-55-702	EA	CASE-REAR	062-0657
14	103930-01-708	EA	BRACKET-VACUUM MOTOR	070-0113
15	103930-20-704	EA	ROD-DOOR-RECIRCULATING	073-0018
16	103930-55-707	EA	DOOR - RECIRCULATION	071-0891
18	103930-01-710	EA	RESISTOR-FUSED, A/C 4 TERM	035-0006
20	103930-01-711	EA	THERMOSTAT	033-0003
21	103930-02-708	EA	MOTOR-VACUUM SERVO, A/C	030-0025
22	103930-30-703	EA	MOTOR - SERVO	030-0104
23	103930-20-707	EA	HOUSING-BLOWER	062-0145
24	103930-55-703	EA	MOTOR-BLOWER W/O PIGTAIL	030-0137
25	103930-01-717	EA	WHEEL-BLOWER, CLOCKWISE	062-0010
26	103930-20-708	EA	CLIP-MOTOR SHAFT	022-0001
27	103930-30-704	EA	COVER - SERVO	062-0545
32	113245-01-707	EA	O'RING #8	045-0126
33	103930-17-702	EA	O'RING #10	045-0127
	103930-55-704	EA	CORE-HEATER	042-0059
	110279-01-703	EA	HOSE-VENT F/BLOWER MOTOR	051-0034

CONTACT WINNEBAGO PART SALES FOR UNLISTED COMPONENT(S)

**HEATING & A/C GROUP (CONTINUED)**  
**COMPONENT PARTS FOR AUTOMOTIVE (CONTINUED)**

103930-58-000

<b>KEY</b>	<b>PART NUMBER</b>	<b>U/M</b>	<b>DESCRIPTION</b>	<b>VENDOR NO</b>
	103930-49-703	EA	CONTROL PANEL ASM. - DRIVER	083-0223
	103930-49-705	EA	POTENTIOMETER	032-0182
	103930-58-700	EA	PLENUM CASE - UPPER	060-0687
	103930-58-701	EA	DOOR/DIVERTOR - DEFROSTER	071-0929
	103930-58-702	EA	ROD - DEFROSTER DIVERTOR DR	073-0080
	103930-58-703	EA	DOOR/DIVERTOR - A/C-HEAT	071-0930
	103930-58-704	EA	ROD - A/C-HEAT DOOR	073-0079
	103930-58-705	EA	PLENUM CASE - LOWER	060-0688

## HEATING & A/C GROUP (CONTINUED)

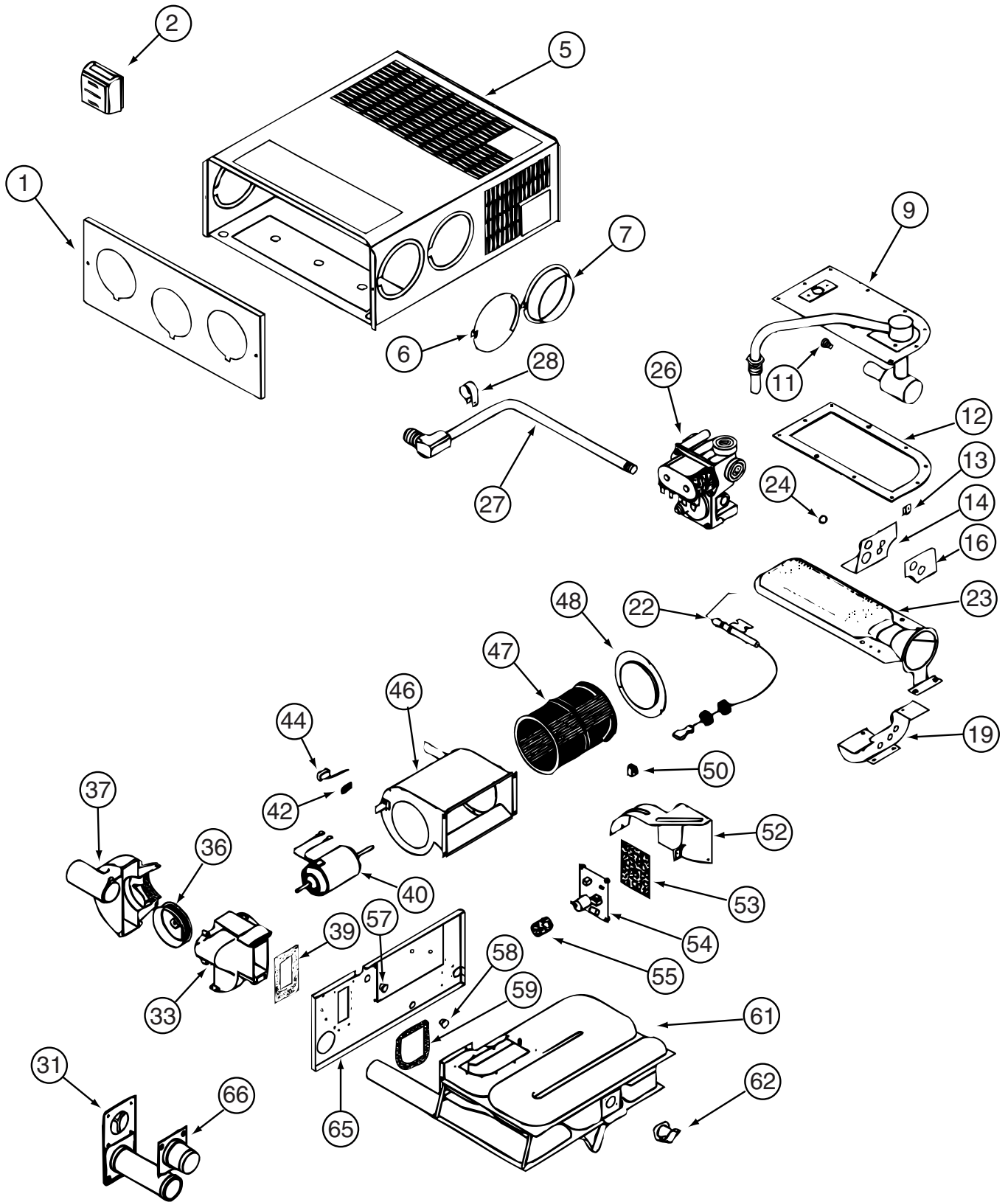
### FURNACE

KEY	PART NUMBER	U/M	DESCRIPTION
	009198-01-000	FT	DUCT - HEAT - FLEXIBLE - 4" ID X 25'
	009198-02-000	FT	DUCT - HEAT - FLEXIBLE - 2" ID X 25'
	143563-06-000	EA	DUCT KIT - BOTTOM - <b>S34TD</b>
	009200-01-000	EA	TAPE - FURNACE - 1 1/2"
	056464-10-000	EA	REGISTER W/O DAMPER - 4" DIAMETER - PLASTIC - BEIGE
	137965-01-02A	EA	REGISTER - 11.2" X 3.6"(9.7 X 2.1"R/O) W/O DAMPER-ANT PWTR
	137965-02-02A	EA	REGISTER - 11.2" X 3.6"(9.7 X 2.1"R/O) W/DAMPER - ANT PWTR
	137965-03-02A	EA	REGISTER - 11.2" X 3.6"(9.7 X 2.1"R/O) W/O DAMPER-ANT PWTR
	137965-04-02A	EA	REGISTER - 11.2" X 3.6"(9.7 X 2.1"R/O) W/DAMPER - ANT PWTR
	137965-06-02A	EA	REGISTER - 15.3" X 3.6"(13.9"X2.1"R/O) W/O DAMPER-ANT PWTR
	069636-02-000	EA	CONNECTOR - DUCT - 4" ID
	089367-02-000	EA	TEE - 4" X 2" X 4" - <b>S40KD</b>
	092776-01-000	EA	ADAPTER - DUCT - 2"
	139980-07-000	EA	ADAPTOR - VENT BOTTOM SF-30/35 - <b>S40KD</b>
	093614-08-02A	EA	GRILLE - AIR RETURN - 9.8" X 13.9" - BEIGE
	093614-10-01A	EA	GRILLE -AIR RETURN-13.9" X 7.9"/11.6" X 5.6" OPENING-BEIGE
	093741-01-000	EA	BOX - BOOT - FLOOR REGISTER
	098668-16-000	EA	VENT - INTAKE
	098668-23-000	EA	DOOR - ACCESS - FURNACE - BRIGHT WHITE - <b>SECONDARY FURNACE</b>
	143563-03-01A	EA	DOOR/ACCESS - FURNACE - W/FRAME - WHITE - <b>S34TD</b>
	112091-01-000	FT	SEAL/D - NEOPRENE - HEAT ACTIVE ADHESIVE - .9" X 7"
	115764-01-01A	EA	THERMOSTAT - FURNACE - <b>SECONDARY FURNACE - S40KD, S40QD, S40WD</b>
	130974-01-01A	EA	THERMOSTAT - FURNACE - GRAY - <b>SECONDARY FURNACE - S40AD</b>
	126693-05-02B	EA	PANEL - EXHAUST/FURNACE - E-COATED
	133322-02-02B	EA	PANEL-EXHAUST,FURNACE, E-CT - <b>S40QD, S40WD</b>
	145895-02-02B	EA	PANEL - CLOSEOUT - FURNACE - E-COATED - <b>S40KD</b>
	133323-01-01A	EA	SHROUD - FURNACE - BRIGHT WHITE - <b>S36GD, S40AD, S40KD</b>
	133323-02-01A	EA	SHROUD - FURNACE - <b>S40QD, S40WD</b>
*	139980-01-000	EA	FURNACE - 25000 BTU - SF QUIET - SUBURBAN SF-25 2320J - <b>SECONDARY FURNACE</b>
*	143563-02-000	EA	FURNACE - 40000 BTU HIGH QUIET - SUBURBAN SH-40 2322
	139980-06-000	EA	VENT CAP - <b>S34TD</b>
	139980-08-000	EA	GASKET - BOTTOM VENT SF-30/35 - <b>S40KD</b>
	141337-01-01A	EA	GASKET - FURNACE
	143563-05-000	EA	GASKET - FIBERGLASS - SUBURBAN #071018
	143563-04-000	EA	PLATE END - COLLAR
	146608-01-01B	EA	TUBE - EXTENSION/INTAKE - SUBURBAN - <b>S40AD, S40KD</b>
	146608-02-01B	EA	TUBE - EXTENSION/EXHAUST - SUBURBAN - <b>S40AD, S40KD</b>

\*COMPONENT PARTS LISTED LATER IN THIS GROUP

# HEATING & A/C GROUP (CONTINUED)

## COMPONENT PARTS FOR FURNACE



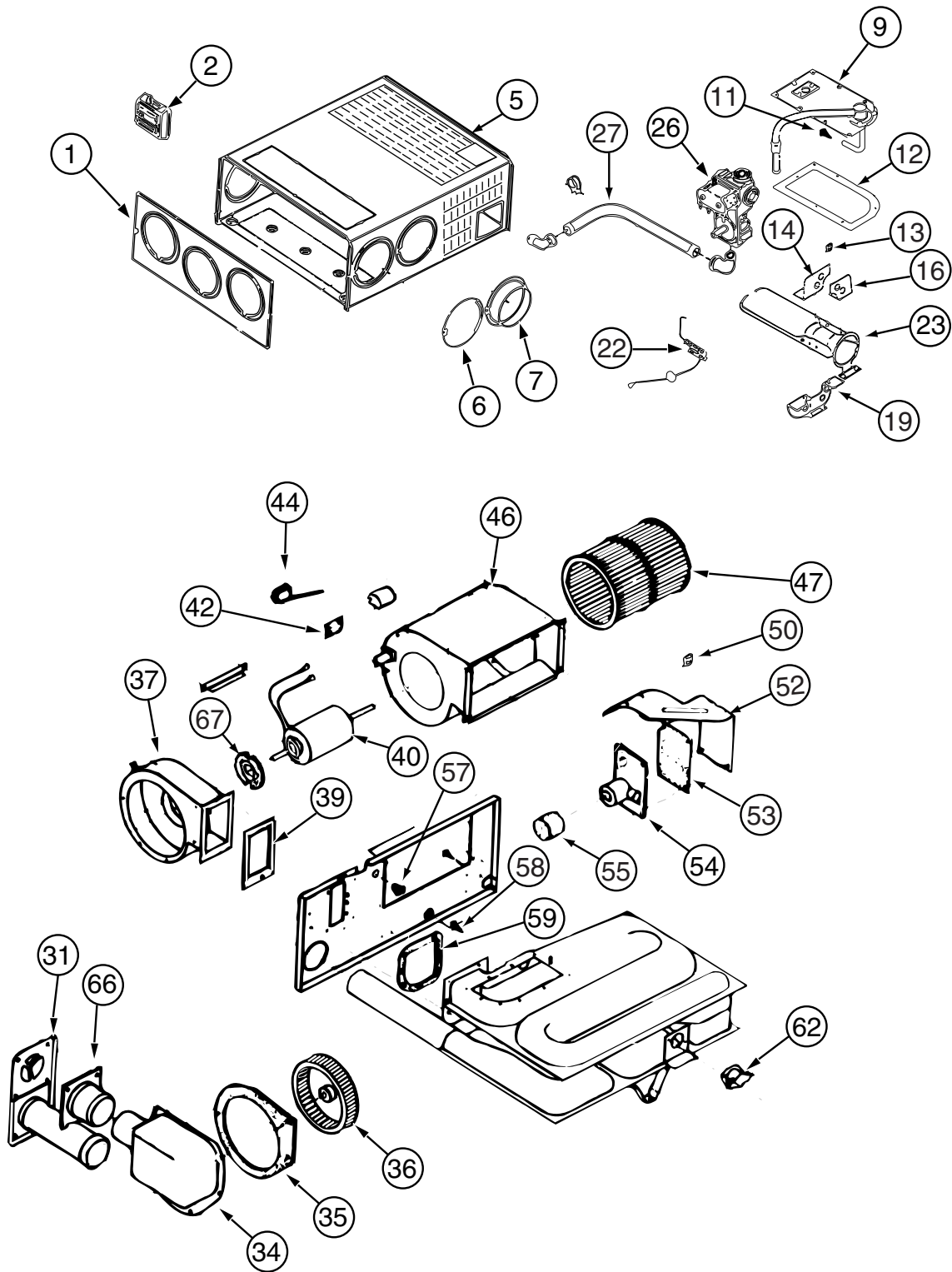
139980-01-000

**HEATING & A/C GROUP (CONTINUED)**  
**COMPONENT PARTS FOR FURNACE (CONTINUED)**

**139980-01-000 (CONTINUED)**

<b>KEY</b>	<b>PART NUMBER</b>	<b>U/M</b>	<b>DESCRIPTION</b>	<b>VENDOR NO.</b>
9	139980-01-700	EA	MANIFOLD ASSEMBLY	171571
11	090039-01-703	EA	ORIFICE-MAIN BURNER	180193
12	098668-22-703	EA	GASKET - BURNER ACCESS COVER	070811
22	139980-01-701	EA	ELECTRODE	232286
23	098668-01-703	EA	BURNER ASSEMBLY	010762
26	098668-01-718	EA	VALVE-GAS SF S.N.974903079	161122
27	139980-01-702	EA	PIPE ASSEMBLY/GAS INLET	171574
31	098668-01-707	EA	TUBE ASSEMBLY, EXHAUST W/CAP	260231
33	139980-01-703	EA	HOUSING/COMB. - FRONT/HALF	390852
36	098668-01-706	EA	WHEEL-COMBUSTION AIR	350184
37	139980-01-704	EA	HOUSING/COMB. - REAR/HALF	390848
39	139980-01-705	EA	GASKET/FIREWALL-COMB AIR	071084
40	139980-01-706	EA	MOTOR ASSEMBLY W/GASKET	232682
42	101990-01-714	EA	GASKET-MICROSWITCH	230877
44	098668-21-700	EA	SWITCH-MICRO-W/O FLAG 3 1/4"	232261
46	139980-01-708	EA	BLOWER ASSEMBLY - ROOM AIR	390739BK
47	098668-01-711	EA	WHEEL-BLOWER, ROOM AIR	350129
48	139980-01-709	EA	ORFICE RING	390696
50	139980-01-710	EA	SWITCH - ON/OFF	232351
52	139980-01-711	EA	PANEL ASSEMBLY-MODULE BD	101663
53	139980-01-712	EA	INSULATOR - MODULE BD	070807
54	098668-22-705	EA	MODULE BD W/RELAY TIME DELAY	520820
55	139980-01-713	EA	CAP/INSULATOR-MODULE BD	070973
57	139980-01-714	EA	BUSHING - UNIVERSAL	070362
58	139980-01-715	EA	BUSHING - STRAIN RELIEF	231809
59	098668-01-716	EA	GASKET-FIREWALL,CHAMBER SIDE	070808
61	139980-01-716	EA	CHAMBER ASSEMBLY - FINAL	021149BK
62	098668-21-701	EA	SWITCH - LIMIT	232504
66	098668-01-713	EA	TUBE ASSEMBLY, INTAKE	051248
	098668-19-700	EA	DOOR/CABINET ACCESS	101888
			CONTACT WINNEBAGO PART SALES FOR UNLISTED COMPONENT(S)	

**HEATING & A/C GROUP (CONTINUED)**  
**COMPONENT PARTS FOR FURNACE (CONTINUED)**



143563-02-000

**HEATING & A/C GROUP (CONTINUED)**  
**COMPONENT PARTS FOR FURNACE (CONTINUED)**

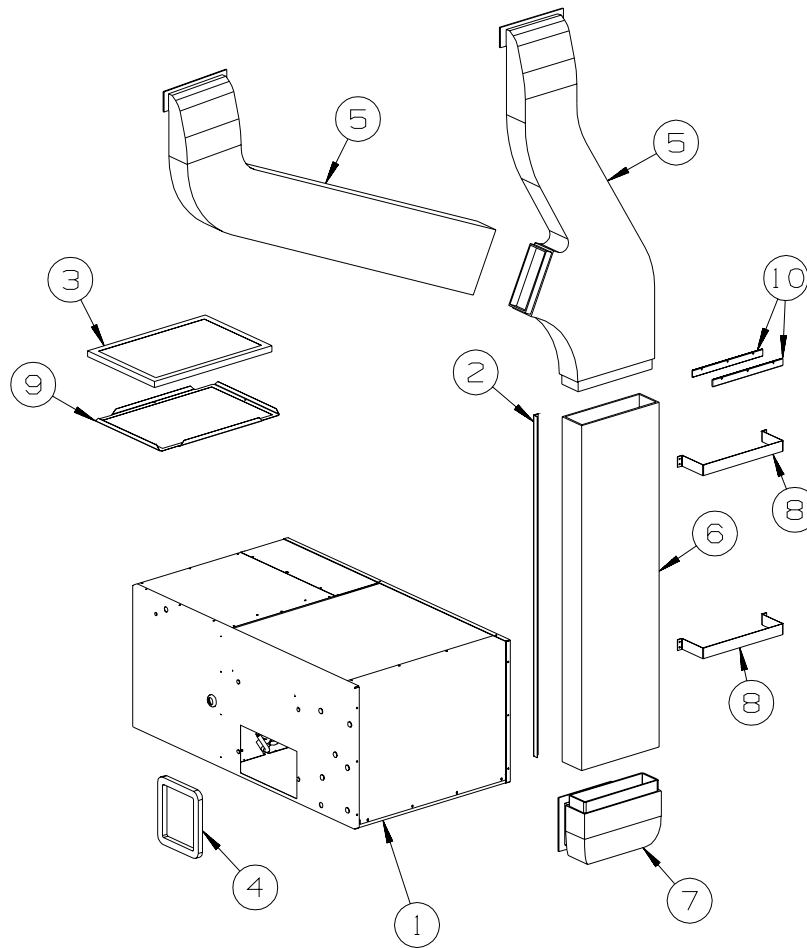
**143563-02-000 (CONTINUED)**

<b>KEY</b>	<b>PART NUMBER</b>	<b>U/M</b>	<b>DESCRIPTION</b>	<b>VENDOR NO.</b>
1	143563-01-700	EA	CABINET - FRONT	101907
2			SEE EITHER FURNACE OR 12 VOLT WIRING AREAS FOR CORRECT THERMOSTAT	
5	143563-02-700	EA	CABINET	101915
7	075696-02-703	EA	COLLAR - DUCT	050715
9	143563-01-702	EA	MANIFOLD ASSEMBLY	171599
11	143563-02-701	EA	ORFICE - MAIN BURNER	180309
12	098668-22-703	EA	GASKET - BURNER ACCESS COVER	070811
14	143563-02-702	EA	PLATE - SECONDARY AIR/TOP BACK	063198
16	143563-02-703	EA	PLATE - SECONDARY AIR/TOP FRT	062933
19	143563-02-704	EA	PLATE - SECONDARY AIR/BOTTOM	062935
22	139980-01-701	EA	ELECTRODE	232286
23	098668-11-701	EA	BURNER ASSEMBLY,SF-30 & SF35	010799
26	098668-01-718	EA	VALVE-GAS SF S.N.974903079	161122
27	143563-01-707	EA	PIPE ASSEMBLY (GAS INLET)	171603
31	098668-01-707	EA	TUBE ASSEMBLY, EXHAUST W/CAP	260231
34	143563-01-708	EA	BOX ASM (COMB. AIR INTAKE)	051430BK
35	143563-01-709	EA	GASKET (COMB. AIR HOUSING)	071108
36	143563-01-710	EA	WHEEL (COMBUSTION AIR)	350199
37	143563-01-711	EA	HOUSING (COMBUSTION AIR)	390862BK
39	143563-01-715	EA	GASKET-FIREWALL/COMB. AIR	071107
40	143563-02-705	EA	MOTOR ASSEMBLY	232726
42	101990-01-714	EA	GASKET-MICROSWITCH	230877
44	098668-21-700	EA	SWITCH-MICRO-W/O FLAG 3 1/4"	232261
46	143563-01-713	EA	BLOWER ASSEMBLY(ROOM AIR)	390867BK
47	143563-01-714	EA	WHEEL - ROOM AIR	350198
50	139980-01-710	EA	SWITCH - ON/OFF	232351
52	139980-01-711	EA	PANEL ASSEMBLY-MODULE BD	101663
53	139980-01-712	EA	INSULATOR - MODULE BD	070807
54	098668-22-705	EA	MODULE BD W/RELAY TIME DELAY	520820
55	139980-01-713	EA	CAP/INSULATOR-MODULE BD	070973
57	139980-01-714	EA	BUSHING - UNIVERSAL	070362
58	139980-01-715	EA	BUSHING - STRAIN RELIEF	231809
59	098668-01-716	EA	GASKET-FIREWALL,CHAMBER SIDE	070808
62	143563-02-706	EA	SWITCH - LIMIT	232735
66	098668-01-713	EA	TUBE ASSEMBLY, INTAKE	051248
67	075697-07-703	EA	GASKET - MOTOR	070448
	143563-02-707	EA	CHAMBER ASM. - FINAL	021172BK

CONTACT WINNEBAGO PART SALES FOR UNLISTED COMPONENTS



## HEATING & A/C GROUP (CONTINUED) CENTRAL

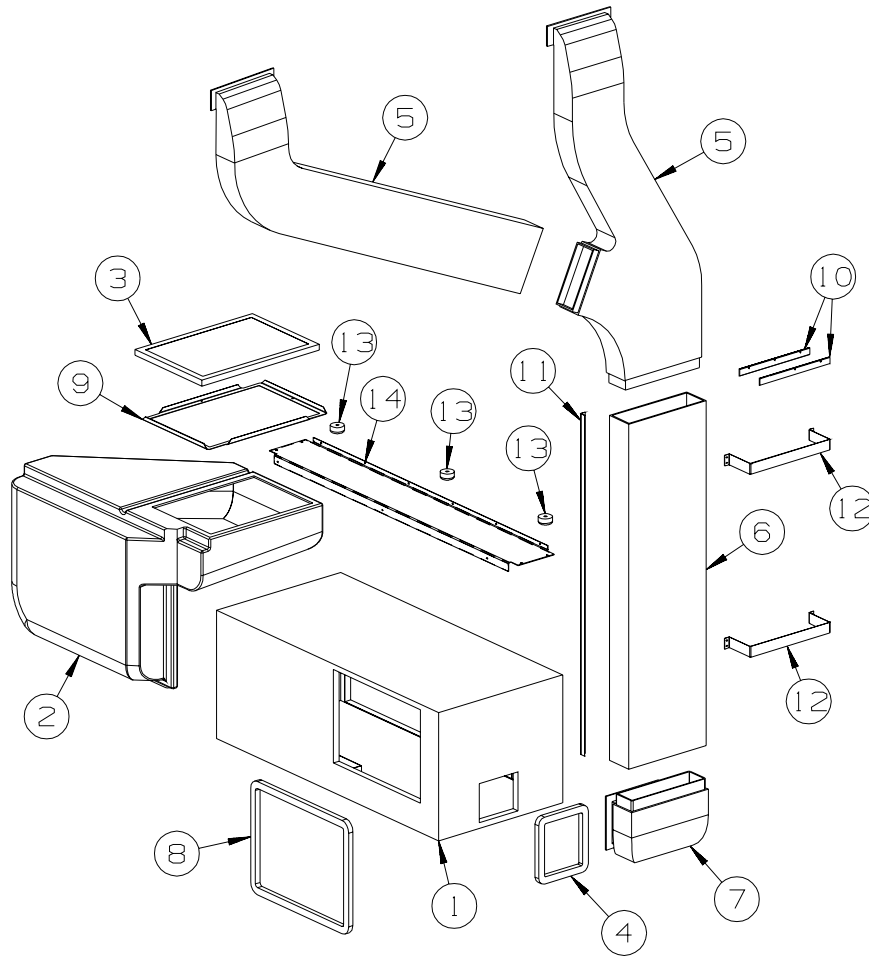


**S34TD, S36GD**

KEY	PART NUMBER	U/M	DESCRIPTION
1*	105620-16-000	EA	A/C - CENTRAL - RIGHT HAND/HEAT PUMP - TOP RETURN
2	130262-01-000	EA	PROTECTOR - CORNER SAVER - .7" X .7" X 48"
3	109050-02-000	EA	FILTER/FURNACE-AC - FIBERGLASS - 1" X 14" X 20"
4	134588-02-000	EA	GASKET - DUCT - 6.4" X 7.4" IS - 8.3" X 9.4" OS
5	M09204-02-000	EA	DUCT/AC - UPPER RIGHT HAND/LEFT HAND
	128862-01-000	EA	DUCT/AIR - UPPER LEFT HAND
	128868-01-000	EA	DUCT/AIR - UPPER RIGHT HAND
5	105290-01-000	SF	INSULATION - AIR POCKET W/FOIL
6	117870-10-01A	EA	PLENUM - A/C - 48.5"
7	147621-01-01A	EA	DUCT - CENTRAL AIR/FORCED - LOWER
7	105290-01-000	SF	INSULATION - AIR POCKET W/FOIL
8	129047-01-02B	EA	STRAP/MOUNTING - AIR DUCT - E-COATED
9	139757-01-02B	EA	PANEL - TRAY - A/C FILTER - E-COATED
10	115886-11-02A	EA	RETAINER - SIDEWALL - BRIGHT WHITE - 11.8"
*	105620-15-000	EA	THERMOSTAT - FURNACE/HEAT PUMP-A/C
	107721-07-000	FT	SEAL - ACCESS DOOR - .9"WIDE X 1.1"HIGH
	130481-01-01A	EA	BRACKET - ZEE W/HOLES - 7"
	147613-01-02B	EA	CRADLE - A/C - E-COATED
	120134-01-02A	EA	REGISTER - W/DAMPER - 4" PIPE/6.4" O.D. FACE - WHITE
	120134-02-01A	EA	REGISTER - TRIM RING - WHITE
	134588-04-000	EA	GASKET - DUCT - 13.9" X 18.2" IS - 15.9" X 20.2" OS

**\*COMPONENT PARTS LISTED LATER IN THIS GROUP**

## HEATING & A/C GROUP (CONTINUED) CENTRAL (CONTINUED)



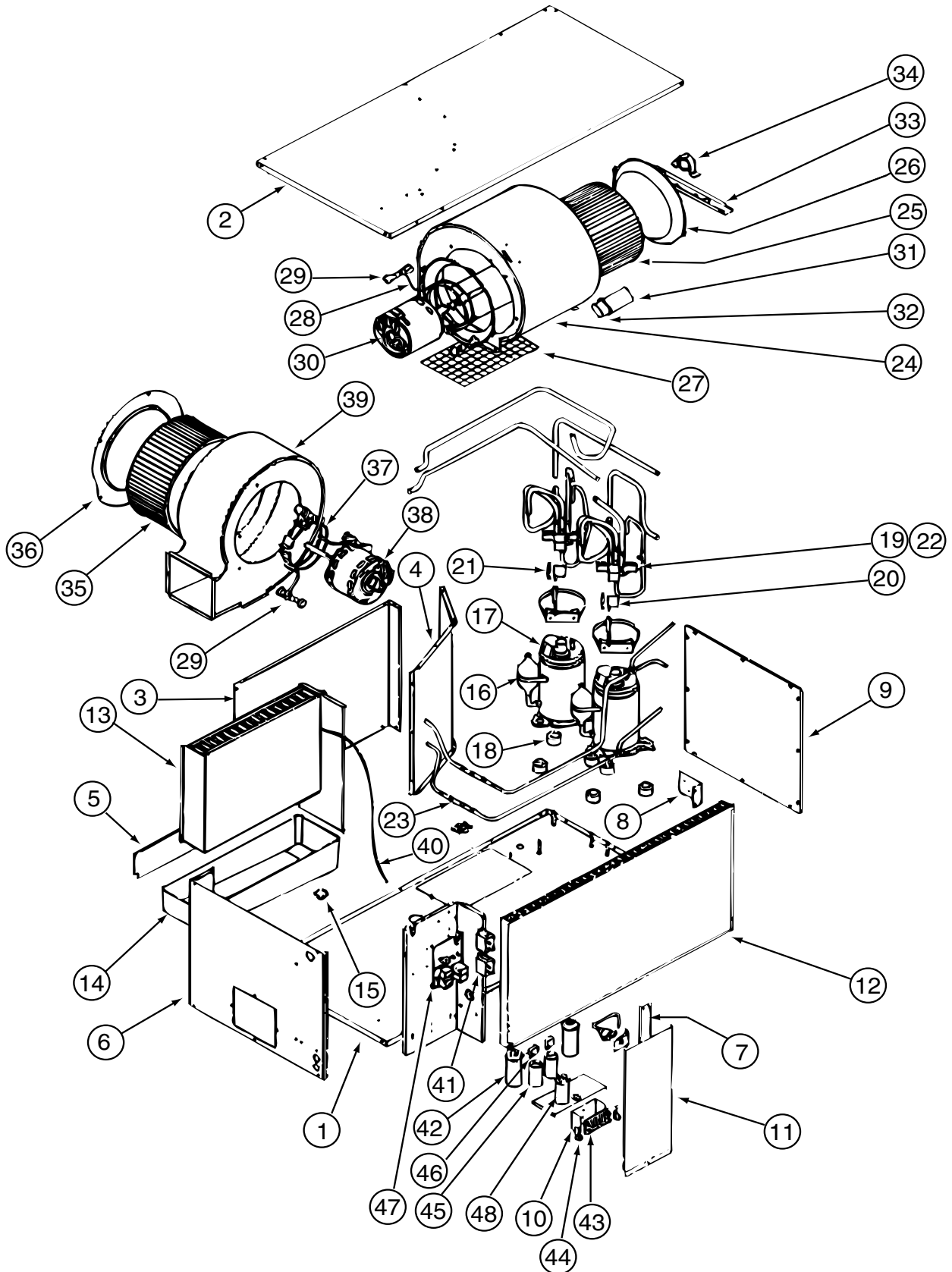
**S40AD, S40KD,  
S40QD, S40WD**

KEY	PART NUMBER	U/M	DESCRIPTION
1*	105620-12-000	EA	A/C-CENTRAL - RH HAND/HEAT PUMP/12,000 BTU - TECUMSEH COMP
2	140289-01-01A	EA	DUCT - CENTRAL AIR RETURN
2	105290-01-000	SF	INSULATION - AIR POCKET W/FOIL
3	109050-02-000	EA	FILTER/FURNACE-AC - FIBERGLASS - 1" X 14" X 20"
4	134588-02-000	EA	GASKET - DUCT - 6.4" X 7.4" IS - 8.3" X 9.4" OS
5	M09204-01-000	EA	DUCT/AC - UPPER RIGHT HAND/LEFT HAND
	128862-01-000	EA	DUCT/AIR - UPPER LEFT HAND
	128868-01-000	EA	DUCT/AIR - UPPER RIGHT HAND
5	105290-01-000	SF	INSULATION - AIR POCKET W/FOIL
6	117870-10-01A	EA	PLENUM - A/C - 48.5"
7	P28855-01-000	EA	DUCT/CENTRAL AIR - LOWER
7	105290-01-000	SF	INSULATION - AIR POCKET W/FOIL
8	134588-04-000	EA	GASKET - DUCT - 13.9" X 18.2" IS - 15.9" X 20.2" OS
9	139757-01-02B	EA	PANEL - TRAY - A/C FILTER - E-COATED
10	115886-11-02A	EA	RETAINER - SIDEWALL - BRIGHT WHITE - 11.8"
11	130262-01-000	EA	PROTECTOR - CORNER SAVER - .7" X .7" X 48"
12	129047-01-02B	EA	STRAP/MOUNTING - AIR DUCT - E-COATED
13	120863-06-000	EA	BUMPER - RUBBER/RADIUS TOP - 3/4" X 3/8"
14	145845-01-02B	EA	PANEL - CLOSEOUT - A/C - E-COATED
*	105620-15-000	EA	THERMOSTAT - FURNACE/HEAT PUMP-A/C
	120134-01-02A	EA	REGISTER - W/DAMPER - 4" PIPE/6.4" O.D. FACE - WHITE
	120134-02-01A	EA	REGISTER - TRIM RING - WHITE
	130481-01-01A	EA	BRACKET - ZEE W/HOLES - 7"

**\*COMPONENT PARTS LISTED LATER IN THIS GROUP**

# HEATING & A/C GROUP (CONTINUED)

## COMPONENT PARTS FOR CENTRAL



105620-12-000

**HEATING & A/C GROUP (CONTINUED)**  
**COMPONENT PARTS FOR CENTRAL (CONTINUED)**

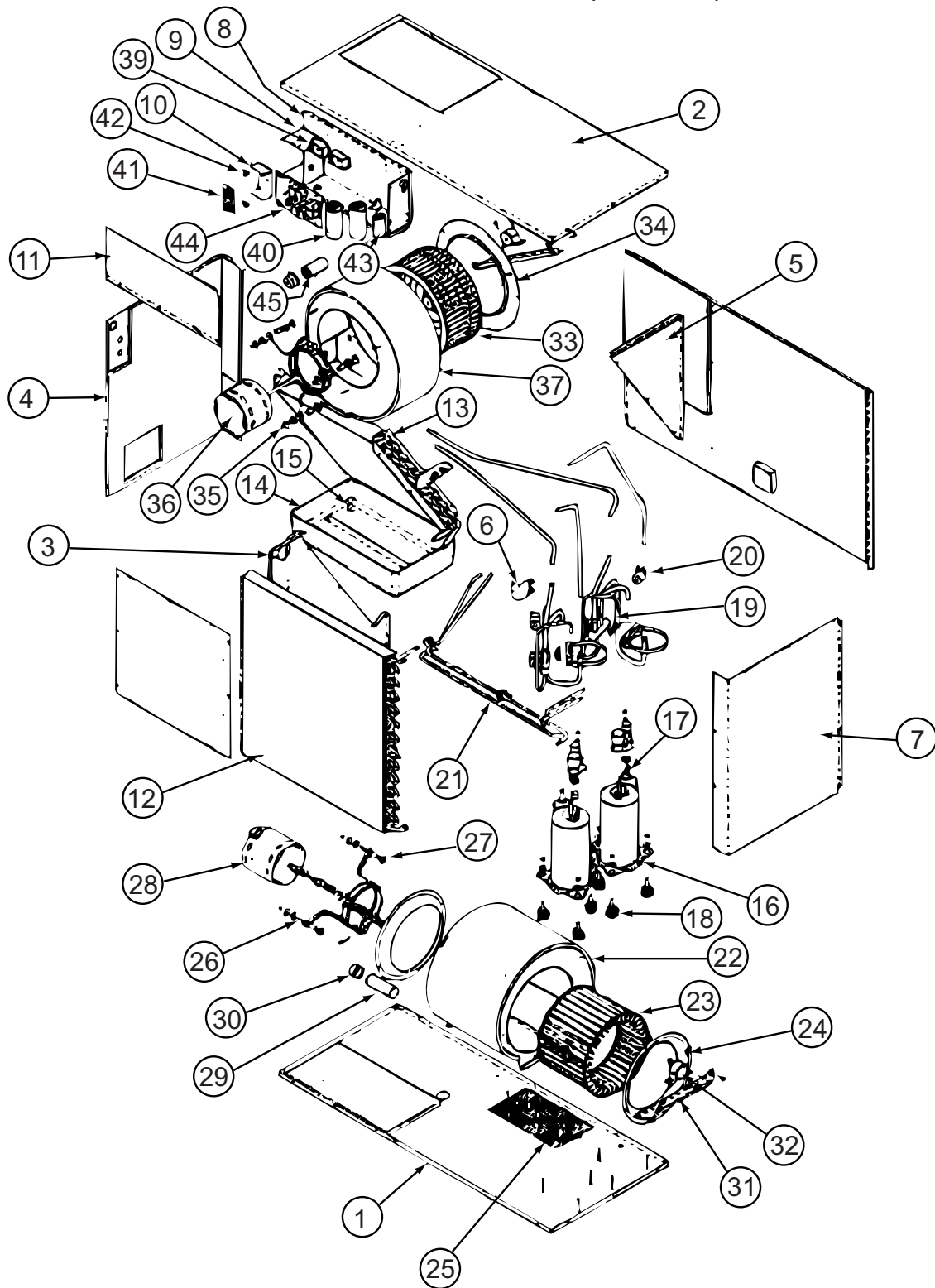
**105620-12-000 (CONTINUED)**

KEY	PART NUMBER	U/M	DESCRIPTION	VENDOR NO.
10	105620-01-733	EA	ISOLATOR-HIGH VOLTAGE	6795-117
11	105620-10-716	EA	DOOR - ELECTRIC BOX	6535B346
12	105620-12-701	EA	COIL - CONDENSER	1452A1621
13	105620-12-702	EA	COIL - EVAPORATOR	1452A1611
15	105620-12-703	EA	VALVE - DRAIN	6795-200
16	105620-12-704	EA	COMPRESSOR	1450-2149
				FROM: 00-00-00 THRU: 07-27-03
16	105620-12-723	EA	COMPRESSOR (PANASONIC)	1450-2229
				FROM: 07-28-03 THRU: 99-99-99
17	105620-12-705	EA	OVERLOAD	1450-0081
18	105620-01-706	EA	MOUNTING PKG.,COMP., 3 PER	6759-3081
19	105620-12-706	EA	REVERSING VALVE ASSEMBLY #1	6535A533
				FROM: 00-00-00 THRU: 07-27-03
	105620-12-707	EA	REVERSING VALVE ASSEMBLY #2	6535-5321
				FROM: 00-00-00 THRU: 07-27-03
19	105620-12-724	EA	REVERSING VALVE ASSEMBLY	6535-535
				FROM: 07-28-03 THRU: 99-99-99
20	105620-12-708	EA	COIL - SOLENOID	1460-1081
21	105620-12-709	EA	WIRE HARNESS-REVERSING VALVE	6536-111
22	105620-12-710	EA	VALVE - REVERSE ONLY	1454A350
23	105620-12-711	EA	RESTRICTOR - BY FLOW	1454-2521
24	105620-10-718	EA	BLOWER HOUSING/OUTSIDE AIR	6536-515
25	105620-01-713	EA	WHEEL-BLOWER/OUTSIDE AIR	1472-1011
26	105620-01-714	EA	VENTURI-BLOWER/OUTSIDE AIR	6795A150
28	105620-01-715	EA	MOUNT-BLOWER/OUTSIDE AIR	6795A3011
29	105620-01-716	EA	SLEEVE & GROMMET, 4 PER PKKG.	6795A3031
30	105620-10-721	EA	MOTOR/BLOWER-8 3/4" SHAFT	1468A3029
31	105620-01-718	EA	CAPACITOR-FAN (OUTDOOR MOTOR))	1499-5631
32	105620-10-715	EA	RUBBER CAPACITOR BOOT	1499-951
33	105620-10-700	EA	BEARING BRACKET/OUTSIDE AIR	6536-514
34	105620-10-701	EA	BEARING/PILLOW BLOCK-O/S AIR	6536-3011
35	105620-11-701	EA	BLOWER WHEEL/INSIDE AIR	1472-1151
36	105620-12-715	EA	BLOWER VENTURI/INSIDE AIR	6535A287
37	105620-01-723	EA	MOUNT-BLOWER MOTOR - I/S AIR	6795-302
38	105620-12-716	EA	BLOWER MTR/IN AIR/REVERSIBLE	1468-3219
39	105620-11-706	EA	MOTOR/BLOWER KIT	6535B5901
				FROM: 07-28-03 THRU: 99-99-99
40	105620-12-719	EA	COIL SENSOR	7330A3231
41	105620-01-729	EA	RELAY-COMPRESSOR -4 TERMINAL	1460-1131
42	126859-01-703	EA	CAPACITOR - RUN	1499-5671
				FROM: 00-00-00 THRU: 07-27-03
42	105620-12-725	EA	COMPRESSOR RUN CAPACITOR	1499-5731
				FROM: 07-28-03 THRU: 99-99-99
43	105620-01-738	EA	BOARD-TERMINAL, HIGH VOLTAGE	6795-315
46	105620-10-705	EA	PTCR (START DEVICE) - W/CAP.	8333A9021
47	105620-12-720	EA	KIT-CIRCUIT BD (6535-SERIES)	6535-3209
				FROM: 00-00-00 THRU: 07-27-03
47	105620-12-721	EA	CIRCUIT BD (6535 A SERIES)	6535A3201
48	093763-01-704	EA	CAPACITOR-FAN (INDOOR MOTOR)	1499-5461
	105620-10-720	EA	FUSE/BUSS(8AMP/250V) 2 PKG	6535-3081
			CONTACT WINNEBAGO PART SALES FOR UNLISTED COMPONENT(S)	

**105620-15-000**

KEY	PART NUMBER	U/M	DESCRIPTION	VENDOR NO.
	105620-15-700	EA	FUSE/BUSS (2AMP/250V) 3 PER PK	8330-3343

**HEATING & A/C GROUP (CONTINUED)**  
**COMPONENT PARTS FOR CENTRAL (CONTINUED)**



105620-16-000

**HEATING & A/C GROUP (CONTINUED)**  
**COMPONENT PARTS FOR CENTRAL (CONTINUED)**

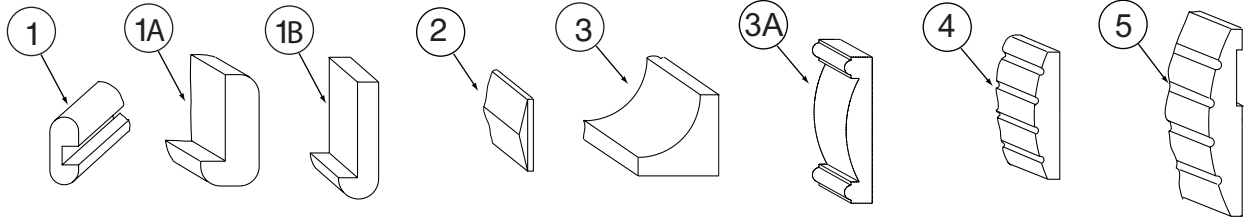
**105620-16-000 (CONTINUED)**

<b>KEY</b>	<b>PART NUMBER</b>	<b>U/M</b>	<b>DESCRIPTION</b>	<b>VENDOR NO.</b>
10	105620-01-733	EA	ISOLATOR-HIGH VOLTAGE	6795-117
12	105620-16-700	EA	CONDENSOR COIL	1452-1681
13	105620-16-701	EA	EVAPORATOR COIL	14521671
14	105620-16-702	EA	DRAIN PAN	6537-104
15	105620-12-703	EA	VALVE - DRAIN	6795-200
16	105620-12-723	EA	COMPRESSOR (PANASONIC)	1450-2229
17	105620-16-703	EA	OVERLOAD	1450-0161
18	105620-01-706	EA	MOUNTING PKG.,COMP., 3 PER	6759-3081
19	105620-16-704	EA	REVERSING VALVE	6537-5321
20	105620-12-708	EA	COIL - SOLENOID	1460-1081
21	105620-16-705	EA	BY-FLO RESTRICTOR	1454-2561
22	105620-10-718	EA	BLOWER HOUSING/OUTSIDE AIR	6536-515
23	105620-01-713	EA	WHEEL-BLOWER/OUTSIDE AIR	1472-1011
24	105620-01-714	EA	VENTURI-BLOWER/OUTSIDE AIR	6795A150
26	105620-01-715	EA	MOUNT-BLOWER/OUTSIDE AIR	6795A3011
27	105620-01-716	EA	SLEEVE & GROMMET, 4 PER PKG	6795A3031
28	105620-10-721	EA	MOTOR/BLOWER-8 3/4" SHAFT	1468A3029
29	105620-01-718	EA	CAPACITOR-FAN(OUTDOOR MOTOR)	1499-5631
30	105620-10-715	EA	RUBBER CAPACITOR BOOT	1499-951
31	105620-10-700	EA	BEARING BRACKET/OUTSIDE AIR	6536-514
32	105620-10-701	EA	BEARING/PILLOW BLOCK-O/S AIR	6536-3011
33	105620-11-701	EA	BLOWER WHEEL/INSIDE AIR	1472-1151
34	105620-12-715	EA	BLOWER VENTURI/INSIDE AIR	6535A287
35	105620-01-723	EA	MOUNT-BLOWER MOTOR - I/S AIR	6795-302
36	105620-12-716	EA	BLOWER MTR/IN AIR/REVERSIBLE	1468-3219
37	105620-16-707	EA	BLOWER HOUSING/INSIDE AIR	6537-590
38	105620-12-719	EA	COIL SENSOR	7330A3231
39	105620-01-729	EA	RELAY-COMPRESSOR -4 TERMINAL	1460-1131
40	105620-12-725	EA	COMPRESSOR RUN CAPACITOR	1499-5731
41	105620-16-708	EA	BOARD/TERMINAL- HIGH VOLTAGE	6795-3151
43	105620-10-705	EA	PTCR (START DEVICE) - W/CAP.	8333A9021
45	093763-01-704	EA	CAPACITOR-FAN (INDOOR MOTOR)	1499-5461
	105620-16-709	EA	CIRCUIT BOARD	6636-3201

CONTACT WINNEBAGO PART SALES FOR UNLISTED COMPONENTS

## INTERIOR FINISH GROUP

**MOLDINGS & TRIMS  
PORTSMOUTH OAK  
CONCERT CHERRY  
WASHED MAPLE  
HONEY CHERRY**



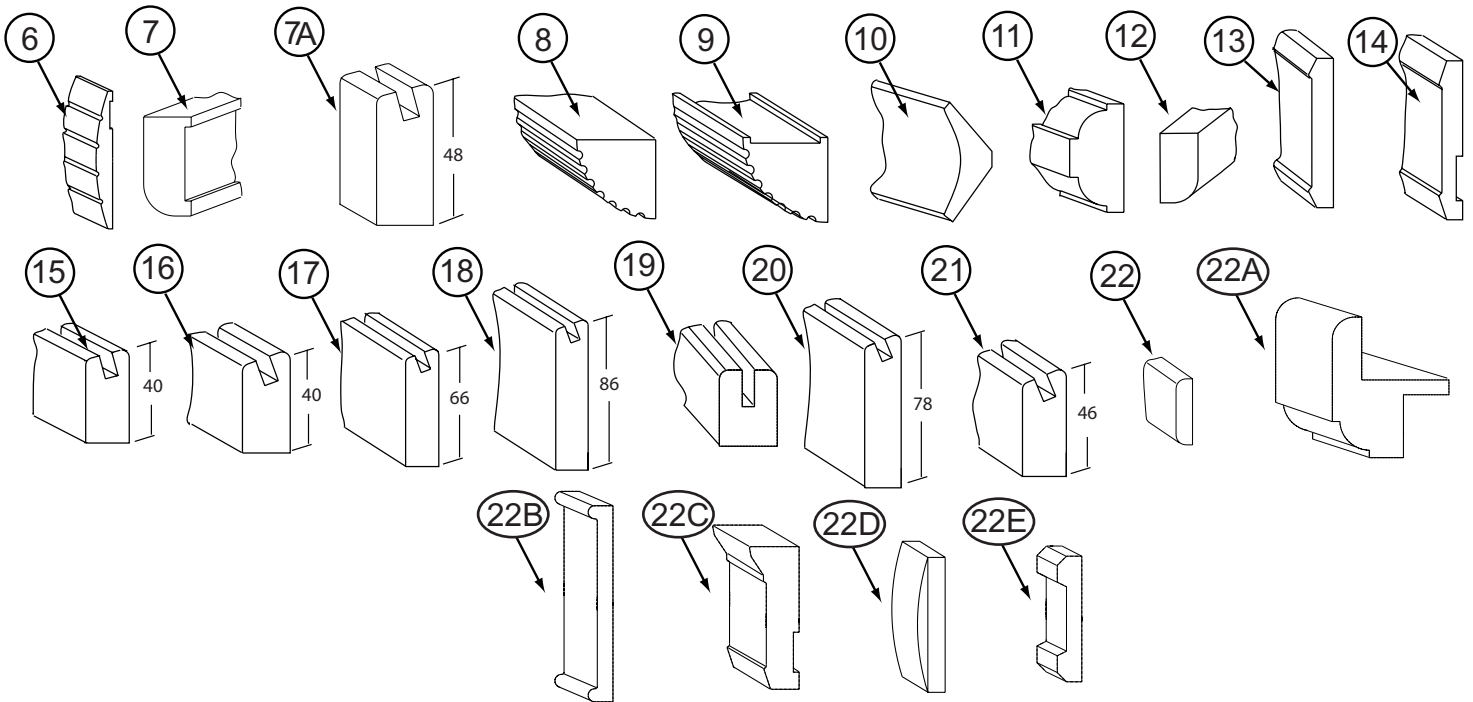
KEY	PART NUMBER	U/M	DESCRIPTION
1	M09412-62-N42	EA	MOLDING/SHELF EDGE - W/.4" NOTCH - PORTSMOUTH II - PORTSMOUTH OAK
1	M09412-62-M52	EA	MOLDING/SHELF EDGE - W/.4" NOTCH - CHERRY IV - CONCERT CHERRY
1	M09412-62-M62	EA	MOLDING/SHELF EDGE - W/.4" NOTCH - WASHED MAPLE
1	M09412-62-RC3	EA	MOLDING/SHELF EDGE - W/.4" NOTCH - .6" X 1.3" X 96" - HONEY CHERRY
1A	M09438-02-N70	EA	MOLDING - HARDWOOD-W/NOTCH - 1.4"X 80.5" - OAK/PORTS OAK - PORTSMOUTH OAK
1A	M09438-02-N85	EA	MOLDING - HARDWOOD-W/NOTCH - 1.4"X 80.5" - CHERRY/CHERRY IV - CONCERT CHERRY
1A	M09438-02-N84	EA	MOLDING - HARDWOOD-W/NOTCH - 1.4"X 80.5" - MAPLE/WASHED MP - WASHED MAPLE
1B	M09438-21-N95	EA	MOLDING/TRIM - .8" X 2.2" X 80.2" - OAK/PORTS OAK - PORTSMOUTH OAK
1B	M09438-21-N94	EA	MOLDING/TRIM - .8" X 2.2" X 80.2" - CHERRY/CHERRY IV - CONCERT CHERRY
1B	M09438-21-NQ0	EA	MOLDING/TRIM - .8" X 2.2" X 80.2" - MAPLE/WASHED MP - WASHED MAPLE
1B	M09438-23-N95	EA	MOLDING - HARDWOOD-W/NOTCH - 4" X 80.2" - OAK/PORTS OAK - PORTSMOUTH OAK
1B	M09438-23-N94	EA	MOLDING - HARDWOOD-W/NOTCH - 4" X 80.2" - CHERRY/CHERRY IV - CONCERT CHERRY
1B	M09438-23-NQ0	EA	MOLDING - HARDWOOD-W/NOTCH - 4" X 80.2" - MAPLE/WASHED MP - WASHED MAPLE
1B	M09438-25-N95	EA	MOLDING - HARDWOOD-W/NOTCH - 1.4"X 80.2" - OAK/PORTS OAK - PORTSMOUTH OAK
1B	M09438-25-N94	EA	MOLDING - HARDWOOD-W/NOTCH - 1.4"X 80.2" - CHERRY/CHERRY IV - CONCERT CHERRY
1B	M09438-25-NQ0	EA	MOLDING - HARDWOOD-W/NOTCH - 1.4"X 80.2" - MAPLE/WASHED MP - WASHED MAPLE
1B	M09438-25-RA3	EA	MOLDING - HARDWOOD-W/NOTCH - 1.4"X 80.2" - CHERRY/HONEY - HONEY CHERRY
1B	M09450-77-PC0	EA	MOLDING - TRIM/HDWD W/LIP -.4"X3.2"X79.6" - OAK/PORTS OAK - PORTSMOUTH OAK
1B	M09450-77-PC1	EA	MOLDING - TRIM/HDWD W/LIP -.4"X3.2"X79.6" - CHERRY/CHERRY IV - CONCERT CHERRY
1B	M09450-77-PC2	EA	MOLDING - TRIM/HDWD W/LIP -.4"X3.2"X79.6" - MAPLE/WASHED MP - WASHED MAPLE
1B	M09450-77-RC3	EA	MOLDING - TRIM/HDWD W/LIP -.4"X3.2"X79.6" - CHERRY/HONEY - HONEY CHERRY
1B	M09462-75-R38	EA	MOLDING/TRIM - .75" X 1.2" X 80.2" - PORTSMOUTH OAK
1B	M09462-75-R39	EA	MOLDING/TRIM - .75" X 1.2" X 80.2" - CONCERT CHERRY
1B	M09462-75-R46	EA	MOLDING/TRIM - .75" X 1.2" X 80.2" - WASHED MAPLE
2	M09454-62-P54	EA	MOLDING - TRIM/VEE - .2" X 1" X 3.5" - OAK - PORTSMOUTH OAK
2	M09454-62-P55	EA	MOLDING - TRIM/VEE - .2" X 1" X 3.5" - CHERRY - CONCERT CHERRY
2	M09454-62-P56	EA	MOLDING - TRIM/VEE - .2" X 1" X 3.5" - MAPLE - WASHED MAPLE
2	M09454-62-RE0	EA	MOLDING - TRIM/VEE - .2" X 1" X 3.5" - CHERRY - HONEY CHERRY
2	M09462-50-R74	EA	MOLDING - TRIM/VEE - .2" X 1" X 93.5" - PORTSMOUTH OAK
2	M09462-50-R75	EA	MOLDING - TRIM/VEE - .2" X 1" X 93.5" - CONCERT CHERRY
2	M09462-50-R76	EA	MOLDING - TRIM/VEE - .2" X 1" X 93.5" - WASHED MAPLE
2	M09477-18-R83	EA	MOLDING - TRIM/VEE - .2" X 1" X 32" - OAK - PORTSMOUTH OAK
2	M09477-18-R84	EA	MOLDING - TRIM/VEE - .2" X 1" X 32" - CHERRY - CONCERT CHERRY
2	M09477-18-R91	EA	MOLDING - TRIM/VEE - .2" X 1" X 32" - MAPLE - WASHED MAPLE
2	M09477-18-RE0	EA	MOLDING - TRIM/VEE - .2" X 1" X 32" - CHERRY - HONEY CHERRY
3	M09471-79-R38	EA	MOLDING-STAINED - PORTSMOUTH OAK
3	M09471-79-R39	EA	MOLDING-STAINED - CONCERT CHERRY
3	M09471-79-R46	EA	MOLDING-STAINED - WASHED MAPLE
3	M09471-79-RE0	EA	MOLDING-STAINED - HONEY CHERRY
3A	M09471-40-R83	EA	MOLDING-STAINED - PORTSMOUTH OAK
3A	M09471-40-R84	EA	MOLDING-STAINED - CONCERT CHERRY
3A	M09471-40-RE0	EA	MOLDING-STAINED - HONEY CHERRY
4	M09454-52-PA0	EA	MOLDING - FLUTED - .75" X 3.5" X 76.7" - OAK - PORTSMOUTH OAK
4	M09454-52-PA1	EA	MOLDING - FLUTED - .75" X 3.5" X 76.7" - CHERRY - CONCERT CHERRY
4	M09454-52-PA2	EA	MOLDING - FLUTED - .75" X 3.5" X 76.7" - MAPLE - WASHED MAPLE
4	P39129-01-N53	EA	MOLDING - FLUTED/CURVED - 3.5" X 44.5" - PORTSMOUTH OAK
4	P39129-01-N52	EA	MOLDING - FLUTED/CURVED - 3.5" X 44.5" - CONCERT CHERRY
4	P39129-01-N62	EA	MOLDING - FLUTED/CURVED - 3.5" X 44.5" - WASHED MAPLE
4	P39129-01-RA3	EA	MOLDING - FLUTED/CURVED - 3.5" X 44.5" - HONEY CHERRY

**INTERIOR FINISH GROUP (CONTINUED)**  
**MOLDINGS & TRIMS (CONTINUED)**

KEY	PART NUMBER	U/M	DESCRIPTION
4	P39129-08-N53	EA	MOLDING - FLUTED/CURVED - 3.5" X 45.5" - PORTSMOUTH OAK
4	P39129-08-N52	EA	MOLDING - FLUTED/CURVED - 3.5" X 45.5" - CONCERT CHERRY
4	P39129-08-N62	EA	MOLDING - FLUTED/CURVED - 3.5" X 45.5" - WASHED MAPLE
4	P39129-08-RA3	EA	MOLDING - FLUTED/CURVED - 3.5" X 45.5" - HONEY CHERRY
4	P39129-14-PA0	EA	MOLDING - FLUTED/CURVED - 3.5" X 40.8" - PORTSMOUTH OAK
4	P39129-14-PA1	EA	MOLDING - FLUTED/CURVED - 3.5" X 40.8" - CONCERT CHERRY
4	P39129-14-PA2	EA	MOLDING - FLUTED/CURVED - 3.5" X 40.8" - WASHED MAPLE
4	P39129-14-RA3	EA	MOLDING - FLUTED/CURVED - 3.5" X 40.8" - HONEY CHERRY
4	P39129-20-PA0	EA	MOLDING - FLUTED/CURVED - 3.5" X 33.4" - PORTSMOUTH OAK
4	P39129-20-PA1	EA	MOLDING - FLUTED/CURVED - 3.5" X 33.4" - CONCERT CHERRY
4	P39129-20-PA2	EA	MOLDING - FLUTED/CURVED - 3.5" X 33.4" - WASHED MAPLE
4	P39129-20-RA3	EA	MOLDING - FLUTED/CURVED - 3.5" X 33.4" - HONEY CHERRY
4	P39129-25-PA0	EA	MOLDING - FLUTED/CURVED - 3.5" X 46.6" - PORTSMOUTH OAK
4	P39129-25-PA1	EA	MOLDING - FLUTED/CURVED - 3.5" X 46.6" - CONCERT CHERRY
4	P39129-25-PA2	EA	MOLDING - FLUTED/CURVED - 3.5" X 46.6" - WASHED MAPLE
4	P39129-25-RA3	EA	MOLDING - FLUTED/CURVED - 3.5" X 46.6" - HONEY CHERRY
4	P39129-31-PA0	EA	MOLDING - FLUTED/CURVED - 3.5" X 80.7" - PORTSMOUTH OAK
4	P39129-31-PA1	EA	MOLDING - FLUTED/CURVED - 3.5" X 80.7" - CONCERT CHERRY
4	P39129-31-PA2	EA	MOLDING - FLUTED/CURVED - 3.5" X 80.7" - WASHED MAPLE
4	P39129-31-RA3	EA	MOLDING - FLUTED/CURVED - 3.5" X 80.7" - HONEY CHERRY
4	P39129-32-RA0	EA	MOLDING - FLUTED/CURVED - 3.5" X 99.2" - PORTSMOUTH OAK
4	P39129-32-RA1	EA	MOLDING - FLUTED/CURVED - 3.5" X 99.2" - CONCERT CHERRY
4	P39129-32-RA2	EA	MOLDING - FLUTED/CURVED - 3.5" X 99.2" - WASHED MAPLE
4	P39129-32-RA3	EA	MOLDING - FLUTED/CURVED - 3.5" X 99.2" - HONEY CHERRY
4	P39129-33-RA0	EA	MOLDING - FLUTED/CURVED - 3.5" X 98.58" - PORTSMOUTH OAK
4	P39129-33-RA1	EA	MOLDING - FLUTED/CURVED - 3.5" X 98.58" - CONCERT CHERRY
4	P39129-33-RA2	EA	MOLDING - FLUTED/CURVED - 3.5" X 98.58" - WASHED MAPLE
4	P39129-33-RA3	EA	MOLDING - FLUTED/CURVED - 3.5" X 98.58" - HONEY CHERRY
5	P39129-19-PA0	EA	MOLDING - FLUTED/CURVED - 5.9" X 32.1" - PORTSMOUTH OAK
5	P39129-19-PA1	EA	MOLDING - FLUTED/CURVED - 5.9" X 32.1" - CONCERT CHERRY
5	P39129-19-PA2	EA	MOLDING - FLUTED/CURVED - 5.9" X 32.1" - WASHED MAPLE
5	P39129-19-RA3	EA	MOLDING - FLUTED/CURVED - 5.9" X 32.1" - HONEY CHERRY
5	P39129-28-PA0	EA	MOLDING - FLUTED/CURVED - 5.9" X 63.3" - PORTSMOUTH OAK
5	P39129-28-PA1	EA	MOLDING - FLUTED/CURVED - 5.9" X 63.3" - CONCERT CHERRY
5	P39129-28-PA2	EA	MOLDING - FLUTED/CURVED - 5.9" X 63.3" - WASHED MAPLE
5	P39129-28-RA3	EA	MOLDING - FLUTED/CURVED - 5.9" X 63.3" - HONEY CHERRY
5	P39129-29-PA0	EA	MOLDING - FLUTED/CURVED - 5.9" X 70.1" - PORTSMOUTH OAK
5	P39129-29-PA1	EA	MOLDING - FLUTED/CURVED - 5.9" X 70.1" - CONCERT CHERRY
5	P39129-29-PA2	EA	MOLDING - FLUTED/CURVED - 5.9" X 70.1" - WASHED MAPLE
5	P39129-29-RA3	EA	MOLDING - FLUTED/CURVED - 5.9" X 70.1" - HONEY CHERRY



**INTERIOR FINISH GROUP (CONTINUED)**  
**MOLDINGS & TRIMS (CONTINUED)**

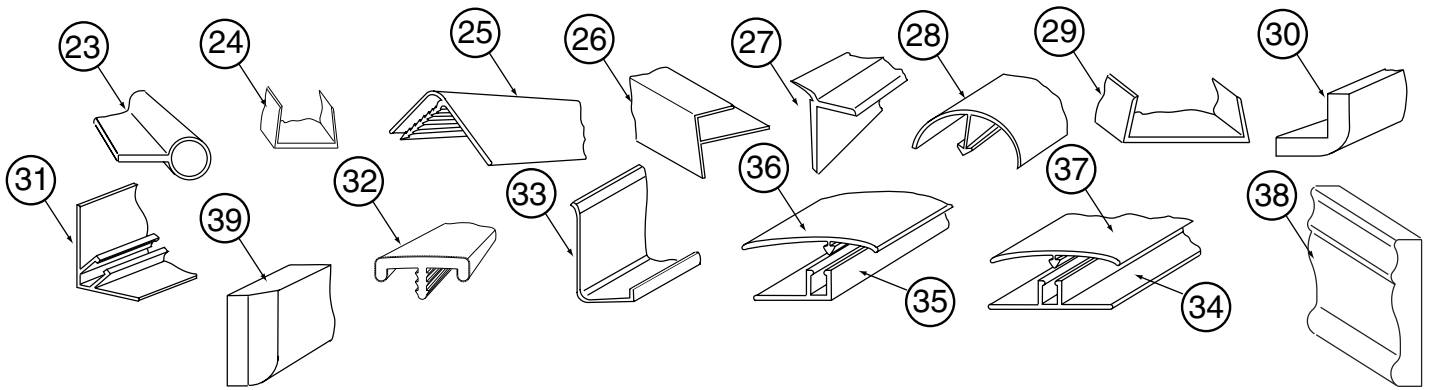


KEY	PART NUMBER	U/M	DESCRIPTION
6	P39129-21-PA0	EA	MOLDING - FLUTED/CURVED - 5.9" X 2.5" - PORTSMOUTH OAK
6	P39129-21-PA1	EA	MOLDING - FLUTED/CURVED - 5.9" X 2.5" - CONCERT CHERRY
6	P39129-21-PA2	EA	MOLDING - FLUTED/CURVED - 5.9" X 2.5" - WASHED MAPLE
6	P39129-21-RA3	EA	MOLDING - FLUTED/CURVED - 5.9" X 2.5" - HONEY CHERRY
6	P39129-22-PA0	EA	MOLDING - FLUTED/CURVED - 5.9" X 5.3" - PORTSMOUTH OAK
6	P39129-22-PA1	EA	MOLDING - FLUTED/CURVED - 5.9" X 5.3" - CONCERT CHERRY
6	P39129-22-PA2	EA	MOLDING - FLUTED/CURVED - 5.9" X 5.3" - WASHED MAPLE
6	P39129-22-RA3	EA	MOLDING - FLUTED/CURVED - 5.9" X 5.3" - HONEY CHERRY
7	Y00007-22-438	EA	MOLDING - MAPLE - UNSTAINED
7	Y00007-32-438	EA	MOLDING - CHERRY - UNSTAINED
7	Y00007-42-438	EA	MOLDING - OAK - UNSTAINED
7A	Y00054-72-438	EA	MOLDING - VINYL - W/SLOT - .7"X 1.9"X 96" - PORTSMOUTH OAK
7A	Y00054-62-438	EA	MOLDING - VINYL - W/SLOT - .7"X 1.9"X 96" - CONCERT CHERRY
7A	Y00054-A2-438	EA	MOLDING - VINYL - W/SLOT - .7"X 1.9"X 96" - WASHED MAPLE
8	Y00070-22-438	EA	MOLDING/FLUTED - MAPLE - 96" - WASHED MAPLE
8	Y00070-32-438	EA	MOLDING/FLUTED - CHERRY - 96" - CONCERT CHERRY
8	Y00070-42-438	EA	MOLDING/FLUTED - OAK - 96" - PORTSMOUTH OAK
9	Y00071-22-438	EA	MOLDING/FLUTED - W/NOTCH - MAPLE/UNSTAINED - 96"
9	Y00071-32-438	EA	MOLDING/FLUTED - W/NOTCH - CHERRY/UNSTAINED - 96"
9	Y00071-42-438	EA	MOLDING/FLUTED - W/NOTCH - OAK/UNSTAINED - 96"
10	Y00074-A2-438	EA	MOLDING/CROWN - VINYL WRAPPED - MAPLE - 96" - WASHED MAPLE
10	Y00074-62-438	EA	MOLDING/CROWN - VINYL WRAPPED - CONCERT CHERRY - 96" - CONCERT CHERRY
10	Y00074-72-438	EA	MOLDING/CROWN - VINYL WRAPPED - PORTSMOUTH OAK - 96" - PORTSMOUTH OAK
11	Y00076-22-438	EA	MOLDING/TRIM - .5" X 1" X 96" - MAPLE (UNSTAINED)
11	Y00076-32-438	EA	MOLDING/TRIM - .5" X 1" X 96" - CHERRY (UNSTAINED)
11	Y00076-42-438	EA	MOLDING/TRIM - .5" X 1" X 96" - OAK (UNSTAINED)
12	Y00086-A2-438	EA	MOLDING - VINYL WRAP - .7" X 1.6" X 96" - WASHED MAPLE
12	Y00086-62-438	EA	MOLDING - VINYL WRAP - .7" X 1.6" X 96" - CONCERT CHERRY
12	Y00086-72-438	EA	MOLDING - VINYL WRAP - .7" X 1.6" X 96" - PORTSMOUTH OAK
12	Y00086-82-438	EA	MOLDING - VINYL WRAP - .7" X 1.6" X 96" - HONEY CHERRY
12	Y00087-A2-438	EA	MOLDING - VINYL WRAP - .7" X 2.9" X 96" - WASHED MAPLE
12	Y00087-62-438	EA	MOLDING - VINYL WRAP - .7" X 2.9" X 96" - CONCERT CHERRY
12	Y00087-72-438	EA	MOLDING - VINYL WRAP - .7" X 2.9" X 96" - PORTSMOUTH OAK
12	Y00087-82-438	EA	MOLDING - VINYL WRAP - .7" X 2.9" X 96" - HONEY CHERRY
12	Y00267-72-438	EA	MOLDING - VINYL WRAP/MITERED - .6" X 96" - PORTSMOUTH OAK
12	Y00267-62-438	EA	MOLDING - VINYL WRAP/MITERED - .6" X 96" - CONCERT CHERRY
12	Y00267-A2-438	EA	MOLDING - VINYL WRAP/MITERED - .6" X 96" - WASHED MAPLE

**INTERIOR FINISH GROUP (CONTINUED)**  
**MOLDINGS & TRIMS (CONTINUED)**

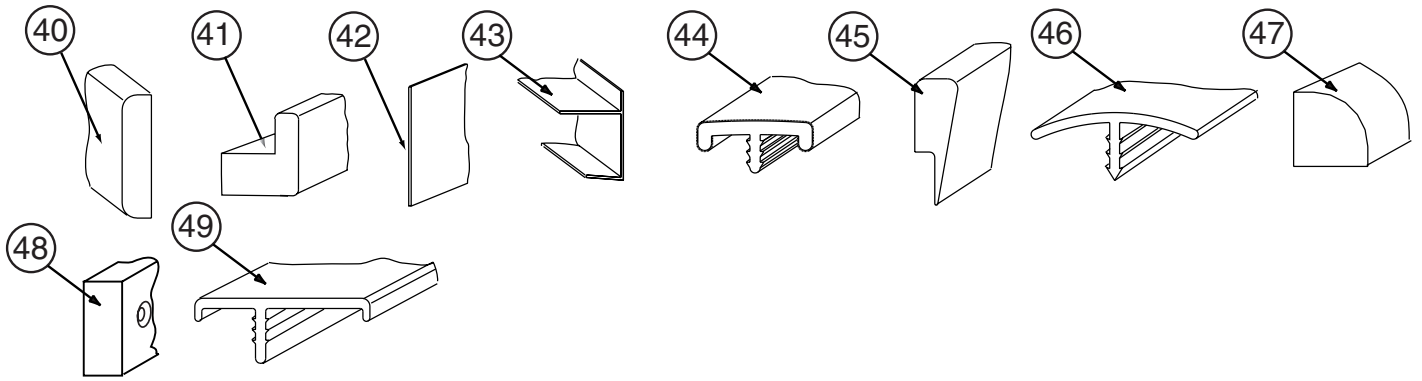
KEY	PART NUMBER	U/M	DESCRIPTION
13	Y00152-A2-438	EA	MOLDING/TRIM - VINYL - .6" X 3.5" X 96" - WASHED MAPLE
13	Y00152-62-438	EA	MOLDING/TRIM - VINYL - .6" X 3.5" X 96" - CONCERT CHERRY
13	Y00152-72-438	EA	MOLDING/TRIM - VINYL - .6" X 3.5" X 96" - PORTSMOUTH OAK
14	Y00153-A2-438	EA	MOLDING/TRIM - VINYL - .6" X 3.9" X 96" - WASHED MAPLE
14	Y00153-62-438	EA	MOLDING/TRIM - VINYL - .6" X 3.9" X 96" - CONCERT CHERRY
14	Y00153-72-438	EA	MOLDING/TRIM - VINYL - .6" X 3.9" X 96" - PORTSMOUTH OAK
14	Y00153-82-438	EA	MOLDING/TRIM - VINYL - .6" X 3.9" X 96" - HONEY CHERRY
15	Y00203-A2-438	EA	MOLDING - VINYL/BEVELED - 96" - WASHED MAPLE
15	Y00203-62-438	EA	MOLDING - VINYL/BEVELED - 96" - CONCERT CHERRY
15	Y00203-72-438	EA	MOLDING - VINYL/BEVELED - 96" - PORTSMOUT OAK
15	Y00203-82-438	EA	MOLDING - VINYL/BEVELED - 96" - HONEY CHERRY
16	Y00204-A2-438	EA	MOLDING - VINYL/BEVELED - 96" - WASHED MAPLE
16	Y00204-62-438	EA	MOLDING - VINYL/BEVELED - 96" - CONCERT CHERRY
16	Y00204-72-438	EA	MOLDING - VINYL/BEVELED - 96" - PORTSMOUT OAK
16	Y00204-82-438	EA	MOLDING - VINYL/BEVELED - 96" - HONEY CHERRY
17	Y00205-A2-438	EA	MOLDING - VINYL/BEVELED - 96" - WASHED MAPLE
17	Y00205-62-438	EA	MOLDING - VINYL/BEVELED - 96" - CONCERT CHERRY
17	Y00205-72-438	EA	MOLDING - VINYL/BEVELED - 96" - PORTSMOUT OAK
17	Y00205-82-438	EA	MOLDING - VINYL/BEVELED - 96" - HONEY CHERRY
18	Y00206-A2-438	EA	MOLDING - VINYL/BEVELED - 96" - WASHED MAPLE
18	Y00206-62-438	EA	MOLDING - VINYL/BEVELED - 96" - CONCERT CHERRY
18	Y00206-72-438	EA	MOLDING - VINYL/BEVELED - 96" - PORTSMOUT OAK
18	Y00206-82-438	EA	MOLDING - VINYL/BEVELED - 96" - HONEY CHERRY
19	Y00223-22-438	EA	MOLDING - HARDWOOD/MAPLE - .7" X 1" X 96"
19	Y00223-32-438	EA	MOLDING - HARDWOOD/CHERRY - .7" X 1" X 96"
19	Y00223-42-438	EA	MOLDING - HARDWOOD/OAK - .7" X 1" X 96"
20	Y00258-A2-438	EA	MOLDING - VINYL/BEVELED - 96" - WASHED MAPLE
20	Y00258-62-438	EA	MOLDING - VINYL/BEVELED - 96" - CONCERT CHERRY
20	Y00258-72-438	EA	MOLDING - VINYL/BEVELED - 96" - PORTSMOUT OAK
20	Y00258-82-438	EA	MOLDING - VINYL/BEVELED - 96" - HONEY CHERRY
21	Y00259-A2-438	EA	MOLDING - VINYL/BEVELED - 96" - WASHED MAPLE
21	Y00259-62-438	EA	MOLDING - VINYL/BEVELED - 96" - CONCERT CHERRY
21	Y00259-72-438	EA	MOLDING - VINYL/BEVELED - 96" - PORTSMOUT OAK
21	Y00259-82-438	EA	MOLDING - VINYL/BEVELED - 96" - HONEY CHERRY
22	Y00262-22-438	EA	MOLDING - 96" - MAPLE, UNSTAINED
22	Y00262-32-438	EA	MOLDING - 96" - CHERRY, UNSTAINED
22	Y00262-42-438	EA	MOLDING - 96" - OAK, UNSTAINED
22A	Y00266-42-438	EA	MOLDING - .75" X 1.5" X 96" OAK - .7" X 1" X 96"
22A	Y00266-32-438	EA	MOLDING - .75" X 1.5" X 96" CHERRY - .7" X 1" X 96"
22A	Y00266-22-438	EA	MOLDING - .75" X 1.5" X 96" MAPLE - .7" X 1" X 96"
22B	Y00280-74-174	EA	MOLDING/TRIM - VINYL - F/SLIDEOUT - 164.1" - PORTSMOUTH OAK
22B	Y00280-64-174	EA	MOLDING/TRIM - VINYL - F/SLIDEOUT - 164.1" - CONCERT CHERRY
22B	Y00280-A4-174	EA	MOLDING/TRIM - VINYL - F/SLIDEOUT - 164.1" - WASHED MAPLE
22B	Y00281-72-438	EA	MOLDING/TRIM - VINYL - F/SLIDEOUT - 96" - PORTSMTH OAK
22B	Y00281-62-438	EA	MOLDING/TRIM - VINYL - F/SLIDEOUT - 96" - CONCERT CHERRY
22B	Y00281-A2-438	EA	MOLDING/TRIM - VINYL - F/SLIDEOUT - 96" - WASHED MAPLE
22B	Y00291-72-438	EA	MOLDING - VINYL WRAPPED - 4" X 96" - PORTSMTH OAK
22B	Y00291-62-438	EA	MOLDING - VINYL WRAPPED - 4" X 96" - CONCERT CHERRY
22B	Y00291-A2-438	EA	MOLDING - VINYL WRAPPED - 4" X 96" - WASHED MAPLE
22C	Y00282-72-438	EA	MOLDING - SLIDEOUT/VINYL WRAP - 3.9" X 96" - PORTSMOUTH OAK
22C	Y00282-62-438	EA	MOLDING - SLIDEOUT/VINYL WRAP - 3.9" X 96" - CONCERT CHERRY
22C	Y00282-A2-438	EA	MOLDING - SLIDEOUT/VINYL WRAP - 3.9" X 96" - WASHED MAPLE
22D	Y00284-42-438	EA	MOLDING - STRAIGHT - .2" X 1.5" X 96" - UNSTAINED OAK
22D	Y00284-32-438	EA	MOLDING - STRAIGHT - .2" X 1.5" X 96" - UNSTAINED CHERRY
22D	Y00284-22-438	EA	MOLDING - STRAIGHT - .2" X 1.5" X 96" - UNSTAINED MAPLE
22E	Y00285-42-438	EA	MOLDING - STRAIGHT - .63" X 3.2" X 96" - UNSTAINED OAK
22E	Y00285-32-438	EA	MOLDING - STRAIGHT - .63" X 3.2" X 96" - UNSTAINED CHERRY
22E	Y00285-22-438	EA	MOLDING - STRAIGHT - .63" X 3.2" X 96" - UNSTAINED MAPLE

**INTERIOR FINISH GROUP (CONTINUED)**  
**MOLDINGS & TRIMS (CONTINUED)**



KEY	PART NUMBER	U/M	DESCRIPTION
23	009767-12-000	FT	WELTING - ANTIQUE WHITE
24	009778-25-000	FT	U-CHANNEL - 1" - BEIGE ILLUSION
24	009778-27-000	FT	U-CHANNEL - 1" - WASHED MAPLE
24	009778-32-000	FT	U-CHANNEL - 1" - PORTSMOUTH OAK
24	009778-34-000	FT	U-CHANNEL - 1" - CONCERT CHERRY
24	009778-35-000	FT	U-CHANNEL - 1" - HONEY CHERRY
25	009809-30-000	EA	MOLDING - CORNER - OUTSIDE - 1" X 84" - BEIGE ILLUSION
25	009809-32-000	EA	MOLDING - CORNER - OUTSIDE - 1" X 84" - PORTSMOUTH OAK
25	009809-31-000	EA	MOLDING - CORNER - OUTSIDE - 1" X 84" - WASHED MAPLE
25	009809-33-000	EA	MOLDING - CORNER - OUTSIDE - 1" X 84" - CONCERT CHERRY
25	009809-34-000	EA	MOLDING - CORNER - OUTSIDE - 1" X 84" - HONEY CHERRY
26	009812-31-000	EA	MOLDING - CORNER - 1/2" W/1/4"CHAN X 84" - BEIGE ILLUSION
26	009812-33-000	EA	MOLDING - CORNER - 1/2" W/1/4"CHAN X 84" - WASHED MAPLE
26	009812-34-000	EA	MOLDING - CORNER - 1/2" W/1/4"CHAN X 84" - VW LIGHT GRAY
26	009812-35-000	EA	MOLDING - CORNER - 1/2" W/1/4"CHAN X 84" - PORTSMOUTH OAK
26	009812-36-000	EA	MOLDING - CORNER - 1/2" W/1/4"CHAN X 84" - CONCERT CHERRY
26	009812-37-000	EA	MOLDING - CORNER - 1/2" W/1/4"CHAN X 84" - HONEY CHERRY
27	022992-11-000	FT	MOLDING - REVERSE COVE - T-SHAPED - IVORY
27	022992-14-000	FT	MOLDING - REVERSE COVE - T-SHAPED - BRIGHT WHITE
27	022992-15-000	FT	MOLDING - REVERSE COVE - T-SHAPED - VW GRAY
28	042357-25-000	EA	MOLDING - CORNER - RADIUS/PLASTIC - WASHED MAPLE
29	070504-42-000	FT	U-CHANNEL - PLASTIC - .13" X 84" - BEIGE ILLUSION
29	070504-50-000	FT	U-CHANNEL - PLASTIC - .13" X 96" - WASHED MAPLE
29	070504-51-000	FT	U-CHANNEL - PLASTIC - .9" X 96" - WASHED MAPLE
29	070504-54-000	FT	U-CHANNEL - PLASTIC - .9" X 96" - VILLAGE OAK
29	070504-57-000	FT	U-CHANNEL - PLASTIC - .13" X 84" - PORTSMOUTH OAK
29	070504-58-000	FT	U-CHANNEL - PLASTIC - .9" X 84" - PORTSMOUTH OAK
29	070504-60-000	FT	U-CHANNEL - PLASTIC - .13" X 84" - CONCERT CHERRY
29	070504-61-000	FT	U-CHANNEL - PLASTIC - .9" X 84" - CONCERT CHERRY
29	070504-62-000	FT	U-CHANNEL - PLASTIC - 1.65" X 84" - HONEY CHERRY
29	070504-63-000	FT	U-CHANNEL - PLASTIC - .9" X 84" - HONEY CHERRY
29	070504-64-000	FT	U-CHANNEL - PLASTIC - .7" X 84" - HONEY CHERRY
30	080176-08-000	EA	CAP - CORNER - RADIUS MOLDING - PLASTIC - WASHED MAPLE
31	081521-02-007	EA	MOUNT - METAL MOLDING - F/RADIUS CORNER MOLDING - 151.5"
32	083620-15-000	FT	MOLDING-T - W/EDGE LIP - 7/8" FACE - BEIGE ILLUSION
32	083620-19-000	FT	MOLDING-T - W/EDGE LIP - 7/8" FACE - WASHED MAPLE
32	083620-20-000	FT	MOLDING-T - W/EDGE LIP - 7/8" FACE - PORTSMOUTH OAK
32	083620-21-000	FT	MOLDING-T - W/EDGE LIP - 7/8" FACE - CONCERT CHERRY/HONEY CHERRY
33	085746-04-000	FT	TRIM-J - CARPET 1.2" X .5" ANGLE - 10' LONG - OFF WHITE
34	086229-01-000	EA	RETAINER - BATTEN - .75" X 92.1" - ANY COLOR
35	086229-11-000	EA	RETAINER - OFFSET - 97"
36	086229-21-000	EA	BATTEN - 1.5" X 83.9" OFFSET - WHITE
37	086229-20-000	EA	BATTEN - 1" X 96" - BEIGE
38	100182-10-J70	EA	TRIM/WOOD - CHAIR RAIL - 2.5" X 8' - WASHED MAPLE
38	100182-10-N47	EA	TRIM/WOOD - CHAIR RAIL - 2.5" X 8' - PORTSMOUTH OAK
38	100182-10-P85	EA	TRIM/WOOD - CHAIR RAIL - 2.5" X 8' - CHERRY - CONCERT CHERRY
38	100182-10-RA3	EA	TRIM/WOOD - CHAIR RAIL - 2.5" X 8' - HONEY CHERRY
39	100659-30-N75	EA	MOLDING - TRIM - 8' - PORTSMOUTH OAK
39	100659-30-N74	EA	MOLDING - TRIM - 8' - CHERRY - CONCERT CHERRY
39	100659-30-M84	EA	MOLDING - TRIM - 8' - WASHED MAPLE
39	100659-27-RA2	EA	MOLDING - TRIM - HONEY CHERRY

**INTERIOR FINISH GROUP (CONTINUED)**  
**MOLDINGS & TRIMS (CONTINUED)**

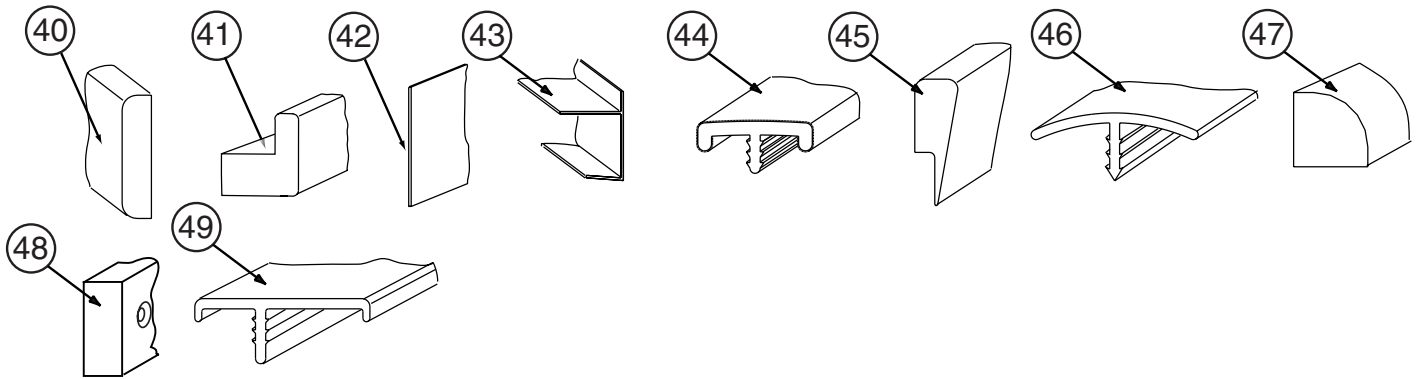


KEY	PART NUMBER	U/M	DESCRIPTION
40	100818-01-21A	EA	MOLDING - VINYL WRAPPED - 1.6" X .4" X 84" - WASHED MAPLE
40	100818-01-12A	EA	MOLDING - VINYL WRAPPED - 1.6" X .4" X 84" - PORTSMOUTH OAK
40	100818-01-13A	EA	MOLDING - VINYL WRAPPED - 1.6" X .4" X 84" - CHERRY - CONCERT CHERRY
40	100818-01-14A	EA	MOLDING - VINYL WRAPPED - 1.6" X .4" X 84" - HONEY CHERRY
41	100819-01-21A	EA	MOLDING - VINYL WRAPPED-L-SHAPED-1.5"X1.5"X84" - WASHED MAPLE
41	100819-01-12A	EA	MOLDING - VINYL WRAPPED-L-SHAPED - 1.5" X 1.5" X 84" - OAK - PORTSMOUTH OAK
41	100819-01-13A	EA	MOLDING - VINYL WRAPPED-L-SHAPED-1.5"X1.5"X84" - CONCERT CHERRY
41	100819-01-14A	EA	MOLDING - VINYL WRAPPED-L-SHAPED-1.5"X1.5"X84" - HONEY CHERRY
42	101957-01-06A	EA	EXTRUDED - PLASTIC - WASHED MAPLE
43	103186-01-07A	FT	MOLDING/PLASTIC - 3/8" U-CHANNEL-3/4"FACE - BEIGE ILLUS 8'
43	103186-01-08A	FT	MOLDING/PLASTIC - 3/8" U-CHANNEL-3/4"FACE-WASHED MAPLE 8' - WASHED MAPLE
43	103186-01-09A	FT	MOLDING/PLASTIC - 3/8" U-CHAN'L-3/4"FACE-PORTSMOUTH OAK 8' - PORTSMOUTH OAK
43	103186-01-10A	FT	MOLDING/PLASTIC-3/8" U-CHAN'L-3/4"FACE-CONCERT CHERRY 8' - CONCERT CHERRY
43	103186-01-11A	FT	MOLDING/PLASTIC-3/8" U-CHAN'L-3/4"FACE-CONCERT CHERRY 8' - HONEY CHERRY
43	103186-02-07A	FT	MOLDING/PLASTIC-1" U-CHAN'L-1 3/8"FACE-BEIGE ILLUSION - 8'
43	103186-02-08A	FT	MOLDING/PLASTIC - 1" U-CHANNEL-1 3/8"FACE-WASHED MAPLE 8' - WASHED MAPLE
43	103186-02-09A	FT	MOLDING/PLASTIC - 1" U-CHAN'L-1 3/8"FACE-PORTSMOUTH OAK 8' - PORTSMOUTH OAK
43	103186-02-10A	FT	MOLDING/PLASTIC - 1" U-CHAN'L-1 3/8"FACE-CONCERT CHERRY 8' - CONCERT CHERRY
43	103186-02-11A	FT	MOLDING/PLASTIC - 1" U-CHAN'L-1 3/8"FACE-CONCERT CHERRY 8' - HONEY CHERRY
44	104676-02-06A	FT	MOLDING-T - W/EDGE LIP - 11/16" FACE - WASHED MAPLE
44	104676-02-08A	FT	MOLDING-T - W/EDGE LIP - 11/16" FACE - PORTSMOUTH OAK
44	104676-02-09A	FT	MOLDING-T - W/EDGE LIP - 11/16" FACE - CONCERT CHERRY
44	104676-02-10A	FT	MOLDING-T - W/EDGE LIP - 11/16" FACE - HONEY CHERRY
45	105004-01-21A	EA	MOLDING - VINYL WRAPPED - 1" X 96" - WASHED MAPLE
45	105004-01-12A	EA	MOLDING - VINYL WRAPPED 1" X 96" - PORTSMOUTH OAK
45	105004-01-13A	EA	MOLDING - VINYL WRAPPED 1" X 96" - CONCERT CHERRY
45	105004-01-14A	EA	MOLDING - VINYL WRAPPED 1" X 96" - HONEY CHERRY
46	105709-02-000	FT	MOLDING-T - W/EDGE LIP - 3/4" FACE - BEIGE ILLUSION
47	109410-01-P25	EA	MOLDING - TRIM - 8' - BLACK CHERRY/CHERRY IV - CONCERT CHERRY
47	109410-01-N75	EA	MOLDING - TRIM - 8' - PORTSMOUTH OAK
47	109410-01-J70	EA	MOLDING - TRIM - 8' - WHITE MAPLE - WASHED MAPLE
48	116951-11-KQ0	EA	MOLDING - TRIM - 3.5" X 75.9" - WASHED MAPLE
48	116951-11-KQ1	EA	MOLDING - TRIM - 3.5" X 75.9" - CONCERT CHERRY
48	116951-11-N95	EA	MOLDING - TRIM - 3.5" X 75.9" - PORTSMOUTH OAK
48	116951-11-RE0	EA	MOLDING - TRIM - 3.5" X 75.9" - HONEY CHERRY
48	116951-16-K37	EA	MOLDING - TRIM - 3.5" X 74.3" - CONCERT CHERRY
48	116951-16-K90	EA	MOLDING - TRIM - 3.5" X 74.3" - WASHED MAPLE
48	116951-16-N75	EA	MOLDING - TRIM - 3.5" X 74.3" - PORTSMOUTH OAK
48	116951-16-RC3	EA	MOLDING - TRIM - 3.5" X 74.3" - HONEY CHERRY
48	116951-23-L52	EA	MOLDING - TRIM - 3.5" X 74.3" - CONCERT CHERRY
48	116951-23-L58	EA	MOLDING - TRIM - 3.5" X 74.3" - WASHED MAPLE
48	116951-23-RE0	EA	MOLDING - TRIM - 3.5" X 74.3" - HONEY CHERRY
48	116951-23-R83	EA	MOLDING - TRIM - 3.5" X 74.3" - PORTSMOUTH OAK
48	116951-24-L52	EA	MOLDING - TRIM - 3.5" X 74.6" - CONCERT CHERRY
48	116951-24-L58	EA	MOLDING - TRIM - 3.5" X 74.6" - WASHED MAPLE
48	116951-24-RE0	EA	MOLDING - TRIM - 3.5" X 74.6" - HONEY CHERRY
48	116951-24-R83	EA	MOLDING - TRIM - 3.5" X 74.6" - PORTSMOUTH OAK
48	116951-27-N75	EA	MOLDING - TRIM - 3.5" X 46.8" - PORTSMOUTH OAK
48	116951-27-N84	EA	MOLDING - TRIM - 3.5" X 46.8" - WASHED MAPLE
48	116951-27-N85	EA	MOLDING - TRIM - 3.5" X 46.8" - CONCERT CHERRY
48	116951-28-N75	EA	MOLDING - TRIM - 3.5" X 79.4" - PORTSMOUTH OAK

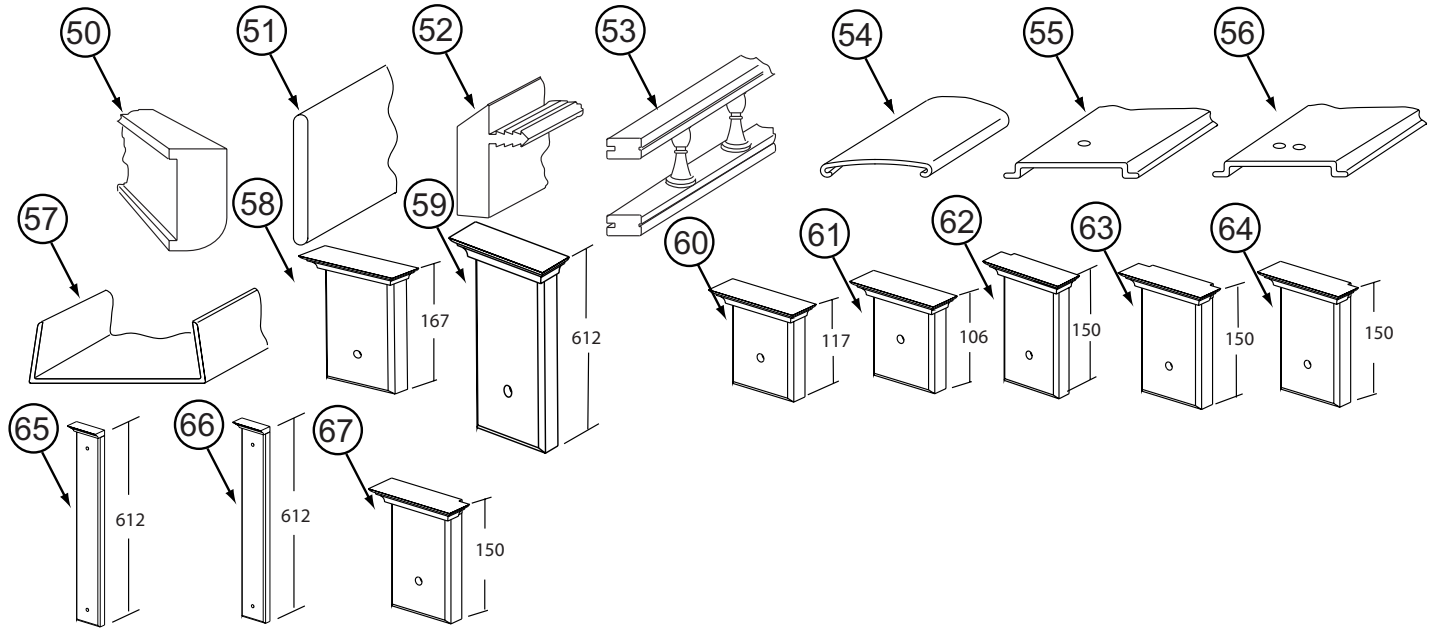
**INTERIOR FINISH GROUP (CONTINUED)**  
**MOLDINGS & TRIMS (CONTINUED)**

KEY	PART NUMBER	U/M	DESCRIPTION
48	116951-28-N84	EA	MOLDING - TRIM - 3.5" X 79.4" - WASHED MAPLE
48	116951-28-N85	EA	MOLDING - TRIM - 3.5" X 79.4" - CONCERT CHERRY
48	116951-29-N70	EA	MOLDING - TRIM - 5.5" X 30.4" - PORTSMOUTH OAK
48	116951-29-N84	EA	MOLDING - TRIM - 5.5" X 30.4" - WASHED MAPLE
48	116951-29-N85	EA	MOLDING - TRIM - 5.5" X 30.4" - CONCERT CHERRY
48	116951-29-RC3	EA	MOLDING - TRIM - 5.5" X 30.4" - HONEY CHERRY
48	116951-32-P75	EA	MOLDING - TRIM - 3" X 33.4" - PORTSMOUTH OAK
48	116951-32-P25	EA	MOLDING - TRIM - 3" X 33.4" - CONCERT CHERRY
48	116951-32-P28	EA	MOLDING - TRIM - 3" X 33.4" - WASHED MAPLE
48	116951-32-RE0	EA	MOLDING - TRIM - 3" X 33.4" - HONEY CHERRY
48	116951-34-P28	EA	MOLDING - TRIM - 3" X 33.4" - WASHED MAPLE
48	116951-34-P78	EA	MOLDING - TRIM - 3" X 33.4" - PORTSMOUTH OAK
48	116951-34-P79	EA	MOLDING - TRIM - 3" X 33.4" - CONCERT CHERRY
48	116951-34-RE0	EA	MOLDING - TRIM - 3" X 33.4" - HONEY CHERRY
48	116951-35-P28	EA	MOLDING - TRIM - 3.5" X 96" - WASHED MAPLE
48	116951-35-P78	EA	MOLDING - TRIM - 3.5" X 96" - PORTSMOUTH OAK
48	116951-35-P79	EA	MOLDING - TRIM - 3.5" X 96" - CONCERT CHERRY
48	116951-35-RE0	EA	MOLDING - TRIM - 3.5" X 96" - HONEY CHERRY
48	116951-36-R68	EA	MOLDING - TRIM - 3.5" X 48.8" - WASHED MAPLE
48	116951-36-R69	EA	MOLDING - TRIM - 3.5" X 48.8" - PORTSMOUTH OAK
48	116951-36-R76	EA	MOLDING - TRIM - 3.5" X 48.8" - CONCERT CHERRY
48	116951-37-R68	EA	MOLDING - TRIM - 3.5" X 38.6" - WASHED MAPLE
48	116951-37-R69	EA	MOLDING - TRIM - 3.5" X 38.6" - PORTSMOUTH OAK
48	116951-37-R76	EA	MOLDING - TRIM - 3.5" X 38.6" - CONCERT CHERRY
48	116951-38-RE0	EA	MOLDING - TRIM - 3.5" X 82.6" - HONEY CHERRY
48	116951-38-R83	EA	MOLDING - TRIM - 3.5" X 82.6" - PORTSMOUTH OAK
48	116951-38-R84	EA	MOLDING - TRIM - 3.5" X 82.6" - CONCERT CHERRY
48	116951-38-R91	EA	MOLDING - TRIM - 3.5" X 82.6" - WASHED MAPLE
48	116951-39-RE0	EA	MOLDING - TRIM - 3.5" X 73.9" - HONEY CHERRY
48	116951-39-R83	EA	MOLDING - TRIM - 3.5" X 73.9" - PORTSMOUTH OAK
48	116951-39-R84	EA	MOLDING - TRIM - 3.5" X 73.9" - CONCERT CHERRY
48	116951-39-R91	EA	MOLDING - TRIM - 3.5" X 73.9" - WASHED MAPLE
48	116951-40-RE0	EA	MOLDING - TRIM - 4.5" X 81.9" - HONEY CHERRY
48	116951-40-R83	EA	MOLDING - TRIM - 4.5" X 81.9" - PORTSMOUTH OAK
48	116951-40-R84	EA	MOLDING - TRIM - 4.5" X 81.9" - CONCERT CHERRY
48	116951-40-R91	EA	MOLDING - TRIM - 4.5" X 81.9" - WASHED MAPLE
48	116951-41-RE0	EA	MOLDING - TRIM - 3.5" X 36.8" - HONEY CHERRY
48	116951-41-R83	EA	MOLDING - TRIM - 3.5" X 36.8" - PORTSMOUTH OAK
48	116951-41-R84	EA	MOLDING - TRIM - 3.5" X 36.8" - CONCERT CHERRY
48	116951-41-R91	EA	MOLDING - TRIM - 3.5" X 36.8" - WASHED MAPLE
48	116951-42-RE0	EA	MOLDING - TRIM - 3.5" X 46.8" - HONEY CHERRY
48	116951-42-R83	EA	MOLDING - TRIM - 3.5" X 46.8" - PORTSMOUTH OAK
48	116951-42-R84	EA	MOLDING - TRIM - 3.5" X 46.8" - CONCERT CHERRY
48	116951-42-R91	EA	MOLDING - TRIM - 3.5" X 46.8" - WASHED MAPLE
48	116951-43-RE0	EA	MOLDING - TRIM - 3.5" X 86.5" - HONEY CHERRY
48	116951-43-R83	EA	MOLDING - TRIM - 3.5" X 86.5" - PORTSMOUTH OAK
48	116951-43-R84	EA	MOLDING - TRIM - 3.5" X 86.5" - CONCERT CHERRY
48	116951-43-R91	EA	MOLDING - TRIM - 3.5" X 86.5" - WASHED MAPLE
48	116951-44-RE0	EA	MOLDING - TRIM - 3.5" X 76.1" - HONEY CHERRY
48	116951-44-R83	EA	MOLDING - TRIM - 3.5" X 76.1" - PORTSMOUTH OAK
48	116951-44-R84	EA	MOLDING - TRIM - 3.5" X 76.1" - CONCERT CHERRY
48	116951-44-R91	EA	MOLDING - TRIM - 3.5" X 76.1" - WASHED MAPLE
48	116951-45-R68	EA	MOLDING - TRIM - 3" X 30.3" - PORTSMOUTH OAK
48	116951-45-R69	EA	MOLDING - TRIM - 3" X 30.3" - CONCERT CHERRY
48	116951-45-R76	EA	MOLDING - TRIM - 3" X 30.3" - WASHED MAPLE
48	116951-46-RE0	EA	MOLDING - TRIM - 4.5" X 72.3" - HONEY CHERRY
48	116951-46-R83	EA	MOLDING - TRIM - 4.5" X 72.3" - PORTSMOUTH OAK
48	116951-46-R84	EA	MOLDING - TRIM - 4.5" X 72.3" - CONCERT CHERRY
48	116951-46-R91	EA	MOLDING - TRIM - 4.5" X 72.3" - WASHED MAPLE
48	116951-48-RE0	EA	MOLDING - TRIM - 4.5" X 76.1" - HONEY CHERRY
48	116951-48-R83	EA	MOLDING - TRIM - 4.5" X 76.1" - PORTSMOUTH OAK
48	116951-48-R84	EA	MOLDING - TRIM - 4.5" X 76.1" - CONCERT CHERRY
48	116951-48-R91	EA	MOLDING - TRIM - 4.5" X 76.1" - WASHED MAPLE
48	116951-49-RE0	EA	MOLDING - TRIM - 4.5" X 69.8" - HONEY CHERRY

**INTERIOR FINISH GROUP (CONTINUED)**  
**MOLDINGS & TRIMS (CONTINUED)**



KEY	PART NUMBER	U/M	DESCRIPTION
48	116951-49-R83	EA	MOLDING - TRIM - 4.5" X 69.8" - PORTSMOUTH OAK
48	116951-49-R84	EA	MOLDING - TRIM - 4.5" X 69.8" - CONCERT CHERRY
48	116951-49-R91	EA	MOLDING - TRIM - 4.5" X 69.8" - WASHED MAPLE
48	116951-50-RE0	EA	MOLDING - TRIM - 4.5" X 70.3" - HONEY CHERRY
48	116951-50-R83	EA	MOLDING - TRIM - 4.5" X 70.3" - PORTSMOUTH OAK
48	116951-50-R84	EA	MOLDING - TRIM - 4.5" X 70.3" - CONCERT CHERRY
48	116951-50-R91	EA	MOLDING - TRIM - 4.5" X 70.3" - WASHED MAPLE
49	119520-01-01A	FT	MOLDING-T/OFFSET - W/EDGE LIP - 1.3" FACE - OFF WHITE
49	119520-01-04A	FT	MOLDING-T/OFFSET - W/EDGE LIP - 1.3" FACE - PORTSMOUTH OAK
49	119520-01-02A	FT	MOLDING-T/OFFSET - W/EDGE LIP - 1.3" FACE - CONCERT CHERRY
49	119520-01-03A	FT	MOLDING-T/OFFSET - W/EDGE LIP - 1.3" FACE - WASHED MAPLE
49	119520-02-01A	FT	MOLDING-T - OFFSET W/EDGE LIP - 1.3" FACE - OFF WHITE

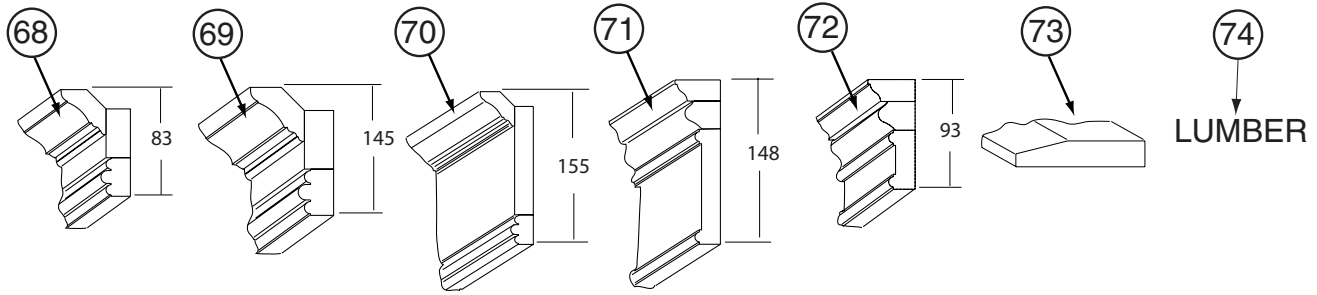


KEY	PART NUMBER	U/M	DESCRIPTION
50	149326-D2-134	EA	MOLDING - VINYL WRAPPED - .7" X 1.6" X 84" - WASHED MAPLE
50	149326-F2-134	EA	MOLDING - VINYL WRAPPED - .7" X 2.5" X 84" - WASHED MAPLE
50	137887-D2-134	EA	MOLDING - VINYL WRAPPED - .7" X 1.6" X 96" - CONCERT CHERRY
50	137887-D2-743	EA	MOLDING - VINYL WRAPPED - .7" X 1.6" X 108" - CONCERT CHERRY
50	137887-F2-134	EA	MOLDING - VINYL WRAPPED - .7" X 2.5" X 84" - CONCERT CHERRY
50	137887-F2-743	EA	MOLDING - VINYL WRAPPED - .7" X 2.5" X 108" - CONCERT CHERRY
50	137895-D2-134	EA	MOLDING - VINYL WRAPPED - .7" X 1.6" X 84" - PORTSMOUTH OAK
50	137895-D2-743	EA	MOLDING - VINYL WRAPPED - .7" X 1.5" X 108" - PORTSMOUTH OAK
50	137895-F2-743	EA	MOLDING - VINYL WRAPPED - .7" X 2.5" X 108" - PORTSMOUTH OAK
50	146425-D2-134	EA	MOLDING - VINYL WRAPPED - .7" X 1.6" X 96" - HONEY CHERRY
50	146425-F2-134	EA	MOLDING - VINYL WRAPPED - .7" X 2.5" X 84" - HONEY CHERRY
50	146425-F2-743	EA	MOLDING - VINYL WRAPPED - .7" X 2.5" X 108" - HONEY CHERRY
51	127842-01-01A	FT	SEAL - SIGHT SHIELD - 2" BLACK
52	130247-01-02A	FT	MOLDING-T/OFF SET - 1.3" FACE - WASHED MAPLE
52	130247-01-04A	FT	MOLDING-T/OFF SET - 1.3" FACE - PORTSMOUTH OAK
52	130247-01-05A	FT	MOLDING-T/OFF SET - 1.3" FACE - CONCERT CHERRY/HONEY CHERRY

**INTERIOR FINISH GROUP (CONTINUED)**  
**MOLDINGS & TRIMS (CONTINUED)**

KEY	PART NUMBER	U/M	DESCRIPTION
53	137108-01-02A	EA	RAIL - DECORATIVE - SALEM CHERRY - CONCERT CHERRY
53	137108-01-03A	EA	RAIL - DECORATIVE - WASHED MAPLE
53	137108-01-07A	EA	RAIL - DECORATIVE - PORTSMOUTH OAK
53	137108-01-08A	EA	RAIL - DECORATIVE - HONEY CHERRY
54	138359-01-01A	FT	COVER - ROOF BREAK - PEARL CREAM/PLASTIC - 96"
55	138403-01-01A	EA	TRIM - ROOF - MILL
56	138403-02-01A	EA	TRIM - ROOF - MILL
56	138403-03-01A	EA	TRIM - ROOF - MILL
57	141260-01-01A	FT	U-CHANNEL - 1" - VILLAGE OAK
57	141260-01-02A	FT	U-CHANNEL - 1" - GRADY BROWN
58	141303-01-N52	EA	MOLDING - CROWN/BLOCK - CONCERT CHERRY
58	141303-01-N53	EA	MOLDING - CROWN/BLOCK - PORTSMOUTH OAK
58	141303-01-N62	EA	MOLDING - CROWN/BLOCK - WASHED MAPLE
58	141303-01-RA3	EA	MOLDING - CROWN/BLOCK - HONEY CHERRY
59	141303-02-N52	EA	MOLDING - CROWN/BLOCK - CONCERT CHERRY
59	141303-02-N53	EA	MOLDING - CROWN/BLOCK - PORTSMOUTH OAK
59	141303-02-N62	EA	MOLDING - CROWN/BLOCK - WASHED MAPLE
59	141303-02-RA3	EA	MOLDING - CROWN/BLOCK - HONEY CHERRY
60	141303-03-N52	EA	MOLDING - CROWN/BLOCK - CONCERT CHERRY
60	141303-03-N53	EA	MOLDING - CROWN/BLOCK - PORTSMOUTH OAK
60	141303-03-N62	EA	MOLDING - CROWN/BLOCK - WASHED MAPLE
60	141303-03-RA3	EA	MOLDING - CROWN/BLOCK - HONEY CHERRY
61	141303-04-PC0	EA	MOLDING - CROWN/BLOCK - PORTSMOUTH OAK
61	141303-04-PC1	EA	MOLDING - CROWN/BLOCK - CONCERT CHERRY
61	141303-04-PC2	EA	MOLDING - CROWN/BLOCK - WASHED MAPLE
61	141303-04-RA3	EA	MOLDING - CROWN/BLOCK - HONEY CHERRY
62	141303-05-RE3	EA	MOLDING - CROWN/BLOCK - HONEY CHERRY
62	141303-05-R89	EA	MOLDING - CROWN/BLOCK - PORTSMOUTH OAK
62	141303-05-R90	EA	MOLDING - CROWN/BLOCK - CONCERT CHERRY
62	141303-05-R91	EA	MOLDING - CROWN/BLOCK - WASHED MAPLE
63	141303-06-RE3	EA	MOLDING - CROWN/BLOCK - HONEY CHERRY
63	141303-06-R89	EA	MOLDING - CROWN/BLOCK - PORTSMOUTH OAK
63	141303-06-R90	EA	MOLDING - CROWN/BLOCK - CONCERT CHERRY
63	141303-06-R91	EA	MOLDING - CROWN/BLOCK - WASHED MAPLE
64	141303-07-RE3	EA	MOLDING - CROWN/BLOCK - HONEY CHERRY
64	141303-07-R89	EA	MOLDING - CROWN/BLOCK - PORTSMOUTH OAK
64	141303-07-R90	EA	MOLDING - CROWN/BLOCK - CONCERT CHERRY
64	141303-07-R91	EA	MOLDING - CROWN/BLOCK - WASHED MAPLE
65	141303-08-RE3	EA	MOLDING - CROWN/BLOCK - HONEY CHERRY
65	141303-08-R89	EA	MOLDING - CROWN/BLOCK - PORTSMOUTH OAK
65	141303-08-R90	EA	MOLDING - CROWN/BLOCK - CONCERT CHERRY
65	141303-08-R91	EA	MOLDING - CROWN/BLOCK - WASHED MAPLE
66	141303-09-RE3	EA	MOLDING - CROWN/BLOCK - HONEY CHERRY
66	141303-09-R89	EA	MOLDING - CROWN/BLOCK - PORTSMOUTH OAK
66	141303-09-R90	EA	MOLDING - CROWN/BLOCK - CONCERT CHERRY
66	141303-09-R91	EA	MOLDING - CROWN/BLOCK - WASHED MAPLE
67	141303-10-RE3	EA	MOLDING - CROWN/BLOCK - HONEY CHERRY
67	141303-10-R89	EA	MOLDING - CROWN/BLOCK - PORTSMOUTH OAK
67	141303-10-R90	EA	MOLDING - CROWN/BLOCK - CONCERT CHERRY
67	141303-10-R91	EA	MOLDING - CROWN/BLOCK - WASHED MAPLE

**INTERIOR FINISH GROUP (CONTINUED)**  
**MOLDINGS & TRIMS (CONTINUED)**



KEY	PART NUMBER	U/M	DESCRIPTION
68	141915-29-PC0	EA	MOLDING - F/SLIDEOUT - 81.8" - PORTSMOUTH OAK
68	141915-29-PC1	EA	MOLDING - F/SLIDEOUT - 81.8" - CONCERT CHERRY
68	141915-29-PC2	EA	MOLDING - F/SLIDEOUT - 81.8" - WASHED MAPLE
68	141915-29-RC3	EA	MOLDING - F/SLIDEOUT - 81.8" - HONEY CHERRY
69	141915-35-RC0	EA	MOLDING - F/SLIDEOUT - 8.89' - PORTSMOUTH OAK
69	141915-35-RC1	EA	MOLDING - F/SLIDEOUT - 8.89' - CONCERT CHERRY
69	141915-35-RC2	EA	MOLDING - F/SLIDEOUT - 8.89' - WASHED MAPLE
69	141915-35-RC3	EA	MOLDING - F/SLIDEOUT - 8.89' - HONEY CHERRY
70	141915-47-RC0	EA	MOLDING - F/SLIDEOUT - 6.82' - PORTSMOUTH OAK
70	141915-47-RC1	EA	MOLDING - F/SLIDEOUT - 6.82' - CONCERT CHERRY
70	141915-47-RC2	EA	MOLDING - F/SLIDEOUT - 6.82' - WASHED MAPLE
70	141915-47-RC3	EA	MOLDING - F/SLIDEOUT - 6.82' - HONEY CHERRY
71	144885-14-RE0	EA	MOLDING - F/SLIDEOUT - 86.5" - HONEY CHERRY
71	144885-14-R83	EA	MOLDING - F/SLIDEOUT - 86.5" - PORTSMOUTH OAK
71	144885-14-R84	EA	MOLDING - F/SLIDEOUT - 86.5" - CONCERT CHERRY
72	145379-01-RE0	EA	MOLDING/TRIM - 47.48" - HONEY CHERRY
72	145379-01-R83	EA	MOLDING/TRIM - 47.48" - PORTSMOUTH OAK
72	145379-01-R84	EA	MOLDING/TRIM - 47.48" - CONCERT CHERRY
72	145379-02-RE0	EA	MOLDING/TRIM - 7.87" W/RIGHT SIDE ANGLE CUT - HONEY CHERRY
72	145379-02-R83	EA	MOLDING/TRIM - 7.87" W/RIGHT SIDE ANGLE CUT - PORTSMOUTH OAK
72	145379-02-R84	EA	MOLDING/TRIM - 7.87" W/RIGHT SIDE ANGLE CUT - CONCERT CHERRY
72	145379-03-RE0	EA	MOLDING/TRIM - 7.87" W/LEFT SIDE ANGLE CUT - HONEY CHERRY
72	145379-03-R83	EA	MOLDING/TRIM - 7.87" W/LEFT SIDE ANGLE CUT - PORTSMOUTH OAK
72	145379-03-R84	EA	MOLDING/TRIM - 7.87" W/LEFT SIDE ANGLE CUT - CONCERT CHERRY
72	145379-04-RE0	EA	MOLDING/TRIM - 86.61" - HONEY CHERRY
72	145379-04-R83	EA	MOLDING/TRIM - 86.61" - PORTSMOUTH OAK
72	145379-04-R84	EA	MOLDING/TRIM - 86.61" - CONCERT CHERRY
72	145379-05-RE0	EA	MOLDING/TRIM - 102.75" - HONEY CHERRY
72	145379-05-R83	EA	MOLDING/TRIM - 102.75" - PORTSMOUTH OAK
72	145379-05-R84	EA	MOLDING/TRIM - 102.75" - CONCERT CHERRY
73	146306-01-01A	FT	TRANSITION - CARPET/TILE
74	149325-A2-438	EA	LUMBER - VINYL WRAPPED - .7" X .75" X 96" - WASHED MAPLE
74	149325-D2-438	EA	LUMBER - VINYL WRAPPED - .7" X 1.5" X 96" - WASHED MAPLE
74	149325-E2-438	EA	LUMBER - VINYL WRAPPED - .7" X 2" X 96" - WASHED MAPLE
74	149325-F2-438	EA	LUMBER - VINYL WRAPPED - .7" X 2.5" X 96" - WASHED MAPLE
74	149325-G2-438	EA	LUMBER - STAINED - .7" X 3" X 96" - WASHED MAPLE
74	149325-H2-438	EA	LUMBER - STAINED - .7" X 3.5" X 96" - WASHED MAPLE
74	149325-J2-438	EA	LUMBER - VINYL WRAPPED - .7" X 5.5" X 96" - WASHED MAPLE
74	149325-J2-743	EA	LUMBER - VINYL WRAPPED - .7" X 5.5" X 108" - WASHED MAPLE
74	149325-K2-438	EA	LUMBER - VINYL WRAPPED - .7" X 3.9" X 96" - WASHED MAPLE
74	149325-R2-438	EA	LUMBER - VINYL WRAPPED - .7" X 3" X 96" - WASHED MAPLE
74	137885-A2-438	EA	LUMBER - VINYL WRAPPED - .7" X .75" X 96" - CHERRY - CONCERT CHERRY
74	137885-D2-438	EA	LUMBER - VINYL WRAPPED - .7" X 1.5" X 96" - CHERRY - CONCERT CHERRY
74	137885-E2-438	EA	LUMBER - VINYL WRAPPED - .7" X 2" X 96" - CHERRY - CONCERT CHERRY
74	137885-F2-438	EA	LUMBER - VINYL WRAPPED - .7" X 2.5" X 96" - CHERRY - CONCERT CHERRY
74	137885-G2-438	EA	LUMBER - VINYL WRAPPED - .7" X 3" X 96" - CHERRY - CONCERT CHERRY
74	137885-H2-438	EA	LUMBER - VINYL WRAPPED - .7" X 3.5" X 96" - CHERRY - CONCERT CHERRY
74	137885-J2-438	EA	LUMBER - VINYL WRAPPED - .7" X 5.5" X 96" - CHERRY - CONCERT CHERRY
74	137885-J2-743	EA	LUMBER - VINYL WRAPPED - .7" X 5.5" X 108" - CHERRY - CONCERT CHERRY
74	137885-K2-438	EA	LUMBER - VINYL WRAPPED - .7" X 3.9" X 96" - CHERRY - CONCERT CHERRY
74	137885-R2-438	EA	LUMBER - VINYL WRAPPED - .7" X 3" X 96" - CHERRY - CONCERT CHERRY
74	137894-A2-438	EA	LUMBER - VINYL WRAPPED - .7" X .75" X 96" - PORTSMOUTH OAK
74	137894-D2-438	EA	LUMBER - VINYL WRAPPED - .7" X 1.5" X 96" - PORTSMOUTH OAK



**INTERIOR FINISH GROUP (CONTINUED)**  
**MOLDINGS & TRIMS (CONTINUED)**

<b>KEY</b>	<b>PART NUMBER</b>	<b>U/M</b>	<b>DESCRIPTION</b>
74	137894-E2-438	EA	LUMBER - VINYL WRAPPED - .7" X 2" X 96" - PORTSMOUTH OAK
74	137894-F2-438	EA	LUMBER - VINYL WRAPPED - .7" X 2.5" X 96" - PORTSMOUTH OAK
74	137894-G2-438	EA	LUMBER - VINYL WRAPPED - .7" X 3" X 96" - PORTSMOUTH OAK
74	137894-H2-438	EA	LUMBER - VINYL WRAPPED - .7" X 3.5" X 96" - PORTSMOUTH OAK
74	137894-J2-438	EA	LUMBER - VINYL WRAPPED - .7" X 5.5" X 96" - PORTSMOUTH OAK
74	137894-J2-743	EA	LUMBER - VINYL WRAPPED - .7" X 5.5" X 96" - PORTSMOUTH OAK
74	137894-K2-438	EA	LUMBER - VINYL WRAPPED - .7" X 3.9" X 96" - PORTSMOUTH OAK
74	137894-R2-438	EA	LUMBER - VINYL WRAPPED - .7" X 3" X 96" - PORTSMOUTH OAK
74	146419-A2-438	EA	LUMBER - VINYL WRAPPED - .7" X .75" X 96" - HONEY CHERRY
74	146419-D2-438	EA	LUMBER - VINYL WRAPPED - .7" X 1.5" X 96" - HONEY CHERRY
74	146419-E2-438	EA	LUMBER - VINYL WRAPPED - .7" X 2" X 96" - HONEY CHERRY
74	146419-F2-438	EA	LUMBER - VINYL WRAPPED - .7" X 2.5" X 96" - HONEY CHERRY
74	146419-G2-438	EA	LUMBER - VINYL WRAPPED - .7" X 3" X 96" - HONEY CHERRY
74	146419-H2-438	EA	LUMBER - VINYL WRAPPED - .7" X 3.5" X 96" - HONEY CHERRY
74	146419-J2-438	EA	LUMBER - VINYL WRAPPED - .7" X 5.5" X 96" - HONEY CHERRY
74	146419-J2-743	EA	LUMBER - VINYL WRAPPED - .7" X 5.5" X 108" - HONEY CHERRY
74	146419-K2-438	EA	LUMBER - VINYL WRAPPED - .7" X 3.9" X 96" - HONEY CHERRY
74	146419-R2-438	EA	LUMBER - VINYL WRAPPED - .7" X 3" X 96" - HONEY CHERRY

**INTERIOR FINISH GROUP (CONTINUED)**  
**PANELING & LAMINATES**

KEY	PART NUMBER	U/M	DESCRIPTION
	000885-A5-000	SF	PARTICLE BOARD - 3/8" X 4' X 8' - WHITE PED EMB - 1 SIDED
	000885-92-000	SF	PARTICLE BOARD - 3/8" X 4' X 8' - PORTSMOUTH OAK - 1-SIDED - PORTSMOUTH OAK
	000885-93-000	SF	PARTICLE BOARD - 3/8" X 4' X 8' - PORTSMOUTH OAK - 2-SIDED - PORTSMOUTH OAK
	000885-94-000	SF	PARTICLE BOARD - 1/2" X 4' X 8' - PORTSMOUTH OAK - 2-SIDED - PORTSMOUTH OAK
	000885-95-000	SF	PARTICLE BOARD - 3/4" X 4' X 8' - PORTSMOUTH OAK - 2-SIDED - PORTSMOUTH OAK
	000885-B9-000	SF	PARTICLE BOARD - 3/8" X 4' X 8'- NEW CONC CHERRY - 1 SIDED - CONCERT CHERRY
	000885-B8-000	SF	PARTICLE BOARD - 3/8" X 4' X 8'- NEW CONC CHERRY - 2 SIDED - CONCERT CHERRY
	000885-C1-000	SF	PARTICLE BOARD - 1/2" X 4' X 8'- NEW CONC CHERRY - 2 SIDED - CONCERT CHERRY
	000885-C0-000	SF	PARTICLE BOARD - 3/4" X 4' X 8'- NEW CONC CHERRY - 2 SIDED - CONCERT CHERRY
	000885-88-000	SF	PARTICLE BOARD - 3/8" X 4' X 8' - WASHED MAPLE - 1-SIDED - WASHED MAPLE FROM: 00-00-00 THRU: 01-04-04
	000885-B5-000	SF	PARTICLE BOARD - 3/8" X 4' X 8' - WASHED MAPLE - 1-SIDED - WASHED MAPLE FROM: 01-05-04 THRU: 99-99-99
	000885-89-000	SF	PARTICLE BOARD - 3/8" X 4' X 8' - WASHED MAPLE - 2-SIDED - WASHED MAPLE FROM: 00-00-00 THRU: 01-04-04
	000885-B4-000	SF	PARTICLE BOARD - 3/8" X 4' X 8' - WASHED MAPLE - 2-SIDED - WASHED MAPLE FROM: 01-05-04 THRU: 99-99-99
	000885-90-000	SF	PARTICLE BOARD - 1/2" X 4' X 8' - WASHED MAPLE - 2-SIDED - WASHED MAPLE FROM: 00-00-00 THRU: 01-04-04
	000885-B7-000	SF	PARTICLE BOARD - 1/2" X 4' X 8' - NEAT/WASHED MPL - 2 SIDED - WASHED MAPLE FROM: 01-05-04 THRU: 99-99-99
	000885-91-000	SF	PARTICLE BOARD - 3/4" X 4' X 8' - WASHED MAPLE - 2-SIDED - WASHED MAPLE FROM: 00-00-00 THRU: 01-04-04
	000885-B6-000	SF	PARTICLE BOARD - 3/4" X 4' X 8' - WASHED MAPLE - 2-SIDED - WASHED MAPLE FROM: 01-05-04 THRU: 99-99-99
	000885-A8-000	SF	PARTICLE BOARD - 3/8" X 4' X 8' - HONEY CHERRY - 1 SIDED - HONEY CHERRY
	000885-A9-000	SF	PARTICLE BOARD - 3/8" X 4' X 8' - HONEY CHERRY - 2 SIDED - HONEY CHERRY
	000885-A6-000	SF	PARTICLE BOARD - 1/2" X 4' X 8' - HONEY CHERRY - 2-SIDED - HONEY CHERRY
	000885-A7-000	SF	PARTICLE BOARD - 3/4" X 4' X 8' - HONEY CHERRY - 2 SIDED - HONEY CHERRY
	057882-04-000	SF	TAMBOUR - 48" X 96" SHEET - UNFINISHED - PORTSMOUTH OAK
	057882-06-000	SF	TAMBOUR - 48" X 96" SHEET - CONCERT CHERRY/HONEY CHERRY
	057882-05-000	SF	TAMBOUR - 48" X 96" SHEET - UNFINISHED - WASHED MAPLE
	088272-H9-000	SF	PANELING - PEBBLE EMBOSSED - WHITE - 4' X 7'
	088272-K1-000	SF	PANELING - GRAY - 4' X 7' (R89, R90, R91, R95, R96, R97, RE3, RE5)
	088272-J9-000	SF	PANELING - ALABASTER - 4' X 7' (R92, R93, R94, RE4)
	074497-42-000	SF	PANELING - PORTSMOUTH OAK - 1/8" X 4' X 8' - PORTSMOUTH OAK
	076773-15-000	SF	PANELING - 2 SIDED/PORTSMOUTH OAK - 1/8" X 4' X 8 - PORTSMOUTH OAK
	074497-50-000	SF	PANELING - NEW CONCERT CHERRY - 1/8" X 4' X 8' - CONCERT CHERRY
	076773-21-000	SF	PANELING - 2 SIDED/NEW CONC CHERRY - 1/8" X 4' X 8' - CONCERT CHERRY
	074497-39-000	SF	PANELING - WASHED MAPLE - 1/8" X 4' X 8' - WASHED MAPLE FROM: 00-00-00 THRU: 01-04-04
	074497-49-000	SF	PANELING - WASHED MAPLE - 1/8" X 4' X 8' - WASHED MAPLE FROM: 01-05-04 THRU: 99-99-99
	076773-14-000	SF	PANELING - 2 SIDED/WASHED MAPLE - 1/8" X 4' X 8' - WASHED MAPLE FROM: 00-00-00 THRU: 01-04-04
	076773-20-000	SF	PANELING - 2 SIDED/WASHED MAPLE - 1/8" X 4' X 8' - WASHED MAPLE FROM: 01-05-04 THRU: 99-99-99
	074497-47-000	SF	PANELING - HONEY CHERRY -1/8" X 4' X 8' - HONEY CHERRY
	076773-18-000	SF	PANELING - 2 SIDED/HONEY CHERRY - 1/8" X 4' X 8' - HONEY CHERRY
	079666-03-000	SF	PANELING - CLOSET - CEDAR - 4' X 7'
	074498-A2-000	SF	LAMINATE - PLASTIC - PHANTOM GRAY - 5' X 8'
	074498-95-000	SF	LAMINATE - PLASTIC - PORTSMOUTH OAK - 4' X 8' - PORTSMOUTH OAK
	074498-96-000	SF	LAMINATE - PLASTIC - CHERRY - 4' X 8' - CONCERT CHERRY
	074498-82-000	SF	LAMINATE - PLASTIC - WASHED MAPLE - 4' X 8' - WASHED MAPLE FROM: 00-00-00 THRU: 01-04-04
	074498-A6-000	SF	LAMINATE - PLASTIC - HARDROCK MAPLE - 5' X 8' - WASHED MAPLE FROM: 01-05-04 THRU: 99-99-99
	074498-A7-000	SF	LAMINATE - PLASTIC - GRAND ISLE - 5' X 8' - HONEY CHERRY
	085284-H1-000	FT	BATT TAPE - ADHESIVE BACKED - DECORATIVE - GRAY (R89, R90, R91, R95, R96, R97, RE3, RE5)
	085284-G9-000	FT	BATT TAPE - ADHESIVE BACKED - DECORATIVE - ALABASTER (R92, R93, R94, RE4)
	088263-H0-000	EA	BATT STRIP - DECORATIVE - VILLA/GRAY - 8' LONG (R89, R90, R91, R95, R96, R97, RE3, RE5)
	088263-G9-000	EA	BATT STRIP - DECORATIVE - CORK/ALABASTER - 8' (R92, R93, R94, RE4)

**INTERIOR FINISH GROUP (CONTINUED)**  
**ACCESSORIES**

<b>KEY</b>	<b>PART NUMBER</b>	<b>U/M</b>	<b>DESCRIPTION</b>
	072852-01-000	EA	DETECTOR - SMOKE - W/9 VOLT BATTERY - US
	072852-02-000	EA	DETECTOR - SMOKE - W/9 VOLT BATTERY - CANADIAN - <b>CANADIAN</b>
	125136-02-000	EA	DETECTOR/CO - GAS MODEL - 9 VOLT
	091261-01-000	FT	SLIPNOT - ANTISLIP - 1' WIDE X 12' - BLACK
	096764-02-000	FT	SLIPNOT - ANTISLIP - 1' WIDE (180' ROLLS) - WHITE
	093606-39-000	EA	MIRROR - BEVELED EDGE - 13" X 34"
	093606-43-000	EA	MIRROR - BEVELED EDGE - 7.4" X 12.8"
	093606-46-000	EA	MIRROR - BEVELED EDGE - 24.5" X 25.9"
	113195-17-01A	EA	MIRROR - BEVELED SAFETY GLASS - CLEAR - 16.6" X 26.2"
	113195-25-01A	EA	MIRROR - BEVELED SAFETY GLASS - 15.7" X 31.4"
	113195-43-02A	EA	MIRROR - BEVELED SAFETY GLASS - 7.4" X 12.6"
	131494-03-01A	EA	MIRROR - BEVELED/GLASS - OCTAGON - 1" X 20" 36"
	140374-30-000	EA	MIRROR - SAFETY GLASS - 25.6" X 31.5"
	140374-63-000	EA	MIRROR - SAFETY GLASS - 42.5" X 38.4"
	094499-03-000	EA	EXTINGUISHER/FIRE - DRY - 10BC - W/GAUGE/BRACKET
*	094499-02-000	EA	EXTINGUISHER/FIRE - DRY - 10BC - W/GAUGE - CANADIAN - <b>CANADIAN</b>
	094499-04-000	EA	STRAP - FIRE EXTINGUISHER MOUNTING - METAL
	099856-11-000	EA	STRAP - TIEDOWN - 7.9"
	118718-01-01A	EA	HOLDER/DRINK - COLLAPSIBLE MUG - BLACK PLASTIC
	133831-01-01A	EA	HOLDER - CUP W/THREE CENTERLINE RUBBER FINGERS
	131493-02-14A	EA	PICTURE - DECORATIVE - 13" X 15" - WINTER WHITE (R89, R90, R91, RE3)
	131493-02-15A	EA	PICTURE - DECORATIVE - 13" X 15" - URNS (R92, R93, R94, RE4)
	131493-02-10A	EA	PICTURE - DECORATIVE - 13" X 15" - HYDRANGEA (R95, R96, R97, RE5)
	132738-01-01A	EA	CLOCK - DIGITAL W/ALARM - 12 VOLT - BLACK
	142631-02-03A	EA	FRAME - MIRROR - 35.8"H X 29.9"W - PORTSMOUTH OAK
	142631-02-01A	EA	FRAME - MIRROR - 35.8"H X 29.9"W - CONCERT CHERRY/HONEY CHERRY
	142631-02-02A	EA	FRAME - MIRROR - 35.8"H X 29.9"W - WASHED MAPLE

**\*COMPONENT PARTS LISTED LATER IN THIS GROUP**

**INTERIOR FINISH GROUP (CONTINUED)**  
**COMPONENT PARTS FOR ACCESSORIES**

094499-02-000

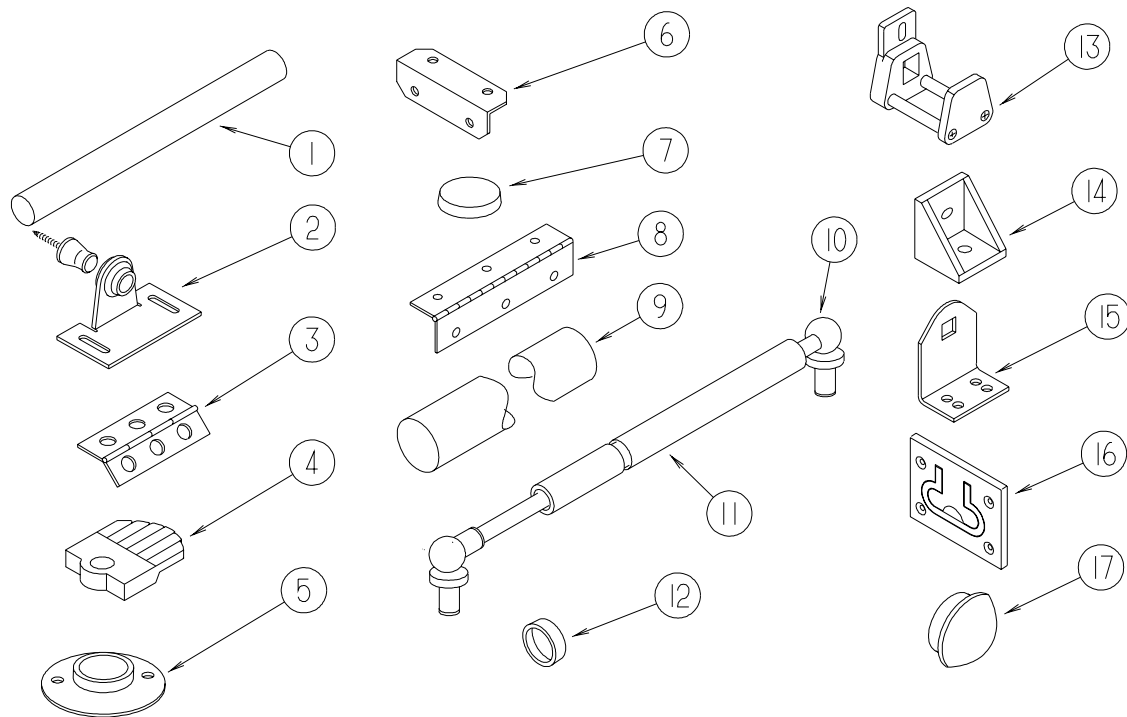
<b>KEY</b>	<b>PART NUMBER</b>	<b>U/M</b>	<b>DESCRIPTION</b>	<b>VENDOR NO</b>
	094499-01-700	EA	BRACKET MTG. W/PLAS. STRAP	294039

**INTERIOR FINISH GROUP (CONTINUED)**  
**FLOOR COVERINGS**

<b>KEY</b>	<b>PART NUMBER</b>	<b>U/M</b>	<b>DESCRIPTION</b>
	075233-01-000	SY	PAD - CARPET - 3/8" X 6' ROLL
	089275-02-000	FT	STRIP - 3/4" X 84" BLACK POLYETHYLENE
	093486-01-000	SY	CARPET - COMPARTMENT - 72" WIDE - DARK GRAY
	139056-11-000	SY	CARPET - MUSLIN - 4 SQUARE YARD INCREMENTS (R89, R90, R91, RE3)
	139056-10-000	SY	CARPET - TAUPE - 4 SQUARE YARD INCREMENTS (R92, R93, R94, RE4)
	096060-J7-000	SY	CARPET - SAHARA DESERT - INCREMENTS OF 4 SQ YDS (R95, R96, R97, RE5)
	093873-01-01A	EA	TRIM - CARPET - L-ANGLE 1.1" X 1.3" X 12' - GRAY VINYL
	120231-01-02A	EA	FLOORING - RUBBER - 66.4" X 19.8"
	123994-06-01A	EA	GROUT KIT - FLOOR TILE - CREAM COLOR - 13 LB PKG
	123994-08-02A	EA	TILE - FLOOR - CERAMIC - 6" X 6"
	123994-09-01A	EA	TILE - FLOOR - CERAMIC - 12" X 12" - BIANCO

## INTERIOR FINISH GROUP (CONTINUED)

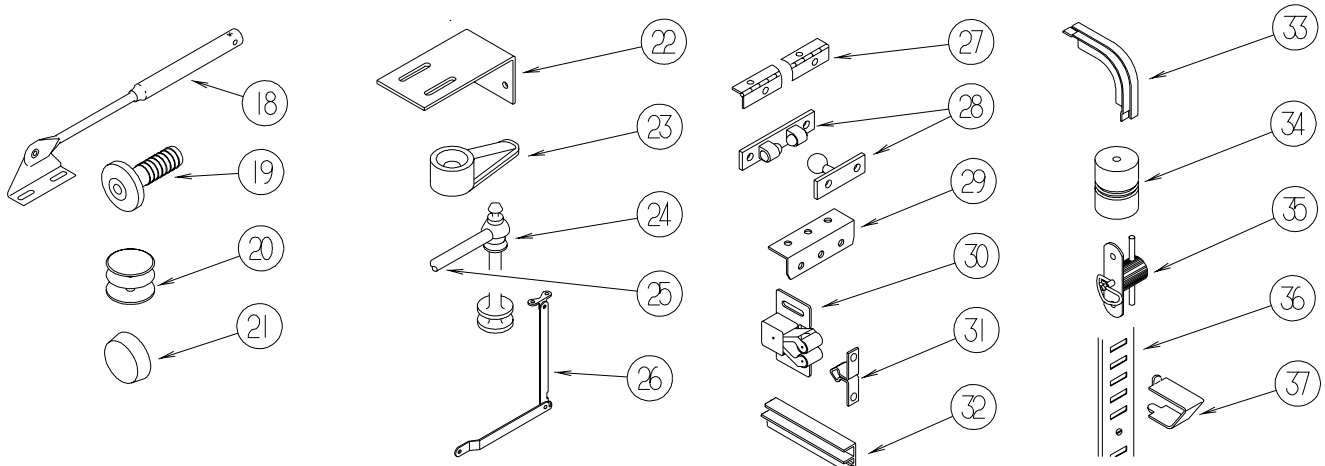
### HARDWARE



KEY	PART NUMBER	U/M	DESCRIPTION
1	Y00136-21-218	EA	DOWEL - WOOD - 1" X 4'
2	009013-01-000	EA	CATCH - BULLDOG - MALE/FEMALE
3	009059-01-000	EA	HINGE - DOOR - 2" X 1.4" - BRASS
3	009059-02-000	EA	HINGE - DOOR - 2" X 2.7" - BRASS
3	009059-03-000	EA	HINGE - BRASS - 1.75"
3	009059-04-000	EA	HINGE - 2" - ZINC
4	009089-01-000	EA	CLIP - MIRROR
5	009112-01-000	EA	FLANGE - PLASTIC - 1" CLOTHES ROD - OFF WHITE
6	016604-01-000	EA	BRACE - ANGLE - 2 1/2" - UNPAINTED METAL
6	016604-05-000	EA	BRACE - ANGLE - 2 1/2" - OFF WHITE METAL
6	016604-10-000	EA	BRACE - SEAT ANGLE - 2.5" - BLACK
7	023320-01-000	EA	PAD - FELT 3/8" DIAMETER
8	041389-25-000	EA	HINGE - PIANO - 1 1/2" X 55" - UNPAINTED
9	042438-02-000	EA	DOWEL - WOOD - 2" DIAMETER X 2'
10	057460-02-000	EA	BALL STUD - F/GAS SPRING .39" - 5/16"-18
11	057460-04-000	EA	SPRING/GAS - BALL STUD STYLE - 120 PI - "SPD6209"
12	057671-01-000	EA	COVER - SCREW - #8 - OFF WHITE
12	057671-15-000	EA	COVER - SCREW - #8 - BRIGHT WHITE
12	057671-16-000	EA	COVER - SCREW - #8 - SOFT WHITE
12	057671-17-000	EA	COVER - SCREW - VW LT GRAY - #8
13	064467-01-000	EA	GUIDE - POCKET - SLIDING DOOR - WALL MOUNTED
14	065740-01-000	EA	BRACE - CABINET/CORNER - PLASTIC
15	069178-03-000	EA	BRACKET/MOUNTING - ASSIST HANDLE - BRIGHT WHITE
16	072871-01-000	EA	PULL - FLUSH - CHROME
17	074045-08-000	EA	PLUG - OAK - 3/8" DOWEL-1/2" HEAD - SALEM CHERRY - CONCERT CHERRY
17	074045-12-000	EA	PLUG - OAK - 3/8" DOWEL-1/2" HEAD - WASHED MAPLE
17	074045-13-000	EA	PLUG - OAK - 3/8" DOWEL-1/2" HEAD - PORTSMOUTH OAK
17	074045-14-000	EA	PLUG - OAK - 3/8" DOWEL-1/2" HEAD - HONEY CHERRY

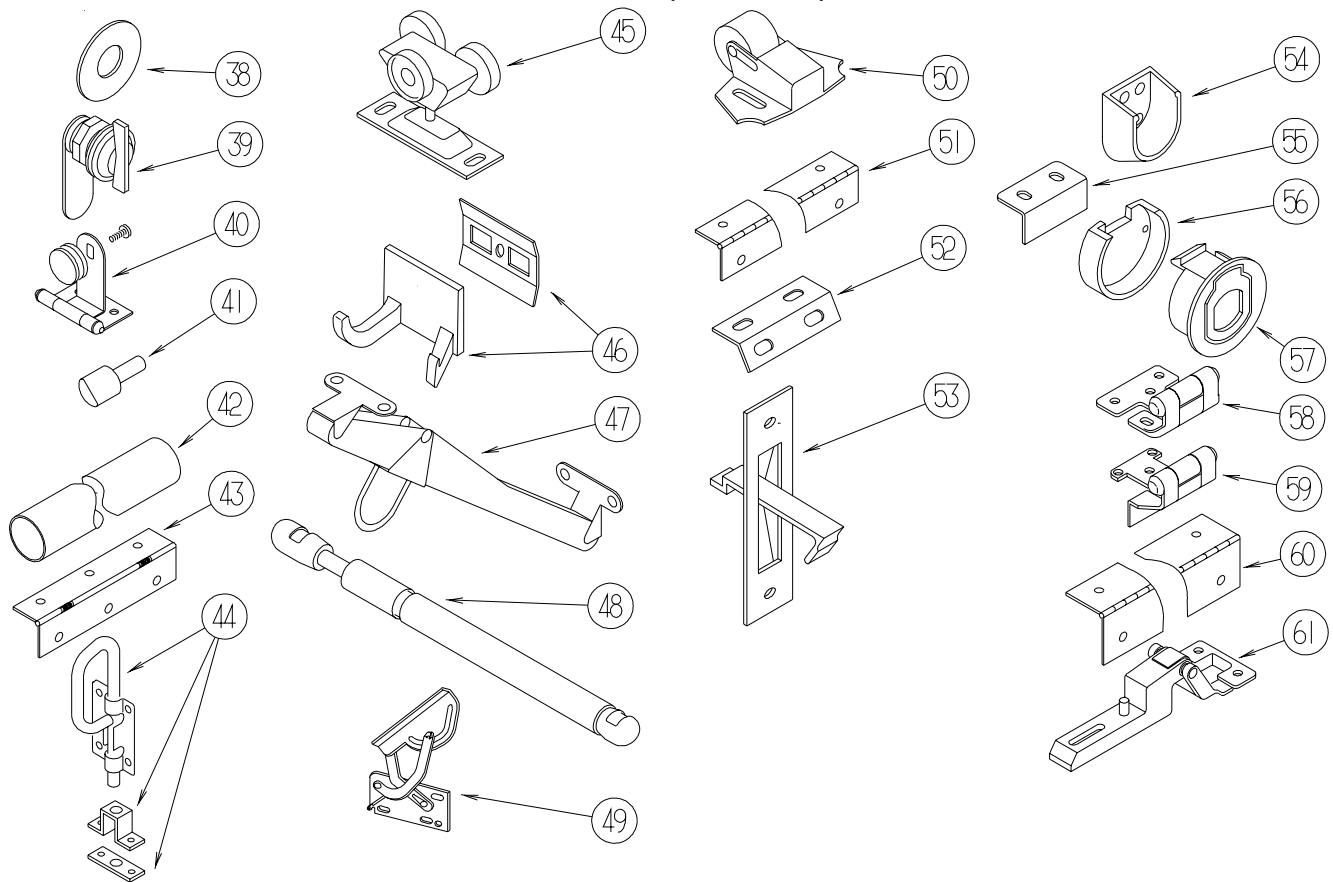
## INTERIOR FINISH GROUP (CONTINUED)

### HARDWARE (CONTINUED)



KEY	PART NUMBER	U/M	DESCRIPTION
18	074493-02-000	EA	SUPPORT - PISTON SPRING - CABINET DOOR - 26 LBS
18	074493-03-000	EA	SUPPORT - PISTON SPRING - CABINET DOOR - 12 LBS
19	079921-01-000	EA	ROLLER - NYLON - W/STEEL SHAFT - BARBED
20	081114-02-000	EA	CAP - INSERT - ROUND - 1" DIAMETER - WHITE PLASTIC
21	004354-01-000	EA	BUMPER - RUBBER - 1/2" DIA - BROWN
21	081914-01-000	EA	BUMPER - RUBBER - ROUND - 1/2" DIA. X 1/8" THICK
22	083125-07-000	EA	BRACE - ANGLE/COUCH - 2.5" - OFF WHITE
22	132871-02-02B	EA	BRACKET/L-SHAPED W/HOLES - 1.9" X 2.8" - E-COATED
23	083204-03-000	EA	BUTTON - RETAINING MIRROR 5/16" TIP
24	084070-03-000	EA	POST - END - 2.4" - SHINY BRASS
25	084071-05-000	EA	ROD - BRASS - 15"
25	084071-19-000	EA	ROD - BRASS - 7.1"
25	084071-20-000	EA	ROD - BRASS - 9.8"
25	084071-23-000	EA	ROD - BRASS - 13.1"
25	084071-24-000	EA	ROD - BRASS - 3.8"
25	084071-33-000	EA	ROD - BRASS - 20.4"
25	146840-01-01A	EA	ROD - .25" DIAMETER - BRASS
25	146840-01-02A	EA	ROD - .25" DIAMETER - PEWTER
25	146840-02-01A	EA	ROD - .25" DIAMETER - BRASS
25	146840-02-02A	EA	ROD - .25" DIAMETER - PEWTER
25	146840-03-01A	EA	ROD - .25" DIAMETER - BRASS
25	146840-03-02A	EA	ROD - .25" DIAMETER - PEWTER
25	146840-04-01A	EA	ROD - .25" DIAMETER - BRASS
25	146840-04-02A	EA	ROD - .25" DIAMETER - PEWTER
25	146840-05-01A	EA	ROD - .25" DIAMETER - BRASS
25	146840-05-02A	EA	ROD - .25" DIAMETER - PEWTER
26	084412-01-000	EA	SUPPORT/HINGE KIT (LEFT & RIGHT HINGES)
27	084413-01-000	EA	HINGE - 1" X 72" - ALUMINUM - W/HOLES
28	084451-01-000	EA	CATCH & LATCH - 1.7" - BRASS
29	089025-01-000	EA	SUPPORT - SPRING TO BED - ANGLE 1.5" X 11.8"
30	093586-03-000	EA	CATCH - SPRING ROLLER - .377"
30	093586-06-000	EA	CATCH - SPRING ROLLER - .236"
31	093586-04-000	EA	STRIKE - SPRING STEEL - 1.14"
31	093586-05-000	EA	STRIKE - SPRING STEEL - .943"
32	093622-01-000	EA	TRACK - DOOR - TAMBOUR - PLASTIC - 8' LENGTHS
33	093623-01-000	EA	CORNER - TRACK - TAMBOUR DOOR
34	097872-04-000	EA	DOWEL - WOOD - 1" DIAMETER X 1.38" LONG - UNFINISHED
35	098196-01-000	EA	LATCH - 1/4 TURN - T-BAR
36	098979-01-000	EA	CLIP - ADJUSTABLE SHELF
37	098980-01-000	EA	PILASTER - ADJUSTABLE SHELF - 18"
37	098980-02-000	EA	PILASTER - ADJUSTABLE SHELF - 12"
37	098980-03-000	EA	PILASTER - ADJUSTABLE SHELF - 9"
37	098980-04-000	EA	PILASTER - ADJUSTABLE SHELF - 48"
37	098980-05-000	EA	PILASTER - ADJUSTABLE SHELF - 15"
37	098980-06-000	EA	PILASTER - ADJUSTABLE SHELF - 24"

## INTERIOR FINISH GROUP (CONTINUED) HARDWARE (CONTINUED)

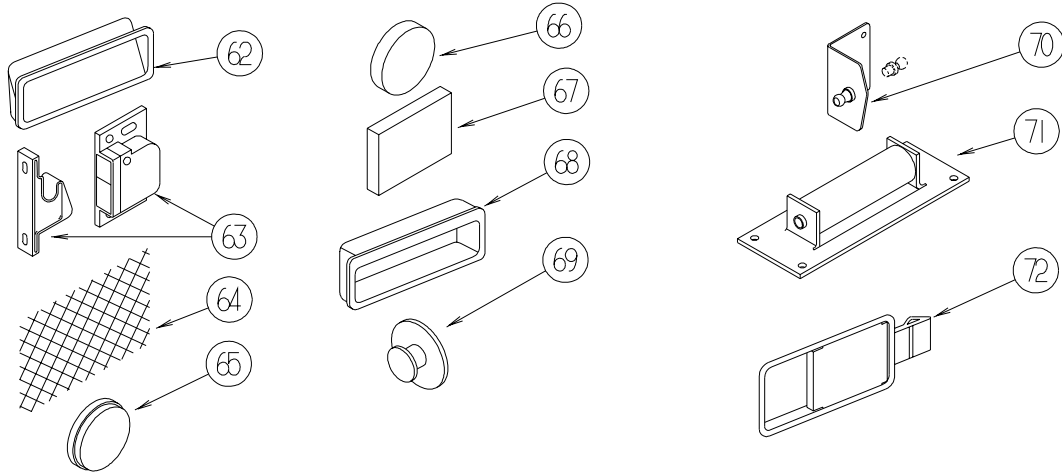


KEY	PART NUMBER	U/M	DESCRIPTION
38	100707-01-000	EA	SPACER - GLASS DOOR - .8" DIA - .3" HOLE - PLASTIC
39	100710-01-01A	EA	LOCK - GLASS DOOR/TWIST TYPE - BRASS
40	100711-01-01A	EA	HINGE - GLASS DOOR
41	101766-01-000	EA	PIN - SUPPORT/GLASS DOOR
42	102075-10-02A	EA	ROD - SHOWER CURTAIN - 1" OD X 46.3" - SOFT WHITE
43	102920-01-01A	EA	HINGE - SPRING LOADED - BRASS
44	103256-01-000	EA	LATCH COMPLETE (SLIDE)
45	103874-01-000	EA	HANGER - SLIDING DOOR
46	104174-01-000	EA	HOOK - ROBE - DOUBLE
47	104181-01-01A	EA	SUPPORT - LEAF 5.3" EXTENDS TO 7.5" - SAFETY RING - METAL
48	142569-15-000	EA	SPRING/GAS - 12" COMPRESSED/20" EXTENDED - 120 LB.
48	142569-16-000	EA	SPRING/GAS - 12" COMPRESSED/20" EXTENDED - 90 LB.
48	142569-05-000	EA	SPRING - GAS - 15 LB. - 39.9"
48	142569-18-000	EA	SPRING/GAS - 6.5" COMPRESSED/9.6" EXTENDED - 65 LB.
49	108126-01-000	EA	TRAY HINGE SET (QTY. 2 PER SET)
50	109403-01-000	EA	CATCH - SINGLE ROLLER - SCREEN DOOR
51	110496-01-01A	EA	HINGE - BRASS
52	111866-01-02A	EA	BRACE - SEAT - ANGLE - OFF WHITE
53	113130-01-01A	EA	PULL - DOOR POCKET
54	113236-01-01A	EA	BRACKET - CLOTHES - ROD
55	113375-02-01A	EA	STRIKE - DOOR - CHROME
56	113375-05-01A	EA	LATCH - SLAM - BACK - .8" THICK
57	113375-06-01A	EA	LATCH - SLAM - FACE - .7" THICK
58	113676-01-01A	EA	HINGE - OVERLAY - VARIABLE - BURNISHED BRASS
59	113677-01-01A	EA	HINGE - SELF CLOSING
60	114278-02-000	EA	HINGE - CONTINUOUS - 3" WIDE
61	114443-01-01A	EA	HINGE - CABINET DOOR



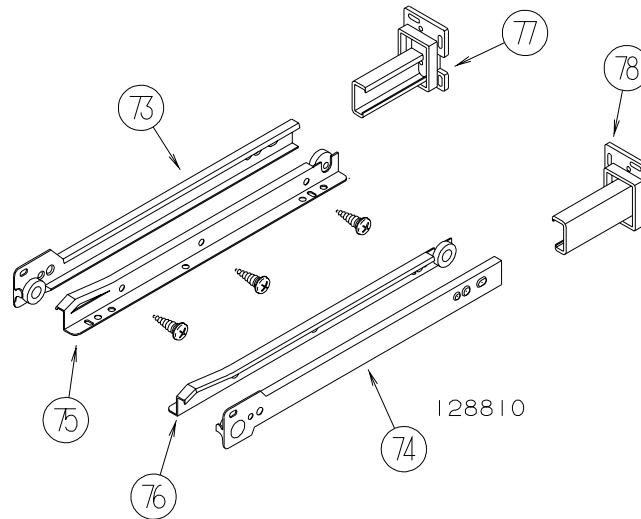
## INTERIOR FINISH GROUP (CONTINUED)

### HARDWARE (CONTINUED)



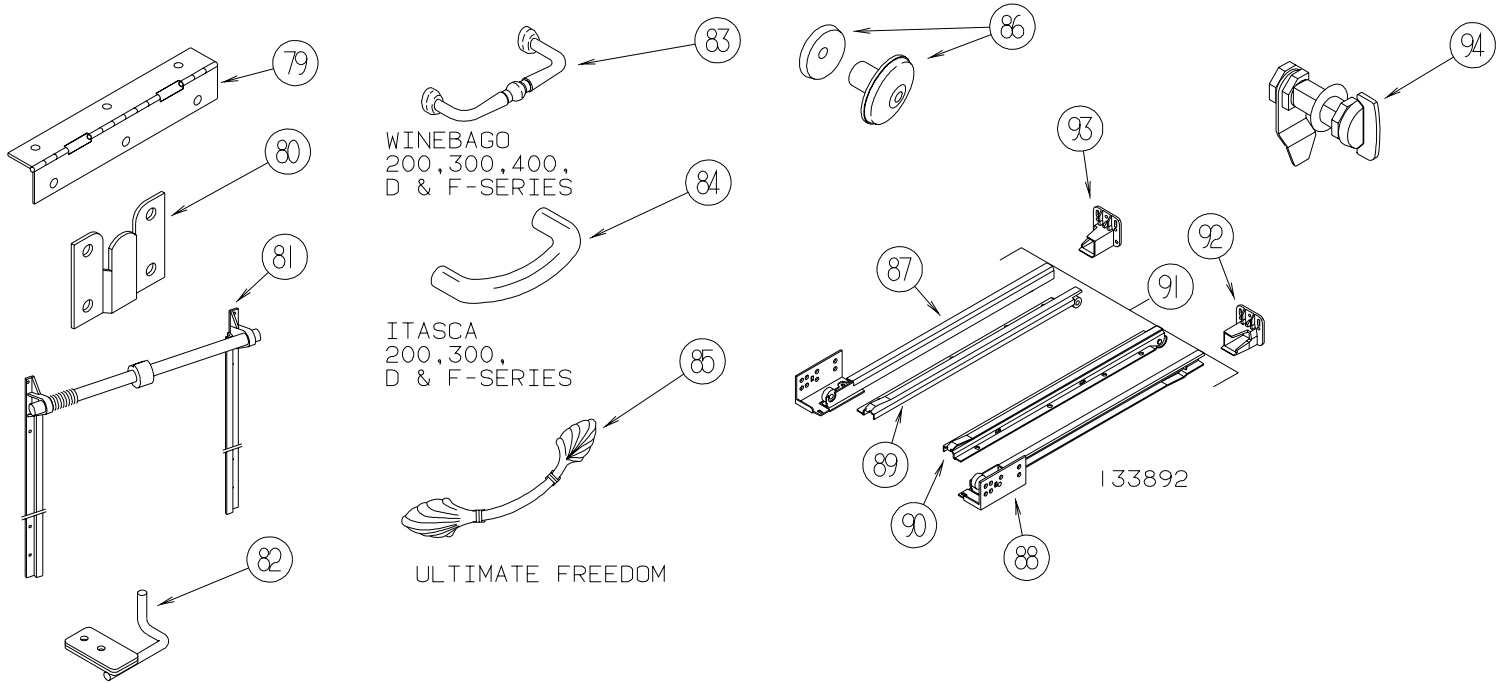
KEY	PART NUMBER	U/M	DESCRIPTION
62	115994-01-01A	EA	HANDLE - POCKET
63	117095-01-01A	EA	LATCH - DOOR - GRABBER W/KEEPER - PLASTIC - BLK-5 LB PULL
63	117095-02-01A	EA	LATCH - DOOR - GRABBER W/KEEPER - PLASTIC - BLK-10 LB PULL
64	118200-01-01A	SF	MESH - PLASTIC 1/2" - 48" X LENGTH = SF - BLACK
65	120760-01-000	EA	RUBBER BUMPER - CLEAR - .1" THICK X .8" DIAMETER
66	122717-01-01A	EA	PAD - NON SKID - 4" DIAMETER ROUND
67	122717-06-01A	FT	PAD - NON-SKID - PSA - 5"W
68	124311-01-01A	EA	HANDLE - RECESSED - BRASS
69	125221-01-01A	EA	PULL - MIRROR - W/ROUND HANDLE
70	126263-06-02B	EA	BRACKET - GAS SPRING W/INSIDE BALL STUD - E-COATED
70	126263-08-02B	EA	BRACKET - GAS SPRING W/CENTERED BALL STUD - E-COATED
71	126584-02-000	EA	ROLLER - FLAT
72	127349-01-01A	EA	LATCH - PADDLE

**INTERIOR FINISH GROUP (CONTINUED)**  
**HARDWARE (CONTINUED)**



KEY	PART NUMBER	U/M	DESCRIPTION
73	128810-01-01A	EA	SLIDE - DRAWER - 12" - LEFT CABINET
73	128810-05-01A	EA	SLIDE - DRAWER - 14" - LEFT CABINET
73	128810-09-01A	EA	SLIDE - DRAWER - 16" - LEFT CABINET
73	128810-13-01A	EA	SLIDE - DRAWER - 18" - LEFT CABINET
73	128810-17-01A	EA	SLIDE - DRAWER - 20" - LEFT CABINET
73	128810-21-01A	EA	SLIDE - DRAWER - 22" - LEFT CABINET
73	128810-25-01A	EA	SLIDE - DRAWER - 24" - LEFT CABINET
73	128810-29-01A	EA	SLIDE - DRAWER - 9" - LEFT CABINET
74	128810-02-01A	EA	SLIDE - DRAWER - 12" - RIGHT CABINET
74	128810-06-01A	EA	SLIDE - DRAWER - 14" - RIGHT CABINET
74	128810-10-01A	EA	SLIDE - DRAWER - 16" - RIGHT CABINET
74	128810-14-01A	EA	SLIDE - DRAWER - 18" - RIGHT CABINET
74	128810-18-01A	EA	SLIDE - DRAWER - 20" - RIGHT CABINET
74	128810-22-01A	EA	SLIDE - DRAWER - 22" - RIGHT CABINET
74	128810-26-01A	EA	SLIDE - DRAWER - 24" - RIGHT CABINET
74	128810-30-01A	EA	SLIDE - DRAWER - 9" - RIGHT CABINET
75	128810-03-01A	EA	SLIDE - DRAWER - 12" - LEFT DRAWER
75	128810-07-01A	EA	SLIDE - DRAWER - 14" - LEFT DRAWER
75	128810-11-01A	EA	SLIDE - DRAWER - 16" - LEFT DRAWER
75	128810-15-01A	EA	SLIDE - DRAWER - 18" - LEFT DRAWER
75	128810-19-01A	EA	SLIDE - DRAWER - 20" - LEFT DRAWER
75	128810-23-01A	EA	SLIDE - DRAWER - 22" - LEFT DRAWER
75	128810-27-01A	EA	SLIDE - DRAWER - 24" - LEFT DRAWER
75	128810-27-01A	EA	SLIDE - DRAWER - 24" - LEFT DRAWER
75	128810-31-01A	EA	SLIDE - DRAWER - 9" - LEFT DRAWER
76	128810-04-01A	EA	SLIDE - DRAWER - 12" - RIGHT DRAWER
76	128810-08-01A	EA	SLIDE - DRAWER - 14" - RIGHT DRAWER
76	128810-12-01A	EA	SLIDE - DRAWER - 16" - RIGHT DRAWER
76	128810-16-01A	EA	SLIDE - DRAWER - 18" - RIGHT DRAWER
76	128810-20-01A	EA	SLIDE - DRAWER - 20" - RIGHT DRAWER
76	128810-24-01A	EA	SLIDE - DRAWER - 22" - RIGHT DRAWER
76	128810-28-01A	EA	SLIDE - DRAWER - 24" - RIGHT DRAWER
76	128810-32-01A	EA	SLIDE - DRAWER - 9" - RIGHT DRAWER
77	128811-01-02A	EA	BACKSOCKET - ADJUSTABLE - LEFT
78	128811-02-02A	EA	BACKSOCKET - ADJUSTABLE - RIGHT

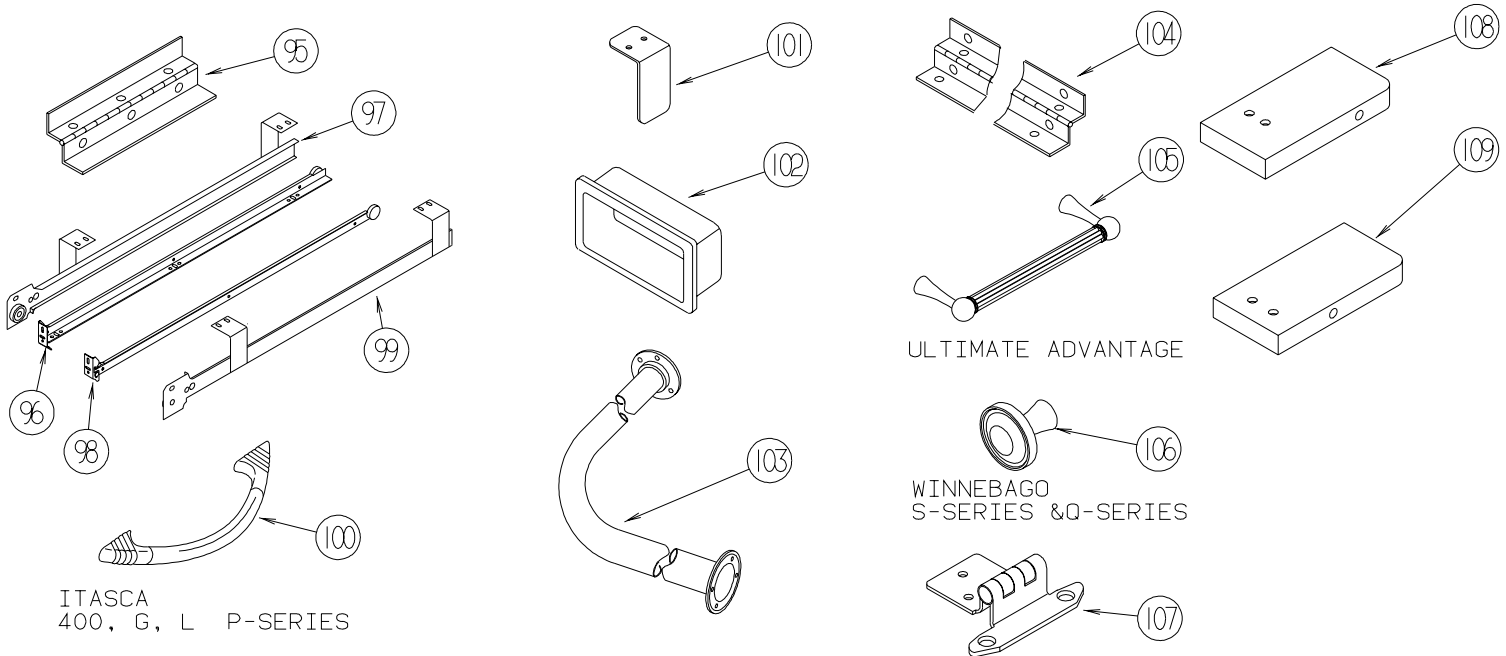
## INTERIOR FINISH GROUP (CONTINUED) HARDWARE (CONTINUED)



KEY	PART NUMBER	U/M	DESCRIPTION
79	129753-01-01A	EA	HINGE - SPRING LOADED - 19" X 19" - BLACK
80	130120-01-01A	EA	BRACKET - MIRROR
81	130787-02-000	EA	TRACK - TAMBOUR DOOR/SPRING - 24"
81	130787-04-000	EA	TRACK - TAMBOUR DOOR - SPRING
82	130798-01-02B	EA	GUIDE - POCKET DOOR - E-COATED
83	131963-01-01A	EA	PULL - POLISHED BRASS - WINNEBAGO VISTA/MINNIE/MINNIE WINNIE/SIGHTSEER & BRAVE
84	131964-01-01A	EA	PULL - POLISHED BRASS - ITASCA SUNSTAR/SPIRIT/SUNOVA & SUNRISE
85	131965-01-01A	EA	PULL - DOOR/DRAWER - 6.3" - BURNISHED BRASS - ULTIMATE FREEDOM
86	133313-01-02A	EA	PULL - DOOR/DRAWER - BRIGHT BRASS
86	133313-01-03A	EA	PULL - DOOR/DWR - CHROME/BRASS - ITASCA SUNDANCER/SUNCRUISER/SUNFLYER/MERIDIAN
87	133892-01-01A	EA	SLIDE - DRAWER - 16" - LEFT CABINET
87	133892-06-01A	EA	SLIDE - DRAWER - 22" - LEFT CABINET
87	133892-10-01A	EA	SLIDE - DRAWER - 12" - LEFT CABINET
87	133892-14-01A	EA	SLIDE - DRAWER - 18" - LEFT CABINET
88	133892-02-01A	EA	SLIDE - DRAWER - 16" - RIGHT CABINET
88	133892-07-01A	EA	SLIDE - DRAWER - 22" - RIGHT CABINET
88	133892-11-01A	EA	SLIDE - DRAWER - 12" - RIGHT CABINET
88	133892-15-01A	EA	SLIDE - DRAWER - 18" - RIGHT CABINET
89	133892-03-01A	EA	SLIDE - DRAWER - 16" - LEFT DRAWER
89	133892-08-01A	EA	SLIDE - DRAWER - 22" - LEFT DRAWER
89	133892-12-01A	EA	SLIDE - DRAWER - 12" - LEFT DRAWER
89	133892-16-01A	EA	SLIDE - DRAWER - 18" - LEFT DRAWER
90	133892-04-01A	EA	SLIDE - DRAWER - 16" - RIGHT DRAWER
90	133892-09-01A	EA	SLIDE - DRAWER - 22" - RIGHT DRAWER
90	133892-13-01A	EA	SLIDE - DRAWER - 12" - RIGHT DRAWER
90	133892-17-01A	EA	SLIDE - DRAWER - 18" - RIGHT DRAWER
91	133892-05-01A	EA	SLIDE - DRAWER - 9" - FULL SET
92	133907-01-01A	EA	BACKSOCKET - RIGHT HAND
93	133907-02-01A	EA	BACKSOCKET - LEFT HAND
94	135231-01-01A	EA	LATCH - COMPRESSION - BLACK

## INTERIOR FINISH GROUP (CONTINUED)

### HARDWARE (CONTINUED)



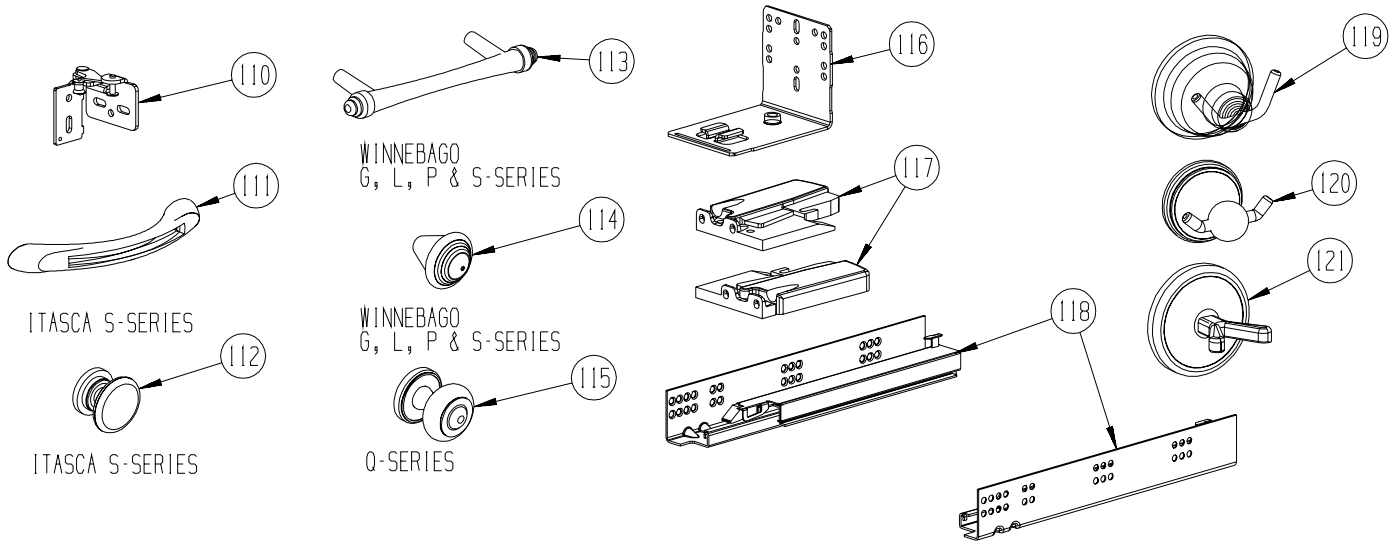
ITASCA  
400, G, L P-SERIES

ULTIMATE ADVANTAGE

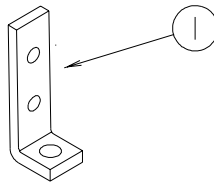
WINNEBAGO  
S-SERIES & Q-SERIES

KEY	PART NUMBER	U/M	DESCRIPTION
95	135538-01-01A	EA	HINGE - PIANO - FULL WRAP - BRASS PLATED
95	135538-03-01A	EA	HINGE - PIANO - FULL WRAP - STOCKER BRASS
95	135538-06-01A	EA	HINGE - PIANO - FULL WRAP
96	136944-01-01A	EA	SLIDE - DRAWER/RIGHT HAND - 13.8"
97	136944-02-01A	EA	SLIDE - CABINET/RIGHT HAND - 13.8"
98	136944-03-01A	EA	SLIDE - DRAWER/LEFT HAND - 13.8"
99	136944-04-01A	EA	SLIDE - CABINET/LEFT HAND - 13.8"
100	137446-01-01A	EA	PULL - CABINET - CHROME/BRASS - <b>ITASCA SUNDANCE/SUNCRUISER/SUNFLYER &amp; MERIDIAN</b>
101	138136-02-02B	EA	GUIDE - DOOR - E-COATED
102	139136-01-01A	EA	HANDLE - RECESSED - BRASS
102	139136-02-01A	EA	HANDLE - RECESSED - BRASS
102	139136-02-02A	EA	HANDLE - RECESSED - PEWTER
103	140494-01-01A	EA	ROD - SHOWER
103	140494-01-02A	EA	ROD - SHOWER - SOFT WHITE
104	142276-01-01A	EA	HINGE - PIANO - FULL WRAP - BRASS
105	142909-01-01A	EA	PULL - CABINET - BRASS - <b>ULTIMATE ADVANTAGE</b>
106	142910-01-01A	EA	KNOB - CABINET - BRASS - <b>WINNEBAGO VECTRA &amp; ULTIMATE ADVANTAGE</b>
107	143468-01-01A	EA	HINGE - SELF CLOSING - BURNISHED BRASS - <b>ULTIMATE FREEDOM</b>
107	143468-01-02A	EA	HINGE - SELF CLOSING - POLISHED BRASS
107	143468-02-02A	EA	HINGE - SELF CLOSING - POLISHED BRASS
107	143468-02-03A	EA	HINGE - SELF CLOSING - SATIN NICKEL - <b>ITASCA SUNFLYER, L-SERIES</b>
107	146553-01-02A	EA	HINGE - CABINET DOOR - BRIGHT BRASS
107	146553-01-03A	EA	HINGE - CABINET DOOR - SATIN NICKEL
108	137445-01-N42	EA	STOP - F/SLIDING DOOR
108	137445-01-P46	EA	STOP - F/SLIDING DOOR
108	137445-01-P56	EA	STOP - F/SLIDING DOOR
109	137445-02-P45	EA	STOP - F/SLIDING DOOR
109	137445-02-P46	EA	STOP - F/SLIDING DOOR
109	137445-02-P56	EA	STOP - F/SLIDING DOOR

## INTERIOR FINISH GROUP (CONTINUED) HARDWARE (CONTINUED)



KEY	PART NUMBER	U/M	DESCRIPTION
110	144488-01-01A	EA	HINGE - CABINET - ANTIQUE BRASS
110	144488-01-02A	EA	HINGE - CABINET - NICKEL - ITASCA HORIZON
111	144917-01-01A	EA	PULL - DRAWER - SATIN NICKEL - ITASCA HORIZON
112	144918-01-01A	EA	PULL - DRAWER/KNOB - SATIN NICKEL - ITASCA HORIZON
113	145172-01-01A	EA	PULL - CABINET DOOR - WINNEBAGO ADVENTURER/CHIEFTAIN/JOURNEY & VECTRA
114	145172-02-01A	EA	PULL - DRAWER/DNOB - WINNEBAGO ADVENTURER/CHIEFTAIN & JOURNEY
115	145180-01-01A	EA	KNOB - CABINET DOOR - ULTIMATE FREEDOM
116	145739-01-000	EA	BRACKET - REAR MOUNT
117	145739-02-000	EA	LOCKING MECHANISM - LEFT
117	145739-03-000	EA	LOCKING MECHANISM - RIGHT
118	145739-04-000	EA	SLIDE - DRAWER - 12"
119	145849-01-01A	EA	ROBE HOOK - TWIN - BRASS
119	145849-02-01A	EA	ROBE HOOK - TWIN - CHROME
120	145849-03-01A	EA	ROBE HOOK - TWIN - BRASS
121	145849-04-01A	EA	ROBE HOOK - TWIN - CHROME/BRASS



KEY	PART NUMBER	U/M	DESCRIPTION
1	096826-01-01A	EA	BRACE-CABINET E-COATED

## LABELS GROUP

SEWAGE

**KEY PART NUMBER U/M DESCRIPTION**  
006187-01-000 EA LABEL - SEWAGE

WASTE WATER

**KEY PART NUMBER U/M DESCRIPTION**  
006188-01-000 EA LABEL - WASTE WATER

### WARNING

THIS SYSTEM IS DESIGNED FOR USE WITH PROPANE ONLY  
DO NOT CONNECT NATURAL GAS TO THIS SYSTEM

BEFORE TURNING ON PROPANE:

- (A) BE CERTAIN APPLIANCES ARE CERTIFIED FOR PROPANE AND ARE EQUIPPED WITH CORRECT BURNING ORIFICES.
- (B) MAKE CERTAIN ALL PROPANE CONNECTIONS ARE TIGHT BY TESTING WITH SOAPY WATER. ALL APPLIANCE VALVES ARE TURNED OFF, AND ANY UNCONNECTED OUTLETS ARE CAPPED.

AFTER TURNING ON PROPANE:

- (A) LIGHT ALL PILOT LIGHTS
- (B) (B) ALL CONNECTIONS, INCLUDING THOSE AT THE APPLIANCES, REGULATORS AND CYLINDERS SHOULD BE LEAK-TESTED PERIODICALLY WITH SOAPY WATER BY THE OCCUPANT. NEVER USE A LIGHTED MATCH OR OTHER FLAME WHEN CHECKING FOR LEAKS.
- (C) DO NOT LEAVE SYSTEM TURNED ON OF CONTAINERS CONNECTED UNTIL THE SYSTEM HAS BEEN PROVEN TO BE FREE OF LEAKS.
- (D) COOKING APPLIANCES SHOULD NOT BE USED FOR SPACE HEATING.
- (E) WHEN THE CONTAINERS ARE DISCONNECTED THE PROPANE SUPPLY LINE SHOULD BE CAPPED OR PLUGGED.

### AVERTISSEMENT

CETTE INSTALLATION EST CONÇUE POUR LE PROPANE SEULEMENT  
NE PAS L'ALIMENTER EN GAZ NATUREL

AVANT LA MISE EN SERVICE:

- (A) S'ASSURER QUE LES APPAREILS SONT CERTIFIÉS POUR LE PROPANE ET MUNIS D'ORIFICES DE BRULEUR APPROPRIÉS.
- (B) VÉRIFIER L'ÉTANCHEITÉ DE TOUS LES RACCORDEMENTS AU PROPANE. LA PERMÉABILITÉ DE TOUS LES ROBINETS D'APPAREILS ET L'OBTURATION DE TOUTES LES SORTIES NON RACCORDEES.

APRÈS LA MISE EN SERVICE:

- (A) ALLUMER TOUTES LES VEILLEUSES.
- (B) L'OCCUPANT DOIT ÉPROUVER PÉRIODIQUEMENT L'ÉTANCHEITÉ DE TOUS LES RACCORDEMENTS Y COMPRIS CEUX AUX APPAREILS, AUX DÉTENDEURS ET AUX BOUTEILLES, EN Y APPLIQUANT DE L'EAU SAVONNEUSE NE JAMAIS SE SERVIR D'UNE ALLUMETTE OU AUTRE POUR LA DÉTECTION DES FUITES.
- (C) NE PAS LAISSER L'ALIMENTATION OUVERTE NI LES RÉCIPIENTS RACCORDES AVANT D'AVOIR COMPLÉTÉ L'ÉPREUVE D'ÉTANCHEITÉ AU PROPANE DE L'INSTALLATION.
- (D) LES APPAREILS DE CUISSON NE DOIVENT PAS ÊTRE UTILISÉS POUR LE CHAUFFAGE DES LOCAUX.
- (E) LORSQUE LES RÉCIPIENTS SONT DÉCONNECTÉS, L'ALIMENTATION DE PROPANE DOIT ÊTRE OBTURÉE OU SCELLÉE.

**KEY PART NUMBER U/M DESCRIPTION**  
023769-01-000 EA LABEL - WARNING - LPG - CANADIAN

EXIT

**KEY PART NUMBER U/M DESCRIPTION**  
039290-01-000 EA LABEL - WARNING - EXIT

## LABELS GROUP (CONTINUED)



**KEY PART NUMBER U/M DESCRIPTION**  
040944-01-000 EA LABEL - ENTRANCE DOOR - "OPEN"

### CAUTION

THIS MOTOR HOME HAS BEEN DESIGNED, MANUFACTURED AND TESTED WITH CONCERN FOR THE PROTECTION OF IT'S OCCUPANTS. WE RECOMMEND YOU PERFORM THE FOLLOWING INSPECTIONS FOR YOUR SAFETY AND THE SAFETY OF YOUR PASSENGERS BEFORE STARTING YOUR VEHICLE.

1. LP GAS SYSTEM- TURN OFF AT TANK FOR TRAVELING. TEST FOR LEAKS UPON ARRIVAL AT DESTINATION. BEFORE LIGHTING PILOTS.
2. WHEELS- INSPECT FOR DAMAGE AND CHECK LUG NUTS FOR TIGHTNESS.
3. TIRES- INSPECT FOR WEAR AND DAMAGE AND CHECK FOR RECOMMENDED AIR PRESSURE.
4. LIGHTING- TEST FOR PROPER OPERATION OF ALL INTERIOR AND EXTERIOR LIGHTS INCLUDING DASH LIGHTS, HEADLIGHTS, TAIL LIGHTS, BRAKE LIGHTS, CLEARANCE LIGHTS AND TURN SIGNALS.
5. EXITS- INSPECT RELEASE MECHANISM ON EMERGENCY EXIT WINDOW. TEST BOTH LOCKS ON MAIN ENTRANCE DOOR FOR EASE OF OPERATION AND INSTRUCT PASSENGERS HOW TO USE BOTH MEANS OF EXIT.
6. SEAT BELTS- DIRECT PASSENGERS TO DESIGNATED SEATS AND REQUIRE USE OF SEAT BELTS.
7. APPLIANCES- TURN OFF AND LATCH OR LOCK DOORS WHERE PROVIDED.
8. LOOSE PARCELS- STORE SECURELY.
9. UTILITY SUPPLY LINES- DISCONNECT ALL ELECTRIC, SEWER AND WATER LINES AND SECURE PROPERLY.
10. ENTRANCE DOOR STEP- PLACE IN RETRACTED POSITION FOR TRAVELING.

READ YOUR MOTOR HOME AND CHASSIS OWNER'S  
MANUAL FOR FURTHER PRECAUTIONS

**KEY PART NUMBER U/M DESCRIPTION**  
056259-01-000 EA LABEL - SAFETY CHECK LIST

UNLEADED FUEL ONLY

**KEY PART NUMBER U/M DESCRIPTION**  
062043-01-000 EA LABEL - FUEL - UNLEADED

**WARNING** DISCONNECT BATTERIES BEFORE  
CONNECTING EXTERNAL CHARGING EQUIPMENT.

**KEY PART NUMBER U/M DESCRIPTION**  
065748-01-000 EA LABEL - WARNING - BATTERY CHARGING - UL

AVERTISSEMENT : DEBRANCHER LES BATTERIES AVANT  
DE BRANCHER TOUT EQUIPEMENT DE CHARGE EXTERIEUR.

**KEY PART NUMBER U/M DESCRIPTION**  
065748-02-000 EA LABEL - WARNING - BATTERY CHARGING - CSA - CANADIAN

DIESEL FUEL ONLY

**KEY PART NUMBER U/M DESCRIPTION**  
068383-01-000 EA LABEL - DIESEL FUEL

VEHICLE EMISSION CONTROL INFORMATION  
THIS VEHICLE CONFORMS TO U.S. EPA  
REGULATIONS APPLICABLE TO XXXX MODEL  
YEAR NEW VEHICLES.

072887-01-000-2 CATALYST

**KEY PART NUMBER U/M DESCRIPTION**  
072887-14-000 EA LABEL - EPA - 2003 MODEL YEAR

## LABELS GROUP (CONTINUED)

### IF YOU SMELL GAS

1. EXTINGUISH ANY OPEN FLAME, PILOT LIGHTS AND ALL SMOKING MATERIALS.
2. DO NOT TOUCH ELECTRICAL SWITCHES.
3. SHUT OFF THE GAS SUPPLY AT THE TANK VALVE(S) OR GAS SUPPLY CONNECTION.
4. OPEN DOORS AND OTHER VENTILATING OPENINGS.
5. LEAVE THE AREA UNTIL ODOR CLEARS.
6. HAVE THE GAS SYSTEM CHECKED AND LEAKAGE SOURCE CORRECTED BEFORE USING AGAIN.

**KEY PART NUMBER U/M DESCRIPTION**  
073998-01-000 EA LABEL - LPG/ODOR WARNING

WARNING: TEST SMOKE DETECTOR  
OPERATION AFTER VEHICLE HAS BEEN IN  
STORAGE, BEFORE EACH TRIP AND AT  
LEAST ONCE PER WEEK DURING USE.

**KEY PART NUMBER U/M DESCRIPTION**  
077956-01-000 EA LABEL - WARNING/SMOKE DETECTOR

DO NOT FILL  
LP-GAS CONTAINER(S)  
TO MORE THAN 80%  
OF CAPACITY.

**KEY PART NUMBER U/M DESCRIPTION**  
079965-01-000 EA LABEL - LPG - 80% CAPACITY

WARNING  
MUST BE STOWED  
IN LATCHED POSITION  
WHILE VEHICLE IS IN MOTION

**KEY PART NUMBER U/M DESCRIPTION**  
079966-01-000 EA LABEL - WARNING - STOWED - MOTION

W  
A  
T  
E  
R  
H  
E  
A  
T  
E  
R  
O  
N  
O  
F  
F

**KEY PART NUMBER U/M DESCRIPTION**  
083588-01-000 EA LABEL - ON/OFF - WATER HEATER

E  
N  
G  
I  
N  
E  
H  
E  
A  
T  
E  
R  
O  
N  
O  
F  
F

**KEY PART NUMBER U/M DESCRIPTION**  
083588-02-000 EA LABEL - ON/OFF - ENGINE HEATER  
083588-04-000 EA LABEL - ON/OFF - ENGINE HEATER



## LABELS GROUP (CONTINUED)

<p><b>CAUTION</b></p>	<p>TO HELP AVOID PERSONAL INJURY DURING REMOVAL OF FUEL FILLER CAP, SLOWLY LOOSEN CAP 1/2 TURN TO ALLOW ANY FUEL PRESSURE TO BE RELIEVED BEFORE TURNING CAP FURTHER.</p>
<p>FUEL SPRAY MAY CAUSE PERSONAL INJURY</p>	<p>STOP ADDING FUEL AFTER FIRST SHUTOFF BY AUTOMATIC NOZZLE WHEN TANK IS NEARLY FULL. DO NOT OVERFILL FUEL TANK.</p> <p>SEE OWNERS MANUAL FOR ADDITIONAL INFORMATION.</p> <p style="font-size: small;">PRINTED IN U.S.A. <span style="float: right;">WLC PT NO 15611763</span></p>

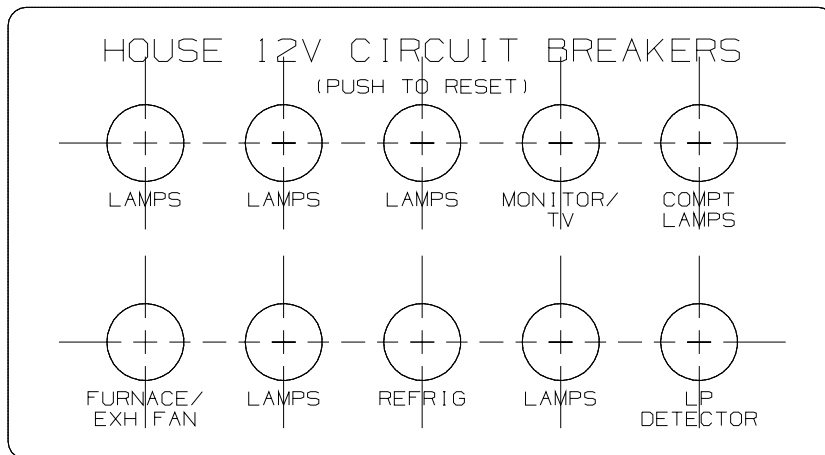
**KEY PART NUMBER U/M DESCRIPTION**  
 087207-05-000 EA LABEL - FUEL CAP REMOVAL



**KEY PART NUMBER U/M DESCRIPTION**  
 087236-01-000 EA LABEL - CABLE - INPUT

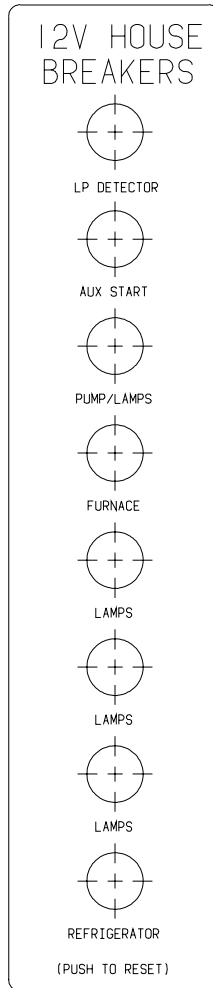


**KEY PART NUMBER U/M DESCRIPTION**  
 087236-02-000 EA LABEL - TV OUTLET

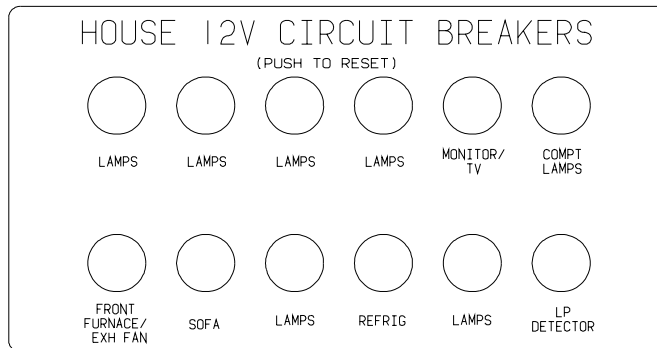


**KEY PART NUMBER U/M DESCRIPTION**  
 092547-06-000 EA LABEL - CIRCUIT BREAKER

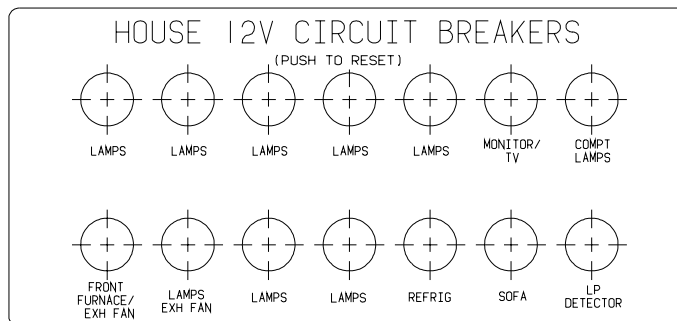
## LABELS GROUP (CONTINUED)



KEY	PART NUMBER	U/M DESCRIPTION
	092547-08-000	EA LABEL - CIRCUIT BREAKER

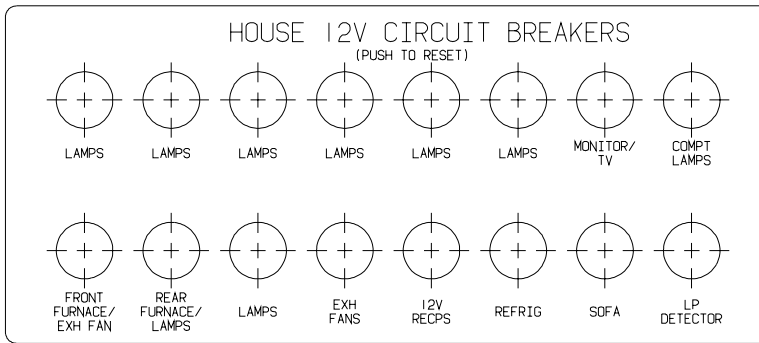


KEY	PART NUMBER	U/M DESCRIPTION
	092547-10-000	EA LABEL - CIRCUIT BREAKER

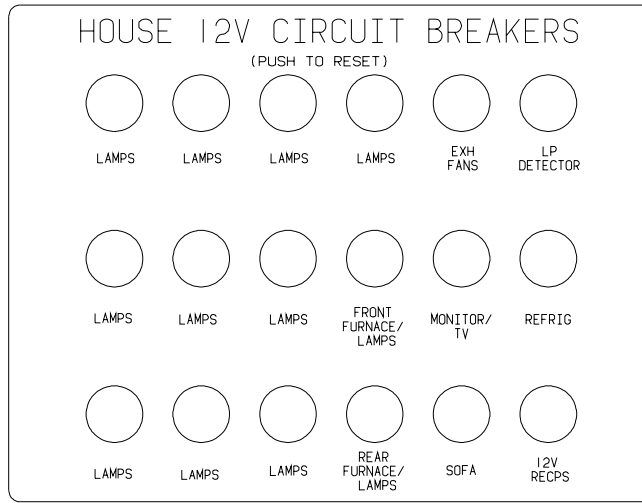


KEY	PART NUMBER	U/M DESCRIPTION
	092547-12-000	EA LABEL - CIRCUIT BREAKER

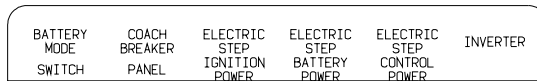
## LABELS GROUP (CONTINUED)



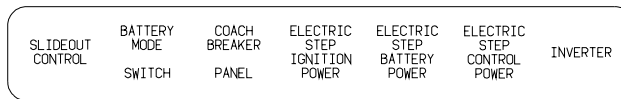
**KEY PART NUMBER** 092547-13-000  
**U/M DESCRIPTION** EA LABEL - CIRCUIT BREAKER



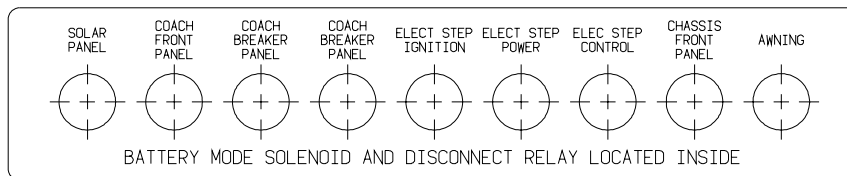
**KEY PART NUMBER** 092547-14-000  
**U/M DESCRIPTION** EA LABEL - CIRCUIT BREAKER



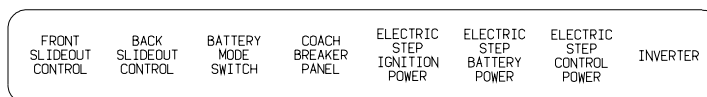
**KEY PART NUMBER** 093236-08-000  
**U/M DESCRIPTION** EA LABEL - CIRCUIT BREAKER



**KEY PART NUMBER** 093236-21-000  
**U/M DESCRIPTION** EA LABEL - CIRCUIT BREAKER

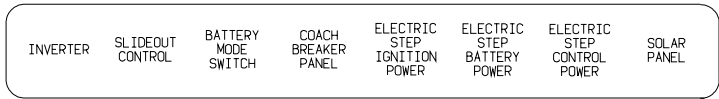


**KEY PART NUMBER** 093236-26-000  
**U/M DESCRIPTION** EA LABEL - CIRCUIT BREAKER

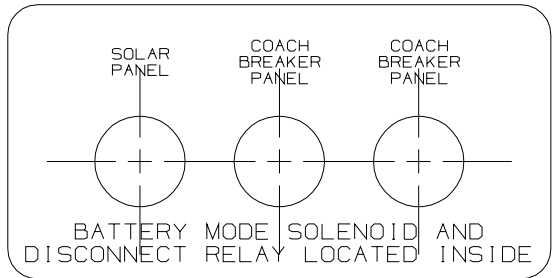


**KEY PART NUMBER** 093236-28-000  
**U/M DESCRIPTION** EA LABEL - CIRCUIT BREAKER

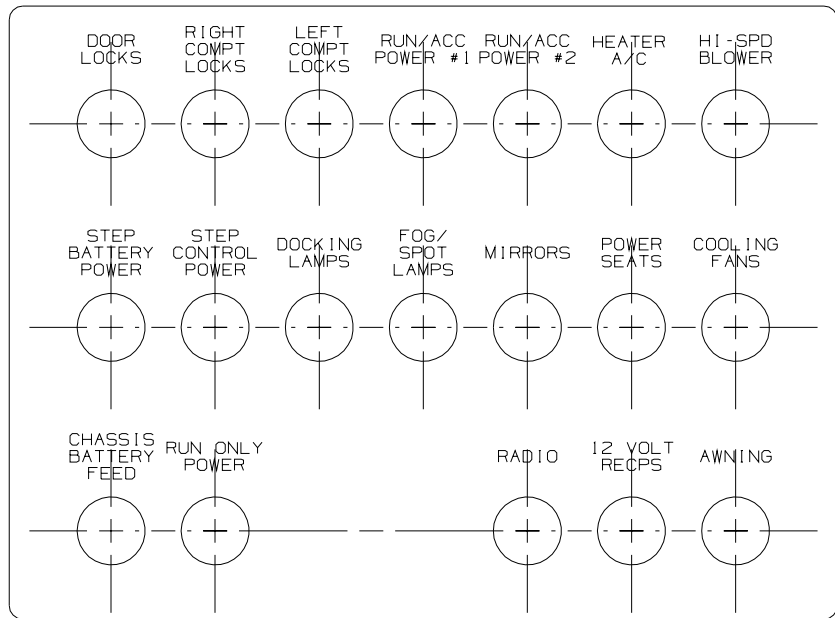
## LABELS GROUP (CONTINUED)



**KEY PART NUMBER**      **U/M DESCRIPTION**  
 093236-29-000      EA LABEL - CIRCUIT BREAKER

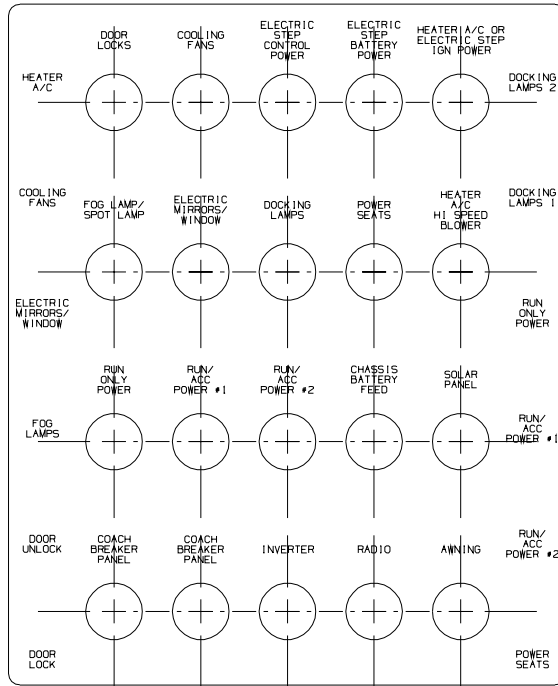


**KEY PART NUMBER**      **U/M DESCRIPTION**  
 093236-31-000      EA LABEL - CIRCUIT BREAKER

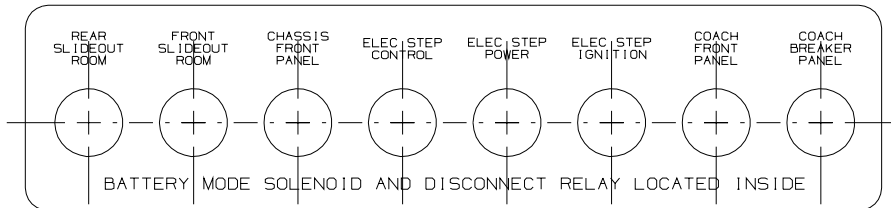


**KEY PART NUMBER**      **U/M DESCRIPTION**  
 093236-32-000      EA LABEL - CIRCUIT BREAKER

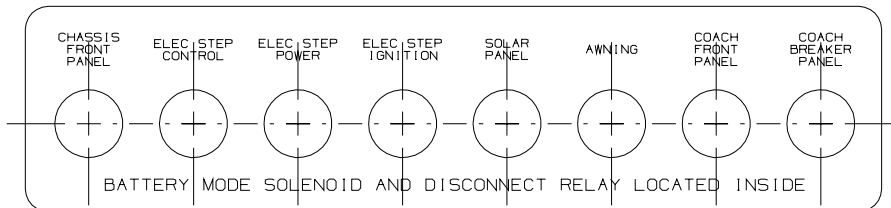
## LABELS GROUP (CONTINUED)



**KEY PART NUMBER** 093236-33-000 **U/M DESCRIPTION**  
EA LABEL - CIRCUIT BREAKER

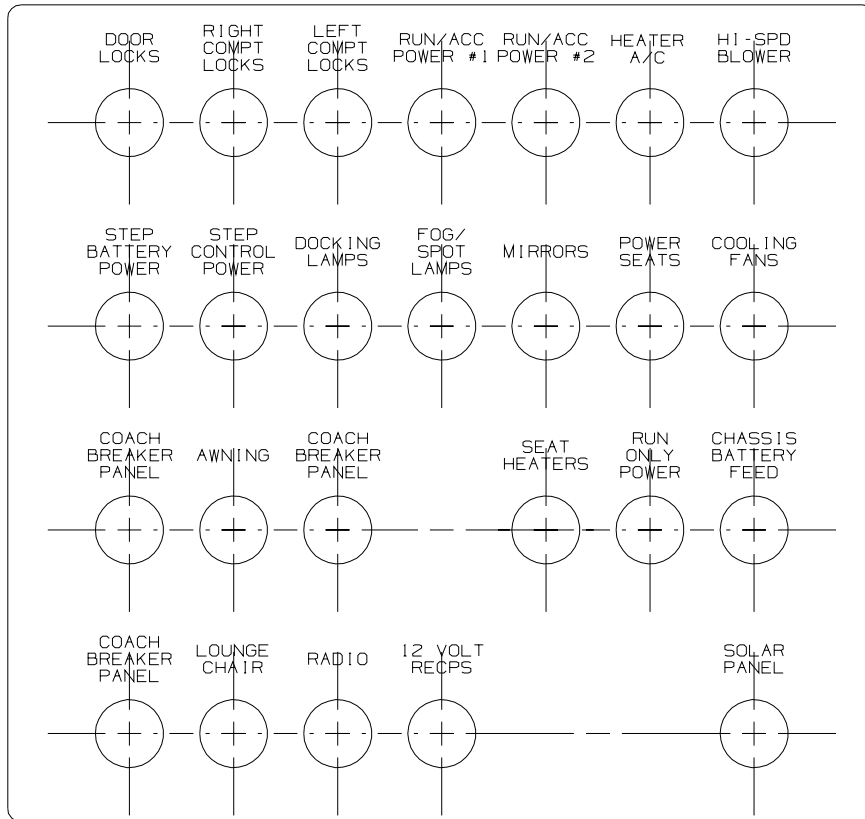


**KEY PART NUMBER** 093236-34-000 **U/M DESCRIPTION**  
EA LABEL - CIRCUIT BREAKER

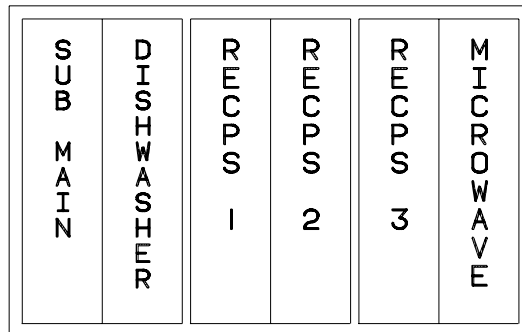


**KEY PART NUMBER** 093236-35-000 **U/M DESCRIPTION**  
EA LABEL - CIRCUIT BREAKER

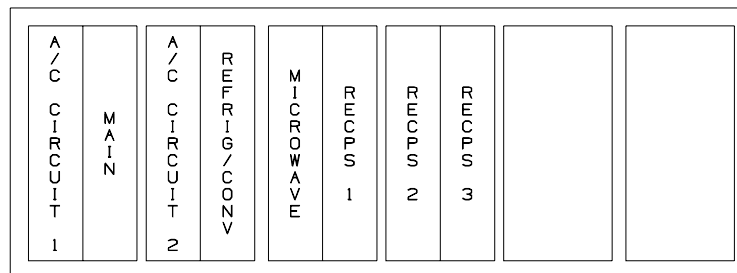
## LABELS GROUP (CONTINUED)



**KEY PART NUMBER U/M DESCRIPTION**  
 093236-37-000 EA LABEL - CIRCUIT BREAKER



**KEY PART NUMBER U/M DESCRIPTION**  
 095721-20-000 EA LABEL - CONTROL CENTER W/INVERTER



**KEY PART NUMBER U/M DESCRIPTION**  
 095721-27-000 EA LABEL - CONTROL CENTER - 30 AMP

## LABELS GROUP (CONTINUED)

A / C C I R C U I T 1	M A I N	A / C C I R C U I T 2	R E F F R I G / C O N V	M I C R O W A V E	R E C C P S 1	R E C C P S 2	R E C C P S 3	W A S H E R / D R Y E R	W A T E R H E A T E R	
-----------------------------	------------	-----------------------------	----------------------------	----------------------	---------------------	---------------------	---------------------	----------------------------	--------------------------------	--

**KEY PART NUMBER U/M DESCRIPTION**  
 095721-31-000 EA LABEL - CONTROL CENTER - 30 AMP - US

A / C C I R C U I T 1	M A I N	M A I N	A / C C I R C U I T 2	R E F F R I G / C O N V	M I C R O W A V E	R E C C P S 1	R E C C P S 2	R E C C P S 3	W A S H E R / D R Y E R	W A T E R H E A T E R
-----------------------------	------------	------------	-----------------------------	----------------------------	----------------------	---------------------	---------------------	---------------------	----------------------------	--------------------------------

**KEY PART NUMBER U/M DESCRIPTION**  
 095721-33-000 EA LABEL - CONTROL CENTER - 50 AMP - US

M A I N	M I C R O W A V E	G F I / R E C C P S	R E F F E R / C O N V	W A T E R H T R	A / C
------------	----------------------	---------------------------	-----------------------------	-----------------------	----------

**KEY PART NUMBER U/M DESCRIPTION**  
 095721-38-000 EA LABEL - CONTROL CENTER - 30 AMP - US

A / C C I R C U I T 1	M A I N	M A I N	A / C C I R C U I T 2	I N V E R T E R / C H A R G E R	W A S H E R / D R Y E R	W A T E R H E A T E R	W A T E R H E A T E R	R E F F R I G / V A C U U M	
-----------------------------	------------	------------	-----------------------------	---------------------------------------	----------------------------	--------------------------------	--------------------------------	--------------------------------	--

**KEY PART NUMBER U/M DESCRIPTION**  
 095721-45-000 EA LABEL - CONTROL CENTER - 50 AMP

AUTOMOTIVE AND COACH  
CIRCUIT BREAKERS

**KEY PART NUMBER U/M DESCRIPTION**  
 098379-01-000 EA LABEL - CIRCUIT BREAKER - FRONT BOX

**LABELS GROUP (CONTINUED)**

CIRCUIT BREAKERS  
AND AUTOMOTIVE  
FUSE PANEL

**KEY PART NUMBER U/M DESCRIPTION**  
098379-03-000 EA LABEL - ELECTRICAL BOX - FRONT

BATTERY MODE  
SOLENOID AND  
RELAYS

**KEY PART NUMBER U/M DESCRIPTION**  
098379-04-000 EA LABEL - ELECTRICAL BOX - SIDE

UNLEADED  
FUEL ONLY

**KEY PART NUMBER U/M DESCRIPTION**  
098641-01-000 EA LABEL - FUEL - UNLEADED - DASH

FOR AWNING INSTALLATION  
CONTACT YOUR MOTORHOME  
DEALERSHIP

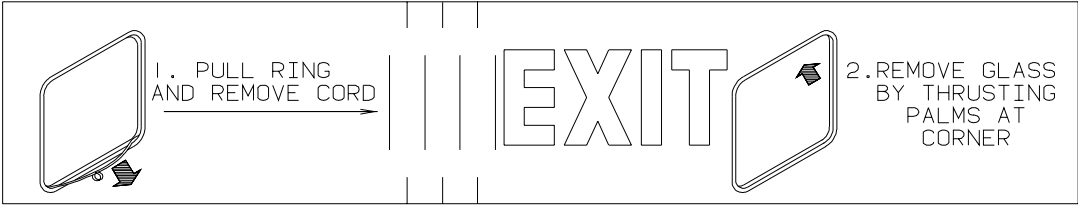
**KEY PART NUMBER U/M DESCRIPTION**  
099509-01-000 EA LABEL - AWNING INSTALLATION

WARNING  
THIS VEHICLE, LIKE OTHER  
VEHICLES, MAY CONTAIN SMALL  
AMOUNTS OF ONE OR MORE  
SUBSTANCES WHICH ARE LISTED  
BY THE STATE OF CALIFORNIA  
FOR CAUSING CANCER OR  
REPRODUCTIVE TOXICITY.

**KEY PART NUMBER U/M DESCRIPTION**  
099689-01-000 EA LABEL - WARNING - CANCER/TOXICITY

NOTE: TUNE ANTENNA PER MANUFACTURER'S DIRECTIONS. FAILURE TO COMPLY COULD RESULT IN DAMAGE TO CB.	CB POWER PROVISION RED +12 V BLACK GROUND COAX ANTENNA (SEE REVERSE ALSO)
---------------------------------------------------------------------------------------------------------------	---------------------------------------------------------------------------------------

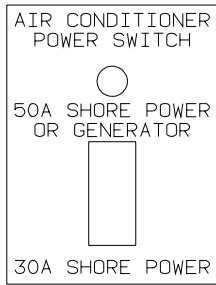
**KEY PART NUMBER U/M DESCRIPTION**  
104678-01-000 EA LABEL - CB PREP



**KEY PART NUMBER U/M DESCRIPTION**  
107571-01-000 EA LABEL - EXIT/ESCAPE WINDOW



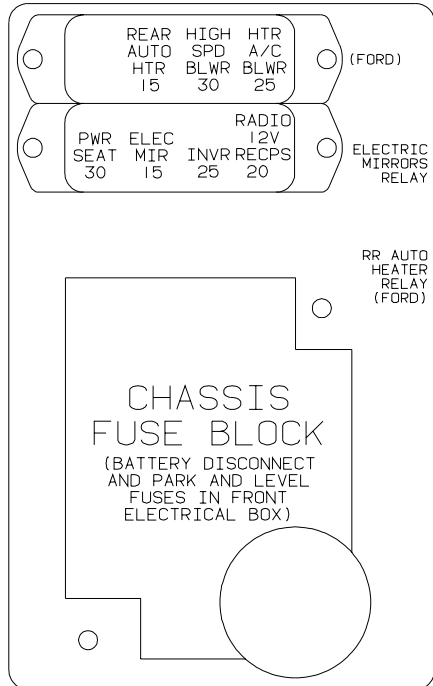
## LABELS GROUP (CONTINUED)



**KEY PART NUMBER U/M DESCRIPTION**  
 109051-02-000 EA LABEL - SWITCH - 50 AMP POWER

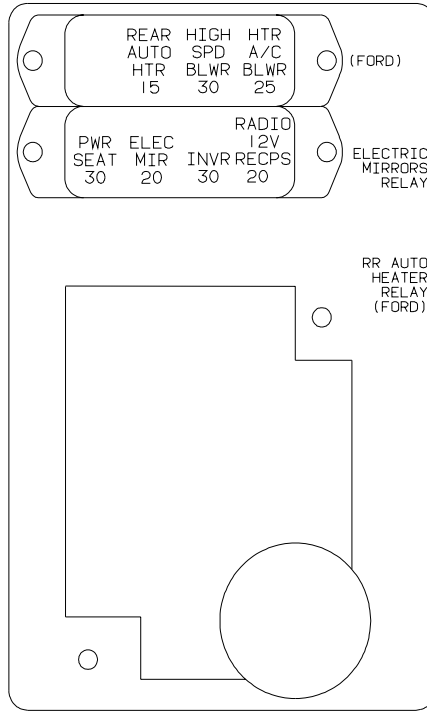
DO NOT USE HITCH BEFORE  
 READING OWNERS MANUAL REGARDING  
 VEHICLE LOADING AND TOWING

**KEY PART NUMBER U/M DESCRIPTION**  
 111104-01-000 EA LABEL - HITCH - READ MANUAL - WHITE



**KEY PART NUMBER U/M DESCRIPTION**  
 111537-08-000 EA LABEL - FUSES

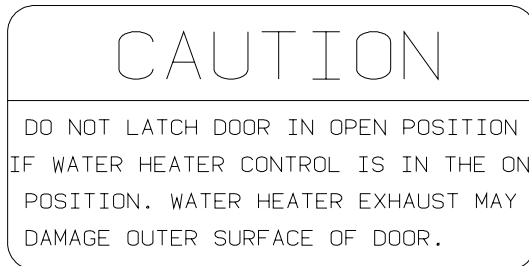
## LABELS GROUP (CONTINUED)



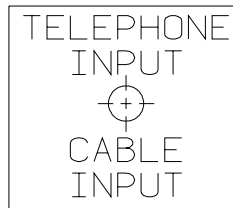
**KEY PART NUMBER U/M DESCRIPTION**  
 111537-09-000 EA LABEL - FUSES

WARNING: CONTAINS "CFC" A SUBSTANCE WHICH HARMS PUBLIC HEALTH AND ENVIRONMENT BY DESTROYING OZONE IN THE UPPER ATMOSPHERE.

**KEY PART NUMBER U/M DESCRIPTION**  
 111802-01-000 EA LABEL - CFC WARNING

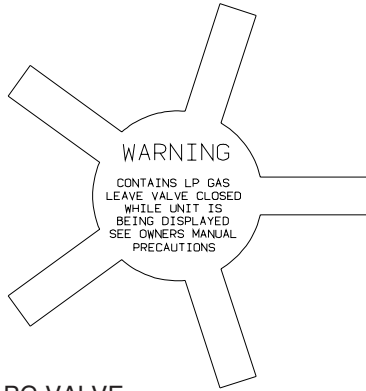


**KEY PART NUMBER U/M DESCRIPTION**  
 113402-01-000 EA LABEL - CAUTION - WATER HEATER EXHAUST



**KEY PART NUMBER U/M DESCRIPTION**  
 114866-02-000 EA LABEL - PHONE & CABLE INPUT - WHITE/CLEAR BACKGROUND

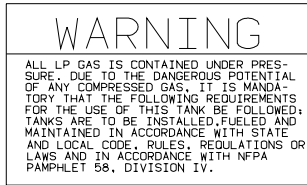
## LABELS GROUP (CONTINUED)



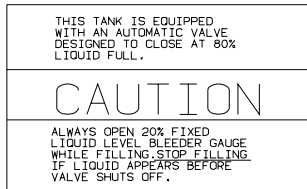
**KEY PART NUMBER U/M DESCRIPTION**  
 115600-01-000 EA LABEL - WARNING LPG VALVE

WARNING: REPLACE TIRE ONLY WITH ONE OF EXACTLY SAME TYPE AND RATING. DO NOT REPLACE WITH PASSENGER CAR TIRE. SEE OPERATOR'S MANUAL FOR MORE INFORMATION CALL WINNEBAGO OWNER RELATIONS AT 1-800-537-1885.

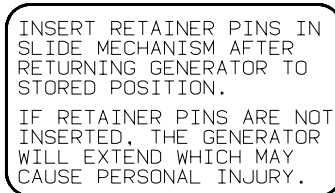
**KEY PART NUMBER U/M DESCRIPTION**  
 115869-01-000 EA LABEL - WARNING - TIRE



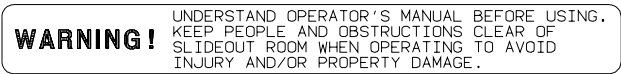
**KEY PART NUMBER U/M DESCRIPTION**  
 116112-01-000 EA LABEL - CAUTION - LP



**KEY PART NUMBER U/M DESCRIPTION**  
 116113-01-000 EA LABEL - CAUTION - LP

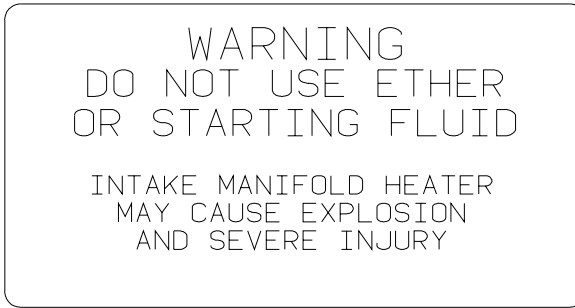


**KEY PART NUMBER U/M DESCRIPTION**  
 116273-01-000 EA LABEL - WARNING - GENERATOR



**KEY PART NUMBER U/M DESCRIPTION**  
 116549-01-000 EA LABEL - WARNING - SLIDEOUT

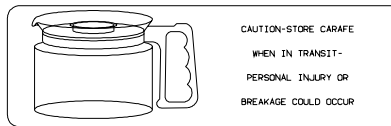
**LABELS GROUP (CONTINUED)**



KEY	PART NUMBER	U/M DESCRIPTION
	116756-02-000	EA LABEL - WARNING - ETHER/STARTING - RED W/CLEAR BACKGROUND
	116756-03-000	EA LABEL - WARNING - ETHER/STARTING - RED W/WHITE BACKGROUND



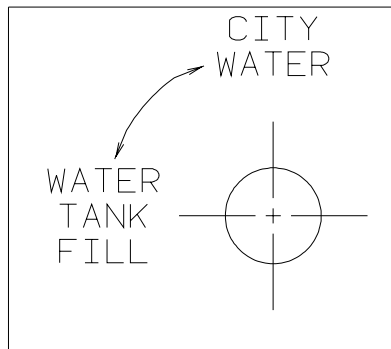
KEY	PART NUMBER	U/M DESCRIPTION
	116775-01-000	EA LABEL/CAUTION - TRAVEL LATCH



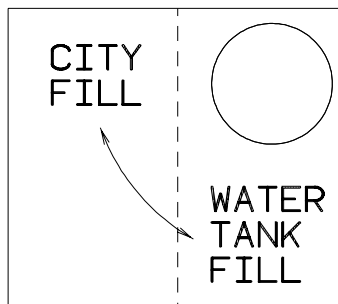
KEY	PART NUMBER	U/M DESCRIPTION
	116829-02-000	EA LABEL - COFFEEMAKER



KEY	PART NUMBER	U/M DESCRIPTION
	117628-02-000	EA LABEL - SWITCH - WATER PUMP/LIGHTS-WHITE/CLEAR BACKGROUND

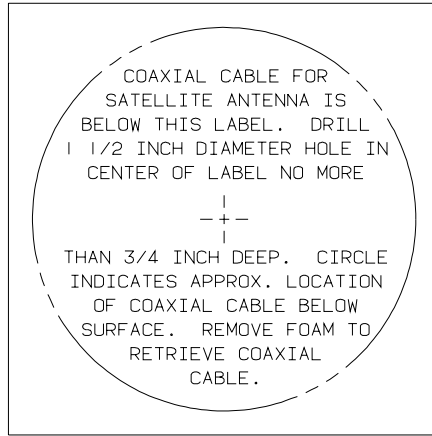


KEY	PART NUMBER	U/M DESCRIPTION
	117629-01-000	EA LABEL - WATER PUMP/FILL-BLK LETTER/CLEAR BACKGROUND-.24"
	117629-03-000	EA LABEL - WATER PUMP/FILL-BLK LETTERS/CLEAR BACKGROUND-.31"

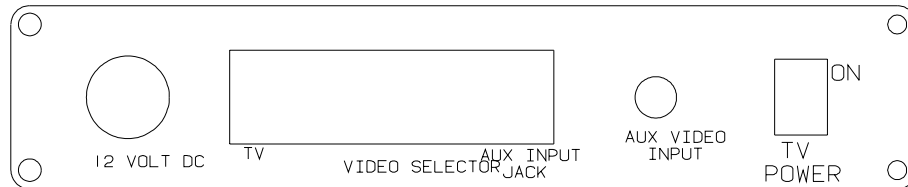


KEY	PART NUMBER	U/M DESCRIPTION
	117629-04-000	EA LABEL - CITY WATER/TANK FILL

## LABELS GROUP (CONTINUED)



**KEY PART NUMBER U/M DESCRIPTION**  
 120431-01-000 EA LABEL - LOCATION - COAXIAL CABLE/SATELLITE ANTENNA



**KEY PART NUMBER U/M DESCRIPTION**  
 120677-01-000 EA LABEL - TV

KEEP THE SERVICE INLET ACCESS  
 IN THE CLOSED POSITION WHEN  
 UTILITY CONNECTIONS ARE NOT IN USE

**KEY PART NUMBER U/M DESCRIPTION**  
 123562-01-000 EA LABEL - SERVICE/UTILITY ACCESS

WARNING  
 ALL PILOT LIGHTS, APPLIANCES AND THIER  
 IGNITORS (SEE OPERATING INSTRUCTIONS) SHALL  
 BE TURNED OFF DURING REFUELING OF MOTOR  
 FUEL TANKS AND/OR LP GAS CONTAINERS

**KEY PART NUMBER U/M DESCRIPTION**  
 124519-01-01A EA LABEL - WARNING/REFUELING - BLACK ON CLEAR  
 124519-01-02A EA LABEL - WARNING/REFUELING - WHITE ON CLEAR

WARNING:  
 ALL PILOT LIGHTS AND APPLIANCES SHALL BE TURNED  
 OFF DURING REFUELING OF MOTOR FUEL TANKS AND/  
 OR PROPANE CONTAINERS.  
 AVERTISSEMENT:  
 FERMER TOUTES LES VEILLEUSES AINSI QUE TOUTS LES  
 APPAREILS LORSQU'ON FAIT LE PLEIN DES RESERVOIRS  
 A CARBURANT OU A PROPANE.  
 124519-02

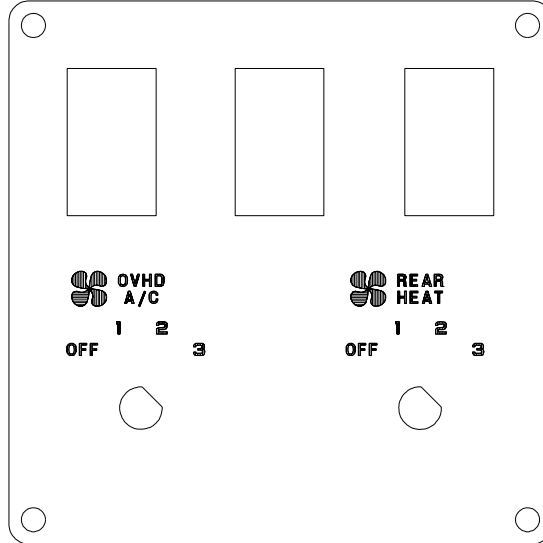
**KEY PART NUMBER U/M DESCRIPTION**  
 124519-02-01A EA LABEL - WARNING/REFUELING - BLACK ON CLEAR - CSA  
 124519-02-02A EA LABEL - WARNING/REFUELING - WHITE ON CLEAR - CSA

## LABELS GROUP (CONTINUED)

LP-GAS SYSTEM  
 THIS GAS PIPING SYSTEM IS  
 DESIGNED FOR USE OF  
 LIQUIFIED PETROLEUM GAS  
 ONLY. DO NOT CONNECT  
 NATURAL GAS TO THIS  
 SYSTEM.  
 SECURE CAP INLET(S) WHEN NOT  
 CONNECTED FOR USE. AFTER TURNING  
 ON GAS, EXCEPT AFTER NORMAL  
 CONTAINER REPLACEMENT, TEST GAS  
 PIPING AND CONNECTIONS TO  
 APPLIANCES FOR LEAKAGE WITH SOAPY  
 WATER OR BUBBLE SOLUTION. DO NOT  
 USE PRODUCTS THAT CONTAIN AMMONIA  
 OR CLORINE.

124520

KEY	PART NUMBER	U/M	DESCRIPTION
	124520-01-01A	EA	LABEL - LP GAS ONLY - BLACK ON CLEAR
	124520-01-02A	EA	LABEL - LP GAS ONLY - WHITE ON CLEAR



KEY	PART NUMBER	U/M	DESCRIPTION
	124572-01-000	EA	LABEL - SWITCHES

THIS CONNECTION IS FOR  
 (B) VOLT AC,60 HZ(CYCLES)  
 (A) AMPERE SUPPLY

DO NOT CONNECT TO  
 HIGHER VOLTAGE

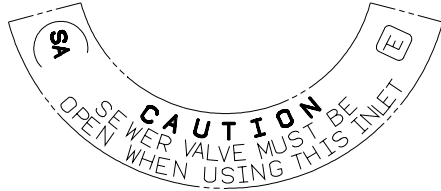
KEY	PART NUMBER	U/M	DESCRIPTION
	125306-01-01A	EA	LABEL - ELECTRICAL ENTRANCE - 110V 30 AMP - BLACK ON CLEAR

THIS CONNECTION IS FOR  
 (B) VOLT AC,3-POLE,4 WIRE  
 60 HZ(CYCLES), (A) AMPERE SUPPLY

DO NOT CONNECT TO  
 HIGHER VOLTAGE

KEY	PART NUMBER	U/M	DESCRIPTION
	125306-04-01A	EA	LABEL-ELECTRICAL ENTRANCE-120/240V 50 AMP-BLACK ON CLEAR
	125306-04-02A	EA	LABEL - ELECTRICAL ENTRANCE-120/240V 50 AMP-WHITE ON CLEAR

**LABELS GROUP (CONTINUED)**



**KEY PART NUMBER U/M DESCRIPTION**  
 125697-07-000 EA LABEL - CAUTION - FLUSHING SYSTEM

REMOVE PRIMARY TIRE HANGER BEFORE USING  
 SPARE TIRE HOIST-SEE OWNERS MANUAL - PERSONAL  
 INJURY MAY RESULT IF NOT FOLLOWED

**KEY PART NUMBER U/M DESCRIPTION**  
 126024-01-01A EA LABEL - TIRE HANGER REMOVAL

**GRAY HOLDING TANK**

**KEY PART NUMBER U/M DESCRIPTION**  
 126247-01-000 EA LABEL - GRAY HOLDING TANK-WHITE LETTERS/CLEAR BACKGROUND  
 126247-05-000 EA LABEL - GRAY HOLDING TANK-BLACK LETTERS/CLEAR BACKGROUND

**BLACK HOLDING TANK**

**KEY PART NUMBER U/M DESCRIPTION**  
 126247-02-000 EA LABEL - BLACK HOLDING TANK-WHITE LETTERS/BLACK BACKGROUND  
 126247-06-000 EA LABEL - BLACK HOLDING TANK-BLACK LETTERS/CLEAR BACKGROUND

**EXTERIOR SHOWER**

**KEY PART NUMBER U/M DESCRIPTION**  
 126248-03-000 EA LABEL - EXTERIOR SHOWER

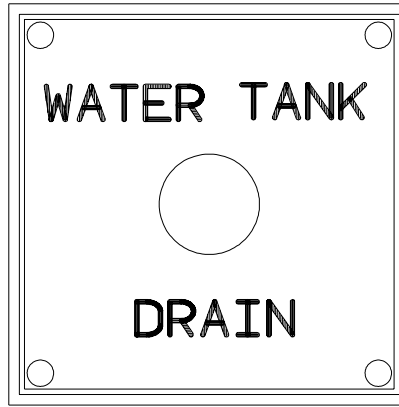
**CITY WATER FILL**

**KEY PART NUMBER U/M DESCRIPTION**  
 126249-03-000 EA LABEL - CITY WATER FILL-BLK LETTERS/CLEAR BACKGROUND .31"

	<b>WARNING</b>
○	<b>Children Can be KILLED or INJURED by Passenger Air Bag</b>
<small>The back seat is the safest place for children 12 and under. Make sure all children use seat belts or child seats.</small>	

**KEY PART NUMBER U/M DESCRIPTION**  
 126612-01-000 EA LABEL - HANG TAG - AIR BAG - DASH

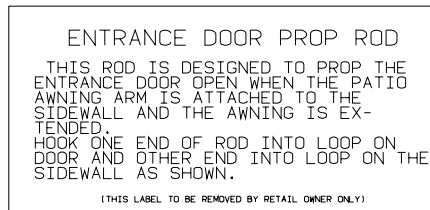
## LABELS GROUP (CONTINUED)



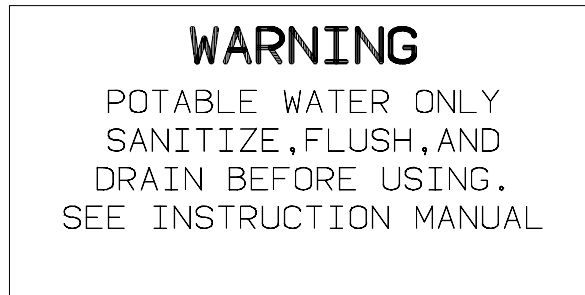
<b>KEY PART NUMBER</b>	<b>U/M DESCRIPTION</b>
127170-01-000	EA LABEL - WATER TANK DRAIN



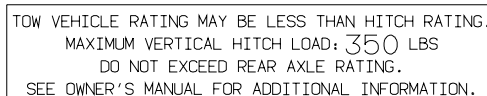
<b>KEY PART NUMBER</b>	<b>U/M DESCRIPTION</b>
128218-01-01A	EA LABEL - WARNING - SLIPPERY ROOF



<b>KEY PART NUMBER</b>	<b>U/M DESCRIPTION</b>
128658-01-000	EA LABEL - PROP ROD - ENTRY DOOR



<b>KEY PART NUMBER</b>	<b>U/M DESCRIPTION</b>
128725-01-01A	EA LABEL - POTABLE WATER ONLY - BLACK ON CLEAR



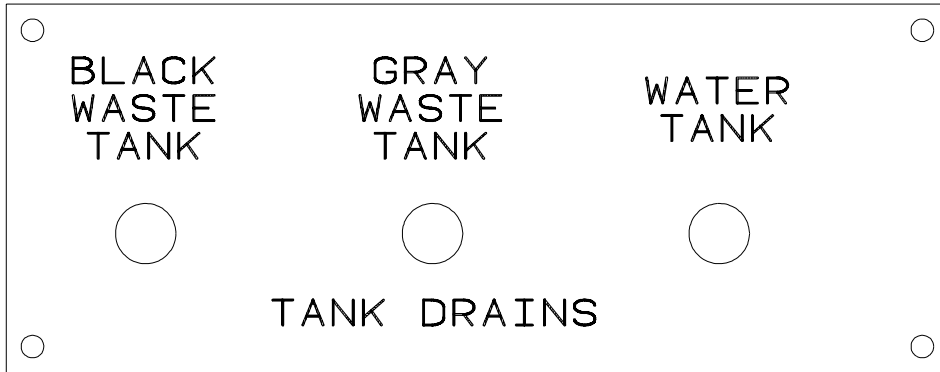
<b>KEY PART NUMBER</b>	<b>U/M DESCRIPTION</b>
129669-01-01A	EA LABEL - HITCH/VEHICLE RATE - 350 - WHITE ON CLEAR
129669-01-02A	EA LABEL - HITCH/VEHICLE RATE - 350 - BLACK ON CLEAR
129669-02-01A	EA LABEL - HITCH/VEHICLE RATE - 500 - WHITE ON CLEAR
129669-02-02A	EA LABEL - HITCH/VEHICLE RATE - 500 - BLACK ON CLEAR



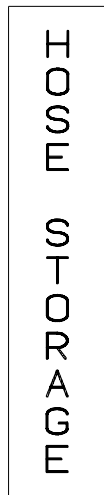
## LABELS GROUP (CONTINUED)

TIRE ROTATION  
 SEE RIALTA OWNERS MANUAL  
 SECTION 9

**KEY PART NUMBER U/M DESCRIPTION**  
 129684-01-000 EA LABEL - TIRE ROTATION



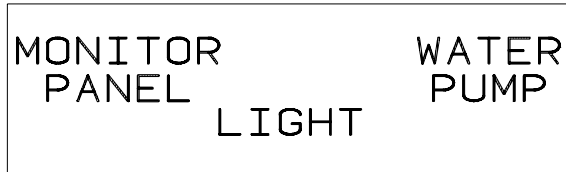
**KEY PART NUMBER U/M DESCRIPTION**  
 130166-01-000 EA LABEL - DRAIN



**KEY PART NUMBER U/M DESCRIPTION**  
 130167-02-000 EA LABEL - HOSE STORAGE



**KEY PART NUMBER U/M DESCRIPTION**  
 130168-01-000 EA LABEL - WASTE TANK FLUSH

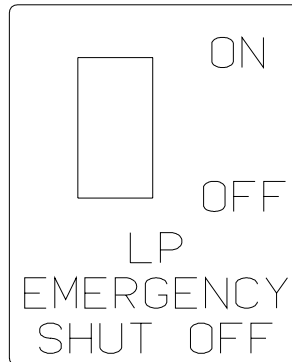


**KEY PART NUMBER U/M DESCRIPTION**  
 130170-01-000 EA LABEL - SWITCH PANEL - BLK/CLEAR BACKGROUND-1.8"H X 5.9"L

**LABEL GROUP (CONTINUED)**



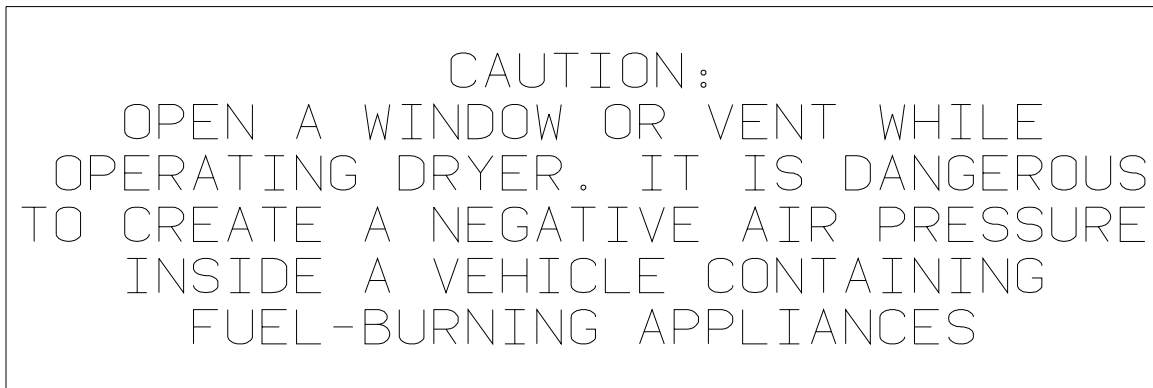
**KEY PART NUMBER U/M DESCRIPTION**  
 130170-02-000 EA LABEL - SWITCH PANEL-BLK/CLEAR BACKGROUND-1.4"H X 3.9"L



**KEY PART NUMBER U/M DESCRIPTION**  
 130170-04-000 EA LABEL - SWITCH PANEL



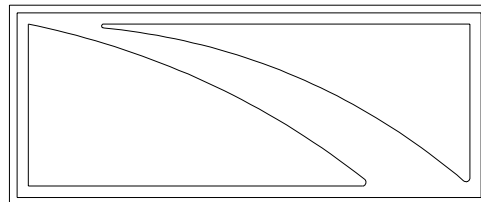
**KEY PART NUMBER U/M DESCRIPTION**  
 130170-05-000 EA LABEL - SWITCH PANEL



**KEY PART NUMBER U/M DESCRIPTION**  
 130670-01-01A EA LABEL - CAUTION DRYER VENTING - BLACK ON CLEAR

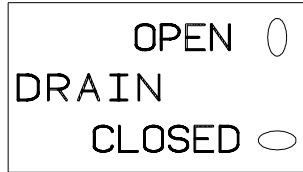


**KEY PART NUMBER U/M DESCRIPTION**  
 131779-01-01A EA LABEL - GENERATOR



**KEY PART NUMBER U/M DESCRIPTION**  
 132651-01-01A EA DECAL - MIRROR/GALLEY

**LABEL GROUP (CONTINUED)**



**KEY PART NUMBER U/M DESCRIPTION**  
 133423-01-01A EA LABEL - DRAIN



**KEY PART NUMBER U/M DESCRIPTION**  
 133424-01-01A EA LABEL - WATER HEATER BYPASS - BLACK/CLEAR



**KEY PART NUMBER U/M DESCRIPTION**  
 133424-02-01A EA LABEL - NORMAL OPERATION



**KEY PART NUMBER U/M DESCRIPTION**  
 133424-03-01A EA LABEL - WATER HEATER BYPASS - BLACK/CLEAR



**KEY PART NUMBER U/M DESCRIPTION**  
 133533-01-01A EA LABEL - JACKS DOWN - CLEAR W/WHITE LETTERING



**KEY PART NUMBER U/M DESCRIPTION**  
 133533-02-01A EA LABEL - CHECK ANTENNA - CLEAR W/WHITE LETTERING



**KEY PART NUMBER U/M DESCRIPTION**  
 133533-03-01A EA LABEL - LOCK/UNLOCK - BLACK/WHITE



**KEY PART NUMBER U/M DESCRIPTION**  
 133533-04-01A EA LABEL - WINDOW/MIRROR HEAT- BLACK/CLEAR

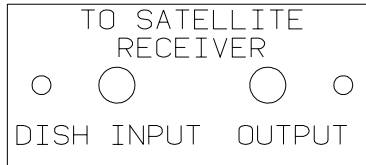


**KEY PART NUMBER U/M DESCRIPTION**  
 133533-05-01A EA LABEL - SUNVISOR - DRIVER/PASSENGER - BLACK/CLEAR



**KEY PART NUMBER U/M DESCRIPTION**  
 133533-06-01A EA LABEL - MAP LIGHT/SUNVISOR - BLACK/CLEAR

## LABELS GROUP (CONTINUED)



**KEY PART NUMBER U/M DESCRIPTION**  
 134250-01-01A EA LABEL - SATELLITE RECEIVER - BLACK/CLEAR

THIS CHAIR IS NOT INTENDED FOR OCCUPANCY WHEN VEHICLE IS IN MOTION AND MUST BE RETURNED TO STOWED POSITION	DTS ISICE SIEGE N/EST PAS DESTINE A ETRE OCCUPE LORSQUE LE VEHICULE EST IN MOVEMENT ET IL FAUT QUE LE RANGER THIS CHAIR IS NOT INTENDED FOR OCCUPANCY WHEN VEHICLE IS IN MOTION AND MUST BE RETURNED TO STOWED POSITION
------------------------------------------------------------------------------------------------------------	----------------------------------------------------------------------------------------------------------------------------------------------------------------------------------------------------------------------------

**KEY PART NUMBER U/M DESCRIPTION**  
 134537-01-01A EA LABEL - OCCUPANCY - CHAIR - US

THIS SEAT IS NOT INTENDED FOR OCCUPANCY WHEN VEHICLE IS IN MOTION

**KEY PART NUMBER U/M DESCRIPTION**  
 134538-01-01A EA LABEL - OCCUPANCY - NO SEAT BELT - BLACK ON CLEAR - US

DST ISICE SIEGE N/EST PAS DESTINE A ETRE OCCUPE LORSQUE LE VEHICULE EST IN MOVUVEMENT	THIS SEAT IS NOT INTENDED FOR OCCUPANCY WHILE VEHICLE IS IN MOTION
---------------------------------------------------------------------------------------	--------------------------------------------------------------------

**KEY PART NUMBER U/M DESCRIPTION**  
 134538-02-01A EA LABEL - OCCUPANCY - NO SEAT BELT - BLACK ON CLEAR - CSA

**WARNING**

IT IS NOT SAFE TO USE COOKING APPLICANCES FOR COMFORT HEATING

COOKING APPLICANCES NEED FRESH AIR FOR SAFE OPERATION BEFORE OPERATION.

1. OPEN OVERHEAD VENT OR TURN ON EXHAUST FAN AND;  
 2. OPEN WINDOW.

**KEY PART NUMBER U/M DESCRIPTION**  
 134539-01-01A EA LABEL - WARNING - STOVE/HEATING - US - BLACK ON CLEAR

TO ENSURE A SUPPLY OF FRESH AIR TO OCCUPANTS, OPEN VENTILATORS WHEN FUEL-BURNING RANGE, FUEL BURNING CARRY-ON APPLIANCES AND/OR FUEL-BURNING LIGHTS ARE IN OPERATION. COOKING APPLIANCES SHOULD NOT BE USED FOR SPACE HEATING PURPOSES.	DE MANIERE A ASSURER UNE ALIMENTATION EN AIR FRAIS AUX OCCUPANTS, OUVRIR LES VENTILATEURS LORSQUE LA CUISINIERE LES APPAREILS DE CHAUFFAGE PORTABLES ET/OU LES LAMPES DE COMBUSTION D'HUILE SONT EN FONCTIONNEMENT. LES APPAREILS DE CUISSON NE DOIVENT PAS SERVIR AU CHAUFFAGE DES LOCAUX.
-----------------------------------------------------------------------------------------------------------------------------------------------------------------------------------------------------------------------------------------	---------------------------------------------------------------------------------------------------------------------------------------------------------------------------------------------------------------------------------------------------------------------------------------------

**KEY PART NUMBER U/M DESCRIPTION**  
 134540-01-01A EA LABEL - WARNING - STOVE/HEATING - CSA - BLACK ON CLEAR

**HOLDING TANK HEATER**  
 TURN OFF WHEN NOT IN USE  
 SEE OPERATOR'S MANUAL

**KEY PART NUMBER U/M DESCRIPTION**  
 134563-01-01A EA LABEL - SWITCH - HEATER

## LABELS GROUP (CONTINUED)

THIS VEHICLE MAY INCLUDE MERCURY-CONTAINING DEVICES INSTALLED BY THE MANUFACTURER:

FLUORESCENT TUBES, RANGES WITH OVEN, HWH LEVEL SENSING UNIT.

REMOVE DEVICES BEFORE VEHICLE DISPOSAL UPON REMOVAL OF  
DEVICES: PLEASE REUSE, RECYCLE, OR DISPOSE AS HAZARDOUS WASTE

135869-01A

KEY	PART NUMBER	U/M	DESCRIPTION
	135869-01-01A	EA	LABEL - MERCURY CONTENT - BLACK ON CLEAR
	135869-01-02A	EA	LABEL - MERCURY CONTENT - WHITE ON CLEAR

**LIQUID SOAP**

KEY	PART NUMBER	U/M	DESCRIPTION
	136047-01-01A	EA	LABEL - LIQUID SOAP

DOOR LOCK	DOOR UNLOCK	RIGHT COMPT DOOR LOCK	RIGHT COMPT DOOR UNLOCK	LEFT COMPT DOOR LOCK	LEFT COMPT DOOR UNLOCK	AUX START SOLENOID	AMP SOURCE
POWER MIRRORS	HEATER BLOWER	PASS HEATER BLOWER	FOG LAMPS	DOCKING LAMPS	DOCKING LAMPS SWITCH TRIGGER	COOLING FANS	

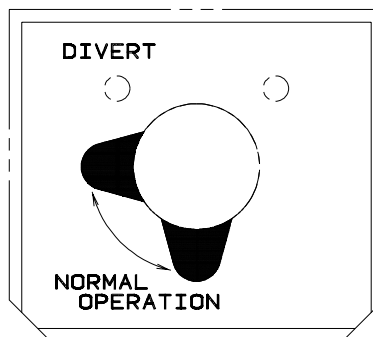
KEY	PART NUMBER	U/M	DESCRIPTION
	136161-01-01A	EA	LABEL - RELAY - MATTE BLACK/WHITE LETTERS

DOOR LOCK	DOOR UNLOCK	RIGHT COMPT DOOR LOCK	RIGHT COMPT DOOR UNLOCK	LEFT COMPT DOOR LOCK	LEFT COMPT DOOR UNLOCK	AUX START SOLENOID	RUN/ACC POWER #1	POWER SEATS
POWER MIRRORS	HEATER BLOWER	RUN ONLY POWER	FOG LAMPS	DOCKING LAMPS	DOCKING LAMPS SWITCH TRIGGER	COOLING FANS	RUN/ACC POWER #2	

KEY	PART NUMBER	U/M	DESCRIPTION
	136161-02-01A	EA	LABEL - RELAY - BLACK/WHITE

**LT - AIR BAGS - RT**

KEY	PART NUMBER	U/M	DESCRIPTION
	136360-01-01A	EA	LABEL - AIR BAGS



KEY	PART NUMBER	U/M	DESCRIPTION
	137997-01-01A	EA	LABEL - WINTERIZATION VALVE - BLACK/CLEAR

## LABELS GROUP (CONTINUED)



**KEY PART NUMBER U/M DESCRIPTION**  
140190-01-01A EA DECAL/LOGO - V6 (DOMED) - CYAN/MAGENTA/YELLOW/BLACK

WASHER/DRYER  
BRACKETS

**KEY PART NUMBER U/M DESCRIPTION**  
141523-01-01A EA LABEL - WASHER/DRYER BRACKETS - BLACK/WHITE

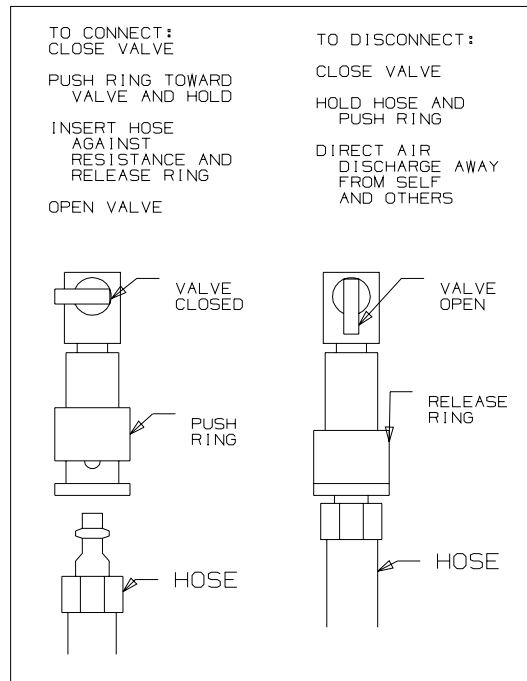
 **WARNING:** COMPRESSED AIR CAN BE HAZARDOUS.

PROPER EYE PROTECTION MUST BE WORN WHEN  
CONNECTING, DISCONNECTING OR USING AIR HOSE.

CLOSE VALVE BEHIND CONNECTOR BEFORE  
CONNECTING OR DISCONNECTING AIR HOSE.

HOSE DISCONNECT WILL PRODUCE AIR DISCHARGE  
FROM HOSE. DIRECT AIR DISCHARGE AWAY FROM  
SELF AND OTHERS.

**KEY PART NUMBER U/M DESCRIPTION**  
142771-01-01A EA LABEL - WARNING/COMPRESSED AIR - WHITE LETTERING ON CLEAR



**KEY PART NUMBER U/M DESCRIPTION**  
142773-01-01A EA LABEL - CONNECT/COMPRESS AIR - WHITE LETTERING ON CLEAR

**LABELS GROUP (CONTINUED)**



**KEY PART NUMBER U/M DESCRIPTION**  
142908-01-000 EA LABEL - FREON CHARG



**KEY PART NUMBER U/M DESCRIPTION**  
144040-01-01A EA COUNTERTOP - MEDALLION/GOLD - CORIAN

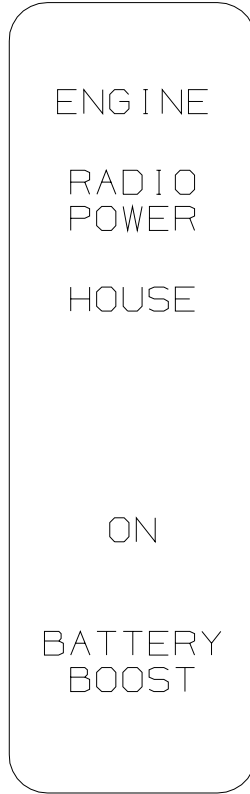


**KEY PART NUMBER U/M DESCRIPTION**  
144183-01-01A EA LABEL - CAUTION RELEASE CATCH - WHITE/CLEAR

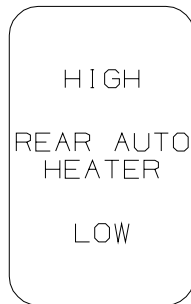


**KEY PART NUMBER U/M DESCRIPTION**  
144649-01-01A EA LABEL - ADJUSTABLE VALVE - WHITE ON CLEAR

**LABELS GROUP (CONTINUED)**



<b>KEY</b>	<b>PART NUMBER</b>	<b>U/M DESCRIPTION</b>
	145731-01-01A	EA LABEL - SWITCH - RADIO/BATTERY - BLACK



<b>KEY</b>	<b>PART NUMBER</b>	<b>U/M DESCRIPTION</b>
	145731-03-01A	EA LABEL - SWITCH - REAR AUTO HEATER - BLACK



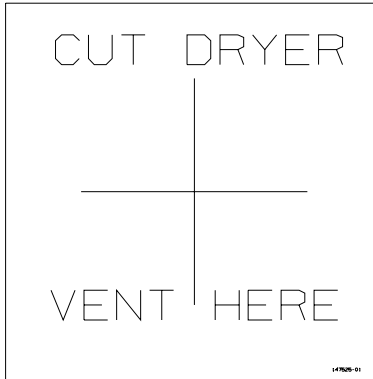
## LABELS GROUP (CONTINUED)

FOR FUTURE INSTALLATION OF WASHER/DRYER EXHAUST DUCT

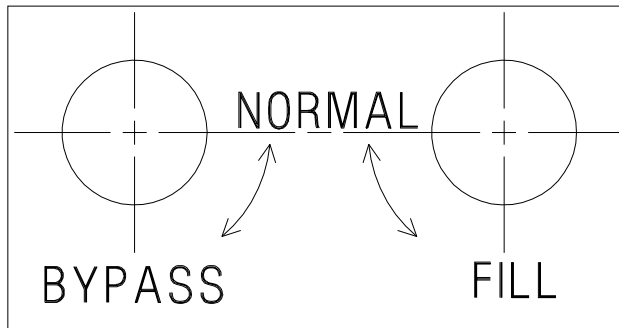
- (A) A CLOTHES DRYER MOISTURE-LINT EXHAUST DUCT SHALL NOT BE CONNECTED TO ANY OTHER DUCT, VENT, OR CHIMNEY.
- (B) THE EXHAUST DUCT SHALL BE OF SUFFICIENT LENGTH SO AS NOT TO TERMINATE BENEATH THE RECREATION VEHICLE.
- (C) MOISTURE-LINT EXHAUST DUCTS SHALL NOT BE CONNECTED WITH SHEET METAL SCREWS OR OTHER FASTENING DEVICES THAT EXTEND INTO THE INTERIOR OF THE DUCT.
- (D) MOISTURE-LINT EXHAUST DUCT AND TERMINATION FITTINGS SHALL BE INSTALLED IN ACCORDANCE WITH THE APPLIANCE MANUFACTURER'S PRINTED INSTRUCTIONS.
- (E) SEE MARKED INTERIOR AREA ON SIDEWALL TO LOCATE CUTOUT FOR EXHAUST VENT.
- (F) AS PART OF WASHER/DRYER PREP 4 HOLD DOWN BRACKETS WERE SHIPPED WITH YOUR VEHICLE WHICH ARE INTENDED TO BE USED WITH THE WINNEBAGO OFFERED APPLIANCE.

147824-01

**KEY PART NUMBER U/M DESCRIPTION**  
 147524-01-000 EA LABEL - DRYER VENTING



**KEY PART NUMBER U/M DESCRIPTION**  
 147525-01-000 EA LABEL - DRYER VENT CUTOUT



**KEY PART NUMBER U/M DESCRIPTION**  
 147581-01-01A EA LABEL - WATERFILL/BYPASS - BLACK/CLEAR

YOUR MOTORHOME IS EQUIPPED WITH A SEWER HOSE END ELBOW WHICH INCLUDES A CLOSEABLE DRIP VALVE. AFTER PLACING THE END OF THE HOSE ELBOW INTO THE PARK SEWER DISPOSAL OPENING, USE THUMB TO LIFT HANDLE LOCK AND MOVE HANDLE FORWARD TO OPEN VALVE.

NEVER OPERATE TANK VALVES WITHOUT FIRST OPENING THE DRIP VALVE.

AFTER TANKS ARE EMPTY, CLOSE TANK VALVES, THEN PULL HANDLE ON ELBOW TO A VERTICAL CARRYING POSITION TO CLOSE DRIP VALVE. THIS WILL ELIMINATE ANY DRIPPING FROM THE HOSE INTO YOUR STORAGE AREA. SEE OPERATORS MANUAL FOR ADDITIONAL INFORMATION.

147845-01A

**KEY PART NUMBER U/M DESCRIPTION**  
 147845-01-01A EA LABEL - DRIP VALVE - BLACK/WHITE

**LP GROUP**  
**LP SYSTEM**

KEY	PART NUMBER	U/M	DESCRIPTION
	010326-01-000	EA	ADAPTER - FLARE - W/CONE GASKET - 3/8"F X 1/2"F
	010329-01-000	EA	ADAPTER - 1/2"F X 1/2"MPT - BRASS
	146635-01-000	EA	ADAPTOR - PIPE - AWAY
	010377-02-000	EA	NUT - 3/8" FLARE - FORGED - BRASS
	010380-02-000	EA	NUT - 1/2" FLARE - FORGED - BRASS
	010589-01-000	EA	NIPPLE - PIPE - 1/2" X 1 1/2" - BLACK
	040440-03-000	EA	TRANSMITTER - DIAL/SNAP-ON - 0-90 OHM 2 TERM(POWER/GROUND)
	045703-01-000	EA	HOSE - LP - 3/8"ID X 24" - 3/8"MPT X 1/2"F SWIVEL - US
	045703-02-000	EA	HOSE - LP - 3/8"ID X 24" - 3/8"MPT X 1/2"F SWIVEL - CSA
	045703-12-000	EA	HOSE - LP - 3/8"ID X 18" - 3/8"MPT X 1/2"F SWIVEL - CSA
	045703-13-000	EA	HOSE - LP - 3/8"ID X 120" - 3/8"F SWIVEL X 1/2"F SWIVEL US
	045703-14-000	EA	HOSE - LP - 3/8"ID X 157.5" - 1/2"F SWIVEL X 1/2"F SWIVEL
	045703-15-000	EA	HOSE - LP - 3/8"ID X 142" - 1/2"F SWIVEL X 3/8"F SWIVEL
	045703-18-000	EA	HOSE - LP - 3/8"ID X 28" W/1/2" FEMALE SWIVELS
	045703-19-000	EA	HOSE - LP - 3/8"ID X 102" - 1/2"F SWIVELX3/8"F SWVL US/CSA
	045703-21-000	EA	HOSE - LP - 3/8"ID X 60" - 1/2"F SWIVEL X3/8"F SWVL US/CSA
	045703-24-000	EA	HOSE - LP - 3/8"ID X 228.3"-1/2"F SWIVELX3/8" F SWVL US/CSA
	045703-25-000	EA	HOSE - LP - 3/8"ID X 177" - 1/2"F SWIVEL X 3/8"M FL US/CSA
	045703-26-000	EA	HOSE - LP - 3/8"ID X 24" - 1/4"MPTX3/8"F FLARE SWVL US/CSA
	045703-28-000	EA	HOSE - LP - 3/8"ID X 96" - 1/2" F SWIVEL X1/2" F SWVL US/CSA
	146065-01-000	EA	HOSE - HIGH PRESSURE - WIRE BRAIDED - 110"
	146065-02-000	EA	HOSE - HIGH PRESSURE - WIRE BRAIDED - 90"
	146989-01-000	EA	HOSE - LP 1/2"ID X 132"(11') - 5/8" FEMALE SWIVEL
	146989-02-000	EA	HOSE - LP 1/2"ID X 132"(11') - 5/8" FEMALE SWIVEL
	146989-03-000	EA	HOSE - LP 1/2"ID X 132"(11') - 5/8" FEMALE SWIVEL
	103613-03-000	EA	DETECTOR - LP GAS - W/O SHUT-OFF VALVE
			FROM: 00-00-00 THRU: 02-08-04
	150138-01-01A	EA	DETECTOR - LP GAS - WHITE
			FROM: 02-09-04 THRU: 99-99-99
	150138-01-02A	EA	DETECTOR - LP GAS - BROWN
			FROM: 02-09-04 THRU: 99-99-99
	106150-06-000	EA	REGULATOR - TWO STAGE
	130377-01-000	EA	TUBE/DRAIN - KAZOO - 1 1/4" X 4"
*	144251-01-000	EA	TANK - LP
	144485-01-000	EA	COVER - LP REGULATOR
	145518-01-01A	EA	BRACKET - REMOTE FILL - GREY

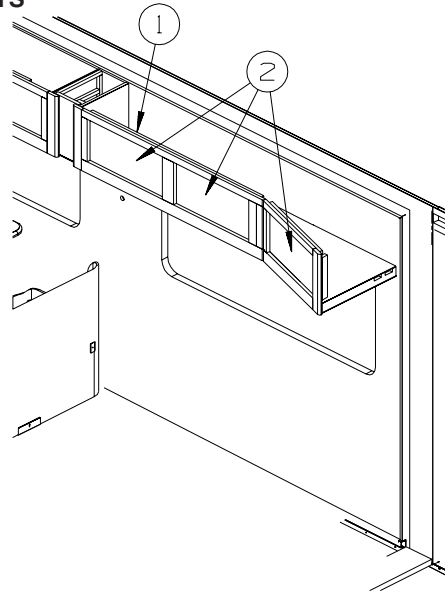
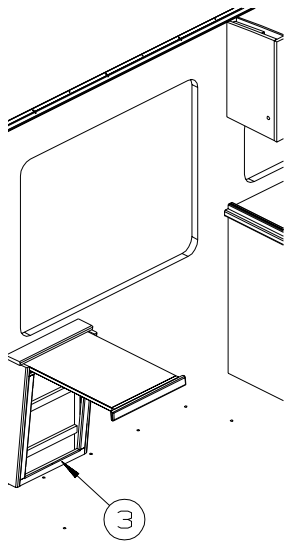
\*COMPONENT PARTS LISTED LATER IN THIS GROUP

**LP GROUP (CONTINUED)**  
**COMPONENT PARTS FOR LP SYSTEM**

144251-01-000

<b>KEY</b>	<b>PART NUMBER</b>	<b>U/M</b>	<b>DESCRIPTION</b>	<b>VENDOR NO.</b>
	040421-01-713	EA	VALVE-RELIEF 1" W/SPRING 7"	V-20479
	144251-01-700	EA	VALVE - OUTAGE	V13399
	144251-01-701	EA	VALVE/FILL 80% W/YELLOW CAP	V13415
	144251-01-702	EA	VALVE - SERVICE/VAPOR	V20533
	144251-01-703	EA	SENDING UNIT F/SNAP ON GAUGE	G13060

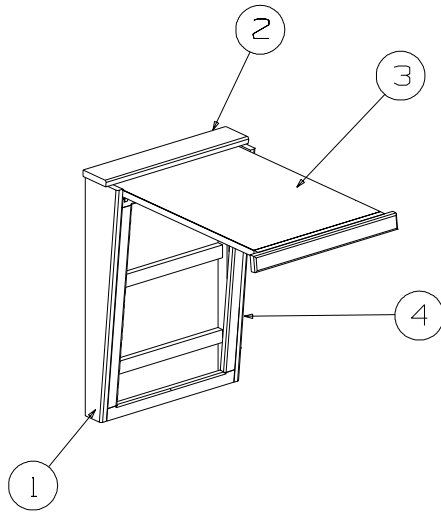
## LOUNGE GROUP CABINETS



KEY	PART NUMBER	U/M	DESCRIPTION
1	147465-01-R83	EA	CABINET - OVERHEAD/SLIDEOUT - W/O DOORS/HARDWARE - PORTSMOUTH OAK
1	147465-01-R84	EA	CABINET - OVERHEAD/SLIDEOUT - W/O DOORS/HARDWARE - CONCERT CHERRY
1	147465-01-RE0	EA	CABINET - OVERHEAD/SLIDEOUT - W/O DOORS/HARDWARE - HONEY CHERRY
2	136709-31-R83	EA	DOOR - RAISED PANEL/OGEE EDGE - 10.2" X 14.7" - W/O HDW - PORTSMOUTH OAK
2	136709-31-R84	EA	DOOR - RAISED PANEL/OGEE EDGE - 10.2" X 14.7" - W/O HDW - CONCERT CHERRY
2	136709-31-RE0	EA	DOOR - RAISED PANEL/OGEE EDGE - 10.2" X 14.7" - W/O HDW - HONEY CHERRY
3	140960-01-PA0	EA	TABLE - PULLOUT - PORTSMOUTH OAK
3	140960-01-PA1	EA	TABLE - PULLOUT - CONCERT CHERRY
3	140960-01-RE0	EA	TABLE - PULLOUT - HONEY CHERRY

## LOUNGE GROUP (CONTINUED)

### TABLES



KEY	PART NUMBER	U/M	DESCRIPTION
1	140960-12-PA0	EA	END CAP - TABLE CABINET - LEFT HAND - PORTSMOUTH OAK
1	140960-12-PA1	EA	END CAP - TABLE CABINET - LEFT HAND - CONCERT CHERRY
1	140960-12-PA2	EA	END CAP - TABLE CABINET - LEFT HAND - WASHED MAPLE
1	140960-12-RE0	EA	END CAP - TABLE CABINET - LEFT HAND - HONEY CHERRY
2	140960-20-PA0	EA	TOP - WALL PORTION - PORTSMOUTH OAK
2	140960-20-PA1	EA	TOP - WALL PORTION - CONCERT CHERRY
2	140960-20-PA2	EA	TOP - WALL PORTION - WASHED MAPLE
2	140960-20-RE0	EA	TOP - WALL PORTION - HONEY CHERRY
3	140960-13-PA0	EA	TABLE/TOP - W/O HARDWARE - PORTSMOUTH OAK
3	140960-13-PA1	EA	TABLE/TOP - W/O HARDWARE - CONCERT CHERRY
3	140960-13-PA2	EA	TABLE/TOP - W/O HARDWARE - WASHED MAPLE
			FROM: 00-00-00 THRU: 01-04-04
3	140960-13-RW5	EA	TABLE/TOP - W/O HARDWARE - WASHED MAPLE
			FROM: 01-05-04 THRU: 99-99-99
3	140960-13-RE0	EA	TABLE/TOP - W/O HARDWARE - HONEY CHERRY
4	140960-11-PA0	EA	END CAP - TABLE CABINET - RIGHT HAND - PORTSMOUTH OAK
4	140960-11-PA1	EA	END CAP - TABLE CABINET - RIGHT HAND - CONCERT CHERRY
4	140960-11-PA2	EA	END CAP - TABLE CABINET - RIGHT HAND - WASHED MAPLE
4	140960-11-RE0	EA	END CAP - TABLE CABINET - RIGHT HAND - HONEY CHERRY

**SEALANTS & FASTENERS GROUP**  
**SEALANTS & ADHESIVES**

KEY	PART NUMBER	U/M	DESCRIPTION
	004001-05-000	EA	ADHESIVE - SCOTCH-WELD - 3M DP100 - CLEAR - 50ML
	010405-02-000	EA	TAPE - THREAD SEALING - 3/8"
	034552-06-000	EA	SILICONE - TUBE - W/O NOZZLE - OFF WHITE
	034552-15-000	EA	SILICONE - TUBE - W/O NOZZLE - BRIGHT WHITE
	063642-01-000	FT	TAPE - ADHESIVE - .4" X 1.5" X 180'
	064075-07-000	FT	SEAL - BULB - W/WIRED U CHANNEL - .3" X .5" CHANNEL-BLACK
	067788-01-000	EA	ADHESIVE - SPRAY - 3M - 19.5 OZ AEROSOL CAN
	069640-01-000	FT	SEALER - TAPE - .25" DIAMETER X 30' - BLACK OR GRAY
	069640-02-000	FT	SEALER - TAPE - .13" THICK X .5" WIDE X 60' - GRAY
	069640-03-000	FT	SEALER - TAPE - .13" THICK X .75" WIDE X 60' - BLACK
	069640-07-000	FT	SEALER - TAPE - .09" THICK X 2" WIDE X 45' - GRAY
	069640-09-000	FT	SEALER - TAPE - .03" THICK X 2.50" WIDE X 80' - GRAY
	069640-10-000	FT	SEALER - TAPE - .03" THICK X 1.50" WIDE X 90' - GRAY
	069640-11-000	FT	SEALER - TAPE - .19" THICK X .38" WIDE X 40' - BLACK
	069640-13-000	FT	SEALER - TAPE - .03" THICK X 2" WIDE X 45' - BLACK
	069640-14-000	FT	SEALER - TAPE - .06" THICK X 1" WIDE X 100' - GRAY
	069640-15-000	FT	SEALER - TAPE - .06" THICK X .38" WIDE X 100' - GRAY
	069640-17-000	FT	SEALER - TAPE - .03" THICK X 1" WIDE X 90' - GRAY
	069640-18-000	FT	SEALER - TAPE - .50" THICK X .13" WIDE X 60' - BRT WHITE
	069640-19-000	FT	SEALER - TAPE - .75" THICK X .13" WIDE X 60' - BRT WHITE
	069640-20-000	FT	SEALER - TAPE - .50" THICK X .5" WIDE X 60' - BLACK
	069640-21-000	FT	SEALER - TAPE - .50" THICK X .06" WIDE X 100' - BRT WHITE
	069640-22-000	FT	SEALER - TAPE - 1/32" THICK X 1/4" WIDE X 200' - BRT WHITE
	069640-23-000	FT	SEALER - TAPE - 1/16" THICK X 3/4" WIDE X 100' - BRT WHITE
	069640-27-000	FT	SEALER - TAPE - .06" THICK X 2.25" WIDE - BRIGHT WHITE
	069640-28-000	FT	SEALER - TAPE - .25" THICK X 1.86" WIDE X 90' - GRAY
	069640-30-000	FT	SEALER - TAPE - .03" THICK X .625" WIDE X 50' - GRAY
	069640-31-000	FT	SEALER - TAPE - .25" THICK X .75" WIDE X 15' - BLACK
	069640-32-000	FT	SEALER - RIBBON - 1/16" X 3/8" X 100' - BLACK
	072889-01-000	EA	SEALANT - URETHANE - BLACK - TUBE W/NOZZLE TIP
	072889-27-000	EA	SEALANT - URETHANE - SILVER 10 OZ - TUBE W/NOZZLE TIP
	076322-01-000	FT	TAPE-DOUBLE COATED/ADHESIVE BK-.03"THK X .8"W X 216'- WHT
	076322-02-000	FT	TAPE-DOUBLE COATED/ADHESIVE BK-.05"THK X 1"W X 108' - WHT
	076322-03-000	FT	TAPE-DOUBLE COATED/ADHESIVE BK-.05"THK X .5"W X 108' - WHT
	076322-04-000	FT	TAPE-DOUBLE COATED/ADHESIVE BK-.05"THK X .8"W X 108' - WHT
	076322-05-000	FT	TAPE-DOUBLE COATED/ADHESIVE BK-.05"THK X .8"W X 108' - WHT
	076322-07-000	FT	TAPE-DOUBLE COATED/ADHESIVE BK-.05"THK X .5"W X 200' - WHT
	076322-11-000	FT	TAPE-DOUBLE COATED/ADHESIVE BK-.02"THK X 1"W X 216' - CLR
	076322-21-000	FT	TAPE - FOAM/DOUBLE COATED - .5"
	076322-22-000	FT	TAPE - FOAM/DOUBLE COATED - .045" X .75"
	076322-23-000	FT	TAPE - FOAM/DOUBLE COATED - .045" X 1"
	076322-24-000	FT	TAPE - FOAM/DOUBLE COATED - .025" X 1"
	076322-25-000	FT	TAPE - FOAM/DOUBLE COATED - .025" X .5"
	086276-01-000	EA	TAPE - DOUBLE SIDED - 1/2" WIDE X 108' LONG (SOLD BY ROLL)
	088479-01-000	EA	TAPE - ALUMINUM - 3"
	090340-01-000	FT	SEAL - FOAM - CLOSED CELL - 1/4" X 1/2" X 50'
	091255-02-000	FT	SEAL - ADHESIVE BACKED/FOAM - 3/64" THICK X 3/16"W X 1000'
	091255-03-000	FT	SEAL - ADHESIVE BACKED/FOAM - 1/4" THICK X 1/4"W X 1000'
	094401-01-000	EA	SEALER - BODY SEAM - FLEXICLEAR
	094401-03-000	EA	SEALER - BODY SEAM - BLACK
	094401-04-000	EA	SEALER - BODY SEAM - CLEAR
	098408-01-000	FT	SEAL - SPONGE RUBBER - CLOSED CELL
	099069-01-000	FT	SEAL - RUBBER - CLOSED SPONGE - .5" WIDE X .12" THICK -BLK
	099418-01-000	FT	SEAL - D-SECTION/ADHESIVE BACK - .44" X .44"- BLK RUBBER
	099418-02-000	FT	SEAL - D-SECTION/ADHESIVE BACK - .44" X .44"- WHITE RUBBER
	100128-02-000	FT	SEAL - FOAM/ADHESIVE BACK - .37" WIDE X .37" THICK
	104692-01-000	FT	SEAL - ADHESIVE BACKED FOAM - 3/4" THICK X 3/4" WIDE X 25'
	104692-03-000	FT	SEAL - ADHESIVE BACKED FOAM - 1" THICK X 1 3/16"WIDE X 15'
	107828-01-000	EA	SEALANT - SB - 190 EVERSEAL
	109506-12-000	EA	FILM/ABRASION-RESISTANT - TRANSPARENT - 1" DIA.
	110274-01-000	FT	TAPE - DOUBLE SIDED/FOAM - .45" X 1" X 216' - BLACK
	112481-02-000	EA	ADHESIVE - PLEXUS ETHACRYLATE - CARTRIDGE
	112864-01-000	FT	SEAL - FOAM/BUTYL COVERED - 3/8" X 35'

**SEALANTS & FASTENERS GROUP (CONTINUED)**  
**SEALANTS & ADHESIVES (CONTINUED)**

KEY	PART NUMBER	U/M	DESCRIPTION
	112091-01-000	FT	SEAL/D - NEOPRENE - HEAT ACTIVE ADHESIVE - .9" X .7"
	112901-03-000	EA	ADHESIVE - PLEXUS - MA300 - 50ML - WHITE
	112902-01-000	EA	NOZZLE - ELEMENT - 3/8 X 24
	112902-03-000	EA	MIXER NOZZLE - F/GUN #00400102000 - SCOTCH-WELD & PLEXUS
	112902-04-000	EA	NOZZLE - ELEMENT - 1/4" X 3.5"
	113366-01-000	EA	ADHESIVE - INSTANT - 1 OZ
	113452-02-000	FT	SEAL/TRIM - FRONT - VINYL W/WIRE CARRIER - .027"
	120074-02-03A	EA	SILICONE - TUBE - W/O NOZZLE - LOW ODOR - SMOKEY WHITE
	120074-02-02A	EA	SILICONE - TUBE - W/O NOZZLE - LOW ODOR - SOFT WHITE
	120534-01-01A	EA	TAPE - SCOTCH - 3M - 1/2" FINE LINE
	123244-01-000	FT	TAPE - DOUBLE SIDED/FOAM - 5/64" THICK X 3/4" WIDE X 108'
	123816-01-000	FT	TAPE - DOUBLE SIDED - 1" X 3/4" X 200'
	123816-02-000	FT	TAPE - DOUBLE SIDED - 1/2" X 1 1/3" X 200'
	123816-03-000	FT	TAPE - DOUBLE SIDED - 1/2" X 3/4" X 200'
	123816-04-000	FT	TAPE - DOUBLE SIDED - 6" X 750'
	126427-01-000	EA	ADHESIVE - ALL PURPOSE - ABS/PVC
	126427-02-000	EA	PRIMER - CLEANER - FLEX PIPING
	131264-01-02A	EA	SILICONE - TUBE - W/O NOZZLE - CLEAR
	131264-01-01A	EA	SILICONE - TUBE - W/O NOZZLE - BLACK
	131264-02-01A	EA	SILICONE - TUBE - W/O NOZZLE - VW GRAY - BATH ONLY
	131264-03-01A	EA	SILICONE - TUBE - W/O NOZZLE- SELF LEVELING - BRIGHT WHITE
	131264-04-01A	EA	SILICONE/SEALANT/ADHESIVE - FAST CURE F/GLASS/VINYL - B/W
	131384-01-000	EA	ADHESIVE - JET WELD
	134651-01-000	FT	SEAL - 1/2" X 3/4" PSA 1 SIDE
	900390-01-000	EA	NOZZLE - SILICONE TUBE - 2.5" LONG - W/EXTERNAL THREADS
	900390-03-000	EA	NOZZLE - SILICONE TUBE - 4.3" LONG W/INTERNAL THREADS

**BOLTS, NUTS AND WASHERS**

KEY	PART NUMBER	U/M	DESCRIPTION
	OMC04K-06-016	EA	BOLT - HEX - M06 X 1 X 016
	OMC05K-08-055	EA	BOLT - HEX - M08 X 1.25 X 2.2
	OMC13K-14-110	EA	BOLT - HEX
	OMC13K-14-070	EA	BOLT - HEX - M14 X 2 X 2 3/4
	OMC31K-08-020	EA	BOLT - HEX - SERRATED FLANGE - M8 X 020
	OMC32K-10-030	EA	BOLT - HEX - SERRATED FLANGE - M10 X 1 1/2
	OMD16K-10-000	EA	NUT - HEX PREV TORQUE M10 X 1 1/2 CLASS 8
	OMD39K-12-000	EA	NUT - HEX W/NYLON LOCK - M12 X 1 3/4
	OMD40K-14-000	EA	NUT - HEX W/NYLON LOCK - M14 X 2
	OMD54F-06-000	EA	NUT-HEX SER FLG M6X1,0 SS - DIN6923A2M6
	OME06K-14-280	EA	WASHER - FLAT - 14 ID X 28 OD
	000C12-04-08B	EA	BOLT - HEX - 1/4-20 X 1/2 - GRADE #5 - ZINC
	000C12-04-12A	EA	BOLT - HEX - 1/4-20 X 3/4 - PLAIN 5
	000C12-04-40B	EA	BOLT - HEX - 1/4-20 X 2 1/2 - GRADE 5 ZINC
	000C12-05-16B	EA	BOLT - HEX - 5/16 - 18X1 - GRADE #5 - ZINC
	000C12-06-44B	EA	BOLT - HEX - 3/8-16 X 2 3/4 - GRADE 5 - ZINC
	000C12-06-16B	EA	BOLT - HEX - 3/8 - 16X1 - GRADE #5 - ZINC
	000C12-08-28B	EA	BOLT - HEX - 1/2-13 X 1 3/4 - GRADE #5 - ZINC
	000C12-08-24B	EA	BOLT - HEX - 1/2 - 13X1 1/2 - GRADE #5 - ZINC
	000C12-08-16B	EA	BOLT - HEX - 1/2-13 X 1 - GRADE #5 - ZINC
	000C12-10-24B	EA	BOLT - HEX - 5/8 - 11X1 1/2 - GRADE #5 - ZINC
	000C13-07-48B	EA	BOLT - HEX - 7/16-20 X 3 - GRADE #5 - ZINC
	000C13-07-40B	EA	BOLT - HEX - 7/16-20 X 2 1/2 - GRADE #5 - ZINC
	000C14-07-28B	EA	BOLT - HEX - 7/16-14 X 1 3/4 - GRADE #8 - ZINC
	000C14-10-32K	EA	BOLT - HEX - 5/8-11 X 2 - GRADE #8 - ZINC
	000C14-10-24K	EA	BOLT - HEX - 5/8-11 X 1 1/2 - GRADE #8 - ZINC
	000C16-07-16B	EA	BOLT - CARRIAGE - ASSIST HANDLE - 7/16TH - 14 X 1
	000C18-05-40A	EA	BOLT - ELEVATOR - 5/16-18 X 2 1/2 - PL
	000C26-04-10B	EA	BOLT - HEX - SERRATED FLANGE - 1/4-20 X 5/8 - ZINC
	000C26-04-18B	EA	BOLT - HEX - SERRATED FLANGE - 1/4-20 X 1 1/8 - ZINC
	000C26-04-14B	EA	BOLT - HEX - SERRATED FLANGE - 1/4-20 X 7/8 - ZINC
	000C26-05-20B	EA	BOLT - HEX - SERRATED FLANGE - 5/16-18 X 1 1/4 - ZINC

**SEALANTS & FASTENERS GROUP (CONTINUED)**  
**BOLTS, NUTS AND WASHERS (CONTINUED)**

KEY	PART NUMBER	U/M	DESCRIPTION
	000C26-06-12B	EA	BOLT - HEX - SERRATED FLANGE - 3/8-16 X 3/4 - ZINC
	000C26-08-24B	EA	BOLT - HEX - SERRATED FLANGE - 1/2-13 X 1 1/2 - ZINC
	000C27-04-40B	EA	BOLT - CARRIAGE - 1/4-20 X 2 1/2 - ZINC
	000C27-07-40B	EA	BOLT - CARRIAGE - 7/16-14 X 2 1/2 - GRADE #5
	000C27-08-48B	EA	BOLT - CARRIAGE - 1/2-13 X 3 - GRADE #5
	000D16-07-00B	EA	NUT - HEX - 7/16-14 - ZINC
	000D20-07-00B	EA	NUT - ACORN - ASSIST HANDLE - 7/16 - 14
	000D24-10-00B	EA	NUT - HEX - SELF LOCKING - 10-32 - ZINC
	000D28-10-00B	EA	NUT - HEX - W/NYLON LOCK - 10-32 ZINC
	000D29-04-00B	EA	NUT - HEX - SELF LOCKING - 1/4 X 20 - ZINC
	000D29-06-00B	EA	NUT - HEX - W/NYLON LOCK - 3/8-16 - ZINC
	000D29-09-00B	EA	NUT - HEX - SELF LOCKING - 9/16-12 - ZINC
	000D30-07-00B	EA	NUT - HEX LOCK - NYLON 7/16 X 20
	000D34-04-00B	EA	NUT - HEX - LOCKING - 1/4-20 - ZINC
	000D34-06-00B	EA	NUT - HEX - LOCKING - 3/8-16 GRADE C - ZINC
	000D39-04-00B	EA	NUT - HEX - LOCKING W/SERRATED FLANGE - 1/4-20 - ZINC
	000D39-05-00B	EA	NUT - HEX - LOCKING W/SERRATED FLANGE - 5/16-18 - ZINC
	000D39-06-00B	EA	NUT - HEX - LOCKING W/SERRATED FLANGE - 3/8-18 - ZINC
	000D39-07-00B	EA	NUT - HEX - LOCKING W/SERRATED FLANGE - 7/16-14 - ZINC
	000D39-08-00B	EA	NUT - HEX - LOCKING W/SERRATED FLANGE - 1/2-13 - ZINC
	000D44-04-00B	EA	NUT - HEX - LOCKING W/SERRATED FLANGE - 1/4-28 - ZINC
	000D44-07-00B	EA	NUT - HEX - LOCKING W/SERRATED FLANGE - 7/16-20 - ZINC
	000D44-08-00B	EA	NUT - HEX - LOCKING W/SERRATED FLANGE - 1/2-20 - ZINC
	000D46-04-00A	EA	NUT - HEX - WELD - 1/4-20 - PLAIN
	000D58-06-00A	EA	NUT - HEX - WELD 3/8-16 - PLAIN
	000D65-08-00B	EA	NUT - HEX - LOCKING W/SERRATED FLANGE - 8-32 - ZINC
	000D67-10-00B	EA	NUT - HEX - LOCK - 5/8-11 - ZINC
	000D73-08-00C	EA	NUT - HEX FLANGE - 1/2-13
	000D75-09-00B	EA	NUT - HEX LOCKING - 9/16-12 - ZINC
	000D76-06-00B	EA	NUT - HEX FLANGE - 3/8-16
	000E11-04-00F	EA	WASHER - LOCKING - 1/4 MED SPLIT - STAINLESS STEEL
	000E11-07-00B	EA	WASHER - LOCKING - 7/16 MED SPLIT - ZINC
	000E11-08-00B	EA	WASHER - LOCKING - 1/2 MED SPLIT - ZINC
	000E13-17-00B	EA	WASHER - FLAT - 3/8 AR - ZINC
	000E13-18-00B	EA	WASHER - FLAT - 3/8 WIDE - ZINC
	000E13-20-00B	EA	WASHER - FLAT - 7/16 WIDE - ZINC
	000E13-22-00B	EA	WASHER - FLAT - 1/2 WIDE - ZINC
	000E13-26-00B	EA	WASHER - FLAT - 5/8 WIDE - ZINC
	000E14-10-00B	EA	WASHER - LOCKING - #10 EXTERNAL TOOTH - ZINC
	000E16-10-00B	EA	WASHER - HARDENED - 5/8 - FLAT - ZINC
	000G45-05-16B	EA	BOLT - LAG - 5/16-9 X 1 - ZINC
	000G62-08-24B	EA	SCREW - SF/DR - 8-18 X 1 1/2 PFH
	005081-01-000	EA	NUT - SPEED - C-TYPE - #8 SCREW
	040921-03-000	EA	NUT - SPEED - U TYPE - #10
	040921-04-000	EA	NUT - SPEED - U TYPE - #8-.59" LENGTH X .44" WIDTH
	040921-05-000	EA	NUT - SPEED - U-TYPE - 8-.67" X .44" WIDE
	041322-01-000	EA	WASHER - FLANGE - 15/32 ID X 2 3/8 OD - F/SEAT BELT MTG
	044364-02-000	EA	NUT - SPEED - FLAT - ROUND
	044533-01-000	EA	WASHER - 1 3/8"OD - FOR BUTTONS - PLASTIC
	051387-06-000	EA	BOLT - CARRIAGE W/O HOLE - 5/16-18 X 9 1/2 - ZINC
	058716-02-000	EA	WASHER - FLAT NYLON
	064081-03-000	EA	NUT - WING 3/8-16 - W/WELD NUT
	077071-01-000	EA	WASHER - FENDER - 3/16"ID X 1"OD
	084406-01-000	EA	NUT - CAPPED - CROSS RECESSED - BLACK - 1/4-20 THD
	087234-01-000	EA	NUT - JACK - 1/4 X 20 THD - MOLLY
	088787-12-000	EA	STUD - WELD - 1/4 - 20 X 1.0 LG - MN
	102333-01-06A	EA	BOLT - CARRIAGE - 7/16-14 STAINLESS STEEL CAP
	103020-02-000	EA	BOLT-U - #8-32 - GRADE 5 ZINC
	106166-01-000	EA	BOLT/COLLARED HANGER - 8-32 X 1
	106956-03-000	EA	BOLT - HEX TAP - 1/2-12NC X 3 - GRADE 5 - FULL THREAD/ZINC
	106956-08-000	EA	BOLT - HEX TAP - 1/2-13NC X 4 - GRADE 5 - FULL THREAD/ZINC
	107397-01-000	EA	WASHER - FENDER - 3/4"ID X 1"OD
	108067-03-000	EA	STUD - WELD - 1/4 - 20 X 1/2 CD



**SEALANTS & FASTENERS GROUP (CONTINUED)**  
**BOLTS, NUTS AND WASHERS (CONTINUED)**

KEY	PART NUMBER	U/M	DESCRIPTION
	103020-02-000	EA	BOLT-U - #8-32 - GRADE 5 ZINC
	106166-01-000	EA	BOLT/COLLARED HANGER - 8-32 X 1
	106956-03-000	EA	BOLT - HEX TAP - 1/2-12NC X 3 - GRADE 5 - FULL THREAD/ZINC
	106956-08-000	EA	BOLT - HEX TAP - 1/2-13NC X 4 - GRADE 5 - FULL THREAD/ZINC
	107397-01-000	EA	WASHER - FENDER - 3/4"ID X 1"OD
	108067-03-000	EA	STUD - WELD - 1/4 - 20 X 1/2 CD
	109235-01-05A	FT	COVER - SCREW - BRIGHT WHITE
	109235-01-01A	FT	COVER - SCREW - MAT BLACK
	109917-03-000	EA	WASHER - 1" X .50"
	109917-04-000	EA	WASHER - 1" X .75"
	110794-01-000	EA	WASHER - FLAT - 1" ID X 1 3/4" OD
	121511-01-000	EA	WASHER - SPUR
	113985-02-000	EA	BOLT - FLANGE - M10-1 1/2 X 30CL 10.9
	114259-05-000	EA	BOLT - 7/16-20 X 1 1/4 W/WASHER
	128444-01-000	EA	WASHER - SPRING - CONICAL
	131377-01-000	EA	NUT-HEX HEAD W/WASHER-1/4-20 X 2" STEEL W/3/4" OD WASHER
	135092-01-01A	EA	BOLT - HEX - SERRATED FLANGE - 1/2-20 X 1 3/4-GRADE 5 ZINC
	135092-02-01A	EA	BOLT - HEX - SERRATED FLANGE - 1/2-20 X 2 1/2-GRADE 5 ZINC
	143399-01-01A	EA	NUT/RETAINING - 3/8"- 24 NFT
	144904-01-01A	EA	BOLT - ADJUSTMENT - HEADLAMP
	148817-01-000	EA	WASHER/SPUR - LOCKING

**SCREWS**

KEY	PART NUMBER	U/M	DESCRIPTION
	0G1106-06-160	EA	SCREW - 6-20 X 3/8 PPH
	0G1106-08-240	EA	SCREW - 6-20 X 1/2 PPH - VW LIGHT GRAY
	0G1108-12-240	EA	SCREW - 8-18 X 3/4 PPH - VW LIGHT GRAY
	0G1108-16-240	EA	SCREW - 8-18 X 1.00 PPS - VW LIGHT GRAY
	0G1208-12-170	EA	SCREW - 8-18 X 3/4 POH - BRIGHT WHITE
	0G1308-10-240	EA	SCREW - 8-18 X 5/8 PFH - VW LIGHT GRAY
	0G3804-22-180	EA	SCREW - MACHINE - 1/4-20 X 1 3/8 PFH - BLACK
	0G3908-08-170	EA	SCREW - SF/DR - 8-18 X 1/2 PPH - BRIGHT WHITE
	0G3908-08-160	EA	SCREW - SF/DR - 8-18 X 1/2 PPH - VW WHITE
	0G3908-08-240	EA	SCREW - SF/DR - 8-18 X 1/2 PPH - VW LIGHT GRAY
	0G3908-12-250	EA	SCREW - SF/DR - 8-18 X 3/4 PPH - DARK GRAY
	0G3908-12-240	EA	SCREW - SF/DR - 8-18 X .75 PPH - VW LIGHT GRAY
	0G3908-16-170	EA	SCREW - SF/DR - 8-18 X 1 PPH - BRIGHT WHITE
	0G3908-24-170	EA	SCREW - SF/DR - 8-18 X 1 1/2 PPH - BRIGHT WHITE
	0G3910-10-330	EA	SCREW - SF/DR - 20-16 X 5/8 PPH - PUTTY
	0G3910-10-320	EA	SCREW - SF/DR - 10-16 X 5/8 PPH - GLACIER
	0G3910-10-240	EA	SCREW - SF/DR - 10-16 X 5/8 PPH - VW LIGHT GRAY
	0G3910-12-240	EA	SCREW - SF/DR - 10-16 X .75 PPH - VW LIGHT GRAY
	0G3910-12-170	EA	SCREW - SF/DR - 10-16 X 3/4 PPH - BRIGHT WHITE
	0G3910-12-320	EA	SCREW - SF/DR - 10-16 X 3/4 PPH - GLACIER
	0G5508-12-240	EA	SCREW - SF/DR - 8-18 X 3/4 PWH - VW LIGHT GRAY
	0G5508-12-170	EA	SCREW - SF/DR - 8-18 X 3/4 PWH - BRIGHT WHITE
	0G5508-12-330	EA	SCREW - SF/DR - 8-18 X 3/4 PWH - PUTTY
	0G5508-12-320	EA	SCREW - SF/DR - 8-18 X 3/4 PWH - GLACIER
	0G5508-12-260	EA	SCREW - SF/DR - 8-18 X 3/4 PWH - ALLANTE ANTELOPE
	0G5508-12-270	EA	SCREW - SF/DR - 8-18 X 3/4 PWH - TITANIUM
	0G5508-16-250	EA	SCREW - SF/DR - 8-18 X 1 PWH - VW DARK GRAY
	0G5508-16-330	EA	SCREW - SF/DR - 8-18 X 1 PWH - PUTTY
	0G5508-16-320	EA	SCREW - SF/DR - 8-18 X 1 PWH - GLACIER
	0G6008-16-170	EA	SCREW - SF/DR - 8-18 X 1 POH - BRIGHT WHITE
	0G6710-08-130	EA	SCREW - 10-12 X 1/2 PPH - TAUPE
	0G6710-08-170	EA	SCREW - 10-12 X 1/2 PPH - BRIGHT WHITE
	0G6710-08-240	EA	SCREW - 10-12 X 1/2 PPH - VW LIGHT GRAY
	0G6710-12-170	EA	SCREW - 10-12 X 3/4 PPH - BRIGHT WHITE
	0G6806-16-170	EA	SCREW - 6-18 X 1 POH - BRIGHT WHITE
	0G6810-24-280	EA	SCREW - 10-12 X 1 1/2 POH - SOFT WHITE
	000C20-04-16A	EA	SCREW - 1/4-20X 1 - FLAT SOCKET HEAD
	000C20-05-28F	EA	SCREW - 5/16-18 X 1 3/4 FLAT SOC - STAINLESS STEEL
	000C20-06-24T	EA	SCREW - 3/8-16 X 1 1/2 - FLAT SOCKET

**SEALANTS & FASTENERS GROUP (CONTINUED)**  
**SCREWS (CONTINUED)**

<b>KEY</b>	<b>PART NUMBER</b>	<b>U/M</b>	<b>DESCRIPTION</b>
	000G11-06-10J	EA	SCREW - 6-20 X 5/8 PPH - BRASS
	000G11-06-08P	EA	SCREW - 6-20 X 1/2 PPH - DARK BROWN
	000G11-06-08B	EA	SCREW - 6-20 X 1/2 PPH - ZINC
	000G11-07-08B	EA	SCREW - 7-19 X 1/2 PPH - ZINC
	000G11-08-20G	EA	SCREW - 8-18 X 1 1/4 - ANTIQUE BRASS
	000G11-08-20B	EA	SCREW - 8-18 X 1 1/4 PPH - ZINC
	000G11-08-16B	EA	SCREW - 8-18 X 1 PPH - ZINC
	000G11-08-12T	EA	SCREW - 8-18 X 3/4 PPH - BLACK MAGNESIUM
	000G11-08-12P	EA	SCREW - 8-18 X 3/4 PPH - DARK BROWN
	000G11-08-12B	EA	SCREW - 8-18 X 3/4 PPH - ZINC
	000G11-08-08T	EA	SCREW - 8-18 X 1/2 PPH - FLUOROCARBON COATING
	000G11-08-06B	EA	SCREW - 8-18 X 3/8 PPH - ZINC
	000G11-10-24P	EA	SCREW - 10-16 X 1 1/2 PPH - DARK BROWN
	000G11-10-12D	EA	SCREW - 10-16 X 3/4 PPH - BLACK
	000G12-06-12J	EA	SCREW - 6-20 X .75 POH - BRASS
	000G12-06-08T	EA	SCREW - 6-20 X 1/2 POH - BLACK
	000G13-05-10B	EA	SCREW - 5-12 X 5/8 PFH - ZINC
	000G13-06-08G	EA	SCREW - 6-20 X 1/2 PFH - ANTIQUE BRASS
	000G13-06-08B	EA	SCREW - 6-20 X 1/2 PFH - ZINC
	000G13-06-06I	EA	SCREW - 6-20 X 3/8 PFH - BLACK ZINC
	000G13-06-24J	EA	SCREW - 6-20 X 1 1/2 PFH - BRASS
	000G13-06-16J	EA	SCREW - 6-20 X 1 PFH - BRASS
	000G13-06-10J	EA	SCREW - 6-20 X 5/8 PFH - BRASS
	000G13-06-10G	EA	SCREW - 6-20 X 5/8 PFH - ANTIQUE BRASS
	000G13-07-10H	EA	SCREW - 7-19 X 5/8 PFH - BLACK
	000G13-08-16B	EA	SCREW - 8-18 X 1 PFH - ZINC
	000G13-08-109	EA	SCREW - 8-18 X 5/8 PFH
	000G13-08-10B	EA	SCREW - 8-18 X 5/8 PFH - ZINC
	000G13-08-24B	EA	SCREW - 8-18 X 1 1/2 PFH - ZINC
	000G13-10-16I	EA	SCREW - 10-16 X 1 PFH - BLACK
	000G16-04-24B	EA	SCREW - MACHINE - 1/4-20 X 1 1/2 PPH
	000G18-08-16B	EA	SCREW - MACHINE - 8-32 X 1 PPH - ZINC
	000G18-08-24B	EA	SCREW - MACHINE - 8-32 X 1 1/2 PPH - ZINC
	000G18-08-22B	EA	SCREW - MACHINE - 8-32 X 1 3/8 PPH - ZINC
	000G19-10-10B	EA	SCREW - MACHINE - 10-32 X 5/8 - PPH - ZINC
	000G19-10-08B	EA	SCREW - MACHINE - 10-32 X 1/2 PPH - ZINC
	000G19-10-20B	EA	SCREW - MACHINE - 10-32 X 1 1/2 PPH - ZINC
	000G19-10-12F	EA	SCREW - MACHINE - 10-32 X 3/4 PPH - STAINLESS STEEL
	000G36-10-12T	EA	SCREW - 10-24X 3/4 PFH TYPE 23 - BLACK
	000G39-06-10T	EA	SCREW - SF/DR - 6-20 X 5/8 PPH - BLACK
	000G39-06-16T	EA	SCREW - SF/DR - 6-20 X 1 PPH - BLACK
	000G39-08-08S	EA	SCREW - SF/DR - 8-18 X 1/2 PPH - OFF WHITE
	000G39-08-08B	EA	SCREW - SF/DR - 8-18 X 1/2 PPH - ZINC
	000G39-08-08T	EA	SCREW - SF/DR - 8-18 X 1/2 PPH - BLACK
	000G39-08-06B	EA	SCREW - SF/DR - 8-18 X 3/8 PPH - ZINC
	000G39-08-32B	EA	SCREW - SF/DR - 8-18 X 2 PPH - ZINC
	000G39-08-24T	EA	SCREW - SF/DR - 8-18 X 1 1/2 PPH - BLACK
	000G39-08-24S	EA	SCREW - SF/DR - 8-18 X 1 1/2 - OFF WHITE
	000G39-08-24B	EA	SCREW - SF/DR - 8-18 X 1 1/2 PPH - ZINC
	000G39-08-16T	EA	SCREW - SF/DR - 6-20 X 1 PPH - BLACK
	000G39-08-16B	EA	SCREW - SF/DR - 8-18 X 1 PPH - ZINC
	000G39-08-12B	EA	SCREW - SF/DR - 8-18 X 3/4 PPH - ZINC
	000G39-08-12T	EA	SCREW - SF/DR - 8-18 X 3/4 PPH - BLACK
	000G39-10-48T	EA	SCREW - SF/DR - 10-16 X 3 PPH - BLACK
	000G39-10-48B	EA	SCREW - SF/DR - 10-16 X 3 - PPH - ZINC
	000G39-10-40D	EA	SCREW - SF/DR - 10-16 X 2 1/2 PPH - BLACK
	000G39-10-32B	EA	SCREW - SF/DR - 10-16 X 2 - PPH - ZINC
	000G39-10-20T	EA	SCREW - SF/DR - 10-16 X 1 1/4 PPH - BLACK
	000G39-10-20B	EA	SCREW - SF/DR - 10-16 X 1 1/4 PPH - ZINC
	000G39-10-169	EA	SCREW - SF/DR - 10-16 X 1 PPH - FLUOROCARBON SILVER
	000G39-10-129	EA	SCREW - SF/DR - 10-16 X 3/4 PPH - FLUOROCARBON SILVER
	000G39-10-12T	EA	SCREW - SF/DR - 10-16 X 3/4 - BLACK
	000G39-10-10T	EA	SCREW - SF/DR - 10-16 X 5/8 - BLACK

**SEALANTS & FASTENERS GROUP (CONTINUED)**  
**SCREWS (CONTINUED)**

KEY	PART NUMBER	U/M	DESCRIPTION
	000G39-10-10B	EA	SCREW - SF/DR - 10-16 X 5/8 PPH - ZINC
	000G39-10-08B	EA	SCREW - SF/DR - 10-16 X 1/2 PPH - ZINC
	000G39-10-088	EA	SCREW - SF/DR - 10-16 X 1/2 PPH - FLEX FLUOROCARBON
	000G39-12-12E	EA	SCREW - SF/DR - 12 - 14 X 3/4 PPH - CHROME
	000G42-04-24B	EA	SCREW - SF/DR - 1/4-14 X 1 1/2 - ZINC
	000G42-04-16B	EA	SCREW - SF/DR - 1/4-14 X 1 HWH - ZINC
	000G42-04-24B	EA	SCREW - SF/DR - 1/4-14 X 1 1/2 - ZINC
	000G46-08-24T	EA	SCREW - MACHINE - 8-32 X 1 1/2 PFH - BLACK
	000G50-04-48B	EA	SCREW - MACHINE - 1/4-14 X 3 - ZINC
	000G52-06-05B	EA	SCREW - MACHINE - 6-32 X 5/16 PTH ZINC
	000G52-06-06B	EA	SCREW - MACHINE - 6-32 X 3/8 PIN - ZINC
	000G54-04-14B	EA	SCREW - 1/4-20 X 7/8 PTH - TYPE 23 - ZINC PLATED
	000G55-08-124	EA	SCREW - SF/DR - 8-18 X 3/4 PWH - ASH GRAY
	000G55-08-12M	EA	SCREW - SF/DR - 8-19 X .75 PWH - GRAY
	000G55-08-165	EA	SCREW - SF/DR - 8-18 X 1 PWH - WILLOW
	000G55-08-16T	EA	SCREW - SF/DR - 8-18 X 1 PWH - BLACK
	000G55-08-16S	EA	SCREW - SF/DR - 8-18 X 1.00 - PWH - OFF WHITE
	000G56-12-48B	EA	SCREW - WOOD - 12-11 X 3 POH - SPECIAL HARDENED
	000G57-14-72B	EA	SCREW-14-10-X4 1/2 PFH ZN           GENERAL MOTORHOMES
	000G57-14-64B	EA	SCREW - 14-10 X 4 PFH ZINC
	000G60-08-20F	EA	SCREW - SF/DR - 8-19X1.25 POH
	000G60-08-16E	EA	SCREW - SF/DR - 8-1 X 1 POH - CHROME
	000G60-08-22B	EA	SCREW - SF/DR - 8-18 X 1.38 POH - ZINC
	000G60-10-209	EA	SCREW - SF/DR - 10-16 X 1 1/4 POH - SILVER STALGAARD
	000G60-10-20B	EA	SCREW - SF/DR - 10-16 X 1 1/4 POH - ZINC
	000G60-10-16J	EA	SCREW - SF/DR - 10-16 X 1 POH - BRIGHT BRASS
	000G60-10-28T	EA	SCREW - SF/DR - 10-16 X 1 3/4 - BLACK
	000G67-08-32B	EA	SCREW - 8-15 X 2 PPH - ZINC
	000G67-10-08B	EA	SCREW - 10-12 X 1/2 PPH - ZINC
	000G67-10-24S	EA	SCREW - 10-12 X 1 1/2 PPH - OFF WHITE
	000G67-10-24B	EA	SCREW - 10-12 X 1 1/2 PPH - ZINC
	000G67-10-20D	EA	SCREW - 10-12 X 1 1/4 PPH - BLACK
	000G67-10-12P	EA	SCREW - 10-12 X 3/4 PPH - DARK BROWN
	000G67-10-12B	EA	SCREW - 10-12 X 3/4 PPH - ZINC
	000G67-10-10T	EA	SCREW - 10-12 X 5/8 PPH - BLACK
	000G67-10-10S	EA	SCREW - 10-12 X 5/8 PPH - OFF WHITE
	000G67-10-10P	EA	SCREW - 10-12 X 5/8 PPH - DARK BROWN
	000G67-10-10B	EA	SCREW - 10-12 X 5/8 PPH - ZINC - TYPE A
	000G67-10-08S	EA	SCREW - 10-12 X 1/2 PPH - OFF WHITE
	000G68-06-10J	EA	SCREW - 6-18 X 5/8 POH - BRASS
	000G68-06-10G	EA	SCREW - 6-18 X 5/8 POH - ANTIQUE BRASS
	000G68-06-12J	EA	SCREW - 6-18 X 3/4 POH - BRASS
	000G68-06-12B	EA	SCREW - 6-18 X 3/4 POH - ZINC & CLEAR
	029130-01-000	EA	SCREW - SNAP STUD - #8-16 X 5/8" LONG
	029130-03-000	EA	SCREW - SNAP STUD - #8-16 X 1" LONG
	049465-01-000	EA	SCREW - 10-16 PTH W/WASHER - DARK BROWN
	049465-03-000	EA	SCREW - 10-16 X 1 POH W/WASHER - OFF WHITE
	049465-04-000	EA	SCREW - 10-16 X 1 PTH W/WASHER - BEIGE
	049465-13-000	EA	SCREW-10+16X1 PTH W/WASHER - *ASH GRAY
	049465-17-000	EA	SCREW - 10-16 X 1 POH W/WASHER - BRIGHT WHITE
	049465-23-000	EA	SCREW - 10-16 X 1.5 POH W/WASHER - VW LIGHT GRAY
	054434-02-000	EA	SCREW - SF/DR - 10-16 X 2 - ZINC
	054434-03-000	EA	SCREW - SF/DR - 10-16 X 2 - PWH - ZINC
	075908-01-000	EA	SCREW - MACHINE - 10-32 X .56 PTH - EXTERNAL TOOTH - ZINC
	076790-01-000	EA	SCREW - 6-20 X 1 1/4 PPH - BLACK
	076790-05-000	EA	SCREW - 6-20 X 1/2 PPH - BLACK - THREAD CUTTING/WOOD
	083554-01-000	EA	SCREW - DRYWALL - 8 X 1 1/4
	083554-04-000	EA	SCREW - DRYWALL - 8 X 2 1/2
	087721-01-000	EA	SCREW - FLAT HEAD - TAPPING - 1/4 X 1 1/4 LONG - ZINC
	087721-02-000	EA	SCREW - FLAT HEAD - TAPPING - 1/4 X 2 1/4 LONG - ZINC
	090033-02-000	EA	SCREW - 1/4-20 X 5/8 - ROUND WASHER HEAD - OFF/WHITE
	097974-01-000	EA	SCREW - PARTICLE BOARD - 7-9 X 3/4 PPH
	101618-01-000	EA	SCREW - 1/4-20 X 3/4 HEX - TAPPING - STALGARD TYPE F

**SEALANTS & FASTENERS GROUP (CONTINUED)**  
**SCREWS (CONTINUED)**

<b>KEY</b>	<b>PART NUMBER</b>	<b>U/M</b>	<b>DESCRIPTION</b>
	110460-05-02A	EA	SCREW - MACHINE - 10-24 X 2 1/2 PFH - WHITE
	113563-01-01A	EA	SCREW - 8 X 5/8 LONG SHOULDER/WASHER HEAD
	114469-01-02A	EA	COVER - SCREW - VW DARK GRAY
	117478-01-04A	EA	SCREW - 8-18 X 3/4 PPH W/WASHER - VW LIGHT GRAY
	118383-01-09A	EA	RETAINER/RECESSED - F/.22" SCREW - GLACIER
	118383-01-06A	EA	RETAINER/RECESSED - F/.22" SCREW - ALLANTE ANTELOPE
	118383-01-05A	EA	RETAINER/RECESSED - F/.22" SCREW - VW LIGHT GRAY
	118383-01-04A	EA	RETAINER/RECESSED - F/.22" SCREW - BRIGHT WHITE
	118383-02-09A	EA	RETAINER/RECESSED - F/.27" SCREW - GLACIER
	118383-02-05A	EA	RETAINER/RECESSED - F/.27" SCREW - VW LIGHT GRAY
	118383-02-04A	EA	RETAINER/RECESSED - F/.27" SCREW - BRIGHT WHITE
	118383-03-09A	EA	RETAINER/RECESSED - F/.32" SCREW - GLACIER
	118383-04-05A	EA	CAP - F/RECESSED RETAINER - VW LIGHT GRAY
	118383-04-04A	EA	CAP - F/RECESSED RETAINER - BRIGHT WHITE
	118383-04-09A	EA	CAP - F/RECESSED RETAINER - GLACIER
	118383-04-06A	EA	CAP - F/RECESSED RETAINER - ALLANTE ANTELOPE
	134126-01-01A	EA	SCREW/NAIL - HEX HEAD - 3/4"
	140040-01-000	EA	SCREW - 1/4-20 X 1 - BUTTON HEAD/SOCKET - W/LOCTITE
	144078-01-01A	EA	SCREW - HEX/FLANGE HEAD CAP - 1" W/.75" THREAD LENGTH - ZINC
	149753-01-01A	EA	RETAINER/RECESSED - F/.22" SCREW - BLACK
	149753-01-02A	EA	RETAINER/RECESSED - F/.22" SCREW - BRIGHT WHITE
	149753-02-01A	EA	CAP - F/RECESSED RETAINER - BLACK
	149753-02-02A	EA	CAP - F/RECESSED RETAINER - BRIGHT WHITE

**CLAMPS, CLIPS, GROMMETS, RIVETS & PLUGS**

<b>KEY</b>	<b>PART NUMBER</b>	<b>U/M</b>	<b>DESCRIPTION</b>
	000F10-06-32B	EA	PIN - COTTER - 3/16" X 2" - ZINC
	000H14-06-06R	EA	RIVET-MANDREL BLIND,3/16 AL - CHERRY BSP-66
	000H16-04-06R	EA	RIVET - POP ALUMINUM - 1/8 X .313 - .375
	000H16-06-10R	EA	RIVET - POP ALUMINUM - 3/16 X .501 - .625
	007161-01-000	EA	CLAMP - HOSE - SPRING TYPE - 1/2"
	008386-01-000	EA	GROMMET - SNAP - 3/8" DIAMETER - NYLON
	010495-01-000	EA	CLAMP - CABLE - 9/16"ID - BLACK
	010495-02-000	EA	CLAMP - CABLE - 3/8"ID - BLACK
	010495-04-000	EA	CLAMP - CABLE - 11/16"ID - WHITE
	010497-01-000	EA	CLAMP - CLOSED - 5/8"ID
	010497-02-000	EA	CLAMP - CLOSED - 1.5"ID
	010497-03-000	EA	CLAMP - CLOSED - 1"ID - CUSHIONED
	010497-04-000	EA	CLAMP - CLOSED - 1 5/8"ID
	010497-07-000	EA	CLAMP - CLOSED - 3/8"ID
	010497-09-000	EA	CLAMP - CLOSED - 5/16"ID
	010497-10-000	EA	CLAMP - CLOSED - 7/8"ID
	010499-01-000	EA	CLAMP - CLOSED - 3/8"ID
	016188-03-000	EA	GROMMET - LP LINE - 3/8"HOLE X 2 1/2"LONG - RUBBER
	016188-04-000	EA	GROMMET - LP LINE - 1/2"HOLE X 2 1/2"LONG - RUBBER
	016188-05-000	EA	GROMMET - LP LINE - 3/8"HOLE X 1 1/4"LONG - RUBBER
	016188-06-000	EA	GROMMET - L/P LINE - 3/8"HOLE X 3 1/4"LONG - RUBBER
	016188-08-000	EA	GROMMET - LP LINE - 1/2"HOLE X 1 1/4"LONG - RUBBER
	016188-09-000	EA	GROMMET - LP LINE - .68"HOLE X 1 1/4"LONG - RUBBER
	016188-10-000	EA	GROMMET - LP LINE - .68"HOLE X 2.5"LONG - RUBBER
	023942-01-000	EA	GROMMET - RUBBER - 2" OD
	034141-02-000	EA	PLUG/NYLON - .38" - BLACK
	061420-01-000	EA	PLUG/PLASTIC - 1 3/4" DIAMETER - BROWN
	061420-04-000	EA	PLUG/PLASTIC - 1 1/4" DIAMETER
	061420-05-000	EA	PLUG/PLASTIC - 1 1/2" DIAMETER
	061420-08-000	EA	PLUG/PLASTIC - 2 1/2" DIAMETER
	061420-09-000	EA	PLUG/PLASTIC - 1.00" - DIAMETER
	061420-10-000	EA	PLUG/PLASTIC - 1 1/2" DIAMETER - BLACK
	061420-13-000	EA	PLUG/PLASTIC - 3/8 - 3"
	061420-14-000	EA	PLUG/PLASTIC - 7/8" DIAMETER - BLACK
	061420-15-000	EA	PLUG/PLASTIC - 2" DIAMETER - BLACK
	061420-16-000	EA	PLUG/PLASTIC - 2 1/8" DIAMETER - BLACK

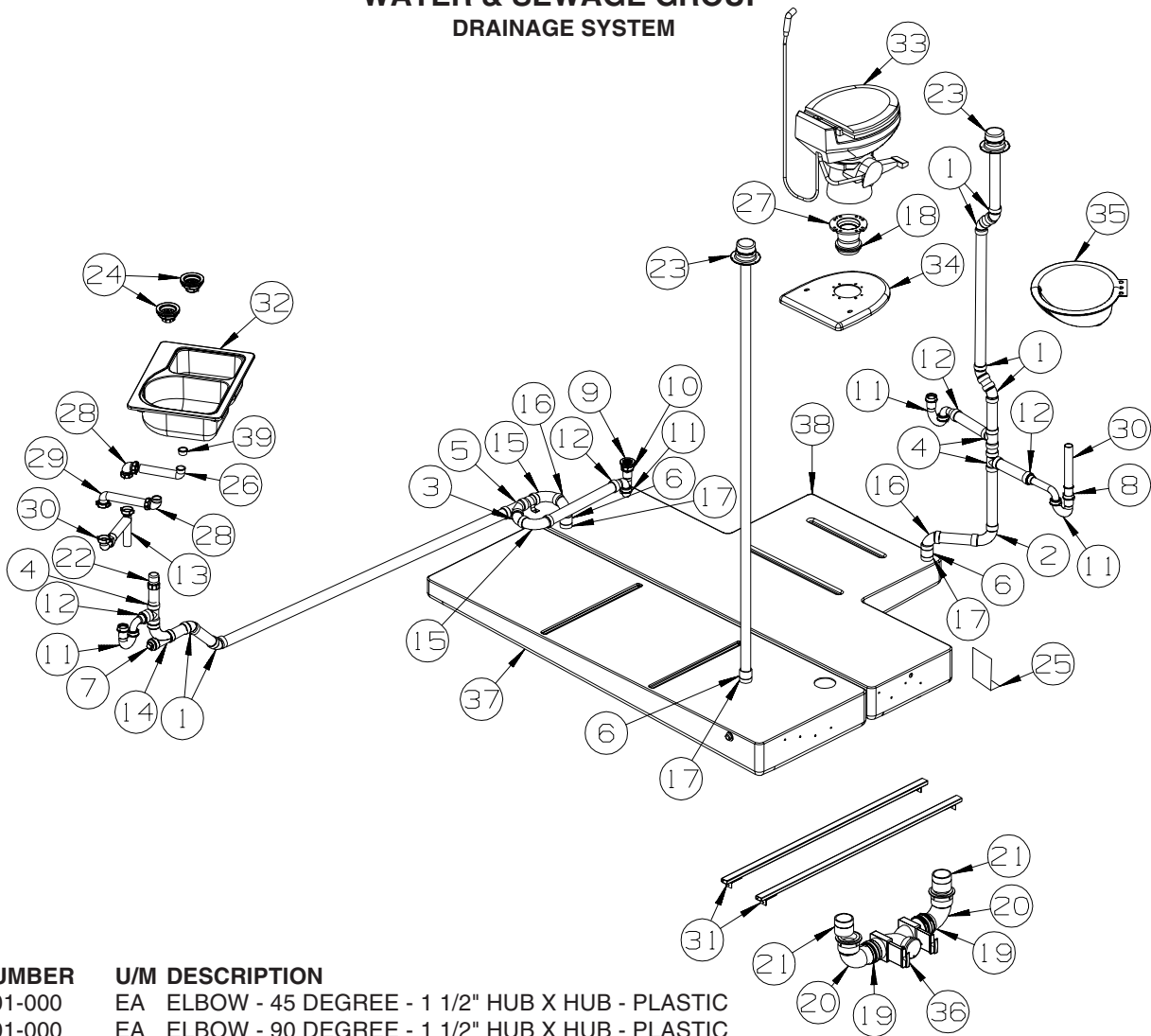
**SEALANTS & FASTENERS GROUP (CONTINUED)**  
**CLAMPS, CLIPS, GROMMETS, RIVETS & PLUGS (CONTINUED)**

KEY	PART NUMBER	U/M	DESCRIPTION
	062401-01-000	EA	CLAMP - HOSE - WORMGEAR - .25" - 1"
	062401-02-000	EA	CLAMP - HOSE - WORMGEAR - 1.56" - 2.5"
	062401-03-000	EA	CLAMP - HOSE - WORMGEAR - .22" - 1"
	062401-04-000	EA	CLAMP - HOSE - WORMGEAR - .69" - 1.25"
	062401-05-000	EA	CLAMP - HOSE - WORMGEAR - 2" - 3" ID
	062401-06-000	EA	CLAMP - HOSE - WORMGEAR - .22" - .62" ID
	062401-09-000	EA	CLAMP - HOSE - WORMGEAR - 2.8" - 3.75"
	062401-11-000	EA	CLAMP - HOSE - WORMGEAR - 3.50" - 4.50"
	062401-12-000	EA	CLAMP - HOSE - WORMGEAR - .79" X 1.26"
	071015-11-000	EA	GROMMET - RUBBER - 1 ID - FITS .12 MATERIAL - BLACK
	071015-13-000	EA	GROMMET - RUBBER - .62 ID - FITS .09 GROOVE - BLACK
	071015-19-000	EA	GROMMET - RUBBER - .38 ID - FITS .06 MATERIAL - BLACK
	071015-22-000	EA	GROMMET - RUBBER - .62 ID - 1.12 OD - W/.19 GROOVE - BLACK
	071015-26-000	EA	GROMMET - RUBBER - 1.5" ID X 2.1" OD W/.06" GROOVE-BLACK
	071015-29-000	EA	GROMMET - RUBBER - .3" ID X 1.3"OD W/.12" GROOVE - BLACK
	071015-30-000	EA	GROMMET - RUBBER - .3" ID X .81"OD W/.12" GROOVE - BLACK
	071015-32-000	EA	GROMMET - RUBBER - .75 ID X 1.375 OD W/.187 GROOVE - BLACK
	071015-40-000	EA	GROMMET - RUBBER - .38 ID - FITS .09 MATERIAL - BLACK
	071015-41-000	EA	GROMMET - .125 ID FITS .188 MTL
	071015-42-000	EA	GROMMET - RUBBER - .25 ID - FITS .06 MATERIAL - BLACK
	075148-02-000	EA	CLAMP - GROUNDING - BRONZE SCREWS
	077955-01-000	EA	CLIP/J - 3/8" - VINYL COATED
	080734-02-000	EA	CLIP - WIRE NYLON
	081211-01-000	EA	PLUG/PLASTIC - .31" DIAMETER - BLACK
	081211-03-000	EA	PLUG/PLASTIC - .50" DIAMETER - TRUSS HEAD - BLACK
	081211-04-000	EA	PLUG/PLASTIC - .46 DIAMETER - TRUSS HEAD - BLACK
	083609-01-000	EA	CLAMP - WIRE - DUAL - EQUAL DIAMETERS - 5/8"
	083610-01-000	EA	CLAMP - WIRE - DUAL - UNEQUAL DIAMETERS - 3/4" & 1 1/4"
	083610-02-000	EA	CLAMP - WIRE - DUAL - UNEQUAL DIAMETERS - 3/4" & 2"
	083610-03-000	EA	CLAMP - WIRE - DUAL - EQUAL DIAMETERS - 2"
	088756-01-000	EA	GROMMET - WEB - 1 1/8 " I.D.
	089329-02-000	EA	CLIP - SPRING
	091952-01-000	EA	CLIP - GRIPPER - 1"
	091952-02-000	EA	CLIP - GRIPPER - 3/4"
	091952-03-000	EA	CLIP - GRIPPER - 1/2" - BLACK VINYL COATED
	094362-02-000	EA	CLIP - XMAS TREE - BINDER HEAD - .9" LONG
	094362-05-000	EA	CLIP - XMAS TREE - ROUND HEAD - 1.4" LONG
	114208-01-000	EA	GROMMET - EDGE LINER - FITS 1 3/4"
	114208-03-000	EA	GROMMET - EDGE LINER - FITS 2 1/2"
	114208-05-000	EA	GROMMET - EDGE LINER - FITS 2"
	118626-01-02A	EA	RIVET - POP - ALUMINUM - 3/16 X .08 - .375
	118626-01-01A	EA	RIVET - POP - ALUMINUM - 3/16 X .08 - .375
	118626-02-01A	EA	RIVET - POP - ALUMINUM - 3/16 X .500 - .750
	137014-01-01A	EA	GROMMET - CABLE - ALMOND
	137014-01-02A	EA	GROMMET - CABLE - BROWN
	137014-01-03A	EA	GROMMET - CABLE - BLACK
	139118-02-01A	EA	GROMMET - SCREW - PLASTIC
	140171-01-000	EA	CLAMP - HOSE - STEPLESS EAR - .312
	140171-02-000	EA	CLAMP - HOSE - STEPLESS EAR - .250

**SEALANTS & FASTENERS GROUP (CONTINUED)**  
**MISCELLANEOUS FASTENERS**

<b>KEY</b>	<b>PART NUMBER</b>	<b>U/M</b>	<b>DESCRIPTION</b>
	008343-01-000	EA	TIE - WIRE - 6"
	008343-02-000	EA	TIE - WIRE - 14"
	008343-03-000	EA	TIE - WIRE - 7 1/2" - BLACK
	029094-04-000	YD	VELCRO TAPE - LOOP - 1" WIDE - BLACK
	029094-06-000	YD	VELCRO TAPE - LOOP - 2" WIDE - BLACK
	029096-03-000	YD	VELCRO TAPE - HOOK - 1" WIDE - BLACK
	029096-04-000	YD	VELCRO TAPE/HOOK - 1"WIDE - BLACK - W/ADHESIVE BACK (PSA)
	048394-02-000	YD	VELCRO TAPE - HOOK - ADHESIVE BACK - 3/4" WIDE - BEIGE
	085774-01-000	FT	FASTENER - DUAL LOCK - 1" WIDE - ADHESIVE BACK - BLACK
	085774-02-000	FT	FASTENER - DUAL HOOK - 1" WIDE - ADHESIVE BACK - BLACK
	085774-07-000	FT	FASTENER - DUAL HOOK - 1" WIDE
	088792-02-000	YD	VELCRO TAPE - LOOP - 3/4" - ADHESIVE BACK - BEIGE
	088792-04-000	YD	VELCRO TAPE - HOOK - 5/8" - NON-ADHESIVE BACK - WHITE
	088792-05-000	YD	VELCRO TAPE - LOOP - 5/8" - NON-ADHESIVE BACK - WHITE
	108046-01-000	EA	CABLE TIE - SCREW MOUNT 8"
	108046-02-000	EA	CABLE TIE - SCREW MOUNT 15"
	110943-01-000	FT	FELT STRIP - 3/8" - ADHESIVE BACK - BLACK
	110943-02-000	FT	FELT STRIP - 3/8" - ADHESIVE BACK - WHITE
	113133-02-01A	EA	RIVET - POP - ALUMINUM - 3/16 X .252 - .504 - BLACK
	115361-01-01A	EA	PLUG/PLASTIC - 1/2" DIAMETER
	127960-01-01A	EA	RETAINER - 3/8" - STAINLESS STEEL

## WATER & SEWAGE GROUP DRAINAGE SYSTEM



KEY	PART NUMBER	U/M	DESCRIPTION
1	010006-01-000	EA	ELBOW - 45 DEGREE - 1 1/2" HUB X HUB - PLASTIC
2	010008-01-000	EA	ELBOW - 90 DEGREE - 1 1/2" HUB X HUB - PLASTIC
3	010051-01-000	EA	ELBOW - 45 DEGREE - 1 1/2" SPIGOT X HUB - PLASTIC
4	010071-01-000	EA	TEE - SANITARY - 1 1/2" HUB X HUB X HUB - PLASTIC
5	010073-01-000	EA	WYE - 45 DEGREE - 1 1/2" HUB X HUB X HUB - PLASTIC
6	010115-01-000	EA	COUPLING - 1 1/2" HUB X HUB - PLASTIC
7	010166-01-000	EA	PLUG/THREADED - 1 1/4" MPT - PLASTIC - BLACK - UL
7	010122-01-000	EA	BUSHING/PLASTIC - REDUCER - 1 1/2" SMTH X 1 1/4" THD - BLACK
8	061420-10-000	EA	PLUG/PLASTIC - 1 1/2" DIAMETER - BLACK
9	066440-01-000	EA	STRAINER - SHOWER DRAIN - W/RUBBER WASHER
	127440-02-01A	EA	WASHER - RUBBER - 1.8" X .1"
10	011069-06-000	EA	TAILPIECE - 1 1/2" X 1 1/4" X 2 1/2"
	130403-01-000	EA	NUT - SLIP - W/WINGS 1 1/2"
11	107538-01-000	EA	P-TRAP - PLASTIC - 1 1/4" W/EXTENSION ARM - USA
11	011071-01-000	EA	P-TRAP - 1 1/2" - CSA - PLASTIC - CANADIAN
12	109571-01-000	EA	ADAPTER - P-TRAP - 1 1/2" P X 1 1/4" MPT
13	011091-02-000	EA	WASTE - CONTINUOUS - DOUBLE SINK
14	031365-02-000	EA	TEE - 1 1/2" EXTRA LONG TURN - PLASTIC
15	033761-01-000	EA	ELBOW - 90 DEGREE - TURN - 1 1/2" HUB X 1 1/2" SPIGOT
16	034250-01-000	EA	ELBOW - 90 DEGREE - LONG TURN - 1 1/2" HUB X HUB - ABS
17	061607-01-000	EA	GROMMET - HOLDING TANK - 1 1/2" NPS
18	061607-02-000	EA	GROMMET - HOLDING TANK - 3" NPS
19	078406-01-000	EA	COUPLER - 3" X 3" W/CLAMPS - RUBBER
20	010062-01-000	EA	ELBOW - 3 90 SPIGOT X HUB - PLASTIC
21	010129-03-000	EA	NIPPLE - 3" X 3" TOE - PLASTIC
22	079968-01-000	EA	VENT - MECHANICAL/TRAP ARM - ANTI-SIPHON-2" X 7.3" PLASTIC
23	083558-03-000	EA	VENT W/COVER F/PLUMBING STACK - OFF WHITE
24	092303-01-000	EA	STRAINER - W/BASKET - GALLEY SINK - 4" OD
	127440-02-01A	EA	WASHER - RUBBER - 1.8" X .1"
	130403-01-000	EA	NUT - SLIP - W/WINGS 1 1/2"
25	094756-01-01A	EA	BRACKET/ANGLE - W/HOLES

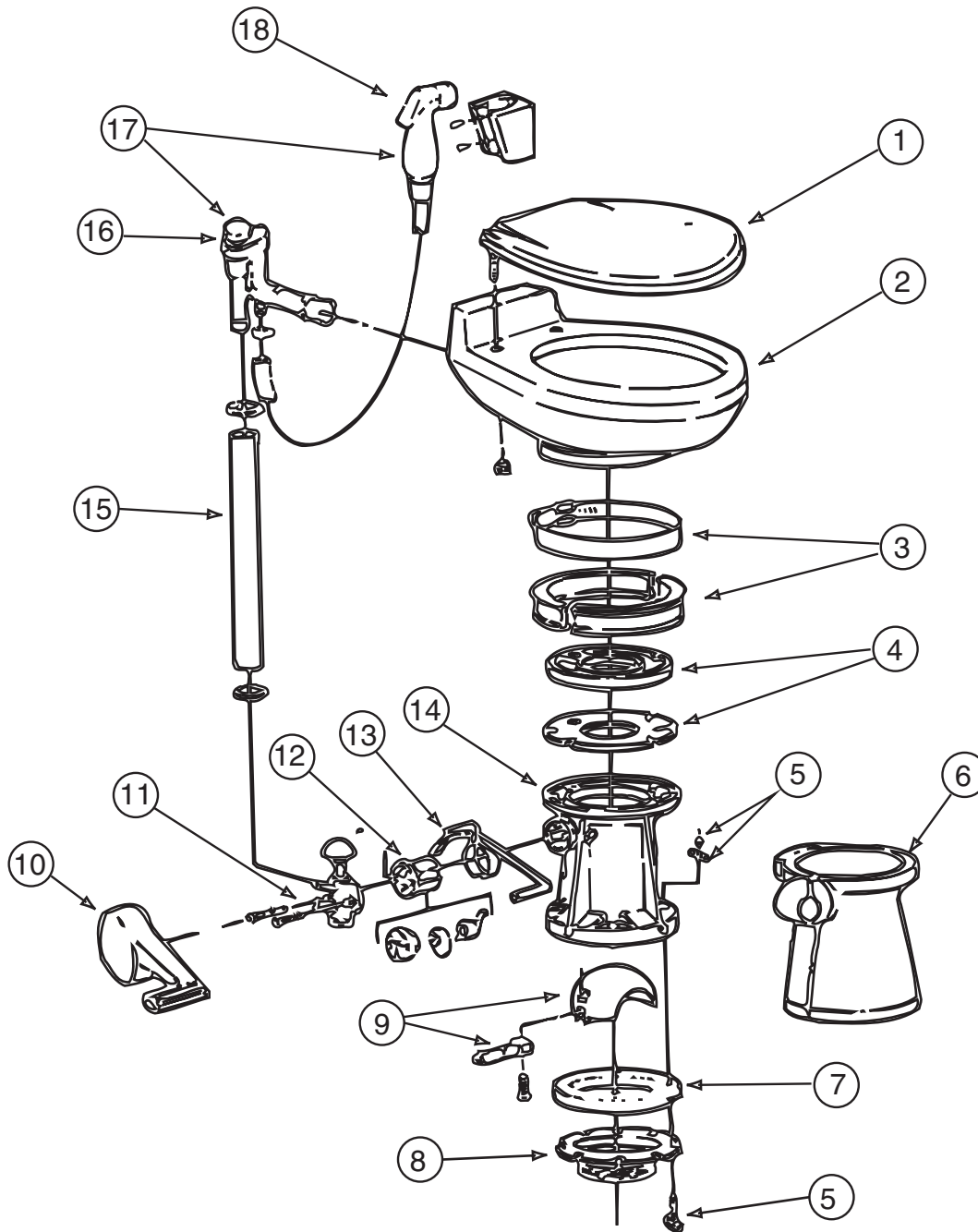
**WATER & SEWAGE GROUP (CONTINUED)**  
**DRAINAGE SYSTEM (CONTINUED)**

<b>KEY</b>	<b>PART NUMBER</b>	<b>U/M</b>	<b>DESCRIPTION</b>
26	126588-03-000	EA	ARM - WASTE - 1 1/2" X 91/2" SLIP
27	116644-01-000	EA	FLANGE/CLOSET - 3" FEMALE - 4 BOLT
28	125569-01-000	EA	ELBOW - 1 1/2" X 90 DEGREE - DOUBLE SLIP
29	126588-01-000	EA	ARM - WASTE - 1 1/2" X 9 1/2" - FEMALE
30	126588-02-000	EA	ARM - WASTE - 1 1/2" X 20" - FEMALE
	130403-01-000	EA	NUT - SLIP - W/WINGS 1 1/2"
31	132871-03-02B	EA	BRACKET/L ANGLE W/HOLES - 1.2" X 2.8" - E-COATED
32	144445-01-01A	EA	SINK - DOUBLE BOWL - 25" X 18" - STAINLESS STEEL
33*	146770-01-01A	EA	TOILET - CONCERTO - W/SPRAYER - WHITE
34	131786-06-01A	EA	SPACER - TOILET - SOFT WHITE
	147759-01-01A	EA	CAP - DOME - 1/4" HEX
35	143310-01-01A	EA	SINK - LAVATORY - OVAL - 19" X 16" - WHITE
	147930-01-000	EA	WASHER/SEAL - FOAM - 1.4"ID X 2.1"OD - F/POP-UP DRAIN
36	136143-01-000	EA	VALVE - DUAL - 3" X 3"
	144728-01-000	EA	VALVE - SEWER HOSE - 3"
	139513-01-000	EA	HOSE - SEWER - 3" X 10' - W/ADAPTER
	062416-01-000	EA	ADAPTER - SEWER HOSE TO 3" PIPE
37	132407-01-700	EA	TANK - HOLDING
	010232-01-000	EA	FITTING - SPINWELD - PLASTIC 3FPT
38	132407-01-700	EA	TANK - HOLDING
	010232-01-000	EA	FITTING - SPINWELD - PLASTIC 3FPT
39	011069-03-000	EA	TAILPIECE - TUB/SHOWER - 1 1/2" X 1 3/4" - PLASTIC

**\*COMPONENT PARTS LISTED LATER IN THIS GROUP**



**WATER & SEWAGE GROUP (CONTINUED)**  
**COMPONENT PARTS FOR DRAINAGE SYSTEM**



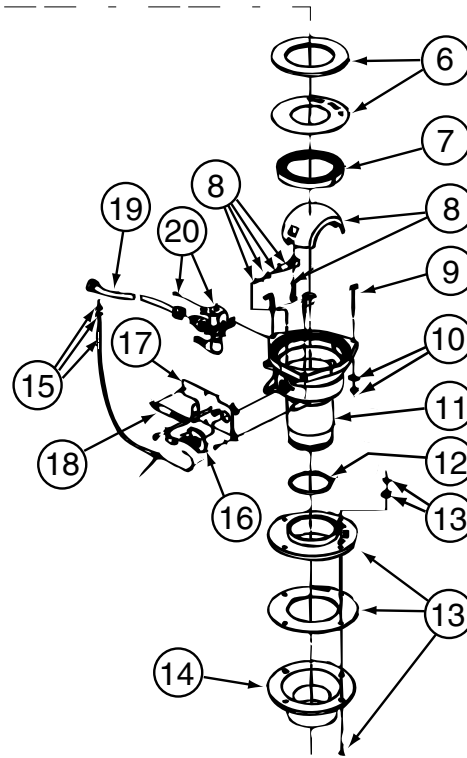
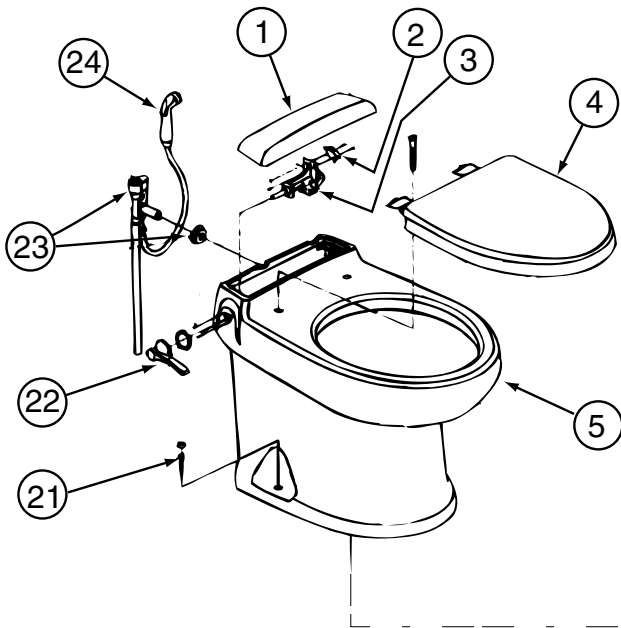
**S34TD**

136729-01-01A

KEY	PART NUMBER	U/M	DESCRIPTION	VENDOR NO.
1	136729-01-700	EA	SEAT ASSEMBLY - WHITE	343829
2	136729-01-701	EA	BOWL/CHINA - WHITE	310739
3	085330-01-703	EA	RING & HALF CLAMPS, BONE	385310048
4	085330-01-704	EA	TEFLON & RUBBER SEAL KIT	385316140
5	085330-01-717	EA	HARDWARE KIT - BASE MOUNTING	310064
6	085330-09-704	EA	PEDESTAL COVER - WHITE	310111
7	085330-01-714	EA	SEAL-FLANGE, FLOOR	390343892
8	085330-01-716	EA	FLANGE-FLOOR, 3" MPT	345889
10	085330-09-702	EA	COVER/PEDAL KIT - WHITE	310114
11	085330-01-709	EA	VALVE-WATER	385314349
12	085330-01-707	EA	CARTRIDGE SPRING ASSEMBLY	381236096
13	085330-06-703	EA	LEVER-FLUSH	340873
14	085330-09-703	EA	BASE KIT - WHITE	310120
16	085330-06-701	EA	BREAKER-VACUUM/DIVERTER(900)	230335
18	085330-04-701	EA	HAND SPRAY W/HOSE(500 & 900)	340683

CONTACT WINNEBAGO PART SALES FOR UNLISTED COMPONENTS

**WATER & SEWAGE GROUP (CONTINUED)**  
**COMPONENT PARTS FOR DRAINAGE SYSTEM (CONTINUED)**

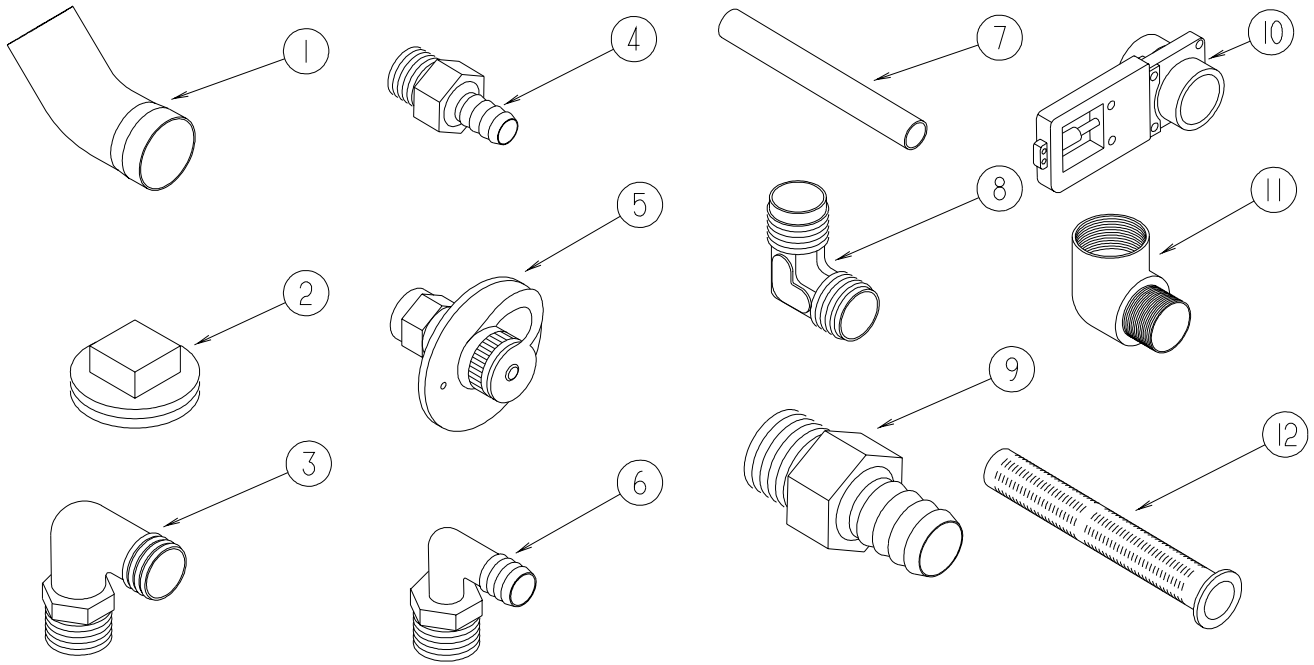


**S36GD, S40AD,  
S40KD, S40QD,  
S40WD**

146770-01-01A

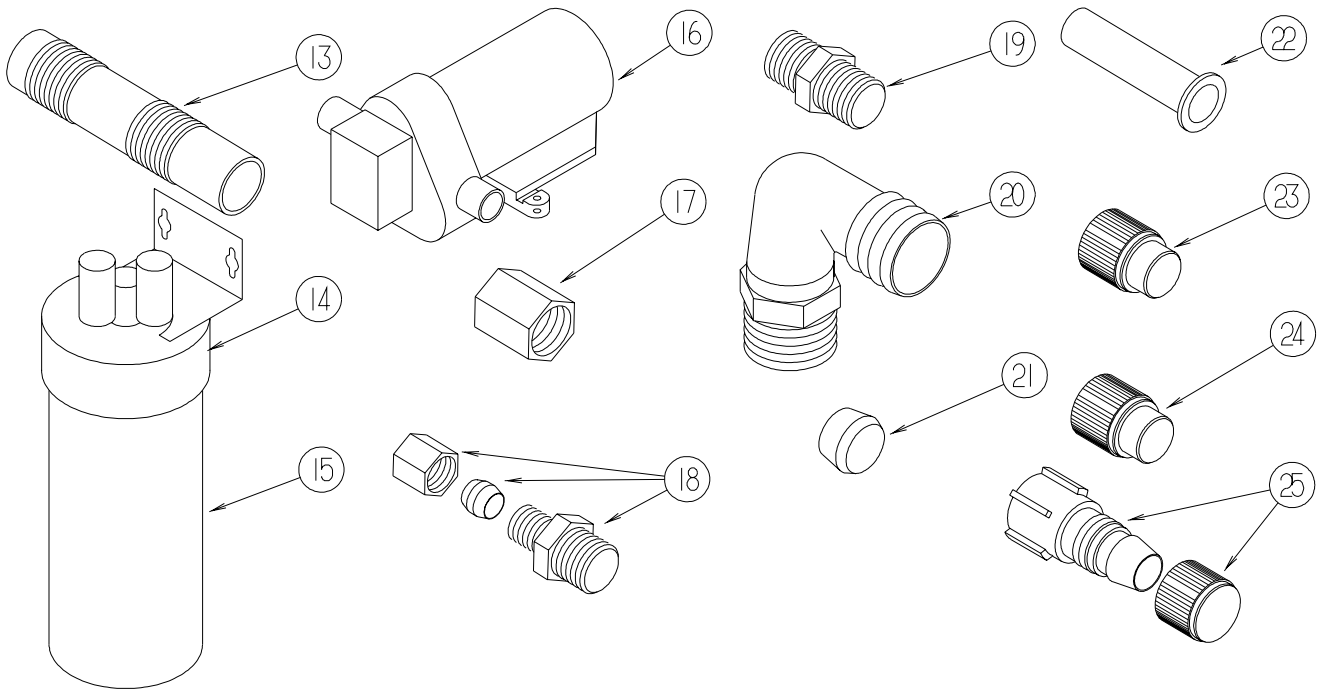
KEY	PART NUMBER	U/M	DESCRIPTION	VENDOR NO.
1	146770-01-700	EA	COVER/ACCESS - WHITE	385311001
2	146770-01-701	EA	FLUSH (SWITCH ASSEMBLY)	385311003
3	146770-01-702	EA	FLUSH (SHAFT HANDLE KIT)	385311004
4	146770-01-703	EA	SEAT AND LID (WHITE)	385311005
5	146770-01-704	EA	BOWL-W/ACCESS COVER-(WHITE)	385311007
6	146770-01-705	EA	BOWL - (SEAL KIT)	385311009
7	144447-01-713	EA	INSERT - BASE RING	343534
8	146770-01-706	EA	SHAFT (FLUSH BALL KIT)	385311010
9	146770-01-707	EA	BOLTS-J(INCL. NUTS WASHERS)	385311011
10	146770-01-708	EA	HARDWARE(NUTS/WASHERS) - PLASTIC	385311012
11	146770-01-709	EA	BASE (STOOL)F/CONCERTO	385311028
12	146770-01-710	EA	O-RING	600344609
13	146770-01-711	EA	ADAPTER KIT (FLOOR FLANGE)	385311013
14	085330-01-716	EA	FLOOR FLANGE - 3" MPT	345889
14	144447-01-717	EA	FLOOR FLANGE - 3" SPIGOT	343765
15	146770-01-712	EA	CABLE (FLUSH KIT)	385311014
16	146770-01-713	EA	PULLEY KIT	385311015
17	146770-01-714	EA	BRACKET - BASE	385311016
18	146770-01-715	EA	SPRING RETURN KIT	385311017
19	146770-01-716	EA	HOSE (WATER SUPPLY)	385311018
20	146770-01-717	EA	WATER VALVE KIT	385311019
21	146770-01-718	EA	MOUNTING HARDWARE (CHROME)	385311020
22	146770-01-719	EA	FLUSH HANDLE (CHROME)	385311023
23	146770-01-720	EA	VACUUM BREAKER KIT	385311026
23	146770-01-721	EA	VACUUM BREAKER W/HAND SPRAY	385311027
24	144447-01-705	EA	HAND SPRAY	310809

**WATER & SEWAGE GROUP (CONTINUED)**  
**WATER SYSTEM**



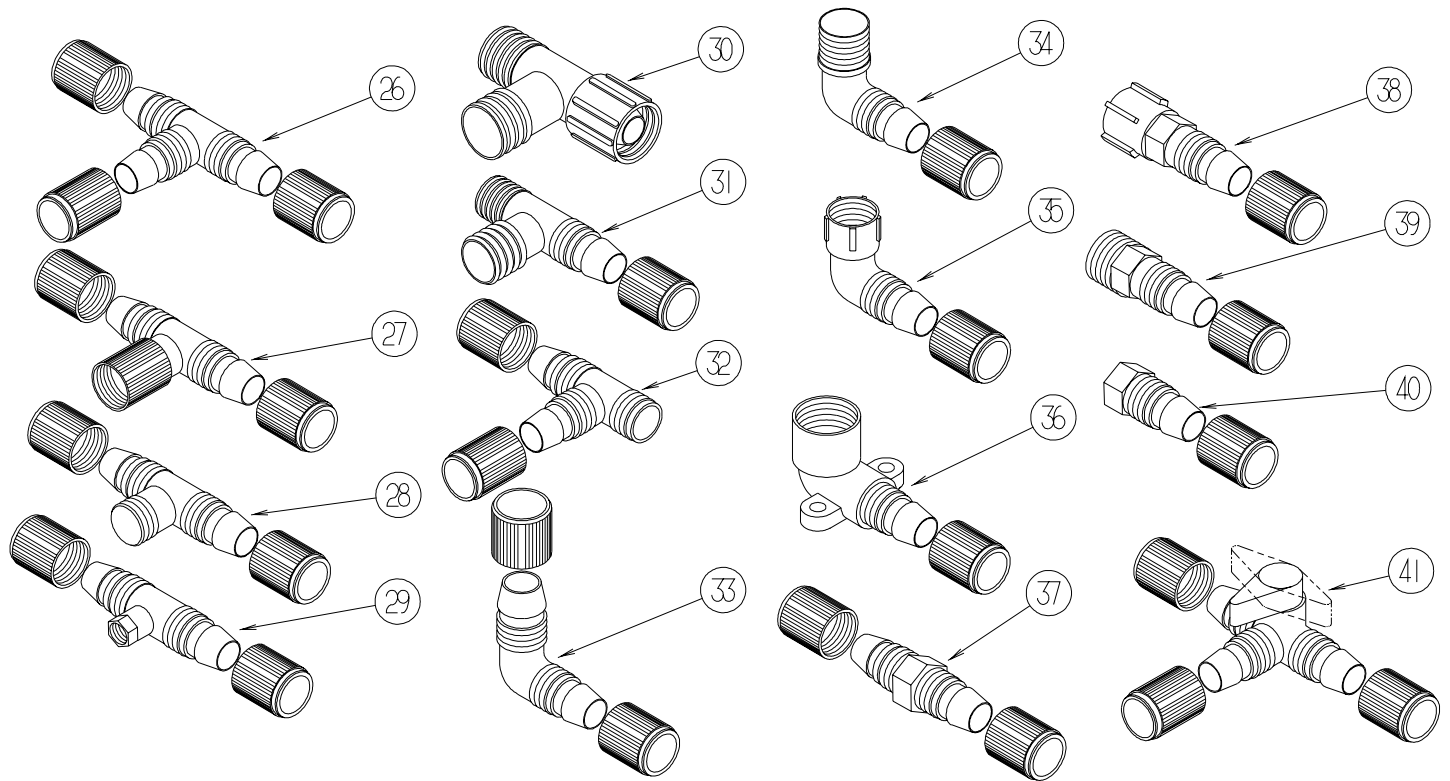
KEY	PART NUMBER	U/M	DESCRIPTION
1	010009-01-000	EA	ELBOW - 90 DEGREE - 1/4 BEND - 1 1/2" PLASTIC
2	010166-01-000	EA	PLUG/THREADED - 1 1/4"MPT - PLASTIC - BLACK - UL
3	010219-01-000	EA	ELBOW - 1 1/4 MPT X 1 1/4 BARB - WATER FILL - PLASTIC
4	010224-01-000	EA	ADAPTER - HOSE TO PIPE - 3/8 MPT X 3/8 BARB - PLASTIC
5	010230-06-000	EA	FILL - CITY WATER - W/CHECK VALVE - MPT - BRUSHED ALUM
6	035539-01-000	EA	ELBOW - 3/8 MPT X 3/8 BARB - PLASTIC
7	039800-04-000	FT	TUBING - POLYBUTYL - 1/4"OD
7	074462-02-000	FT	TUBING - VINYL - 3/8 ID X 20' - CLEAR
7	112176-01-000	FT	TUBING - VINYL - REINFORCED - 1/2" ID
7	124188-01-000	FT	TUBING - PEX - 1/2" ID X 20' - BLUE(COLD)
7	124188-02-000	FT	TUBING - PEX - 1/2" ID X 20' - RED(HOT)
8	039808-03-000	EA	ELBOW - 1/2" MPT X 1/2" MPT - PLASTIC
9	044927-01-000	EA	ADAPTER - HOSE TO PIPE-1 1/4 MPTX1 1/4 BARB-BLACK PLASTIC
10	062421-03-000	EA	VALVE/DUMP W/O HANDLE - 1 1/2" X 1 1/2" HUB
	062421-05-000	EA	CABLE/ROD - F/DUMP VALVE - W/HANDLE - 48"
11	065318-02-000	EA	ELBOW - 90 DEGREE - 3/8" MPT TO 3/8" FPT
12	077954-02-000	EA	FILTER - WATER TANK - W/SCREEN IN TANK

**WATER & SEWAGE GROUP (CONTINUED)**  
**WATER SYSTEM (CONTINUED)**



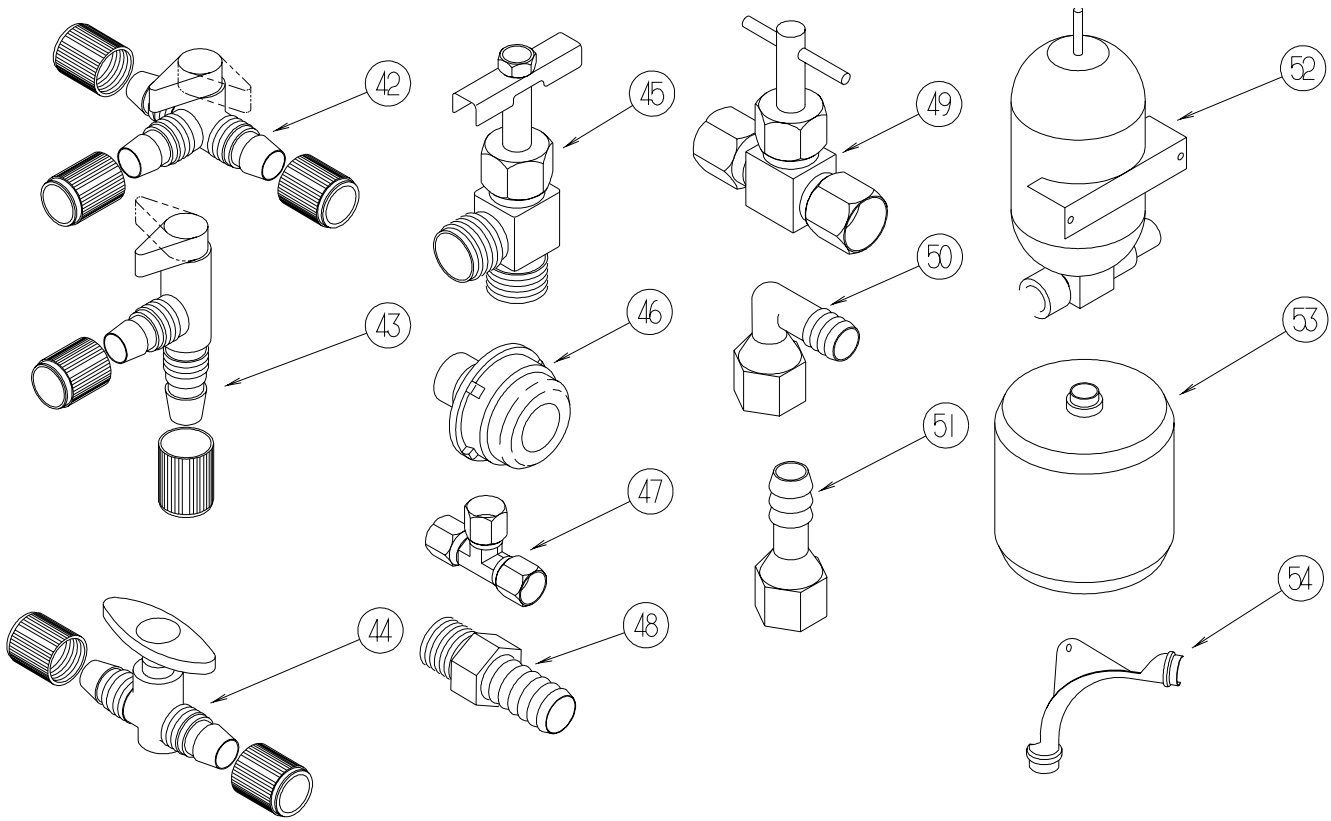
KEY	PART NUMBER	U/M	DESCRIPTION
13	079381-01-000	FT	TUBING - RIBBED FLEXIBLE - WATER FILL - 1.4" ID
14	087200-01-000	EA	FILTER-WATER PURIFCATION, EVERPURE QC2-AC
15	087200-02-000	EA	CARTRIDGE-WATER FILTER,AC - EVERPURE 9601-11
16*	098607-01-000	EA	PUMP - WATER - W/.5" MPT FITTING - FLOW 2.8 GPM
17	101814-01-000	EA	COUPLING - FEMALE - 1/2" X 1/2" FPT - GRAY
18	103798-01-000	EA	CONNECTOR - 1/4 OD X 3/8 MPT
19	110438-02-000	EA	VALVE - CHECK - BRASS - 1/2 MPT X 1/2 MPT
20	111223-02-000	EA	ELBOW - 1/2" MPT X 3/8" BARB - PLASTIC
20	111223-03-000	EA	ELBOW - 3/4" MPT X 1/2" BARB - PLASTIC
20	111223-04-000	EA	ELBOW - 1/2" MPT X 1/2" BARB - PLASTIC
21	111888-01-000	EA	FERRULE - PLASTIC - .250 ID X .375 OD
22	111888-02-000	EA	INSERT - BRASS - 1/4 COMP
23	113697-01-000	EA	CAP - 3/8"P
24	114427-01-000	EA	CAP - 1/2"P
25	114427-02-000	EA	PLUG - W/COMP NUT - 1/2" PLASTIC PIPE/1/2" FLAIR-IT

**WATER & SEWAGE GROUP (CONTINUED)**  
**WATER SYSTEM (CONTINUED)**



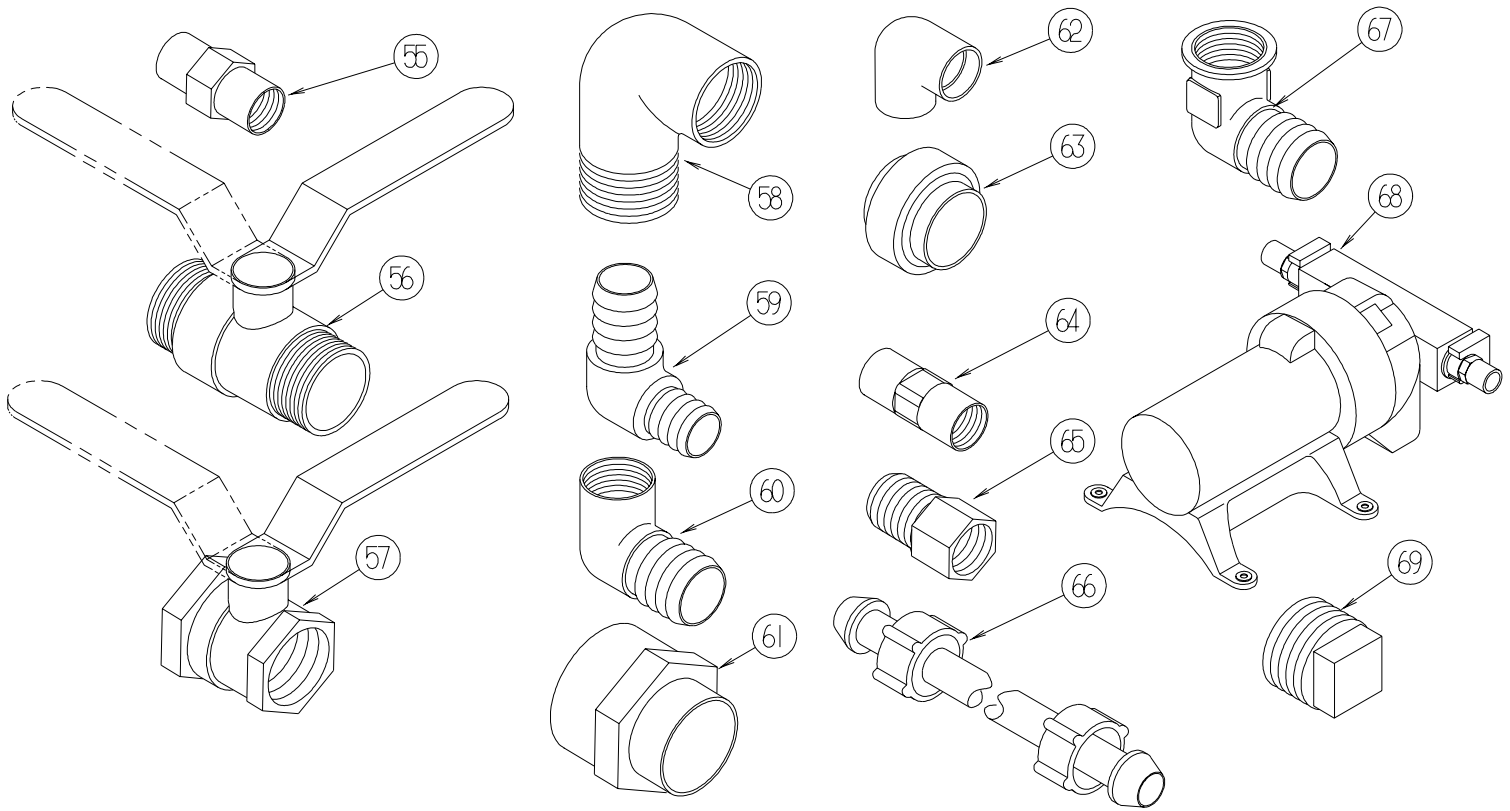
KEY	PART NUMBER	U/M	DESCRIPTION
	039798-01-000	EA	TEE - 1/2"MPT X 1/2"MPT X 1/2"MPT - PLASTIC
26	114428-01-000	EA	TEE - 1/2"P X 1/2"P X 1/2"P
27	114428-02-000	EA	TEE - SWIVEL - 1/2"P X 1/2"P X 1/2"FPT
28	114428-03-000	EA	TEE - 1/2"P X 1/2"P X 1/2"MPT
29	114428-04-000	EA	TEE - 1/2"P X 1/2"P X 1/8"FPT
30	114428-05-000	EA	TEE - 1/2" SWIVEL X 1/2" MPT X 1/2" MPT
31	114428-06-000	EA	TEE - 1/2" P X 1/2" MPT X 1/2" MPT
32	114428-07-000	EA	TEE - 1/2" P X 1/2" MPT X 1/2" P
33	114429-01-000	EA	ELBOW - 1/2"P X 1/2"P
34	114429-02-000	EA	ELBOW - 1/2"P X 1/2"MPT
34	114429-04-000	EA	ELBOW - 1/2"P X 3/8"MPT
34	114429-05-000	EA	ELBOW - 1/2"P X 3/4"MPT
34	114429-10-000	EA	ELBOW - SWIVEL - 1/2"MPT X 1/2"FPT
35	114429-03-000	EA	ELBOW - SWIVEL - 1/2"P X 1/2"FPT
35	114429-06-000	EA	ELBOW - SWIVEL - 1/2"P X 3/4"FPT
35	114429-08-000	EA	ELBOW - SWIVEL - 1/2"P X 1/2"FPT
35	114429-11-000	EA	ELBOW - 1/2"P X 1/2"FPT
36	114429-09-000	EA	ELBOW - 1/2"P X 1/2"FPT DROP EAR
37	114430-01-000	EA	ADAPTER - 1/2"P X 1/2"P
38	114430-02-000	EA	ADAPTER - SWIVEL - 1/2"P X 1/2"FPT
38	114430-04-000	EA	ADAPTER - SWIVEL - 1/2"P X 3/8"MPT
39	114430-03-000	EA	ADAPTER - 1/2"P X 1/2"MPT
40	114430-06-000	EA	ADAPTER - 1/2"P X 3/8"FPT
40	114430-09-000	EA	ADAPTER - 1/2"P X 1/2"FPT
41	114431-01-000	EA	VALVE - 180 DEGREE/CENTER DRAIN - 1/2"P - THREE WAY

**WATER & SEWAGE GROUP (CONTINUED)**  
**WATER SYSTEM (CONTINUED)**



KEY	PART NUMBER	U/M	DESCRIPTION
42	114431-02-000	EA	VALVE - WATER BYPASS - 1/2"P - THREE WAY (WATER HEATER)
43	114431-03-000	EA	VALVE - 90 DEGREE DRAIN - 1/2"P
44	114431-04-000	EA	VALVE - "INLINE SHUT-OFF" - 1/2"P
45	114431-05-000	EA	VALVE - NEEDLE - 1/8" MPT X 1/4" COMPRESSION (ICE MAKER)
46	114966-01-000	EA	FILTER - IN LINE - TWIST ON - 1/2"
47	118423-01-000	EA	FITTING - BRASS-TEE - 1/4C X 1/4C X 1/4C
48	118809-01-000	EA	ADAPTER - 1/2" MPT X 3/8" BARB - PLASTIC
48	118809-02-000	EA	ADAPTER - 1/2" MPT X 1/2" BARB - PLASTIC
49	120868-01-000	EA	VALVE - NEEDLE - 1/4" COMPRESSION X 1/4" COMPRESSION
50	123150-01-000	EA	ELBOW - 1/2 FPT X 1/2 BARB - SWIVEL
51	123152-01-000	EA	ADAPTER - 1/2 FPT X 1/2 BARB - SWIVEL
52	123243-01-000	EA	TANK - ACCUMULATOR - 24 OZ
53	123317-01-000	EA	TANK - ACCUMULATOR - 2 GALLON
54	124184-01-000	EA	SUPPORT - WATER LINE - BEND

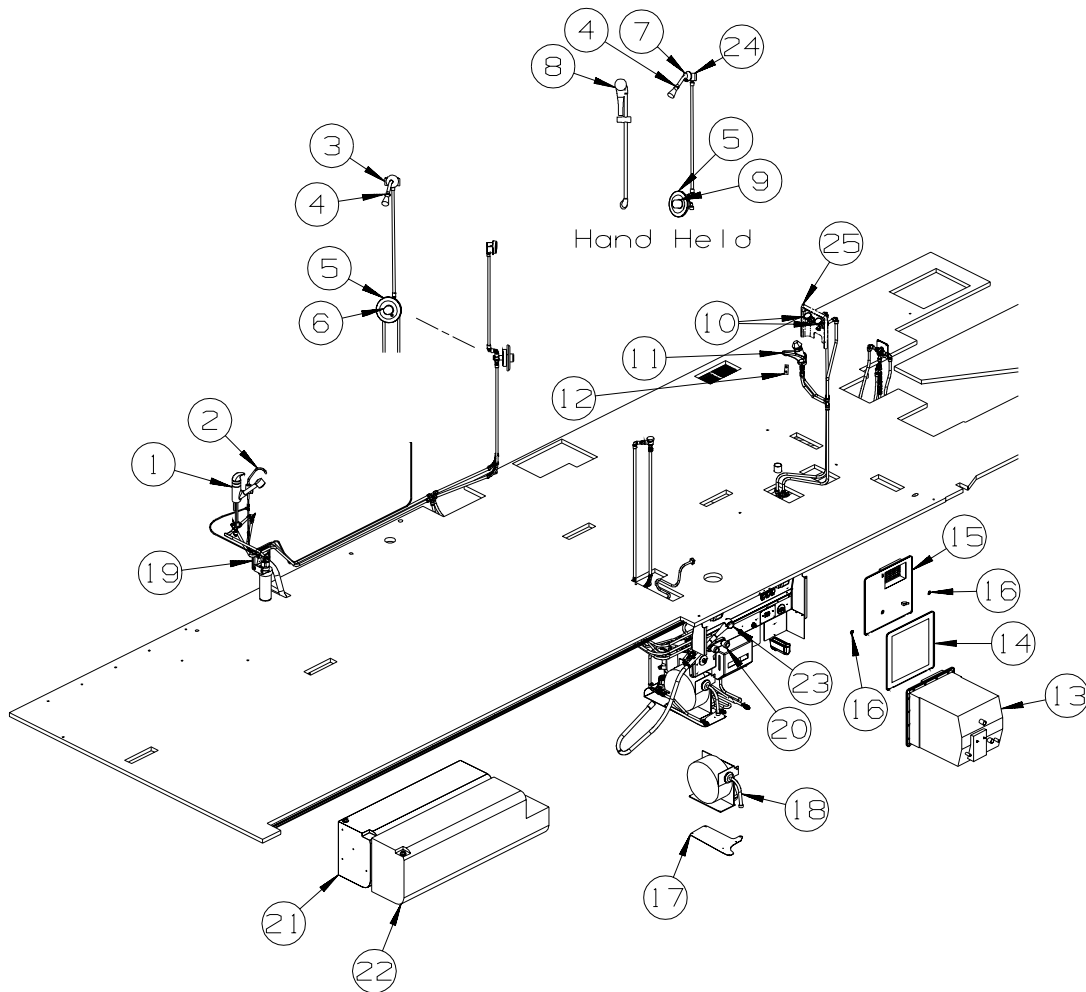
**WATER & SEWAGE GROUP (CONTINUED)**  
**WATER SYSTEM (CONTINUED)**



KEY	PART NUMBER	U/M	DESCRIPTION
55	132148-01-000	EA	CONNECTOR - 1/2" X 1/2" MPT - BRASS
56	132483-01-000	EA	VALVE/BALL - 1" - THREADED ENDS
57	132483-02-000	EA	VALVE/BALL - 1/2" - BRASS - FPT
58	132484-01-000	EA	ELBOW - 90 DEGREE - 1 MPT X 1 FPT - PLASTIC
59	132781-01-000	EA	ELBOW - 1.3" BARB X 1.3" BARB - 90 DEGREE - PLASTIC
60	132782-01-000	EA	ELBOW - 1" FPT X 1.3" BARB - 90 DEGREE - PLASTIC
61	133835-01-000	EA	ADAPTER - REDUCING - 1 1/2" X 1 1/4"
62	133837-01-000	EA	ELBOW - 1 1/2" X 90 DEGREE - DOUBLE SLIP
63	133889-01-000	EA	UNION - 1 1/2" DOUBLE SLIP - PVC
64	135386-01-000	EA	NIPPLE - 1/2"
65	136333-01-000	EA	ADAPTER - BRASS - 1/2" MPT X 1/2" FPT
66	140821-01-000	EA	TUBE - WATER SUPPLY - 3/8" X 24"
66	140821-02-000	EA	TUBE - WATER SUPPLY - 3/8" X 30"
66	140821-03-000	EA	TUBE - WATER SUPPLY - 3/8" X 36"
66	140821-04-000	EA	TUBE - WATER SUPPLY - 3/8" X 48"
66	140821-05-000	EA	TUBE - WATER SUPPLY - 3/8" X 54"
66	140821-06-000	EA	TUBE - WATER SUPPLY - 3/8" X 60"
66	140821-07-000	EA	TUBE - WATER SUPPLY - 3/8" X 72"
67	142812-01-000	EA	ELBOW - BRASS - 1/2" MPT X 1/2" FPT
68*	144215-01-000	EA	PUMP - WATER - 5.7 GPM - W/1/2" MPT
*	144215-02-000	EA	STRAINER - WATER PUMP
69	145609-01-000	EA	PLUG - BRASS - 1/2" MPT/HEX HEAD

**\*COMPONENT PARTS LISTED LATER IN THIS GROUP**

**WATER & SEWAGE GROUP (CONTINUED)**  
**WATER SYSTEM (CONTINUED)**



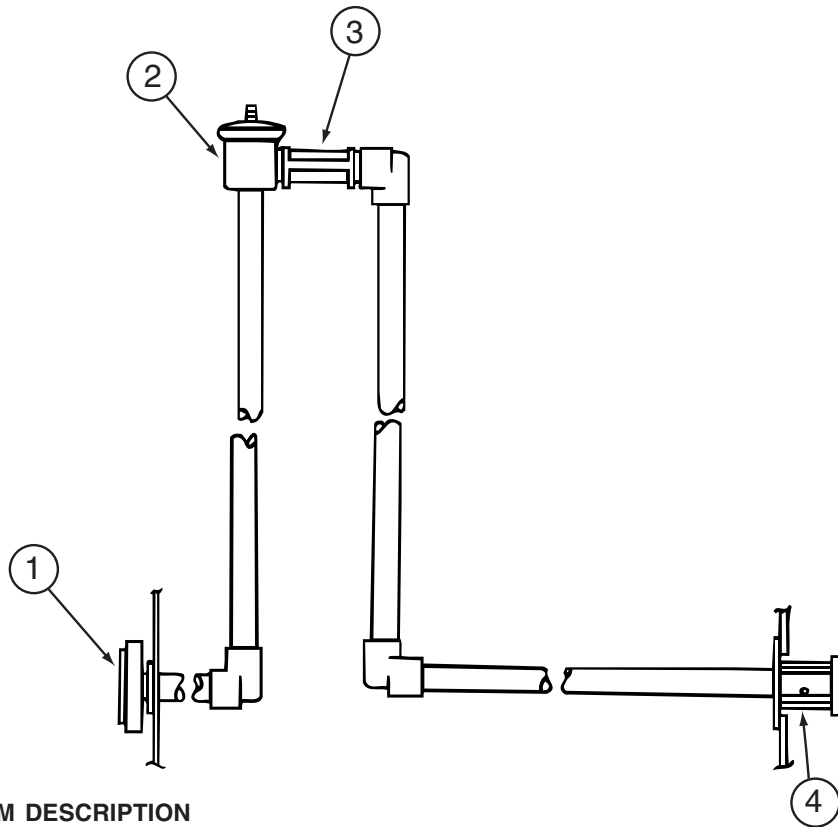
KEY	PART NUMBER	U/M	DESCRIPTION
1*	144444-01-01A	EA	FAUCET/GALLEY - W/PULLOUT SPOUT - CHROME
2*	103635-01-000	EA	FAUCET - SINGLE CONTROL/DRINKING WATER
3	143101-01-01A	EA	BRACKET - SHOWER HEAD
4	128974-01-02A	EA	VALVE - SHOWER HEAD - CHROME
5*	144596-01-01A	EA	FAUCET/VALVE ONLY - SHOWER - W/TEMP LIMIT STOP(MOEN 62300)
6	NOT USED		
7	135028-01-02A	EA	DROP ELL - F/HAND HELD SHOWER HEAD - 1/2"IPS - CHROME FROM: 00-00-00 THRU: 04-25-04
7	135028-02-02A	EA	DROP ELL - F/HAND HELD SHOWER HEAD/OVAL - W/1/2"IPS-CHROME FROM: 04-26-04 THRU: 99-99-99
8	143525-01-02A	EA	SHOWER - HAND HELD - W/SLIDE BAR - CHROME
9	144596-02-02A	EA	TRIM KIT - (KNOB & PLATE) - CHATEAU - CHROME
10	098419-01-000	EA	FAUCET - 90 DEGREE
11*	141490-01-02A	EA	FAUCET - LAVATORY - W/STOP - CHROME FROM: 00-00-00 THRU: 04-18-04
11	141490-01-03A	EA	FAUCET - LAVATORY - W/STOP - CHROME/CHROME FROM: 04-19-04 THRU: 99-99-99
12	105218-01-01A	EA	SPACER - FAUCET/LAVATORY SINK - 2" X 5.9" - ABS PLASTIC
13*	145541-01-000	EA	WATER HEATER-10 GAL-GAS/ELEC/120'-REM IGN-W/HEAT EXC-10E
14	133224-01-02B	EA	PLATE - WATER HEATER - E-COATED
15*	125420-01-03A	EA	DOOR - WATER HEATER - 10 GALLON - BLACK W/BLACK GRILLE
16	117047-02-000	EA	BUMPER - RUBBER/WASHER INSERT
17	145758-01-02B	EA	BRACKET - HOSE REEL - WATER - E-COATED
18	142675-01-01A	EA	HOSE REEL/WATER - POWERED
19	137169-01-01A	EA	WATER FILL/GRAVITY - W/DOOR - W/O LOCK - BRIGHT WHITE
	138290-03-000	EA	CASE - W/CAM - W/O CYLINDER/KEY
20*	075241-06-000	EA	FAUCET - SHOWER/BRIGHT WHITE - .5" MPT W/1.9" INLET PIPES



**WATER & SEWAGE GROUP (CONTINUED)**  
**WATER SYSTEM (CONTINUED)**

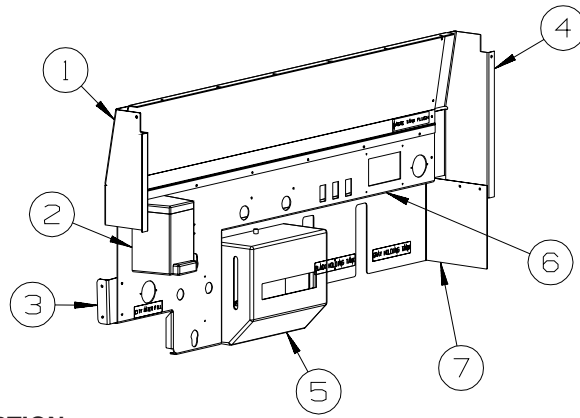
KEY	PART NUMBER	U/M	DESCRIPTION
21	145169-02-01A	EA	TANK - WATER - 40 GALLON - W/FITTINGS
	042989-03-000	EA	FITTING - SPINWELD - 1 1/4"NPT - PLASTIC
	042989-05-000	EA	FITTING - SPINWELD - 1/2"FPT - PLASTIC
	049032-01-000	EA	PATCH - SPINWELD - 3/8" - PLASTIC
	145169-01-01A	EA	TANK - WATER - 40 GALLON - W/O FITTINGS
22	145169-03-01A	EA	TANK - WATER - 40 GALLON - W/FITTINGS
	042989-03-000	EA	FITTING - SPINWELD - 1 1/4"NPT - PLASTIC
	042989-05-000	EA	FITTING - SPINWELD - 1/2"FPT - PLASTIC
	049032-01-000	EA	PATCH - SPINWELD - 3/8" - PLASTIC
	145169-01-01A	EA	TANK - WATER - 40 GALLON - W/O FITTINGS
23	131383-01-02A	EA	SHOWER HEAD - W/60" HOSE & BRACKET - WHITE
24	130041-01-02A	EA	SPACER/SHOWER HEAD - SOFT WHITE
			FROM: 00-00-00 THRU: 04-25-04
24	130041-03-18A	EA	SPACER/SHOWER HEAD
			FROM: 04-26-04 THRU: 99-99-99
25	149259-01-R68	EA	PANEL - FAUCET (WASHER/DRYER)

**\*COMPONENT PARTS LISTED LATER IN THIS GROUP**



KEY	PART NUMBER	U/M	DESCRIPTION
1	125697-05-000	EA	INLET/WATER - F/FLUSHING SYSTEM
2	125697-04-000	EA	BREAKER/VACUUM - F/FLUSHING SYSTEM
3	125697-03-000	EA	CHECK VALVE - F/FLUSHING SYSTEM
4	125697-02-000	EA	NOZZLE - WELD-A-FLUSH
	125697-06-000	EA	INSTRUCTIONS - USER - F/FLUSHING SYSTEM

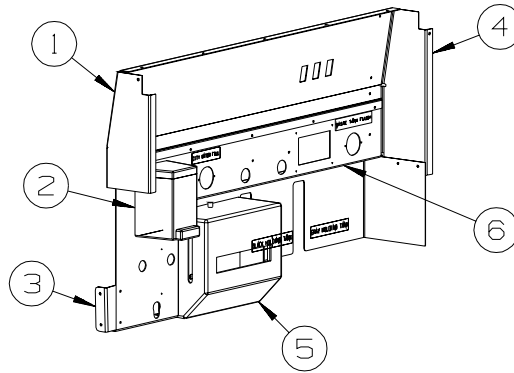
**WATER & SEWAGE GROUP (CONTINUED)**  
**WATER SYSTEM (CONTINUED)**



**S34TD, S40AD,  
S40KD, S40QD,  
S40WD**

KEY	PART NUMBER	U/M	DESCRIPTION
1	146194-01-12B	EA	PANEL - SERVICE CENTER - UPPER - BRIGHT WHITE
2	136909-01-000	EA	DISPENSER - SOAP/LIQUID
			FROM: 00-00-00 THRU: 01-14-04
2	149894-01-01A	EA	DISPENSER/LIQUID SOAP - 200 ML - WHITE
			FROM: 01-15-04 THRU: 99-99-99
3	147351-01-12B	EA	BRACKET/SUPPORT - SERVICE CENTER - BRIGHT WHITE
4	145317-01-12B	EA	PANEL - SERVICE CENTER - REAR - BRIGHT WHITE
5*	136915-01-000	EA	DISPENSER - TOWEL/PAPER - 9"H X 10.8"L X 4.8"D - WHITE
6	145726-01-12B	EA	PANEL - SERVICE CENTER - MIDDLE - BRIGHT WHITE
7	145336-01-12B	EA	PANEL - SERVICE CENTER - SHIELD - BRIGHT WHITE

**\*COMPONENT PARTS LISTED LATER IN THIS GROUP**



**S36GD**

KEY	PART NUMBER	U/M	DESCRIPTION
1	146194-02-12B	EA	PANEL - SERVICE CENTER - BRIGHT WHITE
2	136909-01-000	EA	DISPENSER - SOAP/LIQUID
			FROM: 00-00-00 THRU: 01-14-04
2	149894-01-01A	EA	DISPENSER/LIQUID SOAP - 200 ML - WHITE
			FROM: 01-15-04 THRU: 99-99-99
3	147351-01-12B	EA	BRACKET/SUPPORT - SERVICE CENTER - BRIGHT WHITE
4	145317-01-12B	EA	PANEL - SERVICE CENTER - REAR - BRIGHT WHITE
5*	136915-01-000	EA	DISPENSER - TOWEL/PAPER - 9"H X 10.8"L X 4.8"D - WHITE
6	145726-02-12B	EA	PANEL - SERVICE CENTER - MIDDLE - BRIGHT WHITE

**\*COMPONENT PARTS LISTED LATER IN THIS GROUP**

## WATER & SEWAGE GROUP (CONTINUED)

### COMPONENT PARTS FOR WATER SYSTEM

075241-04-000, 075241-05-000, 075241-06-000

KEY	PART NUMBER	U/M DESCRIPTION	VENDOR NO.
	075240-05-700	EA CARTRIDGE - WASHERLESS	9-P42

098607-01-000

KEY	PART NUMBER	U/M DESCRIPTION	VENDOR NO.
	098607-01-702	EA DIAPHRAGM/DRIVE ASSEMBLY KIT	94-238-04
	098607-01-703	EA VALVE KIT	94-232-00
	098607-01-705	EA VALVE-CHECK, KIT	94-237-00
	098607-01-706	EA HOUSING, W/SWITCH ONLY	94-231-20
	098607-01-707	EA MOTOR W/BASEPLATE	11-148-04

103635-01-000

KEY	PART NUMBER	U/M DESCRIPTION	VENDOR NO.
	103635-01-703	EA CARTRIDGE - 10"	ADC-959201

125420-01-02A, 125420-01-03A, 125420-03-03A, 125420-04-03A

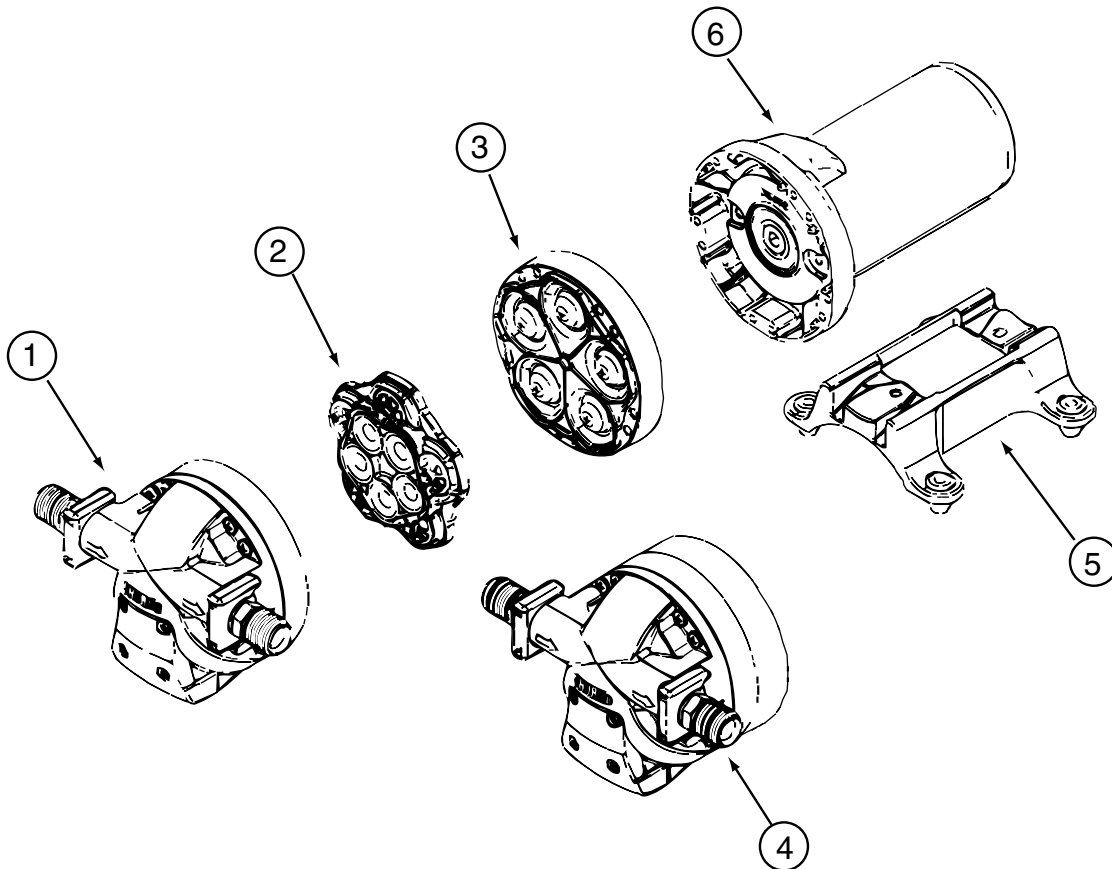
KEY	PART NUMBER	U/M DESCRIPTION	VENDOR NO.
	051391-01-705	EA FASTENER - CAMLOCK	92609

136915-01-000

KEY	PART NUMBER	U/M DESCRIPTION	VENDOR NO.
	136915-01-700	EA TOWEL - PAPER/FOLDING PKG.	1999

141490-01-01A, 141490-01-02A

KEY	PART NUMBER	U/M DESCRIPTION	VENDOR NO.
	132410-01-700	EA CARTRIDGE F/DBL HDLE FAUCET	1224



144215-01-000

KEY	PART NUMBER	U/M DESCRIPTION	VENDOR NO.
2	144215-01-700	EA VALVE ASSEMBLY	94-030-01
3	144215-01-701	EA DRIVE ASSEMBLY	94-030-02
	144215-01-702	EA FITTING KIT - W/ORINGS	94-615-06

CONTACT WINNEBAGO PARTS SALES FOR UNLISTED COMPONENT(S)

**WATER & SEWAGE GROUP (CONTINUED)**  
**COMPONENT PARTS FOR WATER SYSTEM (CONTINUED)**

144215-02-000

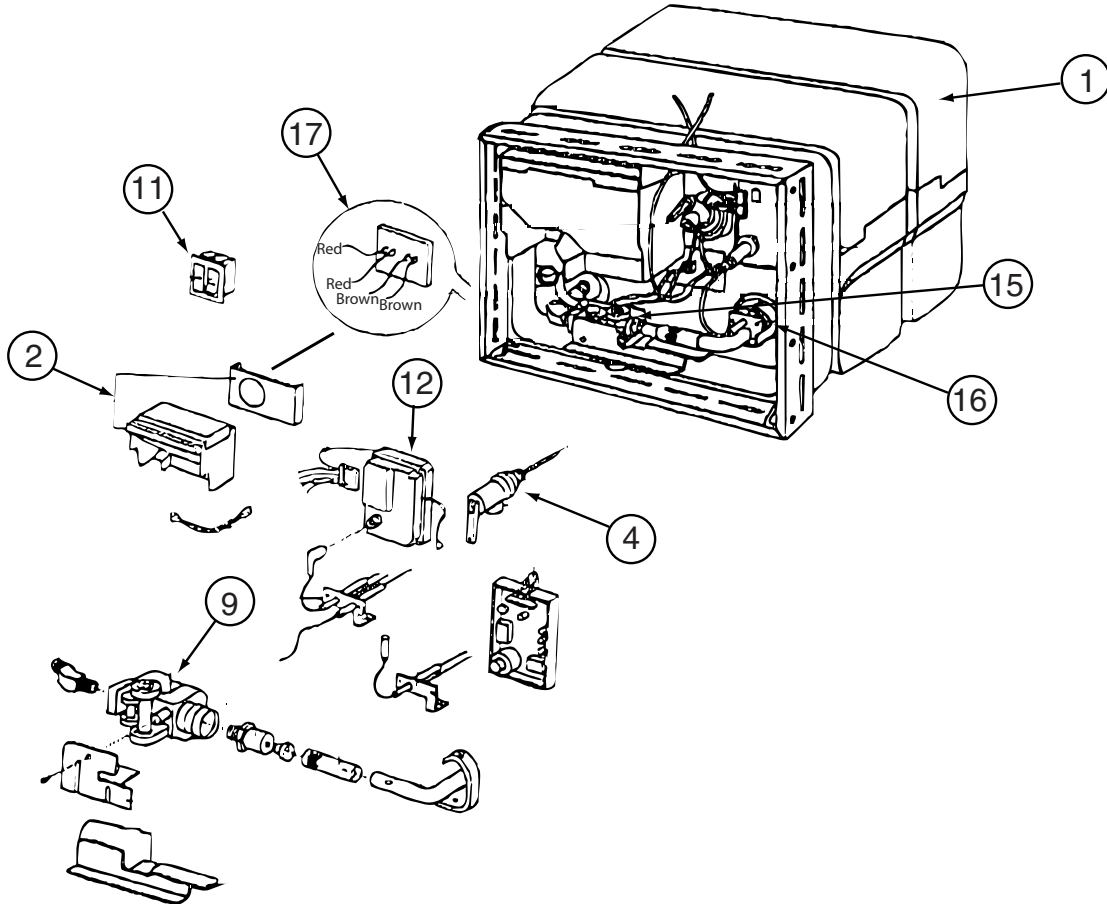
KEY	PART NUMBER	U/M DESCRIPTION	VENDOR NO.
	144215-02-700	EA FITTING KIT- COUPLER W/ORING	94-637-00

144444-01-01A

KEY	PART NUMBER	U/M DESCRIPTION	VENDOR NO.
	135027-01-705	EA CARTRIDGE F/SGL LEVER FAUCET	1225

144596-01-01A

KEY	PART NUMBER	U/M DESCRIPTION	VENDOR NO.
	144596-01-700	EA CARTRIDGE (REPLACEMENT)	1222



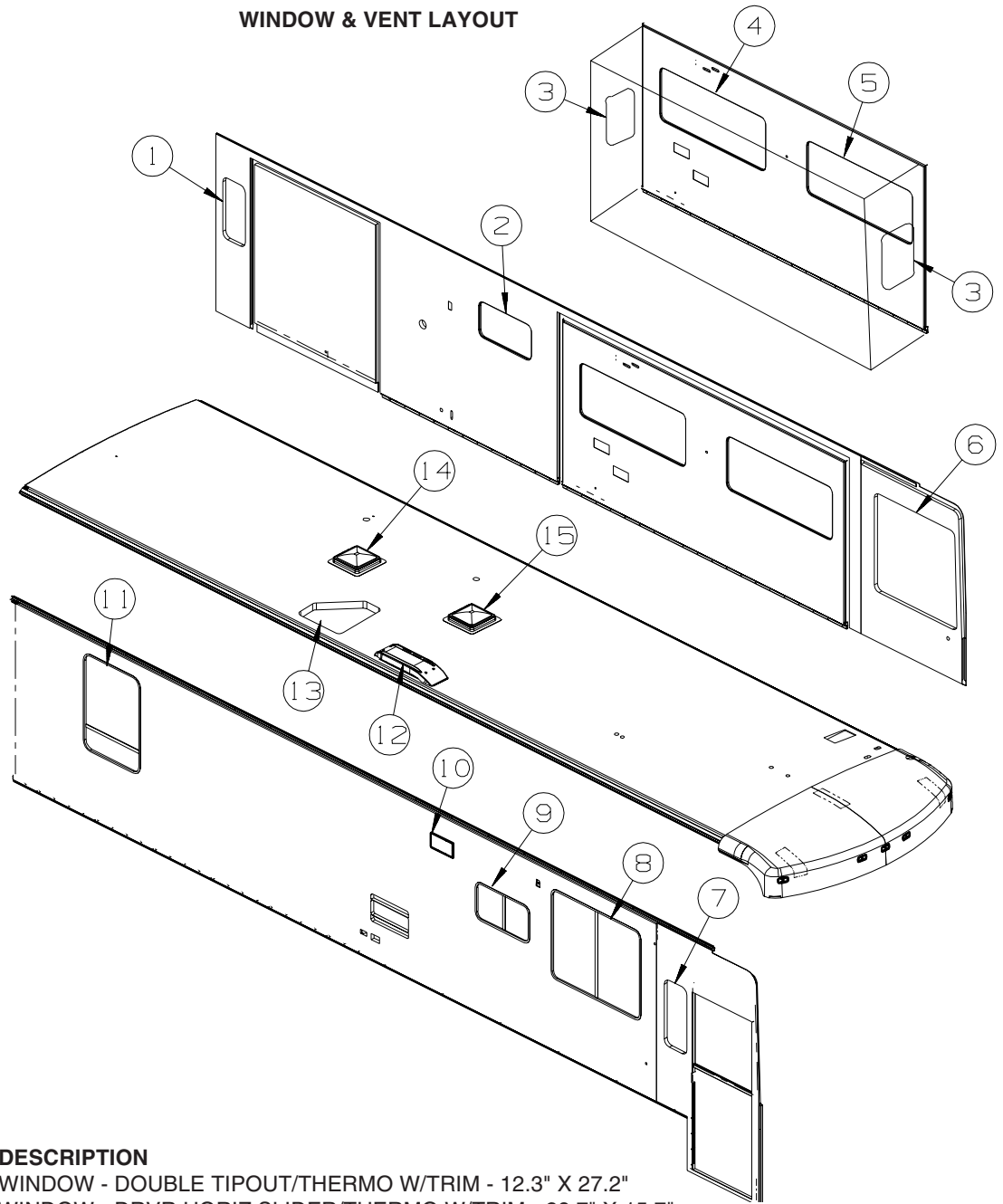
145541-01-000

KEY	PART NUMBER	U/M DESCRIPTION	VENDOR NO.
1	145541-01-700	EA TANK - W/INSULATION - 10 GAL	91028
2	051391-04-707	EA KIT-EXHAUST, (FLUE & GASKET)	90960
3	051391-01-715	EA PLUG-DRAIN, 1 EA = 2 PER PKG	91857
4	051391-01-704	EA VALVE-RELIEF, 1/2" FITTING	91604
9	051393-01-726	EA VALVE/SOLENOID - W/O BRACKET	93870
11	145541-01-701	EA SWITCH - ON/OFF - WHITE	91859
11	051393-01-701	EA SWITCH - REMOTE - W/LIGHT	91959
12	145541-01-702	EA CIRCUIT BOARD	91226
15	145541-01-703	EA SWITCH - THERMAL CUT OFF	93866
16	051393-01-725	EA ELECTRODE-SGL SPADE CONNECT.	93868
17	051393-01-721	EA THERMOSTAT W/ECO, 140 FRT MT	91447
	051391-05-706	EA ELEMENT-HEATING 1500 WATT	92249 W/GASKET
	145541-01-704	EA RELAY	90061
	145541-01-705	EA JUNCTION BOX(PLASTIC) 10 GAL	91224

CONTACT WINNEBAGO PARTS SALES FOR UNLISTED COMPONENT(S)

## WINDOW & VENTS GROUP

### WINDOW & VENT LAYOUT



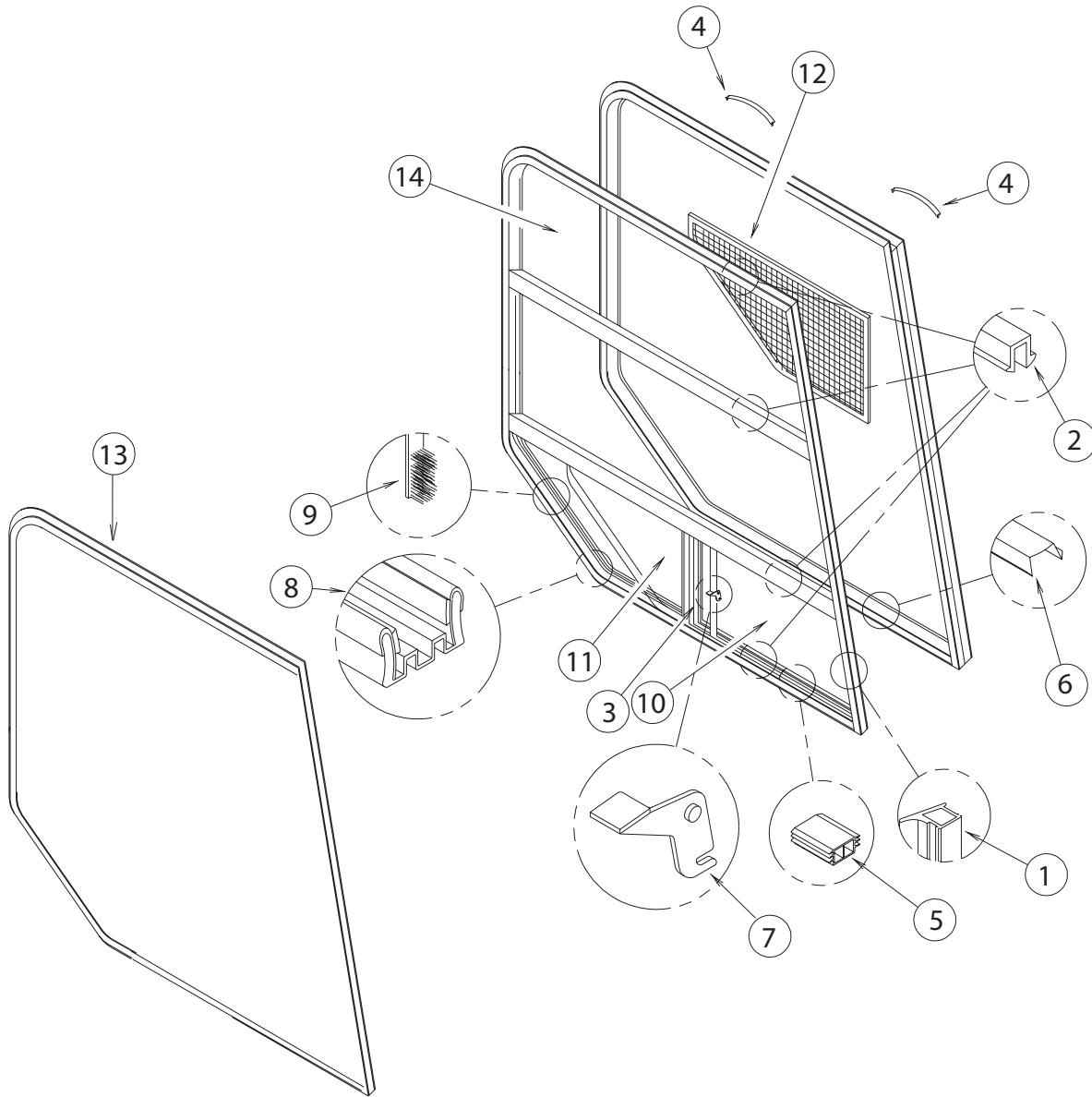
KEY	PART NUMBER	U/M	DESCRIPTION
1*	137867-04-01A	EA	WINDOW - DOUBLE TIPOUT/THERMO W/TRIM - 12.3" X 27.2"
2*	112795-73-01A	EA	WINDOW - DRVR HORIZ SLIDER/THERMO W/TRIM - 28.7" X 15.7"
3*	134004-03-01A	EA	WINDOW - VERT SLIDER/FLUSH O/S-THERMO W/TRIM - 21" X 19.8"
4*	112795-81-01A	EA	WINDOW-DRVR HORIZ SLIDER/THERMO/ESC W/TRIM - 23.8" X 57.7"
5*	112795-77-01A	EA	WINDOW - DRVR HORIZ SLIDER/THERMO W/TRIM - 57.4" X 23.6"
6*	106466-14-01A	EA	WINDOW - CAB/DRVR THERMO W/RETAINER-44.6"T X 44.7"H X 46"B
7*	112898-27-01A	EA	WINDOW - VERTICAL SLIDER/THERMO-W/TRIM - 12" X 29.4"
8*	112795-82-01A	EA	WINDOW - PASS HORIZ SLIDER/THERMO W/TRIM - 39" X 47.9"
9*	112795-78-01A	EA	WINDOW - PASS HORIZ SLIDER/THERMO W/TRIM - 23.7" X 15"
10	138983-01-02A	EA	VENT - MICROWAVE/OUTER - BLACK
10	138983-03-01A	EA	COVER - VENT MICROWAVE/OUTER - BRIGHT WHITE
11*	129929-08-01A	EA	WINDOW - TIPOUT/THERMO/ESCAPE W/TRIM - 42.2" X 30.2"
12	084073-04-000	EA	BASE/VENT - ROOF/REFRIGERATOR - BLACK - NORCOLD FROM: 00-00-00 THRU: 11-09-03
12	149508-02-02A	EA	BASE - REFRIGERATOR ROOF VENT - BRIGHT WHITE FROM: 11-10-03 THRU: 01-11-04
12	149508-02-01A	EA	BASE - ROOF/REFRIGERATOR VENT - BLACK FROM: 01-12-04 THRU: 99-99-99
12	084073-07-000	EA	CAP - ROOF/REFRIGERATOR VENT - 10" X 32" - BRIGHT WHITE FROM: 00-00-00 THRU: 11-09-03
12	149508-01-01A	EA	CAP - ROOF/REFRIGERATOR VENT - GRAY FROM: 11-10-03 THRU: 99-99-99

**WINDOW & VENTS GROUP (CONTINUED)**  
**WINDOW & VENT LAYOUT (CONTINUED)**

<b>KEY</b>	<b>PART NUMBER</b>	<b>U/M</b>	<b>DESCRIPTION</b>
13	122214-01-02A	EA	PANEL - SKYLIGHT - INNER - W/ANGLED CORNER - WHITE
13	138372-01-02B	EA	TRIM - CORNER - SKYLIGHT - E-COATED
13	139411-01-01A	EA	PANEL/SKYLIGHT - OUTER - NEO ANGLE - WHITE
14*	123780-17-01A	EA	FANTASTIC VENT-4"ROOF-W/FAN/PWR LIFT/RAIN SEN/DBL DOME-WHT
	009440-01-000	EA	GEAR/ARM - LIFT - ROOF VENT COVER
	144628-01-01A	EA	SHADE - VENT COVER - 15.7" X 15.7" - OFF WHITE
15*	123780-15-01A	EA	FANTASTIC VENT-3"ROOF-W/FAN/PWR LIFT/THERM/RAIN SEN/DBE DM
	009440-01-000	EA	GEAR/ARM - LIFT - ROOF VENT COVER
	144628-01-01A	EA	SHADE - VENT COVER - 15.7" X 15.7" - OFF WHITE

**\*COMPONENT PARTS LISTED LATER IN THIS GROUP**

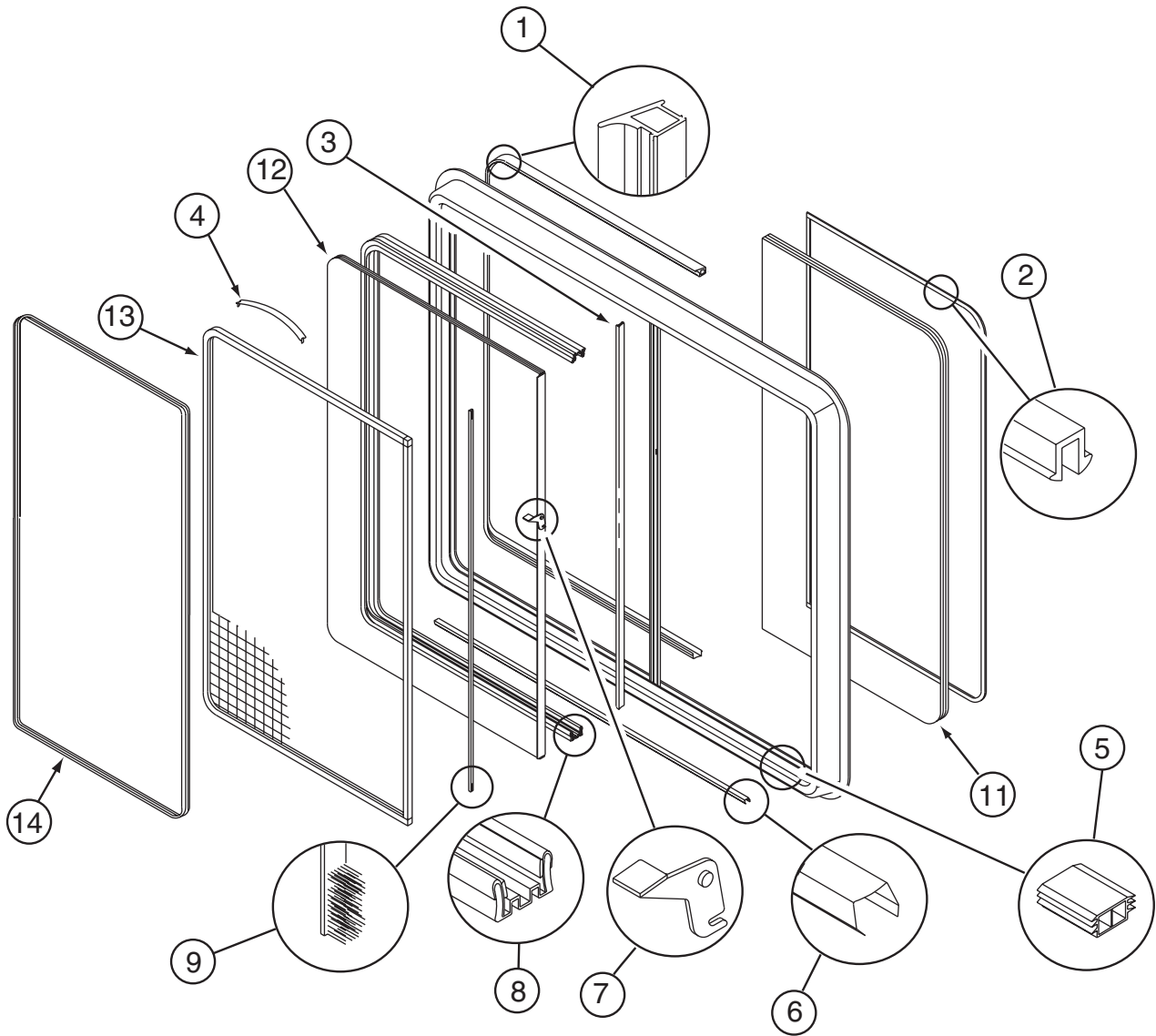
**WINDOW & VENTS GROUP (CONTINUED)**  
**COMPONENT PARTS FOR WINDOWS & VENT LAYOUT**



**106466-14-01A**

KEY	PART NUMBER	U/M	DESCRIPTION	VENDOR NO.
1	112795-01-704	FT	PLUG FILLER (DOUBLE GLAZED)	122-018737
2	112795-01-705	FT	VINYL - GLAZING	132-027331
3	098644-01-706	FT	WEATHERSTRIP - GLASS	171-010668
4	098644-01-713	EA	CLIP - SCREEN - METAL	226-016966
4	125582-01-701	EA	CLIP - SCREEN - PLASTIC	130-005153
5	112795-01-701	EA	SLIDE-STOP	132-019092
6	098644-01-710	FT	TRACK - SCREEN SPACER 12'	132-017135
7	112795-01-700	EA	LATCH ASM., BLK.,(BOLT ON)	DH287-CK
8	112795-01-703	IN	CHANNEL-RUN (INCHES)	122-027566
9	075673-05-000	FT	SEAL-PILE ADH BACK,BLK	AMESBURY
10	106466-14-701	EA	GLASS - STATIONERY - LOWER	390-027478
11	106466-14-702	EA	GLASS-SLIDING W/SASH & LATCH	DH567-A9L
12	125582-04-701	EA	SCREEN ASM - W/SEALS & CLIPS	410-026544
13	106466-13-703	EA	RETAINER - TRIM	H671-66L
14	106466-14-700	EA	GLASS - STATIONERY - UPPER	390-027477
	098644-01-717	FT	SPLINE - SCREEN	132-004716
	125582-01-708	EA	WEEPHOLE COVER - RIGHT HAND	130-026598
	125582-01-709	EA	WEEPHOLE COVER - LEFT HAND	130-026599

**WINDOW & VENTS GROUP (CONTINUED)**  
**COMPONENT PARTS FOR WINDOWS & VENT LAYOUT (CONTINUED)**



112795-73-01A

KEY	PART NUMBER	U/M	DESCRIPTION	VENDOR NO.
1	112795-01-704	FT	PLUG FILLER (DOUBLE GLAZED)	122-018737
2	112795-01-705	FT	VINYL - GLAZING	132-025736
3	098644-01-706	FT	WEATHERSTRIP - GLASS	171-010668
4	098644-01-713	EA	CLIP - SCREEN - METAL	226-016966
4	125582-01-701	EA	CLIP - SCREEN - PLASTIC	130-005153
	098644-01-717	FT	SPLINE - SCREEN	132-004716
5	112795-01-701	EA	SLIDE-STOP	132-019092
6	098644-01-710	FT	TRACK - SCREEN SPACER 12'	132-017135
7	112795-01-700	EA	LATCH ASM., BLK.,(BOLT ON)	DH287-CK
8	112795-01-703	IN	CHANNEL-RUN (INCHES)	122-018736
9	098644-01-711	FT	WEATHERSTRIP - SCREEN BLACK	171-016965
11	112795-72-700	EA	GLASS - STATIONARY	390-028307
12	112795-72-701	EA	GLASS - SLIDING W/SASH LATCH	DC29-G8
13	098647-31-704	EA	SCREEN ASSY - W/SEAL & CLIPS	410-019128
14	098647-31-705	EA	RETAINER - TRIM	CH29-66



**WINDOW & VENTS GROUP (CONTINUED)**  
**COMPONENT PARTS FOR WINDOWS & VENT LAYOUT (CONTINUED)**

**112795-77-01A**

<b>KEY</b>	<b>PART NUMBER</b>	<b>U/M</b>	<b>DESCRIPTION</b>	<b>VENDOR NO.</b>
1	112795-01-704	FT	PLUG FILLER (DOUBLE GLAZED)	122-018737
2	112795-01-705	FT	VINYL - GLAZING	132-025736
3	098644-01-706	FT	WEATHERSTRIP - GLASS	171-010668
4	098644-01-713	EA	CLIP - SCREEN - METAL	226-016966
4	125582-01-701	EA	CLIP - SCREEN - PLASTIC	130-005153
5	112795-01-701	EA	SLIDE-STOP	132-019092
6	098644-01-710	FT	TRACK - SCREEN SPACER 12'	132-017135
7	112795-01-700	EA	LATCH ASM., BLK.,(BOLT ON)	DH287-CK
8	112795-01-703	IN	CHANNEL-RUN (INCHES)	122-018736
9	098644-01-711	FT	WEATHERSTRIP - SCREEN BLACK	171-016965
11	112795-77-700	EA	GLASS - STATIONARY	390-28313
12	112795-77-701	EA	GLASS - SLIDING W/SASH LATCH	DH493-G8
13	098647-47-702	EA	SCREEN ASSY - W/SEAL & CLIPS	410-025226
14	098647-47-704	EA	RETAINER - TRIM	H493-66
	098644-01-717	FT	SPLINE - SCREEN	132-004716

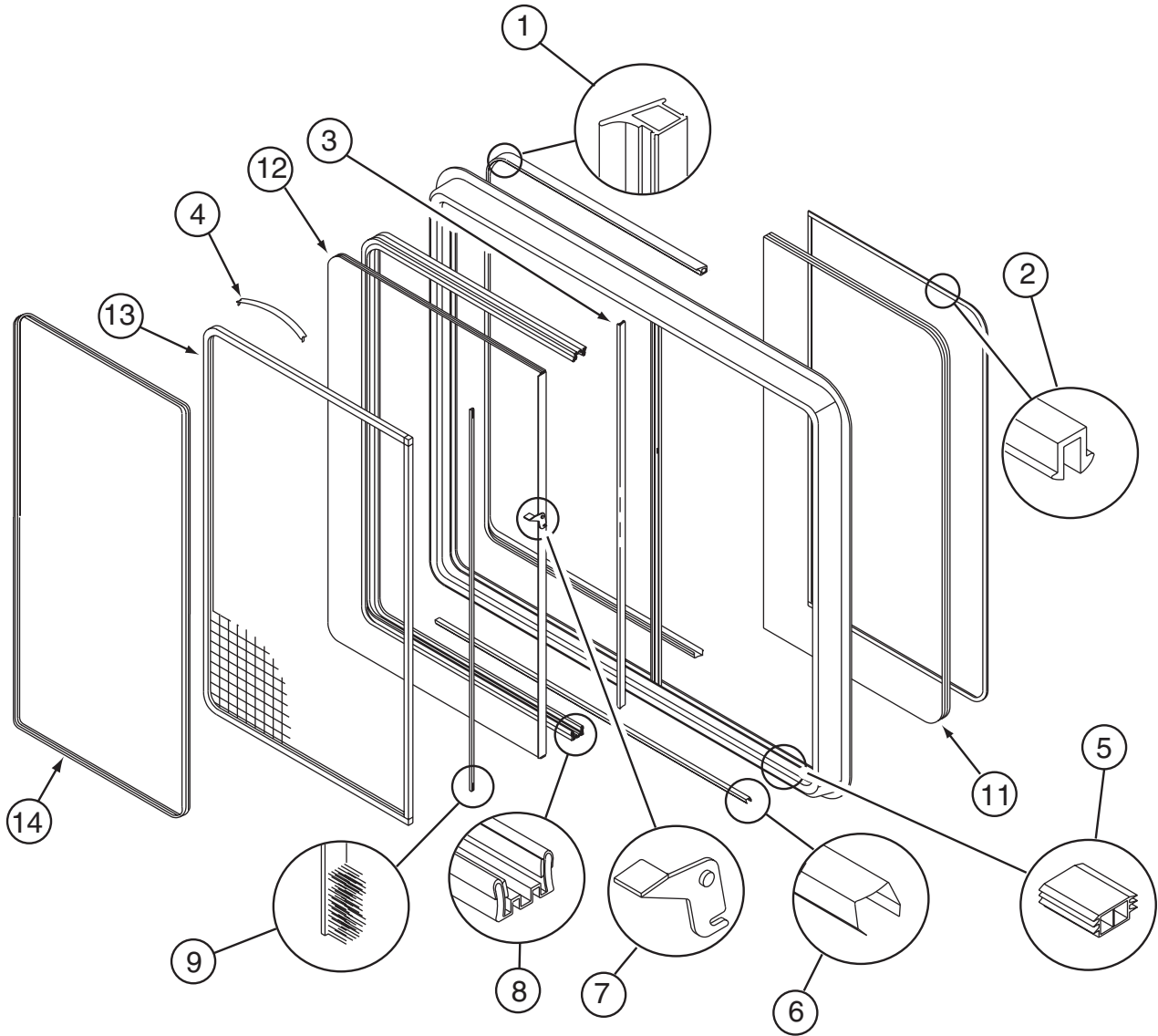
**112795-78-01A**

<b>KEY</b>	<b>PART NUMBER</b>	<b>U/M</b>	<b>DESCRIPTION</b>	<b>VENDOR NO.</b>
1	112795-01-704	FT	PLUG FILLER (DOUBLE GLAZED)	122-018737
2	112795-01-705	FT	VINYL - GLAZING	132-025736
3	098644-01-706	FT	WEATHERSTRIP - GLASS	171-010668
4	098644-01-713	EA	CLIP - SCREEN - METAL	226-016966
4	125582-01-701	EA	CLIP - SCREEN - PLASTIC	130-005153
	098644-01-717	FT	SPLINE - SCREEN	132-004716
5	112795-01-701	EA	SLIDE-STOP	132-019092
6	098644-01-710	FT	TRACK - SCREEN SPACER 12'	132-017135
7	112795-01-700	EA	LATCH ASM., BLK.,(BOLT ON)	DH287-CK
8	112795-01-703	IN	CHANNEL-RUN (INCHES)	122-018736
9	098644-01-711	FT	WEATHERSTRIP - SCREEN BLACK	171-016965
11	112795-78-700	EA	GLASS - STATIONARY	390-028338
12	112795-78-701	EA	GLASS - SLIDING W/SASH LATCH	DB969-G8
13	112795-56-702	EA	SCREEN ASSY - W/SEAL & CLIPS	410-019414
14	112795-56-704	EA	RETAINER - TRIM	B969-66

**112795-81-01A**

<b>KEY</b>	<b>PART NUMBER</b>	<b>U/M</b>	<b>DESCRIPTION</b>	<b>VENDOR NO.</b>
1	112795-01-704	FT	PLUG FILLER (DOUBLE GLAZED)	122-018737
2	112795-01-705	FT	VINYL - GLAZING	132-025736
3	098644-01-706	FT	WEATHERSTRIP - GLASS	171-010668
4	098644-01-713	EA	CLIP - SCREEN - METAL	226-016966
4	125582-01-701	EA	CLIP - SCREEN - PLASTIC	130-005153
	098644-01-717	FT	SPLINE - SCREEN	132-004716
5	112795-01-701	EA	SLIDE-STOP	132-019092
6	098644-01-710	FT	TRACK - SCREEN SPACER 12'	132-017135
7	112795-01-700	EA	LATCH ASM., BLK.,(BOLT ON)	DH287-CK
8	112795-01-703	IN	CHANNEL-RUN (INCHES)	122-018736
9	098644-01-711	FT	WEATHERSTRIP - SCREEN BLACK	171-016965
11	112795-77-700	EA	GLASS - STATIONARY	390-28313
12	112795-77-701	EA	GLASS - SLIDING W/SASH LATCH	DH493-G8
13	098647-47-702	EA	SCREEN ASSY - W/SEAL & CLIPS	410-025226
14	098647-47-704	EA	RETAINER - TRIM	H493-66

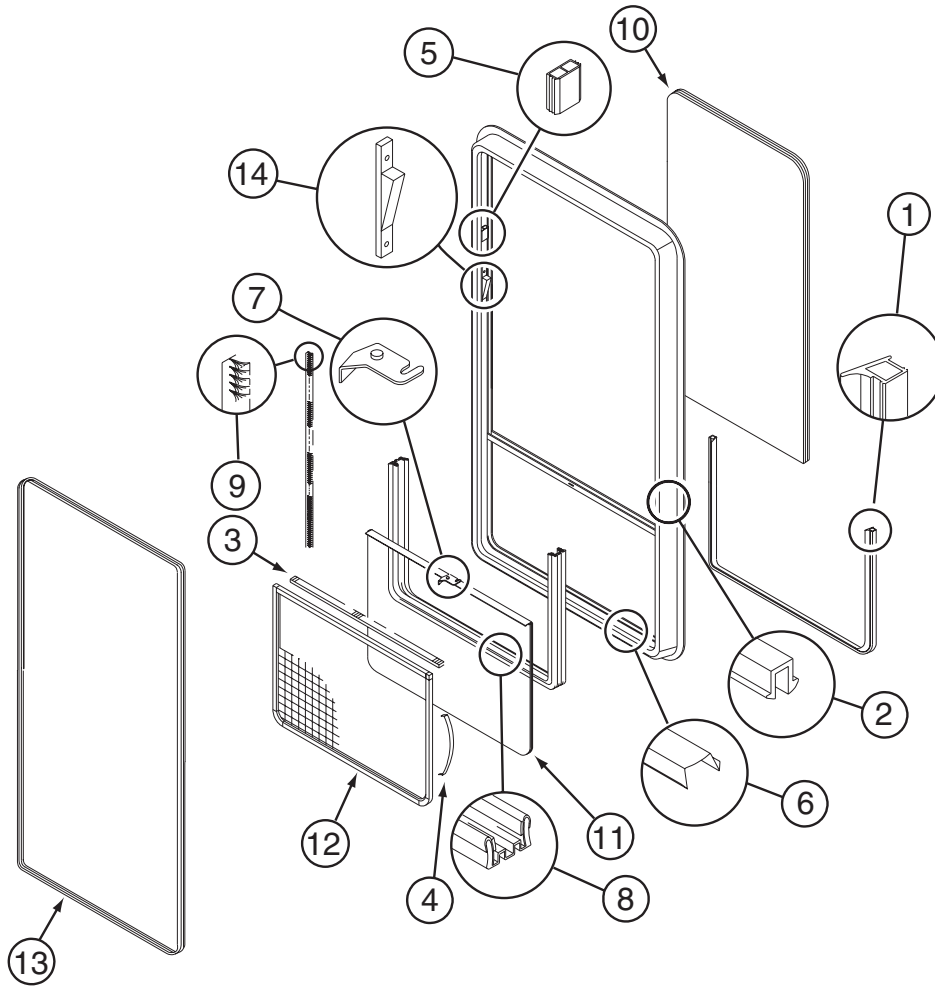
**WINDOW & VENTS GROUP (CONTINUED)**  
**COMPONENT PARTS FOR WINDOWS & VENT LAYOUT (CONTINUED)**



112795-82-01A

KEY	PART NUMBER	U/M	DESCRIPTION	VENDOR NO.
1	112795-01-704	FT	PLUG FILLER (DOUBLE GLAZED)	122-018737
2	112795-01-705	FT	VINYL - GLAZING	132-025736
3	098644-01-706	FT	WEATHERSTRIP - GLASS	171-010668
4	098644-01-713	EA	CLIP - SCREEN - METAL	226-016966
4	125582-01-701	EA	CLIP - SCREEN - PLASTIC	130-005153
	098644-01-717	FT	SPLINE - SCREEN	132-004716
5	112795-01-701	EA	SLIDE-STOP	132-019092
6	098644-01-710	FT	TRACK - SCREEN SPACER 12'	132-017135
7	112795-01-700	EA	LATCH ASM., BLK.,(BOLT ON)	DH287-CK
8	112795-01-703	IN	CHANNEL-RUN (INCHES)	122-018736
9	098644-01-711	FT	WEATHERSTRIP - SCREEN BLACK	171-016965
11	112795-82-700	EA	GLASS - STATIONARY	390-28313
12	112795-82-701	EA	GLASS - SLIDING W/SASH LATCH	DH493-G8
13	112795-66-702	EA	SCREEN ASSY - W/SEAL & CLIPS	410-025226
14	112795-66-703	EA	RETAINER - TRIM	H493-66

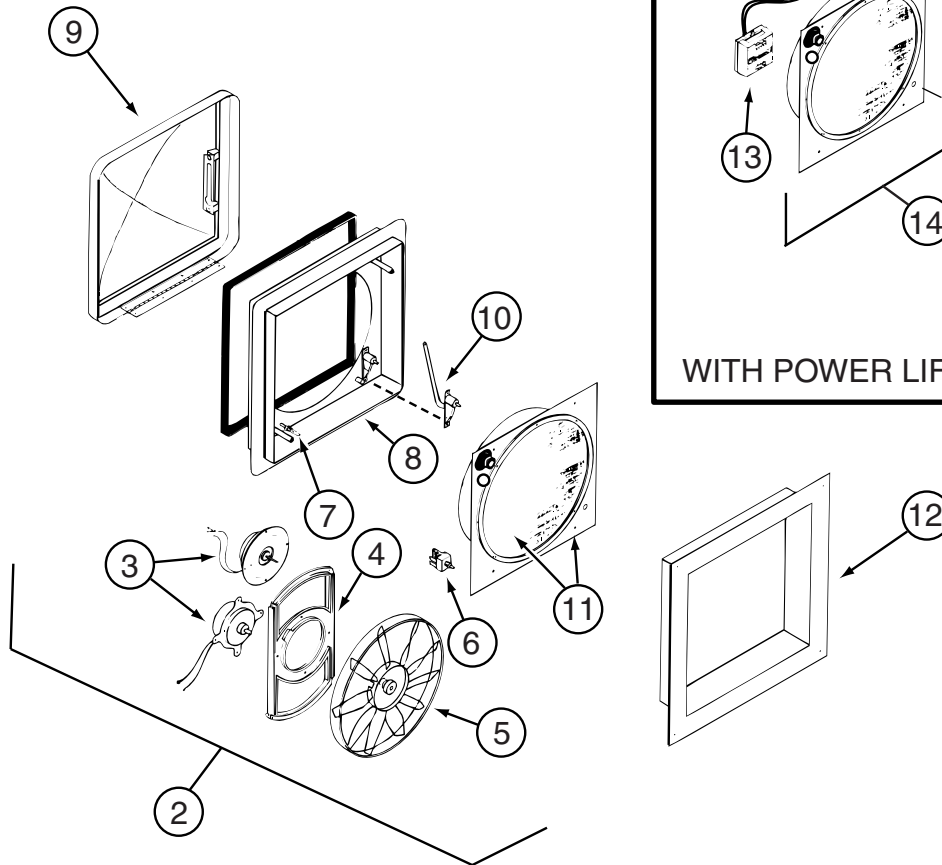
**WINDOW & VENTS GROUP (CONTINUED)**  
**COMPONENT PARTS FOR WINDOWS & VENT LAYOUT (CONTINUED)**



112898-27-01A

KEY	PART NUMBER	U/M	DESCRIPTION	VENDOR NO.
1	112795-01-704	FT	PLUG FILLER (DOUBLE GLAZED)	122-018737
2	112795-01-705	FT	VINYL - GLAZING	132-027331
3	098644-01-706	FT	WEATHERSTRIP - GLASS	171-010668
4	098644-01-713	EA	CLIP - SCREEN - METAL	226-016966
4	125582-01-701	EA	CLIP - SCREEN - PLASTIC	130-005153
5	112795-01-701	EA	SLIDE-STOP	132-019092
6	098644-01-710	FT	TRACK - SCREEN SPACER 12'	132-017135
7	112795-01-700	EA	LATCH ASM., BLK.,(BOLT ON)	DH287-CK
8	112795-01-703	IN	CHANNEL-RUN (INCHES)	122-027566
9	075673-05-000	FT	SEAL-PILE ADH BACK,BLK	AMESBURY
10	112898-27-700	EA	GLASS - STATIONARY	390-029191
11	112898-27-701	EA	GLASS-SLIDING W/SASH & LATCH	DH755-G8
12	112898-27-702	EA	SCREEN ASM W/SEALS & CLIPS	410-029193
13	113733-13-701	EA	RETAINER - TRIM	H754-66
14	112898-04-703	EA	VERTICAL LATCH (SASH KIT)	DH343-CK
	098644-01-717	FT	SPLINE - SCREEN	132-004716

**WINDOW & VENTS GROUP (CONTINUED)**  
**COMPONENT PARTS FOR WINDOWS & VENT LAYOUT (CONTINUED)**



**123780-15-01A**

KEY	PART NUMBER	U/M	DESCRIPTION	VENDOR NO.
2	084079-11-700	EA	MOTOR & FAN BLADE W/BRACKET	K4017-09
4	084079-01-711	EA	MOTOR MOUNT (BOWTIE)	1015-00
5	084079-01-704	EA	BLADE-FAN	1138-00
6	084079-01-709	EA	SWITCH - MAIN - 3 SPEED	1031-05
7	084079-01-707	EA	SWITCH - SAFETY	1122-05
8	123780-05-700	EA	BASE/MAIN-BRT WHT W/GASKET	1010-81
9	123780-09-700	EA	DOME (DOUBLE)WHT TRANSPARENT	K2020-82
10	009440-01-000	EA	GEAR-ARM-ROOF VENT	705221K38
11	123780-01-702	EA	SCREEN INSERT (SCREEN RING)	K1035-81
12	123780-03-700	EA	GARNISH - INT. 3"-4" BRT/WHT	2040-81
13	084079-01-710	EA	THERMOSTAT(WALL MT)ANY COLOR	9988-81
14	123780-05-701	EA	SCREEN INT W/ALL SWITCHES	KIT-81
15	084079-11-703	EA	MOTOR/AUTO LIFT OFF/WHT CAP	6050-80 OS

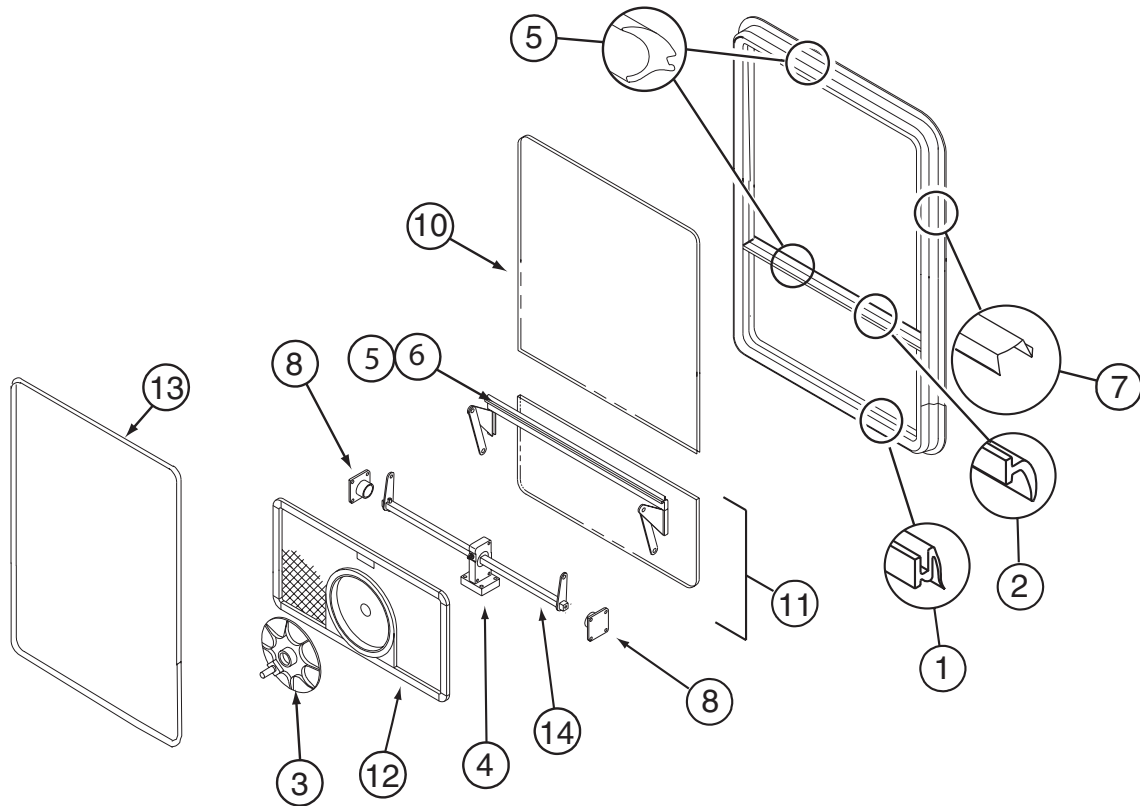
CONTACT WINNEBAGO PART SALES FOR UNLISTED COMPONENT(S)

**123780-17-01A**

KEY	PART NUMBER	U/M	DESCRIPTION	VENDOR NO.
2	084079-11-700	EA	MOTOR & FAN BLADE W/BRACKET	K4017-09
4	084079-01-711	EA	MOTOR MOUNT (BOWTIE)	1015-00
5	084079-01-704	EA	BLADE-FAN	1138-00
6	084079-01-709	EA	SWITCH - MAIN - 3 SPEED	1031-05
7	084079-01-707	EA	SWITCH - SAFETY	1122-05
8	123780-05-700	EA	BASE/MAIN-BRT WHT W/GASKET	1010-81
9	123780-09-700	EA	DOME (DOUBLE)WHT TRANSPARENT	K2020-82
10	009440-01-000	EA	GEAR-ARM-ROOF VENT	705221K38
11	123780-01-702	EA	SCREEN INSERT (SCREEN RING)	K1035-81
12	123780-03-700	EA	GARNISH - INT. 3"-4" BRT/WHT	2040-81
15	084079-11-703	EA	MOTOR/AUTO LIFT OFF/WHT CAP	6050-80 OS

CONTACT WINNEBAGO PART SALES FOR UNLISTED COMPONENT(S)

**WINDOW & VENTS GROUP (CONTINUED)**  
**COMPONENT PARTS FOR WINDOWS & VENT LAYOUT (CONTINUED)**

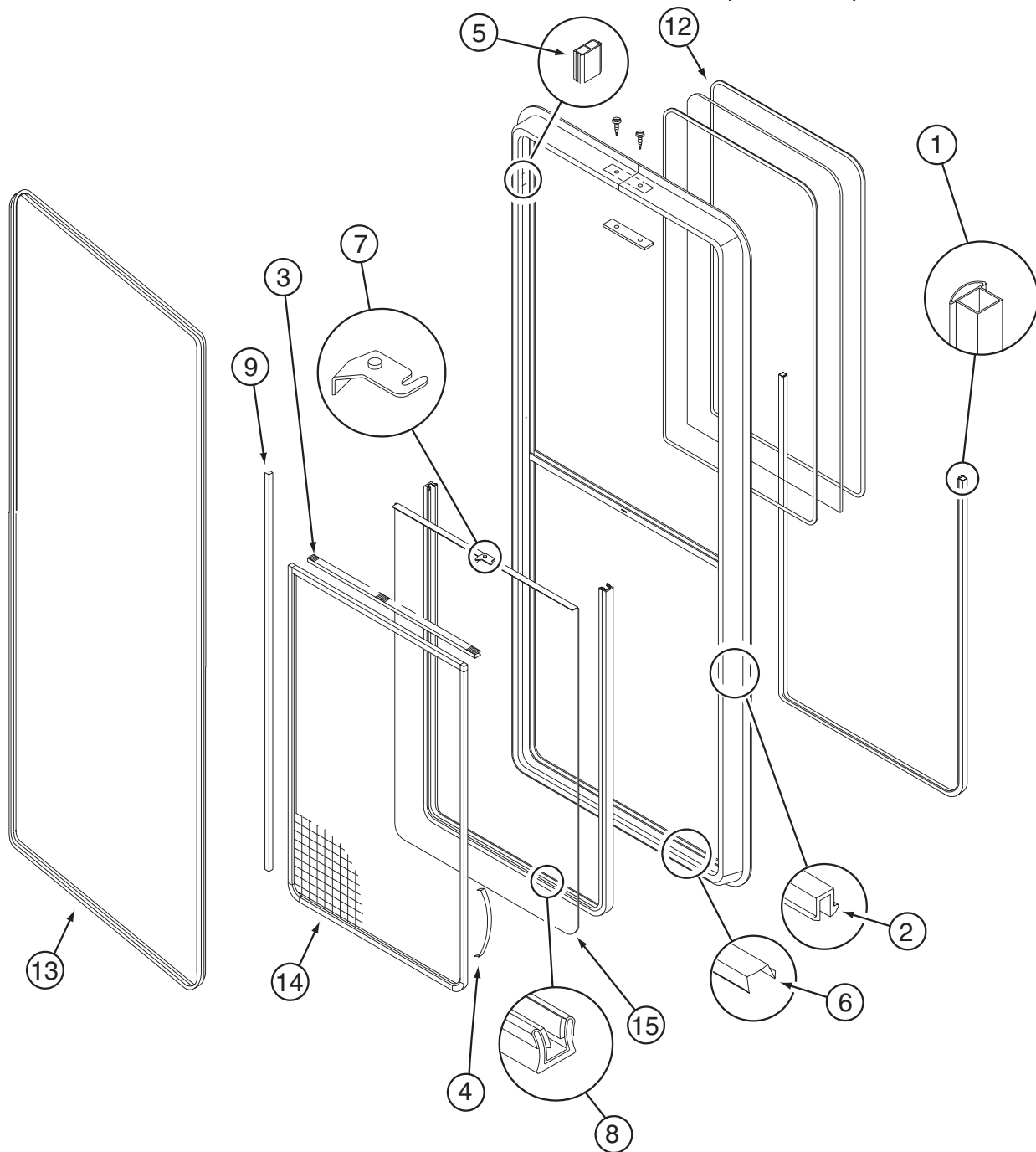


129929-08-01A

KEY	PART NUMBER	U/M	DESCRIPTION	VENDOR NO .
1	100322-01-701	FT	SEAL-VENT	122-016071
3	100322-01-718	EA	HANDLE-DIAL	410-016081
4	129929-01-710	EA	TORQUE-CTR SUPPORT (2 HOLE)	410-026806
5	129929-01-705	FT	GLAZING VINYL	132-026811
6	129929-01-707	FT	COVER/SCREW-FILLER STRIP	132-026808
8	129929-01-708	EA	SUPPORT - TORQUE BAR - RT/LT	130-026804
10	129929-08-700	EA	GLASS - STATIONARY	390-028303
11	129929-10-701	EA	VENT GLASS ASSEMBLY	DTH002-G8
12	129929-02-702	EA	SCREEN ASM - W/SEALS & CLIPS	410-026861
13	129929-02-707	EA	RETAINER - TRIM	CH10162
14	129929-02-704	EA	OPERATOR BAR ASSEMBLY	DTH002-15
	100322-01-717	EA	E-RING	245-015975
	129929-01-706	FT	SEAL - TOP F/CENTER EGRESS	132-026811
	129929-02-706	FT	SEAL - FOAM	140-027022

CONTACT WINNEBAGO PART SALES FOR UNLISTED COMPONENTS

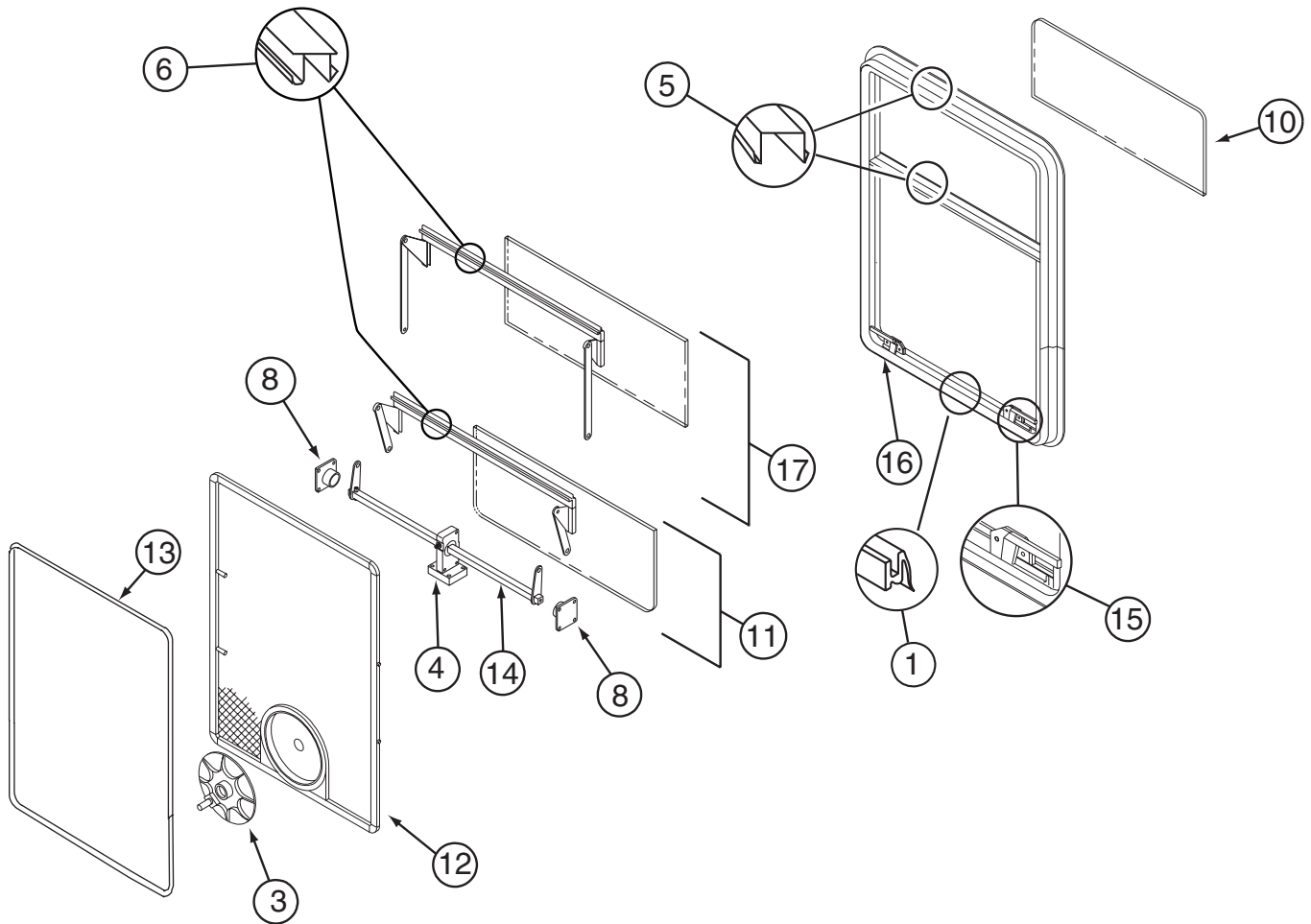
**WINDOW & VENTS GROUP (CONTINUED)**  
**COMPONENT PARTS FOR WINDOWS & VENT LAYOUT (CONTINUED)**



134004-03-01A

KEY	PART NUMBER	U/M	DESCRIPTION	VENDOR NO
1	112795-01-704	FT	PLUG FILLER (DOUBLE GLAZED)	122-018737
2	112795-01-705	FT	VINYL - GLAZING	132-027331
3	098644-01-706	FT	WEATHERSTRIP - GLASS	171-010668
4	098644-01-713	EA	CLIP - SCREEN - METAL	226-016966
4	125582-01-701	EA	CLIP - SCREEN - PLASTIC	130-005153
5	112795-01-701	EA	SLIDE-STOP	132-019092
6	098644-01-710	FT	TRACK - SCREEN SPACER 12'	132-017135
7	112795-01-700	EA	LATCH ASM., BLK.,(BOLT ON)	DH287-CK
8	112795-01-703	IN	CHANNEL-RUN (INCHES)	122-027566
9	075673-05-000	FT	SEAL-PILE ADH BACK,BLK	AMESBURY
12	134004-03-700	EA	GLASS - STATIONARY	390-028662
13	134004-03-702	EA	RETAINER - TRIM	H702-56
14	098644-13-702	EA	SCREEN ASM W/SEALS & CLIPS	410-028663
15	134004-03-701	EA	GLASS-SLIDING W/SASH & LATCH	DH702-G8
	098644-01-717	FT	SPLINE - SCREEN	132-004716
	112898-04-703	EA	VERTICAL LATCH (SASH KIT)	DH343-CK

**WINDOW & VENTS GROUP (CONTINUED)**  
**COMPONENT PARTS FOR WINDOWS & VENT LAYOUT (CONTINUED)**



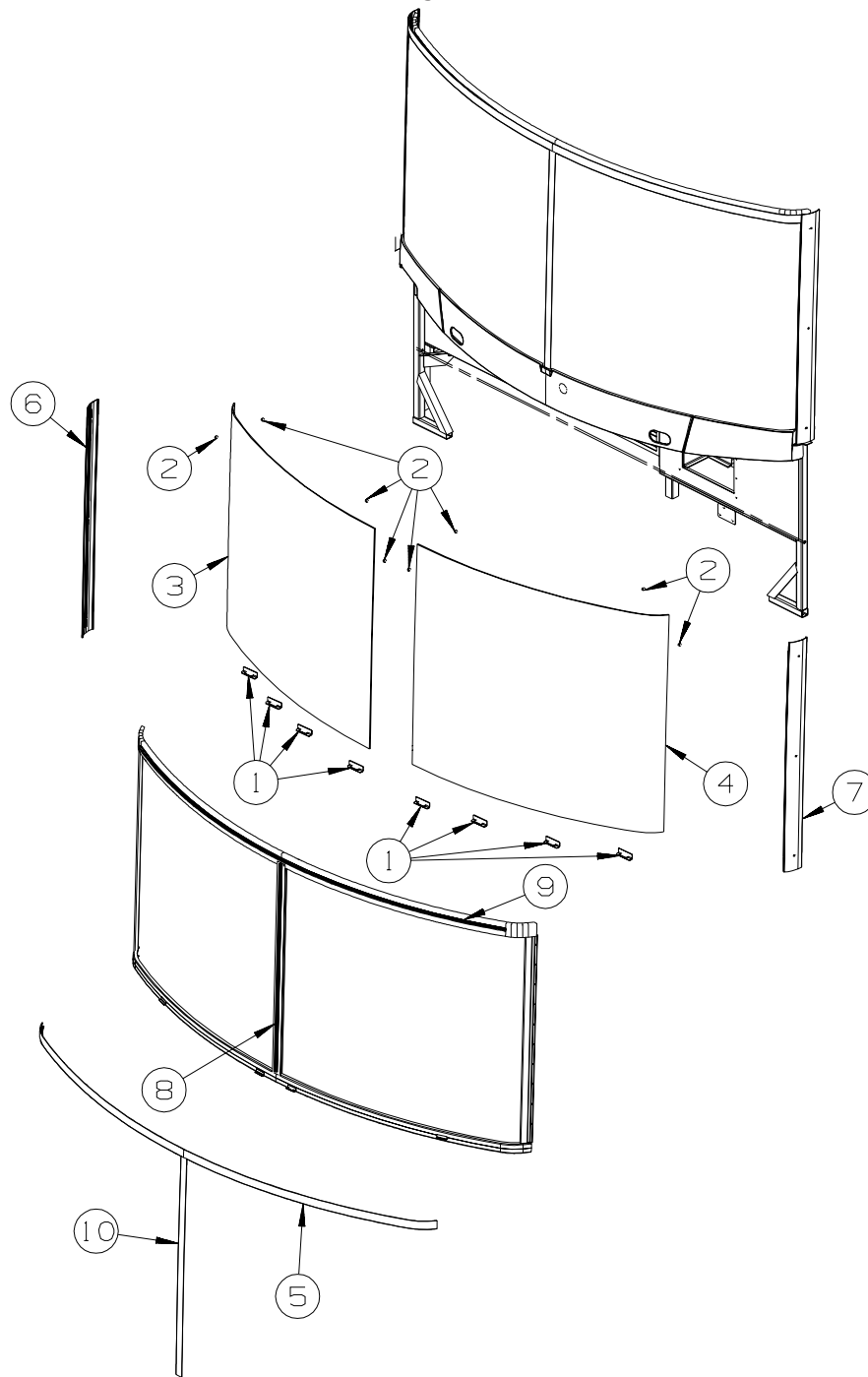
137867-04-01A

KEY	PART NUMBER	U/M	DESCRIPTION	VENDOR NO.
1	100322-01-701	FT	SEAL-VENT	122-016071
3	100322-01-718	EA	HANDLE-DIAL	410-016081
4	129929-01-710	EA	TORQUE-CTR SUPPORT (2 HOLE)	410-026806
5	129929-01-705	FT	GLAZING VINYL	132-026811
6	129929-01-707	FT	COVER/SCREW-FILLER STRIP	132-026808
8	129929-01-708	EA	SUPPORT - TORQUE BAR - RT/LT	130-026804
10	137867-04-700	EA	GLASS - STATIONARY (DBL GLZ)	390-029416
11	137867-04-701	EA	VENT ASSEMBLY LWR (DBL GLZ)	DTH025-G8
12	137867-04-703	EA	SCREEN ASSEMBLY W/SEAL/CLIPS	410-029417
13	137867-04-704	EA	RETAINER - TRIM	H298-62
14	137867-03-704	EA	OPERATOR BAR ASSEMBLY	DTH025-15
15	NOT USED			
16	NOT USED			
17	137867-04-702	EA	VENT ASSEMBLY UPR (DBL GLZ)	DTH025-G6
	100322-01-717	EA	E-RING	245-015975
	129929-01-706	IN	SEAL - TOP F/CENTER EGRESS	132-026811
	129929-02-706	FT	SEAL - FOAM	140-027022

CONTACT WINNEBAGO PART SALES FOR UNLISTED COMPONENTS

# WINDSHIELD & WIPER GROUP

## WINDSHIELD

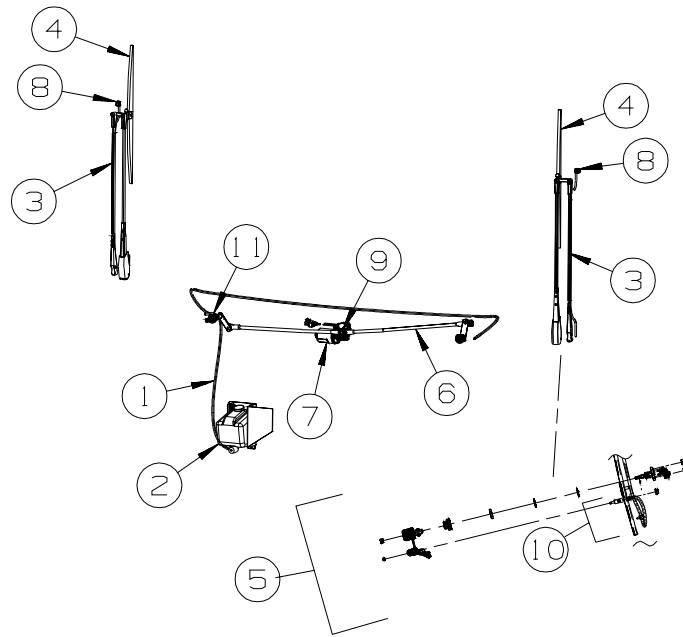


KEY	PART NUMBER	U/M	DESCRIPTION
1	002328-02-000	EA	BLOCK - WINDSHIELD - .062" X .5" X .98"
2	081914-02-000	EA	BUMPER - RUBBER - ROUND - 5/16" DIA. X 13/64" THICK
3	131244-01-000	EA	WINDSHIELD - PASSENGER - 52.5" X 44.4" (CURVED)
4	131244-02-000	EA	WINDSHIELD - DRIVER - 52.5" X 44.4" (CURVED)
5	120533-01-000	FT	MOLDING - REVEAL - WINDSHIELD
6	144054-01-02A	EA	TRIM - WINDSHIELD - A PILLAR - RIGHT HAND - BLACK
	144054-01-01A	EA	TRIM - WINDSHIELD - A PILLAR - RIGHT HAND
7	144054-02-02A	EA	TRIM - WINDSHIELD - A PILLAR - LEFT HAND - BLACK
	144054-02-01A	EA	TRIM - WINDSHIELD - A PILLAR - LEFT HAND
8	127862-06-000	EA	CARRIER/REVEAL - WINDSHIELD - 41.9"
9	127862-01-000	EA	CARRIER/REVEAL - WINDSHIELD - 47.2"
10	118586-01-000	FT	MOLDING - REVEAL - WINDSHILED (CENTER POST)



## WINDSHIELD & WIPER GROUP (CONTINUED)

### WIPER



KEY	PART NUMBER	U/M	DESCRIPTION
1	045794-01-000	FT	HOSE - WINDSHIELD WASHER - 5/32"ID - BLACK
2	117766-02-000	EA	RESERVOIR/PUMP - WINDSHIELD WASHER
3*	145270-01-000	EA	ARM - WIPER - PANTOGRAPH - 28"
4	145277-01-000	EA	BLADE - WINDSHIELD WIPER - 24"
5	145623-01-000	EA	SHAFT/PIVOT - WINDSHIELD WIPER
6	145624-01-000	EA	LINK/WIPER DRIVE ASM - DRV CRANK - DOUBLE BALL - RH & LH LINK
7	145321-01-000	EA	MOTOR - WIPER
7	145627-01-000	EA	SCREW - WIPER MOTOR MOUNTING - M6 1.25 X 5/8"
8	145631-01-000	EA	SCREW - F/JET NOZZLE - #4 X 1/4" PAN HEAD/SELF TAPPING
9	145637-01-000	EA	NUT/RETAINING - WIPER MOTOR TO DRIVE ARM - M8 1.25
10	145698-01-01A	EA	SHAFT/IDLER - PANTOGRAPH - W/WASHER DIVERTER - STAINLESS
	077049-02-000	EA	NUT - ACORN - 10-32 BLACK/ANODIZED
11	146486-01-000	EA	TEE - PLASTIC - 5/32" X 5/32" X 5/32"

**\*COMPONENT PARTS LISTED LATER IN THIS GROUP**

**WINDSHIELD & WIPER GROUP (CONTINUED)**  
**COMPONENT PARTS FOR WIPER**

145270-01-000

<b>KEY</b>	<b>PART NUMBER</b>	<b>U/M</b>	<b>DESCRIPTION</b>	<b>VENDOR NO.</b>
	145270-01-700	EA	WASHER JET W/HOSE & TEE	AW-PJ96
	145270-01-701	EA	COVER/HEAD - LOWER WIPER ARM	AW-RPHC
	145270-01-702	EA	COVER/BRG - UPPER WIPER ARM	AW-RBC
	145270-01-703	EA	COVER/ARM & HOSE - WIPER ARM	AW-PWAC
	145270-01-704	EA	SCREW - WIPER ARM/BLADE	AW-946BS
	145270-01-705	EA	NUT/LOCK - WIPER ARM/BLADE	AW-946NN
	145270-01-706	EA	BOLT & NUT KIT - WIPER ARM	PART SALES