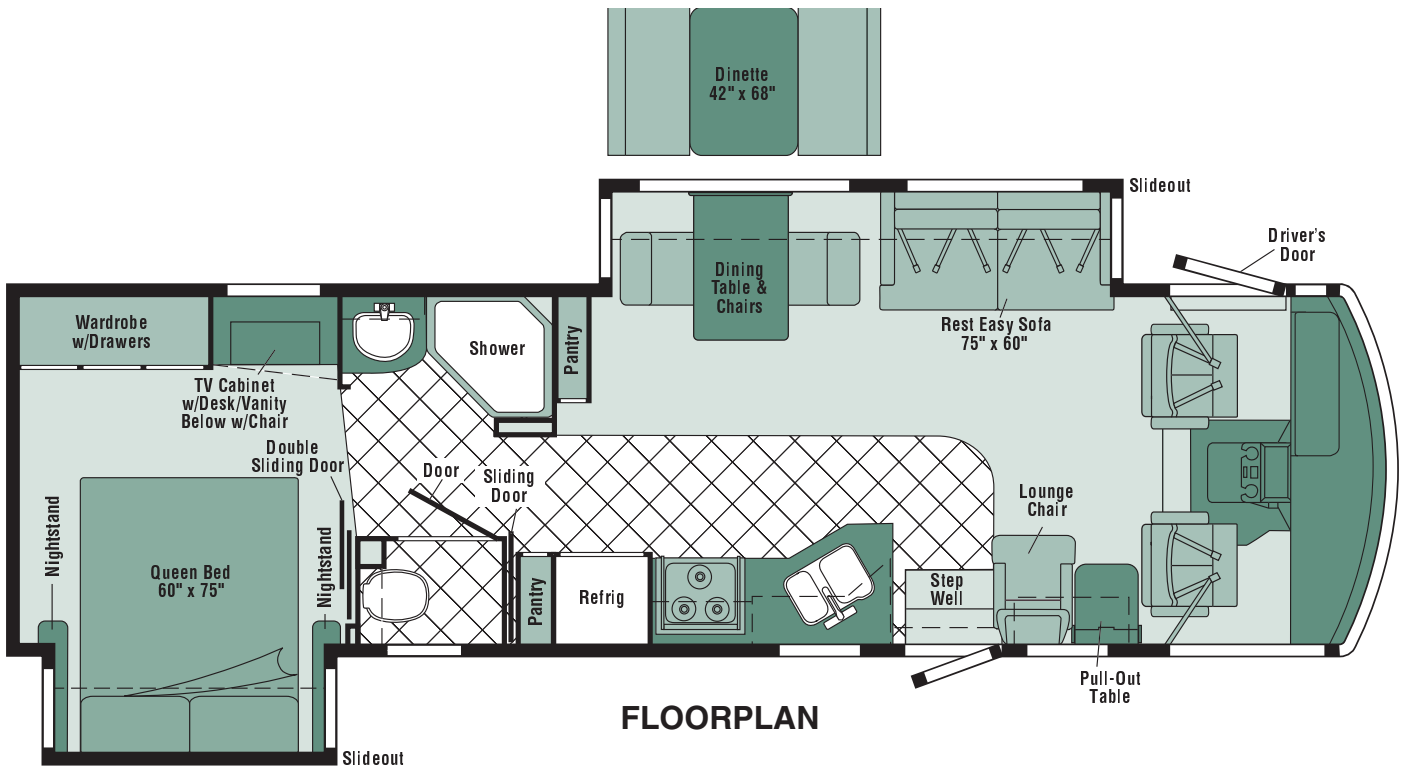


**2004  
SUNCRUISER  
IFG33V  
G-SERIES  
PORTSMOUTH OAK  
R44 STONEHENGE - TAUPE  
R47 FERN GARDEN - GREEN  
R50 CRYSTAL LAKE - BLUE  
CONCERT CHERRY  
R45 STONEHENGE - TAUPE  
R48 FERN GARDEN - GREEN  
R51 CRYSTAL LAKE - BLUE  
WASHED MAPLE  
R46 STONEHENGE - TAUPE  
R49 FERN GARDEN - GREEN  
R52 CRYSTAL LAKE - BLUE**



# CONTENTS

<b>FLOORPLAN</b> .....	<b>1</b>
<b>ACCESSORIES GROUP</b> .....	<b>7</b>
OPERATORS MANUAL .....	7
<b>APPLIANCE GROUP</b> .....	<b>8</b>
APPLIANCES .....	8
COMPONENT PARTS FOR APPLIANCE .....	13
115504-01-000 .....	13
119267-10-01A .....	13
119267-12-01A .....	13
119267-13-01A .....	13
120075-12-01A, 120075-13-01A, 120075-14-01A, 120075-15-01A .....	13
121569-05-01A, 121569-06-01A & 121569-07-01A .....	19
125242-02-01A .....	24
126019-01-01A .....	32
126022-01-01A, 126022-02-01A, 126022-03-01A .....	32
133004-02-01A .....	33
133004-04-01A .....	33
133068-01-000 .....	34
135065-03-01A, 135065-03-03A, 135065-04-01A .....	34
135066-02-01A .....	36
135066-03-01A, 135066-03-04A, 150778-01-01A, 151277-03-01A, 151279-02-01A .....	39
<b>AUDIO VIDEO GROUP</b> .....	<b>43</b>
RADIO SYSTEM .....	43
COMPONENT PARTS FOR RADIO SYSTEM .....	45
102080-17-000 .....	45
102080-18-000 .....	45
102080-21-000 .....	45
143509-01-000 .....	45
148231-01-000 .....	45
REAR VIEW MONITOR .....	46
TELEPHONE .....	47
TV & VCR .....	47
COMPONENT PARTS FOR TV & VCR .....	48
076319-23-000 .....	48
076319-25-000 .....	48
126697-07-000 .....	48
137135-02-000 .....	49
141454-01-01A .....	50
141454-03-01A .....	51
144377-01-000 .....	51
146298-01-000 .....	52
146299-01-000 .....	52
146396-01-000 .....	52
146396-02-000 .....	52
EXTERIOR ENTERTAINMENT .....	53
<b>BATH GROUP</b> .....	<b>54</b>
CABINETS .....	54
SHOWER .....	57
COMPONENT PARTS FOR SHOWER .....	58
139047-01-01A/02A, 139047-02-01A/02A, 139049-03-01A/02A/04A, 139047-04-02A/03A .....	58
<b>BEDROOM GROUP</b> .....	<b>59</b>
CABINETS .....	59

# CONTENTS (CONTINUED)

<b>CHASSIS GROUP</b> .....	<b>63</b>
FRAME .....	63
COMPONENT PARTS FOR FRAME .....	65
132643-01-01A, 132643-06-01A, 132643-07-01A, 132643-09-01A .....	65
FRONT END .....	66
DRIVETRAIN .....	70
EXHAUST .....	71
FUEL .....	73
HYDRAULIC LEVELING .....	76
COMPONENT PARTS FOR HYDRAULIC LEVELING .....	77
100536-48-000 .....	77
144226-08-000 .....	77
144226-09-000 .....	77
144226-19-000 .....	77
144226-20-000 .....	77
144226-21-000 .....	77
144226-24-000 .....	77
144226-29-000 .....	78
WHEEL, TIRE, COVERS &/OR LINERS .....	79
COMPONENT PARTS FOR WHEEL, TIRE, COVERS &/OR LINERS .....	80
110435-20-000 .....	80
134609-02-000 .....	80
134609-05-000 .....	80
145580-02-000 .....	80
145580-03-000 .....	80
150723-01-000 .....	80
BRAKE .....	81
BRAKELINE .....	81
<b>CURTAIN &amp; CUSHION GROUP</b> .....	<b>82</b>
NOTICE .....	82
CUSHION LAYOUT .....	83
BUCKET SEATS .....	85
COMPONENT PARTS FOR BUCKET SEATS .....	90
081373-03-000 .....	90
122611-02-000 .....	90
LOUNGE CHAIR .....	91
SOFA .....	92
COMPONENT PARTS FOR SOFA .....	98
136534-13-000, 136534-15-000, 136534-28-000, 136534-29-000 .....	98
136534-07-000, 136534-17-000 .....	98
136534-24-000 .....	98
148226-01-000, 148226-02-000, 148226-03-000 .....	98
WINDOW TREATMENT .....	99
HARDWARE .....	101
ACCESSORIES .....	103
COMPONENT PARTS FOR ACCESSORIES .....	104
091990-08-01A .....	104
FABRICS .....	105
<b>DINETTE GROUP</b> .....	<b>107</b>
CABINETS .....	107
TABLE .....	108
<b>DRIVERS COMPARTMENT GROUP</b> .....	<b>111</b>
DASH .....	111
MOTOR COVER .....	113
FRONT INTERIOR .....	114
CABINETS .....	117

# CONTENTS (CONTINUED)

<b>ELECTRICAL GROUP</b> .....	<b>120</b>
12V BODY WIRING .....	120
FRONT END WIRING .....	126
COMPONENT PARTS FOR LIGHTS & SWITCHES .....	128
086280-01-000 .....	128
087694-01-000 .....	128
091937-08-000 .....	128
091937-09-000 .....	128
093575-19-02A .....	128
093575-33-02A .....	128
097917-01-06A .....	128
108354-01-01A .....	128
113589-01-000 .....	128
113589-02-000 .....	128
121935-01-01A .....	128
136119-01-000 .....	128
137417-02-01A .....	128
137417-03-01A .....	128
137417-05-01A .....	128
137417-06-01A .....	128
CIRCUIT BREAKERS & FUSES .....	129
CONVERTER, INVERTER, LOAD CENTERS .....	129
110V WIRING .....	130
ENTERTAINMENT WIRING .....	131
DRIVERS DOOR WIRING .....	131
BOXES & CORDS .....	133
WIRE ASSEMBLIES .....	133
CONNECTORS & CONDUIT .....	134
BOOTS, SOLENOIDS, RELAYS & MISCELLANEOUS .....	135
<b>EXTERIOR BODY GROUP</b> .....	<b>136</b>
GRAPHICS & PAINT .....	136
PANELS & TRIMS .....	138
FRONT END .....	143
FRONT END (CONTINUED) .....	144
LADDER .....	144
MIRRORS .....	144
COMPONENT PARTS FOR MIRRORS .....	145
106015-20-01A, 106015-21-01A .....	145
142721-01-01A, 142721-02-01A .....	145
STRUCTURAL COMPONENTS .....	146
AWNINGS .....	146
COMPONENT PARTS FOR AWNINGS .....	147
113874-01-02A .....	147
<b>EXTERIOR DOORS &amp; COMPARTMENTS GROUP</b> .....	<b>148</b>
DOOR & COMPARTMENT LAYOUT .....	148
COMPONENT PARTS FOR DOOR & COMPARTMENT LAYOUT .....	155
084103-08-000 .....	155
094707-03-01A .....	155
110506-A1-000, 110506-A2-000, 110506-26-000, 110506-27-000 .....	155
142226-02-01A .....	155
143709-01-01A .....	156
COMPARTMENT DOOR PIECE PARTS .....	157
DRIVERS .....	158
COMPONENT PARTS FOR DRIVERS .....	159
125581-09-01A .....	159
ENTRY .....	161
SCREEN .....	162
LATCH - ENTRY .....	163



## CONTENTS (CONTINUED)

<b>EXTERIOR SLIDEOUT GROUP</b> .....	<b>164</b>
FRONT LEFT .....	164
COMPONENT PARTS FOR FRONT LEFT .....	169
100536-42-000 .....	169
143625-02-000 .....	169
143625-03-000 .....	169
RIGHT REAR .....	170
COMPONENT PARTS FOR RIGHT REAR .....	174
100536-46-000 .....	174
137390-01-000 .....	174
<b>GALLEY GROUP</b> .....	<b>175</b>
CABINETS .....	175
DOORS & DRAWERS .....	177
<b>GENERATOR GROUP</b> .....	<b>179</b>
GAS .....	179
<b>HEATING &amp; A/C GROUP</b> .....	<b>180</b>
AUTOMOTIVE .....	180
COMPONENT PARTS FOR AUTOMOTIVE .....	182
103930-44-000 .....	182
103930-45-000 .....	182
103930-46-000 .....	182
103930-47-000 .....	182
103930-49-000 .....	182
103930-55-000 .....	183
FURNACE .....	184
COMPONENT PARTS FOR FURNACE .....	185
143563-01-000 .....	185
143563-02-000 .....	187
REAR HEATER .....	189
COMPONENT PARTS FOR REAR HEATER .....	190
129205-01-000 .....	190
CENTRAL .....	191
COMPONENT PARTS FOR CENTRAL .....	192
105620-12-000 .....	192
105620-15-000 .....	193
<b>INTERIOR FINISH GROUP</b> .....	<b>194</b>
MOLDINGS & TRIMS .....	194
PANELING & LAMINATES .....	205
ACCESSORIES .....	206
COMPONENT PARTS FOR ACCESSORIES .....	207
094499-02-000 .....	207
FLOOR COVERINGS .....	208
HARDWARE .....	209
<b>LABELS GROUP</b> .....	<b>217</b>
<b>LP GROUP</b> .....	<b>245</b>
LP SYSTEM .....	245
COMPONENT PARTS FOR LP SYSTEM .....	246
144116-01-000 .....	246
<b>LOUNGE GROUP</b> .....	<b>247</b>
CABINETS .....	247
TABLE .....	249
<b>SEALANTS &amp; FASTENERS GROUP</b> .....	<b>250</b>
SEALANTS & ADHESIVES .....	250
BOLTS, NUTS AND WASHERS .....	251
SCREWS .....	253
CLAMPS, CLIPS, GROMMETS, RIVETS & PLUGS .....	256
MISCELLANEOUS FASTENERS .....	258

## CONTENTS (CONTINUED)

<b>WATER &amp; SEWAGE GROUP .....</b>	<b>259</b>
DRAINAGE SYSTEM .....	259
COMPONENT PARTS FOR DRAINAGE SYSTEM .....	261
132389-01-01A .....	261
WATER SYSTEM .....	262
COMPONENT PARTS FOR WATER SYSTEM .....	269
075241-04-000, 075241-05-000, 075241-06-000 .....	269
098607-01-000 .....	269
103635-01-000 .....	269
123744-03-01A .....	269
125420-01-02A, 125420-01-03A, 125420-03-03A, 125420-04-03A .....	269
129390-03-01A .....	269
141490-01-01A, 141490-01-02A .....	269
144215-01-000 .....	269
144596-01-01A .....	270
144596-02-01A, 144596-03-01A .....	270
145541-01-000 .....	270
<b>WINDOW &amp; VENTS GROUP .....</b>	<b>271</b>
WINDOW & VENT LAYOUT .....	271
COMPONENT PARTS FOR WINDOW & VENT LAYOUT .....	273
112795-72-01A .....	273
112795-77-01A .....	274
112795-78-01A .....	274
112898-25-01A .....	275
113733-10-01A .....	276
123780-09-01A .....	276
123780-10-01A .....	277
125583-01-01A .....	278
125585-01-01A .....	279
125600-01-01A .....	279
134004-03-01A .....	280
137867-03-01A .....	281
<b>WINDSHIELD &amp; WIPER GROUP .....</b>	<b>282</b>
WINDSHIELD .....	282
WIPER .....	283
COMPONENT PARTS FOR WIPER .....	284
095964-01-000 .....	284
096505-09-000 .....	284
117769-01-000 .....	284

**ACCESSORIES GROUP**  
**OPERATORS MANUAL**

<b>KEY</b>	<b>PART NUMBER</b>	<b>U/M</b>	<b>DESCRIPTION</b>
	144538-01-000	DW	TOP LEVEL-G,2004
	129079-01-01A	EA	CASE - VINYL/BLACK-EXPANDABLE ACCORDION SIDES-7"WX9"HX14"L
	132000-15-004	EA	MANUAL/OWNER - SUNCRUISER - 2004

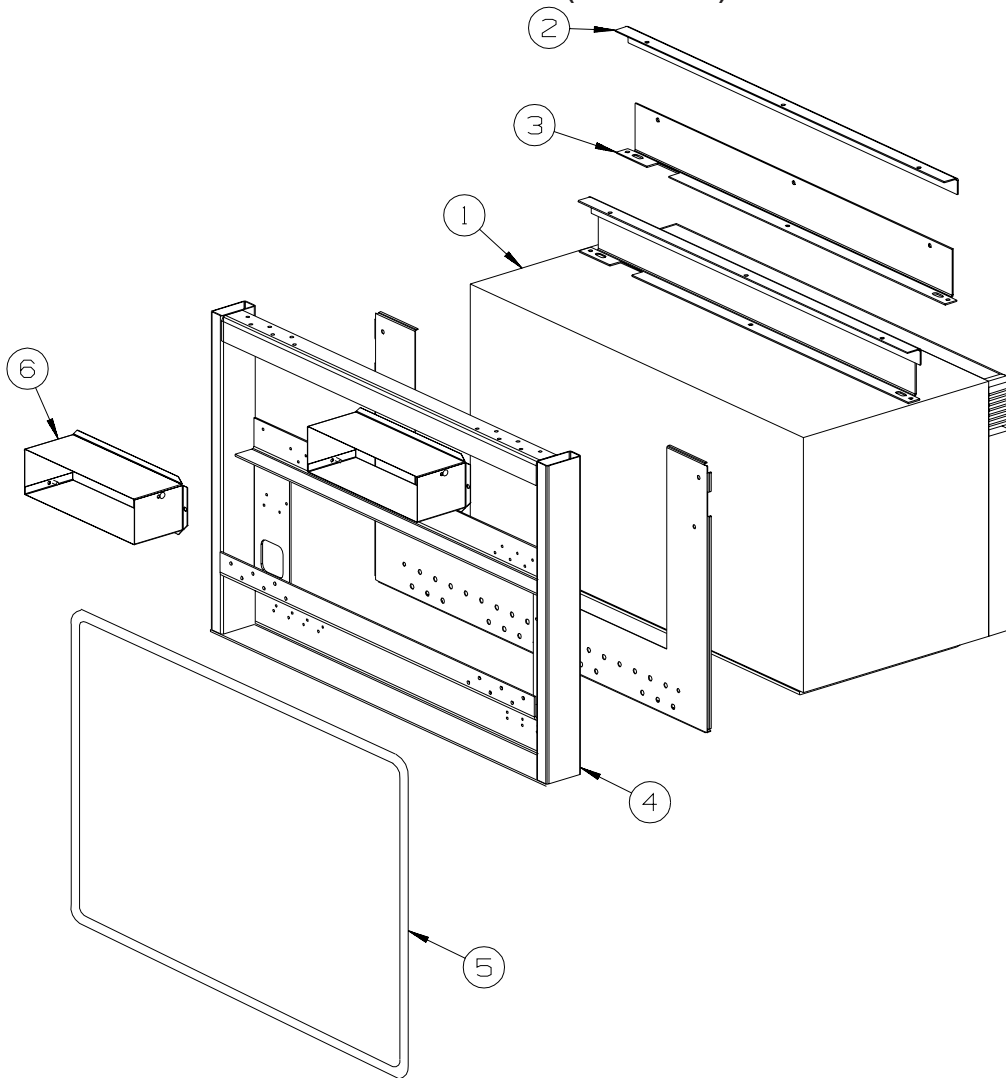
## APPLIANCE GROUP

### APPLIANCES

KEY	PART NUMBER	U/M	DESCRIPTION
*	126022-01-01A	EA	COVER - RANGE/BI-FOLD - 16" & 22" - BLACK TEXTURED
	130816-01-04A	EA	COUNTERTOP/STOVE LID-5.4" X 24.3"-VENDURA-ROCKY MT HI
	130816-02-04A	EA	COUNTERTOP/STOVE LID-11.7" X 24.3"-VENDURA-ROCKY MT HI
*	135066-03-01A	EA	RANGE - 3 BURNER W/OVEN - 22" BLACK GLASS DOOR - <b>W/OVEN</b>
*	135066-02-01A	EA	RANGE - 3 BURNER (SEALED) - W/OVEN - BLACK - <b>W/OVEN - CANADIAN - G37C, G38R</b> FROM: 00-00-00 THRU: 02-22-04
*	150778-01-01A	EA	RANGE - 3 BURNER (SEALED) - W/OVEN - BLACK - CSA - <b>W/OVEN - CANADIAN G37C, G38R</b> FROM: 02-23-04 THRU: 99-99-99
*	135065-03-01A	EA	RANGE - 3 BURNER W/SEALED BURNERS - BLACK TOP - W/O OVEN - BLACK TOP - <b>TOP ONLY</b>
*	135065-04-01A	EA	RANGE - 3 BURNER (SEALED) - W/O OVEN - <b>TOP ONLY - CANADIAN</b>
	136382-05-04B	EA	BRACKET - TIEDOWN/OVEN - FRONT - BLACK - <b>RANGE W/OVEN, G31Y,G33V,G35U,G37B, G38G</b>
	136382-01-04B	EA	BRACKET - TIEDOWN/OVEN - FRONT - BLACK - <b>RANGE W/OVEN, G37C</b>
	136382-12-04B	EA	BRACKET/TIEDOWN - OVEN - FRONT - BLACK - <b>RANGE W/OVEN, G38R</b>
	136382-06-04B	EA	BRACKET - TIEDOWN/OVEN - REAR - BLACK - <b>RANGE W/OVEN, G31Y,G33V,G35U,G37B, G38G</b>
	136382-02-04B	EA	BRACKET - TIEDOWN/OVEN - REAR - BLACK - BACK - <b>RANGE W/OVEN, G37C, G38R</b>
	106936-35-04B	EA	BRACKET - STOVE TIEDOWN/FRONT - BLACK - <b>RANGE TOP, G31Y,G33V,G35U,G37B, G38G</b>
	106936-21-04B	EA	BRACKET - STOVE TIEDOWN/FRONT - BLACK - <b>RANGE TOP - G37C</b>
	106936-42-04B	EA	BRACKET - STOVE TIEDOWN/FRONT - BLACK - <b>RANGE TO, G38R</b>
	106936-36-04B	EA	BRACKET - STOVE TIEDOWN/REAR - BLACK - <b>RANGE TOP, G31Y,G33V,G35U,G37B, G38G</b>
	106936-22-04B	EA	BRACKET - STOVE TIEDOWN/REAR - BLACK - <b>RANGE TOP, G37C, G38R</b>
	138584-02-01A	EA	COFFEEMAKER/COUNTERTOP - AROME PLUS/BLACK - KRUPS 466-42
	145832-01-000	EA	STRAP - TIEDOWN - <b>COFFEEMAKER</b>
*	115504-01-000	EA	PANEL - SOLAR 10 WATT - 12.2"W X 26.9"L X 1.2"H
*	133004-02-01A	EA	PANEL - MONITOR - 2 TANK DIGITAL VOLT METER - SOLAR
*	133004-04-01A	EA	PANEL/MONITOR-2 TANK-DIGITAL VOLT MT/SOLAR-NO WATER HTR SW - <b>G37C</b>
*	133068-01-000	EA	HAIR DRYER - 3 SPEED W/NIGHT LIGHT - WALL MOUNT
	133139-01-000	EA	VACUUM CLEANER - RECHARGEABLE DUST-BUSTER - <b>BLACK &amp; DECKER</b>
	144676-01-000	EA	VACUUM CLEANER - RECHARGEABLE - <b>EUREKA 77A</b>
	143981-01-000	EA	FLASHLIGHT - RECHARGEABLE
	130818-02-01A	EA	TRASH CONTAINER - 20 QUART ALMOND

**\*COMPONENT PARTS LISTED LATER IN THIS GROUP**

**APPLIANCE GROUP (CONTINUED)**  
**APPLIANCES (CONTINUED)**



**G31Y,G33V,G35U,G38G**

KEY	PART NUMBER	U/M	DESCRIPTION
1*	119267-12-01A	EA	OVEN - MICROWAVE/CONVECTION W/HOOD US - #R-1875 - CONVECTION U.S.
1*	119267-13-01A	EA	OVEN - MICROWAVE/CONVECTION W/HOOD CSA - #R-1875A - CONVECTION CANADIAN
1*	119267-10-01A	EA	OVEN - MICROWAVE/NON CONVECTION W/HOOD US - #R-1500 - OVEN W/FAN
	119267-14-000	EA	VENT - KIT - F/1510 - OVEN W/FAN

- 2 NOT USED
- 3 NOT USED
- 4 NOT USED
- 5 NOT USED
- 6 NOT USED

\*COMPONENT PARTS LISTED LATER IN THIS GROUP

**G37C**

KEY	PART NUMBER	U/M	DESCRIPTION
1*	119267-12-01A	EA	OVEN - MICROWAVE/CONVECTION W/HOOD US - #R-1875 - CONVECTION U.S.
1*	119267-13-01A	EA	OVEN - MICROWAVE/CONVECTION W/HOOD CSA - #R-1875A - CONVECTION CANADIAN
1*	119267-10-01A	EA	OVEN - MICROWAVE/NON CONVECTION W/HOOD US - #R-1500 - OVEN W/FAN
	119267-14-000	EA	VENT - KIT - F/1510 - OVEN W/FAN

- 2 129836-02-02B EA ANGLE - W/HOLES - .7" X 1" X 28.3" - E-COATED - LH
- 3 129836-05-02B EA ANGLE - W/HOLES - E-COATED
- 4 137824-02-02B EA BRACKET - MICROWAVE - E-COATED
- 5 NOT USED
- 6 140093-01-02B EA DUCT - E-COATED

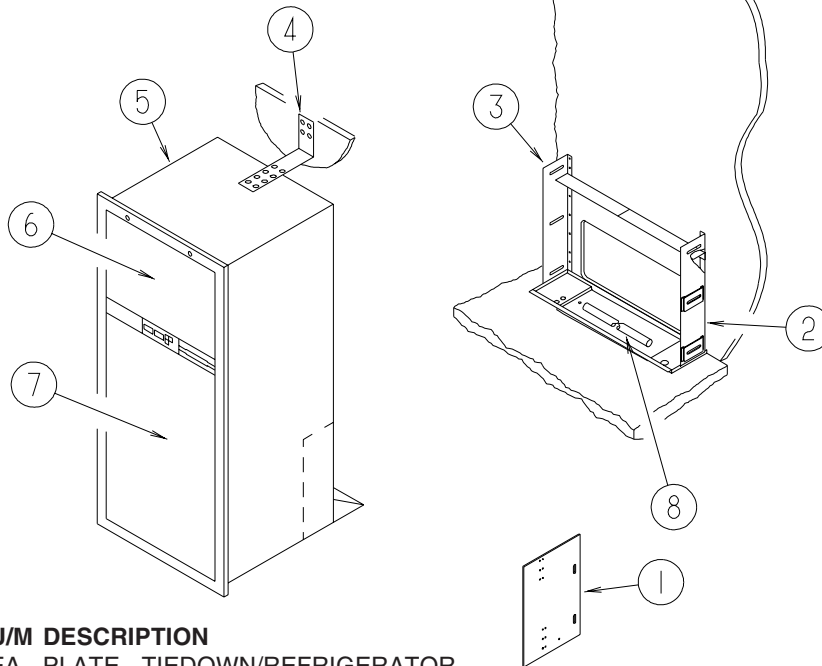
\*COMPONENT PARTS LISTED LATER IN THIS GROUP

**APPLIANCE GROUP (CONTINUED)**  
**APPLIANCES (CONTINUED)**

**G38R**

KEY	PART NUMBER	U/M	DESCRIPTION
1*	119267-12-01A	EA	OVEN - MICROWAVE/CONVECTION W/HOOD US - #R-1875 - CONVECTION U.S.
1*	119267-13-01A	EA	OVEN - MICROWAVE/CONVECTION W/HOOD CSA - #R-1875A - CONVECTION CANADIAN
1*	119267-10-01A	EA	OVEN - MICROWAVE/NON CONVECTION W/HOOD US - #R-1500 - OVEN W/FAN
	119267-14-000	EA	VENT - KIT - F/1510 - OVEN W/FAN
2	129836-02-02B	EA	ANGLE - W/HOLES - .7" X 1" X 28.3" - E-COATED - LH
3	129836-07-02B	EA	ANGLE - W/HOLES - E-COATED
4	137824-06-02B	EA	BRACKET - MICROWAVE - E-COATED
5	NOT USED		
6	140093-06-02B	EA	DUCT - E-COATED

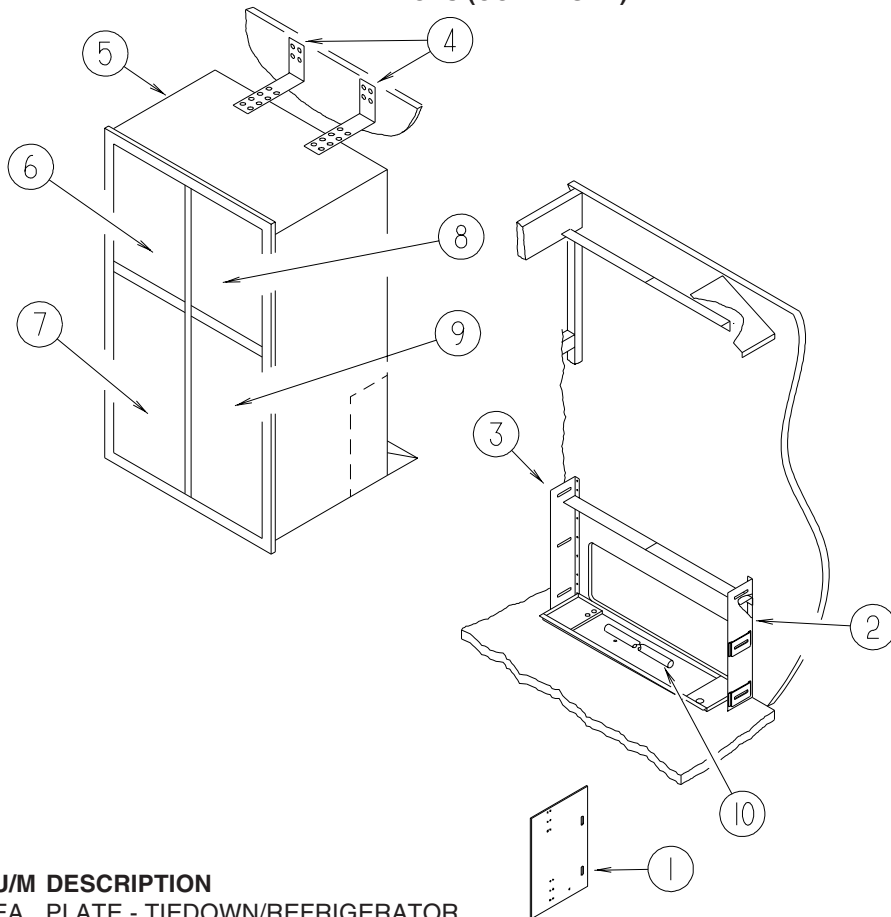
**\*COMPONENT PARTS LISTED LATER IN THIS GROUP**



KEY	PART NUMBER	U/M	DESCRIPTION
1	141975-04-02B	EA	PLATE - TIEDOWN/REFRIGERATOR
2	141550-01-02B	EA	BRACKET - TIEDOWN/REFRIGERATOR - RIGHT HAND
3	141550-02-02B	EA	BRACKET - TIEDOWN/REFRIGERATOR - LEFT HAND
4	145445-02-02B	EA	STRAP - REFRIGERATOR
5*	121569-05-01A	EA	REFRIGERATOR - LARGE DOUBLE DOOR/RH - 2-WAY - BLACK
5*	120075-13-01A	EA	REFRIGERATOR-LARGE DOUBLE DOOR/RH - 2-WAY -ICE MAKER-BLACK - w/ice maker
6	P34457-03-N47	EA	PANEL - INSERT RAISED MEMBRANE - 21.5" X 14.5" - PORTSMOUTH
6	P34457-03-L85	EA	PANEL - INSERT RAISED MEMBRANE - 21.5" X 14.5" - CONCERT CHERRY
6	P34457-03-L94	EA	PANEL - INSERT RAISED MEMBRANE - 21.5" X 14.5" - WASHED MAPLE
7	P34457-04-N47	EA	PANEL - INSERT RAISED MEMBRANE - 21.5" X 38.5" - PORTSMOUTH
7	P34457-04-L85	EA	PANEL - INSERT RAISED MEMBRANE - 21.5" X 38.5" - CONCERT CHERRY
7	P34457-04-L94	EA	PANEL - INSERT RAISED MEMBRANE - 21.5" X 38.5" - WASHED MAPLE
8	112176-01-000	FT	TUBING - VINYL - REINFORCED - 1/2" ID
	116751-05-01A	EA	TRAY - REFRIGERATOR - BLACK - G33V, G35U, G37B, G37C, G38G, G38R
	116751-06-01A	EA	TRAY - REFRIGERATOR - BLACK - G31Y
	090329-01-000	FT	SEAL/T - REFRIGERATOR CABINET
	054450-01-000	EA	LEVEL - REFRIGERATOR

**\*COMPONENT PARTS LISTED LATER IN THIS GROUP**

**APPLIANCE GROUP (CONTINUED)**  
**APPLIANCES (CONTINUED)**

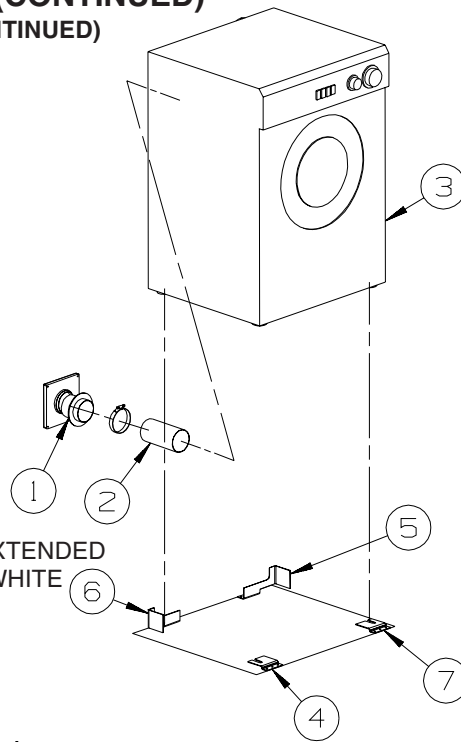


KEY	PART NUMBER	U/M	DESCRIPTION
1	141975-01-02B	EA	PLATE - TIEDOWN/REFRIGERATOR
2	141550-01-02B	EA	BRACKET - TIEDOWN/REFRIGERATOR - RIGHT HAND
3	141550-02-02B	EA	BRACKET - TIEDOWN/REFRIGERATOR - LEFT HAND
4	145445-02-02B	EA	STRAP - REFRIGERATOR
5*	125242-02-01A	EA	REFRIGERATOR-4 DR-W/ICE MKR-W/CONTOURED HANDLE-NORCOLD1201
6	P34457-01-N75	EA	PANEL - INSERT RAISED MEMBRANE - 16.1" X 18.3" - PORTSMOUTH
6	P34457-01-LQ1	EA	PANEL - INSERT RAISED MEMBRANE - 16.1" X 18.3" - CONCERT CHERRY
6	P34457-01-L94	EA	PANEL - INSERT RAISED MEMBRANE - 16.1" X 18.3" - WASHED MAPLE
7	P34457-02-N75	EA	PANEL - INSERT RAISED MEMBRANE - 16.1" X 41.1" - PORTSMOUTH
7	P34457-02-LQ1	EA	PANEL - INSERT RAISED MEMBRANE - 16.1" X 41.1" - CONCERT CHERRY
7	P34457-02-L94	EA	PANEL - INSERT RAISED MEMBRANE - 16.1" X 41.1" - WASHED MAPLE
8	P34457-01-N75	EA	PANEL - INSERT RAISED MEMBRANE - 16.1" X 18.3" - PORTSMOUTH
8	P34457-01-LQ1	EA	PANEL - INSERT RAISED MEMBRANE - 16.1" X 18.3" - CONCERT CHERRY
8	P34457-01-L94	EA	PANEL - INSERT RAISED MEMBRANE - 16.1" X 18.3" - WASHED MAPLE
9	P34457-02-N75	EA	PANEL - INSERT RAISED MEMBRANE - 16.1" X 41.1" - PORTSMOUTH
9	P34457-02-LQ1	EA	PANEL - INSERT RAISED MEMBRANE - 16.1" X 41.1" - CONCERT CHERRY
9	P34457-02-L94	EA	PANEL - INSERT RAISED MEMBRANE - 16.1" X 41.1" - WASHED MAPLE
10	112176-01-000	FT	TUBING - VINYL - REINFORCED - 1/2" ID
	090329-01-000	FT	SEAL/T - REFRIGERATOR CABINET
	054450-01-000	EA	LEVEL - REFRIGERATOR
	118871-02-01A	EA	TRAY - REFRIGERATOR - SIDE/SIDE - BLACK - 34.4" LONG

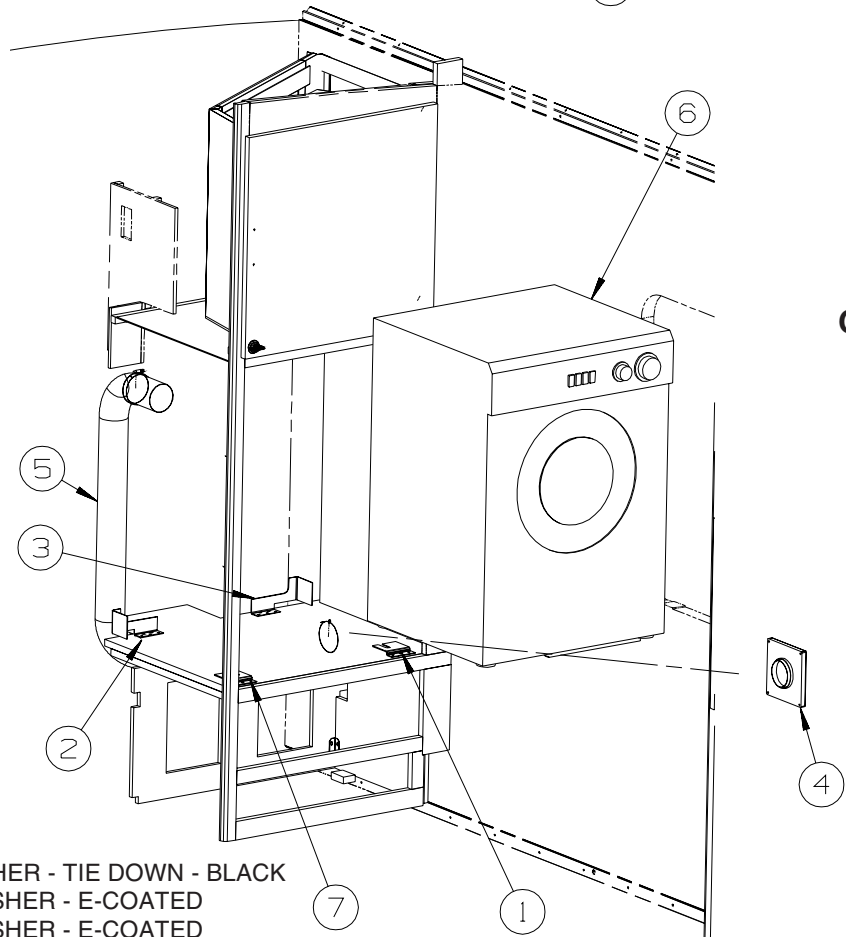
**\*COMPONENT PARTS LISTED LATER IN THIS GROUP**

**APPLIANCE GROUP (CONTINUED)**  
**APPLIANCES (CONTINUED)**

KEY	PART NUMBER	U/M	DESCRIPTION
1	111947-02-01A	EA	VENT - DRYER - 3"
2	116653-02-000	FT	DUCT - FLEXIBLE - 3' COMPRESSED/8' EXTENDED
3	107753-04-01A	EA	WASHER - DRYER - VENTED - UL/CSA - WHITE
4	111913-02-04B	EA	BRACKET/WASHER - TIE DOWN - BLACK
5	113795-03-02B	EA	BRACKET - WASHER - E-COATED
6	113795-04-02B	EA	BRACKET - WASHER - E-COATED
7	111913-03-04B	EA	BRACKET/WASHER - TIE DOWN - BLACK



**G37B, G37C &  
G38R**



**G38G**

KEY	PART NUMBER	U/M	DESCRIPTION
1	111913-02-04B	EA	BRACKET/WASHER - TIE DOWN - BLACK
2	113795-03-02B	EA	BRACKET - WASHER - E-COATED
3	113795-04-02B	EA	BRACKET - WASHER - E-COATED
4	111947-02-01A	EA	VENT - DRYER - 3"

FROM: 00-00-00 THRU: 08-17-03

4	146292-01-01A	EA	COVER - DRYER VENT - BRIGHT WHITE
---	---------------	----	-----------------------------------

FROM: 08-18-03 THRU: 99-99-99

4	146292-02-01A	EA	DRYER VENT - INNER - BRIGHT WHITE
---	---------------	----	-----------------------------------

FROM: 08-18-03 THRU: 99-99-99

5	116653-02-000	FT	DUCT - FLEXIBLE - 3' COMPRESSED/8' EXTENDED
---	---------------	----	---

6	107753-04-01A	EA	WASHER - DRYER - VENTED - UL/CSA - WHITE
---	---------------	----	--

7	111913-03-04B	EA	BRACKET/WASHER - TIE DOWN - BLACK
---	---------------	----	-----------------------------------



**APPLIANCE GROUP (CONTINUED)**  
**COMPONENT PARTS FOR APPLIANCE**

115504-01-000

KEY	PART NUMBER	U/M	DESCRIPTION	VENDOR NO.
	115504-01-700	EA	PLUG & CABLE, 10 WATT PANEL	600-016

119267-10-01A

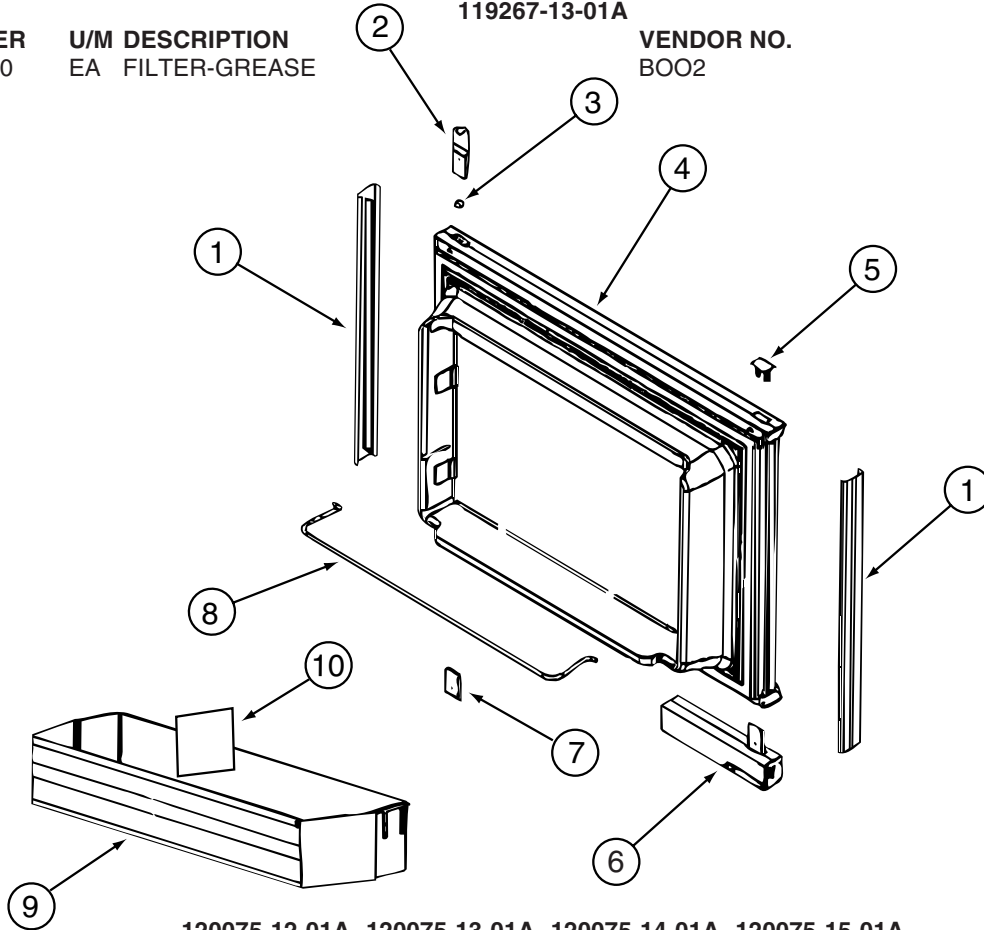
KEY	PART NUMBER	U/M	DESCRIPTION	VENDOR NO.
	119267-04-700	EA	FILTER-GREASE	BOO2
	119267-10-700	EA	BRACKET/MOUNTING	FANGTB005MRY0

119267-12-01A

KEY	PART NUMBER	U/M	DESCRIPTION	VENDOR NO.
	119267-04-700	EA	FILTER-GREASE	BOO2
	119267-04-704	EA	LIGHT COVER-F/MOD R1480/1850	FANGKB009MRYO
	119267-12-700	EA	LOUVER-EXHAUST	PDIF-BO32MRFO

119267-13-01A

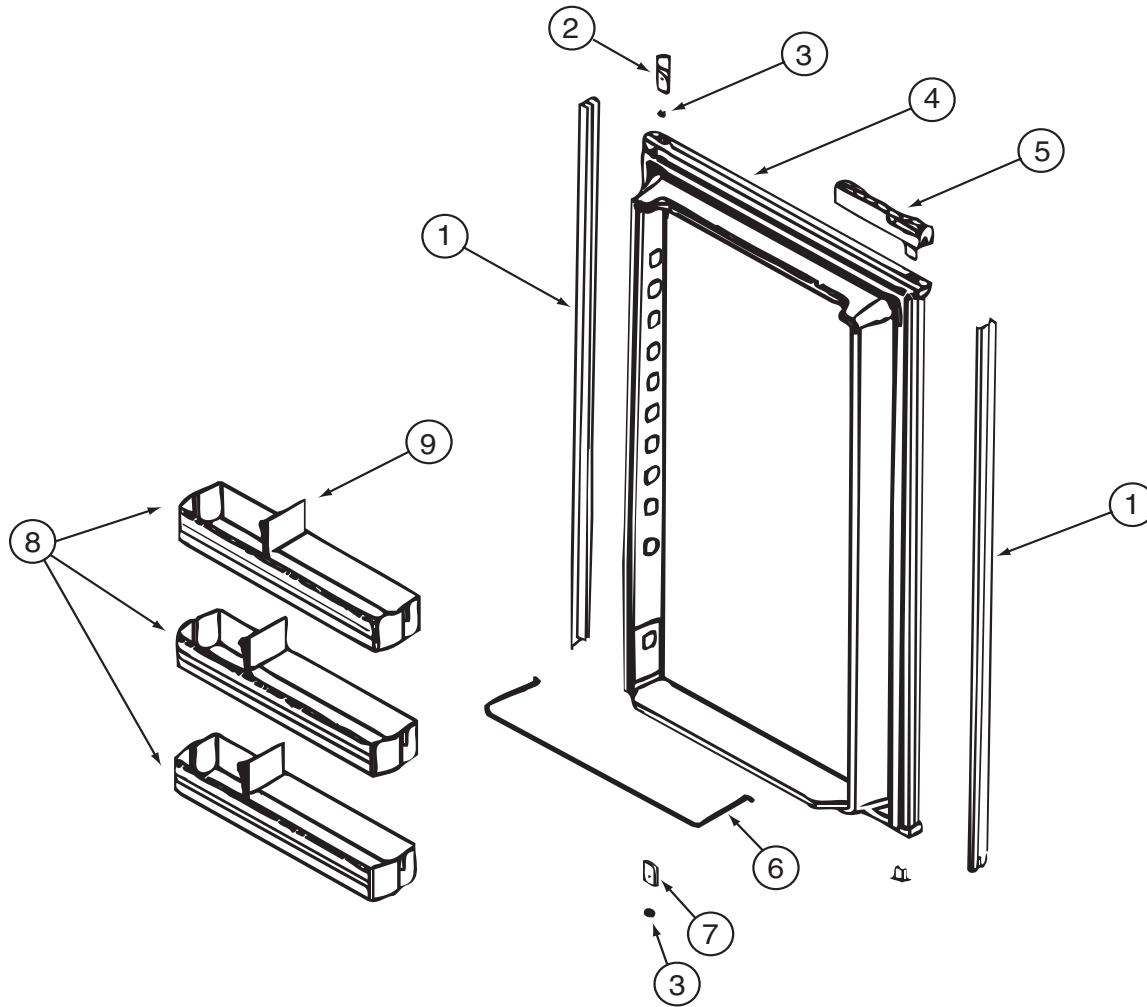
KEY	PART NUMBER	U/M	DESCRIPTION	VENDOR NO.
	119267-04-700	EA	FILTER-GREASE	BOO2



120075-12-01A, 120075-13-01A, 120075-14-01A, 120075-15-01A

KEY	PART NUMBER	U/M	DESCRIPTION	VENDOR NO.
1	121568-03-700	EA	RETAINER - DOOR PANEL/BLACK	619558
2	120075-01-701	EA	HINGE-TOP RH/BOTTOM LH(DOOR)	618511
3	121568-03-701	EA	BUSHING - HINGE PIN/GRAY	619671
4	121568-03-702	EA	DOOR LINER - W/TRIM/BLACK	619627 - SMALL DOOR
5	120075-01-702	EA	CAP, (HINGE PLUG)	618160
6	120075-12-700	EA	HANDLE(CONTOUR)TOP LH/BTM RH	621105
	120075-12-702	EA	HANDLE/HOUSING-TOP-LH/BTM RH	618159GEN
6	120075-12-701	EA	HANDLE(CONTOUR)TOP RH/BTM LH	621104
	120075-12-707	EA	LATCH	619648
	120075-12-709	EA	HANDLE/HOUSING-BTM LH/TOP RH	618122GEN
6	121568-03-703	EA	HANDLE/FLUSH-TOP/RH-LWR/LH	619865
6	121568-03-708	EA	HANDLE/FLUSH-TOP/LH-LWR/RH	619866
7	120075-01-705	EA	HINGE-TOP LH/BOTTOM RH(DOOR)	618510
8	121568-01-700	EA	RAIL - DOOR UPPER	618618
9	120075-07-700	EA	DOOR BIN - CLEAR	619006
10	120075-07-701	EA	DIVIDER/DOOR BIN CLEAR	619008
	121568-03-704	EA	TRAVEL LATCH - GRAY	619647
	121568-03-705	EA	STORAGE LATCH - GRAY	619648

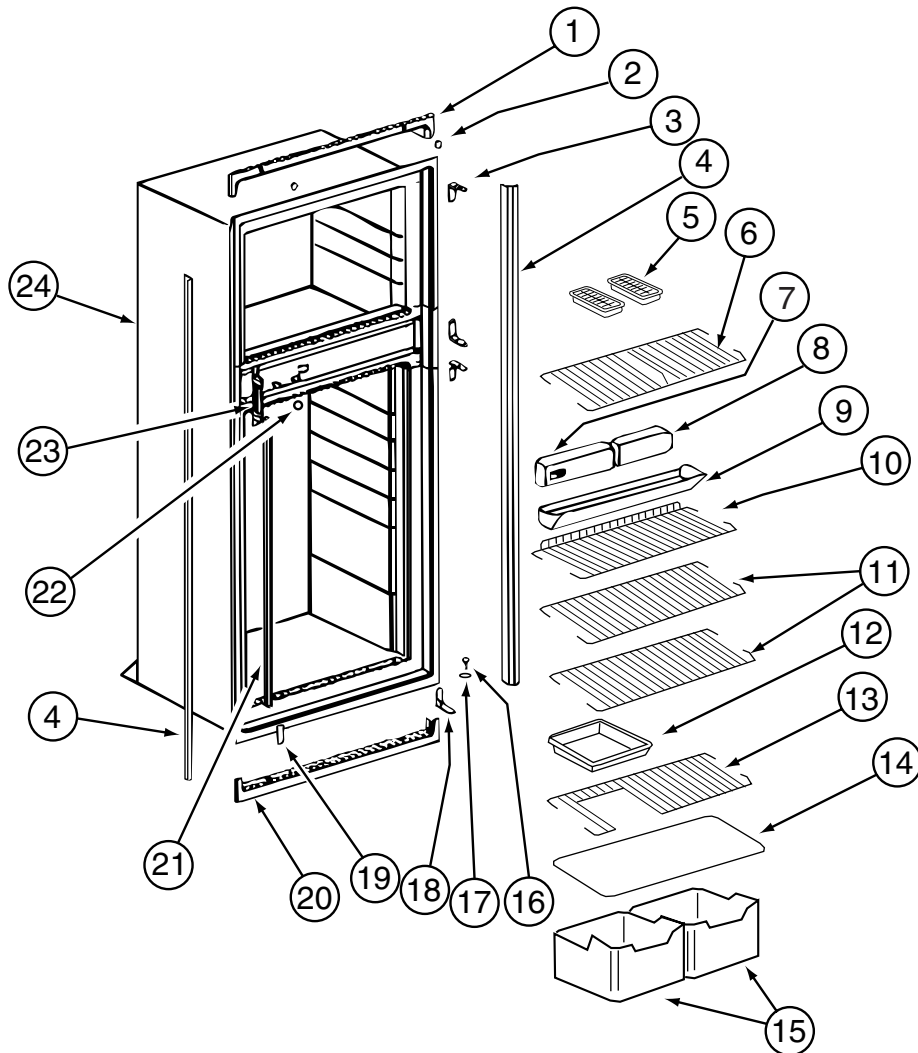
**APPLIANCE GROUP (CONTINUED)**  
**COMPONENT PARTS FOR APPLIANCE (CONTINUED)**



**120075-12-01A, 120075-13-01A, 120075-14-01A, 120075-15-01A (CONTINUED)**

KEY	PART NUMBER	U/M	DESCRIPTION	VENDOR NO.
1	120075-07-702	EA	RETAINER - DOOR PANEL/BLACK	619560
2	120075-01-701	EA	HINGE-TOP RH/BOTTOM LH(DOOR)	618511
3	121568-03-701	EA	BUSHING - HINGE PIN/GRAY	619671
4	120075-07-703	EA	DOOR LINER - BLACK	619631 - LARGE DOOR
5	120075-12-700	EA	HANDLE(CONTOUR)TOP LH/BTM RH	621105
	120075-12-702	EA	HANDLE/HOUSING-TOP-LH/BTM RH	618159GEN
5	120075-12-701	EA	HANDLE(CONTOUR)TOP RH/BTM LH	621104
	120075-12-707	EA	LATCH	619648
	120075-12-709	EA	HANDLE/HOUSING-BTM LH/TOP RH	618122GEN
5	121568-03-703	EA	HANDLE/FLUSH-TOP/RH-LWR/LH	619865
5	121568-03-708	EA	HANDLE/FLUSH-TOP/LH-LWR/RH	619866
6	121568-01-704	EA	RAIL - DOOR LOWER	618578
7	120075-01-705	EA	HINGE-TOP LH/BOTTOM RH(DOOR)	618510
8	120075-07-700	EA	DOOR BIN - CLEAR	619006
8	120075-07-704	EA	DOOR BIN - LARGE/CLEAR	619005
9	120075-07-701	EA	DIVIDER/DOOR BIN CLEAR	619008
	121568-03-704	EA	TRAVEL LATCH - GRAY	619647
	121568-03-705	EA	STORAGE LATCH - GRAY	619648

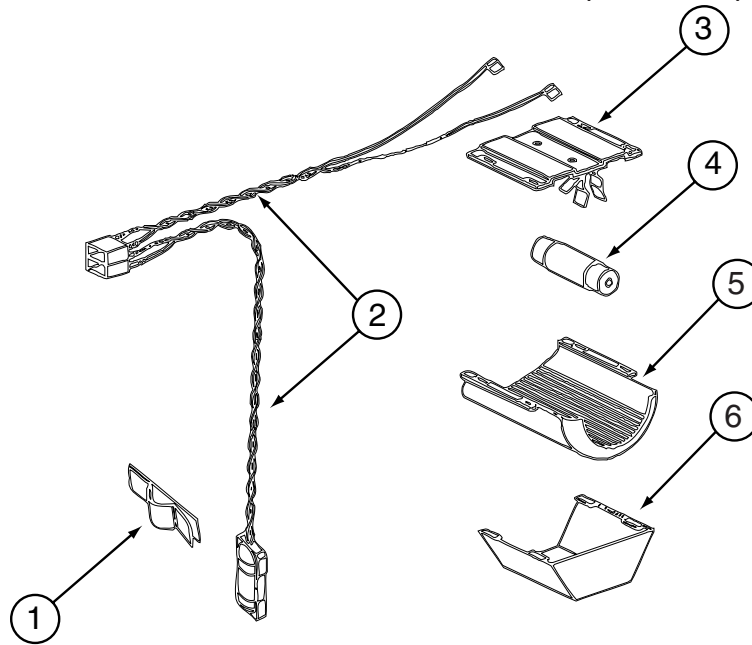
**APPLIANCE GROUP (CONTINUED)**  
**COMPONENT PARTS FOR APPLIANCE (CONTINUED)**



**120075-12-01A, 120075-13-01A, 120075-14-01A, 120075-15-01A (CONTINUED)**

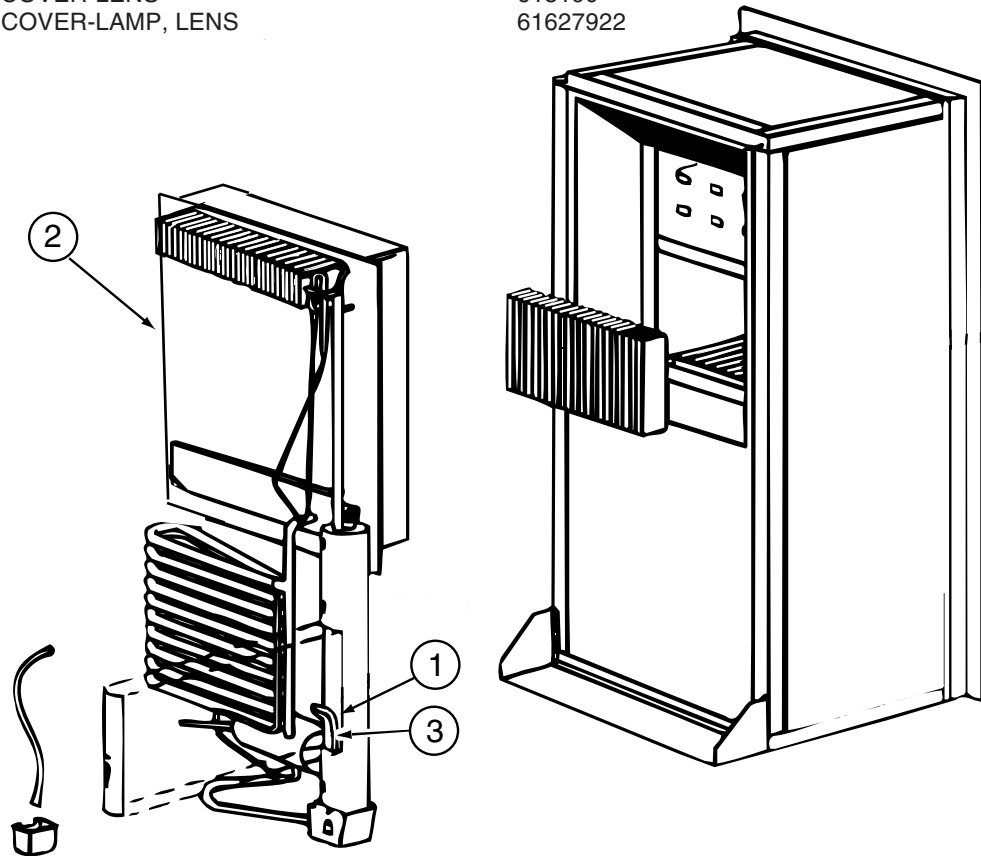
KEY	PART NUMBER	U/M	DESCRIPTION	VENDOR NO.
1	121568-03-709	EA	TRIM - TOP/BLACK	619687
2	120075-01-714	EA	PLUG-HOLE (BLACK)	618170
3	121568-03-710	EA	HINGE/CABINET-TOP/RH-LWR/LH	619335
4	120075-07-705	EA	TRIM - SIDE - BLACK	622296
5	104137-06-724	EA	ICE TRAY	61630422
6	120075-07-706	EA	SHELF - WIRE/FREEZER	620249
7	120075-07-707	EA	CONTROL BOX - BLACK	619665
8	121568-03-713	EA	FRONT BOX/DECORATIVE-BLACK	619282
9	120075-01-720	EA	TRAY-DRIP	618137
10	120075-01-722	EA	SHELF-WIRE, SHORT	620269
11	120075-01-723	EA	SHELF-WIRE	620270
12	104137-06-718	EA	SHELF-TRAY, WHITE, W/CUTOUT	617756
13	120075-01-724	EA	SHELF-WIRE, W/CUTOUT	618177
14	120075-01-725	EA	COVER-CRISPER	618158
15	120075-07-708	EA	CRISPER/ICE BIN	619007
16	120075-01-727	EA	PIN-HINGE	618145
17	121568-03-701	EA	BUSHING - HINGE PIN/GRAY	619671
18	121568-03-715	EA	HINGE/CABINET-TOP/LH-LWR/RH	619336
19	121568-03-716	EA	COVER - HINGE HOLES	619301
20	120075-01-729	EA	TRIM-BOTTOM PIECE	620958
21	120075-01-730	EA	RETAINER-SHELF(SER#926684 DN	618181
22	121568-03-717	EA	HOLE PLUG - WHITE	619561
23	120075-01-732	EA	PLATE-STRIKE	618167
24	120075-09-700	EA	CABINET - FOAMED	619660
	120075-01-721	EA	LOUVER-DRIP TRAY	618176

**APPLIANCE GROUP (CONTINUED)**  
**COMPONENT PARTS FOR APPLIANCE (CONTINUED)**



120075-12-01A, 120075-13-01A, 120075-14-01A, 120075-15-01A (CONTINUED)

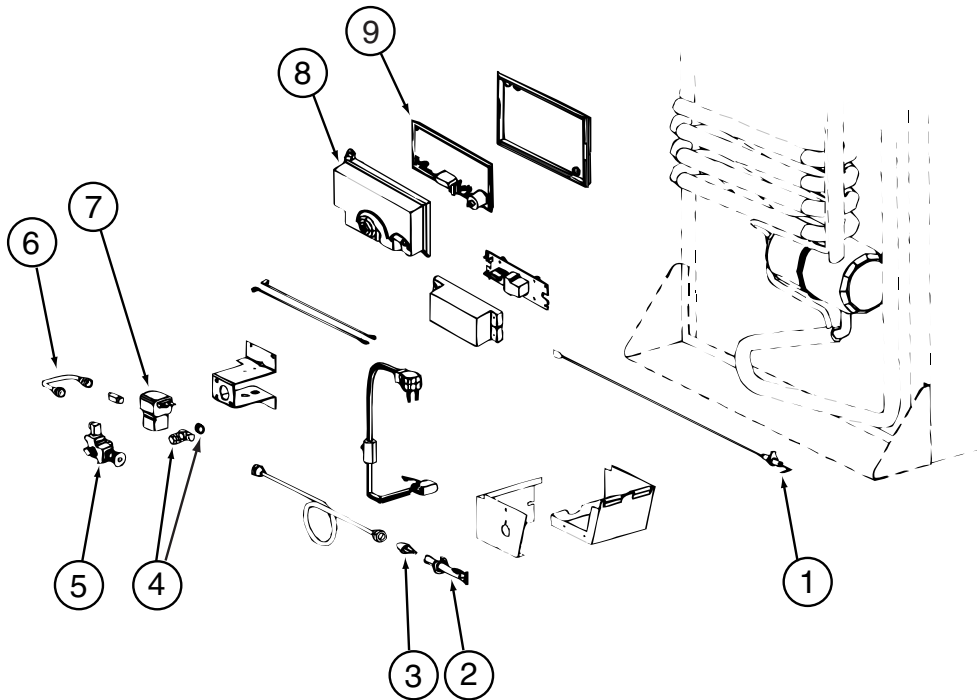
KEY	PART NUMBER	U/M DESCRIPTION	VENDOR NO.
1	084880-01-760	EA CLIP (THERMISTER)	61689122
2	120075-01-735	EA THERMISTER W/LAMP & WIRE/ASM	618548
3	084880-03-705	EA BRACKET-LIGHT-INTERIOR	61629722
4	084880-03-706	EA BULB-LAMP	61628922
5	120075-01-734	EA COVER-LENS	618190
6	084880-03-707	EA COVER-LAMP, LENS	61627922



120075-12-01A, 120075-13-01A, 120075-14-01A, 120075-15-01A (CONTINUED)

KEY	PART NUMBER	U/M DESCRIPTION	VENDOR NO.
1	088248-01-710	EA HEATER DC (HORIZONTAL)	61562822
2	120075-01-736	EA COOLING UNIT, SERVICE PACK	618542
3	088248-01-709	EA HEATER-AC (HORIZONTAL)	61562722

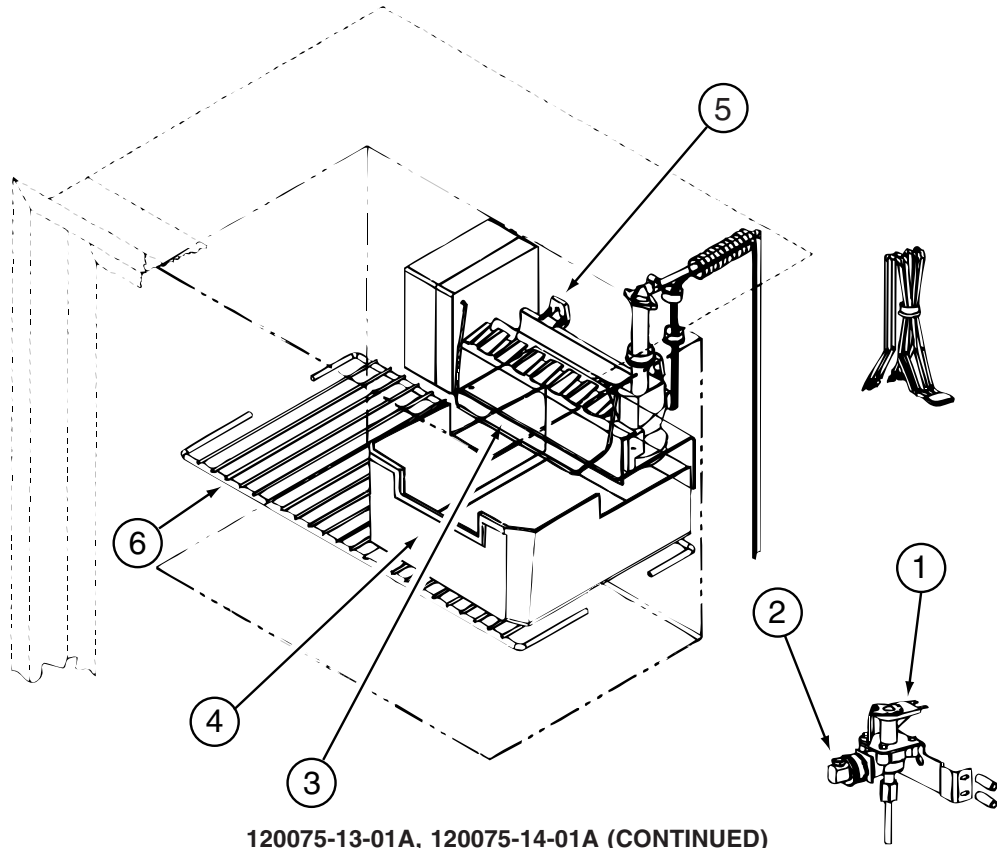
**APPLIANCE GROUP (CONTINUED)**  
**COMPONENT PARTS FOR APPLIANCE (CONTINUED)**



120075-12-01A, 120075-13-01A, 120075-14-01A, 120075-15-01A (CONTINUED)

KEY	PART NUMBER	U/M	DESCRIPTION	VENDOR NO.
1	104137-06-715	EA	ELECTRODE-SPARK/SENSOR, SGL	61692222
2	104137-06-714	EA	BURNER ASSEMBLY, 5-SLOT	61705222
3	120075-01-737	EA	ORIFICE - JEWEL - .0155	618284
4	113737-01-702	EA	PLUG 1/8" F/PRESSURE TAP	61445322
4	113737-01-716	EA	TAP-PRESSURE	61594422
5	104137-06-734	EA	VALVE-SHUT OFF/MAN-NEW STYLE	618696
6	113737-01-750	EA	TUBE-UNION	61694622
7	084880-01-718	EA	VALVE-GAS, (ASCO)	621447
8	120075-01-738	EA	COVER-POWER BOARD	618185
9	120075-07-710	EA	POWER - BOARD - 2-WAY	619360 = 621269
	120075-01-744	EA	KIT - GAS VALVE/BURNER TUBE	620609

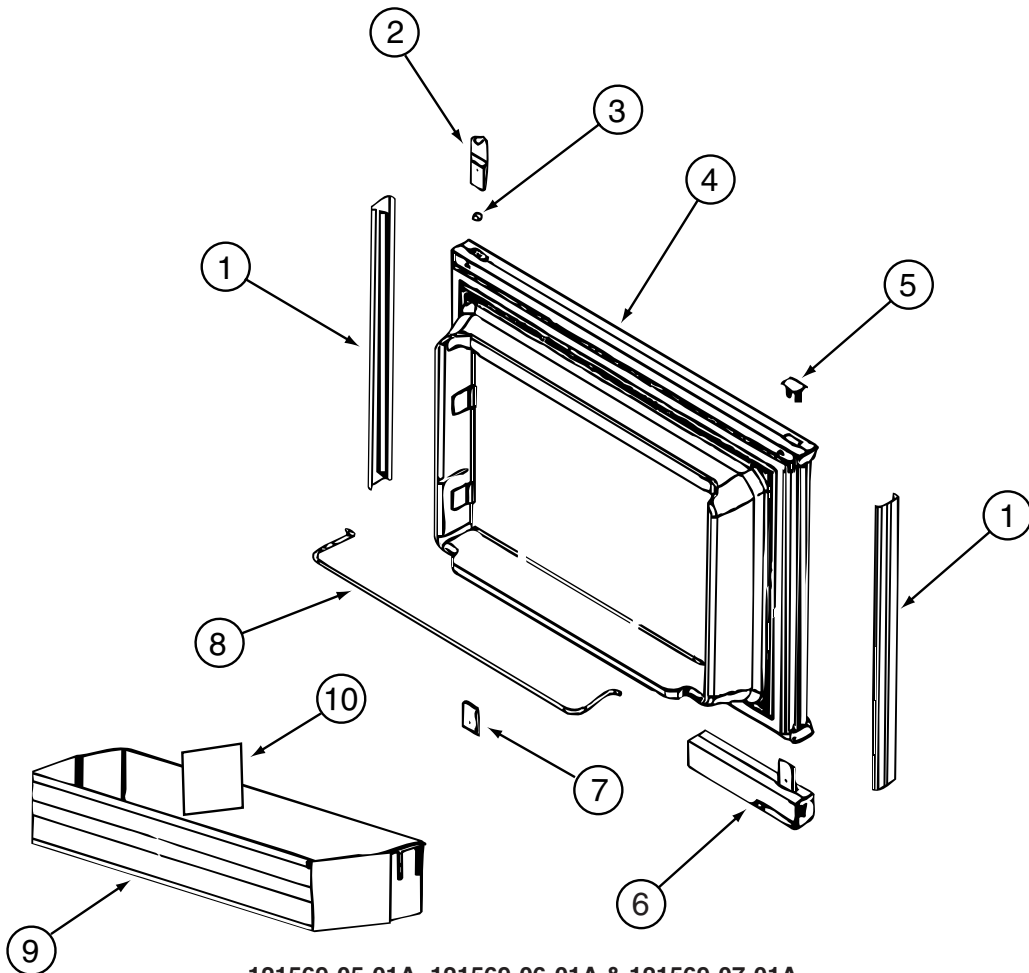
**APPLIANCE GROUP (CONTINUED)**  
**COMPONENT PARTS FOR APPLIANCE (CONTINUED)**



120075-13-01A, 120075-14-01A (CONTINUED)

KEY	PART NUMBER	U/M	DESCRIPTION	VENDOR NO.
1	120075-09-701	EA	WATER VALVE W/BRACKET	618253
2	120075-03-702	EA	NUT/COMPRESSION - FITTING	61678722
3	120075-03-703	EA	ARM-SHUT OFF	61656922
4	120075-03-704	EA	BIN-ICE CUBE	618154
5	094039-07-706	EA	ICE MAKER W/O PLATES	61656522
6	120075-01-717	EA	SHELF-FREEZER, WIRE	618172

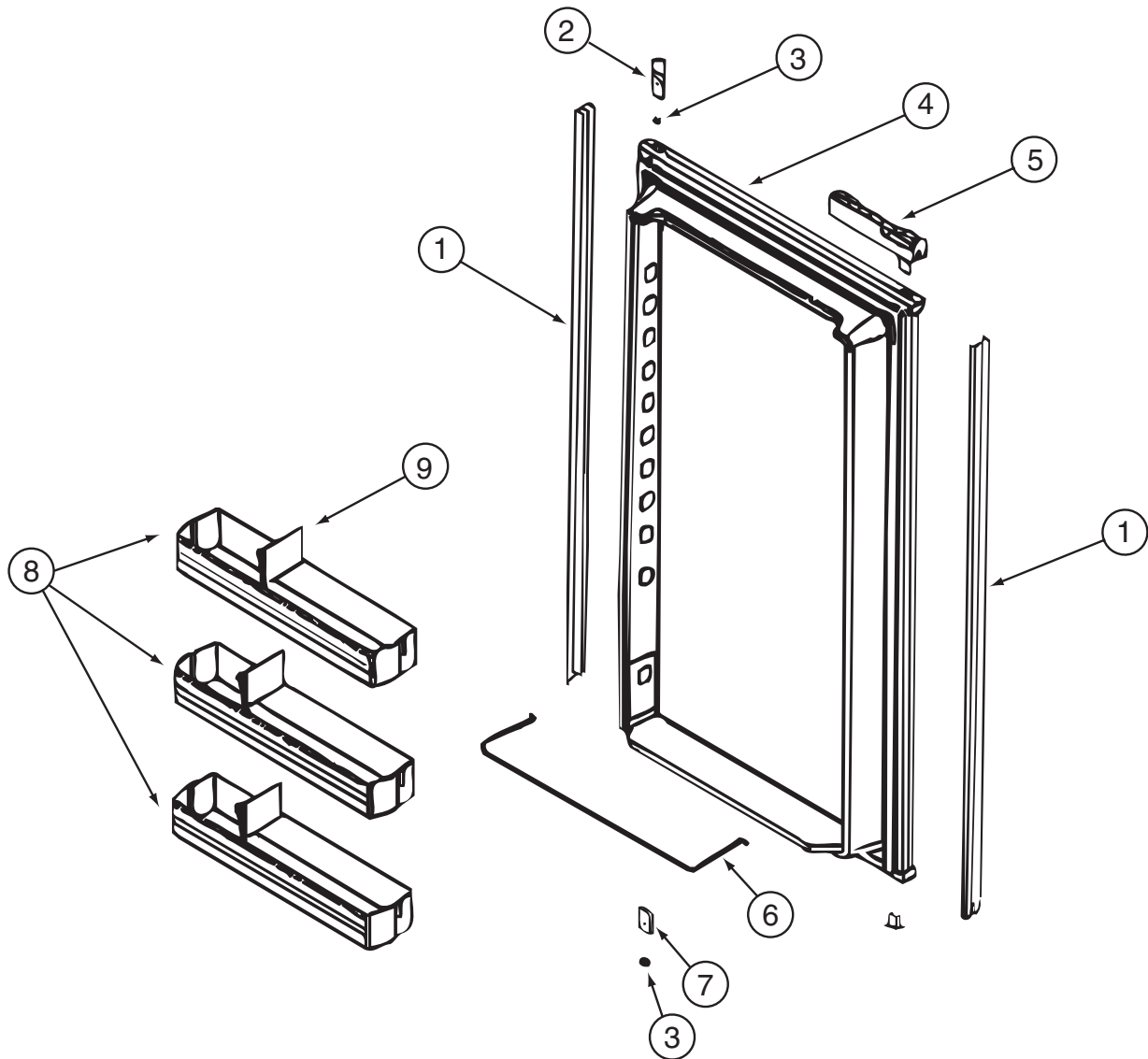
**APPLIANCE GROUP (CONTINUED)**  
**COMPONENT PARTS FOR APPLIANCE (CONTINUED)**



121569-05-01A, 121569-06-01A & 121569-07-01A

KEY	PART NUMBER	U/M	DESCRIPTION	VENDOR NO.
1	121568-03-700	EA	RETAINER - DOOR PANEL/BLACK	619558
2	120075-01-701	EA	HINGE-TOP RH/BOTTOM LH(DOOR)	618511
3	121568-03-701	EA	BUSHING - HINGE PIN/GRAY	619671
4	121568-03-702	EA	DOOR LINER - W/TRIM/BLACK	619627 - SMALL DOOR
5	120075-01-702	EA	CAP, (HINGE PLUG)	618160
6	120075-12-700	EA	HANDLE(CONTOUR)TOP LH/BTM RH	621105
7	120075-01-705	EA	HINGE-TOP LH/BOTTOM RH(DOOR)	618510
8	121568-01-700	EA	RAIL - DOOR UPPER	618618
9	120075-07-700	EA	DOOR BIN - CLEAR	619006
10	120075-07-701	EA	DIVIDER/DOOR BIN CLEAR	619008
	121568-03-705	EA	STORAGE LATCH - GRAY	619648

**APPLIANCE GROUP (CONTINUED)**  
**COMPONENT PARTS FOR APPLIANCE (CONTINUED)**

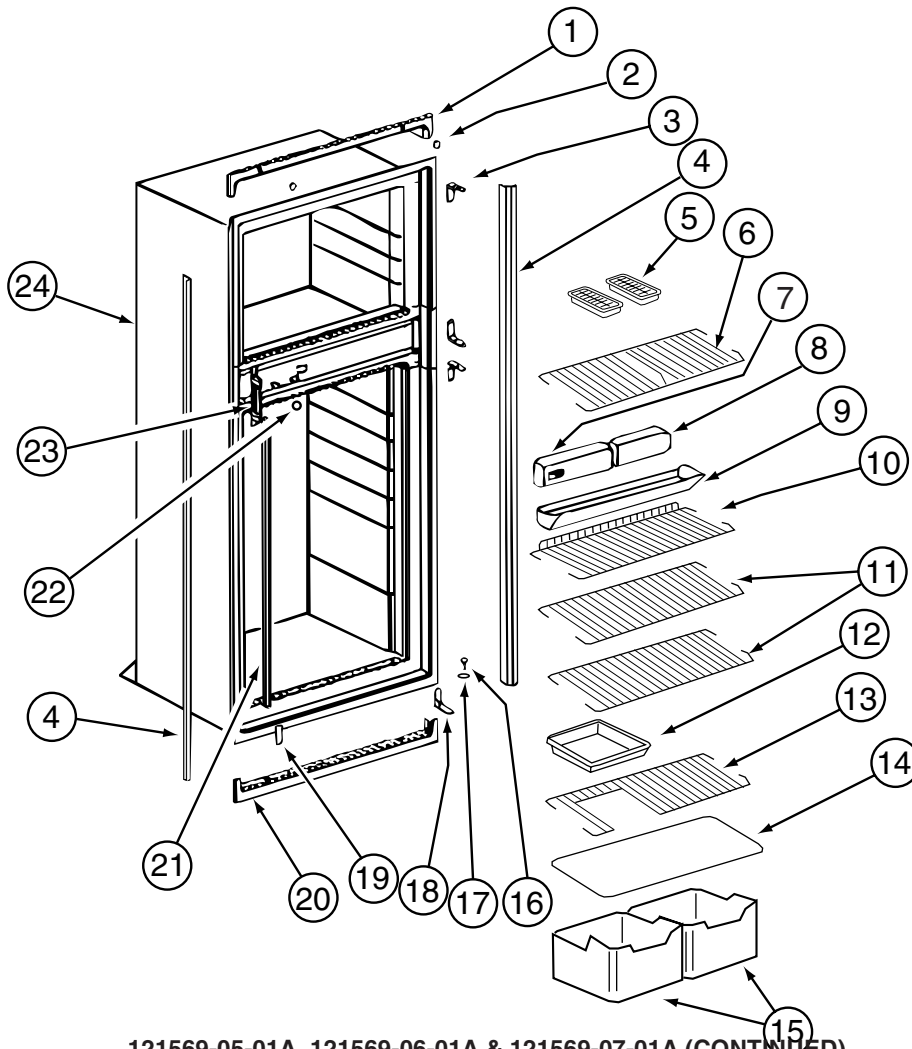


121569-05-01A, 121569-06-01A & 121569-07-01A (CONTINUED)

KEY	PART NUMBER	U/M	DESCRIPTION	VENDOR NO.
1	120075-07-702	EA	RETAINER - DOOR PANEL/BLACK	619560
2	120075-01-701	EA	HINGE-TOP RH/BOTTOM LH(DOOR)	618511
3	121568-03-701	EA	BUSHING - HINGE PIN/GRAY	619671
4	121568-03-707	EA	DOOR LINER - W/BLACK TRIM	619629
5	120075-12-701	EA	HANDLE(CONTOUR)TOP RH/BTM LH	621104
6	121568-01-704	EA	RAIL - DOOR LOWER	618578
7	120075-01-705	EA	HINGE-TOP LH/BOTTOM RH(DOOR)	618510
8	121568-01-701	EA	BIN - DOOR WHITE	618619
9	120075-07-701	EA	DIVIDER/DOOR BIN CLEAR	619008
	121568-03-705	EA	STORAGE LATCH - GRAY	619648



**APPLIANCE GROUP (CONTINUED)**  
**COMPONENT PARTS FOR APPLIANCE (CONTINUED)**

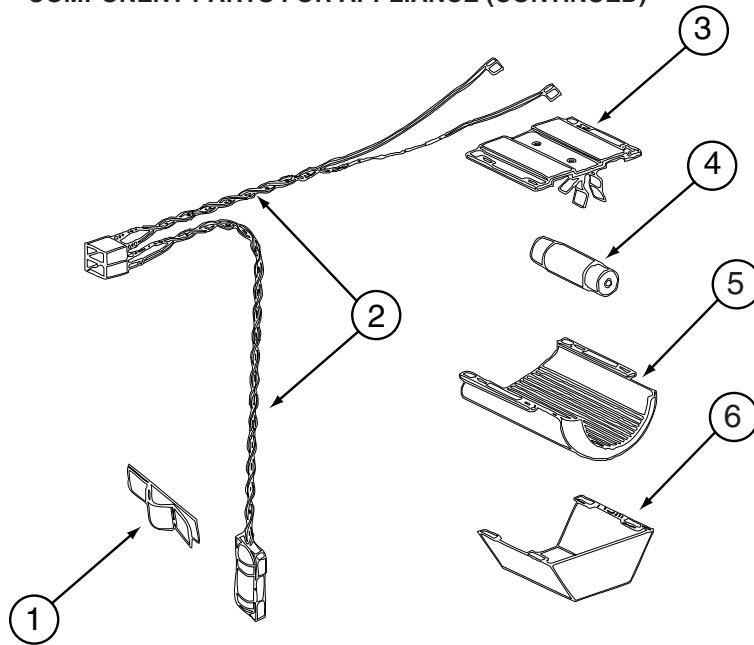


121569-05-01A, 121569-06-01A & 121569-07-01A (CONTINUED)

KEY	PART NUMBER	U/M	DESCRIPTION	VENDOR NO.
1	121568-03-709	EA	TRIM - TOP/BLACK	619687
2	120075-01-714	EA	PLUG-HOLE	618170
3	121568-03-710	EA	HINGE/CABINET-TOP/RH-LWR/LH	619335
4	120075-07-705	EA	TRIM - SIDE - BLACK	619802
6	121568-03-712	EA	SHELF - WIRE/FREEZER	620250
7	121568-03-714	EA	CONTROL ASM - 2 WAY BLACK	619350
8	121568-03-713	EA	FRONT BOX/DECORATIVE-BLACK	619282
9	120075-01-720	EA	TRAY-DRIP	618137
10	121568-01-707	EA	SHELF - WIRE - SHORT	618624
11	121568-01-708	EA	SHELF - WIRE	618589
14	120075-01-725	EA	COVER-CRISPER	618158
15	121568-01-709	EA	CRISPER	618571
16	120075-01-727	EA	PIN-HINGE	618145
18	121568-03-715	EA	HINGE/CABINET-TOP/LH-LWR/RH	619336
19	121568-03-716	EA	COVER - HINGE HOLES	619301
20	120075-01-729	EA	TRIM-BOTTOM PIECE	618136
21	120075-01-730	EA	RETAINER-SHELF	618181
22	121568-03-717	EA	HOLE PLUG - WHITE	619561
23	120075-01-732	EA	PLATE-STRIKE	618167
24	120075-07-709	EA	CABINET - FOAMED	619347
	120075-01-721	EA	LOUVER-DRIP TRAY	618176

CONTACT WINNEBAGO PART SALES FOR UNLISTED COMPONENTS

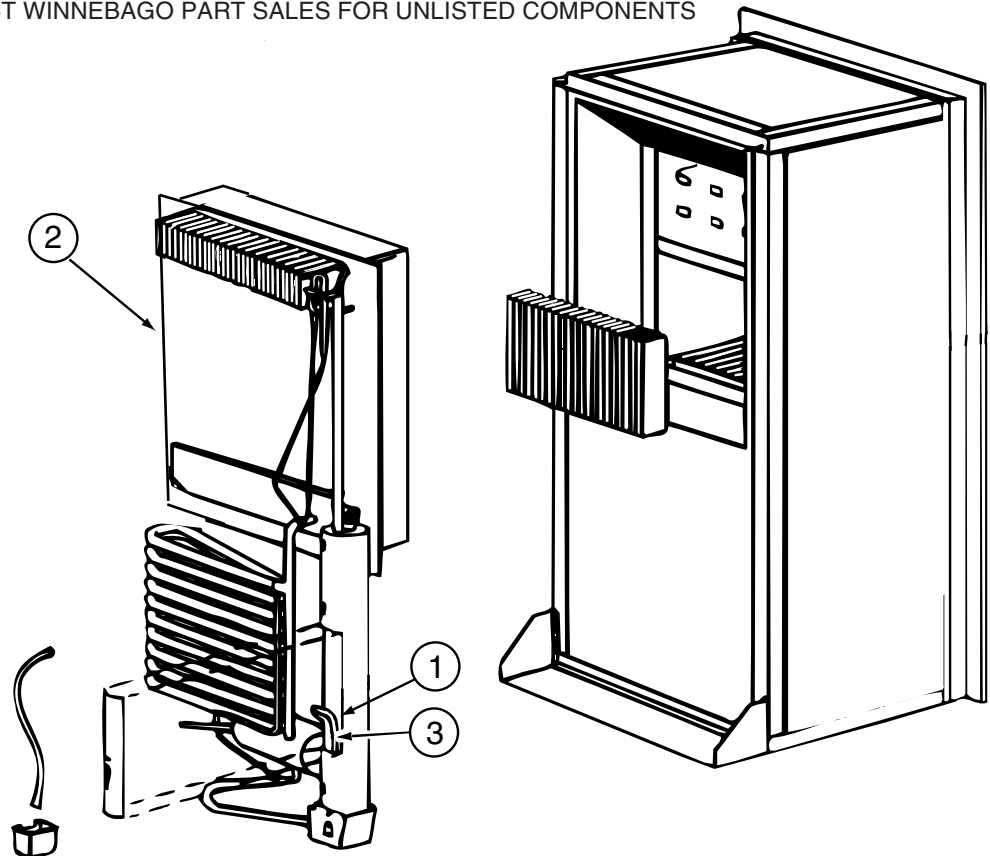
**APPLIANCE GROUP (CONTINUED)**  
**COMPONENT PARTS FOR APPLIANCE (CONTINUED)**



121569-05-01A, 121569-07-01A (CONTINUED)

KEY	PART NUMBER	U/M	DESCRIPTION	VENDOR NO.
1	084880-01-760	EA	CLIP (THERMISTER)	61689122
2	120075-01-735	EA	THERMISTER W/LAMP & WIRE/ASM	618548
3	084880-03-705	EA	BRACKET-LIGHT-INTERIOR	61629722
4	084880-03-706	EA	BULB-LAMP	61628922
6	084880-03-707	EA	COVER-LAMP, LENS	61627922

CONTACT WINNEBAGO PART SALES FOR UNLISTED COMPONENTS

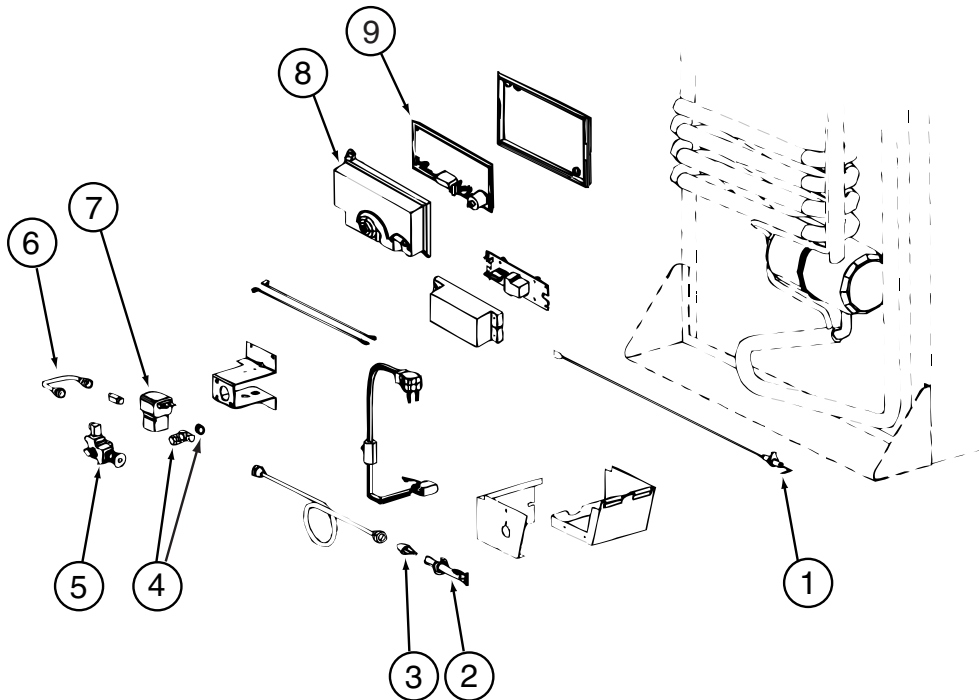


121569-05-01A, 121569-07-01A (CONTINUED)

KEY	PART NUMBER	U/M	DESCRIPTION	VENDOR NO.
2	120075-01-736	EA	COOLING UNIT, SERVICE PACK	618542
3	088248-01-709	EA	HEATER-AC (HORIZONTAL)	61562722
	120075-01-744	EA	KIT - GAS VALVE/BURNER TUBE	620609

CONTACT WINNEBAGO PART SALES FOR UNLISTED COMPONENTS

**APPLIANCE GROUP (CONTINUED)**  
**COMPONENT PARTS FOR APPLIANCE (CONTINUED)**

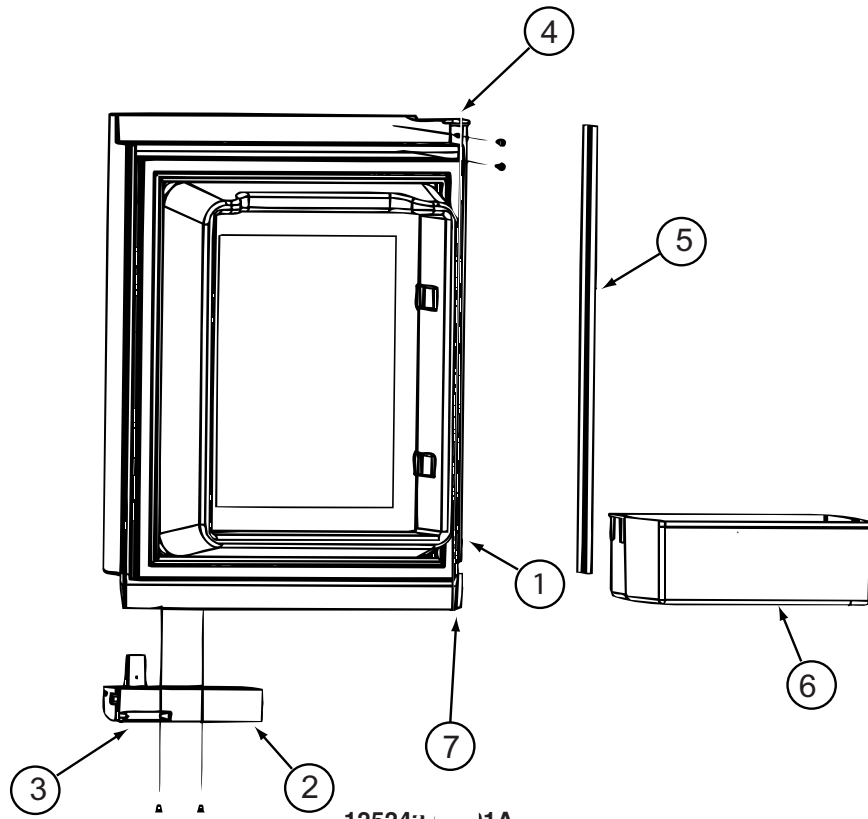


121569-05-01A, 121569-07-01A (CONTINUED)

KEY	PART NUMBER	U/M	DESCRIPTION	VENDOR NO.
1	104137-06-715	EA	ELECTRODE-SPARK/SENSOR, SGL	61692222
2	104137-06-714	EA	BURNER ASSEMBLY, 5-SLOT	61705222
3	120075-01-737	EA	ORIFICE - JEWEL - .0155	618284
4	113737-01-702	EA	PLUG 1/8" F/PRESSURE TAP	61445322
4	113737-01-716	EA	TAP-PRESSURE	61594422
6	113737-01-750	EA	TUBE-UNION	61694622
7	084880-01-718	EA	VALVE-GAS, (ASCO)	61551822
8	120075-01-738	EA	COVER-POWER BOARD	618185
9	121568-03-719	EA	POWER - BOARD - 2-WAY	619353
	121568-03-720	EA	VALVE/SHUT OF-MANUAL ELECT.	618696

CONTACT WINNEBAGO PART SALES FOR UNLISTED COMPONENTS

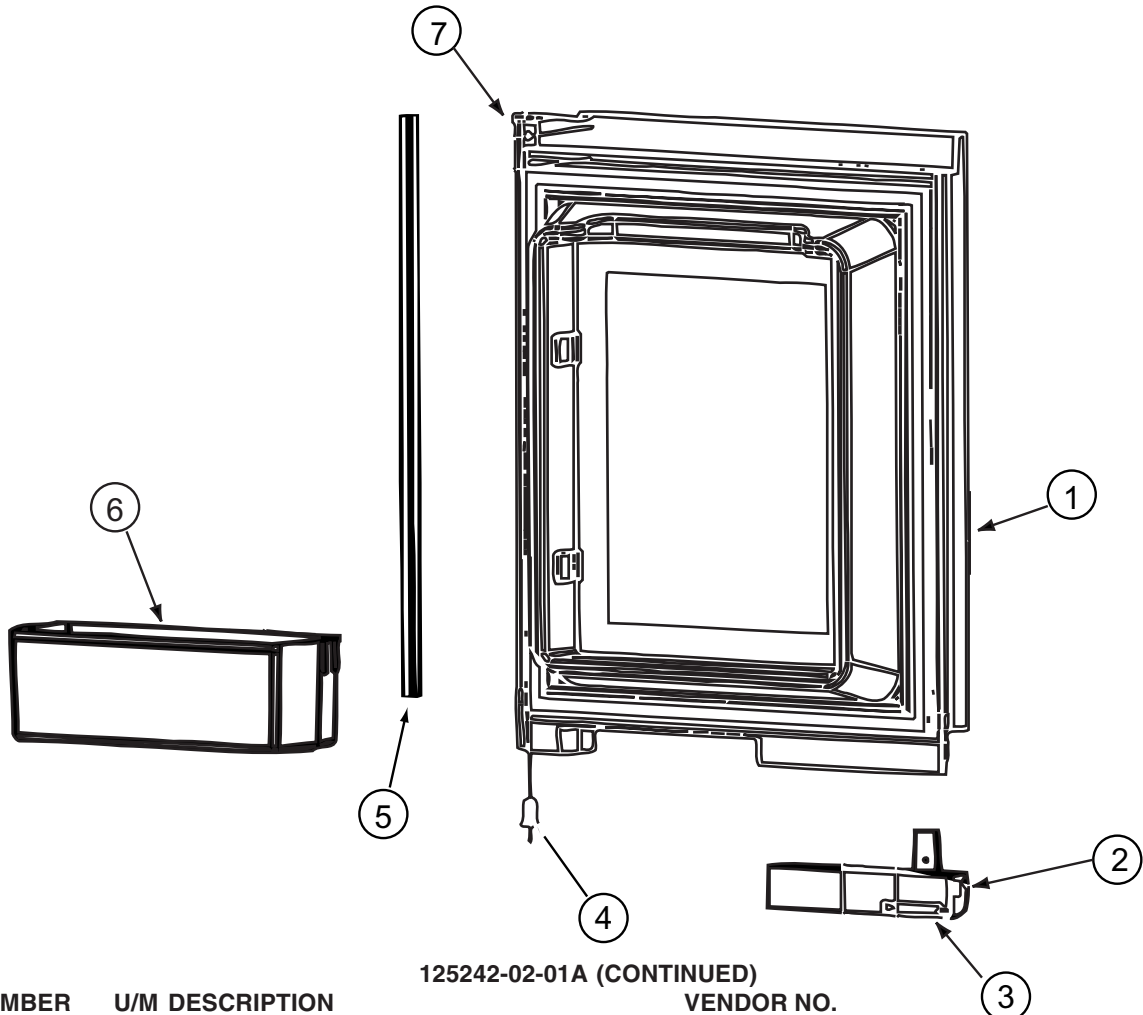
**APPLIANCE GROUP (CONTINUED)**  
**COMPONENT PARTS FOR APPLIANCE (CONTINUED)**



125242-11A

KEY	PART NUMBER	U/M	DESCRIPTION	VENDOR NO.
1	125242-01-762	EA	LINER/FOAMED-UPPER/LH-WHITE	619839
1	125242-02-734	EA	LINER/FOAMED-UPPER/LH-BLACK	625212 AFT #1291390
2	125242-02-700	EA	HANDLE(CONTOUR)TOP LH BTM RH	621107
3	125242-02-722	EA	LATCH-STORAGE DR/BLK POINTED	619374
4	125242-02-724	EA	HINGE - DOOR	618792
5	125242-02-723	EA	RETAINER/PANEL-UPPER DOOR	623166
6	125242-03-704	EA	DOOR BIN	622831
7	125242-01-704	EA	BUSHING-HINGE MIDDLE	618746
	125242-02-725	EA	DOOR ASM/UPR LH/WHITE GASKET	621148
	125242-02-735	EA	DOOR ASM/UPR LH/BLACK GASKET	625220 AFT #1291390
	125242-01-719	EA	RETAINER-UPPER PANEL	618825 = 623166

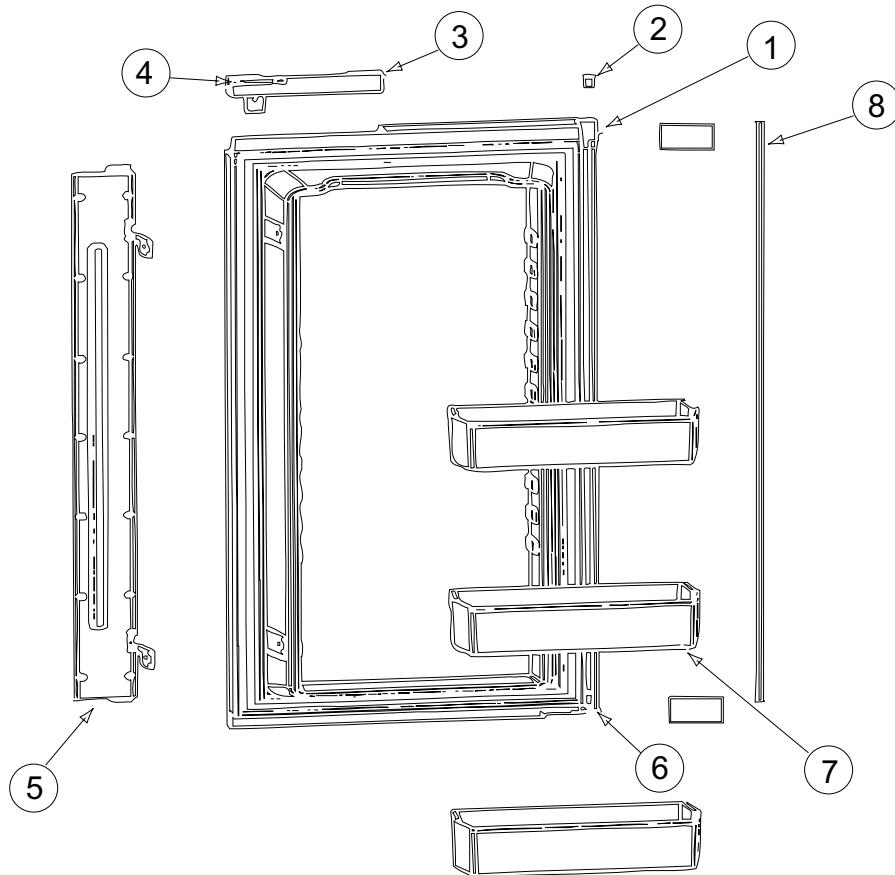
**APPLIANCE GROUP (CONTINUED)**  
**COMPONENT PARTS FOR APPLIANCE (CONTINUED)**



**125242-02-01A (CONTINUED)**

KEY	PART NUMBER	U/M	DESCRIPTION	VENDOR NO.
1	125242-01-763	EA	LINER/FOAMED-UPPER/RH-WHITE	619840
1	125242-02-733	EA	LINER/FOAMED-UPPER/RH-BLACK	625213 1291391 & UP
2	125242-02-701	EA	HANDLE(CONTOUR)TOP RH LWR LH	621106
3	125242-02-722	EA	LATCH-STORAGE DR/BLK POINTED	619374
4	125242-01-704	EA	BUSHING-HINGE MIDDLE	618746
5	125242-02-723	EA	RETAINER/PANEL-UPPER DOOR	623166
6	125242-03-704	EA	BIN - DOOR SHELF	622831
7	125242-02-724	EA	HINGE - DOOR	618792
	125242-02-721	EA	DOOR ASM-UPR/RH/WHITE GASKET	621149
	125242-02-732	EA	DOOR ASM-UPR/RH/BLACK GASKET	625221 1291391 & UP
	125242-01-719	EA	RETAINER-UPPER PANEL	618825 = 623166

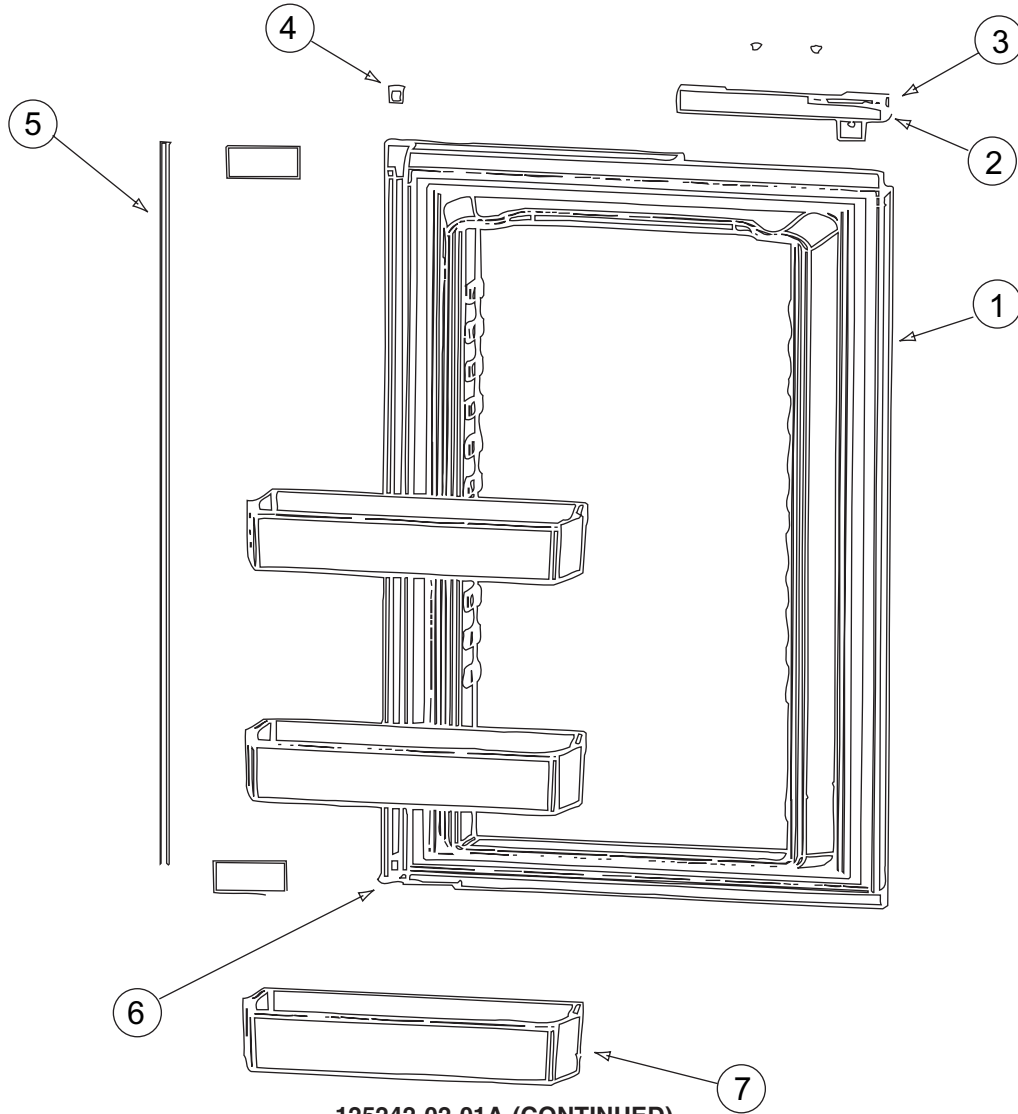
**APPLIANCE GROUP (CONTINUED)**  
**COMPONENT PARTS FOR APPLIANCE (CONTINUED)**



**125242-02-01A (CONTINUED)**

KEY	PART NUMBER	U/M	DESCRIPTION	VENDOR NO.
1	125242-01-765	EA	LINER/FOAMED-LOWER-LH-WHITE	619837
1	125242-02-739	EA	LINER/FOAMED-LOWER-LH-BLACK	625214 1291390 & UP
2	125242-01-704	EA	BUSHING-HINGE MIDDLE	618746
3	125242-02-701	EA	HANDLE(CONTOUR)TOP RH LWR LH	621106
4	125242-02-722	EA	LATCH-STORAGE DR/BLK POINTED	619374
5	125242-02-727	EA	FLAPPER/DBL POLE (SER#540295) UP	619845
5	125242-02-740	EA	FLAPPER/DBL POLE SER#1291391	623887 1291391 & UP
6	125242-02-724	EA	HINGE - DOOR	618792
7	125242-03-704	EA	BIN - DOOR SHELF	622831
8	125242-02-728	EA	RETAINER/PANEL - LOWER	623167
	125242-01-736	EA	CONTACT-PROBE PIN	618886
	125242-02-726	EA	DOOR ASM-LWR LH/WHITE GASKET	621150
	125242-02-738	EA	DOOR ASM-LWR LH/BLACK GASKET	625222 1291390 & UP
	125242-02-716	EA	GUIDE ASM LWR(SER#540294 DN)	620042
	125242-02-717	EA	GUIDE ASM LWR(SER#540295 UP)	620043

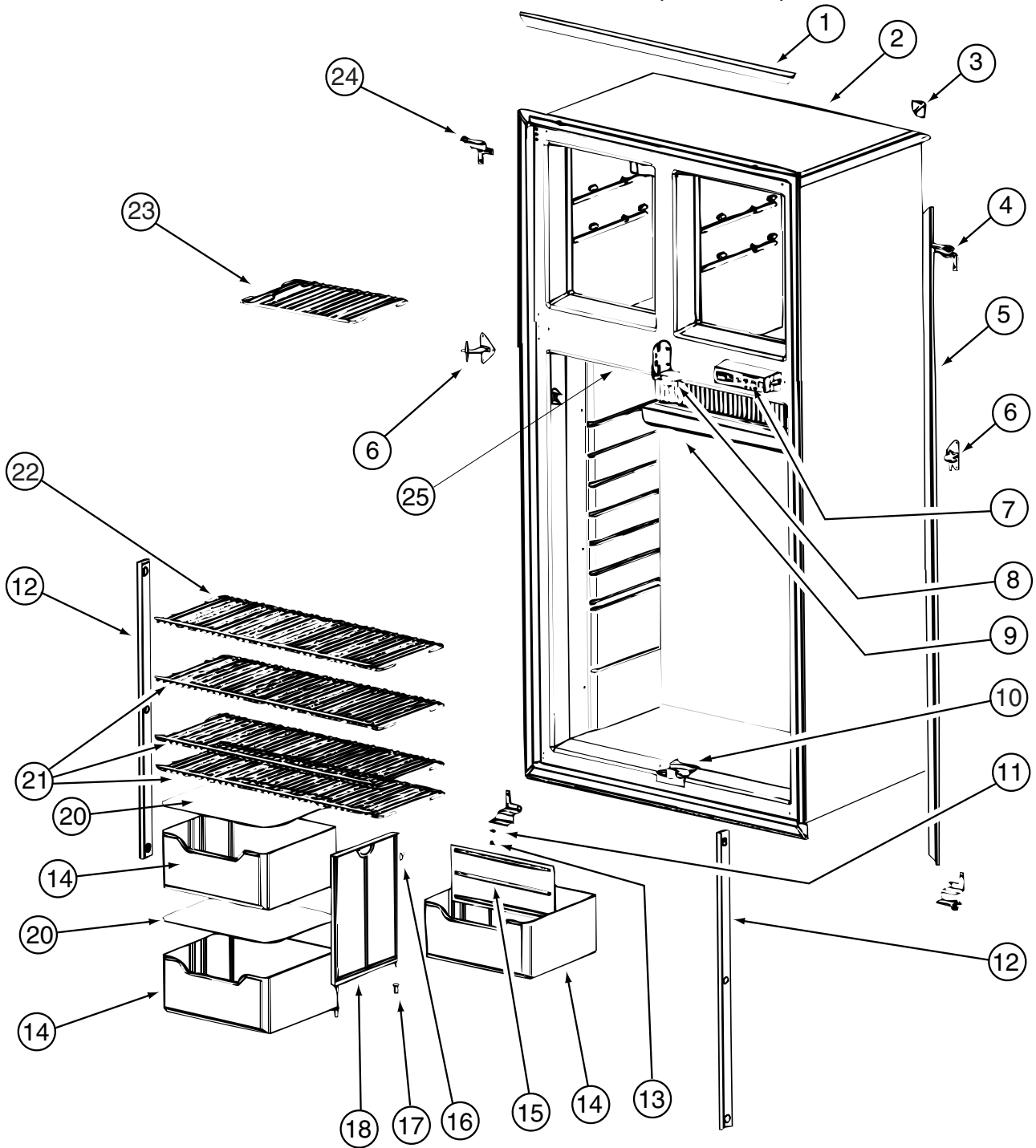
**APPLIANCE GROUP (CONTINUED)**  
**COMPONENT PARTS FOR APPLIANCE (CONTINUED)**



**125242-02-01A (CONTINUED)**

KEY	PART NUMBER	U/M	DESCRIPTION	VENDOR NO.
1	125242-01-764	EA	LINER/FOAMED-LOWER/RH-WHITE	619838
1	125242-02-737	EA	LINER/FOAMED-LOWER/RH-BLACK	625215 F/1291391&UP
2	125242-02-700	EA	HANDLE(CONTOUR)TOP LH BTM RH	621107
3	125242-02-722	EA	LATCH-STORAGE DR/BLK POINTED	619374
4	125242-01-704	EA	BUSHING-HINGE MIDDLE	618746
5	125242-02-728	EA	RETAINER/PANEL - LOWER	623167
6	125242-02-724	EA	HINGE - DOOR	618792
7	125242-03-704	EA	BIN - DOOR SHELF	622831
	125242-02-729	EA	DOOR ASM-LWR RH/WHITE GASKET	621151
	125242-02-736	EA	DOOR ASM-LWR RH/BLACK GASKET	625223 F/1291391&UP
	125242-02-716	EA	GUIDE ASM LWR(SER#540294 DN)	620042
	125242-02-717	EA	GUIDE ASM LWR(SER#540295 UP)	620043

**APPLIANCE GROUP (CONTINUED)**  
**COMPONENT PARTS FOR APPLIANCE (CONTINUED)**



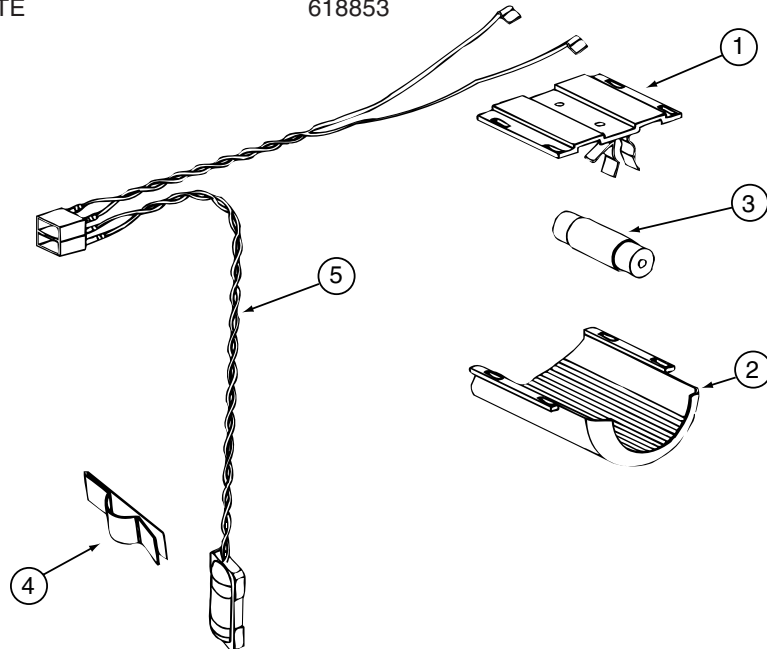
125242-02-01A (CONTINUED)



**APPLIANCE GROUP (CONTINUED)**  
**COMPONENT PARTS FOR APPLIANCE (CONTINUED)**

**125242-02-01A (CONTINUED)**

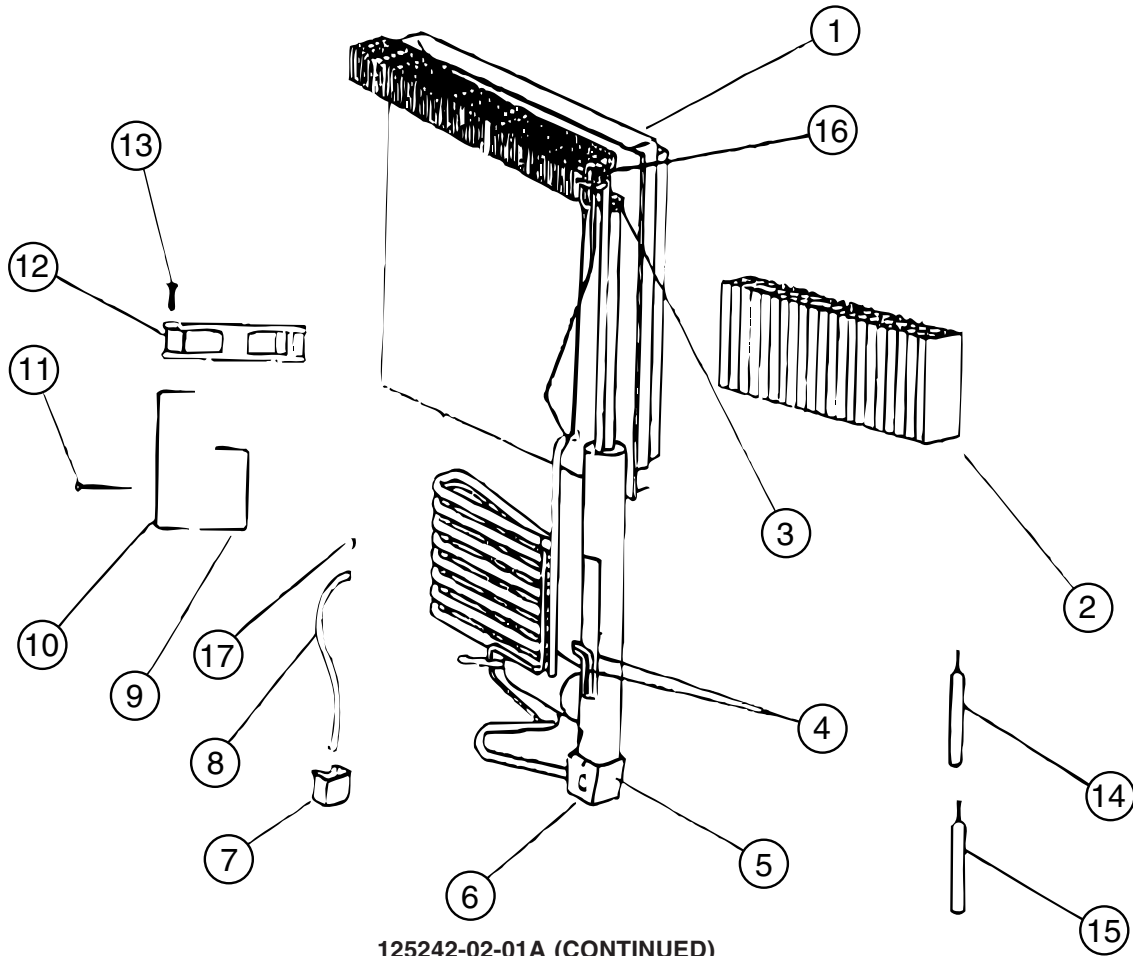
KEY	PART NUMBER	U/M	DESCRIPTION	VENDOR NO.
1	125242-01-723	EA	TRIM-HORIZONTAL-FRT SNAP ON	618845
1	125242-02-730	EA	TRIM - TOP/BOTTOM - SCREW ON	623255
2	125242-01-748	EA	CABINET/FOAMED ASSEMBLY	618748
3	125242-01-722	EA	TRIM-CORNER	618844
3	125242-01-767	EA	KIT INSTALL(U TRIM PCS)HDW	623528
4	125242-01-715	EA	HINGE - TOP RH/BOTTOM LH	618798
5	125242-01-724	EA	TRIM-LT/RT-FRT VERT SNAPON	618846
5	125242-01-766	EA	TRIM-LT/RT HAND-SCREW ON	623254
6	125242-01-713	EA	HINGE-MIDDLE (PAINTED)	618794
7	125242-02-704	EA	DISPLAY ASM (SER#832172) UP	621188
8	125242-01-751	EA	BLOCK - GUIDE - UPPER	618789
9	125242-01-712	EA	DRIP TRAY	618774
10	125242-01-752	EA	BLOCK - GUIDE - LOWER	618788
11	120075-01-708	EA	BUSHING-DOOR HINGE	618144
12	120075-01-730	EA	RETAINER-SHELF(SER#926684 DN	618181
12	125242-02-720	EA	RETAINER/SHELF(SER#926685 UP	622033
13	120075-01-727	EA	PIN-HINGE	618145
14	125242-01-734	EA	CRISPER/BOTTLE BIN	618878
15	125242-01-733	EA	DIVIDER-BOTTLE CRISPER	618877
16	125242-01-750	EA	CLIP	61409622
17	113737-01-701	EA	BUSHING-HINGE	61742022
18	125242-01-749	EA	SUPPORT - WALL	618840
20	125242-01-706	EA	COVER-CRISPER	618757
21	125242-01-726	EA	SHELF-WIRE (LONG)	618848
22	125242-01-727	EA	SHELF-WIRE (SHORT)	618849
23	125242-01-725	EA	SHELF-FREEZER (WIRE)	618847
24	125242-01-714	EA	HINGE - TOP LH/BOTTOM RH	618796
25	125242-01-735	EA	SWITCH - DOOR LIGHT	618884
25	125242-01-768	EA	SWITCH - DOOR LIGHT	623918
	120075-01-714	EA	PLUG-HOLE (BLACK)	618170
	125242-01-728	EA	CAP-SCREW WHITE	618853



**125242-02-01A (CONTINUED)**

KEY	PART NUMBER	U/M	DESCRIPTION	VENDOR NO.
1	084880-03-705	EA	BRACKET-LIGHT-INTERIOR	61629722
2	120075-01-734	EA	COVER-LENS	618190
3	084880-03-706	EA	BULB-LAMP	61628922
4	084880-01-760	EA	CLIP (THERMISTER)	61689122
5	120075-01-735	EA	THERMISTER W/LAMP & WIRE/ASM	618548
	125242-02-706	EA	LAMP/WIRE ASM/SER#849677 UP	620871
	125242-02-707	EA	LAMP/WIRE ASM SER#849677 DWN	621742

**APPLIANCE GROUP (CONTINUED)**  
**COMPONENT PARTS FOR APPLIANCE (CONTINUED)**

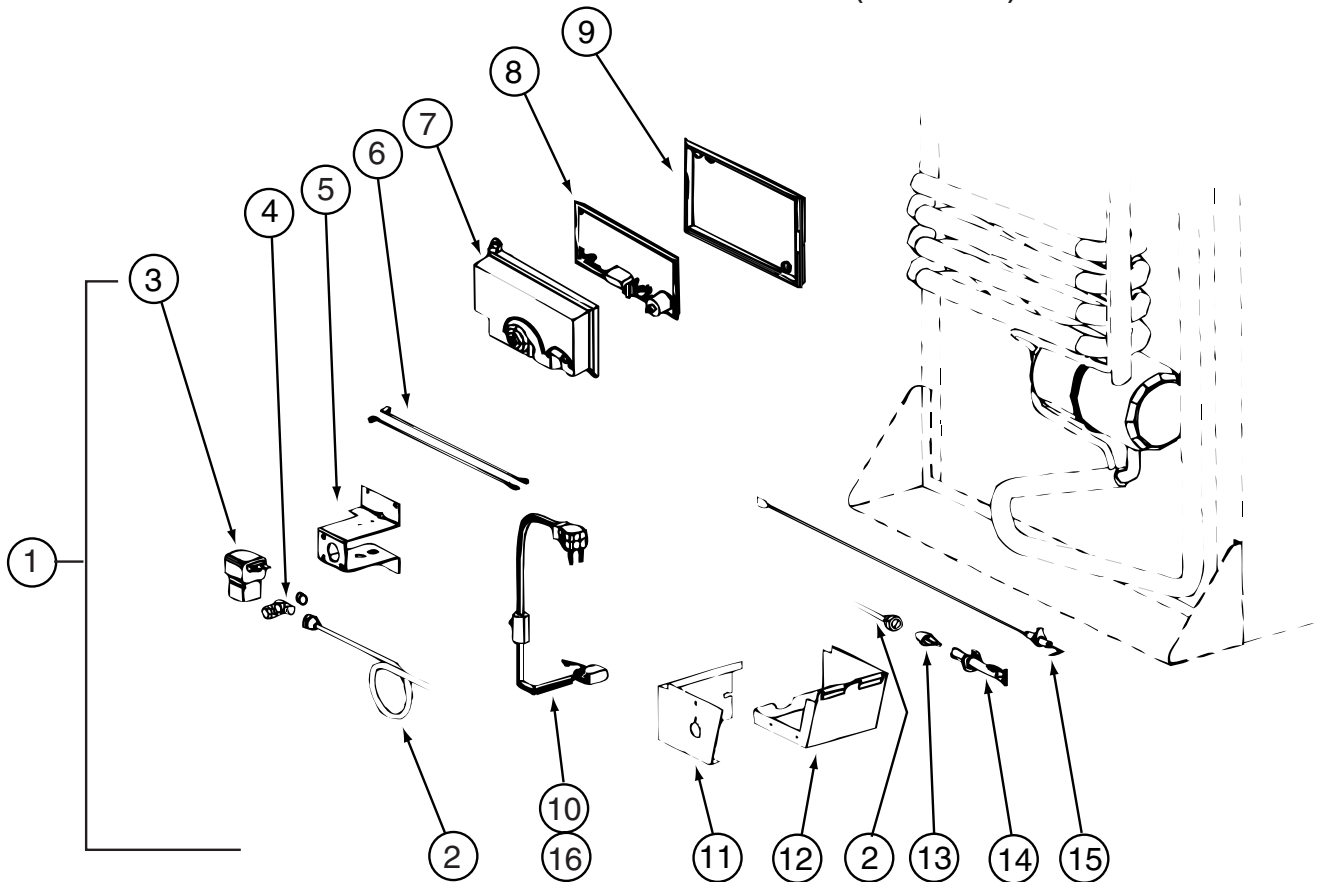


**125242-02-01A (CONTINUED)**

KEY	PART NUMBER	U/M	DESCRIPTION	VENDOR NO.
1	125242-01-746	EA	COOLING UNIT - 1200	618964
4	125242-01-732	EA	HEATER AC - 225W/110VAC	618872
5	125242-01-739	EA	BASE-BURNER BOX	618902
6	125242-01-740	EA	COVER-BURNER BOX	618910
9	125242-01-730	EA	BRACKET-DC FAN	618857
10	125242-01-741	EA	SUPPORT-DC FAN	618912
12	125242-01-729	EA	FAN-EXTERNAL DC	618856
16	113737-01-754	EA	THERMOSTAT (FAN 12V DC)	618093

CONTACT WINNEBAGO PART SALES FOR UNLISTED COMPONENTS

**APPLIANCE GROUP (CONTINUED)**  
**COMPONENT PARTS FOR APPLIANCE (CONTINUED)**

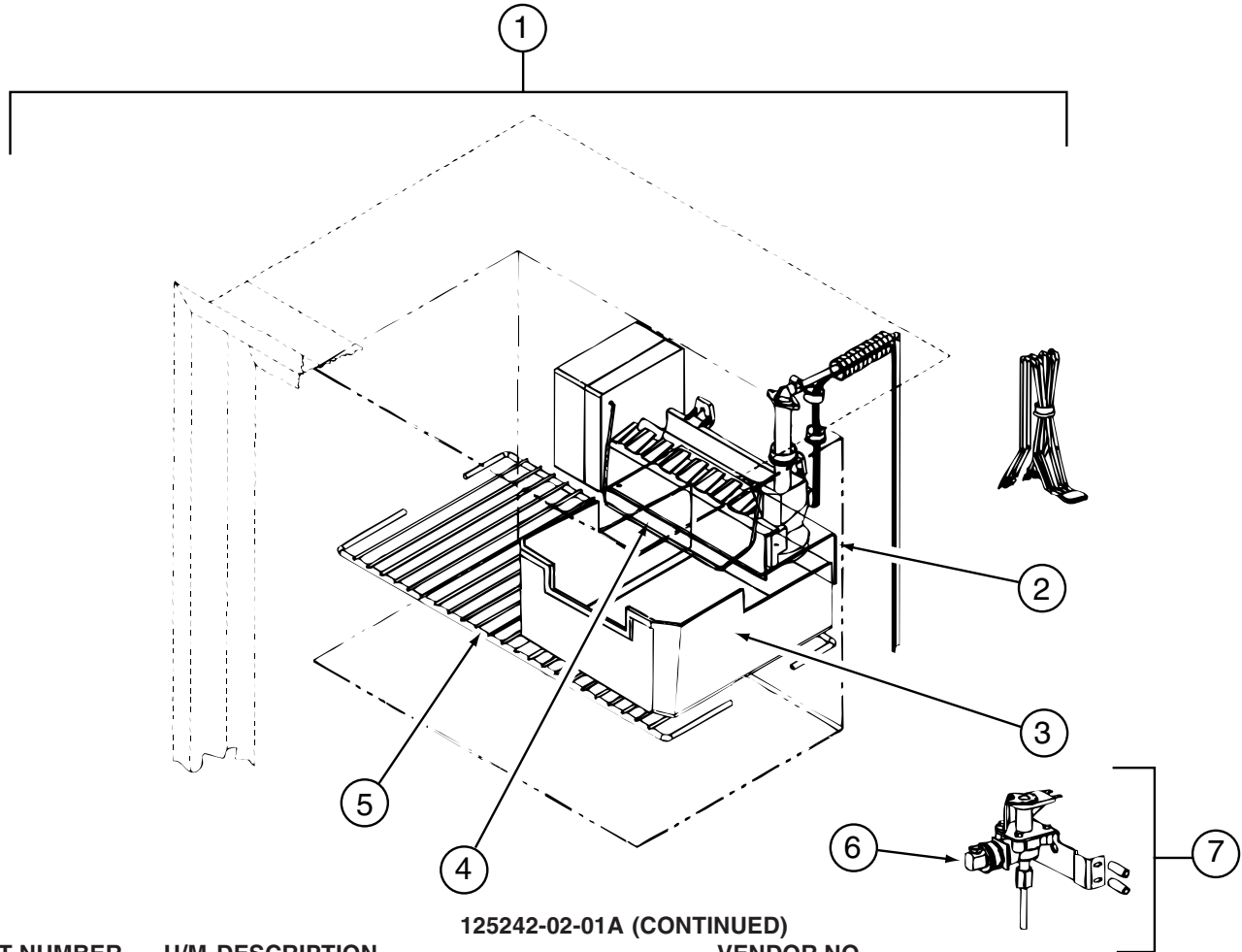


**125242-02-01A (CONTINUED)**

KEY	PART NUMBER	U/M	DESCRIPTION	VENDOR NO.
1	125242-01-753	EA	KIT-GAS VALVE/SOLENOID/TUBE	621445
2	125242-01-744	EA	BURNER TUBE	618937
4	113737-01-716	EA	TAP-PRESSURE	61594422
7	120075-01-738	EA	COVER-POWER BOARD	618185
8	125242-02-703	EA	POWER BOARD (SER #832171 UP)	621271
9	120075-01-740	EA	COVER-BASE, POWER BOARD	618186
11	125242-01-740	EA	COVER-BURNER BOX	618910
12	125242-01-739	EA	BASE-BURNER BOX	618902
13	125242-01-717	EA	ORIFICE-JEWELLED	618814
14	125242-01-743	EA	BURNER - 8 SLOT	618932
15	104137-06-715	EA	ELECTRODE-SPARK/SENSOR, SGL	61692222

CONTACT WINNEBAGO PART SALES FOR UNLISTED COMPONENT(S)

**APPLIANCE GROUP (CONTINUED)**  
**COMPONENT PARTS FOR APPLIANCE (CONTINUED)**



**125242-02-01A (CONTINUED)**

KEY	PART NUMBER	U/M	DESCRIPTION	VENDOR NO.
1	094039-07-706	EA	ICE MAKER W/O PLATES	61656522
2	125242-01-737	EA	BRACKET-MOUNTING (ICE MAKER)	618894/620890
3	125242-01-716	EA	ICE BIN	618803
4	120075-03-703	EA	ARM-SHUT OFF	61656922
5	125242-01-725	EA	SHELF-FREEZER (WIRE)	618847
6	120075-03-702	EA	NUT/COMPRESSION - FITTING	61678722
7	120075-03-701	EA	VALVE ASM., WATER, W/BRACKET	618253

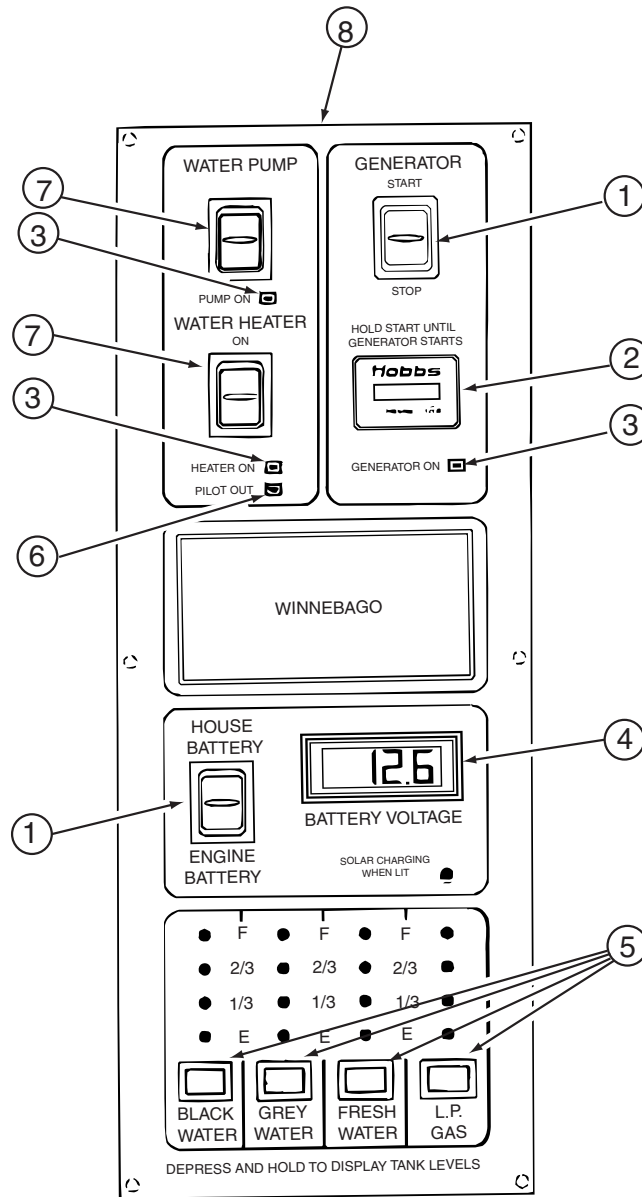
**126019-01-01A**

KEY	PART NUMBER	U/M	DESCRIPTION	VENDOR NO.
	126019-01-700	EA	GLASS CARAFE	172547-00
	126019-01-701	EA	RESERVOIR- WATER	172554
	126019-01-702	EA	BASKET - FILTER	172553-00
	126019-01-703	EA	HARDWARE - MOUNTING	172174-00

**126022-01-01A, 126022-02-01A, 126022-03-01A**

KEY	PART NUMBER	U/M	DESCRIPTION	VENDOR NO.
	114030-01-707	EA	PLUG BUTTON BLACK	74002628
	126022-01-700	EA	BUMPER - RANGE BIFOLD COVER	MAGIC 8003P007-60
	126022-01-701	EA	HINGE-RANGE BIFOLD COVER-22"	MAGIC 3418F067-34

**APPLIANCE GROUP (CONTINUED)**  
**COMPONENT PARTS FOR APPLIANCE (CONTINUED)**



**133004-02-01A**

KEY	PART NUMBER	U/M	DESCRIPTION	VENDOR NO.
1	133004-01-702	EA	SWITCH/DPDT MOM=ON-OFF-ON	L1011-00
2	100258-10-701	EA	GAUGE-HR METER ONLY (LCD)	L0775-00
3	133004-01-706	EA	L.E.D. GREEN-PANEL MOUNT	L0785
4	133004-01-704	EA	METER/VOLT-DIGITAL - LCD	L1008-00
5	133004-01-705	EA	SWITCH/MOM ON - PUSH BUTTON	L0950-00
6	133004-01-703	EA	L.E.D. RED-PANEL MOUNT	L1009-00
7	133004-01-701	EA	SWITCH/DPDT ON-ON/MAINTAINED	L1025-00
8	133004-02-701	EA	SCREENED - CHASSIS	CC0547-00
	133004-02-700	EA	BOARD - PC	L5113-03

**133004-04-01A**

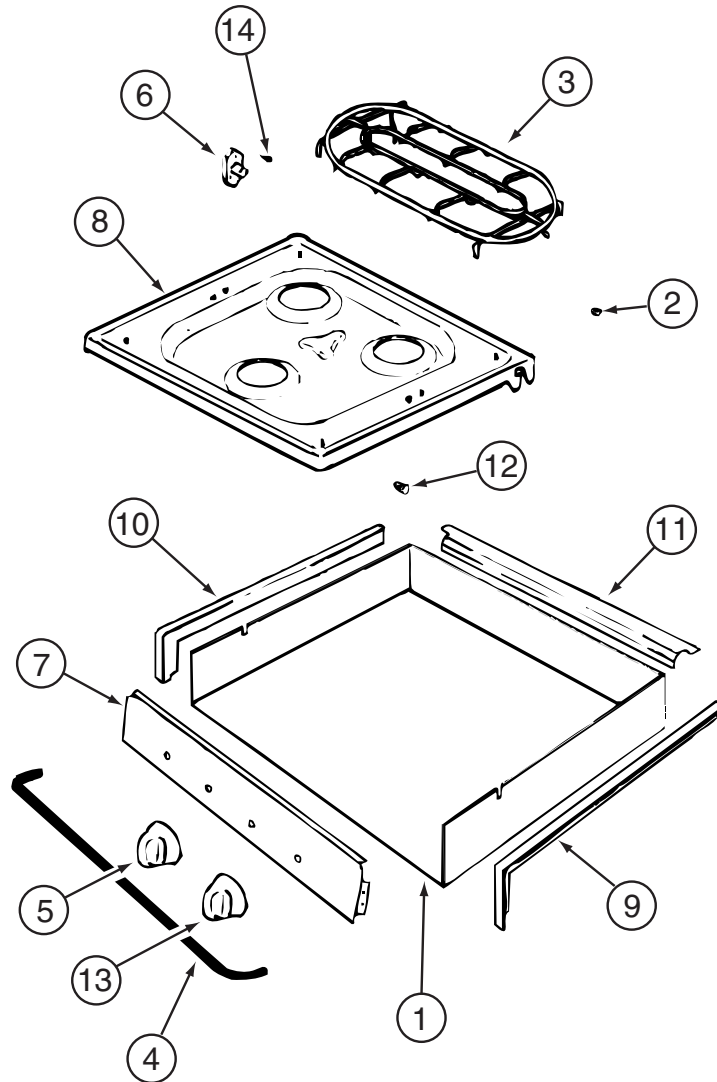
KEY	PART NUMBER	U/M	DESCRIPTION	VENDOR NO.
1	133004-01-702	EA	SWITCH/DPDT MOM=ON-OFF-ON	L1011-00
2	100258-10-701	EA	GAUGE-HOUR MTR-CLIP ON (LCD)	L0775-00
3	133004-01-706	EA	L.E.D. GREEN-PANEL MOUNT	L0785
4	133004-01-704	EA	METER/VOLT-DIGITAL - LCD	L1008-00
5	133004-01-705	EA	SWITCH/MOM ON - PUSH BUTTON	L0950-00
7	133004-01-701	EA	SWITCH/DPDT ON-ON/MAINTAINED	L1025-00
8	133004-04-700	EA	SCREENED CHASSIS/SUB ASSY	CE0287
	133004-02-700	EA	BOARD - PC	L5113-03

CONTACT WINNEBAGO PARTS SALES FOR MISSING COMPONENTS

**APPLIANCE GROUP (CONTINUED)**  
**COMPONENT PARTS FOR APPLIANCE (CONTINUED)**

133068-01-000

KEY	PART NUMBER	U/M	DESCRIPTION	VENDOR NO
	133068-01-700	EA	BULB/HAIRDRYER	46048-004

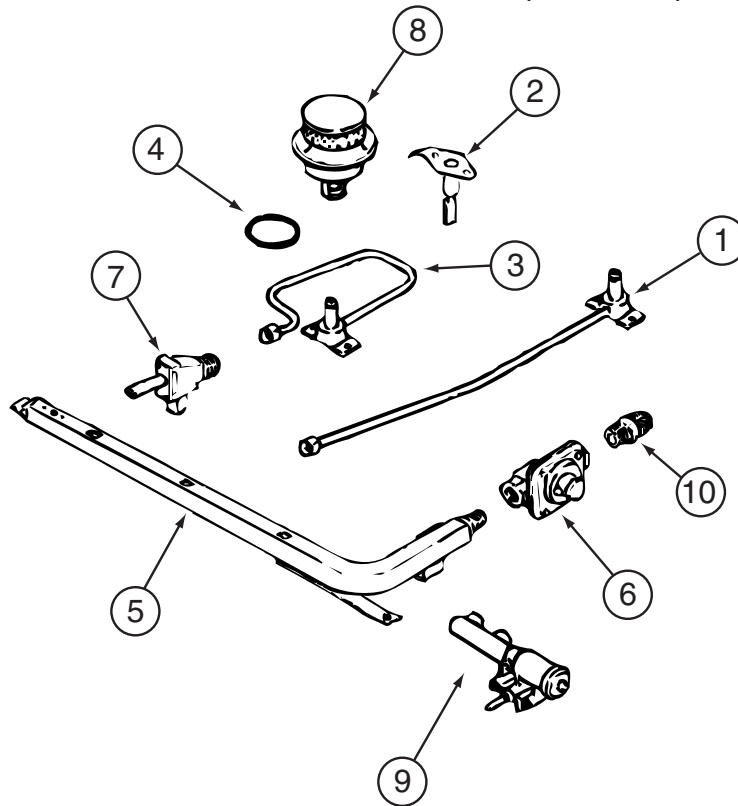


135065-03-01A, 135065-03-03A, 135065-04-01A

KEY	PART NUMBER	U/M	DESCRIPTION	VENDOR NO.
2	102020-01-709	EA	BUMPER-GRATE	8007-P020-60
3	135065-03-703	EA	GRATE - BLACK(SEALED BURNER)	74007304
4	114030-02-700	EA	GUARD/FABRIC - TOWEL BAR	3609F006-70
5	128728-01-701	EA	KNOB - BURNER - REAR	74003941
5	128728-01-702	EA	KNOB - BURNER - FRONT	74003942
6	128728-01-703	EA	PIN/T-NUT F/HINGE	7103P109-60
7	135065-03-704	EA	PANEL - MANIFOLD (BLACK)	74007330
8	128728-01-705	EA	TOP - MAIN - BLACK	74003928
8	135065-03-715	EA	TOP - MAIN - STAINLESS STEEL	74007299
9	114030-01-704	EA	TRIM - RIGHT/BLACK TEXTURED	74002839
10	114030-01-705	EA	TRIM - LEFT/BLACK TEXTURED	74002840
11	114030-01-706	EA	TRIM - REAR/BLACK TEXTURED	74002841
12	102020-01-724	EA	BUMPER-MAIN TOP	8003P008-60
13	128728-01-707	EA	KNOB - IGNITOR	74003944

CONTACT WINNEBAGO PART SALES FOR UNLISTED COMPONENTS

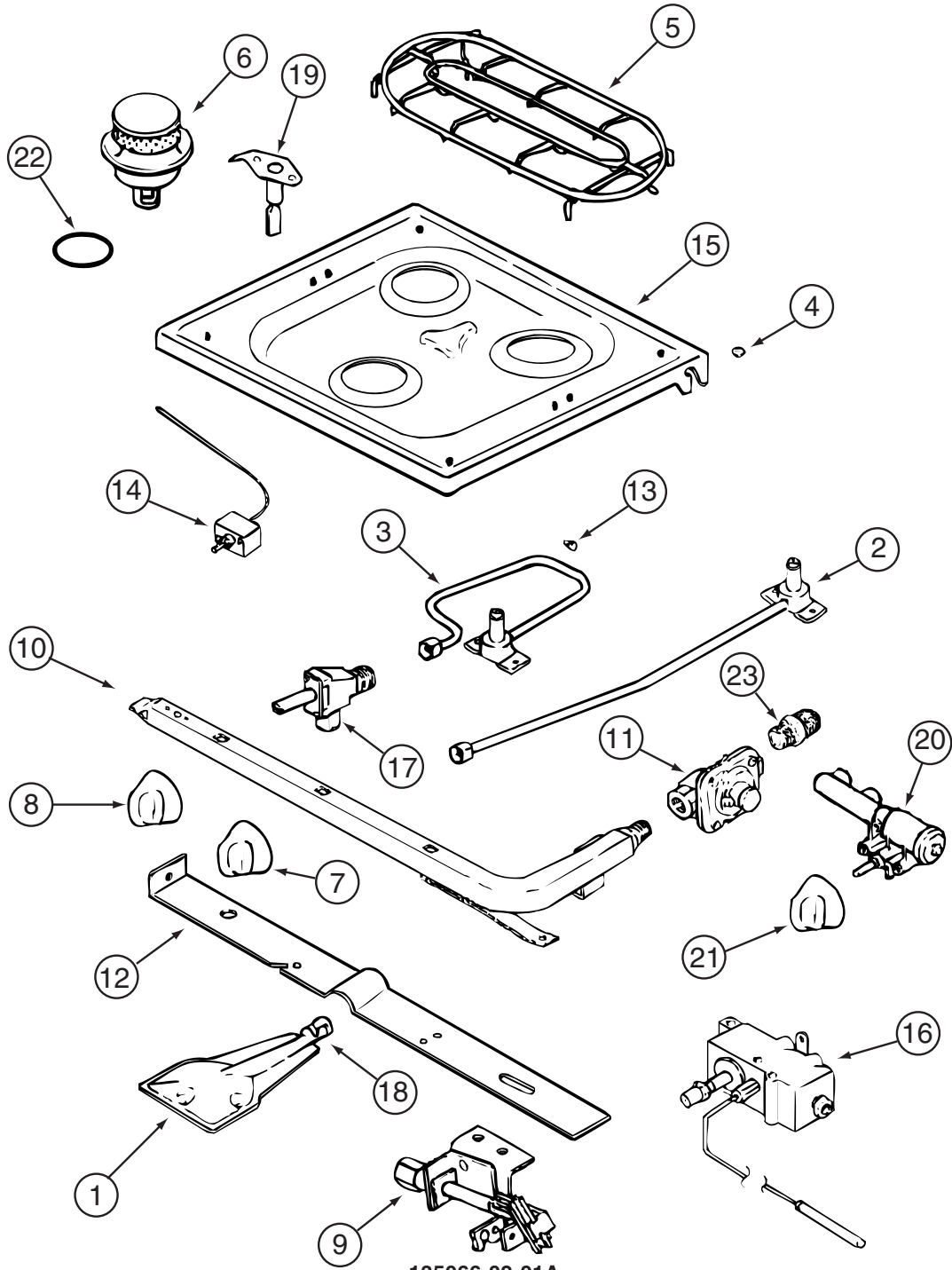
**APPLIANCE GROUP (CONTINUED)**  
**COMPONENT PARTS FOR APPLIANCE (CONTINUED)**



**135065-03-01A, 135065-03-03A, 135065-04-01A (CONTINUED)**

KEY	PART NUMBER	U/M	DESCRIPTION	VENDOR NO.
1	128728-01-708	EA	FITTING W/ORFICE/TUBE - REAR	74003931
2	135065-01-701	EA	IGNITOR/PORCELAIN-TOP BURNER	74004053
3	128728-01-710	EA	FITTING W/ORFICE/TUBE - FRT	74003930
4	135065-03-700	EA	FITTING - HALF UNION	74004234
5	135065-01-702	EA	PIPE/MANIFOLD	74004642
6	126023-02-703	EA	REGULATOR - PRESSURE	74004235
7	135065-01-703	EA	VALVE/BURNER - REAR	74004643
7	135065-01-704	EA	VALVE/BURNER-FRT-HI	74004644
7	135065-03-701	EA	SCREW - VALVE	71003231
8	135065-03-702	EA	SEALED BURNER ASM.(BLACK) RV	74003967
9	128728-01-716	EA	BURNER - IGNITOR	74003946
9	128728-01-717	EA	WIRES - IGNITOR	74003947

**APPLIANCE GROUP (CONTINUED)**  
**COMPONENT PARTS FOR APPLIANCE (CONTINUED)**



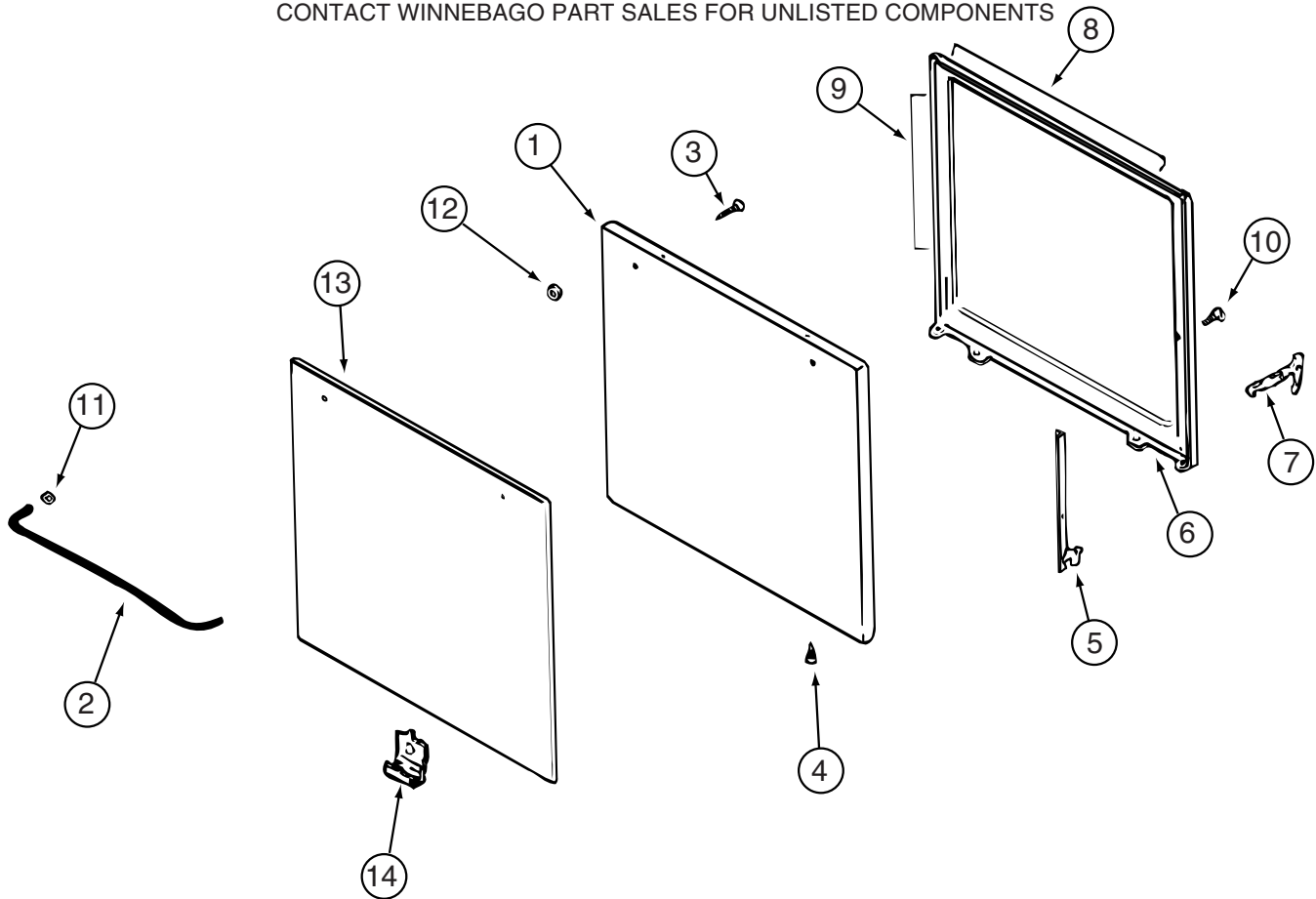
135066-02-01A



**APPLIANCE GROUP (CONTINUED)**  
**COMPONENT PARTS FOR APPLIANCE (CONTINUED)**  
**135066-02-01A (CONTINUED)**

KEY	PART NUMBER	U/M	DESCRIPTION	VENDOR NO.
1	126023-01-717	EA	BURNER - OVEN	74003343
2	128728-01-708	EA	FITTING W/ORFICE/TUBE - REAR	74003931
3	128728-01-710	EA	FITTING W/ORFICE/TUBE - FRT	74003930
4	102020-01-709	EA	BUMPER-GRATE	8007-P020-60
5	128728-01-700	EA	GRATE - BURNER	74003948
6	135065-01-705	EA	BURNER/SEALED ASSEMBLY	12001497
7	112881-01-705	EA	KNOB-TOP BURNER	7733P072-60
7	112881-01-718	EA	KNOB - TOP BURNER HI-OUTPUT	74001794
8	135656-01-700	EA	KNOB/THERMOSTAT	74002529
9	126023-02-701	EA	PILOT - OVEN	74004586
10	126023-02-702	EA	PIPE - MANIFOLD	74004360
11	135066-02-700	EA	REGULATOR - PRESSURE	74004236
13	102020-01-724	EA	BUMPER-MAIN TOP	8003P008-60
14	126023-01-734	EA	THERMOSTAT/OVEN SERIES #11	74006332
15	128728-01-705	EA	TOP - MAIN - BLACK	74003928
16	126023-02-704	EA	VALVE/OVEN - MERCURY	74004585
17	135065-01-703	EA	VALVE/BURNER - REAR	74004643
17	135065-01-704	EA	VALVE/BURNER-FRT-HI	74004644
18	135656-01-701	EA	MIXER/AIR	3411F003-34
19	135065-01-701	EA	IGNITOR/PORCELAIN-TOP BURNER	74004053
20	128728-01-716	EA	BURNER - IGNITOR	74003946
20	128728-01-717	EA	WIRES - IGNITOR	74003947
21	126023-01-720	EA	KNOB - IGNITER	74002414

CONTACT WINNEBAGO PART SALES FOR UNLISTED COMPONENTS

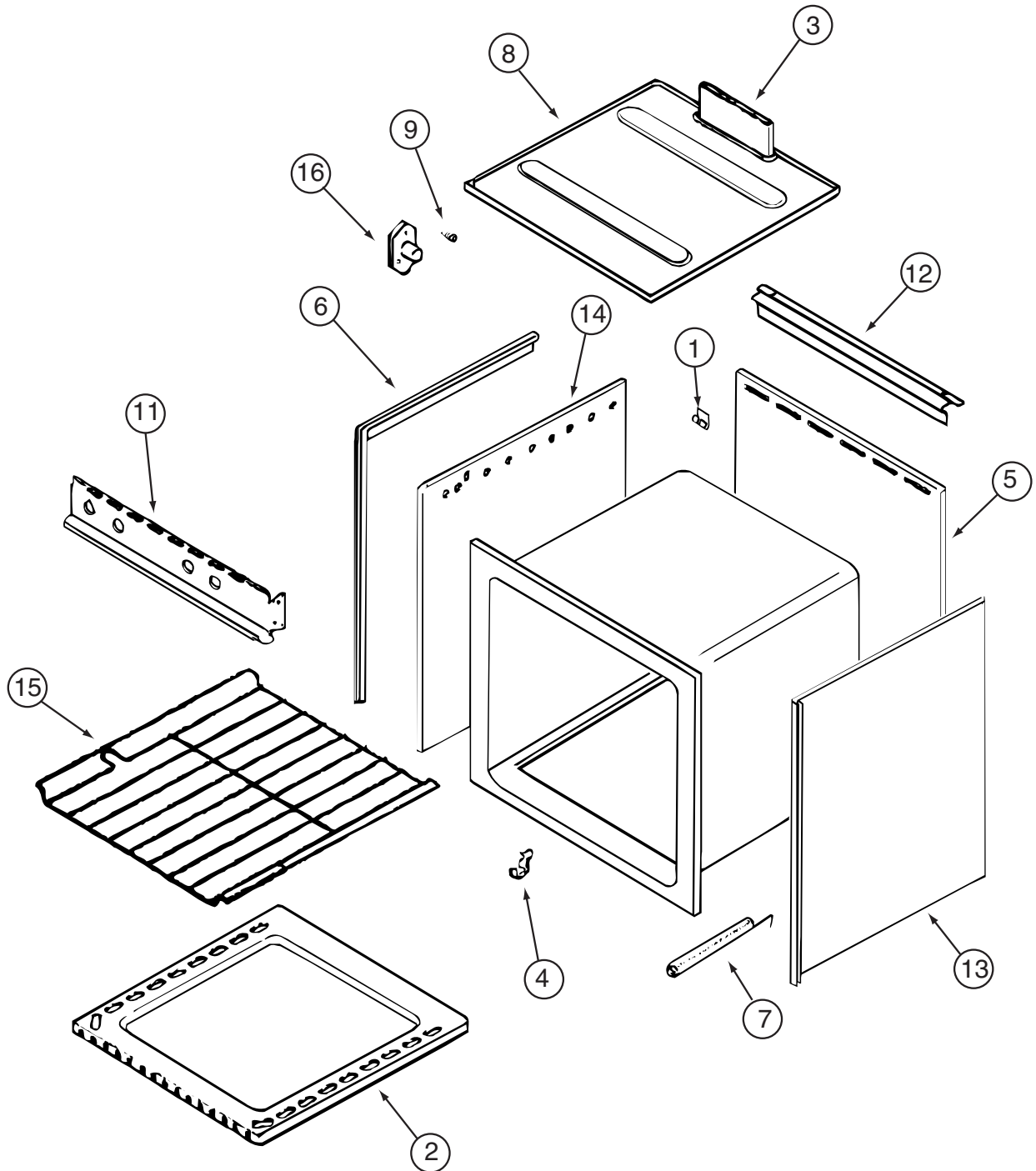


**135066-01-01A, 135066-01-02A, 135066-02-01A (CONTINUED)**

KEY	PART NUMBER	U/M	DESCRIPTION	VENDOR NO.
1	126023-01-712	EA	PANEL - DOOR (BLACK)	74001190
2	102020-01-701	EA	HANDLE,DOOR	7701P092-60
8	126023-01-732	EA	SEAL/OVEN DR TOP	7212P014-60
9	126023-01-733	EA	SEAL/OVEN DR SIDES(2PCS)	7212P038-60
13	102020-01-725	EA	GLASS OUTER	7902P266-60

CONTACT WINNEBAGO PART SALES FOR UNLISTED COMPONENTS

**APPLIANCE GROUP (CONTINUED)**  
**COMPONENT PARTS FOR APPLIANCE (CONTINUED)**

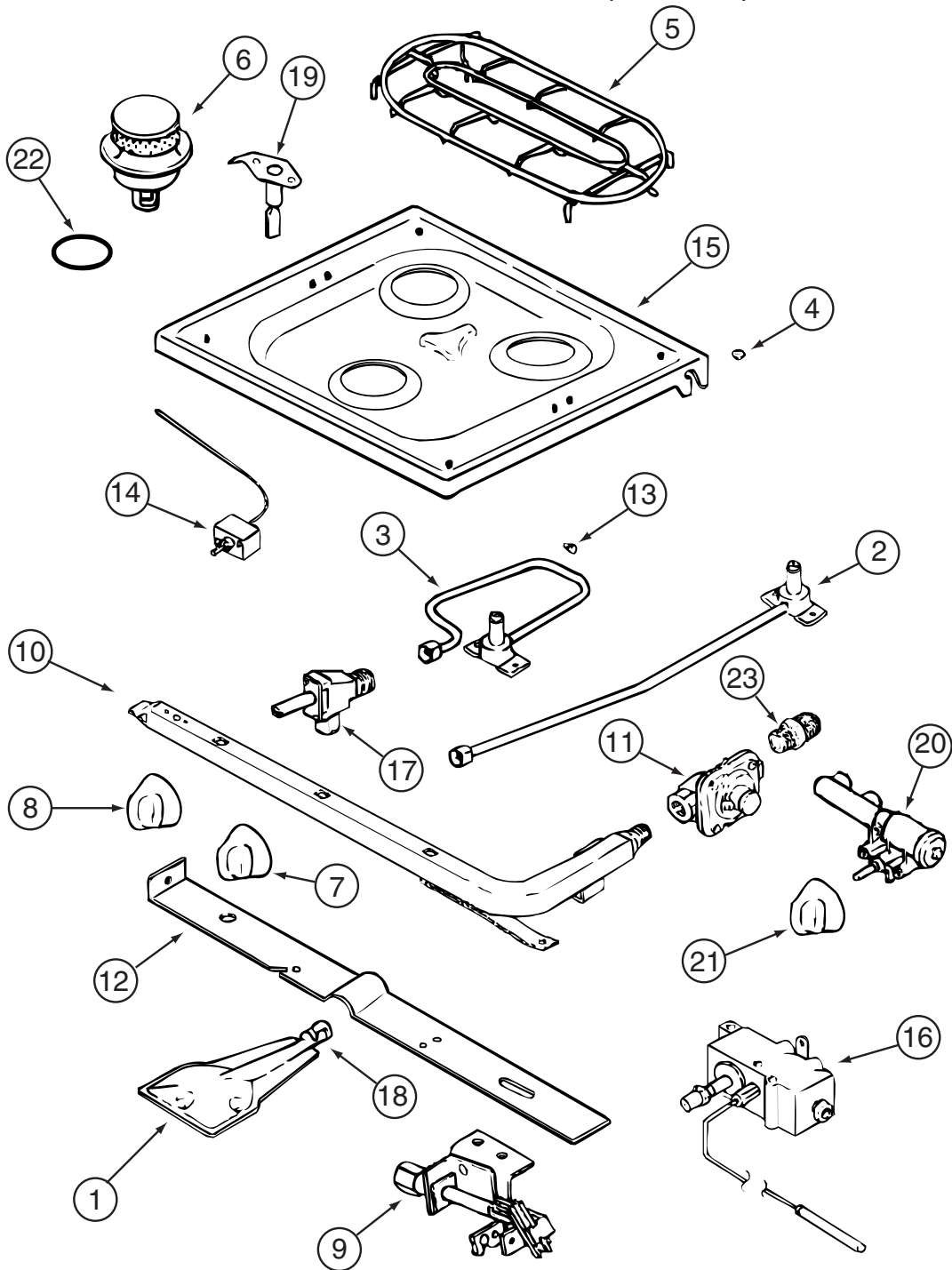


**135066-01-01A, 135066-01-02A, 135066-02-01A (CONTINUED)**

KEY	PART NUMBER	U/M	DESCRIPTION	VENDOR NO.
1	112881-03-702	EA	CLIP - MAIN TOP	74003998
2	126023-01-731	EA	BOTTOM - OVEN	2205F016-19
3	126023-01-718	EA	FLUE BOX ASSEMBLY	4006W075-80
6	126023-01-713	EA	TRIM - SIDE (RIGHT)	74002827
6	126023-01-714	EA	TRIM - SIDE (LEFT)	74002828
11	126023-01-729	EA	PANEL - MANIFOLD	74003351
15	126023-01-716	EA	RACK - OVEN	74003106
	126023-01-738	EA	CLIP - GLASS OVEN/BLACK	7112P093-60

CONTACT WINNEBAGO PART SALES FOR UNLISTED COMPONENTS

**APPLIANCE GROUP (CONTINUED)**  
**COMPONENT PARTS FOR APPLIANCE (CONTINUED)**



135066-03-01A, 135066-03-04A, 150778-01-01A, 151277-03-01A, 151279-02-01A

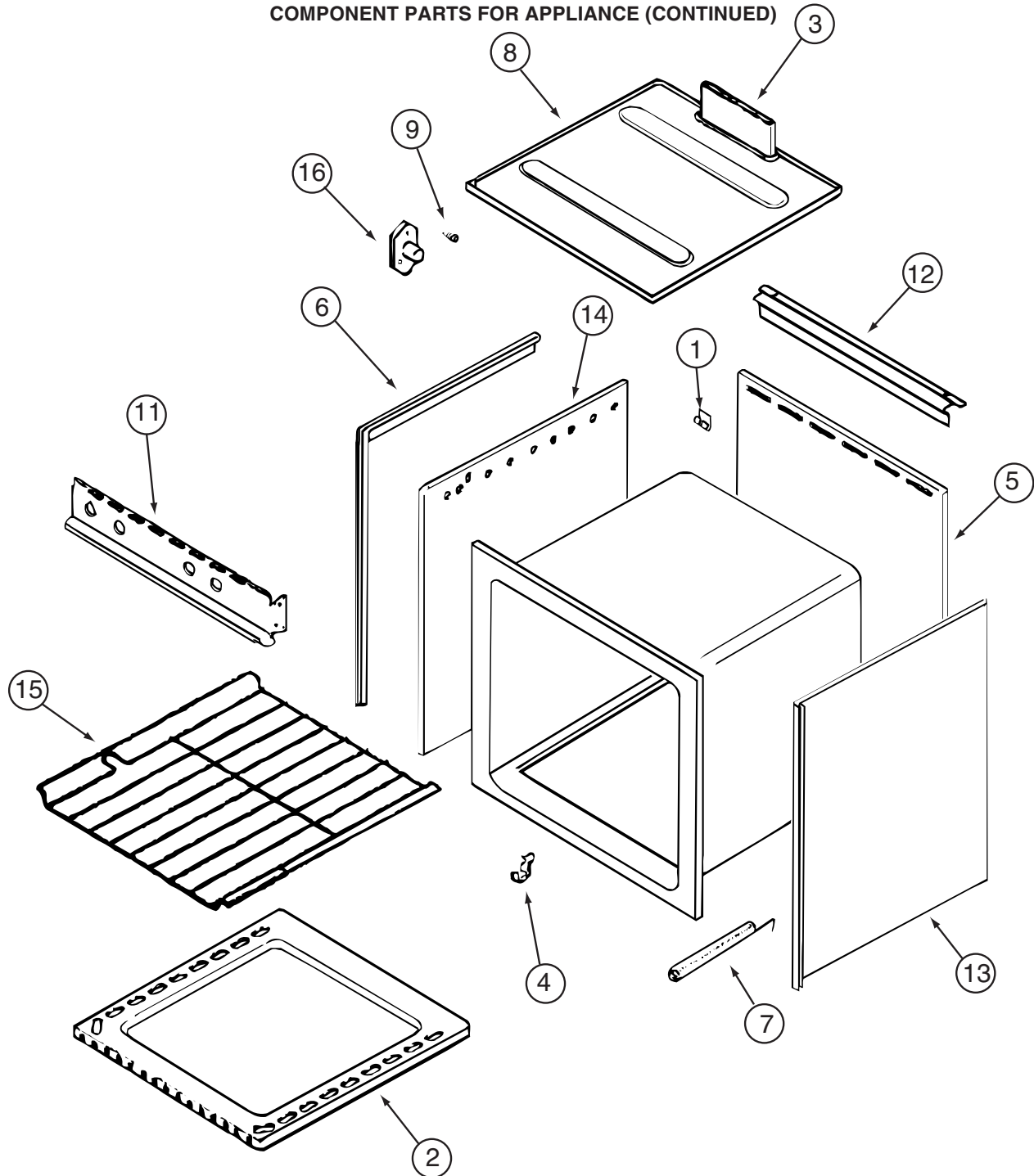
**APPLIANCE GROUP (CONTINUED)**  
**COMPONENT PARTS FOR APPLIANCE (CONTINUED)**

135066-03-01A, 135066-03-04A, 150778-01-01A, 151277-03-01A, 151279-02-01A (CONTINUED)

KEY	PART NUMBER	U/M	DESCRIPTION	VENDOR NO.
1	126023-01-717	EA	BURNER - OVEN	74003343
2	128728-01-708	EA	FITTING W/ORFICE/TUBE - REAR	74003931
3	128728-01-710	EA	FITTING W/ORFICE/TUBE - FRT	74003930
4	102020-01-709	EA	BUMPER-GRATE	8007-P020-60
5	135065-03-703	EA	GRATE - BLACK(SEALED BURNER)	74007304
6	135065-03-702	EA	SEALED BURNER ASM.(BLACK) RV	74003967
7	128728-01-701	EA	KNOB - BURNER - REAR	74003941
7	128728-01-702	EA	KNOB - BURNER - FRONT	74003942
8	112881-04-703	EA	KNOB - THERMOSTAT - BLACK	74004645
9	112881-04-706	EA	PILOT - OVEN	74006334
10	126023-02-702	EA	PIPE - MANIFOLD	74004360
11	126023-02-703	EA	REGULATOR - PRESSURE	74004235
13	102020-01-724	EA	BUMPER-MAIN TOP	8003P008-60
14	126023-01-734	EA	THERMOSTAT/OVEN SERIES #11	74006332
15	128728-01-705	EA	TOP - MAIN - BLACK	74003928
15	135065-03-705	EA	TOP - MAIN - BLACK F/1512790201A ONLY	74007300
15	135065-03-715	EA	TOP - MAIN - STAINLESS STEEL	74007299
16	112881-04-704	EA	VALVE - OVEN	74006333
17	135065-01-703	EA	VALVE/BURNER - REAR	74004643
17	135065-01-704	EA	VALVE/BURNER-FRT-HI	74004644
17	135065-03-701	EA	SCREW - VALVE	71003231
18	135656-01-701	EA	MIXER/AIR	3411F003-34
19	135065-01-701	EA	IGNITOR/PORCELAIN-TOP BURNER	74004053
20	128728-01-716	EA	BURNER - IGNITOR	74003946
20	128728-01-717	EA	WIRES - IGNITOR	74003947
21	128728-01-707	EA	KNOB - IGNITOR	74003944
22	135065-03-700	EA	FITTING - HALF UNION	74004234

CONTACT WINNEBAGO PART SALES FOR UNLISTED COMPONENTS

**APPLIANCE GROUP (CONTINUED)**  
**COMPONENT PARTS FOR APPLIANCE (CONTINUED)**

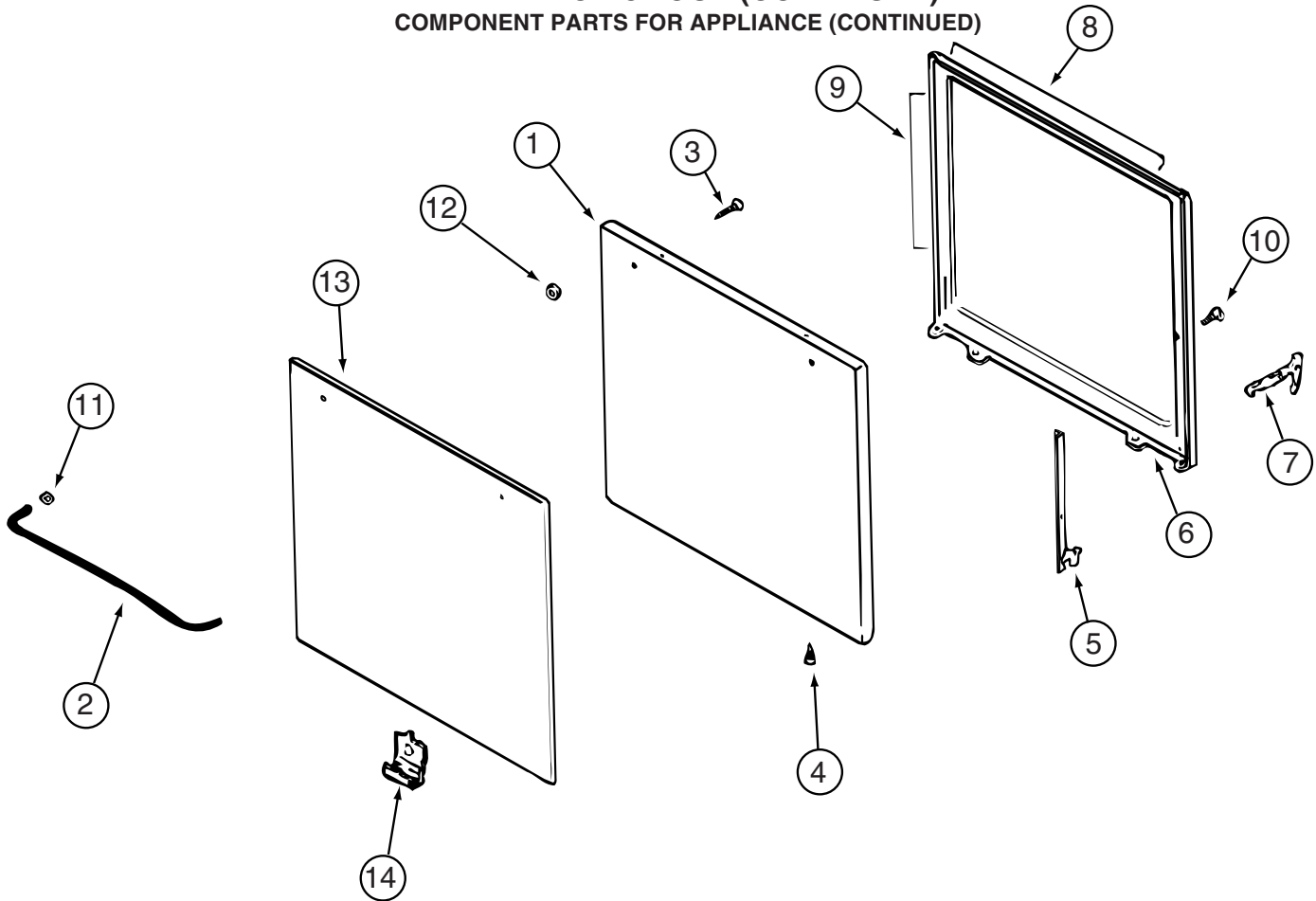


135066-03-01A, 135066-03-04A, 150778-01-01A, 151277-03-01A, 151279-02-01A (CONTINUED)

KEY	PART NUMBER	U/M	DESCRIPTION	VENDOR NO.
1	112881-03-702	EA	CLIP - MAIN TOP	74003998
2	126023-01-731	EA	BOTTOM - OVEN	2205F016-19
3	126023-01-718	EA	FLUE BOX ASSEMBLY	4006W075-80
6	126023-01-713	EA	TRIM - SIDE (RIGHT)	74002827
6	126023-01-714	EA	TRIM - SIDE (LEFT)	74002828
7	135066-03-708	EA	SPRING - OVEN DOOR	7803P053-60
9	128728-01-703	EA	PIN/T-NUT F/HINGE	7103P109-60
11	135066-03-701	EA	PANEL - MANIFOLD - BLACK	74007306
12	112881-01-721	EA	DEFLECTOR/FLUE-BLK-SEALED BR	74002829
15	126023-01-716	EA	RACK - OVEN	74003106

CONTACT WINNEBAGO PART SALES FOR UNLISTED COMPONENT(S)

**APPLIANCE GROUP (CONTINUED)**  
**COMPONENT PARTS FOR APPLIANCE (CONTINUED)**



**135066-03-01A, 135066-03-04A (CONTINUED)**

KEY	PART NUMBER	U/M	DESCRIPTION	VENDOR NO.
1	126023-01-712	EA	PANEL - DOOR (BLACK)	74001190
1	135066-03-702	EA	PANEL - DOOR - STAINLESS STEEL	74007313
2	102020-01-701	EA	HANDLE,DOOR	7701P092-60
8	126023-01-732	EA	SEAL/OVEN DR TOP	7212P014-60
9	126023-01-733	EA	SEAL/OVEN DR SIDES(2PCS)	7212P038-60
13	102020-01-725	EA	GLASS OUTER	7902P266-60

CONTACT WINNEBAGO PART SALES FOR UNLISTED COMPONENT(S)

**150778-01-01A, 151277-03-01A, 151279-02-01A (CONTINUED)**

KEY	PART NUMBER	U/M	DESCRIPTION	VENDOR NO.
1	126023-01-712	EA	PANEL - DOOR (BLACK)	74001190
2	128727-01-701	EA	HANDLE - OVEN DOOR	74003929
8	126023-01-732	EA	SEAL/OVEN DR TOP	7212P014-60
9	135066-03-714	EA	SEAL - OVEN DOOR SIDES	7212P039-60
13	102020-01-725	EA	GLASS OUTER	7902P266-60
14	126023-01-738	EA	CLIP - GLASS OVEN/BLACK	7112P093-60

CONTACT WINNEBAGO PART SALES FOR UNLISTED COMPONENT(S)

## AUDIO VIDEO GROUP RADIO SYSTEM

KEY	PART NUMBER	U/M	DESCRIPTION
	077069-02-000	EA	CABLE - ANTENNA/EXTENSION - RADIO - 96"
	077069-03-000	EA	CABLE/EXTENSION - RADIO ANTENNA - 260"
	123256-02-000	EA	CABLE - CB - COAX
	089340-02-000	EA	GRILLE - SPEAKER - 6.5" SQUARE
	110470-01-01A	EA	GRILLE - 4" X 6" OVAL SPEAKER - BLACK
	124883-04-000	EA	GRILLE/SPEAKER - F/CUBE SPEAKER - <b>SURROUND SOUND</b> FROM: 00-00-00 THRU: 07-13-03
	148026-02-01A	EA	SPEAKER GRILLE - CUBE - SILVER - <b>SURROUND SOUND</b> FROM: 07-14-03 THRU: 99-99-99
	124885-01-000	EA	GRILLE - SPEAKER - 6" X 9" - SUB-WOOFER - <b>SURROUND SOUND</b>
	139111-01-02A	EA	GRILLE - SPEAKER - 6" ROUND - GLACIER
	090944-01-000	EA	ANTENNA - RADIO - 16" RUBBER - W/72" LEAD WIRE - <b>EXTERIOR ENTERTAINMENT</b>
	090944-01-000	EA	ANTENNA - RADIO - 16" RUBBER - W/72" LEAD WIRE - <b>DASH RADIO</b> FROM: 00-00-00 THRU: 01-05-03
	090944-02-000	EA	ANTENNA - RADIO - 16" RUBBER - W/O LEAD WIRE - <b>DASH RADIO</b> FROM: 01-06-03 THRU: 99-99-99
	147190-01-000	EA	ANTENNA/SATELLITE-RADIO/SIRIUS-W/GRD PLANE PLATE/6" LEAD - <b>SATELLITE RADIO</b>
	090944-03-000	EA	CABLE - ANTENNA - <b>DASH RADIO</b> FROM: 01-06-03 THRU: 99-99-99
	147190-03-000	EA	CABLE-ANTENNA SAT SIR W/O CO - <b>SATELLITE RADIO</b>
	123256-01-000	EA	ANTENNA - CB - W/O CABLE
	094097-01-000	EA	SPEAKER - RADIO/TV - W/O GRILLE - 5.25" DIAMETER
	110469-01-000	EA	SPEAKER - 4" X 6" OVAL - COAXIAL
	124883-02-000	EA	SPEAKER/CUBE - W/BRACKET - <b>SURROUND SOUND</b> FROM: 00-00-00 THRU: 07-13-03
	148026-01-01A	EA	SPEAKER - CUBE - W/FIXED BRACKET - SILVER - <b>SURROUND SOUND</b> FROM: 07-14-03 THRU: 99-99-99
	124883-03-000	EA	SPEAKER/CUBE - W/O CASE - <b>SURROUND SOUND</b> FROM: 00-00-00 THRU: 07-13-03
	148026-03-01A	EA	SPEAKER - CUBE - W/O CASE - <b>SURROUND SOUND</b> FROM: 07-14-03 THRU: 99-99-99
	124884-01-000	EA	SPEAKER - 6" X 9" - SUB-WOOFER - <b>SURROUND SOUND</b>
	133089-01-000	EA	CONTROL - VOLUME - SPEAKER
*	102080-17-000	EA	CHANGER - COMPACT DISC - SONY CDX-555RF FROM: 00-00-00 THRU: 07-09-03
	102080-20-000	EA	COMPACT DISC CHANGER - SONY CDX-565RF FROM: 07-10-03 THRU: 08-18-03
	148134-01-000	EA	CHANGER - COMPACT DISC - SANYO EAX-510 FROM: 08-19-03 THRU: 99-99-99
*	102080-18-000	EA	CHANGER - CONTROL/FM MODULE & REMOTE - SONY CDX-555RF KIT FROM: 00-00-00 THRU: 06-22-03
*	102080-21-000	EA	CHANGER - CONTROL/FM MODULE & REMOTE - SONY CDX-565RF FROM: 06-23-03 THRU: 08-17-03
	147741-01-09B	EA	BRACKET - ANTENNA GROUND
	115916-01-01B	EA	BRACKET - ANTENNA MOUNT
	109889-04-000	EA	EXTENDER - ANTENNA SHAFT - 3.7"
	124881-02-000	EA	AMPLIFIER - AUDIO - MTS Q SURROUND - ORANGE LABEL (LATEST) - <b>SURROUND SOUND</b>
*	143509-01-000	EA	RADIO - AM/FM CD - W/REMOTE - JENSEN CD3010X-W - <b>EXT ENTERTAINMENT W/CD</b> FROM: 00-00-00 THRU: 11-09-03
*	148231-01-000	EA	RADIO - AM/FM CD W/REMOTE - MAGNADYNE M3100CD - <b>EXT ENTERTAINMENT W/CD</b> FROM: 11-10-03 THRU: 99-99-99
	135420-01-000	EA	RADIO - AM/FM CASSETTE/CD COMBO - M9900 - <b>DASH</b> FROM: 00-00-00 THRU: 08-17-03
	135420-09-000	EA	RADIO-AM/FM/CASS/CD COMBO-AUX/CD CHANGER INPUT-REMOTE COMP. - <b>DASH</b> FROM: 08-18-03 THRU: 99-99-99
	135420-10-000	EA	REMOTE CONTROL/RADIO (CREDIT CARD SIZE) MAGNAD M9999-CCR. - <b>DASH</b> FROM: 08-18-03 THRU: 99-99-99
	135420-07-000	EA	RADIO - MOUNTING KIT - A-BODY - <b>DASH</b>

**AUDIO VIDEO GROUP (CONTINUED)**  
**RADIO SYSTEM (CONTINUED)**

KEY	PART NUMBER	U/M	DESCRIPTION
	148113-01-000	EA	RADIO - SATELLITE - SIRIUS - <b>SATELLITE RADIO</b>
	148113-02-000	EA	CRADLE - RADIO - KENWOOD - <b>SATELLITE RADIO</b>
	148114-01-000	EA	CABLE - AUDIO - 1/8" TO RCA STEREO - <b>SATELLITE RADIO</b>
	141679-01-000	EA	RADIOS - TWO WAY SET - <b>TWO-WAY RADIO</b>
			FROM: 00-00-00 THRU: 10-05-03
	141679-03-000	EA	RADIOS - TWO WAY/DOCK STATION - ASA GMRS4WMWIN - <b>TWO-WAY RADIO</b>
			FROM: 10-06-03 THRU: 99-99-99
	141679-02-000	EA	RADIO/BATTERY KIT - TWO WAY (4 RADIOS/8 BATTERIES) - <b>TWO-WAY RADIO</b>
			FROM: 00-00-00 THRU: 10-05-03
	141679-04-000	EA	RADIO - TWO WAY - 5 MILE/BATTERY - ASA GMRS100 - <b>TWO-WAY RADIO</b>
			FROM: 10-06-03 THRU: 99-99-99

**\*COMPONENT PARTS LISTED LATER IN THIS GROUP**



**AUDIO VIDEO GROUP (CONTINUED)**  
**COMPONENT PARTS FOR RADIO SYSTEM**

**102080-17-000**

<b>KEY</b>	<b>PART NUMBER</b>	<b>U/M</b>	<b>DESCRIPTION</b>	<b>VENDOR NO.</b>
	102080-17-700	EA	REMOTE (WIRED)	1-476-488-V
	102080-17-701	EA	REMOTE (WIRELESS)	A1-3220-786-11

**102080-18-000**

<b>KEY</b>	<b>PART NUMBER</b>	<b>U/M</b>	<b>DESCRIPTION</b>	<b>VENDOR NO.</b>
	102080-15-700	EA	REMOTE - WIRELES	1-476-488-11

**102080-21-000**

<b>KEY</b>	<b>PART NUMBER</b>	<b>U/M</b>	<b>DESCRIPTION</b>	<b>VENDOR NO.</b>
	102080-21-700	EA	REMOTE	RM-X84RF

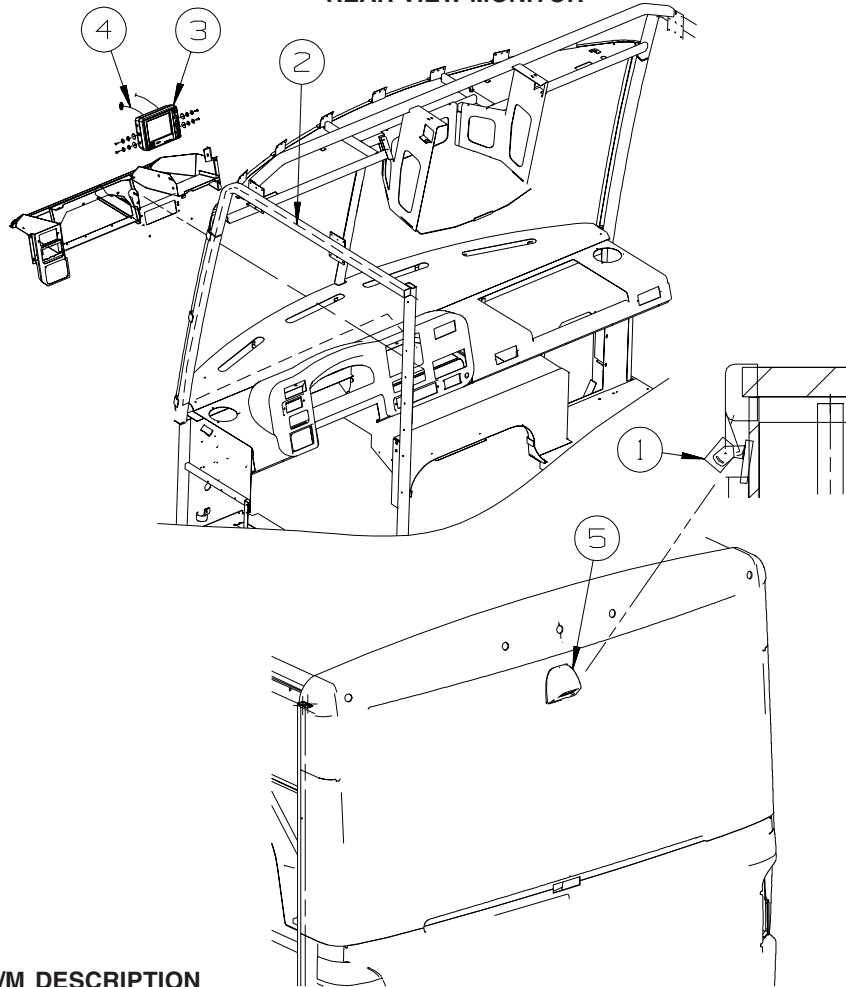
**143509-01-000**

<b>KEY</b>	<b>PART NUMBER</b>	<b>U/M</b>	<b>DESCRIPTION</b>	<b>VENDOR NO.</b>
	143509-01-700	EA	REMOTE - RADIO	VG70A0

**148231-01-000**

<b>KEY</b>	<b>PART NUMBER</b>	<b>U/M</b>	<b>DESCRIPTION</b>	<b>VENDOR NO.</b>
	148231-01-700	EA	REMOTE	RC3100

**AUDIO VIDEO GROUP (CONTINUED)**  
**REAR VIEW MONITOR**



KEY	PART NUMBER	U/M	DESCRIPTION
1	143363-02-000	EA	CAMERA/REAR - COLOR - W/BRACKET - SONY VCB-MHD1 FROM: 00-00-00 THRU: 08-25-03
1	143363-05-000	EA	CAMERA - REAR - COLOR W/BRACKET - SONY VCB-MH3 FROM: 08-26-03 THRU: 99-99-99
2	143363-03-000	EA	CABLE - MONITOR/CAMERA - COLOR - SONY VCB-MHC20
3	143363-01-000	EA	MONITOR/REAR - COLOR - W/BRACKET - SONY VCB-MH1
4	143545-01-000	EA	WIRE ASSEMBLY - REAR MONITOR
5	137919-01-01A	EA	SHROUD - CAMERA - OUTER - BRIGHT WHITE FROM: 00-00-00 THRU: 08-25-03
5	137919-02-01A	EA	SHROUD - CAMERA - OUTER - BRIGHT WHITE FROM: 08-26-03 THRU: 99-99-99

**AUDIO VIDEO GROUP (CONTINUED)**  
**TELEPHONE**

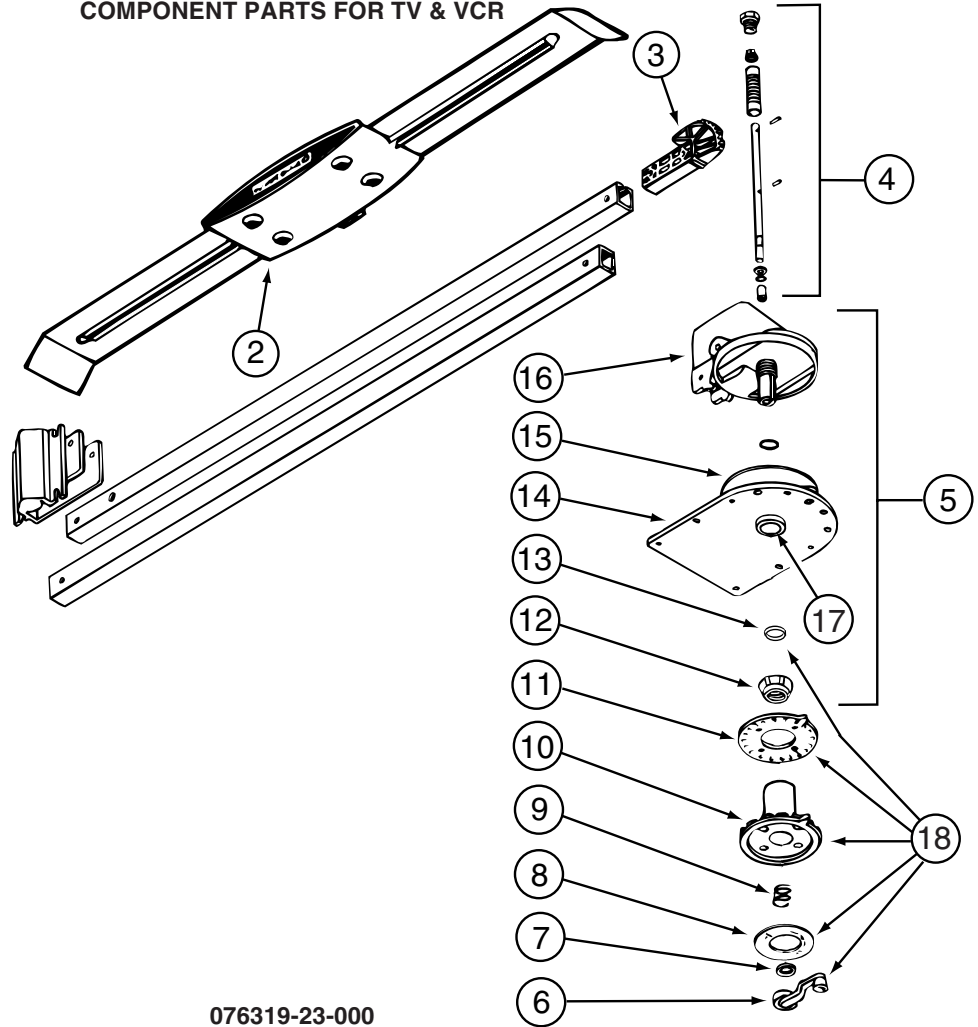
KEY	PART NUMBER	U/M	DESCRIPTION
	093253-01-03A	EA	PLATE - WALL - TELEPHONE - WHITE
	130686-01-01A	EA	PLATE - WALL - TELEPHONE/COAX - WHITE

**TV & VCR**

KEY	PART NUMBER	U/M	DESCRIPTION
	076319-03-000	FT	CABLE - COAXIAL - 75 OHM
	117420-01-000	EA	CABLE - W/MALE RCA ENDS - SHIELDED - 12"
	117420-03-000	EA	CABLE - W/MALE RCA ENDS - SHIELDED - 20'
	136860-01-000	EA	CABLE - RCA - #3 MALE TO #12F MALE CONNECTOR - <b>SURROUND SOUND</b>
	076319-09-000	EA	WALLPLATE - CABLE RECEPTACLE - TV - SINGLE - BROWN
	076319-12-000	EA	CONNECTOR - COAXIAL - ONE PIECE
	145171-01-000	EA	CONNECTOR - COAXIAL
*	076319-23-000	EA	ANTENNA - TV ROOF MOUNT - 44.5" MAST
*	076319-25-000	EA	KIT - HARDWARE INTERIOR
*	137135-02-000	EA	ANTENNA - SATELLITE DSS - W/SENSOR
*	141454-01-01A	EA	ANTENNA - SATELLITE - AUTOMATIC - <b>AUTOMATIC SATELLITE DISH</b> FROM: 00-00-00 THRU: 07-06-03
*	141454-03-01A	EA	ANTENNA/SATELLITE - AUTOMATIC - WINEGARD AS-2053 - <b>AUTOMATIC SATELLITE DISH</b> FROM: 07-07-03 THRU: 99-99-99
*	144377-01-000	EA	ANTENNA/MOBILE TELEVISION SATELLITE - "SEARCH IN MOTION" - <b>iN-MOTION SATELLITE SYSTEM</b>
	069726-02-000	EA	BUMPER - .88" OD X .40" THICK - BLACK
	082134-01-000	EA	ADAPTER - TV - CABLE TO CABLE
	082136-01-000	EA	NUT - HEX JAM - 3/8-32
	086756-01-000	EA	SPLITTER - TV/2 WAY
	147139-01-000	EA	AMPLIFIER - STEREO 2 CHANNEL
	123324-01-000	EA	FILTER - GROUND LOOP
*	126696-07-000	EA	TV - 19" COLOR - W/O 1/8" JACK - UL/CSA - GE 19GT243 - <b>19" COLORED TV W/REMOTE</b>
*	146299-01-000	EA	TV - 24" STEREO W/5 JACKS - SONY 24FS100 - <b>24" COLORED TV STEREO W/REMOTE</b>
*	146298-01-000	EA	TV - 27" STEREO W/5 JACKS - SONY 27FS100 - <b>27" COLORED TV STEREO W/REMOTE</b>
	134006-01-03B	EA	PLATE - COAXIAL CABLE/OFF WHITE
	142258-01-000	EA	SWITCH - VIDEO/ANTENNA POWER SUPPLY - <b>VIDEO SELECTION SYSTEM</b>
*	146396-01-000	EA	DVD/VCR - COMBINATION PLAYER FROM: 00-00-00 THRU: 06-01-03
*	146396-02-000	EA	DVD/VCR COMBINATION PLAYER - SONY SLV-D300P FROM: 06-02-03 THRU: 99-99-99

**\*COMPONENT PARTS LISTED LATER IN THIS GROUP**

**AUDIO VIDEO GROUP (CONTINUED)**  
**COMPONENT PARTS FOR TV & VCR**



**076319-23-000**

KEY	PART NUMBER	U/M	DESCRIPTION	VENDOR NO.
2	076319-01-700	EA	HEAD-ANTENNA, AMPLIFIED	RVSA U/V
3	076319-01-701	EA	GEAR-ELEVATING, PLASTIC	2200046
4	076319-01-702	EA	SHAFT ASM-ELEVATING	RP-4000
5	076319-01-711	EA	BASE & LIFT ASM	2762802
7	076319-01-705	EA	GROMMET-NYLON, 7/8"ID	3200658
8	076319-01-708	EA	DECAL-CRANK	5413002
9	076319-01-707	EA	SPRING-HANDLE	2160822
11	076319-01-712	EA	PLATE - CEILING	3200608
12	076319-01-715	EA	NUT (GEAR HOUSING)	2200047
14	076319-01-713	EA	BASE-PLATE, STEEL	3100523
15	076319-01-703	EA	BEARING-NYLON, 5"OD	3200656
16	076319-01-714	EA	HOUSING, ROTATING GEAR	2200049
	076319-01-716	EA	TUBING, ELEVATING	RP-2900
17	076319-01-704	EA	BEARING-NYLON, 1.25"OD	3200657
18	076319-01-709	EA	HANDLE-HEAD DIRECTIONAL CONTACT WINNEBAGO PART SALES FOR UNLISTED COMPONENT	200644

**076319-25-000**

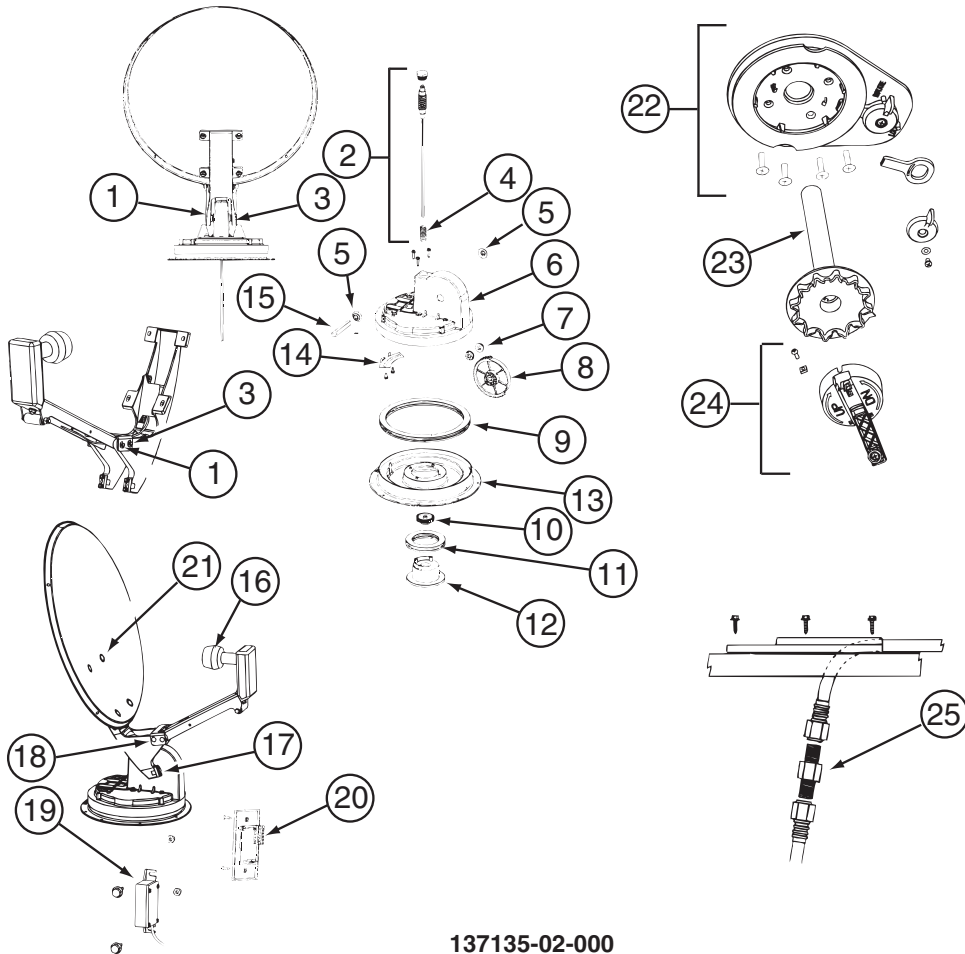
KEY	PART NUMBER	U/M	DESCRIPTION	VENDOR NO.
6	076319-01-706	EA	CRANK-W/SET SCREW UNIV/BEIGE	2750897
6	120233-01-710	EA	HANDLE-CRANK W/SCREW - WHITE	RP-6795
8	076319-01-708	EA	DECAL-CRANK	5413002
10	076319-25-700	EA	DIRECTIONAL HANDLE(WHITE)	3200612
11	076319-25-701	EA	PLATE - CEILING(WHITE)	3200609
13	120233-01-709	EA	WASHER-NYLON	RP-2658

CONTACT WINNEBAGO PART SALES FOR UNLISTED COMPONENTS

**126697-07-000**

KEY	PART NUMBER	U/M	DESCRIPTION	VENDOR NO.
	126697-07-700	EA	REMOTE	248687

**AUDIO VIDEO GROUP (CONTINUED)**  
**COMPONENT PARTS FOR TV & VCR (CONTINUED)**

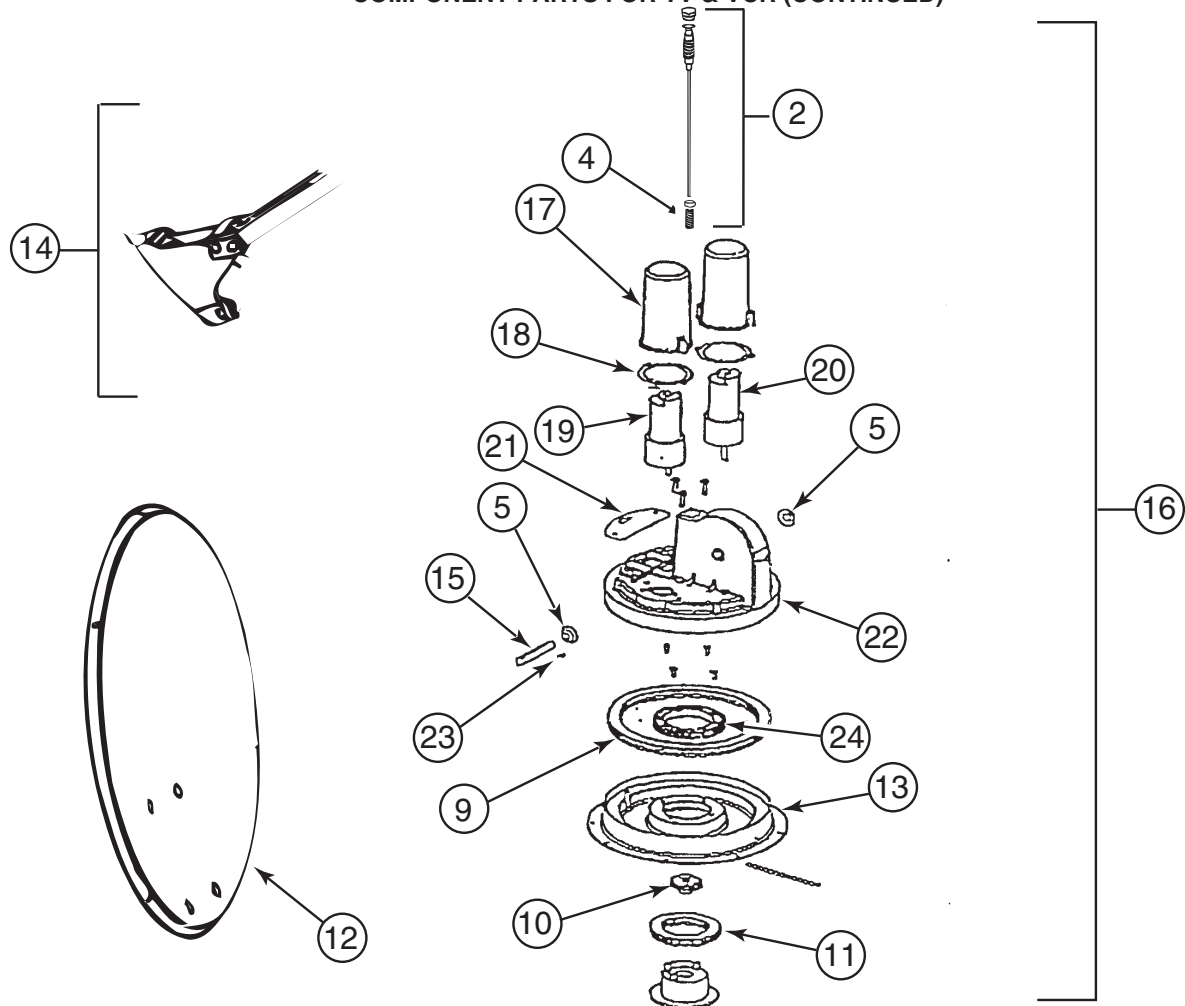


137135-02-000

KEY	PART NUMBER	U/M	DESCRIPTION	VENDOR NO.
1	120233-01-714	EA	CLIP-E	5160818
2	137135-01-703	EA	KIT ELEV - SHAFT/GEAR/SPRING	RP-4400
3	137135-01-704	EA	PIN - 1/4" X 3.25"	2160813
4	137135-01-705	EA	SPRING	2160818
5	137135-01-707	EA	SEAL - PIVOT SHAFT	2200852
6	137135-01-708	EA	TURRET	3100728
7	137135-01-709	EA	PIVOT BEARING	2200470
8	137135-01-711	EA	GEAR - ELEVATING	2200464
9	137135-01-712	EA	BEARING - OUTER	2590347
10	137135-01-714	EA	GEAR - ELEVATING SHAFT	2200465
11	137135-01-715	EA	BEARING - INNER	2590348
12	137135-01-716	EA	HUB	3100731
13	137135-01-713	EA	TURRET BASE	3100730
14	137135-01-710	EA	PLATE - ROTATE LIMIT	3720052
16	137135-02-703	EA	LOW NOISE BLOCK FILTER	LB-6000 - DUAL
17	137135-01-722	EA	CLAMP	2590343
18	137135-01-719	EA	BRACKET - PIVOT	2744945
19	137135-01-720	EA	DE-SENSOR UNIT W/43" CABLE	DM4000
20	137135-02-701	EA	BOX - SURFACE MOUNT	SM-100
21	137135-01-717	EA	BOLT - FLAT HEAD	2160362
22	120233-01-737	EA	PLATE/INT-W/DIRECTIONAL HDLE	RK-CEIL
23	120233-01-704	EA	DIAL/DIRECTIONAL 4"W/SPRING	3200364
24	120233-01-738	EA	HDW PKG-HANDLE/SPRING/WASHER	RK-HAND
25	137135-01-701	EA	CONNECTOR - F - MALE TO MALE	FS-8100
	120233-04-700	EA	KIT-WALL PLATE/CABLE - GRAY	DM4000
	137135-01-700	EA	ROOF WEDGE W/GASKET	RW-5000
	137135-01-706	EA	KIT-TURRET/SEAL/BEARING/GEAR	RP-RM30
	137135-01-718	EA	REFLECTOR/WHITE-46CM W/HDW	RP-35RM
	137135-02-700	EA	DE-SENSOR	2780096
	137135-02-704	EA	KIT-UPDATE DIRECTIONAL HDL	RP-RMDH

CONTACT WINNEBAGO PART SALES FOR UNLISTED COMPONENT(S)

**AUDIO VIDEO GROUP (CONTINUED)**  
**COMPONENT PARTS FOR TV & VCR (CONTINUED)**

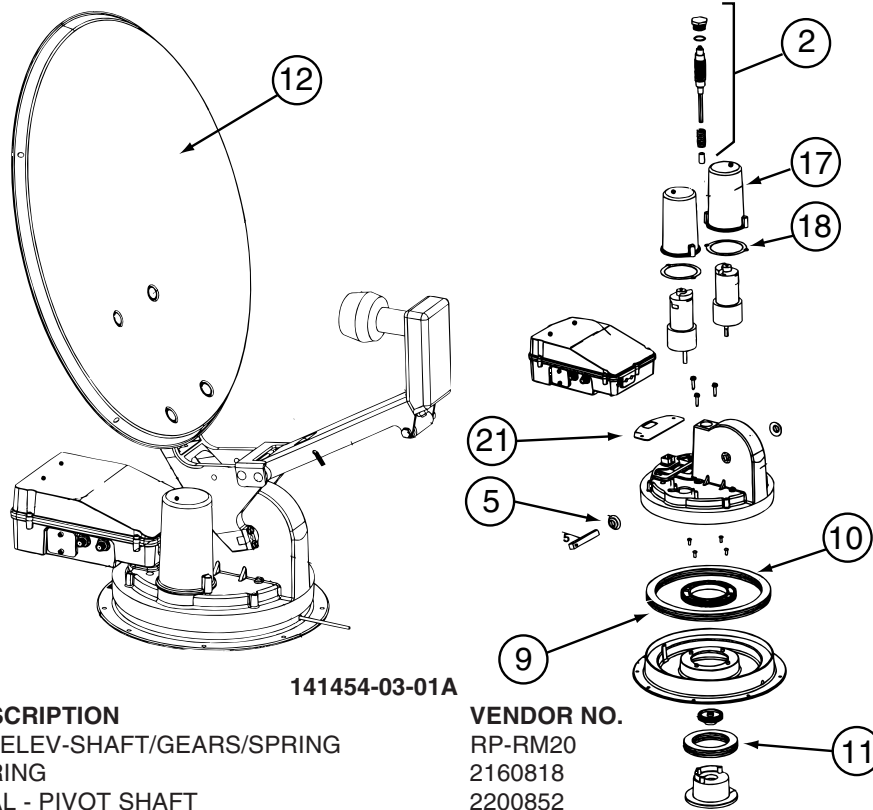


141454-01-01A

KEY	PART NUMBER	U/M	DESCRIPTION	VENDOR NO.
2	141454-01-700	EA	KIT ELEV-SHAFT/GEARS/SPRING	RP-RM20
4	137135-01-705	EA	SPRING	2160818
5	137135-01-707	EA	SEAL - PIVOT SHAFT	2200852
9	137135-01-712	EA	BEARING - OUTER	2590347
10	137135-01-714	EA	GEAR - ELEVATING SHAFT	2200465
11	137135-01-715	EA	BEARING - INNER	2590348
12	137135-01-718	EA	REFLECTOR/WHITE-46CM W/HDWE	RP-35RM
13	137135-01-713	EA	TURRET BASE	3100730
14	137135-01-723	EA	SUPPORT/FRAME-BACKUP-W/HDWE	RP-RM00
16	141454-01-704	EA	KIT LIFT ASSEMBLY COMPLETE	RP-RM05
17	141454-01-705	EA	HOUSING - MOTOR	3200260
18	141454-01-706	EA	GASKET - MOTOR HOUSING	2240054
19	141454-01-707	EA	MOTOR - AZIMUTH	2665039
20	141454-01-708	EA	MOTOR - ELEVATION	2665038
21	141454-01-709	EA	GASKET	2240056
22	141454-01-710	EA	TURRET	3100729
23	141454-01-711	EA	ROLL PIN	2160842
24	141454-01-712	EA	GEAR - ROTATE	2200469
	120233-01-714	EA	CLIP-E	5160818
	137135-01-704	EA	PIN - 1/4" X 3.25"	2160813
	137135-01-719	EA	BRACKET - PIVOT	2744945
	141454-01-701	EA	KIT - GEAR/MOTOR-GEAR/ROTATE	RP-RM25
	141454-01-702	EA	HOUSING/ELECTRONICS - UPPER	RP-RM10
	141454-01-703	EA	HOUSING/ELECTRONICS - LOWER	RP-RM15
	141454-01-713	EA	PANEL/FRT-W/DIGITAL READOUT	2764586
	141454-01-714	EA	KIT - TURRET ANTI-RATTLE	RP-RM45

CONTACT WINNEBAGO PART SALES FOR UNLISTED COMPONENT(S)

**AUDIO VIDEO GROUP (CONTINUED)**  
**COMPONENT PARTS FOR TV & VCR (CONTINUED)**



141454-03-01A

KEY	PART NUMBER	U/M	DESCRIPTION	VENDOR NO.
2	141454-01-700	EA	KIT ELEV-SHAFT/GEARS/SPRING	RP-RM20
4	137135-01-705	EA	SPRING	2160818
5	137135-01-707	EA	SEAL - PIVOT SHAFT	2200852
9	137135-01-712	EA	BEARING - OUTER	2590347
10	137135-01-714	EA	GEAR - ELEVATING SHAFT	2200465
10	141454-01-712	EA	GEAR - ROTATE	2200469
11	137135-01-715	EA	BEARING - INNER	2590348
12	137135-01-718	EA	REFLECTOR/WHITE-46CM W/HDWE	RP-35RM
13	137135-01-713	EA	TURRET BASE	3100730
17	141454-01-705	EA	HOUSING - MOTOR	3200260
18	141454-01-706	EA	GASKET - MOTOR HOUSING	2240054
21	141454-01-709	EA	GASKET	2240056
	120233-01-714	EA	CLIP-E	5160818
	137135-01-704	EA	PIN - 1/4" X 3.25"	2160813
	137135-01-719	EA	BRACKET - PIVOT	2744945
	137135-01-722	EA	CLAMP	2590343
	137135-01-723	EA	SUPPORT/FRAME-BACKUP-W/HDWE	RP-RM00
	137135-02-703	EA	LOW NOISE BLOCK FILTER	LB-6000 - DUAL
	141454-01-701	EA	KIT - GEAR/MOTOR-GEAR/ROTATE	RP-RM25
	141454-01-702	EA	HOUSING/ELECTRONICS - UPPER	RP-RM10
	141454-01-703	EA	HOUSING/ELECTRONICS - LOWER	RP-RM15
	141454-01-704	EA	KIT LIFT ASSEMBLY COMPLETE	RP-RM05
	141454-03-700	EA	MOTOR (AZIMUTH)	2665042
	141454-03-701	EA	MOTOR (ELEVATION)	2665041
	141454-03-702	EA	CIRCUIT BOARD(CONTROL BOARD)	RP-RM80
	141454-03-703	EA	CONTRL PANEL W/BOX (AS2003)	RP-AS85
			CONTACT WINNEBAGO PART SALES FOR UNLISTED COMPONENT(S)	

144377-01-000

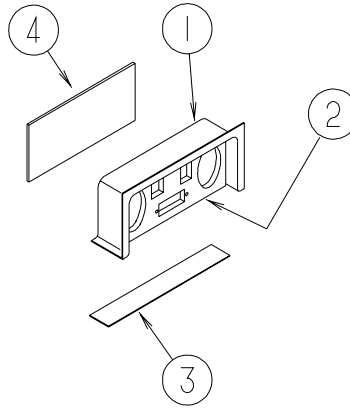
KEY	PART NUMBER	U/M	DESCRIPTION	VENDOR NO.
	144377-01-700	EA	SWITCH	2400101
	144377-01-701	EA	PLATE F/SWITCH	3202239
	144377-01-702	EA	DOME W/NOTCHES	2780402

**AUDIO VIDEO GROUP (CONTINUED)**  
**COMPONENT PARTS FOR TV & VCR (CONTINUED)**

<b>146298-01-000</b>			
<b>KEY</b>	<b>PART NUMBER</b>	<b>U/M DESCRIPTION</b>	<b>VENDOR NO.</b>
	146298-01-700	EA REMOTE - TV	1-477-119-21
<b>146299-01-000</b>			
<b>KEY</b>	<b>PART NUMBER</b>	<b>U/M DESCRIPTION</b>	<b>VENDOR NO.</b>
	146299-01-700	EA REMOTE - TV	1-476-680-11
<b>146396-01-000</b>			
<b>KEY</b>	<b>PART NUMBER</b>	<b>U/M DESCRIPTION</b>	<b>VENDOR NO.</b>
	146396-01-700	EA REMOTE - DVD/VCR	1-477-582-11
<b>146396-02-000</b>			
<b>KEY</b>	<b>PART NUMBER</b>	<b>U/M DESCRIPTION</b>	<b>VENDOR NO.</b>
	146396-02-700	EA REMOTE	9-885-035-23

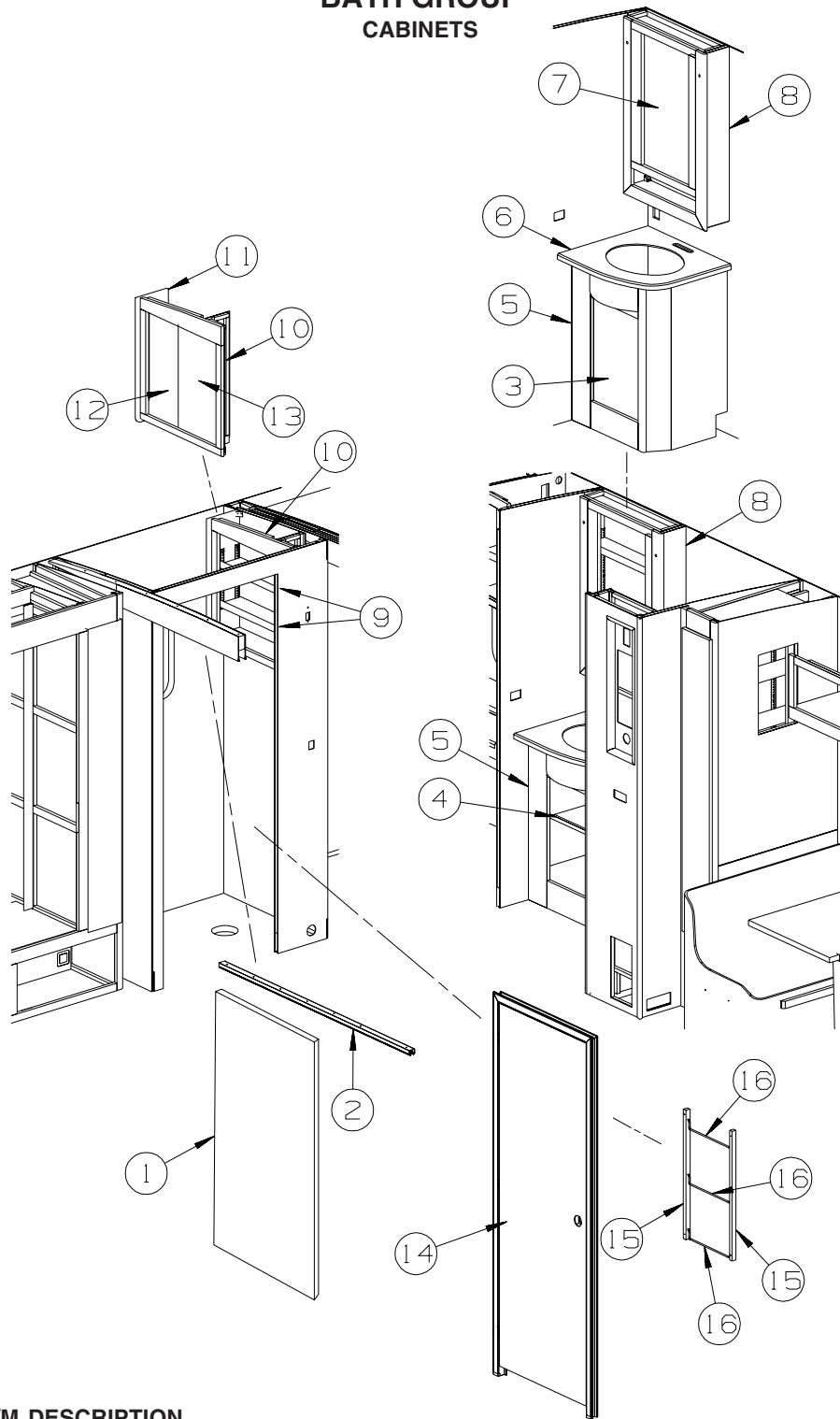


**AUDIO VIDEO GROUP (CONTINUED)**  
**EXTERIOR ENTERTAINMENT**



KEY	PART NUMBER	U/M	DESCRIPTION
1	124696-02-01A	EA	BOX - ENTERTAINMENT CENTER/EXTERIOR - BRIGHT WHITE
	124696-01-01A	EA	BOX - ENTERTAINMENT CENTER/EXTERIOR - BRIGHT WHITE
2	127409-02-L15	EA	PLATE - RADIO MOUNTING
3	104898-01-02A	EA	PLATE - PLASTIC BOTTOM - BRIGHT WHITE
4	NOT USED		

## BATH GROUP CABINETS

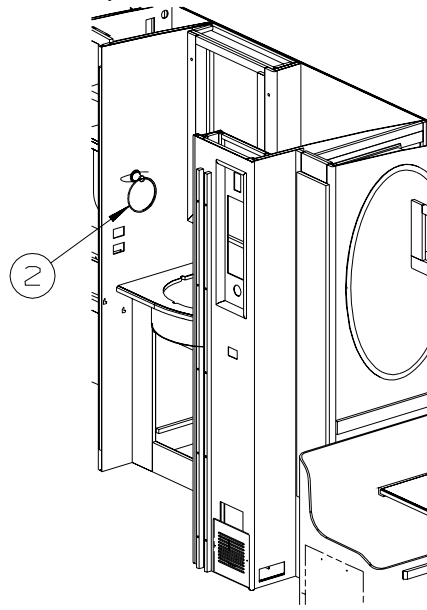
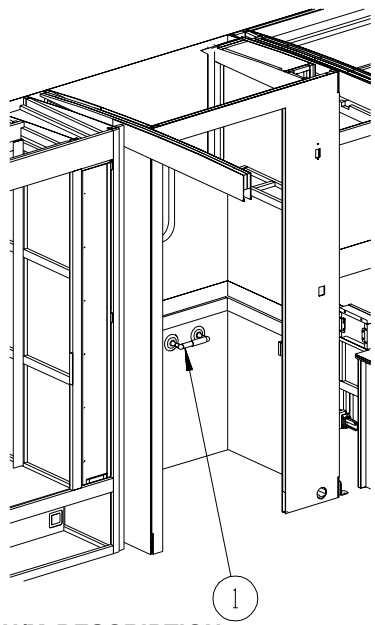


KEY	PART NUMBER	U/M	DESCRIPTION
1	104013-05-L81	EA	DOOR - SLIDING - W/O HARDWARE- PORTSMOUTH OAK
1	104013-05-M85	EA	DOOR - SLIDING - W/O HARDWARE - CONCERT CHERRY
1	104013-05-M84	EA	DOOR - SLIDING - W/O HARDWARE - WASHED MAPLE
1	104013-05-RW4	EA	DOOR - SLIDING - W/O HARDWARE - WASHED MAPLE FROM: 00-00-00 THRU: 01-04-04 FROM: 01-05-04 THRU: 99-99-99
2	137422-02-01A	EA	TRACK/DOOR - OFF WHITE
3	136955-B9-P54	EA	DOOR - RAISED PANEL/PENCIL EDGE - 15" X 21.9" - W/O HDW - PORTSMOUTH OAK
3	136955-B9-P55	EA	DOOR - RAISED PANEL/PENCIL EDGE - 15" X 21.9" - W/O HDW - CONCERT CHERRY
3	136955-B9-P56	EA	DOOR - RAISED PANEL/PENCIL EDGE - 15" X 21.9" - W/O HDW - WASHED MAPLE
4	137299-21-N42	EA	SHELF - W/PLASTIC EDGE MOLDING

**BATH GROUP (CONTINUED)**  
**CABINETS (CONTINUED)**

KEY	PART NUMBER	U/M	DESCRIPTION
5	P37299-01-R38	EA	CABINET - LAVATORY - W/O COUNTERTOP/DOORS/DWRS/HDW - PORTSMOUTH OAK
5	P37299-01-R39	EA	CABINET - LAVATORY - W/O COUNTERTOP/DOORS/DWRS/HDW - CONCERT CHERRY
5	P37299-01-R46	EA	CABINET - LAVATORY - W/O COUNTERTOP/DOORS/DRWRS/HDW - WASHED MAPLE FROM: 00-00-00 THRU: 01-04-04
5	P37299-01-RW4	EA	CABINET - LAVATORY - W/O COUNTERTOP/DOORS/DRWRS/HDW - WASHED MAPLE FROM: 01-05-04 THRU: 99-99-99
6	137162-12-03A	EA	COUNTERTOP - 1/4" VENDURA - ROCKY MOUNTAIN
7	115237-04-M01	EA	DOOR - MIRRORED - BATH - W/O HARDWARE - PORTSMOUTH OAK
7	115237-04-P55	EA	DOOR - MIRRORED - BATH - W/O HARDWARE - CONCERT CHERRY
7	115237-04-P56	EA	DOOR - MIRRORED - BATH - W/O HARDWARE - WASHED MAPLE FROM: 00-00-00 THRU: 01-04-04
7	115237-04-RW4	EA	DOOR - MIRRORED - BATH - W/O HARDWARE - WASHED MAPLE FROM: 01-05-04 THRU: 99-99-99
	076767-04-000	EA	CABLE - STAINLESS STEEL - 5.9"
	093606-03-000	EA	MIRROR - BEVELED EDGE - 28.3" X 15.1"
	137463-01-01A	EA	LIFT - HOOK - SATIN BRASS
8	137263-01-N42	EA	CABINET - MEDICINE/OVERHEAD - W/O DOORS/HARDWARE - PORTSMOUTH OAK
8	137263-01-P46	EA	CABINET - MEDICINE/OVERHEAD - W/O DOORS/HARDWARE - CONCERT CHERRY
8	137263-01-P56	EA	CABINET - OVERHEAD/MEDICINE - W/O DOORS/HARDWARE - WASHED MAPLE FROM: 00-00-00 THRU: 01-04-04
8	137263-01-RW4	EA	CABINET - OVERHEAD/MEDICINE - W/O DOORS/HARDWARE - WASHED MAPLE FROM: 01-05-04 THRU: 99-99-99
9	145500-15-R38	EA	SHELF - W/PLASTIC EDGE MOLDING - PORTSMOUTH OAK
9	145500-15-R39	EA	SHELF - W/PLASTIC EDGE MOLDING - CONCERT CHERRY
9	145500-15-R46	EA	SHELF - W/PLASTIC EDGE MOLDING - WASHED MAPLE FROM: 00-00-00 THRU: 01-04-04
9	145500-15-RW4	EA	SHELF - W/PLASTIC EDGE MOLDING - WASHED MAPLE FROM: 01-05-04 THRU: 99-99-99
10	145500-01-R38	EA	CABINET - OVERHEAD/LINEN - W/O DOORS/HARDWARE - PORTSMOUTH OAK
10	145500-01-R39	EA	CABINET - OVERHEAD/LINEN - W/O DOORS/HARDWARE - CONCERT CHERRY
10	145500-01-R46	EA	CABINET - OVERHEAD/LINEN - W/O DOORS/HARDWARE - WASHED MAPLE FROM: 00-00-00 THRU: 01-04-04
10	145500-01-RW4	EA	CABINET - OVERHEAD/LINEN - W/O DOORS/HARDWARE - WASHED MAPLE FROM: 01-05-04 THRU: 99-99-99
11	145517-05-R38	EA	END CAP - OVERHEAD CABINET - PORTSMOUTH OAK
11	145517-05-R39	EA	END CAP - OVERHEAD CABINET - CONCERT CHERRY
11	145517-05-R46	EA	END CAP - OVERHEAD CABINET - WASHED MAPLE
12	141518-40-P54	EA	DOOR - ARCHED/PENCIL EDGE/LEFT HAND-10.8" X 21.8"-W/O HDW - PORTSMOUTH OAK
12	141518-40-P55	EA	DOOR - ARCHED/PENCIL EDGE/LEFT HAND-10.8" X 21.8"-W/O HDW - CONCERT CHERRY
12	141518-40-P56	EA	DOOR - ARCHED/PENCIL EDGE/LEFT HAND-10.8" X 21.8"-W/O HDW - WASHED MAPLE
13	141520-40-P54	EA	DOOR - ARCHED/PENCIL EDGE/RIGHT HAND -10.8"X21.8"- W/O HDW - PORTSMOUTH OAK
13	141520-40-P55	EA	DOOR - ARCHED/PENCIL EDGE/RIGHT HAND -10.8"X21.8"- W/O HDW - CONCERT CHERRY
13	141520-40-P56	EA	DOOR - ARCHED/PENCIL EDGE/RIGHT HAND -10.8"X21.8"- W/O HDW - WASHED MAPLE
14	144645-04-R13	EA	DOOR - BATH - W/O TOWEL RACK/HARDWARE - PORTSMOUTH OAK
14	144645-04-R14	EA	DOOR - BATH - W/O TOWEL RACK/HARDWARE - CONCERT CHERRY
14	144645-04-R21	EA	DOOR - BATH - W/O TOWEL RACK/HARDWARE - WASHED MAPLE FROM: 00-00-00 THRU: 01-04-04
14	144645-04-RW1	EA	DOOR - BATH - W/O TOWEL RACK/HARDWARE - WASHED MAPLE FROM: 01-05-04 THRU: 99-99-99
	111155-05-01A	EA	LOCK - PRIVACY/LOCKING - POLISHED BRASS - "S" SHAPE HANDLE FROM: 00-00-00 THRU: 01-26-03
	146064-01-01A	EA	LOCK/PRIVACY (LOCKING) LEVER STYLE - POLISHED BRASS FROM: 01-27-03 THRU: 99-99-99
15	P34509-01-N01	EA	RAIL END - RH/LH - TOWEL RACK - PORTSMOUTH OAK - PORTSMOUTH OAK
15	P34509-01-P14	EA	RAIL END - RH/LH - TOWEL RACK - CHERRY - CONCERT CHERRY
15	P34509-01-J70	EA	RAIL END - RH/LH - TOWEL RACK - WASHED MAPLE - WASHED MAPLE
16	146801-01-01A	EA	ROD/TOWEL BAR (OFFSET) - BRASS

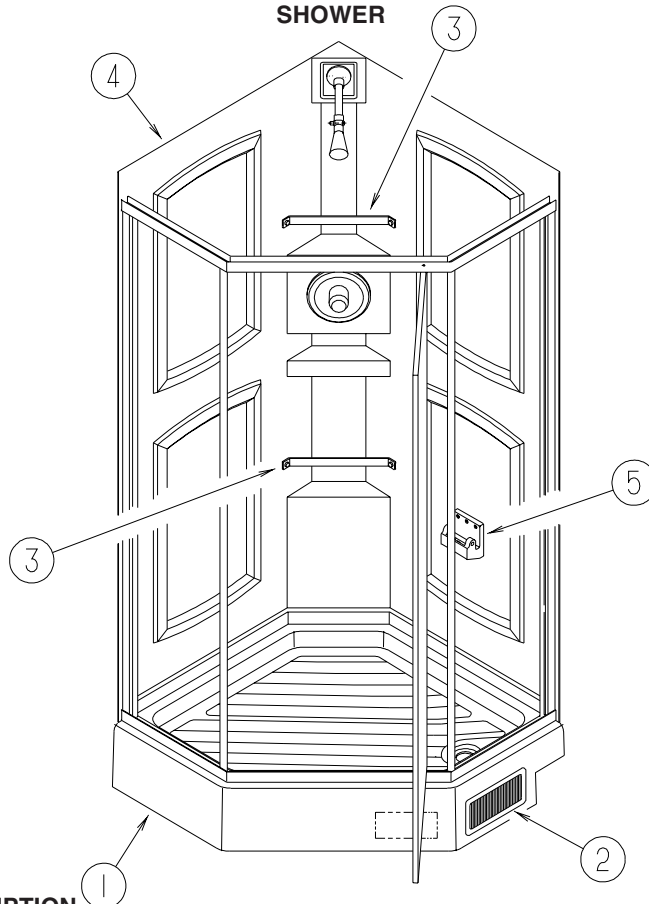
**BATH GROUP (CONTINUED)**  
**CABINETS (CONTINUED)**



KEY	PART NUMBER	U/M	DESCRIPTION
1	140973-02-01A	EA	TISSUE HOLDER - CHROME/BRASS
2	135009-01-01A	EA	RING - TOWEL - CHROME & BRASS

## BATH GROUP (CONTINUED)

### SHOWER



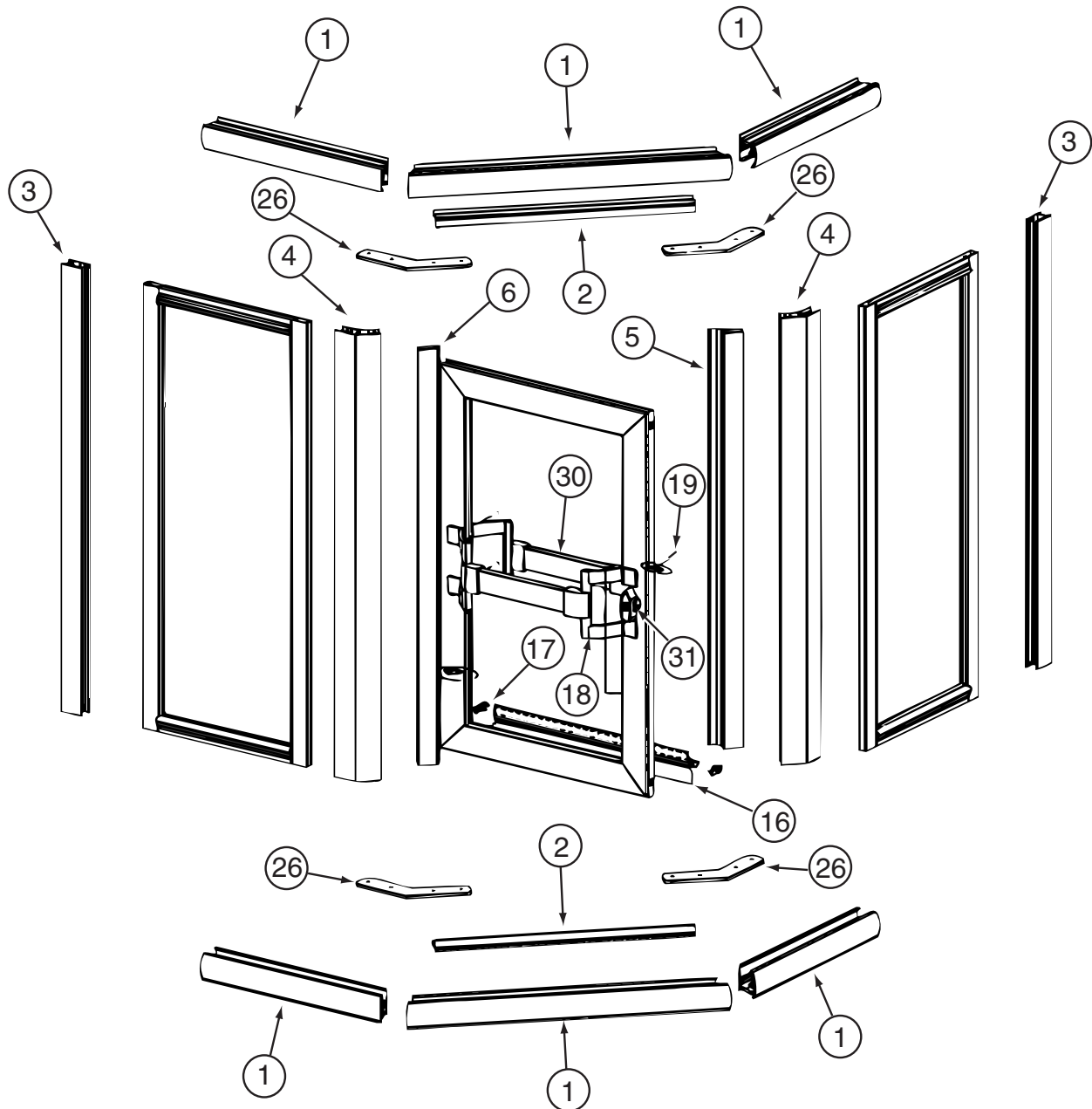
KEY	PART NUMBER	U/M	DESCRIPTION
1	M02630-67-N42	EA	SHOWER PAN - W/STRAINER
2	089326-02-000	EA	GRILLE - FLOOR - HEATING - 9.3" X 5.3" - SOFT WHITE
3	113714-02-02A	EA	RETAINER - SHELF/SHOWER - 10.6" - SOFT WHITE
4	131311-01-01A	EA	ENCLOSURE - SHOWER - SIDES/BACK - 1 PIECE
5	135607-03-01A	EA	SEAT - SHOWER/FOLDING(FOR REPLACEMENT OR OPTION INST ONLY)

### SHOWER DOOR

KEY	PART NUMBER	U/M	DESCRIPTION
*	139047-03-01A	EA	DOOR - SHOWER - NEO ANGLE - GOLD/AQUA - 66.4" TALL

\*COMPONENT PARTS LISTED LATER IN THIS GROUP

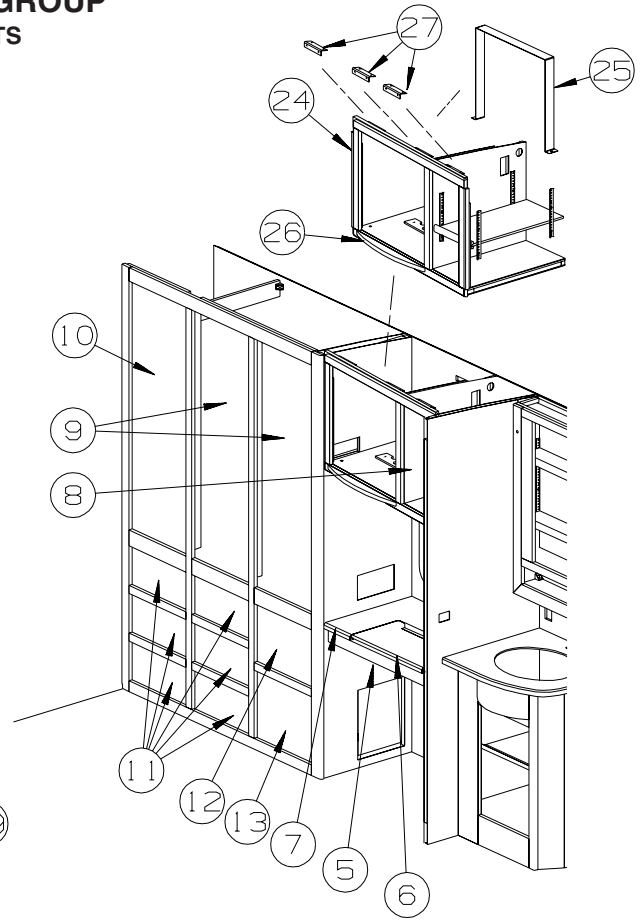
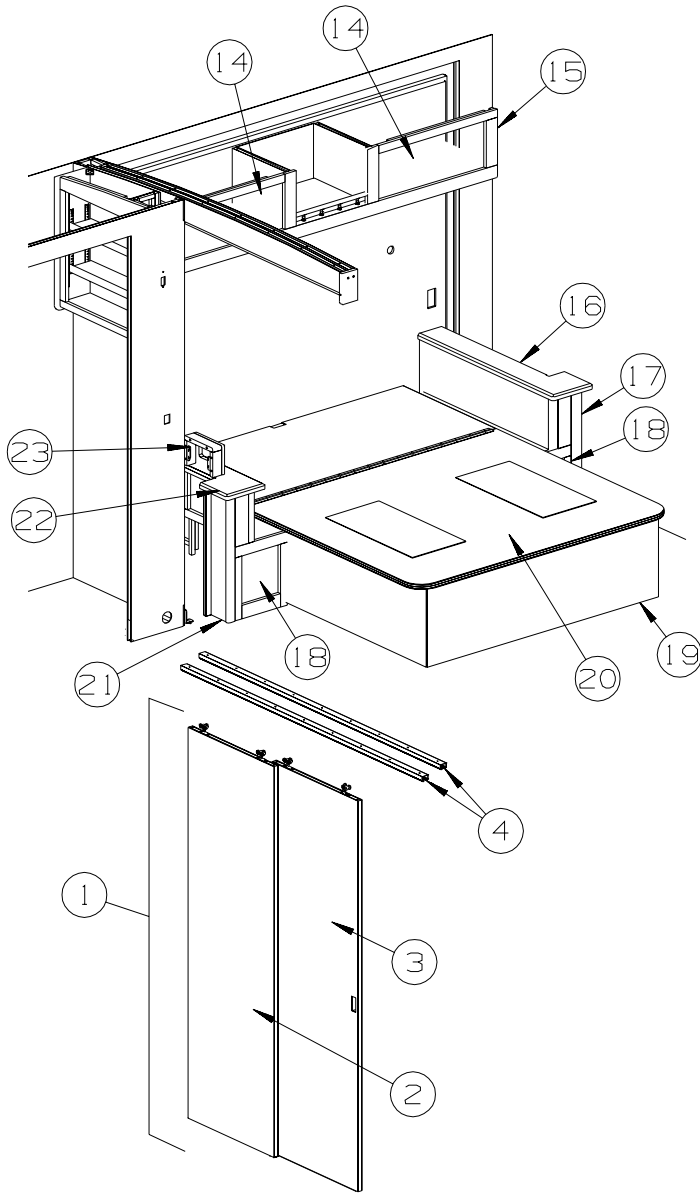
**BATH GROUP (CONTINUED)**  
**COMPONENT PARTS FOR SHOWER**



**139047-01-01A/02A, 139047-02-01A/02A, 139049-03-01A/02A/04A, 139047-04-02A/03A**

KEY	PART NUMBER	U/M	DESCRIPTION	VENDOR NO.
1	139047-01-700	EA	HEADER/SILL - 30" (PAIR)	900
2	139047-01-701	EA	DAM STRIP-TOP/BOTTOM-35.4"	901
3	139047-01-702	EA	JAMB - WALL - 65.9"	903
4	139047-01-703	EA	CORNER POST-45 DEGREE- 65.9"	909
5	139047-01-704	EA	STRIKE - JAMB - 64.6"	926
6	139047-01-705	EA	HINGE/POST - DOOR - 64.5"	920
16	139047-01-710	EA	VINYL SWEEP	C176G
17	139047-01-711	EA	PLUG - DRIP CAP (SET)	CP933
18	092574-01-701	EA	BRACKET-DOOR PULL/TOWEL BAR	8141G
19	092574-01-710	EA	SCREW-GOLD, FOR TOWEL BAR	83212G
26	139047-01-712	EA	HEADER - CORNER BRACKET	313.45C
30	116814-01-700	EA	BAR-TOWEL 17 5/16"	68G
31	089318-01-707	EA	LATCH/CATCH - SAFETY - BLACK	9730N
	139047-01-706	EA	HINGE PINS	CP932
	139047-01-707	EA	WASHERS - HINGE	CP148TW
	139047-01-708	EA	HINGE - SLEEVE - 61.5"	C921B
	139047-01-709	EA	STRIP - MAGNETIC- 55"	98-42
	139047-01-713	EA	RAIL DRIP - 31.6"	927G

# BEDROOM GROUP CABINETS



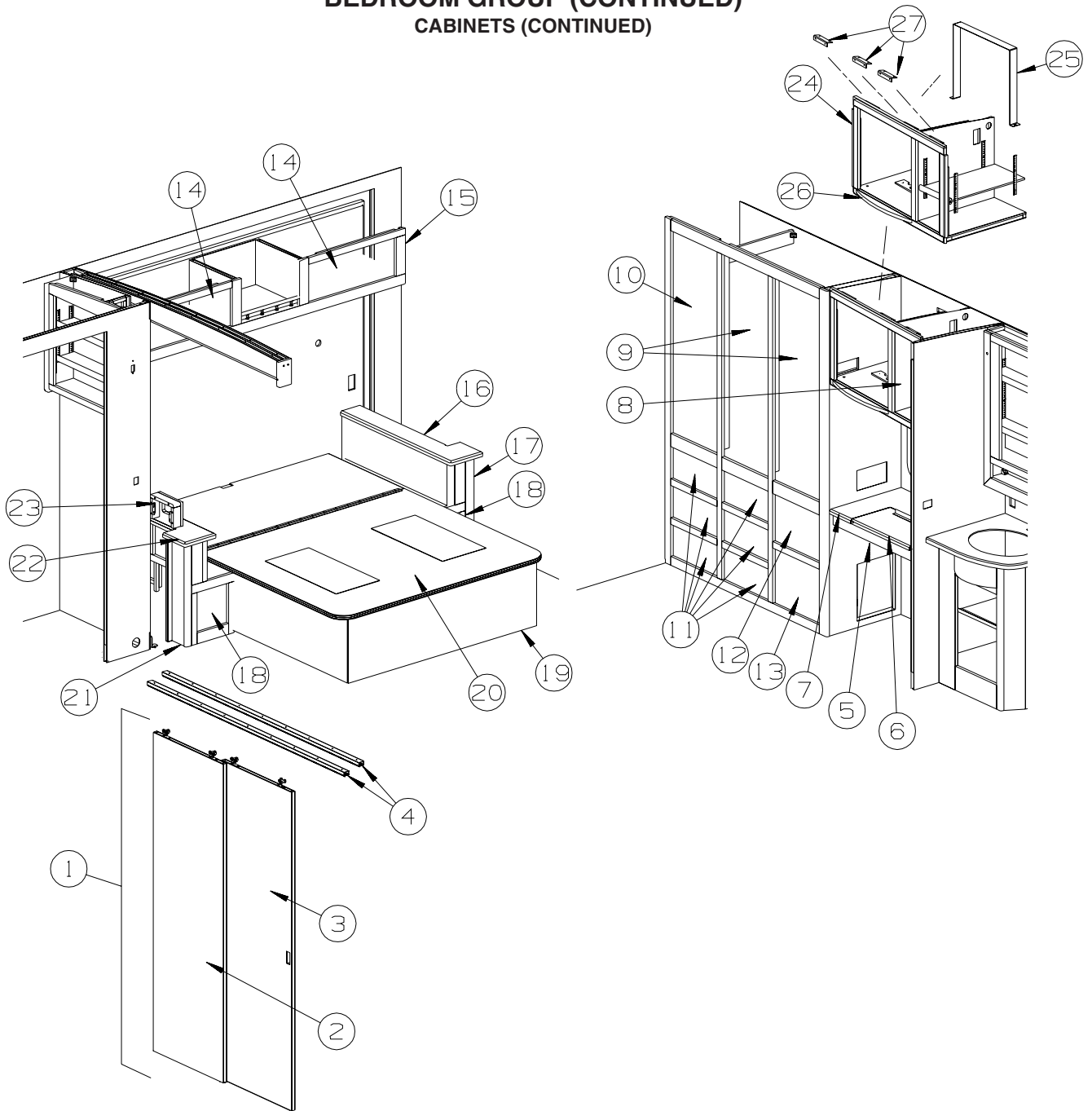
KEY	PART NUMBER	U/M	DESCRIPTION
1	137421-01-N42	EA	DOOR - SLIDING - PORTSMOUTH OAK
1	137421-01-P46	EA	DOOR - SLIDING - CONCERT CHERRY
1	137421-01-P56	EA	DOOR - SLIDING - WASHED MAPLE
			FROM: 00-00-00 THRU: 01-04-04
1	137421-01-RW4	EA	DOOR - SLIDING - WASHED MAPLE
			FROM: 01-05-04 THRU: 99-99-99
2	137421-14-N42	EA	PANEL - SLIDING DOOR - W/O HANGER - PORTSMOUTH OAK
2	137421-14-P46	EA	PANEL - SLIDING DOOR - W/O HANGER - CONCERT CHERRY
2	137421-14-P56	EA	PANEL - SLIDING DOOR - W/O HANGER - WASHED MAPLE
			FROM: 00-00-00 THRU: 01-04-04
2	137421-14-RW4	EA	PANEL - SLIDING DOOR - W/O HANGER - WASHED MAPLE
			FROM: 01-05-04 THRU: 99-99-99
3	137421-11-N42	EA	PANEL - SLIDING DOOR - W/O HANGER - PORTSMOUTH OAK
3	137421-11-P46	EA	PANEL - SLIDING DOOR - W/O HANGER - CONCERT CHERRY
3	137421-11-P56	EA	PANEL - SLIDING DOOR - W/O HANGER - WASHED MAPLE
			FROM: 00-00-00 THRU: 01-04-04
3	137421-11-RW4	EA	PANEL - SLIDING DOOR - W/O HANGER - WASHED MAPLE
			FROM: 01-05-04 THRU: 99-99-99
4	137422-01-01A	EA	TRACK/DOOR - OFF WHITE

**BEDROOM GROUP (CONTINUED)**  
**CABINETS (CONTINUED)**

KEY	PART NUMBER	U/M	DESCRIPTION
5	136874-01-N42	EA	DRAWER/VANITY - W/O HARDWARE - PORTSMOUTH OAK
5	136874-01-P46	EA	DRAWER/VANITY - W/O HARDWRE - CONCERT CHERRY
5	136874-01-P56	EA	DRAWER/VANITY - W/O HARDWRE - WASHED MAPLE FROM: 00-00-00 THRU: 01-04-04
5	136874-01-RW4	EA	DRAWER/VANITY - W/O HARDWRE - WASHED MAPLE FROM: 01-05-04 THRU: 99-99-99
	140374-35-000	EA	MIRROR - SAFETY GLASS - 9" X 14.9"
6	133655-20-R17	EA	COUNTERTOP - LAMINATED - ROCKY MT HIGH/PORTSMOUTH OAK (R44)
6	133655-20-R18	EA	COUNTERTOP - LAMINATED - ROCKY MT HIGH/CHERRY (R45)
6	133655-20-R27	EA	COUNTERTOP - LAMINATED - ROCKY MOUNTAIN HIGH/WASHED MAPLE (R46)
6	133655-20-R09	EA	COUNTERTOP - LAMINATED - LINO FRIEZE/PORTSMOUTH OAK (R47)
6	133655-20-R16	EA	COUNTERTOP - LAMINATED - LINO FRIEZE/CHERRY (R48)
6	133655-20-R24	EA	COUNTERTOP - LAMINATED - LINO FRIEZE/WASHED MAPLE (R49)
6	133655-20-P13	EA	COUNTERTOP - LAMINATED - GRAY TRANQUILITY/PORTSMOUTH OAK (R50)
6	133655-20-P14	EA	COUNTERTOP - LAMINATED - GRAY TRANQUILITY/CHERRY (R51)
6	133655-20-P33	EA	COUNTERTOP - LAMINATED - GRAY TRANQUILITY/WASHED MAPLE (R52)
7	133655-23-R38	EA	COUNTERTOP - LAMINATED - 19.3" X 34.1" - ROCKY MT HIGH/OAK (R44)
7	133655-23-R39	EA	COUNTERTOP - LAMINATED - 19.3" X 34.1"-ROCKY MT HI/CHERRY (R45)
7	133655-23-R46	EA	COUNTERTOP - LAMINATED - 19.3" X 34.1" - ROCKY MT HI/MAPLE (R46)
7	133655-23-R40	EA	COUNTERTOP - LAMINATED - 19.3" X 34.1" - LINO FRIEZE/OAK (R47)
7	133655-23-R41	EA	COUNTERTOP - LAMINATED - 19.3" X 34.1"-LINO FRIEZE/CHERRY (R48)
7	133655-23-R49	EA	COUNTERTOP - LAMINATED - 19.3" X 34.1" - LINO FRIEZE/MAPLE (R49)
7	133655-23-N44	EA	COUNTERTOP - LAMINATED - 19.3" X 34.1" - GRAY TRAN/OAK (R50)
7	133655-23-P50	EA	COUNTERTOP - LAMINATED - 19.3" X 34.1" - GRAY TRAN/CHERRY (R51)
7	133655-23-P62	EA	COUNTERTOP - LAMINATED - 19.3" X 34.1" - GRAY TRAN/MAPLE (R52)
8	141520-34-P54	EA	DOOR - ARCHED/PENCIL EDGE/RIGHT HAND -10.6"X19.9"- W/O HDW - PORTSMOUTH OAK
8	141520-34-P55	EA	DOOR - ARCHED/PENCIL EDGE/RIGHT HAND -10.6"X19.9"- W/O HDW - CONCERT CHERRY
8	141520-34-P56	EA	DOOR - ARCHED/PENCIL EDGE/RIGHT HAND -10.6"X19.9"- W/O HDW - WASHED MAPLE
9	134786-02-N04	EA	DOOR - MIRROR/MITERED CORNERS - 16.7" X 47.9"-W/O HARDWARE - PORTSMOUTH OAK FROM: 00-00-00 THRU: 04-25-04
9	141507-03-R44	EA	DOOR - MIRRORED/OGEE EDGE - 16.7" X 48" - W/O HARDWARE - PORTSMOUTH OAK FROM: 04-26-04 THRU: 99-99-99
9	134786-02-M16	EA	DOOR - MIRROR/MITERED CORNERS - 16.7" X 47.9"-W/O HARDWARE - CONCERT CHERRY FROM: 00-00-00 THRU: 04-25-04
9	141507-03-R45	EA	DOOR - MIRRORED/OGEE EDGE - 16.7" X 48" - W/O HARDWARE - CONCERT CHERRY FROM: 04-26-04 THRU: 99-99-99
9	134786-02-M15	EA	DOOR - MIRROR/MITERED CORNERS - 16.7" X 47.9"-W/O HARDWARE - WASHED MAPLE FROM: 00-00-00 THRU: 01-04-04
9	134786-02-RW1	EA	DOOR - MIRROR/MITERED CORNERS - 16.7" X 47.9"-W/O HARDWARE - WASHED MAPLE FROM: 01-05-03 THRU: 04-25-04
9	141507-03-RW1	EA	DOOR - MIRRORED/OGEE EDGE - 16.7" X 48" - W/O HARDWARE - WASHED MAPLE FROM: 04-26-04 THRU: 99-99-99
10	141518-D9-P54	EA	DOOR - ARCHED/PENCIL EDGE - 16.7" X 48" - W/O HARDWARE - PORTSMOUTH OAK
10	141518-D9-P55	EA	DOOR - ARCHED/PENCIL EDGE - 16.7" X 48" - W/O HARDWARE - CONCERT CHERRY
10	141518-D9-P56	EA	DOOR - ARCHED/PENCIL EDGE - 16.7" X 48" - W/O HARDWARE - WASHED MAPLE
10	076767-04-000	EA	CABLE - STAINLESS STEEL - 5.9"
11	145492-50-R19	EA	DRAWER - PENCIL EDGE - 14.6"W X 17.7"D-W/O SLIDES/HARDWARE - PORTSMOUTH OAK
11	145492-50-R20	EA	DRAWER - PENCIL EDGE - 14.6"W X 17.7"D - W/O SLIDES/HDW - CONCERT CHERRY
11	145492-50-R21	EA	DRAWER - PENCIL EDGE - 14.6"W X 17.7"D-W/O SLIDES/HARDWARE - WASHED MAPLE
12	145492-99-R10	EA	DRAWER - PENCIL EDGE - 14.6"W X 11.8"D - W/O SLIDES/HDW - PORTSMOUTH OAK
12	145492-99-R45	EA	DRAWER - PENCIL EDGE - 14.6"W X 11.8"D - W/O SLIDES/HDW - CONCERT CHERRY
12	145492-99-R46	EA	DRAWER - PENCIL EDGE - 14.6"W X 11.8"D - W/O SLIDES/HDW - WASHED MAPLE
13	145386-35-R44	EA	DRAWER - PENCIL EDGE-15.1"W X 11.8"D - W/O SLIDES/HARDWARE - PORTSMOUTH OAK
13	145386-35-R45	EA	DRAWER - PENCIL EDGE-15.1"W X 11.8"D - W/O SLIDES/HARDWARE - CONCERT CHERRY
13	145386-35-R46	EA	DRAWER - PENCIL EDGE-15.1"W X 11.8"D - W/O SLIDES/HARDWARE - WASHED MAPLE
14	141522-25-P54	EA	DOOR - ARCHED/PENCIL EDGE/HORIZ - 10" X 25.2" - W/O HDW - PORTSMOUTH OAK
14	141522-25-P55	EA	DOOR - ARCHED/PENCIL EDGE/HORIZ - 10" X 25.2" - W/O HDW - CONCERT CHERRY
14	141522-25-P56	EA	DOOR - ARCHED/PENCIL EDGE/HORIZ - 10" X 25.2" - W/O HDW - WASHED MAPLE
15	137367-01-R32	EA	CABINET - OVERHEAD/REAR/RIGHT HAND - W/O DOORS/HARDWARE - PORTSMOUTH OAK
15	137367-01-P46	EA	CABINET - OVERHEAD/REAR/RIGHT HAND - W/O DOORS/HARDWARE - CONCERT CHERRY
15	137367-01-P56	EA	CABINET - OVERHEAD/REAR/RIGHT HAND - W/O DOORS/HARDWARE - WASHED MAPLE FROM: 00-00-00 THRU: 01-04-04
15	137367-01-RW4	EA	CABINET - OVERHEAD/REAR/RIGHT HAND - W/O DOORS/HARDWARE - WASHED MAPLE FROM: 01-05-04 THRU: 99-99-99



## BEDROOM GROUP (CONTINUED) CABINETS (CONTINUED)

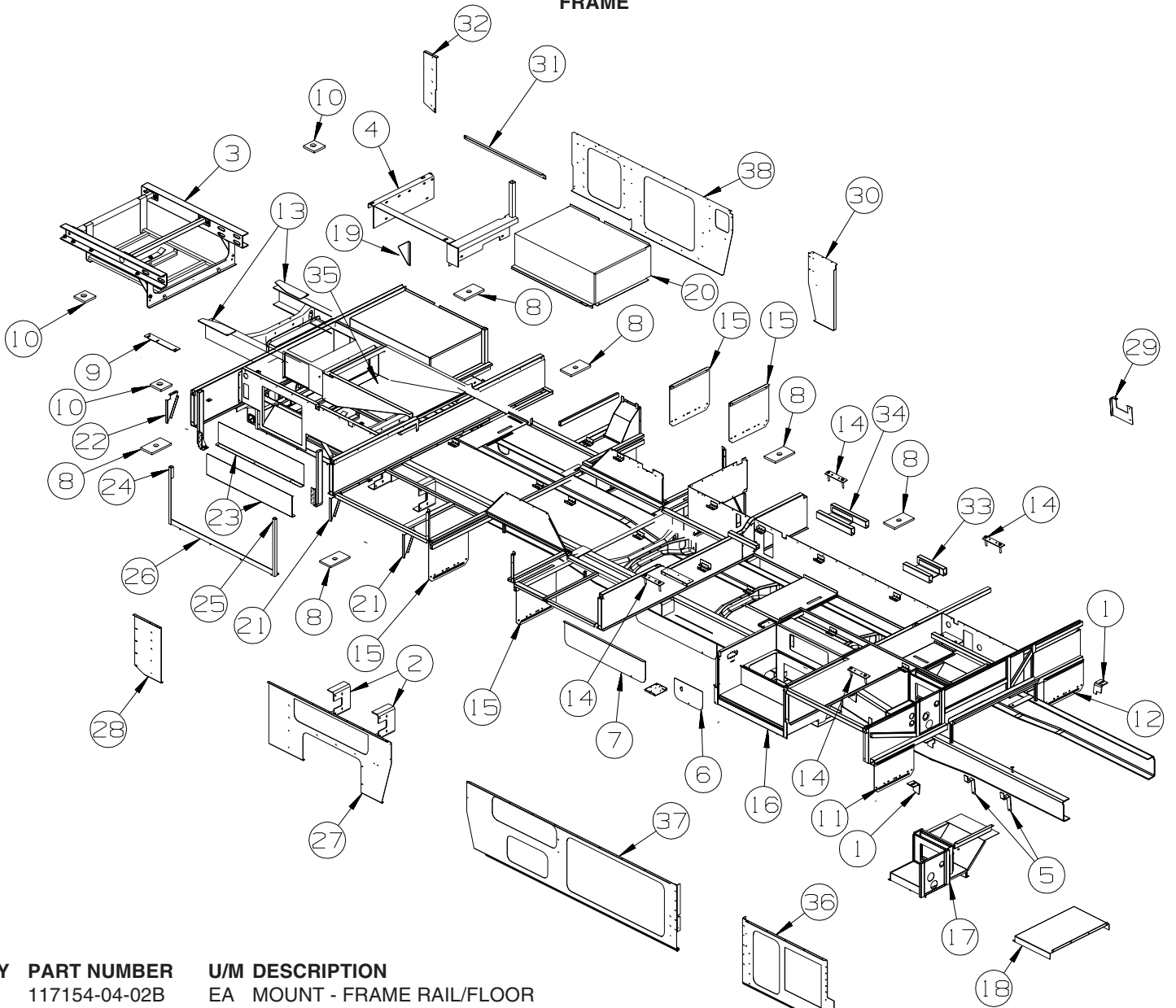


KEY	PART NUMBER	U/M	DESCRIPTION
16	145182-02-R38	EA	COUNTERTOP - LAMINATED-ROCKY MOUNTAIN HIGH/PORTSMOUTH OAK (R44)
16	145182-02-R39	EA	COUNTERTOP - LAMINATED - ROCKY MOUNTAIN HIGH/CHERRY (R45)
16	145182-02-R46	EA	COUNTERTOP - LAMINATED - ROCKY MOUNTAIN HIGH/WASHED MAPLE (R46)
16	145182-02-R40	EA	COUNTERTOP - LAMINATED - LINO FRIEZE/PORTSMOUTH OAK (R47)
16	145182-02-R41	EA	COUNTERTOP - LAMINATED - LINO FRIEZE/CHERRY (R48)
16	145182-02-R49	EA	COUNTERTOP - LAMINATED - LINO FRIEZE/WASHED MAPLE (R49)
16	145182-02-R42	EA	COUNTERTOP - LAMINATED - GREY TRANQUILITY/PORTSMOUTH OAK (R50)
16	145182-02-R43	EA	COUNTERTOP - LAMINATED - GREY TRANQUILITY/CHERRY (R51)
16	145182-02-R52	EA	COUNTERTOP - LAMINATED - GREY TRANQUILITY/WASHED MAPLE (R52)
17	136885-04-N47	EA	CABINET - NIGHTSTAND/RH - W/O COUNTERTOP/DOOR/DRAWER/HDW - PORTSMOUTH OAK
17	136885-04-N52	EA	CABINET - NIGHTSTAND/RH - W/O COUNTERTOP/DOOR/DRAWER/HDW - CONCERT CHERRY
17	136885-04-N62	EA	CABINET - NIGHTSTAND/RH - W/O COUNTERTOP/DOOR/DRAWER/HDW - WASHED MAPLE
			FROM: 00-00-00 THRU: 01-04-04
17	136885-04-RW4	EA	CABINET - NIGHTSTAND/RH - W/O COUNTERTOP/DOOR/DRAWER/HDW - WASHED MAPLE
			FROM: 01-05-04 THRU: 99-99-99
18	145492-51-R44	EA	DRAWER - PENCIL EDGE - 7.6"W X 23.6"D-W/O SLIDES/HARDWARE - PORTSMOUTH OAK
18	145492-51-R45	EA	DRAWER - PENCIL EDGE - 7.6"W X 23.6"D-W/O SLIDES/HARDWARE - CONCERT CHERRY
18	145492-51-R46	EA	DRAWER - PENCIL EDGE - 7.6"W X 23.6"D-W/O SLIDES/HARDWARE - WASHED MAPLE

**BEDROOM GROUP (CONTINUED)**  
**CABINETS (CONTINUED)**

KEY	PART NUMBER	U/M	DESCRIPTION
19	137388-01-P37	EA	CABINET/BASE - W/O DOOR/DRAWER/HARDWARE - F/QUEEN BED - PORTSMOUTH OAK
19	137388-01-P46	EA	CABINET/BASE - W/O DOOR/DRAWER/HARDWARE - F/QUEEN BED - CONCERT CHERRY
19	137388-01-P56	EA	CABINET/BASE - W/O DOOR/DRAWER/HARDWARE - F/QUEEN BED - WASHED MAPLE FROM: 00-00-00 THRU: 01-04-04
19	137388-01-RW4	EA	CABINET/BASE - W/O DOOR/DRAWER/HARDWARE - F/QUEEN BED - WASHED MAPLE FROM: 01-05-04 THRU: 99-99-99
20	137406-01-N42	EA	BEDBOARD - W/HINGE/T-MOLDING/SLIPNOT - FLIP-UP
21	136885-03-N42	EA	CABINET - NIGHTSTAND/LH - W/O COUNTERTOP/DOOR/DRAWER/HDW - PORTSMOUTH OAK
21	136885-03-N52	EA	CABINET - NIGHTSTAND/LH - W/O COUNTERTOP/DOOR/DRAWER/HDW - CONCERT CHERRY
21	136885-03-N62	EA	CABINET - NIGHTSTAND/LH - W/O COUNTERTOP/DOOR/DRAWER/HDW - WASHED MAPLE FROM: 00-00-00 THRU: 01-04-04
21	136885-03-RW4	EA	CABINET - NIGHTSTAND/LH - W/O COUNTERTOP/DOOR/DRAWER/HDW - WASHED MAPLE FROM: 01-05-04 THRU: 99-99-99
22	145182-03-R44	EA	COUNTERTOP - LAMINATED - ROCKY MOUNTAIN HIGH/PORTS OAK
22	145182-03-R45	EA	COUNTERTOP - LAMINATED - ROCKY MOUNTAIN HIGH/CHERRY
22	145182-03-R46	EA	COUNTERTOP - LAMINATED - ROCKY MOUNTAIN HIGH/WASHED MAPLE
22	145182-03-R47	EA	COUNTERTOP - LAMINATED - LINO FRIEZE/PORTSMOUTH OAK
22	145182-03-R48	EA	COUNTERTOP - LAMINATED - LINO FRIEZE/CHERRY
22	145182-03-R49	EA	COUNTERTOP - LAMINATED - LINO FRIEZE/WASHED MAPLE
22	145182-03-R50	EA	COUNTERTOP - LAMINATED - GREY TRANQUILITY/PORTSMOUTH OAK
22	145182-03-R51	EA	COUNTERTOP - LAMINATED - GREY TRANQUILITY/CHERRY
22	145182-03-R52	EA	COUNTERTOP - LAMINATED - GREY TRANQUILITY/WASHED MAPLE
23	139533-01-N42	EA	CABINET - CLOCK - 5.5" X 7.9" - PORTSMOUTH OAK
23	139533-01-N85	EA	CABINET - CLOCK - 5.5" X 7.9" - CONCERT CHERRY
23	139533-01-N84	EA	CABINET - CLOCK - 5.5" X 7.9" - WASHED MAPLE FROM: 00-00-00 THRU: 01-04-04
23	139533-01-RW4	EA	CABINET - CLOCK - 5.5" X 7.9" - WASHED MAPLE FROM: 01-05-04 THRU: 99-99-99
	139533-11-N42	EA	LUMBER - VINYL WRAPPED - BACKSIDE - COUNTER BORED HOLES - PORTSMOUTH OAK
	139533-11-N85	EA	LUMBER - VINYL WRAPPED - BACKSIDE - COUNTER BORED HOLES - CONCERT CHERRY
	139533-11-N84	EA	LUMBER - VINYL WRAPPED - BACKSIDE - COUNTER BORED HOLES - WASHED MAPLE FROM: 00-00-00 THRU: 01-04-04
	139533-11-RW4	EA	LUMBER - VINYL WRAPPED - BACKSIDE - COUNTER BORED HOLES - WASHED MAPLE FROM: 01-05-04 THRU: 99-99-99
	139533-12-N42	EA	LUMBER - VINYL WRAPPED - TOP - COUNTER BORED HOLES - PORTSMOUTH OAK
	139533-12-N85	EA	LUMBER - VINYL WRAPPED - TOP - COUNTER BORED HOLES - CONCERT CHERRY
	139533-12-N84	EA	LUMBER - VINYL WRAPPED - TOP - COUNTER BORED HOLES - WASHED MAPLE FROM: 00-00-00 THRU: 01-04-04
	139533-12-RW4	EA	LUMBER - VINYL WRAPPED - TOP - COUNTER BORED HOLES - WASHED MAPLE FROM: 01-05-04 THRU: 99-99-99
	139533-13-N42	EA	LUMBER - VINYL WRAPPED - SIDES - COUNTER BORE HOLES - PORTSMOUTH OAK
	139533-13-N85	EA	LUMBER - VINYL WRAPPED - SIDES - COUNTER BORE HOLES - CONCERT CHERRY
	139533-13-N84	EA	LUMBER - VINYL WRAPPED - SIDES - COUNTER BORE HOLES - WASHED MAPLE FROM: 00-00-00 THRU: 01-04-04
	139533-13-RW4	EA	LUMBER - VINYL WRAPPED - SIDES - COUNTER BORE HOLES - WASHED MAPLE FROM: 01-05-04 THRU: 99-99-99
24	137352-01-N42	EA	CABINET - OVERHEAD/TV/REAR - W/O DOORS/HARDWARE - PORTSMOUTH OAK
24	137352-01-P46	EA	CABINET - OVERHEAD/TV/REAR - W/O DOORS/HARDWARE - CONCERT CHERRY
24	137352-01-P56	EA	CABINET - OVERHEAD/TV/REAR - W/O DOORS/HARDWARE - WASHED MAPLE FROM: 00-00-00 THRU: 01-04-04
24	137352-01-RW4	EA	CABINET - OVERHEAD/TV/REAR - W/O DOORS/HARDWARE - WASHED MAPLE FROM: 01-05-04 THRU: 99-99-99
25	115466-28-02B	EA	STRAP/TIEDOWN - TV - E-COATED
26	P39390-01-N30	EA	TRIM - TV/CURVED - PORTSMOUTH OAK
26	P39390-01-N94	EA	TRIM - TV/CURVED - CONCERT CHERRY
26	P39390-01-N84	EA	TRIM - TV/CURVED - WASHED MAPLE
27	106699-01-01A	EA	BRACKET F/TV INSTALLATION - OVERHEAD CABINET

# CHASSIS GROUP FRAME



KEY	PART NUMBER	U/M	DESCRIPTION
1	117154-04-02B	EA	MOUNT - FRAME RAIL/FLOOR
2	120867-01-02B	EA	MOUNT - LP TANK - E-COAT
3*	132643-06-01A	EA	HITCH/TIRE CARRIER - EXTENSION RAIL(REAR CLIP) - 43.1"
4	138113-02-02B	EA	OUTRIGGER/GENERATOR - E-COATED
5	117287-01-02B	EA	BRACKET - MOUNTING/CABLE - E-COAT - <b>WORKHORSE</b>
6	140219-10-02B	EA	SHIELD - HEAT/EXHAUST - E-COATED - <b>WORKHORSE</b>
7	140219-08-02B	EA	SHIELD - HEAT/EXHAUST - E-COATED - <b>WORKHORSE</b>
8	135712-01-02B	EA	PLATE - BODY MOUNT - E-COATED
9	136538-01-02B	EA	SHIM - HITCH - E-COATED
10	135712-02-02B	EA	PLATE - BODY MOUNT - E-COATED
11	136391-01-02B	EA	GUARD/ROCK - STEEL - W/ANGLE - 18"W X 11"H - E-COATED
12	136391-05-02B	EA	GUARD/ROCK - STEEL - W/ANGLE - 17"W X 11"H - E-COATED
13	133095-01-02B	EA	PLATE - CLIP - E-COATED
14	134460-02-02B	EA	PLATE - MOUNTING - E-COATED
15	136391-02-02B	EA	GUARD/ROCK - STEEL - W/ANGLE - 18"W X 15"H - E-COATED
16	132607-06-02B	EA	BOX - ENTRY STEP - E-COATED
17	138369-01-02B	EA	COMPARTMENT - AUTO HEATER - E-COATED
18	133203-02-02B	EA	COVER - TRANSMISSION - E-COATED
19	123440-07-02B	EA	SUPPORT - PANEL - 8.7" X 4.7" - E-COATED
20	140930-02-02B	EA	COMPARTMENT - GENERATOR - E-COATED
21	123440-02-02B	EA	SUPPORT - PANEL - 9.9"/7.6" X 4.7" - E-COATED

**CHASSIS GROUP (CONTINUED)**  
**FRAME (CONTINUED)**

<b>KEY</b>	<b>PART NUMBER</b>	<b>U/M</b>	<b>DESCRIPTION</b>
22	123440-06-02B	EA	SUPPORT - PANEL - 8.7"/5.5" X 4.7" - E-COATED
23	131914-18-02B	EA	ANGLE - FORMED - W/HOLES - E-COATED
24	133833-01-02B	EA	HANGER - A/C - E-COATED
25	133833-02-02B	EA	HANGER - A/C - E-COATED
26	129328-02-02B	EA	HANGER - A/C - COACH
27	137098-25-02B	EA	PLATE/SEAL - E-COATED
28	137098-23-02B	EA	PLATE/SEAL - E-COATED
29	132606-04-02B	EA	PLATE/SEAL - E-COATED
30	137103-01-02B	EA	PLATE/SEAL - E-COATED
31	133612-05-02B	EA	ZEE/SEAL PLANE - BOTTOM - E-COATED
32	137103-14-02B	EA	PLATE/SEAL - E-COATED
33	147997-02-02B	EA	BRACKET - F/SLIDEOUT - E-COATED
34	147997-06-02B	EA	BRACKET - F/SLIDEOUT - E-COATED
35	144746-01-02B	EA	COMPARTMENT - FURNACE - E-COATED
36	144365-07-02B	EA	PLATE/SEAL - E-COATED
37	144365-08-02B	EA	PLATE/SEAL - E-COATED
38	144365-09-02B	EA	PLATE/SEAL - E-COATED

**\*COMPONENT PARTS LISTED LATER IN THIS GROUP**

## CHASSIS GROUP (CONTINUED)

### COMPONENT PARTS FOR FRAME

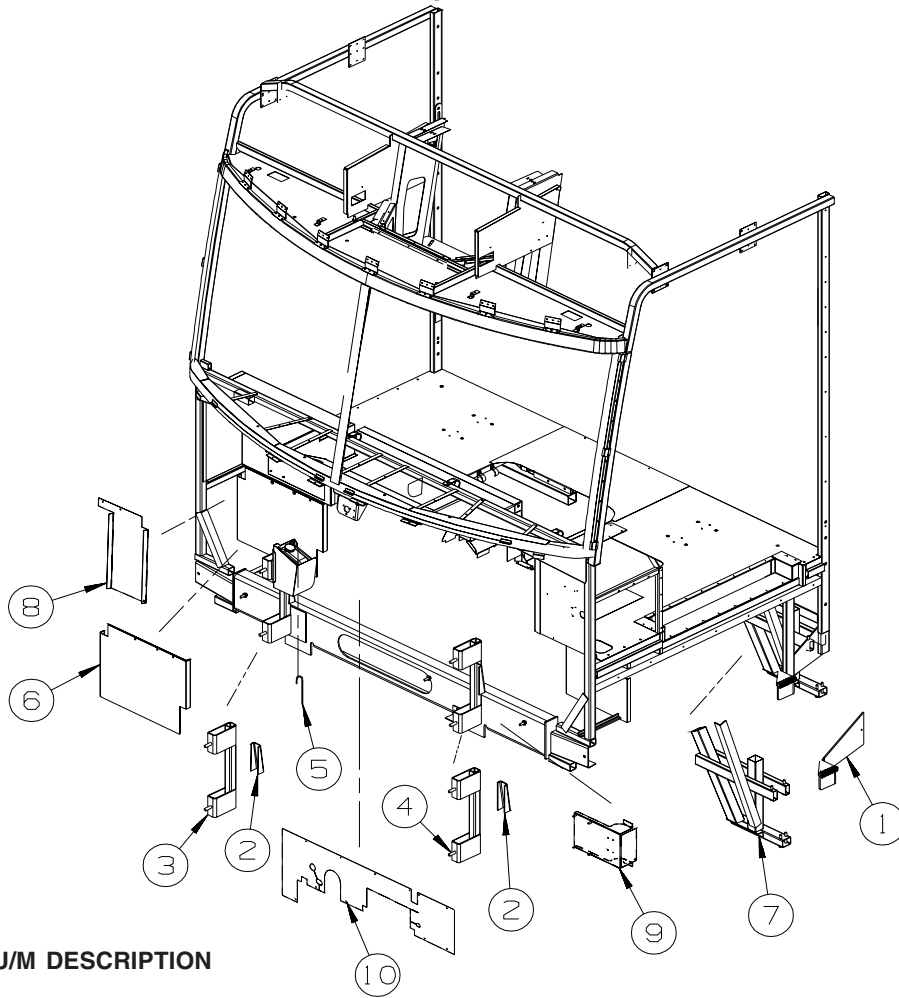
132643-01-01A, 132643-06-01A, 132643-07-01A, 132643-09-01A

KEY	PART NUMBER	U/M	DESCRIPTION	VENDOR NO.
	132643-01-700	EA	HITCH/RECEIVER WELDED ASM.	72430-47
	132643-01-701	EA	TIRE CARRIER COMPLETE	56610-47
	132643-01-702	EA	RETAINER KIT/SPARE TIRE	55290-47
	132643-01-703	EA	BOLT IN CROSSMEMBER W/SPARE	4132-03

# CHASSIS GROUP (CONTINUED)

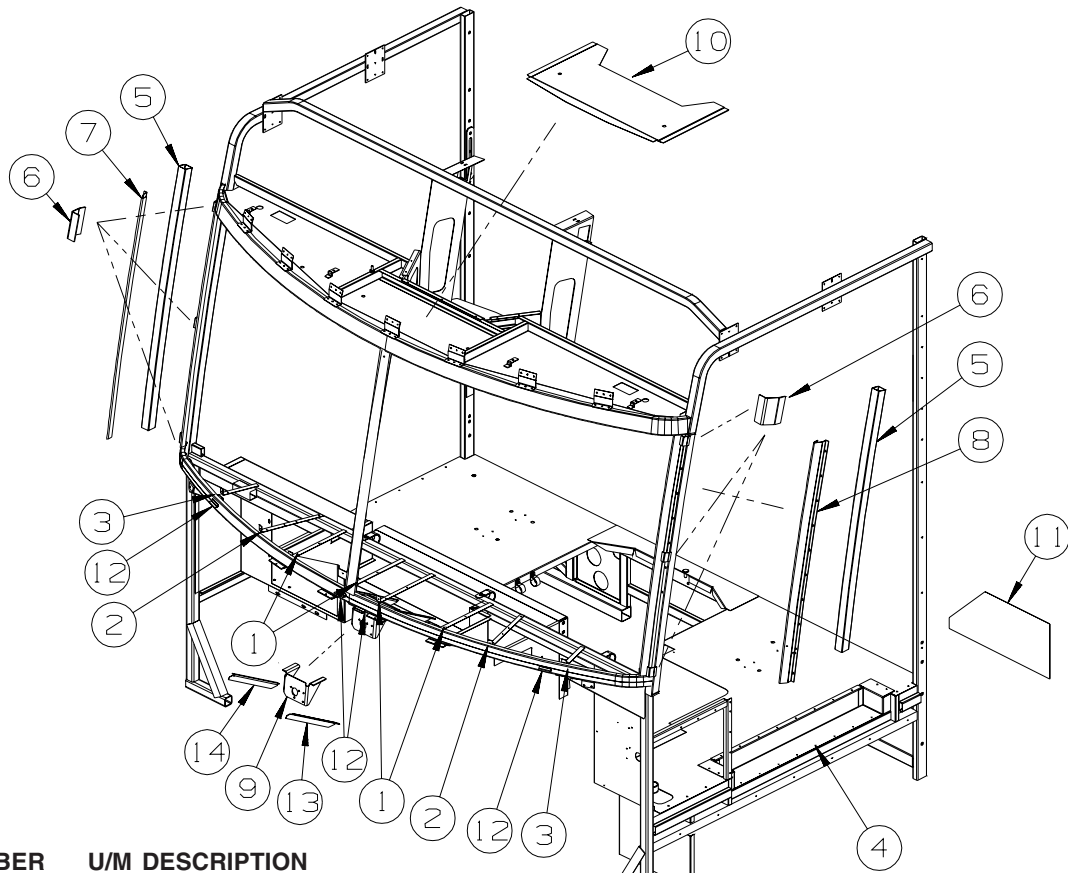
## FRONT END

FORD



KEY	PART NUMBER	U/M DESCRIPTION
1	NOT USED	
2	117622-01-02B	EA BRACE - TUBE/BUMPER - VERTICAL - E-COATED
3	134807-03-02B	EA SUPPORT - FRONT - E-COATED
4	134807-04-02B	EA SUPPORT - FRONT - E-COATED
5	NOT USED	
6	144679-02-02B	EA SHIELD/SPLASH - HEADLIGHT - E-COATED
7	138340-02-02B	EA SUPPORT/STEP - DRIVER - E-COATED - 19.5 TIRE
7	138340-01-02B	EA SUPPORT/STEP - DRIVER - E-COATED - 22.5 TIRE
8	NOT USED	
9	NOT USED	
10	NOT USED	

**CHASSIS GROUP (CONTINUED)**  
**FRONT END (CONTINUED)**

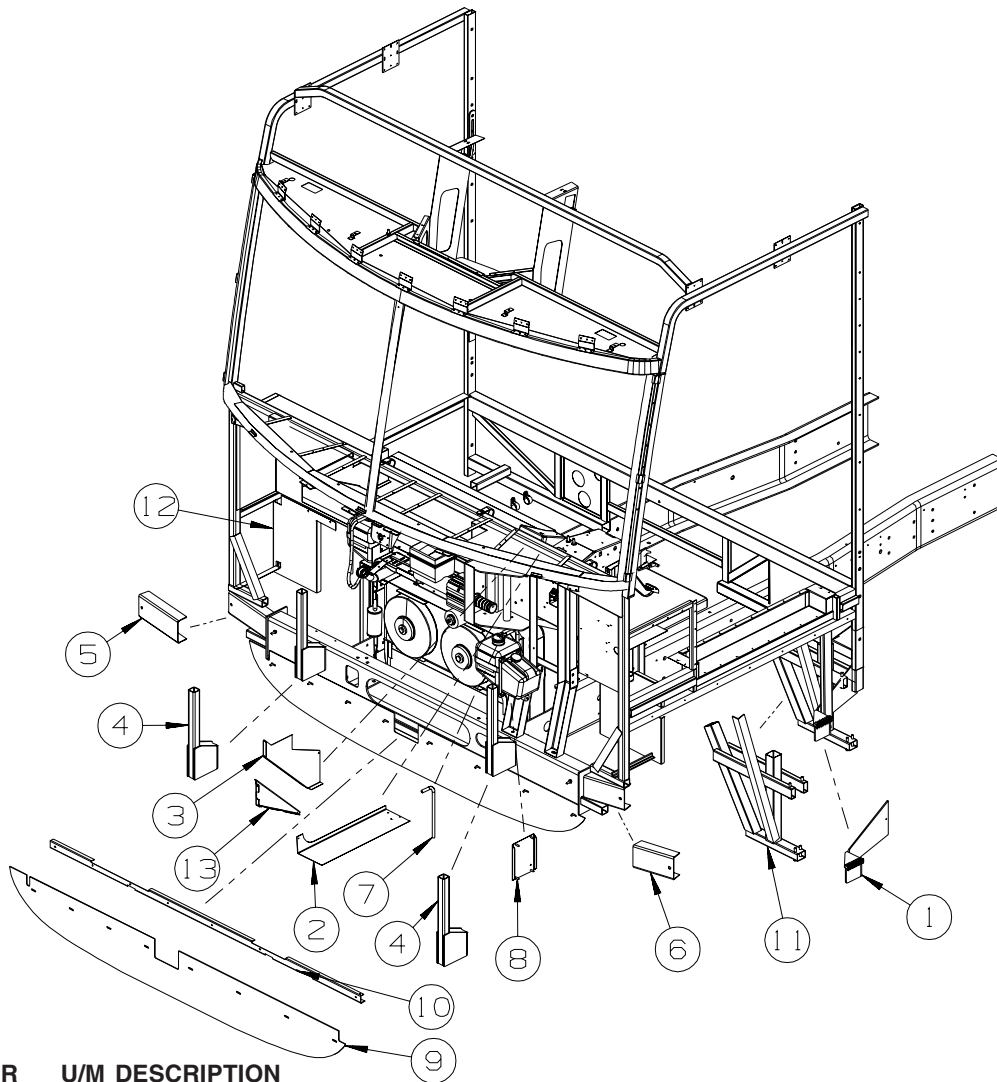


**FORD**

KEY	PART NUMBER	U/M	DESCRIPTION
1	137047-04-01B	EA	STRAP - DEFROSTER PLENUM
2	137047-05-01B	EA	STRAP - DEFROSTER PLENUM
3	137047-06-01B	EA	STRAP - DEFROSTER PLENUM
4	146492-02-01B	EA	PANEL - STEPWELL
5	117273-01-01A	EA	TUBE - SUPPORT - A-PILLAR
6	120363-01-01B	EA	BRACKET - WINDSHIELD
7	121269-05-01B	EA	FRAME - WINDSHIELD - A-PILLAR - MILL
8	121269-06-01B	EA	FRAME - WINDSHIELD - A-PILLAR - MILL
9	134506-02-01B	EA	BRACKET - WIPER MOTOR
10	124904-05-01B	EA	HEADER/WINDSHIELD - CENTER - 27.5"
11	137496-01-01B	EA	PANEL - SPLASH GUARD
12	126289-65-01B	EA	ANGLE - FORMED - 4 USED
13	134371-01-01B	EA	ANGLE/MOUNT - WIPER MOTOR
14	134371-02-01B	EA	ANGLE/MOUNT - WIPER MOTOR



## CHASSIS GROUP (CONTINUED) FRONT END (CONTINUED)

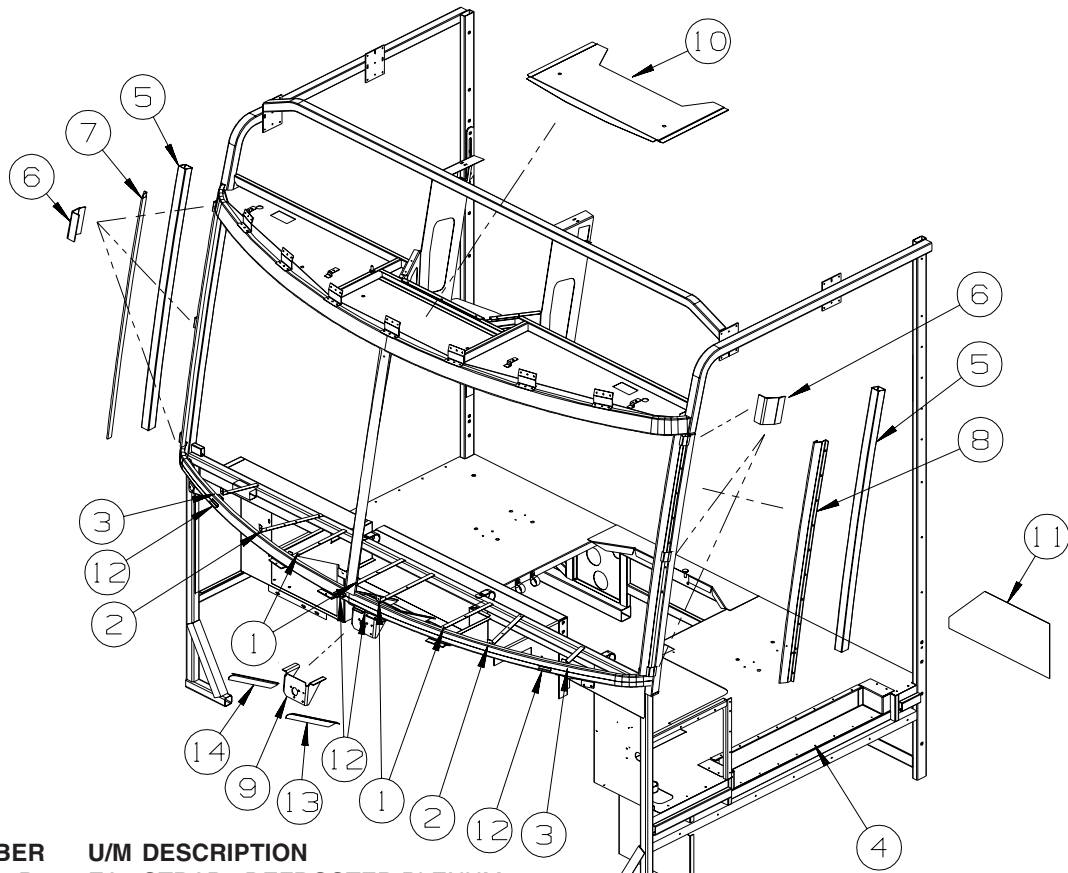


**WORKHORSE**

KEY	PART NUMBER	U/M	DESCRIPTION
1	NOT USED		
2	137041-01-02B	EA	ANGLE - MOTOR COVER - E-COATED
3	137306-01-02B	EA	BRACKET - STRIKE SUPPORT - E-COATED
			FROM: 00-00-00 THRU: 02-12-04
3	150565-01-02B	EA	PANEL - CLOSE OUT - CAB - E-COATED
			FROM: 02-13-04 THRU: 99-99-99
4	134807-01-02B	EA	SUPPORT - FRONT - E-COATED
			FROM: 00-00-00 THRU: 04-08-04
4	134807-11-02B	EA	SUPPORT - FRONT - E-COATED - PASSENGER SIDE
			FROM: 04-09-04 THRU: 99-99-99
4	134807-12-02B	EA	SUPPORT - FRONT - E-COATED - DRIVER SIDE
			FROM: 04-09-04 THRU: 99-99-99
5	137048-02-02B	EA	CHANNEL - SUPPORT - FRONT - E-COATED
6	137048-01-02B	EA	CHANNEL/SUPPORT - FRONT - E-COATED
7	044317-01-000	FT	HOSE - FUEL - 3/8" ID - WORKHORSE
8	119656-02-02B	EA	BRACKET - RESERVOIR/WASHER - E-COATED
			FROM: 00-00-00 THRU: 04-08-04
8	134807-11-02B	EA	SUPPORT - FRONT - E-COATED - <b>INCLUDES RESERVOIR BRACKET</b>
			FROM: 04-09-04 THRU: 99-99-99
9	140782-02-01A	EA	SHIELD - SIGHT - BLACK PLASTIC
10	140790-01-02B	EA	ANGLE - SIGHT SHIELD - E-COATED
11	138340-01-02B	EA	SUPPORT/STEP - DRIVER - E-COATED - <b>CHASSIS W/22.5 TIRE</b>
11	138340-02-02B	EA	SUPPORT/STEP - DRIVER - E-COATED - <b>CHASSIS W/19.5 TIRE</b>
12	121962-02-02B	EA	SHIELD/SPLASH - HEADLIGHT - E-COATED
13	137043-01-02B	EA	PANEL/FILLER - E-COATED
			FROM: 00-00-00 THRU: 02-12-04
13	150565-01-02B	EA	PANEL - CLOSE OUT - CAB - E-COATED
			FROM: 02-13-04 THRU: 99-99-99



**CHASSIS GROUP (CONTINUED)**  
**FRONT END (CONTINUED)**



**WORKHORSE**

KEY	PART NUMBER	U/M	DESCRIPTION
1	137047-04-01B	EA	STRAP - DEFROSTER PLENUM
2	137047-05-01B	EA	STRAP - DEFROSTER PLENUM
3	137047-06-01B	EA	STRAP - DEFROSTER PLENUM
4	146492-02-01B	EA	PANEL - STEPWELL
5	117273-01-01A	EA	TUBE - SUPPORT - A-PILLAR
6	120363-01-01B	EA	BRACKET - WINDSHIELD
7	121269-05-01B	EA	FRAME - WINDSHIELD - A-PILLAR - MILL
8	121269-06-01B	EA	FRAME - WINDSHIELD - A-PILLAR - MILL
9	134506-02-01B	EA	BRACKET - WIPER MOTOR
10	124904-05-01B	EA	HEADER/WINDSHIELD - CENTER - 27.5"
11	137496-01-01B	EA	PANEL - SPLASH GUARD
12	126289-65-01B	EA	ANGLE - FORMED
13	134371-01-01B	EA	ANGLE/MOUNT - WIPER MOTOR
14	134371-02-01B	EA	ANGLE/MOUNT - WIPER MOTOR

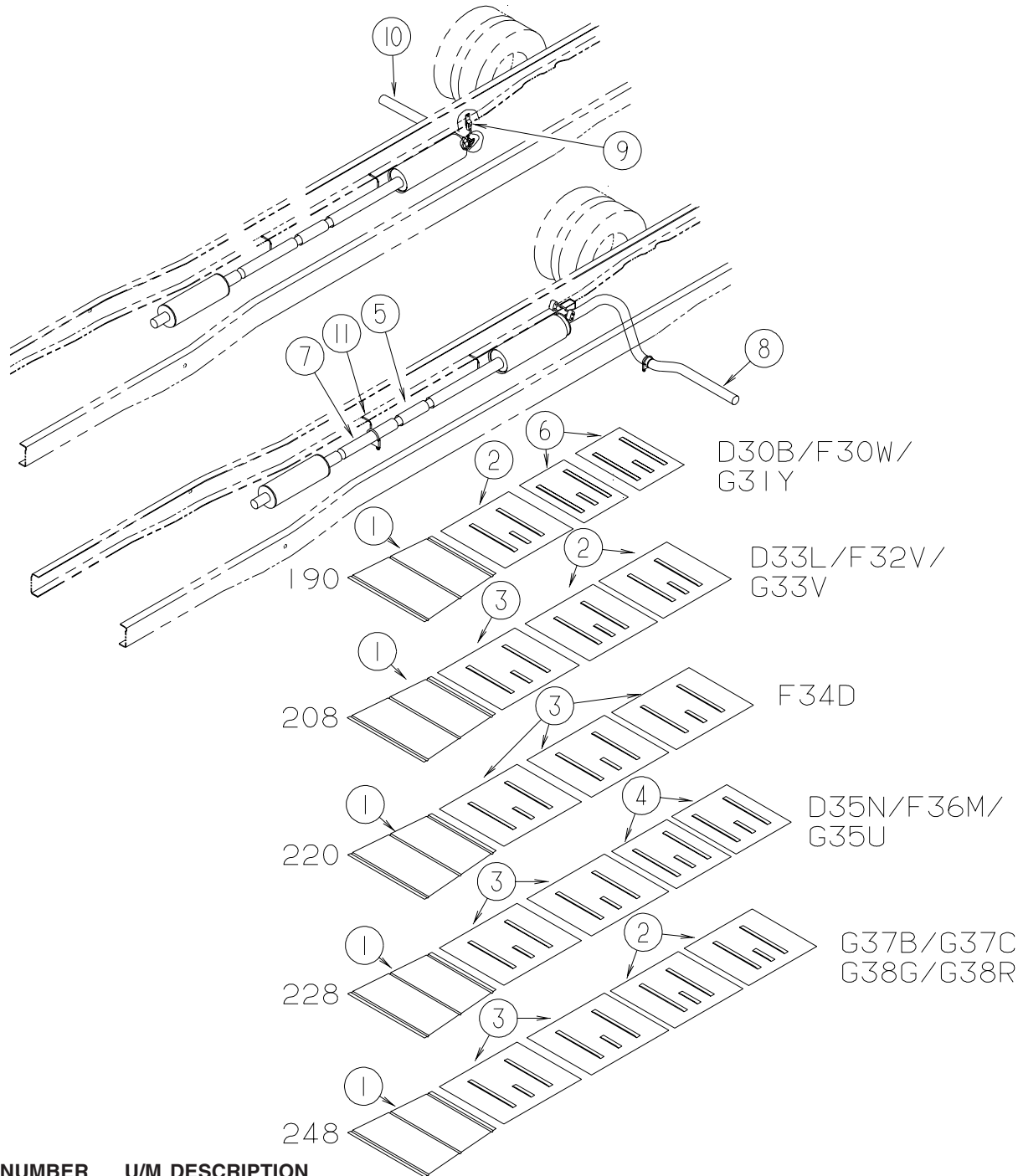
## CHASSIS GROUP (CONTINUED)

### DRIVETRAIN

KEY	PART NUMBER	U/M	DESCRIPTION
	129580-03-000	EA	DRIVESHAFT - BALANCED - 99 F53 - 248" WB - FORD, G37C, G38G FROM: 00-00-00 THRU: 10-26-03
	149203-05-000	EA	DRIVESHAFT - BALANCED - 99 F53 - 248" WB - FORD, G37C, G38G FROM: 10-27-03 THRU: 99-99-99
	129580-06-000	EA	DRIVESHAFT - BALANCED - 190" WB - FORD, G31Y FROM: 00-00-00 THRU: 11-03-03
	149203-01-000	EA	DRIVESHAFT - BALANCED - 190" WB - FORD, G31Y FROM: 11-04-03 THRU: 99-99-99
	115043-03-000	EA	BUSHING - DRIVESHAFT - FORD, G37C, G38G
	128528-03-000	EA	BOLT - U-JOINT - 3/8-24 X 3/4
	128528-04-000	EA	STRAP - BEARING - 1480 JOINT
	138616-09-02B	EA	BRACKET/BEARING MNT - FRT/248" WB - E-CT - WORKHORSE, G37B, G37C, G38G, G38R
	138616-10-02B	EA	BRACKET/BEARING MNT - MID-RR/248" WB - E-CT - WORKHORSE, G37B, G37C, G38G, G38R
	140691-04-000	EA	DRIVESHAFT - BALANCED - 4 SECTION - WORKHORSE, G37B G37C, G38G, G38R

# CHASSIS GROUP (CONTINUED)

## EXHAUST

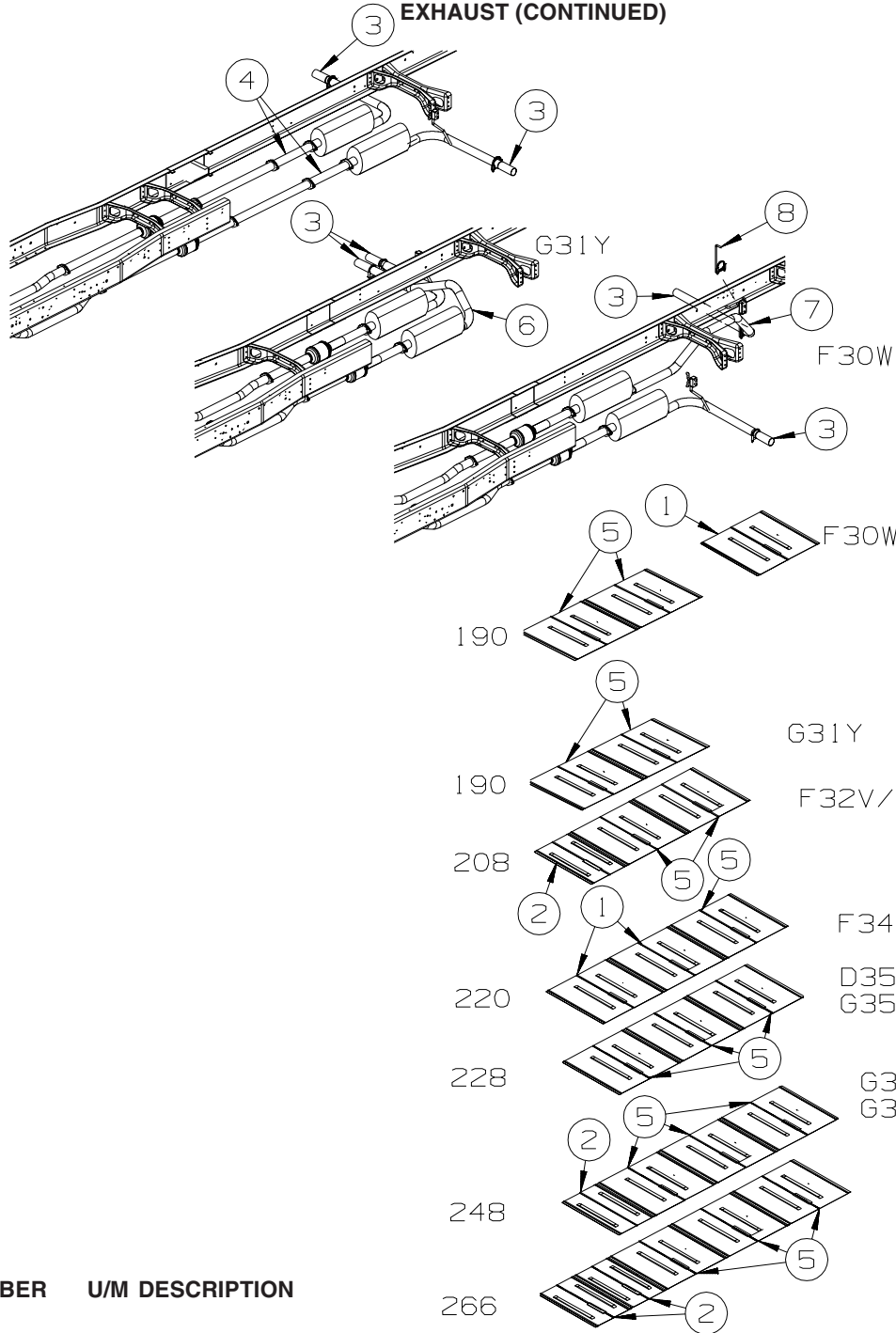


**FORD**

KEY	PART NUMBER	U/M DESCRIPTION
1	128756-01-02B	EA SHIELD - HEAT/EXHAUST - 33.9" X 16.9" - E-COATED
2	143712-02-02B	EA SHIELD - HEAT/EXHAUST - E-COATED
3	143712-05-02B	EA SHIELD - HEAT/EXHAUST - E-COATED
4	143712-07-02B	EA SHIELD - HEAT/EXHAUST - E-COATED
5	112012-03-000	EA PIPE - EXHAUST - 3" DIAMETER - FORD CHASSIS - 228"-248" STRETCH, G37C, G38G
	094918-06-000	EA CLAMP - EXHAUST - 3" - HEAVY DUTY
6	143712-01-02B	EA SHIELD - HEAT/EXHAUST - E-COATED
7	112012-09-000	EA PIPE - EXHAUST - 3" DIAMETER X 7.5" LONG - 208"-190" SHRINK, G31Y
8	142985-01-000	EA PIPE - EXHAUST - 208" G33V, 228" G35U, 228"-248" STRETCH, G37C, G38G
9	122392-02-02B	EA HANGER - TAILPIPE - E-COATED - 208" - 190" SHRINK, G31Y
	094918-01-000	EA CLAMP - EXHAUST - 3" - GUILLOTINE STYLE
10	122529-03-000	EA PIPE - EXHAUST - 208" - 190" SHRINK, G31Y
11	NOT USED	

# CHASSIS GROUP (CONTINUED)

## EXHAUST (CONTINUED)



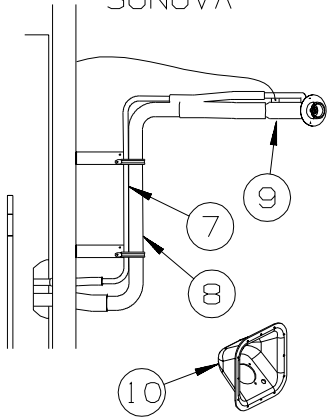
**WORKHORSE**

KEY	PART NUMBER	U/M	DESCRIPTION
1	NOT USED		
2	143712-01-02B	EA	SHIELD - HEAT/EXHAUST - E-COATED
3	098762-05-000	EA	EXTENSION - EXHAUST - STRAIGHT - 3" O.D X 7.9" LONG - SST
3	094918-01-000	EA	CLAMP - EXHAUST - 3" - GUILLOTINE STYLE
4	137652-01-000	EA	PIPE - EXHAUST - W/FLANGES - 228"-248" STRETCH, G37B, G37C, G38G, G38R
5	143712-05-02B	EA	SHIELD - HEAT/EXHAUST - E-COATED
6	141412-02-000	EA	PIPE - EXHAUST - 190" G31Y
7	NOT USED		
8	NOT USED		

# CHASSIS GROUP (CONTINUED)

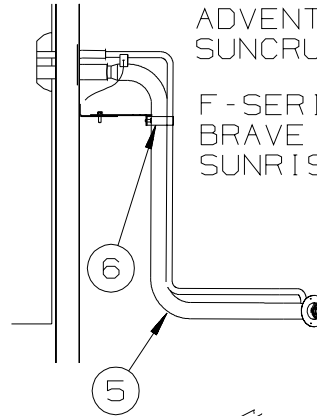
## FUEL

D-SERIES  
SIGHTSEER  
SONOVA

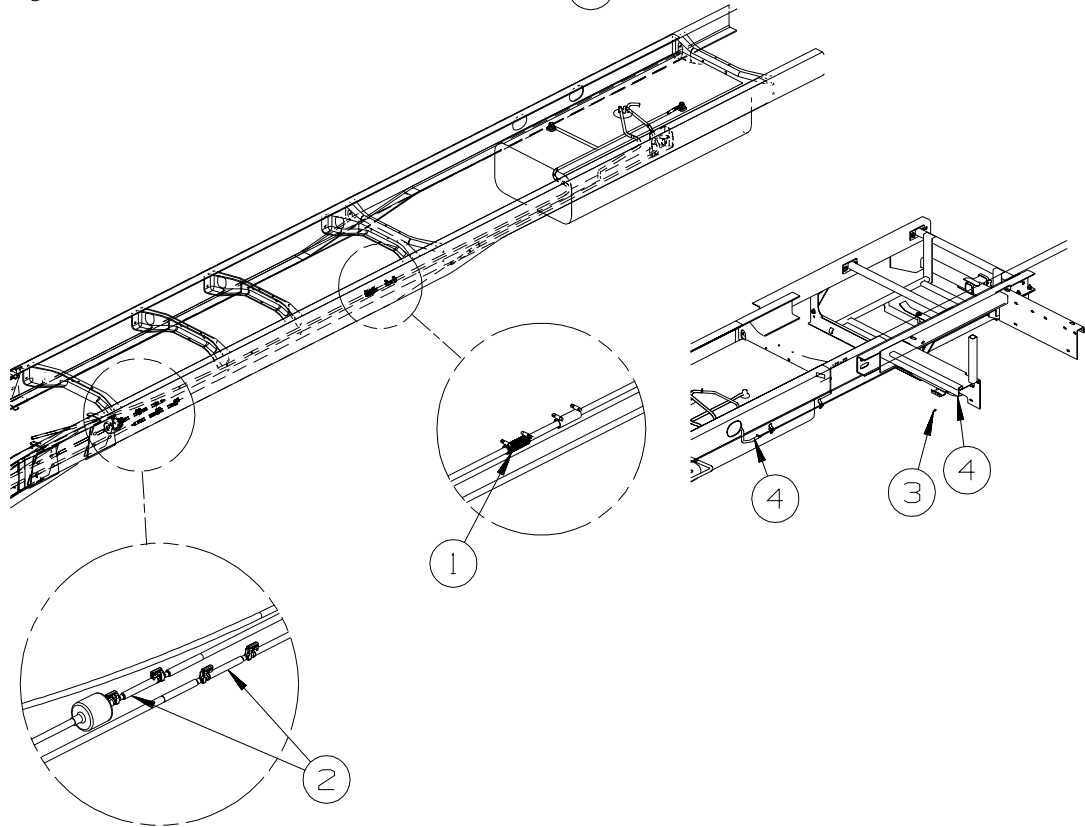


G-SERIES  
ADVENTURER  
SUNCRUISER

F-SERIES  
BRAVE  
SUNRISE

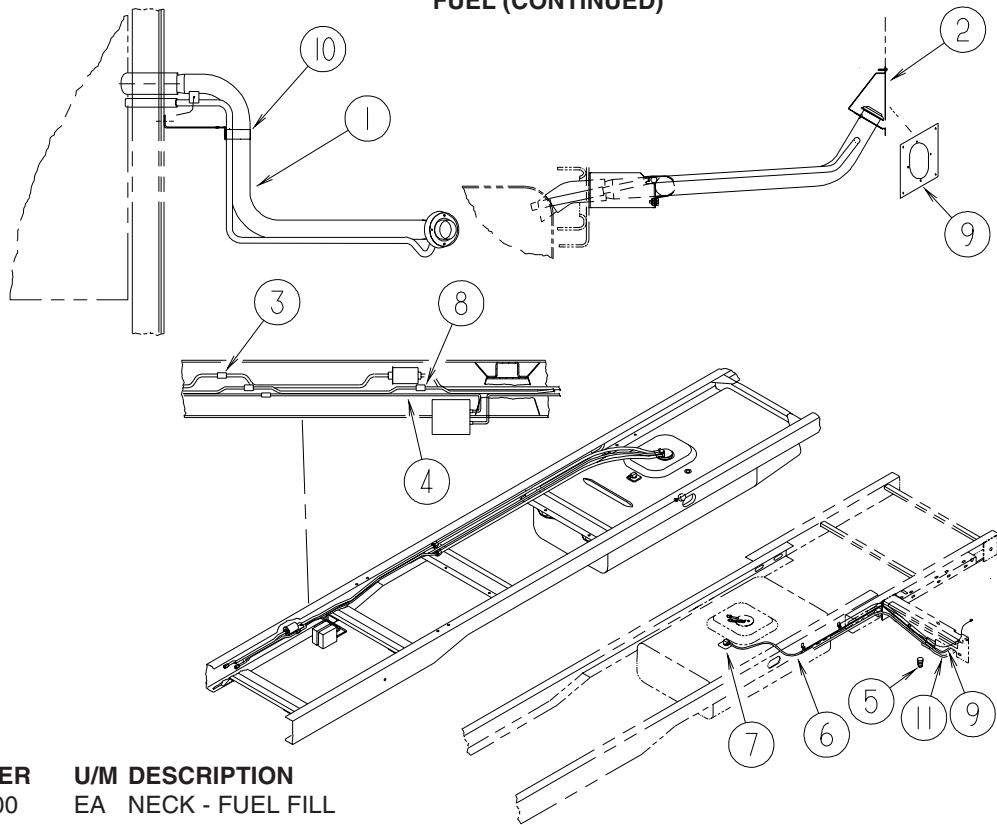


FORD



KEY	PART NUMBER	U/M	DESCRIPTION
1	128139-02-000	FT	HOSE - FUEL - LOW PERMEABILITY - 5/8" DIAMETER - <b>ALTERED LENGTH CHASSIS</b>
2	129494-03-000	EA	FUEL LINE - 5/16" X 21.2" - FORD CHASSIS - <b>228"-248" STRETCH, G37C, G38G</b>
3	084884-01-000	EA	PLUG - BRASS - 3/8"
4	128139-03-000	FT	HOSE - FUEL - LOW PERMEABILITY - 1/4" DIAMETER
5	135801-01-000	EA	NECK - FUEL FILL
6	140728-02-02B	EA	BRACKET - FUEL FILL - E-COATED
7	NOT USED		
8	NOT USED		
9	NOT USED		
10	NOT USED		

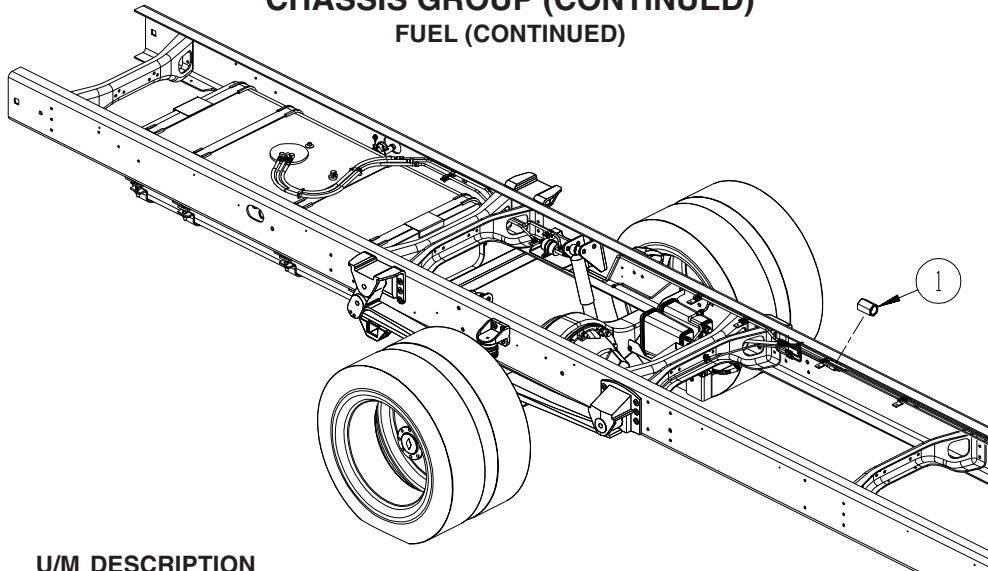
**CHASSIS GROUP (CONTINUED)**  
**FUEL (CONTINUED)**



**2003  
 WORKHORSE  
 CHASSIS**

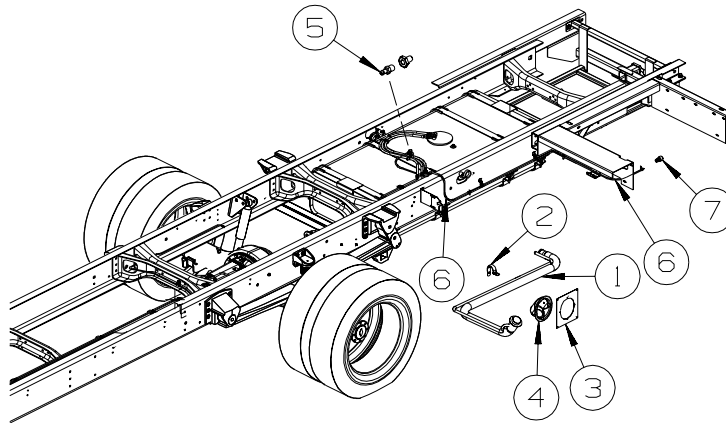
KEY	PART NUMBER	U/M	DESCRIPTION
1	136300-02-000	EA	NECK - FUEL FILL
2	NOT USED		
3	098779-02-000	EA	COUPLER - FUEL LINE - 1.2" LONG X 16MM THREAD - <b>ALTERED LENGTH CHASSIS</b>
4	N/A		CONTACT WINNEBAGO PART SALES
5	084884-01-000	EA	PLUG - BRASS - 3/8"
6	128139-03-000	FT	HOSE - FUEL - LOW PERMEABILITY - 1/4" DIAMETER
7	068382-06-000	EA	BUSHING - BRASS - 3/8"MPT X 1/8"FPT
7	114254-01-000	EA	ADAPTER - 1/4 BARB X 1/8 MPT
8	098779-01-000	EA	COUPLER - FUEL LINE - 1.2" LONG X 14MM THREAD - <b>228"-248" STRETCH, 2003 CHASSIS</b>
9	139138-01-02B	EA	PLATE - FUEL FILL - E-COATED
10	140728-01-02B	EA	BRACKET - FUEL FILL - E-COATED
11	NOT USED		

**CHASSIS GROUP (CONTINUED)**  
**FUEL (CONTINUED)**



**2004  
 WORKHORSE  
 CHASSIS**

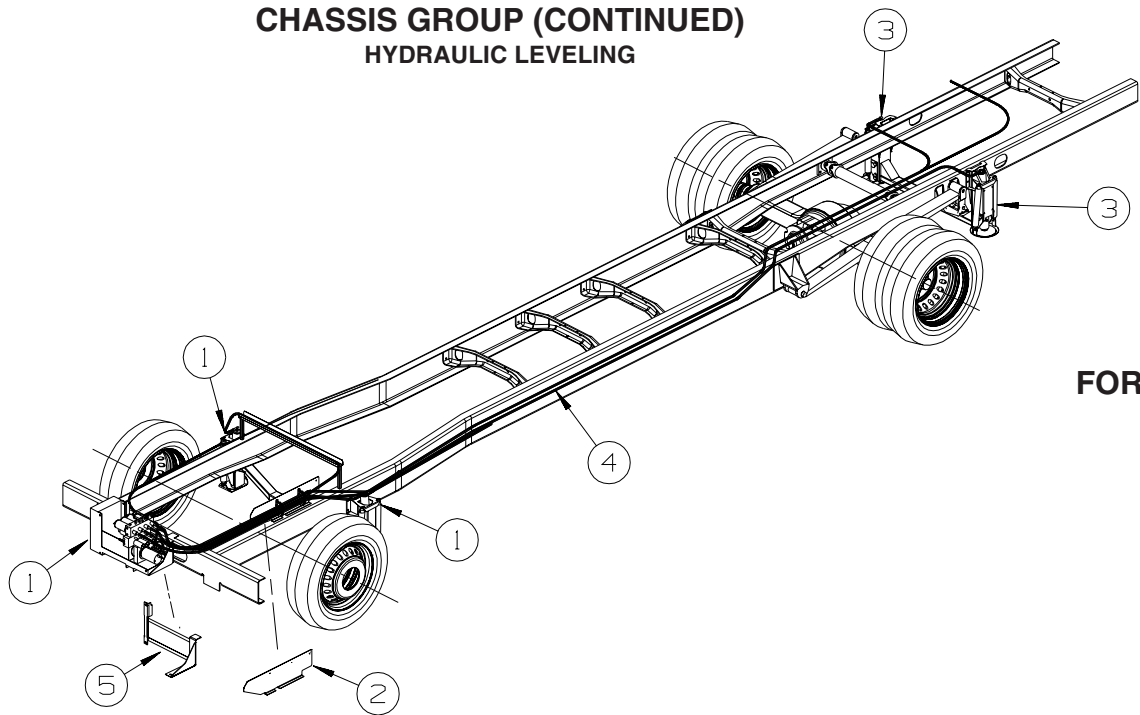
KEY	PART NUMBER	U/M	DESCRIPTION
1	098779-02-000	EA	COUPLER - FUEL LINE - 1.2" LONG X 16MM THREAD - <b>STRETCHED CHASSIS</b>



**2004  
 WORKHORSE  
 CHASSIS**

KEY	PART NUMBER	U/M	DESCRIPTION
1	136300-02-000	EA	NECK - FUEL FILL
2	140728-01-02B	EA	BRACKET - FUEL FILL - E-COATED
			FROM: 00-00-00 THRU: 04-15-04
2	140728-02-02B	EA	BRACKET - FUEL FILL - E-COATED
			FROM: 04-16-04 THRU: 99-99-99
3	139138-01-02B	EA	PLATE - FUEL FILL - E-COATED
4	128299-02-01A	EA	SHROUD - FUEL FILL
5	068382-06-000	EA	BUSHING - BRASS - 3/8" MPT X 1/8" FPT
5	114254-01-000	EA	ADAPTER - 1/4 BARB X 1/8 MPT
6	128139-03-000	FT	HOSE - FUEL - LOW PERMEABILITY - 1/4" DIAMETER
7	084884-01-000	EA	PLUG - BRASS - 3/8"

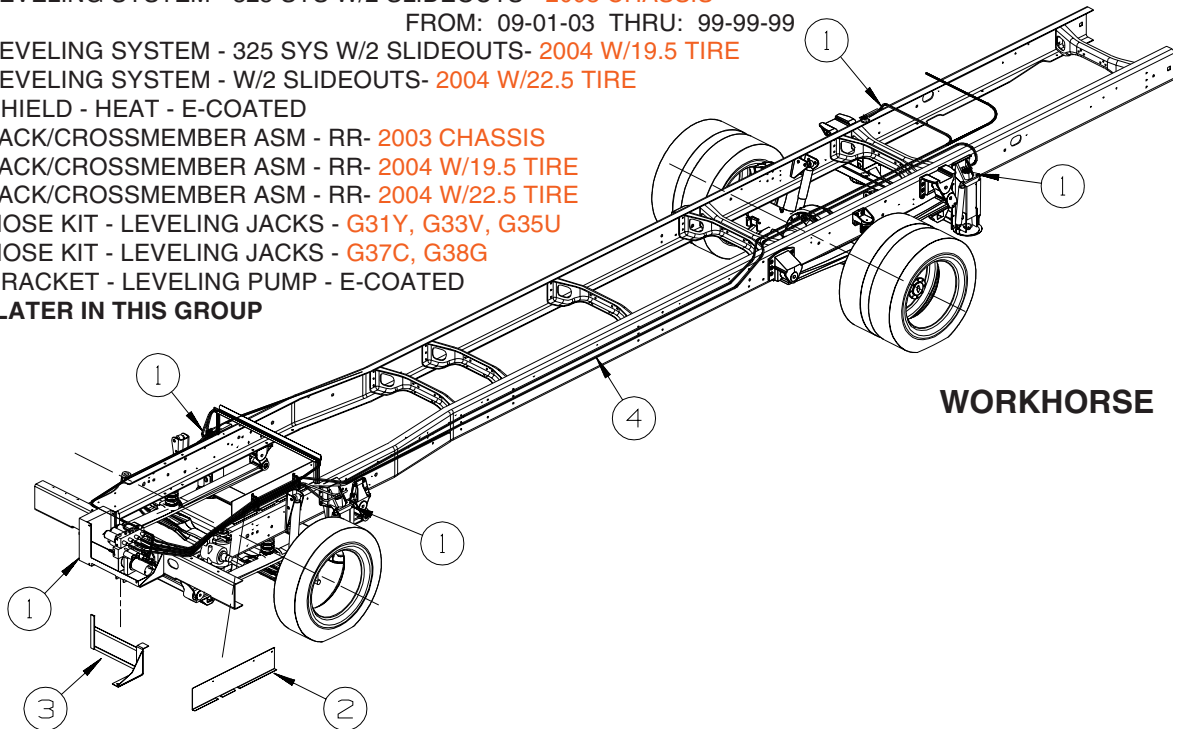
## CHASSIS GROUP (CONTINUED) HYDRAULIC LEVELING



**FORD**

KEY	PART NUMBER	U/M	DESCRIPTION
1*	144226-09-000	EA	LEVELING SYSTEM - 325 SYSTEM W/2 SLIDEOUTS - <b>2003 CHASSIS</b> FROM: 00-00-00 THRU: 08-31-03
1*	144226-21-000	EA	LEVELING SYSTEM - 325 SYS W/2 SLIDEOUTS - <b>2003 CHASSIS</b> FROM: 09-01-03 THRU: 99-99-99
1*	144226-29-000	EA	LEVELING SYSTEM - 325 SYS W/2 SLIDEOUTS- <b>2004 W/19.5 TIRE</b>
1	144226-33-000	EA	LEVELING SYSTEM - W/2 SLIDEOUTS- <b>2004 W/22.5 TIRE</b>
2	132999-01-02B	EA	SHIELD - HEAT - E-COATED
3*	128571-05-000	EA	JACK/CROSSMEMBER ASM - RR- <b>2003 CHASSIS</b>
3	128571-06-000	EA	JACK/CROSSMEMBER ASM - RR- <b>2004 W/19.5 TIRE</b>
3	128571-07-000	EA	JACK/CROSSMEMBER ASM - RR- <b>2004 W/22.5 TIRE</b>
4*	100536-48-000	EA	HOSE KIT - LEVELING JACKS - <b>G31Y, G33V, G35U</b>
4	100536-47-000	EA	HOSE KIT - LEVELING JACKS - <b>G37C, G38G</b>
5	146973-01-02B	EA	BRACKET - LEVELING PUMP - E-COATED

**\*COMPONENT PARTS LISTED LATER IN THIS GROUP**



**WORKHORSE**

KEY	PART NUMBER	U/M	DESCRIPTION
1*	144226-08-000	EA	LEVELING SYSTEM - W/2 SLIDEOUTS - <b>G31Y, G33V, G35U, G37C, G38G, G38R</b> FROM: 00-00-00 THRU: 08-31-03
1*	144226-20-000	EA	LEVELING SYSTEM - 325 SYSTEM W/2 SLIDEOUTS - W22 WH - <b>G31Y, G33V, G35U, G37C, G38G, G38R</b> FROM: 09-01-03 THRU: 99-99-99
1*	144226-19-000	EA	LEVELING SYSTEM - 325 SYSTEM W/3 SLIDEOUTS - W22 WORKHORSE - <b>G37B</b> FROM: 00-00-00 THRU: 08-31-03
1*	144226-24-000	EA	LEVELING SYSTEM - 325 SYSTEM W/3 SLIDEOUTS - W22 WORKHORSE - <b>G37B</b> FROM: 09-01-03 THRU: 99-99-99
2	132999-02-02B	EA	SHIELD - HEAT - E-COATED
3	146973-01-02B	EA	BRACKET - LEVELING PUMP - E-COATED
4*	100536-48-000	EA	HOSE KIT - LEVELING JACKS - <b>G31Y, G33V, G35U</b>
4	100536-47-000	EA	HOSE KIT - LEVELING JACKS - <b>G37B, G37C, G38G, G38R</b>

**\*COMPONENT PARTS LISTED LATER IN THIS GROUP**



**CHASSIS GROUP (CONTINUED)**  
**COMPONENT PARTS FOR HYDRAULIC LEVELING**

**100536-48-000**

KEY	PART NUMBER	U/M	DESCRIPTION	VENDOR NO.
	100536-31-700	EA	HOSE - HYDRAULIC - 360"	RAP4163
	100536-31-701	EA	HOSE - HYDRAULIC - 96"	RAP5352
	100536-39-700	EA	HOSE - HYDRAULIC - 384"	RAP4164
	100536-48-700	EA	HOSE - 146"	RAP2443

**144226-08-000**

KEY	PART NUMBER	U/M	DESCRIPTION	VENDOR NO.
	100532-53-700	EA	CYLINDER W/O FOOT - 9K	RAP90491/AP15891
	131306-22-701	EA	CROSSMEMBER - FRONT JACK	AP22754
	131306-26-700	EA	MANIFOLD ASM. - 2 ROOM	RAP90870/AP20550
	131306-29-702	EA	CROSSMEMBER - REAR JACK	AP20775
	144226-01-700	EA	SWITCH - WARNING/MAGNETIC	RAP90968/AP26641
	144226-03-701	EA	ENCLOSURE W/SENSING UNIT	RAP91269/AP29291
	144226-08-700	EA	TOUCH PAD	RAP90938/AP29691
	144226-08-701	EA	CONTROL BOX	AP30377/KURT P.
	144226-08-702	EA	SENSOR/BI-AXIS - PROGRAMABLE	RAP91172/AP28010
	144226-08-703	EA	PUMP MOTOR/TANK ASM-MONARCH	RAP90916/AP30348

**144226-09-000**

KEY	PART NUMBER	U/M	DESCRIPTION	VENDOR NO.
	131306-26-700	EA	MANIFOLD ASM. - 2 ROOM	RAP90870/AP20550
	144226-01-700	EA	SWITCH - WARNING/MAGNETIC	RAP90968/AP26641
	144226-08-703	EA	PUMP MOTOR/TANK ASM-MONARCH	RAP90916/AP30348
	144226-09-700	EA	MANIFOLD/JACKS - LIGHT WH/FD	AP21901

**144226-19-000**

KEY	PART NUMBER	U/M	DESCRIPTION	VENDOR NO.
	144226-01-700	EA	SWITCH - WARNING/MAGNETIC	RAP90968/AP26641
	144226-08-703	EA	PUMP MOTOR/TANK ASM-MONARCH	RAP90916/AP30348

**144226-20-000**

KEY	PART NUMBER	U/M	DESCRIPTION	VENDOR NO.
	100532-12-707	EA	SPRING KIT (PAIR)	R3847
	100532-53-700	EA	CYLINDER W/O FOOT - 9K	RAP90491/AP15891
	131306-02-701	EA	FOOT/JACK - 9K & 12K	RAP8464/AP17525
	131306-26-700	EA	MANIFOLD ASM. - 2 ROOM	RAP90870/AP20550
	144226-01-700	EA	SWITCH - WARNING/MAGNETIC	RAP90968/AP26641
	144226-08-702	EA	SENSOR/BI-AXIS - PROGRAMABLE	RAP91172/AP28010
	144226-08-703	EA	PUMP MOTOR/TANK ASM-MONARCH	RAP91168/AP30348
	144226-09-700	EA	MANIFOLD/JACKS - LIGHT WH/FD	AP21901
	144226-20-700	EA	TOUCH PAD - 325 GAS	RAP91259/AP31350
	144226-25-700	EA	ENCLOSURE BOX W/SENSING UNIT	RAP91262/AP31348

**144226-21-000**

KEY	PART NUMBER	U/M	DESCRIPTION	VENDOR NO.
	100532-12-707	EA	SPRING KIT (PAIR)	R3847
	100532-45-700	EA	CYLINDER W/O FOOT - 6K X 13"	RAP90490/AP16112
	100532-53-700	EA	CYLINDER W/O FOOT - 9K	RAP90491/AP15891
	131306-02-700	EA	FOOT/JACK - 6K	RAP2004/AP13882
	131306-02-701	EA	FOOT/JACK - 9K & 12K	RAP8464/AP17525
	131306-26-700	EA	MANIFOLD ASM. - 2 ROOM	RAP90870/AP20550
	144226-01-700	EA	SWITCH - WARNING/MAGNETIC	RAP90968/AP26641
	144226-08-703	EA	PUMP MOTOR/TANK ASM-MONARCH	RAP91168/AP30348
	144226-18-700	EA	CYLINDER W/O FOOT - 6K	RAP90490/AP26658

**144226-24-000**

KEY	PART NUMBER	U/M	DESCRIPTION	VENDOR NO.
	100532-12-707	EA	SPRING KIT (PAIR)	R3847
	100532-53-700	EA	CYLINDER W/O FOOT - 9K	RAP90491/AP15891
	131306-02-701	EA	FOOT/JACK - 9K & 12K	RAP8464/AP17525
	144226-01-700	EA	SWITCH - WARNING/MAGNETIC	RAP90968/AP26641
	144226-08-703	EA	PUMP MOTOR/TANK ASM-MONARCH	RAP91168/AP30348

**CHASSIS GROUP (CONTINUED)**  
**COMPONENT PARTS FOR HYDRAULIC LEVELING (CONTINUED)**

144226-29-000

<b>KEY</b>	<b>PART NUMBER</b>	<b>U/M</b>	<b>DESCRIPTION</b>	<b>VENDOR NO.</b>
	100532-12-707	EA	SPRING KIT (PAIR)	R3847
	131306-02-700	EA	FOOT - 6K JACK	RAP2004/AP13882
	131306-26-700	EA	MANIFOLD ASM. - 2 ROOM	RAP90870/AP20550
	144226-01-700	EA	SWITCH - WARNING/MAGNETIC	RAP90968/AP26641
	144226-08-703	EA	PUMP MOTOR/TANK ASM-MONARCH	RAP90916/AP30348
	144226-29-700	EA	CYLINDER - 6K (325)	RAP91184/AP31656

**CHASSIS GROUP (CONTINUED)**  
**WHEEL, TIRE, COVERS &/OR LINERS**

KEY	PART NUMBER	U/M	DESCRIPTION
	080208-04-000	EA	LUG WRENCH - 1 3/16" - OSHKOSH/SPARTAN - <b>WORKHORSE</b>
	080208-05-000	EA	BAR - LEVERAGE - LUG WRENCH - .75"DIA. - OSHKOSH/SPARTAN - <b>WORKHORSE</b>
	102340-07-000	EA	TIRE - 245/70R X 19.5 - LOAD RANGE F - MICHELIN XRV - <b>WORKHORSE 19.5</b>
	102340-08-000	EA	TIRE - 245/70R X 19.5F - GOODYEAR - <b>FORD 19.5</b>
	118814-05-000	EA	WHEEL - STEEL - 19.5" X 6.75" - W/STEM - GRAY - <b>WORKHORSE</b>
*	134609-02-000	EA	LINER - WHEEL - SET OF 4 - 19.5" - <b>WORKHORSE W/19.5 TIRE</b> FROM: 00-00-00 THRU: 11-14-03
	091209-16-000	EA	NUT - JAM/THREADED - 22MM
*	145580-03-000	EA	LINER - WHEEL(SET OF 4) - 19.5"/10 BOLT - <b>WORKHORSE W/19.5 TIRE</b> FROM: 11-15-03 THRU: 99-99-99
*	134609-05-000	EA	LINER - WHEEL - SET OF 4 - 22.5" - <b>WORKHORSE W/22.5 TIRE</b> FROM: 00-00-00 THRU: 07-07-03
*	145580-02-000	EA	LINER - WHEEL(SET OF 4) - 22.5"/10 BOLT - <b>WORKHORSE W/22.5 TIRE</b> FROM: 07-08-03 THRU: 99-99-99
*	110435-20-000	EA	LINER - WHEEL - SET OF 4 - 19.5" - <b>FORD W/19.5 TIRE</b>
*	150723-01-000	EA	COVER/HUB - SET - FRONT & REAR HUBS/NUT COVERS/TOOLS - <b>FORD W/22.5 TIRE</b> FROM: 03-20-04 THRU: 99-99-99
	051377-06-000	EA	VALVE STEM ASM-VS-12223R
	077030-01-000	EA	EXTENSION - VALVE STEM - 1.25"
	077030-10-000	EA	EXTENSION - VALVE STEM - .50"
	095012-07-000	EA	STABILIZER - VALVE EXTENSION - LIVE - 4"
	095012-09-000	EA	EXTENSION - VALVE STEM - LIVE - 7.7"

**\*COMPONENT PARTS LISTED LATER IN THIS GROUP**

**CHASSIS GROUP (CONTINUED)**  
**COMPONENT PARTS FOR WHEEL, TIRE, COVERS &/OR LINERS**

**110435-20-000**

KEY	PART NUMBER	U/M	DESCRIPTION	VENDOR NO.
	110435-02-704	EA	COVER-JAMB NUT	V160F0-LNC
	110435-04-705	EA	DECAL-CTR HUB 2 3/4" DIAMOND	
	110435-10-705	EA	TOOL/JAMB NUT INSTALLATION	V195P7-TOL
	110435-15-700	EA	LINER - WHEEL - FRONT	V195F9-FWC
	110435-15-701	EA	LINER - WHEEL - REAR	V195F9-RWC
	110435-20-700	EA	LNC W/ENCL M14X1.5 JAM NUT	V195F9-EJN-MF

**134609-02-000**

KEY	PART NUMBER	U/M	DESCRIPTION	VENDOR NO.
	091209-13-704	EA	NUT-JAMB-A20, 22M THREAD FRT	A20
	091209-13-705	EA	LINER - FT - 19.5" W/SST NUT COVERS	507
	091209-13-706	EA	LINER - RR W/SST NUT COVERS	508
	091209-13-708	EA	CAP-CENTER, STAINLESS	A26
	091209-13-709	EA	TOOL/JAMB NUT-ULTG/ULTI'S	M9100
	091209-16-000	EA	NUT - JAM/THREADED - 22MM	KAPER II A20
	134609-02-700	EA	COVER - LUG NUT 1 3/4"	302
	134609-02-701	EA	COVER - LUG NUT(2"DEEP)	L502

**134609-05-000**

KEY	PART NUMBER	U/M	DESCRIPTION	VENDOR NO.
	134609-03-704	EA	JAM NUT	J-A30
	134609-03-705	EA	LUG NUT COVER	L-14
	134609-03-706	EA	CAP CENTER (STAINLESS STEEL)	A-A26
	134609-03-707	EA	TOOL - JAM NUT REMOVAL	M-9300HD
	134609-05-700	EA	LINER - SIMULATOR - FRONT	S-320
	134609-05-701	EA	LINER - SIMULATOR - REAR	S-321
	134609-05-702	EA	AXLE COVER - FRONT	A-37
	134609-05-703	EA	AXLE COVER - REAR	A-38

**145580-02-000**

KEY	PART NUMBER	U/M	DESCRIPTION	VENDOR NO.
	110435-04-705	EA	DECAL-CTR HUB 2 3/4" DIAMO	2 3/4 DECAL DIAMOND
	110435-05-700	EA	CAP-CENTER, POP-OUT 4 1/2"	V22510-POC
	145580-02-700	EA	LINER - WHEEL/FRONT - 1EA=1	V22569-FWC
	145580-02-701	EA	LINER - WHEEL/REAR - 1EA=1	V22569-RWC
	145580-01-702	EA	COVER-LUG NUT/JAM NUT 22M	V22501-EJN
	145580-01-703	EA	TOOL-INSTALLATION	V22501-TOL

**145580-03-000**

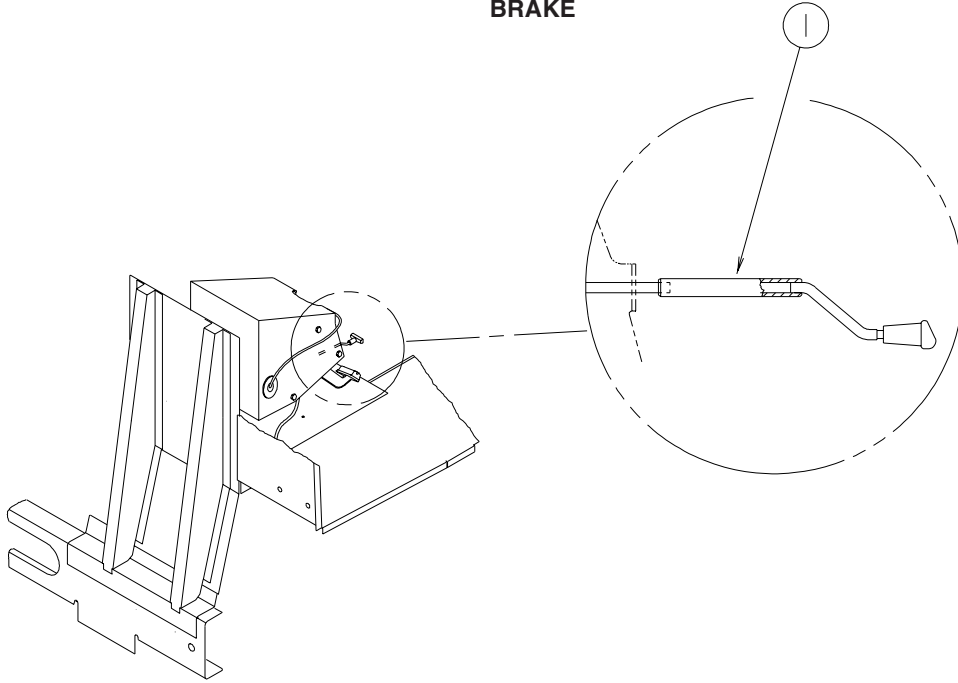
KEY	PART NUMBER	U/M	DESCRIPTION	VENDOR NO.
	110435-04-705	EA	DECAL-CTR HUB 2 3/4"	2 3/4 DECAL DIAMOND
	110435-05-700	EA	CAP-CENTER 4.50"D W/O DECAL	V22510-POC
	110435-12-700	EA	LINER - WHEEL - FRONT	V19580-FWC
	110435-12-701	EA	LINER - WHEEL - REAR	V19580-RWC
	145580-01-702	EA	COVER-LUG NUT/JAM NUT 22M	V19582-EJN
	145580-01-703	EA	TOOL-INSTALLATION	V22501-TOL

**150723-01-000**

KEY	PART NUMBER	U/M	DESCRIPTION	VENDOR NO.
	110435-04-705	EA	DECAL-CTR HUB 2 3/4"	2 3/4 DECAL DIAMOND
	110435-05-700	EA	CAP-CENTER 4.50"D W/O DECAL	V22510-POC
	145580-01-702	EA	COVER-LUG NUT/JAM NUT 22M	V19582-EJN
	145580-01-703	EA	TOOL-INSTALLATION	V22501-TOL
	150723-01-700	EA	COVER - HUB/FRONT W/CAP	VAC8275-FHC
	150723-01-701	EA	COVER - HUB/REAR	VAC8275-RHC

# CHASSIS GROUP (CONTINUED)

## BRAKE



KEY	PART NUMBER	U/M	DESCRIPTION
1	113007-01-000	EA	PIN - SPRING - .375 X 3"

## BRAKELINE

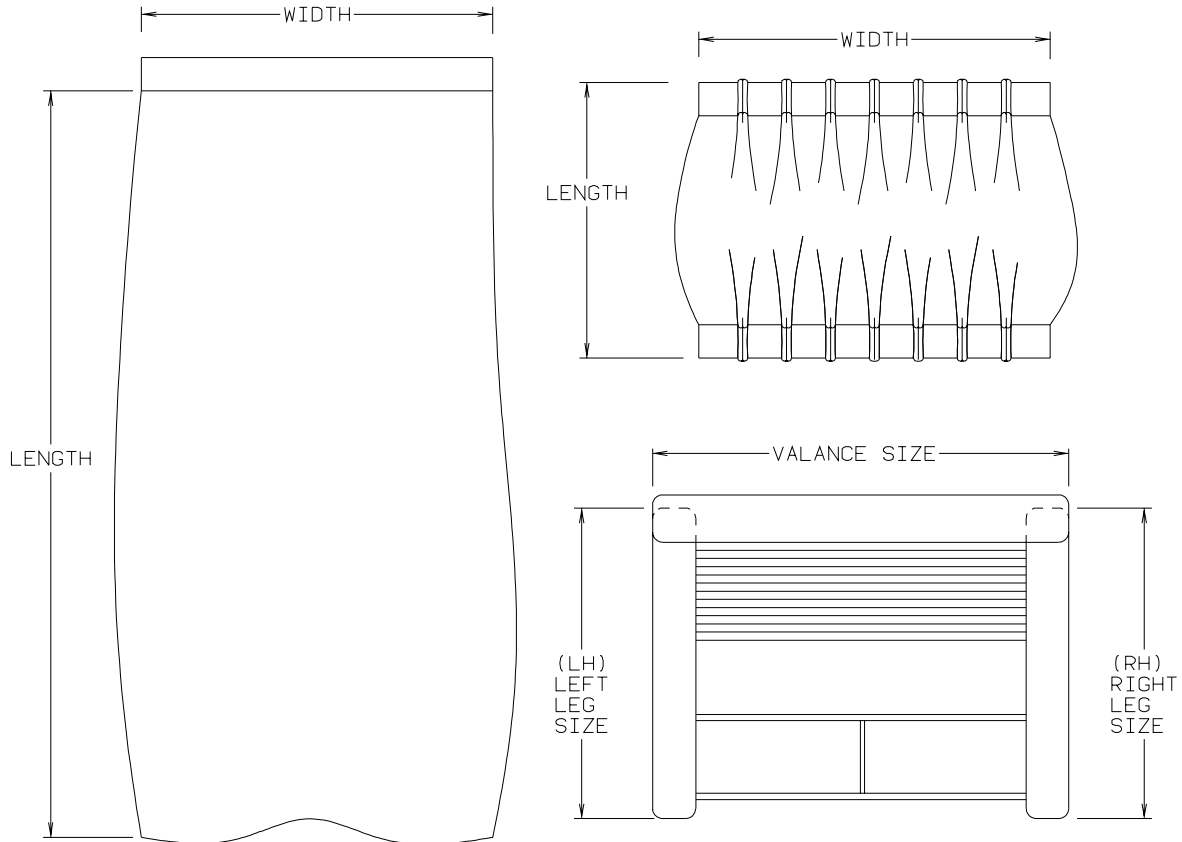
KEY	PART NUMBER	U/M	DESCRIPTION
	075466-01-000	EA	UNION - INVERTED FLAIR - 1/4"

## CURTAIN & CUSHION GROUP

### NOTICE

IN ORDER TO ASSIST OUR PARTS SALES DEPT. IN PROVIDING INTERIOR SOFTWARE ITEMS, PLEASE INCLUDE THE SERIAL NUMBER AND THE COLOR CODE NUMBER FROM THE VEHICLE CERTIFICATION LABEL WHEN ORDERING. THIS LABEL IS LOCATED ON THE LEFT SIDEWALL AT THE END OF THE DASH (A-BODY), OR ON THE DRIVER'S DOOR LATCH PLATE (C-BODY).

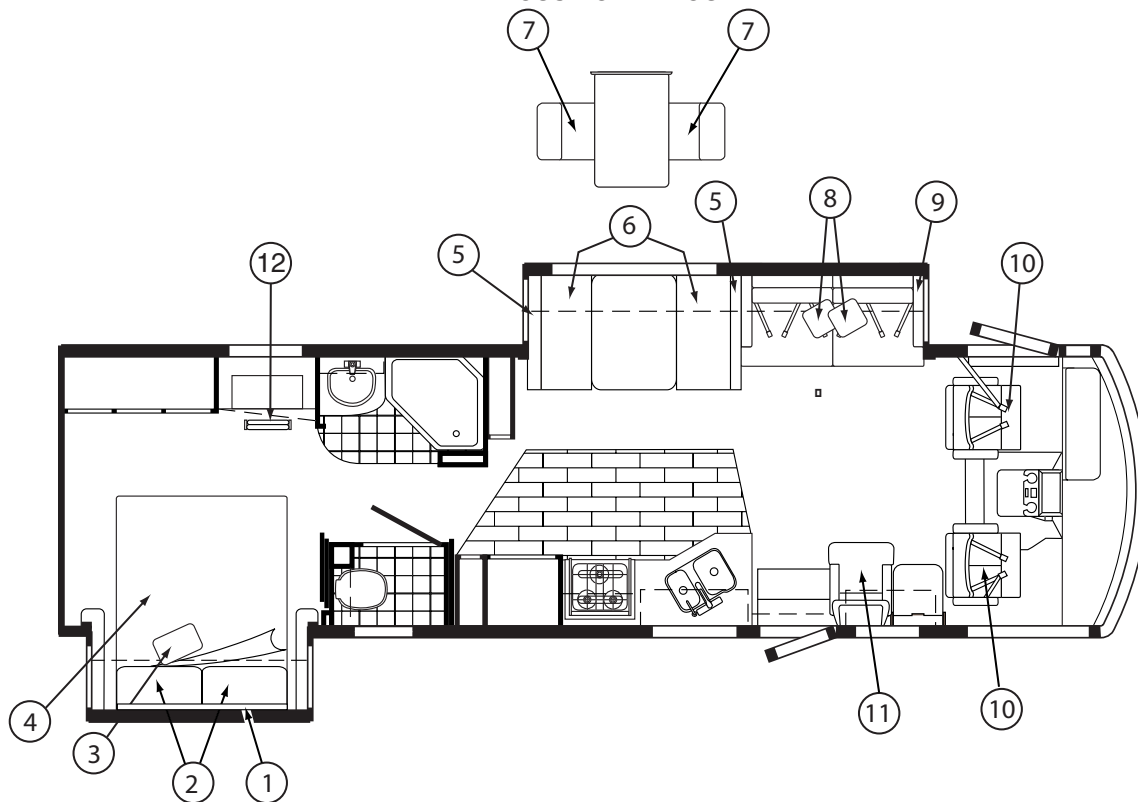
AN EXAMPLE OF A COLOR CODE NUMBER IS B07, WHICH DESIGNATES AN OVERALL COLOR SCHEME OF A PARTICULAR UNIT. THE COLOR LISTED AFTER THE ITEM DESCRIPTION ON THE MICROFICHE, INDICATES THE OVERALL UNIT COLOR. ORDER THE ITEM YOU DESIRE ACCORDING TO UNIT COLOR CODE. IF ALL COLORS USE THE SAME ITEM NO COLOR CODE WILL BE NOTED.



NOTE: USE THIS ILLUSTRATION WHEN DETERMINING LENGTH AND WIDTH MEASUREMENTS FOR CURTAINS. YOU WILL NOTE THE WIDTH MEASUREMENT IS TAKEN ON THE TOP OF THE CURTAIN WITH THE CURTAIN FULLY EXTENDED. THE LENGTH MEASUREMENT IS TAKEN FROM TOP TO BOTTOM. LEFT AND RIGHT WINDOW LEGS ARE DETERMINED WHEN FACING THE WINDOW.

# CURTAIN & CUSHION GROUP (CONTINUED)

## CUSHION LAYOUT



KEY	PART NUMBER	U/M	DESCRIPTION
1	146059-02-R44	EA	HEADBOARD - MONTICELLO - 31" X 40" - FABRIC COVERED (R44, R45, R46)
1	146059-02-R47	EA	HEADBOARD - MONTICELLO - 31" X 40" - FABRIC COVERED (R47, R48, R49)
1	146059-02-R50	EA	HEADBOARD - MONTICELLO - 31" X 40" - FABRIC COVERED (R50, R51, R52)
2	126211-08-R44	EA	PILLOW SHAM (R44, R45, R46)
2	126211-08-R47	EA	PILLOW SHAM (R47, R48, R49)
2	126211-08-R50	EA	PILLOW SHAM (R47, R48, R49)
3	132319-60-R80	EA	PILLOW - 17" - W/1" BUTTONS (R44, R45, R46)
3	132319-60-R47	EA	PILLOW - 17" - W/1" BUTTONS (R47, R48, R49)
3	132319-60-R50	EA	PILLOW - 17" - W/1" BUTTONS (R50, R51, R52)
4	132336-05-R44	EA	BEDSPREAD/CAP - 60" X 75" (R44, R45, R46)
4	132336-05-R47	EA	BEDSPREAD/CAP - 60" X 75" (R47, R48, R49)
4	132336-05-R50	EA	BEDSPREAD/CAP - 60" X 75" (R50, R51, R52)
4	123015-06-000	EA	MATTRESS - INNERSPRING - 60" X 74.5"
4	142411-01-000	EA	MATTRESS/AIR - 60" X 75" - SELECT COMFORT
	142411-03-000	EA	AIR PUMP W/CONTROLS - F/SELECT COMFORT MATTRESS
5	142723-03-R44	EA	BACK - DINETTE - 11.5" X 40" (R44, R45, R46)
5	142723-03-P57	EA	BACK - DINETTE - 11.5" X 40" (R47, R48, R49)
5	142723-03-P60	EA	BACK - DINETTE - 11.5" X 40" (R50, R51, R52)
	P42723-03-R44	EA	COVER/BACK - DINETTE - 12.5" X 40" (R44, R45, R46)
	P42723-03-P57	EA	COVER/BACK - DINETTE - 12.5" X 40" (R47, R48, R49)
	P42723-03-P60	EA	COVER/BACK - DINETTE - 12.5" X 40" (R50, R51, R52)
	143730-01-000	EA	CAP - F/DINETTE BRACKET TUBE - PLASTIC
6	142292-05-R44	EA	SEAT - DINETTE CUSHION (SPRUNG) - 23.5" X 38.5" (R44, R45, R46)
6	142292-05-P57	EA	SEAT - DINETTE CUSHION (SPRUNG) - 23.5" X 38.5" (R47, R48, R49)
6	142292-05-P60	EA	SEAT - DINETTE CUSHION (SPRUNG) - 23.5" X 38.5" (R50, R51, R52)
	P42292-05-R44	EA	COVER/SEAT - DINETTE CUSHION (SPRUNG) - 23.5" X 38.5" (R44, R45, R46)
	P42292-05-P57	EA	COVER/SEAT - DINETTE CUSHION (SPRUNG) - 23.5" X 38.5" (R47, R48, R49)
	P42292-05-P60	EA	COVER/SEAT - DINETTE CUSHION (SPRUNG) - 23.5" X 38.5" (R50, R51, R52)
	143730-01-000	EA	CAP - F/DINETTE BRACKET TUBE - PLASTIC
	142366-01-000	EA	FRAME - SPRUNG - DINETTE SEAT
7	132571-62-000	EA	CHAIR - DINETTE - IVORY/PORTSMOUTH OAK (R44)
7	132571-63-000	EA	CHAIR - DINETTE - IVORY/CONCERT CHERRY (R45)
7	132571-64-000	EA	CHAIR - DINETTE - IVORY/WASHED MAPLE (R46)
7	132571-40-000	EA	CHAIR - DINETTE - DESTIN/PORTSMOUTH OAK (R47)
7	132571-41-000	EA	CHAIR - DINETTE - DESTIN/CONCERT CHERRY (R48)
7	132571-42-000	EA	CHAIR - DINETTE - DESTIN/WASHED MAPLE (R49)
7	132571-43-000	EA	CHAIR - DINETTE - HIGH HEEL/PORTSMOUTH OAK (R50)

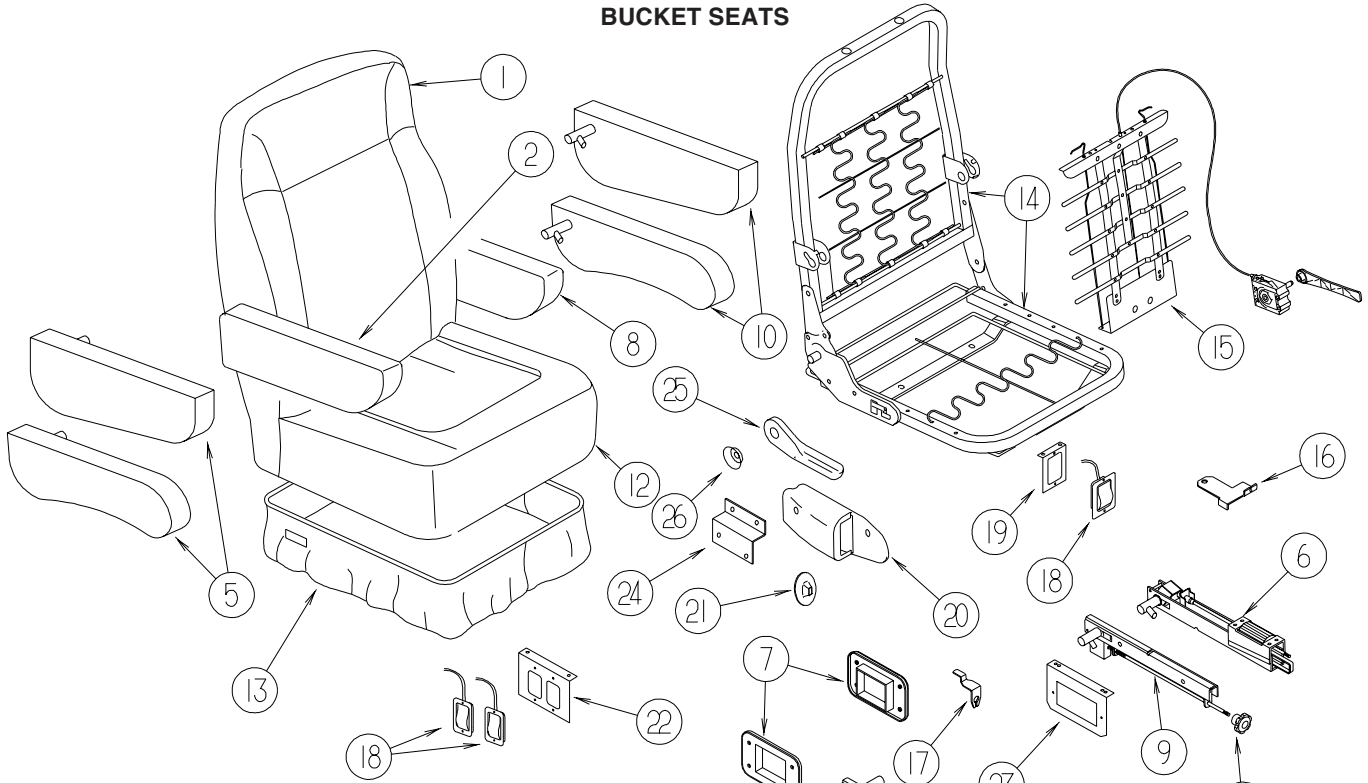
**CURTAIN & CUSHION GROUP (CONTINUED)**  
**CUSHION LAYOUT (CONTINUED)**

KEY	PART NUMBER	U/M	DESCRIPTION
7	132571-44-000	EA	CHAIR - DINETTE - HIGH HEEL/CONCERT CHERRY (R51)
7	132571-45-000	EA	CHAIR - DINETTE - HIGH HEEL/WASHED MAPLE (R52)
	135600-G1-000	EA	CHAIR - FOLDING - IVORY/PORTSMOUTH OAK (R44)
	135600-G2-000	EA	CHAIR - FOLDING - IVORY/CONCERT CHERRY (R45)
	135600-G3-000	EA	CHAIR - FOLDING - IVORY/WASHED MAPLE (R46)
	135600-95-000	EA	CHAIR - FOLDING - DESTIN/PORTSMOUTH OAK (R47)
	135600-96-000	EA	CHAIR - FOLDING - DESTIN/CONCERT CHERRY (R48)
	135600-97-000	EA	CHAIR - FOLDING - DESTIN/WASHED MAPLE (R49)
	135600-B3-000	EA	CHAIR - FOLDING - HIGH HEEL/PORTSMOUTH OAK (R50)
	135600-B4-000	EA	CHAIR - FOLDING - HIGH HEEL/CONCERT CHERRY (R51)
	135600-B5-000	EA	CHAIR - FOLDING - HIGH HEEL/WASHED MAPLE (R52)
8	132319-59-R80	EA	PILLOW - 17" - W/FROWN OVERLAY (R44, R45, R46)
8	132319-59-R22	EA	PILLOW - 17" - W/FROWN OVERLAY (R47, R48, R49)
8	132319-59-R19	EA	PILLOW - 17" - W/FROWN OVERLAY (R50, R51, R52)
9	138095-13-R44	EA	SOFA/SLEEPER - REST EASY #805/830 ARMS-30"F-W/TRAY (R44, R45, R46)
9	138095-13-R47	EA	SOFA/SLEEPER - REST EASY #805/830 ARMS-30"F-W/TRAY (R47, R48, R49)
9	138095-13-R50	EA	SOFA/SLEEPER - REST EASY #805/830 ARMS-30"F-W/TRAY (R50, R51, R52)
9	138095-22-R47	EA	SOFA/SLEEPER - REST EASY #805/830 ARMS-30"F-W/TRAY- <b>ULTRA LEATHER</b>
9	138647-19-R44	EA	SOFA/SLEEPER R E/DUAL CONTROLS-#815/830 ARMS-30"FF (R44, R45, R46) - <b>DUAL RESTEASY</b> FROM: 00-00-00 THRU: 01-18-04
9	138647-28-R44	EA	SOFA/SLEEPER R E/DUAL CONTROLS-#815/830 ARMS-30"FF (R44, R45, R46) - <b>DUAL RESTEASY</b> FROM: 01-19-04 THRU: 99-99-99
9	138647-19-R47	EA	SOFA/SLEEPER R E/DUAL CONTROLS-#815/830 ARMS-30"FF (R47, R48, R49) - <b>DUAL RESTEASY</b> FROM: 00-00-00 THRU: 01-18-04
9	138647-28-R47	EA	SOFA/SLEEPER R E/DUAL CONTROLS-#815/830 ARMS-30"FF (R47, R48, R49) - <b>DUAL RESTEASY</b> FROM: 01-19-04 THRU: 99-99-99
9	138647-19-R50	EA	SOFA/SLEEPER R E/DUAL CONTROLS-#815/830 ARMS-30"FF (R50, R51, R52) - <b>DUAL RESTEASY</b> FROM: 00-00-00 THRU: 01-18-04
9	138647-28-R50	EA	SOFA/SLEEPER R E/DUAL CONTROLS-#815/830 ARMS-30"FF (R50, R51, R52) - <b>DUAL RESTEASY</b> FROM: 01-19-04 THRU: 99-99-99
9	139202-07-N62	EA	SOFA/DUAL SLEEPER/TRUNDLE - RECLINER/POWERED - <b>ULTRA LEATHER DUAL RESTEASY</b> FROM: 00-00-00 THRU: 01-18-04
9	138647-30-R44	EA	SOFA/DUAL REST EASY/DUAL CONTROLS-#815/830 ARMS-30"FF - <b>ULTRA LEATHER DUAL RESTEASY</b> FROM: 01-19-04 THRU: 99-99-99
10	145952-01-R80	EA	SEAT - BUCKET W/LUMBAR - DRIVER/PASSENGER (R44, R45, R46) FROM: 00-00-00 THRU: 09-07-03
10	145952-04-R80	EA	SEAT - BUCKET W/LUMBAR - DRIVER/PASSENGER (R44, R45, R46) FROM: 09-08-03 THRU: 99-99-99
10	145952-01-R47	EA	SEAT - BUCKET W/LUMBAR - DRIVER/PASSENGER (R47, R48, R49) FROM: 00-00-00 THRU: 09-07-03
10	145952-04-R47	EA	SEAT - BUCKET W/LUMBAR - DRIVER/PASSENGER (R47, R48, R49) FROM: 09-08-03 THRU: 99-99-99
10	145952-01-R50	EA	SEAT - BUCKET W/LUMBAR - DRIVER/PASSENGER (R50, R51, R52) FROM: 00-00-00 THRU: 09-07-03
10	145952-04-R50	EA	SEAT - BUCKET W/LUMBAR - DRIVER/PASSENGER (R50, R51, R52) FROM: 09-08-03 THRU: 99-99-99
10	145291-03-R44	EA	SEAT - BUCKET W/LUMBAR - DRIVER/PASSENGER - <b>ULTRA LEATHER</b> FROM: 00-00-00 THRU: 09-07-03
10	145291-06-R44	EA	SEAT - BUCKET W/LUMBAR - DRIVER/PASSENGER - <b>ULTRA LEATHER</b> FROM: 09-08-03 THRU: 99-99-99
11	142958-01-R44	EA	CHAIR - RECLINER/GLIDER - W/SWIVEL BASE/FOOTREST (R44, R45, R46)
11	142958-01-R47	EA	CHAIR - RECLINER/GLIDER - W/SWIVEL BASE/FOOTREST (R47, R48, R49)
11	142958-01-R50	EA	CHAIR - RECLINER/GLIDER - W/SWIVEL BASE/FOOTREST (R50, R51, R52)
11	142958-02-P84	EA	CHAIR - RECLINER/GLIDER - W/SWIVEL BASE/FOOTREST - <b>ULTRA LEATHER</b>
12	135600-G1-000	EA	CHAIR - FOLDING - IVORY/PORTSMOUTH OAK (R44)
12	135600-G2-000	EA	CHAIR - FOLDING - IVORY/CONCERT CHERRY (R45)
12	135600-G3-000	EA	CHAIR - FOLDING - IVORY/WASHED MAPLE (R46)
12	135600-95-000	EA	CHAIR - FOLDING - DESTIN/PORTSMOUTH OAK (R47)
12	135600-96-000	EA	CHAIR - FOLDING - DESTIN/CONCERT CHERRY (R48)
12	135600-97-000	EA	CHAIR - FOLDING - DESTIN/WASHED MAPLE (R49)
12	135600-B3-000	EA	CHAIR - FOLDING - HIGH HEEL/PORTSMOUTH OAK (R50)
12	135600-B4-000	EA	CHAIR - FOLDING - HIGH HEEL/CONCERT CHERRY (R51)
12	135600-B5-000	EA	CHAIR - FOLDING - HIGH HEEL/WASHED MAPLE (R52)



## CURTAIN & CUSHION GROUP (CONTINUED)

### BUCKET SEATS



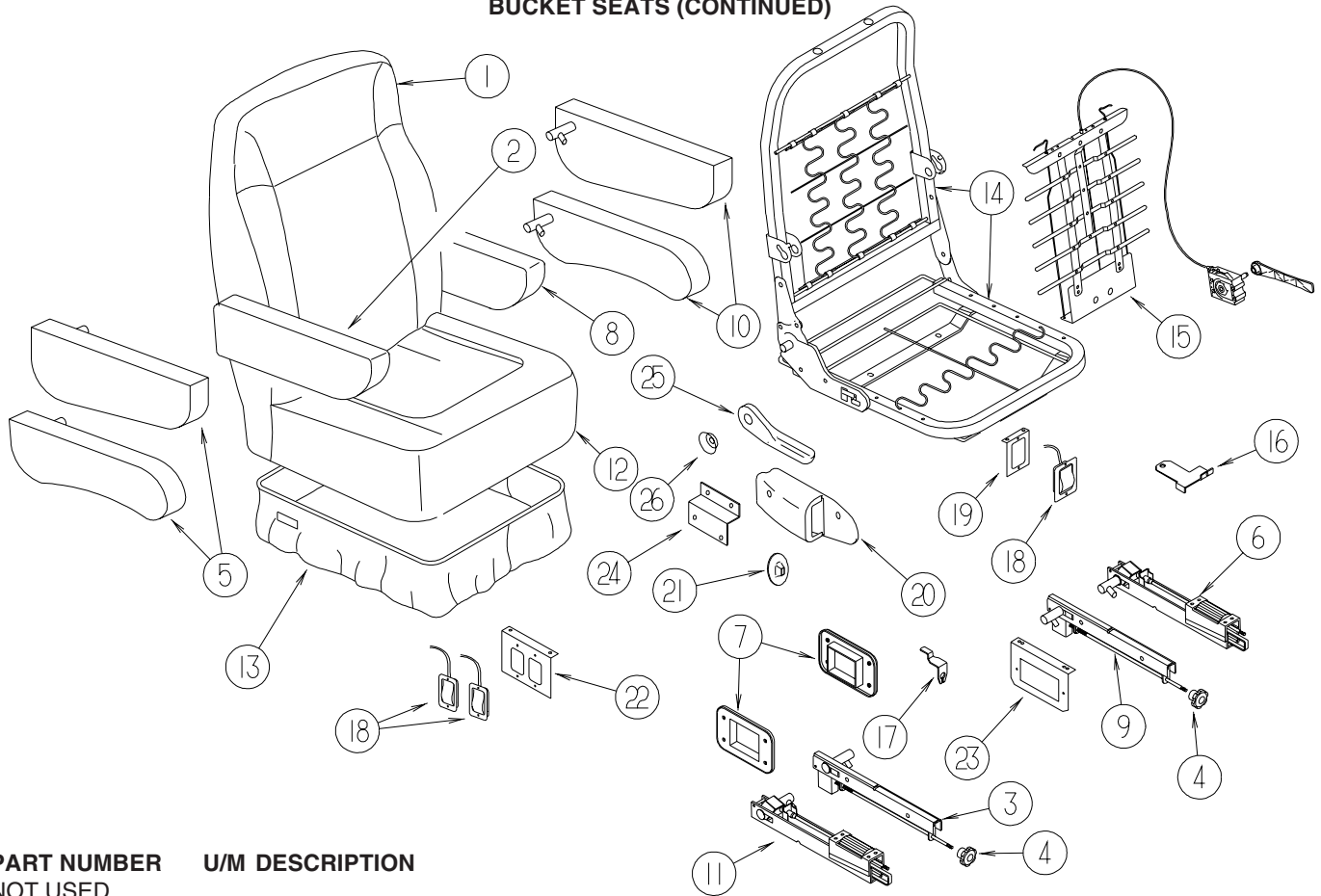
KEY	PART NUMBER	U/M	DESCRIPTION
1	M05962-H7-R80	EA	COVER/BACK (R44,R45,R46)
1	M05962-H7-R47	EA	COVER/BACK (R47,R48,R49)
1	M05962-H7-R50	EA	COVER/BACK (R50,R51,R52)
1	M05962-J1-R44	EA	COVER/BACK - <b>ULTRA LEATHER</b>
2	129666-05-R44	EA	ARMREST - RIGHT HAND (R44,R45,R46) FROM: 00-00-00 THRU: 09-07-03
2	148705-01-R44	EA	ARMREST - RIGHT HAND (R44,R45,R46) FROM: 09-08-03 THRU: 99-99-99
2	129666-05-R47	EA	ARMREST - RIGHT HAND (R47,R48,R49) FROM: 00-00-00 THRU: 09-07-03
2	148705-01-R47	EA	ARMREST - RIGHT HAND (R47,R48,R49) FROM: 09-08-03 THRU: 99-99-99
2	129666-05-R50	EA	ARMREST - RIGHT HAND (R50,R51,R52) FROM: 00-00-00 THRU: 09-07-03
2	148705-01-R50	EA	ARMREST - RIGHT HAND (R50,R51,R52) FROM: 09-08-03 THRU: 99-99-99
2	129666-17-P54	EA	ARMREST - RIGHT HAND - <b>ULTRA LEATHER</b> FROM: 00-00-00 THRU: 09-07-03
2	148705-03-R74	EA	ARMREST - RIGHT - <b>ULTRA LEATHER</b> FROM: 09-08-03 THRU: 99-99-99
	P29666-05-R44	EA	COVER/ARMREST - RIGHT HAND (R44,R45,R46) FROM: 00-00-00 THRU: 09-07-03
	P48705-01-R44	EA	COVER/ARMREST - RIGHT HAND (R44,R45,R46) FROM: 09-08-03 THRU: 99-99-99
	P29666-05-R47	EA	COVER/ARMREST - RIGHT HAND (R47,R48,R49) FROM: 00-00-00 THRU: 09-07-03
	P48705-01-R47	EA	COVER/ARMREST - RIGHT HAND (R47,R48,R49) FROM: 09-08-03 THRU: 99-99-99
	P29666-05-R50	EA	COVER/ARMREST - RIGHT HAND (R50,R51,R52) FROM: 00-00-00 THRU: 09-07-03
	P48705-01-R50	EA	COVER/ARMREST - RIGHT HAND (R50,R51,R52) FROM: 09-08-03 THRU: 99-99-99
	P29666-17-P54	EA	COVER/ARMREST - RIGHT HAND - <b>ULTRA LEATHER</b> FROM: 00-00-00 THRU: 09-07-03
	P48705-03-R74	EA	COVER/ARMREST - RIGHT - <b>ULTRA LEATHER</b> FROM: 09-08-03 THRU: 99-99-99

**CURTAIN & CUSHION GROUP (CONTINUED)**  
**BUCKET SEATS (CONTINUED)**

KEY	PART NUMBER	U/M	DESCRIPTION
3	122622-04-000	EA	BRACKET - ARMREST/RIGHT HAND FROM: 00-00-00 THRU: 09-07-03
4	122622-06-000	EA	KNOB - W/3/8" THREAD INSERT FROM: 00-00-00 THRU: 09-07-03
5	130699-01-000	EA	ARMREST/MOLDED - RIGHT - W/O COVER FROM: 00-00-00 THRU: 09-07-03
6	148751-01-000	EA	BRACKET - ARMREST/RIGHT HAND FROM: 09-08-03 THRU: 99-99-99
7	148751-03-000	EA	BRACKET - ROLLER TRIM PLATE FROM: 09-08-03 THRU: 99-99-99
8	129666-06-R44	EA	ARMREST - LEFT HAND (R44,R45,R46) FROM: 00-00-00 THRU: 09-07-03
8	148705-02-R44	EA	ARMREST - LEFT HAND (R44,R45,R46) FROM: 09-08-03 THRU: 99-99-99
8	129666-06-R47	EA	ARMREST - LEFT HAND (R47,R48,R49) FROM: 00-00-00 THRU: 09-07-03
8	148705-02-R47	EA	ARMREST - LEFT HAND (R47,R48,R49) FROM: 09-08-03 THRU: 99-99-99
8	129666-06-R50	EA	ARMREST - LEFT HAND (R50,R51,R52) FROM: 00-00-00 THRU: 09-07-03
8	148705-02-R50	EA	ARMREST - LEFT HAND (R50,R51,R52) FROM: 09-08-03 THRU: 99-99-99
8	129666-18-P54	EA	ARMREST - LEFT HAND - <b>ULTRA LEATHER</b> FROM: 00-00-00 THRU: 09-07-03
8	148705-04-R44	EA	ARMREST - LEFT - <b>ULTRA LEATHER</b> FROM: 09-08-03 THRU: 99-99-99
	P29666-06-R44	EA	COVER/ARMREST - LEFT HAND (R44,R45,R46) FROM: 00-00-00 THRU: 09-07-03
	P48705-02-R44	EA	COVER/ARMREST - LEFT HAND (R44,R45,R46) FROM: 09-08-03 THRU: 99-99-99
	P29666-06-R47	EA	COVER/ARMREST - LEFT HAND (R47,R48,R49) FROM: 00-00-00 THRU: 09-07-03
	P48705-02-R47	EA	COVER/ARMREST - LEFT HAND (R47,R48,R49) FROM: 09-08-03 THRU: 99-99-99
	P29666-06-R50	EA	COVER/ARMREST - LEFT HAND (R50,R51,R52) FROM: 00-00-00 THRU: 09-07-03
	P48705-02-R50	EA	COVER/ARMREST - LEFT HAND (R50,R51,R52) FROM: 09-08-03 THRU: 99-99-99
	P29666-18-P54	EA	COVER/ARMREST - LEFT HAND - <b>ULTRA LEATHER</b> FROM: 00-00-00 THRU: 09-07-03
	P48705-04-R74	EA	COVER/ARMREST - LEFT - <b>ULTRA LEATHER</b> FROM: 09-08-03 THRU: 99-99-99
9	122622-05-000	EA	BRACKET - ARMREST/LEFT HAND FROM: 00-00-00 THRU: 09-07-03
10	130699-02-000	EA	ARMREST/MOLDED - LEFT - W/O COVER FROM: 00-00-00 THRU: 09-07-03
11	148751-02-000	EA	BRACKET - ARMREST/LEFT HAND FROM: 09-08-03 THRU: 99-99-99
12	M05962-H8-R80	EA	COVER/SEAT (R44,R45,R46)
12	M05962-H8-R47	EA	COVER/SEAT (R47,R48,R49)
12	M05962-H8-R50	EA	COVER/SEAT (R50,R51,R52)
12	M05962-J0-R44	EA	COVER/SEAT - <b>ULTRA LEATHER</b>
13	071126-85-R80	EA	SKIRT - BUCKET SEAT - W/FRONT SLIDE RELEASE (R44,R45,R46)
13	071126-85-R47	EA	SKIRT - BUCKET SEAT - W/FRONT SLIDE RELEASE (R47,R48,R49)
13	071126-85-R50	EA	SKIRT - BUCKET SEAT - W/FRONT SLIDE RELEASE (R50,R51,R52)
13	071126-86-R35	EA	SKIRT - BUCKET SEAT - W/FRONT SLIDE RELEASE - <b>ULTRA LEATHER</b>
14	134532-01-000	EA	FRAME - SEAT/HIGH BACK
15*	122611-02-000	EA	LUMBAR - W/LEVER
16	117125-01-02B	EA	BRACKET - CABLE MOUNT - ADJUSTER W/LOCK
17	108049-02-000	EA	CLIP - CABLE/PEDESTAL
18	108049-04-000	EA	CABLE - W/MINI LEVER ACTION SWITCH - 28" SHEATH/30" CABLE
19	127159-01-02B	EA	BRACKET - SEAT RELEASE - SINGLE REMOTE - E-COATED - <b>POWER SEAT</b>
20			NOT USED

## CURTAIN & CUSHION GROUP (CONTINUED)

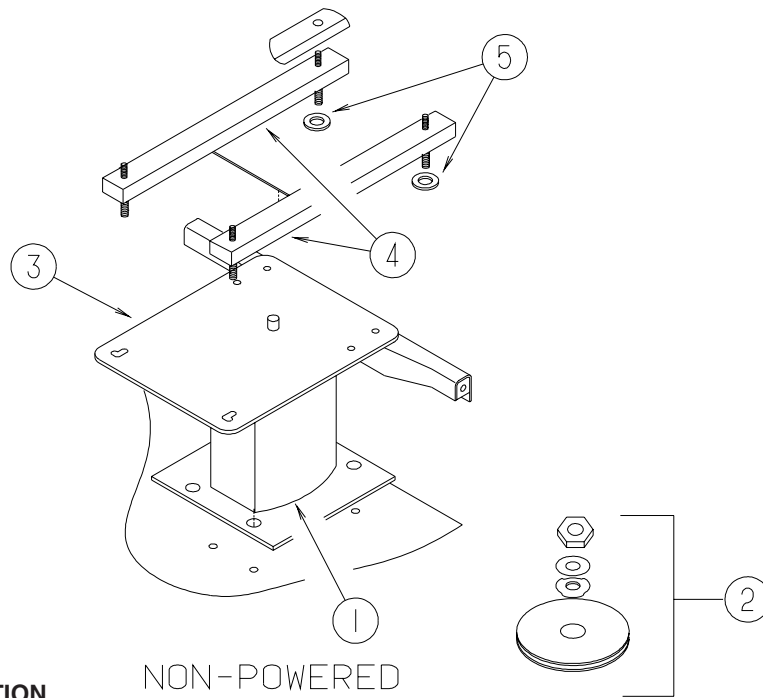
### BUCKET SEATS (CONTINUED)



KEY	PART NUMBER	U/M	DESCRIPTION
	21		NOT USED
	22	EA	BRACKET - SEAT RELEASE - DUAL REMOTE - E-COATED
	23	EA	BRACKET - SEAT SWITCH - E-COATED - <b>POWER SEAT</b>
	24	EA	BRACKET - ZEE W/HOLES - 2.8" - E-COATED
	25	EA	LEVER - RIGHT HAND
	26	EA	SCREW F/LEVER

**\*COMPONENT PARTS LISTED LATER IN THIS GROUP**

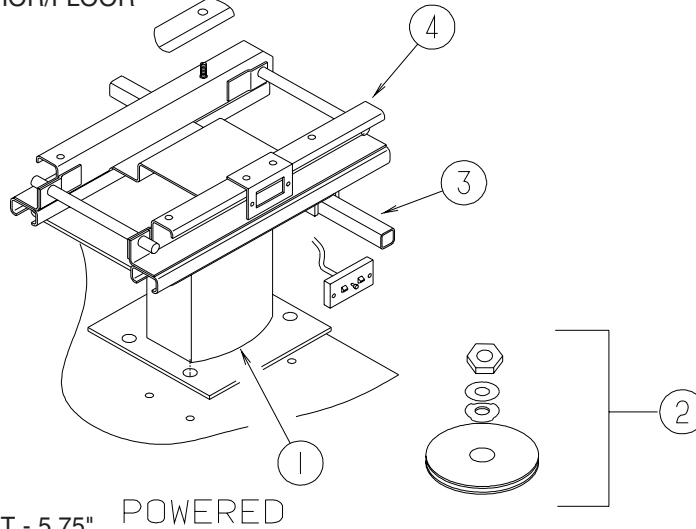
**CURTAIN & CUSHION GROUP (CONTINUED)**  
**BUCKET SEATS (CONTINUED)**



**DRIVER**

NON-POWERED

KEY	PART NUMBER	U/M	DESCRIPTION
1	133408-01-000	EA	PEDESTAL - SEAT - DRIVER/PASSENGER - 9 3/4"
2	107921-06-000	EA	BEARING KIT - PEDESTAL
3	133408-19-000	EA	TOP PLATE - DRIVERS - W/ANCHOR
4	131566-04-000	EA	SLIDE/SEAT - HEAVY DUTY LOCKING - 5"
	119952-07-000	EA	WIRE - LATCH RELEASE/ROTARY
5	131566-05-000	EA	WASHER - SLIDE SPACER
	133408-03-000	EA	BRACKET - ANCHOR/PEDESTAL
	133408-04-000	EA	BRACKET - ANCHOR/FLOOR



**DRIVER**

POWERED

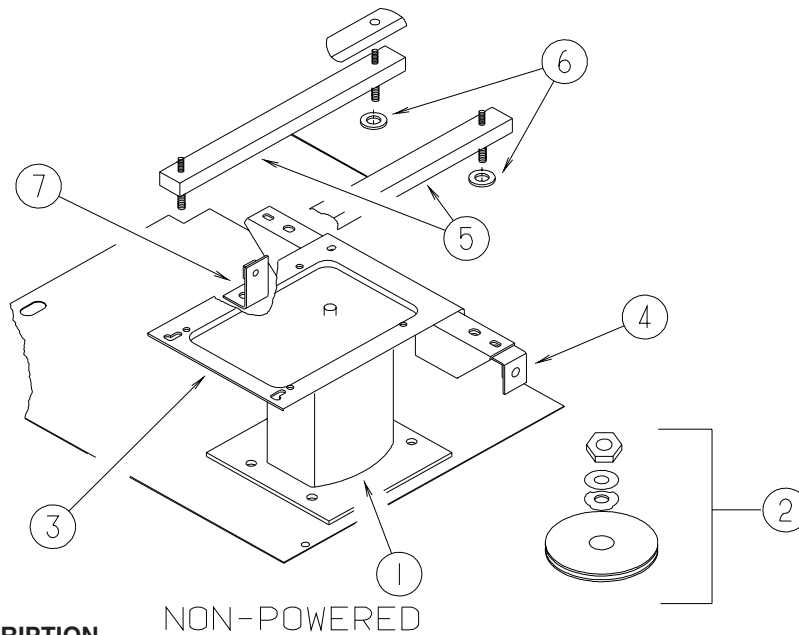
KEY	PART NUMBER	U/M	DESCRIPTION
1	133408-05-000	EA	PEDESTAL - SEAT - 5.75"
2	107921-06-000	EA	BEARING KIT - PEDESTAL
3	133408-19-000	EA	TOP PLATE - DRIVERS - W/ANCHOR
4*	081373-03-000	EA	SEAT - POWER 6 WAY
4	147767-01-000	EA	SEAT - POWER - 6-WAY
	133408-03-000	EA	BRACKET - ANCHOR/PEDESTAL
	133408-04-000	EA	BRACKET - ANCHOR/FLOOR

FROM: 00-00-00 THRU: 11-30-03

FROM: 12-01-03 THRU: 99-99-99

**\*COMPONENT PARTS LISTED LATER IN THIS GROUP**

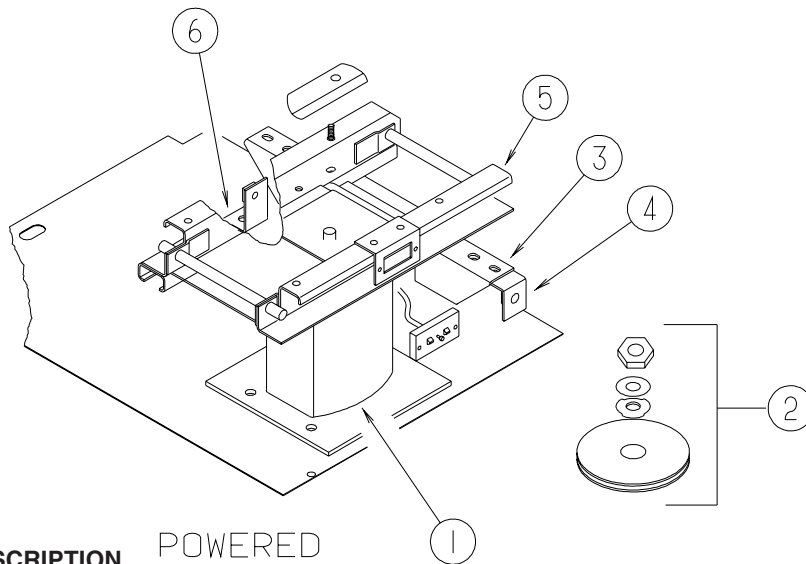
**CURTAIN & CUSHION GROUP (CONTINUED)**  
**BUCKET SEATS (CONTINUED)**



**PASSENGER**

NON-POWERED

KEY	PART NUMBER	U/M	DESCRIPTION
1	133408-01-000	EA	PEDESTAL - SEAT - DRIVER/PASSENGER - 9 3/4"
2	107921-06-000	EA	BEARING KIT - PEDESTAL
3	133408-20-000	EA	TOP PLATE - PASSENGER - W/ANCHOR
4	133408-03-000	EA	BRACKET - ANCHOR/PEDESTAL
5	131566-04-000	EA	SLIDE/SEAT - HEAVY DUTY LOCKING - 5"
	119952-07-000	EA	WIRE - LATCH RELEASE/ROTARY
6	131566-05-000	EA	WASHER - SLIDE SPACER
7	133408-04-000	EA	BRACKET - ANCHOR/FLOOR



**PASSENGER**

POWERED

KEY	PART NUMBER	U/M	DESCRIPTION
1	133408-05-000	EA	PEDESTAL - SEAT - 5.75"
2	107921-06-000	EA	BEARING KIT - PEDESTAL
3	133408-20-000	EA	TOP PLATE - PASSENGER - W/ANCHOR
4	133408-03-000	EA	BRACKET - ANCHOR/PEDESTAL
5*	081373-03-000	EA	SEAT - POWER 6 WAY
5	147767-02-000	EA	SEAT - POWER - 6-WAY
6	133408-04-000	EA	BRACKET - ANCHOR/FLOOR

FROM: 00-00-00 THRU: 11-30-03

FROM: 12-01-03 THRU: 99-99-99

\*COMPONENT PARTS LISTED LATER IN THIS GROUP

**CURTAIN & CUSHION GROUP (CONTINUED)**  
**COMPONENT PARTS FOR BUCKET SEATS**

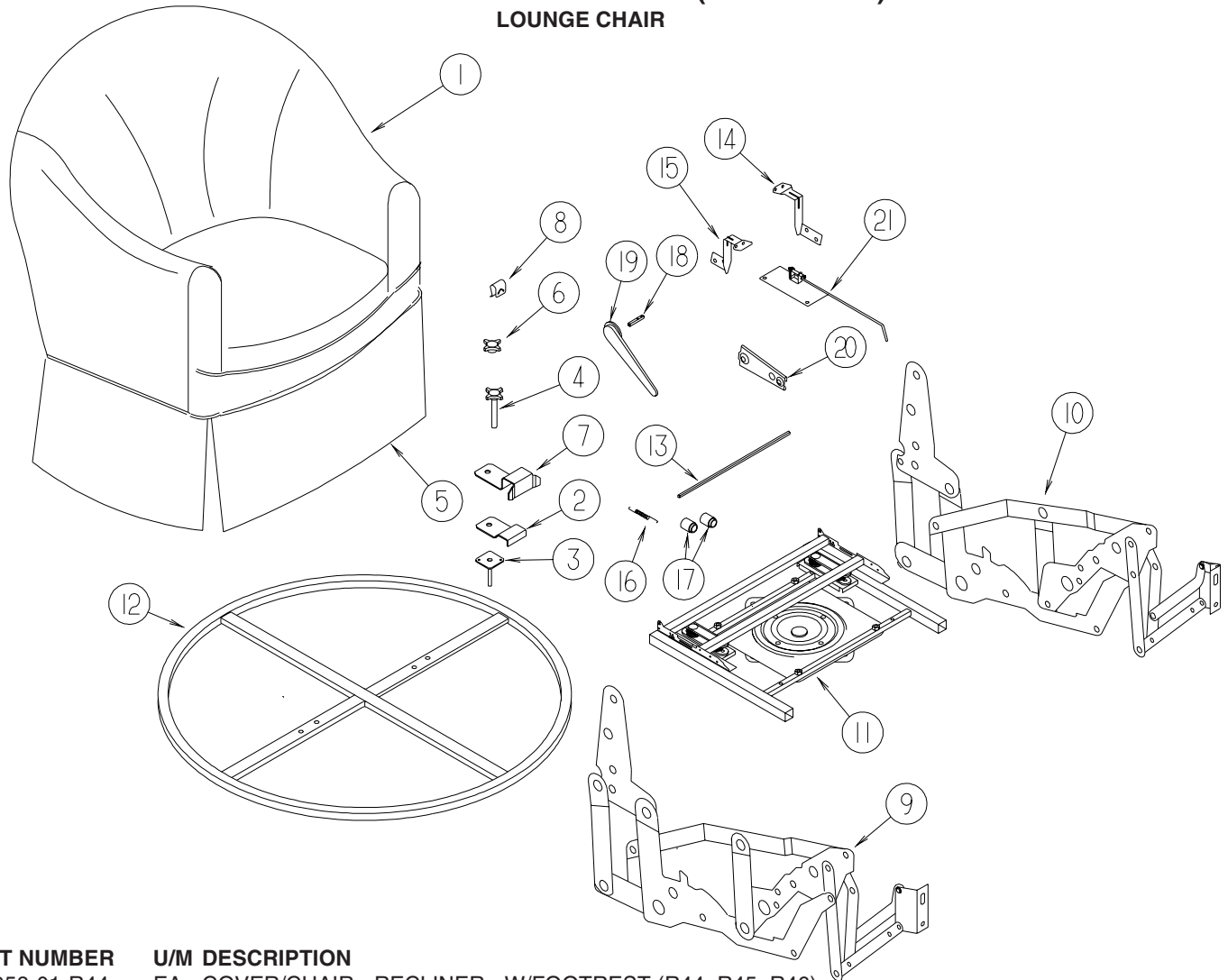
**081373-03-000**

<b>KEY</b>	<b>PART NUMBER</b>	<b>U/M</b>	<b>DESCRIPTION</b>	<b>VENDOR NO.</b>
1	081373-03-700	EA	SWITCH POWER	22543667 BLACK
2	081373-03-701	EA	WIRE HARNESS ASM., LT. SIDE	22138093
2	081373-03-702	EA	WIRE HARNESS ASM., RT. SIDE	22138094
3	081373-02-703	EA	MOTOR / HORIZONTAL	22128095
4	081373-02-704	EA	MOTOR PKG. ADJ. VERTICAL	22063238 & H-196
5	081373-03-704	EA	DRIVE CABLE	22143984
6	081373-03-705	EA	SPRING	22048978
7	081373-03-706	EA	SHOE GUIDE (WHITE)	22048993
8	081373-03-707	EA	SHOE GUIDE (BLACK)	22048994
	081373-03-700	EA	SWITCH POWER	22137945

**122611-02-000**

<b>KEY</b>	<b>PART NUMBER</b>	<b>U/M</b>	<b>DESCRIPTION</b>	<b>VENDOR NO.</b>
	122611-02-701	EA	LUMBAR - LEVER	412
	122611-02-702	EA	LUMBAR MECHANISM	24395-FLEXSTEEL

**CURTAIN & CUSHION GROUP (CONTINUED)**  
**LOUNGE CHAIR**

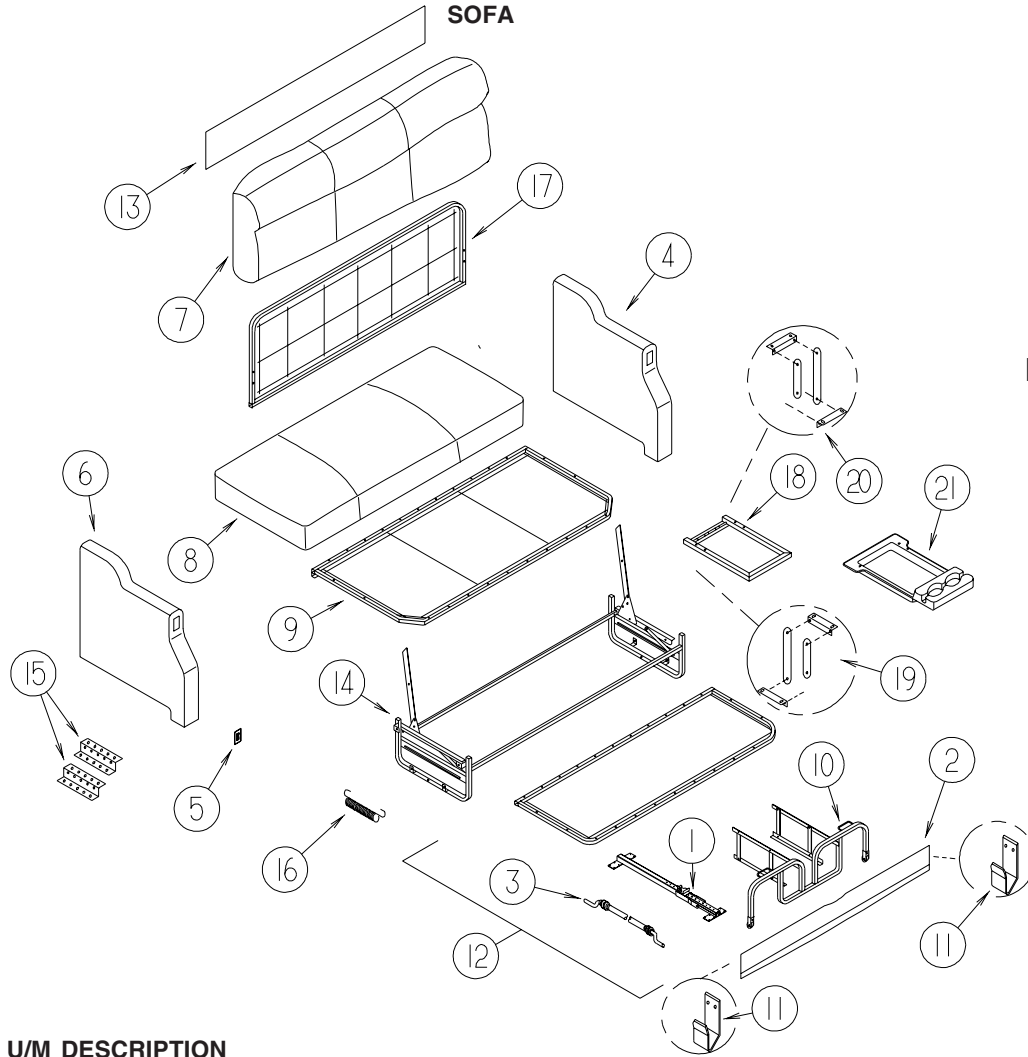


KEY	PART NUMBER	U/M	DESCRIPTION
1	P42958-01-R44	EA	COVER/CHAIR - RECLINER - W/FOOTREST (R44, R45, R46)
1	P42958-01-R47	EA	COVER/CHAIR - RECLINER - W/FOOTREST (R47, R48, R49)
1	P42958-01-R50	EA	COVER/CHAIR - RECLINER - W/FOOTREST (R50, R51, R52)
1	P42958-02-P84	EA	COVER/CHAIR - RECLINER - W/FOOTREST - <b>ULTRALEATHER</b>
2	134057-01-11B	EA	BRACKET - RECLINER - FLAT BLACK
3	134128-02-02B	EA	PLATE - W/HOLES - W/WELDNUT - E-COATED
4	134194-01-01A	EA	KNOB - HOLD DOWN/RECLINER - BLACK
5	NOT USED		
6	140334-01-01A	EA	KNOB HOLD DOWN/RECLINER - <b>USED WHEN CHAIR IS IN SLIDEOUT ROOM</b>
7	NOT USED		
8	029134-01-000	EA	CLIP - FINISH - UPHOLSTERY
9	133126-01-000	EA	RECLINER MECHANISM - RIGHT HAND (WHEN SITTING IN CHAIR)
10	133126-02-000	EA	RECLINER MECHANISM - LEFT HAND (WHEN SITTING IN CHAIR)
11	133126-03-000	EA	BASE - SWIVEL/ROCKER - W/O FLOOR RING
12	133126-04-000	EA	FLOOR RING - 24" DIAMETER
13	133126-05-000	EA	HANDLE TUBE/DRIVE - 23.3" LONG (JOINS OPERATORS)
14	133126-06-000	EA	BRACKET - OTTOMAN/FIXED MID - RIGHT HAND
15	133126-07-000	EA	BRACKET - OTTOMAN/FIXED MID - LEFT HAND
16	133126-08-000	EA	SPRING/LOCKING
17	133126-09-000	EA	BUSHING - F/HANDLE TUBE - PLASTIC
18	133126-10-000	EA	HANDLE MOUNTING TUBE - 3.3" LONG
19	133126-11-000	EA	RECLINER - (PLASTIC HANDLE)
20	133126-12-000	EA	BRACKET - BACK SLEEVE
21	147314-01-000	EA	LOCKOUT - ROCKER/RECLINER



## CURTAIN & CUSHION GROUP (CONTINUED)

SOFA



**RESTEASY**

KEY	PART NUMBER	U/M	DESCRIPTION
1*	148226-01-000	EA	SLIDE RAIL - W/LATCH MECH/PLATES/STOP F/30" FLAT FLOOR
2	135824-07-R80	EA	PANEL/FRONT KICK - SOFA/SLEEPER - 59.5" - FABRIC COVERED (R44, R45, R46)
2	135824-07-P57	EA	PANEL/FRONT KICK - SOFA/SLEEPER - 59.5" - FABRIC COVERED (R47, R48, R49)
2	135824-07-P60	EA	PANEL/FRONT KICK - SOFA/SLEEPER - 59.5" - FABRIC COVERED (R50, R51, R52)
2	135824-09-N84	EA	PANEL/FRONT KICK - SOFA/SLEEPER - 59.5" - FABRIC COVERED - <b>ULTRA LEATHER</b>
3	148225-01-000	EA	CABLE ONLY - REMOTE - 31.9" W/Z-ENDS
4	135823-12-R44	EA	ARMREST - LEFT HAND (R44, R45, R46)
4	135823-12-R47	EA	ARMREST - LEFT HAND (R47, R48, R49)
4	135823-12-R50	EA	ARMREST - LEFT HAND (R50, R51, R52)
4	149886-04-N47	EA	ARMREST - LEFT HAND - <b>ULTRA LEATHER</b>
	P35823-12-R44	EA	COVER/ARMREST - LEFT HAND (R44, R45, R46)
	P35823-12-R47	EA	COVER/ARMREST - LEFT HAND (R47, R48, R49)
	P35823-12-R50	EA	COVER/ARMREST - LEFT HAND (R50, R51, R52)
	P49886-04-N47	EA	COVER/ARMREST - LEFT HAND - <b>ULTRA LEATHER</b>
5	136118-01-000	EA	SWITCH - SOFA/RECLINER
6	135823-11-R44	EA	ARMREST - RIGHT HAND (R44, R45, R46)
6	135823-11-R47	EA	ARMREST - RIGHT HAND (R47, R48, R49)
6	135823-11-R50	EA	ARMREST - RIGHT HAND (R50, R51, R52)
6	149886-03-N47	EA	ARMREST - RIGHT HAND - <b>ULTRA LEATHER</b>
	P35823-11-R44	EA	COVER/ARMREST - RIGHT HAND (R44, R45, R46)
	P35823-11-R47	EA	COVER/ARMREST - RIGHT HAND (R47, R48, R49)
	P35823-11-R50	EA	COVER/ARMREST - RIGHT HAND (R50, R51, R52)
	P49886-03-N47	EA	COVER/ARMREST - RIGHT HAND - <b>ULTRA LEATHER</b>

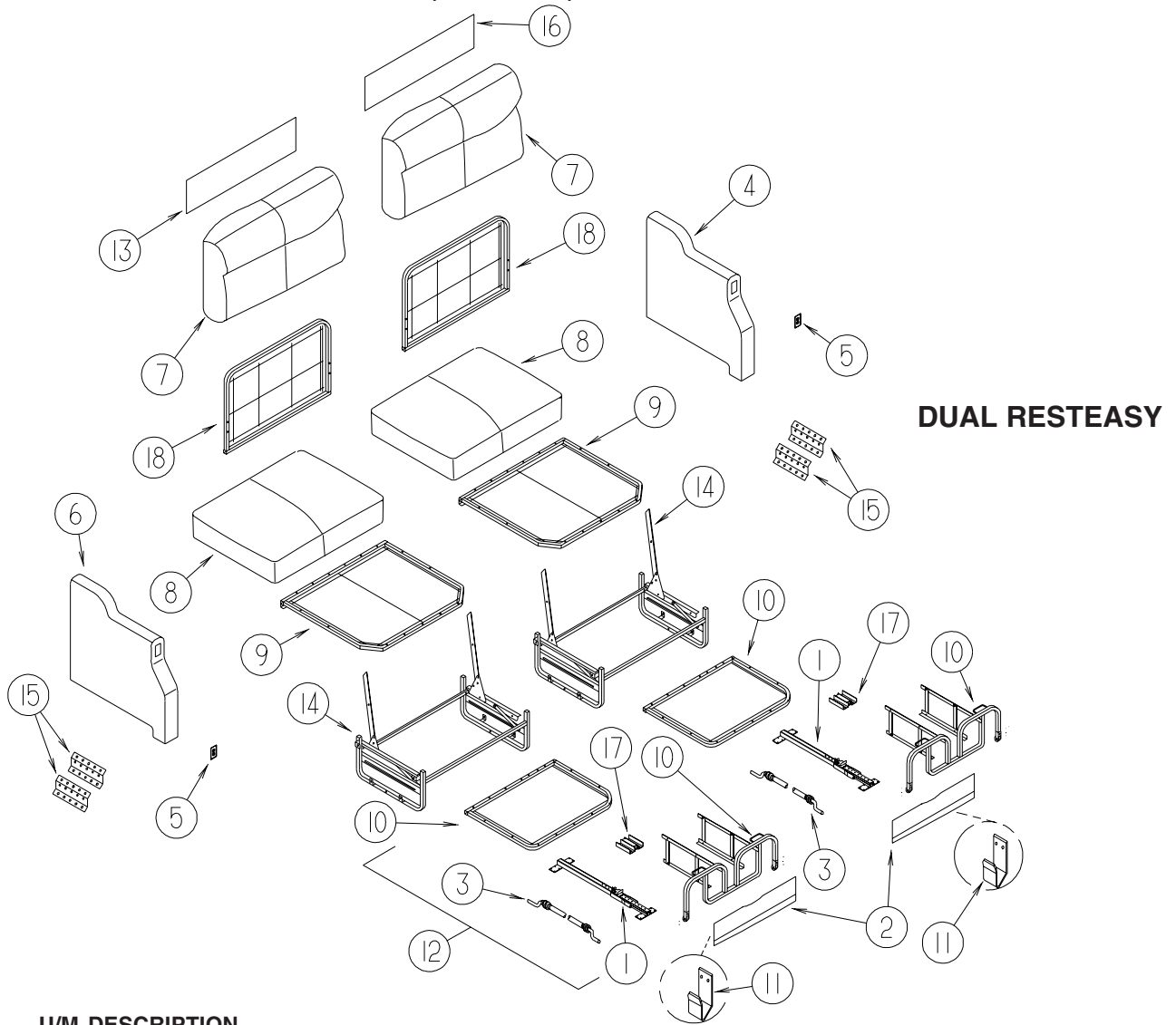


**CURTAIN & CUSHION GROUP (CONTINUED)**  
**SOFA (CONTINUED)**

KEY	PART NUMBER	U/M	DESCRIPTION
7	138095-02-R44	EA	BACK - SOFA/SLEEPER - RECLINER/POWERED (R44, R45, R46)
7	138095-02-P57	EA	BACK - SOFA/SLEEPER - RECLINER/POWERED (R47, R48, R49)
7	138095-02-R50	EA	BACK - SOFA/SLEEPER - RECLINER/POWERED (R50, R51, R52)
7	138095-06-M62	EA	BACK - SOFA/SLEEPER - RECLINER/POWERED - <b>ULTRA LEATHER</b>
	P38095-02-R44	EA	COVER/BACK - SOFA/SLEEPER - RECLINER/POWERED (R44, R45, R46)
	P38095-02-P57	EA	COVER/BACK - SOFA/SLEEPER - RECLINER/POWERED (R47, R48, R49)
	P38095-02-P60	EA	COVER/BACK - SOFA/SLEEPER - RECLINER/POWERED (R50, R51, R52)
	P38095-06-M62	EA	COVER/BACK - SOFA/SLEEPER - RECLINER/POWERED - <b>ULTRA LEATHER</b>
8	138095-03-R80	EA	SEAT - SOFA/SLEEPER - RECLINER/POWERED (R44, R45, R46)
8	138095-03-P57	EA	SEAT - SOFA/SLEEPER - RECLINER/POWERED (R47, R48, R49)
8	138095-03-P60	EA	SEAT - SOFA/SLEEPER - RECLINER/POWERED (R50, R51, R52)
8	138095-07-M62	EA	SEAT - SOFA/SLEEPER - RECLINER/POWERED - <b>ULTRA LEATHER</b>
	P38095-03-R80	EA	COVER/SEAT - SOFA/SLEEPER - RECLINER/POWERED (R44, R45, R46)
	P38095-03-P57	EA	COVER/SEAT - SOFA/SLEEPER - RECLINER/POWERED (R47, R48, R49)
	P38095-03-P60	EA	COVER/SEAT - SOFA/SLEEPER - RECLINER/POWERED (R50, R51, R52)
	P38095-07-M62	EA	COVER/SEAT - SOFA/SLEEPER - RECLINER/POWERED - <b>ULTRA LEATHER</b>
9	136534-04-000	EA	FRAME/SEAT - 26.5" X 60" W/FLEXOLATOR
10*	136534-17-000	EA	TRUNDLE FRAME - 17.5" X 55" - W/LINKAGE, LATCH & HANDLE
11	121906-01-02B	EA	BRACKET - KICKBOARD - E-COATED
12	138095-04-R80	EA	TRUNDLE - SOFA/SLEEPER (R44, R45, R46)
12	138095-04-P57	EA	TRUNDLE - SOFA/SLEEPER (R47, R48, R49)
12	138095-04-P60	EA	TRUNDLE - SOFA/SLEEPER (R50, R51, R52)
12	138095-08-M62	EA	TRUNDLE - SOFA/SLEEPER - <b>ULTRA LEATHER</b>
	P38095-04-R80	EA	COVER/TRUNDLE - SOFA/SLEEPER (R44, R45, R46)
	P38095-04-P57	EA	COVER/TRUNDLE - SOFA/SLEEPER (R47, R48, R49)
	P38095-04-P60	EA	COVER/TRUNDLE - SOFA/SLEEPER (R50, R51, R52)
	P38095-08-M62	EA	COVER/TRUNDLE - SOFA/SLEEPER - <b>ULTRA LEATHER</b>
13	139716-04-R80	EA	SIGHT SHIELD - 58" - FULL BACK - W/BEVERAGE TRAY (R44, R45, R46)
13	139716-04-P57	EA	SIGHT SHIELD - 58" - FULL BACK - W/BEVERAGE TRAY (R47, R48, R49)
13	139716-04-P60	EA	SIGHT SHIELD - 58" - FULL BACK - W/BEVERAGE TRAY (R50, R51, R52)
13	139716-05-N47	EA	SIGHT SHIELD - 58" - FULL BACK - W/BEVERAGE TRAY - <b>ULTRA LEATHER</b>
14*	136534-15-000	EA	BASE - 27.5" X 60" - POWERED CL - W/10.5" OVERHANG
15	116104-04-02B	EA	BRACKET - ZEE W/HOLES - 3.2" - E-COATED
16	136534-33-000	EA	SPRING/ASSIST - 1/2" X 7" W/HOOK ENDS - REST EASY SOFAS
17	136534-20-000	EA	BACK - FRAME - BEVERAGE TRAY
18	136534-21-000	EA	FRAME - BEVERAGE TRAY
19	136534-22-000	EA	HINGE - RIGHT
20	136534-23-000	EA	HINGE - LEFT
21	139758-01-01A	EA	TRAY-BEVERAGE

\*COMPONENT PARTS LISTED LATER IN THIS GROUP

**CURTAIN & CUSHION GROUP (CONTINUED)**  
**SOFA (CONTINUED)**

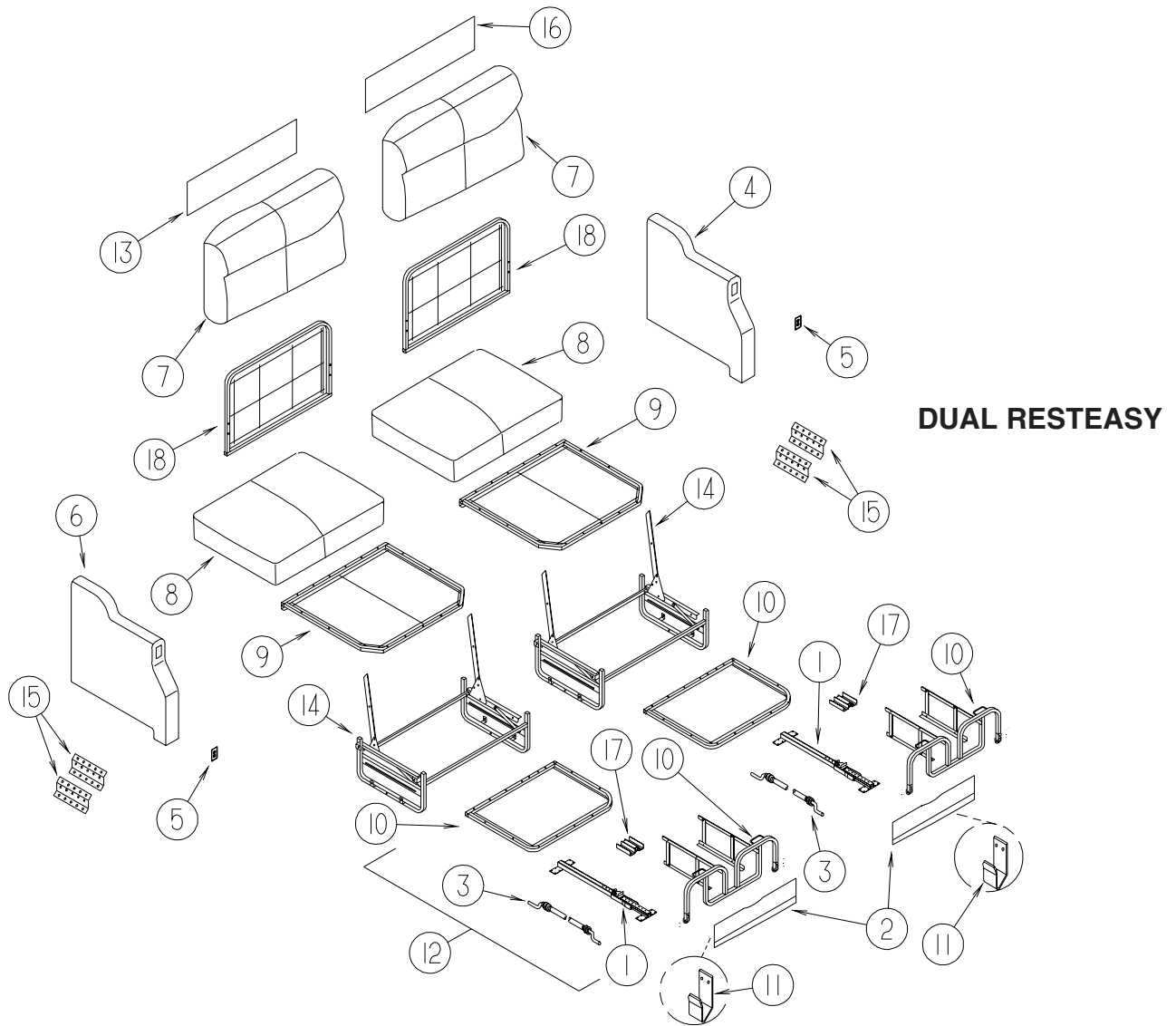


KEY	PART NUMBER	U/M	DESCRIPTION
1*	148226-01-000	EA	SLIDE RAIL - W/LATCH MECH/PLATES/STOP F/30" FLAT FLOOR
2	135824-12-R44	EA	PANEL/FRONT KICK - SOFA/SLEEPER (DUAL) - 30.2" (R44, R45, R46)
2	135824-12-R47	EA	PANEL/FRONT KICK - SOFA/SLEEPER (DUAL) - 30.2" (R47, R48, R49)
2	135824-12-R50	EA	PANEL/FRONT KICK - SOFA/SLEEPER (DUAL) - 30.2" (R50, R51, R52)
2	135824-11-N84	EA	PANEL/FRONT KICK - SOFA/SLEEPER (DUAL) - 30.2" - <b>ULTRA LEATHER</b>
3	148225-01-000	EA	CABLE ONLY - REMOTE - 31.9" W/Z-ENDS
4	135823-28-R44	EA	ARMREST - LEFT HAND (R44, R45, R46) FROM: 00-00-00 THRU: 01-18-04
4	149886-05-R44	EA	ARMREST - LEFT HAND (R44, R45, R46) FROM: 01-19-04 THRU: 99-99-99
4	135823-28-R47	EA	ARMREST - LEFT HAND (R47, R48, R49) FROM: 00-00-00 THRU: 01-18-04
4	149886-05-R47	EA	ARMREST - LEFT HAND (R47, R48, R49) FROM: 01-19-04 THRU: 99-99-99
4	135823-28-R50	EA	ARMREST - LEFT HAND (R50, R51, R52) FROM: 00-00-00 THRU: 01-18-04
4	149886-05-R50	EA	ARMREST - LEFT HAND (R50, R51, R52) FROM: 01-19-04 THRU: 99-99-99
4	135823-24-N65	EA	ARMREST - LEFT HAND - <b>ULTRA LEATHER</b> FROM: 00-00-00 THRU: 01-18-04
4	149886-06-R44	EA	ARMREST - LEFT HAND - <b>ULTRA LEATHER</b> FROM: 01-19-04 THRU: 99-99-99
	P35823-12-R44	EA	COVER/ARMREST - LEFT HAND (R44, R45, R46) FROM: 00-00-00 THRU: 01-18-04
	P49886-02-R44	EA	COVER/ARMREST - LEFT HAND (R44, R45, R46) FROM: 01-19-04 THRU: 99-99-99

**CURTAIN & CUSHION GROUP (CONTINUED)**  
**SOFA (CONTINUED)**

KEY	PART NUMBER	U/M	DESCRIPTION
	P35823-12-R47	EA	COVER/ARMREST - LEFT HAND (R47, R48, R49) FROM: 00-00-00 THRU: 01-18-04
	P49886-02-R47	EA	COVER/ARMREST - LEFT HAND (R47, R48, R49) FROM: 01-19-04 THRU: 99-99-99
	P35823-12-R50	EA	COVER/ARMREST - LEFT HAND (R50, R51, R52) FROM: 00-00-00 THRU: 01-18-04
	P49886-02-R50	EA	COVER/ARMREST - LEFT HAND (R50, R51, R52) FROM: 01-19-04 THRU: 99-99-99
	P35823-24-N65	EA	COVER/ARMREST - LEFT HAND - <b>ULTRA LEATHER</b> FROM: 00-00-00 THRU: 01-18-04
	P49886-04-R44	EA	COVER/ARMREST - LEFT HAND - <b>ULTRA LEATHER</b> FROM: 01-19-04 THRU: 99-99-99
5	136118-01-000	EA	SWITCH - SOFA/RECLINER
6	135823-27-R44	EA	ARMREST - RIGHT HAND (R44, R45, R46) FROM: 00-00-00 THRU: 01-18-04
6	149886-07-R44	EA	ARMREST - RIGHT HAND (R44, R45, R46) FROM: 01-19-04 THRU: 99-99-99
6	135823-27-R47	EA	ARMREST - RIGHT HAND (R47, R48, R49) FROM: 00-00-00 THRU: 01-18-04
6	149886-07-R47	EA	ARMREST - RIGHT HAND (R47, R48, R49) FROM: 01-19-04 THRU: 99-99-99
6	135823-27-R50	EA	ARMREST - RIGHT HAND (R50, R51, R52) FROM: 00-00-00 THRU: 01-18-04
6	149886-07-R50	EA	ARMREST - RIGHT HAND (R50, R51, R52) FROM: 01-19-04 THRU: 99-99-99
6	135823-23-N65	EA	ARMREST - RIGHT HAND - <b>ULTRA LEATHER</b> FROM: 00-00-00 THRU: 01-18-04
6	149886-08-R44	EA	ARMREST - RIGHT HAND - <b>ULTRA LEATHER</b> FROM: 01-19-04 THRU: 99-99-99
	P35823-11-R44	EA	COVER/ARMREST - RIGHT HAND (R44, R45, R46) FROM: 00-00-00 THRU: 01-18-04
	P49886-01-R44	EA	COVER/ARMREST - RIGHT HAND (R44, R45, R46) FROM: 01-19-04 THRU: 99-99-99
	P35823-11-R47	EA	COVER/ARMREST - RIGHT HAND (R47, R48, R49) FROM: 00-00-00 THRU: 01-18-04
	P49886-01-R47	EA	COVER/ARMREST - RIGHT HAND (R47, R48, R49) FROM: 01-19-04 THRU: 99-99-99
	P35823-11-R50	EA	COVER/ARMREST - RIGHT HAND (R50, R51, R52) FROM: 00-00-00 THRU: 01-18-04
	P49886-01-R50	EA	COVER/ARMREST - RIGHT HAND (R50, R51, R52) FROM: 01-19-04 THRU: 99-99-99
	P35823-23-N65	EA	COVER/ARMREST - RIGHT HAND - <b>ULTRA LEATHER</b> FROM: 00-00-00 THRU: 01-18-04
	P49886-03-R44	EA	COVER/ARMREST - RIGHT HAND - <b>ULTRA LEATHER</b> FROM: 01-19-04 THRU: 99-99-99
7	138647-20-R44	EA	BACK - SOFA/SLEEPER-RECLINER/POWERED - W/TRUNDLE BED (R44, R45, R46)
7	138647-20-R47	EA	BACK - SOFA/SLEEPER-RECLINER/POWERED - W/TRUNDLE BED (R47, R48, R49)
7	138647-20-R50	EA	BACK - SOFA/SLEEPER-RECLINER/POWERED - W/TRUNDLE BED (R50, R51, R52)
7	139202-02-N84	EA	BACK - SOFA/DUAL SLEEPER - RECLINER/POWERED - <b>ULTRA LEATHER</b> FROM: 00-00-00 THRU: 01-18-04
7	138647-16-R44	EA	BACK - SOFA/SLEEPER - REST EASY/DUAL CONTROLLED - LEATHER - <b>ULTRA LEATHER</b> FROM: 01-19-04 THRU: 99-99-99
	P38647-20-R44	EA	COVER/BACK - SOFA/SLEEPER - DUAL (R44, R45, R46)
	P38647-20-R47	EA	COVER/BACK - SOFA/SLEEPER - DUAL (R47, R48, R49)
	P38647-20-R50	EA	COVER/BACK - SOFA/SLEEPER - DUAL (R50, R51, R52)
	P39202-02-N84	EA	COVER/BACK - SOFA/DUAL SLEEPER - RECLINER/POWERED - <b>ULTRA LEATHER</b> FROM: 00-00-00 THRU: 01-18-04
	P38647-16-R44	EA	COVER/BACK - SOFA/SLEEPER - REST EASY/DUAL CONTROLLED - LEATHER - <b>ULTRA LEATHER</b> FROM: 01-19-04 THRU: 99-99-99
8	138647-21-R44	EA	SEAT - SOFA/SLEEPER-RECLINER/POWERED - W/TRUNDLE BED (R44, R45, R46)
8	138647-21-R47	EA	SEAT - SOFA/SLEEPER-RECLINER/POWERED - W/TRUNDLE BED (R47, R48, R49)
8	138647-21-R50	EA	SEAT - SOFA/SLEEPER-RECLINER/POWERED - W/TRUNDLE BED (R50, R51, R52)

**CURTAIN & CUSHION GROUP (CONTINUED)**  
**SOFA (CONTINUED)**



KEY	PART NUMBER	U/M	DESCRIPTION
8	139202-03-N84	EA	SEAT - SOFA/DUAL SLEEPER - RECLINER/POWERED - <b>ULTRA LEATHER</b> FROM: 00-00-00 THRU: 01-18-04
8	138647-17-R44	EA	SEAT - SOFA/SLEEPER - REST EASY/DUAL CONTROLLED - <b>ULTRA LEATHER</b> FROM: 01-19-04 THRU: 99-99-99
	P38647-21-R44	EA	COVER/SEAT - SOFA/SLEEPER - DUAL (R44, R45, R46)
	P38647-21-R47	EA	COVER/SEAT - SOFA/SLEEPER - DUAL (R47, R48, R49)
	P38647-21-R50	EA	COVER/SEAT - SOFA/SLEEPER - DUAL (R50, R51, R52)
	P39202-03-N84	EA	COVER/SEAT - SOFA/DUAL SLEEPER - RECLINER/POWERED - <b>ULTRA LEATHER</b> FROM: 00-00-00 THRU: 01-18-04
	P38647-17-R44	EA	COVER/SEAT - REST EASY/DUAL CONTROLLED - SOFA/SLEEPER - <b>ULTRA LEATHER</b> FROM: 01-19-04 THRU: 99-99-99
9	136534-26-000	EA	FRAME/SEAT - FOR DUAL REST EASY SOFA - ONE SIDE ONLY
10	136534-27-000	EA	TRUNDLE FRAME - 26" WIDE/DUAL - W/LINKAGE, LATCH & HANDLE
11	121906-01-02B	EA	BRACKET - KICKBOARD - E-COATED
12	138647-22-R44	EA	TRUNDLE - DUAL SOFA/SLEEPER (R44, R45, R46)
12	138647-22-R47	EA	TRUNDLE - DUAL SOFA/SLEEPER (R47, R48, R49)
12	138647-22-R50	EA	TRUNDLE - DUAL SOFA/SLEEPER (R50, R51, R52)
12	139202-04-N84	EA	TRUNDLE - SOFA/DUAL SLEEPER - <b>ULTRA LEATHER</b> FROM: 00-00-00 THRU: 01-18-04
12	138647-04-R89	EA	TRUNDLE - SOFA/SLEEPER - REST EASY/DUAL CONTROLLED - <b>ULTRA LEATHER</b> FROM: 01-19-04 THRU: 99-99-99
	P38647-22-R44	EA	COVER/DUAL TRUNDLE - SOFA/SLEEPER - RECLINER/POWERED (R44, R45, R46)
	P38647-22-R47	EA	COVER/DUAL TRUNDLE - SOFA/SLEEPER - RECLINER/POWERED (R47, R48, R49)
	P38647-22-R50	EA	COVER/DUAL TRUNDLE - SOFA/SLEEPER - RECLINER/POWERED (R50, R51, R52)

**CURTAIN & CUSHION GROUP (CONTINUED)**  
**SOFA (CONTINUED)**

<b>KEY</b>	<b>PART NUMBER</b>	<b>U/M</b>	<b>DESCRIPTION</b>
	P39202-04-N84	EA	COVER/TRUNDLE - SOFA/DUAL SLEEPER - <b>ULTRA LEATHER</b> FROM: 00-00-00 THRU: 01-18-04
	P38647-04-R89	EA	COVER/TRUNDLE - SOFA/SLEEPER - REST EASY/DUAL CONTROLLED - <b>ULTRA LEATHER</b> FROM: 01-19-04 THRU: 99-99-99
13	139716-07-R44	EA	SIGHT SHIELD - 28" - DUAL BACK/RIGHT HAND (R44, R45, R46)
13	139716-07-R47	EA	SIGHT SHIELD - 28" - DUAL BACK/RIGHT HAND (R47, R48, R49)
13	139716-07-R50	EA	SIGHT SHIELD - 28" - DUAL BACK/RIGHT HAND (R50, R51, R52)
13	139716-03-N84	EA	SIGHT SHIELD - 28" - DUAL BACK - <b>ULTRA LEATHER</b>
14*	136534-29-000	EA	BASE - 27.25" X 30" - POWERED/DUAL - FLAT
15	116104-04-02B	EA	BRACKET - ZEE W/HOLES - 3.2" - E-COATED
16	139716-08-R44	EA	SIGHT SHIELD - 28" - DUAL BACK/LEFT HAND (R44, R45, R46)
16	139716-08-R47	EA	SIGHT SHIELD - 28" - DUAL BACK/LEFT HAND (R47, R48, R49)
16	139716-08-R50	EA	SIGHT SHIELD - 28" - DUAL BACK/LEFT HAND (R50, R51, R52)
16	139716-06-N84	EA	SIGHT SHIELD - 28" - DUAL BACK - <b>ULTRA LEATHER</b>
17	136534-32-000	EA	BRACKET - DUAL BASE
18	136534-25-000	EA	FRAME/BACK - FOR DUAL REST EASY SOFA - ONE SIDE ONLY

**\*COMPONENT PARTS LISTED LATER IN THIS GROUP**

**CURTAIN & CUSHION GROUP (CONTINUED)**  
**COMPONENT PARTS FOR SOFA**

**136534-13-000, 136534-15-000, 136534-28-000, 136534-29-000**

<b>KEY</b>	<b>PART NUMBER</b>	<b>U/M</b>	<b>DESCRIPTION</b>	<b>VENDOR NO.</b>
	136534-02-700	EA	MOTOR	9PL-MO-W/T-1
	136534-02-701	EA	CABLE/DRV MTR-REST EASY SOFA	9PL-FCA27.75

**136534-07-000, 136534-17-000**

<b>KEY</b>	<b>PART NUMBER</b>	<b>U/M</b>	<b>DESCRIPTION</b>	<b>VENDOR NO.</b>
	136534-07-701	EA	WHEEL - NYLON - 1 5/8", 9WHEEL-1.62	

**136534-24-000**

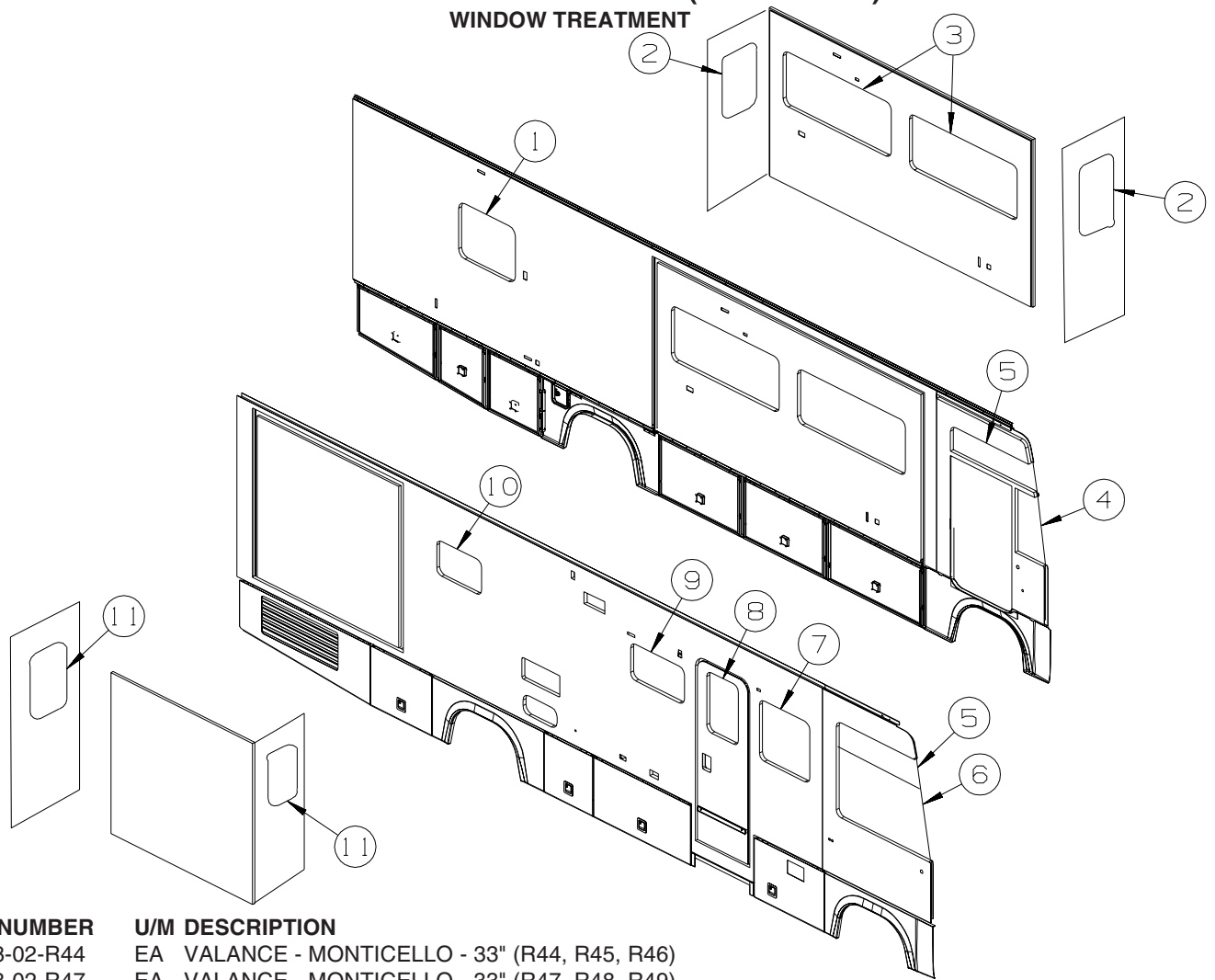
<b>KEY</b>	<b>PART NUMBER</b>	<b>U/M</b>	<b>DESCRIPTION</b>	<b>VENDOR NO.</b>
	136534-14-700	EA	SLIDE MECHANISM - W/LATCH - W/O NYLON GUIDES/SCREWS	PTN-SLD-BUSH
	136534-14-701	EA	BUSHING/GUIDE - BLACK NYLON - F/SLIDE MECHANISM	9TN-SLD-GR-0

**148226-01-000, 148226-02-000, 148226-03-000**

<b>KEY</b>	<b>PART NUMBER</b>	<b>U/M</b>	<b>DESCRIPTION</b>	<b>VENDOR NO.</b>
	148226-01-700	EA	BUSHING/GUIDE - F/MECHANISM	9TN-SLD-GR-1
	148226-01-701	EA	SLIDE MECHANISM ASM W/LATCH	PTN-SLD-BUSH1

## CURTAIN & CUSHION GROUP (CONTINUED)

### WINDOW TREATMENT



KEY	PART NUMBER	U/M	DESCRIPTION
1	146058-02-R44	EA	VALANCE - MONTICELLO - 33" (R44, R45, R46)
1	146058-02-R47	EA	VALANCE - MONTICELLO - 33" (R47, R48, R49)
1	146058-02-R50	EA	VALANCE - MONTICELLO - 33" (R50, R51, R52)
1	140789-25-N42	EA	BLIND - DAY/NIGHTER - 31" X 26" (R44, R45, R46)
1	140789-25-N44	EA	BLIND - DAY/NIGHTER - 31" X 26" (R47, R48, R49, R50, R51, R52)
2	142259-05-R44	EA	VALANCE - PALM COURT - 26" (R44, R45, R46)
2	142259-05-P57	EA	VALANCE - PALM COURT - 26" (R47, R48, R49)
2	142259-05-P60	EA	VALANCE - PALM COURT - 26" (R50, R51, R52)
2	136988-21-R44	EA	LEG - RIGHT - 22" (R44, R45, R46)
2	136988-21-P57	EA	LEG - RIGHT - 22" (R47, R48, R49)
2	136988-21-P60	EA	LEG - RIGHT - 22" (R50, R51, R52)
2	136988-22-R44	EA	LEG - LEFT - 22" (R44, R45, R46)
2	136988-22-P57	EA	LEG - LEFT - 22" (R47, R48, R49)
2	136988-22-P60	EA	LEG - LEFT - 22" (R50, R51, R52)
2	140789-07-N42	EA	BLIND - DAY/NIGHTER - 22.5" X 23" (R44, R45, R46)
2	140789-07-N44	EA	BLIND - DAY/NIGHTER - 22.5" X 23" (R47, R48, R49, R50, R51, R52)
3	142259-01-R44	EA	LAMBREQUIN - PALM COURT - 61" (R44, R45, R46)
3	142259-01-P57	EA	LAMBREQUIN - PALM COURT - 61" (R47, R48, R49)
3	142259-01-P60	EA	LAMBREQUIN - PALM COURT - 61" (R50, R51, R52)
3	140789-08-N09	EA	BLIND - DAY/NIGHTER - 59" X 26.5" (R44, R45, R46)
3	140789-08-N44	EA	BLIND - DAY/NIGHTER - 59" X 26.5" (R47, R48, R49, R50, R51, R52)
4	093487-22-02A	EA	CURTAIN - DRVWR/WRAPAROUND/PRIVACY/PLEATED - 42.5" X 112"
5	126841-03-000	EA	SHADE - PULL - CHARCOAL MESH - 40.3" X 60"
6	093487-21-02A	EA	CURTAIN - PASS/WRAPAROUND/PRIVACY/PLEATED - 42.5" X 112"



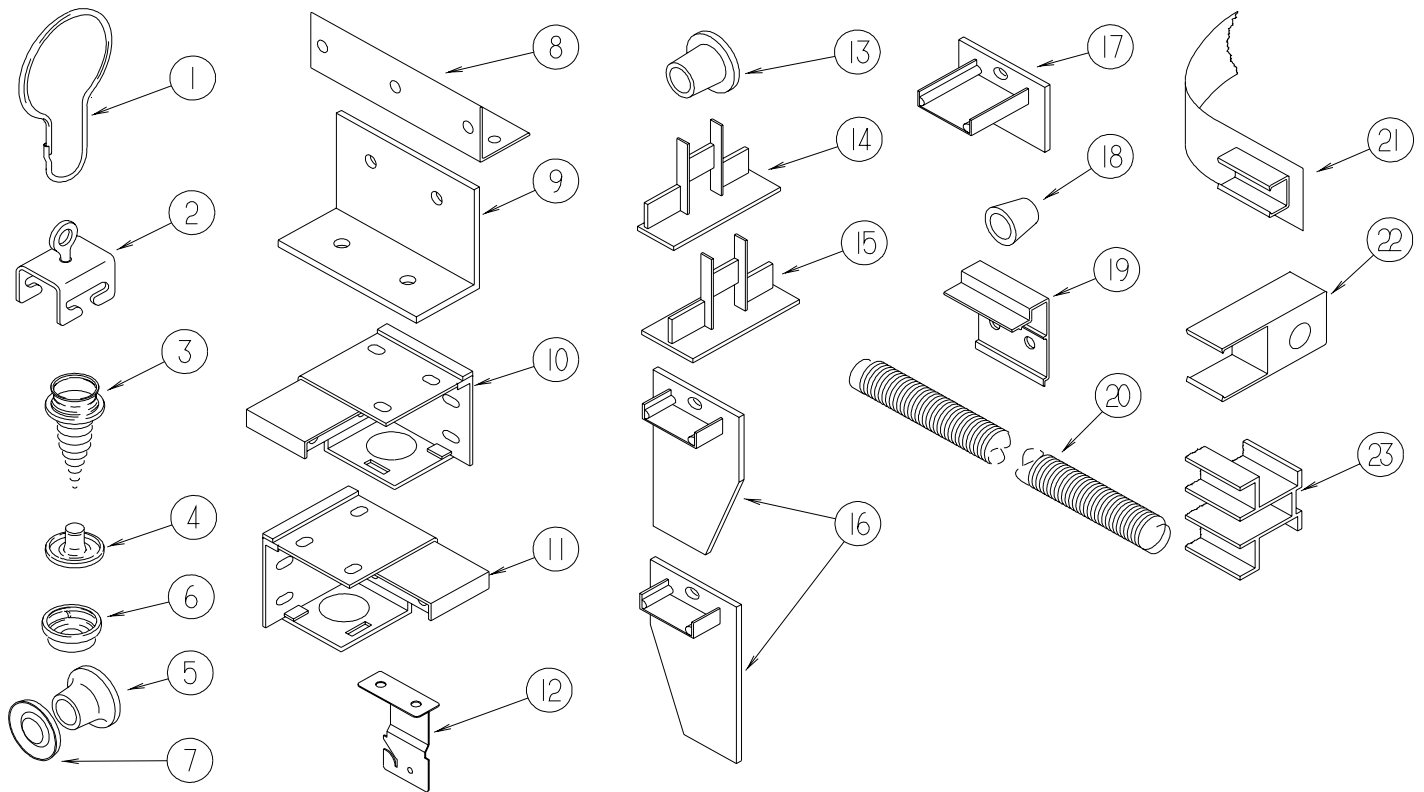
**CURTAIN & CUSHION GROUP (CONTINUED)**  
**WINDOW TREATMENT (CONTINUED)**

<b>KEY</b>	<b>PART NUMBER</b>	<b>U/M</b>	<b>DESCRIPTION</b>
7	142259-04-R44	EA	VALANCE - PALM COURT - 32" (R44, R45, R46)
7	142259-04-P57	EA	VALANCE - PALM COURT - 32" (R47, R48, R49)
7	142259-04-P60	EA	VALANCE - PALM COURT - 32" (R50, R51, R52)
7	136988-97-R44	EA	LEG - RIGHT - 26" (R44, R45, R46)
7	136988-97-P57	EA	LEG - RIGHT - 26" (R47, R48, R49)
7	136988-97-P60	EA	LEG - RIGHT - 26" (R50, R51, R52)
7	136988-98-R44	EA	LEG - LEFT - 26" (R44, R45, R46)
7	136988-98-P57	EA	LEG - LEFT - 26" (R47, R48, R49)
7	136988-98-P60	EA	LEG - LEFT - 26" (R50, R51, R52)
7	140789-29-P45	EA	BLIND - DAY/NIGHTER - 29" X 28" (R44, R45, R46)
7	140789-29-P47	EA	BLIND - DAY/NIGHTER - 29" X 28" (R47, R48, R49, R50, R51, R52)
8	084755-57-E07	EA	SHADE - PULL - 27.25"
9	109041-44-02A	EA	BLIND - 30.5" X 18" (R44, R45, R46, R47, R48, R49)
9	109041-44-04A	EA	BLIND - 30.5" X 18" (R50, R51, R52)
10	121410-B3-R44	EA	VALANCE - MODERATE - 27" (R44, R45, R46)
10	121410-B3-P57	EA	VALANCE - MODERATE - 27" (R47, R48, R49)
10	121410-B3-P60	EA	VALANCE - MODERATE - 27" (R50, R51, R52)
10	109041-64-02A	EA	BLIND - MINI - 25" (R44, R45, R46, R47, R48, R49)
10	109041-64-01A	EA	BLIND - MINI - 25" (R50, R51, R52)
11	146058-03-R44	EA	VALANCE - MONTICELLO - 26" (R44, R45, R46)
11	146058-03-R47	EA	VALANCE - MONTICELLO - 26" (R47, R48, R49)
11	146058-03-R50	EA	VALANCE - MONTICELLO - 26" (R50, R51, R52)
11	136988-59-R44	EA	LEG - RIGHT - 22" (R44, R45, R46)
11	136988-59-P57	EA	LEG - RIGHT - 22" (R47, R48, R49)
11	136988-59-P60	EA	LEG - RIGHT - 22" (R50, R51, R52)
11	136988-60-R44	EA	LEG - LEFT - 22" (R44, R45, R46)
11	136988-60-P57	EA	LEG - LEFT - 22" (R47, R48, R49)
11	136988-60-P60	EA	LEG - LEFT - 22" (R50, R51, R52)
11	140789-07-N42	EA	BLIND - DAY/NIGHTER - 22.5" X 23" (R44, R45, R46)
11	140789-07-N44	EA	BLIND - DAY/NIGHTER - 22.5" X 23" (R47, R48, R49, R50, R51, R52)



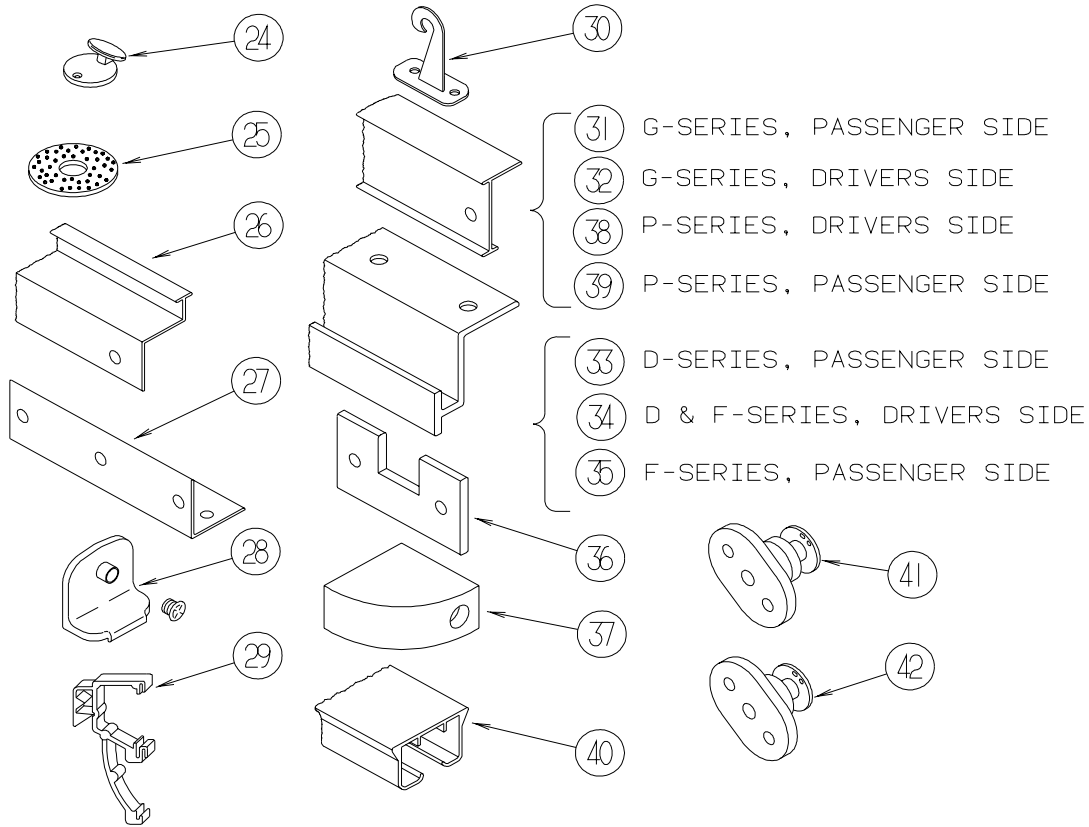
## CURTAIN & CUSHION GROUP (CONTINUED)

### HARDWARE



KEY	PART NUMBER	U/M	DESCRIPTION
1	009136-02-000	EA	HANGER - RING - PIN TYPE - CURTAIN - BRASS
2	009702-01-000	EA	END STOP - CURTAIN CARRIER - L - ROD
3	029130-01-000	EA	SCREW - SNAP STUD - #8-16 X 3/8" LONG
3	029130-03-000	EA	SCREW - SNAP STUD - #8-16 X 1" LONG
4	029155-01-000	EA	CAP - SNAP - 5/32" OUTSIDE DIAMETER OF PIN
5	029156-01-000	EA	SOCKET - SNAP - 9/16" O.D.
6	046867-02-000	EA	WASHER - HANDY BUTTON #3
7	046867-03-000	EA	GROMMET - HANDY BUTTON #3
8	075943-10-000	EA	BRACE - VALANCE - 20" - OFF WHITE
9	083125-07-000	EA	BRACE - ANGLE/COUCH - 2.5" - OFF WHITE
9	083125-08-000	EA	BRACE - WINDOW MOUNT - .75" - OFF WHITE
10	083170-01-000	EA	BRACKET/BLIND - LEFT SIDE WHEN FACING WINDOW - CLEAR
11	083170-02-000	EA	BRACKET/BLIND - RIGHT SIDE WHEN FACING WINDOW - CLEAR
12	084434-01-000	EA	BRACKET - MOUNTING - ROLLER SHADE - 1 3/8"
13	094896-02-000	EA	GROMMET - CORD/PLEATED BLIND - NYLON - GRAY
14	094907-02-000	EA	END CAP - PLEATED BLIND/TOP - RH/LH - GRAY PLASTIC
15	094907-04-000	EA	END CAP - PLEATED BLIND/BOTTOM - RH/LH
16	094907-05-000	EA	END CAP - PLEATED BLIND/BOTTOM - PULL TYPE - PLASTIC
17	094907-06-000	EA	END CAP - PLEATED BLIND/TOP
18	097564-03-000	EA	HANDLE - KNOB - E-Z LIFT SHADE - TAN
18	097564-05-000	EA	HANDLE - KNOB - E-Z LIFT SHADE - TEAL
18	097564-06-000	EA	HANDLE - KNOB - E-Z LIFT SHADE - ALABASTER
	097593-02-000	FT	CORD - BLIND - PLEATED - GRAY
	097593-06-000	FT	CORD - BLIND - PLEATED - PEWTER
	097593-10-000	FT	CORD - BLIND - PLEATED - VANILLA
19	097565-01-000	EA	BRACKET - MOUNTING - PLEATED BLIND
19	097565-02-000	EA	BRACKET - MOUNTING - PLEATED BLIND
20	097591-01-000	EA	SPRING - EXTENSION - PLEATED BLIND
21	101031-01-000	YD	TAPE/GLIDE - 4.25" SPACING
22	101033-02-000	EA	END CAP - LOW PROFILE TRACK - CLEAR
23	101033-08-000	EA	TRACK/WALL - 75" - <b>FRT BUNK WINDOW 300 SERIES (MINNIE/SPIRIT)</b>
23	101033-09-000	EA	TRACK/WALL - 32" - <b>SIDE BUNK WINDOW 200 SERIES/300 SERIES (VISTA/SUNSTAR /MINNIE/SPIRIT)</b>

**CURTAIN & CUSHION GROUP (CONTINUED)**  
**HARDWARE (CONTINUED)**

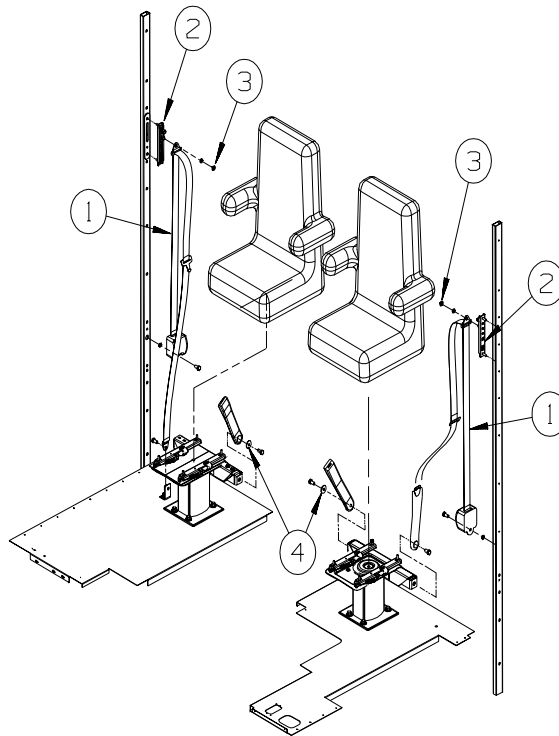


KEY	PART NUMBER	U/M	DESCRIPTION
24	102555-03-000	EA	CLEAT - BLIND CORD - MILKY WHITE - PLASTIC
25	103242-01-000	EA	VELCRO HOOK - BEIGE 7/8" ROUND W/CENTER HOLE
25	103242-02-000	EA	VELCRO HOOK - BLACK 7/8" ROUND W/CENTER HOLE
26	105450-14-01A	EA	TRACK - CURTAIN - 90" - OFF WHITE - <b>FRONT BUNK PRIVACY 300 SERIES (MINNIE/SPIRIT)</b>
26	105450-15-01A	EA	TRACK - CURTAIN - 82.3" - OFF WHITE - <b>FRONT BUNK PRIVACY 200 SERIES (VISTA/SUNSTAR)</b>
27	105648-01-02A	EA	BRACE - VALANCE - OFF/WHITE - 14"
28	106544-01-000	EA	PULL - SHADE/BRASS
	106544-01-001	EA	SCREW - SHADE/BRASS
29	109353-04-000	EA	CLIP - VALANCE SLAT MOUNTING - CLEAR PLASTIC
	109441-02-000	EA	SPACER/BRACKET - BLIND HOLD DOWN
30	109441-03-000	EA	BRACKET/HOOK - BLIND HOLD DOWN - NEW DESIGN/CLEAR
31	126456-03-04A	EA	TRACK/WRAPAROUND - PASSENGER - GLACIER - <b>G SERIES (ADVENTURER/SUNCRUISER)</b>
32	126456-04-04A	EA	TRACK/WRAPAROUND - DRIVER - GLACIER - <b>G SERIES (ADVENTURER/SUNCRUISER)</b>
33	127254-03-05A	EA	TRACK/WRAPAROUND - PASSENGER - GLACIER - <b>D SERIES (SIGHTSEER/SUNOVA)</b> FROM: 00-00-00 THRU: 09-07-03
33	127254-14-03A	EA	TRACK/WRAP - PASS - GLACIER - <b>D SERIES (SIGHTSEER/SUNOVA)</b> FROM: 09-08-03 THRU: 99-99-99
34	127254-04-05A	EA	TRACK/WRAP - DRIVER - GLACIER - <b>D SERIES/F SERIES (SIGHTSEER/SUNOVA/BRAVE/SUNRISE)</b>
35	127254-14-03A	EA	TRACK/WRAP - PASS - GLACIER - <b>F SERIES (BRAVE/SUNRISE)</b>
36	130549-01-01A	EA	STOP - CURTAIN TRACK
37	132504-01-N92	EA	BRACKET - SHADE
38	146591-01-01A	EA	TRACK - CURTAIN - LEFT HAND - GLACIER - <b>P SERIES (JOURNEY/MERIDIAN)</b>
39	146591-02-01A	EA	TRACK - CURTAIN - RIGHT HAND - GLACIER - <b>P SERIES (JOURNEY/MERIDIAN)</b>
40	138460-01-02A	EA	TRACK/CURTAIN - PASSENGER - WHITE - <b>Q SERIES (ULTIMATE ADVANTAGE/ULTIMATE FREEDOM)</b>
	138460-02-02A	EA	TRACK/CURTAIN - DRIVER - WHITE - <b>Q SERIES (ULTIMATE ADVANTAGE/ULTIMATE FREEDOM)</b>
40	138460-05-02A	EA	TRACK/CURTAIN - PASSENGER - WHITE - <b>L SERIES (CHIEFTAIN/SUNFLYER)</b>
	138460-06-02A	EA	TRACK/CURTAIN - DRIVER - WHITE - <b>L SERIES (CHIEFTAIN/SUNFLYER)</b>
40	138460-07-02A	EA	TRACK/CURTAIN - PASSENGER - WHITE - <b>S SERIES (VECTRA/HORIZON)</b>
	138460-08-02A	EA	TRACK/CURTAIN - DRIVER - WHITE - <b>S SERIES (VECTRA/HORIZON)</b>
41	141634-01-000	EA	BRACKET-(BOBBIN TYPE) 7/8"H HOLDUPBASE(OVAL)-2 HOLE-CLEAR
42	143805-01-000	EA	BRACKET-(BOBBIN TYPE) 1/2"H HOLDUPBASE(OVAL)-2 HOLES CLEAR

## CURTAIN & CUSHION GROUP (CONTINUED)

### ACCESSORIES

KEY	PART NUMBER	U/M	DESCRIPTION
	056271-01-000	EA	SEAT BELT - 2" X 102" - BLACK
	140221-01-02B	EA	WASHER - SEAT BELT - E-COAT
	070578-12-R80	EA	BUTTON - #30 - FABRIC COVERED (R44, R45, R46)
	070578-12-R47	EA	BUTTON - #30 - FABRIC COVERED (R47, R48, R49)
	070578-12-R50	EA	BUTTON - #30 - FABRIC COVERED (R50, R51, R52)
	070578-13-R44	EA	BUTTON - #30 - FABRIC COVERED (R44, R45, R46)
	070578-13-R47	EA	BUTTON - #30 - FABRIC COVERED (R47, R48, R49)
	070578-13-R50	EA	BUTTON - #30 - FABRIC COVERED (R50, R51, R52)
	074494-05-000	EA	BUTTON - SINGLE PIVOT - #30
	057534-03-000	EA	TIEBACK - CLEAR PLASTIC - 7.5"
	057534-07-000	EA	TIEBACK-CURTAIN/DOOR, 10" - CLEAR VINYL
	057534-08-000	EA	TIEBACK - CLEAR PLASTIC - 16"
	127038-01-01A	EA	TIEDOWN STRAP - W/VELCRO ENDS
	105402-03-000	EA	STRAP - DINING CHAIR/TIEDOWN - 18"
	118337-19-R80	EA	BUTTON - #36 W/TACK (R44, R45, R46)
	118337-19-R47	EA	BUTTON - #36 W/TACK (R47, R48, R49)
	118337-19-R50	EA	BUTTON - #36 W/TACK (R50, R51, R52)
	118337-22-R44	EA	BUTTON - #36 - FABRIC COVERED (R44, R45, R46)
	118337-22-R47	EA	BUTTON - #36 - FABRIC COVERED (R47, R48, R49)
	118337-22-R50	EA	BUTTON - #36 - FABRIC COVERED (R50, R51, R52)



KEY	PART NUMBER	U/M	DESCRIPTION
1*	091990-08-01A	EA	SEAT BELT - 3 POINT - .766" DIAMETER HOLE IN D-LOOP BRKT
2	127598-01-01A	EA	ADJUSTER - SEATBELT - D-LOOP
3	127598-02-000	EA	NUT - HEX FLANGE - M10 X 1.5 - CLASS 10
4	NOT USED		

\*COMPONENT PARTS LISTED LATER IN THIS GROUP

**CURTAIN & CUSHION GROUP (CONTINUED)**  
**COMPONENT PARTS FOR ACCESSORIES**

091990-08-01A

<b>KEY</b>	<b>PART NUMBER</b>	<b>U/M</b>	<b>DESCRIPTION</b>	<b>VENDOR NO.</b>
	091990-01-701	EA	EXTENDER 9" FOR A8408 3 PT	I-1331-02
	091990-01-703	EA	RECEIVER/FEMALE END-SEATBELT	I-1159-02
	091990-05-700	EA	SLEEVE/BUCKLE COVER-PLASTIC	209S-2
	091990-05-701	EA	CAP/COVER - BOLT HOLE COVER	209SC-02
	091990-05-702	EA	SLEEVE/RETRACTABLE COVER	309C-02

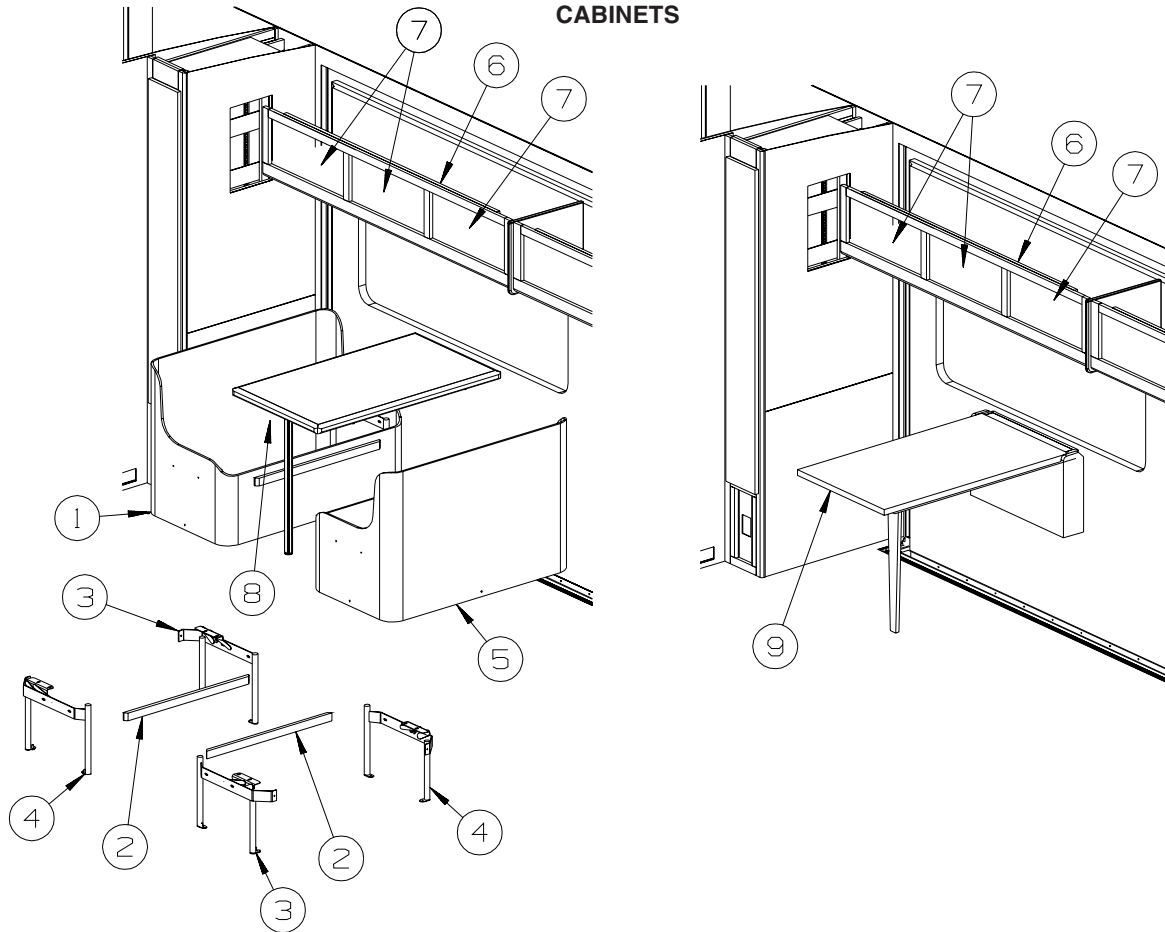
**CURTAIN & CUSHION GROUP (CONTINUED)**  
FABRICS

<b>2004 SUNCRUISER</b>	<b>R44/R45/R46</b>	<b>R47/R48/R49</b>	<b>R50/R51/R52</b>
	<b>STONEHENGE TAUPE</b>	<b>FERN GARDEN</b>	<b>CRYSTAL LAKE</b>
<b>BUCKET</b>	588 WIDE 126883-S8-000 *OPT. ULTRA LTH.-ANT.PEARL 079680-36-000	588 WIDE 126883-K9-000 *OPT. ULTRA LTH.-ANT.PEARL 079680-36-000	588 WIDE 126883-L1-000 *OPT. ULTRA LTH.-ANT.PEARL 079680-36-000
<b>DINETTE CUSHIONS</b>	730 TEAR DROP - FULL WRAP 126883-S5-000	730 TEAR DROP - FULL WRAP 126883-K8-000	730 TEAR DROP - FULL WRAP 126883-L0-000
<b>DINETTE WRAP</b>	126883-S8-000	126883-K9-000	126883-L1-000
<b>DINING CHAIRS</b>	(2) FLEXSTEEL #C-5703 126883-S8-000	(2) FLEXSTEEL #C-5703 126883-K9-000	(2) FLEXSTEEL #C-5703 126883-L1-000
<b>FOLDING CHAIRS</b>	REM 126883-S8-000	REM 126883-K9-000	REM 126883-L1-000
<b>SOFA</b>	805 STYLE W/BEV. TRAY 126883-S5-000 *OPT. ULTRA LTH.-ANT.PEARL 079680-36-000	805 STYLE W/BEV. TRAY 126883-K8-000 *OPT. ULTRA LTH.-ANT.PEARL 079680-36-000	805 STYLE W/BEV. TRAY 126883-L0-000 *OPT. ULTRA LTH.-ANT.PEARL 079680-36-000
<b>LOUNGE PILLOW</b>	(2) 17" PALM COURT BACK/BODY - 126883-S8-000 OVERLAY - 126883-S5-000 WELT - 126883-S8-000 BRAID - 084415-F9-000	(2) 17" PALM COURT BACK/BODY - 126883-K9-000 OVERLAY - 126883-K8-000 WELT - 126883-K9-000 BRAID - 084415-F2-000	(2) 17" PALM COURT BACK/BODY - 126883-L1-000 OVERLAY - 126883-L0-000 WELT - 126883-L1-000 BRAID - 139041-11-000
<b>LOUNGE CHAIR</b>	470 STYLE 126883-S8-000 OPT. ** ANTIQUE PEARL 079680-36-000	470 STYLE 126883-K9-000 OPT. ** ANTIQUE PEARL 079680-36-000	470 STYLE 126883-L1-000 OPT. ** ANTIQUE PEARL 079680-36-000
<b>LOUNGE WINDOWS</b>	PALM COURT LAMBREQUIN WRAP - 126883-S8-000 OVLY - 126883-S5-000 CORD - 084415-F9-000	PALM COURT LAMBREQUIN WRAP - 126883-K9-000 OVLY - 126883-K8-000 CORD - 084415-F2-000	PALM COURT LAMBREQUIN WRAP - 126883-L1-000 OVLY - 126883-L0-000 CORD - 139041-11-000
<b>FRONT WRAP</b>	PURCHASED PLEATED	PURCHASED PLEATED	PURCHASED PLEATED
<b>DAY/NIGHTER</b>	094911-58-000/094911-50-000 PUTTY/WT. DECO	094911-56-000/094911-50-000 EGGSHELL/WT. DECO	094911-56-000/094911-50-000 EGGSHELL/WT. DECO
<b>GALLEY BLINDS</b>	C011 BEIGE	C011 BEIGE	386 SNOCAP
<b>BATH WINDOW</b>	MODERATE 137813-69-000	MODERATE 137813-20-000	MODERATE 105745-Y1-000

**CURTAIN & CUSHION GROUP (CONTINUED)**  
**FABRICS (CONTINUED)**

<b>2004 SUNCRUISER</b>	<b>R44/R45/R46</b>	<b>R47/R48/R49</b>	<b>R50/R51/R52</b>
	<b>STONEHENGE TAUPE</b>	<b>FERN GARDEN</b>	<b>CRYSTAL LAKE</b>
<b>BEDROOM WDO TREATMENT</b>	MONTICELLO VALANCE	MONTICELLO VALANCE	MONTICELLO VALANCE
	WRAP - 137813-69-000	WRAP - 137813-20-000	WRAP - 105745-Y1-000
	TOP OVLY - 137813-82-000	TOP OVLY - 137813-21-000	TOP OVLY - 137813-23-000
	LEGS - 137813-69-000	LEGS - 137813-20-000	LEGS - 105745-Y1-000
<b>ASHWELL VAL. (WHEN NEEDED)</b>	137813-69-000/137813-82-000	137813-20-000/137813-21-000	105745-Y1-000/137813-23-000
<b>BEDCOVER LG. DIAMOND</b>	BEDCAP W/CORD	BEDCAP W/CORD	BEDCAP W/CORD
	137813-69-000/084415-F9-000	137813-20-000/084415-F2-000	105745-Y1-000/139041-11-000
<b>SHAMS</b>	LARGO STYLE	LARGO STYLE	LARGO STYLE
	137813-69-000	137813-20-000	105745-Y1-000
	BUTTONS - 137813-82-000	BUTTONS - 137813-21-000	BUTTONS - 137813-23-000
<b>BED PILLOW</b>	(2) 17" SQUARE LARGO STYLE	(2) 17" SQUARE LARGO STYLE	(2) 17" SQUARE LARGO STYLE
	BODY - 137813-82-000	BODY - 137813-21-000	BODY - 137813-23-000
	BUTTONS - 137813-69-000	BUTTONS - 137813-20-000	BUTTONS - 105745-Y1-000
<b>HEADBOARD</b>	MONTICELLO	MONTICELLO	MONTICELLO
	BODY & TOP BAND	BODY & TOP BAND	BODY & TOP BAND
	137813-69-000	137813-20-000	105745-Y1-000
	CTR. BAND - 137813-82-000	CTR. BAND - 137813-21-000	CTR. BAND - 137813-23-000
<b>CARPET</b>	096060-H1-000	096060-F0-000	139056-06-000
	TAPIOCA	PALE SAGE	CRYSTAL LAKE
<b>SLIDE OUT TRIM LOUNGE BEDROOM</b>			
	126883-S8-000	126883-K9-000	126883-L1-000
	137813-82-000	137813-20-000	105745-Y1-000
<b>CEILING</b>	SOFT CLOUD/PEARL CREAM	SOFT CLOUD/PEARL CREAM	SOFT CLOUD/PEARL CREAM
	113979-12-01A	113979-12-01A	113979-12-01A

## DINETTE GROUP CABINETS

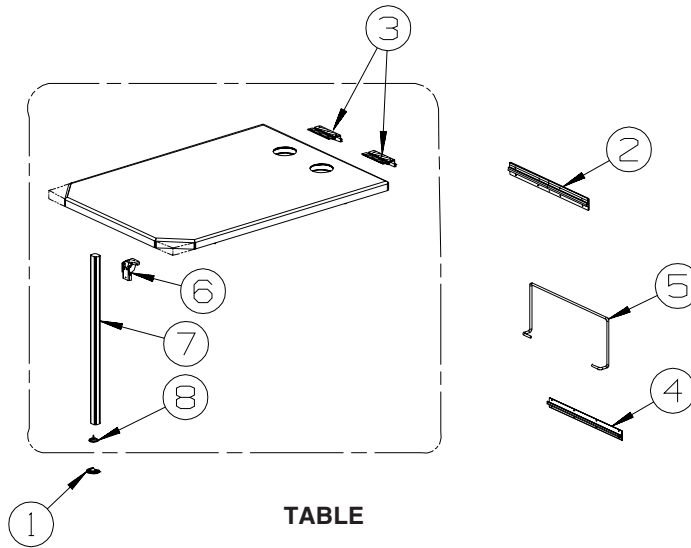


KEY	PART NUMBER	U/M	DESCRIPTION
1	141859-01-R44	EA	CABINET/BENCH - DINETTE - W/O DOORS/HARDWARE (R44)
1	141859-01-R45	EA	CABINET/BENCH - DINETTE - W/O DOORS/HARDWARE (R45)
1	141859-01-R46	EA	CABINET/BENCH - DINETTE - W/O DOORS/HARDWARE (R46)
1	141859-01-P57	EA	CABINET/BENCH - DINETTE - W/O DOORS/HARDWARE (R47)
1	141859-01-P58	EA	CABINET/BENCH - DINETTE - W/O DOORS/HARDWARE (R48)
1	141859-01-P59	EA	CABINET/BENCH - DINETTE - W/O DOORS/HARDWARE (R49)
1	141859-01-P60	EA	CABINET/BENCH - DINETTE - W/O DOORS/HARDWARE (R50)
1	141859-01-P61	EA	CABINET/BENCH - DINETTE - W/O DOORS/HARDWARE (R51)
1	141859-01-P62	EA	CABINET/BENCH - DINETTE - W/O DOORS/HARDWARE (R52)
2	081295-01-N70	EA	SUPPORT - BED/DINETTE - 28" LONG - PORTSMOUTH OAK
2	081295-01-M52	EA	SUPPORT - BED/DINETTE - 28" LONG - CONCERT CHERRY
2	081295-01-H37	EA	SUPPORT - BED/DINETTE - 28" LONG - WASHED MAPLE
3	142033-01-000	EA	BRACKET - DINETTE - RIGHT HAND
4	142033-02-000	EA	BRACKET - DINETTE - LEFT HAND
5	141859-02-R44	EA	CABINET/BENCH - DINETTE - W/O DOORS/HARDWARE (R44)
5	141859-02-R45	EA	CABINET/BENCH - DINETTE - W/O DOORS/HARDWARE (R45)
5	141859-02-R46	EA	CABINET/BENCH - DINETTE - W/O DOORS/HARDWARE (R46)
5	141859-02-P57	EA	CABINET/BENCH - DINETTE - W/O DOORS/HARDWARE (R47)
5	141859-02-P58	EA	CABINET/BENCH - DINETTE - W/O DOORS/HARDWARE (R48)
5	141859-02-P59	EA	CABINET/BENCH - DINETTE - W/O DOORS/HARDWARE (R49)
5	141859-02-P60	EA	CABINET/BENCH - DINETTE - W/O DOORS/HARDWARE (R50)
5	141859-02-P61	EA	CABINET/BENCH - DINETTE - W/O DOORS/HARDWARE (R51)
5	141859-02-P62	EA	CABINET/BENCH - DINETTE - W/O DOORS/HARDWARE (R52)
6	145194-01-R38	EA	CABINET - OVERHEAD/DINETTE - W/O DOORS/HARDWARE - PORTSMOUTH OAK
6	145194-01-R39	EA	CABINET - OVERHEAD/DINETTE - W/O DOORS/HARDWARE - CONCERT CHERRY
6	145194-01-R46	EA	CABINET - OVERHEAD/DINETTE - W/O DOORS/HARDWARE - WASHED MAPLE
6	145194-01-RW4	EA	CABINET - OVERHEAD/DINETTE - W/O DOORS/HARDWARE - WASHED MAPLE FROM: 00-00-00 THRU: 01-04-04
6	145194-01-RW4	EA	CABINET - OVERHEAD/DINETTE - W/O DOORS/HARDWARE - WASHED MAPLE FROM: 01-05-04 THRU: 99-99-99
7	141522-40-P54	EA	DOOR - ARCHED/PENCIL EDGE/HORIZ - 10.8" X 21.8" - W/O HDW - PORTSMOUTH OAK
7	141522-40-P55	EA	DOOR - ARCHED/PENCIL EDGE/HORIZ - 10.8" X 21.8" - W/O HDW - CONCERT CHERRY
7	141522-40-P56	EA	DOOR - ARCHED/PENCIL EDGE/HORIZ - 10.8" X 21.8" - W/O HDW - WASHED MAPLE



**DINETTE GROUP (CONTINUED)**  
**CABINETS (CONTINUED)**

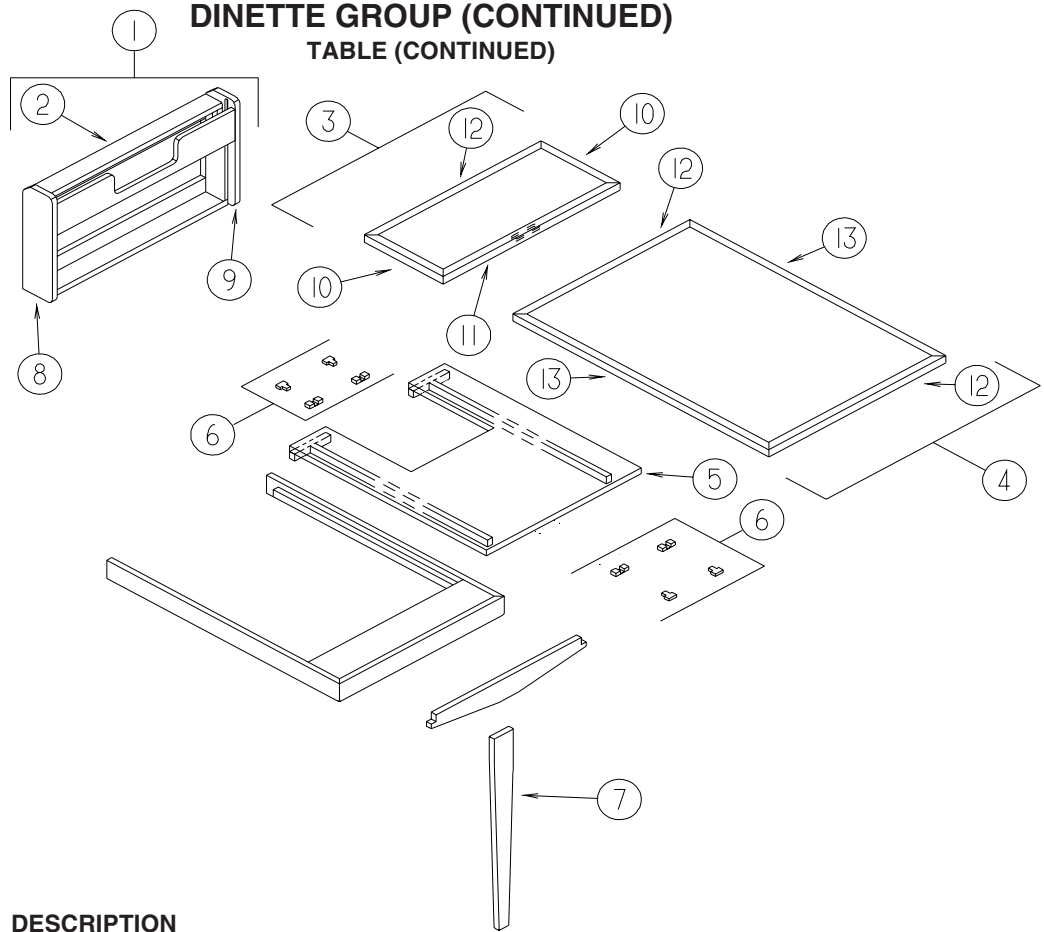
KEY	PART NUMBER	U/M	DESCRIPTION
8	143257-12-R38	EA	TABLE - 24" X 41.6" - ROCKY MOUNTAIN HIGH/PORTSMOUTH OAK (R44)
8	143257-12-R39	EA	TABLE - 24" X 41.6" - ROCKY MOUNTAIN HIGH/CHERRY (R45)
8	143257-12-R46	EA	TABLE - 24" X 41.6" - ROCKY MOUNTAIN HIGH/WASHED MAPLE (R46)
8	143257-12-R40	EA	TABLE - 24" X 41.6" - LINO FRIEZE/PORTSMOUTH OAK (R47)
8	143257-12-R41	EA	TABLE - 24" X 41.6" - LINO FRIEZE/CHERRY (R48)
8	143257-12-R49	EA	TABLE - 24" X 41.6" - LINO FRIEZE/WASHED MAPLE (R49)
8	143257-12-R42	EA	TABLE - 24" X 41.6" - GRAY TRANQUILITY/PORTSMOUTH OAK (R50)
8	143257-12-R43	EA	TABLE - 24" X 41.6" - GRAY TRANQUILITY/CHERRY (R51)
8	143257-12-R52	EA	TABLE - 24" X 41.6" - GRAY TRANQUILITY/WASHED MAPLE (R52)
9	133856-01-N42	EA	TABLE COMPLETE - LAMINATED - PORTSMOUTH OAK
9	133856-01-L52	EA	TABLE COMPLETE - LAMINATED - CONCERT CHERRY
9	133856-01-L58	EA	TABLE COMPLETE - LAMINATED - WASHED MAPLE
			FROM: 00-00-00 THRU: 01-04-04
9	133856-01-RW4	EA	TABLE COMPLETE - LAMINATED - WASHED MAPLE
			FROM: 01-05-04 THRU: 99-99-99



KEY	PART NUMBER	U/M	DESCRIPTION
1	143798-01-01A	EA	CATCH - FLOOR TO TABLE LEG - BRIGHT WHITE
2	140921-02-01A	EA	SUPPORT - TABLE - 18.5" - OFF WHITE
3	140921-03-01A	EA	HANGER - TABLE - W/VINYL - OFF WHITE
4	024281-15-000	EA	BRACKET/TABLE - LIFT ROD/LOWER WALL MOUNTED - 17.1"
5	024275-13-000	EA	ROD - TABLE LIFT - OFF/WHITE
6	093550-01-000	EA	BRACKET - HINGE - MOUNTS TO LEG & TABLE TOP - 1.7" X 2.6"
7	092707-04-10A	EA	LEG - TABLE - W/O HARDWARE - 27"- PORTSMOUTH OAK
7	092707-04-04A	EA	LEG - TABLE - W/O HARDWARE - 27" - CONCERT CHERRY
7	092707-04-08A	EA	LEG - TABLE - W/O HARDWARE - 27" - WASHED MAPLE
8	143798-02-01A	EA	CATCH - TABLE LEG TO FLOOR - ANY COLOR
	143798-03-01A	EA	WASHER - TABLE LEG - CATCH



## DINETTE GROUP (CONTINUED) TABLE (CONTINUED)

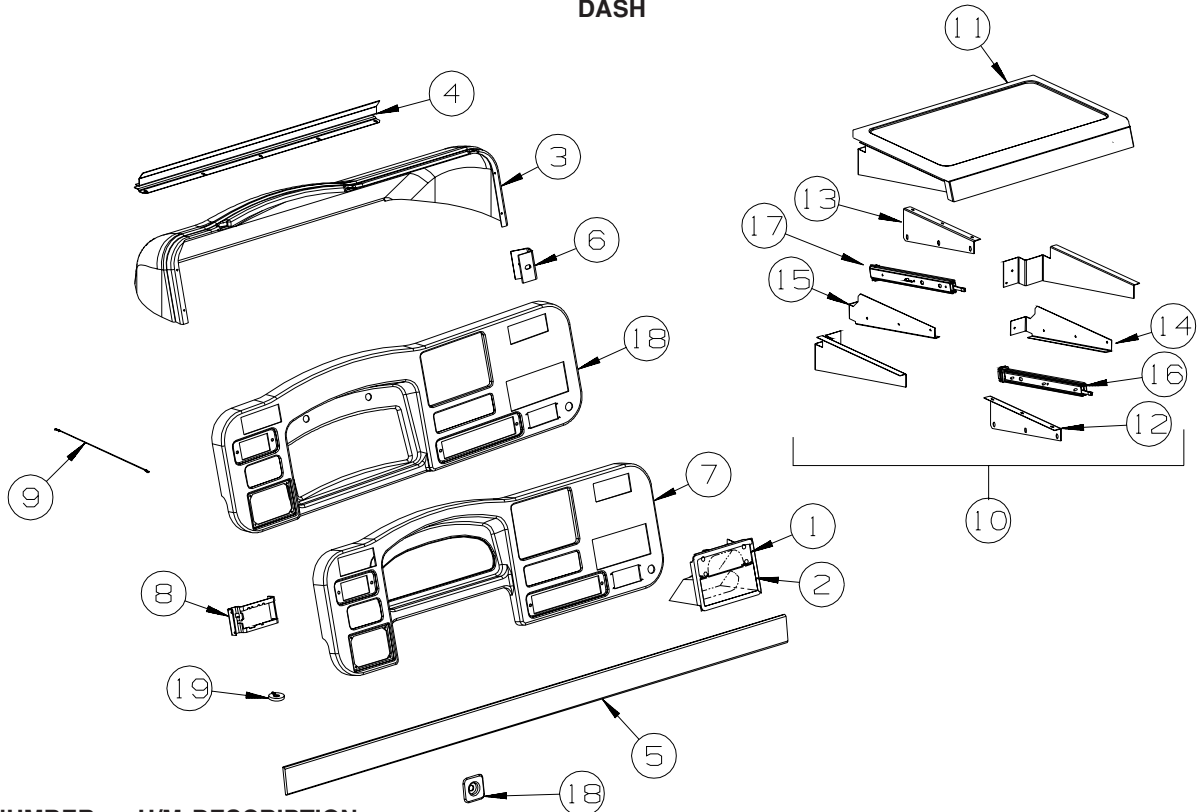


KEY	PART NUMBER	U/M	DESCRIPTION
1	133856-31-N42	EA	CABINET/WALL - W/O COUNTERTOP - F/PULLOUT TABLE - PORTSMOUTH OAK
1	133856-31-L52	EA	CABINET/WALL - W/O COUNTERTOP - F/PULLOUT TABLE - CONCERT CHERRY
1	133856-31-L58	EA	CABINET/WALL - W/O COUNTERTOP - F/PULLOUT TABLE - WASHED MAPLE
2	133856-23-N42	EA	COUNTERTOP - F/WALL CABINET - LAMINATED - PORTSMOUTH OAK
2	133856-23-L52	EA	COUNTERTOP - F/WALL CABINET - LAMINATED - CONCERT CHERRY
2	133856-23-L58	EA	COUNTERTOP - F/WALL CABINET - LAMINATED - WASHED MAPLE
2	133856-23-RW4	EA	COUNTERTOP - F/WALL CABINET - LAMINATED - WASHED MAPLE FROM: 00-00-00 THRU: 01-04-04 FROM: 01-05-04 THRU: 99-99-99
3	133856-12-N42	EA	TABLE TOP - SMALL HINGED SECTION - LAMINATED - PORTSMOUTH OAK
3	133856-12-L52	EA	TABLE TOP - SMALL HINGED SECTION - LAMINATED - CONCERT CHERRY
3	133856-12-L58	EA	TABLE TOP - SMALL HINGED SECTION - LAMINATED - WASHED MAPLE
3	133856-12-RW4	EA	TABLE TOP - SMALL HINGED SECTION - LAMINATED - WASHED MAPLE FROM: 00-00-00 THRU: 01-04-04 FROM: 01-05-04 THRU: 99-99-99
4	133856-11-N42	EA	TABLE TOP - LARGE SECTION - LAMINATED - PORTSMOUTH OAK
4	133856-11-L52	EA	TABLE TOP - LARGE SECTION - LAMINATED - CONCERT CHERRY
4	133856-11-L58	EA	TABLE TOP - LARGE SECTION - LAMINATED - WASHED MAPLE
4	133856-11-RW4	EA	TABLE TOP - LARGE SECTION - LAMINATED - WASHED MAPLE FROM: 00-00-00 THRU: 01-04-04 FROM: 01-05-04 THRU: 99-99-99
5	133856-17-N42	EA	SLIDE - TABLE TOP - PORTSMOUTH OAK
5	133856-17-L52	EA	SLIDE - TABLE TOP - CONCERT CHERRY
5	133856-17-L58	EA	SLIDE - TABLE TOP - WASHED MAPLE
5	133856-17-RW4	EA	SLIDE - TABLE TOP - WASHED MAPLE FROM: 00-00-00 THRU: 01-04-04 FROM: 01-05-04 THRU: 99-99-99
6	009050-02-000	EA	LEVELER - TABLE TOP - MALE END W/4 SCREWS - PLASTIC
6	009050-03-000	EA	LEVELER - TABLE TOP - FEMALE END W/2 SCREWS - PLASTIC
7	133856-28-N42	EA	LEG - F/TABLE - PORTSMOUTH OAK
7	133856-28-L52	EA	LEG - F/TABLE - CONCERT CHERRY
7	133856-28-L58	EA	LEG - F/TABLE - WASHED MAPLE
8	133856-27-N42	EA	END - LEFT HAND - F/TABLE CABINET - PORTSMOUTH OAK
8	133856-27-L52	EA	END - LEFT HAND - F/TABLE CABINET - CONCERT CHERRY
8	133856-27-L58	EA	END - LEFT HAND - F/TABLE CABINET - WASHED MAPLE

**DINETTE GROUP (CONTINUED)**  
**TABLE (CONTINUED)**

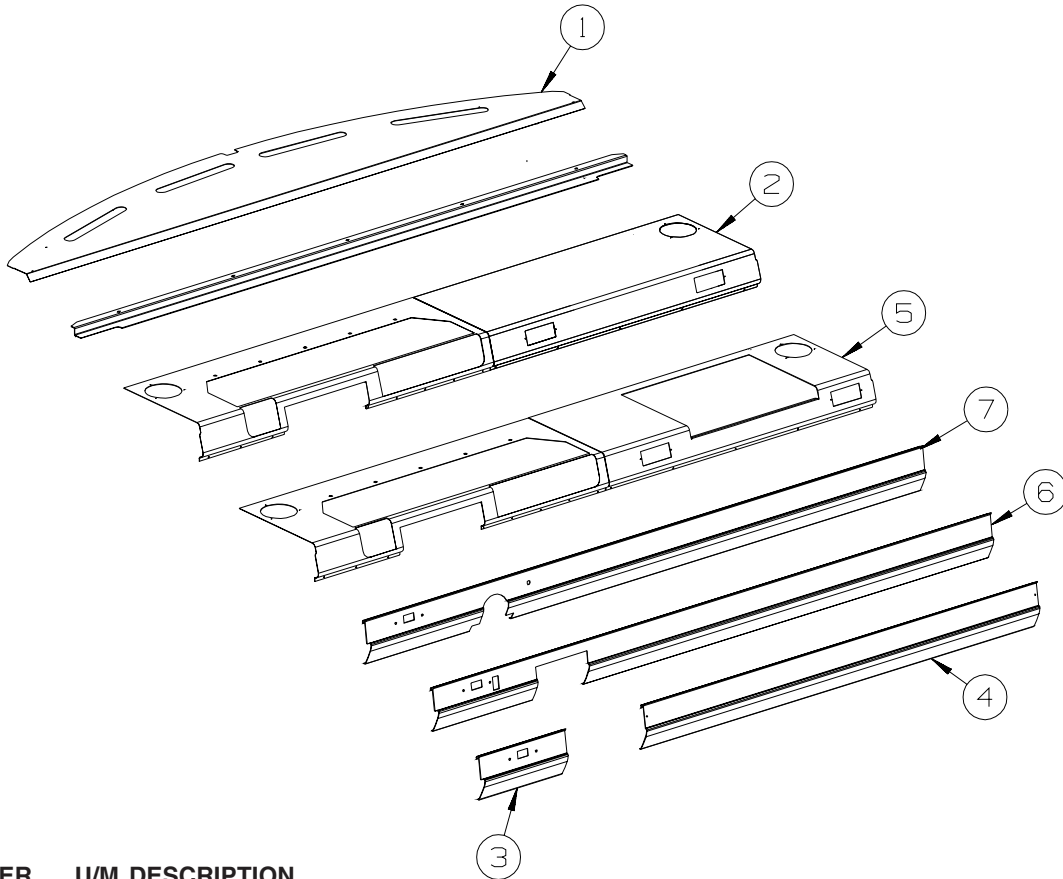
<b>KEY</b>	<b>PART NUMBER</b>	<b>U/M</b>	<b>DESCRIPTION</b>
9	133856-26-N42	EA	END - RIGHT HAND - F/TABLE CABINET - PORTSMOUTH OAK
9	133856-26-L52	EA	END - RIGHT HAND - F/TABLE CABINET - CONCERT CHERRY
9	133856-26-L58	EA	END - RIGHT HAND - F/TABLE CABINET - WASHED MAPLE
10	133856-15-N42	EA	TRIM - TABLE MOLDING - 12" - PORTSMOUTH OAK
10	133856-15-L52	EA	TRIM - TABLE MOLDING - 12" - CONCERT CHERRY
10	133856-15-L58	EA	TRIM - TABLE MOLDING - 12" - WASHED MAPLE
11	133856-16-N42	EA	TRIM - TABLE MOLDING - 23.8" - PORTSMOUTH OAK
11	133856-16-L52	EA	TRIM - TABLE MOLDING - 23.8" - CONCERT CHERRY
11	133856-16-L58	EA	TRIM - TABLE MOLDING - 23.8" - WASHED MAPLE
12	133856-14-N42	EA	TRIM - TABLE MOLDING - 23.8" - PORTSMOUTH OAK
12	133856-14-L52	EA	TRIM - TABLE MOLDING - 23.8" - CONCERT CHERRY
12	133856-14-L58	EA	TRIM - TABLE MOLDING - 23.8" - WASHED MAPLE
13	133856-13-N42	EA	TRIM - TABLE MOLDING - 41.2" - PORTSMOUTH OAK
13	133856-13-L52	EA	TRIM - TABLE MOLDING - 41.2" - CONCERT CHERRY
13	133856-13-L58	EA	TRIM - TABLE MOLDING - 41.2" - WASHED MAPLE

## DRIVERS COMPARTMENT GROUP DASH



KEY	PART NUMBER	U/M	DESCRIPTION
1	096776-03-000	EA	STORAGE BOX - CD'S - 4 DISC HOLDER - <b>W/O REAR MONITOR</b>
2	111350-01-01A	EA	POCKET - INSTRUMENT PANEL - UPPER - BLACK - <b>W/O REAR MONITOR</b>
3	132080-01-03A	EA	POD - INSTRUMENT PANEL - W/O HOLE - GLACIER
4	129813-02-02A	EA	HINGE - DASH POD - GLACIER
5	132647-01-05A	EA	MOLDING/TRIM - DASH - 96" - VINYL WRAP/PORTSMOUTH OAK
5	132647-01-06A	EA	MOLDING/TRIM - DASH - 96" - VINYL WRAP/CONCERT CHERRY
5	132647-01-02A	EA	MOLDING/TRIM - DASH - 96" - VINYL WRAP/WASHED MAPLE
5	132647-01-07A	EA	MOLDING/TRIM - DASH - 96" - VINYL WRAP/WASHED MAPLE FROM: 00-00-00 THRU: 01-02-04 FROM: 01-03-04 THRU: 99-99-99
6	134257-02-02B	EA	CLIP - RETAINER - BEZEL - E-COATED
7	138611-01-03A	EA	BEZEL - INSTRUMENT PANEL - TITANIUM - <b>FORD</b>
8	133849-01-02B	EA	MOUNT - HEADLAMP SWITCH - E-COATED - <b>WORKHORSE</b>
9	076767-05-000	EA	CABLE - STAINLESS STEEL - 15.5"
10	135298-02-N52	EA	TABLE COMPLETE - WORKSTATION FROM: 00-00-00 THRU: 05-08-03
10	135298-02-R32	EA	TABLE COMPLETE - WORKSTATION FROM: 05-09-03 THRU: 99-99-99
11	135122-02-N52	EA	TABLE TOP - PULLOUT/WORKSTATION FROM: 00-00-00 THRU: 05-08-03
11	135122-02-R32	EA	TABLE TOP - PULLOUT/WORKSTATION FROM: 05-09-03 THRU: 99-99-99
	106569-09-06A	EA	VINYL - LAMINATE - ALLANTE DOESKIN - 1/4" X 25" X 100" FROM: 00-00-00 THRU: 05-08-03
	106569-09-07A	EA	VINYL - LAMINATE - 25" X 100" - MADRID FROM: 05-09-03 THRU: 99-99-99
12	135132-03-02B	EA	ANGLE-SLIDE,RH
13	135132-04-02B	EA	ANGLE-SLIDE,LH
14	135228-01-02B	EA	ANGLE - SLIDE - TRAY/RIGHT HAND - E-COATED
15	135228-02-02B	EA	ANGLE - SLIDE - TRAY/LEFT HAND - E-COATED
16	135314-01-01A	EA	SLIDE - DASH WORK STATION - RIGHT HAND
17	135314-02-01A	EA	SLIDE - DASH WORK STATION - LEFT HAND
18	142956-02-03A	EA	BEZEL - INSTRUMENT PANEL - WH - TITANIUM - <b>WORKHORSE</b>
19	049176-01-000	EA	HEDLOCK II - 3/4 DIAMETER SCREW MOUNT

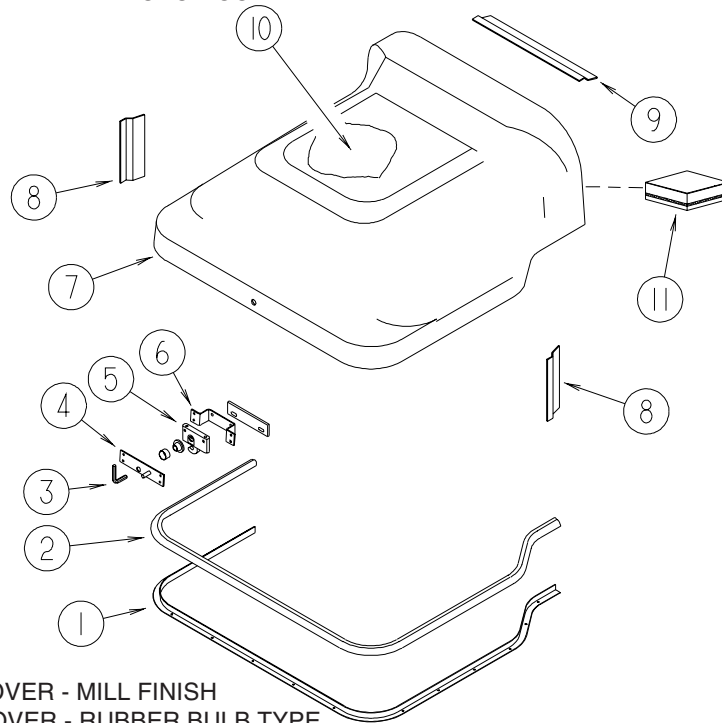
**DRIVERS COMPARTMENT GROUP (CONTINUED)**  
**DASH (CONTINUED)**



KEY	PART NUMBER	U/M	DESCRIPTION
1	132126-02-02B	EA	PANEL - DASH TOP - E-COATED
	106569-11-05A	EA	VINYL - LAMINATE - ALLANTE DOESKIN - 1/4" X 25" X 100"
2	NOT USED		
3	111528-12-03A	EA	TRIM - DASH/LOWER - DRIVER - TITANIUM - FORD
4	111528-10-03A	EA	TRIM - DASH/LOWER - PASSENGER - TITANIUM - FORD
5	135096-01-02B	EA	DASH - E-COAT - FORD
5	142962-04-02B	EA	DASH - E-COAT - WORKHORSE
6	137928-02-04A	EA	TRIM/DASH - LOWER - TITANIUM - WORKHORSE
7	NOT USED		

# DRIVERS COMPARTMENT GROUP (CONTINUED)

## MOTOR COVER



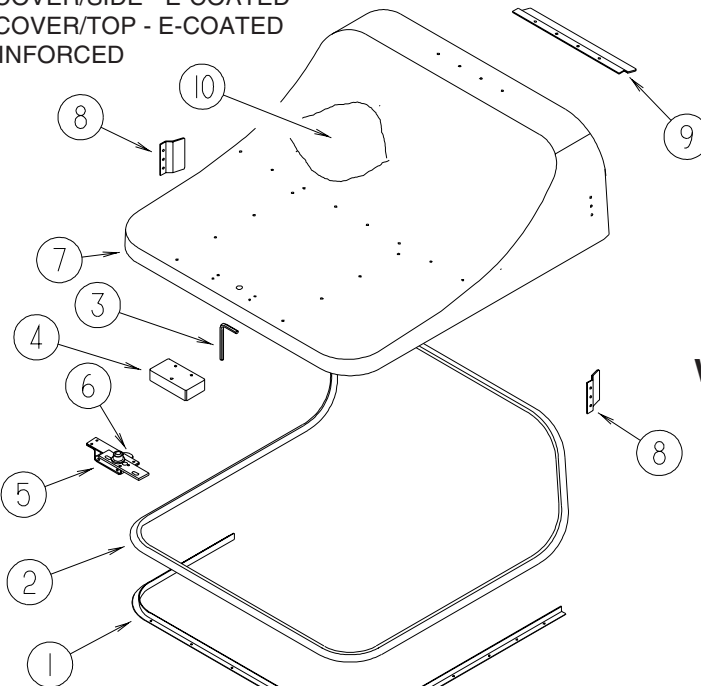
**FORD**

**KEY PART NUMBER**

- 1 115860-05-01A
- 2 039623-01-000
- 3 116833-01-02B
- 4 115852-01-02B
- 5 116581-01-000
- 6 115850-01-02B
- 7 129099-04-01A
- 8 115855-02-02B
- 9 115855-01-02B
- 10 134497-01-000
- 11 NOT USED

**U/M DESCRIPTION**

- EA TRIM - MOTOR COVER - MILL FINISH
- FT SEAL - MOTOR COVER - RUBBER BULB TYPE
- EA WRENCH - HEX MOTOR COVER - E-COATED
- EA STRIKE - LATCH - MOTOR COVER - E-COATED
- EA LATCH - W/O STRIKE - MOTOR COVER
- EA RETAINER - LATCH - MOTOR COVER - RIGHT HAND - E-COATED
- EA COVER - MOTOR - W/O CARPET
- EA RETAINER - MOTOR COVER/SIDE - E-COATED
- EA RETAINER - MOTOR COVER/TOP - E-COATED
- SF FOIL/ALUMINUM - REINFORCED



**WORKHORSE**

**KEY PART NUMBER**

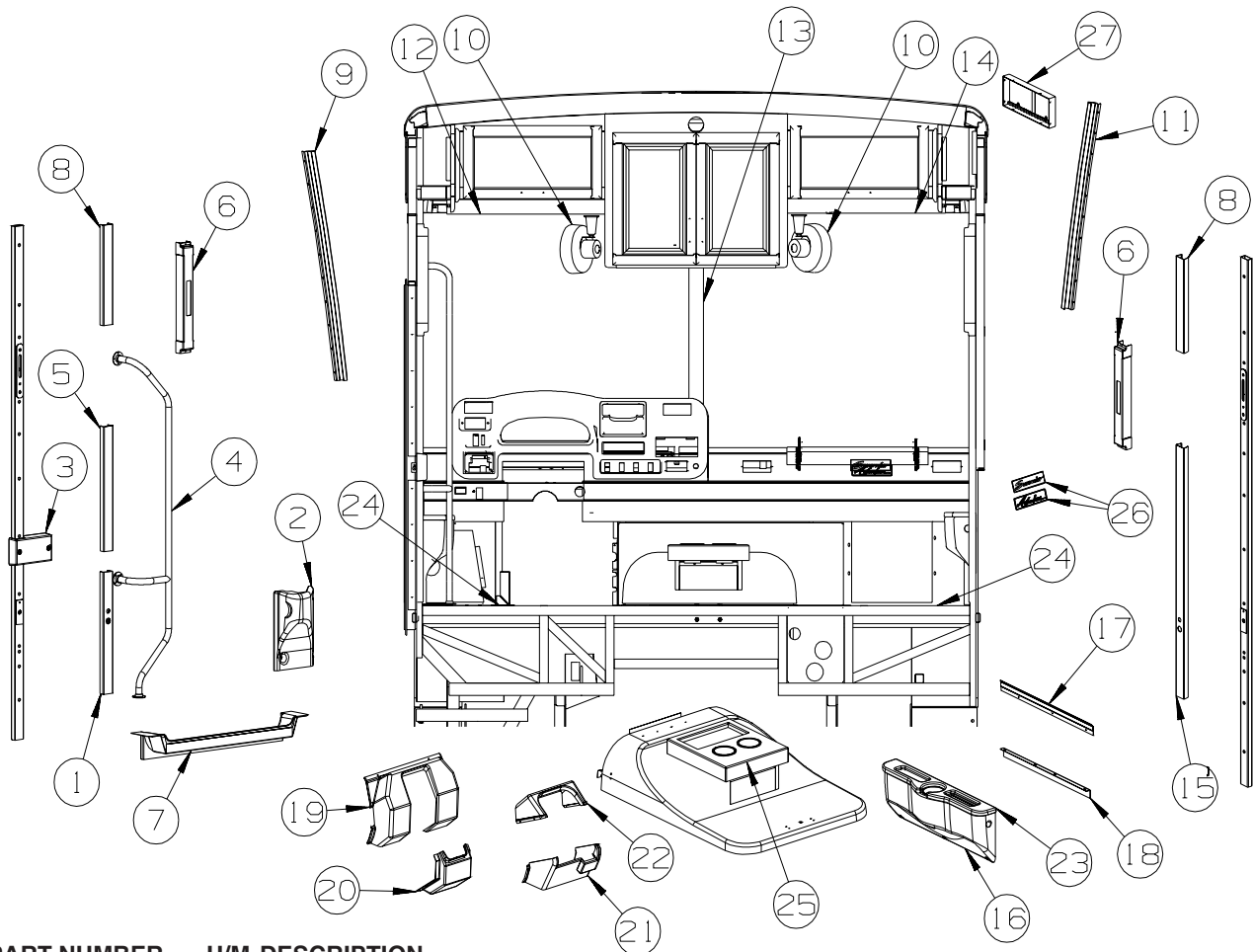
- 1 137332-01-01A
- 2 039623-01-000
- 3 116833-01-02B
- 4 137305-02-02B
- 5 116581-01-000
- 6 115850-01-02B
- 7 137096-01-01A
- 8 115855-04-02B
- 9 115855-03-02B
- 10 134497-01-000

**U/M DESCRIPTION**

- EA TRIM - MOTOR COVER
- FT SEAL - MOTOR COVER - RUBBER BULB TYPE
- EA WRENCH - HEX MOTOR COVER - E-COATED
- EA BRACKET - STRIKE SUPPORT - E-COATED
- EA LATCH - W/O STRIKE - MOTOR COVER
- EA RETAINER - LATCH - MOTOR COVER - RIGHT HAND - E-COATED
- EA COVER - MOTOR - W/O CARPET
- EA INSULATION/ENGINE COVER
- EA RETAINER - MOTOR COVER/SIDE - E-COATED
- EA RETAINER - MOTOR COVER/TOP - E-COATED
- SF FOIL/ALUMINUM - REINFORCED

## DRIVERS COMPARTMENT GROUP (CONTINUED)

### FRONT INTERIOR

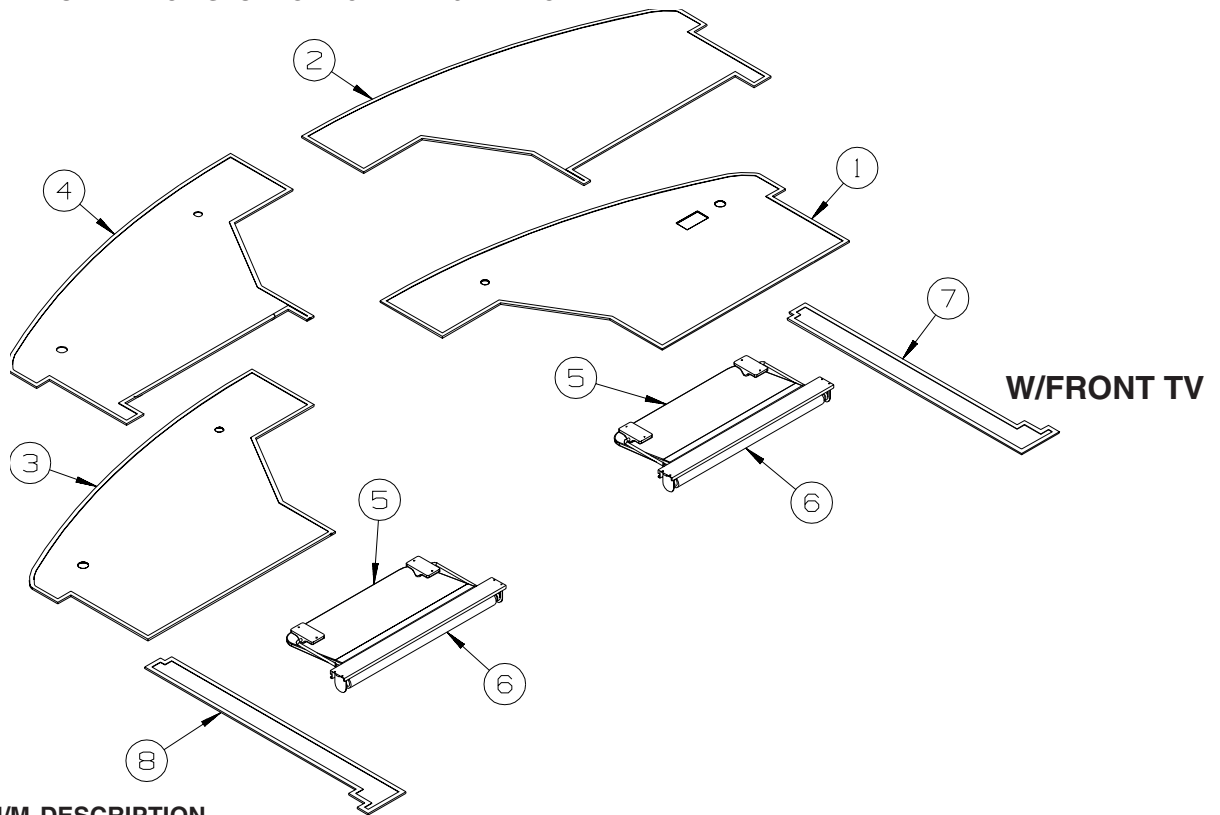


KEY	PART NUMBER	U/M	DESCRIPTION
1	024700-67-000	EA	COVER - SIDEWALL ROLL BAR - 20.1" - OFF WHITE
2	132296-01-02A	EA	PANEL/TRIM - DASH/CAB DOOR - TITANIUM
3	141072-01-01A	EA	COVER - BRACKET/LATCH - OFF WHITE
	140151-02-01A	EA	COVER - SCREW - OFF WHITE
4	131058-04-02A	EA	HAND RAIL - INTERIOR CAB DOOR - BLACK
5	024700-66-000	EA	COVER - SIDEWALL ROLL BAR - 20.6" - OFF WHITE
6	140151-01-01A	EA	COVER - SEAT BELT - OFF WHITE
6	140151-03-01A	EA	COVER - SEAT BELT SLIDE - BLACK
	140151-02-01A	EA	COVER - SCREW - OFF WHITE
7	131849-01-02A	EA	TRIM - DRIVER STEP - TITANIUM
	102569-02-000	EA	MAT - ANTI SLIP - LOWER
8	024700-58-000	EA	COVER - ROLL BAR - SIDEWALL - 16.5" - OFF WHITE
9	125508-02-03A	EA	TRIM - A-PILLAR - DRIVER/INTERIOR - GLACIER
10	122856-01-01A	EA	FAN-DEFROSTER-2 SPEED W/SWIVEL BASE/NON-OSCILLATING-CHROME
11	125508-01-03A	EA	TRIM - A-PILLAR - PASSENGER/INTERIOR - GLACIER
12	118453-04-03A	EA	TRIM - WINDSHIELD - INNER/TOP/DRIVER - GLACIER
13	118452-04-03A	EA	TRIM - WINDSHIELD - CENTER - GLACIER
14	118453-03-03A	EA	TRIM - WINDSHIELD - INNER/TOP/PASSENGER - GLACIER
15	024700-59-000	EA	COVER - ROLL BAR - SIDEWALL - 44.1" - OFF WHITE
16	132354-08-02A	EA	PANEL/TRIM - INNER - W/O BEVERAGE TRAY - TITANIUM
	122717-06-01A	FT	PAD - NON-SKID - PSA - 5"W
17	130034-11-02B	EA	CLIP - TRIM - E-COATED
18	132595-02-02B	EA	BRACKET - BEVERAGE TRAY HOLDER
19	131804-01-03A	EA	COVER - STEERING COLUMN - UPPER - TITANIUM - FORD
20	125795-01-03A	EA	COVER - STEERING COLUMN/LOWER - TITANIUM - FORD
21	137851-01-03A	EA	COVER - STEERING COLUMN - TITANIUM - WORKHORSE
22	137878-01-03A	EA	COVER - STEERING COLUMN - FRONT - TITANIUM - WORKHORSE

## DRIVERS COMPARTMENT GROUP (CONTINUED)

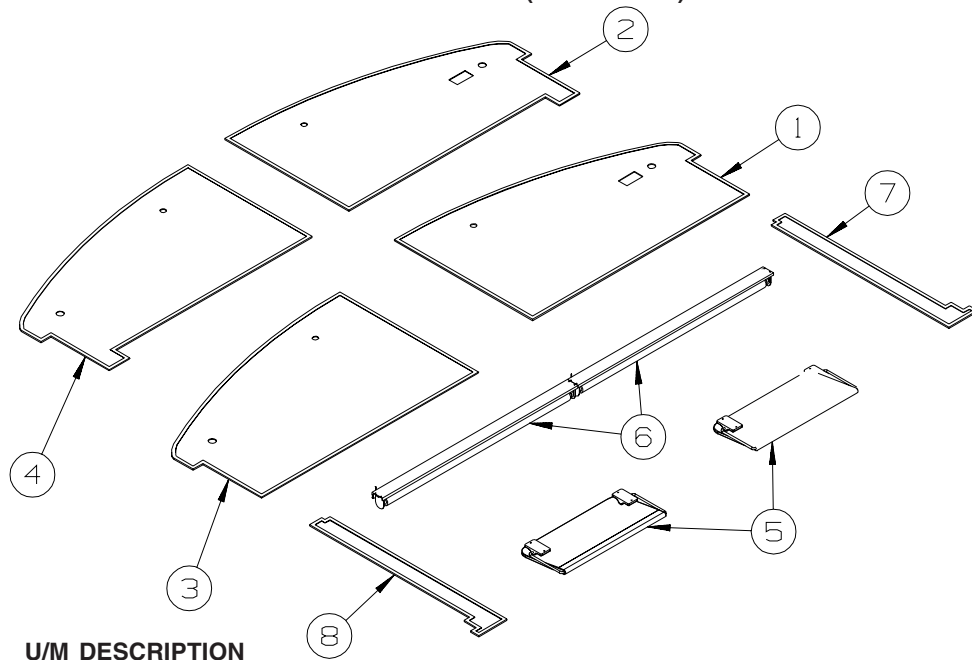
### FRONT INTERIOR (CONTINUED)

KEY	PART NUMBER	U/M	DESCRIPTION
23	132297-03-04A	EA	PANEL/TRIM - W/BEVERAGE HOLDER - PORTSMOUTH OAK
23	132297-03-02A	EA	PANEL/TRIM - W/BEVERAGE HOLDER - CONCERT CHERRY
23	132297-03-03A	EA	PANEL/TRIM - W/BEVERAGE HOLDER - WASHED MAPLE
			FROM: 00-00-00 THRU: 01-04-04
23	132297-03-21A	EA	PANEL/TRIM - W/BEVERAGE HOLDER - WASHED MAPLE
			FROM: 01-05-04 THRU: 99-99-99
24	105924-01-P41	EA	MAT - FLOOR - 18" X 27" (R44, R45, R46)
24	105924-01-P47	EA	MAT - FLOOR - 18" X 27" (R47, R48, R49)
24	105924-01-P49	EA	MAT - FLOOR - 18" X 27" (R50, R51, R52)
25	142071-01-P45	EA	TRAY ASM-BEVERAGE - PORTSMOUTH OAK - <b>WORKHORSE</b>
25	142071-01-P46	EA	TRAY ASM-BEVERAGE - CONCERT CHERRY - <b>WORKHORSE</b>
25	142071-01-P56	EA	TRAY ASM-BEVERAGE - WASHED MAPLE - <b>WORKHORSE</b>
25	142072-01-P45	EA	TRAY ASM-BEVERAGE - PORTSMOUTH OAK - <b>FORD</b>
25	142072-01-P46	EA	TRAY ASM-BEVERAGE - CONCERT CHERRY - <b>FORD</b>
25	142072-01-P56	EA	TRAY ASM-BEVERAGE - WASHED MAPLE - <b>FORD</b>
26	133417-02-01A	EA	DECAL - LOGO - DOMED - SUNCRUISER
27	135717-01-01A	EA	HOLDER - CD STORAGE - 5.2: X 12.6" - BLACK



KEY	PART NUMBER	U/M	DESCRIPTION
1	126440-21-R38	EA	PANEL - OVERHEAD/FRONT/BOTTOM/PASSENGER - VINYL COVERED
2	126440-19-R38	EA	PANEL - OVERHEAD/FRONT/BOTTOM/PASSENGER - VINYL COVERED - <b>POWERED SUNVISORS</b>
3	126440-22-R38	EA	PANEL - OVERHEAD/FRONT/BOTTOM/DRIVER - VINYL COVERED
4	126440-20-R38	EA	PANEL - OVERHEAD/FRONT/BOTTOM/DRIVER - VINYL COVERED - <b>POWERED SUNVISORS</b>
5	123298-04-05A	EA	SUNVISOR - 10.5" X 21" - DRIVER/PASSENGER - GLACIER
6	142380-01-01A	EA	SHADE - POWER - 25.7" - <b>POWERED SUNVISORS</b>
7	144648-01-R38	EA	PANEL - OVERHEAD/FRONT/RIGHT HAND
8	144648-02-R38	EA	PANEL - OVERHEAD/FRONT/LEFT HAND

**DRIVERS COMPARTMENT GROUP (CONTINUED)**  
**FRONT INTERIOR (CONTINUED)**



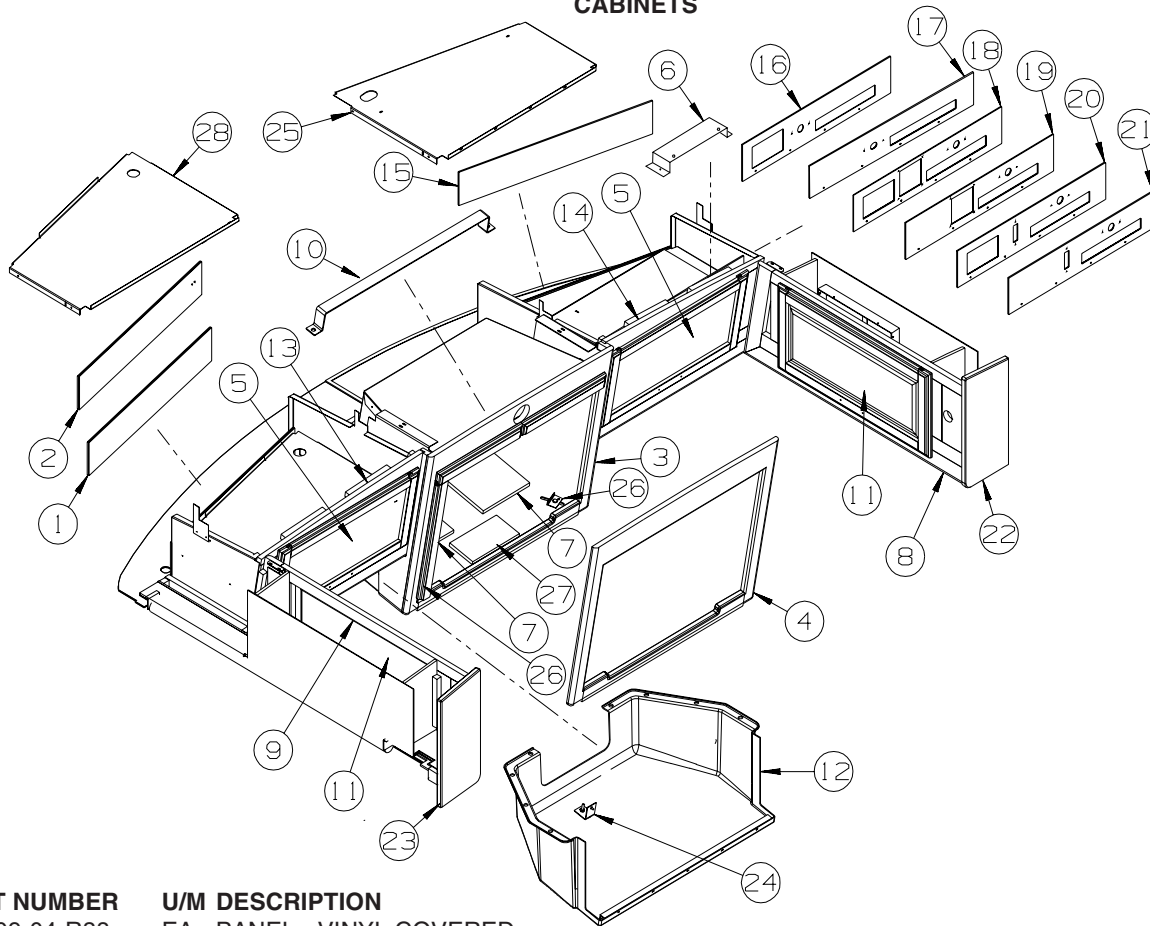
**W/O FRONT TV**

KEY	PART NUMBER	U/M	DESCRIPTION
1	126440-25-R38	EA	PANEL - OVERHEAD/FRONT/BOTTOM/RIGHT HAND
2	126440-23-R38	EA	PANEL - OVERHEAD/FRONT/BOTTOM/RIGHT HAND - <b>POWERED SUNVISORS</b>
3	126440-26-R38	EA	PANEL - OVERHEAD/FRONT/BOTTOM/LEFT HAND
4	126440-24-R38	EA	PANEL - OVERHEAD/FRONT/BOTTOM/LEFT HAND - <b>POWERED SUNVISORS</b>
5	123298-04-05A	EA	SUNVISOR - 10.5" X 21" - DRIVER/PASSENGER - GLACIER
6	142380-02-01A	EA	SHADE - POWER - 41.2" - <b>POWERED SUNVISORS</b>
7	144648-01-R38	EA	PANEL - OVERHEAD/FRONT/RIGHT HAND
8	144648-02-R38	EA	PANEL - OVERHEAD/FRONT/LEFT HAND



# DRIVERS COMPARTMENT GROUP (CONTINUED)

## CABINETS

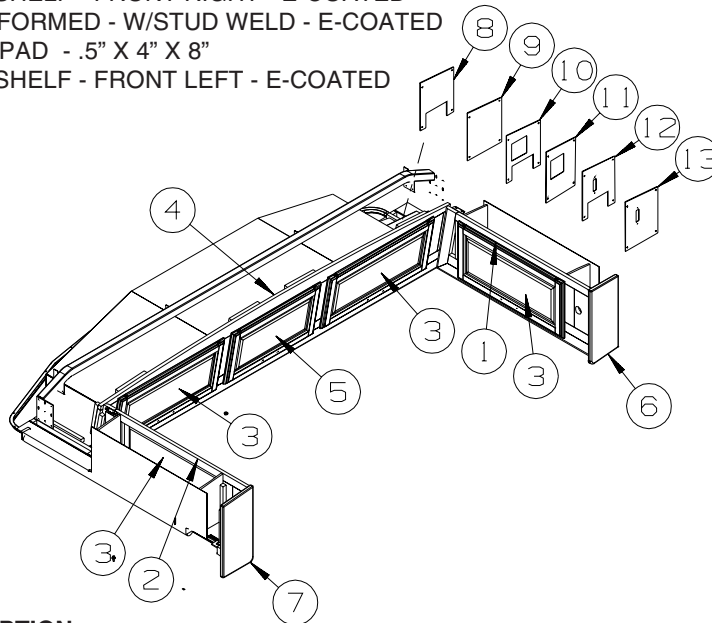


W/FRONT TV

KEY	PART NUMBER	U/M	DESCRIPTION
1	132909-04-R38	EA	PANEL - VINYL COVERED
2	132909-05-R38	EA	PANEL - VINYL COVERED
3	145658-02-R38	EA	CABINET - FRONT/TV FACE - W/O DOORS/HARDWARE - PORTSMOUTH OAK - SURROUND SOUND
3	145658-02-R39	EA	CABINET - FRONT/TV FACE - W/O DOORS/HARDWARE - CONCERT CHERRY - SURROUND SOUND
3	145658-02-R46	EA	CABINET - FRONT/TV FACE - W/O DOORS/HARDWARE - WASHED MAPLE - SURROUND SOUND
4	145658-01-R38	EA	CABINET - FRONT/TV FACE - W/O DOORS/HARDWARE - PORTSMOUTH OAK
4	145658-01-R39	EA	CABINET - FRONT/TV FACE - W/O DOORS/HARDWARE - CONCERT CHERRY
4	145658-01-R46	EA	CABINET - FRONT/TV FACE - W/O DOORS/HARDWARE - WASHED MAPLE
5	146028-02-R44	EA	DOOR - GLASS/OGEE EDGE - 12" X 23.8" - W/O HARDWARE - PORTSMOUTH OAK
5	146028-02-R45	EA	DOOR - GLASS/OGEE EDGE - 12" X 23.8" - W/O HARDWARE - CONCERT CHERRY
5	146028-02-R46	EA	DOOR - GLASS/OGEE EDGE - 12" X 23.8" - W/O HARDWARE - WASHED MAPLE
5	146028-02-RW4	EA	DOOR - GLASS/OGEE EDGE - 12" X 23.8" - W/O HARDWARE - WASHED MAPLE FROM: 00-00-00 THRU: 01-04-04 FROM: 01-05-04 THRU: 99-99-99
	100708-32-000	EA	DOOR/GLASS - TV CABINET - 9.24" X 21.03" - W/O HARDWARE
6	NOT USED		
7	140364-01-01A	EA	FOAM - PAD - .5" X 8" X 8"
8	145657-01-R38	EA	CABINET - OVERHEAD/FRONT/PASS SIDE - W/O DOORS/HARDWARE - PORTSMOUTH OAK
8	145657-01-R39	EA	CABINET - OVERHEAD/FRONT/PASS SIDE - W/O DOORS/HARDWARE - CONCERT CHERRY
8	145657-01-R46	EA	CABINET - OVERHEAD/FRONT/PASS SIDE - W/O DOORS/HARDWARE - WASHED MAPLE
8	145657-01-RW4	EA	CABINET - OVERHEAD/FRONT/PASS SIDE - W/O DOORS/HARDWARE - WASHED MAPLE FROM: 00-00-00 THRU: 01-04-04 FROM: 01-05-04 THRU: 99-99-99
9	145657-02-R38	EA	CABINET - OVERHEAD/FRONT/PASS SIDE - W/O DOORS/HARDWARE - PORTSMOUTH OAK
9	145657-02-R39	EA	CABINET - OVERHEAD/FRONT/PASS SIDE - W/O DOORS/HARDWARE - CONCERT CHERRY
9	145657-02-R46	EA	CABINET - OVERHEAD/FRONT/PASS SIDE - W/O DOORS/HARDWARE - WASHED MAPLE
9	145657-02-RW4	EA	CABINET - OVERHEAD/FRONT/PASS SIDE - W/O DOORS/HARDWARE - WASHED MAPLE FROM: 00-00-00 THRU: 01-04-04 FROM: 01-05-04 THRU: 99-99-99
10	133790-18-02B	EA	STRAP/TIEDOWN - TV - E-COATED
11	141522-70-R74	EA	DOOR - RAISED PANEL/OGEE EDGE - 12" X 26" - W/O HDW - PORTSMOUTH OAK
11	141522-70-R75	EA	DOOR - RAISED PANEL/OGEE EDGE - 12" X 26" - W/O HDW - CONCERT CHERRY
11	141522-70-R76	EA	DOOR - RAISED PANEL/OGEE EDGE - 12" X 26" - W/O HDW - WASHED MAPLE
12	145659-01-01A	EA	COVER - FRONT TV/OVERHEAD - GLACIER

**DRIVERS COMPARTMENT GROUP (CONTINUED)**  
**CABINETS (CONTINUED)**

KEY	PART NUMBER	U/M	DESCRIPTION
13	145656-02-R38	EA	CABINET - FRONT/OVERHEAD - W/O DOORS/HARDWARE - PORTSMOUTH OAK
13	145656-02-R39	EA	CABINET - FRONT/OVERHEAD - W/O DOORS/HARDWARE - CONCERT CHERRY
13	145656-02-R46	EA	CABINET - FRONT/OVERHEAD - W/O DOORS/HARDWARE - WASHED MAPLE FROM: 00-00-00 THRU: 01-04-04
13	145656-02-RW4	EA	CABINET - FRONT/OVERHEAD - W/O DOORS/HARDWARE - WASHED MAPLE FROM: 01-05-04 THRU: 99-99-99
14	145656-01-R38	EA	CABINET - FRONT/OVERHEAD - W/O DOORS/HARDWARE - PORTSMOUTH OAK
14	145656-01-R39	EA	CABINET - FRONT/OVERHEAD - W/O DOORS/HARDWARE - CONCERT CHERRY
14	145656-01-R46	EA	CABINET - FRONT/OVERHEAD - W/O DOORS/HARDWARE - WASHED MAPLE FROM: 00-00-00 THRU: 01-04-04
14	145656-01-RW4	EA	CABINET - FRONT/OVERHEAD - W/O DOORS/HARDWARE - WASHED MAPLE FROM: 01-05-04 THRU: 99-99-99
15	132909-04-R38	EA	PANEL - VINYL COVERED
16	144652-01-R38	EA	PANEL - VINYL COVERED - DC/AC INVERTER
17	144652-02-R38	EA	PANEL - VINYL COVERED
18	144652-04-R68	EA	PANEL - VINYL COVERED - DC/AC INVERTER/ AUTOMATIC SATLELLITE DISH
19	144652-05-R68	EA	PANEL - VINYL COVERED - AUTOMATIC SATLELLITE DISH
20	144652-06-R68	EA	PANEL - VINYL COVERED - DC/AC INVERTER/IN-MOTION SALELLITE SYSTEM
21	144652-07-R68	EA	PANEL - VINYL COVERED - IN-MOTION SALELLITE SYSTEM
22	145657-37-R38	EA	END CAP - OVERHEAD CABINET - PORTSMOUTH OAK
22	145657-37-R39	EA	END CAP - OVERHEAD CABINET - CONCERT CHERRY
22	145657-37-R46	EA	END CAP - OVERHEAD CABINET - WASHED MAPLE
23	145657-38-R38	EA	END CAP - OVERHEAD CABINET - PORTSMOUTH OAK
23	145657-38-R39	EA	END CAP - OVERHEAD CABINET - CONCERT CHERRY
23	145657-38-R46	EA	END CAP - OVERHEAD CABINET - WASHED MAPLE
24	147994-02-02B	EA	BRACKET - TV - F/SONY 27" - E-COATED
25	145811-01-02B	EA	PANEL/SHELF - FRONT RIGHT - E-COATED
26	146030-01-02B	EA	ANGLE/FORMED - W/STUD WELD - E-COATED
27	140364-03-01A	EA	FOAM - PAD - .5" X 4" X 8"
28	145811-02-02B	EA	PANEL/SHELF - FRONT LEFT - E-COATED



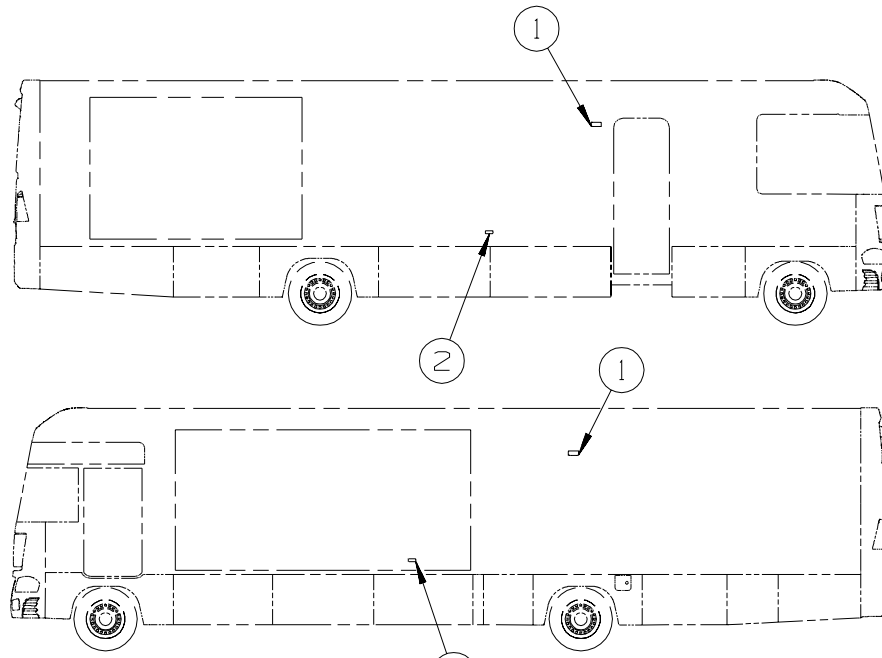
**W/O FRONT TV**

KEY	PART NUMBER	U/M	DESCRIPTION
1	145657-01-R38	EA	CABINET - OVERHEAD/FRONT/PASS SIDE - W/O DOORS/HARDWARE - PORTSMOUTH OAK
1	145657-01-R39	EA	CABINET - OVERHEAD/FRONT/PASS SIDE - W/O DOORS/HARDWARE - CONCERT CHERRY
1	145657-01-R46	EA	CABINET - OVERHEAD/FRONT/PASS SIDE - W/O DOORS/HARDWARE - WASHED MAPLE FROM: 00-00-00 THRU: 01-04-04
1	145657-01-RW4	EA	CABINET - OVERHEAD/FRONT/PASS SIDE - W/O DOORS/HARDWARE - WASHED MAPLE FROM: 01-05-04 THRU: 99-99-99
2	145657-02-R38	EA	CABINET - OVERHEAD/FRONT/PASS SIDE - W/O DOORS/HARDWARE - PORTSMOUTH OAK
2	145657-02-R39	EA	CABINET - OVERHEAD/FRONT/PASS SIDE - W/O DOORS/HARDWARE - CONCERT CHERRY
2	145657-02-R46	EA	CABINET - OVERHEAD/FRONT/PASS SIDE - W/O DOORS/HARDWARE - WASHED MAPLE FROM: 00-00-00 THRU: 01-04-04
2	145657-02-RW4	EA	CABINET - OVERHEAD/FRONT/PASS SIDE - W/O DOORS/HARDWARE - WASHED MAPLE FROM: 01-05-04 THRU: 99-99-99
3	141522-70-R74	EA	DOOR - RAISED PANEL/OGEE EDGE - 12" X 26" - W/O HDW - PORTSMOUTH OAK
3	141522-70-R75	EA	DOOR - RAISED PANEL/OGEE EDGE - 12" X 26" - W/O HDW - CONCERT CHERRY
3	141522-70-R76	EA	DOOR - RAISED PANEL/OGEE EDGE - 12" X 26" - W/O HDW - WASHED MAPLE

**DRIVERS COMPARTMENT GROUP (CONTINUED)**  
**CABINETS (CONTINUED)**

KEY	PART NUMBER	U/M	DESCRIPTION
4	146787-01-R38	EA	CABINET - FRONT/OVERHEAD - W/O DOORS/HARDWARE - PORTSMOUTH OAK
4	146787-01-R39	EA	CABINET - FRONT/OVERHEAD - W/O DOORS/HARDWARE - CONCERT CHERRY
4	146787-01-R46	EA	CABINET - FRONT/OVERHEAD - W/O DOORS/HARDWARE - WASHED MAPLE FROM: 00-00-00 THRU: 01-04-04
4	146787-01-RW4	EA	CABINET - FRONT/OVERHEAD - W/O DOORS/HARDWARE - WASHED MAPLE FROM: 01-05-04 THRU: 99-99-99
5	141522-67-R74	EA	DOOR - RAISED PANEL/OGEE EDGE - 12" X 21.8" - W/O HDW - PORTSMOUTH OAK
5	141522-67-R75	EA	DOOR - RAISED PANEL/OGEE EDGE - 12" X 21.8" - W/O HDW - CONCERT CHERRY
5	141522-67-R76	EA	DOOR - RAISED PANEL/OGEE EDGE - 12" X 21.8" - W/O HDW - WASHED MAPLE
6	145657-37-R38	EA	END CAP - OVERHEAD CABINET - PORTSMOUTH OAK
6	145657-37-R39	EA	END CAP - OVERHEAD CABINET - CONCERT CHERRY
6	145657-37-R46	EA	END CAP - OVERHEAD CABINET - WASHED MAPLE
7	145657-38-R38	EA	END CAP - OVERHEAD CABINET - PORTSMOUTH OAK
7	145657-38-R39	EA	END CAP - OVERHEAD CABINET - CONCERT CHERRY
7	145657-38-R46	EA	END CAP - OVERHEAD CABINET - WASHED MAPLE
8	148681-01-R38	EA	PANEL - VINYL COVERED - DC/AC INVERTER
9	148681-06-R38	EA	PANEL - VINYL COVERED
10	148681-02-R38	EA	PANEL - VINYL COVERED - DC/AC INVERTER/ AUTOMATIC SATLELLITE DISH
11	148681-03-R38	EA	PANEL - VINYL COVERED - AUTOMATIC SATLELLITE DISH
12	148681-04-R38	EA	PANEL - VINYL COVERED - DC/AC INVERTER/IN-MOTION SALELLITE SYSTEM
13	148681-05-R38	EA	PANEL - VINYL COVERED - IN-MOTION SALELLITE SYSTEM

**ELECTRICAL GROUP**  
**12V BODY WIRING**

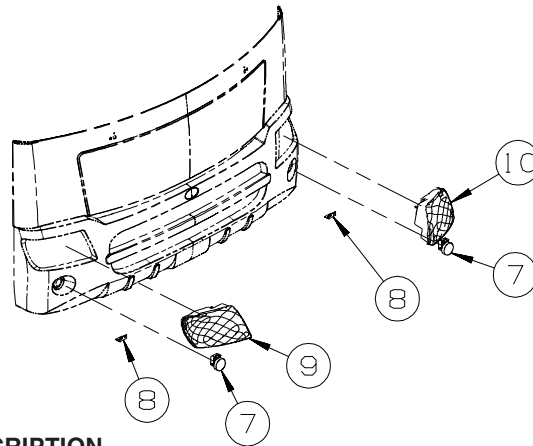
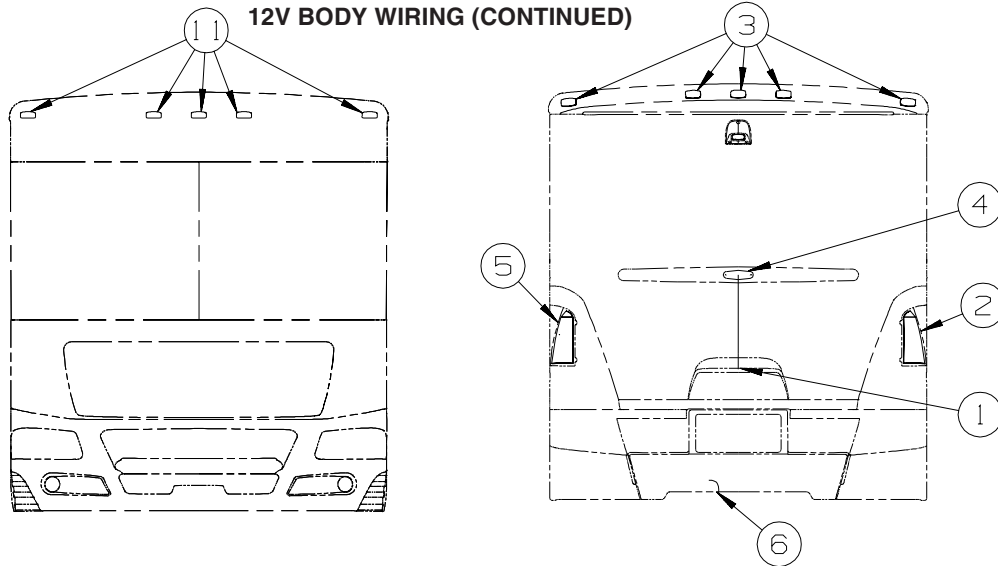


KEY	PART NUMBER	U/M	DESCRIPTION
1*	097917-01-06A	EA	LIGHT - PORCH - BRIGHT WHITE
1	097917-01-08A	EA	LIGHT - PORCH - CHROME - <b>FULL BODY PAINT</b>
	008215-01-000	EA	BULB - 12 VOLT - #1003 - .94 AMP
2	111102-01-000	EA	BASE - MARKER LAMP
	036196-01-000	EA	BULB - 12V - #194 - .27 AMP - BAYONETTE
2	111102-02-000	EA	LENS - AMBER - MARKER LAMP

**\*COMPONENT PARTS LISTED LATER IN THIS GROUP**

## ELECTRICAL GROUP (CONTINUED)

### 12V BODY WIRING (CONTINUED)



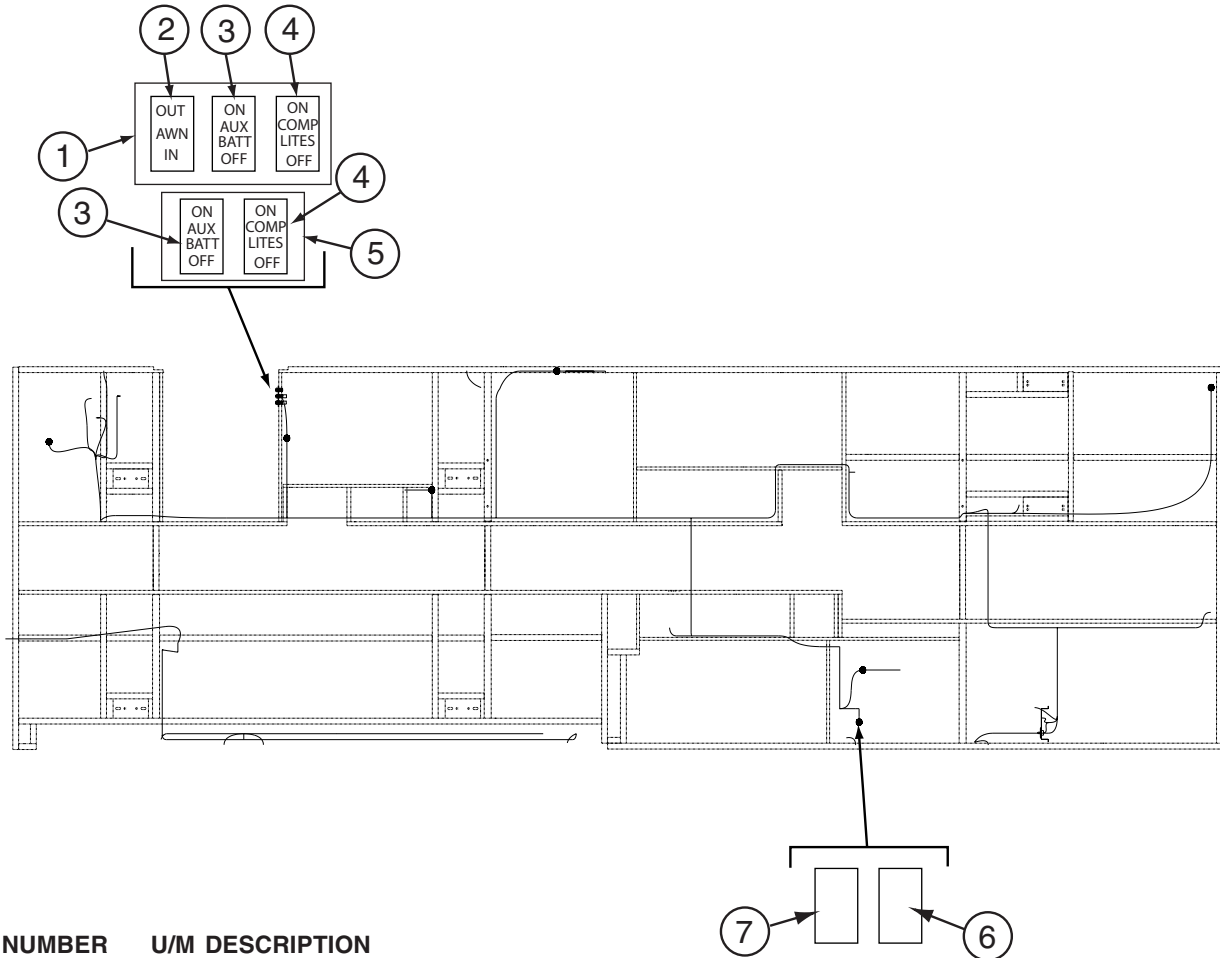
KEY	PART NUMBER	U/M	DESCRIPTION
1	087201-01-000	EA	LIGHT - HALF ROUND - 1" X 1.7" - PLASTIC - BLACK OR WHITE
2	142117-01-000	EA	LAMP - TAILLIGHT - REAR - RIGHT HAND
2	112707-01-000	EA	BULB - 12 VOLT - #3156 - 2.10 AMP
2	112708-01-000	EA	BULB - 12 VOLT - #3157 - .59/2.10 AMP
2	112709-01-000	EA	SOCKET - TURN LIGHT
2	112709-03-000	EA	SOCKET - BRAKE LIGHT/MARKER LIGHT
3	133055-01-000	EA	LENS - RED - F/CLEARANCE/MARKER
3	133055-03-000	EA	BASE - F/CLEARANCE/MARKER - WHITE
3	138996-04-000	EA	CONNECTOR - LAMP
3	036196-01-000	EA	BULB - 12V - #194 - .27 AMP - BAYONETTE
4	136917-01-000	EA	LIGHT - BRAKE - CENTER MOUNT - OVAL
5	142117-02-000	EA	LAMP - TAILLIGHT - REAR - LEFT HAND
5	112707-01-000	EA	BULB - 12 VOLT - #3156 - 2.10 AMP
5	112708-01-000	EA	BULB - 12 VOLT - #3157 - .59/2.10 AMP
5	112709-01-000	EA	SOCKET - TURN LIGHT
5	112709-03-000	EA	SOCKET - BRAKE LIGHT/MARKER LIGHT
6*	113589-02-000	EA	CONNECTOR - SOCKET - TRAILER
6*	113589-01-000	EA	CONNECTOR - PLUG - TRAILER
7	138910-01-000	EA	LAMP - FOG - CLEAR/ROUND - CHECK TO BE A HELLA 88085W BEFORE ORDERING
7	151421-01-000	EA	LAMP - FOG - CLEAR/ROUND - CHECK TO BE A HAMSAR 831458/S BEFORE ORDERING
8	139686-01-02B	EA	ANGLE - MOUNT - FOG/LAMP - E-COATED
9	142116-01-000	EA	HEADLAMP - W/PARK/TURN SIGNAL - RIGHT HAND
9	036196-01-000	EA	BULB - 12V - #194 - .27 AMP - BAYONETTE
9	112708-01-000	EA	BULB - 12 VOLT - #3157 - .59/2.10 AMP
9	049359-01-000	EA	SPRING - RETAINER - HEADLAMP - GM #496096
9	142116-03-000	EA	SOCKET/LAMP - 3 WIRE
9	124187-01-000	EA	SOCKET/HOUSING - LOW BEAM HEADLAMP
9	124187-02-000	EA	SOCKET/HOUSING - HIGH BEAM HEADLAMP
9	139001-02-000	EA	SOCKET ONLY - F/DOCKING LAMP

## ELECTRICAL GROUP (CONTINUED)

### 12V BODY WIRING (CONTINUED)

KEY	PART NUMBER	U/M	DESCRIPTION
10	142116-02-000	EA	HEADLAMP - W/PARK/TURN SIGNAL - LEFT HAND
10	036196-01-000	EA	BULB - 12V - #194 - .27 AMP - BAYONETTE
10	112708-01-000	EA	BULB - 12 VOLT - #3157 - .59/2.10 AMP
10	049359-01-000	EA	SPRING - RETAINER - HEADLAMP - GM #496096
10	142116-03-000	EA	SOCKET/LAMP - 3 WIRE
10	124187-01-000	EA	SOCKET/HOUSING - LOW BEAM HEADLAMP
10	124187-02-000	EA	SOCKET/HOUSING - HIGH BEAM HEADLAMP
10	139001-02-000	EA	SOCKET ONLY - F/DOCKING LAMP
11	132978-01-000	EA	LIGHT - CLEARANCE - AMBER
11	036196-01-000	EA	BULB - 12V - #194 - .27 AMP - BAYONETTE

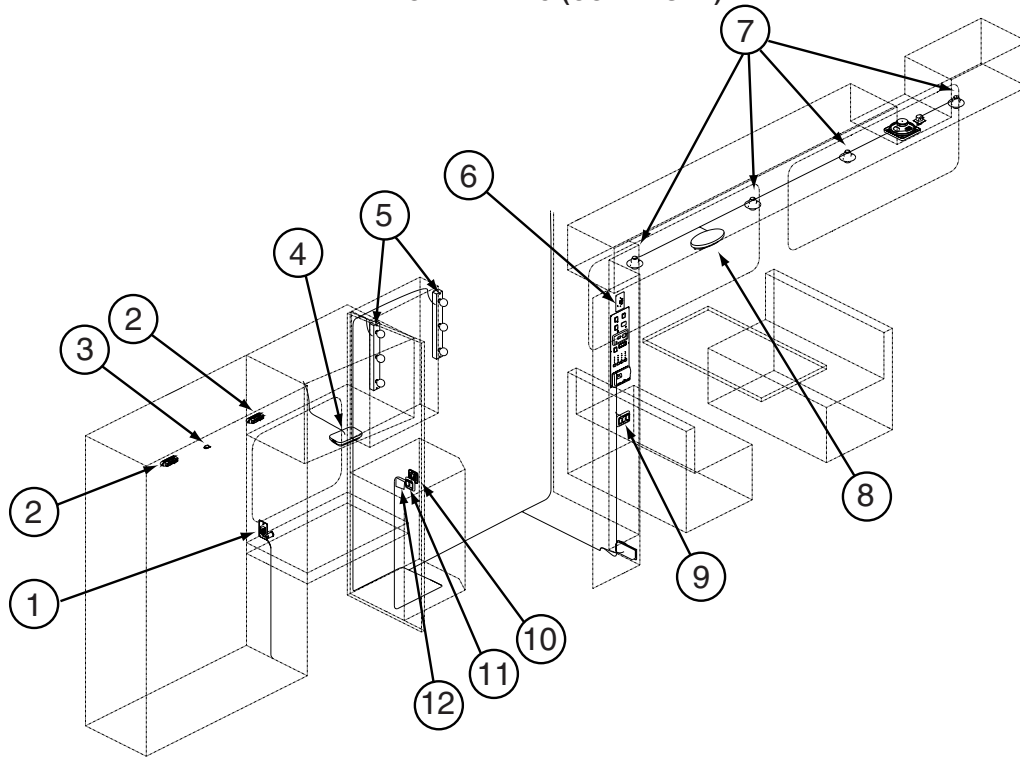
**\*COMPONENT PARTS LISTED LATER IN THIS GROUP**



KEY	PART NUMBER	U/M	DESCRIPTION
1	098351-23-01A	EA	PLATE/SWITCH - 3 GANG - POLISHED BRASS
2	108357-07-000	EA	SWITCH - ROCKER - SPDT - MOM/OFF/MOM - 3 TERM - W/O COVER
2	108356-12-01A	EA	COVER/ACTUATOR SWITCH - 3 GROOVES
2	108355-01-000	EA	HOUSING - SWITCH
3	108357-06-000	EA	SWITCH - ROCKER - DPDT - MOM/OFF/MOM - 6 TERM - W/O COVER
3	108356-11-01A	EA	COVER/ACTUATOR SWITCH - 3 GROOVES - AUX BATT - BLACK
3	108355-01-000	EA	HOUSING - SWITCH
4	108357-01-000	EA	SWITCH - ROCKER - SPST - ON/OFF - 2 TERMINAL - W/O COVER
4	108356-14-01A	EA	COVER/ACTUATOR SWITCH - 3 GROOVES
4	108355-01-000	EA	HOUSING - SWITCH
5	098351-22-01A	EA	PLATE/SWITCH - 2 GANG - POLISHED BRASS
6	108357-15-000	EA	SWITCH - ROCKER - DPDT - ON/NONE/ON - W/LIGHT W/O COVER
6	108356-04-01A	EA	COVER/ACTUATOR SWITCH - 2 ROWS DIMPLES W/LENS-CONTURA-BLK
6	108355-01-000	EA	HOUSING - SWITCH
7	108357-01-000	EA	SWITCH - ROCKER - SPST - ON/OFF - 2 TERMINAL - W/O COVER
7	108356-02-01A	EA	COVER/ACTUATOR SWITCH - 2 ROWS DIMPLES- CONTURA II - BLACK
7	108355-01-000	EA	HOUSING - SWITCH

## ELECTRICAL GROUP (CONTINUED)

### 12V BODY WIRING (CONTINUED)



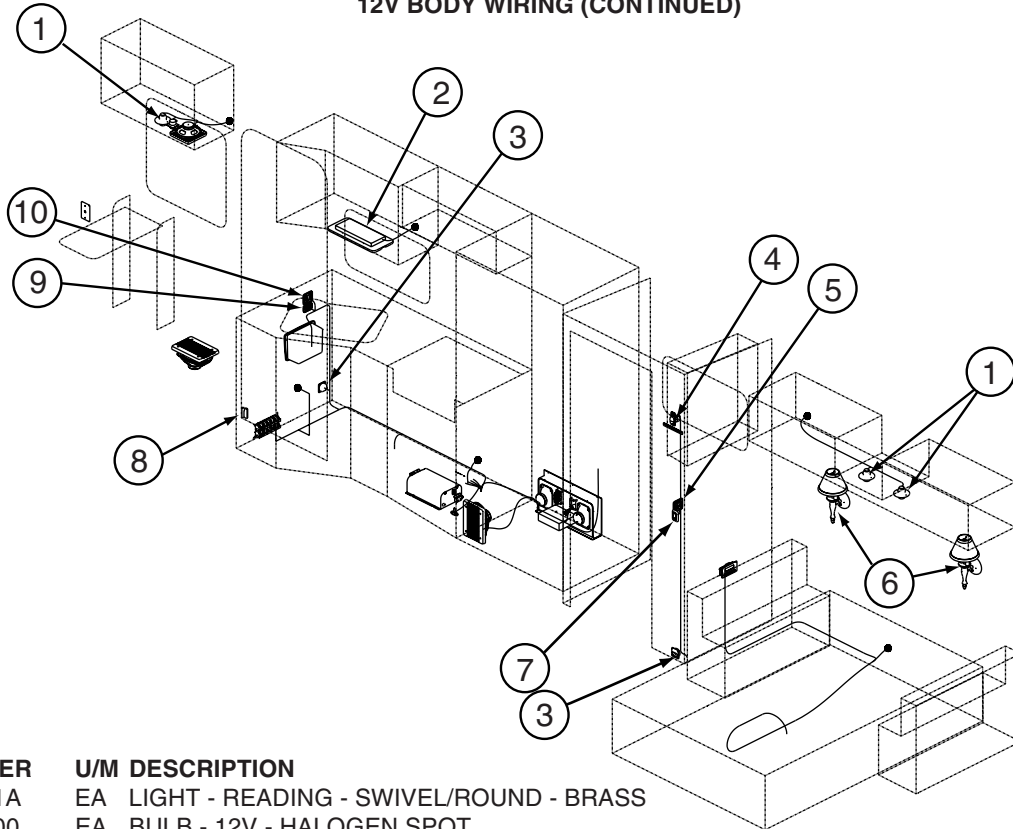
KEY	PART NUMBER	U/M	DESCRIPTION
1	132958-01-000	EA	RECEPTACLE - 12 VOLT - MOUNTING FLANGE - BLACK
2*	087694-01-000	EA	LIGHT - WARDROBE/CLOSET - W/SWITCH
3	056264-01-000	EA	SWITCH - LEAF ACTUATOR
4*	137417-02-01A	EA	LIGHT - DOME - SINGLE - W/SWITCH/OPTIC LENS - WHITE
5	138116-01-01A	EA	LIGHT/MAKE UP - 3 BULB - CURVED - W/O BULB - BRASS
	123918-01-000	EA	BULB - 12V - MAKEUP WHITE
6	101894-03-01A	EA	SWITCH - TOGGLE - 15 AMP/120 VOLT - BROWN
			FROM: 00-00-00 THRU: 07-06-03
6	101911-01-01A	EA	WALL PLATE - SWITCH (1 GANG)
			FROM: 00-00-00 THRU: 07-06-03
6	135740-06-01A	EA	SWITCH - ROCKER - ON/OFF - LIGHTED - RED
			FROM: 07-07-03 THRU: 99-99-99
6	135741-01-01A	EA	SWITCH - BASE - SINGLE - BROWN
			FROM: 07-07-03 THRU: 99-99-99
6	135742-35-02A	EA	BEZEL - SWITCH - WATER HEATER/110 VOLT - BROWN
			FROM: 07-07-03 THRU: 99-99-99
7	132427-01-01A	EA	LIGHT - READING - SWIVEL/ROUND - BRASS
7	123917-01-000	EA	BULB - 12V - HALOGEN SPOT
8	093575-26-02a	EA	LIGHT - CEILING - OVAL - BRASS
8	117805-02-000	EA	BULB - 12V - #921 - 1.4 AMPS
9	135740-01-02A	EA	SWITCH - ROCKER - SPST - ON/OFF - WHITE - CEILING/MONITOR
9	135740-02-02A	EA	SWITCH - ROCKER - SPDT - ON/ON - WHITE - HALL
9	135741-03-02A	EA	SWITCH - BASE - TRIPLE - WHITE
9	135742-03-02A	EA	BEZEL - SWITCH - TRIPLE - WHITE
			FROM: 00-00-00 THRU: 06-02-03
9	135742-32-01A	EA	BEZEL - SWITCH - HALL/MONITOR/CEILING - WHITE
			FROM: 06-03-03 THRU: 99-99-99
10	135740-01-02A	EA	SWITCH - ROCKER - SPST - ON/OFF - WHITE
10	135741-02-02A	EA	SWITCH - BASE - DOUBLE - WHITE
10	135742-20-01A	EA	BEZEL - SWITCH - SHOWER/MAKEUP - WHITE
11	135740-02-02A	EA	SWITCH - ROCKER - SPDT - ON/ON - WHITE
11	135741-01-02A	EA	SWITCH - BASE - SINGLE - WHITE
11	135742-07-01A	EA	BEZEL - SWITCH - CEILING - WHITE
12	137889-01-000	EA	SWITCH - LIGHT DIMMER

\*COMPONENT PARTS LISTED LATER IN THIS GROUP



## ELECTRICAL GROUP (CONTINUED)

### 12V BODY WIRING (CONTINUED)



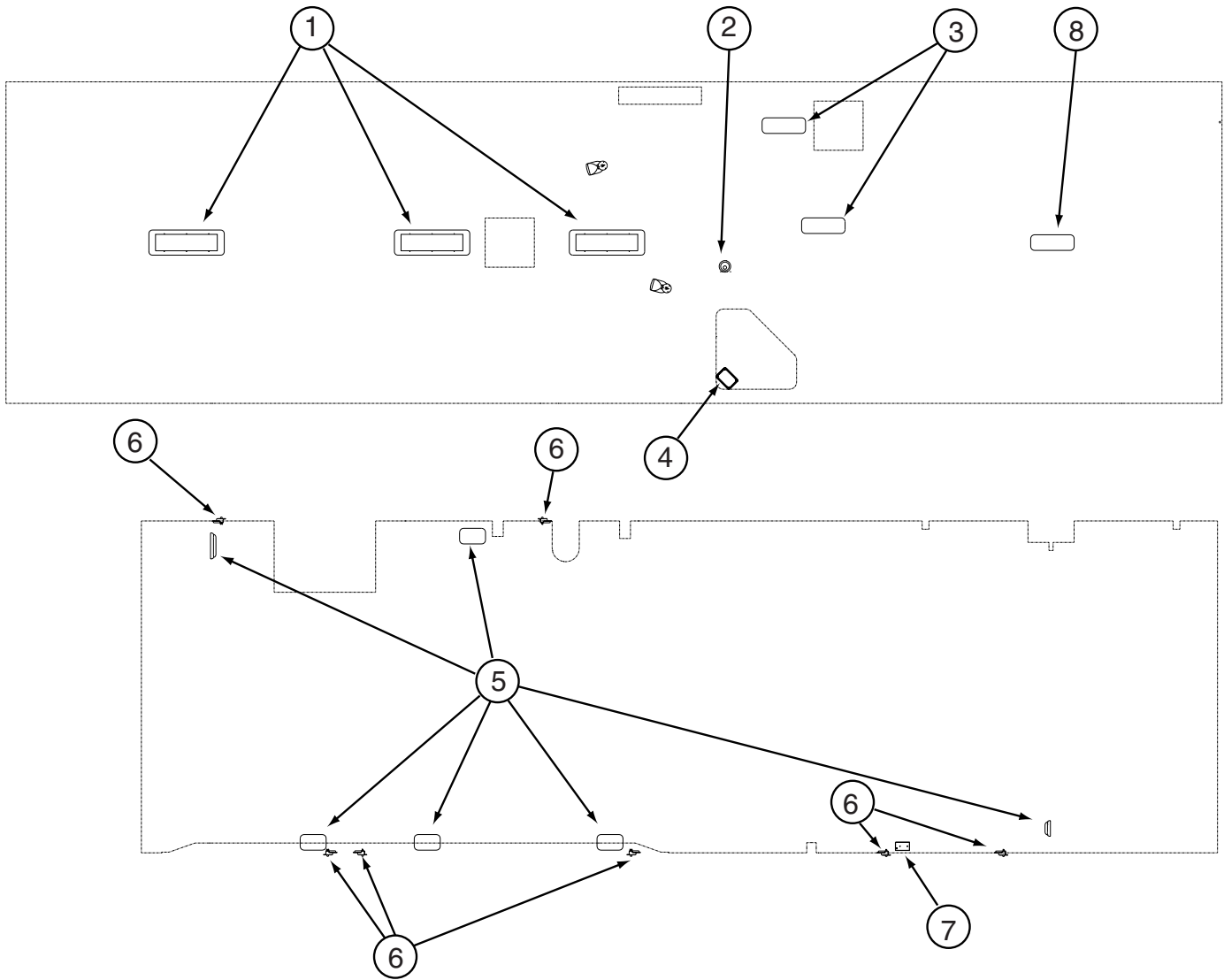
KEY	PART NUMBER	U/M	DESCRIPTION
1	132427-01-01A	EA	LIGHT - READING - SWIVEL/ROUND - BRASS
1	123917-01-000	EA	BULB - 12V - HALOGEN SPOT
2*	091937-09-000	EA	LIGHT-FLOURESCENT-12V/16 WATT RECESSED - W/SWITCH
3*	108354-01-01A	EA	LIGHT - COURTESY
4	081994-10-000	EA	PLATE/SWITCH - SLIDEOUT
4	108357-06-000	EA	SWITCH - ROCKER - DPDT - MOM/OFF/MOM - 6 TERMINAL
4	108356-02-01A	EA	COVER/ACTUATOR SWITCH - 2 ROWS DIMPLES- CONTURA II - BLACK
4	108355-01-000	EA	HOUSING - SWITCH
5	135740-01-02A	EA	SWITCH - ROCKER - SPST - ON/OFF - WHITE
5	135741-02-02A	EA	SWITCH - BASE - DOUBLE - WHITE
5	135742-02-02A	EA	BEZEL - SWITCH - DOUBLE - WHITE
			FROM: 00-00-00 THRU: 06-02-03
5	135742-33-01A	EA	BEZEL - SWITCH - CEILING/FAN - WHITE
			FROM: 06-03-03 THRU: 99-99-99
6	119258-33-01A	EA	LAMP - WALL - UL/CSA
6	119257-16-01A	EA	SHADE - LAMP - WHISPER CHABLIS
6	067479-01-000	EA	BULB - 12V - #1076 - 1.80 AMP
7	135740-01-02A	EA	SWITCH - ROCKER - SPST - ON/OFF - WHITE
7	135741-01-02A	EA	SWITCH - BASE - SINGLE - WHITE
7	135742-06-01A	EA	BEZEL - SWITCH - AISLE - WHITE
8	116995-02-000	EA	SWITCH/MAGNET - ELECTRIC STEP - BLACK/WHITE-CLOSED CIRCUIT
9	135740-01-01A	EA	SWITCH - ROCKER - SPST - ON/OFF - BROWN
9	135741-01-01A	EA	SWITCH - BASE - SINGLE - BROWN
9	135742-11-02A	EA	BEZEL - SWITCH - STEP - BROWN
10	135740-01-01A	EA	SWITCH - ROCKER - SPST - ON/OFF - BROWN
10	135741-02-01A	EA	SWITCH - BASE - DOUBLE - BROWN
10	135742-19-02A	EA	BEZEL - SWITCH - PORCH/CEILING - BROWN

**\*COMPONENT PARTS LISTED LATER IN THIS GROUP**



## ELECTRICAL GROUP (CONTINUED)

### 12V BODY WIRING (CONTINUED)

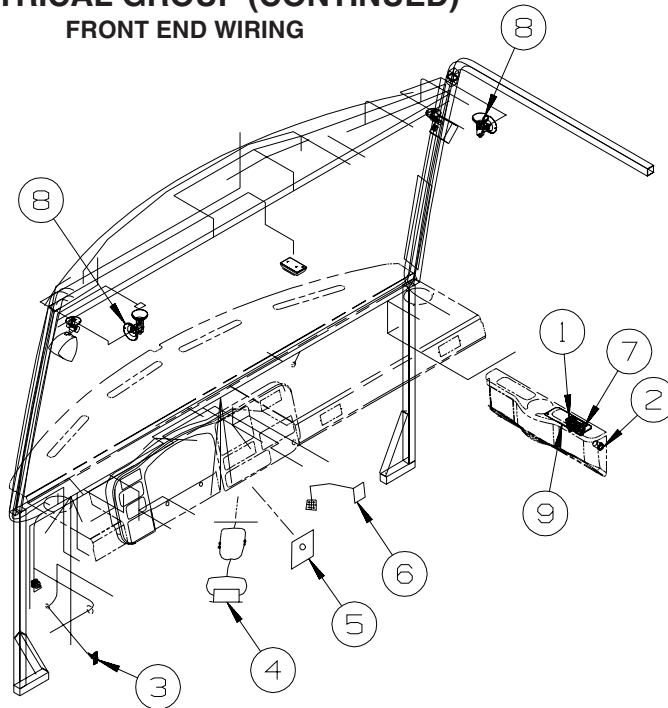


KEY	PART NUMBER	U/M	DESCRIPTION
1*	091937-08-000	EA	LIGHT-FLOURESCENT-12V/30 WATT RECESSED - W/O SWITCH
	091937-03-000	EA	BULB - FLUORESCENT LIGHT - 12 VOLT
2	146048-01-01A	EA	LIGHT - HALOGEN/ADJUSTABLE - WHITE
2	123917-01-000	EA	BULB - 12V - HALOGEN SPOT
3*	137417-06-01A	EA	LIGHT - DOME - DOUBLE - W/FROSTED LENS - W/O SWITCH-WHITE
4*	121935-01-01A	EA	LIGHT - DOME - SHOWER
5*	137417-03-01A	EA	LIGHT - DOME - SINGLE - W/FROSTED LENS - W/O SWITCH-WHITE
6	041250-01-000	EA	SWITCH - PUSH BUTTON/DOOR JAMB - METAL - CHROME
6	138494-01-02B	EA	BRACKET - SWITCH/LIGHT - E-COATED
7*	086280-01-000	EA	LIGHT - SURFACE MOUNT - 12 VOLT
8*	093575-19-02A	EA	LIGHT - CEILING/ROUND - BRASS/CHROME
			FROM: 00-00-00 THRU: 08-24-03
8*	093575-33-02A	EA	LIGHT - CEILING/ROUND - BRASS/CHROME
			FROM: 08-25-03 THRU: 99-99-99
	117805-02-000	EA	BULB - 12V - #921 - 1.4 AMPS

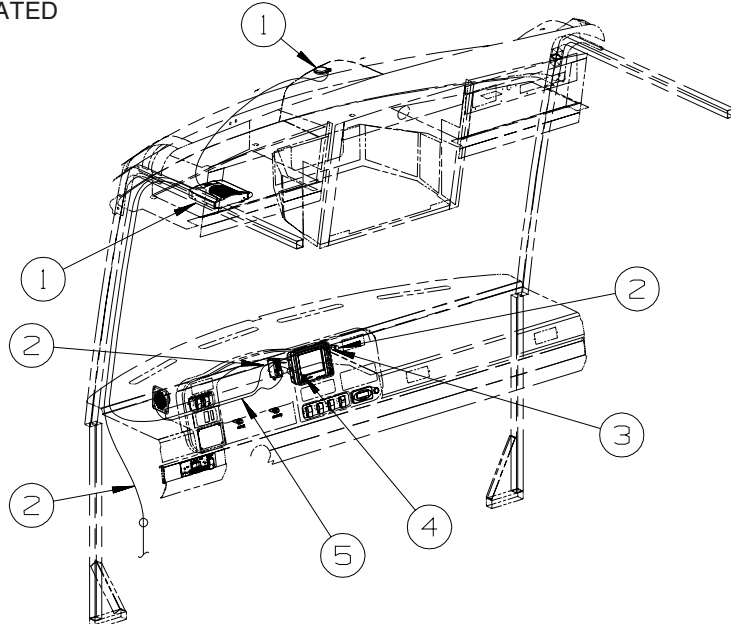
\*COMPONENT PARTS LISTED LATER IN THIS GROUP

## ELECTRICAL GROUP (CONTINUED)

### FRONT END WIRING



KEY	PART NUMBER	U/M	DESCRIPTION
1	108357-06-000	EA	SWITCH - ROCKER - DPDT - MOM/OFF/MOM - 6 TERMINAL
1	108356-02-01A	EA	COVER/ACTUATOR SWITCH - 2 ROWS DIMPLES- CONTURA II - BLACK
1	108355-01-000	EA	HOUSING - SWITCH
1	096241-03-000	EA	SWITCH - BLANK - BLACK
2	132958-01-000	EA	RECEPTACLE - 12 VOLT - MOUNTING FLANGE - BLACK
3	041250-01-000	EA	SWITCH-PUSH BUTTON, IN DOOR JAMB - METAL - CHROME
4	128074-02-000	EA	FILTER - NOISE - 12 VOLT DC W/PLUGS - <b>SURROUND SOUND</b>
5	133535-01-000	EA	MODULE - TIMER 20 SECOND - WARNING LIGHT - TS61120P
6	115539-01-000	EA	RELAY - RADIO/TV SPEAKER - SWITCH
7	108357-01-000	EA	SWITCH - ROCKER - SPST - ON/OFF - 2 TERMINAL - W/O COVER
7	108356-02-01A	EA	COVER/ACTUATOR SWITCH - 2 ROWS DIMPLES- CONTURA II - BLACK
7	108355-01-000	EA	HOUSING - SWITCH
7	096241-03-000	EA	SWITCH - BLANK - BLACK
8	128786-02-01A	EA	LIGHT - READING/SWIVEL - W/O SWITCH - BRASS
9	145243-02-02B	EA	PLATE - SWITCH - E-COATED

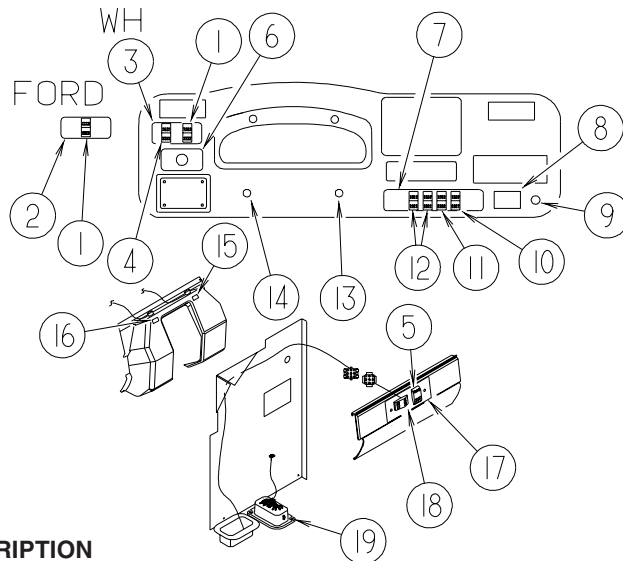


KEY	PART NUMBER	U/M	DESCRIPTION
1*	148158-01-000	EA	COMPUTER - GPS NAVIGATION SYSTEM - (MAGELLAN MAGNK-01W)
2	148158-02-000	EA	CABLES - F/GPS NAVIGATION SYSTEM - (MAGELLAN MAGNK-02W)
3	144734-03-000	EA	SPACER
4	148112-01-000	EA	CABLE - MONITOR - SONY AUX
5	148592-01-000	EA	CABLE - RCA MALE-1/4 FEMALE SPADES - RIVER PARK SCB-RCA120

\*COMPONENT PARTS LISTED LATER IN THIS GROUP

## ELECTRICAL GROUP (CONTINUED)

### FRONT END WIRING (CONTINUED)



KEY	PART NUMBER	U/M	DESCRIPTION
1	108357-14-000	EA	SWITCH - ROCKER - SPST - W/LIGHT - ON/OFF - 4 TERMINAL
1	108356-04-01A	EA	COVER/ACTUATOR SWITCH - 2 ROWS DIMPLES W/LENS-CONTURA-BLK
1	108355-01-000	EA	HOUSING - SWITCH
2	132954-06-01A	EA	APPLIQUE - SWITCH - FOG - BLACK - <b>FORD</b>
3	132954-04-01A	EA	APPLIQUE - SWITCH - FOG - OVER/DRIVE - BLACK - <b>WORKHORSE</b>
4	108357-08-000	EA	SWITCH - ROCKER - DPDT - 0N/NONE/ON - 6 TERMINAL
4	108356-02-01A	EA	COVER/ACTUATOR SWITCH - 2 ROWS DIMPLES- CONTURA II - BLACK
4	108355-01-000	EA	HOUSING - SWITCH
5	108357-09-000	EA	SWITCH - ROCKER - SPDT - ON/NONE/MOM - 3 TERMINAL
5	108356-02-01A	EA	COVER/ACTUATOR SWITCH - 2 ROWS DIMPLES- CONTURA II - BLACK
5	108355-01-000	EA	HOUSING - SWITCH
6	134088-01-01A	EA	APPLIQUE - SWITCH - HEADLAMP - BLACK - <b>WORKHORSE</b>
7	132954-01-01A	EA	APPLIQUE - SWITCH - HEATER/RADIO/GENERATOR
7	132047-02-02B	EA	INSERT - DASH/SWITCH-AUX FANS/RR HTR/RADIO PWR/GEN SW
8*	136119-01-000	EA	COMPASS/THERMOMETER - ELECTRONIC
9	089294-01-000	EA	LIGHTER - CIGARETTE - W/SOCKET & WIRE
10	108357-10-000	EA	SWITCH - ROCKER - SPDT - W/LIGHT - MOM/NONE/MOM-5 TERMINAL
10	108356-04-01A	EA	COVER/ACTUATOR SWITCH - 2 ROWS DIMPLES W/LENS-CONTURA-BLK
10	108355-01-000	EA	HOUSING - SWITCH
10	096241-03-000	EA	SWITCH - BLANK - BLACK
11	108357-08-000	EA	SWITCH - ROCKER - DPDT - 0N/NONE/ON - 6 TERMINAL
11	108356-02-01A	EA	COVER/ACTUATOR SWITCH - 2 ROWS DIMPLES- CONTURA II - BLACK
11	108355-01-000	EA	HOUSING - SWITCH
12	108357-03-000	EA	SWITCH - ROCKER - SPDT - ON/OFF/ON - 3 TERMINAL
12	108356-02-01A	EA	COVER/ACTUATOR SWITCH - 2 ROWS DIMPLES- CONTURA II - BLACK
12	108355-01-000	EA	HOUSING - SWITCH
12	096241-03-000	EA	SWITCH - BLANK - BLACK
13	133534-02-000	EA	LIGHT - AMBER INDICATOR WITH 1/4" TERMINALS
14	133534-01-000	EA	LIGHT - RED INDICATOR WITH 1/4" TERMINALS
15	133534-02-000	EA	LIGHT - AMBER INDICATOR WITH 1/4" TERMINALS
16	133534-01-000	EA	LIGHT - RED INDICATOR WITH 1/4" TERMINALS
17	132891-04-02B	EA	PLATE/SWITCH - E-COATED
17	132946-03-01A	EA	APPLIQUE - SWITCH - SLIDEOUT - BLACK
18	108357-06-000	EA	SWITCH - ROCKER - DPDT - MOM/OFF/MOM - 6 TERMINAL
18	108356-02-01A	EA	COVER/ACTUATOR SWITCH - 2 ROWS DIMPLES- CONTURA II - BLACK
18	108355-01-000	EA	HOUSING - SWITCH
19	118571-03-000	EA	BRACKET - MOUNTING
19	118571-04-000	EA	GASKET
	077031-01-000	EA	FILM - BLACK - 1" X 1.75"
	077031-03-000	EA	FILM - WHITE - .75" X 1"

\*COMPONENT PARTS LISTED LATER IN THIS GROUP

**ELECTRICAL GROUP (CONTINUED)**  
**COMPONENT PARTS FOR LIGHTS & SWITCHES**

<b>086280-01-000</b>			
<b>KEY</b>	<b>PART NUMBER</b>	<b>U/M DESCRIPTION</b>	<b>VENDOR NO.</b>
	086280-01-700	EA BULB,12V	ARP1089
<b>087694-01-000</b>			
<b>KEY</b>	<b>PART NUMBER</b>	<b>U/M DESCRIPTION</b>	<b>VENDOR NO.</b>
	087694-01-700	EA BULB	GE561
<b>091937-08-000</b>			
<b>KEY</b>	<b>PART NUMBER</b>	<b>U/M DESCRIPTION</b>	<b>VENDOR NO.</b>
	091937-08-700	EA LENS - LIGHT - FLUORESCENT	D-766
<b>091937-09-000</b>			
<b>KEY</b>	<b>PART NUMBER</b>	<b>U/M DESCRIPTION</b>	<b>VENDOR NO.</b>
	091937-09-700	EA LENS - LIGHT - FLUORESCENT	D-762
<b>093575-19-02A</b>			
<b>KEY</b>	<b>PART NUMBER</b>	<b>U/M DESCRIPTION</b>	<b>VENDOR NO.</b>
	093575-19-700	EA GLOBE F/55-556X2 LIGHT	9088
<b>093575-33-02A</b>			
<b>KEY</b>	<b>PART NUMBER</b>	<b>U/M DESCRIPTION</b>	<b>VENDOR NO.</b>
	093575-33-700	EA FINIAL (MOON BALL) BRASS	12-139-1
	093575-33-701	EA GLASS(WHITE SWIRL)W/IND HOLE	9111
<b>097917-01-06A</b>			
<b>KEY</b>	<b>PART NUMBER</b>	<b>U/M DESCRIPTION</b>	<b>VENDOR NO.</b>
	097917-01-700	EA LENS-LIGHT, CLEAR	30-78-021
<b>108354-01-01A</b>			
<b>KEY</b>	<b>PART NUMBER</b>	<b>U/M DESCRIPTION</b>	<b>VENDOR NO.</b>
	108354-01-700	EA BULB-COURTESY LIGHT	395-B
<b>113589-01-000</b>			
<b>KEY</b>	<b>PART NUMBER</b>	<b>U/M DESCRIPTION</b>	<b>VENDOR NO.</b>
	113589-01-700	EA ADAPTER, 4-WAY/6-WAY	5291
<b>113589-02-000</b>			
<b>KEY</b>	<b>PART NUMBER</b>	<b>U/M DESCRIPTION</b>	<b>VENDOR NO.</b>
	113589-03-700	EA ADAPTER 7 RND SPADE/4 FLAT	5290
<b>121935-01-01A</b>			
<b>KEY</b>	<b>PART NUMBER</b>	<b>U/M DESCRIPTION</b>	<b>VENDOR NO.</b>
	121935-01-700	EA LENS ONLY	809511
<b>136119-01-000</b>			
<b>KEY</b>	<b>PART NUMBER</b>	<b>U/M DESCRIPTION</b>	<b>VENDOR NO.</b>
	136119-01-700	EA COMPASS SENSOR (BLACK BOX )	AP-SUB-005
	136119-01-701	EA PROBE/TEMPERATURE SENSOR(V1)	AP-SUB-004A
	136119-01-702	EA DISPLAY MODULE-LED (V1)	AP-SUB-004B
	136119-01-703	EA HARNESS - COMPASS POWER	AP-HRN-175
	136119-01-704	EA HARNESS - COMPASS ENGINE	AP-HRN-176
	136119-01-705	EA HRNSS-COMP.TEMP SENSOR V1	AP-HRN-177
	136119-01-706	EA PROBE/TEMPERATURE SENSOR (V2)	AP-SUB-006
	136119-01-707	EA DISPLAY MODULE - VISUAL (V2)	AP-SUB-007
	136119-01-708	EA HARNESS/COMP. COMP/THERM(V2)	AP-HRN-239 W/PACKRD
<b>137417-02-01A</b>			
<b>KEY</b>	<b>PART NUMBER</b>	<b>U/M DESCRIPTION</b>	<b>VENDOR NO.</b>
	137417-02-700	EA LENS - SINGLE OPTIC	810844
<b>137417-03-01A</b>			
<b>KEY</b>	<b>PART NUMBER</b>	<b>U/M DESCRIPTION</b>	<b>VENDOR NO.</b>
	137417-01-700	EA LENS - SINGLE (FROSTED)	810868
<b>137417-05-01A</b>			
<b>KEY</b>	<b>PART NUMBER</b>	<b>U/M DESCRIPTION</b>	<b>VENDOR NO.</b>
	137417-05-700	EA LENS - DOUBLE OPTIC	810845
<b>137417-06-01A</b>			
<b>KEY</b>	<b>PART NUMBER</b>	<b>U/M DESCRIPTION</b>	<b>VENDOR NO.</b>
	137417-06-700	EA LENS - DOUBLE WHITE	810867

**ELECTRICAL GROUP (CONTINUED)**  
**CIRCUIT BREAKERS & FUSES**

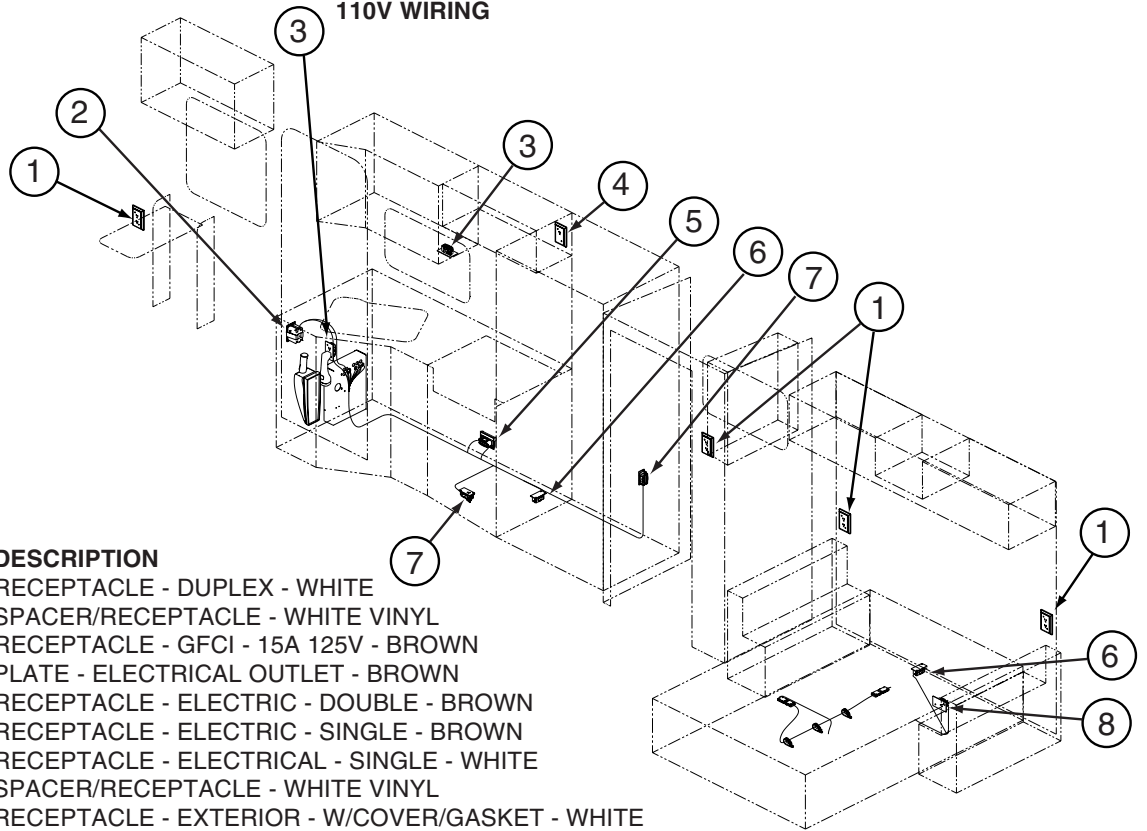
<b>KEY</b>	<b>PART NUMBER</b>	<b>U/M</b>	<b>DESCRIPTION</b>
	008233-01-000	EA	FUSE - 12 VOLT - 6 AMP
	008235-01-000	EA	FUSE - 15 AMP/12VOLT - AUTOMOTIVE
	033573-01-000	EA	CIRCUIT BREAKER W/MOUNT-20A, 12V - FASCO 1711-2026
	062901-02-000	EA	FUSE - 5 AMP - AUTOMOTIVE
	062901-04-000	EA	FUSE - 10 AMP - AUTOMOTIVE
	062901-05-000	EA	FUSE - 15 AMP - AUTOMOTIVE
	062901-06-000	EA	FUSE - 20 AMP - AUTOMOTIVE
	062901-07-000	EA	FUSE - 25 AMP - AUTOMOTIVE
	062901-08-000	EA	FUSE - 30 AMP - AUTOMOTIVE
	083209-01-000	EA	CIRCUIT BREAKER - 15 AMP - 120 VOLT - CANADIAN
	083209-02-000	EA	CIRCUIT BREAKER - 15/15 AMP - 120 VOLT
	083209-03-000	EA	CIRCUIT BREAKER - 15/20 AMP - 120 VOLT
	083209-04-000	EA	CIRCUIT BREAKER - 30 AMP - 120 VOLT
	083209-05-000	EA	CIRCUIT BREAKER - 20 AMP - 120 VOLT
	083209-06-000	EA	CIRCUIT BREAKER - 30/15 AMP - 120 VOLT
	083209-07-000	EA	CIRCUIT BREAKER - 20/20 AMP - 120 VOLT
	083209-10-000	EA	CIRCUIT BREAKER - 20/30 AMP - 120 VOLT
	083209-11-000	EA	CIRCUIT BREAKER - 20/15 AMP - 120 VOLT
	092786-03-000	EA	BUSS BAR - 6.9" LONG
	092786-06-000	EA	BUSS BAR
	093654-01-000	EA	CIRCUIT BREAKER - 6 AMP - 12 VOLT - PUSH BUTTON - WHITE
	093654-02-000	EA	CIRCUIT BREAKER - 15 AMP - 12 VOLT - PUSH BUTTON - WHITE
	093654-03-000	EA	CIRCUIT BREAKER - 20 AMP - 12 VOLT - PUSH BUTTON - WHITE
	093654-11-000	EA	COVER - RESET BUTTON
	093655-01-000	EA	CIRCUIT BREAKER - 25 AMP - 12 VOLT - PUSH BUTTON - WHITE
	093655-02-000	EA	CIRCUIT BREAKER - 30 AMP - 12 VOLT - PUSH BUTTON - WHITE
	093655-03-000	EA	CIRCUIT BREAKER - 40 AMP - 12 VOLT - PUSH BUTTON - WHITE
	097611-01-000	EA	CIRCUIT BREAKER - 10 AMP
	097611-02-000	EA	CIRCUIT BREAKER - 30 AMP
	097611-03-000	EA	CIRCUIT BREAKER - 20 AMP
	097611-04-000	EA	CIRCUIT BREAKER - 25 AMP
	100341-01-000	EA	FUSE HOLDER - IN LINE TYPE
	106656-01-000	EA	FUSE BLOCK - 4 CAVITY - AUTOFUSE
	108567-01-000	EA	CIRCUIT BREAKER - 40 AMP - 12 VOLT - TYPE II
	111683-01-000	EA	FUSE - HOLDER - GLASS - 1/4" X 1 1/4"
	113482-01-000	EA	CIRCUIT BREAKER - 55 AMP - MANUAL
	115187-01-000	EA	FUSE - 300 AMP - NON-DELAY
	115187-02-000	EA	FUSE HOLDER - BUSS ANN/ANL BLOCK
	118531-05-02B	EA	PLATE - CIRCUIT BREAKER - E-COAT - <b>CHIEFTAIN/SUNFLYER L-SERIES</b>
	122811-01-000	EA	CIRCUIT BREAKER - 20/50/50/20 AMP - 250V
	134127-01-000	EA	CIRCUIT BREAKER - 10 AMP - MINI
	139067-01-02B	EA	PLATE - CIRCUIT BRKR-HOUSE - E-CTD - <b>10 PLACE</b>
	139067-02-02B	EA	PLATE - CIRCUIT BRKR-HOUSE - E-CTD - <b>12 PLACE</b>
	139067-03-02B	EA	PLATE-CIRCUIT BKR/HOUSE-E-CTD - <b>14 PLACE</b>
	139067-04-02B	EA	PLATE - CIRCUIT BRKR-HOUSE - E-CTD - <b>TOP 10 PLACE</b>
	139067-05-02B	EA	PLATE - CIRCUIT BREAKER/HOUSE - E-COATED - <b>16 PLACE</b>
	139067-06-02B	EA	PLATE - CIRCUIT BREAKER/HOUSE - E-COATED - <b>18 PLACE</b>
	139067-07-02B	EA	PLATE - CIRCUIT BREAKER/HOUSE - E-COATED - <b>21 PLACE</b>
	141789-01-000	EA	SPACER - CIRCUIT BREAKER

**CONVERTER, INVERTER, LOAD CENTERS**

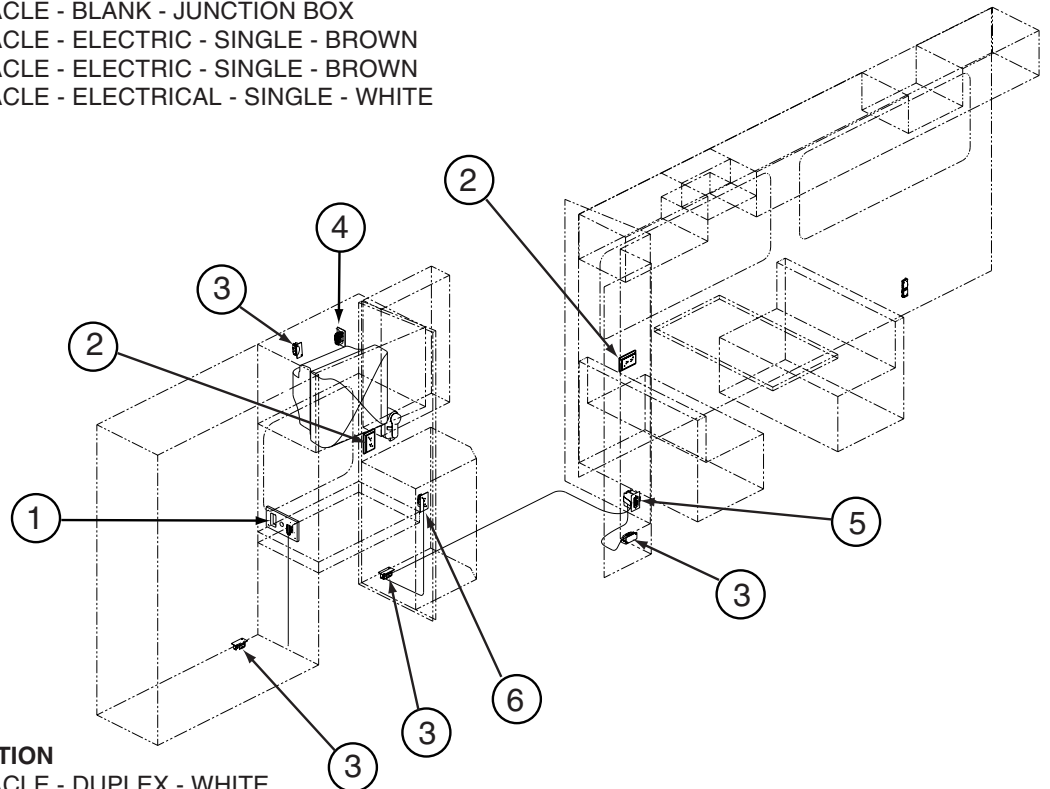
<b>KEY</b>	<b>PART NUMBER</b>	<b>U/M</b>	<b>DESCRIPTION</b>
	099048-04-000	EA	INVERTER - 300 WATT
	123058-01-000	EA	CONVERTER - 55 AMP - ELECTRONIC - 4 1/8"H X 7"W X 12 3/8"L - <b>G37B, G37C, G38G, G38R</b>
	123058-02-000	EA	CONVERTER - 45 AMP - ELECTRONIC - 4 1/8"H X 7"W X 12 3/8"L - <b>G31Y, G33V, G35U</b>
	127002-05-000	EA	PANEL/MONITOR - ENERGY MANAGEMENT SYSTEMS CTRL - W/PLUG
	127002-07-000	EA	SENSOR - CURRENT
	127002-08-000	EA	MODULE - EMS CENTER - W/REMOTE SENSOR - #620
	141258-01-000	EA	LOAD CENTER - 120/240 - 50 AMP
	141258-02-000	EA	LOAD CENTER - COVER

## ELECTRICAL GROUP (CONTINUED)

110V WIRING



KEY	PART NUMBER	U/M	DESCRIPTION
1	058708-06-000	EA	RECEPTACLE - DUPLEX - WHITE
1	133713-01-20A	EA	SPACER/RECEPTACLE - WHITE VINYL
2	147446-01-02A	EA	RECEPTACLE - GFCI - 15A 125V - BROWN
2	147450-01-02A	EA	PLATE - ELECTRICAL OUTLET - BROWN
3	058708-01-000	EA	RECEPTACLE - ELECTRIC - DOUBLE - BROWN
4	058708-05-000	EA	RECEPTACLE - ELECTRIC - SINGLE - BROWN
4	058708-07-000	EA	RECEPTACLE - ELECTRICAL - SINGLE - WHITE
4	133713-01-20A	EA	SPACER/RECEPTACLE - WHITE VINYL
5	131826-01-01A	EA	RECEPTACLE - EXTERIOR - W/COVER/GASKET - WHITE
6	058707-02-000	EA	RECEPTACLE - BLANK - JUNCTION BOX
7	058707-01-000	EA	RECEPTACLE - ELECTRIC - SINGLE - BROWN
8	058708-05-000	EA	RECEPTACLE - ELECTRIC - SINGLE - BROWN
8	058708-07-000	EA	RECEPTACLE - ELECTRICAL - SINGLE - WHITE

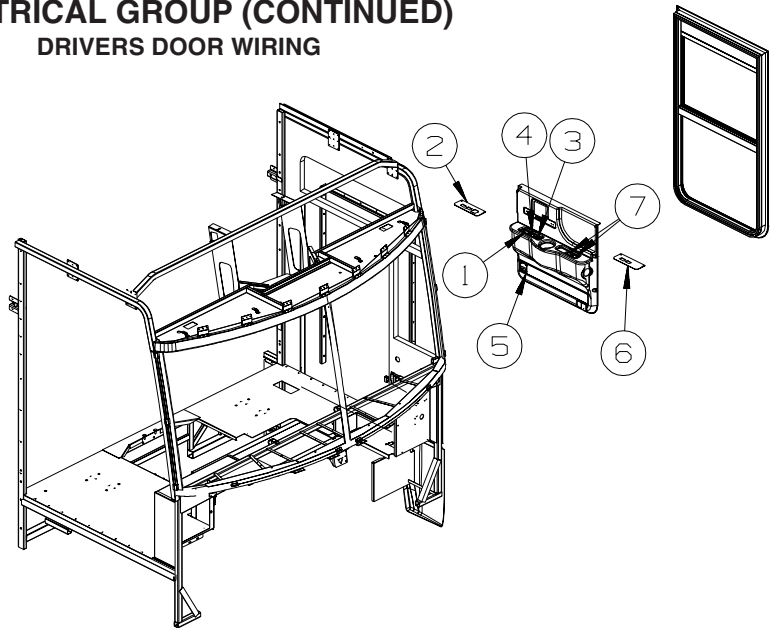


KEY	PART NUMBER	U/M	DESCRIPTION
1	058708-06-000	EA	RECEPTACLE - DUPLEX - WHITE
1	133713-06-20A	EA	SPACER/RECEPTACLE - PHONE - WHITE VINYL
2	058708-06-000	EA	RECEPTACLE - DUPLEX - WHITE
2	133713-01-20A	EA	SPACER/RECEPTACLE - WHITE VINYL
3	058707-02-000	EA	RECEPTACLE - BLANK - JUNCTION BOX
4	058708-05-000	EA	RECEPTACLE - ELECTRIC - SINGLE - BROWN
4	058708-07-000	EA	RECEPTACLE - ELECTRICAL - SINGLE - WHITE
5	147446-01-02A	EA	RECEPTACLE - GFCI - 15A 125V - BROWN
5	147450-01-02A	EA	PLATE - ELECTRICAL OUTLET - BROWN
6	058708-01-000	EA	RECEPTACLE - ELECTRIC - DOUBLE - BROWN

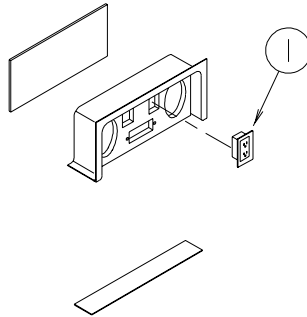


## ELECTRICAL GROUP (CONTINUED)

### DRIVERS DOOR WIRING



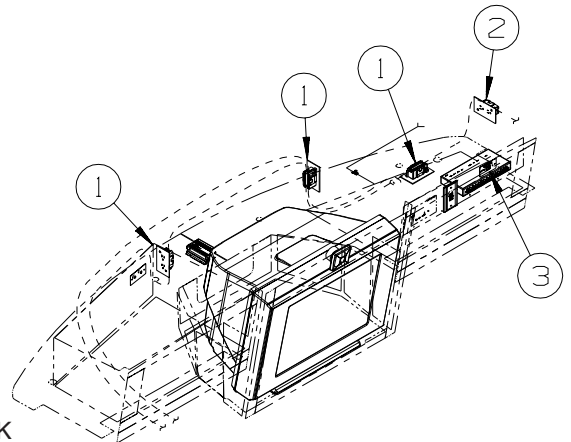
KEY	PART NUMBER	U/M	DESCRIPTION
1	108357-06-000	EA	SWITCH - ROCKER - DPDT - MOM/OFF/MOM - 6 TERM - W/O COVER
1	108356-01-01A	EA	COVER/ACTUATOR SWITCH - 3 GROOVES - CONTURA III - BLACK FROM: 00-00-00 THRU: 02-25-04
1	108356-02-01A	EA	COVER/ACTUATOR SWITCH - 2 ROWS DIMPLES - BLACK FROM: 02-26-04 THRU: 99-99-99
1	108355-01-000	EA	HOUSING - SWITCH
2	145243-03-02B	EA	PLATE - SWITCH - E-COATED
3	088246-01-000	EA	SWITCH/REMOTE MIRROR - W/2PIN & 6 PIN CONNECTORS/PIGTAIL
4	108357-14-000	EA	SWITCH - ROCKER - SPST - W/LIGHT - ON/OFF - 4 TERMINAL
4	108356-03-01A	EA	COVER/ACTUATOR SWITCH - 3 GROOVES W/LIGHT-CONTRA III-BLACK FROM: 00-00-00 THRU: 02-25-04
4	108356-04-01A	EA	COVER/ACTUATOR SWITCH - 2 ROWS DIMPLES W/LENS - BLACK FROM: 02-26-04 THRU: 99-99-99
4	108355-01-000	EA	HOUSING - SWITCH
5	108354-01-01A	EA	LIGHT - COURTESY
6	145243-02-02B	EA	PLATE - SWITCH - E-COATED
7	108357-06-000	EA	SWITCH - ROCKER - DPDT - MOM/OFF/MOM - 6 TERM - W/O COVER
7	108356-01-01A	EA	COVER/ACTUATOR SWITCH - 3 GROOVES - CONTURA III - BLACK
7	108355-01-000	EA	HOUSING - SWITCH



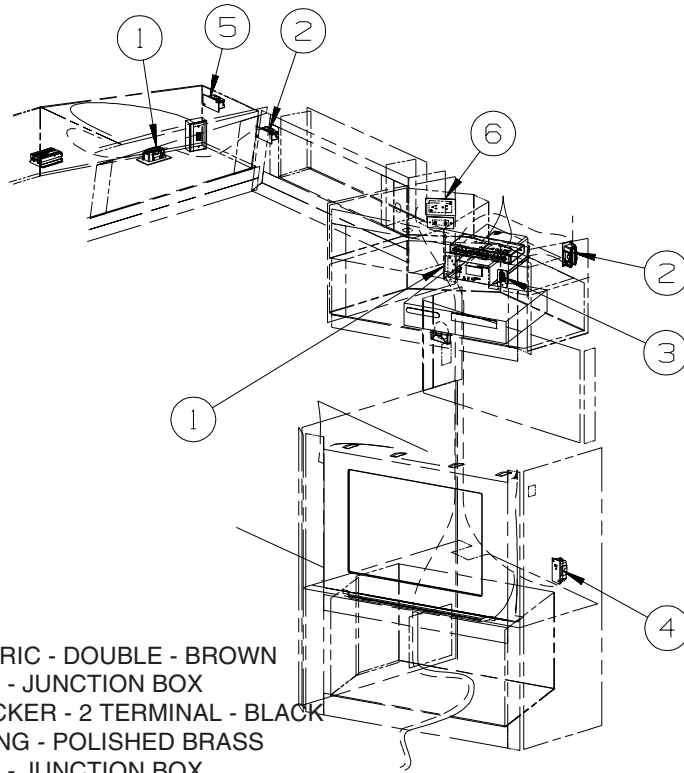
### ENTERTAINMENT WIRING

KEY	PART NUMBER	U/M	DESCRIPTION
1	058708-01-000	EA	RECEPTACLE - ELECTRIC - DOUBLE - BROWN

KEY	PART NUMBER	U/M	DESCRIPTION
1	058708-01-000	EA	RECEPTACLE - ELECTRIC - DOUBLE - BROWN
2	058707-02-000	EA	RECEPTACLE - BLANK - JUNCTION BOX
3	079364-04-000	EA	SWITCH - ON/OFF ROCKER - 2 TERMINAL - BLACK
3	098351-16-01A	EA	PLATE/SWITCH - 1 GANG - POLISHED BRASS FROM: 00-00-00 THRU: 03-31-03
3	098351-09-01A	EA	PLATE/SWITCH - 1 GANG - POLISHED BRASS - SPEAKER SELECT/TV FROM: 04-01-03 THRU: 99-99-99

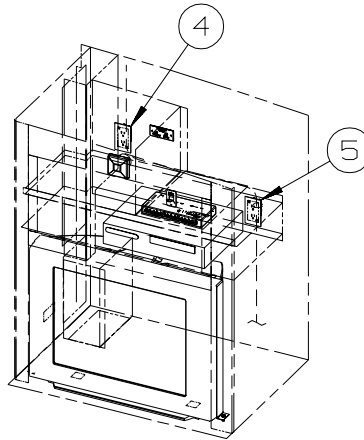
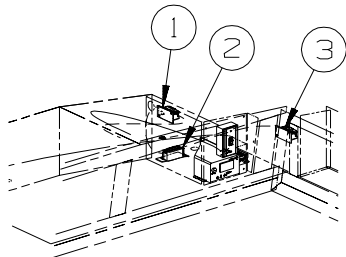


**ELECTRICAL GROUP (CONTINUED)**  
**ENTERTAINMENT WIRING (CONTINUED)**



**G38R**

KEY	PART NUMBER	U/M	DESCRIPTION
1	058708-01-000	EA	RECEPTACLE - ELECTRIC - DOUBLE - BROWN
2	058707-02-000	EA	RECEPTACLE - BLANK - JUNCTION BOX
3	079364-04-000	EA	SWITCH - ON/OFF ROCKER - 2 TERMINAL - BLACK
3	098351-16-01A	EA	PLATE/SWITCH - 1 GANG - POLISHED BRASS
4	058707-01-000	EA	RECEPTACLE - BLANK - JUNCTION BOX
5	058708-05-000	EA	RECEPTACLE - ELECTRIC - SINGLE - BROWN
6	058708-05-000	EA	RECEPTACLE - ELECTRIC - SINGLE - BROWN
			FROM: 00-00-00 THRU: 11-23-03
6	058708-01-000	EA	RECEPTACLE - ELECTRIC - DOUBLE - BROWN
			FROM: 11-24-03 THRU: 99-99-99



**G37B**

KEY	PART NUMBER	U/M	DESCRIPTION
1	058708-07-000	EA	RECEPTACLE - ELECTRICAL - SINGLE - WHITE
2	058708-06-000	EA	RECEPTACLE - ELECTRIC - DOUBLE - WHITE
3	058707-02-000	EA	RECEPTACLE - BLANK - JUNCTION BOX
4	058708-01-000	EA	RECEPTACLE - ELECTRIC - DOUBLE - BROWN
5	058708-05-000	EA	RECEPTACLE - ELECTRIC - SINGLE - BROWN



## ELECTRICAL GROUP (CONTINUED)

### BOXES & CORDS

KEY	PART NUMBER	U/M	DESCRIPTION
	008054-01-000	EA	CORD - POWER - 10/3 WIRE - 30 AMP - 25'
	092492-11-000	EA	SEAL - ELECTRIC BOX - 7" X 18.4"
	106071-06-000	EA	SWITCH - AUTOMATIC TRANSFER
	108934-02-000	EA	CORD - POWER - 50 AMP - 4-WIRE - 36'
	109925-04-000	EA	DOOR - ELECTRICAL BOX - GM/FORD
	115832-01-000	FT	CORD - HEAVY DUTY - 14-2W GROUND
	131679-01-000	EA	BOX/ELECTRIC-WATERPROOF-4" X 4" - W/4 3/4"OUTLETS-UL/CSA
	131680-01-000	EA	COVER - F/ELECTRIC BOX W/GASKET 4" X 4" - UL/CSA
	133070-01-000	EA	BOX - ELECTRIC/PLASTIC - 3" X 2" X 2.8" - UL
	133070-02-000	EA	BOX - ELECTRIC/PLASTIC - 3" X 2" X 2.8" - CSA

### WIRE ASSEMBLIES

KEY	PART NUMBER	U/M	DESCRIPTION
	096449-01-000	EA	WIRE ASSEMBLY - WATER TANK TO MONITOR PANEL
	096450-05-000	EA	WIRE F/SENSORS - BLACK WATER - 23.6"
	096451-06-000	EA	WIRE F/SENSORS - GREY WATER - 23.6"
	124843-02-000	EA	WIRE ASSEMBLY - SPEAKER ADAPTER
	124843-03-000	EA	WIRE ASSEMBLY - SPEAKER ADAPTER
	124882-08-000	EA	WIRE LOOM - AMPLIFIER - Q SURROUND
	125853-04-000	EA	WIRE LOOM - ENTERTAINMENT CENTER
	131279-02-000	EA	WIRE LOOM - POWER SEAT - DRIVER
	131279-03-000	EA	WIRE LOOM - POWER SEAT - F/DRIVER & PASSENGER
	132668-01-000	EA	WIRE ASSEMBLY - AUXILIARY FANS
	132669-01-000	EA	WIRE ASSEMBLY - INSTRUMENT PANEL - AUXILARY FANS
	135131-01-000	EA	WIRE LOOM - THERMOSTAT
	135420-02-000	EA	WIRE LOOM - RADIO
	136028-01-000	EA	WIRE ASM-SOFA, REST EASY
	137135-03-000	EA	WIRE LOOM - DIGITAL ELEVATION SENSOR
	137135-04-000	EA	WIRE HARNESS - POWER - DIGITAL ELEVATION SENSOR
	137626-01-000	EA	WIRE - OVERDRIVE SWITCH
	139583-01-000	EA	WIRE LOOM - SOFA/DOUBLE REST EASY
	139583-02-000	EA	WIRE LOOM - SOFA/REAR SWITCH
	141454-02-000	EA	WIRE LOOM - SATELLITE - AUTOMATIC - <b>AUTOMATIC SATELLITE DISH</b> FROM: 00-00-00 THRU: 07-06-03
	141454-04-000	EA	WIRE - SATELLITE - AUTOMATIC - <b>AUTOMATIC SATELLITE DISH</b> FROM: 07-07-03 THRU: 99-99-99
	142258-02-000	EA	WIRE LOOM - VIDEO SWITCH/POWER SUPPLY
	147139-02-000	EA	WIRE - STEREO KIT - ASA 100ZXIHAR
	147313-01-000	EA	WIRE ASM - TEMP SENSOR
	151422-01-000	EA	PIGTAIL - F/FOG LIGHT

**ELECTRICAL GROUP (CONTINUED)**  
**CONNECTORS & CONDUIT**

KEY	PART NUMBER	U/M	DESCRIPTION
	007940-01-000	EA	RECEPTACLE/SLIDE 16 TO 12 AWG - FEMALE END
	007940-02-000	EA	RECEPTACLE-SLIDE 10 AWG - AMP 180351-2
	007954-01-000	EA	RECEPTACLE - HOUSING - 6 POSITION
	007956-05-000	EA	INSULATOR - SHRINK - 1/4" ID X 1 1/2"
	008058-01-700	EA	ADAP-ELEC.30AMP M X 50 AMP F 30M50F
	008058-01-000	EA	ADAPTER - POWER CORD - 30 AMP TO 15 AMP
	008311-01-000	EA	CONNECTOR - WIRE NUT - INSULATED - RED
	008312-01-000	EA	CONNECTOR - WIRE NUT - INSULATED - BLUE
	008313-01-000	EA	CONNECTOR - WIRE NUT - INSULATED - YELLOW
	008314-01-000	EA	CONNECTOR - WIRE NUT - INSULATED - GRAY
	008326-01-000	EA	TERMINAL - RING - 16/14 WIRE - 3/8" STUD
	008328-01-000	EA	TERMINAL - RING - 12/10 WIRE - #10 STUD FIT
	008331-01-000	EA	TERMINAL - RING - TONGUE - #4 WIRE - 3/8" STUD - COPPER
	008348-01-000	EA	TERMINAL - RING - 3/8" STUD 2 GA. WIRE
	008355-01-000	EA	CONNECTOR - CABLE CLAMPING - 3/4"
	008356-01-000	EA	CONNECTOR - PLASTIC - 3/8"
	008356-02-000	EA	CONNECTOR - PLASTIC - 21/32"
	008394-01-000	FT	CONDUIT - FLEXIBLE - 1/2"
	008398-01-000	EA	CONNECTOR - 1/2" X 90 DEGREE - FLEX CONDUIT - UL & CSA
	035416-04-000	EA	TERMINAL - RING - #10 STUD FIT - INSULATED BARREL #16/14
	041953-01-000	FT	CONDUIT - CONVOLUTE SLIT - .5" ID - POLYETHYLENE
	041953-02-000	FT	CONDUIT - CONVOLUTE SLIT - .6" ID - POLYETHYLENE
	041953-03-000	FT	CONDUIT - CONVOLUTE SLIT - 1" ID (CLOTHES ROD COVER)
	041953-06-000	FT	CONDUIT - CONVOLUTE SLIT - .4" ID - POLYETHYLENE
	041953-07-000	FT	CONDUIT - CONVOLUTE SLIT - .25" ID - POLYETHYLENE
	041953-08-000	FT	CONDUIT - CONVOLUTE SLIT - 1.5" ID - POLYETHYLENE
	041953-09-000	FT	CONDUIT - CONVOLUTE SLIT - .5" ID - NYLON
	041953-10-000	FT	CONDUIT - CONVOLUTE SLIT - .75" ID - NYLON
	041953-11-000	FT	CONDUIT - CONVOLUTE SLIT - 1.06" ID - NYLON
	041953-12-000	FT	CONDUIT - CONVOLUTE SOLID - 1.1" ID - NYLON
	041953-13-000	FT	CONDUIT - CONVOLUTE SLIT - 1.25" ID
	041953-14-000	FT	CONDUIT - CONVOLUTE SLIT - 1.5" ID
	041953-15-000	FT	CONDUIT - CONVOLUTE SLIT - 2"
	041953-16-000	FT	CONDUIT - CONVOLUTE SLIT - 2"
	047443-01-000	EA	TERMINAL - .250 RECEPTACLE FIT - INSULATED - 16/14 AWG
	047443-02-000	EA	TERMINAL - .250 RECEPTACLE FIT - INSULATED - 12/10 AWG
	058028-01-000	EA	CONNECTOR - ELECTRICAL PIGTAIL - NYLON - CLEAR
	062036-01-000	EA	TERMINAL - PACK - CON - 12/10 AWG
	074017-02-000	EA	HOUSING - 5 POSITION - RIGHT ANGLED
	077479-01-000	EA	BOOT - BATTERY TERMINAL - DOUBLE CABLE
	077479-02-000	EA	BOOT - BATTERY TERMINAL - SINGLE CABLE
	080015-02-000	EA	RECEPTACLE - FLAG - .185 - 16/14 GAUGE
	080015-03-000	EA	RECEPTACLE - FLAG - .250 - 14/16 GAUGE
	082109-01-000	EA	HOUSING - CONNECTOR - PACKARD
	082741-01-000	EA	CONNECTOR BODY - 2 CONNECTOR MALE
	087225-01-000	FT	SLEEVING - 1/2" - TYPE H
	087949-01-000	EA	BUSS BAR - 2 POSITION - .6" X 1.5"
	087949-03-000	EA	BUSS BAR - 4 POSITION
	087949-05-000	EA	BUSS BAR - 7 POSITION
	088473-01-000	EA	HOUSING - PIN - 12 CAVITY (3 ROWS OF 4)
	088473-02-000	EA	HOUSING - PIN - 15 CAVITY (3 ROWS OF 5)
	088473-03-000	EA	HOUSING - PIN - 9 CAVITY (3 ROWS OF 3)
	088473-04-000	EA	HOUSING - PIN - 8 CAVITY IN-LINE
	088473-06-000	EA	HOUSING - PIN - 6 CAVITY (2 ROWS OF 3)
	088473-07-000	EA	HOUSING - PIN - 5 CAVITY - IN LINE
	088473-08-000	EA	HOUSING - PIN - 4 CAVITY - IN-LINE
	088473-09-000	EA	HOUSING - PIN - 3 CAVITY - IN-LINE
	088473-10-000	EA	HOUSING - PIN - 2 CAVITY - IN LINE
	088474-01-000	EA	HOUSING - SOCKET - 12 CAVITY
	088474-02-000	EA	HOUSING - SOCKET - 15 CAVITY
	088474-03-000	EA	HOUSING - SOCKET - 9 CAVITY
	088474-06-000	EA	HOUSING - SOCKET - 6 CAVITY
	088474-07-000	EA	HOUSING - SOCKET - 5 CAVITY

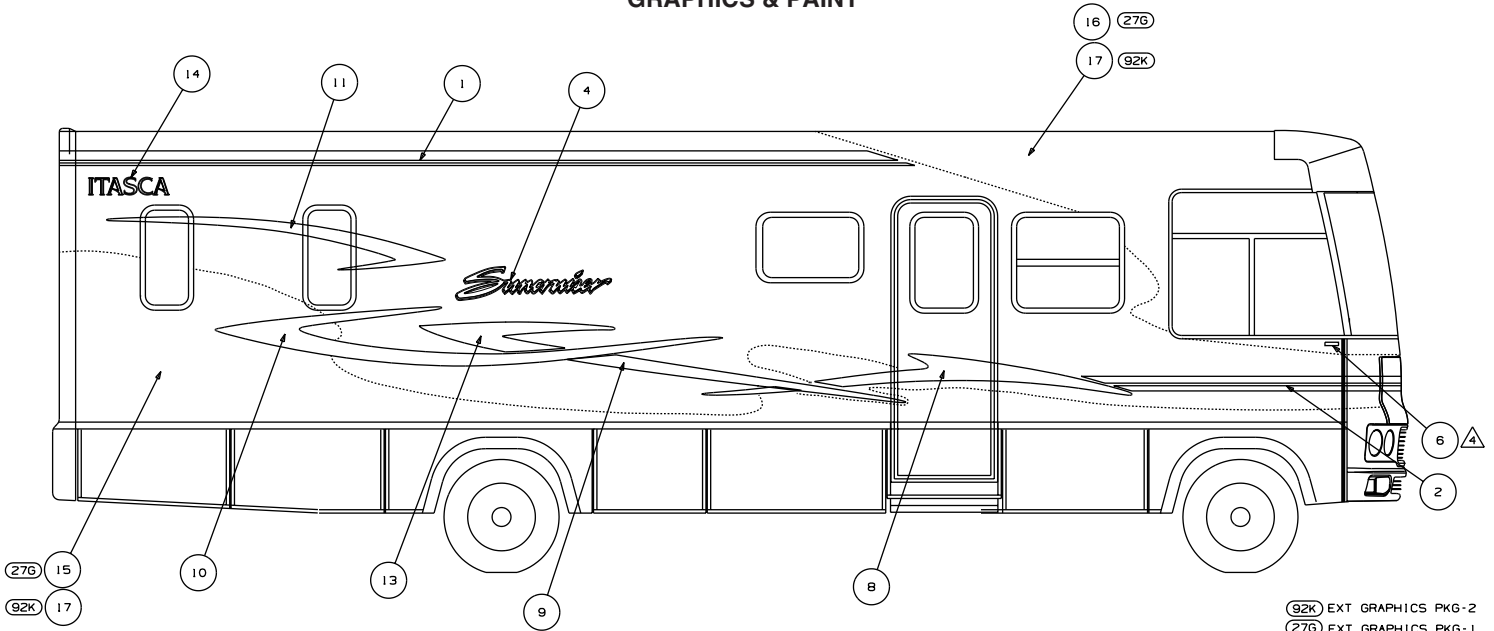
**ELECTRICAL GROUP (CONTINUED)**  
**CONNECTORS & CONDUIT (CONTINUED)**

<b>KEY</b>	<b>PART NUMBER</b>	<b>U/M</b>	<b>DESCRIPTION</b>
	088474-08-000	EA	HOUSING - SOCKET - 4 CAVITY
	088474-09-000	EA	HOUSING - SOCKET - 3 CAVITY
	088474-10-000	EA	HOUSING - SOCKET - 2 CAVITY
	088475-01-000	EA	PIN - CONNECTOR - 14-20 AWG
	088475-02-000	EA	PIN - CONNECTOR - 10-12 AWG
	088476-01-000	EA	TERMINAL - ELECTRICAL
	088476-02-000	EA	SOCKET - CONNECTOR - 12-10 GA - PRE-TIN
	098261-01-000	EA	SOCKET - CONNECTOR - WEATHERPACK - 12 AWG
	098261-02-000	EA	SOCKET - CONNECTOR - WEATHERPACK - 14-18 AWG
	098262-01-000	EA	SEAL - CONNECTOR - WEATHERPACK
	098264-01-000	EA	HOUSING - 2 PIN - WEATHER PACK - MALE W/FEMALE PINS
	098264-02-000	EA	HOUSING - 2 PIN - WEATHER PACK - FEMALE W/MALE PINS
	098265-02-000	EA	PIN - CONNECTOR - WEATHER PACK
	101751-02-000	EA	HOUSING - 1 PIN - WEATHERPACK
	102777-02-000	EA	TERMINAL - RING - #6 STUD - 10 AWG
	103608-01-000	EA	SOCKET - WEDGE BASE W/LEADS
	104100-01-000	EA	HOUSING - 1 POSITION - 75 AMPS
	104100-03-000	EA	TERMINAL - 75 AMP
	110178-01-000	EA	HOUSING - WIPER MOTOR
	112823-01-000	EA	SPLICE - REDUCER - 16-14 TO 18-22
	113135-01-000	EA	TERMINAL - FEMALE - M/P - 14-16 - F/SEALED TERMINAL
	113308-01-000	EA	TERMINAL - FEMALE - M/P - 14-16 - 280
	113468-01-000	EA	HOUSING - 2 POSITION-FEMALE-USED ON WIPER/WASHER WIRE ASM
	113638-02-000	EA	CONNECTOR - ACTUATOR
	115931-01-000	EA	COVER - CONNECTOR - 30 AMP W/LOCK RING
	115931-02-000	EA	COVER - CONNECTOR - 50 AMP W/LOCKING RING
	115932-01-000	EA	CONNECTOR - FEMALE - 30 AMP/120 VOLT
	115932-02-000	EA	CONNECTOR - FEMALE - 50 AMP/240 VOLT
	116811-01-000	EA	TERMINAL - .110 RECEPTACLE - 16-14 AWG
	118571-01-000	EA	CONNECTOR - 3-WAY - MALE/SEALED
	118571-02-000	EA	CONNECTOR - 3-WAY - FEMALE/SEALED
	118571-05-000	EA	LOCK - SECONDARY - FEMALE
	118571-06-000	EA	LOCK - SECONDARY - MALE
	118599-02-000	EA	TERMINAL - MALE - M/P - 280/14-12
	118820-01-000	EA	INSULATOR - TERMINAL
	129233-01-000	EA	HOUSING - 2-POSITION/FEMALE - 280-SERIES
	129233-02-000	EA	HOUSING - 2-POSITION/FEMALE - 280-SERIES
	131681-01-000	EA	CONNECTOR - 3/4" SO CORD - UL/CS
	137207-01-000	EA	HOUSING - PIN - 2 CAVITY/HIGH AMP
	137208-01-000	EA	HOUSING - SOCKET - 2 CAVITY/HIGH AMP
	137209-01-000	EA	PIN - CONNECTOR - 10AWG/HIGH AMP
	137210-01-000	EA	SOCKET - CONNECTOR - 10 AWG/HIGH AMP
	138419-03-000	EA	SOCKET - LAMP - 3 WIRE
	142520-01-000	EA	TERMINAL - FEMALE - MINI-FIT 16
	142522-01-000	EA	HOUSING - 4 PIN/MALE - MINI FIT
	142522-02-000	EA	HOUSING - 6 PIN/MALE - MINI FIT
	142522-03-000	EA	HOUSING - 8 PIN/MALE - MINI FIT
	142524-01-000	EA	HOUSING - 4 PIN/FEMALE - WEATHER PACK
	142524-02-000	EA	HOUSING - 4 PIN/WEATHER PACK/FEMALE
	144283-01-000	EA	CONNECTOR - WIRE, SOW, BLUE, MOLEX 19403-0011
	144283-02-000	EA	CONNECTOR - WIRE, NM, CLEAR, MOLEX 19045-1000

**BOOTS, SOLENOIDS, RELAYS & MISCELLANEOUS**

<b>KEY</b>	<b>PART NUMBER</b>	<b>U/M</b>	<b>DESCRIPTION</b>
	008188-01-000	EA	SOLENOID - 3 POST - BATTERY CHANGE OVER
	063910-01-000	EA	HOUSING - RELAY
	063912-02-000	EA	RELAY - CANISTER - SPDT
	065450-05-000	EA	TIEDOWN - BATTERY - 8.4" TUBE
	065451-05-000	EA	BRACKET/TIEDOWN - BATTERY - 7.7" FROM BRKT TO BRKT
	086233-01-000	EA	STUD - ISOLATED - 3/8" X 7/8" LONG
	086273-01-000	EA	RELAY - BATTERY DISCONNECT

# EXTERIOR BODY GROUP GRAPHICS & PAINT



92K EXT GRAPHICS PKG-2  
276 EXT GRAPHICS PKG-1

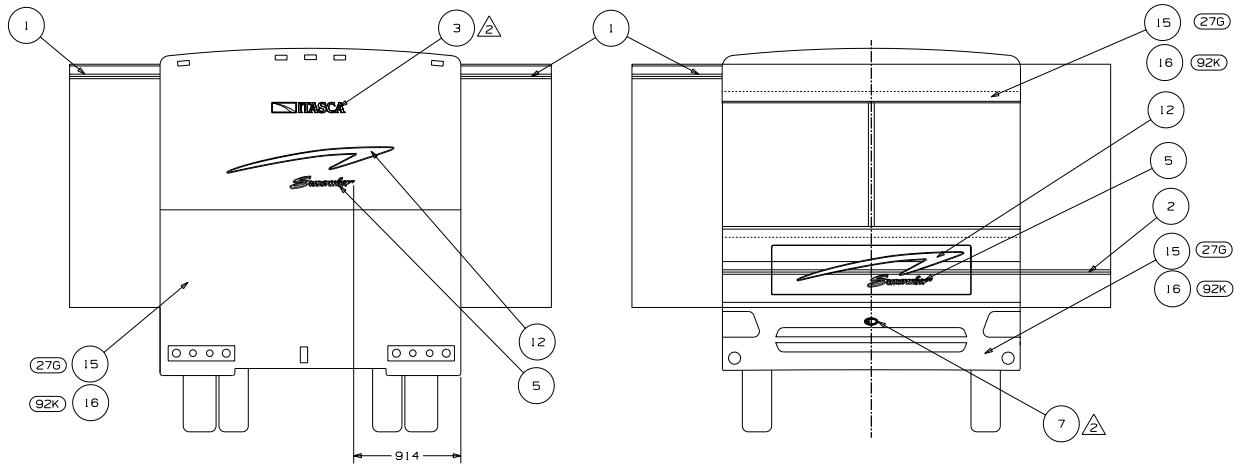
- △ DECAL IS PUT ON DRIVERS SIDE ALSO.
- 3. CONTINUE MULTISTRIPE ONTO SLIDEOUT WINGWALLS.
- △ CENTERED ON UNIT.
- 1. APPLY PROTECTOR 116424-01 TO WATER HEATER DOOR LATCH.

NOTES:

					G3BR
					G3BG
					G37C
					G35U
					G33V
					G31Y
D	C	B	A		UNIT

KEY	PART NUMBER	U/M	DESCRIPTION
276	1	FT	FILM-38.1 MM - FLINTSTONE
92K	1	FT	FILM-38.1 MM - LT BLUE
276	2	FT	MULTISTRIPE-108 MM - LAGO BLUE/IRIDESCENT GOLD
92K	2	FT	MULTISTRIPE-108 MM - WARM SILVER MET/DEEP BLUE STAR
276	3	EA	DECAL-ITASCA W/ICON - LAGO BLUE/BRT WHITE
92K	3	EA	DECAL-ITASCA W/ICON - DEEP BLUE STAR/BRT WHITE
276	4	EA	DECAL-SUNCRUISER, LG - BRT WHITE/LAGO BLUE/IRIDESCENT GOLD/LT BLUE
92K	4	EA	DECAL-SUNCRUISER, LG - BRT WHITE/MED BLUE STAR/LT MARINE BLUE/WARM SILVER
276	5	EA	DECAL-SUNCRUISER, SML - BRT WHITE/LAGO BLUE/IRIDESCENT GOLD/LT BLUE
92K	5	EA	DECAL-SUNCRUISER, SML - BRT WHITE/MED BLUE STAR/LT MARINE BLUE/WARM SILVER MET
276	6	EA	DECAL-WINEBAGO, DOMED - GOLD/BLACK
92K	6	EA	DECAL-BEZEL, DOMED, GRILLE LOGO - CHROME/BLACK
276	7	EA	DECAL-FRONT, RH - LAGO BLUE
92K	7	EA	DECAL-FRONT, RH - MED BLUE STAR
276	8	EA	DECAL-FRONT, LH - LAGO BLUE
92K	8	EA	DECAL-FRONT, LH - MED BLUE STAR
276	9	EA	DECAL-MIDDLE, RH - APRICOT MIST
92K	9	EA	DECAL-MIDDLE, RH - LT MARINE BLUE
276	9	EA	DECAL-MIDDLE, LH - APRICOT MIST
92K	9	EA	DECAL-MIDDLE, LH - LT MARINE BLUE
276	10	EA	DECAL-REAR, RH - IRIDESCENT GOLD
92K	10	EA	DECAL-REAR, RH - DEEP BLUE STAR
276	10	EA	DECAL-REAR, LH - IRIDESCENT GOLD
92K	10	EA	DECAL-REAR, LH - DEEP BLUE STAR
276	11	EA	DECAL-CHECKMARK, UPPER, RH - FLINTSTONE
92K	11	EA	DECAL-CHECKMARK, UPPER, RH - LT BLUE
276	11	EA	DECAL-CHECKMARK, UPPER, LH - FLINTSTONE
92K	11	EA	DECAL-CHECKMARK, UPPER, LH - LT BLUE
276	12	EA	DECAL-CHECKMARK, SML - BRT WHITE/APRICOT MIST
92K	12	EA	DECAL-CHECKMARK, SML - BRT WHITE/LT MARINE BLUE
276	13	EA	DECAL-MIDDLE, UPPER, RH - APRICOT MIST
92K	13	EA	DECAL-MIDDLE, UPPER, RH - LT MARINE BLUE
276	13	EA	DECAL-MIDDLE, UPPER, LH - APRICOT MIST
92K	13	EA	DECAL-MIDDLE, UPPER, LH - LT MARINE BLUE
276	14	EA	DECAL-ITASCA - LAGO BLUE/BRT WHITE
92K	14	EA	DECAL-ITASCA - DEEP BLUE STAR/BRT WHITE
276	15	GL	PAINT - JAGUAR BLUE MET
92K	15	GL	PAINT - SAND MET
276	16	GL	PAINT - JAGUAR BLUE MET
92K	16	GL	PAINT - SAND MET
276	17	GL	PAINT - WARM SILVER BLUE
92K	17	GL	PAINT - WARM SILVER BLUE

## EXTERIOR BODY GROUP (CONTINUED) GRAPHICS & PAINT (CONTINUED)



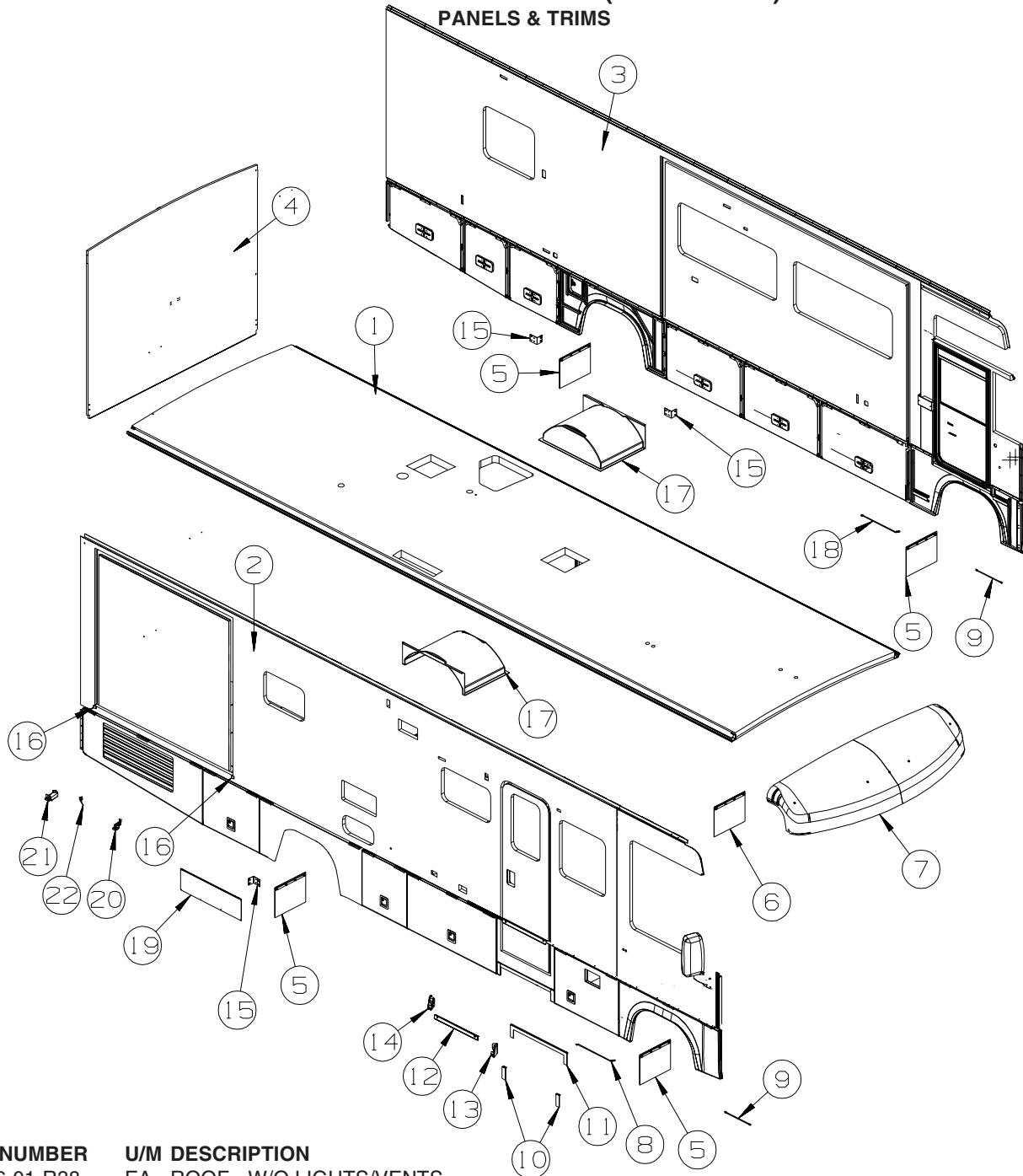
KEY	PART NUMBER	U/M	DESCRIPTION
(27G) 1	093681-50-CHT(03A)	FT	FILM-38.1 MM - FLINTSTONE
(92K) (27G) 2	093681-50-CHT(04A)	FT	FILM-38.1 MM - LT BLUE
(27G) 3	105781-92-CHT(02A)	FT	MULTISTRIPE-108 MM - LAGO BLUE/IRIDESCENT GOLD
(92K) (27G) 4	105781-92-CHT(03A)	FT	MULTISTRIPE-108 MM - WARM SILVER MET/DEEP BLUE STAR
(27G) 5	124806-01-CHT(28A)	EA	DECAL-ITASCA W/ICON - LAGO BLUE/BRT WHITE
(92K) (27G) 6	124806-01-CHT(33A)	EA	DECAL-ITASCA W/ICON - DEEP BLUE STAR/BRT WHITE
(27G) 7	129981-01-CHT(06A)	EA	DECAL-SUNCRUISER,LG - BRT WHITE/LAGO BLUE/IRIDESCENT GOLD/LT BLUE
(92K) (27G) 8	129981-01-CHT(07A)	EA	DECAL-SUNCRUISER,LG - BRT WHITE/MED BLUE STAR/LT MARINE BLUE/WARM SILVER
(27G) 9	129981-02-CHT(06A)	EA	DECAL-SUNCRUISER,SML - BRT WHITE/LAGO BLUE/IRIDESCENT GOLD/LT BLUE
(92K) (27G) 10	129981-02-CHT(07A)	EA	DECAL-SUNCRUISER,SML - BRT WHITE/MED BLUE STAR/LT MARINE BLUE/WARM SILVER MET
(27G) 11	132664-01-CHT(01A)	EA	DECAL-WINNEBAGO,DOMED - GOLD/BLACK
(92K) (27G) 12	137618-02-CHT(01A)	EA	DECAL-BEZEL,DOMED,GRILLE LOGO - CHROME/BLACK
(27G) 13	142143-01-CHT(02A)	EA	DECAL-FRONT,RH - LAGO BLUE
(92K) (27G) 14	142143-01-CHT(03A)	EA	DECAL-FRONT,RH - MED BLUE STAR
(27G) 15	142143-02-CHT(02A)	EA	DECAL-FRONT,LH - LAGO BLUE
(92K) (27G) 16	142143-02-CHT(03A)	EA	DECAL-FRONT,LH - MED BLUE STAR
(27G) 17	142144-01-CHT(02A)	EA	DECAL-MIDDLE,RH - APRICOT MIST
(92K) (27G) 18	142144-01-CHT(03A)	EA	DECAL-MIDDLE,RH - LT MARINE BLUE
(27G) 19	142144-02-CHT(02A)	EA	DECAL-MIDDLE,LH - APRICOT MIST
(92K) (27G) 20	142144-02-CHT(03A)	EA	DECAL-MIDDLE,LH - LT MARINE BLUE
(27G) 21	142146-01-CHT(02A)	EA	DECAL-REAR,RH - IRIDESCENT GOLD
(92K) (27G) 22	142146-01-CHT(03A)	EA	DECAL-REAR,RH - DEEP BLUE STAR
(27G) 23	142146-02-CHT(02A)	EA	DECAL-REAR,LH - IRIDESCENT GOLD
(92K) (27G) 24	142146-02-CHT(03A)	EA	DECAL-REAR,LH - DEEP BLUE STAR
(27G) 25	142147-01-CHT(02A)	EA	DECAL-CHECKMARK,UPPER,RH - FLINTSTONE
(92K) (27G) 26	142147-01-CHT(03A)	EA	DECAL-CHECKMARK,UPPER,RH - LT BLUE
(27G) 27	142147-02-CHT(02A)	EA	DECAL-CHECKMARK,UPPER,LH - FLINTSTONE
(92K) (27G) 28	142147-02-CHT(03A)	EA	DECAL-CHECKMARK,UPPER,LH - LT BLUE
(27G) 29	142148-01-CHT(02A)	EA	DECAL-CHECKMARK,SML - BRT WHITE/APRICOT MIST
(92K) (27G) 30	142148-01-CHT(03A)	EA	DECAL-CHECKMARK,SML - BRT WHITE/LT MARINE BLUE
(27G) 31	142151-01-CHT(02A)	EA	DECAL-MIDDLE,UPPER,RH - APRICOT MIST
(92K) (27G) 32	142151-01-CHT(03A)	EA	DECAL-MIDDLE,UPPER,RH - LT MARINE BLUE
(27G) 33	142151-02-CHT(02A)	EA	DECAL-MIDDLE,UPPER,LH - APRICOT MIST
(92K) (27G) 34	142151-02-CHT(03A)	EA	DECAL-MIDDLE,UPPER,LH - LT MARINE BLUE
(27G) 35	144587-02-CHT(03A)	EA	DECAL-ITASCA - LAGO BLUE/BRT WHITE
(92K) (27G) 36	144587-02-CHT(04A)	EA	DECAL-ITASCA - DEEP BLUE STAR/BRT WHITE
(27G) 37	141599-02-000	GL	PAINT-JAGUAR BLUE MET
(92K) (27G) 38	141599-04-000	GL	PAINT-SAND MET
(27G) 39	141599-20-000	GL	PAINT-WARM SILVER BLUE

KEY	PART NUMBER	U/M	DESCRIPTION
	093681-40-01A	FT	FILM - 2" - FLAT BLACK - DRIVERS DOOR
	072882-01-000	EA	PAINT - 16 OUNCE SPRAY - OFF WHITE

**DUPONT COLOR CODES ARE NOW FOUND IN THE PAINT CODE MANUAL.  
YOU CAN FIND THIS MANUAL ON YOUR DEALER INDEX WEBPAGE UNDER SERVICE.**

# EXTERIOR BODY GROUP (CONTINUED)

## PANELS & TRIMS

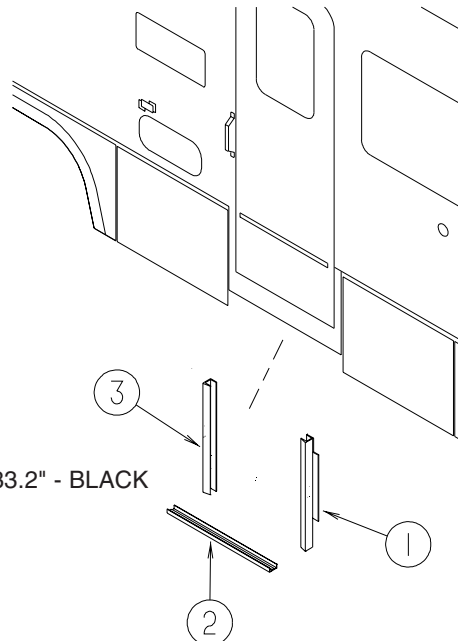


KEY	PART NUMBER	U/M	DESCRIPTION	
1	144556-01-R38	EA	ROOF - W/O LIGHTS/VENTS	
2	144554-01-R38	EA	SIDEWALL - PASSENGER - W/O WINDOWS/TRIMS (R44, R45, R46)	
2	144554-01-R40	EA	SIDEWALL - PASSENGER - W/O WINDOWS/TRIMS (R47, R48, R49)	
2	144554-01-R42	EA	SIDEWALL - PASSENGER - W/O WINDOWS/TRIMS (R50, R51, R52)	
3	144555-01-R38	EA	SIDEWALL - DRIVER - W/O WINDOWS/TRIMS (R44, R45, R46)	
3	144555-01-R40	EA	SIDEWALL - DRIVER - W/O WINDOWS/TRIMS (R47, R48, R49)	
3	144555-01-R42	EA	SIDEWALL - DRIVER - W/O WINDOWS/TRIMS (R50, R51, R52)	
4	144553-06-R44	EA	BACKWALL - W/O WINDOWS/TRIMS	
4	144553-06-R45	EA	BACKWALL - W/O WINDOWS/TRIMS	
4	144553-06-R46	EA	BACKWALL - W/O WINDOWS/TRIMS	
4	144553-06-RW4	EA	BACKWALL - W/O WINDOWS/TRIMS	FROM: 00-00-00 THRU: 01-04-04
4	144553-06-R47	EA	BACKWALL - W/O WINDOWS/TRIMS	FROM: 01-05-04 THRU: 99-99-99
4	144553-06-R48	EA	BACKWALL - W/O WINDOWS/TRIMS	
4	144553-06-R49	EA	BACKWALL - W/O WINDOWS/TRIMS	
4	144553-06-RW2	EA	BACKWALL - W/O WINDOWS/TRIMS	FROM: 00-00-00 THRU: 01-04-04
4	144553-06-RW2	EA	BACKWALL - W/O WINDOWS/TRIMS	FROM: 01-05-04 THRU: 99-99-99



**EXTERIOR BODY GROUP (CONTINUED)**  
**PANELS & TRIMS (CONTINUED)**

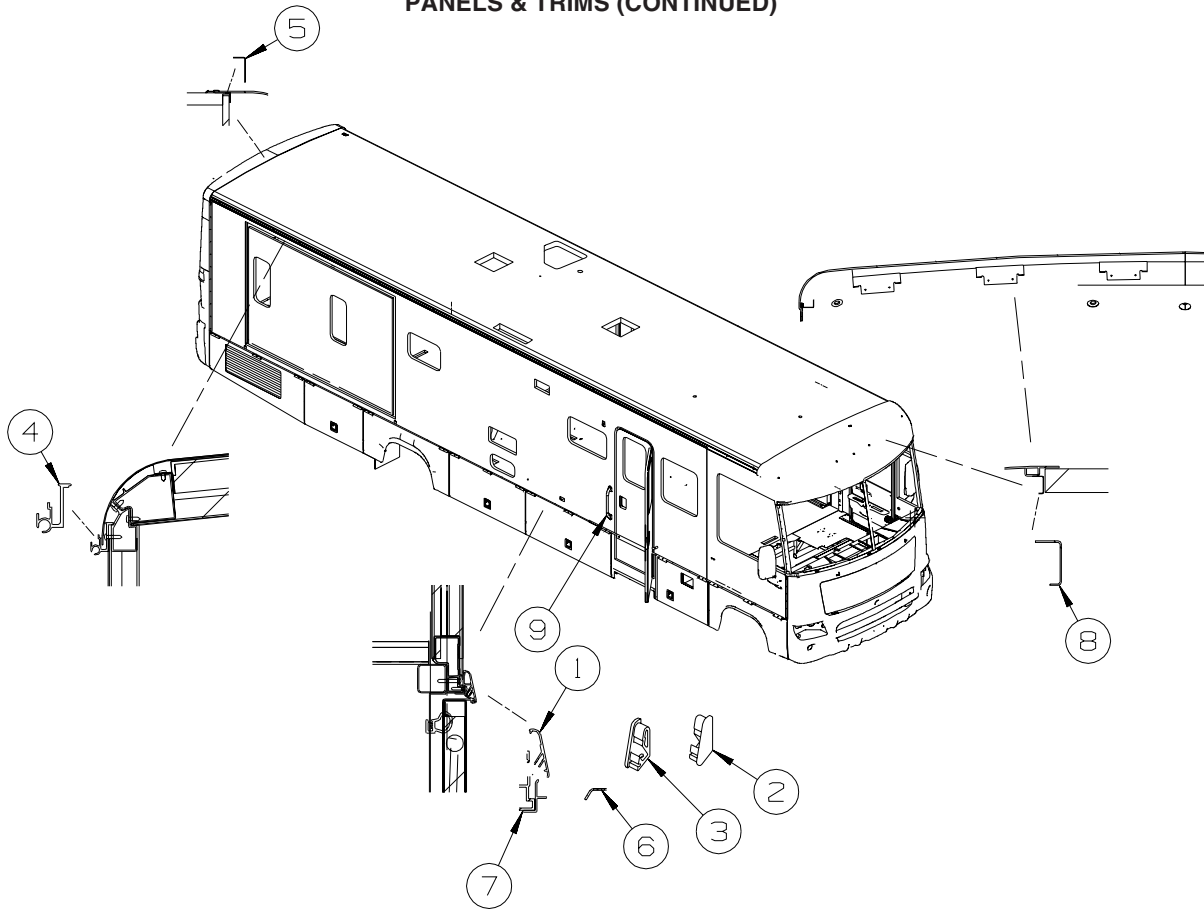
KEY	PART NUMBER	U/M	DESCRIPTION
4	144553-06-R50	EA	BACKWALL - W/O WINDOWS/TRIMS
4	144553-06-R51	EA	BACKWALL - W/O WINDOWS/TRIMS
4	144553-06-R52	EA	BACKWALL - W/O WINDOWS/TRIMS
			FROM: 00-00-00 THRU: 01-04-04
4	144553-06-RW1	EA	BACKWALL - W/O WINDOWS/TRIMS
			FROM: 01-05-04 THRU: 99-99-99
5	017516-01-000	EA	MUD FLAP - 14"H X 18"W - W/O MOUNTING HOLES - BLACK
	140922-01-02B	EA	PLATE - MUD FLAP - E-COATED
6	017516-01-000	EA	MUD FLAP - 14"H X 18"W - W/O MOUNTING HOLES - BLACK
	132695-01-02B	EA	ANGLE - MUDFLAP - E-COATED
	140922-01-02B	EA	PLATE - MUD FLAP - E-COATED
7	132112-02-L42	EA	CAP - ROOF
8	107865-25-000	EA	ROD - SUPPORT - VALANCE PANEL - 18.9"
9	107865-06-000	EA	ROD - SUPPORT - VALANCE PANEL - 15"
10	121117-05-02B	EA	ANGLE - W/O SLOTS - 5.7" X 2" - E-COATED - FORD
			FROM: 00-00-00 THRU: 12-14-03
11	138021-02-02B	EA	VALANCE/PANEL - ENTRY STEP/U-SHAPED - 33.2" X 4.1" E-COAT - FORD
			FROM: 12-15-03 THRU: 99-99-99
11	138021-02-02B	EA	VALANCE/PANEL - ENTRY STEP/U-SHAPED - 33.2" X 4.1" E-COAT - WORKHORSE
12	133045-01-01A	EA	TRIM - SIDEWALL - 25.3" - BRIGHT WHITE
			FROM: 00-00-00 THRU: 12-07-03
12	149822-01-01A	EA	TRIM - SIDEWALL/ENTRY DOOR - 25.3" - BRIGHT WHITE
			FROM: 12-08-03 THRU: 99-99-99
13	126775-01-02A	EA	END CAP - VALANCE TRIM - RIGHT HAND - BLACK
			FROM: 00-00-00 THRU: 12-07-03
13	146576-01-02A	EA	CAP - END/TRIM - RIGHT HAND - BLACK
			FROM: 12-08-03 THRU: 99-99-99
14	126775-02-02A	EA	END CAP - VALANCE TRIM - LEFT HAND - BLACK
			FROM: 00-00-00 THRU: 12-07-03
14	146576-02-02A	EA	CAP - END/TRIM - LEFT HAND - BLACK
			FROM: 12-08-03 THRU: 99-99-99
15	119568-01-01A	EA	STANDOFF - VALANCE PANEL - BLACK
16	093673-01-06A	FT	TRIM/MOLDING - 1.4" WIDE X 8' LONG - BRIGHT WHITE
17	131365-01-000	EA	WHEELWELL - PLASTIC
18	107865-27-000	EA	ROD - SUPPORT - VALANCE PANEL - 17.3"
19	133386-02-02B	EA	PANEL - CLOSEOUT - HOLDING TANK - E-COATED
20	143219-01-01A	EA	SEAL - CORNER - F/REAR SLIDEOUT
21	143219-02-01A	EA	SEAL - CORNER - F/REAR SLIDEOUT
	142043-01-01A	EA	TRIM SEAL - FLOOR/SLIDEOUT-W/SLOTS - 1.2" X 1.4" X 4.6"-MILL
22	143905-01-000	FT	SEAL - LOWER - F/SLIDEOUT



**PASSENGER  
SIDEWALL**

KEY	PART NUMBER	U/M	DESCRIPTION
1	133100-05-01A	EA	TRIM - SIDEWALL - BLACK
2	137599-01-01A	EA	TRIM - NOTCHED- SIDEWALL - 33.2" - BLACK
3	133100-06-01A	EA	TRIM - SIDEWALL - BLACK

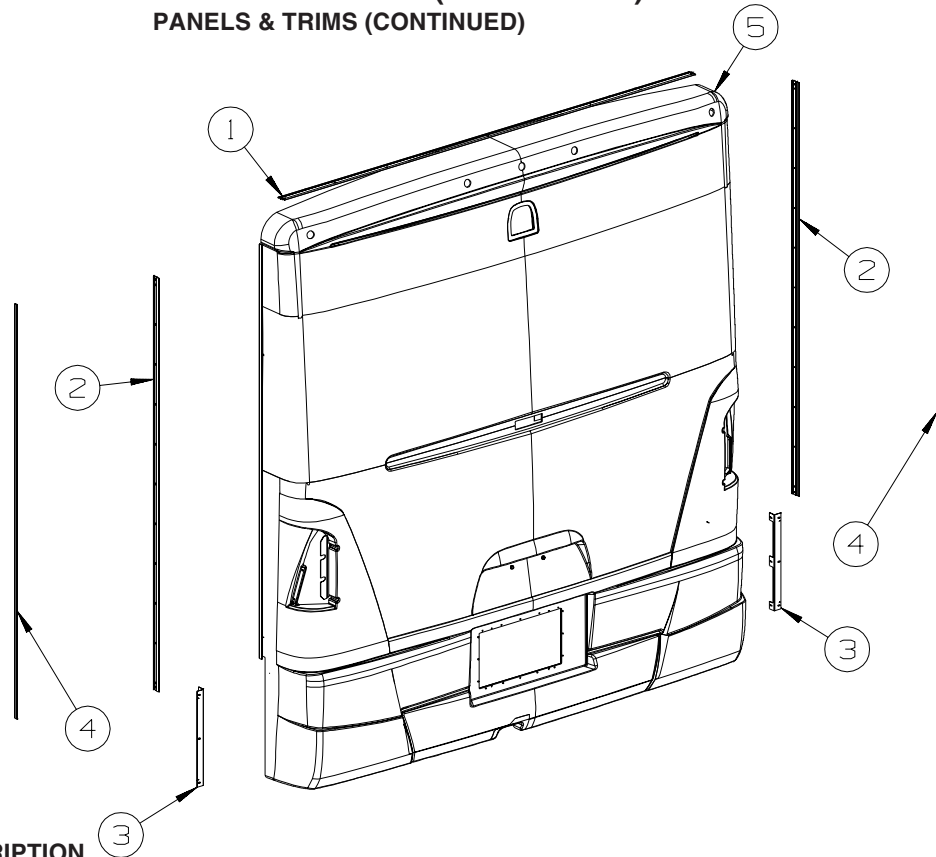
**EXTERIOR BODY GROUP (CONTINUED)**  
**PANELS & TRIMS (CONTINUED)**



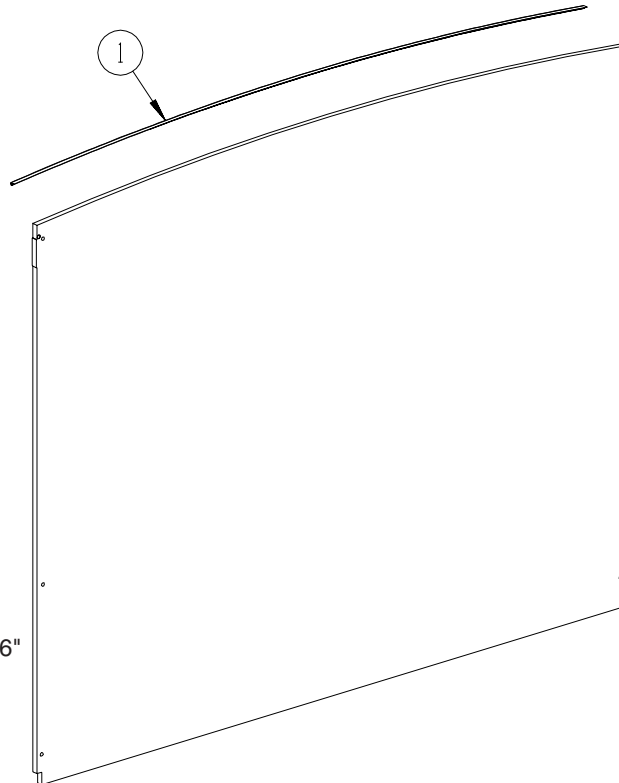
KEY	PART NUMBER	U/M	DESCRIPTION
1	123993-01-02A	EA	TRIM - COVER - 182" ALUMINUM - BLACK FROM: 00-00-00 THRU: 12-07-03
1	146550-01-02A	EA	TRIM COVER - SIDEWALL - 182" - BLACK FROM: 12-08-03 THRU: 99-99-99
2	126775-01-02A	EA	END CAP - VALANCE TRIM - RIGHT HAND - BLACK FROM: 00-00-00 THRU: 12-07-03
2	146576-01-02A	EA	CAP - END/TRIM - RIGHT HAND FROM: 12-08-03 THRU: 99-99-99
3	126775-02-02A	EA	END CAP - VALANCE TRIM - LEFT HAND - BLACK FROM: 00-00-00 THRU: 12-07-03
3	146576-02-02A	EA	CAP - END/TRIM - LEFT HAND- BLACK FROM: 12-08-03 THRU: 99-99-99
4	131483-01-01A	EA	RAIL - AWNING - 192" - BRIGHT WHITE
5	132273-01-02B	EA	BRACKET - REAR TRIM - E-COATED
6	143143-02-01A	EA	ANGLE/SUPPORT/TRIM - E-COATED
7	133376-01-01A	EA	TRIM - RETAINER - 144" - MILL FROM: 00-00-00 THRU: 12-07-03
7	146548-01-01A	EA	TRIM - RETAINER FROM: 12-08-03 THRU: 99-99-99
8	134774-01-02B	EA	BRACKET - CAB ATTACHMENT - E-COATED
9	132442-03-01A	EA	HANDLE - ASSIST/ITASCA LOGO W/CHROME ENDS



**EXTERIOR BODY GROUP (CONTINUED)**  
**PANELS & TRIMS (CONTINUED)**



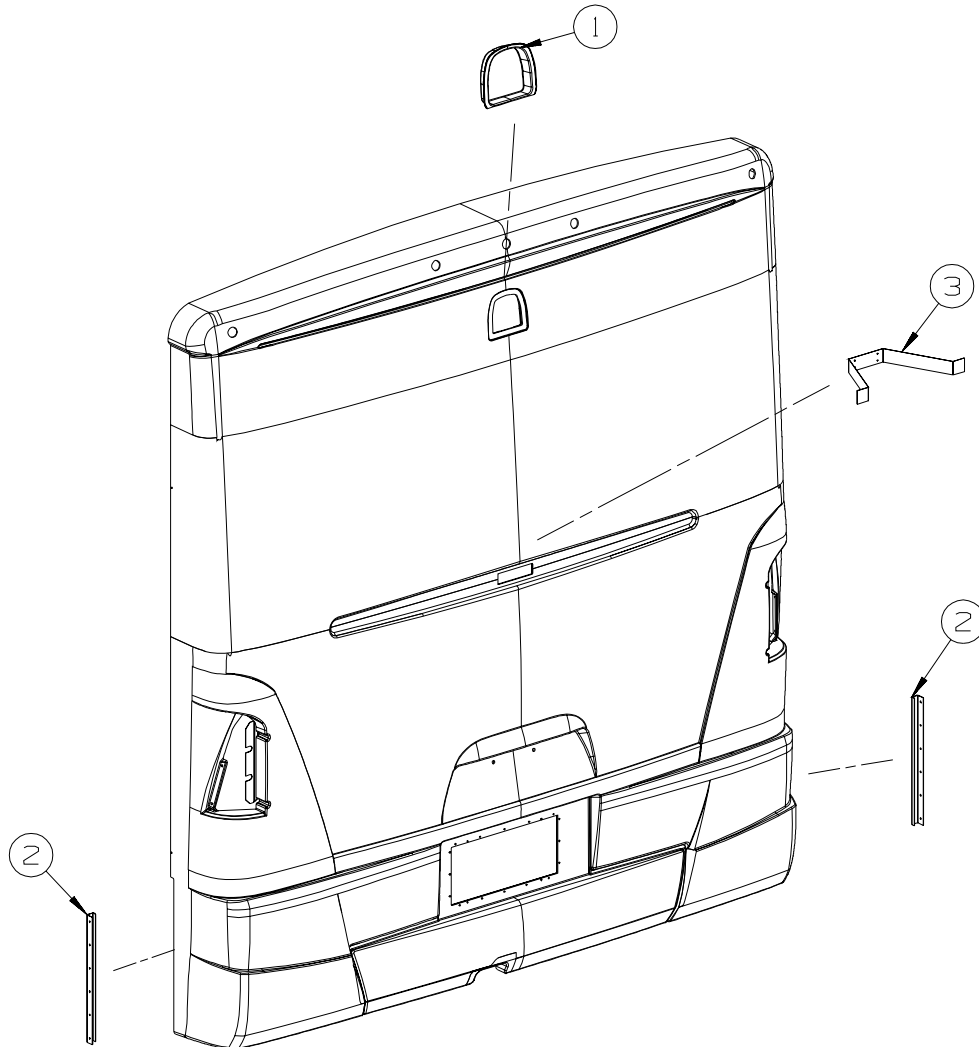
KEY	PART NUMBER	U/M	DESCRIPTION
1	083805-23-000	EA	TRIM - ROOF CAP - 92.1" - BRIGHT WHITE
2	092041-05-01A	EA	TRIM - BACKWALL/SIDEWALL - 77.6" - BRIGHT WHITE
			FROM: 00-00-00 THRU: 12-07-03
2	092041-09-01A	EA	TRIM - BACKWALL/SIDEWALL - 77.3" - BRIGHT WHITE
			FROM: 12-08-03 THRU: 99-99-99
3	138789-01-02B	EA	ANGLE/MOUNT - WHEEL LIP/BACKWALL - E-COATED
4	091985-01-07A	FT	INSERT - TRIM - REAR CAP TO SIDEWALL - .66" - BRIGHT WHITE
5	144541-04-R38	EA	PANEL/REAR CAP - W/O CAMERA CUT-OUT - BRIGHT WHITE
5	144541-03-R38	EA	PANEL/REAR CAP - W/CAMERA CUT-OUT - BRIGHT WHITE - <b>RFAR MONITOR SYSTEM</b>



**BACKWALL**

KEY	PART NUMBER	U/M	DESCRIPTION
1	114248-02-01A	EA	ANGLE - PLASTIC - 96.6"

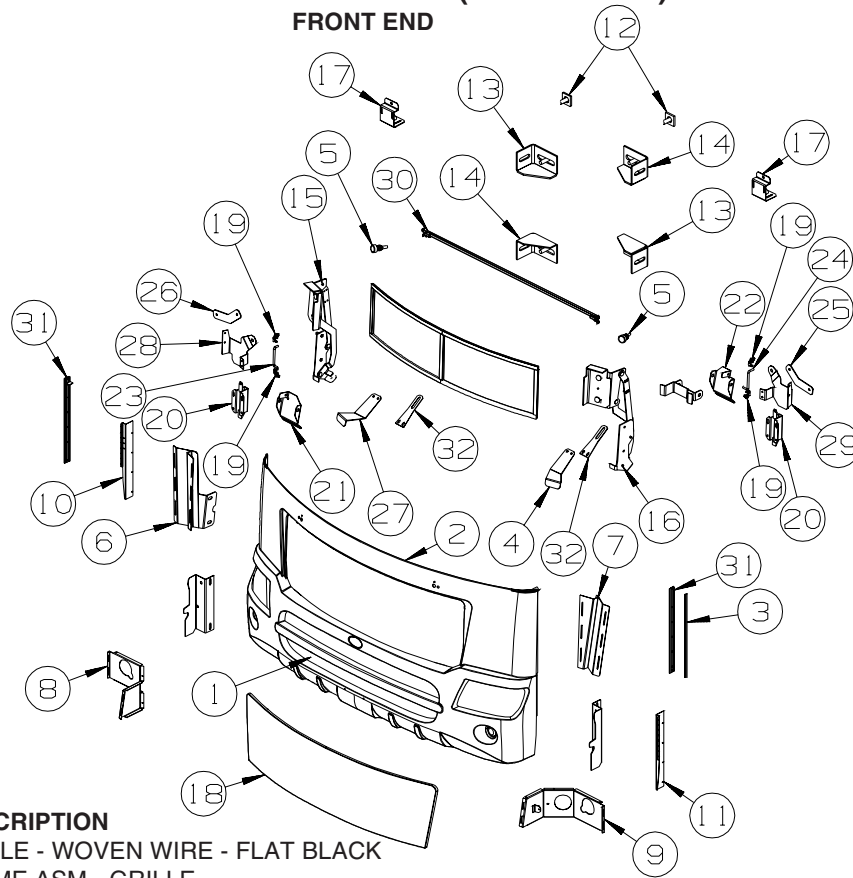
**EXTERIOR BODY GROUP (CONTINUED)**  
**PANELS & TRIMS (CONTINUED)**



<b>KEY</b>	<b>PART NUMBER</b>	<b>U/M DESCRIPTION</b>
1	138227-01-01A	EA SHROUD - CAMERA - INNER - BLACK FROM: 00-00-00 THRU: 08-25-03
2	138467-03-02B	EA BRACKET/SUPPORT - BUMPER - E-COATED
3	140337-02-02B	EA BRACKET - REAR CAP - E-COATED

# EXTERIOR BODY GROUP (CONTINUED)

## FRONT END



KEY	PART NUMBER	U/M	DESCRIPTION
1	115924-27-02A	EA	GRILLE - WOVEN WIRE - FLAT BLACK
	140903-01-P54	EA	FRAME ASM - GRILLE
2	140898-08-R44	EA	PANEL - FRONT/LOWER - W/O HOOD/GRILLE/LIGHTS
3	091985-01-07A	FT	INSERT - TRIM - .65" WIDE - BRIGHT WHITE
4	141018-04-02B	EA	BRACKET/HINGE - FRONT/DRIVER - E-COATED
5	058786-01-000	EA	BOLT - HOOD ADJUSTMENT - 5/16"-18 X 1.5"-2" - W/BLACK PAD
6	141008-01-02B	EA	SUPPORT/HINGE - RIGHT HAND - E-COATED
7	141008-02-02B	EA	SUPPORT/HINGE - LEFT HAND - E-COATED
8	141128-03-02B	EA	BRACKET - HEADLAMP - OUTER/PASSENGER - E-COATED
9	141128-04-02B	EA	BRACKET - HEADLAMP - OUTER/DRIVER - E-COATED
	139685-06-02B	EA	SUPPORT - FOGLEAMP - PASSENGER - E-COATED
	139685-08-02B	EA	SUPPORT - FOGLEAMP - DRIVER - E-COATED
10	143561-01-02B	EA	BRACKET - FRONT END - E-COATED
11	143561-02-02B	EA	BRACKET - FRONT END - E-COATED
	132864-01-01A	EA	SUPPORT - FRONT/INNER PANEL TRIM
12	116617-02-02B	EA	SPACER - BUMPER
13	128455-01-02B	EA	BRACKET - BUMPER - E-COATED
14	128455-02-02B	EA	BRACKET - BUMPER - E-COATED
15	137072-05-01A	EA	HINGE - HOOD - PASSENGER - BLACK
16	137072-06-01A	EA	HINGE - HOOD - DRIVER - BLACK
17	140324-02-02B	EA	BRACKET - HOOD - STRIKER - E-COATED
18	140899-01-P54	EA	HOOD - FRONT - W/O HARDWARE
19	102265-01-000	EA	CLIP - ROD END - 5/32" - BLACK PLASTIC
20	113908-02-000	EA	LATCH/PLUNGER - F/HOOD9
21	134415-01-02B	EA	LATCH/HOOD - PULL - RIGHT HAND - E-COATED
22	134415-02-02B	EA	LATCH/HOOD - PULL - LEFT HAND - E-COATED
23	134416-01-01A	EA	ROD/HOOD LATCH - STAINLESS STEEL - RIGHT HAND
24	134416-02-01A	EA	ROD/HOOD LATCH - STAINLESS STEEL - LEFT HAND
25	134418-06-02B	EA	PIVOT - LATCH/HOOD - E-COATED - RIGHT HAND
26	134418-07-02B	EA	PIVOT - LATCH/HOOD - E-COATED - LEFT HAND
27	141018-03-02B	EA	BRACKET/HINGE - FRONT/PASSENGER - E-COATED
28	139162-03-02B	EA	BRACKET - LATCH - SPRING - RIGHT HAND
29	139162-04-02B	EA	BRACKET - LATCH - SPRING - LEFT HAND
30	142854-02-02B	EA	TUBE - TIMING - HOOD - E-COATED

**EXTERIOR BODY GROUP (CONTINUED)**  
**FRONT END (CONTINUED)**

<b>KEY</b>	<b>PART NUMBER</b>	<b>U/M</b>	<b>DESCRIPTION</b>
31	092041-06-01A	EA	TRIM - BACKWALL/SIDEWALL - 25.5" - BRIGHT WHITE FROM: 00-00-00 THRU: 12-07-03
31	092041-10-01A	EA	TRIM - BACKWALL/SIDEWALL - 25.2" - BRIGHT WHITE FROM: 12-08-03 THRU: 99-99-99
32	141017-02-02B	EA	SUPPORT/HINGE - FRONT - E-COATED

**LADDER**

<b>KEY</b>	<b>PART NUMBER</b>	<b>U/M</b>	<b>DESCRIPTION</b>
	129375-02-000	EA	SEAL - LADDER BRACKET
	130163-09-01A	EA	LADDER EXTENSION/LOWER - 35.6" - 3 STEP - BRUSHED ALUMINUM
	141624-01-01A	EA	LADDER - REAR CAP - BRUSHED ALUMINUM

**MIRRORS**

<b>KEY</b>	<b>PART NUMBER</b>	<b>U/M</b>	<b>DESCRIPTION</b>
*	106015-20-01A	EA	MIRROR - EXTERIOR/REMOTE/HEAT - PASSENGER - W/TURN SIGNAL FROM: 00-00-00 THRU: 04-27-03
*	142721-01-01A	EA	MIRROR - EXTERIOR REMOTE/HEAT - PASSENGER - BLACK FROM: 04-28-03 THRU: 99-99-99
*	106015-21-01A	EA	MIRROR - EXTERIOR/REMOTE/HEAT - DRIVER - W/TURN SIGNAL FROM: 00-00-00 THRU: 04-27-03
*	142721-02-01A	EA	MIRROR - EXTERIOR REMOTE/HEAT - DRIVER - BLACK FROM: 04-28-03 THRU: 99-99-99

\*COMPONENT PARTS LISTED LATER IN THIS GROUP

**EXTERIOR BODY GROUP (CONTINUED)**  
**COMPONENT PARTS FOR MIRRORS**

**106015-20-01A, 106015-21-01A**

<b>KEY</b>	<b>PART NUMBER</b>	<b>U/M</b>	<b>DESCRIPTION</b>	<b>VENDOR NO.</b>
	106015-12-702	EA	CAP/SCREW - (PKG OF 4) - BLK	748329 RND
	106015-16-700	EA	GLASS/FLAT-W/HEAT ELEMENT	709450
	106015-18-700	EA	GLASS/CONVEX	709650
	106015-18-703	EA	GLASS/CONVEX-ACT/HOUSING	709651
	106015-19-700	EA	GLASS/FLAT-W/BEZEL/HEAT/ANTI	709645
	131431-03-700	EA	LIGHT/TURN SIGNAL - AMBER	7475510

**142721-01-01A, 142721-02-01A**

<b>KEY</b>	<b>PART NUMBER</b>	<b>U/M</b>	<b>DESCRIPTION</b>	<b>VENDOR NO.</b>
	106015-16-700	EA	GLASS/FLAT-W/HEAT ELEMENT	709450
	106015-18-700	EA	GLASS/CONVEX	709650
	106015-18-702	EA	MOTOR - FLAT GLASS	7471180
	106015-18-703	EA	GLASS/CONVEX-ACT/HOUSING	709651
	131431-03-700	EA	LIGHT/TURN SIGNAL - AMBER	7475510
	142721-01-700	EA	COVER/CAP - BOTTOM	Q709678
	142721-01-701	EA	CAP - RECTANGULAR (VELVAC)	709557
	142721-01-702	EA	BRACKET/MOUNT - MIRROR	7096800
	142721-01-703	EA	GASKET/MOUNT - MIRROR	7094700
	142721-01-704	EA	SET SCREW - 5/16"-18 X 1.25"	4082140

**EXTERIOR BODY GROUP (CONTINUED)**  
**STRUCTURAL COMPONENTS**

KEY	PART NUMBER	U/M	DESCRIPTION
	002766-01-001	EA	ANGLE - EXTRUDED - 1" X 1 1/2" X 17'
	076054-Z3-000	EA	FIBERGLASS SHEET - 102" X 93.9" - ROOF/SIDEWALL - BRT WHT
	077517-62-000	EA	FIBERGLASS SHEET - 48" X 96" - BRIGHT WHITE
	089297-01-000	SF	PLYWOOD - LUAN - OVERLAY GRADE - 4' X 8'
	100619-01-000	BF	FOAM - EXPANDED POLYSTYRENE - 1.34" X 48" X 96"
	100619-02-000	BF	FOAM - EXPANDED POLYSTYRENE - 1.5" X 48" X 96"
	100619-04-000	BF	FOAM - EXPANDED POLYSTYRENE - .5" X 48" X 96"
	100619-05-000	BF	FOAM - EXPANDED POLYSTYRENE - .75" X 48" X 96"-1.5"DENSITY
	100619-13-000	BF	FOAM - EXPANDED POLYSTYRENE-.34" X 34.65" X 96"-2" DENSITY
	100619-16-000	BF	FOAM - EXPANDED POLYSTYRENE - .75" X 48" X 96"-2" DENSITY
	100619-27-000	BF	FOAM - EXPANDED POLYSTYRENE - 3" X 48" X 92.8"
	105077-08-000	EA	FOAM - PLUG - ROOF CAP
	108535-05-03A	SF	FIBERGLASS SHEET - 108" X 500' ROLL - BRIGHT WHITE
	116942-03-01A	LB	ALUMINUM - .7" X 40" X 158"
	120107-01-000	EA	FOAM - ROOF COVE - 2.8" X 96" LONG
	120107-02-000	EA	FOAM - PLUG - ROOF TUBE - 2.2" X 2.9" X 1.8" LONG
	120107-03-000	EA	FOAM - PLUG - SIDEWALL TUBE - 1.2" X 2.1" X 1.8" LONG
	128782-07-01A	EA	FIBERGLASS SHEET - 79" X 456" - HIGH GLOSS - BRIGHT WHITE
	128782-09-01A	EA	FIBERGLASS SHEET - 31" X 68.2" - HIGH GLOSS - BRIGHT WHITE
	128782-10-01A	EA	FIBERGLASS SHEET - 25" X 48" - HIGH GLOSS - BRIGHT WHITE
	128782-03-01A	EA	FIBERGLASS SHEET - 26.1" X 68.2" - HIGH GLOSS/SLIDEOUT-B/W
	128782-08-01A	EA	FIBERGLASS SHEET - 22" X 68.3" - HIGH GLOSS - BRIGHT WHITE
	148884-22-01A	EA	FIBERGLASS SHEET - 47.9" X 95.8" - HIGH GLOSS-BRIGHT WHITE

**AWNINGS**

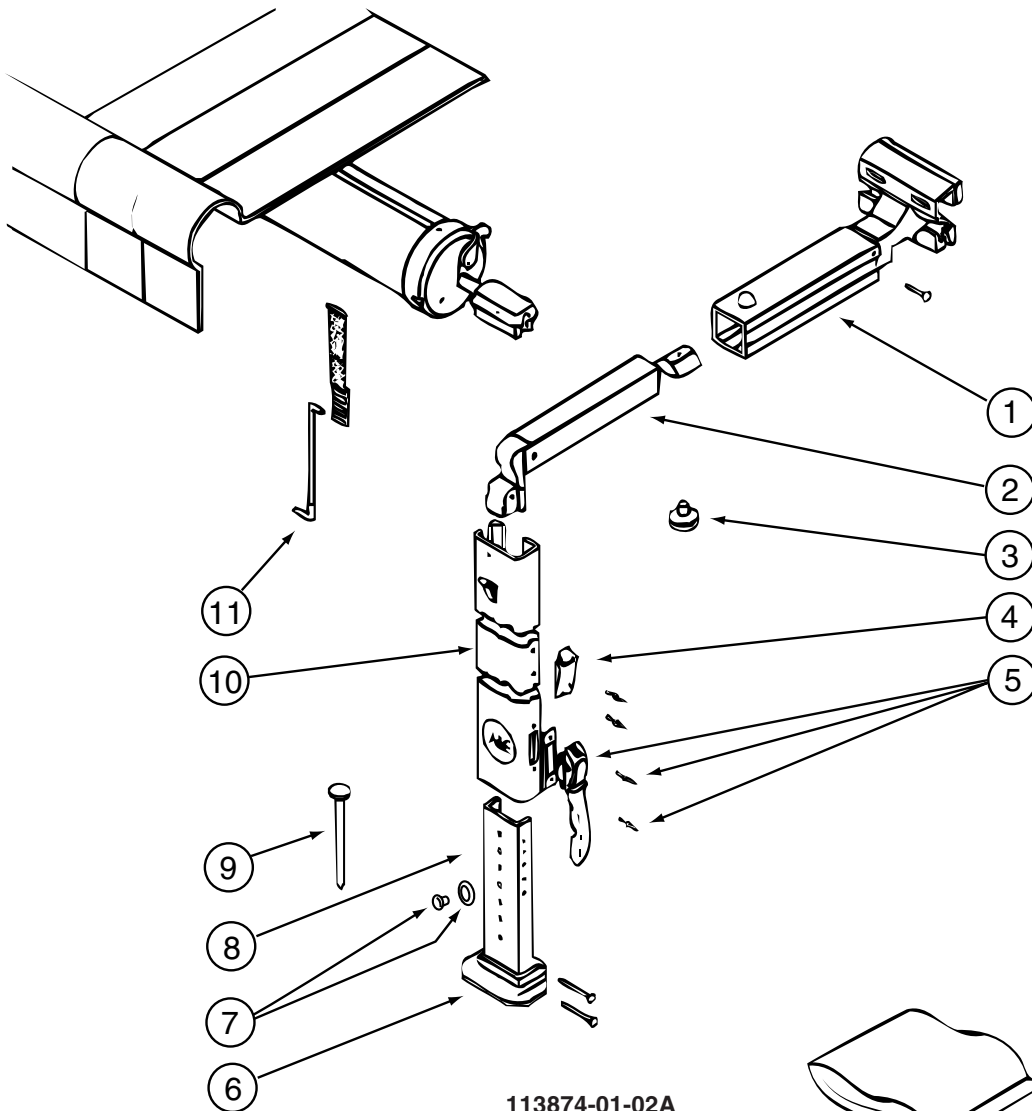
**SUNCRUISER PATIO AWNINGS**

SERIES	MODEL	COLOR	AWNING FABRIC	AWNING LENGTH	WEATHER WRAP(MANUAL)	PART # MANUAL	WEATHER WRAP(ELEC)	PART # ELECTRIC	VENDOR
SUNCRUISER (27G)	G31Y	FAWN	VINYL	16'	MTL/BRT WHT	113874-06-29A	MTL/BRT WHT	143181-06-29A	A&E
	G33V	FAWN	VINYL	18'	MTL/BRT WHT	113874-07-29A	MTL/BRT WHT	143181-07-29A	
	G35U	FAWN	VINYL	16'	MTL/BRT WHT	113874-06-29A	MTL/BRT WHT	143181-06-29A	
	G37C	FAWN	VINYL	19'	MTL/BRT WHT	113874-08-29A	MTL/BRT WHT	143181-08-29A	
	G38G	FAWN	VINYL	19'	MTL/BRT WHT	113874-08-29A	MTL/BRT WHT	143181-08-29A	
	G38R	FAWN	VINYL	19'	MTL/BRT WHT	113874-08-29A	MTL/BRT WHT	143181-08-29A	
SUNCRUISER (92K)	G31Y	PEWTER	VINYL	16'	MTL/BRT WHT	113874-06-31A	MTL/BRT WHT	143181-06-31A	A&E
	G33V	PEWTER	VINYL	18'	MTL/BRT WHT	113874-07-31A	MTL/BRT WHT	143181-07-31A	
	G35U	PEWTER	VINYL	16'	MTL/BRT WHT	113874-06-31A	MTL/BRT WHT	143181-06-31A	
	G37C	PEWTER	VINYL	19'	MTL/BRT WHT	113874-08-31A	MTL/BRT WHT	143181-08-31A	
	G38G	PEWTER	VINYL	19'	MTL/BRT WHT	113874-08-31A	MTL/BRT WHT	143181-08-31A	
	G38R	PEWTER	VINYL	19'	MTL/BRT WHT	113874-08-31A	MTL/BRT WHT	143181-08-31A	

KEY	PART NUMBER	U/M	DESCRIPTION
*	113874-01-02A	EA	HARDWARE KIT - AWNING - W/O STANDOFF BRACKET-BRIGHT WHITE - PATIO AWNING
	143181-01-01A	EA	HARDWARE/AWNING - WEATHERPROOF - BRIGHT WHITE - PATIO AWNING ELECTRIC FROM: 00-00-00 THRU: 07-06-03
	143181-10-01A	EA	HARDWARE/AWNING - WEATHERPROOF - BRIGHT WHITE - PATIO AWNING ELECTRIC FROM: 07-07-03 THRU: 99-99-99
	143181-02-01A	EA	HARDWARE/AWNING - ELECTRICAL KIT - PATIO AWNING ELECTRIC
	137054-01-02A	EA	BRACKET - AWNING - BRIGHT WHITE - PATIO AWNING
	113874-12-01A	EA	SCREW/LAG - AWNING - 1/4" X 2 3/4" STAINLESS STEEL - PATIO AWNING
	113874-11-01A	EA	SCREW/LAG - AWNING - 1/4" X 1" STAINLESS STEEL - PATIO AWNING ELECTRIC

\*COMPONENT PARTS LISTED LATER IN THIS GROUP

**EXTERIOR BODY GROUP (CONTINUED)**  
**COMPONENT PARTS FOR AWNINGS**

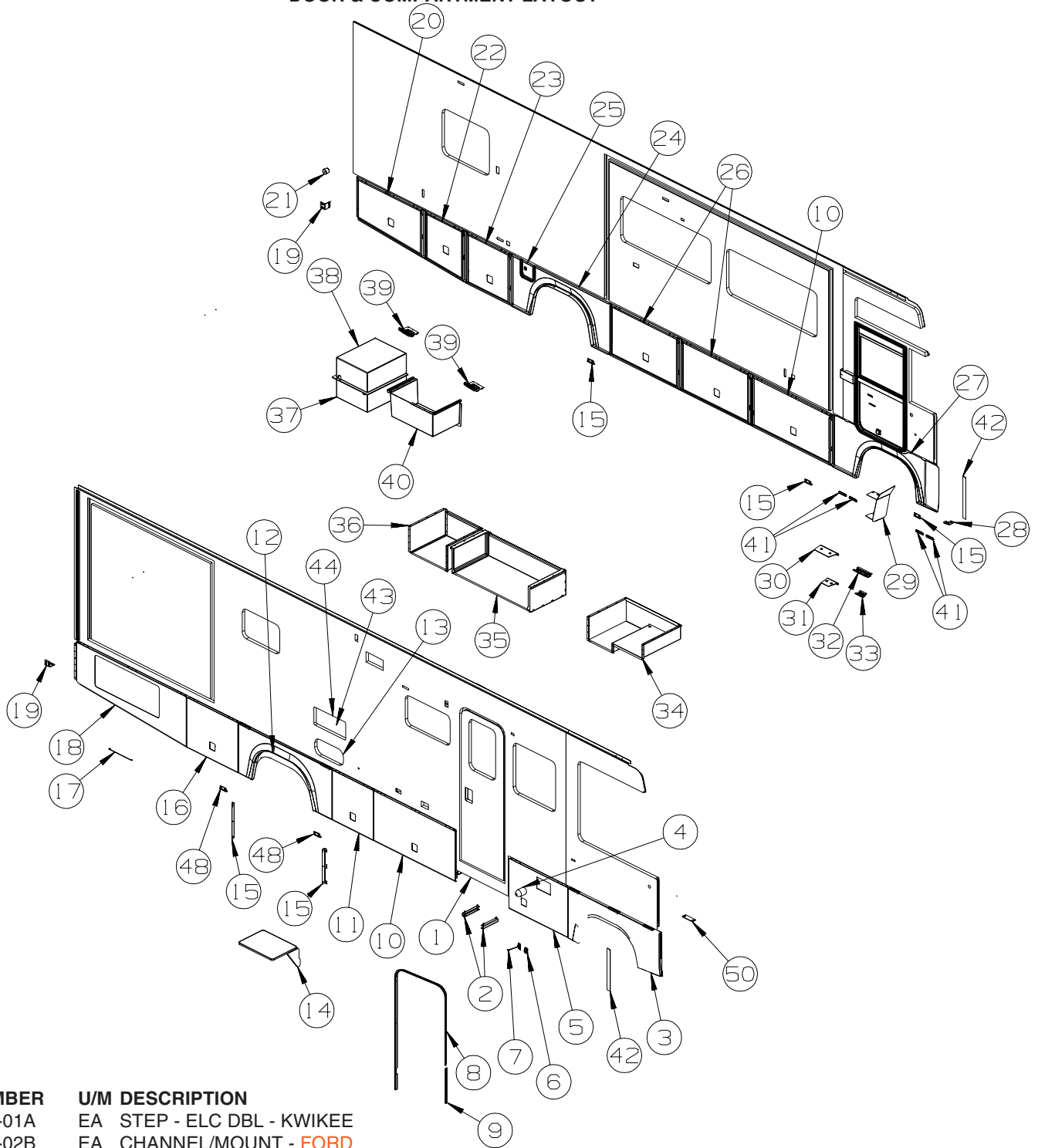


113874-01-02A

KEY	PART NUMBER	U/M	DESCRIPTION	VENDOR NO.
1	113874-01-714	EA	RAFTER - MAIN RH/LH BRT/WHT	830295.536F
2	113874-01-715	EA	RAFTER - SECONDARY BRT/WHT	830463.511F
3	113874-01-702	EA	KNOB - ADJUSTING	3105421.014
4	113874-01-706	EA	LOCK - TRAVEL	830587.001
5	113874-01-707	EA	HANDLE - LIFT W/RIVETS	830644
6	113874-01-712	EA	FOOT - PATIO	730366-001
7	113874-01-710	EA	PLUG-STOP KIT	830456
8	113874-01-717	EA	ARM - ADJUSTABLE BRT/WHT	830467.517/F
9	113874-01-709	EA	NAIL-SPIKE, 8"	113006
10	113874-01-716	EA	ARM - MAIN SUPPORT BRT/WHT	3104502.293/F
11	113874-01-703	EA	ROD-CENTER PULL W/ACCESSORY	830152.102

# EXTERIOR DOORS & COMPARTMENTS GROUP

## DOOR & COMPARTMENT LAYOUT



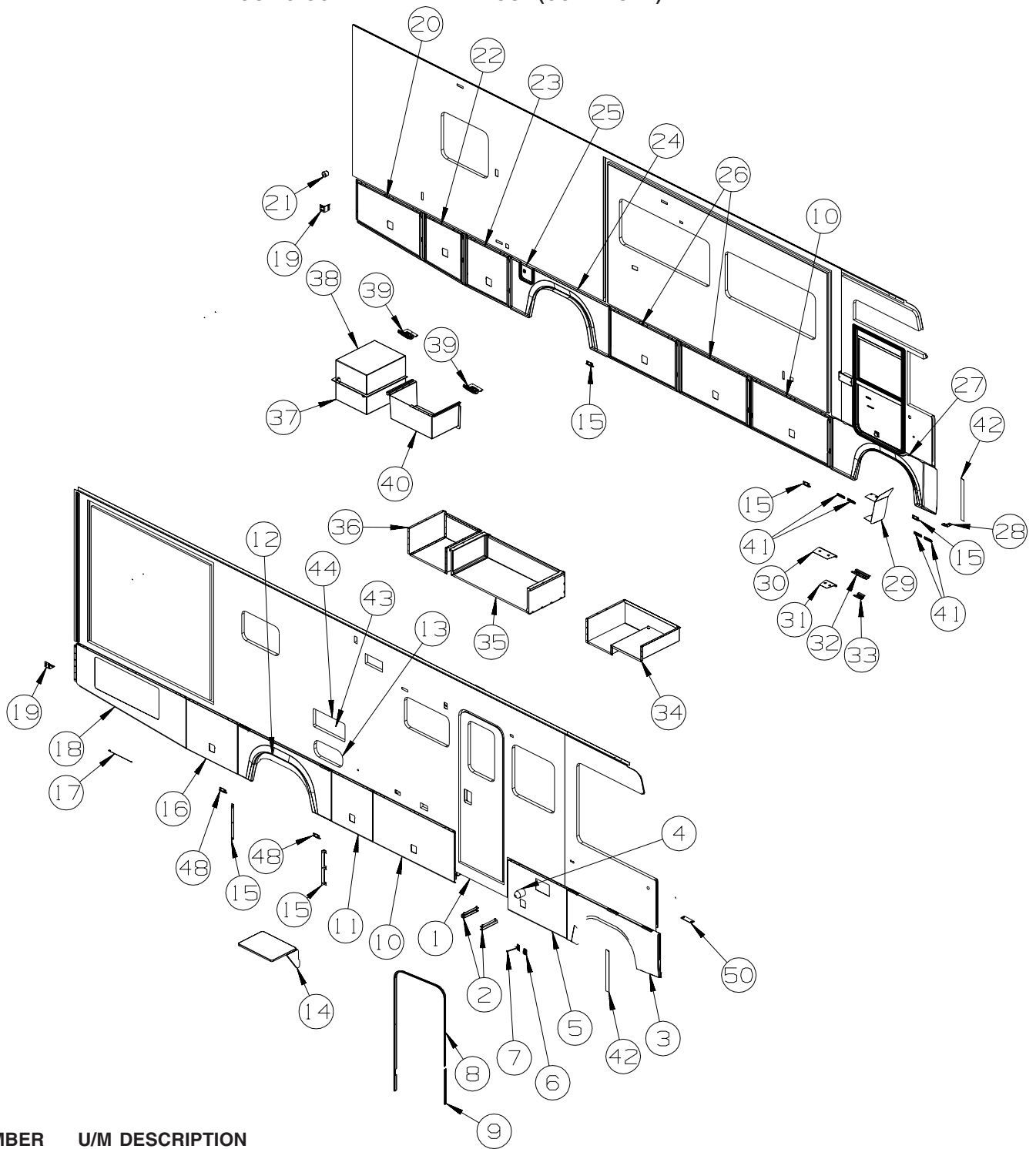
KEY	PART NUMBER	U/M	DESCRIPTION	
1*	094707-03-01A	EA	STEP - ELC DBL - KWIKEE	
2	138787-02-02B	EA	CHANNEL/MOUNT - <b>FORD</b>	FROM: 12-15-03 THRU: 99-99-99
2	138787-02-02B	EA	CHANNEL/MOUNT - <b>WORKHORSE</b>	
3	141193-01-P45	EA	PANEL/WHEEL LIP - <b>FORD</b>	FROM: 00-00-00 THRU: 12-14-03
3	141193-05-P45	EA	PANEL/WHEEL LIP - <b>FORD</b>	FROM: 12-15-03 THRU: 99-99-99
3	141193-05-P45	EA	PANEL/WHEEL LIP - <b>WORKHORSE</b>	
4	139793-03-01A	EA	HINGE - CENTER/VALANCE DOOR - W/O BALL STUD	
4	120863-02-000	EA	BUMPER - RUBBER/RADIUS TOP - 1" X 1 1/2"	
5	140982-13-P37	EA	VALANCE/DOOR - W/O PADDLE LATCH - 37.5" X 26.3"	FROM: 00-00-00 THRU: 08-10-03
5	147682-04-R32	EA	VALANCE/DOOR - W/O LATCH/HDWR - W/CUT-OUT - 37.2" X 26.9"	FROM: 08-11-03 THRU: 99-99-99



**EXTERIOR DOORS & COMPARTMENTS GROUP (CONTINUED)**  
**DOOR & COMPARTMENT LAYOUT (CONTINUED)**

KEY	PART NUMBER	U/M	DESCRIPTION
	132873-35-000	EA	ROD - LATCH - 21.8" W/3/4" DOG LEG FROM: 00-00-00 THRU: 09-15-03
	132873-D5-000	EA	ROD - LATCH FROM: 09-16-03 THRU: 99-99-99
	132873-43-000	EA	ROD - LATCH - 5.1" W/3/4" DOG LEG FROM: 00-00-00 THRU: 09-15-03
	132873-D6-000	EA	ROD - LATCH FROM: 09-16-03 THRU: 99-99-99
	142569-12-000	EA	SPRING/GAS - 9.5" COMPRESSED/15" EXTENDED - 90 LB - BLACK
6	104099-02-04A	EA	CATCH/RETAINER - DOOR HOLDER - BRIGHT WHITE
6	104099-02-05A	EA	CATCH/RETAINER - DOOR HOLDER - BLACK - FULL BODY PAINT
7	104099-03-04A	EA	CATCH - DOOR HOLDER - STRIKE - 6" - BRIGHT WHITE
7	104099-03-05A	EA	CATCH - DOOR HOLDER - STRIKE - 6" - BLACK - FULL BODY PAINT
8	139100-01-01A	EA	GARNISH/RADIUS - ENTRY DOOR - BRIGHT WHITE
9	139101-01-01A	EA	GARNISH/STRAIGHT - W/NOTCH - 36.31" - BRIGHT WHITE
10	140982-10-P37	EA	VALANCE/DOOR - W/O PADDLE LATCH - 52" X 26.3" - DRIVER AND PASSENGER SIDE FROM: 00-00-00 THRU: 08-10-03
	132873-33-000	EA	ROD - LATCH - 19.8" W/3/4" DOG LEG
	132873-34-000	EA	ROD - LATCH - 21.6" W/3/4" DOG LEG
10	147682-01-R32	EA	VALANCE/DOOR - W/O PADDLE LATCH/HDWR - 51.8" X 26.3" - PASSENGER SIDE FROM: 08-11 -03 THRU: 99-99-99
	132873-33-000	EA	ROD - LATCH - 19.8" W/3/4" DOG LEG FROM: 00-00-00 THRU: 09-15-03
	132873-D1-000	EA	ROD - LATCH FROM: 09-16-03 THRU: 99-99-99
	132873-34-000	EA	ROD - LATCH - 21.6" W/3/4" DOG LEG FROM: 00-00-00 THRU: 09-15-03
	132873-D2-000	EA	ROD - LATCH FROM: 09-16-03 THRU: 99-99-99
10	140982-07-P45	EA	VALANCE/DOOR - W/O LATCH/HINGE - 43.2" X 26.3" - DRIVER SIDE FROM: 08-11 -03 THRU: 99-99-99
	132873-29-000	EA	ROD - LATCH - 15.4" W/3/4" DOG LEG
	132873-30-000	EA	ROD - LATCH - 17.2" W/3/4" DOG LEG
	142569-12-000	EA	SPRING/GAS - 9.5" COMPRESSED/15" EXTENDED - 90 LB - BLACK
11	140982-02-P37	EA	VALANCE/DOOR - W/O PADDLE LATCH - 26.1" X 26.3"
	132873-21-000	EA	ROD - LATCH - 6.8" W/3/4" DOG LEG
	132873-22-000	EA	ROD - LATCH - 8.7" W/3/4" DOG LEG
	142569-12-000	EA	SPRING/GAS - 9.5" COMPRESSED/15" EXTENDED - 90 LB - BLACK
12	141193-13-P45	EA	PANEL/WHEEL LIP - PASSENGER/REAR - FORD FROM: 00-00-00 THRU: 12-14-03
12	141193-15-P45	EA	PANEL/WHEEL LIP - PASSENGER/REAR - FORD FROM: 12-15-03 THRU: 99-99-99
12	141193-15-P45	EA	PANEL/WHEEL LIP - PASSENGER/REAR - WORKHORSE
	139793-03-01A	EA	HINGE - CENTER/VALANCE DOOR - W/O BALL STUD
13	126945-09-N42	EA	DOOR/STORAGE - W/O HARDWARE - 18" X 8.3"
13	126945-09-R38	EA	DOOR/STORAGE - W/O HARDWARE - 18" X 8.3" - BLACK - FULL BODY PAINT
14	142034-01-01A	EA	SHELF - F/EXTERIOR TV - BRIGHT WHITE
15	143143-02-01A	EA	ANGLE - SUPPORT/TRIM
16	140982-05-P37	EA	VALANCE/DOOR - W/O PADDLE LATCH - 37.8" X 26.3"
	132873-25-000	EA	ROD - LATCH - 10.2" W/3/4" DOG LEG
	132873-26-000	EA	ROD - LATCH - 12" W/3/4" DOG LEG
	142569-12-000	EA	SPRING/GAS - 9.5" COMPRESSED/15" EXTENDED - 90 LB - BLACK
17	076767-14-000	EA	CABLE - STAINLESS STEEL - 14.9"
18	140982-24-P45	EA	VALANCE/DOOR - PASS A/C - W/O LATCH - 26.4" X 69.8" X21.4" FROM: 00-00-00 THRU: 08-10-03
18	147682-11-R38	EA	VALANCE/DOOR - PASS W/O LATCH - 26.4" X 69.5" X21.4" FROM: 08-11 -03 THRU: 99-99-99
19	140309-03-02B	EA	ANGLE - FURNACE DOOR - E-COATED
20	140982-16-P37	EA	VALANCE/DOOR - DRVR W/O PAD LATCH - 24.4" X 43.4" X 21.3" FROM: 00-00-00 THRU: 08-10-03

**EXTERIOR DOORS & COMPARTMENTS GROUP (CONTINUED)**  
**DOOR & COMPARTMENT LAYOUT (CONTINUED)**

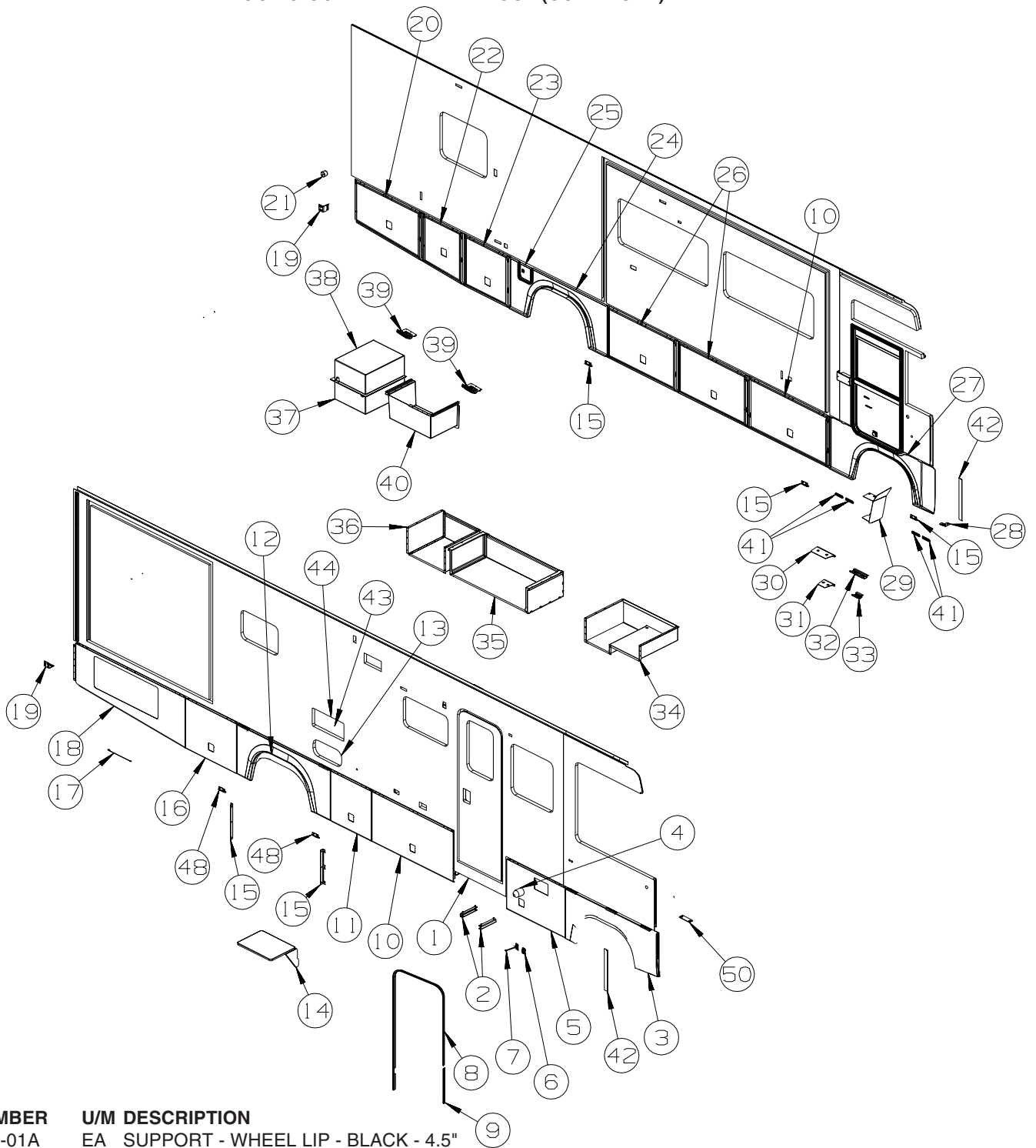


KEY	PART NUMBER	U/M	DESCRIPTION
20	147682-08-R32	EA	VALANCE/DOOR - DRVR W/O LATCH/HDWR - 24.4" X 43.1" X 21.3" FROM: 08-11 -03 THRU: 99-99-99
	132873-39-000	EA	ROD - LATCH - 15.5" W/3/4" DOG LEG FROM: 00-00-00 THRU: 09-15-03
	132873-29-000	EA	ROD - LATCH - 15.4" W/3/4" DOG LEG FROM: 09-16-03 THRU: 99-99-99
	132873-40-000	EA	ROD - LATCH - 17.3" W/3/4" DOG LEG FROM: 00-00-00 THRU: 09-15-03
	132873-30-000	EA	ROD - LATCH - 17.2" W/3/4" DOG LEG FROM: 09-16-03 THRU: 99-99-99
	142569-17-000	EA	SPRING/GAS - 8.5" COMPRESSED/12" EXTENDED - 90 LB
21	117047-01-000	EA	BUMPER - RUBBER - WASHER INSERT
22	140982-15-P37	EA	VALANCE/DOOR-26.3"X26.1"X24.4"
	132873-21-000	EA	ROD - LATCH - 6.8" W/3/4" DOG LEG

**EXTERIOR DOORS & COMPARTMENTS GROUP (CONTINUED)**  
**DOOR & COMPARTMENT LAYOUT (CONTINUED)**

KEY	PART NUMBER	U/M	DESCRIPTION
	132873-22-000	EA	ROD - LATCH - 8.7" W/3/4" DOG LEG
	142569-17-000	EA	SPRING/GAS - 8.5" COMPRESSED/12" EXTENDED - 90 LB
23	140982-03-P37	EA	VALANCE/DOOR - W/O PADDLE LATCH - 29.3" X 26.3"
	132873-23-000	EA	ROD - LATCH - 8.5" W/3/4" DOG LEG
	132873-24-000	EA	ROD - LATCH - 10.3" W/3/4" DOG LEG
	142569-12-000	EA	SPRING/GAS - 9.5" COMPRESSED/15" EXTENDED - 90 LB - BLACK
24	141193-14-P45	EA	PANEL/WHEEL LIP - DRIVER/REAR - <b>FORD</b> FROM: 00-00-00 THRU: 08-10-03
24	141193-37-R38	EA	PANEL/WHEEL LIP - DRIVER/REAR - <b>FORD</b> FROM: 08-11-03 THRU: 12-14-03
24	141193-38-R38	EA	PANEL/WHEEL LIP - DRIVER/REAR - <b>FORD</b> FROM: 12-15-03 THRU: 99-99-99
24	141193-16-P45	EA	PANEL/WHEEL LIP - DRIVER/REAR - <b>WORKHORSE</b> FROM: 00MCWU/-00-00 THRU: 08-10-03
24	141193-38-R38	EA	PANEL/WHEEL LIP - DRIVER/REAR - <b>WORKHORSE</b> FROM: 08-11 -03 THRU: 99-99-99
	139793-03-01A	EA	HINGE - CENTER/VALANCE DOOR - W/O BALL STUD
25	131905-03-L32	EA	DOOR - FUEL FILL W/O LOCK - BLACK
*	110506-A2-000	EA	LOCK ASM-TWIST,26.45
	110506-51-000	EA	CASE/CYLINDER - TWIST LATCH - W/O CAM - 1" - 596669
	110506-78-000	EA	CAM - LOCK
	139793-03-01A	EA	HINGE - CENTER/VALANCE DOOR - W/O BALL STUD
26	140982-09-P37	EA	VALANCE/DOOR - W/O PADDLE LATCH - 45" X 26.3" FROM: 00-00-00 THRU: 08-10-03
	132873-31-000	EA	ROD - LATCH - 16.3" W/3/4" DOG LEG
	132873-32-000	EA	ROD - LATCH - 18.1" W/3/4" DOG LEG
26	140982-07-P45	EA	VALANCE/DOOR - W/O LATCH/HINGE - 43.2" X 26.3" - <b>MIDDLE DOOR OF SLIDEOUT</b> FROM: 08-11 -03 THRU: 99-99-99
	132873-29-000	EA	ROD - LATCH - 15.4" W/3/4" DOG LEG
	132873-30-000	EA	ROD - LATCH - 17.2" W/3/4" DOG LEG
26	140982-11-P45	EA	VALANCE/DOOR - W/O PADDLE LATCH - 56" X 26.3" - <b>REAR DOOR OF SLIDEOUT</b> FROM: 08-11 -03 THRU: 99-99-99
	132873-35-000	EA	ROD - LATCH - 21.8" W/3/4" DOG LEG
	132873-36-000	EA	ROD - LATCH - 23.6" W/3/4" DOG LEG
	142569-12-000	EA	SPRING/GAS - 9.5" COMPRESSED/15" EXTENDED - 90 LB - BLACK
27	141193-31-R38	EA	PANEL/WHEEL LIP - DRIVER/Front - <b>FORD</b> FROM: 00-00-00 THRU: 12-14-03
27	141193-32-R38	EA	PANEL/WHEEL LIP - DRIVER/Front - <b>FORD</b> FROM: 12-15-03 THRU: 99-99-99
27	141193-32-R38	EA	PANEL/WHEEL LIP - DRIVER/Front - <b>WORKHORSE</b>
28	113904-13-02B	EA	ANGLE - ATTACHMENT/WHEEL LIP - 15.7" - E-COAT FROM: 00-00-00 THRU: 04-27-03
28	123512-04-02B	EA	BRACKET/VALANCE DOOR - E-COATED FROM: 04-28-03 THRU: 99-99-99
29	144919-02-02B	EA	DIRT GUARD - E-COATED
30	138141-01-04B	EA	TREAD/STEP - DRIVER
31	138141-02-04B	EA	TREAD/STEP - DRIVER
32	138143-02-02B	EA	SUPPORT/STEP - DRIVER - E-COATED
33	138143-04-02B	EA	SUPPORT/STEP - DRIVER - E-COATED
34	141698-12-P45	EA	COMPARTMENT - LUGGAGE
35	144629-01-R32	EA	COMPARTMENT - LUGGAGE
36	141698-26-P45	EA	COMPARTMENT - LUGGAGE
37	132315-07-000	EA	COMPARTMENT - POWER CORD
38	132315-06-000	EA	COMPARTMENT - POWER CORD
	107721-07-000	EA	SEAL - ACCESS DOOR - .9"WIDE X 1.1"HIGH
39*	142226-02-01A	EA	HATCH - POWER
40	144654-01-000	EA	COMPARTMENT - DRAINAGE
	107721-07-000	EA	SEAL - ACCESS DOOR - .9"WIDE X 1.1"HIGH

**EXTERIOR DOORS & COMPARTMENTS GROUP (CONTINUED)**  
**DOOR & COMPARTMENT LAYOUT (CONTINUED)**

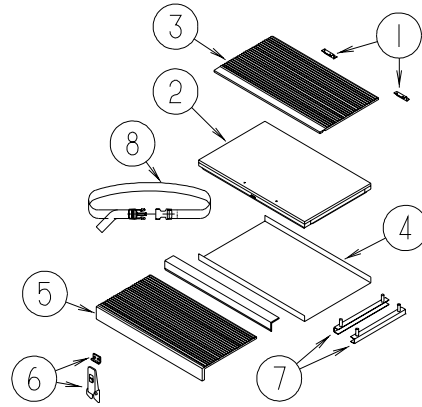


KEY	PART NUMBER	U/M	DESCRIPTION
41	132654-07-01A	EA	SUPPORT - WHEEL LIP - BLACK - 4.5"
42	133939-02-02B	EA	STRAP - W/HOLES - E-COATED
43*	084103-08-000	EA	DOOR - VENT - REFRIGERATOR - W/O JAMB - BRIGHT WHITE
43	084104-08-000	EA	JAMB - VENT DOOR/REFRIGERATOR - BRIGHT WHITE
	138292-01-000	EA	SEAL - LOCK CYLINDER
	138289-01-000	EA	CYLINDER - LOCKING
	138289-02-000	EA	CYLINDER - LOCKING
	138289-03-000	EA	CYLINDER - LOCKING
	138289-04-000	EA	CYLINDER - LOCKING
	138289-05-000	EA	CYLINDER - LOCKING
	138289-06-000	EA	CYLINDER - LOCKING
	138289-07-000	EA	CYLINDER - LOCKING
	138289-08-000	EA	CYLINDER - LOCKING
	138289-09-000	EA	CYLINDER - LOCKING

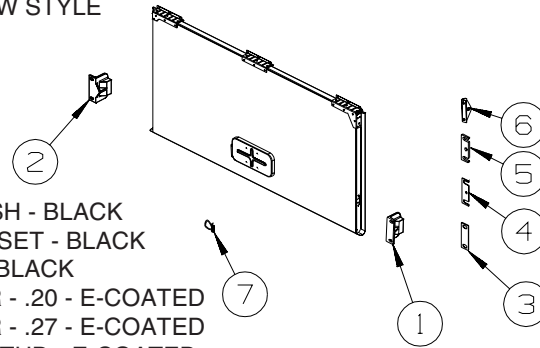
**EXTERIOR DOORS & COMPARTMENTS GROUP (CONTINUED)**  
**DOOR & COMPARTMENT LAYOUT (CONTINUED)**

KEY	PART NUMBER	U/M	DESCRIPTION
	138289-10-000	EA	CYLINDER - LOCKING
	138288-01-000	EA	KEY - REVERSIBLE - #1151 - T/M 16169-02-3091
	138288-02-000	EA	KEY - REVERSIBLE - #1151 - T/M 16169-02-3091
	138288-03-000	EA	KEY - REVERSIBLE - #1151 - T/M 16169-02-3091
	138288-04-000	EA	KEY - REVERSIBLE - #1151 - T/M 16169-02-3091
	138288-05-000	EA	KEY - REVERSIBLE - #1151 - T/M 16169-02-3091
	138288-06-000	EA	KEY - REVERSIBLE - #1151 - T/M 16169-02-3091
	138288-07-000	EA	KEY - REVERSIBLE - #1151 - T/M 16169-02-3091
	138288-08-000	EA	KEY - REVERSIBLE - #1151 - T/M 16169-02-3091
	138288-09-000	EA	KEY - REVERSIBLE - #1151 - T/M 16169-02-3091
	138288-10-000	EA	KEY - REVERSIBLE - #1151 - T/M 16169-02-3091

**\*COMPONENT PARTS LISTED LATER IN THIS GROUP**



KEY	PART NUMBER	U/M	DESCRIPTION
1	101222-01-04A	EA	BRACKET - CATCH - LID - E-COATED
2	P20256-07-000	EA	LID/DOOR - ENTRY STEP - W/O CARPET/HARDWARE
3	133114-02-01A	EA	TREAD - STEP/RUBBER - 28.5" - TAUPE (R44, R45, R46, R47, R48, R49)
3	133114-02-03A	EA	TREAD - STEP/RUBBER - 28.5" - GRAY (R50, R51, R52)
4	123330-03-02B	EA	SUPPORT - ENTRY STEP - E-COATED
5	133114-01-01A	EA	TREAD - STEP/RUBBER - 29.3" - TAUPE (R44, R45, R46, R47, R48, R49)
5	133114-01-03A	EA	TREAD - STEP/RUBBER - 29.2" - GRAY (R50, R51, R52)
6	116975-01-01A	EA	LATCH - W/O STRIKE - BLACK - NEW STYLE
7	138787-02-02B	EA	CHANNEL/MOUNT - E-COAT
8	099856-11-000	EA	STRAP - TIEDOWN - 7.9"

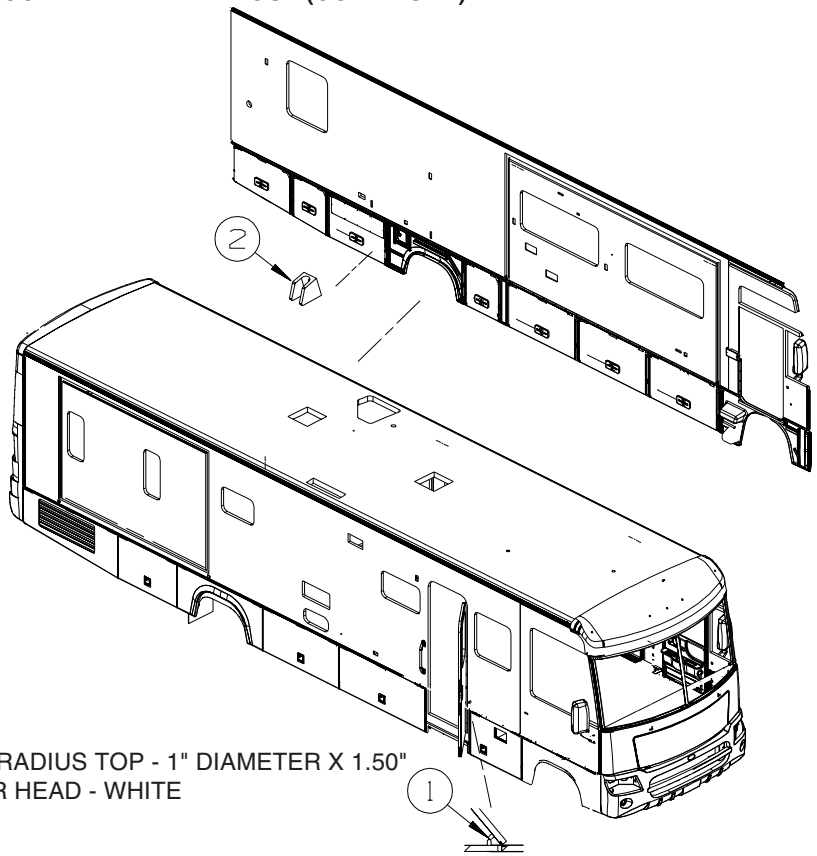


KEY	PART NUMBER	U/M	DESCRIPTION
1	130053-01-01A	EA	STRIKER - LUGGAGE DOOR - FLUSH - BLACK
2	130053-02-01A	EA	STRIKER - LUGGAGE DOOR - OFF SET - BLACK
3	143793-01-01A	EA	SHIM/STRIKER - LUGGAGE - 1.5" - BLACK
4	120494-03-02B	EA	SHIM - STRIKER - LUGGAGE DOOR - .20 - E-COATED
5	120494-04-02B	EA	SHIM - STRIKER - LUGGAGE DOOR - .27 - E-COATED
6	126263-02-02B	EA	BRACKET - GAS SPRING W/BALL STUD - E-COATED
7	132892-02-01A	FT	SEAL - BULB
7	132892-03-01A	FT	SEAL - BULB - W/LEG

FROM: 00-00-00 THRU: 11-05-03

FROM: 11-06-03 THRU: 99-99-99

**EXTERIOR DOORS & COMPARTMENTS GROUP (CONTINUED)**  
**DOOR & COMPARTMENT LAYOUT (CONTINUED)**



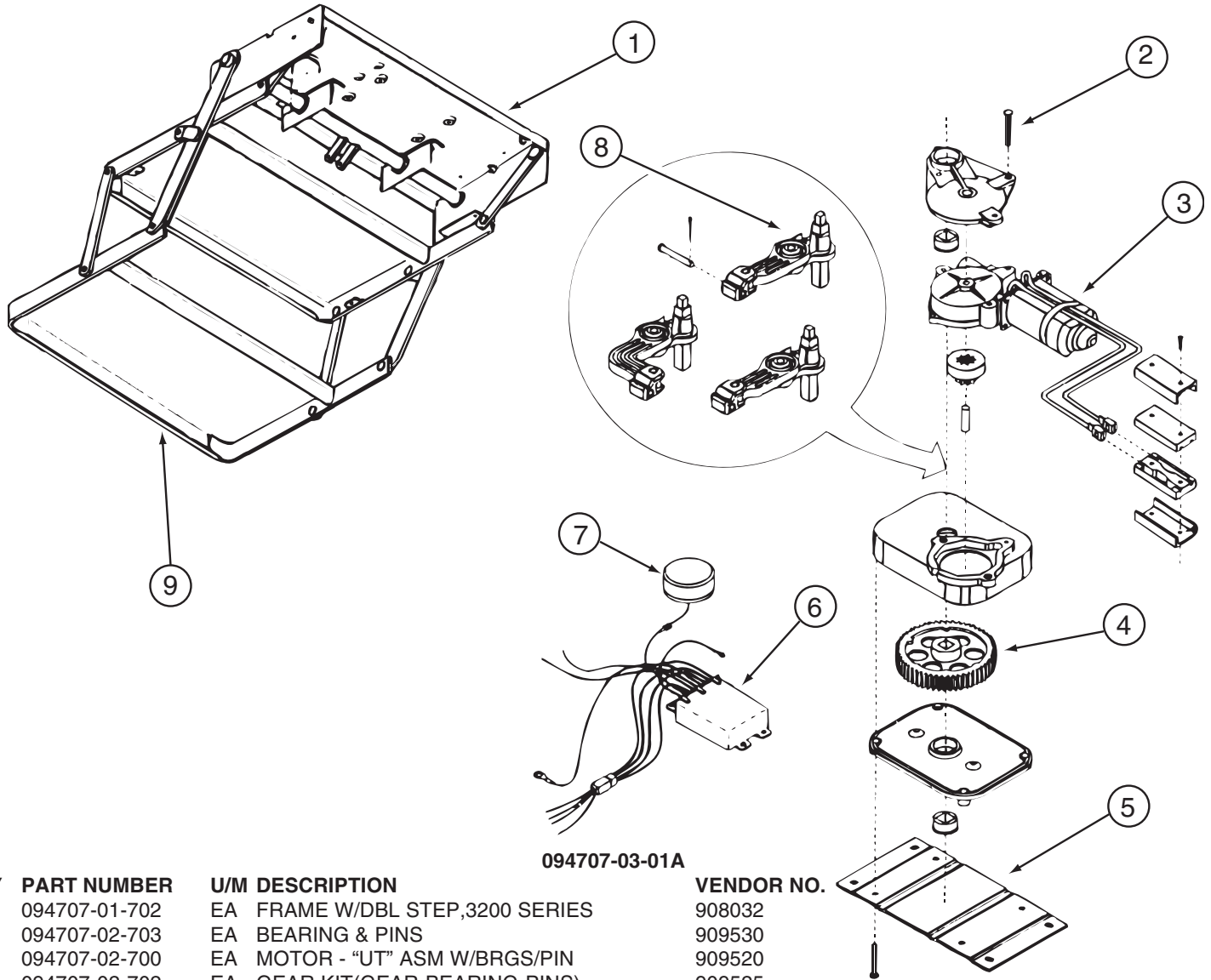
KEY	PART NUMBER	U/M	DESCRIPTION
1	120863-02-000	EA	BUMPER - RUBBER/RADIUS TOP - 1" DIAMETER X 1.50"
2	131383-03-02A	EA	BRACKET - SHOWER HEAD - WHITE

## EXTERIOR DOORS & COMPARTMENTS GROUP (CONTINUED)

### COMPONENT PARTS FOR DOOR & COMPARTMENT LAYOUT

084103-08-000

KEY	PART NUMBER	U/M	DESCRIPTION	VENDOR NO.
	084104-01-700	EA	LOCK-MALE, FASTENER	201-721-010
	084104-01-701	EA	LOCK-FEMALE, FASTENER	201-802-010



094707-03-01A

KEY	PART NUMBER	U/M	DESCRIPTION	VENDOR NO.
1	094707-01-702	EA	FRAME W/DBL STEP,3200 SERIES	908032
2	094707-02-703	EA	BEARING & PINS	909530
3	094707-02-700	EA	MOTOR - "UT" ASM W/BRGS/PIN	909520
4	094707-02-702	EA	GEAR KIT(GEAR-BEARING-PINS)	909525
5	094707-02-704	EA	CONNECTOR-MOTOR ASM.W/PLATES	909537
6	094707-03-700	EA	KIT CONTROL/SWITCH-RETROFIT	909506005
7	088746-01-705	EA	LIGHT-UNDER STEP	9004
7	088733-01-700	EA	BULB	9004
8	094707-02-701	EA	LINKAGE ASM. W/BEARINGS-PINS	909534
9	094707-02-707	EA	TREAD - NON-SKID - BLACK	909333
	094707-02-706	EA	GEAR BOX ASM. W/O MOTOR	9524
	094707-02-708	EA	TREAD - NON-SKID - YELLOW	909331
	094707-03-701	EA	PLUG - 4-WAY - PACKARD	909306

CONTACT WINNEBAGO PART SALES FOR UNLISTED COMPONENT(S)

110506-A1-000, 110506-A2-000, 110506-26-000, 110506-27-000

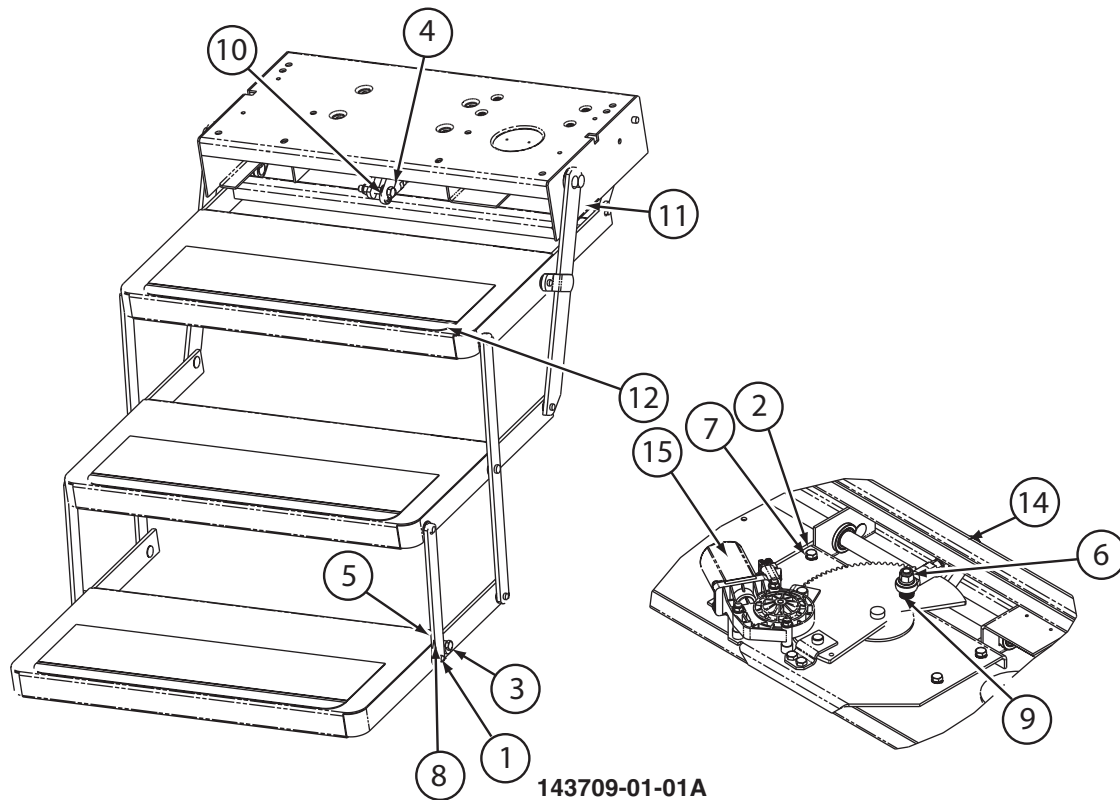
KEY	PART NUMBER	U/M	DESCRIPTION	VENDOR NO.
	110506-40-700	EA	HARDWARE PACKAGE-CYLINDER/CASE	596950AAL

142226-02-01A

KEY	PART NUMBER	U/M	DESCRIPTION	VENDOR NO.
	142226-02-700	EA	TAB/LOCKING - ESCAPE (RED)	9667709



**EXTERIOR DOORS & COMPARTMENTS GROUP (CONTINUED)**  
**COMPONENT PARTS FOR DOOR & COMPARTMENT LAYOUT (CONTINUED)**



143709-01-01A

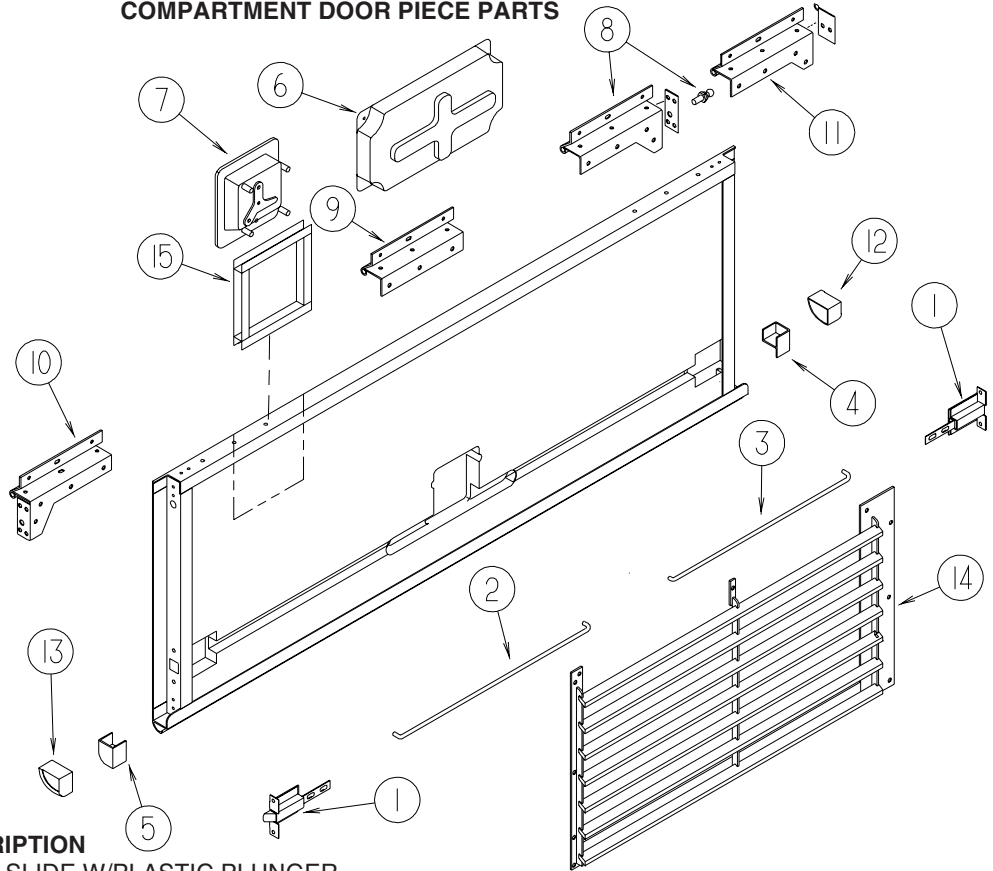
KEY	PART NUMBER	U/M	DESCRIPTION	VENDOR NO.
1	143709-01-700	EA	CAM STOP	1102200
10	143709-01-706	EA	CONTROL UNIT	909508003
11	143709-01-701	EA	BUMPER - BLACK (RUBBER STOP)	1602000
12	143709-01-702	EA	TREAD/NON-SKID _6" X 21" BLK	1915260
13	143709-01-703	EA	FRAME ONLY PAINTED BLACK 25	3202050
14	143709-01-704	EA	LINK ASM ELECTRIC STEP 24/25	3380050
15	143709-01-705	EA	MOTOR ASSEMBLY 24/25 STEP	3392151

CONTACT WINNEBAGO PART SALES FOR UNLISTED COMPONENTS

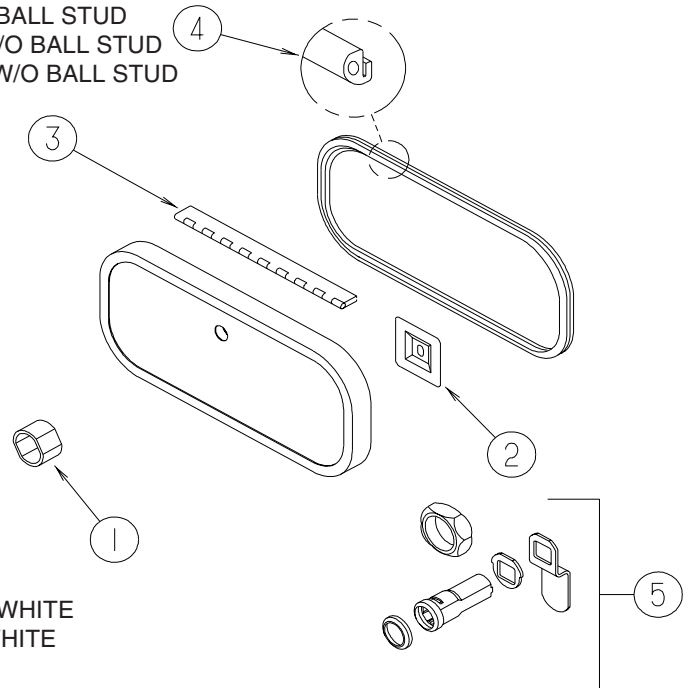


# EXTERIOR DOORS & COMPARTMENTS GROUP (CONTINUED)

## COMPARTMENT DOOR PIECE PARTS

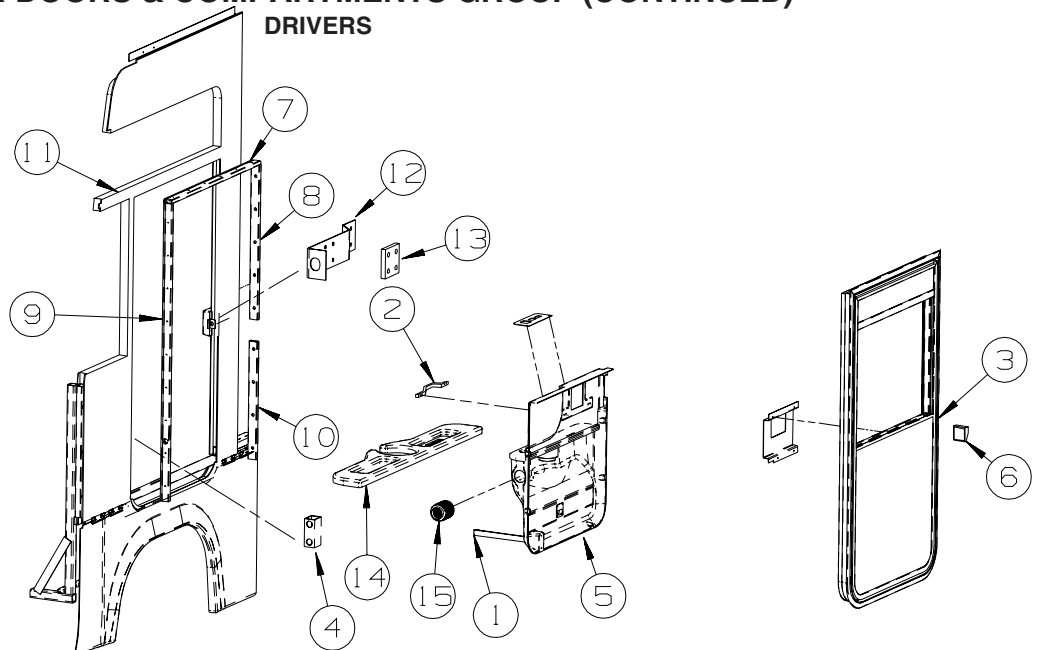


KEY	PART NUMBER	U/M	DESCRIPTION
1	121947-01-01A	EA	BOLT - SLIDE W/PLASTIC PLUNGER
2	132873-01-000	EA	ROD - LATCH (BLANK) - RIGHT HAND
3	132873-02-000	EA	ROD - LATCH (BLANK) - LEFT HAND
4	135276-01-01A	EA	REINFORCEMENT - CORNER - RIGHT HAND
5	135276-02-01A	EA	REINFORCEMENT - CORNER - LEFT HAND
6	137359-01-01A	EA	COVER - LATCH - WHITE
7	138277-01-01A	EA	LATCH/PADDLE - COMPARTMENT DOOR - BLACK - KEY ONE
7	112949-02-04A	EA	LATCH - PADDLE NON-LOCKING - BRIGHT WHITE
7	112949-02-05A	EA	LATCH - PADDLE NON-LOCKING - BLACK
8	139793-01-01A	EA	HINGE - RIGHT HAND/VALANCE DOOR - W/BALL STUD
9	139793-03-01A	EA	HINGE - CENTER/VALANCE DOOR - W/O BALL STUD
10	139793-05-01A	EA	HINGE - LEFT HAND/VALANCE DOOR - W/O BALL STUD
11	139793-04-01A	EA	HINGE - RIGHT HAND/VALANCE DOOR - W/O BALL STUD
12	141601-02-01A	EA	END CAP/VALANCE DOOR - LEFT HAND
13	141601-01-01A	EA	END CAP/VALANCE DOOR - RIGHT HAND
14	113333-10-M42	EA	GRILL/DOOR - A/C
15	133049-02-L76	EA	TRIM - COVER/WATER HEATER



KEY	PART NUMBER	U/M	DESCRIPTION
1	139325-01-000	EA	SPACER - LOCK - 6MM
	139337-01-000	EA	GASKET - LOCK
2	097111-02-04A	EA	POCKET - LOCK - REAR DOOR - BLACK
2	097111-02-05A	EA	POCKET - LOCK - REAR DOOR - BRIGHT WHITE
3	081801-V3-000	EA	HINGE - ALUMINUM - 2" X 96" - BRIGHT WHITE
4	106850-02-000	FT	SEAL-E - SPONGE RUBBER - .43" X .75"
5	138290-02-000	EA	CASE - W/CAM - W/O CYLINDER/KEY

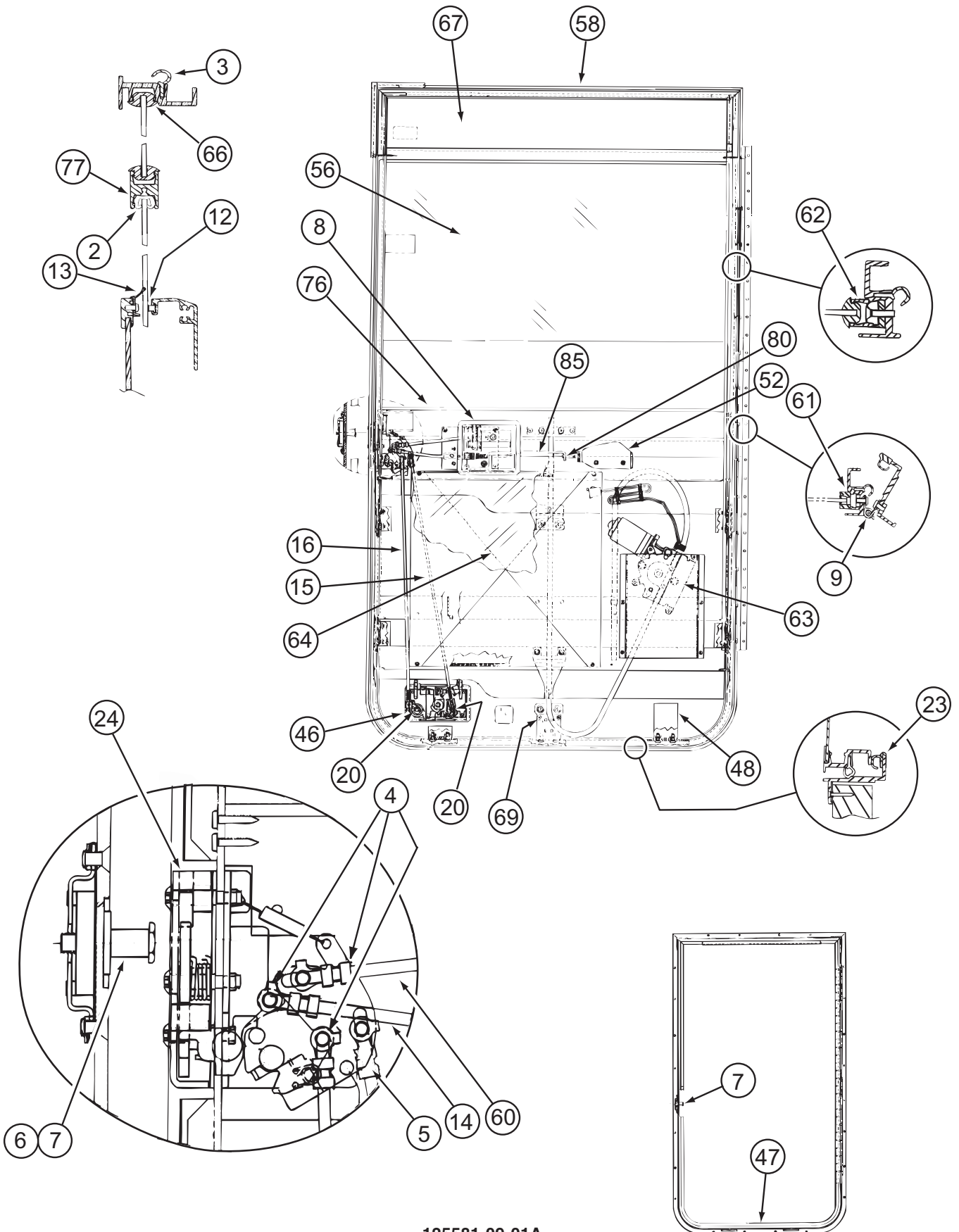
## EXTERIOR DOORS & COMPARTMENTS GROUP (CONTINUED)



KEY	PART NUMBER	U/M	DESCRIPTION
1	109378-01-000	EA	STRAP - CHECK - DRIVER DOOR - 12.8"
2	110604-01-01A	EA	HANDLE - ASSIST - DRIVER DOOR - 10.8" LONG - BLACK
3*	125581-09-01A	EA	DOOR - DRIVER - POWER WINDOW/LOCK
4	128131-01-01A	EA	SPACER/SWITCH - DOME - BLACK
5	132298-05-02A	EA	PANEL/DOOR - INNER/DRIVER - TITANIUM - <b>MANUAL SUNVISORS</b>
5	132298-06-02A	EA	PANEL/DOOR - INNER/DRIVER - TITANIUM - <b>POWERED SUNVISORS</b>
6	109235-01-05A	FT	COVER - SCREW - BRIGHT WHITE
6	109235-01-01A	FT	COVER - SCREW - MAT BLACK
7	125725-01-01A	EA	FRAME - DRIVER DOOR - 33.5" - BLACK
8	125725-03-01A	EA	FRAME - DRIVER DOOR - 27.8" - BLACK
9	125725-07-01A	EA	FRAME - DRIVER DOOR - 53.3" - BLACK
10	125725-08-01A	EA	FRAME - DRIVER DOOR - 21.4" - BLACK
11	125804-02-02B	EA	ANGLE - DOOR SUPPORT - E-COATED
12	126506-01-02B	EA	BRACKET - STRIKE - DRIVER DOOR - E-COATED
13	126534-01-02B	EA	SPACER - STRIKE - DRIVER DOOR - E-COATED
14	132297-03-04A	EA	PANEL/TRIM - W/BEVERAGE HOLDER - PORTSMOUTH OAK
14	132297-03-02A	EA	PANEL/TRIM - W/BEVERAGE HOLDER - CONCERT CHERRY
14	132297-03-21A	EA	PANEL/TRIM - W/BEVERAGE HOLDER - WASHED MAPLE
	122717-07-01A	EA	PAD - NON-SKID - PSA - 3.2" X 8.3"
15	117802-01-000	EA	GROMMET - CONVOLUTED - 2"
	138288-01-000	EA	KEY - REVERSIBLE - #1151 - T/M 16169-02-3091
	138288-02-000	EA	KEY - REVERSIBLE - #1152 - T/M 16169-02-3092
	138288-03-000	EA	KEY - REVERSIBLE - #1153 - T/M 16169-02-3093
	138288-04-000	EA	KEY - REVERSIBLE - #1154 - T/M 16169-02-3094
	138288-05-000	EA	KEY - REVERSIBLE - #1155 - T/M 16169-02-3095
	138288-06-000	EA	KEY - REVERSIBLE - #1156 - T/M 16169-02-3096
	138288-07-000	EA	KEY - REVERSIBLE - #1157 - T/M 16169-02-3097
	138288-08-000	EA	KEY - REVERSIBLE - #1158 - T/M 16169-02-3098
	138288-09-000	EA	KEY - REVERSIBLE - #1159 - T/M 16169-02-3099
	138288-10-000	EA	KEY - REVERSIBLE - #1150 - T/M 16169-02-3100
	138289-01-000	EA	CYLINDER - LOCKING
	138289-02-000	EA	CYLINDER - LOCKING
	138289-03-000	EA	CYLINDER - LOCKING
	138289-04-000	EA	CYLINDER - LOCKING
	138289-05-000	EA	CYLINDER - LOCKING
	138289-06-000	EA	CYLINDER - LOCKING
	138289-07-000	EA	CYLINDER - LOCKING
	138289-08-000	EA	CYLINDER - LOCKING
	138289-09-000	EA	CYLINDER - LOCKING
	138289-10-000	EA	CYLINDER - LOCKING
	138292-01-000	EA	SEAL - LOCK CYLINDER

\*COMPONENT PARTS LISTED LATER IN THIS GROUP

**EXTERIOR DOORS & COMPARTMENTS GROUP (CONTINUED)**  
**COMPONENT PARTS FOR DRIVERS**



125581-09-01A

**EXTERIOR DOORS & COMPARTMENTS GROUP (CONTINUED)**  
**COMPONENT PARTS FOR DRIVERS (CONTINUED)**

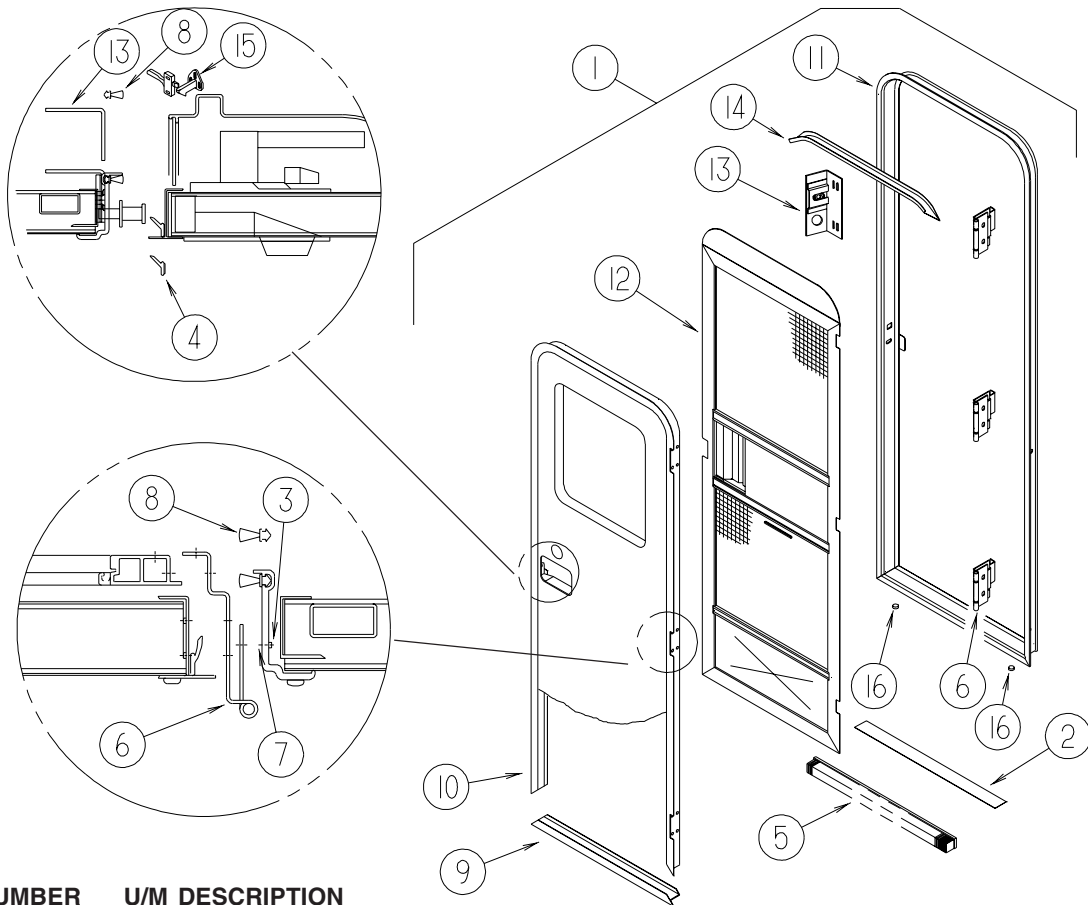
**125581-09-01A (CONTINUED)**

<b>KEY</b>	<b>PART NUMBER</b>	<b>U/M</b>	<b>DESCRIPTION</b>	<b>VENDOR NO.</b>
2	106469-01-705	FT	CHANNEL-RUN, SLIDING	122-010850
3	106469-01-702	EA	SEAL-DOOR FRAME (DOOR)EA=1	122-040984
4	106469-04-714	EA	ROD-CLIP, RH	80801
5	106469-04-713	EA	ROD-CLIP, LH	80802
6	106469-04-704	EA	NUT ASSEMBLY-CAGED W/STRIKER	11920-16
7	106469-04-703	EA	BOLT-STRIKER, W/WASHER	10335-16
8	106469-04-712	EA	HANDLE/DOOR-INNER W/HARDWARE	11297-01
9	106469-05-702	EA	HINGE - 42"	211-041194
12	106469-01-709	FT	WEATHERSTRIP FUZZY	171-040630
13	125581-03-703	EA	WEATHERSTRIP - BELTING	132-041069
14	106469-04-711	EA	ROD-LOCK, HORIZONTAL	15508-01
15	125581-04-700	EA	ROD - LATCH/VERTICAL ADJUST.	203-041767
16	125581-04-701	EA	ROD - LOCK/VERTICAL ADJUST.	203-041768
20	128913-01-707	EA	NUT - HEX/NYLOCK - 1/4 - 20	233-062447
23	106469-01-723	EA	SEAL-BULB ASM. (DOOR JAMB)	171-040985
24	106469-05-706	EA	LATCH-ROTARY, W/LINKAGE	16512-01
46	125581-09-700	EA	PADDLE-W/O LOCK RH (REV KEY)	17191-02
46	125581-09-701	EA	LATCH/LOCK-DRVR DR (REV KEY)	PARTS DEPT
46	125581-09-702	EA	LATCH/LOCK-DRVR DR (REV KEY)	PARTS DEPT
46	125581-09-703	EA	LATCH/LOCK-DRVR DR (REV KEY)	PARTS DEPT
46	125581-09-704	EA	LATCH/LOCK-DRVR DR (REV KEY)	PARTS DEPT
46	125581-09-705	EA	LATCH/LOCK-DRVR DR (REV KEY)	PARTS DEPT
46	125581-09-706	EA	LATCH/LOCK-DRVR DR (REV KEY)	PARTS DEPT
46	125581-09-707	EA	LATCH/LOCK-DRVR DR (REV KEY)	PARTS DEPT
46	125581-09-708	EA	LATCH/LOCK-DRVR DR (REV KEY)	PARTS DEPT
46	125581-09-709	EA	LATCH/LOCK-DRVR DR (REV KEY)	PARTS DEPT
46	125581-09-710	EA	LATCH/LOCK-DRVR DR (REV KEY)	PARTS DEPT
47	125581-04-703	EA	FRAME - MOUNTING - BLACK	V180-35L
48	125581-07-703	EA	BRACKET-ALUMINUM "L"(INSIDE)	N135-55
56	125581-08-703	EA	GLASS-ROLL-UP 29.46"X29.37"	106-042081
56	125581-09-711	EA	GLASS-ROLL UP 24"H X 29.37"W	490207
58	125581-08-702	EA	FRAME/DOOR - SUB ASSY-BLACK	V220-98L
60	106469-04-705	EA	ROD-LATCH, HORIZONTAL	203-041139
61	125581-08-701	EA	CHANNEL/VERT ROLL UP-BLACK	V220-60
62	125581-08-700	EA	CHANNEL/VERT STA GLASS-BLACK	V220-61
63	125581-03-702	EA	REGULATOR-ELECTRIC-SPEC RH	410-040966
64	125581-06-700	EA	PANEL/INTERIOR	V164-97
66	125581-04-710	FT	VINYL - GLAZING	132-041484
67	125581-07-701	EA	GLASS-STATIONERY/4.95"X29.5"	106-042082
69	125581-04-711	EA	CHANNEL-GLASS - LIFT BRKT	N135-66
74	125581-07-704	EA	BRACKET - STRAP/JAMB & DOOR	248-080394
76	125581-03-701	EA	SILL - INNER - BLACK	V123-68L
77	125581-03-700	EA	MULLION RAIL- BLACK	V123-84
	125581-07-705	EA	BRACKET (L) F/SEAL PROTECT	490201

CONTACT WINNEBAGO PART SALES FOR UNLISTED COMPONENT

# EXTERIOR DOORS & COMPARTMENTS GROUP (CONTINUED)

## ENTRY

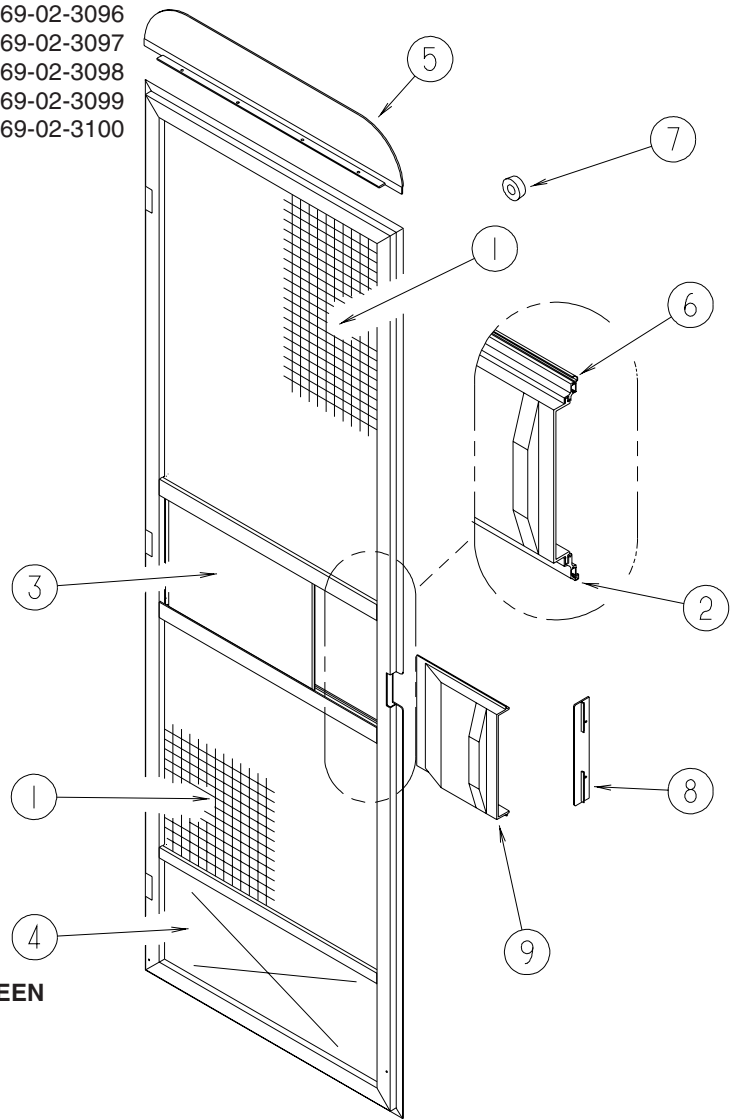


KEY	PART NUMBER	U/M	DESCRIPTION
1	P32206-08-N31	EA	DOOR - ENTRY W/SCREEN DOOR - W/O WINDOW LATCH (R44, R45, R46)
1	P32206-08-R38	EA	DOOR - ENTRY W/SCREEN DOOR - W/O WINDOW LATCH (R44, R45, R46) - FULL BODY PAINT
1	P32206-08-P31	EA	DOOR - ENTRY W/SCREEN DOOR - W/O WINDOW LATCH (R47, R48, R49)
1	P32206-08-R40	EA	DOOR - ENTRY W/SCREEN DOOR - W/O WINDOW LATCH (R47, R48, R49) - FULL BODY PAINT
1	P32206-08-R34	EA	DOOR - ENTRY W/SCREEN DOOR - W/O WINDOW LATCH (R50, R51, R52)
1	P32206-08-S72	EA	DOOR - ENTRY W/SCREEN DOOR - W/O WINDOW LATCH (R50, R51, R52) - FULL BODY PAINT
2	038327-01-000	FT	TAPE - ANTI-SLIP - 2" X 60"
3	039715-01-000	EA	NUT-SERT - 1/4" DIAMETER - 20 THREADS
4	075671-04-000	FT	SEAL - SPONGE - LAZY T - W/ADHESIVE STRIP - .5" WIDE
5	075673-05-000	FT	SEAL - PILE - ADHESIVE BACK - BLACK
6	106719-01-05A	EA	HINGE - ENTRY DOOR - BRIGHT WHITE
7	116111-02-01A	EA	SCREW - TAPTITE - 1/4-20 X 3/8 PPH 0 ZINC
8	118929-01-01A	FT	SEAL - PILE - PUSH ON
9	121893-03-02A	EA	FRAME - ENTRY DOOR/LOWER - BRIGHT WHITE
9	121893-03-03A	EA	FRAME - ENTRY DOOR/LOWER - BLACK - FULL BODY PAINT
10	121894-16-01A	EA	FRAME - ENTRY DOOR - BRIGHT WHITE
10	121894-16-02A	EA	FRAME - ENTRY DOOR - BLACK - FULL BODY PAINT
11	121898-14-01A	EA	JAMB - ENTRY DOOR
11	121898-14-02A	EA	JAMB - ENTRY DOOR - BLACK - FULL BODY PAINT
12	132208-02-L32	EA	DOOR - SCREEN - W/O HARDWARE
12	132208-02-S64	EA	DOOR - SCREEN - W/O HARDWARE - FULL BODY PAINT
13	137401-01-03B	EA	BRACKET - DOOR ANGLE - OFF WHITE
13	137401-01-02B	EA	BRACKET - DOOR ANGLE - E-COAT - FULL BODY PAINT
14	139054-19-01A	EA	CAP - DRIP - JAMB MOUNTED - BRIGHT WHITE
14	139054-19-02A	EA	CAP - DRIP - JAMB MOUNTED - BLACK - FULL BODY PAINT
15	132915-01-01A	EA	LATCH - SCREEN DOOR - BLACK
	148364-01-02A	EA	STRIKE - SCREEN DOOR - BRIGHT WHITE
			FROM: 12-19-03 THRU: 02-11-04
	148364-01-12B	EA	STRIKE - SCREEN DOOR - BRIGHT WHITE
			FROM: 02-12-04 THRU: 99-99-99
	148364-01-03A	EA	STRIKE - SCREEN DOOR - BLACK - FULL BODY PAINT
			FROM: 12-19-03 THRU: 02-11-04
	148364-01-04B	EA	STRIKE - SCREEN DOOR - BLACK - FULL BODY PAINT
			FROM: 02-12-04 THRU: 99-99-99

## EXTERIOR DOORS & COMPARTMENTS GROUP (CONTINUED)

### ENTRY (CONTINUED)

KEY	PART NUMBER	U/M	DESCRIPTION
16	081914-02-000	EA	BUMPER - RUBBER - ROUND - 5/16" DIA. X 13/64" THICK
	138287-01-000	EA	CYLINDER/LOCK - ENTRY DOOR (MASTER)
	138287-02-000	EA	CYLINDER/LOCK - ENTRY DOOR (MASTER)
	138287-03-000	EA	CYLINDER/LOCK - ENTRY DOOR (MASTER)
	138287-04-000	EA	CYLINDER/LOCK - ENTRY DOOR (MASTER)
	138287-05-000	EA	CYLINDER/LOCK - ENTRY DOOR (MASTER)
	138287-06-000	EA	CYLINDER/LOCK - ENTRY DOOR (MASTER)
	138287-07-000	EA	CYLINDER/LOCK - ENTRY DOOR (MASTER)
	138287-08-000	EA	CYLINDER/LOCK - ENTRY DOOR (MASTER)
	138287-09-000	EA	CYLINDER/LOCK - ENTRY DOOR (MASTER)
	138287-10-000	EA	CYLINDER/LOCK - ENTRY DOOR (MASTER)
	138288-01-000	EA	KEY - REVERSIBLE - #1151 - T/M 16169-02-3091
	138288-02-000	EA	KEY - REVERSIBLE - #1152 - T/M 16169-02-3092
	138288-03-000	EA	KEY - REVERSIBLE - #1153 - T/M 16169-02-3093
	138288-04-000	EA	KEY - REVERSIBLE - #1154 - T/M 16169-02-3094
	138288-05-000	EA	KEY - REVERSIBLE - #1155 - T/M 16169-02-3095
	138288-06-000	EA	KEY - REVERSIBLE - #1156 - T/M 16169-02-3096
	138288-07-000	EA	KEY - REVERSIBLE - #1157 - T/M 16169-02-3097
	138288-08-000	EA	KEY - REVERSIBLE - #1158 - T/M 16169-02-3098
	138288-09-000	EA	KEY - REVERSIBLE - #1159 - T/M 116169-02-3099
	138288-10-000	EA	KEY - REVERSIBLE - #1150 - T/M 16169-02-3100

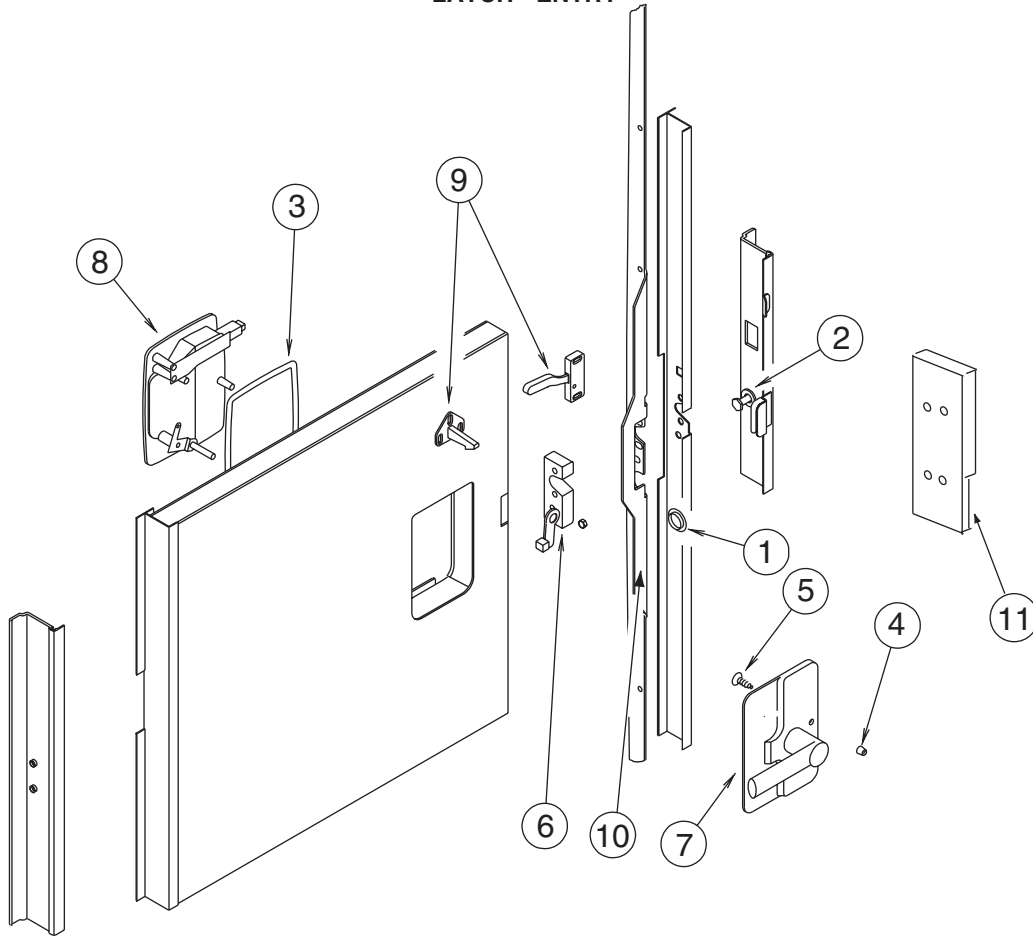


KEY	PART NUMBER	U/M	DESCRIPTION
1	002293-02-000	SF	SCREEN - 26" - CHARCOAL
2	002294-01-000	FT	SPLINE - SCREENING - .13" X .14"
3	016454-18-000	EA	INSERT/CENTER - SCREEN DOOR
4	078552-09-000	EA	INSERT - SCREEN DOOR - LOWER
5	078595-03-000	EA	PLATE - SCREEN DOOR
6	078777-08-000	FT	CHANNEL - SLIDER - 4 FOOT INCREMENTS
7	120863-06-000	EA	BUMPER - RUBBER/RADIUS TOP - 3/4" X 3/8" - LT GRAY
8	132081-01-01A	EA	STRIKE - SLIDER - SCREEN DOOR - BRIGHT WHITE
8	132081-01-03A	EA	STRIKE - SLIDER - SCREEN DOOR - BLACK - FULL BODY PAINT
9	132082-01-01A	EA	SLIDER - SCREEN DOOR - BRIGHT WHITE
9	132082-01-03A	EA	SLIDER - SCREEN DOOR - BLACK - FULL BODY PAINT



# EXTERIOR DOORS & COMPARTMENTS GROUP (CONTINUED)

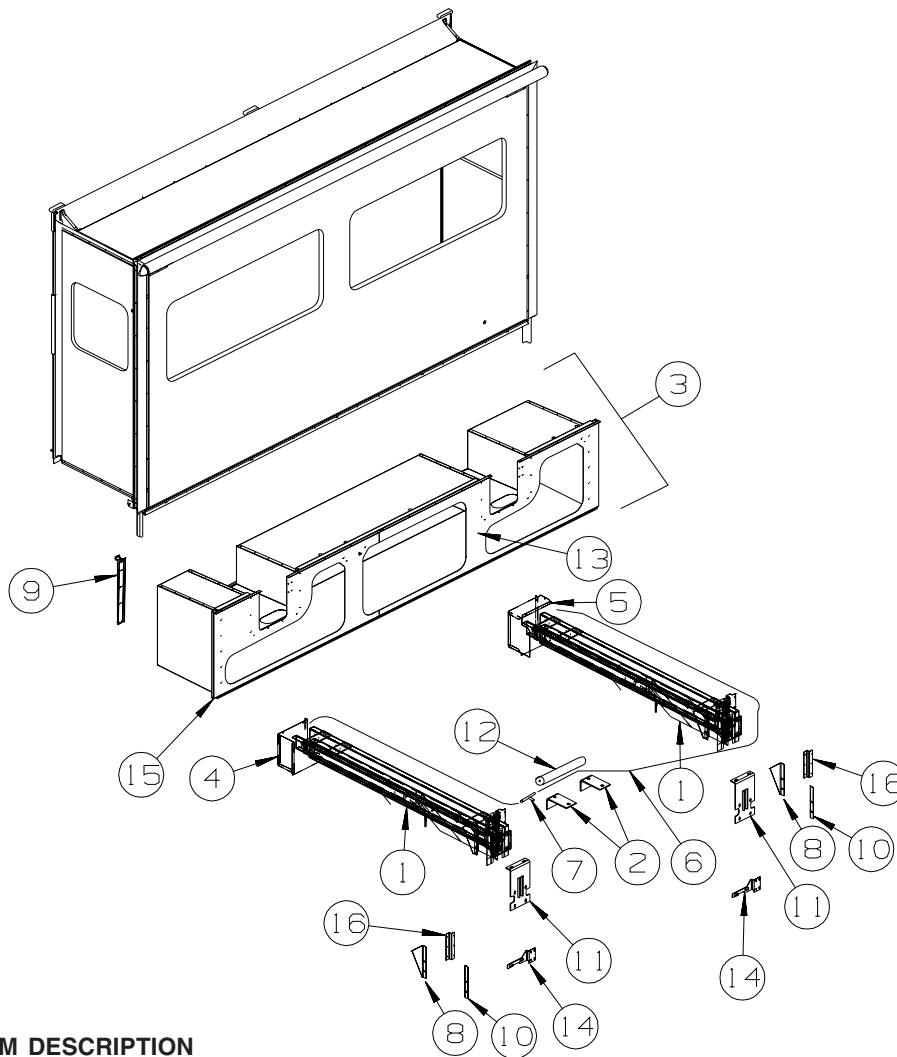
## LATCH - ENTRY



KEY	PART NUMBER	U/M	DESCRIPTION
1	061420-14-000	EA	PLUG/PLASTIC - .034" DIAMETER
2	092927-14-000	EA	STRIKER - ROUND - JAMB MOUNTED
			FROM: 00-00-00 THRU: 11-02-03
2	092927-15-000	EA	STRIKER - ROUND - JAMB MOUNTED
			FROM: 11-03-03 THRU: 99-99-99
3	112782-04-01A	EA	GASKET
4	112782-05-01A	EA	CAP - VINYL - RED
5	112782-08-01A	EA	SCREW - MOUNTING/PLATE - ZINC
6	112782-15-01A	EA	LATCH - SINGLE ROTOR
7	112782-16-01A	EA	LATCH - INTERIOR PLATE
8	112782-18-01A	EA	LATCH - EXTERIOR - W/O LOCK CYLINDER W/ICON-REVERSIBLE KEY
9	132915-01-01A	EA	LATCH - SCREEN DOOR
10	132207-01-02B	EA	STIFFENER/DOOR - FORMED - E-COATED
	072893-04-000	EA	NUTSERT - 10-32
11	139102-01-01A	EA	COVER - BRACKET - STRIKE - BRIGHT WHITE

# EXTERIOR SLIDEOUT GROUP

## FRONT LEFT

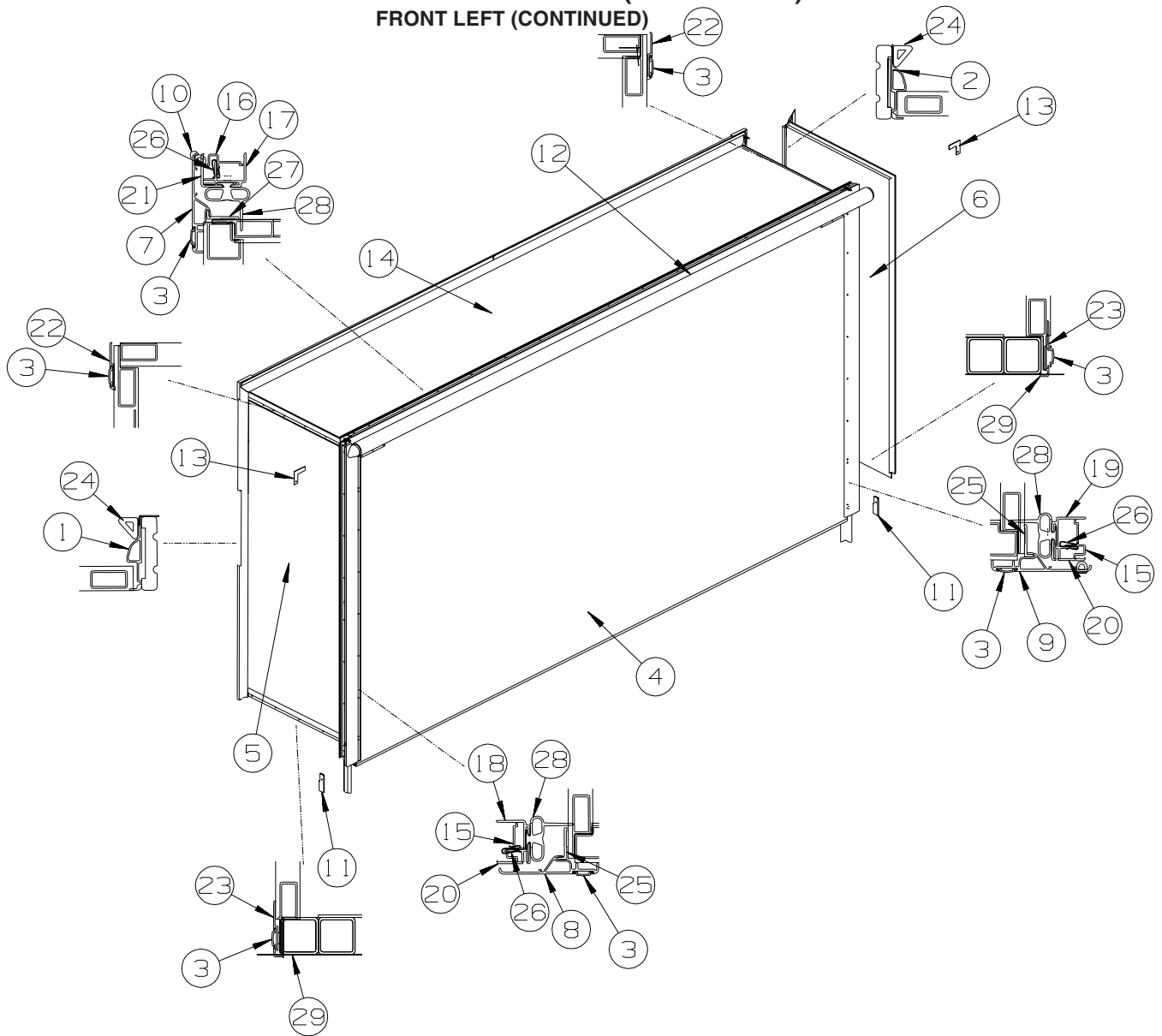


KEY	PART NUMBER	U/M	DESCRIPTION
1*	143625-02-000	EA	SLIDEOUT - HYDRAULIC - FLAT - 29"
	151323-01-000	EA	BOLT - HANGER/STOREMORE - SHORT - 1/2" THREADS
	151323-02-000	EA	BOLT - HANGER/STOREMORE - LONG - 1/2" THREADS
	143738-01-000	EA	WRENCH - RATCHET - 13/16" X 7/8"
2	122922-02-02B	EA	BRACKET/CYLINDER SUPPORT - E-COATED
3	144137-03-R38	EA	COMPARTMENT - F/SLIDEOUT
			FROM: 00-00-00 THRU: 08-10-03
3	144137-13-R38	EA	COMPARTMENT - F/SLIDEOUT
			FROM: 08-11-03 THRU: 99-99-99
4	136749-06-02B	EA	PANEL/ACCESS COVER - E-COATED
5	136749-05-02B	EA	PANEL/ACCESS COVER - E-COATED
6*	100536-42-000	EA	HOSE KIT - PUMP TO SLIDE-OUT VALVE
7	123264-01-000	EA	TEE - UNION - 1/4" X 1/4" X 1/4"
8	131531-02-02B	EA	GUSSET - SLIDEOUT - E-COATED
9	126591-02-02B	EA	CARRIER - WIRE LOOM - F/SLIDEOUT ROOM
10	131531-07-02B	EA	GUSSET - SLIDEOUT - E-COATED
11	131529-01-02B	EA	BRACKET - MOUNTING - F/SLIDEOUT COMPARTMENT - E-COATED
12*	143625-03-000	EA	SLIDEOUT - HYDRAULIC - KIT
13	144138-03-02B	EA	SEAL PLANE - E-COATED
14	143183-01-02B	EA	BRACKET - SLIDEOUT COMPARTMENT - E-COATED
15	126516-01-01A	FT	TRIM - VINYL/EXTRUDED - 8'
16	116104-06-02B	EA	BRACKET - ZEE W/HOLES - 7.9" - E-COATED
	148331-01-01A	EA	PLUG - OVAL/LARGE - BLACK

\*COMPONENT PARTS LISTED LATER IN THIS GROUP



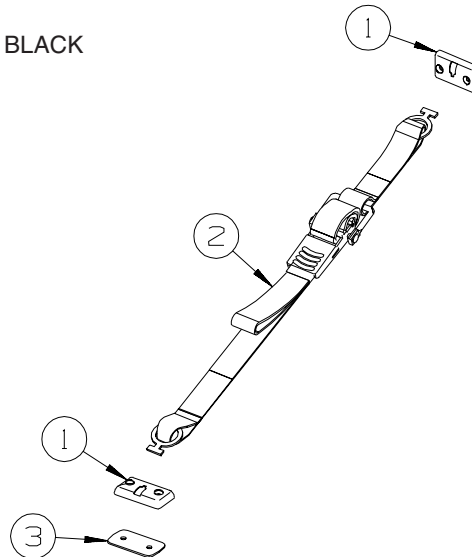
**EXTERIOR SLIDEOUT GROUP (CONTINUED)**  
**FRONT LEFT (CONTINUED)**



KEY	PART NUMBER	U/M	DESCRIPTION
1	139624-18-01A	EA	TRIM/SEAL - INNER/RIGHT HAND - 71.3" - BRIGHT WHITE
2	139624-19-01A	EA	TRIM/SEAL - INNER/LEFT HAND - 71.3" - BRIGHT WHITE
3	105312-01-07A	FT	INSERT - FEATURE STRIP - VINYL - BRIGHT WHITE
3	105312-01-13A	FT	INSERT - FEATURE STRIP - VINYL - BLACK - <b>FULL BODY PAINT</b>
4	144555-11-R38	EA	SLUG - SLIDEOUT (R44, R45, R46)
4	144555-11-R40	EA	SLUG - SLIDEOUT (R47, R48, R49)
4	144555-11-R42	EA	SLUG - SLIDEOUT (R50, R51, R52)
5	141972-01-N70	EA	PANEL - FRONT - F/FRONT SLIDEOUT (R44, R45, R46)
5	141972-01-P47	EA	PANEL - FRONT - F/FRONT SLIDEOUT (R47, R48, R49)
5	141972-01-R42	EA	PANEL - FRONT - F/FRONT SLIDEOUT (R50, R51, R52)
6	141973-01-P67	EA	PANEL - REAR - F/FRONT SLIDEOUT (R44, R45, R46)
6	141973-01-R40	EA	PANEL - REAR - F/FRONT SLIDEOUT (R47, R48, R49)
6	141973-01-R42	EA	PANEL - REAR - F/FRONT SLIDEOUT (R50, R51, R52)
7	139625-06-01A	EA	TRIM/SEAL - TOP/W/MITERED ENDS - 147" - BRIGHT WHITE
7	139625-06-02A	EA	TRIM/SEAL - TOP/W/MITERED ENDS - 147" - BLACK - <b>FULL BODY PAINT</b>
8	139625-16-01A	EA	TRIM/SEAL - LEFT HAND - 76.1" - BRIGHT WHITE
8	139625-16-02A	EA	TRIM/SEAL - LEFT HAND - 76.1" - BLACK - FULL BODY PAINT
8	139625-44-01A	EA	TRIM/SEAL - LEFT HAND - 75.9" - BRIGHT WHITE
			FROM: 00-00-00 THRU: 12-07-03
8	139625-16-02A	EA	TRIM/SEAL - LEFT HAND - 76.1" - BLACK - FULL BODY PAINT
			FROM: 00-00-00 THRU: 12-07-03
8	139625-44-02A	EA	TRIM/SEAL - LEFT HAND - 75.9" - BLACK - FULL BODY PAINT
			FROM: 12-08-03 THRU: 99-99-99

**EXTERIOR SLIDEOUT GROUP (CONTINUED)**  
**FRONT LEFT (CONTINUED)**

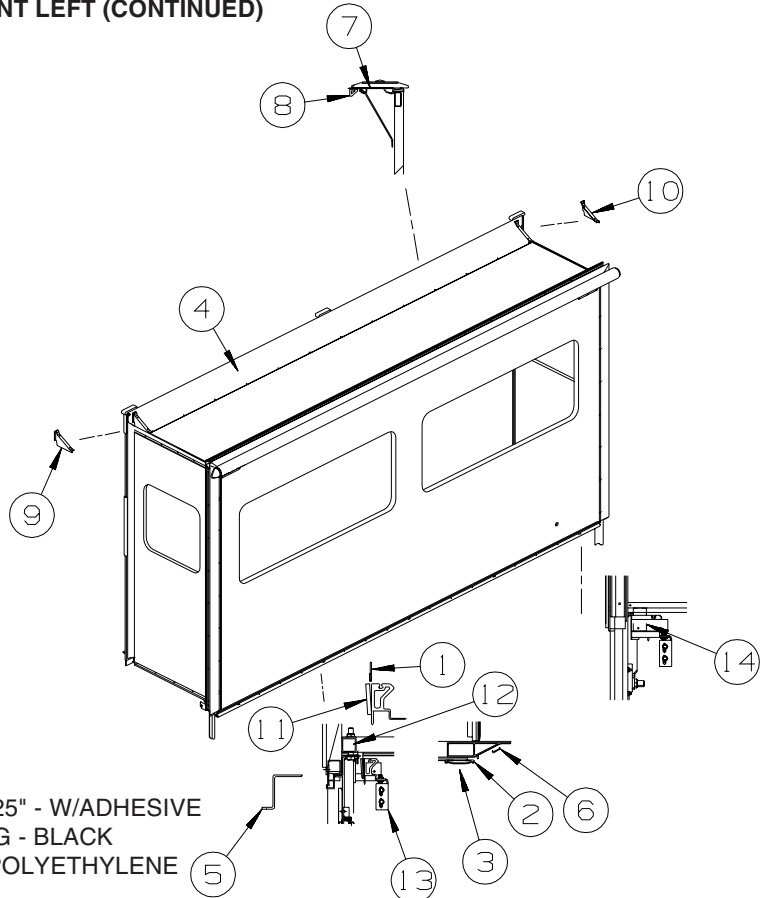
KEY	PART NUMBER	U/M	DESCRIPTION
9	139625-17-01A	EA	TRIM/SEAL - RIGHT HAND - 76.1" - BRIGHT WHITE FROM: 00-00-00 THRU: 12-07-03
9	139625-45-01A	EA	TRIM/SEAL - RIGHT HAND - 75.9" - BRIGHT WHITE FROM: 12-08-03 THRU: 99-99-99
9	139625-17-02A	EA	TRIM/SEAL - RIGHT HAND - 76.1" - BLACK - FULL BODY PAINT FROM: 00-00-00 THRU: 12-07-03
9	139625-45-02A	EA	TRIM/SEAL - RIGHT HAND - 75.9" - BLACK - FULL BODY PAINT FROM: 12-08-03 THRU: 99-99-99
10	117058-01-01A	FT	TAPE - LOOP - 3/4" WIDE - ADHESIVE BACKED
11	126546-01-02A	EA	COVER - END/SIDEWALL SLIDEOUT - BRIGHT WHITE
11	126546-01-03A	EA	COVER - END/SIDEWALL SLIDEOUT - BLACK - FULL BODY PAINT
12	122977-07-03A	EA	AWNING/SLIDEOUT W/COVER - 147" - WHITE - VINYL/VINYL WRAP
13	116444-04-12B	EA	TRIM/KEY CORNER - SLIDEOUT - 3.1"X3.1" - BRT WHT
13	116444-04-02B	EA	TRIM/KEY CORNER - SLIDEOUT - 3.1"X3.1" - BLACK - FULL BODY PAINT
14	144926-01-R38	EA	ROOF - W/O LIGHTS/VENTS - W/WIRING - F/SLIDEOUT
15	142718-01-01A	EA	RETAINER - SIDEWALL/SLIDEOUT - 72.8"
16	142718-02-01A	EA	RETAINER - SIDEWALL/SLIDEOUT - 144.9" - MILL
17	142719-01-01A	EA	TRIM/SIDEWALL - TOP/SLIDEOUT - 146.7" - BRIGHT WHITE
18	142720-01-01A	EA	TRIM - SIDEWALL/SLIDEOUT - 74.8" - BRIGHT WHITE
19	142720-02-01A	EA	TRIM - SIDEWALL/SLIDEOUT - 74.8" - BRIGHT WHITE
20	136824-39-01A	EA	TRIM - SIDEWALL/SLIDEOUT - 74.8" - BRIGHT WHITE FROM: 00-00-00 THRU: 12-07-03
20	136824-38-01A	EA	TRIM - SIDEWALL/SLIDEOUT - 74.6" - BRIGHT WHITE FROM: 12-08-03 THRU: 99-99-99
20	136824-39-02A	EA	TRIM - SIDEWALL/SLIDEOUT - 74.8" - BLACK - FULL BODY PAINT FROM: 00-00-00 THRU: 12-07-03
20	136824-38-02A	EA	TRIM - SIDEWALL/SLIDEOUT - 74.6" - BLACK - FULL BODY PAINT FROM: 12-08-03 THRU: 99-99-99
21	136824-05-01A	EA	TRIM - SIDEWALL/SLIDEOUT - 146.4" - BRIGHT WHITE
21	136824-05-02A	EA	TRIM - SIDEWALL/SLIDEOUT - 146.4" - BLACK - FULL BODY PAINT
22	138659-01-01A	EA	TRIM/FEATURE STRIP - 181.7" - BRIGHT WHITE
22	138659-01-02A	EA	TRIM/FEATURE STRIP - 181.7" - BLACK - FULL BODY PAINT
23	125051-03-01A	EA	TRIM - FEATURE STRIP/LOWER - 29.3" - BRIGHT WHITE
23	125051-03-02A	EA	TRIM - FEATURE STRIP/LOWER - 29.3" - BLACK - FULL BODY PAINT
24	146056-01-000	FT	SEAL - TRIANGLE - W/PSA
25	133954-16-01A	EA	TRIM/SEAL - W/MITERED ENDS - 71.2" - BRIGHT WHITE
25	133954-16-02A	EA	TRIM/SEAL - W/MITERED ENDS - 71.2" - BLACK - FULL BODY PAINT
26	142549-01-000	EA	CLIP-S TYPE
27	133954-07-01A	EA	TRIM/SEAL - W/MITERED ENDS - 141.8" - BRIGHT WHITE
27	133954-07-02A	EA	TRIM/SEAL - W/MITERED ENDS - 141.8" - BLACK - FULL BODY PAINT
28	136978-01-01A	FT	SEAL - SLIDEOUT - BLACK
29	075673-05-000	FT	SEAL - PILE - ADHESIVE BACK - BLACK



KEY	PART NUMBER	U/M	DESCRIPTION
1	135619-02-01A	EA	PLATE - TIEDOWN - SLIDEOUT ROOM
2	135619-01-01A	EA	STRAP - TIEDOWN - SLIDEOUT ROOM
3	135622-01-01B	EA	PLATE - TIEDOWN - SLIDEOUT ROOM

FROM: 00-00-00 THRU: 07-17-03

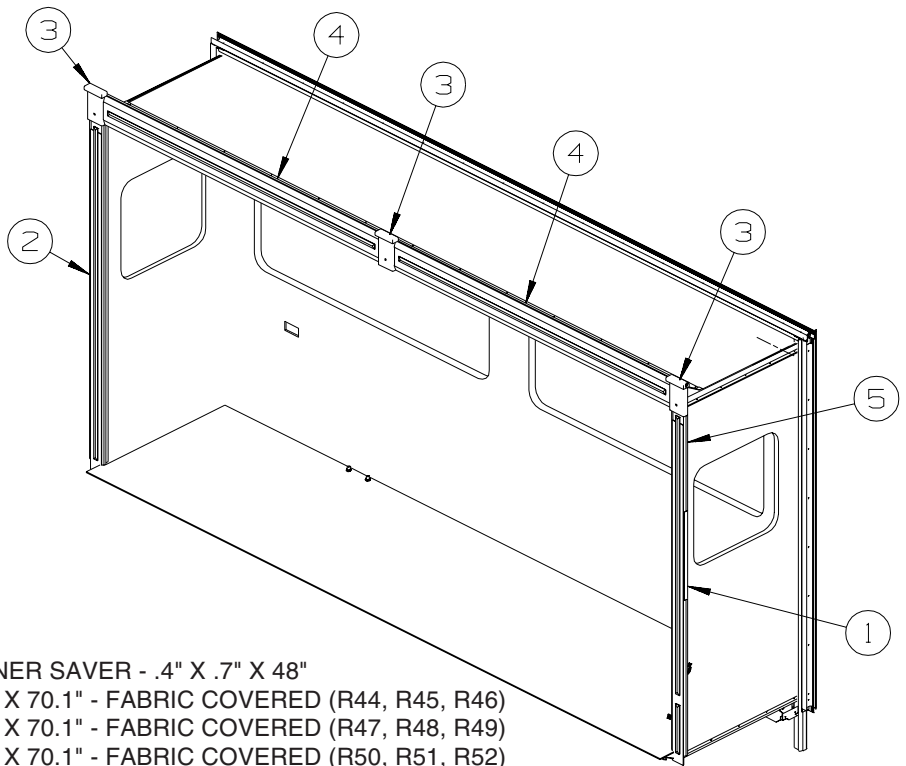
**EXTERIOR SLIDEOUT GROUP (CONTINUED)**  
**FRONT LEFT (CONTINUED)**



KEY	PART NUMBER	U/M	DESCRIPTION
1	123012-01-000	FT	SEAL - .09"/.13" THICK X 1.25" - W/ADHESIVE
2	115325-04-02A	EA	RAIL - FLOOR - 134.2" LONG - BLACK
3	115661-01-000	FT	SHOE/GLIDE - 1/16" X 3" - POLYETHYLENE
4	131579-02-01A	EA	TRIM - RETAINER
4	148915-02-01A	EA	RETAINER/TRIM - 141.4" - BRIGHT WHITE FROM: 00-00-00 THRU: 10-26-03
4	131579-02-02A	EA	TRIM - RETAINER - BLACK - <b>FULL BODY PAINT</b> FROM: 10-27-03 THRU: 99-99-99
4	148915-02-02A	EA	RETAINER/TRIM - 141.4" - BLACK - <b>FULL BODY PAINT</b> FROM: 00-00-00 THRU: 10-26-03
4	148915-02-02A	EA	RETAINER/TRIM - 141.4" - BLACK - <b>FULL BODY PAINT</b> FROM: 10-27-03 THRU: 99-99-99
5	131520-13-01A	EA	EXTRUSION/ZEE - F/SLIDEOUT - 137.4"
6	131358-02-01A	EA	RETAINER - U-CHANNEL - 140.4" - BLACK
7	141893-02-01A	EA	TRIM/SEAL - F/SLIDEOUT - 145.6" BRIGHT WHITE FROM: 00-00-00 THRU: 10-26-03
7	148916-02-01A	EA	TRIM/SEAL - W/MITERED CORNERS - F/SLIDEOUT - 145.6" - B/W FROM: 10-27-03 THRU: 99-99-99
8	146056-01-000	FT	SEAL - TRIANGLE - W/PSA
9	131584-01-01A	EA	COVER - TRIM - SLIDEOUT - FRONT - BRIGHT WHITE FROM: 00-00-00 THRU: 10-26-03
9	148913-01-02A	EA	COVER/TRIM - RH - F/SLIDEOUT - BRIGHT WHITE FROM: 10-27-03 THRU: 99-99-99
9	131584-01-02A	EA	COVER - TRIM - SLIDEOUT - FRONT - BLACK - <b>FULL BODY PAINT</b> FROM: 00-00-00 THRU: 10-26-03
9	148913-01-01A	EA	COVER/TRIM - RH - F/SLIDEOUT - BLACK - <b>FULL BODY PAINT</b> FROM: 10-27-03 THRU: 99-99-99
10	131584-02-01A	EA	COVER - TRIM - SLIDEOUT - REAR - BRIGHT WHITE FROM: 00-00-00 THRU: 10-26-03
10	148913-02-02A	EA	COVER/TRIM - LH - F/SLIDEOUT - BRIGHT WHITE FROM: 10-27-03 THRU: 99-99-99
10	131584-02-02A	EA	COVER - TRIM - SLIDEOUT - REAR - BLACK - <b>FULL BODY PAINT</b> FROM: 00-00-00 THRU: 10-26-03
10	148913-02-02A	EA	COVER/TRIM - LH - F/SLIDEOUT - BLACK - <b>FULL BODY PAINT</b> FROM: 10-27-03 THRU: 99-99-99
11	137343-02-02B	EA	PLATE - W/HOLES - E-COATED
	151258-01-000	FT	SEAL - FOAM/WIPE - CLOSED CELL
12	137408-02-000	EA	SEAL - BLOCK - F/SLIDEOUT - 1.4"
13	133233-01-02B	EA	BRACKET - SLIDEOUT - E-COATED
14	137408-01-000	EA	SEAL - BLOCK - F/SLIDEOUT - 1.4"

## EXTERIOR SLIDEOUT GROUP (CONTINUED)

### FRONT LEFT (CONTINUED)



KEY	PART NUMBER	U/M	DESCRIPTION
1	130262-04-000	EA	PROTECTOR - CORNER SAVER - .4" X .7" X 48"
2	120993-29-R44	EA	TRIM - DECOR - 2.7" X 70.1" - FABRIC COVERED (R44, R45, R46)
2	120993-29-P57	EA	TRIM - DECOR - 2.7" X 70.1" - FABRIC COVERED (R47, R48, R49)
2	120993-29-P60	EA	TRIM - DECOR - 2.7" X 70.1" - FABRIC COVERED (R50, R51, R52)
2	Y00152-72-438	EA	MOLDING/TRIM - VINYL - .6" X 3.5" X 96" - PORTSMOUTH OAK
2	Y00152-62-438	EA	MOLDING/TRIM - VINYL - .6" X 3.5" X 96" - CHERRY - CONCERT CHERRY
2	Y00152-22-438	EA	MOLDING/TRIM - VINYL - .6" X 3.5" X 96" - WASHED MAPLE
			FROM: 00-00-00 THRU: 01-04-04
2	Y00152-A2-438	EA	MOLDING/TRIM - VINYL - .6" X 3.5" X 96" - WASHED MAPLE
			FROM: 01-05-04 THRU: 99-99-99
2	M09454-32-P54	EA	MOLDING - TRIM/VEE - .2" X 1" X 66.7" - OAK/PORTSMOUTH OAK
2	M09454-32-P55	EA	MOLDING - TRIM/VEE - .2" X 1" X 66.7" - CHERRY/CHERRY - CONCERT CHERRY
2	M09454-32-P56	EA	MOLDING - TRIM/VEE - .2" X 1" X 66.7" - MAPLE/MAPLE - WASHED MAPLE
3	141930-02-04A	EA	MOLDING/BLOCK - OAK - PORTSMOUTH OAK
3	141930-02-02A	EA	MOLDING/BLOCK - CHERRY - CONCERT CHERRY
3	141930-02-03A	EA	MOLDING/BLOCK - MAPLE - WASHED MAPLE
			FROM: 00-00-00 THRU: 01-04-04
3	141930-02-21A	EA	MOLDING/BLOCK - MAPLE - WASHED MAPLE
			FROM: 01-05-04 THRU: 99-99-99
4	120993-23-R44	EA	TRIM - DECORATIVE - 3.7" X 67.8" - FABRIC COVERED (R44, R45, R46)
4	120993-23-R47	EA	TRIM - DECORATIVE - 3.7" X 67.8" - FABRIC COVERED (R47, R48, R49)
4	120993-23-R50	EA	TRIM - DECORATIVE - 3.7" X 67.8" - FABRIC COVERED (R50, R51, R52)
4	Y00154-72-438	EA	MOLDING/TRIM - VINYL - .6" X 5.9" X 96" - PORTSMOUTH OAK
4	Y00154-62-438	EA	MOLDING/TRIM - VINYL - .6" X 5.9" X 96" - CONCERT CHERRY
4	Y00154-22-438	EA	MOLDING/TRIM - VINYL - .6" X 5.9" X 96" - WASHED MAPLE
			FROM: 00-00-00 THRU: 01-04-04
4	Y00154-A2-438	EA	MOLDING/TRIM - VINYL - .6" X 5.9" X 96" - WASHED MAPLE
			FROM: 01-05-04 THRU: 99-99-99
4	M09454-82-R44	EA	MOLDING - TRIM/VEE - .2" X 1" X 65.6" - PORTSMOUTH OAK
4	M09454-82-R45	EA	MOLDING - TRIM/VEE - .2" X 1" X 65.6" - CONCERT CHERRY
4	M09454-82-R46	EA	MOLDING - TRIM/VEE - .2" X 1" X 65.6" - WASHED MAPLE
5	120993-29-R44	EA	TRIM - DECORATIVE - 2.7" X 70.1" - FABRIC COVERED (R44, R45, R46)
5	120993-29-P57	EA	TRIM - DECORATIVE - 2.7" X 70.1" - FABRIC COVERED (R47, R48, R49)
5	120993-29-P60	EA	TRIM - DECORATIVE - 2.7" X 70.1" - FABRIC COVERED (R50, R51, R52)
5	Y00152-72-438	EA	MOLDING/TRIM - VINYL - .6" X 3.5" X 96" - PORTSMOUTH OAK
5	Y00152-62-438	EA	MOLDING/TRIM - VINYL - .6" X 3.5" X 96" - CHERRY - CONCERT CHERRY
5	Y00152-22-438	EA	MOLDING/TRIM - VINYL - .6" X 3.5" X 96" - WASHED MAPLE
5	M09450-93-P45	EA	MOLDING - TRIM/VEE - .2" X 1" X 55.8" - OAK/PORTSMOUTH OAK
5	M09450-93-P46	EA	MOLDING - TRIM/VEE - .2" X 1" X 55.8" - CHERRY/CHERRY - CONCERT CHERRY
5	M09450-93-P56	EA	MOLDING - TRIM/VEE - .2" X 1" X 55.8" - MAPLE/MAPLE - WASHED MAPLE
5	M09450-92-P45	EA	MOLDING - TRIM/VEE - .2" X 1" X 9.8" - OAK/PORTSMOUTH OAK
5	M09450-92-P46	EA	MOLDING - TRIM/VEE - .2" X 1" X 9.8" - CHERRY/CHERRY - CONCERT CHERRY
5	M09450-92-P56	EA	MOLDING - TRIM/VEE - .2" X 1" X 9.8" - MAPLE/WASHED MAPLE

**EXTERIOR SLIDEOUT GROUP (CONTINUED)**  
**COMPONENT PARTS FOR FRONT LEFT**

**100536-42-000**

<b>KEY</b>	<b>PART NUMBER</b>	<b>U/M</b>	<b>DESCRIPTION</b>	<b>VENDOR NO.</b>
	100536-42-700	EA	HOSE/HYDRAULIC - 180" - PRESS	RAP90120/AP5965
	100536-42-701	EA	HOSE/HYDRAULIC - 175" - RETURN	RAP90350/AP7358

**143625-02-000**

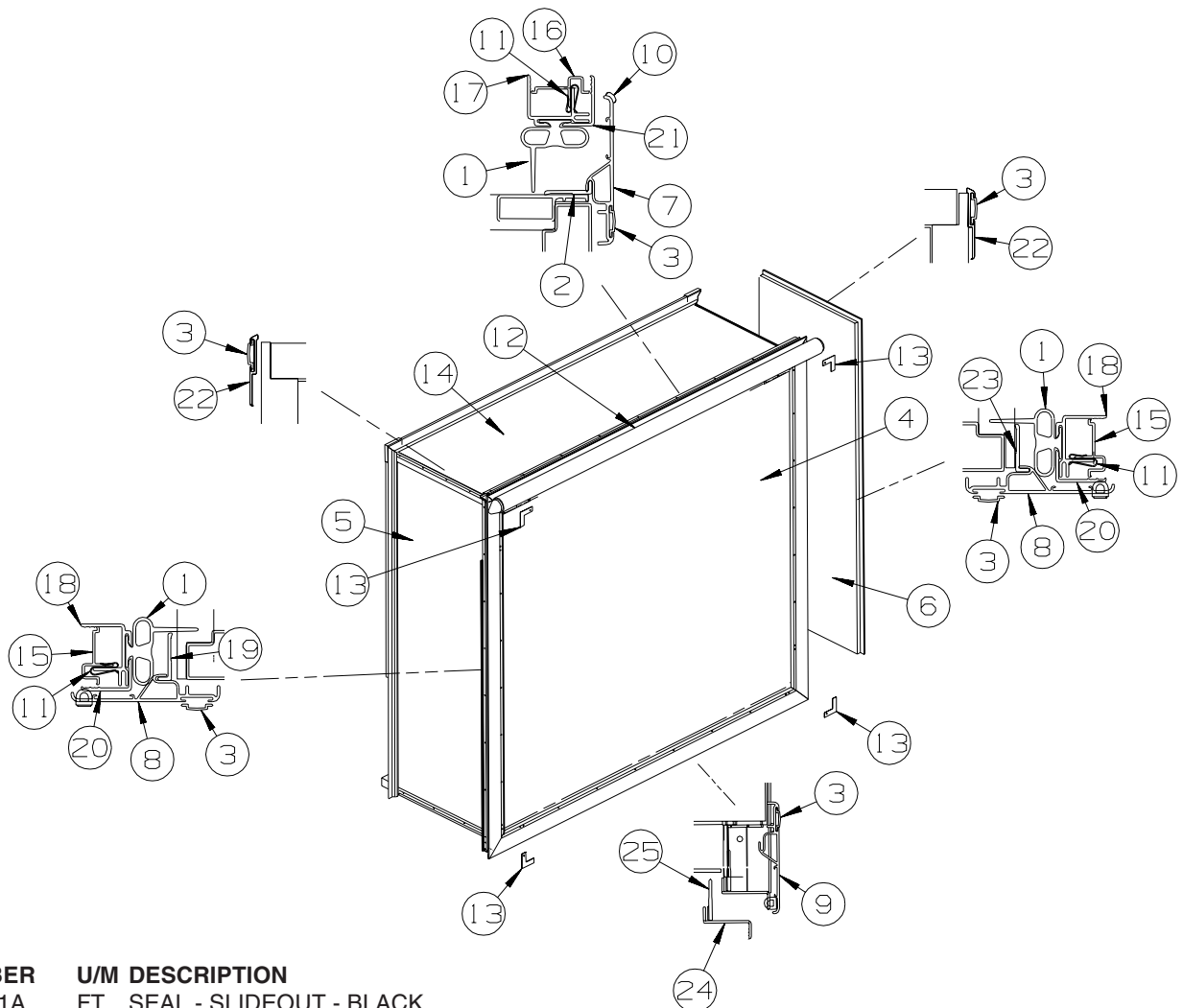
<b>KEY</b>	<b>PART NUMBER</b>	<b>U/M</b>	<b>DESCRIPTION</b>	<b>VENDOR NO.</b>
	128599-06-703	EA	BEARING KIT - SLIDE-OUT TUBE	RAP90698
	131360-01-700	EA	CYLINDER - HYDRAULIC (RAM)	RAP90696/AP19256
	131360-01-704	EA	STUD/COMPT MOUNT-3 3/8" LONG	P19715
	131360-01-705	EA	STUD/COMPT MOUNT-4 5/8" LONG	P19716
	131360-01-706	EA	HOSE-HYDRAULIC - 1/8" X 42"	AP24631
	131360-01-709	EA	PIN/UPPER MOUNT - FLAT FLOOR	P19685
	131360-01-711	EA	STUD KIT - COMPT.MOUNT	RAP91341

**143625-03-000**

<b>KEY</b>	<b>PART NUMBER</b>	<b>U/M</b>	<b>DESCRIPTION</b>	<b>VENDOR NO.</b>
	100536-44-700	EA	HOSE-HYDRAULIC - 1/8" X 172"	AP24649
	131360-01-701	EA	HOSE-HYDRAULIC-1/4" X 125"	AP4906
	132540-01-701	EA	CYLINDER - SYNCRONIZING	RAP90690/AP17966

# EXTERIOR SLIDEOUT GROUP (CONTINUED)

## RIGHT REAR

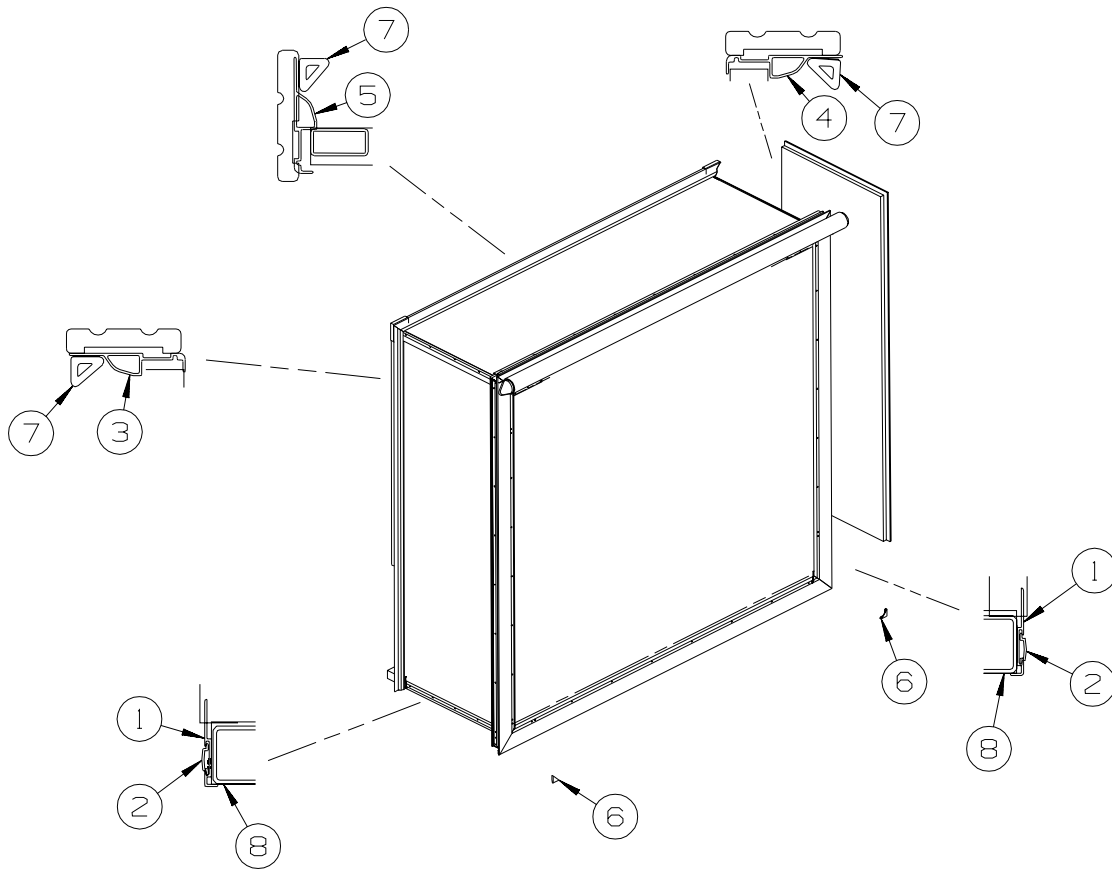


KEY	PART NUMBER	U/M	DESCRIPTION
1	136978-01-01A	FT	SEAL - SLIDEOUT - BLACK
2	133954-18-01A	EA	TRIM/SEAL - W/MITERED ENDS - 76.5" - BRIGHT WHITE
2	133954-18-02A	EA	TRIM/SEAL - W/MITERED ENDS - 76.5" - BLACK - FULL BODY PAINT
3	105312-01-07A	FT	INSERT - FEATURE STRIP - VINYL - BRIGHT WHITE
3	105312-01-13A	FT	INSERT - FEATURE STRIP - VINYL - BLACK - FULL BODY PAINT
4	144554-11-R38	EA	SLUG - F/SLIDEOUT (R44, R45, R46)
4	144554-11-R40	EA	SLUG - F/SLIDEOUT (R47, R48, R49)
4	144554-11-R42	EA	SLUG - F/SLIDEOUT (R50, R51, R52)
5	142891-01-R38	EA	PANEL/REAR - F/REAR SLIDEOUT (R44, R45, R46)
5	142891-01-P47	EA	PANEL/REAR - F/REAR SLIDEOUT (R47, R48, R49)
5	142891-01-R42	EA	PANEL/REAR - F/REAR SLIDEOUT (R50, R51, R52)
6	142890-01-R38	EA	PANEL/FRONT - F/REAR SLIDEOUT (R44, R45, R46)
6	142890-01-P47	EA	PANEL/FRONT - F/REAR SLIDEOUT (R47, R48, R49)
6	142890-01-R42	EA	PANEL/FRONT - F/REAR SLIDEOUT (R50, R51, R52)
7	139625-03-01A	EA	TRIM/SEAL - TOP/W/MITERED ENDS - 81.8" - BRIGHT WHITE
7	139625-03-02A	EA	TRIM/SEAL - TOP/W/MITERED ENDS - 81.8" - BLACK - FULL BODY PAINT
8	139625-11-01A	EA	TRIM/SEAL - TOP/W/MITERED ENDS - 75.6" - BRIGHT WHITE
8	139625-11-02A	EA	TRIM/SEAL - TOP/W/MITERED ENDS - 75.6" - BLACK - FULL BODY PAINT
9	142233-04-01A	EA	TRIM/SEAL - W/MITERED ENDS - 81.8" - BRIGHT WHITE
9	142233-04-02A	EA	TRIM/SEAL - W/MITERED ENDS - 81.8" - BLACK - FULL BODY PAINT
10	117058-01-01A	FT	TAPE - LOOP - 3/4" WIDE - ADHESIVE BACKED
11	142549-01-000	EA	CLIP-S TYPE
12	122977-12-03A	EA	AWNING/SLIDEOUT W/COVER - 81.8" - WHITE - VINYL/VINYL WRAP
13	116444-04-12B	EA	TRIM/KEY CORNER - SLIDEOUT - 3.1"X3.1" - BRT WHT
13	116444-04-02B	EA	TRIM/KEY CORNER - SLIDEOUT - 3.1"X3.1" - BLACK - FULL BODY PAINT
14	137400-01-N42	EA	ROOF - F/REAR SLIDEOUT - W/O LIGHTS/VENTS
15	142718-01-01A	EA	RETAINER - SIDEWALL/SLIDEOUT - 72.8"
16	142718-23-01A	EA	RETAINER - SIDEWALL/SLIDEOUT - 79.9"
17	142719-05-01A	EA	TRIM/SIDEWALL - TOP/SLIDEOUT - 81.3" - BRIGHT WHITE

## EXTERIOR SLIDEOUT GROUP (CONTINUED)

### RIGHT REAR (CONTINUED)

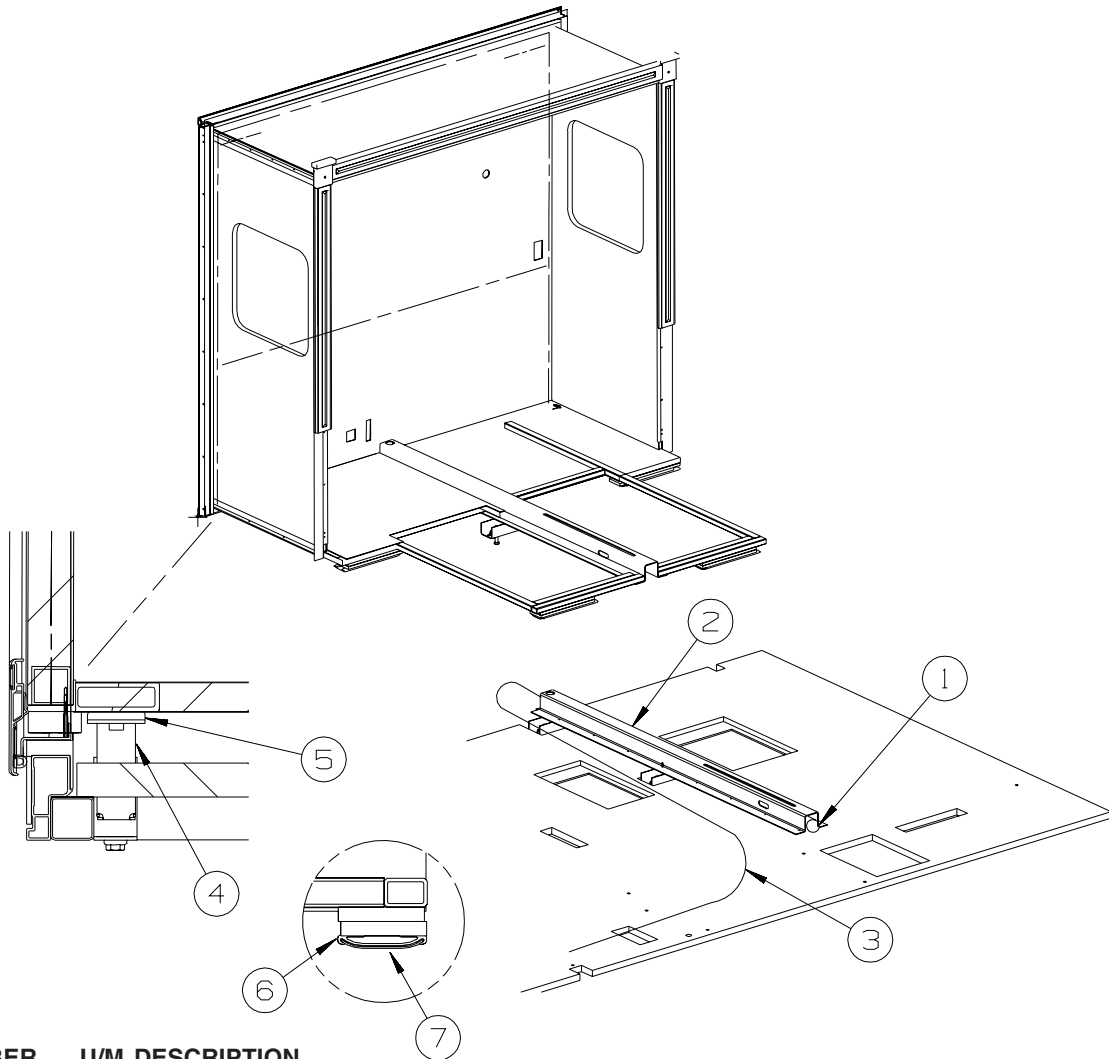
KEY	PART NUMBER	U/M	DESCRIPTION
18	142720-11-01A	EA	TRIM - SIDEWALL/SLIDEOUT - 72.9" - BRIGHT WHITE
19	133954-46-01A	EA	TRIM/SEAL - W/MITERED ENDS - 68.8" - BRIGHT WHITE
19	133954-46-02A	EA	TRIM/SEAL - W/MITERED ENDS - 68.8" - BLACK - <b>FULL BODY PAINT</b>
20	136824-16-01A	EA	TRIM - SIDEWALL/SLIDEOUT - 72.7" - BRIGHT WHITE
20	136824-16-02A	EA	TRIM - SIDEWALL/SLIDEOUT - 72.7" - BLACK - <b>FULL BODY PAINT</b>
21	136824-02-01A	EA	TRIM - SIDEWALL/SLIDEOUT - 81.2" - BRIGHT WHITE
21	136824-02-02A	EA	TRIM - SIDEWALL/SLIDEOUT - 81.2" - BLACK - <b>FULL BODY PAINT</b>
22	138659-01-01A	EA	TRIM/FEATURE STRIP - 181.7" - BRIGHT WHITE
22	138659-01-02A	EA	TRIM/FEATURE STRIP - 181.7" - BLACK - <b>FULL BODY PAINT</b>
23	133954-46-01A	EA	TRIM/SEAL - W/MITERED ENDS - 68.8" - BRIGHT WHITE
23	133954-46-02A	EA	TRIM/SEAL - W/MITERED ENDS - 68.8" - BLACK - <b>FULL BODY PAINT</b>
24	141174-01-02A	EA	TRIM/ZEE - SIDEWALL - 81.4" - BRIGHT WHITE
24	141174-01-03A	EA	TRIM/ZEE - SIDEWALL - 81.4" - BLACK - <b>FULL BODY PAINT</b>
	149821-01-02A	EA	TRIM/ANGLE - SIDEWALL - BRIGHT WHITE - 1/2" X 1/2" X 77.9"
	149821-01-01A	EA	TRIM/ANGLE - SIDEWALL - BLACK - 1/2" X 1/2" X 77.9" - <b>FULL BODY PAINT</b>
25	123012-01-000	FT	SEAL - SLIDEOUT - .09"/.13" THICK X 1.25" - W/ADHESIVE



KEY	PART NUMBER	U/M	DESCRIPTION
1	141435-03-01A	EA	TRIM - FEATURE - LOWER - 29.1" - BRIGHT WHITE
1	141435-03-01A	EA	TRIM - FEATURE - LOWER - 29.1" - BLACK - <b>FULL BODY PAINT</b>
2	105312-01-07A	FT	INSERT - FEATURE STRIP - VINYL - <b>BRIGHT WHITE</b>
3	139624-15-01A	EA	TRIM/SEAL - INNER/RIGHT HAND - 72.9" - BRIGHT WHITE
4	139624-16-01A	EA	TRIM/SEAL - INNER/LEFT HAND - 72.9" - BRIGHT WHITE
5	139624-04-01A	EA	TRIM/SEAL - INNER/TOP - 80.2" - BRIGHT WHITE
6	135275-01-01A	EA	PROTECTOR - CORNER - SLIDEOUT - WHITE
7	146056-01-000	FT	SEAL - TRIANGLE - W/PSA
8	075673-05-000	FT	SEAL - PILE - ADHESIVE BACK - BLACK



**EXTERIOR SLIDEOUT GROUP (CONTINUED)**  
**RIGHT REAR (CONTINUED)**

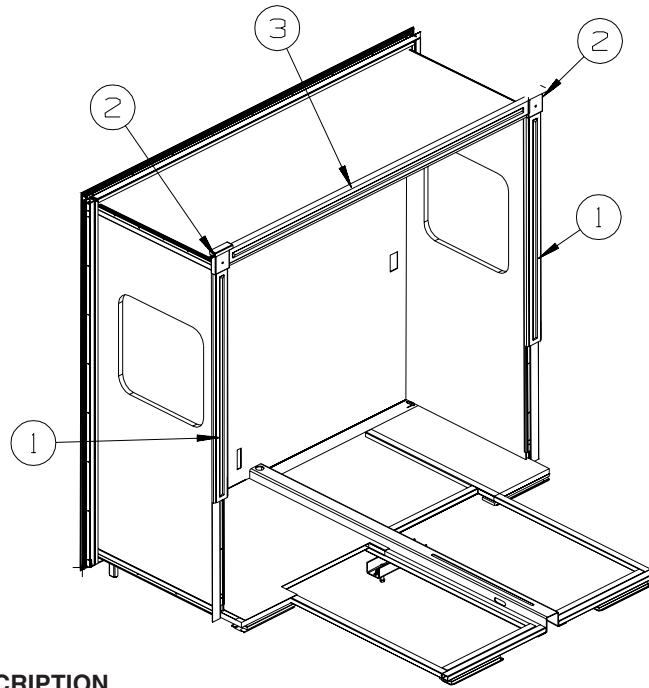


KEY	PART NUMBER	U/M	DESCRIPTION
1*	137390-01-000	EA	HYDRAULIC/BED - F/SLIDEOUT
2	137390-02-000	EA	CHANNEL - HYDRAULIC - F/SLIDEOUT
3*	100536-46-000	EA	HOSE KIT - SLIDEOUT
4	126313-10-02B	EA	SUPPORT - ROLLER - E-COATED
	142881-03-01B	EA	CHANNEL/GUIDE - F/SLIDEOUT - MILL
5	128599-03-000	EA	PAD - F/SLIDEOUT
6	115325-08-01A	EA	RAIL - FLOOR/SLIDEOUT ROOM - 12" LONG - BLACK
7	115661-01-000	FT	SHOE/GLIDE - SLIDEOUT ROOM - 1/16" X 3" - POLYETHYLENE

**\*COMPONENT PARTS LISTED LATER IN THIS GROUP**



**EXTERIOR SLIDEOUT GROUP (CONTINUED)**  
**RIGHT REAR (CONTINUED)**



KEY	PART NUMBER	U/M	DESCRIPTION
1	120993-06-R44	EA	TRIM - DECORATIVE - 2.7" X 45.8" - FABRIC COVERED (R44, R45, R46)
1	120993-06-P57	EA	TRIM - DECORATIVE - 2.7" X 45.8" - FABRIC COVERED (R47, R48, R49)
1	120993-06-P60	EA	TRIM - DECORATIVE - 2.7" X 45.8" - FABRIC COVERED (R50, R51, R52)
1	Y00152-72-438	EA	MOLDING/TRIM - VINYL - .6" X 3.5" X 96" - PORTSMOUTH OAK
1	Y00152-62-438	EA	MOLDING/TRIM - VINYL - .6" X 3.5" X 96" - CHERRY - CONCERT CHERRY
1	Y00152-22-438	EA	MOLDING/TRIM - VINYL - .6" X 3.5" X 96" - WASHED MAPLE
1	Y00152-A2-438	EA	MOLDING/TRIM - VINYL - .6" X 3.5" X 96" - WASHED MAPLE FROM: 00-00-00 THRU: 01-04-04
1	M09450-65-P45	EA	MOLDING - TRIM/VEE - .2" X 1" X 44" - OAK/PORTSMOUTH OAK
1	M09450-65-P46	EA	MOLDING - TRIM/VEE - .2" X 1" X 44" - CHERRY/CHERRY - CONCERT CHERRY
1	M09450-65-P56	EA	MOLDING - TRIM/VEE - .2" X 1" X 44" - MAPLE/MAPLE - WASHED MAPLE
2	141930-01-04A	EA	MOLDING/BLOCK - OAK - PORTSMOUTH OAK
2	141930-01-02A	EA	MOLDING/BLOCK - CHERRY - CONCERT CHERRY
2	141930-01-03A	EA	MOLDING/BLOCK - MAPLE - WASHED MAPLE
2	141930-01-21A	EA	MOLDING/BLOCK - MAPLE - WASHED MAPLE FROM: 00-00-00 THRU: 01-04-04
2			FROM: 01-05-04 THRU: 99-99-99
3	120993-16-R44	EA	TRIM - DECORATIVE - 2.7" X 74.1" - FABRIC COVERED (R44, R45, R46)
3	120993-16-P57	EA	TRIM - DECORATIVE - 2.7" X 74.1" - FABRIC COVERED (R47, R48, R49)
3	120993-16-P60	EA	TRIM - DECORATIVE - 2.7" X 74.1" - FABRIC COVERED (R50, R51, R52)
3	Y00153-71-886	EA	MOLDING/TRIM - VINYL - .6" X 3.9" X 74.1" - PORTSMOUTH OAK
3	Y00153-61-886	EA	MOLDING/TRIM - VINYL - .6" X 3.9" X 74.1" - CHERRY - CONCERT CHERRY
3	Y00153-21-886	EA	MOLDING/TRIM - VINYL - .6" X 3.9" X 74.1" - WASHED MAPLE
3	Y00153-A1-886	EA	MOLDING/TRIM - VINYL - .6" X 3.9" X 74.1" - WASHED MAPLE FROM: 00-00-00 THRU: 01-04-04
3			FROM: 01-05-04 THRU: 99-99-99
3	M09450-68-P45	EA	MOLDING - TRIM/VEE - .2" X 1" X 72" - OAK/PORTSMOUTH OAK
3	M09450-68-P46	EA	MOLDING - TRIM/VEE - .2" X 1" X 72" - CHERRY/CHERRY - CONCERT CHERRY
3	M09450-68-P56	EA	MOLDING - TRIM/VEE - .2" X 1" X 72" - MAPLE/MAPLE - WASHED MAPLE

**EXTERIOR SLIDEOUT GROUP (CONTINUED)**  
**COMPONENT PARTS FOR RIGHT REAR**

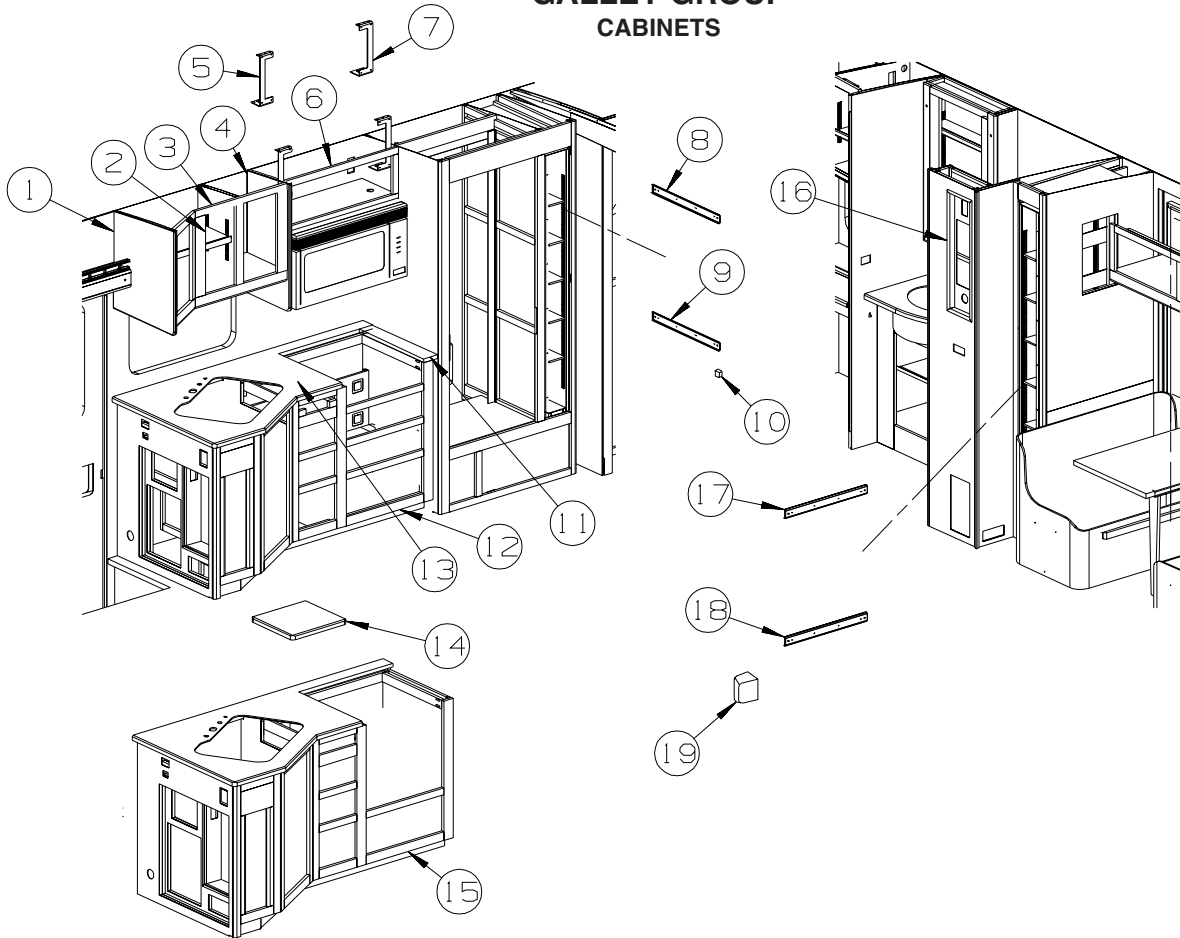
**100536-46-000**

<b>KEY</b>	<b>PART NUMBER</b>	<b>U/M</b>	<b>DESCRIPTION</b>	<b>VENDOR NO.</b>
	100536-46-700	EA	HOSE/HYDRAULIC - 1/4" X 408"	RAP4669/AP4669
	100536-46-701	EA	HOSE/HYDRAULIC - 1/4" X 412"	AP7130

**137390-01-000**

<b>KEY</b>	<b>PART NUMBER</b>	<b>U/M</b>	<b>DESCRIPTION</b>	<b>VENDOR NO.</b>
	128599-06-700	EA	HOSE/HYDRAULIC - 1/8" X 72"	AP24635
	128599-06-701	EA	HOSE/HYDRAULIC - 1/8" X 84"	AP24636
	128599-06-703	EA	BEARING KIT - SLIDE-OUT TUBE	RAP90698
	128599-06-704	EA	BEARING PAD - SLIDE-OUT	P14811
	137390-01-700	EA	RAM/CYLINDER - SLIDEOUT ROOM	RAP90876/AP23425
	137390-01-701	EA	CYLINDER NUT KIT - SLIDEOUT	RAP90947
	137390-01-702	EA	SLOT COVER ASM. - RUBBER	AP26959

## GALLEY GROUP CABINETS

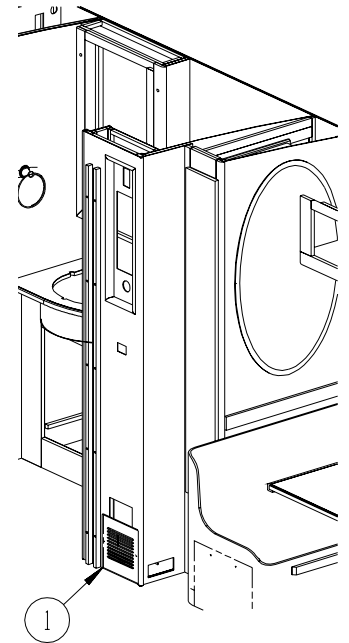


KEY	PART NUMBER	U/M	DESCRIPTION
1	145517-04-R44	EA	END CAP - OVERHEAD CABINET - PORTSMOUTH OAK
1	145517-04-R45	EA	END CAP - OVERHEAD CABINET - CONCERT CHERRY
1	145517-04-R46	EA	END CAP - OVERHEAD CABINET - WASHED MAPLE
2	145499-16-R44	EA	SHELF - W/PLASTIC EDGE MOLDING - PORTSMOUTH OAK
2	145499-16-R45	EA	SHELF - W/PLASTIC EDGE MOLDING - CONCERT CHERRY
2	145499-16-R46	EA	SHELF - W/PLASTIC EDGE MOLDING - WASHED MAPLE
2	145499-16-RW4	EA	SHELF - W/PLASTIC EDGE MOLDING - WASHED MAPLE FROM: 00-00-00 THRU: 01-04-04 FROM: 01-05-04 THRU: 99-99-99
3	145499-01-R44	EA	CABINET - OVERHEAD/GALLEY - W/O DOORS/HARDWARE - PORTSMOUTH OAK
3	145499-01-R45	EA	CABINET - OVERHEAD/GALLEY - W/O DOORS/HARDWARE - CONCERT CHERRY
3	145499-01-R46	EA	CABINET - OVERHEAD/GALLEY - W/O DOORS/HARDWARE - WASHED MAPLE FROM: 00-00-00 THRU: 01-04-04
3	145499-01-RW4	EA	CABINET - OVERHEAD/GALLEY - W/O DOORS/HARDWARE - WASHED MAPLE FROM: 01-05-04 THRU: 99-99-99
4	145517-03-R38	EA	END CAP - OVERHEAD CABINET - PORTSMOUTH OAK
4	145517-03-R39	EA	END CAP - OVERHEAD CABINET - CONCERT CHERRY
4	145517-03-R46	EA	END CAP - OVERHEAD CABINET - WASHED MAPLE
5	130736-03-02B	EA	BRACKET - MICROWAVE - E-COATED
6	141733-02-P45	EA	CABINET - OVERHEAD/MICROWAVE - W/O DOORS/HARDWARE - PORTSMOUTH OAK
6	141733-02-P46	EA	CABINET - OVERHEAD/MICROWAVE - W/O DOORS/HARDWARE - CONCERT CHERRY
6	141733-02-P56	EA	CABINET - OVERHEAD/MICROWAVE - W/O DOORS/HARDWARE - WASHED MAPLE FROM: 00-00-00 THRU: 01-04-04
6	141733-02-RW4	EA	CABINET - OVERHEAD/MICROWAVE - W/O DOORS/HARDWARE - WASHED MAPLE FROM: 01-05-04 THRU: 99-99-99
7	130736-04-02B	EA	BRACKET - MICROWAVE - E-COATED
8	122360-02-000	EA	SLIDE - PANTRY - W/O LOCK - RIGHT/LEFT HAND
9	122360-03-000	EA	SLIDE - PANTRY - W/LOCK - RIGHT HAND (FACING PANEL)
10	123673-01-01A	EA	KNOB - PANTRY SLIDE
11	130813-04-04A	EA	BACKSPLASH-SIDE-GALLEY CTRTP-1/2" VENDURA-QUARRY

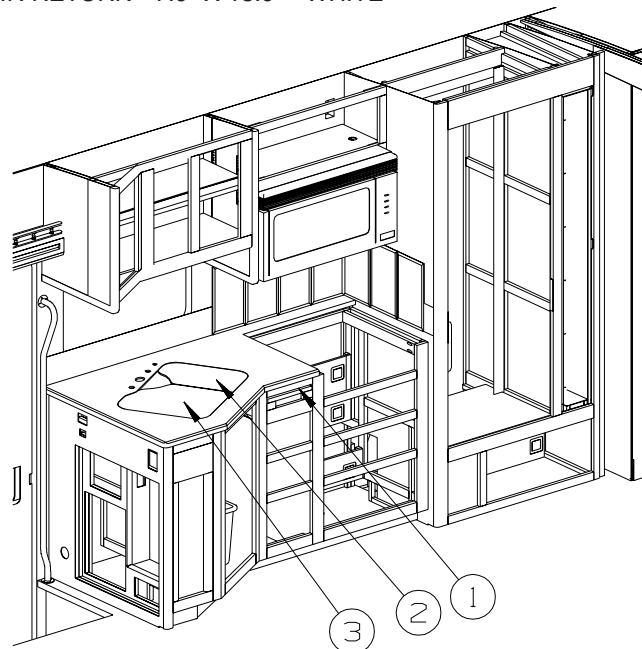
## GALLEY GROUP (CONTINUED)

### CABINETS (CONTINUED)

KEY	PART NUMBER	U/M	DESCRIPTION
12	P40935-01-P45	EA	CABINET - GALLEY - W/O CTRTP/DRS/DWR/HDW - PORTSMOUTH OAK
12	P40935-01-P46	EA	CABINET - GALLEY - W/O CTRTP/DRS/DWR/HDW - CONCERT CHERRY
12	P40935-01-P56	EA	CABINET - GALLEY - W/O CTRTP/DRS/DWR/HDW - WASHED MAPLE
			FROM: 00-00-00 THRU: 01-04-04
12	P40935-01-RW4	EA	CABINET - GALLEY - W/O CTRTP/DRS/DWR/HDW - WASHED MAPLE
			FROM: 01-05-04 THRU: 99-99-99
13	137475-01-03A	EA	COUNTERTOP - 1/4" VENDURA - ROCKY MOUNTAIN
14	141784-01-03A	EA	COUNTERTOP - EXTENSION - 1/4" VENDURA - QUARRY
15	P40935-02-P45	EA	CABINET - GALLEY - W/O CTRTP/DRS/DWR/HDW - PORTSMOUTH OAK
15	P40935-02-P46	EA	CABINET - GALLEY - W/O CTRTP/DRS/DWR/HDW - CONCERT CHERRY
15	P40935-02-P56	EA	CABINET - GALLEY - W/O CTRTP/DRS/DWR/HDW - WASHED MAPLE
			FROM: 00-00-00 THRU: 01-04-04
15	P40935-02-RW4	EA	CABINET - GALLEY - W/O CTRTP/DRS/DWR/HDW - WASHED MAPLE
			FROM: 01-05-04 THRU: 99-99-99
16	137602-55-P45	EA	POCKET - MONITOR PANEL - PORTSMOUTH OAK
			FROM: 00-00-00 THRU: 07-06-03
16	137602-C3-R38	EA	POCKET - MONITOR PANEL - PORTSMOUTH OAK
			FROM: 07-07-03 THRU: 99-99-99
16	137602-55-P46	EA	POCKET - MONITOR PANEL - CONCERT CHERRY
			FROM: 00-00-00 THRU: 07-06-03
16	137602-C3-R39	EA	POCKET - MONITOR PANEL - CONCERT CHERRY
			FROM: 07-07-03 THRU: 99-99-99
16	137602-55-P56	EA	POCKET - MONITOR PANEL - WASHED MAPLE
			FROM: 00-00-00 THRU: 07-06-03
16	137602-C3-R46	EA	POCKET - MONITOR PANEL - WASHED MAPLE
			FROM: 07-07-03 THRU: 99-99-99
17	122360-02-000	EA	SLIDE - PANTRY - W/O LOCK - RIGHT/LEFT HAND
18	122360-01-000	EA	SLIDE - PANTRY - W/LOCK - LEFT HAND (FACING PANEL)
19	123673-01-01A	EA	KNOB - PANTRY SLIDE



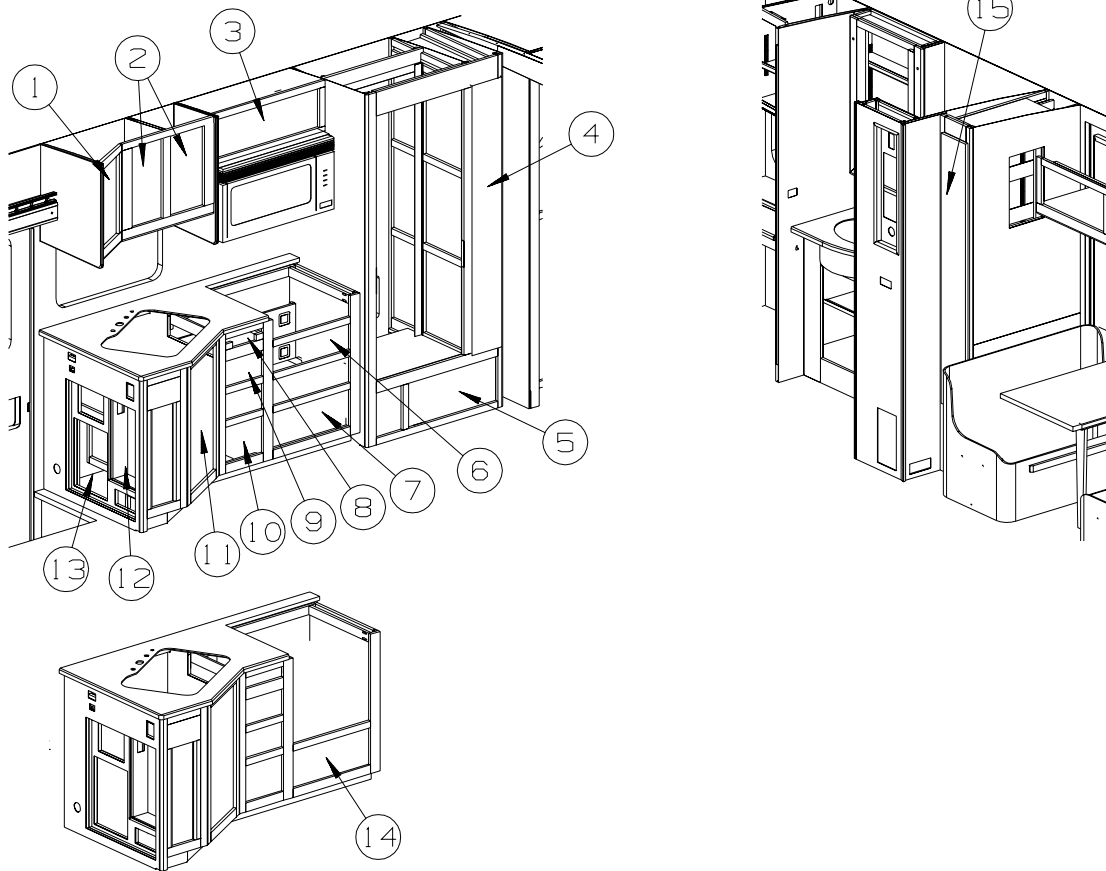
KEY	PART NUMBER	U/M	DESCRIPTION
1	093614-14-01A	EA	GRILLE - AIR RETURN - 7.9" X 13.9" - WHITE



KEY	PART NUMBER	U/M	DESCRIPTION
1	102778-03-000	EA	BOARD - CUTTING - .7" X 10" X 17.7" - WOOD
2	137489-02-03A	EA	COVER - SINK/SMALL - 9.6" X 15.7" - 1/4" VENDURA/QUARRY
3	137489-01-03A	EA	COVER - SINK/LARGE - 13.8" X 17" - 1/4" VENDURA/QUARRY

## GALLEY GROUP (CONTINUED)

### DOORS & DRAWERS

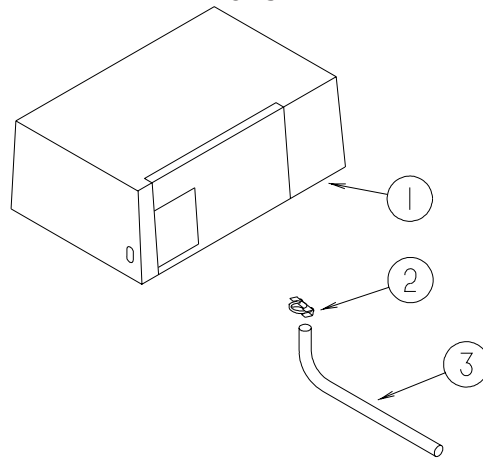


KEY	PART NUMBER	U/M	DESCRIPTION
1	141520-22-P54	EA	DOOR - ARCHED/PENCIL EDGE/RIGHT HAND-10" X 19.1" - W/O HDW - PORTSMOUTH OAK
1	141520-22-P55	EA	DOOR - ARCHED/PENCIL EDGE/RIGHT HAND-10" X 19.1" - W/O HDW - CONCERT CHERRY
1	141520-22-P56	EA	DOOR - ARCHED/PENCIL EDGE/RIGHT HAND-10" X 19.1" - W/O HDW - WASHED MAPLE
2	141518-22-P54	EA	DOOR - ARCHED/PENCIL EDGE/LEFT HAND-10" X 19.1" - W/O HDW - PORTSMOUTH OAK
2	141518-22-P55	EA	DOOR - ARCHED/PENCIL EDGE/LEFT HAND-10" X 19.1" - W/O HDW - CONCERT CHERRY
2	141518-22-P56	EA	DOOR - ARCHED/PENCIL EDGE/LEFT HAND-10" X 19.1" - W/O HDW - WASHED MAPLE
3	141522-28-P54	EA	DOOR - ARCHED/PENCIL EDGE/HORIZ - 10" X 29.5" - W/O HDW - PORTSMOUTH OAK
3	141522-28-P55	EA	DOOR - ARCHED/PENCIL EDGE/HORIZ - 10" X 29.5" - W/O HDW - CONCERT CHERRY
3	141522-28-P56	EA	DOOR - ARCHED/PENCIL EDGE/HORIZ - 10" X 29.5" - W/O HDW - WASHED MAPLE
4	145268-07-R74	EA	DOOR - RAISED PANEL/PENCIL EDGE- 60.7" X 8.1" - W/O HDW - PORTSMOUTH OAK
4	145268-07-R75	EA	DOOR - RAISED PANEL/PENCIL EDGE- 60.7" X 8.1" - W/O HDW - CONCERT CHERRY
4	145268-07-R76	EA	DOOR - RAISED PANEL/PENCIL EDGE- 60.7" X 8.1" - W/O HDW - WASHED MAPLE
5	145386-20-R44	EA	DRAWER - PENCIL EDGE-23.4"W X 11.8"D - W/O SLIDES/HARDWARE - PORTSMOUTH OAK
5	145386-20-R45	EA	DRAWER - PENCIL EDGE-23.4"W X 11.8"D - W/O SLIDES/HARDWARE - CONCERT CHERRY
5	145386-20-R46	EA	DRAWER - PENCIL EDGE-23.4"W X 11.8"D - W/O SLIDES/HARDWARE - WASHED MAPLE
6	145386-79-R74	EA	DRAWER - PENCIL EDGE-20.2"W X 19.7"D - W/O SLIDES/HARDWARE - PORTSMOUTH OAK
6	145386-79-R75	EA	DRAWER - PENCIL EDGE-20.2"W X 19.7"D - W/O SLIDES/HARDWARE - CONCERT CHERRY
6	145386-79-R76	EA	DRAWER - PENCIL EDGE-20.2"W X 19.7"D - W/O SLIDES/HARDWARE - WASHED MAPLE
7	145386-04-R74	EA	DRAWER - PENCIL EDGE-20.2"W X 15.7"D - W/O SLIDES/HARDWARE - PORTSMOUTH OAK
7	145386-04-R75	EA	DRAWER - PENCIL EDGE-20.2"W X 15.7"D - W/O SLIDES/HARDWARE - CONCERT CHERRY
7	145386-04-R76	EA	DRAWER - PENCIL EDGE-20.2"W X 15.7"D - W/O SLIDES/HARDWARE - WASHED MAPLE
8	144803-A8-R74	EA	FACE - F/DRAWER ONLY - PENCIL EDGE - 4.3" X 11.4" - PORTSMOUTH OAK
8	144803-A8-R75	EA	FACE - F/DRAWER ONLY - PENCIL EDGE - 4.3" X 11.4" - CONCERT CHERRY
8	144803-A8-R76	EA	FACE - F/DRAWER ONLY - PENCIL EDGE - 4.3" X 11.4" - WASHED MAPLE
9	145386-77-R74	EA	DRAWER - PENCIL EDGE-9.6"W X 19.7"D - W/O SLIDES/HARDWARE - PORTSMOUTH OAK
9	145386-77-R75	EA	DRAWER - PENCIL EDGE-9.6"W X 19.7"D - W/O SLIDES/HARDWARE - CONCERT CHERRY
9	145386-77-R76	EA	DRAWER - PENCIL EDGE-9.6"W X 19.7"D - W/O SLIDES/HARDWARE - WASHED MAPLE
10	145386-02-R74	EA	DRAWER - PENCIL EDGE-9.6"W X 15.7"D - W/O SLIDES/HARDWARE - PORTSMOUTH OAK
10	145386-02-R75	EA	DRAWER - PENCIL EDGE-9.6"W X 15.7"D - W/O SLIDES/HARDWARE - CONCERT CHERRY
10	145386-02-R76	EA	DRAWER - PENCIL EDGE-9.6"W X 15.7"D - W/O SLIDES/HARDWARE - WASHED MAPLE
11	136955-C6-P54	EA	DOOR - RAISED PANEL/PENCIL EDGE - 15.6" X 29.5" - W/O HDW - PORTSMOUTH OAK
11	136955-C6-P55	EA	DOOR - RAISED PANEL/PENCIL EDGE - 15.6" X 29.5" - W/O HDW - CONCERT CHERRY
11	136955-C6-P56	EA	DOOR - RAISED PANEL/PENCIL EDGE - 15.6" X 29.5" - W/O HDW - WASHED MAPLE

**GALLEY GROUP (CONTINUED)**  
**DOORS & DRAWERS (CONTINUED)**

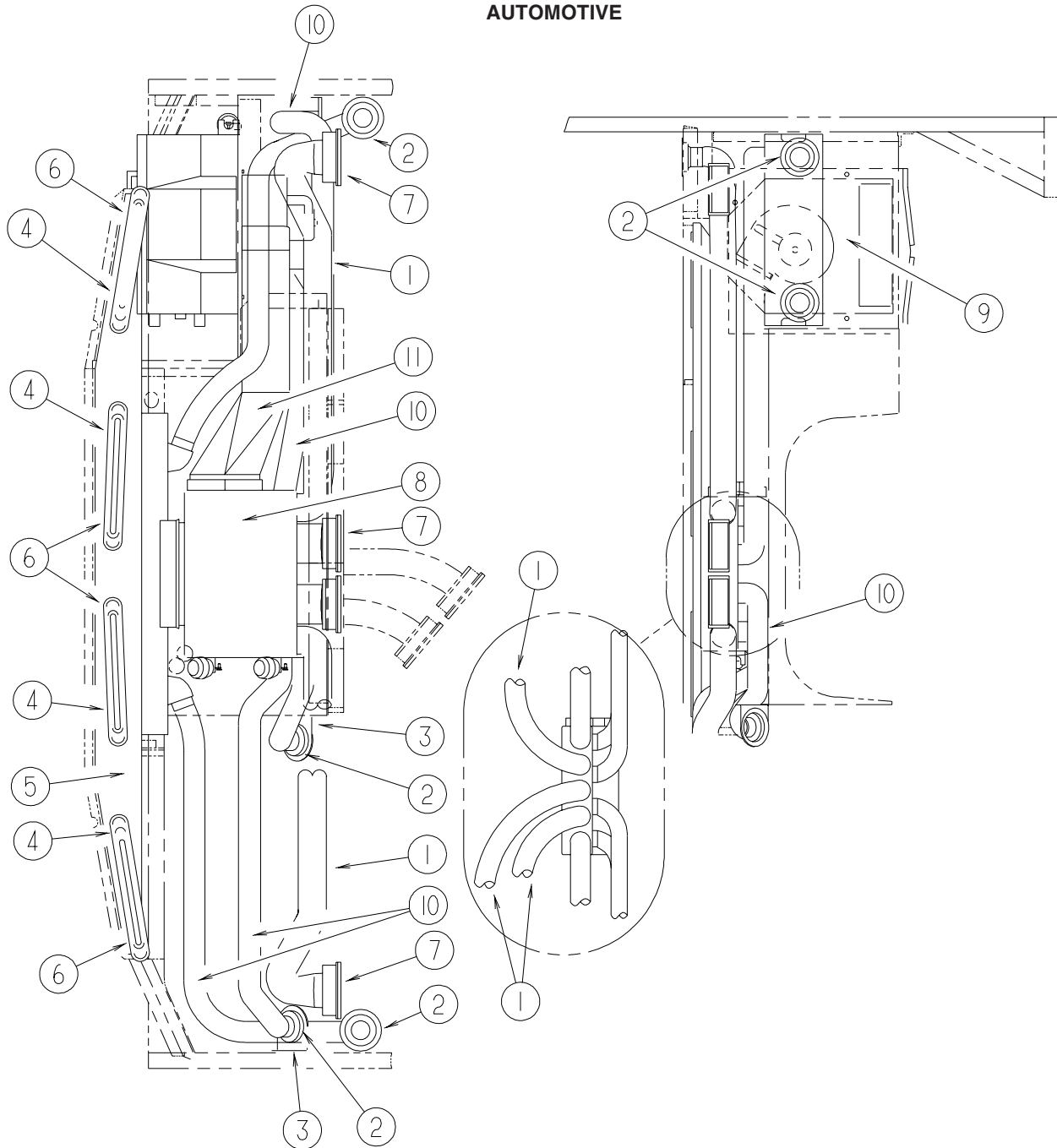
KEY	PART NUMBER	U/M	DESCRIPTION
12	136955-72-P54	EA	DOOR - RAISED PANEL/PENCIL EDGE - 12" X 26" - W/O HDW - PORTSMOUTH OAK
12	136955-72-P55	EA	DOOR - RAISED PANEL/PENCIL EDGE - 12" X 26" - W/O HDW - CONCERT CHERRY
12	136955-72-P56	EA	DOOR - RAISED PANEL/PENCIL EDGE - 12" X 26" - W/O HDW - WASHED MAPLE
13	136955-71-P54	EA	DOOR - RAISED PANEL/PENCIL EDGE - 12" X 26" - W/O HDW - PORTSMOUTH OAK
13	136955-71-P55	EA	DOOR - RAISED PANEL/PENCIL EDGE - 12" X 26" - W/O HDW - CONCERT CHERRY
13	136955-71-P56	EA	DOOR - RAISED PANEL/PENCIL EDGE - 12" X 26" - W/O HDW - WASHED MAPLE
14	145386-03-R74	EA	DRAWER - PENCIL EDGE-20.2"W X 15.7"D - W/O SLIDES/HARDWARE - PORTSMOUTH OAK
14	145386-03-R75	EA	DRAWER - PENCIL EDGE-20.2"W X 15.7"D - W/O SLIDES/HARDWARE - CONCERT CHERRY
14	145386-03-R76	EA	DRAWER - PENCIL EDGE-20.2"W X 15.7"D - W/O SLIDES/HARDWARE - WASHED MAPLE
15	134781-A7-N47	EA	DOOR - RAIL/VENEER - 8" X 60.7" - W/O HARDWARE - PORTSMOUTH OAK FROM: 00-00-00 THRU: 04-25-04
15	145268-43-R44	EA	DOOR - RAISED PANEL/PENCIL EDGE - 8.1" X 60.7" - W/O HDW - PORTSMOUTH OAK FROM: 04-26-04 THRU: 99-99-99
15	134781-A7-P55	EA	DOOR - RAIL/VENEER - 8" X 60.7" - W/O HARDWARE - CONCERT CHERRY FROM: 00-00-00 THRU: 04-25-04
15	145268-43-R45	EA	DOOR - RAISED PANEL/PENCIL EDGE - 8.1" X 60.7" - W/O HDW - CONCERT CHERRY FROM: 04-26-04 THRU: 99-99-99
15	134781-A7-P56	EA	DOOR - RAIL/VENEER - 8" X 60.7" - W/O HARDWARE - WASHED MAPLE FROM: 00-00-00 THRU: 04-25-04
15	145268-43-R46	EA	DOOR - RAISED PANEL/PENCIL EDGE - 8.1" X 60.7" - W/O HDW - WASHED MAPLE FROM: 04-26-04 THRU: 99-99-99

# GENERATOR GROUP GAS



KEY	PART NUMBER	U/M	DESCRIPTION
1	135707-02-000	EA	GENERATOR - 7.9 - 30/20 - GAS - MARQUIS GOLD - 30 AMP
1	135707-01-000	EA	GENERATOR - 7.9 - 30/30 - GAS - MARQUIS GOLD - 50 AMP
1	135707-07-000	EA	GENERATOR - 5.5 - 30/20 - GAS - MARQUIS GOLD - 30 AMP
1	135707-06-000	EA	GENERATOR - 5.5 - 30/30 - GAS - MARQUIS GOLD - 50 AMP
2	007125-03-000	EA	CLAMP - MUFFLER - 1.5" DIAMETER
3	105958-27-000	EA	PIPE - EXHAUST - GENERATOR

## HEATING & A/C GROUP AUTOMOTIVE

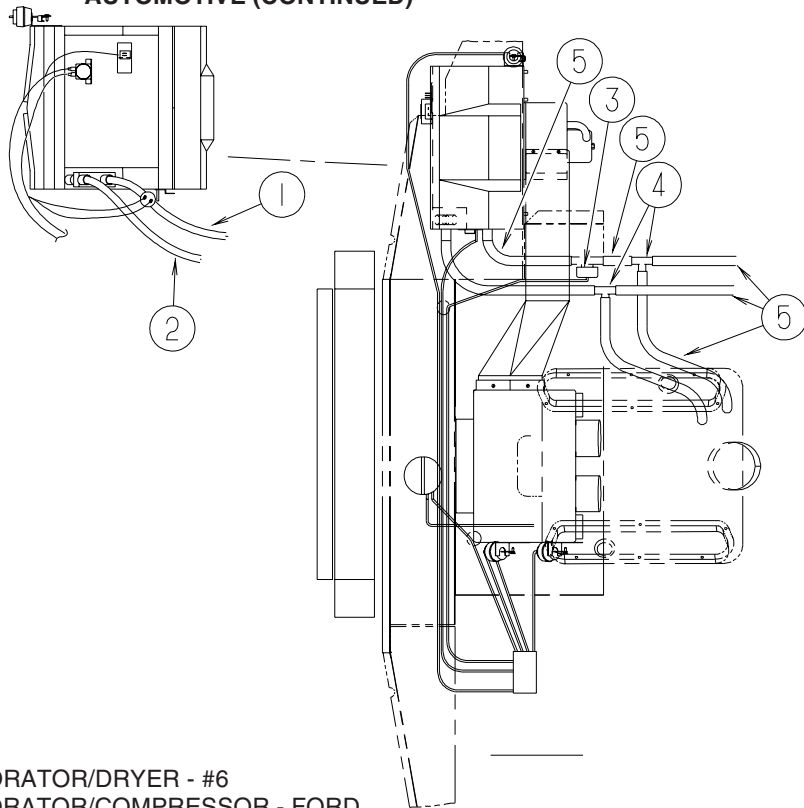


KEY	PART NUMBER	U/M	DESCRIPTION
1	007281-01-000	EA	HOSE - FLEXIBLE PVC - 2 1/2" ID X 50'
2	024990-05-000	EA	OUTLET - DEFROSTER - W/SWIVEL - 2" SLEEVE/4" OD - BLACK - 4 USED
3	136157-03-02B	EA	BRACKET - HEATER - E-COATED - 1 USED
4	077075-01-000	EA	GASKET - INSTRUMENT PANEL/DEFROSTER PLENUM - .6" X 10.2"
5	103017-03-000	EA	PLENUM - DEFROSTER
6	135265-01-04A	EA	VENT - DEFROSTER - PLASTIC - GLACIER
7	135803-01-01A	EA	LOUVER - A/C - 2.5" X 5.2" - BLACK - 2 USED
7	135803-02-01A	EA	LOUVER - A/C - 2.5" - 5.7" - W/SCREW HOLES - BLACK - 2 USED
8*	103930-49-000	EA	CONTROL/PLENUM - LARGE ROTARY
9*	103930-55-000	EA	EVAPORATOR/HEATER - NONCHARGED - SINGLE OUTPUT
10	007076-01-000	EA	HOSE - FLEXIBLE PVC - 2" ID - INCREMENTS OF 50'
11	103016-03-000	EA	PLENUM - TRANSITION
	103930-54-000	EA	MANUAL - OWNERS - HEATER/AC

\*COMPONENT PARTS LISTED LATER IN THIS GROUP



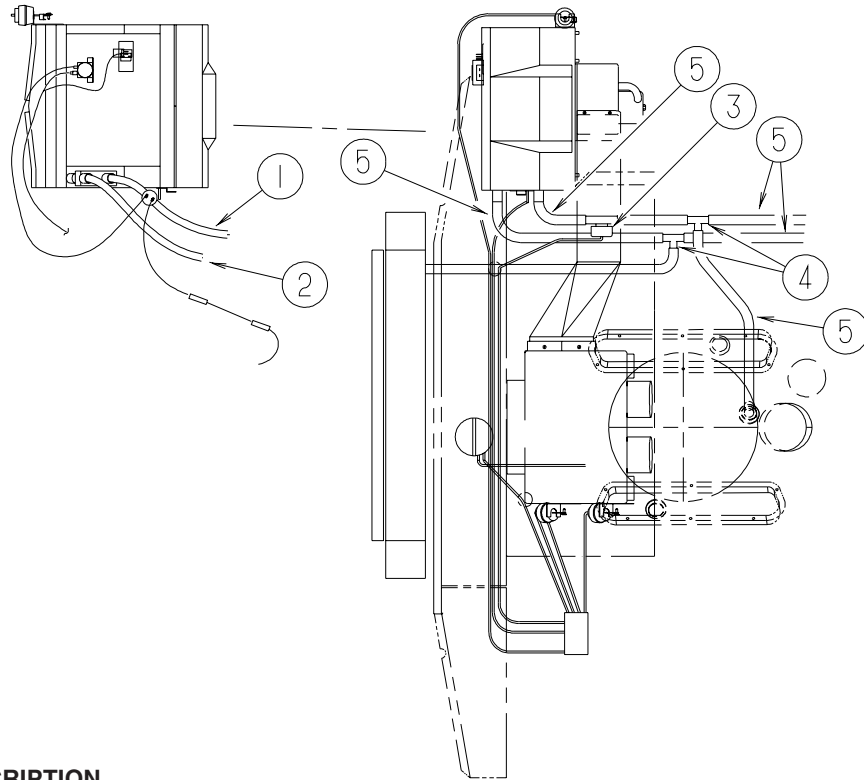
**HEATING & A/C GROUP (CONTINUED)**  
**AUTOMOTIVE (CONTINUED)**



**FORD**

KEY	PART NUMBER	U/M	DESCRIPTION
1*	103930-44-000	EA	HOSE - EVAPORATOR/DRYER - #6
2*	103930-45-000	EA	HOSE - EVAPORATOR/COMPRESSOR - FORD
3	103930-23-000	EA	VALVE/WATER - 2 PORT/VACUUM CONTROLLED - "NEW DESIGN"
4	076776-01-000	EA	TEE - BEADED - 5/8" X 5/8" X 5/8"
5	007108-01-000	FT	HOSE - HEATER - 5/8" ID - HI-TEMP

**\*COMPONENT PARTS LISTED LATER IN THIS GROUP**



**WORKHORSE**

KEY	PART NUMBER	U/M	DESCRIPTION
1*	103930-47-000	EA	HOSE - EXPANSION VALVE-EVAPORATOR/DRIER
2*	103930-46-000	EA	HOSE - EXPANSION BLOCK (EVAPORATOR) TO COMPRESSOR
3	103930-23-000	EA	VALVE/WATER - 2 PORT/VACUUM CONTROLLED - "NEW DESIGN"
4	076776-01-000	EA	TEE - BEADED - 5/8" X 5/8" X 5/8"
5	007108-01-000	FT	HOSE - HEATER - 5/8" ID - HI-TEMP

**\*COMPONENT PARTS LISTED LATER IN THIS GROUP**

## HEATING & A/C GROUP (CONTINUED)

### COMPONENT PARTS FOR AUTOMOTIVE

103930-44-000

KEY	PART NUMBER	U/M	DESCRIPTION	VENDOR NO
	103930-29-701	EA	O'RING F/LOW PRESSURE SWITCH	045-0483
	103930-44-700	EA	HOSE ASSEMBLY #6	085-0462
	113245-01-711	EA	O'RING #6	045-0129

103930-45-000

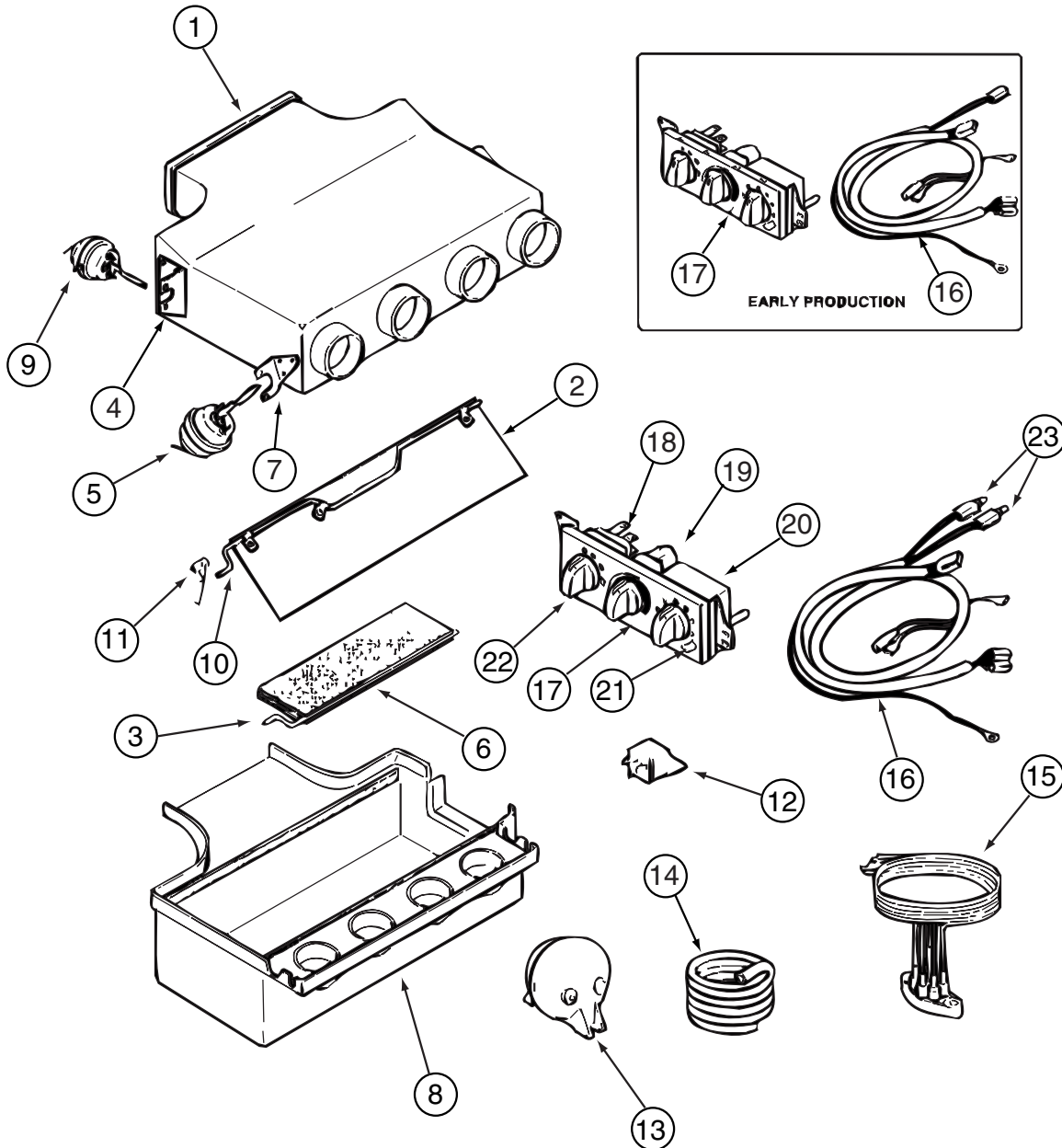
KEY	PART NUMBER	U/M	DESCRIPTION	VENDOR NO.
	103930-17-702	EA	O'RING #10	045-0127

103930-46-000

KEY	PART NUMBER	U/M	DESCRIPTION	VENDOR NO
	103930-17-702	EA	O'RING #10	045-0127
	103930-29-701	EA	O'RING F/LOW PRESSURE SWITCH	045-0483
	103930-46-700	EA	HOSE - #10 EVAP/COMP - 4.3'	085-0486

103930-47-000

KEY	PART NUMBER	U/M	DESCRIPTION	VENDOR NO
	103930-47-700	EA	HOSE - #6-EVAP/DRIER - 2.2'	085-0485
	113245-01-710	EA	O'RING, #12	045-0128



103930-49-000

**HEATING & A/C GROUP (CONTINUED)**  
**COMPONENT PARTS FOR AUTOMOTIVE (CONTINUED)**

**103930-49-000 (CONTINUED)**

<b>KEY</b>	<b>PART NUMBER</b>	<b>U/M</b>	<b>DESCRIPTION</b>	<b>VENDOR NO.</b>
1	103930-39-705	EA	PLENUM - TOP	060-0482
2	103930-04-700	EA	DOOR - DEFROSTER-A/C	071-0149
3	103930-39-700	EA	ROD - DOOR - AC/HEAT	073-067
5	103930-02-708	EA	MOTOR-VACUUM SERVO, A/C	030-0025
6	103930-39-706	EA	PLATE - DOOR - A/C	071-0623
8	103930-39-707	EA	PLENUM - BOTTOM	060-0483
9	103930-33-701	EA	MOTOR - VACUUM, 3 STAGE	030-0105
10	103930-39-701	EA	ROD - DOOR - AC/DEFROST	073-0069
11	103930-39-704	EA	SPRING	022-0119
12	103930-02-707	EA	RELAY-BOSCH W/RESISTER	031-0001
13	103930-02-710	EA	CANISTER-VACUUM	054-0002
15	103930-33-703	EA	VACUUM HARNESS	036-0466
16	103930-49-700	EA	HARNESS - WIRE	036-556
16	103930-49-701	EA	HARNESS - WIRE W/BULBS	036-0557
17	103930-49-702	EA	CONTROL PANEL-RECESSED FACE	032-0054
17	103930-49-703	EA	CONTROL PANEL - NON RECESSED	083-0223
18	103930-49-704	EA	SWITCH - BLOWER	032-0332
19	103930-49-705	EA	POTENTIOMETER	032-0182
20	103930-49-706	EA	SWITCH - VACUUM	032-0185
21	103930-49-707	EA	DECAL CONTROL PANEL-N/RECESS	058-0144
22	103930-49-708	EA	KNOB - BLOWER - NONRECESSED	062-0620
23	103930-33-705	EA	LIGHT BULBS	035-0030

CONTACT WINNEBAGO PART SALES FOR UNLISTED COMPONENTS

**103930-55-000**

<b>KEY</b>	<b>PART NUMBER</b>	<b>U/M</b>	<b>DESCRIPTION</b>	<b>VENDOR NO.</b>
1	103930-55-701	EA	CASE - FRONT	062-0658
2	103930-30-701	EA	PLATE - MOTOR MOUNT	062-0544
3	103930-55-705	EA	DOOR - BLEND AIR	071-0892
6	103930-30-702	EA	BUSHING/DRIVE (BLEND DOOR)	062-0168
7	103930-55-706	EA	CORE - HEATER - W/GASKET	084-0271
8	103930-30-709	EA	COUPLING - BLEND DOOR SHAFT	062-0634
9	103930-20-700	EA	VALVE-EXPANSION-BLOCK, 2 TON	034-0032
10	103930-55-700	EA	CORE-EVAPORATOR	041-00168
12	103930-55-702	EA	CASE-REAR	062-0657
14	103930-01-708	EA	BRACKET-VACUUM MOTOR	070-0113
15	103930-20-704	EA	ROD-DOOR-RECIRCULATING	073-0018
16	103930-55-707	EA	DOOR - RECIRCULATION	071-0891
18	103930-01-710	EA	RESISTOR-FUSED, A/C 4 TERM	035-0006
20	103930-01-711	EA	THERMOSTAT	033-0003
21	103930-02-708	EA	MOTOR-VACUUM SERVO, A/C	030-0025
22	103930-30-703	EA	MOTOR - SERVO	030-0104
23	103930-20-707	EA	HOUSING-BLOWER	062-0145
24	103930-55-703	EA	MOTOR-BLOWER W/O PIGTAIL	030-0137
25	103930-01-717	EA	WHEEL-BLOWER, CLOCKWISE	062-0010
26	103930-20-708	EA	CLIP-MOTOR SHAFT	022-0001
27	103930-30-704	EA	COVER - SERVO	062-0545
32	113245-01-707	EA	O'RING #8	045-0126
33	103930-17-702	EA	O'RING #10	045-0127
	103930-55-704	EA	CORE-HEATER	042-0059
	110279-01-703	EA	HOSE-VENT F/BLOWER MOTOR	051-0034

CONTACT WINNEBAGO PART SALES FOR UNLISTED COMPONENT(S)

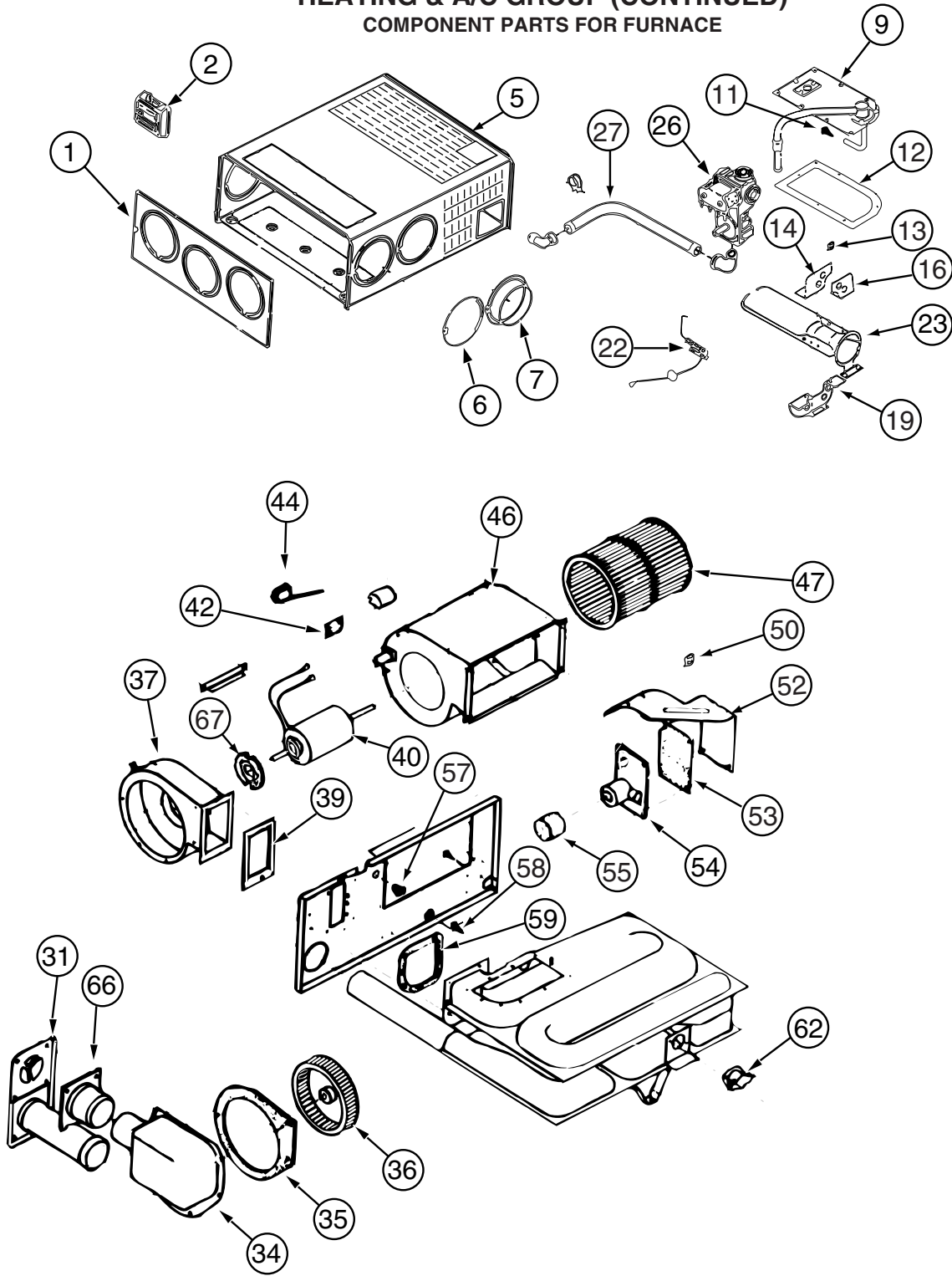
## HEATING & A/C GROUP (CONTINUED)

### FURNACE

KEY	PART NUMBER	U/M	DESCRIPTION
*	143563-01-000	EA	FURNACE - 35000 BTU/HIGH QUIET - SUBURBAN SH-35 2322 - G31Y, G33V
*	143563-02-000	EA	FURNACE - 40000 BTU HIGH QUIET - SUBURBAN SH-40 2322 - G35U, G37B, G37C, G38G, G38R
	093614-02-02A	EA	GRILLE - AIR RETURN - 9.9" X 9.9" - BEIGE
	093614-13-02A	EA	GRILLE - AIR RETURN - 15.9" X 11.9" - BEIGE
	093614-15-02A	EA	GRILL - RETURN AIR - DURA BEIGE
	126693-05-02B	EA	PANEL - EXHAUST/FURNACE - E-COATED
	137965-01-01A	EA	REGISTER - 2.25" X 10" - W/O DAMPER - ANTIQUE BRASS
	137965-02-01A	EA	REGISTER - 2.25" X 10" - W/DAMPER - ANTIQUE BRASS
	139980-05-000	EA	VENT - INTAKE
	139980-06-000	EA	VENT CAP
	141337-01-01A	EA	GASKET - FURNACE
	141194-03-02B	EA	PANEL/FURNACE CLOSEOUT - E-COATED
	134651-01-000	EA	SEAL - 1/2" X 3/4" PSA 1 SIDE
	143563-03-01A	EA	DOOR/ACCESS - FURNACE - W/FRAME - WHITE
	143563-04-000	EA	PLATE END - COLLAR
	143563-05-000	EA	GASKET - FIBERGLASS - SUBURBAN #071018
	024990-08-000	EA	OUTLET - DEFROSTER - W/O SWIVEL - 2" SLEEVE/4" OD - WHITE

**\*COMPONENT PARTS LISTED LATER IN THIS GROUP**

**HEATING & A/C GROUP (CONTINUED)**  
**COMPONENT PARTS FOR FURNACE**



143563-01-000

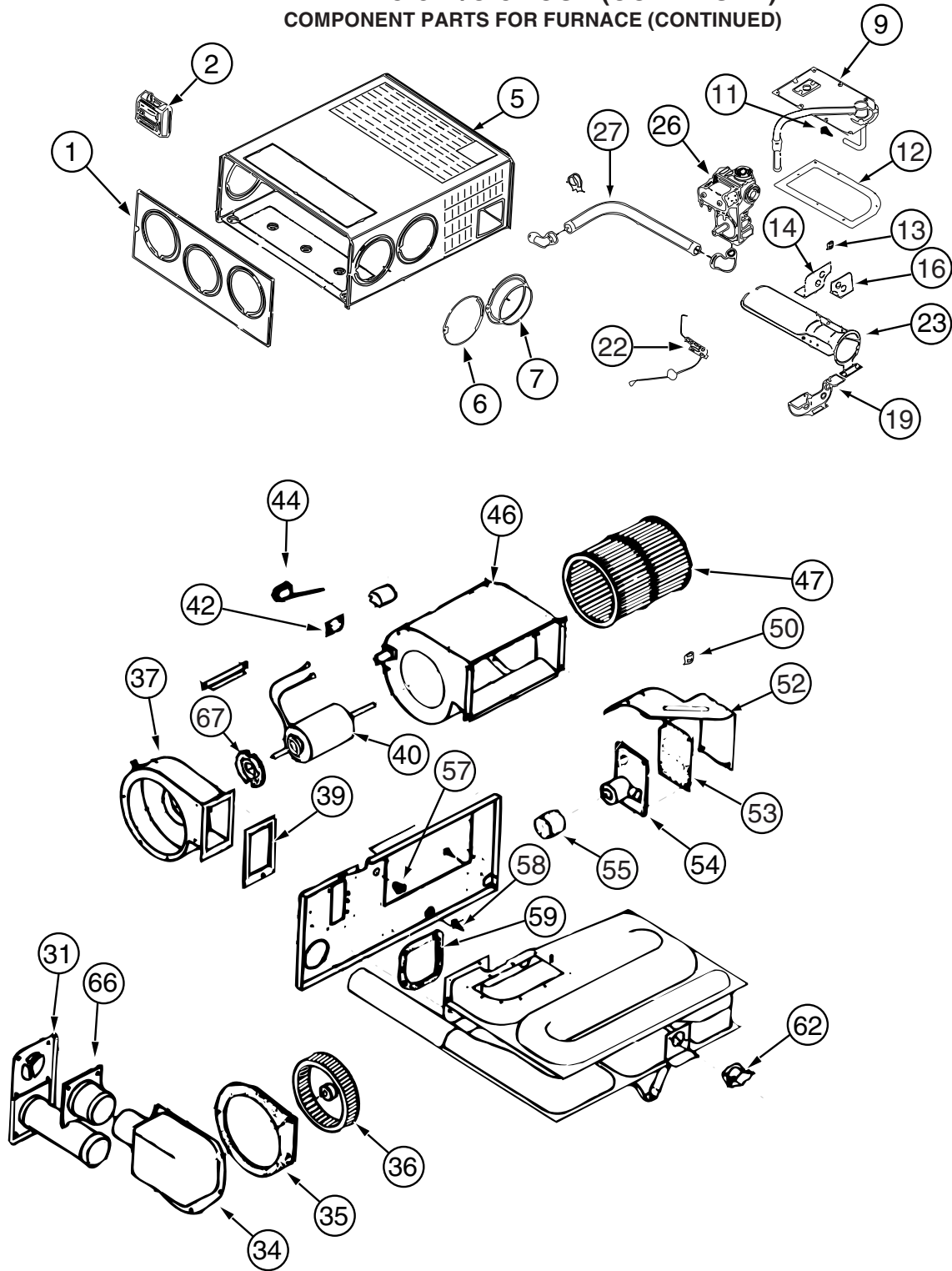
**HEATING & A/C GROUP (CONTINUED)**  
**COMPONENT PARTS FOR FURNACE (CONTINUED)**

**143563-01-000 (CONTINUED)**

<b>KEY</b>	<b>PART NUMBER</b>	<b>U/M</b>	<b>DESCRIPTION</b>	<b>VENDOR NO.</b>
1	143563-01-700	EA	CABINET - FRONT	101907
2			SEE EITHER FURNACE OR 12 vOLT WIRING AREAS FOR CORRECT THERMOSTAT	
5	143563-01-701	EA	CABINET	101921
7	075696-02-703	EA	COLLAR - DUCT	050715
9	143563-01-702	EA	MANIFOLD ASSEMBLY	171599
11	143563-01-703	EA	ORFICE - MAIN BURNER	180308
12	098668-22-703	EA	GASKET - BURNER ACCESS COVER	070811
14	143563-01-704	EA	PLATE - SECONDARY AIR/TOP BACK	063199
16	143563-01-705	EA	PLATE - SECONDARY AIR/TOP FRT	062936
19	143563-01-706	EA	PLATE - SECONDARY AIR/BOTTOM	062938
22	139980-01-701	EA	ELECTRODE	232286
23	098668-02-700	EA	BURNER ASSEMBLY,SF-30 & SF35	010745
26	098668-01-718	EA	VALVE-GAS SF S.N.974903079	161122
27	143563-01-707	EA	PIPE ASSEMBLY (GAS INLET)	171603
31	098668-01-707	EA	TUBE ASSEMBLY, EXHAUST W/CAP	260231
34	143563-01-708	EA	BOX ASM (COMB. AIR INTAKE)	051430BK
35	143563-01-709	EA	GASKET (COMB. AIR HOUSING)	071108
36	143563-01-710	EA	WHEEL (COMBUSTION AIR)	350199
37	143563-01-711	EA	HOUSING (COMBUSTION AIR)	390862BK
39	143563-01-715	EA	GASKET-FIREWALL/COMB. AIR	071107
40	143563-01-712	EA	MOTOR ASSEMBLY	232727
42	098668-01-712	EA	BOARD-MODULE	520741
44	098668-21-700	EA	SWITCH-MICRO-W/O FLAG 3 1/4"	232261
46	143563-01-713	EA	BLOWER ASSEMBLY(ROOM AIR)	390867BK
47	143563-01-714	EA	WHEEL - ROOM AIR	350198
50	139980-01-710	EA	SWITCH - ON/OFF	232351
52	139980-01-711	EA	PANEL ASSEMBLY-MODULE BD	101663
53	139980-01-712	EA	INSULATOR - MODULE BD	070807
54	098668-22-705	EA	MODULE BD W/RELAY TIME DELAY	520820
55	139980-01-713	EA	CAP/INSULATOR-MODULE BD	070973
57	139980-01-714	EA	BUSHING - UNIVERSAL	070362
58	139980-01-715	EA	BUSHING - STRAIN RELIEF	231809
59	098668-01-716	EA	GASKET-FIREWALL,CHAMBER SIDE	070808
62	098668-21-701	EA	SWITCH - LIMIT	232504
66	098668-01-713	EA	TUBE ASSEMBLY, INTAKE	051248
67	075697-07-703	EA	GASKET - MOTOR	070448

CONTACT WINNEBAGO PART SALES FOR UNLISTED COMPONENTS

**HEATING & A/C GROUP (CONTINUED)**  
**COMPONENT PARTS FOR FURNACE (CONTINUED)**



143563-02-000



**HEATING & A/C GROUP (CONTINUED)**  
**COMPONENT PARTS FOR FURNACE (CONTINUED)**

**143563-02-000 (CONTINUED)**

<b>KEY</b>	<b>PART NUMBER</b>	<b>U/M</b>	<b>DESCRIPTION</b>	<b>VENDOR NO.</b>
1	143563-01-700	EA	CABINET - FRONT	101907
2			SEE EITHER FURNACE OR 12 VOLT WIRING AREAS FOR CORRECT THERMOSTAT	
5	143563-02-700	EA	CABINET	101915
7	075696-02-703	EA	COLLAR - DUCT	050715
9	143563-01-702	EA	MANIFOLD ASSEMBLY	171599
11	143563-02-701	EA	ORFICE - MAIN BURNER	180309
12	098668-22-703	EA	GASKET - BURNER ACCESS COVER	070811
14	143563-02-702	EA	PLATE - SECONDARY AIR/TOP BACK	063198
16	143563-02-703	EA	PLATE - SECONDARY AIR/TOP FRT	062933
19	143563-02-704	EA	PLATE - SECONDARY AIR/BOTTOM	062935
22	139980-01-701	EA	ELECTRODE	232286
23	098668-11-701	EA	BURNER ASSEMBLY,SF-30 & SF35	010799
26	098668-01-718	EA	VALVE-GAS SF S.N.974903079	161122
27	143563-01-707	EA	PIPE ASSEMBLY (GAS INLET)	171603
31	098668-01-707	EA	TUBE ASSEMBLY, EXHAUST W/CAP	260231
34	143563-01-708	EA	BOX ASM (COMB. AIR INTAKE)	051430BK
35	143563-01-709	EA	GASKET (COMB. AIR HOUSING)	071108
36	143563-01-710	EA	WHEEL (COMBUSTION AIR)	350199
37	143563-01-711	EA	HOUSING (COMBUSTION AIR)	390862BK
39	143563-01-715	EA	GASKET-FIREWALL/COMB. AIR	071107
40	143563-02-705	EA	MOTOR ASSEMBLY	232726
42	101990-01-714	EA	GASKET-MICROSWITCH	230877
44	098668-21-700	EA	SWITCH-MICRO-W/O FLAG 3 1/4"	232261
46	143563-01-713	EA	BLOWER ASSEMBLY(ROOM AIR)	390867BK
47	143563-01-714	EA	WHEEL - ROOM AIR	350198
50	139980-01-710	EA	SWITCH - ON/OFF	232351
52	139980-01-711	EA	PANEL ASSEMBLY-MODULE BD	101663
53	139980-01-712	EA	INSULATOR - MODULE BD	070807
54	098668-22-705	EA	MODULE BD W/RELAY TIME DELAY	520820
55	139980-01-713	EA	CAP/INSULATOR-MODULE BD	070973
57	139980-01-714	EA	BUSHING - UNIVERSAL	070362
58	139980-01-715	EA	BUSHING - STRAIN RELIEF	231809
59	098668-01-716	EA	GASKET-FIREWALL,CHAMBER SIDE	070808
62	143563-02-706	EA	SWITCH - LIMIT	232735
66	098668-01-713	EA	TUBE ASSEMBLY, INTAKE	051248
67	075697-07-703	EA	GASKET - MOTOR	070448
	143563-02-707	EA	CHAMBER ASM. - FINAL	021172BK

CONTACT WINNEBAGO PART SALES FOR UNLISTED COMPONENTS

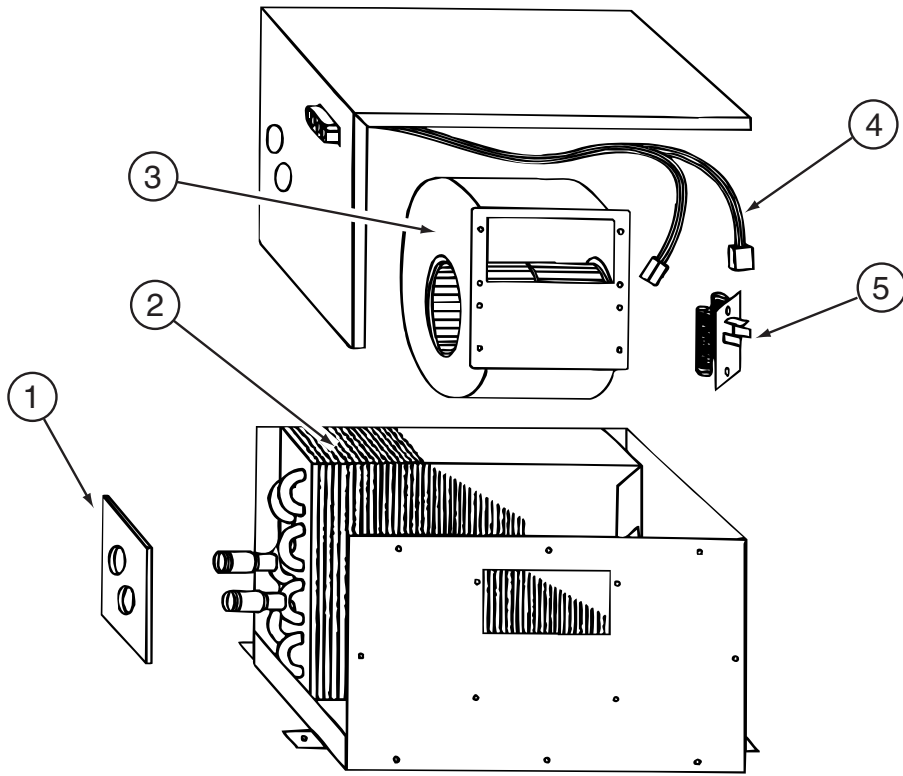


**HEATING & A/C GROUP (CONTINUED)**  
**REAR HEATER**

<b>KEY</b>	<b>PART NUMBER</b>	<b>U/M</b>	<b>DESCRIPTION</b>
*	129205-01-000	EA	HEATER - REAR - G31Y, G33V, G35U, G37C, G38G, G38R
	147610-01-000	EA	HEATER - AUTO/AUX - G37B
	007108-01-000	FT	HOSE - HEATER - 5/8" ID - HI-TEMP
	076776-01-000	EA	TEE - BEADED - 5/8" X 5/8" X 5/8"
	079059-01-000	EA	HOSE - 90 DEGREE - 5/8"ID X 4" X 36"
	079059-13-000	EA	HOSE - 90 DEGREE - .61"ID X 4" X 48"
	137965-01-01A	EA	REGISTER - 2.25" X 10" - W/O DAMPER - ANTIQUE BRASS

**\*COMPONENT PARTS LISTED LATER IN THIS GROUP**

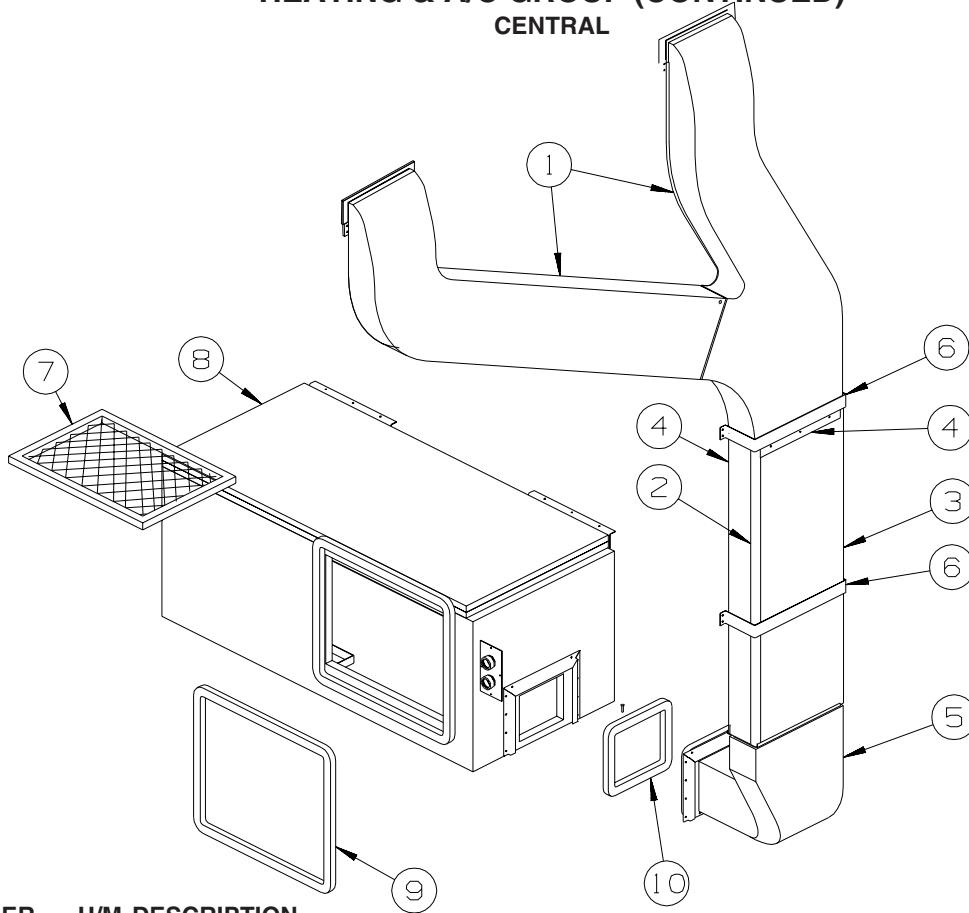
**HEATING & A/C GROUP (CONTINUED)**  
**COMPONENT PARTS FOR REAR HEATER**



129205-01-000

KEY	PART NUMBER	U/M	DESCRIPTION	VENDOR NO.
1	129205-01-700	EA	SEAL - CORE TUBE	HV218421
2	129205-01-701	EA	CORE - HEATER	HV218426
3	129205-01-702	EA	BLOWER ASSEMBLY	HV218419
4	129205-01-703	EA	WIRE HARNESS	HV218420
5	129205-01-704	EA	RESISTOR	HV218125

## HEATING & A/C GROUP (CONTINUED) CENTRAL

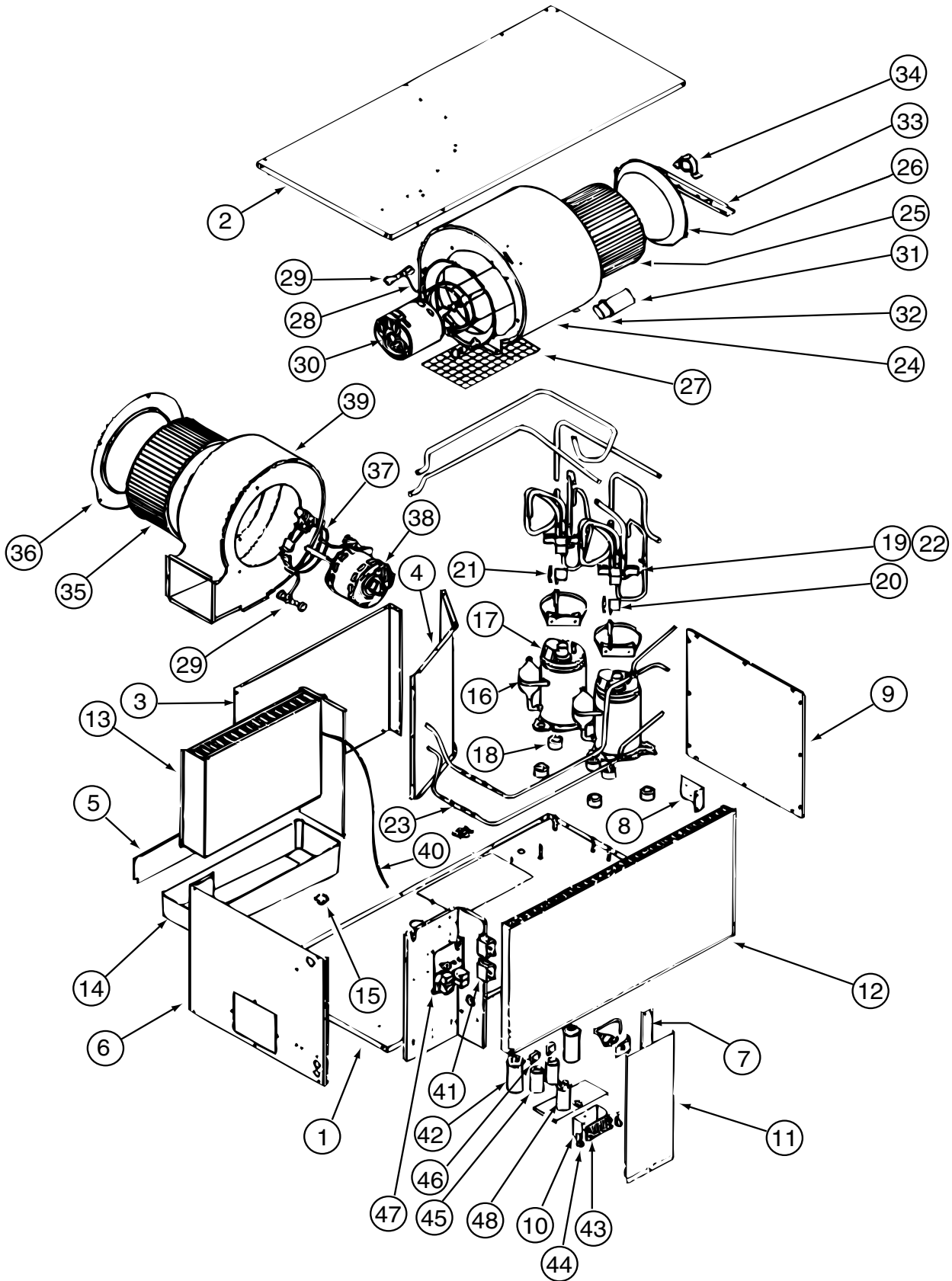


KEY	PART NUMBER	U/M	DESCRIPTION
1	M09204-01-000	EA	DUCT/AC - UPPER RIGHT HAND & LEFT HAND
	128862-01-000	EA	DUCT/AIR - UPPER LEFT HAND
	128868-01-000	EA	DUCT/AIR - UPPER RIGHT HAND
	105290-01-000	SF	INSULATION - AIR POCKET W/FOIL
2	130262-01-000	EA	PROTECTOR - CORNER SAVER - .7" X .7" X 48"
3	117870-09-01A	EA	PLENUM - A/C
4	115886-11-02A	EA	RETAINER - SIDEWALL - MILL - 11.8"
5	P38842-01-000	EA	DUCT - CENTRAL AIR/FORCED - W/INSULATION - LOWER
	105290-01-000	SF	INSULATION - AIR POCKET W/FOIL
6	129047-01-02B	EA	STRAP/MOUNTING - AIR DUCT - E-COATED
7	109050-02-000	EA	FILTER/FURNACE-AC - FIBERGLASS - 1" X 14" X 20" - G38G USES 2, ALL OTHER g-SERIES USE 1
7	109050-03-000	EA	FILTER/FURNACE-AC - FIBERGLASS - 1" X 10" X 20" - G31Y, G33V
8*	105620-12-000	EA	A/C - CENTRAL - RIGHT HAND/HEAT PUMP - 12,000 BTU COMP
9	134588-01-000	EA	GASKET - DUCT - 15.5" X 18.2" IS - 17.4" X 20.2" OS
10	134588-02-000	EA	GASKET - DUCT - 6.4" X 7.4" IS - 8.3" X 9.4" OS
*	105620-15-000	EA	THERMOSTAT - FURNACE/HEAT PUMP-A/C
	120134-01-02A	EA	REGISTER - W/DAMPER - 4" PIPE/7" O.D. FACE - WHITE

**\*COMPONENT PARTS LISTED LATER IN THIS GROUP**

# HEATING & A/C GROUP (CONTINUED)

## COMPONENT PARTS FOR CENTRAL



105620-12-000

**HEATING & A/C GROUP (CONTINUED)**  
**COMPONENT PARTS FOR CENTRAL (CONTINUED)**

**105620-12-000 (CONTINUED)**

KEY	PART NUMBER	U/M	DESCRIPTION	VENDOR NO.
10	105620-01-733	EA	ISOLATOR-HIGH VOLTAGE	6795-117
11	105620-10-716	EA	DOOR - ELECTRIC BOX	6535B346
12	105620-12-701	EA	COIL - CONDENSER	1452A1621
13	105620-12-702	EA	COIL - EVAPORATOR	1452A1611
15	105620-12-703	EA	VALVE - DRAIN	6795-200
16	105620-12-704	EA	COMPRESSOR	1450-2149
				FROM: 00-00-00 THRU: 07-27-03
16	105620-12-723	EA	COMPRESSOR (PANASONIC)	1450-2229
				FROM: 07-28-03 THRU: 99-99-99
17	105620-12-705	EA	OVERLOAD	1450-0081
18	105620-01-706	EA	MOUNTING PKG.,COMP., 3 PER	6759-3081
19	105620-12-706	EA	REVERSING VALVE ASSEMBLY #1	6535A533
				FROM: 00-00-00 THRU: 07-27-03
	105620-12-707	EA	REVERSING VALVE ASSEMBLY #2	6535-5321
				FROM: 00-00-00 THRU: 07-27-03
19	105620-12-724	EA	REVERSING VALVE ASSEMBLY	6535-535
				FROM: 07-28-03 THRU: 99-99-99
20	105620-12-708	EA	COIL - SOLENOID	1460-1081
21	105620-12-709	EA	WIRE HARNESS-REVERSING VALVE	6536-111
22	105620-12-710	EA	VALVE - REVERSE ONLY	1454A350
23	105620-12-711	EA	RESTRICTOR - BY FLOW	1454-2521
24	105620-10-718	EA	BLOWER HOUSING/OUTSIDE AIR	6536-515
25	105620-01-713	EA	WHEEL-BLOWER/OUTSIDE AIR	1472-1011
26	105620-01-714	EA	VENTURI-BLOWER/OUTSIDE AIR	6795A150
28	105620-01-715	EA	MOUNT-BLOWER/OUTSIDE AIR	6795A3011
29	105620-01-716	EA	SLEEVE & GROMMET, 4 PER PKKG.	6795A3031
30	105620-10-721	EA	MOTOR/BLOWER-8 3/4" SHAFT	1468A3029
31	105620-01-718	EA	CAPACITOR-FAN (OUTDOOR MOTOR))	1499-5631
32	105620-10-715	EA	RUBBER CAPACITOR BOOT	1499-951
33	105620-10-700	EA	BEARING BRACKET/OUTSIDE AIR	6536-514
34	105620-10-701	EA	BEARING/PILLOW BLOCK-O/S AIR	6536-3011
35	105620-11-701	EA	BLOWER WHEEL/INSIDE AIR	1472-1151
36	105620-12-715	EA	BLOWER VENTURI/INSIDE AIR	6535A287
37	105620-01-723	EA	MOUNT-BLOWER MOTOR - I/S AIR	6795-302
38	105620-12-716	EA	BLOWER MTR/IN AIR/REVERSIBLE	1468-3219
39	105620-11-706	EA	MOTOR/BLOWER KIT	6535B5901
				FROM: 07-28-03 THRU: 99-99-99
40	105620-12-719	EA	COIL SENSOR	7330A3231
41	105620-01-729	EA	RELAY-COMPRESSOR -4 TERMINAL	1460-1131
42	126859-01-703	EA	CAPACITOR - RUN	1499-5671
				FROM: 00-00-00 THRU: 07-27-03
42	105620-12-725	EA	COMPRESSOR RUN CAPACITOR	1499-5731
				FROM: 07-28-03 THRU: 99-99-99
43	105620-01-738	EA	BOARD-TERMINAL, HIGH VOLTAGE	6795-315
46	105620-10-705	EA	PTCR (START DEVICE) - W/CAP.	8333A9021
47	105620-12-720	EA	KIT-CIRCUIT BD (6535-SERIES)	6535-3209
				FROM: 00-00-00 THRU: 07-27-03
47	105620-12-721	EA	CIRCUIT BD (6535 A SERIES)	6535A3201
48	093763-01-704	EA	CAPACITOR-FAN (INDOOR MOTOR)	1499-5461
	105620-10-720	EA	FUSE/BUSS(8AMP/250V) 2 PKG	6535-3081
			CONTACT WINNEBAGO PART SALES FOR UNLISTED COMPONENT(S)	

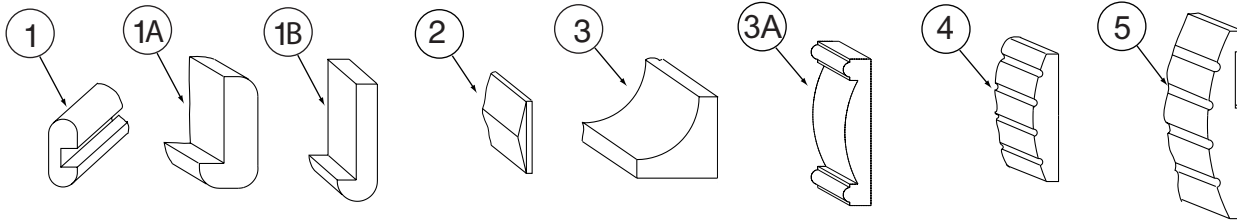
**105620-15-000**

KEY	PART NUMBER	U/M	DESCRIPTION	VENDOR NO.
	105620-15-700	EA	FUSE/BUSS (2AMP/250V) 3 PER PK	8330-3343

# INTERIOR FINISH GROUP

## MOLDINGS & TRIMS

PORTSMOUTH OAK  
CONCERT CHERRY  
WASHED MAPLE



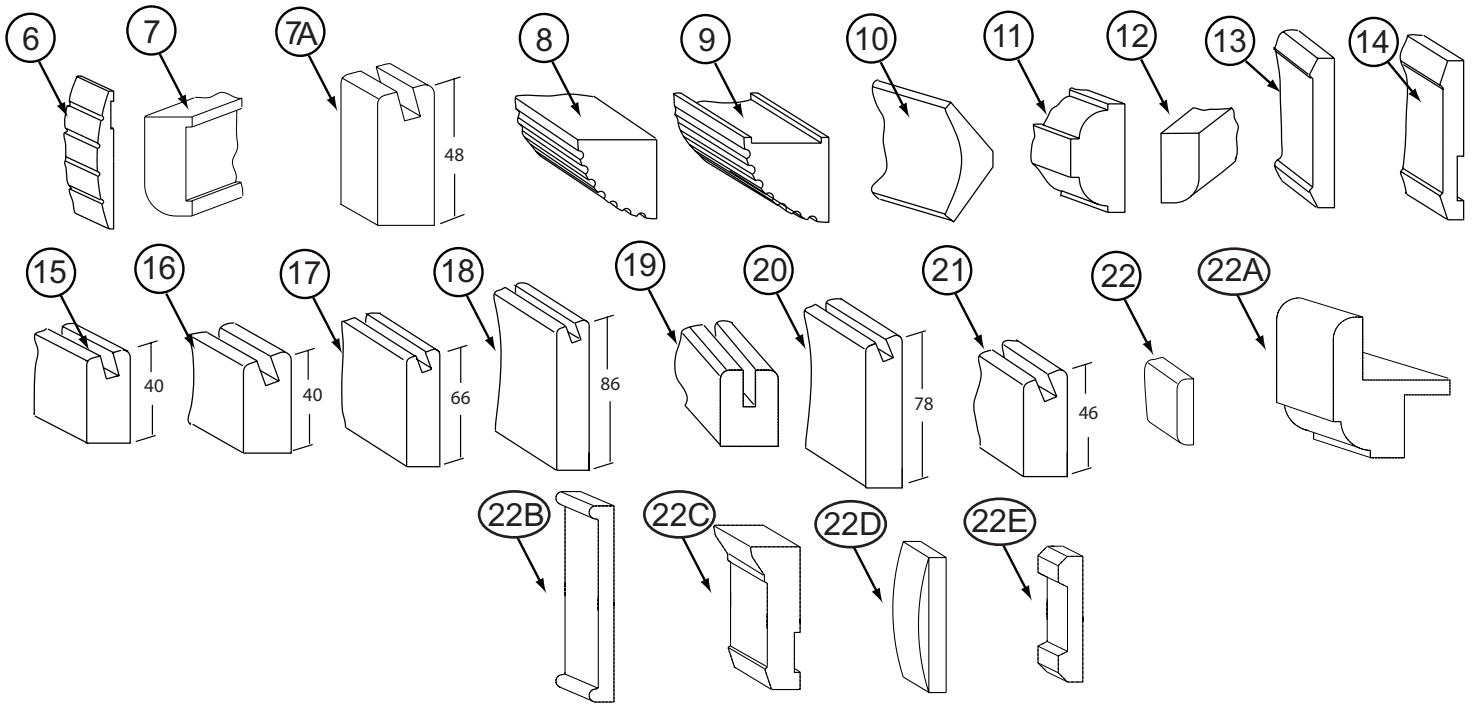
KEY	PART NUMBER	U/M	DESCRIPTION
1	M09412-62-N42	EA	MOLDING/SHELF EDGE - W/.4" NOTCH - PORTSMOUTH II - PORTSMOUTH OAK
1	M09412-62-M52	EA	MOLDING/SHELF EDGE - W/.4" NOTCH - CHERRY IV - CONCERT CHERRY
1	M09412-62-M62	EA	MOLDING/SHELF EDGE - W/.4" NOTCH - WASHED MAPLE
1	M09412-62-RC3	EA	MOLDING/SHELF EDGE - W/.4" NOTCH - .6" X 1.3" X 96" - HONEY CHERRY
1A	M09438-02-N70	EA	MOLDING - HARDWOOD-W/NOTCH - 1.4"X 80.5" - OAK/PORTS OAK - PORTSMOUTH OAK
1A	M09438-02-N85	EA	MOLDING - HARDWOOD-W/NOTCH - 1.4"X 80.5" - CHERRY/CHERRY IV - CONCERT CHERRY
1A	M09438-02-N84	EA	MOLDING - HARDWOOD-W/NOTCH - 1.4"X 80.5" - MAPLE/WASHED MP - WASHED MAPLE
1B	M09438-21-N95	EA	MOLDING/TRIM - .8" X 2.2" X 80.2" - OAK/PORTS OAK - PORTSMOUTH OAK
1B	M09438-21-N94	EA	MOLDING/TRIM - .8" X 2.2" X 80.2" - CHERRY/CHERRY IV - CONCERT CHERRY
1B	M09438-21-NQ0	EA	MOLDING/TRIM - .8" X 2.2" X 80.2" - MAPLE/WASHED MP - WASHED MAPLE
1B	M09438-23-N95	EA	MOLDING - HARDWOOD-W/NOTCH - 4" X 80.2" - OAK/PORTS OAK - PORTSMOUTH OAK
1B	M09438-23-N94	EA	MOLDING - HARDWOOD-W/NOTCH - 4" X 80.2" - CHERRY/CHERRY IV - CONCERT CHERRY
1B	M09438-23-NQ0	EA	MOLDING - HARDWOOD-W/NOTCH - 4" X 80.2" - MAPLE/WASHED MP - WASHED MAPLE
1B	M09438-25-N95	EA	MOLDING - HARDWOOD-W/NOTCH - 1.4"X 80.2" - OAK/PORTS OAK - PORTSMOUTH OAK
1B	M09438-25-N94	EA	MOLDING - HARDWOOD-W/NOTCH - 1.4"X 80.2" - CHERRY/CHERRY IV - CONCERT CHERRY
1B	M09438-25-NQ0	EA	MOLDING - HARDWOOD-W/NOTCH - 1.4"X 80.2" - MAPLE/WASHED MP - WASHED MAPLE
1B	M09438-25-RA3	EA	MOLDING - HARDWOOD-W/NOTCH - 1.4"X 80.2" - CHERRY/HONEY - HONEY CHERRY
1B	M09450-77-PC0	EA	MOLDING - TRIM/HDWD W/LIP -.4"X3.2"X79.6" - OAK/PORTS OAK - PORTSMOUTH OAK
1B	M09450-77-PC1	EA	MOLDING - TRIM/HDWD W/LIP -.4"X3.2"X79.6" - CHERRY/CHERRY IV - CONCERT CHERRY
1B	M09450-77-PC2	EA	MOLDING - TRIM/HDWD W/LIP -.4"X3.2"X79.6" - MAPLE/WASHED MP - WASHED MAPLE
1B	M09450-77-RC3	EA	MOLDING - TRIM/HDWD W/LIP -.4"X3.2"X79.6" - CHERRY/HONEY - HONEY CHERRY
1B	M09462-75-R38	EA	MOLDING/TRIM - .75" X 1.2" X 80.2" - PORTSMOUTH OAK
1B	M09462-75-R39	EA	MOLDING/TRIM - .75" X 1.2" X 80.2" - CONCERT CHERRY
1B	M09462-75-R46	EA	MOLDING/TRIM - .75" X 1.2" X 80.2" - WASHED MAPLE
2	M09454-62-P54	EA	MOLDING - TRIM/VEE - .2" X 1" X 3.5" - OAK - PORTSMOUTH OAK
2	M09454-62-P55	EA	MOLDING - TRIM/VEE - .2" X 1" X 3.5" - CHERRY - CONCERT CHERRY
2	M09454-62-P56	EA	MOLDING - TRIM/VEE - .2" X 1" X 3.5" - MAPLE - WASHED MAPLE
2	M09454-62-RE0	EA	MOLDING - TRIM/VEE - .2" X 1" X 3.5" - CHERRY - HONEY CHERRY
2	M09462-50-R74	EA	MOLDING - TRIM/VEE - .2" X 1" X 93.5" - PORTSMOUTH OAK
2	M09462-50-R75	EA	MOLDING - TRIM/VEE - .2" X 1" X 93.5" - CONCERT CHERRY
2	M09462-50-R76	EA	MOLDING - TRIM/VEE - .2" X 1" X 93.5" - WASHED MAPLE
2	M09477-18-R83	EA	MOLDING - TRIM/VEE - .2" X 1" X 32" - OAK - PORTSMOUTH OAK
2	M09477-18-R84	EA	MOLDING - TRIM/VEE - .2" X 1" X 32" - CHERRY - CONCERT CHERRY
2	M09477-18-R91	EA	MOLDING - TRIM/VEE - .2" X 1" X 32" - MAPLE - WASHED MAPLE
2	M09477-18-RE0	EA	MOLDING - TRIM/VEE - .2" X 1" X 32" - CHERRY - HONEY CHERRY
3	M09471-79-R38	EA	MOLDING-STAINED - PORTSMOUTH OAK
3	M09471-79-R39	EA	MOLDING-STAINED - CONCERT CHERRY
3	M09471-79-R46	EA	MOLDING-STAINED - WASHED MAPLE
3	M09471-79-RE0	EA	MOLDING-STAINED - HONEY CHERRY
3A	M09471-40-R83	EA	MOLDING-STAINED - PORTSMOUTH OAK
3A	M09471-40-R84	EA	MOLDING-STAINED - CONCERT CHERRY
3A	M09471-40-RE0	EA	MOLDING-STAINED - HONEY CHERRY
4	M09454-52-PA0	EA	MOLDING - FLUTED - .75" X 3.5" X 76.7" - OAK - PORTSMOUTH OAK
4	M09454-52-PA1	EA	MOLDING - FLUTED - .75" X 3.5" X 76.7" - CHERRY - CONCERT CHERRY
4	M09454-52-PA2	EA	MOLDING - FLUTED - .75" X 3.5" X 76.7" - MAPLE - WASHED MAPLE
4	P39129-01-N53	EA	MOLDING - FLUTED/CURVED - 3.5" X 44.5" - PORTSMOUTH OAK
4	P39129-01-N52	EA	MOLDING - FLUTED/CURVED - 3.5" X 44.5" - CONCERT CHERRY
4	P39129-01-N62	EA	MOLDING - FLUTED/CURVED - 3.5" X 44.5" - WASHED MAPLE
4	P39129-01-RA3	EA	MOLDING - FLUTED/CURVED - 3.5" X 44.5" - HONEY CHERRY

**INTERIOR FINISH GROUP (CONTINUED)**  
**MOLDINGS & TRIMS (CONTINUED)**

KEY	PART NUMBER	U/M	DESCRIPTION
4	P39129-08-N53	EA	MOLDING - FLUTED/CURVED - 3.5" X 45.5" - PORTSMOUTH OAK
4	P39129-08-N52	EA	MOLDING - FLUTED/CURVED - 3.5" X 45.5" - CONCERT CHERRY
4	P39129-08-N62	EA	MOLDING - FLUTED/CURVED - 3.5" X 45.5" - WASHED MAPLE
4	P39129-08-RA3	EA	MOLDING - FLUTED/CURVED - 3.5" X 45.5" - HONEY CHERRY
4	P39129-14-PA0	EA	MOLDING - FLUTED/CURVED - 3.5" X 40.8" - PORTSMOUTH OAK
4	P39129-14-PA1	EA	MOLDING - FLUTED/CURVED - 3.5" X 40.8" - CONCERT CHERRY
4	P39129-14-PA2	EA	MOLDING - FLUTED/CURVED - 3.5" X 40.8" - WASHED MAPLE
4	P39129-14-RA3	EA	MOLDING - FLUTED/CURVED - 3.5" X 40.8" - HONEY CHERRY
4	P39129-20-PA0	EA	MOLDING - FLUTED/CURVED - 3.5" X 33.4" - PORTSMOUTH OAK
4	P39129-20-PA1	EA	MOLDING - FLUTED/CURVED - 3.5" X 33.4" - CONCERT CHERRY
4	P39129-20-PA2	EA	MOLDING - FLUTED/CURVED - 3.5" X 33.4" - WASHED MAPLE
4	P39129-20-RA3	EA	MOLDING - FLUTED/CURVED - 3.5" X 33.4" - HONEY CHERRY
4	P39129-25-PA0	EA	MOLDING - FLUTED/CURVED - 3.5" X 46.6" - PORTSMOUTH OAK
4	P39129-25-PA1	EA	MOLDING - FLUTED/CURVED - 3.5" X 46.6" - CONCERT CHERRY
4	P39129-25-PA2	EA	MOLDING - FLUTED/CURVED - 3.5" X 46.6" - WASHED MAPLE
4	P39129-25-RA3	EA	MOLDING - FLUTED/CURVED - 3.5" X 46.6" - HONEY CHERRY
4	P39129-31-PA0	EA	MOLDING - FLUTED/CURVED - 3.5" X 80.7" - PORTSMOUTH OAK
4	P39129-31-PA1	EA	MOLDING - FLUTED/CURVED - 3.5" X 80.7" - CONCERT CHERRY
4	P39129-31-PA2	EA	MOLDING - FLUTED/CURVED - 3.5" X 80.7" - WASHED MAPLE
4	P39129-31-RA3	EA	MOLDING - FLUTED/CURVED - 3.5" X 80.7" - HONEY CHERRY
4	P39129-32-RA0	EA	MOLDING - FLUTED/CURVED - 3.5" X 99.2" - PORTSMOUTH OAK
4	P39129-32-RA1	EA	MOLDING - FLUTED/CURVED - 3.5" X 99.2" - CONCERT CHERRY
4	P39129-32-RA2	EA	MOLDING - FLUTED/CURVED - 3.5" X 99.2" - WASHED MAPLE
4	P39129-32-RA3	EA	MOLDING - FLUTED/CURVED - 3.5" X 99.2" - HONEY CHERRY
4	P39129-33-RA0	EA	MOLDING - FLUTED/CURVED - 3.5" X 98.58" - PORTSMOUTH OAK
4	P39129-33-RA1	EA	MOLDING - FLUTED/CURVED - 3.5" X 98.58" - CONCERT CHERRY
4	P39129-33-RA2	EA	MOLDING - FLUTED/CURVED - 3.5" X 98.58" - WASHED MAPLE
4	P39129-33-RA3	EA	MOLDING - FLUTED/CURVED - 3.5" X 98.58" - HONEY CHERRY
5	P39129-19-PA0	EA	MOLDING - FLUTED/CURVED - 5.9" X 32.1" - PORTSMOUTH OAK
5	P39129-19-PA1	EA	MOLDING - FLUTED/CURVED - 5.9" X 32.1" - CONCERT CHERRY
5	P39129-19-PA2	EA	MOLDING - FLUTED/CURVED - 5.9" X 32.1" - WASHED MAPLE
5	P39129-19-RA3	EA	MOLDING - FLUTED/CURVED - 5.9" X 32.1" - HONEY CHERRY
5	P39129-28-PA0	EA	MOLDING - FLUTED/CURVED - 5.9" X 63.3" - PORTSMOUTH OAK
5	P39129-28-PA1	EA	MOLDING - FLUTED/CURVED - 5.9" X 63.3" - CONCERT CHERRY
5	P39129-28-PA2	EA	MOLDING - FLUTED/CURVED - 5.9" X 63.3" - WASHED MAPLE
5	P39129-28-RA3	EA	MOLDING - FLUTED/CURVED - 5.9" X 63.3" - HONEY CHERRY
5	P39129-29-PA0	EA	MOLDING - FLUTED/CURVED - 5.9" X 70.1" - PORTSMOUTH OAK
5	P39129-29-PA1	EA	MOLDING - FLUTED/CURVED - 5.9" X 70.1" - CONCERT CHERRY
5	P39129-29-PA2	EA	MOLDING - FLUTED/CURVED - 5.9" X 70.1" - WASHED MAPLE
5	P39129-29-RA3	EA	MOLDING - FLUTED/CURVED - 5.9" X 70.1" - HONEY CHERRY



**INTERIOR FINISH GROUP (CONTINUED)**  
**MOLDINGS & TRIMS (CONTINUED)**



KEY	PART NUMBER	U/M	DESCRIPTION
6	P39129-21-PA0	EA	MOLDING - FLUTED/CURVED - 5.9" X 2.5" - PORTSMOUTH OAK
6	P39129-21-PA1	EA	MOLDING - FLUTED/CURVED - 5.9" X 2.5" - CONCERT CHERRY
6	P39129-21-PA2	EA	MOLDING - FLUTED/CURVED - 5.9" X 2.5" - WASHED MAPLE
6	P39129-21-RA3	EA	MOLDING - FLUTED/CURVED - 5.9" X 2.5" - HONEY CHERRY
6	P39129-22-PA0	EA	MOLDING - FLUTED/CURVED - 5.9" X 5.3" - PORTSMOUTH OAK
6	P39129-22-PA1	EA	MOLDING - FLUTED/CURVED - 5.9" X 5.3" - CONCERT CHERRY
6	P39129-22-PA2	EA	MOLDING - FLUTED/CURVED - 5.9" X 5.3" - WASHED MAPLE
6	P39129-22-RA3	EA	MOLDING - FLUTED/CURVED - 5.9" X 5.3" - HONEY CHERRY
7	Y00007-22-438	EA	MOLDING - MAPLE - UNSTAINED
7	Y00007-32-438	EA	MOLDING - CHERRY - UNSTAINED
7	Y00007-42-438	EA	MOLDING - OAK - UNSTAINED
7A	Y00054-72-438	EA	MOLDING - VINYL - W/SLOT - .7"X 1.9"X 96" - PORTSMOUTH OAK
7A	Y00054-62-438	EA	MOLDING - VINYL - W/SLOT - .7"X 1.9"X 96" - CONCERT CHERRY
7A	Y00054-A2-438	EA	MOLDING - VINYL - W/SLOT - .7"X 1.9"X 96" - WASHED MAPLE
8	Y00070-22-438	EA	MOLDING/FLUTED - MAPLE - 96" - WASHED MAPLE
8	Y00070-32-438	EA	MOLDING/FLUTED - CHERRY - 96" - CONCERT CHERRY
8	Y00070-42-438	EA	MOLDING/FLUTED - OAK - 96" - PORTSMOUTH OAK
9	Y00071-22-438	EA	MOLDING/FLUTED - W/NOTCH - MAPLE/UNSTAINED - 96"
9	Y00071-32-438	EA	MOLDING/FLUTED - W/NOTCH - CHERRY/UNSTAINED - 96"
9	Y00071-42-438	EA	MOLDING/FLUTED - W/NOTCH - OAK/UNSTAINED - 96"
10	Y00074-A2-438	EA	MOLDING/CROWN - VINYL WRAPPED - MAPLE - 96" - WASHED MAPLE
10	Y00074-62-438	EA	MOLDING/CROWN - VINYL WRAPPED - CONCERT CHERRY - 96" - CONCERT CHERRY
10	Y00074-72-438	EA	MOLDING/CROWN - VINYL WRAPPED - PORTSMOUTH OAK - 96" - PORTSMOUTH OAK
11	Y00076-22-438	EA	MOLDING/TRIM - .5" X 1" X 96" - MAPLE (UNSTAINED)
11	Y00076-32-438	EA	MOLDING/TRIM - .5" X 1" X 96" - CHERRY (UNSTAINED)
11	Y00076-42-438	EA	MOLDING/TRIM - .5" X 1" X 96" - OAK (UNSTAINED)
12	Y00086-A2-438	EA	MOLDING - VINYL WRAP - .7" X 1.6" X 96" - WASHED MAPLE
12	Y00086-62-438	EA	MOLDING - VINYL WRAP - .7" X 1.6" X 96" - CONCERT CHERRY
12	Y00086-72-438	EA	MOLDING - VINYL WRAP - .7" X 1.6" X 96" - PORTSMOUTH OAK
12	Y00086-82-438	EA	MOLDING - VINYL WRAP - .7" X 1.6" X 96" - HONEY CHERRY
12	Y00087-A2-438	EA	MOLDING - VINYL WRAP - .7" X 2.9" X 96" - WASHED MAPLE
12	Y00087-62-438	EA	MOLDING - VINYL WRAP - .7" X 2.9" X 96" - CONCERT CHERRY
12	Y00087-72-438	EA	MOLDING - VINYL WRAP - .7" X 2.9" X 96" - PORTSMOUTH OAK
12	Y00087-82-438	EA	MOLDING - VINYL WRAP - .7" X 2.9" X 96" - HONEY CHERRY
12	Y00267-72-438	EA	MOLDING - VINYL WRAP/MITERED - .6" X 96" - PORTSMOUTH OAK
12	Y00267-62-438	EA	MOLDING - VINYL WRAP/MITERED - .6" X 96" - CONCERT CHERRY
12	Y00267-A2-438	EA	MOLDING - VINYL WRAP/MITERED - .6" X 96" - WASHED MAPLE

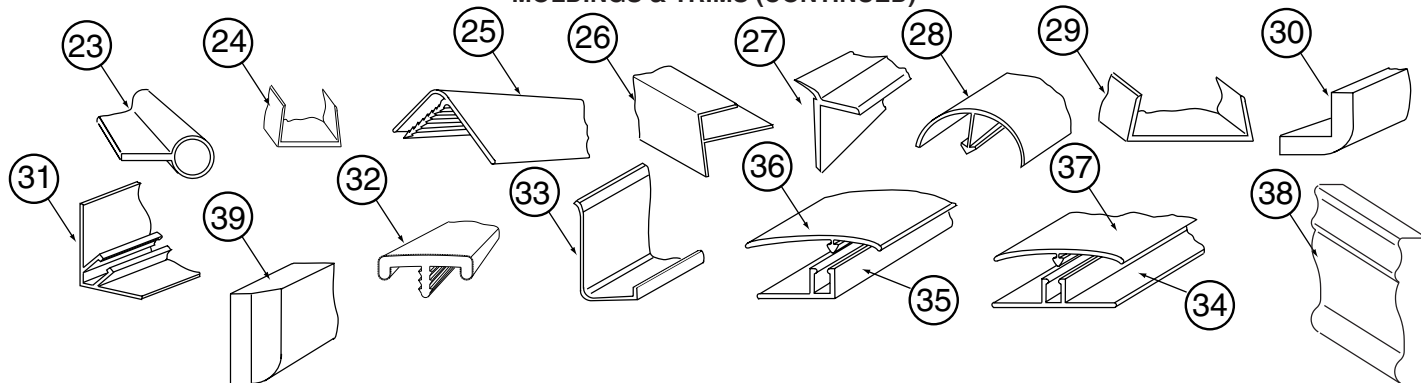


**INTERIOR FINISH GROUP (CONTINUED)**  
**MOLDINGS & TRIMS (CONTINUED)**

KEY	PART NUMBER	U/M	DESCRIPTION
13	Y00152-A2-438	EA	MOLDING/TRIM - VINYL - .6" X 3.5" X 96" - WASHED MAPLE
13	Y00152-62-438	EA	MOLDING/TRIM - VINYL - .6" X 3.5" X 96" - CONCERT CHERRY
13	Y00152-72-438	EA	MOLDING/TRIM - VINYL - .6" X 3.5" X 96" - PORTSMOUTH OAK
14	Y00153-A2-438	EA	MOLDING/TRIM - VINYL - .6" X 3.9" X 96" - WASHED MAPLE
14	Y00153-62-438	EA	MOLDING/TRIM - VINYL - .6" X 3.9" X 96" - CONCERT CHERRY
14	Y00153-72-438	EA	MOLDING/TRIM - VINYL - .6" X 3.9" X 96" - PORTSMOUTH OAK
14	Y00153-82-438	EA	MOLDING/TRIM - VINYL - .6" X 3.9" X 96" - HONEY CHERRY
15	Y00203-A2-438	EA	MOLDING - VINYL/BEVELED - 96" - WASHED MAPLE
15	Y00203-62-438	EA	MOLDING - VINYL/BEVELED - 96" - CONCERT CHERRY
15	Y00203-72-438	EA	MOLDING - VINYL/BEVELED - 96" - PORTSMOUT OAK
15	Y00203-82-438	EA	MOLDING - VINYL/BEVELED - 96" - HONEY CHERRY
16	Y00204-A2-438	EA	MOLDING - VINYL/BEVELED - 96" - WASHED MAPLE
16	Y00204-62-438	EA	MOLDING - VINYL/BEVELED - 96" - CONCERT CHERRY
16	Y00204-72-438	EA	MOLDING - VINYL/BEVELED - 96" - PORTSMOUT OAK
16	Y00204-82-438	EA	MOLDING - VINYL/BEVELED - 96" - HONEY CHERRY
17	Y00205-A2-438	EA	MOLDING - VINYL/BEVELED - 96" - WASHED MAPLE
17	Y00205-62-438	EA	MOLDING - VINYL/BEVELED - 96" - CONCERT CHERRY
17	Y00205-72-438	EA	MOLDING - VINYL/BEVELED - 96" - PORTSMOUT OAK
17	Y00205-82-438	EA	MOLDING - VINYL/BEVELED - 96" - HONEY CHERRY
18	Y00206-A2-438	EA	MOLDING - VINYL/BEVELED - 96" - WASHED MAPLE
18	Y00206-62-438	EA	MOLDING - VINYL/BEVELED - 96" - CONCERT CHERRY
18	Y00206-72-438	EA	MOLDING - VINYL/BEVELED - 96" - PORTSMOUT OAK
18	Y00206-82-438	EA	MOLDING - VINYL/BEVELED - 96" - HONEY CHERRY
19	Y00223-22-438	EA	MOLDING - HARDWOOD/MAPLE - .7" X 1" X 96"
19	Y00223-32-438	EA	MOLDING - HARDWOOD/CHERRY - .7" X 1" X 96"
19	Y00223-42-438	EA	MOLDING - HARDWOOD/OAK - .7" X 1" X 96"
20	Y00258-A2-438	EA	MOLDING - VINYL/BEVELED - 96" - WASHED MAPLE
20	Y00258-62-438	EA	MOLDING - VINYL/BEVELED - 96" - CONCERT CHERRY
20	Y00258-72-438	EA	MOLDING - VINYL/BEVELED - 96" - PORTSMOUT OAK
20	Y00258-82-438	EA	MOLDING - VINYL/BEVELED - 96" - HONEY CHERRY
21	Y00259-A2-438	EA	MOLDING - VINYL/BEVELED - 96" - WASHED MAPLE
21	Y00259-62-438	EA	MOLDING - VINYL/BEVELED - 96" - CONCERT CHERRY
21	Y00259-72-438	EA	MOLDING - VINYL/BEVELED - 96" - PORTSMOUT OAK
21	Y00259-82-438	EA	MOLDING - VINYL/BEVELED - 96" - HONEY CHERRY
22	Y00262-22-438	EA	MOLDING - 96" - MAPLE, UNSTAINED
22	Y00262-32-438	EA	MOLDING - 96" - CHERRY, UNSTAINED
22	Y00262-42-438	EA	MOLDING - 96" - OAK, UNSTAINED
22A	Y00266-42-438	EA	MOLDING - .75" X 1.5" X 96" OAK - .7" X 1" X 96"
22A	Y00266-32-438	EA	MOLDING - .75" X 1.5" X 96" CHERRY - .7" X 1" X 96"
22A	Y00266-22-438	EA	MOLDING - .75" X 1.5" X 96" MAPLE - .7" X 1" X 96"
22B	Y00280-74-174	EA	MOLDING/TRIM - VINYL - F/SLIDEOUT - 164.1" - PORTSMOUTH OAK
22B	Y00280-64-174	EA	MOLDING/TRIM - VINYL - F/SLIDEOUT - 164.1" - CONCERT CHERRY
22B	Y00280-A4-174	EA	MOLDING/TRIM - VINYL - F/SLIDEOUT - 164.1" - WASHED MAPLE
22B	Y00281-72-438	EA	MOLDING/TRIM - VINYL - F/SLIDEOUT - 96" - PORTSMTH OAK
22B	Y00281-62-438	EA	MOLDING/TRIM - VINYL - F/SLIDEOUT - 96" - CONCERT CHERRY
22B	Y00281-A2-438	EA	MOLDING/TRIM - VINYL - F/SLIDEOUT - 96" - WASHED MAPLE
22B	Y00291-72-438	EA	MOLDING - VINYL WRAPPED - 4" X 96" - PORTSMTH OAK
22B	Y00291-62-438	EA	MOLDING - VINYL WRAPPED - 4" X 96" - CONCERT CHERRY
22B	Y00291-A2-438	EA	MOLDING - VINYL WRAPPED - 4" X 96" - WASHED MAPLE
22C	Y00282-72-438	EA	MOLDING - SLIDEOUT/VINYL WRAP - 3.9" X 96"- PORTSMOUTH OAK
22C	Y00282-62-438	EA	MOLDING - SLIDEOUT/VINYL WRAP - 3.9" X 96"- CONCERT CHERRY
22C	Y00282-A2-438	EA	MOLDING - SLIDEOUT/VINYL WRAP - 3.9" X 96"- WASHED MAPLE
22D	Y00284-42-438	EA	MOLDING - STRAIGHT - .2" X 1.5" X 96"- UNSTAINED OAK
22D	Y00284-32-438	EA	MOLDING - STRAIGHT - .2" X 1.5" X 96"- UNSTAINED CHERRY
22D	Y00284-22-438	EA	MOLDING - STRAIGHT - .2" X 1.5" X 96"- UNSTAINED MAPLE
22E	Y00285-42-438	EA	MOLDING - STRAIGHT - .63" X 3.2" X 96"- UNSTAINED OAK
22E	Y00285-32-438	EA	MOLDING - STRAIGHT - .63" X 3.2" X 96"- UNSTAINED CHERRY
22E	Y00285-22-438	EA	MOLDING - STRAIGHT - .63" X 3.2" X 96"- UNSTAINED MAPLE

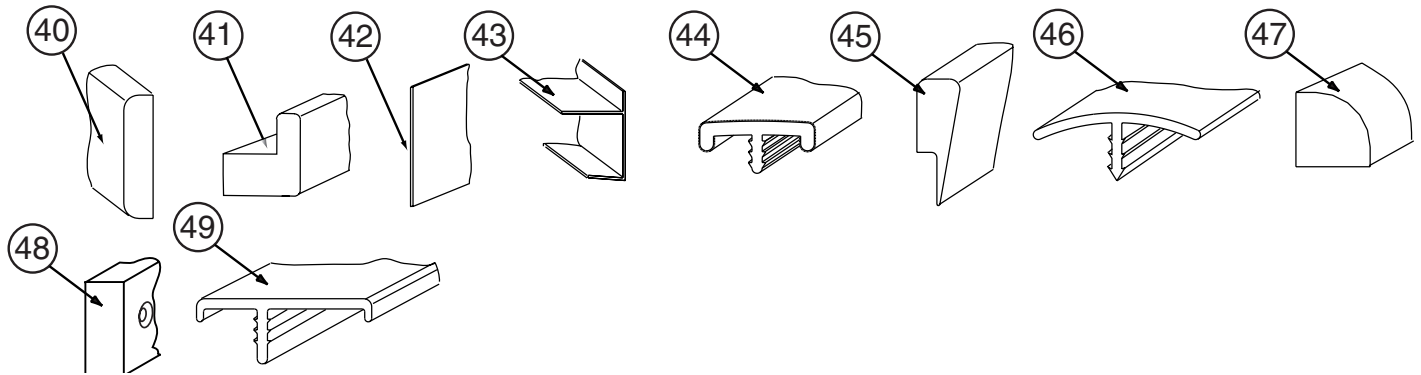
## INTERIOR FINISH GROUP (CONTINUED)

### MOLDINGS & TRIMS (CONTINUED)



KEY	PART NUMBER	U/M	DESCRIPTION
23	009767-12-000	FT	WELTING - ANTIQUE WHITE
24	009778-25-000	FT	U-CHANNEL - 1" - BEIGE ILLUSION
24	009778-27-000	FT	U-CHANNEL - 1" - WASHED MAPLE
24	009778-32-000	FT	U-CHANNEL - 1" - PORTSMOUTH OAK
24	009778-34-000	FT	U-CHANNEL - 1" - CONCERT CHERRY
24	009778-35-000	FT	U-CHANNEL - 1" - HONEY CHERRY
25	009809-30-000	EA	MOLDING - CORNER - OUTSIDE - 1" X 84" - BEIGE ILLUSION
25	009809-32-000	EA	MOLDING - CORNER - OUTSIDE - 1" X 84" - PORTSMOUTH OAK
25	009809-31-000	EA	MOLDING - CORNER - OUTSIDE - 1" X 84" - WASHED MAPLE
25	009809-33-000	EA	MOLDING - CORNER - OUTSIDE - 1" X 84" - CONCERT CHERRY
25	009809-34-000	EA	MOLDING - CORNER - OUTSIDE - 1" X 84" - HONEY CHERRY
26	009812-31-000	EA	MOLDING - CORNER - 1/2" W/1/4"CHAN X 84" - BEIGE ILLUSION
26	009812-33-000	EA	MOLDING - CORNER - 1/2" W/1/4"CHAN X 84" - WASHED MAPLE
26	009812-34-000	EA	MOLDING - CORNER - 1/2" W/1/4"CHAN X 84" - VW LIGHT GRAY
26	009812-35-000	EA	MOLDING - CORNER - 1/2" W/1/4"CHAN X 84" - PORTSMOUTH OAK
26	009812-36-000	EA	MOLDING - CORNER - 1/2" W/1/4"CHAN X 84" - CONCERT CHERRY
26	009812-37-000	EA	MOLDING - CORNER - 1/2" W/1/4"CHAN X 84" - HONEY CHERRY
27	022992-11-000	FT	MOLDING - REVERSE COVE - T-SHAPED - IVORY
27	022992-14-000	FT	MOLDING - REVERSE COVE - T-SHAPED - BRIGHT WHITE
27	022992-15-000	FT	MOLDING - REVERSE COVE - T-SHAPED - VW GRAY
28	042357-25-000	EA	MOLDING - CORNER - RADIUS/PLASTIC - WASHED MAPLE
29	070504-42-000	FT	U-CHANNEL - PLASTIC - .13" X 84" - BEIGE ILLUSION
29	070504-50-000	FT	U-CHANNEL - PLASTIC - .13" X 96" - WASHED MAPLE
29	070504-51-000	FT	U-CHANNEL - PLASTIC - .9" X 96" - WASHED MAPLE
29	070504-54-000	FT	U-CHANNEL - PLASTIC - .9" X 96" - VILLAGE OAK
29	070504-57-000	FT	U-CHANNEL - PLASTIC - .13" X 84" - PORTSMOUTH OAK
29	070504-58-000	FT	U-CHANNEL - PLASTIC - .9" X 84" - PORTSMOUTH OAK
29	070504-60-000	FT	U-CHANNEL - PLASTIC - .13" X 84" - CONCERT CHERRY
29	070504-61-000	FT	U-CHANNEL - PLASTIC - .9" X 84" - CONCERT CHERRY
29	070504-62-000	FT	U-CHANNEL - PLASTIC - 1.65" X 84" - HONEY CHERRY
29	070504-63-000	FT	U-CHANNEL - PLASTIC - .9" X 84" - HONEY CHERRY
29	070504-64-000	FT	U-CHANNEL - PLASTIC - .7" X 84" - HONEY CHERRY
30	080176-08-000	EA	CAP - CORNER - RADIUS MOLDING - PLASTIC - WASHED MAPLE
31	081521-02-007	EA	MOUNT - METAL MOLDING - F/RADIUS CORNER MOLDING - 151.5"
32	083620-15-000	FT	MOLDING-T - W/EDGE LIP - 7/8" FACE - BEIGE ILLUSION
32	083620-19-000	FT	MOLDING-T - W/EDGE LIP - 7/8" FACE - WASHED MAPLE
32	083620-20-000	FT	MOLDING-T - W/EDGE LIP - 7/8" FACE - PORTSMOUTH OAK
32	083620-21-000	FT	MOLDING-T - W/EDGE LIP - 7/8" FACE - CONCERT CHERRY/HONEY CHERRY
33	085746-04-000	FT	TRIM-J - CARPET 1.2" X .5" ANGLE - 10' LONG - OFF WHITE
34	086229-01-000	EA	RETAINER - BATTEN - .75" X 92.1" - ANY COLOR
35	086229-11-000	EA	RETAINER - OFFSET - 97"
36	086229-21-000	EA	BATTEN - 1.5" X 83.9" OFFSET - WHITE
37	086229-20-000	EA	BATTEN - 1" X 96" - BEIGE
38	100182-10-J70	EA	TRIM/WOOD - CHAIR RAIL - 2.5" X 8' - WASHED MAPLE
38	100182-10-N47	EA	TRIM/WOOD - CHAIR RAIL - 2.5" X 8' - PORTSMOUTH OAK
38	100182-10-P85	EA	TRIM/WOOD - CHAIR RAIL - 2.5" X 8' - CHERRY - CONCERT CHERRY
38	100182-10-RA3	EA	TRIM/WOOD - CHAIR RAIL - 2.5" X 8' - HONEY CHERRY
39	100659-30-N75	EA	MOLDING - TRIM - 8' - PORTSMOUTH OAK
39	100659-30-N74	EA	MOLDING - TRIM - 8' - CHERRY - CONCERT CHERRY
39	100659-30-M84	EA	MOLDING - TRIM - 8' - WASHED MAPLE
39	100659-27-RA2	EA	MOLDING - TRIM - HONEY CHERRY

**INTERIOR FINISH GROUP (CONTINUED)**  
**MOLDINGS & TRIMS (CONTINUED)**



KEY	PART NUMBER	U/M	DESCRIPTION
40	100818-01-21A	EA	MOLDING - VINYL WRAPPED - 1.6" X .4" X 84" - WASHED MAPLE
40	100818-01-12A	EA	MOLDING - VINYL WRAPPED - 1.6" X .4" X 84" - PORTSMOUTH OAK
40	100818-01-13A	EA	MOLDING - VINYL WRAPPED - 1.6" X .4" X 84" - CHERRY - CONCERT CHERRY
40	100818-01-14A	EA	MOLDING - VINYL WRAPPED - 1.6" X .4" X 84" - HONEY CHERRY
41	100819-01-21A	EA	MOLDING - VINYL WRAPPED-L-SHAPED-1.5"X1.5"X84" - WASHED MAPLE
41	100819-01-12A	EA	MOLDING - VINYL WRAPPED-L-SHAPED - 1.5" X 1.5" X 84" - OAK - PORTSMOUTH OAK
41	100819-01-13A	EA	MOLDING - VINYL WRAPPED-L-SHAPED-1.5"X1.5"X84" - CONCERT CHERRY
41	100819-01-14A	EA	MOLDING - VINYL WRAPPED-L-SHAPED-1.5"X1.5"X84" - HONEY CHERRY
42	101957-01-06A	EA	EXTRUDED - PLASTIC - WASHED MAPLE
43	103186-01-07A	FT	MOLDING/PLASTIC - 3/8" U-CHANNEL-3/4"FACE - BEIGE ILLUS 8'
43	103186-01-08A	FT	MOLDING/PLASTIC - 3/8" U-CHANNEL-3/4"FACE-WASHED MAPLE 8' - WASHED MAPLE
43	103186-01-09A	FT	MOLDING/PLASTIC - 3/8" U-CHAN'L-3/4"FACE-PORTSMOUTH OAK 8' - PORTSMOUTH OAK
43	103186-01-10A	FT	MOLDING/PLASTIC-3/8" U-CHAN'L-3/4"FACE-CONCERT CHERRY 8' - CONCERT CHERRY
43	103186-01-11A	FT	MOLDING/PLASTIC-3/8" U-CHAN'L-3/4"FACE-CONCERT CHERRY 8' - HONEY CHERRY
43	103186-02-07A	FT	MOLDING/PLASTIC-1" U-CHAN'L-1 3/8"FACE-BEIGE ILLUSION - 8'
43	103186-02-08A	FT	MOLDING/PLASTIC - 1" U-CHANNEL-1 3/8"FACE-WASHED MAPLE 8' - WASHED MAPLE
43	103186-02-09A	FT	MOLDING/PLASTIC - 1" U-CHAN'L-1 3/8"FACE-PORTSMOUTH OAK 8' - PORTSMOUTH OAK
43	103186-02-10A	FT	MOLDING/PLASTIC - 1" U-CHAN'L-1 3/8"FACE-CONCERT CHERRY 8' - CONCERT CHERRY
43	103186-02-11A	FT	MOLDING/PLASTIC - 1" U-CHAN'L-1 3/8"FACE-CONCERT CHERRY 8' - HONEY CHERRY
44	104676-02-06A	FT	MOLDING-T - W/EDGE LIP - 11/16" FACE - WASHED MAPLE
44	104676-02-08A	FT	MOLDING-T - W/EDGE LIP - 11/16" FACE - PORTSMOUTH OAK
44	104676-02-09A	FT	MOLDING-T - W/EDGE LIP - 11/16" FACE - CONCERT CHERRY
44	104676-02-10A	FT	MOLDING-T - W/EDGE LIP - 11/16" FACE - HONEY CHERRY
45	105004-01-21A	EA	MOLDING - VINYL WRAPPED - 1" X 96" - WASHED MAPLE
45	105004-01-12A	EA	MOLDING - VINYL WRAPPED 1" X 96" - PORTSMOUTH OAK
45	105004-01-13A	EA	MOLDING - VINYL WRAPPED 1" X 96" - CONCERT CHERRY
45	105004-01-14A	EA	MOLDING - VINYL WRAPPED 1" X 96" - HONEY CHERRY
46	105709-02-000	FT	MOLDING-T - W/EDGE LIP - 3/4" FACE - BEIGE ILLUSION
47	109410-01-P25	EA	MOLDING - TRIM - 8' - BLACK CHERRY/CHERRY IV - CONCERT CHERRY
47	109410-01-N75	EA	MOLDING - TRIM - 8' - PORTSMOUTH OAK
47	109410-01-J70	EA	MOLDING - TRIM - 8' - WHITE MAPLE - WASHED MAPLE
48	116951-11-KQ0	EA	MOLDING - TRIM - 3.5" X 75.9" - WASHED MAPLE
48	116951-11-KQ1	EA	MOLDING - TRIM - 3.5" X 75.9" - CONCERT CHERRY
48	116951-11-N95	EA	MOLDING - TRIM - 3.5" X 75.9" - PORTSMOUTH OAK
48	116951-11-RE0	EA	MOLDING - TRIM - 3.5" X 75.9" - HONEY CHERRY
48	116951-16-K37	EA	MOLDING - TRIM - 3.5" X 74.3" - CONCERT CHERRY
48	116951-16-K90	EA	MOLDING - TRIM - 3.5" X 74.3" - WASHED MAPLE
48	116951-16-N75	EA	MOLDING - TRIM - 3.5" X 74.3" - PORTSMOUTH OAK
48	116951-16-RC3	EA	MOLDING - TRIM - 3.5" X 74.3" - HONEY CHERRY
48	116951-23-L52	EA	MOLDING - TRIM - 3.5" X 74.3" - CONCERT CHERRY
48	116951-23-L58	EA	MOLDING - TRIM - 3.5" X 74.3" - WASHED MAPLE
48	116951-23-RE0	EA	MOLDING - TRIM - 3.5" X 74.3" - HONEY CHERRY
48	116951-23-R83	EA	MOLDING - TRIM - 3.5" X 74.3" - PORTSMOUTH OAK
48	116951-24-L52	EA	MOLDING - TRIM - 3.5" X 74.6" - CONCERT CHERRY
48	116951-24-L58	EA	MOLDING - TRIM - 3.5" X 74.6" - WASHED MAPLE
48	116951-24-RE0	EA	MOLDING - TRIM - 3.5" X 74.6" - HONEY CHERRY
48	116951-24-R83	EA	MOLDING - TRIM - 3.5" X 74.6" - PORTSMOUTH OAK
48	116951-27-N75	EA	MOLDING - TRIM - 3.5" X 46.8" - PORTSMOUTH OAK
48	116951-27-N84	EA	MOLDING - TRIM - 3.5" X 46.8" - WASHED MAPLE
48	116951-27-N85	EA	MOLDING - TRIM - 3.5" X 46.8" - CONCERT CHERRY
48	116951-28-N75	EA	MOLDING - TRIM - 3.5" X 79.4" - PORTSMOUTH OAK

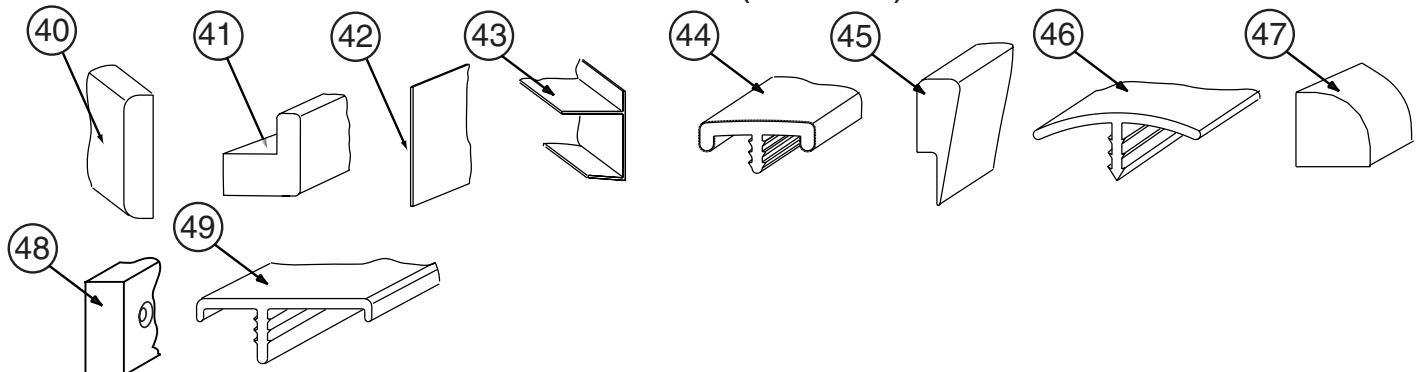
**INTERIOR FINISH GROUP (CONTINUED)**  
**MOLDINGS & TRIMS (CONTINUED)**

KEY	PART NUMBER	U/M	DESCRIPTION
48	116951-28-N84	EA	MOLDING - TRIM - 3.5" X 79.4" - WASHED MAPLE
48	116951-28-N85	EA	MOLDING - TRIM - 3.5" X 79.4" - CONCERT CHERRY
48	116951-29-N70	EA	MOLDING - TRIM - 5.5" X 30.4" - PORTSMOUTH OAK
48	116951-29-N84	EA	MOLDING - TRIM - 5.5" X 30.4" - WASHED MAPLE
48	116951-29-N85	EA	MOLDING - TRIM - 5.5" X 30.4" - CONCERT CHERRY
48	116951-29-RC3	EA	MOLDING - TRIM - 5.5" X 30.4" - HONEY CHERRY
48	116951-32-P75	EA	MOLDING - TRIM - 3" X 33.4" - PORTSMOUTH OAK
48	116951-32-P25	EA	MOLDING - TRIM - 3" X 33.4" - CONCERT CHERRY
48	116951-32-P28	EA	MOLDING - TRIM - 3" X 33.4" - WASHED MAPLE
48	116951-32-RE0	EA	MOLDING - TRIM - 3" X 33.4" - HONEY CHERRY
48	116951-34-P28	EA	MOLDING - TRIM - 3" X 33.4" - WASHED MAPLE
48	116951-34-P78	EA	MOLDING - TRIM - 3" X 33.4" - PORTSMOUTH OAK
48	116951-34-P79	EA	MOLDING - TRIM - 3" X 33.4" - CONCERT CHERRY
48	116951-34-RE0	EA	MOLDING - TRIM - 3" X 33.4" - HONEY CHERRY
48	116951-35-P28	EA	MOLDING - TRIM - 3.5" X 96" - WASHED MAPLE
48	116951-35-P78	EA	MOLDING - TRIM - 3.5" X 96" - PORTSMOUTH OAK
48	116951-35-P79	EA	MOLDING - TRIM - 3.5" X 96" - CONCERT CHERRY
48	116951-35-RE0	EA	MOLDING - TRIM - 3.5" X 96" - HONEY CHERRY
48	116951-36-R68	EA	MOLDING - TRIM - 3.5" X 48.8" - WASHED MAPLE
48	116951-36-R69	EA	MOLDING - TRIM - 3.5" X 48.8" - PORTSMOUTH OAK
48	116951-36-R76	EA	MOLDING - TRIM - 3.5" X 48.8" - CONCERT CHERRY
48	116951-37-R68	EA	MOLDING - TRIM - 3.5" X 38.6" - WASHED MAPLE
48	116951-37-R69	EA	MOLDING - TRIM - 3.5" X 38.6" - PORTSMOUTH OAK
48	116951-37-R76	EA	MOLDING - TRIM - 3.5" X 38.6" - CONCERT CHERRY
48	116951-38-RE0	EA	MOLDING - TRIM - 3.5" X 82.6" - HONEY CHERRY
48	116951-38-R83	EA	MOLDING - TRIM - 3.5" X 82.6" - PORTSMOUTH OAK
48	116951-38-R84	EA	MOLDING - TRIM - 3.5" X 82.6" - CONCERT CHERRY
48	116951-38-R91	EA	MOLDING - TRIM - 3.5" X 82.6" - WASHED MAPLE
48	116951-39-RE0	EA	MOLDING - TRIM - 3.5" X 73.9" - HONEY CHERRY
48	116951-39-R83	EA	MOLDING - TRIM - 3.5" X 73.9" - PORTSMOUTH OAK
48	116951-39-R84	EA	MOLDING - TRIM - 3.5" X 73.9" - CONCERT CHERRY
48	116951-39-R91	EA	MOLDING - TRIM - 3.5" X 73.9" - WASHED MAPLE
48	116951-40-RE0	EA	MOLDING - TRIM - 4.5" X 81.9" - HONEY CHERRY
48	116951-40-R83	EA	MOLDING - TRIM - 4.5" X 81.9" - PORTSMOUTH OAK
48	116951-40-R84	EA	MOLDING - TRIM - 4.5" X 81.9" - CONCERT CHERRY
48	116951-40-R91	EA	MOLDING - TRIM - 4.5" X 81.9" - WASHED MAPLE
48	116951-41-RE0	EA	MOLDING - TRIM - 3.5" X 36.8" - HONEY CHERRY
48	116951-41-R83	EA	MOLDING - TRIM - 3.5" X 36.8" - PORTSMOUTH OAK
48	116951-41-R84	EA	MOLDING - TRIM - 3.5" X 36.8" - CONCERT CHERRY
48	116951-41-R91	EA	MOLDING - TRIM - 3.5" X 36.8" - WASHED MAPLE
48	116951-42-RE0	EA	MOLDING - TRIM - 3.5" X 46.8" - HONEY CHERRY
48	116951-42-R83	EA	MOLDING - TRIM - 3.5" X 46.8" - PORTSMOUTH OAK
48	116951-42-R84	EA	MOLDING - TRIM - 3.5" X 46.8" - CONCERT CHERRY
48	116951-42-R91	EA	MOLDING - TRIM - 3.5" X 46.8" - WASHED MAPLE
48	116951-43-RE0	EA	MOLDING - TRIM - 3.5" X 86.5" - HONEY CHERRY
48	116951-43-R83	EA	MOLDING - TRIM - 3.5" X 86.5" - PORTSMOUTH OAK
48	116951-43-R84	EA	MOLDING - TRIM - 3.5" X 86.5" - CONCERT CHERRY
48	116951-43-R91	EA	MOLDING - TRIM - 3.5" X 86.5" - WASHED MAPLE
48	116951-44-RE0	EA	MOLDING - TRIM - 3.5" X 76.1" - HONEY CHERRY
48	116951-44-R83	EA	MOLDING - TRIM - 3.5" X 76.1" - PORTSMOUTH OAK
48	116951-44-R84	EA	MOLDING - TRIM - 3.5" X 76.1" - CONCERT CHERRY
48	116951-44-R91	EA	MOLDING - TRIM - 3.5" X 76.1" - WASHED MAPLE
48	116951-45-R68	EA	MOLDING - TRIM - 3" X 30.3" - PORTSMOUTH OAK
48	116951-45-R69	EA	MOLDING - TRIM - 3" X 30.3" - CONCERT CHERRY
48	116951-45-R76	EA	MOLDING - TRIM - 3" X 30.3" - WASHED MAPLE
48	116951-46-RE0	EA	MOLDING - TRIM - 4.5" X 72.3" - HONEY CHERRY
48	116951-46-R83	EA	MOLDING - TRIM - 4.5" X 72.3" - PORTSMOUTH OAK
48	116951-46-R84	EA	MOLDING - TRIM - 4.5" X 72.3" - CONCERT CHERRY
48	116951-46-R91	EA	MOLDING - TRIM - 4.5" X 72.3" - WASHED MAPLE
48	116951-48-RE0	EA	MOLDING - TRIM - 4.5" X 76.1" - HONEY CHERRY
48	116951-48-R83	EA	MOLDING - TRIM - 4.5" X 76.1" - PORTSMOUTH OAK
48	116951-48-R84	EA	MOLDING - TRIM - 4.5" X 76.1" - CONCERT CHERRY
48	116951-48-R91	EA	MOLDING - TRIM - 4.5" X 76.1" - WASHED MAPLE
48	116951-49-RE0	EA	MOLDING - TRIM - 4.5" X 69.8" - HONEY CHERRY

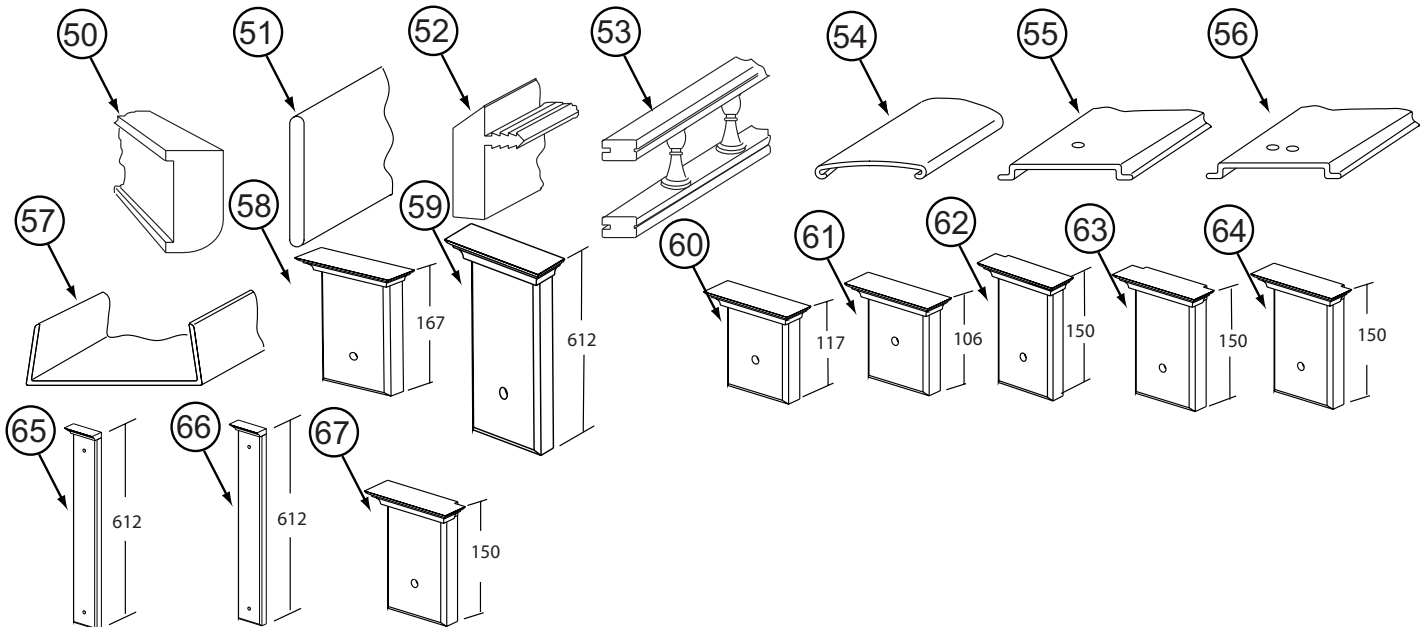


## INTERIOR FINISH GROUP (CONTINUED)

### MOLDINGS & TRIMS (CONTINUED)



KEY	PART NUMBER	U/M	DESCRIPTION
48	116951-49-R83	EA	MOLDING - TRIM - 4.5" X 69.8" - PORTSMOUTH OAK
48	116951-49-R84	EA	MOLDING - TRIM - 4.5" X 69.8" - CONCERT CHERRY
48	116951-49-R91	EA	MOLDING - TRIM - 4.5" X 69.8" - WASHED MAPLE
48	116951-50-RE0	EA	MOLDING - TRIM - 4.5" X 70.3" - HONEY CHERRY
48	116951-50-R83	EA	MOLDING - TRIM - 4.5" X 70.3" - PORTSMOUTH OAK
48	116951-50-R84	EA	MOLDING - TRIM - 4.5" X 70.3" - CONCERT CHERRY
48	116951-50-R91	EA	MOLDING - TRIM - 4.5" X 70.3" - WASHED MAPLE
49	119520-01-01A	FT	MOLDING-T/OFFSET - W/EDGE LIP - 1.3" FACE - OFF WHITE
49	119520-01-04A	FT	MOLDING-T/OFFSET - W/EDGE LIP - 1.3" FACE - PORTSMOUTH OAK
49	119520-01-02A	FT	MOLDING-T/OFFSET - W/EDGE LIP - 1.3" FACE - CONCERT CHERRY
49	119520-01-03A	FT	MOLDING-T/OFFSET - W/EDGE LIP - 1.3" FACE - WASHED MAPLE
49	119520-02-01A	FT	MOLDING-T - OFFSET W/EDGE LIP - 1.3" FACE - OFF WHITE

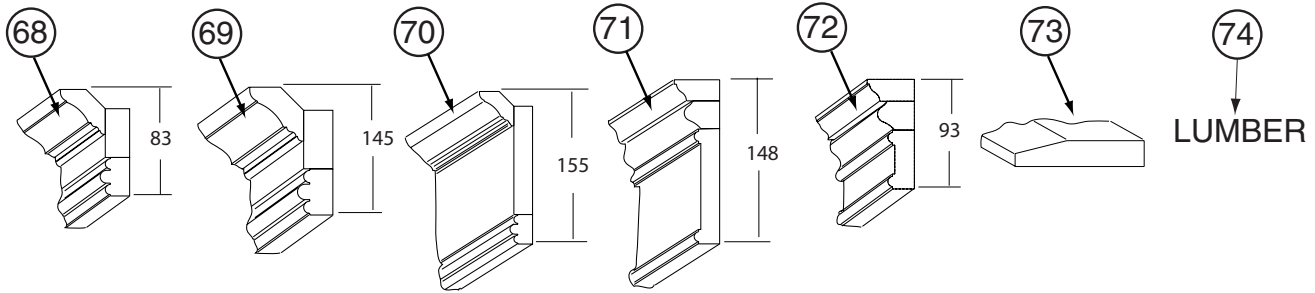


KEY	PART NUMBER	U/M	DESCRIPTION
50	149326-D2-134	EA	MOLDING - VINYL WRAPPED - .7" X 1.6" X 84" - WASHED MAPLE
50	149326-F2-134	EA	MOLDING - VINYL WRAPPED - .7" X 2.5" X 84" - WASHED MAPLE
50	137887-D2-134	EA	MOLDING - VINYL WRAPPED - .7" X 1.6" X 96" - CONCERT CHERRY
50	137887-D2-743	EA	MOLDING - VINYL WRAPPED - .7" X 1.6" X 108" - CONCERT CHERRY
50	137887-F2-134	EA	MOLDING - VINYL WRAPPED - .7" X 2.5" X 84" - CONCERT CHERRY
50	137887-F2-743	EA	MOLDING - VINYL WRAPPED - .7" X 2.5" X 108" - CONCERT CHERRY
50	137895-D2-134	EA	MOLDING - VINYL WRAPPED - .7" X 1.6" X 84" - PORTSMOUTH OAK
50	137895-D2-743	EA	MOLDING - VINYL WRAPPED - .7" X 1.5" X 108" - PORTSMOUTH OAK
50	137895-F2-743	EA	MOLDING - VINYL WRAPPED - .7" X 2.5" X 108" - PORTSMOUTH OAK
50	146425-D2-134	EA	MOLDING - VINYL WRAPPED - .7" X 1.6" X 96" - HONEY CHERRY
50	146425-F2-134	EA	MOLDING - VINYL WRAPPED - .7" X 2.5" X 84" - HONEY CHERRY
50	146425-F2-743	EA	MOLDING - VINYL WRAPPED - .7" X 2.5" X 108" - HONEY CHERRY
51	127842-01-01A	FT	SEAL - SIGHT SHIELD - 2" BLACK
52	130247-01-02A	FT	MOLDING-T/OFF SET - 1.3" FACE - WASHED MAPLE
52	130247-01-04A	FT	MOLDING-T/OFF SET - 1.3" FACE - PORTSMOUTH OAK
52	130247-01-05A	FT	MOLDING-T/OFF SET - 1.3" FACE - CONCERT CHERRY/HONEY CHERRY

**INTERIOR FINISH GROUP (CONTINUED)**  
**MOLDINGS & TRIMS (CONTINUED)**

<b>KEY</b>	<b>PART NUMBER</b>	<b>U/M</b>	<b>DESCRIPTION</b>
53	137108-01-02A	EA	RAIL - DECORATIVE - SALEM CHERRY - CONCERT CHERRY
53	137108-01-03A	EA	RAIL - DECORATIVE - WASHED MAPLE
53	137108-01-07A	EA	RAIL - DECORATIVE - PORTSMOUTH OAK
53	137108-01-08A	EA	RAIL - DECORATIVE - HONEY CHERRY
54	138359-01-01A	FT	COVER - ROOF BREAK - PEARL CREAM/PLASTIC - 96"
55	138403-01-01A	EA	TRIM - ROOF - MILL
56	138403-02-01A	EA	TRIM - ROOF - MILL
56	138403-03-01A	EA	TRIM - ROOF - MILL
57	141260-01-01A	FT	U-CHANNEL - 1" - VILLAGE OAK
57	141260-01-02A	FT	U-CHANNEL - 1" - GRADY BROWN
58	141303-01-N52	EA	MOLDING - CROWN/BLOCK - CONCERT CHERRY
58	141303-01-N53	EA	MOLDING - CROWN/BLOCK - PORTSMOUTH OAK
58	141303-01-N62	EA	MOLDING - CROWN/BLOCK - WASHED MAPLE
58	141303-01-RA3	EA	MOLDING - CROWN/BLOCK - HONEY CHERRY
59	141303-02-N52	EA	MOLDING - CROWN/BLOCK - CONCERT CHERRY
59	141303-02-N53	EA	MOLDING - CROWN/BLOCK - PORTSMOUTH OAK
59	141303-02-N62	EA	MOLDING - CROWN/BLOCK - WASHED MAPLE
59	141303-02-RA3	EA	MOLDING - CROWN/BLOCK - HONEY CHERRY
60	141303-03-N52	EA	MOLDING - CROWN/BLOCK - CONCERT CHERRY
60	141303-03-N53	EA	MOLDING - CROWN/BLOCK - PORTSMOUTH OAK
60	141303-03-N62	EA	MOLDING - CROWN/BLOCK - WASHED MAPLE
60	141303-03-RA3	EA	MOLDING - CROWN/BLOCK - HONEY CHERRY
61	141303-04-PC0	EA	MOLDING - CROWN/BLOCK - PORTSMOUTH OAK
61	141303-04-PC1	EA	MOLDING - CROWN/BLOCK - CONCERT CHERRY
61	141303-04-PC2	EA	MOLDING - CROWN/BLOCK - WASHED MAPLE
61	141303-04-RA3	EA	MOLDING - CROWN/BLOCK - HONEY CHERRY
62	141303-05-RE3	EA	MOLDING - CROWN/BLOCK - HONEY CHERRY
62	141303-05-R89	EA	MOLDING - CROWN/BLOCK - PORTSMOUTH OAK
62	141303-05-R90	EA	MOLDING - CROWN/BLOCK - CONCERT CHERRY
62	141303-05-R91	EA	MOLDING - CROWN/BLOCK - WASHED MAPLE
63	141303-06-RE3	EA	MOLDING - CROWN/BLOCK - HONEY CHERRY
63	141303-06-R89	EA	MOLDING - CROWN/BLOCK - PORTSMOUTH OAK
63	141303-06-R90	EA	MOLDING - CROWN/BLOCK - CONCERT CHERRY
63	141303-06-R91	EA	MOLDING - CROWN/BLOCK - WASHED MAPLE
64	141303-07-RE3	EA	MOLDING - CROWN/BLOCK - HONEY CHERRY
64	141303-07-R89	EA	MOLDING - CROWN/BLOCK - PORTSMOUTH OAK
64	141303-07-R90	EA	MOLDING - CROWN/BLOCK - CONCERT CHERRY
64	141303-07-R91	EA	MOLDING - CROWN/BLOCK - WASHED MAPLE
65	141303-08-RE3	EA	MOLDING - CROWN/BLOCK - HONEY CHERRY
65	141303-08-R89	EA	MOLDING - CROWN/BLOCK - PORTSMOUTH OAK
65	141303-08-R90	EA	MOLDING - CROWN/BLOCK - CONCERT CHERRY
65	141303-08-R91	EA	MOLDING - CROWN/BLOCK - WASHED MAPLE
66	141303-09-RE3	EA	MOLDING - CROWN/BLOCK - HONEY CHERRY
66	141303-09-R89	EA	MOLDING - CROWN/BLOCK - PORTSMOUTH OAK
66	141303-09-R90	EA	MOLDING - CROWN/BLOCK - CONCERT CHERRY
66	141303-09-R91	EA	MOLDING - CROWN/BLOCK - WASHED MAPLE
67	141303-10-RE3	EA	MOLDING - CROWN/BLOCK - HONEY CHERRY
67	141303-10-R89	EA	MOLDING - CROWN/BLOCK - PORTSMOUTH OAK
67	141303-10-R90	EA	MOLDING - CROWN/BLOCK - CONCERT CHERRY
67	141303-10-R91	EA	MOLDING - CROWN/BLOCK - WASHED MAPLE

**INTERIOR FINISH GROUP (CONTINUED)**  
**MOLDINGS & TRIMS (CONTINUED)**



KEY	PART NUMBER	U/M	DESCRIPTION
68	141915-29-PC0	EA	MOLDING - F/SLIDEOUT - 81.8" - PORTSMOUTH OAK
68	141915-29-PC1	EA	MOLDING - F/SLIDEOUT - 81.8" - CONCERT CHERRY
68	141915-29-PC2	EA	MOLDING - F/SLIDEOUT - 81.8" - WASHED MAPLE
68	141915-29-RC3	EA	MOLDING - F/SLIDEOUT - 81.8" - HONEY CHERRY
69	141915-35-RC0	EA	MOLDING - F/SLIDEOUT - 8.89' - PORTSMOUTH OAK
69	141915-35-RC1	EA	MOLDING - F/SLIDEOUT - 8.89' - CONCERT CHERRY
69	141915-35-RC2	EA	MOLDING - F/SLIDEOUT - 8.89' - WASHED MAPLE
69	141915-35-RC3	EA	MOLDING - F/SLIDEOUT - 8.89' - HONEY CHERRY
70	141915-47-RC0	EA	MOLDING - F/SLIDEOUT - 6.82' - PORTSMOUTH OAK
70	141915-47-RC1	EA	MOLDING - F/SLIDEOUT - 6.82' - CONCERT CHERRY
70	141915-47-RC2	EA	MOLDING - F/SLIDEOUT - 6.82' - WASHED MAPLE
70	141915-47-RC3	EA	MOLDING - F/SLIDEOUT - 6.82' - HONEY CHERRY
71	144885-14-RE0	EA	MOLDING - F/SLIDEOUT - 86.5" - HONEY CHERRY
71	144885-14-R83	EA	MOLDING - F/SLIDEOUT - 86.5" - PORTSMOUTH OAK
71	144885-14-R84	EA	MOLDING - F/SLIDEOUT - 86.5" - CONCERT CHERRY
72	145379-01-RE0	EA	MOLDING/TRIM - 47.48" - HONEY CHERRY
72	145379-01-R83	EA	MOLDING/TRIM - 47.48" - PORTSMOUTH OAK
72	145379-01-R84	EA	MOLDING/TRIM - 47.48" - CONCERT CHERRY
72	145379-02-RE0	EA	MOLDING/TRIM - 7.87" W/RIGHT SIDE ANGLE CUT - HONEY CHERRY
72	145379-02-R83	EA	MOLDING/TRIM - 7.87" W/RIGHT SIDE ANGLE CUT - PORTSMOUTH OAK
72	145379-02-R84	EA	MOLDING/TRIM - 7.87" W/RIGHT SIDE ANGLE CUT - CONCERT CHERRY
72	145379-03-RE0	EA	MOLDING/TRIM - 7.87" W/LEFT SIDE ANGLE CUT - HONEY CHERRY
72	145379-03-R83	EA	MOLDING/TRIM - 7.87" W/LEFT SIDE ANGLE CUT - PORTSMOUTH OAK
72	145379-03-R84	EA	MOLDING/TRIM - 7.87" W/LEFT SIDE ANGLE CUT - CONCERT CHERRY
72	145379-04-RE0	EA	MOLDING/TRIM - 86.61" - HONEY CHERRY
72	145379-04-R83	EA	MOLDING/TRIM - 86.61" - PORTSMOUTH OAK
72	145379-04-R84	EA	MOLDING/TRIM - 86.61" - CONCERT CHERRY
72	145379-05-RE0	EA	MOLDING/TRIM - 102.75" - HONEY CHERRY
72	145379-05-R83	EA	MOLDING/TRIM - 102.75" - PORTSMOUTH OAK
72	145379-05-R84	EA	MOLDING/TRIM - 102.75" - CONCERT CHERRY
73	146306-01-01A	FT	TRANSITION - CARPET/TILE
74	149325-A2-438	EA	LUMBER - VINYL WRAPPED - .7" X .75" X 96" - WASHED MAPLE
74	149325-D2-438	EA	LUMBER - VINYL WRAPPED - .7" X 1.5" X 96" - WASHED MAPLE
74	149325-E2-438	EA	LUMBER - VINYL WRAPPED - .7" X 2" X 96" - WASHED MAPLE
74	149325-F2-438	EA	LUMBER - VINYL WRAPPED - .7" X 2.5" X 96" - WASHED MAPLE
74	149325-G2-438	EA	LUMBER - STAINED - .7" X 3" X 96" - WASHED MAPLE
74	149325-H2-438	EA	LUMBER - STAINED - .7" X 3.5" X 96" - WASHED MAPLE
74	149325-J2-438	EA	LUMBER - VINYL WRAPPED - .7" X 5.5" X 96" - WASHED MAPLE
74	149325-J2-743	EA	LUMBER - VINYL WRAPPED - .7" X 5.5" X 108" - WASHED MAPLE
74	149325-K2-438	EA	LUMBER - VINYL WRAPPED - .7" X 3.9" X 96" - WASHED MAPLE
74	149325-R2-438	EA	LUMBER - VINYL WRAPPED - .7" X 3" X 96" - WASHED MAPLE
74	137885-A2-438	EA	LUMBER - VINYL WRAPPED - .7" X .75" X 96" - CHERRY - CONCERT CHERRY
74	137885-D2-438	EA	LUMBER - VINYL WRAPPED - .7" X 1.5" X 96" - CHERRY - CONCERT CHERRY
74	137885-E2-438	EA	LUMBER - VINYL WRAPPED - .7" X 2" X 96" - CHERRY - CONCERT CHERRY
74	137885-F2-438	EA	LUMBER - VINYL WRAPPED - .7" X 2.5" X 96" - CHERRY - CONCERT CHERRY
74	137885-G2-438	EA	LUMBER - VINYL WRAPPED - .7" X 3" X 96" - CHERRY - CONCERT CHERRY
74	137885-H2-438	EA	LUMBER - VINYL WRAPPED - .7" X 3.5" X 96" - CHERRY - CONCERT CHERRY
74	137885-J2-438	EA	LUMBER - VINYL WRAPPED - .7" X 5.5" X 96" - CHERRY - CONCERT CHERRY
74	137885-J2-743	EA	LUMBER - VINYL WRAPPED - .7" X 5.5" X 108" - CHERRY - CONCERT CHERRY
74	137885-K2-438	EA	LUMBER - VINYL WRAPPED - .7" X 3.9" X 96" - CHERRY - CONCERT CHERRY
74	137885-R2-438	EA	LUMBER - VINYL WRAPPED - .7" X 3" X 96" - CHERRY - CONCERT CHERRY
74	137894-A2-438	EA	LUMBER - VINYL WRAPPED - .7" X .75" X 96" - PORTSMOUTH OAK
74	137894-D2-438	EA	LUMBER - VINYL WRAPPED - .7" X 1.5" X 96" - PORTSMOUTH OAK

**INTERIOR FINISH GROUP (CONTINUED)**  
**MOLDINGS & TRIMS (CONTINUED)**

<b>KEY</b>	<b>PART NUMBER</b>	<b>U/M</b>	<b>DESCRIPTION</b>
74	137894-E2-438	EA	LUMBER - VINYL WRAPPED - .7" X 2" X 96" - PORTSMOUTH OAK
74	137894-F2-438	EA	LUMBER - VINYL WRAPPED - .7" X 2.5" X 96" - PORTSMOUTH OAK
74	137894-G2-438	EA	LUMBER - VINYL WRAPPED - .7" X 3" X 96" - PORTSMOUTH OAK
74	137894-H2-438	EA	LUMBER - VINYL WRAPPED - .7" X 3.5" X 96" - PORTSMOUTH OAK
74	137894-J2-438	EA	LUMBER - VINYL WRAPPED - .7" X 5.5" X 96" - PORTSMOUTH OAK
74	137894-J2-743	EA	LUMBER - VINYL WRAPPED - .7" X 5.5" X 96" - PORTSMOUTH OAK
74	137894-K2-438	EA	LUMBER - VINYL WRAPPED - .7" X 3.9" X 96" - PORTSMOUTH OAK
74	137894-R2-438	EA	LUMBER - VINYL WRAPPED - .7" X 3" X 96" - PORTSMOUTH OAK
74	146419-A2-438	EA	LUMBER - VINYL WRAPPED - .7" X .75" X 96" - HONEY CHERRY
74	146419-D2-438	EA	LUMBER - VINYL WRAPPED - .7" X 1.5" X 96" - HONEY CHERRY
74	146419-E2-438	EA	LUMBER - VINYL WRAPPED - .7" X 2" X 96" - HONEY CHERRY
74	146419-F2-438	EA	LUMBER - VINYL WRAPPED - .7" X 2.5" X 96" - HONEY CHERRY
74	146419-G2-438	EA	LUMBER - VINYL WRAPPED - .7" X 3" X 96" - HONEY CHERRY
74	146419-H2-438	EA	LUMBER - VINYL WRAPPED - .7" X 3.5" X 96" - HONEY CHERRY
74	146419-J2-438	EA	LUMBER - VINYL WRAPPED - .7" X 5.5" X 96" - HONEY CHERRY
74	146419-J2-743	EA	LUMBER - VINYL WRAPPED - .7" X 5.5" X 108" - HONEY CHERRY
74	146419-K2-438	EA	LUMBER - VINYL WRAPPED - .7" X 3.9" X 96" - HONEY CHERRY
74	146419-R2-438	EA	LUMBER - VINYL WRAPPED - .7" X 3" X 96" - HONEY CHERRY



**INTERIOR FINISH GROUP (CONTINUED)**  
**PANELING & LAMINATES**

KEY	PART NUMBER	U/M	DESCRIPTION
	000885-A5-000	SF	PARTICLE BOARD - 3/8" X 4' X 8'- WHT PEB EMBOSSED-1 SIDED
	000885-92-000	SF	PARTICLE BOARD-3/8" X 4' X 8'-PORTSMOUTH OAK-VINYL 1 SIDED - PORTSMOUTH OAK
	000885-B9-000	SF	PARTICLE BOARD - 3/8" X 4' X 8' - CONCERT CHERRY - 1-SIDED - CONCERT CHERRY
	000885-88-000	SF	PARTICLE BOARD - 3/8" X 4' X 8' - WASHED MAPLE - 1-SIDED - WASHED MAPLE FROM: 00-00-00 THRU: 01-04-04
	000885-B5-000	SF	PARTICLE BOARD - 3/8" X 4' X 8' - NEAT WASHED MAPLE - 1-SIDED - WASHED MAPLE FROM: 01-05-04 THRU: 99-99-99
	000885-93-000	SF	PARTICLE BOARD - 3/8" X 4' X 8' - PORTSMOUTH OAK - 2-SIDED - PORTSMOUTH OAK
	000885-B8-000	SF	PARTICLE BOARD - 3/8" X 4' X 8' - CONC CHERRY - 2 SIDED - CONCERT CHERRY
	000885-89-000	SF	PARTICLE BOARD - 3/8" X 4' X 8' - WASHED MAPLE - 2-SIDED - WASHED MAPLE FROM: 00-00-00 THRU: 01-04-04
	000885-B4-000	SF	PARTICLE BOARD - 3/8" X 4' X 8' - NEAT WASHED MAPLE - 2-SIDED - WASHED MAPLE FROM: 01-05-04 THRU: 99-99-99
	000885-95-000	SF	PARTICLE BOARD - 3/4" X 4' X 8' - PORTSMOUTH OAK - 2-SIDED - PORTSMOUTH OAK
	000885-C0-000	SF	PARTICLE BOARD - 3/4" X 4' X 8' - CONC CHERRY - 2 SIDED - CONCERT CHERRY
	000885-91-000	SF	PARTICLE BOARD - 3/4" X 4' X 8' - WASHED MAPLE - 2-SIDED - WASHED MAPLE FROM: 00-00-00 THRU: 01-04-04
	000885-B6-000	SF	PARTICLE BOARD - 3/4" X 4' X 8' - NEAT WASHED MAPLE - 2-SIDED - WASHED MAPLE FROM: 01-05-04 THRU: 99-99-99
	057882-04-000	SF	TAMBOUR - 48" X 96" SHEET - UNFINISHED - PORTSMOUTH OAK
	057882-06-000	SF	TAMBOUR - 48" X 96" - SHEET - CONCERT CHERRY
	057882-05-000	SF	TAMBOUR - 48" X 96" SHEET - UNFINISHED - WASHED MAPLE
	069733-87-000	EA	BATT STRIP - WOODGRAINED/PORTSMOUTH OAK - 8' - PORTSMOUTH OAK
	069733-88-000	EA	BATT STRIP - WOODGRAINED/SALEM CHERRYK - 8' - CONCERT CHERRY
	069733-89-000	EA	BATT STRIP - WOODGRAINED/WASHED MAPLE - 8' - WASHED MAPLE
	074498-40-000	SF	LAMINATE - PLASTIC - OFF WHITE - 4' X 8'
	074497-42-000	SF	PANELING - PORTSMOUTH OAK - 4' X 8' - PORTSMOUTH OAK
	074497-50-000	SF	PANELING - CONC CHERRY - 4' X 8' - CONCERT CHERRY
	074497-39-000	SF	PANELING - WASHED MAPLE - 4' X 8' - WASHED MAPLE FROM: 00-00-00 THRU: 01-04-04
	074497-49-000	SF	PANELING - NEAT WASHED MAPLE - 4' X 8' - WASHED MAPLE FROM: 01-05-04 THRU: 99-99-99
	074498-95-000	SF	LAMINATE - PLASTIC - PORTSMOUTH OAK - 4' X 8' - PORTSMOUTH OAK
	074498-96-000	SF	LAMINATE - PLASTIC - CHERRY - 4' X 8' - CONCERT CHERRY
	074498-82-000	SF	LAMINATE - PLASTIC - WASHED MAPLE - 4' X 8' - WASHED MAPLE FROM: 00-00-00 THRU: 01-04-04
	074498-A6-000	SF	LAMINATE - PLASTIC - NEAT WASHED MAPLE - 4' X 8' - WASHED MAPLE FROM: 01-05-04 THRU: 99-99-99
	074498-A0-000	SF	LAMINATE - PLASTIC - ROCKY MOUNTAIN HIGH - 4' X 8' (R44, R45, R46)
	074498-A1-000	SF	LAMINATE - PLASTIC - LINO FRIEZE - 5' X 8' (R47, R48, R49)
	074498-97-000	SF	LAMINATE - PLASTIC - GRAY TRANQUILITY - 4' X 8' (R50, R51, R52)
	076325-78-000	FT	MOLDING - EDGE BAND - .93" X .024" - PORTSMOUTH OAK
	076325-79-000	FT	MOLDING - EDGE BAND - .93" X .024" - CONCERT CHERRY
	076325-75-000	FT	MOLDING - EDGE BAND - .93" X .024" - WASHED MAPLE FROM: 00-00-00 THRU: 01-04-04
	076325-82-000	FT	MOLDING - EDGE BAND - .93" X .024" - WASHED MAPLE FROM: 01-05-04 THRU: 99-99-99
	076773-15-000	SF	PANELING - 2 SIDED/PORTSMOUTH OAK - 1/8" X 4' X 8' - PORTSMOUTH OAK
	076773-16-000	SF	PANELING - 2 SIDED/SALEM CHERRY - 1/8" X 4' X 8' - CONCERT CHERRY
	076773-14-000	SF	PANELING - 2 SIDED/WASHED MAPLE - 1/8" X 4' X 8' - WASHED MAPLE FROM: 00-00-00 THRU: 01-04-04
	076773-20-000	SF	PANELING - 2 SIDED/NEAT WASHED MAPLE - 1/8" X 4' X 8' - WASHED MAPLE FROM: 01-05-04 THRU: 99-99-99
	079666-03-000	SF	PANELING - CLOSET - CEDAR - 4' X 7'
	080215-14-000	SF	PANELING - 2 SIDED - PORTSMOUTH OAK - 3/16" X 4' X 8' - PORTSMOUTH OAK
	080215-17-000	SF	PANELING - 2 SIDED - CONC CHERRY - 3/16" X 4' X 8' - CONCERT CHERRY
	080215-16-000	SF	PANELING - 2 SIDED/WASHED MAPLE - 3/16" X 4' X 8' - WASHED MAPLE
	085284-F7-000	FT	TAPE/STRIP - TRUE GRIP - 1 1/2" WIDE - ADHESIVE BACKED - BLACK
	085284-G8-000	FT	BATT TAPE - ADHESIVE BACKED - PORTSMOUTH OAK
	085284-J7-000	FT	BATT TAPE - ADHESIVE BACKED - CONC CHERRY - CONCERT CHERRY
	085284-H3-000	FT	BATT TAPE - ADHESIVE BACKED - DECORATIVE - WASHED MAPLE
	085284-H1-000	FT	BATT TAPE - ADHESIVE BACKED - DECORATIVE - GRAY (R44, R45, R46)
	085284-H6-000	FT	BATT TAPE - ADHESIVE BACKED - DECORATIVE - MULTI (R47, R48, R49)
	085284-H8-000	FT	BATT TAPE - ADHESIVE BACKED - ROCKET SIVERADO (R50, R51, R52)

**INTERIOR FINISH GROUP (CONTINUED)**  
**PANELING & LAMINATES (CONTINUED)**

KEY	PART NUMBER	U/M	DESCRIPTION
	088263-H0-000	EA	BATT STRIP - DECORATIVE - VILLA/GRAY - 8' LONG (R44, R45, R46)
	088263-H2-000	EA	BATT STRIP - DECORATIVE - MULTI - 8' LONG - 8' (R47, R48, R49)
	088263-H4-000	EA	BATT STRIP - DECORATIVE - ROCKET SILVERADO (R50, R51, R52)
	088272-H9-000	SF	PANELING - PEBBLE EMBOSSED - WHITE - 4' X 7'
	088272-K1-000	SF	PANELING - GRAY - 4' X 7' (R44, R45, R46)
	088272-K4-000	SF	PANELING - MULTI - 4' X 7' (R47, R48, R49)
	088272-K5-000	SF	PANELING - SILVERADO - 4' X 7' (R50, R51, R52)
	132610-05-07A	FT	WALLPAPER - BORDER - 7" - SELF-ADHESIVE (R44, R45, R46)
	132610-05-01A	FT	WALLPAPER - BORDER - 7" - CALYPSO - SELF-ADHESIVE (R47, R48, R49)
	132610-05-11A	FT	WALLPAPER - BORDER - 7" - SELF ADHESIVE (R50, R51, R52)

**ACCESSORIES**

KEY	PART NUMBER	U/M	DESCRIPTION
	072852-01-000	EA	DETECTOR - SMOKE - W/9 VOLT BATTERY - US
	072852-02-000	EA	DETECTOR - SMOKE - W/9 VOLT BATTERY - <b>CANADIAN</b>
	091261-01-000	FT	SLIPNOT - ANTISLIP - 1' WIDE X 12' - BLACK
	094499-03-000	EA	EXTINGUISHER/FIRE - DRY - 10BC - W/GAUGE/BRACKET
*	094499-02-000	EA	EXTINGUISHER/FIRE - DRY - 10BC - W/GAUGE - <b>CANADIAN</b>
	094499-04-000	EA	STRAP - FIRE EXTINGUISHER MOUNTING - METAL
	096764-02-000	FT	SLIPNOT - ANTISLIP - 1' WIDE (180' ROLLS) - WHITE
	118718-01-01A	EA	HOLDER/DRINK - COLLAPSIBLE MUG - BLACK PLASTIC
	125136-02-000	EA	DETECTOR/CO - GAS MODEL - 9 VOLT
	131058-03-02A	EA	HAND RAIL - INTERIOR ENTRY DOOR - BLACK
	131058-05-02A	EA	HAND RAIL - INTERIOR ENTRY DOOR - BLACK - <b>G37C DINETTE TABLE &amp; CHAIR</b>
	131493-02-14A	EA	PICTURE - DECORATIVE - 13" X 15" - WINTER WHITE
	093606-43-000	EA	MIRROR - BEVELED EDGE - 7.4" X 12.8"
	131494-04-01A	EA	MIRROR - ARCHED W/BEVELED DIAMOND - 20" X 30" - W/DIAMOND
	131494-06-01A	EA	MIRROR - BEVELED/RECTANGLE - 1" X 24" X 36" - ETCHED
	140374-30-000	EA	MIRROR - SAFETY GLASS - 25.6" X 31.5"
	140374-36-000	EA	MIRROR - SAFETY GLASS - 20.9" X 25.2"
	140374-66-000	EA	MIRROR - SAFETY GLASS - 20.1" X 25.2"
	140374-37-000	EA	MIRROR - SAFETY GLASS - 10.3" X 18.2"
	133426-01-02B	EA	BRACKET - MIRROR - MOUNTING - E-COATED
	134566-01-01A	EA	HOLDER - CUP - TWO STEP - BLACK
	132738-01-01A	EA	CLOCK - DIGITAL W/ALARM - 12 VOLT - BLACK
	142368-02-01A	EA	CLOCK - 8" SQUARE - BRASS
	142411-05-000	EA	HOLDER - F/CONTRUL (SELECT COMFORT)
	142631-01-03A	EA	FRAME - MIRROR - 29.5"H X 25.2"W - PORTSMOUTH OAK
	142631-01-01A	EA	FRAME - MIRROR - 29.5"H X 25.2"W - CONCERT CHERRY
	142631-01-02A	EA	FRAME - MIRROR - 29.5"H X 25.2"W - WASHED MAPLE
	142631-02-03A	EA	FRAME - MIRROR - 35.8"H X 29.9"W - PORTSMOUTH OAK
	142631-02-01A	EA	FRAME - MIRROR - 35.8"H X 29.9"W - CONCERT CHERRY
	142631-02-02A	EA	FRAME - MIRROR - 35.8"H X 29.9"W - WASHED MAPLE
	142631-03-03A	EA	FRAME - MIRROR - 29.5"H X 24.4"W - PORTSMOUTH OAK
	142631-03-01A	EA	FRAME - MIRROR - 29.5"H X 24.4"W - CONCERT CHERRY
	142631-03-02A	EA	FRAME - MIRROR - 29.5"H X 24.4"W - WASHED MAPLE
	144628-01-01A	EA	SHADE - VENT COVER - 15.7" X 15.7" - OFF WHITE

**\*COMPONENT PARTS LISTED LATER IN THIS GROUP**

**INTERIOR FINISH GROUP (CONTINUED)**  
**COMPONENT PARTS FOR ACCESSORIES**

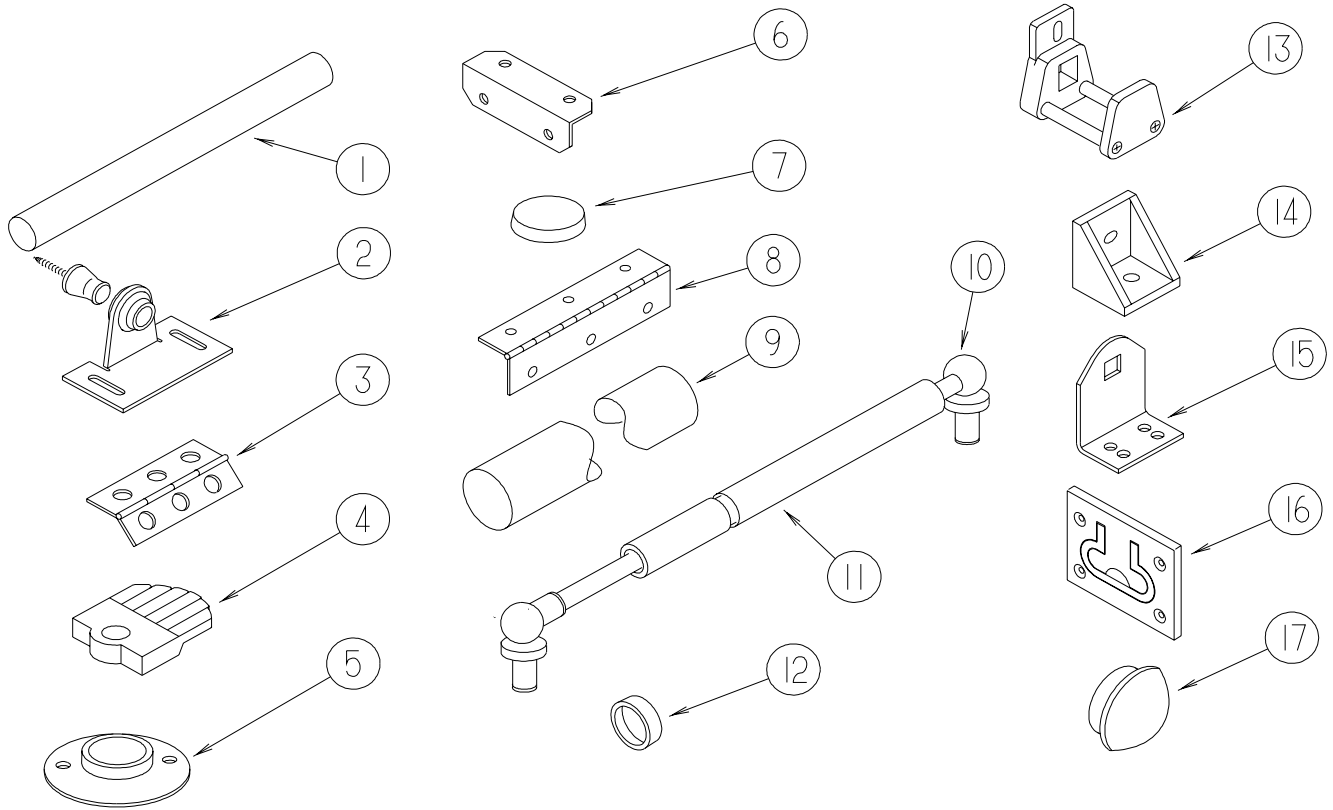
094499-02-000

<b>KEY</b>	<b>PART NUMBER</b>	<b>U/M</b>	<b>DESCRIPTION</b>	<b>VENDOR NO</b>
	094499-01-700	EA	BRACKET MTG. W/PLAS. STRAP	294039

**INTERIOR FINISH GROUP (CONTINUED)**  
**FLOOR COVERINGS**

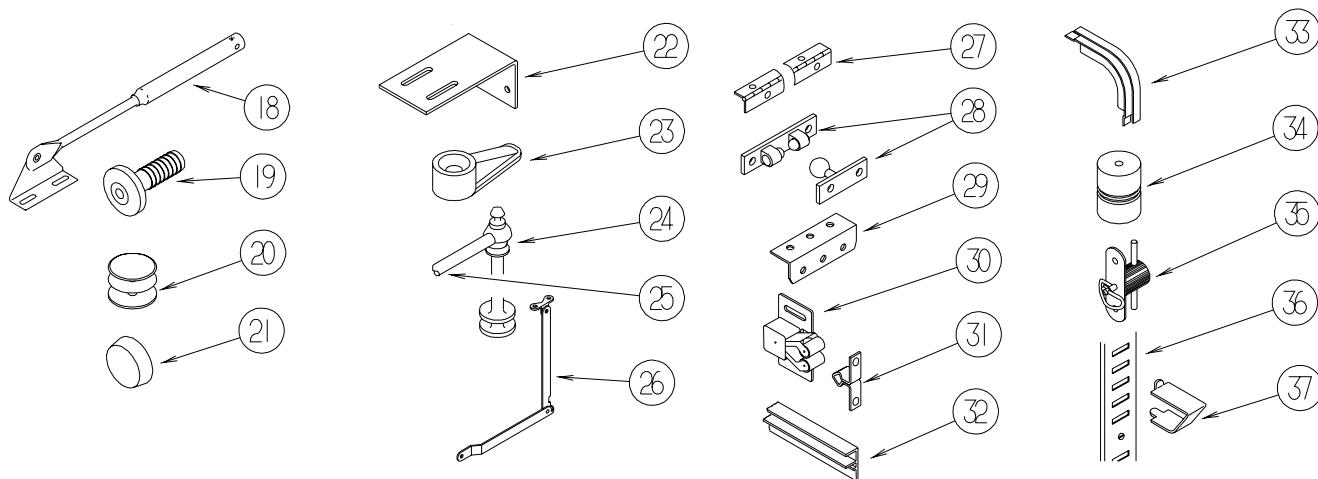
<b>KEY</b>	<b>PART NUMBER</b>	<b>U/M</b>	<b>DESCRIPTION</b>
	075233-01-000	SY	PAD - CARPET - 3/8" X 6' ROLL
	089275-02-000	FT	STRIP - 3/4" X 84" BLACK POLYETHYLENE
	093486-01-000	SY	CARPET - COMPARTMENT - 72" WIDE - DARK GRAY
	131711-01-07A	EA	TILE/FLOOR - VINYL - 12" X 12"
	096060-H1-000	SY	CARPET - TAPIOCA - INCREMENTS OF 4 SQ YARDS (R44, R45, R46)
	096060-F0-000	SY	CARPET - PALE SAGE - INCREMENTS OF 4 SQ YARDS (R47, R48, R49)
	139056-06-000	SY	CARPET - CRYSTAL LAKE - 4 SQUARE YARD INCREMENTS (R50, R51, R52)

## INTERIOR FINISH GROUP (CONTINUED) HARDWARE



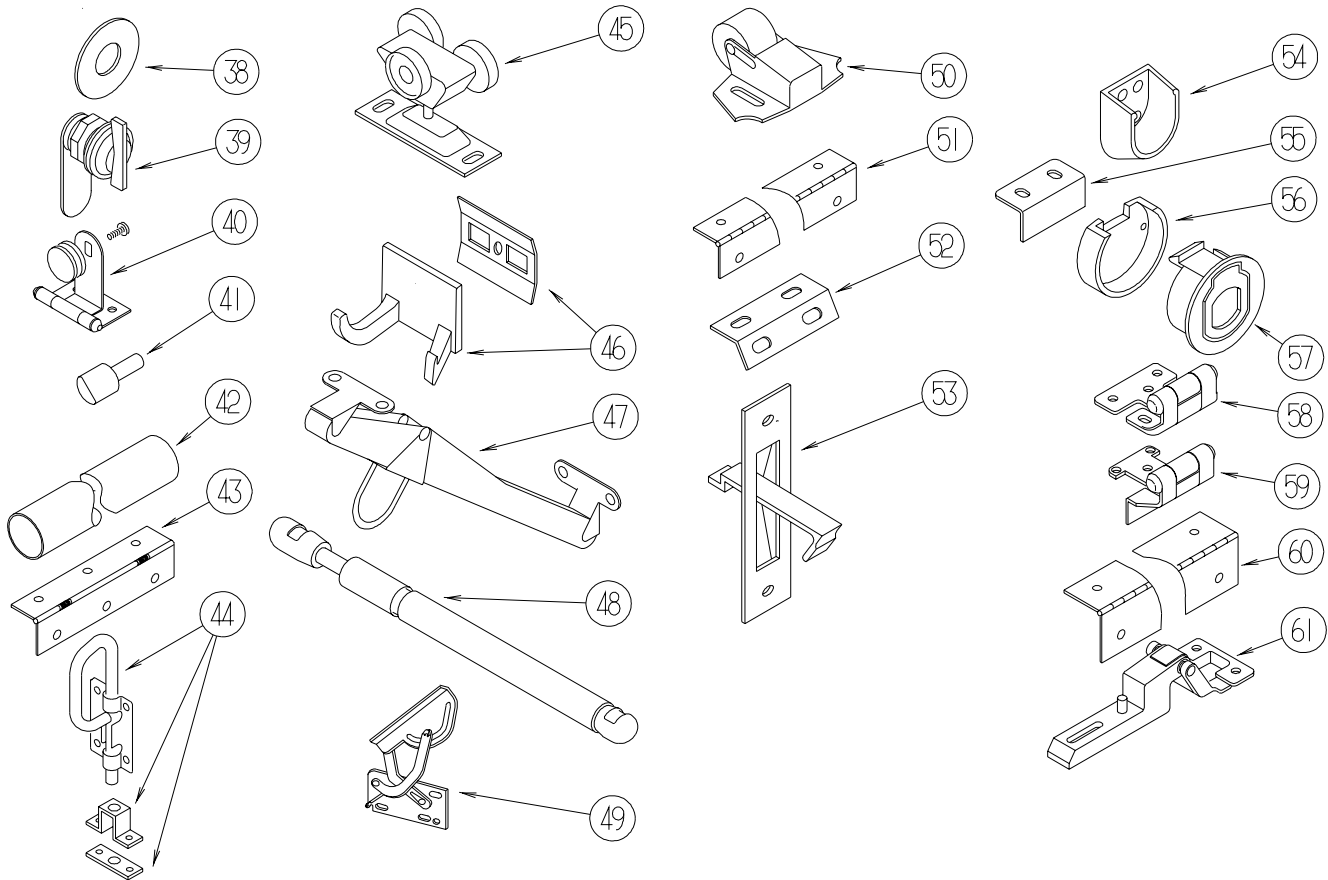
KEY	PART NUMBER	U/M	DESCRIPTION
1	Y00136-21-218	EA	DOWEL - WOOD - 1" X 4'
2	009013-01-000	EA	CATCH - BULLDOG - MALE/FEMALE
3	009059-01-000	EA	HINGE - DOOR - 2" X 1.4" - BRASS
3	009059-02-000	EA	HINGE - DOOR - 2" X 2.7" - BRASS
3	009059-03-000	EA	HINGE - BRASS - 1.75"
3	009059-04-000	EA	HINGE - 2" - ZINC
4	009089-01-000	EA	CLIP - MIRROR
5	009112-01-000	EA	FLANGE - PLASTIC - 1" CLOTHES ROD - OFF WHITE
6	016604-01-000	EA	BRACE - ANGLE - 2 1/2" - UNPAINTED METAL
6	016604-05-000	EA	BRACE - ANGLE - 2 1/2" - OFF WHITE METAL
6	016604-10-000	EA	BRACE - SEAT ANGLE - 2.5" - BLACK
7	023320-01-000	EA	PAD - FELT 3/8" DIAMETER
8	041389-25-000	EA	HINGE - PIANO - 1 1/2" X 55" - UNPAINTED
9	042438-02-000	EA	DOWEL - WOOD - 2" DIAMETER X 2'
10	057460-02-000	EA	BALL STUD - F/GAS SPRING .39" - 5/16"-18
11	057460-04-000	EA	SPRING/GAS - BALL STUD STYLE - 120 PI - "SPD6209"
12	057671-01-000	EA	COVER - SCREW - #8 - OFF WHITE
12	057671-15-000	EA	COVER - SCREW - #8 - BRIGHT WHITE
12	057671-16-000	EA	COVER - SCREW - #8 - SOFT WHITE
12	057671-17-000	EA	COVER - SCREW - VW LT GRAY - #8
13	064467-01-000	EA	GUIDE - POCKET - SLIDING DOOR - WALL MOUNTED
14	065740-01-000	EA	BRACE - CABINET/CORNER - PLASTIC
15	069178-03-000	EA	BRACKET/MOUNTING - ASSIST HANDLE - BRIGHT WHITE
16	072871-01-000	EA	PULL - FLUSH - CHROME
17	074045-08-000	EA	PLUG - OAK - 3/8" DOWEL-1/2" HEAD - SALEM CHERRY - CONCERT CHERRY
17	074045-12-000	EA	PLUG - OAK - 3/8" DOWEL-1/2" HEAD - WASHED MAPLE
17	074045-13-000	EA	PLUG - OAK - 3/8" DOWEL-1/2" HEAD - PORTSMOUTH OAK
17	074045-14-000	EA	PLUG - OAK - 3/8" DOWEL-1/2" HEAD - HONEY CHERRY

## INTERIOR FINISH GROUP (CONTINUED) HARDWARE (CONTINUED)



KEY	PART NUMBER	U/M	DESCRIPTION
18	074493-02-000	EA	SUPPORT - PISTON SPRING - CABINET DOOR - 26 LBS
18	074493-03-000	EA	SUPPORT - PISTON SPRING - CABINET DOOR - 12 LBS
19	079921-01-000	EA	ROLLER - NYLON - W/STEEL SHAFT - BARBED
20	081114-02-000	EA	CAP - INSERT - ROUND - 1" DIAMETER - WHITE PLASTIC
21	004354-01-000	EA	BUMPER - RUBBER - 1/2" DIA - BROWN
21	081914-01-000	EA	BUMPER - RUBBER - ROUND - 1/2" DIA. X 1/8" THICK
22	083125-07-000	EA	BRACE - ANGLE/COUCH - 2.5" - OFF WHITE
22	132871-02-02B	EA	BRACKET/L-SHAPED W/HOLES - 1.9" X 2.8" - E-COATED
23	083204-03-000	EA	BUTTON - RETAINING MIRROR 5/16" TIP
24	084070-03-000	EA	POST - END - 2.4" - SHINY BRASS
25	084071-05-000	EA	ROD - BRASS - 15"
25	084071-19-000	EA	ROD - BRASS - 7.1"
25	084071-20-000	EA	ROD - BRASS - 9.8"
25	084071-23-000	EA	ROD - BRASS - 13.1"
25	084071-24-000	EA	ROD - BRASS - 3.8"
25	084071-33-000	EA	ROD - BRASS - 20.4"
25	146840-01-01A	EA	ROD - .25" DIAMETER - BRASS
25	146840-01-02A	EA	ROD - .25" DIAMETER - PEWTER
25	146840-02-01A	EA	ROD - .25" DIAMETER - BRASS
25	146840-02-02A	EA	ROD - .25" DIAMETER - PEWTER
25	146840-03-01A	EA	ROD - .25" DIAMETER - BRASS
25	146840-03-02A	EA	ROD - .25" DIAMETER - PEWTER
25	146840-04-01A	EA	ROD - .25" DIAMETER - BRASS
25	146840-04-02A	EA	ROD - .25" DIAMETER - PEWTER
25	146840-05-01A	EA	ROD - .25" DIAMETER - BRASS
25	146840-05-02A	EA	ROD - .25" DIAMETER - PEWTER
26	084412-01-000	EA	SUPPORT/HINGE KIT (LEFT & RIGHT HINGES)
27	084413-01-000	EA	HINGE - 1" X 72" - ALUMINUM - W/HOLES
28	084451-01-000	EA	CATCH & LATCH - 1.7" - BRASS
29	089025-01-000	EA	SUPPORT - SPRING TO BED - ANGLE 1.5" X 11.8"
30	093586-03-000	EA	CATCH - SPRING ROLLER - .377"
30	093586-06-000	EA	CATCH - SPRING ROLLER - .236"
31	093586-04-000	EA	STRIKE - SPRING STEEL - 1.14"
31	093586-05-000	EA	STRIKE - SPRING STEEL - .943"
32	093622-01-000	EA	TRACK - DOOR - TAMBOUR - PLASTIC - 8' LENGTHS
33	093623-01-000	EA	CORNER - TRACK - TAMBOUR DOOR
34	097872-04-000	EA	DOWEL - WOOD - 1" DIAMETER X 1.38" LONG - UNFINISHED
35	098196-01-000	EA	LATCH - 1/4 TURN - T-BAR
36	098979-01-000	EA	CLIP - ADJUSTABLE SHELF
37	098980-01-000	EA	PILASTER - ADJUSTABLE SHELF - 18"
37	098980-02-000	EA	PILASTER - ADJUSTABLE SHELF - 12"
37	098980-03-000	EA	PILASTER - ADJUSTABLE SHELF - 9"
37	098980-04-000	EA	PILASTER - ADJUSTABLE SHELF - 48"
37	098980-05-000	EA	PILASTER - ADJUSTABLE SHELF - 15"
37	098980-06-000	EA	PILASTER - ADJUSTABLE SHELF - 24"

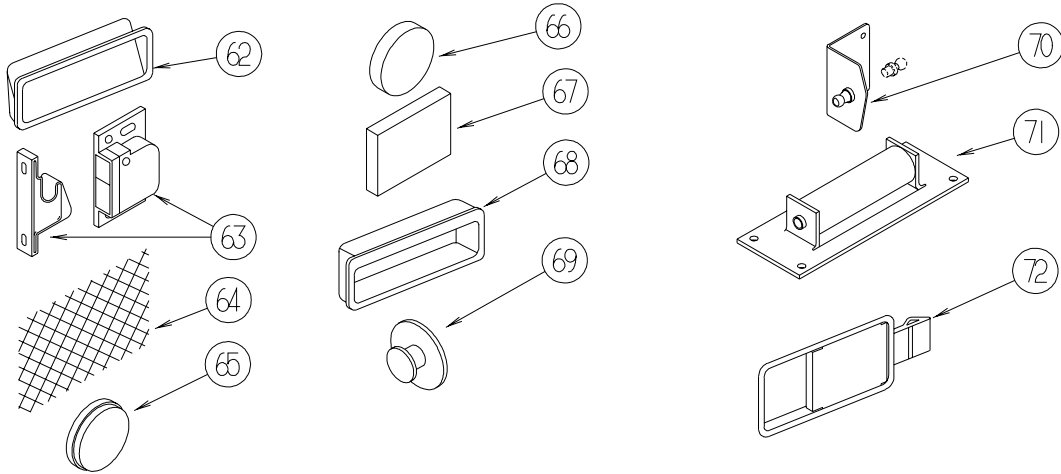
## INTERIOR FINISH GROUP (CONTINUED) HARDWARE (CONTINUED)



KEY	PART NUMBER	U/M	DESCRIPTION
38	100707-01-000	EA	SPACER - GLASS DOOR - .8" DIA - .3" HOLE - PLASTIC
39	100710-01-01A	EA	LOCK - GLASS DOOR/TWIST TYPE - BRASS
40	100711-01-01A	EA	HINGE - GLASS DOOR
41	101766-01-000	EA	PIN - SUPPORT/GLASS DOOR
42	102075-10-02A	EA	ROD - SHOWER CURTAIN - 1" OD X 46.3" - SOFT WHITE
43	102920-01-01A	EA	HINGE - SPRING LOADED - BRASS
44	103256-01-000	EA	LATCH COMPLETE (SLIDE)
45	103874-01-000	EA	HANGER - SLIDING DOOR
46	104174-01-000	EA	HOOK - ROBE - DOUBLE
47	104181-01-01A	EA	SUPPORT - LEAF 5.3" EXTENDS TO 7.5" - SAFETY RING - METAL
48	142569-15-000	EA	SPRING/GAS - 12" COMPRESSED/20" EXTENDED - 120 LB.
48	142569-16-000	EA	SPRING/GAS - 12" COMPRESSED/20" EXTENDED - 90 LB
48	142569-05-000	EA	SPRING - GAS - 15 LB. - 39.9"
48	142569-18-000	EA	SPRING/GAS - 6.5" COMPRESSED/9.6" EXTENDED - 65 LB.
49	108126-01-000	EA	TRAY HINGE SET (QTY. 2 PER SET)
50	109403-01-000	EA	CATCH - SINGLE ROLLER - SCREEN DOOR
51	110496-01-01A	EA	HINGE - BRASS
52	111866-01-02A	EA	BRACE - SEAT - ANGLE - OFF WHITE
53	113130-01-01A	EA	PULL - DOOR POCKET
54	113236-01-01A	EA	BRACKET - CLOTHES - ROD
55	113375-02-01A	EA	STRIKE - DOOR - CHROME
56	113375-05-01A	EA	LATCH - SLAM - BACK - .8" THICK
57	113375-06-01A	EA	LATCH - SLAM - FACE - .7" THICK
58	113676-01-01A	EA	HINGE - OVERLAY - VARIABLE - BURNISHED BRASS
59	113677-01-01A	EA	HINGE - SELF CLOSING
60	114278-02-000	EA	HINGE - CONTINUOUS - 3" WIDE
61	114443-01-01A	EA	HINGE - CABINET DOOR

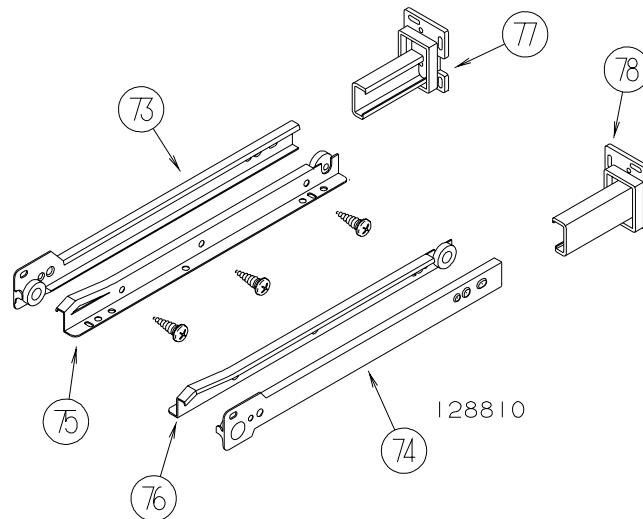


**INTERIOR FINISH GROUP (CONTINUED)**  
**HARDWARE (CONTINUED)**



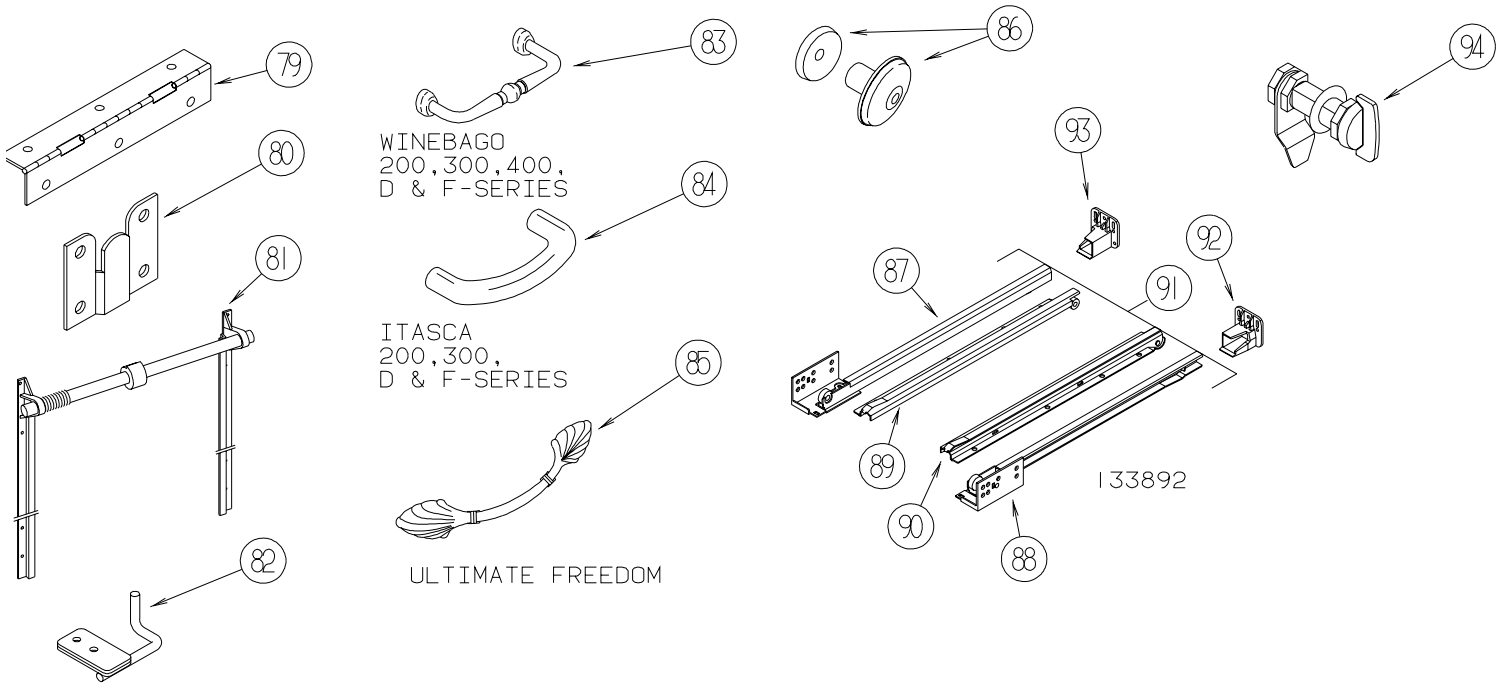
KEY	PART NUMBER	U/M	DESCRIPTION
62	115994-01-01A	EA	HANDLE - POCKET
63	117095-01-01A	EA	LATCH - DOOR - GRABBER W/KEEPER - PLASTIC - BLK-5 LB PULL
63	117095-02-01A	EA	LATCH - DOOR - GRABBER W/KEEPER - PLASTIC - BLK-10 LB PULL
64	118200-01-01A	SF	MESH - PLASTIC 1/2" - 48" X LENGTH = SF - BLACK
65	120760-01-000	EA	RUBBER BUMPER - CLEAR - .1" THICK X .8" DIAMETER
66	122717-01-01A	EA	PAD - NON SKID - 4" DIAMETER ROUND
67	122717-06-01A	FT	PAD - NON-SKID - PSA - 5"W
68	124311-01-01A	EA	HANDLE - RECESSED - BRASS
69	125221-01-01A	EA	PULL - MIRROR - W/ROUND HANDLE
70	126263-06-02B	EA	BRACKET - GAS SPRING W/INSIDE BALL STUD - E-COATED
70	126263-08-02B	EA	BRACKET - GAS SPRING W/CENTERED BALL STUD - E-COATED
71	126584-02-000	EA	ROLLER - FLAT
72	127349-01-01A	EA	LATCH - PADDLE

**INTERIOR FINISH GROUP (CONTINUED)**  
**HARDWARE (CONTINUED)**



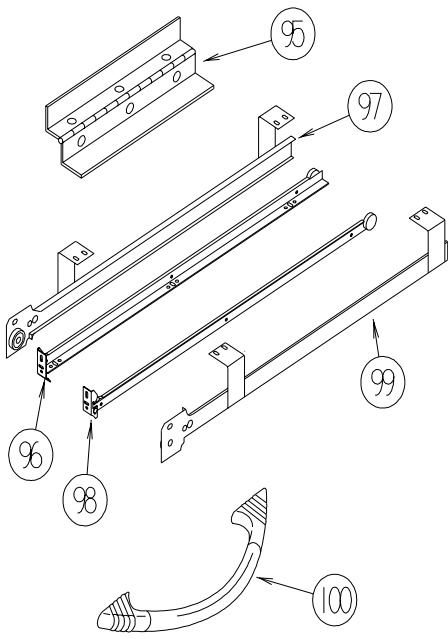
KEY	PART NUMBER	U/M	DESCRIPTION
73	128810-01-01A	EA	SLIDE - DRAWER - 12" - LEFT CABINET
73	128810-05-01A	EA	SLIDE - DRAWER - 14" - LEFT CABINET
73	128810-09-01A	EA	SLIDE - DRAWER - 16" - LEFT CABINET
73	128810-13-01A	EA	SLIDE - DRAWER - 18" - LEFT CABINET
73	128810-17-01A	EA	SLIDE - DRAWER - 20" - LEFT CABINET
73	128810-21-01A	EA	SLIDE - DRAWER - 22" - LEFT CABINET
73	128810-25-01A	EA	SLIDE - DRAWER - 24" - LEFT CABINET
73	128810-29-01A	EA	SLIDE - DRAWER - 9" - LEFT CABINET
74	128810-02-01A	EA	SLIDE - DRAWER - 12" - RIGHT CABINET
74	128810-06-01A	EA	SLIDE - DRAWER - 14" - RIGHT CABINET
74	128810-10-01A	EA	SLIDE - DRAWER - 16" - RIGHT CABINET
74	128810-14-01A	EA	SLIDE - DRAWER - 18" - RIGHT CABINET
74	128810-18-01A	EA	SLIDE - DRAWER - 20" - RIGHT CABINET
74	128810-22-01A	EA	SLIDE - DRAWER - 22" - RIGHT CABINET
74	128810-26-01A	EA	SLIDE - DRAWER - 24" - RIGHT CABINET
74	128810-30-01A	EA	SLIDE - DRAWER - 9" - RIGHT CABINET
75	128810-03-01A	EA	SLIDE - DRAWER - 12" - LEFT DRAWER
75	128810-07-01A	EA	SLIDE - DRAWER - 14" - LEFT DRAWER
75	128810-11-01A	EA	SLIDE - DRAWER - 16" - LEFT DRAWER
75	128810-15-01A	EA	SLIDE - DRAWER - 18" - LEFT DRAWER
75	128810-19-01A	EA	SLIDE - DRAWER - 20" - LEFT DRAWER
75	128810-23-01A	EA	SLIDE - DRAWER - 22" - LEFT DRAWER
75	128810-27-01A	EA	SLIDE - DRAWER - 24" - LEFT DRAWER
75	128810-27-01A	EA	SLIDE - DRAWER - 24" - LEFT DRAWER
75	128810-31-01A	EA	SLIDE - DRAWER - 9" - LEFT DRAWER
76	128810-04-01A	EA	SLIDE - DRAWER - 12" - RIGHT DRAWER
76	128810-08-01A	EA	SLIDE - DRAWER - 14" - RIGHT DRAWER
76	128810-12-01A	EA	SLIDE - DRAWER - 16" - RIGHT DRAWER
76	128810-16-01A	EA	SLIDE - DRAWER - 18" - RIGHT DRAWER
76	128810-20-01A	EA	SLIDE - DRAWER - 20" - RIGHT DRAWER
76	128810-24-01A	EA	SLIDE - DRAWER - 22" - RIGHT DRAWER
76	128810-28-01A	EA	SLIDE - DRAWER - 24" - RIGHT DRAWER
76	128810-32-01A	EA	SLIDE - DRAWER - 9" - RIGHT DRAWER
77	128811-01-02A	EA	BACKSOCKET - ADJUSTABLE - LEFT
78	128811-02-02A	EA	BACKSOCKET - ADJUSTABLE - RIGHT

## INTERIOR FINISH GROUP (CONTINUED) HARDWARE (CONTINUED)

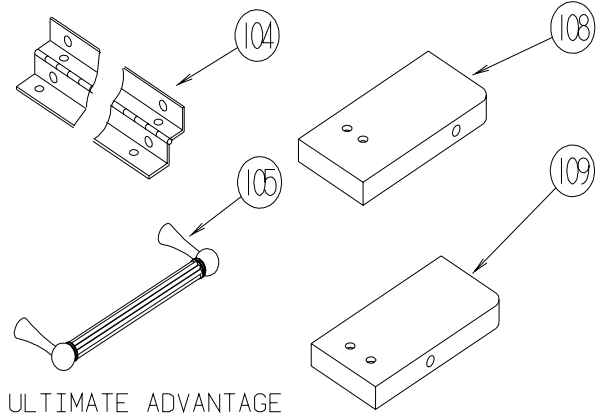
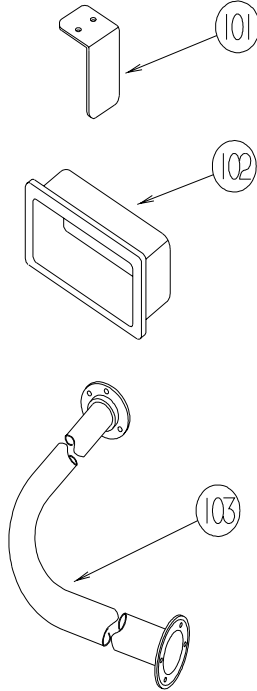


KEY	PART NUMBER	U/M	DESCRIPTION
79	129753-01-01A	EA	HINGE - SPRING LOADED - 19" X 19" - BLACK
80	130120-01-01A	EA	BRACKET - MIRROR
81	130787-02-000	EA	TRACK - TAMBOUR DOOR/SPRING - 24"
81	130787-04-000	EA	TRACK - TAMBOUR DOOR - SPRING
82	130798-01-02B	EA	GUIDE - POCKET DOOR - E-COATED
83	131963-01-01A	EA	PULL - POLISHED BRASS - <b>WINNEBAGO VISTA/MINNIE/MINNIE WINNIE/SIGHTSEER &amp; BRAVE</b>
84	131964-01-01A	EA	PULL - POLISHED BRASS - <b>ITASCA SUNSTAR/SPIRIT/SUNOVA &amp; SUNRISE</b>
85	131965-01-01A	EA	PULL - DOOR/DRAWER - 6.3" - BURNISHED BRASS - <b>ULTIMATE FREEDOM</b>
86	133313-01-02A	EA	PULL - DOOR/DRAWER - BRIGHT BRASS
86	133313-01-03A	EA	PULL - DOOR/DWR - CHROME/BRASS - <b>ITASCA SUNDANCER/SUNCRUISER/SUNFLYER/MERIDIAN</b>
87	133892-01-01A	EA	SLIDE - DRAWER - 16" - LEFT CABINET
87	133892-06-01A	EA	SLIDE - DRAWER - 22" - LEFT CABINET
87	133892-10-01A	EA	SLIDE - DRAWER - 12" - LEFT CABINET
87	133892-14-01A	EA	SLIDE - DRAWER - 18" - LEFT CABINET
88	133892-02-01A	EA	SLIDE - DRAWER - 16" - RIGHT CABINET
88	133892-07-01A	EA	SLIDE - DRAWER - 22" - RIGHT CABINET
88	133892-11-01A	EA	SLIDE - DRAWER - 12" - RIGHT CABINET
88	133892-15-01A	EA	SLIDE - DRAWER - 18" - RIGHT CABINET
89	133892-03-01A	EA	SLIDE - DRAWER - 16" - LEFT DRAWER
89	133892-08-01A	EA	SLIDE - DRAWER - 22" - LEFT DRAWER
89	133892-12-01A	EA	SLIDE - DRAWER - 12" - LEFT DRAWER
89	133892-16-01A	EA	SLIDE - DRAWER - 18" - LEFT DRAWER
90	133892-04-01A	EA	SLIDE - DRAWER - 16" - RIGHT DRAWER
90	133892-09-01A	EA	SLIDE - DRAWER - 22" - RIGHT DRAWER
90	133892-13-01A	EA	SLIDE - DRAWER - 12" - RIGHT DRAWER
90	133892-17-01A	EA	SLIDE - DRAWER - 18" - RIGHT DRAWER
91	133892-05-01A	EA	SLIDE - DRAWER - 9" - FULL SET
92	133907-01-01A	EA	BACKSOCKET - RIGHT HAND
93	133907-02-01A	EA	BACKSOCKET - LEFT HAND
94	135231-01-01A	EA	LATCH - COMPRESSION - BLACK

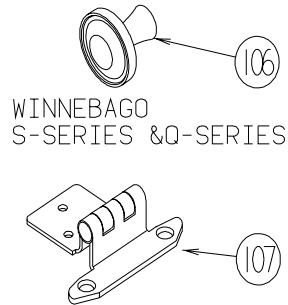
**INTERIOR FINISH GROUP (CONTINUED)**  
**HARDWARE (CONTINUED)**



ITASCA  
400, G, L P-SERIES



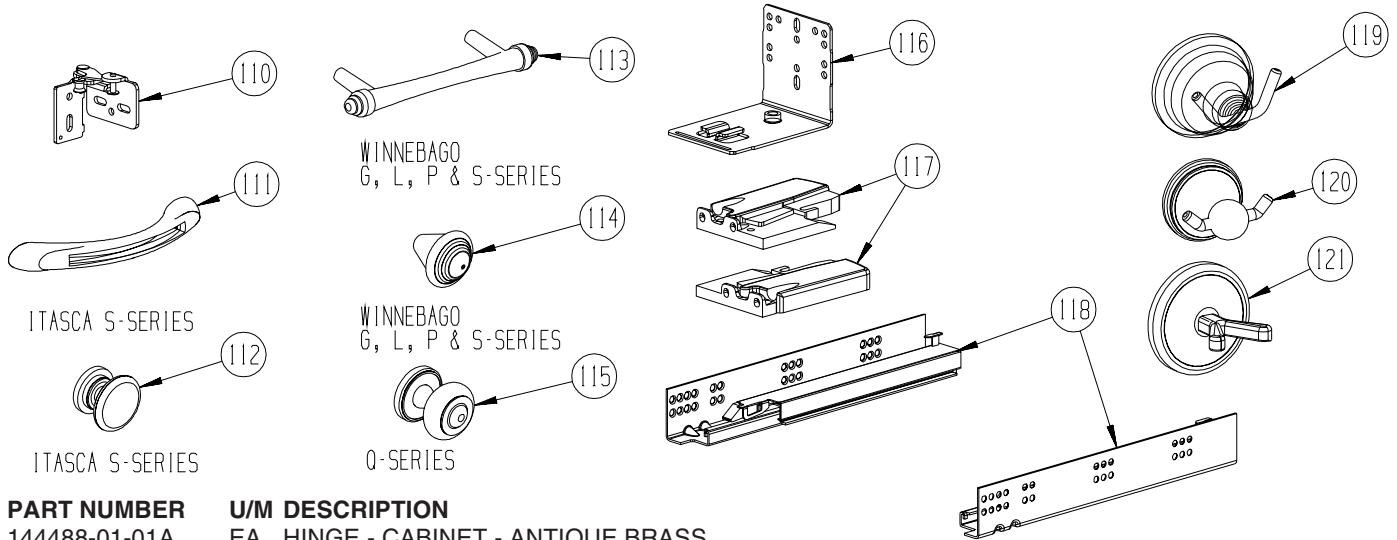
ULTIMATE ADVANTAGE



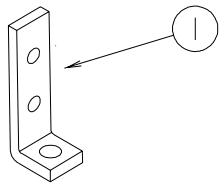
WINNEBAGO  
S-SERIES & Q-SERIES

KEY	PART NUMBER	U/M	DESCRIPTION
95	135538-01-01A	EA	HINGE - PIANO - FULL WRAP - BRASS PLATED
95	135538-03-01A	EA	HINGE - PIANO - FULL WRAP - STOCKER BRASS
95	135538-06-01A	EA	HINGE - PIANO - FULL WRAP
96	136944-01-01A	EA	SLIDE - DRAWER/RIGHT HAND - 13.8"
97	136944-02-01A	EA	SLIDE - CABINET/RIGHT HAND - 13.8"
98	136944-03-01A	EA	SLIDE - DRAWER/LEFT HAND - 13.8"
99	136944-04-01A	EA	SLIDE - CABINET/LEFT HAND - 13.8"
100	137446-01-01A	EA	PULL - CABINET - CHROME/BRASS - <b>ITASCA SUNDANCE/SUNCRUISER/SUNFLYER &amp; MERIDIAN</b>
101	138136-02-02B	EA	GUIDE - DOOR - E-COATED
102	139136-01-01A	EA	HANDLE - RECESSED - BRASS
102	139136-02-01A	EA	HANDLE - RECESSED - BRASS
102	139136-02-02A	EA	HANDLE - RECESSED - PEWTER
103	140494-01-01A	EA	ROD - SHOWER
103	140494-01-02A	EA	ROD - SHOWER - SOFT WHITE
104	142276-01-01A	EA	HINGE - PIANO - FULL WRAP - BRASS
105	142909-01-01A	EA	PULL - CABINET - BRASS - <b>ULTIMATE ADVANTAGE</b>
106	142910-01-01A	EA	KNOB - CABINET - BRASS - <b>WINNEBAGO VECTRA &amp; ULTIMATE ADVANTAGE</b>
107	143468-01-01A	EA	HINGE - SELF CLOSING - BURNISHED BRASS - <b>ULTIMATE FREEDOM</b>
107	143468-01-02A	EA	HINGE - SELF CLOSING - POLISHED BRASS
107	143468-02-02A	EA	HINGE - SELF CLOSING - POLISHED BRASS
107	143468-02-03A	EA	HINGE - SELF CLOSING - SATIN NICKEL - <b>ITASCA SUNFLYER, L-SERIES</b>
107	146553-01-02A	EA	HINGE - CABINET DOOR - BRIGHT BRASS
107	146553-01-03A	EA	HINGE - CABINET DOOR - SATIN NICKEL
108	137445-01-N42	EA	STOP - F/SLIDING DOOR
108	137445-01-P46	EA	STOP - F/SLIDING DOOR
108	137445-01-P56	EA	STOP - F/SLIDING DOOR
109	137445-02-P45	EA	STOP - F/SLIDING DOOR
109	137445-02-P46	EA	STOP - F/SLIDING DOOR
109	137445-02-P56	EA	STOP - F/SLIDING DOOR

## INTERIOR FINISH GROUP (CONTINUED) HARDWARE (CONTINUED)



KEY	PART NUMBER	U/M	DESCRIPTION
110	144488-01-01A	EA	HINGE - CABINET - ANTIQUE BRASS
110	144488-01-02A	EA	HINGE - CABINET - NICKEL - <b>ITASCA HORIZON</b>
111	144917-01-01A	EA	PULL - DRAWER - SATIN NICKEL - <b>ITASCA HORIZON</b>
112	144918-01-01A	EA	PULL - DRAWER/KNOB - SATIN NICKEL - <b>ITASCA HORIZON</b>
113	145172-01-01A	EA	PULL - CABINET DOOR - <b>WINNEBAGO ADVENTURER/CHIEFTAIN/JOURNEY &amp; VECTRA</b>
114	145172-02-01A	EA	PULL - DRAWER/DNOB - <b>WINNEBAGO ADVENTURER/CHIEFTAIN &amp; JOURNEY</b>
115	145180-01-01A	EA	KNOB - CABINET DOOR - <b>ULTIMATE FREEDOM</b>
116	145739-01-000	EA	BRACKET - REAR MOUNT
117	145739-02-000	EA	LOCKING MECHANISM - LEFT
117	145739-03-000	EA	LOCKING MECHANISM - RIGHT
118	145739-04-000	EA	SLIDE - DRAWER - 12"
119	145849-01-01A	EA	ROBE HOOK - TWIN - BRASS
119	145849-02-01A	EA	ROBE HOOK - TWIN - CHROME
120	145849-03-01A	EA	ROBE HOOK - TWIN - BRASS
121	145849-04-01A	EA	ROBE HOOK - TWIN - CHROME/BRASS



KEY	PART NUMBER	U/M	DESCRIPTION
1	096826-01-01A	EA	BRACE-CABINET E-COATED

## LABELS GROUP

SEWAGE

**KEY PART NUMBER U/M DESCRIPTION**  
006187-01-000 EA LABEL - SEWAGE

WASTE WATER

**KEY PART NUMBER U/M DESCRIPTION**  
006188-01-000 EA LABEL - WASTE WATER

### WARNING

THIS SYSTEM IS DESIGNED FOR USE WITH PROPANE ONLY  
DO NOT CONNECT NATURAL GAS TO THIS SYSTEM

BEFORE TURNING ON PROPANE:

- (A) BE CERTAIN APPLIANCES ARE CERTIFIED FOR PROPANE AND ARE EQUIPPED WITH CORRECT BURNING ORIFICES.
- (B) MAKE CERTAIN ALL PROPANE CONNECTIONS ARE TIGHT BY TESTING WITH SOAPY WATER. ALL APPLIANCE VALVES ARE TURNED OFF, AND ANY UNCONNECTED OUTLETS ARE CAPPED.

AFTER TURNING ON PROPANE:

- (A) LIGHT ALL PILOT LIGHTS
- (B) (B) ALL CONNECTIONS, INCLUDING THOSE AT THE APPLIANCES, REGULATORS AND CYLINDERS SHOULD BE LEAK-TESTED PERIODICALLY WITH SOAPY WATER BY THE OCCUPANT. NEVER USE A LIGHTED MATCH OR OTHER FLAME WHEN CHECKING FOR LEAKS.
- (C) DO NOT LEAVE SYSTEM TURNED ON OF CONTAINERS CONNECTED UNTIL THE SYSTEM HAS BEEN PROVEN TO BE FREE OF LEAKS.
- (D) COOKING APPLIANCES SHOULD NOT BE USED FOR SPACE HEATING.
- (E) WHEN THE CONTAINERS ARE DISCONNECTED THE PROPANE SUPPLY LINE SHOULD BE CAPPED OR PLUGGED.

### AVERTISSEMENT

CETTE INSTALLATION EST CONÇUE POUR LE PROPANE SEULEMENT  
NE PAS L'ALIMENTER EN GAZ NATUREL

AVANT LA MISE EN SERVICE:

- (A) S'ASSURER QUE LES APPAREILS SONT CERTIFIÉS POUR LE PROPANE ET MUNIS D'ORIFICES DE BRULEUR APPROPRIÉS.
- (B) VÉRIFIER L'ÉTANCHEITÉ DE TOUS LES RACCORDEMENTS AU PROPANE. LA PERMÉTURE DE TOUS LES ROBINETS D'APPAREILS ET L'OBTURATION DE TOUTES LES SORTIES NON RACCORDEES.

APRES LA MISE EN SERVICE:

- (A) ALLUMER TOUTES LES VEILLEUSES.
- (B) L'OCCUPANT DOIT ÉPROUVER PÉRIODIQUEMENT L'ÉTANCHEITÉ DE TOUS LES RACCORDEMENTS Y COMPRIS CEUX AUX APPAREILS, AUX DÉTENDEURS ET AUX BOUTEILLES, EN Y APPLIQUANT DE L'EAU SAVONNEUSE NE JAMAIS SE SERVIR D'UNE ALLUMETTE OU AUTRE POUR LA DÉTECTION DES FUITES.
- (C) NE PAS LAISSER L'ALIMENTATION OUVERTE NI LES RÉCIPIENTS RACCORDES AVANT D'AVOIR COMPLÉTÉ L'ÉPREUVE D'ÉTANCHEITÉ AU PROPANE DE L'INSTALLATION.
- (D) LES APPAREILS DE CUISSON NE DOIVENT PAS ÊTRE UTILISÉS POUR LE CHAUFFAGE DES LOCAUX.
- (E) LORSQUE LES RÉCIPIENTS SONT DÉCONNECTÉS, L'ALIMENTATION DE PROPANE DOIT ÊTRE OBTURÉE OU SCELLÉE.

**KEY PART NUMBER U/M DESCRIPTION**  
023769-01-000 EA LABEL - WARNING - LPG - CANADIAN

EXIT

**KEY PART NUMBER U/M DESCRIPTION**  
039290-01-000 EA LABEL - WARNING - EXIT

## LABELS GROUP (CONTINUED)



**KEY PART NUMBER U/M DESCRIPTION**  
040944-01-000 EA LABEL - ENTRANCE DOOR - "OPEN"

### CAUTION

THIS MOTOR HOME HAS BEEN DESIGNED, MANUFACTURED AND TESTED WITH CONCERN FOR THE PROTECTION OF IT'S OCCUPANTS. WE RECOMMEND YOU PERFORM THE FOLLOWING INSPECTIONS FOR YOUR SAFETY AND THE SAFETY OF YOUR PASSENGERS BEFORE STARTING YOUR VEHICLE.

1. LP GAS SYSTEM- TURN OFF AT TANK FOR TRAVELING. TEST FOR LEAKS UPON ARRIVAL AT DESTINATION. BEFORE LIGHTING PILOTS.
2. WHEELS- INSPECT FOR DAMAGE AND CHECK LUG NUTS FOR TIGHTNESS.
3. TIRES- INSPECT FOR WEAR AND DAMAGE AND CHECK FOR RECOMMENDED AIR PRESSURE.
4. LIGHTING- TEST FOR PROPER OPERATION OF ALL INTERIOR AND EXTERIOR LIGHTS INCLUDING DASH LIGHTS, HEADLIGHTS, TAIL LIGHTS, BRAKE LIGHTS, CLEARANCE LIGHTS AND TURN SIGNALS.
5. EXITS- INSPECT RELEASE MECHANISM ON EMERGENCY EXIT WINDOW. TEST BOTH LOCKS ON MAIN ENTRANCE DOOR FOR EASE OF OPERATION AND INSTRUCT PASSENGERS HOW TO USE BOTH MEANS OF EXIT.
6. SEAT BELTS- DIRECT PASSENGERS TO DESIGNATED SEATS AND REQUIRE USE OF SEAT BELTS.
7. APPLIANCES- TURN OFF AND LATCH OR LOCK DOORS WHERE PROVIDED.
8. LOOSE PARCELS- STORE SECURELY.
9. UTILITY SUPPLY LINES- DISCONNECT ALL ELECTRIC, SEWER AND WATER LINES AND SECURE PROPERLY.
10. ENTRANCE DOOR STEP- PLACE IN RETRACTED POSITION FOR TRAVELING.

READ YOUR MOTOR HOME AND CHASSIS OWNER'S  
MANUAL FOR FURTHER PRECAUTIONS

**KEY PART NUMBER U/M DESCRIPTION**  
056259-01-000 EA LABEL - SAFETY CHECK LIST

UNLEADED FUEL ONLY

**KEY PART NUMBER U/M DESCRIPTION**  
062043-01-000 EA LABEL - FUEL - UNLEADED

**WARNING** DISCONNECT BATTERIES BEFORE  
CONNECTING EXTERNAL CHARGING EQUIPMENT.

**KEY PART NUMBER U/M DESCRIPTION**  
065748-01-000 EA LABEL - WARNING - BATTERY CHARGING - UL

AVERTISSEMENT : DEBRANCHER LES BATTERIES AVANT  
DE BRANCHER TOUT EQUIPEMENT DE CHARGE EXTERIEUR.

**KEY PART NUMBER U/M DESCRIPTION**  
065748-02-000 EA LABEL - WARNING - BATTERY CHARGING - CSA - CANADIAN

DIESEL FUEL ONLY

**KEY PART NUMBER U/M DESCRIPTION**  
068383-01-000 EA LABEL - DIESEL FUEL

VEHICLE EMISSION CONTROL INFORMATION  
THIS VEHICLE CONFORMS TO U.S. EPA  
REGULATIONS APPLICABLE TO XXXX MODEL  
YEAR NEW VEHICLES.

072887-01-000-2 CATALYST

**KEY PART NUMBER U/M DESCRIPTION**  
072887-14-000 EA LABEL - EPA - 2003 MODEL YEAR



## LABELS GROUP (CONTINUED)

### IF YOU SMELL GAS

1. EXTINGUISH ANY OPEN FLAME, PILOT LIGHTS AND ALL SMOKING MATERIALS.
2. DO NOT TOUCH ELECTRICAL SWITCHES.
3. SHUT OFF THE GAS SUPPLY AT THE TANK VALVE(S) OR GAS SUPPLY CONNECTION.
4. OPEN DOORS AND OTHER VENTILATING OPENINGS.
5. LEAVE THE AREA UNTIL ODOR CLEARS.
6. HAVE THE GAS SYSTEM CHECKED AND LEAKAGE SOURCE CORRECTED BEFORE USING AGAIN.

**KEY PART NUMBER U/M DESCRIPTION**  
073998-01-000 EA LABEL - LPG ODOR WARNING

WARNING: TEST SMOKE DETECTOR  
OPERATION AFTER VEHICLE HAS BEEN IN  
STORAGE, BEFORE EACH TRIP AND AT  
LEAST ONCE PER WEEK DURING USE.

**KEY PART NUMBER U/M DESCRIPTION**  
077956-01-000 EA LABEL - WARNING - SMOKE DETECTOR

DO NOT FILL  
LP-GAS CONTAINER(S)  
TO MORE THAN 80%  
OF CAPACITY.

**KEY PART NUMBER U/M DESCRIPTION**  
079965-01-000 EA LABEL - LPG - 80% CAPACITY

WARNING  
MUST BE STOWED  
IN LATCHED POSITION  
WHILE VEHICLE IS IN MOTION

**KEY PART NUMBER U/M DESCRIPTION**  
079966-01-000 EA LABEL - WARNING - STOWED - MOTION

W  
A  
T  
E  
R  
H  
E  
A  
T  
E  
R  
O  
N  
O  
F  
F

**KEY PART NUMBER U/M DESCRIPTION**  
083588-01-000 EA LABEL - ON/OFF - WATER HEATER

E  
N  
G  
I  
N  
E  
H  
E  
A  
T  
E  
R  
O  
N  
O  
F  
F

**KEY PART NUMBER U/M DESCRIPTION**  
083588-02-000 EA LABEL - ON/OFF - ENGINE HEATER  
083588-04-000 EA LABEL - ON/OFF - ENGINE HEATER

## LABELS GROUP (CONTINUED)

<p><b>CAUTION</b></p>	<p>TO HELP AVOID PERSONAL INJURY DURING REMOVAL OF FUEL FILLER CAP, SLOWLY LOOSEN CAP 1/2 TURN TO ALLOW ANY FUEL PRESSURE TO BE RELIEVED BEFORE TURNING CAP FURTHER.</p>
<p>FUEL SPRAY MAY CAUSE PERSONAL INJURY</p>	<p>STOP ADDING FUEL AFTER FIRST SHUTOFF BY AUTOMATIC NOZZLE WHEN TANK IS NEARLY FULL. DO NOT OVERFILL FUEL TANK.</p> <p>SEE OWNERS MANUAL FOR ADDITIONAL INFORMATION.</p> <p style="font-size: small;">PRINTED IN U.S.A. <span style="float: right;">WLC PT NO 15611763</span></p>

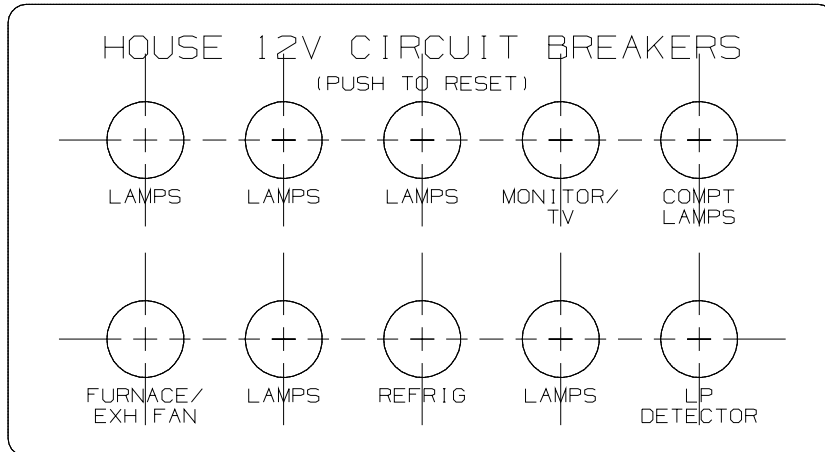
**KEY PART NUMBER U/M DESCRIPTION**  
 087207-05-000 EA LABEL - FUEL CAP REMOVAL



**KEY PART NUMBER U/M DESCRIPTION**  
 087236-01-000 EA LABEL - CABLE - INPUT

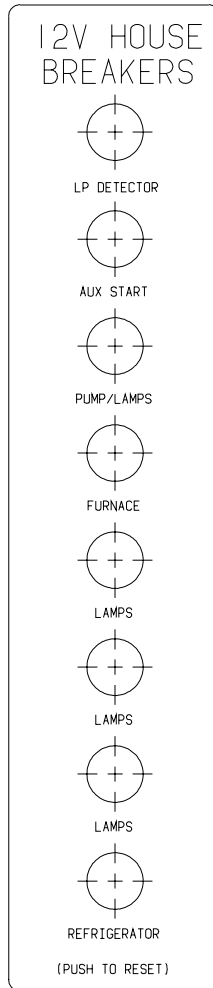


**KEY PART NUMBER U/M DESCRIPTION**  
 087236-02-000 EA LABEL - TV OUTLET

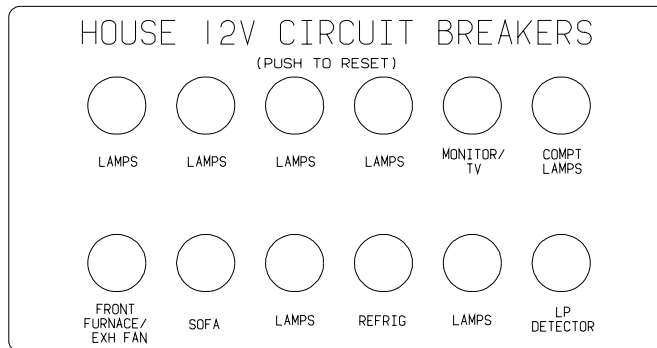


**KEY PART NUMBER U/M DESCRIPTION**  
 092547-06-000 EA LABEL - CIRCUIT BREAKER

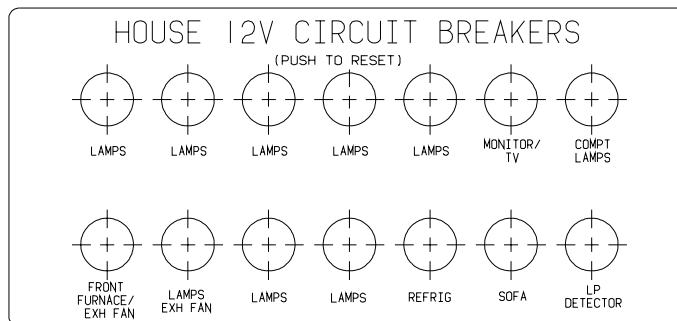
## LABELS GROUP (CONTINUED)



<b>KEY</b>	<b>PART NUMBER</b>	<b>U/M DESCRIPTION</b>
	092547-08-000	EA LABEL - CIRCUIT BREAKER

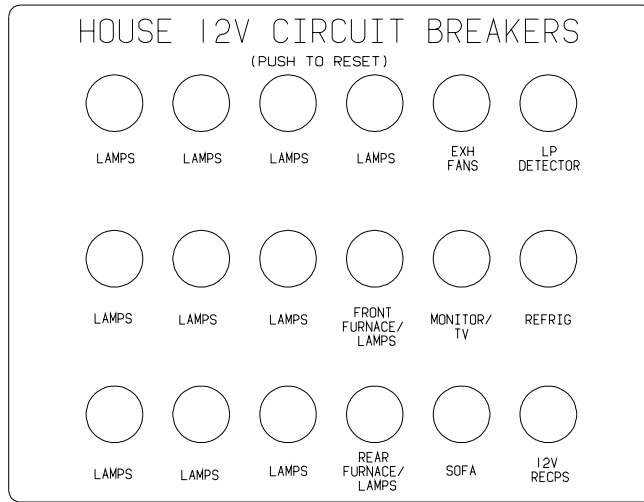


<b>KEY</b>	<b>PART NUMBER</b>	<b>U/M DESCRIPTION</b>
	092547-10-000	EA LABEL - CIRCUIT BREAKER

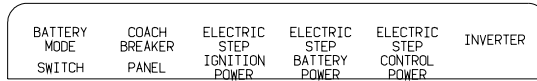


<b>KEY</b>	<b>PART NUMBER</b>	<b>U/M DESCRIPTION</b>
	092547-12-000	EA LABEL - CIRCUIT BREAKER

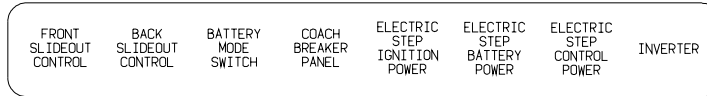
## LABELS GROUP (CONTINUED)



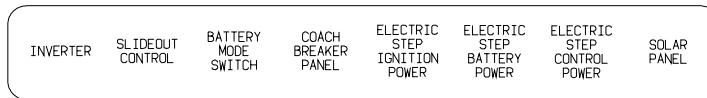
**KEY PART NUMBER**      **U/M DESCRIPTION**  
092547-14-000      EA LABEL - CIRCUIT BREAKER



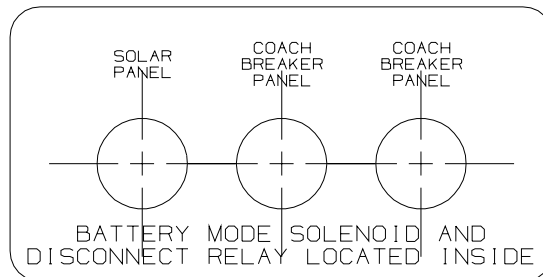
**KEY PART NUMBER**      **U/M DESCRIPTION**  
093236-08-000      EA LABEL - CIRCUIT BREAKER



**KEY PART NUMBER**      **U/M DESCRIPTION**  
093236-28-000      EA LABEL - CIRCUIT BREAKER

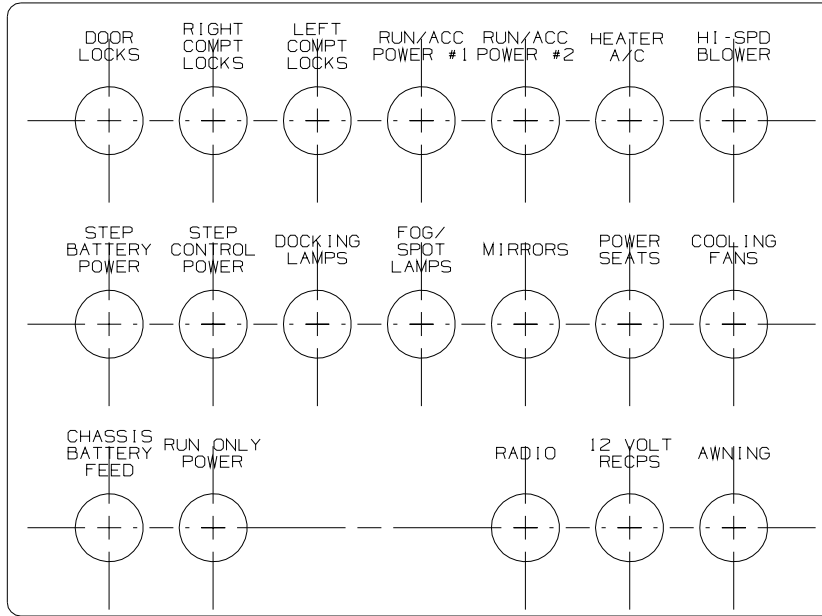


**KEY PART NUMBER**      **U/M DESCRIPTION**  
093236-29-000      EA LABEL - CIRCUIT BREAKER



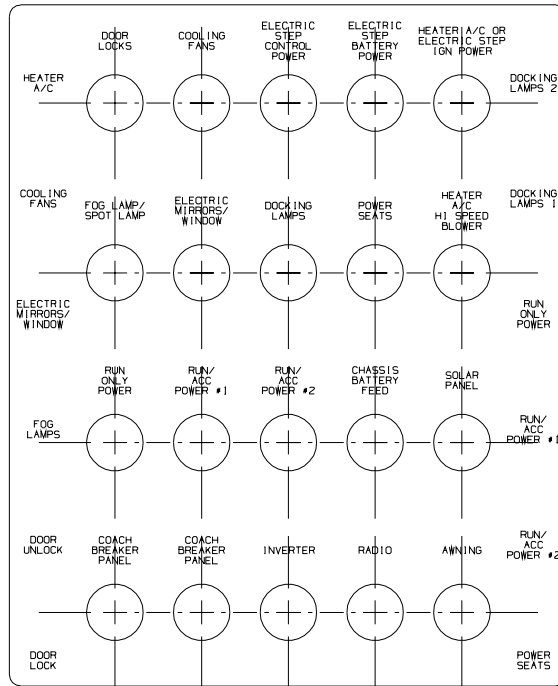
**KEY PART NUMBER**      **U/M DESCRIPTION**  
093236-31-000      EA LABEL - CIRCUIT BREAKER

## LABELS GROUP (CONTINUED)



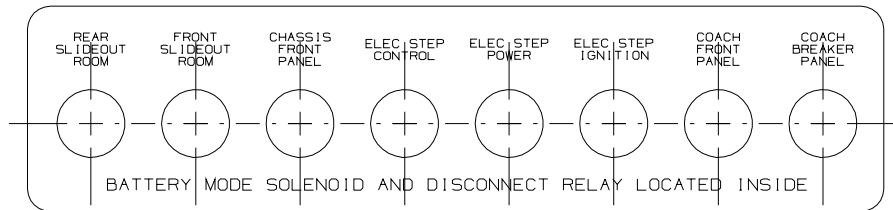
**KEY PART NUMBER**  
093236-32-000

**U/M DESCRIPTION**  
EA LABEL - CIRCUIT BREAKER



**KEY PART NUMBER**  
093236-33-000

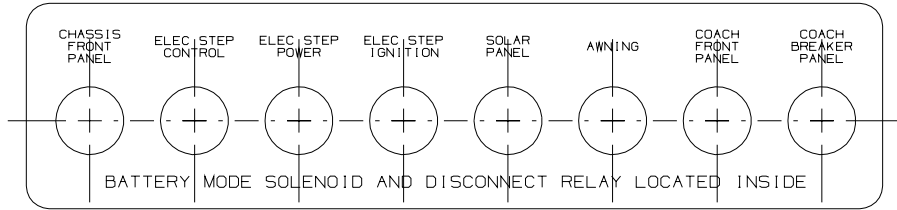
**U/M DESCRIPTION**  
EA LABEL - CIRCUIT BREAKER



**KEY PART NUMBER**  
093236-34-000

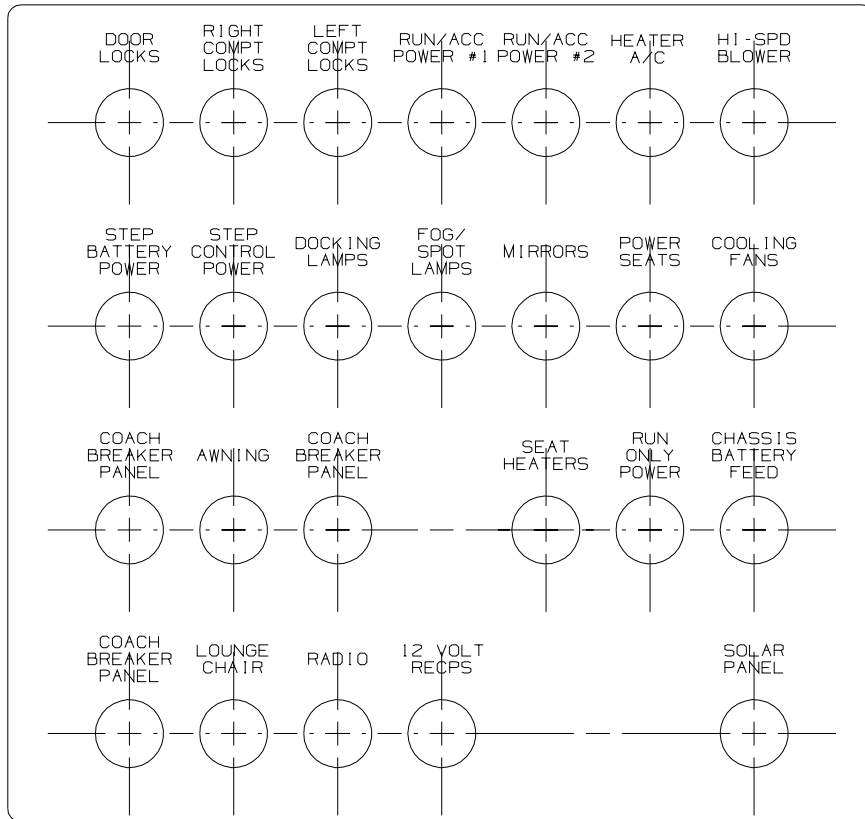
**U/M DESCRIPTION**  
EA LABEL - CIRCUIT BREAKER

## LABELS GROUP (CONTINUED)

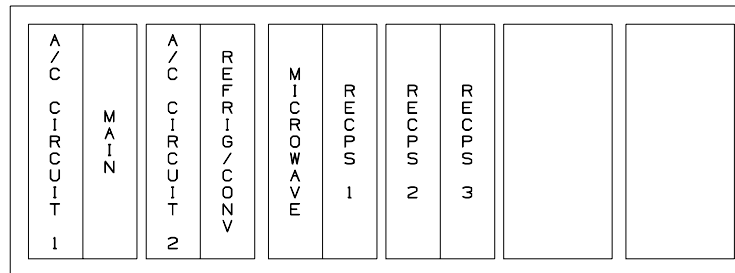


KEY	PART NUMBER	U/M	DESCRIPTION
	093236-35-000	EA	LABEL - CIRCUIT BREAKER

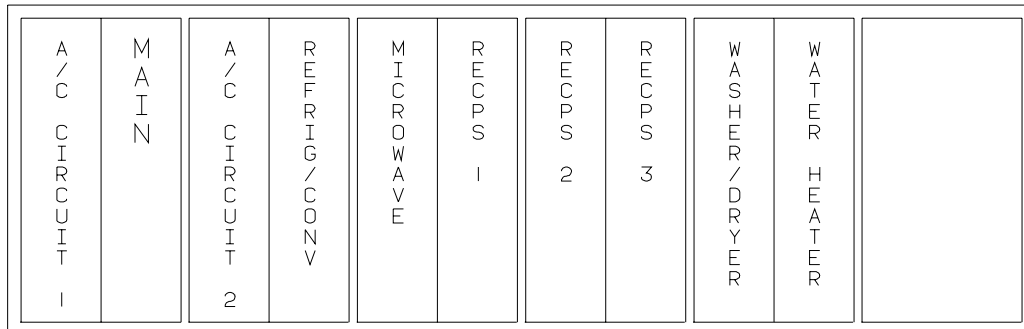
## LABELS GROUP (CONTINUED)



**KEY PART NUMBER U/M DESCRIPTION**  
 093236-37-000 EA LABEL - CIRCUIT BREAKER



**KEY PART NUMBER U/M DESCRIPTION**  
 095721-27-000 EA LABEL - CONTROL CENTER - 30 AMP



**KEY PART NUMBER U/M DESCRIPTION**  
 095721-31-000 EA LABEL - CONTROL CENTER - 30 AMP - US



## LABELS GROUP (CONTINUED)

A / C C I R C U I T 1	M A I N	M A I N	A / C C I R C U I T 2	R E F F R I G / C O N V	M I C R O W A V E	R E C P S 1	R E C P S 2	R E C P S 3	W A S H E R / D R Y E R	W A T E R H E A T E R
-----------------------------	---------	---------	-----------------------------	-------------------------	-------------------	----------------	----------------	----------------	-------------------------	--------------------------

**KEY PART NUMBER U/M DESCRIPTION**  
 095721-33-000 EA LABEL - CONTROL CENTER - 50 AMP - US

M A I N	M I C R O W A V E	G F I / R E C P S	R E F E R / C O N V	W A T E R H T R	A / C
---------	-------------------	-------------------	---------------------	-----------------	-------

**KEY PART NUMBER U/M DESCRIPTION**  
 095721-38-000 EA LABEL - CONTROL CENTER - 30 AMP - US

A / C C I R C U I T 1	M A I N	M A I N	A / C C I R C U I T 2	I N V E R T E R / C H A R G E E R	W A S H E R / D R Y E R	W A T E R H E A T E R	W A T E R H E A T E R	D I S H W A S H E R	F I R E P L A C E / R E C P S 4	F I R E P L A C E / R E C P S 4
-----------------------------	---------	---------	-----------------------------	--------------------------------------	-------------------------	--------------------------	--------------------------	---------------------	---------------------------------------	---------------------------------------

**KEY PART NUMBER U/M DESCRIPTION**  
 095721-44-000 EA LABEL - CONTROL CENTER - 30 AMP - US

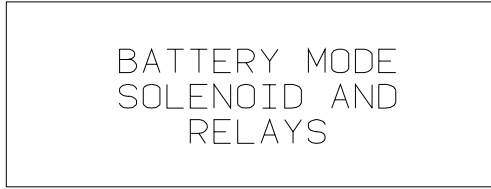
AUTOMOTIVE AND COACH  
CIRCUIT BREAKERS

**KEY PART NUMBER U/M DESCRIPTION**  
 098379-01-000 EA LABEL - CIRCUIT BREAKER - FRONT BOX

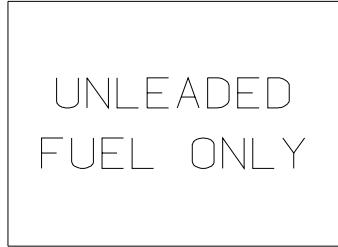
CIRCUIT BREAKERS  
AND AUTOMOTIVE  
FUSE PANEL

**KEY PART NUMBER U/M DESCRIPTION**  
 098379-03-000 EA LABEL - ELECTRICAL BOX - FRONT

**LABELS GROUP (CONTINUED)**



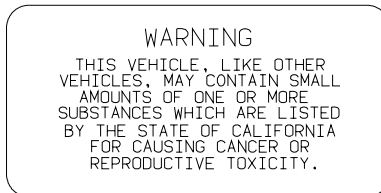
**KEY PART NUMBER U/M DESCRIPTION**  
098379-04-000 EA LABEL - ELECTRICAL BOX - SIDE



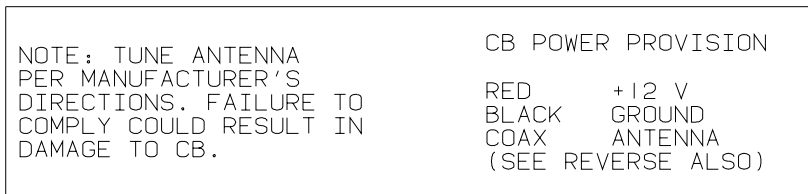
**KEY PART NUMBER U/M DESCRIPTION**  
098641-01-000 EA LABEL - FUEL - UNLEADED - DASH



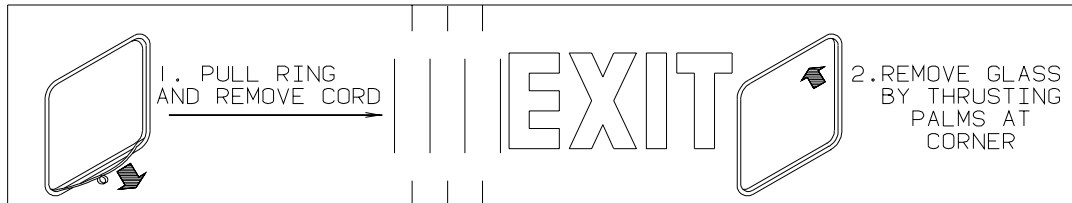
**KEY PART NUMBER U/M DESCRIPTION**  
099509-01-000 EA LABEL - AWNING INSTALLATION



**KEY PART NUMBER U/M DESCRIPTION**  
099689-01-000 EA LABEL - WARNING - CANCER/TOXICITY

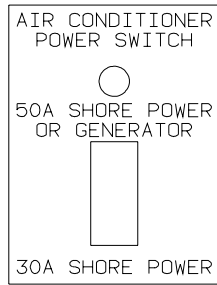


**KEY PART NUMBER U/M DESCRIPTION**  
104678-01-000 EA LABEL - CB PREP



**KEY PART NUMBER U/M DESCRIPTION**  
107571-01-000 EA LABEL - EXIT/ESCAPE WINDOW

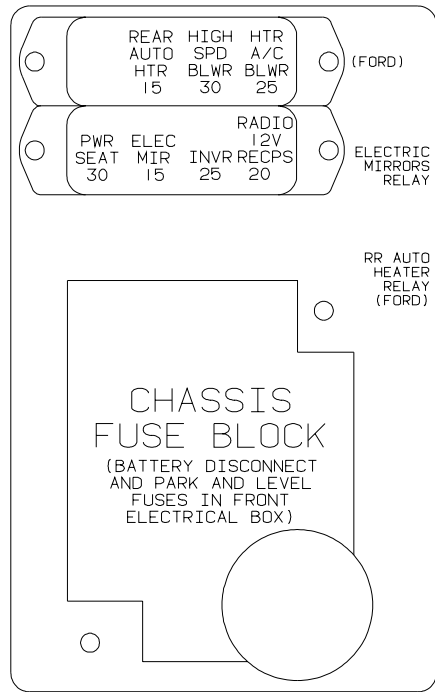
## LABELS GROUP (CONTINUED)



KEY	PART NUMBER	U/M DESCRIPTION
	109051-02-000	EA LABEL - SWITCH - 50 AMP POWER

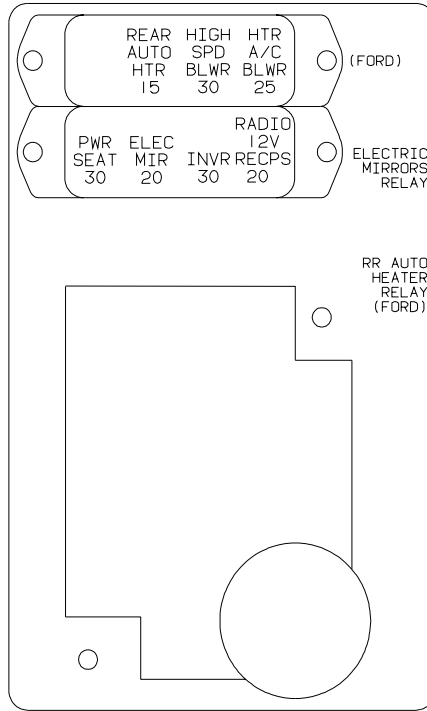


KEY	PART NUMBER	U/M DESCRIPTION
	111104-01-000	EA LABEL - HITCH - READ MANUAL - WHITE



KEY	PART NUMBER	U/M DESCRIPTION
	111537-08-000	EA LABEL - FUSES

## LABELS GROUP (CONTINUED)



**KEY PART NUMBER U/M DESCRIPTION**  
 111537-09-000 EA LABEL - FUSES

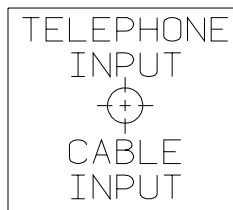
WARNING: CONTAINS "CFC" A SUBSTANCE WHICH HARMS PUBLIC HEALTH AND ENVIRONMENT BY DESTROYING OZONE IN THE UPPER ATMOSPHERE.

**KEY PART NUMBER U/M DESCRIPTION**  
 111802-01-000 EA LABEL - CFC WARNING

CAUTION

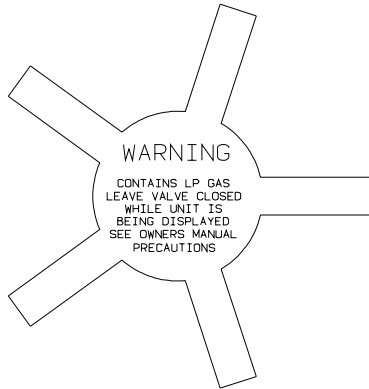
DO NOT LATCH DOOR IN OPEN POSITION IF WATER HEATER CONTROL IS IN THE ON POSITION. WATER HEATER EXHAUST MAY DAMAGE OUTER SURFACE OF DOOR.

**KEY PART NUMBER U/M DESCRIPTION**  
 113402-01-000 EA LABEL - CAUTION - WATER HEATER EXHAUST



**KEY PART NUMBER U/M DESCRIPTION**  
 114866-02-000 EA LABEL - PHONE & CABLE INPUT - WHITE/CLEAR BACKGROUND

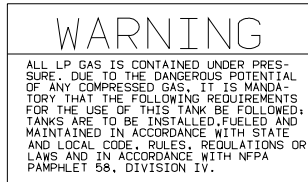
## LABELS GROUP (CONTINUED)



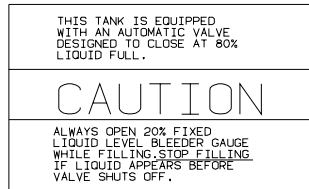
**KEY PART NUMBER U/M DESCRIPTION**  
 115600-01-000 EA LABEL - WARNING LPG VALVE

WARNING: REPLACE TIRE ONLY WITH ONE OF EXACTLY SAME TYPE AND RATING. DO NOT REPLACE WITH PASSENGER CAR TIRE. SEE OPERATOR'S MANUAL FOR MORE INFORMATION CALL WINNEBAGO OWNER RELATIONS AT 1-800-537-1885.

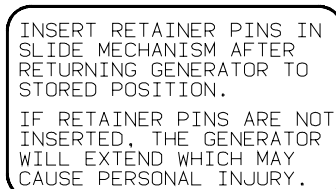
**KEY PART NUMBER U/M DESCRIPTION**  
 115869-01-000 EA LABEL - WARNING - TIRE



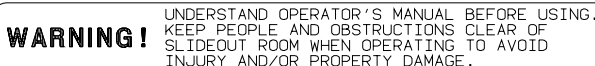
**KEY PART NUMBER U/M DESCRIPTION**  
 116112-01-000 EA LABEL - CAUTION - LP



**KEY PART NUMBER U/M DESCRIPTION**  
 116113-01-000 EA LABEL - CAUTION - LP

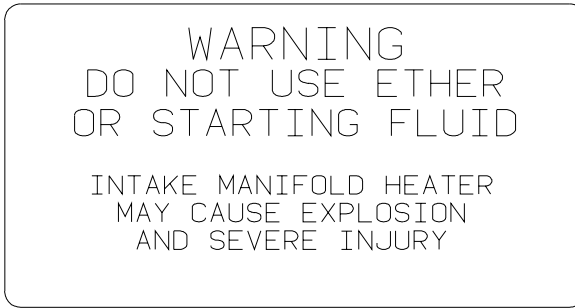


**KEY PART NUMBER U/M DESCRIPTION**  
 116273-01-000 EA LABEL - WARNING - GENERATOR



**KEY PART NUMBER U/M DESCRIPTION**  
 116549-01-000 EA LABEL - WARNING - SLIDEOUT

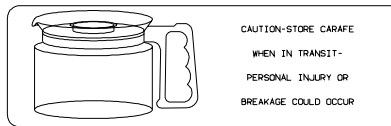
**LABELS GROUP (CONTINUED)**



KEY	PART NUMBER	U/M DESCRIPTION
	116756-02-000	EA LABEL - WARNING - ETHER/STARTING - RED W/CLEAR BACKGROUND
	116756-03-000	EA LABEL - WARNING - ETHER/STARTING - RED W/WHITE BACKGROUND



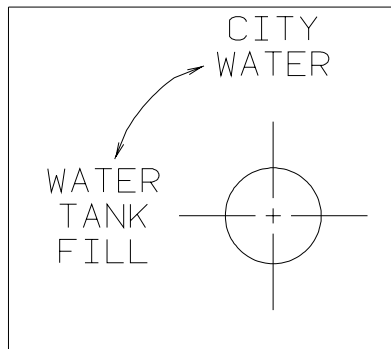
KEY	PART NUMBER	U/M DESCRIPTION
	116775-01-000	EA LABEL/CAUTION - TRAVEL LATCH



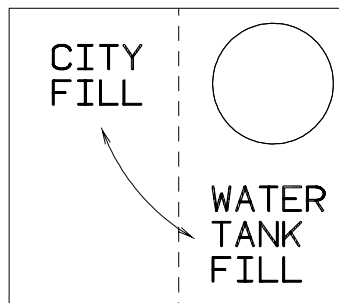
KEY	PART NUMBER	U/M DESCRIPTION
	116829-02-000	EA LABEL - COFFEEMAKER



KEY	PART NUMBER	U/M DESCRIPTION
	117628-02-000	EA LABEL - SWITCH - WATER PUMP/LIGHTS-WHITE/CLEAR BACKGROUND

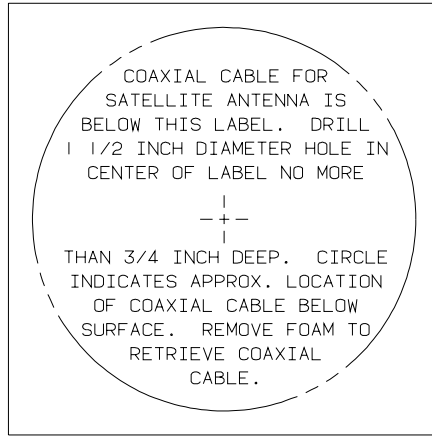


KEY	PART NUMBER	U/M DESCRIPTION
	117629-01-000	EA LABEL - WATER PUMP/FILL-BLK LETTER/CLEAR BACKGROUND-.24"
	117629-03-000	EA LABEL - WATER PUMP/FILL-BLK LETTERS/CLEAR BACKGROUND-.31"

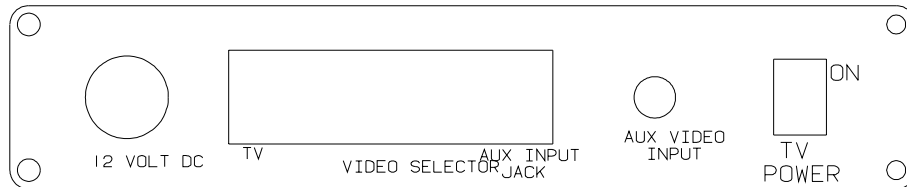


KEY	PART NUMBER	U/M DESCRIPTION
	117629-04-000	EA LABEL - CITY WATER/TANK FILL

## LABELS GROUP (CONTINUED)



**KEY PART NUMBER U/M DESCRIPTION**  
 120431-01-000 EA LABEL - LOCATION - COAXIAL CABLE/SATELLITE ANTENNA



**KEY PART NUMBER U/M DESCRIPTION**  
 120677-01-000 EA LABEL - TV

KEEP THE SERVICE INLET ACCESS  
 IN THE CLOSED POSITION WHEN  
 UTILITY CONNECTIONS ARE NOT IN USE

**KEY PART NUMBER U/M DESCRIPTION**  
 123562-01-000 EA LABEL - SERVICE/UTILITY ACCESS

WARNING  
 ALL PILOT LIGHTS, APPLIANCES AND THIER  
 IGNITORS (SEE OPERATING INSTRUCTIONS) SHALL  
 BE TURNED OFF DURING REFUELING OF MOTOR  
 FUEL TANKS AND/OR LP GAS CONTAINERS

**KEY PART NUMBER U/M DESCRIPTION**  
 124519-01-01A EA LABEL - WARNING/REFUELING - BLACK ON CLEAR  
 124519-01-02A EA LABEL - WARNING/REFUELING - WHITE ON CLEAR

WARNING:  
 ALL PILOT LIGHTS AND APPLIANCES SHALL BE TURNED  
 OFF DURING REFUELING OF MOTOR FUEL TANKS AND/  
 OR PROPANE CONTAINERS.  
 AVERTISSEMENT:  
 FERMER TOUTES LES VEILLEUSES AINSI QUE TOUTS LES  
 APPAREILS LORSQU'ON FAIT LE PLEIN DES RESERVOIRS  
 A CARBURANT OU A PROPANE.  
 124519-02

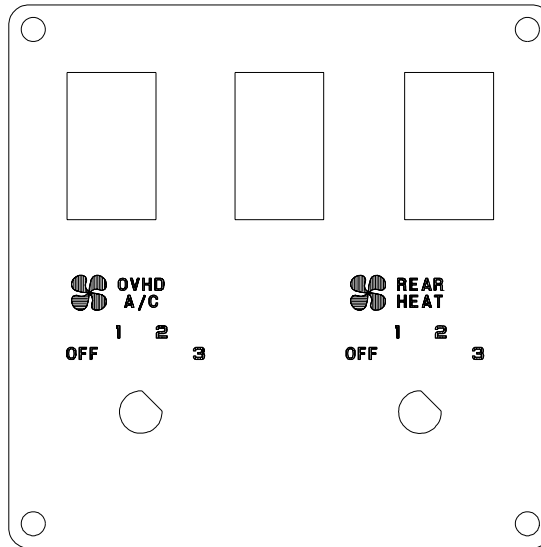
**KEY PART NUMBER U/M DESCRIPTION**  
 124519-02-01A EA LABEL - WARNING/REFUELING - BLACK ON CLEAR - CSA  
 124519-02-02A EA LABEL - WARNING/REFUELING - WHITE ON CLEAR - CSA

## LABELS GROUP (CONTINUED)

LP-GAS SYSTEM  
 THIS GAS PIPING SYSTEM IS  
 DESIGNED FOR USE OF  
 LIQUIFIED PETROLEUM GAS  
 ONLY. DO NOT CONNECT  
 NATURAL GAS TO THIS  
 SYSTEM.  
 SECURE CAP INLET(S) WHEN NOT  
 CONNECTED FOR USE. AFTER TURNING  
 ON GAS, EXCEPT AFTER NORMAL  
 CONTAINER REPLACEMENT, TEST GAS  
 PIPING AND CONNECTIONS TO  
 APPLIANCES FOR LEAKAGE WITH SOAPY  
 WATER OR BUBBLE SOLUTION. DO NOT  
 USE PRODUCTS THAT CONTAIN AMMONIA  
 OR CLORINE.

124520

KEY	PART NUMBER	U/M	DESCRIPTION
	124520-01-01A	EA	LABEL - LP GAS ONLY - BLACK ON CLEAR
	124520-01-02A	EA	LABEL - LP GAS ONLY - WHITE ON CLEAR



KEY	PART NUMBER	U/M	DESCRIPTION
	124572-01-000	EA	LABEL - SWITCHES

THIS CONNECTION IS FOR  
 (B) VOLT AC, 60 HZ(CYCLES)  
 (A) AMPERE SUPPLY

DO NOT CONNECT TO  
 HIGHER VOLTAGE

KEY	PART NUMBER	U/M	DESCRIPTION
	125306-01-01A	EA	LABEL - ELECTRICAL ENTRANCE - 110V 30 AMP - BLACK ON CLEAR

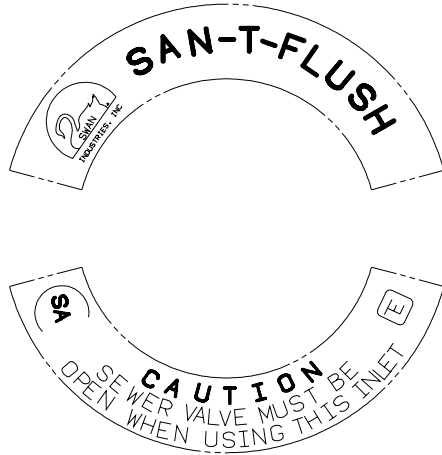


## LABELS GROUP (CONTINUED)

THIS CONNECTION IS FOR  
 (B) VOLT AC, 3-POLE, 4 WIRE  
 60 HZ (CYCLES), (A) AMPERE SUPPLY

DO NOT CONNECT TO  
 HIGHER VOLTAGE

KEY	PART NUMBER	U/M	DESCRIPTION
	125306-04-01A	EA	LABEL-ELECTRICAL ENTRANCE-120/240V 50 AMP-BLACK ON CLEAR
	125306-04-02A	EA	LABEL - ELECTRICAL ENTRANCE-120/240V 50 AMP-WHITE ON CLEAR



KEY	PART NUMBER	U/M	DESCRIPTION
	125697-07-000	EA	LABEL - CAUTION - FLUSHING SYSTEM

REMOVE PRIMARY TIRE HANGER BEFORE USING  
 SPARE TIRE HOIST-SEE OWNERS MANUAL - PERSONAL  
 INJURY MAY RESULT IF NOT FOLLOWED

KEY	PART NUMBER	U/M	DESCRIPTION
	126024-01-01A	EA	LABEL - TIRE HANGER REMOVAL

# GRAY HOLDING TANK

KEY	PART NUMBER	U/M	DESCRIPTION
	126247-01-000	EA	LABEL - GRAY HOLDING TANK-WHITE LETTERS/CLEAR BACKGROUND
	126247-05-000	EA	LABEL - GRAY HOLDING TANK-BLACK LETTERS/CLEAR BACKGROUND

# BLACK HOLDING TANK

KEY	PART NUMBER	U/M	DESCRIPTION
	126247-02-000	EA	LABEL - BLACK HOLDING TANK-WHITE LETTERS/BLACK BACKGROUND
	126247-06-000	EA	LABEL - BLACK HOLDING TANK-BLACK LETTERS/CLEAR BACKGROUND

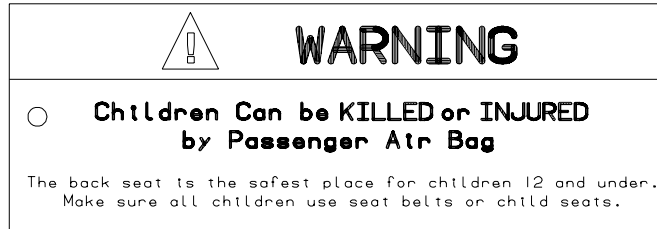
# EXTERIOR SHOWER

KEY	PART NUMBER	U/M	DESCRIPTION
	126248-03-000	EA	LABEL - EXTERIOR SHOWER

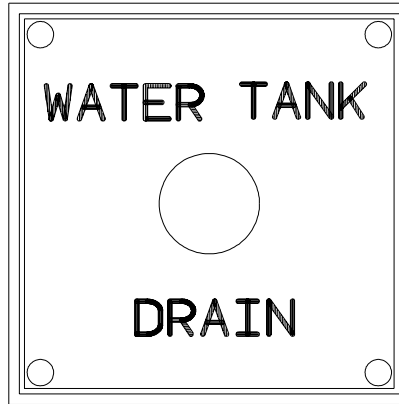
# CITY WATER FILL

KEY	PART NUMBER	U/M	DESCRIPTION
	126249-03-000	EA	LABEL - CITY WATER FILL-BLK LETTERS/CLEAR BACKGROUND .31"

**LABELS GROUP (CONTINUED)**



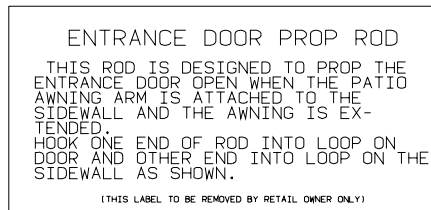
**KEY PART NUMBER U/M DESCRIPTION**  
126612-01-000 EA LABEL - HANG TAG - AIR BAG - DASH



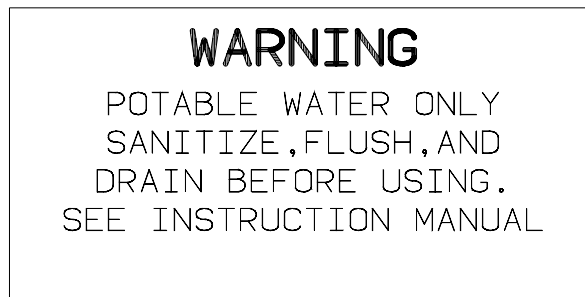
**KEY PART NUMBER U/M DESCRIPTION**  
127170-01-000 EA LABEL - WATER TANK DRAIN



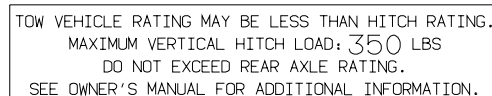
**KEY PART NUMBER U/M DESCRIPTION**  
128218-01-01A EA LABEL - WARNING - SLIPPERY ROOF



**KEY PART NUMBER U/M DESCRIPTION**  
128658-01-000 EA LABEL - PROP ROD - ENTRY DOOR



**KEY PART NUMBER U/M DESCRIPTION**  
128725-01-01A EA LABEL - POTABLE WATER ONLY - BLACK ON CLEAR

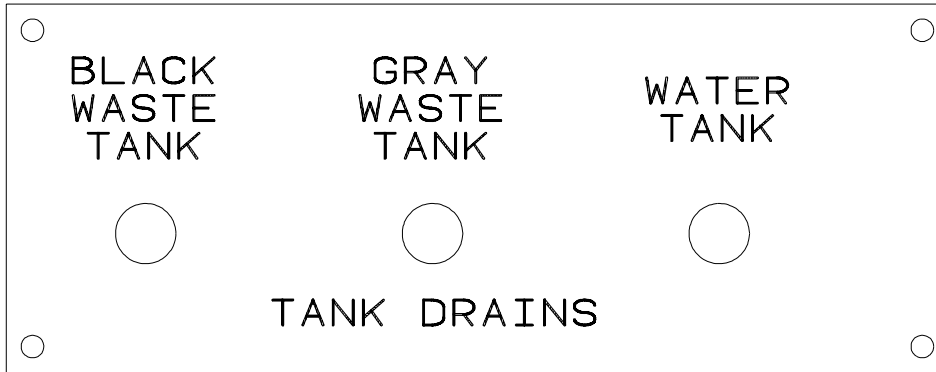


**KEY PART NUMBER U/M DESCRIPTION**  
129669-01-01A EA LABEL - HITCH/VEHICLE RATE - 350 - WHITE ON CLEAR  
129669-01-02A EA LABEL - HITCH/VEHICLE RATE - 350 - BLACK ON CLEAR  
129669-02-01A EA LABEL - HITCH/VEHICLE RATE - 500 - WHITE ON CLEAR  
129669-02-02A EA LABEL - HITCH/VEHICLE RATE - 500 - BLACK ON CLEAR

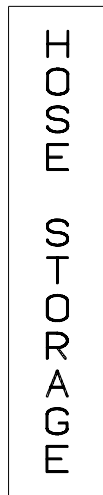
## LABELS GROUP (CONTINUED)

TIRE ROTATION  
 SEE RIALTA OWNERS MANUAL  
 SECTION 9

**KEY PART NUMBER U/M DESCRIPTION**  
 129684-01-000 EA LABEL - TIRE ROTATION



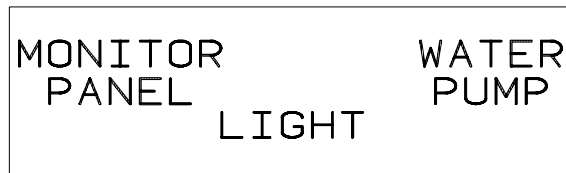
**KEY PART NUMBER U/M DESCRIPTION**  
 130166-01-000 EA LABEL - DRAIN



**KEY PART NUMBER U/M DESCRIPTION**  
 130167-02-000 EA LABEL - HOSE STORAGE



**KEY PART NUMBER U/M DESCRIPTION**  
 130168-01-000 EA LABEL - WASTE TANK FLUSH

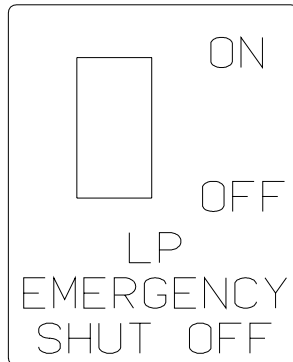


**KEY PART NUMBER U/M DESCRIPTION**  
 130170-01-000 EA LABEL - SWITCH PANEL - BLK/CLEAR BACKGROUND-1.8"H X 5.9"L

**LABEL GROUP (CONTINUED)**



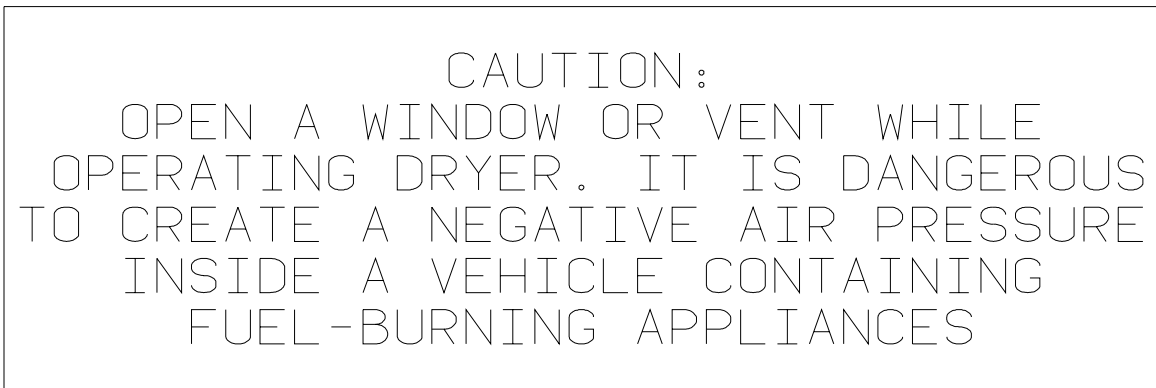
**KEY PART NUMBER U/M DESCRIPTION**  
 130170-02-000 EA LABEL - SWITCH PANEL-BLK/CLEAR BACKGROUND-1.4"H X 3.9"L



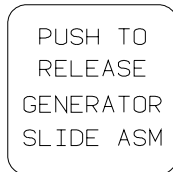
**KEY PART NUMBER U/M DESCRIPTION**  
 130170-04-000 EA LABEL - SWITCH PANEL



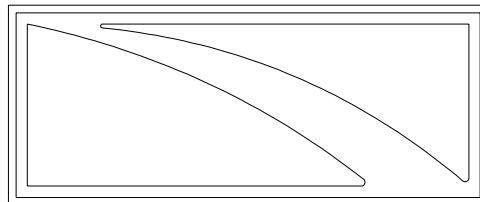
**KEY PART NUMBER U/M DESCRIPTION**  
 130170-05-000 EA LABEL - SWITCH PANEL



**KEY PART NUMBER U/M DESCRIPTION**  
 130670-01-01A EA LABEL - CAUTION DRYER VENTING - BLACK ON CLEAR

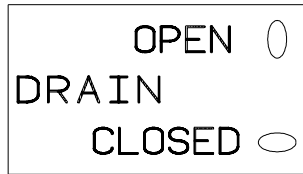


**KEY PART NUMBER U/M DESCRIPTION**  
 131779-01-01A EA LABEL - GENERATOR



**KEY PART NUMBER U/M DESCRIPTION**  
 132651-01-01A EA DECAL - MIRROR/GALLEY

**LABEL GROUP (CONTINUED)**



**KEY PART NUMBER U/M DESCRIPTION**  
133423-01-01A EA LABEL - DRAIN



**KEY PART NUMBER U/M DESCRIPTION**  
133424-01-01A EA LABEL - WATER HEATER BYPASS - BLACK/CLEAR



**KEY PART NUMBER U/M DESCRIPTION**  
133424-02-01A EA LABEL - NORMAL OPERATION



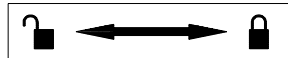
**KEY PART NUMBER U/M DESCRIPTION**  
133424-03-01A EA LABEL - WATER HEATER BYPASS - BLACK/CLEAR



**KEY PART NUMBER U/M DESCRIPTION**  
133533-01-01A EA LABEL - JACKS DOWN - CLEAR W/WHITE LETTERING



**KEY PART NUMBER U/M DESCRIPTION**  
133533-02-01A EA LABEL - CHECK ANTENNA - CLEAR W/WHITE LETTERING



**KEY PART NUMBER U/M DESCRIPTION**  
133533-03-01A EA LABEL - LOCK/UNLOCK - BLACK/WHITE



**KEY PART NUMBER U/M DESCRIPTION**  
133533-04-01A EA LABEL - WINDOW/MIRROR HEAT- BLACK/CLEAR

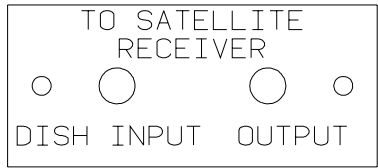


**KEY PART NUMBER U/M DESCRIPTION**  
133533-05-01A EA LABEL - SUNVISOR - DRIVER/PASSENGER - BLACK/CLEAR

## LABELS GROUP (CONTINUED)



**KEY PART NUMBER U/M DESCRIPTION**  
 133533-06-01A EA LABEL - MAP LIGHT/SUNVISOR - BLACK/CLEAR



**KEY PART NUMBER U/M DESCRIPTION**  
 134250-01-01A EA LABEL - SATELLITE RECEIVER - BLACK/CLEAR

THIS CHAIR IS NOT INTENDED FOR OCCUPANCY WHEN VEHICLE IS IN MOTION AND MUST BE RETURNED TO STOWED POSITION
--

DTS ISICE SIEGE N/EST PAS DESTINE A ETRE OCCUPE LORSQUE LE VEHICULE EST IN MOVEMENT ET IL FAUT QUE LE RANGER	THIS CHAIR IS NOT INTENDED FOR OCCUPANCY WHEN VEHICLE IS IN MOTION AND MUST BE RETURNED TO STOWED POSITION
--	--

**KEY PART NUMBER U/M DESCRIPTION**  
 134537-01-01A EA LABEL - OCCUPANCY - CHAIR - US

THIS SEAT IS NOT INTENDED FOR OCCUPANCY WHEN VEHICLE IS IN MOTION
---

**KEY PART NUMBER U/M DESCRIPTION**  
 134538-01-01A EA LABEL - OCCUPANCY - NO SEAT BELT - BLACK ON CLEAR - US

DST ISICE SIEGE N/EST PAS DESTINE A ETRE OCCUPE LORSQUE LE VEHICULE EST IN MOVUVEMENT	THIS SEAT IS NOT INTENDED FOR OCCUPANCY WHILE VEHICLE IS IN MOTION
---	--

**KEY PART NUMBER U/M DESCRIPTION**  
 134538-02-01A EA LABEL - OCCUPANCY - NO SEAT BELT - BLACK ON CLEAR - CSA

<h3 style="margin: 0;">WARNING</h3> <p style="margin: 5px 0;">IT IS NOT SAFE TO USE COOKING APPLICANCES FOR COMFORT HEATING</p> <p style="margin: 5px 0;">COOKING APPLICANCES NEED FRESH AIR FOR SAFE OPERATION BEFORE OPERATION.</p> <p style="margin: 5px 0;">1. OPEN OVERHEAD VENT OR TURN ON EXHAUST FAN AND;</p> <p style="margin: 5px 0;">2. OPEN WINDOW.</p>
---

**KEY PART NUMBER U/M DESCRIPTION**  
 134539-01-01A EA LABEL - WARNING - STOVE/HEATING - US - BLACK ON CLEAR

## LABELS GROUP (CONTINUED)

TO ENSURE A SUPPLY OF FRESH AIR TO OCCUPANTS, OPEN VENTILATORS WHEN FUEL-BURNING RANGE, FUEL-BURNING CARRY-ON APPLIANCES AND/OR FUEL-BURNING LIGHTS ARE IN OPERATION.	DE MANIERE A ASSURER UNE ALIMENTATION EN AIR FRAIS AUX OCCUPANTS, OUVRIER LES VENTILATEURS LORSQUE LA CUISINIERE LES APPAREILS DE CHAUFFAGE PORTABLES ET/OU LES LAMPES DE COMBUSTION D'HUILE SONT EN FONCTIONNEMENT.
COOKING APPLIANCES SHOULD NOT BE USED FOR SPACE HEATING PURPOSES.	LES APPAREILS DE CUISSON NE DOIVENT PAS SERVIR AU CHAUFFAGE DES LOCAUX.

**KEY PART NUMBER U/M DESCRIPTION**  
 134540-01-01A EA LABEL - WARNING - STOVE/HEATING - CSA - BLACK ON CLEAR

**HOLDING TANK HEATER**

TURN OFF WHEN NOT IN USE

SEE OPERATOR'S MANUAL

**KEY PART NUMBER U/M DESCRIPTION**  
 134563-01-01A EA LABEL - SWITCH - HEATER

THIS VEHICLE MAY INCLUDE MERCURY-CONTAINING DEVICES INSTALLED BY THE MANUFACTURER:

**FLUORESCENT TUBES, RANGES WITH OVEN, HWH LEVEL SENSING UNIT.**

REMOVE DEVICES BEFORE VEHICLE DISPOSAL UPON REMOVAL OF DEVICES: PLEASE REUSE, RECYCLE, OR DISPOSE AS HAZARDOUS WASTE

135869-01A

**KEY PART NUMBER U/M DESCRIPTION**  
 135869-01-01A EA LABEL - MERCURY CONTENT - BLACK ON CLEAR  
 135869-01-02A EA LABEL - MERCURY CONTENT - WHITE ON CLEAR

**LIQUID SOAP**

**KEY PART NUMBER U/M DESCRIPTION**  
 136047-01-01A EA LABEL - LIQUID SOAP

DOOR LOCK	DOOR UNLOCK	RIGHT COMPT DOOR LOCK	RIGHT COMPT DOOR UNLOCK	LEFT COMPT DOOR LOCK	LEFT COMPT DOOR UNLOCK	AUX START SOLENOID	AMP SOURCE
POWER MIRRORS	HEATER BLOWER	PASS HEATER BLOWER	FOG LAMPS	DOCKING LAMPS	DOCKING LAMPS SWITCH TRIGGER	COOLING FANS	

**KEY PART NUMBER U/M DESCRIPTION**  
 136161-01-01A EA LABEL - RELAY - MATTE BLACK/WHITE LETTERS

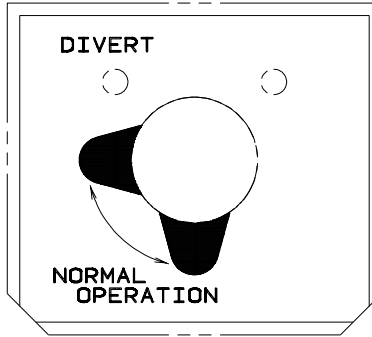
DOOR LOCK	DOOR UNLOCK	RIGHT COMPT DOOR LOCK	RIGHT COMPT DOOR UNLOCK	LEFT COMPT DOOR LOCK	LEFT COMPT DOOR UNLOCK	AUX START SOLENOID	RUN/ACC POWER #1	POWER SEATS
POWER MIRRORS	HEATER BLOWER	RUN ONLY POWER	FOG LAMPS	DOCKING LAMPS	DOCKING LAMPS SWITCH TRIGGER	COOLING FANS	RUN/ACC POWER #2	

**KEY PART NUMBER U/M DESCRIPTION**  
 136161-02-01A EA LABEL - RELAY - BLACK/WHITE

**LT - AIR BAGS - RT**

**KEY PART NUMBER U/M DESCRIPTION**  
 136360-01-01A EA LABEL - AIR BAGS

## LABELS GROUP (CONTINUED)



**KEY PART NUMBER U/M DESCRIPTION**  
137997-01-01A EA LABEL - WINTERIZATION VALVE - BLACK/CLEAR



**KEY PART NUMBER U/M DESCRIPTION**  
140190-01-01A EA DECAL/LOGO - V6 (DOMED) - CYAN/MAGENTA/YELLOW/BLACK

WASHER/DRYER  
BRACKETS

**KEY PART NUMBER U/M DESCRIPTION**  
141523-01-01A EA LABEL - WASHER/DRYER BRACKETS - BLACK/WHITE

 **WARNING:** COMPRESSED AIR CAN BE HAZARDOUS.

PROPER EYE PROTECTION MUST BE WORN WHEN  
CONNECTING, DISCONNECTING OR USING AIR HOSE.

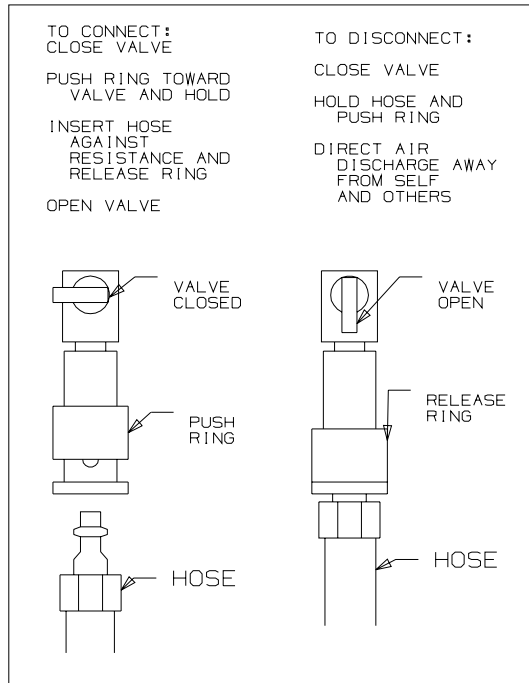
CLOSE VALVE BEHIND CONNECTOR BEFORE  
CONNECTING OR DISCONNECTING AIR HOSE.

HOSE DISCONNECT WILL PRODUCE AIR DISCHARGE  
FROM HOSE. DIRECT AIR DISCHARGE AWAY FROM  
SELF AND OTHERS.

**KEY PART NUMBER U/M DESCRIPTION**  
142771-01-01A EA LABEL - WARNING/COMPRESSED AIR - WHITE LETTERING ON CLEAR



## LABELS GROUP (CONTINUED)



<b>KEY</b>	<b>PART NUMBER</b>	<b>U/M DESCRIPTION</b>
	142773-01-01A	EA LABEL - CONNECT/COMPRESS AIR - WHITE LETTERING ON CLEAR



<b>KEY</b>	<b>PART NUMBER</b>	<b>U/M DESCRIPTION</b>
	142908-01-000	EA LABEL - FREON CHARG

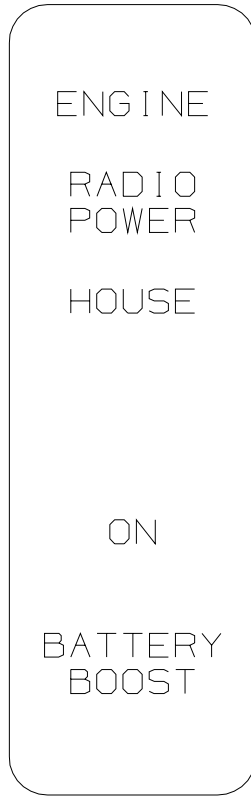


<b>KEY</b>	<b>PART NUMBER</b>	<b>U/M DESCRIPTION</b>
	144183-01-01A	EA LABEL - CAUTION RELEASE CATCH - WHITE/CLEAR

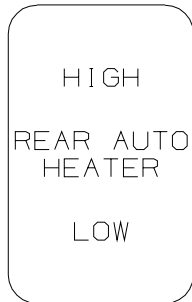


<b>KEY</b>	<b>PART NUMBER</b>	<b>U/M DESCRIPTION</b>
	144649-01-01A	EA LABEL - ADJUSTABLE VALVE - WHITE ON CLEAR

**LABELS GROUP (CONTINUED)**



<b>KEY</b>	<b>PART NUMBER</b>	<b>U/M DESCRIPTION</b>
	145731-01-01A	EA LABEL - SWITCH - RADIO/BATTERY - BLACK



<b>KEY</b>	<b>PART NUMBER</b>	<b>U/M DESCRIPTION</b>
	145731-03-01A	EA LABEL - SWITCH - REAR AUTO HEATER - BLACK

## LABELS GROUP (CONTINUED)



**KEY PART NUMBER**      **U/M DESCRIPTION**  
146057-01-01A      EA LABEL - LP SHUT OFF - RED LETTER/WHITE BACK

FOR FUTURE INSTALLATION OF WASHER/DRYER EXHAUST DUCT

(A) A CLOTHES DRYER MOISTURE-LINT EXHAUST DUCT SHALL NOT BE CONNECTED TO ANY OTHER DUCT, VENT, OR CHIMNEY.

(B) THE EXHAUST DUCT SHALL BE OF SUFFICIENT LENGTH SO AS NOT TO TERMINATE BENEATH THE RECREATION VEHICLE.

(C) MOISTURE-LINT EXHAUST DUCTS SHALL NOT BE CONNECTED WITH SHEET METAL SCREWS OR OTHER FASTENING DEVICES THAT EXTEND INTO THE INTERIOR OF THE DUCT.

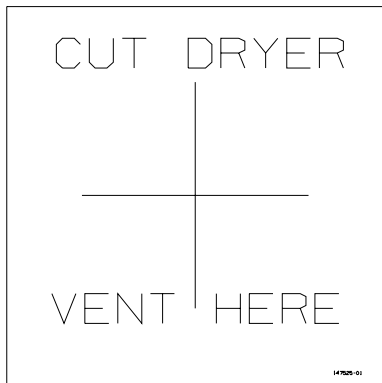
(D) MOISTURE-LINT EXHAUST DUCT AND TERMINATION FITTINGS SHALL BE INSTALLED IN ACCORDANCE WITH THE APPLIANCE MANUFACTURER'S PRINTED INSTRUCTIONS.

(E) SEE MARKED INTERIOR AREA ON SIDEWALL TO LOCATE CUTOUT FOR EXHAUST VENT.

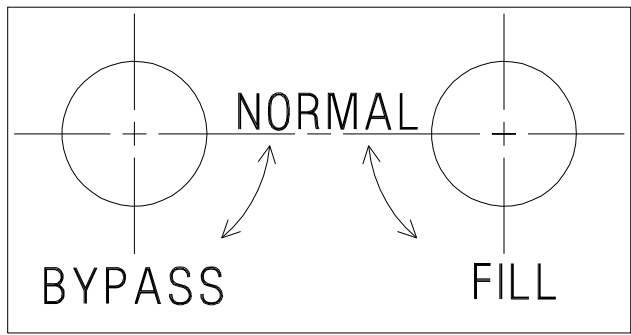
(F) AS PART OF WASHER/DRYER PREP 4 HOLD DOWN BRACKETS WERE SHIPPED WITH YOUR VEHICLE WHICH ARE INTENDED TO BE USED WITH THE WINNEBAGO OFFERED APPLIANCE.

147524-01

**KEY PART NUMBER**      **U/M DESCRIPTION**  
147524-01-000      EA LABEL - DRYER VENTING



**KEY PART NUMBER**      **U/M DESCRIPTION**  
147525-01-000      EA LABEL - DRYER VENT CUTOUT



**KEY PART NUMBER**      **U/M DESCRIPTION**  
147581-01-01A      EA LABEL - WATERFILL/BYPASS - BLACK/CLEAR

YOUR MOTORHOME IS EQUIPPED WITH A SEWER HOSE END ELBOW WHICH INCLUDES A CLOSEABLE DRIP VALVE. AFTER PLACING THE END OF THE HOSE ELBOW INTO THE PARK SEWER DISPOSAL OPENING, USE THUMB TO LIFT HANDLE LOCK AND MOVE HANDLE FORWARD TO OPEN VALVE.

NEVER OPERATE TANK VALVES WITHOUT FIRST OPENING THE DRIP VALVE.

AFTER TANKS ARE EMPTY, CLOSE TANK VALVES, THEN PULL HANDLE ON ELBOW TO A VERTICAL CARRYING POSITION TO CLOSE DRIP VALVE. THIS WILL ELIMINATE ANY DRIPPING FROM THE HOSE INTO YOUR STORAGE AREA. SEE OPERATORS MANUAL FOR ADDITIONAL INFORMATION.

147845-01A

**KEY PART NUMBER**      **U/M DESCRIPTION**  
147845-01-01A      EA LABEL - DRIP VALVE - BLACK/WHITE

**LP GROUP**  
**LP SYSTEM**

KEY	PART NUMBER	U/M	DESCRIPTION
	010265-01-000	EA	ELBOW - BRASS - 90 DEGREE - 3/8"F X 1/2"FPT
	010323-01-000	EA	ADAPTER - 3/8"F X 1/2"MPT - BRASS
	010326-01-000	EA	ADAPTER - FLARE - W/CONE GASKET - 3/8"F X 1/2"F
	010329-01-000	EA	ADAPTER - 1/2"F X 1/2"MPT - BRASS
	010377-02-000	EA	NUT - 3/8" FLARE - FORGED - BRASS
	010380-02-000	EA	NUT - 1/2" FLARE - FORGED - BRASS
	010589-01-000	EA	NIPPLE - PIPE - 1/2" X 1 1/2" - BLACK
	024250-01-000	EA	ADAPTER - BRASS - 3/8"F X 1/2"FPT
	040440-03-000	EA	TRANSMITTER - DIAL/SNAP-ON - 0-90 OHM 2 TERM(POWER/GROUND)
	045703-01-000	EA	HOSE - LP - 3/8"ID X 24" - 3/8"MPT X 1/2"F SWIVEL - U.S.
	045703-02-000	EA	HOSE - LP - 3/8"ID X 24" - 3/8"MPT X 1/2"F SWIVEL - CANADA
	045703-05-000	EA	HOSE - LP - 3/8"ID X 28" - 3/8"MPT X 1/2"F SWIVEL - U.S.
	045703-06-000	EA	HOSE - LP - 3/8"ID X 28" - 3/8"MPT X 1/2"F SWIVEL - CANADA
	045703-14-000	EA	HOSE - LP - 3/8"ID X 157.5" - 1/2"F SWIVEL X 1/2"F SWIVEL
	045703-25-000	EA	HOSE - LP - 3/8"ID X 177" - 1/2"F SWIVEL X 13/8"M FL
	103613-03-000	EA	DETECTOR - LP GAS - W/O SHUT-OFF VALVE
			FROM: 00-00-00 THRU: 02-08-04
	150138-01-01A	EA	DETECTOR - LP GAS - WHITE
			FROM: 02-09-04 THRU: 99-99-99
	150138-01-02A	EA	DETECTOR - LP GAS - BROWN
			FROM: 02-09-04 THRU: 99-99-99
	106150-05-000	EA	REGULATOR - TWO STAGE
	144485-01-000	EA	COMPARTMENT - LP REGULATOR
*	144116-01-000	EA	TANK - LP - 100 LB - 14"D X 47"L

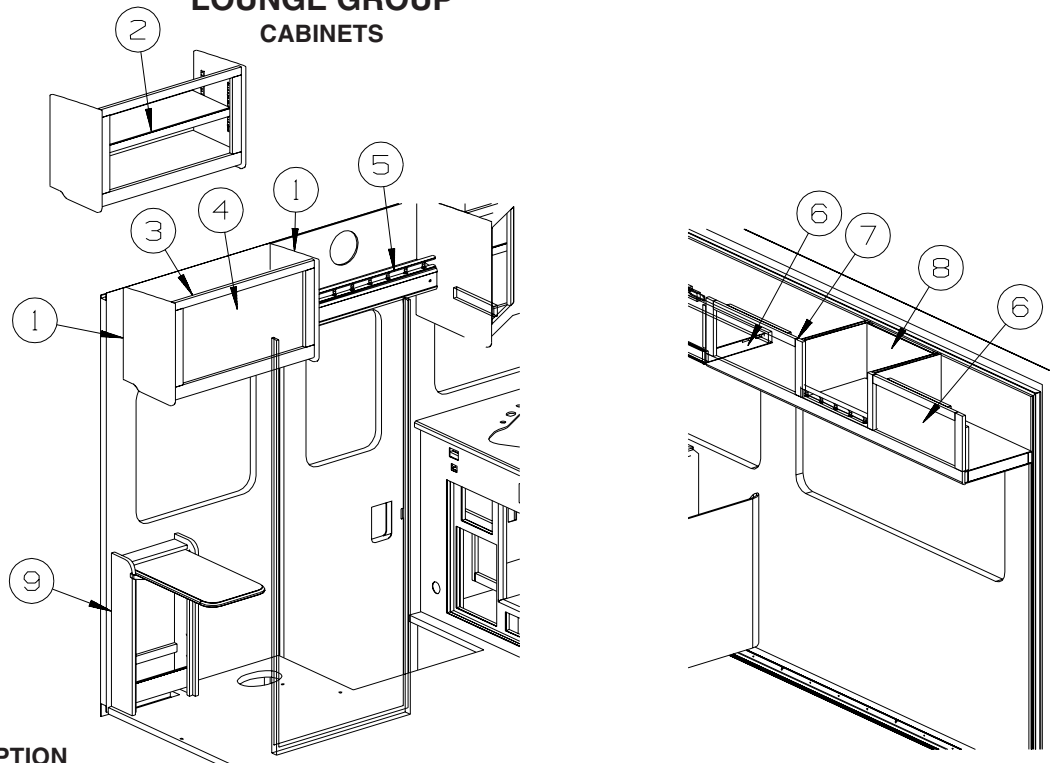
\*COMPONENT PARTS LISTED LATER IN THIS GROUP

**LP GROUP (CONTINUED)**  
**COMPONENT PARTS FOR LP SYSTEM**

144116-01-000

<b>KEY</b>	<b>PART NUMBER</b>	<b>U/M</b>	<b>DESCRIPTION</b>	<b>VENDOR NO.</b>
	040421-01-712	EA	VALVE-SERV. W/O VAPOR RELIEF	29000853
	040421-01-713	EA	VALVE-RELIEF 1" W/SPRING 7"	V-20479
	088253-09-700	EA	SENDING UNIT-F/SNAP ON DIAL	SG14C0001466
	144116-01-700	EA	VALVE-OUTAGE(NO STEM REMOVE)	V20058
	144116-01-701	EA	VALVE/FILL 80 % W/YELLOW CAP	V13414

## LOUNGE GROUP CABINETS

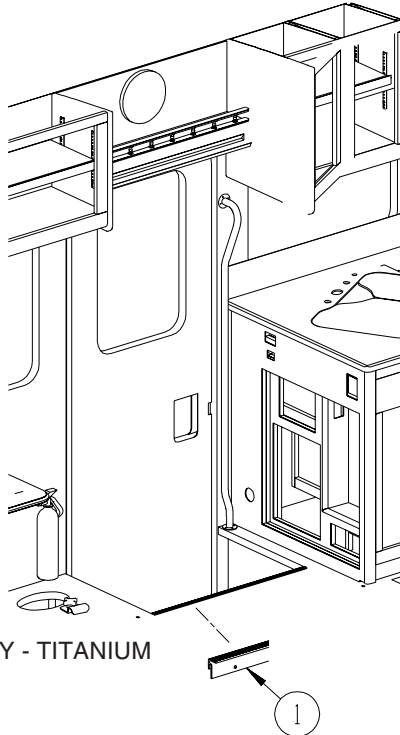


KEY	PART NUMBER	U/M	DESCRIPTION
1	145517-01-R38	EA	END CAP - OVERHEAD CABINET - PORTSMOUTH OAK
1	145517-01-R39	EA	END CAP - OVERHEAD CABINET - CONCERT CHERRY
1	145517-01-R46	EA	END CAP - OVERHEAD CABINET - WASHED MAPLE
2	145496-15-R38	EA	SHELF - W/PLASTIC EDGE MOLDING - PORTSMOUTH OAK
2	145496-15-R39	EA	SHELF - W/PLASTIC EDGE MOLDING - CONCERT CHERRY
2	145496-15-R46	EA	SHELF - W/PLASTIC EDGE MOLDING - WASHED MAPLE
			FROM: 00-00-00 THRU: 01-04-04
2	145496-15-rw4	EA	SHELF - W/PLASTIC EDGE MOLDING - WASHED MAPLE
			FROM: 01-05-04 THRU: 99-99-99
3	145496-01-R38	EA	CABINET - OVERHEAD/FRONT - W/O DOORS/HARDWARE - PORTSMOUTH OAK
3	145496-01-R39	EA	CABINET - OVERHEAD/FRONT - W/O DOORS/HARDWARE - CONCERT CHERRY
3	145496-01-R46	EA	CABINET - OVERHEAD/FRONT - W/O DOORS/HARDWARE - WASHED MAPLE
			FROM: 00-00-00 THRU: 01-04-04
3	145496-01-rw4	EA	CABINET - OVERHEAD/FRONT - W/O DOORS/HARDWARE - WASHED MAPLE
			FROM: 01-05-04 THRU: 99-99-99
3	145496-02-R38	EA	CABINET - OVERHEAD/FRONT - W/O DOORS/HARDWARE - PORTSMOUTH OAK - SURROUND SOUND
3	145496-02-R39	EA	CABINET - OVERHEAD/FRONT - W/O DOORS/HARDWARE - CONCERT CHERRY - SURROUND SOUND
3	145496-02-R46	EA	CABINET - OVERHEAD/FRONT - W/O DOORS/HARDWARE - WASHED MAPLE - SURROUND SOUND
			FROM: 00-00-00 THRU: 01-04-04
3	145496-02-rw4	EA	CABINET - OVERHEAD/FRONT - W/O DOORS/HARDWARE - WASHED MAPLE - SURROUND SOUND
			FROM: 01-05-04 THRU: 99-99-99
4	141522-C4-P54	EA	DOOR - ARCHED/PENCIL EDGE/HORIZ - 15.5" X 29.5" - W/O HDW - PORTSMOUTH OAK
4	141522-C4-P55	EA	DOOR - ARCHED/PENCIL EDGE/HORIZ - 15.5" X 29.5" - W/O HDW - CONCERT CHERRY
4	141522-C4-P56	EA	DOOR - ARCHED/PENCIL EDGE/HORIZ - 15.5" X 29.5" - W/O HDW - WASHED MAPLE
5	145497-01-R38	EA	CABINET - OVERHEAD/ENTRY DOOR - W/O DOORS/HARDWARE - PORTSMOUTH OAK
5	145497-01-R39	EA	CABINET - OVERHEAD/ENTRY DOOR - W/O DOORS/HARDWARE - CONCERT CHERRY
5	145497-01-R46	EA	CABINET - OVERHEAD/ENTRY DOOR - W/O DOORS/HARDWARE - WASHED MAPLE
			FROM: 00-00-00 THRU: 01-04-04
5	145497-01-rw4	EA	CABINET - OVERHEAD/ENTRY DOOR - W/O DOORS/HARDWARE - WASHED MAPLE
			FROM: 01-05-04 THRU: 99-99-99
6	141522-43-P54	EA	DOOR - ARCHED/PENCIL EDGE/HORIZ - 15.5" X 29.5" - W/O HDW - PORTSMOUTH OAK
6	141522-43-P55	EA	DOOR - ARCHED/PENCIL EDGE/HORIZ - 15.5" X 29.5" - W/O HDW - CONCERT CHERRY
6	141522-43-P56	EA	DOOR - ARCHED/PENCIL EDGE/HORIZ - 15.5" X 29.5" - W/O HDW - WASHED MAPLE

## LOUNGE GROUP (CONTINUED)

### CABINETS (CONTINUED)

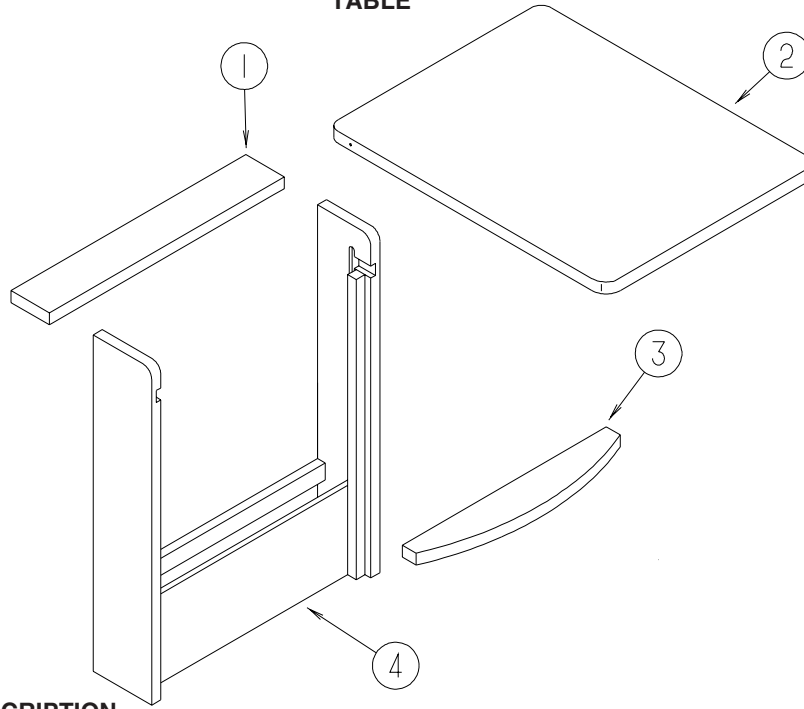
KEY	PART NUMBER	U/M	DESCRIPTION
7	145193-01-R38	EA	CABINET - OVERHEAD/COUCH - W/O DOORS/HARDWARE - PORTSMOUTH OAK
7	145193-01-R39	EA	CABINET - OVERHEAD/COUCH - W/O DOORS/HARDWARE - CONCERT CHERRY
7	145193-01-R46	EA	CABINET - OVERHEAD/COUCH - W/O DOORS/HARDWARE - WASHED MAPLE FROM: 00-00-00 THRU: 01-04-04
7	145193-01-rw4	EA	CABINET - OVERHEAD/COUCH - W/O DOORS/HARDWARE - WASHED MAPLE FROM: 01-05-04 THRU: 99-99-99
7	145193-02-R38	EA	CABINET - OVERHEAD/COUCH - W/O DOORS/HARDWARE - PORTSMOUTH OAK - SURROUND SOUND
7	145193-02-R39	EA	CABINET - OVERHEAD/COUCH - W/O DOORS/HARDWARE - CONCERT CHERRY - SURROUND SOUND
7	145193-02-R46	EA	CABINET - OVERHEAD/COUCH - W/O DOORS/HARDWARE - WASHED MAPLE - SURROUND SOUND FROM: 00-00-00 THRU: 01-04-04
7	145193-02-rw4	EA	CABINET - OVERHEAD/COUCH - W/O DOORS/HARDWARE - WASHED MAPLE - SURROUND SOUND FROM: 01-05-04 THRU: 99-99-99
8	140374-37-000	EA	MIRROR - SAFETY GLASS - 10.3" X 18.2"
9	136683-02-N42	EA	CABINET/PULLOUT TABLE - W/TABLE - 13.4" X 23.8" - PORTSMOUTH OAK
9	136683-02-M52	EA	CABINET/PULLOUT TABLE - W/TABLE - 13.4" X 23.8" - CONCERT CHERRY
9	136683-02-M62	EA	CABINET/PULLOUT TABLE - W/TABLE - 13.4" X 23.8" - WASHED MAPLE FROM: 00-00-00 THRU: 01-04-04
9	136683-02-rw4	EA	CABINET/PULLOUT TABLE - W/TABLE - 13.4" X 23.8" - WASHED MAPLE FROM: 01-05-04 THRU: 99-99-99



KEY	PART NUMBER	U/M	DESCRIPTION
1	139955-06-02A	EA	TRIM - STEP/ENTRY - TITANIUM

## LOUNGE GROUP (CONTINUED)

### TABLE



KEY	PART NUMBER	U/M	DESCRIPTION
1	136683-22-N42	EA	TABLE TOP ONLY - F/PULLOUT TABLE - PORTSMOUTH OAK
1	136683-22-M52	EA	TABLE TOP ONLY - F/PULLOUT TABLE - CONCERT CHERRY
1	136683-22-M62	EA	TABLE TOP ONLY - F/PULLOUT TABLE - WASHED MAPLE
			FROM: 00-00-00 THRU: 01-04-04
1	136683-22-RW4	EA	TABLE TOP ONLY - F/PULLOUT TABLE - WASHED MAPLE
			FROM: 01-05-04 THRU: 99-99-99
2	136683-20-M53	EA	TOP ONLY - F/CABINET - PORTSMOUTH OAK
2	136683-20-M52	EA	TOP ONLY - F/CABINET - CONCERT CHERRY
2	136683-20-M62	EA	TOP ONLY - F/CABINET - WASHED MAPLE
			FROM: 00-00-00 THRU: 01-04-04
2	136683-20-RW4	EA	TOP ONLY - F/CABINET - WASHED MAPLE
			FROM: 01-05-04 THRU: 99-99-99
3	136683-19-M53	EA	SHELF - TABLE STABILIZER W/EDGE MOLDING - PORTSMOUTH OAK
3	136683-19-M52	EA	SHELF - TABLE STABILIZER-W/EDGE MOLDING - CONCERT CHERRY
3	136683-19-M62	EA	SHELF - TABLE STABILIZER-W/EDGE MOLDING - WASHED MAPLE
			FROM: 00-00-00 THRU: 01-04-04
3	136683-19-RW4	EA	SHELF - TABLE STABILIZER-W/EDGE MOLDING - WASHED MAPLE
			FROM: 01-05-04 THRU: 99-99-99
4	136683-21-M53	EA	PANEL - LOWER/FRONT - PORTSMOUTH OAK
4	136683-21-M52	EA	PANEL - LOWER/FRONT - CONCERT CHERRY
4	136683-21-M62	EA	PANEL - LOWER/FRONT - WASHED MAPLE
			FROM: 00-00-00 THRU: 01-04-04
4	136683-21-RW4	EA	PANEL - LOWER/FRONT - WASHED MAPLE
			FROM: 01-05-04 THRU: 99-99-99



**SEALANTS & FASTENERS GROUP**  
**SEALANTS & ADHESIVES**

KEY	PART NUMBER	U/M	DESCRIPTION
	004001-05-000	EA	ADHESIVE - SCOTCH-WELD - 3M DP100 - CLEAR - 50ML
	010405-02-000	EA	TAPE - THREAD SEALING - 3/8"
	034552-06-000	EA	SILICONE - TUBE - W/O NOZZLE - OFF WHITE
	034552-15-000	EA	SILICONE - TUBE - W/O NOZZLE - BRIGHT WHITE
	063642-01-000	FT	TAPE - ADHESIVE - .4" X 1.5" X 180'
	064075-07-000	FT	SEAL - BULB - W/WIRED U CHANNEL - .3" X .5" CHANNEL-BLACK
	067788-01-000	EA	ADHESIVE - SPRAY - 3M - 19.5 OZ AEROSOL CAN
	069640-01-000	FT	SEALER - TAPE - .25" DIAMETER X 30' - BLACK OR GRAY
	069640-02-000	FT	SEALER - TAPE - .13" THICK X .5" WIDE X 60' - GRAY
	069640-03-000	FT	SEALER - TAPE - .13" THICK X .75" WIDE X 60' - BLACK
	069640-07-000	FT	SEALER - TAPE - .09" THICK X 2" WIDE X 45' - GRAY
	069640-09-000	FT	SEALER - TAPE - .03" THICK X 2.50" WIDE X 80' - GRAY
	069640-10-000	FT	SEALER - TAPE - .03" THICK X 1.50" WIDE X 90' - GRAY
	069640-11-000	FT	SEALER - TAPE - .19" THICK X .38" WIDE X 40' - BLACK
	069640-13-000	FT	SEALER - TAPE - .03" THICK X 2" WIDE X 45' - BLACK
	069640-14-000	FT	SEALER - TAPE - .06" THICK X 1" WIDE X 100' - GRAY
	069640-15-000	FT	SEALER - TAPE - .06" THICK X .38" WIDE X 100' - GRAY
	069640-17-000	FT	SEALER - TAPE - .03" THICK X 1" WIDE X 90' - GRAY
	069640-18-000	FT	SEALER - TAPE - .50" THICK X .13" WIDE X 60' - BRT WHITE
	069640-19-000	FT	SEALER - TAPE - .75" THICK X .13" WIDE X 60' - BRT WHITE
	069640-20-000	FT	SEALER - TAPE - .50" THICK X .5" WIDE X 60' - BLACK
	069640-21-000	FT	SEALER - TAPE - .50" THICK X .06" WIDE X 100'- BRT WHITE
	069640-22-000	FT	SEALER - TAPE - 1/32" THICK X 1/4" WIDE X 200'- BRT WHITE
	069640-23-000	FT	SEALER - TAPE - 1/16" THICK X 3/4" WIDE X 100'- BRT WHITE
	069640-27-000	FT	SEALER - TAPE - .06" THICK X 2.25" WIDE - BRIGHT WHITE
	069640-28-000	FT	SEALER - TAPE - .25" THICK X 1.86" WIDE X 90' - GRAY
	069640-30-000	FT	SEALER - TAPE - .03" THICK X .625" WIDE X 50' - GRAY
	069640-31-000	FT	SEALER - TAPE - .25" THICK X .75" WIDE X 15' - BLACK
	069640-32-000	FT	SEALER - RIBBON - 1/16" X 3/8" X 100' - BLACK
	072889-01-000	EA	SEALANT - URETHANE - BLACK - TUBE W/NOZZLE TIP
	072889-27-000	EA	SEALANT - URETHANE - SILVER 10 OZ - TUBE W/NOZZLE TIP
	076322-01-000	FT	TAPE-DOUBLE COATED/ADHESIVE BK-.03"THK X .8"W X 216'- WHT
	076322-02-000	FT	TAPE-DOUBLE COATED/ADHESIVE BK-.05"THK X 1"W X 108' - WHT
	076322-03-000	FT	TAPE-DOUBLE COATED/ADHESIVE BK-.05"THK X .5"W X 108' - WHT
	076322-04-000	FT	TAPE-DOUBLE COATED/ADHESIVE BK-.05"THK X .8"W X 108' - WHT
	076322-05-000	FT	TAPE-DOUBLE COATED/ADHESIVE BK-.05"THK X .8"W X 108' - WHT
	076322-07-000	FT	TAPE-DOUBLE COATED/ADHESIVE BK-.05"THK X .5"W X 200' - WHT
	076322-11-000	FT	TAPE-DOUBLE COATED/ADHESIVE BK-.02"THK X 1"W X 216' - CLR
	076322-21-000	FT	TAPE - FOAM/DOUBLE COATED - .5"
	076322-22-000	FT	TAPE - FOAM/DOUBLE COATED - .045" X .75"
	076322-23-000	FT	TAPE - FOAM/DOUBLE COATED - .045" X 1"
	076322-24-000	FT	TAPE - FOAM/DOUBLE COATED - .025" X 1"
	076322-25-000	FT	TAPE - FOAM/DOUBLE COATED - .025" X .5"
	086276-01-000	EA	TAPE - DOUBLE SIDED - 1/2" WIDE X 108' LONG (SOLD BY ROLL)
	088479-01-000	EA	TAPE - ALUMINUM - 3"
	090340-01-000	FT	SEAL - FOAM - CLOSED CELL - 1/4" X 1/2" X 50'
	091255-02-000	FT	SEAL - ADHESIVE BACKED/FOAM - 3/64" THICK X 3/16"W X 1000'
	091255-03-000	FT	SEAL - ADHESIVE BACKED/FOAM - 1/4" THICK X 1/4"W X 1000'
	094401-01-000	EA	SEALER - BODY SEAM - FLEXICLEAR
	094401-03-000	EA	SEALER - BODY SEAM - BLACK
	094401-04-000	EA	SEALER - BODY SEAM - CLEAR
	098408-01-000	FT	SEAL - SPONGE RUBBER - CLOSED CELL
	099069-01-000	FT	SEAL - RUBBER - CLOSED SPONGE - .5" WIDE X .12" THICK -BLK
	099418-01-000	FT	SEAL - D-SECTION/ADHESIVE BACK - .44" X .44"- BLK RUBBER
	099418-02-000	FT	SEAL - D-SECTION/ADHESIVE BACK - .44" X .44"- WHITE RUBBER
	100128-02-000	FT	SEAL - FOAM/ADHESIVE BACK - .37" WIDE X .37" THICK
	104692-01-000	FT	SEAL - ADHESIVE BACKED FOAM - 3/4" THICK X 3/4" WIDE X 25'
	104692-03-000	FT	SEAL - ADHESIVE BACKED FOAM - 1" THICK X 1 3/16"WIDE X 15'
	107828-01-000	EA	SEALANT - SB - 190 EVERSEAL
	109506-12-000	EA	FILM/ABRASION-RESISTANT - TRANSPARENT - 1" DIA.
	110274-01-000	FT	TAPE - DOUBLE SIDED/FOAM - .45" X 1" X 216' - BLACK
	112481-02-000	EA	ADHESIVE - PLEXUS ETHACRYLATE - CARTRIDGE
	112864-01-000	FT	SEAL - FOAM/BUTYL COVERED - 3/8" X 35'

**SEALANTS & FASTENERS GROUP (CONTINUED)**  
**SEALANTS & ADHESIVES (CONTINUED)**

<b>KEY</b>	<b>PART NUMBER</b>	<b>U/M</b>	<b>DESCRIPTION</b>
	112091-01-000	FT	SEAL/D - NEOPRENE - HEAT ACTIVE ADHESIVE - .9" X .7"
	112901-03-000	EA	ADHESIVE - PLEXUS - MA300 - 50ML - WHITE
	112902-01-000	EA	NOZZLE - ELEMENT - 3/8 X 24
	112902-03-000	EA	MIXER NOZZLE - F/GUN #00400102000 - SCOTCH-WELD & PLEXUS
	112902-04-000	EA	NOZZLE - ELEMENT - 1/4" X 3.5"
	113366-01-000	EA	ADHESIVE - INSTANT - 1 OZ
	113452-02-000	FT	SEAL/TRIM - FRONT - VINYL W/WIRE CARRIER - .027"
	120074-02-03A	EA	SILICONE - TUBE - W/O NOZZLE - LOW ODOR - SMOKEY WHITE
	120074-02-02A	EA	SILICONE - TUBE - W/O NOZZLE - LOW ODOR - SOFT WHITE
	120534-01-01A	EA	TAPE - SCOTCH - 3M - 1/2" FINE LINE
	123244-01-000	FT	TAPE - DOUBLE SIDED/FOAM - 5/64" THICK X 3/4" WIDE X 108'
	123816-01-000	FT	TAPE - DOUBLE SIDED - 1" X 3/4" X 200'
	123816-02-000	FT	TAPE - DOUBLE SIDED - 1/2" X 1 1/3" X 200'
	123816-03-000	FT	TAPE - DOUBLE SIDED - 1/2" X 3/4" X 200'
	123816-04-000	FT	TAPE - DOUBLE SIDED - 6" X 750'
	126427-01-000	EA	ADHESIVE - ALL PURPOSE - ABS/PVC
	126427-02-000	EA	PRIMER - CLEANER - FLEX PIPING
	131264-01-02A	EA	SILICONE - TUBE - W/O NOZZLE - CLEAR
	131264-01-01A	EA	SILICONE - TUBE - W/O NOZZLE - BLACK
	131264-02-01A	EA	SILICONE - TUBE - W/O NOZZLE - VW GRAY - BATH ONLY
	131264-03-01A	EA	SILICONE - TUBE - W/O NOZZLE- SELF LEVELING - BRIGHT WHITE
	131264-04-01A	EA	SILICONE/SEALANT/ADHESIVE - FAST CURE F/GLASS/VINYL - B/W
	131384-01-000	EA	ADHESIVE - JET WELD
	134651-01-000	FT	SEAL - 1/2" X 3/4" PSA 1 SIDE
	900390-01-000	EA	NOZZLE - SILICONE TUBE - 2.5" LONG - W/EXTERNAL THREADS
	900390-03-000	EA	NOZZLE - SILICONE TUBE - 4.3" LONG W/INTERNAL THREADS

**BOLTS, NUTS AND WASHERS**

<b>KEY</b>	<b>PART NUMBER</b>	<b>U/M</b>	<b>DESCRIPTION</b>
	OMC04K-06-016	EA	BOLT - HEX - M06 X 1 X 016
	OMC05K-08-055	EA	BOLT - HEX - M08 X 1.25 X 2.2
	OMC13K-14-110	EA	BOLT - HEX
	OMC13K-14-070	EA	BOLT - HEX - M14 X 2 X 2 3/4
	OMC31K-08-020	EA	BOLT - HEX - SERRATED FLANGE - M8 X 020
	OMC32K-10-030	EA	BOLT - HEX - SERRATED FLANGE - M10 X 1 1/2
	OMD16K-10-000	EA	NUT - HEX PREV TORQUE M10 X 1 1/2 CLASS 8
	OMD39K-12-000	EA	NUT - HEX W/NYLON LOCK - M12 X 1 3/4
	OMD40K-14-000	EA	NUT - HEX W/NYLON LOCK - M14 X 2
	OMD54F-06-000	EA	NUT-HEX SER FLG M6X1,0 SS - DIN6923A2M6
	OME06K-14-280	EA	WASHER - FLAT - 14 ID X 28 OD
	000C12-04-08B	EA	BOLT - HEX - 1/4-20 X 1/2 - GRADE #5 - ZINC
	000C12-04-12A	EA	BOLT - HEX - 1/4-20 X 3/4 - PLAIN 5
	000C12-04-40B	EA	BOLT - HEX - 1/4-20 X 2 1/2 - GRADE 5 ZINC
	000C12-05-16B	EA	BOLT - HEX - 5/16 - 18X1 - GRADE #5 - ZINC
	000C12-06-44B	EA	BOLT - HEX - 3/8-16 X 2 3/4 - GRADE 5 - ZINC
	000C12-06-16B	EA	BOLT - HEX - 3/8 - 16X1 - GRADE #5 - ZINC
	000C12-08-28B	EA	BOLT - HEX - 1/2-13 X 1 3/4 - GRADE #5 - ZINC
	000C12-08-24B	EA	BOLT - HEX - 1/2 - 13X1 1/2 - GRADE #5 - ZINC
	000C12-08-16B	EA	BOLT - HEX - 1/2-13 X 1 - GRADE #5 - ZINC
	000C12-10-24B	EA	BOLT - HEX - 5/8 - 11X1 1/2 - GRADE #5 - ZINC
	000C13-07-48B	EA	BOLT - HEX - 7/16-20 X 3 - GRADE #5 - ZINC
	000C13-07-40B	EA	BOLT - HEX - 7/16-20 X 2 1/2 - GRADE #5 - ZINC
	000C14-07-28B	EA	BOLT - HEX - 7/16-14 X 1 3/4 - GRADE #8 - ZINC
	000C14-10-32K	EA	BOLT - HEX - 5/8-11 X 2 - GRADE #8 - ZINC
	000C14-10-24K	EA	BOLT - HEX - 5/8-11 X 1 1/2 - GRADE #8 - ZINC
	000C16-07-16B	EA	BOLT - CARRIAGE - ASSIST HANDLE - 7/16TH - 14 X 1
	000C18-05-40A	EA	BOLT - ELEVATOR - 5/16-18 X 2 1/2 - PL
	000C26-04-10B	EA	BOLT - HEX - SERRATED FLANGE - 1/4-20 X 5/8 - ZINC
	000C26-04-18B	EA	BOLT - HEX - SERRATED FLANGE - 1/4-20 X 1 1/8 - ZINC
	000C26-04-14B	EA	BOLT - HEX - SERRATED FLANGE - 1/4-20 X 7/8 - ZINC
	000C26-05-20B	EA	BOLT - HEX - SERRATED FLANGE - 5/16-18 X 1 1/4 - ZINC

**SEALANTS & FASTENERS GROUP (CONTINUED)**  
**BOLTS, NUTS AND WASHERS (CONTINUED)**

KEY	PART NUMBER	U/M	DESCRIPTION
	000C26-06-12B	EA	BOLT - HEX - SERRATED FLANGE - 3/8-16 X 3/4 - ZINC
	000C26-08-24B	EA	BOLT - HEX - SERRATED FLANGE - 1/2-13 X 1 1/2 - ZINC
	000C27-04-40B	EA	BOLT - CARRIAGE - 1/4-20 X 2 1/2 - ZINC
	000C27-07-40B	EA	BOLT - CARRIAGE - 7/16-14 X 2 1/2 - GRADE #5
	000C27-08-48B	EA	BOLT - CARRIAGE - 1/2-13 X 3 - GRADE #5
	000D16-07-00B	EA	NUT - HEX - 7/16-14 - ZINC
	000D20-07-00B	EA	NUT - ACORN - ASSIST HANDLE - 7/16 - 14
	000D24-10-00B	EA	NUT - HEX - SELF LOCKING - 10-32 - ZINC
	000D28-10-00B	EA	NUT - HEX - W/NYLON LOCK - 10-32 ZINC
	000D29-04-00B	EA	NUT - HEX - SELF LOCKING - 1/4 X 20 - ZINC
	000D29-06-00B	EA	NUT - HEX - W/NYLON LOCK - 3/8-16 - ZINC
	000D29-09-00B	EA	NUT - HEX - SELF LOCKING - 9/16-12 - ZINC
	000D30-07-00B	EA	NUT - HEX LOCK - NYLON 7/16 X 20
	000D34-04-00B	EA	NUT - HEX - LOCKING - 1/4-20 - ZINC
	000D34-06-00B	EA	NUT - HEX - LOCKING - 3/8-16 GRADE C - ZINC
	000D39-04-00B	EA	NUT - HEX - LOCKING W/SERRATED FLANGE - 1/4-20 - ZINC
	000D39-05-00B	EA	NUT - HEX - LOCKING W/SERRATED FLANGE - 5/16-18 - ZINC
	000D39-06-00B	EA	NUT - HEX - LOCKING W/SERRATED FLANGE - 3/8-18 - ZINC
	000D39-07-00B	EA	NUT - HEX - LOCKING W/SERRATED FLANGE - 7/16-14 - ZINC
	000D39-08-00B	EA	NUT - HEX - LOCKING W/SERRATED FLANGE - 1/2-13 - ZINC
	000D44-04-00B	EA	NUT - HEX - LOCKING W/SERRATED FLANGE - 1/4-28 - ZINC
	000D44-07-00B	EA	NUT - HEX - LOCKING W/SERRATED FLANGE - 7/16-20 - ZINC
	000D44-08-00B	EA	NUT - HEX - LOCKING W/SERRATED FLANGE - 1/2-20 - ZINC
	000D46-04-00A	EA	NUT - HEX - WELD - 1/4-20 - PLAIN
	000D58-06-00A	EA	NUT - HEX - WELD 3/8-16 - PLAIN
	000D65-08-00B	EA	NUT - HEX - LOCKING W/SERRATED FLANGE - 8-32 - ZINC
	000D67-10-00B	EA	NUT - HEX - LOCK - 5/8-11 - ZINC
	000D73-08-00C	EA	NUT - HEX FLANGE - 1/2-13
	000D75-09-00B	EA	NUT - HEX LOCKING - 9/16-12 - ZINC
	000D76-06-00B	EA	NUT - HEX FLANGE - 3/8-16
	000E11-04-00F	EA	WASHER - LOCKING - 1/4 MED SPLIT - STAINLESS STEEL
	000E11-07-00B	EA	WASHER - LOCKING - 7/16 MED SPLIT - ZINC
	000E11-08-00B	EA	WASHER - LOCKING - 1/2 MED SPLIT - ZINC
	000E13-17-00B	EA	WASHER - FLAT - 3/8 AR - ZINC
	000E13-18-00B	EA	WASHER - FLAT - 3/8 WIDE - ZINC
	000E13-20-00B	EA	WASHER - FLAT - 7/16 WIDE - ZINC
	000E13-22-00B	EA	WASHER - FLAT - 1/2 WIDE - ZINC
	000E13-26-00B	EA	WASHER - FLAT - 5/8 WIDE - ZINC
	000E14-10-00B	EA	WASHER - LOCKING - #10 EXTERNAL TOOTH - ZINC
	000E16-10-00B	EA	WASHER - HARDENED - 5/8 - FLAT - ZINC
	000G45-05-16B	EA	BOLT - LAG - 5/16-9 X 1 - ZINC
	000G62-08-24B	EA	SCREW - SF/DR - 8-18 X 1 1/2 PFH
	005081-01-000	EA	NUT - SPEED - C-TYPE - #8 SCREW
	040921-03-000	EA	NUT - SPEED - U TYPE - #10
	040921-04-000	EA	NUT - SPEED - U TYPE - #8-.59" LENGTH X .44" WIDTH
	040921-05-000	EA	NUT - SPEED - U-TYPE - 8-.67" X .44" WIDE
	041322-01-000	EA	WASHER - FLANGE - 15/32 ID X 2 3/8 OD - F/SEAT BELT MTG
	044364-02-000	EA	NUT - SPEED - FLAT - ROUND
	044533-01-000	EA	WASHER - 1 3/8"OD - FOR BUTTONS - PLASTIC
	051387-06-000	EA	BOLT - CARRIAGE W/O HOLE - 5/16-18 X 9 1/2 - ZINC
	058716-02-000	EA	WASHER - FLAT NYLON
	064081-03-000	EA	NUT - WING 3/8-16 - W/WELD NUT
	077071-01-000	EA	WASHER - FENDER - 3/16"ID X 1"OD
	084406-01-000	EA	NUT - CAPPED - CROSS RECESSED - BLACK - 1/4-20 THD
	087234-01-000	EA	NUT - JACK - 1/4 X 20 THD - MOLLY
	088787-12-000	EA	STUD - WELD - 1/4 - 20 X 1.0 LG - MN
	102333-01-06A	EA	BOLT - CARRIAGE - 7/16-14 STAINLESS STEEL CAP
	103020-02-000	EA	BOLT-U - #8-32 - GRADE 5 ZINC
	106166-01-000	EA	BOLT/COLLARED HANGER - 8-32 X 1
	106956-03-000	EA	BOLT - HEX TAP - 1/2-12NC X 3 - GRADE 5 - FULL THREAD/ZINC
	106956-08-000	EA	BOLT - HEX TAP - 1/2-13NC X 4 - GRADE 5 - FULL THREAD/ZINC
	107397-01-000	EA	WASHER - FENDER - 3/4"ID X 1"OD
	108067-03-000	EA	STUD - WELD - 1/4 - 20 X 1/2 CD

**SEALANTS & FASTENERS GROUP (CONTINUED)**  
**BOLTS, NUTS AND WASHERS (CONTINUED)**

KEY	PART NUMBER	U/M	DESCRIPTION
	103020-02-000	EA	BOLT-U - #8-32 - GRADE 5 ZINC
	106166-01-000	EA	BOLT/COLLARED HANGER - 8-32 X 1
	106956-03-000	EA	BOLT - HEX TAP - 1/2-12NC X 3 - GRADE 5 - FULL THREAD/ZINC
	106956-08-000	EA	BOLT - HEX TAP - 1/2-13NC X 4 - GRADE 5 - FULL THREAD/ZINC
	107397-01-000	EA	WASHER - FENDER - 3/4"ID X 1"OD
	108067-03-000	EA	STUD - WELD - 1/4 - 20 X 1/2 CD
	109235-01-05A	FT	COVER - SCREW - BRIGHT WHITE
	109235-01-01A	FT	COVER - SCREW - MAT BLACK
	109917-03-000	EA	WASHER - 1" X .50"
	109917-04-000	EA	WASHER - 1" X .75"
	110794-01-000	EA	WASHER - FLAT - 1" ID X 1 3/4" OD
	121511-01-000	EA	WASHER - SPUR
	113985-02-000	EA	BOLT - FLANGE - M10-1 1/2 X 30CL 10.9
	114259-05-000	EA	BOLT - 7/16-20 X 1 1/4 W/WASHER
	128444-01-000	EA	WASHER - SPRING - CONICAL
	131377-01-000	EA	NUT-HEX HEAD W/WASHER-1/4-20 X 2" STEEL W/3/4" OD WASHER
	135092-01-01A	EA	BOLT - HEX - SERRATED FLANGE - 1/2-20 X 1 3/4-GRADE 5 ZINC
	135092-02-01A	EA	BOLT - HEX - SERRATED FLANGE - 1/2-20 X 2 1/2-GRADE 5 ZINC
	143399-01-01A	EA	NUT/RETAINING - 3/8"- 24 NFT
	144904-01-01A	EA	BOLT - ADJUSTMENT - HEADLAMP
	148817-01-000	EA	WASHER/SPUR - LOCKING

**SCREWS**

KEY	PART NUMBER	U/M	DESCRIPTION
	0G1106-06-160	EA	SCREW - 6-20 X 3/8 PPH
	0G1106-08-240	EA	SCREW - 6-20 X 1/2 PPH - VW LIGHT GRAY
	0G1108-12-240	EA	SCREW - 8-18 X 3/4 PPH - VW LIGHT GRAY
	0G1108-16-240	EA	SCREW - 8-18 X 1.00 PPS - VW LIGHT GRAY
	0G1208-12-170	EA	SCREW - 8-18 X 3/4 POH - BRIGHT WHITE
	0G1308-10-240	EA	SCREW - 8-18 X 5/8 PFH - VW LIGHT GRAY
	0G3804-22-180	EA	SCREW - MACHINE - 1/4-20 X 1 3/8 PFH - BLACK
	0G3908-08-170	EA	SCREW - SF/DR - 8-18 X 1/2 PPH - BRIGHT WHITE
	0G3908-08-160	EA	SCREW - SF/DR - 8-18 X 1/2 PPH - VW WHITE
	0G3908-08-240	EA	SCREW - SF/DR - 8-18 X 1/2 PPH - VW LIGHT GRAY
	0G3908-12-250	EA	SCREW - SF/DR - 8-18 X 3/4 PPH - DARK GRAY
	0G3908-12-240	EA	SCREW - SF/DR - 8-18 X .75 PPH - VW LIGHT GRAY
	0G3908-16-170	EA	SCREW - SF/DR - 8-18 X 1 PPH - BRIGHT WHITE
	0G3908-24-170	EA	SCREW - SF/DR - 8-18 X 1 1/2 PPH - BRIGHT WHITE
	0G3910-10-330	EA	SCREW - SF/DR - 20-16 X 5/8 PPH - PUTTY
	0G3910-10-320	EA	SCREW - SF/DR - 10-16 X 5/8 PPH - GLACIER
	0G3910-10-240	EA	SCREW - SF/DR - 10-16 X 5/8 PPH - VW LIGHT GRAY
	0G3910-12-240	EA	SCREW - SF/DR - 10-16 X .75 PPH - VW LIGHT GRAY
	0G3910-12-170	EA	SCREW - SF/DR - 10-16 X 3/4 PPH - BRIGHT WHITE
	0G3910-12-320	EA	SCREW - SF/DR - 10-16 X 3/4 PPH - GLACIER
	0G5508-12-240	EA	SCREW - SF/DR - 8-18 X 3/4 PWH - VW LIGHT GRAY
	0G5508-12-170	EA	SCREW - SF/DR - 8-18 X 3/4 PWH - BRIGHT WHITE
	0G5508-12-330	EA	SCREW - SF/DR - 8-18 X 3/4 PWH - PUTTY
	0G5508-12-320	EA	SCREW - SF/DR - 8-18 X 3/4 PWH - GLACIER
	0G5508-12-260	EA	SCREW - SF/DR - 8-18 X 3/4 PWH - ALLANTE ANTELOPE
	0G5508-12-270	EA	SCREW - SF/DR - 8-18 X 3/4 PWH - TITANIUM
	0G5508-16-250	EA	SCREW - SF/DR - 8-18 X 1 PWH - VW DARK GRAY
	0G5508-16-330	EA	SCREW - SF/DR - 8-18 X 1 PWH - PUTTY
	0G5508-16-320	EA	SCREW - SF/DR - 8-18 X 1 PWH - GLACIER
	0G6008-16-170	EA	SCREW - SF/DR - 8-18 X 1 POH - BRIGHT WHITE
	0G6710-08-130	EA	SCREW - 10-12 X 1/2 PPH - TAUPE
	0G6710-08-170	EA	SCREW - 10-12 X 1/2 PPH - BRIGHT WHITE
	0G6710-08-240	EA	SCREW - 10-12 X 1/2 PPH - VW LIGHT GRAY
	0G6710-12-170	EA	SCREW - 10-12 X 3/4 PPH - BRIGHT WHITE
	0G6806-16-170	EA	SCREW - 6-18 X 1 POH - BRIGHT WHITE
	0G6810-24-280	EA	SCREW - 10-12 X 1 1/2 POH - SOFT WHITE
	000C20-04-16A	EA	SCREW - 1/4-20X 1 - FLAT SOCKET HEAD
	000C20-05-28F	EA	SCREW - 5/16-18 X 1 3/4 FLAT SOC - STAINLESS STEEL
	000C20-06-24T	EA	SCREW - 3/8-16 X 1 1/2 - FLAT SOCKET



**SEALANTS & FASTENERS GROUP (CONTINUED)**  
**SCREWS (CONTINUED)**

KEY	PART NUMBER	U/M	DESCRIPTION
	000G11-06-10J	EA	SCREW - 6-20 X 5/8 PPH - BRASS
	000G11-06-08P	EA	SCREW - 6-20 X 1/2 PPH - DARK BROWN
	000G11-06-08B	EA	SCREW - 6-20 X 1/2 PPH - ZINC
	000G11-07-08B	EA	SCREW - 7-19 X 1/2 PPH - ZINC
	000G11-08-20G	EA	SCREW - 8-18 X 1 1/4 - ANTIQUE BRASS
	000G11-08-20B	EA	SCREW - 8-18 X 1 1/4 PPH - ZINC
	000G11-08-16B	EA	SCREW - 8-18 X 1 PPH - ZINC
	000G11-08-12T	EA	SCREW - 8-18 X 3/4 PPH - BLACK MAGNESIUM
	000G11-08-12P	EA	SCREW - 8-18 X 3/4 PPH - DARK BROWN
	000G11-08-12B	EA	SCREW - 8-18 X 3/4 PPH - ZINC
	000G11-08-08T	EA	SCREW - 8-18 X 1/2 PPH - FLUOROCARBON COATING
	000G11-08-06B	EA	SCREW - 8-18 X 3/8 PPH - ZINC
	000G11-10-24P	EA	SCREW - 10-16 X 1 1/2 PPH - DARK BROWN
	000G11-10-12D	EA	SCREW - 10-16 X 3/4 PPH - BLACK
	000G12-06-12J	EA	SCREW - 6-20 X .75 POH - BRASS
	000G12-06-08T	EA	SCREW - 6-20 X 1/2 POH - BLACK
	000G13-05-10B	EA	SCREW - 5-12 X 5/8 PFH - ZINC
	000G13-06-08G	EA	SCREW - 6-20 X 1/2 PFH - ANTIQUE BRASS
	000G13-06-08B	EA	SCREW - 6-20 X 1/2 PFH - ZINC
	000G13-06-06I	EA	SCREW - 6-20 X 3/8 PFH - BLACK ZINC
	000G13-06-24J	EA	SCREW - 6-20 X 1 1/2 PFH - BRASS
	000G13-06-16J	EA	SCREW - 6-20 X 1 PFH - BRASS
	000G13-06-10J	EA	SCREW - 6-20 X 5/8 PFH - BRASS
	000G13-06-10G	EA	SCREW - 6-20 X 5/8 PFH - ANTIQUE BRASS
	000G13-07-10H	EA	SCREW - 7-19 X 5/8 PFH - BLACK
	000G13-08-16B	EA	SCREW - 8-18 X 1 PFH - ZINC
	000G13-08-109	EA	SCREW - 8-18 X 5/8 PFH
	000G13-08-10B	EA	SCREW - 8-18 X 5/8 PFH - ZINC
	000G13-08-24B	EA	SCREW - 8-18 X 1 1/2 PFH - ZINC
	000G13-10-16I	EA	SCREW - 10-16 X 1 PFH - BLACK
	000G16-04-24B	EA	SCREW - MACHINE - 1/4-20 X 1 1/2 PPH
	000G18-08-16B	EA	SCREW - MACHINE - 8-32 X 1 PPH - ZINC
	000G18-08-24B	EA	SCREW - MACHINE - 8-32 X 1 1/2 PPH - ZINC
	000G18-08-22B	EA	SCREW - MACHINE - 8-32 X 1 3/8 PPH - ZINC
	000G19-10-10B	EA	SCREW - MACHINE - 10-32 X 5/8 - PPH - ZINC
	000G19-10-08B	EA	SCREW - MACHINE - 10-32 X 1/2 PPH - ZINC
	000G19-10-20B	EA	SCREW - MACHINE - 10-32 X 1 1/2 PPH - ZINC
	000G19-10-12F	EA	SCREW - MACHINE - 10-32 X 3/4 PPH - STAINLESS STEEL
	000G36-10-12T	EA	SCREW - 10-24X 3/4 PFH TYPE 23 - BLACK
	000G39-06-10T	EA	SCREW - SF/DR - 6-20 X 5/8 PPH - BLACK
	000G39-06-16T	EA	SCREW - SF/DR - 6-20 X 1 PPH - BLACK
	000G39-08-08S	EA	SCREW - SF/DR - 8-18 X 1/2 PPH - OFF WHITE
	000G39-08-08B	EA	SCREW - SF/DR - 8-18 X 1/2 PPH - ZINC
	000G39-08-08T	EA	SCREW - SF/DR - 8-18 X 1/2 PPH - BLACK
	000G39-08-06B	EA	SCREW - SF/DR - 8-18 X 3/8 PPH - ZINC
	000G39-08-32B	EA	SCREW - SF/DR - 8-18 X 2 PPH - ZINC
	000G39-08-24T	EA	SCREW - SF/DR - 8-18 X 1 1/2 PPH - BLACK
	000G39-08-24S	EA	SCREW - SF/DR - 8-18 X 1 1/2 - OFF WHITE
	000G39-08-24B	EA	SCREW - SF/DR - 8-18 X 1 1/2 PPH - ZINC
	000G39-08-16T	EA	SCREW - SF/DR - 6-20 X 1 PPH - BLACK
	000G39-08-16B	EA	SCREW - SF/DR - 8-18 X 1 PPH - ZINC
	000G39-08-12B	EA	SCREW - SF/DR - 8-18 X 3/4 PPH - ZINC
	000G39-08-12T	EA	SCREW - SF/DR - 8-18 X 3/4 PPH - BLACK
	000G39-10-48T	EA	SCREW - SF/DR - 10-16 X 3 PPH - BLACK
	000G39-10-48B	EA	SCREW - SF/DR - 10-16 X 3 - PPH - ZINC
	000G39-10-40D	EA	SCREW - SF/DR - 10-16 X 2 1/2 PPH - BLACK
	000G39-10-32B	EA	SCREW - SF/DR - 10-16 X 2 - PPH - ZINC
	000G39-10-20T	EA	SCREW - SF/DR - 10-16 X 1 1/4 PPH - BLACK
	000G39-10-20B	EA	SCREW - SF/DR - 10-16 X 1 1/4 PPH - ZINC
	000G39-10-169	EA	SCREW - SF/DR - 10-16 X 1 PPH - FLUOROCARBON SILVER
	000G39-10-129	EA	SCREW - SF/DR - 10-16 X 3/4 PPH - FLUOROCARBON SILVER
	000G39-10-12T	EA	SCREW - SF/DR - 10-16 X 3/4 - BLACK
	000G39-10-10T	EA	SCREW - SF/DR - 10-16 X 5/8 - BLACK

**SEALANTS & FASTENERS GROUP (CONTINUED)**  
**SCREWS (CONTINUED)**

KEY	PART NUMBER	U/M	DESCRIPTION
	000G39-10-10B	EA	SCREW - SF/DR - 10-16 X 5/8 PPH - ZINC
	000G39-10-08B	EA	SCREW - SF/DR - 10-16 X 1/2 PPH - ZINC
	000G39-10-088	EA	SCREW - SF/DR - 10-16 X 1/2 PPH - FLEX FLUOROCARBON
	000G39-12-12E	EA	SCREW - SF/DR - 12 - 14 X 3/4 PPH - CHROME
	000G42-04-24B	EA	SCREW - SF/DR - 1/4-14 X 1 1/2 - ZINC
	000G42-04-16B	EA	SCREW - SF/DR - 1/4-14 X 1 HWH - ZINC
	000G42-04-24B	EA	SCREW - SF/DR - 1/4-14 X 1 1/2 - ZINC
	000G46-08-24T	EA	SCREW - MACHINE - 8-32 X 1 1/2 PFH - BLACK
	000G50-04-48B	EA	SCREW - MACHINE - 1/4-14 X 3 - ZINC
	000G52-06-05B	EA	SCREW - MACHINE - 6-32 X 5/16 PTH ZINC
	000G52-06-06B	EA	SCREW - MACHINE - 6-32 X 3/8 PIN - ZINC
	000G54-04-14B	EA	SCREW - 1/4-20 X 7/8 PTH - TYPE 23 - ZINC PLATED
	000G55-08-124	EA	SCREW - SF/DR - 8-18 X 3/4 PWH - ASH GRAY
	000G55-08-12M	EA	SCREW - SF/DR - 8-19 X .75 PWH - GRAY
	000G55-08-165	EA	SCREW - SF/DR - 8-18 X 1 PWH - WILLOW
	000G55-08-16T	EA	SCREW - SF/DR - 8-18 X 1 PWH - BLACK
	000G55-08-16S	EA	SCREW - SF/DR - 8-18 X 1.00 - PWH - OFF WHITE
	000G56-12-48B	EA	SCREW - WOOD - 12-11 X 3 POH - SPECIAL HARDENED
	000G57-14-72B	EA	SCREW-14-10-X4 1/2 PFH ZN           GENERAL MOTORHOMES
	000G57-14-64B	EA	SCREW - 14-10 X 4 PFH ZINC
	000G60-08-20F	EA	SCREW - SF/DR - 8-19X1.25 POH
	000G60-08-16E	EA	SCREW - SF/DR - 8-1 X 1 POH - CHROME
	000G60-08-22B	EA	SCREW - SF/DR - 8-18 X 1.38 POH - ZINC
	000G60-10-209	EA	SCREW - SF/DR - 10-16 X 1 1/4 POH - SILVER STALGAARD
	000G60-10-20B	EA	SCREW - SF/DR - 10-16 X 1 1/4 POH - ZINC
	000G60-10-16J	EA	SCREW - SF/DR - 10-16 X 1 POH - BRIGHT BRASS
	000G60-10-28T	EA	SCREW - SF/DR - 10-16 X 1 3/4 - BLACK
	000G67-08-32B	EA	SCREW - 8-15 X 2 PPH - ZINC
	000G67-10-08B	EA	SCREW - 10-12 X 1/2 PPH - ZINC
	000G67-10-24S	EA	SCREW - 10-12 X 1 1/2 PPH - OFF WHITE
	000G67-10-24B	EA	SCREW - 10-12 X 1 1/2 PPH - ZINC
	000G67-10-20D	EA	SCREW - 10-12 X 1 1/4 PPH - BLACK
	000G67-10-12P	EA	SCREW - 10-12 X 3/4 PPH - DARK BROWN
	000G67-10-12B	EA	SCREW - 10-12 X 3/4 PPH - ZINC
	000G67-10-10T	EA	SCREW - 10-12 X 5/8 PPH - BLACK
	000G67-10-10S	EA	SCREW - 10-12 X 5/8 PPH - OFF WHITE
	000G67-10-10P	EA	SCREW - 10-12 X 5/8 PPH - DARK BROWN
	000G67-10-10B	EA	SCREW - 10-12 X 5/8 PPH - ZINC - TYPE A
	000G67-10-08S	EA	SCREW - 10-12 X 1/2 PPH - OFF WHITE
	000G68-06-10J	EA	SCREW - 6-18 X 5/8 POH - BRASS
	000G68-06-10G	EA	SCREW - 6-18 X 5/8 POH - ANTIQUE BRASS
	000G68-06-12J	EA	SCREW - 6-18 X 3/4 POH - BRASS
	000G68-06-12B	EA	SCREW - 6-18 X 3/4 POH - ZINC & CLEAR
	029130-01-000	EA	SCREW - SNAP STUD - #8-16 X 5/8" LONG
	029130-03-000	EA	SCREW - SNAP STUD - #8-16 X 1" LONG
	049465-01-000	EA	SCREW - 10-16 PTH W/WASHER - DARK BROWN
	049465-03-000	EA	SCREW - 10-16 X 1 POH W/WASHER - OFF WHITE
	049465-04-000	EA	SCREW - 10-16 X 1 PTH W/WASHER - BEIGE
	049465-13-000	EA	SCREW-10+16X1 PTH W/WASHER - *ASH GRAY
	049465-17-000	EA	SCREW - 10-16 X 1 POH W/WASHER - BRIGHT WHITE
	049465-23-000	EA	SCREW - 10-16 X 1.5 POH W/WASHER - VW LIGHT GRAY
	054434-02-000	EA	SCREW - SF/DR - 10-16 X 2 - ZINC
	054434-03-000	EA	SCREW - SF/DR - 10-16 X 2 - PWH - ZINC
	075908-01-000	EA	SCREW - MACHINE - 10-32 X .56 PTH - EXTERNAL TOOTH - ZINC
	076790-01-000	EA	SCREW - 6-20 X 1 1/4 PPH - BLACK
	076790-05-000	EA	SCREW - 6-20 X 1/2 PPH - BLACK - THREAD CUTTING/WOOD
	083554-01-000	EA	SCREW - DRYWALL - 8 X 1 1/4
	083554-04-000	EA	SCREW - DRYWALL - 8 X 2 1/2
	087721-01-000	EA	SCREW - FLAT HEAD - TAPPING - 1/4 X 1 1/4 LONG - ZINC
	087721-02-000	EA	SCREW - FLAT HEAD - TAPPING - 1/4 X 2 1/4 LONG - ZINC
	090033-02-000	EA	SCREW - 1/4-20 X 5/8 - ROUND WASHER HEAD - OFF/WHITE
	097974-01-000	EA	SCREW - PARTICLE BOARD - 7-9 X 3/4 PPH
	101618-01-000	EA	SCREW - 1/4-20 X 3/4 HEX - TAPPING - STALGARD TYPE F

**SEALANTS & FASTENERS GROUP (CONTINUED)**  
**SCREWS (CONTINUED)**

<b>KEY</b>	<b>PART NUMBER</b>	<b>U/M</b>	<b>DESCRIPTION</b>
	110460-05-02A	EA	SCREW - MACHINE - 10-24 X 2 1/2 PFH - WHITE
	113563-01-01A	EA	SCREW - 8 X 5/8 LONG SHOULDER/WASHER HEAD
	114469-01-02A	EA	COVER - SCREW - VW DARK GRAY
	117478-01-04A	EA	SCREW - 8-18 X 3/4 PPH W/WASHER - VW LIGHT GRAY
	118383-01-09A	EA	RETAINER/RECESSED - F/.22" SCREW - GLACIER
	118383-01-06A	EA	RETAINER/RECESSED - F/.22" SCREW - ALLANTE ANTELOPE
	118383-01-05A	EA	RETAINER/RECESSED - F/.22" SCREW - VW LIGHT GRAY
	118383-01-04A	EA	RETAINER/RECESSED - F/.22" SCREW - BRIGHT WHITE
	118383-02-09A	EA	RETAINER/RECESSED - F/.27" SCREW - GLACIER
	118383-02-05A	EA	RETAINER/RECESSED - F/.27" SCREW - VW LIGHT GRAY
	118383-02-04A	EA	RETAINER/RECESSED - F/.27" SCREW - BRIGHT WHITE
	118383-03-09A	EA	RETAINER/RECESSED - F/.32" SCREW - GLACIER
	118383-04-05A	EA	CAP - F/RECESSED RETAINER - VW LIGHT GRAY
	118383-04-04A	EA	CAP - F/RECESSED RETAINER - BRIGHT WHITE
	118383-04-09A	EA	CAP - F/RECESSED RETAINER - GLACIER
	118383-04-06A	EA	CAP - F/RECESSED RETAINER - ALLANTE ANTELOPE
	134126-01-01A	EA	SCREW/NAIL - HEX HEAD - 3/4"
	140040-01-000	EA	SCREW - 1/4-20 X 1 - BUTTON HEAD/SOCKET - W/LOCTITE
	144078-01-01A	EA	SCREW - HEX/FLANGE HEAD CAP - 1" W/.75" THREAD LENGTH - ZINC
	149753-01-01A	EA	RETAINER/RECESSED - F/.22" SCREW - BLACK
	149753-01-02A	EA	RETAINER/RECESSED - F/.22" SCREW - BRIGHT WHITE
	149753-02-01A	EA	CAP - F/RECESSED RETAINER - BLACK
	149753-02-02A	EA	CAP - F/RECESSED RETAINER - BRIGHT WHITE

**CLAMPS, CLIPS, GROMMETS, RIVETS & PLUGS**

<b>KEY</b>	<b>PART NUMBER</b>	<b>U/M</b>	<b>DESCRIPTION</b>
	000F10-06-32B	EA	PIN - COTTER - 3/16" X 2" - ZINC
	000H14-06-06R	EA	RIVET-MANDREL BLIND,3/16 AL - CHERRY BSP-66
	000H16-04-06R	EA	RIVET - POP ALUMINUM - 1/8 X .313 - .375
	000H16-06-10R	EA	RIVET - POP ALUMINUM - 3/16 X .501 - .625
	007161-01-000	EA	CLAMP - HOSE - SPRING TYPE - 1/2"
	008386-01-000	EA	GROMMET - SNAP - 3/8" DIAMETER - NYLON
	010495-01-000	EA	CLAMP - CABLE - 9/16"ID - BLACK
	010495-02-000	EA	CLAMP - CABLE - 3/8"ID - BLACK
	010495-04-000	EA	CLAMP - CABLE - 11/16"ID - WHITE
	010497-01-000	EA	CLAMP - CLOSED - 5/8"ID
	010497-02-000	EA	CLAMP - CLOSED - 1.5"ID
	010497-03-000	EA	CLAMP - CLOSED - 1"ID - CUSHIONED
	010497-04-000	EA	CLAMP - CLOSED - 1 5/8"ID
	010497-07-000	EA	CLAMP - CLOSED - 3/8"ID
	010497-09-000	EA	CLAMP - CLOSED - 5/16"ID
	010497-10-000	EA	CLAMP - CLOSED - 7/8"ID
	010499-01-000	EA	CLAMP - CLOSED - 3/8"ID
	016188-03-000	EA	GROMMET - LP LINE - 3/8"HOLE X 2 1/2"LONG - RUBBER
	016188-04-000	EA	GROMMET - LP LINE - 1/2"HOLE X 2 1/2"LONG - RUBBER
	016188-05-000	EA	GROMMET - LP LINE - 3/8"HOLE X 1 1/4"LONG - RUBBER
	016188-06-000	EA	GROMMET - L/P LINE - 3/8"HOLE X 3 1/4"LONG - RUBBER
	016188-08-000	EA	GROMMET - LP LINE - 1/2"HOLE X 1 1/4"LONG - RUBBER
	016188-09-000	EA	GROMMET - LP LINE - .68"HOLE X 1 1/4"LONG - RUBBER
	016188-10-000	EA	GROMMET - LP LINE - .68"HOLE X 2.5"LONG - RUBBER
	023942-01-000	EA	GROMMET - RUBBER - 2" OD
	034141-02-000	EA	PLUG/NYLON - .38" - BLACK
	061420-01-000	EA	PLUG/PLASTIC - 1 3/4" DIAMETER - BROWN
	061420-04-000	EA	PLUG/PLASTIC - 1 1/4" DIAMETER
	061420-05-000	EA	PLUG/PLASTIC - 1 1/2" DIAMETER
	061420-08-000	EA	PLUG/PLASTIC - 2 1/2" DIAMETER
	061420-09-000	EA	PLUG/PLASTIC - 1.00" - DIAMETER
	061420-10-000	EA	PLUG/PLASTIC - 1 1/2" DIAMETER - BLACK
	061420-13-000	EA	PLUG/PLASTIC - 3/8 - 3"
	061420-14-000	EA	PLUG/PLASTIC - 7/8" DIAMETER - BLACK
	061420-15-000	EA	PLUG/PLASTIC - 2" DIAMETER - BLACK
	061420-16-000	EA	PLUG/PLASTIC - 2 1/8" DIAMETER - BLACK

**SEALANTS & FASTENERS GROUP (CONTINUED)**  
**CLAMPS, CLIPS, GROMMETS, RIVETS & PLUGS (CONTINUED)**

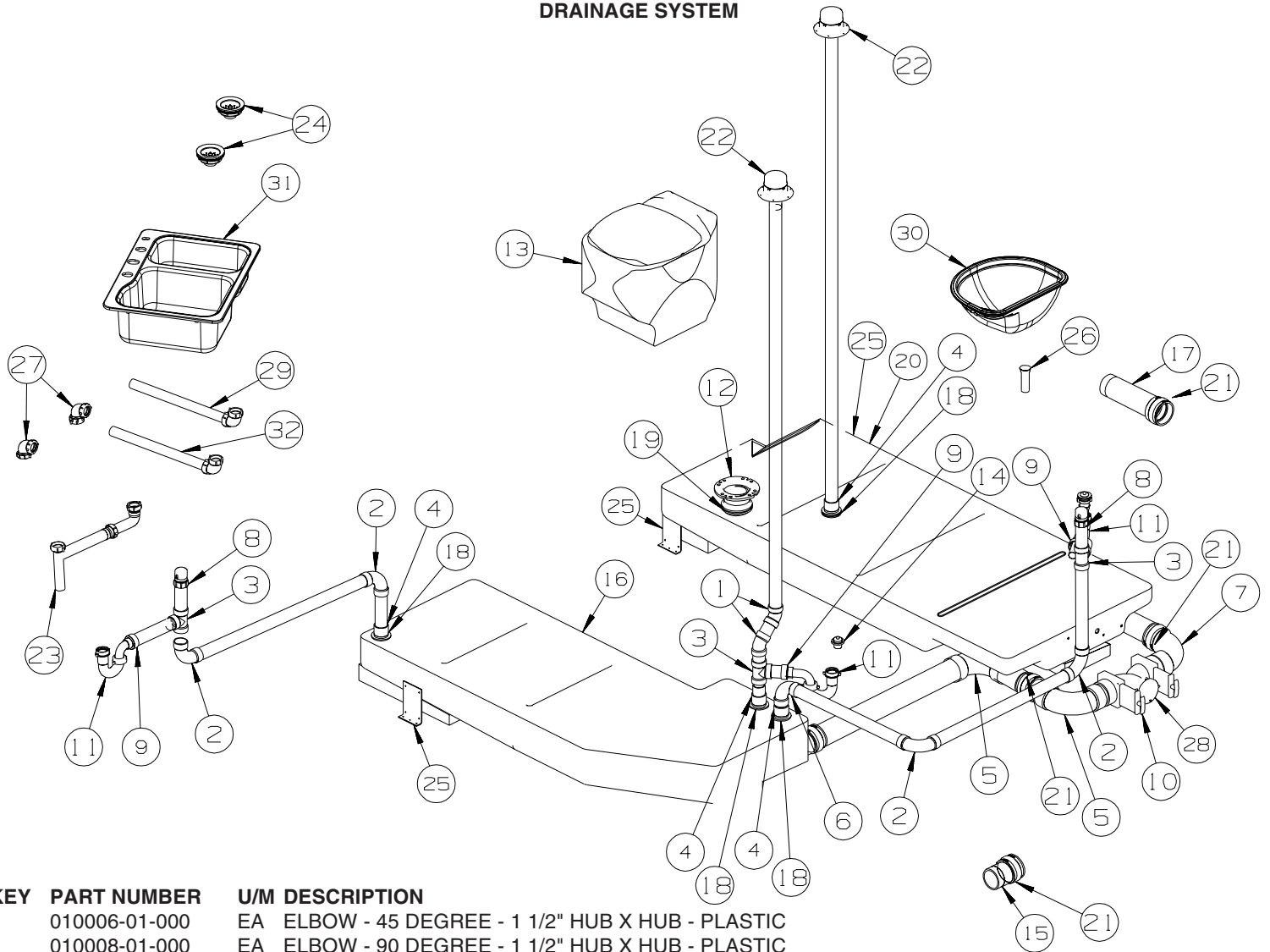
KEY	PART NUMBER	U/M	DESCRIPTION
	062401-01-000	EA	CLAMP - HOSE - WORMGEAR - .25" - 1"
	062401-02-000	EA	CLAMP - HOSE - WORMGEAR - 1.56" - 2.5"
	062401-03-000	EA	CLAMP - HOSE - WORMGEAR - .22" - 1"
	062401-04-000	EA	CLAMP - HOSE - WORMGEAR - .69" - 1.25"
	062401-05-000	EA	CLAMP - HOSE - WORMGEAR - 2" - 3" ID
	062401-06-000	EA	CLAMP - HOSE - WORMGEAR - .22" - .62" ID
	062401-09-000	EA	CLAMP - HOSE - WORMGEAR - 2.8" - 3.75"
	062401-11-000	EA	CLAMP - HOSE - WORMGEAR - 3.50" - 4.50"
	062401-12-000	EA	CLAMP - HOSE - WORMGEAR - .79" X 1.26"
	071015-11-000	EA	GROMMET - RUBBER - 1 ID - FITS .12 MATERIAL - BLACK
	071015-13-000	EA	GROMMET - RUBBER - .62 ID - FITS .09 GROOVE - BLACK
	071015-19-000	EA	GROMMET - RUBBER - .38 ID - FITS .06 MATERIAL - BLACK
	071015-22-000	EA	GROMMET - RUBBER - .62 ID - 1.12 OD - W/.19 GROOVE - BLACK
	071015-26-000	EA	GROMMET - RUBBER - 1.5" ID X 2.1" OD W/.06" GROOVE-BLACK
	071015-29-000	EA	GROMMET - RUBBER - .3" ID X 1.3"OD W/.12" GROOVE - BLACK
	071015-30-000	EA	GROMMET - RUBBER - .3" ID X .81"OD W/.12" GROOVE - BLACK
	071015-32-000	EA	GROMMET - RUBBER - .75 ID X 1.375 OD W/.187 GROOVE - BLACK
	071015-40-000	EA	GROMMET - RUBBER - .38 ID - FITS .09 MATERIAL - BLACK
	071015-41-000	EA	GROMMET - .125 ID FITS .188 MTL
	071015-42-000	EA	GROMMET - RUBBER - .25 ID - FITS .06 MATERIAL - BLACK
	075148-02-000	EA	CLAMP - GROUNDING - BRONZE SCREWS
	077955-01-000	EA	CLIP/J - 3/8" - VINYL COATED
	080734-02-000	EA	CLIP - WIRE NYLON
	081211-01-000	EA	PLUG/PLASTIC - .31" DIAMETER - BLACK
	081211-03-000	EA	PLUG/PLASTIC - .50" DIAMETER - TRUSS HEAD - BLACK
	081211-04-000	EA	PLUG/PLASTIC - .46 DIAMETER - TRUSS HEAD - BLACK
	083609-01-000	EA	CLAMP - WIRE - DUAL - EQUAL DIAMETERS - 5/8"
	083610-01-000	EA	CLAMP - WIRE - DUAL - UNEQUAL DIAMETERS - 3/4" & 1 1/4"
	083610-02-000	EA	CLAMP - WIRE - DUAL - UNEQUAL DIAMETERS - 3/4" & 2"
	083610-03-000	EA	CLAMP - WIRE - DUAL - EQUAL DIAMETERS - 2"
	088756-01-000	EA	GROMMET - WEB - 1 1/8 " I.D.
	089329-02-000	EA	CLIP - SPRING
	091952-01-000	EA	CLIP - GRIPPER - 1"
	091952-02-000	EA	CLIP - GRIPPER - 3/4"
	091952-03-000	EA	CLIP - GRIPPER - 1/2" - BLACK VINYL COATED
	094362-02-000	EA	CLIP - XMAS TREE - BINDER HEAD - .9" LONG
	094362-05-000	EA	CLIP - XMAS TREE - ROUND HEAD - 1.4" LONG
	114208-01-000	EA	GROMMET - EDGE LINER - FITS 1 3/4"
	114208-03-000	EA	GROMMET - EDGE LINER - FITS 2 1/2"
	114208-05-000	EA	GROMMET - EDGE LINER - FITS 2"
	118626-01-02A	EA	RIVET - POP - ALUMINUM - 3/16 X .08 - .375
	118626-01-01A	EA	RIVET - POP - ALUMINUM - 3/16 X .08 - .375
	118626-02-01A	EA	RIVET - POP - ALUMINUM - 3/16 X .500 - .750
	137014-01-01A	EA	GROMMET - CABLE - ALMOND
	137014-01-02A	EA	GROMMET - CABLE - BROWN
	137014-01-03A	EA	GROMMET - CABLE - BLACK
	139118-02-01A	EA	GROMMET - SCREW - PLASTIC
	140171-01-000	EA	CLAMP - HOSE - STEPLESS EAR - .312
	140171-02-000	EA	CLAMP - HOSE - STEPLESS EAR - .250



**SEALANTS & FASTENERS GROUP (CONTINUED)**  
**MISCELLANEOUS FASTENERS**

<b>KEY</b>	<b>PART NUMBER</b>	<b>U/M</b>	<b>DESCRIPTION</b>
	008343-01-000	EA	TIE - WIRE - 6"
	008343-02-000	EA	TIE - WIRE - 14"
	008343-03-000	EA	TIE - WIRE - 7 1/2" - BLACK
	029094-04-000	YD	VELCRO TAPE - LOOP - 1" WIDE - BLACK
	029094-06-000	YD	VELCRO TAPE - LOOP - 2" WIDE - BLACK
	029096-03-000	YD	VELCRO TAPE - HOOK - 1" WIDE - BLACK
	029096-04-000	YD	VELCRO TAPE/HOOK - 1"WIDE - BLACK - W/ADHESIVE BACK (PSA)
	048394-02-000	YD	VELCRO TAPE - HOOK - ADHESIVE BACK - 3/4" WIDE - BEIGE
	085774-01-000	FT	FASTENER - DUAL LOCK - 1" WIDE - ADHESIVE BACK - BLACK
	085774-02-000	FT	FASTENER - DUAL HOOK - 1" WIDE - ADHESIVE BACK - BLACK
	085774-07-000	FT	FASTENER - DUAL HOOK - 1" WIDE
	088792-02-000	YD	VELCRO TAPE - LOOP - 3/4" - ADHESIVE BACK - BEIGE
	088792-04-000	YD	VELCRO TAPE - HOOK - 5/8" - NON-ADHESIVE BACK - WHITE
	088792-05-000	YD	VELCRO TAPE - LOOP - 5/8" - NON-ADHESIVE BACK - WHITE
	108046-01-000	EA	CABLE TIE - SCREW MOUNT 8"
	108046-02-000	EA	CABLE TIE - SCREW MOUNT 15"
	110943-01-000	FT	FELT STRIP - 3/8" - ADHESIVE BACK - BLACK
	110943-02-000	FT	FELT STRIP - 3/8" - ADHESIVE BACK - WHITE
	113133-02-01A	EA	RIVET - POP - ALUMINUM - 3/16 X .252 - .504 - BLACK
	115361-01-01A	EA	PLUG/PLASTIC - 1/2" DIAMETER
	127960-01-01A	EA	RETAINER - 3/8" - STAINLESS STEEL

# WATER & SEWAGE GROUP DRAINAGE SYSTEM



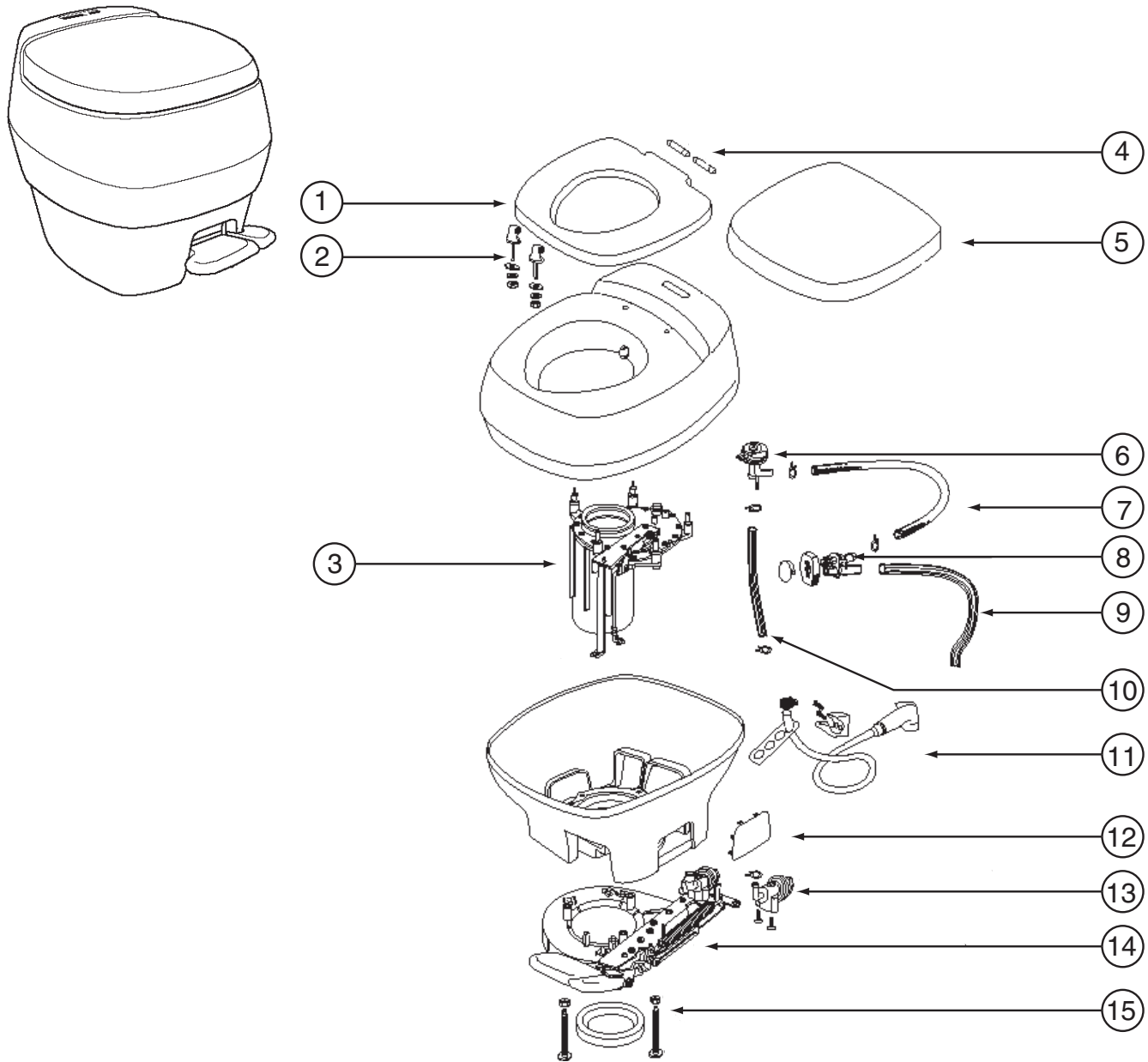
KEY	PART NUMBER	U/M	DESCRIPTION
1	010006-01-000	EA	ELBOW - 45 DEGREE - 1 1/2" HUB X HUB - PLASTIC
2	010008-01-000	EA	ELBOW - 90 DEGREE - 1 1/2" HUB X HUB - PLASTIC
3	010071-01-000	EA	TEE - SANITARY - 1 1/2" HUB X HUB X HUB - PLASTIC
4	010115-01-000	EA	COUPLING - 1 1/2" HUB X HUB - PLASTIC
5	031126-01-000	EA	ELBOW - 1/4 BEND - 3" X 90" XLT - BLACK PLASTIC
6	033761-01-000	EA	ELBOW - 90 DEGREE - TURN - 1 1/2" HUB X 1 1/2" SPIGOT
7	041956-01-000	EA	ELBOW - 90 DEGREE - TURN - 1 1/2" HUB X 1 1/2" SPIGOT
8	079968-01-000	EA	VENT - MECHANICAL/TRAP ARM - ANTI-SIPHON-2" X 7.3" PLASTIC
9	109571-01-000	EA	ADAPTER - P-TRAP - 1 1/2" P X 1 1/4" MPT
10	136143-01-000	EA	VALVE - DUAL - 3" X 3"
11	107538-01-000	EA	P-TRAP - PLASTIC - 1 1/4" W/EXTENSION ARM - USA
11	011071-01-000	EA	P-TRAP - PLASTIC - 1 1/2" - CSA - CANADIAN
12	116644-01-000	EA	FLANGE/CLOSET - 3" FEMALE - 4 BOLT
13*	132389-01-01A	EA	TOILET - CHINA - WHITE
14	066440-01-000	EA	STRAINER - SHOWER DRAIN - W/RUBBER WASHER
	011069-02-000	EA	TAILPIECE - TUB/SHOWER - 1 1/2" X 1 1/4" X 4" - BRASS
	127440-02-01A	EA	WASHER - RUBBER - 1.8" X .1"
	130403-01-000	EA	NUT - SLIP - W/WINGS 1 1/2"
15	010129-03-000	EA	NIPPLE - 3" X 3" TOE - PLASTIC
16	135367-01-700	EA	TANK-HOLDING 45 GAL
17	010129-05-000	EA	NIPPLE - PLASTIC - 3" X 10"
18	061607-01-000	EA	GROMMET - HOLDING TANK - 1 1/2" NPS
19	061607-02-000	EA	GROMMET - HOLDING TANK - 3" NPS
20	139423-01-700	EA	TANK - HOLDING - W/O FITTINGS
21	078406-01-000	EA	COUPLER - 3" X 3" W/CLAMPS - RUBBER
	141443-01-02B	EA	HOLDER - RING - E-COATED

**WATER & SEWAGE GROUP (CONTINUED)**  
**DRAINAGE SYSTEM (CONTINUED)**

KEY	PART NUMBER	U/M	DESCRIPTION
22	083558-06-000	EA	VENT W/COVER F/PLUMBING STACK - VW WHITE FROM: 00-00-00 THRU: 07-06-03
22	083558-03-000	EA	VENT W/COVER F/PLUMBING STACK - OFF WHITE FROM: 07-07-03 THRU: 99-99-99
23	091980-01-000	EA	WASTE - CONTINUOUS FROM: 00-00-00 THRU: 01-18-04
23	011091-02-000	EA	WASTE - CONTINUOUS FROM: 01-19-04 THRU: 99-99-99
24	092303-01-000	EA	STRAINER - W/BASKET - GALLEY SINK - 4" OD
	127440-02-01A	EA	WASHER - RUBBER - 1.8" X .1"
25	094756-02-01A	EA	BRACKET - L - 6.1" LONG X 3.9" WIDE - STEEL
26	110760-04-000	EA	TAILPIECE W/POP-UP DRAIN MECHANISM - POLISHED BRASS
	147930-01-000	EA	WASHER/SEAL - FOAM - 1.4"ID X 2.1"OD - F/POP-UP DRAIN
27	125569-01-000	EA	ELBOW - 1 1/2" X 90 DEGREE - DOUBLE SLIP FROM: 00-00-00 THRU: 01-18-04
28	139513-01-000	EA	HOSE - SEWER - 3" X 10' - W/ADAPTER
	062416-01-000	EA	ADAPTER - SEWER HOSE TO 3" PIPE
	144728-01-000	EA	VALVE - SEWER HOSE - 3"
29	126588-02-000	EA	ARM - WASTE - 1 1/2 X 20" - FEMALE FROM: 00-00-00 THRU: 01-18-04
30	143310-01-01A	EA	SINK - LAVATORY - OVAL - 19" X 16" - WHITE
31	136828-01-01A	EA	SINK/DBL - LGE/SM BASIN-25"X19"X7" W/O NOTCH/FAUCET HOLES FROM: 00-00-00 THRU: 01-18-04
31	148870-01-01A	EA	SINK/DOUBLE - LRG/SML BASIN - 25" X 19" X 7" FROM: 01-19-04 THRU: 99-99-99
32	NOT USED		

**\*COMPONENT PARTS LISTED LATER IN THIS GROUP**

**WATER & SEWAGE GROUP (CONTINUED)**  
**COMPONENT PARTS FOR DRAINAGE SYSTEM**

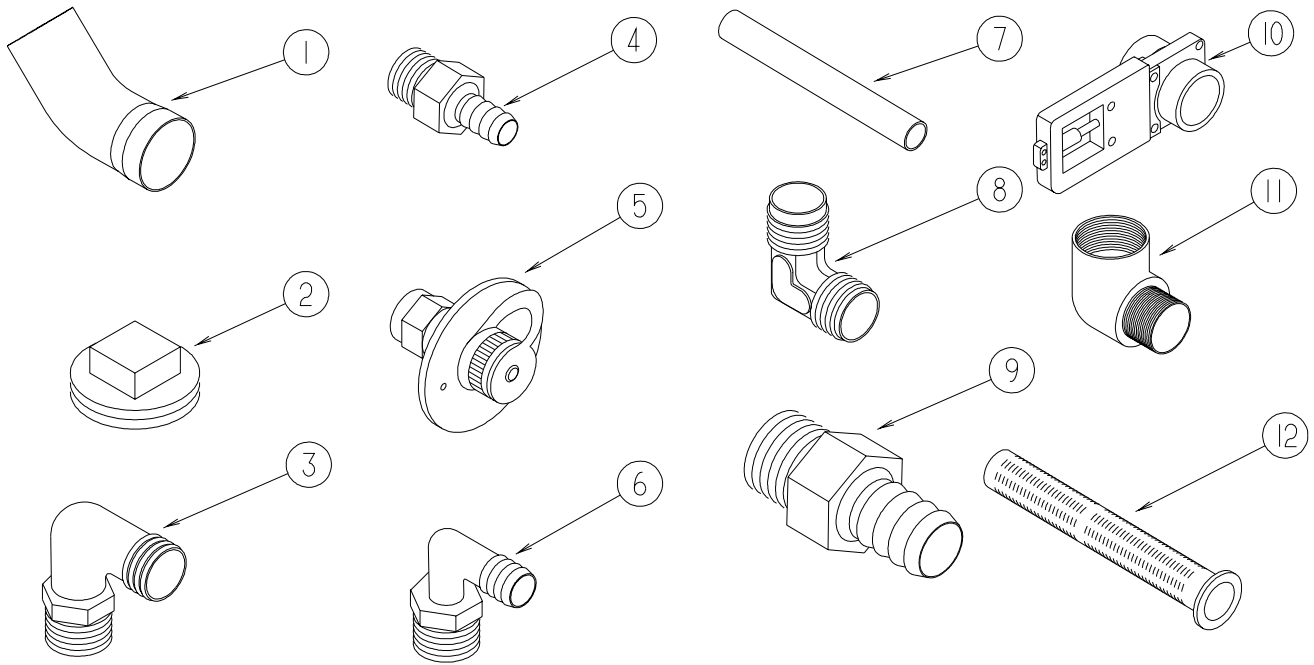


**132389-01-01A**

KEY	PART NUMBER	U/M	DESCRIPTION	VENDOR NO.
1	132389-01-700	EA	SEAT ONLY - WHITE	1927632
2	132389-01-701	EA	HINGE POST KIT	1927732
3	132389-01-702	EA	UPPER MECHANISM KIT - WHITE	1928432
4	132389-01-703	EA	HINGE PINS	19292
5	132389-01-704	EA	COVER - SEAT - WHITE	1929332
6	132389-01-705	EA	VACUUM BREAKER PACKAGE	19278
8	132389-01-706	EA	FLUSH NOZZLE - PACKAGE	1927932
10	132389-01-707	EA	TUBE - WATER SUPPLY	19282
11	132389-01-708	EA	HAND SPRAY KIT	19289
12	132389-01-709	EA	COVER - SIDE ACCESS- WHITE	1929832
13	132389-01-710	EA	WATER VALVE PACKAGE	19283
14	132389-01-711	EA	LOWER MECHANISM - WHITE	1928532
15	132389-01-712	EA	CLOSET FLANGE-SEAL/BOLT PKG	19309
	132389-01-713	EA	SEAL - BLADE	8308
	132389-01-714	EA	BOLT PACKAGE - F/RISER	24819
	132389-01-715	EA	SEAL - FLANGE	19325

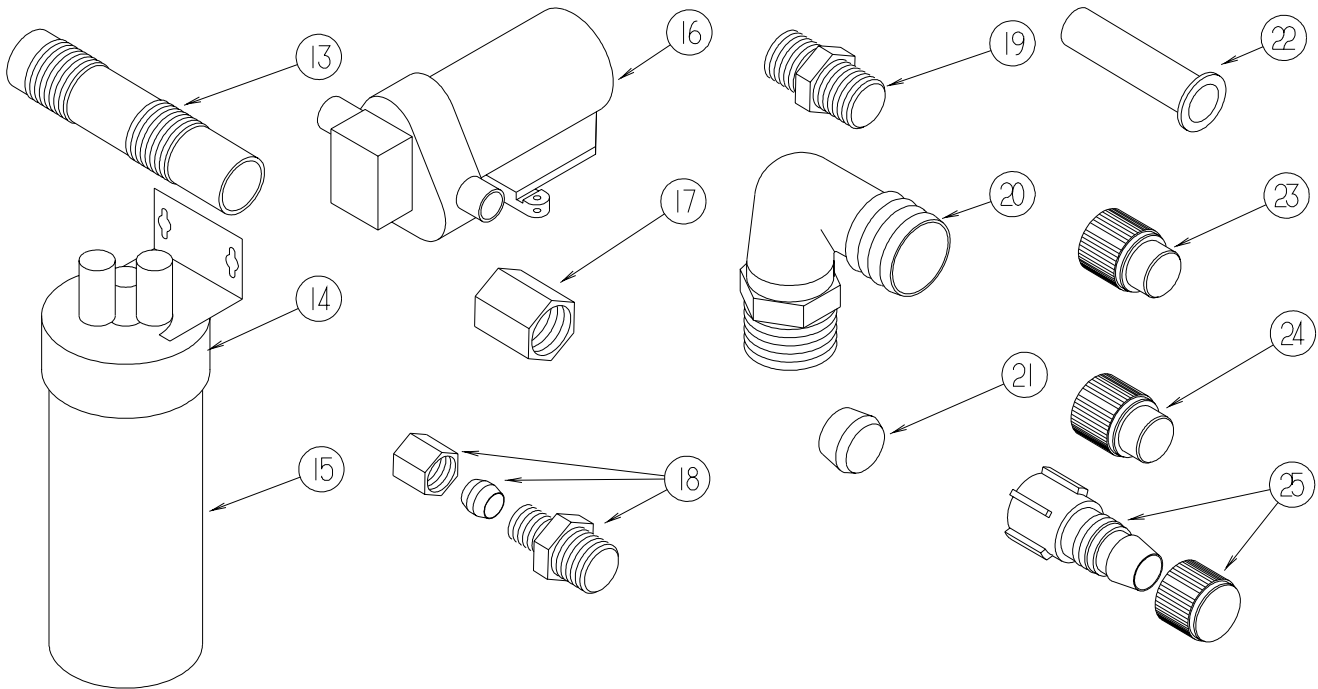
CONTACT WINNEBAGO PART SALES FOR UNLISTED COMPONENTS

**WATER & SEWAGE GROUP (CONTINUED)**  
**WATER SYSTEM**



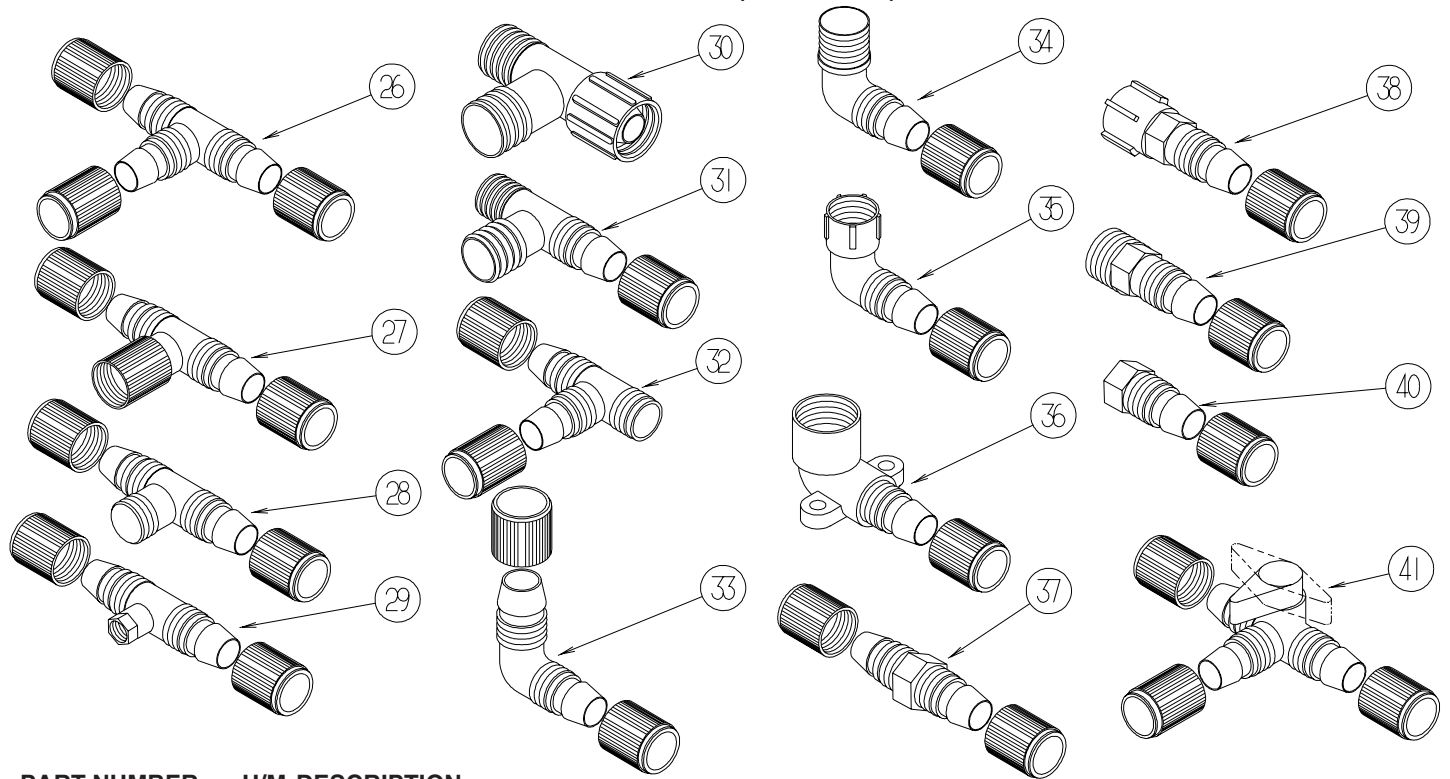
KEY	PART NUMBER	U/M	DESCRIPTION
1	010009-01-000	EA	ELBOW - 90 DEGREE - 1/4 BEND - 1 1/2" PLASTIC
2	010166-01-000	EA	PLUG/THREADED - 1 1/4"MPT - PLASTIC - BLACK - UL
3	010219-01-000	EA	ELBOW - 1 1/4 MPT X 1 1/4 BARB - WATER FILL - PLASTIC
4	010224-01-000	EA	ADAPTER - HOSE TO PIPE - 3/8 MPT X 3/8 BARB - PLASTIC
5	010230-06-000	EA	FILL - CITY WATER - W/CHECK VALVE - MPT - BRUSHED ALUM
6	035539-01-000	EA	ELBOW - 3/8 MPT X 3/8 BARB - PLASTIC
7	039800-04-000	FT	TUBING - POLYBUTYL - 1/4"OD
7	074462-02-000	FT	TUBING - VINYL - 3/8 ID X 20' - CLEAR
7	112176-01-000	FT	TUBING - VINYL - REINFORCED - 1/2" ID
7	124188-01-000	FT	TUBING - PEX - 1/2" ID X 20' - BLUE(COLD)
7	124188-02-000	FT	TUBING - PEX - 1/2" ID X 20' - RED(HOT)
8	039808-03-000	EA	ELBOW - 1/2" MPT X 1/2" MPT - PLASTIC
9	044927-01-000	EA	ADAPTER - HOSE TO PIPE-1 1/4 MPTX1 1/4 BARB-BLACK PLASTIC
10	062421-03-000	EA	VALVE/DUMP W/O HANDLE - 1 1/2" X 1 1/2" HUB
	062421-05-000	EA	CABLE/ROD - F/DUMP VALVE - W/HANDLE - 48"
11	065318-02-000	EA	ELBOW - 90 DEGREE - 3/8" MPT TO 3/8" FPT
12	077954-02-000	EA	FILTER - WATER TANK - W/SCREEN IN TANK

**WATER & SEWAGE GROUP (CONTINUED)**  
**WATER SYSTEM (CONTINUED)**



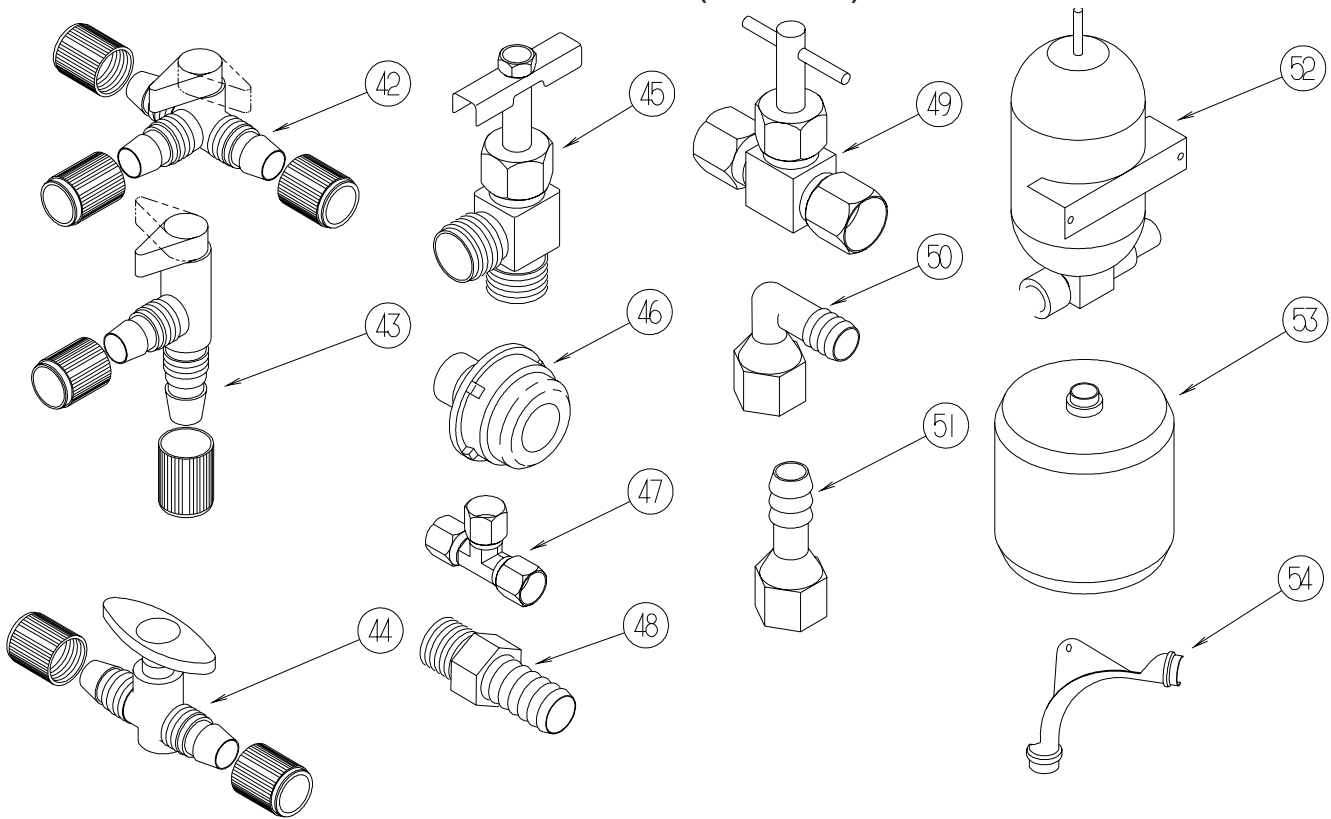
KEY	PART NUMBER	U/M	DESCRIPTION
13	079381-01-000	FT	TUBING - RIBBED FLEXIBLE - WATER FILL - 1.4" ID
14	087200-01-000	EA	FILTER-WATER PURIFICATION, EVERPURE QC2-AC
15	087200-02-000	EA	CARTRIDGE-WATER FILTER, AC - EVERPURE 9601-11
16*	098607-01-000	EA	PUMP - WATER - W/.5" MPT FITTING - FLOW 2.8 GPM
17	101814-01-000	EA	COUPLING - FEMALE - 1/2" X 1/2" FPT - GRAY
18	103798-01-000	EA	CONNECTOR - 1/4 OD X 3/8 MPT
19	110438-02-000	EA	VALVE - CHECK - BRASS - 1/2 MPT X 1/2 MPT
20	111223-02-000	EA	ELBOW - 1/2" MPT X 3/8" BARB - PLASTIC
20	111223-03-000	EA	ELBOW - 3/4" MPT X 1/2" BARB - PLASTIC
20	111223-04-000	EA	ELBOW - 1/2" MPT X 1/2" BARB - PLASTIC
21	111888-01-000	EA	FERRULE - PLASTIC - .250 ID X .375 OD
22	111888-02-000	EA	INSERT - BRASS - 1/4 COMP
23	113697-01-000	EA	CAP - 3/8"P
24	114427-01-000	EA	CAP - 1/2"P
25	114427-02-000	EA	PLUG - W/COMP NUT - 1/2" PLASTIC PIPE/1/2" FLAIR-IT

**WATER & SEWAGE GROUP (CONTINUED)**  
**WATER SYSTEM (CONTINUED)**



KEY	PART NUMBER	U/M	DESCRIPTION
	039798-01-000	EA	TEE - 1/2"MPT X 1/2"MPT X 1/2"MPT - PLASTIC
26	114428-01-000	EA	TEE - 1/2"P X 1/2"P X 1/2"P
27	114428-02-000	EA	TEE - SWIVEL - 1/2"P X 1/2"P X 1/2"FPT
28	114428-03-000	EA	TEE - 1/2"P X 1/2"P X 1/2"MPT
29	114428-04-000	EA	TEE - 1/2"P X 1/2"P X 1/8"FPT
30	114428-05-000	EA	TEE - 1/2" SWIVEL X 1/2" MPT X 1/2" MPT
31	114428-06-000	EA	TEE - 1/2" P X 1/2" MPT X 1/2" MPT
32	114428-07-000	EA	TEE - 1/2" P X 1/2" MPT X 1/2" P
33	114429-01-000	EA	ELBOW - 1/2"P X 1/2"P
34	114429-02-000	EA	ELBOW - 1/2"P X 1/2"MPT
34	114429-04-000	EA	ELBOW - 1/2"P X 3/8"MPT
34	114429-05-000	EA	ELBOW - 1/2"P X 3/4"MPT
34	114429-10-000	EA	ELBOW - SWIVEL - 1/2"MPT X 1/2"FPT
35	114429-03-000	EA	ELBOW - SWIVEL - 1/2"P X 1/2"FPT
35	114429-06-000	EA	ELBOW - SWIVEL - 1/2"P X 3/4"FPT
35	114429-08-000	EA	ELBOW - SWIVEL - 1/2"P X 1/2"FPT
35	114429-11-000	EA	ELBOW - 1/2"P X 1/2"FPT
36	114429-09-000	EA	ELBOW - 1/2"P X 1/2"FPT DROP EAR
37	114430-01-000	EA	ADAPTER - 1/2"P X 1/2"P
38	114430-02-000	EA	ADAPTER - SWIVEL - 1/2"P X 1/2"FPT
38	114430-04-000	EA	ADAPTER - SWIVEL - 1/2"P X 3/8"MPT
39	114430-03-000	EA	ADAPTER - 1/2"P X 1/2"MPT
40	114430-06-000	EA	ADAPTER - 1/2"P X 3/8"FPT
40	114430-09-000	EA	ADAPTER - 1/2"P X 1/2"FPT
41	114431-01-000	EA	VALVE - 180 DEGREE/CENTER DRAIN - 1/2"P - THREE WAY

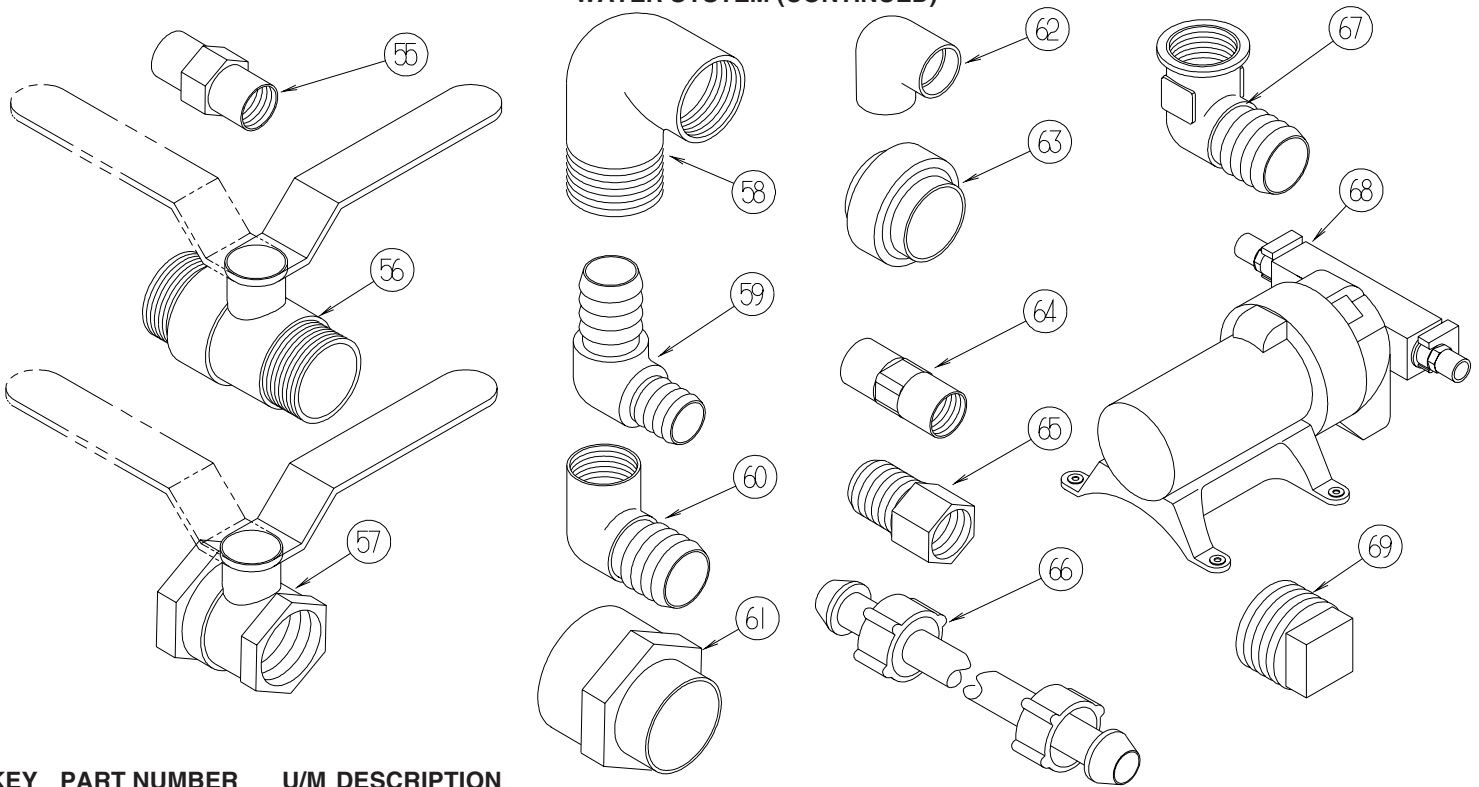
**WATER & SEWAGE GROUP (CONTINUED)**  
**WATER SYSTEM (CONTINUED)**



KEY	PART NUMBER	U/M	DESCRIPTION
42	114431-02-000	EA	VALVE - WATER BYPASS - 1/2"P - THREE WAY (WATER HEATER)
43	114431-03-000	EA	VALVE - 90 DEGREE DRAIN - 1/2"P
44	114431-04-000	EA	VALVE - "INLINE SHUT-OFF" - 1/2"P
45	114431-05-000	EA	VALVE - NEEDLE - 1/8" MPT X 1/4" COMPRESSION (ICE MAKER)
46	114966-01-000	EA	FILTER - IN LINE - TWIST ON - 1/2"
47	118423-01-000	EA	FITTING - BRASS-TEE - 1/4C X 1/4C X 1/4C
48	118809-01-000	EA	ADAPTER - 1/2" MPT X 3/8" BARB - PLASTIC
48	118809-02-000	EA	ADAPTER - 1/2" MPT X 1/2" BARB - PLASTIC
49	120868-01-000	EA	VALVE - NEEDLE - 1/4" COMPRESSION X 1/4" COMPRESSION
50	123150-01-000	EA	ELBOW - 1/2 FPT X 1/2 BARB - SWIVEL
51	123152-01-000	EA	ADAPTER - 1/2 FPT X 1/2 BARB - SWIVEL
52	123243-01-000	EA	TANK - ACCUMULATOR - 24 OZ
53	123317-01-000	EA	TANK - ACCUMULATOR - 2 GALLON
54	124184-01-000	EA	SUPPORT - WATER LINE - BEND



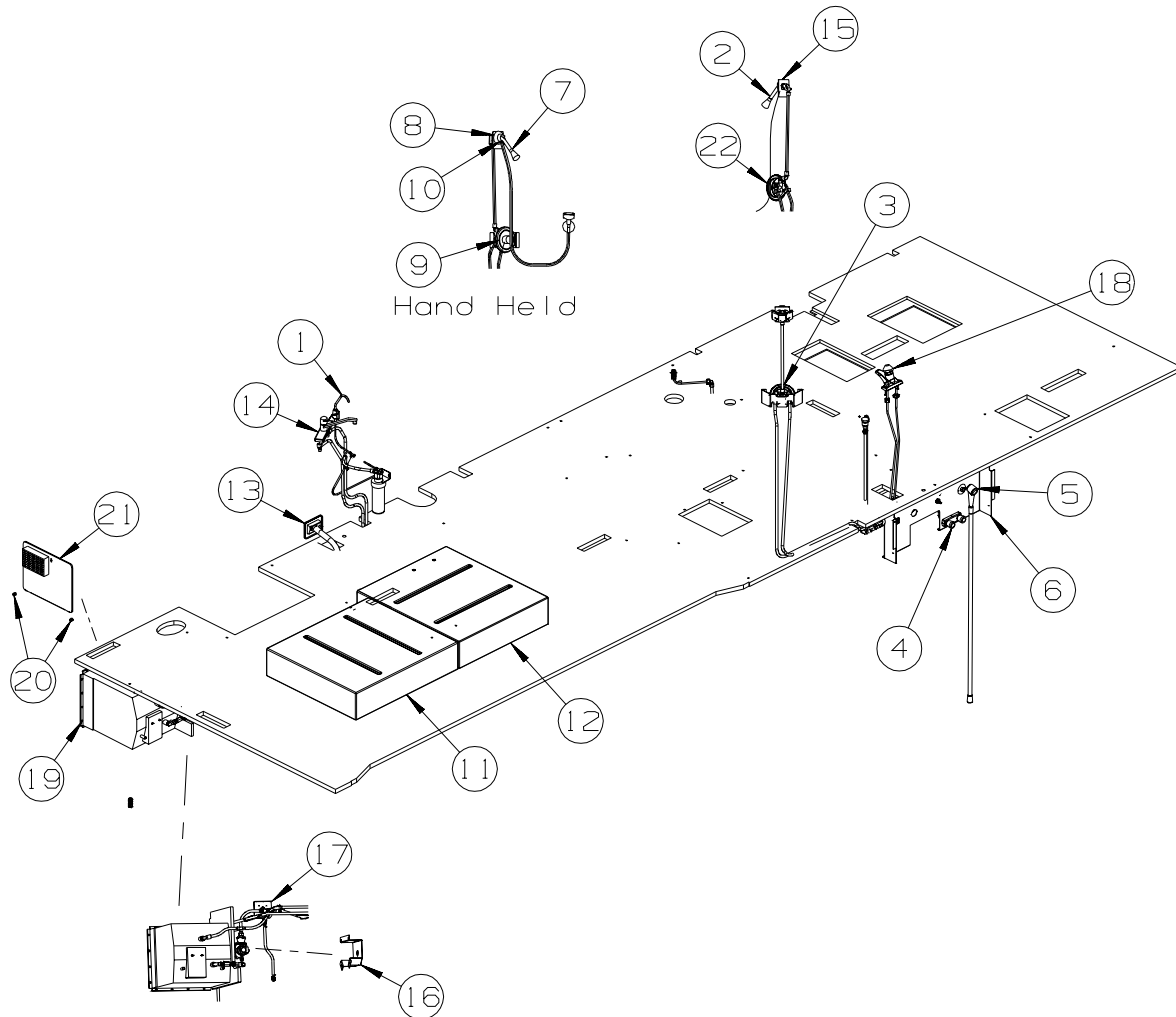
**WATER & SEWAGE GROUP (CONTINUED)**  
**WATER SYSTEM (CONTINUED)**



KEY	PART NUMBER	U/M	DESCRIPTION
55	132148-01-000	EA	CONNECTOR - 1/2" X 1/2"MPT - BRASS
56	132483-01-000	EA	VALVE/BALL - 1" - THREADED ENDS
57	132483-02-000	EA	VALVE/BALL - 1/2" - BRASS - FPT
58	132484-01-000	EA	ELBOW - 90 DEGREE - 1MPT X 1FPT - PLASTIC
59	132781-01-000	EA	ELBOW - 1.3" BARB X 1.3" BARB - 90 DEGREE - PLASTIC
60	132782-01-000	EA	ELBOW - 1"FPT X 1.3" BARB - 90 DEGREE - PLASTIC
61	133835-01-000	EA	ADAPTER - REDUCING - 1 1/2" X 1 1/4"
62	133837-01-000	EA	ELBOW - 1 1/2" X 90 DEGREE - DOUBLE SLIP
63	133889-01-000	EA	UNION - 1 1/2" DOUBLE SLIP - PVC
64	135386-01-000	EA	NIPPLE - 1/2"
65	136333-01-000	EA	ADAPTER - BRASS - 1/2"MPT X 1/2"FPT
66	140821-01-000	EA	TUBE - WATER SUPPLY - 3/8" X 24"
66	140821-02-000	EA	TUBE - WATER SUPPLY - 3/8" X 30"
66	140821-03-000	EA	TUBE - WATER SUPPLY - 3/8" X 36"
66	140821-04-000	EA	TUBE - WATER SUPPLY - 3/8" X 48"
66	140821-05-000	EA	TUBE - WATER SUPPLY - 3/8" X 54"
66	140821-06-000	EA	TUBE - WATER SUPPLY - 3/8" X 60"
66	140821-07-000	EA	TUBE - WATER SUPPLY - 3/8" X 72"
67	142812-01-000	EA	ELBOW - BRASS - 1/2"MPT X 1/2"FPT
68*	144215-01-000	EA	PUMP - WATER - 5.7 GPM - W/1/2" MPT
*	144215-02-000	EA	STRAINER - WATER PUMP
69	145609-01-000	EA	PLUG - BRASS - 1/2" MPT/HEX HEAD

**\*COMPONENT PARTS LISTED LATER IN THIS GROUP**

## WATER & SEWAGE GROUP (CONTINUED)



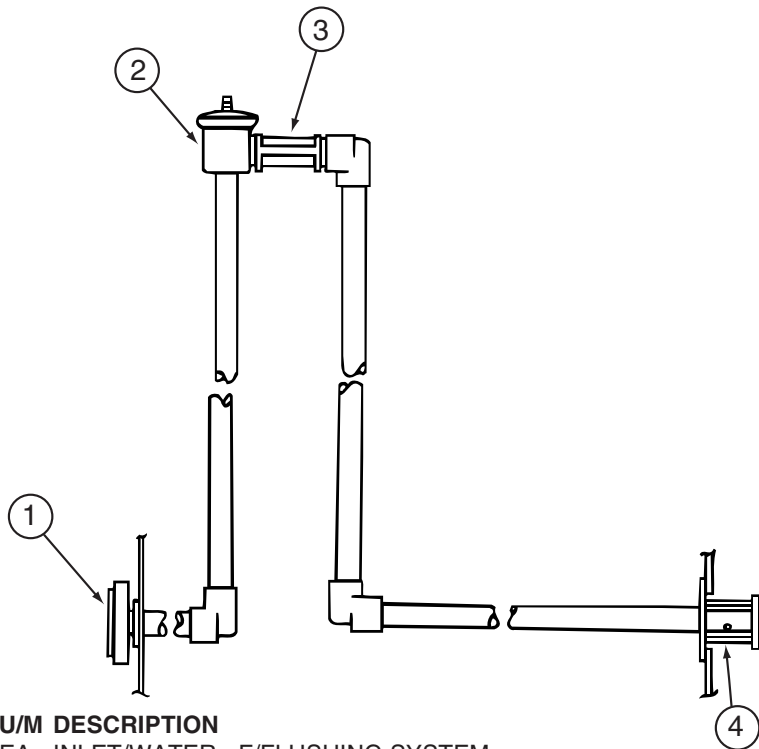
KEY	PART NUMBER	U/M	DESCRIPTION
1*	103635-01-000	EA	FAUCET - SINGLE CONTROL/DRINKING WATER
2	128974-01-01A	EA	VALVE - SHOWER HEAD/WATER SAVER (ON/OFF) - BRIGHT BRASS
3*	144596-01-01A	EA	FAUCET/VALVE ONLY - SHOWER - W/TEMP LIMIT STOP(MOEN 62300)
3*	144596-03-01A	EA	TRIM KIT - (KNOB-HANDLE/PLATE/SHOWER HEAD & ARM) - BRASS
4*	075241-06-000	EA	FAUCET - SHOWER/BRIGHT WHITE - .5" MPT W/1.9" INLET PIPES
5	131383-01-02A	EA	SHOWER HEAD - W/60" HOSE & BRACKET - WHITE
6	136034-02-12B	EA	PANEL/SERVICE CENTER - BRIGHT WHITE
7*	129390-03-01A	EA	SHOWER HEAD - W/HOSE & BRACKET - BRASS
8	130041-01-02A	EA	SPACER/SHOWER HEAD
			FROM: 00-00-00 THRU: 05-09-04
8	130041-03-18A	EA	SPACER/SHOWER HEAD
			FROM: 05-10-04 THRU: 99-99-99
9*	144596-01-01A	EA	FAUCET/VALVE ONLY - SHOWER - W/TEMP LIMIT STOP(MOEN 62300)
9*	144596-02-01A	EA	TRIM KIT - (KNOB & PLATE) - CHATEAU - POLISHED BRASS
10	135028-01-01A	EA	DROP ELL - F/HAND HELD SHOWER HEAD - 1/2"IPS - BRASS
			FROM: 00-00-00 THRU: 05-09-04
10	135028-02-01A	EA	DROP ELL - F/HAND HELD SHOWER HEAD - 1/2"IPS - BRASS
			FROM: 05-10-04 THRU: 99-99-99
11	132224-01-000	EA	TANK - WATER - 40 GALLONS - W/O FITTINGS
11	132224-05-000	EA	TANK - WATER - 40 GAL - W/FITTINGS - SECONDARY
	042989-03-000	EA	FITTING - SPINWELD - 1 1/4"NPT - PLASTIC
	042989-05-000	EA	FITTING - SPINWELD - 1/2"FPT - PLASTIC
	049032-01-000	EA	PATCH - SPINWELD - 3/8" - PLASTIC
12	132224-01-000	EA	TANK - WATER - 40 GALLONS - W/O FITTINGS
12	132224-09-000	EA	TANK - WATER - 40 GAL - W/FITTINGS - SECONDARY
	042989-03-000	EA	FITTING - SPINWELD - 1 1/4"NPT - PLASTIC
	042989-05-000	EA	FITTING - SPINWELD - 1/2"FPT - PLASTIC
	042989-08-000	EA	FITTING - SPINWELD - 1"FPT - PLASTIC
	049032-01-000	EA	PATCH - SPINWELD - 3/8" - PLASTIC

## WATER & SEWAGE GROUP (CONTINUED)

### WATER SYSTEM (CONTINUED)

KEY	PART NUMBER	U/M	DESCRIPTION
13	137169-01-01A	EA	WATER FILL/GRAVITY - W/DOOR - W/O LOCK - BRIGHT WHITE
	138290-03-000	EA	CASE - W/CAM - W/O CYLINDER/KEY
	138289-01-000	EA	CYLINDER - LOCKING
	138289-02-000	EA	CYLINDER - LOCKING
	138289-03-000	EA	CYLINDER - LOCKING
	138289-04-000	EA	CYLINDER - LOCKING
	138289-05-000	EA	CYLINDER - LOCKING
	138289-06-000	EA	CYLINDER - LOCKING
	138289-07-000	EA	CYLINDER - LOCKING
	138289-08-000	EA	CYLINDER - LOCKING
	138289-09-000	EA	CYLINDER - LOCKING
	138289-10-000	EA	CYLINDER - LOCKING
14*	123744-03-01A	EA	FAUCET - GALLEY/SINGLE CONTROL W/SPRAYER HEAD - CHROME
15	131551-01-02B	EA	BRACKET - SHOWER HEAD
16	138618-01-12B	EA	COVER - VALVE - BYPASS - BRIGHT WHITE
17	137410-01-12B	EA	BRACKET - VALVE - WINTERIZATION - BRIGHT WHITE
18*	141490-01-01A	EA	FAUCET - LAVATORY - W/STOP - CHROME/POLISHED BRASS
18	105218-01-01A	EA	SPACER - FAUCET/LAVATORY SINK - 2" X 5.9" - ABS PLASTIC
19*	145541-01-000	EA	WATER HEATER - 10 GALLONS-GAS/120 DEGREES-REMOTE IGNITION
20	117047-02-000	EA	BUMPER - RUBBER/WASHER INSERT
21*	125420-03-03A	EA	DOOR - WATER HEATER - BLACK
22	131554-01-02B	EA	BRACKET/SHOWER CONTROL - E-COATED

\*COMPONENT PARTS LISTED LATER IN THIS GROUP



KEY	PART NUMBER	U/M	DESCRIPTION
1	125697-05-000	EA	INLET/WATER - F/FLUSHING SYSTEM
2	125697-04-000	EA	BREAKER/VACUUM - F/FLUSHING SYSTEM
3	125697-03-000	EA	CHECK VALVE - F/FLUSHING SYSTEM
4	125697-02-000	EA	NOZZLE - WELD-A-FLUSH
	125697-06-000	EA	INSTRUCTIONS - USER - F/FLUSHING SYSTEM

## WATER & SEWAGE GROUP (CONTINUED)

### COMPONENT PARTS FOR WATER SYSTEM

075241-04-000, 075241-05-000, 075241-06-000

KEY	PART NUMBER	U/M DESCRIPTION	VENDOR NO.
	075240-05-700	EA CARTRIDGE - WASHERLESS	9-P42

098607-01-000

KEY	PART NUMBER	U/M DESCRIPTION	VENDOR NO.
	098607-01-702	EA DIAPHRAGM/DRIVE ASSEMBLY KIT	94-238-04
	098607-01-703	EA VALVE KIT	94-232-00
	098607-01-705	EA VALVE-CHECK, KIT	94-237-00
	098607-01-706	EA HOUSING, W/SWITCH ONLY	94-231-20
	098607-01-707	EA MOTOR W/BASEPLATE	11-148-04

103635-01-000

KEY	PART NUMBER	U/M DESCRIPTION	VENDOR NO.
	103635-01-703	EA CARTRIDGE - 10"	ADC-959201

123744-03-01A

KEY	PART NUMBER	U/M DESCRIPTION	VENDOR NO.
	135027-01-700	EA CLIP - RETAINER	883
	135027-01-705	EA CARTRIDGE F/SGL LEVER FAUCET	1225

125420-01-02A, 125420-01-03A, 125420-03-03A, 125420-04-03A

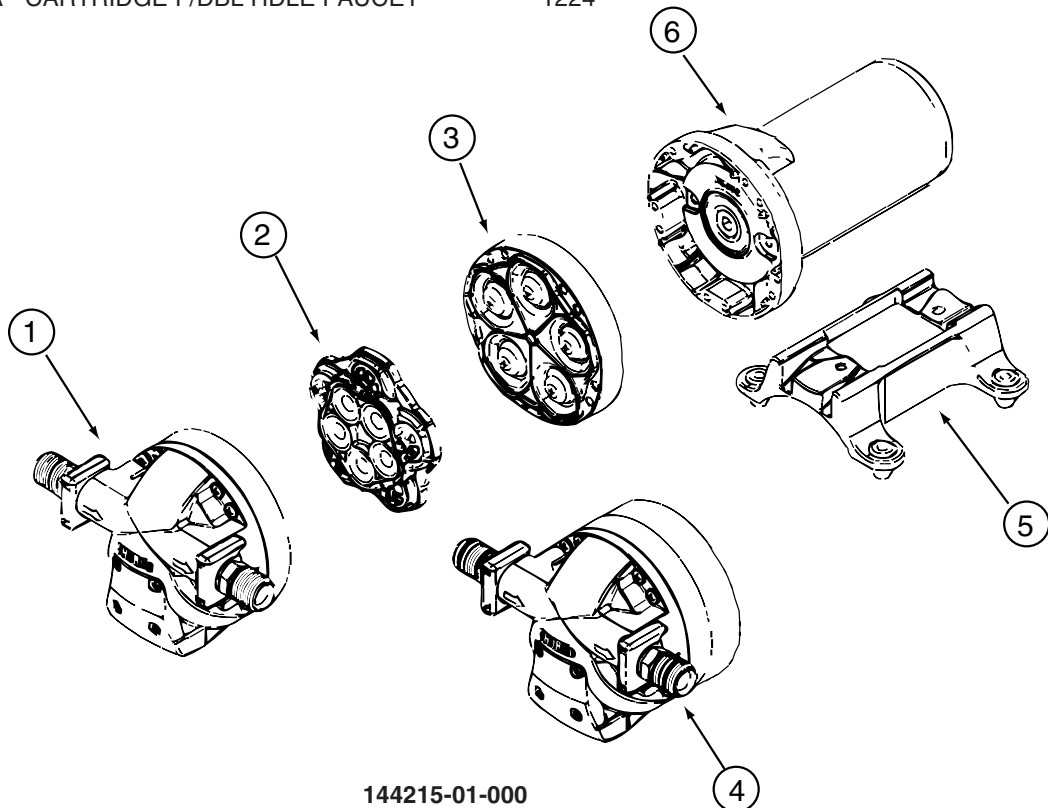
KEY	PART NUMBER	U/M DESCRIPTION	VENDOR NO.
	051391-01-705	EA FASTENER - CAMLOCK	92609

129390-03-01A

KEY	PART NUMBER	U/M DESCRIPTION	VENDOR NO.
	129390-03-700	EA BRACKET-HANGAR/SHOWER HEAD	5001-210PK
	129390 03 701	EA CONNECTOR-SWIVE	4002-210PK

141490-01-01A, 141490-01-02A

KEY	PART NUMBER	U/M DESCRIPTION	VENDOR NO.
	132410-01-700	EA CARTRIDGE F/DBL HDLE FAUCET	1224



144215-01-000

KEY	PART NUMBER	U/M DESCRIPTION	VENDOR NO.
2	144215-01-700	EA VALVE ASSEMBLY	94-030-01
3	144215-01-701	EA DRIVE ASSEMBLY	94-030-02
	144215-01-702	EA FITTING KIT - W/ORINGS	94-615-06

CONTACT WINNEBAGO PARTS SALES FOR UNLISTED COMPONENT(S)

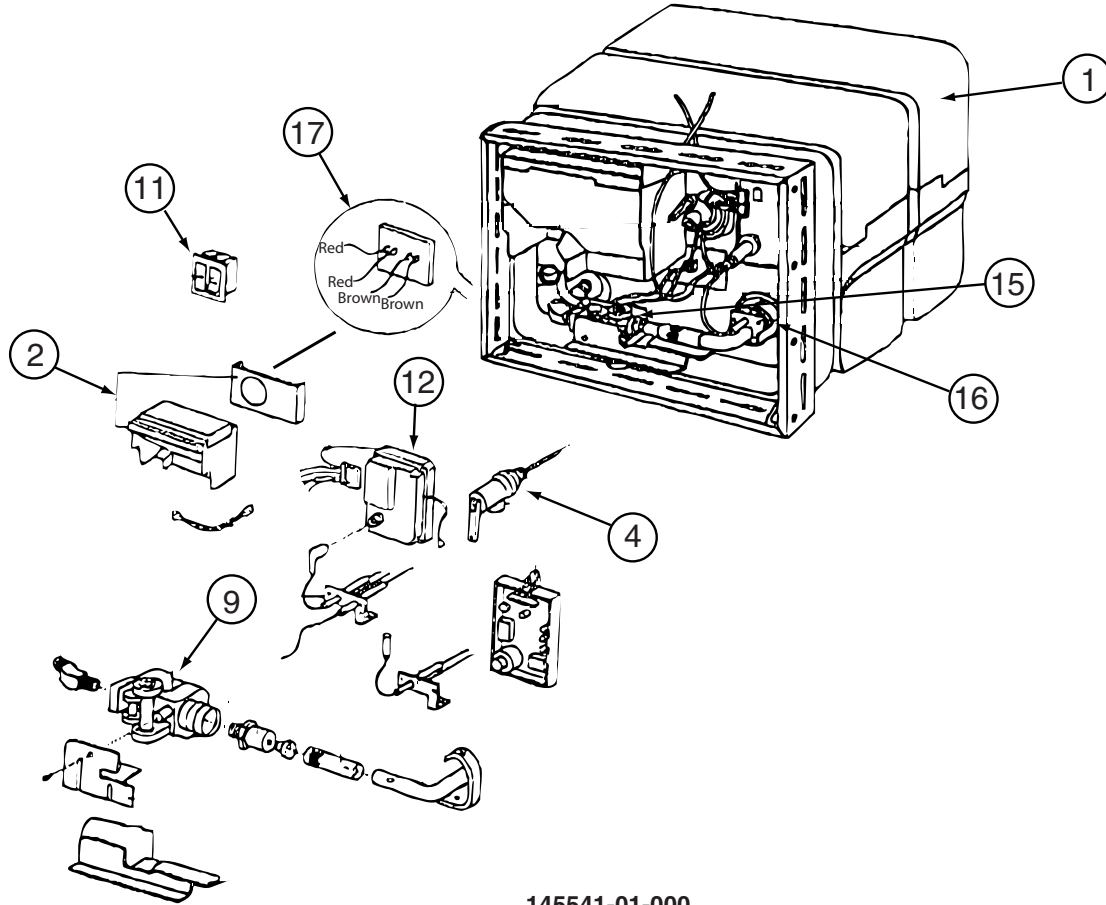
**WATER & SEWAGE GROUP (CONTINUED)**  
**COMPONENT PARTS FOR WATER SYSTEM (CONTINUED)**

144596-01-01A

KEY	PART NUMBER	U/M DESCRIPTION	VENDOR NO.
	144596-01-700	EA CARTRIDGE (REPLACEMENT)	1222

144596-02-01A, 144596-03-01A

KEY	PART NUMBER	U/M DESCRIPTION	VENDOR NO.
	144596-03-700	EA KNOB (INSERT KIT) WHITE/GOLD	M0-91754



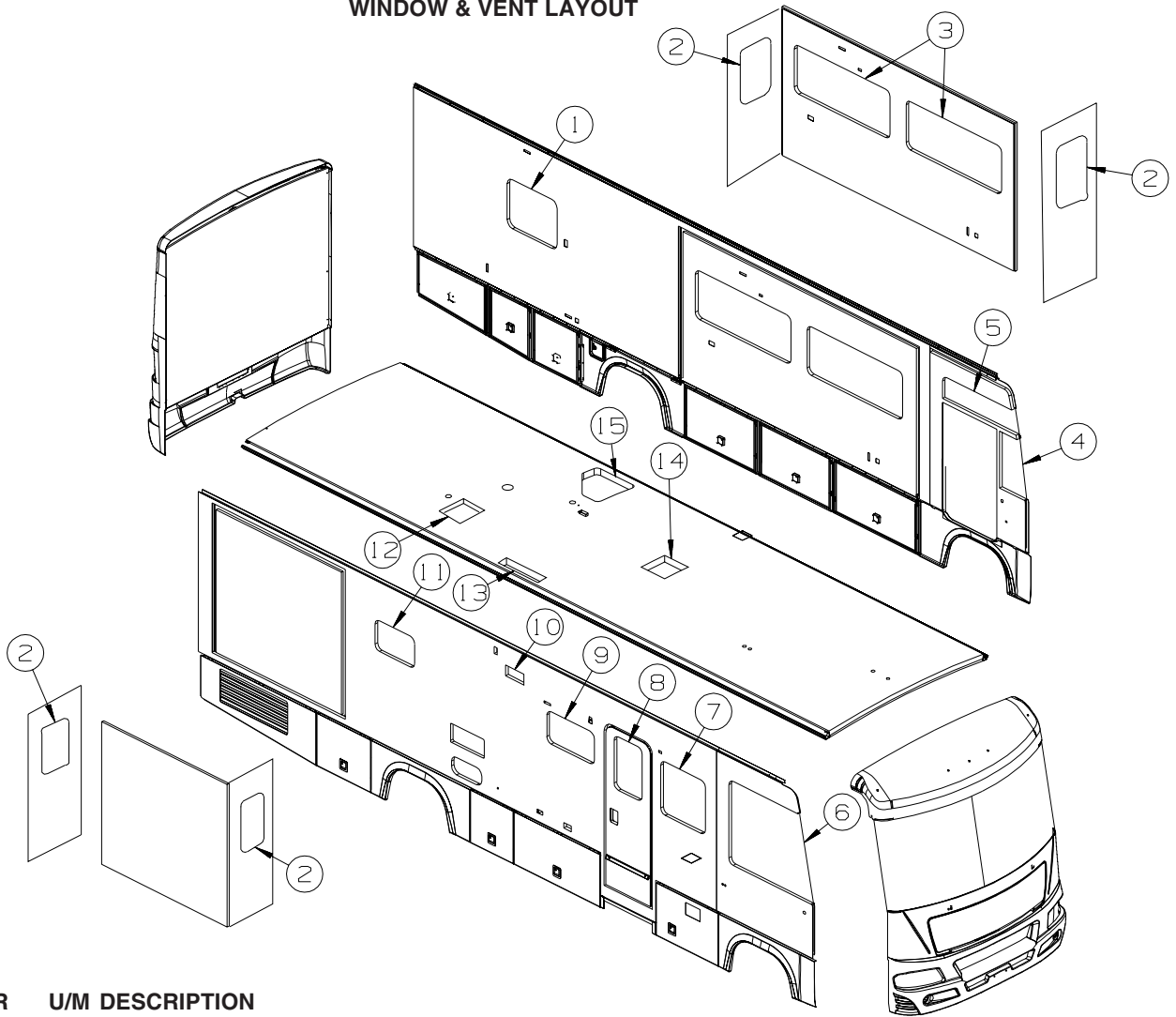
145541-01-000

KEY	PART NUMBER	U/M DESCRIPTION	VENDOR NO.
1	145541-01-700	EA TANK - W/INSULATION - 10 GAL	91028
2	051391-04-707	EA KIT-EXHAUST, (FLUE & GASKET)	90960
3	051391-01-715	EA PLUG-DRAIN, 1 EA = 2 PER PKG	91857
4	051391-01-704	EA VALVE-RELIEF, 1/2" FITTING	91604
9	051393-01-726	EA VALVE/SOLENOID - W/O BRACKET	93870
11	145541-01-701	EA SWITCH - ON/OFF - WHITE	91859
11	051393-01-701	EA SWITCH - REMOTE - W/LIGHT	91959
12	145541-01-702	EA CIRCUIT BOARD	91226
15	145541-01-703	EA SWITCH - THERMAL CUT OFF	93866
16	051393-01-725	EA ELECTRODE-SGL SPADE CONNECT.	93868
17	051393-01-721	EA THERMOSTAT W/ECO, 140 FRT MT	91447
	051391-05-706	EA ELEMENT-HEATING 1500 WATT	92249 W/GASKET
	145541-01-704	EA RELAY	90061
	145541-01-705	EA JUNCTION BOX(PLASTIC) 10 GAL	91224

CONTACT WINNEBAGO PARTS SALES FOR UNLISTED COMPONENT(S)

## WINDOW & VENTS GROUP

### WINDOW & VENT LAYOUT



KEY	PART NUMBER	U/M	DESCRIPTION
1*	137867-03-01A	EA	WINDOW - DBL TIPOUT/THERMO/ESCAPE W/TRIM - 24.2" X 30.2"
2*	134004-03-01A	EA	WINDOW - VERT SLIDER/FLUSH O/S-THERMO W/TRIM - 21" X 19.8"
3*	112795-77-01A	EA	WINDOW - DRVR HORIZ SLIDER/THERMO - W/TRIM - 57.4" X 23.6"
4*	125585-01-01A	EA	WINDOW - FRONT SLANT/THERMO - 11.6"T X 29.2"H X 16.8"B
5*	125600-01-01A	EA	WINDOW - VISTA - THERMOPANE
6*	125583-01-01A	EA	WINDOW - PASS CAB/3 GLASS - THERMO - 42.9" X 51.2" X 42.6"
7*	112898-25-01A	EA	WINDOW - VERTICAL SLIDER W/TRIM - THERMO - 26.3" X 26.9"
8*	113733-10-01A	EA	WINDOW - STATIONARY W/TRIM - THERMO/EURO - 26.3" X 17"
9*	112795-72-01A	EA	WINDOW - PASS HORIZ SLIDER/THERMO - W/TRIM - 28.5" X 15.7"
10	138983-01-01A	EA	VENT - MICROWAVE OUTER - BRIGHT WHITE
10	138983-01-02A	EA	VENT - MICROWAVE OUTER - BLACK - FULL BODY PAINT
10	138983-03-01A	EA	COVER - VENT MICROWAVE/OUTER - BRIGHT WHITE
11*	112795-78-01A	EA	WINDOW - PASS HORIZ SLIDER/THERMO - W/TRIM - 23.7" X 15"
12*	123780-10-01A	EA	FANTASTIC VENT - 4" ROOF- W/FAN/PWR LIFT/INSUL - W/O THERM
	009440-01-000	EA	GEAR/ARM - LIFT - ROOF VENT COVER

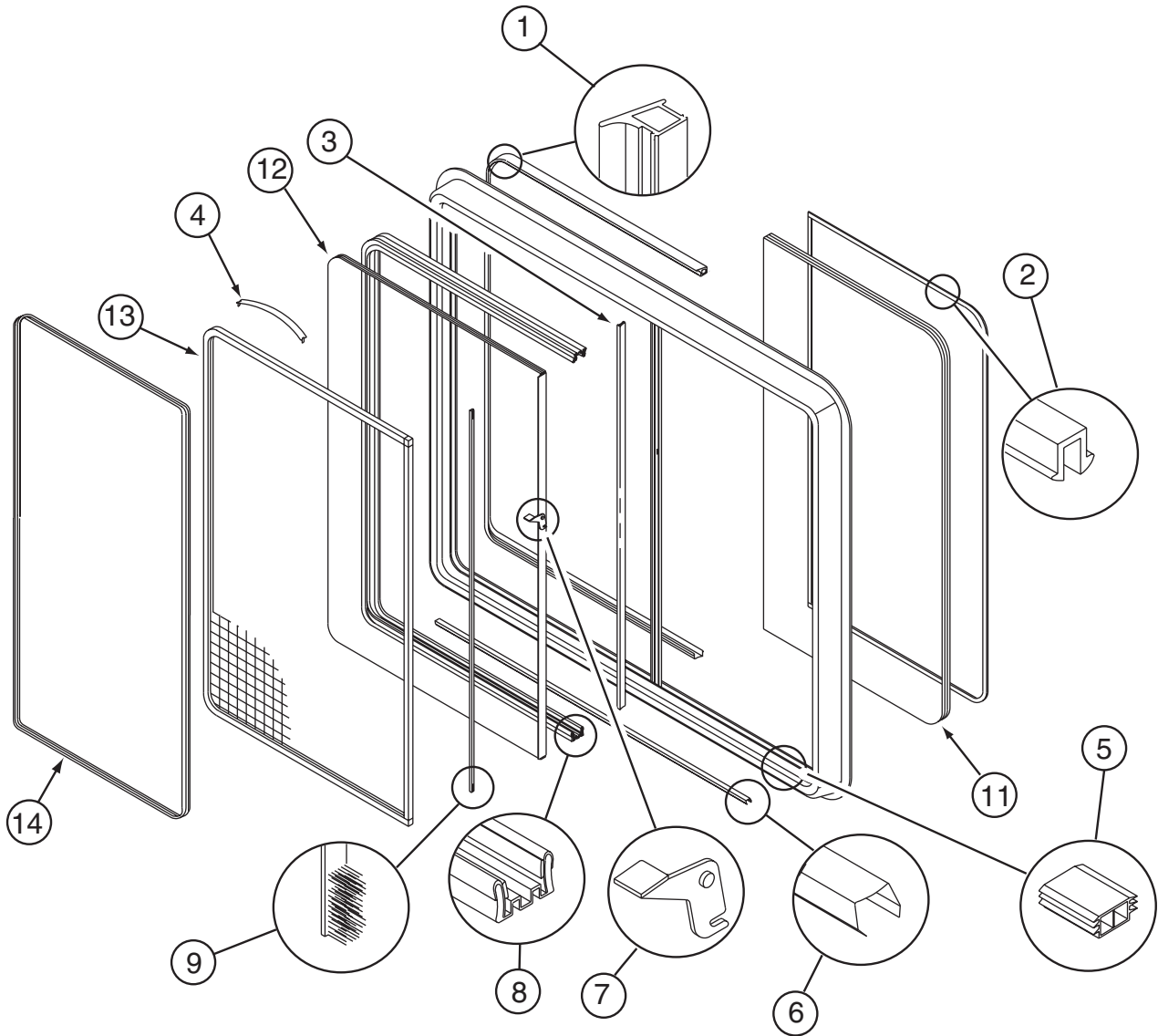
**WINDOW & VENTS GROUP (CONTINUED)**  
**WINDOW & VENT LAYOUT (CONTINUED)**

KEY	PART NUMBER	U/M	DESCRIPTION
13	084073-04-000	EA	BASE/VENT - ROOF/REFRIGERATOR - BLACK - NORCOLD FROM: 00-00-00 THRU: 11-09-03
13	149508-02-02A	EA	BASE - REFRIGERATOR ROOF VENT - BRIGHT WHITE FROM: 11-10-03 THRU: 99-99-99
13	149508-02-02A	EA	BASE - REFRIGERATOR ROOF VENT - BRIGHT WHITE - <b>FULL BODY PAINT</b> FROM: 11-10-03 THRU: 01-11-04
13	149508-02-01A	EA	BASE - REFRIGERATOR ROOF VENT - BLACK - <b>FULL BODY PAINT</b> FROM: 01-12-04 THRU: 99-99-99
13	084073-07-000	EA	CAP - ROOF/REFRIGERATOR VENT - 10" X 32" - BRIGHT WHITE FROM: 00-00-00 THRU: 11-09-03
13	149508-01-02A	EA	CAP - ROOF/REFRIGERATOR VENT - WHITE FROM: 11-10-03 THRU: 99-99-99
13	149508-01-01A	EA	CAP - ROOF/REFRIGERATOR VENT - GRAY - <b>FULL BODY PAINT</b> FROM: 11-10-03 THRU: 99-99-99
14*	123780-09-01A	EA	FANTASTIC VENT-4"ROOF- W/FAN/DBL DOME-W/O THERM/PWR LIFT
	009440-01-000	EA	GEAR/ARM - LIFT - ROOF VENT COVER
15	122214-01-02A	EA	PANEL - SKYLITE - INNER - W/ANGLED CORNER - WHITE
15	138372-01-02B	EA	TRIM - CORNER - SKYLIGHT - E-COATED
15	139411-01-01A	EA	PANEL/SKYLITE - OUTER - NEO ANGLE - WHITE

**\*COMPONENT PARTS LISTED LATER IN THIS GROUP**



**WINDOWS & VENTS GROUP (CONTINUED)**  
**COMPONENT PARTS FOR WINDOW & VENT LAYOUT**



112795-72-01A

KEY	PART NUMBER	U/M	DESCRIPTION	VENDOR NO.
1	112795-01-704	FT	PLUG FILLER (DOUBLE GLAZED)	122-018737
2	112795-01-705	FT	VINYL - GLAZING	132-025736
3	098644-01-706	FT	WEATHERSTRIP - GLASS	171-010668
4	098644-01-713	EA	CLIP - SCREEN - METAL	226-016966
4	125582-01-701	EA	CLIP - SCREEN - PLASTIC	130-005153
	098644-01-717	FT	SPLINE - SCREEN	132-004716
5	112795-01-701	EA	SLIDE-STOP	132-019092
6	098644-01-710	FT	TRACK - SCREEN SPACER 12'	132-017135
7	112795-01-700	EA	LATCH ASM., BLK.,(BOLT ON)	DH287-CK
8	112795-01-703	IN	CHANNEL-RUN (INCHES)	122-018736
9	098644-01-711	FT	WEATHERSTRIP - SCREEN BLACK	171-016965
11	112795-72-700	EA	GLASS - STATIONARY	390-028307
12	112795-72-701	EA	GLASS - SLIDING W/SASH LATCH	DC29-G8
13	098647-31-704	EA	SCREEN ASSY - W/SEAL & CLIPS	410-019128
14	098647-31-705	EA	RETAINER - TRIM	CH29-66



**WINDOWS & VENTS GROUP (CONTINUED)**  
**COMPONENT PARTS FOR WINDOW & VENT LAYOUT (CONTINUED)**

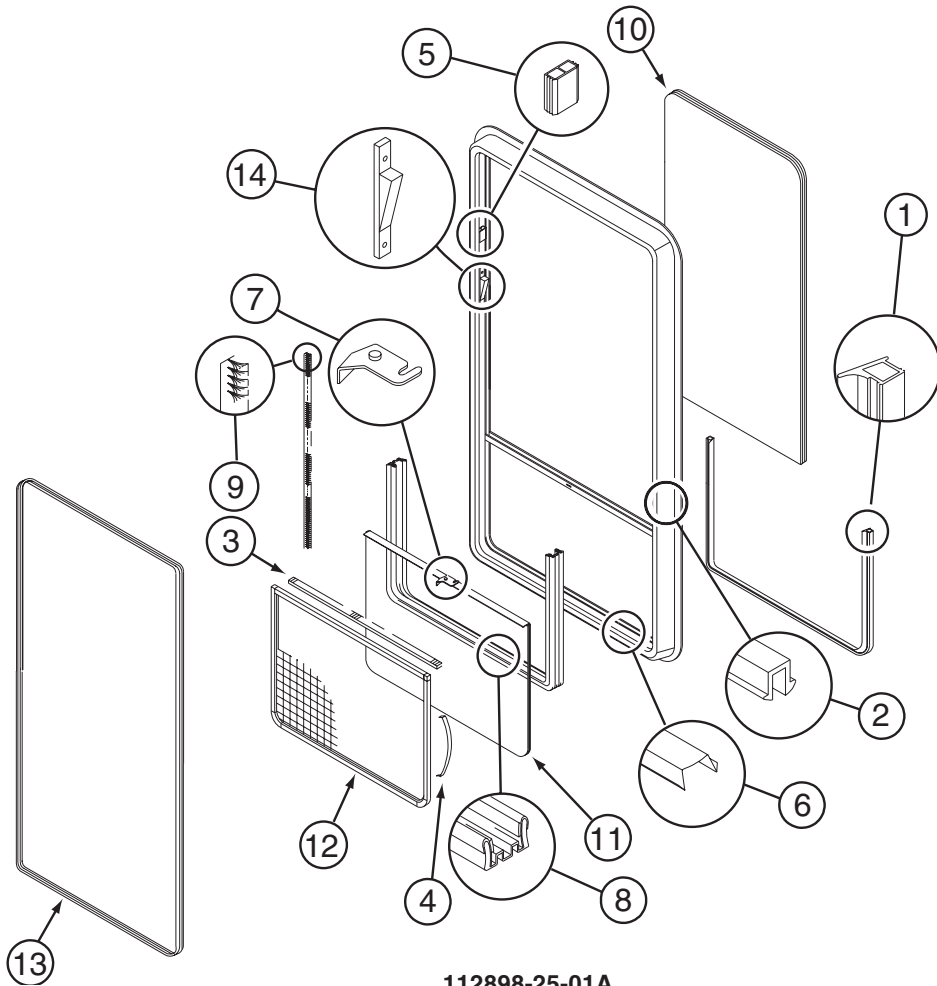
**112795-77-01A**

<b>KEY</b>	<b>PART NUMBER</b>	<b>U/M</b>	<b>DESCRIPTION</b>	<b>VENDOR NO.</b>
1	112795-01-704	FT	PLUG FILLER (DOUBLE GLAZED)	122-018737
2	112795-01-705	FT	VINYL - GLAZING	132-025736
3	098644-01-706	FT	WEATHERSTRIP - GLASS	171-010668
4	098644-01-713	EA	CLIP - SCREEN - METAL	226-016966
4	125582-01-701	EA	CLIP - SCREEN - PLASTIC	130-005153
5	112795-01-701	EA	SLIDE-STOP	132-019092
6	098644-01-710	FT	TRACK - SCREEN SPACER 12'	132-017135
7	112795-01-700	EA	LATCH ASM., BLK.,(BOLT ON)	DH287-CK
8	112795-01-703	IN	CHANNEL-RUN (INCHES)	122-018736
9	098644-01-711	FT	WEATHERSTRIP - SCREEN BLACK	171-016965
11	112795-77-700	EA	GLASS - STATIONARY	390-28313
12	112795-77-701	EA	GLASS - SLIDING W/SASH LATCH	DH493-G8
13	098647-47-702	EA	SCREEN ASSY - W/SEAL & CLIPS	410-025226
14	098647-47-704	EA	RETAINER - TRIM	H493-66
	098644-01-717	FT	SPLINE - SCREEN	132-004716

**112795-78-01A**

<b>KEY</b>	<b>PART NUMBER</b>	<b>U/M</b>	<b>DESCRIPTION</b>	<b>VENDOR NO.</b>
1	112795-01-704	FT	PLUG FILLER (DOUBLE GLAZED)	122-018737
2	112795-01-705	FT	VINYL - GLAZING	132-025736
3	098644-01-706	FT	WEATHERSTRIP - GLASS	171-010668
4	098644-01-713	EA	CLIP - SCREEN - METAL	226-016966
4	125582-01-701	EA	CLIP - SCREEN - PLASTIC	130-005153
	098644-01-717	FT	SPLINE - SCREEN	132-004716
5	112795-01-701	EA	SLIDE-STOP	132-019092
6	098644-01-710	FT	TRACK - SCREEN SPACER 12'	132-017135
7	112795-01-700	EA	LATCH ASM., BLK.,(BOLT ON)	DH287-CK
8	112795-01-703	IN	CHANNEL-RUN (INCHES)	122-018736
9	098644-01-711	FT	WEATHERSTRIP - SCREEN BLACK	171-016965
11	112795-78-700	EA	GLASS - STATIONARY	390-028338
12	112795-78-701	EA	GLASS - SLIDING W/SASH LATCH	DB969-G8
13	112795-56-702	EA	SCREEN ASSY - W/SEAL & CLIPS	410-019414
14	112795-56-704	EA	RETAINER - TRIM	B969-66

**WINDOWS & VENTS GROUP (CONTINUED)**  
**COMPONENT PARTS FOR WINDOW & VENT LAYOUT (CONTINUED)**



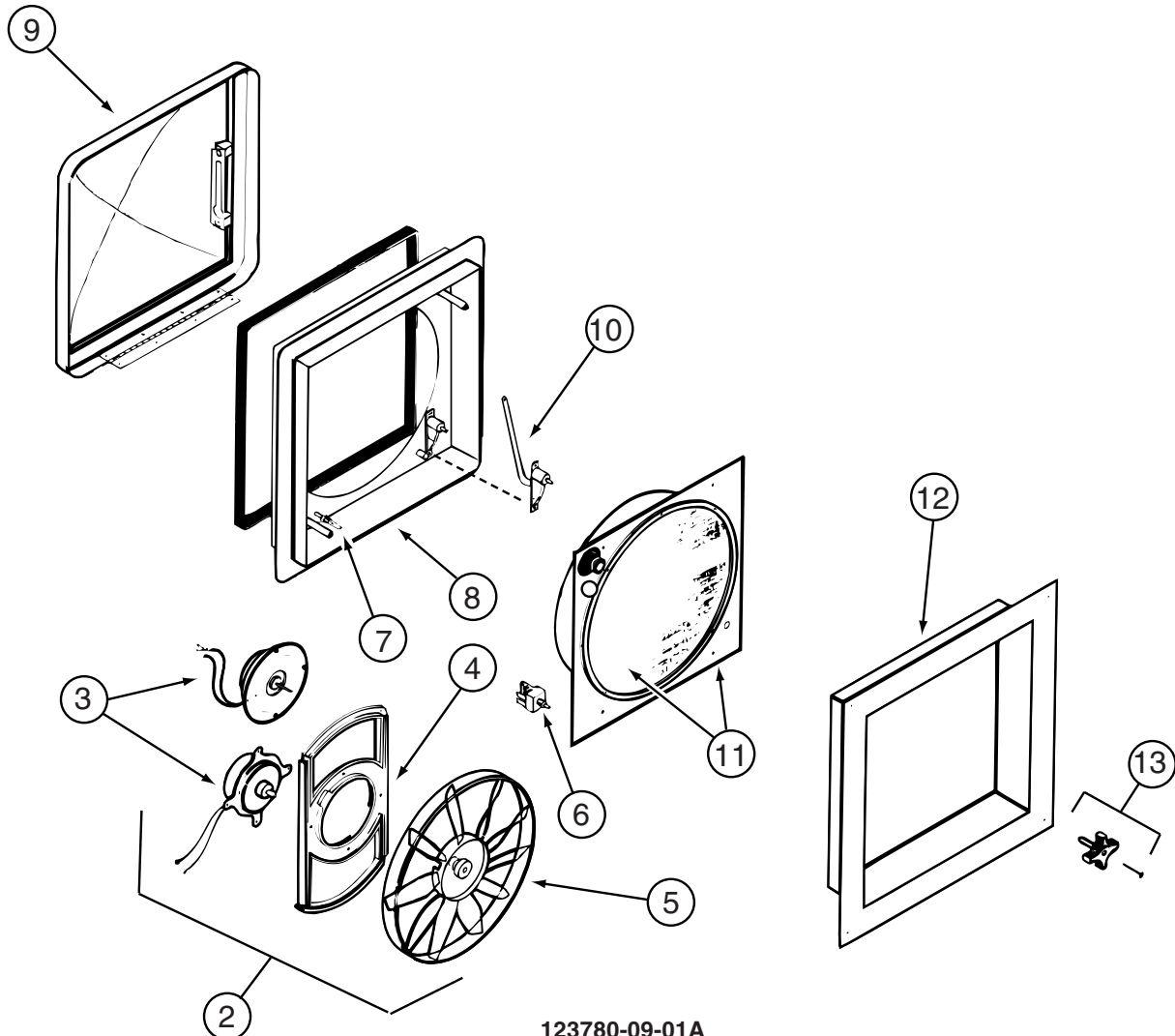
**112898-25-01A**

KEY	PART NUMBER	U/M	DESCRIPTION	VENDOR NO.
1	112795-01-704	FT	PLUG FILLER (DOUBLE GLAZED)	122-018737
2	112795-01-705	FT	VINYL - GLAZING	132-025736
3	098644-01-706	FT	WEATHERSTRIP - GLASS	171-010668
4	098644-01-713	EA	CLIP - SCREEN - METAL	226-016966
4	125582-01-701	EA	CLIP - SCREEN - PLASTIC	130-005153
5	112795-01-701	EA	SLIDE-STOP	132-019092
6	098644-01-710	FT	TRACK - SCREEN SPACER 12'	132-017135
7	112795-01-700	EA	LATCH ASM., BLK.,(BOLT ON)	DH287-CK
8	112795-01-703	IN	CHANNEL-RUN (INCHES)	122-018736
9	098644-01-711	FT	WEATHERSTRIP - SCREEN BLACK	171-016965
10	112898-25-700	EA	GLASS - STATIONARY	390-028310
11	112898-25-701	EA	GLASS-SLIDING W/SASH & LATCH	DH564-G8
12	112898-19-702	EA	SCREEN ASM - W/SEALS & CLIPS	410-026279
13	112898-19-703	EA	RETAINER - TRIM	W564-66
14	112898-04-703	EA	VERTICAL LATCH (SASH KIT)	DH343-CK
	098644-01-717	FT	SPLINE - SCREEN	132-004716

**WINDOW & VENTS GROUP (CONTINUED)**  
**COMPONENT PARTS FOR WINDOW & VENT LAYOUT (CONTINUED)**

113733-10-01A

KEY	PART NUMBER	U/M	DESCRIPTION	VENDOR NO.
	112795-01-705	FT	VINYL - GLAZING	132-025736
	113733-10-700	EA	GLASS-STATIONARY	390-028306
	113733-10-701	EA	RETAINER-TRIM	H416-66

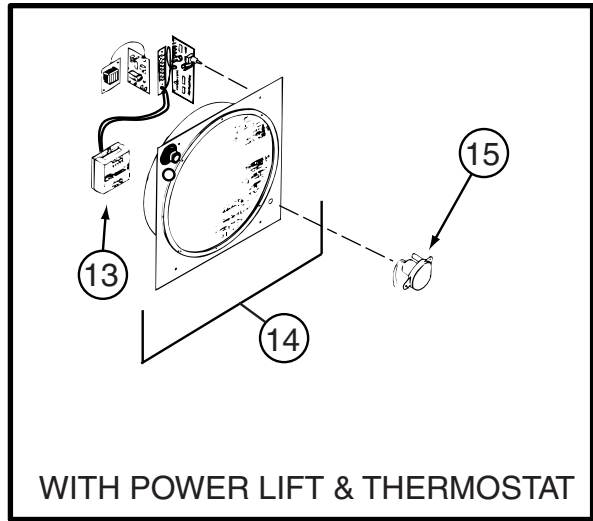
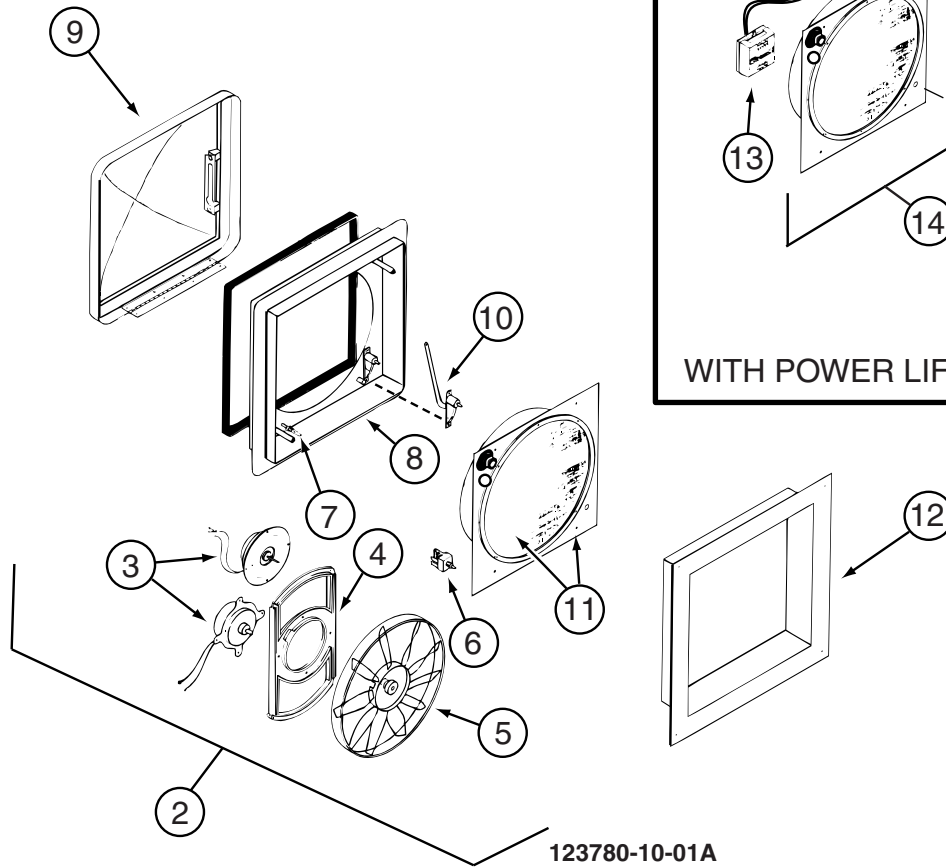


123780-09-01A

KEY	PART NUMBER	U/M	DESCRIPTION	VENDOR NO.
2	084079-11-700	EA	MOTOR & FAN BLADE W/BRACKET	K4017-09
3	084079-01-705	EA	MOTOR/EXT BRKT/FAN BLADE KIT	1080-00
5	084079-01-704	EA	BLADE-FAN	1138-00
6	084079-01-709	EA	SWITCH - MAIN - 3 SPEED	1031-05
7	084079-01-707	EA	SWITCH - SAFETY	1122-05
8	123780-05-700	EA	BASE/MAIN-BRT WHT W/GASKET	1010-81
9	123780-09-700	EA	DOME (DOUBLE)WHT TRANSPARENT	K2020-82
10	009440-01-000	EA	GEAR-ARM-ROOF VENT	705221K38
11	123780-03-701	EA	SCREEN ASM 78-100MM W/SWITCH	1030BT-81
12	123780-03-700	EA	GARNISH - INT. 3"-4" BRT/WHT	2040-81
13	084079-01-703	EA	KNOB-LIFT, W/EXT.	1140K-00
	123780-01-702	EA	SCREEN INSERT (SCREEN RING)	K1035-81

CONTACT WINNEBAGO PART SALES FOR UNLISTED COMPONENTS

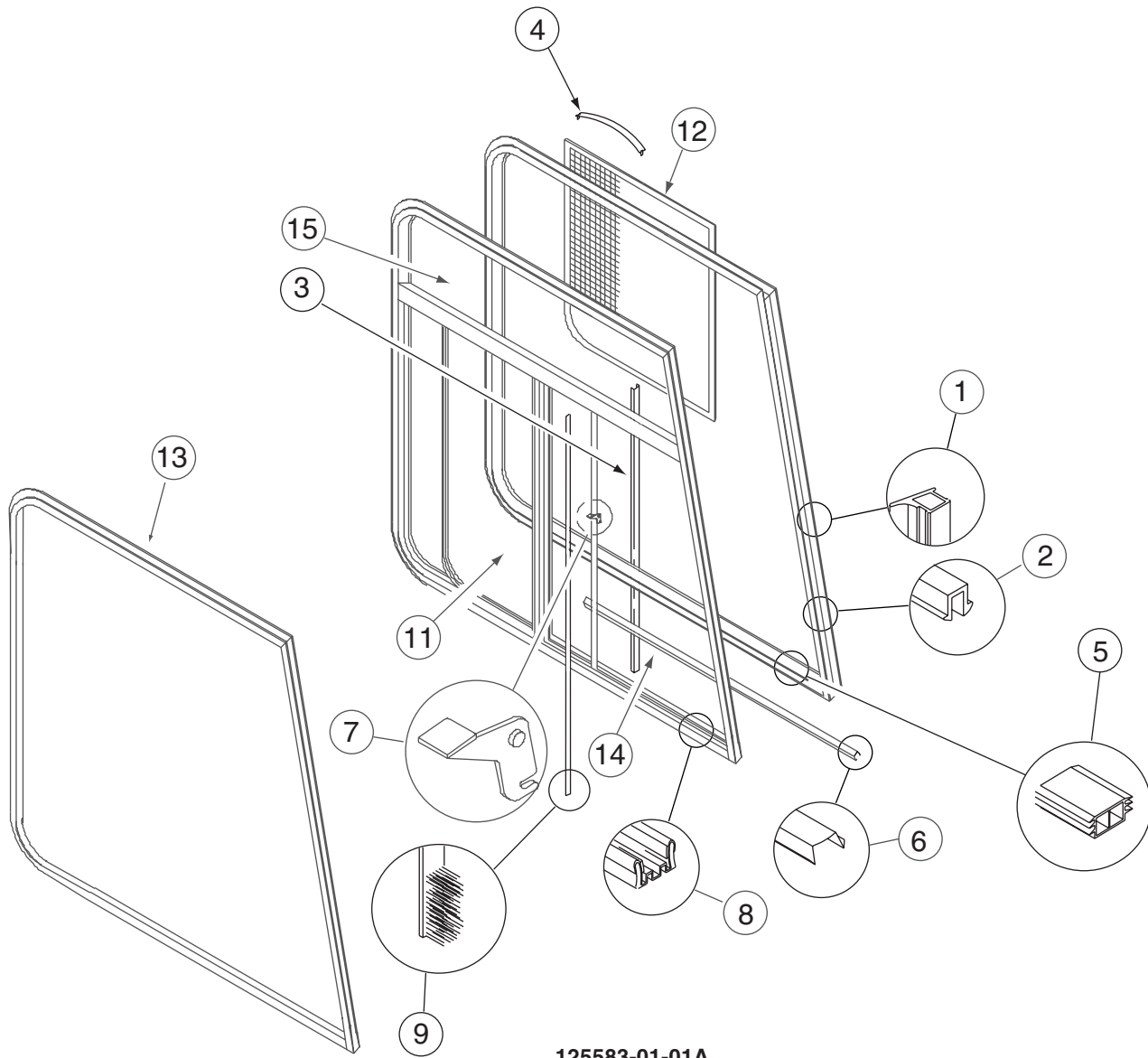
**WINDOW & VENTS GROUP (CONTINUED)**  
**COMPONENT PARTS FOR WINDOW & VENT LAYOUT (CONTINUED)**



KEY	PART NUMBER	U/M	DESCRIPTION	VENDOR NO.
2	084079-11-700	EA	MOTOR & FAN BLADE W/BRACKET	K4017-09
3	084079-01-705	EA	MOTOR/EXT BRKT/FAN BLADE KIT	1080-00
4	084079-01-711	EA	MOTOR MOUNT (BOWTIE)	1015-00
5	084079-01-704	EA	BLADE-FAN	1138-00
6	084079-01-709	EA	SWITCH - MAIN - 3 SPEED	1031-05
7	084079-01-707	EA	SWITCH - SAFETY	1122-05
8	123780-05-700	EA	BASE/MAIN-BRT WHT W/GASKET	1010-81
9	123780-09-700	EA	DOME (DOUBLE)WHT TRANSPARENT	K2020-82
10	009440-01-000	EA	GEAR-ARM-ROOF VENT	705221K38
11	123780-01-702	EA	SCREEN INSERT (SCREEN RING)	K1035-81
12	123780-03-700	EA	GARNISH - INT. 3"-4" BRT/WHT	2040-81
13	084079-01-710	EA	THERMOSTAT(WALL MT)ANY COLOR	9988-81
14	123780-05-701	EA	SCREEN INT W/ALL SWITCHES	KIT-81
15	084079-11-703	EA	MOTOR/AUTO LIFT OFF/WHT CAP	6050-80 OS
15	084079-11-705	EA	MOTOR - LIFT (BC MOTOR)	5050-40
15	084079-11-707	EA	MOTOR-AUTO LIFT-WHT CAP NS	6050-81 NS

CONTACT WINNEBAGO PART SALES FOR UNLISTED COMPONENT(S)

**WINDOW & VENTS GROUP (CONTINUED)**  
**COMPONENT PARTS FOR WINDOW & VENT LAYOUT (CONTINUED)**



125583-01-01A

KEY	PART NUMBER	U/M	DESCRIPTION	VENDOR NO.
1	112795-01-704	FT	PLUG FILLER (DOUBLE GLAZED)	122-018737
2	112795-01-705	FT	VINYL-GLAZING	132-027331
3	098644-01-706	FT	WEATHERSTRIP - GLASS	171-010668
4	098644-01-713	EA	CLIP - SCREEN - METAL	226-016966
4	125582-01-701	EA	CLIP - SCREEN - PLASTIC	130-005153
5	112795-01-701	EA	SLIDE-STOP	132-019092
6	098644-01-710	FT	TRACK - SCREEN SPACER 12'	32-017135
7	112795-01-700	EA	LATCH ASM., BLK.,(BOLT ON)	DH287-CK
8	112795-01-703	IN	CHANNEL-RUN (INCHES)	122-027566
9	098644-01-711	FT	WEATHERSTRIP - SCREEN BLACK	171-016965
11	125583-01-700	EA	GLASS-SLIDING W/SASH & LATCH	DH573-A9R
12	125582-01-705	EA	SCREEN - PASSENGER - W/SEALS & CLIPS	410-026545
13	125582-01-706	EA	RETAINER - TRIM	H573-27R
14	125583-01-702	EA	GLASS - STATIONARY - R.H.	390-026101
15	125583-01-701	EA	GLASS - STATIONARY - UPPER	390-026100
	125582-01-708	EA	WEEPHOLE COVER - RIGHT HAND	130-026598
	125582-01-709	EA	WEEPHOLE COVER - LEFT HAND	130-026599
	098644-01-717	EA	SPLINE - SCREEN	132-004716

**WINDOW & VENTS GROUP (CONTINUED)**  
**COMPONENT PARTS FOR WINDOW & VENT LAYOUT (CONTINUED)**

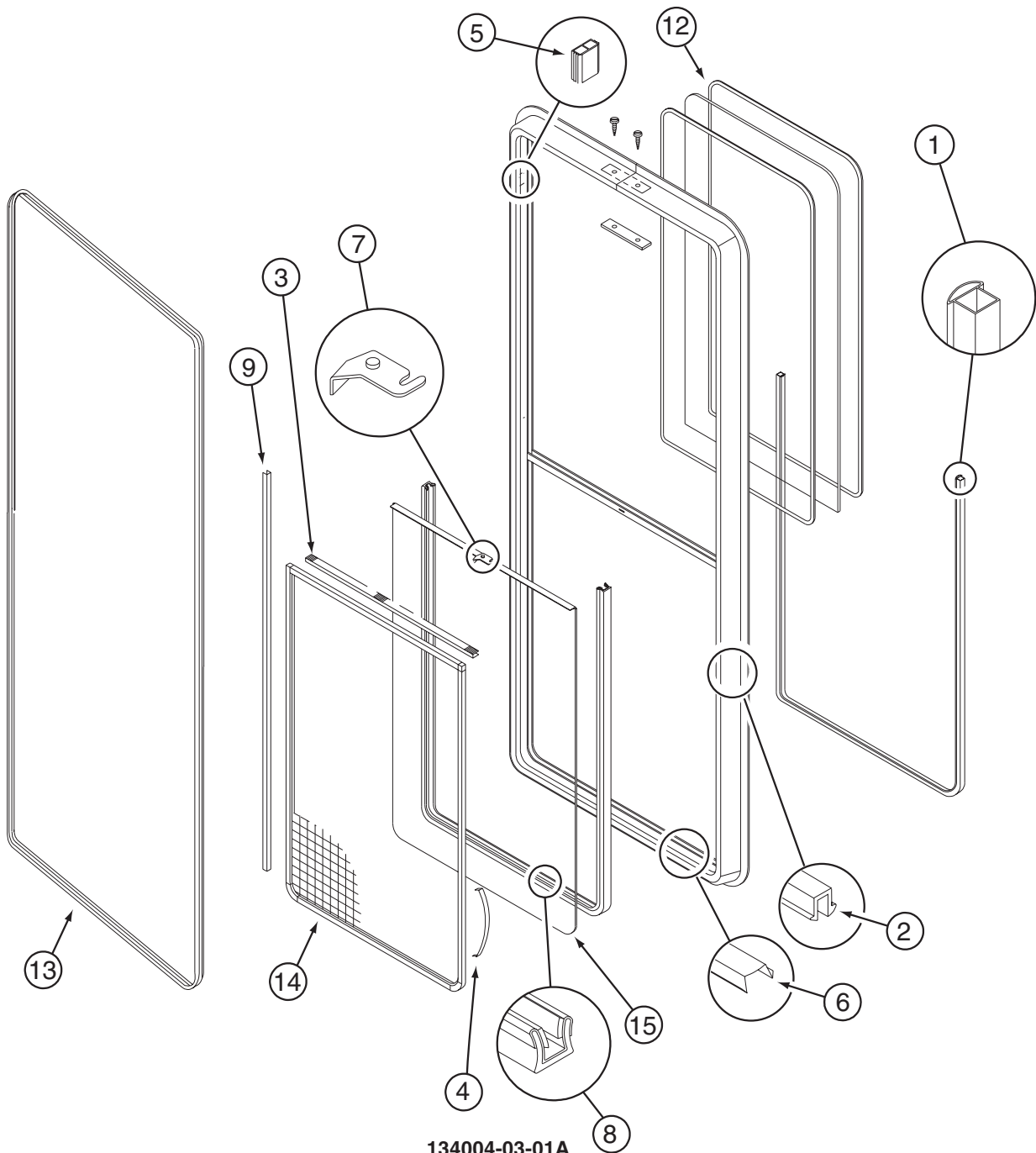
**125585-01-01A**

<b>KEY</b>	<b>PART NUMBER</b>	<b>U/M</b>	<b>DESCRIPTION</b>	<b>VENDOR NO.</b>
	125585-01-700	EA	GLASS - STATIONARY	390026092
	116000-01-704	EA	VINYL - GLAZING	132-018161
	125584-01-701	EA	RETAINER - TRIM	106026078

**125600-01-01A**

<b>KEY</b>	<b>PART NUMBER</b>	<b>U/M</b>	<b>DESCRIPTION</b>	<b>VENDOR NO.</b>
	125600-01-700	EA	GLASS - STATIONARY	390026099
	116000-01-704	EA	VINYL - GLAZING	132-018161
	125586-01-701	EA	RETAINER - TRIM	H57027L

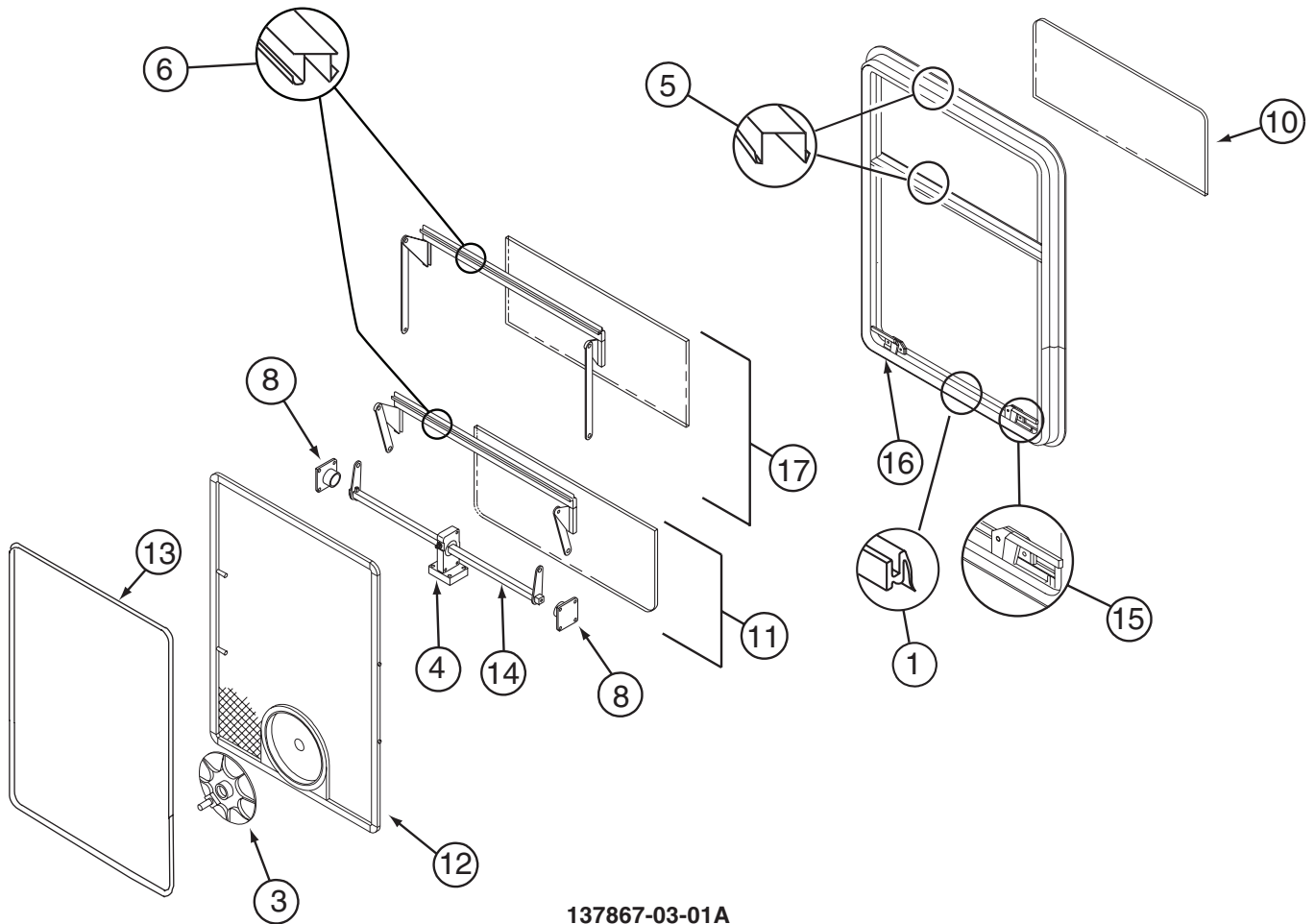
**WINDOW & VENTS GROUP (CONTINUED)**  
**COMPONENT PARTS FOR WINDOWS & VENT LAYOUT (CONTINUED)**



134004-03-01A

KEY	PART NUMBER	U/M	DESCRIPTION	VENDOR NO
1	112795-01-704	FT	PLUG FILLER (DOUBLE GLAZED)	122-018737
2	112795-01-705	FT	VINYL - GLAZING	132-027331
3	098644-01-706	FT	WEATHERSTRIP - GLASS	171-010668
4	098644-01-713	EA	CLIP - SCREEN - METAL	226-016966
4	125582-01-701	EA	CLIP - SCREEN - PLASTIC	130-005153
5	112795-01-701	EA	SLIDE-STOP	132-019092
6	098644-01-710	FT	TRACK - SCREEN SPACER 12'	132-017135
7	112795-01-700	EA	LATCH ASM., BLK.,(BOLT ON)	DH287-CK
8	112795-01-703	IN	CHANNEL-RUN (INCHES)	122-027566
9	075673-05-000	FT	SEAL-PILE ADH BACK,BLK	AMESBURY
12	134004-03-700	EA	GLASS - STATIONARY	390-028662
13	134004-03-702	EA	RETAINER - TRIM	H702-56
14	098644-13-702	EA	SCREEN ASM W/SEALS & CLIPS	410-028663
15	134004-03-701	EA	GLASS-SLIDING W/SASH & LATCH	DH702-G8
	098644-01-717	FT	SPLINE - SCREEN	132-004716
	112898-04-703	EA	VERTICAL LATCH (SASH KIT)	DH343-CK

**WINDOW & VENTS GROUP (CONTINUED)**  
**COMPONENT PARTS FOR WINDOWS & VENT LAYOUT (CONTINUED)**



137867-03-01A

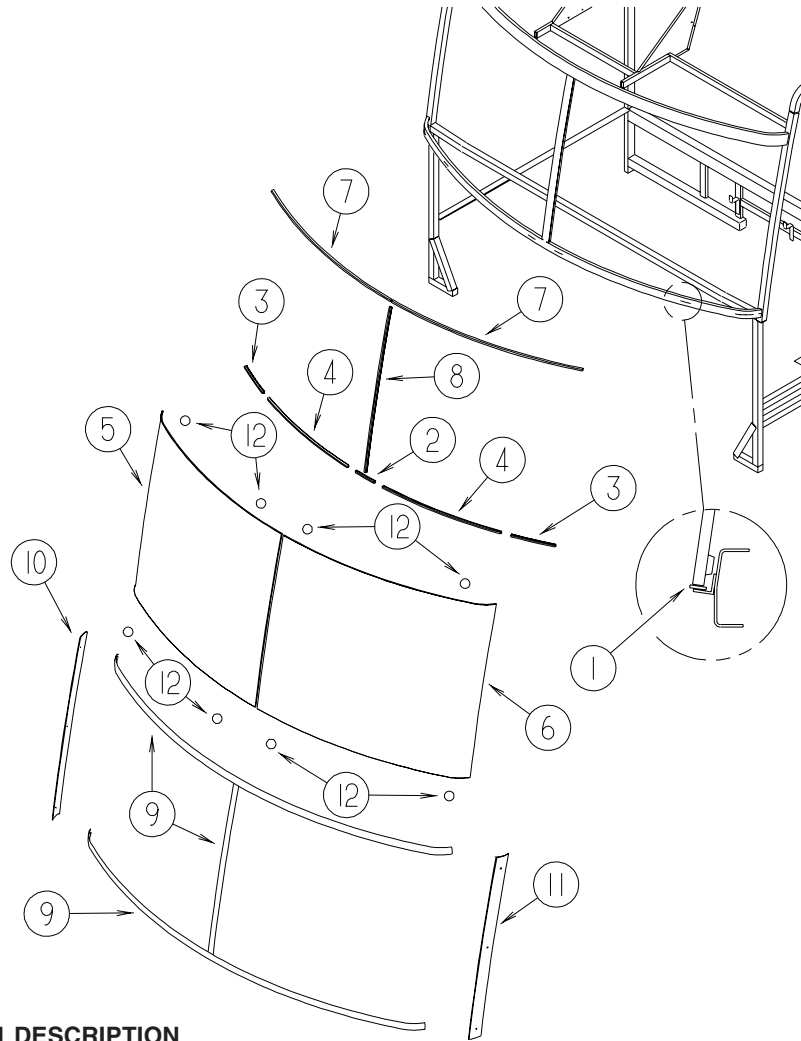
KEY	PART NUMBER	U/M	DESCRIPTION	VENDOR NO.
1	100322-01-701	FT	SEAL-VENT	122-016071
3	100322-01-718	EA	HANDLE-DIAL	410-016081
4	129929-01-710	EA	TORQUE-CTR SUPPORT (2 HOLE)	410-026806
5	129929-01-705	FT	GLAZING VINYL	132-026811
6	129929-01-707	FT	COVER/SCREW-FILLER STRIP	132-026808
8	129929-01-708	EA	SUPPORT - TORQUE BAR - RT/LT	130-026804
10	137867-03-700	EA	GLASS - STATIONARY (DBL GLZ)	390-029119
11	137867-02-701	EA	VENT ASSEMBLY LWR (DBL GLZ)	DTH023-G8
12	137867-03-702	EA	SCREEN ASSEMBLY	410-029122
13	137867-03-703	EA	RETAINER - TRIM	DTH023-62
14	129929-02-704	EA	OPERATOR BAR ASSEMBLY	DTH002-15
15	112898-06-704	EA	HANDLE-LATCH/RED-RH (TIPOUT)	182-11293
16	112898-06-705	EA	HANDLE-LATCH/RED-LH (TIPOUT)	182-11294
17	137867-02-702	EA	VENT ASSEMBLY UPR (DBL GLZ)	DTH023-G6
	100322-01-717	EA	E-RING	245-015975
	129929-01-706	IN	SEAL - TOP F/CENTER EGRESS	132-026811
	129929-02-706	FT	SEAL - FOAM	140-027022

CONTACT WINNEBAGO PART SALES FOR UNLISTED COMPONENTS



# WINDSHIELD & WIPER GROUP

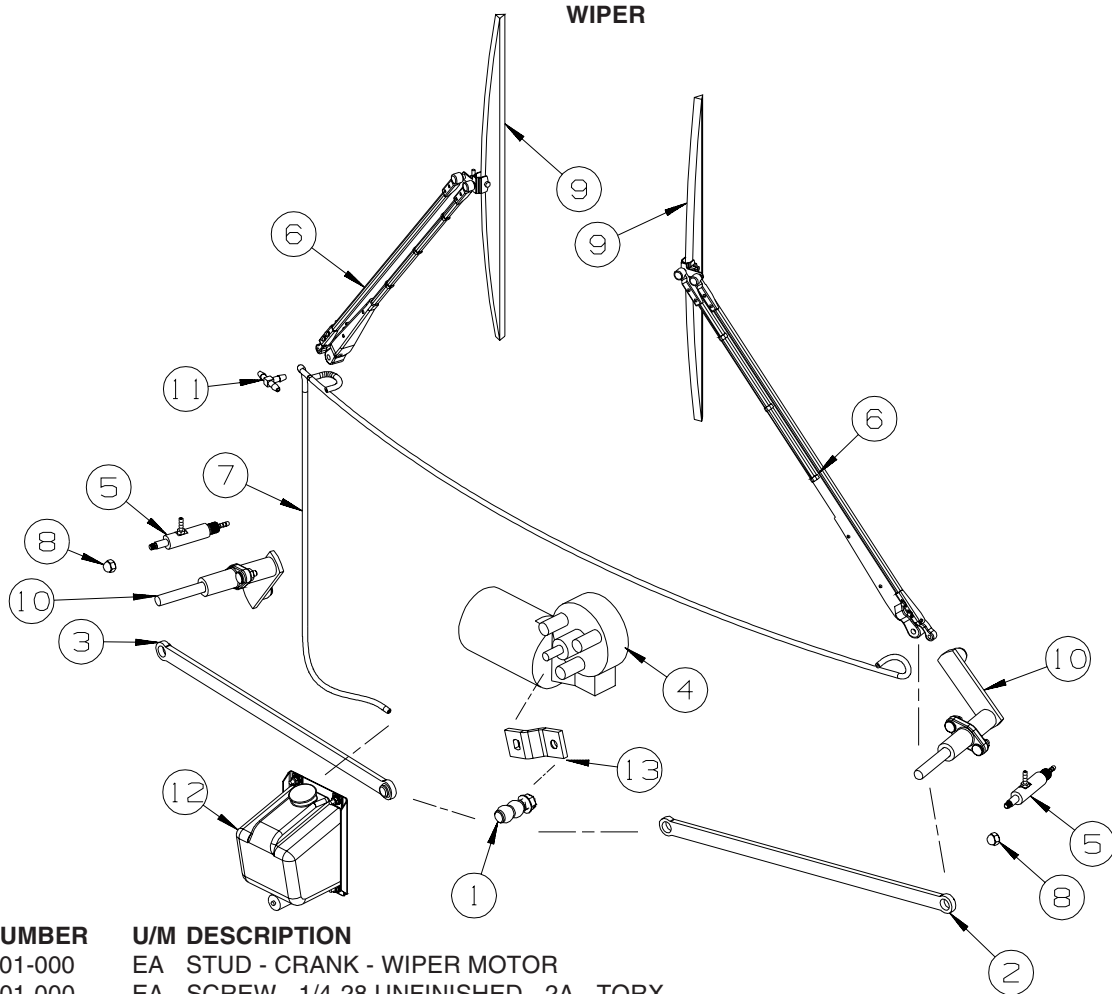
## WINDSHIELD



KEY	PART NUMBER	U/M	DESCRIPTION
1	002328-02-000	EA	BLOCK - WINDSHIELD - .062" X .5" X .98"
2	142036-01-000	EA	CARRIER/REVEAL - WINDSHIELD
3	142036-02-000	EA	CARRIER/REVEAL - WINDSHIELD
3	142036-01-000	EA	CARRIER/REVEAL - WINDSHIELD
			FROM: 00-00-00 THRU: 08-03-03
			FROM: 08-04-03 THRU: 99-99-99
4	132375-04-000	EA	CARRIER/REVEAL - WINDSHIELD - 29.8"
5	124328-01-000	EA	WINDSHIELD - PASSENGER - 52" X 41" (CURVED)
6	124328-02-000	EA	WINDSHIELD - DRIVER - 52" X 41" (CURVED)
7	127862-01-000	EA	CARRIER/REVEAL - WINDSHIELD - 47.2"
8	127862-09-000	EA	CARRIER/REVEAL - WINDSHIELD - 38.6"
9	120533-01-000	FT	MOLDING - REVEAL - WINDSHIELD
10	125384-01-02A	EA	TRIM - WINDSHIELD - A-PILLAR - PASSENGER - BLACK
11	125384-02-02A	EA	TRIM - WINDSHIELD - A-PILLAR - DRIVER - BLACK
12	081914-02-000	EA	BUMPER - RUBBER - ROUND - 5/16" DIA. X 13/64" THICK

# WINDSHIELD & WIPER GROUP (CONTINUED)

## WIPER



KEY	PART NUMBER	U/M	DESCRIPTION
1	067188-01-000	EA	STUD - CRANK - WIPER MOTOR
	117322-01-000	EA	SCREW - 1/4-28 UNFINISHED - 2A - TORX
2	117770-01-000	EA	LINK - CONNECTING - 24" - CLOSED GROMMET/OPEN GROMMET
3	117770-02-000	EA	LINK - CONNECTING - 24" - CLOSED GROMMET/CLOSED GROMMET
4	104346-05-000	EA	WIPER MOTOR - "DYNAMIC PARK" - W/INT BREAKER
5	117768-01-000	EA	SHAFT - ADAPTER - PANTOGRAPH ARM
5	145698-01-01A	EA	SHAFT/ADAPTER - PANTOGRAPH - W/WASHER DIVERTER - STAINLESS FROM: 00-00-00 THRU: 03-10-03 FROM: 03-11-03 THRU: 99-99-99
6*	117769-01-000	EA	ARM - WIPER - PANTOGRAPH - 28"
7	045794-01-000	FT	HOSE - WASHER - WINDSHIELD - 5/32" ID - BLACK
8	077049-02-000	EA	NUT - ACORN - 10-32 BLACK/ANODIZED
9*	095964-01-000	EA	BLADE - WINDSHIELD WIPER - 24"
10*	096505-09-000	EA	SHAFT/PIVOT - WINDSHIELD WIPER
11	110605-01-000	EA	TEE - PLASTIC - BARBED - 1/8" X 1/8" X 3/16" FROM: 00-00-00 THRU: 03-10-03
11	146486-01-000	EA	TEE - PLASTIC - 5/32" X 5/32" X 5/32" FROM: 03-11-03 THRU: 99-99-99
12	117766-02-000	EA	RESERVOIR/PUMP - WINDSHIELD WASHER
13	104347-04-000	EA	ARM - DRIVE - WIPER MOTOR
	110742-02-000	EA	GASKET - NEOPRENE - WIPER ADAPTER SHAFT - .5" ID X .9" OD FROM: 00-00-00 THRU: 05-25-03
	110742-03-000	EA	GASKET - WIPER FROM: 05-26-03 THRU: 99-99-99

\*COMPONENT PARTS LISTED LATER IN THIS GROUP

**WINDSHIELD & WIPER GROUP (CONTINUED)**  
**COMPONENT PARTS FOR WIPER**

**095964-01-000**

<b>KEY</b>	<b>PART NUMBER</b>	<b>U/M</b>	<b>DESCRIPTION</b>	<b>VENDOR NO.</b>
	095964-01-700	EA	BLADE-REFILL 24" EA= 1 PAIR	12360

**096505-09-000**

<b>KEY</b>	<b>PART NUMBER</b>	<b>U/M</b>	<b>DESCRIPTION</b>	<b>VENDOR NO.</b>
	096505-02-700	EA	DRIVER-KNURLED,(HD) BRL .687	NT721017
	096505-02-701	EA	NUT-HEX (HD) W/.687 BARREL	NT721021
	096505-02-702	EA	CAP-RUBBER (HD) BARREL .687	CP721084
	096505-02-703	EA	NUT/ACORN - HD W/.687 BRL	51065-40-NT27WC

**117769-01-000**

<b>KEY</b>	<b>PART NUMBER</b>	<b>U/M</b>	<b>DESCRIPTION</b>	<b>VENDOR NO.</b>
	096931-01-700	FT	HOSE - WASHER - 1/8" ID	XTU-66-0001
	117769-01-700	EA	RETAINER CLIP - HOSE	