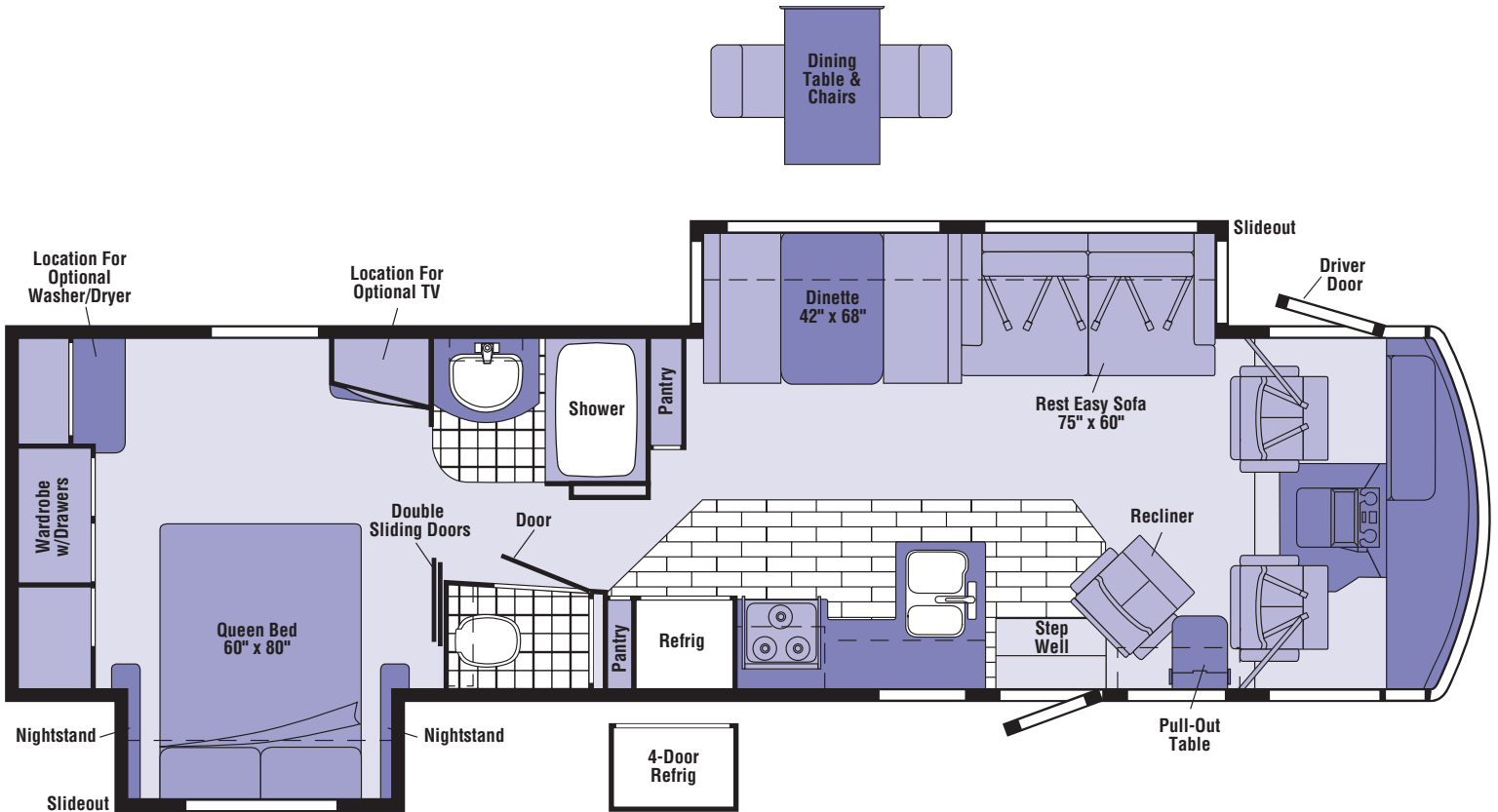


**2004**  
**SUNRISE**  
**IFF34D**  
**F-SERIES**  
**PORTSMOUTH OAK**  
**R35 WINTER BIRCH - NEUTRAL**  
**R36 GREENGAGE - GREEN**  
**R37 GALAXY - BLUE**



**FLOORPLAN**

# CONTENTS

<b>FLOORPLAN</b> .....	<b>1</b>
<b>ACCESSORIES GROUP</b> .....	<b>7</b>
OPERATORS MANUAL .....	7
<b>APPLIANCE GROUP</b> .....	<b>8</b>
APPLIANCES .....	8
114030-04-01A .....	13
115504-01-000 .....	15
119267-13-01A .....	15
120075-12-01A, 120075-13-01A, 120075-14-01A, 120075-15-01A .....	16
121569-05-01A, 121569-06-01A & 121569-07-01A .....	22
125242-02-01A .....	28
134940-01-01A .....	38
134940-04-01A .....	39
144972-01-01A .....	40
<b>AUDIO VIDEO GROUP</b> .....	<b>43</b>
RADIO SYSTEM .....	43
COMPONENT PARTS FOR RADIO SYSTEM .....	44
102080-17-000 .....	44
102080-18-000 .....	44
102080-21-000 .....	44
143509-01-000 .....	44
148231-01-000 .....	44
REAR VIEW MONITOR .....	45
TELEPHONE .....	46
TV & VCR .....	46
COMPONENT PARTS FOR TV & VCR .....	47
076319-23-000 .....	47
076319-25-000 .....	48
124073-12-000 .....	49
126696-07-000 .....	49
130121-08-000 .....	49
145641-01-000 .....	49
145641-02-000 .....	49
145641-03-000 .....	49
137135-02-000 .....	50
EXTERIOR ENTERTAINMENT .....	51
<b>BATH GROUP</b> .....	<b>52</b>
CABINETS .....	52
DOORS & DRAWERS .....	54
SHOWER .....	55
COMPONENT PARTS FOR SHOWER .....	56
115011-03-01A .....	56
<b>BEDROOM GROUP</b> .....	<b>57</b>
QUEEN CABINETS .....	57
QUEEN DOORS & DRAWERS .....	58

# CONTENTS (CONTINUED)

<b>CHASSIS GROUP</b> .....	<b>59</b>
FRAME .....	59
COMPONENT PARTS FOR FRAME .....	61
132643-01-01A, 132643-06-01A, 132643-07-01A, 132643-09-01A .....	61
FRONT END .....	62
DRIVETRAIN .....	66
EXHAUST .....	67
FUEL .....	70
HYDRAULIC LEVELING .....	72
COMPONENT PARTS FOR HYDRAULIC LEVELING .....	75
100536-48-000 .....	75
128285-03-000 .....	75
128571-05-000 .....	75
144226-08-000 .....	75
144226-09-000 .....	75
144226-11-000 .....	75
144226-20-000 .....	75
144226-21-000 .....	75
COMPONENT PARTS FOR HYDRAULIC LEVELING (CONTINUED) .....	76
144226-23-000 .....	76
144226-29-000 .....	76
SUSPENSION .....	77
COMPONENT PARTS FOR SUSPENSION .....	78
122756-04-000 .....	78
WHEEL, TIRE, COVERS &/OR LINERS .....	79
COMPONENT PARTS FOR WHEEL, TIRE, COVERS &/OR LINERS .....	80
110435-20-000 .....	80
134609-02-000 .....	80
134609-04-000 .....	80
145580-03-000 .....	80
145580-04-000 .....	80
BRAKE .....	81
BRAKELINE .....	81
<b>CURTAIN &amp; CUSHION GROUP</b> .....	<b>82</b>
NOTICE .....	82
CUSHION LAYOUT .....	83
BUCKET SEATS .....	85
COMPONENT PARTS FOR BUCKET SEATS .....	89
081373-03-000 .....	89
122611-02-000 .....	89
LOUNGE CHAIR .....	90
SOFA .....	91
COMPONENT PARTS FOR SOFA .....	93
136534-13-000, 136534-15-000, 136534-28-000, 136534-29-000 .....	93
148226-01-000, 148226-02-000, 148226-03-000 .....	93
WINDOW TREATMENT .....	94
HARDWARE .....	96
ACCESSORIES .....	98
FABRICS .....	99
<b>DINETTE GROUP</b> .....	<b>101</b>
CABINETS .....	101
TABLE .....	102
<b>DRIVERS COMPARTMENT GROUP</b> .....	<b>104</b>
DASH .....	104
MOTOR COVER .....	106
BEVERAGE TRAY .....	108
FRONT INTERIOR .....	109
CABINETS .....	111

## CONTENTS (CONTINUED)

<b>ELECTRICAL GROUP</b> .....	<b>112</b>
12V BODY WIRING .....	112
FRONT END WIRING .....	118
COMPONENT PARTS FOR LIGHTS & SWITCHES .....	120
086280-01-000 .....	120
087694-01-000 .....	120
091937-08-000 .....	120
097917-01-06A .....	120
108354-01-01A .....	120
121935-01-01A .....	120
137417-01-01A, 137417-03-01A .....	120
137417-05-01A .....	120
137417-06-01A .....	120
148158-01-000 .....	120
CIRCUIT BREAKERS & FUSES .....	121
CONVERTER, INVERTER, LOAD CENTERS .....	121
110V WIRING .....	122
DRIVERS DOOR WIRING .....	123
ENTERTAINMENT WIRING .....	124
BOXES & CORDS .....	125
WIRE ASSEMBLIES .....	125
CONNECTORS & CONDUIT .....	126
BOOTS, SOLENOIDS, RELAYS & MISCELLANEOUS .....	127
<b>EXTERIOR BODY GROUP</b> .....	<b>128</b>
GRAPHICS & PAINT .....	128
PANELS & TRIMS .....	129
COMPONENT PARTS FOR PANELS & TRIMS .....	134
132442-01-01A .....	134
FRONT END .....	135
LADDER .....	137
MIRRORS .....	137
COMPONENT PARTS FOR MIRRORS .....	138
106015-18-01A, 106015-19-01A .....	138
STRUCTURAL COMPONENTS .....	139
AWNINGS .....	139
COMPONENT PARTS FOR AWNINGS .....	140
113874-01-02A .....	140
<b>EXTERIOR DOORS &amp; COMPARTMENTS GROUP</b> .....	<b>141</b>
DOOR & COMPARTMENT LAYOUT .....	141
COMPONENT PARTS FOR DOOR & COMPARTMENT LAYOUT .....	146
084103-08-000 .....	146
094707-03-01A .....	147
COMPARTMENT DOOR PIECE PARTS .....	148
DRIVERS .....	150
COMPONENT PARTS FOR DRIVERS .....	151
125581-09-01A .....	151
ENTRY .....	153
SCREEN .....	155
LATCH - ENTRY .....	156
<b>EXTERIOR SLIDEOUT GROUP</b> .....	<b>157</b>
FRONT LEFT .....	157
COMPONENT PARTS FOR FRONT SLIDEOUT .....	161
100536-42-000 .....	161
140122-01-000 .....	161
RIGHT REAR .....	162
COMPONENT PARTS FOR RIGHT REAR SLIDEOUT .....	166
100536-46-000 .....	166
137390-01-000 .....	166

## CONTENTS (CONTINUED)

<b>GALLEY GROUP</b> .....	<b>167</b>
CABINETS .....	167
DOORS & DRAWERS .....	170
<b>GENERATOR GROUP</b> .....	<b>172</b>
GAS .....	172
<b>HEATING &amp; A/C GROUP</b> .....	<b>173</b>
AUTOMOTIVE .....	173
COMPONENT PARTS FOR AUTOMOTIVE .....	175
103930-44-000 .....	175
103930-45-000 .....	175
103930-46-000 .....	175
103930-47-000 .....	175
103930-49-000 .....	175
103930-55-000 .....	177
FURNACE .....	178
COMPONENT PARTS FOR FURNACE .....	179
143563-01-000 .....	179
143563-02-000 .....	181
REAR HEATER .....	183
COMPONENT PARTS FOR REAR HEATER .....	184
129205-01-000 .....	184
ROOF .....	185
COMPONENT PARTS FOR ROOF .....	186
131184-01-01A .....	186
131184-05-01A .....	187
131186-02-01A .....	188
131187-03-01A .....	190
131187-04-01A .....	190
131188-03-01A .....	191
131188-04-01A .....	192
<b>INTERIOR FINISH GROUP</b> .....	<b>193</b>
MOLDINGS & TRIMS .....	193
PANELING & LAMINATES .....	204
ACCESSORIES .....	205
COMPONENT PARTS FOR ACCESSORIES .....	206
094499-02-000 .....	206
FLOOR COVERINGS .....	207
HARDWARE .....	208
<b>LABELS GROUP</b> .....	<b>216</b>
<b>LP GROUP</b> .....	<b>245</b>
LP SYSTEM .....	245
COMPONENT PARTS FOR LP GROUP .....	246
144116-01-000 .....	246
144116-02-000, 144116-06-000, 144116-07-000 & 144116-08-000 .....	246
<b>LOUNGE GROUP</b> .....	<b>247</b>
CABINETS .....	247
TABLE .....	248
<b>SEALANTS &amp; FASTENERS GROUP</b> .....	<b>249</b>
SEALANTS & ADHESIVES .....	249
BOLTS, NUTS AND WASHERS .....	250
SCREWS .....	252
CLAMPS, CLIPS, GROMMETS, RIVETS & PLUGS .....	255
MISCELLANEOUS FASTENERS .....	257

# CONTENTS (CONTINUED)

<b>WATER &amp; SEWAGE GROUP .....</b>	<b>258</b>
DRAINAGE SYSTEM .....	258
COMPONENT PARTS FOR DRAINAGE SYSTEM .....	260
140798-01-01A .....	260
WATER SYSTEM .....	261
COMPONENT PARTS FOR WATER SYSTEM .....	269
051391-07-000 .....	269
051393-01-000 .....	271
075240-05-000 .....	271
075241-04-000, 075241-05-000, 075241-06-000 .....	271
098607-01-000 .....	272
125420-01-02A, 125420-01-03A, 125420-03-03A, 125420-04-03A .....	272
129390-03-01A .....	272
141432-01-01A .....	272
144215-01-000 .....	272
144215-02-000 .....	272
144596-01-01A .....	272
145541-02-000 .....	273
<b>WINDOW &amp; VENTS GROUP .....</b>	<b>274</b>
WINDOW & VENT LAYOUT .....	274
COMPONENT PARTS FOR WINDOW & VENT LAYOUT .....	276
112795-72-01A .....	276
112795-77-01A .....	277
112898-25-01A .....	278
113733-10-01A .....	279
122882-01-01A .....	279
122882-02-01A, 122882-03-01A .....	279
123780-03-01A .....	280
125583-01-01A .....	281
125585-01-01A .....	282
125600-01-01A .....	282
129929-11-01A .....	283
134004-03-01A .....	284
137867-02-01A .....	285
<b>WINDSHIELD &amp; WIPER GROUP .....</b>	<b>286</b>
WINDSHIELD .....	286
WIPER .....	287
COMPONENT PARTS FOR WIPER .....	288
095964-01-000 .....	288
096505-09-000 .....	288
117769-01-000 .....	288

**ACCESSORIES GROUP**  
**OPERATORS MANUAL**

<b>KEY</b>	<b>PART NUMBER</b>	<b>U/M</b>	<b>DESCRIPTION</b>
	129079-01-01A	EA	CASE - VINYL/BLACK-EXPANDABLE ACCORDION SIDES-7"WX9"HX14"L
	132000-14-004	EA	MANUAL/OWNER - SUNRISE - 2004
	144250-01-000	DW	TOP LEVEL-F,2004

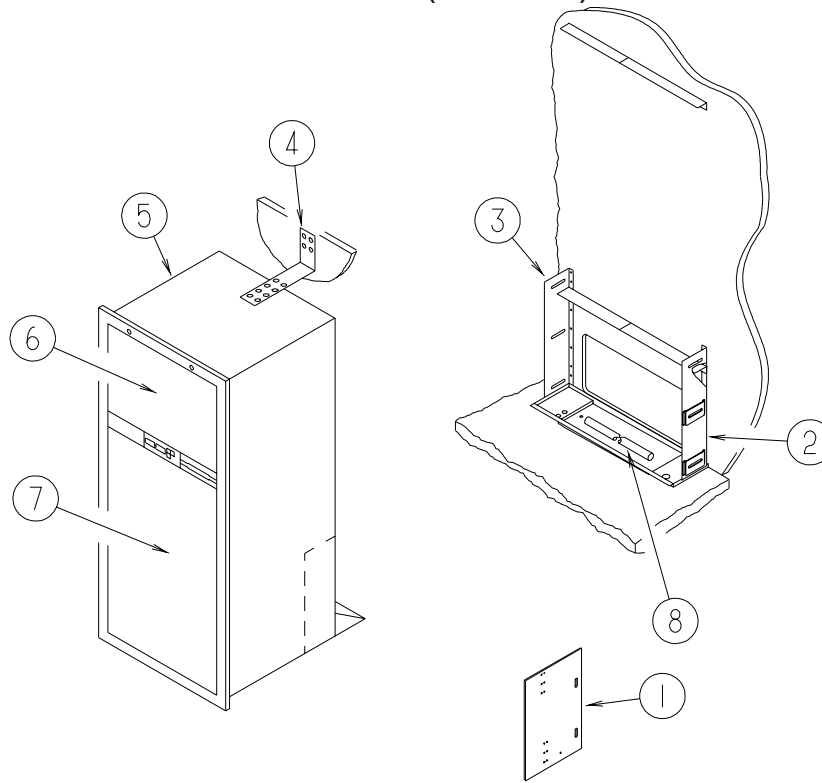
## APPLIANCE GROUP APPLIANCES

KEY	PART NUMBER	U/M	DESCRIPTION
*	115504-01-000	EA	PANEL - SOLAR 10 WATT - 12.2"W X 26.9"L X 1.2"H
*	134940-01-01A	EA	PANEL - MONITOR - 2 TANK - W/GENERATOR SWITCH/HOUR METER
*	134940-04-01A	EA	PANEL - MONITOR - 2 TANK-W/GENERATOR SWITCH/SOLAR CHARGER
*	144972-01-01A	EA	RANGE - 22" - 3 BURNER/LARGE KNOB/GRATES - BLACK - RANGE W/OVEN FROM: 00-00-00 THRU: 05-13-04
	151277-03-01A	EA	RANGE-22"-3 BURNER - MERCURY FREE - BLK DOOR/TEXTURED - RANGE W/OVEN FROM: 04-12-04 THRU: 99-99-99
*	114030-04-01A	EA	RANGE - 3 BRNR TOP/NEW STYLE KNOBS/GRATES-W/O OVEN-BLK
	126022-05-01A	EA	COVER/RANGE - BI-FOLD - 22" - NEW GRATES
	140176-03-02B	EA	BRACKET/STOVE TIEDOWN - E-COATED - RANGE W/OVEN
	140176-04-02B	EA	BRACKET/STOVE TIEDOWN - E-COATED - RANGE W/OVEN
	142139-01-02B	EA	BRACKET/TIEDOWN - STOVE - E-COATED - RANGE TOP, F30W FROM: 00-00-00 THRU: 03-07-04
	142139-02-02B	EA	BRACKET/TIEDOWN - STOVE - E-COATED - RANGE TOP, F30W FROM: 00-00-00 THRU: 03-07-04
	142139-17-02B	EA	BRACKET/TIEDOWN - STOVE - E-COATED - RANGE TOP, F30W FROM: 03-08-04 THRU: 99-99-99
	142139-18-02B	EA	BRACKET/TIEDOWN - STOVE - E-COATED - RANGE TOP, F30W FROM: 03-08-04 THRU: 99-99-99
	142139-03-02B	EA	BRACKET/TIEDOWN - STOVE - E-COATED - RANGE TOP, F32V, F34D, F36M
	142139-04-02B	EA	BRACKET/TIEDOWN - STOVE - E-COATED - RANGE TOP, F32V, F34D, F36M
	138584-03-01A	EA	COFFEE MAKER/CARAPE - NO TIMER - KRUPS #536-42 - BLACK FROM: 00-00-00 THRU: 04-11-04
	138584-02-01A	EA	COFFEEMAKER/COUNTERTOP - AROME PLUS/BLACK - KRUPS #466-42 FROM: 04-12-04 THRU: 99-99-99
	145832-01-000	EA	STRAP-TIEDOWN - COFFEE MAKER
	130818-02-01A	EA	TRASH CONTAINER - 20 QUART ALMOND

\*COMPONENT PARTS LISTED LATER IN THIS GROUP



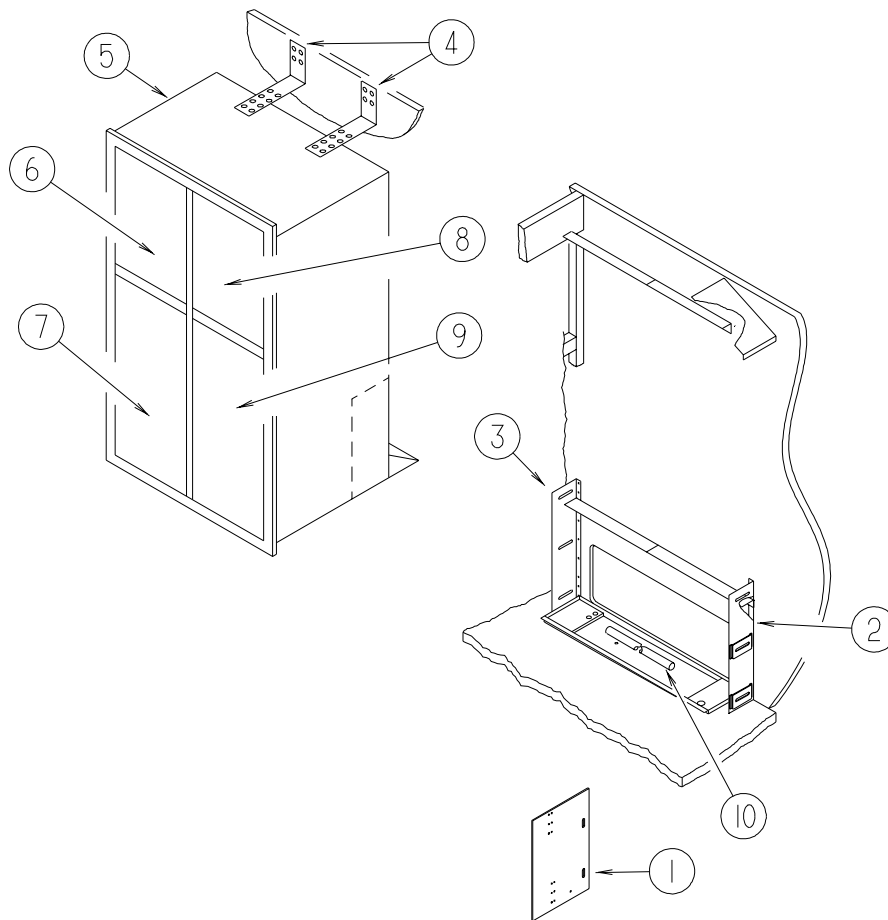
**APPLIANCE GROUP (CONTINUED)**  
**APPLIANCES (CONTINUED)**



KEY	PART NUMBER	U/M	DESCRIPTION
1	141975-04-02B	EA	PLATE - TIEDOWN/REFRIGERATOR
2	141550-01-02B	EA	BRACKET - TIEDOWN/REFRIGERATOR - RIGHT HAND
3	141550-02-02B	EA	BRACKET - TIEDOWN/REFRIGERATOR - LEFT HAND
4	145445-02-02B	EA	STRAP - REFRIGERATOR
5*	121569-05-01A	EA	REFRIGERATOR - LARGE DOUBLE DOOR/RH - 2-WAY - BLACK
5*	120075-13-01A	EA	REFRIGERATOR-LARGE DOUBLE DOOR/RH - 2-WAY -ICE MAKER-BLACK
6	103251-07-01A	EA	INSERT/REFRIGERATOR DOOR - 21.6" X 14.5" - BLACK ACRYLIC
7	103251-09-01A	EA	IINSERT/REFRIGERATOR DOOR - 21.6" X 38.6" - BLACK ACRYLIC
8	112176-01-000	FT	TUBING - VINYL - REINFORCED - 1/2" ID
	116751-05-01A	EA	TRAY - REFRIGERATOR - BLACK
	090329-01-000	FT	SEAL/T - REFRIGERATOR CABINET
	054450-01-000	EA	LEVEL - REFRIGERATOR

**\*COMPONENT PARTS LISTED LATER IN THIS GROUP**

**APPLIANCE GROUP (CONTINUED)**  
**APPLIANCES (CONTINUED)**

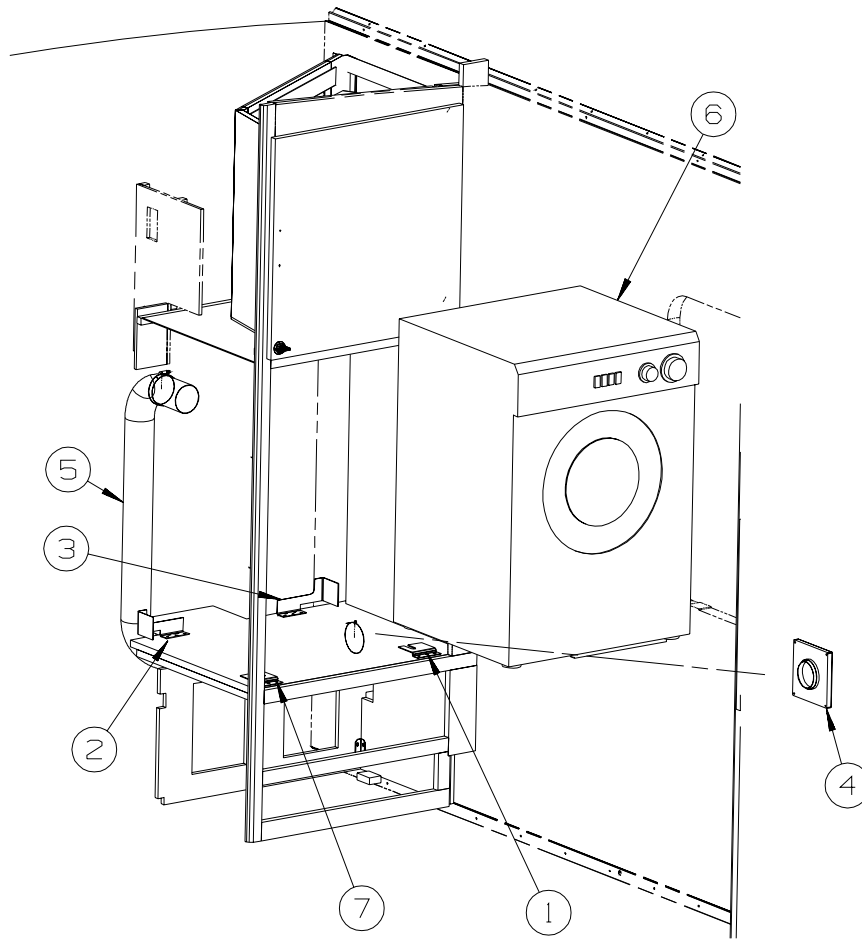


**F34D, F36M**

KEY	PART NUMBER	U/M	DESCRIPTION
1	141975-01-02B	EA	PLATE - TIEDOWN/REFRIGERATOR
2	141550-01-02B	EA	BRACKET - TIEDOWN/REFRIGERATOR - RIGHT HAND
3	141550-02-02B	EA	BRACKET - TIEDOWN/REFRIGERATOR - LEFT HAND
4	145445-02-02B	EA	STRAP - REFRIGERATOR
5*	125242-02-01A	EA	REFRIGERATOR-4 DR-W/ICE MKR-W/CONTOURED HANDLE-NORCOLD1201
6	103251-10-01A	EA	INSERT/REFRIGERATOR DOOR - 16.2" X 18.4" - BLACK ACRYLIC
7	103251-11-01A	EA	INSERT/REFRIGERATOR DOOR - 16.2" X 41.2" - BLACK ACRYLIC
8	103251-10-01A	EA	INSERT/REFRIGERATOR DOOR - 16.2" X 18.4" - BLACK ACRYLIC
9	103251-11-01A	EA	INSERT/REFRIGERATOR DOOR - 16.2" X 41.2" - BLACK ACRYLIC
10	112176-01-000	FT	TUBING - VINYL - REINFORCED - 1/2" ID
	090329-01-000	FT	SEAL/T - REFRIGERATOR CABINET
	054450-01-000	EA	LEVEL - REFRIGERATOR
	118871-03-01A	EA	TRAY - REFRIGERATOR - SIDE/SIDE - BLACK

**\*COMPONENT PARTS LISTED LATER IN THIS GROUP**

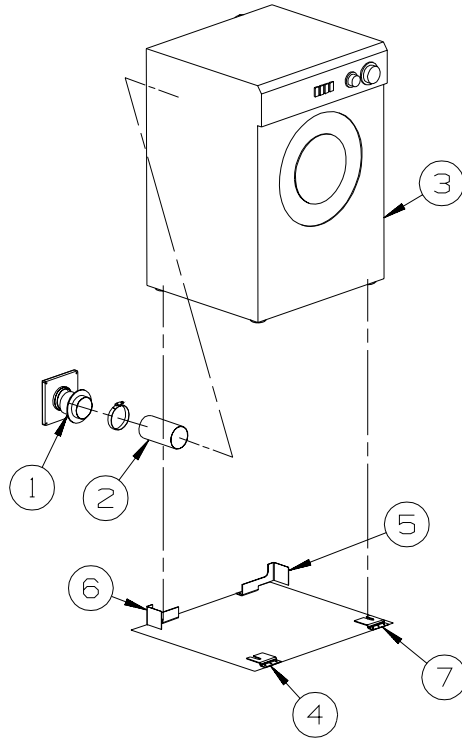
**APPLIANCE GROUP (CONTINUED)**  
**APPLIANCES (CONTINUED)**



**F34D**

KEY	PART NUMBER	U/M	DESCRIPTION
1	111913-02-04B	EA	BRACKET/WASHER - TIE DOWN - BLACK
2	113795-03-02B	EA	BRACKET - WASHER - E-COATED
3	113795-04-02B	EA	BRACKET - WASHER - E-COATED
4	111947-02-01A	EA	VENT - DRYER - 3"
			FROM: 00-00-00 THRU: 08-17-03
4	146292-01-01A	EA	COVER - DRYER VENT - BRIGHT WHITE
			FROM: 08-18-03 THRU: 99-99-99
4	146292-02-01A	EA	DRYER VENT - INNER - BRIGHT WHITE
			FROM: 08-18-03 THRU: 99-99-99
5	116653-02-000	FT	DUCT - FLEXIBLE - 3' COMPRESSED/8' EXTENDED
6	107753-04-01A	EA	WASHER - DRYER - VENTED - UL/CSA - WHITE
7	111913-03-04B	EA	BRACKET/WASHER - TIE DOWN - BLACK

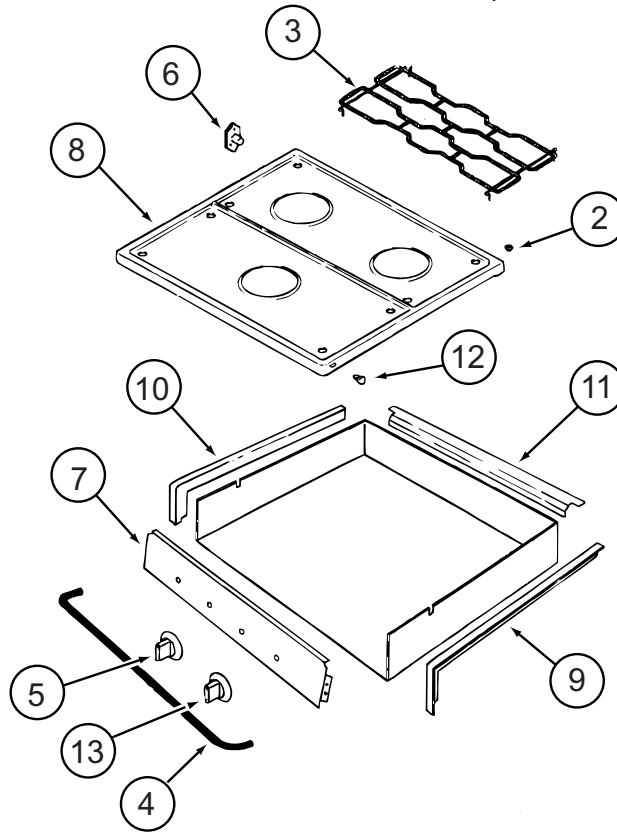
**APPLIANCE GROUP (CONTINUED)**  
**APPLIANCES (CONTINUED)**



**F36M**

KEY	PART NUMBER	U/M	DESCRIPTION
1	111947-02-01A	EA	VENT - DRYER - 3"
2	116653-02-000	FT	DUCT - FLEXIBLE - 3' COMPRESSED/8' EXTENDED
3	107753-04-01A	EA	WASHER - DRYER - VENTED - UL/CSA - WHITE
4	111913-02-04B	EA	BRACKET/WASHER - TIE DOWN - BLACK
5	113795-03-02B	EA	BRACKET - WASHER - E-COATED
6	113795-04-02B	EA	BRACKET - WASHER - E-COATED
7	111913-03-04B	EA	BRACKET/WASHER - TIE DOWN - BLACK

**APPLIANCE GROUP (CONTINUED)**  
**COMPONENT PARTS FOR APPLIANCES (CONTINUED)**

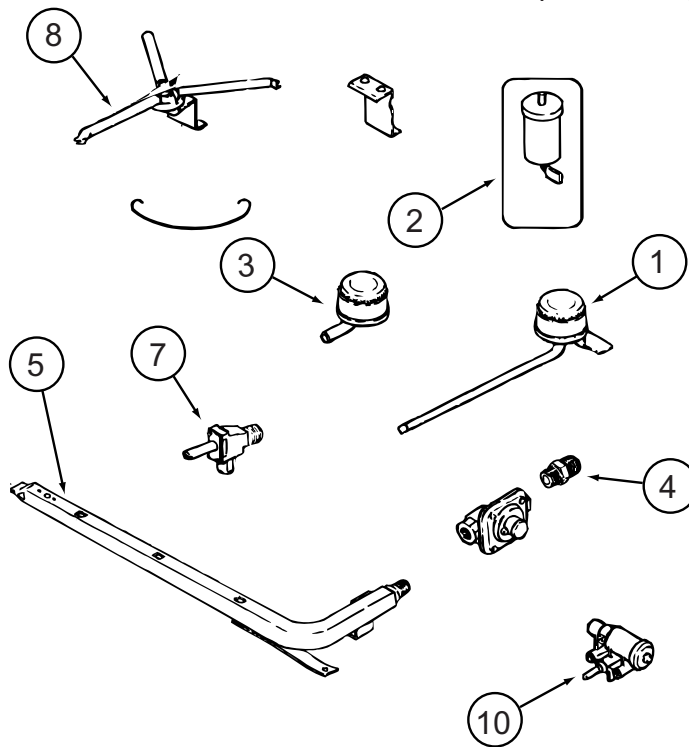


114030-04-01A

KEY	PART NUMBER	U/M	DESCRIPTION	VENDOR NO.
2	102020-01-709	EA	BUMPER-GRATE	8007P020-60
3	112881-04-702	EA	GRATE - BLACK	74007277
4	114030-02-700	EA	GUARD/FABRIC - TOWEL BAR	3609F006-70
5	128728-01-701	EA	KNOB - BURNER - REAR	74003941
5	128728-01-702	EA	KNOB - BURNER - FRONT	74003942
6	128728-01-703	EA	PIN/T-NUT F/HINGE	7103P109-60
7	114030-04-700	EA	PANEL - MANIFOLD - BLACK	74007325
8	126023-01-728	EA	TOP - MAIN (BLACK)	74003323
9	114030-01-704	EA	TRIM - RIGHT/BLACK TEXTURED	74002839
10	114030-01-705	EA	TRIM - LEFT/BLACK TEXTURED	74002840
11	114030-01-706	EA	TRIM - REAR/BLACK TEXTURED	74002841
12	102020-01-724	EA	BUMPER - MAIN TOP	8003P008-60
13	128728-01-707	EA	KNOB - IGNITER	74003944

CONTACT WINNEBAGO PART SALES FOR UNLISTED COMPONENTS

**APPLIANCE GROUP (CONTINUED)**  
**COMPONENT PARTS FOR APPLIANCES (CONTINUED)**



**114030-04-01A (CONTINUED)**

KEY	PART NUMBER	U/M	DESCRIPTION	VENDOR NO.
1	126023-01-700	EA	BURNER - TOP (RT-REAR)	74004583
1	112881-04-700	EA	BURNER - TOP /LEFT - REAR	74004584
2	126023-01-711	EA	ELECTRODE - IGNITER (ONLY)	7432P077-60
2	112881-04-705	EA	PUSH RING - ELECTRODE MOUNTING	7104P002-60
3	112881-04-701	EA	BURNER - TOP/FRONT	74004582
4	135065-03-700	EA	FITTING - HALF UNION	74004234
5	126023-02-702	EA	PIPE - MANIFOLD	74004360
7	126023-02-705	EA	VALVE - BURNER (REAR)	74004362
7	126023-02-706	EA	VALVE - BURNER (FRONT)	74004363
8	126023-01-736	EA	FLASH TUBE EXTENSION (REAR)	74003326
8	126023-01-737	EA	FLASH TUBE EXTENSION (FRONT)	74003327
10	126023-01-719	EA	IGNITER HEAD - TOP BURNER	74002413

CONTACT WINNEBAGO PART SALES FOR UNLISTED COMPONENTS

**APPLIANCE GROUP (CONTINUED)**  
**COMPONENT PARTS FOR APPLIANCES (CONTINUED)**

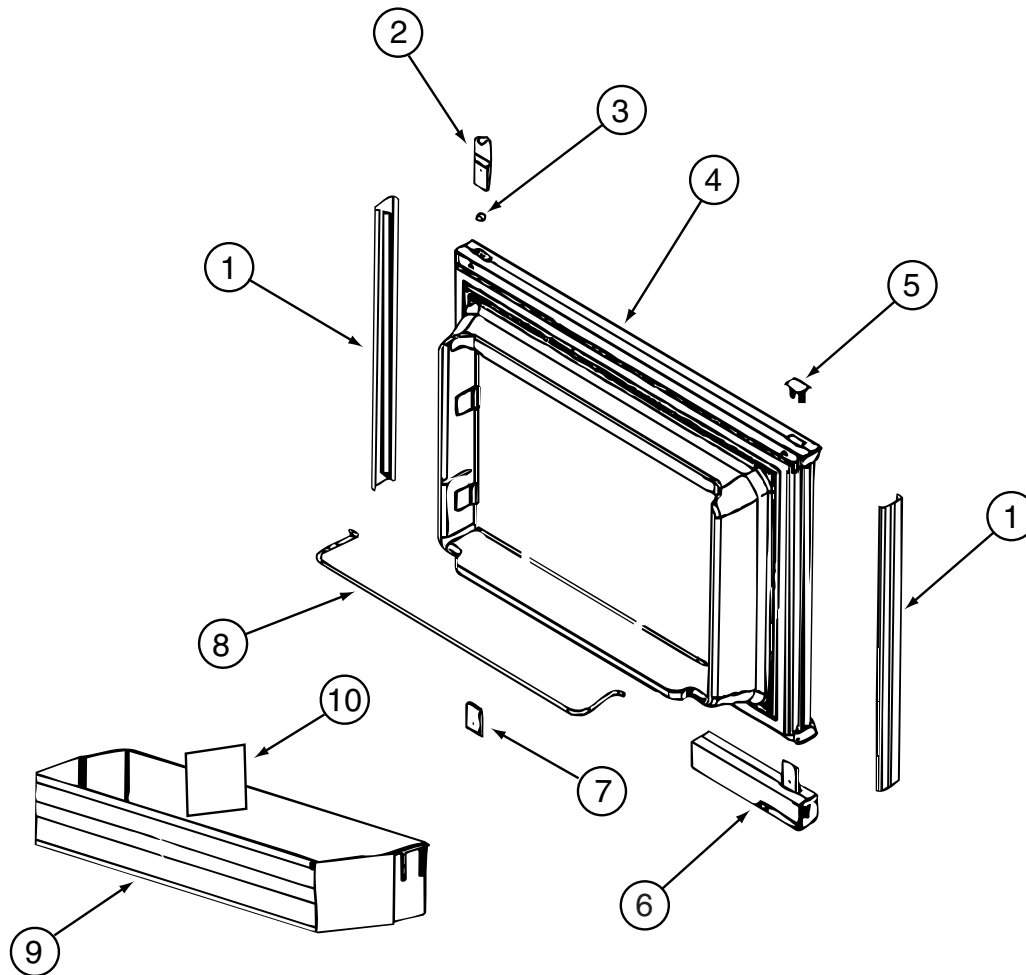
115504-01-000

<b>KEY</b>	<b>PART NUMBER</b>	<b>U/M</b>	<b>DESCRIPTION</b>	<b>VENDOR NO.</b>
	115504-01-700	EA	PLUG & CABLE, 10 WATT PANEL	600-016

119267-13-01A

<b>KEY</b>	<b>PART NUMBER</b>	<b>U/M</b>	<b>DESCRIPTION</b>	<b>VENDOR NO.</b>
	119267-04-700	EA	FILTER-GREASE	BOO2

**APPLIANCE GROUP (CONTINUED)**  
**COMPONENT PARTS FOR APPLIANCES (CONTINUED)**

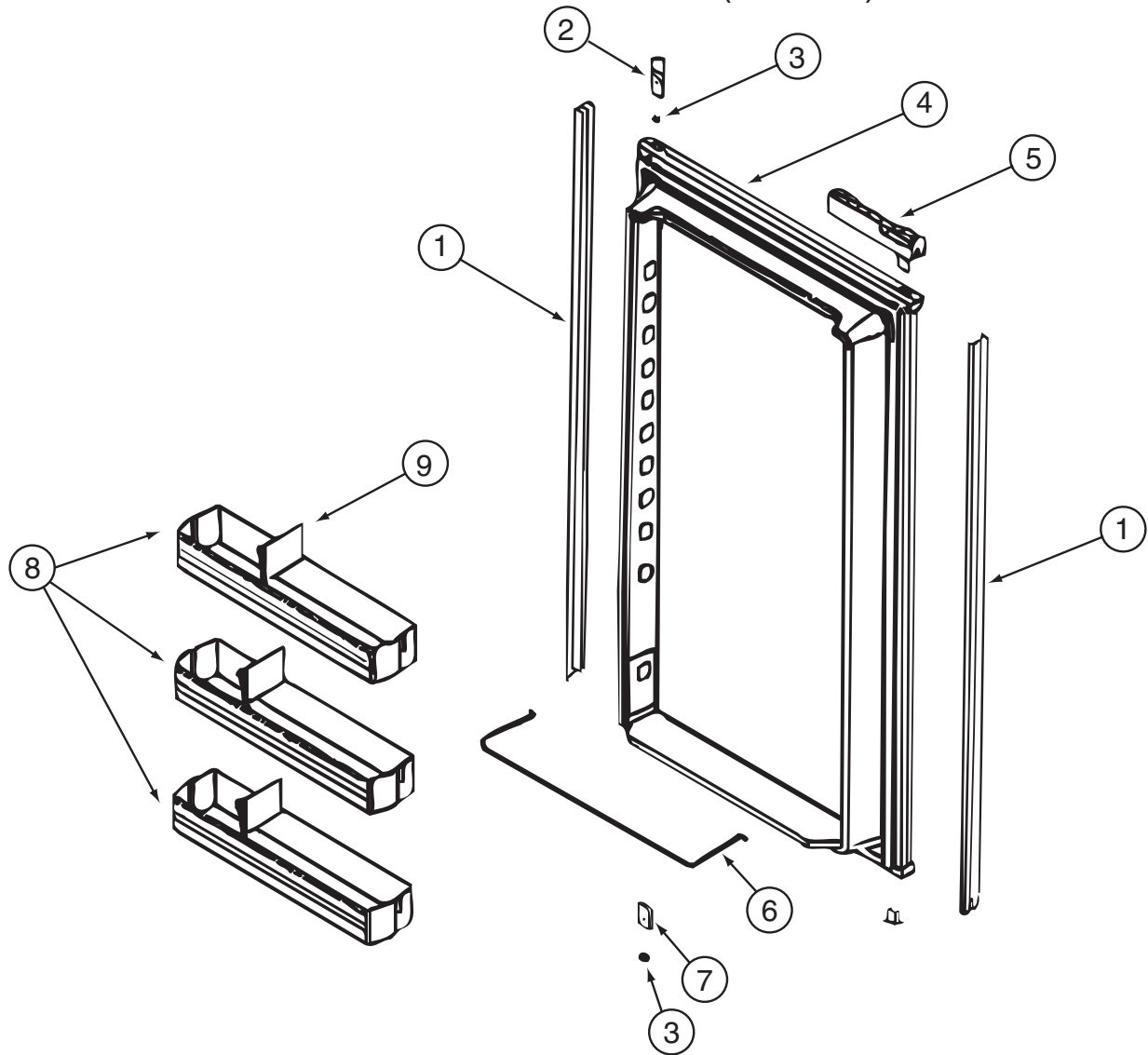


120075-12-01A, 120075-13-01A, 120075-14-01A, 120075-15-01A

KEY	PART NUMBER	U/M	DESCRIPTION	VENDOR NO.
1	121568-03-700	EA	RETAINER - DOOR PANEL/BLACK	619558
2	120075-01-701	EA	HINGE-TOP RH/BOTTOM LH(DOOR)	618511
3	121568-03-701	EA	BUSHING - HINGE PIN/GRAY	619671
4	121568-03-702	EA	DOOR LINER - W/TRIM/BLACK	619627 - SMALL DOOR
5	120075-01-702	EA	CAP, (HINGE PLUG)	618160
6	120075-12-700	EA	HANDLE(CONTOUR)TOP LH/BTM RH	621105
	120075-12-702	EA	HANDLE/HOUSING-TOP-LH/BTM RH	618159GEN
6	120075-12-701	EA	HANDLE(CONTOUR)TOP RH/BTM LH	621104
	120075-12-707	EA	LATCH	619648
	120075-12-709	EA	HANDLE/HOUSING-BTM LH/TOP RH	618122GEN
6	121568-03-703	EA	HANDLE/FLUSH-TOP/RH-LWR/LH	619865
6	121568-03-708	EA	HANDLE/FLUSH-TOP/LH-LWR/RH	619866
7	120075-01-705	EA	HINGE-TOP LH/BOTTOM RH(DOOR)	618510
8	121568-01-700	EA	RAIL - DOOR UPPER	618618
9	120075-07-700	EA	DOOR BIN - CLEAR	619006
10	120075-07-701	EA	DIVIDER/DOOR BIN CLEAR	619008
	121568-03-704	EA	TRAVEL LATCH - GRAY	619647
	121568-03-705	EA	STORAGE LATCH - GRAY	619648



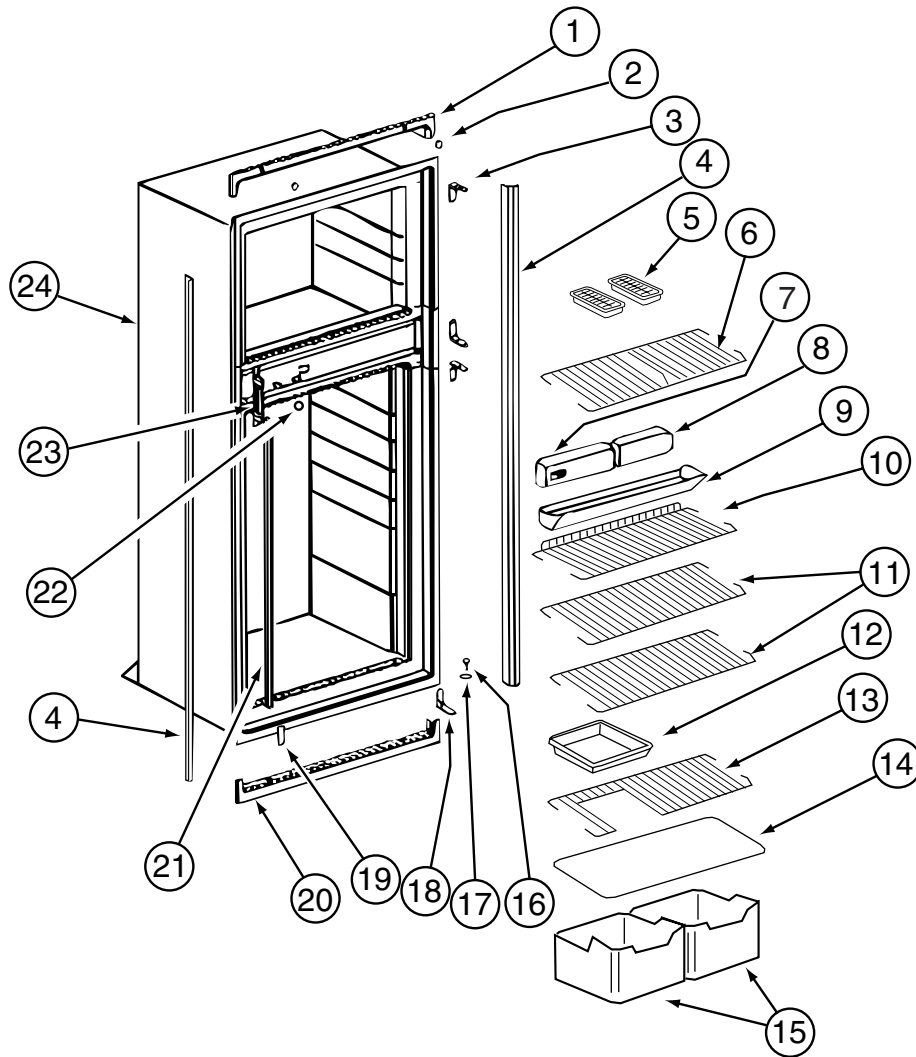
**APPLIANCE GROUP (CONTINUED)**  
**COMPONENT PARTS FOR APPLIANCES (CONTINUED)**



**120075-12-01A, 120075-13-01A, 120075-14-01A, 120075-15-01A (CONTINUED)**

KEY	PART NUMBER	U/M	DESCRIPTION	VENDOR NO.
1	120075-07-702	EA	RETAINER - DOOR PANEL/BLACK	619560
2	120075-01-701	EA	HINGE-TOP RH/BOTTOM LH(DOOR)	618511
3	121568-03-701	EA	BUSHING - HINGE PIN/GRAY	619671
4	120075-07-703	EA	DOOR LINER - BLACK	619631 - LARGE DOOR
5	120075-12-700	EA	HANDLE(CONTOUR)TOP LH/BTM RH	621105
	120075-12-702	EA	HANDLE/HOUSING-TOP-LH/BTM RH	618159GEN
5	120075-12-701	EA	HANDLE(CONTOUR)TOP RH/BTM LH	621104
	120075-12-707	EA	LATCH	619648
	120075-12-709	EA	HANDLE/HOUSING-BTM LH/TOP RH	618122GEN
5	121568-03-703	EA	HANDLE/FLUSH-TOP/RH-LWR/LH	619865
5	121568-03-708	EA	HANDLE/FLUSH-TOP/LH-LWR/RH	619866
6	121568-01-704	EA	RAIL - DOOR LOWER	618578
7	120075-01-705	EA	HINGE-TOP LH/BOTTOM RH(DOOR)	618510
8	120075-07-700	EA	DOOR BIN - CLEAR	619006
8	120075-07-704	EA	DOOR BIN - LARGE/CLEAR	619005
9	120075-07-701	EA	DIVIDER/DOOR BIN CLEAR	619008
	121568-03-704	EA	TRAVEL LATCH - GRAY	619647
	121568-03-705	EA	STORAGE LATCH - GRAY	619648

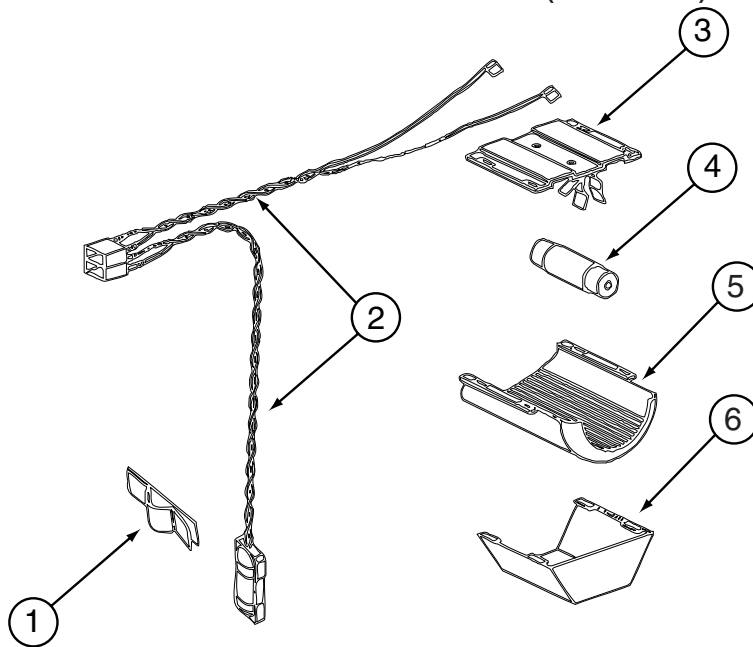
**APPLIANCE GROUP (CONTINUED)**  
**COMPONENT PARTS FOR APPLIANCES (CONTINUED)**



**120075-12-01A, 120075-13-01A, 120075-14-01A, 120075-15-01A (CONTINUED)**

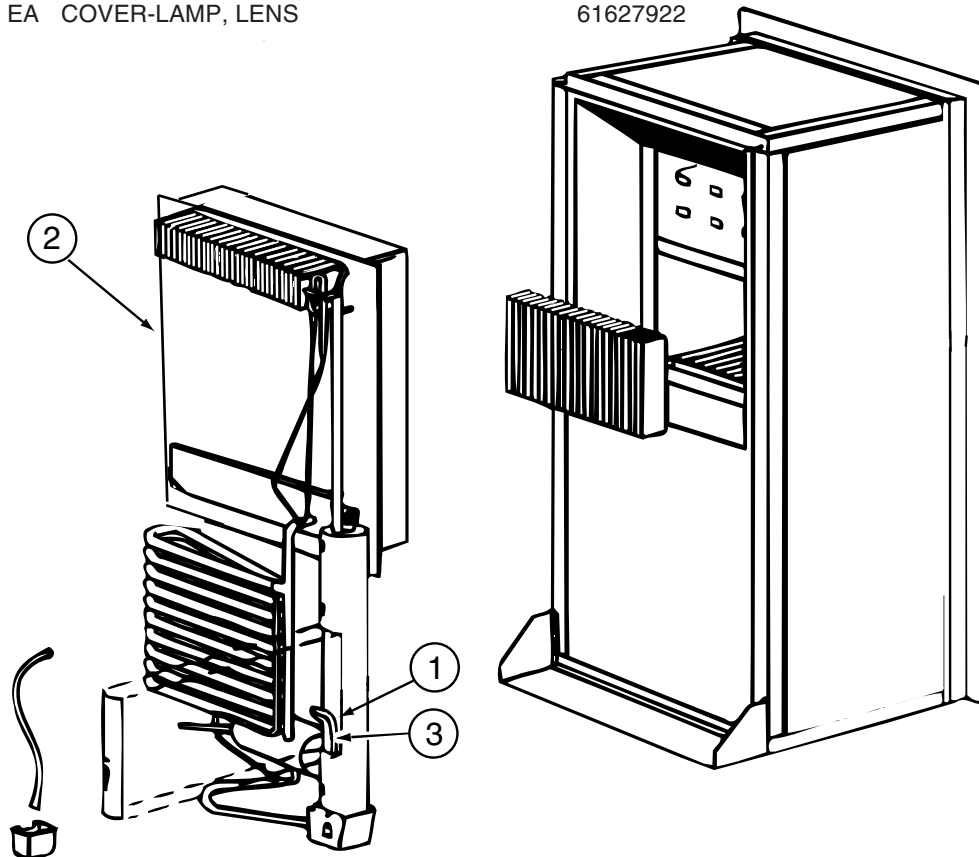
KEY	PART NUMBER	U/M DESCRIPTION	VENDOR NO.
1	121568-03-709	EA TRIM - TOP/BLACK	619687
2	120075-01-714	EA PLUG-HOLE (BLACK)	618170
3	121568-03-710	EA HINGE/CABINET-TOP/RH-LWR/LH	619335
4	120075-07-705	EA TRIM - SIDE - BLACK	622296
5	104137-06-724	EA ICE TRAY	61630422
6	120075-07-706	EA SHELF - WIRE/FREEZER	620249
7	120075-07-707	EA CONTROL BOX - BLACK	619665
8	121568-03-713	EA FRONT BOX/DECORATIVE-BLACK	619282
9	120075-01-720	EA TRAY-DRIP	618137
10	120075-01-722	EA SHELF-WIRE, SHORT	620269
11	120075-01-723	EA SHELF-WIRE	620270
12	104137-06-718	EA SHELF-TRAY, WHITE, W/CUTOUT	617756
13	120075-01-724	EA SHELF-WIRE, W/CUTOUT	618177
14	120075-01-725	EA COVER-CRISPER	618158
15	120075-07-708	EA CRISPER/ICE BIN	619007
16	120075-01-727	EA PIN-HINGE	618145
17	121568-03-701	EA BUSHING - HINGE PIN/GRAY	619671
18	121568-03-715	EA HINGE/CABINET-TOP/LH-LWR/RH	619336
19	121568-03-716	EA COVER - HINGE HOLES	619301
20	120075-01-729	EA TRIM-BOTTOM PIECE	620958
21	120075-01-730	EA RETAINER-SHELF(SER#926684 DN	618181
22	121568-03-717	EA HOLE PLUG - WHITE	619561
23	120075-01-732	EA PLATE-STRIKE	618167
24	120075-09-700	EA CABINET - FOAMED	619660
	120075-01-721	EA LOUVER-DRIP TRAY	618176

**APPLIANCE GROUP (CONTINUED)**  
**COMPONENT PARTS FOR APPLIANCES (CONTINUED)**



120075-12-01A, 120075-13-01A, 120075-14-01A, 120075-15-01A (CONTINUED)

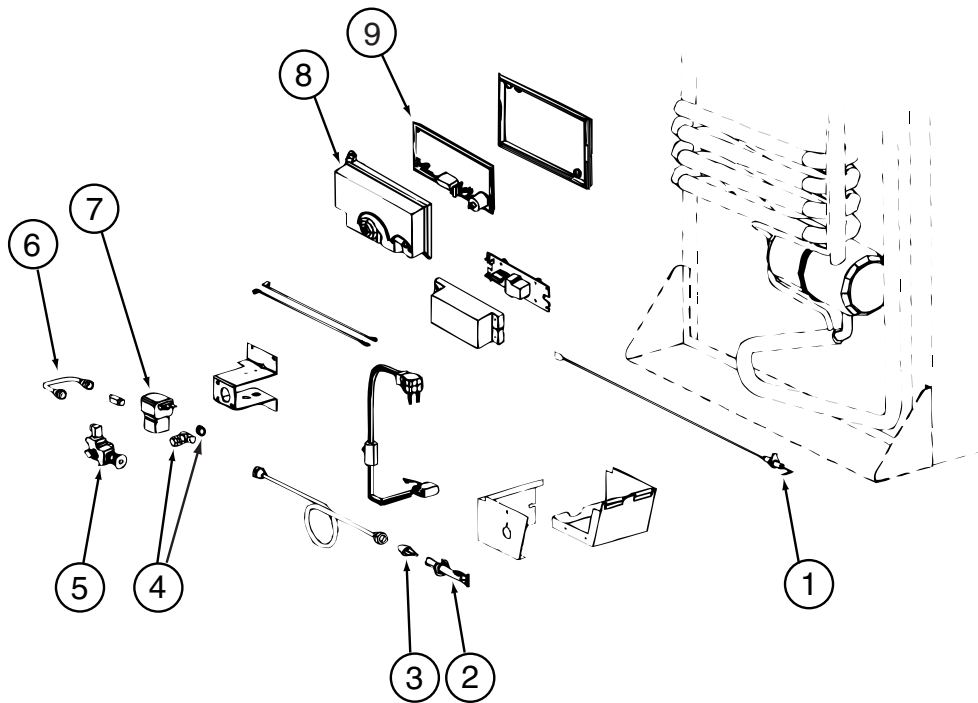
KEY	PART NUMBER	U/M DESCRIPTION	VENDOR NO.
1	084880-01-760	EA CLIP (THERMISTER)	61689122
2	120075-01-735	EA THERMISTER W/LAMP & WIRE/ASM	618548
3	084880-03-705	EA BRACKET-LIGHT-INTERIOR	61629722
4	084880-03-706	EA BULB-LAMP	61628922
5	120075-01-734	EA COVER-LENS	618190
6	084880-03-707	EA COVER-LAMP, LENS	61627922



120075-12-01A, 120075-13-01A, 120075-14-01A, 120075-15-01A (CONTINUED)

KEY	PART NUMBER	U/M DESCRIPTION	VENDOR NO.
1	088248-01-710	EA HEATER DC (HORIZONTAL)	61562822
2	120075-01-736	EA COOLING UNIT, SERVICE PACK	618542
3	088248-01-709	EA HEATER-AC (HORIZONTAL)	61562722

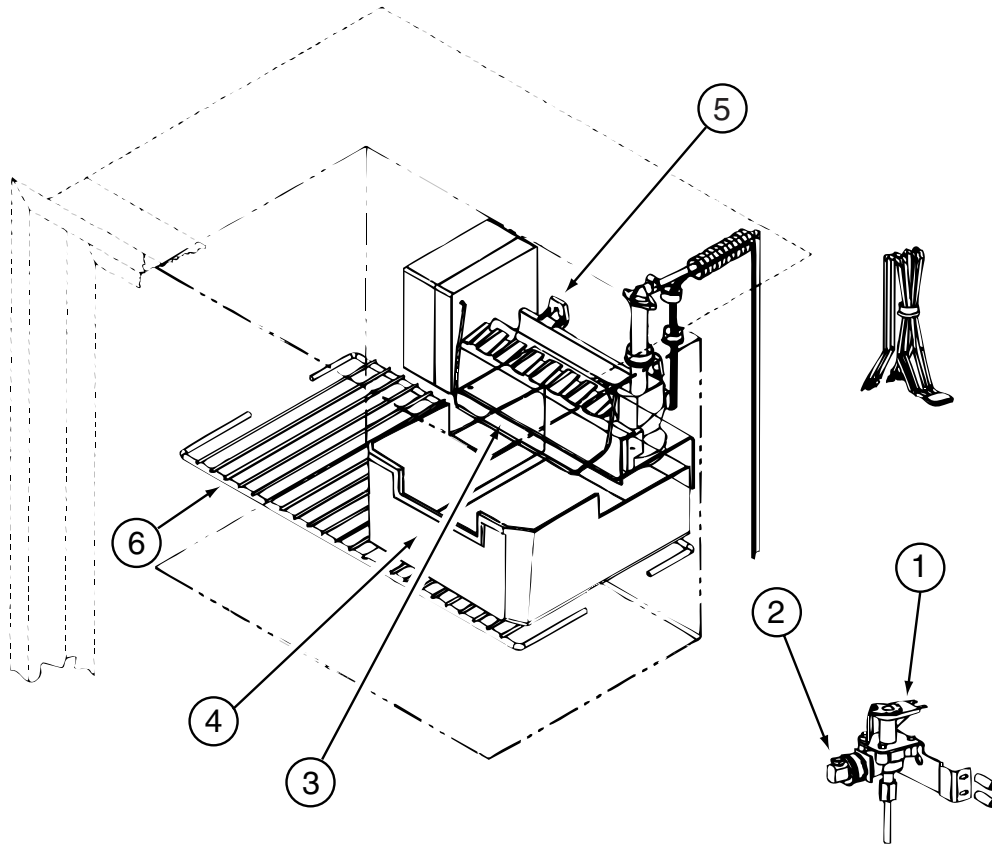
**APPLIANCE GROUP (CONTINUED)**  
**COMPONENT PARTS FOR APPLIANCES (CONTINUED)**



**120075-12-01A, 120075-13-01A, 120075-14-01A, 120075-15-01A (CONTINUED)**

KEY	PART NUMBER	U/M	DESCRIPTION	VENDOR NO.
1	104137-06-715	EA	ELECTRODE-SPARK/SENSOR, SGL	61692222
2	104137-06-714	EA	BURNER ASSEMBLY, 5-SLOT	61705222
3	120075-01-737	EA	ORIFICE - JEWEL - .0155	618284
4	113737-01-702	EA	PLUG 1/8" F/PRESSURE TAP	61445322
4	113737-01-716	EA	TAP-PRESSURE	61594422
5	104137-06-734	EA	VALVE-SHUT OFF/MAN-NEW STYLE	618696
6	113737-01-750	EA	TUBE-UNION	61694622
7	084880-01-718	EA	VALVE-GAS, (ASCO)	621447
8	120075-01-738	EA	COVER-POWER BOARD	618185
9	120075-07-710	EA	POWER - BOARD - 2-WAY	619360 = 621269
	120075-01-744	EA	KIT - GAS VALVE/BURNER TUBE	620609

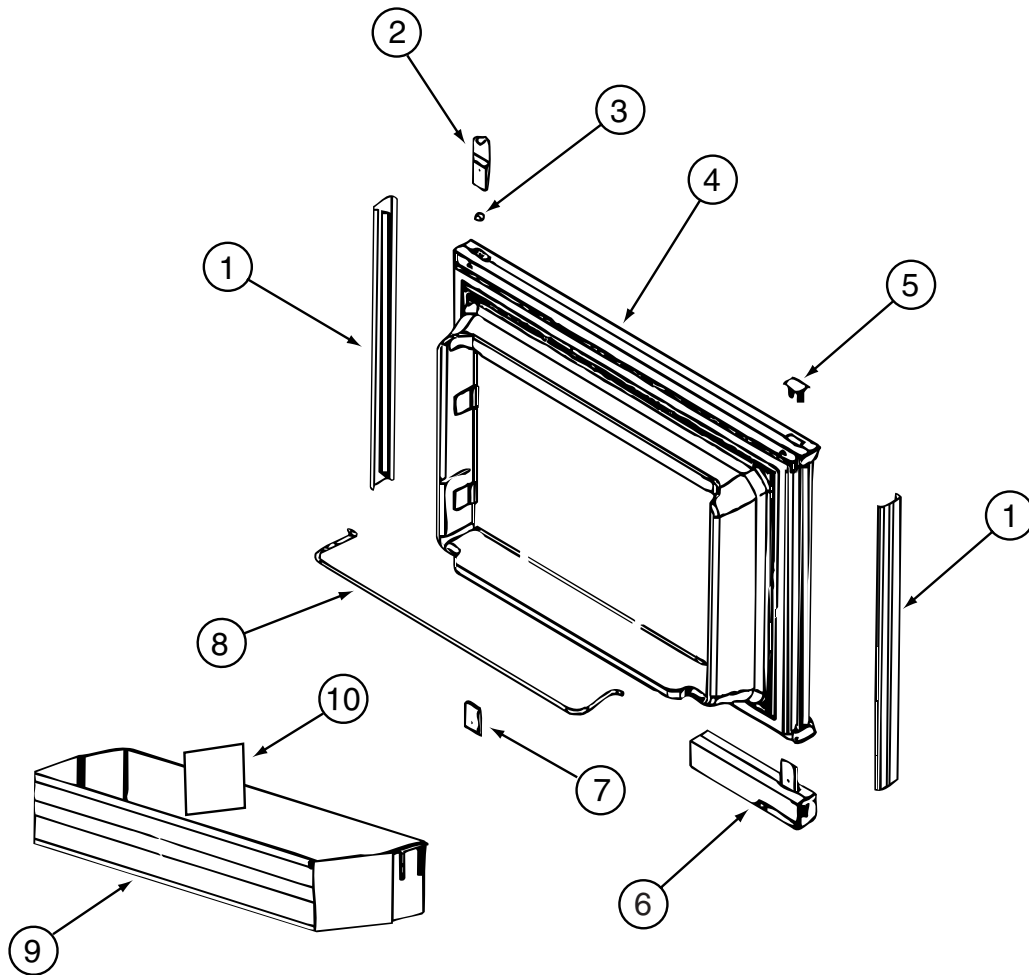
**APPLIANCE GROUP (CONTINUED)**  
**COMPONENT PARTS FOR APPLIANCES (CONTINUED)**



**120075-13-01A, 120075-14-01A (CONTINUED)**

KEY	PART NUMBER	U/M	DESCRIPTION	VENDOR NO.
1	120075-09-701	EA	WATER VALVE W/BRACKET	618253
2	120075-03-702	EA	NUT/COMPRESSION - FITTING	61678722
3	120075-03-703	EA	ARM-SHUT OFF	61656922
4	120075-03-704	EA	BIN-ICE CUBE	618154
5	094039-07-706	EA	ICE MAKER W/O PLATES	61656522
6	120075-01-717	EA	SHELF-FREEZER, WIRE	618172

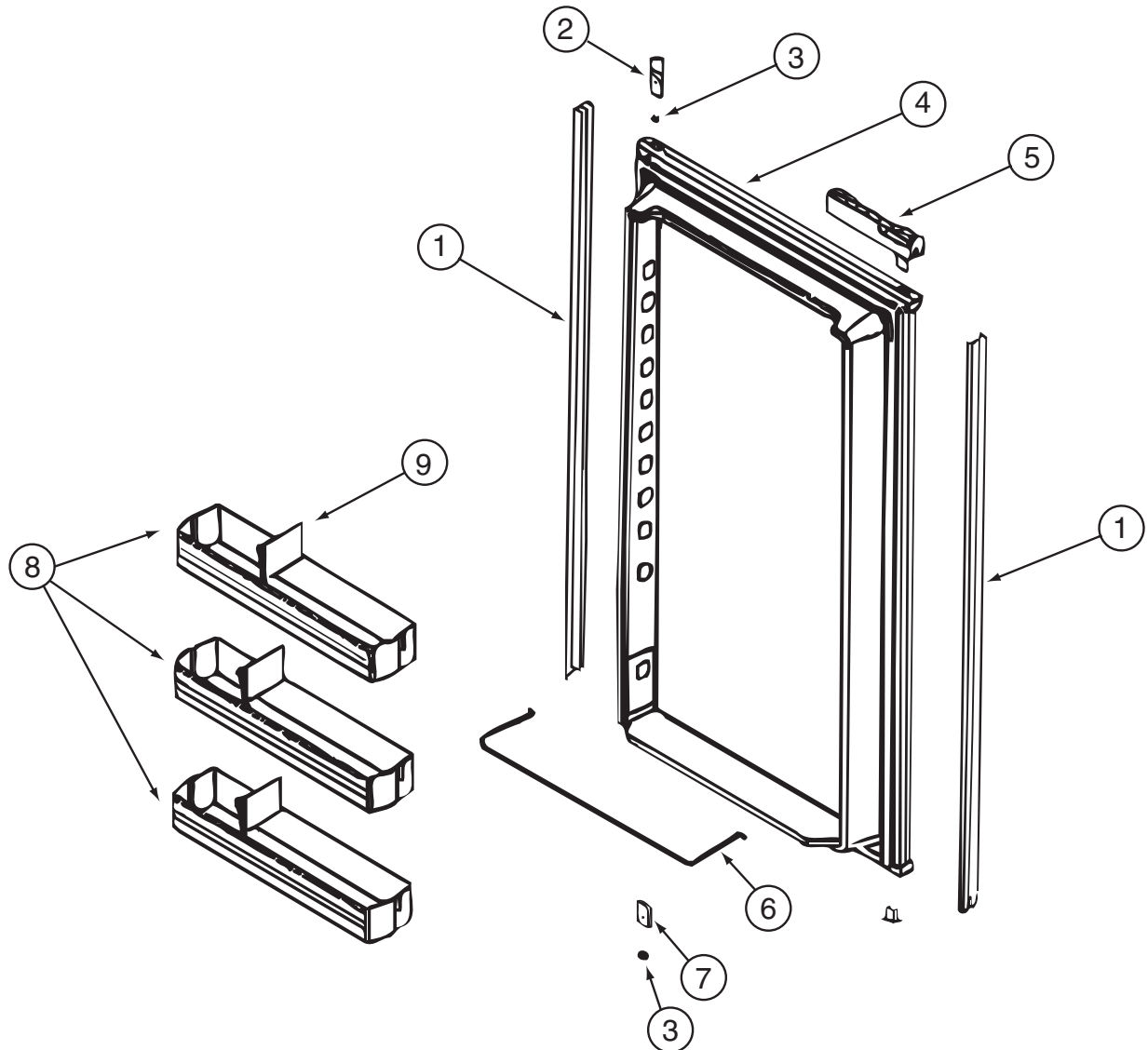
**APPLIANCE GROUP (CONTINUED)**  
**COMPONENT PARTS FOR APPLIANCES (CONTINUED)**



121569-05-01A, 121569-06-01A & 121569-07-01A

KEY	PART NUMBER	U/M	DESCRIPTION	VENDOR NO.
1	121568-03-700	EA	RETAINER - DOOR PANEL/BLACK	619558
2	120075-01-701	EA	HINGE-TOP RH/BOTTOM LH(DOOR)	618511
3	121568-03-701	EA	BUSHING - HINGE PIN/GRAY	619671
4	121568-03-702	EA	DOOR LINER - W/TRIM/BLACK	619627 - SMALL DOOR
5	120075-01-702	EA	CAP, (HINGE PLUG)	618160
6	120075-12-700	EA	HANDLE(CONTOUR)TOP LH/BTM RH	621105
7	120075-01-705	EA	HINGE-TOP LH/BOTTOM RH(DOOR)	618510
8	121568-01-700	EA	RAIL - DOOR UPPER	618618
9	120075-07-700	EA	DOOR BIN - CLEAR	619006
10	120075-07-701	EA	DIVIDER/DOOR BIN CLEAR	619008
	121568-03-705	EA	STORAGE LATCH - GRAY	619648

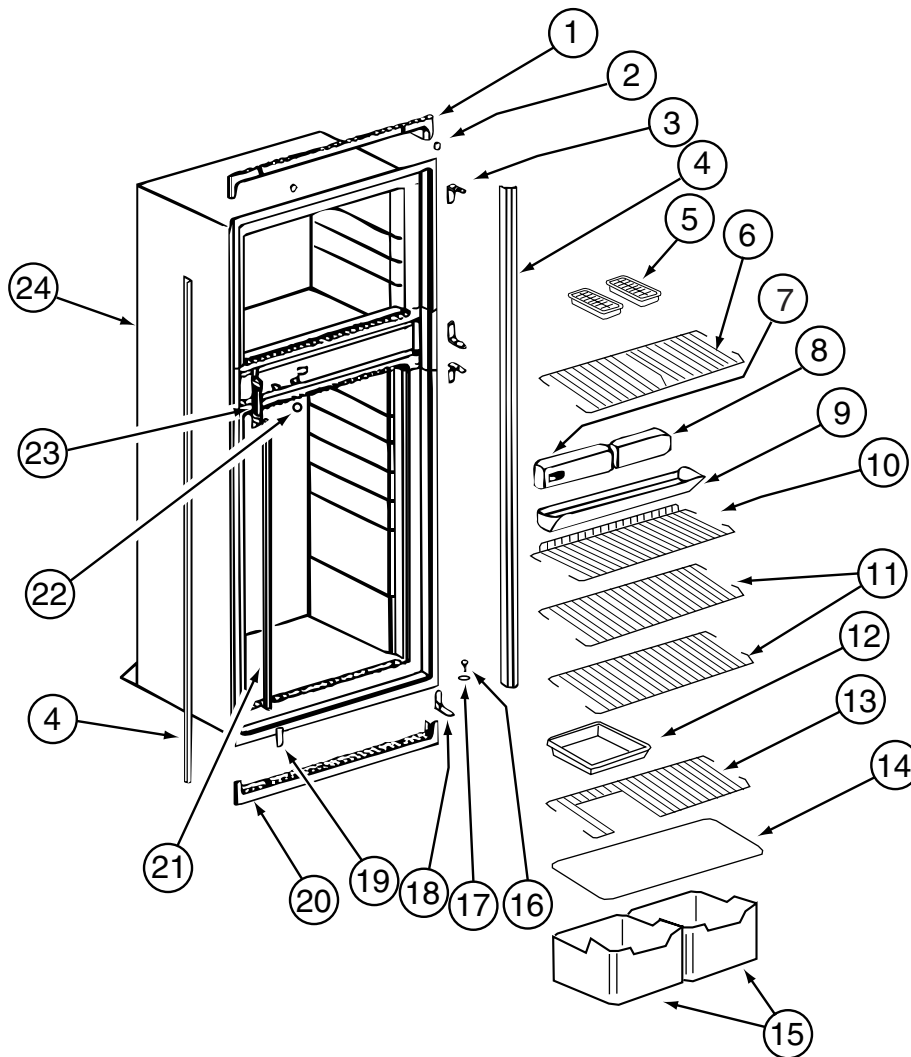
**APPLIANCE GROUP (CONTINUED)**  
**COMPONENT PARTS FOR APPLIANCES (CONTINUED)**



121569-05-01A, 121569-06-01A & 121569-07-01A (CONTINUED)

KEY	PART NUMBER	U/M	DESCRIPTION	VENDOR NO.
1	120075-07-702	EA	RETAINER - DOOR PANEL/BLACK	619560
2	120075-01-701	EA	HINGE-TOP RH/BOTTOM LH(DOOR)	618511
3	121568-03-701	EA	BUSHING - HINGE PIN/GRAY	619671
4	121568-03-707	EA	DOOR LINER - W/BLACK TRIM	619629
5	120075-12-701	EA	HANDLE(CONTOUR)TOP RH/BTM LH	621104
6	121568-01-704	EA	RAIL - DOOR LOWER	618578
7	120075-01-705	EA	HINGE-TOP LH/BOTTOM RH(DOOR)	618510
8	121568-01-701	EA	BIN - DOOR WHITE	618619
9	120075-07-701	EA	DIVIDER/DOOR BIN CLEAR	619008
	121568-03-705	EA	STORAGE LATCH - GRAY	619648

**APPLIANCE GROUP (CONTINUED)**  
**COMPONENT PARTS FOR APPLIANCES (CONTINUED)**



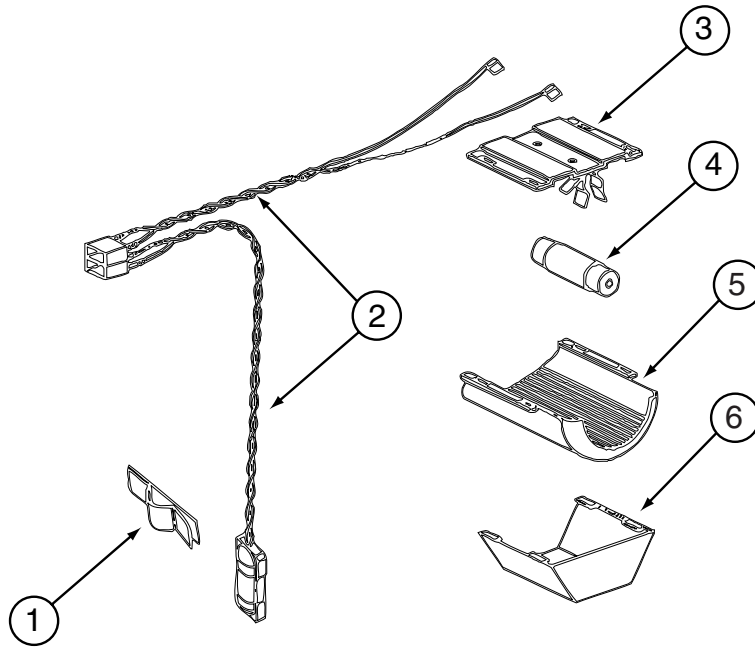
**121569-05-01A, 121569-06-01A & 121569-07-01A (CONTINUED)**

KEY	PART NUMBER	U/M	DESCRIPTION	VENDOR NO.
1	121568-03-709	EA	TRIM - TOP/BLACK	619687
2	120075-01-714	EA	PLUG-HOLE	618170
3	121568-03-710	EA	HINGE/CABINET-TOP/RH-LWR/LH	619335
4	120075-07-705	EA	TRIM - SIDE - BLACK	619802
6	121568-03-712	EA	SHELF - WIRE/FREEZER	620250
7	121568-03-714	EA	CONTROL ASM - 2 WAY BLACK	619350
8	121568-03-713	EA	FRONT BOX/DECORATIVE-BLACK	619282
9	120075-01-720	EA	TRAY-DRIP	618137
10	121568-01-707	EA	SHELF - WIRE - SHORT	618624
11	121568-01-708	EA	SHELF - WIRE	618589
14	120075-01-725	EA	COVER-CRISPER	618158
15	121568-01-709	EA	CRISPER	618571
16	120075-01-727	EA	PIN-HINGE	618145
18	121568-03-715	EA	HINGE/CABINET-TOP/LH-LWR/RH	619336
19	121568-03-716	EA	COVER - HINGE HOLES	619301
20	120075-01-729	EA	TRIM-BOTTOM PIECE	618136
21	120075-01-730	EA	RETAINER-SHELF	618181
22	121568-03-717	EA	HOLE PLUG - WHITE	619561
23	120075-01-732	EA	PLATE-STRIKE	618167
24	120075-07-709	EA	CABINET - FOAMED	619347
	120075-01-721	EA	LOUVER-DRIP TRAY	618176

CONTACT WINNEBAGO PART SALES FOR UNLISTED COMPONENTS



**APPLIANCE GROUP (CONTINUED)**  
**COMPONENT PARTS FOR APPLIANCES (CONTINUED)**

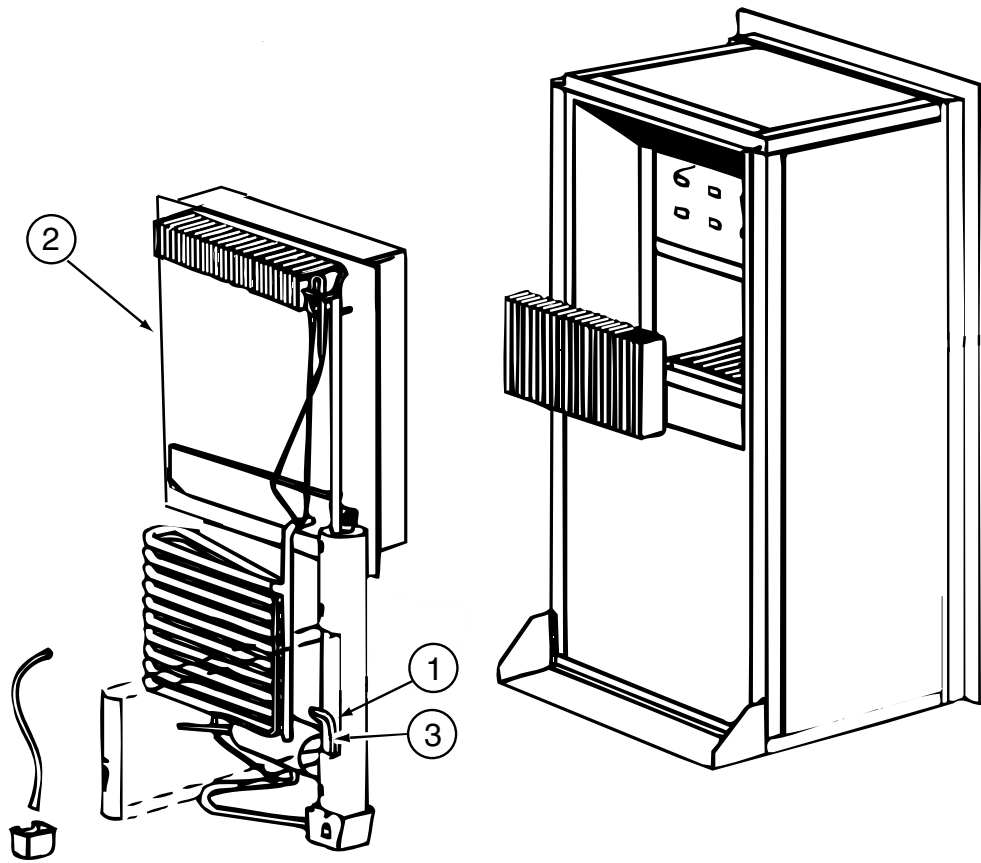


121569-05-01A, 121569-07-01A (CONTINUED)

KEY	PART NUMBER	U/M	DESCRIPTION	VENDOR NO.
1	084880-01-760	EA	CLIP (THERMISTER)	61689122
2	120075-01-735	EA	THERMISTER W/LAMP & WIRE/ASM	618548
3	084880-03-705	EA	BRACKET-LIGHT-INTERIOR	61629722
4	084880-03-706	EA	BULB-LAMP	61628922
6	084880-03-707	EA	COVER-LAMP, LENS	61627922

CONTACT WINNEBAGO PART SALES FOR UNLISTED COMPONENTS

**APPLIANCE GROUP (CONTINUED)**  
**COMPONENT PARTS FOR APPLIANCES (CONTINUED)**

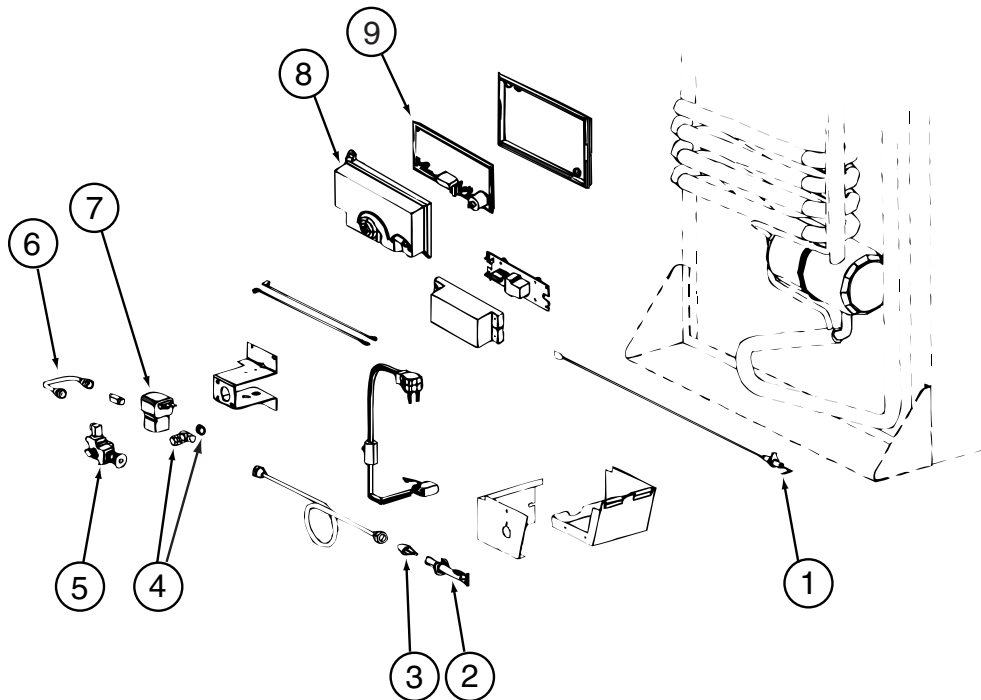


121569-05-01A, 121569-07-01A (CONTINUED)

KEY	PART NUMBER	U/M	DESCRIPTION	VENDOR NO.
2	120075-01-736	EA	COOLING UNIT, SERVICE PACK	618542
3	088248-01-709	EA	HEATER-AC (HORIZONTAL)	61562722
	120075-01-744	EA	KIT - GAS VALVE/BURNER TUBE	620609

CONTACT WINNEBAGO PART SALES FOR UNLISTED COMPONENTS

**APPLIANCE GROUP (CONTINUED)**  
**COMPONENT PARTS FOR APPLIANCES (CONTINUED)**

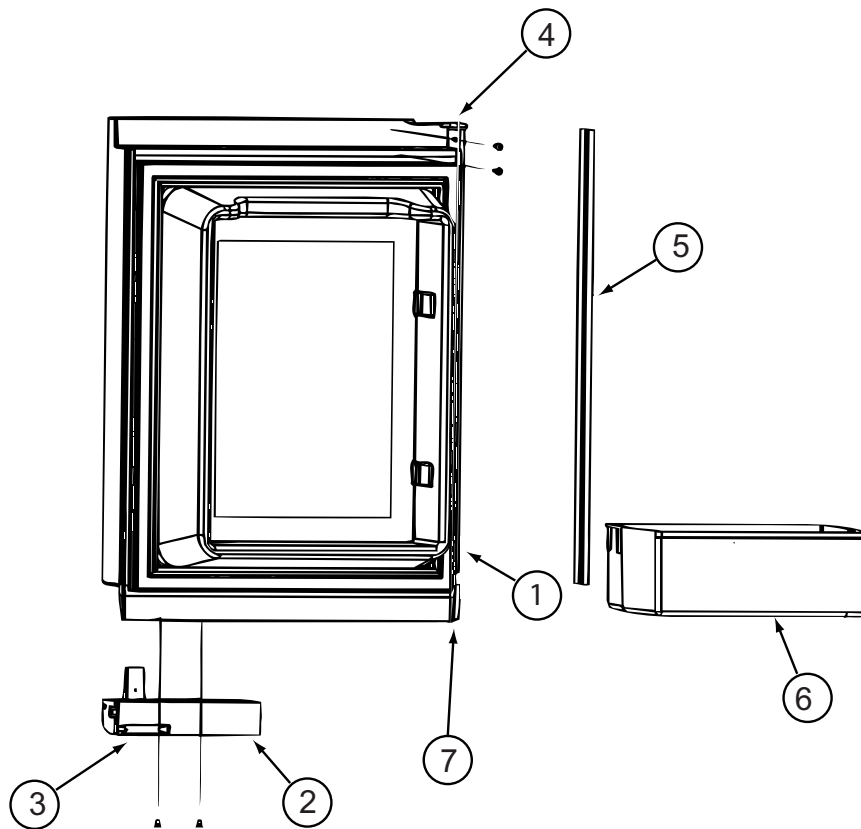


**121569-05-01A, 121569-07-01A (CONTINUED)**

KEY	PART NUMBER	U/M	DESCRIPTION	VENDOR NO.
1	104137-06-715	EA	ELECTRODE-SPARK/SENSOR, SGL	61692222
2	104137-06-714	EA	BURNER ASSEMBLY, 5-SLOT	61705222
3	120075-01-737	EA	ORIFICE - JEWEL - .0155	618284
4	113737-01-702	EA	PLUG 1/8" F/PRESSURE TAP	61445322
4	113737-01-716	EA	TAP-PRESSURE	61594422
6	113737-01-750	EA	TUBE-UNION	61694622
7	084880-01-718	EA	VALVE-GAS, (ASCO)	61551822
8	120075-01-738	EA	COVER-POWER BOARD	618185
9	121568-03-719	EA	POWER - BOARD - 2-WAY	619353
	121568-03-720	EA	VALVE/SHUT OF-MANUAL ELECT.	618696

CONTACT WINNEBAGO PART SALES FOR UNLISTED COMPONENTS

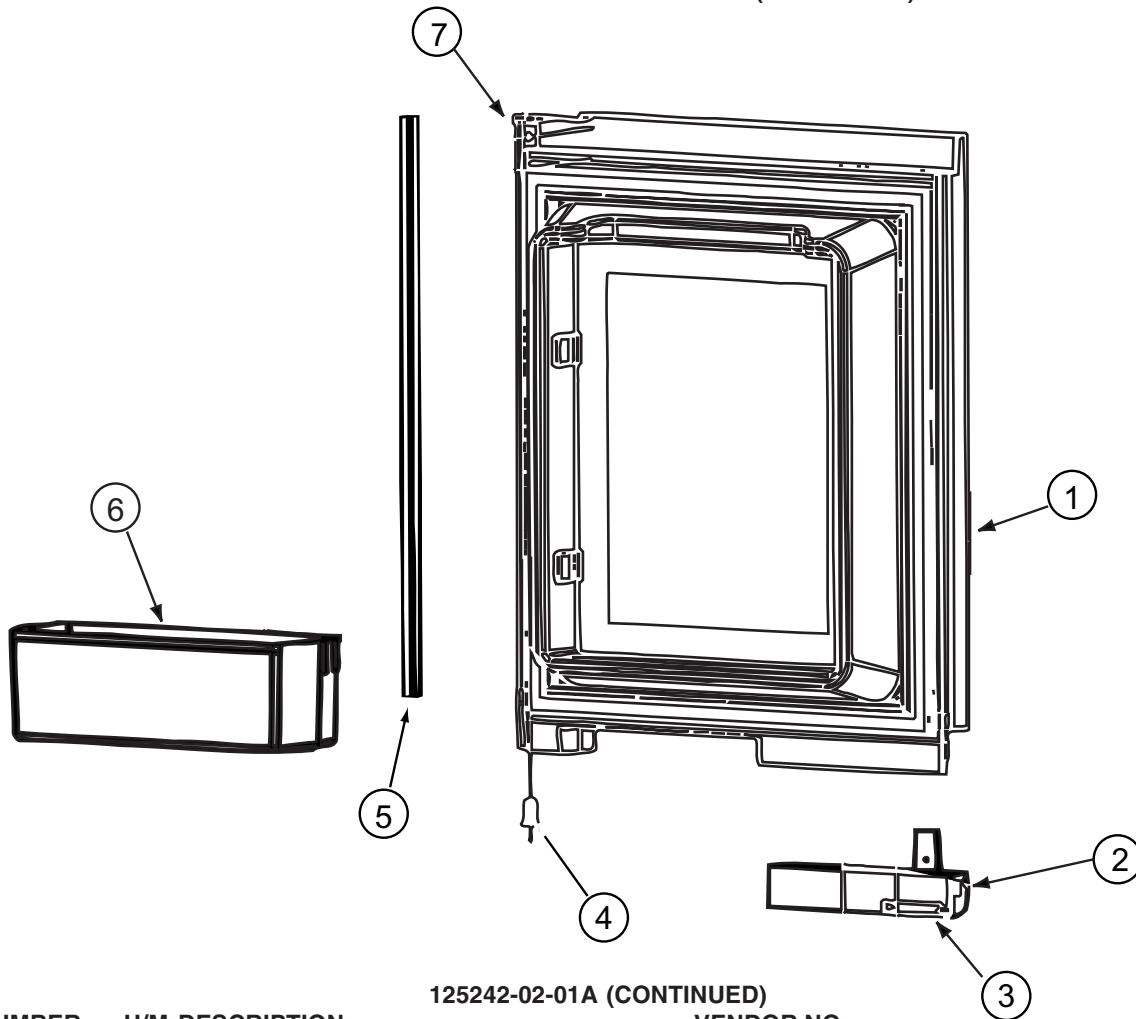
**APPLIANCE GROUP (CONTINUED)**  
**COMPONENT PARTS FOR APPLIANCES (CONTINUED)**



125242-02-01A

KEY	PART NUMBER	U/M	DESCRIPTION	VENDOR NO.
1	125242-01-762	EA	LINER/FOAMED-UPPER/LH-WHITE	619839
1	125242-02-734	EA	LINER/FOAMED-UPPER/LH-BLACK	625212 AFT #1291390
2	125242-02-700	EA	HANDLE(CONTOUR)TOP LH BTM RH	621107
3	125242-02-722	EA	LATCH-STORAGE DR/BLK POINTED	619374
4	125242-02-724	EA	HINGE - DOOR	618792
5	125242-02-723	EA	RETAINER/PANEL-UPPER DOOR	623166
6	125242-03-704	EA	DOOR BIN	622831
7	125242-01-704	EA	BUSHING-HINGE MIDDLE	618746
	125242-02-725	EA	DOOR ASM/UPR LH/WHITE GASKET	621148
	125242-02-735	EA	DOOR ASM/UPR LH/BLACK GASKET	625220 AFT #1291390
	125242-01-719	EA	RETAINER-UPPER PANEL	618825 = 623166

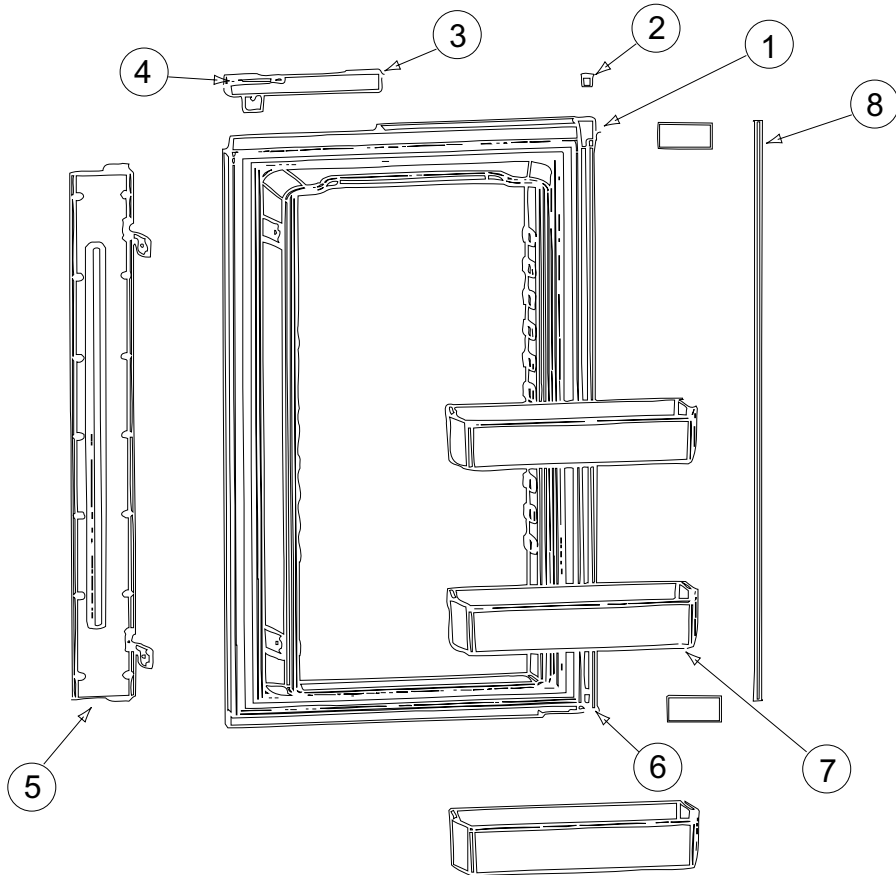
**APPLIANCE GROUP (CONTINUED)**  
**COMPONENT PARTS FOR APPLIANCES (CONTINUED)**



**125242-02-01A (CONTINUED)**

KEY	PART NUMBER	U/M	DESCRIPTION	VENDOR NO.
1	125242-01-763	EA	LINER/FOAMED-UPPER/RH-WHITE	619840
1	125242-02-733	EA	LINER/FOAMED-UPPER/RH-BLACK	625213 1291391 & UP
2	125242-02-701	EA	HANDLE(CONTOUR)TOP RH LWR LH	621106
3	125242-02-722	EA	LATCH-STORAGE DR/BLK POINTED	619374
4	125242-01-704	EA	BUSHING-HINGE MIDDLE	618746
5	125242-02-723	EA	RETAINER/PANEL-UPPER DOOR	623166
6	125242-03-704	EA	BIN - DOOR SHELF	622831
7	125242-02-724	EA	HINGE - DOOR	618792
	125242-02-721	EA	DOOR ASM-UPR/RH/WHITE GASKET	621149
	125242-02-732	EA	DOOR ASM-UPR/RH/BLACK GASKET	625221 1291391 & UP
	125242-01-719	EA	RETAINER-UPPER PANEL	618825 = 623166

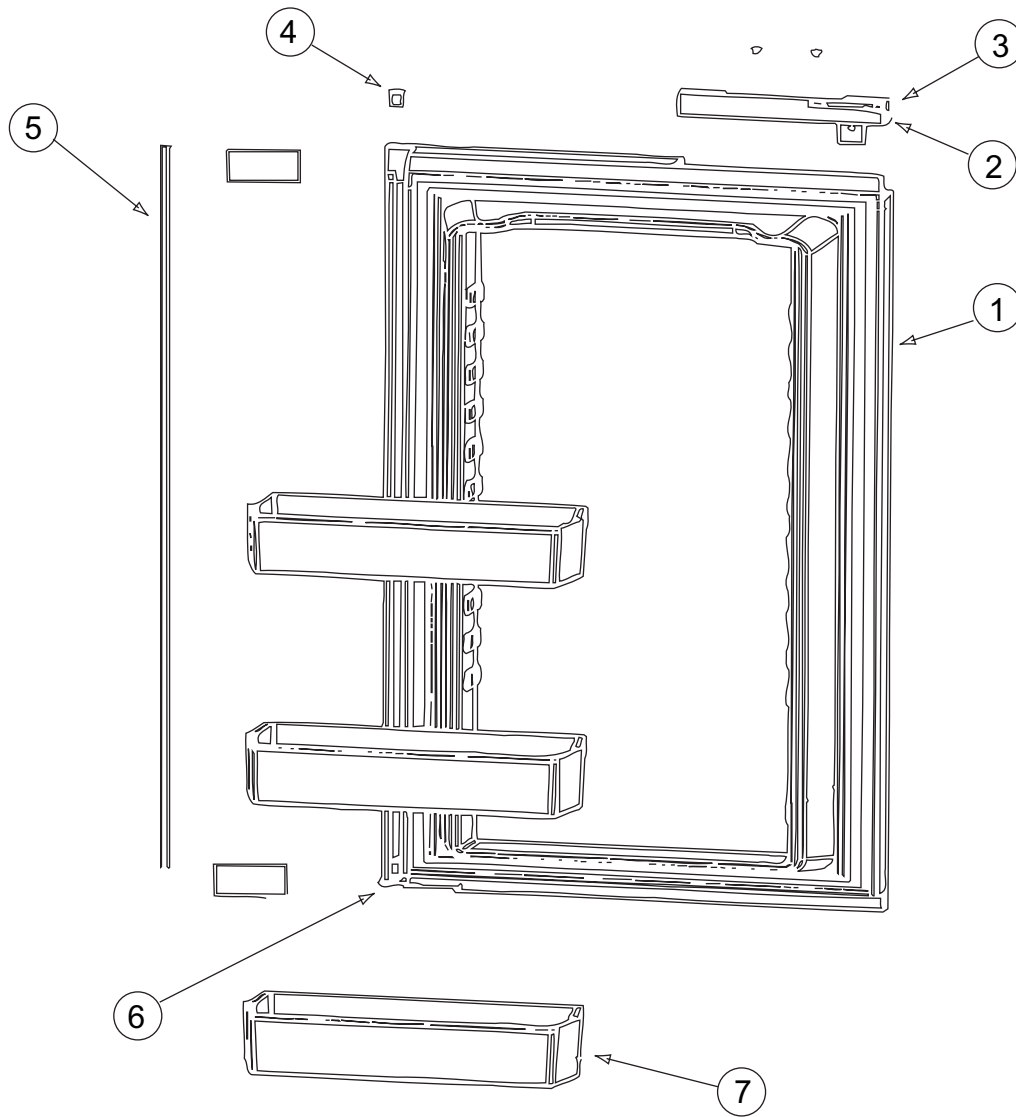
**APPLIANCE GROUP (CONTINUED)**  
**COMPONENT PARTS FOR APPLIANCES (CONTINUED)**



**125242-02-01A (CONTINUED)**

KEY	PART NUMBER	U/M	DESCRIPTION	VENDOR NO.
1	125242-01-765	EA	LINER/FOAMED-LOWER-LH-WHITE	619837
1	125242-02-739	EA	LINER/FOAMED-LOWER-LH-BLACK	625214 1291390 & UP
2	125242-01-704	EA	BUSHING-HINGE MIDDLE	618746
3	125242-02-701	EA	HANDLE(CONTOUR)TOP RH LWR LH	621106
4	125242-02-722	EA	LATCH-STORAGE DR/BLK POINTED	619374
5	125242-02-727	EA	FLAPPER/DBL POLE (SER#540295) UP	619845
5	125242-02-740	EA	FLAPPER/DBL POLE SER#1291391	623887 1291391 & UP
6	125242-02-724	EA	HINGE - DOOR	618792
7	125242-03-704	EA	BIN - DOOR SHELF	622831
8	125242-02-728	EA	RETAINER/PANEL - LOWER	623167
	125242-01-736	EA	CONTACT-PROBE PIN	618886
	125242-02-726	EA	DOOR ASM-LWR LH/WHITE GASKET	621150
	125242-02-738	EA	DOOR ASM-LWR LH/BLACK GASKET	625222 1291390 & UP
	125242-02-716	EA	GUIDE ASM LWR(SER#540294 DN)	620042
	125242-02-717	EA	GUIDE ASM LWR(SER#540295 UP)	620043

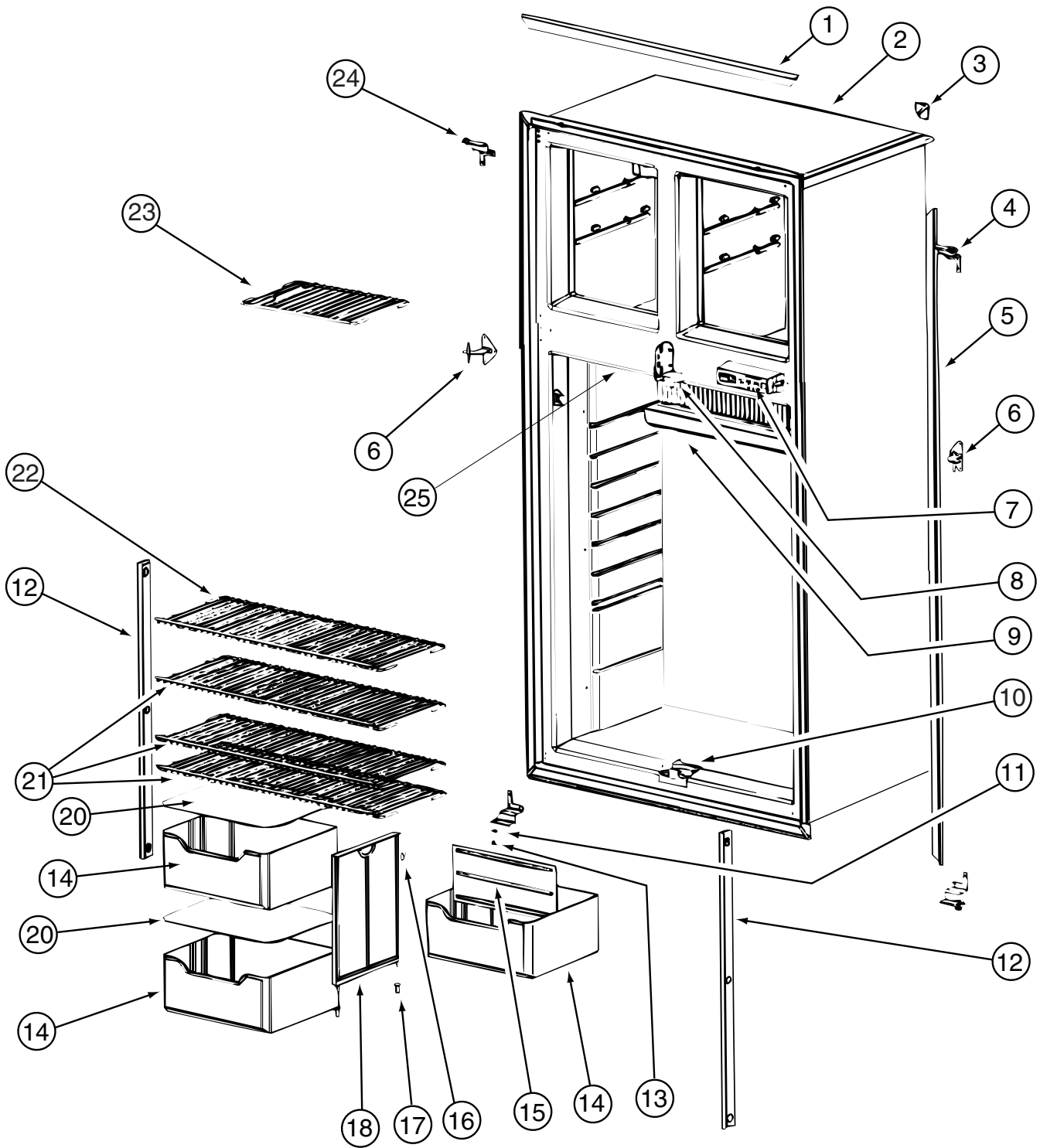
**APPLIANCE GROUP (CONTINUED)**  
**COMPONENT PARTS FOR APPLIANCES (CONTINUED)**



**125242-02-01A (CONTINUED)**

KEY	PART NUMBER	U/M	DESCRIPTION	VENDOR NO.
1	125242-01-764	EA	LINER/FOAMED-LOWER/RH-WHITE	619838
1	125242-02-737	EA	LINER/FOAMED-LOWER/RH-BLACK	625215 F/1291391&UP
2	125242-02-700	EA	HANDLE(CONTOUR)TOP LH BTM RH	621107
3	125242-02-722	EA	LATCH-STORAGE DR/BLK POINTED	619374
4	125242-01-704	EA	BUSHING-HINGE MIDDLE	618746
5	125242-02-728	EA	RETAINER/PANEL - LOWER	623167
6	125242-02-724	EA	HINGE - DOOR	618792
7	125242-03-704	EA	BIN - DOOR SHELF	622831
	125242-02-729	EA	DOOR ASM-LWR RH/WHITE GASKET	621151
	125242-02-736	EA	DOOR ASM-LWR RH/BLACK GASKET	625223 F/1291391&UP
	125242-02-716	EA	GUIDE ASM LWR(SER#540294 DN)	620042
	125242-02-717	EA	GUIDE ASM LWR(SER#540295 UP)	620043

**APPLIANCE GROUP (CONTINUED)**  
**COMPONENT PARTS FOR APPLIANCES (CONTINUED)**



125242-02-01A (CONTINUED)

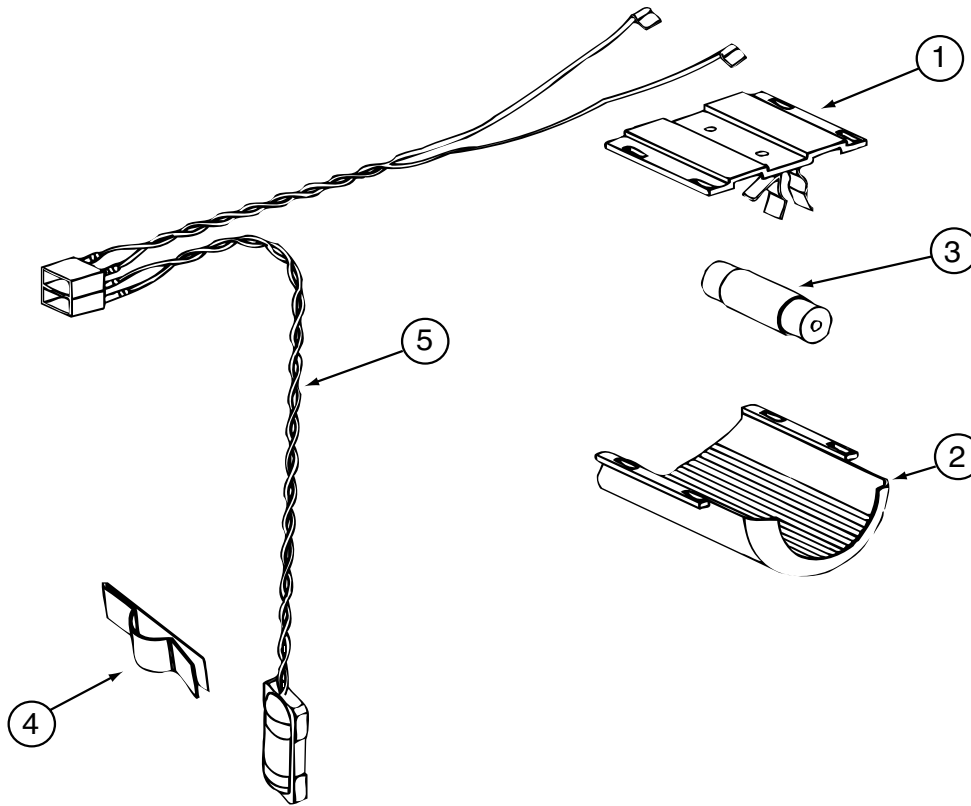


**APPLIANCE GROUP (CONTINUED)**  
**COMPONENT PARTS FOR APPLIANCES (CONTINUED)**

**125242-02-01A (CONTINUED)**

<b>KEY</b>	<b>PART NUMBER</b>	<b>U/M</b>	<b>DESCRIPTION</b>	<b>VENDOR NO.</b>
1	125242-01-723	EA	TRIM-HORIZONTAL-FRT SNAP ON	618845
1	125242-02-730	EA	TRIM - TOP/BOTTOM - SCREW ON	623255
2	125242-01-748	EA	CABINET/FOAMED ASSEMBLY	618748
3	125242-01-722	EA	TRIM-CORNER	618844
3	125242-01-767	EA	KIT INSTALL(U TRIM PCS)HDW	623528
4	125242-01-715	EA	HINGE - TOP RH/BOTTOM LH	618798
5	125242-01-724	EA	TRIM-LT/RT-FRT VERT SNAPON	618846
5	125242-01-766	EA	TRIM-LT/RT HAND-SCREW ON	623254
6	125242-01-713	EA	HINGE-MIDDLE (PAINTED)	618794
7	125242-02-704	EA	DISPLAY ASM (SER#832172) UP	621188
8	125242-01-751	EA	BLOCK - GUIDE - UPPER	618789
9	125242-01-712	EA	DRIP TRAY	618774
10	125242-01-752	EA	BLOCK - GUIDE - LOWER	618788
11	120075-01-708	EA	BUSHING-DOOR HINGE	618144
12	120075-01-730	EA	RETAINER-SHELF(SER#926684 DN	618181
12	125242-02-720	EA	RETAINER/SHELF(SER#926685 UP	622033
13	120075-01-727	EA	PIN-HINGE	618145
14	125242-01-734	EA	CRISPER/BOTTLE BIN	618878
15	125242-01-733	EA	DIVIDER-BOTTLE CRISPER	618877
16	125242-01-750	EA	CLIP	61409622
17	113737-01-701	EA	BUSHING-HINGE	61742022
18	125242-01-749	EA	SUPPORT - WALL	618840
20	125242-01-706	EA	COVER-CRISPER	618757
21	125242-01-726	EA	SHELF-WIRE (LONG)	618848
22	125242-01-727	EA	SHELF-WIRE (SHORT)	618849
23	125242-01-725	EA	SHELF-FREEZER (WIRE)	618847
24	125242-01-714	EA	HINGE - TOP LH/BOTTOM RH	618796
25	125242-01-735	EA	SWITCH - DOOR LIGHT	618884
25	125242-01-768	EA	SWITCH - DOOR LIGHT	623918
	120075-01-714	EA	PLUG-HOLE (BLACK)	618170
	125242-01-728	EA	CAP-SCREW WHITE	618853

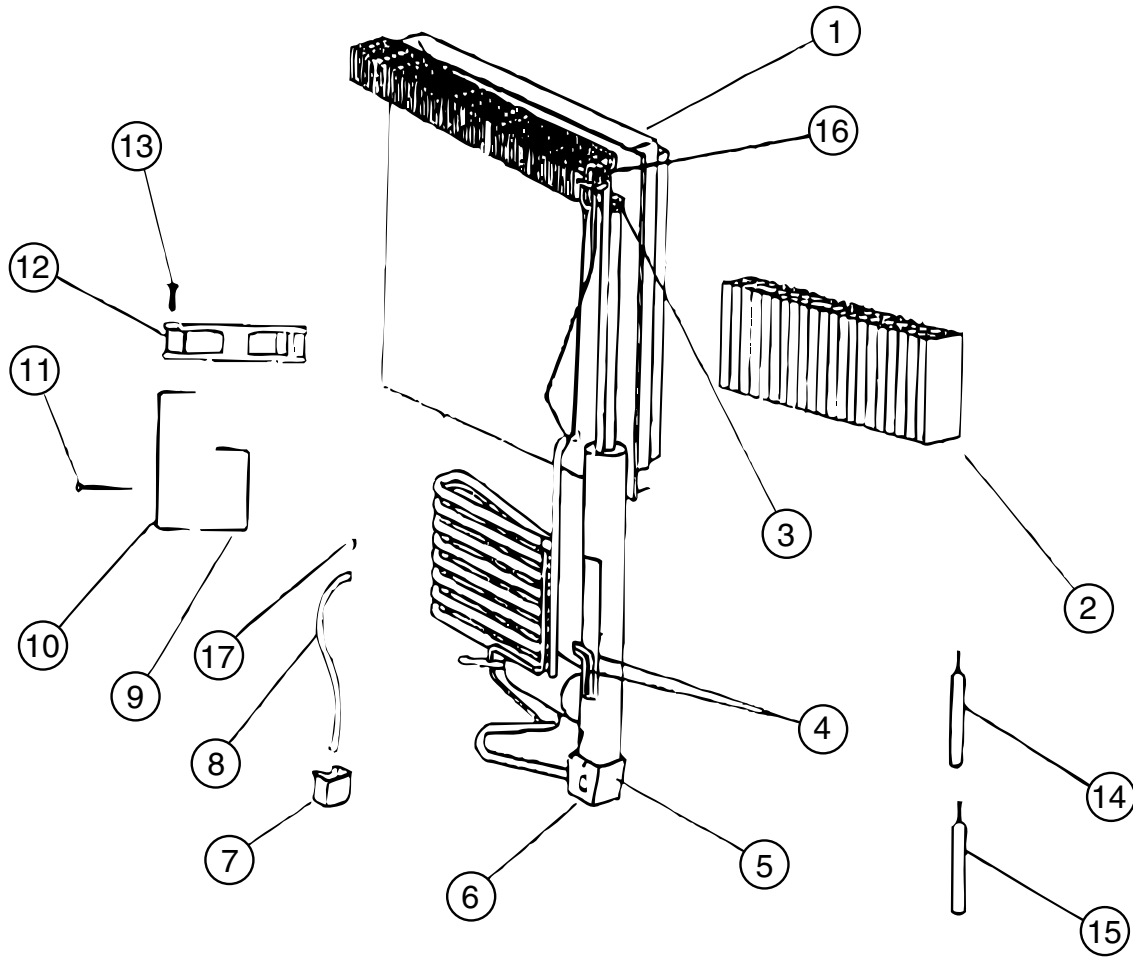
**APPLIANCE GROUP (CONTINUED)**  
**COMPONENT PARTS FOR APPLIANCES (CONTINUED)**



**125242-02-01A (CONTINUED)**

KEY	PART NUMBER	U/M	DESCRIPTION	VENDOR NO.
1	084880-03-705	EA	BRACKET-LIGHT-INTERIOR	61629722
2	120075-01-734	EA	COVER-LENS	618190
3	084880-03-706	EA	BULB-LAMP	61628922
4	084880-01-760	EA	CLIP (THERMISTER)	61689122
5	120075-01-735	EA	THERMISTER W/LAMP & WIRE/ASM	618548
	125242-02-706	EA	LAMP/WIRE ASM/SER#849677 UP	620871
	125242-02-707	EA	LAMP/WIRE ASM SER#849677 DWN	621742

**APPLIANCE GROUP (CONTINUED)**  
**COMPONENT PARTS FOR APPLIANCES (CONTINUED)**

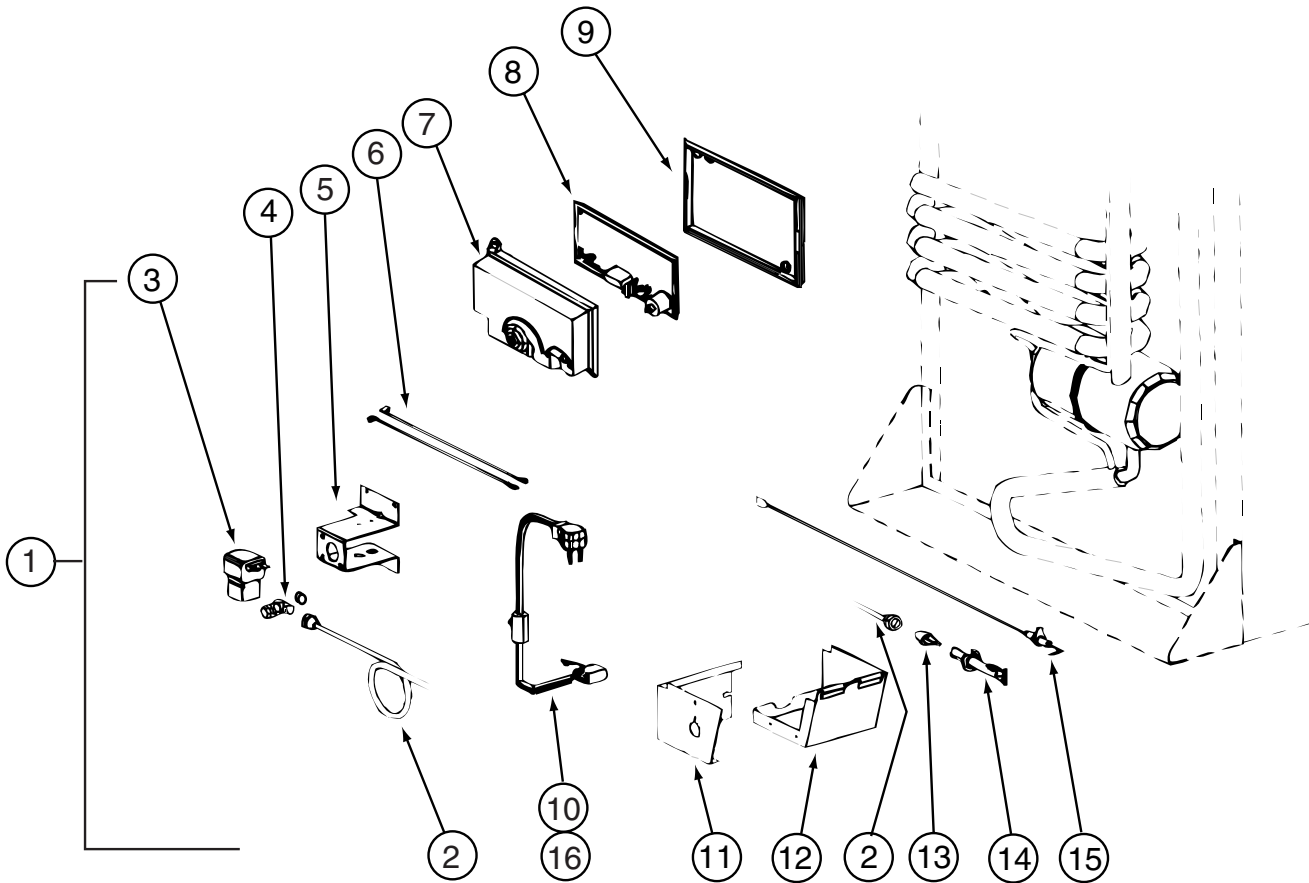


**125242-02-01A (CONTINUED)**

KEY	PART NUMBER	U/M	DESCRIPTION	VENDOR NO.
1	125242-01-746	EA	COOLING UNIT - 1200	618964
4	125242-01-732	EA	HEATER AC - 225W/110VAC	618872
5	125242-01-739	EA	BASE-BURNER BOX	618902
6	125242-01-740	EA	COVER-BURNER BOX	618910
9	125242-01-730	EA	BRACKET-DC FAN	618857
10	125242-01-741	EA	SUPPORT-DC FAN	618912
12	125242-01-729	EA	FAN-EXTERNAL DC	618856
16	113737-01-754	EA	THERMOSTAT (FAN 12V DC)	618093

CONTACT WINNEBAGO PART SALES FOR UNLISTED COMPONENTS

**APPLIANCE GROUP (CONTINUED)**  
**COMPONENT PARTS FOR APPLIANCES (CONTINUED)**

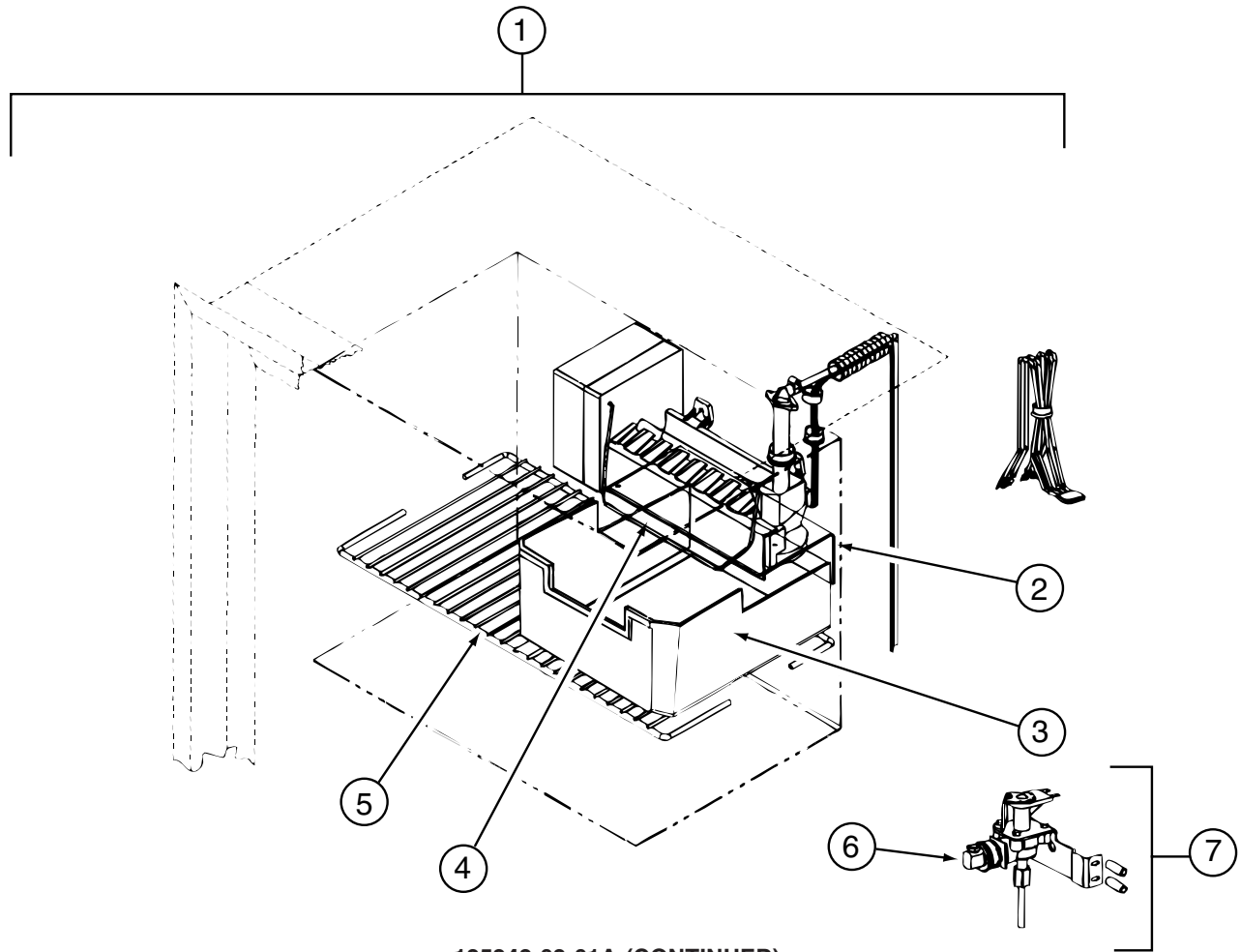


125242-02-01A (CONTINUED)

KEY	PART NUMBER	U/M	DESCRIPTION	VENDOR NO.
1	125242-01-753	EA	KIT-GAS VALVE/SOLENOID/TUBE	621445
2	125242-01-744	EA	BURNER TUBE	618937
4	113737-01-716	EA	TAP-PRESSURE	61594422
7	120075-01-738	EA	COVER-POWER BOARD	618185
8	125242-02-703	EA	POWER BOARD (SER #832171 UP)	621271
9	120075-01-740	EA	COVER-BASE, POWER BOARD	618186
11	125242-01-740	EA	COVER-BURNER BOX	618910
12	125242-01-739	EA	BASE-BURNER BOX	618902
13	125242-01-717	EA	ORIFICE-JEWELLED	618814
14	125242-01-743	EA	BURNER - 8 SLOT	618932
15	104137-06-715	EA	ELECTRODE-SPARK/SENSOR, SGL	61692222

CONTACT WINNEBAGO PART SALES FOR UNLISTED COMPONENT(S)

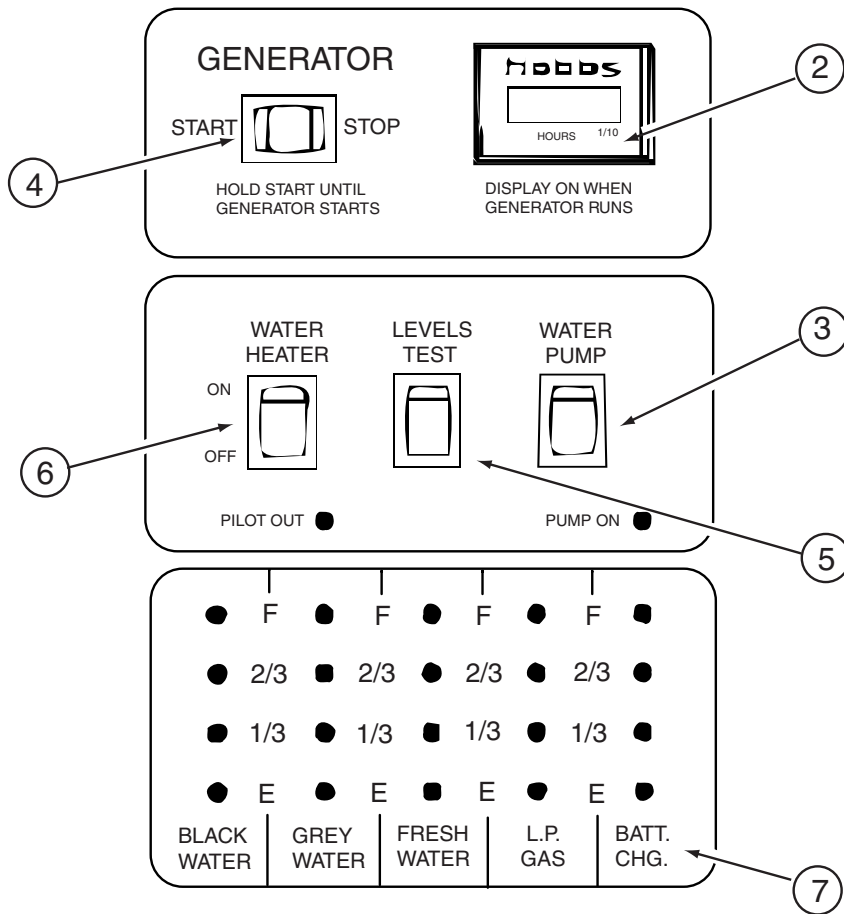
**APPLIANCE GROUP (CONTINUED)**  
**COMPONENT PARTS FOR APPLIANCES (CONTINUED)**



**125242-02-01A (CONTINUED)**

KEY	PART NUMBER	U/M	DESCRIPTION	VENDOR NO.
1	094039-07-706	EA	ICE MAKER W/O PLATES	61656522
2	125242-01-737	EA	BRACKET-MOUNTING (ICE MAKER)	618894/620890
3	125242-01-716	EA	ICE BIN	618803
4	120075-03-703	EA	ARM-SHUT OFF	61656922
5	125242-01-725	EA	SHELF-FREEZER (WIRE)	618847
6	120075-03-702	EA	NUT/COMPRESSION - FITTING	61678722
7	120075-03-701	EA	VALVE ASM., WATER, W/BRACKET	618253

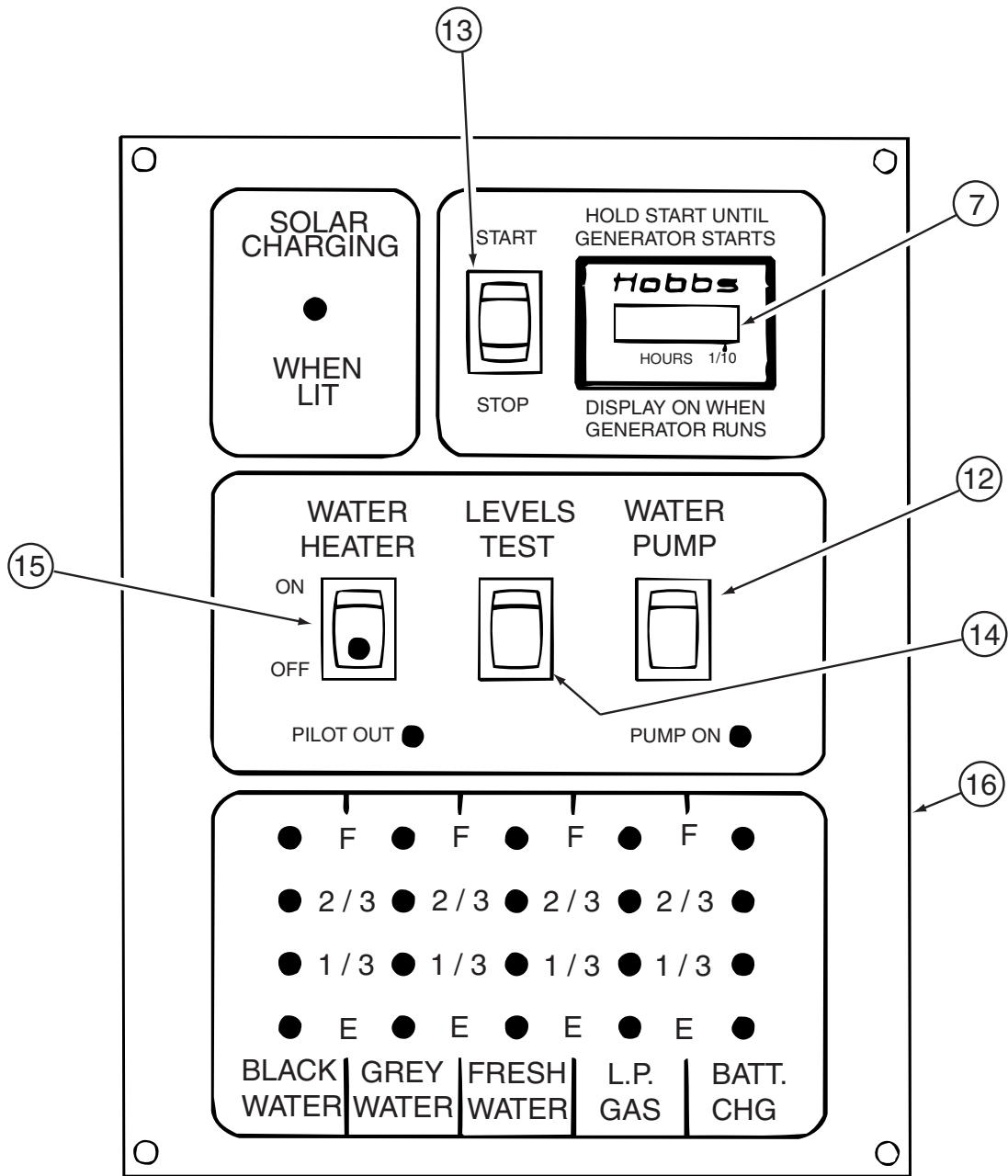
**APPLIANCE GROUP (CONTINUED)**  
**COMPONENT PARTS FOR APPLIANCES (CONTINUED)**



134940-01-01A

KEY	PART NUMBER	U/M	DESCRIPTION	VENDOR NO.
	134940-01-700	EA	BOARD - PC	L5118-01
2	100258-10-701	EA	GAUGE-HR METER ONLY (LCD)	L0775-00
3	096983-01-703	EA	SWITCH - ON/ON	L0115-00
4	096983-01-702	EA	SWITCH - MOM/OFF/MOM/3 TERM	L0112-00
5	096983-01-701	EA	SWITCH - SPST/MOM 2 TERMINAL	L0111-00
6	134940-01-701	EA	SWITCH-SPST/ON-OFF/BLK W/LGT	L0109
7	134940-01-702	EA	CHASSIS - SILKSCREENED	CC0558-00
	100258-10-702	EA	HOUR METER(CLIP ON)SW & WIRE	L4441-00

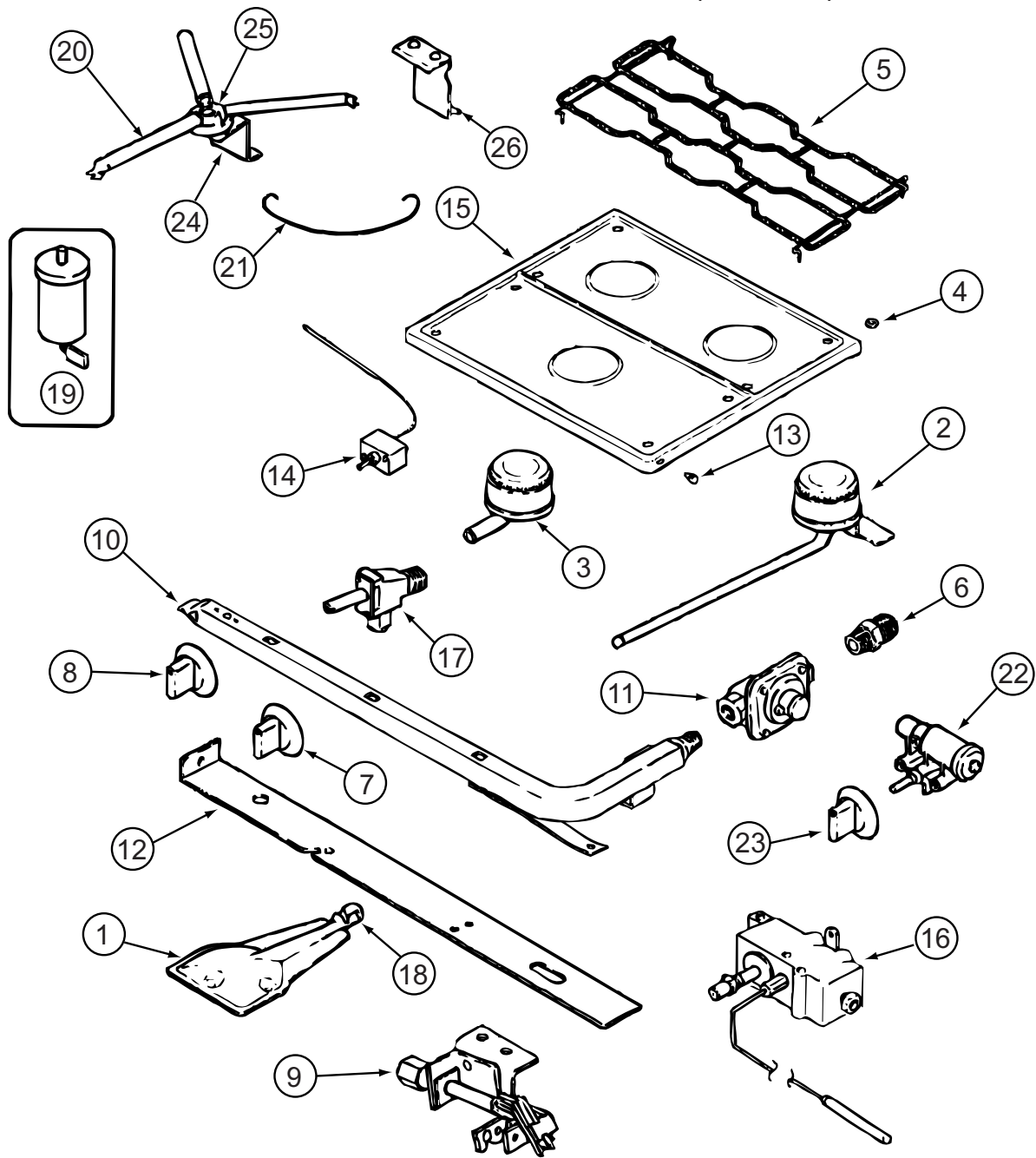
**APPLIANCE GROUP (CONTINUED)**  
**COMPONENT PARTS FOR APPLIANCES (CONTINUED)**



134940-04-01A

KEY	PART NUMBER	U/M	DESCRIPTION	VENDOR NO.
7	100258-10-701	EA	GAUGE/HOUR METER-CLIP ON LCD	L0775-00
12	096983-01-703	EA	SWITCH - ON/ON	L0115-00
13	096983-01-702	EA	SWITCH - MOM/OFF/MOM/3 TERM	L0112-00
14	096983-01-701	EA	SWITCH - SPST/MOM 2 TERMINAL	L0111-00
15	134940-01-701	EA	SWITCH-SPST/ON-OFF/BLK W/LGT	L0109
16	134940-04-700	EA	CHASSIS - SILKSCREENED	CE0136-00
	134940-04-701	EA	BOARD - PC - SOLAR LIGHT	L5121-01

**APPLIANCE GROUP (CONTINUED)**  
**COMPONENT PARTS FOR APPLIANCES (CONTINUED)**



144972-01-01A

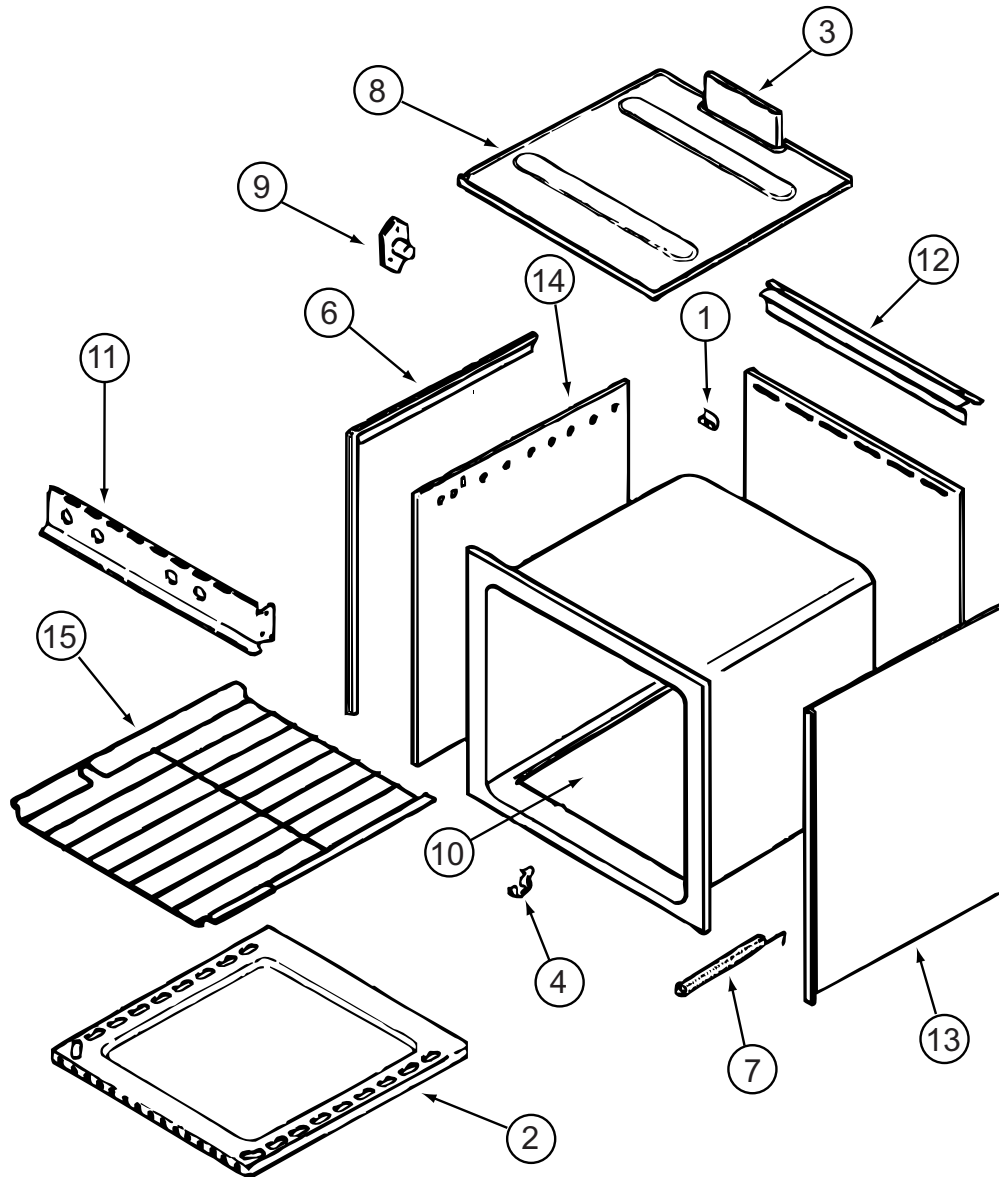
KEY	PART NUMBER	U/M	DESCRIPTION	VENDOR NO.
1	126023-01-717	EA	BURNER - OVEN	74003343
2	112881-04-700	EA	BURNER - TOP/LEFT REAR	74004584
2	126023-01-700	EA	BURNER-TOP (RT-REAR) 5100BTU	74004583
3	112881-04-701	EA	BURNER - TOP/FRONT	74004582
4	102020-01-709	EA	BUMPER-GRATE	8007-P020-60
5	112881-04-702	EA	GRATE - BLACK	74007277
6	135065-03-700	EA	FITTING - HALF UNION	74004234
7	128728-01-701	EA	KNOB - BURNER - REAR	74003941
7	128728-01-702	EA	KNOB - BURNER - FRONT	74003942
8	112881-04-703	EA	KNOB - THERMOSTAT - BLACK	74004645
9	112881-04-706	EA	PILOT - OVEN	74006334
10	126023-02-702	EA	PIPE - MANIFOLD	74004360
11	126023-02-703	EA	REGULATOR - PRESSURE	74004235
13	102020-01-724	EA	BUMPER-MAIN TOP	8003P008-60
14	126023-01-734	EA	THERMOSTAT/OVEN SERIES #11	74006332
15	135065-03-705	EA	TOP - MAIN (BLACK)	74007300
16	112881-04-704	EA	VALVE - OVEN	74006333



**APPLIANCE GROUP (CONTINUED)**  
**COMPONENT PARTS FOR APPLIANCES (CONTINUED)**

KEY	PART NUMBER	U/M	DESCRIPTION	VENDOR NO.
17	126023-02-705	EA	VALVE - BURNER - REAR	74004362
17	126023-02-706	EA	VALVE - BURNER - FRONT	74004363
17	135065-03-701	EA	SCREW - VALVE	71003231
18	135656-01-701	EA	MIXER/AIR	3411F003-34
19	112881-04-705	EA	PUSH RING (ELECTRODE MTG)	7104P002-60
19	126023-01-711	EA	ELECTRODE - IGNITER (ONLY)	7432P077-60
20	126023-01-736	EA	FLASH TUBE EXTENSION (REAR)	74003326
20	126023-01-737	EA	FLASH TUBE EXTENSION (FRONT)	74003327
22	126023-01-719	EA	IGNITER HEAD - TOP BURNER	74002413
23	128728-01-707	EA	KNOB - IGNITOR	74003944

CONTACT WINNEBAGO PART SALES FOR UNLISTED COMPONENTS

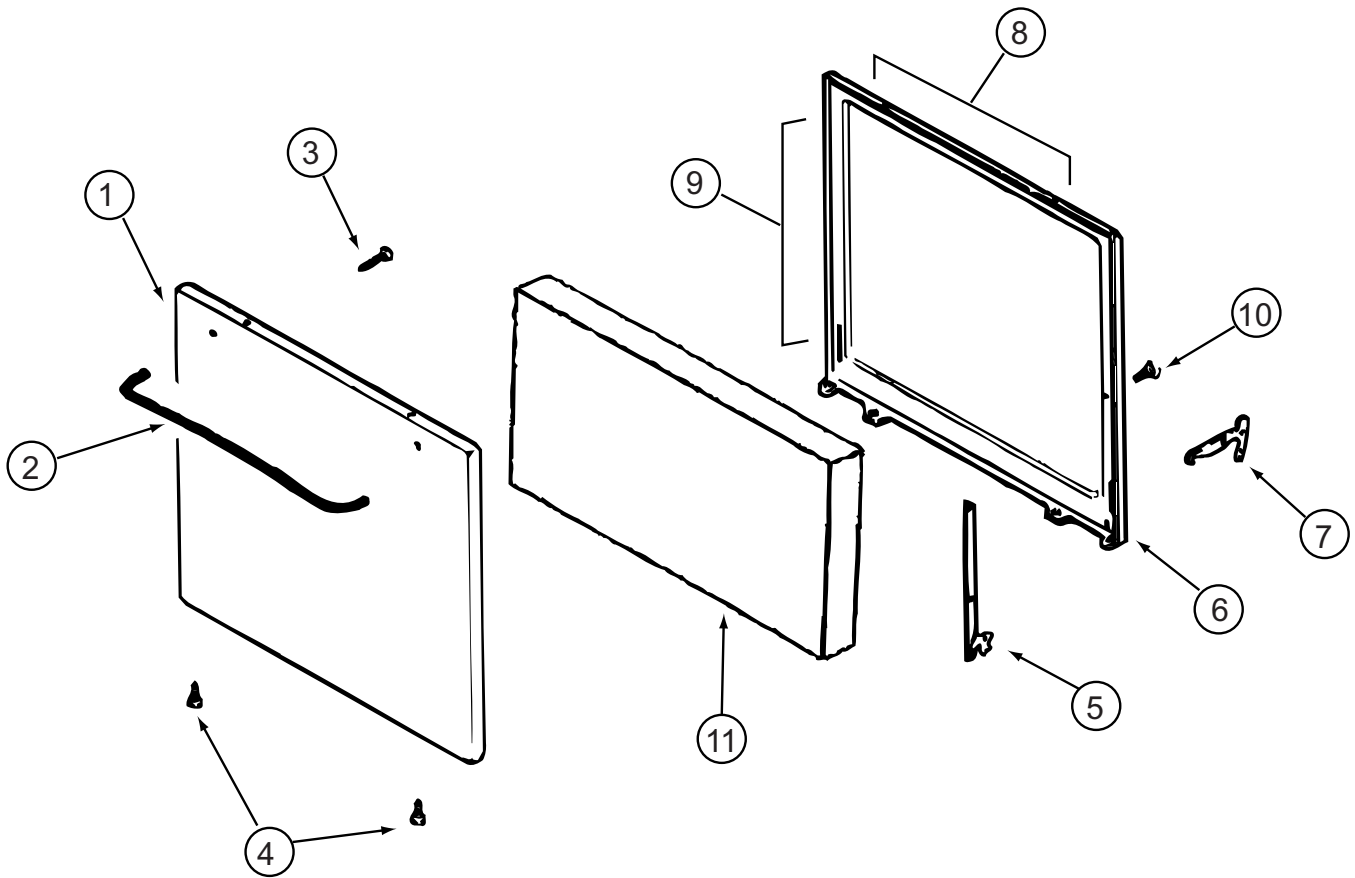


**144972-01-01A (CONTINUED)**

KEY	PART NUMBER	U/M	DESCRIPTION	VENDOR NO.
1	112881-03-702	EA	CLIP - MAIN TOP	74003998
2	126023-01-731	EA	BOTTOM - OVEN	2205F016-19
3	126023-01-718	EA	FLUE BOX ASSEMBLY	4006W075-80
6	126023-01-713	EA	TRIM - SIDE (RIGHT)	74002827
6	126023-01-714	EA	TRIM - SIDE (LEFT)	74002828
7	135066-03-700	EA	SPRING - OVEN DOOR	74001835
9	128728-01-703	EA	PIN/T-NUT F/HINGE	7103P109-60
11	144972-01-700	EA	MANIFOLD - BLACK	74002809
12	112881-01-721	EA	DEFLECTOR/FLUE-BLK-SEALED BR	74002829
15	126023-01-716	EA	RACK - OVEN	74003106

CONTACT WINNEBAGO PART SALES FOR UNLISTED COMPONENTS

**APPLIANCE GROUP (CONTINUED)**  
**COMPONENT PARTS FOR APPLIANCES (CONTINUED)**



**144972-01-01A (CONTINUED)**

KEY	PART NUMBER	U/M	DESCRIPTION	VENDOR NO.
1	144972-01-701	EA	PANEL (DOOR) BLACK	2401F127-70
2	128727-01-701	EA	HANDLE - OVEN DOOR	74003929
8	126023-01-732	EA	SEAL/OVEN DR TOP	7212P014-60
9	126023-01-733	EA	SEAL/OVEN DR SIDES(2PCS)	7212P038-60

CONTACT WINNEBAGO PART SALES FOR UNLISTED COMPONENTS

**AUDIO VIDEO GROUP**  
**RADIO SYSTEM**

KEY	PART NUMBER	U/M	DESCRIPTION
	077069-02-000	EA	CABLE/EXTENSION - RADIO ANTENNA - 96"
	077069-03-000	EA	CABLE/EXTENSION - RADIO ANTENNA - 260"
	123256-02-000	EA	CABLE - CB - COAX
	110470-01-01A	EA	GRILLE - 4" X 6" OVAL SPEAKER - BLACK - <b>EXT ENTERTAINMENT CTR</b>
	139111-01-02A	EA	GRILLE - SPEAKER - 6" ROUND - GLACIER - <b>RADIO SPEAKERS</b>
	090944-01-000	EA	ANTENNA - RADIO - 16" RUBBER - W/72" LEAD WIRE
	090944-02-000	EA	ANTENNA - RADIO - 16" RUBBER - W/O LEAD WIRE
	090944-03-000	EA	CABLE - ANTENNA
	123256-01-000	EA	ANTENNA - CB - W/O CABLE
	094097-01-000	EA	SPEAKER - RADIO/TV - W/O GRILLE - 5.25" DIAMETER
	110469-01-000	EA	SPEAKER - 4" X 6" OVAL - COAXIAL
	147741-01-09B	EA	BRACKET - ANTENNA GROUND
	115916-01-01B	EA	BRACKET - ANTENNA MOUNT
	109889-04-000	EA	EXTENDER - ANTENNA SHAFT - 3.7"
	147190-01-000	EA	ANTENNA/SATELLITE-RADIO/SIRIUS-W/GRD PLANE PLATE/6" LEAD
	147190-03-000	EA	CABLE-ANTENNA SAT SIR W/O CO, RIVERPK SATSIR-CG
	148114-01-000	EA	CABLE - AUDIO - 1/8" TO RCA STEREO
	148113-01-000	EA	RADIO - SATELLITE - SIRIUS
	148113-02-000	EA	CRADLE - RADIO - KENWOOD
*	143509-01-000	EA	RADIO - AM/FM CD - W/REMOTE - JENSEN CD3010X-W - <b>EXT ENTERTAINMENT CTR</b> FROM: 00-00-00 THRU: 11-09-03
*	148231-01-000	EA	RADIO - AM/FM CD - W/REMOTE - MAGNADYNE M3100CD - <b>EXT ENTERTAINMENT CTR</b> FROM: 11-10-03 THRU: 99-99-99
	135420-01-000	EA	RADIO - AM/FM CASSETTE/CD COMBO - M9900 - 7.2" X 3.3" R.O - <b>DASH</b> FROM: 00-00-00 THRU: 08-17-03
	135420-09-000	EA	RADIO-AM/FM/CASS/CD COMBO-AUX/CD CHANGER IMPUT-REMOTE COMP - <b>DASH</b> FROM: 08-18-03 THRU: 99-99-99
	135420-10-000	EA	REMOTE CONTROL/RADIO (CREDIT CARD SIZE) - <b>DASH</b> FROM: 08-18-03 THRU: 99-99-99
	135420-07-000	EA	RADIO - MOUNTING KIT - A-BODY - <b>DASH</b>
	141679-01-000	EA	CHARGING STATION ONLY - F/TWO WAY RADIO SYSTEM - <b>2-WAY RADIO</b> FROM: 00-00-00 THRU: 10-05-03
	141679-03-000	EA	RADIOS - TWO WAY/DOCK STATION - ASA GMRS4WMWIN - <b>2-WAY RADIO</b> FROM: 10-06-03 THRU: 99-99-99
	141679-02-000	EA	RADIO/BATTERY KIT - TWO WAY (4 RADIOS/8 BATTERIES) - <b>2-WAY RADIO</b> FROM: 00-00-00 THRU: 10-05-03
	141679-04-000	EA	RADIO - TWO WAY - 5 MILE/BATTERY - ASA GMRS100 - <b>2-WAY RADIO</b> FROM: 10-06-03 THRU: 99-99-99
*	102080-17-000	EA	CHANGER - COMPACT DISC - SONY CDX-555RF FROM: 00-00-00 THRU: 07-09-03
	102080-20-000	EA	COMPACT DISC CHANGER - SONY CDX-565RF FROM: 07-10-03 THRU: 08-18-03
*	102080-18-000	EA	CHANGER - CONTROL/FM MODULE & REMOTE - SONY CDX-555RF KIT FROM: 00-00-00 THRU: 06-22-03
*	102080-21-000	EA	CHANGER - CONTROL/FM MODULE & REMOTE - SONY CDX-565RF FROM: 06-23-03 THRU: 08-17-03
	148134-01-000	EA	CHANGER - COMPACT DISC - SANYO EAX-510 FROM: 08-19-03 THRU: 99-99-99

**\*COMPONENT PARTS LISTED LATER IN THIS GROUP**

**AUDIO VIDEO GROUP (CONTINUED)**  
**COMPONENT PARTS FOR RADIO SYSTEM**

**102080-17-000**

<b>KEY</b>	<b>PART NUMBER</b>	<b>U/M</b>	<b>DESCRIPTION</b>	<b>VENDOR NO.</b>
	102080-17-700	EA	REMOTE (WIRED)	1-476-488-V
	102080-17-701	EA	REMOTE (WIRELESS)	A1-3220-786-11

**102080-18-000**

<b>KEY</b>	<b>PART NUMBER</b>	<b>U/M</b>	<b>DESCRIPTION</b>	<b>VENDOR NO.</b>
	102080-15-700	EA	REMOTE - WIRELESS	1-476-488-11

**102080-21-000**

<b>KEY</b>	<b>PART NUMBER</b>	<b>U/M</b>	<b>DESCRIPTION</b>	<b>VENDOR NO.</b>
	102080-21-700	EA	REMOTE	RM-X84RF

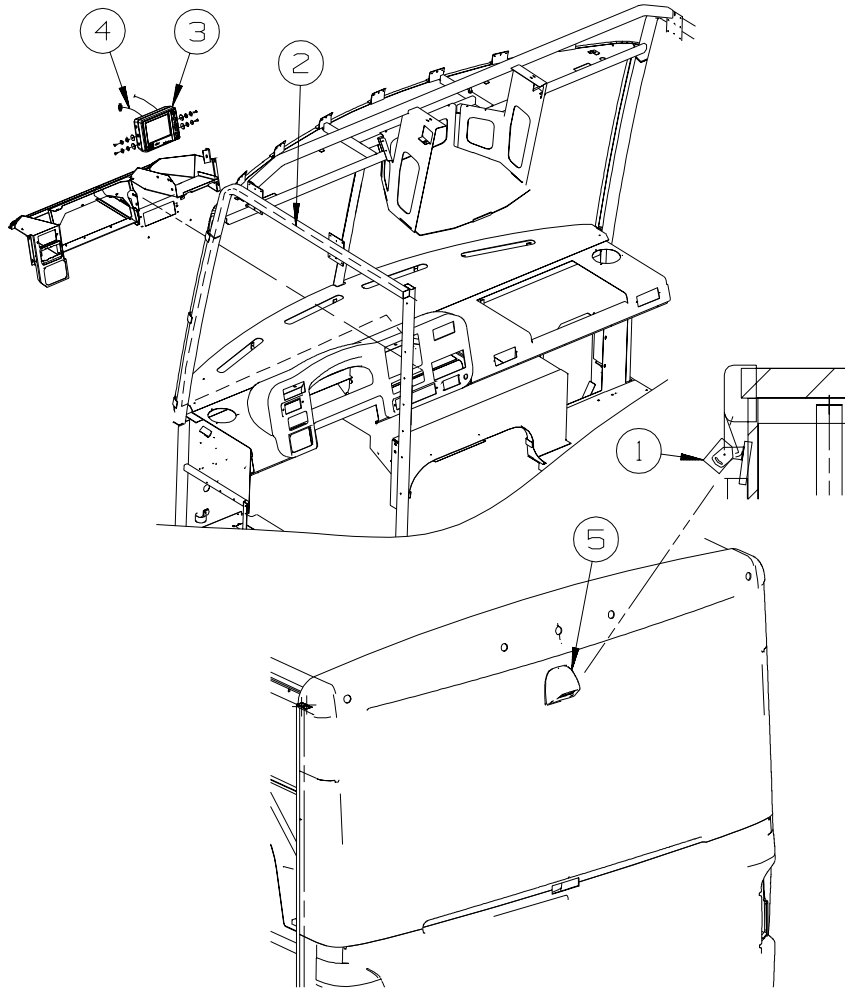
**143509-01-000**

<b>KEY</b>	<b>PART NUMBER</b>	<b>U/M</b>	<b>DESCRIPTION</b>	<b>VENDOR NO.</b>
	143509-01-700	EA	REMOTE - RADIO	VG70A0

**148231-01-000**

<b>KEY</b>	<b>PART NUMBER</b>	<b>U/M</b>	<b>DESCRIPTION</b>	<b>VENDOR NO.</b>
	148231-01-700	EA	REMOTE	RC3100

**AUDIO VIDEO GROUP (CONTINUED)**  
**REAR VIEW MONITOR**



KEY	PART NUMBER	U/M	DESCRIPTION
1	143363-02-000	EA	CAMERA/REAR - COLOR - W/BRACKET - SONY VCB-MHD1 FROM: 00-00-00 THRU: 08-25-03
1	143363-05-000	EA	CAMERA - REAR - COLOR W/BRACKET - SONY VCB-MH3 FROM: 08-26-03 THRU: 99-99-99
2	093041-01-000	EA	CABLE - MONITOR/CAMERA - INTERNAL USE - 65.6'
3	143363-01-000	EA	MONITOR/REAR - COLOR - W/BRACKET - SONY VCB-MH1
4	143545-01-000	EA	WIRE ASSEMBLY - REAR MONITOR
5	NOT USED		

## AUDIO VIDEO GROUP (CONTINUED)

### TELEPHONE

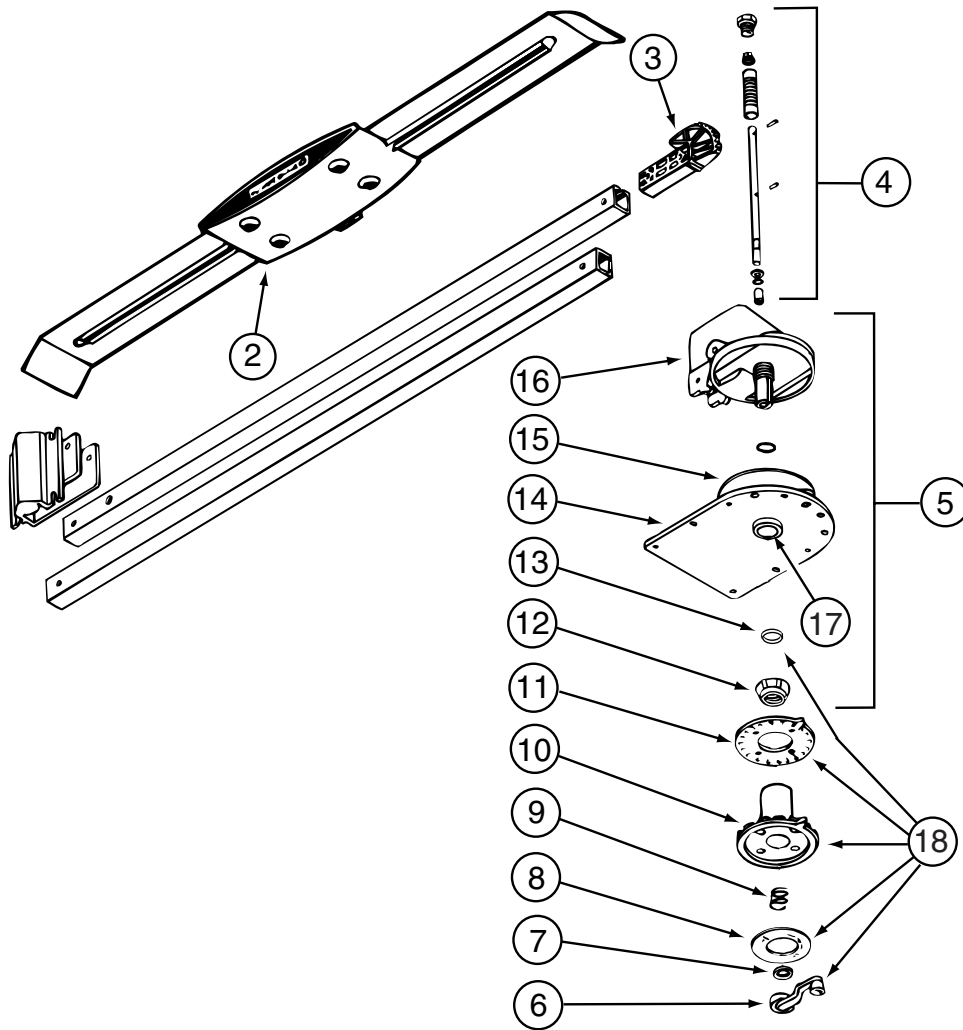
KEY	PART NUMBER	U/M	DESCRIPTION
	093253-01-03A	EA	PLATE - WALL - TELEPHONE - WHITE
	130686-01-01A	EA	PLATE - WALL - TELEPHONE/COAX - WHITE

### TV & VCR

KEY	PART NUMBER	U/M	DESCRIPTION
	076319-09-000	EA	WALLPLATE - CABLE RECEPTACLE - TV - SINGLE - BROWN
	076319-27-000	EA	WALLPLATE/RECEPTACLE - WHITE
	136860-01-000	EA	CABLE - RCA - #3 MALE TO #12F MALE CONNECTOR
	145171-01-000	EA	CONNECTOR - COAXIAL
*	076319-23-000	EA	ANTENNA - TV ROOF MOUNT - 44.5" MAST
*	137135-02-000	EA	ANTENNA - SATELLITE DSS - W/SENSOR
*	076319-25-000	EA	KIT - HARDWARE INTERIOR
	082134-01-000	EA	ADAPTER - TV - CABLE TO CABLE
	082136-01-000	EA	NUT - HEX JAM - 3/8-32
	086756-01-000	EA	SPLITTER - TV/2 WAY
	120233-03-000	EA	CERTIFICATE - SATELLITE RECEIVER
*	126696-07-000	EA	TV - 19" COLOR - W/O 1/8" JACK - UL/CSA - GE 19GT243
*	130121-08-000	EA	TV - 25" - COLOR/STEREO W/5 JACKS - RCA F25441A0
*	124073-12-000	EA	VCR-VHS/HI-FI STEREO - SILVER CASE - RCA VR637HF
*	145641-01-000	EA	DVD/VCR PLAYER - COMBINATION - RCA DRC6000N FROM: 00-00-00 THRU: 08-10-03
*	145641-02-000	EA	DVD/VCR PLAYER - COMBINATION - RCA DRC6100N FROM: 08-11-03 THRU: 11-02-03
*	145641-03-000	EA	DVD/VCR - PLAYER/COMBINATION- RCA DRC6200N FROM: 11-03-03 THRU: 99-99-99
	123324-01-000	EA	FILTER - GROUND LOOP
	134006-01-03B	EA	PLATE - COAXIAL CABLE/OFF WHITE
	142258-01-000	EA	SWITCH - VIDEO/ANTENNA POWER SUPPLY
	147139-01-000	EA	AMPLIFIER - STEREO 2 CHANNEL

\*COMPONENT PARTS LISTED LATER IN THIS GROUP

**AUDIO VIDEO GROUP (CONTINUED)**  
**COMPONENT PARTS FOR TV & VCR**

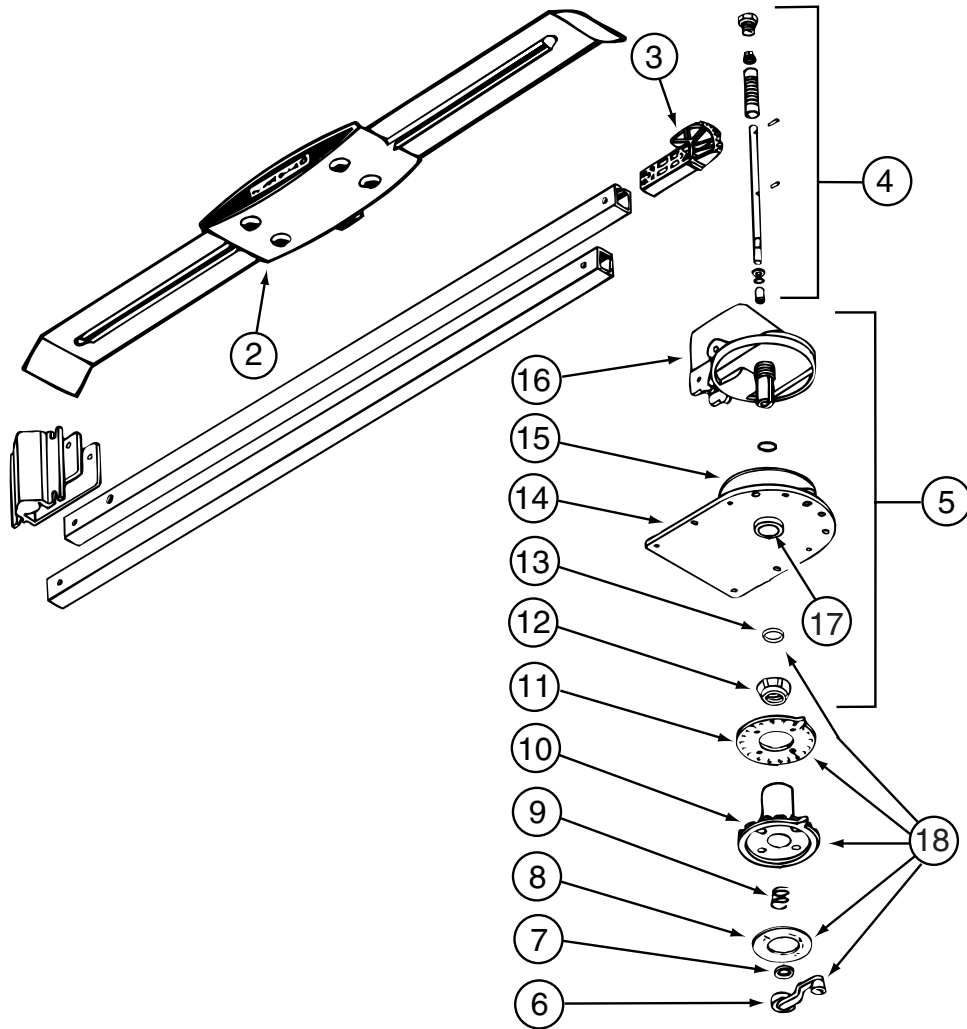


076319-23-000

KEY	PART NUMBER	U/M	DESCRIPTION	VENDOR NO.
2	076319-01-700	EA	HEAD-ANTENNA, AMPLIFIED	RVSA U/V
3	076319-01-701	EA	GEAR-ELEVATING, PLASTIC	2200046
4	076319-01-702	EA	SHAFT ASM-ELEVATING	RP-4000
5	076319-01-711	EA	BASE & LIFT ASM	2762802
7	076319-01-705	EA	GROMMET-NYLON, 7/8"ID	3200658
8	076319-01-708	EA	DECAL-CRANK	5413002
9	076319-01-707	EA	SPRING-HANDLE	2160822
11	076319-01-712	EA	PLATE - CEILING	3200608
12	076319-01-715	EA	NUT (GEAR HOUSING)	2200047
14	076319-01-713	EA	BASE-PLATE, STEEL	3100523
15	076319-01-703	EA	BEARING-NYLON, 5"OD	3200656
16	076319-01-714	EA	HOUSING, ROTATING GEAR	2200049
	076319-01-716	EA	TUBING, ELEVATING	RP-2900
17	076319-01-704	EA	BEARING-NYLON, 1.25"OD	3200657
18	076319-01-709	EA	HANDLE-HEAD DIRECTIONAL	200644

CONTACT WINNEBAGO PART SALES FOR UNLISTED COMPONENT

**AUDIO VIDEO GROUP (CONTINUED)**  
**COMPONENT PARTS FOR TV & VCR (CONTINUED)**



076319-25-000

KEY	PART NUMBER	U/M	DESCRIPTION	VENDOR NO.
6	076319-01-706	EA	CRANK-W/SET SCREW UNIV/BEIGE	2750897
6	120233-01-710	EA	HANDLE-CRANK W/SCREW - WHITE	RP-6795
8	076319-01-708	EA	DECAL-CRANK	5413002
10	076319-25-700	EA	DIRECTIONAL HANDLE(WHITE)	3200612
11	076319-25-701	EA	PLATE - CEILING(WHITE)	3200609
13	120233-01-709	EA	WASHER-NYLON	RP-2658

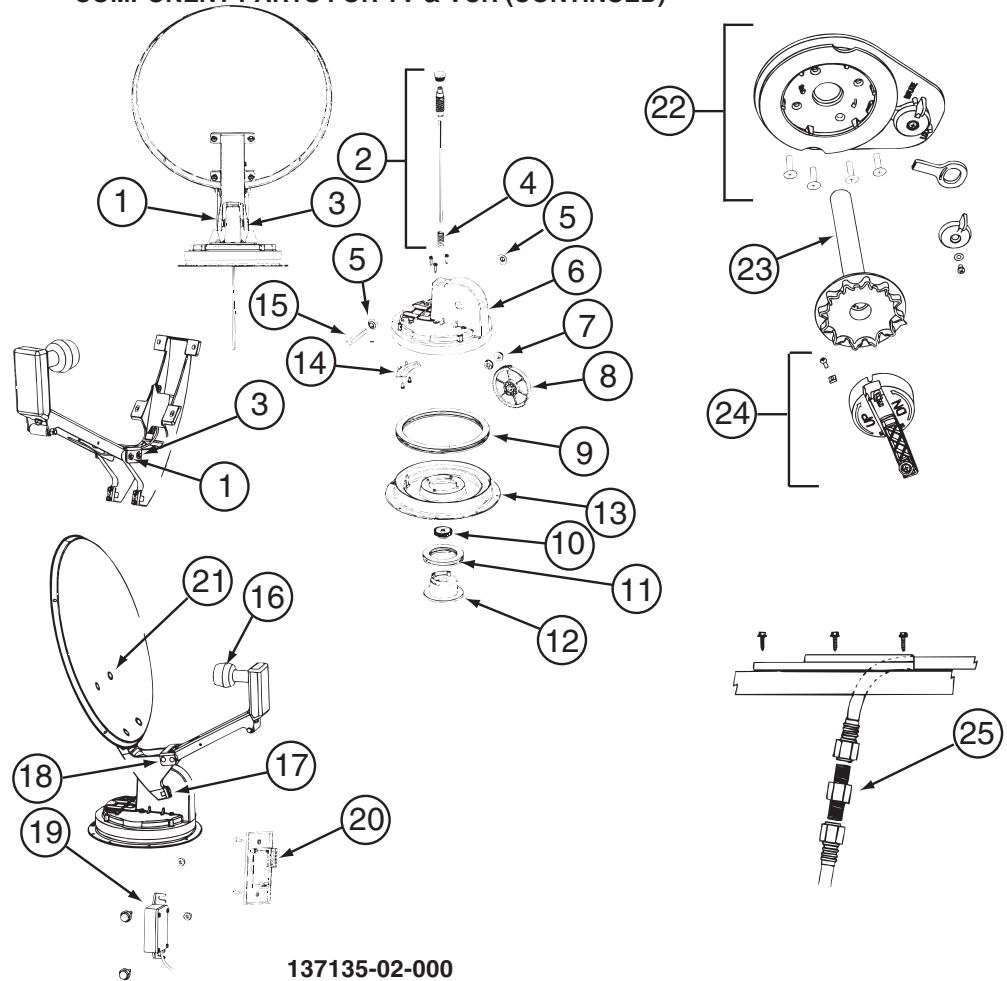
CONTACT WINNEBAGO PART SALES FOR UNLISTED COMPONENTS



**AUDIO VIDEO GROUP (CONTINUED)**  
**COMPONENT PARTS FOR TV & VCR (CONTINUED)**

			<b>124073-12-000</b>	
<b>KEY</b>	<b>PART NUMBER</b>	<b>U/M DESCRIPTION</b>		<b>VENDOR NO.</b>
	126697-04-700	EA REMOTE		239040
			<b>126696-07-000</b>	
<b>KEY</b>	<b>PART NUMBER</b>	<b>U/M DESCRIPTION</b>		<b>VENDOR NO.</b>
	133377-01-700	EA REMOTE		240961
			<b>130121-08-000</b>	
<b>KEY</b>	<b>PART NUMBER</b>	<b>U/M DESCRIPTION</b>		<b>VENDOR NO.</b>
	124075-04-700	EA REMOTE		240959
			<b>145641-01-000</b>	
<b>KEY</b>	<b>PART NUMBER</b>	<b>U/M DESCRIPTION</b>		<b>VENDOR NO.</b>
	145641-01-700	EA REMOTE		258154
			<b>145641-02-000</b>	
<b>KEY</b>	<b>PART NUMBER</b>	<b>U/M DESCRIPTION</b>		<b>VENDOR NO.</b>
	145641-02-700	EA REMOTE		260607
			<b>145641-03-000</b>	
<b>KEY</b>	<b>PART NUMBER</b>	<b>U/M DESCRIPTION</b>		<b>VENDOR NO.</b>
	145641-03-700	EA REMOTE		RCR311DA1

**AUDIO VIDEO GROUP (CONTINUED)**  
**COMPONENT PARTS FOR TV & VCR (CONTINUED)**

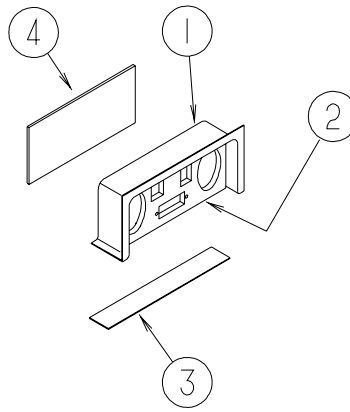


137135-02-000

KEY	PART NUMBER	U/M	DESCRIPTION	VENDOR NO.
1	120233-01-714	EA	CLIP-E	5160818
2	137135-01-703	EA	KIT ELEV - SHAFT/GEAR/SPRING	RP-4400
3	137135-01-704	EA	PIN - 1/4" X 3.25"	2160813
4	137135-01-705	EA	SPRING	2160818
5	137135-01-707	EA	SEAL - PIVOT SHAFT	2200852
6	137135-01-708	EA	TURRET	3100728
7	137135-01-709	EA	PIVOT BEARING	2200470
8	137135-01-711	EA	GEAR - ELEVATING	2200464
9	137135-01-712	EA	BEARING - OUTER	2590347
10	137135-01-714	EA	GEAR - ELEVATING SHAFT	2200465
11	137135-01-715	EA	BEARING - INNER	2590348
12	137135-01-716	EA	HUB	3100731
13	137135-01-713	EA	TURRET BASE	3100730
14	137135-01-710	EA	PLATE - ROTATE LIMIT	3720052
16	137135-02-703	EA	LOW NOISE BLOCK FILTER	LB-6000 - DUAL
17	137135-01-722	EA	CLAMP	2590343
18	137135-01-719	EA	BRACKET - PIVOT	2744945
19	137135-01-720	EA	DE-SENSOR UNIT W/43" CABLE	DM4000
20	137135-02-701	EA	BOX - SURFACE MOUNT	SM-100
21	137135-01-717	EA	BOLT - FLAT HEAD	2160362
22	120233-01-737	EA	PLATE/INT-W/DIRECTIONAL HDLE	RK-CEIL
23	120233-01-704	EA	DIAL/DIRECTIONAL 4"W/SPRING	3200364
24	120233-01-738	EA	HDW PKG-HANDLE/SPRING/WASHER	RK-HAND
25	137135-01-701	EA	CONNECTOR - F - MALE TO MALE	FS-8100
	120233-04-700	EA	KIT-WALL PLATE/CABLE - GRAY	DM4000
	137135-01-700	EA	ROOF WEDGE W/GASKET	RW-5000
	137135-01-706	EA	KIT-TURRET/SEAL/BEARING/GEAR	RP-RM30
	137135-01-718	EA	REFLECTOR/WHITE-46CM W/HDW	RP-35RM
	137135-02-700	EA	DE-SENSOR	2780096
	137135-02-704	EA	KIT-UPDATE DIRECTIONAL HDL	RP-RMDH

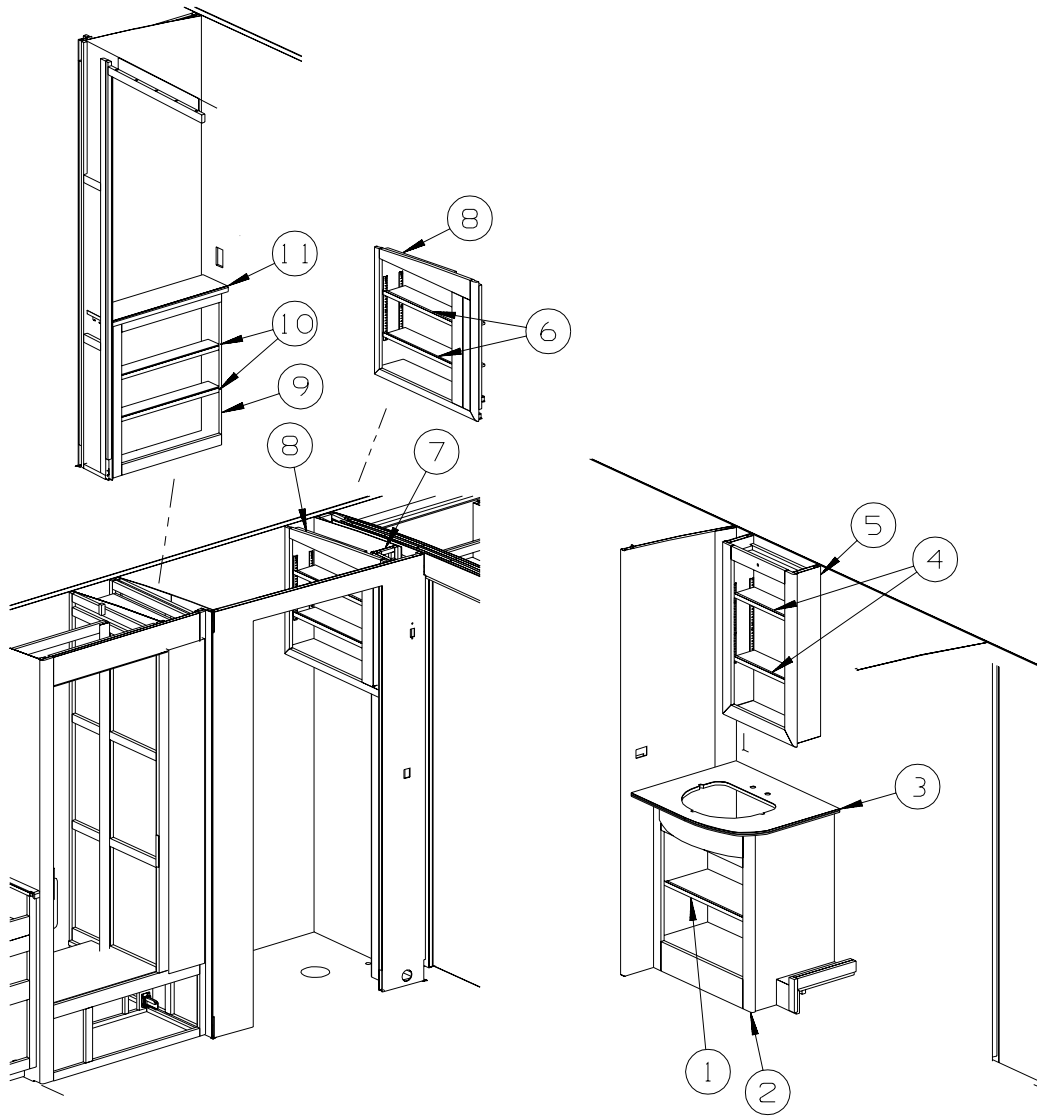
CONTACT WINNEBAGO PART SALES FOR UNLISTED COMPONENT(S)

**AUDIO VIDEO GROUP (CONTINUED)**  
**EXTERIOR ENTERTAINMENT**



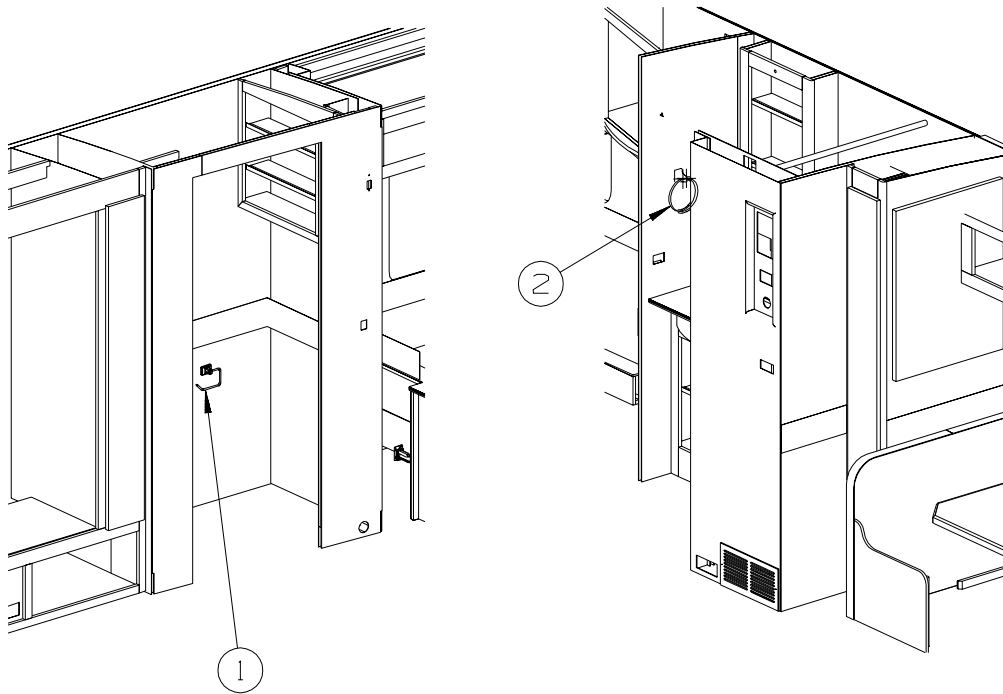
KEY	PART NUMBER	U/M	DESCRIPTION
1	124696-02-01A	EA	BOX - ENTERTAINMENT CENTER/EXTERIOR - BRIGHT WHITE
	124696-01-01A	EA	BOX - ENTERTAINMENT CENTER/EXTERIOR - BRIGHT WHITE
2	127409-02-L15	EA	PLATE - RADIO MOUNTING
3	104898-01-02A	EA	PLATE - PLASTIC BOTTOM - BRIGHT WHITE
4	NOT USED		

## BATH GROUP CABINETS



KEY	PART NUMBER	U/M	DESCRIPTION
1	138515-20-N30	EA	SHELF - W/PLASTIC EDGE MOLDING
2	138515-02-N30	EA	CABINET - LAVATORY - W/O COUNTERTOP/DOORS/DRAWERS/HARDWARE
3	133654-14-R32	EA	COUNTERTOP - LAMINATED - LINO FRIEZE/PORTSMOUTH OAK (R35)
3	133654-14-P37	EA	COUNTERTOP - LAMINATED - EGGSHELL/PORTSMOUTH OAK (R36)
3	133654-14-N30	EA	COUNTERTOP - LAMINATED - GRAY TRANQUILITY/PORTSMOUTH OAK (R37)
4	139023-12-N30	EA	SHELF - W/PLASTIC EDGE MOLDING
5	139023-01-N30	EA	CABINET - OVERHEAD/MEDICINE - W/O DOORS/HARDWARE
6	138929-15-N30	EA	SHELF - W/PLASTIC EDGE MOLDING
7	138972-01-P37	EA	CABINET - PIPE COVER (R35)
7	138972-01-P38	EA	CABINET - PIPE COVER (R36)
7	138972-01-R34	EA	CABINET - PIPE COVER (R37)
8	138929-01-N30	EA	CABINET - OVERHEAD/LINEN - W/O DOORS/HARDWARE
9	142849-01-P37	EA	CABINET/STORAGE - BATHROOM - W/O DOORS/HARDWARE
10	142849-13-P37	EA	SHELF - W/PLASTIC EDGE MOLDING
11	140887-10-R32	EA	COUNTERTOP - LAMINATED - LINO FRIEZE/PORTSMOUTH OAK (R35)
11	140887-10-P37	EA	COUNTERTOP - LAMINATED - EGGSHELL/PORTSMOUTH OAK (R36)
11	140887-10-P39	EA	COUNTERTOP - LAMINATED - GRAY TRANQUILITY/PORTSMOUTH OAK (R37)

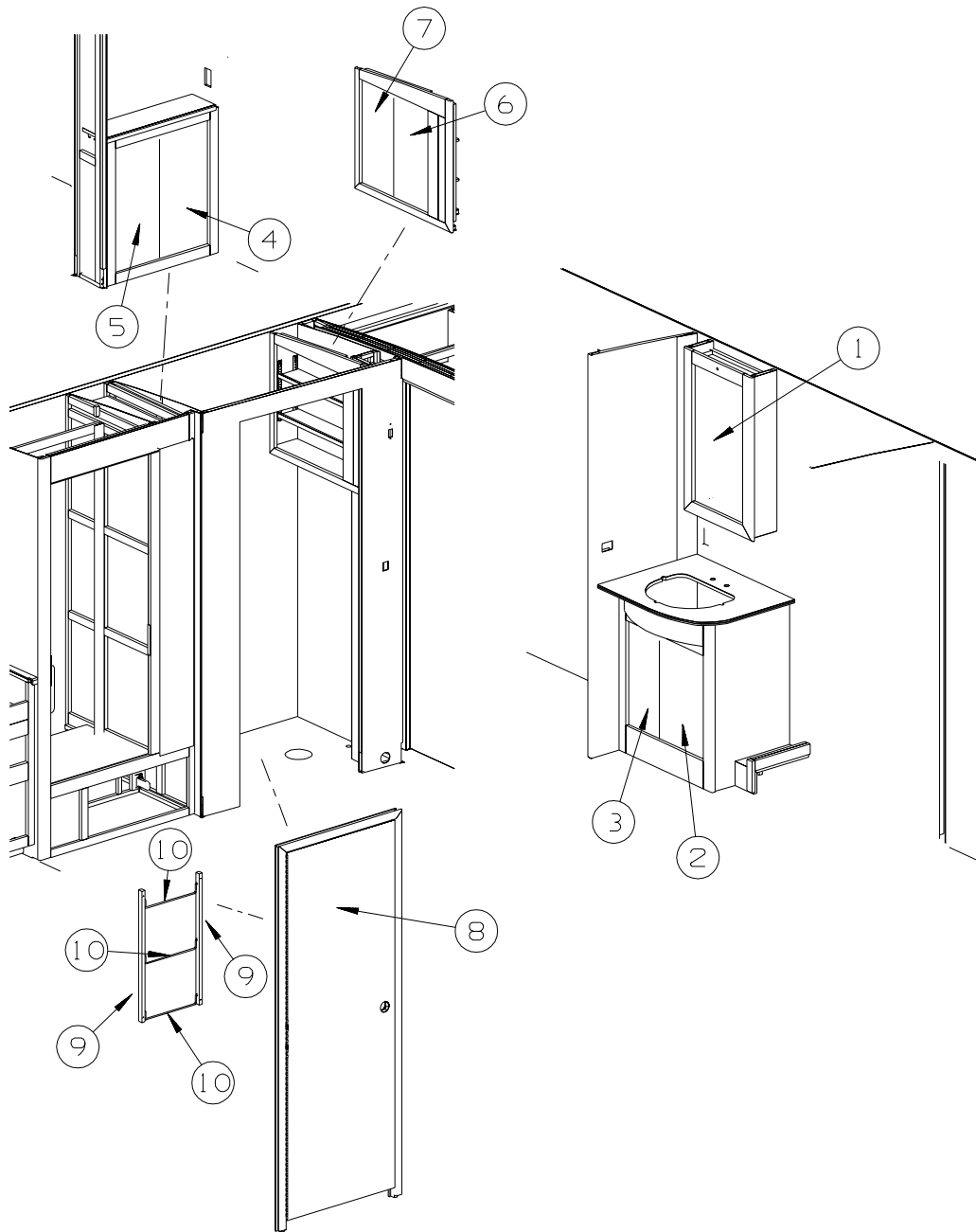
**BATH GROUP (CONTINUED)**  
**CABINETS (CONTINUED)**



KEY	PART NUMBER	U/M	DESCRIPTION
1	145980-03-02A	EA	PAPER HOLDER - EURO - BRASS/CHROME
2	145980-06-02A	EA	TOWEL RING - BRASS/CHROME

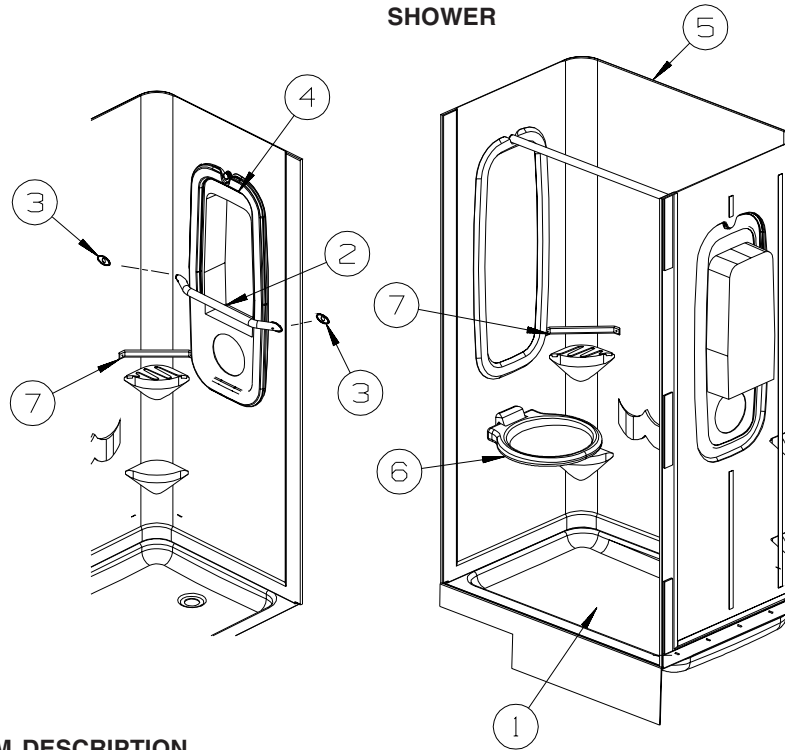
## BATH GROUP (CONTINUED)

### DOORS & DRAWERS



KEY	PART NUMBER	U/M	DESCRIPTION
1	134786-09-N37	EA	DOOR - MIRROR/MITERED CORNERS - 15.7" X 27.9"-W/O HARDWARE
1	076767-04-000	EA	CABLE - STAINLESS STEEL - 5.9"
2	136919-69-P41	EA	DOOR - FLAT/PENCIL EDGE - 12" X 21.8" - W/O HARDWARE
3	136919-68-P41	EA	DOOR - FLAT/PENCIL EDGE - 12" X 21.8" - W/O HARDWARE
4	136919-72-P34	EA	DOOR - FLAT/PENCIL EDGE - 12" X 25.9" - W/O HARDWARE
5	136919-71-P41	EA	DOOR - FLAT/PENCIL EDGE - 12" X 25.9" - W/O HARDWARE
6	141520-40-R35	EA	DOOR - ARCHED/PENCIL EDGE/RIGHT HAND -10.8"X21.8"- W/O HDW
7	141518-40-R35	EA	DOOR - ARCHED/PENCIL EDGE/LEFT HAND-10.8" X 21.8"-W/O HDW
8	144645-04-R13	EA	DOOR - BATH - W/O TOWEL RACK/HARDWARE
	111155-05-01A	EA	LOCK - PRIVACY/LOCKING - POLISHED BRASS - "S" SHAPE HANDLE FROM: 00-00-00 THRU: 01-26-03
	146064-01-01A	EA	LOCK - PRIVACY HANDLE - POLISHED BRASS FROM: 01-27-03 THRU: 99-99-99
9	P34509-01-N01	EA	RAIL END - RH/LH - TOWEL RACK - PORTSMOUTH OAK
10	146801-01-01A	EA	ROD/TOWEL BAR (OFFSET) - BRASS

## BATH GROUP (CONTINUED) SHOWER



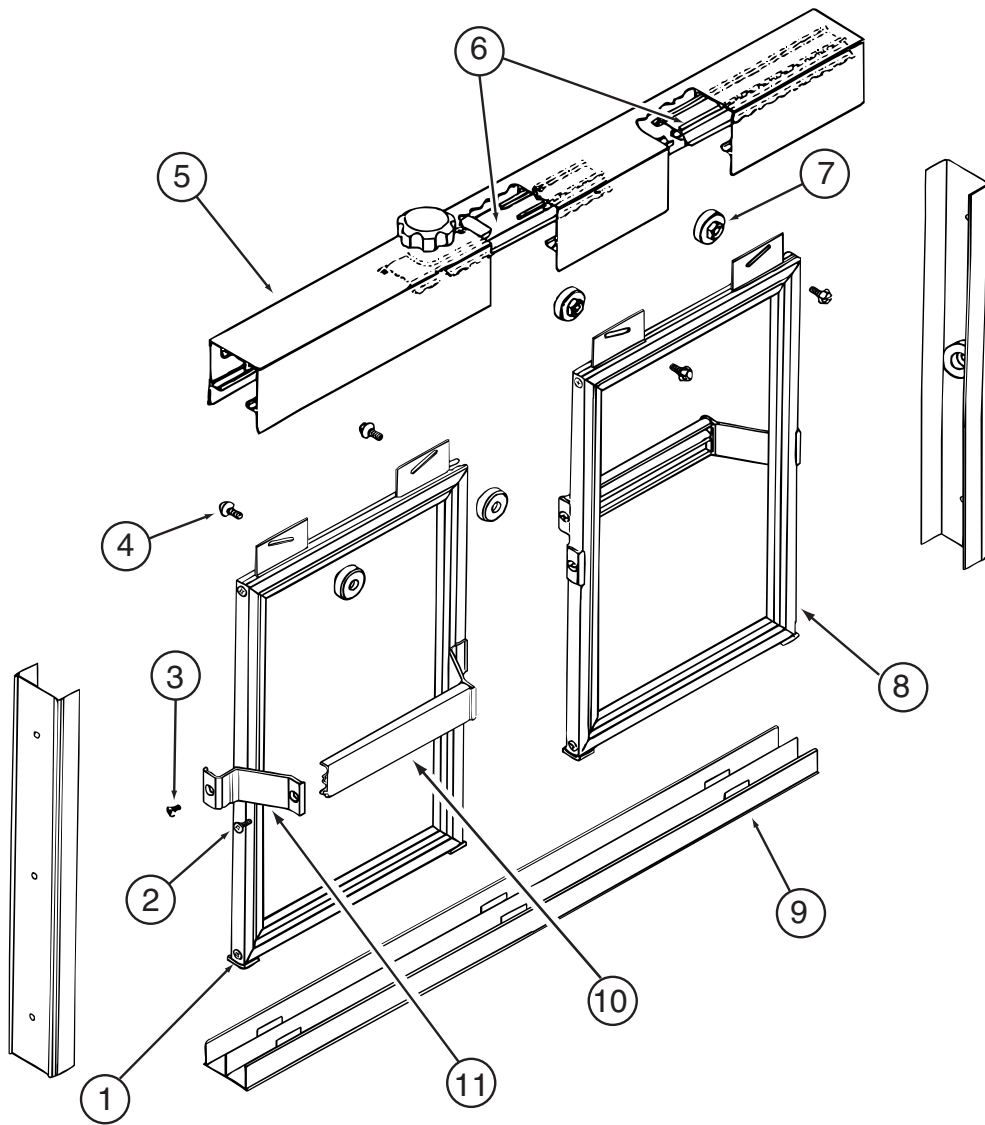
KEY	PART NUMBER	U/M	DESCRIPTION
1	M02630-42-N30	EA	SHOWER PAN - W/STRAINER
			FROM: 00-00-00 THRU: 08-24-03
1	M02630-79-R38	EA	SHOWER PAN - W/STRAINER - SOFT WHITE
			FROM: 08-25-03 THRU: 99-99-99
2	132083-01-02A	EA	HANDRAIL/ASSIST - 1" DIAMETER/W/END CAPS - SOFT WHITE
3	132083-02-01A	EA	PAD - OVAL - BLACK RUBBER
4	132192-03-01A	EA	CADDY - SHOWER - SOFT WHITE
			FROM: 00-00-00 THRU: 08-24-03
4	132192-01-01A	EA	CADDY - SHOWER - SOFT WHITE
			FROM: 08-25-03 THRU: 99-99-99
5	132216-01-01A	EA	SURROUND/SHOWER - SOFT WHITE
			FROM: 00-00-00 THRU: 08-24-03
5	147188-02-01A	EA	SURROUND - SHOWER - SOFT WHITE
			FROM: 08-25-03 THRU: 99-99-99
6	135607-03-01A	EA	SEAT - SHOWER/FOLDING(FOR REPLACEMENT OR OPTION INST ONLY)
7	NOT USED		

### SHOWER DOORS

KEY	PART NUMBER	U/M	DESCRIPTION
*	115011-03-01A	EA	DOOR - SHOWER/BYPASS - 39.3" X 65" - W/HARDWARE & LOCK

**\*COMPONENT PARTS LISTED LATER IN THIS GROUP**

**BATH GROUP (CONTINUED)**  
**COMPONENT PARTS FOR SHOWER**

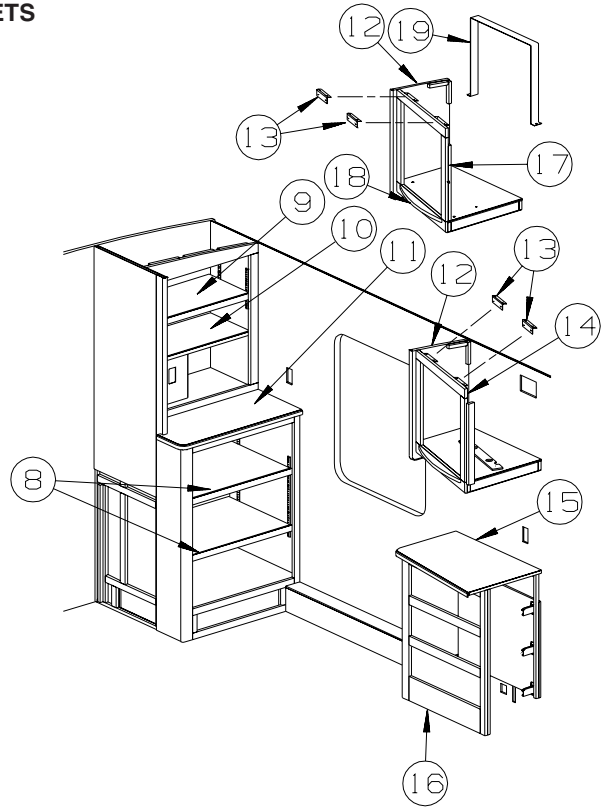
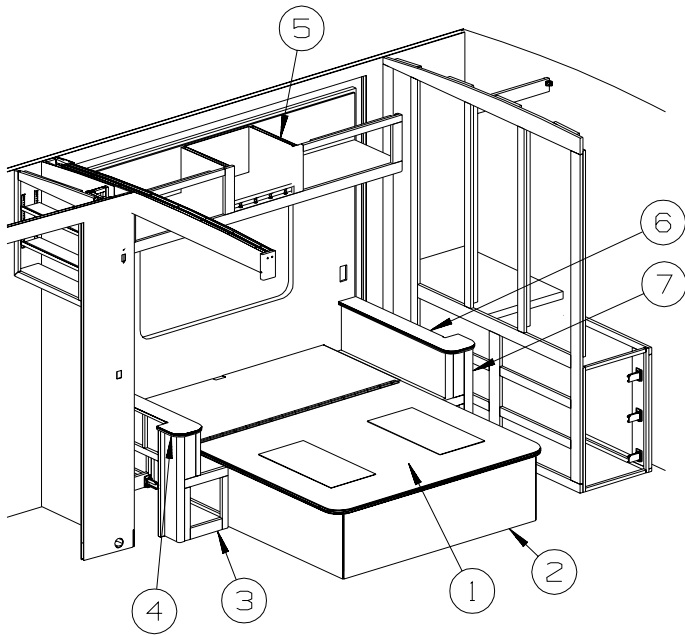


115011-03-01A

KEY	PART NUMBER	U/M	DESCRIPTION	VENDOR NO.
1	115011-01-701	EA	GUIDE-NYLON, (W-TRACK)	1104
2	115011-01-707	EA	SCREW F/TOWEL BAR	612F
3	115011-01-708	EA	SCREW F/TOWEL BAR BRKTS	638F
4	115011-01-705	EA	SCREW-ROLLER, (HEX HEAD)	832HEX
5	115011-01-700	EA	HEADER, W/O ANTI JUMP GUARD	120G
6	115011-01-710	EA	HEADER LOCK (ANTI JUMP) ADJ	130MIDDLE
6	115011-01-716	EA	GUARD-ANTI JUMP-W/O TENSION	130END
7	115011-01-704	EA	ROLLERS	PN193
8	115011-01-706	FT	GLAZING VINYL	C 169
9	115011-01-709	EA	TRACK-BOTTOM- 50"	90
10	115011-01-703	EA	BAR-TOWEL	136
11	115011-01-702	EA	BRACKET-TOWEL BAR	135
	115011-01-711	EA	KNOB-TENSION,(HEADER W/BOLT)	1420K-1420S
	115011-01-714	EA	BUMPER - RATTLE/SHOWER DOOR	5168S
	115011-01-715	EA	PAD - FOAM	116R



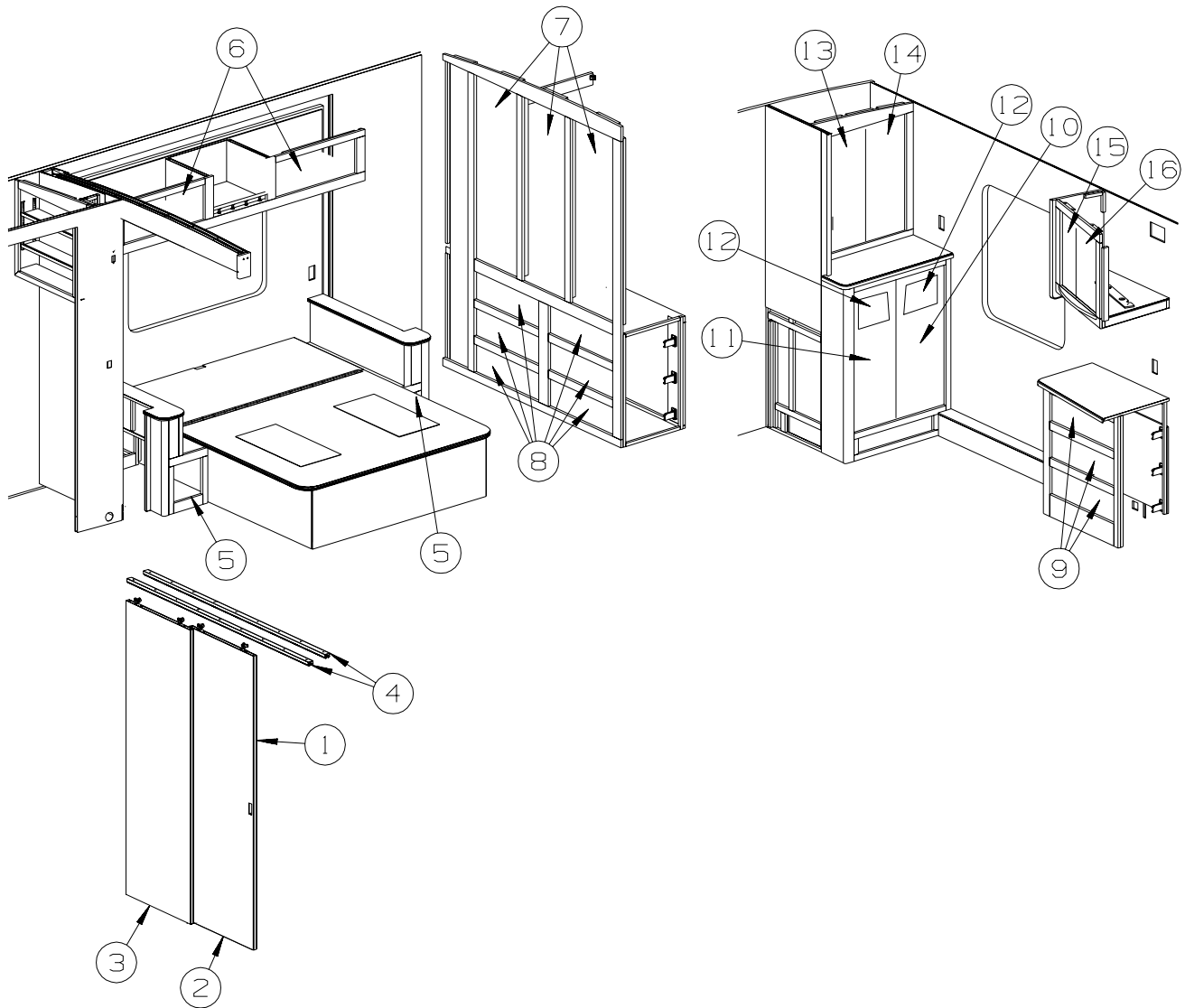
## BEDROOM GROUP QUEEN CABINETS



KEY	PART NUMBER	U/M	DESCRIPTION
1	137406-04-N52	EA	BEDBOARD - W/HINGE/T-MOLDING/SLIPNOT - FLIP-UP
2	137388-01-P37	EA	CABINET/BASE - W/O DOOR/DRAWER/HARDWARE - F/QUEEN BED
3	136885-03-N42	EA	CABINET - NIGHTSTAND/LH - W/O COUNTERTOP/DOOR/DRAWER/HDW
4	133655-25-R32	EA	COUNTERTOP - LAMINATED - LINO FRIEZE/PORTSMOUTH OAK (R35)
4	133655-25-P37	EA	COUNTERTOP - LAMINATED - EGGSHELL/PORTSMOUTH OAK (R36)
4	133655-25-N44	EA	COUNTERTOP - LAMINATED - GRAY TRANQUILITY/PORTSMOUTH OAK (R37)
5	137367-01-R32	EA	CABINET - OVERHEAD/REAR/RIGHT HAND - W/O DOORS/HARDWARE
6	133655-26-R32	EA	COUNTERTOP - LAMINATED - LINO FRIEZE/PORTSMOUTH OAK (R35)
6	133655-26-P37	EA	COUNTERTOP - LAMINATED - EGGSHELL/PORTSMOUTH OAK (R36)
6	133655-26-N44	EA	COUNTERTOP - LAMINATED - GRAY TRANQUILITY/PORTSMOUTH OAK (R37)
7	136885-04-N47	EA	CABINET - NIGHTSTAND/RH - W/O COUNTERTOP/DOOR/DRAWER/HDW
8	140313-32-N30	EA	SHELF - W/PLASTIC EDGE MOLDING
9	140313-24-N30	EA	SHELF - W/PLASTIC EDGE MOLDING
10	140313-22-N30	EA	SHELF - W/PLASTIC EDGE MOLDING
11	133655-63-R32	EA	COUNTERTOP - LAMINATED - LINO FRIEZE/PORTSMOUTH OAK (R35)
11	133655-63-P37	EA	COUNTERTOP - LAMINATED - EGGSHELL/PORTSMOUTH OAK (R36)
11	133655-63-N30	EA	COUNTERTOP - LAMINATED - GRAY TRANQUILITY/PORTSMOUTH OAK (R37)
12	103128-88-N30	EA	END CAP - OVERHEAD CABINET/LEFT HAND
13	106699-01-01A	EA	BRACKET F/TV INSTALLATION - OVERHEAD CABINET
14	142976-01-R32	EA	CABINET - OVERHEAD/TV/REAR - W/O DOORS/HARDWARE
15	133655-62-R32	EA	COUNTERTOP - LAMINATED - LINO FRIEZE/PORTSMOUTH OAK (R35)
15	133655-62-P37	EA	COUNTERTOP - LAMINATED - EGGSHELL/PORTSMOUTH OAK (R36)
15	133655-62-N30	EA	COUNTERTOP - LAMINATED - GRAY TRANQUILITY/PORTSMOUTH OAK (R37)
16	140312-01-N95	EA	CABINET/DRESSER/LEFT HAND - W/O DRAWERS/HARDWARE
17	142976-02-P37	EA	CABINET - OVERHEAD/TV/REAR - W/O DOORS/HARDWARE - 19" TV WITH REMOTE
18	P39390-01-N30	EA	TRIM - TV/CURVED
19	115466-28-02B	EA	STRAP/TIEDOWN - TV - E-COATED

## BEDROOM GROUP (CONTINUED)

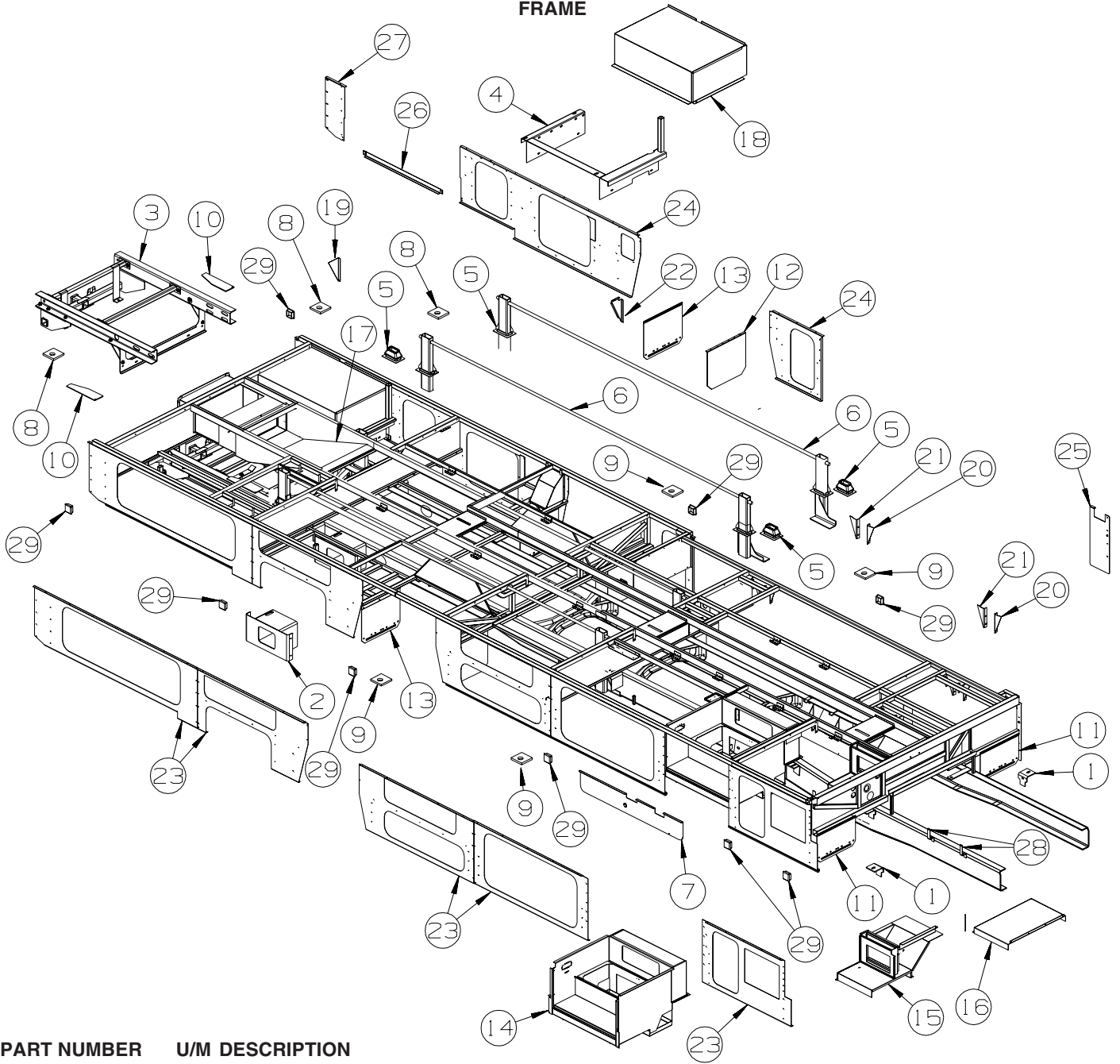
### QUEEN DOORS & DRAWERS



KEY	PART NUMBER	U/M	DESCRIPTION
1	137421-01-N42	EA	DOOR - SLIDING
2	137421-11-N42	EA	PANEL - SLIDING DOOR - W/O HANGER
3	137421-14-N42	EA	PANEL - SLIDING DOOR - W/O HANGER
4	137422-01-01A	EA	TRACK/DOOR - OFF WHITE
5	145492-51-R44	EA	DRAWER - PENCIL EDGE - 7.6"W X 23.6"D - W/O SLIDES/HDW
6	141522-25-R35	EA	DOOR - ARCHED/PENCIL EDGE/HORIZ - 10" X 25.2" - W/O HDW
7	141507-03-R35	EA	DOOR - MIRRORRED/PENCIL EDGE - 16.7" X 48" - W/O HARDWARE
8	145492-T0-R35	EA	DRAWER - PENCIL EDGE - 22.5"W X 15.7"D - W/O SLIDES/HDW
9	145492-75-R35	EA	DRAWER - PENCIL EDGE - 22.5"W X 13.8"D - W/O SLIDES/HDW
10	140284-04-N37	EA	DOOR/HINGED COVER - FOLDING ACCESS - PENCIL EDGE - W/O HDW
11	140284-05-N37	EA	DOOR/HINGED COVER - FOLDING ACCESS - PENCIL EDGE - W/O HDW
12	139560-03-11B	EA	MESH - GRILLE - FLAT BLACK
13	141518-94-R35	EA	DOOR - ARCHED/PENCIL EDGE/LEFT HAND-13.6" X 30.3" -W/O HDW
14	141520-94-R35	EA	DOOR - ARCHED/PENCIL EDGE/RIGHT HAND -13.6"X30.3"-W/O HDW
15	141518-34-R35	EA	DOOR - ARCHED/PENCIL EDGE/LEFT HAND-10.6" X 19.9" -W/O HDW
16	141520-34-R35	EA	DOOR - ARCHED/PENCIL EDGE/RIGHT HAND -10.6"X19.9"- W/O HDW

# CHASSIS GROUP

## FRAME



KEY	PART NUMBER	U/M	DESCRIPTION
1	117154-04-02B	EA	MOUNT - FRAME RAIL/FLOOR
2	139255-01-02B	EA	SUPPORT - LP - BODY
3*	132643-06-01A	EA	HITCH/TIRE CARRIER - EXTENSION RAIL(REAR CLIP) - 43.1"
4	138113-01-02B	EA	OUTRIGGER/GENERATOR - E-COATED
5	139724-01-01A	EA	BOOT - TOWER - BLACK - FORD
6	139949-02-01B	EA	ROD - STEEL/THREADED - FORD
7	140219-04-02B	EA	SHIELD - HEAT/EXHAUST - E-COATED - WORKHORSE
8	135712-02-02B	EA	PLATE - BODY MOUNT - E-COATED
9	135712-01-02B	EA	PLATE - BODY MOUNT - E-COATED
10	133095-01-02B	EA	PLATE - CLIP - E-COATED
11	136391-01-02B	EA	GUARD/ROCK - STEEL - W/ANGLE - 18"W X 11"H - E-COATED
12	134191-01-02B	EA	GUARD/ROCK - STEEL - W/BEND - 18"W X 14.9"H - E-COATED
13	136391-02-02B	EA	GUARD/ROCK - STEEL - W/ANGLE - 18"W X 15"H - E-COATED
14	132607-06-02B	EA	BOX - ENTRY STEP - E-COATED
15	138369-01-02B	EA	COMPARTMENT - AUTO HEATER - E-COATED
16	133203-02-02B	EA	COVER - TRANSMISSION - E-COATED
17	144746-02-02B	EA	COMPARTMENT - FURNACE - E-COATED
18	140930-02-02B	EA	COMPARTMENT - GENERATOR - E-COATED
19	123440-07-02B	EA	SUPPORT - PANEL - 8.7" X 4.7" - E-COATED
20	131531-06-02B	EA	GUSSET - SLIDEOUT - E-COATED

**CHASSIS GROUP (CONTINUED)**  
**FRAME (CONTINUED)**

<b>KEY</b>	<b>PART NUMBER</b>	<b>U/M</b>	<b>DESCRIPTION</b>
21	131531-05-02B	EA	GUSSET - SLIDEOUT - E-COATED
22	123440-02-02B	EA	SUPPORT - PANEL - 9.9"/7.6" X 4.7" - E-COATED
23	144365-01-02B	EA	PLATE/SEAL - E-COATED - FORWARD PIECE
23	144365-02-02B	EA	PLATE/SEAL - E-COATED - 2ND FROM THE FRONT
23	144365-03-02B	EA	PLATE/SEAL - E-COATED - 3RD FROM THE FRONT
23	137098-17-02B	EA	PLATE/SEAL - E-COATED - 2ND FROM THE REAR
23	137098-13-02B	EA	PLATE/SEAL - E-COATED - REAR PIECE
24	144365-04-02B	EA	PLATE/SEAL - E-COATED - FORWARD PIECE
24	144365-16-02B	EA	PLATE/SEAL - E-COATED - REAR PIECE
25	132606-01-02B	EA	PLATE/SEAL - E-COATED
26	133612-05-02B	EA	ZEE/SEAL PLANE - BOTTOM - E-COATED
27	137103-03-02B	EA	PLATE/SEAL - E-COATED
28	117287-01-02B	EA	BRACKET - MOUNTING/CABLE - E-COAT
29	119845-01-01A	EA	PLUG/PLASTIC - 1 1/2" SQUARE - BLACK

**\*COMPONENT PARTS LISTED LATER IN THIS GROUP**

## CHASSIS GROUP (CONTINUED)

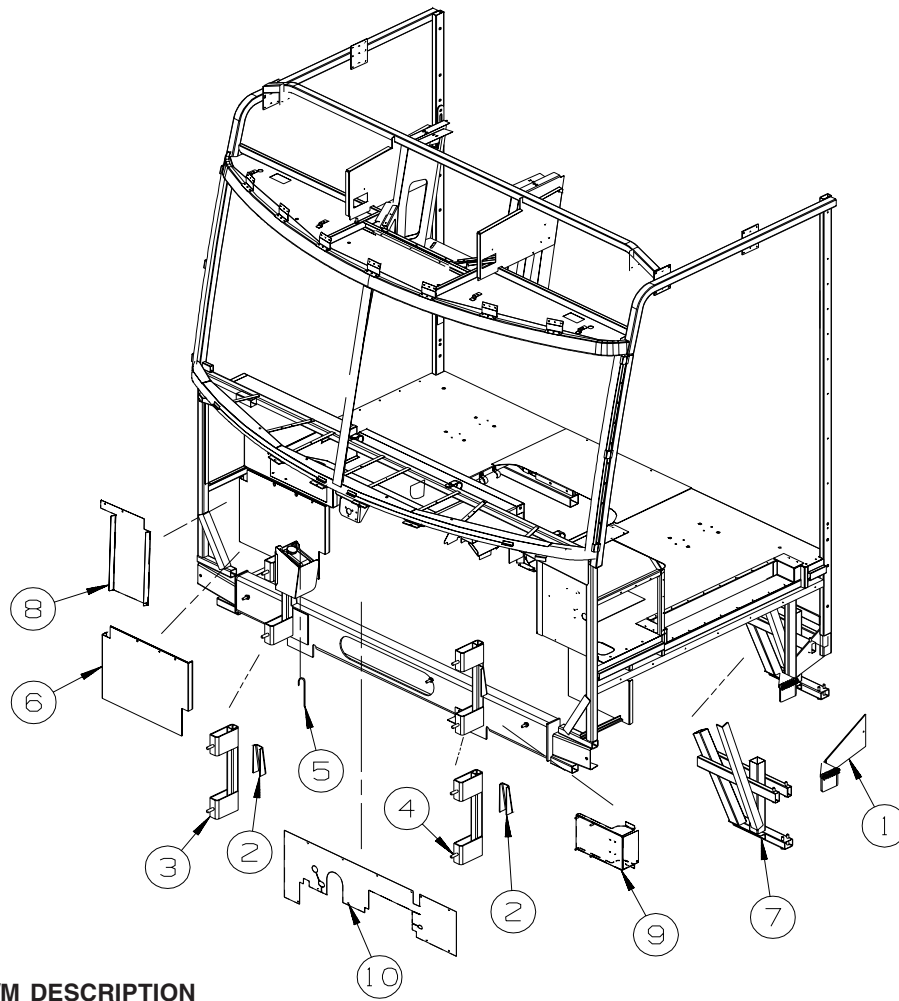
### COMPONENT PARTS FOR FRAME

132643-01-01A, 132643-06-01A, 132643-07-01A, 132643-09-01A

KEY	PART NUMBER	U/M	DESCRIPTION	VENDOR NO.
	132643-01-700	EA	HITCH/RECEIVER WELDED ASM.	72430-47
	132643-01-701	EA	TIRE CARRIER COMPLETE	56610-47
	132643-01-702	EA	RETAINER KIT/SPARE TIRE	55290-47
	132643-01-703	EA	BOLT IN CROSSMEMBER W/SPARE	4132-03

# CHASSIS GROUP (CONTINUED)

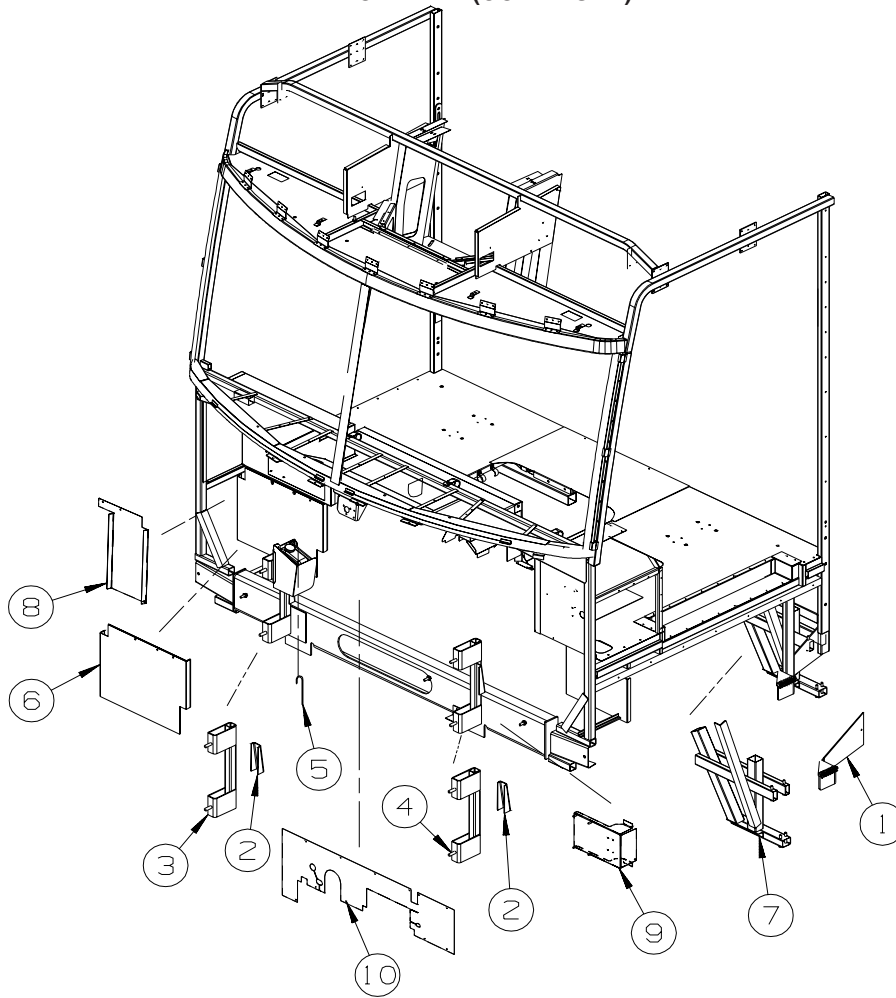
## FRONT END



FORD

KEY	PART NUMBER	U/M	DESCRIPTION
1	NOT USED		
2	117622-01-02B	EA	BRACE - TUBE/BUMPER - VERTICAL - E-COATED
3	134807-03-02B	EA	SUPPORT - FRONT - E-COATED
4	134807-04-02B	EA	SUPPORT - FRONT - E-COATED
5	NOT USED		
6	144679-02-02B	EA	SHIELD/SPLASH - HEADLIGHT - E-COATED
7	138340-02-02B	EA	SUPPORT/STEP - DRIVER - E-COATED - 19.5 TIRE
7	138340-01-02B	EA	SUPPORT/STEP - DRIVER - E-COATED - 22.5 TIRE
8	NOT USED		
9	NOT USED		
10	NOT USED		

**CHASSIS GROUP (CONTINUED)**  
**FRONT END (CONTINUED)**

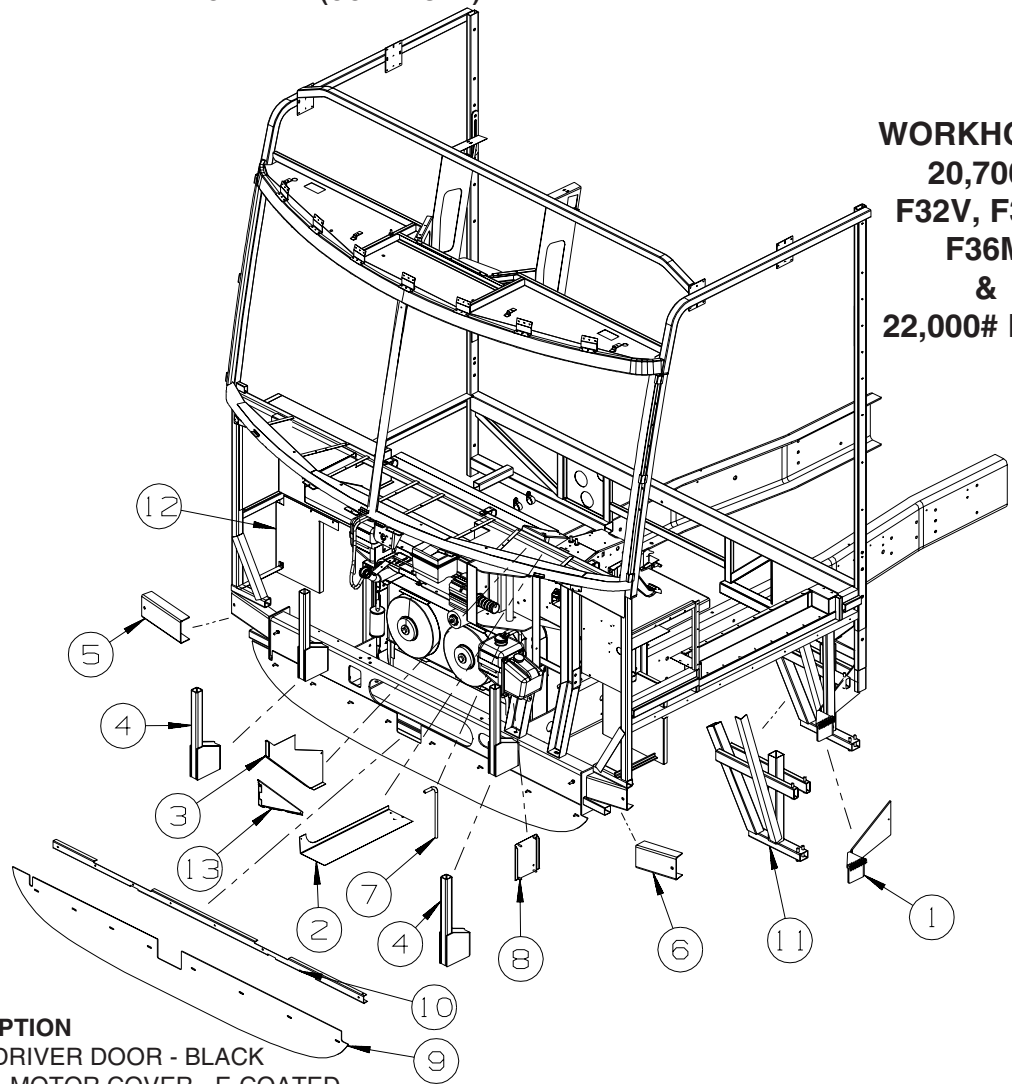


**WORKHORSE**  
**F30W &**  
**F32V 18,000#**

KEY	PART NUMBER	U/M	DESCRIPTION
1	128255-03-04B	EA	STEP - DRIVER DOOR - BLACK
2	117622-01-02B	EA	BRACE - TUBE/BUMPER - VERTICAL - E-COATED
3	134807-03-02B	EA	SUPPORT - FRONT - E-COATED
4	134807-04-02B	EA	SUPPORT - FRONT - E-COATED
5	044317-01-000	FT	HOSE - FUEL - 3/8" ID
6	144679-02-02B	EA	SHIELD/SPLASH - HEADLIGHT - E-COATED
7	NOT USED		
8	121962-02-02B	EA	SHIELD/SPLASH - HEADLIGHT - E-COATED
9	137355-02-02B	EA	BRACKET - RESERVOIR/WASHER - E-COATED
10	117749-03-000	EA	BAFFLE - RADIATOR - TOP/P32

## CHASSIS GROUP (CONTINUED) FRONT END (CONTINUED)

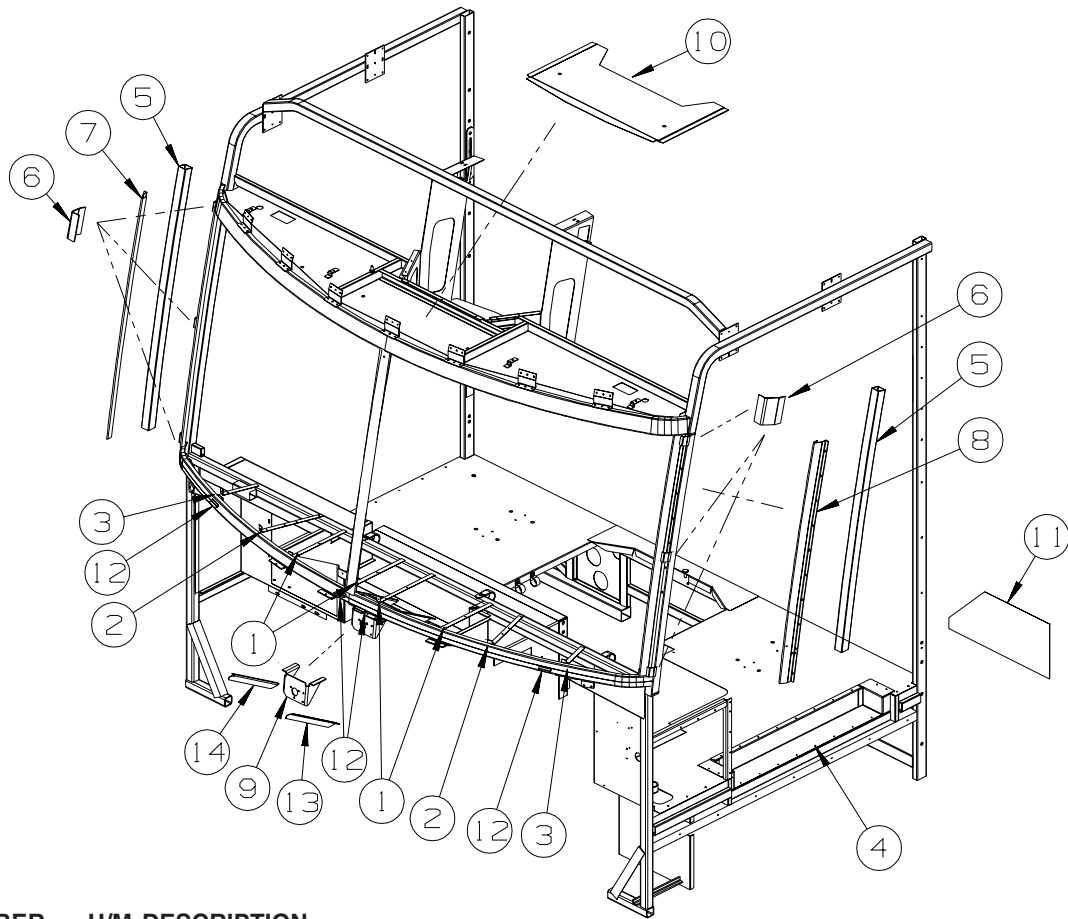
**WORKHORSE  
20,700#  
F32V, F34D,  
F36M  
&  
22,000# F36M**



KEY	PART NUMBER	U/M	DESCRIPTION
1	128255-03-04B	EA	STEP - DRIVER DOOR - BLACK
2	137041-01-02B	EA	ANGLE - MOTOR COVER - E-COATED
3	137306-01-02B	EA	BRACKET - STRIKE SUPPORT - E-COATED
3	150565-01-02B	EA	PANEL - CLOSE OUT - CAB - E-COATED FROM: 00-00-00 THRU: 02-12-04
4	134807-01-02B	EA	SUPPORT - FRONT - E-COATED FROM: 02-13-04 THRU: 99-99-99
4	134807-11-02B	EA	SUPPORT - FRONT - E-COATED - PASSENGER SIDE FROM: 00-00-00 THRU: 04-08-04
4	134807-12-02B	EA	SUPPORT - FRONT - E-COATED - DRIVER SIDE FROM: 04-09-04 THRU: 99-99-99
5	137048-02-02B	EA	CHANNEL - SUPPORT - FRONT - E-COATED
6	137048-01-02B	EA	CHANNEL/SUPPORT - FRONT - E-COATED
7	044317-01-000	FT	HOSE - FUEL - 3/8" ID
8	119656-02-02B	EA	BRACKET - RESERVOIR/WASHER - E-COATED FROM: 00-00-00 THRU: 04-08-04
8	134807-11-02B	EA	SUPPORT - FRONT - E-COATED - <b>INCLUDES RESERVOIR BRACKET</b> FROM: 04-09-04 THRU: 99-99-99
9	140782-01-01A	EA	SHIELD - SIGHT - BLACK PLASTIC FROM: 00-00-00 THRU: 05-16-03
9	140782-02-01A	EA	SHIELD/SIGHT - PLASTIC FROM: 05-17-03 THRU: 99-99-99
10	140790-01-02B	EA	ANGLE - SIGHT SHIELD - E-COATED
11	NOT USED		
12	121962-02-02B	EA	SHIELD/SPLASH - HEADLIGHT - E-COATED
13	137043-01-02B	EA	PANEL/FILLER - E-COATED FROM: 00-00-00 THRU: 02-12-04
13	150565-01-02B	EA	PANEL - CLOSE OUT - CAB - E-COATED FROM: 02-13-04 THRU: 99-99-99



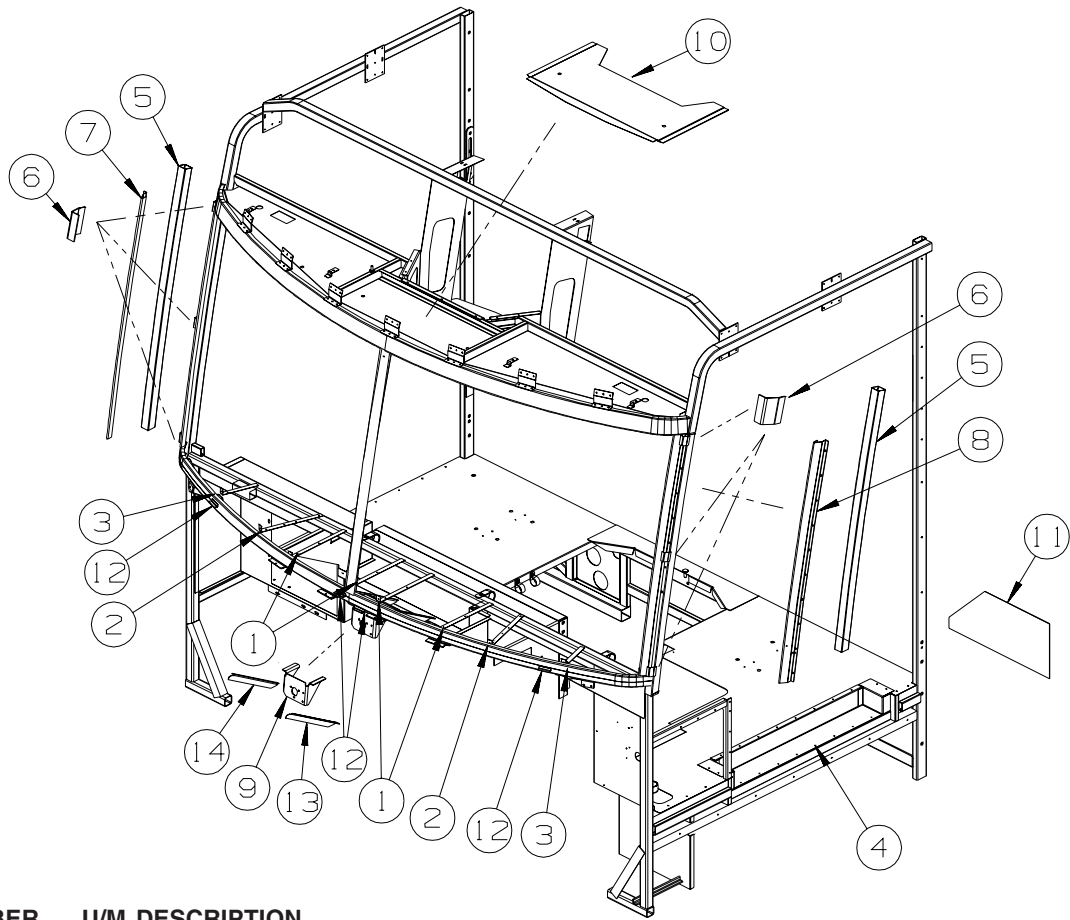
**CHASSIS GROUP (CONTINUED)**  
**FRONT END (CONTINUED)**



**FORD**

KEY	PART NUMBER	U/M	DESCRIPTION	
1	138846-03-01B	EA	STRAP - DEFROSTER PLENUM	
2	138846-04-01B	EA	STRAP - DEFROSTER PLENUM	
3	138846-05-01B	EA	STRAP - DEFROSTER PLENUM	
4	106746-02-000	EA	PANEL - STEPWELL	
5	117273-01-01A	EA	TUBE - SUPPORT - A-PILLAR	
6	120363-01-01B	EA	BRACKET - WINDSHIELD	
7	121269-05-01B	EA	FRAME - WINDSHIELD - A-PILLAR - MILL	
8	121269-06-01B	EA	FRAME - WINDSHIELD - A-PILLAR - MILL	
9	134506-02-01B	EA	BRACKET - WIPER MOTOR	
10	124904-04-01B	EA	HEADER/WINDSHIELD - CENTER - 27.5"	
11	NOT USED			
12	076364-57-000	EA	ANGLE - FORMED	
				FROM: 00-00-00 THRU: 09-12-03
12	120363-01-01B	EA	BRACKET - WINDSHIELD	
				FROM: 09-13-03 THRU: 05-14-04
12	148935-01-01B	EA	BRACKET - WINDSHIELD, MILL	
				FROM: 05-15-04 THRU: 99-99-99
13	134371-01-01B	EA	ANGLE/MOUNT - WIPER MOTOR	
14	134371-02-01B	EA	ANGLE/MOUNT - WIPER MOTOR	

**CHASSIS GROUP (CONTINUED)**  
**FRONT END (CONTINUED)**



**WORKHORSE**

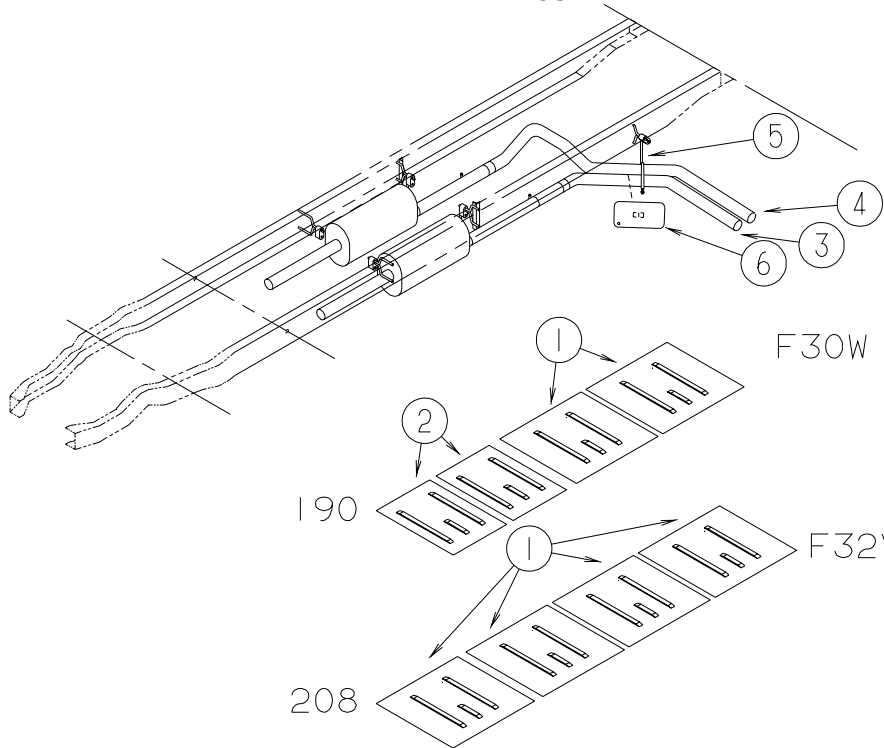
KEY	PART NUMBER	U/M	DESCRIPTION	
1	137047-04-01B	EA	STRAP - DEFROSTER PLENUM	
2	137047-05-01B	EA	STRAP - DEFROSTER PLENUM	
3	137047-06-01B	EA	STRAP - DEFROSTER PLENUM	
4	106746-02-000	EA	PANEL - STEPWELL	
5	117273-01-01A	EA	TUBE - SUPPORT - A-PILLAR	
6	120363-01-01B	EA	BRACKET - WINDSHIELD	
6	148935-01-01B	EA	BRACKET - WINDSHIELD, MILL	FROM: 00-00-00 THRU: 05-14-04
7	121269-05-01B	EA	FRAME - WINDSHIELD - A-PILLAR - MILL	FROM: 05-15-04 THRU: 99-99-99
8	121269-06-01B	EA	FRAME - WINDSHIELD - A-PILLAR - MILL	
9	134506-02-01B	EA	BRACKET - WIPER MOTOR	
10	124904-04-01B	EA	HEADER/WINDSHIELD - CENTER - 27.5"	
11	NOT USED			
12	126289-65-01B	EA	ANGLE - FORMED	
13	134371-01-01B	EA	ANGLE/MOUNT - WIPER MOTOR	
14	134371-02-01B	EA	ANGLE/MOUNT - WIPER MOTOR	

**DRIVETRAIN**

KEY	PART NUMBER	U/M	DESCRIPTION	
	140691-07-000	EA	DRIVESHAFT ASM-3 BALANCED - <b>WORKHORSE 208"-220" STRETCH, F34D</b>	
	138616-06-02B	EA	BRACKET - BEARING MOUNT - E-COATED - <b>WORKHORSE 208"-220" STRETCH, F34D</b>	
	129580-09-000	EA	DRIVESHAFT - BALANCED - 220" WB - <b>FORD 208"-220" STRETCH, F34D</b>	
	128528-03-000	EA	BOLT - U-JOINT - 3/8-24 X 3/4 - <b>FORD, F30W</b>	FROM: 10-04-03 THRU: 99-99-99
	128528-04-000	EA	STRAP - BEARING - 1480 JOINT - <b>FORD, F30W</b>	FROM: 10-04-03 THRU: 99-99-99
	149203-01-000	EA	DRIVESHAFT ASM-DANA 145, 190" - <b>FORD, F30W</b>	FROM: 11-04-03 THRU: 99-99-99
	115043-03-000	EA	BUSHING - DRIVESHAFT - <b>FORD, F30W</b>	FROM: 11-04-03 THRU: 99-99-99

# CHASSIS GROUP (CONTINUED)

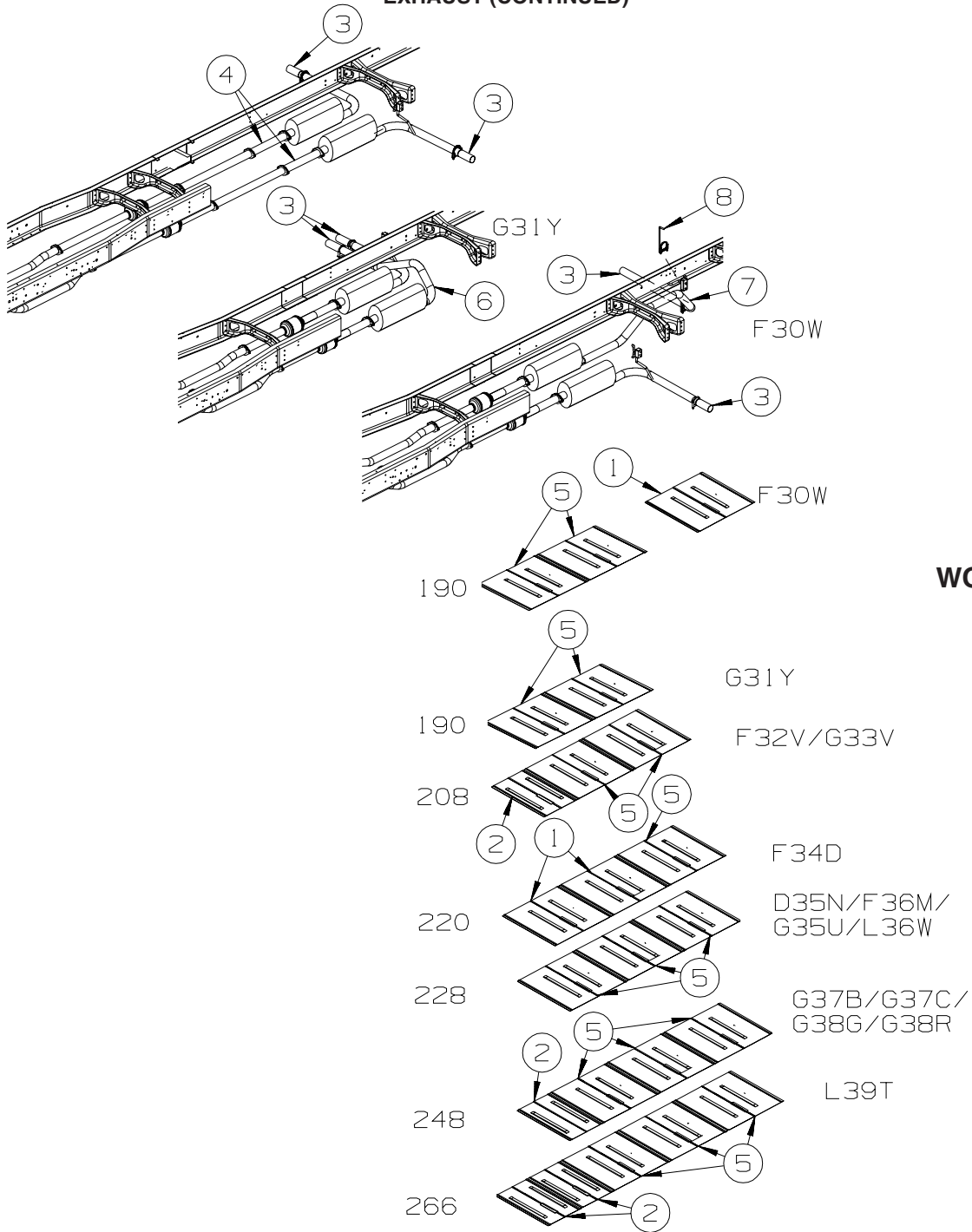
## EXHAUST



**WORKHORSE**

KEY	PART NUMBER	U/M	DESCRIPTION
1	143712-02-02B	EA	SHIELD - HEAT/EXHAUST - E-COATED
2	143712-01-02B	EA	SHIELD - HEAT/EXHAUST - E-COATED
3	137336-01-000	EA	PIPE - EXHAUST - SIDE
4	137337-01-000	EA	PIPE - EXHAUST - CROSSOVER
5	122392-07-02B	EA	HANGER - TAILPIPE - DOUBLE - E-COATED
6	143138-01-02B	EA	SHIELD - EXHAUST - E-COATED

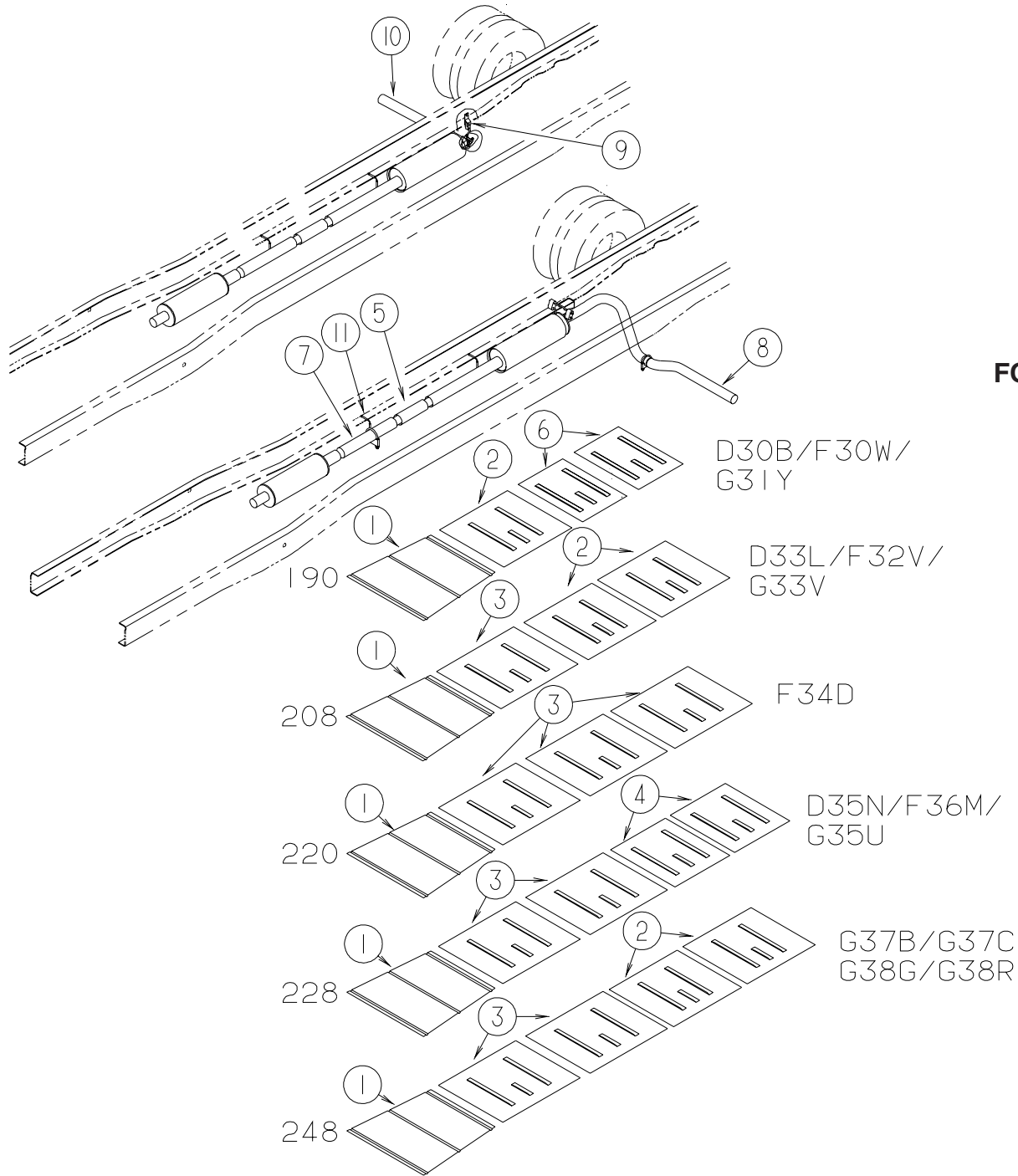
## CHASSIS GROUP (CONTINUED) EXHAUST (CONTINUED)



**WORKHORSE**

KEY	PART NUMBER	U/M	DESCRIPTION
1	143712-02-02B	EA	SHIELD - HEAT/EXHAUST - E-COATED
2	143712-01-02B	EA	SHIELD - HEAT/EXHAUST - E-COATED
3	098762-05-000	EA	EXTENSION - EXHAUST - STRAIGHT - 3" O.D X 7.9" LONG - SST
3	094918-01-000	EA	CLAMP - EXHAUST - 3" - GUILLOTINE STYLE
4	137652-03-000	EA	PIPE - EXHAUST - W/FLANGES - 208"-220" STRETCH, F34D
4	137652-05-000	EA	PIPE - EXHAUST - W/FLANGES - 190"-220" STRETCH, F34D
5	143712-05-02B	EA	SHIELD - HEAT/EXHAUST - E-COATED
6	NOT USED		
7	137925-03-000	EA	PIPE - EXHAUST - RIGHT HAND - 190" F30W FROM: 10-06-03 THRU: 02-13-04
7	137925-04-000	EA	PIPE - EXHAUST - RIGHT HAND - 190" F30W FROM: 02-14-04 THRU: 99-99-99
8	122392-11-02B	EA	HANGER - TAILPIPE - E-COATED - 190" F30W FROM: 10-06-03 THRU: 02-08-04
8	122392-13-02B	EA	HANGER - TAILPIPE - E-COATED - 190" F30W FROM: 02-09-04 THRU: 99-99-99

**CHASSIS GROUP (CONTINUED)**  
**EXHAUST (CONTINUED)**



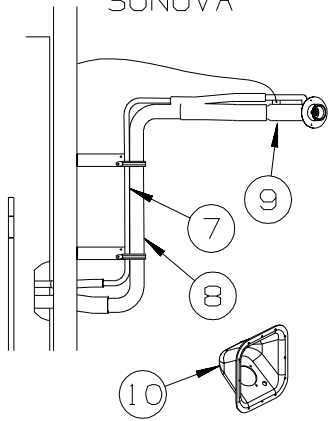
**FORD**

KEY	PART NUMBER	U/M	DESCRIPTION
1	128756-01-02B	EA	SHIELD - HEAT/EXHAUST - 33.9" X 16.9" - E-COATED
2	143712-02-02B	EA	SHIELD - HEAT/EXHAUST - E-COATED
3	143712-05-02B	EA	SHIELD - HEAT/EXHAUST - E-COATED
4	143712-07-02B	EA	SHIELD - HEAT/EXHAUST - E-COATED
5	112012-02-000	EA	PIPE - EXHAUST - 3" DIAMETER - FORD CHASSIS - 208"-220" STRETCH, F34D
	094918-06-000	EA	CLAMP - EXHAUST - 3" - HEAVY DUTY
6	143712-01-02B	EA	SHIELD - HEAT/EXHAUST - E-COATED
7	NOT USED		
8	142985-01-000	EA	PIPE - EXHAUST
9	NOT USED		
10	NOT USED		
11	NOT USED		

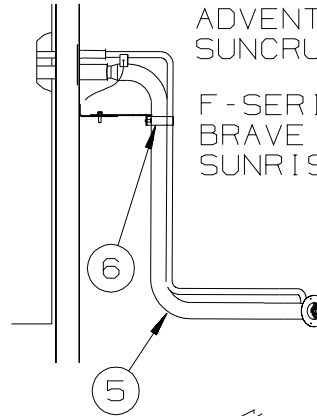
## CHASSIS GROUP (CONTINUED)

### FUEL

D-SERIES  
SIGHTSEER  
SONOVA

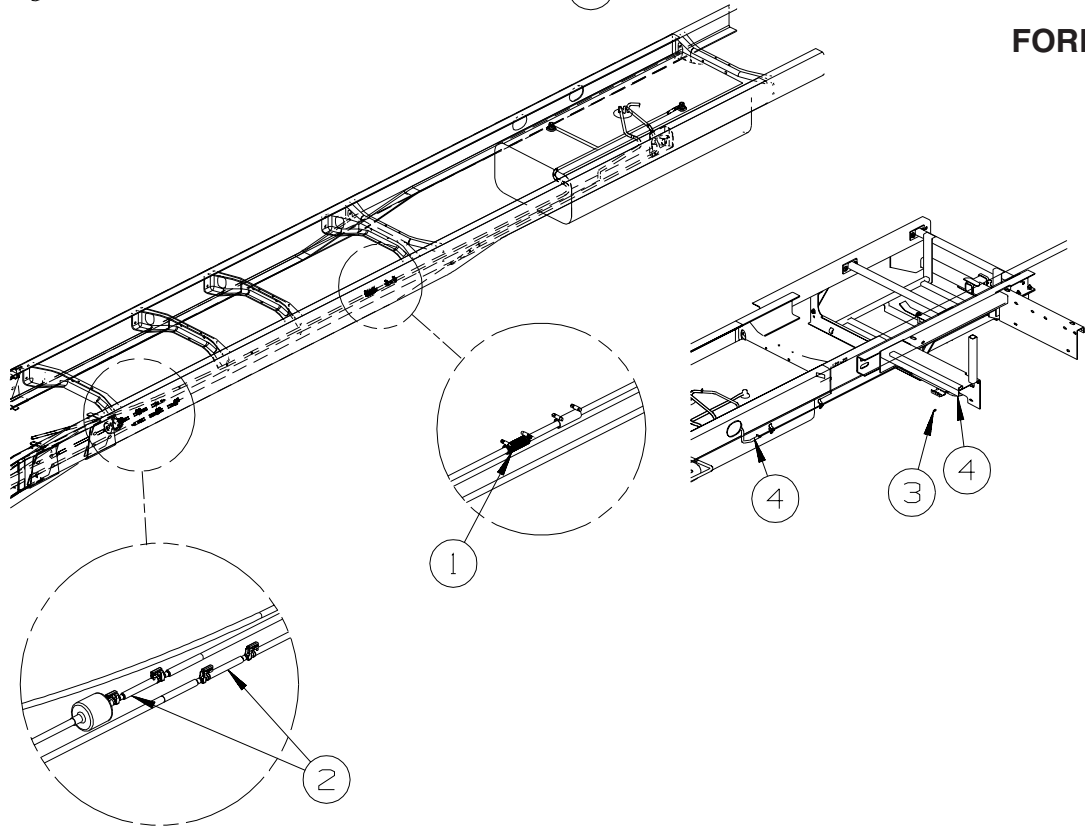


G-SERIES  
ADVENTURER  
SUNCRUISER



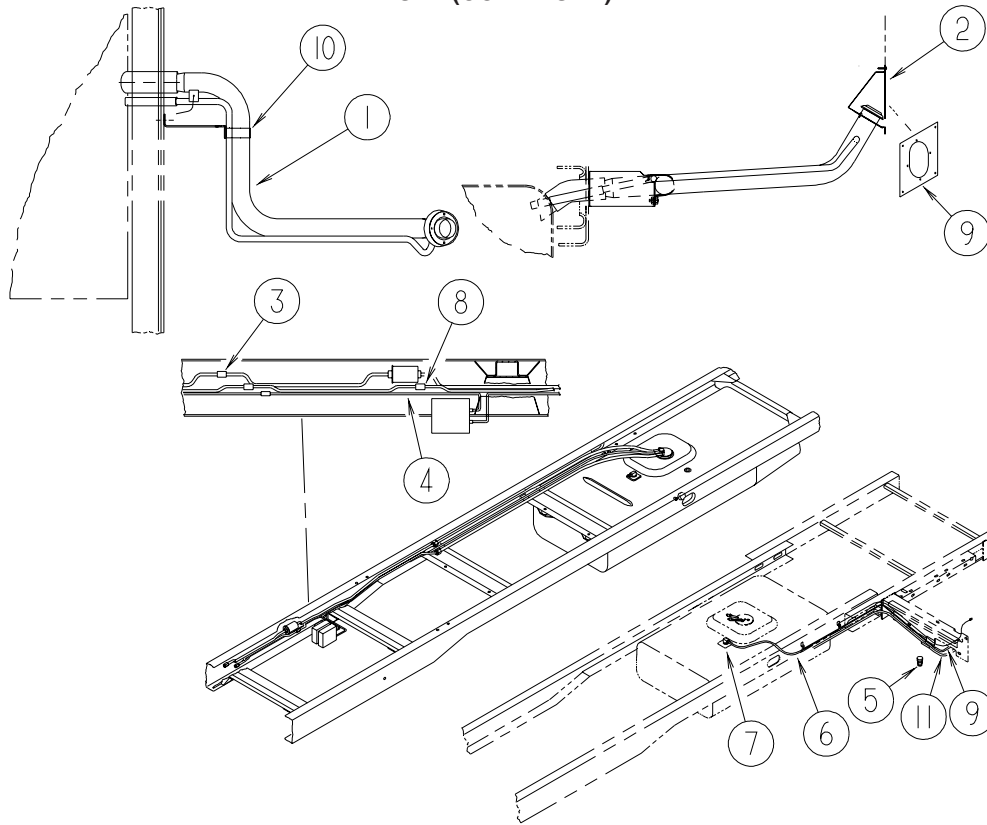
F-SERIES  
BRAVE  
SUNRISE

FORD



KEY	PART NUMBER	U/M	DESCRIPTION
1	128139-02-000	FT	HOSE - FUEL - LOW PERMEABILITY - 5/8" DIAMETER - F34D
2	129494-02-000	EA	FUEL LINE - 5/16" X 34.9" - FORD CHASSIS - STRETCH, F34D
3	084884-01-000	EA	PLUG - BRASS - 3/8"
4	128139-03-000	FT	HOSE - FUEL - LOW PERMEABILITY - 1/4" DIAMETER
5	135801-01-000	EA	NECK - FUEL FILL
6	140728-02-02B	EA	BRACKET - FUEL FILL - E-COATED
7	NOT USED		
8	NOT USED		
9	NOT USED		
10	NOT USED		

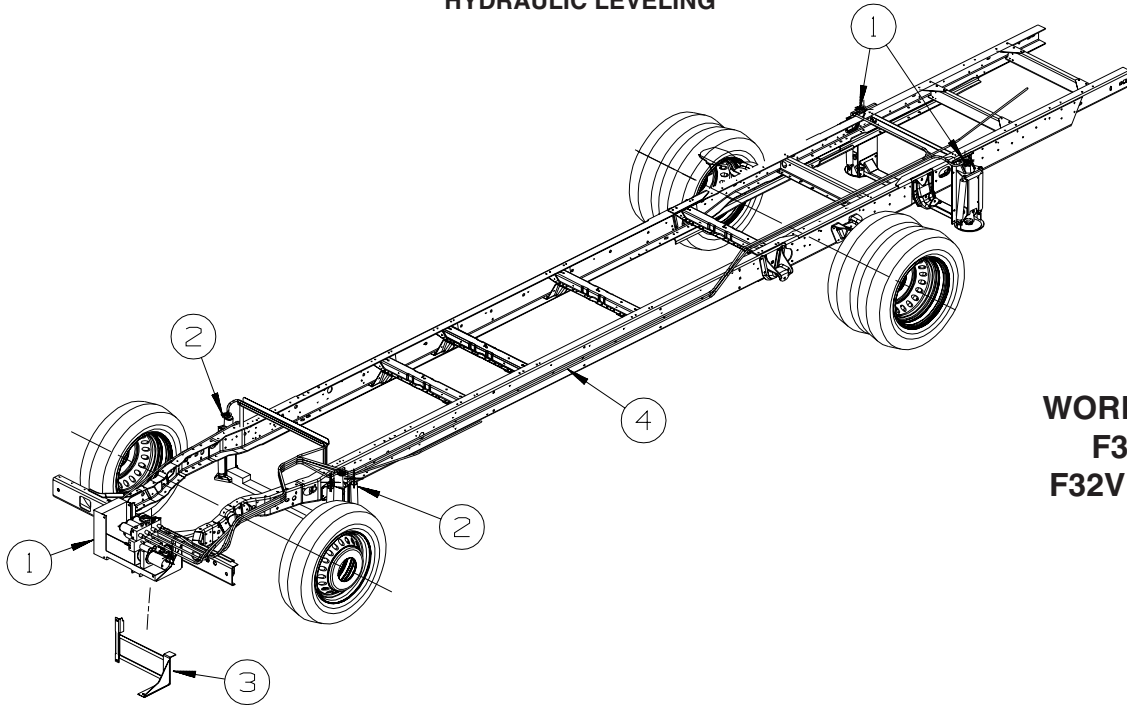
**CHASSIS GROUP (CONTINUED)**  
**FUEL (CONTINUED)**



**WORKHORSE**

KEY	PART NUMBER	U/M	DESCRIPTION
1	136300-01-000	EA	NECK - FUEL FILL - F30W, F32V W/P32 CHASSIS
1	136300-02-000	EA	NECK - FUEL FILL - F32V W/W20 CHASSIS, F34D, F36M
2	128299-02-01A	EA	SHROUD - FUEL FILL
3	098779-02-000	EA	COUPLER - FUEL LINE - 1.2" LONG X 16MM THREAD - ALTERED LENGTH CHASSIS, F34D
4	N/A		CONTACT WINNEBAGO PART SALES
5	084884-01-000	EA	PLUG - BRASS - 3/8"
6	128139-03-000	FT	HOSE - FUEL - LOW PERMEABILITY - 1/4" DIAMETER
7	068382-06-000	EA	BUSHING - BRASS - 3/8"MPT X 1/8"FPT
7	114254-01-000	EA	ADAPTER - 1/4 BARB X 1/8 MPT
8	098779-01-000	EA	COUPLER - FUEL LINE - 1.2" LONG X 14MM THREAD - 228"-248" STRETCH, 2003 CHASSIS
9	NOT USED		
10	140728-01-02B	EA	BRACKET - FUEL FILL - E-COATED
11	NOT USED		

**CHASSIS GROUP (CONTINUED)**  
**HYDRAULIC LEVELING**



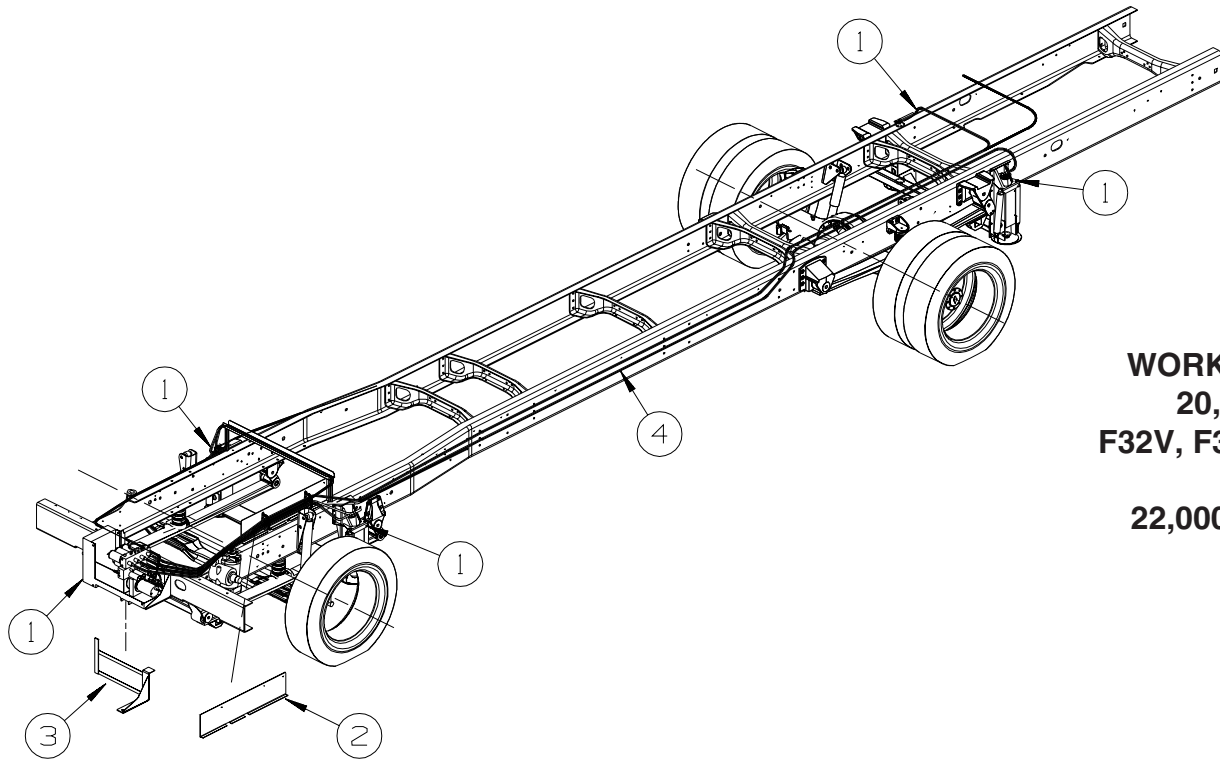
**WORKHORSE  
 F30W &  
 F32V 18,000#**

KEY	PART NUMBER	U/M	DESCRIPTION
1*	144226-11-000	EA	LEVELING SYSTEM - 325 SYSTEM W/2 SLIDEOUTS - P32 WORKHORSE FROM: 00-00-00 THRU: 08-31-03
1*	144226-23-000	EA	LEVELING SYSTEM - 325 SYSTEM W/2 SLIDEOUTS - P32 WORKHORSE FROM: 09-01-03 THRU: 99-99-99
2*	128285-03-000	EA	JACK/CROSSMEMBER ASSEMBLY - FRONT - WORKHORSE
3	146973-01-02B	EA	BRACKET - LEVELING PUMP - E-COATED
4*	100536-48-000	EA	HOSE KIT - LEVELING JACKS

**\*COMPONENT PARTS LISTED LATER IN THIS GROUP**



**CHASSIS GROUP (CONTINUED)**  
**HYDRAULIC LEVELING (CONTINUED)**

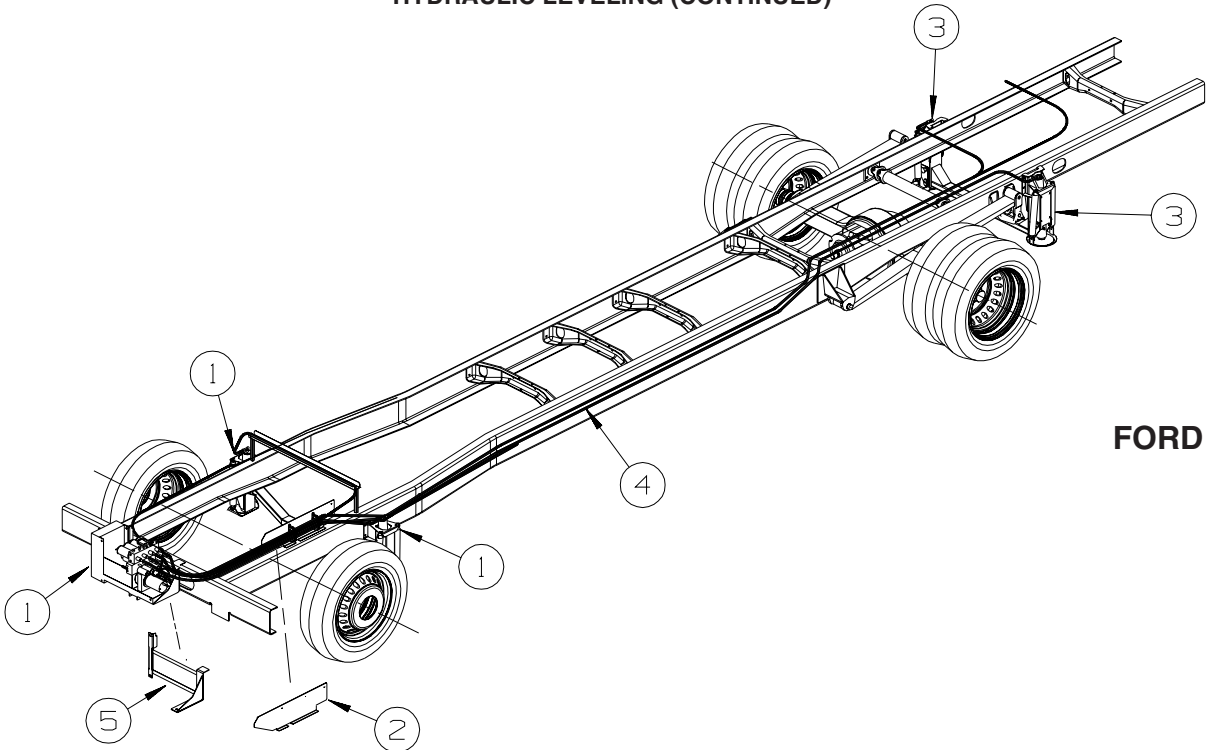


**WORKHORSE**  
**20,700#**  
**F32V, F34D, F36M**  
**&**  
**22,000# F36M**

KEY	PART NUMBER	U/M	DESCRIPTION
1*	144226-08-000	EA	LEVELING SYSTEM - W/2 SLIDEOUTS FROM: 00-00-00 THRU: 08-31-03
1*	144226-20-000	EA	LEVELING SYSTEM - 325 SYSTEM W/2 SLIDEOUTS - W22 WORKHORSE FROM: 09-01-03 THRU: 99-99-99
2	132999-02-02B	EA	SHIELD - HEAT - E-COATED
3	146973-01-02B	EA	BRACKET - LEVELING PUMP - E-COATED
4*	100536-48-000	EA	HOSE KIT - LEVELING JACKS

**\*COMPONENT PARTS LISTED LATER IN THIS GROUP**

**CHASSIS GROUP (CONTINUED)**  
**HYDRAULIC LEVELING (CONTINUED)**



KEY	PART NUMBER	U/M	DESCRIPTION
1*	144226-09-000	EA	LEVELING SYSTEM - 325 SYSTEM W/2 SLIDEOUTS - FORD - 2003 FORD CHASSIS FROM: 00-00-00 THRU: 08-31-03
1*	144226-21-000	EA	LEVELING SYSTEM - 325 SYSTEM W/2 SLIDEOUTS - FORD - 2003 FORD CHASSIS FROM: 09-01-03 THRU: 99-99-99
1*	144226-29-000	EA	LEVELING SYSTEM - 325 SYSTEM W/2 SLIDEOUTS - FORD - 2004 FORD CHASSIS
2	132999-01-02B	EA	SHIELD - HEAT - E-COATED
3*	128571-05-000	EA	JACK/CROSSMEMBER ASSEMBLY - REAR - FORD - 2003 FORD CHASSIS
3	128571-06-000	EA	JACK/CROSSMEMBER ASSEMBLY - REAR - FORD - 2004 FORD CHASSIS
4*	100536-48-000	EA	HOSE KIT - LEVELING JACKS
5	146973-01-02B	EA	BRACKET - LEVELING PUMP - E-COATED

**\*COMPONENT PARTS LISTED LATER IN THIS GROUP**

**CHASSIS GROUP (CONTINUED)**  
**COMPONENT PARTS FOR HYDRAULIC LEVELING**

**100536-48-000**

KEY	PART NUMBER	U/M	DESCRIPTION	VENDOR NO.
	100536-31-700	EA	HOSE - HYDRAULIC - 360"	RAP4163
	100536-31-701	EA	HOSE - HYDRAULIC - 96"	RAP5352
	100536-39-700	EA	HOSE - HYDRAULIC - 384"	RAP4164
	100536-48-700	EA	HOSE - 146"	RAP2443

**128285-03-000**

KEY	PART NUMBER	U/M	DESCRIPTION	VENDOR NO.
	100532-12-707	EA	SPRING KIT (PAIR)	R3847
	100532-45-700	EA	CYLINDER W/O FOOT - 6K X 13"	RAP90490/AP16112
	131306-02-700	EA	FOOT - 6K JACK	RAP2004/AP13882
	144226-01-700	EA	SWITCH - WARNING/MAGNETIC	RAP90968/AP26641

**128571-05-000**

KEY	PART NUMBER	U/M	DESCRIPTION	VENDOR NO.
	100532-12-707	EA	SPRING KIT (PAIR)	R3847
	100532-53-700	EA	CYLINDER W/O FOOT - 9K	RAP90491/AP15891
	131306-02-701	EA	FOOT/JACK - 9K & 12K	RAP8464/AP17525
	144226-01-700	EA	SWITCH - WARNING/MAGNETIC	RAP90968/AP26641

**144226-08-000**

KEY	PART NUMBER	U/M	DESCRIPTION	VENDOR NO.
	100532-53-700	EA	CYLINDER W/O FOOT - 9K	RAP90491/AP15891
	131306-22-701	EA	CROSSMEMBER - FRONT JACK	AP22754
	131306-26-700	EA	MANIFOLD ASM. - 2 ROOM	RAP90870/AP20550
	131306-29-702	EA	CROSSMEMBER - REAR JACK	AP20775
	144226-01-700	EA	SWITCH - WARNING/MAGNETIC	RAP90968/AP26641
	144226-03-701	EA	ENCLOSURE W/SENSING UNIT	RAP91269/AP29291
	144226-08-700	EA	TOUCH PAD	RAP90938/AP29691
	144226-08-701	EA	CONTROL BOX	AP30377/KURT P.
	144226-08-702	EA	SENSOR/BI-AXIS - PROGRAMABLE	RAP91172/AP28010
	144226-08-703	EA	PUMP MOTOR/TANK ASM-MONARCH	RAP90916/AP30348

**144226-09-000**

KEY	PART NUMBER	U/M	DESCRIPTION	VENDOR NO.
	131306-26-700	EA	MANIFOLD ASM. - 2 ROOM	RAP90870/AP20550
	144226-01-700	EA	SWITCH - WARNING/MAGNETIC	RAP90968/AP26641
	144226-08-703	EA	PUMP MOTOR/TANK ASM-MONARCH	RAP90916/AP30348
	144226-09-700	EA	MANIFOLD/JACKS - LIGHT WH/FD	AP21901

**144226-11-000**

KEY	PART NUMBER	U/M	DESCRIPTION	VENDOR NO.
	144226-01-700	EA	SWITCH - WARNING/MAGNETIC	RAP90968/AP26641

**144226-20-000**

KEY	PART NUMBER	U/M	DESCRIPTION	VENDOR NO.
	100532-12-707	EA	SPRING KIT (PAIR)	R3847
	100532-53-700	EA	CYLINDER W/O FOOT - 9K	RAP90491/AP15891
	131306-02-701	EA	FOOT/JACK - 9K & 12K	RAP8464/AP17525
	131306-26-700	EA	MANIFOLD ASM. - 2 ROOM	RAP90870/AP20550
	144226-01-700	EA	SWITCH - WARNING/MAGNETIC	RAP90968/AP26641
	144226-08-702	EA	SENSOR/BI-AXIS - PROGRAMABLE	RAP91172/AP28010
	144226-08-703	EA	PUMP MOTOR/TANK ASM-MONARCH	RAP91168/AP30348
	144226-09-700	EA	MANIFOLD/JACKS - LIGHT WH/FD	AP21901
	144226-20-700	EA	TOUCH PAD - 325 GAS	RAP91259/AP31350
	144226-25-700	EA	ENCLOSURE BOX W/SENSING UNIT	RAP91262/AP31348

**144226-21-000**

KEY	PART NUMBER	U/M	DESCRIPTION	VENDOR NO.
	100532-12-707	EA	SPRING KIT (PAIR)	R3847
	100532-45-700	EA	CYLINDER W/O FOOT - 6K X 13"	RAP90490/AP16112
	100532-53-700	EA	CYLINDER W/O FOOT - 9K	RAP90491/AP15891
	131306-02-700	EA	FOOT/JACK - 6K	RAP2004/AP13882
	131306-02-701	EA	FOOT/JACK - 9K & 12K	RAP8464/AP17525
	131306-26-700	EA	MANIFOLD ASM. - 2 ROOM	RAP90870/AP20550
	144226-01-700	EA	SWITCH - WARNING/MAGNETIC	RAP90968/AP26641
	144226-08-703	EA	PUMP MOTOR/TANK ASM-MONARCH	RAP91168/AP30348
	144226-18-700	EA	CYLINDER W/O FOOT - 6K	RAP90490/AP26658

**CHASSIS GROUP (CONTINUED)**  
**COMPONENT PARTS FOR HYDRAULIC LEVELING (CONTINUED)**

**144226-23-000**

<b>KEY</b>	<b>PART NUMBER</b>	<b>U/M</b>	<b>DESCRIPTION</b>	<b>VENDOR NO.</b>
	100532-12-707	EA	SPRING KIT (PAIR)	R3847
	100532-45-700	EA	CYLINDER W/O FOOT - 6K X 13"	RAP90490/AP16112
	100532-53-700	EA	CYLINDER W/O FOOT - 9K	RAP90491/AP15891
	131306-02-700	EA	FOOT - 6K JACK	RAP2004/AP13882
	131306-02-701	EA	FOOT/JACK - 9K & 12K	RAP8464/AP17525
	131306-26-700	EA	MANIFOLD ASM. - 2 ROOM	RAP90870/AP20550
	144226-01-700	EA	SWITCH - WARNING/MAGNETIC	RAP90968/AP26641
	144226-08-703	EA	PUMP MOTOR/TANK ASM-MONARCH	RAP91168/AP30348

**144226-29-000**

<b>KEY</b>	<b>PART NUMBER</b>	<b>U/M</b>	<b>DESCRIPTION</b>	<b>VENDOR NO.</b>
	100532-12-707	EA	SPRING KIT (PAIR)	R3847
	131306-02-700	EA	FOOT - 6K JACK	RAP2004/AP13882
	131306-26-700	EA	MANIFOLD ASM. - 2 ROOM	RAP90870/AP20550
	144226-01-700	EA	SWITCH - WARNING/MAGNETIC	RAP90968/AP26641
	144226-08-703	EA	PUMP MOTOR/TANK ASM-MONARCH	RAP90916/AP30348
	144226-29-700	EA	CYLINDER - 6K (325)	RAP91184/AP31656

**CHASSIS GROUP (CONTINUED)**

**SUSPENSION**

**F30W, F32V**

**KEY PART NUMBER U/M DESCRIPTION**

\* 122756-04-000 EA SHOCK & STABILIZER KIT - WORKHORSE/WIDE BODY CHASSIS

**\*COMPONENT PARTS LISTED LATER IN THIS GROUP**

**CHASSIS GROUP (CONTINUED)**  
**COMPONENT PARTS FOR SUSPENSION**

122756-04-000

<b>KEY</b>	<b>PART NUMBER</b>	<b>U/M</b>	<b>DESCRIPTION</b>	<b>VENDOR NO.</b>
	122756-02-707	EA	DAMPNER - STEERING	T818SD
	122756-02-708	EA	BOOT - DAMPNER	T818SDB
	122756-02-709	EA	BUSHING PKG-STEERING DAMPNER	T818SDBSH
	122756-02-710	EA	BOLT PKG - STEERING DAMPNER	T818BSD
	122756-03-702	EA	SHOCK	557003
	122756-04-700	EA	BRACKET ASSEMBLY - DRIVER	T818L-WW
	122756-04-701	EA	BRACKET ASSEMBLY - PASSENGER	T818R-WW
	122756-04-702	EA	BOLT PACKAGE KIT	T818B-WW

## CHASSIS GROUP (CONTINUED)

### WHEEL, TIRE, COVERS &/OR LINERS

KEY	PART NUMBER	U/M	DESCRIPTION
	080208-02-000	EA	BAR - LEVERAGE - LUG WRENCH - CHEVY/OSHKOSH - WORKHORSE 18.000 GVWR
	080208-06-000	EA	LUG WRENCH - 1" X 1.06" W/DEEP SOCKET ENDS - WORKHORSE 18.000 GVWR
	080208-05-000	EA	BAR - LEVERAGE - LUG WRENCH - .75"DIA. - WORKHORSE 20.700 & 22,000 GVWR
	080208-04-000	EA	LUG WRENCH - 1 3/16" - OSHKOSH/SPARTAN - WORKHORSE 20.700 & 22,000 GVWR
	064963-03-000	EA	WHEEL - STEEL - 6" X 19.5" - WORKHORSE 18.000 GVWR
	118814-05-000	EA	WHEEL - STEEL - 19.5" X 6.75" - W/STEM - GRAY - WORKHORSE 20.700 & 22,000 GVWR
	091673-07-000	EA	TIRE - 225/70R19.5 LRF - MICHELIN XRV - WORKHORSE 18.000 GVWR
	102340-07-000	EA	TIRE - 245/70R X 19.5 - LOAD RANGE F - MICHELIN XRV - WORKHORSE 20,700 GVWR, W22
	102340-09-000	EA	TIRE - 245/70R X 19.5G - GOODYEAR - WORKHORSE 22,000 GVWR, W22
	102340-08-000	EA	TIRE - 245/70R X 19.5F - GOODYEAR - FORD
*	134609-04-000	EA	LINER - WHEEL - SET OF 4 - 19.5" - WORKHORSE 18.000 GVWR FROM: 00-00-00 THRU: 12-03-03
*	145580-04-000	EA	LINER - WHEEL(SET OF 4) - 19.5"/10 BOLT - WORKHORSE 18.000 GVWR FROM: 12-04-03 THRU: 99-99-99
*	134609-02-000	EA	LINER - WHEEL - SET OF 4 - 19.5" - WORKHORSE 20.700 & 22,000 GVWR FROM: 00-00-00 THRU: 11-19-03
*	145580-03-000	EA	LINER - WHEEL(SET OF 4) - 19.5" - 8 BOLT/4 HAND HOLE - WORKHORSE 20.700 & 22,000 GVWR FROM: 11-20-03 THRU: 99-99-99
*	110435-20-000	EA	LINER - WHEEL - SET/4 - 19.5" - W/METRIC JAMB NUTS - FORD
	110435-21-000	EA	JAMB NUT W/CHROME NUT COVER - METRIC THREAD - 2003 FORD - FORD
	051377-01-000	EA	VALVE STEM
	051377-06-000	EA	VALVE STEM - .5" X 2 1/3" W/W22 DEGREE BEND
	077030-01-000	EA	EXTENSION - VALVE STEM - 1.25" - METAL
	077030-10-000	EA	EXTENSION - VALVE STEM - .50" - METAL
	095012-09-000	EA	EXTENSION - VALVE STEM - LIVE - 7.7"
	095012-07-000	EA	STABILIZER - VALVE EXTENSION - LIVE - 4"

\*COMPONENT PARTS LISTED LATER IN THIS GROUP

**CHASSIS GROUP (CONTINUED)**  
**COMPONENT PARTS FOR WHEEL, TIRE, COVERS &/OR LINERS**

**110435-20-000**

KEY	PART NUMBER	U/M	DESCRIPTION	VENDOR NO.
	110435-02-704	EA	COVER-JAMB NUT	V160F0-LNC
	110435-04-705	EA	DECAL-CTR HUB 2 3/4" DIAMOND	
	110435-10-705	EA	TOOL/JAMB NUT INSTALLATION	V195P7-TOL
	110435-15-700	EA	LINER - WHEEL - FRONT	V195F9-FWC
	110435-15-701	EA	LINER - WHEEL - REAR	V195F9-RWC
	110435-20-700	EA	LNC W/ENCL M14X1.5 JAM NUT	V195F9-EJN-MF

**134609-02-000**

KEY	PART NUMBER	U/M	DESCRIPTION	VENDOR NO.
	091209-13-704	EA	NUT-JAMB-A20, 22M THREAD FRT	A20
	091209-13-705	EA	LINER - FT - 19.5" W/SST NUT COVERS	507
	091209-13-706	EA	LINER - RR W/SST NUT COVERS	508
	091209-13-708	EA	CAP-CENTER, STAINLESS	A26
	091209-13-709	EA	TOOL/JAMB NUT-ULTG/ULTI'S	M9100
	091209-16-000	EA	NUT - JAM/THREADED - 22MM	KAPER II A20
	134609-02-700	EA	COVER - LUG NUT 1 3/4"	302
	134609-02-701	EA	COVER - LUG NUT(2"DEEP)	L502

**134609-04-000**

KEY	PART NUMBER	U/M	DESCRIPTION	VENDOR NO.
	134609-01-706	EA	TOOL - F/EXTENDER & JAMB NUT	M9800
	134609-04-700	EA	LINER - WHEEL - FRONT	S850
	134609-04-701	EA	LINER - WHEEL - REAR	S910
	134609-04-702	EA	JAMB NUT/LUG NUT CVR (REAR)	L250
	134609-04-703	EA	JAMB NUT/LUG NUT CVR (FRONT)	L251
	134609-04-704	EA	STUD/PLASTIC	L253
	134609-04-705	EA	NUT/PLASTIC-JAMB NUT	L252

**145580-03-000**

KEY	PART NUMBER	U/M	DESCRIPTION	VENDOR NO.
	110435-04-705	EA	DECAL-CTR HUB 2 3/4"	2 3/4 DECAL DIAMOND
	110435-05-700	EA	CAP-CENTER 4.50"D W/O DECAL	V22510-POC
	110435-12-700	EA	LINER - WHEEL - FRONT	V19580-FWC
	110435-12-701	EA	LINER - WHEEL - REAR	V19580-RWC
	145580-01-702	EA	COVER-LUG NUT/JAM NUT 22M	V19582-EJN
	145580-01-703	EA	TOOL-INSTALLATION	V22501-TOL

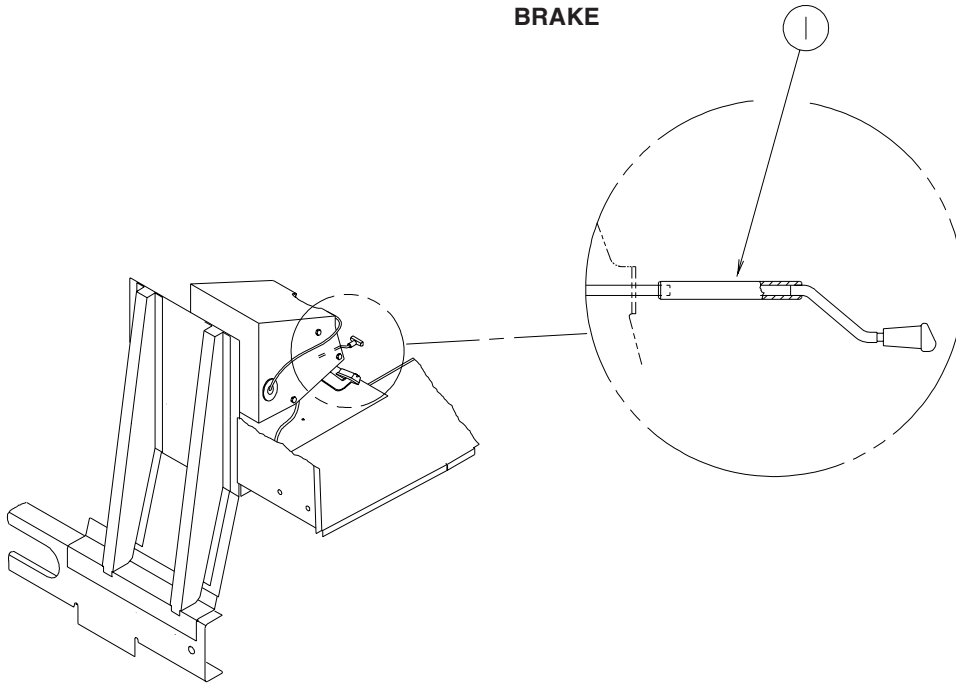
**145580-04-000**

KEY	PART NUMBER	U/M	DESCRIPTION	VENDOR NO.
	110435-04-705	EA	DECAL-CTR HUB 2 3/4"	2 3/4 DECAL DIAMOND
	110435-10-701	EA	LINER - WHEEL - REAR - 1 PC.	V195P7-RWC
	110435-10-702	EA	JAMB NUT W/JAMB NUT COVER	V195P7-EJN
	110435-10-703	EA	STUD - PLASTIC	V195P7-PST
	110435-10-704	EA	COVER-LUG NUT/PLASTIC JB NUT	V195P7-PJN
	110435-10-705	EA	TOOL/JAMB NUT INSTALLATION	V195P7-TOL
	145580-04-700	EA	LINER - WHEEL/Front - 1EA=1	V195P72-FWC



# CHASSIS GROUP (CONTINUED)

## BRAKE



FORD

KEY	PART NUMBER	U/M	DESCRIPTION
1	113007-01-000	EA	PIN - SPRING - .375 X 3"

## BRAKELINE

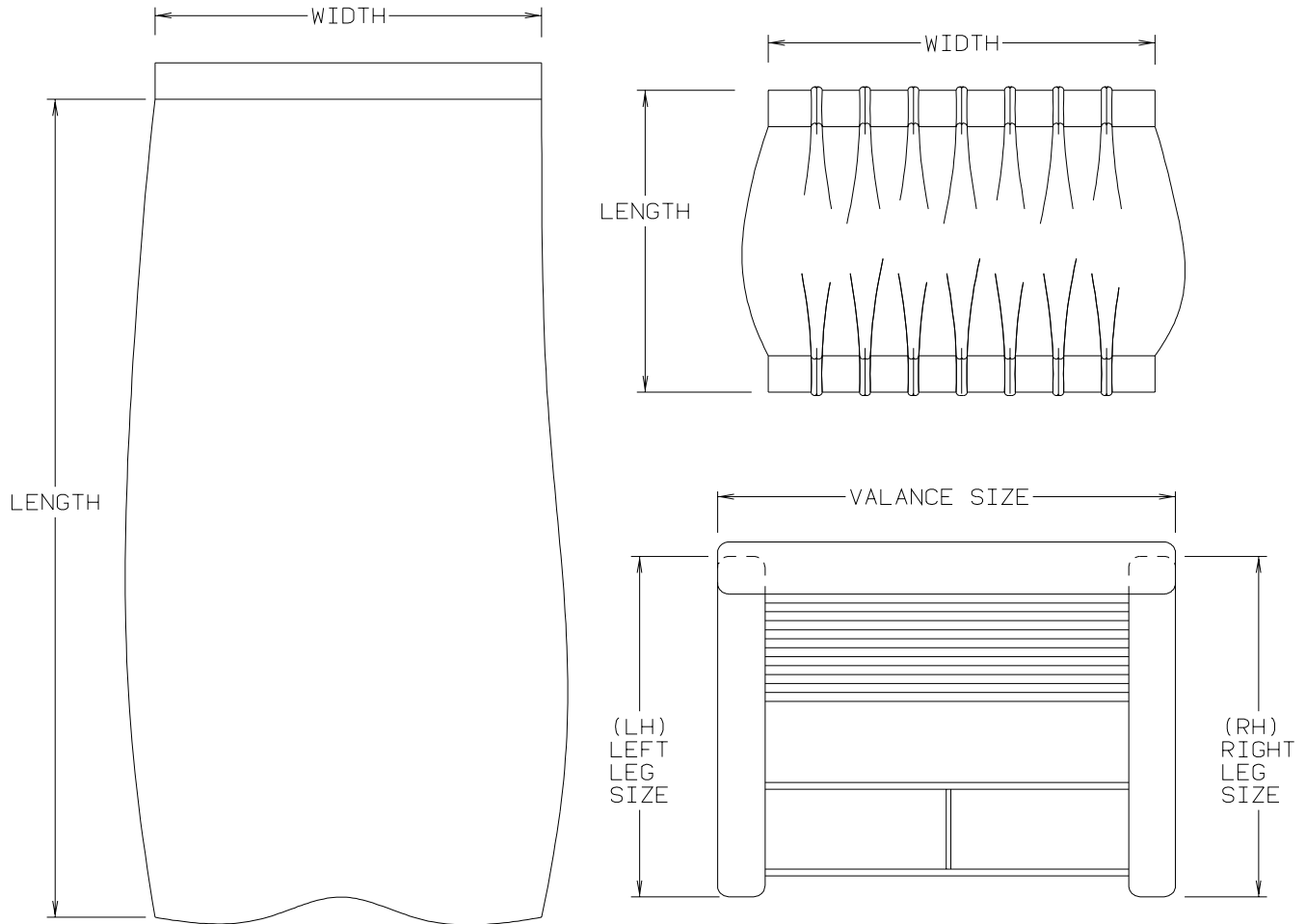
KEY	PART NUMBER	U/M	DESCRIPTION
	075466-01-000	EA	UNION - INVERTED FLAIR - 1/4"

## CURTAIN & CUSHION GROUP

### NOTICE

IN ORDER TO ASSIST OUR PARTS SALES DEPT. IN PROVIDING INTERIOR SOFTWARE ITEMS, PLEASE INCLUDE THE SERIAL NUMBER AND THE COLOR CODE NUMBER FROM THE VEHICLE CERTIFICATION LABEL WHEN ORDERING. THIS LABEL IS LOCATED ON THE LEFT SIDEWALL AT THE END OF THE DASH (A-BODY), OR ON THE DRIVER'S DOOR LATCH PLATE (C-BODY).

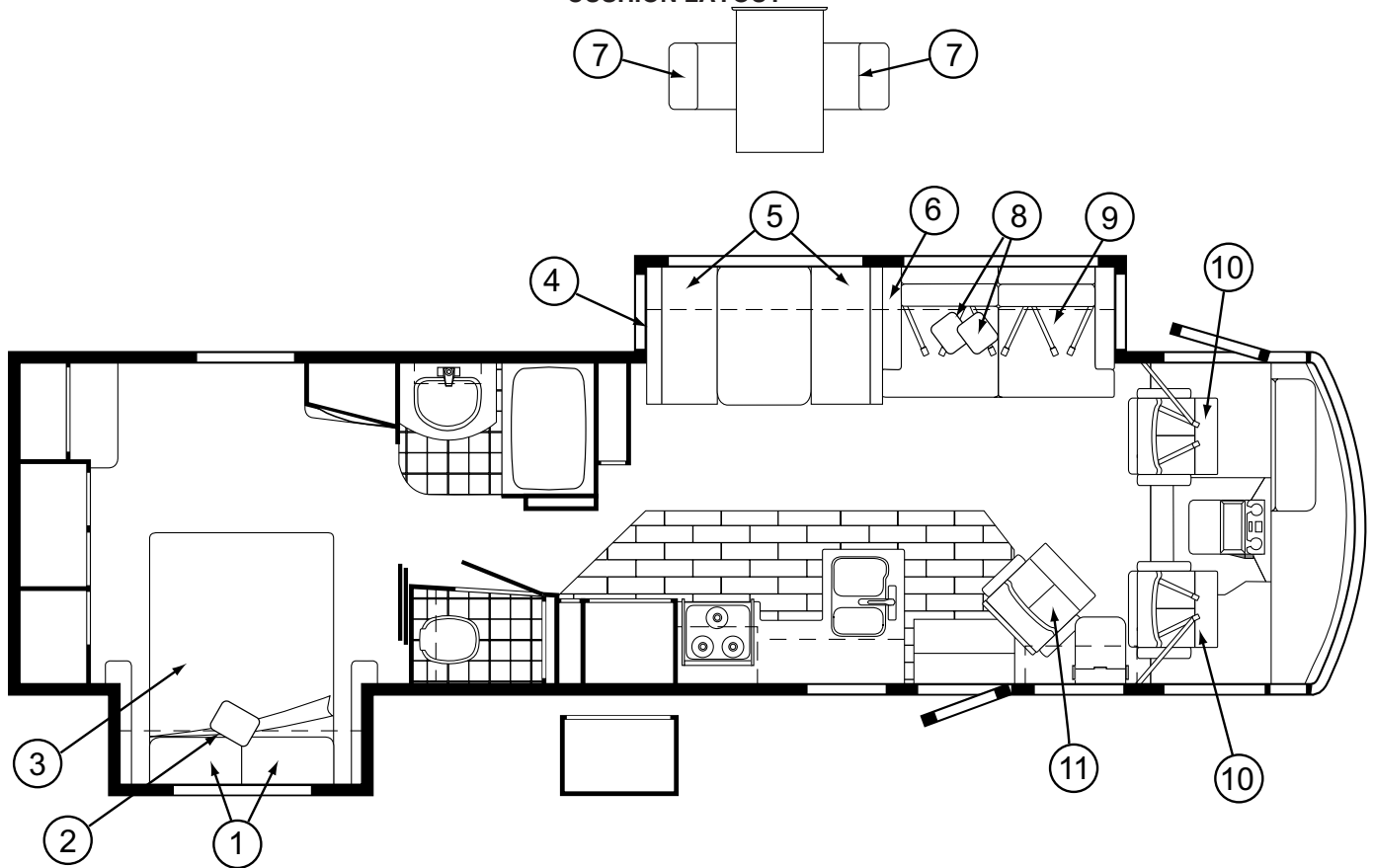
AN EXAMPLE OF A COLOR CODE NUMBER IS B07, WHICH DESIGNATES AN OVERALL COLOR SCHEME OF A PARTICULAR UNIT. THE COLOR LISTED AFTER THE ITEM DESCRIPTION ON THE MICROFICHE, INDICATES THE OVERALL UNIT COLOR. ORDER THE ITEM YOU DESIRE ACCORDING TO UNIT COLOR CODE. IF ALL COLORS USE THE SAME ITEM NO COLOR CODE WILL BE NOTED.



NOTE: USE THIS ILLUSTRATION WHEN DETERMINING LENGTH AND WIDTH MEASUREMENTS FOR CURTAINS. YOU WILL NOTE THE WIDTH MEASUREMENT IS TAKEN ON THE TOP OF THE CURTAIN WITH THE CURTAIN FULLY EXTENDED. THE LENGTH MEASUREMENT IS TAKEN FROM TOP TO BOTTOM. LEFT AND RIGHT WINDOW LEGS ARE DETERMINED WHEN FACING THE WINDOW.

# CURTAIN & CUSHION GROUP (CONTINUED)

## CUSHION LAYOUT



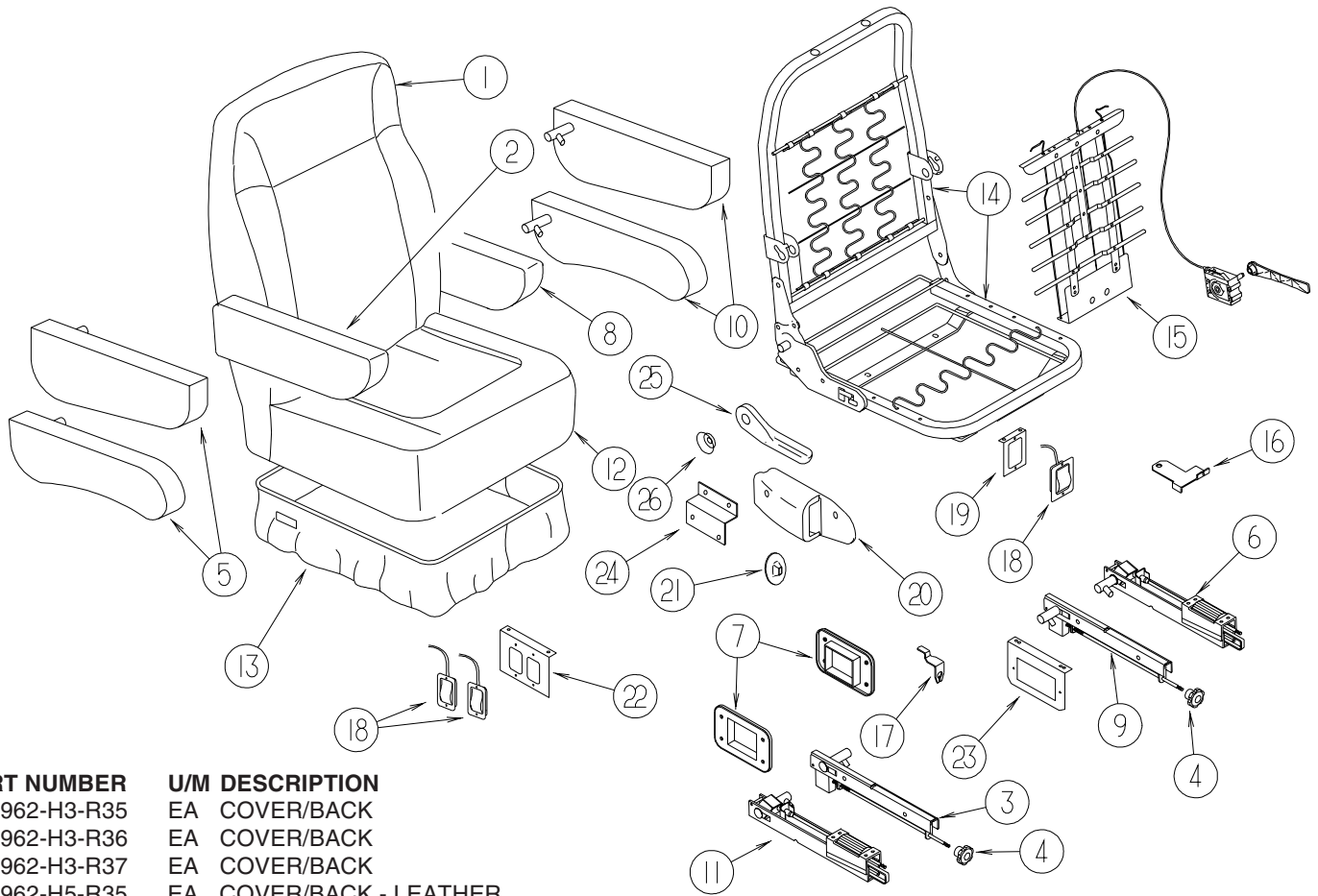
KEY	PART NUMBER	U/M	DESCRIPTION
1	104176-04-P41	EA	PILLOW SHAM - 30" (R35)
1	104176-04-P10	EA	PILLOW SHAM - 30" (R36)
1	104176-04-R37	EA	PILLOW SHAM - 30" (R37)
2	132319-46-P41	EA	PILLOW - 17" - W/WELT (R35)
2	132319-46-P42	EA	PILLOW - 17" - W/WELT (R36)
2	132319-46-R37	EA	PILLOW - 17" - W/WELT (R37)
3	132336-09-P41	EA	BEDSPREAD/CAP - 60" X 75" (R35)
3	132336-09-P42	EA	BEDSPREAD/CAP - 60" X 75" (R36)
3	132336-09-R37	EA	BEDSPREAD/CAP - 60" X 75" (R37)
3	123015-07-000	EA	MATTRESS - INNERSPRING - 60" X 79.5"
4	142291-02-P41	EA	BACK - DINETTE CUSHION - LEFT - 11" X 42" (R35)
4	142291-02-P42	EA	BACK - DINETTE CUSHION - LEFT - 11" X 42" (R36)
4	142291-02-R37	EA	BACK - DINETTE CUSHION - LEFT - 11" X 42" (R37)
	P42291-02-P41	EA	COVER/BACK - DINETTE CUSHION - LEFT - 11" X 42" (R35)
	P42291-02-P42	EA	COVER/BACK - DINETTE CUSHION - LEFT - 11" X 42" (R36)
	P42291-02-R37	EA	COVER/BACK - DINETTE CUSHION - LEFT - 11" X 42" (R37)
5	142292-01-P41	EA	SEAT - DINETTE CUSHION (SPRUNG) - 22" X 37" (R35)
5	142292-01-P42	EA	SEAT - DINETTE CUSHION (SPRUNG) - 22" X 37" (R36)
5	142292-01-R37	EA	SEAT - DINETTE CUSHION (SPRUNG) - 22" X 37" (R37)
	P42292-01-P41	EA	COVER/SEAT - DINETTE CUSHION (SPRUNG) - 22" X 37" (R35)
	P42292-01-P42	EA	COVER/SEAT - DINETTE CUSHION (SPRUNG) - 22" X 37" (R36)
	P42292-01-R37	EA	COVER/SEAT - DINETTE CUSHION (SPRUNG) - 22" X 37" (R37)
	142366-03-000	EA	FRAME - SPRUNG - DINETTE SEAT
	143730-01-000	EA	CAP - F/DINETTE BRACKET TUBE - PLASTIC
6	142291-01-P41	EA	BACK - DINETTE CUSHION - RIGHT - 11" X 42" (R35)
6	142291-01-P42	EA	BACK - DINETTE CUSHION - RIGHT - 11" X 42" (R36)
6	142291-01-R37	EA	BACK - DINETTE CUSHION - RIGHT - 11" X 42" (R37)
	P42291-01-P41	EA	COVER/BACK - DINETTE CUSHION - RIGHT - 11" X 42" (R35)
	P42291-01-P42	EA	COVER/BACK - DINETTE CUSHION - RIGHT - 11" X 42" (R36)
	P42291-01-R37	EA	COVER/BACK - DINETTE CUSHION - RIGHT - 11" X 42" (R37)
7	132571-34-000	EA	CHAIR - DINETTE - SENDERA/PORTSMOUTH OAK (R35)
7	132571-35-000	EA	CHAIR - DINETTE - MINERAL/PORTSMOUTH OAK (R36)
7	132571-36-000	EA	CHAIR - DINETTE - PACIFIC/PORTSMOUTH OAK (R37)
	105402-03-000	EA	STRAP - DINING CHAIR/TIEDOWN - 18"

**CURTAIN & CUSHION GROUP (CONTINUED)**  
**CUSHION LAYOUT (CONTINUED)**

<b>KEY</b>	<b>PART NUMBER</b>	<b>U/M</b>	<b>DESCRIPTION</b>
7	135600-A3-000	EA	CHAIR - FOLDING - SENDERA/PORTSMOUTH OAK (R35)
7	135600-A4-000	EA	CHAIR - FOLDING - MINERAL/PORTSMOUTH OAK (R36)
7	135600-19-000	EA	CHAIR - FOLDING - PACIFIC/PORTSMOUTH OAK (R37)
8	132319-50-P41	EA	PILLOW - 17" - W/.5" WELT (R35)
8	132319-50-P42	EA	PILLOW - 17" - W/.5" WELT (R36)
8	132319-50-P43	EA	PILLOW - 17" - W/.5" WELT (R37)
9	135822-15-P41	EA	SOFA/SLEEPER - RECLINER/POWERED - W/TRUNDLE BED (R35)
9	135822-15-P42	EA	SOFA/SLEEPER - RECLINER/POWERED - W/TRUNDLE BED (R36)
9	135822-15-R37	EA	SOFA/SLEEPER - RECLINER/POWERED - W/TRUNDLE BED (R37)
10	145491-01-R35	EA	SEAT - BUCKET - MANUAL RECLINE
10	145491-01-R36	EA	SEAT - BUCKET - MANUAL RECLINE
10	145491-01-R37	EA	SEAT - BUCKET - MANUAL RECLINE
10	145491-02-R35	EA	SEAT - BUCKET - W/LUMBAR - ADJUSTABLE ARM - LEATHER
11	145265-01-R35	EA	CHAIR - RECLINING - W/HOOP/FOOTREST
11	145265-01-R36	EA	CHAIR - RECLINING - W/HOOP/FOOTREST
11	145265-01-R37	EA	CHAIR - RECLINING - W/HOOP/FOOTREST

## CURTAIN & CUSHION GROUP (CONTINUED)

### BUCKET SEATS

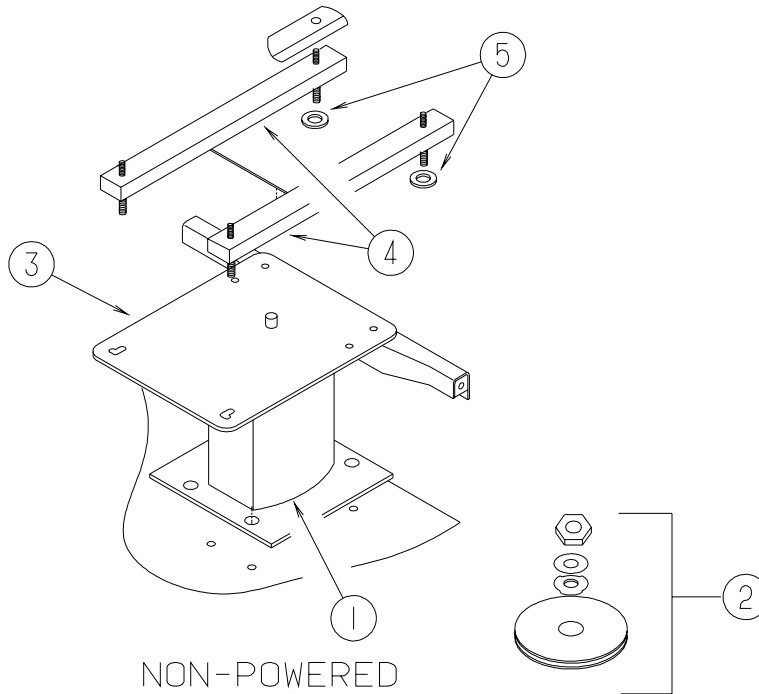


KEY	PART NUMBER	U/M	DESCRIPTION
1	M05962-H3-R35	EA	COVER/BACK
1	M05962-H3-R36	EA	COVER/BACK
1	M05962-H3-R37	EA	COVER/BACK
1	M05962-H5-R35	EA	COVER/BACK - LEATHER
2	148652-01-R35	EA	ARMREST - RIGHT
2	148652-01-R36	EA	ARMREST - RIGHT
2	148652-01-R37	EA	ARMREST - RIGHT
2	148652-03-R35	EA	ARMREST - RIGHT - LEATHER
	P48652-01-R35	EA	COVER/ARMREST - RIGHT
	P48652-01-R36	EA	COVER/ARMREST - RIGHT
	P48652-01-R37	EA	COVER/ARMREST - RIGHT
	P48652-03-R35	EA	COVER/ARMREST - RIGHT - LEATHER
3	NOT USED		
4	NOT USED		
5	130698-03-000	EA	ARMREST/MOLDED - RIGHT - W/O COVER
6	NOT USED		
7	NOT USED		
8	148652-02-R35	EA	ARMREST - LEFT
8	148652-02-R36	EA	ARMREST - LEFT
8	148652-02-R37	EA	ARMREST - LEFT
8	148652-04-R35	EA	ARMREST - LEFT - LEATHER
	P48652-02-R35	EA	COVER/ARMREST - LEFT
	P48652-02-R36	EA	COVER/ARMREST - LEFT
	P48652-02-R37	EA	COVER/ARMREST - LEFT
	P48652-04-R35	EA	COVER/ARMREST - LEFT - LEATHER
9	NOT USED		
10	130698-04-000	EA	ARMREST/MOLDED - LEFT - W/O COVER
11	NOT USED		
12	M05962-H4-R35	EA	COVER/SEAT
12	M05962-H4-R36	EA	COVER/SEAT
12	M05962-H4-R37	EA	COVER/SEAT
12	M05962-H6-R35	EA	COVER/SEAT - LEATHER
13	148630-01-R35	EA	SKIRT - W/SEAT BELT SLOT
13	148630-01-R36	EA	SKIRT - W/SEAT BELT SLOT
13	148630-01-R37	EA	SKIRT - W/SEAT BELT SLOT
13	148630-02-R35	EA	SKIRT - W/SEAT BELT SLOT - LEATHER

**CURTAIN & CUSHION GROUP (CONTINUED)**  
**BUCKET SEATS (CONTINUED)**

KEY	PART NUMBER	U/M	DESCRIPTION
14	134532-01-000	EA	FRAME - SEAT/HIGH BACK
15*	122611-02-000	EA	LUMBAR - W/LEVER
16	117125-01-02B	EA	BRACKET - CABLE MOUNT - ADJUSTER W/LOCK
17	108049-02-000	EA	CLIP - CABLE/PEDESTAL
18	108049-04-000	EA	CABLE - W/MINI LEVER ACTION SWITCH - 28" SHEATH/30" CABLE
19	127159-01-02B	EA	BRACKET - SEAT RELEASE - SINGLE REMOTE - E-COATED - <b>POWER SEAT</b>
20	080730-09-000	EA	SHIELD - RECLINER HANDLE
21	080730-11-000	EA	SHIELD - RUBBER BOOT
22	127159-02-02B	EA	BRACKET - SEAT RELEASE - DUAL REMOTE - E-COATED
23	128699-01-02B	EA	BRACKET - SEAT SWITCH - E-COATED - <b>POWER SEAT</b>
24	147457-01-02B	EA	BRACKET - ZEE W/HOLES - 2.8" - E-COATED
25	130802-02-000	EA	LEVER - RIGHT HAND
26	130802-03-000	EA	SCREW F/LEVER

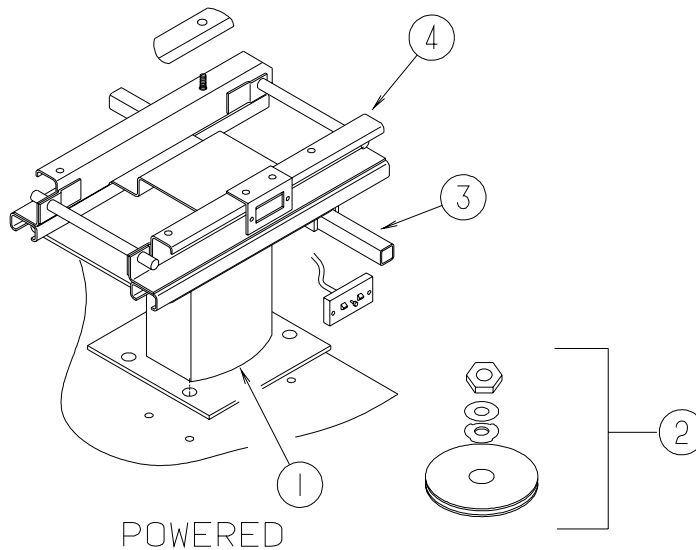
**\*COMPONENT PARTS LISTED LATER IN THIS GROUP**



**DRIVER**

KEY	PART NUMBER	U/M	DESCRIPTION
1	133408-01-000	EA	PEDESTAL - SEAT - DRIVER/PASSENGER - 9 3/4"
2	107921-06-000	EA	BEARING KIT - PEDESTAL
3	133408-19-000	EA	TOP PLATE - DRIVERS - W/ANCHOR
4	131566-04-000	EA	SLIDE/SEAT - HEAVY DUTY LOCKING - 5"
	119952-07-000	EA	WIRE - LATCH RELEASE/ROTARY
5	131566-05-000	EA	WASHER - SLIDE SPACER
	133408-03-000	EA	BRACKET - ANCHOR/PEDESTAL
	133408-04-000	EA	BRACKET - ANCHOR/FLOOR

**CURTAIN & CUSHION GROUP (CONTINUED)**  
**BUCKET SEATS (CONTINUED)**



**DRIVER**

KEY	PART NUMBER	U/M	DESCRIPTION
1	133408-05-000	EA	PEDESTAL - SEAT - 5.75"
2	107921-06-000	EA	BEARING KIT - PEDESTAL
3	133408-19-000	EA	TOP PLATE - DRIVERS - W/ANCHOR
4*	081373-03-000	EA	SEAT - POWER 6 WAY

FROM: 00-00-00 THRU: 11-30-03

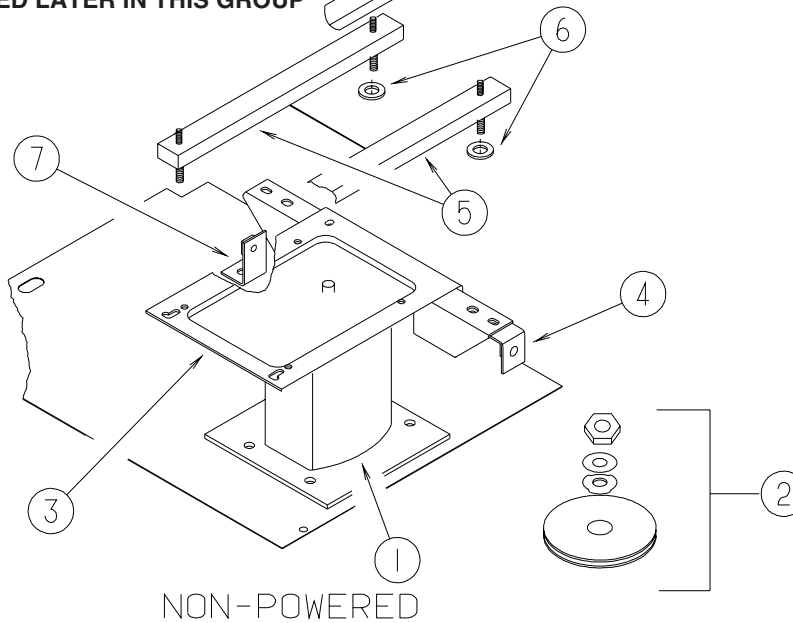
4	147767-01-000	EA	SEAT - POWER - 6-WAY
---	---------------	----	----------------------

FROM: 12-01-03 THRU: 99-99-99

133408-03-000 EA BRACKET - ANCHOR/PEDESTAL

133408-04-000 EA BRACKET - ANCHOR/FLOOR

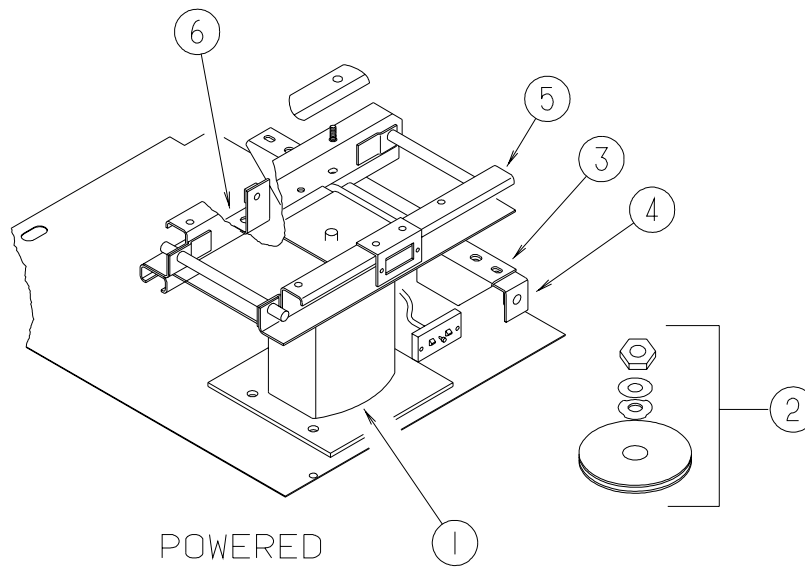
**\*COMPONENT PARTS LISTED LATER IN THIS GROUP**



**PASSENGER**

KEY	PART NUMBER	U/M	DESCRIPTION
1	133408-01-000	EA	PEDESTAL - SEAT - DRIVER/PASSENGER - 9 3/4"
2	107921-06-000	EA	BEARING KIT - PEDESTAL
3	133408-20-000	EA	TOP PLATE - PASSENGER - W/ANCHOR
4	133408-03-000	EA	BRACKET - ANCHOR/PEDESTAL
5	131566-04-000	EA	SLIDE/SEAT - HEAVY DUTY LOCKING - 5"
	119952-07-000	EA	WIRE - LATCH RELEASE/ROTARY
6	131566-05-000	EA	WASHER - SLIDE SPACER
7	133408-04-000	EA	BRACKET - ANCHOR/FLOOR

**CURTAIN & CUSHION GROUP (CONTINUED)**  
**BUCKET SEATS (CONTINUED)**



KEY	PART NUMBER	U/M	DESCRIPTION
1	133408-05-000	EA	PEDESTAL - SEAT - 5.75"
2	107921-06-000	EA	BEARING KIT - PEDESTAL
3	133408-20-000	EA	TOP PLATE - PASSENGER - W/ANCHOR
4	133408-03-000	EA	BRACKET - ANCHOR/PEDESTAL
5*	081373-03-000	EA	SEAT - POWER 6 WAY
5	147767-02-000	EA	SEAT - POWER - 6-WAY
6	133408-04-000	EA	BRACKET - ANCHOR/FLOOR

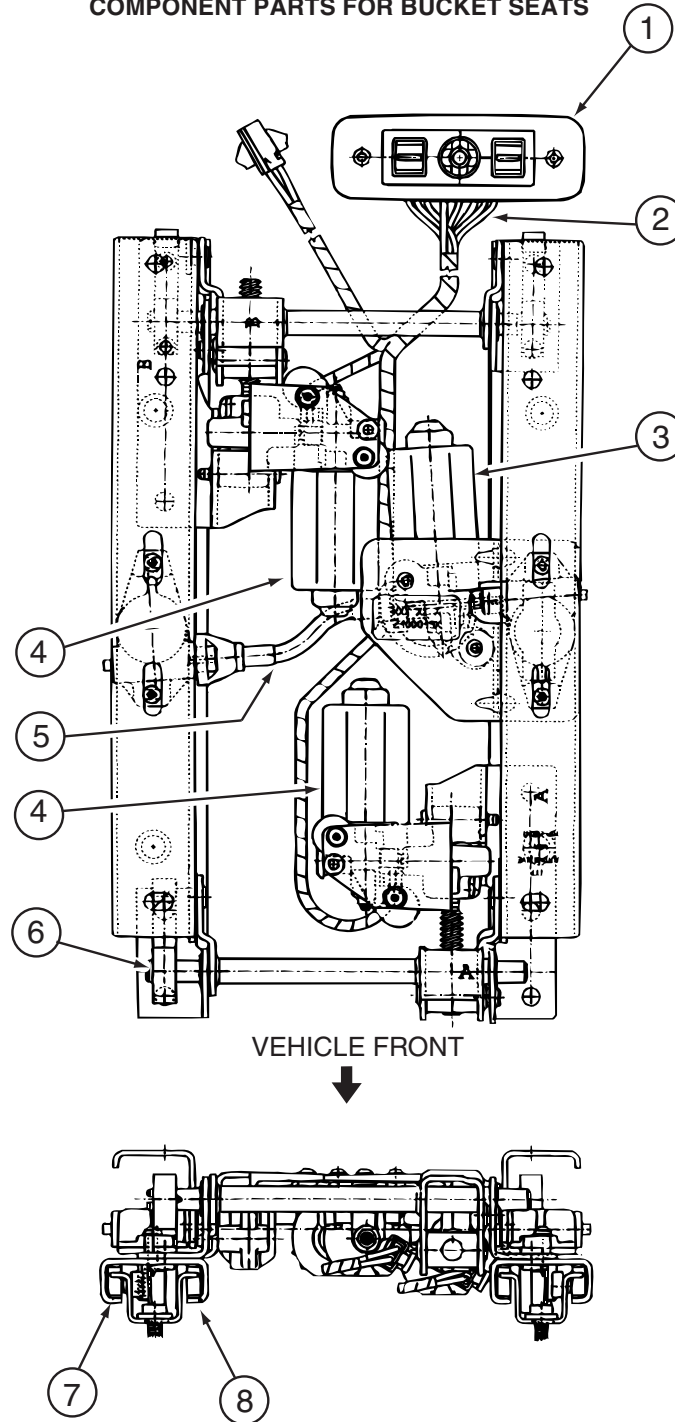
FROM: 00-00-00 THRU: 11-30-03

FROM: 12-01-03 THRU: 99-99-99

**\*COMPONENT PARTS LISTED LATER IN THIS GROUP**



**CURTAIN & CUSHION GROUP (CONTINUED)**  
**COMPONENT PARTS FOR BUCKET SEATS**



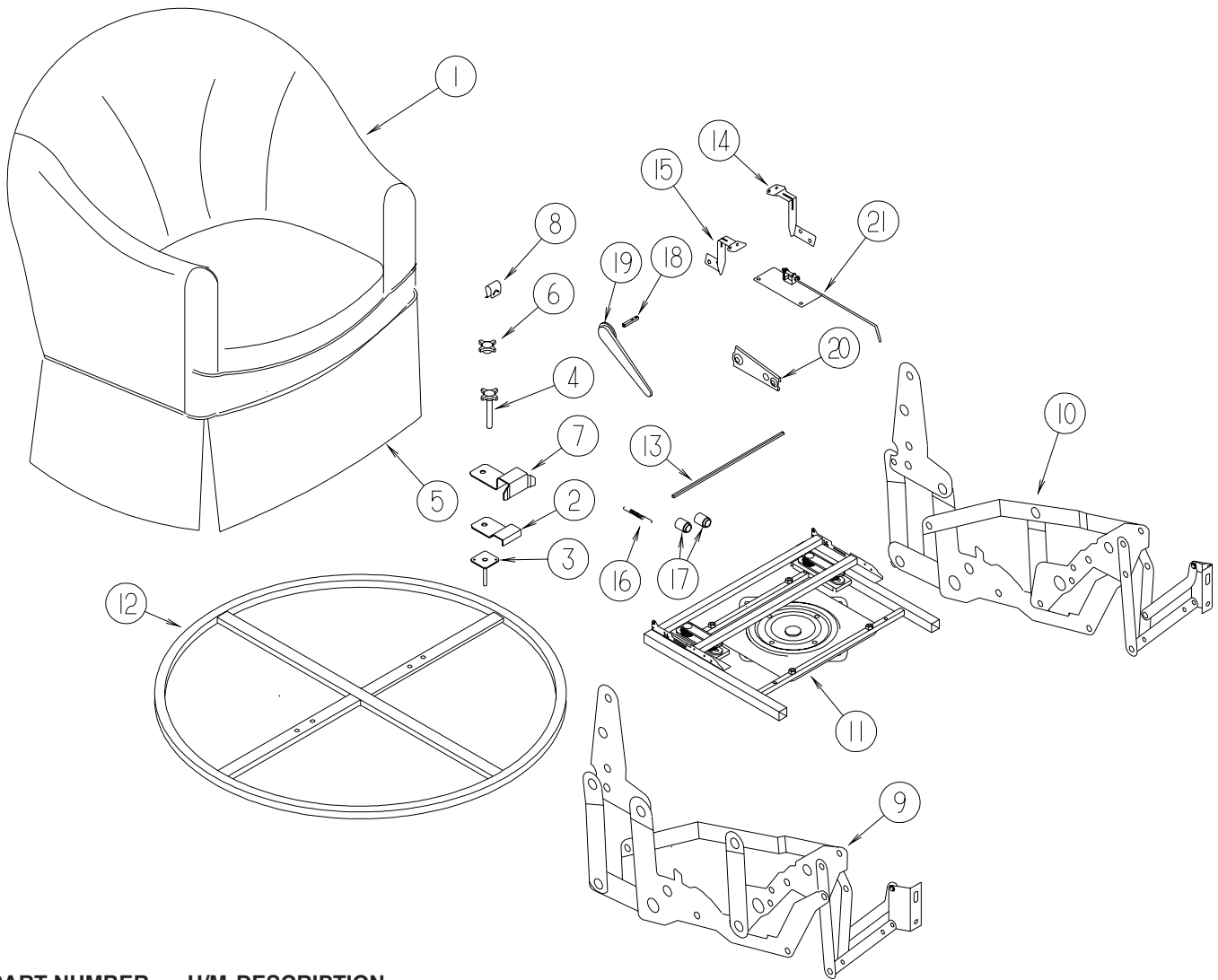
**081373-03-000**

KEY	PART NUMBER	U/M	DESCRIPTION	VENDOR NO.
1	081373-03-700	EA	SWITCH POWER	22543667 BLACK
2	081373-03-701	EA	WIRE HARNESS ASM., LT. SIDE	22138093
2	081373-03-702	EA	WIRE HARNESS ASM., RT. SIDE	22138094
3	081373-02-703	EA	MOTOR / HORIZONTAL	22128095
4	081373-02-704	EA	MOTOR PKG. ADJ. VERTICAL	22063238 & H-196
5	081373-03-704	EA	DRIVE CABLE	22143984
6	081373-03-705	EA	SPRING	22048978
7	081373-03-706	EA	SHOE GUIDE (WHITE)	22048993
8	081373-03-707	EA	SHOE GUIDE (BLACK)	22048994
	081373-03-700	EA	SWITCH POWER	22137945

**122611-02-000**

KEY	PART NUMBER	U/M	DESCRIPTION	VENDOR NO.
	122611-02-701	EA	LUMBAR - LEVER	412
	122611-02-702	EA	LUMBAR MECHANISM	24395-FLEXSTEEL

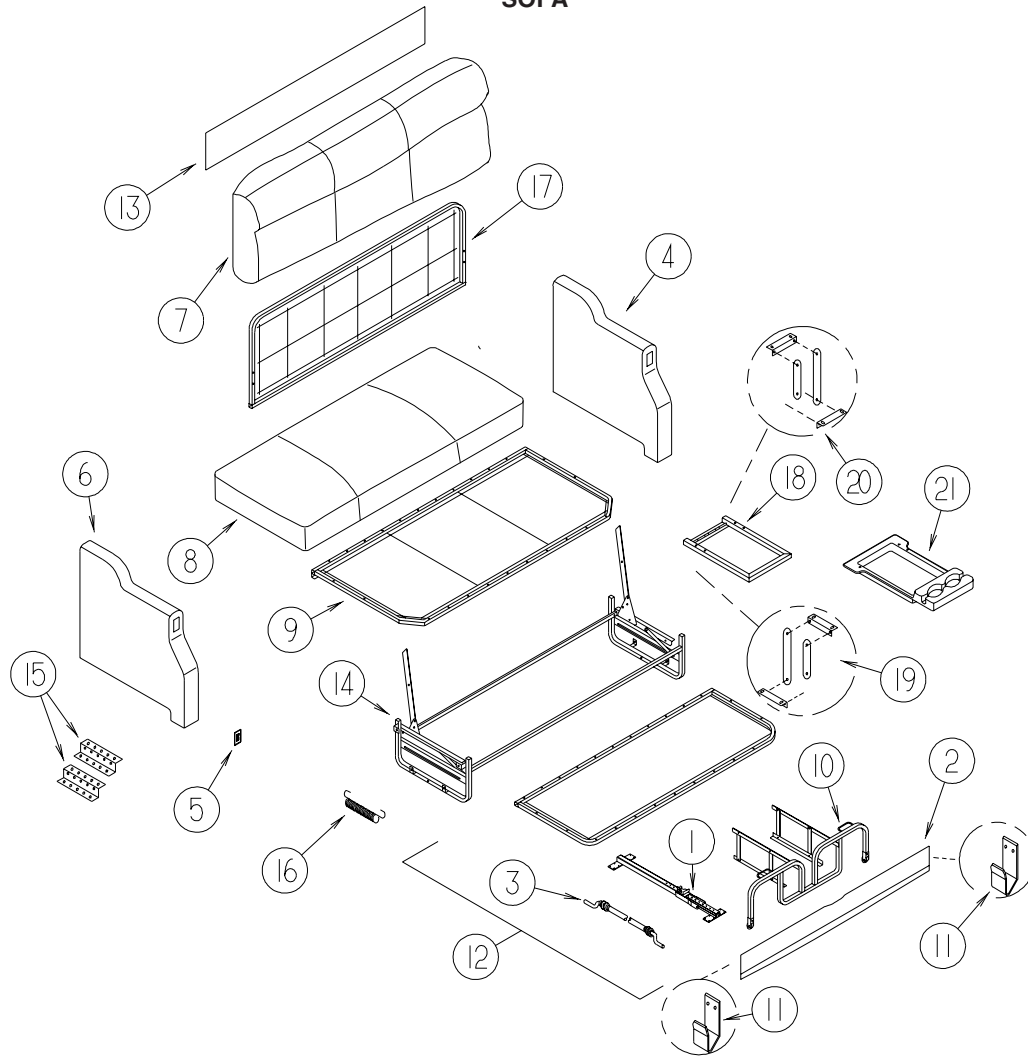
**CURTAIN & CUSHION GROUP (CONTINUED)**  
**LOUNGE CHAIR**



KEY	PART NUMBER	U/M	DESCRIPTION
1	P45265-01-R35	EA	COVER - CHAIR/RECLINING - W/HOOP/FOOTREST
1	P45265-01-R36	EA	COVER - CHAIR/RECLINING - W/HOOP/FOOTREST
1	P45265-01-R37	EA	COVER - CHAIR/RECLINING - W/HOOP/FOOTREST
2	134057-01-11B	EA	BRACKET - RECLINER - FLAT BLACK
3	134128-02-02B	EA	PLATE - W/HOLES - W/WELDNUT - E-COATED
4	134194-01-01A	EA	KNOB - HOLD DOWN/RECLINER - BLACK
5	NOT USED		
6	NOT USED		
7	NOT USED		
8	029134-01-000	EA	CLIP - FINISH - UPHOLSTERY
9	133126-01-000	EA	RECLINER MECHANISM - RIGHT HAND (WHEN SITTING IN CHAIR)
10	133126-02-000	EA	RECLINER MECHANISM - LEFT HAND (WHEN SITTING IN CHAIR)
11	133126-03-000	EA	BASE - SWIVEL/ROCKER - W/O FLOOR RING
12	133126-04-000	EA	FLOOR RING - 24" DIAMETER
13	133126-05-000	EA	HANDLE TUBE/DRIVE - 23.3" LONG (JOINS OPERATORS)
14	133126-06-000	EA	BRACKET - OTTOMAN/FIXED MID - RIGHT HAND
15	133126-07-000	EA	BRACKET - OTTOMAN/FIXED MID - LEFT HAND
16	133126-08-000	EA	SPRING/LOCKING
17	133126-09-000	EA	BUSHING - F/HANDLE TUBE - PLASTIC
18	133126-10-000	EA	HANDLE MOUNTING TUBE - 3.3" LONG
19	133126-11-000	EA	HANDLE/RECLINE - PLASTIC
20	133126-12-000	EA	BRACKET - BACK SLEEVE
21	147314-01-000	EA	LOCKOUT - ROCKER/RECLINER

# CURTAIN & CUSHION GROUP (CONTINUED)

## SOFA



KEY	PART NUMBER	U/M	DESCRIPTION
1*	148226-02-000	EA	SLIDE RAIL - W/LATCH MECH/PLATES/STOP F/30" RAISED FLOOR
2	135824-07-P41	EA	PANEL/FRONT KICK - SOFA/SLEEPER - 59.5" - FABRIC COVERED (R35)
2	135824-07-P42	EA	PANEL/FRONT KICK - SOFA/SLEEPER - 59.5" - FABRIC COVERED (R36)
2	135824-07-R37	EA	PANEL/FRONT KICK - SOFA/SLEEPER - 59.5" - FABRIC COVERED (R37)
3	148225-01-000	EA	CABLE ONLY - REMOTE - 31.9" W/Z-ENDS
4	135823-08-P41	EA	ARMREST - LEFT HAND (R35)
4	135823-08-P42	EA	ARMREST - LEFT HAND (R36)
4	135823-08-R37	EA	ARMREST - LEFT HAND (R37)
	P35823-08-P41	EA	COVER/ARMREST - LEFT HAND (R35)
	P35823-08-P42	EA	COVER/ARMREST - LEFT HAND (R36)
	P35823-08-R37	EA	COVER/ARMREST - LEFT HAND (R37)
5	136118-01-000	EA	SWITCH - SOFA/RECLINER
6	135823-07-P41	EA	ARMREST - RIGHT HAND (R35)
6	135823-07-P42	EA	ARMREST - RIGHT HAND (R36)
6	135823-07-R37	EA	ARMREST - RIGHT HAND (R37)
	P35823-07-P41	EA	COVER/ARMREST - RIGHT HAND (R35)
	P35823-07-P42	EA	COVER/ARMREST - RIGHT HAND (R36)
	P35823-07-R37	EA	COVER/ARMREST - RIGHT HAND (R37)
7	135822-16-P41	EA	BACK - SOFA/SLEEPER (R35)
7	135822-16-P42	EA	BACK - SOFA/SLEEPER (R36)
7	135822-16-R37	EA	BACK - SOFA/SLEEPER (R37)
	P35822-16-P41	EA	COVER/BACK - SOFA/SLEEPER - RECLINER/POWERED (R35)
	P35822-16-P42	EA	COVER/BACK - SOFA/SLEEPER - RECLINER/POWERED (R36)
	P35822-16-R37	EA	COVER/BACK - SOFA/SLEEPER - RECLINER/POWERED (R37)
8	135822-03-P41	EA	SEAT - SOFA/SLEEPER - RECLINER/POWERED (R35)
8	135822-03-P42	EA	SEAT - SOFA/SLEEPER - RECLINER/POWERED (R36)
8	135822-03-R37	EA	SEAT - SOFA/SLEEPER - RECLINER/POWERED (R37)

**CURTAIN & CUSHION GROUP (CONTINUED)**  
**SOFA (CONTINUED)**

<b>KEY</b>	<b>PART NUMBER</b>	<b>U/M</b>	<b>DESCRIPTION</b>
	P35822-03-P41	EA	COVER/SEAT - SOFA/SLEEPER - RECLINER/POWERED (R35)
	P35822-03-P42	EA	COVER/SEAT - SOFA/SLEEPER - RECLINER/POWERED (R36)
	P35822-03-R37	EA	COVER/SEAT - SOFA/SLEEPER - RECLINER/POWERED (R37)
9	136534-04-000	EA	FRAME/SEAT - 26.5" X 60" W/FLEXOLATOR
10	136534-17-000	EA	TRUNDLE FRAME - 17.5" X 55" - W/LINKAGE, LATCH & HANDLE
11	121906-01-02B	EA	BRACKET - KICKBOARD - E-COATED
12	135822-17-P41	EA	TRUNDLE - SOFA/SLEEPER (R35)
12	135822-17-P42	EA	TRUNDLE - SOFA/SLEEPER (R36)
12	135822-17-R37	EA	TRUNDLE - SOFA/SLEEPER (R37)
	P35822-17-P41	EA	COVER/TRUNDLE - SOFA/SLEEPER (R35)
	P35822-17-P42	EA	COVER/TRUNDLE - SOFA/SLEEPER (R36)
	P35822-17-R37	EA	COVER/TRUNDLE - SOFA/SLEEPER (R37)
13	139716-01-P41	EA	SIGHT SHIELD - 58" - FULL BACK (R35)
13	139716-01-P42	EA	SIGHT SHIELD - 58" - FULL BACK (R36)
13	139716-01-R37	EA	SIGHT SHIELD - 58" - FULL BACK (R37)
14*	136534-13-000	EA	BASE - 27.25" X 60" - POWERED
15	116104-04-02B	EA	BRACKET - ZEE W/HOLES - 3.2" - E-COATED
16	136534-33-000	EA	SPRING/ASSIST - 1/2" X 7" W/HOOK ENDS - REST EASY SOFAS
17	136534-18-000	EA	FRAME/BACK - 16.5" X 60"
18	NOT USED		
19	NOT USED		
20	NOT USED		
21	NOT USED		
	127335-10-000	EA	BRACKET - CANADIAN LATCH

**\*COMPONENT PARTS LISTED LATER IN THIS GROUP**

## CURTAIN & CUSHION GROUP (CONTINUED)

### COMPONENT PARTS FOR SOFA

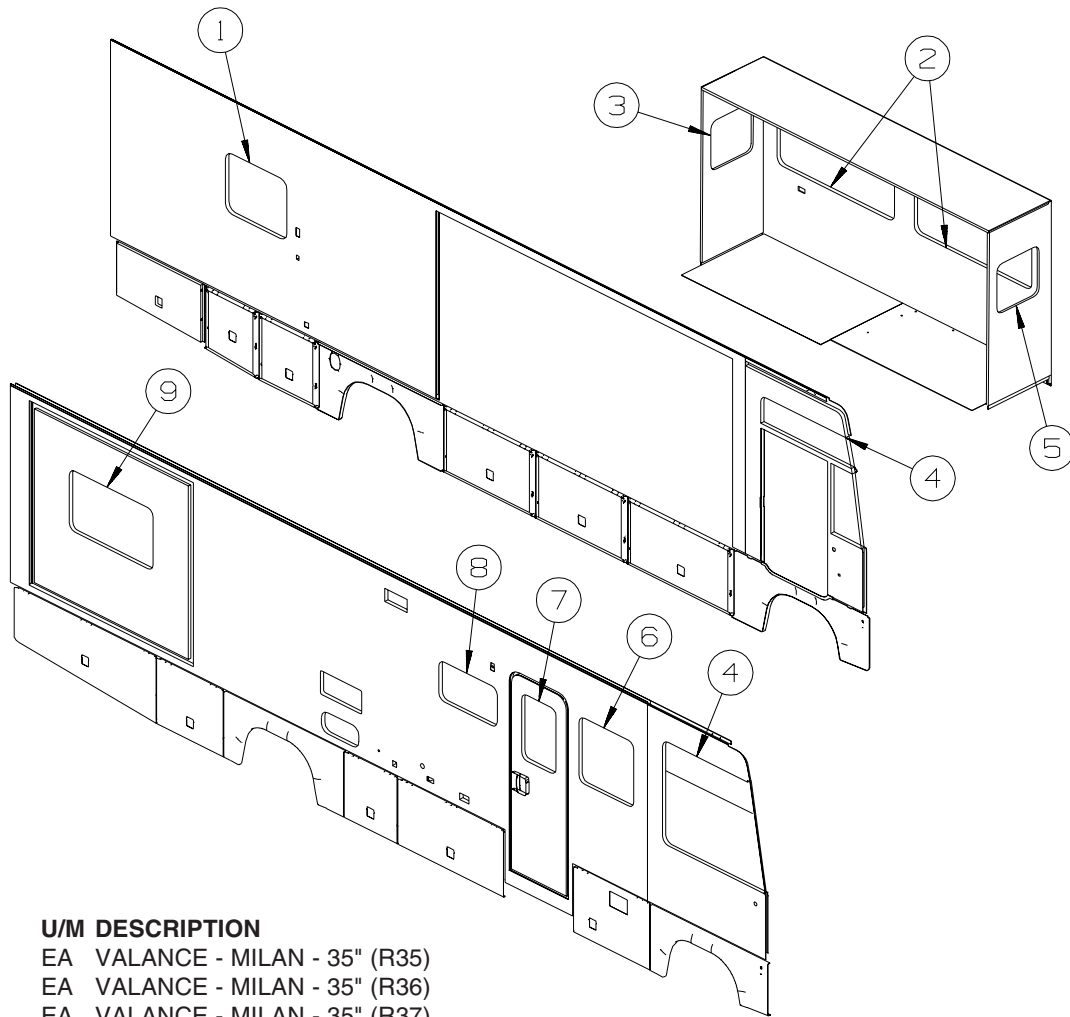
136534-13-000, 136534-15-000, 136534-28-000, 136534-29-000

KEY	PART NUMBER	U/M	DESCRIPTION	VENDOR NO.
	136534-02-700	EA	MOTOR	9PL-MO-W/T-1
	136534-02-701	EA	CABLE/DRV MTR-REST EASY SOFA	9PL-FCA27.75

148226-01-000, 148226-02-000, 148226-03-000

KEY	PART NUMBER	U/M	DESCRIPTION	VENDOR NO.
	148226-01-700	EA	BUSHING/GUIDE - F/MECHANISM	9TN-SLD-GR-1
	148226-01-701	EA	SLIDE MECHANISM ASM W/LATCH	PTN-SLD-BUSH1

**CURTAIN & CUSHION GROUP (CONTINUED)**  
**WINDOW TREATMENT**



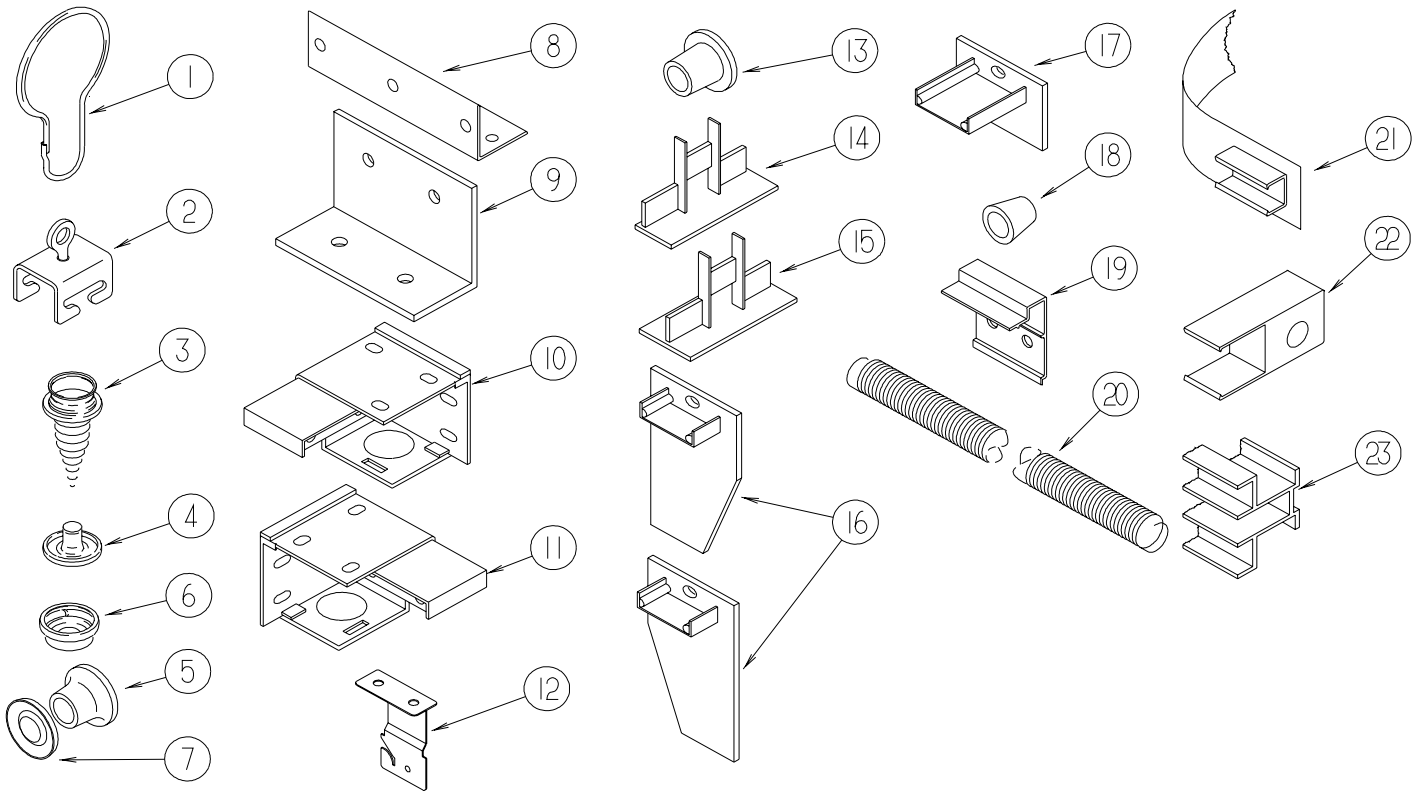
KEY	PART NUMBER	U/M	DESCRIPTION
1	139139-02-P41	EA	VALANCE - MILAN - 35" (R35)
1	139139-02-P42	EA	VALANCE - MILAN - 35" (R36)
1	139139-02-R37	EA	VALANCE - MILAN - 35" (R37)
1	136988-29-P41	EA	LEG - RIGHT - 35" (R35)
1	136988-29-N47	EA	LEG - RIGHT - 35" (R36)
1	136988-29-P37	EA	LEG - RIGHT - 35" (R37)
1	136988-30-P41	EA	LEG - LEFT - 35" (R35)
1	136988-30-N47	EA	LEG - LEFT - 35" (R36)
1	136988-30-P37	EA	LEG - LEFT - 35" (R37)
1	140789-22-N30	EA	BLIND - DAY/NIGHTER - 32" X 36"
2	138097-03-P41	EA	VALANCE - CUFFED - 62.5" (R35)
2	138097-03-P10	EA	VALANCE - CUFFED - 62.5" (R36)
2	138097-03-R37	EA	VALANCE - CUFFED - 62.5" (R37)
2	140789-08-N02	EA	BLIND - DAY/NIGHTER - 59" X 26.5"
2	127017-47-P41	EA	LEG - RIGHT - 23.5" (R35)
2	127017-47-P10	EA	LEG - RIGHT - 23.5" (R36)
2	127017-47-N39	EA	LEG - RIGHT - 23.5" (R37)
2	127017-48-P41	EA	LEG - LEFT - 23.5" (R35)
2	127017-48-P10	EA	LEG - LEFT - 23.5" (R36)
2	127017-48-N39	EA	LEG - LEFT - 23.5" (R37)
3	138097-08-P41	EA	VALANCE - CUFFED - 26" (R35)
3	138097-08-P42	EA	VALANCE - CUFFED - 26" (R36)
3	138097-08-R37	EA	VALANCE - CUFFED - 26" (R37)
3	140789-07-N02	EA	BLIND - DAY/NIGHTER - 22.5" X 23"
3	136988-41-P41	EA	LEG - RIGHT - 22" (R35)
3	136988-41-P42	EA	LEG - RIGHT - 22" (R36)
3	136988-41-N39	EA	LEG - RIGHT - 22" (R37)
3	136988-42-P41	EA	LEG - LEFT - 22" (R35)
3	136988-42-P42	EA	LEG - LEFT - 22" (R36)
3	136988-42-N39	EA	LEG - LEFT - 22" (R37)
4	101668-67-J22	EA	CURTAIN - RIGHT HAND/LEFT HAND - 42" X 110"
4	101668-68-J22	EA	CURTAIN - LEFT HAND - 42" X 110"
4	073260-42-M22	EA	TIEBACK - 6" X 18"

**CURTAIN & CUSHION GROUP (CONTINUED)**  
**WINDOW TREATMENT (CONTINUED)**

<b>KEY</b>	<b>PART NUMBER</b>	<b>U/M</b>	<b>DESCRIPTION</b>
5	138097-07-P41	EA	VALANCE - CUFFED - 26" (R35)
5	138097-07-P42	EA	VALANCE - CUFFED - 26" (R36)
5	138097-07-R37	EA	VALANCE - CUFFED - 26" (R37)
5	140789-07-N02	EA	BLIND - DAY/NIGHTER - 22.5" X 23"
5	136988-41-P41	EA	LEG - RIGHT - 22" (R35)
5	136988-41-P42	EA	LEG - RIGHT - 22" (R36)
5	136988-41-N39	EA	LEG - RIGHT - 22" (R37)
5	136988-42-P41	EA	LEG - LEFT - 22" (R35)
5	136988-42-P42	EA	LEG - LEFT - 22" (R36)
5	136988-42-N39	EA	LEG - LEFT - 22" (R37)
6	138097-06-P41	EA	VALANCE - CUFFED - 32" (R35)
6	138097-06-P42	EA	VALANCE - CUFFED - 32" (R36)
6	138097-06-R37	EA	VALANCE - CUFFED - 32" (R37)
6	140789-06-N30	EA	BLIND - DAY/NIGHTER - 28" X 28"
6	136988-91-P41	EA	LEG - RIGHT - 26" (R35)
6	136988-91-P42	EA	LEG - RIGHT - 26" (R36)
6	136988-91-P43	EA	LEG - RIGHT - 26" (R37)
6	136988-92-P41	EA	LEG - LEFT - 26" (R35)
6	136988-92-P42	EA	LEG - LEFT - 26" (R36)
6	136988-92-P43	EA	LEG - LEFT - 26" (R37)
7	121410-B5-P41	EA	VALANCE - MODERATE - 30.5" (R35)
7	121410-B5-P42	EA	VALANCE - MODERATE - 30.5" (R36)
7	121410-B5-N39	EA	VALANCE - MODERATE - 30.5" (R37)
7	084755-57-P37	EA	SHADE - PULL - 27.25"
8	109041-58-03A	EA	BLIND - MINI - 30.5"
9	139139-03-P41	EA	VALANCE - MILAN - 46" (R35)
9	139139-03-P10	EA	VALANCE - MILAN - 46" (R36)
9	139139-03-R37	EA	VALANCE - MILAN - 46" (R37)
9	140789-02-N02	EA	BLIND - DAY/NIGHTER - 43" X 28"
9	136988-15-P41	EA	LEG - RIGHT - 26" (R35)
9	136988-15-N47	EA	LEG - RIGHT - 26" (R36)
9	136988-15-P37	EA	LEG - RIGHT - 26" (R37)
9	136988-16-P41	EA	LEG - LEFT - 26" (R35)
9	136988-16-N47	EA	LEG - LEFT - 26" (R36)
9	136988-16-P37	EA	LEG - LEFT - 26" (R37)

# CURTAIN & CUSHION GROUP (CONTINUED)

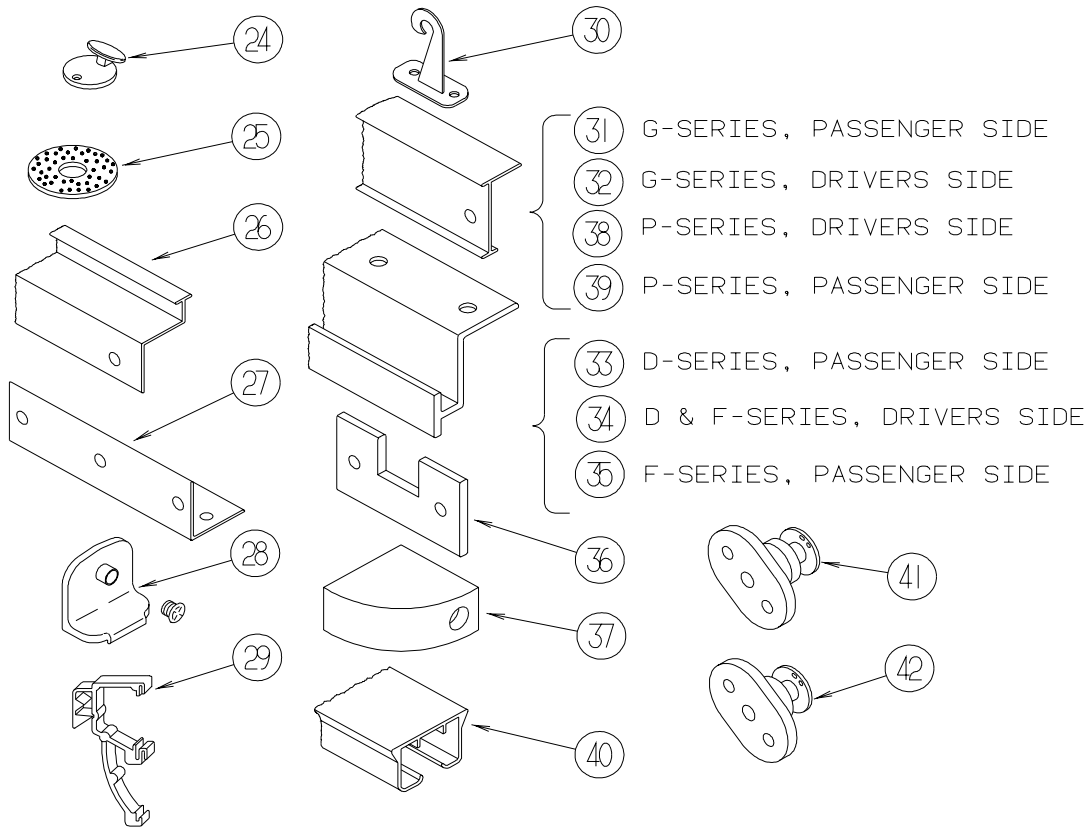
## HARDWARE



KEY	PART NUMBER	U/M	DESCRIPTION
1	009136-02-000	EA	HANGER - RING - PIN TYPE - CURTAIN - BRASS
2	009702-01-000	EA	END STOP - CURTAIN CARRIER - L - ROD
3	029130-01-000	EA	SCREW - SNAP STUD - #8-16 X 3/8" LONG
3	029130-03-000	EA	SCREW - SNAP STUD - #8-16 X 1" LONG
4	029155-01-000	EA	CAP - SNAP - 5/32" OUTSIDE DIAMETER OF PIN
5	029156-01-000	EA	SOCKET - SNAP - 9/16" O.D.
6	046867-02-000	EA	WASHER - HANDY BUTTON #3
7	046867-03-000	EA	GROMMET - HANDY BUTTON #3
8	075943-10-000	EA	BRACE - VALANCE - 20" - OFF WHITE
9	083125-07-000	EA	BRACE - ANGLE/OUCH - 2.5" - OFF WHITE
9	083125-08-000	EA	BRACE - WINDOW MOUNT - .75" - OFF WHITE
10	083170-01-000	EA	BRACKET/BLIND - LEFT SIDE WHEN FACING WINDOW - CLEAR
11	083170-02-000	EA	BRACKET/BLIND - RIGHT SIDE WHEN FACING WINDOW - CLEAR
12	084434-01-000	EA	BRACKET - MOUNTING - ROLLER SHADE - 1 3/8"
13	094896-02-000	EA	GROMMET - CORD/PLEATED BLIND - NYLON - GRAY
14	094907-02-000	EA	END CAP - PLEATED BLIND/TOP - RH/LH - GRAY PLASTIC
15	094907-04-000	EA	END CAP - PLEATED BLIND/BOTTOM - RH/LH
16	094907-05-000	EA	END CAP - PLEATED BLIND/BOTTOM - PULL TYPE - PLASTIC
17	094907-06-000	EA	END CAP - PLEATED BLIND/TOP
18	097564-03-000	EA	HANDLE - KNOB - E-Z LIFT SHADE - TAN
18	097564-05-000	EA	HANDLE - KNOB - E-Z LIFT SHADE - TEAL
18	097564-06-000	EA	HANDLE - KNOB - E-Z LIFT SHADE - ALABASTER
	097593-02-000	FT	CORD - BLIND - PLEATED - GRAY
	097593-06-000	FT	CORD - BLIND - PLEATED - PEWTER
	097593-10-000	FT	CORD - BLIND - PLEATED - VANILLA
19	097565-01-000	EA	BRACKET - MOUNTING - PLEATED BLIND
19	097565-02-000	EA	BRACKET - MOUNTING - PLEATED BLIND
20	097591-01-000	EA	SPRING - EXTENSION - PLEATED BLIND
21	101031-01-000	YD	TAPE/GLIDE - 4.25" SPACING
22	101033-02-000	EA	END CAP - LOW PROFILE TRACK - CLEAR
23	101033-08-000	EA	TRACK/WALL - 75" - FRT BUNK WINDOW 300 SERIES (MINNIE/SPIRIT)
23	101033-09-000	EA	TRACK/WALL - 32" - SIDE BUNK WINDOW 200 SERIES/300 SERIES (VISTA/SUNSTAR /MINNIE/SPIRIT)



**CURTAIN & CUSHION GROUP (CONTINUED)**  
**HARDWARE (CONTINUED)**

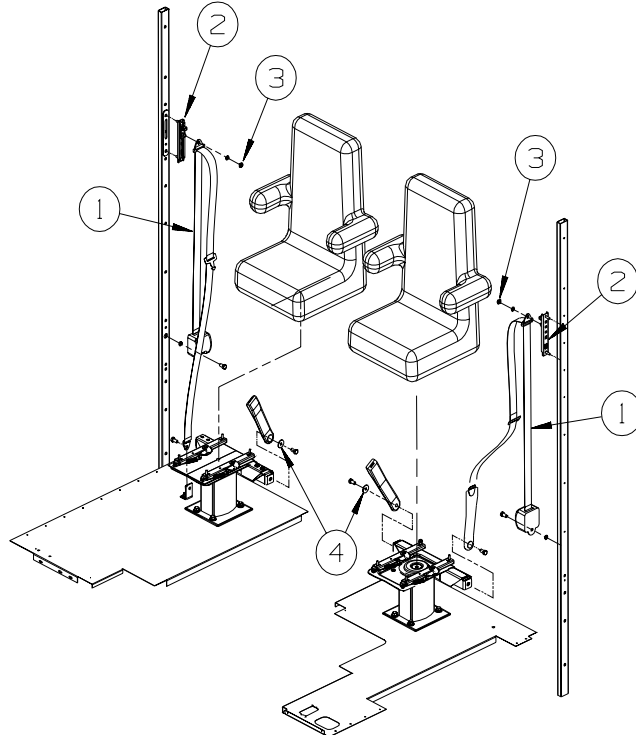


KEY	PART NUMBER	U/M	DESCRIPTION
24	102555-03-000	EA	CLEAT - BLIND CORD - MILKY WHITE - PLASTIC
25	103242-01-000	EA	VELCRO HOOK - BEIGE 7/8" ROUND W/CENTER HOLE
25	103242-02-000	EA	VELCRO HOOK - BLACK 7/8" ROUND W/CENTER HOLE
26	105450-14-01A	EA	TRACK - CURTAIN - 90" - OFF WHITE - <b>FRONT BUNK PRIVACY 300 SERIES (MINNIE/SPIRIT)</b>
26	105450-15-01A	EA	TRACK - CURTAIN - 82.3" - OFF WHITE - <b>FRONT BUNK PRIVACY 200 SERIES (VISTA/SUNSTAR)</b>
27	105648-01-02A	EA	BRACE - VALANCE - OFF/WHITE - 14"
28	106544-01-000	EA	PULL - SHADE/BRASS
	106544-01-001	EA	SCREW - SHADE/BRASS
29	109353-04-000	EA	CLIP - VALANCE SLAT MOUNTING - CLEAR PLASTIC
	109441-02-000	EA	SPACER/BRACKET - BLIND HOLD DOWN
30	109441-03-000	EA	BRACKET/HOOK - BLIND HOLD DOWN - NEW DESIGN/CLEAR
31	126456-03-04A	EA	TRACK/WRAPAROUND - PASSENGER - GLACIER - <b>G SERIES (ADVENTURER/SUNCRUISER)</b>
32	126456-04-04A	EA	TRACK/WRAPAROUND - DRIVER - GLACIER - <b>G SERIES (ADVENTURER/SUNCRUISER)</b>
33	127254-03-05A	EA	TRACK/WRAPAROUND - PASSENGER - GLACIER - <b>D SERIES (SIGHTSEER/SUNOVA)</b>
			FROM: 00-00-00 THRU: 09-07-03
33	127254-14-03A	EA	TRACK/WRAP - PASS - GLACIER - <b>D SERIES (SIGHTSEER/SUNOVA)</b>
			FROM: 09-08-03 THRU: 99-99-99
34	127254-04-05A	EA	TRACK/WRAP - DRIVER - GLACIER - <b>D SERIES/F SERIES (SIGHTSEER/SUNOVA/BRAVE/SUNRISE)</b>
35	127254-14-03A	EA	TRACK/WRAP - PASS - GLACIER - <b>F SERIES (BRAVE/SUNRISE)</b>
36	130549-01-01A	EA	STOP - CURTAIN TRACK
37	132504-01-N92	EA	BRACKET - SHADE
38	146591-01-01A	EA	TRACK - CURTAIN - LEFT HAND - GLACIER - <b>P SERIES (JOURNEY/MERIDIAN)</b>
39	146591-02-01A	EA	TRACK - CURTAIN - RIGHT HAND - GLACIER - <b>P SERIES (JOURNEY/MERIDIAN)</b>
40	138460-01-02A	EA	TRACK/CURTAIN - PASSENGER - WHITE - <b>Q SERIES (ULTIMATE ADVANTAGE/ULTIMATE FREEDOM)</b>
	138460-02-02A	EA	TRACK/CURTAIN - DRIVER - WHITE - <b>Q SERIES (ULTIMATE ADVANTAGE/ULTIMATE FREEDOM)</b>
40	138460-05-02A	EA	TRACK/CURTAIN - PASSENGER - WHITE - <b>L SERIES (CHIEFTAIN/SUNFLYER)</b>
	138460-06-02A	EA	TRACK/CURTAIN - DRIVER - WHITE - <b>L SERIES (CHIEFTAIN/SUNFLYER)</b>
40	138460-07-02A	EA	TRACK/CURTAIN - PASSENGER - WHITE - <b>S SERIES (VECTRA/HORIZON)</b>
	138460-08-02A	EA	TRACK/CURTAIN - DRIVER - WHITE - <b>S SERIES (VECTRA/HORIZON)</b>
41	141634-01-000	EA	BRACKET-(BOBBIN TYPE) 7/8"H HOLDUPBASE(OVAL)-2 HOLE-CLEAR
42	143805-01-000	EA	BRACKET-(BOBBIN TYPE) 1/2"H HOLDUPBASE(OVAL)-2 HOLES CLEAR

## CURTAIN & CUSHION GROUP (CONTINUED)

### ACCESSORIES

KEY	PART NUMBER	U/M	DESCRIPTION
	056271-01-000	EA	SEAT BELT - 2" X 102" - BLACK
	070578-02-N30	EA	BUTTON - SCREW - STUD - #30 VINYL
	118337-01-P41	EA	BUTTON - #60 - FABRIC COVERED (R35)
	118337-01-P10	EA	BUTTON - #60 - FABRIC COVERED (R36)
	118337-01-N05	EA	BUTTON - #60 - FABRIC COVERED (R37)
	118337-06-P41	EA	BUTTON - #60 - FABRIC COVERED (R35)
	118337-06-P10	EA	BUTTON - #60 - FABRIC COVERED (R36)
	118337-06-R37	EA	BUTTON - #60 - FABRIC COVERED (R37)
	074494-02-000	EA	BUTTON - RETAINING PIVOT - #60
	074494-03-000	EA	BUTTON - SERRATED PIVOT - W/3/8 TACK
	057534-01-000	EA	TIEBACK - CLEAR PLASTIC - 6"
	057534-03-000	EA	TIEBACK - CLEAR PLASTIC - 7.5"
	105402-03-000	EA	STRAP - DINING CHAIR/TIEDOWN - 18"



KEY	PART NUMBER	U/M	DESCRIPTION
1*	091990-08-01A	EA	SEAT BELT - 3 POINT - .766" DIAMETER HOLE IN D-LOOP BRKT
2	127598-01-01A	EA	ADJUSTER - SEATBELT - D-LOOP
3	127598-02-000	EA	NUT - HEX FLANGE - M10 X 1.5 - CLASS 10
4	NOT USED		

\*COMPONENT PARTS LISTED LATER IN THIS GROUP

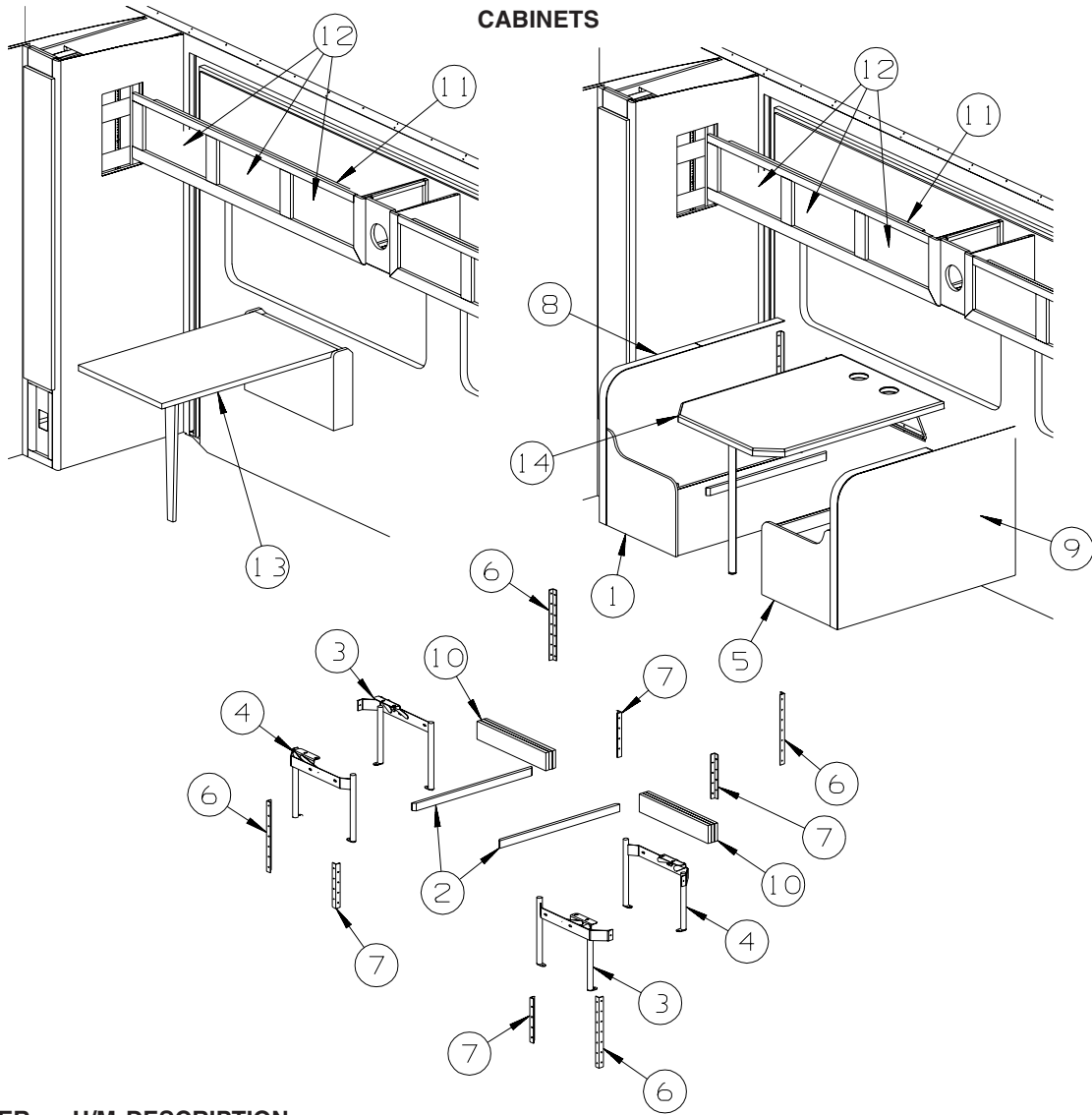
**CURTAIN & CUSHION GROUP (CONTINUED)**  
**FABRICS**

<b>FAMILY</b>	<b>R35 WINTER BIRCH</b>	<b>R36 GREENGAGE</b>	<b>R37 GALAXY</b>
<b>SUNRISE BUCKET</b>	578 VL 126883-N3-000	578 VL 126883-L7-000	578 VL 126883-42-000
	<b>*OPT. ULTRA</b>	<b>*OPT. ULTRA</b>	<b>*OPT. ULTRA</b>
	079680-36-000	079680-36-000	079680-36-000
	<b>*OPT. ULTRA DR&amp;PASS W/LUMBAR</b>	<b>*OPT. ULTRA DR&amp;PASS W/LUMBAR</b>	<b>*OPT. ULTRA DR&amp;PASS W/LUMBAR</b>
<b>DINETTE</b>	735 CLUB W/RADIUS - SPRUNG 126883-N2-000	735 CLUB W/RADIUS - SPRUNG 126883-L6-000	735 CLUB W/RADIUS - SPRUNG 126883-V1-000
	126883-N3-000	126883-L7-000	126883-42-000
<b>DINETTE WRAP</b>			
<b>DINETTE AND REM FOLDING CHAIRS</b>	FLEXSTEEL C5703 & REM FC200 126883-N3-000	FLEXSTEEL C5703 & REM FC200 126883-L7-000	FLEXSTEEL C5703 & REM FC200 126883-42-000
<b>SOFA</b>	800 REST EASY F30W 695 SOFA 126883-N2-000	800 REST EASY F30W 695 SOFA 126883-L6-000	800 REST EASY F30W 695 SOFA 126883-V1-000
<b>LOUNGE CHAIR</b>	458 HOOP REC. W/FOOTREST 126883-N3-000	458 HOOP REC. W/FOOTREST 126883-L7-000	458 HOOP REC. W/FOOTREST 126883-42-000
<b>LOUNGE PILLOW 1 PER SOFA</b>	SQUARE W/SELF WELT 126883-N3-000	SQUARE W/SELF WELT 126883-L7-000	SQUARE W/SELF WELT 126883-42-000
<b>LOUNGE WINDOWS</b>	CUFFED VALANCE UNDERLAY/OVERLAY 126883-N3-000/126883-N2-000	CUFFED VALANCE UNDERLAY/OVERLAY 126883-L7-000/126883-L6-000	CUFFED VALANCE UNDERLAY/OVERLAY 126883-42-000/126883-V1-000
	BUTTONS&FLUSH LEGS 126883-N3	BUTTONS&FLUSH LEGS 126883-L7	BUTTONS&FLUSH LEGS 126883-42
<b>LGE. OVHD.INSERTS</b>	126883-N3--000	126883-L7-000	126883-42-000
<b>GALLEY BLIND</b>	386 SNO CAP	386 SNO CAP	386 SNO CAP
<b>BEDSPREAD LG. DIAMOND QUILT</b>	BEDCAP W/ .5" NON-GATH. ACCENT WELT 137813-45-000/137813-44-000	BEDCAP W/ .5" NON-GATH. ACCENT WELT 105745-X9-000/105745-Y0-000	BEDCAP W/ .5" NON-GATH. ACCENT WELT 105745-Y2-000/137813-43-000
<b>SHAMS</b>	NON-QUILTED W/ .5" NON-GATH. .5" ACCENT WELT 137813-45-000/137813-44-000	NON-QUILTED W/ .5" NON-GATH. .5" ACCENT WELT 105745-X9-000/105745-Y0-000	NON-QUILTED W/ .5" NON-GATH. .5" ACCENT WELT 105745-Y2-000/137813-43-000

**CURTAIN & CUSHION GROUP (CONTINUED)**  
**FABRICS (CONTINUED)**

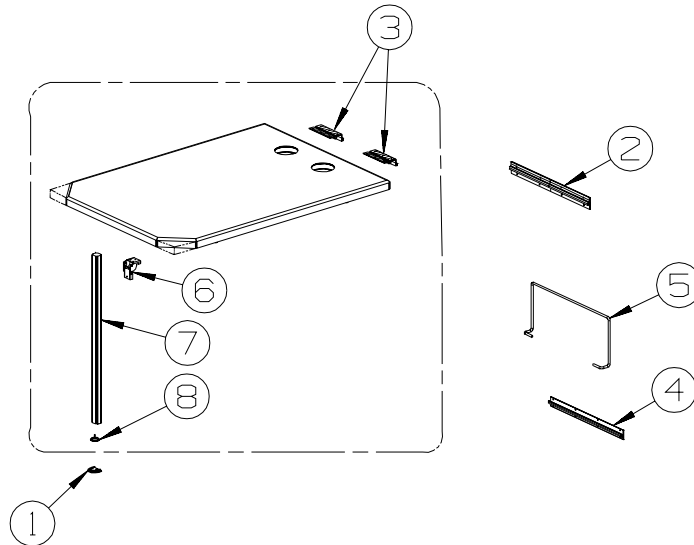
<b>FAMILY</b>	<b>R35 WINTER BIRCH</b>	<b>R36 GREENGAGE</b>	<b>R37 GALAXY</b>
<b>SUNRISE</b>			
<b>BEDRM. PILLOW</b>	SQ. W/.5" NON-GATH. MAIN	SQ. W/.5" NON-GATH. MAIN	SQ. W/.5" NON-GATH. MAIN
<b>1 PER MATTRESS</b>	WELT,PILLOW FACE IS GATH.	WELT,PILLOW FACE IS GATH.	WELT,PILLOW FACE IS GATH.
	137813-44-000/137813-45-000	105745-Y0-000/105745-X9-000	137813-43-000/105745-Y2-00
<b>BEDROOM</b>	MILAN VALANCE	MILAN VALANCE	MILAN VALANCE
<b>WINDOWS</b>	GATH. UNDERLAY/OVERLAY	GATH. UNDERLAY/OVERLAY	GATH. UNDERLAY/OVERLAY
	137813-45-000/137813-44-000	105745-X9-000/105745-Y0-000	105745-Y2-000/137813-43-000
	BUTTONS 137813-45-000	BUTTONS 105745-X9-000	BUTTONS 105745-Y2-000
	FLUSH LEGS 137813-44-000	FLUSH LEGS 105745-Y0-000	FLUSH LEGS 137813-43-000
<b>BEDROOM</b>	137813-44-000	105745-Y0-000	137813-43-000
<b>OVHD. INSERTS</b>			
<b>DAY-NITERS</b>	COTTON/WHITE DECO	COTTON/WHITE DECO	COTTON/WHITE DECO
<b>LGE. &amp; BEDROOM</b>	094911-53-000/094911-50-000	094911-53-000/094911-50-000	094911-53-000/094911-50-000
<b>FRONT WRAP</b>	CLOUDS MUSHROOM	CLOUDS MUSHROOM	CLOUDS MUSHROOM
	072333-85-000	072333-85-000	072333-85-000
<b>SUNVISORS</b>	GLACIER	GLACIER	GLACIER
	123298-04-05A	123298-04-05A	123298-04-05A
<b>FLOOR MATS</b>	096060-H1-000 CARPET	096060-G9-000 CARPET	096060-E6-000 CARPET
	102695-12-000 TAPE	102695-20-000 TAPE	102695-22-000 TAPE
<b>CEILING MATERIAL</b>	113979-12-01A	113979-12-01A	113979-12-01A
<b>SLIDEOUT CEILING</b>	113979-14-01A	113979-14-01A	113979-14-01A

## DINETTE GROUP CABINETS



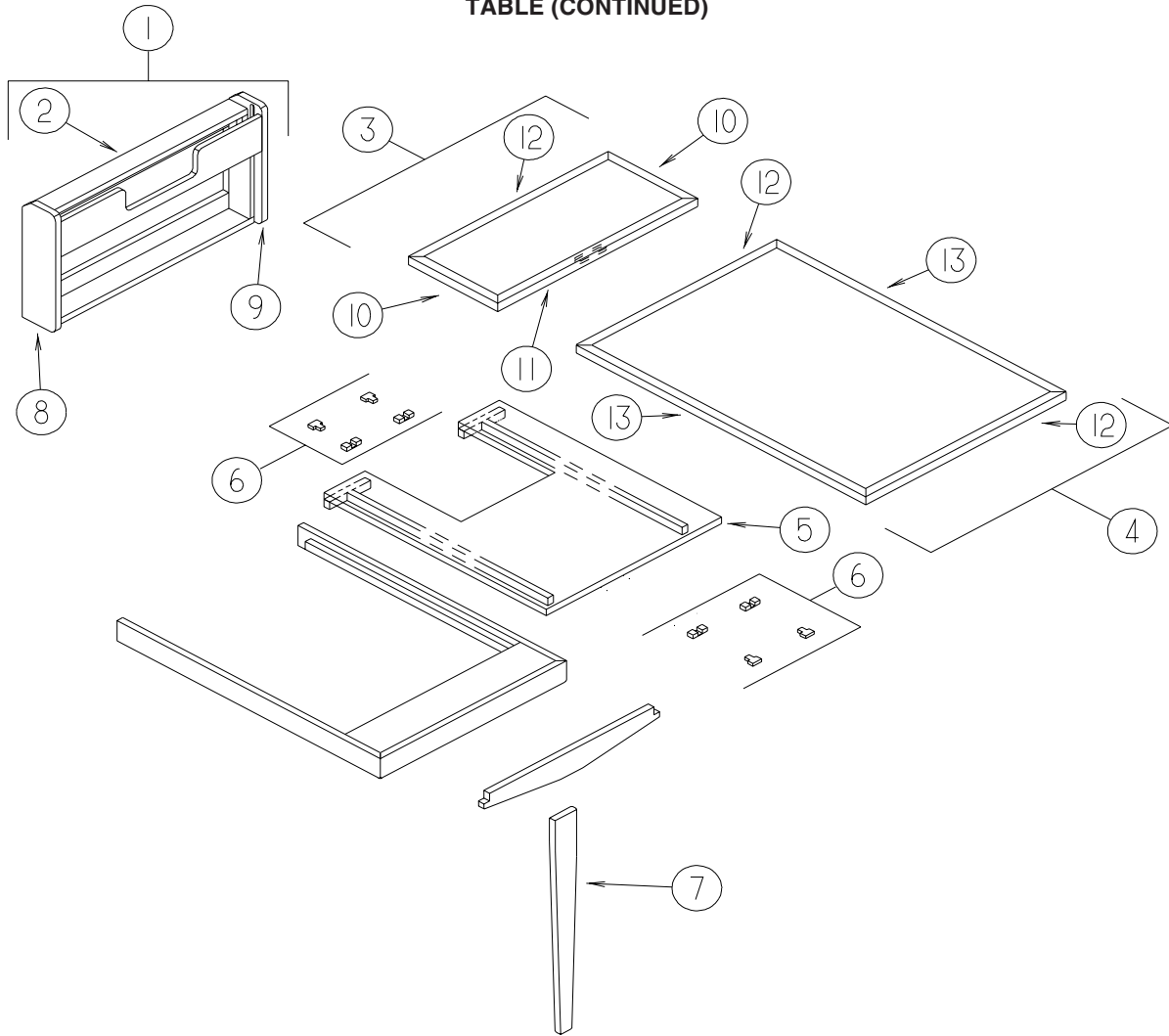
KEY	PART NUMBER	U/M	DESCRIPTION
1	142046-03-P41	EA	CABINET/BASE - DINETTE/FLIP UP - LEFT HAND - W/O BACK (R35)
1	142046-03-P42	EA	CABINET/BASE - DINETTE/FLIP UP - LEFT HAND - W/O BACK (R36)
1	142046-03-P43	EA	CABINET/BASE - DINETTE/FLIP UP - LEFT HAND - W/O BACK (R37)
2	081295-01-N70	EA	SUPPORT - BED/DINETTE - 28" LONG
3	142033-01-000	EA	BRACKET - DINETTE - RIGHT HAND
4	142033-02-000	EA	BRACKET - DINETTE - LEFT HAND
5	142046-05-P41	EA	CABINET/BASE - DINETTE/FLIP UP - RIGHT HAND - W/O BACK (R35)
5	142046-05-P42	EA	CABINET/BASE - DINETTE/FLIP UP - RIGHT HAND - W/O BACK (R36)
5	142046-05-P43	EA	CABINET/BASE - DINETTE/FLIP UP - RIGHT HAND - W/O BACK (R37)
6	122021-02-02A	EA	ANGLE - W/HOLES - 13.7" LONG - OFF WHITE
7	122021-01-02A	EA	ANGLE - W/HOLES - 8.6" LONG - OFF WHITE
8	142046-65-P41	EA	PANEL/BACK - DINETTE SEAT - LEFT HAND (R35)
8	142046-65-P42	EA	PANEL/BACK - DINETTE SEAT - LEFT HAND (R36)
8	142046-65-P43	EA	PANEL/BACK - DINETTE SEAT - LEFT HAND (R37)
9	142046-69-P41	EA	PANEL/BACK - DINETTE SEAT - RIGHT HAND (R35)
9	142046-69-P42	EA	PANEL/BACK - DINETTE SEAT - RIGHT HAND (R36)
9	142046-69-P43	EA	PANEL/BACK - DINETTE SEAT - RIGHT HAND (R37)
10	142046-63-P41	EA	SPACER/BASE - DINETTE SEAT (R35)
10	142046-63-P42	EA	SPACER/BASE - DINETTE SEAT (R36)
10	142046-63-P43	EA	SPACER/BASE - DINETTE SEAT (R37)
11	139122-03-R32	EA	CABINET - OVERHEAD/DINETTE - W/O DOORS/HARDWARE
12	141522-22-R35	EA	DOOR - ARCHED/PENCIL EDGE/HORIZ - 10" X 19.1" - W/O HDW
13	133856-01-N42	EA	TABLE COMPLETE - LAMINATED - PORTSMOUTH OAK
14	143304-03-R32	EA	TABLE - DINETTE - 24" X 41.6" - LINO FRIEZE/PORTSMOUTH OAK (R35)
14	143304-03-P37	EA	TABLE - DINETTE - 24" X 41.6" - EGGSHELL/PORTSMOUTH OAK (R36)
14	143304-03-P39	EA	TABLE - DINETTE - 24" X 41.6" - GRAY TRANQUILITY/PORTSMOUTH OAK (R37)

**DINETTE GROUP (CONTINUED)**  
**TABLE**



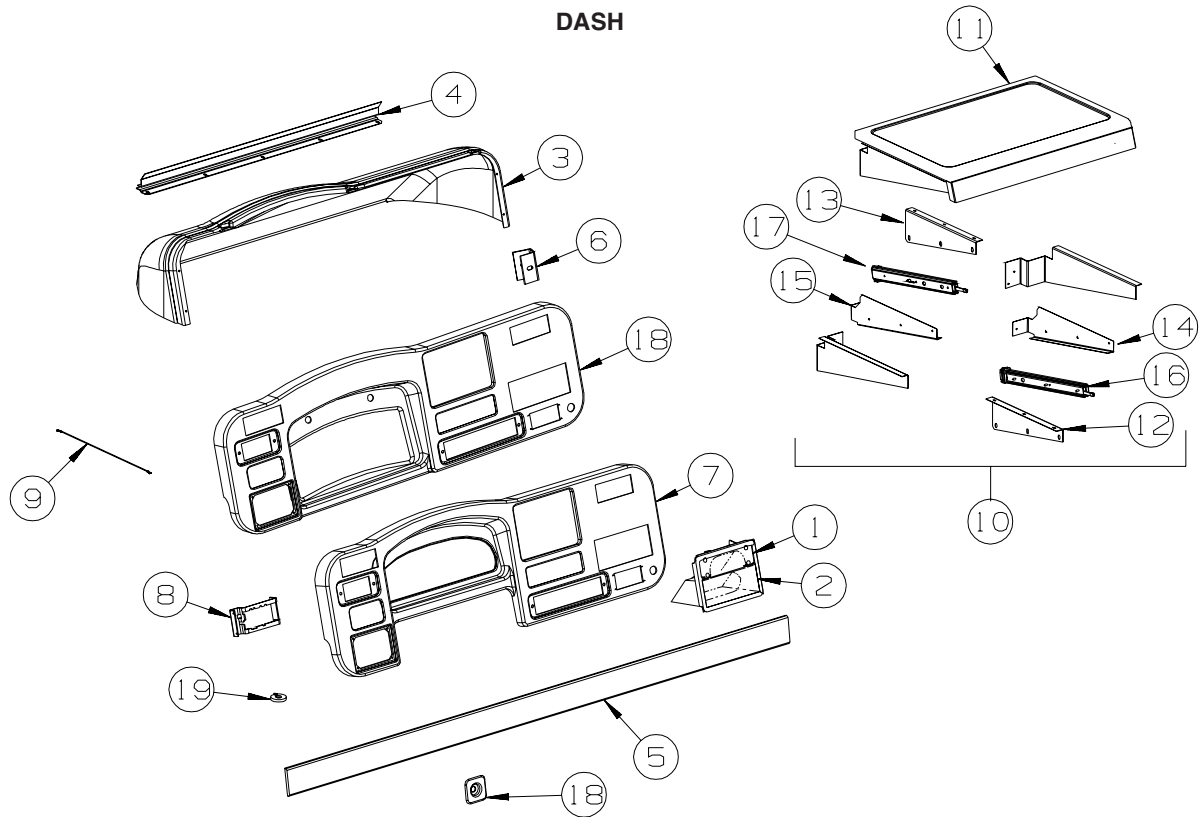
KEY	PART NUMBER	U/M	DESCRIPTION
1	143798-01-01A	EA	CATCH - FLOOR TO TABLE LEG - BRIGHT WHITE
2	140921-02-01A	EA	SUPPORT - TABLE - 18.5" - OFF WHITE
3	140921-03-01A	EA	HANGER - TABLE - W/VINYL - OFF WHITE
4	024281-15-000	EA	BRACKET/TABLE - LIFT ROD/LOWER WALL MOUNTED - 17.1"
5	024275-13-000	EA	ROD - TABLE LIFT - OFF/WHITE
6	093550-01-000	EA	BRACKET - HINGE - MOUNTS TO LEG & TABLE TOP - 1.7" X 2.6"
7	092707-10-03A	EA	LEG - TABLE - W/O HARDWARE - 26.8" - PORTSMOUTH OAK
8	143798-02-01A	EA	CATCH - TABLE LEG - BRIGHT WHITE
	143798-03-01A	EA	WASHER - TABLE LEG - CATCH

**DINETTE GROUP (CONTINUED)**  
**TABLE (CONTINUED)**



KEY	PART NUMBER	U/M	DESCRIPTION
1	133856-31-N42	EA	CABINET/WALL - W/O COUNTERTOP - F/PULLOUT TABLE
2	133856-23-N42	EA	COUNTERTOP - F/WALL CABINET - LAMINATED - PORTSMOUTH OAK
3	133856-12-N42	EA	TABLE TOP - SMALL HINGED SECTION - LAMINATED PORTSMOUTH OAK
4	133856-11-N42	EA	TABLE TOP - LARGE SECTION - LAMINATED PORTSMOUTH OAK
5	133856-17-N42	EA	SLIDE - TABLE TOP
6	009050-02-000	EA	LEVELER - TABLE TOP - MALE END W/4 SCREWS - PLASTIC
6	009050-03-000	EA	LEVELER - TABLE TOP - FEMALE END W/2 SCREWS - PLASTIC
7	133856-28-N42	EA	LEG - F/TABLE
8	133856-27-N42	EA	END - LEFT HAND - F/TABLE CABINET
9	133856-26-N42	EA	END - RIGHT HAND - F/TABLE CABINET
10	133856-15-N42	EA	TRIM - TABLE MOLDING - 12"
11	133856-16-N42	EA	TRIM - TABLE MOLDING - 23.8"
12	133856-14-N42	EA	TRIM - TABLE MOLDING - 23.8"
13	133856-13-N42	EA	TRIM - TABLE MOLDING - 41.2"

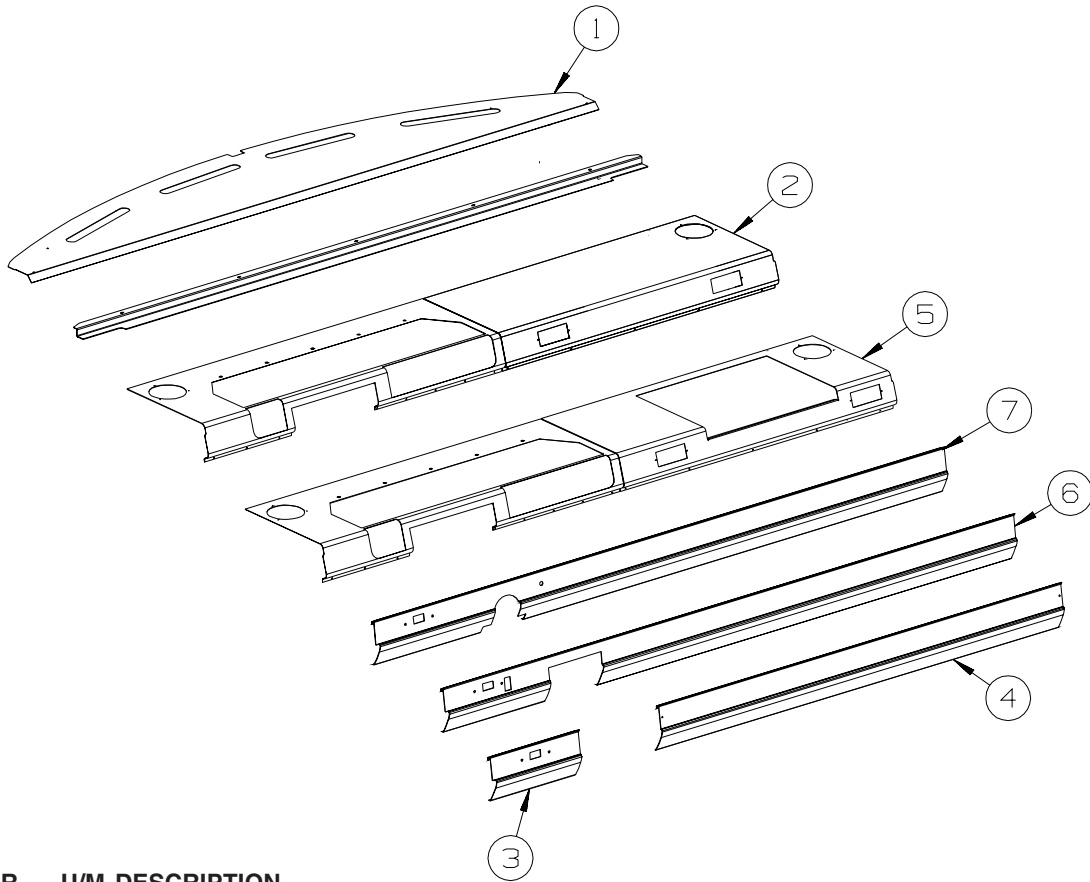
## DRIVERS COMPARTMENT GROUP DASH



KEY	PART NUMBER	U/M	DESCRIPTION
1	096776-03-000	EA	STORAGE BOX - CD'S - 4 DISC HOLDER - <b>W/O REARVIEW MONITOR</b>
2	111350-01-01A	EA	POCKET - INSTRUMENT PANEL - UPPER - BLACK - <b>W/O REARVIEW MONITOR</b>
3	132080-01-03A	EA	POD - INSTRUMENT PANEL - W/O HOLE - GLACIER
3	132080-02-03A	EA	POD - INSTRUMENT PANEL - W/O HOLE - GLACIER - <b>REARVIEW MONITOR</b>
4	129813-02-02A	EA	HINGE - DASH POD - GLACIER
5	NOT USED		
6	134257-02-02B	EA	CLIP - RETAINER - BEZEL - E-COATED
7	138611-02-01A	EA	BEZEL - INSTRUMENT PANEL - BLK - <b>FORD</b>
8	133849-01-02B	EA	MOUNT - HEADLAMP SWITCH - E-COATED - <b>WORKHORSE</b>
9	076767-05-000	EA	CABLE - STAINLESS STEEL - 15.5"
10	135298-02-N52	EA	TABLE COMPLETE - WORKSTATION
			FROM: 00-00-00 THRU: 05-08-03
10	135298-02-R32	EA	TABLE COMPLETE - WORKSTATION
			FROM: 05-09-03 THRU: 99-99-99
11	135122-02-N52	EA	TABLE TOP - PULLOUT/WORKSTATION
			FROM: 00-00-00 THRU: 05-08-03
11	135122-02-R32	EA	TABLE TOP - PULLOUT/WORKSTATION
			FROM: 05-09-03 THRU: 99-99-99
	106569-09-06A	EA	VINYL - LAMINATE - ALLANTE DOESKIN - 1/4" X 25" X 100"
			FROM: 00-00-00 THRU: 05-08-03
	106569-09-07A	EA	VINYL - LAMINATE - 25" X 100" - MADRID
			FROM: 05-09-03 THRU: 99-99-99
12	135132-03-02B	EA	ANGLE-SLIDE,RH, E-CT
13	135132-04-02B	EA	ANGLE-SLIDE,LH, E-CT
14	135228-01-02B	EA	ANGLE - SLIDE - TRAY/RIGHT HAND - E-COATED
15	135228-02-02B	EA	ANGLE - SLIDE - TRAY/LEFT HAND - E-COATED
16	135314-01-01A	EA	SLIDE - DASH WORK STATION - RIGHT HAND
17	135314-02-01A	EA	SLIDE - DASH WORK STATION - LEFT HAND
18	142956-01-01A	EA	BEZEL - INSTRUMENT PNL - WORKHORSE - BLACK
			FROM: 00-00-00 THRU: 03-24-03
18	138612-02-01A	EA	BEZEL - INSTRUMENT PANEL - BLACK
			FROM: 03-25-03 THRU: 99-99-99
19	049176-01-000	EA	HEDLOCK II - 3/4 DIAMETER SCREW MOUNT



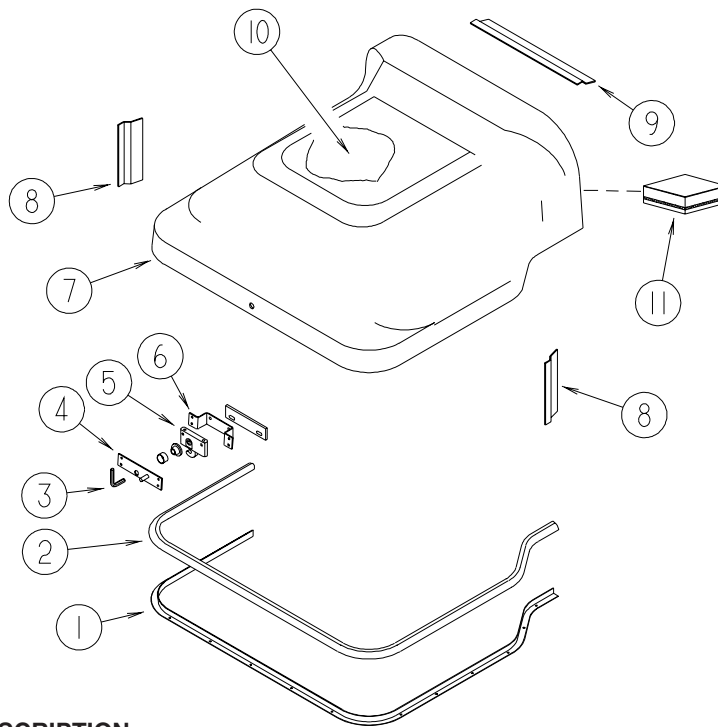
**DRIVERS COMPARTMENT GROUP (CONTINUED)**  
**DASH (CONTINUED)**



KEY	PART NUMBER	U/M	DESCRIPTION
1	132126-02-02B	EA	PANEL - DASH TOP - E-COATED
	106569-11-05A	EA	VINYL - LAMINATE - ALLANTE DOESKIN - 1/4" X 25" X 100"
2	132128-01-02B	EA	DASH - E-COATED - <b>W/O WORKSTATION, FORD</b>
2	142962-03-02B	EA	DASH - E-COATED - <b>W/O WORKSTATION, WORKHORSE</b>
3	111528-12-05A	EA	TRIM - DASH/LOWER - DRIVER - GLACIER - <b>FORD</b>
4	111528-10-05A	EA	TRIM - DASH/LOWER - PASSENGER - GLACIER - <b>FORD</b>
5	135096-01-02B	EA	DASH - E-COATED - <b>W/WORKSTATION, FORD</b>
5	142962-04-02B	EA	DASH - E-COATED - <b>W/WORKSTATION, WORKHORSE</b>
6	137928-02-05A	EA	TRIM/DASH - LOWER - GLACIER - <b>WORKHORSE 20,700 &amp; 22,000 GVWR</b>
7	133776-02-05A	EA	TRIM/DASH - LOWER - GLACIER - <b>WORKHORSE 18,000 GVWR</b>

## DRIVERS COMPARTMENT GROUP (CONTINUED)

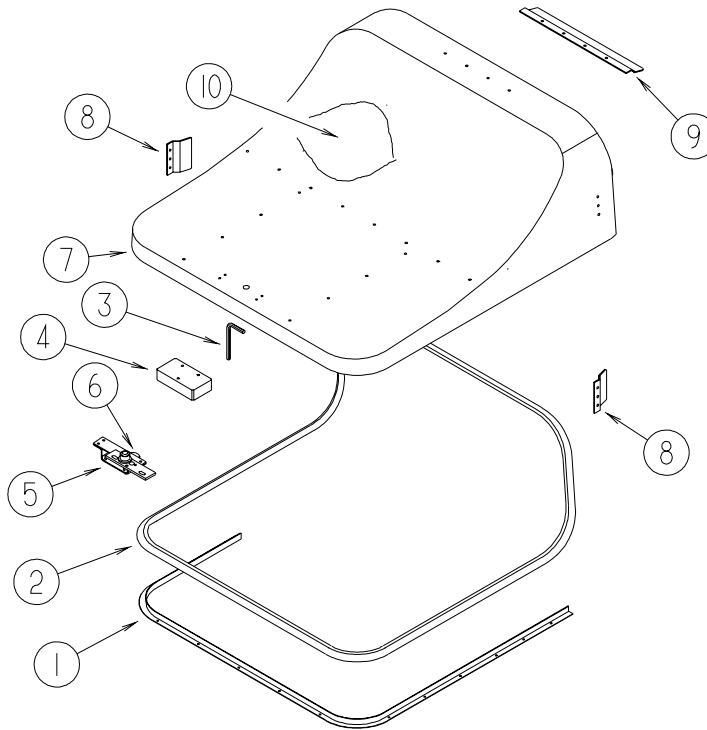
### MOTOR COVER



**ALL FORD &  
18,000# GVWR  
WORKHORSE**

KEY	PART NUMBER	U/M	DESCRIPTION
1	115860-04-01A	EA	TRIM - MOTOR COVER - <b>WORKHORSE 18,000 GVWR</b>
1	115860-05-01A	EA	TRIM - MOTOR COVER - MILL FINISH - <b>FORD</b>
2	039623-01-000	FT	SEAL - MOTOR COVER - RUBBER BULB TYPE
3	116833-01-02B	EA	WRENCH - HEX MOTOR COVER - E-COATED
4	115852-01-02B	EA	STRIKE - LATCH - MOTOR COVER - E-COATED
5	116581-01-000	EA	LATCH - W/O STRIKE - MOTOR COVER
6	115850-01-02B	EA	RETAINER - LATCH - MOTOR COVER - RIGHT HAND - E-COATED
7	129099-02-01A	EA	COVER - MOTOR - W/O CARPET - <b>WORKHORSE 18,000 GVWR</b>
7	129099-04-01A	EA	COVER - MOTOR - W/O CARPET - <b>FORD</b>
8	115855-02-02B	EA	RETAINER - MOTOR COVER/SIDE - E-COATED
9	115855-01-02B	EA	RETAINER - MOTOR COVER/TOP - E-COATED
10	072878-01-000	EA	INSULATION - SOUND BARRIER PAD - .058" X 33" X 58"
11	NOT USED		

**DRIVERS COMPARTMENT GROUP (CONTINUED)**  
**MOTOR COVER (CONTINUED)**

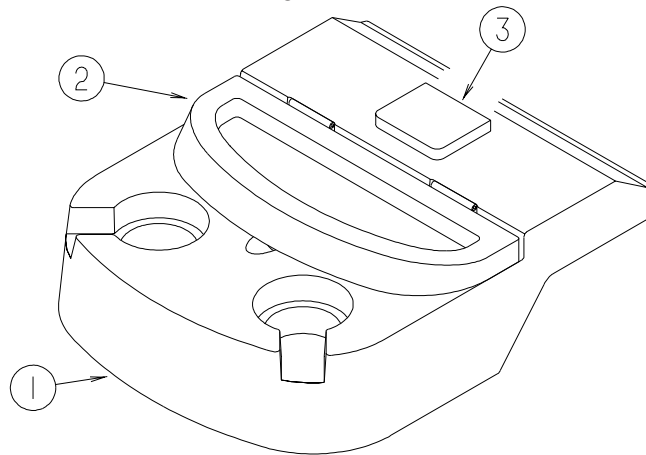


**20,700# & 22,000# GVWR  
 WORKHORSE**

KEY	PART NUMBER	U/M	DESCRIPTION
1	137332-01-01A	EA	TRIM - MOTOR COVER
2	039623-01-000	FT	SEAL - MOTOR COVER - RUBBER BULB TYPE
3	116833-01-02B	EA	WRENCH - HEX MOTOR COVER - E-COATED
4	137305-02-02B	EA	BRACKET - STRIKE SUPPORT - E-COATED
5	116581-01-000	EA	LATCH - W/O STRIKE - MOTOR COVER
6	115850-01-02B	EA	RETAINER - LATCH - MOTOR COVER - RIGHT HAND - E-COATED
7	137096-01-01A	EA	COVER - MOTOR - W/O CARPET
8	115855-04-02B	EA	RETAINER - MOTOR COVER - E-COATD
9	115855-03-02B	EA	RETAINER - MOTOR COVER/TOP - E-COATED
10	134497-01-000	SF	FOIL/ALUMINUM - REINFORCED

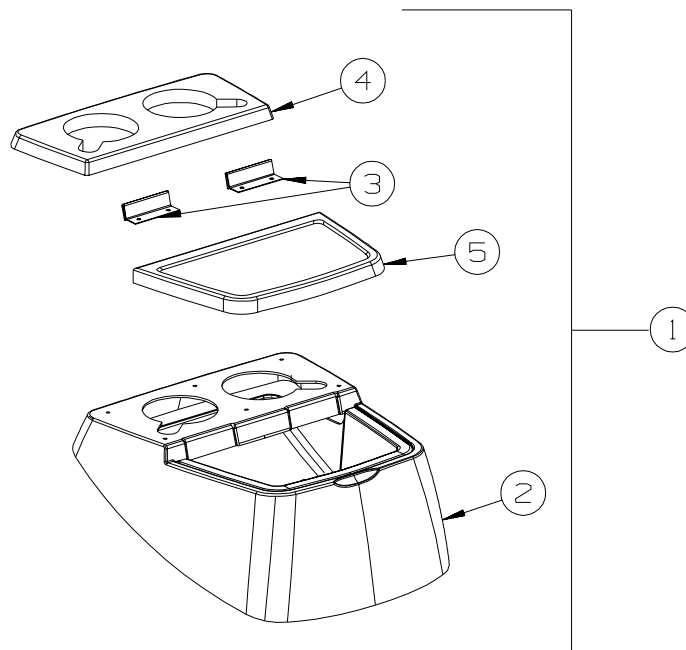
## DRIVERS COMPARTMENT GROUP (CONTINUED)

### BEVERAGE TRAY



**FORD &  
18,000 GVWR  
WORKHORSE**

KEY	PART NUMBER	U/M	DESCRIPTION
1	126008-02-N21	EA	TRAY ASM-BEVERAGE - PORTSMOUTH OAK
	128114-01-04A	EA	TRAY/BEVERAGE - GLACIER
2	128113-01-N21	EA	LID - BEVERAGE TRAY
3	118719-01-01A	EA	ASHTRAY - TOP MOUNT - BLACK PLASTIC
	126010-01-03A	EA	SPACER - BEVERAGE TRAY - GLACIER

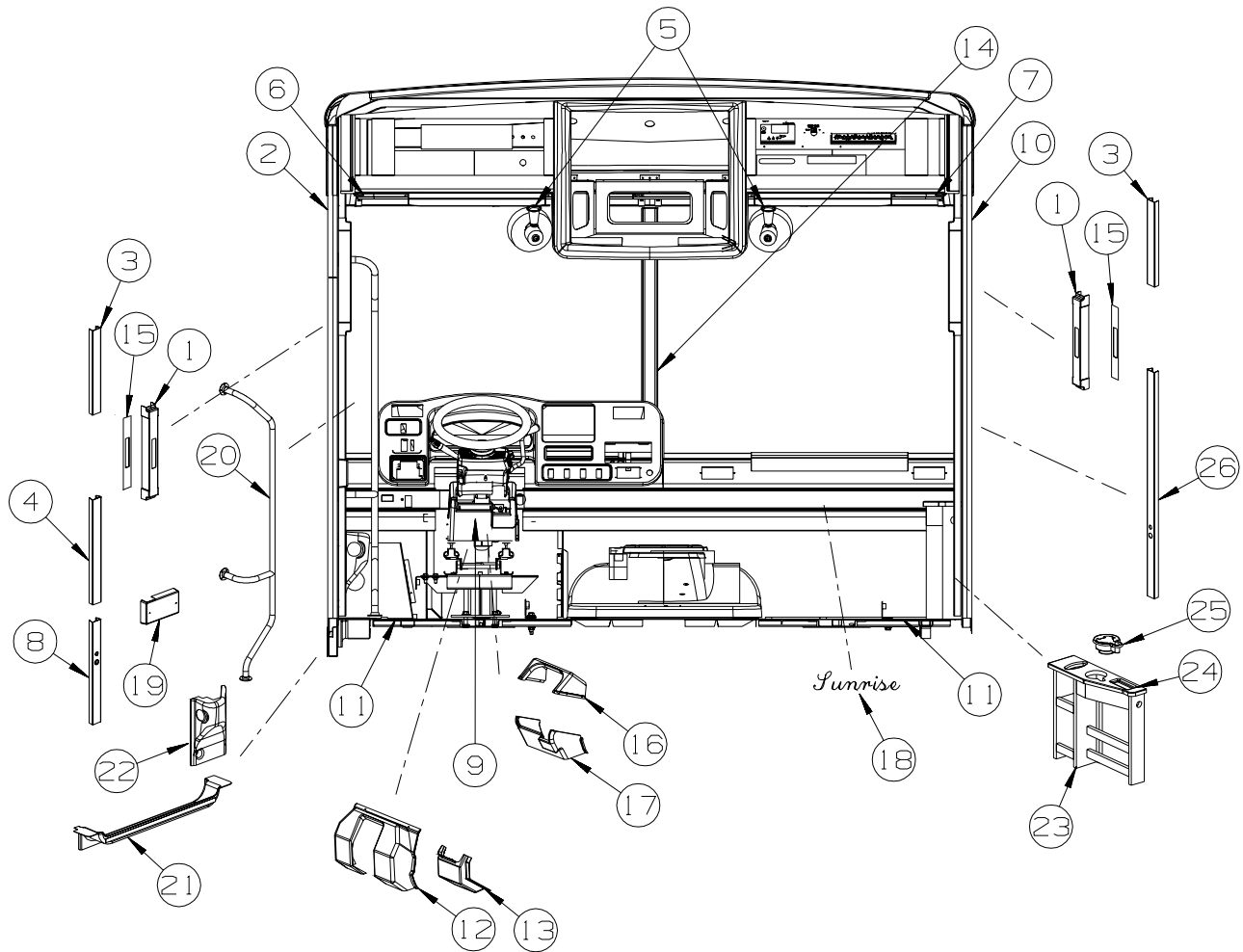


**20,700 & 22,000 GVWR  
WORKHORSE**

KEY	PART NUMBER	U/M	DESCRIPTION	
1	139275-01-N52	EA	TRAY - BEVERAGE	FROM: 00-00-00 THRU: 05-08-03
1	139275-01-R32	EA	TRAY - BEVERAGE	FROM: 05-09-03 THRU: 99-99-99
2	139268-01-01A	EA	TRAY - BEVERAGE - GLACIER	
3	139279-01-04B	EA	HINGE - BLACK	
4	139296-01-01A	EA	LID - BEVERAGE TRAY - OYSTER GRAY	FROM: 00-00-00 THRU: 05-08-03
4	139296-01-03A	EA	LID - BEVERAGE TRAY - SANDSTONE	FROM: 05-09-03 THRU: 99-99-99
5	139285-01-01A	EA	LID/DOOR - OYSTER GRAY	FROM: 00-00-00 THRU: 05-08-03
5	139285-01-03A	EA	LID/DOOR - SANDSTONE	FROM: 05-09-03 THRU: 99-99-99

## DRIVERS COMPARTMENT GROUP (CONTINUED)

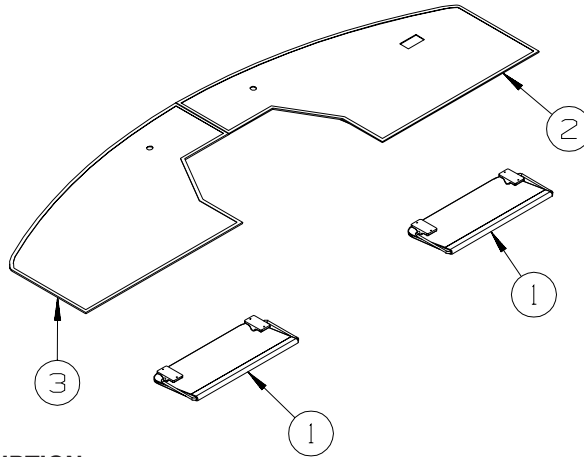
### FRONT INTERIOR



KEY	PART NUMBER	U/M	DESCRIPTION
1	140151-01-01A	EA	COVER - SEAT BELT - OFF WHITE
	140151-02-01A	EA	COVER - SCREW - OFF WHITE
2	125508-02-03A	EA	TRIM - A-PILLAR - DRIVER/INTERIOR - GLACIER
3	024700-58-000	EA	COVER - ROLL BAR - SIDEWALL - 16.5" - OFF WHITE
4	024700-66-000	EA	COVER - ROLL BAR - SIDEWALL - 20.6" - OFF WHITE
5	122856-01-01A	EA	FAN-DEFROSTER-2 SPEED W/SWIVEL BASE/NON-OSCILLATING-CHROME
6	118453-04-03A	EA	TRIM - WINDSHIELD - INNER/TOP/DRIVER - GLACIER
7	118453-03-03A	EA	TRIM - WINDSHIELD - INNER/TOP/PASSENGER - GLACIER
8	024700-67-000	EA	COVER - ROLL BAR - SIDEWALL - 20.1" - OFF WHITE
9	103498-09-000	EA	BOOT - STEERING COLUMN - W/1/2 CIRCLE - <b>18,000 GVWR WORKHORSE</b>
10	125508-01-03A	EA	TRIM - A-PILLAR - PASSENGER/INTERIOR - GLACIER
11	105924-01-P41	EA	MAT/FLOOR - 18" X 27" (R35)
11	105924-01-P38	EA	MAT/FLOOR - 18" X 27" (R36)
11	105924-01-N72	EA	MAT - FLOOR - 18" X 27" (R37)
12	131804-01-04A	EA	COVER - STEERING COLUMN/LOWER - GLACIER - <b>FORD &amp; 18,000 GVWR WORKHORSE</b>
13	125795-01-04A	EA	COVER - STEERING COLUMN/UPPER - GLACIER - <b>FORD &amp; 18,000 GVWR WORKHORSE</b>
14	118452-04-03A	EA	TRIM - WINDSHIELD - CENTER - GLACIER
15	140151-03-01A	EA	COVER - SEAT BELT SLIDE - BLACK
16	137878-02-04A	EA	COVER - STEERING COLUMN - FRONT - GLACIER - <b>20,700 &amp; 22,000 GVWR WORKHORSE</b>
17	137851-01-04A	EA	COVER - STEERING COLUMN - GLACIER - <b>20,700 &amp; 22,000 GVWR WORKHORSE</b>
18	126340-02-02A	EA	DECAL - LOGO - SUNRISE - 3D - CHAMPAGNE BEIGE
19	141072-01-01A	EA	COVER - BRACKET/LATCH - OFF WHITE
	140151-02-01A	EA	COVER - SCREW - OFF WHITE
20	131058-04-02A	EA	HAND RAIL - INTERIOR CAB DOOR - BLACK

**DRIVERS COMPARTMENT GROUP (CONTINUED)**  
**FRONT INTERIOR (CONTINUED)**

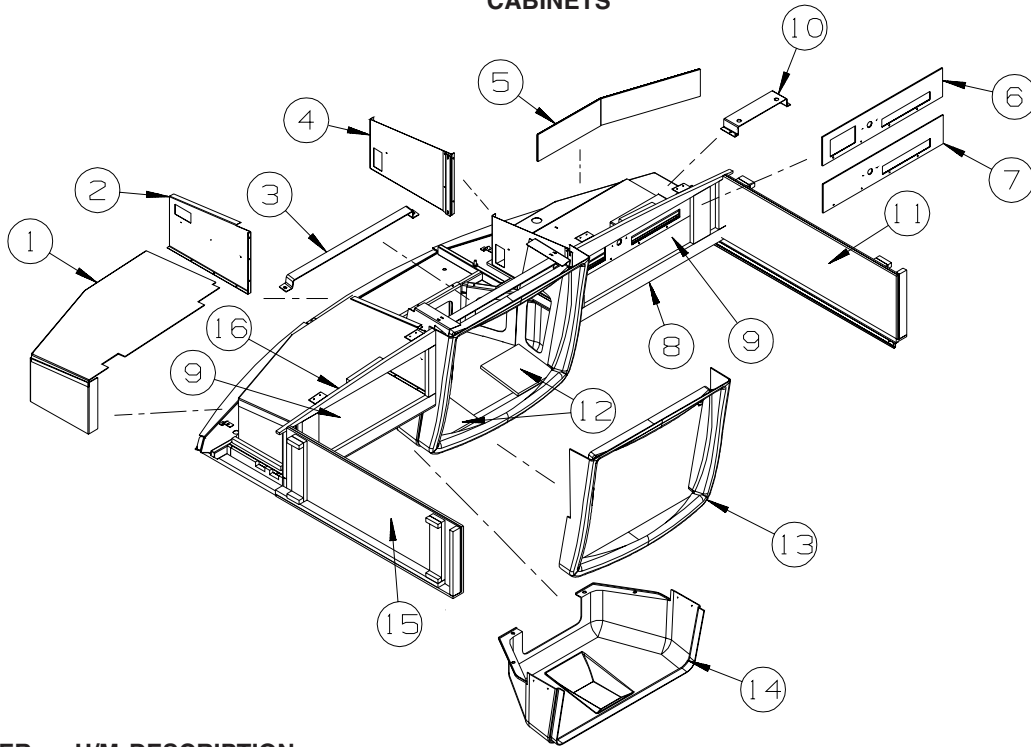
KEY	PART NUMBER	U/M	DESCRIPTION
21	131849-02-01A	EA	TRIM - DRIVER STEP - GLACIER
	102569-02-000	EA	MAT - ANTI SLIP - LOWER
22	132296-02-04A	EA	PANEL/TRIM - DASH/CAB DOOR - EXTERIOR MIRRORS W/DEFROST - GLACIER
	132296-01-04A	EA	PANEL/TRIM - DASH/CAB DOOR - LOW MOUNT MIRRORS - GLACIER
23	137644-01-N30	EA	CABINET/ARMREST - RIGHT HAND
24	137643-01-01A	EA	COUNTERTOP - WOOD/OYSTER GRAY
			FROM: 00-00-00 THRU: 05-08-03
24	137643-01-02A	EA	COUNTERTOP - WOOD/SANDSTONE
			FROM: 05-09-03 THRU: 99-99-99
25	133831-01-01A	EA	HOLDER - CUP W/THREE CENTERLINE RUBBER FINGERS
26	024700-59-000	EA	COVER - ROLL BAR - SIDEWALL - 44.1" - OFF WHITE



KEY	PART NUMBER	U/M	DESCRIPTION
1	123298-04-05A	EA	SUNVISOR - 10.5" X 21" - DRIVER/PASSENGER - GLACIER
2	144661-01-R32	EA	PANEL - OVERHEAD/FRONT/BOTTOM
3	126440-18-N30	EA	PANEL - OVERHEAD/FRONT/BOTTOM/DRIVER - VINYL COVERED

## DRIVERS COMPARTMENT GROUP (CONTINUED)

### CABINETS

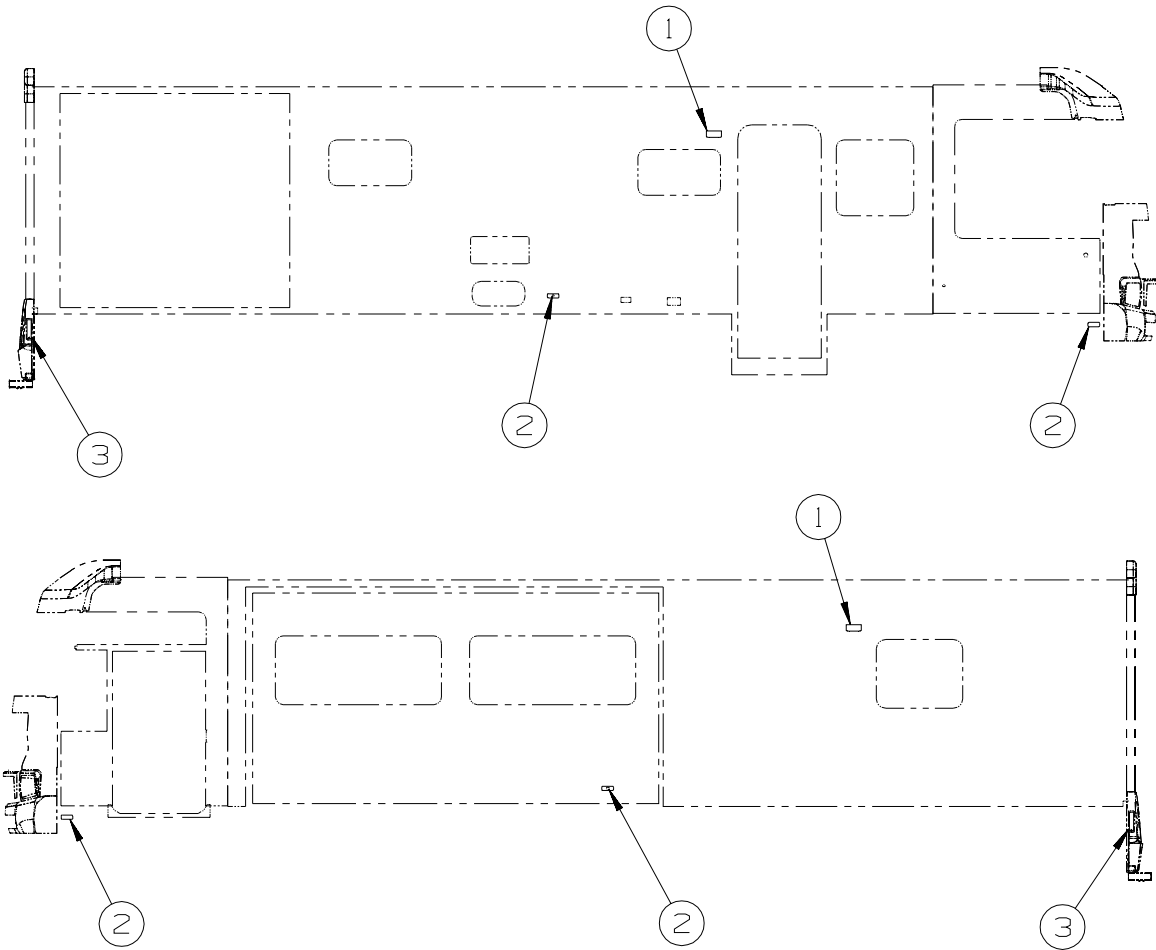


KEY	PART NUMBER	U/M	DESCRIPTION
1	126457-07-M42	EA	PANEL - CLOSEOUT - OVERHEAD/FRONT/DRIVER
2	132856-01-02B	EA	PANEL/SHELF - E-COATED
3	133790-08-02B	EA	STRAP - TIEDOWN - TV - E-COATED
4	126275-06-02B	EA	SHELF - OVERHEAD/FRONT/RIGHT HAND - E-COATED
5	132909-06-R32	EA	PANEL - FABRIC COVERED
6	144652-01-R38	EA	PANEL - VINYL COVERED - <b>DC/AC INVERTER</b>
7	144652-02-R38	EA	PANEL - VINYL COVERED
8	141208-04-R32	EA	CABINET - OVERHEAD/FRONT/RIGHT HAND - W/O DOORS/HARDWARE
9	134783-91-N37	EA	DOOR - RAIL/GLASS INSERT - 10.6" X 23.8" - W/O HARDWARE
10	NOT USED		
11	144537-01-R32	EA	PANEL - OVERHEAD/RIGHT HAND
12	140364-01-01A	EA	FOAM - PAD - .5" X 8" X 8"
13	130020-02-03A	EA	COVER - TV/OVERHEAD/FRONT - W/O HARDWARE - GLACIER
14	P30021-03-N42	EA	COVER - TV - OVERHEAD/LOWER
15	144537-02-R32	EA	PANEL - OVERHEAD/LEFT HAND
16	141208-03-R32	EA	CABINET - OVERHEAD/FRONT/LEFT HAND - W/O DOORS/HARDWARE
	137572-01-02B	EA	PANEL/SHELF - CD/DVD - E-COATED

FROM: 08-04-03 THRU: 99-99-99

# ELECTRICAL GROUP

## 12V BODY WIRING



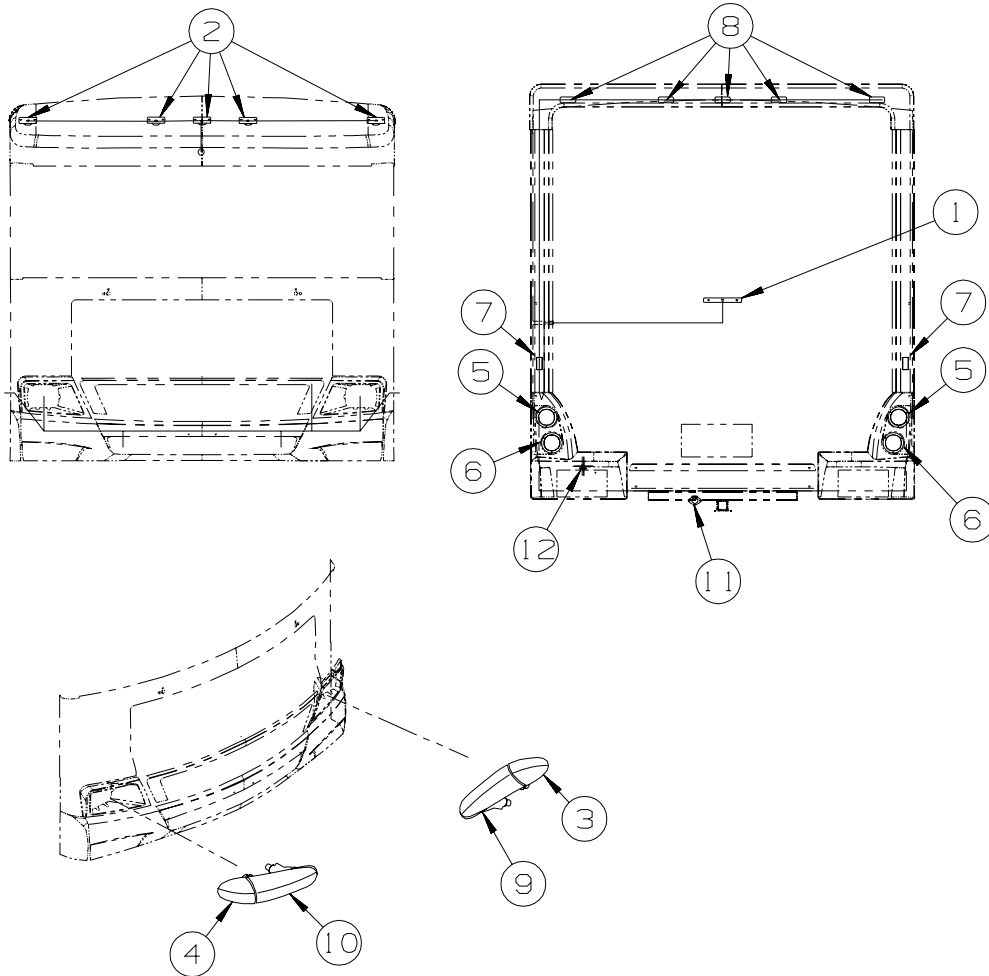
KEY	PART NUMBER	U/M	DESCRIPTION
1*	097917-01-06A	EA	LIGHT - PORCH - BRIGHT WHITE
	008215-01-000	EA	BULB - 12 VOLT - #1003 - .94 AMP
2	111102-02-000	EA	LENS - AMBER - MARKER LAMP
2	111102-01-000	EA	BASE - MARKER LAMP
2	036196-01-000	EA	BULB - 12V - #194 - .27 AMP - BAYONETTE
3	117826-01-000	EA	SIDE MARKER LAMP ASSEMBLY - RED
3	036196-01-000	EA	BULB - 12V - #194 - .27 AMP - BAYONETTE

**\*COMPONENT PARTS LISTED LATER IN THIS GROUP**



## ELECTRICAL GROUP (CONTINUED)

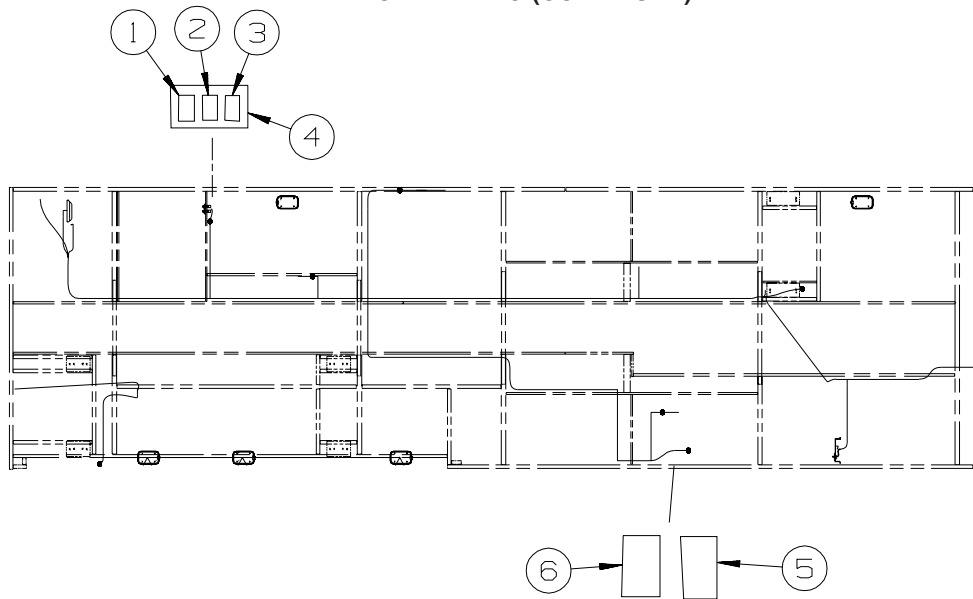
### 12V BODY WIRING (CONTINUED)



KEY	PART NUMBER	U/M	DESCRIPTION
1	136916-01-000	EA	LIGHT - CENTER BRAKE - L.E.D.
2	132978-01-000	EA	LIGHT - CLEARANCE - AMBER
2	036196-01-000	EA	BULB - 12V - #194 - .27 AMP - BAYONETTE
3	126201-02-000	EA	LAMP - DRIVER SIDE MARKER - AMBER
3	112708-02-000	EA	BULB - 12 VOLT - #3157NA
3	112709-04-000	EA	SOCKET - LAMP - S8 WEDGE
4	126201-01-000	EA	LAMP - PASSENGER SIDE MARKER - AMBER
4	112708-02-000	EA	BULB - 12 VOLT - #3157NA
4	112709-04-000	EA	SOCKET - LAMP - S8 WEDGE
5	138441-01-000	EA	LAMP - BRAKE/TAIL/TURN - 4 1/2" ROUND
6	138441-02-000	EA	LAMP - BACKUP - 4 1/2" ROUND
	126403-01-000	EA	CONNECTOR - 2 CIRCUIT
	126403-02-000	EA	CONNECTOR - 3 CIRCUIT
7	106646-02-000	EA	REFLECTOR - STICK ON - RED
8	111102-03-000	EA	LENS - RED - MARKER LAMP
8	111102-01-000	EA	BASE - MARKER LAMP
8	036196-01-000	EA	BULB - 12V - #194 - .27 AMP - BAYONETTE
9	126200-02-000	EA	HEADLAMP - DRIVER W/BULBS & ADJUSTERS
9	124163-01-000	EA	CLIP - HEADLAMP/MOUNTING BRACKET - FORD #E9DZ-13N129A
	088758-01-000	EA	HOUSING - HEADLAMP - CONNECTOR TERMINAL W/3 WIRES
10	126200-01-000	EA	HEADLAMP - PASSENGER W/BULB & ADJUSTERS
10	124163-01-000	EA	CLIP - HEADLAMP/MOUNTING BRACKET - FORD #E9DZ-13N129A
	088758-01-000	EA	HOUSING - HEADLAMP - CONNECTOR TERMINAL W/3 WIRES
11	113589-01-000	EA	CONNECTOR - PLUG - TRAILER
11	113589-02-000	EA	CONNECTOR - SOCKET - TRAILER
12	087201-01-000	EA	LIGHT - HALF ROUND - 1" X 1.7" - PLASTIC - BLACK OR WHITE
	067789-02-000	EA	SOCKET - LAMP

## ELECTRICAL GROUP (CONTINUED)

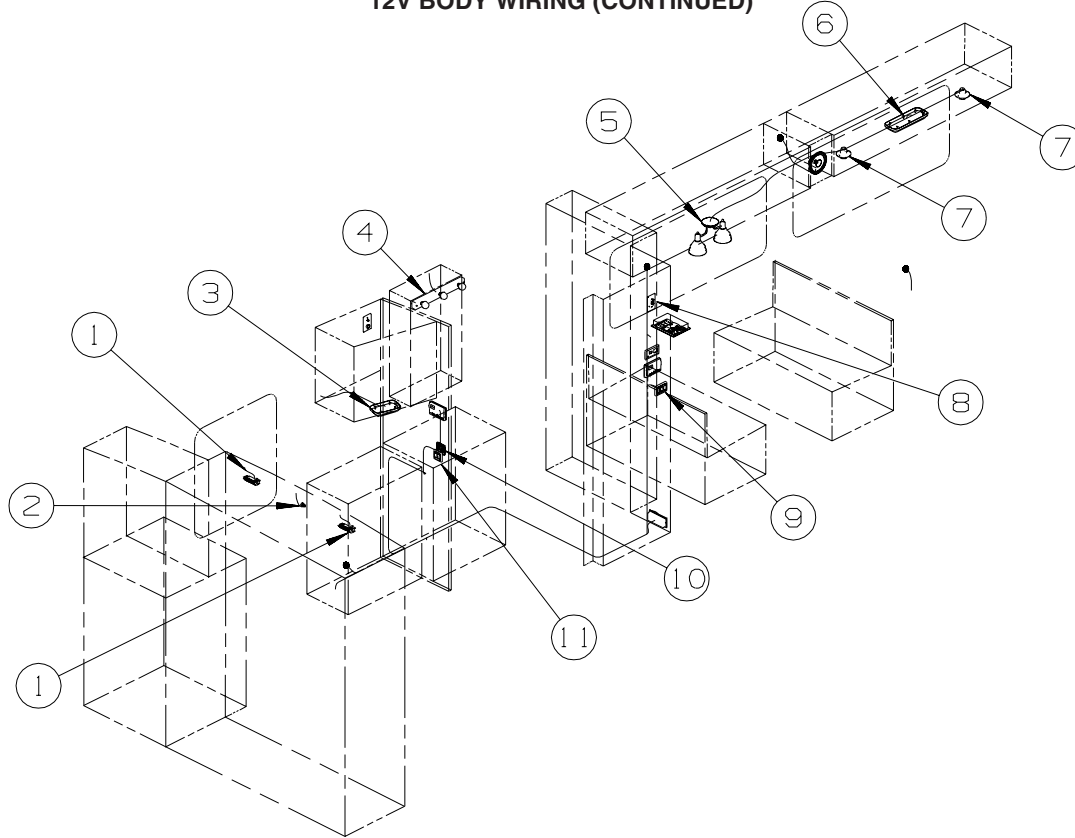
### 12V BODY WIRING (CONTINUED)



KEY	PART NUMBER	U/M	DESCRIPTION
1	108357-07-000	EA	SWITCH - ROCKER - SPDT - MOM/OFF/MOM - 3 TERM - W/O COVER - <b>ELECTRIC PATIO AWNING</b>
1	108356-12-01A	EA	COVER/ACTUATOR SWITCH - 3 GROOVES - <b>ELECTRIC PATIO AWNING</b>
1	108355-01-000	EA	HOUSING - SWITCH - <b>ELECTRIC PATIO AWNING</b>
2	108357-06-000	EA	SWITCH - ROCKER - DPDT - MOM/OFF/MOM - 6 TERM - W/O COVER
2	108356-11-01A	EA	COVER/ACTUATOR SWITCH - 3 GROOVES - AUX BATT - BLACK
2	108355-01-000	EA	HOUSING - SWITCH
3	108357-01-000	EA	SWITCH - ROCKER - SPST - ON/OFF - 2 TERMINAL - W/O COVER
3	108356-14-01A	EA	COVER/ACTUATOR SWITCH - 3 GROOVES
3	108355-01-000	EA	HOUSING - SWITCH
4	098351-22-01A	EA	PLATE/SWITCH - 2 GANG - POLISHED BRASS
4	098351-23-01A	EA	PLATE/SWITCH - 3 GANG - POLISHED BRASS - <b>ELECTRIC PATIO AWNING</b>
5	108357-15-000	EA	SWITCH - ROCKER - DPDT - ON/NONE/ON - W/LIGHT W/O COVER
5	108356-04-01A	EA	COVER/ACTUATOR SWITCH - 2 ROWS DIMPLES W/LENS-CONTURA-BLK
5	108355-01-000	EA	HOUSING - SWITCH
6	108357-01-000	EA	SWITCH - ROCKER - SPST - ON/OFF - 2 TERMINAL - W/O COVER
6	108356-02-01A	EA	COVER/ACTUATOR SWITCH - 2 ROWS DIMPLES- CONTURA II - BLACK
6	108355-01-000	EA	HOUSING - SWITCH

## ELECTRICAL GROUP (CONTINUED)

### 12V BODY WIRING (CONTINUED)

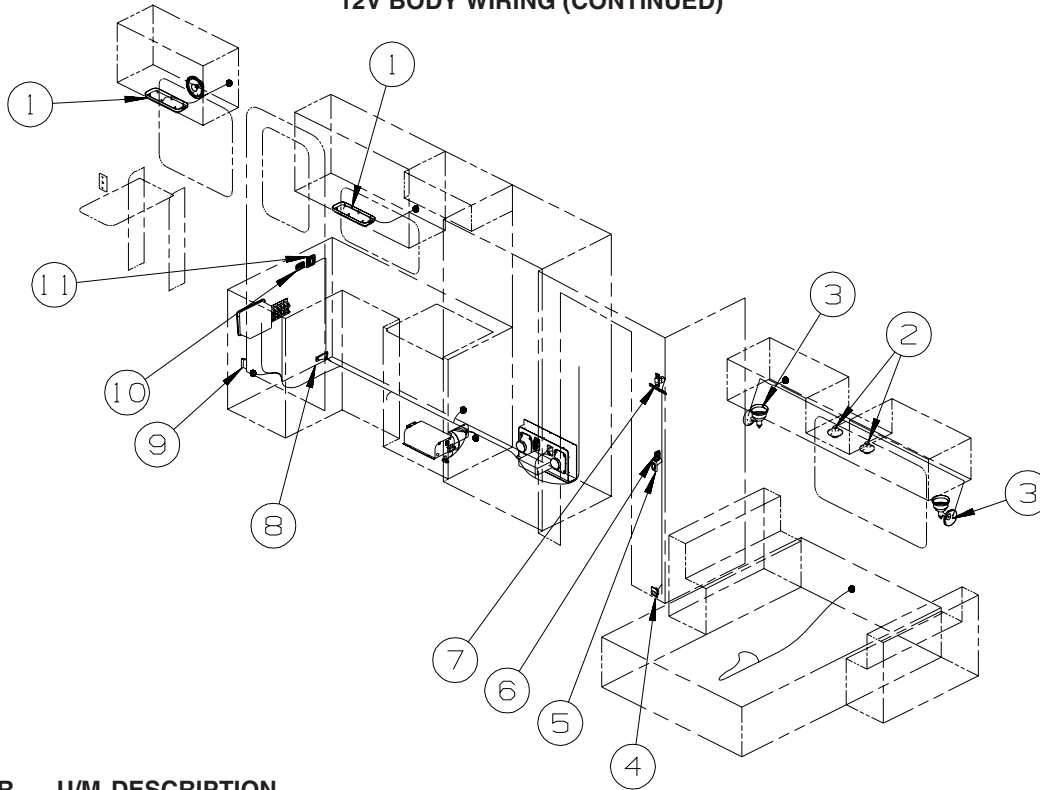


KEY	PART NUMBER	U/M	DESCRIPTION
1*	087694-01-000	EA	LIGHT - WARDROBE/CLOSET - W/SWITCH
2	056264-01-000	EA	SWITCH - LEAF ACTUATOR
3*	137417-01-01A	EA	LIGHT - DOME - SINGLE - W/SWITCH/FROSTED LENS - WHITE
4	138116-01-01A	EA	LIGHT/MAKE UP - 3 BULB - CURVED - W/O BULB - BRASS
	123918-01-000	EA	BULB - 12V - MAKEUP - WHITE
5	093575-20-01A	EA	LIGHT - CEILING/DOUBLE - UL/CSA
5	117805-01-000	EA	BULB - 12V - #921F - 1.4 AMPS
6*	137417-05-01A	EA	LIGHT - DOME - DOUBLE - W/SWITCH/OPTIC LENS - WHITE
7	132427-01-01A	EA	LIGHT - READING - SWIVEL/ROUND - BRASS
8	101894-03-01A	EA	SWITCH - TOGGLE - 15 AMP/120 VOLT - BROWN
			FROM: 00-00-00 THRU: 07-06-03
8	101911-01-01A	EA	WALL PLATE - SWITCH (1 GANG)
			FROM: 00-00-00 THRU: 07-06-03
8	135740-06-01A	EA	SWITCH - ROCKER - ON/OFF - LIGHTED - RED
			FROM: 07-07-03 THRU: 99-99-99
8	135741-01-01A	EA	SWITCH - BASE - SINGLE - BROWN
			FROM: 07-07-03 THRU: 99-99-99
8	135742-35-02A	EA	BEZEL - SWITCH - WATER HEATER/110 VOLT - BROWN
			FROM: 07-07-03 THRU: 99-99-99
9	135740-01-02A	EA	SWITCH - ROCKER - SPST - ON/OFF - WHITE - GALLEY, DINETTE
9	135740-02-02A	EA	SWITCH - ROCKER - SPDT - ON/ON - WHITE - CEILING
9	135741-03-02A	EA	SWITCH - BASE - TRIPLE - WHITE
9	135742-27-01A	EA	BEZEL - SWITCH - CEILING/DINETTE/GALLEY - WHITE
10	135740-01-02A	EA	SWITCH - ROCKER - SPST - ON/OFF - WHITE
10	135741-02-02A	EA	SWITCH - BASE - DOUBLE - WHITE
10	135742-20-01A	EA	BEZEL - SWITCH - SHOWER/MAKEUP - WHITE
11	135740-01-02A	EA	SWITCH - ROCKER - SPST - ON/OFF - WHITE - CEILING
11	135740-02-02A	EA	SWITCH - ROCKER - SPDT - ON/ON - WHITE - HALL
11	135741-02-02A	EA	SWITCH - BASE - DOUBLE - WHITE
11	135742-16-01A	EA	BEZEL - SWITCH - CEILING/HALL - WHITE

\*COMPONENT PARTS LISTED LATER IN THIS GROUP

## ELECTRICAL GROUP (CONTINUED)

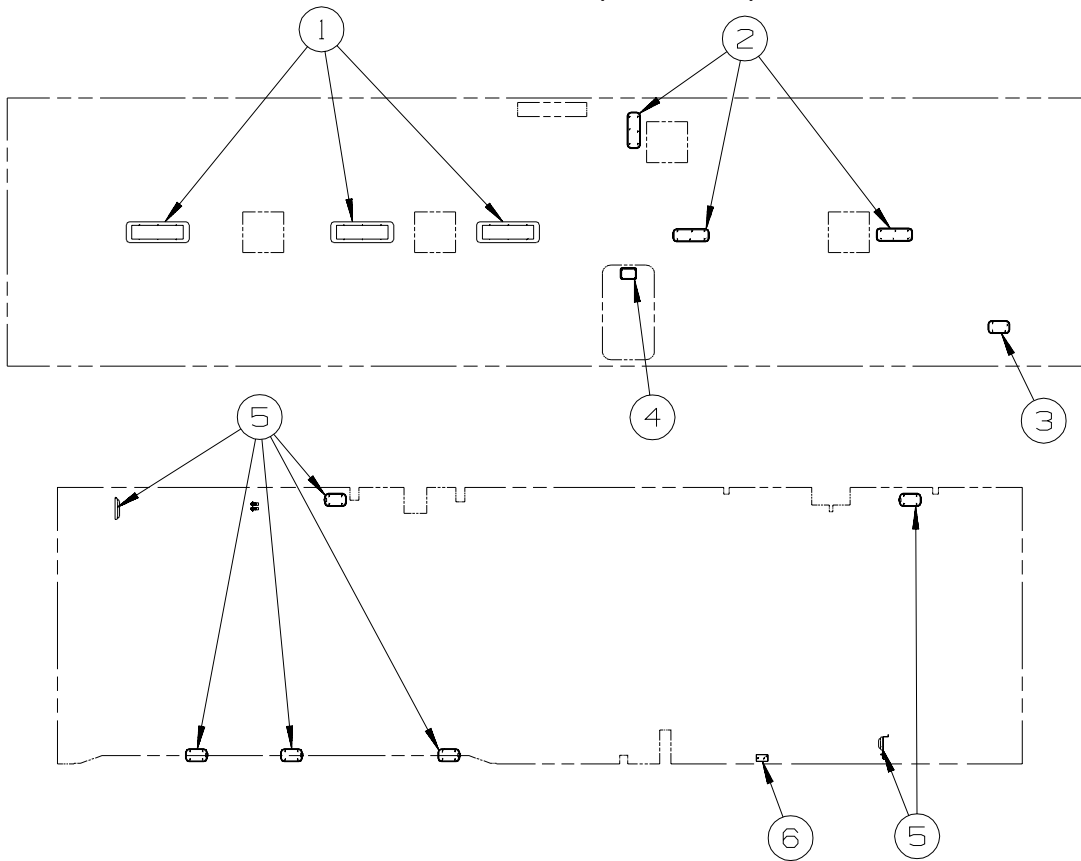
### 12V BODY WIRING (CONTINUED)



KEY	PART NUMBER	U/M	DESCRIPTION
1*	137417-05-01A	EA	LIGHT - DOME - DOUBLE - W/SWITCH/OPTIC LENS - WHITE
2	132427-01-01A	EA	LIGHT - READING - SWIVEL/ROUND - BRASS
	123917-01-000	EA	BULB - 12V - HALOGEN SPOT
3	119258-30-01A	EA	LAMP - WALL - BRASS W/GLASS SHADE - UL/CSA
	117805-02-000	EA	BULB - 12V - #921 - 1.4 AMPS
4*	108354-01-01A	EA	LIGHT - COURTESY
5	135740-01-02A	EA	SWITCH - ROCKER - SPST - ON/OFF - WHITE
5	135741-01-02A	EA	SWITCH - BASE - SINGLE - WHITE
5	135742-06-01A	EA	BEZEL - SWITCH - AISLE - WHITE
6	135740-01-02A	EA	SWITCH - ROCKER - SPST - ON/OFF - WHITE
6	135741-01-02A	EA	SWITCH - BASE - SINGLE - WHITE
6	135742-07-01A	EA	BEZEL - SWITCH - CEILING - WHITE
7	108357-06-000	EA	SWITCH - ROCKER - DPDT - MOM/OFF/MOM - 6 TERM - W/O COVER
7	108356-02-01A	EA	COVER/ACTUATOR SWITCH - 2 ROWS DIMPLES- CONTURA II - BLACK
7	108355-01-000	EA	HOUSING - SWITCH
8	061424-01-000	EA	LIGHT - AISLE - 12 VOLT - RECTANGULAR
9	116995-02-000	EA	SWITCH/MAGNET - ELECTRIC STEP - BLACK/WHITE-CLOSED CIRCUIT
10	135740-01-02A	EA	SWITCH - ROCKER - SPST - ON/OFF - WHITE
10	135741-01-02A	EA	SWITCH - BASE - SINGLE - WHITE
10	135742-11-02A	EA	BEZEL - SWITCH - STEP - BROWN
11	135740-01-02A	EA	SWITCH - ROCKER - SPST - ON/OFF - WHITE
11	135741-01-02A	EA	SWITCH - BASE - SINGLE - WHITE
11	135742-19-02A	EA	BEZEL - SWITCH - CEILING/PORCH - BROWN

**\*COMPONENT PARTS LISTED LATER IN THIS GROUP**

**ELECTRICAL GROUP (CONTINUED)**  
**12V BODY WIRING (CONTINUED)**

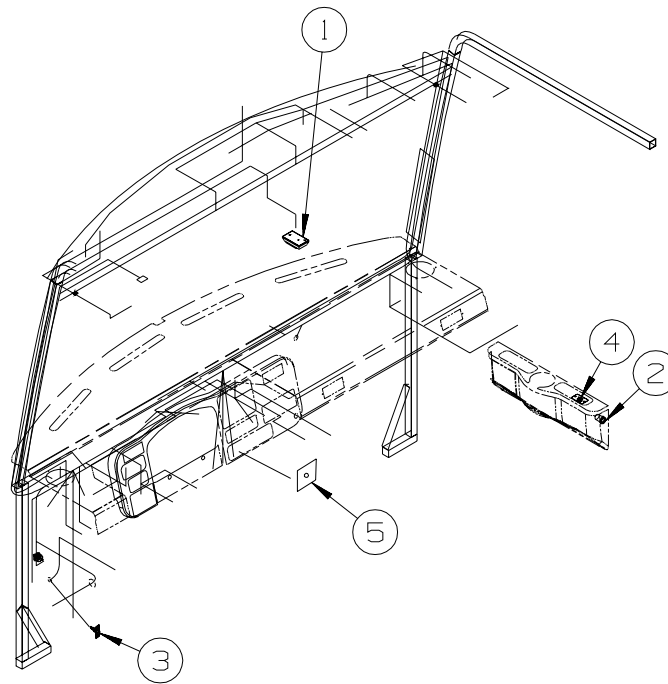


KEY	PART NUMBER	U/M	DESCRIPTION
1*	091937-08-000	EA	LIGHT - FLUORESCENT-12V/30WATT - RECESSED - W/O SWITCH
2*	137417-06-01A	EA	LIGHT - DOME - DOUBLE - W/FROSTED LENS - W/O SWITCH-WHITE
3*	137417-03-01A	EA	LIGHT - DOME - SINGLE - W/FROSTED LENS - W/O SWITCH-WHITE
4*	121935-01-01A	EA	LIGHT - DOME - SHOWER
5*	137417-01-01A	EA	LIGHT - DOME - SINGLE - W/SWITCH/FROSTED LENS - WHITE
6*	086280-01-000	EA	LIGHT - SURFACE MOUNT - 12 VOLT

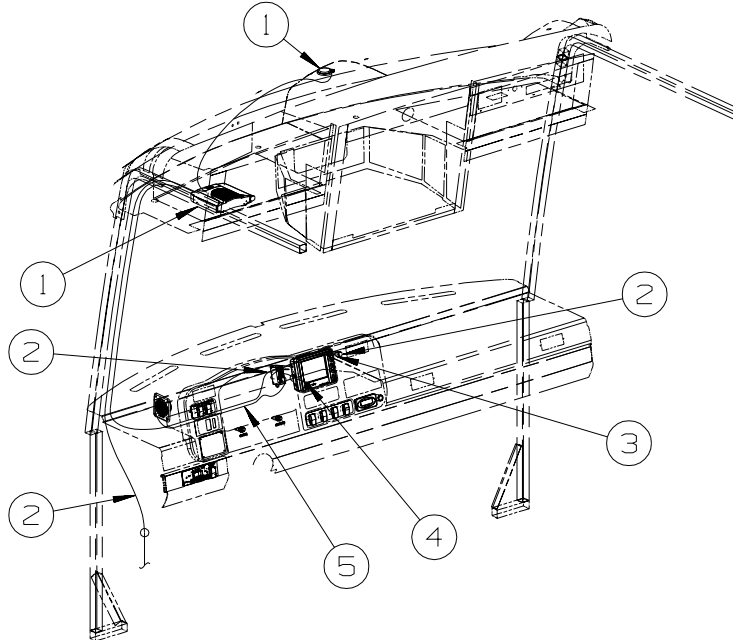
**\*COMPONENT PARTS LISTED LATER IN THIS GROUP**

## ELECTRICAL GROUP (CONTINUED)

### FRONT END WIRING



KEY	PART NUMBER	U/M	DESCRIPTION
1	135376-01-01A	EA	LIGHT - DOME - CAB - BLACK
2	132958-01-000	EA	RECEPTACLE - 12 VOLT - MOUNTING FLANGE - BLACK
3	041250-01-000	EA	SWITCH - PUSH BUTTON/DOOR JAMB - METAL - CHROME
4	132180-01-01A	EA	SWITCH - PADDLE - SPST - ON/OFF - BLACK
4	098351-01-01A	EA	PLATE/SWITCH - 1 GANG - POLISHED BRASS - W/O LABEL
5	133535-01-000	EA	MODULE - TIMER 20 SECOND - WARNING LIGHT - TS61120P

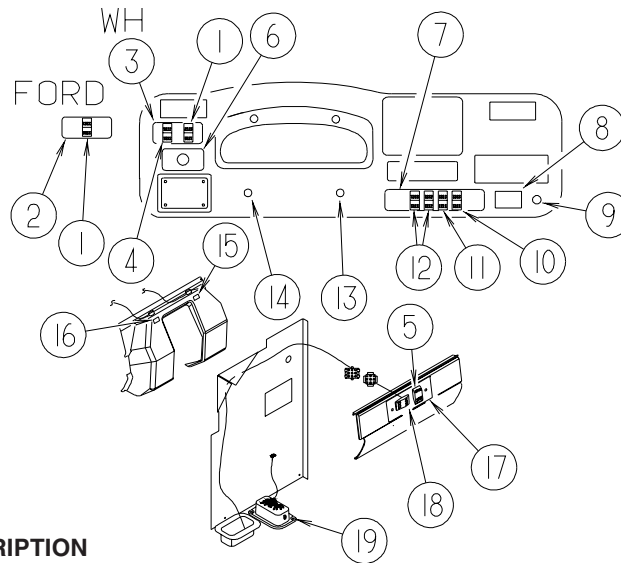


KEY	PART NUMBER	U/M	DESCRIPTION
1*	148158-01-000	EA	COMPUTER - GPS NAVIGATION SYSTEM - (MAGELLAN MAGNK-01W)
2	148158-02-000	EA	CABLES - F/GPS NAVIGATION SYSTEM - (MAGELLAN MAGNK-02W)
3	144734-03-000	EA	SPACER
4	148112-01-000	EA	CABLE - MONITOR - SONY AUX
5	148592-01-000	EA	CABLE - RCA MALE-1/4 FEMALE SPADES - RIVER PARK SCB-RCA120

\*COMPONENT PARTS LISTED LATER IN THIS GROUP

## ELECTRICAL GROUP (CONTINUED)

### FRONT END WIRING (CONTINUED)



KEY	PART NUMBER	U/M	DESCRIPTION
1	NOT USED		
2	132954-07-01A	EA	APPLIQUE - SWITCH - BLANK - BLACK - FORD
3	132954-07-01A	EA	APPLIQUE - SWITCH - BLANK - BLACK - WORKHORSE 18,000 GVWR
3	132954-05-01A	EA	APPLIQUE - SWITCH - OVER/DRIVE - BLACK - WORKHORSE 20,700 & 22,000 GVWR
4	108357-08-000	EA	SWITCH - ROCKER - DPDT - 0N/NONE/ON - 6 TERMINAL
4	108356-02-01A	EA	COVER/ACTUATOR SWITCH - 2 ROWS DIMPLES- CONTURA II - BLACK
4	108355-01-000	EA	HOUSING - SWITCH
5	108357-09-000	EA	SWITCH - ROCKER - SPDT - ON/NONE/MOM - 3 TERMINAL
5	108356-02-01A	EA	COVER/ACTUATOR SWITCH - 2 ROWS DIMPLES- CONTURA II - BLACK
5	108355-01-000	EA	HOUSING - SWITCH
6	134088-01-01A	EA	APPLIQUE - SWITCH - HEADLAMP - BLACK - WORKHORSE
7	132954-01-01A	EA	APPLIQUE - SWITCH - HEATER/RADIO/GENERATOR
7	132047-02-02B	EA	INSERT - DASH/SWITCH-AUX FANS/RR HTR/RADIO PWR/GEN SW
8	NOT USED		
9	089294-01-000	EA	LIGHTER - CIGARETTE - W/SOCKET & WIRE
10	108357-10-000	EA	SWITCH - ROCKER - SPDT - W/LIGHT - MOM/NONE/MOM-5 TERMINAL
10	108356-04-01A	EA	COVER/ACTUATOR SWITCH - 2 ROWS DIMPLES W/LENS-CONTURA-BLK
10	108355-01-000	EA	HOUSING - SWITCH
10	096241-03-000	EA	SWITCH - BLANK - BLACK
11	108357-08-000	EA	SWITCH - ROCKER - DPDT - 0N/NONE/ON - 6 TERMINAL
11	108356-02-01A	EA	COVER/ACTUATOR SWITCH - 2 ROWS DIMPLES- CONTURA II - BLACK
11	108355-01-000	EA	HOUSING - SWITCH
12	108357-03-000	EA	SWITCH - ROCKER - SPDT - ON/OFF/ON - 3 TERMINAL
12	108356-02-01A	EA	COVER/ACTUATOR SWITCH - 2 ROWS DIMPLES- CONTURA II - BLACK
12	108355-01-000	EA	HOUSING - SWITCH
12	096241-03-000	EA	SWITCH - BLANK - BLACK
13	133534-02-000	EA	LIGHT - AMBER INDICATOR WITH 1/4" TERMINALS
14	133534-01-000	EA	LIGHT - RED INDICATOR WITH 1/4" TERMINALS
15	133534-02-000	EA	LIGHT - AMBER INDICATOR WITH 1/4" TERMINALS
16	133534-01-000	EA	LIGHT - RED INDICATOR WITH 1/4" TERMINALS
17	132891-04-02B	EA	PLATE/SWITCH - E-COATED
17	132946-03-01A	EA	APPLIQUE - SWITCH - SLIDEOUT - BLACK
18	108357-06-000	EA	SWITCH - ROCKER - DPDT - MOM/OFF/MOM - 6 TERMINAL
18	108356-02-01A	EA	COVER/ACTUATOR SWITCH - 2 ROWS DIMPLES- CONTURA II - BLACK
18	108355-01-000	EA	HOUSING - SWITCH
18	096241-03-000	EA	SWITCH - BLANK - BLACK
19	118571-03-000	EA	BRACKET - MOUNTING
19	118571-04-000	EA	GASKET
	077031-01-000	EA	FILM - BLACK - 1" X 1.75"
	077031-03-000	EA	FILM - WHITE - .75" X 1"

**ELECTRICAL GROUP (CONTINUED)**  
**COMPONENT PARTS FOR LIGHTS & SWITCHES**

			<b>086280-01-000</b>	
<b>KEY</b>	<b>PART NUMBER</b>	<b>U/M</b>	<b>DESCRIPTION</b>	<b>VENDOR NO.</b>
	086280-01-700	EA	BULB,12V	ARP1089
			<b>087694-01-000</b>	
<b>KEY</b>	<b>PART NUMBER</b>	<b>U/M</b>	<b>DESCRIPTION</b>	<b>VENDOR NO.</b>
	087694-01-700	EA	BULB	GE561
			<b>091937-08-000</b>	
<b>KEY</b>	<b>PART NUMBER</b>	<b>U/M</b>	<b>DESCRIPTION</b>	<b>VENDOR NO.</b>
	091937-08-700	EA	LENS - LIGHT - FLUORESCENT	D-766
			<b>097917-01-06A</b>	
<b>KEY</b>	<b>PART NUMBER</b>	<b>U/M</b>	<b>DESCRIPTION</b>	<b>VENDOR NO.</b>
	097917-01-700	EA	LENS-LIGHT, CLEAR	30-78-021
			<b>108354-01-01A</b>	
<b>KEY</b>	<b>PART NUMBER</b>	<b>U/M</b>	<b>DESCRIPTION</b>	<b>VENDOR NO.</b>
	108354-01-700	EA	BULB-COURTESY LIGHT	395-B
			<b>121935-01-01A</b>	
<b>KEY</b>	<b>PART NUMBER</b>	<b>U/M</b>	<b>DESCRIPTION</b>	<b>VENDOR NO.</b>
	121935-01-700	EA	LENS ONLY	809511
			<b>137417-01-01A, 137417-03-01A</b>	
<b>KEY</b>	<b>PART NUMBER</b>	<b>U/M</b>	<b>DESCRIPTION</b>	<b>VENDOR NO.</b>
	137417-01-700	EA	LENS - SINGLE (FROSTED)	810868
			<b>137417-05-01A</b>	
<b>KEY</b>	<b>PART NUMBER</b>	<b>U/M</b>	<b>DESCRIPTION</b>	<b>VENDOR NO.</b>
	137417-05-700	EA	LENS - DOUBLE OPTIC	810845
			<b>137417-06-01A</b>	
<b>KEY</b>	<b>PART NUMBER</b>	<b>U/M</b>	<b>DESCRIPTION</b>	<b>VENDOR NO.</b>
	137417-06-700	EA	LENS - DOUBLE WHITE	810867
			<b>148158-01-000</b>	
<b>KEY</b>	<b>PART NUMBER</b>	<b>U/M</b>	<b>DESCRIPTION</b>	<b>VENDOR NO.</b>
	148158-01-700	EA	ANTENNA - F/GPS W/20' CABLE	DIS-CMP-ANTNGPS



## ELECTRICAL GROUP (CONTINUED)

### CIRCUIT BREAKERS & FUSES

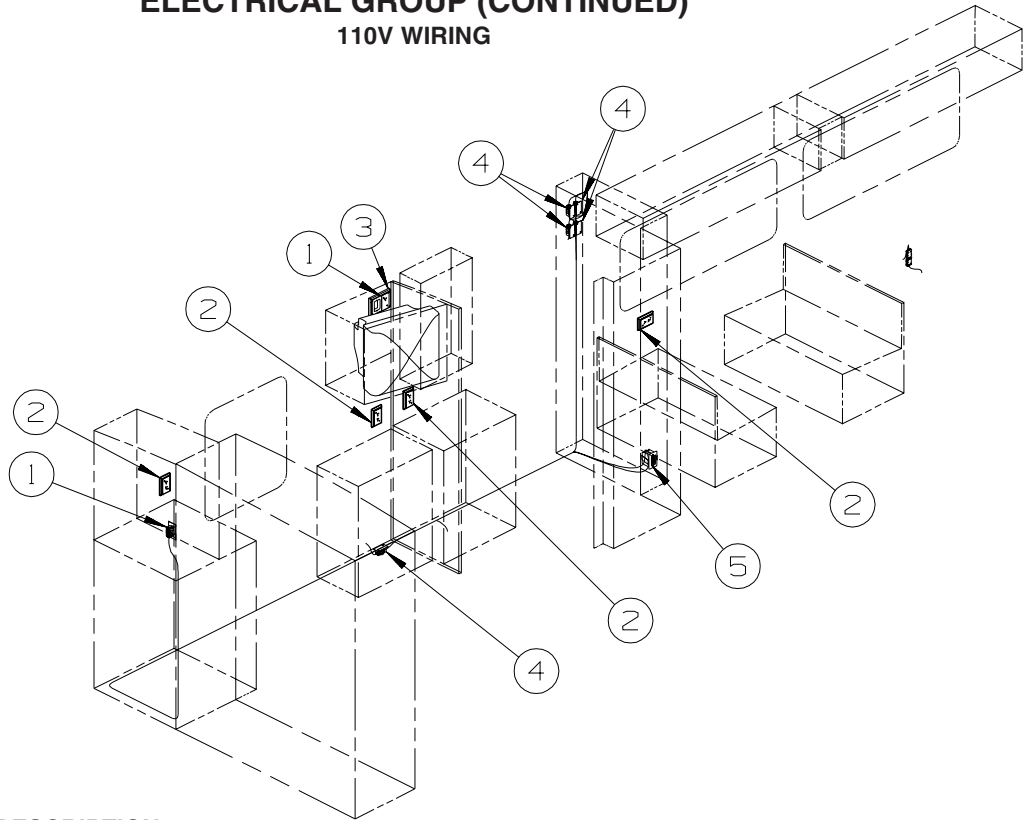
KEY	PART NUMBER	U/M	DESCRIPTION
	008233-01-000	EA	FUSE - 12 VOLT - 6 AMP
	008235-01-000	EA	FUSE - 15 AMP/12VOLT - AUTOMOTIVE
	033573-01-000	EA	CIRCUIT BREAKER W/MOUNT-20A, 12V - FASCO 1711-2026
	062901-02-000	EA	FUSE - 5 AMP - AUTOMOTIVE
	062901-04-000	EA	FUSE - 10 AMP - AUTOMOTIVE
	062901-05-000	EA	FUSE - 15 AMP - AUTOMOTIVE
	062901-06-000	EA	FUSE - 20 AMP - AUTOMOTIVE
	062901-07-000	EA	FUSE - 25 AMP - AUTOMOTIVE
	062901-08-000	EA	FUSE - 30 AMP - AUTOMOTIVE
	083209-01-000	EA	CIRCUIT BREAKER - 15 AMP - 120 VOLT - CANADIAN
	083209-02-000	EA	CIRCUIT BREAKER - 15/15 AMP - 120 VOLT
	083209-03-000	EA	CIRCUIT BREAKER - 15/20 AMP - 120 VOLT
	083209-04-000	EA	CIRCUIT BREAKER - 30 AMP - 120 VOLT
	083209-05-000	EA	CIRCUIT BREAKER - 20 AMP - 120 VOLT
	083209-06-000	EA	CIRCUIT BREAKER - 30/15 AMP - 120 VOLT
	083209-07-000	EA	CIRCUIT BREAKER - 20/20 AMP - 120 VOLT
	083209-10-000	EA	CIRCUIT BREAKER - 20/30 AMP - 120 VOLT
	083209-11-000	EA	CIRCUIT BREAKER - 20/15 AMP - 120 VOLT
	092786-03-000	EA	BUSS BAR - 6.9" LONG
	092786-06-000	EA	BUSS BAR
	093654-01-000	EA	CIRCUIT BREAKER - 6 AMP - 12 VOLT - PUSH BUTTON - WHITE
	093654-02-000	EA	CIRCUIT BREAKER - 15 AMP - 12 VOLT - PUSH BUTTON - WHITE
	093654-03-000	EA	CIRCUIT BREAKER - 20 AMP - 12 VOLT - PUSH BUTTON - WHITE
	093654-11-000	EA	COVER - RESET BUTTON
	093655-01-000	EA	CIRCUIT BREAKER - 25 AMP - 12 VOLT - PUSH BUTTON - WHITE
	093655-02-000	EA	CIRCUIT BREAKER - 30 AMP - 12 VOLT - PUSH BUTTON - WHITE
	093655-03-000	EA	CIRCUIT BREAKER - 40 AMP - 12 VOLT - PUSH BUTTON - WHITE
	097611-01-000	EA	CIRCUIT BREAKER - 10 AMP
	097611-02-000	EA	CIRCUIT BREAKER - 30 AMP
	097611-03-000	EA	CIRCUIT BREAKER - 20 AMP
	097611-04-000	EA	CIRCUIT BREAKER - 25 AMP
	100341-01-000	EA	FUSE HOLDER - IN LINE TYPE
	106656-01-000	EA	FUSE BLOCK - 4 CAVITY - AUTOFUSE
	108567-01-000	EA	CIRCUIT BREAKER - 40 AMP - 12 VOLT - TYPE II
	111683-01-000	EA	FUSE - HOLDER - GLASS - 1/4" X 1 1/4"
	113482-01-000	EA	CIRCUIT BREAKER - 55 AMP - MANUAL
	115187-01-000	EA	FUSE - 300 AMP - NON-DELAY
	115187-02-000	EA	FUSE HOLDER - BUSS ANN/ANL BLOCK
	118531-05-02B	EA	PLATE - CIRCUIT BREAKER - E-COAT - <b>CHIEFTAIN/SUNFLYER L-SERIES</b>
	122811-01-000	EA	CIRCUIT BREAKER - 20/50/50/20 AMP - 250V
	134127-01-000	EA	CIRCUIT BREAKER - 10 AMP - MINI
	139067-01-02B	EA	PLATE - CIRCUIT BRKR-HOUSE - E-CTD - <b>10 PLACE</b>
	139067-02-02B	EA	PLATE - CIRCUIT BRKR-HOUSE - E-CTD - <b>12 PLACE</b>
	139067-03-02B	EA	PLATE-CIRCUIT BKR/HOUSE-E-CTD - <b>14 PLACE</b>
	139067-04-02B	EA	PLATE - CIRCUIT BRKR-HOUSE - E-CTD - <b>TOP 10 PLACE</b>
	139067-05-02B	EA	PLATE - CIRCUIT BREAKER/HOUSE - E-COATED - <b>16 PLACE</b>
	139067-06-02B	EA	PLATE - CIRCUIT BREAKER/HOUSE - E-COATED - <b>18 PLACE</b>
	139067-07-02B	EA	PLATE - CIRCUIT BREAKER/HOUSE - E-COATED - <b>21 PLACE</b>
	141789-01-000	EA	SPACER - CIRCUIT BREAKER

### CONVERTER, INVERTER, LOAD CENTERS

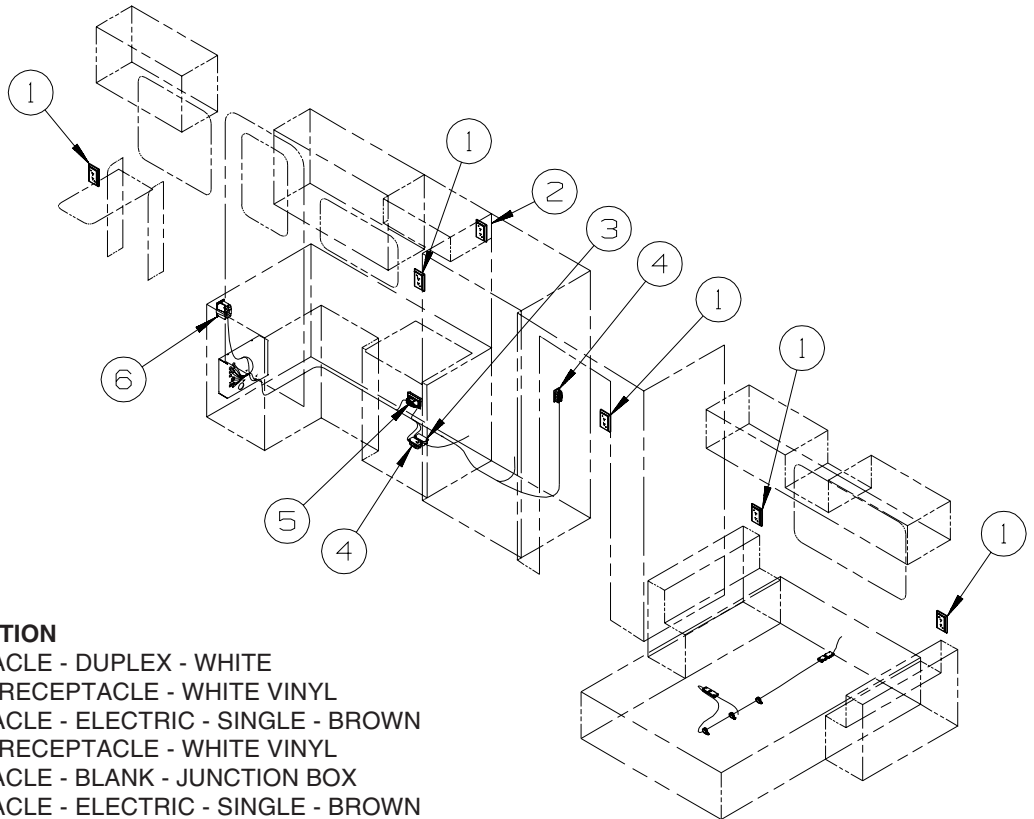
KEY	PART NUMBER	U/M	DESCRIPTION
	099048-04-000	EA	INVERTER - 300 WATT
	109677-01-000	EA	LOAD CENTER - 120 VOLT - 40 AMP
	123058-02-000	EA	CONVERTER - 45 AMP - ELECTRONIC - 4 1/8"H X 7"W X 12 3/8"L
	127002-05-000	EA	PANEL/MONITOR - ENERGY MANAGEMENT SYSTEMS CTRL - W/PLUG
	127002-07-000	EA	SENSOR - CURRENT
	127002-08-000	EA	MODULE - EMS CENTER - W/REMOTE SENSOR
	141258-01-000	EA	LOAD CENTER - 120/240 - 50 AMP
	141258-02-000	EA	LOAD CENTER - COVER

## ELECTRICAL GROUP (CONTINUED)

### 110V WIRING



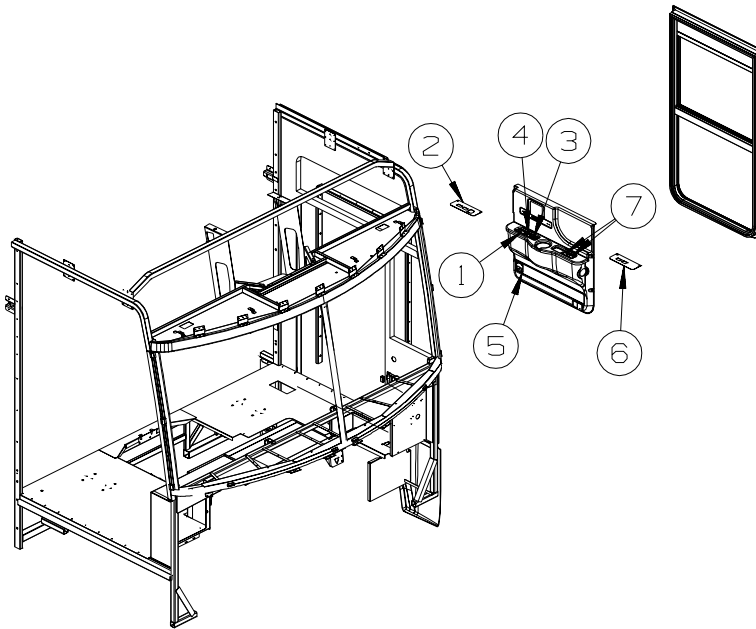
KEY	PART NUMBER	U/M	DESCRIPTION
1	058708-05-000	EA	RECEPTACLE - ELECTRIC - SINGLE - BROWN
2	058708-06-000	EA	RECEPTACLE - DUPLEX - WHITE
2	133713-01-20A	EA	SPACER/RECEPTACLE - WHITE VINYL
3	133713-10-20A	EA	SPACER - RECEPTACLE 110 VOLT/TV - VINYL WHITE
4	058707-02-000	EA	RECEPTACLE - BLANK - JUNCTION BOX
5	147446-01-02A	EA	RECEPTACLE - GFCI - 15A 125V - BROWN
5	147450-01-02A	EA	PLATE - ELECTRICAL OUTLET - BROWN



KEY	PART NUMBER	U/M	DESCRIPTION
1	058708-06-000	EA	RECEPTACLE - DUPLEX - WHITE
1	133713-01-20A	EA	SPACER/RECEPTACLE - WHITE VINYL
2	058708-05-000	EA	RECEPTACLE - ELECTRIC - SINGLE - BROWN
2	133713-01-20A	EA	SPACER/RECEPTACLE - WHITE VINYL
3	058707-02-000	EA	RECEPTACLE - BLANK - JUNCTION BOX
4	058707-01-000	EA	RECEPTACLE - ELECTRIC - SINGLE - BROWN
5	131826-01-01A	EA	RECEPTACLE - EXTERIOR - W/COVER/GASKET - WHITE
6	147446-01-02A	EA	RECEPTACLE - GFCI - 15A 125V - BROWN
6	147450-01-02A	EA	PLATE - ELECTRICAL OUTLET - BROWN

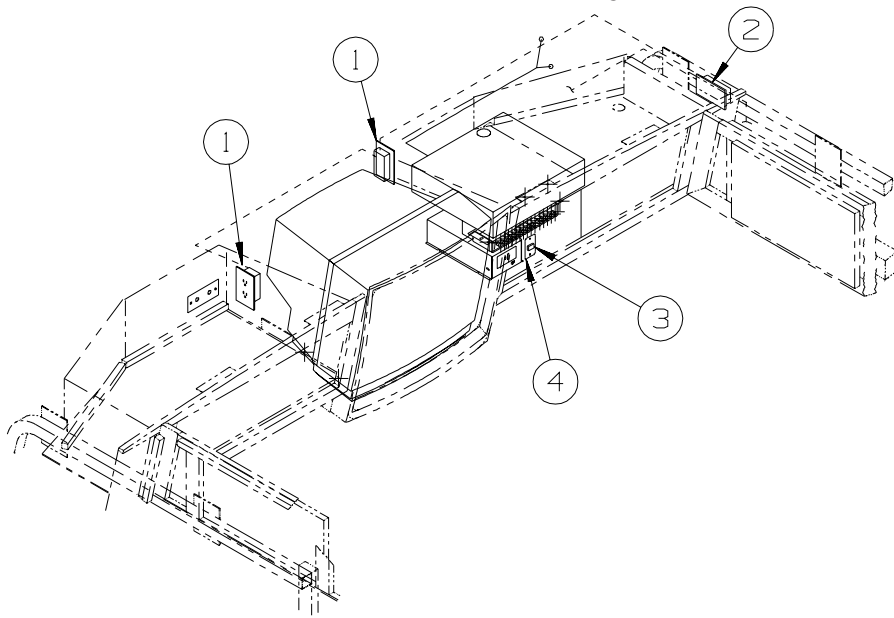
## ELECTRICAL GROUP (CONTINUED)

### DRIVERS DOOR WIRING

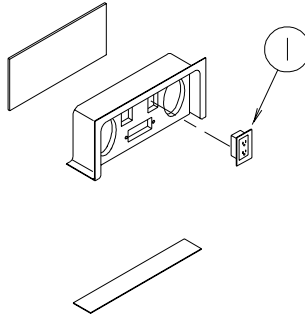


KEY	PART NUMBER	U/M	DESCRIPTION
1	108357-06-000	EA	SWITCH - ROCKER - DPDT - MOM/OFF/MOM - 6 TERM - W/O COVER
1	108356-01-01A	EA	COVER/ACTUATOR SWITCH - 3 GROOVES - - BLACK FROM: 00-00-00 THRU: 02-25-04
1	108356-02-01A	EA	COVER/ACTUATOR SWITCH - 2 ROWS DIMPLES - BLACK FROM: 02-26-04 THRU: 99-99-99
1	108355-01-000	EA	HOUSING - SWITCH
2	145243-03-02B	EA	PLATE - SWITCH - E-COATED
3	088246-01-000	EA	SWITCH/REMOTE MIRROR - W/2PIN & 6 PIN CONNECTORS/PIGTAIL
4	108357-14-000	EA	SWITCH - ROCKER - SPST - W/LIGHT - ON/OFF - 4 TERMINAL
4	108356-03-01A	EA	COVER/ACTUATOR SWITCH - 3 GROOVES W/LENS - BLACK FROM: 00-00-00 THRU: 02-25-04
4	108356-04-01A	EA	COVER/ACTUATOR SWITCH - 2 ROWS DIMPLES W/LENS - BLACK FROM: 02-26-04 THRU: 99-99-99
4	108355-01-000	EA	HOUSING - SWITCH
5	108354-01-01A	EA	LIGHT - COURTESY
6	NOT USED		
7	NOT USED		

## ELECTRICAL GROUP (CONTINUED) ENTERTAINMENT WIRING



KEY	PART NUMBER	U/M	DESCRIPTION
1	058708-01-000	EA	RECEPTACLE - ELECTRIC - DOUBLE - BROWN
2	058707-02-000	EA	RECEPTACLE - BLANK - JUNCTION BOX
3	079364-04-000	EA	SWITCH - ON/OFF ROCKER - 2 TERMINAL - BLACK
4	098351-16-01A	EA	PLATE/SWITCH - 1 GANG - POLISHED BRASS
			FROM: 00-00-00 THRU: 03-17-03
4	098351-09-01A	EA	PLATE/SWITCH - 1 GANG - POLISHED BRASS - SPEAKER SELECT/TV
			FROM: 03-18-03 THRU: 99-99-99



KEY	PART NUMBER	U/M	DESCRIPTION
1	058708-01-000	EA	RECEPTACLE - ELECTRIC - DOUBLE - BROWN

## ELECTRICAL GROUP (CONTINUED)

### BOXES & CORDS

KEY	PART NUMBER	U/M	DESCRIPTION
	008054-01-000	EA	CORD - POWER - 10/3 WIRE - 30 AMP - 25'
	008289-01-000	EA	BOX - ELECTRIC/STEEL - 4" X 4" - 1/2" & 3/4" KNOCKOUTS - F30W
	008294-01-000	EA	COVER - ELECTRIC BOX - BLANK/STEEL - 4" X 4" - GRAY - F30W
	092492-11-000	EA	SEAL - ELECTRIC BOX - 7" X 18.4"
	106071-01-000	EA	SWITCH - AUTOMATIC TRANSFER - 30 AMP - MAGNETEK - F30W
	106071-06-000	EA	SWITCH - AUTOMATIC TRANSFER
	108934-02-000	EA	CORD - POWER - 50 AMP - 4-WIRE - 36'
	109925-04-000	EA	DOOR - ELECTRICAL BOX - GM/FORD
	115832-01-000	FT	CORD - HEAVY DUTY - 14-2W GROUND
	131679-01-000	EA	BOX-ELEC-WATERPROOF SEALED 4" X 4" W/4 3/4"OUTLETS-UL/CSA - F32V, F34D, F36M
	131680-01-000	EA	COVER - W/GASKET FOR WATERPROOF 4" X 4" BOX - UL/CSA - F32V, F34D, F36M
	133070-01-000	EA	BOX - ELECTRIC/PLASTIC - 3" X 2" X 2.8" - UL
	133070-02-000	EA	BOX - ELECTRIC/PLASTIC - 3" X 2" X 2.8" - CSA
	131679-01-000	EA	BOX/ELECTRIC-WATERPROOF-4" X 4" - W/4 3/4"OUTLETS-UL/CSA - F32V, F34D, F36M
	131680-01-000	EA	COVER - F/ELECTRIC BOX W/GASKET 4" X 4" - UL/CSA

### WIRE ASSEMBLIES

KEY	PART NUMBER	U/M	DESCRIPTION
	090986-02-000	EA	WIRE ASSEMBLY - ELECTRIC STEP - F36M
	093040-06-000	EA	WIRE ASSEMBLY-MONITOR-F/NON-PRE-WIRED AFTER MARKET INSTALL
	096449-01-000	EA	WIRE ASSEMBLY - WATER TANK TO MONITOR PANEL
	096450-05-000	EA	WIRE F/SENSORS - BLACK WATER - 23.6"
	096451-06-000	EA	WIRE F/SENSORS - GREY WATER - 23.6" - F32V, F34D, F36M
	096451-07-000	EA	WIRE F/SENSORS - GREY WATER - 3.9" - F30W
	124125-02-000	EA	WIRE - ELECTRICAL BOX
	125853-04-000	EA	WIRE LOOM - ENTERTAINMENT CENTER - W/COMPACT DISK
	131279-02-000	EA	WIRE LOOM - POWER SEAT - DRIVER
	131386-02-000	EA	WIRE ASSEMBLY - F/SLIDEOUT CONTROL - RIGHT REAR FROM: 00-00-00 THRU: 03-28-03
	132668-01-000	EA	WIRE ASSEMBLY - AUXILIARY FANS
	132669-01-000	EA	WIRE ASSEMBLY - INSTRUMENT PANEL - AUXILARY FANS
	135420-02-000	EA	WIRE LOOM - RADIO
	137135-03-000	EA	WIRE LOOM - DIGITAL ELEVATION SENSOR
	137135-04-000	EA	WIRE HARNESS - POWER - DIGITAL ELEVATION SENSOR
	137626-01-000	EA	WIRE - OVERDRIVE SWITCH
	142258-02-000	EA	WIRE LOOM - VIDEO SWITCH/POWER SUPPLY
	147139-02-000	EA	WIRE - STEREO KIT - ASA 100ZXIHAR
	147313-01-000	EA	WIRE ASM-TEMP SENSOR FROM: 06-10-03 THRU: 99-99-99
	148115-01-000	EA	WIRE - POWER CABLE - SATELLITE RADIO

## ELECTRICAL GROUP (CONTINUED)

### CONNECTORS & CONDUIT

KEY	PART NUMBER	U/M	DESCRIPTION
	007940-01-000	EA	RECEPTACLE/SLIDE 16 TO 12 AWG - FEMALE END
	007940-02-000	EA	RECEPTACLE-SLIDE 10 AWG - AMP 180351-2
	007954-01-000	EA	RECEPTACLE - HOUSING - 6 POSITION
	007956-05-000	EA	INSULATOR - SHRINK - 1/4" ID X 1 1/2"
	008058-01-700	EA	ADAP-ELEC.30AMP M X 50 AMP F 30M50F
	008058-01-000	EA	ADAPTER - POWER CORD - 30 AMP TO 15 AMP
	008311-01-000	EA	CONNECTOR - WIRE NUT - INSULATED - RED
	008312-01-000	EA	CONNECTOR - WIRE NUT - INSULATED - BLUE
	008313-01-000	EA	CONNECTOR - WIRE NUT - INSULATED - YELLOW
	008314-01-000	EA	CONNECTOR - WIRE NUT - INSULATED - GRAY
	008326-01-000	EA	TERMINAL - RING - 16/14 WIRE - 3/8" STUD
	008328-01-000	EA	TERMINAL - RING - 12/10 WIRE - #10 STUD FIT
	008331-01-000	EA	TERMINAL - RING - TONGUE - #4 WIRE - 3/8" STUD - COPPER
	008348-01-000	EA	TERMINAL - RING - 3/8" STUD 2 GA. WIRE
	008355-01-000	EA	CONNECTOR - CABLE CLAMPING - 3/4"
	008356-01-000	EA	CONNECTOR - PLASTIC - 3/8"
	008356-02-000	EA	CONNECTOR - PLASTIC - 21/32"
	008394-01-000	FT	CONDUIT - FLEXIBLE - 1/2"
	008398-01-000	EA	CONNECTOR - 1/2" X 90 DEGREE - FLEX CONDUIT - UL & CSA
	035416-04-000	EA	TERMINAL - RING - #10 STUD FIT - INSULATED BARREL #16/14
	041953-01-000	FT	CONDUIT - CONVOLUTE SLIT - .5" ID - POLYETHYLENE
	041953-02-000	FT	CONDUIT - CONVOLUTE SLIT - .6" ID - POLYETHYLENE
	041953-03-000	FT	CONDUIT - CONVOLUTE SLIT - 1" ID (CLOTHES ROD COVER)
	041953-06-000	FT	CONDUIT - CONVOLUTE SLIT - .4" ID - POLYETHYLENE
	041953-07-000	FT	CONDUIT - CONVOLUTE SLIT - .25" ID - POLYETHYLENE
	041953-08-000	FT	CONDUIT - CONVOLUTE SLIT - 1.5" ID - POLYETHYLENE
	041953-09-000	FT	CONDUIT - CONVOLUTE SLIT - .5" ID - NYLON
	041953-10-000	FT	CONDUIT - CONVOLUTE SLIT - .75" ID - NYLON
	041953-11-000	FT	CONDUIT - CONVOLUTE SLIT - 1.06" ID - NYLON
	041953-12-000	FT	CONDUIT - CONVOLUTE SOLID - 1.1" ID - NYLON
	041953-13-000	FT	CONDUIT - CONVOLUTE SLIT - 1.25" ID
	041953-14-000	FT	CONDUIT - CONVOLUTE SLIT - 1.5" ID
	041953-15-000	FT	CONDUIT - CONVOLUTE SLIT - 2"
	041953-16-000	FT	CONDUIT - CONVOLUTE SLIT - 2"
	047443-01-000	EA	TERMINAL - .250 RECEPTACLE FIT - INSULATED - 16/14 AWG
	047443-02-000	EA	TERMINAL - .250 RECEPTACLE FIT - INSULATED - 12/10 AWG
	058028-01-000	EA	CONNECTOR - ELECTRICAL PIGTAIL - NYLON - CLEAR
	062036-01-000	EA	TERMINAL - PACK - CON - 12/10 AWG
	074017-02-000	EA	HOUSING - 5 POSITION - RIGHT ANGLED
	077479-01-000	EA	BOOT - BATTERY TERMINAL - DOUBLE CABLE
	077479-02-000	EA	BOOT - BATTERY TERMINAL - SINGLE CABLE
	080015-02-000	EA	RECEPTACLE - FLAG - .185 - 16/14 GAUGE
	080015-03-000	EA	RECEPTACLE - FLAG - .250 - 14/16 GAUGE
	082109-01-000	EA	HOUSING - CONNECTOR - PACKARD
	082741-01-000	EA	CONNECTOR BODY - 2 CONNECTOR MALE
	087225-01-000	FT	SLEEVING - 1/2" - TYPE H
	087949-01-000	EA	BUSS BAR - 2 POSITION - .6" X 1.5"
	087949-03-000	EA	BUSS BAR - 4 POSITION
	087949-05-000	EA	BUSS BAR - 7 POSITION
	088473-01-000	EA	HOUSING - PIN - 12 CAVITY (3 ROWS OF 4)
	088473-02-000	EA	HOUSING - PIN - 15 CAVITY (3 ROWS OF 5)
	088473-03-000	EA	HOUSING - PIN - 9 CAVITY (3 ROWS OF 3)
	088473-04-000	EA	HOUSING - PIN - 8 CAVITY IN-LINE
	088473-06-000	EA	HOUSING - PIN - 6 CAVITY (2 ROWS OF 3)
	088473-07-000	EA	HOUSING - PIN - 5 CAVITY - IN LINE
	088473-08-000	EA	HOUSING - PIN - 4 CAVITY - IN-LINE
	088473-09-000	EA	HOUSING - PIN - 3 CAVITY - IN-LINE
	088473-10-000	EA	HOUSING - PIN - 2 CAVITY - IN LINE
	088474-01-000	EA	HOUSING - SOCKET - 12 CAVITY
	088474-02-000	EA	HOUSING - SOCKET - 15 CAVITY
	088474-03-000	EA	HOUSING - SOCKET - 9 CAVITY
	088474-06-000	EA	HOUSING - SOCKET - 6 CAVITY
	088474-07-000	EA	HOUSING - SOCKET - 5 CAVITY

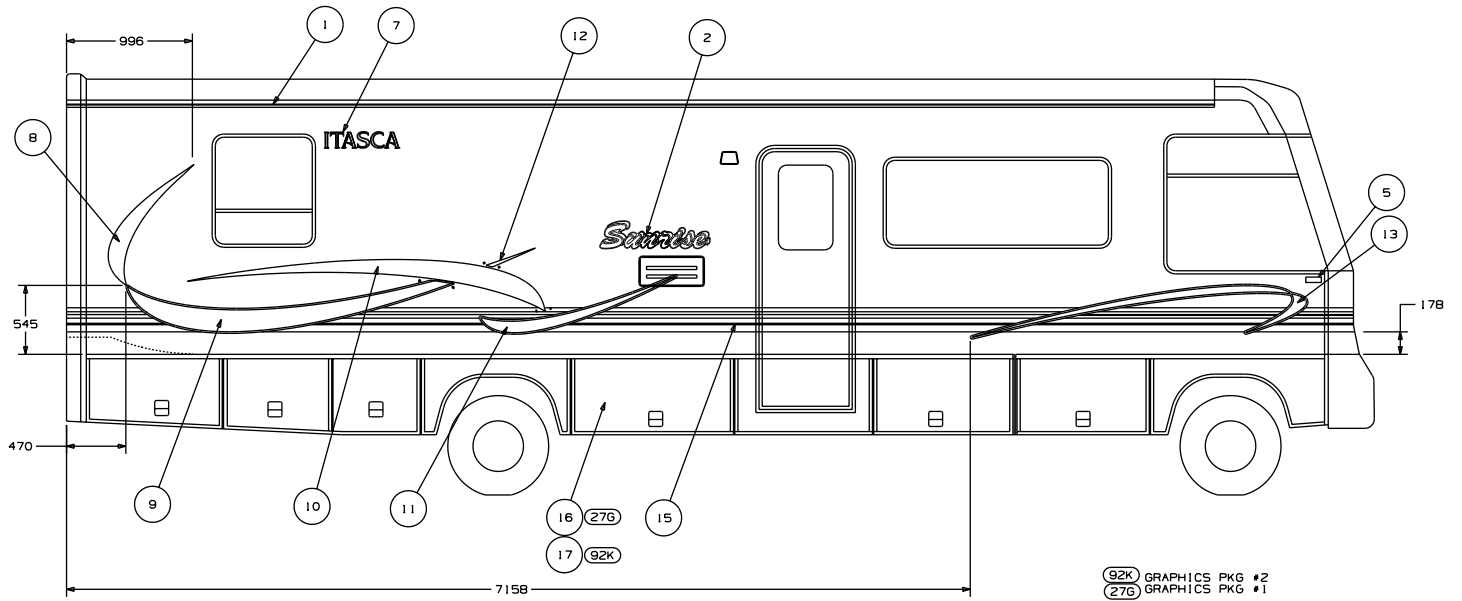
**ELECTRICAL GROUP (CONTINUED)**  
**CONNECTORS & CONDUIT (CONTINUED)**

<b>KEY</b>	<b>PART NUMBER</b>	<b>U/M</b>	<b>DESCRIPTION</b>
	088474-08-000	EA	HOUSING - SOCKET - 4 CAVITY
	088474-09-000	EA	HOUSING - SOCKET - 3 CAVITY
	088474-10-000	EA	HOUSING - SOCKET - 2 CAVITY
	088475-01-000	EA	PIN - CONNECTOR - 14-20 AWG
	088475-02-000	EA	PIN - CONNECTOR - 10-12 AWG
	088476-01-000	EA	TERMINAL - ELECTRICAL
	088476-02-000	EA	SOCKET - CONNECTOR - 12-10 GA - PRE-TIN
	098261-01-000	EA	SOCKET - CONNECTOR - WEATHERPACK - 12 AWG
	098261-02-000	EA	SOCKET - CONNECTOR - WEATHERPACK - 14-18 AWG
	098262-01-000	EA	SEAL - CONNECTOR - WEATHERPACK
	098264-01-000	EA	HOUSING - 2 PIN - WEATHER PACK - MALE W/FEMALE PINS
	098264-02-000	EA	HOUSING - 2 PIN - WEATHER PACK - FEMALE W/MALE PINS
	098265-02-000	EA	PIN - CONNECTOR - WEATHER PACK
	101751-02-000	EA	HOUSING - 1 PIN - WEATHERPACK
	102777-02-000	EA	TERMINAL - RING - #6 STUD - 10 AWG
	103608-01-000	EA	SOCKET - WEDGE BASE W/LEADS
	104100-01-000	EA	HOUSING - 1 POSITION - 75 AMPS
	104100-03-000	EA	TERMINAL - 75 AMP
	110178-01-000	EA	HOUSING - WIPER MOTOR
	112823-01-000	EA	SPLICE - REDUCER - 16-14 TO 18-22
	113135-01-000	EA	TERMINAL - FEMALE - M/P - 14-16 - F/SEALED TERMINAL
	113308-01-000	EA	TERMINAL - FEMALE - M/P - 14-16 - 280
	113468-01-000	EA	HOUSING - 2 POSITION-FEMALE-USED ON WIPER/WASHER WIRE ASM
	113638-02-000	EA	CONNECTOR - ACTUATOR
	115931-01-000	EA	COVER - CONNECTOR - 30 AMP W/LOCK RING
	115931-02-000	EA	COVER - CONNECTOR - 50 AMP W/LOCKING RING
	115932-01-000	EA	CONNECTOR - FEMALE - 30 AMP/120 VOLT
	115932-02-000	EA	CONNECTOR - FEMALE - 50 AMP/240 VOLT
	116811-01-000	EA	TERMINAL - .110 RECEPTACLE - 16-14 AWG
	118571-01-000	EA	CONNECTOR - 3-WAY - MALE/SEALED
	118571-02-000	EA	CONNECTOR - 3-WAY - FEMALE/SEALED
	118571-05-000	EA	LOCK - SECONDARY - FEMALE
	118571-06-000	EA	LOCK - SECONDARY - MALE
	118599-02-000	EA	TERMINAL - MALE - M/P - 280/14-12
	118820-01-000	EA	INSULATOR - TERMINAL
	129233-01-000	EA	HOUSING - 2-POSITION/FEMALE - 280-SERIES
	129233-02-000	EA	HOUSING - 2-POSITION/FEMALE - 280-SERIES
	131681-01-000	EA	CONNECTOR - 3/4" SO CORD - UL/CS
	137207-01-000	EA	HOUSING - PIN - 2 CAVITY/HIGH AMP
	137208-01-000	EA	HOUSING - SOCKET - 2 CAVITY/HIGH AMP
	137209-01-000	EA	PIN - CONNECTOR - 10AWG/HIGH AMP
	137210-01-000	EA	SOCKET - CONNECTOR - 10 AWG/HIGH AMP
	138419-03-000	EA	SOCKET - LAMP - 3 WIRE
	142520-01-000	EA	TERMINAL - FEMALE - MINI-FIT 16
	142522-01-000	EA	HOUSING - 4 PIN/MALE - MINI FIT
	142522-02-000	EA	HOUSING - 6 PIN/MALE - MINI FIT
	142522-03-000	EA	HOUSING - 8 PIN/MALE - MINI FIT
	142524-01-000	EA	HOUSING - 4 PIN/FEMALE - WEATHER PACK
	142524-02-000	EA	HOUSING - 4 PIN/WEATHER PACK/FEMALE
	144283-01-000	EA	CONNECTOR - WIRE, SOW, BLUE, MOLEX 19403-0011
	144283-02-000	EA	CONNECTOR - WIRE, NM, CLEAR, MOLEX 19045-1000

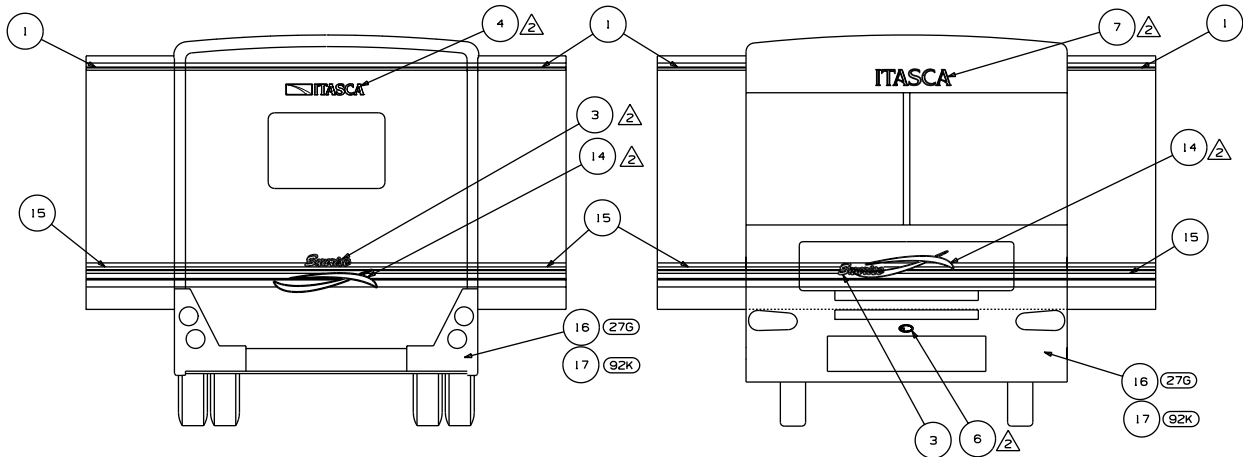
**BOOTS, SOLENOIDS, RELAYS & MISCELLANEOUS**

<b>KEY</b>	<b>PART NUMBER</b>	<b>U/M</b>	<b>DESCRIPTION</b>
	008188-01-000	EA	SOLENOID - 3 POST - BATTERY CHANGE OVER
	063910-01-000	EA	HOUSING - RELAY
	063912-02-000	EA	RELAY - CANISTER - SPDT
	065450-05-000	EA	TIEDOWN - BATTERY - 8.4" TUBE
	065451-05-000	EA	BRACKET/TIEDOWN - BATTERY - 7.7" FROM BRKT TO BRKT
	086233-01-000	EA	STUD - ISOLATED - 3/8" X 7/8" LONG
	086273-01-000	EA	RELAY - BATTERY DISCONNECT
	136481-01-000	EA	MODULE - AUTO ENERGY SELECTOR - F30W

# EXTERIOR BODY GROUP GRAPHICS & PAINT



92K GRAPHICS PKG #2  
276 GRAPHICS PKG #1



KEY	PART NUMBER	U/M	DESCRIPTION
1	105781-95-CHT(01A)	FT	MULTISTRIPE-57.2MM - CANYON RED/CHAMPAGNE STAR
2	121425-01-CHT(13A)	EA	DECAL-SUNRISE,LG - CHAMPAGNE STAR/CANYON RED/BLUE ARROW/BRT WHITE
3	121425-02-CHT(13A)	EA	DECAL-SUNRISE,SML - CHAMPAGNE STAR/CANYON RED/BLUE ARROW/BRT WHITE
4	124806-01-CHT(31A)	EA	DECAL-ITASCA W/ICON - BLUE ARROW/BRT WHITE
5	132864-01-CHT(01A)	EA	DECAL-WINNEBAGO DOMED - GOLD CHROME/BLACK
6	137618-02-CHT(01A)	EA	DECAL-BEZEL-DOMED,GRILLE LOGO - BLACK/CHROME
7	144587-02-CHT(02A)	EA	DECAL-ITASCA - BLUE ARROW/BRT WHITE
8	145697-01-CHT(01A)	EA	DECAL-SWEEP #1,RH - BLUE ARROW
8	145697-02-CHT(01A)	EA	DECAL-SWEEP #1,LH - BLUE ARROW
9	145699-01-CHT(01A)	EA	DECAL-SWEEP #2,RH - BRT WHITE/BLUE ARROW/CHAMPAGNE STAR
9	145699-02-CHT(01A)	EA	DECAL-SWEEP #2,LH - BRT WHITE/BLUE ARROW/CHAMPAGNE STAR
10	145702-01-CHT(01A)	EA	DECAL-SWEEP #3,RH - CANYON RED
10	145702-02-CHT(01A)	EA	DECAL-SWEEP #3,LH - CANYON RED
11	145703-01-CHT(01A)	EA	DECAL-SWEEP #4,RH - BRT WHITE/CHAMPAGNE STAR/BLUE ARROW
11	145703-02-CHT(01A)	EA	DECAL-SWEEP #4,LH - BRT WHITE/CHAMPAGNE STAR/BLUE ARROW
12	145704-01-CHT(01A)	EA	DECAL-TIP,RH - CHAMPAGNE STAR
12	145704-02-CHT(01A)	EA	DECAL-TIP,LH - CHAMPAGNE STAR
13	145705-01-CHT(01A)	EA	DECAL-SWEEP,RH - BRT WHITE/BLUE ARROW/CANYON RED
13	145705-02-CHT(01A)	EA	DECAL-SWEEP,LH - BRT WHITE/BLUE ARROW/CANYON RED
14	145706-01-CHT(01A)	EA	DECAL-HOOD SWEEP - BRT WHITE/CANYON RED/BLUE ARROW/CHAMPAGNE STAR
15	145709-01-CHT(01A)	FT	MULTISTRIPE-190.5MM - CHAMPAGNE STAR/CANYON RED/BLUE ARROW
16	141599-04-000	GL	PAINT: SAND MET - DUPONT 373-P7415
17	141599-19-000	GL	PAINT: MED SAPPHIRE BLUE MET - DUPONT 373-P7430 (SPIES-HECKER #96678)

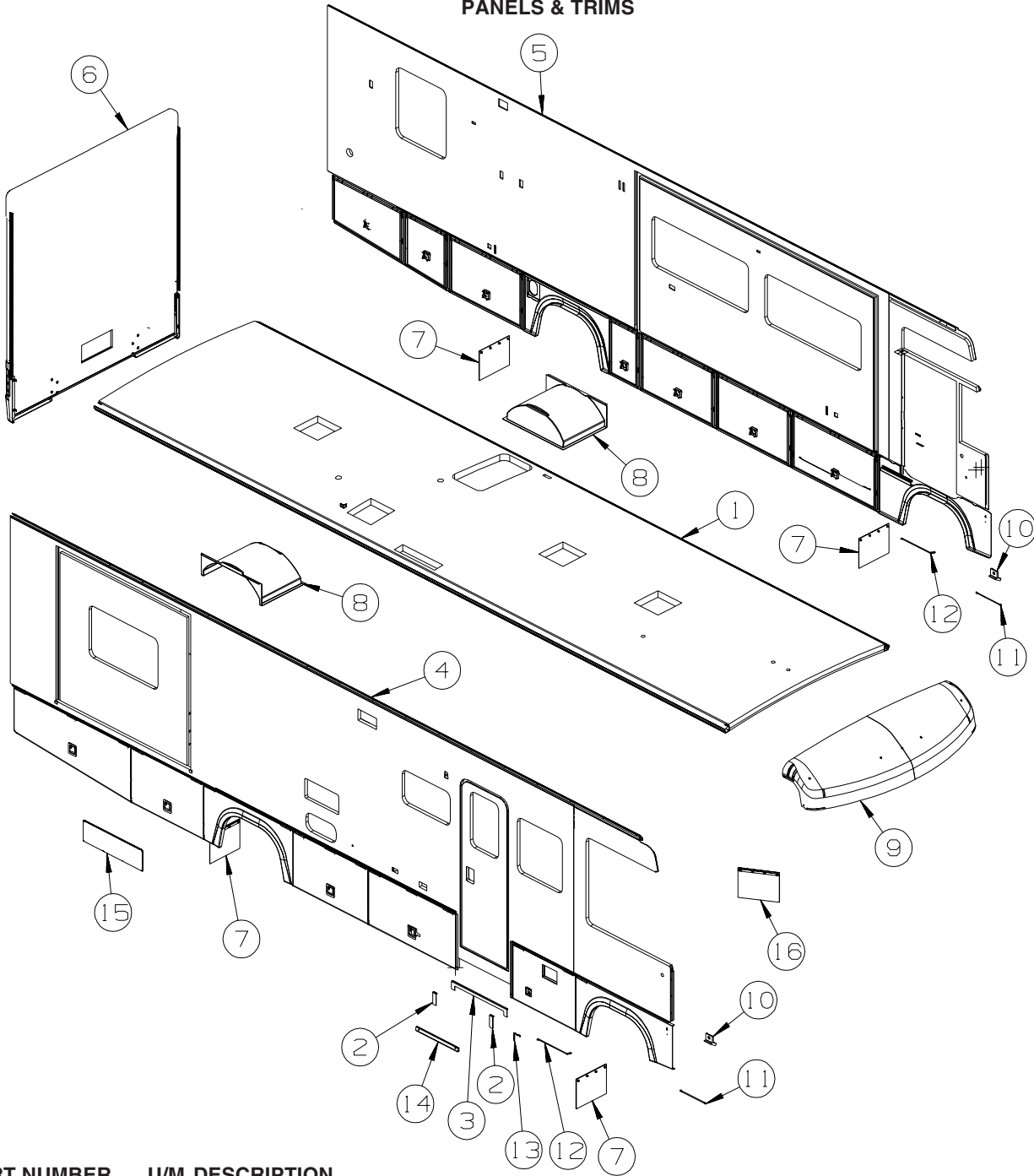
KEY	PART NUMBER	U/M	DESCRIPTION
	041561-03-000	EA	PAINT - 16 OUNCE SPRAY - OFF WHITE
	099399-23-700	EA	PAINT-SPRAY-BRT WHITE ENAMEL, B8951U DUPONT

**DUPONT COLOR CODES ARE NOW FOUND IN THE PAINT CODE MANUAL.  
YOU CAN FIND THIS MANUAL ON YOUR DEALER INDEX WEBPAGE UNDER SERVICE.**



## EXTERIOR BODY GROUP (CONTINUED)

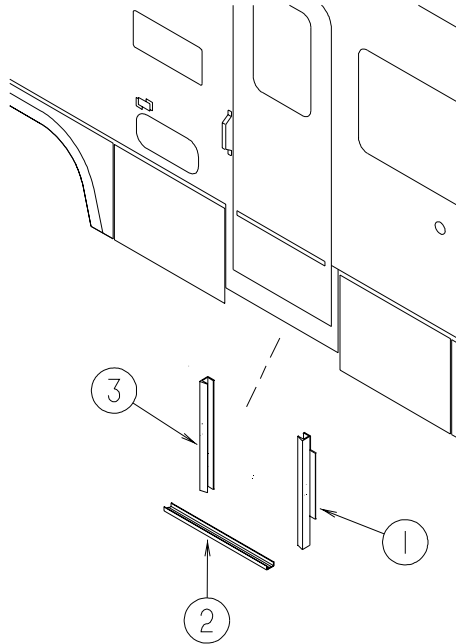
### PANELS & TRIMS



KEY	PART NUMBER	U/M	DESCRIPTION
1	144515-01-R32	EA	ROOF - W/O LIGHTS/VENTS - W/WIRING
2	121117-05-02B	EA	ANGLE - W/O SLOTS - 5.7" X 2" - E-COATED - <b>FORD</b>
3	138021-02-02B	EA	VALANCE/PANEL - ENTRY STEP/U-SHAPED - 33.2" X 4.1" E-COAT - <b>WORKHORSE</b>
4	144516-01-R32	EA	SIDEWALL - PASSENGER - W/O WINDOWS/TRIMS (R35)
4	144516-01-R33	EA	SIDEWALL - PASSENGER - W/O WINDOWS/TRIMS (R36)
4	144516-01-R34	EA	SIDEWALL - PASSENGER - W/O WINDOWS/TRIMS (R37)
5	144221-01-R32	EA	SIDEWALL - DRIVER - W/O WINDOWS/TRIMS (R35)
5	144221-01-R33	EA	SIDEWALL - DRIVER - W/O WINDOWS/TRIMS (R36)
5	144221-01-R34	EA	SIDEWALL - DRIVER - W/O WINDOWS/TRIMS (R37)
6	144570-01-R32	EA	BACKWALL - W/O WINDOWS/TRIMS (R35)
6	144570-01-R33	EA	BACKWALL - W/O WINDOWS/TRIMS (R36)
6	144570-01-R34	EA	BACKWALL - W/O WINDOWS/TRIMS (R37)
7	017516-01-000	EA	MUD FLAP - 14"H X 18"W - W/O MOUNTING HOLES - BLACK
	140922-01-02B	EA	PLATE - MUD FLAP - E-COATED
8	131365-01-000	EA	WHEELWELL - PLASTIC
9	132112-02-L42	EA	CAP - ROOF
10	143143-01-01A	EA	ANGLE - SUPPORT/TRIM
11	107865-06-000	EA	ROD - SUPPORT - VALANCE PANEL - 15"

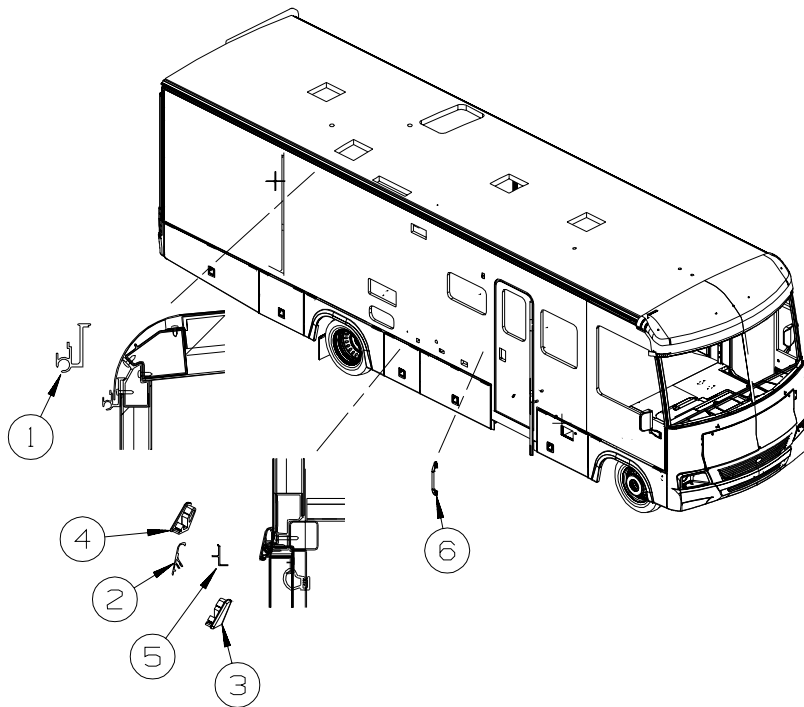
**EXTERIOR BODY GROUP (CONTINUED)**  
**PANELS & TRIMS (CONTINUED)**

<b>KEY</b>	<b>PART NUMBER</b>	<b>U/M</b>	<b>DESCRIPTION</b>
12	107865-25-000	EA	ROD - SUPPORT - VALANCE PANEL - 18.9"
13	093873-01-01A	EA	TRIM - CARPET - L-ANGLE 1.1" X 1.3" X 12' - GRAY VINYL
14	133045-01-01A	EA	TRIM - SIDEWALL - 25.3" - BRIGHT WHITE
			FROM: 00-00-00 THRU: 12-07-03
14	149822-01-01A	EA	TRIM - SIDEWALL/ENTRY DOOR - 25.3" - BRIGHT WHITE
			FROM: 12-08-03 THRU: 99-99-99
15	133386-02-02B	EA	PANEL - CLOSEOUT - HOLDING TANK - E-COATED
16	017516-01-000	EA	MUD FLAP - 14"H X 18"W - W/O MOUNTING HOLES - BLACK
	132695-01-02B	EA	ANGLE - MUDFLAP - E-COATED
	140922-01-02B	EA	PLATE - MUD FLAP - E-COATED



<b>KEY</b>	<b>PART NUMBER</b>	<b>U/M</b>	<b>DESCRIPTION</b>
1	133100-05-01A	EA	TRIM - SIDEWALL - BLACK
2	137599-01-01A	EA	TRIM - NOTCHED- SIDEWALL - 33.2" - BLACK
3	133100-06-01A	EA	TRIM - SIDEWALL - BLACK

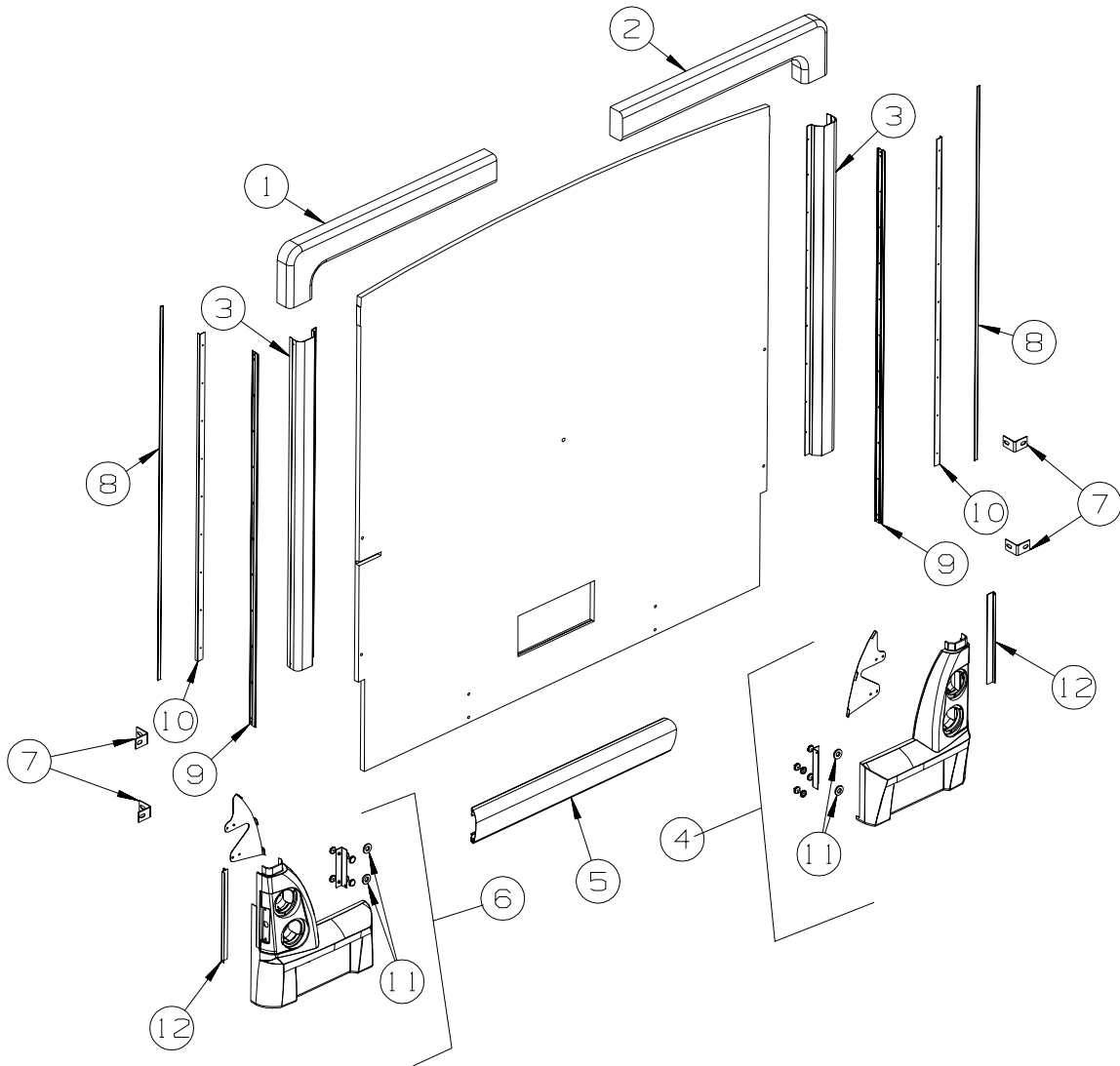
**EXTERIOR BODY GROUP (CONTINUED)**  
**PANELS & TRIMS (CONTINUED)**



KEY	PART NUMBER	U/M	DESCRIPTION
1	131483-01-01A	EA	RAIL - AWNING - 192" - BRIGHT WHITE
2	123993-01-02A	EA	TRIM - COVER - 182" ALUMINUM - BLACK
			FROM: 00-00-00 THRU: 12-07-03
2	146550-01-02A	EA	TRIM COVER - SIDEWALL - 182" - BLACK
			FROM: 12-08-03 THRU: 99-99-99
3	126775-01-02A	EA	END CAP - VALANCE TRIM - RIGHT HAND - BLACK
			FROM: 00-00-00 THRU: 12-07-03
3	146576-01-02A	EA	END CAP/TRIM - RIGHT HAND - BLACK
			FROM: 12-08-03 THRU: 99-99-99
4	126775-02-02A	EA	END CAP - VALANCE TRIM - LEFT HAND - BLACK
			FROM: 00-00-00 THRU: 12-07-03
4	146576-02-02A	EA	END CAP/TRIM - LEFT HAND - BLACK
			FROM: 12-08-03 THRU: 99-99-99
5	133376-01-01A	EA	TRIM - RETAINER - 144" - MILL
			FROM: 00-00-00 THRU: 12-07-03
5	146548-01-01A	EA	TRIM - RETAINER
			FROM: 12-08-03 THRU: 99-99-99
6*	132442-03-01A	EA	HANDLE - ASSIST/ITASCA LOGO W/CHROME ENDS

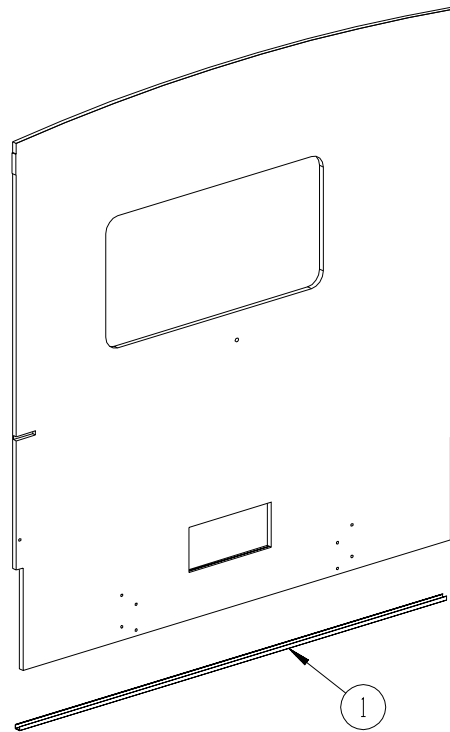
**\*COMPONENT PARTS LISTED LATER IN THIS GROUP**

**EXTERIOR BODY GROUP (CONTINUED)**  
**PANELS & TRIMS (CONTINUED)**



KEY	PART NUMBER	U/M	DESCRIPTION
1	114873-02-02A	EA	TRIM - BACKWALL/TOP - DRIVER SIDE - BRIGHT WHITE
2	114872-02-02A	EA	TRIM - BACKWALL/TOP - PASSENGER SIDE - BRIGHT WHITE
3	114874-17-12B	EA	TRIM - BACKWALL - 68.4" - BRIGHT WHITE
4	138062-04-P37	EA	TRIM - BACKWALL - LOWER/RIGHT HAND - W/LIGHT CUTOUTS
5	132521-02-02A	EA	BUMPER - REAR - BRITE DIPPED
6	138062-03-P37	EA	TRIM - BACKWALL - LOWER/LEFT HAND - W/LIGHT CUTOUTS
7	134533-01-02B	EA	BRACKET - MOUNT - TRIM/LOWER - E-COATED
8	091985-01-07A	EA	INSERT - TRIM - .65" WIDE - BRIGHT WHITE
9	092041-05-01A	EA	TRIM - BACKWALL/SIDEWALL - 77.6" - BRIGHT WHITE
10	132273-01-02B	EA	BRACKET - REAR TRIM - E-COATED
11	110742-02-000	EA	GASKET - NEOPRENE - WIPER ADAPTER SHAFT - .5" ID X .9" OD
12	132721-02-02B	EA	BRACKET/MOUNT - TRIM - REAR - E-COATED

**EXTERIOR BODY GROUP (CONTINUED)**  
**PANELS & TRIMS (CONTINUED)**



<b>KEY</b>	<b>PART NUMBER</b>	<b>U/M DESCRIPTION</b>
1	103335-05-02A	EA TRIM - BACKWALL - LOWER - 96.3" - BRIGHT WHITE

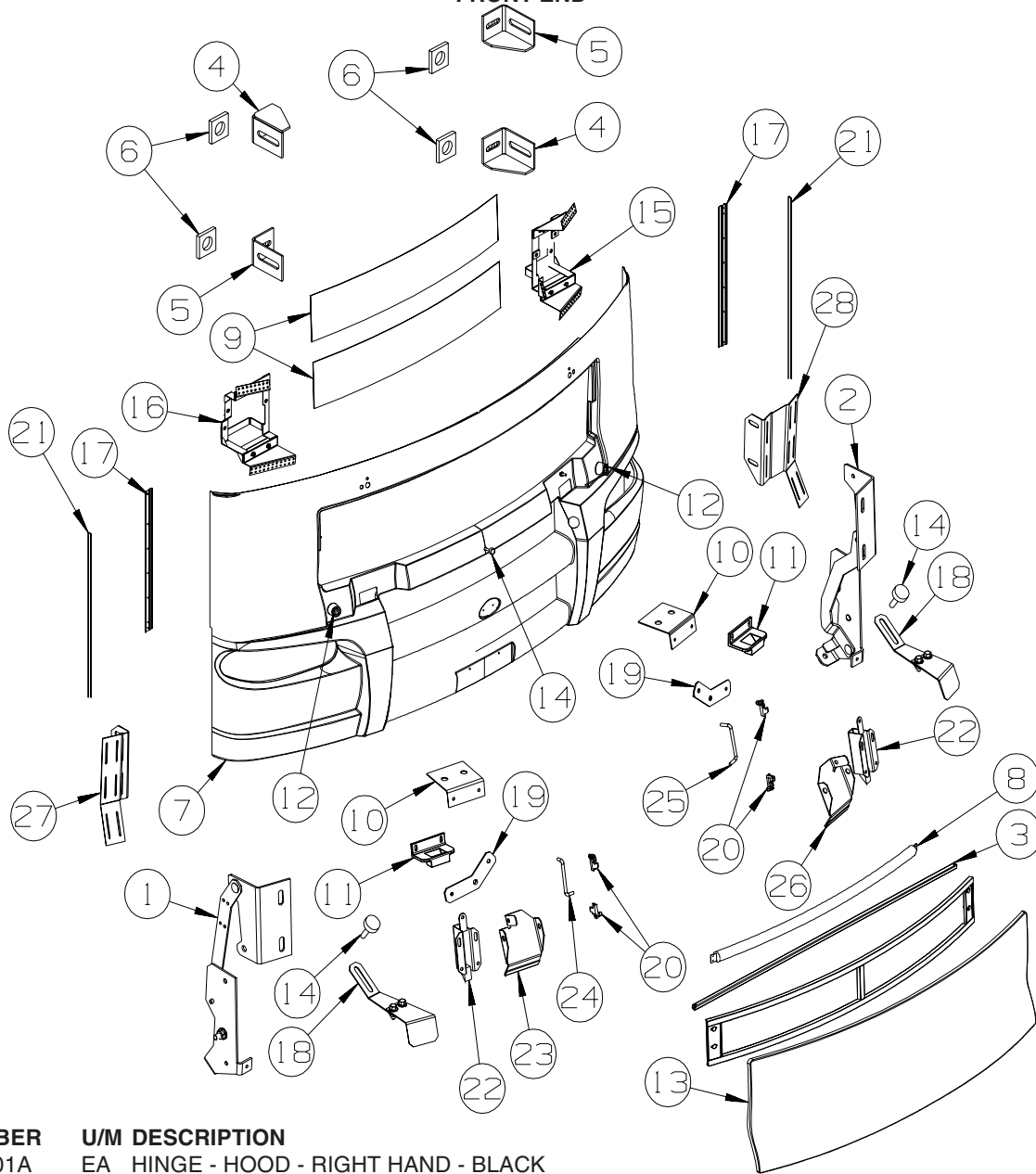
**EXTERIOR BODY GROUP (CONTINUED)**  
**COMPONENT PARTS FOR PANELS & TRIMS**

132442-01-01A

<b>KEY</b>	<b>PART NUMBER</b>	<b>U/M</b>	<b>DESCRIPTION</b>	<b>VENDOR NO.</b>
	132442-01-700	EA	BULB/ROPE - F/ASSIST HANDLE	ST012-0C/12MLX

# EXTERIOR BODY GROUP (CONTINUED)

## FRONT END



KEY	PART NUMBER	U/M	DESCRIPTION
1	137072-03-01A	EA	HINGE - HOOD - RIGHT HAND - BLACK
2	137072-04-01A	EA	HINGE - HOOD - LEFT HAND - BLACK
3	137300-01-02B	EA	TUBE/TIMING - HOOD - E-COATED
4	128455-01-02B	EA	BRACKET - BUMPER
5	128455-02-02B	EA	BRACKET - BUMPER
6	116617-02-02B	EA	SPACER - BUMPER
7	138092-02-N37	EA	PANEL - FRONT/LOWER - W/O HOOD/GRILLE/LIGHTS
7	138092-04-R32	EA	PANEL - FRONT/LOWER - W/O HOOD/GRILLE/LIGHTS FROM: 00-00-00 THRU: 03-10-03 FROM: 03-11-03 THRU: 99-99-99
8	138313-01-01A	EA	TUBE - GRILLE - BRITE-DIPPED
9	139560-01-11B	EA	MESH-GRILLE FLAT BLACK
10	133802-02-02B	EA	BRACKET - LATCH - ADJUSTING - E-COATED
11	130053-02-01A	EA	STRIKER - LUGGAGE DOOR - OFF SET - BLACK
12	117047-01-000	EA	BUMPER - RUBBER - WASHER INSERT
13	132370-01-L32	EA	HOOD - FRONT
14	058786-01-000	EA	BOLT - HOOD ADJUSTMENT - 5/16"X18 X 1.5"-2" - W/BLACK PAD
15	126490-04-02B	EA	FRAME - HEADLAMP - LEFT HAND - E-COAT
16	126490-03-02B	EA	FRAME - HEADLAMP - RIGHT HAND - E-COAT
17	092041-06-01A	EA	TRIM - FRONT/REAR CAP (SIDEWALL) - 25.5" - BRIGHT WHITE FROM: 00-00-00 THRU: 01-11-04
17	092041-10-01A	EA	TRIM - FRONT/REAR CAP (SIDEWALL) - 25.2" - BRIGHT WHITE FROM: 01-12-04 THRU: 99-99-99

**EXTERIOR BODY GROUP (CONTINUED)**  
**FRONT END (CONTINUED)**

KEY	PART NUMBER	U/M	DESCRIPTION
18	141017-01-02B	EA	SUPPORT/HINGE - FRONT - E-COATED
19	134418-08-02B	EA	PIVOT - LATCH/HOOD - E-COATED
20	102265-01-000	EA	CLIP - ROD END - 5/32" - BLACK PLASTIC
21	091985-01-07A	FT	INSERT - TRIM - .65" WIDE - BRIGHT WHITE
22	113908-02-000	EA	LATCH/PLUNGER - F/HOOD
23	134415-01-02B	EA	LATCH/HOOD - PULL - RIGHT HAND - E-COATED
24	134416-01-01A	EA	ROD/HOOD LATCH - STAINLESS STEEL - RIGHT HAND
25	134416-02-01A	EA	ROD/HOOD LATCH - STAINLESS STEEL - LEFT HAND
26	134415-02-02B	EA	LATCH/HOOD - PULL - LEFT HAND - E-COATED
27	134530-01-02B	EA	SUPPORT - HOOD LINK - E-COATED
			FROM: 00-00-00 THRU: 10-30-03
27	134530-03-02B	EA	SUPPORT - HOOD LINK - E-COATED
			FROM: 10-31-03 THRU: 04-09-04
27	134530-05-02B	EA	SUPPORT - HOOD LINK - E-COATED
			FROM: 04-10-04 THRU: 99-99-99
28	134530-02-02B	EA	SUPPORT - HOOD LINK - E-COATED
			FROM: 00-00-00 THRU: 10-30-03
28	134530-04-02B	EA	SUPPORT - HOOD LINK - E-COATED
			FROM: 10-31-03 THRU: 99-99-99



## EXTERIOR BODY GROUP (CONTINUED)

### LADDER

KEY	PART NUMBER	U/M	DESCRIPTION
	129639-03-01A	EA	LADDER - 89" - 7 STEP - BRUSHED ALUMINUM
	130163-07-01A	EA	LADDER EXTENSION/LOWER - 21.9" - 2 STEP - BRUSHED ALUMINUM

### MIRRORS

KEY	PART NUMBER	U/M	DESCRIPTION
*	106015-18-01A	EA	MIRROR - EXTERIOR/REMOTE/HEAT - PASSENGER
*	106015-19-01A	EA	MIRROR - EXTERIOR/REMOTE/HEAT - DRIVER

\*COMPONENT PARTS LISTED LATER IN THIS GROUP

## EXTERIOR BODY GROUP (CONTINUED)

### COMPONENT PARTS FOR MIRRORS

106015-18-01A, 106015-19-01A

KEY	PART NUMBER	U/M	DESCRIPTION	VENDOR NO.
	106015-12-702	EA	CAP/SCREW - (PKG OF 4) - BLK	748329 RND
	106015-16-700	EA	GLASS-FLAT W/HEAT ELEMENT	709450
	106015-18-700	EA	GLASS/CONVEX-KIT W/CLIP	709650
	106015-18-701	EA	ACTUATOR - CONVEX GLASS	7475410
	106015-18-702	EA	MOTOR - FLAT GLASS	747118
	106015-18-703	EA	CONVEX REBUILT KIT	709651
	106015-19-700	EA	VIBRATION KIT - MIRROR GLASS, VELVAC	709645

**EXTERIOR BODY GROUP (CONTINUED)**  
**STRUCTURAL COMPONENTS**

KEY	PART NUMBER	U/M	DESCRIPTION
	002766-01-001	EA	ANGLE - EXTRUDED - 1" X 1 1/2" X 17'
	076054-Z3-000	EA	FIBERGLASS SHEET - 102" X 93.9" - ROOF/SIDEWALL - BRT WHT
	077517-62-000	EA	FIBERGLASS SHEET - 48" X 96" - BRIGHT WHITE
	108535-05-03A	SF	FIBERGLASS SHEET - 108" X 500' ROLL - BRIGHT WHITE
	128782-11-01A	EA	FIBERGLASS SHEET - 79.1" X 407.8" - HIGH GLOSS - BRT WHT FROM: 00-00-00 THRU: 04-07-03
	128782-14-01A	EA	FIBERGLASS SHEET - 102.4" X 99.2" - HIGH GLOSS FROM: 04-09-03 THRU: 99-99-99
	128782-07-01A	EA	FIBERGLASS SHEET - 79" X 456" - HIGH GLOSS - BRIGHT WHITE
	128782-09-01A	EA	FIBERGLASS SHEET - 31" X 68.2" - HIGH GLOSS - BRIGHT WHITE
	128782-10-01A	EA	FIBERGLASS SHEET - 25" X 48" - HIGH GLOSS - BRIGHT WHITE
	144884-22-01A	EA	FIBERGLASS SHEET - 47.9" X 95.8" - HIGH GLOSS-BRIGHT WHITE
	089297-01-000	SF	PLYWOOD - LUAN - OVERLAY GRADE - 4' X 8'
	100619-01-000	BF	FOAM - EXPANDED POLYSTYRENE - 1.34" X 48" X 96"
	100619-02-000	BF	FOAM - EXPANDED POLYSTYRENE - 1.5" X 48" X 96"
	100619-04-000	BF	FOAM - EXPANDED POLYSTYRENE - .5" X 48" X 96"
	100619-05-000	BF	FOAM - EXPANDED POLYSTYRENE - .75" X 48" X 96"-1.5 DENSITY
	100619-13-000	BF	FOAM - EXPANDED POLYSTYRENE - .34" X 34.65" X 96"
	100619-16-000	BF	FOAM - EXPANDED POLYSTYRENE - .75" X 48" X 96"-2.0 DENSITY
	100619-27-000	BF	FOAM - EXPANDED POLYSTYRENE - 48" X 92.8" X 3"
	105077-08-000	EA	FOAM - PLUG - ROOF CAP
	120107-01-000	EA	FOAM - ROOF COVE - 2.8" X 96" LONG
	120107-02-000	EA	FOAM - PLUG - ROOF TUBE - 2.2" X 2.9" X 1.8" LONG
	120107-03-000	EA	FOAM - PLUG - SIDEWALL TUBE - 1.2" X 2.1" X 1.8" LONG

**AWNINGS**

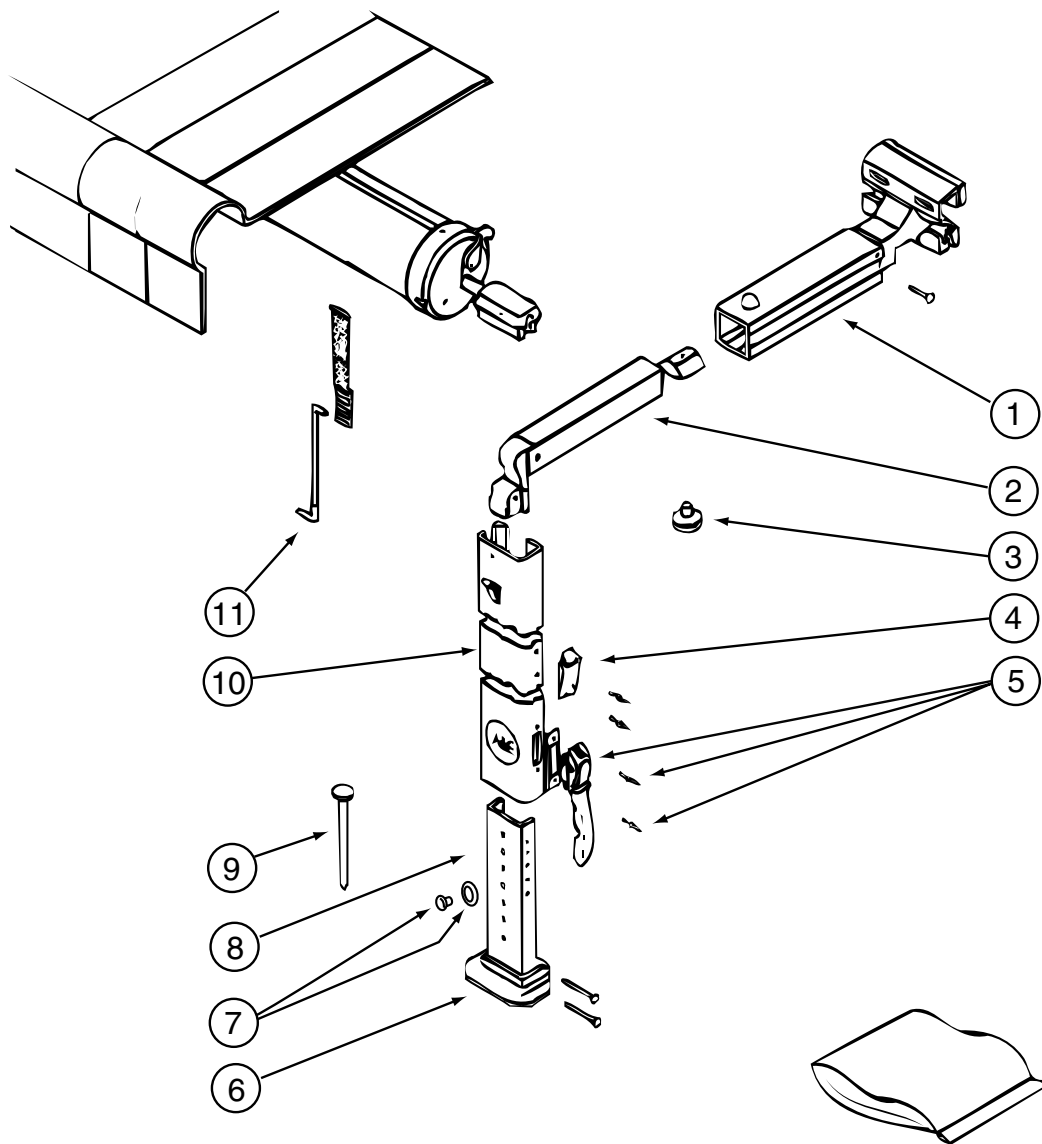
**SUNRISE PATIO AWNINGS**

SERIES	MODEL	COLOR	AWNING FABRIC	AWNING LENGTH	WEATHER WRAP(MANUAL)	PART # MANUAL	WEATHER WRAP(ELEC)	PART # ELECTRIC
SUNRISE	F30W	GULF BLUE (DX)	VINYL	16'	VYL/BRT WHT	113874-06-50A	MTL/BRT WHT	143181-06-39A
	F32V	GULF BLUE (DX)	VINYL	18'	VYL/BRT WHT	113874-07-50A	MTL/BRT WHT	143181-07-39A
	F34D	GULF BLUE (DX)	VINYL	18'	VYL/BRT WHT	113874-07-50A	MTL/BRT WHT	143181-07-39A
	F36M	GULF BLUE (DX)	VINYL	19'	VYL/BRT WHT	113874-08-50A	MTL/BRT WHT	143181-08-39A

KEY	PART NUMBER	U/M	DESCRIPTION
*	113874-01-02A	EA	HARDWARE KIT - AWNING - W/O STANDOFF BRACKET-BRIGHT WHITE - PATIO AWNING
	113874-11-01A	EA	SCREW/LAG - AWNING - 1/4" X 1" STAINLESS STEEL
	113874-12-01A	EA	SCREW/LAG - AWNING - 1/4" X 2 3/4" STAINLESS STEEL - PATIO AWNING
	137054-01-02A	EA	BRACKET - AWNING - BRIGHT WHITE - PATIO AWNING
	143181-01-01A	EA	HARDWARE/AWNING - WEATHERPROOF - BRIGHT WHITE - PATIO AWNING ELECTRIC FROM: 00-00-00 THRU: 07-06-03
	143181-10-01A	EA	HARDWARE/AWNING - WEATHERPROOF - BRIGHT WHITE - PATIO AWNING ELECTRIC FROM: 07-07-03 THRU: 99-99-99
	143181-02-01A	EA	ELECTRICAL KIT/AWNING - WEATHERPROOF - PATIO AWNING ELECTRIC

\*COMPONENT PARTS LISTED LATER IN THIS GROUP

**EXTERIOR BODY GROUP (CONTINUED)**  
**COMPONENT PARTS FOR AWNINGS**

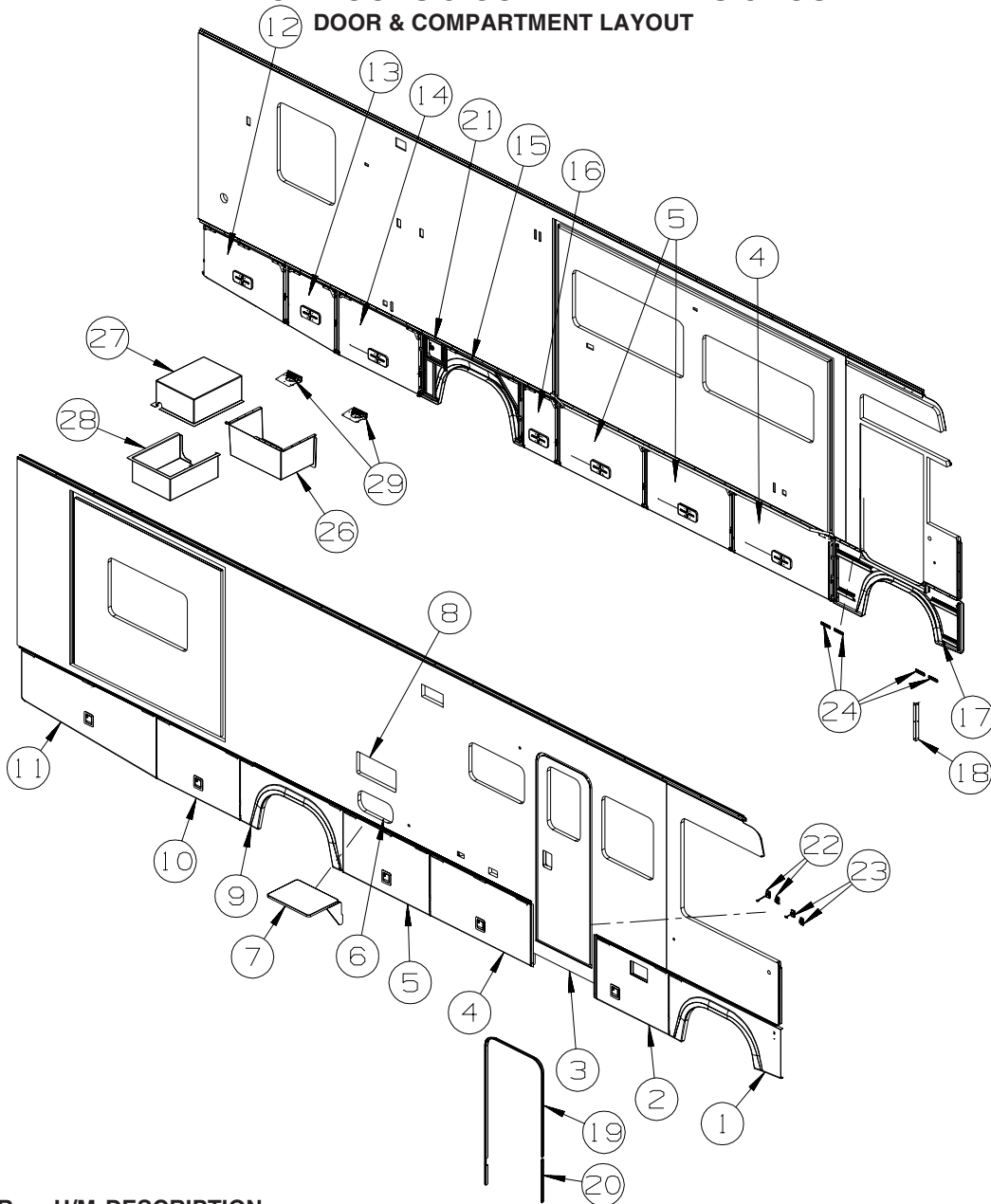


113874-01-02A

KEY	PART NUMBER	U/M	DESCRIPTION	VENDOR NO.
1	113874-01-714	EA	RAFTER - MAIN RH/LH BRT/WHT	830295.536F
2	113874-01-715	EA	RAFTER - SECONDARY BRT/WHT	830463.511F
3	113874-01-702	EA	KNOB - ADJUSTING	3105421.014
4	113874-01-706	EA	LOCK - TRAVEL	830587.001
5	113874-01-707	EA	HANDLE - LIFT W/RIVETS	830644
6	113874-01-712	EA	FOOT - PATIO	730366-001
7	113874-01-710	EA	PLUG-STOP KIT	830456
8	113874-01-717	EA	ARM - ADJUSTABLE BRT/WHT	830467.517/F
9	113874-01-709	EA	NAIL-SPIKE, 8"	113006
10	113874-01-716	EA	ARM - MAIN SUPPORT BRT/WHT	3104502.293/F
11	113874-01-703	EA	ROD-CENTER PULL W/ACCESSORY	830152.102

# EXTERIOR DOORS & COMPARTMENTS GROUP

## DOOR & COMPARTMENT LAYOUT

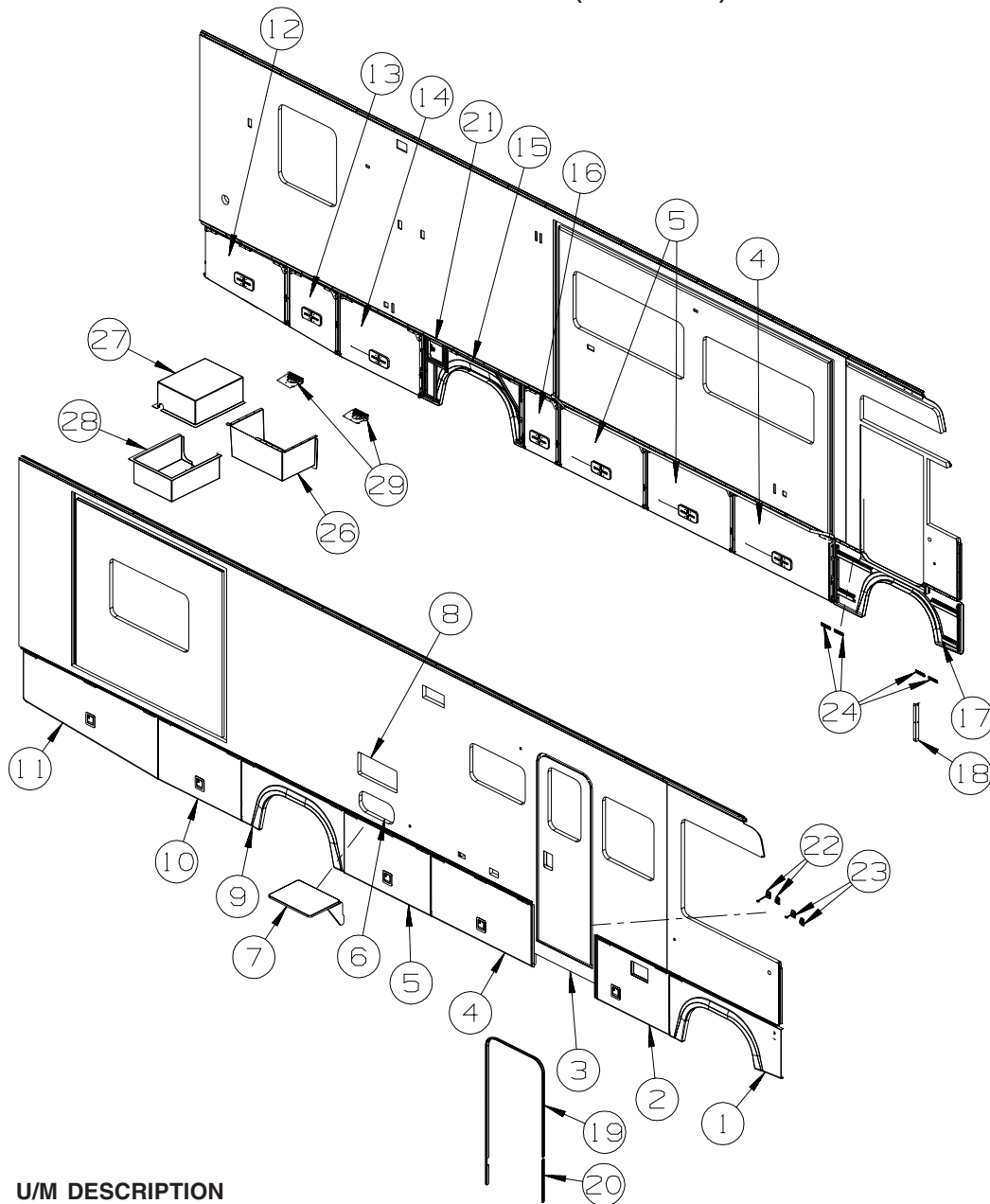


KEY	PART NUMBER	U/M	DESCRIPTION
1	141621-02-P41	EA	PANEL/WHEEL LIP - PASSENGER/FRONT - <b>FORD</b>
1	141621-08-P41	EA	PANEL/WHEEL LIP - PASSENGER/FRONT - <b>WORKHORSE</b>
2	140982-13-P37	EA	VALANCE/DOOR - W/O PADDLE LATCH - 37.5" X 26.3"
			FROM: 00-00-00 THRU: 08-17-03
2	147682-04-R32	EA	VALANCE/DOOR - W/O LATCH/HDWR - W/CUT-OUT - 37.2" X 26.9"
			FROM: 08-18-03 THRU: 99-99-99
	132873-35-000	EA	ROD - LATCH - 21.8" W/3/4" DOG LEG
			FROM: 00-00-00 THRU: 09-15-03
	132873-D5-000	EA	ROD - LATCH
			FROM: 09-16-03 THRU: 99-99-99
	132873-43-000	EA	ROD - LATCH - 5.1" W/3/4" DOG LEG
			FROM: 00-00-00 THRU: 09-15-03
	132873-D6-000	EA	ROD - LATCH
			FROM: 09-16-03 THRU: 99-99-99
	107796-32-000	EA	SPRING/GAS - 9.5" COMPRESSED/15" EXTENDED - 90 LB - BLACK
3*	094707-03-01A	EA	STEP - ELECTRIC DOUBLE - W/BLACK CONTROL BOX - KWIKEE
4	140982-10-P37	EA	VALANCE/DOOR - W/O PADDLE LATCH - 52" X 26.3"
			FROM: 00-00-00 THRU: 08-17-03
4	147682-01-R32	EA	VALANCE/DOOR - W/O PADDLE LATCH/HDWR - 51.8" X 26.3"
			FROM: 08-18-03 THRU: 99-99-99

**EXTERIOR DOORS & COMPARTMENTS GROUP (CONTINUED)**  
**DOOR & COMPARTMENT LAYOUT (CONTINUED)**

KEY	PART NUMBER	U/M	DESCRIPTION
	132873-33-000	EA	ROD - LATCH - 19.8" W/3/4" DOG LEG FROM: 00-00-00 THRU: 09-15-03
	132873-D1-000	EA	ROD - LATCH FROM: 09-16-03 THRU: 99-99-99
	132873-34-000	EA	ROD - LATCH - 21.6" W/3/4" DOG LEG FROM: 00-00-00 THRU: 09-15-03
	132873-D2-000	EA	ROD - LATCH FROM: 09-16-03 THRU: 99-99-99
	107796-32-000	EA	SPRING/GAS - 9.5" COMPRESSED/15" EXTENDED - 90 LB - BLACK
5	140982-09-P37	EA	VALANCE/DOOR - W/O PADDLE LATCH - 45" X 26.3"
	132873-31-000	EA	ROD - LATCH - 16.3" W/3/4" DOG LEG
	132873-32-000	EA	ROD - LATCH - 18.1" W/3/4" DOG LEG
	107796-32-000	EA	SPRING/GAS - 9.5" COMPRESSED/15" EXTENDED - 90 LB - BLACK
6	126945-09-N42	EA	DOOR/STORAGE - W/O HARDWARE - 18" X 8.3"
7	142034-01-01A	EA	SHELF - F/EXTERIOR TV - BRIGHT WHITE
8*	084103-08-000	EA	DOOR - VENT - REFRIGERATOR - W/O JAMB - BRIGHT WHITE
	084104-08-000	EA	JAMB - VENT DOOR/REFRIGERATOR - BRIGHT WHITE
9	141621-21-P37	EA	PANEL/WHEEL LIP - PASSENGER/REAR - <b>FORD</b>
9	141621-23-P37	EA	PANEL/WHEEL LIP - PASSENGER/REAR - <b>WORKHORSE</b>
10	140982-08-P45	EA	VALANCE/DOOR - W/O PADDLE LATCH - 43.2" X 26.3"
	132873-29-000	EA	ROD - LATCH - 15.4" W/3/4" DOG LEG
	132873-30-000	EA	ROD - LATCH - 17.2" W/3/4" DOG LEG
	107796-32-000	EA	SPRING/GAS - 9.5" COMPRESSED/15" EXTENDED - 90 LB - BLACK
11	140982-17-P37	EA	VALANCE/DOOR - PASS W/O PAD LATCH - 26.3" X 69.8" X 26.3" FROM: 00-00-00 THRU: 08-17-03
11	147682-10-R32	EA	VALANCE/DOOR - PASS W/O LATCH/HDWR - 26.3" X 69.5" X 21.3" FROM: 08-18-03 THRU: 99-99-99
	132873-41-000	EA	ROD - LATCH - 28.7" W/3/4" DOG LEG FROM: 00-00-00 THRU: 09-15-03
	132873-E2-000	EA	ROD - LATCH FROM: 09-16-03 THRU: 99-99-99
	132873-42-000	EA	ROD - LATCH - 30.5" W/3/4" DOG LEG FROM: 00-00-00 THRU: 09-15-03
	132873-E3-000	EA	ROD - LATCH FROM: 09-16-03 THRU: 99-99-99
	142569-17-000	EA	SPRING/GAS - 8.5" COMPRESSED/12" EXTENDED - 90 LB
12	140982-16-P37	EA	VALANCE/DOOR - DRVR W/O PAD LATCH - 24.4" X 43.4" X 21.3" FROM: 00-00-00 THRU: 08-17-03
12	147682-08-R32	EA	VALANCE/DOOR - DRVR W/O LATCH/HDWR - 24.4" X 43.1" X 21.3" FROM: 08-18-03 THRU: 99-99-99
	132873-39-000	EA	ROD - LATCH - 15.5" W/3/4" DOG LEG FROM: 00-00-00 THRU: 09-15-03
	132873-29-000	EA	ROD - LATCH - 15.4" W/3/4" DOG LEG FROM: 09-16-03 THRU: 99-99-99
	132873-40-000	EA	ROD - LATCH - 17.3" W/3/4" DOG LEG FROM: 00-00-00 THRU: 09-15-03
	132873-30-000	EA	ROD - LATCH - 17.2" W/3/4" DOG LEG FROM: 09-16-03 THRU: 99-99-99
	142569-17-000	EA	SPRING/GAS - 8.5" COMPRESSED/12" EXTENDED - 90 LB
13	140982-15-P37	EA	VALANCE/DOOR - DRVR W/O PAD LATCH - 26.3" X 26.1" X 24.4"
	132873-21-000	EA	ROD - LATCH - 6.8" W/3/4" DOG LEG
	132873-22-000	EA	ROD - LATCH - 8.7" W/3/4" DOG LEG
	142569-17-000	EA	SPRING/GAS - 8.5" COMPRESSED/12" EXTENDED - 90 LB
14	140982-07-P45	EA	VALANCE/DOOR - W/O PADDLE LATCH - 43.2" X 26.3"
	132873-29-000	EA	ROD - LATCH - 15.4" W/3/4" DOG LEG
	132873-30-000	EA	ROD - LATCH - 17.2" W/3/4" DOG LEG
	107796-32-000	EA	SPRING/GAS - 9.5" COMPRESSED/15" EXTENDED - 90 LB - BLACK
15	144686-01-R32	EA	PANEL/WHEEL LIP - DRIVER/REAR - <b>FORD</b> FROM: 00-00-00 THRU: 08-17-03
15	144686-08-R32	EA	PANEL/WHEEL LIP - DRIVER/REAR - <b>FORD</b> FROM: 08-18-03 THRU: 99-99-99
15	144686-02-R32	EA	PANEL/WHEEL LIP - DRIVER/REAR - <b>WORKHORSE</b> FROM: 00-00-00 THRU: 08-17-03
15	144686-09-R32	EA	PANEL/WHEEL LIP - DRIVER/REAR - <b>WORKHORSE</b> FROM: 08-18-03 THRU: 99-99-99

**EXTERIOR DOORS & COMPARTMENTS GROUP (CONTINUED)**  
**DOOR & COMPARTMENT LAYOUT (CONTINUED)**



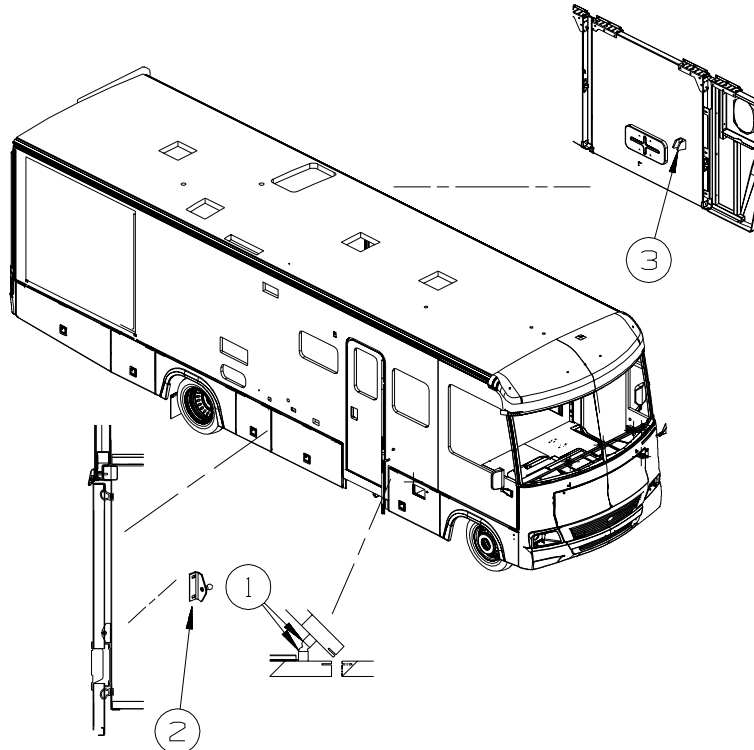
KEY	PART NUMBER	U/M	DESCRIPTION
16	140982-23-P37	EA	VALANCE/DOOR - W/O PADDLE LATCH - 18.5" X 26.3"
	132873-83-000	EA	ROD - LATCH - 8.1" W/3/4" DOG LEG
	132873-84-000	EA	ROD - LATCH - 4.9" W/3/4" DOG LEG
	142569-13-000	EA	SPRING/GAS - 9.5" COMPRESSED/15" EXTENDED - 60 LB
	076767-14-000	EA	CABLE - STAINLESS STEEL - 14.9"
17	141621-04-P41	EA	PANEL/WHEEL LIP - DRIVER/FRONT - <b>FORD</b>
17	141621-10-P41	EA	PANEL/WHEEL LIP - DRIVER/FRONT - <b>WORKHORSE</b>
18	113904-13-02B	EA	ANGLE - ATTACHMENT/WHEEL LIP - 15.7" - E-COAT
19	139100-01-01A	EA	GARNISH/RADIUS - ENTRY DOOR - BRIGHT WHITE
20	139101-01-01A	EA	GARNISH/STRAIGHT - W/NOTCH - 36.31" - BRIGHT WHITE
21	131905-03-L32	EA	DOOR - FUEL FILL W/O LOCK - BLACK
*	110506-A2-000	EA	LOCK - TWIST - 26.45"
	110506-51-000	EA	CASE/CYLINDER - TWIST LATCH - W/O CAM - 1" - 596669
	110506-78-000	EA	CAM - LOCK
22	104099-01-04A	EA	CATCH - DOOR HOLDER - STRIKE - 3.9" - BRIGHT WHITE
23	104099-03-04A	EA	CATCH - DOOR HOLDER - STRIKE - 6" - BRIGHT WHITE
24	132654-07-01A	EA	SUPPORT - WHEEL LIP - BLACK - 4.5"
25	120863-05-000	EA	BUMPER - RUBBER/RADIUS TOP - 3/4" X 3/8"
26	144654-01-000	EA	COMPARTMENT - DRAINAGE
	107721-08-000	EA	SEAL - ACCESS DOOR - .9"WIDE X .9"HIGH

## EXTERIOR DOORS & COMPARTMENTS GROUP (CONTINUED)

### DOOR & COMPARTMENT LAYOUT (CONTINUED)

KEY	PART NUMBER	U/M	DESCRIPTION
27	132315-03-000	EA	COMPARTMENT - POWER CORD
28	132315-06-000	EA	COMPARTMENT - POWER CORD - GENERATOR
	107721-08-000	EA	SEAL - ACCESS DOOR - .9"WIDE X .9"HIGH
29	142226-02-01A	EA	HATCH - POWER
	112949-06-000	EA	KEY - REVERSIBLE (DOUBLE SIDED)
	138292-01-000	EA	SEAL - LOCK CYLINDER
	138289-01-000	EA	CYLINDER - LOCKING
	138289-02-000	EA	CYLINDER - LOCKING
	138289-03-000	EA	CYLINDER - LOCKING
	138289-04-000	EA	CYLINDER - LOCKING
	138289-05-000	EA	CYLINDER - LOCKING
	138289-06-000	EA	CYLINDER - LOCKING
	138289-07-000	EA	CYLINDER - LOCKING
	138289-08-000	EA	CYLINDER - LOCKING
	138289-09-000	EA	CYLINDER - LOCKING
	138289-10-000	EA	CYLINDER - LOCKING
	138288-01-000	EA	KEY - REVERSIBLE - #1151 - T/M 16169-02-3091
	138288-02-000	EA	KEY - REVERSIBLE - #1152 - T/M 16169-02-3092
	138288-03-000	EA	KEY - REVERSIBLE - #1153 - T/M 16169-02-3093
	138288-04-000	EA	KEY - REVERSIBLE - #1154 - T/M 16169-02-3094
	138288-05-000	EA	KEY - REVERSIBLE - #1155 - T/M 16169-02-3095
	138288-06-000	EA	KEY - REVERSIBLE - #1156 - T/M 16169-02-3096
	138288-07-000	EA	KEY - REVERSIBLE - #1157 - T/M 16169-02-3097
	138288-08-000	EA	KEY - REVERSIBLE - #1158 - T/M 16169-02-3098
	138288-09-000	EA	KEY - REVERSIBLE - #1159 - T/M 16169-02-3099
	138288-10-000	EA	KEY - REVERSIBLE - #1150 - T/M 16169-02-3100

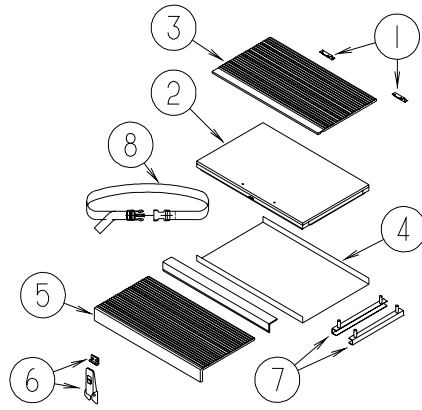
\*COMPONENT PARTS LISTED LATER IN THIS GROUP



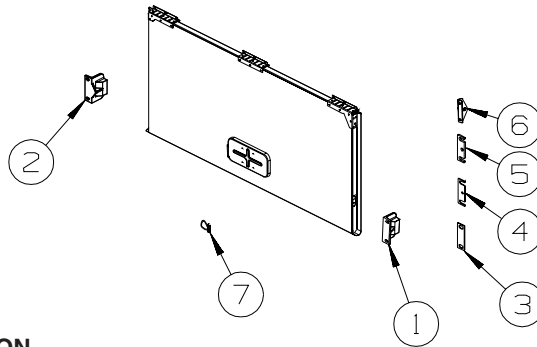
KEY	PART NUMBER	U/M	DESCRIPTION
1	120863-02-000	EA	BUMPER - RUBBER/RADIUS TOP - 1" DIAMETER X 1.50"
2	126263-02-02B	EA	BRACKET - GAS SPRING W/BALL STUD - E-COATED
3	131383-03-02A	EA	BRACKET - SHOWER HEAD - WHITE



**EXTERIOR DOORS & COMPARTMENTS GROUP (CONTINUED)**  
**DOOR & COMPARTMENT LAYOUT (CONTINUED)**



KEY	PART NUMBER	U/M	DESCRIPTION
1	101222-01-04A	EA	BRACKET - CATCH - LID - E-COATED
2	P20256-07-000	EA	LID/DOOR - ENTRY STEP - W/O CARPET/HARDWARE
3	133114-02-01A	EA	TREAD - STEP/RUBBER - 28.4" - TAUPE (R35, R36)
3	133114-02-03A	EA	TREAD - STEP/RUBBER - 28.4" - GRAY(R37)
4	123330-03-02B	EA	SUPPORT - ENTRY STEP - E-COATED
5	133114-01-01A	EA	TREAD - STEP/RUBBER - 29.3" - TAUPE(R35, R36)
5	133114-01-03A	EA	TREAD - STEP/RUBBER - 29.2" - GRAY(R37)
6	116975-01-01A	EA	LATCH - W/O STRIKE - BLACK - NEW STYLE
7	138787-02-02B	EA	CHANNEL/MOUNT - E-COAT
8	099856-11-000	EA	STRAP - TIEDOWN - 7.9"



KEY	PART NUMBER	U/M	DESCRIPTION
1	130053-01-01A	EA	STRIKER - LUGGAGE DOOR - FLUSH - BLACK
2	130053-02-01A	EA	STRIKER - LUGGAGE DOOR - OFF SET - BLACK
3	143793-01-01A	EA	SHIM/STRIKER - LUGGAGE - 1.5" - BLACK
4	120494-03-02B	EA	SHIM - STRIKER - LUGGAGE DOOR - .20 - E-COATED
5	120494-04-02B	EA	SHIM - STRIKER - LUGGAGE DOOR - .27 - E-COATED
6	126263-02-02B	EA	BRACKET - GAS SPRING W/BALL STUD - E-COATED
7	132892-02-01A	FT	SEAL - BULB
			FROM: 00-00-00 THRU: 11-05-03
7	132892-03-01A	FT	SEAL - BULB - W/LEG
			FROM: 11-06-03 THRU: 99-99-99

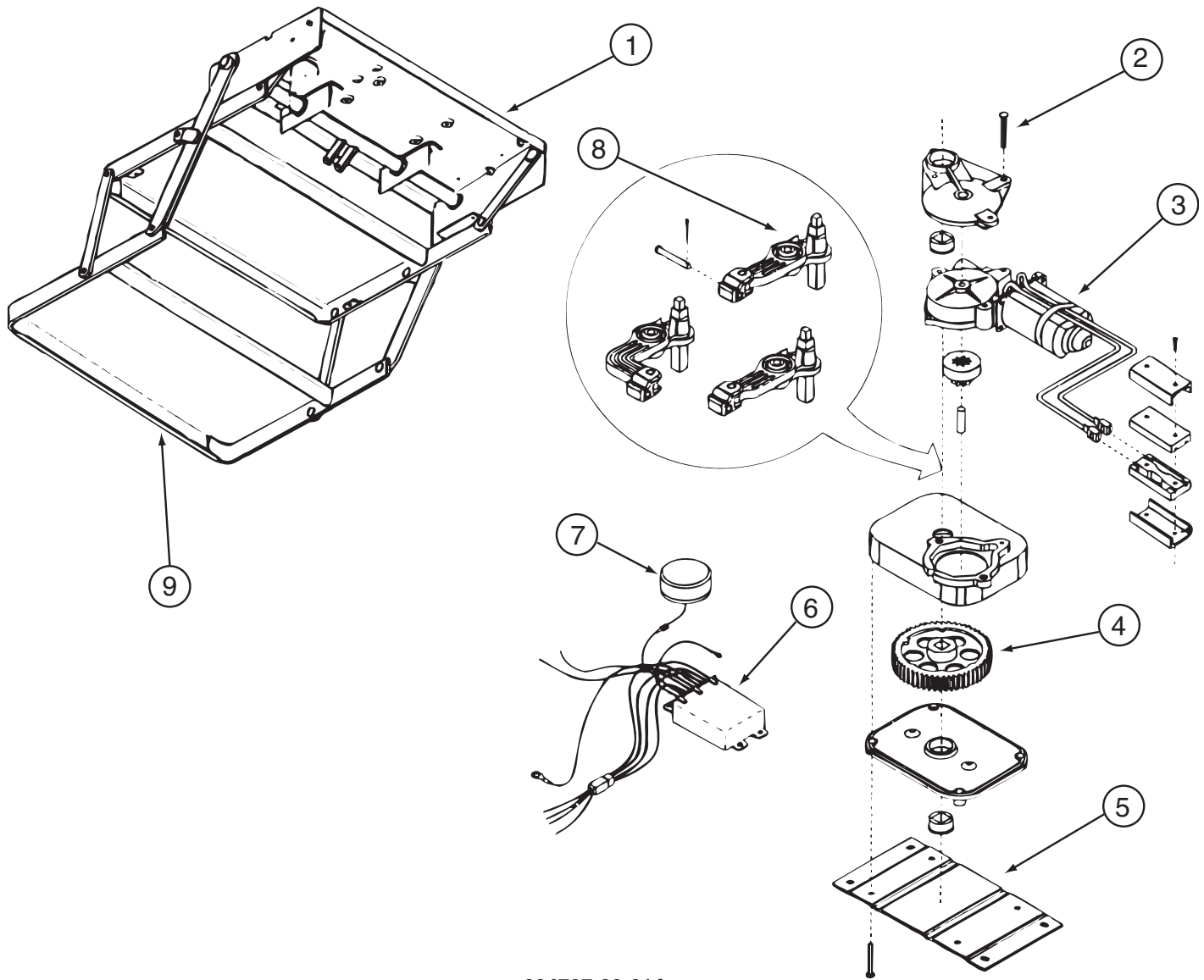
# EXTERIOR DOORS & COMPARTMENTS GROUP (CONTINUED)

## COMPONENT PARTS FOR DOOR & COMPARTMENT LAYOUT

084103-08-000

KEY	PART NUMBER	U/M	DESCRIPTION	VENDOR NO.
	084104-01-700	EA	LOCK-MALE, FASTENER	201-721-010
	084104-01-701	EA	LOCK-FEMALE, FASTENER	201-802-010

**EXTERIOR DOORS & COMPARTMENTS GROUP (CONTINUED)**  
**COMPONENT PARTS FOR DOOR & COMPARTMENT LAYOUT (CONTINUED)**



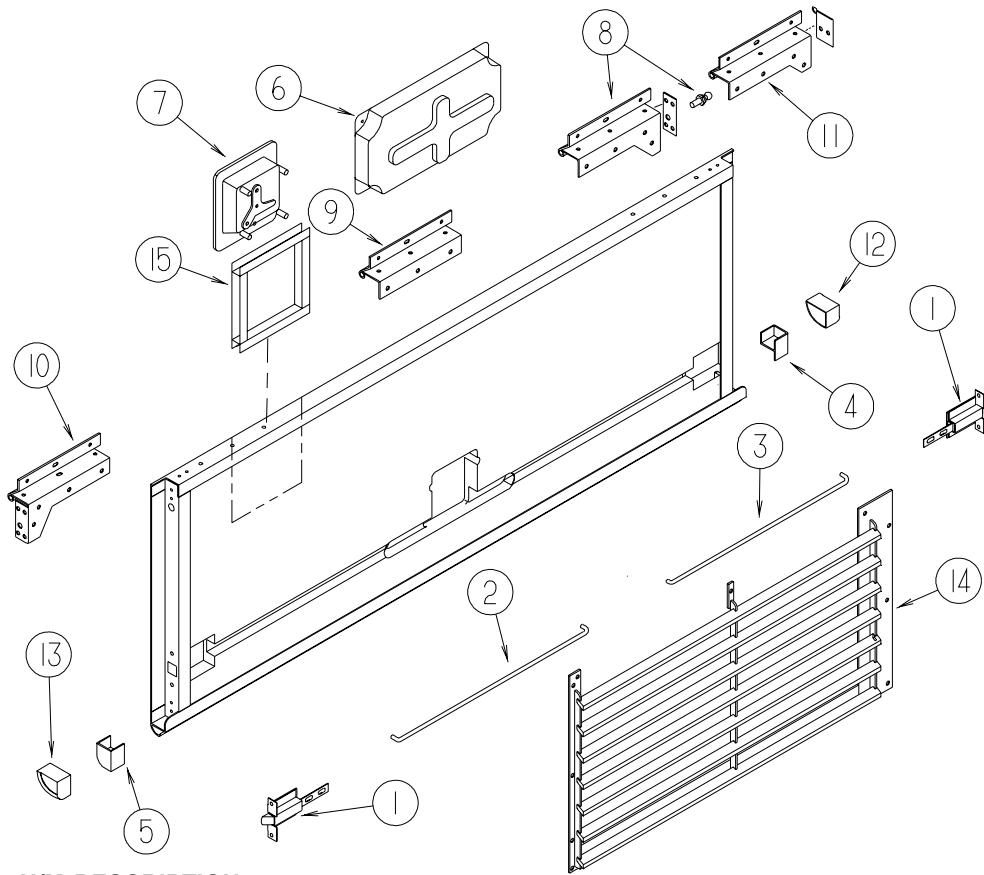
094707-03-01A

KEY	PART NUMBER	U/M	DESCRIPTION	VENDOR NO.
1	094707-01-702	EA	FRAME W/DBL STEP,3200 SERIES	908032
2	094707-02-703	EA	BEARING & PINS	909530
3	094707-02-700	EA	MOTOR - "UT" ASM W/BRGS/PIN	909520
4	094707-02-702	EA	GEAR KIT(GEAR-BEARING-PINS)	909525
5	094707-02-704	EA	CONNECTOR-MOTOR ASM.W/PLATES	909537
6	094707-03-700	EA	KIT CONTROL/SWITCH-RETROFIT	909506005
7	088746-01-705	EA	LIGHT-UNDER STEP	9004
7	088733-01-700	EA	BULB	9004
8	094707-02-701	EA	LINKAGE ASM. W/BEARINGS-PINS	909534
9	094707-02-707	EA	TREAD - NON-SKID - BLACK	909333
	094707-02-706	EA	GEAR BOX ASM. W/O MOTOR	9524
	094707-02-708	EA	TREAD - NON-SKID - YELLOW	909331
	094707-03-701	EA	PLUG - 4-WAY - PACKARD	909306

CONTACT WINNEBAGO PART SALES FOR UNLISTED COMPONENT(S)

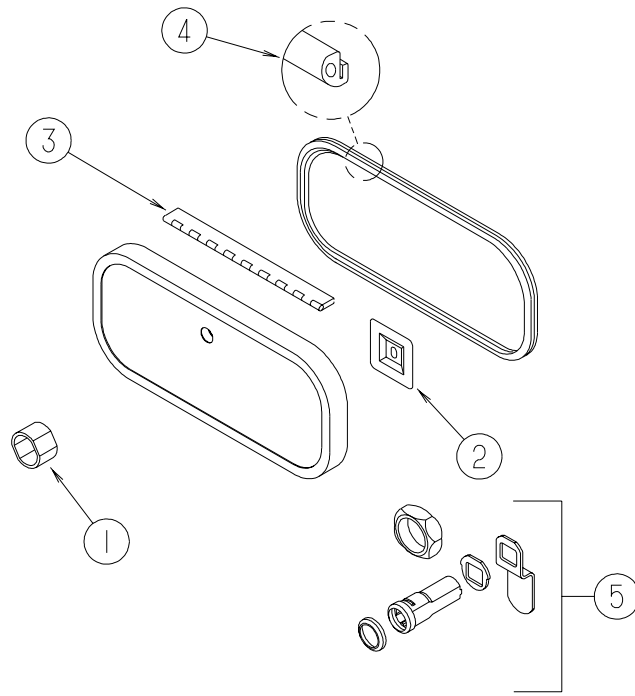
## EXTERIOR DOORS & COMPARTMENTS GROUP (CONTINUED)

### COMPARTMENT DOOR PIECE PARTS



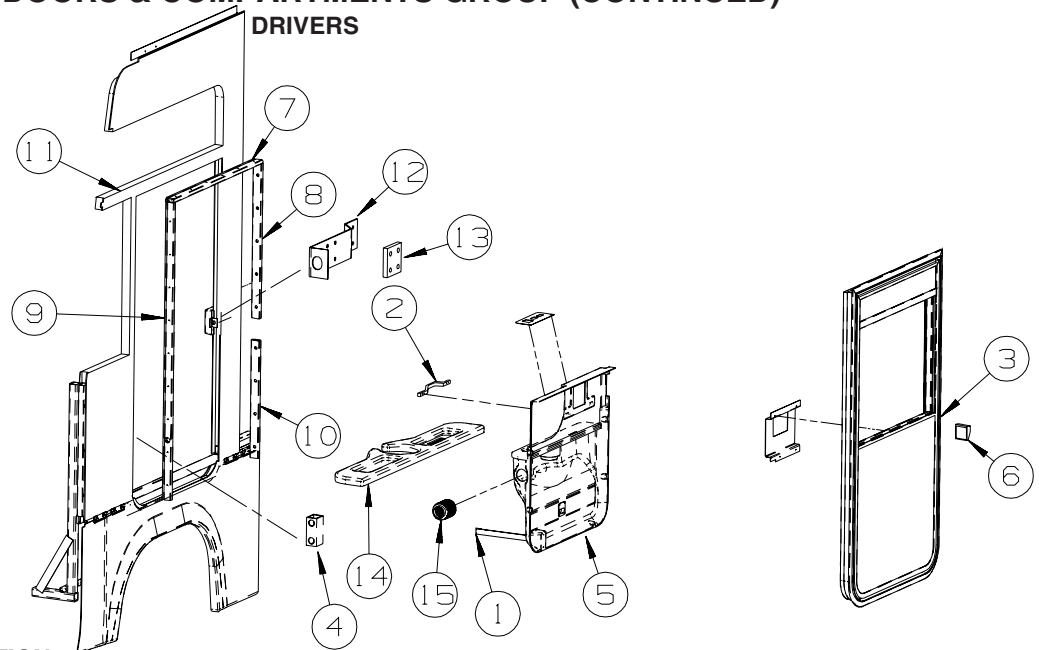
KEY	PART NUMBER	U/M	DESCRIPTION
1	121947-01-01A	EA	BOLT - SLIDE W/PLASTIC PLUNGER
2	132873-01-000	EA	ROD - LATCH (BLANK) - RIGHT HAND
3	132873-02-000	EA	ROD - LATCH (BLANK) - LEFT HAND
4	135276-01-01A	EA	REINFORCEMENT - CORNER - RIGHT HAND
5	135276-02-01A	EA	REINFORCEMENT - CORNER - LEFT HAND
6	137359-01-01A	EA	COVER - LATCH - WHITE
7	138277-01-01A	EA	LATCH/PADDLE - COMPARTMENT DOOR - BLACK - KEY ONE
7	112949-02-04A	EA	LATCH - PADDLE NON-LOCKING - BRIGHT WHITE
7	112949-02-05A	EA	LATCH - PADDLE NON-LOCKING - BLACK
8	139793-01-01A	EA	HINGE - RIGHT HAND/VALANCE DOOR - W/BALL STUD
9	139793-03-01A	EA	HINGE - CENTER/VALANCE DOOR - W/O BALL STUD
10	139793-05-01A	EA	HINGE - LEFT HAND/VALANCE DOOR - W/O BALL STUD
11	139793-04-01A	EA	HINGE - RIGHT HAND/VALANCE DOOR - W/O BALL STUD
12	141601-02-01A	EA	END CAP/VALANCE DOOR - LEFT HAND
13	141601-01-01A	EA	END CAP/VALANCE DOOR - RIGHT HAND
14	113333-10-M42	EA	GRILL/DOOR - A/C
15	133049-02-L76	EA	TRIM - COVER/WATER HEATER

**EXTERIOR DOORS & COMPARTMENTS GROUP (CONTINUED)**  
**COMPARTMENT DOOR PIECE PARTS (CONTINUED)**



KEY	PART NUMBER	U/M	DESCRIPTION
1	139325-01-000	EA	SPACER - LOCK - 6MM
	139337-01-000	EA	GASKET - LOCK
2	097111-02-04A	EA	POCKET - LOCK - REAR DOOR - BLACK
2	097111-02-05A	EA	POCKET - LOCK - REAR DOOR - BRIGHT WHITE
3	081801-V3-000	EA	HINGE - ALUMINUM - 2" X 96" - BRIGHT WHITE
4	106850-02-000	FT	SEAL-E - SPONGE RUBBER - .43" X .75"
5	138290-02-000	EA	CASE - W/CAM - W/O CYLINDER/KEY

## EXTERIOR DOORS & COMPARTMENTS GROUP (CONTINUED)

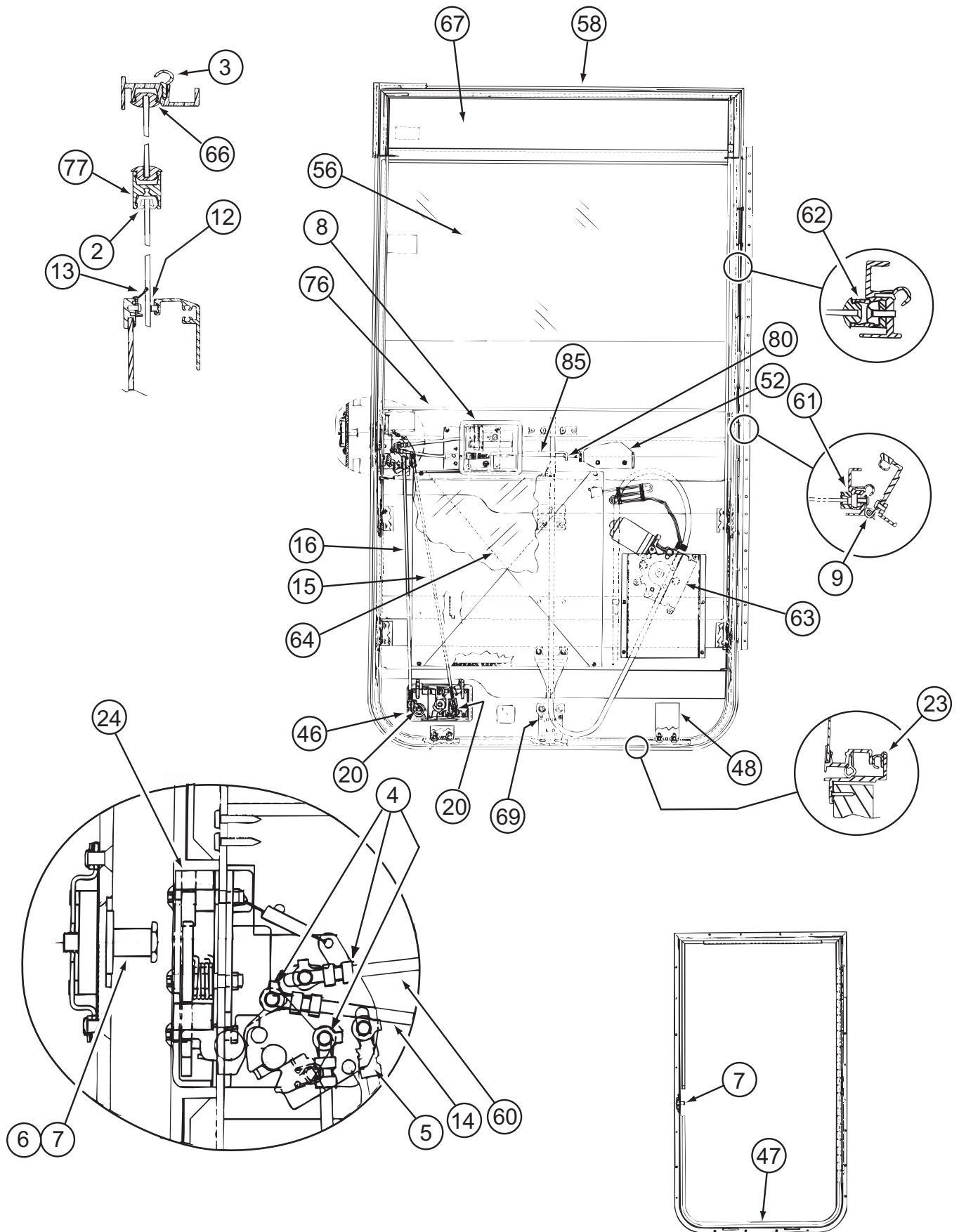


KEY	PART NUMBER	U/M	DESCRIPTION
1	109378-01-000	EA	STRAP - CHECK - DRIVER DOOR - 12.8"
2	110604-01-01A	EA	HANDLE - ASSIST - DRIVER DOOR - 10.8" LONG - BLACK
3*	125581-09-01A	EA	DOOR - DRIVER - POWER WINDOW/LOCK
4	128131-01-01A	EA	SPACER/SWITCH - DOME - BLACK
5	132298-05-04A	EA	PANEL/DOOR - INNER/DRIVER - W/O BEVERAGE TRAY - GLACIER
5	132298-05-19A	EA	PANEL/DOOR - INNER/DRIVER - W/O BEVERAGE TRAY - RIVERSTONE
6	109235-01-05A	FT	COVER - SCREW - BRIGHT WHITE
7	125725-01-01A	EA	FRAME - DRIVER DOOR - 33.5" - BLACK
8	125725-03-01A	EA	FRAME - DRIVER DOOR - 27.8" - BLACK
9	125725-07-01A	EA	FRAME - DRIVER DOOR - 53.3" - BLACK
10	125725-08-01A	EA	FRAME - DRIVER DOOR - 21.4" - BLACK
11	125804-02-02B	EA	ANGLE - DOOR SUPPORT - E-COATED
12	126506-01-02B	EA	BRACKET - STRIKE - DRIVER DOOR - E-COATED
13	126534-01-02B	EA	SPACER - STRIKE - DRIVER DOOR - E-COATED
14	132297-03-04A	EA	PANEL/TRIM - W/BEVERAGE HOLDER - PORTSMOUTH OAK
14	132297-03-02A	EA	PANEL/TRIM - W/BEVERAGE HOLDER - CONCERT CHERRY
14	132297-03-03A	EA	PANEL/TRIM - W/BEVERAGE HOLDER - WASHED MAPLE
14	132297-03-05A	EA	PANEL/TRIM - W/BEVERAGE HOLDER - OYSTER GRAY
15	117802-01-000	EA	GROMMET - CONVOLUTED - 2"
16	133533-04-01A	EA	LABEL - WINDOW/MIRROR HEAT - BLACK/CLEAR
17	122717-07-01A	EA	PAD - NON-SKID - PSA - 3.2" X 8.3"
18	133533-03-01A	EA	LABEL - LOCK/UNLOCK - BLACK/WHITE
	138288-01-000	EA	KEY - REVERSIBLE - #1151 - T/M 16169-02-3091
	138288-02-000	EA	KEY - REVERSIBLE - #1152 - T/M 16169-02-3092
	138288-03-000	EA	KEY - REVERSIBLE - #1153 - T/M 16169-02-3093
	138288-04-000	EA	KEY - REVERSIBLE - #1154 - T/M 16169-02-3094
	138288-05-000	EA	KEY - REVERSIBLE - #1155 - T/M 16169-02-3095
	138288-06-000	EA	KEY - REVERSIBLE - #1156 - T/M 16169-02-3096
	138288-07-000	EA	KEY - REVERSIBLE - #1157 - T/M 16169-02-3097
	138288-08-000	EA	KEY - REVERSIBLE - #1158 - T/M 16169-02-3098
	138288-09-000	EA	KEY - REVERSIBLE - #1159 - T/M 16169-02-3099
	138288-10-000	EA	KEY - REVERSIBLE - #1150 - T/M 16169-02-3100
	138289-01-000	EA	CYLINDER - LOCKING
	138289-02-000	EA	CYLINDER - LOCKING
	138289-03-000	EA	CYLINDER - LOCKING
	138289-04-000	EA	CYLINDER - LOCKING
	138289-05-000	EA	CYLINDER - LOCKING
	138289-06-000	EA	CYLINDER - LOCKING
	138289-07-000	EA	CYLINDER - LOCKING
	138289-08-000	EA	CYLINDER - LOCKING
	138289-09-000	EA	CYLINDER - LOCKING
	138289-10-000	EA	CYLINDER - LOCKING
	138292-01-000	EA	SEAL - LOCK CYLINDER

\*COMPONENT PARTS LISTED LATER IN THIS GROUP

# EXTERIOR DOORS & COMPARTMENTS GROUP (CONTINUED)

## COMPONENT PARTS FOR DRIVERS



125581-09-01A

**EXTERIOR DOORS & COMPARTMENTS GROUP (CONTINUED)**  
**COMPONENT PARTS FOR DRIVERS (CONTINUED)**

**125581-09-01A (CONTINUED)**

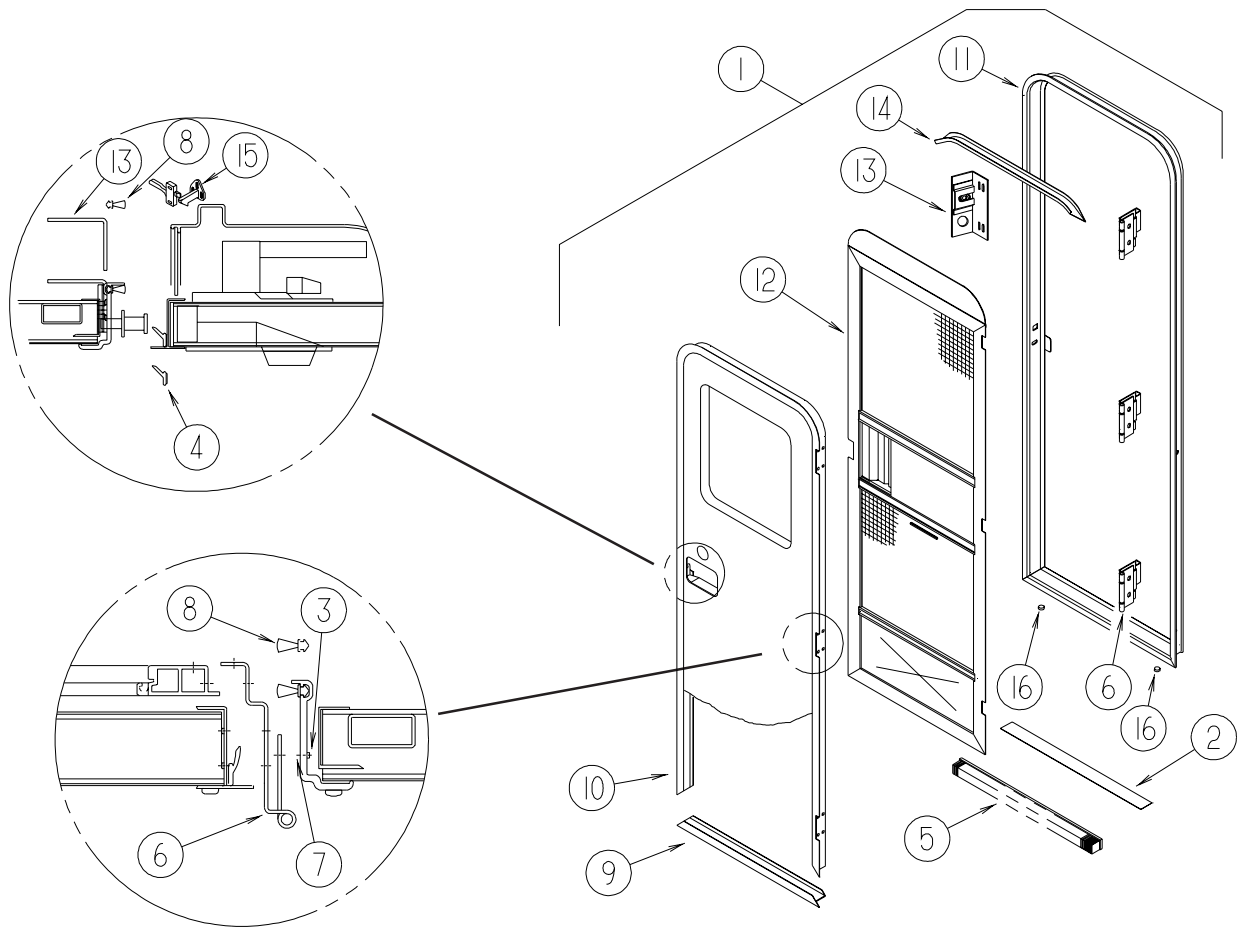
<b>KEY</b>	<b>PART NUMBER</b>	<b>U/M</b>	<b>DESCRIPTION</b>	<b>VENDOR NO.</b>
2	106469-01-705	FT	CHANNEL-RUN, SLIDING	122-010850
3	106469-01-702	EA	SEAL-DOOR FRAME (DOOR)EA=1	122-040984
4	106469-04-714	EA	ROD-CLIP, RH	80801
5	106469-04-713	EA	ROD-CLIP, LH	80802
6	106469-04-704	EA	NUT ASSEMBLY-CAGED W/STRIKER	11920-16
7	106469-04-703	EA	BOLT-STRIKER, W/WASHER	10335-16
8	106469-04-712	EA	HANDLE/DOOR-INNER W/HARDWARE	11297-01
9	106469-05-702	EA	HINGE - 42"	211-041194
12	106469-01-709	FT	WEATHERSTRIP FUZZY	171-040630
13	125581-03-703	EA	WEATHERSTRIP - BELTING	132-041069
14	106469-04-711	EA	ROD-LOCK, HORIZONTAL	15508-01
15	125581-04-700	EA	ROD - LATCH/VERTICAL ADJUST.	203-041767
16	125581-04-701	EA	ROD - LOCK/VERTICAL ADJUST.	203-041768
20	128913-01-707	EA	NUT - HEX/NYLOCK - 1/4 - 20	233-062447
23	106469-01-723	EA	SEAL-BULB ASM. (DOOR JAMB)	171-040985
24	106469-05-706	EA	LATCH-ROTARY, W/LINKAGE	16512-01
46	125581-09-700	EA	PADDLE-W/O LOCK RH (REV KEY)	17191-02
46	125581-09-701	EA	LATCH/LOCK-DRVR DR (REV KEY)	PARTS DEPT
46	125581-09-702	EA	LATCH/LOCK-DRVR DR (REV KEY)	PARTS DEPT
46	125581-09-703	EA	LATCH/LOCK-DRVR DR (REV KEY)	PARTS DEPT
46	125581-09-704	EA	LATCH/LOCK-DRVR DR (REV KEY)	PARTS DEPT
46	125581-09-705	EA	LATCH/LOCK-DRVR DR (REV KEY)	PARTS DEPT
46	125581-09-706	EA	LATCH/LOCK-DRVR DR (REV KEY)	PARTS DEPT
46	125581-09-707	EA	LATCH/LOCK-DRVR DR (REV KEY)	PARTS DEPT
46	125581-09-708	EA	LATCH/LOCK-DRVR DR (REV KEY)	PARTS DEPT
46	125581-09-709	EA	LATCH/LOCK-DRVR DR (REV KEY)	PARTS DEPT
46	125581-09-710	EA	LATCH/LOCK-DRVR DR (REV KEY)	PARTS DEPT
47	125581-04-703	EA	FRAME - MOUNTING - BLACK	V180-35L
48	125581-07-703	EA	BRACKET-ALUMINUM "L"(INSIDE)	N135-55
56	125581-08-703	EA	GLASS-ROLL UP 29.46"X29.37"	106-042081
56	125581-09-711	EA	GLASS-ROLL UP 24"H X 29.37"W	490207
58	125581-08-702	EA	FRAME/DOOR - SUB ASSY-BLACK	V220-98L
60	106469-04-705	EA	ROD-LATCH, HORIZONTAL	203-041139
61	125581-08-701	EA	CHANNEL/VERT ROLL UP-BLACK	V220-60
62	125581-08-700	EA	CHANNEL/VERT STA GLASS-BLACK	V220-61
63	125581-03-702	EA	REGULATOR-ELECTRIC-SPEC RH	410-040966
64	125581-06-700	EA	PANEL/INTERIOR	V164-97
66	125581-04-710	FT	VINYL - GLAZING	132-041484
67	125581-07-701	EA	GLASS-STATIONERY/4.95"X29.5"	106-042082
69	125581-04-711	EA	CHANNEL-GLASS - LIFT BRKT	N135-66
74	125581-07-704	EA	BRACKET - STRAP/JAMB & DOOR	248-080394
76	125581-03-701	EA	SILL - INNER - BLACK	V123-68L
77	125581-03-700	EA	MULLION RAIL- BLACK	V123-84
	125581-07-705	EA	BRACKET (L) F/SEAL PROTECT	490201

CONTACT WINNEBAGO PART SALES FOR UNLISTED COMPONENT



# EXTERIOR DOORS & COMPARTMENTS GROUP (CONTINUED)

## ENTRY

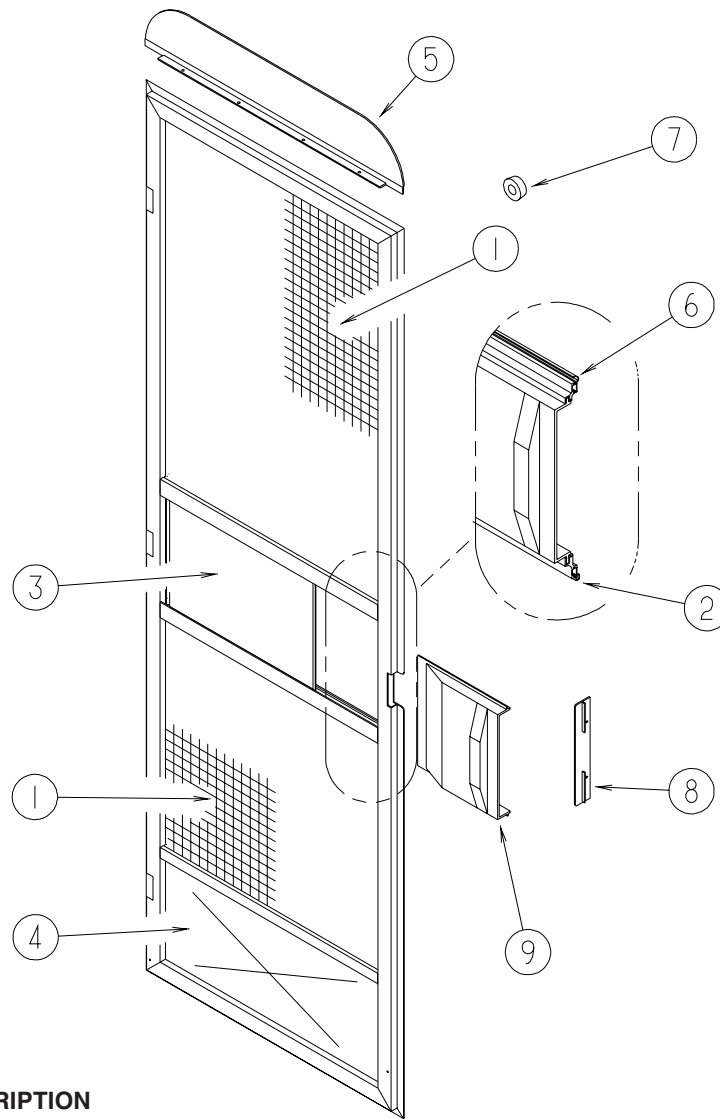


KEY	PART NUMBER	U/M	DESCRIPTION
1	P32206-08-P32	EA	DOOR - ENTRY W/SCREEN DOOR - W/O WINDOW LATCH (R35)
1	P32206-08-P31	EA	DOOR - ENTRY W/SCREEN DOOR - W/O WINDOW LATCH (R36)
1	P32206-08-R34	EA	DOOR - ENTRY W/SCREEN DOOR - W/O WINDOW LATCH (R37)
2	038327-01-000	EA	TAPE - ANTI-SLIP - 2" X 60"
3	039715-01-000	EA	NUT-SERT - 1/4" DIAMETER - 20 THREADS
4	075671-04-000	FT	SEAL - SPONGE - LAZY T - W/ADHESIVE STRIP - .5" WIDE
5	075673-05-000	FT	SEAL - PILE - ADHESIVE BACK - BLACK
6	106719-01-05A	EA	HINGE - ENTRY DOOR - BRIGHT WHITE
7	116111-02-01A	EA	SCREW - TAPTITE - 1/4-20 X 3/8 PPH 0 ZINC
8	118929-01-01A	FT	SEAL - PILE - PUSH ON
9	121893-03-02A	EA	FRAME - ENTRY DOOR/LOWER - BRIGHT WHITE
10	121894-16-01A	EA	FRAME - ENTRY DOOR - BRIGHT WHITE
11	121898-14-01A	EA	JAMB - ENTRY DOOR
12	132208-02-L32	EA	DOOR - SCREEN - W/O HARDWARE
13	137401-01-03B	EA	BRACKET - DOOR ANGLE - OFF WHITE
14	139054-19-01A	EA	CAP - DRIP - JAMB MOUNTED - BRIGHT WHITE
15	132915-01-01A	EA	LATCH - SCREEN DOOR - BLACK
	148364-01-02A	EA	STRIKE - SCREEN DOOR - BRIGHT WHITE
			FROM: 12-19-03 THRU: 02-11-04
	148364-01-12B	EA	STRIKE - SCREEN DOOR - BRIGHT WHITE
			FROM: 02-12-04 THRU: 99-99-99
16	081914-02-000	EA	BUMPER - RUBBER - ROUND - 5/16" DIA. X 13/64" THICK
	138287-01-000	EA	CYLINDER/LOCK - ENTRY DOOR (MASTER)
	138287-02-000	EA	CYLINDER/LOCK - ENTRY DOOR (MASTER)
	138287-03-000	EA	CYLINDER/LOCK - ENTRY DOOR (MASTER)
	138287-04-000	EA	CYLINDER/LOCK - ENTRY DOOR (MASTER)
	138287-05-000	EA	CYLINDER/LOCK - ENTRY DOOR (MASTER)
	138287-06-000	EA	CYLINDER/LOCK - ENTRY DOOR (MASTER)
	138287-07-000	EA	CYLINDER/LOCK - ENTRY DOOR (MASTER)
	138287-08-000	EA	CYLINDER/LOCK - ENTRY DOOR (MASTER)
	138287-09-000	EA	CYLINDER/LOCK - ENTRY DOOR (MASTER)
	138287-10-000	EA	CYLINDER/LOCK - ENTRY DOOR (MASTER)

**EXTERIOR DOORS & COMPARTMENTS GROUP (CONTINUED)**  
**ENTRY (CONTINUED)**

<b>KEY</b>	<b>PART NUMBER</b>	<b>U/M</b>	<b>DESCRIPTION</b>
	138288-01-000	EA	KEY - REVERSIBLE - #1151 - T/M 16169-02-3091
	138288-02-000	EA	KEY - REVERSIBLE - #1152 - T/M 16169-02-3092
	138288-03-000	EA	KEY - REVERSIBLE - #1153 - T/M 16169-02-3093
	138288-04-000	EA	KEY - REVERSIBLE - #1154 - T/M 16169-02-3094
	138288-05-000	EA	KEY - REVERSIBLE - #1155 - T/M 16169-02-3095
	138288-06-000	EA	KEY - REVERSIBLE - #1156 - T/M 16169-02-3096
	138288-07-000	EA	KEY - REVERSIBLE - #1157 - T/M 16169-02-3097
	138288-08-000	EA	KEY - REVERSIBLE - #1158 - T/M 16169-02-3098
	138288-09-000	EA	KEY - REVERSIBLE - #1159 - T/M 16169-02-3099
	138288-10-000	EA	KEY - REVERSIBLE - #1150 - T/M 16169-02-3100

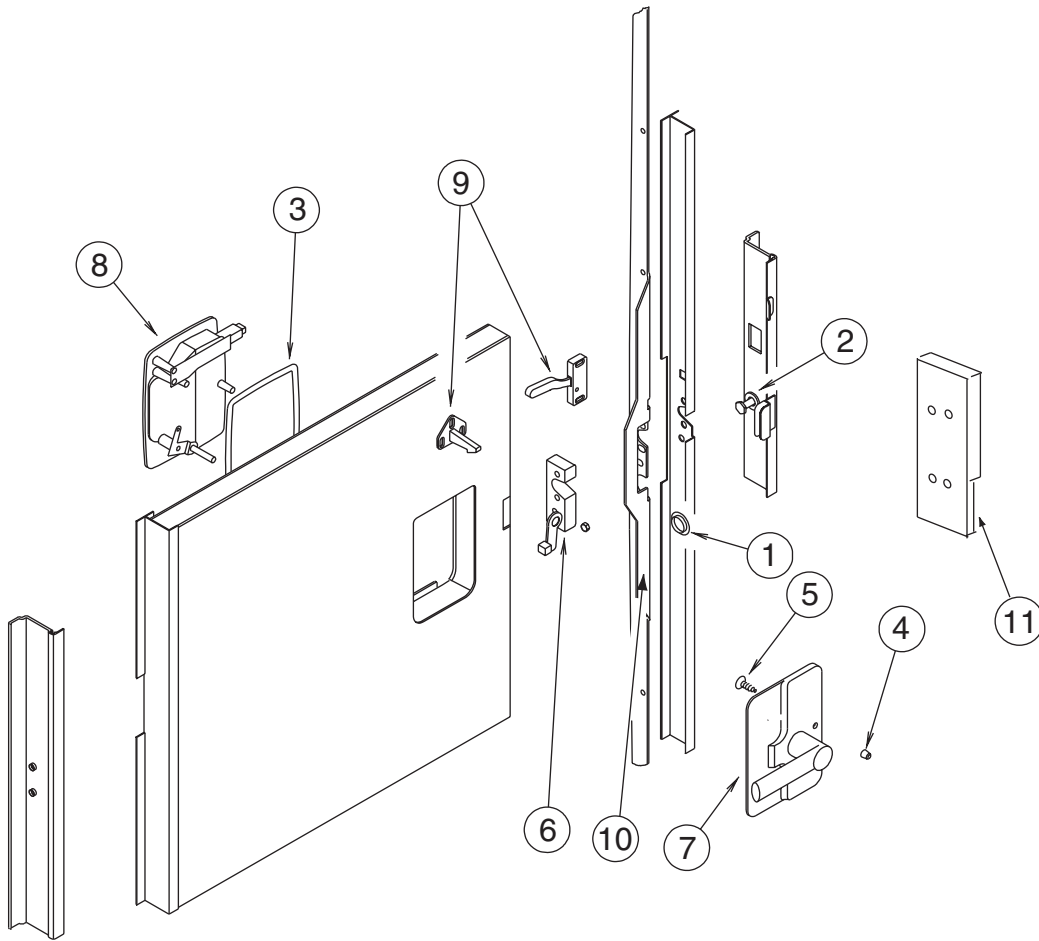
**EXTERIOR DOORS & COMPARTMENTS GROUP (CONTINUED)**  
**SCREEN**



KEY	PART NUMBER	U/M	DESCRIPTION
1	002293-02-000	SF	SCREEN - 26" - CHARCOAL
2	002294-01-000	FT	SPLINE - SCREENING - .13" X .14"
3	016454-18-000	EA	INSERT/CENTER - SCREEN DOOR
4	078552-09-000	EA	INSERT - SCREEN DOOR - LOWER
5	078595-03-000	EA	PLATE - SCREEN DOOR
6	078777-08-000	FT	CHANNEL - SLIDER - 4 FOOT INCREMENTS
7	120863-06-000	EA	BUMPER - RUBBER/RADIUS TOP - 3/4" X 3/8" - LT GRAY
8	132081-01-01A	EA	STRIKE - SLIDER - SCREEN DOOR - BRIGHT WHITE
8	132081-01-03A	EA	STRIKE - SLIDER - SCREEN DOOR - BLACK - <b>FULL BODY PAINT</b>
9	132082-01-01A	EA	SLIDER - SCREEN DOOR - BRIGHT WHITE
9	132082-01-03A	EA	SLIDER - SCREEN DOOR - BLACK - <b>FULL BODY PAINT</b>

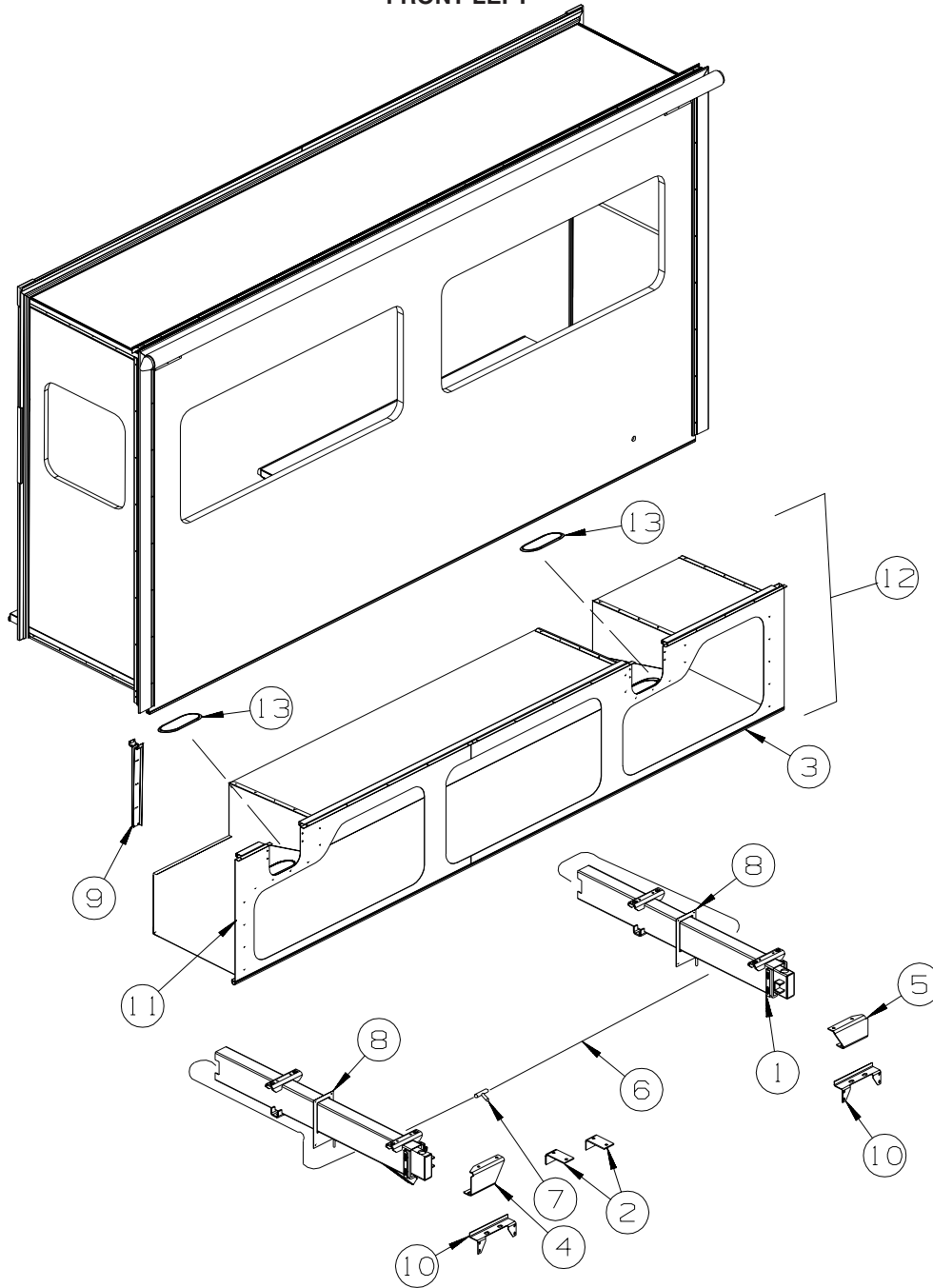
# EXTERIOR DOORS & COMPARTMENTS GROUP (CONTINUED)

## LATCH - ENTRY



KEY	PART NUMBER	U/M	DESCRIPTION
1	061420-14-000	EA	PLUG/PLASTIC - .034" DIAMETER
2	092927-14-000	EA	STRIKER - ROUND - JAMB MOUNTED
			FROM: 00-00-00 THRU: 11-02-03
2	092927-15-000	EA	STRIKER - ROUND - JAMB MOUNTED
			FROM: 11-03-03 THRU: 99-99-99
3	112782-04-01A	EA	GASKET
4	112782-05-01A	EA	CAP - VINYL - RED
5	112782-08-01A	EA	SCREW - MOUNTING/PLATE - ZINC
6	112782-15-01A	EA	LATCH - SINGLE ROTOR
7	112782-16-01A	EA	LATCH - INTERIOR PLATE
8	112782-18-01A	EA	LATCH - EXTERIOR - W/O LOCK CYLINDER W/ICON-REVERSIBLE KEY
9	132915-01-01A	EA	LATCH - SCREEN DOOR
10	132207-01-02B	EA	STIFFENER/DOOR - FORMED - E-COATED
	072893-04-000	EA	NUTSERT - 10-32
11	139102-01-01A	EA	COVER - BRACKET - STRIKE - BRIGHT WHITE

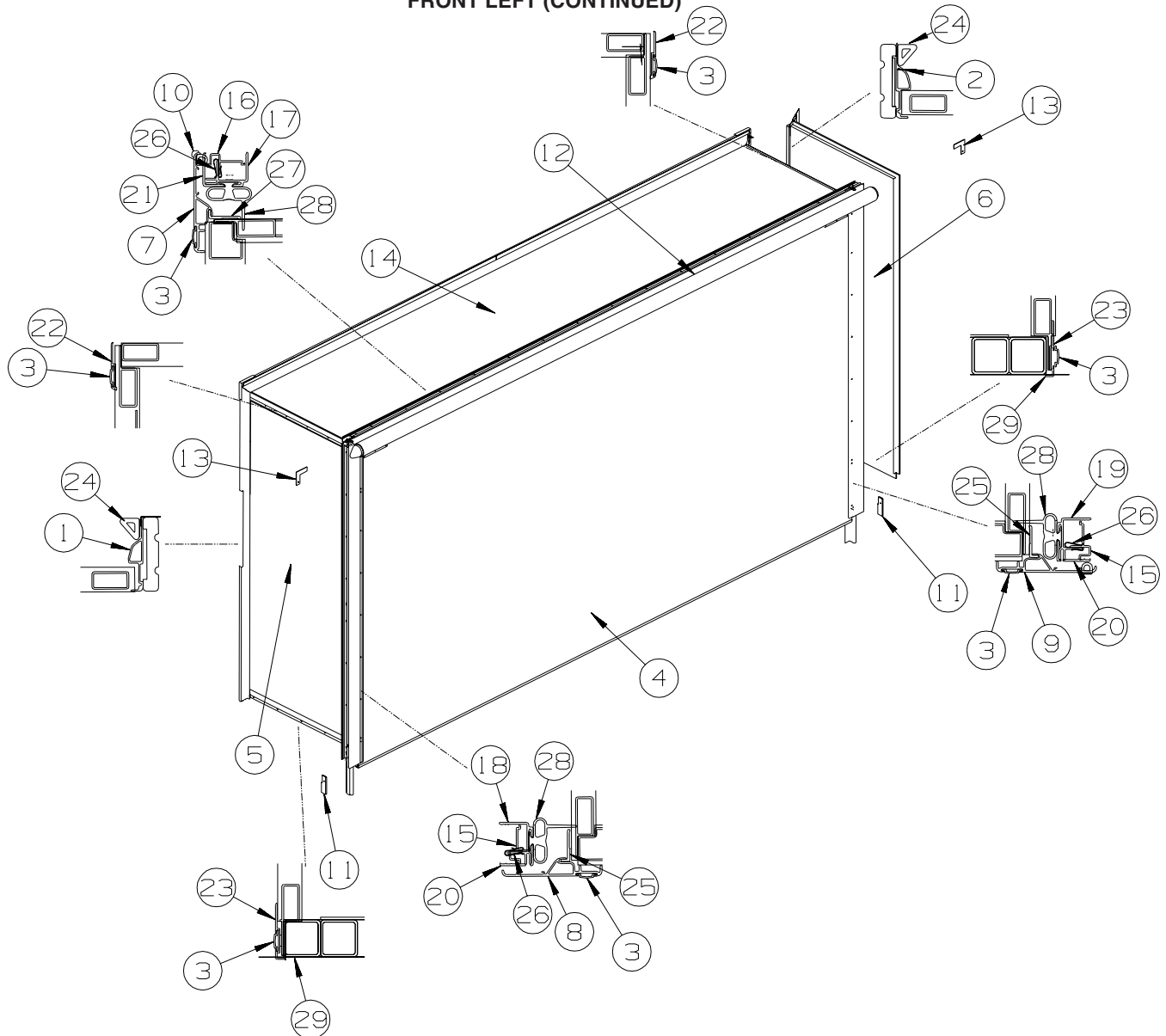
## EXTERIOR SLIDEOUT GROUP FRONT LEFT



KEY	PART NUMBER	U/M	DESCRIPTION
1*	140122-01-000	EA	SLIDEOUT - HYDRAULIC - 29.12"
2	122922-02-02B	EA	BRACKET/CYLINDER SUPPORT - E-COATED
3	126516-01-01A	FT	TRIM - VINYL/EXTRUDED - 8'
4	145328-02-02B	EA	BRACKET/MOUNT - SLIDEOUT - E-COATED
5	145328-01-02B	EA	BRACKET/MOUNT - SLIDEOUT - E-COATED
6*	100536-42-000	EA	HOSE KIT - PUMP TO SLIDE-OUT VALVE
7	123264-01-000	EA	TEE - UNION - 1/4" X 1/4" X 1/4"
8	125828-02-02B	EA	FILLER/STEEL - SLIDEOUT - E-COATED
9	126591-01-02B	EA	CARRIER/EXTENSION - F/SLIDEOUT-F/EXT. OF WIRE LOOM/HOSES
10	128386-02-02B	EA	BRACKET - SLIDEOUT COMPARTMENT - E-COATED
11	144138-02-02B	EA	SEAL PLANE - E-COATED
12	144137-02-R32	EA	COMPARTMENT - F/SLIDEOUT
13	148331-01-01A	EA	PLUG - OVAL/LARGE - BLACK

\*COMPONENT PARTS LISTED LATER IN THIS GROUP

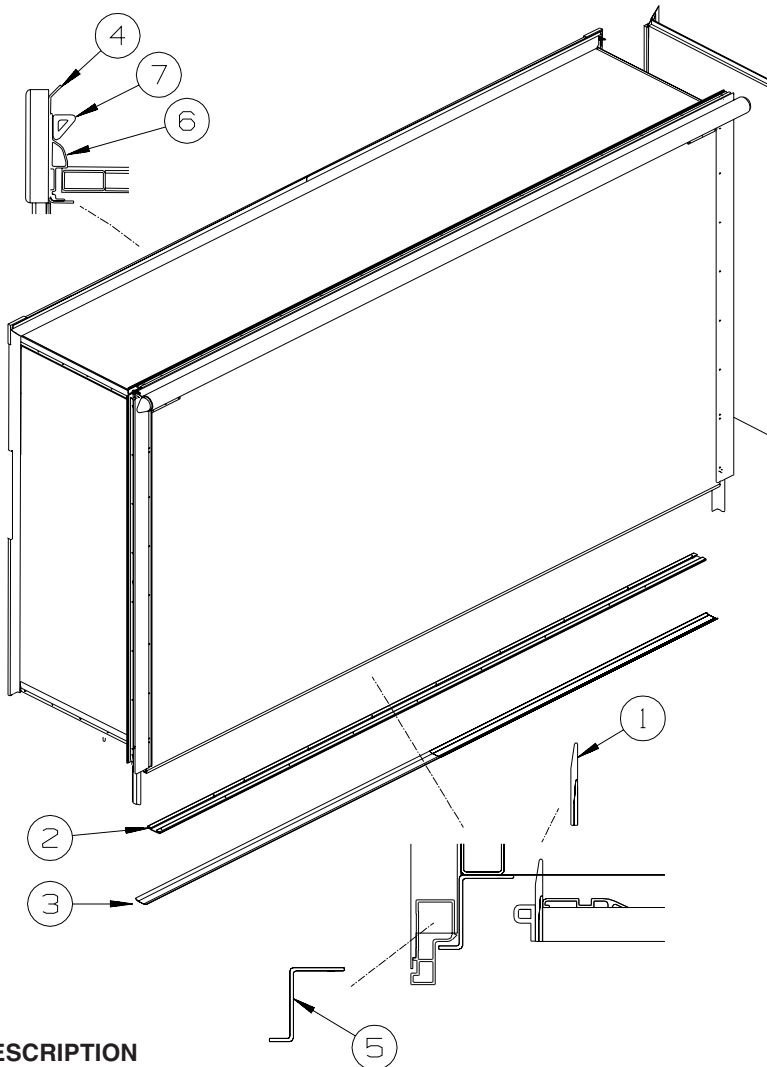
**EXTERIOR SLIDEOUT GROUP (CONTINUED)**  
**FRONT LEFT (CONTINUED)**



KEY	PART NUMBER	U/M	DESCRIPTION
1	139624-01-01A	EA	TRIM/SEAL - INNER/RIGHT HAND - 73.4" - BRIGHT WHITE
2	139624-02-01A	EA	TRIM/SEAL - INNER/LEFT HAND - 73.4" - BRIGHT WHITE
3	105312-01-07A	FT	INSERT - FEATURE STRIP - VINYL - BRIGHT WHITE
4	144221-11-R32	EA	SLUG - F/SLIDEOUT (R35)
4	144221-11-R33	EA	SLUG - F/SLIDEOUT (R36)
4	144221-11-R34	EA	SLUG - F/SLIDEOUT (R37)
5	143066-01-P37	EA	PANEL/Front - F/SLIDEOUT (R35)
5	143066-01-P38	EA	PANEL/Front - F/SLIDEOUT (R36)
5	143066-01-R34	EA	PANEL/Front - F/SLIDEOUT (R37)
6	143067-01-P37	EA	PANEL/REAR - F/SLIDEOUT (R35)
6	143067-01-P38	EA	PANEL/REAR - F/SLIDEOUT (R36)
6	143067-01-R34	EA	PANEL/REAR - F/SLIDEOUT (R37)
7	139625-06-01A	EA	TRIM/SEAL - TOP/W/MITERED ENDS - 147" - BRIGHT WHITE
8	139625-01-01A	EA	TRIM/SEAL - W/RH MITERED END - 76.4" - BRIGHT WHITE
			FROM: 00-00-00 THRU: 12-07-03
8	139625-42-01A	EA	TRIM/SEAL - W/RH MITERED END - 76.2" - BRIGHT WHITE
			FROM: 12-08-03 THRU: 99-99-99
9	139625-02-01A	EA	TRIM/SEAL - W/LH MITERED END - 76.4" - BRIGHT WHITE
			FROM: 00-00-00 THRU: 12-07-03
9	139625-43-01A	EA	TRIM/SEAL - W/LH MITERED END - 76.2" - BRIGHT WHITE
			FROM: 12-08-03 THRU: 99-99-99
10	117058-01-01A	FT	TAPE - LOOP - 3/4" WIDE - ADHESIVE BACKED
11	126546-01-02A	EA	COVER - END/SIDEWALL SLIDEOUT - BRIGHT WHITE

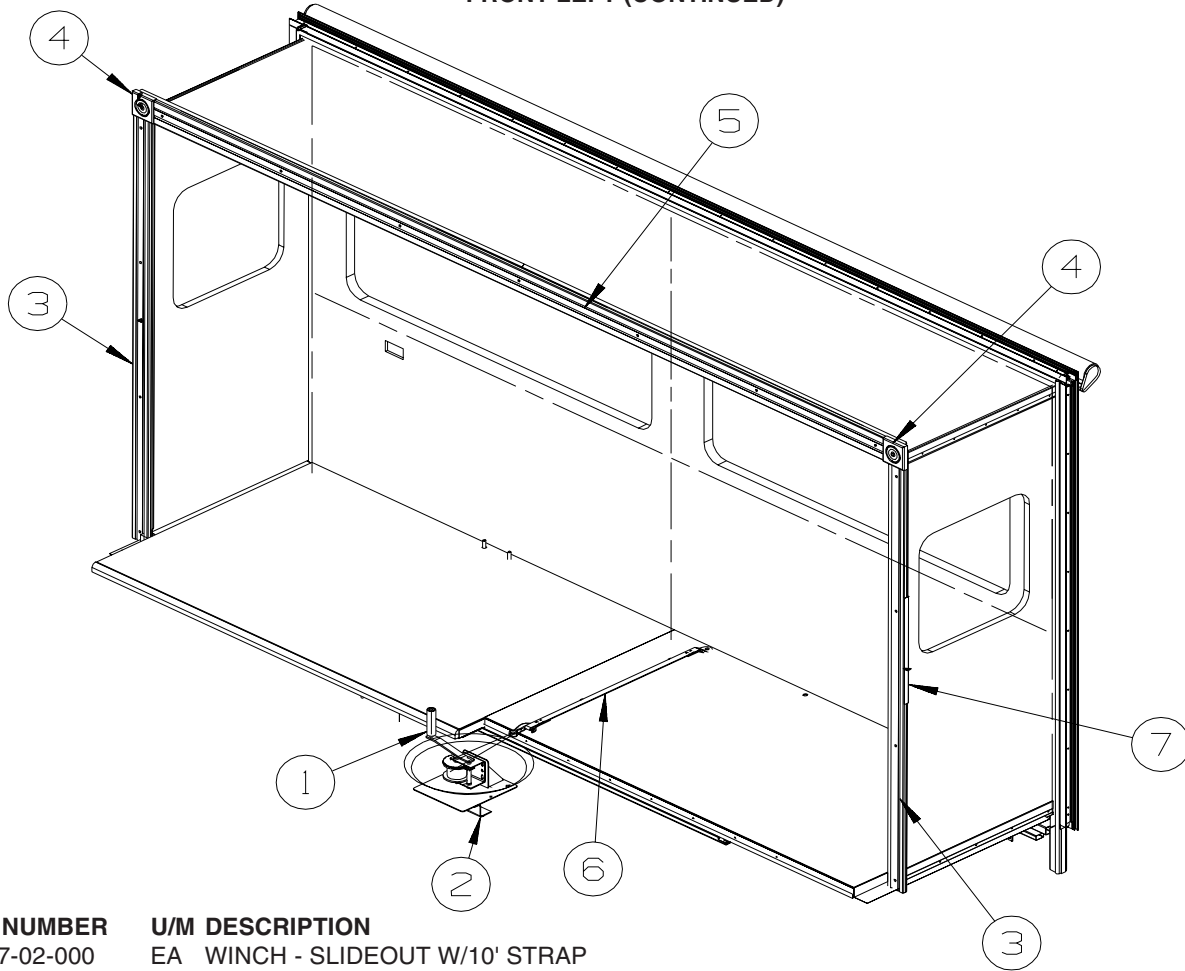
**EXTERIOR SLIDEOUT GROUP (CONTINUED)**  
**FRONT LEFT (CONTINUED)**

KEY	PART NUMBER	U/M	DESCRIPTION
12	122977-07-03A	EA	AWNING/SLIDEOUT W/COVER - 147" - WHITE - VINYL/VINYL WRAP
13	116444-04-12B	EA	TRIM/KEY CORNER - SLIDEOUT - 3.1"X3.1" - BRT WHT
14	137383-01-N42	EA	ROOF - F/LEFT FRONT SLIDEOUT - W/LIGHTS/VENTS
15	142718-01-01A	EA	RETAINER - SIDEWALL/SLIDEOUT - 72.8"
16	142718-02-01A	EA	RETAINER - SIDEWALL/SLIDEOUT - 144.9" - MILL
17	142719-01-01A	EA	TRIM - SIDEWALL/TOP SLIDEOUT - 146.7" - BRIGHT WHITE
18	142720-08-01A	EA	TRIM - SIDEWALL/SLIDEOUT - 74.4" - BRIGHT WHITE
19	142720-06-01A	EA	TRIM - SIDEWALL/SLIDEOUT - 74.4" - BRIGHT WHITE
20	136824-38-01A	EA	TRIM - SIDEWALL/SLIDEOUT - 74.6" - BRIGHT WHITE
			FROM: 00-00-00 THRU: 12-07-03
20	136824-45-01A	EA	TRIM - SIDEWALL/SLIDEOUT - 74.4"
			FROM: 12-08-03 THRU: 99-99-99
21	136824-05-01A	EA	TRIM - SIDEWALL/SLIDEOUT - 146.4" - BRIGHT WHITE
22	138659-01-01A	EA	TRIM/FEATURE STRIP - 181.7" - BRIGHT WHITE
23	125051-03-01A	EA	TRIM - FEATURE STRIP/LOWER - 29.3" - BRIGHT WHITE
24	146056-01-000	FT	SEAL - TRIANGLE - W/PSA
25	133954-09-01A	EA	TRIM/SEAL - W/MITERED ENDS - 71.6" - BRIGHT WHITE
26	142549-01-000	EA	CLIP-S TYPE
27	133954-07-01A	EA	TRIM/SEAL - W/MITERED ENDS - 141.8" - BRIGHT WHITE
28	136978-01-01A	FT	SEAL - SLIDEOUT - BLACK
29	075673-05-000	FT	SEAL - PILE - ADHESIVE BACK - BLACK

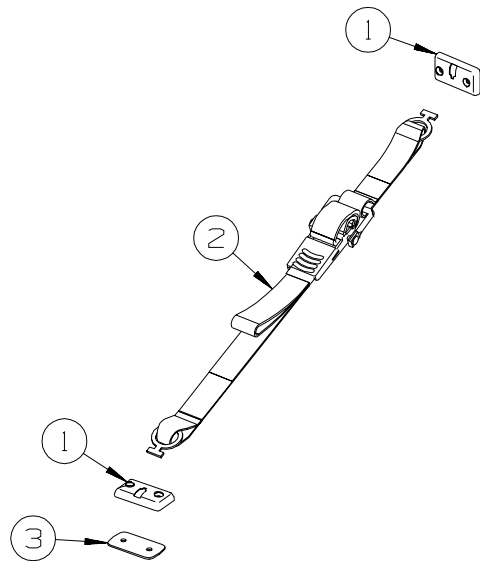


KEY	PART NUMBER	U/M	DESCRIPTION
1	115075-03-000	FT	SEAL - WIPE - .25" X 2.9"
2	115325-04-02A	EA	RAIL - FLOOR/SLIDEOUT ROOM - 134.2" LONG - BLACK
3	115661-01-000	FT	SHOE/GLIDE - SLIDEOUT ROOM - 1/16" X 3" - POLYETHYLENE
4	125466-02-02A	EA	SUPPORT - ROOF/INTERIOR - BRIGHT WHITE
5	128621-34-01A	EA	BRACKET/ZEE - SLIDEOUT - 142.6"
6	139624-06-01A	EA	TRIM/SEAL - INNER/TOP - 145.2" - BRIGHT WHITE
7	146056-01-000	FT	SEAL - TRIANGLE - W/PSA

**EXTERIOR SLIDEOUT GROUP (CONTINUED)**  
**FRONT LEFT (CONTINUED)**



KEY	PART NUMBER	U/M	DESCRIPTION
1	115767-02-000	EA	WINCH - SLIDEOUT W/10' STRAP
2	116082-03-02B	EA	BRACKET - WINCH
3	132663-04-08A	EA	MOLDING - VINYL WRAP/PRE DRILLED - .6" X 3" X 70.4" - OAK - PORTSMOUTH OAK
4	132844-01-08A	EA	BLOCK - CORNER - 3.9" X 3.9" - PORTSMOUTH OAK
5	132663-06-08A	EA	MOLDING-VINYL WRAP/PRE DRILLED-.6"X3.8"X137.4 - OAK - PORTSMOUTH OAK
6	116101-02-F31	EA	STRAP - WINCH - 34" CENTER BRACKET/STRAP END
7	130262-04-000	EA	PROTECTOR - CORNER SAVER - .4" X .7" X 48"



KEY	PART NUMBER	U/M	DESCRIPTION
1	135619-02-01A	EA	PLATE - TIEDOWN - SLIDEOUT ROOM
2	135619-01-01A	EA	STRAP - TIEDOWN - SLIDEOUT ROOM
3	135622-01-02B	EA	PLATE - TIEDOWN - SLIDEOUT ROOM



**EXTERIOR SLIDEOUT GROUP (CONTINUED)**  
**COMPONENT PARTS FOR FRONT SLIDEOUT**

**100536-42-000**

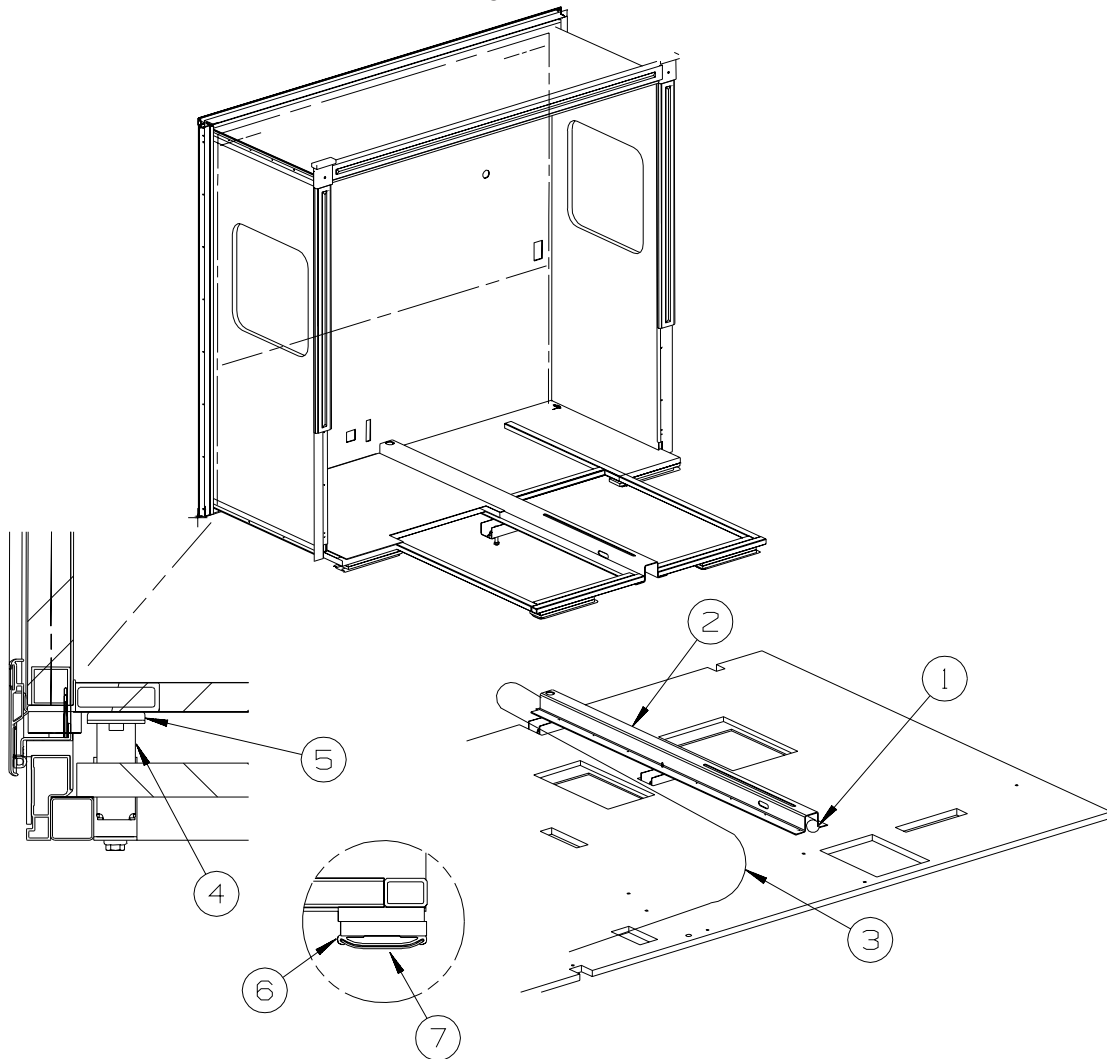
<b>KEY</b>	<b>PART NUMBER</b>	<b>U/M</b>	<b>DESCRIPTION</b>	<b>VENDOR NO.</b>
	100536-42-700	EA	HOSE/HYDRAULIC - 180" - PRESS	RAP90120/AP5965
	100536-42-701	EA	HOSE/HYDRAULIC - 175" - RETURN	RAP90350/AP7358

**140122-01-000**

<b>KEY</b>	<b>PART NUMBER</b>	<b>U/M</b>	<b>DESCRIPTION</b>	<b>VENDOR NO.</b>
	128599-06-703	EA	BEARING KIT - SLIDE-OUT TUBE	RAP90698
	128599-06-704	EA	BEARING PAD - SLIDE-OUT	P14811
	132540-01-700	EA	RAM - SLIDEOUT ROOM	RAP90689/AP19616
	132540-01-701	EA	CYLINDER - SYNCRONIZING	RAP90690/AP17966
	132540-01-706	EA	BOLT - SLIDE ROOM ADJUSTER	RAP90865/P19611
	137196-01-700	EA	HOSE-HYDRAULIC - 1/8" X 120"	AP24642
	137196-01-701	EA	HOSE-HYDRAULIC - 1/4" X 116"	AP5384

# EXTERIOR SLIDEOUT GROUP (CONTINUED)

## RIGHT REAR

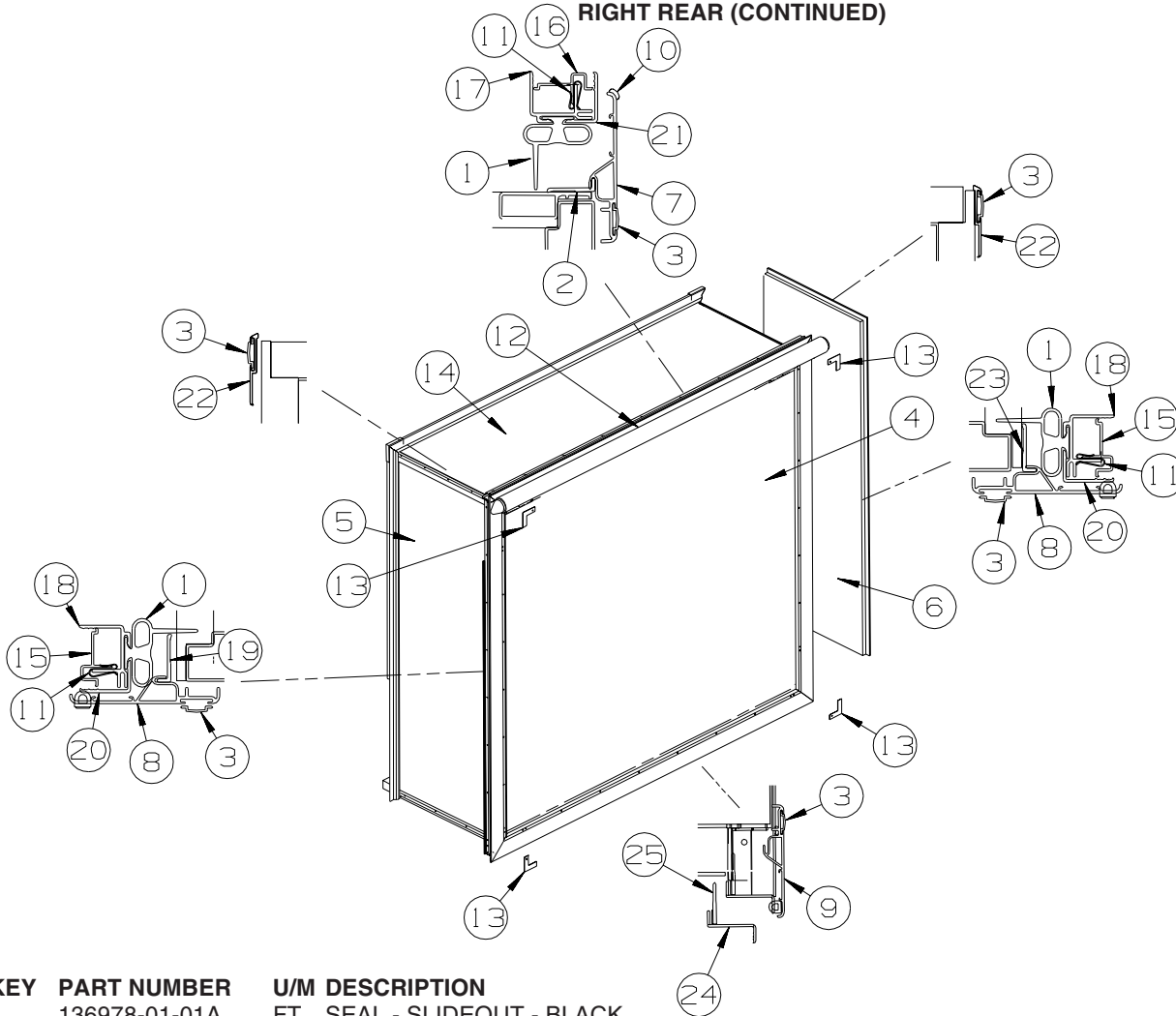


KEY	PART NUMBER	U/M	DESCRIPTION
1*	137390-01-000	EA	HYDRAULIC/BED - F/SLIDEOUT
2	137390-02-000	EA	CHANNEL - HYDRAULIC - F/SLIDEOUT
3*	100536-46-000	EA	HOSE KIT - F/SLIDEOUT
4	126313-10-02B	EA	SUPPORT - ROLLER - E-COATED
	142881-03-01B	EA	CHANNEL/GUIDE - F/SLIDEOUT - MILL
5	128599-03-000	EA	PAD - F/SLIDEOUT
6	115325-08-01A	EA	RAIL - FLOOR/SLIDEOUT ROOM - BLACK
7	115661-01-000	FT	SHOE/GLIDE - SLIDEOUT ROOM - 1/16" X 3" - POLYETHYLENE

\*COMPONENT PARTS LISTED LATER IN THIS GROUP

# EXTERIOR SLIDEOUT GROUP (CONTINUED)

## RIGHT REAR (CONTINUED)

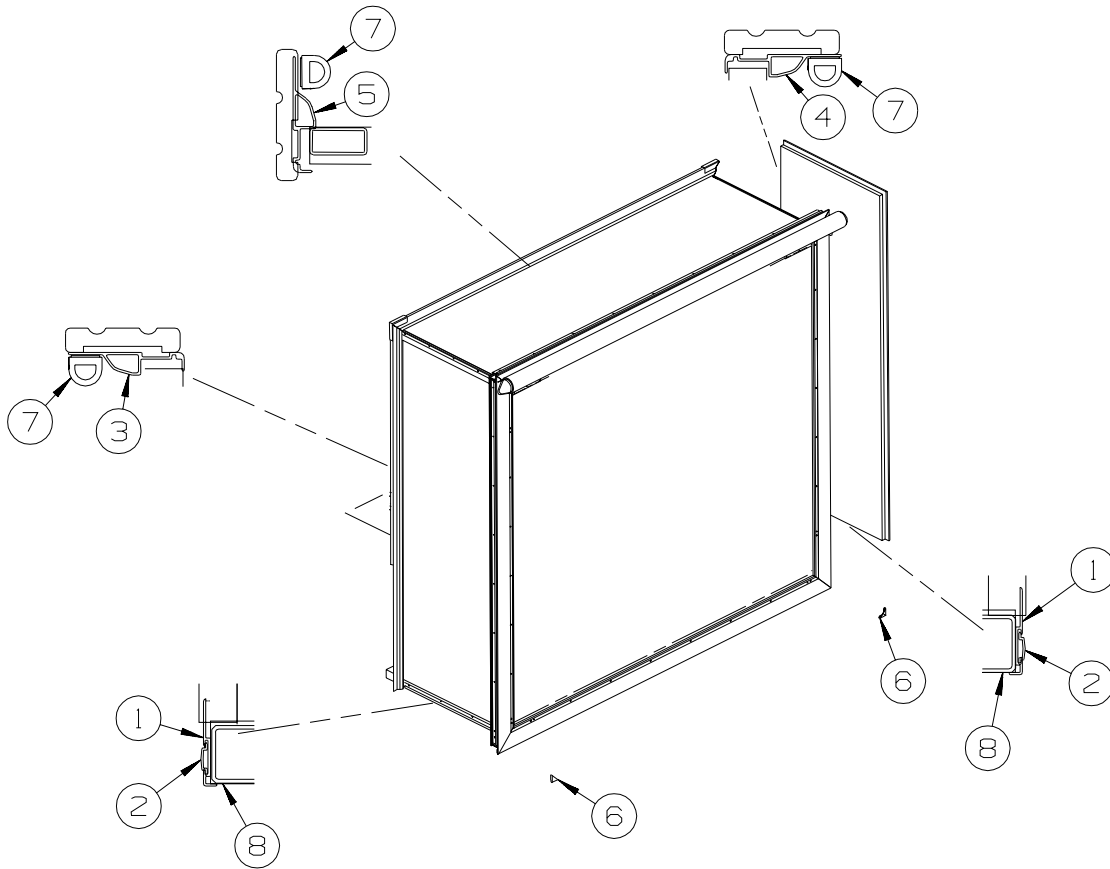


KEY	PART NUMBER	U/M	DESCRIPTION
1	136978-01-01A	FT	SEAL - SLIDEOUT - BLACK
2	133954-03-01A	EA	TRIM/SEAL - W/MITERED ENDS - 73.3" - BRIGHT WHITE FROM: 00-00-00 THRU: 03-16-03
2	133954-18-01A	EA	TRIM/SEAL - W/MITERED ENDS - 76.5" - BRIGHT WHITE FROM: 03-17-03 THRU: 99-99-99
3	105312-01-07A	FT	INSERT - FEATURE STRIP - VINYL - BRIGHT WHITE
4	144516-11-R32	EA	SLUG - F/SLIDEOUT (R35)
4	144516-11-R33	EA	SLUG - F/SLIDEOUT (R36)
4	144516-11-R34	EA	SLUG - F/SLIDEOUT (R37)
5	141708-01-P37	EA	PANEL/REAR - F/REAR SLIDEOUT (R35)
5	141708-01-P38	EA	PANEL/REAR - F/REAR SLIDEOUT (R36)
5	141708-01-R34	EA	PANEL/REAR - F/REAR SLIDEOUT (R37)
6	141706-01-P37	EA	PANEL/FRONT - F/REAR SLIDEOUT (R35)
6	141706-01-P38	EA	PANEL/FRONT - F/REAR SLIDEOUT (R36)
6	141706-01-R34	EA	PANEL/FRONT - F/REAR SLIDEOUT (R37)
7	139625-03-01A	EA	TRIM/SEAL - TOP/W/MITERED ENDS - 81.8" - BRIGHT WHITE
8	139625-11-01A	EA	TRIM/SEAL - TOP/W/MITERED ENDS - 75.6" - BRIGHT WHITE
9	142233-04-01A	EA	TRIM/SEAL - W/MITERED ENDS - 81.8" - BRIGHT WHITE
10	117058-01-01A	FT	TAPE - LOOP - 3/4" WIDE - ADHESIVE BACKED
11	142549-01-000	EA	CLIP-S TYPE
12	122977-12-03A	EA	AWNING/SLIDEOUT W/COVER - 81.8" - WHITE - VINYL/VINYL WRAP
13	116444-04-12B	EA	TRIM/KEY CORNER - SLIDEOUT - 3.1"X3.1" - BRT WHT
14	137400-01-N42	EA	ROOF - F/REAR SLIDEOUT - W/O LIGHTS/VENTS
15	142718-01-01A	EA	RETAINER - SIDEWALL/SLIDEOUT - 72.8"
16	142718-23-01A	EA	RETAINER - SIDEWALL/SLIDEOUT - 79.9"
17	142719-05-01A	EA	TRIM - SIDEWALL/TOP SLIDEOUT - 81.3" - BRIGHT WHITE
18	142720-11-01A	EA	TRIM - SIDEWALL/SLIDEOUT - 72.9" - BRIGHT WHITE
19	133954-37-01A	EA	TRIM/SEAL - W/MITERED ENDS - 67.1" - BRIGHT WHITE FROM: 00-00-00 THRU: 03-16-03
19	133954-46-01A	EA	TRIM/SEAL - W/MITERED ENDS - 68.8" - BRIGHT WHITE FROM: 03-17-03 THRU: 99-99-99

## EXTERIOR SLIDEOUT GROUP (CONTINUED)

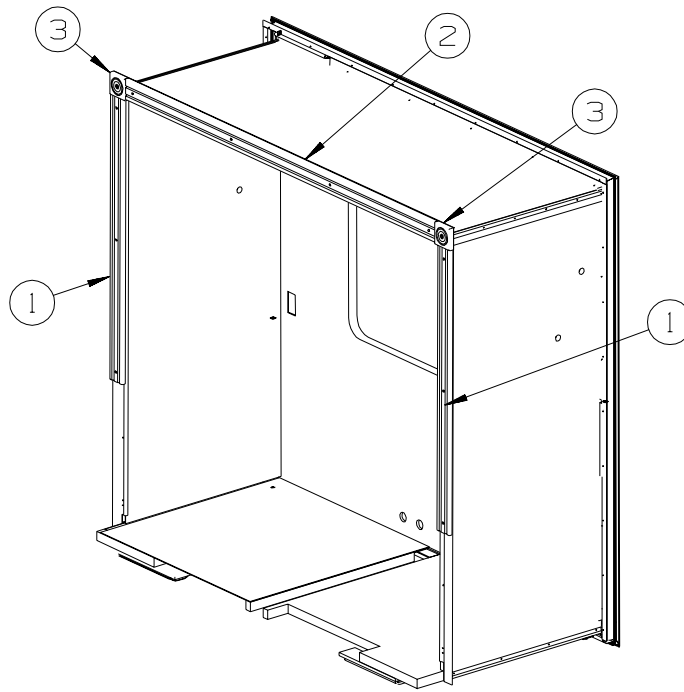
### RIGHT REAR (CONTINUED)

KEY	PART NUMBER	U/M	DESCRIPTION
20	136824-16-01A	EA	TRIM - SIDEWALL/SLIDEOUT - 72.7" - BRIGHT WHITE
21	136824-02-01A	EA	TRIM - SIDEWALL/SLIDEOUT - 81.2" - BRIGHT WHITE
22	138659-01-01A	EA	TRIM/FEATURE STRIP - 181.7" - BRIGHT WHITE
23	133954-37-01A	EA	TRIM/SEAL - W/MITERED ENDS - 67.1" - BRIGHT WHITE
			FROM: 00-00-00 THRU: 03-16-03
23	133954-46-01A	EA	TRIM/SEAL - W/MITERED ENDS - 68.8" - BRIGHT WHITE
			FROM: 03-17-03 THRU: 99-99-99
24	141174-01-02A	EA	TRIM/ZEE - SIDEWALL - 81.4" - BRIGHT WHITE
25	123012-01-000	FT	SEAL - SLIDEOUT - .09"/.13" THICK X 1.25" - W/ADHESIVE
	149821-01-02A	EA	TRIM/ANGLE - SIDEWALL - BRIGHT WHITE - 1/2" X 1/2" X 77.9"
			FROM: 12-08-03 THRU: 99-99-99



KEY	PART NUMBER	U/M	DESCRIPTION
1	141435-01-01A	EA	TRIM - FEATURE - LOWER - 30.4" - BRIGHT WHITE
			FROM: 00-00-00 THRU: 03-16-03
1	141435-03-01A	EA	TRIM - FEATURE - LOWER - 29.1" - BRIGHT WHITE
			FROM: 03-17-03 THRU: 99-99-99
	141434-51-001	EA	TRIM - FLOOR/SIDEWALL - 16'
2	105312-01-07A	FT	INSERT - FEATURE STRIP - VINYL - BRIGHT WHITE
3	139624-15-01A	EA	TRIM/SEAL - INNER/RIGHT HAND - 72.9" - BRIGHT WHITE
4	139624-16-01A	EA	TRIM/SEAL - INNER/LEFT HAND - 72.9" - BRIGHT WHITE
5	139624-04-01A	EA	TRIM/SEAL - INNER/TOP - 80.2" - BRIGHT WHITE
6	135275-01-01A	EA	PROTECTOR - CORNER - SLIDEOUT - WHITE
7	146056-01-000	FT	SEAL - TRIANGLE - W/PSA
8	075673-05-000	FT	SEAL - PILE - ADHESIVE BACK - BLACK

**EXTERIOR SLIDEOUT GROUP (CONTINUED)**  
**RIGHT REAR (CONTINUED)**



KEY	PART NUMBER	U/M	DESCRIPTION
1	132663-24-08A	EA	MOLDING-VINYL WRAP/PRE DRILLED - .6" X 3" X 45.8" - OAK - PORTSMOUTH OAK
2	132663-18-08A	EA	MOLDING-VINYL WRAP/PRE DRILLED - .6" X 3.4" X 73.2" - OAK - PORTSMOUTH OAK
3	132844-02-08A	EA	BLOCK - CORNER - 3.5" X 3.5" - PORTSMOUTH OAK

## EXTERIOR SLIDEOUT GROUP (CONTINUED)

### COMPONENT PARTS FOR RIGHT REAR SLIDEOUT

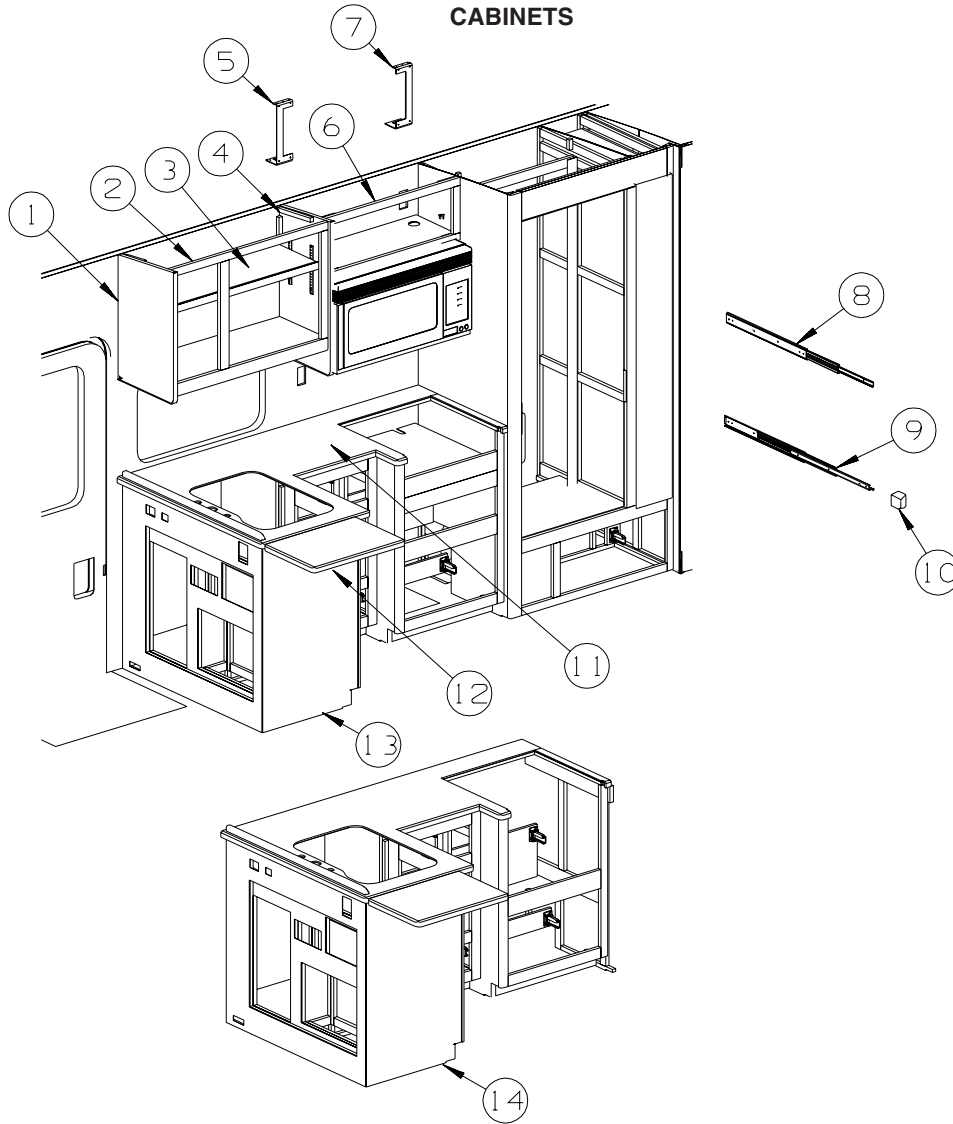
100536-46-000

KEY	PART NUMBER	U/M	DESCRIPTION	VENDOR NO.
	100536-46-700	EA	HOSE/HYDRAULIC - 1/4" X 408"	RAP4669/AP4669
	100536-46-701	EA	HOSE/HYDRAULIC - 1/4" X 412"	AP7130

137390-01-000

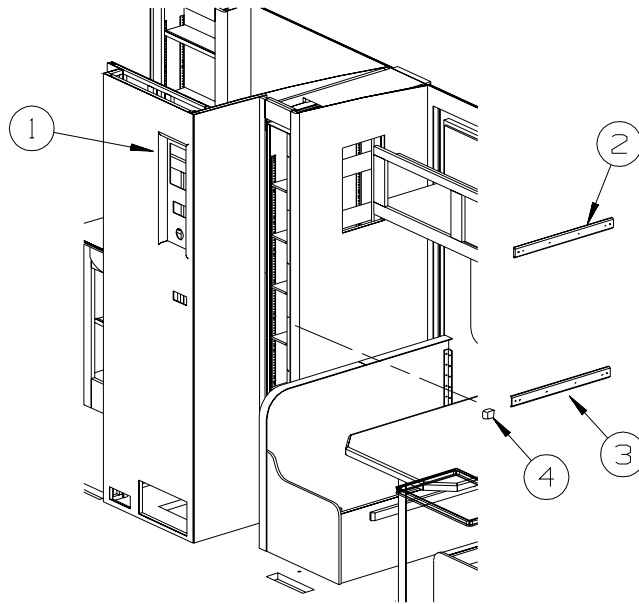
KEY	PART NUMBER	U/M	DESCRIPTION	VENDOR NO.
	128599-06-700	EA	HOSE/HYDRAULIC - 1/8" X 72"	AP24635
	128599-06-701	EA	HOSE/HYDRAULIC - 1/8" X 84"	AP24636
	128599-06-703	EA	BEARING KIT - SLIDE-OUT TUBE	RAP90698
	128599-06-704	EA	BEARING PAD - SLIDE-OUT	P14811
	137390-01-700	EA	RAM/CYLINDER - SLIDEOUT ROOM	RAP90876/AP23425
	137390-01-701	EA	CYLINDER NUT KIT - SLIDEOUT	RAP90947
	137390-01-702	EA	SLOT COVER ASM. - RUBBER	AP26959

## GALLEY GROUP CABINETS

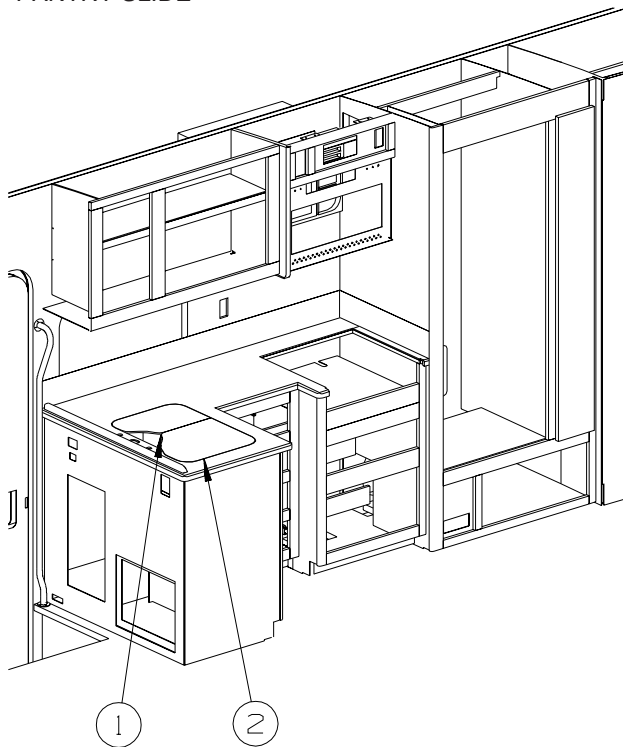


KEY	PART NUMBER	U/M	DESCRIPTION
1	103128-86-N30	EA	END CAP - OVERHEAD CABINET/LEFT HAND
2	144287-01-R32	EA	CABINET - OVERHEAD/GALLEY - W/O DOORS/HARDWARE
3	144287-14-R32	EA	SHELF - W/PLASTIC EDGE MOLDING
4	103128-47-M42	EA	END CAP - OVERHEAD CABINET/RIGHT HAND
5	130736-03-02B	EA	BRACKET - MICROWAVE - E-COATED
6	141733-02-P45	EA	CABINET - OVERHEAD/MICROWAVE - W/O DOORS/HARDWARE
7	130736-04-02B	EA	BRACKET - MICROWAVE - E-COATED
8	122360-02-000	EA	SLIDE - PANTRY - W/O LOCK - RIGHT/LEFT HAND
9	122360-03-000	EA	SLIDE - PANTRY - W/LOCK - RIGHT HAND (FACING PANEL)
10	123673-01-01A	EA	KNOB - PANTRY SLIDE
11	137475-09-03A	EA	COUNTERTOP - 1/4" VENDURA - ROCKY MOUNTAIN
12	141784-02-03A	EA	COUNTERTOP - EXTENSION - 1/4" VENDURA - QUARRY
13	P44260-01-R32	EA	CABINET - GALLEY - W/O COUNTERTOP/DRS/DWR/HDW - 3 BURNER RANGE TOP
13	P44260-03-R32	EA	CABINET - GALLEY - W/O COUNTERTOP/DRS/DWR/HDW - 3 BURNER RANGE TOP - 2-WAY RADIO
14	P44260-02-R32	EA	CABINET - GALLEY - W/O COUNTERTOP/DRS/DWR/HDW - RANGE 3 BURNER W/OVEN
14	P44260-04-R32	EA	CABINET - GALLEY - W/O COUNTERTOP/DRS/DWR/HDW - RANGE 3 BURNER W/OVEN - 2-WAY RADIO

**GALLEY GROUP (CONTINUED)**  
**CABINETS (CONTINUED)**



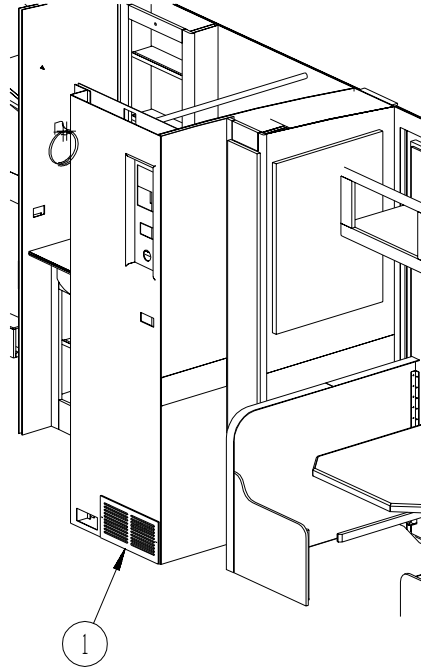
KEY	PART NUMBER	U/M	DESCRIPTION
1	137602-04-n30	EA	POCKET - MONITOR PANEL
1	137602-86-R32	EA	POCKET - MONITOR PANEL - 6 GALLON ELECTRIC WATER HEATER W/MOTOR FROM: 00-00-00 THRU: 07-06-03
1	137602-C7-R32	EA	POCKET - MONITOR PANEL - 6 GALLON ELECTRIC WATER HEATER W/MOTOR FROM: 07-07-03 THRU: 99-99-99
2	122360-02-000	EA	SLIDE - PANTRY - W/O LOCK - RIGHT/LEFT HAND
3	122360-01-000	EA	SLIDE - PANTRY - W/LOCK - LEFT HAND (FACING PANEL)
4	123673-01-01a	EA	KNOB - PANTRY SLIDE



KEY	PART NUMBER	U/M	DESCRIPTION
1	137489-01-03A	EA	COVER - SINK/LARGE - 13.8" X 17" - 1/4" VENDURA/QUARRY
2	137489-02-03A	EA	COVER - SINK/SMALL - 9.6" X 15.7" - 1/4" VENDURA/QUARRY



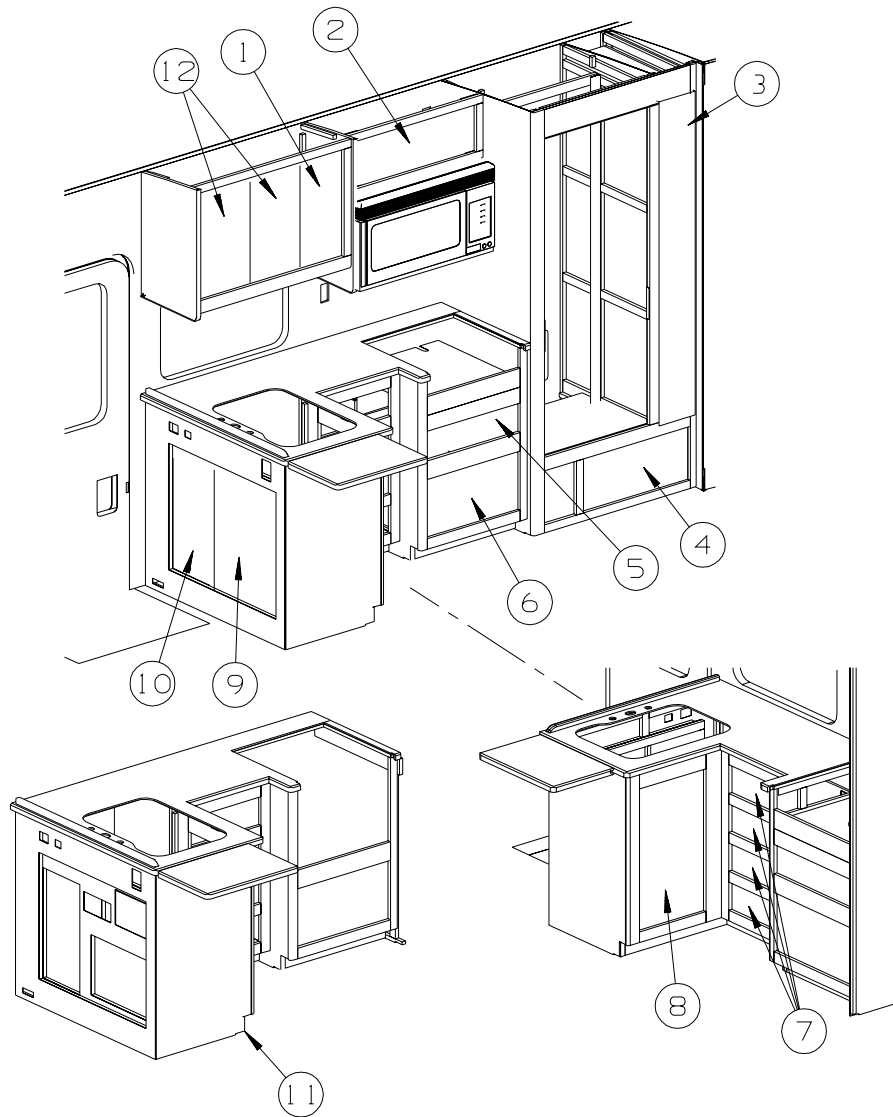
**GALLEY GROUP (CONTINUED)**  
**CABINETS (CONTINUED)**



KEY	PART NUMBER	U/M DESCRIPTION
1	093614-01-02A	EA GRILLE - AIR RETURN - 15.9" X 7.9" - BEIGE

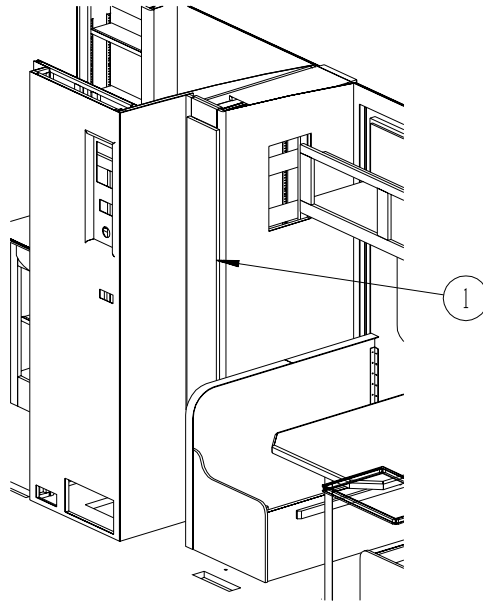
## GALLEY GROUP (CONTINUED)

### DOORS & DRAWERS



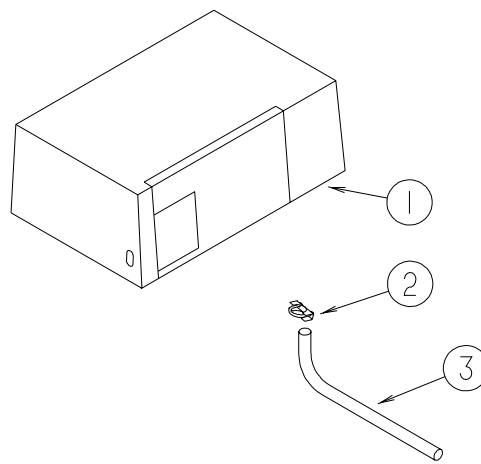
KEY	PART NUMBER	U/M	DESCRIPTION
1	141520-40-R35	EA	DOOR - ARCHED/PENCIL EDGE/RIGHT HAND -10.8"X21.8"- W/O HDW
2	141522-28-R35	EA	DOOR - ARCHED/PENCIL EDGE/HORIZ - 10" X 29.5" - W/O HDW
3	134781-A6-N37	EA	DOOR - RAIL/VENEER - 8" X 60.7" - W/O HARDWARE
3	145268-07-R35	EA	DOOR - RAISED PANEL/PENCIL EDGE - 60.7" - 8.1" - W/O HDW FROM: 00-00-00 THRU: 04-25-04 FROM: 04-26-04 THRU: 99-99-99
4	145492-34-R35	EA	DRAWER - PENCIL EDGE - 22.9"W X 19.6"D - W/O SLIDES/HDW
5	145492-41-R35	EA	DRAWER - PENCIL EDGE - 19.8"W X 17.7"D - W/O SLIDES/HDW
6	145492-44-R35	EA	DRAWER - PENCIL EDGE - 19.8"W X 13.8"D - W/O SLIDES/HDW
7	145492-43-R35	EA	DRAWER - PENCIL EDGE - 15.4"W X 11.8"D - W/O SLIDES/HDW
8	136919-D5-P41	EA	DOOR - FLAT/PENCIL EDGE - 15.7" X 27.9" - W/O HARDWARE
9	136919-C3-P10	EA	DOOR - FLAT/PENCIL EDGE - 15.3" X 25.6" - W/O HARDWARE
10	136919-C2-P34	EA	DOOR - FLAT/PENCIL EDGE - 15.3" X 25.6" - W/O HARDWARE
11	145492-R0-R35	EA	DRAWER - PENCIL EDGE - 19.8"W X 13.8"D - W/O SLIDES/HDW
12	141518-40-R35	EA	DOOR - ARCHED/PENCIL EDGE/LEFT HAND-10.8" X 21.8"-W/O HDW

**GALLEY GROUP (CONTINUED)**  
**DOORS & DRAWERS (continued)**



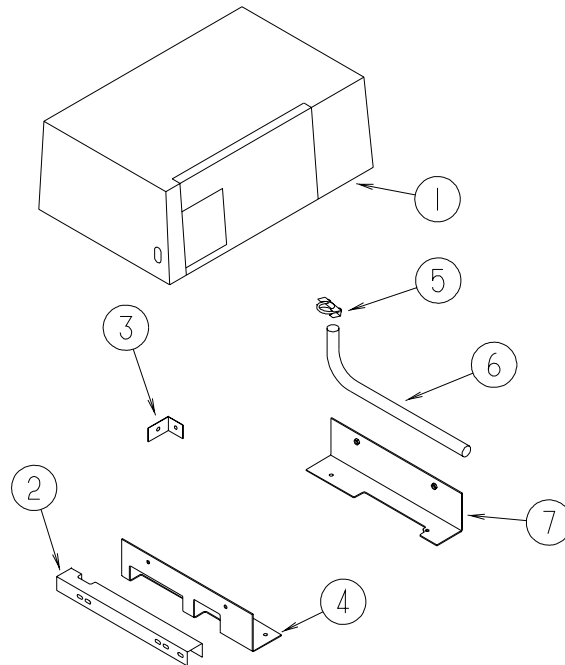
KEY	PART NUMBER	U/M	DESCRIPTION
1	134781-A7-N37	EA	DOOR - RAIL/VENEER - 8" X 60.7" - W/O HARDWARE FROM: 00-00-00 THRU: 04-25-04
1	145268-43-R35	EA	DOOR - RAISED PANEL/PENCIL EDGE - 8.1" X 60.7" - W/O HDW FROM: 04-26-04 THRU: 99-99-99

## GENERATOR GROUP GAS



**MARQUIS GOLD**

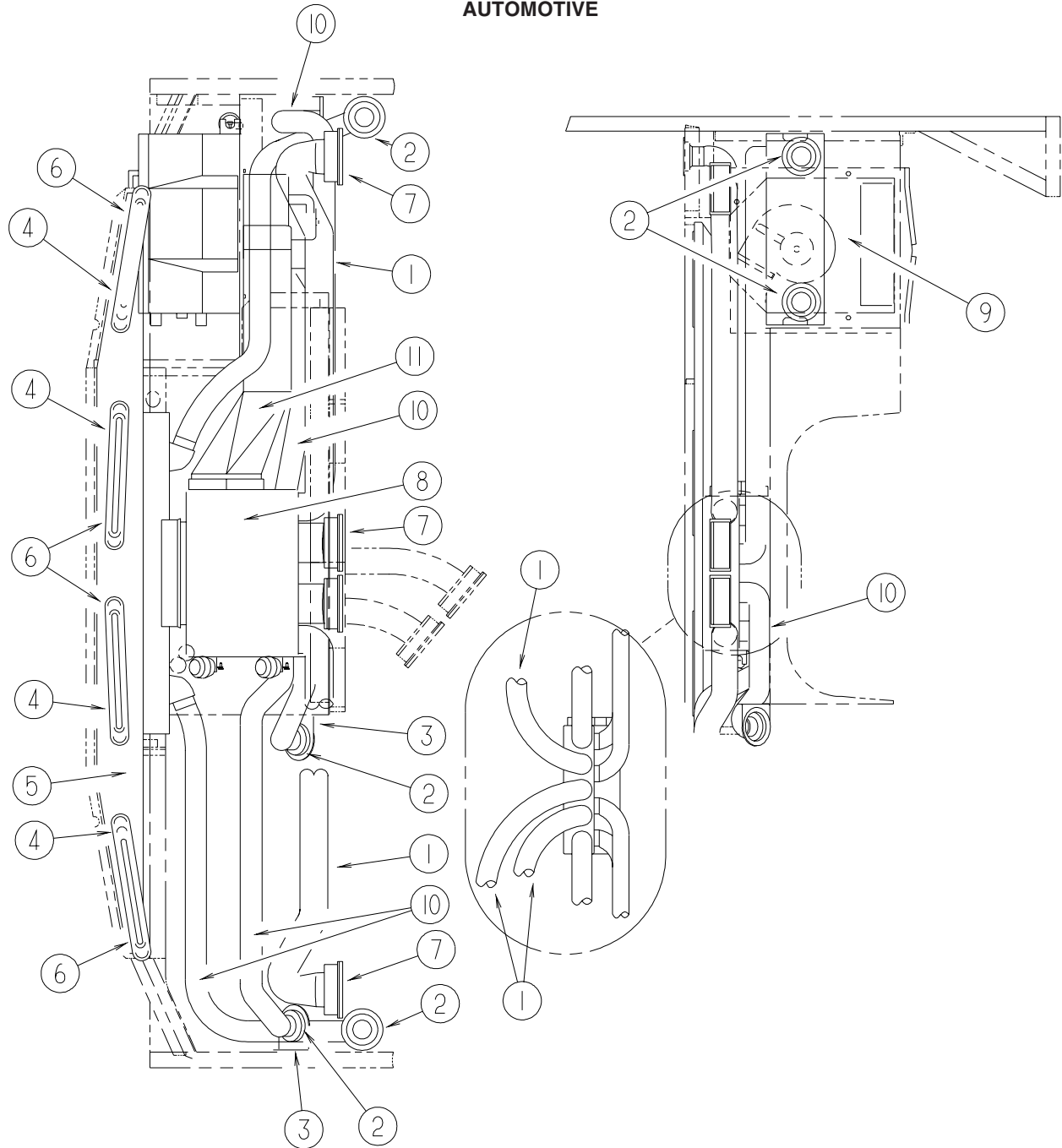
KEY	PART NUMBER	U/M	DESCRIPTION
1	135707-02-000	EA	GENERATOR - 7.0 - 30/20 - GAS - MARQUIS GOLD - 7.0 KW ONAN - 30 AMP
1	135707-01-000	EA	GENERATOR - 7.0 - 30/30 - GAS - MARQUIS GOLD - 7.0 KW ONAN - 50 AMP
1	135707-07-000	EA	GENERATOR - 5.5 - 30/20 - GAS - MARQUIS GOLD - 5.5 KW ONAN - 30 AMP
1	135707-06-000	EA	GENERATOR - 5.5 - 30/30 - GAS - MARQUIS GOLD - 5.5 KW ONAN - 50 AMP
2	007125-03-000	EA	CLAMP - MUFFLER - 1.5" DIAMETER
3	105958-14-000	EA	PIPE - GENERATOR EXHAUST - F30W ONLY
3	105958-25-000	EA	PIPE - GENERATOR EXHAUST



**MICROLITE - F30W ONLY**

KEY	PART NUMBER	U/M	DESCRIPTION
1	109982-03-000	EA	GENERATOR - 4.0 MICROLITE - 4.0 KW ONAN
2	135825-01-02B	EA	CHANNEL - SPACER - GENERATOR - E-COATED
3	135826-01-02B	EA	ANGLE - SUPPORT - GENERATOR - E-COATED
4	114070-02-02B	EA	SUPPORT - GENERATOR - LEFT
5	007125-04-000	EA	CLAMP - MUFFLER - 1.12" DIAMETER
6	105958-10-000	EA	PIPE - GENERATOR EXHAUST - 1.3" OD X 5.9" X 19.7"
7	114071-02-02B	EA	SUPPORT - GENERATOR - RIGHT

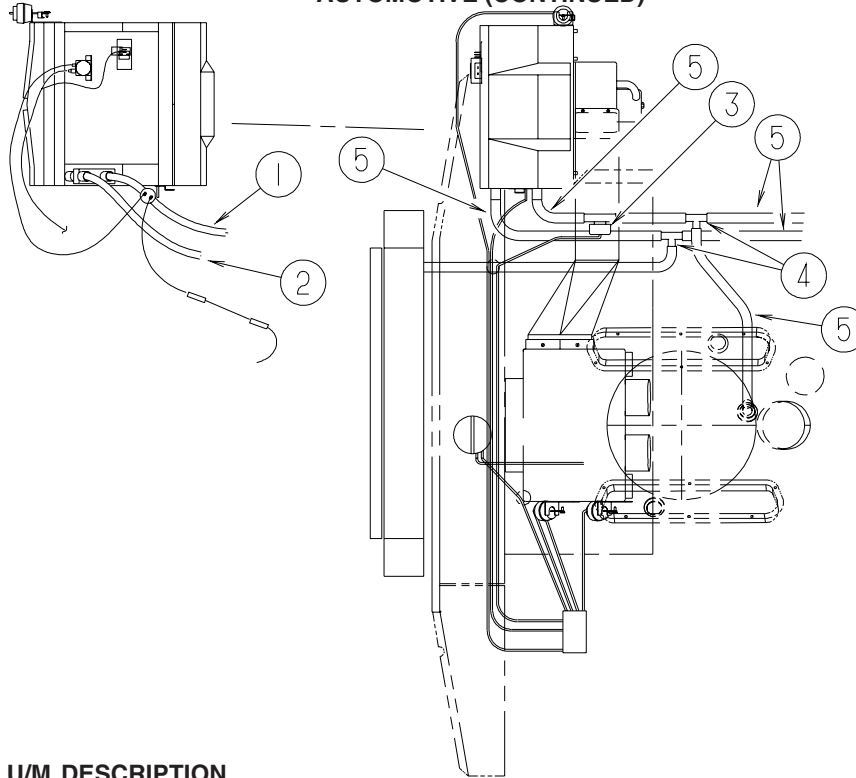
## HEATING & A/C GROUP AUTOMOTIVE



KEY	PART NUMBER	U/M	DESCRIPTION
1	007281-01-000	EA	HOSE - FLEXIBLE PVC - 2 1/2" ID X 50'
2	024990-05-000	EA	OUTLET - DEFROSTER - W/SWIVEL - 2" SLEEVE/4" OD - BLACK - 4 USED
3	136157-03-02B	EA	BRACKET - HEATER - E-COATED - 1 USED
4	077075-01-000	EA	GASKET - INSTRUMENT PANEL/DEFROSTER PLENUM - .6" X 10.2"
5	103017-03-000	EA	PLENUM - DEFROSTER
6	135265-01-04A	EA	VENT - DEFROSTER - PLASTIC - GLACIER
7	135803-01-01A	EA	LOUVER - A/C - 2.5" X 5.2" - BLACK - 2 USED
7	135803-02-01A	EA	LOUVER - A/C - 2.5" - 5.7" - W/SCREW HOLES - BLACK - 2 USED
8*	103930-49-000	EA	CONTROL/PLENUM - LARGE ROTARY
9*	103930-55-000	EA	EVAPORATOR/HEATER - NONCHARGED - SINGLE OUTPUT
10	007076-01-000	EA	HOSE - FLEXIBLE PVC - 2" ID - INCREMENTS OF 50'
11	103016-03-000	EA	PLENUM - TRANSITION
	103930-54-000	EA	MANUAL - OWNERS - HEATER/AC

\*COMPONENT PARTS LISTED LATER IN THIS GROUP

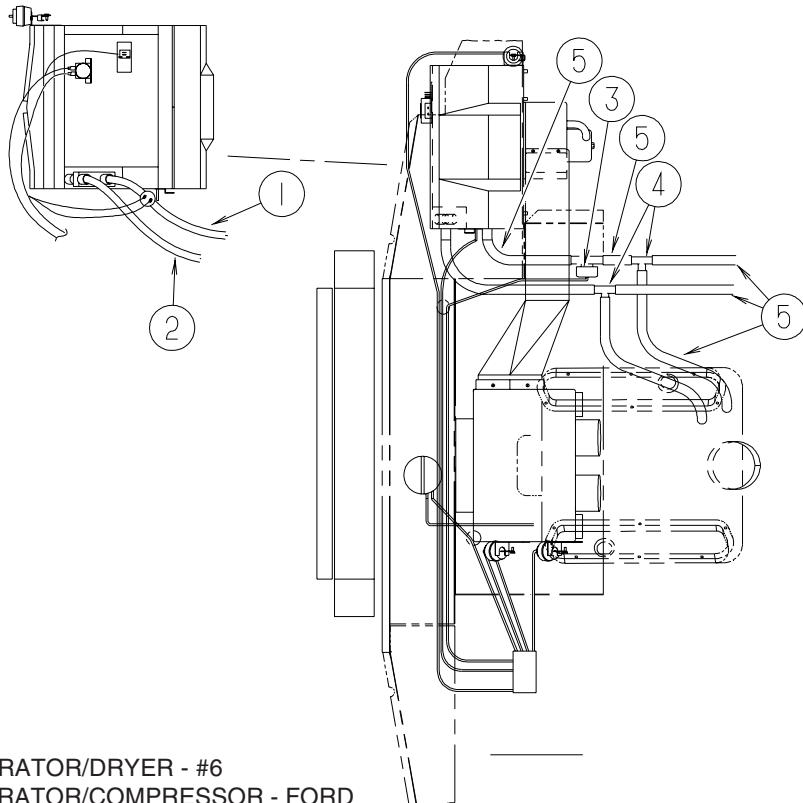
**HEATING & A/C GROUP (CONTINUED)**  
**AUTOMOTIVE (CONTINUED)**



**WORKHORSE**

KEY	PART NUMBER	U/M	DESCRIPTION
1*	103930-47-000	EA	HOSE - EXPANSION VALVE-EVAPORATOR/DRIER
2*	103930-46-000	EA	HOSE - EXPANSION BLOCK (EVAPORATOR) TO COMPRESSOR
3	103930-23-000	EA	VALVE/WATER - 2 PORT/VACUUM CONTROLLED - "NEW DESIGN"
4	076776-01-000	EA	TEE - BEADED - 5/8" X 5/8" X 5/8"
5	007108-01-000	FT	HOSE - HEATER - 5/8" ID - HI-TEMP

**\*COMPONENT PARTS LISTED LATER IN THIS GROUP**



**FORD**

KEY	PART NUMBER	U/M	DESCRIPTION
1*	103930-44-000	EA	HOSE - EVAPORATOR/DRYER - #6
2*	103930-45-000	EA	HOSE - EVAPORATOR/COMPRESSOR - FORD
3	103930-23-000	EA	VALVE/WATER - 2 PORT/VACUUM CONTROLLED - "NEW DESIGN"
4	076776-01-000	EA	TEE - BEADED - 5/8" X 5/8" X 5/8"
5	007108-01-000	FT	HOSE - HEATER - 5/8" ID - HI-TEMP

**\*COMPONENT PARTS LISTED LATER IN THIS GROUP**

## HEATING & A/C GROUP (CONTINUED)

### COMPONENT PARTS FOR AUTOMOTIVE

103930-44-000

KEY	PART NUMBER	U/M	DESCRIPTION	VENDOR NO
	103930-29-701	EA	O'RING F/LOW PRESSURE SWITCH	045-0483
	103930-44-700	EA	HOSE ASSEMBLY #6	085-0462
	113245-01-711	EA	O'RING #6	045-0129

103930-45-000

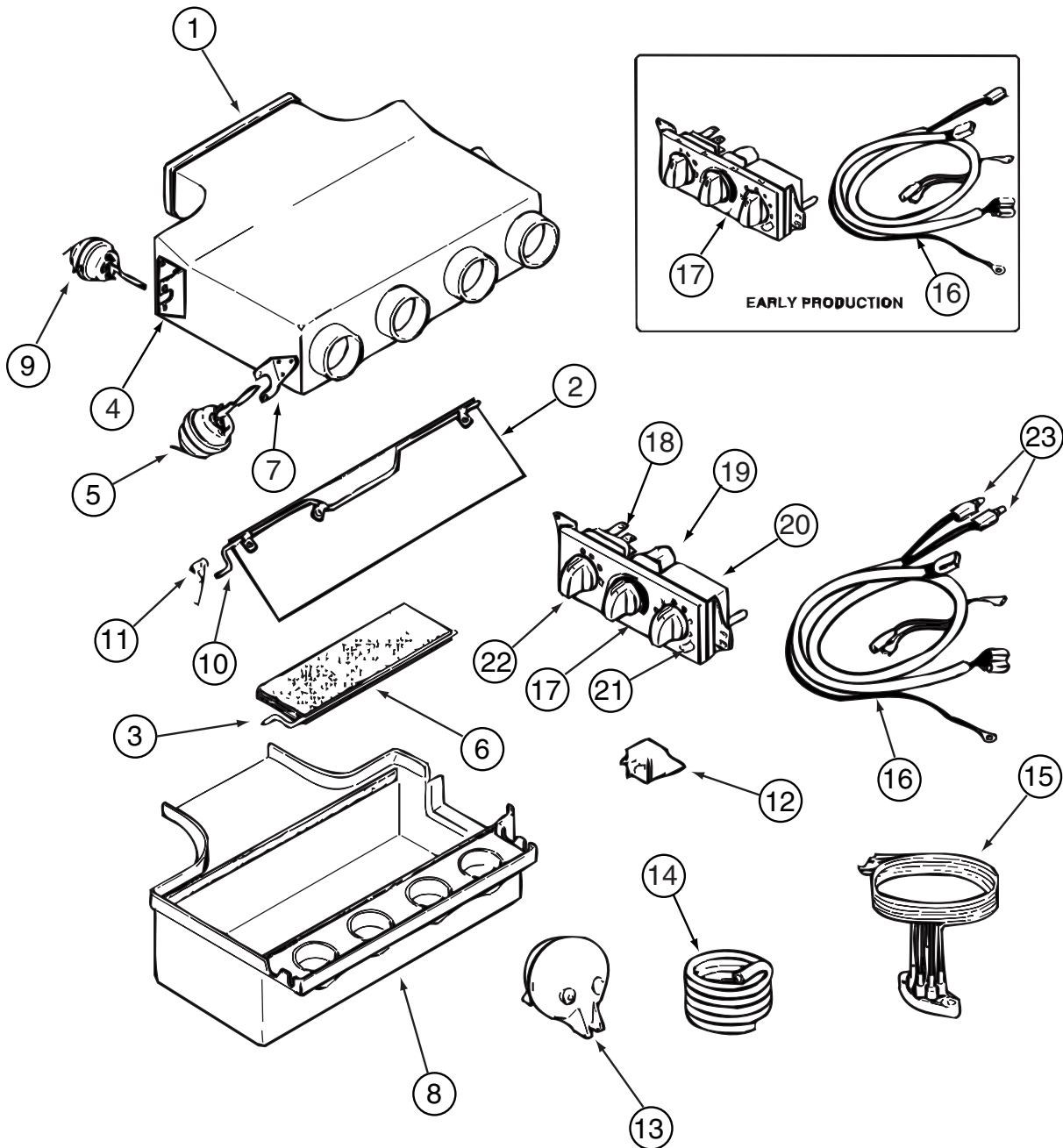
KEY	PART NUMBER	U/M	DESCRIPTION	VENDOR NO.
	103930-17-702	EA	O'RING #10	045-0127

103930-46-000

KEY	PART NUMBER	U/M	DESCRIPTION	VENDOR NO
	103930-17-702	EA	O'RING #10	045-0127
	103930-29-701	EA	O'RING F/LOW PRESSURE SWITCH	045-0483
	103930-46-700	EA	HOSE - #10 EVAP/COMP - 4.3'	085-0486

103930-47-000

KEY	PART NUMBER	U/M	DESCRIPTION	VENDOR NO
	103930-47-700	EA	HOSE - #6-EVAP/DRIER - 2.2'	085-0485
	113245-01-710	EA	O'RING, #12	045-0128



103930-49-000

**HEATING & A/C GROUP (CONTINUED)**  
**COMPONENT PARTS FOR AUTOMOTIVE (CONTINUED)**

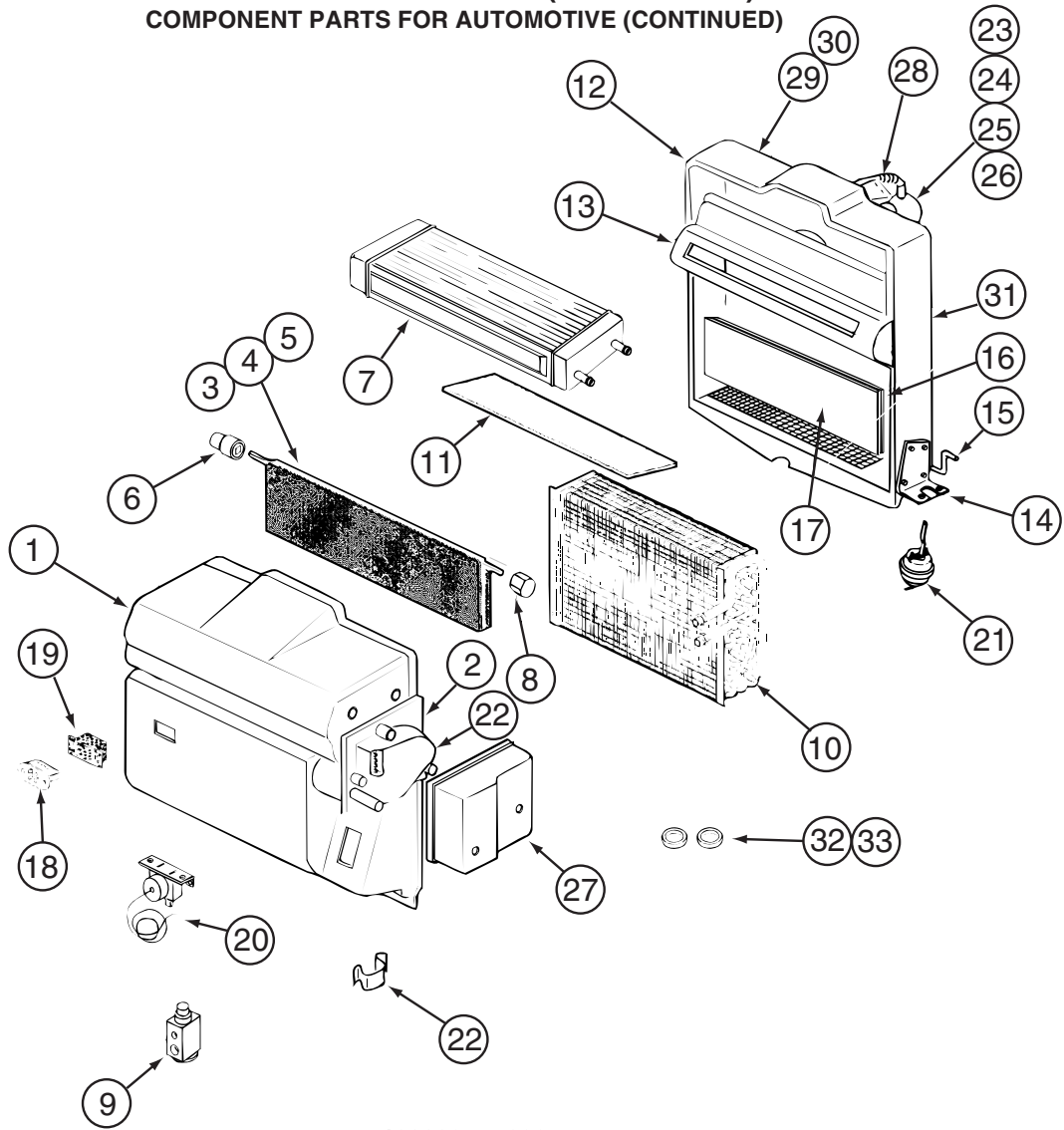
**103930-49-000 (CONTINUED)**

<b>KEY</b>	<b>PART NUMBER</b>	<b>U/M</b>	<b>DESCRIPTION</b>	<b>VENDOR NO.</b>
1	103930-39-705	EA	PLENUM - TOP	060-0482
2	103930-04-700	EA	DOOR - DEFROSTER-A/C	071-0149
3	103930-39-700	EA	ROD - DOOR - AC/HEAT	073-067
5	103930-02-708	EA	MOTOR-VACUUM SERVO, A/C	030-0025
6	103930-39-706	EA	PLATE - DOOR - A/C	071-0623
8	103930-39-707	EA	PLENUM - BOTTOM	060-0483
9	103930-33-701	EA	MOTOR - VACUUM, 3 STAGE	030-0105
10	103930-39-701	EA	ROD - DOOR - AC/DEFROST	073-0069
11	103930-39-704	EA	SPRING	022-0119
12	103930-02-707	EA	RELAY-BOSCH W/RESISTER	031-0001
13	103930-02-710	EA	CANISTER-VACUUM	054-0002
15	103930-33-703	EA	VACUUM HARNESS	036-0466
16	103930-49-700	EA	HARNESS - WIRE	036-556
16	103930-49-701	EA	HARNESS - WIRE W/BULBS	036-0557
17	103930-49-702	EA	CONTROL PANEL-RECESSED FACE	032-0054
17	103930-49-703	EA	CONTROL PANEL - NON RECESSED	083-0223
18	103930-49-704	EA	SWITCH - BLOWER	032-0332
19	103930-49-705	EA	POTENTIOMETER	032-0182
20	103930-49-706	EA	SWITCH - VACUUM	032-0185
21	103930-49-707	EA	DECAL CONTROL PANEL-N/RECESS	058-0144
22	103930-49-708	EA	KNOB - BLOWER - NONRECESSED	062-0620
23	103930-33-705	EA	LIGHT BULBS	035-0030

CONTACT WINNEBAGO PART SALES FOR UNLISTED COMPONENTS



**HEATING & A/C GROUP (CONTINUED)**  
**COMPONENT PARTS FOR AUTOMOTIVE (CONTINUED)**



103930-55-000

KEY	PART NUMBER	U/M	DESCRIPTION	VENDOR NO.
1	103930-55-701	EA	CASE - FRONT	062-0658
2	103930-30-701	EA	PLATE - MOTOR MOUNT	062-0544
3	103930-55-705	EA	DOOR - BLEND AIR	071-0892
6	103930-30-702	EA	BUSHING/DRIVE (BLEND DOOR)	062-0168
7	103930-55-706	EA	CORE - HEATER - W/GASKET	084-0271
8	103930-30-709	EA	COUPLING - BLEND DOOR SHAFT	062-0634
9	103930-20-700	EA	VALVE-EXPANSION-BLOCK, 2 TON	034-0032
10	103930-55-700	EA	CORE-EVAPORATOR	041-00168
12	103930-55-702	EA	CASE-REAR	062-0657
14	103930-01-708	EA	BRACKET-VACUUM MOTOR	070-0113
15	103930-20-704	EA	ROD-DOOR-RECIRCULATING	073-0018
16	103930-55-707	EA	DOOR - RECIRCULATION	071-0891
18	103930-01-710	EA	RESISTOR-FUSED, A/C 4 TERM	035-0006
20	103930-01-711	EA	THERMOSTAT	033-0003
21	103930-02-708	EA	MOTOR-VACUUM SERVO, A/C	030-0025
22	103930-30-703	EA	MOTOR - SERVO	030-0104
23	103930-20-707	EA	HOUSING-BLOWER	062-0145
24	103930-55-703	EA	MOTOR-BLOWER W/O PIGTAIL	030-0137
25	103930-01-717	EA	WHEEL-BLOWER, CLOCKWISE	062-0010
26	103930-20-708	EA	CLIP-MOTOR SHAFT	022-0001
27	103930-30-704	EA	COVER - SERVO	062-0545
32	113245-01-707	EA	O'RING #8	045-0126
33	103930-17-702	EA	O'RING #10	045-0127
	103930-55-704	EA	CORE-HEATER	042-0059
	110279-01-703	EA	HOSE-VENT F/BLOWER MOTOR	051-0034

CONTACT WINNEBAGO PART SALES FOR UNLISTED COMPONENT(S)

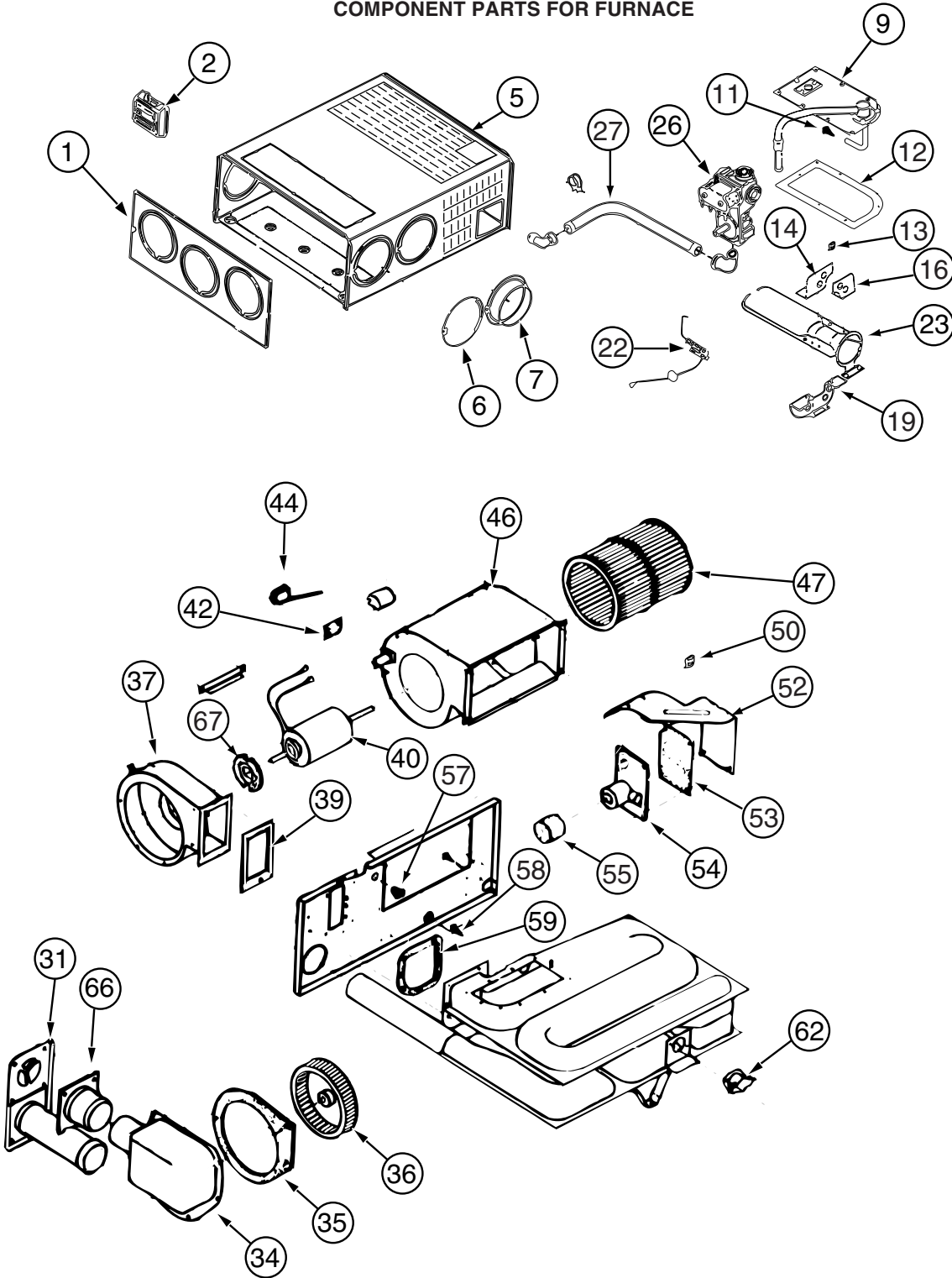
## HEATING & A/C GROUP (CONTINUED)

### FURNACE

KEY	PART NUMBER	U/M	DESCRIPTION
*	143563-01-000	EA	FURNACE - 35000 BTU/HIGH QUIET - SUBURBAN SH-35 2322 - F30W, F32V
*	143563-02-000	EA	FURNACE - 40000 BTU HIGH QUIET - SUBURBAN SH-40 2322 - F34D, F36M
	093614-11-01A	EA	GRILLE - AIR RETURN - 13.9" X 7.9" - BEIGE - F36M
	093614-13-02A	EA	GRILLE - AIR RETURN - 15.9" X 11.9" - BEIGE - F32V, F36M
	093614-01-02A	EA	GRILLE - AIR RETURN - 15.9" X 7.9" - BEIGE
	098668-16-000	EA	VENT - INTAKE
	143563-03-01A	EA	DOOR/ACCESS - FURNACE - W/FRAME - WHITE
	143563-04-000	EA	PLATE END - COLLAR
	143563-05-000	EA	GASKET - FIBERGLASS - SUBURBAN #071018
	137965-01-01A	EA	REGISTER - 2.25" X 10" - W/O DAMPER - ANTIQUE BRASS
	137965-02-01A	EA	REGISTER - 2.25" X 10" - W/DAMPER - ANTIQUE BRASS
	009198-02-000	FT	DUCT - HEAT - FLEXIBLE - 2" ID X 25' - F34D
	024990-08-000	EA	OUTLET - DEFROSTER - W/O SWIVEL - 2" SLEEVE/4"OD - WHITE - F34D
	092776-01-000	EA	ADAPTER - DUCT - 2" - F34D

\*COMPONENT PARTS LISTED LATER IN THIS GROUP

**HEATING & A/C GROUP (CONTINUED)**  
COMPONENT PARTS FOR FURNACE



143563-01-000

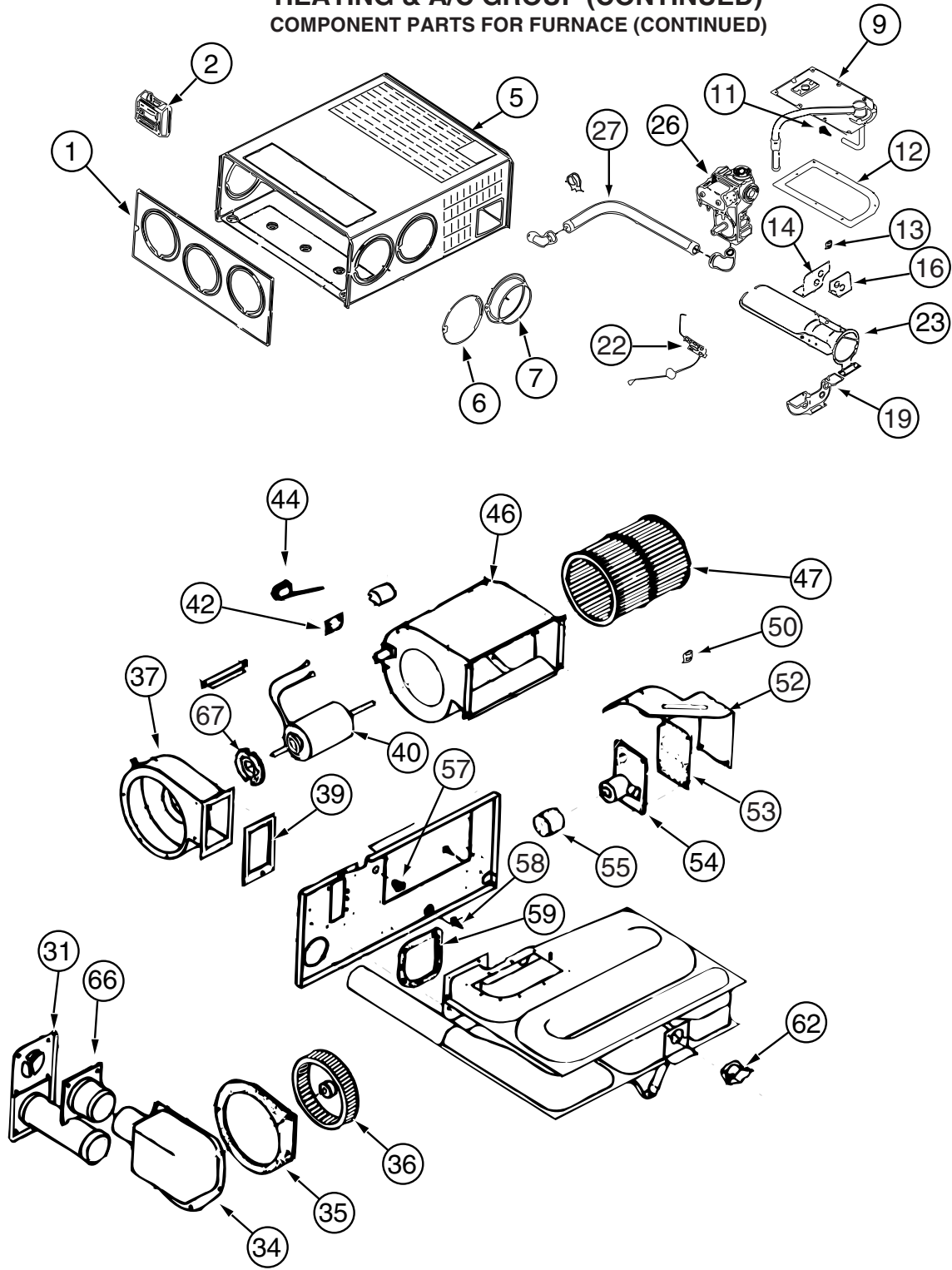
**HEATING & A/C GROUP (CONTINUED)**  
**COMPONENT PARTS FOR FURNACE (CONTINUED)**

143563-01-000 (CONTINUED)

KEY	PART NUMBER	U/M	DESCRIPTION	VENDOR NO.
1	143563-01-700	EA	CABINET - FRONT	101907
2			SEE EITHER FURNACE OR 12 VOLT WIRING AREAS FOR CORRECT THERMOSTAT	
5	143563-01-701	EA	CABINET	101921
7	075696-02-703	EA	COLLAR - DUCT	050715
9	143563-01-702	EA	MANIFOLD ASSEMBLY	171599
11	143563-01-703	EA	ORFICE - MAIN BURNER	180308
12	098668-22-703	EA	GASKET - BURNER ACCESS COVER	070811
14	143563-01-704	EA	PLATE - SECONDARY AIR/TOP BACK	063199
16	143563-01-705	EA	PLATE - SECONDARY AIR/TOP FRT	062936
19	143563-01-706	EA	PLATE - SECONDARY AIR/BOTTOM	062938
22	139980-01-701	EA	ELECTRODE	232286
23	098668-02-700	EA	BURNER ASSEMBLY,SF-30 & SF35	010745
26	098668-01-718	EA	VALVE-GAS SF S.N.974903079	161122
27	143563-01-707	EA	PIPE ASSEMBLY (GAS INLET)	171603
31	098668-01-707	EA	TUBE ASSEMBLY, EXHAUST W/CAP	260231
34	143563-01-708	EA	BOX ASM (COMB. AIR INTAKE)	051430BK
35	143563-01-709	EA	GASKET (COMB. AIR HOUSING)	071108
36	143563-01-710	EA	WHEEL (COMBUSTION AIR)	350199
37	143563-01-711	EA	HOUSING (COMBUSTION AIR)	390862BK
39	143563-01-715	EA	GASKET-FIREWALL/COMB. AIR	071107
40	143563-01-712	EA	MOTOR ASSEMBLY	232727
42	098668-01-712	EA	BOARD-MODULE	520741
44	098668-21-700	EA	SWITCH-MICRO-W/O FLAG 3 1/4"	232261
46	143563-01-713	EA	BLOWER ASSEMBLY(ROOM AIR)	390867BK
47	143563-01-714	EA	WHEEL - ROOM AIR	350198
50	139980-01-710	EA	SWITCH - ON/OFF	232351
52	139980-01-711	EA	PANEL ASSEMBLY-MODULE BD	101663
53	139980-01-712	EA	INSULATOR - MODULE BD	070807
54	098668-22-705	EA	MODULE BD W/RELAY TIME DELAY	520820
55	139980-01-713	EA	CAP/INSULATOR-MODULE BD	070973
57	139980-01-714	EA	BUSHING - UNIVERSAL	070362
58	139980-01-715	EA	BUSHING - STRAIN RELIEF	231809
59	098668-01-716	EA	GASKET-FIREWALL,CHAMBER SIDE	070808
62	098668-21-701	EA	SWITCH - LIMIT	232504
66	098668-01-713	EA	TUBE ASSEMBLY, INTAKE	051248
67	075697-07-703	EA	GASKET - MOTOR	070448

CONTACT WINNEBAGO PART SALES FOR UNLISTED COMPONENTS

**HEATING & A/C GROUP (CONTINUED)**  
**COMPONENT PARTS FOR FURNACE (CONTINUED)**



143563-02-000

**HEATING & A/C GROUP (CONTINUED)**  
**COMPONENT PARTS FOR FURNACE (CONTINUED)**

143563-02-000 (CONTINUED)

KEY	PART NUMBER	U/M	DESCRIPTION	VENDOR NO.
1	143563-01-700	EA	CABINET - FRONT	101907
2			SEE EITHER FURNACE OR 12 VOLT WIRING AREAS FOR CORRECT THERMOSTAT	
5	143563-02-700	EA	CABINET	101915
7	075696-02-703	EA	COLLAR - DUCT	050715
9	143563-01-702	EA	MANIFOLD ASSEMBLY	171599
11	143563-02-701	EA	ORFICE - MAIN BURNER	180309
12	098668-22-703	EA	GASKET - BURNER ACCESS COVER	070811
14	143563-02-702	EA	PLATE - SECONDARY AIR/TOP BACK	063198
16	143563-02-703	EA	PLATE - SECONDARY AIR/TOP FRT	062933
19	143563-02-704	EA	PLATE - SECONDARY AIR/BOTTOM	062935
22	139980-01-701	EA	ELECTRODE	232286
23	098668-11-701	EA	BURNER ASSEMBLY,SF-30 & SF35	010799
26	098668-01-718	EA	VALVE-GAS SF S.N.974903079	161122
27	143563-01-707	EA	PIPE ASSEMBLY (GAS INLET)	171603
31	098668-01-707	EA	TUBE ASSEMBLY, EXHAUST W/CAP	260231
34	143563-01-708	EA	BOX ASM (COMB. AIR INTAKE)	051430BK
35	143563-01-709	EA	GASKET (COMB. AIR HOUSING)	071108
36	143563-01-710	EA	WHEEL (COMBUSTION AIR)	350199
37	143563-01-711	EA	HOUSING (COMBUSTION AIR)	390862BK
39	143563-01-715	EA	GASKET-FIREWALL/COMB. AIR	071107
40	143563-02-705	EA	MOTOR ASSEMBLY	232726
42	101990-01-714	EA	GASKET-MICROSWITCH	230877
44	098668-21-700	EA	SWITCH-MICRO-W/O FLAG 3 1/4"	232261
46	143563-01-713	EA	BLOWER ASSEMBLY(ROOM AIR)	390867BK
47	143563-01-714	EA	WHEEL - ROOM AIR	350198
50	139980-01-710	EA	SWITCH - ON/OFF	232351
52	139980-01-711	EA	PANEL ASSEMBLY-MODULE BD	101663
53	139980-01-712	EA	INSULATOR - MODULE BD	070807
54	098668-22-705	EA	MODULE BD W/RELAY TIME DELAY	520820
55	139980-01-713	EA	CAP/INSULATOR-MODULE BD	070973
57	139980-01-714	EA	BUSHING - UNIVERSAL	070362
58	139980-01-715	EA	BUSHING - STRAIN RELIEF	231809
59	098668-01-716	EA	GASKET-FIREWALL,CHAMBER SIDE	070808
62	143563-02-706	EA	SWITCH - LIMIT	232735
66	098668-01-713	EA	TUBE ASSEMBLY, INTAKE	051248
67	075697-07-703	EA	GASKET - MOTOR	070448
	143563-02-707	EA	CHAMBER ASM. - FINAL	021172BK

CONTACT WINNEBAGO PART SALES FOR UNLISTED COMPONENTS

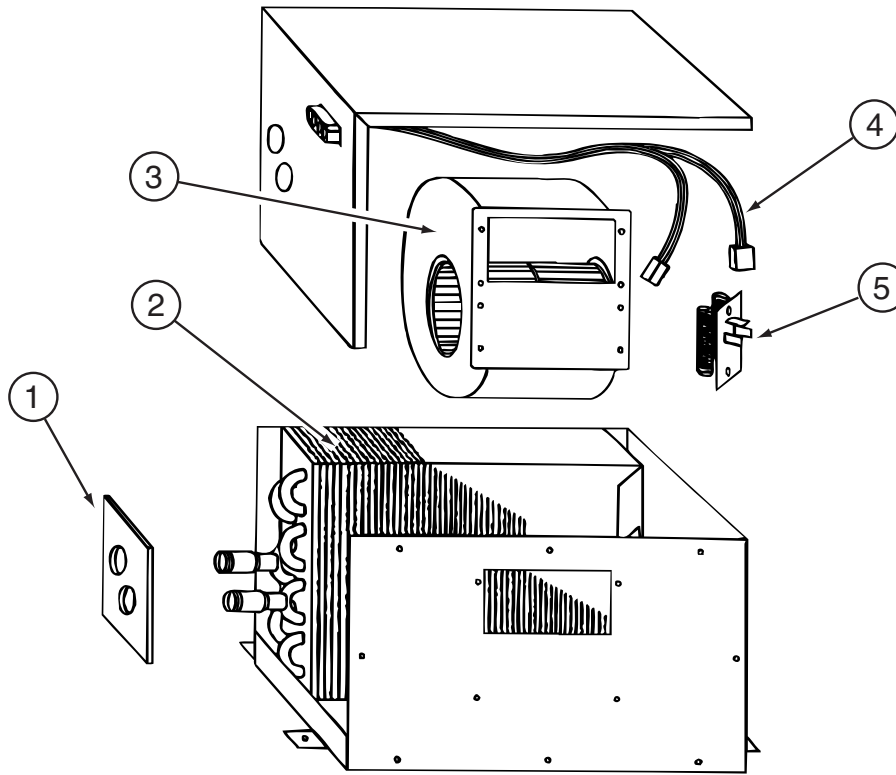
## HEATING & A/C GROUP (CONTINUED)

### REAR HEATER

KEY	PART NUMBER	U/M	DESCRIPTION
*	129205-01-000	EA	HEATER - REAR
	007108-01-000	FT	HOSE - HEATER - 5/8" ID - HI-TEMP
	079059-01-000	EA	HOSE - 90 DEGREE - 5/8"ID X 4" X 36" - F30W, F32V, F34D
	079059-13-000	FT	HOSE - 90 DEGREE - .62" ID X 4" X 48" - F36M
	137965-01-01A	EA	REGISTER - 2.25" X 10" - W/O DAMPER - ANTIQUE BRASS - F30W, F32V, F34D

\*COMPONENT PARTS LISTED LATER IN THIS GROUP

**HEATING & A/C GROUP (CONTINUED)**  
**COMPONENT PARTS FOR REAR HEATER**



129205-01-000

KEY	PART NUMBER	U/M	DESCRIPTION	VENDOR NO.
1	129205-01-700	EA	SEAL - CORE TUBE	HV218421
2	129205-01-701	EA	CORE - HEATER	HV218426
3	129205-01-702	EA	BLOWER ASSEMBLY	HV218419
4	129205-01-703	EA	WIRE HARNESS	HV218420
5	129205-01-704	EA	RESISTOR	HV218125



## HEATING & A/C GROUP (CONTINUED)

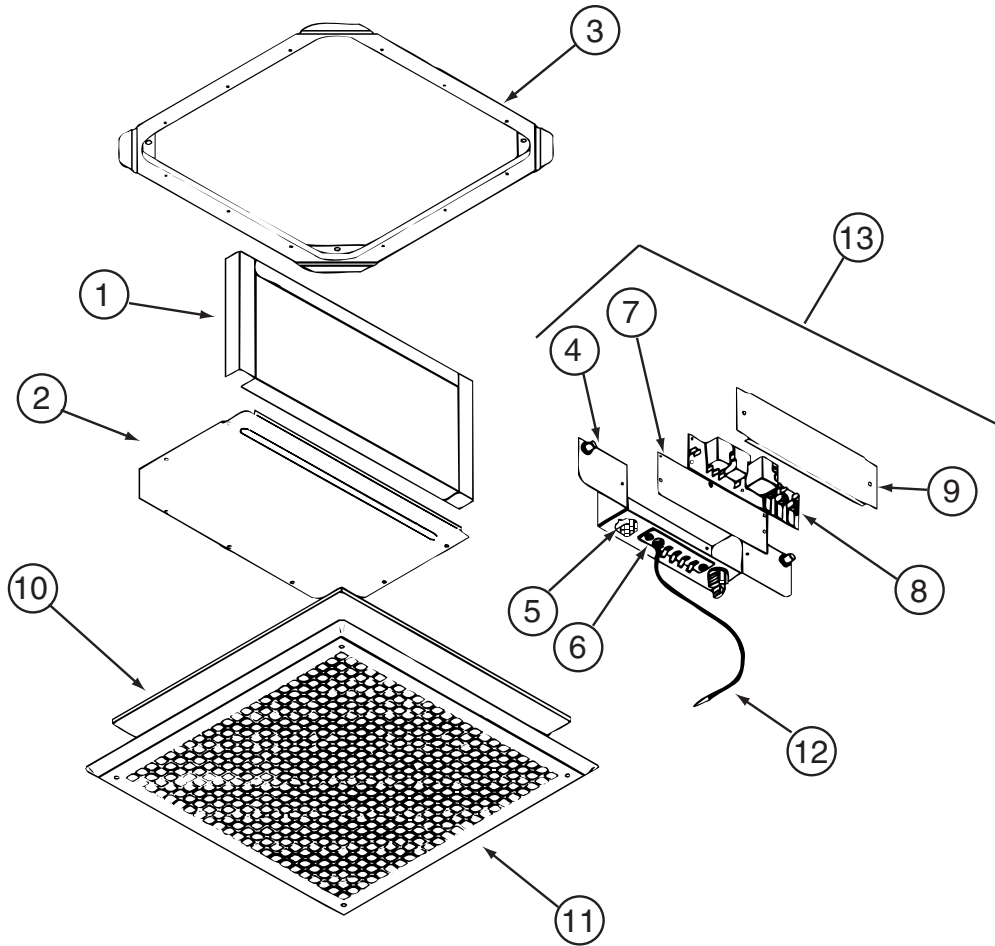
### ROOF

KEY	PART NUMBER	U/M	DESCRIPTION
*	131186-02-01A	EA	A/C - ROOF - MACH 1 POWER SAVER - 11,000 BTU - WHITE - 2 HIGH EFFICIENCY EMS
*	131187-03-01A	EA	A/C - ROOF - MACH 3 POWER SAVER - WHITE - 2 HIGH EFFICIENCY EMS
*	131187-04-01A	EA	A/C - ROOF - MACH 3 POWER SAVER - WHITE - 2 HIGH EFFICIENCY HEAT PUMP
*	131188-03-01A	EA	A/C/ROOF - 14,800 BTU/MACH 15 - NEW MODEL #8335B676 - WHT - F30W
*	131188-04-01A	EA	A/C/ROOF - 14,800 BTU/HEAT PUMP - NEW MODEL #8535B676- WHT - F30W
	120134-01-02A	EA	REGISTER - W/DAMPER - 4" PIPE/7" O.D. FACE - WHITE
	131184-02-01A	EA	BOARD - DIVIDER - SILVER
*	131184-05-01A	EA	CEILING - HEAT PUMP - WHITE
*	131184-01-01A	EA	CEILING ASSEMBLY - A/C DUCTED - WHITE
	135618-01-01A	EA	THERMOSTAT - HEAT PUMP/FURNACE - WHITE - ONE HEAT PUMP & 2 HIGH EF HEAT PUMP
	135618-03-01A	EA	THERMOSTAT - A/C & FURNACE - WHITE - 2 HIGH EFFICIENCY EMS & ONE 14,800 BTU
	135618-04-01A	EA	THERMOSTAT - A/C ONLY - WHITE - 2 HIGH EFFICIENCY EMS

\*COMPONENT PARTS LISTED LATER IN THIS GROUP

## HEATING & A/C GROUP (CONTINUED)

### COMPONENT PARTS FOR ROOF

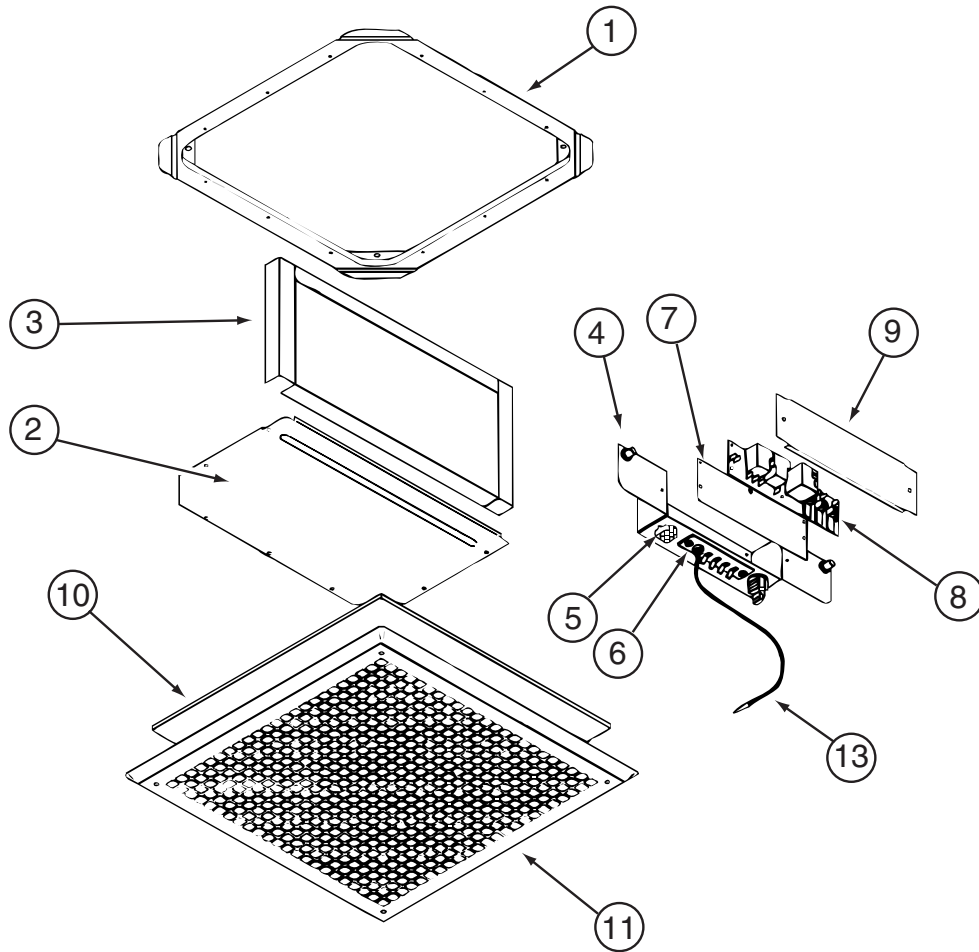


131184-01-01A

KEY	PART NUMBER	U/M	DESCRIPTION	VENDOR NO.
1	131184-01-707	EA	DUCT DIVIDER	8330-3501
5	131184-01-700	EA	PLUG ASSEMBLY	7330A389
6	131184-01-701	EA	TERMINAL BOARD	7330B3201
7	131184-01-702	EA	ISOLATOR - BLANK	7330C365
8	108892-01-702	EA	BOARD-P.C.	7330A3211
10	108892-01-703	EA	FILTER	6798A3761
11	108892-01-704	EA	GRILLE 16 3/8X16 3/8 RETURN	6798-3041
12	131184-01-704	EA	COIL SENSOR	7330-6111
13	131184-01-705	EA	JUNCTION BOX ASSEMBLY	7330B5551
	131184-01-703	EA	SMALL PARTS PKG	8330-5961

CONTACT WINNEBAGO PART SALES FOR UNLISTED COMPONENTS

**HEATING & A/C GROUP (CONTINUED)**  
**COMPONENT PARTS FOR ROOF (CONTINUED)**

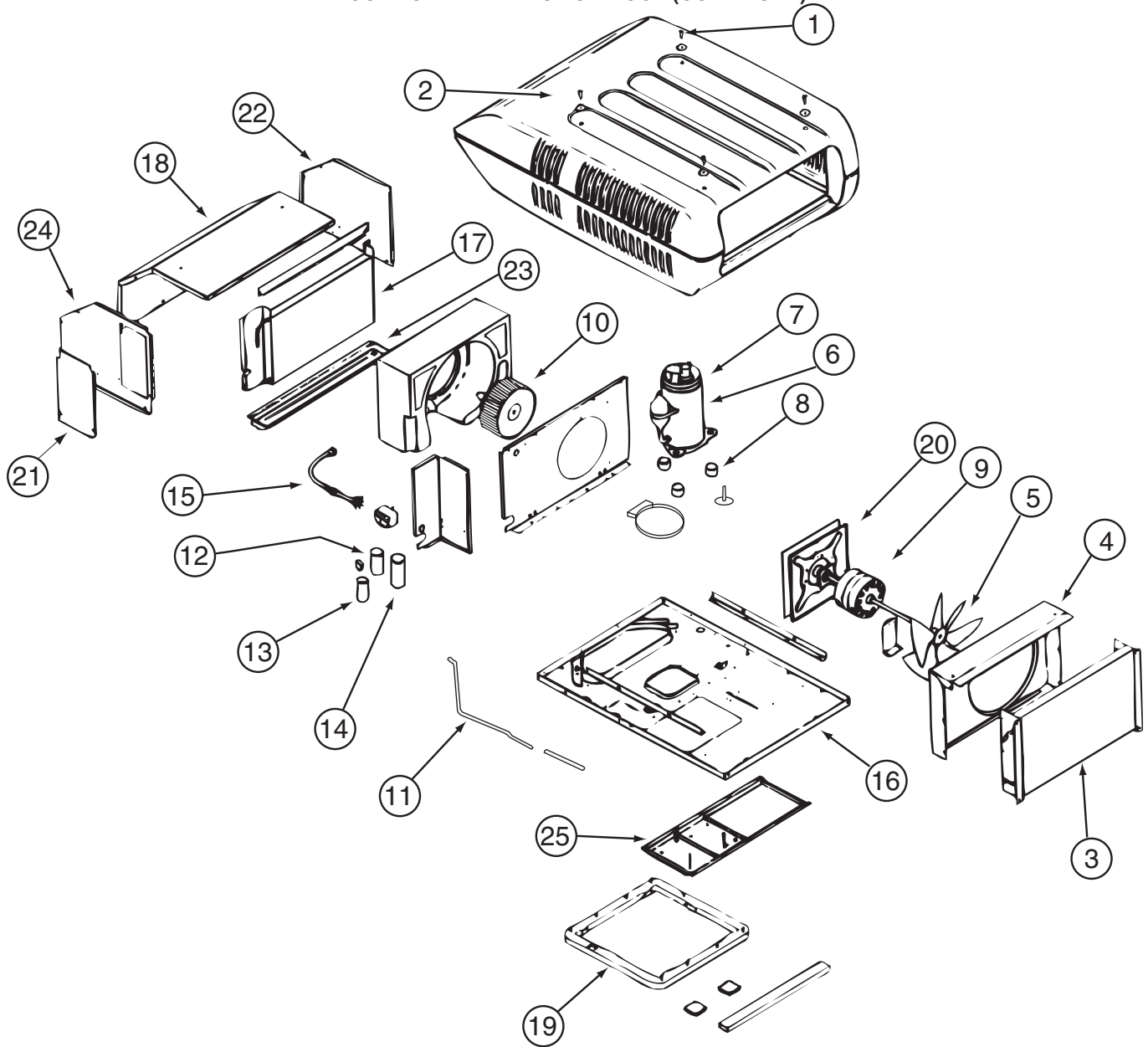


131184-05-01A

KEY	PART NUMBER	U/M	DESCRIPTION	VENDOR NO.
4	131184-04-703	EA	BOX - JUNCTION	7330-113
5	131184-04-700	EA	PLUG ASSEMBLY	7530A340
6	131184-04-702	EA	BOARD - TERMINAL	7530B3201
7	131184-01-702	EA	ISOLATOR - BLANK	7330C365
8	131184-04-705	EA	BOARD - P.C.	7330B3311
10	108892-01-703	EA	FILTER	6798A3761
11	108892-01-704	EA	GRILLE 16 3/8X16 3/8 RETURN	6798-3041
13	105620-12-719	EA	COIL SENSOR	7330A3231
	131184-01-703	EA	SMALL PARTS PKG	8330-5961
	131184-04-706	EA	JUNCTION BOX AMS. (HEAT PUMP)	7530-508

CONTACT WINNEBAGO PART SALES FOR UNLISTED COMPONENT

**HEATING & A/C GROUP (CONTINUED)**  
**COMPONENT PARTS FOR ROOF (CONTINUED)**

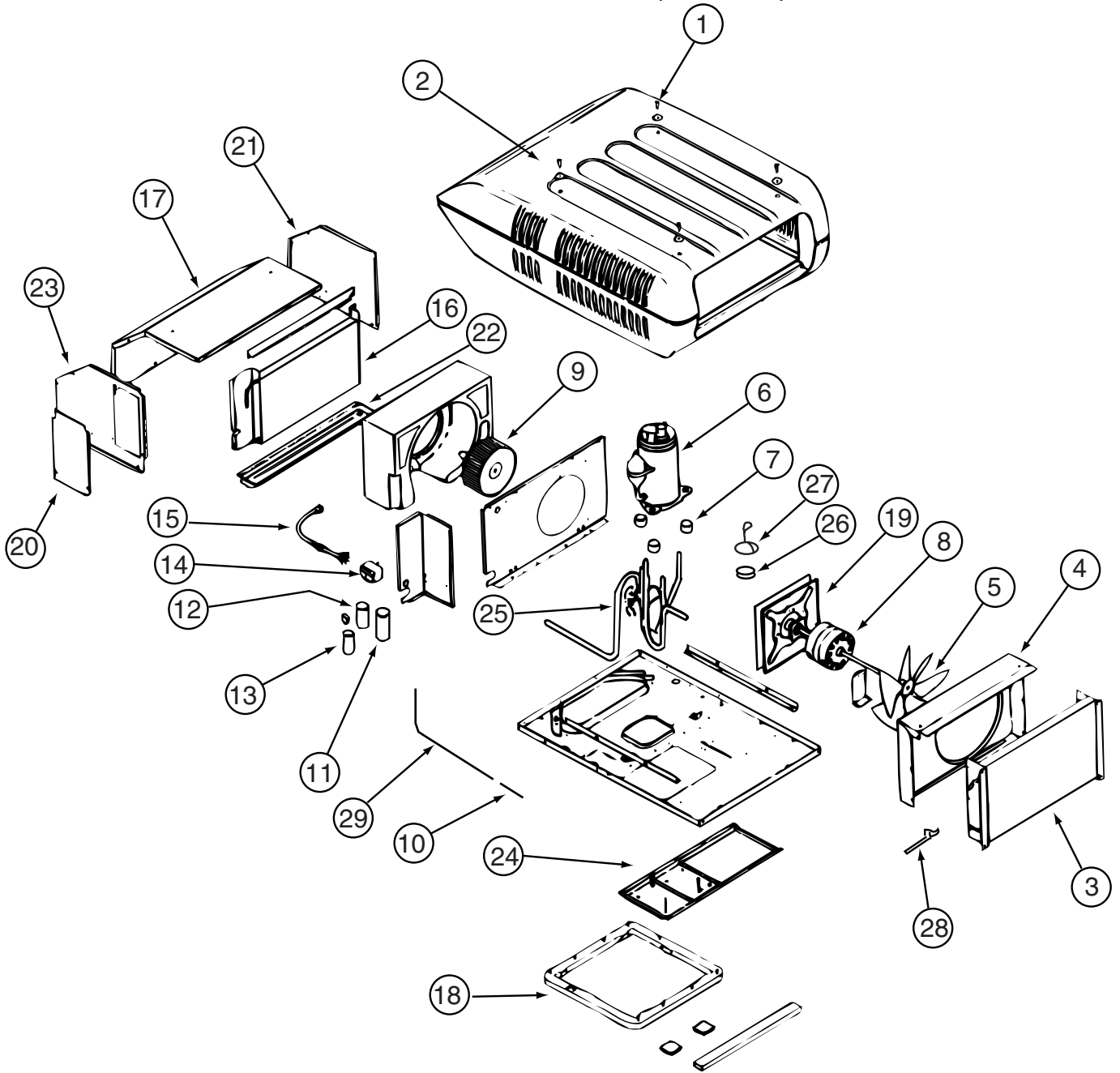


131186-02-01A

KEY	PART NUMBER	U/M	DESCRIPTION	VENDOR NO.
2	131185-03-700	EA	SHROUD - ROOF AIR	8333-4161
3	115219-01-700	EA	COIL-CONDENSER	1452A1321
5	093763-01-712	EA	BLADE-FAN-CONDENSER	6733-3221
6	126859-01-700	EA	COMPRESSOR RK124AT-001-A4Y	1450-2109
7	126859-01-701	EA	OVERLOAD PROTECTORMRA# 4761	1450-0061
8	105620-01-706	EA	MOUNTING PKG.,COMP., 3 PER	6759-3081
9	131186-01-700	EA	MOTOR - 115V, 60 HURTZ	1468-3109
10	131185-01-702	EA	BLOWER WHEEL PACKAGE	1472-1091
12	126859-01-703	EA	CAPACITOR - RUN	1499-5671
13	093763-01-704	EA	CAPACITOR-FAN	1499-5461
14	105620-10-704	EA	START COMPACITOR	1497-0861
15	105620-10-705	EA	PTCR (START DEVICE) - W/CAP.	8333A9021
18	131186-01-701	EA	EVAPORATOR COIL	1452-1521
21	131185-01-704	EA	MOTOR MOUNT & SEAL KIT	8333-5151
	093306-01-701	EA	DECAL PACKAGE, LEFT & RIGHT	6798B3591
	108889-01-710	EA	PAD-FILLER, CONDENSER SEAL	6759B3971
	126859-01-706	EA	LINE - SUCTION	7532A130

CONTACT WINNEBAGO PART SALES FOR UNLISTED COMPONENT

**HEATING & A/C GROUP (CONTINUED)**  
**COMPONENT PARTS FOR ROOF (CONTINUED)**



**HEATING & A/C GROUP (CONTINUED)**  
**COMPONENT PARTS FOR ROOF (CONTINUED)**

**131187-03-01A**

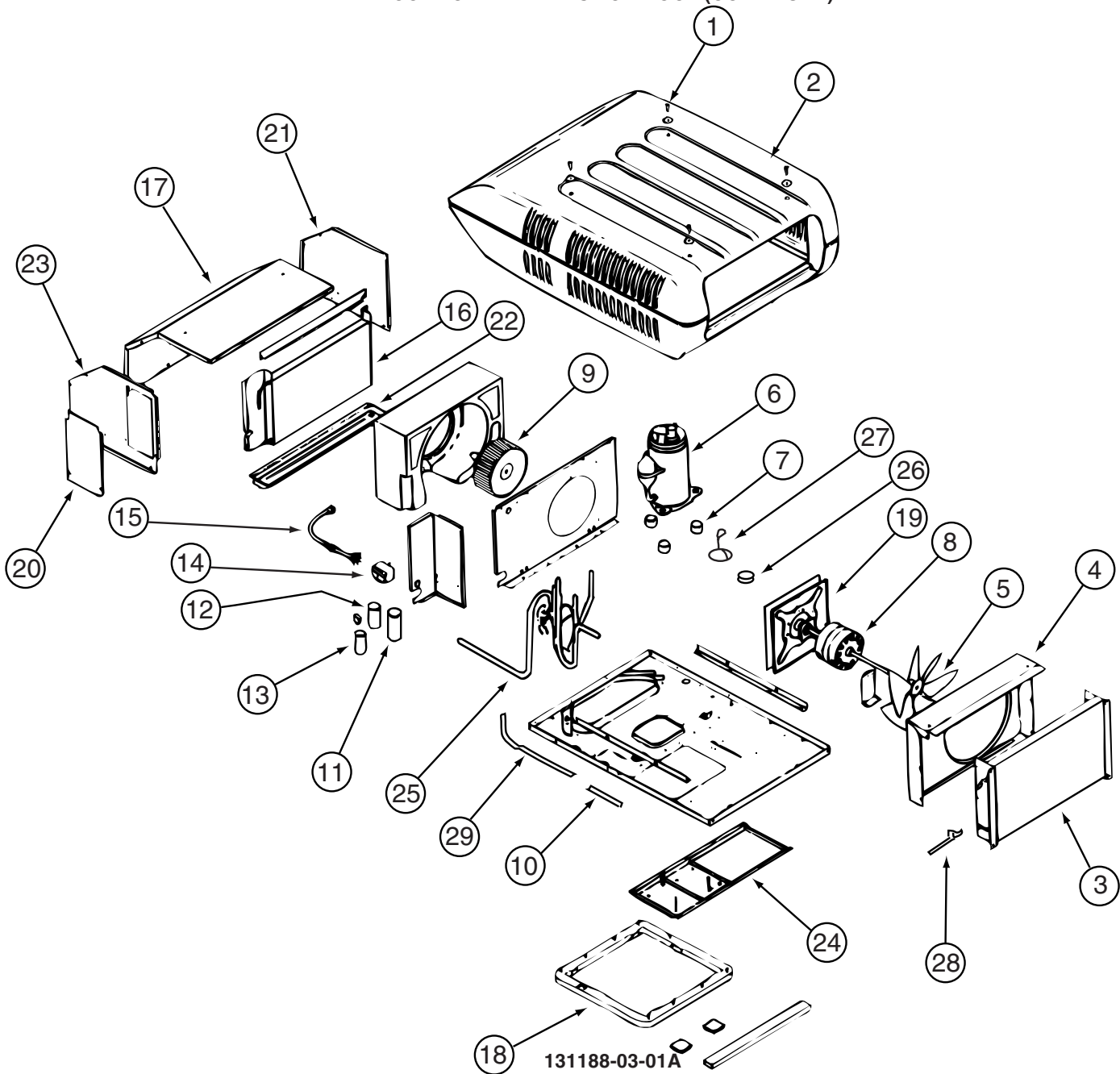
<b>KEY</b>	<b>PART NUMBER</b>	<b>U/M</b>	<b>DESCRIPTION</b>	<b>VENDOR NO.</b>
2	131185-03-700	EA	SHROUD - ROOF AIR	8333-4161
3	115219-01-700	EA	COIL-CONDENSER	1452A1321
5	093763-01-712	EA	BLADE-FAN-CONDENSER	6733-3221
6	126860-01-700	EA	COMPRESSOR RK136AT-002-A4Y	1450A2119
7	105620-01-706	EA	MOUNTING PKG.,COMP., 3 PER	6759-3081
8	131186-01-700	EA	MOTOR - 115V, 60 HURTZ	1468-3109
9	131185-01-702	EA	BLOWER WHEEL PACKAGE	1472-1091
11	126859-01-703	EA	CAPACITOR - RUN	1499-5671
12	105620-01-725	EA	CAPACITOR-BLOWER,I.D. 7.5MFD	1499-5461
13	105620-10-705	EA	PTCR (START DEVICE) - W/CAP.	8333A9021
16	131186-01-701	EA	EVAPORATOR COIL	1452-1521
19	131185-01-704	EA	MOTOR MOUNT & SEAL KIT	8333-5151
	093306-01-701	EA	DECAL PACKAGE, LEFT & RIGHT	6798B3591
	105620-10-704	EA	START COMPACITOR	1497-0861
	108889-01-710	EA	PAD-FILLER, CONDENSER SEAL	6759B3971
	126859-01-706	EA	LINE - SUCTION	7532A130
	126860-01-701	EA	OVERLOAD PROTECTOR MRA# 1460	1450-0071
			CONTACT WINNEBAGO PART SALES FOR UNLISTED COMPONENT	

**131187-04-01A**

<b>KEY</b>	<b>PART NUMBER</b>	<b>U/M</b>	<b>DESCRIPTION</b>	<b>VENDOR NO.</b>
2	131185-03-700	EA	SHROUD - ROOF AIR	8333-4161
3	131188-02-700	EA	CONDENSER COIL	1452-1441
5	093763-01-712	EA	BLADE-FAN-CONDENSER	6733-3221
6	126860-01-700	EA	COMPRESSOR RK136AT-002-A4Y	1450A2119
7	105620-01-706	EA	MOUNTING PKG.,COMP., 3 PER	6759-3081
8	131186-01-700	EA	MOTOR - 115V, 60 HURTZ	1468-3109
9	131185-01-702	EA	BLOWER WHEEL PACKAGE	1472-1091
10	105620-12-711	EA	RESTRICTOR - BY FLOW	1454-2521
11	126859-01-703	EA	CAPACITOR - RUN	1499-5671
12	093763-01-704	EA	CAPACITOR-FAN	1499-5461
13	105620-10-705	EA	PTCR (START DEVICE) - W/CAP.	8333A9021
16	131186-01-701	EA	EVAPORATOR COIL	1452-1521
18	037648-01-714	EA	GASKET PACKAGE	8332-3301
19	131185-01-704	EA	MOTOR MOUNT & SEAL KIT	8333-5151
25	131188-02-704	EA	VALVE/REVERSE ASSEMBLY	7535A5301
26	105620-12-708	EA	COIL - SOLENOID	1460-1081
27	131188-02-705	EA	WIRE HARNESS F/SOLENOID	7535-109
28	131188-02-706	EA	SWITCH - FREEZE	1460-2041
29	131188-02-707	EA	LIQUID LINE	7535-135
			CONTACT WINNEBAGO PART SALES FOR UNLISTED COMPONENT	

## HEATING & A/C GROUP (CONTINUED)

### COMPONENT PARTS FOR ROOF (CONTINUED)



KEY	PART NUMBER	U/M	DESCRIPTION	VENDOR NO.
2	108889-05-700	EA	SHROUD-BRIGHT/WHT. W/O LOGO	7333-4601
3	115219-01-700	EA	COIL-CONDENSER	1452A1321
5	093763-01-712	EA	BLADE-FAN-CONDENSER	6733-3221
6	131188-01-700	EA	COMPRESSOR - TECUMSEH	1450A2609
7	105620-01-706	EA	MOUNTING PKG.,COMP., 3 PER	6759-3081
8	131185-01-701	EA	MOTOR (115V, 60HZ)	1468-3069
9	131185-01-702	EA	BLOWER WHEEL PACKAGE	1472-1091
11	131188-01-701	EA	RUN CAP. (COMP-40MFD/370V)	1499-5721
12	108889-01-708	EA	CAPACITOR-FAN, 7.5MFD. 370U	1499-5461
13	126859-01-704	EA	CAPACITOR - START	1497-0871
14	091225-01-709	EA	RELAY-START	1497-4131
16	131186-01-701	EA	EVAPORATOR COIL	1452-1521
18	037648-01-714	EA	GASKET PACKAGE	8332-3301
19	131185-01-704	EA	MOTOR MOUNT & SEAL KIT	8333-5151
	093306-01-701	EA	DECAL PACKAGE, LEFT & RIGHT	6798B3591
	108889-01-710	EA	PAD-FILLER, CONDENSER SEAL	6759B3971
	131188-01-702	EA	LINE - SUCTION	7335A134
	131188-01-703	EA	LINE - DISCHARGE	7335A135

CONTACT WINNEBAGO PART SALES FOR UNLISTED COMPONENT

**HEATING & A/C GROUP (CONTINUED)**  
**COMPONENT PARTS FOR ROOF (CONTINUED)**

131188-04-01A

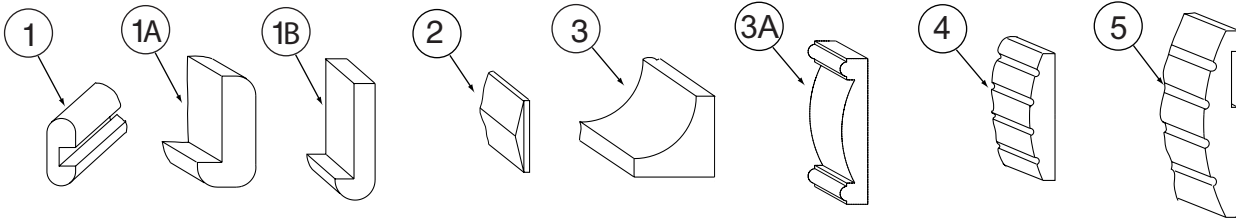
KEY	PART NUMBER	U/M	DESCRIPTION	VENDOR NO.
3	131188-02-700	EA	CONDENSER COIL	1452-1441
5	093763-01-712	EA	BLADE-FAN-CONDENSER	6733-3221
6	131188-02-701	EA	COMPRESSOR(TECUMSEH-RK225AT)	1450A2069
7	105620-01-706	EA	MOUNTING PKG.,COMP., 3 PER	6759-3081
8	131185-01-701	EA	MOTOR (115V, 60HZ)	1468-3069
9	131185-01-702	EA	BLOWER WHEEL PACKAGE	1472-1091
10	131188-02-702	EA	RESTRICTOR - BY FLOW	1454-2501
11	131188-01-701	EA	RUN CAP. (COMP-40MFD/370V)	1499-5721
12	093763-01-704	EA	CAPACITOR-FAN	1499-5461
13	131188-02-703	EA	CAPACITOR-START(21-25MFD)	1497-0211
14	091225-01-709	EA	RELAY-START	1497-4131
16	131186-01-701	EA	EVAPORATOR COIL	1452-1521
18	037648-01-714	EA	GASKET PACKAGE	8332-3301
19	131185-01-704	EA	MOTOR MOUNT & SEAL KIT	8333-5151
25	131188-02-704	EA	VALVE/REVERSE ASSEMBLY	7535A5301
26	105620-12-708	EA	COIL - SOLENOID	1460-1081
27	131188-02-705	EA	WIRE HARNESS F/SOLENOID	7535-109
28	131188-02-706	EA	SWITCH - FREEZE	1460-2041
29	131188-02-707	EA	LIQUID LINE	7535-135

CONTACT WINNEBAGO PART SALES FOR UNLISTED COMPONENT



# INTERIOR FINISH GROUP

## MOLDINGS & TRIMS PORTSMOUTH OAK

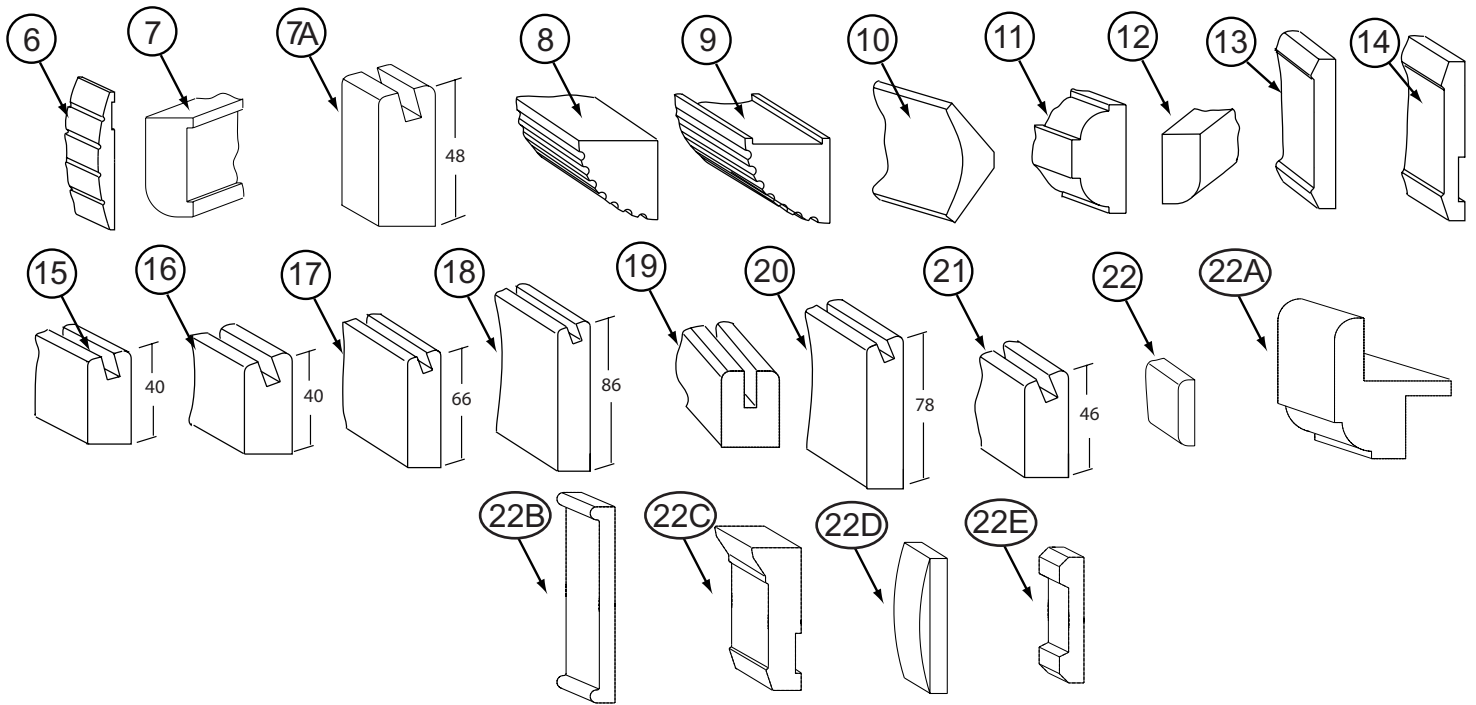


KEY	PART NUMBER	U/M	DESCRIPTION
1	M09412-62-N42	EA	MOLDING/SHELF EDGE - W/.4" NOTCH - PORTSMOUTH II - PORTSMOUTH OAK
1	M09412-62-M52	EA	MOLDING/SHELF EDGE - W/.4" NOTCH - CHERRY IV - CONCERT CHERRY
1	M09412-62-M62	EA	MOLDING/SHELF EDGE - W/.4" NOTCH - WASHED MAPLE
1	M09412-62-RC3	EA	MOLDING/SHELF EDGE - W/.4" NOTCH - .6" X 1.3" X 96" - HONEY CHERRY
1A	M09438-02-N70	EA	MOLDING - HARDWOOD-W/NOTCH - 1.4"X 80.5" - OAK/PORTS OAK - PORTSMOUTH OAK
1A	M09438-02-N85	EA	MOLDING - HARDWOOD-W/NOTCH - 1.4"X 80.5" - CHERRY/CHERRY IV - CONCERT CHERRY
1A	M09438-02-N84	EA	MOLDING - HARDWOOD-W/NOTCH - 1.4"X 80.5" - MAPLE/WASHED MP - WASHED MAPLE
1B	M09438-21-N95	EA	MOLDING/TRIM - .8" X 2.2" X 80.2" - OAK/PORTS OAK - PORTSMOUTH OAK
1B	M09438-21-N94	EA	MOLDING/TRIM - .8" X 2.2" X 80.2" - CHERRY/CHERRY IV - CONCERT CHERRY
1B	M09438-21-NQ0	EA	MOLDING/TRIM - .8" X 2.2" X 80.2" - MAPLE/WASHED MP - WASHED MAPLE
1B	M09438-23-N95	EA	MOLDING - HARDWOOD-W/NOTCH - 4" X 80.2" - OAK/PORTS OAK - PORTSMOUTH OAK
1B	M09438-23-N94	EA	MOLDING - HARDWOOD-W/NOTCH - 4" X 80.2" - CHERRY/CHERRY IV - CONCERT CHERRY
1B	M09438-23-NQ0	EA	MOLDING - HARDWOOD-W/NOTCH - 4" X 80.2" - MAPLE/WASHED MP - WASHED MAPLE
1B	M09438-25-N95	EA	MOLDING - HARDWOOD-W/NOTCH - 1.4"X 80.2" - OAK/PORTS OAK - PORTSMOUTH OAK
1B	M09438-25-N94	EA	MOLDING - HARDWOOD-W/NOTCH - 1.4"X 80.2" - CHERRY/CHERRY IV - CONCERT CHERRY
1B	M09438-25-NQ0	EA	MOLDING - HARDWOOD-W/NOTCH - 1.4"X 80.2" - MAPLE/WASHED MP - WASHED MAPLE
1B	M09438-25-RA3	EA	MOLDING - HARDWOOD-W/NOTCH - 1.4"X 80.2" - CHERRY/HONEY - HONEY CHERRY
1B	M09450-77-PC0	EA	MOLDING - TRIM/HDWD W/LIP -.4"X3.2"X79.6" - OAK/PORTS OAK - PORTSMOUTH OAK
1B	M09450-77-PC1	EA	MOLDING - TRIM/HDWD W/LIP -.4"X3.2"X79.6" - CHERRY/CHERRY IV - CONCERT CHERRY
1B	M09450-77-PC2	EA	MOLDING - TRIM/HDWD W/LIP -.4"X3.2"X79.6" - MAPLE/WASHED MP - WASHED MAPLE
1B	M09450-77-RC3	EA	MOLDING - TRIM/HDWD W/LIP -.4"X3.2"X79.6" - CHERRY/HONEY - HONEY CHERRY
1B	M09462-75-R38	EA	MOLDING/TRIM - .75" X 1.2" X 80.2" - PORTSMOUTH OAK
1B	M09462-75-R39	EA	MOLDING/TRIM - .75" X 1.2" X 80.2" - CONCERT CHERRY
1B	M09462-75-R46	EA	MOLDING/TRIM - .75" X 1.2" X 80.2" - WASHED MAPLE
2	M09454-62-P54	EA	MOLDING - TRIM/VEE - .2" X 1" X 3.5" - OAK - PORTSMOUTH OAK
2	M09454-62-P55	EA	MOLDING - TRIM/VEE - .2" X 1" X 3.5" - CHERRY - CONCERT CHERRY
2	M09454-62-P56	EA	MOLDING - TRIM/VEE - .2" X 1" X 3.5" - MAPLE - WASHED MAPLE
2	M09454-62-RE0	EA	MOLDING - TRIM/VEE - .2" X 1" X 3.5" - CHERRY - HONEY CHERRY
2	M09462-50-R74	EA	MOLDING - TRIM/VEE - .2" X 1" X 93.5" - PORTSMOUTH OAK
2	M09462-50-R75	EA	MOLDING - TRIM/VEE - .2" X 1" X 93.5" - CONCERT CHERRY
2	M09462-50-R76	EA	MOLDING - TRIM/VEE - .2" X 1" X 93.5" - WASHED MAPLE
2	M09477-18-R83	EA	MOLDING - TRIM/VEE - .2" X 1" X 32" - OAK - PORTSMOUTH OAK
2	M09477-18-R84	EA	MOLDING - TRIM/VEE - .2" X 1" X 32" - CHERRY - CONCERT CHERRY
2	M09477-18-R91	EA	MOLDING - TRIM/VEE - .2" X 1" X 32" - MAPLE - WASHED MAPLE
2	M09477-18-RE0	EA	MOLDING - TRIM/VEE - .2" X 1" X 32" - CHERRY - HONEY CHERRY
3	M09471-79-R38	EA	MOLDING-STAINED - PORTSMOUTH OAK
3	M09471-79-R39	EA	MOLDING-STAINED - CONCERT CHERRY
3	M09471-79-R46	EA	MOLDING-STAINED - WASHED MAPLE
3	M09471-79-RE0	EA	MOLDING-STAINED - HONEY CHERRY
3A	M09471-40-R83	EA	MOLDING-STAINED - PORTSMOUTH OAK
3A	M09471-40-R84	EA	MOLDING-STAINED - CONCERT CHERRY
3A	M09471-40-RE0	EA	MOLDING-STAINED - HONEY CHERRY
4	M09454-52-PA0	EA	MOLDING - FLUTED - .75" X 3.5" X 76.7" - OAK - PORTSMOUTH OAK
4	M09454-52-PA1	EA	MOLDING - FLUTED - .75" X 3.5" X 76.7" - CHERRY - CONCERT CHERRY
4	M09454-52-PA2	EA	MOLDING - FLUTED - .75" X 3.5" X 76.7" - MAPLE - WASHED MAPLE
4	P39129-01-N53	EA	MOLDING - FLUTED/CURVED - 3.5" X 44.5" - PORTSMOUTH OAK
4	P39129-01-N52	EA	MOLDING - FLUTED/CURVED - 3.5" X 44.5" - CONCERT CHERRY
4	P39129-01-N62	EA	MOLDING - FLUTED/CURVED - 3.5" X 44.5" - WASHED MAPLE
4	P39129-01-RA3	EA	MOLDING - FLUTED/CURVED - 3.5" X 44.5" - HONEY CHERRY

**INTERIOR FINISH GROUP (CONTINUED)**  
**MOLDINGS & TRIMS (CONTINUED)**

KEY	PART NUMBER	U/M	DESCRIPTION
4	P39129-08-N53	EA	MOLDING - FLUTED/CURVED - 3.5" X 45.5" - PORTSMOUTH OAK
4	P39129-08-N52	EA	MOLDING - FLUTED/CURVED - 3.5" X 45.5" - CONCERT CHERRY
4	P39129-08-N62	EA	MOLDING - FLUTED/CURVED - 3.5" X 45.5" - WASHED MAPLE
4	P39129-08-RA3	EA	MOLDING - FLUTED/CURVED - 3.5" X 45.5" - HONEY CHERRY
4	P39129-14-PA0	EA	MOLDING - FLUTED/CURVED - 3.5" X 40.8" - PORTSMOUTH OAK
4	P39129-14-PA1	EA	MOLDING - FLUTED/CURVED - 3.5" X 40.8" - CONCERT CHERRY
4	P39129-14-PA2	EA	MOLDING - FLUTED/CURVED - 3.5" X 40.8" - WASHED MAPLE
4	P39129-14-RA3	EA	MOLDING - FLUTED/CURVED - 3.5" X 40.8" - HONEY CHERRY
4	P39129-20-PA0	EA	MOLDING - FLUTED/CURVED - 3.5" X 33.4" - PORTSMOUTH OAK
4	P39129-20-PA1	EA	MOLDING - FLUTED/CURVED - 3.5" X 33.4" - CONCERT CHERRY
4	P39129-20-PA2	EA	MOLDING - FLUTED/CURVED - 3.5" X 33.4" - WASHED MAPLE
4	P39129-20-RA3	EA	MOLDING - FLUTED/CURVED - 3.5" X 33.4" - HONEY CHERRY
4	P39129-25-PA0	EA	MOLDING - FLUTED/CURVED - 3.5" X 46.6" - PORTSMOUTH OAK
4	P39129-25-PA1	EA	MOLDING - FLUTED/CURVED - 3.5" X 46.6" - CONCERT CHERRY
4	P39129-25-PA2	EA	MOLDING - FLUTED/CURVED - 3.5" X 46.6" - WASHED MAPLE
4	P39129-25-RA3	EA	MOLDING - FLUTED/CURVED - 3.5" X 46.6" - HONEY CHERRY
4	P39129-31-PA0	EA	MOLDING - FLUTED/CURVED - 3.5" X 80.7" - PORTSMOUTH OAK
4	P39129-31-PA1	EA	MOLDING - FLUTED/CURVED - 3.5" X 80.7" - CONCERT CHERRY
4	P39129-31-PA2	EA	MOLDING - FLUTED/CURVED - 3.5" X 80.7" - WASHED MAPLE
4	P39129-31-RA3	EA	MOLDING - FLUTED/CURVED - 3.5" X 80.7" - HONEY CHERRY
4	P39129-32-RA0	EA	MOLDING - FLUTED/CURVED - 3.5" X 99.2" - PORTSMOUTH OAK
4	P39129-32-RA1	EA	MOLDING - FLUTED/CURVED - 3.5" X 99.2" - CONCERT CHERRY
4	P39129-32-RA2	EA	MOLDING - FLUTED/CURVED - 3.5" X 99.2" - WASHED MAPLE
4	P39129-32-RA3	EA	MOLDING - FLUTED/CURVED - 3.5" X 99.2" - HONEY CHERRY
4	P39129-33-RA0	EA	MOLDING - FLUTED/CURVED - 3.5" X 98.58" - PORTSMOUTH OAK
4	P39129-33-RA1	EA	MOLDING - FLUTED/CURVED - 3.5" X 98.58" - CONCERT CHERRY
4	P39129-33-RA2	EA	MOLDING - FLUTED/CURVED - 3.5" X 98.58" - WASHED MAPLE
4	P39129-33-RA3	EA	MOLDING - FLUTED/CURVED - 3.5" X 98.58" - HONEY CHERRY
5	P39129-19-PA0	EA	MOLDING - FLUTED/CURVED - 5.9" X 32.1" - PORTSMOUTH OAK
5	P39129-19-PA1	EA	MOLDING - FLUTED/CURVED - 5.9" X 32.1" - CONCERT CHERRY
5	P39129-19-PA2	EA	MOLDING - FLUTED/CURVED - 5.9" X 32.1" - WASHED MAPLE
5	P39129-19-RA3	EA	MOLDING - FLUTED/CURVED - 5.9" X 32.1" - HONEY CHERRY
5	P39129-28-PA0	EA	MOLDING - FLUTED/CURVED - 5.9" X 63.3" - PORTSMOUTH OAK
5	P39129-28-PA1	EA	MOLDING - FLUTED/CURVED - 5.9" X 63.3" - CONCERT CHERRY
5	P39129-28-PA2	EA	MOLDING - FLUTED/CURVED - 5.9" X 63.3" - WASHED MAPLE
5	P39129-28-RA3	EA	MOLDING - FLUTED/CURVED - 5.9" X 63.3" - HONEY CHERRY
5	P39129-29-PA0	EA	MOLDING - FLUTED/CURVED - 5.9" X 70.1" - PORTSMOUTH OAK
5	P39129-29-PA1	EA	MOLDING - FLUTED/CURVED - 5.9" X 70.1" - CONCERT CHERRY
5	P39129-29-PA2	EA	MOLDING - FLUTED/CURVED - 5.9" X 70.1" - WASHED MAPLE
5	P39129-29-RA3	EA	MOLDING - FLUTED/CURVED - 5.9" X 70.1" - HONEY CHERRY

**INTERIOR FINISH GROUP (CONTINUED)**  
**MOLDINGS & TRIMS (CONTINUED)**



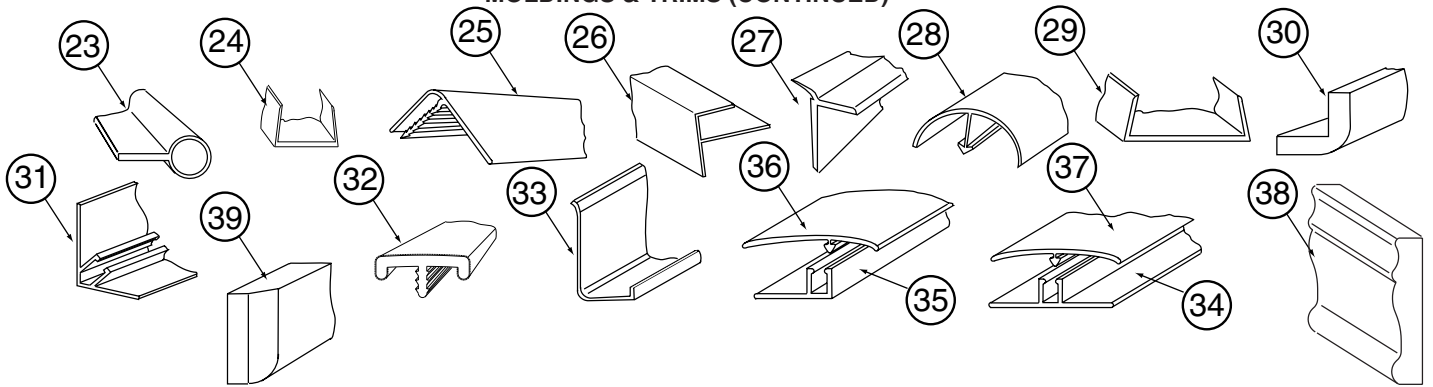
KEY	PART NUMBER	U/M	DESCRIPTION
6	P39129-21-PA0	EA	MOLDING - FLUTED/CURVED - 5.9" X 2.5" - PORTSMOUTH OAK
6	P39129-21-PA1	EA	MOLDING - FLUTED/CURVED - 5.9" X 2.5" - CONCERT CHERRY
6	P39129-21-PA2	EA	MOLDING - FLUTED/CURVED - 5.9" X 2.5" - WASHED MAPLE
6	P39129-21-RA3	EA	MOLDING - FLUTED/CURVED - 5.9" X 2.5" - HONEY CHERRY
6	P39129-22-PA0	EA	MOLDING - FLUTED/CURVED - 5.9" X 5.3" - PORTSMOUTH OAK
6	P39129-22-PA1	EA	MOLDING - FLUTED/CURVED - 5.9" X 5.3" - CONCERT CHERRY
6	P39129-22-PA2	EA	MOLDING - FLUTED/CURVED - 5.9" X 5.3" - WASHED MAPLE
6	P39129-22-RA3	EA	MOLDING - FLUTED/CURVED - 5.9" X 5.3" - HONEY CHERRY
7	Y00007-22-438	EA	MOLDING - MAPLE - UNSTAINED
7	Y00007-32-438	EA	MOLDING - CHERRY - UNSTAINED
7	Y00007-42-438	EA	MOLDING - OAK - UNSTAINED
7A	Y00054-72-438	EA	MOLDING - VINYL - W/SLOT - .7"X 1.9"X 96" - PORTSMOUTH OAK
7A	Y00054-62-438	EA	MOLDING - VINYL - W/SLOT - .7"X 1.9"X 96" - CONCERT CHERRY
7A	Y00054-A2-438	EA	MOLDING - VINYL - W/SLOT - .7"X 1.9"X 96" - WASHED MAPLE
8	Y00070-22-438	EA	MOLDING/FLUTED - MAPLE - 96" - WASHED MAPLE
8	Y00070-32-438	EA	MOLDING/FLUTED - CHERRY - 96" - CONCERT CHERRY
8	Y00070-42-438	EA	MOLDING/FLUTED - OAK - 96" - PORTSMOUTH OAK
9	Y00071-22-438	EA	MOLDING/FLUTED - W/NOTCH - MAPLE/UNSTAINED - 96"
9	Y00071-32-438	EA	MOLDING/FLUTED - W/NOTCH - CHERRY/UNSTAINED - 96"
9	Y00071-42-438	EA	MOLDING/FLUTED - W/NOTCH - OAK/UNSTAINED - 96"
10	Y00074-A2-438	EA	MOLDING/CROWN - VINYL WRAPPED - MAPLE - 96" - WASHED MAPLE
10	Y00074-62-438	EA	MOLDING/CROWN - VINYL WRAPPED - CONCERT CHERRY - 96" - CONCERT CHERRY
10	Y00074-72-438	EA	MOLDING/CROWN - VINYL WRAPPED - PORTSMOUTH OAK - 96" - PORTSMOUTH OAK
11	Y00076-22-438	EA	MOLDING/TRIM - .5" X 1" X 96" - MAPLE (UNSTAINED)
11	Y00076-32-438	EA	MOLDING/TRIM - .5" X 1" X 96" - CHERRY (UNSTAINED)
11	Y00076-42-438	EA	MOLDING/TRIM - .5" X 1" X 96" - OAK (UNSTAINED)
12	Y00086-A2-438	EA	MOLDING - VINYL WRAP - .7" X 1.6" X 96" - WASHED MAPLE
12	Y00086-62-438	EA	MOLDING - VINYL WRAP - .7" X 1.6" X 96" - CONCERT CHERRY
12	Y00086-72-438	EA	MOLDING - VINYL WRAP - .7" X 1.6" X 96" - PORTSMOUTH OAK
12	Y00086-82-438	EA	MOLDING - VINYL WRAP - .7" X 1.6" X 96" - HONEY CHERRY
12	Y00087-A2-438	EA	MOLDING - VINYL WRAP - .7" X 2.9" X 96" - WASHED MAPLE
12	Y00087-62-438	EA	MOLDING - VINYL WRAP - .7" X 2.9" X 96" - CONCERT CHERRY
12	Y00087-72-438	EA	MOLDING - VINYL WRAP - .7" X 2.9" X 96" - PORTSMOUTH OAK
12	Y00087-82-438	EA	MOLDING - VINYL WRAP - .7" X 2.9" X 96" - HONEY CHERRY
12	Y00267-72-438	EA	MOLDING - VINYL WRAP/MITERED - .6" X 96" - PORTSMOUTH OAK
12	Y00267-62-438	EA	MOLDING - VINYL WRAP/MITERED - .6" X 96" - CONCERT CHERRY
12	Y00267-A2-438	EA	MOLDING - VINYL WRAP/MITERED - .6" X 96" - WASHED MAPLE

**INTERIOR FINISH GROUP (CONTINUED)**  
**MOLDINGS & TRIMS (CONTINUED)**

<b>KEY</b>	<b>PART NUMBER</b>	<b>U/M</b>	<b>DESCRIPTION</b>
13	Y00152-A2-438	EA	MOLDING/TRIM - VINYL - .6" X 3.5" X 96" - WASHED MAPLE
13	Y00152-62-438	EA	MOLDING/TRIM - VINYL - .6" X 3.5" X 96" - CONCERT CHERRY
13	Y00152-72-438	EA	MOLDING/TRIM - VINYL - .6" X 3.5" X 96" - PORTSMOUTH OAK
14	Y00153-A2-438	EA	MOLDING/TRIM - VINYL - .6" X 3.9" X 96" - WASHED MAPLE
14	Y00153-62-438	EA	MOLDING/TRIM - VINYL - .6" X 3.9" X 96" - CONCERT CHERRY
14	Y00153-72-438	EA	MOLDING/TRIM - VINYL - .6" X 3.9" X 96" - PORTSMOUTH OAK
14	Y00153-82-438	EA	MOLDING/TRIM - VINYL - .6" X 3.9" X 96" - HONEY CHERRY
15	Y00203-A2-438	EA	MOLDING - VINYL/BEVELED - 96" - WASHED MAPLE
15	Y00203-62-438	EA	MOLDING - VINYL/BEVELED - 96" - CONCERT CHERRY
15	Y00203-72-438	EA	MOLDING - VINYL/BEVELED - 96" - PORTSMOUT OAK
15	Y00203-82-438	EA	MOLDING - VINYL/BEVELED - 96" - HONEY CHERRY
16	Y00204-A2-438	EA	MOLDING - VINYL/BEVELED - 96" - WASHED MAPLE
16	Y00204-62-438	EA	MOLDING - VINYL/BEVELED - 96" - CONCERT CHERRY
16	Y00204-72-438	EA	MOLDING - VINYL/BEVELED - 96" - PORTSMOUT OAK
16	Y00204-82-438	EA	MOLDING - VINYL/BEVELED - 96" - HONEY CHERRY
17	Y00205-A2-438	EA	MOLDING - VINYL/BEVELED - 96" - WASHED MAPLE
17	Y00205-62-438	EA	MOLDING - VINYL/BEVELED - 96" - CONCERT CHERRY
17	Y00205-72-438	EA	MOLDING - VINYL/BEVELED - 96" - PORTSMOUT OAK
17	Y00205-82-438	EA	MOLDING - VINYL/BEVELED - 96" - HONEY CHERRY
18	Y00206-A2-438	EA	MOLDING - VINYL/BEVELED - 96" - WASHED MAPLE
18	Y00206-62-438	EA	MOLDING - VINYL/BEVELED - 96" - CONCERT CHERRY
18	Y00206-72-438	EA	MOLDING - VINYL/BEVELED - 96" - PORTSMOUT OAK
18	Y00206-82-438	EA	MOLDING - VINYL/BEVELED - 96" - HONEY CHERRY
19	Y00223-22-438	EA	MOLDING - HARDWOOD/MAPLE - .7" X 1" X 96"
19	Y00223-32-438	EA	MOLDING - HARDWOOD/CHERRY - .7" X 1" X 96"
19	Y00223-42-438	EA	MOLDING - HARDWOOD/OAK - .7" X 1" X 96"
20	Y00258-A2-438	EA	MOLDING - VINYL/BEVELED - 96" - WASHED MAPLE
20	Y00258-62-438	EA	MOLDING - VINYL/BEVELED - 96" - CONCERT CHERRY
20	Y00258-72-438	EA	MOLDING - VINYL/BEVELED - 96" - PORTSMOUT OAK
20	Y00258-82-438	EA	MOLDING - VINYL/BEVELED - 96" - HONEY CHERRY
21	Y00259-A2-438	EA	MOLDING - VINYL/BEVELED - 96" - WASHED MAPLE
21	Y00259-62-438	EA	MOLDING - VINYL/BEVELED - 96" - CONCERT CHERRY
21	Y00259-72-438	EA	MOLDING - VINYL/BEVELED - 96" - PORTSMOUT OAK
21	Y00259-82-438	EA	MOLDING - VINYL/BEVELED - 96" - HONEY CHERRY
22	Y00262-22-438	EA	MOLDING - 96" - MAPLE, UNSTAINED
22	Y00262-32-438	EA	MOLDING - 96" - CHERRY, UNSTAINED
22	Y00262-42-438	EA	MOLDING - 96" - OAK, UNSTAINED
22A	Y00266-42-438	EA	MOLDING - .75" X 1.5" X 96" OAK - .7" X 1" X 96"
22A	Y00266-32-438	EA	MOLDING - .75" X 1.5" X 96" CHERRY - .7" X 1" X 96"
22A	Y00266-22-438	EA	MOLDING - .75" X 1.5" X 96" MAPLE - .7" X 1" X 96"
22B	Y00280-74-174	EA	MOLDING/TRIM - VINYL - F/SLIDEOUT - 164.1" - PORTSMOUTH OAK
22B	Y00280-64-174	EA	MOLDING/TRIM - VINYL - F/SLIDEOUT - 164.1" - CONCERT CHERRY
22B	Y00280-A4-174	EA	MOLDING/TRIM - VINYL - F/SLIDEOUT - 164.1" - WASHED MAPLE
22B	Y00281-72-438	EA	MOLDING/TRIM - VINYL - F/SLIDEOUT - 96" - PORTSMTH OAK
22B	Y00281-62-438	EA	MOLDING/TRIM - VINYL - F/SLIDEOUT - 96" - CONCERT CHERRY
22B	Y00281-A2-438	EA	MOLDING/TRIM - VINYL - F/SLIDEOUT - 96" - WASHED MAPLE
22B	Y00291-72-438	EA	MOLDING - VINYL WRAPPED - 4" X 96" - PORTSMTH OAK
22B	Y00291-62-438	EA	MOLDING - VINYL WRAPPED - 4" X 96" - CONCERT CHERRY
22B	Y00291-A2-438	EA	MOLDING - VINYL WRAPPED - 4" X 96" - WASHED MAPLE
22C	Y00282-72-438	EA	MOLDING - SLIDEOUT/VINYL WRAP - 3.9" X 96"- PORTSMOUTH OAK
22C	Y00282-62-438	EA	MOLDING - SLIDEOUT/VINYL WRAP - 3.9" X 96"- CONCERT CHERRY
22C	Y00282-A2-438	EA	MOLDING - SLIDEOUT/VINYL WRAP - 3.9" X 96"- WASHED MAPLE
22D	Y00284-42-438	EA	MOLDING - STRAIGHT - .2" X 1.5" X 96"- UNSTAINED OAK
22D	Y00284-32-438	EA	MOLDING - STRAIGHT - .2" X 1.5" X 96"- UNSTAINED CHERRY
22D	Y00284-22-438	EA	MOLDING - STRAIGHT - .2" X 1.5" X 96"- UNSTAINED MAPLE
22E	Y00285-42-438	EA	MOLDING - STRAIGHT - .63" X 3.2" X 96"- UNSTAINED OAK
22E	Y00285-32-438	EA	MOLDING - STRAIGHT - .63" X 3.2" X 96"- UNSTAINED CHERRY
22E	Y00285-22-438	EA	MOLDING - STRAIGHT - .63" X 3.2" X 96"- UNSTAINED MAPLE

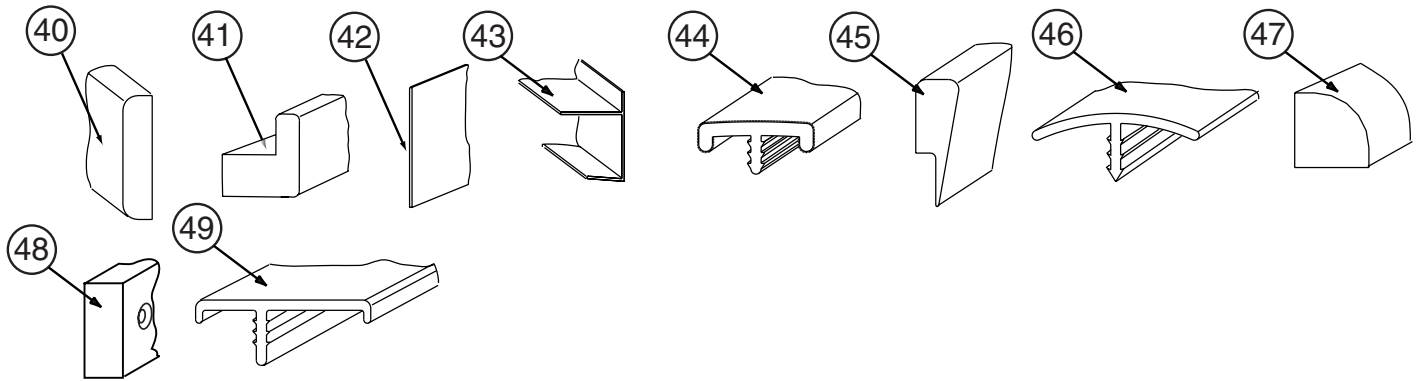
# INTERIOR FINISH GROUP (CONTINUED)

## MOLDINGS & TRIMS (CONTINUED)



KEY	PART NUMBER	U/M	DESCRIPTION
23	009767-12-000	FT	WELTING - ANTIQUE WHITE
24	009778-25-000	FT	U-CHANNEL - 1" - BEIGE ILLUSION
24	009778-27-000	FT	U-CHANNEL - 1" - WASHED MAPLE
24	009778-32-000	FT	U-CHANNEL - 1" - PORTSMOUTH OAK
24	009778-34-000	FT	U-CHANNEL - 1" - CONCERT CHERRY
24	009778-35-000	FT	U-CHANNEL - 1" - HONEY CHERRY
25	009809-30-000	EA	MOLDING - CORNER - OUTSIDE - 1" X 84" - BEIGE ILLUSION
25	009809-32-000	EA	MOLDING - CORNER - OUTSIDE - 1" X 84" - PORTSMOUTH OAK
25	009809-31-000	EA	MOLDING - CORNER - OUTSIDE - 1" X 84" - WASHED MAPLE
25	009809-33-000	EA	MOLDING - CORNER - OUTSIDE - 1" X 84" - CONCERT CHERRY
25	009809-34-000	EA	MOLDING - CORNER - OUTSIDE - 1" X 84" - HONEY CHERRY
26	009812-31-000	EA	MOLDING - CORNER - 1/2" W/1/4"CHAN X 84" - BEIGE ILLUSION
26	009812-33-000	EA	MOLDING - CORNER - 1/2" W/1/4"CHAN X 84" - WASHED MAPLE
26	009812-34-000	EA	MOLDING - CORNER - 1/2" W/1/4"CHAN X 84" - VW LIGHT GRAY
26	009812-35-000	EA	MOLDING - CORNER - 1/2" W/1/4"CHAN X 84" - PORTSMOUTH OAK
26	009812-36-000	EA	MOLDING - CORNER - 1/2" W/1/4"CHAN X 84" - CONCERT CHERRY
26	009812-37-000	EA	MOLDING - CORNER - 1/2" W/1/4"CHAN X 84" - HONEY CHERRY
27	022992-11-000	FT	MOLDING - REVERSE COVE - T-SHAPED - IVORY
27	022992-14-000	FT	MOLDING - REVERSE COVE - T-SHAPED - BRIGHT WHITE
27	022992-15-000	FT	MOLDING - REVERSE COVE - T-SHAPED - VW GRAY
28	042357-25-000	EA	MOLDING - CORNER - RADIUS/PLASTIC - WASHED MAPLE
29	070504-42-000	FT	U-CHANNEL - PLASTIC - .13" X 84" - BEIGE ILLUSION
29	070504-50-000	FT	U-CHANNEL - PLASTIC - .13" X 96" - WASHED MAPLE
29	070504-51-000	FT	U-CHANNEL - PLASTIC - .9" X 96" - WASHED MAPLE
29	070504-54-000	FT	U-CHANNEL - PLASTIC - .9" X 96" - VILLAGE OAK
29	070504-57-000	FT	U-CHANNEL - PLASTIC - .13" X 84" - PORTSMOUTH OAK
29	070504-58-000	FT	U-CHANNEL - PLASTIC - .9" X 84" - PORTSMOUTH OAK
29	070504-60-000	FT	U-CHANNEL - PLASTIC - .13" X 84" - CONCERT CHERRY
29	070504-61-000	FT	U-CHANNEL - PLASTIC - .9" X 84" - CONCERT CHERRY
29	070504-62-000	FT	U-CHANNEL - PLASTIC - 1.65" X 84" - HONEY CHERRY
29	070504-63-000	FT	U-CHANNEL - PLASTIC - .9" X 84" - HONEY CHERRY
29	070504-64-000	FT	U-CHANNEL - PLASTIC - .7" X 84" - HONEY CHERRY
30	080176-08-000	EA	CAP - CORNER - RADIUS MOLDING - PLASTIC - WASHED MAPLE
31	081521-02-007	EA	MOUNT - METAL MOLDING - F/RADIUS CORNER MOLDING - 151.5"
32	083620-15-000	FT	MOLDING-T - W/EDGE LIP - 7/8" FACE - BEIGE ILLUSION
32	083620-19-000	FT	MOLDING-T - W/EDGE LIP - 7/8" FACE - WASHED MAPLE
32	083620-20-000	FT	MOLDING-T - W/EDGE LIP - 7/8" FACE - PORTSMOUTH OAK
32	083620-21-000	FT	MOLDING-T - W/EDGE LIP - 7/8" FACE - CONCERT CHERRY/HONEY CHERRY
33	085746-04-000	FT	TRIM-J - CARPET 1.2" X .5" ANGLE - 10' LONG - OFF WHITE
34	086229-01-000	EA	RETAINER - BATTEN - .75" X 92.1" - ANY COLOR
35	086229-11-000	EA	RETAINER - OFFSET - 97"
36	086229-21-000	EA	BATTEN - 1.5" X 83.9" OFFSET - WHITE
37	086229-20-000	EA	BATTEN - 1" X 96" - BEIGE
38	100182-10-J70	EA	TRIM/WOOD - CHAIR RAIL - 2.5" X 8' - WASHED MAPLE
38	100182-10-N47	EA	TRIM/WOOD - CHAIR RAIL - 2.5" X 8' - PORTSMOUTH OAK
38	100182-10-P85	EA	TRIM/WOOD - CHAIR RAIL - 2.5" X 8' - CHERRY - CONCERT CHERRY
38	100182-10-RA3	EA	TRIM/WOOD - CHAIR RAIL - 2.5" X 8' - HONEY CHERRY
39	100659-30-N75	EA	MOLDING - TRIM - 8' - PORTSMOUTH OAK
39	100659-30-N74	EA	MOLDING - TRIM - 8' - CHERRY - CONCERT CHERRY
39	100659-30-M84	EA	MOLDING - TRIM - 8' - WASHED MAPLE
39	100659-27-RA2	EA	MOLDING - TRIM - HONEY CHERRY

**INTERIOR FINISH GROUP (CONTINUED)**  
**MOLDINGS & TRIMS (CONTINUED)**

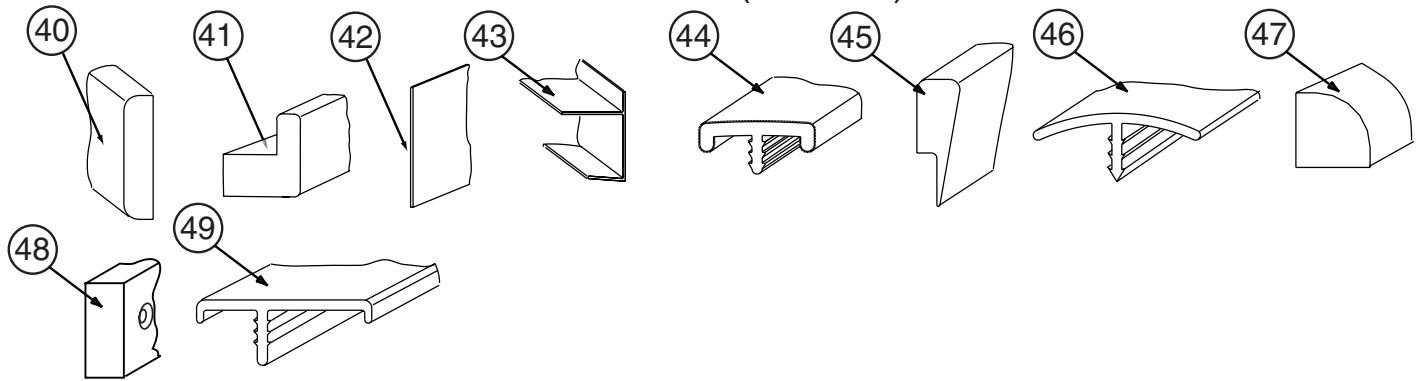


KEY	PART NUMBER	U/M	DESCRIPTION
40	100818-01-21A	EA	MOLDING - VINYL WRAPPED - 1.6" X .4" X 84" - WASHED MAPLE
40	100818-01-12A	EA	MOLDING - VINYL WRAPPED - 1.6" X .4" X 84" - PORTSMOUTH OAK
40	100818-01-13A	EA	MOLDING - VINYL WRAPPED - 1.6" X .4" X 84" - CHERRY - CONCERT CHERRY
40	100818-01-14A	EA	MOLDING - VINYL WRAPPED - 1.6" X .4" X 84" - HONEY CHERRY
41	100819-01-21A	EA	MOLDING - VINYL WRAPPED-L-SHAPED-1.5"X1.5"X84" - WASHED MAPLE
41	100819-01-12A	EA	MOLDING - VINYL WRAPPED-L-SHAPED - 1.5" X 1.5" X 84" - OAK - PORTSMOUTH OAK
41	100819-01-13A	EA	MOLDING - VINYL WRAPPED-L-SHAPED-1.5"X1.5"X84" - CONCERT CHERRY
41	100819-01-14A	EA	MOLDING - VINYL WRAPPED-L-SHAPED-1.5"X1.5"X84" - HONEY CHERRY
42	101957-01-06A	EA	EXTRUDED - PLASTIC - WASHED MAPLE
43	103186-01-07A	FT	MOLDING/PLASTIC - 3/8" U-CHANNEL-3/4"FACE - BEIGE ILLUS 8'
43	103186-01-08A	FT	MOLDING/PLASTIC - 3/8" U-CHANNEL-3/4"FACE-WASHED MAPLE 8' - WASHED MAPLE
43	103186-01-09A	FT	MOLDING/PLASTIC - 3/8" U-CHAN'L-3/4"FACE-PORTSMOUTH OAK 8' - PORTSMOUTH OAK
43	103186-01-10A	FT	MOLDING/PLASTIC-3/8" U-CHAN'L-3/4"FACE-CONCERT CHERRY 8' - CONCERT CHERRY
43	103186-01-11A	FT	MOLDING/PLASTIC-3/8" U-CHAN'L-3/4"FACE-CONCERT CHERRY 8' - HONEY CHERRY
43	103186-02-07A	FT	MOLDING/PLASTIC-1" U-CHAN'L-1 3/8"FACE-BEIGE ILLUSION - 8'
43	103186-02-08A	FT	MOLDING/PLASTIC - 1" U-CHANNEL-1 3/8"FACE-WASHED MAPLE 8' - WASHED MAPLE
43	103186-02-09A	FT	MOLDING/PLASTIC - 1" U-CHAN'L-1 3/8"FACE-PORTSMOUTH OAK 8' - PORTSMOUTH OAK
43	103186-02-10A	FT	MOLDING/PLASTIC - 1" U-CHAN'L-1 3/8"FACE-CONCERT CHERRY 8' - CONCERT CHERRY
43	103186-02-11A	FT	MOLDING/PLASTIC - 1" U-CHAN'L-1 3/8"FACE-CONCERT CHERRY 8' - HONEY CHERRY
44	104676-02-06A	FT	MOLDING-T - W/EDGE LIP - 11/16" FACE - WASHED MAPLE
44	104676-02-08A	FT	MOLDING-T - W/EDGE LIP - 11/16" FACE - PORTSMOUTH OAK
44	104676-02-09A	FT	MOLDING-T - W/EDGE LIP - 11/16" FACE - CONCERT CHERRY
44	104676-02-10A	FT	MOLDING-T - W/EDGE LIP - 11/16" FACE - HONEY CHERRY
45	105004-01-21A	EA	MOLDING - VINYL WRAPPED - 1" X 96" - WASHED MAPLE
45	105004-01-12A	EA	MOLDING - VINYL WRAPPED 1" X 96" - PORTSMOUTH OAK
45	105004-01-13A	EA	MOLDING - VINYL WRAPPED 1" X 96" - CONCERT CHERRY
45	105004-01-14A	EA	MOLDING - VINYL WRAPPED 1" X 96" - HONEY CHERRY
46	105709-02-000	FT	MOLDING-T - W/EDGE LIP - 3/4" FACE - BEIGE ILLUSION
47	109410-01-P25	EA	MOLDING - TRIM - 8' - BLACK CHERRY/CHERRY IV - CONCERT CHERRY
47	109410-01-N75	EA	MOLDING - TRIM - 8' - PORTSMOUTH OAK
47	109410-01-J70	EA	MOLDING - TRIM - 8' - WHITE MAPLE - WASHED MAPLE
48	116951-11-KQ0	EA	MOLDING - TRIM - 3.5" X 75.9" - WASHED MAPLE
48	116951-11-KQ1	EA	MOLDING - TRIM - 3.5" X 75.9" - CONCERT CHERRY
48	116951-11-N95	EA	MOLDING - TRIM - 3.5" X 75.9" - PORTSMOUTH OAK
48	116951-11-RE0	EA	MOLDING - TRIM - 3.5" X 75.9" - HONEY CHERRY
48	116951-16-K37	EA	MOLDING - TRIM - 3.5" X 74.3" - CONCERT CHERRY
48	116951-16-K90	EA	MOLDING - TRIM - 3.5" X 74.3" - WASHED MAPLE
48	116951-16-N75	EA	MOLDING - TRIM - 3.5" X 74.3" - PORTSMOUTH OAK
48	116951-16-RC3	EA	MOLDING - TRIM - 3.5" X 74.3" - HONEY CHERRY
48	116951-23-L52	EA	MOLDING - TRIM - 3.5" X 74.3" - CONCERT CHERRY
48	116951-23-L58	EA	MOLDING - TRIM - 3.5" X 74.3" - WASHED MAPLE
48	116951-23-RE0	EA	MOLDING - TRIM - 3.5" X 74.3" - HONEY CHERRY
48	116951-23-R83	EA	MOLDING - TRIM - 3.5" X 74.3" - PORTSMOUTH OAK
48	116951-24-L52	EA	MOLDING - TRIM - 3.5" X 74.6" - CONCERT CHERRY
48	116951-24-L58	EA	MOLDING - TRIM - 3.5" X 74.6" - WASHED MAPLE
48	116951-24-RE0	EA	MOLDING - TRIM - 3.5" X 74.6" - HONEY CHERRY
48	116951-24-R83	EA	MOLDING - TRIM - 3.5" X 74.6" - PORTSMOUTH OAK
48	116951-27-N75	EA	MOLDING - TRIM - 3.5" X 46.8" - PORTSMOUTH OAK
48	116951-27-N84	EA	MOLDING - TRIM - 3.5" X 46.8" - WASHED MAPLE
48	116951-27-N85	EA	MOLDING - TRIM - 3.5" X 46.8" - CONCERT CHERRY
48	116951-28-N75	EA	MOLDING - TRIM - 3.5" X 79.4" - PORTSMOUTH OAK

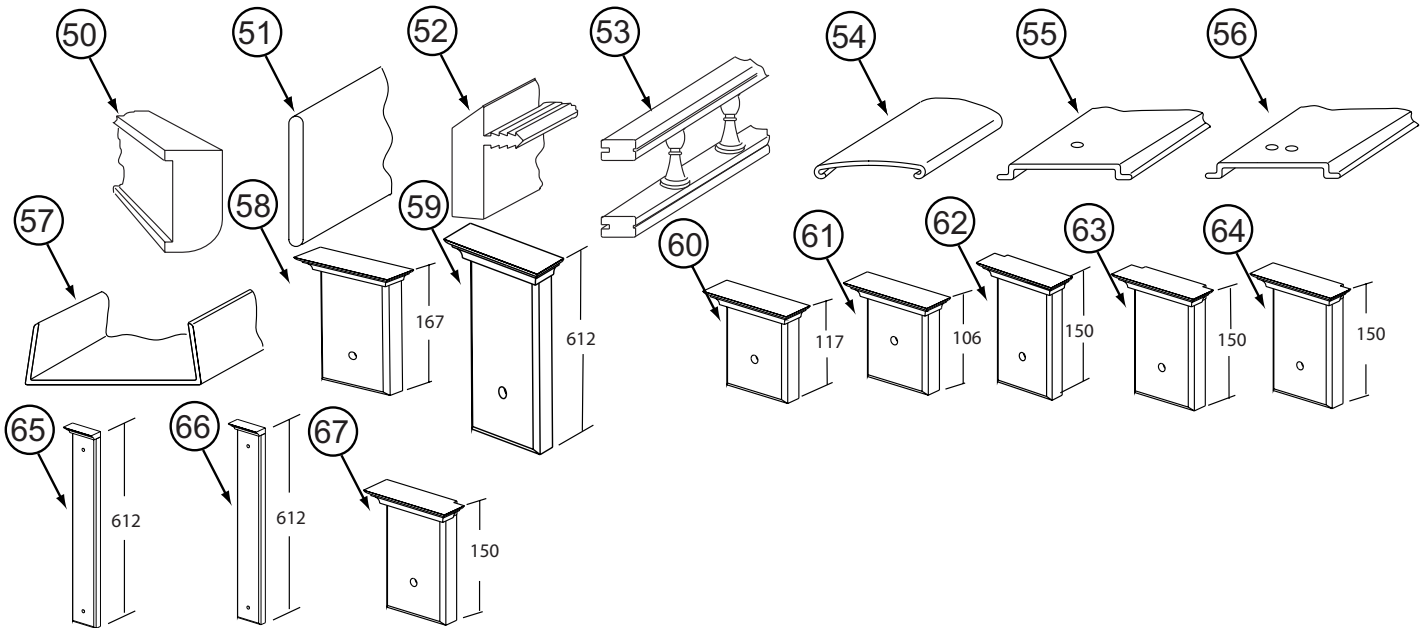
**INTERIOR FINISH GROUP (CONTINUED)**  
**MOLDINGS & TRIMS (CONTINUED)**

<b>KEY</b>	<b>PART NUMBER</b>	<b>U/M</b>	<b>DESCRIPTION</b>
48	116951-28-N84	EA	MOLDING - TRIM - 3.5" X 79.4" - WASHED MAPLE
48	116951-28-N85	EA	MOLDING - TRIM - 3.5" X 79.4" - CONCERT CHERRY
48	116951-29-N70	EA	MOLDING - TRIM - 5.5" X 30.4" - PORTSMOUTH OAK
48	116951-29-N84	EA	MOLDING - TRIM - 5.5" X 30.4" - WASHED MAPLE
48	116951-29-N85	EA	MOLDING - TRIM - 5.5" X 30.4" - CONCERT CHERRY
48	116951-29-RC3	EA	MOLDING - TRIM - 5.5" X 30.4" - HONEY CHERRY
48	116951-32-P75	EA	MOLDING - TRIM - 3" X 33.4" - PORTSMOUTH OAK
48	116951-32-P25	EA	MOLDING - TRIM - 3" X 33.4" - CONCERT CHERRY
48	116951-32-P28	EA	MOLDING - TRIM - 3" X 33.4" - WASHED MAPLE
48	116951-32-RE0	EA	MOLDING - TRIM - 3" X 33.4" - HONEY CHERRY
48	116951-34-P28	EA	MOLDING - TRIM - 3" X 33.4" - WASHED MAPLE
48	116951-34-P78	EA	MOLDING - TRIM - 3" X 33.4" - PORTSMOUTH OAK
48	116951-34-P79	EA	MOLDING - TRIM - 3" X 33.4" - CONCERT CHERRY
48	116951-34-RE0	EA	MOLDING - TRIM - 3" X 33.4" - HONEY CHERRY
48	116951-35-P28	EA	MOLDING - TRIM - 3.5" X 96" - WASHED MAPLE
48	116951-35-P78	EA	MOLDING - TRIM - 3.5" X 96" - PORTSMOUTH OAK
48	116951-35-P79	EA	MOLDING - TRIM - 3.5" X 96" - CONCERT CHERRY
48	116951-35-RE0	EA	MOLDING - TRIM - 3.5" X 96" - HONEY CHERRY
48	116951-36-R68	EA	MOLDING - TRIM - 3.5" X 48.8" - WASHED MAPLE
48	116951-36-R69	EA	MOLDING - TRIM - 3.5" X 48.8" - PORTSMOUTH OAK
48	116951-36-R76	EA	MOLDING - TRIM - 3.5" X 48.8" - CONCERT CHERRY
48	116951-37-R68	EA	MOLDING - TRIM - 3.5" X 38.6" - WASHED MAPLE
48	116951-37-R69	EA	MOLDING - TRIM - 3.5" X 38.6" - PORTSMOUTH OAK
48	116951-37-R76	EA	MOLDING - TRIM - 3.5" X 38.6" - CONCERT CHERRY
48	116951-38-RE0	EA	MOLDING - TRIM - 3.5" X 82.6" - HONEY CHERRY
48	116951-38-R83	EA	MOLDING - TRIM - 3.5" X 82.6" - PORTSMOUTH OAK
48	116951-38-R84	EA	MOLDING - TRIM - 3.5" X 82.6" - CONCERT CHERRY
48	116951-38-R91	EA	MOLDING - TRIM - 3.5" X 82.6" - WASHED MAPLE
48	116951-39-RE0	EA	MOLDING - TRIM - 3.5" X 73.9" - HONEY CHERRY
48	116951-39-R83	EA	MOLDING - TRIM - 3.5" X 73.9" - PORTSMOUTH OAK
48	116951-39-R84	EA	MOLDING - TRIM - 3.5" X 73.9" - CONCERT CHERRY
48	116951-39-R91	EA	MOLDING - TRIM - 3.5" X 73.9" - WASHED MAPLE
48	116951-40-RE0	EA	MOLDING - TRIM - 4.5" X 81.9" - HONEY CHERRY
48	116951-40-R83	EA	MOLDING - TRIM - 4.5" X 81.9" - PORTSMOUTH OAK
48	116951-40-R84	EA	MOLDING - TRIM - 4.5" X 81.9" - CONCERT CHERRY
48	116951-40-R91	EA	MOLDING - TRIM - 4.5" X 81.9" - WASHED MAPLE
48	116951-41-RE0	EA	MOLDING - TRIM - 3.5" X 36.8" - HONEY CHERRY
48	116951-41-R83	EA	MOLDING - TRIM - 3.5" X 36.8" - PORTSMOUTH OAK
48	116951-41-R84	EA	MOLDING - TRIM - 3.5" X 36.8" - CONCERT CHERRY
48	116951-41-R91	EA	MOLDING - TRIM - 3.5" X 36.8" - WASHED MAPLE
48	116951-42-RE0	EA	MOLDING - TRIM - 3.5" X 46.8" - HONEY CHERRY
48	116951-42-R83	EA	MOLDING - TRIM - 3.5" X 46.8" - PORTSMOUTH OAK
48	116951-42-R84	EA	MOLDING - TRIM - 3.5" X 46.8" - CONCERT CHERRY
48	116951-42-R91	EA	MOLDING - TRIM - 3.5" X 46.8" - WASHED MAPLE
48	116951-43-RE0	EA	MOLDING - TRIM - 3.5" X 86.5" - HONEY CHERRY
48	116951-43-R83	EA	MOLDING - TRIM - 3.5" X 86.5" - PORTSMOUTH OAK
48	116951-43-R84	EA	MOLDING - TRIM - 3.5" X 86.5" - CONCERT CHERRY
48	116951-43-R91	EA	MOLDING - TRIM - 3.5" X 86.5" - WASHED MAPLE
48	116951-44-RE0	EA	MOLDING - TRIM - 3.5" X 76.1" - HONEY CHERRY
48	116951-44-R83	EA	MOLDING - TRIM - 3.5" X 76.1" - PORTSMOUTH OAK
48	116951-44-R84	EA	MOLDING - TRIM - 3.5" X 76.1" - CONCERT CHERRY
48	116951-44-R91	EA	MOLDING - TRIM - 3.5" X 76.1" - WASHED MAPLE
48	116951-45-R68	EA	MOLDING - TRIM - 3" X 30.3" - PORTSMOUTH OAK
48	116951-45-R69	EA	MOLDING - TRIM - 3" X 30.3" - CONCERT CHERRY
48	116951-45-R76	EA	MOLDING - TRIM - 3" X 30.3" - WASHED MAPLE
48	116951-46-RE0	EA	MOLDING - TRIM - 4.5" X 72.3" - HONEY CHERRY
48	116951-46-R83	EA	MOLDING - TRIM - 4.5" X 72.3" - PORTSMOUTH OAK
48	116951-46-R84	EA	MOLDING - TRIM - 4.5" X 72.3" - CONCERT CHERRY
48	116951-46-R91	EA	MOLDING - TRIM - 4.5" X 72.3" - WASHED MAPLE
48	116951-48-RE0	EA	MOLDING - TRIM - 4.5" X 76.1" - HONEY CHERRY
48	116951-48-R83	EA	MOLDING - TRIM - 4.5" X 76.1" - PORTSMOUTH OAK
48	116951-48-R84	EA	MOLDING - TRIM - 4.5" X 76.1" - CONCERT CHERRY
48	116951-48-R91	EA	MOLDING - TRIM - 4.5" X 76.1" - WASHED MAPLE
48	116951-49-RE0	EA	MOLDING - TRIM - 4.5" X 69.8" - HONEY CHERRY

**INTERIOR FINISH GROUP (CONTINUED)**  
**MOLDINGS & TRIMS (CONTINUED)**



KEY	PART NUMBER	U/M	DESCRIPTION
48	116951-49-R83	EA	MOLDING - TRIM - 4.5" X 69.8" - PORTSMOUTH OAK
48	116951-49-R84	EA	MOLDING - TRIM - 4.5" X 69.8" - CONCERT CHERRY
48	116951-49-R91	EA	MOLDING - TRIM - 4.5" X 69.8" - WASHED MAPLE
48	116951-50-RE0	EA	MOLDING - TRIM - 4.5" X 70.3" - HONEY CHERRY
48	116951-50-R83	EA	MOLDING - TRIM - 4.5" X 70.3" - PORTSMOUTH OAK
48	116951-50-R84	EA	MOLDING - TRIM - 4.5" X 70.3" - CONCERT CHERRY
48	116951-50-R91	EA	MOLDING - TRIM - 4.5" X 70.3" - WASHED MAPLE
49	119520-01-01A	FT	MOLDING-T/OFFSET - W/EDGE LIP - 1.3" FACE - OFF WHITE
49	119520-01-04A	FT	MOLDING-T/OFFSET - W/EDGE LIP - 1.3" FACE - PORTSMOUTH OAK
49	119520-01-02A	FT	MOLDING-T/OFFSET - W/EDGE LIP - 1.3" FACE - CONCERT CHERRY
49	119520-01-03A	FT	MOLDING-T/OFFSET - W/EDGE LIP - 1.3" FACE - WASHED MAPLE
49	119520-02-01A	FT	MOLDING-T - OFFSET W/EDGE LIP - 1.3" FACE - OFF WHITE



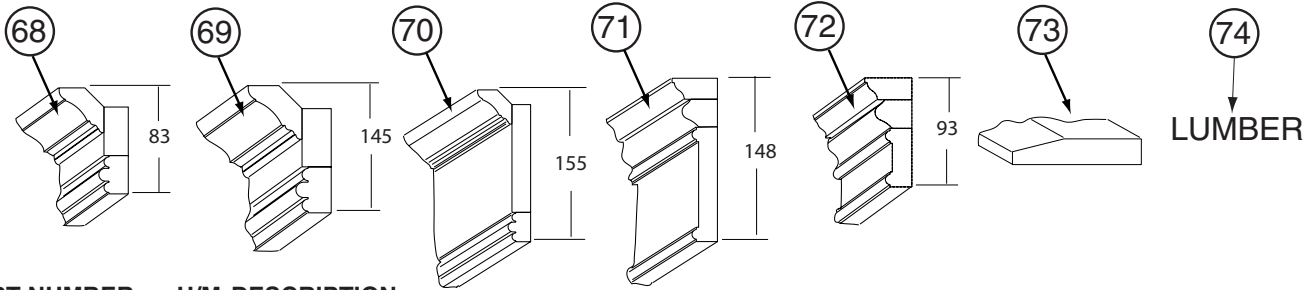
KEY	PART NUMBER	U/M	DESCRIPTION
50	149326-D2-134	EA	MOLDING - VINYL WRAPPED - .7" X 1.6" X 84" - WASHED MAPLE
50	149326-F2-134	EA	MOLDING - VINYL WRAPPED - .7" X 2.5" X 84" - WASHED MAPLE
50	137887-D2-134	EA	MOLDING - VINYL WRAPPED - .7" X 1.6" X 96" - CONCERT CHERRY
50	137887-D2-743	EA	MOLDING - VINYL WRAPPED - .7" X 1.6" X 108" - CONCERT CHERRY
50	137887-F2-134	EA	MOLDING - VINYL WRAPPED - .7" X 2.5" X 84" - CONCERT CHERRY
50	137887-F2-743	EA	MOLDING - VINYL WRAPPED - .7" X 2.5" X 108" - CONCERT CHERRY
50	137895-D2-134	EA	MOLDING - VINYL WRAPPED - .7" X 1.6" X 84" - PORTSMOUTH OAK
50	137895-D2-743	EA	MOLDING - VINYL WRAPPED - .7" X 1.5" X 108" - PORTSMOUTH OAK
50	137895-F2-743	EA	MOLDING - VINYL WRAPPED - .7" X 2.5" X 108" - PORTSMOUTH OAK
50	146425-D2-134	EA	MOLDING - VINYL WRAPPED - .7" X 1.6" X 96" - HONEY CHERRY
50	146425-F2-134	EA	MOLDING - VINYL WRAPPED - .7" X 2.5" X 84" - HONEY CHERRY
50	146425-F2-743	EA	MOLDING - VINYL WRAPPED - .7" X 2.5" X 108" - HONEY CHERRY
51	127842-01-01A	FT	SEAL - SIGHT SHIELD - 2" BLACK
52	130247-01-02A	FT	MOLDING-T/OFF SET - 1.3" FACE - WASHED MAPLE
52	130247-01-04A	FT	MOLDING-T/OFF SET - 1.3" FACE - PORTSMOUTH OAK
52	130247-01-05A	FT	MOLDING-T/OFF SET - 1.3" FACE - CONCERT CHERRY/HONEY CHERRY



**INTERIOR FINISH GROUP (CONTINUED)**  
**MOLDINGS & TRIMS (CONTINUED)**

<b>KEY</b>	<b>PART NUMBER</b>	<b>U/M</b>	<b>DESCRIPTION</b>
53	137108-01-02A	EA	RAIL - DECORATIVE - SALEM CHERRY - CONCERT CHERRY
53	137108-01-03A	EA	RAIL - DECORATIVE - WASHED MAPLE
53	137108-01-07A	EA	RAIL - DECORATIVE - PORTSMOUTH OAK
53	137108-01-08A	EA	RAIL - DECORATIVE - HONEY CHERRY
54	138359-01-01A	FT	COVER - ROOF BREAK - PEARL CREAM/PLASTIC - 96"
55	138403-01-01A	EA	TRIM - ROOF - MILL
56	138403-02-01A	EA	TRIM - ROOF - MILL
56	138403-03-01A	EA	TRIM - ROOF - MILL
57	141260-01-01A	FT	U-CHANNEL - 1" - VILLAGE OAK
57	141260-01-02A	FT	U-CHANNEL - 1" - GRADY BROWN
58	141303-01-N52	EA	MOLDING - CROWN/BLOCK - CONCERT CHERRY
58	141303-01-N53	EA	MOLDING - CROWN/BLOCK - PORTSMOUTH OAK
58	141303-01-N62	EA	MOLDING - CROWN/BLOCK - WASHED MAPLE
58	141303-01-RA3	EA	MOLDING - CROWN/BLOCK - HONEY CHERRY
59	141303-02-N52	EA	MOLDING - CROWN/BLOCK - CONCERT CHERRY
59	141303-02-N53	EA	MOLDING - CROWN/BLOCK - PORTSMOUTH OAK
59	141303-02-N62	EA	MOLDING - CROWN/BLOCK - WASHED MAPLE
59	141303-02-RA3	EA	MOLDING - CROWN/BLOCK - HONEY CHERRY
60	141303-03-N52	EA	MOLDING - CROWN/BLOCK - CONCERT CHERRY
60	141303-03-N53	EA	MOLDING - CROWN/BLOCK - PORTSMOUTH OAK
60	141303-03-N62	EA	MOLDING - CROWN/BLOCK - WASHED MAPLE
60	141303-03-RA3	EA	MOLDING - CROWN/BLOCK - HONEY CHERRY
61	141303-04-PC0	EA	MOLDING - CROWN/BLOCK - PORTSMOUTH OAK
61	141303-04-PC1	EA	MOLDING - CROWN/BLOCK - CONCERT CHERRY
61	141303-04-PC2	EA	MOLDING - CROWN/BLOCK - WASHED MAPLE
61	141303-04-RA3	EA	MOLDING - CROWN/BLOCK - HONEY CHERRY
62	141303-05-RE3	EA	MOLDING - CROWN/BLOCK - HONEY CHERRY
62	141303-05-R89	EA	MOLDING - CROWN/BLOCK - PORTSMOUTH OAK
62	141303-05-R90	EA	MOLDING - CROWN/BLOCK - CONCERT CHERRY
62	141303-05-R91	EA	MOLDING - CROWN/BLOCK - WASHED MAPLE
63	141303-06-RE3	EA	MOLDING - CROWN/BLOCK - HONEY CHERRY
63	141303-06-R89	EA	MOLDING - CROWN/BLOCK - PORTSMOUTH OAK
63	141303-06-R90	EA	MOLDING - CROWN/BLOCK - CONCERT CHERRY
63	141303-06-R91	EA	MOLDING - CROWN/BLOCK - WASHED MAPLE
64	141303-07-RE3	EA	MOLDING - CROWN/BLOCK - HONEY CHERRY
64	141303-07-R89	EA	MOLDING - CROWN/BLOCK - PORTSMOUTH OAK
64	141303-07-R90	EA	MOLDING - CROWN/BLOCK - CONCERT CHERRY
64	141303-07-R91	EA	MOLDING - CROWN/BLOCK - WASHED MAPLE
65	141303-08-RE3	EA	MOLDING - CROWN/BLOCK - HONEY CHERRY
65	141303-08-R89	EA	MOLDING - CROWN/BLOCK - PORTSMOUTH OAK
65	141303-08-R90	EA	MOLDING - CROWN/BLOCK - CONCERT CHERRY
65	141303-08-R91	EA	MOLDING - CROWN/BLOCK - WASHED MAPLE
66	141303-09-RE3	EA	MOLDING - CROWN/BLOCK - HONEY CHERRY
66	141303-09-R89	EA	MOLDING - CROWN/BLOCK - PORTSMOUTH OAK
66	141303-09-R90	EA	MOLDING - CROWN/BLOCK - CONCERT CHERRY
66	141303-09-R91	EA	MOLDING - CROWN/BLOCK - WASHED MAPLE
67	141303-10-RE3	EA	MOLDING - CROWN/BLOCK - HONEY CHERRY
67	141303-10-R89	EA	MOLDING - CROWN/BLOCK - PORTSMOUTH OAK
67	141303-10-R90	EA	MOLDING - CROWN/BLOCK - CONCERT CHERRY
67	141303-10-R91	EA	MOLDING - CROWN/BLOCK - WASHED MAPLE

**INTERIOR FINISH GROUP (CONTINUED)**  
**MOLDINGS & TRIMS (CONTINUED)**



KEY	PART NUMBER	U/M	DESCRIPTION
68	141915-29-PC0	EA	MOLDING - F/SLIDEOUT - 81.8" - PORTSMOUTH OAK
68	141915-29-PC1	EA	MOLDING - F/SLIDEOUT - 81.8" - CONCERT CHERRY
68	141915-29-PC2	EA	MOLDING - F/SLIDEOUT - 81.8" - WASHED MAPLE
68	141915-29-RC3	EA	MOLDING - F/SLIDEOUT - 81.8" - HONEY CHERRY
69	141915-35-RC0	EA	MOLDING - F/SLIDEOUT - 8.89' - PORTSMOUTH OAK
69	141915-35-RC1	EA	MOLDING - F/SLIDEOUT - 8.89' - CONCERT CHERRY
69	141915-35-RC2	EA	MOLDING - F/SLIDEOUT - 8.89' - WASHED MAPLE
69	141915-35-RC3	EA	MOLDING - F/SLIDEOUT - 8.89' - HONEY CHERRY
70	141915-47-RC0	EA	MOLDING - F/SLIDEOUT - 6.82' - PORTSMOUTH OAK
70	141915-47-RC1	EA	MOLDING - F/SLIDEOUT - 6.82' - CONCERT CHERRY
70	141915-47-RC2	EA	MOLDING - F/SLIDEOUT - 6.82' - WASHED MAPLE
70	141915-47-RC3	EA	MOLDING - F/SLIDEOUT - 6.82' - HONEY CHERRY
71	144885-14-RE0	EA	MOLDING - F/SLIDEOUT - 86.5" - HONEY CHERRY
71	144885-14-R83	EA	MOLDING - F/SLIDEOUT - 86.5" - PORTSMOUTH OAK
71	144885-14-R84	EA	MOLDING - F/SLIDEOUT - 86.5" - CONCERT CHERRY
72	145379-01-RE0	EA	MOLDING/TRIM - 47.48" - HONEY CHERRY
72	145379-01-R83	EA	MOLDING/TRIM - 47.48" - PORTSMOUTH OAK
72	145379-01-R84	EA	MOLDING/TRIM - 47.48" - CONCERT CHERRY
72	145379-02-RE0	EA	MOLDING/TRIM - 7.87" W/RIGHT SIDE ANGLE CUT - HONEY CHERRY
72	145379-02-R83	EA	MOLDING/TRIM - 7.87" W/RIGHT SIDE ANGLE CUT - PORTSMOUTH OAK
72	145379-02-R84	EA	MOLDING/TRIM - 7.87" W/RIGHT SIDE ANGLE CUT - CONCERT CHERRY
72	145379-03-RE0	EA	MOLDING/TRIM - 7.87" W/LEFT SIDE ANGLE CUT - HONEY CHERRY
72	145379-03-R83	EA	MOLDING/TRIM - 7.87" W/LEFT SIDE ANGLE CUT - PORTSMOUTH OAK
72	145379-03-R84	EA	MOLDING/TRIM - 7.87" W/LEFT SIDE ANGLE CUT - CONCERT CHERRY
72	145379-04-RE0	EA	MOLDING/TRIM - 86.61" - HONEY CHERRY
72	145379-04-R83	EA	MOLDING/TRIM - 86.61" - PORTSMOUTH OAK
72	145379-04-R84	EA	MOLDING/TRIM - 86.61" - CONCERT CHERRY
72	145379-05-RE0	EA	MOLDING/TRIM - 102.75" - HONEY CHERRY
72	145379-05-R83	EA	MOLDING/TRIM - 102.75" - PORTSMOUTH OAK
72	145379-05-R84	EA	MOLDING/TRIM - 102.75" - CONCERT CHERRY
73	146306-01-01A	FT	TRANSITION - CARPET/TILE
74	149325-A2-438	EA	LUMBER - VINYL WRAPPED - .7" X .75" X 96" - WASHED MAPLE
74	149325-D2-438	EA	LUMBER - VINYL WRAPPED - .7" X 1.5" X 96" - WASHED MAPLE
74	149325-E2-438	EA	LUMBER - VINYL WRAPPED - .7" X 2" X 96" - WASHED MAPLE
74	149325-F2-438	EA	LUMBER - VINYL WRAPPED - .7" X 2.5" X 96" - WASHED MAPLE
74	149325-G2-438	EA	LUMBER - STAINED - .7" X 3" X 96" - WASHED MAPLE
74	149325-H2-438	EA	LUMBER - STAINED - .7" X 3.5" X 96" - WASHED MAPLE
74	149325-J2-438	EA	LUMBER - VINYL WRAPPED - .7" X 5.5" X 96" - WASHED MAPLE
74	149325-J2-743	EA	LUMBER - VINYL WRAPPED - .7" X 5.5" X 108" - WASHED MAPLE
74	149325-K2-438	EA	LUMBER - VINYL WRAPPED - .7" X 3.9" X 96" - WASHED MAPLE
74	149325-R2-438	EA	LUMBER - VINYL WRAPPED - .7" X 3" X 96" - WASHED MAPLE
74	137885-A2-438	EA	LUMBER - VINYL WRAPPED - .7" X .75" X 96" - CHERRY - CONCERT CHERRY
74	137885-D2-438	EA	LUMBER - VINYL WRAPPED - .7" X 1.5" X 96" - CHERRY - CONCERT CHERRY
74	137885-E2-438	EA	LUMBER - VINYL WRAPPED - .7" X 2" X 96" - CHERRY - CONCERT CHERRY
74	137885-F2-438	EA	LUMBER - VINYL WRAPPED - .7" X 2.5" X 96" - CHERRY - CONCERT CHERRY
74	137885-G2-438	EA	LUMBER - VINYL WRAPPED - .7" X 3" X 96" - CHERRY - CONCERT CHERRY
74	137885-H2-438	EA	LUMBER - VINYL WRAPPED - .7" X 3.5" X 96" - CHERRY - CONCERT CHERRY
74	137885-J2-438	EA	LUMBER - VINYL WRAPPED - .7" X 5.5" X 96" - CHERRY - CONCERT CHERRY
74	137885-J2-743	EA	LUMBER - VINYL WRAPPED - .7" X 5.5" X 108" - CHERRY - CONCERT CHERRY
74	137885-K2-438	EA	LUMBER - VINYL WRAPPED - .7" X 3.9" X 96" - CHERRY - CONCERT CHERRY
74	137885-R2-438	EA	LUMBER - VINYL WRAPPED - .7" X 3" X 96" - CHERRY - CONCERT CHERRY
74	137894-A2-438	EA	LUMBER - VINYL WRAPPED - .7" X .75" X 96" - PORTSMOUTH OAK
74	137894-D2-438	EA	LUMBER - VINYL WRAPPED - .7" X 1.5" X 96" - PORTSMOUTH OAK

**INTERIOR FINISH GROUP (CONTINUED)**  
**MOLDINGS & TRIMS (CONTINUED)**

<b>KEY</b>	<b>PART NUMBER</b>	<b>U/M</b>	<b>DESCRIPTION</b>
74	137894-E2-438	EA	LUMBER - VINYL WRAPPED - .7" X 2" X 96" - PORTSMOUTH OAK
74	137894-F2-438	EA	LUMBER - VINYL WRAPPED - .7" X 2.5" X 96" - PORTSMOUTH OAK
74	137894-G2-438	EA	LUMBER - VINYL WRAPPED - .7" X 3" X 96" - PORTSMOUTH OAK
74	137894-H2-438	EA	LUMBER - VINYL WRAPPED - .7" X 3.5" X 96" - PORTSMOUTH OAK
74	137894-J2-438	EA	LUMBER - VINYL WRAPPED - .7" X 5.5" X 96" - PORTSMOUTH OAK
74	137894-J2-743	EA	LUMBER - VINYL WRAPPED - .7" X 5.5" X 96" - PORTSMOUTH OAK
74	137894-K2-438	EA	LUMBER - VINYL WRAPPED - .7" X 3.9" X 96" - PORTSMOUTH OAK
74	137894-R2-438	EA	LUMBER - VINYL WRAPPED - .7" X 3" X 96" - PORTSMOUTH OAK
74	146419-A2-438	EA	LUMBER - VINYL WRAPPED - .7" X .75" X 96" - HONEY CHERRY
74	146419-D2-438	EA	LUMBER - VINYL WRAPPED - .7" X 1.5" X 96" - HONEY CHERRY
74	146419-E2-438	EA	LUMBER - VINYL WRAPPED - .7" X 2" X 96" - HONEY CHERRY
74	146419-F2-438	EA	LUMBER - VINYL WRAPPED - .7" X 2.5" X 96" - HONEY CHERRY
74	146419-G2-438	EA	LUMBER - VINYL WRAPPED - .7" X 3" X 96" - HONEY CHERRY
74	146419-H2-438	EA	LUMBER - VINYL WRAPPED - .7" X 3.5" X 96" - HONEY CHERRY
74	146419-J2-438	EA	LUMBER - VINYL WRAPPED - .7" X 5.5" X 96" - HONEY CHERRY
74	146419-J2-743	EA	LUMBER - VINYL WRAPPED - .7" X 5.5" X 108" - HONEY CHERRY
74	146419-K2-438	EA	LUMBER - VINYL WRAPPED - .7" X 3.9" X 96" - HONEY CHERRY
74	146419-R2-438	EA	LUMBER - VINYL WRAPPED - .7" X 3" X 96" - HONEY CHERRY

**INTERIOR FINISH GROUP (CONTINUED)**  
**PANELING & LAMINATES**

KEY	PART NUMBER	U/M	DESCRIPTION
	000885-A5-000	SF	PARTICLE BOARD - 3/8" X 4' X 8' - WHT PEB EMBOSSED-1 SIDED
	000885-92-000	SF	PARTICLE BOARD - 3/8" X 4' X 8' - PORTSMOUTH OAK - 1 SIDED
	000885-93-000	SF	PARTICLE BOARD - 3/8" X 4' X 8' - PORTSMOUTH OAK - 2-SIDED
	000885-95-000	SF	PARTICLE BOARD - 3/4" X 4' X 8' - PORTSMOUTH OAK - 2-SIDED
	000885-94-000	SF	PARTICLE BOARD - 1/2" X 4' X 8' - PORTSMOUTH OAK - 2-SIDED
	057882-04-700	EA	DOOR - TAMBOUR - 4' X 4'-PORTSMOUTH OAK/PRE-FINISHED
	074497-42-000	SF	PANELING - PORTSMOUTH OAK - 4' X 8'
	069733-87-000	EA	BATT STRIP - WOODGRAINED/PORTSMOUTH OAK - 8'
	085284-G8-000	FT	BATT TAPE - ADHESIVE BACKED - PORTSMOUTH OAK
	074498-95-000	SF	LAMINATE - PLASTIC - PORTSMOUTH OAK - 4' X 8'
	074498-A1-000	SF	LAMINATE - PLASTIC - LINO FRIEZE - 5' X 8' (R32)
	074498-99-000	SF	LAMINATE - PLASTIC - EGGSHELL - 4' X 8' (R33)
	074498-97-000	SF	LAMINATE - PLASTIC - GRAY TRANQUILITY- 4' X 8' (R34)
	076325-78-000	FT	MOLDING - EDGE BAND - .93" X .024" - PORTSMOUTH OAK
	076773-15-000	SF	PANELING - 2 SIDED/PORTSMOUTH OAK - 1/8" X 4' X 8'
	080215-14-000	SF	PANELING - 2 SIDED - PORTSMOUTH OAK - 3/16" X 4' X 8'
	085284-F7-000	FT	TAPE/STRIP - TRUE GRIP - 1 1/2" WIDE - ADHESIVE BACKED
	088263-G9-000	EA	BATT STRIP - DECORATIVE - CORK/ALABASTER - 8' (R32)
	088263-H2-000	EA	BATT STRIP - DECORATIVE - MULTI - 8' LONG (R33)
	088263-H4-000	EA	BATT STRIP - DECORATIVE - ROCKET SILVERADO (R34)
	085284-G9-000	FT	BATT TAPE - ADHESIVE BACKED - DECORATIVE - ALABASTER (R32)
	085284-H6-000	FT	BATT TAPE - ADHESIVE BACKED - DECORATIVE - MULTI (R33)
	085284-H8-000	FT	BATT TAPE - ADHESIVE BACKED - ROCKET SILVERADO (R34)
	088272-H9-000	SF	PANELING - PEBBLE EMBOSSED - WHITE - 4' X 7'
	088263-G1-000	EA	BATT STRIP - DECORATIVE - PEBBLE EMBOSSED - 8' LONG
	085284-F9-000	FT	BATT TAPE - ADHESIVE BACKED - PEBBLE EMBOSSED
	088272-J9-000	SF	PANELING - ALABASTER - 4' X 7' (R32)
	088272-K4-000	SF	PANELING - MULTI - 4' X 7' (R33)
	088272-K5-000	SF	PANELING - SILVERADO - 4' X 7' (R34)
	126339-01-000	SF	BOARD - WHEAT - 60" X 72"
	132610-10-10A	FT	WALLPAPER - BORDER - 5 3/4" - SELF ADHESIVE (R32) FROM: 00-00-00 THRU: 03-09-03
	132610-05-10A	FT	WALLPAPER - BORDER - 5 3/4" - SELF ADHESIVE (R32) FROM: 03-10-03 THRU: 99-99-99
	132610-10-07A	FT	WALLPAPER - BORDER - 5 3/4" - SELF ADHESIVE (R33) FROM: 00-00-00 THRU: 03-09-03
	132610-05-01A	FT	WALLPAPER - BORDER - 5 3/4" - SELF ADHESIVE (R33) FROM: 03-10-03 THRU: 99-99-99
	132610-05-20A	FT	WALLPAPER - BORDER - 7" - SELF-ADHESIVE (R34) FROM: 00-00-00 THRU: 03-09-03
	132610-08-01A	FT	WALLPAPER - BORDER - 4 3/4" - SELF-ADHESIVE (R34) FROM: 03-10-03 THRU: 99-99-99

**INTERIOR FINISH GROUP (CONTINUED)**  
**ACCESSORIES**

KEY	PART NUMBER	U/M	DESCRIPTION
	064781-06-000	EA	HOLDER/CUP - TWO STEP - OFF WHITE
	072852-01-000	EA	DETECTOR - SMOKE - W/9 VOLT BATTERY - US
	072852-02-000	EA	DETECTOR - SMOKE - W/9 VOLT BATTERY - CANADIAN
	088742-16-000	EA	MIRROR - BEVELED/SAFETY GLASS - 14.4" X 18.5" - F36M
	091261-01-000	FT	SLIPNOT - ANTISLIP - 1' WIDE X 12' - BLACK
*	094499-02-000	EA	EXTINGUISHER/FIRE - DRY - 10BC - W/GAUGE - CANADIAN
	094499-03-000	EA	EXTINGUISHER/FIRE - DRY - 10BC - W/GAUGE/BRACKET
	094499-04-000	EA	STRAP - FIRE EXTINGUISHER MOUNTING - METAL
	096764-02-000	FT	SLIPNOT - ANTISLIP - 1'WIDE (180' ROLLS) - WHITE
	125136-02-000	EA	DETECTOR/CO - GAS MODEL - 9 VOLT
	131058-03-02A	EA	HAND RAIL - INTERIOR ENTRY DOOR - BLACK
	131493-02-17A	EA	PICTURE - DECORATIVE - 13" X 15" - ORCHIDS (R35)
			FROM: 00-00-00 THRU: 11-03-03
	131493-02-14A	EA	PICTURE - DECORATIVE - 13" X 15" - WINTER WHITE (R35)
			FROM: 11-04-03 THRU: 99-99-99
	131493-02-13A	EA	PICTURE - DECORATIVE - 13" X 15" - SANDCASTLE (R36)
	131493-02-16A	EA	PICTURE - DECORATIVE - 13" X 15" - BLUE CAMEO (R37)
	131494-04-01A	EA	MIRROR - ARCHED TOP - 20" X 30" - W/DIAMOND - F32V, F34D
	133831-01-01A	EA	HOLDER - CUP W/THREE CENTERLINE RUBBER FINGERS
	134566-01-01A	EA	HOLDER - CUP - TWO STEP - BLACK
	140374-30-000	EA	MIRROR - SAFETY GLASS - 25.6" X 31.5" - F30W, F32V
	140374-61-000	EA	MIRROR - SAFETY GLASS - 24" X 30" - F30W, F36M
	142631-02-03A	EA	FRAME - MIRROR - 35.8"H X 29.9"W - PORTSMOUTH OAK - F30W, F32V
	142368-02-01A	EA	CLOCK - 8" SQUARE - BRASS

\*COMPONENT PARTS LISTED LATER IN THIS GROUP

**INTERIOR FINISH GROUP (CONTINUED)**

**COMPONENT PARTS FOR ACCESSORIES**

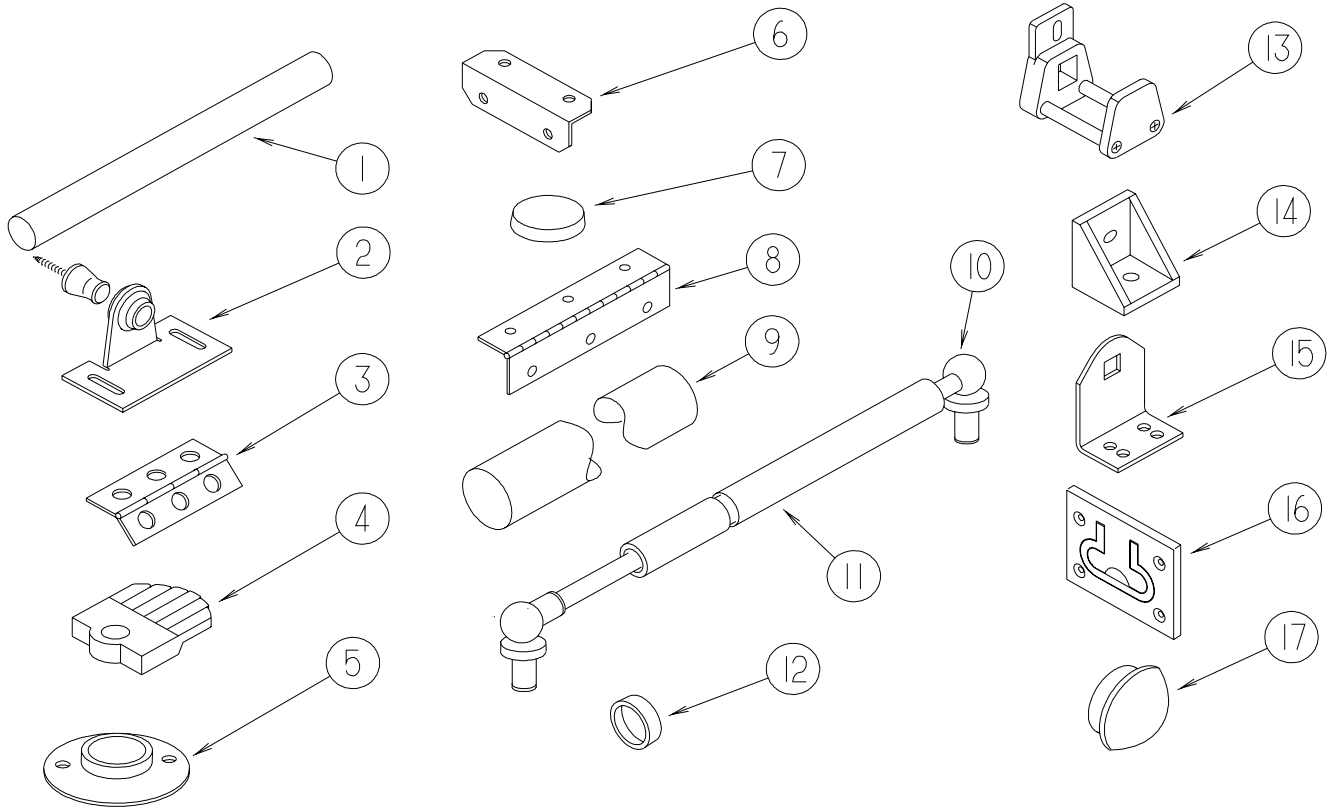
094499-02-000

<b>KEY</b>	<b>PART NUMBER</b>	<b>U/M</b>	<b>DESCRIPTION</b>	<b>VENDOR NO</b>
	094499-01-700	EA	BRACKET MTG. W/PLAS. STRAP	294039

**INTERIOR FINISH GROUP (CONTINUED)**  
**FLOOR COVERINGS**

<b>KEY</b>	<b>PART NUMBER</b>	<b>U/M</b>	<b>DESCRIPTION</b>
	042720-28-000	SY	VINYL - FLOOR COVERING - 14' WIDE - OPTIMATION
	075233-01-000	SY	PAD - CARPET EDGE/SLIDEOUT - 69.6" - BLACK
	089275-02-000	FT	STRIP - 3/4" X 84" BLACK POLYETHYLENE
	093486-01-000	SY	CARPET - COMPARTMENT - 72" WIDE - DARK GRAY
	096060-H1-000	SY	CARPET - TAPIOCA - INCREMENTS OF 4 SQ YARDS (R35)
	096060-G9-000	SY	CARPET - LAUREL - INCREMENTS OF 4 SQ YARDS (R36)
	096060-E6-000	SY	CARPET - OASIS - INCREMENTS OF 4 SQ YDS (R37)
	124253-01-02A	EA	VINYL - FLOOR PLANK - 3" X 12" - MAPLE

## INTERIOR FINISH GROUP (CONTINUED) HARDWARE

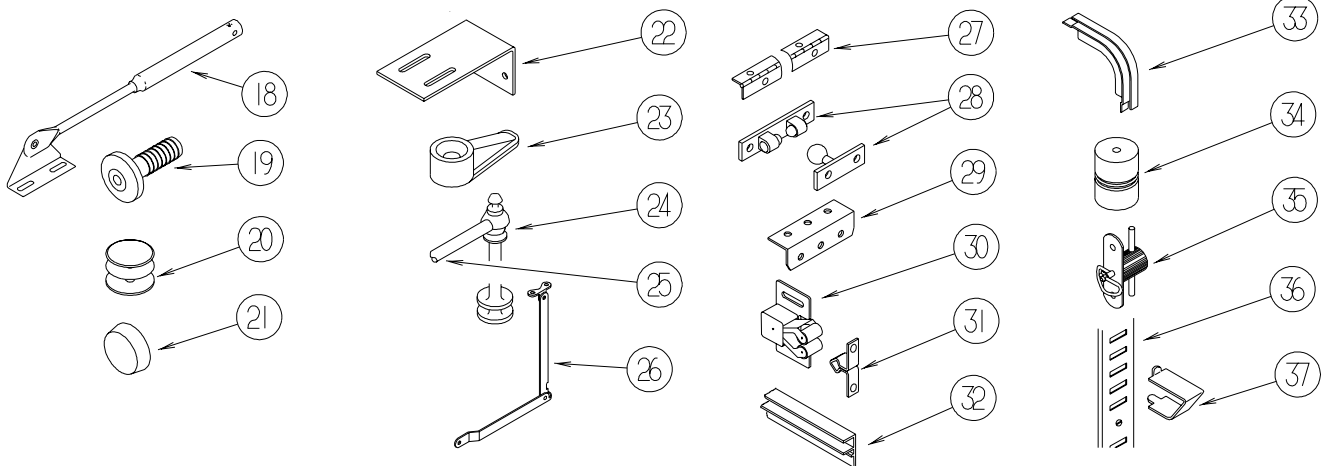


KEY	PART NUMBER	U/M	DESCRIPTION
1	Y00136-21-218	EA	DOWEL - WOOD - 1" X 4'
2	009013-01-000	EA	CATCH - BULLDOG - MALE/FEMALE
3	009059-01-000	EA	HINGE - DOOR - 2" X 1.4" - BRASS
3	009059-02-000	EA	HINGE - DOOR - 2" X 2.7" - BRASS
3	009059-03-000	EA	HINGE - BRASS - 1.75"
3	009059-04-000	EA	HINGE - 2" - ZINC
4	009089-01-000	EA	CLIP - MIRROR
5	009112-01-000	EA	FLANGE - PLASTIC - 1" CLOTHES ROD - OFF WHITE
6	016604-01-000	EA	BRACE - ANGLE - 2 1/2" - UNPAINTED METAL
6	016604-05-000	EA	BRACE - ANGLE - 2 1/2" - OFF WHITE METAL
6	016604-10-000	EA	BRACE - SEAT ANGLE - 2.5" - BLACK
7	023320-01-000	EA	PAD - FELT 3/8" DIAMETER
8	041389-25-000	EA	HINGE - PIANO - 1 1/2" X 55" - UNPAINTED
9	042438-02-000	EA	DOWEL - WOOD - 2" DIAMETER X 2'
10	057460-02-000	EA	BALL STUD - F/GAS SPRING .39" - 5/16"-18
11	057460-04-000	EA	SPRING/GAS - BALL STUD STYLE - 120 PI - "SPD6209"
12	057671-01-000	EA	COVER - SCREW - #8 - OFF WHITE
12	057671-15-000	EA	COVER - SCREW - #8 - BRIGHT WHITE
12	057671-16-000	EA	COVER - SCREW - #8 - SOFT WHITE
12	057671-17-000	EA	COVER - SCREW - VW LT GRAY - #8
13	064467-01-000	EA	GUIDE - POCKET - SLIDING DOOR - WALL MOUNTED
14	065740-01-000	EA	BRACE - CABINET/CORNER - PLASTIC
15	069178-03-000	EA	BRACKET/MOUNTING - ASSIST HANDLE - BRIGHT WHITE
16	072871-01-000	EA	PULL - FLUSH - CHROME
17	074045-08-000	EA	PLUG - OAK - 3/8" DOWEL-1/2" HEAD - SALEM CHERRY - CONCERT CHERRY
17	074045-12-000	EA	PLUG - OAK - 3/8" DOWEL-1/2" HEAD - WASHED MAPLE
17	074045-13-000	EA	PLUG - OAK - 3/8" DOWEL-1/2" HEAD - PORTSMOUTH OAK
17	074045-14-000	EA	PLUG - OAK - 3/8" DOWEL-1/2" HEAD - HONEY CHERRY



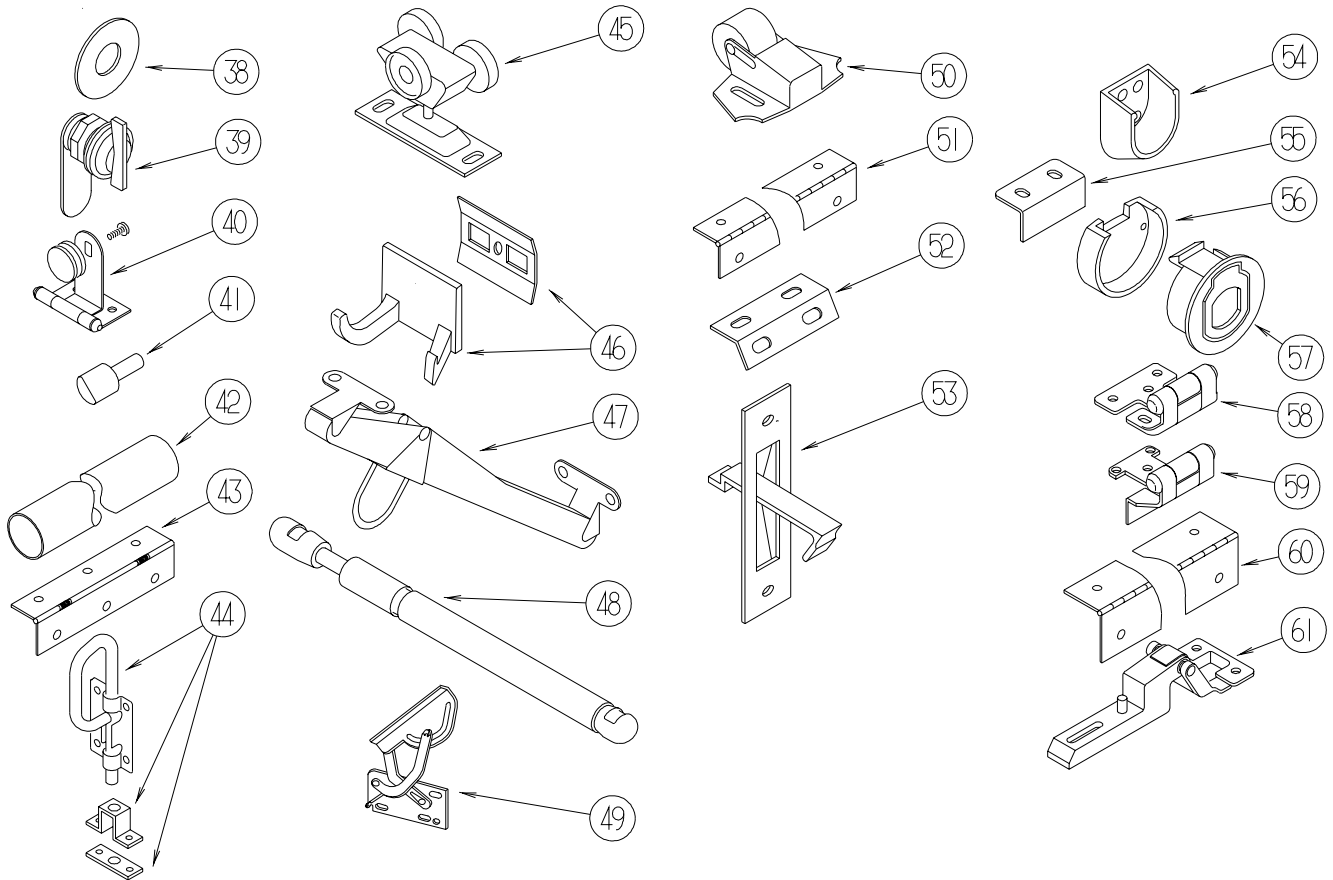
## INTERIOR FINISH GROUP (CONTINUED)

### HARDWARE (CONTINUED)



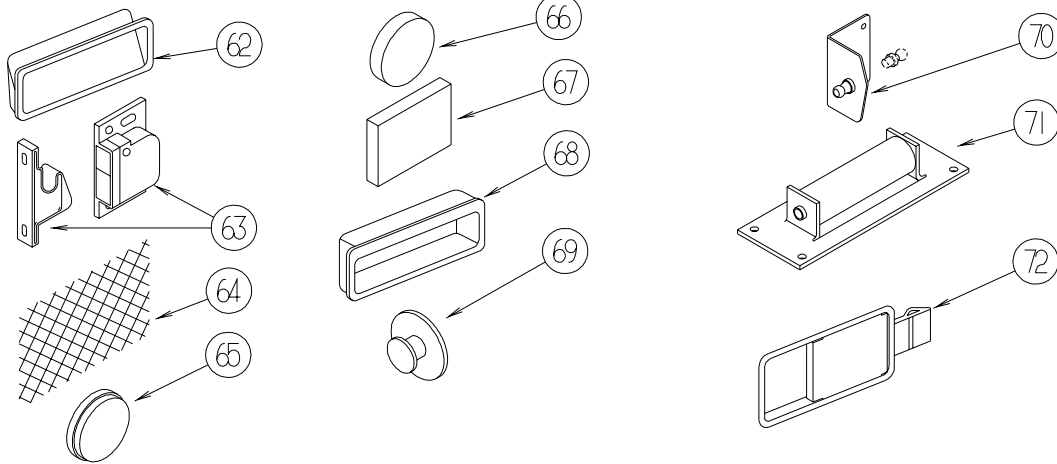
KEY	PART NUMBER	U/M	DESCRIPTION
18	074493-02-000	EA	SUPPORT - PISTON SPRING - CABINET DOOR - 26 LBS
18	074493-03-000	EA	SUPPORT - PISTON SPRING - CABINET DOOR - 12 LBS
19	079921-01-000	EA	ROLLER - NYLON - W/STEEL SHAFT - BARBED
20	081114-02-000	EA	CAP - INSERT - ROUND - 1" DIAMETER - WHITE PLASTIC
21	004354-01-000	EA	BUMPER - RUBBER - 1/2" DIA - BROWN
21	081914-01-000	EA	BUMPER - RUBBER - ROUND - 1/2" DIA. X 1/8" THICK
22	083125-07-000	EA	BRACE - ANGLE/COUCH - 2.5" - OFF WHITE
22	132871-02-02B	EA	BRACKET/L-SHAPED W/HOLES - 1.9" X 2.8" - E-COATED
23	083204-03-000	EA	BUTTON - RETAINING MIRROR 5/16" TIP
24	084070-03-000	EA	POST - END - 2.4" - SHINY BRASS
25	084071-05-000	EA	ROD - BRASS - 15"
25	084071-19-000	EA	ROD - BRASS - 7.1"
25	084071-20-000	EA	ROD - BRASS - 9.8"
25	084071-23-000	EA	ROD - BRASS - 13.1"
25	084071-24-000	EA	ROD - BRASS - 3.8"
25	084071-33-000	EA	ROD - BRASS - 20.4"
25	146840-01-01A	EA	ROD - .25" DIAMETER - BRASS
25	146840-01-02A	EA	ROD - .25" DIAMETER - PEWTER
25	146840-02-01A	EA	ROD - .25" DIAMETER - BRASS
25	146840-02-02A	EA	ROD - .25" DIAMETER - PEWTER
25	146840-03-01A	EA	ROD - .25" DIAMETER - BRASS
25	146840-03-02A	EA	ROD - .25" DIAMETER - PEWTER
25	146840-04-01A	EA	ROD - .25" DIAMETER - BRASS
25	146840-04-02A	EA	ROD - .25" DIAMETER - PEWTER
25	146840-05-01A	EA	ROD - .25" DIAMETER - BRASS
25	146840-05-02A	EA	ROD - .25" DIAMETER - PEWTER
26	084412-01-000	EA	SUPPORT/HINGE KIT (LEFT & RIGHT HINGES)
27	084413-01-000	EA	HINGE - 1" X 72" - ALUMINUM - W/HOLES
28	084451-01-000	EA	CATCH & LATCH - 1.7" - BRASS
29	089025-01-000	EA	SUPPORT - SPRING TO BED - ANGLE 1.5" X 11.8"
30	093586-03-000	EA	CATCH - SPRING ROLLER - .377"
30	093586-06-000	EA	CATCH - SPRING ROLLER - .236"
31	093586-04-000	EA	STRIKE - SPRING STEEL - 1.14"
31	093586-05-000	EA	STRIKE - SPRING STEEL - .943"
32	093622-01-000	EA	TRACK - DOOR - TAMBOUR - PLASTIC - 8' LENGTHS
33	093623-01-000	EA	CORNER - TRACK - TAMBOUR DOOR
34	097872-04-000	EA	DOWEL - WOOD - 1" DIAMETER X 1.38" LONG - UNFINISHED
35	098196-01-000	EA	LATCH - 1/4 TURN - T-BAR
36	098979-01-000	EA	CLIP - ADJUSTABLE SHELF
37	098980-01-000	EA	PILASTER - ADJUSTABLE SHELF - 18"
37	098980-02-000	EA	PILASTER - ADJUSTABLE SHELF - 12"
37	098980-03-000	EA	PILASTER - ADJUSTABLE SHELF - 9"
37	098980-04-000	EA	PILASTER - ADJUSTABLE SHELF - 48"
37	098980-05-000	EA	PILASTER - ADJUSTABLE SHELF - 15"
37	098980-06-000	EA	PILASTER - ADJUSTABLE SHELF - 24"

**INTERIOR FINISH GROUP (CONTINUED)**  
**HARDWARE (CONTINUED)**



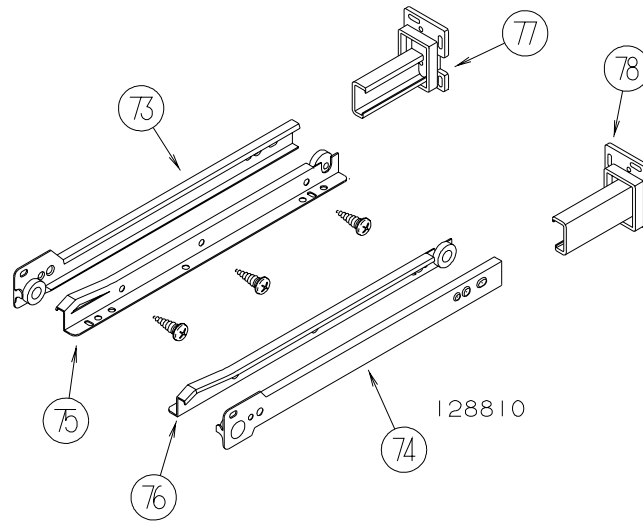
KEY	PART NUMBER	U/M	DESCRIPTION
38	100707-01-000	EA	SPACER - GLASS DOOR - .8" DIA - .3" HOLE - PLASTIC
39	100710-01-01A	EA	LOCK - GLASS DOOR/TWIST TYPE - BRASS
40	100711-01-01A	EA	HINGE - GLASS DOOR
41	101766-01-000	EA	PIN - SUPPORT/GLASS DOOR
42	102075-10-02A	EA	ROD - SHOWER CURTAIN - 1" OD X 46.3" - SOFT WHITE
43	102920-01-01A	EA	HINGE - SPRING LOADED - BRASS
44	103256-01-000	EA	LATCH COMPLETE (SLIDE)
45	103874-01-000	EA	HANGER - SLIDING DOOR
46	104174-01-000	EA	HOOK - ROBE - DOUBLE
47	104181-01-01A	EA	SUPPORT - LEAF 5.3" EXTENDS TO 7.5" - SAFETY RING - METAL
48	142569-15-000	EA	SPRING/GAS - 12" COMPRESSED/20" EXTENDED - 120 LB.
48	142569-16-000	EA	SPRING/GAS - 12" COMPRESSED/20" EXTENDED - 90 LB
48	142569-05-000	EA	SPRING - GAS - 15 LB. - 39.9"
48	142569-18-000	EA	SPRING/GAS - 6.5" COMPRESSED/9.6" EXTENDED - 65 LB.
49	108126-01-000	EA	TRAY HINGE SET (QTY. 2 PER SET)
50	109403-01-000	EA	CATCH - SINGLE ROLLER - SCREEN DOOR
51	110496-01-01A	EA	HINGE - BRASS
52	111866-01-02A	EA	BRACE - SEAT - ANGLE - OFF WHITE
53	113130-01-01A	EA	PULL - DOOR POCKET
54	113236-01-01A	EA	BRACKET - CLOTHES - ROD
55	113375-02-01A	EA	STRIKE - DOOR - CHROME
56	113375-05-01A	EA	LATCH - SLAM - BACK - .8" THICK
57	113375-06-01A	EA	LATCH - SLAM - FACE - .7" THICK
58	113676-01-01A	EA	HINGE - OVERLAY - VARIABLE - BURNISHED BRASS
59	113677-01-01A	EA	HINGE - SELF CLOSING
60	114278-02-000	EA	HINGE - CONTINUOUS - 3" WIDE
61	114443-01-01A	EA	HINGE - CABINET DOOR

**INTERIOR FINISH GROUP (CONTINUED)**  
**HARDWARE (CONTINUED)**



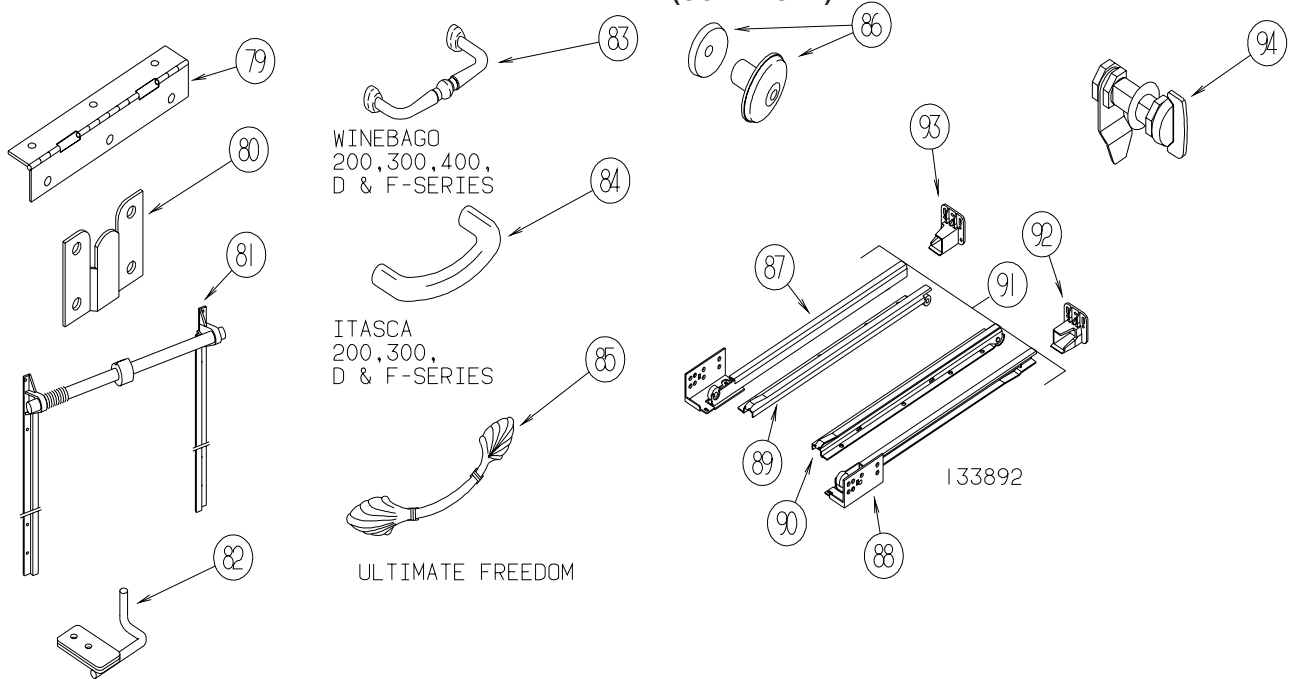
KEY	PART NUMBER	U/M	DESCRIPTION
62	115994-01-01A	EA	HANDLE - POCKET
63	117095-01-01A	EA	LATCH - DOOR - GRABBER W/KEEPER - PLASTIC - BLK-5 LB PULL
63	117095-02-01A	EA	LATCH - DOOR - GRABBER W/KEEPER - PLASTIC - BLK-10 LB PULL
64	118200-01-01A	SF	MESH - PLASTIC 1/2" - 48" X LENGTH = SF - BLACK
65	120760-01-000	EA	RUBBER BUMPER - CLEAR - .1" THICK X .8" DIAMETER
66	122717-01-01A	EA	PAD - NON SKID - 4" DIAMETER ROUND
67	122717-06-01A	FT	PAD - NON-SKID - PSA - 5"W
68	124311-01-01A	EA	HANDLE - RECESSED - BRASS
69	125221-01-01A	EA	PULL - MIRROR - W/ROUND HANDLE
70	126263-06-02B	EA	BRACKET - GAS SPRING W/INSIDE BALL STUD - E-COATED
70	126263-08-02B	EA	BRACKET - GAS SPRING W/CENTERED BALL STUD - E-COATED
71	126584-02-000	EA	ROLLER - FLAT
72	127349-01-01A	EA	LATCH - PADDLE

**INTERIOR FINISH GROUP (CONTINUED)**  
**HARDWARE (CONTINUED)**



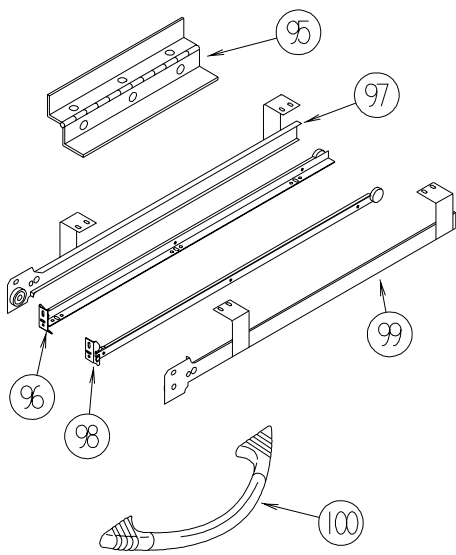
KEY	PART NUMBER	U/M	DESCRIPTION
73	128810-01-01A	EA	SLIDE - DRAWER - 12" - LEFT CABINET
73	128810-05-01A	EA	SLIDE - DRAWER - 14" - LEFT CABINET
73	128810-09-01A	EA	SLIDE - DRAWER - 16" - LEFT CABINET
73	128810-13-01A	EA	SLIDE - DRAWER - 18" - LEFT CABINET
73	128810-17-01A	EA	SLIDE - DRAWER - 20" - LEFT CABINET
73	128810-21-01A	EA	SLIDE - DRAWER - 22" - LEFT CABINET
73	128810-25-01A	EA	SLIDE - DRAWER - 24" - LEFT CABINET
73	128810-29-01A	EA	SLIDE - DRAWER - 9" - LEFT CABINET
74	128810-02-01A	EA	SLIDE - DRAWER - 12" - RIGHT CABINET
74	128810-06-01A	EA	SLIDE - DRAWER - 14" - RIGHT CABINET
74	128810-10-01A	EA	SLIDE - DRAWER - 16" - RIGHT CABINET
74	128810-14-01A	EA	SLIDE - DRAWER - 18" - RIGHT CABINET
74	128810-18-01A	EA	SLIDE - DRAWER - 20" - RIGHT CABINET
74	128810-22-01A	EA	SLIDE - DRAWER - 22" - RIGHT CABINET
74	128810-26-01A	EA	SLIDE - DRAWER - 24" - RIGHT CABINET
74	128810-30-01A	EA	SLIDE - DRAWER - 9" - RIGHT CABINET
75	128810-03-01A	EA	SLIDE - DRAWER - 12" - LEFT DRAWER
75	128810-07-01A	EA	SLIDE - DRAWER - 14" - LEFT DRAWER
75	128810-11-01A	EA	SLIDE - DRAWER - 16" - LEFT DRAWER
75	128810-15-01A	EA	SLIDE - DRAWER - 18" - LEFT DRAWER
75	128810-19-01A	EA	SLIDE - DRAWER - 20" - LEFT DRAWER
75	128810-23-01A	EA	SLIDE - DRAWER - 22" - LEFT DRAWER
75	128810-27-01A	EA	SLIDE - DRAWER - 24" - LEFT DRAWER
75	128810-27-01A	EA	SLIDE - DRAWER - 24" - LEFT DRAWER
75	128810-31-01A	EA	SLIDE - DRAWER - 9" - LEFT DRAWER
76	128810-04-01A	EA	SLIDE - DRAWER - 12" - RIGHT DRAWER
76	128810-08-01A	EA	SLIDE - DRAWER - 14" - RIGHT DRAWER
76	128810-12-01A	EA	SLIDE - DRAWER - 16" - RIGHT DRAWER
76	128810-16-01A	EA	SLIDE - DRAWER - 18" - RIGHT DRAWER
76	128810-20-01A	EA	SLIDE - DRAWER - 20" - RIGHT DRAWER
76	128810-24-01A	EA	SLIDE - DRAWER - 22" - RIGHT DRAWER
76	128810-28-01A	EA	SLIDE - DRAWER - 24" - RIGHT DRAWER
76	128810-32-01A	EA	SLIDE - DRAWER - 9" - RIGHT DRAWER
77	128811-01-02A	EA	BACKSOCKET - ADJUSTABLE - LEFT
78	128811-02-02A	EA	BACKSOCKET - ADJUSTABLE - RIGHT

## INTERIOR FINISH GROUP (CONTINUED) HARDWARE (CONTINUED)

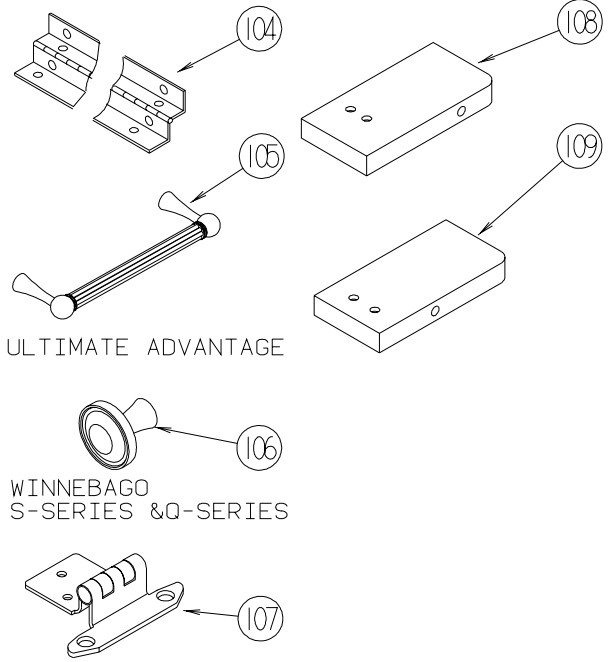
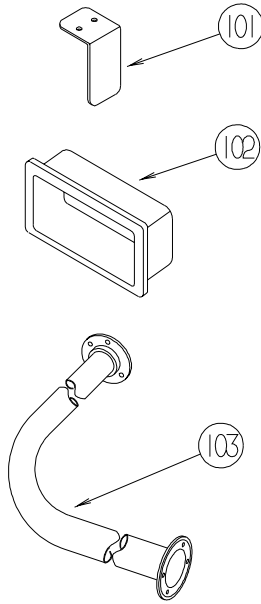


KEY	PART NUMBER	U/M	DESCRIPTION
79	129753-01-01A	EA	HINGE - SPRING LOADED - 19" X 19" - BLACK
80	130120-01-01A	EA	BRACKET - MIRROR
81	130787-02-000	EA	TRACK - TAMBOUR DOOR/SPRING - 24"
81	130787-04-000	EA	TRACK - TAMBOUR DOOR - SPRING
82	130798-01-02B	EA	GUIDE - POCKET DOOR - E-COATED
83	131963-01-01A	EA	PULL - POLISHED BRASS - <b>WINNEBAGO VISTA/MINNIE/MINNIE WINNIE/SIGHTSEER &amp; BRAVE</b>
84	131964-01-01A	EA	PULL - POLISHED BRASS - <b>ITASCA SUNSTAR/SPIRIT/SUNOVA &amp; SUNRISE</b>
85	131965-01-01A	EA	PULL - DOOR/DRAWER - 6.3" - BURNISHED BRASS - <b>ULTIMATE FREEDOM</b>
86	133313-01-02A	EA	PULL - DOOR/DRAWER - BRIGHT BRASS
86	133313-01-03A	EA	PULL - DOOR/DWR - CHROME/BRASS - <b>ITASCA SUNDANCER/SUNCRUISER/SUNFLYER/MERIDIAN</b>
87	133892-01-01A	EA	SLIDE - DRAWER - 16" - LEFT CABINET
87	133892-06-01A	EA	SLIDE - DRAWER - 22" - LEFT CABINET
87	133892-10-01A	EA	SLIDE - DRAWER - 12" - LEFT CABINET
87	133892-14-01A	EA	SLIDE - DRAWER - 18" - LEFT CABINET
88	133892-02-01A	EA	SLIDE - DRAWER - 16" - RIGHT CABINET
88	133892-07-01A	EA	SLIDE - DRAWER - 22" - RIGHT CABINET
88	133892-11-01A	EA	SLIDE - DRAWER - 12" - RIGHT CABINET
88	133892-15-01A	EA	SLIDE - DRAWER - 18" - RIGHT CABINET
89	133892-03-01A	EA	SLIDE - DRAWER - 16" - LEFT DRAWER
89	133892-08-01A	EA	SLIDE - DRAWER - 22" - LEFT DRAWER
89	133892-12-01A	EA	SLIDE - DRAWER - 12" - LEFT DRAWER
89	133892-16-01A	EA	SLIDE - DRAWER - 18" - LEFT DRAWER
90	133892-04-01A	EA	SLIDE - DRAWER - 16" - RIGHT DRAWER
90	133892-09-01A	EA	SLIDE - DRAWER - 22" - RIGHT DRAWER
90	133892-13-01A	EA	SLIDE - DRAWER - 12" - RIGHT DRAWER
90	133892-17-01A	EA	SLIDE - DRAWER - 18" - RIGHT DRAWER
91	133892-05-01A	EA	SLIDE - DRAWER - 9" - FULL SET
92	133907-01-01A	EA	BACKSOCKET - RIGHT HAND
93	133907-02-01A	EA	BACKSOCKET - LEFT HAND
94	135231-01-01A	EA	LATCH - COMPRESSION - BLACK

## INTERIOR FINISH GROUP (CONTINUED) HARDWARE (CONTINUED)



ITASCA  
400, G, L P-SERIES

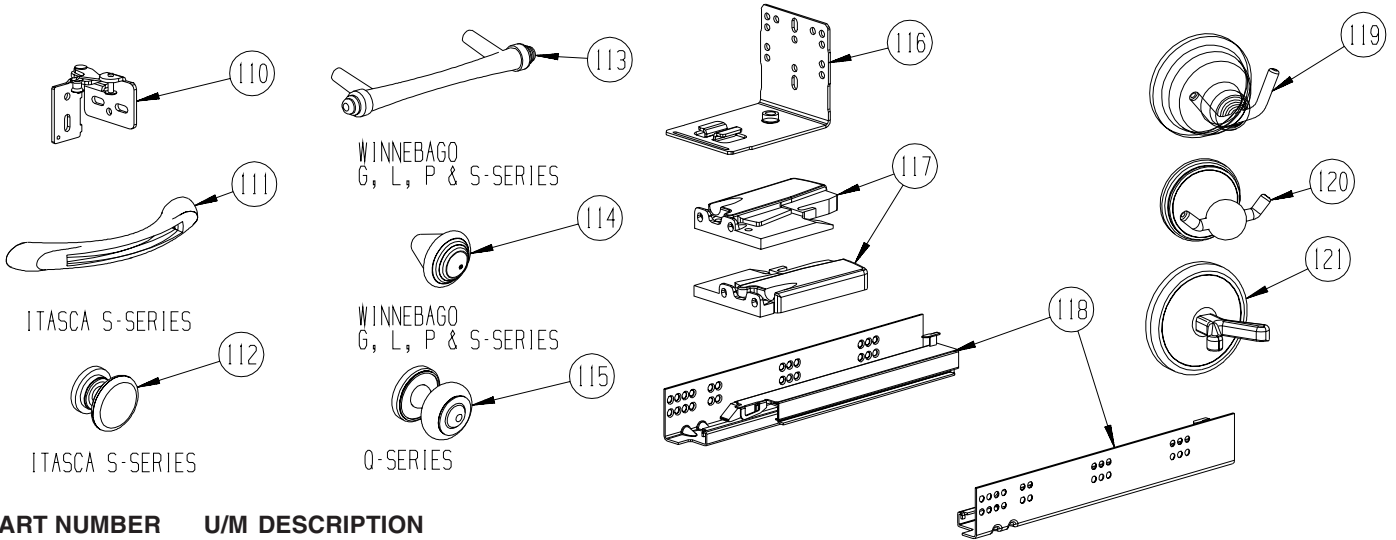


ULTIMATE ADVANTAGE

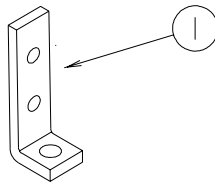
WINNEBAGO  
S-SERIES & Q-SERIES

KEY	PART NUMBER	U/M	DESCRIPTION
95	135538-01-01A	EA	HINGE - PIANO - FULL WRAP - BRASS PLATED
95	135538-03-01A	EA	HINGE - PIANO - FULL WRAP - STOCKER BRASS
95	135538-06-01A	EA	HINGE - PIANO - FULL WRAP
96	136944-01-01A	EA	SLIDE - DRAWER/RIGHT HAND - 13.8"
97	136944-02-01A	EA	SLIDE - CABINET/RIGHT HAND - 13.8"
98	136944-03-01A	EA	SLIDE - DRAWER/LEFT HAND - 13.8"
99	136944-04-01A	EA	SLIDE - CABINET/LEFT HAND - 13.8"
100	137446-01-01A	EA	PULL - CABINET - CHROME/BRASS - ITASCA SUNDANCE/SUNCRUISER/SUNFLYER & MERIDIAN
101	138136-02-02B	EA	GUIDE - DOOR - E-COATED
102	139136-01-01A	EA	HANDLE - RECESSED - BRASS
102	139136-02-01A	EA	HANDLE - RECESSED - BRASS
102	139136-02-02A	EA	HANDLE - RECESSED - PEWTER
103	140494-01-01A	EA	ROD - SHOWER
103	140494-01-02A	EA	ROD - SHOWER - SOFT WHITE
104	142276-01-01A	EA	HINGE - PIANO - FULL WRAP - BRASS
105	142909-01-01A	EA	PULL - CABINET - BRASS - ULTIMATE ADVANTAGE
106	142910-01-01A	EA	KNOB - CABINET - BRASS - WINNEBAGO VECTRA & ULTIMATE ADVANTAGE
107	143468-01-01A	EA	HINGE - SELF CLOSING - BURNISHED BRASS - ULTIMATE FREEDOM
107	143468-01-02A	EA	HINGE - SELF CLOSING - POLISHED BRASS
107	143468-02-02A	EA	HINGE - SELF CLOSING - POLISHED BRASS
107	143468-02-03A	EA	HINGE - SELF CLOSING - SATIN NICKEL - ITASCA SUNFLYER, L-SERIES
107	146553-01-02A	EA	HINGE - CABINET DOOR - BRIGHT BRASS
107	146553-01-03A	EA	HINGE - CABINET DOOR - SATIN NICKEL
108	137445-01-N42	EA	STOP - F/SLIDING DOOR
108	137445-01-P46	EA	STOP - F/SLIDING DOOR
108	137445-01-P56	EA	STOP - F/SLIDING DOOR
109	137445-02-P45	EA	STOP - F/SLIDING DOOR
109	137445-02-P46	EA	STOP - F/SLIDING DOOR
109	137445-02-P56	EA	STOP - F/SLIDING DOOR

## INTERIOR FINISH GROUP (CONTINUED) HARDWARE (CONTINUED)



KEY	PART NUMBER	U/M	DESCRIPTION
110	144488-01-01A	EA	HINGE - CABINET - ANTIQUE BRASS
110	144488-01-02A	EA	HINGE - CABINET - NICKEL - ITASCA HORIZON
111	144917-01-01A	EA	PULL - DRAWER - SATIN NICKEL - ITASCA HORIZON
112	144918-01-01A	EA	PULL - DRAWER/KNOB - SATIN NICKEL - ITASCA HORIZON
113	145172-01-01A	EA	PULL - CABINET DOOR - WINNEBAGO ADVENTURER/CHEFTAIN/JOURNEY & VECTRA
114	145172-02-01A	EA	PULL - DRAWER/DNOB - WINNEBAGO ADVENTURER/CHEFTAIN & JOURNEY
115	145180-01-01A	EA	KNOB - CABINET DOOR - ULTIMATE FREEDOM
116	145739-01-000	EA	BRACKET - REAR MOUNT
117	145739-02-000	EA	LOCKING MECHANISM - LEFT
117	145739-03-000	EA	LOCKING MECHANISM - RIGHT
118	145739-04-000	EA	SLIDE - DRAWER - 12"
119	145849-01-01A	EA	ROBE HOOK - TWIN - BRASS
119	145849-02-01A	EA	ROBE HOOK - TWIN - CHROME
120	145849-03-01A	EA	ROBE HOOK - TWIN - BRASS
121	145849-04-01A	EA	ROBE HOOK - TWIN - CHROME/BRASS



KEY	PART NUMBER	U/M	DESCRIPTION
1	096826-01-01A	EA	BRACE-CABINET E-COATED

## LABELS GROUP

SEWAGE

**KEY PART NUMBER U/M DESCRIPTION**  
006187-01-000 EA LABEL - SEWAGE

WASTE WATER

**KEY PART NUMBER U/M DESCRIPTION**  
006188-01-000 EA LABEL - WASTE WATER

### WARNING

THIS SYSTEM IS DESIGNED FOR USE WITH PROPANE ONLY  
DO NOT CONNECT NATURAL GAS TO THIS SYSTEM

BEFORE TURNING ON PROPANE:

- (A) BE CERTAIN APPLIANCES ARE CERTIFIED FOR PROPANE AND ARE EQUIPPED WITH CORRECT BURNING ORIFICES.
- (B) MAKE CERTAIN ALL PROPANE CONNECTIONS ARE TIGHT BY TESTING WITH SOAPY WATER. ALL APPLIANCE VALVES ARE TURNED OFF, AND ANY UNCONNECTED OUTLETS ARE CAPPED.

AFTER TURNING ON PROPANE:

- (A) LIGHT ALL PILOT LIGHTS
- (B) (B) ALL CONNECTIONS, INCLUDING THOSE AT THE APPLIANCES, REGULATORS AND CYLINDERS SHOULD BE LEAK-TESTED PERIODICALLY WITH SOAPY WATER BY THE OCCUPANT. NEVER USE A LIGHTED MATCH OR OTHER FLAME WHEN CHECKING FOR LEAKS.
- (C) DO NOT LEAVE SYSTEM TURNED ON OF CONTAINERS CONNECTED UNTIL THE SYSTEM HAS BEEN PROVEN TO BE FREE OF LEAKS.
- (D) COOKING APPLIANCES SHOULD NOT BE USED FOR SPACE HEATING.
- (E) WHEN THE CONTAINERS ARE DISCONNECTED THE PROPANE SUPPLY LINE SHOULD BE CAPPED OR PLUGGED.

### AVERTISSEMENT

CETTE INSTALLATION EST CONCUE POUR LE PROPANE SEULEMENT  
NE PAS L'ALIMENTER EN GAZ NATUREL

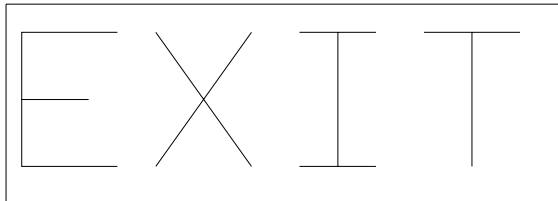
AVANT LA MISE EN SERVICE:

- (A) S'ASSURER QUE LES APPAREILS SONT CERTIFIES POUR LE PROPANE ET MUNIS D'ORIFICES DE BRULEUR APPROPRIES.
- (B) VERIFIER L'ETANCHEITE DE TOUS LES RACCORDEMENTS AU PROPANE. LA PERMETURE DE TOUS LES ROBINETS D'APPAREILS ET L'OBTURATION DE TOUTES LES SORTIES NON RACCORDEES.

APRES LA MISE EN SERVICE:

- (A) ALLUMER TOUTES LES VEILLEUSES.
- (B) L'OCCUPANT DOIT EPROUVER PERIODIQUEMENT L'ETANCHEITE DE TOUS LES RACCORDEMENTS Y COMPRIS CEUX AUX APPAREILS, AUX DETENDEURS ET AUX BOUTEELLES. EN Y APPLIQUANT DE L'EAU SAVONNEUSE NE JAMA'S SE SERVIR D'UNE ALLUMETTE OU AUTRE POUR LA DETECTION DES FUITES.
- (C) NE PAS LAISSER L'ALIMENTATION OUVERTE NI LES RECIPIENTS RACCORDES AVANT D'AVOIR COMPLETE L'EPREUVE D'ETANCHEITE AU PROPANE DE L'INSTALLATION.
- (D) LES APPAREILS DE CUISSON NE DOIVENT PAS ETRE UTILISES POUR LE CHAUFFAGE DES LOCAUX.
- (E) LORSQUE LES RECIPIENTS SONT DECONNECTES, L'ALIMENTATION DE PROPANE DOIT ETRE OBTUREE OU SCELLEE.

**KEY PART NUMBER U/M DESCRIPTION**  
023769-01-000 EA LABEL - WARNING - LPG - CANADIAN



**KEY PART NUMBER U/M DESCRIPTION**  
039290-01-000 EA LABEL - WARNING - EXIT



## LABELS GROUP (CONTINUED)



**KEY PART NUMBER U/M DESCRIPTION**  
040944-01-000 EA LABEL - ENTRANCE DOOR - "OPEN"

### CAUTION

THIS MOTOR HOME HAS BEEN DESIGNED, MANUFACTURED AND TESTED WITH CONCERN FOR THE PROTECTION OF IT'S OCCUPANTS. WE RECOMMEND YOU PERFORM THE FOLLOWING INSPECTIONS FOR YOUR SAFETY AND THE SAFETY OF YOUR PASSENGERS BEFORE STARTING YOUR VEHICLE.

1. LP GAS SYSTEM- TURN OFF AT TANK FOR TRAVELING. TEST FOR LEAKS UPON ARRIVAL AT DESTINATION. BEFORE LIGHTING PILOTS.
2. WHEELS- INSPECT FOR DAMAGE AND CHECK LUG NUTS FOR TIGHTNESS.
3. TIRES- INSPECT FOR WEAR AND DAMAGE AND CHECK FOR RECOMMENDED AIR PRESSURE.
4. LIGHTING- TEST FOR PROPER OPERATION OF ALL INTERIOR AND EXTERIOR LIGHTS INCLUDING DASH LIGHTS, HEADLIGHTS, TAIL LIGHTS, BRAKE LIGHTS, CLEARANCE LIGHTS AND TURN SIGNALS.
5. EXITS- INSPECT RELEASE MECHANISM ON EMERGENCY EXIT WINDOW. TEST BOTH LOCKS ON MAIN ENTRANCE DOOR FOR EASE OF OPERATION AND INSTRUCT PASSENGERS HOW TO USE BOTH MEANS OF EXIT.
6. SEAT BELTS- DIRECT PASSENGERS TO DESIGNATED SEATS AND REQUIRE USE OF SEAT BELTS.
7. APPLIANCES- TURN OFF AND LATCH OR LOCK DOORS WHERE PROVIDED.
8. LOOSE PARCELS- STORE SECURELY.
9. UTILITY SUPPLY LINES- DISCONNECT ALL ELECTRIC, SEWER AND WATER LINES AND SECURE PROPERLY.
10. ENTRANCE DOOR STEP- PLACE IN RETRACTED POSITION FOR TRAVELING.

READ YOUR MOTOR HOME AND CHASSIS OWNER'S MANUAL FOR FURTHER PRECAUTIONS

**KEY PART NUMBER U/M DESCRIPTION**  
056259-01-000 EA LABEL - SAFETY CHECK LIST

UNLEADED FUEL ONLY

**KEY PART NUMBER U/M DESCRIPTION**  
062043-01-000 EA LABEL - FUEL - UNLEADED

**WARNING** DISCONNECT BATTERIES BEFORE CONNECTING EXTERNAL CHARGING EQUIPMENT.

**KEY PART NUMBER U/M DESCRIPTION**  
065748-01-000 EA LABEL - WARNING - BATTERY CHARGING - UL

AVERTISSEMENT : DEBRANCHER LES BATTERIES AVANT DE BRANCHER TOUT EQUIPEMENT DE CHARGE EXTERIEUR.

**KEY PART NUMBER U/M DESCRIPTION**  
065748-02-000 EA LABEL - WARNING - BATTERY CHARGING - CSA - CANADIAN

DIESEL FUEL ONLY

**KEY PART NUMBER U/M DESCRIPTION**  
068383-01-000 EA LABEL - DIESEL FUEL

### VEHICLE EMISSION CONTROL INFORMATION

THIS VEHICLE CONFORMS TO U.S. EPA REGULATIONS APPLICABLE TO XXXX MODEL YEAR NEW VEHICLES.

072887-07-000-2 CATALYST

**KEY PART NUMBER U/M DESCRIPTION**  
072887-14-000 EA LABEL - EPA - 2003 MODEL YEAR

## LABELS GROUP (CONTINUED)

### IF YOU SMELL GAS

1. EXTINGUISH ANY OPEN FLAME, PILOT LIGHTS AND ALL SMOKING MATERIALS.
2. DO NOT TOUCH ELECTRICAL SWITCHES.
3. SHUT OFF THE GAS SUPPLY AT THE TANK VALVE(S) OR GAS SUPPLY CONNECTION.
4. OPEN DOORS AND OTHER VENTILATING OPENINGS.
5. LEAVE THE AREA UNTIL ODOR CLEARS.
6. HAVE THE GAS SYSTEM CHECKED AND LEAKAGE SOURCE CORRECTED BEFORE USING AGAIN.

**KEY PART NUMBER U/M DESCRIPTION**  
073998-01-000 EA LABEL - LPG ODOR WARNING

WARNING: TEST SMOKE DETECTOR  
OPERATION AFTER VEHICLE HAS BEEN IN  
STORAGE, BEFORE EACH TRIP AND AT  
LEAST ONCE PER WEEK DURING USE.

**KEY PART NUMBER U/M DESCRIPTION**  
077956-01-000 EA LABEL - WARNING - SMOKE DETECTOR

DO NOT FILL  
LP-GAS CONTAINER(S)  
TO MORE THAN 80%  
OF CAPACITY.

**KEY PART NUMBER U/M DESCRIPTION**  
079965-01-000 EA LABEL - LPG - 80% CAPACITY

WARNING  
MUST BE STOWED  
IN LATCHED POSITION  
WHILE VEHICLE IS IN MOTION

**KEY PART NUMBER U/M DESCRIPTION**  
079966-01-000 EA LABEL - WARNING - STOWED - MOTION

W  
A  
T  
E  
R  
H  
E  
A  
T  
E  
R  
ON  
OFF

**KEY PART NUMBER U/M DESCRIPTION**  
083588-01-000 EA LABEL - ON/OFF - WATER HEATER

E  
N  
G  
I  
N  
E  
H  
E  
A  
T  
E  
R  
ON  
OFF

**KEY PART NUMBER U/M DESCRIPTION**  
083588-02-000 EA LABEL - ON/OFF - ENGINE HEATER  
083588-04-000 EA LABEL - ON/OFF - ENGINE HEATER

## LABELS GROUP (CONTINUED)

<b>CAUTION</b>  FUEL SPRAY MAY CAUSE PERSONAL INJURY	TO HELP AVOID PERSONAL INJURY DURING REMOVAL OF FUEL FILLER CAP, SLOWLY LOOSEN CAP 1/2 TURN TO ALLOW ANY FUEL PRESSURE TO BE RELIEVED BEFORE TURNING CAP FURTHER.  STOP ADDING FUEL AFTER FIRST SHUTOFF BY AUTOMATIC NOZZLE WHEN TANK IS NEARLY FULL. DO NOT OVERFILL FUEL TANK.  SEE OWNERS MANUAL FOR ADDITIONAL INFORMATION.  PRINTED IN U.S.A. <span style="float: right;">WLC PT NO 15611763</span>
---------------------------------------------------------------------	----------------------------------------------------------------------------------------------------------------------------------------------------------------------------------------------------------------------------------------------------------------------------------------------------------------------------------------------------------------------------------------------------------------------------

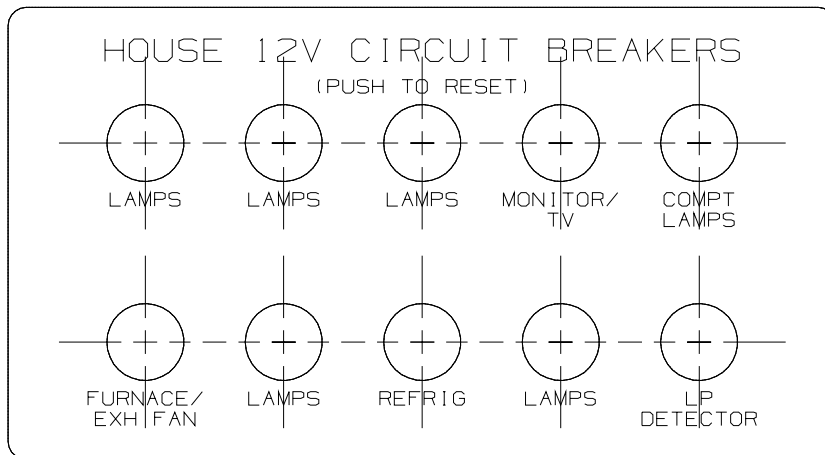
**KEY PART NUMBER U/M DESCRIPTION**  
 087207-05-000 EA LABEL - FUEL CAP REMOVAL



**KEY PART NUMBER U/M DESCRIPTION**  
 087236-01-000 EA LABEL - CABLE - INPUT

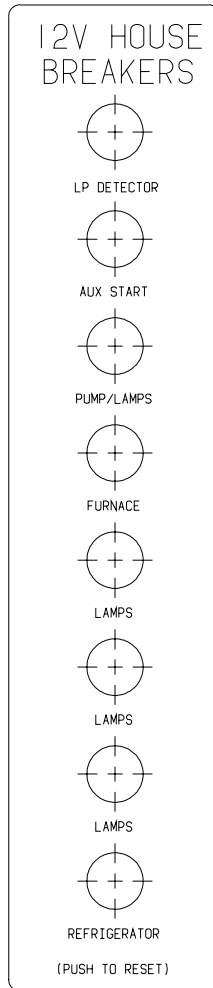


**KEY PART NUMBER U/M DESCRIPTION**  
 087236-02-000 EA LABEL - TV OUTLET

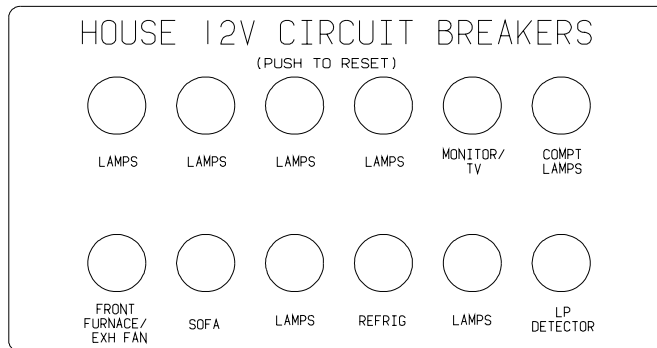


**KEY PART NUMBER U/M DESCRIPTION**  
 092547-06-000 EA LABEL - CIRCUIT BREAKER

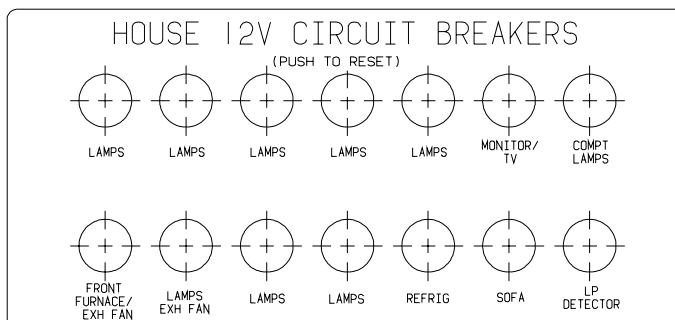
## LABELS GROUP (CONTINUED)



KEY	PART NUMBER	U/M DESCRIPTION
	092547-08-000	EA LABEL - CIRCUIT BREAKER

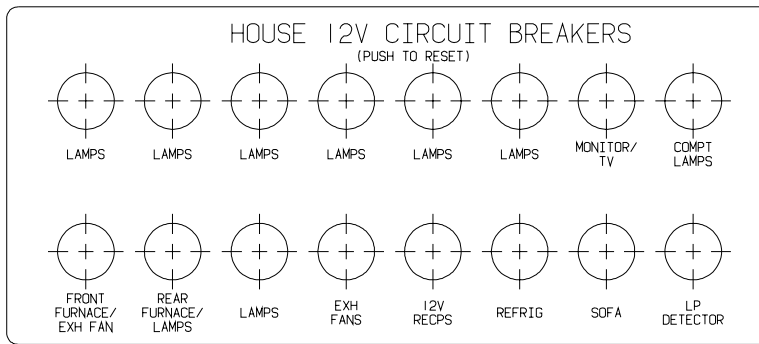


KEY	PART NUMBER	U/M DESCRIPTION
	092547-10-000	EA LABEL - CIRCUIT BREAKER

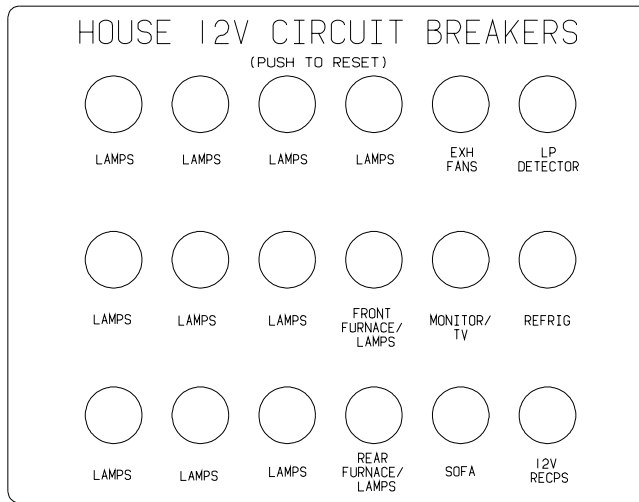


KEY	PART NUMBER	U/M DESCRIPTION
	092547-12-000	EA LABEL - CIRCUIT BREAKER

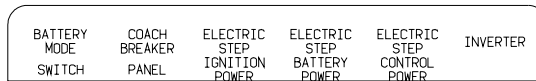
## LABELS GROUP (CONTINUED)



**KEY PART NUMBER**    **U/M DESCRIPTION**  
 092547-13-000    EA LABEL - CIRCUIT BREAKER



**KEY PART NUMBER**    **U/M DESCRIPTION**  
 092547-14-000    EA LABEL - CIRCUIT BREAKER

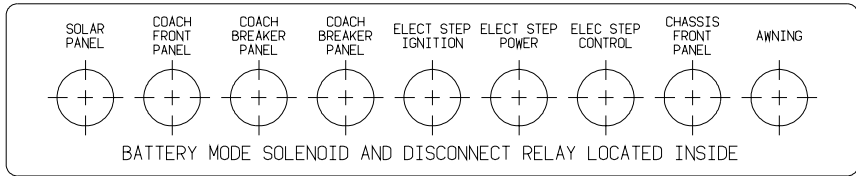


**KEY PART NUMBER**    **U/M DESCRIPTION**  
 093236-08-000    EA LABEL - CIRCUIT BREAKER

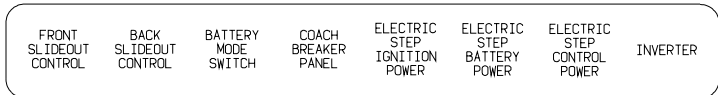
## LABELS GROUP (CONTINUED)



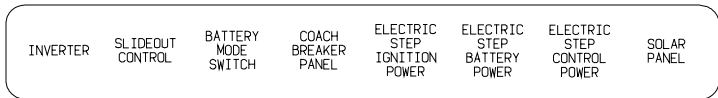
**KEY PART NUMBER** 093236-21-000 **U/M DESCRIPTION**  
EA LABEL - CIRCUIT BREAKER



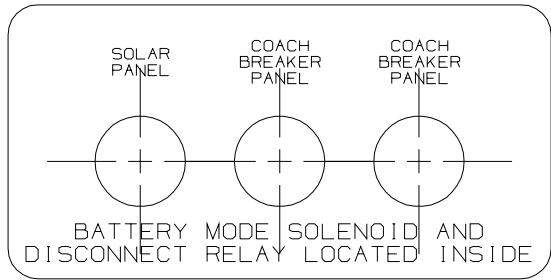
**KEY PART NUMBER** 093236-26-000 **U/M DESCRIPTION**  
EA LABEL - CIRCUIT BREAKER



**KEY PART NUMBER** 093236-28-000 **U/M DESCRIPTION**  
EA LABEL - CIRCUIT BREAKER

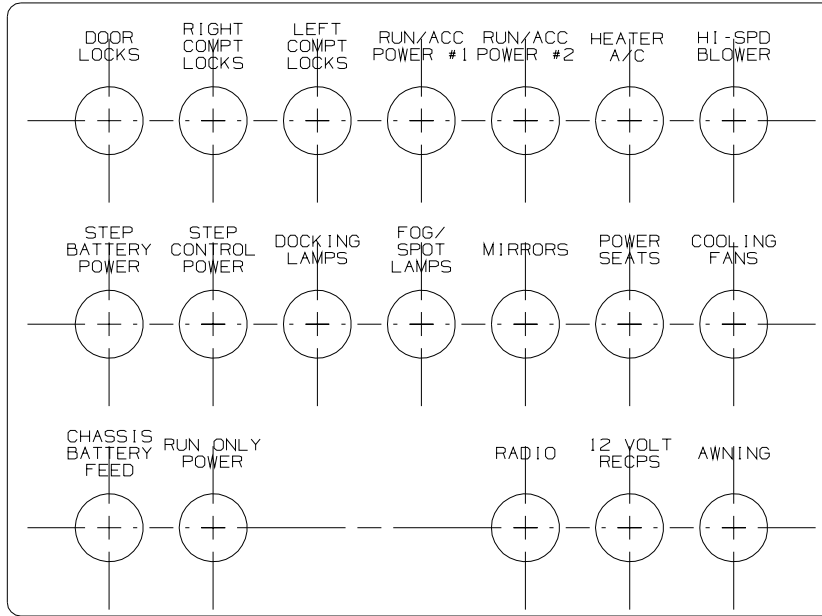


**KEY PART NUMBER** 093236-29-000 **U/M DESCRIPTION**  
EA LABEL - CIRCUIT BREAKER



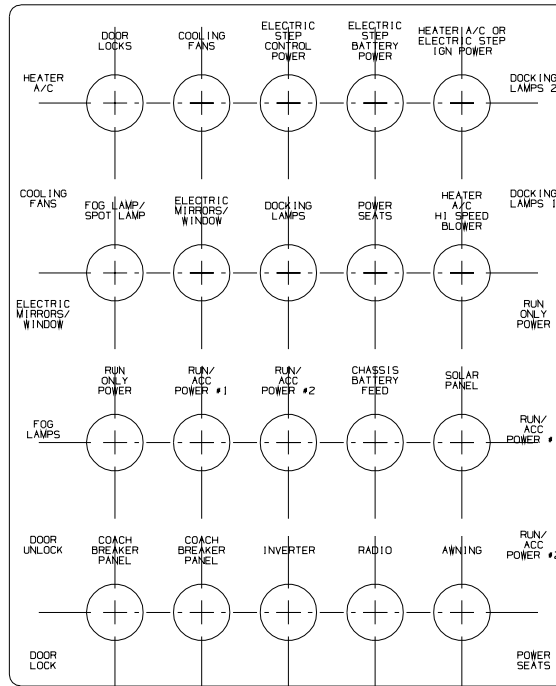
**KEY PART NUMBER** 093236-31-000 **U/M DESCRIPTION**  
EA LABEL - CIRCUIT BREAKER

## LABELS GROUP (CONTINUED)



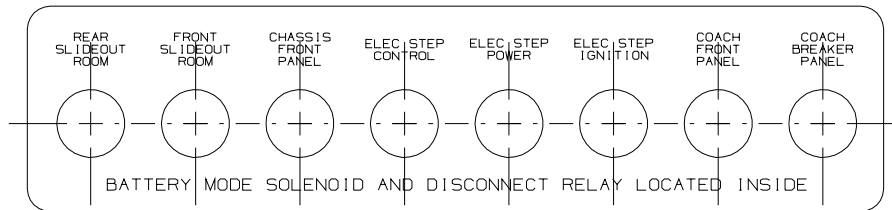
**KEY PART NUMBER**  
093236-32-000

**U/M DESCRIPTION**  
EA LABEL - CIRCUIT BREAKER



**KEY PART NUMBER**  
093236-33-000

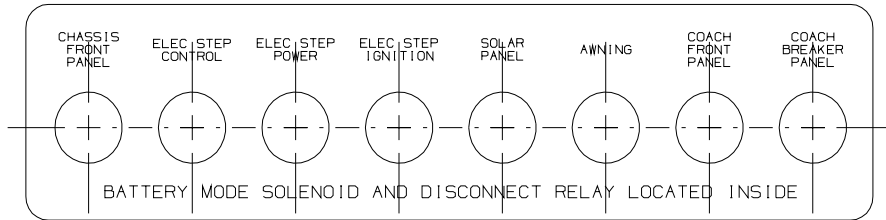
**U/M DESCRIPTION**  
EA LABEL - CIRCUIT BREAKER



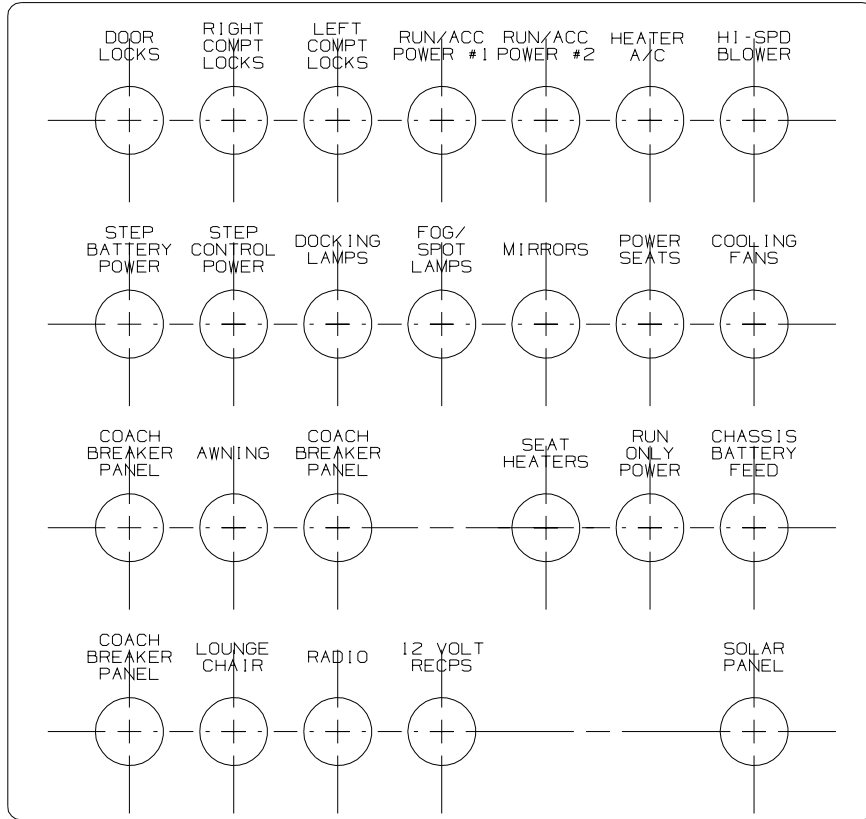
**KEY PART NUMBER**  
093236-34-000

**U/M DESCRIPTION**  
EA LABEL - CIRCUIT BREAKER

## LABELS GROUP (CONTINUED)



KEY	PART NUMBER	U/M DESCRIPTION
	093236-35-000	EA LABEL - CIRCUIT BREAKER



KEY	PART NUMBER	U/M DESCRIPTION
	093236-37-000	EA LABEL - CIRCUIT BREAKER



### LABELS GROUP (CONTINUED)

S U B	M A I N	D I S H W A S H E R	R E C P S  1	R E C P S  2	R E C P S  3	M I C R O W A V E
-------------	------------------	------------------------------------------------	--------------------------------	--------------------------------	--------------------------------	-------------------------------------------

**KEY PART NUMBER U/M DESCRIPTION**  
 095721-20-000 EA LABEL - CONTROL CENTER W/INVERTER

A / C  C I R C U I T  1	M A I N	A / C  C I R C U I T  2	R E F F R I G / C O N V	M I C R O W A V E	R E C P S  1	R E C P S  2	R E C P S  3		
-------------------------------------------------------------	------------------	-------------------------------------------------------------	----------------------------------------------------------	-------------------------------------------	--------------------------------	--------------------------------	--------------------------------	--	--

**KEY PART NUMBER U/M DESCRIPTION**  
 095721-27-000 EA LABEL - CONTROL CENTER - 30 AMP

A / C  C I R C U I T  1	M A I N	A / C  C I R C U I T  2	R E F R I G / C O N V	M I C R O W A V E	R E C P S  1	R E C P S  2	R E C P S  3	W A S H E R / D R Y E R	W A T E R  H E A T E R	
-------------------------------------------------------------	------------------	-------------------------------------------------------------	-----------------------------------------------------	-------------------------------------------	--------------------------------	--------------------------------	--------------------------------	----------------------------------------------------------	---------------------------------------------------------	--

**KEY PART NUMBER U/M DESCRIPTION**  
 095721-31-000 EA LABEL - CONTROL CENTER - 30 AMP - US

## LABELS GROUP (CONTINUED)

A / C CIRCUIT 1	M A I N	M A I N	A / C CIRCUIT 2	R E F R I G / C O N V	M I C R O W A V E	R E C P S  1	R E C P S  2	R E C P S  3	W A S H E R / D R Y E R	W A T E R  H E A T E R
-----------------------	------------------	------------------	-----------------------	-----------------------------------------------------	-------------------------------------------	--------------------------------	--------------------------------	--------------------------------	----------------------------------------------------------	---------------------------------------------------------

**KEY PART NUMBER U/M DESCRIPTION**  
 095721-33-000 EA LABEL - CONTROL CENTER - 50 AMP - US

M A I N	M I C R O W A V E	G F I / R E C E P S	R E F E R / C O N V	W A T E R H T R	A / C
------------------	-------------------------------------------	------------------------------------------------	------------------------------------------------	--------------------------------------	-------------

**KEY PART NUMBER U/M DESCRIPTION**  
 095721-38-000 EA LABEL - CONTROL CENTER - 30 AMP - US

A / C CIRCUIT 1	M A I N	M A I N	A / C CIRCUIT 2	I N V E R T E R /  C H A R G E E R	W A S H E R / D R Y E R	W A T E R  H E A T E R	W A T E R  H E A T E R	D I S H W A S H E R	F I R E P L A C E /  R E C P S  4	F I R E P L A C E /  R E C P S  4
-----------------------	------------------	------------------	-----------------------	---------------------------------------------------------------------------------------	----------------------------------------------------------	---------------------------------------------------------	---------------------------------------------------------	------------------------------------------------	--------------------------------------------------------------------------------------	--------------------------------------------------------------------------------------

**KEY PART NUMBER U/M DESCRIPTION**  
 095721-44-000 EA LABEL - CONTROL CENTER - 30 AMP - US

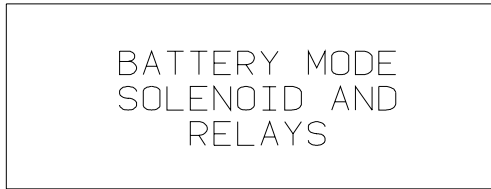
AUTOMOTIVE AND COACH  
CIRCUIT BREAKERS

**KEY PART NUMBER U/M DESCRIPTION**  
 098379-01-000 EA LABEL - CIRCUIT BREAKER - FRONT BOX

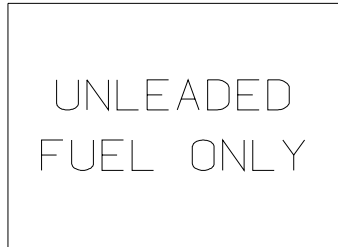
CIRCUIT BREAKERS  
AND AUTOMOTIVE  
FUSE PANEL

**KEY PART NUMBER U/M DESCRIPTION**  
 098379-03-000 EA LABEL - ELECTRICAL BOX - FRONT

**LABELS GROUP (CONTINUED)**



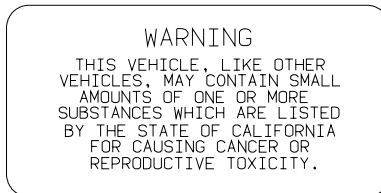
**KEY PART NUMBER U/M DESCRIPTION**  
098379-04-000 EA LABEL - ELECTRICAL BOX - SIDE



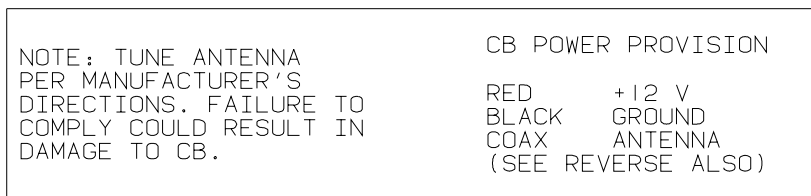
**KEY PART NUMBER U/M DESCRIPTION**  
098641-01-000 EA LABEL - FUEL - UNLEADED - DASH



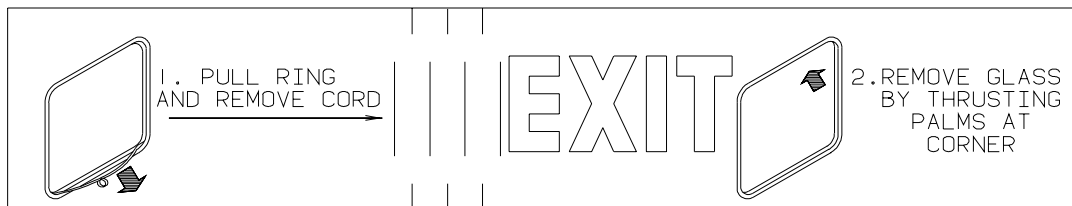
**KEY PART NUMBER U/M DESCRIPTION**  
099509-01-000 EA LABEL - AWNING INSTALLATION



**KEY PART NUMBER U/M DESCRIPTION**  
099689-01-000 EA LABEL - WARNING - CANCER/TOXICITY

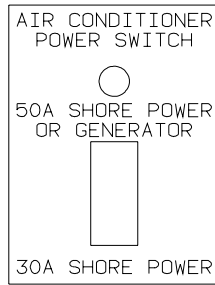


**KEY PART NUMBER U/M DESCRIPTION**  
104678-01-000 EA LABEL - CB PREP



**KEY PART NUMBER U/M DESCRIPTION**  
107571-01-000 EA LABEL - EXIT/ESCAPE WINDOW

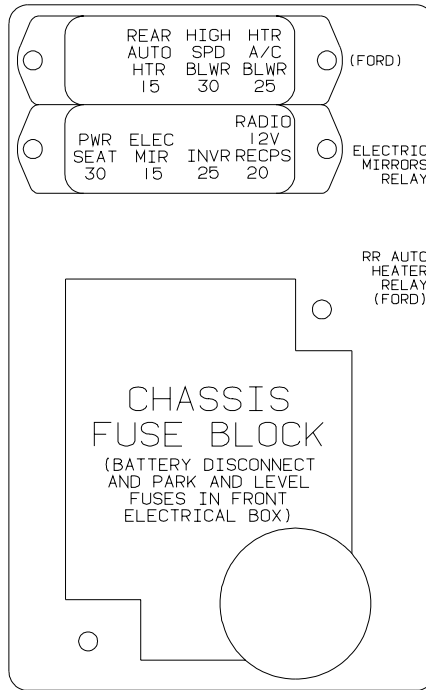
## LABELS GROUP (CONTINUED)



KEY	PART NUMBER	U/M DESCRIPTION
	109051-02-000	EA LABEL - SWITCH - 50 AMP POWER

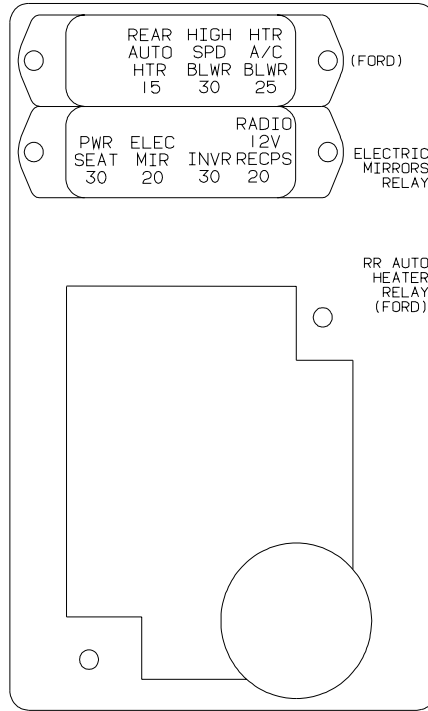


KEY	PART NUMBER	U/M DESCRIPTION
	111104-01-000	EA LABEL - HITCH - READ MANUAL - WHITE



KEY	PART NUMBER	U/M DESCRIPTION
	111537-08-000	EA LABEL - FUSES

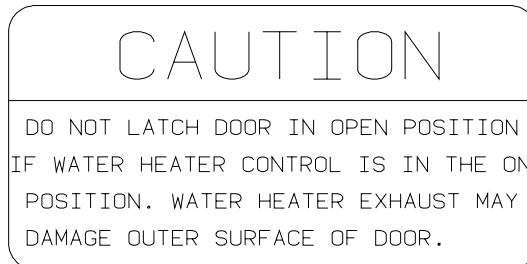
## LABELS GROUP (CONTINUED)



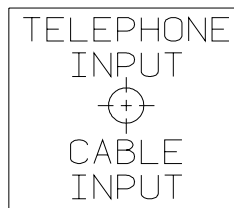
**KEY PART NUMBER U/M DESCRIPTION**  
 111537-09-000 EA LABEL - FUSES

WARNING: CONTAINS "CFC" A SUBSTANCE WHICH HARMS PUBLIC HEALTH AND ENVIRONMENT BY DESTROYING OZONE IN THE UPPER ATMOSPHERE.

**KEY PART NUMBER U/M DESCRIPTION**  
 111802-01-000 EA LABEL - CFC WARNING

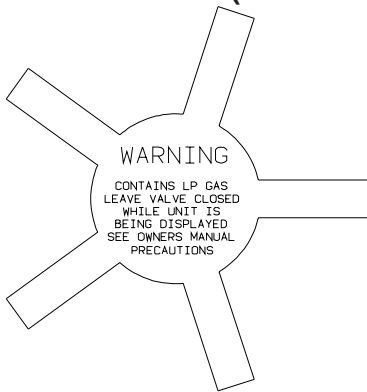


**KEY PART NUMBER U/M DESCRIPTION**  
 113402-01-000 EA LABEL - CAUTION - WATER HEATER EXHAUST



**KEY PART NUMBER U/M DESCRIPTION**  
 114866-02-000 EA LABEL - PHONE & CABLE INPUT - WHITE/CLEAR BACKGROUND

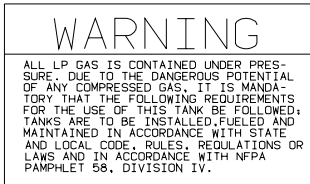
## LABELS GROUP (CONTINUED)



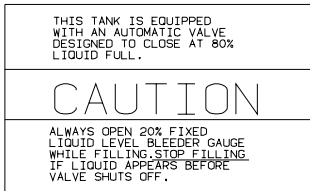
**KEY PART NUMBER U/M DESCRIPTION**  
 115600-01-000 EA LABEL - WARNING LPG VALVE

WARNING: REPLACE TIRE ONLY WITH ONE OF EXACTLY SAME TYPE AND RATING. DO NOT REPLACE WITH PASSENGER CAR TIRE. SEE OPERATOR'S MANUAL FOR MORE INFORMATION CALL WINNEBAGO OWNER RELATIONS AT 1-800-537-1885.

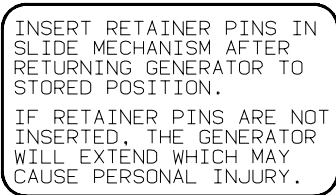
**KEY PART NUMBER U/M DESCRIPTION**  
 115869-01-000 EA LABEL - WARNING - TIRE



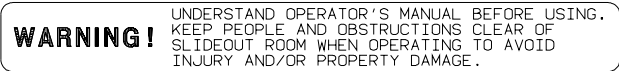
**KEY PART NUMBER U/M DESCRIPTION**  
 116112-01-000 EA LABEL - CAUTION - LP



**KEY PART NUMBER U/M DESCRIPTION**  
 116113-01-000 EA LABEL - CAUTION - LP

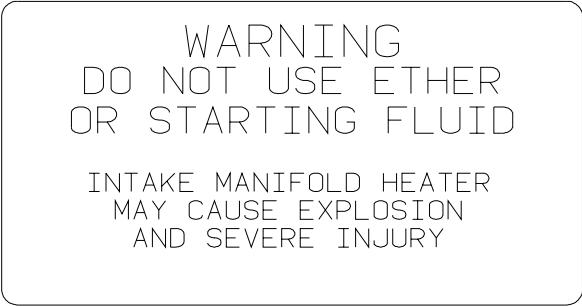


**KEY PART NUMBER U/M DESCRIPTION**  
 116273-01-000 EA LABEL - WARNING - GENERATOR



**KEY PART NUMBER U/M DESCRIPTION**  
 116549-01-000 EA LABEL - WARNING - SLIDEOUT

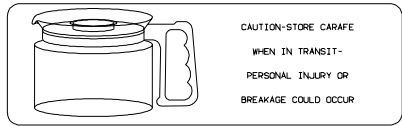
**LABELS GROUP (CONTINUED)**



KEY	PART NUMBER	U/M DESCRIPTION
	116756-02-000	EA LABEL - WARNING - ETHER/STARTING - RED W/CLEAR BACKGROUND
	116756-03-000	EA LABEL - WARNING - ETHER/STARTING - RED W/WHITE BACKGROUND



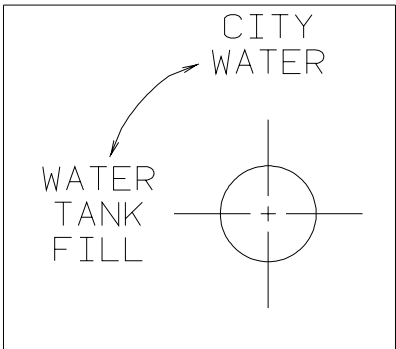
KEY	PART NUMBER	U/M DESCRIPTION
	116775-01-000	EA LABEL/CAUTION - TRAVEL LATCH



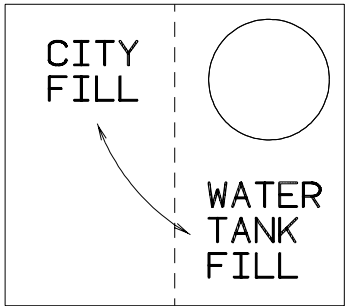
KEY	PART NUMBER	U/M DESCRIPTION
	116829-02-000	EA LABEL - COFFEEMAKER



KEY	PART NUMBER	U/M DESCRIPTION
	117628-02-000	EA LABEL - SWITCH - WATER PUMP/LIGHTS-WHITE/CLEAR BACKGROUND

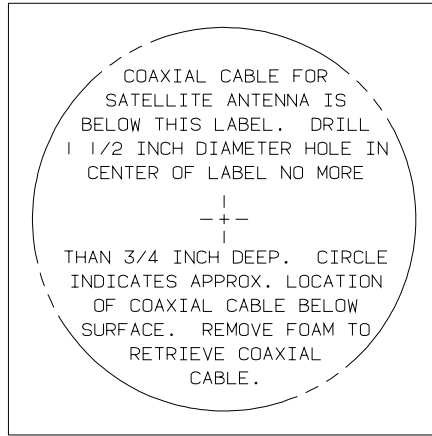


KEY	PART NUMBER	U/M DESCRIPTION
	117629-01-000	EA LABEL - WATER PUMP/FILL-BLK LETTER/CLEAR BACKGROUND-.24"
	117629-03-000	EA LABEL - WATER PUMP/FILL-BLK LETTERS/CLEAR BACKGROUND-.31"

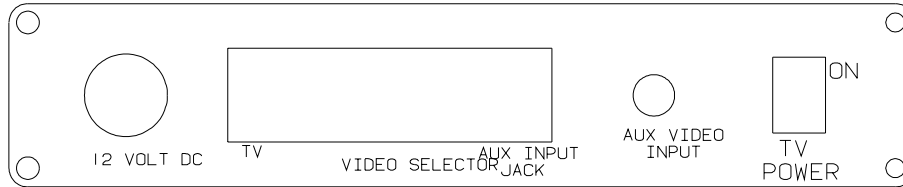


KEY	PART NUMBER	U/M DESCRIPTION
	117629-04-000	EA LABEL - CITY WATER/TANK FILL

## LABELS GROUP (CONTINUED)



**KEY PART NUMBER U/M DESCRIPTION**  
 120431-01-000 EA LABEL - LOCATION - COAXIAL CABLE/SATELLITE ANTENNA



**KEY PART NUMBER U/M DESCRIPTION**  
 120677-01-000 EA LABEL - TV

KEEP THE SERVICE INLET ACCESS  
 IN THE CLOSED POSITION WHEN  
 UTILITY CONNECTIONS ARE NOT IN USE

**KEY PART NUMBER U/M DESCRIPTION**  
 123562-01-000 EA LABEL - SERVICE/UTILITY ACCESS

WARNING  
 ALL PILOT LIGHTS, APPLIANCES AND THIER  
 IGNITORS (SEE OPERATING INSTRUCTIONS) SHALL  
 BE TURNED OFF DURING REFUELING OF MOTOR  
 FUEL TANKS AND/OR LP GAS CONTAINERS

**KEY PART NUMBER U/M DESCRIPTION**  
 124519-01-01A EA LABEL - WARNING/REFUELING - BLACK ON CLEAR  
 124519-01-02A EA LABEL - WARNING/REFUELING - WHITE ON CLEAR

WARNING:  
 ALL PILOT LIGHTS AND APPLIANCES SHALL BE TURNED  
 OFF DURING REFUELING OF MOTOR FUEL TANKS AND/  
 OR PROPANE CONTAINERS.  
 AVERTISSEMENT:  
 FERMER TOUTES LES VEILLEUSES AINSI QUE TOUTS LES  
 APPAREILS LORSQU'ON FAIT LE PLEIN DES RESERVOIRS  
 A CARBURANT OU A PROPANE.  
 124519-02

**KEY PART NUMBER U/M DESCRIPTION**  
 124519-02-01A EA LABEL - WARNING/REFUELING - BLACK ON CLEAR - CSA  
 124519-02-02A EA LABEL - WARNING/REFUELING - WHITE ON CLEAR - CSA

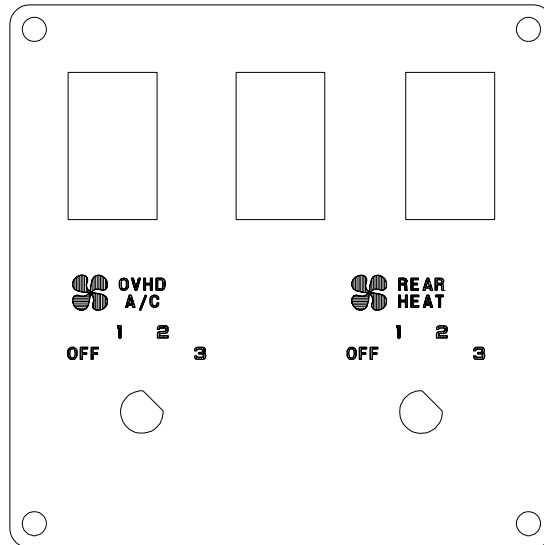


## LABELS GROUP (CONTINUED)

LP-GAS SYSTEM  
 THIS GAS PIPING SYSTEM IS  
 DESIGNED FOR USE OF  
 LIQUIFIED PETROLEUM GAS  
 ONLY. DO NOT CONNECT  
 NATURAL GAS TO THIS  
 SYSTEM.  
 SECURE CAP INLET(S) WHEN NOT  
 CONNECTED FOR USE. AFTER TURNING  
 ON GAS, EXCEPT AFTER NORMAL  
 CONTAINER REPLACEMENT, TEST GAS  
 PIPING AND CONNECTIONS TO  
 APPLIANCES FOR LEAKAGE WITH SOAPY  
 WATER OR BUBBLE SOLUTION. DO NOT  
 USE PRODUCTS THAT CONTAIN AMMONIA  
 OR CLORINE.

124520

KEY	PART NUMBER	U/M	DESCRIPTION
	124520-01-01A	EA	LABEL - LP GAS ONLY - BLACK ON CLEAR
	124520-01-02A	EA	LABEL - LP GAS ONLY - WHITE ON CLEAR



KEY	PART NUMBER	U/M	DESCRIPTION
	124572-01-000	EA	LABEL - SWITCHES

THIS CONNECTION IS FOR  
 (B) VOLT AC, 60 HZ(CYCLES)  
 (A) AMPERE SUPPLY

DO NOT CONNECT TO  
 HIGHER VOLTAGE

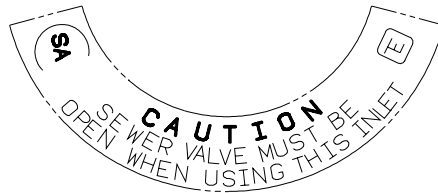
KEY	PART NUMBER	U/M	DESCRIPTION
	125306-01-01A	EA	LABEL - ELECTRICAL ENTRANCE - 110V 30 AMP - BLACK ON CLEAR

## LABELS GROUP (CONTINUED)

THIS CONNECTION IS FOR  
(B) VOLT AC, 3-POLE, 4 WIRE  
60 HZ (CYCLES), (A) AMPERE SUPPLY

DO NOT CONNECT TO  
HIGHER VOLTAGE

KEY	PART NUMBER	U/M	DESCRIPTION
	125306-04-01A	EA	LABEL-ELECTRICAL ENTRANCE-120/240V 50 AMP-BLACK ON CLEAR
	125306-04-02A	EA	LABEL - ELECTRICAL ENTRANCE-120/240V 50 AMP-WHITE ON CLEAR



KEY	PART NUMBER	U/M	DESCRIPTION
	125697-07-000	EA	LABEL - CAUTION - FLUSHING SYSTEM

REMOVE PRIMARY TIRE HANGER BEFORE USING  
SPARE TIRE HOIST-SEE OWNERS MANUAL- PERSONAL  
INJURY MAY RESULT IF NOT FOLLOWED

KEY	PART NUMBER	U/M	DESCRIPTION
	126024-01-01A	EA	LABEL - TIRE HANGER REMOVAL

# GRAY HOLDING TANK

KEY	PART NUMBER	U/M	DESCRIPTION
	126247-01-000	EA	LABEL - GRAY HOLDING TANK-WHITE LETTERS/CLEAR BACKGROUND
	126247-05-000	EA	LABEL - GRAY HOLDING TANK-BLACK LETTERS/CLEAR BACKGROUND

# BLACK HOLDING TANK

KEY	PART NUMBER	U/M	DESCRIPTION
	126247-02-000	EA	LABEL - BLACK HOLDING TANK-WHITE LETTERS/BLACK BACKGROUND
	126247-06-000	EA	LABEL - BLACK HOLDING TANK-BLACK LETTERS/CLEAR BACKGROUND

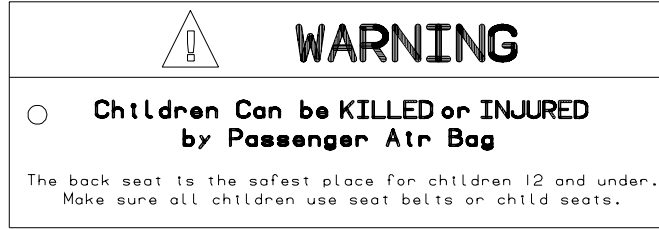
# EXTERIOR SHOWER

KEY	PART NUMBER	U/M	DESCRIPTION
	126248-03-000	EA	LABEL - EXTERIOR SHOWER

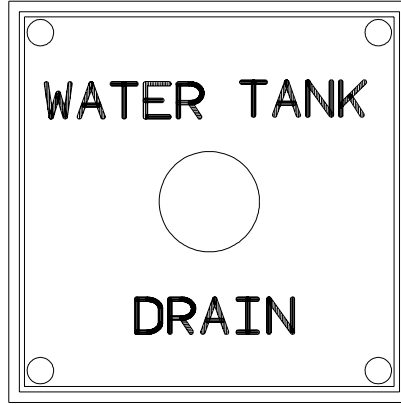
# CITY WATER FILL

KEY	PART NUMBER	U/M	DESCRIPTION
	126249-03-000	EA	LABEL - CITY WATER FILL-BLK LETTERS/CLEAR BACKGROUND .31"

**LABELS GROUP (CONTINUED)**



**KEY PART NUMBER U/M DESCRIPTION**  
 126612-01-000 EA LABEL - HANG TAG - AIR BAG - DASH



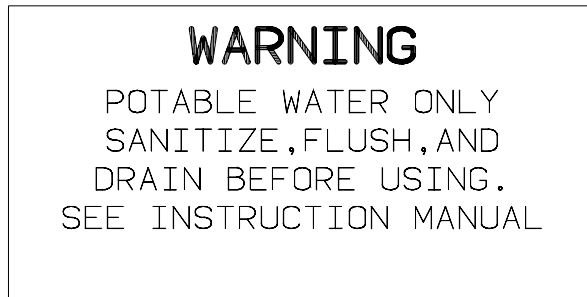
**KEY PART NUMBER U/M DESCRIPTION**  
 127170-01-000 EA LABEL - WATER TANK DRAIN



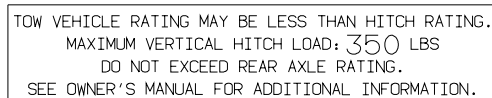
**KEY PART NUMBER U/M DESCRIPTION**  
 128218-01-01A EA LABEL - WARNING - SLIPPERY ROOF



**KEY PART NUMBER U/M DESCRIPTION**  
 128658-01-000 EA LABEL - PROP ROD - ENTRY DOOR



**KEY PART NUMBER U/M DESCRIPTION**  
 128725-01-01A EA LABEL - POTABLE WATER ONLY - BLACK ON CLEAR

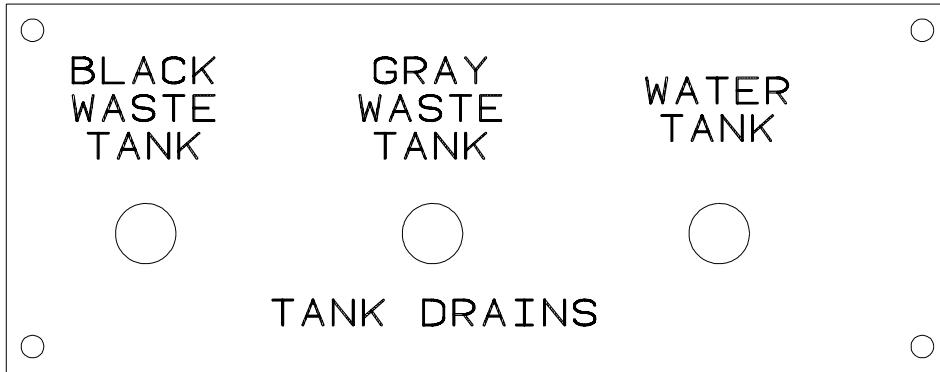


**KEY PART NUMBER U/M DESCRIPTION**  
 129669-01-01A EA LABEL - HITCH/VEHICLE RATE - 350 - WHITE ON CLEAR  
 129669-01-02A EA LABEL - HITCH/VEHICLE RATE - 350 - BLACK ON CLEAR  
 129669-02-01A EA LABEL - HITCH/VEHICLE RATE - 500 - WHITE ON CLEAR  
 129669-02-02A EA LABEL - HITCH/VEHICLE RATE - 500 - BLACK ON CLEAR

## LABELS GROUP (CONTINUED)

TIRE ROTATION  
SEE RIALTA OWNERS MANUAL  
SECTION 9

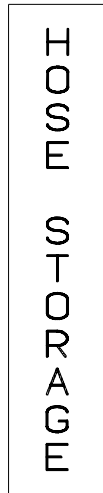
**KEY PART NUMBER U/M DESCRIPTION**  
129684-01-000 EA LABEL - TIRE ROTATION



**KEY PART NUMBER U/M DESCRIPTION**  
130166-01-000 EA LABEL - DRAIN



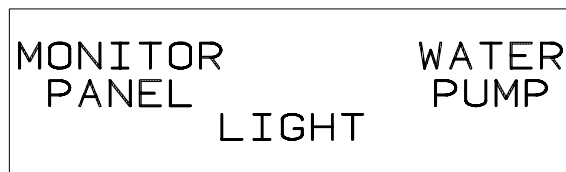
**KEY PART NUMBER U/M DESCRIPTION**  
130166-02-000 EA LABEL - DRAIN



**KEY PART NUMBER U/M DESCRIPTION**  
130167-02-000 EA LABEL - HOSE STORAGE



**KEY PART NUMBER U/M DESCRIPTION**  
130168-01-000 EA LABEL - WASTE TANK FLUSH

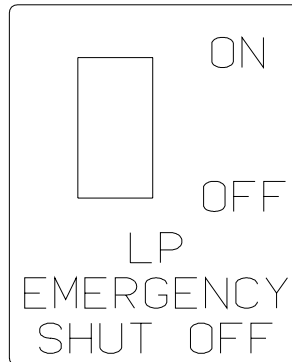


**KEY PART NUMBER U/M DESCRIPTION**  
130170-01-000 EA LABEL - SWITCH PANEL - BLK/CLEAR BACKGROUND-1.8"H X 5.9"L

**LABEL GROUP (CONTINUED)**



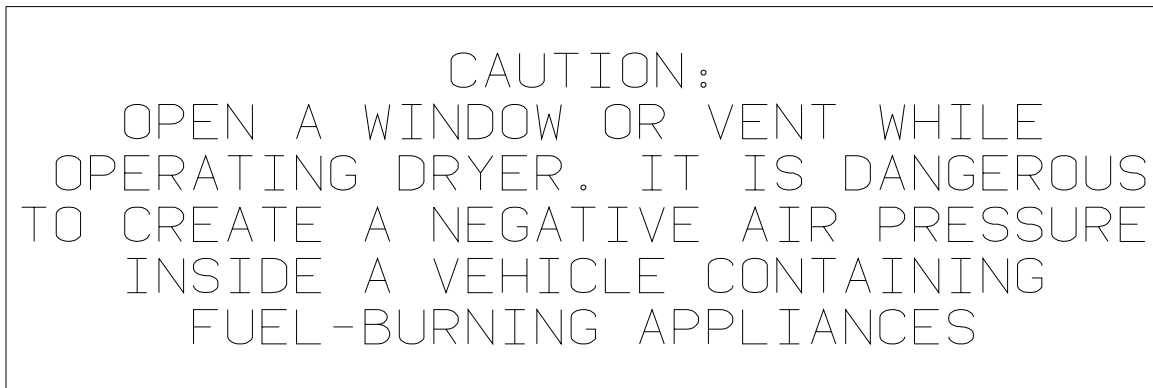
**KEY PART NUMBER U/M DESCRIPTION**  
130170-02-000 EA LABEL - SWITCH PANEL-BLK/CLEAR BACKGROUND-1.4"H X 3.9"L



**KEY PART NUMBER U/M DESCRIPTION**  
130170-04-000 EA LABEL - SWITCH PANEL



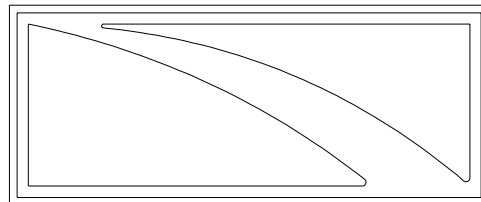
**KEY PART NUMBER U/M DESCRIPTION**  
130170-05-000 EA LABEL - SWITCH PANEL



**KEY PART NUMBER U/M DESCRIPTION**  
130670-01-01A EA LABEL - CAUTION DRYER VENTING - BLACK ON CLEAR

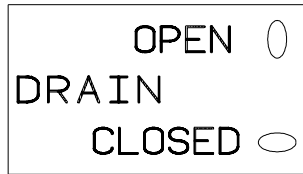


**KEY PART NUMBER U/M DESCRIPTION**  
131779-01-01A EA LABEL - GENERATOR



**KEY PART NUMBER U/M DESCRIPTION**  
132651-01-01A EA DECAL - MIRROR/GALLEY

**LABEL GROUP (CONTINUED)**



**KEY PART NUMBER U/M DESCRIPTION**  
 133423-01-01A EA LABEL - DRAIN



**KEY PART NUMBER U/M DESCRIPTION**  
 133424-01-01A EA LABEL - WATER HEATER BYPASS - BLACK/CLEAR



**KEY PART NUMBER U/M DESCRIPTION**  
 133424-02-01A EA LABEL - NORMAL OPERATION



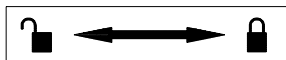
**KEY PART NUMBER U/M DESCRIPTION**  
 133424-03-01A EA LABEL - WATER HEATER BYPASS - BLACK/CLEAR



**KEY PART NUMBER U/M DESCRIPTION**  
 133533-01-01A EA LABEL - JACKS DOWN - CLEAR W/WHITE LETTERING



**KEY PART NUMBER U/M DESCRIPTION**  
 133533-02-01A EA LABEL - CHECK ANTENNA - CLEAR W/WHITE LETTERING



**KEY PART NUMBER U/M DESCRIPTION**  
 133533-03-01A EA LABEL - LOCK/UNLOCK - BLACK/WHITE



**KEY PART NUMBER U/M DESCRIPTION**  
 133533-04-01A EA LABEL - WINDOW/MIRROR HEAT- BLACK/CLEAR

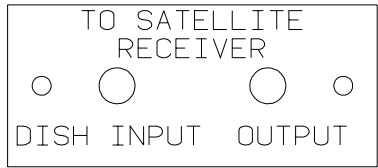


**KEY PART NUMBER U/M DESCRIPTION**  
 133533-05-01A EA LABEL - SUNVISOR - DRIVER/PASSENGER - BLACK/CLEAR

## LABELS GROUP (CONTINUED)



**KEY PART NUMBER U/M DESCRIPTION**  
 133533-06-01A EA LABEL - MAP LIGHT/SUNVISOR - BLACK/CLEAR



**KEY PART NUMBER U/M DESCRIPTION**  
 134250-01-01A EA LABEL - SATELLITE RECEIVER - BLACK/CLEAR

THIS CHAIR IS NOT INTENDED FOR OCCUPANCY WHEN VEHICLE IS IN MOTION AND MUST BE RETURNED TO STOWED POSITION
------------------------------------------------------------------------------------------------------------

DTS ISICE SIEGE N/EST PAS DESTINE A ETRE OCCUPE LORSQUE LE VEHICULE EST IN MOVEMENT ET IL FAUT QUE LE RANGER	THIS CHAIR IS NOT INTENDED FOR OCCUPANCY WHEN VEHICLE IS IN MOTION AND MUST BE RETURNED TO STOWED POSITION
-----------------------------------------------------------------------------------------------------------------------	------------------------------------------------------------------------------------------------------------

**KEY PART NUMBER U/M DESCRIPTION**  
 134537-01-01A EA LABEL - OCCUPANCY - CHAIR - US

THIS SEAT IS NOT INTENDED FOR OCCUPANCY WHEN VEHICLE IS IN MOTION
-------------------------------------------------------------------

**KEY PART NUMBER U/M DESCRIPTION**  
 134538-01-01A EA LABEL - OCCUPANCY - NO SEAT BELT - BLACK ON CLEAR - US

DST ISICE SIEGE N/EST PAS DESTINE A ETRE OCCUPE LORSQUE LE VEHICULE EST IN MOVVEMENT	THIS SEAT IS NOT INTENDED FOR OCCUPANCY WHILE VEHICLE IS IN MOTION
--------------------------------------------------------------------------------------------	--------------------------------------------------------------------

**KEY PART NUMBER U/M DESCRIPTION**  
 134538-02-01A EA LABEL - OCCUPANCY - NO SEAT BELT - BLACK ON CLEAR - CSA

<p style="font-size: 1.2em; margin: 0;">WARNING</p> <p style="margin: 5px 0;">IT IS NOT SAFE TO USE COOKING APPLICANCES FOR COMFORT HEATING</p> <p style="margin: 10px 0;">COOKING APPLICANCES NEED FRESH AIR FOR SAFE OPERATION BEFORE OPERATION.</p> <p style="margin: 10px 0;">1. OPEN OVERHEAD VENT OR TURN ON EXHAUST FAN AND; 2. OPEN WINDOW.</p>
-------------------------------------------------------------------------------------------------------------------------------------------------------------------------------------------------------------------------------------------------------------------------------------------------------------------------------------------------------------

**KEY PART NUMBER U/M DESCRIPTION**  
 134539-01-01A EA LABEL - WARNING - STOVE/HEATING - US - BLACK ON CLEAR

## LABELS GROUP (CONTINUED)

TO ENSURE A SUPPLY OF FRESH AIR TO OCCUPANTS, OPEN VENTILATORS WHEN FUEL-BURNING RANGE, FUEL-BURNING CARRY-ON APPLIANCES AND/OR FUEL-BURNING LIGHTS ARE IN OPERATION.	DE MANIERE A ASSURER UNE ALIMENTATION EN AIR FRAIS AUX OCCUPANTS, OUVRIER LES VENTILATEURS LORSQUE LA CUISINIERE LES APPAREILS DE CHAUFFAGE PORTABLES ET/OU LES LAMPES DE COMBUSTION D'HUILE SONT EN FONCTIONNEMENT.
COOKING APPLIANCES SHOULD NOT BE USED FOR SPACE HEATING PURPOSES.	LES APPAREILS DE CUISSON NE DOIVENT PAS SERVIR AU CHAUFFAGE DES LOCAUX.

**KEY PART NUMBER U/M DESCRIPTION**  
 134540-01-01A EA LABEL - WARNING - STOVE/HEATING - CSA - BLACK ON CLEAR

**HOLDING TANK HEATER**  
 TURN OFF WHEN NOT IN USE  
 SEE OPERATOR'S MANUAL

**KEY PART NUMBER U/M DESCRIPTION**  
 134563-01-01A EA LABEL - SWITCH - HEATER

THIS VEHICLE MAY INCLUDE MERCURY-CONTAINING DEVICES INSTALLED BY THE MANUFACTURER:  
FLUORESCENT TUBES, RANGES WITH OVEN, HWH LEVEL SENSING UNIT.

REMOVE DEVICES BEFORE VEHICLE DISPOSAL UPON REMOVAL OF DEVICES: PLEASE REUSE, RECYCLE, OR DISPOSE AS HAZARDOUS WASTE

135869-01A

**KEY PART NUMBER U/M DESCRIPTION**  
 135869-01-01A EA LABEL - MERCURY CONTENT - BLACK ON CLEAR  
 135869-01-02A EA LABEL - MERCURY CONTENT - WHITE ON CLEAR

**LIQUID SOAP**

**KEY PART NUMBER U/M DESCRIPTION**  
 136047-01-01A EA LABEL - LIQUID SOAP

DOOR LOCK	DOOR UNLOCK	RIGHT COMPT DOOR LOCK	RIGHT COMPT DOOR UNLOCK	LEFT COMPT DOOR LOCK	LEFT COMPT DOOR UNLOCK	AUX START SOLENOID	AMP SOURCE
POWER MIRRORS	HEATER BLOWER	PASS HEATER BLOWER	FOG LAMPS	DOCKING LAMPS	DOCKING LAMPS SWITCH TRIGGER	COOLING FANS	

**KEY PART NUMBER U/M DESCRIPTION**  
 136161-01-01A EA LABEL - RELAY - MATTE BLACK/WHITE LETTERS

DOOR LOCK	DOOR UNLOCK	RIGHT COMPT DOOR LOCK	RIGHT COMPT DOOR UNLOCK	LEFT COMPT DOOR LOCK	LEFT COMPT DOOR UNLOCK	AUX START SOLENOID	RUN/ACC POWER #1	POWER SEATS
POWER MIRRORS	HEATER BLOWER	RUN ONLY POWER	FOG LAMPS	DOCKING LAMPS	DOCKING LAMPS SWITCH TRIGGER	COOLING FANS	RUN/ACC POWER #2	

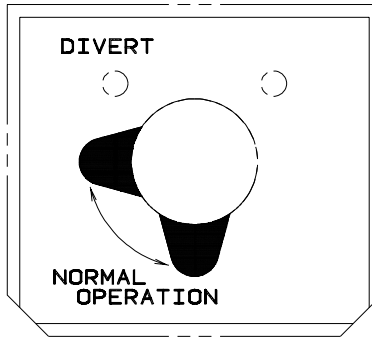
**KEY PART NUMBER U/M DESCRIPTION**  
 136161-02-01A EA LABEL - RELAY - BLACK/WHITE

**LT - AIR BAGS - RT**

**KEY PART NUMBER U/M DESCRIPTION**  
 136360-01-01A EA LABEL - AIR BAGS



## LABELS GROUP (CONTINUED)




**KEY PART NUMBER** 137997-01-01A **U/M DESCRIPTION**  
EA LABEL - WINTERIZATION VALVE - BLACK/CLEAR



**KEY PART NUMBER** 140190-01-01A **U/M DESCRIPTION**  
EA DECAL/LOGO - V6 (DOMED) - CYAN/MAGENTA/YELLOW/BLACK

WASHER/DRYER  
BRACKETS

**KEY PART NUMBER** 141523-01-01A **U/M DESCRIPTION**  
EA LABEL - WASHER/DRYER BRACKETS - BLACK/WHITE

 **WARNING:** COMPRESSED AIR CAN BE HAZARDOUS.

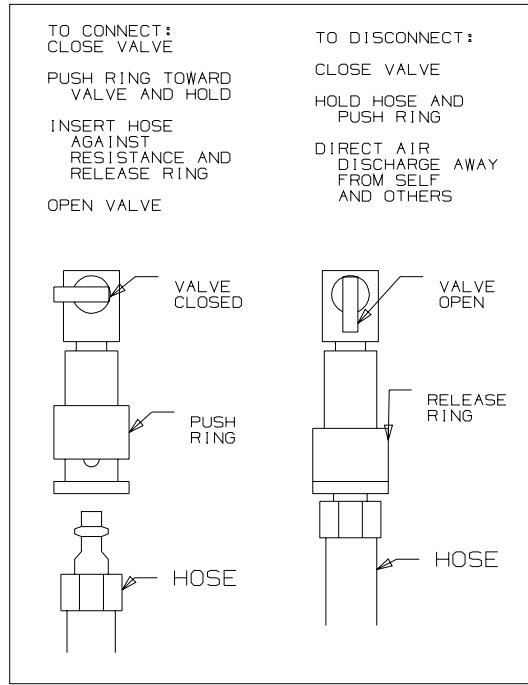
PROPER EYE PROTECTION MUST BE WORN WHEN CONNECTING, DISCONNECTING OR USING AIR HOSE.

CLOSE VALVE BEHIND CONNECTOR BEFORE CONNECTING OR DISCONNECTING AIR HOSE.

HOSE DISCONNECT WILL PRODUCE AIR DISCHARGE FROM HOSE. DIRECT AIR DISCHARGE AWAY FROM SELF AND OTHERS.

**KEY PART NUMBER** 142771-01-01A **U/M DESCRIPTION**  
EA LABEL - WARNING/COMPRESSED AIR - WHITE LETTERING ON CLEAR

## LABELS GROUP (CONTINUED)



<b>KEY</b>	<b>PART NUMBER</b>	<b>U/M DESCRIPTION</b>
	142773-01-01A	EA LABEL - CONNECT/COMPRESS AIR - WHITE LETTERING ON CLEAR



<b>KEY</b>	<b>PART NUMBER</b>	<b>U/M DESCRIPTION</b>
	142908-01-000	EA LABEL - FREON CHARG



<b>KEY</b>	<b>PART NUMBER</b>	<b>U/M DESCRIPTION</b>
	144040-01-01A	EA COUNTERTOP - MEDALLION/GOLD - CORIAN

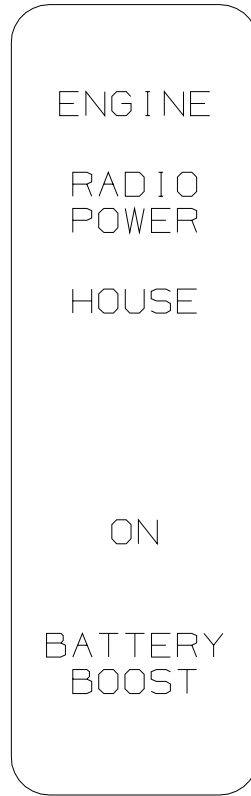


<b>KEY</b>	<b>PART NUMBER</b>	<b>U/M DESCRIPTION</b>
	144183-01-01A	EA LABEL - CAUTION RELEASE CATCH - WHITE/CLEAR

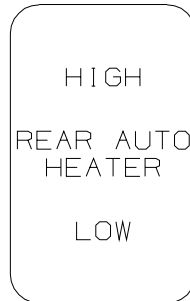


<b>KEY</b>	<b>PART NUMBER</b>	<b>U/M DESCRIPTION</b>
	144649-01-01A	EA LABEL - ADJUSTABLE VALVE - WHITE ON CLEAR

**LABELS GROUP (CONTINUED)**



<b>KEY</b>	<b>PART NUMBER</b>	<b>U/M DESCRIPTION</b>
	145731-01-01A	EA LABEL - SWITCH - RADIO/BATTERY - BLACK



<b>KEY</b>	<b>PART NUMBER</b>	<b>U/M DESCRIPTION</b>
	145731-03-01A	EA LABEL - SWITCH - REAR AUTO HEATER - BLACK

## LABELS GROUP (CONTINUED)



**KEY PART NUMBER**      **U/M DESCRIPTION**  
146057-01-01A      EA LABEL - LP SHUT OFF - RED LETTER/WHITE BACK

FOR FUTURE INSTALLATION OF WASHER/DRYER EXHAUST DUCT

(A) A CLOTHES DRYER MOISTURE-LINT EXHAUST DUCT SHALL NOT BE CONNECTED TO ANY OTHER DUCT, VENT, OR CHIMNEY.

(B) THE EXHAUST DUCT SHALL BE OF SUFFICIENT LENGTH SO AS NOT TO TERMINATE BENEATH THE RECREATION VEHICLE.

(C) MOISTURE-LINT EXHAUST DUCTS SHALL NOT BE CONNECTED WITH SHEET METAL SCREWS OR OTHER FASTENING DEVICES THAT EXTEND INTO THE INTERIOR OF THE DUCT.

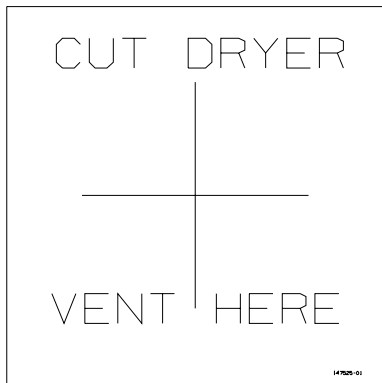
(D) MOISTURE-LINT EXHAUST DUCT AND TERMINATION FITTINGS SHALL BE INSTALLED IN ACCORDANCE WITH THE APPLIANCE MANUFACTURER'S PRINTED INSTRUCTIONS.

(E) SEE MARKED INTERIOR AREA ON SIDEWALL TO LOCATE CUTOUT FOR EXHAUST VENT.

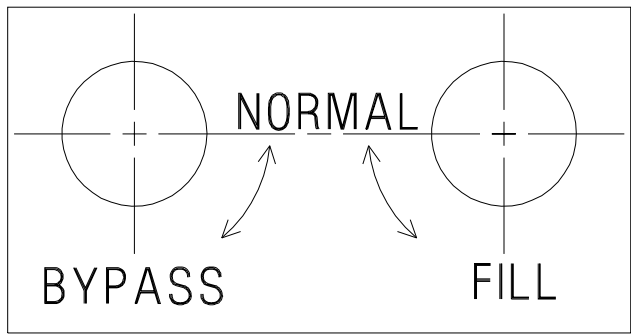
(F) AS PART OF WASHER/DRYER PREP 4 HOLD DOWN BRACKETS WERE SHIPPED WITH YOUR VEHICLE WHICH ARE INTENDED TO BE USED WITH THE WINNEBAGO OFFERED APPLIANCE.

147524-01

**KEY PART NUMBER**      **U/M DESCRIPTION**  
147524-01-000      EA LABEL - DRYER VENTING



**KEY PART NUMBER**      **U/M DESCRIPTION**  
147525-01-000      EA LABEL - DRYER VENT CUTOUT



**KEY PART NUMBER**      **U/M DESCRIPTION**  
147581-01-01A      EA LABEL - WATERFILL/BYPASS - BLACK/CLEAR

YOUR MOTORHOME IS EQUIPPED WITH A SEWER HOSE END ELBOW WHICH INCLUDES A CLOSEABLE DRIP VALVE. AFTER PLACING THE END OF THE HOSE ELBOW INTO THE PARK SEWER DISPOSAL OPENING, USE THUMB TO LIFT HANDLE LOCK AND MOVE HANDLE FORWARD TO OPEN VALVE.

NEVER OPERATE TANK VALVES WITHOUT FIRST OPENING THE DRIP VALVE.

AFTER TANKS ARE EMPTY, CLOSE TANK VALVES, THEN PULL HANDLE ON ELBOW TO A VERTICAL CARRYING POSITION TO CLOSE DRIP VALVE. THIS WILL ELIMINATE ANY DRIPPING FROM THE HOSE INTO YOUR STORAGE AREA. SEE OPERATORS MANUAL FOR ADDITIONAL INFORMATION.

147845-01A

**KEY PART NUMBER**      **U/M DESCRIPTION**  
147845-01-01A      EA LABEL - DRIP VALVE - BLACK/WHITE

**LP GROUP**  
**LP SYSTEM**

KEY	PART NUMBER	U/M	DESCRIPTION
	045703-01-000	EA	HOSE - LP - 3/8"ID X 24" - 3/8"MPT X 1/2"F SWIVEL - U.S.
	045703-02-000	EA	HOSE - LP - 3/8"ID X 24" - 3/8"MPT X 1/2"F SWIVEL - CANADA
	045703-03-000	EA	HOSE - LP - 3/8"ID X 18" - 3/8"MPT X 1/2"F SWIVEL - U.S.
	045703-05-000	EA	HOSE - LP - 3/8"ID X 28" - 3/8"MPT X 1/2"F SWIVEL - U.S.
	045703-06-000	EA	HOSE - LP - 3/8"ID X 28" - 3/8"MPT X 1/2"F SWIVEL - CANADA
	045703-12-000	EA	HOSE - LP - 3/8"ID X 18" - 3/8"MPT X 1/2"F SWIVEL - CANADA
	045703-14-000	EA	HOSE - LP - 3/8"ID X 157.5" - 1/2"F SWIVEL X 1/2"F SWIVEL
	045703-15-000	EA	HOSE - LP - 3/8"ID X 142" - 1/2"F SWIVEL X 3/8"F SWIVEL
	105658-01-000	EA	COMPARTMENT - LP REGULATOR
	144485-01-000	EA	COMPARTMENT - LP REGULATOR - F36M
	106150-05-000	EA	REGULATOR - TWO STAGE
	010323-01-000	EA	ADAPTER - 3/8"F X 1/2"MPT - BRASS
	010326-01-000	EA	ADAPTER - FLARE - W/CONE GASKET - 3/8"F X 1/2"F
	010329-01-000	EA	ADAPTER - BRASS - 1/2"F X 1/2"MPT
	010265-01-000	EA	ELBOW - BRASS - 90 DEGREE - 3/8"F X 1/2"FPT
	024250-01-000	EA	ADAPTER - BRASS - 3/8"F X 1/2"FPT
	040440-03-000	EA	TRANSMITTER - DIAL/SNAP-ON - 0-90 OHM 2 TERM(POWER/GROUND)
*	144116-01-000	EA	TANK - LP - 100 LB - 14"D X 47"L
*	144116-06-000	EA	TANK - LP - 80 LB - 16"D X 30.75"L - F30W
	010377-02-000	EA	NUT - BRASS - 3/8" FLARE - FORGED
	010380-02-000	EA	NUT - BRASS - 1/2" FLARE - FORGED
	103613-03-000	EA	DETECTOR - LP GAS - W/O SHUT-OFF VALVE
	150138-01-01A	EA	DETECTOR - LP GAS - WHITE
	150138-01-02A	EA	DETECTOR - LP GAS - BROWN

FROM: 00-00-00 THRU: 02-08-04  
 FROM: 02-09-04 THRU: 99-99-99  
 FROM: 02-09-04 THRU: 99-99-99

\*COMPONENT PARTS LISTED LATER IN THIS GROUP

**LP GROUP GROUP (CONTINUED)**  
**COMPONENT PARTS FOR LP GROUP**

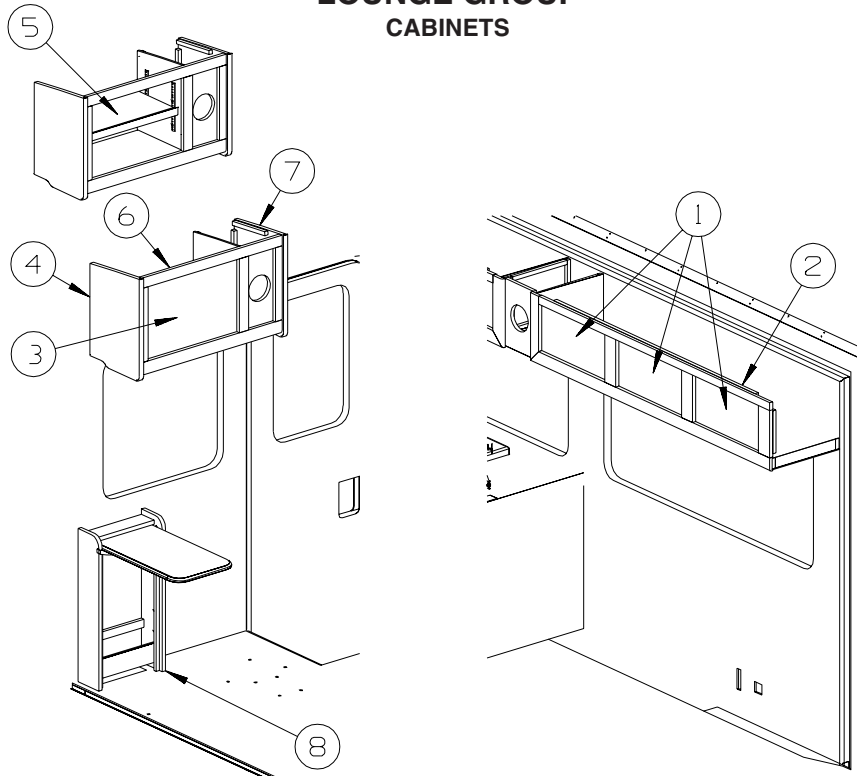
**144116-01-000**

<b>KEY</b>	<b>PART NUMBER</b>	<b>U/M</b>	<b>DESCRIPTION</b>	<b>VENDOR NO.</b>
	040421-01-712	EA	VALVE-SERV. W/O VAPOR RELIEF	29000853
	040421-01-713	EA	VALVE-RELIEF 1" W/SPRING 7"	V-20479
	088253-09-700	EA	SENDING UNIT-F/SNAP ON DIAL	SG14C0001466
	144116-01-700	EA	VALVE-OUTAGE(NO STEM REMOVE)	V20058
	144116-01-701	EA	VALVE/FILL 80 % W/YELLOW CAP	V13414

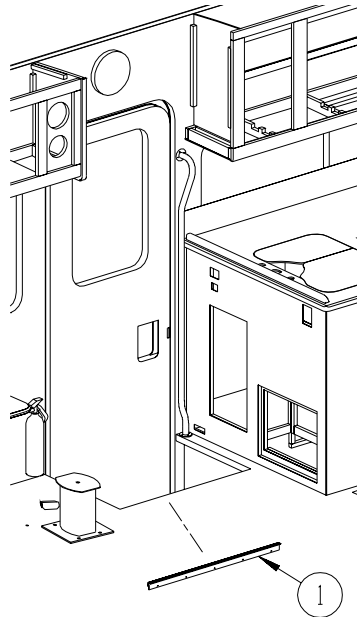
**144116-02-000, 144116-06-000, 144116-07-000 & 144116-08-000**

<b>KEY</b>	<b>PART NUMBER</b>	<b>U/M</b>	<b>DESCRIPTION</b>	<b>VENDOR NO.</b>
	040421-01-712	EA	VALVE-SERV. W/O VAPOR RELIEF	29000853
	040421-01-713	EA	VALVE-RELIEF 1" W/SPRING 7"	V-20479
	088253-01-702	EA	FLOAT/SCREW IN-SNAP ON DIAL	SG16C0001442
	144116-01-700	EA	VALVE-OUTAGE(NO STEM REMOVE)	V20058
	144116-01-701	EA	VALVE/FILL 80 % W/YELLOW CAP	V13414

## LOUNGE GROUP CABINETS

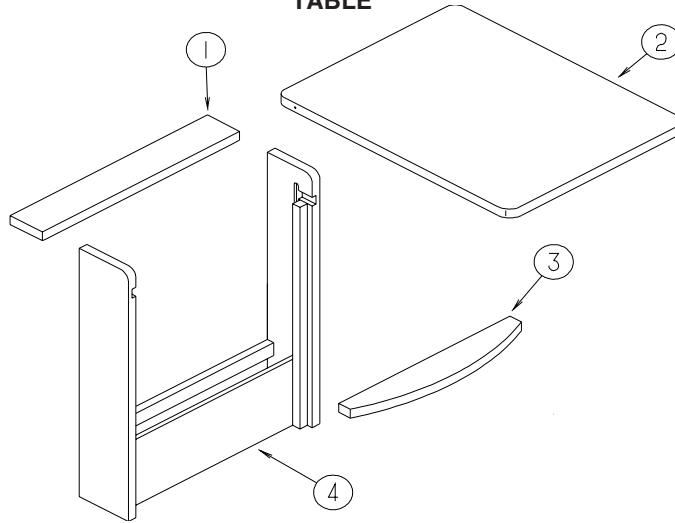


KEY	PART NUMBER	U/M	DESCRIPTION
1	141522-22-R35	EA	DOOR - ARCHED/PENCIL EDGE/HORIZ - 10" X 19.1" - W/O HDW
2	139026-01-N30	EA	CABINET - OVERHEAD/COUCH - W/O DOORS/HARDWARE
3	141522-B8-R35	EA	DOOR - ARCHED/PENCIL EDGE/HORIZ - 14.9" X 21.8" - W/O HDW
4	103128-38-M30	EA	END CAP - OVERHEAD CABINET/LEFT HAND
5	139032-15-N30	EA	SHELF - W/PLASTIC EDGE MOLDING
6	139032-02-R32	EA	CABINET - OVERHEAD/FRONT/RIGHT HAND - W/O DOORS/HARDWARE
7	103128-10-M42	EA	END CAP - OVERHEAD CABINET/RIGHT HAND
8	136683-02-N42	EA	CABINET - W/PULLOUT TABLE - 13.3" X 23.8" - PORTSMOUTH OAK



KEY	PART NUMBER	U/M	DESCRIPTION
1	139955-06-02A	EA	TRIM - STEP/ENTRY - TITANIUM

**LOUNGE GROUP (CONTINUED)**  
**TABLE**



<b>KEY</b>	<b>PART NUMBER</b>	<b>U/M</b>	<b>DESCRIPTION</b>
1	136683-20-M53	EA	TOP ONLY - F/PULLOUT CABINET
2	136683-22-N42	EA	TABLE TOP ONLY - F/PULLOUT TABLE - PORTSMOUTH OAK
3	136683-19-M53	EA	SHELF - TABLE STABILIZER W/EDGE MOLDING
4	136683-21-M53	EA	PANEL - LOWER/FRONT



# SEALANTS & FASTENERS GROUP

## SEALANTS & ADHESIVES

KEY	PART NUMBER	U/M	DESCRIPTION
	004001-05-000	EA	ADHESIVE - SCOTCH-WELD - 3M DP100 - CLEAR - 50ML
	010405-02-000	EA	TAPE - THREAD SEALING - 3/8"
	034552-06-000	EA	SILICONE - TUBE - W/O NOZZLE - OFF WHITE
	034552-15-000	EA	SILICONE - TUBE - W/O NOZZLE - BRIGHT WHITE
	063642-01-000	FT	TAPE - ADHESIVE - .4" X 1.5" X 180'
	064075-07-000	FT	SEAL - BULB - W/WIRED U CHANNEL - .3" X .5" CHANNEL-BLACK
	067788-01-000	EA	ADHESIVE - SPRAY - 3M - 19.5 OZ AEROSOL CAN
	069640-01-000	FT	SEALER - TAPE - .25" DIAMETER X 30' - BLACK OR GRAY
	069640-02-000	FT	SEALER - TAPE - .13" THICK X .5" WIDE X 60' - GRAY
	069640-03-000	FT	SEALER - TAPE - .13" THICK X .75" WIDE X 60' - BLACK
	069640-07-000	FT	SEALER - TAPE - .09" THICK X 2" WIDE X 45' - GRAY
	069640-09-000	FT	SEALER - TAPE - .03" THICK X 2.50" WIDE X 80' - GRAY
	069640-10-000	FT	SEALER - TAPE - .03" THICK X 1.50" WIDE X 90' - GRAY
	069640-11-000	FT	SEALER - TAPE - .19" THICK X .38" WIDE X 40' - BLACK
	069640-13-000	FT	SEALER - TAPE - .03" THICK X 2" WIDE X 45' - BLACK
	069640-14-000	FT	SEALER - TAPE - .06" THICK X 1" WIDE X 100' - GRAY
	069640-15-000	FT	SEALER - TAPE - .06" THICK X .38" WIDE X 100' - GRAY
	069640-17-000	FT	SEALER - TAPE - .03" THICK X 1" WIDE X 90' - GRAY
	069640-18-000	FT	SEALER - TAPE - .50" THICK X .13" WIDE X 60' - BRT WHITE
	069640-19-000	FT	SEALER - TAPE - .75" THICK X .13" WIDE X 60' - BRT WHITE
	069640-20-000	FT	SEALER - TAPE - .50" THICK X .5" WIDE X 60' - BLACK
	069640-21-000	FT	SEALER - TAPE - .50" THICK X .06" WIDE X 100'- BRT WHITE
	069640-22-000	FT	SEALER - TAPE - 1/32" THICK X 1/4" WIDE X 200'- BRT WHITE
	069640-23-000	FT	SEALER - TAPE - 1/16" THICK X 3/4" WIDE X 100'- BRT WHITE
	069640-27-000	FT	SEALER - TAPE - .06" THICK X 2.25" WIDE - BRIGHT WHITE
	069640-28-000	FT	SEALER - TAPE - .25" THICK X 1.86" WIDE X 90' - GRAY
	069640-30-000	FT	SEALER - TAPE - .03" THICK X .625" WIDE X 50' - GRAY
	069640-31-000	FT	SEALER - TAPE - .25" THICK X .75" WIDE X 15' - BLACK
	069640-32-000	FT	SEALER - RIBBON - 1/16" X 3/8" X 100' - BLACK
	072889-01-000	EA	SEALANT - URETHANE - BLACK - TUBE W/NOZZLE TIP
	072889-27-000	EA	SEALANT - URETHANE - SILVER 10 OZ - TUBE W/NOZZLE TIP
	076322-01-000	FT	TAPE-DOUBLE COATED/ADHESIVE BK-.03"THK X .8"W X 216'- WHT
	076322-02-000	FT	TAPE-DOUBLE COATED/ADHESIVE BK-.05"THK X 1"W X 108' - WHT
	076322-03-000	FT	TAPE-DOUBLE COATED/ADHESIVE BK-.05"THK X .5"W X 108' - WHT
	076322-04-000	FT	TAPE-DOUBLE COATED/ADHESIVE BK-.05"THK X .8"W X 108' - WHT
	076322-05-000	FT	TAPE-DOUBLE COATED/ADHESIVE BK-.05"THK X .8"W X 108' - WHT
	076322-07-000	FT	TAPE-DOUBLE COATED/ADHESIVE BK-.05"THK X .5"W X 200' - WHT
	076322-11-000	FT	TAPE-DOUBLE COATED/ADHESIVE BK-.02"THK X 1"W X 216' - CLR
	076322-21-000	FT	TAPE - FOAM/DOUBLE COATED - .5"
	076322-22-000	FT	TAPE - FOAM/DOUBLE COATED - .045" X .75"
	076322-23-000	FT	TAPE - FOAM/DOUBLE COATED - .045" X 1"
	076322-24-000	FT	TAPE - FOAM/DOUBLE COATED - .025" X 1"
	076322-25-000	FT	TAPE - FOAM/DOUBLE COATED - .025" X .5"
	086276-01-000	EA	TAPE - DOUBLE SIDED - 1/2" WIDE X 108' LONG (SOLD BY ROLL)
	088479-01-000	EA	TAPE - ALUMINUM - 3"
	090340-01-000	FT	SEAL - FOAM - CLOSED CELL - 1/4" X 1/2" X 50'
	091255-02-000	FT	SEAL - ADHESIVE BACKED/FOAM - 3/64" THICK X 3/16"W X 1000'
	091255-03-000	FT	SEAL - ADHESIVE BACKED/FOAM - 1/4" THICK X 1/4"W X 1000'
	094401-01-000	EA	SEALER - BODY SEAM - FLEXICLEAR
	094401-03-000	EA	SEALER - BODY SEAM - BLACK
	094401-04-000	EA	SEALER - BODY SEAM - CLEAR
	098408-01-000	FT	SEAL - SPONGE RUBBER - CLOSED CELL
	099069-01-000	FT	SEAL - RUBBER - CLOSED SPONGE - .5" WIDE X .12" THICK -BLK
	099418-01-000	FT	SEAL - D-SECTION/ADHESIVE BACK - .44" X .44"- BLK RUBBER
	099418-02-000	FT	SEAL - D-SECTION/ADHESIVE BACK - .44" X .44"- WHITE RUBBER
	100128-02-000	FT	SEAL - FOAM/ADHESIVE BACK - .37" WIDE X .37" THICK
	104692-01-000	FT	SEAL - ADHESIVE BACKED FOAM - 3/4" THICK X 3/4" WIDE X 25'
	104692-03-000	FT	SEAL - ADHESIVE BACKED FOAM - 1" THICK X 1 3/16"WIDE X 15'
	107828-01-000	EA	SEALANT - SB - 190 EVERSEAL
	109506-12-000	EA	FILM/ABRASION-RESISTANT - TRANSPARENT - 1" DIA.
	110274-01-000	FT	TAPE - DOUBLE SIDED/FOAM - .45" X 1" X 216' - BLACK
	112481-02-000	EA	ADHESIVE - PLEXUS ETHACRYLATE - CARTRIDGE
	112864-01-000	FT	SEAL - FOAM/BUTYL COVERED - 3/8" X 35'

## SEALANTS & FASTENERS GROUP (CONTINUED)

### SEALANTS & ADHESIVES (CONTINUED)

KEY	PART NUMBER	U/M	DESCRIPTION
	112091-01-000	FT	SEAL/D - NEOPRENE - HEAT ACTIVE ADHESIVE - .9" X .7"
	112901-03-000	EA	ADHESIVE - PLEXUS - MA300 - 50ML - WHITE
	112902-01-000	EA	NOZZLE - ELEMENT - 3/8 X 24
	112902-03-000	EA	MIXER NOZZLE - F/GUN #00400102000 - SCOTCH-WELD & PLEXUS
	112902-04-000	EA	NOZZLE - ELEMENT - 1/4" X 3.5"
	113366-01-000	EA	ADHESIVE - INSTANT - 1 OZ
	113452-02-000	FT	SEAL/TRIM - FRONT - VINYL W/WIRE CARRIER - .027"
	120074-02-03A	EA	SILICONE - TUBE - W/O NOZZLE - LOW ODOR - SMOKEY WHITE
	120074-02-02A	EA	SILICONE - TUBE - W/O NOZZLE - LOW ODOR - SOFT WHITE
	120534-01-01A	EA	TAPE - SCOTCH - 3M - 1/2" FINE LINE
	123244-01-000	FT	TAPE - DOUBLE SIDED/FOAM - 5/64" THICK X 3/4" WIDE X 108'
	123816-01-000	FT	TAPE - DOUBLE SIDED - 1" X 3/4" X 200'
	123816-02-000	FT	TAPE - DOUBLE SIDED - 1/2" X 1 1/3" X 200'
	123816-03-000	FT	TAPE - DOUBLE SIDED - 1/2" X 3/4" X 200'
	123816-04-000	FT	TAPE - DOUBLE SIDED - 6" X 750'
	126427-01-000	EA	ADHESIVE - ALL PURPOSE - ABS/PVC
	126427-02-000	EA	PRIMER - CLEANER - FLEX PIPING
	131264-01-02A	EA	SILICONE - TUBE - W/O NOZZLE - CLEAR
	131264-01-01A	EA	SILICONE - TUBE - W/O NOZZLE - BLACK
	131264-02-01A	EA	SILICONE - TUBE - W/O NOZZLE - VW GRAY - BATH ONLY
	131264-03-01A	EA	SILICONE - TUBE - W/O NOZZLE - SELF LEVELING - BRIGHT WHITE
	131264-04-01A	EA	SILICONE/SEALANT/ADHESIVE - FAST CURE F/GLASS/VINYL - B/W
	131384-01-000	EA	ADHESIVE - JET WELD
	134651-01-000	FT	SEAL - 1/2" X 3/4" PSA 1 SIDE
	900390-01-000	EA	NOZZLE - SILICONE TUBE - 2.5" LONG - W/EXTERNAL THREADS
	900390-03-000	EA	NOZZLE - SILICONE TUBE - 4.3" LONG W/INTERNAL THREADS

### BOLTS, NUTS AND WASHERS

KEY	PART NUMBER	U/M	DESCRIPTION
	OMC04K-06-016	EA	BOLT - HEX - M06 X 1 X 016
	OMC05K-08-055	EA	BOLT - HEX - M08 X 1.25 X 2.2
	OMC13K-14-110	EA	BOLT - HEX
	OMC13K-14-070	EA	BOLT - HEX - M14 X 2 X 2 3/4
	OMC31K-08-020	EA	BOLT - HEX - SERRATED FLANGE - M8 X 020
	OMC32K-10-030	EA	BOLT - HEX - SERRATED FLANGE - M10 X 1 1/2
	OMD16K-10-000	EA	NUT - HEX PREV TORQUE M10 X 1 1/2 CLASS 8
	OMD39K-12-000	EA	NUT - HEX W/NYLON LOCK - M12 X 1 3/4
	OMD40K-14-000	EA	NUT - HEX W/NYLON LOCK - M14 X 2
	OMD54F-06-000	EA	NUT-HEX SER FLG M6X1,0 SS - DIN6923A2M6
	OME06K-14-280	EA	WASHER - FLAT - 14 ID X 28 OD
	000C12-04-08B	EA	BOLT - HEX - 1/4-20 X 1/2 - GRADE #5 - ZINC
	000C12-04-12A	EA	BOLT - HEX - 1/4-20 X 3/4 - PLAIN 5
	000C12-04-40B	EA	BOLT - HEX - 1/4-20 X 2 1/2 - GRADE 5 ZINC
	000C12-05-16B	EA	BOLT - HEX - 5/16 - 18X1 - GRADE #5 - ZINC
	000C12-06-44B	EA	BOLT - HEX - 3/8-16 X 2 3/4 - GRADE 5 - ZINC
	000C12-06-16B	EA	BOLT - HEX - 3/8 - 16X1 - GRADE #5 - ZINC
	000C12-08-28B	EA	BOLT - HEX - 1/2-13 X 1 3/4 - GRADE #5 - ZINC
	000C12-08-24B	EA	BOLT - HEX - 1/2 - 13X1 1/2 - GRADE #5 - ZINC
	000C12-08-16B	EA	BOLT - HEX - 1/2-13 X 1 - GRADE #5 - ZINC
	000C12-10-24B	EA	BOLT - HEX - 5/8 - 11X1 1/2 - GRADE #5 - ZINC
	000C13-07-48B	EA	BOLT - HEX - 7/16-20 X 3 - GRADE #5 - ZINC
	000C13-07-40B	EA	BOLT - HEX - 7/16-20 X 2 1/2 - GRADE #5 - ZINC
	000C14-07-28B	EA	BOLT - HEX - 7/16-14 X 1 3/4 - GRADE #8 - ZINC
	000C14-10-32K	EA	BOLT - HEX - 5/8-11 X 2 - GRADE #8 - ZINC
	000C14-10-24K	EA	BOLT - HEX - 5/8-11 X 1 1/2 - GRADE #8 - ZINC
	000C16-07-16B	EA	BOLT - CARRIAGE - ASSIST HANDLE - 7/16TH - 14 X 1
	000C18-05-40A	EA	BOLT - ELEVATOR - 5/16-18 X 2 1/2 - PL
	000C26-04-10B	EA	BOLT - HEX - SERRATED FLANGE - 1/4-20 X 5/8 - ZINC
	000C26-04-18B	EA	BOLT - HEX - SERRATED FLANGE - 1/4-20 X 1 1/8 - ZINC
	000C26-04-14B	EA	BOLT - HEX - SERRATED FLANGE - 1/4-20 X 7/8 - ZINC
	000C26-05-20B	EA	BOLT - HEX - SERRATED FLANGE - 5/16-18 X 1 1/4 - ZINC

**SEALANTS & FASTENERS GROUP (CONTINUED)**  
**BOLTS, NUTS AND WASHERS (CONTINUED)**

KEY	PART NUMBER	U/M	DESCRIPTION
	000C26-06-12B	EA	BOLT - HEX - SERRATED FLANGE - 3/8-16 X 3/4 - ZINC
	000C26-08-24B	EA	BOLT - HEX - SERRATED FLANGE - 1/2-13 X 1 1/2 - ZINC
	000C27-04-40B	EA	BOLT - CARRIAGE - 1/4-20 X 2 1/2 - ZINC
	000C27-07-40B	EA	BOLT - CARRIAGE - 7/16-14 X 2 1/2 - GRADE #5
	000C27-08-48B	EA	BOLT - CARRIAGE - 1/2-13 X 3 - GRADE #5
	000D16-07-00B	EA	NUT - HEX - 7/16-14 - ZINC
	000D20-07-00B	EA	NUT - ACORN - ASSIST HANDLE - 7/16 - 14
	000D24-10-00B	EA	NUT - HEX - SELF LOCKING - 10-32 - ZINC
	000D28-10-00B	EA	NUT - HEX - W/NYLON LOCK - 10-32 ZINC
	000D29-04-00B	EA	NUT - HEX - SELF LOCKING - 1/4 X 20 - ZINC
	000D29-06-00B	EA	NUT - HEX - W/NYLON LOCK - 3/8-16 - ZINC
	000D29-09-00B	EA	NUT - HEX - SELF LOCKING - 9/16-12 - ZINC
	000D30-07-00B	EA	NUT - HEX LOCK - NYLON 7/16 X 20
	000D34-04-00B	EA	NUT - HEX - LOCKING - 1/4-20 - ZINC
	000D34-06-00B	EA	NUT - HEX - LOCKING - 3/8-16 GRADE C - ZINC
	000D39-04-00B	EA	NUT - HEX - LOCKING W/SERRATED FLANGE - 1/4-20 - ZINC
	000D39-05-00B	EA	NUT - HEX - LOCKING W/SERRATED FLANGE - 5/16-18 - ZINC
	000D39-06-00B	EA	NUT - HEX - LOCKING W/SERRATED FLANGE - 3/8-18 - ZINC
	000D39-07-00B	EA	NUT - HEX - LOCKING W/SERRATED FLANGE - 7/16-14 - ZINC
	000D39-08-00B	EA	NUT - HEX - LOCKING W/SERRATED FLANGE - 1/2-13 - ZINC
	000D44-04-00B	EA	NUT - HEX - LOCKING W/SERRATED FLANGE - 1/4-28 - ZINC
	000D44-07-00B	EA	NUT - HEX - LOCKING W/SERRATED FLANGE - 7/16-20 - ZINC
	000D44-08-00B	EA	NUT - HEX - LOCKING W/SERRATED FLANGE - 1/2-20 - ZINC
	000D46-04-00A	EA	NUT - HEX - WELD - 1/4-20 - PLAIN
	000D58-06-00A	EA	NUT - HEX - WELD 3/8-16 - PLAIN
	000D65-08-00B	EA	NUT - HEX - LOCKING W/SERRATED FLANGE - 8-32 - ZINC
	000D67-10-00B	EA	NUT - HEX - LOCK - 5/8-11 - ZINC
	000D73-08-00C	EA	NUT - HEX FLANGE - 1/2-13
	000D75-09-00B	EA	NUT - HEX LOCKING - 9/16-12 - ZINC
	000D76-06-00B	EA	NUT - HEX FLANGE - 3/8-16
	000E11-04-00F	EA	WASHER - LOCKING - 1/4 MED SPLIT - STAINLESS STEEL
	000E11-07-00B	EA	WASHER - LOCKING - 7/16 MED SPLIT - ZINC
	000E11-08-00B	EA	WASHER - LOCKING - 1/2 MED SPLIT - ZINC
	000E13-17-00B	EA	WASHER - FLAT - 3/8 AR - ZINC
	000E13-18-00B	EA	WASHER - FLAT - 3/8 WIDE - ZINC
	000E13-20-00B	EA	WASHER - FLAT - 7/16 WIDE - ZINC
	000E13-22-00B	EA	WASHER - FLAT - 1/2 WIDE - ZINC
	000E13-26-00B	EA	WASHER - FLAT - 5/8 WIDE - ZINC
	000E14-10-00B	EA	WASHER - LOCKING - #10 EXTERNAL TOOTH - ZINC
	000E16-10-00B	EA	WASHER - HARDENED - 5/8 - FLAT - ZINC
	000G45-05-16B	EA	BOLT - LAG - 5/16-9 X 1 - ZINC
	000G62-08-24B	EA	SCREW - SF/DR - 8-18 X 1 1/2 PFH
	005081-01-000	EA	NUT - SPEED - C-TYPE - #8 SCREW
	040921-03-000	EA	NUT - SPEED - U TYPE - #10
	040921-04-000	EA	NUT - SPEED - U TYPE - #8-.59" LENGTH X .44" WIDTH
	040921-05-000	EA	NUT - SPEED - U-TYPE - 8-.67" X .44" WIDE
	041322-01-000	EA	WASHER - FLANGE - 15/32 ID X 2 3/8 OD - F/SEAT BELT MTG
	044364-02-000	EA	NUT - SPEED - FLAT - ROUND
	044533-01-000	EA	WASHER - 1 3/8"OD - FOR BUTTONS - PLASTIC
	051387-06-000	EA	BOLT - CARRIAGE W/O HOLE - 5/16-18 X 9 1/2 - ZINC
	058716-02-000	EA	WASHER - FLAT NYLON
	064081-03-000	EA	NUT - WING 3/8-16 - W/WELD NUT
	077071-01-000	EA	WASHER - FENDER - 3/16"ID X 1"OD
	084406-01-000	EA	NUT - CAPPED - CROSS RECESSED - BLACK - 1/4-20 THD
	087234-01-000	EA	NUT - JACK - 1/4 X 20 THD - MOLLY
	088787-12-000	EA	STUD - WELD - 1/4 - 20 X 1.0 LG - MN
	102333-01-06A	EA	BOLT - CARRIAGE - 7/16-14 STAINLESS STEEL CAP
	103020-02-000	EA	BOLT-U - #8-32 - GRADE 5 ZINC
	106166-01-000	EA	BOLT/COLLARED HANGER - 8-32 X 1
	106956-03-000	EA	BOLT - HEX TAP - 1/2-12NC X 3 - GRADE 5 - FULL THREAD/ZINC
	106956-08-000	EA	BOLT - HEX TAP - 1/2-13NC X 4 - GRADE 5 - FULL THREAD/ZINC
	107397-01-000	EA	WASHER - FENDER - 3/4"ID X 1"OD
	108067-03-000	EA	STUD - WELD - 1/4 - 20 X 1/2 CD

**SEALANTS & FASTENERS GROUP (CONTINUED)**  
**BOLTS, NUTS AND WASHERS (CONTINUED)**

KEY	PART NUMBER	U/M	DESCRIPTION
	103020-02-000	EA	BOLT-U - #8-32 - GRADE 5 ZINC
	106166-01-000	EA	BOLT/COLLARED HANGER - 8-32 X 1
	106956-03-000	EA	BOLT - HEX TAP - 1/2-12NC X 3 - GRADE 5 - FULL THREAD/ZINC
	106956-08-000	EA	BOLT - HEX TAP - 1/2-13NC X 4 - GRADE 5 - FULL THREAD/ZINC
	107397-01-000	EA	WASHER - FENDER - 3/4"ID X 1"OD
	108067-03-000	EA	STUD - WELD - 1/4 - 20 X 1/2 CD
	109235-01-05A	FT	COVER - SCREW - BRIGHT WHITE
	109235-01-01A	FT	COVER - SCREW - MAT BLACK
	109917-03-000	EA	WASHER - 1" X .50"
	109917-04-000	EA	WASHER - 1" X .75"
	110794-01-000	EA	WASHER - FLAT - 1" ID X 1 3/4" OD
	121511-01-000	EA	WASHER - SPUR
	113985-02-000	EA	BOLT - FLANGE - M10-1 1/2 X 30CL 10.9
	114259-05-000	EA	BOLT - 7/16-20 X 1 1/4 W/WASHER
	128444-01-000	EA	WASHER - SPRING - CONICAL
	131377-01-000	EA	NUT-HEX HEAD W/WASHER-1/4-20 X 2" STEEL W/3/4" OD WASHER
	135092-01-01A	EA	BOLT - HEX - SERRATED FLANGE - 1/2-20 X 1 3/4-GRADE 5 ZINC
	135092-02-01A	EA	BOLT - HEX - SERRATED FLANGE - 1/2-20 X 2 1/2-GRADE 5 ZINC
	143399-01-01A	EA	NUT/RETAINING - 3/8"- 24 NFT
	144904-01-01A	EA	BOLT - ADJUSTMENT - HEADLAMP
	148817-01-000	EA	WASHER/SPUR - LOCKING

**SCREWS**

KEY	PART NUMBER	U/M	DESCRIPTION
	0G1106-06-160	EA	SCREW - 6-20 X 3/8 PPH
	0G1106-08-240	EA	SCREW - 6-20 X 1/2 PPH - VW LIGHT GRAY
	0G1108-12-240	EA	SCREW - 8-18 X 3/4 PPH - VW LIGHT GRAY
	0G1108-16-240	EA	SCREW - 8-18 X 1.00 PPS - VW LIGHT GRAY
	0G1208-12-170	EA	SCREW - 8-18 X 3/4 POH - BRIGHT WHITE
	0G1308-10-240	EA	SCREW - 8-18 X 5/8 PFH - VW LIGHT GRAY
	0G3804-22-180	EA	SCREW - MACHINE - 1/4-20 X 1 3/8 PFH - BLACK
	0G3908-08-170	EA	SCREW - SF/DR - 8-18 X 1/2 PPH - BRIGHT WHITE
	0G3908-08-160	EA	SCREW - SF/DR - 8-18 X 1/2 PPH - VW WHITE
	0G3908-08-240	EA	SCREW - SF/DR - 8-18 X 1/2 PPH - VW LIGHT GRAY
	0G3908-12-250	EA	SCREW - SF/DR - 8-18 X 3/4 PPH - DARK GRAY
	0G3908-12-240	EA	SCREW - SF/DR - 8-18 X .75 PPH - VW LIGHT GRAY
	0G3908-16-170	EA	SCREW - SF/DR - 8-18 X 1 PPH - BRIGHT WHITE
	0G3908-24-170	EA	SCREW - SF/DR - 8-18 X 1 1/2 PPH - BRIGHT WHITE
	0G3910-10-330	EA	SCREW - SF/DR - 20-16 X 5/8 PPH - PUTTY
	0G3910-10-320	EA	SCREW - SF/DR - 10-16 X 5/8 PPH - GLACIER
	0G3910-10-240	EA	SCREW - SF/DR - 10-16 X 5/8 PPH - VW LIGHT GRAY
	0G3910-12-240	EA	SCREW - SF/DR - 10-16 X .75 PPH - VW LIGHT GRAY
	0G3910-12-170	EA	SCREW - SF/DR - 10-16 X 3/4 PPH - BRIGHT WHITE
	0G3910-12-320	EA	SCREW - SF/DR - 10-16 X 3/4 PPH - GLACIER
	0G5508-12-240	EA	SCREW - SF/DR - 8-18 X 3/4 PWH - VW LIGHT GRAY
	0G5508-12-170	EA	SCREW - SF/DR - 8-18 X 3/4 PWH - BRIGHT WHITE
	0G5508-12-330	EA	SCREW - SF/DR - 8-18 X 3/4 PWH - PUTTY
	0G5508-12-320	EA	SCREW - SF/DR - 8-18 X 3/4 PWH - GLACIER
	0G5508-12-260	EA	SCREW - SF/DR - 8-18 X 3/4 PWH - ALLANTE ANTELOPE
	0G5508-12-270	EA	SCREW - SF/DR - 8-18 X 3/4 PWH - TITANIUM
	0G5508-16-250	EA	SCREW - SF/DR - 8-18 X 1 PWH - VW DARK GRAY
	0G5508-16-330	EA	SCREW - SF/DR - 8-18 X 1 PWH - PUTTY
	0G5508-16-320	EA	SCREW - SF/DR - 8-18 X 1 PWH - GLACIER
	0G6008-16-170	EA	SCREW - SF/DR - 8-18 X 1 POH - BRIGHT WHITE
	0G6710-08-130	EA	SCREW - 10-12 X 1/2 PPH - TAUPE
	0G6710-08-170	EA	SCREW - 10-12 X 1/2 PPH - BRIGHT WHITE
	0G6710-08-240	EA	SCREW - 10-12 X 1/2 PPH - VW LIGHT GRAY
	0G6710-12-170	EA	SCREW - 10-12 X 3/4 PPH - BRIGHT WHITE
	0G6806-16-170	EA	SCREW - 6-18 X 1 POH - BRIGHT WHITE
	0G6810-24-280	EA	SCREW - 10-12 X 1 1/2 POH - SOFT WHITE
	000C20-04-16A	EA	SCREW - 1/4-20X 1 - FLAT SOCKET HEAD
	000C20-05-28F	EA	SCREW - 5/16-18 X 1 3/4 FLAT SOC - STAINLESS STEEL
	000C20-06-24T	EA	SCREW - 3/8-16 X 1 1/2 - FLAT SOCKET

**SEALANTS & FASTENERS GROUP (CONTINUED)**  
**SCREWS (CONTINUED)**

KEY	PART NUMBER	U/M	DESCRIPTION
	000G11-06-10J	EA	SCREW - 6-20 X 5/8 PPH - BRASS
	000G11-06-08P	EA	SCREW - 6-20 X 1/2 PPH - DARK BROWN
	000G11-06-08B	EA	SCREW - 6-20 X 1/2 PPH - ZINC
	000G11-07-08B	EA	SCREW - 7-19 X 1/2 PPH - ZINC
	000G11-08-20G	EA	SCREW - 8-18 X 1 1/4 - ANTIQUE BRASS
	000G11-08-20B	EA	SCREW - 8-18 X 1 1/4 PPH - ZINC
	000G11-08-16B	EA	SCREW - 8-18 X 1 PPH - ZINC
	000G11-08-12T	EA	SCREW - 8-18 X 3/4 PPH - BLACK MAGNESIUM
	000G11-08-12P	EA	SCREW - 8-18 X 3/4 PPH - DARK BROWN
	000G11-08-12B	EA	SCREW - 8-18 X 3/4 PPH - ZINC
	000G11-08-08T	EA	SCREW - 8-18 X 1/2 PPH - FLUOROCARBON COATING
	000G11-08-06B	EA	SCREW - 8-18 X 3/8 PPH - ZINC
	000G11-10-24P	EA	SCREW - 10-16 X 1 1/2 PPH - DARK BROWN
	000G11-10-12D	EA	SCREW - 10-16 X 3/4 PPH - BLACK
	000G12-06-12J	EA	SCREW - 6-20 X .75 POH - BRASS
	000G12-06-08T	EA	SCREW - 6-20 X 1/2 POH - BLACK
	000G13-05-10B	EA	SCREW - 5-12 X 5/8 PFH - ZINC
	000G13-06-08G	EA	SCREW - 6-20 X 1/2 PFH - ANTIQUE BRASS
	000G13-06-08B	EA	SCREW - 6-20 X 1/2 PFH - ZINC
	000G13-06-06I	EA	SCREW - 6-20 X 3/8 PFH - BLACK ZINC
	000G13-06-24J	EA	SCREW - 6-20 X 1 1/2 PFH - BRASS
	000G13-06-16J	EA	SCREW - 6-20 X 1 PFH - BRASS
	000G13-06-10J	EA	SCREW - 6-20 X 5/8 PFH - BRASS
	000G13-06-10G	EA	SCREW - 6-20 X 5/8 PFH - ANTIQUE BRASS
	000G13-07-10H	EA	SCREW - 7-19 X 5/8 PFH - BLACK
	000G13-08-16B	EA	SCREW - 8-18 X 1 PFH - ZINC
	000G13-08-109	EA	SCREW - 8-18 X 5/8 PFH
	000G13-08-10B	EA	SCREW - 8-18 X 5/8 PFH - ZINC
	000G13-08-24B	EA	SCREW - 8-18 X 1 1/2 PFH - ZINC
	000G13-10-16I	EA	SCREW - 10-16 X 1 PFH - BLACK
	000G16-04-24B	EA	SCREW - MACHINE - 1/4-20 X 1 1/2 PPH
	000G18-08-16B	EA	SCREW - MACHINE - 8-32 X 1 PPH - ZINC
	000G18-08-24B	EA	SCREW - MACHINE - 8-32 X 1 1/2 PPH - ZINC
	000G18-08-22B	EA	SCREW - MACHINE - 8-32 X 1 3/8 PPH - ZINC
	000G19-10-10B	EA	SCREW - MACHINE - 10-32 X 5/8 - PPH - ZINC
	000G19-10-08B	EA	SCREW - MACHINE - 10-32 X 1/2 PPH - ZINC
	000G19-10-20B	EA	SCREW - MACHINE - 10-32 X 1 1/2 PPH - ZINC
	000G19-10-12F	EA	SCREW - MACHINE - 10-32 X 3/4 PPH - STAINLESS STEEL
	000G36-10-12T	EA	SCREW - 10-24X 3/4 PFH TYPE 23 - BLACK
	000G39-06-10T	EA	SCREW - SF/DR - 6-20 X 5/8 PPH - BLACK
	000G39-06-16T	EA	SCREW - SF/DR - 6-20 X 1 PPH - BLACK
	000G39-08-08S	EA	SCREW - SF/DR - 8-18 X 1/2 PPH - OFF WHITE
	000G39-08-08B	EA	SCREW - SF/DR - 8-18 X 1/2 PPH - ZINC
	000G39-08-08T	EA	SCREW - SF/DR - 8-18 X 1/2 PPH - BLACK
	000G39-08-06B	EA	SCREW - SF/DR - 8-18 X 3/8 PPH - ZINC
	000G39-08-32B	EA	SCREW - SF/DR - 8-18 X 2 PPH - ZINC
	000G39-08-24T	EA	SCREW - SF/DR - 8-18 X 1 1/2 PPH - BLACK
	000G39-08-24S	EA	SCREW - SF/DR - 8-18 X 1 1/2 - OFF WHITE
	000G39-08-24B	EA	SCREW - SF/DR - 8-18 X 1 1/2 PPH - ZINC
	000G39-08-16T	EA	SCREW - SF/DR - 6-20 X 1 PPH - BLACK
	000G39-08-16B	EA	SCREW - SF/DR - 8-18 X 1 PPH - ZINC
	000G39-08-12B	EA	SCREW - SF/DR - 8-18 X 3/4 PPH - ZINC
	000G39-08-12T	EA	SCREW - SF/DR - 8-18 X 3/4 PPH - BLACK
	000G39-10-48T	EA	SCREW - SF/DR - 10-16 X 3 PPH - BLACK
	000G39-10-48B	EA	SCREW - SF/DR - 10-16 X 3 - PPH - ZINC
	000G39-10-40D	EA	SCREW - SF/DR - 10-16 X 2 1/2 PPH - BLACK
	000G39-10-32B	EA	SCREW - SF/DR - 10-16 X 2 - PPH - ZINC
	000G39-10-20T	EA	SCREW - SF/DR - 10-16 X 1 1/4 PPH - BLACK
	000G39-10-20B	EA	SCREW - SF/DR - 10-16 X 1 1/4 PPH - ZINC
	000G39-10-169	EA	SCREW - SF/DR - 10-16 X 1 PPH - FLUOROCARBON SILVER
	000G39-10-129	EA	SCREW - SF/DR - 10-16 X 3/4 PPH - FLUOROCARBON SILVER
	000G39-10-12T	EA	SCREW - SF/DR - 10-16 X 3/4 - BLACK
	000G39-10-10T	EA	SCREW - SF/DR - 10-16 X 5/8 - BLACK

**SEALANTS & FASTENERS GROUP (CONTINUED)**  
**SCREWS (CONTINUED)**

KEY	PART NUMBER	U/M	DESCRIPTION
	000G39-10-10B	EA	SCREW - SF/DR - 10-16 X 5/8 PPH - ZINC
	000G39-10-08B	EA	SCREW - SF/DR - 10-16 X 1/2 PPH - ZINC
	000G39-10-088	EA	SCREW - SF/DR - 10-16 X 1/2 PPH - FLEX FLUOROCARBON
	000G39-12-12E	EA	SCREW - SF/DR - 12 - 14 X 3/4 PPH - CHROME
	000G42-04-24B	EA	SCREW - SF/DR - 1/4-14 X 1 1/2 - ZINC
	000G42-04-16B	EA	SCREW - SF/DR - 1/4-14 X 1 HWH - ZINC
	000G42-04-24B	EA	SCREW - SF/DR - 1/4-14 X 1 1/2 - ZINC
	000G46-08-24T	EA	SCREW - MACHINE - 8-32 X 1 1/2 PFH - BLACK
	000G50-04-48B	EA	SCREW - MACHINE - 1/4-14 X 3 - ZINC
	000G52-06-05B	EA	SCREW - MACHINE - 6-32 X 5/16 PTH ZINC
	000G52-06-06B	EA	SCREW - MACHINE - 6-32 X 3/8 PIN - ZINC
	000G54-04-14B	EA	SCREW - 1/4-20 X 7/8 PTH - TYPE 23 - ZINC PLATED
	000G55-08-124	EA	SCREW - SF/DR - 8-18 X 3/4 PWH - ASH GRAY
	000G55-08-12M	EA	SCREW - SF/DR - 8-19 X .75 PWH - GRAY
	000G55-08-165	EA	SCREW - SF/DR - 8-18 X 1 PWH - WILLOW
	000G55-08-16T	EA	SCREW - SF/DR - 8-18 X 1 PWH - BLACK
	000G55-08-16S	EA	SCREW - SF/DR - 8-18 X 1.00 - PWH - OFF WHITE
	000G56-12-48B	EA	SCREW - WOOD - 12-11 X 3 POH - SPECIAL HARDENED
	000G57-14-72B	EA	SCREW-14-10-X4 1/2 PFH ZN                      GENERAL MOTORHOMES
	000G57-14-64B	EA	SCREW - 14-10 X 4 PFH ZINC
	000G60-08-20F	EA	SCREW - SF/DR - 8-19X1.25 POH
	000G60-08-16E	EA	SCREW - SF/DR - 8-1 X 1 POH - CHROME
	000G60-08-22B	EA	SCREW - SF/DR - 8-18 X 1.38 POH - ZINC
	000G60-10-209	EA	SCREW - SF/DR - 10-16 X 1 1/4 POH - SILVER STALGAARD
	000G60-10-20B	EA	SCREW - SF/DR - 10-16 X 1 1/4 POH - ZINC
	000G60-10-16J	EA	SCREW - SF/DR - 10-16 X 1 POH - BRIGHT BRASS
	000G60-10-28T	EA	SCREW - SF/DR - 10-16 X 1 3/4 - BLACK
	000G67-08-32B	EA	SCREW - 8-15 X 2 PPH - ZINC
	000G67-10-08B	EA	SCREW - 10-12 X 1/2 PPH - ZINC
	000G67-10-24S	EA	SCREW - 10-12 X 1 1/2 PPH - OFF WHITE
	000G67-10-24B	EA	SCREW - 10-12 X 1 1/2 PPH - ZINC
	000G67-10-20D	EA	SCREW - 10-12 X 1 1/4 PPH - BLACK
	000G67-10-12P	EA	SCREW - 10-12 X 3/4 PPH - DARK BROWN
	000G67-10-12B	EA	SCREW - 10-12 X 3/4 PPH - ZINC
	000G67-10-10T	EA	SCREW - 10-12 X 5/8 PPH - BLACK
	000G67-10-10S	EA	SCREW - 10-12 X 5/8 PPH - OFF WHITE
	000G67-10-10P	EA	SCREW - 10-12 X 5/8 PPH - DARK BROWN
	000G67-10-10B	EA	SCREW - 10-12 X 5/8 PPH - ZINC - TYPE A
	000G67-10-08S	EA	SCREW - 10-12 X 1/2 PPH - OFF WHITE
	000G68-06-10J	EA	SCREW - 6-18 X 5/8 POH - BRASS
	000G68-06-10G	EA	SCREW - 6-18 X 5/8 POH - ANTIQUE BRASS
	000G68-06-12J	EA	SCREW - 6-18 X 3/4 POH - BRASS
	000G68-06-12B	EA	SCREW - 6-18 X 3/4 POH - ZINC & CLEAR
	029130-01-000	EA	SCREW - SNAP STUD - #8-16 X 5/8" LONG
	029130-03-000	EA	SCREW - SNAP STUD - #8-16 X 1" LONG
	049465-01-000	EA	SCREW - 10-16 PTH W/WASHER - DARK BROWN
	049465-03-000	EA	SCREW - 10-16 X 1 POH W/WASHER - OFF WHITE
	049465-04-000	EA	SCREW - 10-16 X 1 PTH W/WASHER - BEIGE
	049465-13-000	EA	SCREW-10+16X1 PTH W/WASHER - *ASH GRAY
	049465-17-000	EA	SCREW - 10-16 X 1 POH W/WASHER - BRIGHT WHITE
	049465-23-000	EA	SCREW - 10-16 X 1.5 POH W/WASHER - VW LIGHT GRAY
	054434-02-000	EA	SCREW - SF/DR - 10-16 X 2 - ZINC
	054434-03-000	EA	SCREW - SF/DR - 10-16 X 2 - PWH - ZINC
	075908-01-000	EA	SCREW - MACHINE - 10-32 X .56 PTH - EXTERNAL TOOTH - ZINC
	076790-01-000	EA	SCREW - 6-20 X 1 1/4 PPH - BLACK
	076790-05-000	EA	SCREW - 6-20 X 1/2 PPH - BLACK - THREAD CUTTING/WOOD
	083554-01-000	EA	SCREW - DRYWALL - 8 X 1 1/4
	083554-04-000	EA	SCREW - DRYWALL - 8 X 2 1/2
	087721-01-000	EA	SCREW - FLAT HEAD - TAPPING - 1/4 X 1 1/4 LONG - ZINC
	087721-02-000	EA	SCREW - FLAT HEAD - TAPPING - 1/4 X 2 1/4 LONG - ZINC
	090033-02-000	EA	SCREW - 1/4-20 X 5/8 - ROUND WASHER HEAD - OFF/WHITE
	097974-01-000	EA	SCREW - PARTICLE BOARD - 7-9 X 3/4 PPH
	101618-01-000	EA	SCREW - 1/4-20 X 3/4 HEX - TAPPING - STALGARD TYPE F

**SEALANTS & FASTENERS GROUP (CONTINUED)**  
**SCREWS (CONTINUED)**

<b>KEY</b>	<b>PART NUMBER</b>	<b>U/M</b>	<b>DESCRIPTION</b>
	110460-05-02A	EA	SCREW - MACHINE - 10-24 X 2 1/2 PFH - WHITE
	113563-01-01A	EA	SCREW - 8 X 5/8 LONG SHOULDER/WASHER HEAD
	114469-01-02A	EA	COVER - SCREW - VW DARK GRAY
	117478-01-04A	EA	SCREW - 8-18 X 3/4 PPH W/WASHER - VW LIGHT GRAY
	118383-01-09A	EA	RETAINER/RECESSED - F/.22" SCREW - GLACIER
	118383-01-06A	EA	RETAINER/RECESSED - F/.22" SCREW - ALLANTE ANTELOPE
	118383-01-05A	EA	RETAINER/RECESSED - F/.22" SCREW - VW LIGHT GRAY
	118383-01-04A	EA	RETAINER/RECESSED - F/.22" SCREW - BRIGHT WHITE
	118383-02-09A	EA	RETAINER/RECESSED - F/.27" SCREW - GLACIER
	118383-02-05A	EA	RETAINER/RECESSED - F/.27" SCREW - VW LIGHT GRAY
	118383-02-04A	EA	RETAINER/RECESSED - F/.27" SCREW - BRIGHT WHITE
	118383-03-09A	EA	RETAINER/RECESSED - F/.32" SCREW - GLACIER
	118383-04-05A	EA	CAP - F/RECESSED RETAINER - VW LIGHT GRAY
	118383-04-04A	EA	CAP - F/RECESSED RETAINER - BRIGHT WHITE
	118383-04-09A	EA	CAP - F/RECESSED RETAINER - GLACIER
	118383-04-06A	EA	CAP - F/RECESSED RETAINER - ALLANTE ANTELOPE
	134126-01-01A	EA	SCREW/NAIL - HEX HEAD - 3/4"
	140040-01-000	EA	SCREW - 1/4-20 X 1 - BUTTON HEAD/SOCKET - W/LOCTITE
	144078-01-01A	EA	SCREW - HEX/FLANGE HEAD CAP - 1" W/.75" THREAD LENGTH - ZINC
	149753-01-01A	EA	RETAINER/RECESSED - F/.22" SCREW - BLACK
	149753-01-02A	EA	RETAINER/RECESSED - F/.22" SCREW - BRIGHT WHITE
	149753-02-01A	EA	CAP - F/RECESSED RETAINER - BLACK
	149753-02-02A	EA	CAP - F/RECESSED RETAINER - BRIGHT WHITE

**CLAMPS, CLIPS, GROMMETS, RIVETS & PLUGS**

<b>KEY</b>	<b>PART NUMBER</b>	<b>U/M</b>	<b>DESCRIPTION</b>
	000F10-06-32B	EA	PIN - COTTER - 3/16" X 2" - ZINC
	000H14-06-06R	EA	RIVET-MANDREL BLIND,3/16 AL - CHERRY BSP-66
	000H16-04-06R	EA	RIVET - POP ALUMINUM - 1/8 X .313 - .375
	000H16-06-10R	EA	RIVET - POP ALUMINUM - 3/16 X .501 - .625
	007161-01-000	EA	CLAMP - HOSE - SPRING TYPE - 1/2"
	008386-01-000	EA	GROMMET - SNAP - 3/8" DIAMETER - NYLON
	010495-01-000	EA	CLAMP - CABLE - 9/16"ID - BLACK
	010495-02-000	EA	CLAMP - CABLE - 3/8"ID - BLACK
	010495-04-000	EA	CLAMP - CABLE - 11/16"ID - WHITE
	010497-01-000	EA	CLAMP - CLOSED - 5/8"ID
	010497-02-000	EA	CLAMP - CLOSED - 1.5"ID
	010497-03-000	EA	CLAMP - CLOSED - 1"ID - CUSHIONED
	010497-04-000	EA	CLAMP - CLOSED - 1 5/8"ID
	010497-07-000	EA	CLAMP - CLOSED - 3/8"ID
	010497-09-000	EA	CLAMP - CLOSED - 5/16"ID
	010497-10-000	EA	CLAMP - CLOSED - 7/8"ID
	010499-01-000	EA	CLAMP - CLOSED - 3/8"ID
	016188-03-000	EA	GROMMET - LP LINE - 3/8"HOLE X 2 1/2"LONG - RUBBER
	016188-04-000	EA	GROMMET - LP LINE - 1/2"HOLE X 2 1/2"LONG - RUBBER
	016188-05-000	EA	GROMMET - LP LINE - 3/8"HOLE X 1 1/4"LONG - RUBBER
	016188-06-000	EA	GROMMET - L/P LINE - 3/8"HOLE X 3 1/4"LONG - RUBBER
	016188-08-000	EA	GROMMET - LP LINE - 1/2"HOLE X 1 1/4"LONG - RUBBER
	016188-09-000	EA	GROMMET - LP LINE - .68"HOLE X 1 1/4"LONG - RUBBER
	016188-10-000	EA	GROMMET - LP LINE - .68"HOLE X 2.5"LONG - RUBBER
	023942-01-000	EA	GROMMET - RUBBER - 2" OD
	034141-02-000	EA	PLUG/NYLON - .38" - BLACK
	061420-01-000	EA	PLUG/PLASTIC - 1 3/4" DIAMETER - BROWN
	061420-04-000	EA	PLUG/PLASTIC - 1 1/4" DIAMETER
	061420-05-000	EA	PLUG/PLASTIC - 1 1/2" DIAMETER
	061420-08-000	EA	PLUG/PLASTIC - 2 1/2" DIAMETER
	061420-09-000	EA	PLUG/PLASTIC - 1.00" - DIAMETER
	061420-10-000	EA	PLUG/PLASTIC - 1 1/2" DIAMETER - BLACK
	061420-13-000	EA	PLUG/PLASTIC - 3/8 - 3"
	061420-14-000	EA	PLUG/PLASTIC - 7/8" DIAMETER - BLACK
	061420-15-000	EA	PLUG/PLASTIC - 2" DIAMETER - BLACK
	061420-16-000	EA	PLUG/PLASTIC - 2 1/8" DIAMETER - BLACK

**SEALANTS & FASTENERS GROUP (CONTINUED)**  
**CLAMPS, CLIPS, GROMMETS, RIVETS & PLUGS (CONTINUED)**

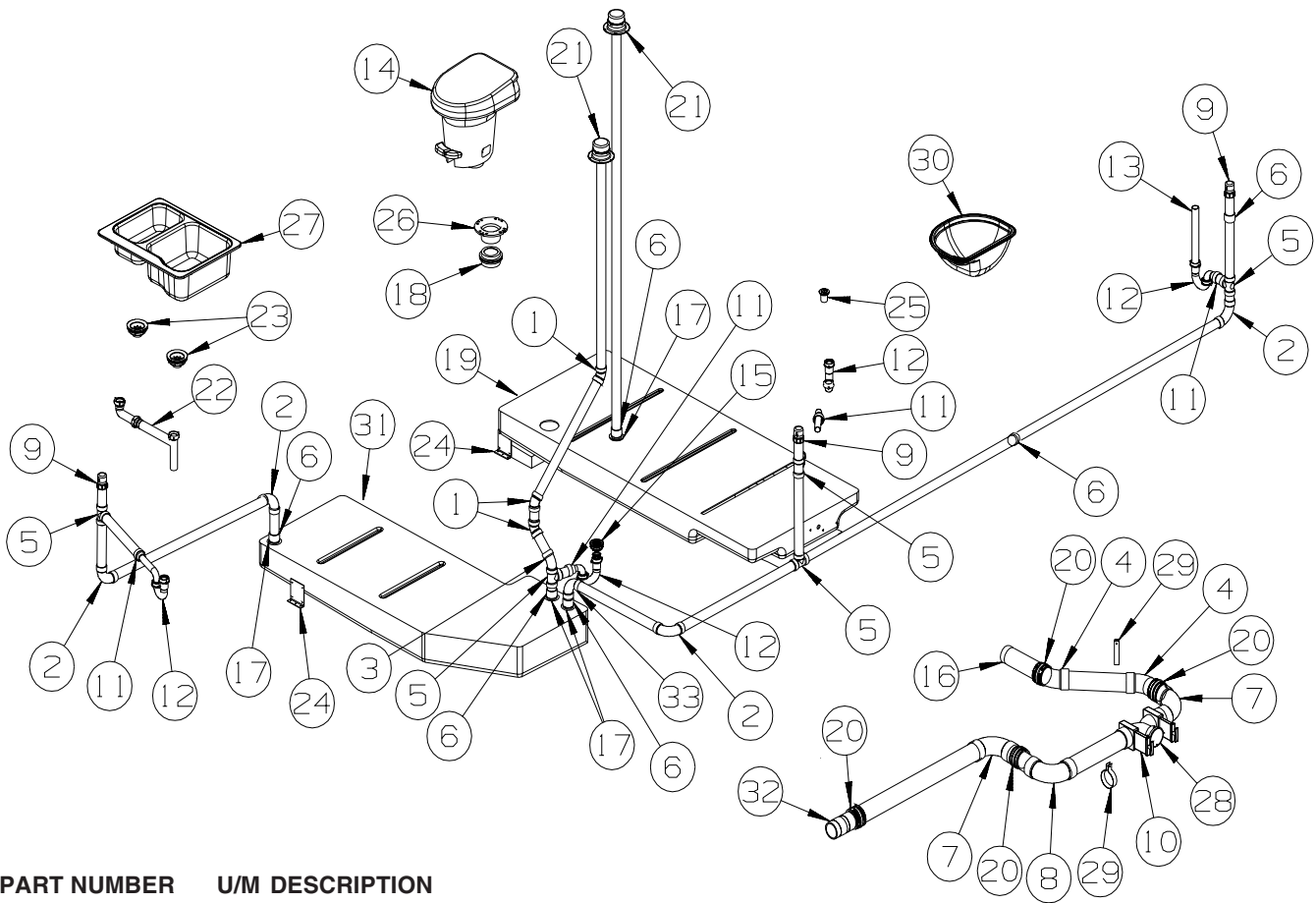
KEY	PART NUMBER	U/M	DESCRIPTION
	062401-01-000	EA	CLAMP - HOSE - WORMGEAR - .25" - 1"
	062401-02-000	EA	CLAMP - HOSE - WORMGEAR - 1.56" - 2.5"
	062401-03-000	EA	CLAMP - HOSE - WORMGEAR - .22" - 1"
	062401-04-000	EA	CLAMP - HOSE - WORMGEAR - .69" - 1.25"
	062401-05-000	EA	CLAMP - HOSE - WORMGEAR - 2" - 3" ID
	062401-06-000	EA	CLAMP - HOSE - WORMGEAR - .22" - .62" ID
	062401-09-000	EA	CLAMP - HOSE - WORMGEAR - 2.8" - 3.75"
	062401-11-000	EA	CLAMP - HOSE - WORMGEAR - 3.50" - 4.50"
	062401-12-000	EA	CLAMP - HOSE - WORMGEAR - .79" X 1.26"
	071015-11-000	EA	GROMMET - RUBBER - 1 ID - FITS .12 MATERIAL - BLACK
	071015-13-000	EA	GROMMET - RUBBER - .62 ID - FITS .09 GROOVE - BLACK
	071015-19-000	EA	GROMMET - RUBBER - .38 ID - FITS .06 MATERIAL - BLACK
	071015-22-000	EA	GROMMET - RUBBER - .62 ID - 1.12 OD - W/.19 GROOVE - BLACK
	071015-26-000	EA	GROMMET - RUBBER - 1.5" ID X 2.1" OD W/.06" GROOVE-BLACK
	071015-29-000	EA	GROMMET - RUBBER - .3" ID X 1.3"OD W/.12" GROOVE - BLACK
	071015-30-000	EA	GROMMET - RUBBER - .3" ID X .81"OD W/.12" GROOVE - BLACK
	071015-32-000	EA	GROMMET - RUBBER - .75 ID X 1.375 OD W/.187 GROOVE - BLACK
	071015-40-000	EA	GROMMET - RUBBER - .38 ID - FITS .09 MATERIAL - BLACK
	071015-41-000	EA	GROMMET - .125 ID FITS .188 MTL
	071015-42-000	EA	GROMMET - RUBBER - .25 ID - FITS .06 MATERIAL - BLACK
	075148-02-000	EA	CLAMP - GROUNDING - BRONZE SCREWS
	077955-01-000	EA	CLIP/J - 3/8" - VINYL COATED
	080734-02-000	EA	CLIP - WIRE NYLON
	081211-01-000	EA	PLUG/PLASTIC - .31" DIAMETER - BLACK
	081211-03-000	EA	PLUG/PLASTIC - .50" DIAMETER - TRUSS HEAD - BLACK
	081211-04-000	EA	PLUG/PLASTIC - .46 DIAMETER - TRUSS HEAD - BLACK
	083609-01-000	EA	CLAMP - WIRE - DUAL - EQUAL DIAMETERS - 5/8"
	083610-01-000	EA	CLAMP - WIRE - DUAL - UNEQUAL DIAMETERS - 3/4" & 1 1/4"
	083610-02-000	EA	CLAMP - WIRE - DUAL - UNEQUAL DIAMETERS - 3/4" & 2"
	083610-03-000	EA	CLAMP - WIRE - DUAL - EQUAL DIAMETERS - 2"
	088756-01-000	EA	GROMMET - WEB - 1 1/8 " I.D.
	089329-02-000	EA	CLIP - SPRING
	091952-01-000	EA	CLIP - GRIPPER - 1"
	091952-02-000	EA	CLIP - GRIPPER - 3/4"
	091952-03-000	EA	CLIP - GRIPPER - 1/2" - BLACK VINYL COATED
	094362-02-000	EA	CLIP - XMAS TREE - BINDER HEAD - .9" LONG
	094362-05-000	EA	CLIP - XMAS TREE - ROUND HEAD - 1.4" LONG
	114208-01-000	EA	GROMMET - EDGE LINER - FITS 1 3/4"
	114208-03-000	EA	GROMMET - EDGE LINER - FITS 2 1/2"
	114208-05-000	EA	GROMMET - EDGE LINER - FITS 2"
	118626-01-02A	EA	RIVET - POP - ALUMINUM - 3/16 X .08 - .375
	118626-01-01A	EA	RIVET - POP - ALUMINUM - 3/16 X .08 - .375
	118626-02-01A	EA	RIVET - POP - ALUMINUM - 3/16 X .500 - .750
	137014-01-01A	EA	GROMMET - CABLE - ALMOND
	137014-01-02A	EA	GROMMET - CABLE - BROWN
	137014-01-03A	EA	GROMMET - CABLE - BLACK
	139118-02-01A	EA	GROMMET - SCREW - PLASTIC
	140171-01-000	EA	CLAMP - HOSE - STEPLESS EAR - .312
	140171-02-000	EA	CLAMP - HOSE - STEPLESS EAR - .250



**SEALANTS & FASTENERS GROUP (CONTINUED)**  
**MISCELLANEOUS FASTENERS**

<b>KEY</b>	<b>PART NUMBER</b>	<b>U/M</b>	<b>DESCRIPTION</b>
	008343-01-000	EA	TIE - WIRE - 6"
	008343-02-000	EA	TIE - WIRE - 14"
	008343-03-000	EA	TIE - WIRE - 7 1/2" - BLACK
	029094-04-000	YD	VELCRO TAPE - LOOP - 1" WIDE - BLACK
	029094-06-000	YD	VELCRO TAPE - LOOP - 2" WIDE - BLACK
	029096-03-000	YD	VELCRO TAPE - HOOK - 1" WIDE - BLACK
	029096-04-000	YD	VELCRO TAPE/HOOK - 1"WIDE - BLACK - W/ADHESIVE BACK (PSA)
	048394-02-000	YD	VELCRO TAPE - HOOK - ADHESIVE BACK - 3/4" WIDE - BEIGE
	085774-01-000	FT	FASTENER - DUAL LOCK - 1" WIDE - ADHESIVE BACK - BLACK
	085774-02-000	FT	FASTENER - DUAL HOOK - 1" WIDE - ADHESIVE BACK - BLACK
	085774-07-000	FT	FASTENER - DUAL HOOK - 1" WIDE
	088792-02-000	YD	VELCRO TAPE - LOOP - 3/4" - ADHESIVE BACK - BEIGE
	088792-04-000	YD	VELCRO TAPE - HOOK - 5/8" - NON-ADHESIVE BACK - WHITE
	088792-05-000	YD	VELCRO TAPE - LOOP - 5/8" - NON-ADHESIVE BACK - WHITE
	108046-01-000	EA	CABLE TIE - SCREW MOUNT 8"
	108046-02-000	EA	CABLE TIE - SCREW MOUNT 15"
	110943-01-000	FT	FELT STRIP - 3/8" - ADHESIVE BACK - BLACK
	110943-02-000	FT	FELT STRIP - 3/8" - ADHESIVE BACK - WHITE
	113133-02-01A	EA	RIVET - POP - ALUMINUM - 3/16 X .252 - .504 - BLACK
	115361-01-01A	EA	PLUG/PLASTIC - 1/2" DIAMETER
	127960-01-01A	EA	RETAINER - 3/8" - STAINLESS STEEL

# WATER & SEWAGE GROUP DRAINAGE SYSTEM



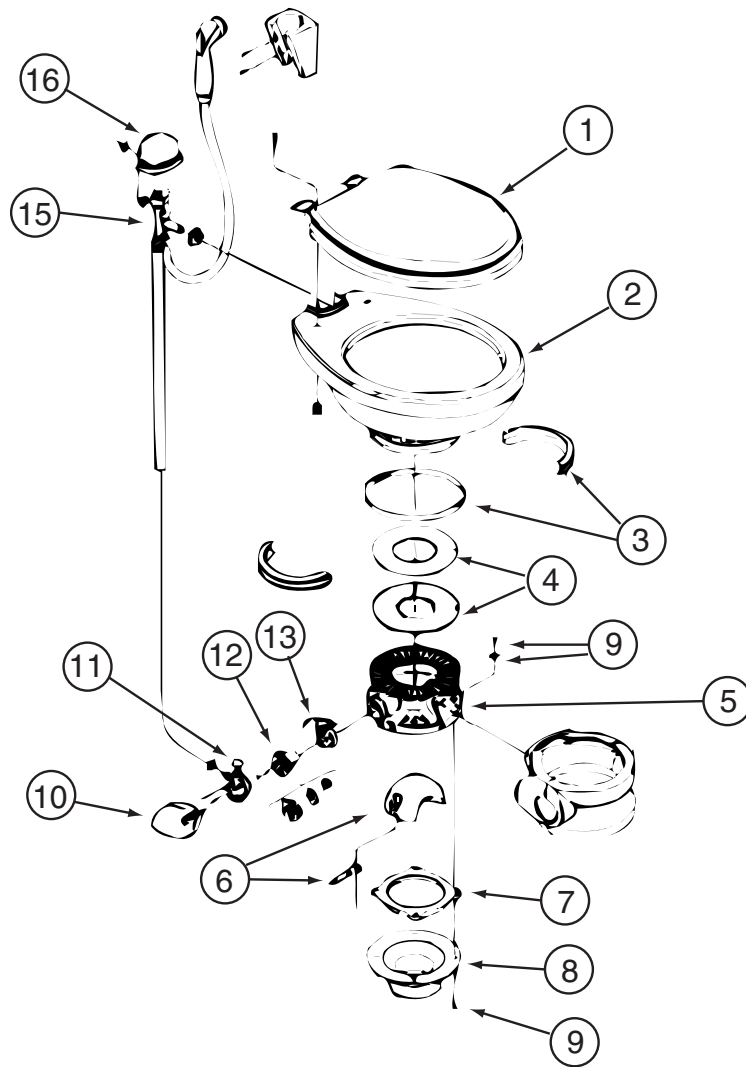
KEY	PART NUMBER	U/M	DESCRIPTION
1	010006-01-000	EA	ELBOW - 45 DEGREE - 1 1/2" HUB X HUB - PLASTIC
2	010008-01-000	EA	ELBOW - 90 DEGREE - 1 1/2" HUB X HUB - PLASTIC
3	010051-01-000	EA	ELBOW - 45 DEGREE - 1 1/2" SPIGOT X HUB - PLASTIC
4	010061-01-000	EA	ELBOW - 45 DEGREE ST - 3" SPIGOT & HUB - PLASTIC
5	010071-01-000	EA	TEE - SANITARY - 1 1/2" HUB X HUB X HUB - PLASTIC
6	010115-01-000	EA	COUPLING - 1 1/2" HUB X HUB - PLASTIC
7	031126-01-000	EA	ELBOW - 1/4 BEND - 3" X 90" XLT - BLACK PLASTIC
8	041956-01-000	EA	ELBOW - 3" STREET - 90 DEGREE PLASTIC
9	079968-01-000	EA	VENT - MECHANICAL/TRAP ARM - ANTI-SIPHON-2" X 7.3" PLASTIC
10	136143-01-000	EA	VALVE - DUAL - 3" X 3"
11	109571-01-000	EA	ADAPTER - P-TRAP - 1 1/2"P X 1 1/4"MPT
12	107538-01-000	EA	P-TRAP - PLASTIC - 1 1/4" W/EXTENSION ARM - USA
12	011071-01-000	EA	P-TRAP - PLASTIC - 1 1/2" - CSA - CANADIAN
13	126588-02-000	EA	ARM - WASTE - 1 1/2 X 20" - FEMALE
14*	140798-01-01A	EA	TOILET - TRAVELER LITE - TALL - WHITE
15	066440-01-000	EA	STRAINER - SHOWER DRAIN - W/RUBBER WASHER
	130403-01-000	EA	NUT - SLIP - W/WINGS 1 1/2"
	127440-02-01A	EA	WASHER - RUBBER - 1.8" X .1"
	011069-02-000	EA	TAILPIECE - TUB/SHOWER - 1 1/2" X 1 1/4" X 4" - BRASS
16	010129-05-000	EA	NIPPLE - PLASTIC - 3" X 10"
17	061607-01-000	EA	GROMMET - HOLDING TANK - 1 1/2" NPS
18	061607-02-000	EA	GROMMET - HOLDING TANK - 3" NPS
19	139423-01-01A	EA	TANK - HOLDING - W/O FITTINGS
20	078406-01-000	EA	COUPLER - 3" X 3" W/CLAMPS - RUBBER
21	083558-03-000	EA	VENT W/COVER F/PLUMBING STACK - OFF WHITE
22	091980-01-000	EA	WASTE - CONTINUOUS
22	011091-02-000	EA	WASTE - CONTINUOUS - DOUBLE SINK
			FROM: 00-00-00 THRU: 01-18-04
			FROM: 01-19-04 THRU: 99-99-99
23	092303-01-000	EA	STRAINER - W/BASKET - GALLEY SINK - 4" OD
	127440-02-01A	EA	WASHER - RUBBER - 1.8" X .1"
24	094756-02-01A	EA	BRACKET - L - 6.1" LONG X 3.9" WIDE - STEEL
25	106116-01-02A	EA	STRAINER/PLASTIC - STOPPER/TAILPIECE/GASKET & NUT-LAVATORY
	106116-02-01A	EA	GASKET - STRAINER

**WATER & SEWAGE GROUP (CONTINUED)**  
**DRAINAGE SYSTEM (CONTINUED)**

KEY	PART NUMBER	U/M	DESCRIPTION
26	116644-01-000	EA	FLANGE/CLOSET - 3" FEMALE - 4 BOLT
27	136828-01-01A	EA	SINK/DBL - LGE/SM BASIN-25"X19"X7" W/O NOTCH/FAUCET HOLES FROM: 00-00-00 THRU: 01-18-04
27	148870-01-01A	EA	SINK/DOUBLE - LGE/SML BASIN-25"X19"X7" FROM: 01-19-04 THRU: 99-99-99
28	139513-01-000	EA	HOSE - SEWER - 3" X 10' - W/ADAPTER
	062416-01-000	EA	ADAPTER - SEWER HOSE TO 3" PIPE
29	141443-01-02B	EA	HOLDER - RING - E-COATED
30	142285-01-01A	EA	SINK - LAVATORY
31	135367-01-700	EA	TANK-HOLDING W/3" NIPPLE
	049032-01-000	EA	PATCH - SPINWELD - 3/8" - PLASTIC
32	010129-03-000	EA	NIPPLE - 3" X 3" TOE - PLASTIC
33	033761-01-000	EA	ELBOW - 90 DEGREE - TURN - 1 1/2" HUB X 1 1/2" SPIGOT

**\*COMPONENT PARTS LISTED LATER IN THIS GROUP**

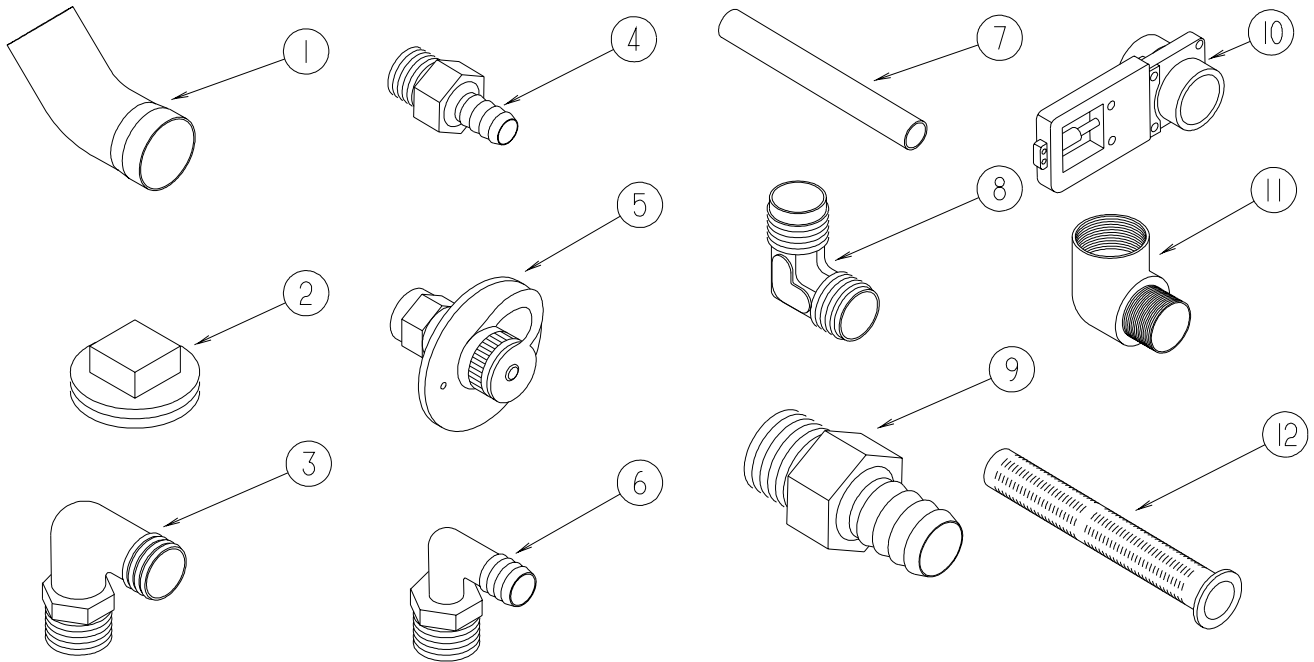
**WATER & SEWAGE GROUP (CONTINUED)**  
**COMPONENT PARTS FOR DRAINAGE SYSTEM**



140798-01-01A

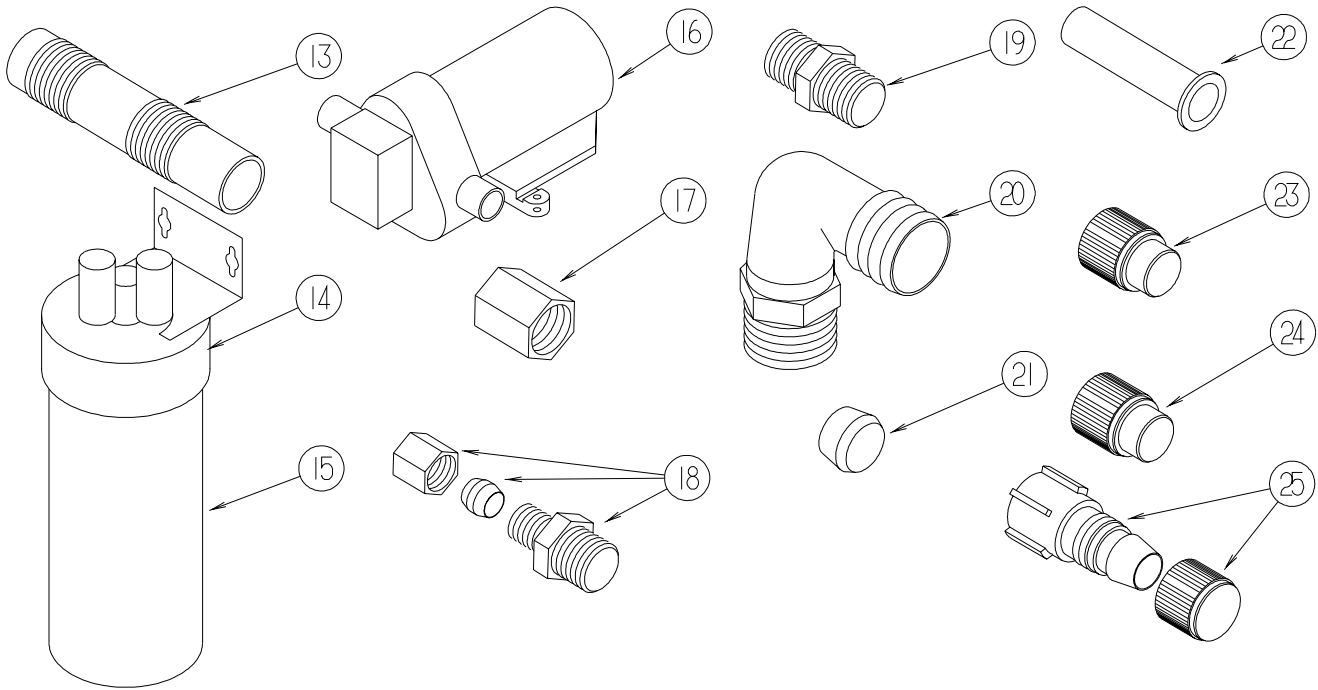
KEY	PART NUMBER	U/M	DESCRIPTION	VENDOR NO.
1	140798-01-700	EA	SEAT ASSEMBLY - WHITE	344089
2	140798-01-701	EA	BOWL/CHINA - WHITE	310790
3	140798-01-702	EA	RING & HALF CLAMP KIT-WHITE	310025
4	140798-01-703	EA	TEFLON & RUBBER SEAL KIT	316140
5	140798-01-704	EA	BASE KIT - WHITE	310123
6	140798-01-705	EA	BALL/SHAFT/CARTRIDGE KIT	318162
7	085330-01-723	EA	SEAL - FLOOR FLANGE	341549
8	085330-01-716	EA	FLANGE-FLOOR, 3" MPT	345889
9	085330-01-717	EA	BOLT MOUNTING PACKAGE	3100-64
10	140798-01-706	EA	PEDAL COVER KIT - WHITE	310117
11	140798-01-707	EA	WATER VALVE KIT	314349
12	140798-01-708	EA	SPRING CARTRIDGE KIT	236096
13	140798-01-709	EA	FLUSH LEVER	340425
15	140798-01-710	EA	VACUUM BREAKER KIT W/O SPRAY	310687
16	140798-01-711	EA	VACUUM BREAKER COVER KIT WHT	310795
	085330-04-701	EA	HAND SPRAY W/HOSE(500 & 900)	340683
	085330-06-701	EA	BREAKER-VACUUM/DIVERTER(900)	230335

**WATER & SEWAGE GROUP (CONTINUED)**  
**WATER SYSTEM**



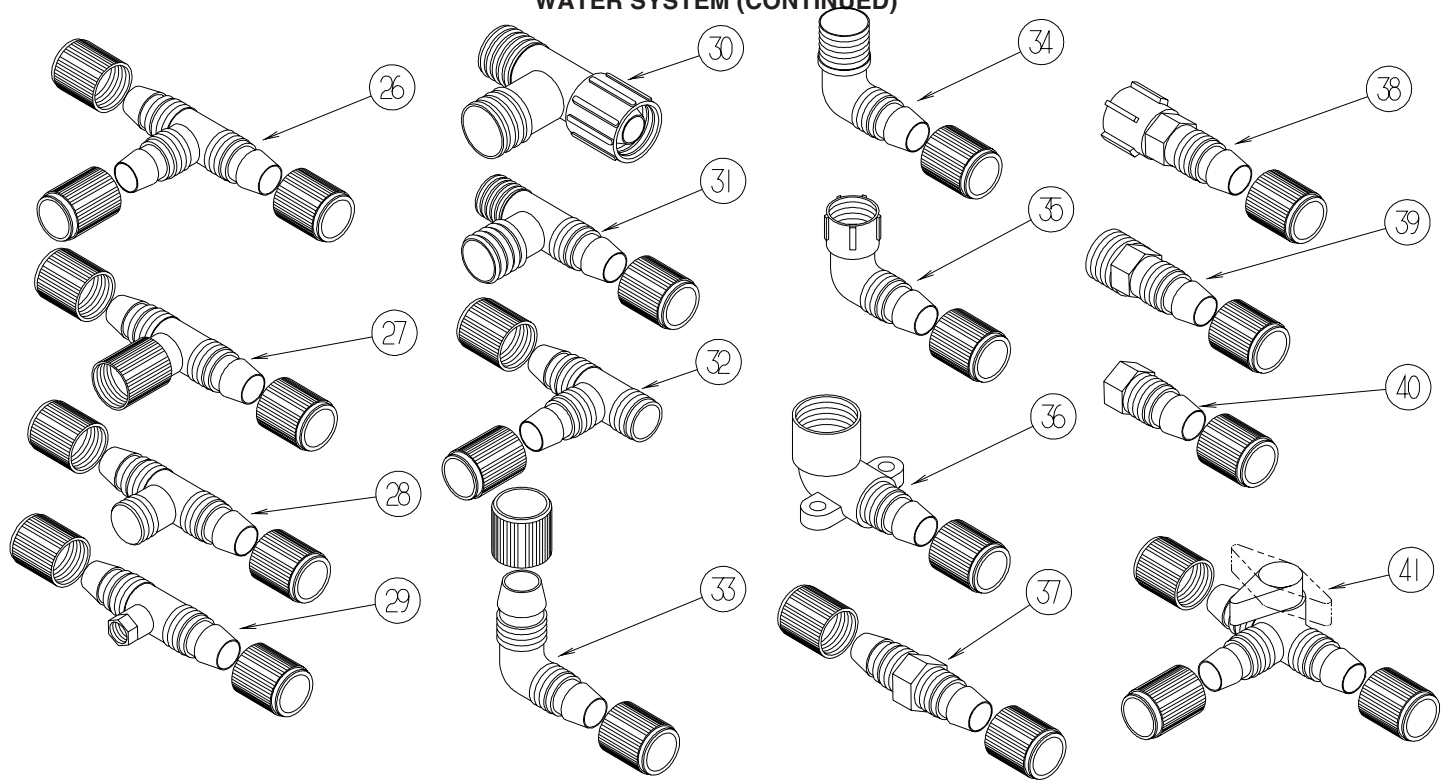
KEY	PART NUMBER	U/M	DESCRIPTION
1	010009-01-000	EA	ELBOW - 90 DEGREE - 1/4 BEND - 1 1/2" PLASTIC
2	010166-01-000	EA	PLUG/THREADED - 1 1/4"MPT - PLASTIC - BLACK - UL
3	010219-01-000	EA	ELBOW - 1 1/4 MPT X 1 1/4 BARB - WATER FILL - PLASTIC
4	010224-01-000	EA	ADAPTER - HOSE TO PIPE - 3/8 MPT X 3/8 BARB - PLASTIC
5	010230-06-000	EA	FILL - CITY WATER - W/CHECK VALVE - MPT - BRUSHED ALUM
6	035539-01-000	EA	ELBOW - 3/8 MPT X 3/8 BARB - PLASTIC
7	039800-04-000	FT	TUBING - POLYBUTYL - 1/4"OD
7	074462-02-000	FT	TUBING - VINYL - 3/8 ID X 20' - CLEAR
7	112176-01-000	FT	TUBING - VINYL - REINFORCED - 1/2" ID
7	124188-01-000	FT	TUBING - PEX - 1/2" ID X 20' - BLUE(COLD)
7	124188-02-000	FT	TUBING - PEX - 1/2" ID X 20' - RED(HOT)
8	039808-03-000	EA	ELBOW - 1/2" MPT X 1/2" MPT - PLASTIC
9	044927-01-000	EA	ADAPTER - HOSE TO PIPE-1 1/4 MPTX1 1/4 BARB-BLACK PLASTIC
10	062421-03-000	EA	VALVE/DUMP W/O HANDLE - 1 1/2" X 1 1/2" HUB
	062421-05-000	EA	CABLE/ROD - F/DUMP VALVE - W/HANDLE - 48"
11	065318-02-000	EA	ELBOW - 90 DEGREE - 3/8" MPT TO 3/8" FPT
12	077954-02-000	EA	FILTER - WATER TANK - W/SCREEN IN TANK

**WATER & SEWAGE GROUP (CONTINUED)**  
**WATER SYSTEM (CONTINUED)**



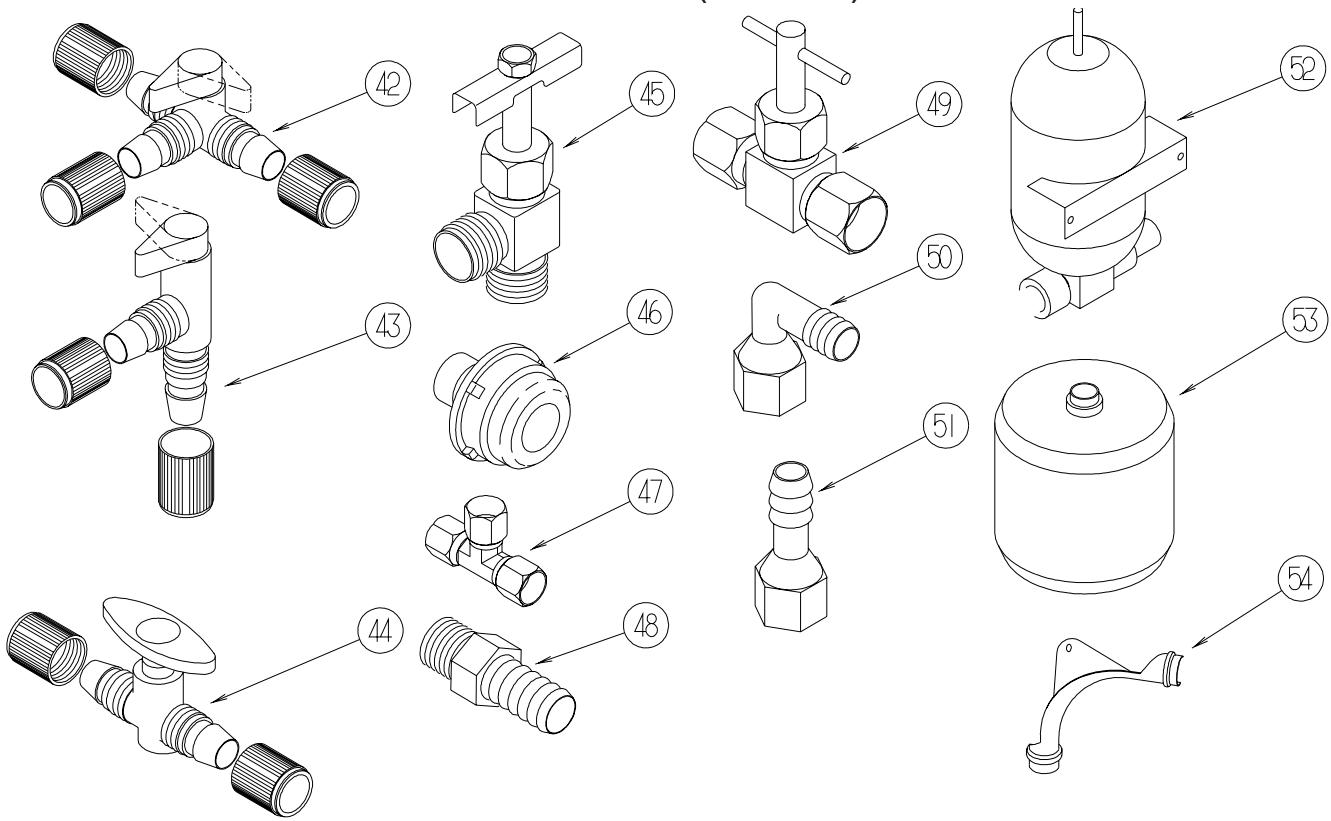
KEY	PART NUMBER	U/M	DESCRIPTION
13	079381-01-000	FT	TUBING - RIBBED FLEXIBLE - WATER FILL - 1.4" ID
14	087200-01-000	EA	FILTER-WATER PURIFCATION, EVERPURE QC2-AC
15	087200-02-000	EA	CARTRIDGE-WATER FILTER,AC - EVERPURE 9601-11
16*	098607-01-000	EA	PUMP - WATER - W/.5" MPT FITTING - FLOW 2.8 GPM
17	101814-01-000	EA	COUPLING - FEMALE - 1/2" X 1/2" FPT - GRAY
18	103798-01-000	EA	CONNECTOR - 1/4 OD X 3/8 MPT
19	110438-02-000	EA	VALVE - CHECK - BRASS - 1/2 MPT X 1/2 MPT
20	111223-02-000	EA	ELBOW - 1/2" MPT X 3/8" BARB - PLASTIC
20	111223-03-000	EA	ELBOW - 3/4" MPT X 1/2" BARB - PLASTIC
20	111223-04-000	EA	ELBOW - 1/2" MPT X 1/2" BARB - PLASTIC
21	111888-01-000	EA	FERRULE - PLASTIC - .250 ID X .375 OD
22	111888-02-000	EA	INSERT - BRASS - 1/4 COMP
23	113697-01-000	EA	CAP - 3/8"P
24	114427-01-000	EA	CAP - 1/2"P
25	114427-02-000	EA	PLUG - W/COMP NUT - 1/2" PLASTIC PIPE/1/2" FLAIR-IT

**WATER & SEWAGE GROUP (CONTINUED)**  
**WATER SYSTEM (CONTINUED)**



KEY	PART NUMBER	U/M	DESCRIPTION
	039798-01-000	EA	TEE - 1/2"MPT X 1/2"MPT X 1/2"MPT - PLASTIC
26	114428-01-000	EA	TEE - 1/2"P X 1/2"P X 1/2"P
27	114428-02-000	EA	TEE - SWIVEL - 1/2"P X 1/2"P X 1/2"FPT
28	114428-03-000	EA	TEE - 1/2"P X 1/2"P X 1/2"MPT
29	114428-04-000	EA	TEE - 1/2"P X 1/2"P X 1/8"FPT
30	114428-05-000	EA	TEE - 1/2" SWIVEL X 1/2" MPT X 1/2" MPT
31	114428-06-000	EA	TEE - 1/2" P X 1/2" MPT X 1/2" MPT
32	114428-07-000	EA	TEE - 1/2" P X 1/2" MPT X 1/2" P
33	114429-01-000	EA	ELBOW - 1/2"P X 1/2"P
34	114429-02-000	EA	ELBOW - 1/2"P X 1/2"MPT
34	114429-04-000	EA	ELBOW - 1/2"P X 3/8"MPT
34	114429-05-000	EA	ELBOW - 1/2"P X 3/4"MPT
34	114429-10-000	EA	ELBOW - SWIVEL - 1/2"MPT X 1/2"FPT
35	114429-03-000	EA	ELBOW - SWIVEL - 1/2"P X 1/2"FPT
35	114429-06-000	EA	ELBOW - SWIVEL - 1/2"P X 3/4"FPT
35	114429-08-000	EA	ELBOW - SWIVEL - 1/2"P X 1/2"FPT
35	114429-11-000	EA	ELBOW - 1/2"P X 1/2"FPT
36	114429-09-000	EA	ELBOW - 1/2"P X 1/2"FPT DROP EAR
37	114430-01-000	EA	ADAPTER - 1/2"P X 1/2"P
38	114430-02-000	EA	ADAPTER - SWIVEL - 1/2"P X 1/2"FPT
38	114430-04-000	EA	ADAPTER - SWIVEL - 1/2"P X 3/8"MPT
39	114430-03-000	EA	ADAPTER - 1/2"P X 1/2"MPT
40	114430-06-000	EA	ADAPTER - 1/2"P X 3/8"FPT
40	114430-09-000	EA	ADAPTER - 1/2"P X 1/2"FPT
41	114431-01-000	EA	VALVE - 180 DEGREE/CENTER DRAIN - 1/2"P - THREE WAY

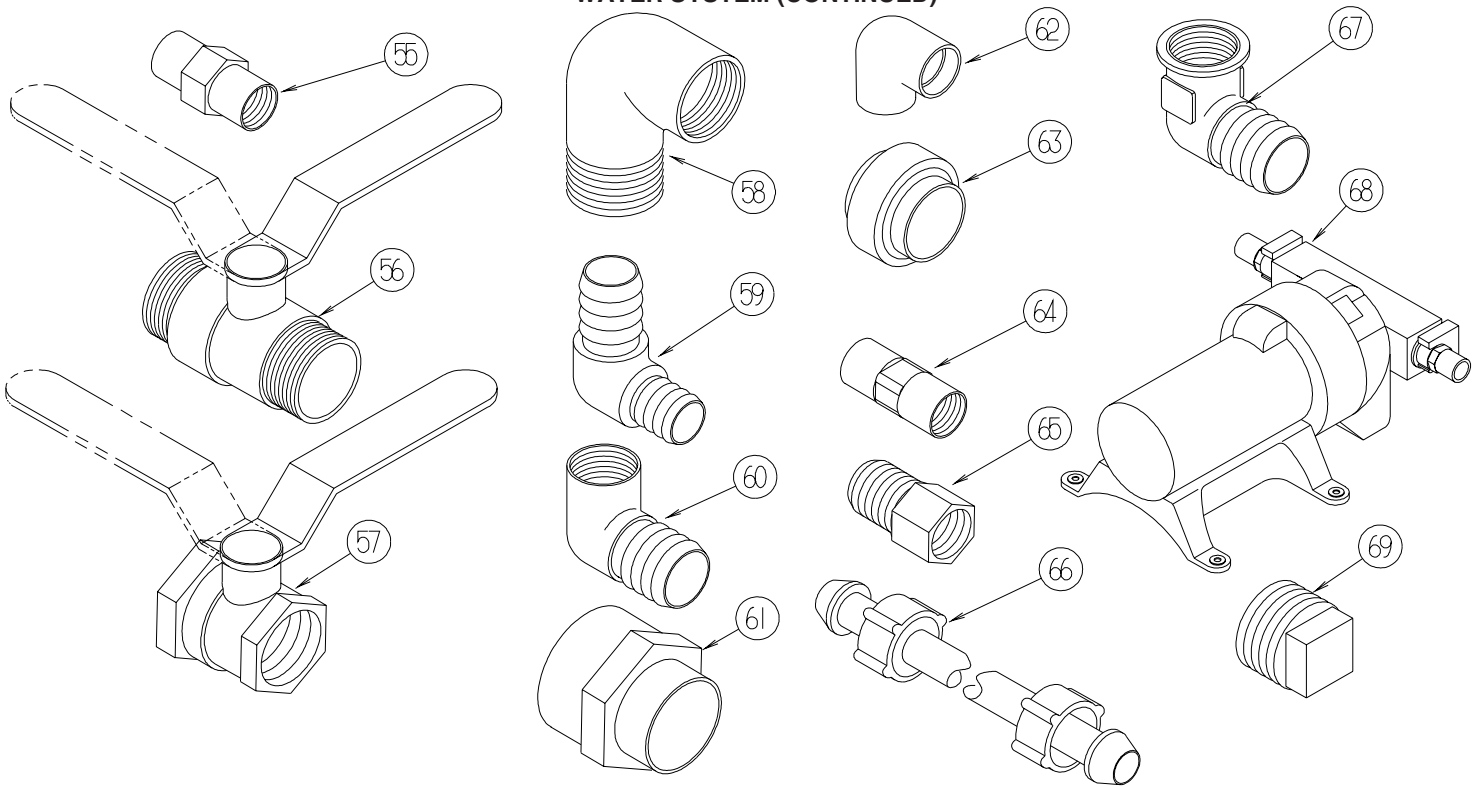
**WATER & SEWAGE GROUP (CONTINUED)**  
**WATER SYSTEM (CONTINUED)**



KEY	PART NUMBER	U/M	DESCRIPTION
42	114431-02-000	EA	VALVE - WATER BYPASS - 1/2"P - THREE WAY (WATER HEATER)
43	114431-03-000	EA	VALVE - 90 DEGREE DRAIN - 1/2"P
44	114431-04-000	EA	VALVE - "INLINE SHUT-OFF" - 1/2"P
45	114431-05-000	EA	VALVE - NEEDLE - 1/8" MPT X 1/4" COMPRESSION (ICE MAKER)
46	114966-01-000	EA	FILTER - IN LINE - TWIST ON - 1/2"
47	118423-01-000	EA	FITTING - BRASS-TEE - 1/4C X 1/4C X 1/4C
48	118809-01-000	EA	ADAPTER - 1/2" MPT X 3/8" BARB - PLASTIC
48	118809-02-000	EA	ADAPTER - 1/2" MPT X 1/2" BARB - PLASTIC
49	120868-01-000	EA	VALVE - NEEDLE - 1/4" COMPRESSION X 1/4" COMPRESSION
50	123150-01-000	EA	ELBOW - 1/2 FPT X 1/2 BARB - SWIVEL
51	123152-01-000	EA	ADAPTER - 1/2 FPT X 1/2 BARB - SWIVEL
52	123243-01-000	EA	TANK - ACCUMULATOR - 24 OZ
53	123317-01-000	EA	TANK - ACCUMULATOR - 2 GALLON
54	124184-01-000	EA	SUPPORT - WATER LINE - BEND



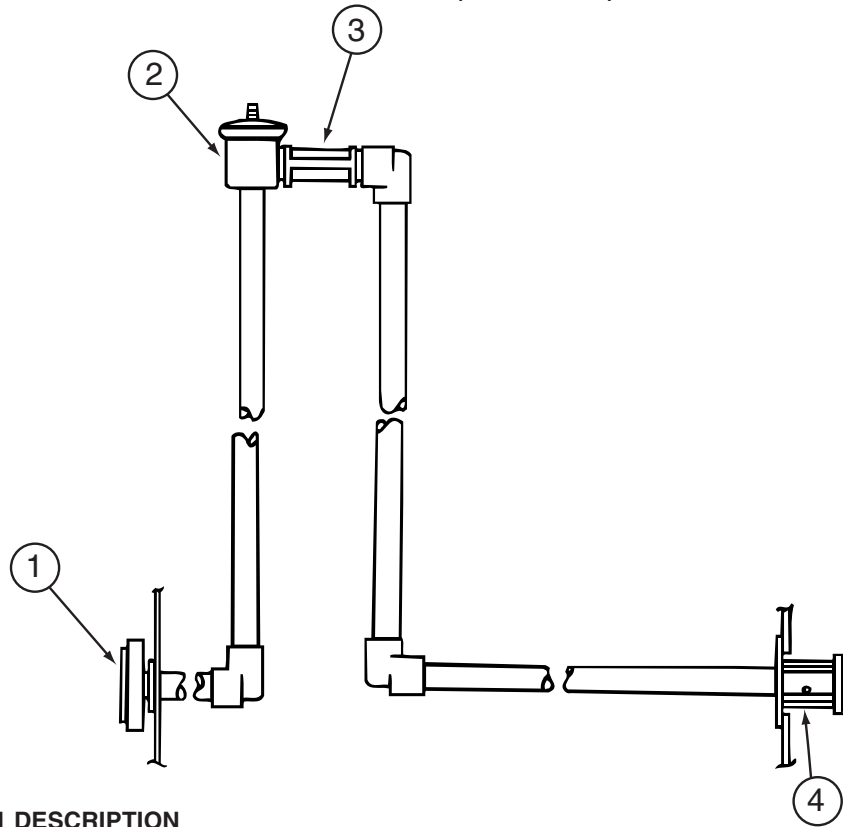
**WATER & SEWAGE GROUP (CONTINUED)**  
**WATER SYSTEM (CONTINUED)**



KEY	PART NUMBER	U/M	DESCRIPTION
55	132148-01-000	EA	CONNECTOR - 1/2" X 1/2"MPT - BRASS
56	132483-01-000	EA	VALVE/BALL - 1" - THREADED ENDS
57	132483-02-000	EA	VALVE/BALL - 1/2" - BRASS - FPT
58	132484-01-000	EA	ELBOW - 90 DEGREE - 1MPT X 1FPT - PLASTIC
59	132781-01-000	EA	ELBOW - 1.3" BARB X 1.3" BARB - 90 DEGREE - PLASTIC
60	132782-01-000	EA	ELBOW - 1"FPT X 1.3" BARB - 90 DEGREE - PLASTIC
61	133835-01-000	EA	ADAPTER - REDUCING - 1 1/2" X 1 1/4"
62	133837-01-000	EA	ELBOW - 1 1/2" X 90 DEGREE - DOUBLE SLIP
63	133889-01-000	EA	UNION - 1 1/2" DOUBLE SLIP - PVC
64	135386-01-000	EA	NIPPLE - 1/2"
65	136333-01-000	EA	ADAPTER - BRASS - 1/2"MPT X 1/2"FPT
66	140821-01-000	EA	TUBE - WATER SUPPLY - 3/8" X 24"
66	140821-02-000	EA	TUBE - WATER SUPPLY - 3/8" X 30"
66	140821-03-000	EA	TUBE - WATER SUPPLY - 3/8" X 36"
66	140821-04-000	EA	TUBE - WATER SUPPLY - 3/8" X 48"
66	140821-05-000	EA	TUBE - WATER SUPPLY - 3/8" X 54"
66	140821-06-000	EA	TUBE - WATER SUPPLY - 3/8" X 60"
66	140821-07-000	EA	TUBE - WATER SUPPLY - 3/8" X 72"
67	142812-01-000	EA	ELBOW - BRASS - 1/2"MPT X 1/2"FPT
68*	144215-01-000	EA	PUMP - WATER - 5.7 GPM - W/1/2" MPT
*	144215-02-000	EA	STRAINER - WATER PUMP
69	145609-01-000	EA	PLUG - BRASS - 1/2" MPT/HEX HEAD

**\*COMPONENT PARTS LISTED LATER IN THIS GROUP**

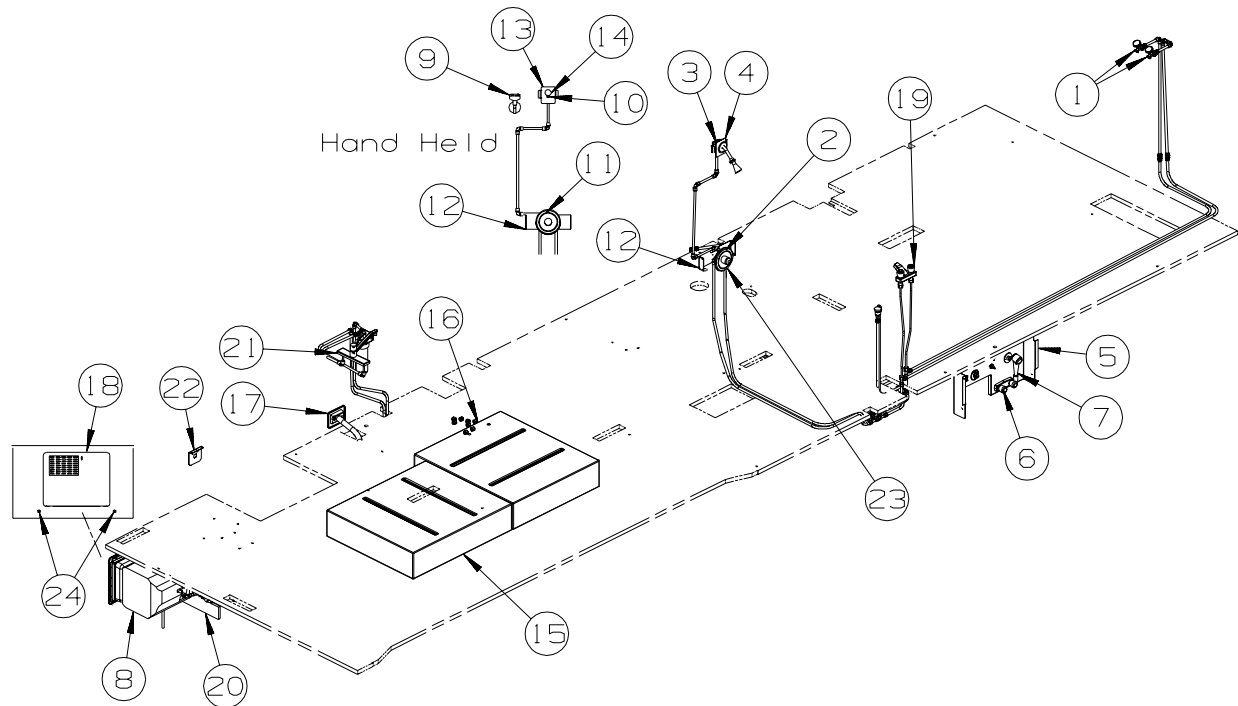
**WATER & SEWAGE GROUP (CONTINUED)**  
**WATER SYSTEM (CONTINUED)**



KEY	PART NUMBER	U/M	DESCRIPTION
1	125697-05-000	EA	INLET/WATER - F/FLUSHING SYSTEM
2	125697-04-000	EA	BREAKER/VACUUM - F/FLUSHING SYSTEM
3	125697-03-000	EA	CHECK VALVE - F/FLUSHING SYSTEM
4	125697-02-000	EA	NOZZLE - WELD-A-FLUSH
	125697-06-000	EA	INSTRUCTIONS - USER - F/FLUSHING SYSTEM

## WATER & SEWAGE GROUP (CONTINUED)

### WATER SYSTEM (CONTINUED)



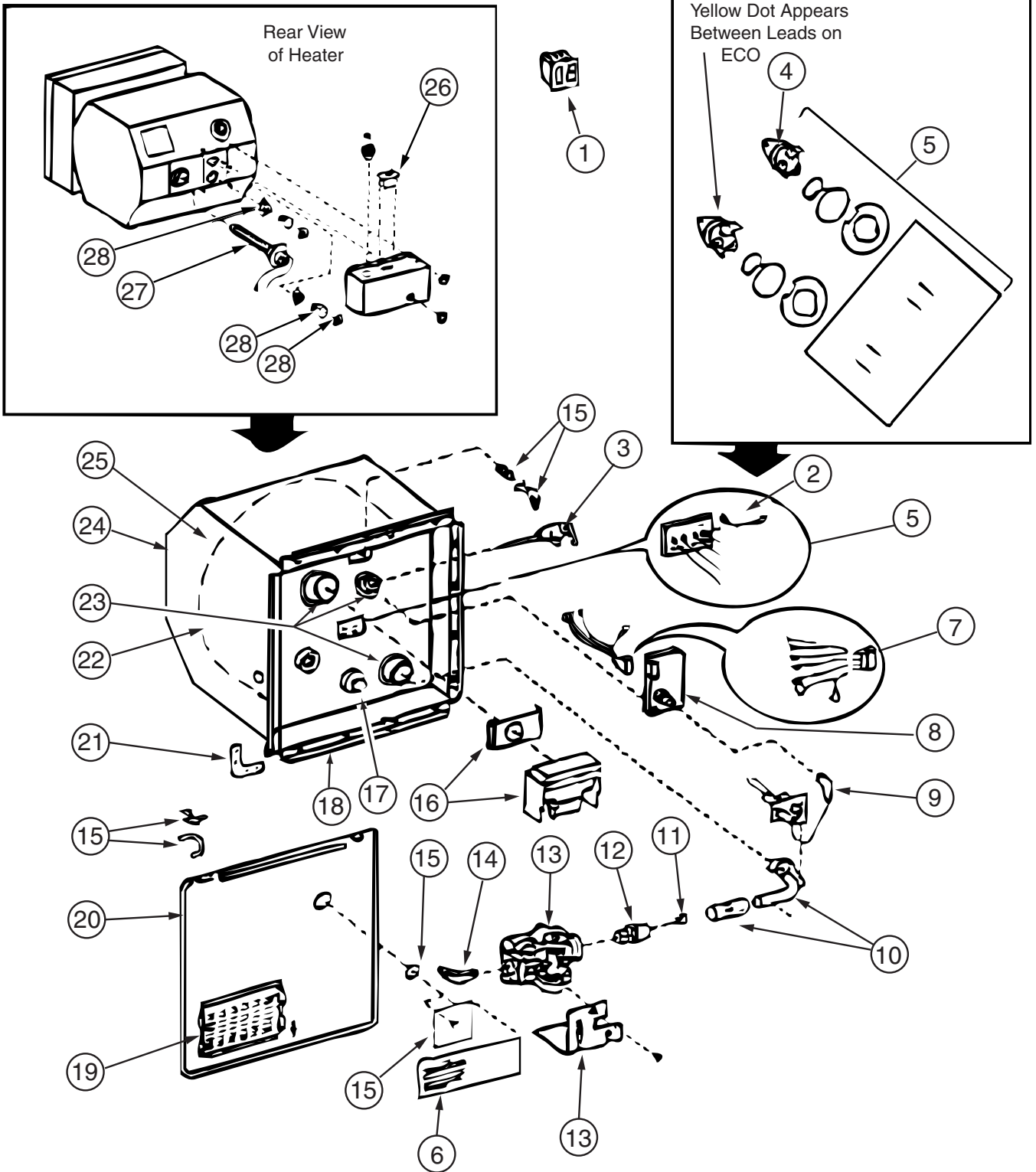
KEY	PART NUMBER	U/M	DESCRIPTION
1	098419-01-000	EA	FAUCET - 90 DEGREE
2*	144596-01-01A	EA	FAUCET/VALVE ONLY - SHOWER - W/TEMP LIMIT STOP(MOEN 62300)
3	133727-01-02B	EA	BRACKET - SHOWER HEAD - E-COATED
4	130041-02-02A	EA	SPACER/SHOWER HEAD - SOFT WHITE
5	136034-02-12B	EA	PANEL/SERVICE CENTER - BRIGHT WHITE
6*	075241-06-000	EA	FAUCET - SHOWER/BRIGHT WHITE - .5" MPT W/1.9" INLET PIPES
7	131383-01-02A	EA	SHOWER HEAD - W/60" HOSE & BRACKET - WHITE
8*	051393-01-000	EA	WATER HEATER - GH6-8E - ELECTRONIC IGNITION W/MOTOR AID
8*	051391-07-000	EA	WATER HEATER/MOTOR AID-GAS/ELECT IGN - GCH6A-9E - 6 GAL-WTR HTR-6GAL/ELE/LP/MOTORAID FROM: 00-00-00 THRU: 01-17-03
8*	145541-02-000	EA	WATER HEATER-6 GAL-GAS/ELEC/120°-REM IGN-W/HEAT EXC-4E -WTR HTR-6GAL/ELE/LP/MOTORAID FROM: 01-18-03 THRU: 99-99-99
9*	129390-03-01A	EA	SHOWER HEAD - W/HOSE & BRACKET - BRASS
10	130041-01-02A	EA	SPACER/SHOWER HEAD - SOFT WHITE FROM: 00-00-00 THRU: 05-09-04
10	130041-03-18A	EA	SPACER/SHOWER HEAD FROM: 05-10-04 THRU: 99-99-99
11*	144596-02-01A	EA	TRIM KIT - (KNOB & PLATE) - CHATEAU - POLISHED BRASS
12	133721-01-02B	EA	BRACKET - SHOWER CONTROL - E-COATED
13	133727-01-02B	EA	BRACKET - SHOWER HEAD - E-COATED
14	135028-01-01A	EA	DROP ELL - F/HAND HELD SHOWER HEAD - 1/2"IPS - BRASS FROM: 00-00-00 THRU: 05-09-04
14	135028-02-01A	EA	DROP ELL - F/HAND HELD SHOWER HEAD/OVAL - 1/2"IP-BRASS FROM: 05-10-04 THRU: 99-99-99
15	132224-01-000	EA	TANK - WATER - 40 GALLONS - W/O FITTINGS
15	132224-05-000	EA	TANK - WATER - 40 GAL - W/FITTINGS - SECONDARY
	042989-03-000	EA	FITTING - SPINWELD - 1 1/4"NPT - PLASTIC
	042989-05-000	EA	FITTING - SPINWELD - 1/2"FPT - PLASTIC
	049032-01-000	EA	PATCH - SPINWELD - 3/8" - PLASTIC
16	132224-01-000	EA	TANK - WATER - 40 GALLONS - W/O FITTINGS
16	132224-09-000	EA	TANK - WATER - 40 GAL - W/FITTINGS - SECONDARY
	042989-03-000	EA	FITTING - SPINWELD - 1 1/4"NPT - PLASTIC
	042989-05-000	EA	FITTING - SPINWELD - 1/2"FPT - PLASTIC
	042989-08-000	EA	FITTING - SPINWELD - 1"FPT - PLASTIC
	049032-01-000	EA	PATCH - SPINWELD - 3/8" - PLASTIC
17	137169-01-01A	EA	WATER FILL/GRAVITY - W/DOOR - W/O LOCK - BRIGHT WHITE
	138290-03-000	EA	CASE - W/CAM - W/O CYLINDER/KEY
	138289-01-000	EA	CYLINDER - LOCKING
	138289-02-000	EA	CYLINDER - LOCKING
	138289-03-000	EA	CYLINDER - LOCKING

**WATER & SEWAGE GROUP (CONTINUED)**  
**WATER SYSTEM (CONTINUED)**

<b>KEY</b>	<b>PART NUMBER</b>	<b>U/M</b>	<b>DESCRIPTION</b>
	138289-04-000	EA	CYLINDER - LOCKING
	138289-05-000	EA	CYLINDER - LOCKING
	138289-06-000	EA	CYLINDER - LOCKING
	138289-07-000	EA	CYLINDER - LOCKING
	138289-08-000	EA	CYLINDER - LOCKING
	138289-09-000	EA	CYLINDER - LOCKING
	138289-10-000	EA	CYLINDER - LOCKING
18*	125420-04-03A	EA	DOOR - WATER HEATER - BLACK
19*	075240-05-000	EA	FAUCET - LAVATORY/BRASS - W/CLEAR KNOBS
20	138618-01-12B	EA	COVER - VALVE - BYPASS - BRIGHT WHITE
21*	141432-01-01A	EA	FAUCET - GALLEY - SINGLE CONTROL
22	137410-01-12B	EA	BRACKET - VALVE - WINTERIZATION - BRIGHT WHITE
23*	144596-03-01A	EA	TRIM KIT - (KNOB-HANDLE/PLATE/SHOWER HEAD & ARM) - BRASS
24	117047-02-000	EA	BUMPER - RUBBER/WASHER INSERT

**\*COMPONENT PARTS LISTED LATER IN THIS GROUP**

**WATER & SEWAGE GROUP (CONTINUED)**  
**COMPONENT PARTS FOR WATER SYSTEM**



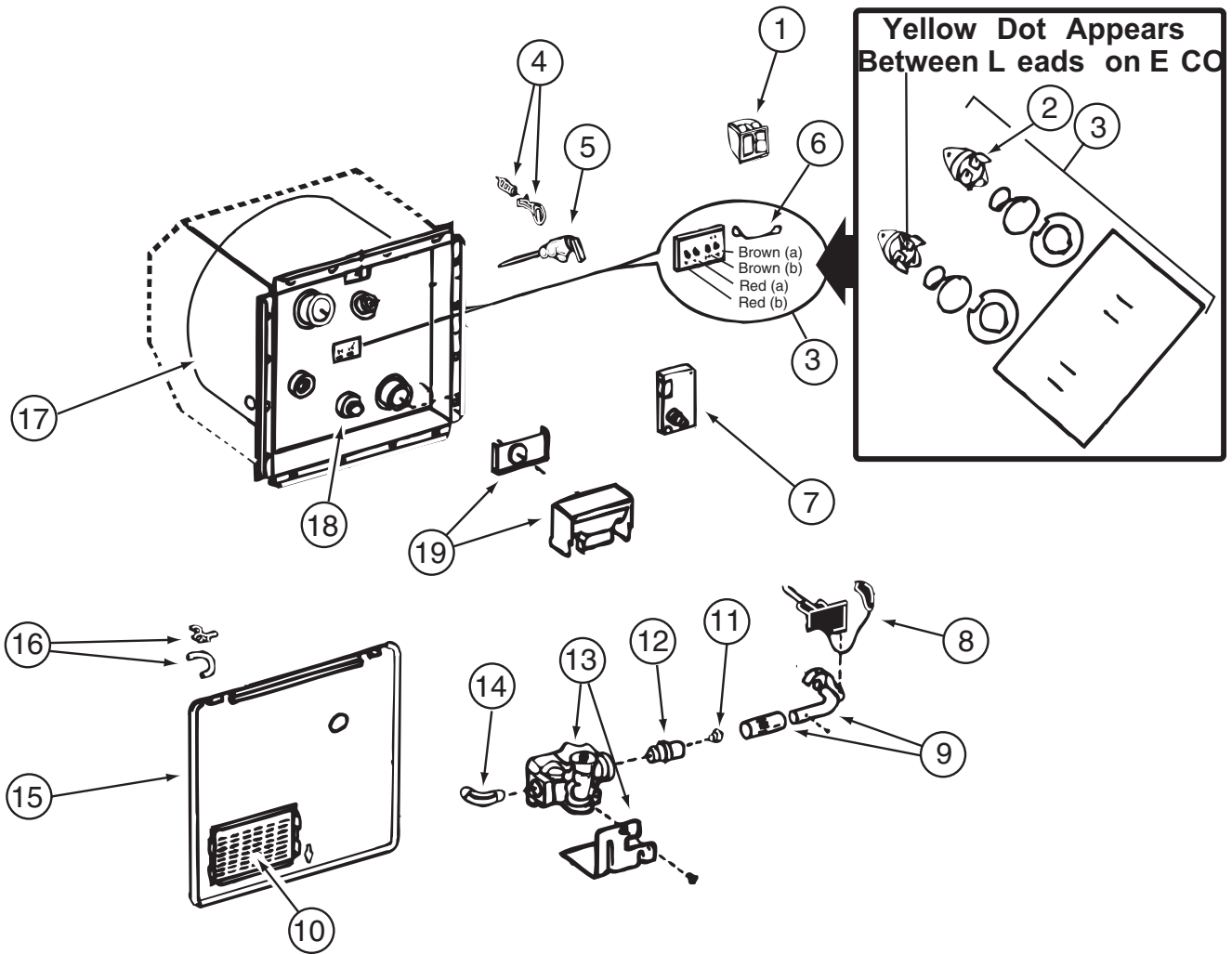
051391-07-000

**WATER & SEWAGE GROUP (CONTINUED)**  
**COMPONENT PARTS FOR WATER SYSTEM (CONTINUED)**

**051391-07-000 (CONTINUED)**

<b>KEY</b>	<b>PART NUMBER</b>	<b>U/M</b>	<b>DESCRIPTION</b>	<b>VENDOR NO.</b>
1	051393-01-701	EA	SWITCH - REMOTE - W/LIGHT	91959
2	051393-01-723	EA	SWITCH - THERMAL CUTOOUT 2/PK	93866
3	051391-01-704	EA	VALVE-RELIEF, 1/2" FITTING	91604
4	051391-04-701	EA	THERMOSTAT 12V DC-120 PRESET	91470
5	051393-01-721	EA	THERMOSTAT W/ECO, 140 FRT MT	91447
9	051393-01-725	EA	ELECTRODE-SGL SPADE CONNECT.	93868
10	051391-04-703	EA	BURNER-MAIN/ELECTRONIC IG	91638
11	051391-01-710	EA	ORIFICE-MAIN BURNER	92742
12	051391-03-700	EA	HOLDER-ORIFICE	91563
13	051393-01-726	EA	VALVE-SOLENOID, W/O BRACKET	93870
15	051391-05-703	EA	HARDWARE KIT-DOOR	91858
16	051391-04-707	EA	KIT-EXHAUST, (FLUE & GASKET)	90960
17	051391-01-715	EA	PLUG-DRAIN, 1 EA = 2 PER PKG	91857
19	051391-01-717	EA	GRILLE-WATER HEATER DOOR	92640
21	111129-01-711	EA	BRACKET-CORNER, SET OF FOUR	91928
22	051391-07-701	EA	TANK-INNER W/JACKET/INSUL	91592
26	051391-07-700	EA	SWITCH 0N/OFF - 110 VAC	92857
27	051391-05-706	EA	ELEMENT-HEATING 1500 WATT	91160 W/GASKET
28	051391-05-707	EA	THERMOSTAT & ECO - 110 VOLT	91873
			CONTACT WINNEBAGO PART SALES FOR UNLISTED COMPONENT	

**WATER & SEWAGE GROUP (CONTINUED)**  
**COMPONENT PARTS FOR WATER SYSTEM (CONTINUED)**



**051393-01-000**

KEY	PART NUMBER	U/M	DESCRIPTION	VENDOR NO.
1	051393-01-701	EA	SWITCH PACKAGE	91959
2	051391-04-701	EA	THERMOSTAT 12V DC-120 PRESET	91470
3	051393-01-721	EA	ECO & THERMOSTAT ASM - FRT MT - 140°	91447
4	051391-01-705	EA	FASTENER - CAMLOC	92609
5	051391-01-704	EA	VALVE - RELIEF - 1/2" FITTING	91604
6	051393-01-723	EA	SWITCH - ENERGY CUT-OFF	93866
7	051393-01-724	EA	CIRCUIT BOARD - W/ SPADE TERMINAL	93867
8	051393-01-725	EA	ELECTRODE - SINGLE SPADE CNT	93868
9	051391-04-703	EA	BURNER - MAIN	91638
10	051391-01-717	EA	GRILLE	92640
11	051391-01-710	EA	ORIFICE - MAIN BURNER	92742
12	051391-03-700	EA	ORIFICE HOLDER	91563
13	051393-01-726	EA	SOLENOID VALVE & BRACKET	93870
14	051391-01-714	EA	ELBOW - 45 DEGREE - 3/8" F X 3/8" MPT	91044
15		EA	DOOR-WATER HEATER - SEE EXTERIOR DOOR & COMPARTMENT GROUP BY MODEL	
16	051391-01-700	EA	HINGE KIT - W/CLIP	92568 & 92559
17	051391-04-704	EA	TANK - INNER	91642
18	051391-01-715	EA	DRAIN PLUG	91857
19	051391-04-707	EA	FLUE & GASKET	90960
	111129-01-711	EA	BRACKET-CORNER, SET OF FOUR	91928

**075240-05-000**

KEY	PART NUMBER	U/M	DESCRIPTION	VENDOR NO.
	075240-05-700	EA	CARTRIDGE - WASHERLESS	9-P42

**075241-04-000, 075241-05-000, 075241-06-000**

KEY	PART NUMBER	U/M	DESCRIPTION	VENDOR NO.
	075240-05-700	EA	CARTRIDGE - WASHERLESS	9-P42

**WATER & SEWAGE GROUP (CONTINUED)**  
**COMPONENT PARTS FOR WATER SYSTEM (CONTINUED)**

**098607-01-000**

KEY	PART NUMBER	U/M	DESCRIPTION	VENDOR NO.
	098607-01-702	EA	DIAPHRAGM/DRIVE ASSEMBLY KIT	94-238-04
	098607-01-703	EA	VALVE KIT	94-232-00
	098607-01-705	EA	VALVE-CHECK, KIT	94-237-00
	098607-01-706	EA	HOUSING, W/SWITCH ONLY	94-231-20
	098607-01-707	EA	MOTOR W/BASEPLATE	11-148-04

**125420-01-02A, 125420-01-03A, 125420-03-03A, 125420-04-03A**

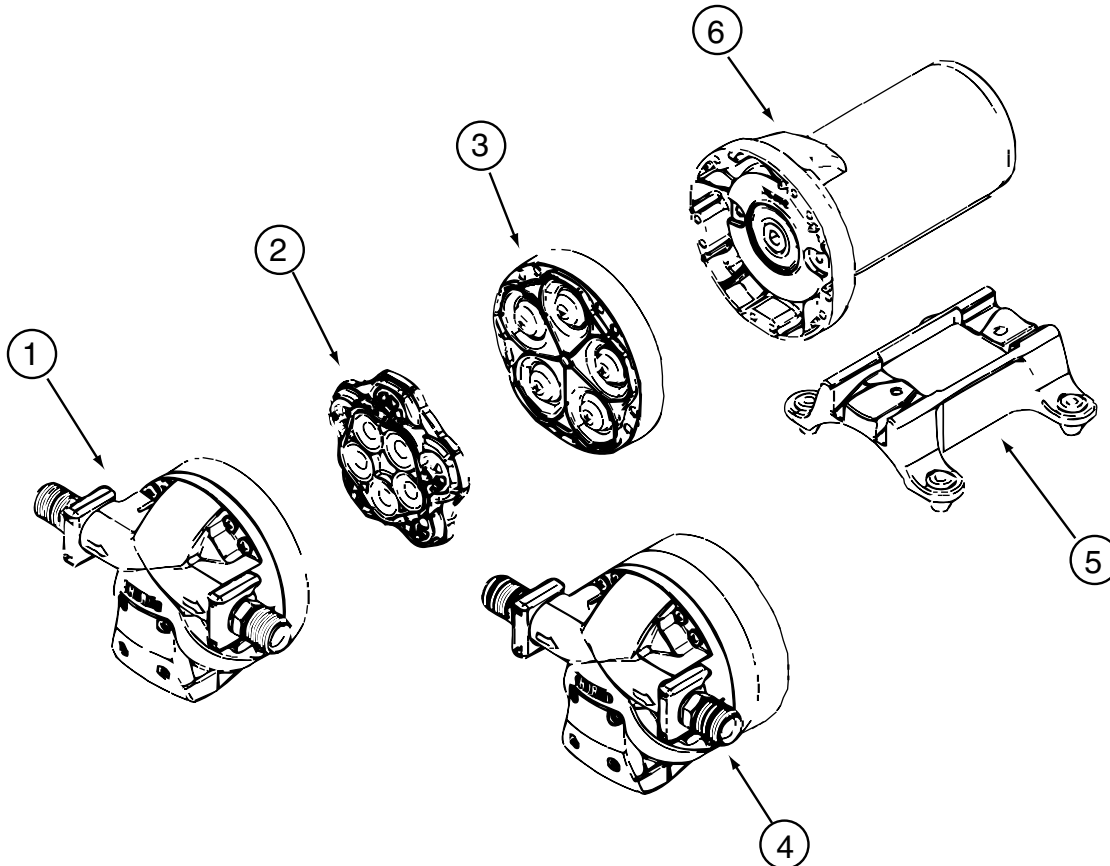
KEY	PART NUMBER	U/M	DESCRIPTION	VENDOR NO.
	051391-01-705	EA	FASTENER - CAMLOCK	92609

**129390-03-01A**

KEY	PART NUMBER	U/M	DESCRIPTION	VENDOR NO.
	129390-03-700	EA	BRACKET-HANGAR/SHOWER HEAD	5001-210PK
	129390 03 701	EA	CONNECTOR-SWIVE	4002-210PK

**141432-01-01A**

KEY	PART NUMBER	U/M	DESCRIPTION	VENDOR NO.
	135027-01-705	EA	CARTRIDGE F/SGL LEVER FAUCET,	1225



**144215-01-000**

KEY	PART NUMBER	U/M	DESCRIPTION	VENDOR NO.
2	144215-01-700	EA	VALVE ASSEMBLY	94-030-01
3	144215-01-701	EA	DRIVE ASSEMBLY	94-030-02
	144215-01-702	EA	FITTING KIT - W/ORINGS	94-615-06

CONTACT WINNEBAGO PARTS SALES FOR UNLISTED COMPONENT(S)

**144215-02-000**

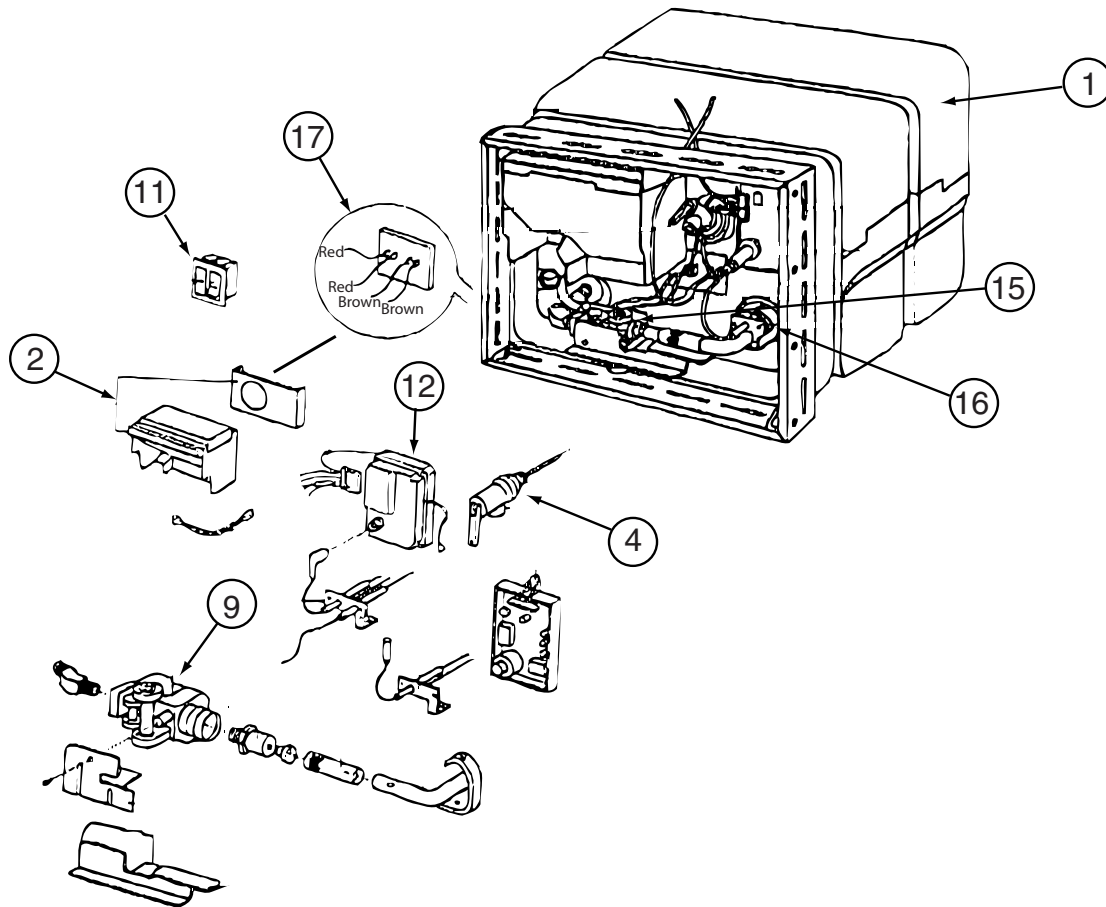
KEY	PART NUMBER	U/M	DESCRIPTION	VENDOR NO.
	144215-02-700	EA	FITTING KIT- COUPLER W/ORING	94-637-00

**144596-01-01A**

KEY	PART NUMBER	U/M	DESCRIPTION	VENDOR NO.
	144596-01-700	EA	CARTRIDGE (REPLACEMENT)	MO-1222B



**WATER & SEWAGE GROUP (CONTINUED)**  
**COMPONENT PARTS FOR WATER SYSTEM (CONTINUED)**



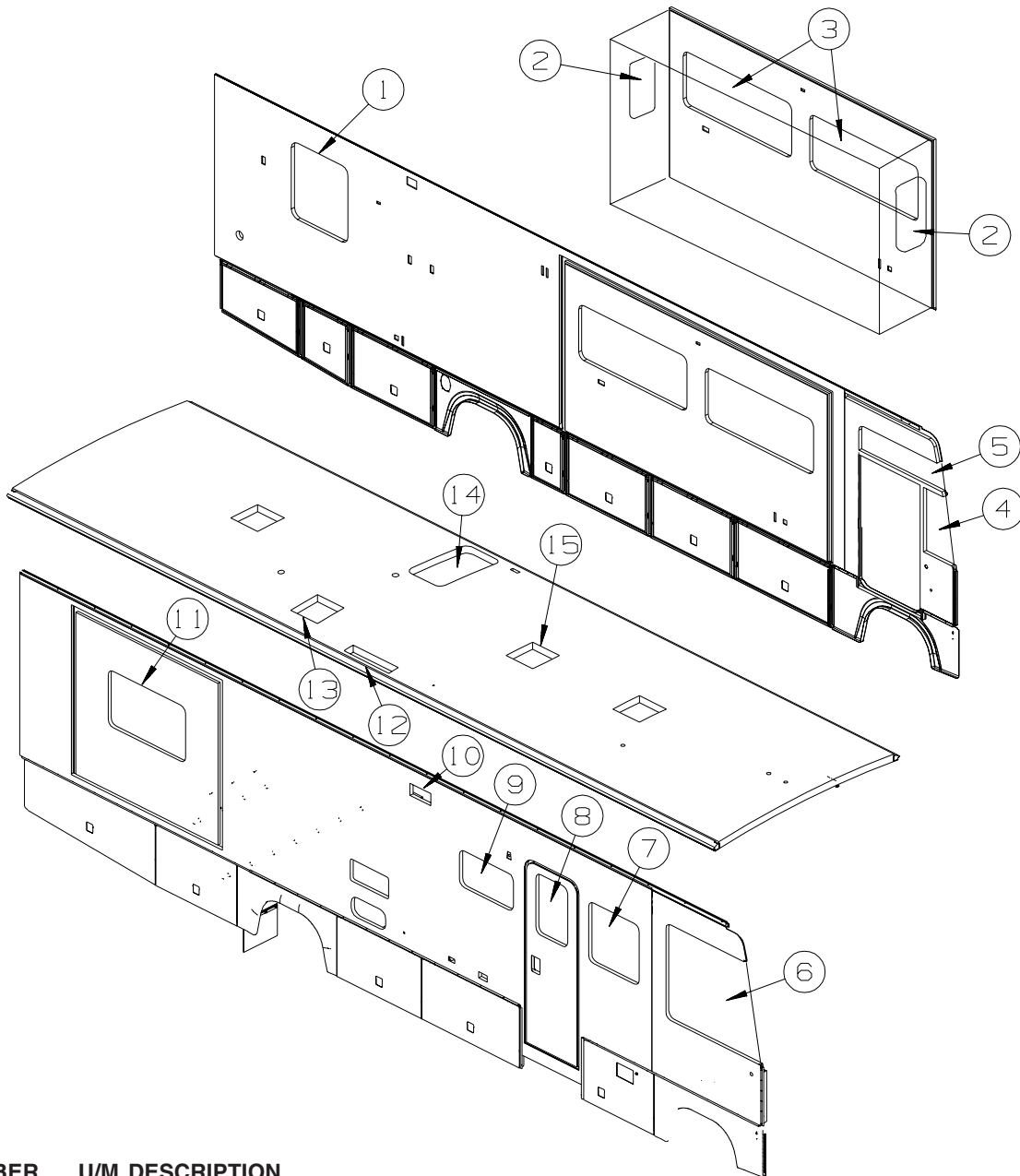
145541-02-000

KEY	PART NUMBER	U/M	DESCRIPTION	VENDOR NO.
1	145541-02-700	EA	TANK - W/INSULATION - 06 GAL	
2	051391-04-707	EA	KIT-EXHAUST, (FLUE & GASKET)	90960
3	051391-01-715	EA	PLUG-DRAIN, 1 EA = 2 PER PKG	91857
4	051391-01-704	EA	VALVE-RELIEF, 1/2" FITTING	91604
9	051393-01-726	EA	VALVE-SOLENOID, W/O BRACKET	93870
11	145541-01-701	EA	SWITCH - ON/OFF - WHITE	91859
11	051393-01-701	EA	SWITCH - REMOTE - W/LIGHT	91959
12	145541-01-702	EA	CIRCUIT BOARD	91226
15	145541-01-703	EA	SWITCH - THERMAL CUT OFF	93866
16	051393-01-725	EA	ELECTRODE-SGL SPADE CONNECT.	93868
17	051393-01-721	EA	THERMOSTAT W/ECO, 140 FRT MT	91447
	051391-05-706	EA	ELEMENT-HEATING 1500 WATT	91160 W/GASKET
	145541-01-704	EA	RELAY	90061
	145541-02-701	EA	JUNCTION BOX(PLASTIC) 6 GAL	91222

CONTACT WINNEBAGO PARTS SALES FOR UNLISTED COMPONENTS

## WINDOW & VENTS GROUP

### WINDOW & VENT LAYOUT



KEY	PART NUMBER	U/M	DESCRIPTION
1*	137867-02-01A	EA	WINDOW - DOUBLE TIPOUT ESCAPE/THERMO - 33.2"X 30.2"
2*	134004-03-01A	EA	WINDOW - VERT SLIDER/FLUSH O/S-THERMO - 21" X 19.8"
3*	112795-77-01A	EA	WINDOW - DRIVER HORIZONTAL SLIDER - THERMO - 57.4" X 23.6"
4*	125585-01-01A	EA	WINDOW - FRONT SLANT/THERMO - 11.6"T X 29.2"H X 16.8"B
5*	125600-01-01A	EA	WINDOW - VISTA - THERMOPANE
6*	125583-01-01A	EA	WINDOW - CAB PASS-3 GLASS THERMO- 42.9"T X 51.2"B X 42.6"H
7*	112898-25-01A	EA	WINDOW - VERTICAL SLIDER - THERMOPANE - 26.3" X 26.9"
8*	113733-10-01A	EA	WINDOW - STATIONARY - THERMO/EUROPEAN - 26.3" X 17"
9*	112795-72-01A	EA	WINDOW - PASSENGER HORIZ SLIDER - THERMO - 28.5" X 15.7"
10	138983-01-01A	EA	VENT - MICROWAVE OUTER - BRIGHT WHITE
10	138983-03-01A	EA	COVER - VENT MICROWAVE OUTER - BRIGHT WHITE
11*	129929-11-01A	EA	WINDOW - TORQUE - THERMO - 40.9" X 24.2"
12	084073-04-000	EA	BASE/VENT - ROOF/REFRIGERATOR - BLACK - NORCOLD FROM: 00-00-00 THRU: 11-09-03
12	149508-02-02A	EA	BASE - REFRIGERATOR ROOF VENT - BRIGHT WHITE FROM: 11-10-03 THRU: 99-99-99
12	084073-07-000	EA	CAP - ROOF/REFRIGERATOR VENT - 10" X 32" - BRIGHT WHITE FROM: 00-00-00 THRU: 11-09-03
12	149508-01-02A	EA	CAP - ROOF/REFRIGERATOR VENT - WHITE FROM: 11-10-03 THRU: 99-99-99

\*COMPONENT PARTS LISTED LATER IN THIS GROUP

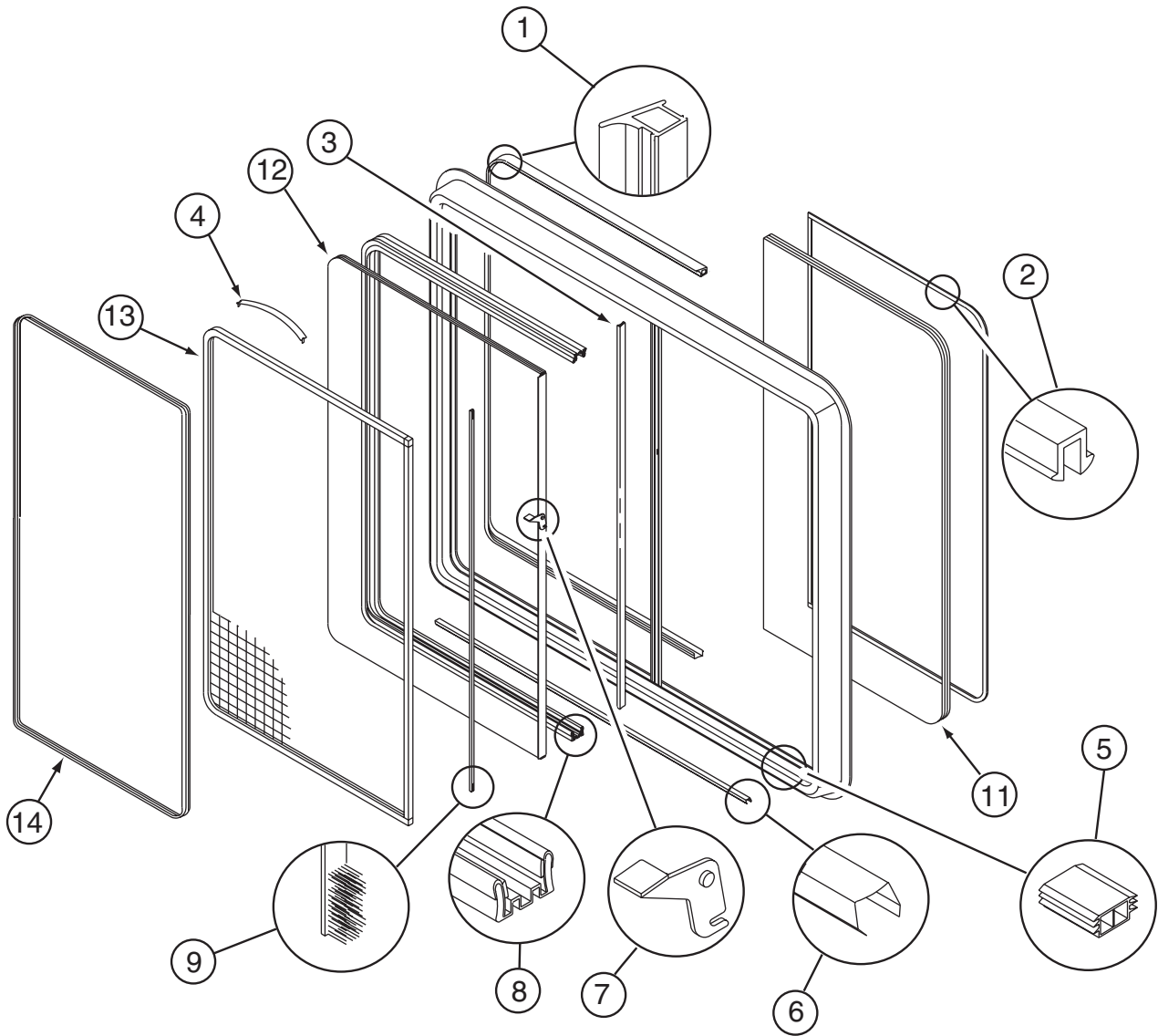
## WINDOW & VENTS GROUP (CONTINUED)

### WINDOWS & VENT LAYOUT (CONTINUED)

KEY	PART NUMBER	U/M	DESCRIPTION
13*	122882-02-01A	EA	VENT - ROOF - W/FAN - W/O INSIDE GARNISH - UL - U.S. - POWER VENT
	009440-01-000	EA	GEAR/ARM - LIFT - ROOF VENT COVER
	048648-01-000	EA	MOTOR/ROOF VENT - W/RESISTER - 1/8 SHAFT - 12VOLT
	048649-01-000	EA	FAN BLADE - ROOF VENT - 6 BLADES - 6"
13	122882-07-01A	EA	GARNISH - ROOF VENT - 2.5" TO 4.1"
13*	122882-03-01A	EA	VENT - ROOF - W/FAN - W/O INSIDE GARNISH - CSA - CANADIAN - POWER VENT
	009440-01-000	EA	GEAR/ARM - LIFT - ROOF VENT COVER
	048648-01-000	EA	MOTOR/ROOF VENT - W/RESISTER - 1/8 SHAFT - 12VOLT
	048649-01-000	EA	FAN BLADE - ROOF VENT - 6 BLADES - 6"
13	122882-07-01A	EA	GARNISH - ROOF VENT - 2.5" TO 4.1"
14	122191-01-02A	EA	PANEL - SKYLIGHT - INNER W/LIGHT CUTOUT - 20.7" X 35.4"
14	138372-01-12B	EA	TRIM - CORNER - SKYLIGHT - BRIGHT WHITE
14	138380-01-01A	EA	PANEL/SKYLIGHT - LARGE/OUTER - RECTANGULAR - WHITE
15*	122882-01-01A	EA	VENT - ROOF - NONPOWERED - W/O INSIDE GARNISH - NON-POWERED
	009440-01-000	EA	GEAR/ARM - LIFT - ROOF VENT COVER
15	122882-07-01A	EA	GARNISH - ROOF VENT - 2.5" TO 4.1"
15*	123780-03-01A	EA	FANTASTIC VENT-3"/4"ROOF-W/FAN-W/O THERM/PWR LIFT - POWERED VENT W/VENTILATOR
	009440-01-000	EA	GEAR/ARM - LIFT - ROOF VENT COVER

\*COMPONENT PARTS LISTED LATER IN THIS GROUP

**WINDOW & VENTS GROUP (CONTINUED)**  
**COMPONENT PARTS FOR WINDOW & VENT LAYOUT**



112795-72-01A

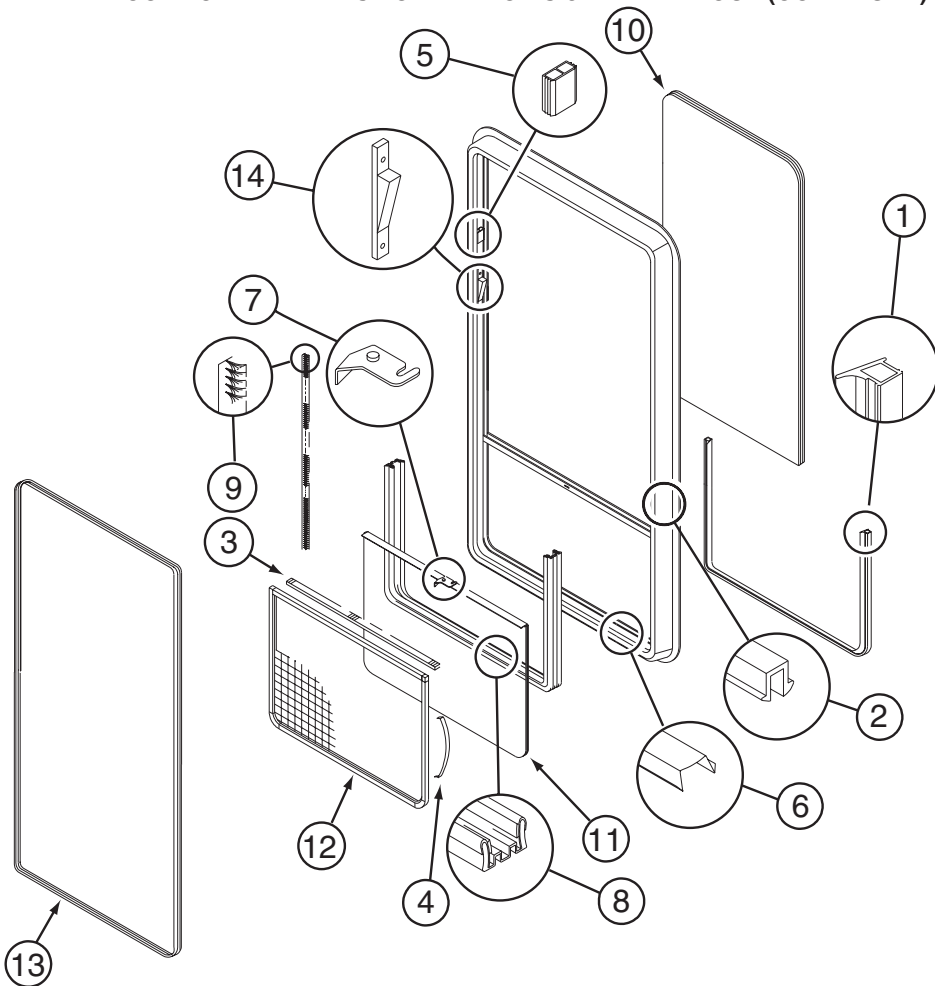
KEY	PART NUMBER	U/M	DESCRIPTION	VENDOR NO.
1	112795-01-704	FT	PLUG FILLER (DOUBLE GLAZED)	122-018737
2	112795-01-705	FT	VINYL - GLAZING	132-025736
3	098644-01-706	FT	WEATHERSTRIP - GLASS	171-010668
4	098644-01-713	EA	CLIP - SCREEN - METAL	226-016966
4	125582-01-701	EA	CLIP - SCREEN - PLASTIC	130-005153
	098644-01-717	FT	SPLINE - SCREEN	132-004716
5	112795-01-701	EA	SLIDE-STOP	132-019092
6	098644-01-710	FT	TRACK - SCREEN SPACER 12'	132-017135
7	112795-01-700	EA	LATCH ASM., BLK.,(BOLT ON)	DH287-CK
8	112795-01-703	IN	CHANNEL-RUN (INCHES)	122-018736
9	098644-01-711	FT	WEATHERSTRIP - SCREEN BLACK	171-016965
11	112795-72-700	EA	GLASS - STATIONARY	390-028307
12	112795-72-701	EA	GLASS - SLIDING W/SASH LATCH	DC29-G8
13	098647-31-704	EA	SCREEN ASSY - W/SEAL & CLIPS	410-019128
14	098647-31-705	EA	RETAINER - TRIM	CH29-66

**WINDOW & VENTS GROUP (CONTINUED)**  
**COMPONENT PARTS FOR WINDOWS & VENT LAYOUT (CONTINUED)**

112795-77-01A

KEY	PART NUMBER	U/M	DESCRIPTION	VENDOR NO.
1	112795-01-704	FT	PLUG FILLER (DOUBLE GLAZED)	122-018737
2	112795-01-705	FT	VINYL - GLAZING	132-025736
3	098644-01-706	FT	WEATHERSTRIP - GLASS	171-010668
4	098644-01-713	EA	CLIP - SCREEN - METAL	226-016966
4	125582-01-701	EA	CLIP - SCREEN - PLASTIC	130-005153
5	112795-01-701	EA	SLIDE-STOP	132-019092
6	098644-01-710	FT	TRACK - SCREEN SPACER 12'	132-017135
7	112795-01-700	EA	LATCH ASM., BLK.,(BOLT ON)	DH287-CK
8	112795-01-703	IN	CHANNEL-RUN (INCHES)	122-018736
9	098644-01-711	FT	WEATHERSTRIP - SCREEN BLACK	171-016965
11	112795-77-700	EA	GLASS - STATIONARY	390-28313
12	112795-77-701	EA	GLASS - SLIDING W/SASH LATCH	DH493-G8
13	098647-47-702	EA	SCREEN ASSY - W/SEAL & CLIPS	410-025226
14	098647-47-704	EA	RETAINER - TRIM	H493-66
	098644-01-717	FT	SPLINE - SCREEN	132-004716

**WINDOW & VENTS GROUP (CONTINUED)**  
**COMPONENT PARTS FOR WINDOWS & VENT LAYOUT (CONTINUED)**



112898-25-01A

KEY	PART NUMBER	U/M	DESCRIPTION	VENDOR NO.
1	112795-01-704	FT	PLUG FILLER (DOUBLE GLAZED)	122-018737
2	112795-01-705	FT	VINYL - GLAZING	132-025736
3	098644-01-706	FT	WEATHERSTRIP - GLASS	171-010668
4	098644-01-713	EA	CLIP - SCREEN - METAL	226-016966
4	125582-01-701	EA	CLIP - SCREEN - PLASTIC	130-005153
5	112795-01-701	EA	SLIDE-STOP	132-019092
6	098644-01-710	FT	TRACK - SCREEN SPACER 12'	132-017135
7	112795-01-700	EA	LATCH ASM., BLK.,(BOLT ON)	DH287-CK
8	112795-01-703	IN	CHANNEL-RUN (INCHES)	122-018736
9	098644-01-711	FT	WEATHERSTRIP - SCREEN BLACK	171-016965
10	112898-25-700	EA	GLASS - STATIONARY	390-028310
11	112898-25-701	EA	GLASS-SLIDING W/SASH & LATCH	DH564-G8
12	112898-19-702	EA	SCREEN ASM - W/SEALS & CLIPS	410-026279
13	112898-19-703	EA	RETAINER - TRIM	W564-66
14	112898-04-703	EA	VERTICAL LATCH (SASH KIT)	DH343-CK
	098644-01-717	FT	SPLINE - SCREEN	132-004716

**WINDOW & VENTS GROUP (CONTINUED)**  
**COMPONENT PARTS FOR WINDOW & VENT LAYOUT (CONTINUED)**

**113733-10-01A**

<b>KEY</b>	<b>PART NUMBER</b>	<b>U/M</b>	<b>DESCRIPTION</b>	<b>VENDOR NO.</b>
	112795-01-705	FT	VINYL - GLAZING	132-025736
	113733-10-700	EA	GLASS-STATIONARY	390-028306
	113733-10-701	EA	RETAINER-TRIM	H416-66

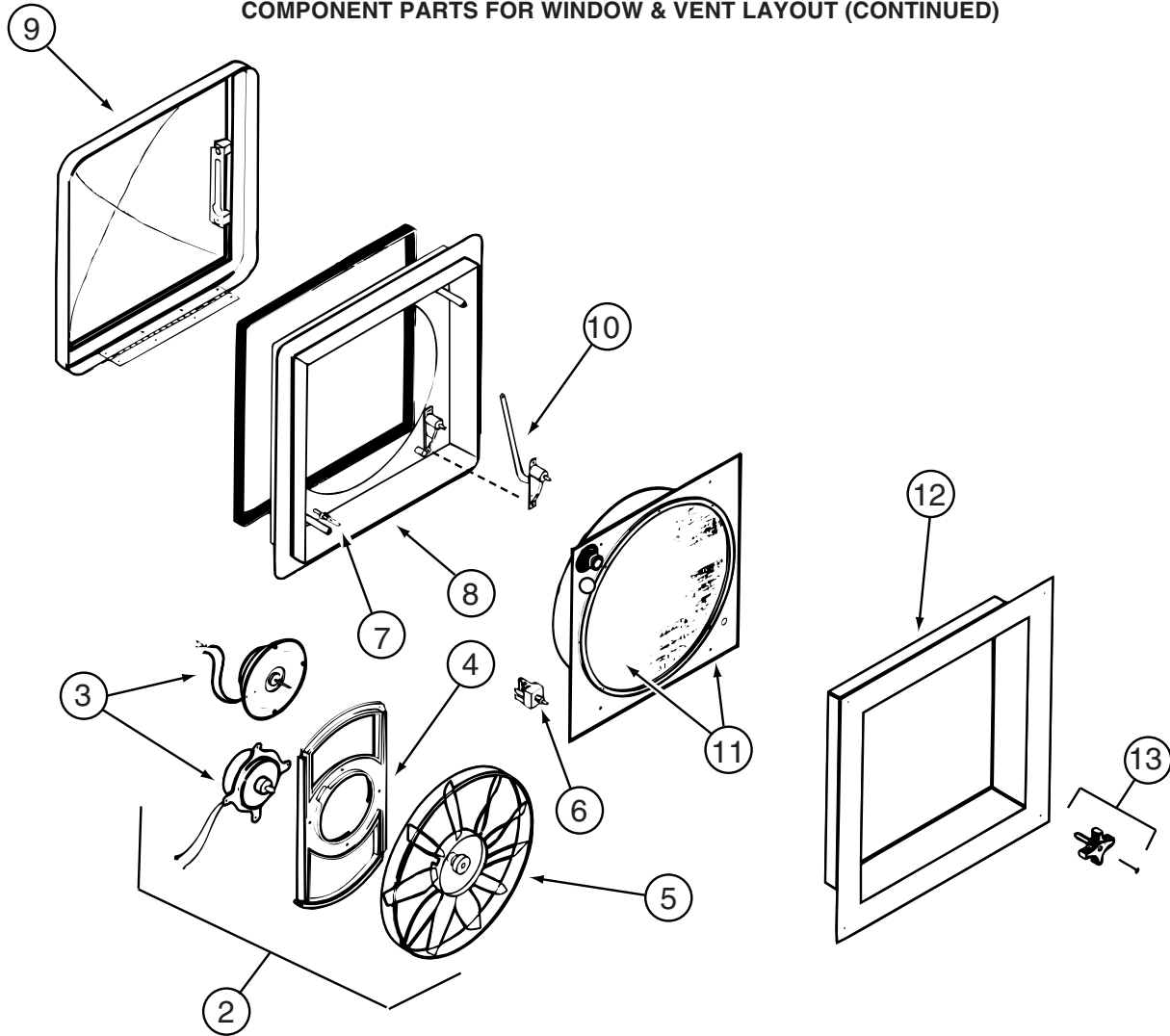
**122882-01-01A**

<b>KEY</b>	<b>PART NUMBER</b>	<b>U/M</b>	<b>DESCRIPTION</b>	<b>VENDOR NO.</b>
	009440-01-000	EA	GEAR-ARM-ROOF VENT	705221K38
	064470-01-700	EA	COVER - VENT - W/O SLIDE BAR	J7291
	064470-01-701	EA	SLIDE BAR - VENT LID	JRP1291B
	122882-01-700	EA	HANDLE - CRANK - BLACK	90128
	122882-01-701	EA	SCREEN	JRP-1124-B
	122882-01-702	EA	HANDLE - CRANK - WHITE	JRP1031B

**122882-02-01A, 122882-03-01A**

<b>KEY</b>	<b>PART NUMBER</b>	<b>U/M</b>	<b>DESCRIPTION</b>	<b>VENDOR NO.</b>
	064470-01-700	EA	COVER - VENT - W/O SLIDE BAR	J7291
	009440-01-000	EA	GEAR-ARM-ROOF VENT	705221K38
	048648-01-000	EA	MOTOR-12V NONVENTED 1/8 SFT	
	048649-01-000	EA	FAN-PLAS-6 IN 6 BLADED	
	122882-01-700	EA	HANDLE - CRANK - BLACK	90128
	122882-01-701	EA	SCREEN	JRP-1124-B
	122882-01-702	EA	HANDLE - CRANK - WHITE	JRP1031B
	064470-01-701	EA	SLIDE BAR - VENT LID	JRP1291B
	110051-03-700	EA	SWITCH-BLACK/PUSH BUTTON	27-0164

**WINDOW & VENTS GROUP (CONTINUED)**  
**COMPONENT PARTS FOR WINDOW & VENT LAYOUT (CONTINUED)**



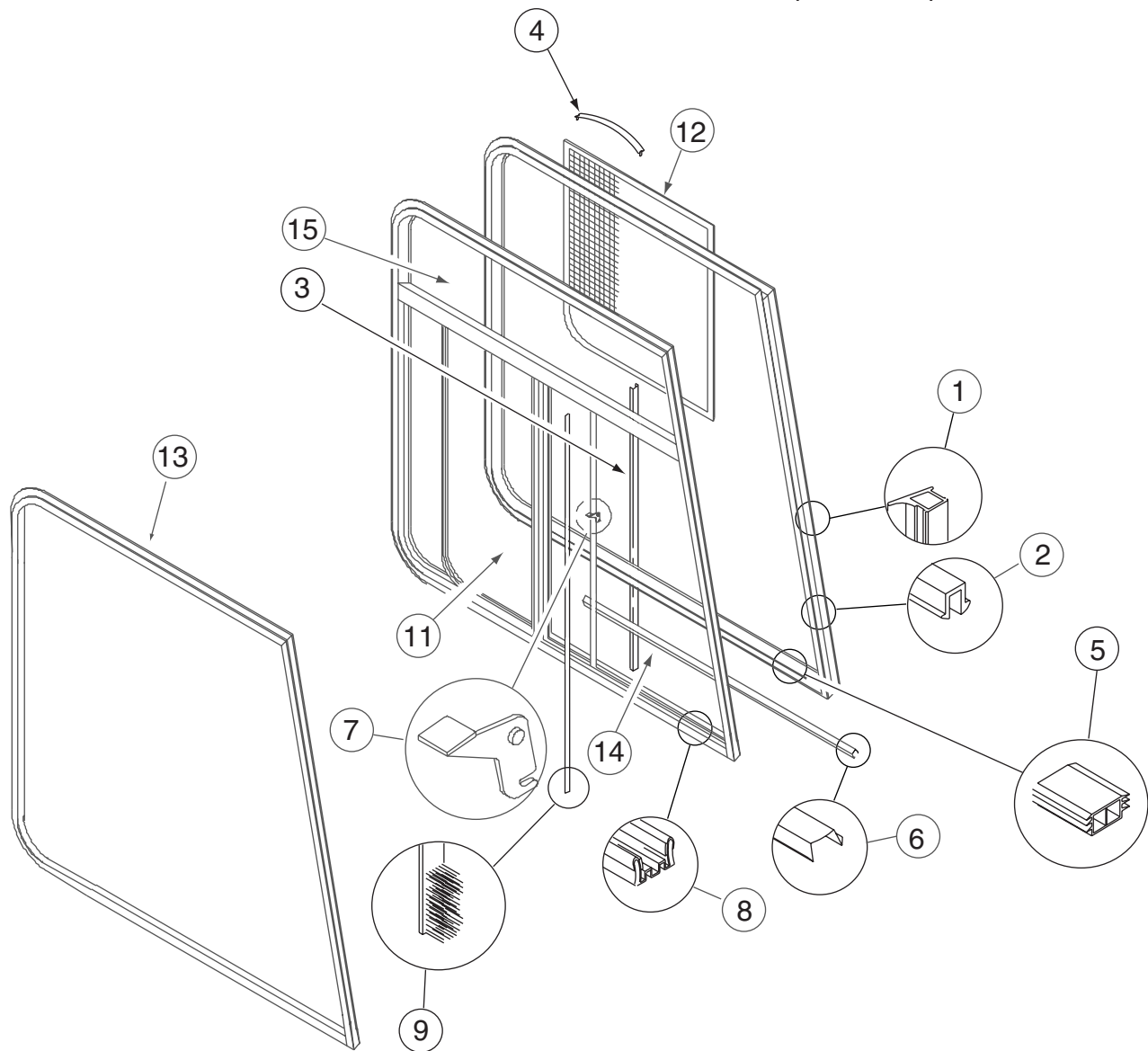
123780-03-01A

KEY	PART NUMBER	U/M	DESCRIPTION	VENDOR NO.
2	084079-11-700	EA	MOTOR & FAN BLADE W/BRACKET	K4017-09
3	084079-01-705	EA	MOTOR/EXT BRKT/FAN BLADE KIT	1080-00
4	084079-01-711	EA	MOTOR MOUNT (BOWTIE)	1015-00
5	084079-01-704	EA	BLADE-FAN	1138-00
6	084079-01-709	EA	SWITCH - MAIN - 3 SPEED	1031-05
7	084079-01-707	EA	SWITCH - SAFETY	1122-05
8	123780-05-700	EA	BASE/MAIN-BRT WHT W/GASKET	1010-81
9	123780-01-700	EA	COVER - VENT W/HINGE & SLIDE	1020K-81
10	009440-01-000	EA	GEAR-ARM-ROOF VENT	705221K38
11	123780-03-701	EA	SCREEN ASM 78-100MM W/SWITCH	1030BT-81
12	123780-03-700	EA	GARNISH - INT. 3"-4" BRT/WHT	2040-81
13	084079-01-703	EA	KNOB-LIFT, W/EXT.	1140K-00
	123780-01-702	EA	SCREEN INSERT (SCREEN RING)	K1035-81
	084079-01-706	EA	PLUG, 12 VOLT	1090

CONTACT WINNEBAGO PART SALES FOR UNLISTED COMPONENTS



**WINDOW & VENTS GROUP (CONTINUED)**  
**COMPONENT PARTS FOR WINDOW & VENT LAYOUT (CONTINUED)**



125583-01-01A

KEY	PART NUMBER	U/M	DESCRIPTION	VENDOR NO.
1	112795-01-704	FT	PLUG FILLER (DOUBLE GLAZED)	122-018737
2	112795-01-705	FT	VINYL-GLAZING	132-027331
3	098644-01-706	FT	WEATHERSTRIP - GLASS	171-010668
4	098644-01-713	EA	CLIP - SCREEN - METAL	226-016966
4	125582-01-701	EA	CLIP - SCREEN - PLASTIC	130-005153
5	112795-01-701	EA	SLIDE-STOP	132-019092
6	098644-01-710	FT	TRACK - SCREEN SPACER 12'	32-017135
7	112795-01-700	EA	LATCH ASM., BLK.,(BOLT ON)	DH287-CK
8	112795-01-703	IN	CHANNEL-RUN (INCHES)	122-027566
9	098644-01-711	FT	WEATHERSTRIP - SCREEN BLACK	171-016965
11	125583-01-700	EA	GLASS-SLIDING W/SASH & LATCH	DH573-A9R
12	125582-01-705	EA	SCREEN - PASSENGER - W/SEALS & CLIPS	410-026545
13	125582-01-706	EA	RETAINER - TRIM	H573-27R
14	125583-01-702	EA	GLASS - STATIONARY - R.H.	390-026101
15	125583-01-701	EA	GLASS - STATIONARY - UPPER	390-026100
	125582-01-708	EA	WEEPHOLE COVER - RIGHT HAND	130-026598
	125582-01-709	EA	WEEPHOLE COVER - LEFT HAND	130-026599
	098644-01-717	EA	SPLINE - SCREEN	132-004716

**WINDOW & VENTS GROUP (CONTINUED)**  
**COMPONENT PARTS FOR WINDOW & VENT LAYOUT (CONTINUED)**

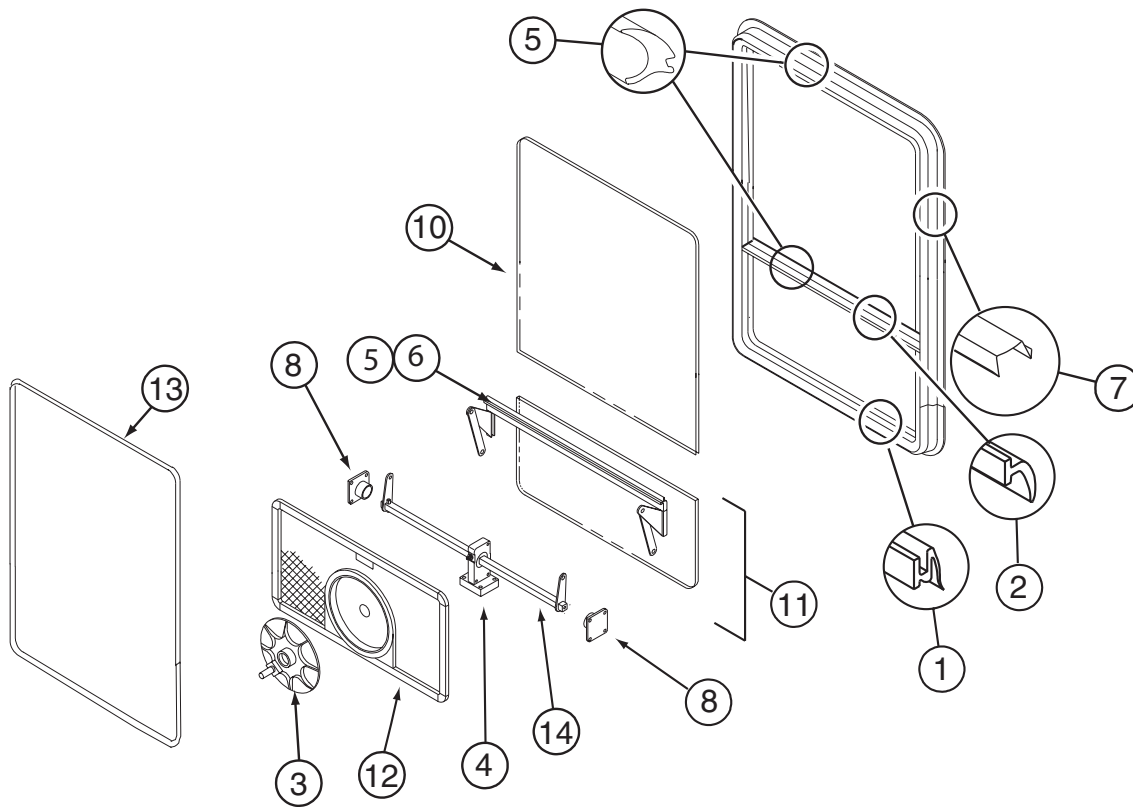
**125585-01-01A**

<b>KEY</b>	<b>PART NUMBER</b>	<b>U/M</b>	<b>DESCRIPTION</b>	<b>VENDOR NO.</b>
	125585-01-700	EA	GLASS - STATIONARY	390026092
	116000-01-704	EA	VINYL - GLAZING	132-018161
	125584-01-701	EA	RETAINER - TRIM	106026078

**125600-01-01A**

<b>KEY</b>	<b>PART NUMBER</b>	<b>U/M</b>	<b>DESCRIPTION</b>	<b>VENDOR NO.</b>
	125600-01-700	EA	GLASS - STATIONARY	390026099
	116000-01-704	EA	VINYL - GLAZING	132-018161
	125586-01-701	EA	RETAINER - TRIM	H57027L

**WINDOW & VENTS GROUP (CONTINUED)**  
**COMPONENT PARTS FOR WINDOW & VENT LAYOUT (CONTINUED)**

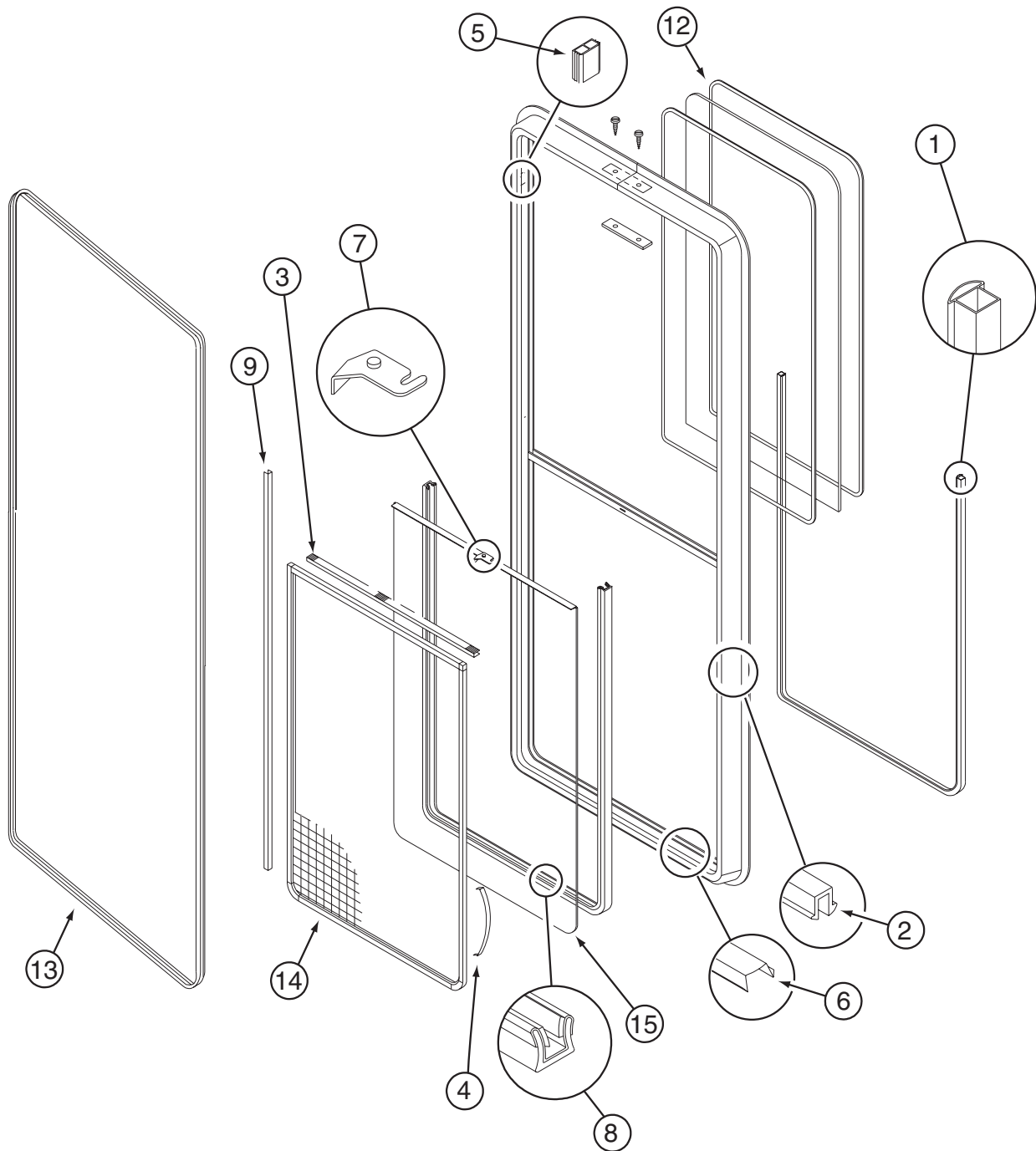


129929-11-01A

KEY	PART NUMBER	U/M	DESCRIPTION	VENDOR NO.
1	100322-01-701	FT	SEAL-VENT	122-016071
3	100322-01-718	EA	HANDLE-DIAL	410-016081
4	129929-01-710	EA	TORQUE-CTR SUPPORT (2 HOLE)	410-026806
5	129929-01-705	FT	GLAZING VINYL	132-026811
6	129929-01-706	FT	SEAL - TOP F/CENTER EGRESS	132-026811
6	129929-02-706	FT	SEAL - FOAM	140-027022
7	129929-01-707	FT	COVER/SCREW-FILLER STRIP	132-026808
8	129929-01-708	EA	SUPPORT - TORQUE BAR - RT/LT	130-026804
10	129929-11-700	EA	GLASS - STATIONARY	390-028304
11	129929-11-701	EA	VENT GLASS ASSEMBLY	DTH005-G8
12	129929-05-702	EA	SCREEN ASM - W/SEALS & CLIPS	410-026909
13	129929-05-705	EA	RETAINER - TRIM	CH05-62
14	129929-05-704	EA	OPERATOR BAR ASSEMBLY	DTH005-15
	100322-01-717	EA	E-RING	245-015975

CONTACT WINNEBAGO PART SALES FOR UNLISTED COMPONENTS

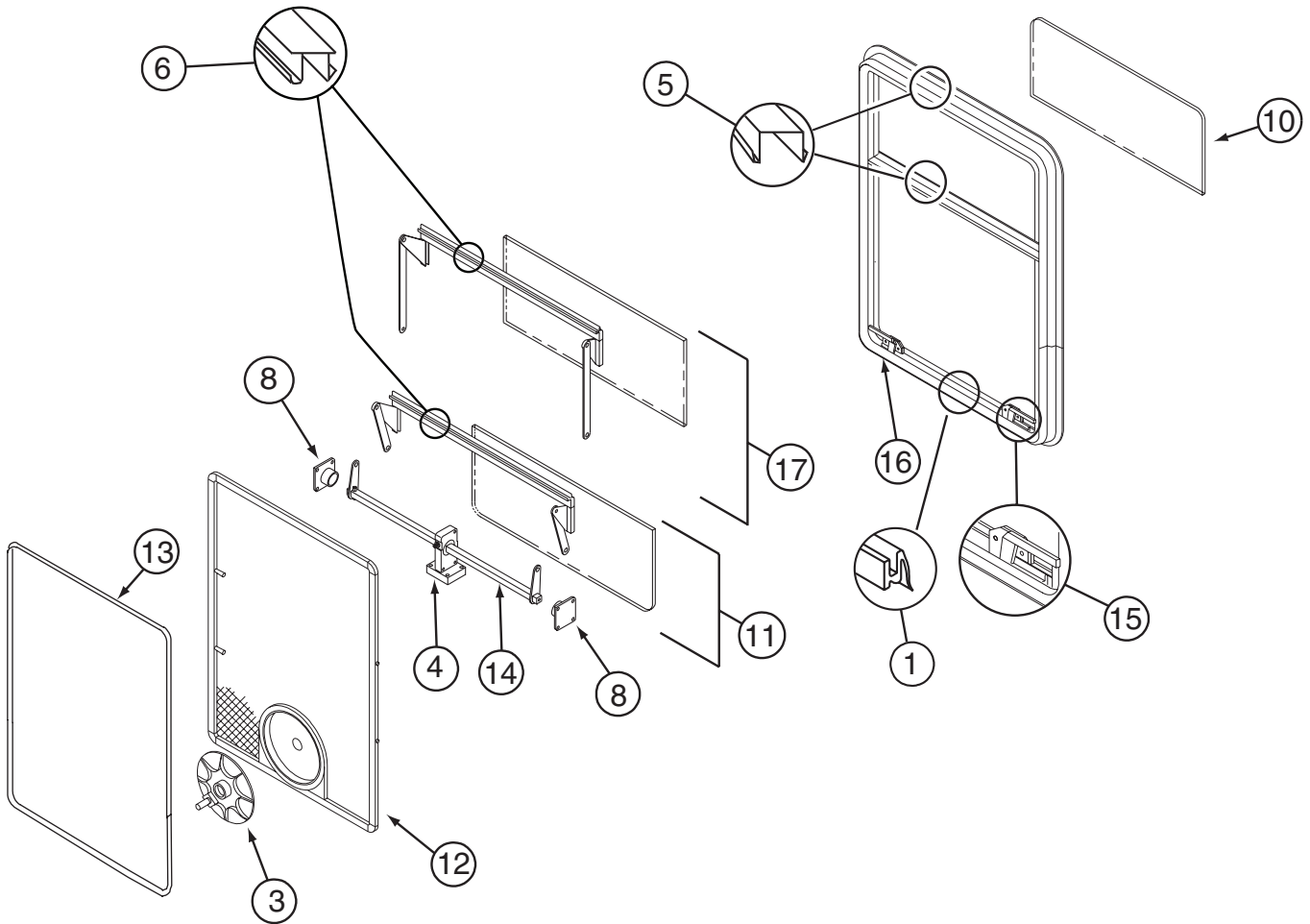
**WINDOW & VENTS GROUP (CONTINUED)**  
**COMPONENT PARTS FOR WINDOW & VENT LAYOUT (CONTINUED)**



134004-03-01A

KEY	PART NUMBER	U/M	DESCRIPTION	VENDOR NO
1	112795-01-704	FT	PLUG FILLER (DOUBLE GLAZED)	122-018737
2	112795-01-705	FT	VINYL - GLAZING	132-027331
3	098644-01-706	FT	WEATHERSTRIP - GLASS	171-010668
4	098644-01-713	EA	CLIP - SCREEN - METAL	226-016966
4	125582-01-701	EA	CLIP - SCREEN - PLASTIC	130-005153
5	112795-01-701	EA	SLIDE-STOP	132-019092
6	098644-01-710	FT	TRACK - SCREEN SPACER 12'	132-017135
7	112795-01-700	EA	LATCH ASM., BLK.,(BOLT ON)	DH287-CK
8	112795-01-703	IN	CHANNEL-RUN (INCHES)	122-027566
9	075673-05-000	FT	SEAL-PILE ADH BACK,BLK	AMESBURY
12	134004-03-700	EA	GLASS - STATIONARY	390-028662
13	134004-03-702	EA	RETAINER - TRIM	H702-56
14	098644-13-702	EA	SCREEN ASM W/SEALS & CLIPS	410-028663
15	134004-03-701	EA	GLASS-SLIDING W/SASH & LATCH	DH702-G8
	098644-01-717	FT	SPLINE - SCREEN	132-004716
	112898-04-703	EA	VERTICAL LATCH (SASH KIT)	DH343-CK

**WINDOW & VENTS GROUP (CONTINUED)**  
**COMPONENT PARTS FOR WINDOW & VENT LAYOUT (CONTINUED)**



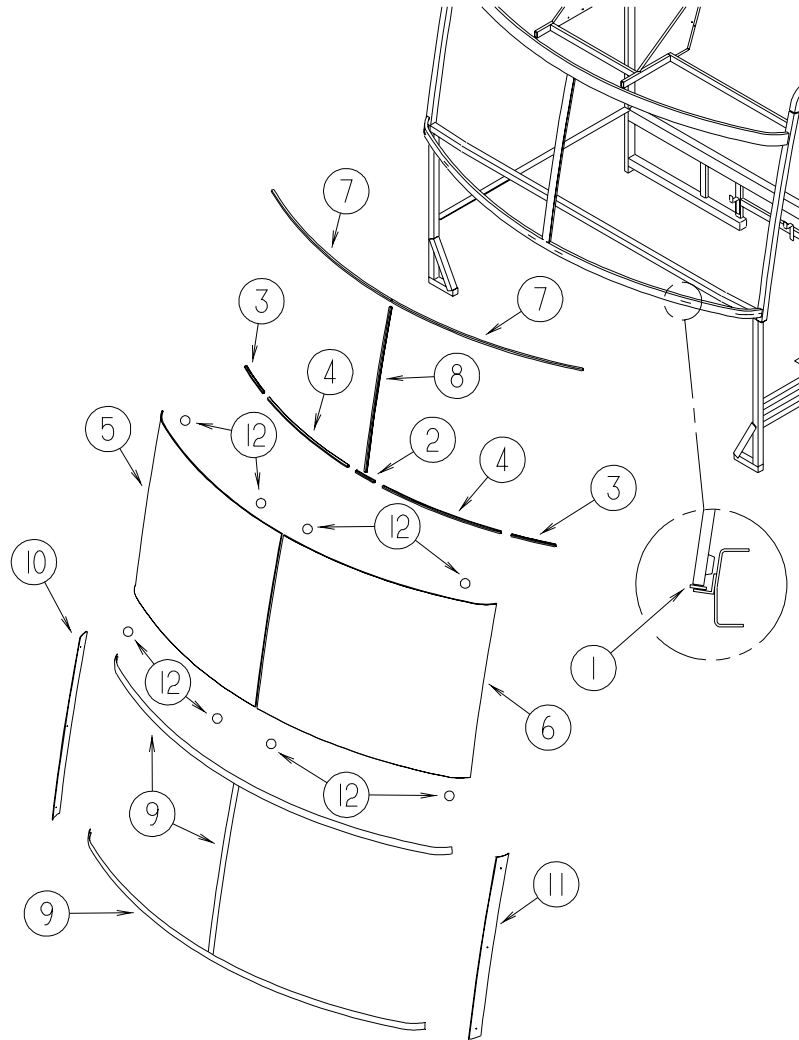
137867-02-01A

KEY	PART NUMBER	U/M	DESCRIPTION	VENDOR NO.
1	100322-01-701	FT	SEAL-VENT	122-016071
3	100322-01-718	EA	HANDLE-DIAL	410-016081
4	129929-01-710	EA	TORQUE-CTR SUPPORT (2 HOLE)	410-026806
5	129929-01-705	FT	GLAZING VINYL	132-026811
6	129929-01-707	FT	COVER/SCREW-FILLER STRIP	132-026808
8	129929-01-708	EA	SUPPORT - TORQUE BAR - RT/LT	130-026804
10	137867-02-700	EA	GLASS - STATIONARY (DBL GLZ)	390-029123
11	137867-02-701	EA	VENT ASSEMBLY LWR (DBL GLZ)	DTH023-G8
12	137867-03-702	EA	SCREEN ASSEMBLY	410-029122
13	137867-02-703	EA	RETAINER - TRIM	CH101-62
14	137867-03-704	EA	OPERATOR BAR ASSEMBLY	DTH025-15
15	112898-06-704	EA	HANDLE-LATCH/RED-RH (TIPOUT)	182-11293
16	112898-06-705	EA	HANDLE-LATCH/RED-LH (TIPOUT)	182-11294
17	137867-02-702	EA	VENT ASSEMBLY UPR (DBL GLZ)	DTH023-G6
	100322-01-717	EA	E-RING	245-015975
	129929-01-706	IN	SEAL - TOP F/CENTER EGRESS	132-026811
	129929-02-706	FT	SEAL - FOAM	140-027022

CONTACT WINNEBAGO PART SALES FOR UNLISTED COMPONENTS

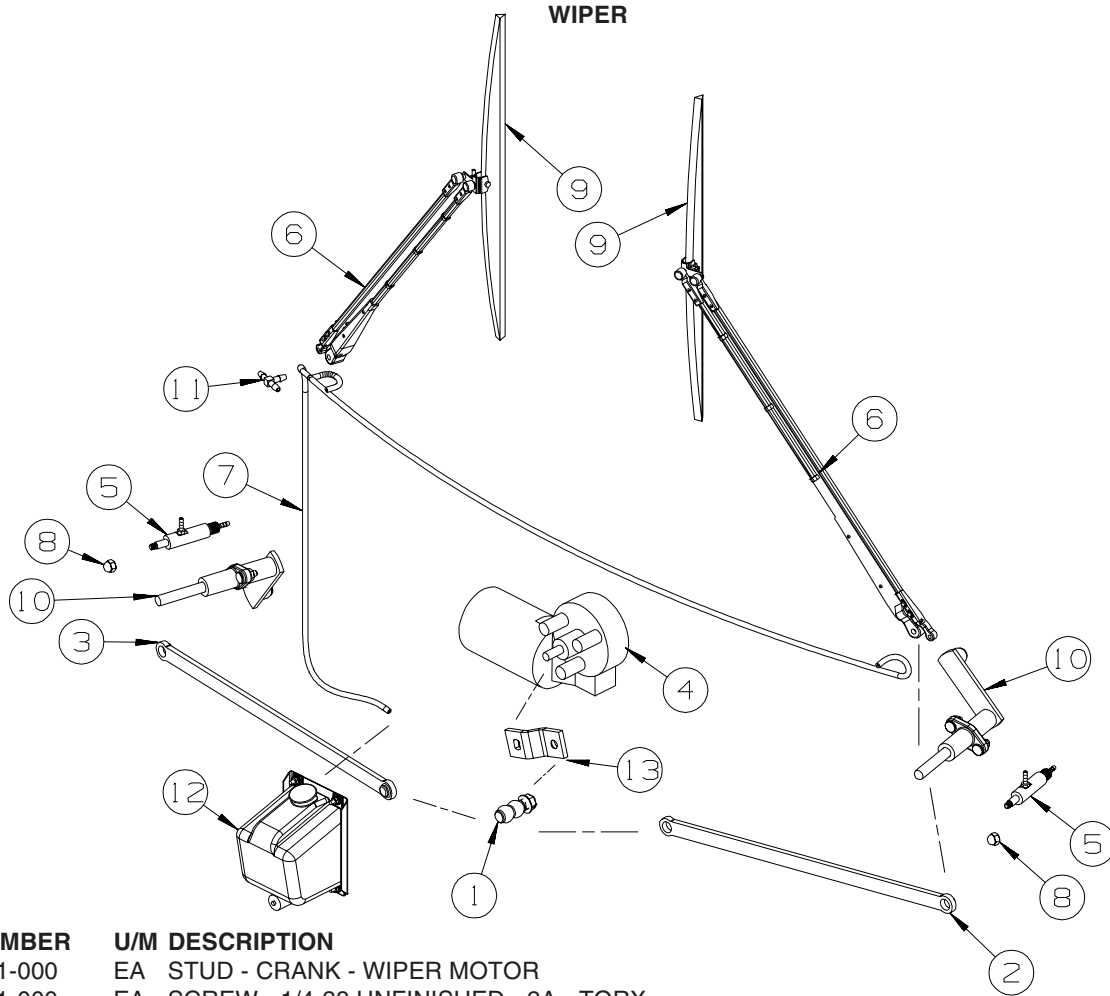
# WINDSHIELD & WIPER GROUP

## WINDSHIELD



KEY	PART NUMBER	U/M	DESCRIPTION
1	002328-02-000	EA	BLOCK - WINDSHIELD - .062" X .5" X .98"
2	142036-01-000	EA	CARRIER/REVEAL - WINDSHIELD
3	142036-02-000	EA	CARRIER/REVEAL - WINDSHIELD
			FROM: 00-00-00 THRU: 08-03-03
3	142036-01-000	EA	CARRIER/REVEAL - WINDSHIELD
			FROM: 08-04-03 THRU: 99-99-99
4	132375-04-000	EA	CARRIER/REVEAL - WINDSHIELD - 29.8"
5	124328-01-000	EA	WINDSHIELD - PASSENGER - 52" X 41" (CURVED)
6	124328-02-000	EA	WINDSHIELD - DRIVER - 52" X 41" (CURVED)
7	127862-01-000	EA	CARRIER/REVEAL - WINDSHIELD - 47.2"
8	127862-09-000	EA	CARRIER/REVEAL - WINDSHIELD - 38.6"
9	120533-01-000	FT	MOLDING - REVEAL - WINDSHIELD
10	125384-01-02A	EA	TRIM - WINDSHIELD - A-PILLAR - PASSENGER - BLACK
11	125384-02-02A	EA	TRIM - WINDSHIELD - A-PILLAR - DRIVER - BLACK
12	081914-02-000	EA	BUMPER - RUBBER - ROUND - 5/16" DIA. X 13/64" THICK

## WINDSHIELD & WIPER GROUP (CONTINUED)



KEY	PART NUMBER	U/M	DESCRIPTION
1	067188-01-000	EA	STUD - CRANK - WIPER MOTOR
	117322-01-000	EA	SCREW - 1/4-28 UNFINISHED - 2A - TORX
2	117770-01-000	EA	LINK - CONNECTING - 24" - CLOSED GROMMET/OPEN GROMMET
3	117770-02-000	EA	LINK - CONNECTING - 24" - CLOSED GROMMET/CLOSED GROMMET
4	104346-04-000	EA	WIPER MOTOR - "COAST TO PARK" W/BKR - W/GRN/RED/WHITE WIRE - 18,000 GVWR WORKHORSE
4	104346-05-000	EA	WIPER MOTOR - "DYNAMIC PARK" - W/INT BREAKER
5	117768-01-000	EA	SHAFT - ADAPTER - PANTOGRAPH ARM
			FROM: 00-00-00 THRU: 03-10-03
5	145698-01-01A	EA	SHAFT/ADAPTER - PANTOGRAPH - W/WASHER DIVERTER - STAINLESS
			FROM: 03-11-03 THRU: 99-99-99
6*	117769-01-000	EA	ARM - WIPER - PANTOGRAPH - 28"
7	045794-01-000	FT	HOSE - WASHER - WINDSHIELD - 5/32" ID - BLACK
8	077049-02-000	EA	NUT - ACORN - 10-32 BLACK/ANODIZED
9*	095964-01-000	EA	BLADE - WINDSHIELD WIPER - 24"
10*	096505-09-000	EA	SHAFT/PIVOT - WINDSHIELD WIPER
11	110605-01-000	EA	TEE - PLASTIC - BARBED - 1/8" X 1/8" X 3/16"
			FROM: 00-00-00 THRU: 03-10-03
11	146486-01-000	EA	TEE - PLASTIC - 5/32" X 5/32" X 5/32"
			FROM: 03-11-03 THRU: 99-99-99
12	117766-02-000	EA	RESERVOIR/PUMP - WINDSHIELD WASHER
13	104347-04-000	EA	ARM - DRIVE - WIPER MOTOR
	110742-02-000	EA	GASKET - NEOPRENE - WIPER ADAPTER SHAFT - .5" ID X .9" OD
			FROM: 00-00-00 THRU: 05-25-03
	110742-03-000	EA	GASKET - WIPER
			FROM: 05-26-03 THRU: 99-99-99

\*COMPONENT PARTS LISTED LATER IN THIS GROUP

# WINDSHIELD & WIPER GROUP (CONTINUED)

## COMPONENT PARTS FOR WIPER

095964-01-000

KEY	PART NUMBER	U/M	DESCRIPTION	VENDOR NO.
	095964-01-700	EA	BLADE-REFILL 24" EA= 1 PAIR	12360

096505-09-000

KEY	PART NUMBER	U/M	DESCRIPTION	VENDOR NO.
	096505-02-700	EA	DRIVER-KNURLED,(HD) BRL .687	NT721017
	096505-02-701	EA	NUT-HEX (HD) W/.687 BARREL	NT721021
	096505-02-702	EA	CAP-RUBBER (HD) BARREL .687	CP721084
	096505-02-703	EA	NUT/ACORN - HD W/.687 BRL	51065-40-NT27WC

117769-01-000

KEY	PART NUMBER	U/M	DESCRIPTION	VENDOR NO.
	096931-01-700	FT	HOSE - WASHER - 1/8" ID	XTU-66-0001
	117769-01-700	EA	RETAINER CLIP - HOSE	