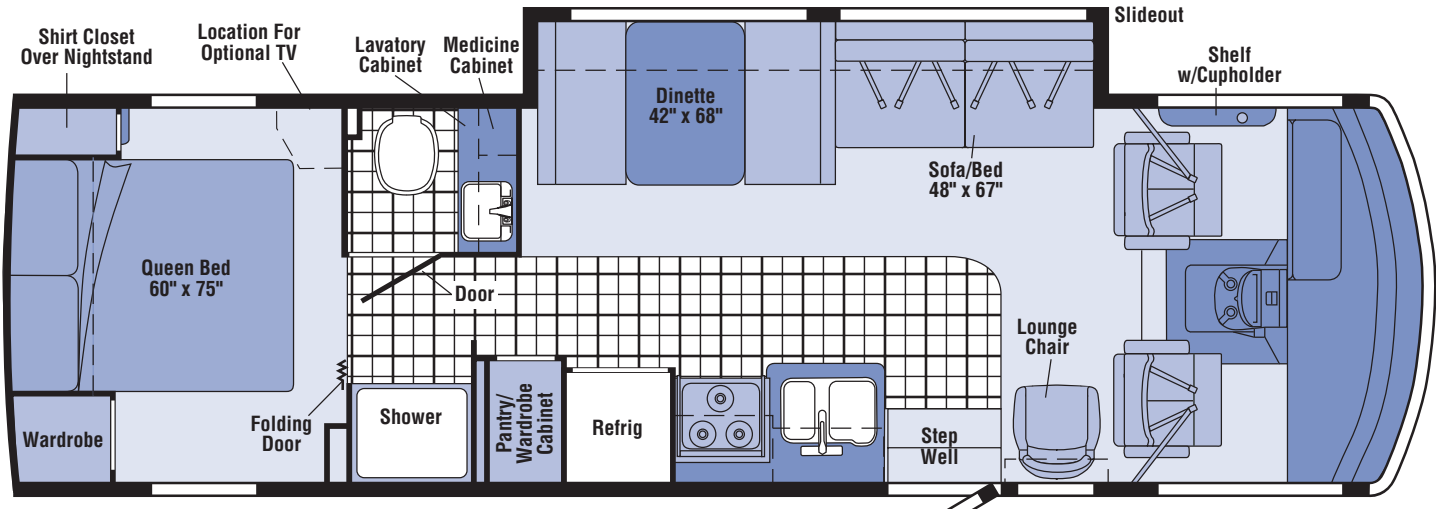


2004
SUNOVA
IFD30B
D-SERIES
PORTSMOUTH OAK
R30 CILANTRO - GREEN
R31 QUARRY ASH - GRAY
R99 OCEAN PACIFIC - BLUE



FLOORPLAN

CONTENTS

| | |
|---|-----------|
| FLOORPLAN | 1 |
| ACCESSORIES GROUP | 7 |
| OPERATORS MANUAL | 7 |
| APPLIANCES GROUP | 8 |
| APPLIANCES | 8 |
| COMPONENT PARTS FOR APPLIANCE | 12 |
| 112881-04-01A, 112881-05-01A, 151277-01-01A & 151277-02-01A | 12 |
| 114030-04-01A | 15 |
| 121568-06-01A, 121568-07-01A, 121568-08-01A | 17 |
| 128527-08-000 | 21 |
| 134940-01-01A | 22 |
| 136354-01-01A, 136354-02-01A | 23 |
| 136354-05-01A | 24 |
| 136354-06-01A | 24 |
| AUDIO VIDEO GROUP | 25 |
| RADIO SYSTEM | 25 |
| COMPONENT PARTS FOR RADIO | 26 |
| 143509-01-000 | 26 |
| REAR VIEW MONITOR | 27 |
| TV & VCR | 28 |
| COMPONENT PARTS FOR TV & VCR | 29 |
| 076319-23-000 | 29 |
| 076319-25-000 | 29 |
| 086231-10-000 | 30 |
| 137135-02-000 | 31 |
| 143171-01-000 | 32 |
| 146355-01-000 | 32 |
| 146356-01-000 | 32 |
| EXTERIOR ENTERTAINMENT | 33 |
| BATH GROUP | 34 |
| CABINETS | 34 |
| SHOWER | 36 |
| SHOWER DOOR | 36 |
| COMPONENT PARTS FOR SHOWER | 37 |
| 089318-01-000 | 37 |
| BEDROOM GROUP | 38 |
| QUEEN CABINETS | 38 |
| COMPONENT PARTS FOR QUEEN CABINETS | 39 |
| 131595-01-01A, 131595-05-01A, 131595-10-01A | 39 |

CONTENTS (CONTINUED)

| | |
|---|-----------|
| CHASSIS GROUP | 40 |
| FRAME | 40 |
| COMPONENT PARTS FOR FRAME | 41 |
| 132643-05-01A | 41 |
| FRONT END | 42 |
| EXHAUST | 44 |
| HITCH | 46 |
| FUEL | 47 |
| HYDRAULIC LEVELING | 51 |
| COMPONENT PARTS FOR HYDRAULIC LEVELING | 52 |
| 139641-01-000 | 52 |
| 139641-02-000 | 53 |
| 139644-02-000 | 54 |
| SPARE TIRE | 55 |
| SUSPENSION | 55 |
| COMPONENT PARTS FOR SUSPENSION | 56 |
| 122756-04-000 | 56 |
| WHEEL, TIRE, COVERS &/OR LINERS | 57 |
| COMPONENT PARTS FOR WHEEL, TIRE, COVERS &/OR LINERS | 58 |
| 134609-02-000 | 58 |
| 109443-06-000 | 58 |
| 109443-07-000 | 58 |
| 109443-08-000 | 58 |
| 110435-20-000 | 58 |
| 134609-04-000 | 58 |
| 145580-04-000 | 58 |
| BRAKE | 59 |
| BRAKELINE | 59 |
| CURTAIN & CUSHION GROUP | 60 |
| NOTICE | 60 |
| CUSHION LAYOUT | 61 |
| BUCKET SEATS | 63 |
| LOUNGE CHAIR | 65 |
| SOFA | 66 |
| WINDOW TREATMENT | 67 |
| HARDWARE | 69 |
| ACCESSORIES | 71 |
| COMPONENT PARTS FOR ACCESSORIES | 72 |
| 091990-04-01A | 72 |
| FABRICS | 73 |
| DINETTE GROUP | 74 |
| CABINETS | 74 |
| TABLE | 75 |
| DRIVERS COMPARTMENT GROUP | 76 |
| DASH | 76 |
| MOTOR COVER | 77 |
| BEVERAGE TRAY | 79 |
| FRONT INTERIOR | 80 |
| CABINETS | 81 |

CONTENTS (CONTINUED)

| | |
|--|------------|
| ELECTRICAL GROUP | 82 |
| 12V BODY WIRING | 82 |
| COMPONENT PARTS FOR LIGHTS & SWITCHES | 89 |
| 097917-01-06A | 89 |
| 113589-01-000 | 89 |
| 115632-03-01A | 89 |
| 121935-01-01A | 89 |
| 137417-01-01A, 137417-03-01A | 89 |
| 137417-02-01A | 89 |
| 137417-05-01A | 89 |
| 137417-06-01A | 89 |
| CIRCUIT BREAKERS & FUSES | 90 |
| CONVERTER, INVERTER, LOAD CENTERS | 90 |
| 110V WIRING | 91 |
| ENTERTAINMENT WIRING | 92 |
| BOXES & CORDS | 92 |
| WIRE ASSEMBLIES | 92 |
| CONNECTORS & CONDUIT | 93 |
| BOOTS, SOLENOIDS, RELAYS & MISCELLANEOUS | 94 |
| EXTERIOR BODY GROUP | 95 |
| GRAPHICS & PAINT | 95 |
| PANELS & TRIMS | 96 |
| FRONT END | 101 |
| LADDER | 102 |
| MIRRORS | 102 |
| COMPONENT PARTS FOR MIRRORS | 103 |
| 106015-12-01A, 106015-14-01A | 103 |
| 106015-13-01A, 106015-15-01A | 103 |
| STRUCTURAL COMPONENTS | 104 |
| AWNINGS | 104 |
| COMPONENT PARTS FOR AWNINGS | 105 |
| 113874-01-02A | 105 |
| EXTERIOR DOORS & COMPARTMENTS GROUP | 106 |
| DOOR & COMPARTMENT LAYOUT | 106 |
| COMPONENT PARTS FOR DOOR & COMPARTMENT LAYOUT | 111 |
| 084103-08-000 | 111 |
| 094707-03-01A | 111 |
| 110506-A1-000, 110506-A2-000, 110506-26-000, 110506-27-000 | 111 |
| COMPARTMENT DOOR PIECE PARTS | 112 |
| ENTRY | 114 |
| SCREEN | 115 |
| LATCH - ENTRY | 116 |
| EXTERIOR SLIDEOUT GROUP | 117 |
| FRONT LEFT | 117 |
| COMPONENT PARTS FOR FRONT SLIDEOUT | 120 |
| 142599-01-000, 142599-02-000 | 120 |
| GALLEY GROUP | 121 |
| CABINETS | 121 |
| DOORS & DRAWERS | 123 |
| GENERATOR GROUP | 124 |
| GAS | 124 |

CONTENTS (CONTINUED)

| | |
|---|------------|
| HEATING & A/C GROUP | 125 |
| AUTOMOTIVE | 125 |
| COMPONENT PARTS FOR AUTOMOTIVE | 128 |
| 103930-39-000 | 128 |
| 103930-44-000 | 129 |
| 103930-45-000 | 129 |
| 103930-46-000 | 129 |
| 103930-47-000 | 129 |
| 103930-55-000 | 130 |
| FURNACE | 131 |
| COMPONENT PARTS FOR FURNACE | 132 |
| 139980-02-000 | 132 |
| 143563-01-000 | 134 |
| 143563-02-000 | 136 |
| REAR HEATER | 138 |
| COMPONENT PARTS FOR REAR HEATER | 139 |
| 084405-01-000 | 139 |
| ROOF | 140 |
| COMPONENT PARTS FOR ROOF | 141 |
| 131184-01-01A | 141 |
| 131186-02-01A | 142 |
| 131187-03-01A | 143 |
| 131188-03-01A | 144 |
| INTERIOR FINISH GROUP | 145 |
| MOLDINGS & TRIMS | 145 |
| PANELING & LAMINATES | 156 |
| ACCESSORIES | 156 |
| COMPONENT PARTS FOR ACCESSORIES | 157 |
| 094499-02-000 | 157 |
| FLOOR COVERINGS | 158 |
| HARDWARE | 159 |
| LABELS GROUP | 167 |
| LP GROUP | 196 |
| LP SYSTEM | 196 |
| COMPONENT PARTS FOR LP SYSTEM | 197 |
| 144116-04-000 | 197 |
| LOUNGE GROUP | 198 |
| CABINETS | 198 |
| SEALANTS & FASTENERS GROUP | 199 |
| SEALANTS & ADHESIVES | 199 |
| BOLTS, NUTS AND WASHERS | 200 |
| SCREWS | 202 |
| CLAMPS, CLIPS, GROMMETS, RIVETS & PLUGS | 205 |
| MISCELLANEOUS FASTENERS | 207 |

CONTENTS (CONTINUED)

| | |
|---|------------|
| WATER & SEWAGE GROUP | 208 |
| DRAINAGE SYSTEM | 208 |
| COMPONENT PARTS FOR DRAINAGE SYSTEM | 210 |
| 067487-04-000 | 210 |
| 096927-01-02A | 210 |
| 131932-02-02A | 211 |
| 147421-01-01A, 147421-02-01A | 212 |
| WATER SYSTEM | 213 |
| COMPONENT PARTS FOR WATER SYSTEM | 219 |
| 051391-03-000 | 219 |
| 051393-01-000 | 220 |
| 075240-05-000 | 221 |
| 075241-04-000, 075241-05-000, 075241-06-000 | 221 |
| 098607-01-000 | 221 |
| 104114-05-01A | 221 |
| 144215-01-000 | 221 |
| 144215-02-000 | 221 |
| WINDOW & VENTS GROUP | 222 |
| WINDOW & VENT LAYOUT | 222 |
| COMPONENT PARTS FOR WINDOWS & VENT LAYOUT | 224 |
| 098644-07-02A | 224 |
| 098647-41-02A | 225 |
| 098647-47-02A | 226 |
| 098647-63-01A | 226 |
| 122882-01-01A | 226 |
| 122882-02-01A, 122882-03-01A | 226 |
| 123780-03-01A | 227 |
| 145573-01-01A | 228 |
| 145573-02-01A | 229 |
| WINDSHIELD & WIPER GROUP | 230 |
| WINDSHIELD | 230 |
| WIPER | 231 |
| COMPONENT PARTS FOR WIPER | 232 |
| 095964-01-000 | 232 |
| 096505-09-000 | 232 |
| 117769-01-000 | 232 |

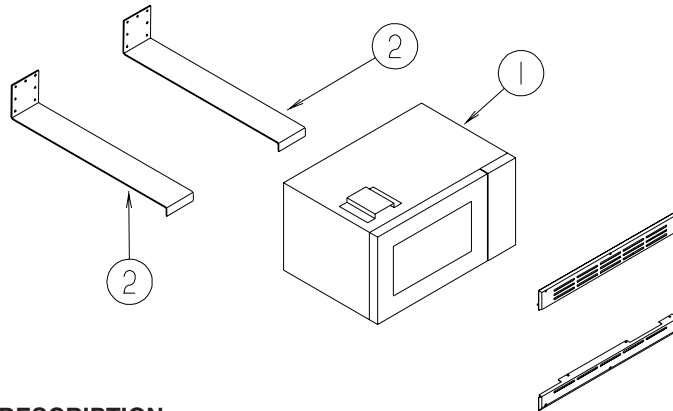
ACCESSORIES GROUP
OPERATORS MANUAL

| KEY | PART NUMBER | U/M | DESCRIPTION |
|------------|--------------------|------------|--|
| | 132000-18-004 | EA | MANUAL/OWNER - SUNOVA - 2004 |
| | 129079-01-01A | EA | CASE - VINYL/BLACK-EXPANDABLE ACCORDION SIDES-7"WX9"HX14"L |
| | 144886-01-000 | DW | TOP LEVEL - D, 2004 |

APPLIANCES GROUP APPLIANCES

| KEY | PART NUMBER | U/M | DESCRIPTION |
|-----|---------------|-----|---|
| * | 112881-04-01A | EA | RANGE - 16"/3 BURNER/NEW STYLE KNOBS - W/OVEN |
| | 140111-01-02B | EA | BRACKET/TIEDOWN - STOVE - RIGHT HAND - E-COATED - W/OVEN - D27C, D30B |
| | 140111-02-02B | EA | BRACKET/TIEDOWN - STOVE - LEFT HAND - E-COATED - W/OVEN - D27C, D30B |
| | 140176-03-02B | EA | BRACKET/STOVE TIEDOWN - E-COATED - W/OVEN - D33L, D35N |
| | 140176-04-02B | EA | BRACKET/STOVE TIEDOWN - E-COATED - W/OVEN - D33L, D35N |
| * | 114030-04-01A | EA | RANGE - 3 BRNR TOP/NEW STYLE KNOBS/GRATES - W/RANGE TOP |
| | 142139-03-02B | EA | BRACKET/TIEDOWN - STOVE - E-COATED - W/RANGE TOP |
| | 142139-04-02B | EA | BRACKET/TIEDOWN - STOVE - E-COATED - W/RANGE TOP |
| * | 136354-01-01A | EA | HOOD - RANGE - W/LITE/FAN - US/VENTED - TEXTURED BLK - W/OVEN - U.S. |
| * | 136354-02-01A | EA | HOOD - RANGE - W/LITE/FAN - CSA/VENTED - TEXTURED BLK - W/OVEN - CANADIAN |
| * | 136354-05-01A | EA | HOOD - RANGE - W/LITE/FAN - W/RANGE TOP |
| * | 136354-06-01A | EA | HOOD - RANGE - W/LITE/FAN - BLACK TEXTURED - W/RANGE TOP - CANADIAN |
| * | 134940-01-01A | EA | PANEL - MONITOR - 2 TANK - W/GENERATOR SWITCH/HOUR METER |

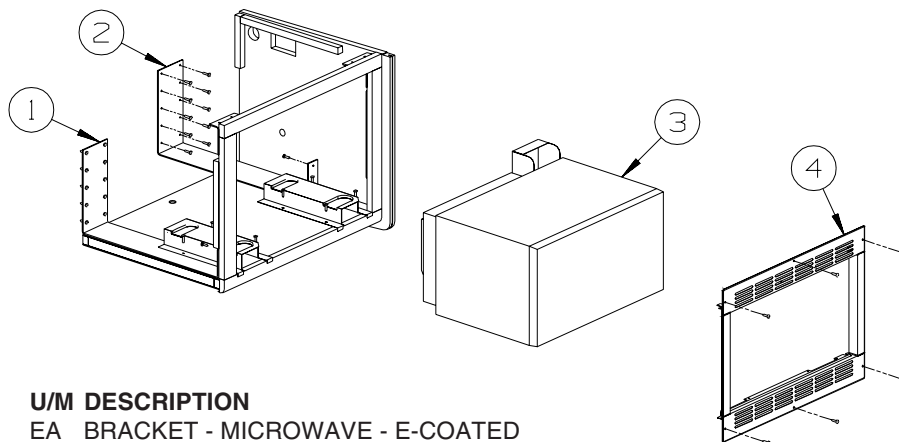
*COMPONENT PARTS LISTED LATER IN THIS GROUP



| KEY | PART NUMBER | U/M | DESCRIPTION |
|-----|---------------|-----|---|
| 1* | 128527-08-000 | EA | OVEN-MICROWAVE-1.0 CUBIC FT/NON CONVECTION-SAMSUNG MR1032B, FROM: 00-00-00 THRU: 08-03-03 |
| 1* | 128527-09-000 | EA | OVEN/MICROWAVE W/TRIM KIT - 1.1 CUBIC FT - NON CONVECTION FROM: 08-04-03 THRU: 99-99-99 |
| 1* | 128527-10-000 | EA | OVEN/MICROWAVE W/TRIM KIT - 1.1 CUBIC FT - NON CONVECTION - CANADIAN FROM: 08-04-03 THRU: 99-99-99 |

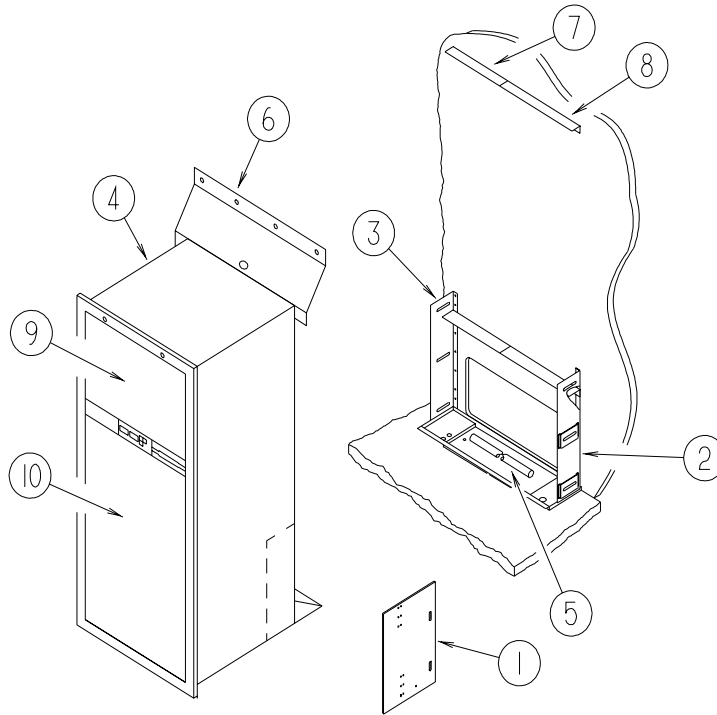
| | | | |
|---|---------------|----|--------------------------------|
| 2 | 143759-06-02B | EA | BRACKET - MICROWAVE - E-COATED |
|---|---------------|----|--------------------------------|

*COMPONENT PARTS LISTED LATER IN THIS GROUP



| KEY | PART NUMBER | U/M | DESCRIPTION |
|-----|---------------|-----|---|
| 1 | 149418-04-02B | EA | BRACKET - MICROWAVE - E-COATED |
| 1 | 149418-02-02B | EA | BRACKET - MICROWAVE - E-COATED - CANADIAN |
| 2 | 149418-01-02B | EA | BRACKET - MICROWAVE - E-COATED |
| 3 | 150606-01-01A | EA | OVEN - MICROWAVE/CONVECTION/BLACK - 1.5 CU FT - #R-930AK |
| 3 | 128527-11-000 | EA | OVEN/MICROWAVE W/O TRIM KIT - 1.0 CUBIC FT - CONVECTION - CANADIAN |
| 4 | 150606-02-01A | EA | TRIM KIT - MICROWAVE 1.5 CU FT - BLACK - SHARP #RK-66A |
| 4 | 128527-12-000 | EA | MOUNTING FRAME/RAILS-W/TRIM KIT (SASH) 1.0 FT - CONVECTION - CANADIAN |

APPLIANCE GROUP (CONTINUED)
APPLIANCES (CONTINUED)

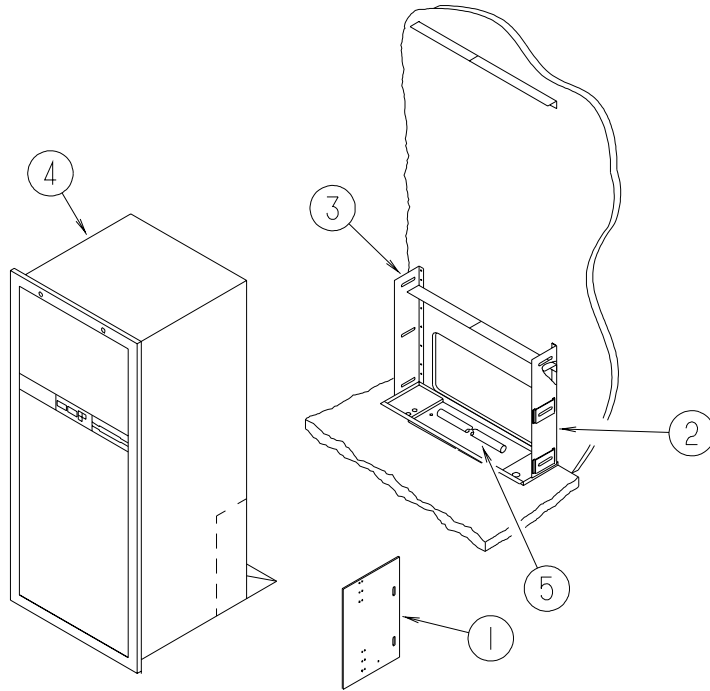


D27C

| KEY | PART NUMBER | U/M | DESCRIPTION |
|------------|--------------------|------------|--|
| 1 | 141975-04-02B | EA | PLATE - TIEDOWN/REFRIGERATOR |
| 2 | 141550-01-02B | EA | BRACKET - TIEDOWN/REFRIGERATOR - RIGHT HAND |
| 3 | 141550-02-02B | EA | BRACKET - TIEDOWN/REFRIGERATOR - LEFT HAND |
| 4* | 121568-08-01A | EA | REFRIGERATOR - SMALL DBL DOOR-LH/2 WAY- 52.8"HX23.5"WX24"D |
| 5 | 112176-01-000 | FT | TUBING - VINYL - REINFORCED - 1/2" ID |
| 6 | 136966-01-02B | EA | BAFFLE - REFRIGERATOR - E-COATED |
| | | | FROM: 00-00-00 THRU: 02-12-03 |
| 6 | 136966-04-02B | EA | BAFFLE - REFRIGERATOR - E-COATED |
| | | | FROM: 02-13-03 THRU: 99-99-99 |
| 7 | 143195-01-02B | EA | BAFFLE - REFRIGERATOR - E-COATED |
| 8 | 143195-02-02B | EA | BAFFLE - REFRIGERATOR - E-COATED |
| 9 | | | NOT USED - USE WOODGRAIN PANELING |
| 10 | | | NOT USED - USE WOODGRAIN PANELING |
| | 054450-01-000 | EA | LEVEL - REFRIGERATOR |
| | 090329-01-000 | FT | SEAL/T - REFRIGERATOR CABINET |
| | 136907-01-01A | EA | TRAY - REFRIGERATOR - BLACK |
| | | | FROM: 00-00-00 THRU: 08-19-03 |
| | 116751-01-01A | EA | TRAY - REFRIGERATOR |
| | | | FROM: 08-20-03 THRU: 99-99-99 |

***COMPONENT PARTS LISTED LATER IN THIS GROUP**

APPLIANCE GROUP (CONTINUED)
APPLIANCES (CONTINUED)

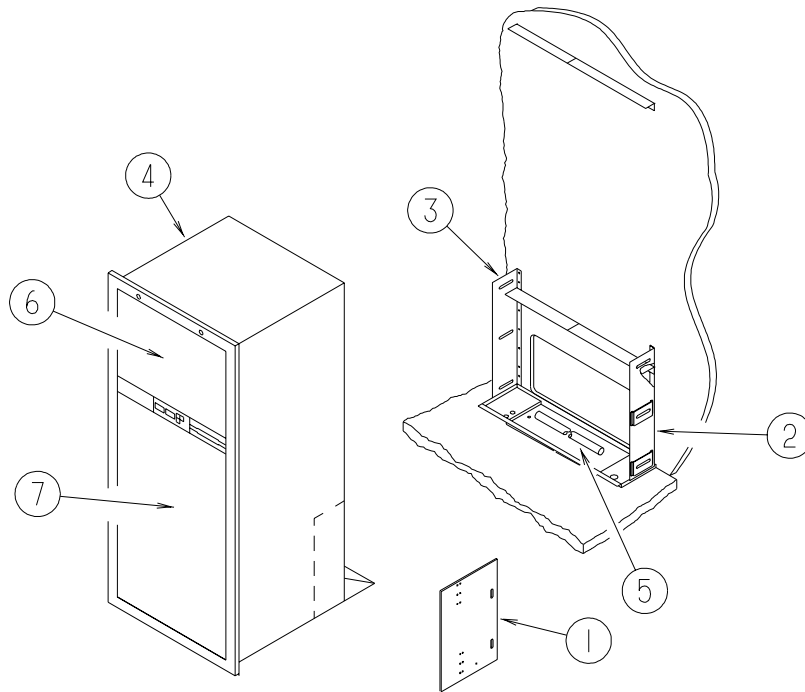


D30B, D33L

| KEY | PART NUMBER | U/M | DESCRIPTION |
|-----|---------------|-----|--|
| 1 | 141975-04-02B | EA | PLATE - TIEDOWN/REFRIGERATOR |
| 2 | 141550-03-02B | EA | BRACKET - TIEDOWN/RIGHT HAND - REFRIGERATOR |
| 3 | 141550-04-02B | EA | BRACKET - TIEDOWN/LEFT HAND - REFRIGERATOR |
| 4* | 121568-06-01A | EA | REFRIGERATOR - SMALL DBL DOOR-RH/2 WAY- 52.8"HX23.5"WX24"D |
| 5 | 112176-01-000 | FT | TUBING - VINYL - REINFORCED - 1/2" ID |
| | 090329-01-000 | FT | SEAL/T - REFRIGERATOR CABINET |
| | 054450-01-000 | EA | LEVEL - REFRIGERATOR |
| | 116751-01-01A | EA | TRAY - REFRIGERATOR - BLACK - D33L |
| | 116751-02-01A | EA | TRAY - REFRIGERATOR - BLACK - D30B |

***COMPONENT PARTS LISTED LATER IN THIS GROUP**

APPLIANCE GROUP (CONTINUED)
APPLIANCES (CONTINUED)



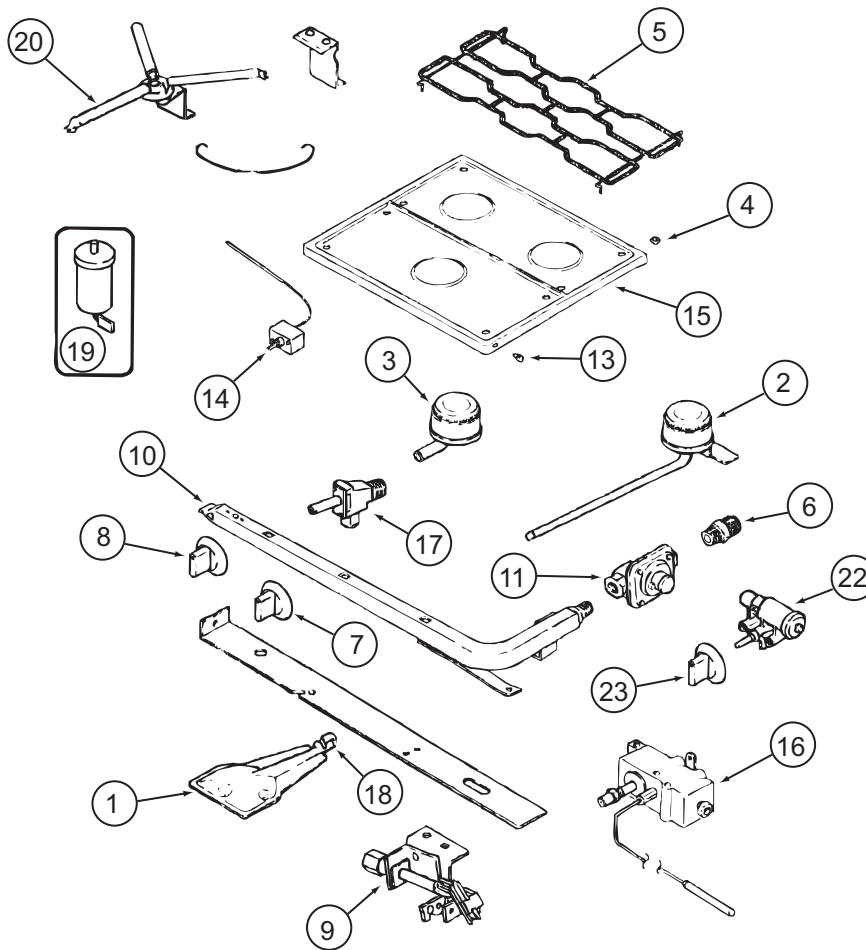
D35N

| KEY | PART NUMBER | U/M | DESCRIPTION |
|-----|-----------------------------------|-----|--|
| 1 | 141975-04-02B | EA | PLATE/TIEDOWN - REFRIGERATOR - E-COATED |
| 2 | 141550-01-02B | EA | BRACKET/TIEDOWN - REFRIGERATOR - E-COATED |
| 3 | 141550-02-02B | EA | BRACKET/TIEDOWN - REFRIGERATOR - E-COATED |
| 4* | 121568-06-01A | EA | REFRIGERATOR - SMALL DBL DOOR-RH/2 WAY- 52.8"HX23.5"WX24"D |
| 5 | 112176-01-000 | FT | TUBING - VINYL - REINFORCED - 1/2" ID |
| 6 | NOT USED - USE WOODGRAIN PANELING | | |
| 7 | NOT USED - USE WOODGRAIN PANELING | | |
| | 090329-01-000 | FT | SEAL/T - REFRIGERATOR CABINET |
| | 116751-01-01A | EA | TRAY - REFRIGERATOR - BLACK |
| | 054450-01-000 | EA | LEVEL - REFRIGERATOR |

***COMPONENT PARTS LISTED LATER IN THIS GROUP**

APPLIANCE GROUP (CONTINUED)

COMPONENT PARTS FOR APPLIANCE

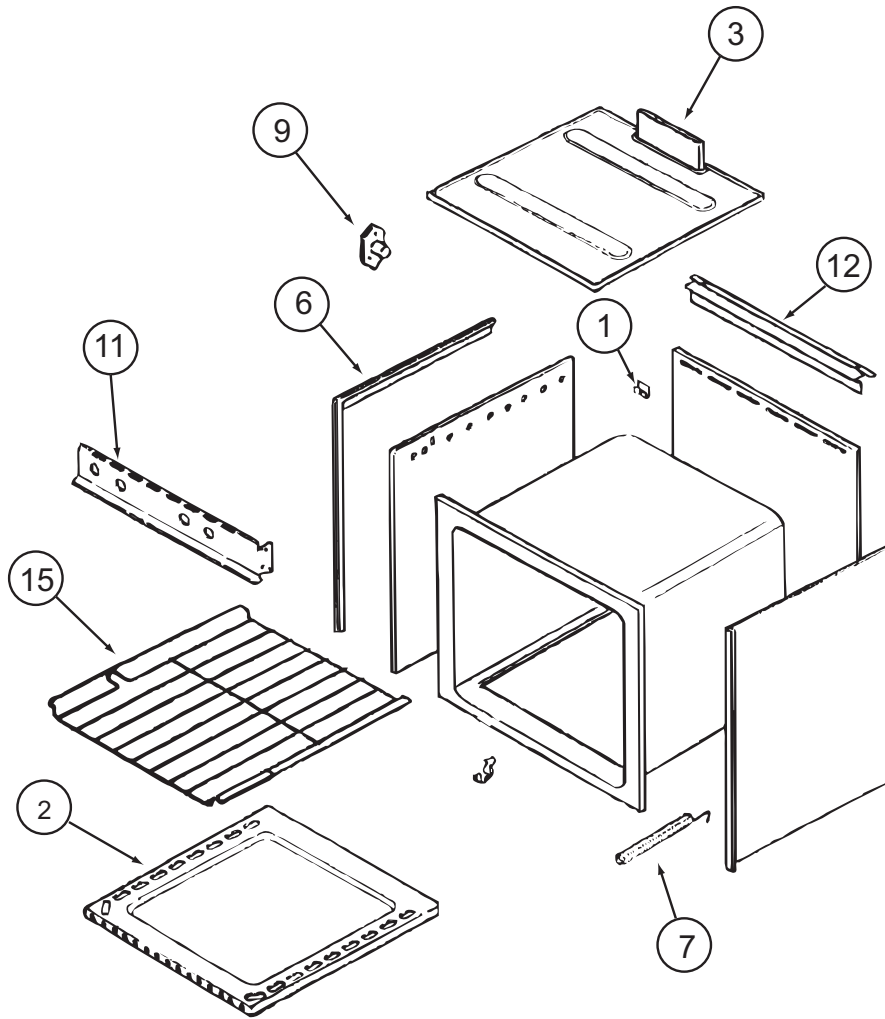


112881-04-01A, 112881-05-01A, 151277-01-01A & 151277-02-01A

| KEY | PART NUMBER | U/M | DESCRIPTION | VENDOR NO. |
|-----|---------------|-----|-----------------------------------|--------------|
| 1 | 126023-01-717 | EA | BURNER - OVEN | 74003343 |
| 2 | 112881-04-700 | EA | BURNER - TOP/LEFT REAR | 74004584 |
| 2 | 126023-01-700 | EA | BURNER-TOP (RT-REAR) 5100BTU | 74004583 |
| 3 | 112881-04-701 | EA | BURNER - TOP/FRONT | 74004582 |
| 4 | 102020-01-709 | EA | BUMPER-GRATE | 8007-P020-60 |
| 5 | 112881-04-702 | EA | GRATE - BLACK | 74007277 |
| 6 | 135065-03-700 | EA | FITTING - HALF UNION | 74004234 |
| 7 | 128728-01-701 | EA | KNOB - BURNER - REAR | 74003941 |
| 7 | 128728-01-702 | EA | KNOB - BURNER - FRONT | 74003942 |
| 8 | 112881-04-703 | EA | KNOB - THERMOSTAT - BLACK | 74004645 |
| 9 | 112881-04-706 | EA | PILOT - OVEN | 74006334 |
| 10 | 126023-02-702 | EA | PIPE - MANIFOLD | 74004360 |
| 11 | 126023-02-703 | EA | REGULATOR - PRESSURE | 74004235 |
| 13 | 102020-01-724 | EA | BUMPER-MAIN TOP | 8003P008-60 |
| 14 | 126023-01-734 | EA | THERMOSTAT OVEN 11/CLY MODEL | 74006332 |
| 15 | 126023-01-728 | EA | TOP - MAIN (BLACK) (112881-04/05) | 74003323 |
| 15 | 151277-01-700 | EA | TOP - MAIN (BLACK) (151277-01/02) | 74007287 |
| 16 | 112881-04-704 | EA | VALVE - OVEN | 74006333 |
| 17 | 126023-02-705 | EA | VALVE - BURNER - REAR | 74004362 |
| 17 | 126023-02-706 | EA | VALVE - BURNER - FRONT | 74004363 |
| 17 | 135065-03-701 | EA | SCREW - VALVE | 71003231 |
| 18 | 135656-01-701 | EA | MIXER/AIR | 3411F003-34 |
| 19 | 126023-01-711 | EA | ELECTRODE - IGNITER (ONLY) | 7432P077-60 |
| 20 | 126023-01-736 | EA | FLASH TUBE EXTENSION (REAR) | 74003326 |
| 20 | 126023-01-737 | EA | FLASH TUBE EXTENSION (FRONT) | 74003327 |
| 21 | 112881-04-708 | EA | CLIP-FLASH TUBE | 7112P068-60 |
| 22 | 126023-01-719 | EA | IGNITER HEAD - TOP BURNER | 74002413 |
| 23 | 128728-01-707 | EA | KNOB - IGNITOR | 74003944 |
| 26 | 112881-04-709 | EA | SHIELD-SPARK | 3604F211-45 |

CONTACT WINNEBAGO PART SALES FOR UNLISTED COMPONENTS

APPLIANCE GROUP (CONTINUED)
COMPONENT PARTS FOR APPLIANCE (CONTINUED)

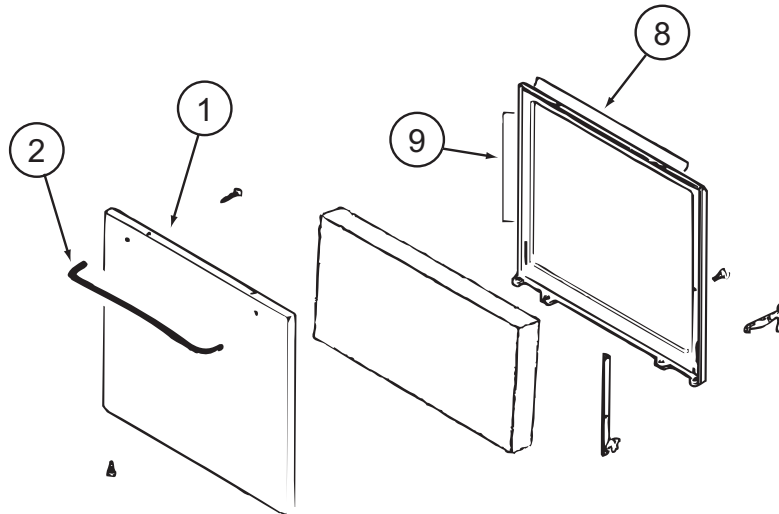


112881-04-01A, 112881-05-01A, 151277-02-01A (CONTINUED)

| KEY | PART NUMBER | U/M | DESCRIPTION | VENDOR NO. |
|-----|---------------|-----|-----------------------------|-------------|
| 1 | 112881-03-702 | EA | CLIP - MAIN TOP | 74003998 |
| 2 | 126023-01-731 | EA | BOTTOM - OVEN | 2205F016-19 |
| 3 | 126023-01-718 | EA | FLUE BOX ASSEMBLY | 4006W075-80 |
| 6 | 112881-01-720 | EA | TRIM-FLAT RH BLACK TEXTURED | 74002812 |
| 6 | 112881-01-719 | EA | TRIM-FLAT LH BLACK TEXTURED | 74002813 |
| 7 | 112881-02-702 | EA | SPRING - OVEN DOOR | 7803P051-60 |
| 9 | 128728-01-703 | EA | PIN/T-NUT F/HINGE | 7103P109-60 |
| 11 | 112881-04-707 | EA | MANIFOLD - BLACK | 74007296 |
| 12 | 112881-01-723 | EA | DEFLECTOR/FLUE-BLK-NON SEAL | 74002809 |
| 15 | 126023-01-716 | EA | RACK - OVEN | 74003106 |

CONTACT WINNEBAGO PART SALES FOR UNLISTED COMPONENTS

APPLIANCE GROUP (CONTINUED)
COMPONENT PARTS FOR APPLIANCE (CONTINUED)

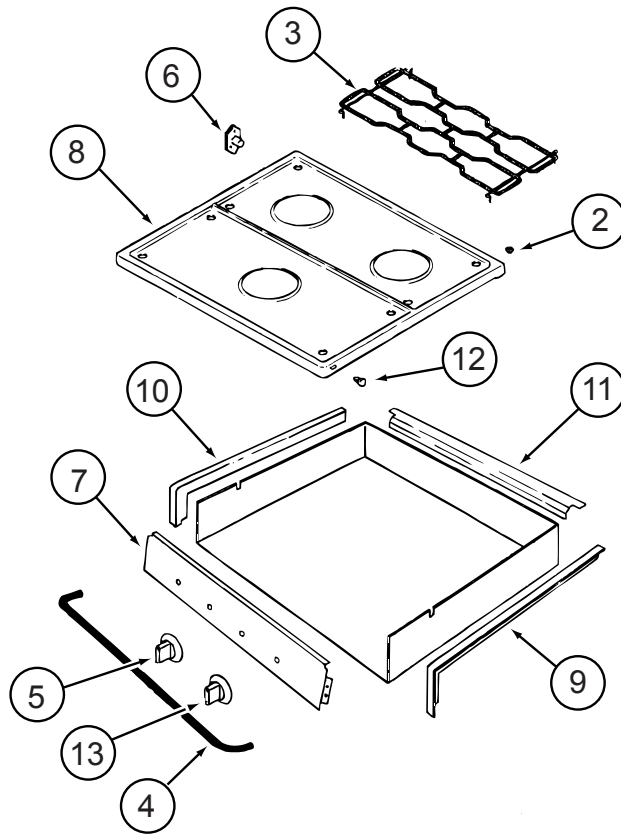


112881-04-01A, 112881-05-01A, 151277-02-01A (CONTINUED)

| KEY | PART NUMBER | U/M | DESCRIPTION | VENDOR NO. |
|-----|---------------|-----|--------------------------------------|-------------|
| 1 | 112881-01-713 | EA | DR-TXT/BLK NO WNDW(112881-05/151277) | 2401F126-70 |
| 1 | 112881-02-705 | EA | DR-TXT/BLK F/WINDOW(112881-04) | 74001273 |
| 2 | 128727-01-701 | EA | HANDLE - OVEN DOOR | 74003929 |
| 8 | 126023-01-732 | EA | SEAL/OVEN DR TOP | 7212P014-60 |
| 9 | 126023-01-733 | EA | SEAL/OVEN DR SIDES(2PCS) | 7212P038-60 |

CONTACT WINNEBAGO PART SALES FOR UNLISTED COMPONENTS

APPLIANCE GROUP (CONTINUED)
COMPONENT PARTS FOR APPLIANCE (CONTINUED)

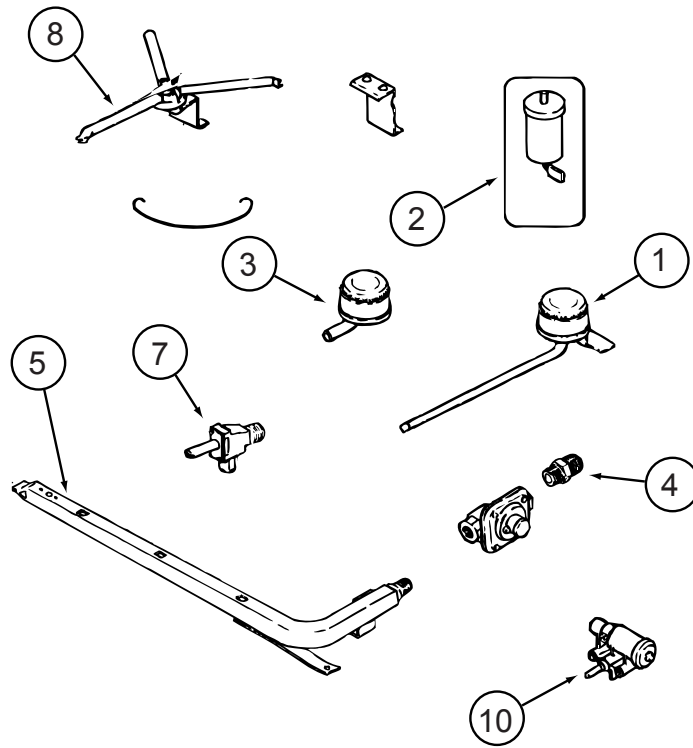


114030-04-01A

| KEY | PART NUMBER | U/M | DESCRIPTION | VENDOR NO. |
|------------|--------------------|------------|-----------------------------|-------------------|
| 2 | 102020-01-709 | EA | BUMPER-GRATE | 8007P020-60 |
| 3 | 112881-04-702 | EA | GRATE - BLACK | 74007277 |
| 4 | 114030-02-700 | EA | GUARD/FABRIC - TOWEL BAR | 3609F006-70 |
| 5 | 128728-01-701 | EA | KNOB - BURNER - REAR | 74003941 |
| 5 | 128728-01-702 | EA | KNOB - BURNER - FRONT | 74003942 |
| 6 | 128728-01-703 | EA | PIN/T-NUT F/HINGE | 7103P109-60 |
| 7 | 114030-04-700 | EA | PANEL - MANIFOLD - BLACK | 74007325 |
| 8 | 126023-01-728 | EA | TOP - MAIN (BLACK) | 74003323 |
| 9 | 114030-01-704 | EA | TRIM - RIGHT/BLACK TEXTURED | 74002839 |
| 10 | 114030-01-705 | EA | TRIM - LEFT/BLACK TEXTURED | 74002840 |
| 11 | 114030-01-706 | EA | TRIM - REAR/BLACK TEXTURED | 74002841 |
| 12 | 102020-01-724 | EA | BUMPER - MAIN TOP | 8003P008-60 |
| 13 | 128728-01-707 | EA | KNOB - IGNITER | 74003944 |

CONTACT WINNEBAGO PART SALES FOR UNLISTED COMPONENTS

APPLIANCE GROUP (CONTINUED)
COMPONENT PARTS FOR APPLIANCE (CONTINUED)

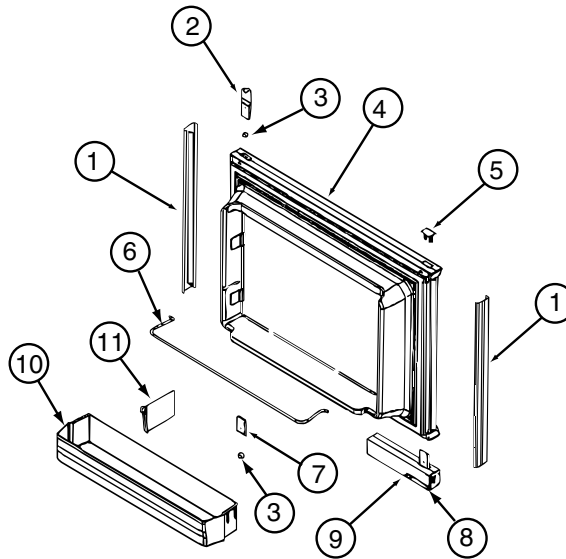


114030-04-01A (CONTINUED)

| KEY | PART NUMBER | U/M | DESCRIPTION | VENDOR NO. |
|-----|---------------|-----|--------------------------------|-------------|
| 1 | 126023-01-700 | EA | BURNER - TOP (RT-REAR) | 74004583 |
| 1 | 112881-04-700 | EA | BURNER - TOP /LEFT - REAR | 74004584 |
| 2 | 126023-01-711 | EA | ELECTRODE - IGNITER (ONLY) | 7432P077-60 |
| 2 | 112881-04-705 | EA | PUSH RING - ELECTRODE MOUNTING | 7104P002-60 |
| 3 | 112881-04-701 | EA | BURNER - TOP/FRONT | 74004582 |
| 4 | 135065-03-700 | EA | FITTING - HALF UNION | 74004234 |
| 5 | 126023-02-702 | EA | PIPE - MANIFOLD | 74004360 |
| 7 | 126023-02-705 | EA | VALVE - BURNER (REAR) | 74004362 |
| 7 | 126023-02-706 | EA | VALVE - BURNER (FRONT) | 74004363 |
| 8 | 126023-01-736 | EA | FLASH TUBE EXTENSION (REAR) | 74003326 |
| 8 | 126023-01-737 | EA | FLASH TUBE EXTENSION (FRONT) | 74003327 |
| 10 | 126023-01-719 | EA | IGNITER HEAD - TOP BURNER | 74002413 |

CONTACT WINNEBAGO PART SALES FOR UNLISTED COMPONENTS

APPLIANCE GROUP (CONTINUED)
COMPONENT PARTS FOR APPLIANCE (CONTINUED)

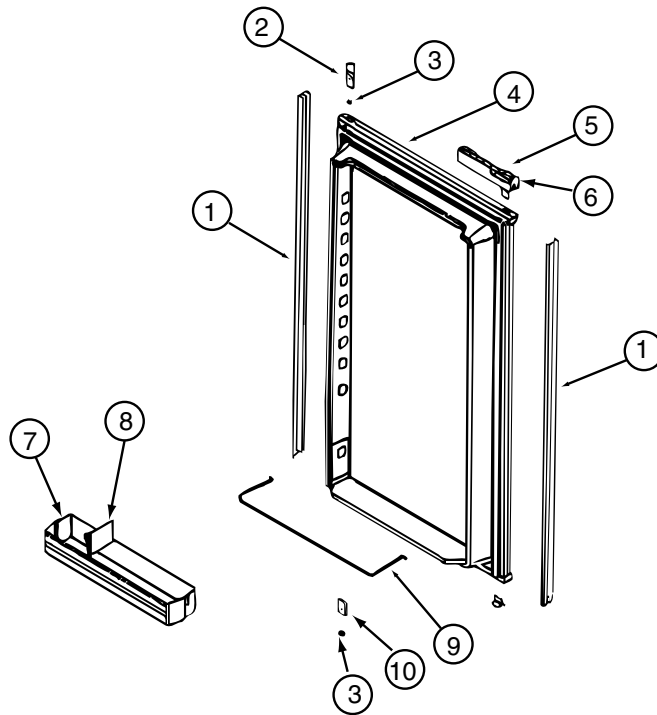


121568-06-01A, 121568-07-01A, 121568-08-01A

| KEY | PART NUMBER | U/M | DESCRIPTION | VENDOR NO. |
|------------|--------------------|------------|------------------------------|-------------------|
| 1 | 121568-03-700 | EA | RETAINER - DOOR PANEL/BLACK | 619559 |
| 2 | 120075-01-701 | EA | HINGE-TOP RH/BOTTOM LH(DOOR) | 618511 |
| 3 | 121568-03-701 | EA | BUSHING - HINGE PIN/GRAY | 619671 |
| 4 | 121568-03-702 | EA | DOOR LINER - W/BLACK TRIM | 619627 |
| 5 | 120075-01-702 | EA | CAP, (HINGE PLUG) | 618160 |
| 6 | 121568-01-700 | EA | RAIL - DOOR UPPER | 618618 |
| 7 | 120075-01-705 | EA | HINGE-TOP LH/BOTTOM RH(DOOR) | 618510 |
| 8 | 121568-03-705 | EA | STORAGE LATCH - GRAY | 619648 |
| 9 | 121568-01-708 | EA | HANDLE/FLUSH-TOP/LH-LWR/RH | 619866 |
| 10 | 121568-01-701 | EA | BIN - DOOR WHITE | 618619 |

CONTACT WINNEBAGO PART SALES FOR UNLISTED COMPONENTS

APPLIANCE GROUP (CONTINUED)
COMPONENT PARTS FOR APPLIANCE (CONTINUED)

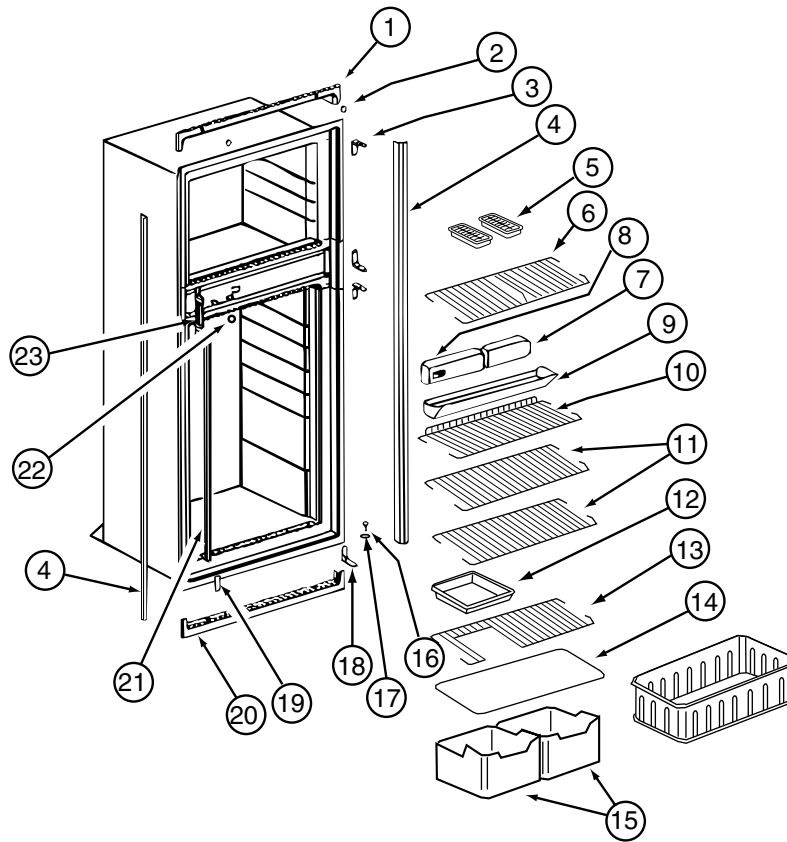


121568-06-01A, 121568-07-01A, 121568-08-01A (CONTINUED)

| KEY | PART NUMBER | U/M | DESCRIPTION | VENDOR NO. |
|-----|---------------|-----|------------------------------|------------|
| 1 | 121568-03-706 | EA | RETAINER - DOOR PANEL/BLACK | 619559 |
| 2 | 120075-01-701 | EA | HINGE-TOP RH/BOTTOM LH(DOOR) | 618511 |
| 3 | 121568-03-701 | EA | BUSHING - HINGE PIN/GRAY | 619671 |
| 4 | 121568-03-707 | EA | DOOR LINER - W/BLACK TRIM | 619629 |
| 5 | 121568-03-703 | EA | HANDLE/FLUSH-TOP/RH-LWR/LH | 619865 |
| 6 | 121568-03-705 | EA | STORAGE LATCH - GRAY | 619648 |
| 7 | 121568-01-701 | EA | BIN - DOOR WHITE | 618619 |
| 9 | 121568-01-704 | EA | RAIL - DOOR LOWER | 618578 |
| 10 | 120075-01-705 | EA | HINGE-TOP LH/BOTTOM RH(DOOR) | 618510 |

CONTACT WINNEBAGO PART SALES FOR UNLISTED COMPONENTS

APPLIANCE GROUP (CONTINUED)
COMPONENT PARTS FOR APPLIANCE (CONTINUED)

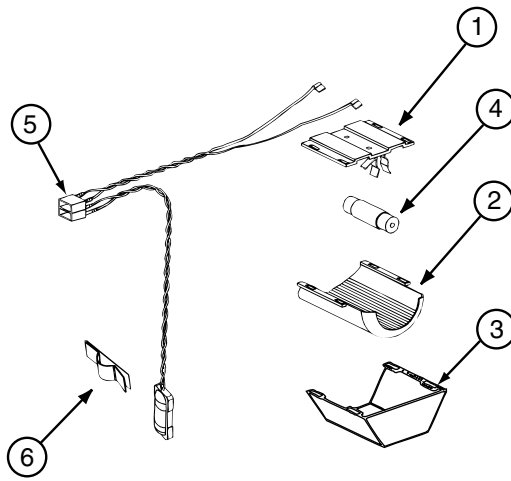


121568-06-01A, 121568-07-01A, 121568-08-01A (CONTINUED)

| KEY | PART NUMBER | U/M | DESCRIPTION | VENDOR NO. |
|-----|---------------|-----|-------------------------------|------------|
| 1 | 120075-01-713 | EA | TRIM-TOP PIECE | 619687 |
| 2 | 120075-01-714 | EA | PLUG-HOLE (BLACK) | 618170 |
| 3 | 121568-03-710 | EA | HINGE/CABINET-TOP/RH-LWR/LH | 619335 |
| 4 | 121568-03-711 | EA | TRIM - SIDE/BLACK | 622295 |
| 6 | 121568-01-705 | EA | SHELF - WIRE FREEZER | 620250 |
| 7 | 121568-06-700 | EA | FRONT BOX-N611 | 622002 |
| 8 | 121568-06-701 | EA | CONTROL ASSEMBLY-OPTICAL/N611 | 621988 |
| 9 | 120075-01-720 | EA | TRAY-DRIP | 618137 |
| 9 | 120075-01-721 | EA | LOUVER-DRIP TRAY | 618176 |
| 11 | 121568-01-708 | EA | SHELF - WIRE | 620273 |
| 13 | 121568-01-707 | EA | SHELF - WIRE - SHORT | 620272 |
| 14 | 120075-01-725 | EA | COVER-CRISPER | 618158 |
| 15 | 121568-01-709 | EA | CRISPER | 618571 |
| 16 | 120075-01-727 | EA | PIN-HINGE | 618145 |
| 17 | 121568-03-701 | EA | BUSHING - HINGE PIN/GRAY | 619671 |
| 18 | 121568-03-715 | EA | HINGE/CABINET-TOP/LH-LWR/RH | 619336 |
| 19 | 121568-03-716 | EA | COVER - HINGE HOLES | 619301 |
| 20 | 120075-01-729 | EA | TRIM-BOTTOM PIECE | 620958 |
| 21 | 121568-06-702 | EA | CLIP - SHELF | 61536522 |
| 22 | 121568-06-703 | EA | HOLE PLUG - WHITE | 620282 |
| 23 | 120075-01-732 | EA | PLATE-STRIKE | 618167 |

CONTACT WINNEBAGO PART SALES FOR UNLISTED COMPONENTS

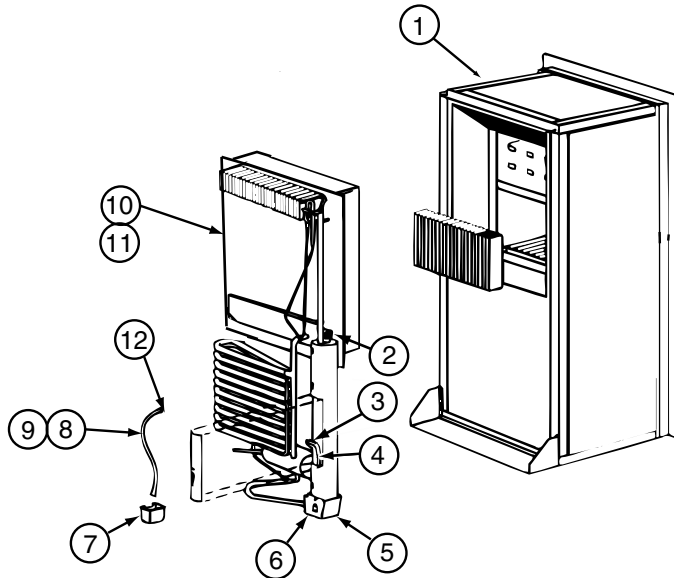
APPLIANCE GROUP (CONTINUED)
COMPONENT PARTS FOR APPLIANCE (CONTINUED)



121568-06-01A, 121568-07-01A, 121568-08-01A (CONTINUED)

| KEY | PART NUMBER | U/M | DESCRIPTION | VENDOR NO. |
|-----|---------------|-----|------------------------------|------------|
| 1 | 084880-01-760 | EA | CLIP (THERMISTER) | 61689122 |
| 2 | 120075-01-735 | EA | THERMISTER W/LAMP & WIRE/ASM | 618548 |
| 3 | 084880-03-705 | EA | BRACKET-LIGHT-INTERIOR | 61629722 |
| 4 | 084880-03-706 | EA | BULB-LAMP | 61628922 |
| 6 | 084880-03-707 | EA | COVER-LAMP, LENS | 61627922 |

CONTACT WINNEBAGO PART SALES FOR UNLISTED COMPONENTS

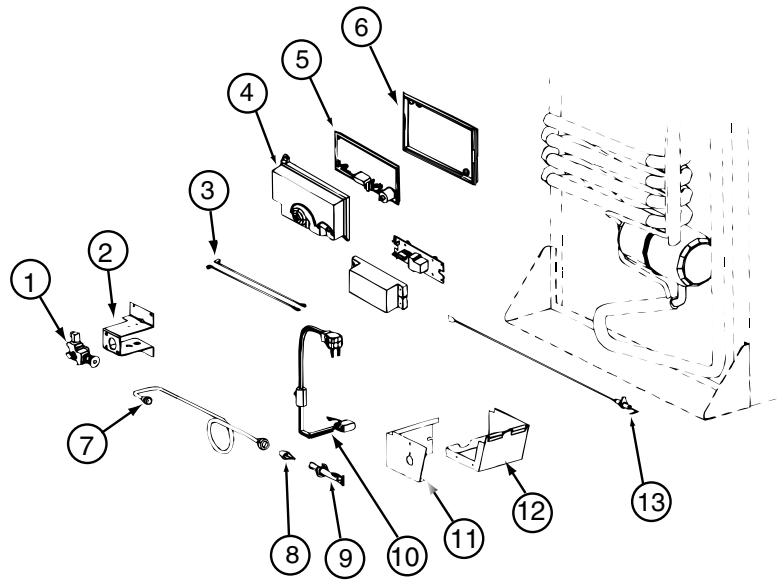


121568-06-01A, 121568-07-01A, 121568-08-01A (CONTINUED)

| KEY | PART NUMBER | U/M | DESCRIPTION | VENDOR NO. |
|-----|---------------|-----|----------------------------|------------|
| 4 | 121568-06-704 | EA | HEATER-AC/300W/120VAC | 621702 |
| 10 | 120076-01-704 | EA | COOLING UNIT, SERVICE PACK | 618543 |

CONTACT WINNEBAGO PART SALES FOR UNLISTED COMPONENTS

APPLIANCE GROUP (CONTINUED)
COMPONENT PARTS FOR APPLIANCE (CONTINUED)



121568-06-01A, 121568-07-01A, 121568-08-01A (CONTINUED)

| KEY | PART NUMBER | U/M | DESCRIPTION | VENDOR NO. |
|-----|---------------|-----|-----------------------------|------------|
| 1 | 121568-06-705 | EA | GAS VALVE/BRKT ASSY-COMBO | 621439 |
| 1 | 121568-06-706 | EA | GAS VALVE-COMBO/WRENCH FLAT | 621329 |
| 4 | 120075-01-738 | EA | COVER-POWER BOARD | 618185 |
| 5 | 121568-06-707 | EA | BOARD/POWER-N611 | 621991 |
| 6 | 120075-01-740 | EA | COVER-BASE, POWER BOARD | 618186 |
| 8 | 121568-06-708 | EA | BURNER/ORFICE-ADAPTER KIT | 621957 |
| 13 | 104137-06-715 | EA | ELECTRODE-SPARK/SENSOR, SGL | 61692222 |

CONTACT WINNEBAGO PART SALES FOR UNLISTED COMPONENTS

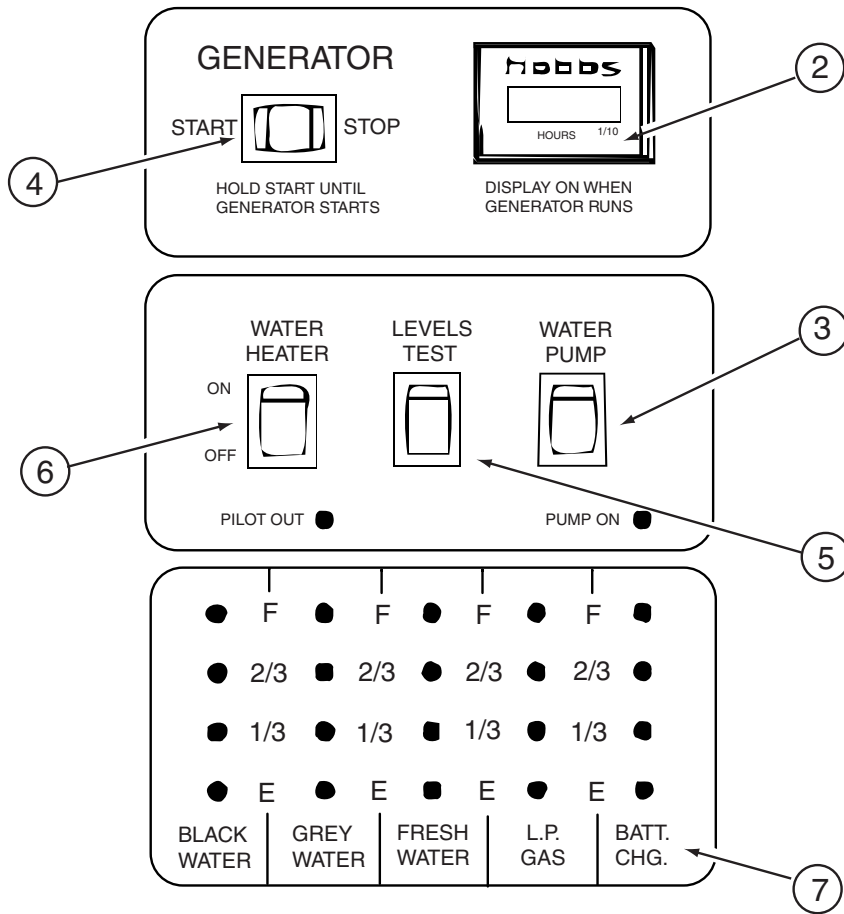
121568-06-01A, 121568-07-01A, 121568-08-01A (CONTINUED)

| KEY | PART NUMBER | U/M | DESCRIPTION | VENDOR NO. |
|-----|---------------|-----|---------------------------|------------|
| | 121568-05-700 | EA | FAN 12V KIT DBLE SIDEWALL | 619020 |

128527-08-000

| KEY | PART NUMBER | U/M | DESCRIPTION | VENDOR NO. |
|-----|---------------|-----|--------------------------|------------|
| | 128527-08-700 | EA | TRIM RING-F/1.0 NON CONV | MR10BB |

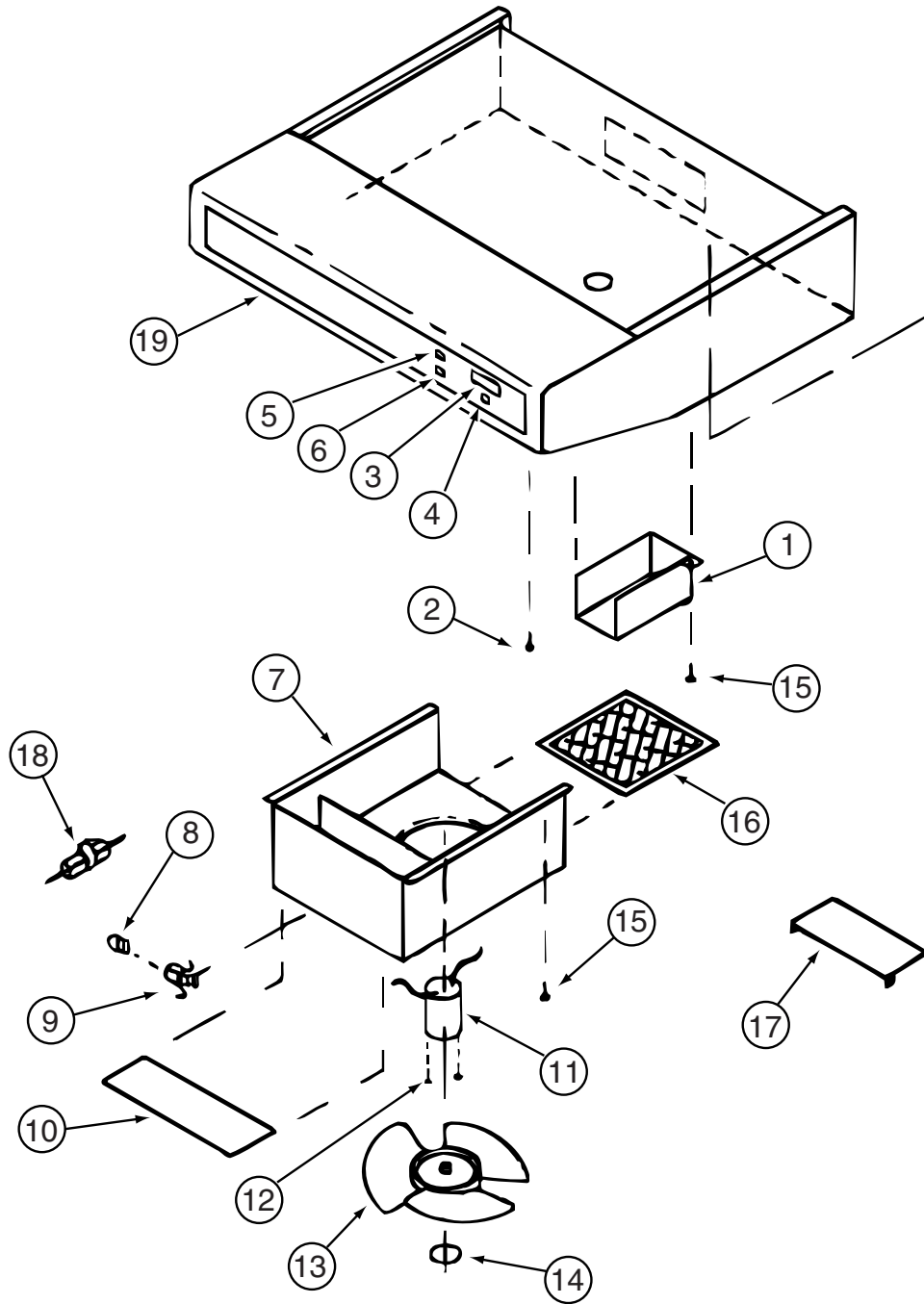
APPLIANCE GROUP (CONTINUED)
COMPONENT PARTS FOR APPLIANCE (CONTINUED)



134940-01-01A

| KEY | PART NUMBER | U/M | DESCRIPTION | VENDOR NO. |
|-----|---------------|-----|------------------------------|------------|
| | 134940-01-700 | EA | BOARD - PC | L5118-01 |
| 2 | 100258-10-701 | EA | GAUGE-HR METER ONLY (LCD) | L0775-00 |
| 3 | 096983-01-703 | EA | SWITCH - ON/ON | L0115-00 |
| 4 | 096983-01-702 | EA | SWITCH - MOM/OFF/MOM/3 TERM | L0112-00 |
| 5 | 096983-01-701 | EA | SWITCH - SPST/MOM 2 TERMINAL | L0111-00 |
| 6 | 134940-01-701 | EA | SWITCH-SPST/ON-OFF/BLK W/LGT | L0109 |
| 7 | 134940-01-702 | EA | CHASSIS - SILKSCREENED | CC0558-00 |
| | 100258-10-702 | EA | HOUR METER(CLIP ON)SW & WIRE | L4441-00 |

APPLIANCE GROUP (CONTINUED)
COMPONENT PARTS FOR APPLIANCE (CONTINUED)



136354-01-01A, 136354-02-01A

| KEY | PART NUMBER | U/M | DESCRIPTION | VENDOR NO. |
|-----|---------------|-----|------------------------------|------------------|
| 3 | 100258-10-700 | EA | GAUGE-HOUR METER, SCREW ON | L0150-00 WAS 150 |
| 4 | 096983-01-702 | EA | SWITCH - MOM/OFF/MOM/3 TERM | L0112-00 |
| 6 | 096983-01-700 | EA | SWITCH/1 SPEED -ON/OFF- BLK | 00108-00 |
| 8 | 092696-01-709 | EA | LAMP #912 | VA415 |
| 9 | 092696-01-710 | EA | HOLDER-LAMP | CB267-2 |
| 10 | 092696-02-701 | EA | LENS-LAMP | CC179-2 |
| 11 | 090973-01-700 | EA | MOTOR-12 VOLT, CSA & UL | CA508-1 |
| 13 | 090973-01-702 | EA | BLADE-FAN | VA183-1 |
| 16 | 096983-01-707 | EA | FILTER-MESH | CC246 |
| 17 | 100258-01-701 | EA | DAMPER ASSEMBLY (METAL FLAP) | CAO-565-00 |
| 19 | 100258-01-700 | EA | LABEL-HOOD NOSE | CC0428-00 |

CONTACT WINNEBAGO PART SALES FOR UNLISTED COMPONENTS

APPLIANCE GROUP (CONTINUED)
COMPONENT PARTS FOR APPLIANCE (CONTINUED)

136354-05-01A

| KEY | PART NUMBER | U/M DESCRIPTION | VENDOR NO. |
|--|--------------------|---------------------------------|-------------------|
| 3 | 100258-10-700 | EA GAUGE-HOUR METER, SCREW ON | L0150-00 WAS 150 |
| 4 | 096983-01-702 | EA SWITCH - MOM/OFF/MOM/3 TERM | L0112-00 |
| 5 | 096983-01-700 | EA SWITCH/1 SPEED -ON/OFF- BLK | L0108-00 |
| 9 | 092696-01-710 | EA HOLDER-LAMP | CB267-02 |
| 10 | 092696-02-701 | EA LENS-LAMP | CC179-2 |
| 11 | 136354-05-700 | EA MOTOR-12 VOLT | VC0536-02 |
| 13 | 136354-05-701 | EA BLADE-FAN 7" DIA | VD0216-00 |
| 16 | 096983-01-707 | EA FILTER-MESH | CC246-00 |
| 17 | 100258-01-701 | EA DAMPER ASSEMBLY (METAL FLAP) | CAO-565-00 |
| 19 | 100258-01-700 | EA LABEL-HOOD NOSE | CC0428-00 |
| CONTACT WINNEBAGO PART SALES FOR UNLISTED COMPONENTS | | | |

136354-06-01A

| KEY | PART NUMBER | U/M DESCRIPTION | VENDOR NO. |
|--|--------------------|---------------------------------|-------------------|
| 3 | 100258-10-700 | EA GAUGE-HOUR METER, SCREW ON | L0150-00 WAS 150 |
| 4 | 096983-01-702 | EA SWITCH - MOM/OFF/MOM/3 TERM | L0112-00 |
| 5 | 096983-01-700 | EA SWITCH/1 SPEED -ON/OFF- BLK | L0108-00 |
| 9 | 092696-01-710 | EA HOLDER-LAMP | CB267-02 |
| 10 | 096983-01-708 | EA LENS-LAMP | CC0179 |
| 11 | 136354-06-700 | EA MOTOR - FAN (CSA) | VC0535-02 |
| 13 | 136354-05-701 | EA BLADE-FAN 7" DIA | VD0216-00 |
| 16 | 096983-01-707 | EA FILTER-MESH | CC246-00 |
| 17 | 100258-01-701 | EA DAMPER ASSEMBLY (METAL FLAP) | CAO-565-00 |
| 19 | 100258-01-700 | EA LABEL-HOOD NOSE | CC0428-00 |
| CONTACT WINNEBAGO PART SALES FOR UNLISTED COMPONENTS | | | |

AUDIO VIDEO GROUP
RADIO SYSTEM

| KEY | PART NUMBER | U/M | DESCRIPTION |
|-----|---------------|-----|---|
| * | 143509-01-000 | EA | RADIO - AM/FM CD - W/REMOTE - JENSEN CD3010X-W - EXTERIOR ENTERTAINMENT W/CD FROM: 00-00-00 THRU: 10-28-03 |
| | 148231-01-000 | EA | RADIO - AM/FM CD W/REMOTE - MAGNADYNE M3100CD - EXTERIOR ENTERTAINMENT W/CD FROM: 10-29-03 THRU: 99-99-99 |
| | 135420-01-000 | EA | RADIO - AM/FM CASSETTE/CD COMBO - M9900 - 7.2" X 3.3" R.O. - DASH FROM: 00-00-00 THRU: 08-17-03 |
| | 135420-09-000 | EA | RADIO-AM/FM/CASS/CD COMBO-AUX/CD CHANGER IMPUT-REMOTE COMP. - DASH FROM: 08-18-03 THRU: 99-99-99 |
| | 135420-10-000 | EA | REMOTE CONTROL/RADIO (CREDIT CARD SIZE) MAGNAD M9999-CCR. - DASH FROM: 08-18-03 THRU: 99-99-99 |
| | 135420-07-000 | EA | RADIO - MOUNTING KIT - A-BODY |
| | 141679-01-000 | EA | CHARGING STATION ONLY - F/TWO WAY RADIO SYSTEM FROM: 00-00-00 THRU: 10-05-03 |
| | 141679-03-000 | EA | CHARGER/DOCK STATION ONLY - FOR #GMRS100 TWO-WAY RADIO FROM: 10-06-03 THRU: 99-99-99 |
| | 141679-02-000 | EA | RADIO/BATTERY KIT - TWO WAY (4 RADIOS/8 BATTERIES) FROM: 00-00-00 THRU: 10-05-03 |
| | 141679-04-000 | EA | RADIO/TWO-WAY W/BATTERY (EACH = 1) - 5 MILE - ASA GMRS100 FROM: 10-06-03 THRU: 99-99-99 |
| | 110469-01-000 | EA | SPEAKER - 4" X 6" OVAL - COAXIAL |
| | 110470-01-01A | EA | GRILLE - 4" X 6" - OVAL SPEAKER - BLACK |
| | 094097-01-000 | EA | SPEAKER - RADIO/TV - W/O GRILLE - 5.25" DIAMETER |
| | 089340-02-000 | EA | GRILLE - SPEAKER - 6.5" SQUARE |
| | 090944-01-000 | EA | ANTENNA - RADIO - 16" RUBBER - W/72" LEAD WIRE - EXTERIOR ENTERTAINMENT W/CD |
| | 108847-01-000 | EA | BRACKET - ANTENNA GROUND - EXTERIOR ENTERTAINMENT W/CD FROM: 00-00-00 THRU: 05-25-03 |
| | 147741-01-09B | EA | BRACKET - ANTENNA GROUND - EXTERIOR ENTERTAINMENT W/CD FROM: 05-26-03 THRU: 99-99-99 |
| | 109889-04-000 | EA | EXTENDER - ANTENNA SHAFT - 3.7" - EXTERIOR ENTERTAINMENT W/CD |
| | 090944-02-000 | EA | ANTENNA - RADIO - 16" RUBBER - W/O LEAD WIRE |
| | 090944-03-000 | EA | CABLE - ANTENNA |
| | 115916-01-01B | EA | BRACKET - ANTENNA MOUNT |
| | 077069-02-000 | EA | CABLE/EXTENSION - RADIO ANTENNA - 96" |

*COMPONENT PARTS LISTED LATER IN THIS GROUP

AUDIO VIDEO GROUP (CONTINUED)
COMPONENT PARTS FOR RADIO

143509-01-000

| KEY | PART NUMBER | U/M | DESCRIPTION | VENDOR NO. |
|------------|--------------------|------------|--------------------|-------------------|
| | 143509-01-700 | EA | REMOTE - RADIO | VG70A0 |

AUDIO VIDEO GROUP (CONTINUED)
REAR VIEW MONITOR

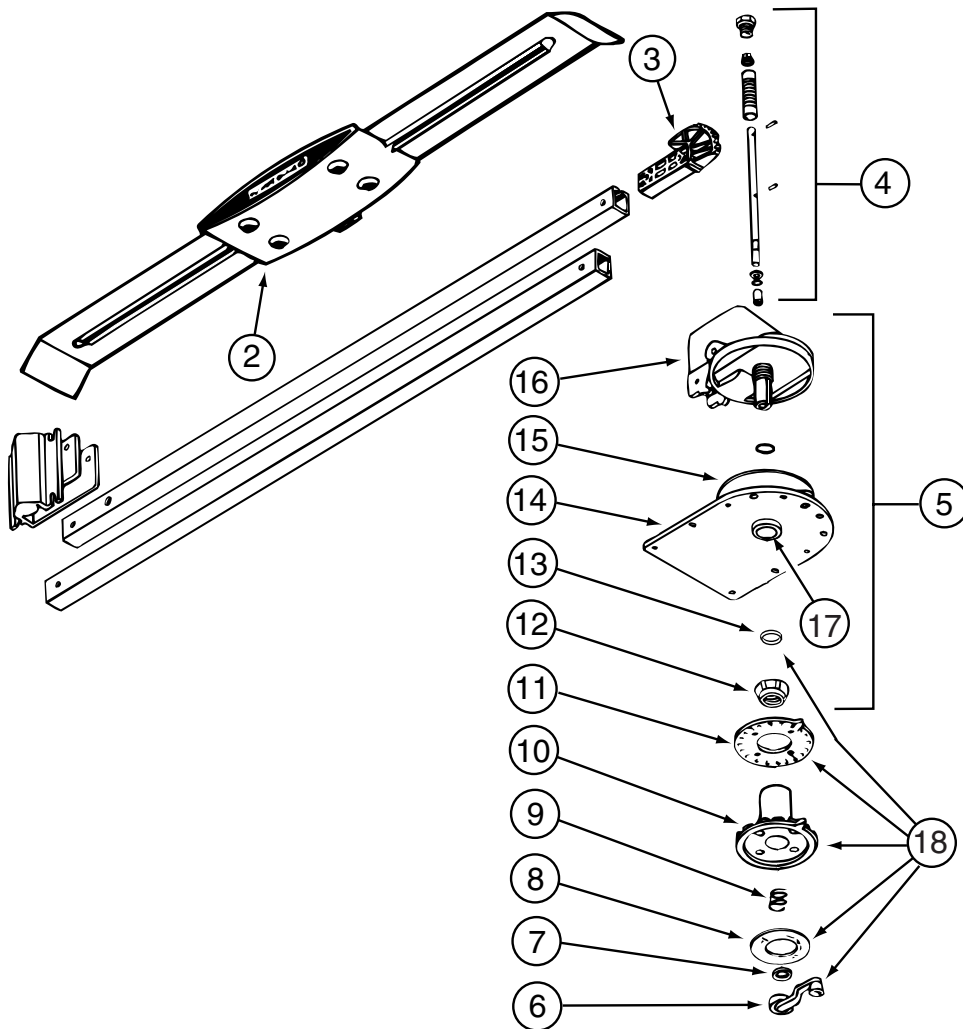
| KEY | PART NUMBER | U/M | DESCRIPTION |
|------------|--------------------|------------|---|
| | 144677-01-000 | EA | TELEVISION SYST - 7" - REAR VIEW FROM: 00-00-00 THRU: 12-22-03 |
| | 144677-05-000 | EA | MONITOR/BLACK & WHITE - 7" - 3 PIN/MECH CONTROLS FROM: 12-23-03 THRU: 99-99-99 |
| | 144677-02-000 | EA | CAMERA - REAR VIEW W/BRKT - 126838-01-000 FROM: 00-00-00 THRU: 06-15-03 |
| | 144677-04-000 | EA | CAMERA - REAR VIEW W/BRACKET FROM: 06-16-03 THRU: 99-99-99 |
| | 136514-02-000 | EA | CABLE - MONITOR/CAMERA |
| | 138619-04-02B | EA | PLATE - SUPPORT - MONITOR - E-COATED FROM: 10-21-02 THRU: 05-04-03 |

AUDIO VIDEO GROUP (CONTINUED)
TV & VCR

| KEY | PART NUMBER | U/M | DESCRIPTION |
|------------|--------------------|------------|--|
| * | 086231-10-000 | EA | TV - 13" COLOR - AUDIOVOX AVT-1498/DC - 13" TV W/VIDEO SELECTION SYSTEM |
| | 144819-01-02B | EA | BRACKET - TV - E-COATED - 13" TV W/VIDEO SELECTION SYSTEM |
| * | 146356-01-000 | EA | TV - 25" STEREO W/5 JACKS - SAMSUNG TXM2556 - 25" COLOR STEREO TV |
| * | 146355-01-000 | EA | DVD/VCR COMBINATION PLAYER - SAMSUNG DVD-V2000 - DVD/VCR STEREO W/REMOTE |
| * | 143171-01-000 | EA | VCR/VHS - CABLE READY - W/REMOTE - (SAMSUNG VR5260) |
| | 086757-04-000 | EA | CONTROL CENTER - SWITCH - VCR/TV - 5 INPUTS |
| | 115540-01-000 | EA | AMPLIFIER - TV SPEAKERS |
| | 142258-01-000 | EA | SWITCH - VIDEO/ANTENNA POWER SUPPLY |
| | 086777-02-000 | EA | WALLPLATE - TV CABLE - W/ANTENNA SWITCH - BLACK |
| | 086777-06-000 | EA | WALLPLATE - TV CABLE - ANTENNA BOOSTER/1 OUTPUT - BLACK |
| | 082134-01-000 | EA | ADAPTER - TV - CABLE TO CABLE |
| | 082136-01-000 | EA | NUT - HEX JAM - 3/8-32 |
| | 134006-01-03B | EA | PLATE - COAXIAL CABLE/OFF WHITE |
| | 086756-01-000 | EA | SPLITTER - TV/2 WAY |
| * | 076319-23-000 | EA | ANTENNA - TV ROOF MOUNT - 44.5" MAST |
| * | 076319-25-000 | EA | KIT - HARDWARE INTERIOR |
| * | 137135-02-000 | EA | ANTENNA - SATELLITE DSS - W/SENSOR |
| | 076319-08-000 | EA | WALLPLATE - CABLE RECEPTACLE - TV - SINGLE - IVORY |
| | 076319-09-000 | EA | WALLPLATE - TV CABLE RECEPTACLE - SINGLE - BROWN |
| | 137135-03-000 | EA | WIRE LOOM - DIGITAL ELEVATION SENSOR |
| | 137135-04-000 | EA | WIRE HARNESS - POWER - DIGITAL ELEVATION SENSOR |
| | 145171-01-000 | EA | CONNECTOR - COAXIAL |
| | 136860-01-000 | EA | CABLE - RCA - #3 MALE TO #12F MALE CONNECTOR |
| | 145171-01-000 | EA | CONNECTOR - COAXIAL |

***COMPONENT PARTS LISTED LATER IN THIS GROUP**

AUDIO VIDEO GROUP (CONTINUED)
COMPONENT PARTS FOR TV & VCR



076319-23-000

| KEY | PART NUMBER | U/M | DESCRIPTION | VENDOR NO. |
|-----|---------------|-----|-------------------------|------------|
| 2 | 076319-01-700 | EA | HEAD-ANTENNA, AMPLIFIED | RVSA U/V |
| 3 | 076319-01-701 | EA | GEAR-ELEVATING, PLASTIC | 2200046 |
| 4 | 076319-01-702 | EA | SHAFT ASM-ELEVATING | RP-4000 |
| 5 | 076319-01-711 | EA | BASE & LIFT ASM | 2762802 |
| 7 | 076319-01-705 | EA | GROMMET-NYLON, 7/8"ID | 3200658 |
| 8 | 076319-01-708 | EA | DECAL-CRANK | 5413002 |
| 9 | 076319-01-707 | EA | SPRING-HANDLE | 2160822 |
| 11 | 076319-01-712 | EA | PLATE - CEILING | 3200608 |
| 12 | 076319-01-715 | EA | NUT (GEAR HOUSING) | 2200047 |
| 14 | 076319-01-713 | EA | BASE-PLATE, STEEL | 3100523 |
| 15 | 076319-01-703 | EA | BEARING-NYLON, 5"OD | 3200656 |
| 16 | 076319-01-714 | EA | HOUSING, ROTATING GEAR | 2200049 |
| | 076319-01-716 | EA | TUBING, ELEVATING | RP-2900 |
| 17 | 076319-01-704 | EA | BEARING-NYLON, 1.25"OD | 3200657 |
| 18 | 076319-01-709 | EA | HANDLE-HEAD DIRECTIONAL | 200644 |

CONTACT WINNEBAGO PART SALES FOR UNLISTED COMPONENT

076319-25-000

| KEY | PART NUMBER | U/M | DESCRIPTION | VENDOR NO. |
|-----|---------------|-----|------------------------------|------------|
| 6 | 076319-01-706 | EA | CRANK-W/SET SCREW UNIV/BEIGE | 2750897 |
| 6 | 120233-01-710 | EA | HANDLE-CRANK W/SCREW - WHITE | RP-6795 |
| 8 | 076319-01-708 | EA | DECAL-CRANK | 5413002 |
| 10 | 076319-25-700 | EA | DIRECTIONAL HANDLE(WHITE) | 3200612 |
| 11 | 076319-25-701 | EA | PLATE - CEILING(WHITE) | 3200609 |
| 13 | 120233-01-709 | EA | WASHER-NYLON | RP-2658 |

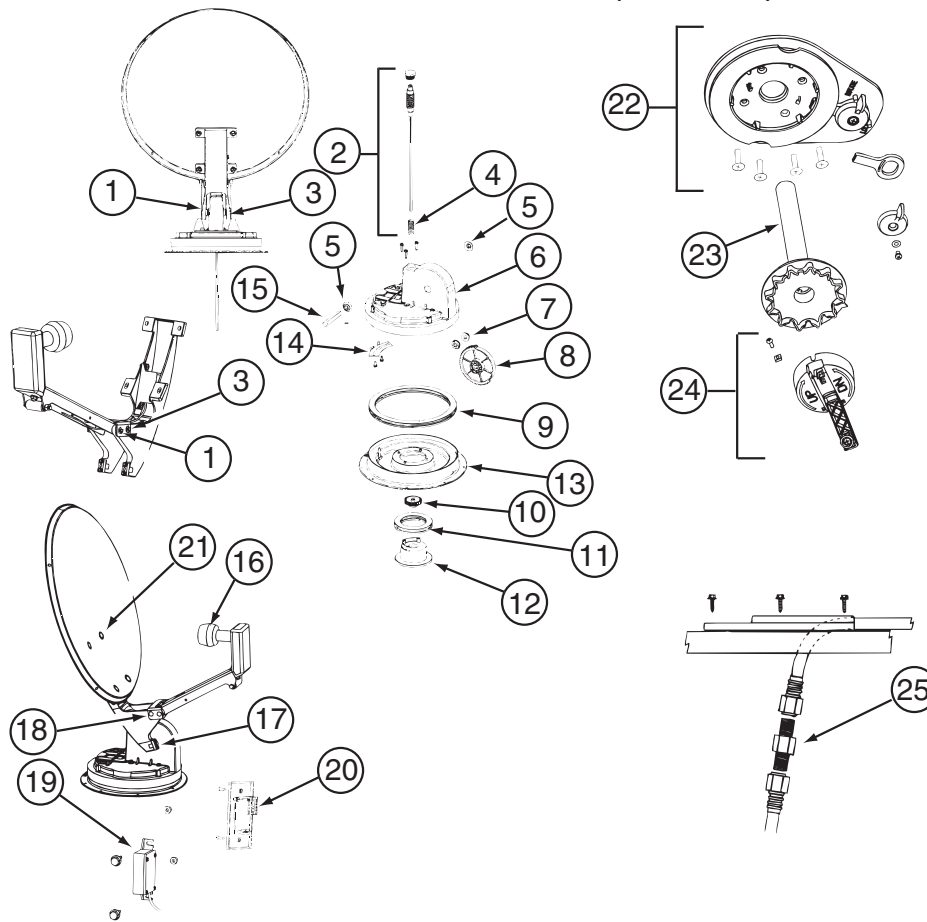
CONTACT WINNEBAGO PART SALES FOR UNLISTED COMPONENTS

AUDIO VIDEO GROUP (CONTINUED)
COMPONENT PARTS FOR TV & VCR (CONTINUED)

086231-10-000

| KEY | PART NUMBER | U/M | DESCRIPTION | VENDOR NO. |
|------------|--------------------|------------|------------------------------|-------------------|
| | 086231-08-700 | EA | REMOTE-UNIVERSAL | 892325 |
| | 086231-08-701 | EA | CONVERTER/POWER SUP 110/12 V | 891436 |
| | 086231-10-700 | EA | ADAPTER WIRE - (CIGARETTE) | 894000 |

AUDIO VIDEO GROUP (CONTINUED)
COMPONENT PARTS FOR TV & VCR (CONTINUED)



137135-02-000

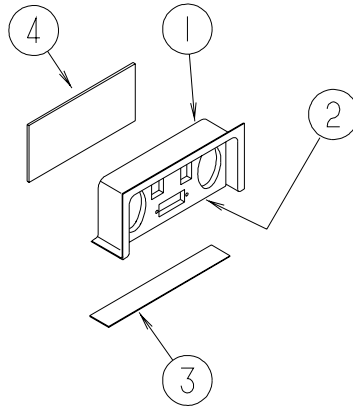
| KEY | PART NUMBER | U/M | DESCRIPTION | VENDOR NO. |
|-----|---------------|-----|------------------------------|----------------|
| 1 | 120233-01-714 | EA | CLIP-E | 5160818 |
| 2 | 137135-01-703 | EA | KIT ELEV - SHAFT/GEAR/SPRING | RP-4400 |
| 3 | 137135-01-704 | EA | PIN - 1/4" X 3.25" | 2160813 |
| 4 | 137135-01-705 | EA | SPRING | 2160818 |
| 5 | 137135-01-707 | EA | SEAL - PIVOT SHAFT | 2200852 |
| 6 | 137135-01-708 | EA | TURRET | 3100728 |
| 7 | 137135-01-709 | EA | PIVOT BEARING | 2200470 |
| 8 | 137135-01-711 | EA | GEAR - ELEVATING | 2200464 |
| 9 | 137135-01-712 | EA | BEARING - OUTER | 2590347 |
| 10 | 137135-01-714 | EA | GEAR - ELEVATING SHAFT | 2200465 |
| 11 | 137135-01-715 | EA | BEARING - INNER | 2590348 |
| 12 | 137135-01-716 | EA | HUB | 3100731 |
| 13 | 137135-01-713 | EA | TURRET BASE | 3100730 |
| 14 | 137135-01-710 | EA | PLATE - ROTATE LIMIT | 3720052 |
| 16 | 137135-02-703 | EA | LOW NOISE BLOCK FILTER | LB-6000 - DUAL |
| 17 | 137135-01-722 | EA | CLAMP | 2590343 |
| 18 | 137135-01-719 | EA | BRACKET - PIVOT | 2744945 |
| 19 | 137135-01-720 | EA | DE-SENSOR UNIT W/43" CABLE | DM4000 |
| 20 | 137135-02-701 | EA | BOX - SURFACE MOUNT | SM-100 |
| 21 | 137135-01-717 | EA | BOLT - FLAT HEAD | 2160362 |
| 22 | 120233-01-737 | EA | PLATE/INT-W/DIRECTIONAL HDLE | RK-CEIL |
| 23 | 120233-01-704 | EA | DIAL/DIRECTIONAL 4"W/SPRING | 3200364 |
| 24 | 120233-01-738 | EA | HDW PKG-HANDLE/SPRING/WASHER | RK-HAND |
| 25 | 137135-01-701 | EA | CONNECTOR - F - MALE TO MALE | FS-8100 |
| | 120233-04-700 | EA | KIT-WALL PLATE/CABLE - GRAY | DM4000 |
| | 137135-01-700 | EA | ROOF WEDGE W/GASKET | RW-5000 |
| | 137135-01-706 | EA | KIT-TURRET/SEAL/BEARING/GEAR | RP-RM30 |
| | 137135-01-718 | EA | REFLECTOR/WHITE-46CM W/HDW | RP-35RM |
| | 137135-02-700 | EA | DE-SENSOR | 2780096 |
| | 137135-02-704 | EA | KIT-UPDATE DIRECTIONAL HDL | RP-RMDH |

CONTACT WINNEBAGO PART SALES FOR UNLISTED COMPONENT(S)

AUDIO VIDEO GROUP (CONTINUED)
COMPONENT PARTS FOR TV & VCR (CONTINUED)

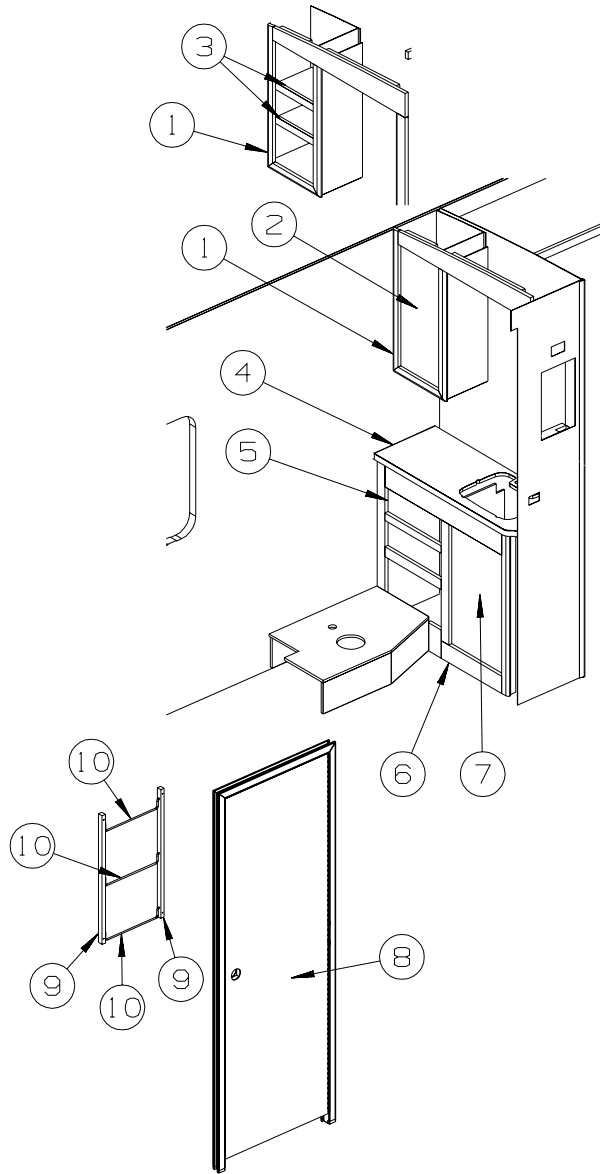
| 143171-01-000 | | | |
|---------------|---------------|-----------------|-------------|
| KEY | PART NUMBER | U/M DESCRIPTION | VENDOR NO. |
| | 143171-01-700 | EA REMOTE | AC59-00064A |
| 146355-01-000 | | | |
| KEY | PART NUMBER | U/M DESCRIPTION | VENDOR NO. |
| | 146355-01-700 | EA REMOTE-DVD | AC59-00058K |
| 146356-01-000 | | | |
| KEY | PART NUMBER | U/M DESCRIPTION | VENDOR NO. |
| | 146356-01-700 | EA REMOTE - TV | AA59-10110H |

AUDIO VIDEO GROUP (CONTINUED)
EXTERIOR ENTERTAINMENT



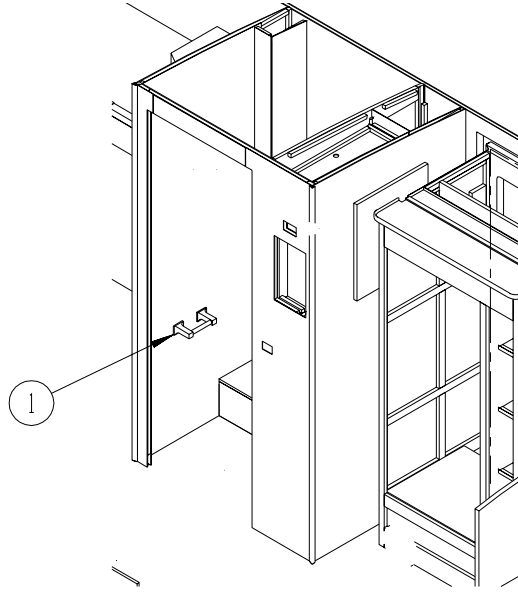
| KEY | PART NUMBER | U/M | DESCRIPTION |
|-----|---------------|-----|--|
| 1 | 124696-02-01A | EA | BOX - ENTERTAINMENT CENTER/EXTERIOR - BRIGHT WHITE |
| | 124696-01-01A | EA | BOX - ENTERTAINMENT CENTER/EXTERIOR - BRIGHT WHITE |
| 2 | 127409-02-L15 | EA | PLATE - RADIO MOUNTING |
| 3 | 104898-01-02A | EA | PLATE - PLASTIC BOTTOM - BRIGHT WHITE |
| 4 | NOT USED | | |

BATH GROUP CABINETS



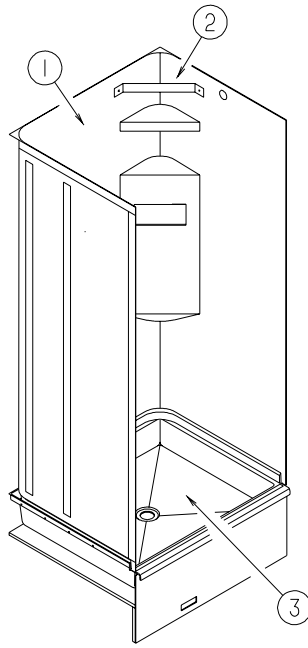
| KEY | PART NUMBER | U/M | DESCRIPTION |
|-----|---------------|-----|---|
| 1 | 138026-01-N21 | EA | CABINET - OVERHEAD/MEDICINE - W/O DOORS/HARDWARE |
| 2 | 136919-70-P34 | EA | DOOR - FLAT/PENCIL EDGE - 12" X 25.9" - W/O HARDWARE |
| 3 | 138026-25-N21 | EA | SHELF - W/PLASTIC EDGE |
| 4 | 133654-01-R28 | EA | COUNTERTOP - LAMINATED - LINO FRIEZE/PORTSMOUTH OAK (R30) |
| 4 | 133654-01-P31 | EA | COUNTERTOP - LAMINATED - EGGSHELL/PORTSMOUTH OAK (R31, R58) |
| 4 | 133654-01-R98 | EA | COUNTERTOP - LAMINATED - GRAY TRANQUILITY/PORTSMOUTH OAK (R99) |
| 5 | 145492-67-R30 | EA | DRAWER - PENCIL EDGE - 13.9"W X 11.8"D - W/O SLIDES/HDW |
| 6 | 138027-01-N21 | EA | CABINET - LAVATORY - W/O COUNTERTOP/DOORS/DRAWERS/HARDWARE |
| 7 | 136919-C2-P34 | EA | DOOR - FLAT/PENCIL EDGE - 15.3" X 25.6" - W/O HARDWARE |
| 8 | 144645-03-R28 | EA | DOOR - BATH - W/O TOWEL RACK/HARDWARE |
| | 111155-05-01A | EA | LOCK - PRIVACY/LOCKING - POLISHED BRASS - "S" SHAPE HANDLE FROM: 00-00-00 THRU: 01-26-03 |
| | 146064-01-01A | EA | LOCK - PRIVACY HANDLE - POLISHED BRASS FROM: 01-27-03 THRU: 99-99-99 |
| 9 | P34509-01-N01 | EA | RAIL END - RH/LH - TOWEL RACK - PORTSMOUTH OAK |
| 10 | 146801-01-01A | EA | ROD/TOWEL BAR (OFFSET) - BRASS |

BATH GROUP (CONTINUED)
CABINETS (CONTINUED)



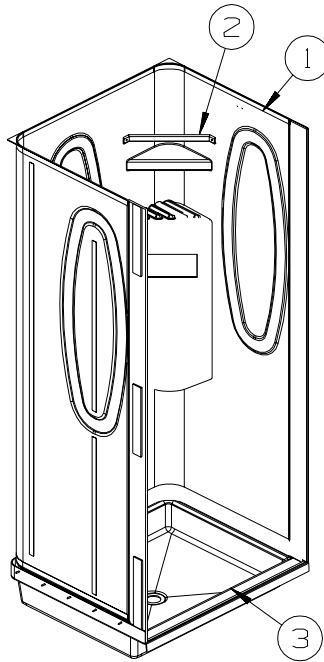
| KEY | PART NUMBER | U/M | DESCRIPTION |
|------------|--------------------|------------|----------------------|
| 1 | 145980-01-01A | EA | PAPER HOLDER - BRASS |

BATH GROUP (CONTINUED)
SHOWER



FROM: 00-00-00 THRU: 09-07-03

| KEY | PART NUMBER | U/M | DESCRIPTION |
|-----|---------------|-----|--|
| 1 | 105629-01-02A | EA | SURROUND - SHOWER - SOFT WHITE |
| 2 | 113714-02-02A | EA | RETAINER - SHELF/SHOWER - 10.6" - SOFT WHITE |
| 3 | M02673-11-L01 | EA | SHOWER PAN - W/STRAINER |



FROM: 09-08-03 THRU: 99-99-99

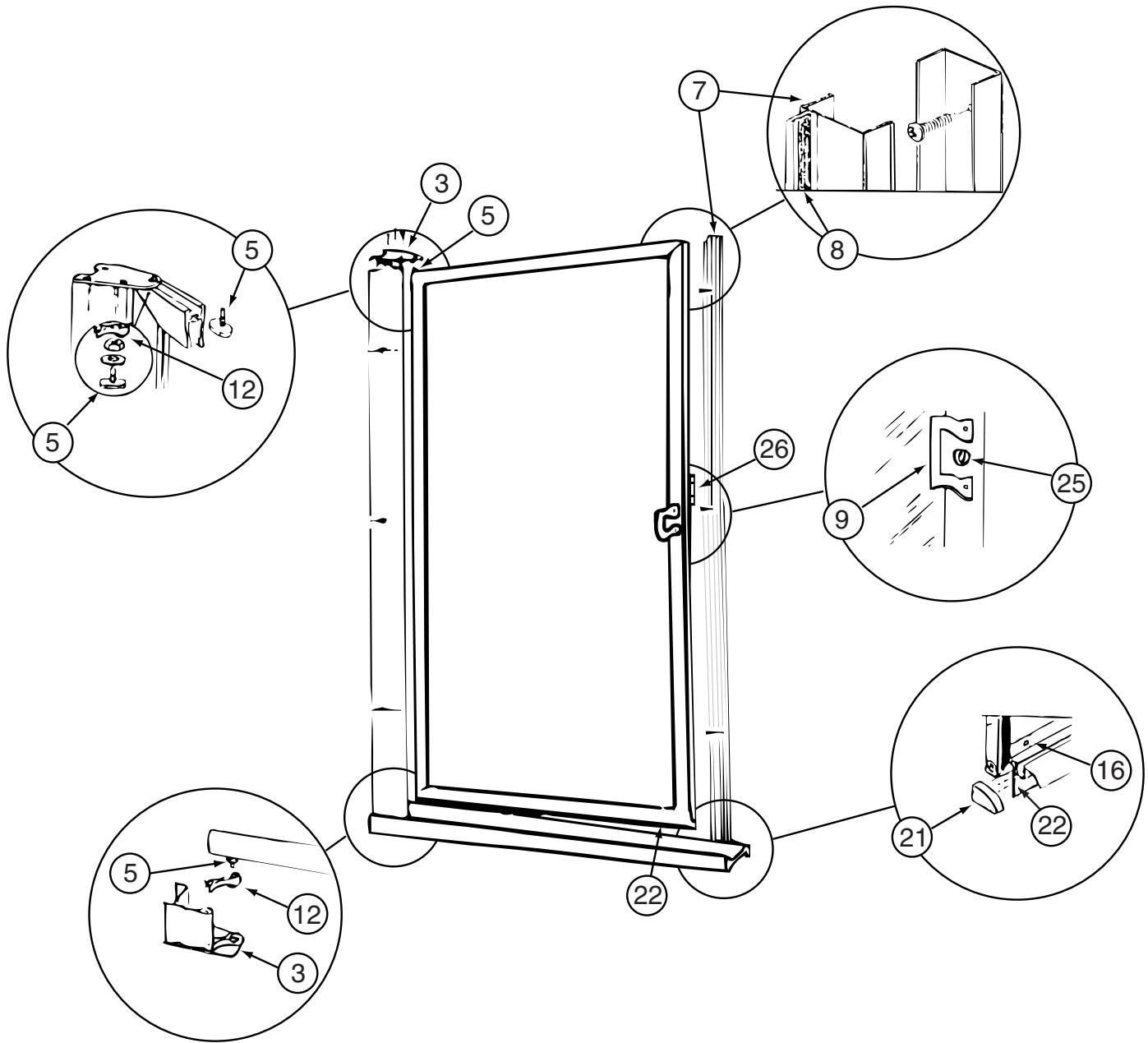
| KEY | PART NUMBER | U/M | DESCRIPTION |
|-----|---------------|-----|--|
| 1 | 147070-01-18A | EA | SURROUND - SHOWER - SOFT WHITE |
| 2 | 113714-02-02A | EA | RETAINER - SHELF/SHOWER - 10.6" - SOFT WHITE |
| 3 | M02673-14-R28 | EA | SHOWER PAN - W/STRAINER |

SHOWER DOOR

| KEY | PART NUMBER | U/M | DESCRIPTION |
|-----|---------------|-----|---|
| * | 089318-01-000 | EA | DOOR - SHOWER - HINGED W/GOLD FRAME - WINN#1 GOLD |

***COMPONENT PARTS LISTED LATER IN THIS GROUP**

BATH GROUP (CONTINUED)
COMPONENT PARTS FOR SHOWER



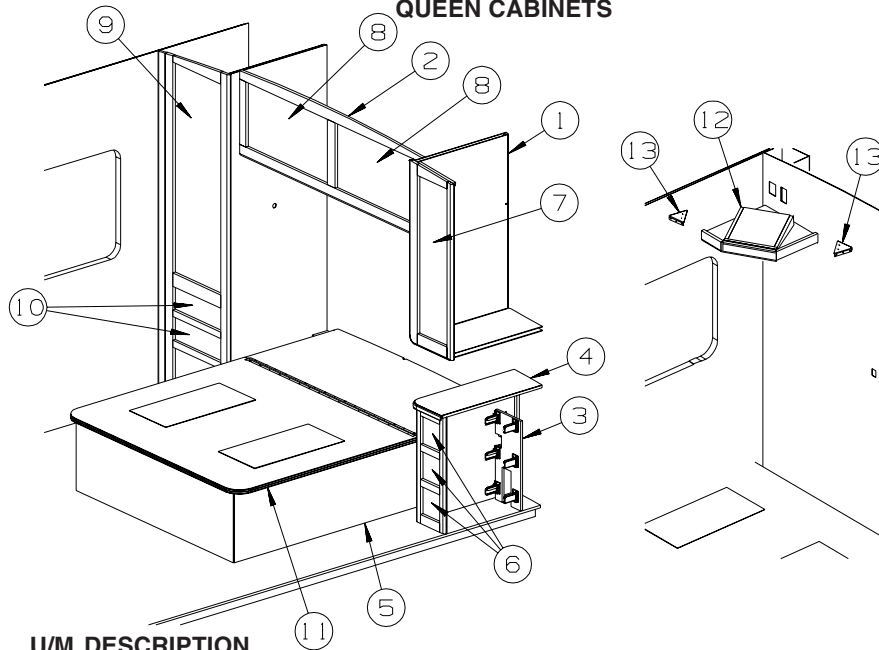
089318-01-000

| KEY | PART NUMBER | U/M | DESCRIPTION | VENDOR NO. |
|-----|---------------|-----|------------------------------|------------------|
| 3 | 089318-01-706 | EA | PLATE - PIVOT (UPPER/LOWER) | 796 |
| 5 | 089318-01-704 | EA | BOLT-PIVOT, TOP OR BOTTOM | 1428B |
| 7 | 089318-01-703 | EA | STRIKE-JAMB W/MAGNETIC STRIP | 150G |
| 8 | 092574-01-705 | EA | STRIP-MAGNETIC, 66" | 98-41G |
| 9 | 092574-01-703 | EA | BRACKET/DOOR PULL-W/O STUDS | 8149G |
| 12 | 089318-01-702 | EA | BUSHING W/ARM, LOWER | 18712A |
| 12 | 092574-01-707 | EA | BUSHING-PIVOT, TOP | 18712B |
| 16 | 092574-01-704 | EA | SCREW-GOLD #6 3/8 | 638G |
| 19 | 092574-01-708 | EA | DRIP RAIL - (SWEEP) | 927G-35"/OLD #34 |
| 21 | 107878-01-703 | EA | CAP-DRIP, PLUG SET | CP933 |
| 22 | 089318-01-701 | FT | SWEEP-VINYL | C171G 500FT RL |
| 25 | 089318-01-707 | EA | LATCH/CATCH - SAFETY - BLACK | 9730N |
| 25 | 092574-01-700 | EA | KNOB/LATCH - SAFETY - BLACK | 9728 |
| 26 | 092574-01-701 | EA | BRACKET-DOOR PULL/TOWEL BAR | 8141G |
| 26 | 116814-01-700 | EA | BAR-TOWEL 17 5/16" | 68G |
| | 092574-01-710 | EA | SCREW-GOLD, FOR TOWEL BAR | 83212G |
| | 092574-01-711 | EA | BRACKET/DOOR PULL - W/STUDS | 8153G |

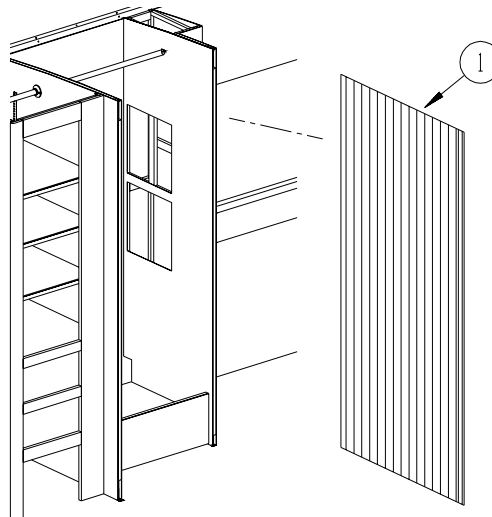
CONTACT WINNEBAGO PART SALES FOR UNLISTED COMPONENT(S)

BEDROOM GROUP

QUEEN CABINETS



| KEY | PART NUMBER | U/M | DESCRIPTION |
|-----|---------------|-----|--|
| 1 | 137960-01-N21 | EA | CABINET - OVERHEAD/SHIRT/LEFT HAND - W/O DOORS/HARDWARE |
| 2 | 137983-01-N21 | EA | CABINET - OVERHEAD/REAR - W/O DOORS/HARDWARE |
| 3 | 131843-02-N21 | EA | CABINET - NIGHTSTAND - W/O DOORS/DRAWERS/HARDWARE |
| 4 | 133655-32-R28 | EA | COUNTERTOP - LAMINATED - LINO FRIEZE/PORTSMOUTH OAK (R30) |
| 4 | 133655-32-P31 | EA | COUNTERTOP - LAMINATED - EGGSHELL/PORTSMOUTH OAK (R31, R58) |
| 4 | 133655-32-R98 | EA | COUNTERTOP - LAMINATED - GRAY TRANQUILITY/PORTSMOUTH OAK (R99) |
| 5 | P38006-01-N21 | EA | CABINET/BASE - W/O DOOR/DRAWER/HARDWARE - F/QUEEN BED |
| 5 | P38006-02-N21 | EA | CABINET/BASE - W/O DOOR/DRAWER/HDW-F/QUEEN BED-W/MTR AID - WTR HEATER W/MOTOR AID |
| 6 | 145492-09-R74 | EA | DRAWER - PENCIL EDGE-5.2"W X 19.7"D - W/O SLIDES/HARDWARE |
| 7 | 136919-49-P34 | EA | DOOR - FLAT/PENCIL EDGE - 10.8" X 36.4" - W/O HARDWARE |
| 8 | 136919-D3-P34 | EA | DOOR - FLAT/PENCIL EDGE - 15.7" X 27.9" - W/O HARDWARE |
| 9 | 134786-02-N04 | EA | DOOR - MIRROR/MITERED CORNERS - 16.7" X 47.9"-W/O HARDWARE |
| | | | FROM: 00-00-00 THRU: 04-27-03 |
| 9 | 141507-03-R35 | EA | DOOR - MIRRORED/PENCIL EDGE - 16.7" X 48" - W/O HARDWARE |
| | | | FROM: 04-28-04 THRU: 99-99-99 |
| 10 | 145492-21-R30 | EA | DRAWER - PENCIL EDGE - 14.6"W X 17.7"D - W/O SLIDES/HDW |
| 11 | 137406-03-N21 | EA | BEDBOARD - W/HINGE/T-MOLDING/SLIPNOT - FLIP-UP |
| 12 | 116553-02-N21 | EA | CABINET - TV SHELF - W/BRASS RODS/POST ENDS |
| | | | FROM: 00-00-00 THRU: 04-27-03 |
| 12 | 146774-01-R28 | EA | CABINET - TV SHELF/LEFT HAND - W/O DOORS/HARDWARE |
| | | | FROM: 04-28-03 THRU: 99-99-99 |
| 13 | 146782-01-02B | EA | BRACKET - TV SHELF - E-COATED |



| KEY | PART NUMBER | U/M | DESCRIPTION |
|-----|---------------|-----|---|
| 1* | 131595-01-01A | EA | DOOR - FOLDING-36.9" X 74.9"-W/4 CEILING MOUNTED BRACKETS |

***COMPONENT PARTS LISTED LATER IN THIS GROUP**

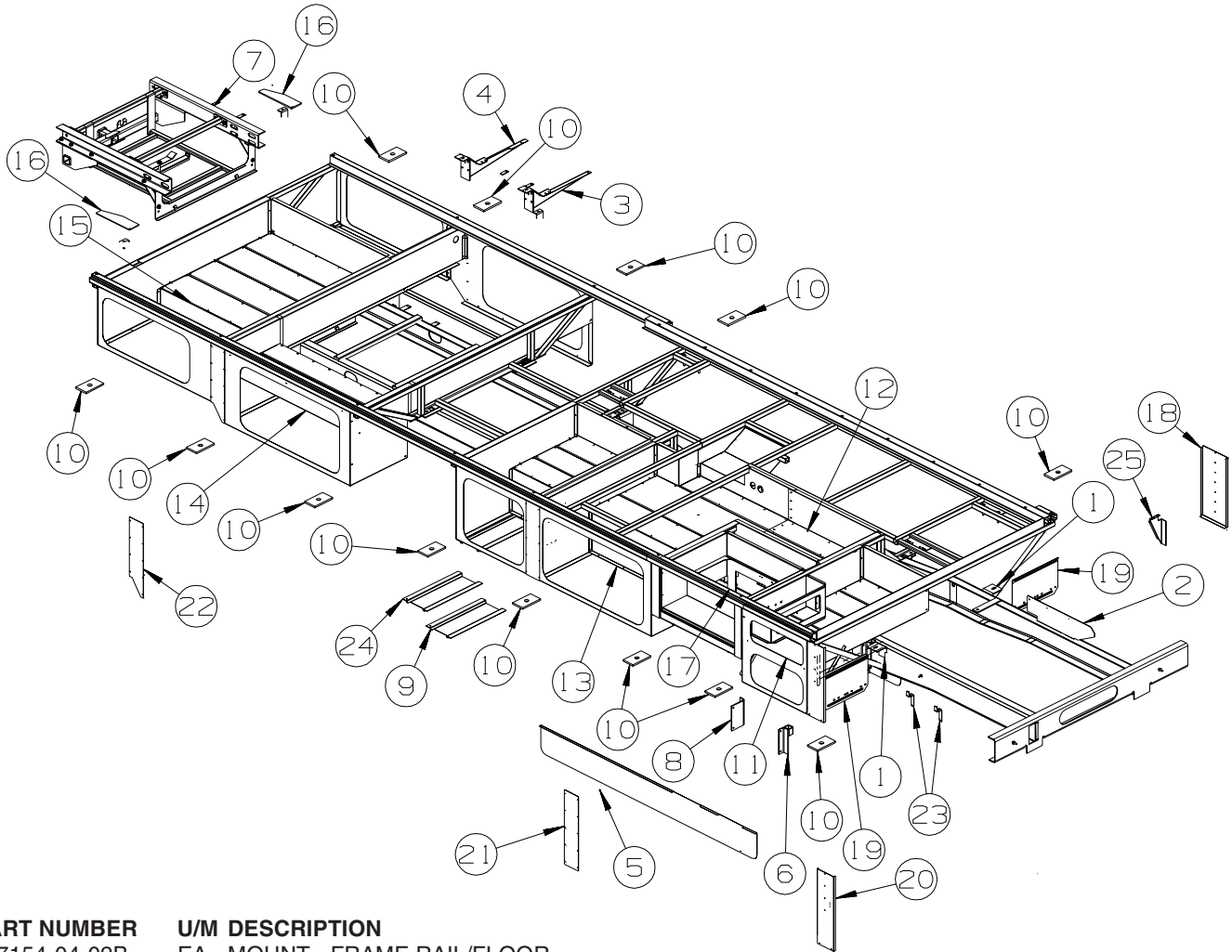
BEDROOM GROUP (CONTINUED)
COMPONENT PARTS FOR QUEEN CABINETS

131595-01-01A, 131595-05-01A, 131595-10-01A

| KEY | PART NUMBER | U/M | DESCRIPTION | VENDOR NO. |
|------------|--------------------|------------|----------------------|-------------------|
| | 117431-01-707 | EA | CATCH/PIN - PLASTIC | |
| | 131595-01-700 | EA | END STOP ONLY | |
| | 131595-01-701 | EA | BRACKET/MOUNTING | 908956 |
| | 131595-01-702 | EA | TRACK/STRAIGHT - 37" | |

CHASSIS GROUP

FRAME



| KEY | PART NUMBER | U/M | DESCRIPTION |
|-----|---------------|-----|---|
| 1 | 117154-04-02B | EA | MOUNT - FRAME RAIL/FLOOR |
| 2 | 132999-01-02B | EA | SHIELD - HEAT - E-COATED - FORD ONLY |
| 3 | 135575-01-02B | EA | BRACKET - GENERATOR - E-COATED |
| 4 | 135575-02-02B | EA | BRACKET - GENERATOR - E-COATED |
| 5 | 134325-01-02B | EA | SHIELD - HEAT/EXHAUST - E-COATED |
| 6 | 139189-01-02B | EA | BRACKET - LP SUPPORT - E-COATED - FORD ONLY |
| 7* | 132643-05-01A | EA | HITCH/TIRE CARRIER - EXTENSION RAIL(REAR CLIP) |
| 8 | 139188-01-02B | EA | BRACKET - LP SUPPORT |
| 9 | 140963-01-02B | EA | SHIELD - EXHAUST - E-COATED - WORKHORSE ONLY |
| 10 | 135712-01-02B | EA | PLATE - BODY MOUNT - E-COATED |
| 11 | 137815-02-02B | EA | COMPARTMENT - RIGHT FRONT - E-COATED |
| 12 | 137814-02-02B | EA | COMPARTMENT - RIGHT - E-COATED |
| 13 | 137814-01-02B | EA | COMPARTMENT - RIGHT - E-COATED |
| 14 | 138044-02-02B | EA | COMPARTMENT - DRAINAGE - E-COATED |
| 15 | 133977-02-02B | EA | COMPATMENT - REAR - E-COATED |
| 16 | 133095-01-02B | EA | PLATE - CLIP - E-COATED |
| 17 | 132607-08-02B | EA | BOX - ENTRY STEP - E-COATED |
| 18 | 139843-02-02B | EA | PANEL - CLOSEOUT - E-COATED |
| 19 | 136391-01-02B | EA | GUARD/ROCK - STEEL - W/ANGLE - 18"W X 11"H - E-COATED |
| 20 | 139843-01-02B | EA | PANEL - CLOSEOUT/LP - E-COATED |
| 21 | 142957-02-02B | EA | PLATE - STRIKER - E-COATED |
| 22 | 142957-03-02B | EA | PLATE - STRIKER - E-COATED |
| 23 | 117287-01-02B | EA | BRACKET - MOUNTING/CABLE - E-COAT - WORKHORSE ONLY |
| 24 | 140963-01-02B | EA | SHIELD - EXHAUST - E-COATED |
| 25 | 123440-14-02B | EA | SUPPORT - PANEL - 9.9"/7.6" X 4.8" - E-COATED |

*COMPONENT PARTS LISTED LATER IN THIS GROUP

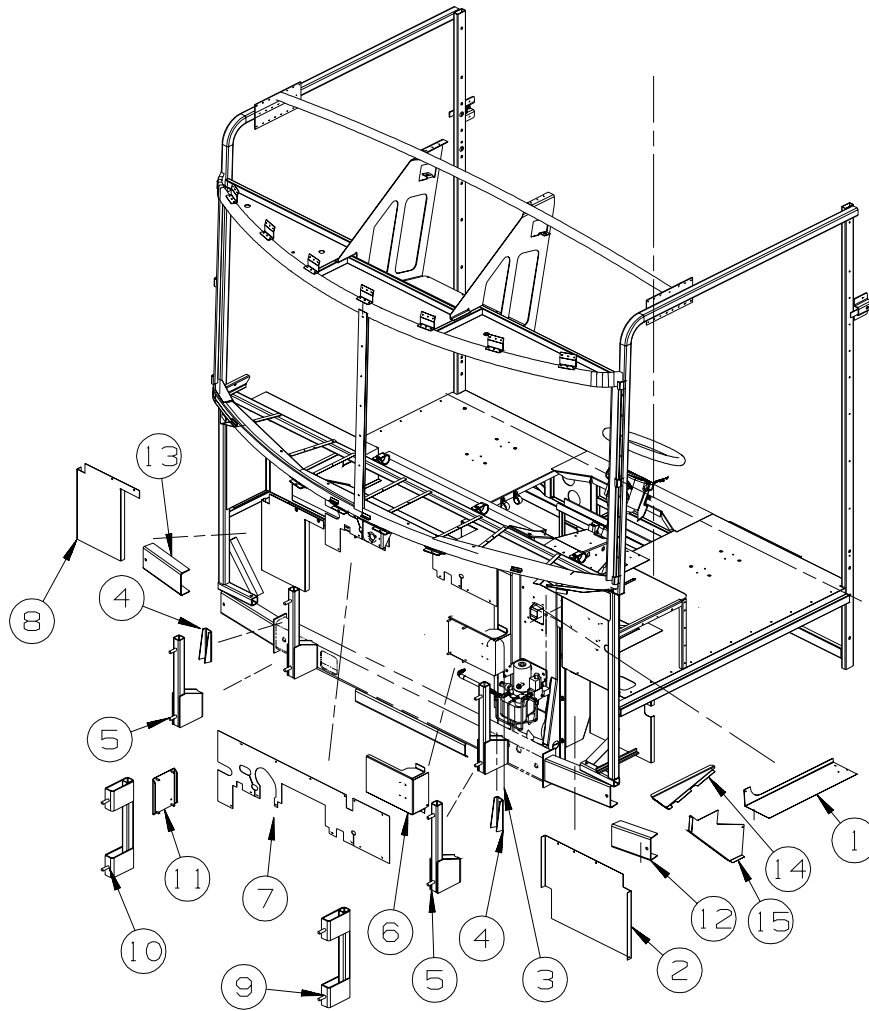
CHASSIS GROUP (CONTINUED)
COMPONENT PARTS FOR FRAME

132643-05-01A

| KEY | PART NUMBER | U/M | DESCRIPTION | VENDOR NO. |
|------------|--------------------|------------|-------------------------|-------------------|
| | 132643-01-701 | EA | TIRE CARRIER COMPLETE | 56610-47 |
| | 132643-01-702 | EA | RETAINER KIT/SPARE TIRE | 55290-47 |

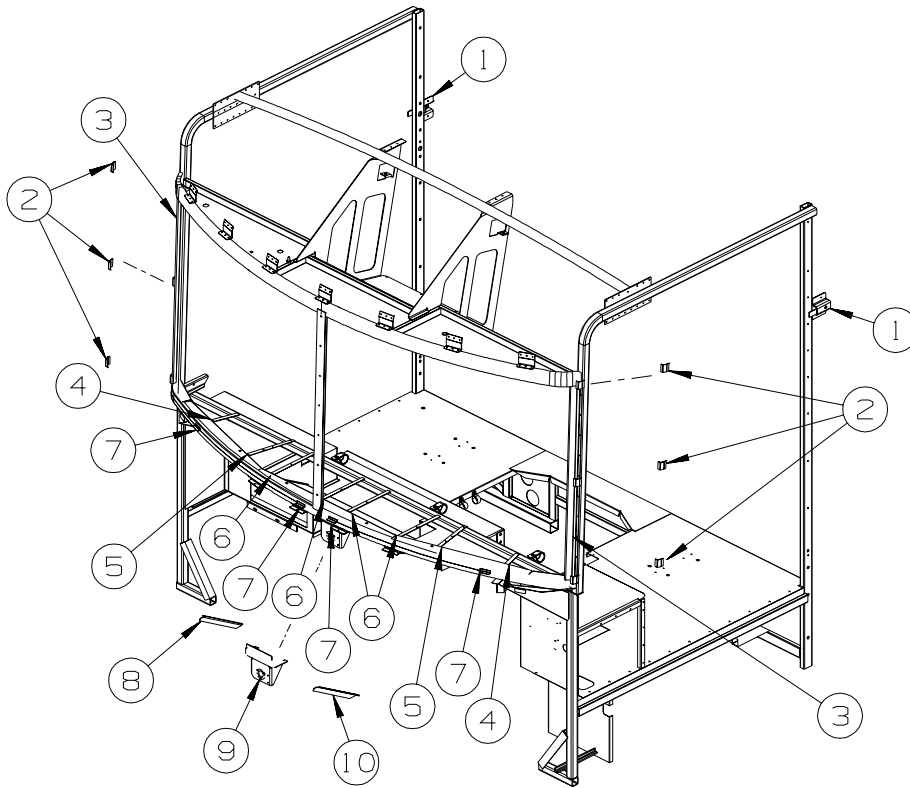
CHASSIS GROUP (CONTINUED)

FRONT END



| KEY | PART NUMBER | U/M | DESCRIPTION |
|-----|---------------|-----|---|
| 1 | 137041-01-02B | EA | ANGLE/FILLER - MOTOR COVER - E-COATED - WORKHORSE |
| 2 | 121962-02-02B | EA | SHIELD/SPLASH - HEADLIGHT - E-COATED - WORKHORSE |
| 3 | 044317-01-000 | FT | HOSE - FUEL - 3/8" ID - 15,000 & 18,000 GVWR WORKHORSE |
| 4 | 117622-01-02B | EA | BRACE - TUBE/BUMPER - VERTICAL - E-COATED - FORD |
| 5 | 134807-01-02B | EA | SUPPORT - FRONT - E-COATED - WORKHORSE |
| 6 | 137355-02-02B | EA | BRACKET - RESERVOIR/WASHER - E-COATED - 15,000 & 18,000 GVWR WORKHORSE |
| 7 | 117749-03-000 | EA | BAFFLE - RADIATOR - TOP/P32 - 15,000 & 18,000 GVWR WORKHORSE |
| 8 | 144679-02-02B | EA | SHIELD/SPLASH - HEADLIGHT - E-COATED - FORD |
| 9 | 134807-04-02B | EA | SUPPORT - FRONT - E-COATED - FORD |
| 10 | 134807-03-02B | EA | SUPPORT - FRONT - E-COATED - FORD |
| 11 | 119656-02-02B | EA | BRACKET - RESERVOIR/WASHER - E-COATED - 20,700 GVWR WORKHORSE |
| 12 | 137048-01-02B | EA | CHANNEL/SUPPORT - FRONT END - E-COATED - 20,700 GVWR WORKHORSE |
| 13 | 137048-02-02B | EA | CHANNEL/SUPPORT - FRONT END - E-COATED - 20,700 GVWR WORKHORSE |
| 14 | 137306-01-02B | EA | FILLER/BRACKET - LEFT HAND - E-COATED - 20,700 GVWR WORKHORSE |
| 15 | 137043-01-02B | EA | PANEL/FILLER - E-COATED - 20,700 GVWR WORKHORSE |

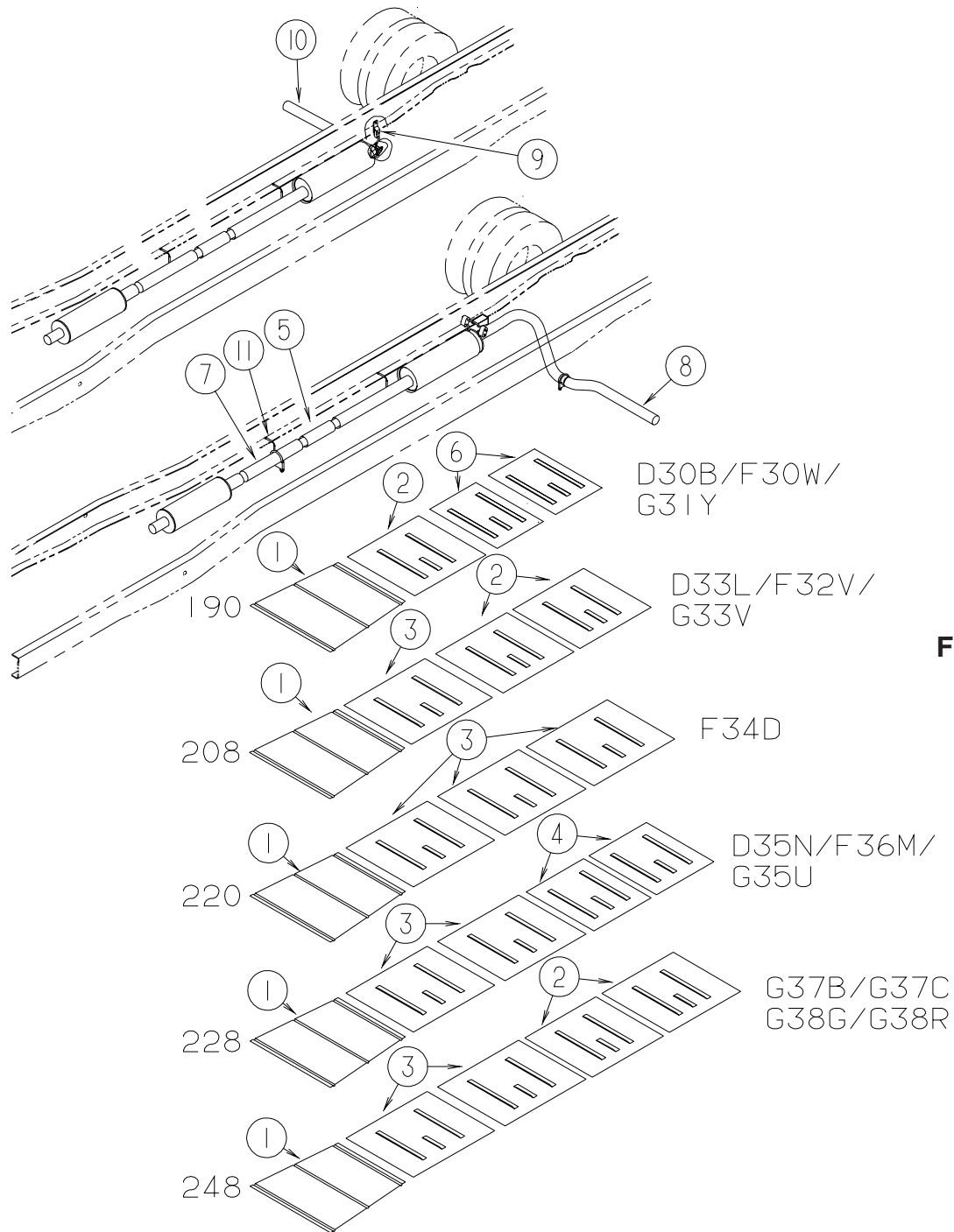
CHASSIS GROUP (CONTINUED)
FRONT END (CONTINUED)



| KEY | PART NUMBER | U/M | DESCRIPTION |
|-----|---------------|-----|----------------------------------|
| 1 | 140387-02-01B | EA | MOUNT - SEATBELT/WALL - E-COATED |
| 2 | 120363-01-01B | EA | BRACKET - WINDSHIELD |
| 3 | 137584-01-01B | EA | FRAME/PILLAR - WINDSHIELD |
| 4 | 137047-04-01B | EA | STRAP - DEFROSTER PLENUM |
| 5 | 137047-05-01B | EA | STRAP - DEFROSTER PLENUM |
| 6 | 137047-06-01B | EA | STRAP - DEFROSTER PLENUM |
| 7 | 126289-65-01B | EA | ANGLE - FORMED |
| 8 | 134371-02-01B | EA | ANGLE/MOUNT - WIPER MOTOR |
| 9 | 134506-01-01B | EA | BRACKET - WIPER MOTOR |
| 10 | 134371-01-01B | EA | ANGLE/MOUNT - WIPER MOTOR |

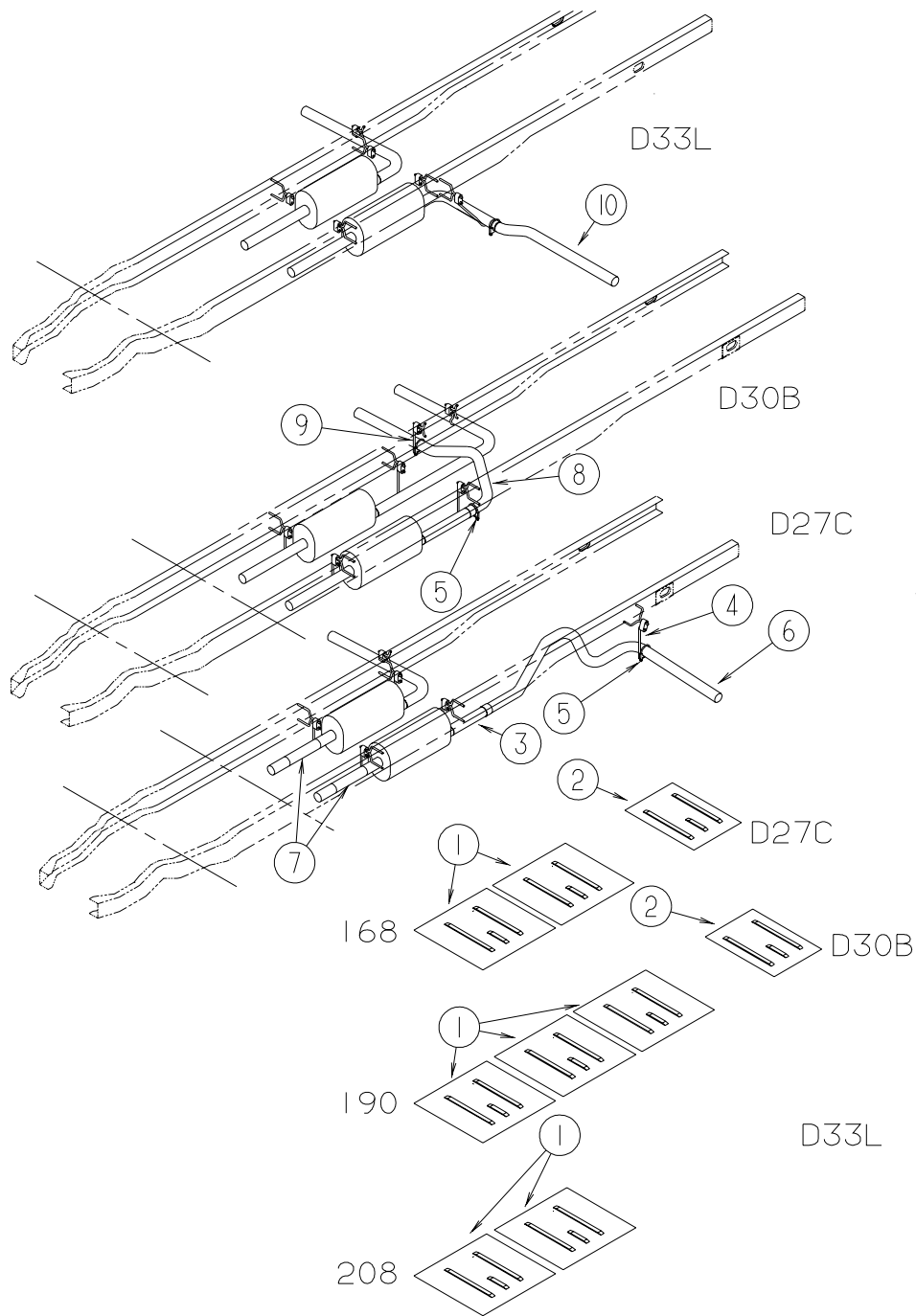
CHASSIS GROUP (CONTINUED)

EXHAUST



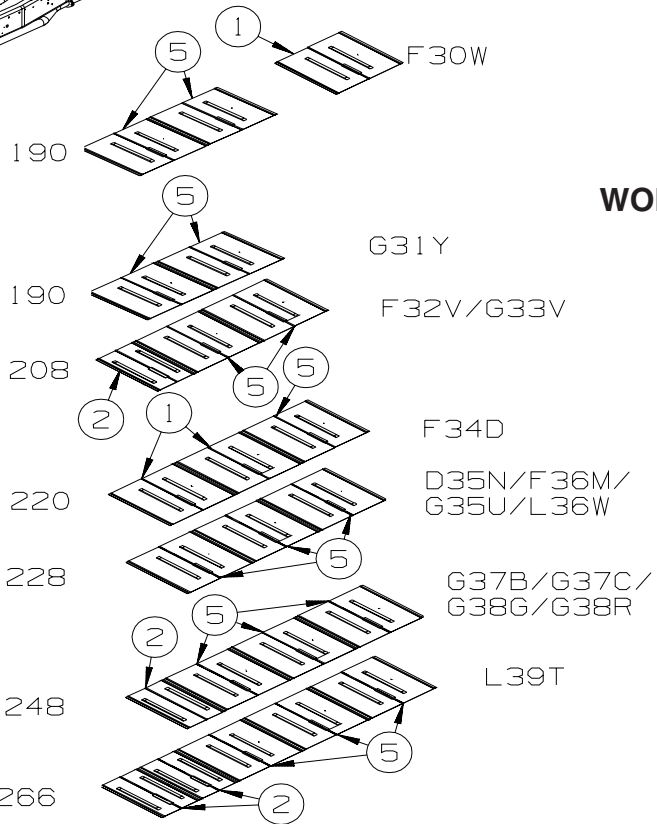
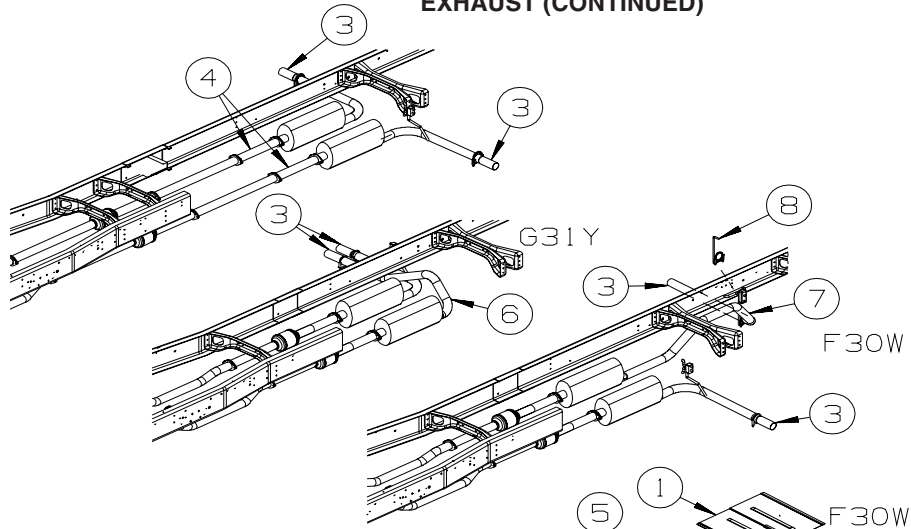
| KEY | PART NUMBER | U/M DESCRIPTION |
|-----|---------------|--|
| 1 | 128756-01-02B | EA SHIELD - HEAT/EXHAUST - 33.9" X 16.9" - E-COATED |
| 2 | 143712-02-02B | EA SHIELD/HEAT - EXHAUST - E-COATED |
| 3 | 143712-05-02B | EA SHIELD/HEAT - EXHAUST - E-COATED |
| 4 | 143712-07-02B | EA SHIELD/HEAT - EXHAUST - E-COATED |
| 5 | NOT USED | |
| 6 | 143712-01-02B | EA SHIELD/HEAT - EXHAUST - E-COATED - NOT USED D30B |
| 7 | 112012-11-000 | EA PIPE - EXHAUST - 3" DIAMETER X 20" LONG - 190" - 208" STRETCH - D33L |
| | 094918-06-000 | EA CLAMP - EXHAUST - 3" - HEAVY DUTY |
| 8 | 142985-01-000 | EA PIPE - EXHAUST - D33L, D35N |
| 9 | 122392-02-02B | EA HANGER - TAILPIPE - E-COATED |
| 10 | 122529-03-000 | EA PIPE - EXHAUST - D30B |
| 11 | 122392-12-02B | EA HANGER - TAILPIPE - E-COATED - 190"-208" STRETCH, D33L |

CHASSIS GROUP (CONTINUED)
EXHAUST (CONTINUED)



| KEY | PART NUMBER | U/M | DESCRIPTION |
|-----|---------------|-----|---|
| 1 | 143712-02-02B | EA | SHIELD - HEAT/EXHAUST - E-COATED |
| 2 | 143712-01-02B | EA | SHIELD - HEAT/EXHAUST - E-COATED |
| 3 | 098762-06-000 | EA | PIPE - EXHAUST - STRAIGHT - D27C |
| 4 | 122392-08-02B | EA | HANGER - TAILPIPE - E-COATED |
| 5 | 094918-06-000 | EA | CLAMP - EXHAUST - 3" - HEAVY DUTY |
| 6 | 137925-02-000 | EA | PIPE - EXHAUST - LEFT HAND |
| 7 | 137652-04-000 | EA | PIPE - EXHAUST - W/FLANGES |
| | 127598-02-000 | EA | NUT - HEX FLANGE - M10 X 1.5 - CLASS 10 |
| 8 | 141412-01-000 | EA | PIPE - EXHAUST |
| 9 | 122392-09-02B | EA | HANGER - TAILPIPE - E-COATED |
| 10 | 129726-02-000 | EA | PIPE - EXHAUST |

CHASSIS GROUP (CONTINUED)
EXHAUST (CONTINUED)



WORKHORSE

KEY PART NUMBER U/M DESCRIPTION

| | | |
|---|---------------|-------------------------------------|
| 1 | NOT USED | |
| 2 | NOT USED | |
| 3 | NOT USED | |
| 3 | NOT USED | |
| 4 | NOT USED | |
| 5 | 143712-05-02B | EA SHIELD - HEAT/EXHAUST - E-COATED |
| 6 | NOT USED | |
| 7 | NOT USED | |
| 8 | NOT USED | |

HITCH

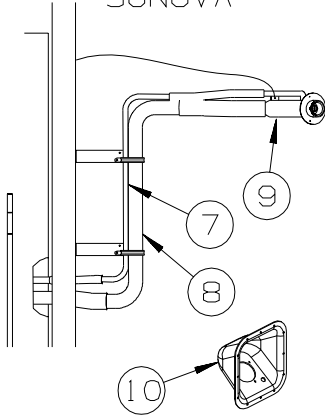
KEY PART NUMBER U/M DESCRIPTION

| | | |
|--|---------------|--|
| | 130339-08-000 | EA DRAWBAR ASSEMBLY - HITCH - CLASS 3 - WORKHORSE |
| | 140441-01-02B | EA PLATE - SKID - E-COATED - WORKHORSE |

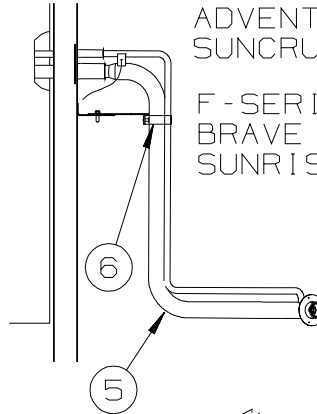
CHASSIS GROUP (CONTINUED)

FUEL

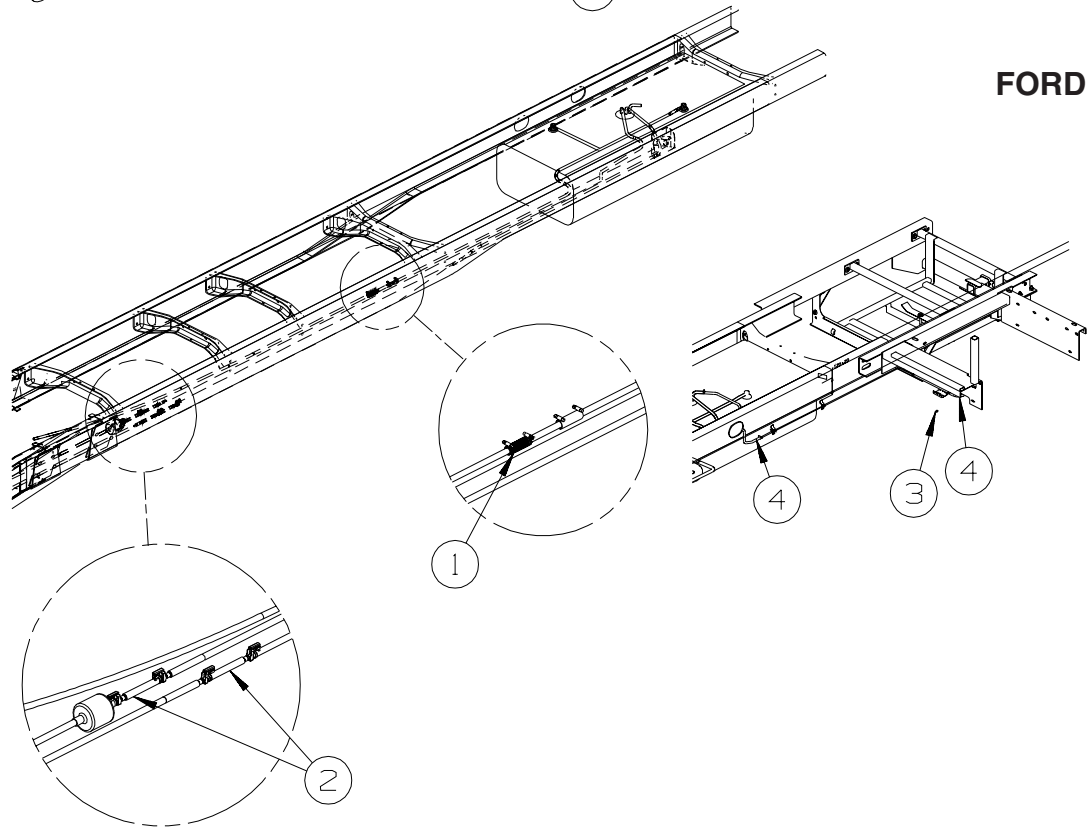
D-SERIES
SIGHTSEER
SONOVA



G-SERIES
ADVENTURER
SUNCRUISER



F-SERIES
BRAVE
SUNRISE

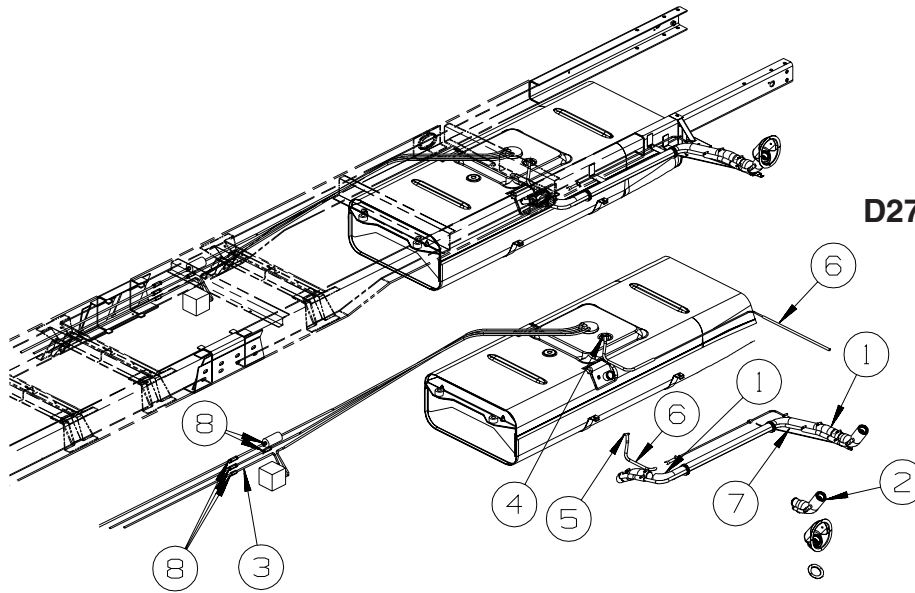


FORD

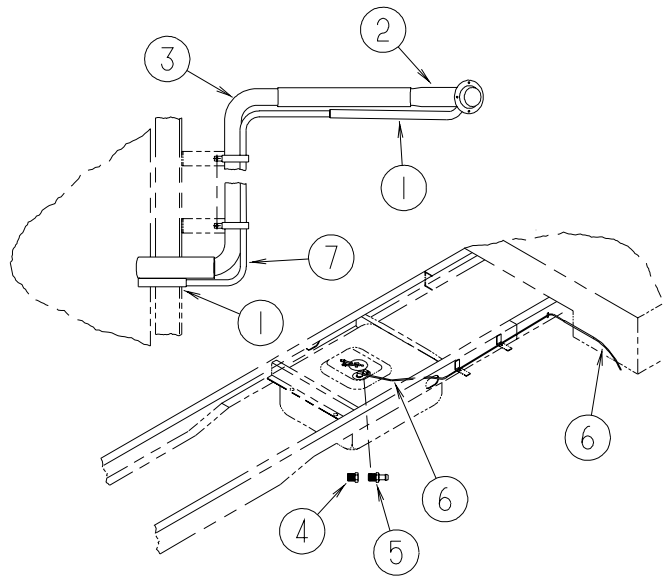
| KEY | PART NUMBER | U/M | DESCRIPTION |
|-----|---------------|-----|---|
| 1 | 128139-02-000 | FT | HOSE - FUEL - LOW PERMEABILITY - 5/8" DIAMETER - D33L |
| 1 | 007108-01-000 | FT | HOSE - HEATER - 5/8" ID - HI-TEMP - D33L |
| 2 | 129494-03-000 | EA | FUEL LINE - 5/16" X 21.2" - FORD CHASSIS - STRETCH, D33L |
| 3 | 084884-01-000 | EA | PLUG - BRASS - 3/8" |
| 4 | 128139-03-000 | FT | HOSE - FUEL - LOW PERMEABILITY - 1/4" DIAMETER |
| 5 | 135801-01-000 | EA | NECK - FUEL FILL |
| 6 | 140728-02-02B | EA | BRACKET - FUEL FILL - E-COATED |
| 7 | 129320-06-000 | EA | PIPE - VENT - FILL |
| 8 | 129321-06-000 | EA | TUBE - FUEL INLET |
| 9 | 138884-01-000 | EA | NECK - FUEL FILL - FORD |
| 10 | 128299-02-01A | EA | SHROUD - FUEL FILL |

CHASSIS GROUP (CONTINUED)
FUEL (CONTINUED)

**2003
D27C WORKHORSE CHASSIS**



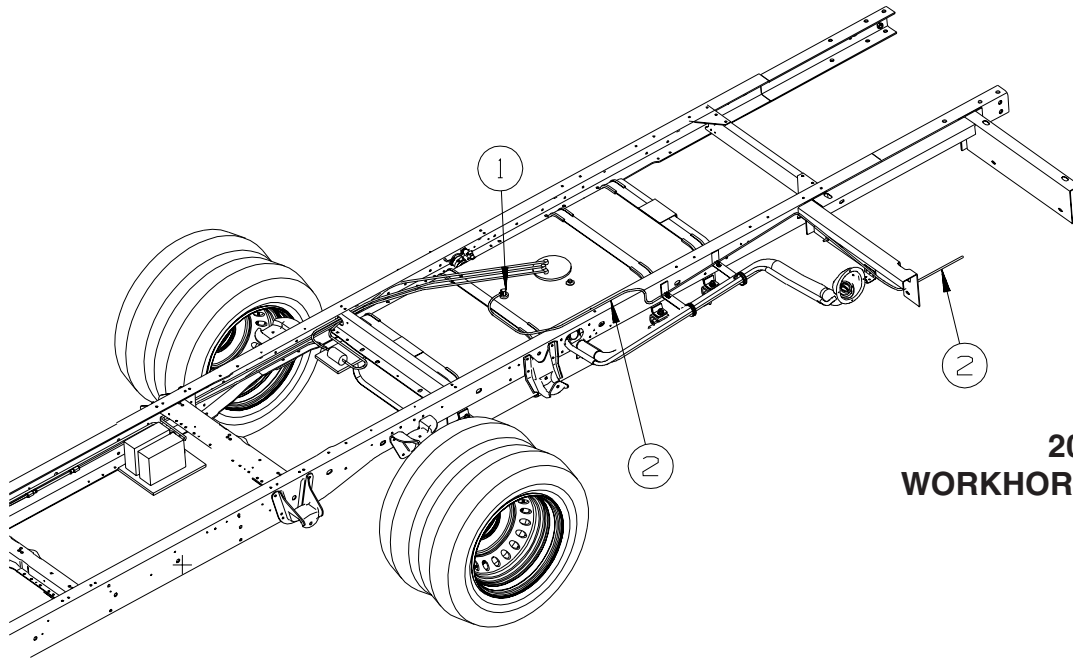
| KEY | PART NUMBER | U/M | DESCRIPTION |
|-----|---------------|-----|---|
| 1 | 128139-02-000 | FT | HOSE - FUEL - LOW PERMEABILITY - 5/8" DIAMETER |
| 2 | 127301-05-000 | EA | NECK - FUEL FILL - UNLEADED |
| 3 | 127392-02-000 | EA | HOSE - VAPOR/EMISSION - 5/16" X 36.5" W/ENDS - GM CHASSIS |
| 4 | 068382-06-000 | EA | BUSHING - BRASS - 3/8"MPT X 1/8"FPT |
| 5 | 114254-01-000 | EA | ADAPTER - 1/4"BARB X 1/8"MPT |
| 6 | 128139-03-000 | FT | HOSE - FUEL - LOW PERMEABILITY - 1/4" DIAMETER |
| 7 | 128524-05-000 | EA | PIPE - VENT - FUEL FILL |
| 8 | 098779-02-000 | EA | COUPLER - FUEL LINE - 1.2" LONG X .63" THREAD |



**2003
D30B, D33L, D35N
WORKHORSE CHASSIS**

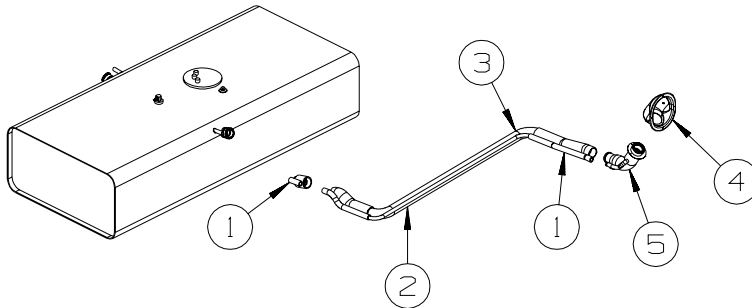
| KEY | PART NUMBER | U/M | DESCRIPTION |
|-----|---------------|-----|--|
| 1 | 128139-02-000 | FT | HOSE - FUEL - LOW PERMEABILITY - 5/8" DIAMETER - D30B, D33L |
| 2 | 127301-05-000 | EA | NECK - FUEL FILL - UNLEADED |
| 3 | 124327-04-000 | EA | TUBE - FUEL INLET - D30B, D33L |
| 3 | 124327-11-000 | EA | TUBE - FUEL INLET - D35N |
| 4 | 068382-06-000 | EA | BUSHING - BRASS - 3/8"MPT X 1/8"FPT |
| 5 | 114254-01-000 | EA | ADAPTER - 1/4"BARB X 1/8"MPT |
| 6 | 128139-03-000 | FT | HOSE - FUEL - LOW PERMEABILITY - 1/4" DIAMETER |
| 7 | 128524-01-000 | EA | PIPE - VENT - FUEL FILL - D30B, D33L |
| 7 | 128524-06-000 | EA | PIPE - VENT - FUEL FILL - D35N |

CHASSIS GROUP (CONTINUED)
FUEL (CONTINUED)



**2004
WORKHORSE CHASSIS**

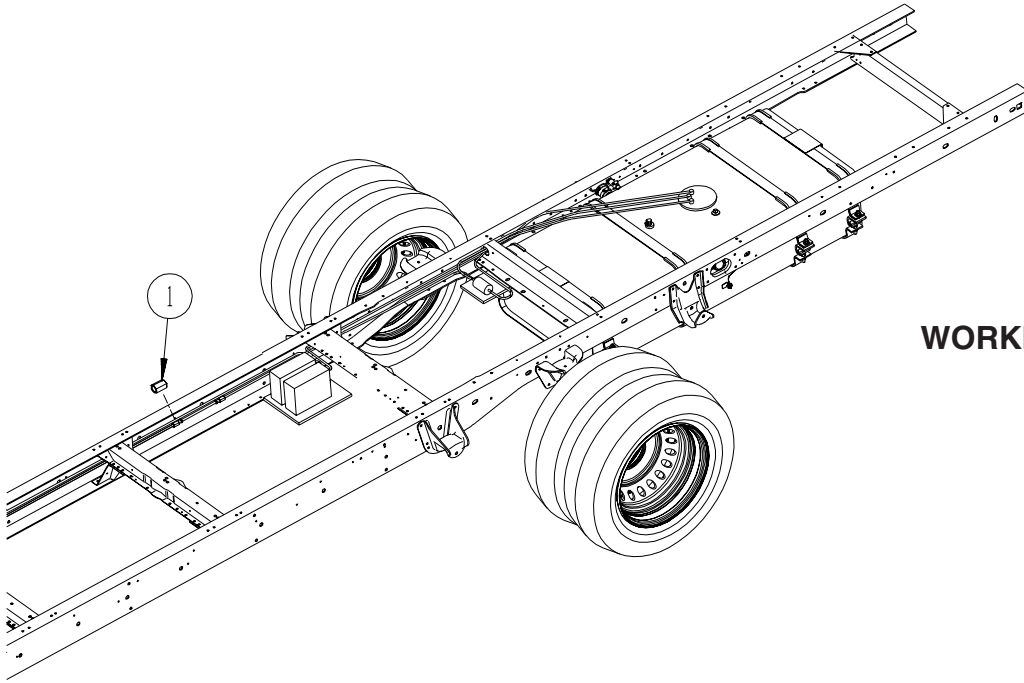
| KEY | PART NUMBER | U/M | DESCRIPTION |
|-----|---------------|-----|--|
| 1 | 114254-01-000 | EA | ADAPTER - 1/4" BARB X 1/8" MPT |
| 2 | 128139-03-000 | FT | HOSE - FUEL - LOW PERMEABILITY - 1/4" DIAMETER |



**2004
WORKHORSE CHASSIS**

| KEY | PART NUMBER | U/M | DESCRIPTION |
|-----|---------------|-----|--|
| 1 | 128139-02-000 | FT | HOSE - FUEL - LOW PERMEABILITY - 5/8" DIAMETER |
| 2 | 128524-05-000 | EA | PIPE - VENT - FUEL FILL - D27C |
| 2 | 128524-01-000 | EA | PIPE - VENT - FUEL FILL - D30B - D33L |
| 2 | 128524-06-000 | EA | PIPE - VENT - FUEL FILL - D25N |
| 3 | 124327-10-000 | EA | TUBE - FUEL INLET - D27C |
| 3 | 124327-04-000 | EA | TUBE - FUEL INLET - D30B - D33L |
| 3 | 124327-11-000 | EA | TUBE - FUEL INLET - D25N |
| 4 | 127301-05-000 | EA | NECK - FUEL FILL - UNLEADED |
| 4 | 127301-06-000 | EA | NECK - FUEL FILL - DIESEL |
| 5 | 128299-02-01A | EA | SHROUD - FUEL FILL |

CHASSIS GROUP (CONTINUED)
FUEL (CONTINUED)

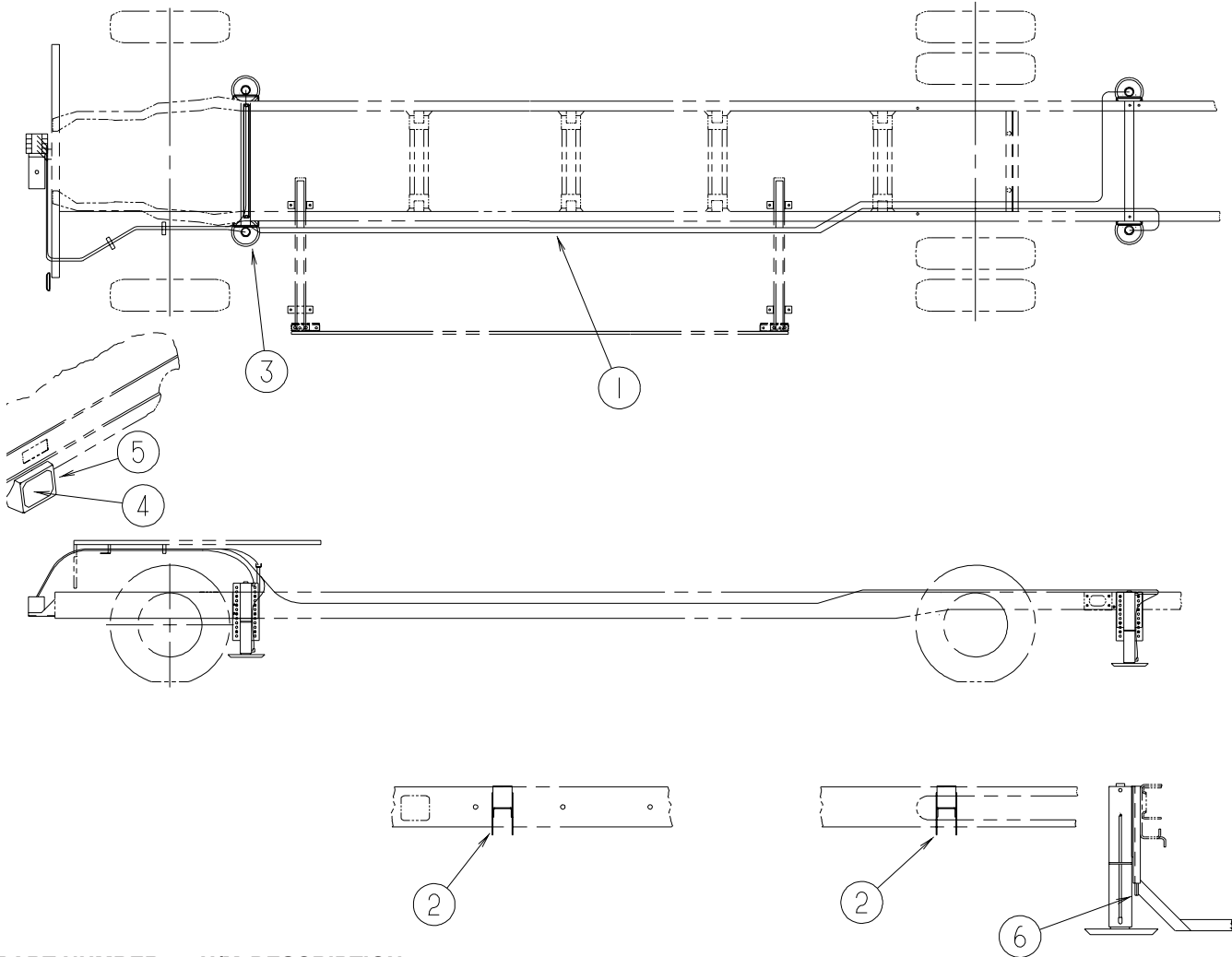


2004
WORKHORSE CHASSIS

| KEY | PART NUMBER | U/M | DESCRIPTION |
|------------|--------------------|------------|---|
| 1 | 098779-02-000 | EA | COUPLER - FUEL LINE - 1.2" LONG X .63" THREAD |

CHASSIS GROUP (CONTINUED)

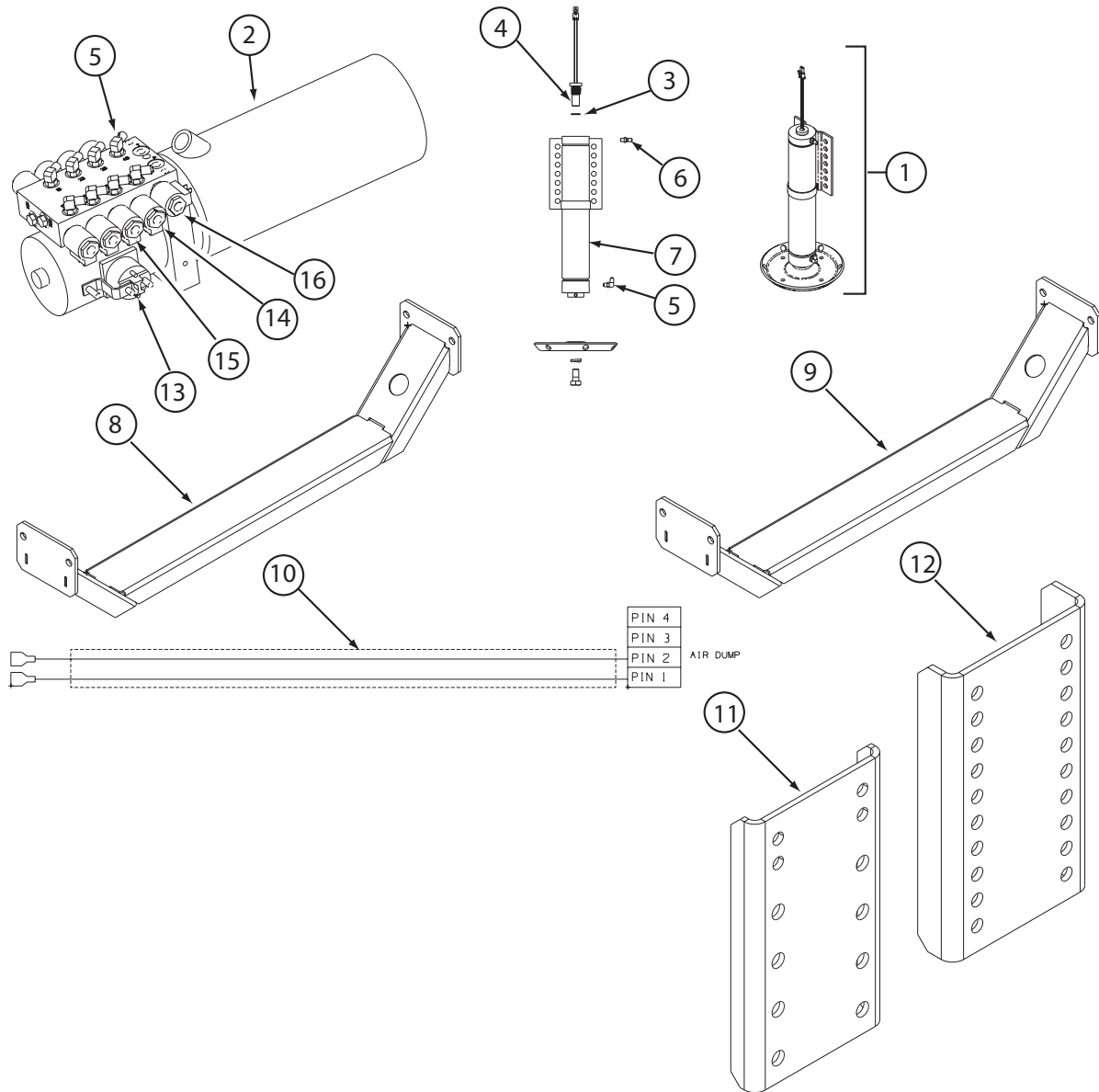
HYDRAULIC LEVELING



| KEY | PART NUMBER | U/M | DESCRIPTION |
|-----|---------------|-----|--|
| 1* | 139644-02-000 | EA | HOSE KIT - LEVELING JACKS |
| 2 | 129550-04-02B | EA | BRACKET - PUMP - E-COATED |
| 3* | 139641-01-000 | EA | LEVELING SYSTEM (LEVEL BEST) - P32/P42 - KWIKEE - D27C, D30B, D33L |
| 3* | 139641-02-000 | EA | LEVELING SYSTEM (LEVEL BEST) - F/53 - KWIKEE - D30B, D33L, D35N |
| 3* | 139641-03-000 | EA | LEVELING SYSTEM (LEVEL BEST) - WORKHORSE W22 - KWIKEE - D35N |
| 4 | 139643-02-000 | EA | CONTROL - LEVEL W/O INDIVIDUAL CONTROLS - RECTANGLE BOX |
| 5 | 139369-02-N21 | EA | BEZEL - MONITOR - LEVELING |
| | 139350-02-01A | EA | BEZEL - MONITOR - LEVELING |
| 6 | 140083-01-000 | EA | SPACER - JACK/CROSSMEMBER - WORKHORSE - D30B, D33L |
| | 133534-01-000 | EA | LIGHT - RED INDICATOR WITH 1/4" TERMINALS |

*COMPONENT PARTS LISTED LATER IN THIS GROUP

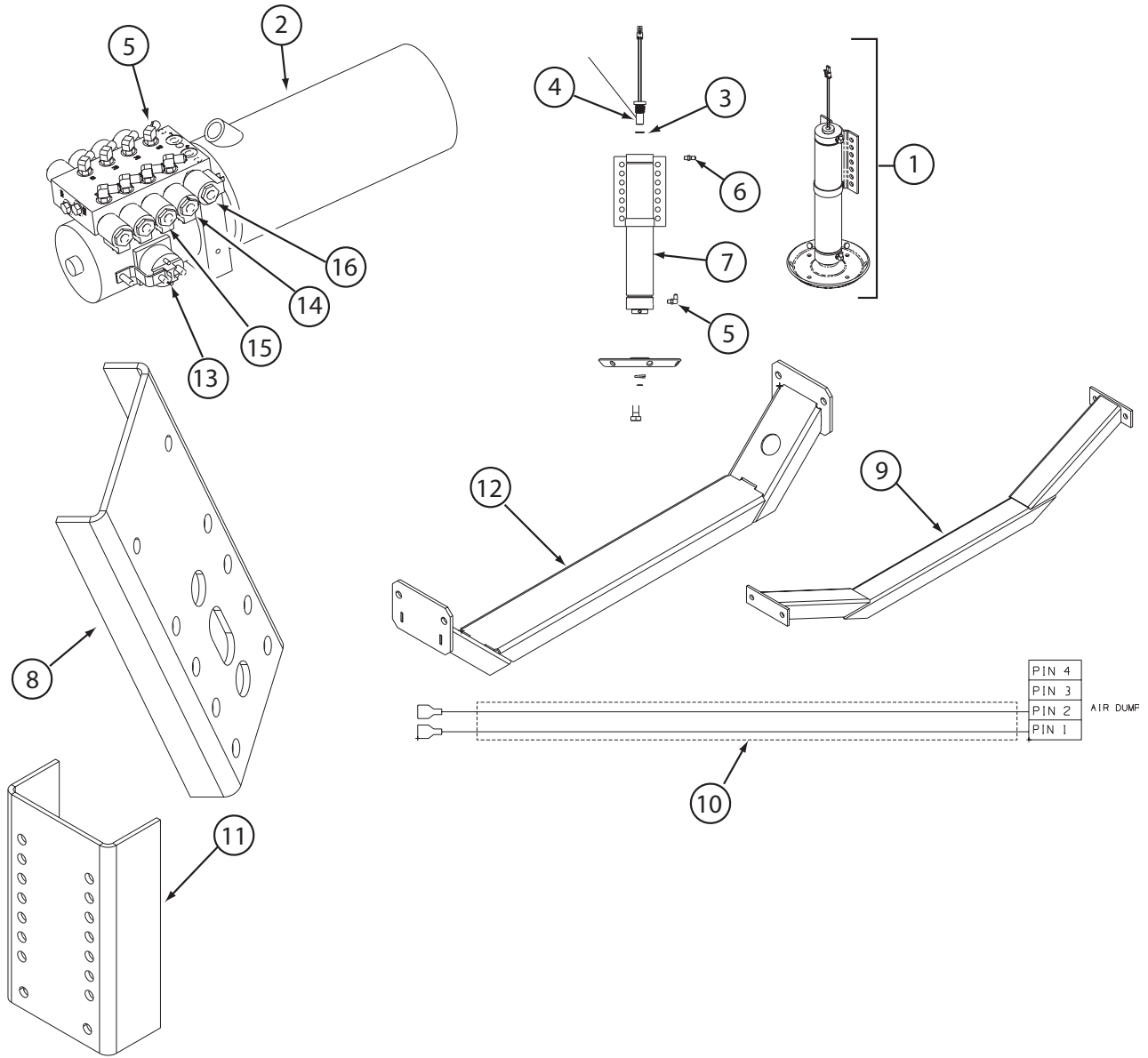
CHASSIS GROUP (CONTINUED)
COMPONENT PARTS FOR HYDRAULIC LEVELING



139641-01-000

| KEY | PART NUMBER | U/M | DESCRIPTION | VENDOR NO. |
|-----|---------------|-----|------------------------------|------------|
| 1 | 139641-01-720 | EA | JACK - FRONT 15"/10K | 3700702 |
| 2 | 139641-01-708 | EA | PUMP ASM.(WATER TIGHT) W/HDW | 370090 |
| 3 | 139641-01-700 | EA | O-RING 3-912N70 .924IDX.116W | 1612040 |
| 4 | 139641-01-704 | EA | SWITCH(HERMETIC)CYLINDER TOP | 1812992 |
| 5 | 139641-01-705 | EA | FITTING HYD (1/4"X90 DEGREE) | 1904500 |
| 6 | 139641-01-706 | EA | FITTING HYD (1/4" STRAIGHT) | 1904510 |
| 7 | 139641-01-710 | EA | CYLINDER - REPLACEMENT | 1905200 |
| 8 | 139641-01-713 | EA | CROSS MEMBER-FRONT(P32/P42) | 317791 |
| 9 | 139641-01-714 | EA | CROSS MEMBER-REAR (P32/P42) | 3717793 |
| 10 | 139641-01-701 | EA | HARNESS (AIR DUMP) CONTROL | 180981 |
| 11 | 139641-01-711 | EA | BRACKET MTG (WORKHORSE REAR) | 3717740 |
| 12 | 139641-01-712 | EA | BRACKET MTG (WORKHORSE FRT) | 3717741 |
| 13 | 139641-01-718 | EA | PUMP KIT (SOLENOID 4 POST) | 906900250 |
| 14 | 139641-01-719 | EA | VALVE KIT (COIL W/PACKARD) | 906963010 |
| 15 | 139641-01-721 | EA | SOLENOID VALVE - 2-WAY | 906965000 |
| 16 | 139641-01-722 | EA | SOLENOID VALVE - 4-WAY | 906964000 |
| | 139641-01-702 | EA | HARNESS - PUMP (WATER TIGHT) | 1809912 |
| | 139641-01-703 | EA | HARNESS (CONTROL PUMP) 10' | 1809913 |
| | 139641-01-707 | EA | LEVEL (BUBBLE) | 1906200 |
| | 139641-01-709 | EA | JACK ASM.(ST 15" RR 10K) | 3700701 |
| | 139641-01-715 | EA | BOLT KIT(CROSS MBR/JK/PUMP) | 3717794 |
| | 139641-01-717 | EA | HOSE KIT (WINNEBAGO D30B) | 906935521 |

CHASSIS GROUP (CONTINUED)
COMPONENT PARTS FOR HYDRAULIC LEVELING (CONTINUED)



139641-02-000

| KEY | PART NUMBER | U/M | DESCRIPTION | VENDOR NO. |
|-----|---------------|-----|------------------------------|------------|
| 1 | 139641-01-720 | EA | JACK - FRONT 15"/10K | 3700702 |
| 2 | 139641-01-708 | EA | PUMP ASM.(WATER TIGHT) W/HDW | 370090 |
| 3 | 139641-01-700 | EA | O-RING 3-912N70 .924IDX.116W | 1612040 |
| 4 | 139641-01-704 | EA | SWITCH(HERMETIC)CYLINDER TOP | 1812992 |
| 5 | 139641-01-705 | EA | FITTING HYD (1/4"X90 DEGREE) | 1904500 |
| 6 | 139641-01-706 | EA | FITTING HYD (1/4" STRAIGHT) | 1904510 |
| 7 | 139641-01-710 | EA | CYLINDER - REPLACEMENT | 1905200 |
| 8 | 139641-02-701 | EA | BRACKET MTG (FORD REAR) | 3717742 |
| 9 | 139641-02-702 | EA | CROSS MEMBER-FRONT (F53) | 3717786 |
| 10 | 139641-01-701 | EA | HARNESS (AIR DUMP) CONTROL | 180981 |
| 11 | 139641-02-704 | EA | BRACKET FRT MT(3.5"DEEP F53) | 1717787 |
| 12 | 139641-02-703 | EA | CROSS MEMBER-REAR (F53) | 3717795 |
| 13 | 139641-01-718 | EA | PUMP KIT (SOLENOID 4 POST) | 906900250 |
| 14 | 139641-01-719 | EA | VALVE KIT (COIL W/PACKARD) | 906963010 |
| 15 | 139641-01-721 | EA | SOLENOID VALVE - 2-WAY | 906965000 |
| 16 | 139641-01-722 | EA | SOLENOID VALVE - 4-WAY | 906964000 |
| | 139641-02-700 | EA | HARNESS F/READ SWITCH (FORD) | 1809911 |
| | 139641-01-703 | EA | HARNESS (CONTROL PUMP) 10' | 1809913 |
| | 139641-01-707 | EA | LEVEL (BUBBLE) | 1906200 |
| | 139641-01-709 | EA | JACK ASM.(ST 15" RR 10K) | 3700701 |
| | 139641-01-715 | EA | BOLT KIT(CROSS MBR/JK/PUMP) | 3717794 |
| | 139641-01-717 | EA | HOSE KIT (WINNEBAGO D30B) | 906935521 |

CHASSIS GROUP (CONTINUED)
COMPONENT PARTS FOR HYDRAULIC LEVELING (CONTINUED)

139644-02-000

| KEY | PART NUMBER | U/M | DESCRIPTION | VENDOR NO. |
|-----|---------------|-----|------------------------------|------------|
| | 139644-02-700 | EA | HOSE/HYDRAULIC - 1/4" X 17' | RF2T |
| | 139644-02-701 | EA | HOSE/HYDRAULIC - 1/4" X 10' | LF1T |
| | 139644-02-702 | EA | HOSE/HYDRAULIC - 1/4" X 17' | RF2B |
| | 139644-02-703 | EA | HOSE/HYDRAULIC - 1/4" X 10' | LF1B |
| | 139644-02-704 | EA | HOSE/HYDRAULIC - 1/4" X 30' | RR4T |
| | 139644-02-705 | EA | HOSE/HYDRAULIC - 1/4" X 30' | RR4B |
| | 139644-02-706 | EA | HOSE/HYDRAULIC- 1/4" X 30.6' | LR3T |
| | 139644-02-707 | EA | HOSE/HYDRAULIC- 1/4" X 30.6' | LR3B |

CHASSIS GROUP (CONTINUED)

SPARE TIRE

| KEY | PART NUMBER | U/M | DESCRIPTION |
|-----|---------------|-----|--|
| | 111685-01-000 | EA | PLATE - SPARE TIRE - WORKHORSE D27, D30B, D33L |

SUSPENSION

| KEY | PART NUMBER | U/M | DESCRIPTION |
|-----|---------------|-----|--|
| * | 122756-04-000 | EA | SHOCK & STABILIZER KIT - WORKHORSE/WIDE BODY CHASSIS |

*COMPONENT PARTS LISTED LATER IN THIS GROUP

CHASSIS GROUP (CONTINUED)
COMPONENT PARTS FOR SUSPENSION

122756-04-000

| KEY | PART NUMBER | U/M | DESCRIPTION | VENDOR NO. |
|------------|--------------------|------------|------------------------------|-------------------|
| | 122756-02-707 | EA | DAMPNER - STEERING | T818SD |
| | 122756-02-708 | EA | BOOT - DAMPNER | T818SDB |
| | 122756-02-709 | EA | BUSHING PKG-STEERING DAMPNER | T818SDBSH |
| | 122756-02-710 | EA | BOLT PKG - STEERING DAMPNER | T818BSD |
| | 122756-03-702 | EA | SHOCK | 557003 |
| | 122756-04-700 | EA | BRACKET ASSEMBLY - DRIVER | T818L-WW |
| | 122756-04-701 | EA | BRACKET ASSEMBLY - PASSENGER | T818R-WW |
| | 122756-04-702 | EA | BOLT PACKAGE KIT | T818B-WW |

CHASSIS GROUP (CONTINUED)
WHEEL, TIRE, COVERS &/OR LINERS

| KEY | PART NUMBER | U/M | DESCRIPTION |
|------------|--------------------|------------|--|
| | 064963-03-000 | EA | WHEEL - STEEL - 6" X 19.5" - WORKHORSE 18.000 GVWR |
| | 118814-05-000 | EA | WHEEL - STEEL - 19.5" X 6.75" - W/STEM - GRAY - WORKHORSE 20.700 GVWR |
| | 083617-04-000 | EA | WHEEL - STEEL - 6" X 16" - FORD |
| | 091673-07-000 | EA | TIRE - 225/70R19.5 LRF - MICHELIN XRV - WORKHORSE 18.000 GVWR |
| | 102340-07-000 | EA | TIRE - 245/70R X 19.5 - RANGE F - MICHELIN XRV - WORKHORSE 20.700GVWR |
| | 102340-08-000 | EA | TIRE - 245/70R X 19.5F - GOODYEAR - FORD |
| * | 109443-06-000 | EA | WHEEL COVER - 4/SET - 19.5" - GM/WORKHORSE - WORKHORSE |
| * | 109443-07-000 | EA | WHEEL COVER - 4/SET - 19.5" - FORD 2002 CHASSIS |
| * | 109443-08-000 | EA | WHEEL COVER - 4/SET - 19.5" - FORD "F53" CHASSIS - FORD 2003 CHASSIS |
| * | 134609-04-000 | EA | LINER-WHEEL,SET4,19.5PMAION - WORKHORSE 18.000 GVWR |
| | | | FROM: 00-00-00 THRU: 12-03-03 |
| * | 145580-04-000 | EA | LINER - WHEEL(SET OF 4) - 19.5"/10 BOLT - WORKHORSE 18.000 GVWR |
| | | | FROM: 12-04-03 THRU: 99-99-99 |
| * | 134609-02-000 | EA | LINER - WHEEL - SET OF 4 - 19.5" - WORKHORSE 20.700 GVWR |
| * | 110435-20-000 | EA | LINER - WHEEL - SET OF 4 - 19.5" - FORD |
| | 051377-01-000 | EA | VALVE STEM |
| | 051377-06-000 | EA | VALVE STEM - .5" X 2 1/3" W/W22 DEGREE BEND |
| | 077030-01-000 | EA | EXTENSION - VALVE STEM - 1.25" |
| | 077030-10-000 | EA | EXTENSION - VALVE STEM |
| | 095012-07-000 | EA | STABILIZER/VALVE EXTENSION - LIVE - 4" |
| | 095012-09-000 | EA | EXTENSION/VALVE STEM - LIVE - 7.7" |
| | 080208-02-000 | EA | BAR - LEVERAGE - LUG WRENCH - CHEVY/OSHKOSH - WORKHORSE 18.000 GVWR |
| | 080208-06-000 | EA | LUG WRENCH - 1" X 1.06" W/DEEP SOCKET ENDS - WORKHORSE 18.000 GVWR |
| | 080208-05-000 | EA | BAR - LEVERAGE - LUG WRENCH - .75"DIA. - WORKHORSE 20.700 GVWR |
| | 080208-04-000 | EA | LUG WRENCH - 1 3/16" - OSHKOSH/SPARTAN - WORKHORSE 20.700 GVWR |

***COMPONENT PARTS LISTED LATER IN THIS GROUP**

CHASSIS GROUP (CONTINUED)
COMPONENT PARTS FOR WHEEL, TIRE, COVERS &/OR LINERS

134609-02-000

| KEY | PART NUMBER | U/M | DESCRIPTION | VENDOR NO. |
|------------|--------------------|------------|-------------------------------------|-------------------|
| | 091209-13-704 | EA | NUT-JAMB-A20, 22M THREAD FRT | A20 |
| | 091209-13-705 | EA | LINER - FT - 19.5" W/SST NUT COVERS | 507 |
| | 091209-13-706 | EA | LINER - RR W/SST NUT COVERS | 508 |
| | 091209-13-708 | EA | CAP-CENTER, STAINLESS | A26 |
| | 091209-13-709 | EA | TOOL/JAMB NUT-ULTG/ULTI'S | M9100 |
| | 091209-16-000 | EA | NUT - JAM/THREADED - 22MM | KAPER II A20 |
| | 134609-02-700 | EA | COVER - LUG NUT 1 3/4" | 302 |
| | 134609-02-701 | EA | COVER - LUG NUT(2"DEEP) | L502 |

109443-06-000

| KEY | PART NUMBER | U/M | DESCRIPTION | VENDOR NO. |
|------------|--------------------|------------|------------------------------|-------------------|
| | 109443-01-700 | EA | COVER-WHEEL 19.5 FRT/RR EA=1 | SHAG95 |
| | 109443-01-701 | EA | BRACKET-RET FRT 1EA=1 SET | SHAG95-FBS |
| | 109443-01-703 | EA | CAP-CENTER, HUB - DICOR | SHAU95-CAP |
| | 109443-01-704 | EA | CLIP-RETAINER | V160GM-PNT |
| | 109443-06-701 | EA | BRACKET-RET RR 1EA=1 SET | SHG795-RBS |

109443-07-000

| KEY | PART NUMBER | U/M | DESCRIPTION | VENDOR NO. |
|------------|--------------------|------------|------------------------------|-------------------|
| | 098532-01-700 | EA | COVER-LUG NUT (CHROME) | SHAU-LNC |
| | 109443-01-703 | EA | CAP-CENTER, HUB - DICOR | SHAU95-CAP |
| | 109443-07-700 | EA | COVER/WHEEL-FRONT/REAR 8 LUG | SHAF95-COV |
| | 109443-07-701 | EA | BRACKET SET FRT 1 EA=1SET | SHAF95-FBS |
| | 109443-07-702 | EA | BRACKET SET REAR 1EA=1 SET | SHAF95-RBS |

109443-08-000

| KEY | PART NUMBER | U/M | DESCRIPTION | VENDOR NO. |
|------------|--------------------|------------|------------------------------|-------------------|
| | 109443-01-703 | EA | CAP-CENTER, HUB - DICOR | SHAU95-CAP |
| | 109443-07-700 | EA | COVER/WHEEL-FRONT/REAR 8 LUG | SHAF95-COV |
| | 109443-08-700 | EA | BRACKET-RET FRT 1EA=1 SET | SHAF95M-FBS |
| | 109443-08-701 | EA | BRACKET-RET RR 1EA=1 SET | SHAF95M-RBS |

110435-20-000

| KEY | PART NUMBER | U/M | DESCRIPTION | VENDOR NO. |
|------------|--------------------|------------|------------------------------|-------------------|
| | 110435-02-704 | EA | COVER-JAMB NUT | V160F0-LNC |
| | 110435-04-705 | EA | DECAL-CTR HUB 2 3/4" DIAMOND | |
| | 110435-10-705 | EA | TOOL/JAMB NUT INSTALLATION | V195P7-TOL |
| | 110435-15-700 | EA | LINER - WHEEL - FRONT | V195F9-FWC |
| | 110435-15-701 | EA | LINER - WHEEL - REAR | V195F9-RWC |
| | 110435-20-700 | EA | LNC W/ENCL M14X1.5 JAM NUT | V195F9-EJN-MF |

134609-04-000

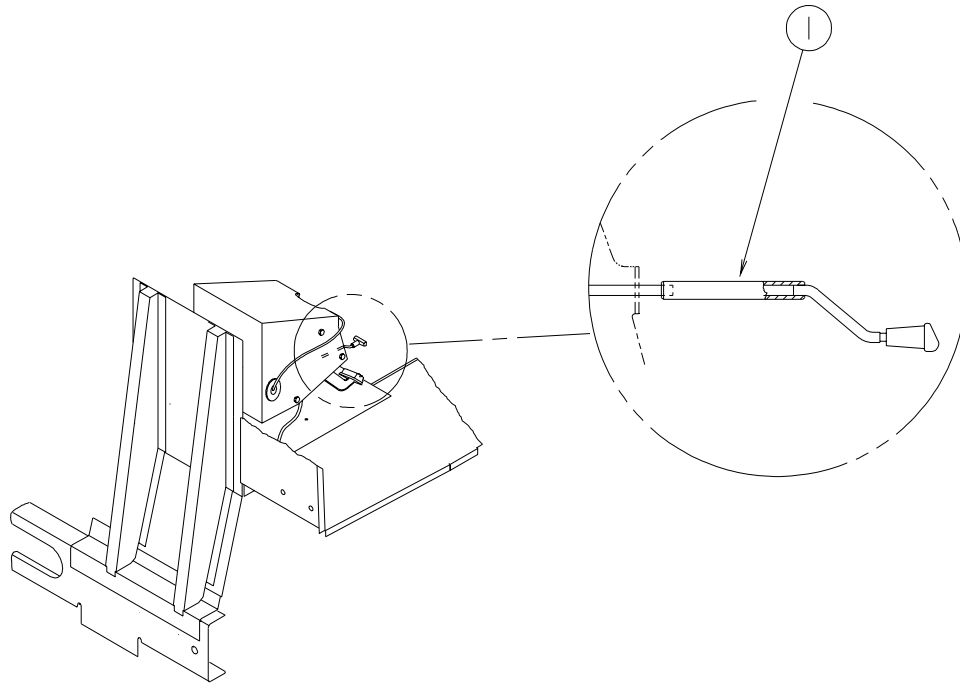
| KEY | PART NUMBER | U/M | DESCRIPTION | VENDOR NO. |
|------------|--------------------|------------|------------------------------|-------------------|
| | 134609-01-706 | EA | TOOL - F/EXTENDER & JAMB NUT | M9800 |
| | 134609-04-700 | EA | LINER - WHEEL - FRONT | S850 |
| | 134609-04-701 | EA | LINER - WHEEL - REAR | S910 |
| | 134609-04-702 | EA | JAMB NUT/LUG NUT CVR (REAR) | L250 |
| | 134609-04-703 | EA | JAMB NUT/LUG NUT CVR (FRONT) | L251 |
| | 134609-04-704 | EA | STUD/PLASTIC | L253 |
| | 134609-04-705 | EA | NUT/PLASTIC-JAMB NUT | L252 |

145580-04-000

| KEY | PART NUMBER | U/M | DESCRIPTION | VENDOR NO. |
|------------|--------------------|------------|------------------------------|---------------------|
| | 110435-04-705 | EA | DECAL-CTR HUB 2 3/4" | 2 3/4 DECAL DIAMOND |
| | 110435-10-701 | EA | LINER - WHEEL - REAR - 1 PC. | V195P7-RWC |
| | 110435-10-702 | EA | JAMB NUT W/JAMB NUT COVER | V195P7-EJN |
| | 110435-10-703 | EA | STUD - PLASTIC | V195P7-PST |
| | 110435-10-704 | EA | COVER-LUG NUT/PLASTIC JB NUT | V195P7-PJN |
| | 110435-10-705 | EA | TOOL/JAMB NUT INSTALLATION | V195P7-TOL |
| | 145580-04-700 | EA | LINER - WHEEL/FRONT - 1EA=1 | V195P72-FWC |

CHASSIS GROUP (CONTINUED)

BRAKE



| KEY | PART NUMBER | U/M | DESCRIPTION |
|-----|---------------|-----|--------------------------|
| 1 | 113007-01-000 | EA | PIN - SPRING - .375 X 3" |

BRAKELINE

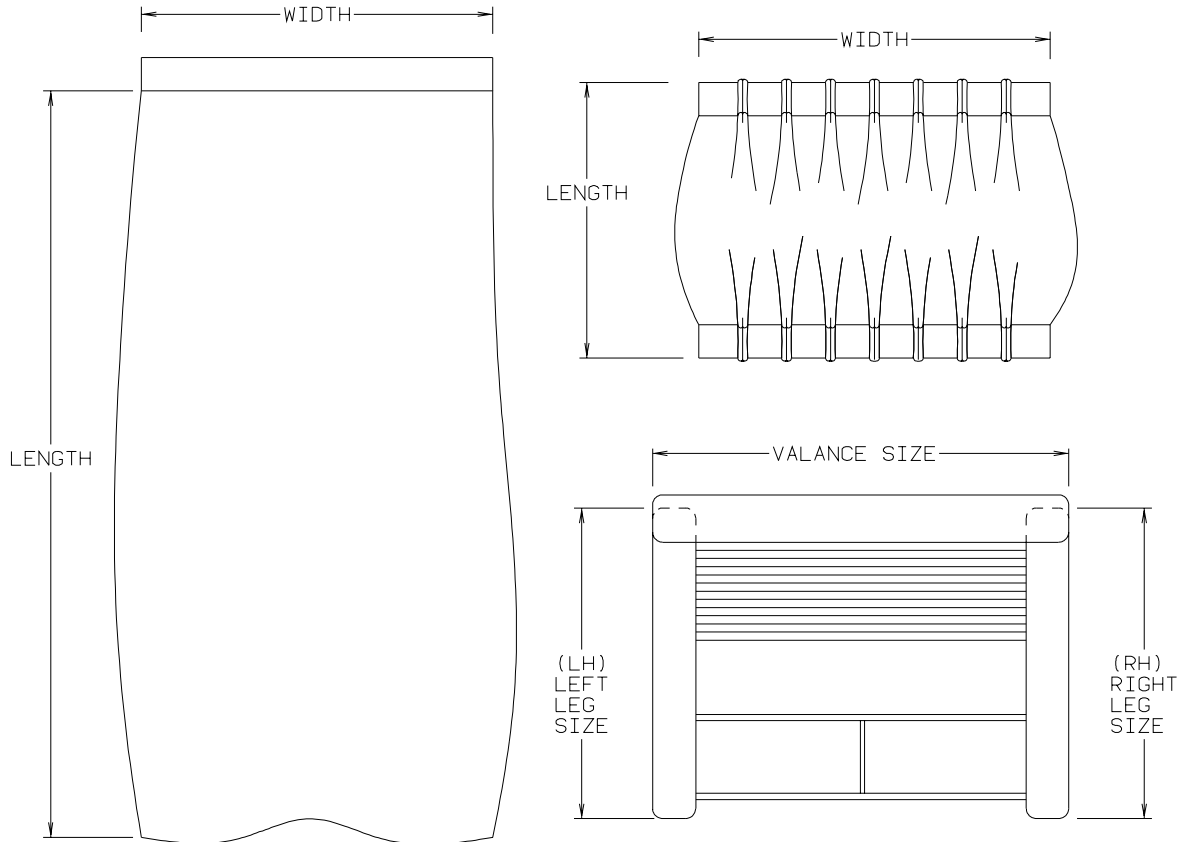
| KEY | PART NUMBER | U/M | DESCRIPTION |
|-----|---------------|-----|-------------------------------|
| | 075466-01-000 | EA | UNION - INVERTED FLAIR - 1/4" |

CURTAIN & CUSHION GROUP

NOTICE

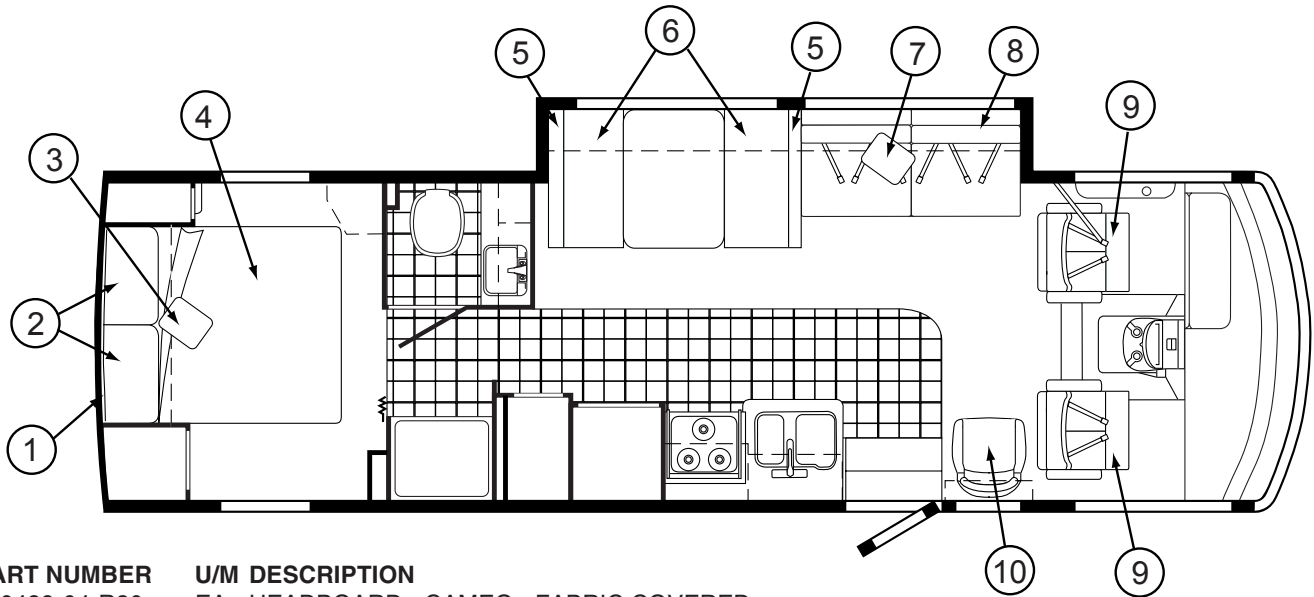
IN ORDER TO ASSIST OUR PARTS SALES DEPT. IN PROVIDING INTERIOR SOFTWARE ITEMS, PLEASE INCLUDE THE SERIAL NUMBER AND THE COLOR CODE NUMBER FROM THE VEHICLE CERTIFICATION LABEL WHEN ORDERING. THIS LABEL IS LOCATED ON THE LEFT SIDEWALL AT THE END OF THE DASH (A-BODY), OR ON THE DRIVER'S DOOR LATCH PLATE (C-BODY).

AN EXAMPLE OF A COLOR CODE NUMBER IS B07, WHICH DESIGNATES AN OVERALL COLOR SCHEME OF A PARTICULAR UNIT. THE COLOR LISTED AFTER THE ITEM DESCRIPTION ON THE MICROFICHE, INDICATES THE OVERALL UNIT COLOR. ORDER THE ITEM YOU DESIRE ACCORDING TO UNIT COLOR CODE. IF ALL COLORS USE THE SAME ITEM NO COLOR CODE WILL BE NOTED.



NOTE: USE THIS ILLUSTRATION WHEN DETERMINING LENGTH AND WIDTH MEASUREMENTS FOR CURTAINS. YOU WILL NOTE THE WIDTH MEASUREMENT IS TAKEN ON THE TOP OF THE CURTAIN WITH THE CURTAIN FULLY EXTENDED. THE LENGTH MEASUREMENT IS TAKEN FROM TOP TO BOTTOM. LEFT AND RIGHT WINDOW LEGS ARE DETERMINED WHEN FACING THE WINDOW.

CURTAIN & CUSHION GROUP (CONTINUED)
CUSHION LAYOUT



| KEY | PART NUMBER | U/M | DESCRIPTION |
|-----|---------------|-----|---|
| 1 | 140489-04-R30 | EA | HEADBOARD - CAMEO - FABRIC COVERED |
| 1 | 140489-04-R31 | EA | HEADBOARD - CAMEO - FABRIC COVERED |
| 1 | 140489-04-R99 | EA | HEADBOARD - CAMEO - FABRIC COVERED |
| 1 | 140489-04-R58 | EA | HEADBOARD - CAMEO - FABRIC COVERED |
| 2 | 104176-04-R30 | EA | PILLOW SHAM - 30" (R30) |
| 2 | 104176-04-R31 | EA | PILLOW SHAM - 30" (R31) |
| 2 | 104176-04-R99 | EA | PILLOW SHAM - 30" (R99) |
| 2 | 104176-04-P35 | EA | PILLOW SHAM - 30" (R58) |
| 3 | 132319-18-R30 | EA | PILLOW - 15" - W/.5" WELT (R30) |
| 3 | 132319-18-R31 | EA | PILLOW - 15" - W/.5" WELT (R31) |
| 3 | 132319-18-R99 | EA | PILLOW - 15" - W/.5" WELT (R99) |
| 3 | 132319-18-P35 | EA | PILLOW - 15" - W/.5" WELT (R58) |
| 4 | 132336-09-R30 | EA | BEDSPREAD/CAP - 60" X 75" (R30) |
| 4 | 132336-09-R31 | EA | BEDSPREAD/CAP - 60" X 75" (R31) |
| 4 | 132336-09-R99 | EA | BEDSPREAD/CAP - 60" X 75" (R99) |
| 4 | 132336-09-P12 | EA | BEDSPREAD/CAP - 60" X 75" (R58) |
| 4 | 123015-06-000 | EA | MATTRESS - INNERSPRING - 60" X 74.5" |
| 5 | 111897-05-P34 | EA | CUSHION - BACK - 13.5" X 42" X 5" (R30) |
| 5 | 111897-05-R31 | EA | CUSHION - BACK - 13.5" X 42" X 5" (R31) |
| 5 | 111897-05-R99 | EA | CUSHION - BACK - 13.5" X 42" X 5" (R99) |
| 5 | 111897-05-P35 | EA | CUSHION - BACK - 13.5" X 42" X 5" (R58) |
| | P11897-05-P34 | EA | COVER - BACK - 13.5" X 42" X 5" (R30) |
| | P11897-05-R31 | EA | COVER - BACK - 13.5" X 42" X 5" (R31) |
| | P11897-05-R99 | EA | COVER - BACK - 13.5" X 42" X 5" (R99) |
| | P11897-05-P35 | EA | COVER - BACK - 13.5" X 42" X 5" (R58) |
| 6 | 105603-23-P34 | EA | CUSHION - SEAT - 21" X 42" X 5" (R30) |
| 6 | 105603-23-R31 | EA | CUSHION - SEAT - 21" X 42" X 5" (R31) |
| 6 | 105603-23-R99 | EA | CUSHION - SEAT - 21" X 42" X 5" (R99) |
| 6 | 105603-23-P35 | EA | CUSHION - SEAT - 21" X 42" X 5" (R58) |
| | P05603-23-P34 | EA | COVER - SEAT - 21" X 42" X 5" (R30) |
| | P05603-23-R31 | EA | COVER - SEAT - 21" X 42" X 5" (R31) |
| | P05603-23-R99 | EA | COVER - SEAT - 21" X 42" X 5" (R99) |
| | P05603-23-P35 | EA | COVER - SEAT - 21" X 42" X 5" (R58) |
| 7 | 132319-17-P34 | EA | PILLOW - 17" - W/.5" WELT (R30) |
| 7 | 132319-17-R31 | EA | PILLOW - 17" - W/.5" WELT (R31) |
| 7 | 132319-17-R99 | EA | PILLOW - 17" - W/.5" WELT (R99) |
| 7 | 132319-17-P35 | EA | PILLOW - 17" - W/.5" WELT (R58) |
| 7 | 132319-17-R58 | EA | PILLOW - 17" - W/.5" WELT (R58) |
| 8 | | | SOFA - SEE SOFA AREA |

FROM: 00-00-00 THRU: 05-23-03

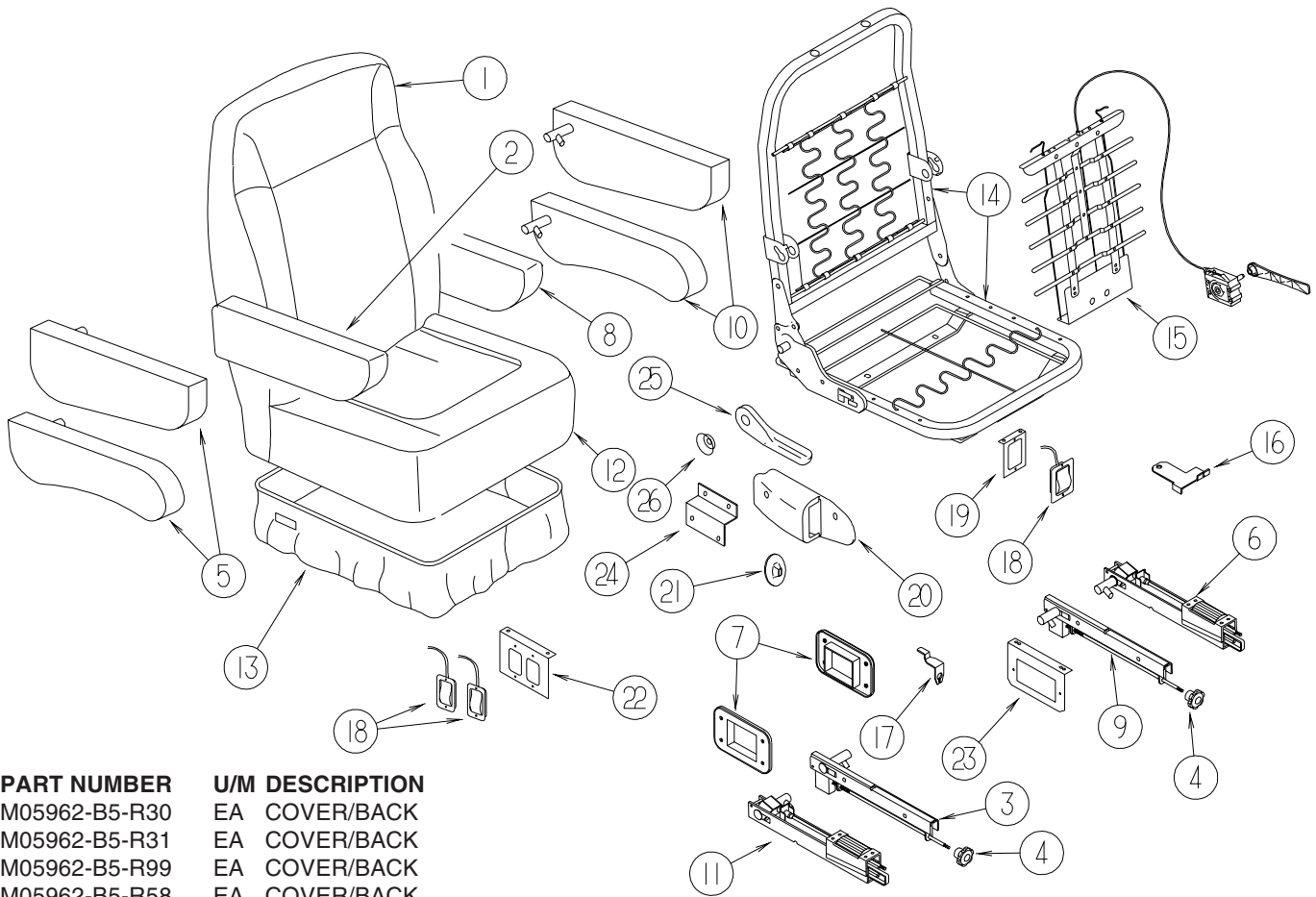
FROM: 05-24-03 THRU: 99-99-99

CURTAIN & CUSHION GROUP (CONTINUED)
CUSHION LAYOUT (CONTINUED)

| KEY | PART NUMBER | U/M | DESCRIPTION |
|------------|--------------------|------------|--|
| 9 | 135473-22-R30 | EA | BUCKET SEAT - PASSENGER (R30) |
| 9 | 135473-22-R31 | EA | BUCKET SEAT - PASSENGER - W/NON ADJ ARMS (R31) |
| 9 | 135473-22-R99 | EA | BUCKET SEAT - PASSENGER - W/NON ADJ ARMS (R99) |
| 9 | 135473-22-R58 | EA | BUCKET SEAT - PASSENGER (R58) |
| 10 | 138523-01-P34 | EA | CHAIR - GLIDER - W/SWIVEL & HOOP (R30) |
| 10 | 138523-01-R31 | EA | CHAIR - GLIDER - W/SWIVEL & HOOP (R31) |
| 10 | 138523-01-R99 | EA | CHAIR - GLIDER - W/SWIVEL & HOOP (R99) |
| 10 | 138523-01-R17 | EA | CHAIR - GLIDER - W/SWIVEL & HOOP (R58) |
| | | | FROM: 00-00-00 THRU: 05-23-03 |
| 10 | 138523-01-R58 | EA | CHAIR - GLIDER - W/SWIVEL & HOOP (R58) |
| | | | FROM: 05-24-03 THRU: 99-99-99 |

CURTAIN & CUSHION GROUP (CONTINUED)

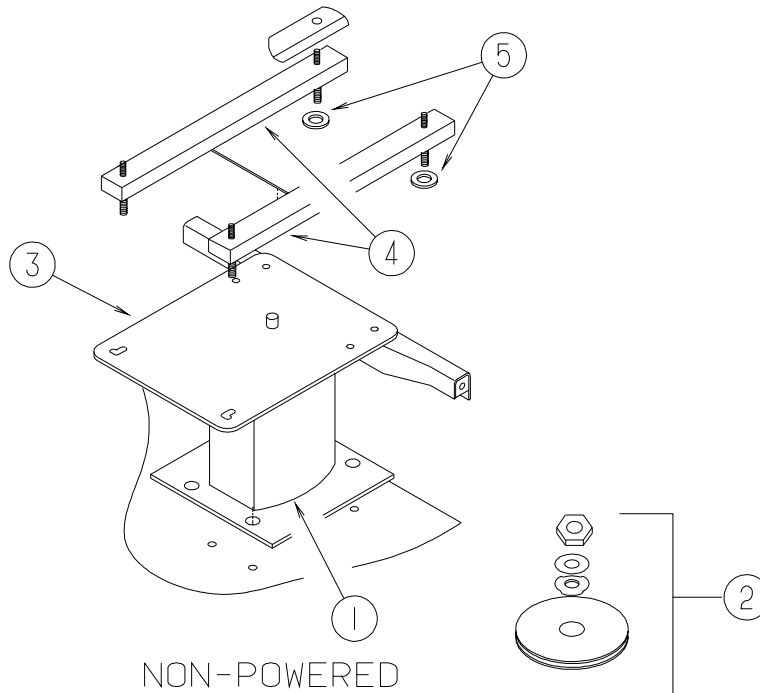
BUCKET SEATS



| KEY | PART NUMBER | U/M | DESCRIPTION | |
|-----|---------------|-----|------------------------------------|--|
| 1 | M05962-B5-R30 | EA | COVER/BACK | |
| 1 | M05962-B5-R31 | EA | COVER/BACK | |
| 1 | M05962-B5-R99 | EA | COVER/BACK | |
| 1 | M05962-B5-R58 | EA | COVER/BACK | |
| 2 | 129666-07-R30 | EA | ARMREST - RIGHT HAND (R30) | |
| 2 | 129666-07-R31 | EA | ARMREST - RIGHT HAND (R31) | |
| 2 | 129666-07-R99 | EA | ARMREST - RIGHT HAND (R99) | |
| 2 | 129666-07-P12 | EA | ARMREST - RIGHT HAND (R58) | |
| 2 | 129666-07-P37 | EA | ARMREST - RIGHT HAND (R58) | FROM: 00-00-00 THRU: 05-23-03 FROM: 05-24-03 THRU: 99-99-99 |
| | P29666-07-R30 | EA | COVER/ARMREST - RIGHT HAND (R30) | |
| | P29666-07-R31 | EA | COVER/ARMREST - RIGHT HAND (R31) | |
| | P29666-07-R99 | EA | COVER/ARMREST - RIGHT HAND (R99) | |
| | P29666-07-P12 | EA | COVER/ARMREST - RIGHT HAND (R58) | |
| | P29666-07-P37 | EA | COVER/ARMREST - RIGHT HAND (R58) | FROM: 00-00-00 THRU: 05-23-03 FROM: 05-24-03 THRU: 99-99-99 |
| 3 | NOT USED | | | |
| 4 | NOT USED | | | |
| 5 | 130698-01-000 | EA | ARMREST/MOLDED - RIGHT - W/O COVER | |
| 6 | NOT USED | | | |
| 7 | NOT USED | | | |
| 8 | 129666-08-R30 | EA | ARMREST - LEFT HAND (R30) | |
| 8 | 129666-08-R31 | EA | ARMREST - LEFT HAND (R31) | |
| 8 | 129666-08-R99 | EA | ARMREST - LEFT HAND (R99) | |
| 8 | 129666-08-P12 | EA | ARMREST - LEFT HAND (R58) | |
| 8 | 129666-08-P37 | EA | ARMREST - LEFT HAND (R58) | FROM: 00-00-00 THRU: 05-23-03 FROM: 05-24-03 THRU: 99-99-99 |
| | P29666-08-R30 | EA | COVER/ARMREST - LEFT HAND (R30) | |
| | P29666-08-R31 | EA | COVER/ARMREST - LEFT HAND (R31) | |
| | P29666-08-R99 | EA | COVER/ARMREST - LEFT HAND (R99) | |
| | P29666-08-P12 | EA | COVER/ARMREST - LEFT HAND (R58) | |
| | P29666-08-P37 | EA | COVER/ARMREST - LEFT HAND (R58) | FROM: 00-00-00 THRU: 05-23-03 FROM: 05-24-03 THRU: 99-99-99 |

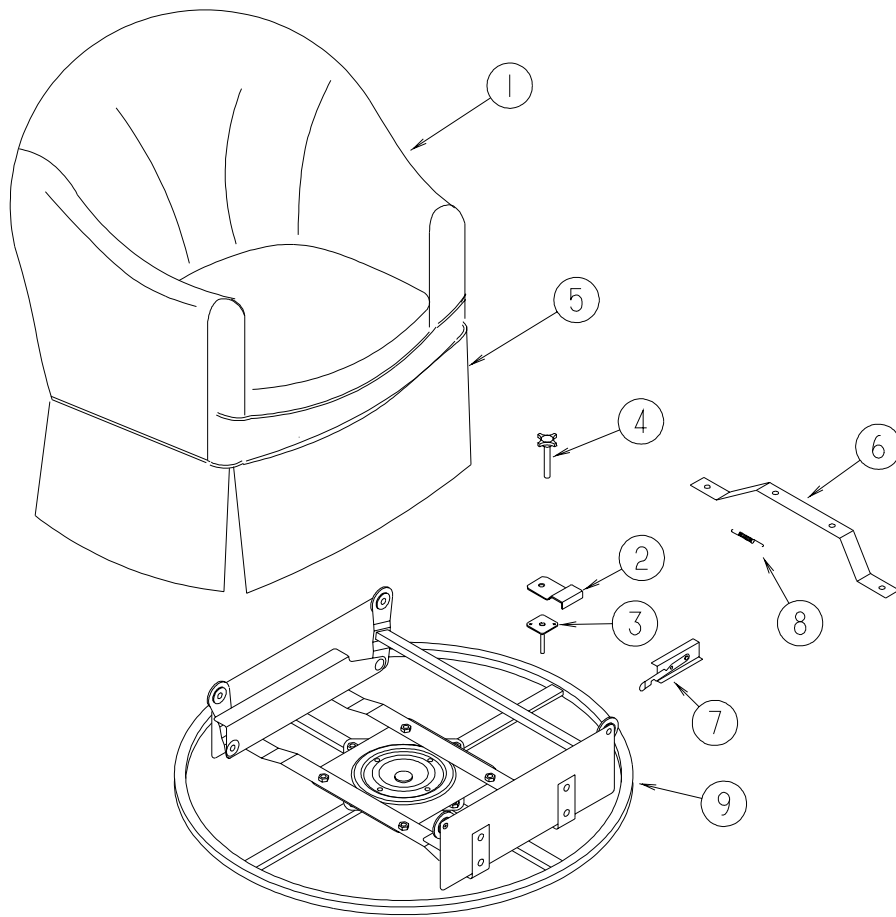
CURTAIN & CUSHION GROUP (CONTINUED)
BUCKET SEATS (CONTINUED)

| KEY | PART NUMBER | U/M | DESCRIPTION |
|-----|---------------|-----|---|
| 9 | NOT USED | EA | |
| 10 | 130698-02-000 | EA | ARMREST/MOLDED - LEFT - W/O COVER |
| 11 | NOT USED | | |
| 12 | M05962-B6-R30 | EA | COVER/SEAT (R30) |
| 12 | M05962-B6-R31 | EA | COVER/SEAT (R31) |
| 12 | M05962-B6-R99 | EA | COVER/SEAT (R99) |
| 12 | M05962-B6-R58 | EA | COVER/SEAT (R58) |
| 13 | 148630-01-R30 | EA | SKIRT - W/SEAT BELT SLOT (R30) |
| 13 | 148630-01-R31 | EA | SKIRT - W/SEAT BELT SLOT (R31) |
| 13 | 148630-01-R99 | EA | SKIRT - W/SEAT BELT SLOT (R99) |
| 13 | 071126-68-P35 | EA | SKIRT - 10.5" OPEN CORNER (STANDARD/6-WAY POWER) (R58) |
| | | | FROM: 00-00-00 THRU: 05-23-03 |
| 13 | 071126-68-R58 | EA | SKIRT - 10.5" OPEN CORNER (STANDARD/6-WAY POWER) (R58) |
| | | | FROM: 05-24-03 THRU: 99-99-99 |
| 14 | 134532-01-000 | EA | FRAME - SEAT/HIGH BACK |
| 15 | NOT USED | | |
| 16 | 117125-01-02B | EA | BRACKET - CABLE MOUNT - ADJUSTER W/LOCK |
| 17 | 108049-02-000 | EA | CLIP - CABLE/PEDESTAL |
| 18 | 108049-04-000 | EA | CABLE - W/MINI LEVER ACTION SWITCH - 28" SHEATH/30" CABLE |
| 19 | NOT USED | | |
| 20 | NOT USED | | |
| 21 | NOT USED | | |
| 22 | 127159-02-02B | EA | BRACKET - SEAT RELEASE - DUAL REMOTE - E-COATED |
| 23 | NOT USED | | |
| 24 | NOT USED | | |
| 25 | 130802-02-000 | EA | LEVER - RIGHT HAND |
| 26 | 130802-03-000 | EA | SCREW F/LEVER |



| KEY | PART NUMBER | U/M | DESCRIPTION |
|-----|---------------|-----|---|
| 1 | 133408-01-000 | EA | PEDESTAL - SEAT - DRIVER/PASSENGER - 9 3/4" |
| 2 | 107921-06-000 | EA | BEARING KIT - PEDESTAL |
| 3 | 133408-19-000 | EA | TOP PLATE - DRIVERS - W/ANCHOR |
| 4 | 131566-04-000 | EA | SLIDE/SEAT - HEAVY DUTY LOCKING - 5" |
| | 119952-07-000 | EA | WIRE - LATCH RELEASE/ROTARY |
| 5 | 131566-05-000 | EA | WASHER - SLIDE SPACER |
| | 133408-03-000 | EA | BRACKET - ANCHOR/PEDESTAL |
| | 133408-04-000 | EA | BRACKET - ANCHOR/FLOOR |

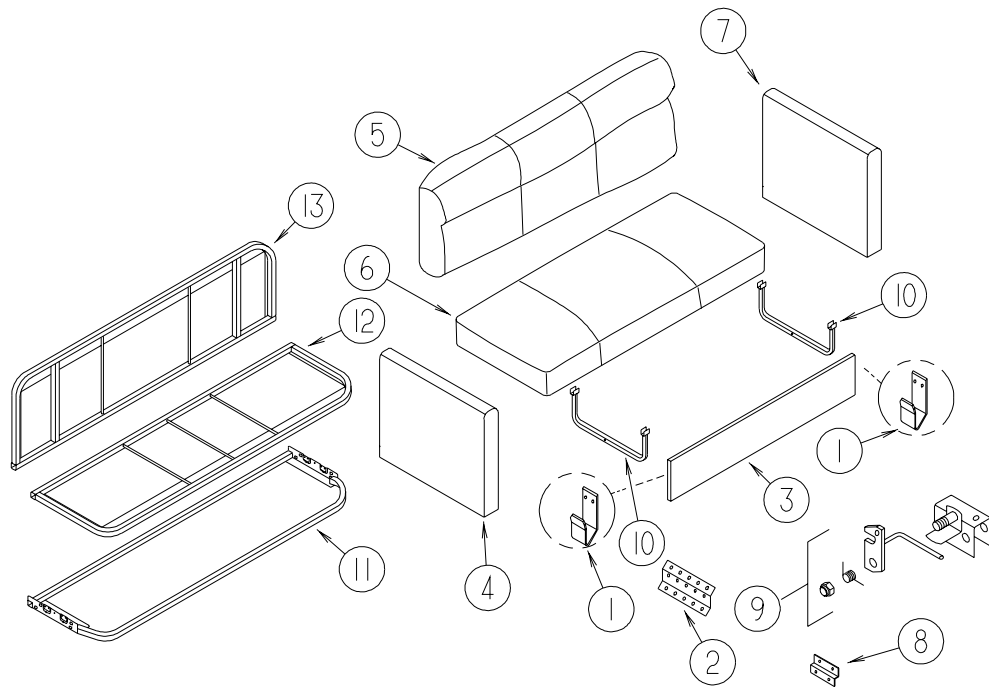
CURTAIN & CUSHION GROUP (CONTINUED)
LOUNGE CHAIR



| KEY | PART NUMBER | U/M | DESCRIPTION |
|-----|---------------|-----|--|
| 1 | P38523-01-P34 | EA | COVER/CHAIR - W/SPRUNG SEAT (R30) |
| 1 | P38523-01-R31 | EA | COVER/CHAIR - W/SPRUNG SEAT (R31) |
| 1 | P38523-01-R99 | EA | COVER/CHAIR - W/SPRUNG SEAT (R99) |
| 1 | P38523-01-R17 | EA | COVER/CHAIR - W/SPRUNG SEAT (R58) |
| | | | FROM: 00-00-00 THRU: 05-23-03 |
| 1 | P38523-01-R58 | EA | COVER/CHAIR - W/SPRUNG SEAT (R58) |
| | | | FROM: 05-24-03 THRU: 99-99-99 |
| 2 | 134057-01-11B | EA | BRACKET - RECLINER - FLAT BLACK |
| 3 | 134128-02-02B | EA | PLATE - W/HOLES - W/WELDNUT - E-COATED |
| 4 | 137598-01-01A | EA | KNOB - HOLD DOWN - RECLINER |
| 5 | 139083-01-P34 | EA | SKIRT - F/GLIDER CHAIR (R30) |
| 5 | 139083-01-R31 | EA | SKIRT - F/GLIDER CHAIR (R31) |
| 5 | 139083-01-R99 | EA | SKIRT - F/GLIDER CHAIR (R99) |
| 5 | 139083-01-P35 | EA | SKIRT - F/GLIDER CHAIR (R58) |
| | | | FROM: 00-00-00 THRU: 05-23-03 |
| 5 | 139083-01-R58 | EA | SKIRT - F/GLIDER CHAIR (R58) |
| | | | FROM: 05-24-03 THRU: 99-99-99 |
| 6 | 139208-01-000 | EA | SUPPORT BAR - TALL - W/HOOP |
| 7 | 139342-01-000 | EA | BRACKET - ROCKERLOCK |
| 8 | 139342-02-000 | EA | SPRING-#9GL-SPRING,LOCK OUT - SHROCK |
| 9 | 133126-15-000 | EA | BASE - SWIVEL/GLIDER - W/FLOOR RING |

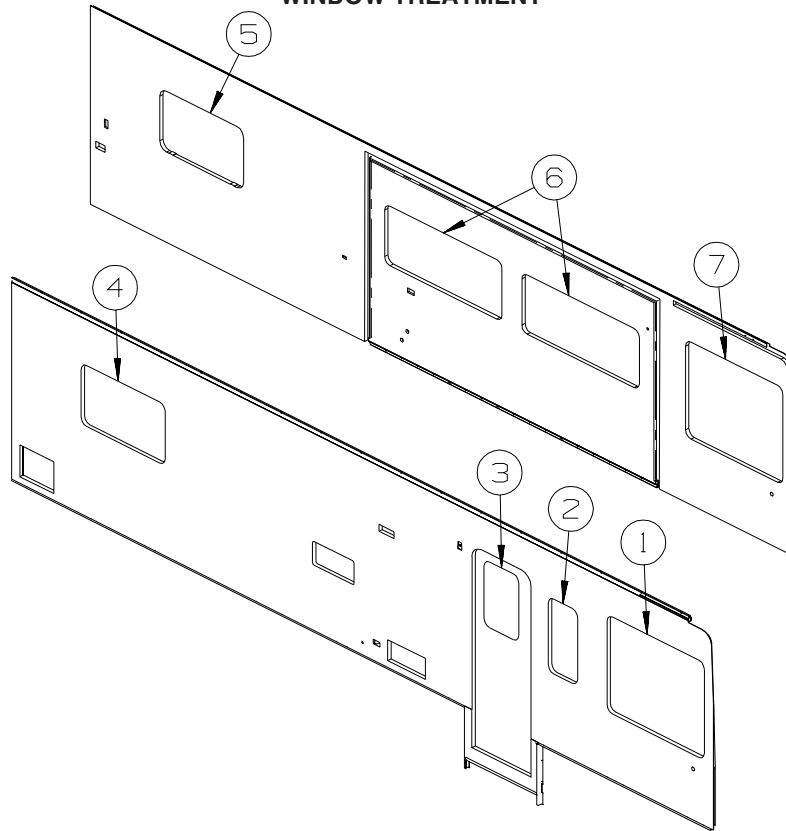
CURTAIN & CUSHION GROUP (CONTINUED)

SOFA



| KEY | PART NUMBER | U/M | DESCRIPTION |
|-----|---------------|-----|---|
| 1 | 121906-01-02B | EA | BRACKET - KICKBOARD - E-COATED |
| 2 | 116104-04-02B | EA | BRACKET - ZEE W/HOLES - 3.2" - E-COATED - 4 USED, MOUNTS ARM TO FLOOR |
| 3 | 120992-09-P34 | EA | PANEL/FRONT KICK - SOFA/BED - 67.5" - FABRIC COVERED (R30) |
| 3 | 120992-09-R31 | EA | PANEL/FRONT KICK - SOFA/BED - 67.5" - FABRIC COVERED (R31) |
| 3 | 120992-09-R99 | EA | PANEL/FRONT KICK - SOFA/BED - 67.5" - FABRIC COVERED (R99) |
| 3 | 120992-09-P35 | EA | PANEL/FRONT KICK - SOFA/BED - 67.5" - FABRIC COVERED (R58) |
| 4 | NOT USED | EA | |
| 5 | 135138-04-P34 | EA | BACK - SOFA/BED - 67.5" (R30) |
| 5 | 135138-04-R31 | EA | BACK - SOFA/BED - 67.5" (R31) |
| 5 | 135138-04-R99 | EA | BACK - SOFA/BED - 67.5" (R99) |
| 5 | 135138-04-P35 | EA | BACK - SOFA/BED - 67.5" (R58) |
| | P35138-04-P34 | EA | COVER/BACK - SOFA/BED - 67.5" (R30) |
| | P35138-04-R31 | EA | COVER/BACK - SOFA/BED - 67.5" (R31) |
| | P35138-04-R99 | EA | COVER/BACK - SOFA/BED - 67.5" (R99) |
| | P35138-04-P35 | EA | COVER/BACK - SOFA/BED - 67.5" (R58) |
| 6 | 135138-03-P34 | EA | SEAT - SOFA/BED - 67.5" (R30) |
| 6 | 135138-03-R31 | EA | SEAT - SOFA/BED - 67.5" (R31) |
| 6 | 135138-03-R99 | EA | SEAT - SOFA/BED - 67.5" (R99) |
| 6 | 135138-03-P35 | EA | SEAT - SOFA/BED - 67.5" (R58) |
| | P35138-03-P34 | EA | COVER/SEAT - SOFA/BED - 67.5" (R30) |
| | P35138-03-R31 | EA | COVER/SEAT - SOFA/BED - 67.5" (R31) |
| | P35138-03-R99 | EA | COVER/SEAT - SOFA/BED - 67.5" (R99) |
| | P35138-03-P35 | EA | COVER/SEAT - SOFA/BED - 67.5" (R58) |
| 7 | 134282-09-P34 | EA | PANEL - LEFT END/FILLER - SOFA/BED - FABRIC COVERED (R30) |
| 7 | 134282-09-R31 | EA | PANEL - LEFT END/FILLER - SOFA/BED - FABRIC COVERED (R31) |
| 7 | 134282-09-R99 | EA | PANEL - LEFT END/FILLER - SOFA/BED - FABRIC COVERED (R99) |
| 7 | 134282-09-P35 | EA | PANEL - LEFT END/FILLER - SOFA/BED - FABRIC COVERED (R58) |
| 8 | 101926-01-02A | EA | BRACKET - ZEE - 2" - BLACK - 4 USED, MOUNTS SOFA TO FLOOR |
| 9 | 127335-10-000 | EA | BRACKET - CANADIAN LATCH - CANADIAN |
| 10 | 127335-07-000 | EA | LEG - SOFA/BED - 8" |
| 11 | 127335-04-000 | EA | FRAME/BASE - (SEAT) - 67.5" |
| 12 | 127335-06-000 | EA | FRAME/BASE - (SEAT) - 67.5" |
| 13 | 127335-05-000 | EA | FRAME/BASE - (BACK) - 67.5" |

CURTAIN & CUSHION GROUP (CONTINUED)
WINDOW TREATMENT



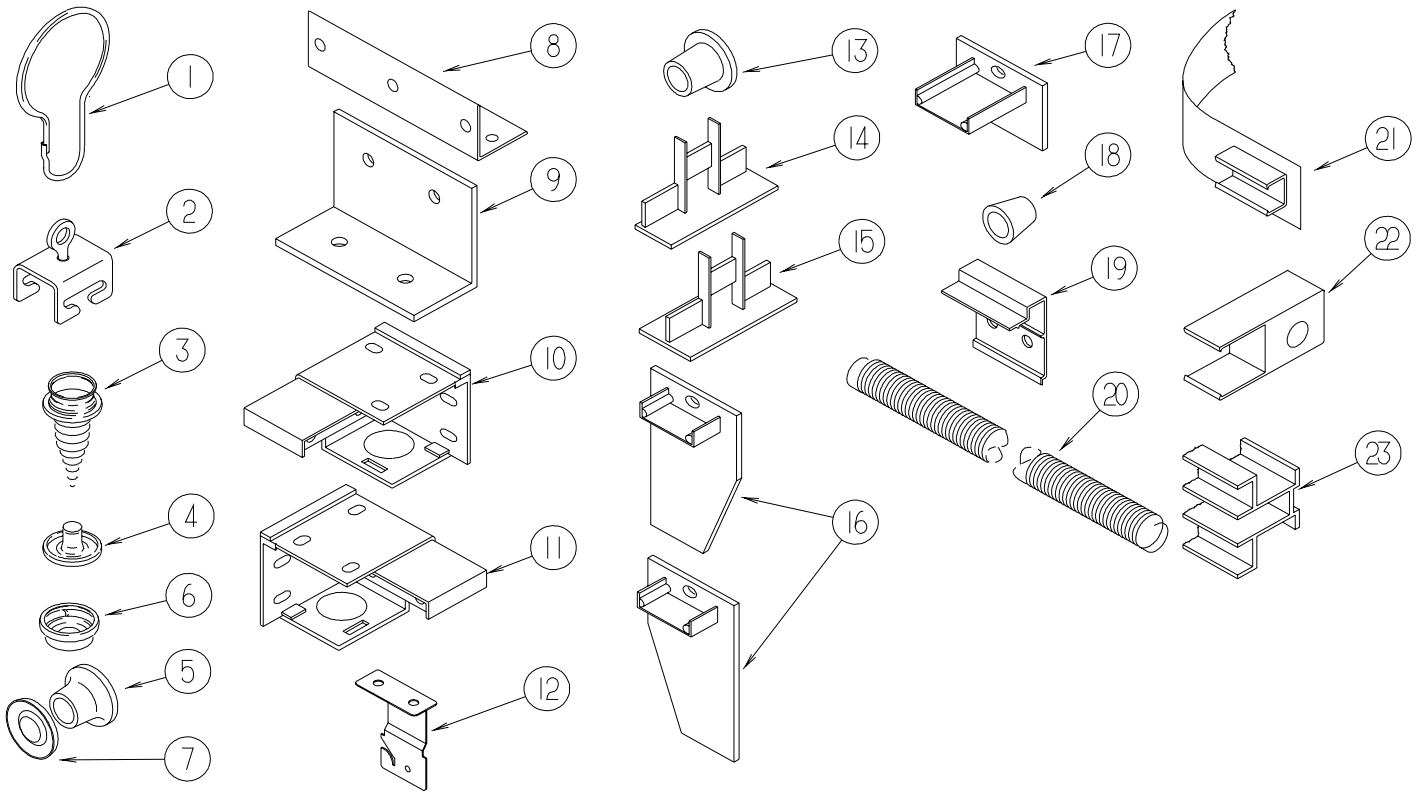
| KEY | PART NUMBER | U/M | DESCRIPTION |
|-----|---------------|-----|--|
| 1 | 101668-71-R30 | EA | CURTAIN - RIGHT HAND - TAPE TOP - 40.5" X 110" (R30) |
| 1 | 101668-71-R31 | EA | CURTAIN - RIGHT HAND - TAPE TOP - 40.5" X 110" (R31) |
| 1 | 101668-71-R98 | EA | CURTAIN - RIGHT HAND - TAPE TOP - 40.5" X 110" (R99) |
| 1 | 101668-71-P35 | EA | CURTAIN - RIGHT HAND - TAPE TOP - 40.5" X 110" (R58) |
| 1 | 073260-42-R30 | EA | TIEBACK - 6" X 18" (R30) |
| 1 | 073260-42-R31 | EA | TIEBACK - 6" X 18" (R31) |
| 1 | 073260-42-R98 | EA | TIEBACK - 6" X 18" (R99) |
| 1 | 073260-42-P35 | EA | TIEBACK - 6" X 18" (R58) |
| 2 | 142228-02-P34 | EA | VALANCE - WAVE - 18.5" (R30) |
| 2 | 142228-02-R31 | EA | VALANCE - WAVE - 18.5" (R31) |
| 2 | 142228-02-R99 | EA | VALANCE - WAVE - 18.5" (R99) |
| 2 | 142228-02-P35 | EA | VALANCE - WAVE - 18.5" (R58) |
| 2 | 109041-62-01A | EA | BLIND - MINI - 17" |
| 3 | 121410-C8-P34 | EA | VALANCE - MODERATE - 32" (R30) |
| 3 | 121410-C8-R31 | EA | VALANCE - MODERATE - 32" (R31) |
| 3 | 121410-C8-R99 | EA | VALANCE - MODERATE - 32" (R99) |
| 3 | 121410-C8-P35 | EA | VALANCE - MODERATE - 32" (R58) |
| 3 | 084755-57-P37 | EA | SHADE - PULL - 27.25" |
| 4 | 142228-03-R30 | EA | VALANCE - WAVE - 46" (R30) |
| 4 | 142228-03-R31 | EA | VALANCE - WAVE - 46" (R31) |
| 4 | 142228-03-R99 | EA | VALANCE - WAVE - 46" (R99) |
| 4 | 142228-03-P35 | EA | VALANCE - WAVE - 46" (R58) |
| 4 | 109802-64-N21 | EA | BLIND - PLEATED - 43" X 28" |
| 4 | 136988-15-R30 | EA | LEG - RIGHT - 26" (R30) |
| 4 | 136988-15-R31 | EA | LEG - RIGHT - 26" (R31) |
| 4 | 136988-15-P08 | EA | LEG - RIGHT - 26" (R99) |
| 4 | 136988-15-P35 | EA | LEG - RIGHT - 26" (R58) |
| 4 | 136988-16-R30 | EA | LEG - LEFT - 26" (R30) |
| 4 | 136988-16-R31 | EA | LEG - LEFT - 26" (R31) |
| 4 | 136988-16-P08 | EA | LEG - LEFT - 26" (R99) |
| 4 | 136988-16-P35 | EA | LEG - LEFT - 26" (R58) |

CURTAIN & CUSHION GROUP (CONTINUED)
WINDOW TREATMENT (CONTINUED)

| KEY | PART NUMBER | U/M | DESCRIPTION | |
|-----|---------------|-----|---|-------------------------------|
| 5 | 142228-03-R30 | EA | VALANCE - WAVE - 46" (R30) | |
| 5 | 142228-03-R31 | EA | VALANCE - WAVE - 46" (R31) | |
| 5 | 142228-03-R99 | EA | VALANCE - WAVE - 46" (R99) | |
| 5 | 142228-03-P35 | EA | VALANCE - WAVE - 46" (R58) | |
| 5 | 109802-64-N21 | EA | BLIND - PLEATED - 43" X 28" | |
| 5 | 136988-17-R30 | EA | LEG - RIGHT - 26" (R30) | |
| 5 | 136988-17-R31 | EA | LEG - RIGHT - 26" (R31) | |
| 5 | 136988-17-P08 | EA | LEG - RIGHT - 26" (R99) | |
| 5 | 136988-17-P35 | EA | LEG - RIGHT - 26" (R58) | |
| 5 | 136988-18-R30 | EA | LEG - LEFT - 26" (R30) | |
| 5 | 136988-18-R31 | EA | LEG - LEFT - 26" (R31) | |
| 5 | 136988-18-P08 | EA | LEG - LEFT - 26" (R99) | |
| 5 | 136988-18-P35 | EA | LEG - LEFT - 26" (R58) | |
| 6 | 142228-01-P34 | EA | VALANCE - WAVE - 62.5" (R30) | |
| 6 | 142228-01-R31 | EA | VALANCE - WAVE - 62.5" (R31) | |
| 6 | 142228-01-R99 | EA | VALANCE - WAVE - 62.5" (R99) | |
| 6 | 142228-01-P35 | EA | VALANCE - WAVE - 62.5" (R58) | |
| 6 | 109041-66-01A | EA | BLIND - MINI - 59" | |
| 6 | 127017-13-R30 | EA | LEG - RIGHT - 25" (R30) | |
| 6 | 127017-13-R31 | EA | LEG - RIGHT - 25" (R31) | |
| 6 | 127017-13-R99 | EA | LEG - RIGHT - 25" (R99) | |
| 6 | 127017-13-P12 | EA | LEG - RIGHT - 25" (R58) | |
| | | | | FROM: 00-00-00 THRU: 05-23-03 |
| 6 | 127017-13-R09 | EA | LEG - RIGHT - 25" (R58) | |
| | | | | FROM: 05-24-03 THRU: 99-99-99 |
| 6 | 127017-14-R30 | EA | LEG - LEFT - 25" (R30) | |
| 6 | 127017-14-R31 | EA | LEG - LEFT - 25" (R31) | |
| 6 | 127017-14-R99 | EA | LEG - LEFT - 25" (R99) | |
| 6 | 127017-14-P12 | EA | LEG - LEFT - 25" (R58) | |
| | | | | FROM: 00-00-00 THRU: 05-23-03 |
| 6 | 127017-14-R09 | EA | LEG - LEFT - 25" (R58) | |
| | | | | FROM: 05-24-03 THRU: 99-99-99 |
| 7 | 101668-72-R30 | EA | CURTAIN - LEFT HAND - TAPE TOP - 40.5" X 110" (R30) | |
| 7 | 101668-72-R31 | EA | CURTAIN - LEFT HAND - TAPE TOP - 40.5" X 110" (R31) | |
| 7 | 101668-72-R98 | EA | CURTAIN - LEFT HAND - TAPE TOP - 40.5" X 110" (R99) | |
| 7 | 101668-72-P35 | EA | CURTAIN - LEFT HAND - TAPE TOP - 40.5" X 110" (R58) | |
| 7 | 073260-42-R30 | EA | TIEBACK - 6" X 18" (R30) | |
| 7 | 073260-42-R31 | EA | TIEBACK - 6" X 18" (R31) | |
| 7 | 073260-42-R98 | EA | TIEBACK - 6" X 18" (R99) | |
| 7 | 073260-42-P35 | EA | TIEBACK - 6" X 18" (R58) | |

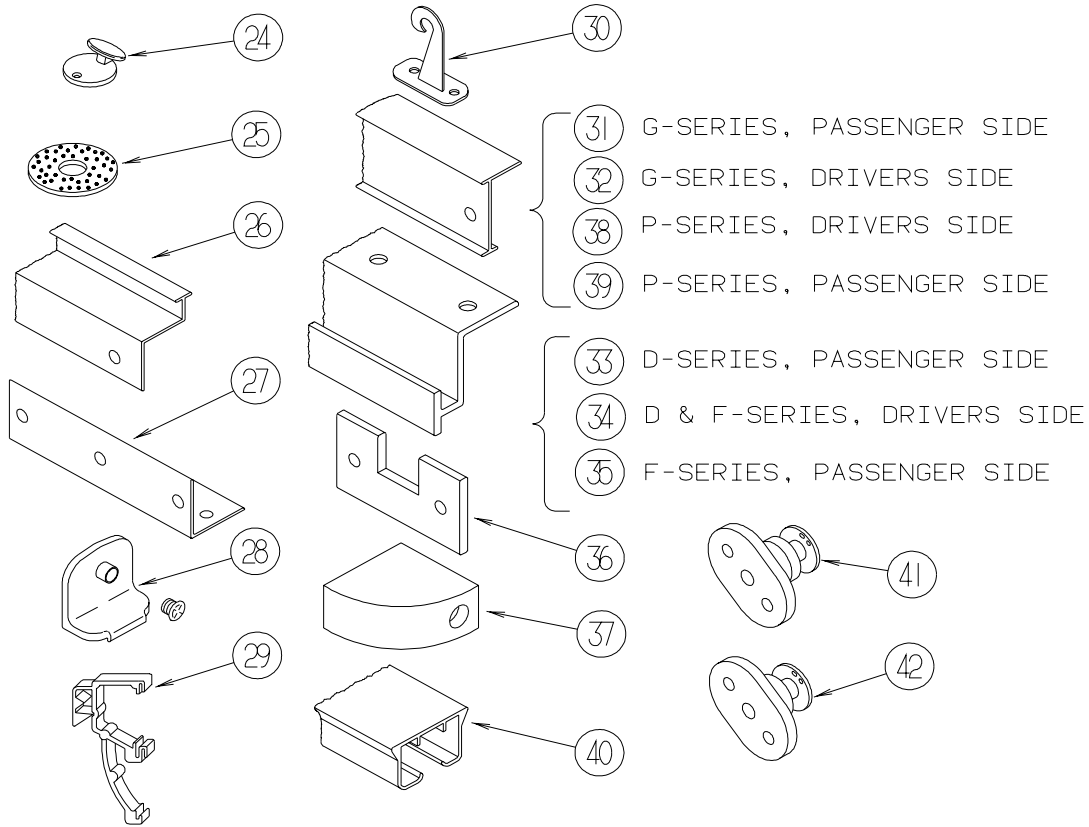
CURTAIN & CUSHION GROUP (CONTINUED)

HARDWARE



| KEY | PART NUMBER | U/M | DESCRIPTION |
|-----|---------------|-----|---|
| 1 | 009136-02-000 | EA | HANGER - RING - PIN TYPE - CURTAIN - BRASS |
| 2 | 009702-01-000 | EA | END STOP - CURTAIN CARRIER - L - ROD |
| 3 | 029130-01-000 | EA | SCREW - SNAP STUD - #8-16 X 3/8" LONG |
| 3 | 029130-03-000 | EA | SCREW - SNAP STUD - #8-16 X 1" LONG |
| 4 | 029155-01-000 | EA | CAP - SNAP - 5/32" OUTSIDE DIAMETER OF PIN |
| 5 | 029156-01-000 | EA | SOCKET - SNAP - 9/16" O.D. |
| 6 | 046867-02-000 | EA | WASHER - HANDY BUTTON #3 |
| 7 | 046867-03-000 | EA | GROMMET - HANDY BUTTON #3 |
| 8 | 075943-10-000 | EA | BRACE - VALANCE - 20" - OFF WHITE |
| 9 | 083125-07-000 | EA | BRACE - ANGLE/COUCH - 2.5" - OFF WHITE |
| 9 | 083125-08-000 | EA | BRACE - WINDOW MOUNT - .75" - OFF WHITE |
| 10 | 083170-01-000 | EA | BRACKET/BLIND - LEFT SIDE WHEN FACING WINDOW - CLEAR |
| 11 | 083170-02-000 | EA | BRACKET/BLIND - RIGHT SIDE WHEN FACING WINDOW - CLEAR |
| 12 | 084434-01-000 | EA | BRACKET - MOUNTING - ROLLER SHADE - 1 3/8" |
| 13 | 094896-02-000 | EA | GROMMET - CORD/PLEATED BLIND - NYLON - GRAY |
| 14 | 094907-02-000 | EA | END CAP - PLEATED BLIND/TOP - RH/LH - GRAY PLASTIC |
| 15 | 094907-04-000 | EA | END CAP - PLEATED BLIND/BOTTOM - RH/LH |
| 16 | 094907-05-000 | EA | END CAP - PLEATED BLIND/BOTTOM - PULL TYPE - PLASTIC |
| 17 | 094907-06-000 | EA | END CAP - PLEATED BLIND/TOP |
| 18 | 097564-03-000 | EA | HANDLE - KNOB - E-Z LIFT SHADE - TAN |
| 18 | 097564-05-000 | EA | HANDLE - KNOB - E-Z LIFT SHADE - TEAL |
| 18 | 097564-06-000 | EA | HANDLE - KNOB - E-Z LIFT SHADE - ALABASTER |
| | 097593-02-000 | FT | CORD - BLIND - PLEATED - GRAY |
| | 097593-06-000 | FT | CORD - BLIND - PLEATED - PEWTER |
| | 097593-10-000 | FT | CORD - BLIND - PLEATED - VANILLA |
| 19 | 097565-01-000 | EA | BRACKET - MOUNTING - PLEATED BLIND |
| 19 | 097565-02-000 | EA | BRACKET - MOUNTING - PLEATED BLIND |
| 20 | 097591-01-000 | EA | SPRING - EXTENSION - PLEATED BLIND |
| 21 | 101031-01-000 | YD | TAPE/GLIDE - 4.25" SPACING |
| 22 | 101033-02-000 | EA | END CAP - LOW PROFILE TRACK - CLEAR |
| 23 | 101033-08-000 | EA | TRACK/WALL - 75" - FRT BUNK WINDOW 300 SERIES (MINNIE/SPIRIT) |
| 23 | 101033-09-000 | EA | TRACK/WALL - 32" - SIDE BUNK WINDOW 200 SERIES/300 SERIES (VISTA/SUNSTAR /MINNIE/SPIRIT) |

CURTAIN & CUSHION GROUP (CONTINUED)
HARDWARE (CONTINUED)

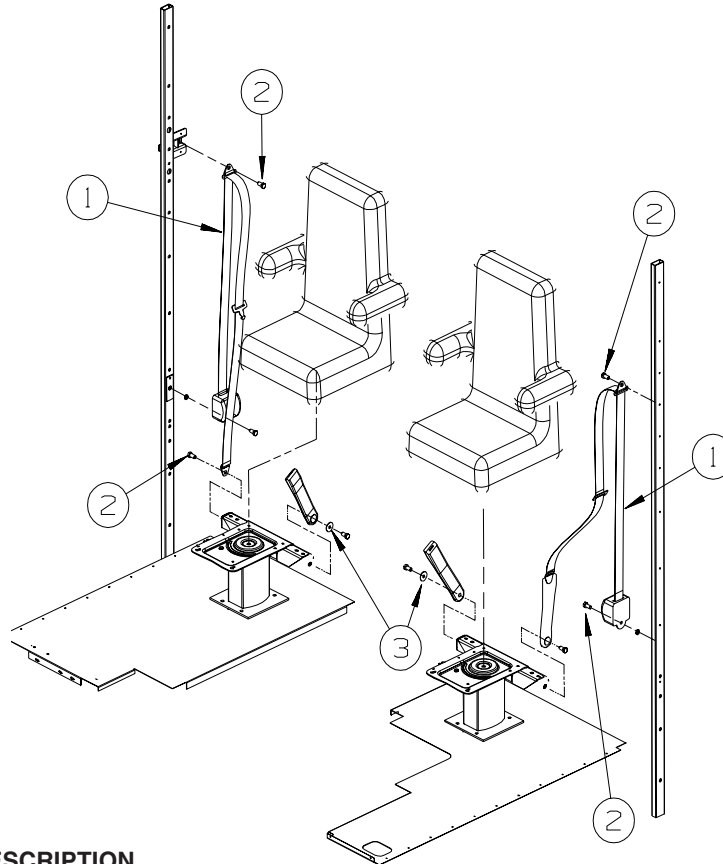


| KEY | PART NUMBER | U/M | DESCRIPTION |
|-----|---------------|-----|--|
| 24 | 102555-03-000 | EA | CLEAT - BLIND CORD - MILKY WHITE - PLASTIC |
| 25 | 103242-01-000 | EA | VELCRO HOOK - BEIGE 7/8" ROUND W/CENTER HOLE |
| 25 | 103242-02-000 | EA | VELCRO HOOK - BLACK 7/8" ROUND W/CENTER HOLE |
| 26 | 105450-14-01A | EA | TRACK - CURTAIN - 90" - OFF WHITE - FRONT BUNK PRIVACY 300 SERIES (MINNIE/SPIRIT) |
| 26 | 105450-15-01A | EA | TRACK - CURTAIN - 82.3" - OFF WHITE - FRONT BUNK PRIVACY 200 SERIES (VISTA/SUNSTAR) |
| 27 | 105648-01-02A | EA | BRACE - VALANCE - OFF/WHITE - 14" |
| 28 | 106544-01-000 | EA | PULL - SHADE/BRASS |
| | 106544-01-001 | EA | SCREW - SHADE/BRASS |
| 29 | 109353-04-000 | EA | CLIP - VALANCE SLAT MOUNTING - CLEAR PLASTIC |
| | 109441-02-000 | EA | SPACER/BRACKET - BLIND HOLD DOWN |
| 30 | 109441-03-000 | EA | BRACKET/HOOK - BLIND HOLD DOWN - NEW DESIGN/CLEAR |
| 31 | 126456-03-04A | EA | TRACK/WRAPAROUND - PASSENGER - GLACIER - G SERIES (ADVENTURER/SUNCRUISER) |
| 32 | 126456-04-04A | EA | TRACK/WRAPAROUND - DRIVER - GLACIER - G SERIES (ADVENTURER/SUNCRUISER) |
| 33 | 127254-03-05A | EA | TRACK/WRAPAROUND - PASSENGER - GLACIER - D SERIES (SIGHTSEER/SUNOVA) |
| | | | FROM: 00-00-00 THRU: 09-07-03 |
| 33 | 127254-14-03A | EA | TRACK/WRAP - PASS - GLACIER - D SERIES (SIGHTSEER/SUNOVA) |
| | | | FROM: 09-08-03 THRU: 99-99-99 |
| 34 | 127254-04-05A | EA | TRACK/WRAP - DRIVER - GLACIER - D SERIES/F SERIES (SIGHTSEER/SUNOVA/BRAVE/SUNRISE) |
| 35 | 127254-14-03A | EA | TRACK/WRAP - PASS - GLACIER - F SERIES (BRAVE/SUNRISE) |
| 36 | 130549-01-01A | EA | STOP - CURTAIN TRACK |
| 37 | 132504-01-N92 | EA | BRACKET - SHADE |
| 38 | 146591-01-01A | EA | TRACK - CURTAIN - LEFT HAND - GLACIER - P SERIES (JOURNEY/MERIDIAN) |
| 39 | 146591-02-01A | EA | TRACK - CURTAIN - RIGHT HAND - GLACIER - P SERIES (JOURNEY/MERIDIAN) |
| 40 | 138460-01-02A | EA | TRACK/CURTAIN - PASSENGER - WHITE - Q SERIES (ULTIMATE ADVANTAGE/ULTIMATE FREEDOM) |
| | 138460-02-02A | EA | TRACK/CURTAIN - DRIVER - WHITE - Q SERIES (ULTIMATE ADVANTAGE/ULTIMATE FREEDOM) |
| 40 | 138460-05-02A | EA | TRACK/CURTAIN - PASSENGER - WHITE - L SERIES (CHIEFTAIN/SUNFLYER) |
| | 138460-06-02A | EA | TRACK/CURTAIN - DRIVER - WHITE - L SERIES (CHIEFTAIN/SUNFLYER) |
| 40 | 138460-07-02A | EA | TRACK/CURTAIN - PASSENGER - WHITE - S SERIES (VECTRA/HORIZON) |
| | 138460-08-02A | EA | TRACK/CURTAIN - DRIVER - WHITE - S SERIES (VECTRA/HORIZON) |
| 41 | 141634-01-000 | EA | BRACKET-(BOBBIN TYPE) 7/8"H HOLDUPBASE(OVAL)-2 HOLE-CLEAR |
| 42 | 143805-01-000 | EA | BRACKET-(BOBBIN TYPE) 1/2"H HOLDUPBASE(OVAL)-2 HOLES CLEAR |

CURTAIN & CUSHION GROUP (CONTINUED)

ACCESSORIES

| KEY | PART NUMBER | U/M | DESCRIPTION |
|-----|---------------|-----|-------------------------------------|
| | 007021-01-000 | EA | SEAT BELT - 2" X 90" - BLACK |
| | 070578-02-N30 | EA | BUTTON - SCREW - STUD - #30 VINYL |
| | 118337-04-P34 | EA | BUTTON - #60 - FABRIC COVERED (R30) |
| | 118337-04-R31 | EA | BUTTON - #60 - FABRIC COVERED (R31) |
| | 118337-04-R99 | EA | BUTTON - #60 - FABRIC COVERED (R99) |
| | 118337-04-P35 | EA | BUTTON - #60 - FABRIC COVERED (R58) |
| | 118337-05-R30 | EA | BUTTON - #60 - FABRIC COVERED (R30) |
| | 118337-05-R31 | EA | BUTTON - #60 - FABRIC COVERED (R31) |
| | 118337-05-R99 | EA | BUTTON - #60 - FABRIC COVERED (R99) |
| | 118337-05-P35 | EA | BUTTON - #60 - FABRIC COVERED (R58) |
| | 057534-03-000 | EA | TIEBACK - CLEAR PLASTIC - 7.5" |



| KEY | PART NUMBER | U/M | DESCRIPTION |
|-----|---------------|-----|--|
| 1* | 091990-04-01A | EA | SEAT BELT/SHOULDER HARNESS - DRIVERS/PASSENGER - BLACK |
| 2 | 109146-01-000 | EA | BOLT - SHOULDER/SEAT BELT |
| 3 | NOT USED | | |

*COMPONENT PARTS LISTED LATER IN THIS GROUP

CURTAIN & CUSHION GROUP (CONTINUED)
COMPONENT PARTS FOR ACCESSORIES

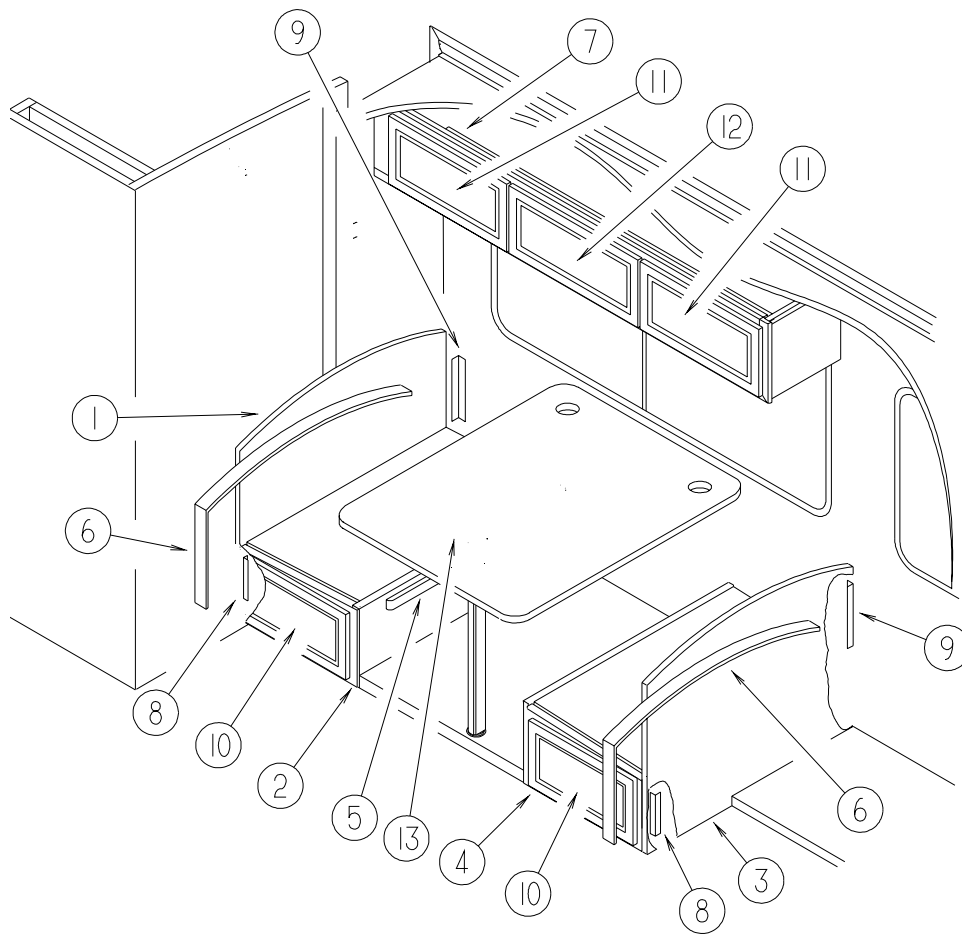
091990-04-01A

| KEY | PART NUMBER | U/M | DESCRIPTION | VENDOR NO. |
|------------|--------------------|------------|------------------------------|-------------------|
| | 091990-01-701 | EA | EXTENDER 9" FOR A8408 3 PT | I-1331-02 |
| | 091990-01-703 | EA | RECEIVER/FEMALE END-SEATBELT | I-1159-02 |
| | 091990-05-700 | EA | SLEEVE/BUCKLE COVER-PLASTIC | 209S-2 |
| | 091990-05-701 | EA | CAP/COVER - BOLT HOLE COVER | 209SC-02 |
| | 091990-05-702 | EA | SLEEVE/RETRACTABLE COVER | 309C-02 |
| | 091990-05-703 | EA | EXTENDER 12" | I-1442-02 |

CURTAIN & CUSHION GROUP (CONTINUED)
FABRICS

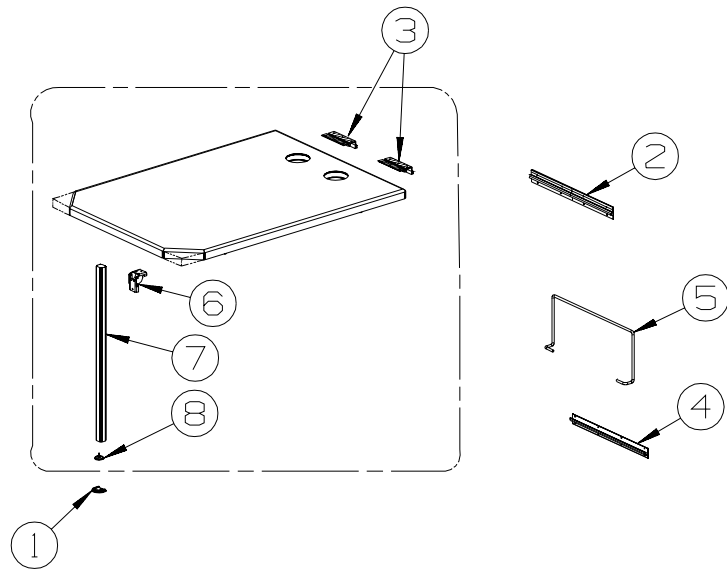
| | R30 CILANTRO | R31 QUARRY ASH | R99 OCEAN PACIFIC | R58 WOODBINE BEIGE |
|--|--------------------------|---------------------------|------------------------------|-------------------------------|
| 2004 FAMILY BUCKET | 580 WIDE MAN. REC. | 580 WIDE MAN. REC. | 580 WIDE MAN. REC. | 580 WIDE MAN. REC. |
| | 126883-M1-000 | 126883-S7-000 | 126883-T4-000 | 126883-L9-000 |
| DINETTE | CURVED CLUB | CURVED CLUB | CURVED CLUB | CURVED CLUB |
| | 126883-M0-000 | 126883-T2-000 | 126883-T3-000 | 126883-L9-000 |
| DINETTE PADS | 126883-M1-000 | 126883-S7-000 | 126883-T4-000 | 126883-T4-000 |
| SOFA | 695 /K.E. JACK KNIFE | 695 /K.E. JACK KNIFE | 695 /K.E. JACK KNIFE | 695 /K.E. JACK KNIFE |
| | 126883-M0-000 | 126883-T2-000 | 126883-T3-000 | 126883-L9-000 |
| LOUNGE CHAIR | 465 GLIDER CHAIR | 465 GLIDER CHAIR | 465 GLIDER CHAIR | 465 GLIDER CHAIR |
| | 126883-M1-000 | 126883-S7-000 | 126883-T4-000 | 126883-L9-000 |
| LOUNGE WINDOWS | WAVE VALANCE | WAVE VALANCE | WAVE VALANCE | WAVE VALANCE |
| | WRAP/BTNS - 126883-M1 | WRAP/BTNS-126883-S7 | WRAP/BTNS-126883-T4 | WRAP/BTNS-126883-L9 |
| | OVLY - 126883-M0-000 | OVLY - 126883-T2-000 | OVLY - 126883-T3-000 | OVLY - 126883-L8-000 |
| | LEGS - 126883-M1-000 | LEGS - 126883-S7-000 | LEGS - 126883-T4-000 | LEGS - 126883-L9-000 |
| ENT. DOOR CLOCK | 8" SQUARE CLOCK | 8" SQUARE CLOCK | 8" SQUARE CLOCK | 8" SQUARE CLOCK |
| LOUNGE PILLOW | (1) 17" SQUARE PILLOW | (1) 17" SQUARE PILLOW | (1) 17" SQUARE PILLOW | (1) 17" SQUARE PILLOW |
| | 126883-M1-000 | 126883-S7-000 | 126883-T4-000 | 126883-L9-000 |
| FWA, BLACKOUT PRIVACY CURTAIN | 105745-R4-000 | 137813-80-000 | 137813-27-000 | 137813-29-000 |
| DAY/NIGHTER | 094911-53-000 | 094911-53-000 | 094911-53-000 | 094911-53-000 |
| | COTTON | COTTON | COTTON | COTTON |
| GALLEY BLINDS | 386 SNOCAP | 386 SNOCAP | 386 SNOCAP | 386 SNOCAP |
| BEDROOM WDO TREATMENT | GATH. WAVE VALANCE | GATH. WAVE VALANCE | GATH. WAVE VALANCE | GATH. WAVE VALANCE |
| | WRAP/BTNS - 105745-R4 | WRAP/BTNS - 137813-80 | WRAP/BTNS - 137813-27 | WRAP/BTNS- 137813-29 |
| | OVLY - 137813-78-000 | OVLY - 137813-79-000 | OVLY - 137813-84-000 | OVLY - 137813-28-000 |
| | LEGS - 105745-R4-000 | LEGS - 137813-80-000 | LEGS - 137813-27-000 | LEGS - 137813-29-000 |
| BEDCOVER | BEDCAP W/.5" N-G WELT | BEDCAP W/.5" N-G WELT | BEDCAP W/.5" N-G WELT | BEDCAP W/.5" N-G WELT |
| | 137813-78/105745-R4 | 137813-79/137813-80 | 137813-84/137813-27 | 137813-28/137813-29 |
| QUILT PATTERN | LARGE DIAMOND | LARGE DIAMOND | LARGE DIAMOND | LARGE DIAMOND |
| SHAMS | 1/2" NON-GATH. WELT | 1/2" NON-GATH. WELT | 1/2" NON-GATH. WELT | 1/2" NON-GATH. WELT |
| | 137813-78/105745-R4 | 137813-79/137813-80 | 137813-84/137813-27 | 137813-28/137813-29 |
| BED PILLOW | (1) 17" SQ. W/½ N-G WELT | (1) 17" SQ. W/½ N-G WELT | (1) 17" SQ. W/½ N-G WELT | (1) 17" SQ. W/½ N-G WELT |
| | 105745-R4 /137813-78 | 137813-80/137813-79 | 137813-27/137813-84 | 137813-28/137813-29 |
| HEADBOARD | CAMEO BOARD | CAMEO BOARD | CAMEO BOARD | CAMEO BOARD |
| | CENTER - 137813-78-000 | CENTER - 137813-79-000 | CENTER - 137813-84-000 | CENTER - 137813-28-000 |
| | GATH SIDES - 105745-R4 | GATH SIDES - 137813-80 | GATH SIDES - 137813-27 | GATH SIDES - 137813-29 |
| | SURROUND - 105745-R4 | SURROUND - 137813-80 | SURROUND - 137813-27 | SURROUND - 137813-29 |
| CARPET | 096060-G9-000 | 096060-J7-000 | 139056-06-000 | 096060-H1-000 |
| CARPET TAPE | 102695-20-000 | 102695-18-000 | 102695-22-000 | 102695-12-000 |

DINETTE GROUP CABINETS



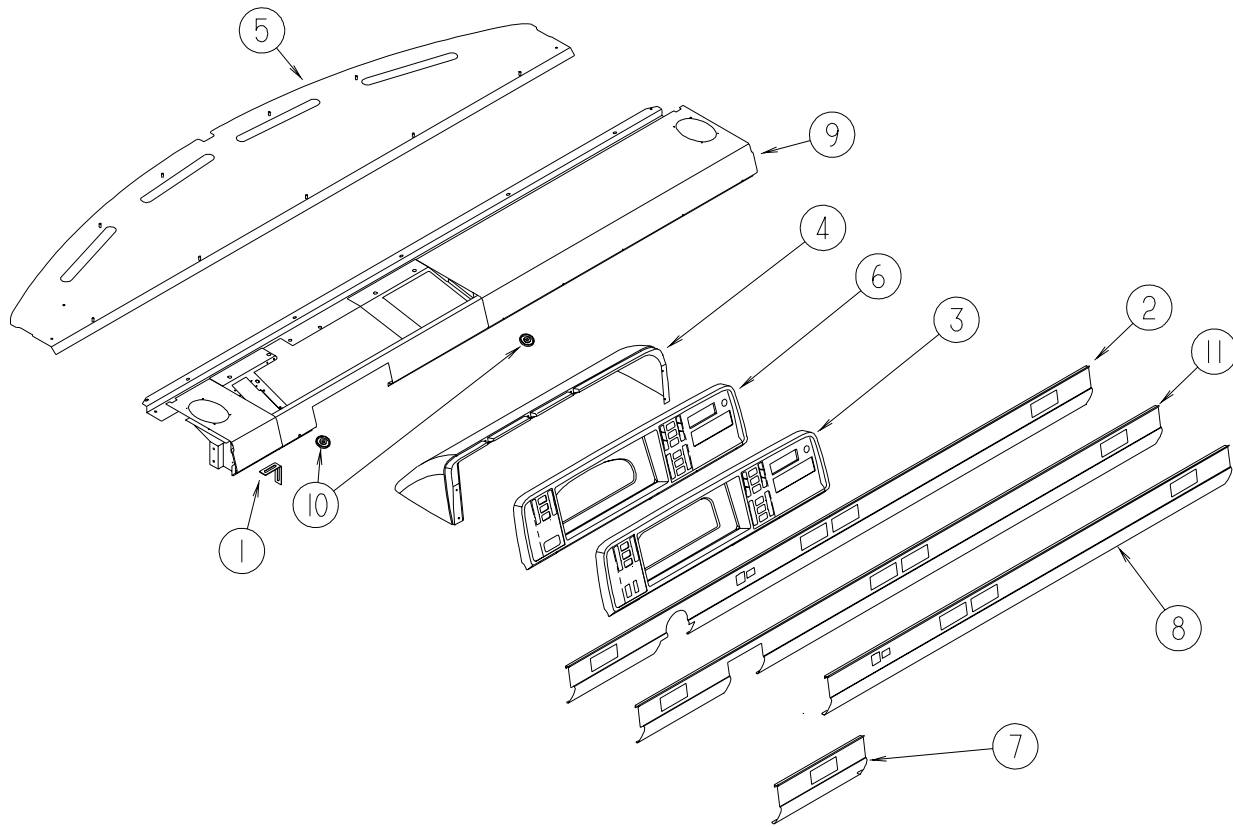
| KEY | PART NUMBER | U/M | DESCRIPTION |
|-----|---------------|-----|---|
| 1 | 137092-C6-P31 | EA | DINETTE SEAT BACK - W/O HARDWARE |
| 2 | P37092-16-P31 | EA | CABINET/SEATABASE - W/O DOOR/DRAWER/HARDWARE |
| 3 | 137092-D0-P31 | EA | DINETTE SEAT BACK - W/O HARDWARE |
| 4 | P37092-15-P31 | EA | CABINET/SEATABASE - W/O DOOR/DRAWER/HARDWARE |
| 5 | 081295-01-N70 | EA | SUPPORT - BED/DINETTE - 28" LONG |
| 6 | 104787-08-P34 | EA | PAD - DINETTE SEATBACK - 58" (R30) |
| 6 | 104787-08-R31 | EA | PAD - DINETTE SEATBACK - 58" (R31) |
| 6 | 104787-08-P35 | EA | PAD - DINETTE SEATBACK - 58" (R58) |
| | | | FROM: 00-00-00 THRU: 05-23-03 |
| | 104787-08-R58 | EA | PAD - DINETTE SEATBACK - 58" (R58) |
| | | | FROM: 05-24-03 THRU: 99-99-99 |
| 6 | 104787-08-R99 | EA | PAD - DINETTE SEATBACK - 58" (R99) |
| 7 | 139374-01-N21 | EA | CABINET - OVERHEAD/DINETTE - W/O DOORS/HARDWARE |
| 8 | 122021-09-02A | EA | ANGLE - W/HOLES - OFF WHITE |
| 9 | 122021-02-02A | EA | ANGLE - W/HOLES - 13.7" LONG - OFF WHITE |
| 10 | 134783-02-P19 | EA | DOOR - RAIL/SOLID PANEL - 10" X 19.1" - W/O HARDWARE |
| | | | FROM: 00-00-00 THRU: 04-25-04 |
| 10 | 147084-08-R30 | EA | DOOR - FLAT PANEL/PENCIL EDGE - 10" X 19.1" - W/O HDW |
| | | | FROM: 04-26-04 THRU: 99-99-99 |
| 11 | 136955-22-P34 | EA | DOOR - RAISED PANEL/PENCIL EDGE - 10" X 19.1" - W/O HDW |
| 12 | 136955-25-P34 | EA | DOOR - RAISED PANEL/PENCIL EDGE - 10" X 25.2" - W/O HDW |
| 13 | 144605-06-R28 | EA | TABLE/DINETTE-LAMINATED-41.6"X24"-LINO FRIEZE/PORTS OAK (R30) |
| 13 | 144605-06-P31 | EA | TABLE/DINETTE-LAMINATED-41.6"X24"-EGGSHELL/PORTS OAK (R31, R58) |
| 13 | 144605-06-R98 | EA | TABLE/DINETTE-LAMINATED-41.6"X24"-GRAY TRANQ/PORTS OAK (R99) |

DINETTE GROUP (CONTINUED)
TABLE



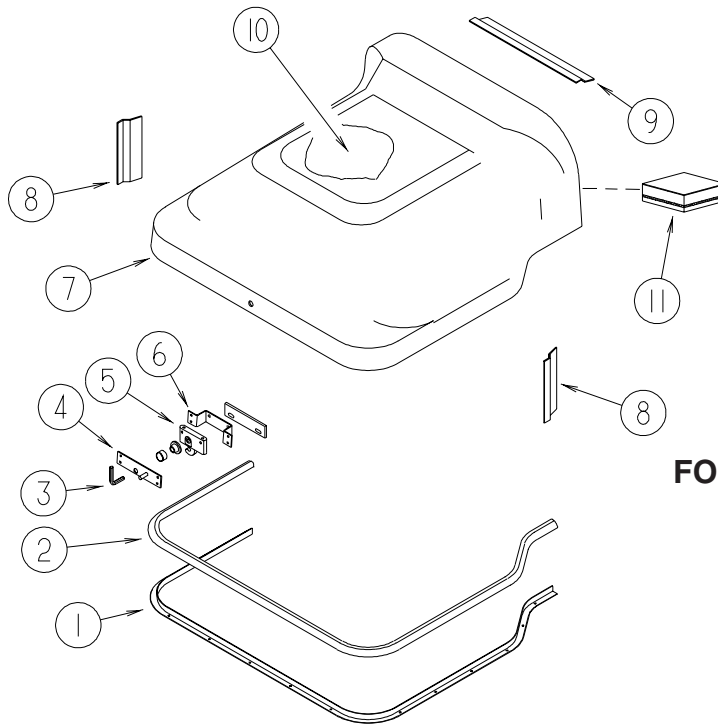
| KEY | PART NUMBER | U/M | DESCRIPTION |
|-----|---------------|-----|---|
| 1 | 143798-01-01A | EA | CATCH - FLOOR TO TABLE LEG - BRIGHT WHITE |
| 2 | 140921-02-01A | EA | BRACKET/TABLE SUPPORT - 18.5" - OFF WHITE |
| 3 | 140921-03-01A | EA | HANGER - TABLE - W/VINYL - OFF WHITE |
| 4 | 024281-15-000 | EA | BRACKET/WALL - TABLE LIFT - 17.12" |
| 5 | 024275-13-000 | EA | ROD - TABLE LIFT - OFF/WHITE |
| 6 | 093550-01-000 | EA | BRACKET - HINGE - MOUNTS TO LEG & TABLE TOP - 1.7" X 2.6" |
| 7 | 092707-04-10A | EA | LEG - TABLE - W/O HARDWARE - 27" - PORTSMOUTH OAK II |
| | | | FROM: 00-00-00 THRU: 10-05-03 |
| 7 | 092707-10-03A | EA | LEG - TABLE - W/O HARDWARE - 26.8" - PORTSMOUTH OAK |
| | | | FROM: 10-06-03 THRU: 99-99-99 |
| 8 | 143798-02-01A | EA | CATCH - TABLE LEG TO FLOOR - BRIGHT WHITE |
| | 143798-03-01A | EA | WASHER - TABLE LEG - CATCH |

DRIVERS COMPARTMENT GROUP DASH



| KEY | PART NUMBER | U/M | DESCRIPTION |
|-----|---------------|-----|--|
| 1 | 143634-01-02B | EA | ANGLE/SUPPORT - DASH - E-COATED - FORD |
| 2 | 114620-12-04A | EA | TRIM - LOWER DASH - 96" - GLACIER - 15,000 & 18,000 GVWR WORKHORSE |
| 3 | 143642-01-01A | EA | BEZEL - INSTRUMENT PANEL - WORK HORSE - BLACK - WORKHORSE |
| 4 | 125677-04-N21 | EA | POD - INSTRUMENT PANEL - FORD |
| 4 | 125677-02-N21 | EA | POD - INSTRUMENT PANEL - WORKHORSE |
| 5 | 140037-02-02B | EA | PANEL - DASH TOP - E-COATED |
| 6 | 103662-16-01A | EA | BEZEL - INSTRUMENT PANEL - FORD - BLACK - FORD |
| 7 | 111528-08-04A | EA | TRIM - DASH/LOWER - PASSENGER - GLACIER - FORD |
| 8 | 111528-04-06A | EA | TRIM - DASH/LOWER - DRIVER - GLACIER - FORD |
| 9 | 140038-01-02B | EA | DASH - E-COATED - WORKHORSE |
| 9 | 140038-02-02B | EA | DASH - E-COATED - FORD |
| | 106569-11-05A | EA | VINYL - LAMINATE - ALLANTE DOESKIN - 1/4" X 25" X 100" |
| | 076767-05-000 | EA | CABLE - STAINLESS STEEL - 15.5" |
| 10 | 049176-01-000 | EA | HEDLOCK II - 3/4 DIAMETER SCREW MOUNT |
| 11 | 114620-15-04A | EA | TRIM - LOWER DASH - GLACIER - 20,700 GVWR WORKHORSE - D35N ONLY |

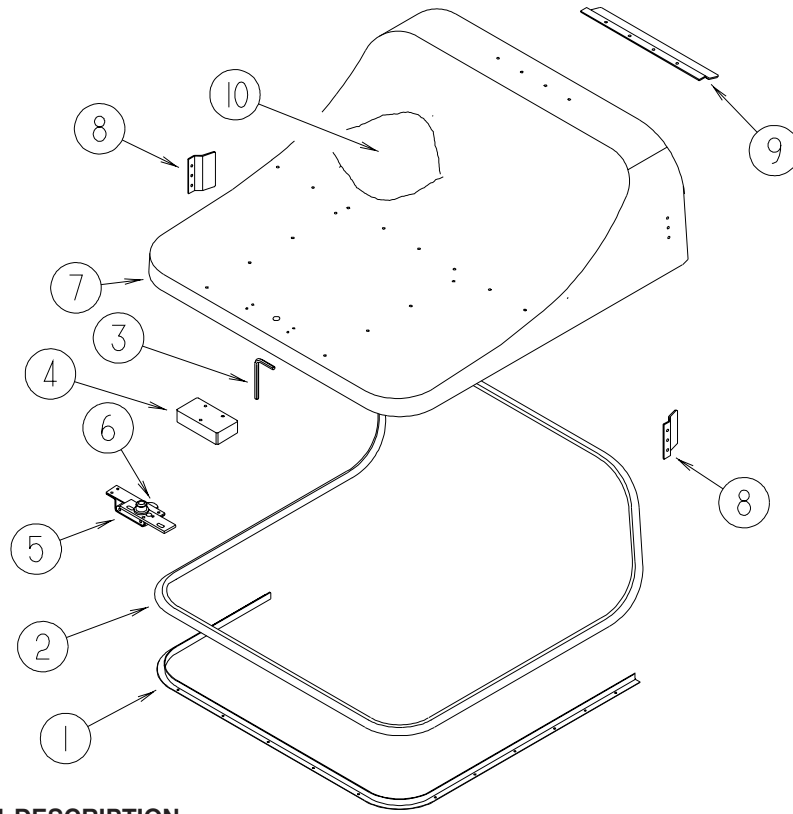
DRIVERS COMPARTMENT GROUP (CONTINUED)
MOTOR COVER



**FORD & 15,000 & 18,000 GVWR
 WORKHORSE**

| KEY | PART NUMBER | U/M | DESCRIPTION |
|-----|---------------|-----|--|
| 1 | 115860-05-01A | EA | TRIM - MOTOR COVER - MILL FINISH - FORD |
| 1 | 115860-04-01A | EA | TRIM - MOTOR COVER - WORKHORSE |
| 2 | 039623-01-000 | FT | SEAL - MOTOR COVER - RUBBER BULB TYPE |
| 3 | 116833-01-02B | EA | WRENCH - HEX MOTOR COVER - E-COATED |
| 4 | 115852-01-02B | EA | STRIKE - LATCH - MOTOR COVER - E-COATED |
| 5 | 116581-01-000 | EA | LATCH - W/O STRIKE - MOTOR COVER |
| 6 | 115850-01-02B | EA | RETAINER - LATCH - MOTOR COVER - RIGHT HAND - E-COATED |
| 7 | 129099-04-01A | EA | COVER - MOTOR - W/O CARPET - FORD |
| 7 | 129099-02-01A | EA | COVER - MOTOR - W/O CARPET - CHEVY P32 CHASSIS - WORKHORSE |
| 8 | 115855-02-02B | EA | RETAINER - MOTOR COVER/SIDE - E-COATED |
| 9 | 115855-01-02B | EA | RETAINER - MOTOR COVER/TOP - E-COATED |
| 10 | NOT USED | | |
| 11 | NOT USED | | |

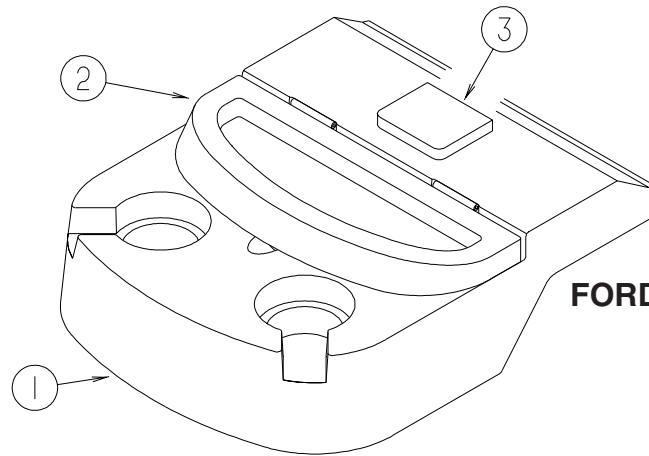
DRIVERS COMPARTMENT GROUP (CONTINUED)
MOTOR COVER (CONTINUED)



**20,700 GVWR
 WORKHORSE**

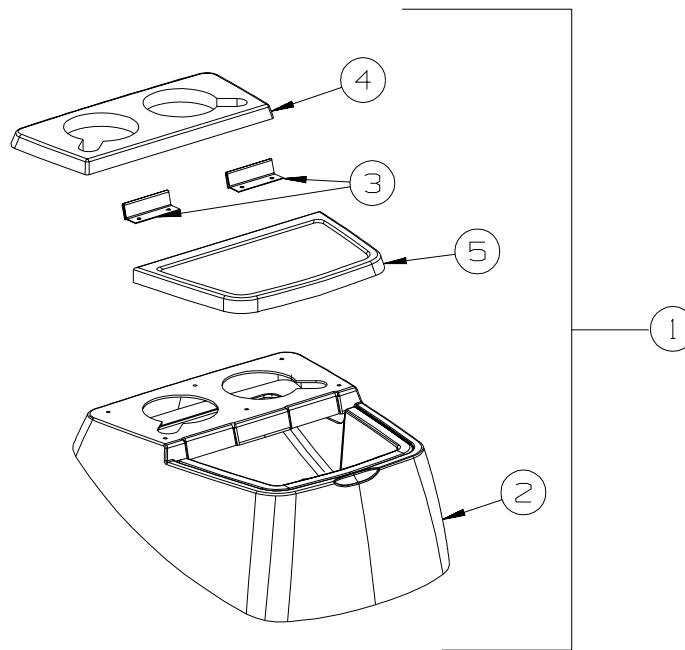
| KEY | PART NUMBER | U/M | DESCRIPTION |
|-----|---------------|-----|--|
| 1 | 137332-01-01A | EA | TRIM - MOTOR COVER |
| 2 | 039623-01-000 | FT | SEAL - MOTOR COVER - RUBBER BULB TYPE |
| 3 | 116833-01-02B | EA | WRENCH - HEX MOTOR COVER - E-COATED |
| 4 | 137305-02-02B | EA | BRACKET - STRIKE SUPPORT - E-COATED |
| 5 | 116581-01-000 | EA | LATCH - W/O STRIKE - MOTOR COVER |
| 6 | 115850-01-02B | EA | RETAINER - LATCH - MOTOR COVER - RIGHT HAND - E-COATED |
| 7 | 137096-01-01A | EA | COVER - MOTOR - W/O CARPET |
| 8 | 115855-04-02B | EA | RETAINER - MOTOR COVER - E-COATD |
| 9 | 115855-03-02B | EA | RETAINER - MOTOR COVER/TOP - E-COATED |
| 10 | 134497-01-000 | SF | FOIL/ALUMINUM - REINFORCED |

DRIVERS COMPARTMENT GROUP (CONTINUED)
BEVERAGE TRAY



**FORD & 15,000 & 18,000 GVWR
WORKHORSE**

| KEY | PART NUMBER | U/M | DESCRIPTION |
|-----|---------------|-----|-------------------------------------|
| 1 | 126008-02-N21 | EA | TRAY ASM-BEVERAGE - PORTSMOUTH OAK |
| | 128114-01-04A | EA | TRAY/BEVERAGE - GLACIER |
| 2 | 128113-01-N21 | EA | LID - BEVERAGE TRAY |
| 3 | 118719-01-01A | EA | ASHTRAY - TOP MOUNT - BLACK PLASTIC |
| | 126010-01-03A | EA | SPACER - BEVERAGE TRAY - GLACIER |

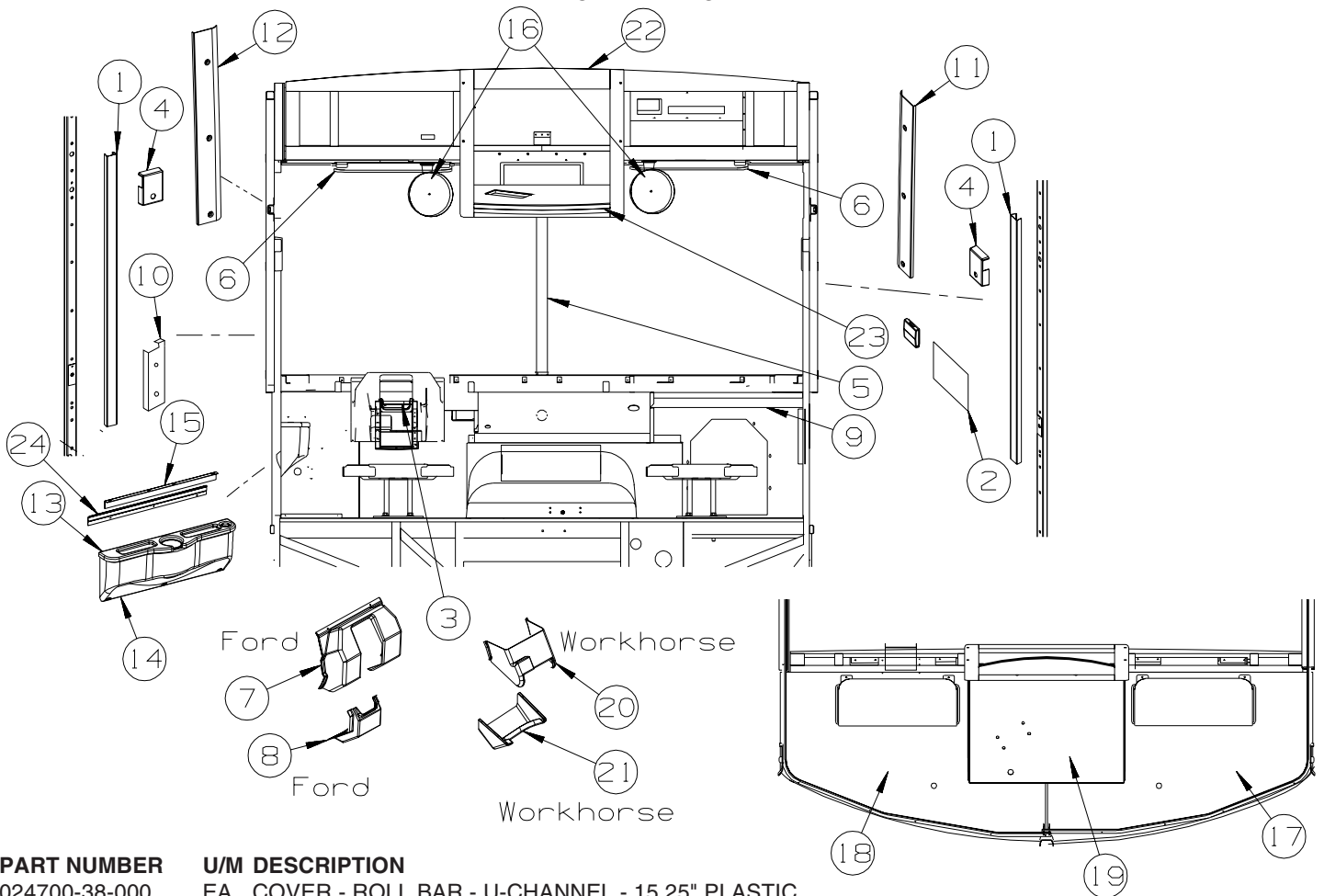


**20,700 GVWR
WORKHORSE**

| KEY | PART NUMBER | U/M | DESCRIPTION | |
|-----|---------------|-----|-----------------------------------|-------------------------------|
| 1 | 139275-01-N52 | EA | TRAY - BEVERAGE | FROM: 00-00-00 THRU: 05-08-03 |
| 1 | 139275-01-R32 | EA | TRAY - BEVERAGE | FROM: 05-09-03 THRU: 99-99-99 |
| 2 | 139268-01-01A | EA | TRAY - BEVERAGE - GLACIER | |
| 3 | 139279-01-04B | EA | HINGE - BLACK | |
| 4 | 139296-01-01A | EA | LID - BEVERAGE TRAY - OYSTER GRAY | FROM: 00-00-00 THRU: 05-08-03 |
| 4 | 139296-01-03A | EA | LID - BEVERAGE TRAY - SANDSTONE | FROM: 05-09-03 THRU: 99-99-99 |
| 5 | 139285-01-01A | EA | LID/DOOR - OYSTER GRAY | FROM: 00-00-00 THRU: 05-08-03 |
| 5 | 139285-01-03A | EA | LID/DOOR - SANDSTONE | FROM: 05-09-03 THRU: 99-99-99 |

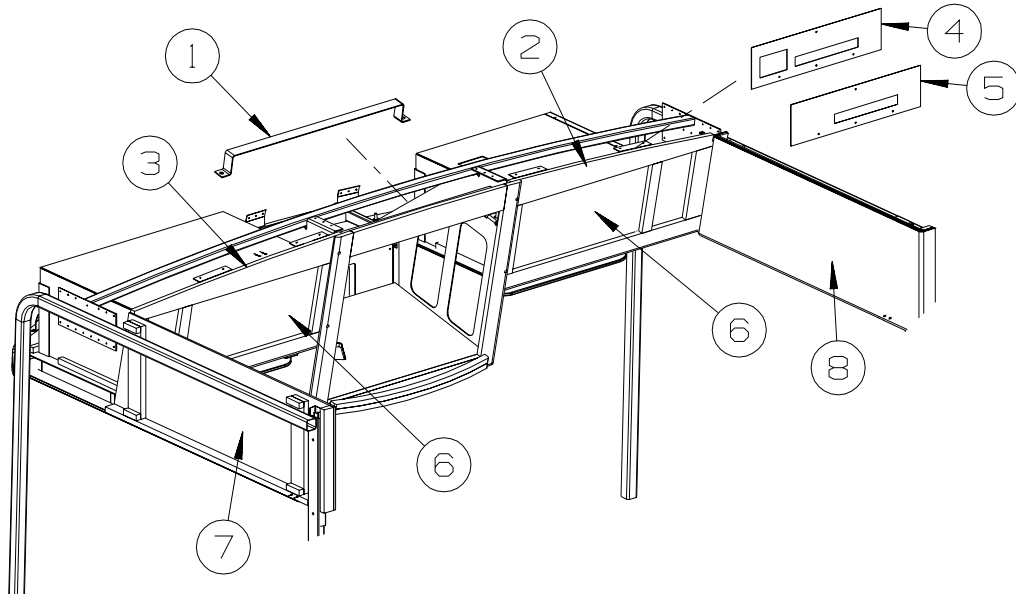
DRIVERS COMPARTMENT GROUP (CONTINUED)

FRONT INTERIOR



| KEY | PART NUMBER | U/M | DESCRIPTION |
|-----|---------------|-----|---|
| 1 | 024700-38-000 | EA | COVER - ROLL BAR - U-CHANNEL - 15.25" PLASTIC |
| 1 | 024700-44-000 | EA | COVER - ROLL BAR - 53" - LOWER - DRIVER/PASSENGER |
| 2 | 086120-01-P34 | EA | PAD - MAP POCKET - 12" X 16" (R30) |
| 2 | 086120-01-R31 | EA | PAD - MAP POCKET - 12" X 16" (R31) |
| 2 | 086120-01-R99 | EA | PAD - MAP POCKET - 12" X 16" (R99) |
| 2 | 086120-01-P35 | EA | PAD - MAP POCKET - 12" X 16" (R58) |
| | | | FROM: 00-00-00 THRU: 05-23-03 |
| 2 | 086120-01-R58 | EA | PAD - MAP POCKET - 12" X 16" (R58) |
| | | | FROM: 05-24-03 THRU: 99-99-99 |
| 3 | 103498-09-000 | EA | BOOT - STEERING COLUMN - W/1/2 CIRCLE - WORKHORSE |
| 4 | 103961-03-01A | EA | COVER - BRACKET - SEATBELT/OFF WHITE |
| 5 | 118452-10-02A | EA | TRIM - WINDSHIELD - CENTER - GLACIER |
| 6 | 123298-04-05A | EA | SUNVISOR - 10.5" X 21" - DRIVER/PASSENGER - GLACIER |
| 7 | 131804-01-04A | EA | COVER - STEERING COLUMN - UPPER - GLACIER - FORD |
| 8 | 125795-01-04A | EA | COVER - STEERING COLUMN/LOWER - GLACIER - FORD |
| 9 | 126340-06-01A | EA | DECAL - LOGO - SUNOVA - 3D - CHAMPAGNE BEIGE |
| 10 | 127901-01-03A | EA | PANEL - TOEKICK/LEFT HAND - GLACIER |
| 11 | 136351-03-02A | EA | TRIM - A-PILLAR - INTERIOR/PASSENGER - GLACIER |
| 12 | 136351-04-02A | EA | TRIM - A-PILLAR - INTERIOR/DRIVER - GLACIER |
| 13 | 132297-06-04A | EA | PANEL-TRIM - BEVERAGE TRAY |
| 14 | 132354-05-04A | EA | PANEL/TRIM - INNER - W/O BEVERAGE TRAY - GLACIER |
| 14 | 132354-06-04A | EA | PANEL/TRIM - INNER - W/O BEVERAGE TRAY - GLACIER - EXTERIOR MIRRORS W/DEFROST |
| | 142434-01-000 | EA | LEVEL - BUBBLE - MOUNTED |
| 15 | 132595-02-02B | EA | ANGLE/SUPPORT/TRIM PANEL - E-COATED |
| 16 | 122856-01-01A | EA | FAN-DEFROSTER-2 SPEED W/SWIVEL BASE/NON-OSCILLATING-CHROME |
| 17 | 134146-03-R28 | EA | PANEL - OVERHEAD/FRONT - BOTTOM/RIGHT HAND |
| 18 | 134146-04-R28 | EA | PANEL - OVERHEAD/FRONT - BOTTOM/LEFT HAND |
| 19 | 134142-02-000 | EA | COVER - TV - OVERHEAD/BOTTOM |
| 20 | 137851-01-04A | EA | COVER - STEERING COLUMN - GLACIER - WORKHORSE |
| 21 | 137878-01-04A | EA | COVER - STEERING COLUMN - FRONT - GLACIER - WORKHORSE |
| 22 | 144351-02-R28 | EA | CABINET - FRAME/TV - W/O DOORS/HARDWARE |
| 23 | 144278-01-R28 | EA | CABINET/BASE - TV - W/O DOORS/HARDWARE |
| 24 | 130034-11-02B | EA | CLIP - TRIM - E-COATED |

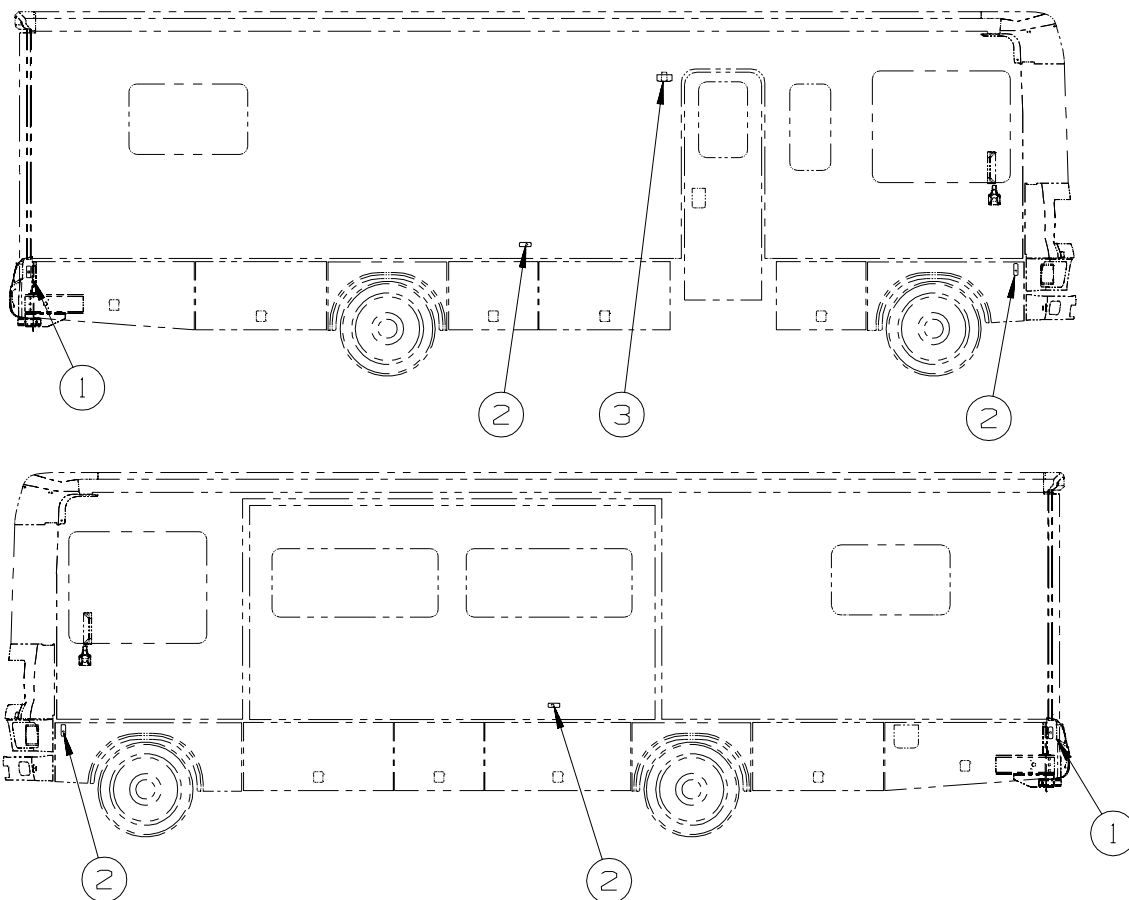
DRIVERS COMPARTMENT GROUP (CONTINUED)
CABINETS



| KEY | PART NUMBER | U/M | DESCRIPTION |
|-----|---------------|-----|---|
| 1 | 133790-16-02B | EA | STRAP/TIEDOWN - TV - E-COATED |
| 2 | 134137-03-R30 | EA | CABINET - OVERHEAD/FRONT/RIGHT HAND - W/O DOORS/HARDWARE |
| 2 | 134137-03-R31 | EA | CABINET - OVERHEAD/FRONT/RIGHT HAND - W/O DOORS/HARDWARE |
| 2 | 134137-03-R99 | EA | CABINET - OVERHEAD/FRONT/RIGHT HAND - W/O DOORS/HARDWARE |
| 2 | 134137-03-R58 | EA | CABINET - OVERHEAD/FRONT/RIGHT HAND - W/O DOORS/HARDWARE |
| 3 | 134137-04-R30 | EA | CABINET - OVERHEAD/FRONT/LEFT HAND - W/O DOORS/HARDWARE |
| 3 | 134137-04-R31 | EA | CABINET - OVERHEAD/FRONT/LEFT HAND - W/O DOORS/HARDWARE |
| 3 | 134137-04-R99 | EA | CABINET - OVERHEAD/FRONT/LEFT HAND - W/O DOORS/HARDWARE |
| 3 | 134137-04-R58 | EA | CABINET - OVERHEAD/FRONT/LEFT HAND - W/O DOORS/HARDWARE |
| 4 | 144923-01-R28 | EA | PANEL/SHELF - VINYL COVERED - DC/AC INVERTER/13" TV W/VIDEO SELECTION SYS |
| 5 | 144923-03-R28 | EA | PANEL/SHELF - W/CUTOUPS - VINYL COVERED - DC/AC INVERTER |
| 6 | 131995-BX-R28 | EA | DOOR - RAIL/GLASS INSERT - 10.8" X 23.8" - W/O HARDWARE |
| 7 | 138258-13-P31 | EA | PANEL - FRONT/OVERHEAD - LEFT HAND |
| 8 | 138258-12-P31 | EA | PANEL - FRONT/OVERHEAD - RIGHT HAND |

ELECTRICAL GROUP

12V BODY WIRING

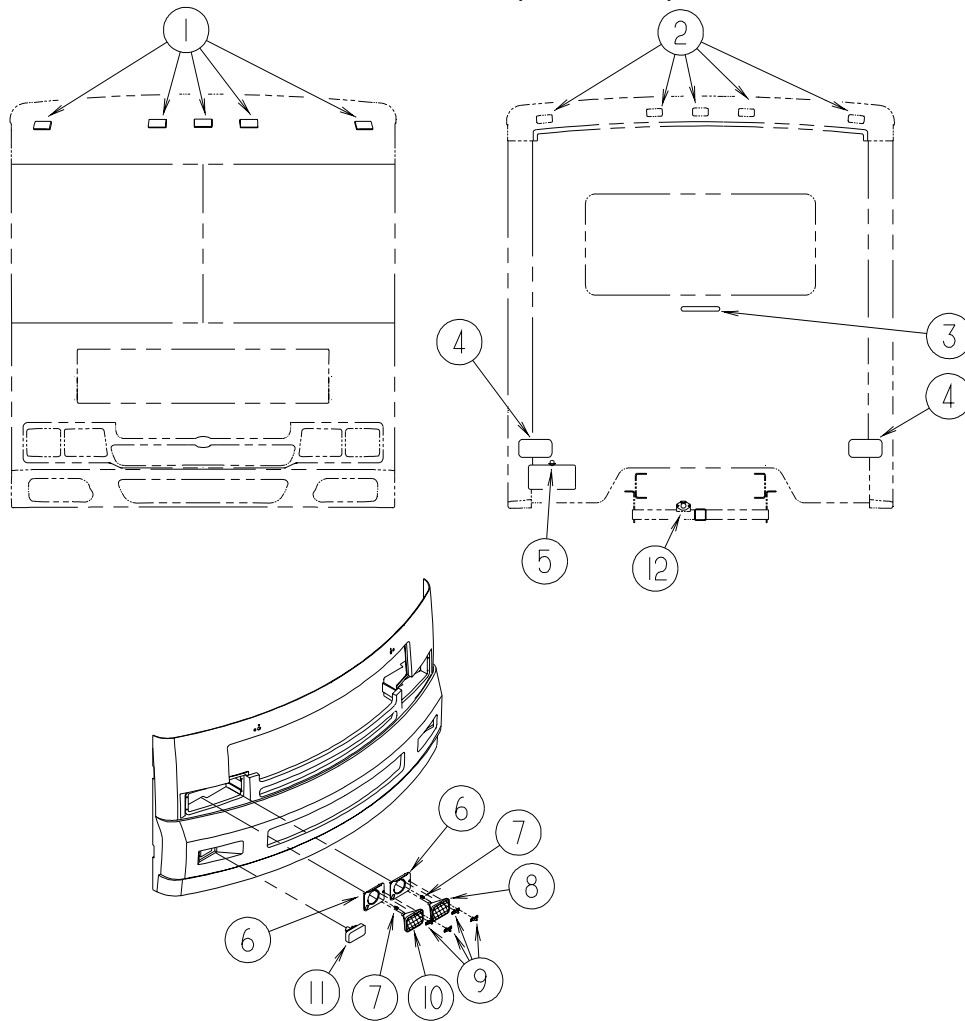


| KEY | PART NUMBER | U/M | DESCRIPTION |
|-----|---------------|-----|---|
| 1 | 111102-01-000 | EA | BASE - MARKER LAMP |
| 1 | 111102-03-000 | EA | LENS - RED - MARKER LAMP |
| | 036196-01-000 | EA | BULB - 12V - #194 - .27 AMP - BAYONETTE |
| 2 | 111102-01-000 | EA | BASE - MARKER LAMP |
| 2 | 111102-02-000 | EA | LENS - AMBER - MARKER LAMP |
| | 036196-01-000 | EA | BULB - 12V - #194 - .27 AMP - BAYONETTE |
| 3* | 097917-01-06A | EA | LIGHT - PORCH - BRIGHT WHITE |
| | 008215-01-000 | EA | BULB - 12 VOLT - #1003 - .94 AMP |

***COMPONENT PARTS LISTED LATER IN THIS GROUP**

ELECTRICAL GROUP (CONTINUED)

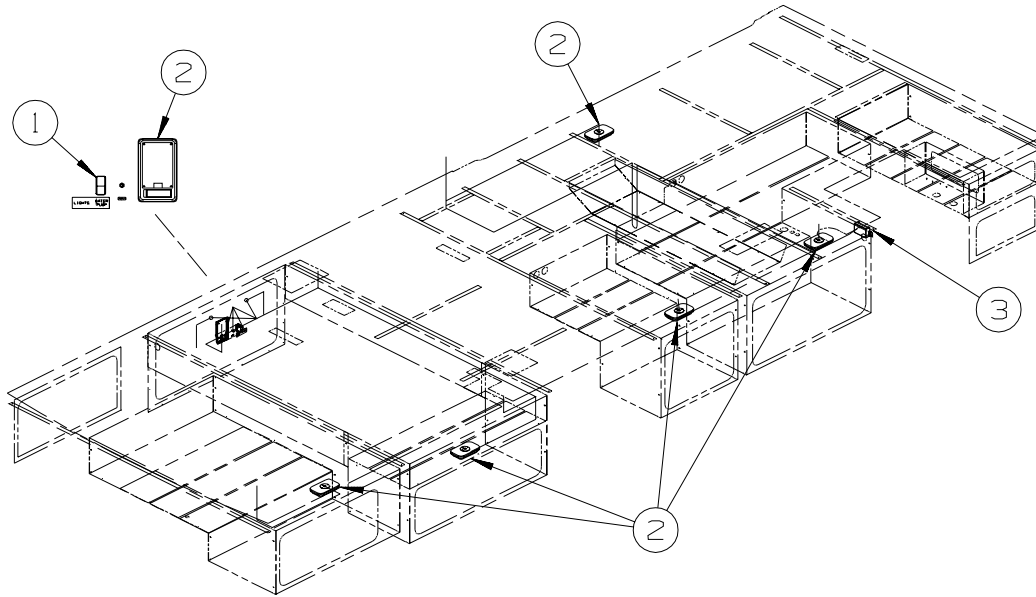
12V BODY WIRING (CONTINUED)



| KEY | PART NUMBER | U/M | DESCRIPTION |
|-----|---------------|-----|---|
| 1 | 111102-01-000 | EA | BASE - MARKER LAMP |
| 1 | 111102-02-000 | EA | LENS - AMBER - MARKER LAMP |
| | 036196-01-000 | EA | BULB - 12V - #194 - .27 AMP - BAYONETTE |
| 2 | 111102-01-000 | EA | BASE - MARKER LAMP |
| 2 | 111102-03-000 | EA | LENS - RED - MARKER LAMP |
| | 036196-01-000 | EA | BULB - 12V - #194 - .27 AMP - BAYONETTE |
| 3 | 136916-01-000 | EA | LIGHT - CENTER BRAKE - L.E.D |
| 4* | 115632-03-01A | EA | LIGHT - STOP/TAIL/BACKUP |
| 5 | 087201-01-000 | EA | LIGHT - HALF ROUND - 1" X 1.7" - PLASTIC - BLACK OR WHITE |
| 6 | 110690-01-D18 | EA | PLATE - HEADLAMP - QUAD/RIGHT HAND |
| 6 | 110690-02-D18 | EA | PLATE - HEADLAMP - QUAD/LEFT HAND |
| 7 | 049359-01-000 | EA | SPRING - RETAINER - HEADLAMP - GM #496096 |
| 8 | 049187-04-000 | EA | HEADLAMP - PASSENGER - HIGH BEAM - HALOGEN |
| 8 | 049188-04-000 | EA | HEADLAMP - DRIVER - HIGH BEAM - HALOGEN |
| 9 | 110750-01-000 | EA | SCREW - HEADLAMP ADJUSTING |
| 10 | 049185-04-000 | EA | HEADLAMP - PASSENGER - HIGH/LOW - HALOGEN |
| 10 | 049186-04-000 | EA | HEADLAMP - DRIVER - HIGH/LOW - HALOGEN |
| 11 | 084901-01-000 | EA | LAMP - PARK/TURN - GM #916558 (BULB #2057) |
| 12* | 113589-01-000 | EA | CONNECTOR - PLUG - TRAILER |
| 12 | 113589-02-000 | EA | CONNECTOR - SOCKET - TRAILER |

*COMPONENT PARTS LISTED LATER IN THIS GROUP

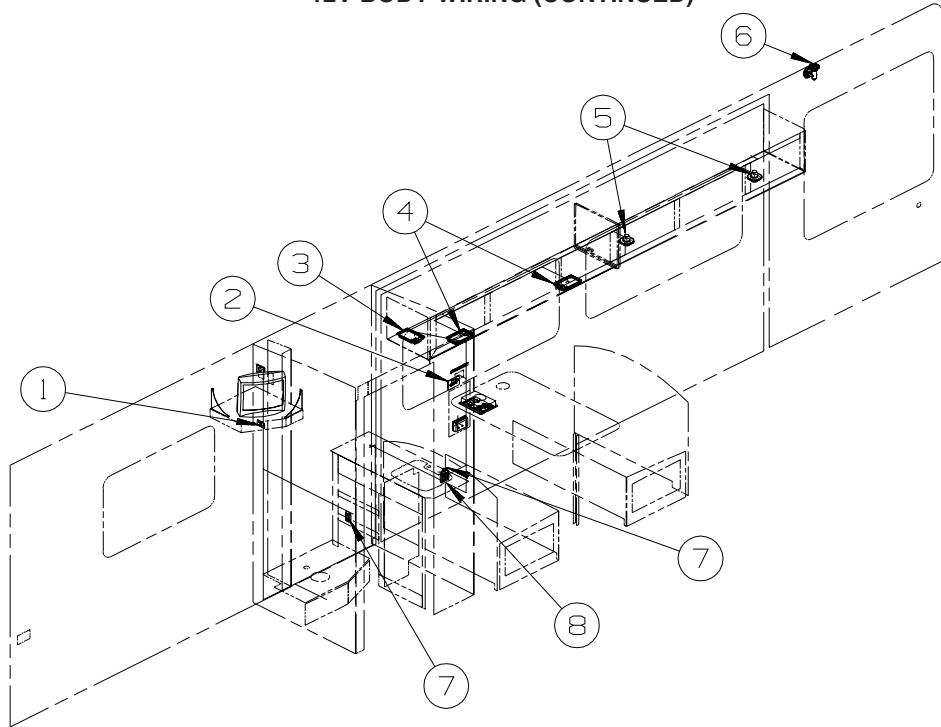
ELECTRICAL GROUP (CONTINUED)
12V BODY WIRING (CONTINUED)



| KEY | PART NUMBER | U/M | DESCRIPTION |
|-----|---------------|-----|---|
| 1 | 108357-15-000 | EA | SWITCH - ROCKER - DPDT - ON/NONE/ON - LIGHTED |
| 1 | 108356-04-01A | EA | COVER/ACTUATOR SWITCH - 2 ROWS DIMPLES W/LENS-CONTURA-BLK |
| 1 | 108355-01-000 | EA | HOUSING - SWITCH |
| 2* | 137417-01-01A | EA | LIGHT - DOME - SINGLE - W/SWITCH/FROSTED LENS - WHITE |
| 3 | 138173-03-000 | EA | MODULE - (CONTROL BOX) - SLIDEOUT CONTROL - #1802930 |

***COMPONENT PARTS LISTED LATER IN THIS GROUP**

ELECTRICAL GROUP (CONTINUED)
12V BODY WIRING (CONTINUED)

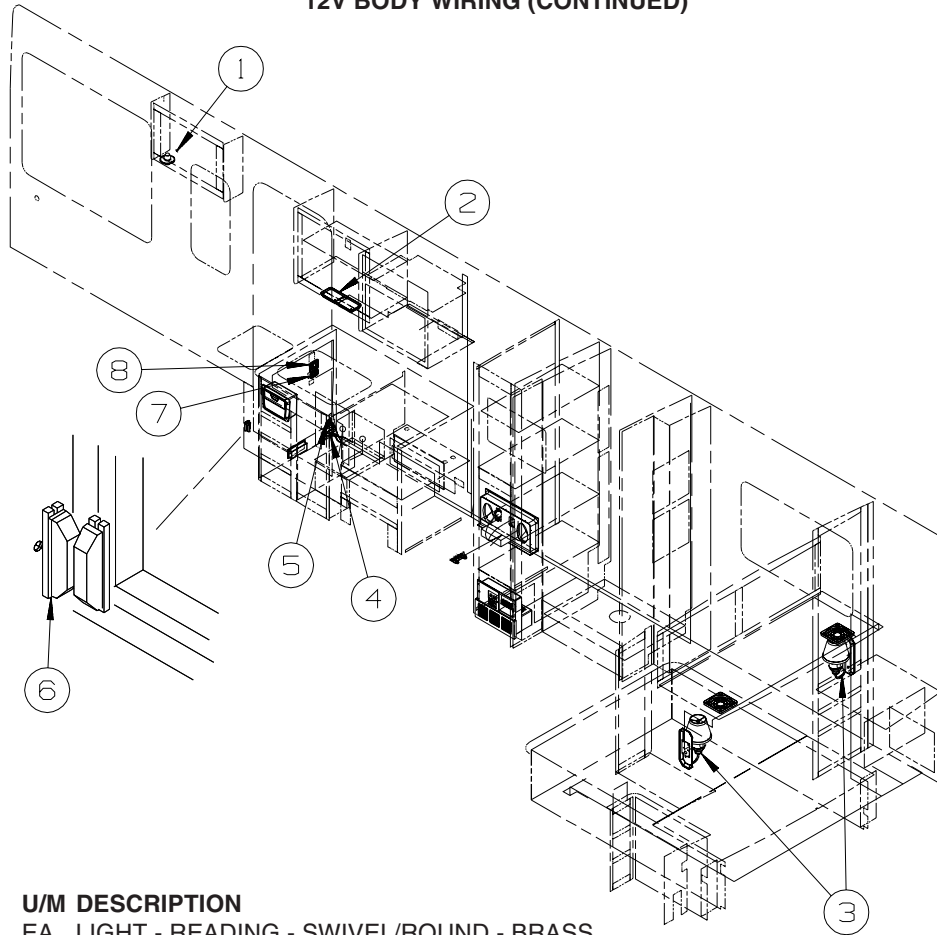


| KEY | PART NUMBER | U/M | DESCRIPTION |
|-----|---------------|-----|--|
| 1 | 132180-01-01A | EA | SWITCH - PADDLE - SPST - ON/OFF - BLACK |
| 1 | 098351-14-01A | EA | PLATE/SWITCH - 1 GANG - POLISHED BRASS - TV |
| 2 | 138173-04-000 | EA | CONTROL PANEL (TOUCH PAD) - ELECTRIC SLIDEOUT - #1802931 |
| 3* | 137417-01-01A | EA | LIGHT - DOME - SINGLE - W/SWITCH/FROSTED LENS - WHITE |
| 4* | 137417-02-01A | EA | LIGHT - DOME - SINGLE - W/SWITCH/OPTIC LENS - WHITE |
| 5 | 132427-01-01A | EA | LIGHT - READING - SWIVEL/ROUND - BRASS |
| | 123917-01-000 | EA | BULB - 12V - HALOGEN SPOT |
| 6 | 128786-02-01A | EA | LIGHT - READING/SWIVEL - W/O SWITCH - BRASS |
| | 123917-01-000 | EA | BULB - 12V - HALOGEN SPOT |
| 7 | 135740-01-02A | EA | SWITCH - ROCKER - SPST - ON/OFF - WHITE |
| 7 | 135741-01-02A | EA | SWITCH - BASE - SINGLE - WHITE |
| 7 | 135742-07-01A | EA | BEZEL - SWITCH - CEILING - WHITE |
| 8 | 135740-01-02A | EA | SWITCH - ROCKER - SPST - ON/OFF - WHITE |
| 8 | 135741-02-02A | EA | SWITCH - BASE - DOUBLE - WHITE |
| 8 | 135742-15-01A | EA | BEZEL - SWITCH - CEILING/SHOWER - WHITE |

***COMPONENT PARTS LISTED LATER IN THIS GROUP**

ELECTRICAL GROUP (CONTINUED)

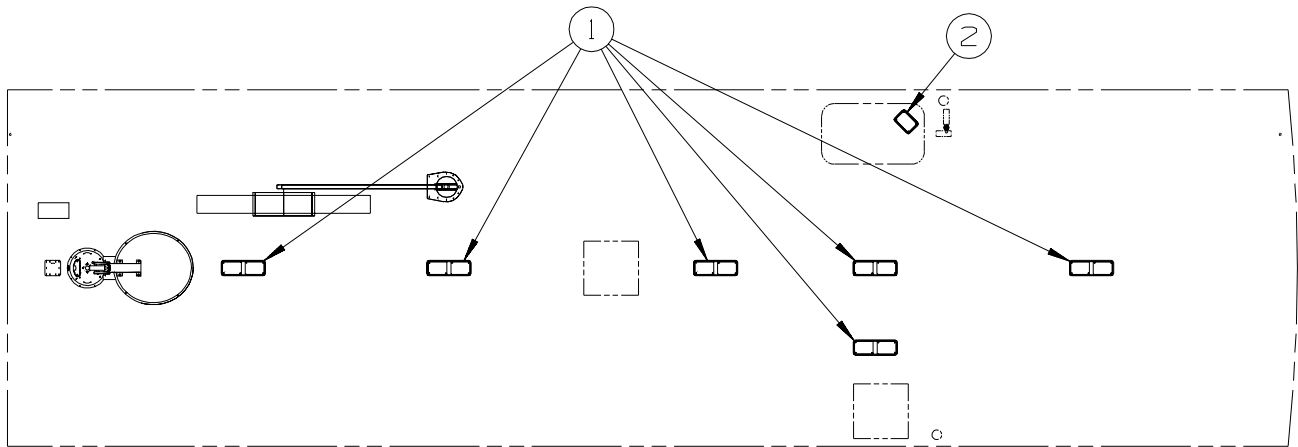
12V BODY WIRING (CONTINUED)



| KEY | PART NUMBER | U/M | DESCRIPTION |
|-----|---------------|-----|--|
| 1 | 132427-01-01A | EA | LIGHT - READING - SWIVEL/ROUND - BRASS |
| | 123917-01-000 | EA | BULB - 12V - HALOGEN SPOT |
| 2* | 137417-05-01A | EA | LIGHT - DOME - DOUBLE - W/SWITCH/OPTIC LENS - WHITE |
| 3 | 119258-09-01A | EA | LAMP - WALL - BRASS - UL/CSA (R30,R31,R99) |
| 3 | 119258-17-01A | EA | LAMP - WALL - BRASS - UL/CSA (R58) |
| 3 | 119257-08-01A | EA | SHADE - LAMP - SHORT - CRYSTAL/SMALL DIAMOND |
| 3 | 067479-01-000 | EA | BULB - 12V - #1076 - 1.80 AMP |
| 4 | 061424-01-000 | EA | LIGHT - AISLE - 12 VOLT - RECTANGULAR |
| 5 | 108357-06-000 | EA | SWITCH - ROCKER - DPDT - MOM/OFF/MOM - 6 TERMINAL |
| 5 | 108356-11-01A | EA | COVER/ACTUATOR SWITCH - 3 GROOVES - AUX BATT - BLACK |
| 5 | 098351-07-01A | EA | PLATE/SWITCH - 1 GANG - POLISHED BRASS - GENERATOR |
| 5 | 108355-01-000 | EA | HOUSING - SWITCH |
| 6 | 116995-02-000 | EA | SWITCH/MAGNET - ELECTRIC STEP - BLACK/WHITE-CLOSED CIRCUIT |
| 7 | 135740-01-02A | EA | SWITCH - ROCKER - SPST - ON/OFF - WHITE |
| 7 | 135741-01-02A | EA | SWITCH - BASE - SINGLE - WHITE |
| 7 | 135742-11-02A | EA | BEZEL - SWITCH - STEP - BROWN |
| 8 | 135740-01-02A | EA | SWITCH - ROCKER - SPST - ON/OFF - WHITE |
| 8 | 135741-02-02A | EA | SWITCH - BASE - DOUBLE - WHITE |
| 8 | 135742-19-01A | EA | BEZEL - SWITCH - CEILING/PORCH - WHITE |

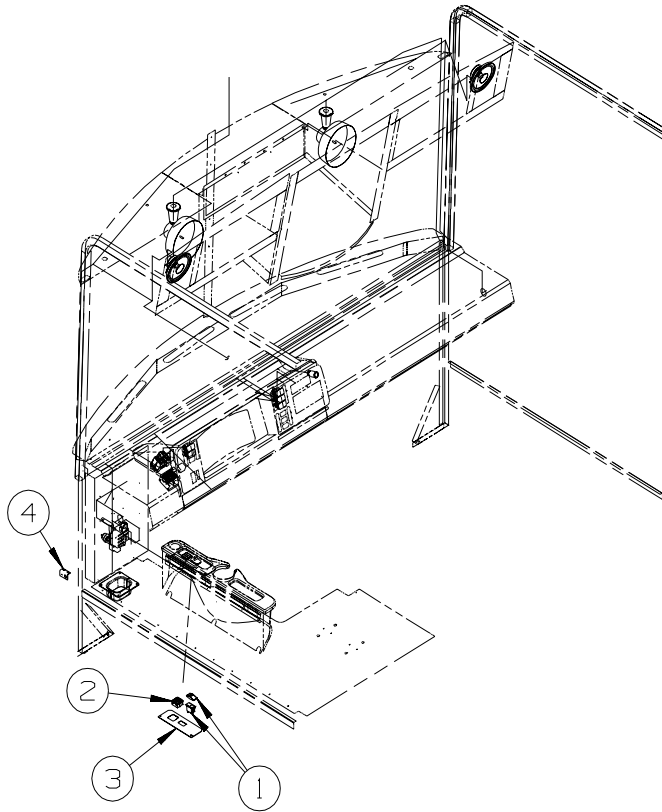
*COMPONENT PARTS LISTED LATER IN THIS GROUP

ELECTRICAL GROUP (CONTINUED)
12V BODY WIRING (CONTINUED)



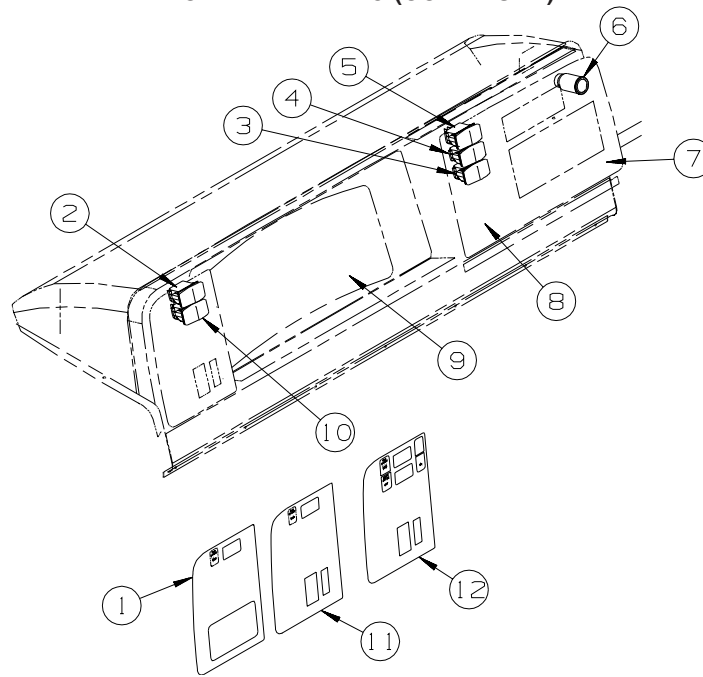
| KEY | PART NUMBER | U/M | DESCRIPTION |
|-----|---------------|-----|---|
| 1* | 137417-06-01A | EA | LIGHT - DOME - DOUBLE - W/FROSTED LENS - W/O SWITCH-WHITE |
| 2* | 121935-01-01A | EA | LIGHT - DOME - SHOWER |

***COMPONENT PARTS LISTED LATER IN THIS GROUP**



| KEY | PART NUMBER | U/M | DESCRIPTION |
|-----|---------------|-----|---|
| 1 | 108357-14-000 | EA | SWITCH - ROCKER - SPST-ON/OFF - 4 TERM W/LIGHT W/O COVER |
| 1 | 108356-03-01A | EA | COVER/ACTUATOR SWITCH - 3 GROOVES W/LIGHT-CONTURA III-BLK |
| 2 | 088246-01-000 | EA | SWITCH/REMOTE MIRROR - W/2PIN & 6 PIN CONNECTORS/PIGTAIL |
| 3 | 132514-01-02B | EA | PLATE - SWITCH - HEATED MIRROR - E-COATED |
| 4 | 147428-01-02B | EA | BRACKET - Z - TEMP SENSOR |

ELECTRICAL GROUP (CONTINUED)
FRONT END WIRING (CONTINUED)



| KEY | PART NUMBER | U/M | DESCRIPTION |
|-----|---------------|-----|--|
| 1 | 104056-49-01A | EA | APPLIQUE - SWITCH BEZEL - BLACK - FORD |
| 2 | 108357-09-000 | EA | SWITCH - ROCKER - SPDT - ON/NONE/MOM - 3 TERM - W/O COVER - AUXILIARY START |
| 2 | 108356-02-01A | EA | COVER/ACTUATOR SWITCH - 2 ROWS DIMPLES- CONTURA II - BLACK - AUXILIARY START |
| 2 | 108355-01-000 | EA | HOUSING - SWITCH - AUXILIARY START |
| 3 | 108357-03-000 | EA | SWITCH - ROCKER - SPDT - ON/OFF/ON - 3 TERMINAL- W/O COVER - AUXILIARY FANS |
| 3 | 108356-02-01A | EA | COVER/ACTUATOR SWITCH - 2 ROWS DIMPLES- CONTURA II - BLACK - AUXILIARY FANS |
| 3 | 108355-01-000 | EA | HOUSING - SWITCH - AUXILIARY FANS |
| 3 | 096241-03-000 | EA | SWITCH - BLANK - BLACK |
| 4 | 108357-03-000 | EA | SWITCH - ROCKER - SPDT - ON/OFF/ON - 3 TERMINAL- W/O COVER - REAR AUTO HEATER |
| 4 | 108356-02-01A | EA | COVER/ACTUATOR SWITCH - 2 ROWS DIMPLES- CONTURA II - BLACK - REAR AUTO HEATER |
| 4 | 108355-01-000 | EA | HOUSING - SWITCH - REAR AUTO HEATER |
| 4 | 096241-03-000 | EA | SWITCH - BLANK - BLACK |
| 5 | 108357-08-000 | EA | SWITCH - ROCKER - DPDT - 0N/NONE/ON - 6 TERM - W/O COVER - RADIO POWER |
| 5 | 108356-02-01A | EA | COVER/ACTUATOR SWITCH - 2 ROWS DIMPLES- CONTURA II - BLACK - RADIO POWER |
| 5 | 108355-01-000 | EA | HOUSING - SWITCH - RADIO POWER |
| 6 | 089294-01-000 | EA | LIGHTER - CIGARETTE - W/SOCKET & WIRE |
| 7 | 104056-54-01A | EA | APPLIQUE - BEZEL - PASSENGER - DRESS UP - BLACK |
| 8 | 104056-53-01A | EA | APPLIQUE - BEZEL - PASSENGER - BLACK |
| 9 | 144218-01-000 | EA | CLUSTER - INSTRUMENT PANEL - MILES/KILOMETERS - CANADIAN |
| 10 | 108357-08-000 | EA | SWITCH - ROCKER - DPDT - 0N/NONE/ON - 6 TERM - W/O COVER - 20,700 GVWR WORKHORSE |
| 10 | 108356-02-01A | EA | COVER/ACTUATOR SWITCH - 2 ROWS DIMPLES- CONTURA II - BLACK - 20,700 GVWR WORKHORSE |
| 10 | 108355-01-000 | EA | HOUSING - SWITCH - 20,700 GVWR WORKHORSE |
| 11 | 104056-48-01A | EA | APPLIQUE - BEZEL - DRIVER - BLACK - 15,000 GVWR & 18,000 GVWR WORKHORSE |
| 12 | 104056-55-01A | EA | APPLIQUE - SWITCH BEZEL - BLACK - 20,700 GVWR WORKHORSE |
| | 077031-01-000 | EA | FILM - BLACK - 1" X 1.75" |
| | 077031-03-000 | EA | FILM - WHITE - .75" X 1" |
| | 103603-01-000 | EA | BULB - 12V - #74 - .12A WEDGE - GE 22-25 USED IN DASH |

ELECTRICAL GROUP (CONTINUED)
COMPONENT PARTS FOR LIGHTS & SWITCHES

097917-01-06A

| KEY | PART NUMBER | U/M DESCRIPTION | VENDOR NO. |
|------------|--------------------|------------------------|-------------------|
| | 097917-01-700 | EA LENS-LIGHT, CLEAR | 30-78-021 |

113589-01-000

| KEY | PART NUMBER | U/M DESCRIPTION | VENDOR NO. |
|------------|--------------------|-------------------------|-------------------|
| | 113589-01-700 | EA ADAPTER, 4-WAY/6-WAY | 5291 |

115632-03-01A

| KEY | PART NUMBER | U/M DESCRIPTION | VENDOR NO. |
|------------|--------------------|--------------------------------|-------------------|
| | 115632-03-700 | EA LENS - RED-(STOP/TAIL/BACK) | 3092-704 |

121935-01-01A

| KEY | PART NUMBER | U/M DESCRIPTION | VENDOR NO. |
|------------|--------------------|------------------------|-------------------|
| | 121935-01-700 | EA LENS ONLY | 809511 |

137417-01-01A, 137417-03-01A

| KEY | PART NUMBER | U/M DESCRIPTION | VENDOR NO. |
|------------|--------------------|----------------------------|-------------------|
| | 137417-01-700 | EA LENS - SINGLE (FROSTED) | 810868 |

137417-02-01A

| KEY | PART NUMBER | U/M DESCRIPTION | VENDOR NO. |
|------------|--------------------|------------------------|-------------------|
| | 137417-02-700 | EA LENS - SINGLE OPTIC | 810844 |

137417-05-01A

| KEY | PART NUMBER | U/M DESCRIPTION | VENDOR NO. |
|------------|--------------------|------------------------|-------------------|
| | 137417-05-700 | EA LENS - DOUBLE OPTIC | 810845 |

137417-06-01A

| KEY | PART NUMBER | U/M DESCRIPTION | VENDOR NO. |
|------------|--------------------|------------------------|-------------------|
| | 137417-06-700 | EA LENS - DOUBLE WHITE | 810867 |

ELECTRICAL GROUP (CONTINUED)

CIRCUIT BREAKERS & FUSES

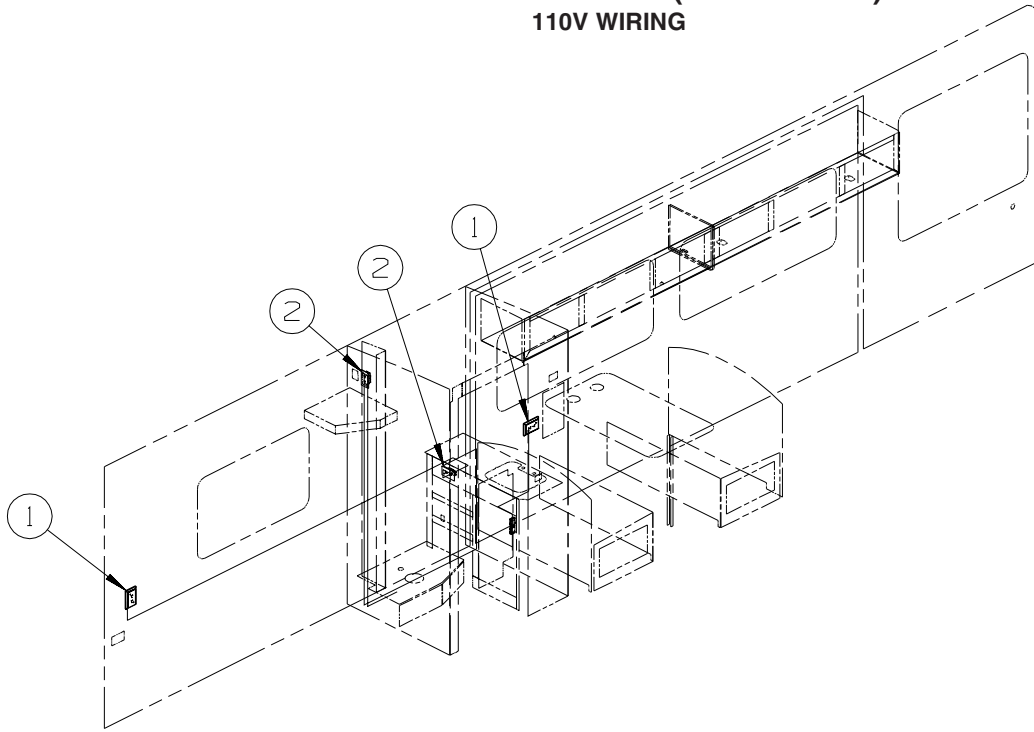
| KEY | PART NUMBER | U/M | DESCRIPTION |
|-----|---------------|-----|---|
| | 008233-01-000 | EA | FUSE - 12 VOLT - 6 AMP |
| | 008235-01-000 | EA | FUSE - 15 AMP/12VOLT - AUTOMOTIVE |
| | 033573-01-000 | EA | CIRCUIT BREAKER W/MOUNT-20A, 12V - FASCO 1711-2026 |
| | 062901-02-000 | EA | FUSE - 5 AMP - AUTOMOTIVE |
| | 062901-04-000 | EA | FUSE - 10 AMP - AUTOMOTIVE |
| | 062901-05-000 | EA | FUSE - 15 AMP - AUTOMOTIVE |
| | 062901-06-000 | EA | FUSE - 20 AMP - AUTOMOTIVE |
| | 062901-07-000 | EA | FUSE - 25 AMP - AUTOMOTIVE |
| | 062901-08-000 | EA | FUSE - 30 AMP - AUTOMOTIVE |
| | 083209-01-000 | EA | CIRCUIT BREAKER - 15 AMP - 120 VOLT - CANADIAN |
| | 083209-02-000 | EA | CIRCUIT BREAKER - 15/15 AMP - 120 VOLT |
| | 083209-03-000 | EA | CIRCUIT BREAKER - 15/20 AMP - 120 VOLT |
| | 083209-04-000 | EA | CIRCUIT BREAKER - 30 AMP - 120 VOLT |
| | 083209-05-000 | EA | CIRCUIT BREAKER - 20 AMP - 120 VOLT |
| | 083209-06-000 | EA | CIRCUIT BREAKER - 30/15 AMP - 120 VOLT |
| | 083209-07-000 | EA | CIRCUIT BREAKER - 20/20 AMP - 120 VOLT |
| | 083209-10-000 | EA | CIRCUIT BREAKER - 20/30 AMP - 120 VOLT |
| | 083209-11-000 | EA | CIRCUIT BREAKER - 20/15 AMP - 120 VOLT |
| | 092786-03-000 | EA | BUSS BAR - 6.9" LONG |
| | 092786-06-000 | EA | BUSS BAR |
| | 093654-01-000 | EA | CIRCUIT BREAKER - 6 AMP - 12 VOLT - PUSH BUTTON - WHITE |
| | 093654-02-000 | EA | CIRCUIT BREAKER - 15 AMP - 12 VOLT - PUSH BUTTON - WHITE |
| | 093654-03-000 | EA | CIRCUIT BREAKER - 20 AMP - 12 VOLT - PUSH BUTTON - WHITE |
| | 093654-11-000 | EA | COVER - RESET BUTTON |
| | 093655-01-000 | EA | CIRCUIT BREAKER - 25 AMP - 12 VOLT - PUSH BUTTON - WHITE |
| | 093655-02-000 | EA | CIRCUIT BREAKER - 30 AMP - 12 VOLT - PUSH BUTTON - WHITE |
| | 093655-03-000 | EA | CIRCUIT BREAKER - 40 AMP - 12 VOLT - PUSH BUTTON - WHITE |
| | 097611-01-000 | EA | CIRCUIT BREAKER - 10 AMP |
| | 097611-02-000 | EA | CIRCUIT BREAKER - 30 AMP |
| | 097611-03-000 | EA | CIRCUIT BREAKER - 20 AMP |
| | 097611-04-000 | EA | CIRCUIT BREAKER - 25 AMP |
| | 100341-01-000 | EA | FUSE HOLDER - IN LINE TYPE |
| | 106656-01-000 | EA | FUSE BLOCK - 4 CAVITY - AUTOFUSE |
| | 108567-01-000 | EA | CIRCUIT BREAKER - 40 AMP - 12 VOLT - TYPE II |
| | 111683-01-000 | EA | FUSE - HOLDER - GLASS - 1/4" X 1 1/4" |
| | 113482-01-000 | EA | CIRCUIT BREAKER - 55 AMP - MANUAL |
| | 115187-01-000 | EA | FUSE - 300 AMP - NON-DELAY |
| | 115187-02-000 | EA | FUSE HOLDER - BUSS ANN/ANL BLOCK |
| | 118531-05-02B | EA | PLATE - CIRCUIT BREAKER - E-COAT - CHIEFTAIN/SUNFLYER L-SERIES |
| | 122811-01-000 | EA | CIRCUIT BREAKER - 20/50/50/20 AMP - 250V |
| | 134127-01-000 | EA | CIRCUIT BREAKER - 10 AMP - MINI |
| | 139067-01-02B | EA | PLATE - CIRCUIT BRKR-HOUSE - E-CTD - 10 PLACE |
| | 139067-02-02B | EA | PLATE - CIRCUIT BRKR-HOUSE - E-CTD - 12 PLACE |
| | 139067-03-02B | EA | PLATE-CIRCUIT BKR/HOUSE-E-CTD - 14 PLACE |
| | 139067-04-02B | EA | PLATE - CIRCUIT BRKR-HOUSE - E-CTD - TOP 10 PLACE |
| | 139067-05-02B | EA | PLATE - CIRCUIT BREAKER/HOUSE - E-COATED - 16 PLACE |
| | 139067-06-02B | EA | PLATE - CIRCUIT BREAKER/HOUSE - E-COATED - 18 PLACE |
| | 139067-07-02B | EA | PLATE - CIRCUIT BREAKER/HOUSE - E-COATED - 21 PLACE |
| | 141789-01-000 | EA | SPACER - CIRCUIT BREAKER |

CONVERTER, INVERTER, LOAD CENTERS

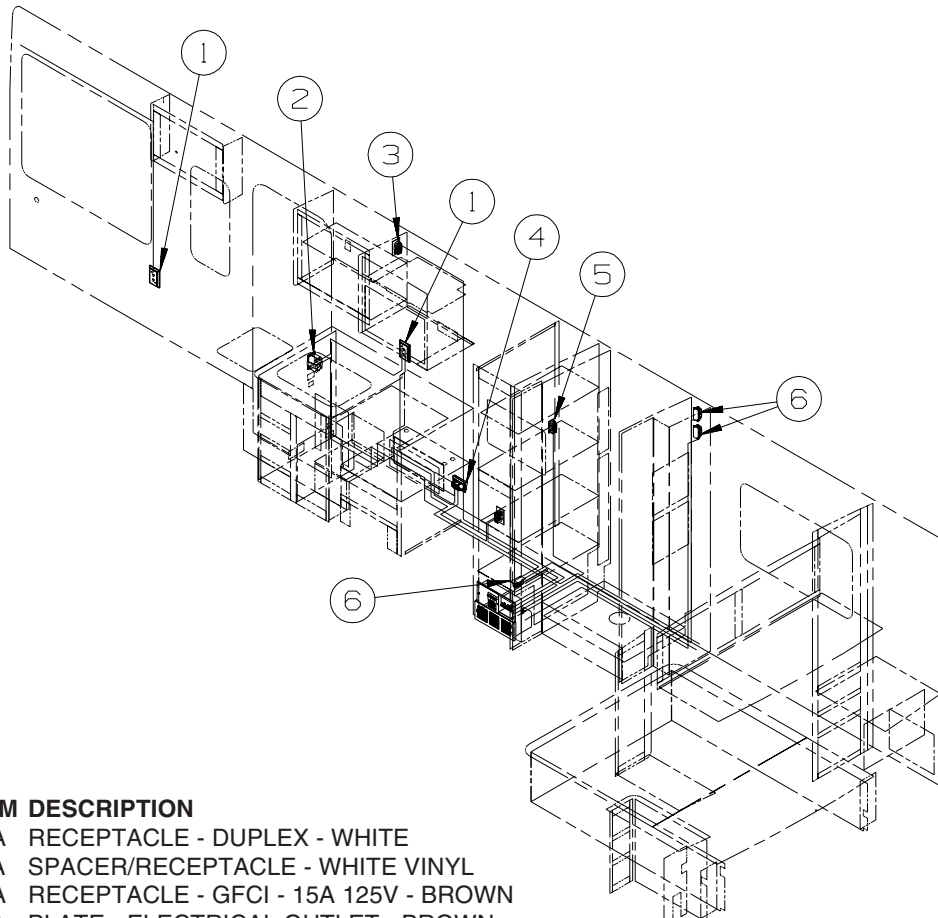
| KEY | PART NUMBER | U/M | DESCRIPTION |
|-----|---------------|-----|--|
| | 083208-06-000 | EA | CONTROL CENTER - 45 AMP/120V/12V - W/O BREAKERS/ELECTRONIC - D27C, D30B |
| | 099048-03-000 | EA | INVERTER - 130 WATT |
| | 123058-02-000 | EA | CONVERTER - 45 AMP - ELECTRONIC - 4 1/8"H X 7"W X 12 3/8"L - D33L |
| | 127002-05-000 | EA | PANEL/MONITOR - ENERGY MANAGEMENT SYSTEMS CTRL - W/PLUG - D33L |
| | 127002-07-000 | EA | SENSOR - CURRENT - D33L |
| | 127002-08-000 | EA | MODULE - EMS CENTER - W/REMOTE SENSOR - D33L |
| | 141258-01-000 | EA | LOAD CENTER - 120/240 - 50 AMP - D33L |

ELECTRICAL GROUP (CONTINUED)

110V WIRING



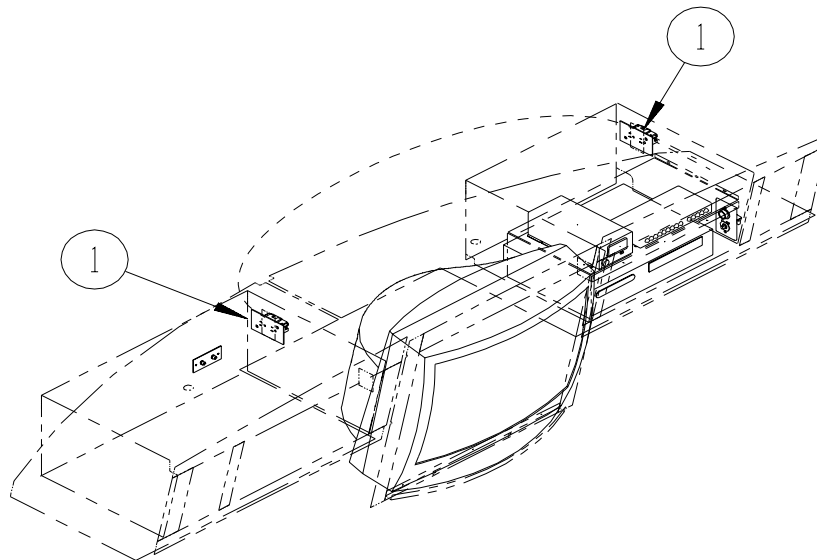
| KEY | PART NUMBER | U/M | DESCRIPTION |
|-----|---------------|-----|--|
| 1 | 058708-06-000 | EA | RECEPTACLE - DUPLEX - WHITE |
| 1 | 133713-01-20A | EA | SPACER/RECEPTACLE - WHITE VINYL |
| 2 | 058708-01-000 | EA | RECEPTACLE - ELECTRIC - DOUBLE - BROWN |



| KEY | PART NUMBER | U/M | DESCRIPTION |
|-----|---------------|-----|--|
| 1 | 058708-06-000 | EA | RECEPTACLE - DUPLEX - WHITE |
| 1 | 133713-01-20A | EA | SPACER/RECEPTACLE - WHITE VINYL |
| 2 | 147446-01-02A | EA | RECEPTACLE - GFCI - 15A 125V - BROWN |
| 2 | 147450-01-02A | EA | PLATE - ELECTRICAL OUTLET - BROWN |
| 3 | 058708-05-000 | EA | RECEPTACLE - ELECTRIC - SINGLE - BROWN |
| 4 | 131826-01-01A | EA | RECEPTACLE - EXTERIOR - W/COVER/GASKET - WHITE |
| 5 | 058707-01-000 | EA | RECEPTACLE - ELECTRIC - SINGLE - BROWN |
| 6 | 058707-02-000 | EA | RECEPTACLE - BLANK - JUNCTION BOX |

ELECTRICAL GROUP (CONTINUED)

ENTERTAINMENT WIRING



| KEY | PART NUMBER | U/M | DESCRIPTION |
|-----|---------------|-----|--|
| 1 | 058708-01-000 | EA | RECEPTACLE - ELECTRIC - DOUBLE - BROWN |

BOXES & CORDS

| KEY | PART NUMBER | U/M | DESCRIPTION |
|-----|---------------|-----|---|
| | 091910-01-000 | EA | BOX - ELECTRIC - 3.8" X 3.5" X 1.8" - PLASTIC - D27C, D30B |
| | 091910-02-000 | EA | BOX - ELECTRIC - 2.2" X 3.5" X 1.8" - PLASTIC - D27C, D30B |
| | 133070-01-000 | EA | BOX - ELECTRIC/PLASTIC - 3" X 2" X 2.8" - UL - D27C, D30B |
| | 133070-02-000 | EA | BOX - ELECTRIC/PLASTIC - 3" X 2" X 2.8" - CSA - D27C, D30B |
| | 008289-01-000 | EA | BOX - ELECTRIC/STEEL - 4" X 4" - 1/2" & 3/4" KNOCKOUTS - D35N |
| | 074890-01-000 | EA | BOX - EXTENSION/STEEL - OPEN SIDES - 4" X 4" X 1 1/2" - D35N |
| | 008294-01-000 | EA | COVER - ELECTRIC BOX - BLANK/STEEL - 4" X 4" - GRAY - D35N |
| | 074897-01-000 | EA | COVER - ELECTRICAL BOX W/HOLES - 4" X 4" - D35N |
| | 008054-01-000 | EA | CORD - POWER - 10/3 WIRE - 30 AMP - 25' - D35N |
| | 092492-11-000 | EA | SEAL - ELECTRIC BOX - 7" X 18.4" |
| | 109925-04-000 | EA | DOOR - ELECTRICAL BOX - GM/FORD |
| | 115832-01-000 | FT | CORD - HEAVY DUTY - 14-2W GROUND |

WIRE ASSEMBLIES

| KEY | PART NUMBER | U/M | DESCRIPTION |
|-----|---------------|-----|---|
| | 096449-01-000 | EA | WIRE ASSEMBLY - WATER TANK TO MONITOR PANEL |
| | 096450-05-000 | EA | WIRE F/SENSORS - BLACK WATER - 23.6" |
| | 096451-05-000 | EA | WIRE F/SENSORS - GREY WATER - 43.2" - D33L |
| | 096451-06-000 | EA | WIRE F/SENSORS - GREY WATER - 23.6" - D35N |
| | 096451-07-000 | EA | WIRE F/SENSORS - GREY WATER - 3.9" - D27C, D30B |
| | 124125-02-000 | EA | WIRE - ELECTRICAL BOX |
| | 125853-04-000 | EA | WIRE LOOM - ENTERTAINMENT CENTER |
| | 135420-02-000 | EA | WIRE LOOM - RADIO |
| | 137135-04-000 | EA | WIRE HARNESS - POWER - DIGITAL ELEVATION SENSOR |
| | 137626-01-000 | EA | WIRE - OVERDRIVE SWITCH - D35N |
| | 144677-03-000 | EA | WIRE - MONITOR - POWER |
| | | | FROM: 00-00-00 THRU: 12-17-03 |
| | 144677-07-000 | EA | WIRE - MONITOR - POWER |
| | | | FROM: 12-18-03 THRU: 99-99-99 |
| | 147313-01-000 | EA | WIRE ASM - TEMP SENSOR |

ELECTRICAL GROUP (CONTINUED)

CONNECTORS & CONDUIT

| KEY | PART NUMBER | U/M | DESCRIPTION |
|-----|---------------|-----|--|
| | 007940-01-000 | EA | RECEPTACLE/SLIDE 16 TO 12 AWG - FEMALE END |
| | 007940-02-000 | EA | RECEPTACLE-SLIDE 10 AWG - AMP 180351-2 |
| | 007954-01-000 | EA | RECEPTACLE - HOUSING - 6 POSITION |
| | 007956-05-000 | EA | INSULATOR - SHRINK - 1/4" ID X 1 1/2" |
| | 008058-01-700 | EA | ADAP-ELEC.30AMP M X 50 AMP F 30M50F |
| | 008058-01-000 | EA | ADAPTER - POWER CORD - 30 AMP TO 15 AMP |
| | 008311-01-000 | EA | CONNECTOR - WIRE NUT - INSULATED - RED |
| | 008312-01-000 | EA | CONNECTOR - WIRE NUT - INSULATED - BLUE |
| | 008313-01-000 | EA | CONNECTOR - WIRE NUT - INSULATED - YELLOW |
| | 008314-01-000 | EA | CONNECTOR - WIRE NUT - INSULATED - GRAY |
| | 008326-01-000 | EA | TERMINAL - RING - 16/14 WIRE - 3/8" STUD |
| | 008328-01-000 | EA | TERMINAL - RING - 12/10 WIRE - #10 STUD FIT |
| | 008331-01-000 | EA | TERMINAL - RING - TONGUE - #4 WIRE - 3/8" STUD - COPPER |
| | 008348-01-000 | EA | TERMINAL - RING - 3/8" STUD 2 GA. WIRE |
| | 008355-01-000 | EA | CONNECTOR - CABLE CLAMPING - 3/4" |
| | 008356-01-000 | EA | CONNECTOR - PLASTIC - 3/8" |
| | 008356-02-000 | EA | CONNECTOR - PLASTIC - 21/32" |
| | 008394-01-000 | FT | CONDUIT - FLEXIBLE - 1/2" |
| | 008398-01-000 | EA | CONNECTOR - 1/2" X 90 DEGREE - FLEX CONDUIT - UL & CSA |
| | 035416-04-000 | EA | TERMINAL - RING - #10 STUD FIT - INSULATED BARREL #16/14 |
| | 041953-01-000 | FT | CONDUIT - CONVOLUTE SLIT - .5" ID - POLYETHYLENE |
| | 041953-02-000 | FT | CONDUIT - CONVOLUTE SLIT - .6" ID - POLYETHYLENE |
| | 041953-03-000 | FT | CONDUIT - CONVOLUTE SLIT - 1" ID (CLOTHES ROD COVER) |
| | 041953-06-000 | FT | CONDUIT - CONVOLUTE SLIT - .4" ID - POLYETHYLENE |
| | 041953-07-000 | FT | CONDUIT - CONVOLUTE SLIT - .25" ID - POLYETHYLENE |
| | 041953-08-000 | FT | CONDUIT - CONVOLUTE SLIT - 1.5" ID - POLYETHYLENE |
| | 041953-09-000 | FT | CONDUIT - CONVOLUTE SLIT - .5" ID - NYLON |
| | 041953-10-000 | FT | CONDUIT - CONVOLUTE SLIT - .75" ID - NYLON |
| | 041953-11-000 | FT | CONDUIT - CONVOLUTE SLIT - 1.06" ID - NYLON |
| | 041953-12-000 | FT | CONDUIT - CONVOLUTE SOLID - 1.1" ID - NYLON |
| | 041953-13-000 | FT | CONDUIT - CONVOLUTE SLIT - 1.25" ID |
| | 041953-14-000 | FT | CONDUIT - CONVOLUTE SLIT - 1.5" ID |
| | 041953-15-000 | FT | CONDUIT - CONVOLUTE SLIT - 2" |
| | 041953-16-000 | FT | CONDUIT - CONVOLUTE SLIT - 2" |
| | 047443-01-000 | EA | TERMINAL - .250 RECEPTACLE FIT - INSULATED - 16/14 AWG |
| | 047443-02-000 | EA | TERMINAL - .250 RECEPTACLE FIT - INSULATED - 12/10 AWG |
| | 058028-01-000 | EA | CONNECTOR - ELECTRICAL PIGTAIL - NYLON - CLEAR |
| | 062036-01-000 | EA | TERMINAL - PACK - CON - 12/10 AWG |
| | 074017-02-000 | EA | HOUSING - 5 POSITION - RIGHT ANGLED |
| | 077479-01-000 | EA | BOOT - BATTERY TERMINAL - DOUBLE CABLE |
| | 077479-02-000 | EA | BOOT - BATTERY TERMINAL - SINGLE CABLE |
| | 080015-02-000 | EA | RECEPTACLE - FLAG - .185 - 16/14 GAUGE |
| | 080015-03-000 | EA | RECEPTACLE - FLAG - .250 - 14/16 GAUGE |
| | 082109-01-000 | EA | HOUSING - CONNECTOR - PACKARD |
| | 082741-01-000 | EA | CONNECTOR BODY - 2 CONNECTOR MALE |
| | 087225-01-000 | FT | SLEEVING - 1/2" - TYPE H |
| | 087949-01-000 | EA | BUSS BAR - 2 POSITION - .6" X 1.5" |
| | 087949-03-000 | EA | BUSS BAR - 4 POSITION |
| | 087949-05-000 | EA | BUSS BAR - 7 POSITION |
| | 088473-01-000 | EA | HOUSING - PIN - 12 CAVITY (3 ROWS OF 4) |
| | 088473-02-000 | EA | HOUSING - PIN - 15 CAVITY (3 ROWS OF 5) |
| | 088473-03-000 | EA | HOUSING - PIN - 9 CAVITY (3 ROWS OF 3) |
| | 088473-04-000 | EA | HOUSING - PIN - 8 CAVITY IN-LINE |
| | 088473-06-000 | EA | HOUSING - PIN - 6 CAVITY (2 ROWS OF 3) |
| | 088473-07-000 | EA | HOUSING - PIN - 5 CAVITY - IN LINE |
| | 088473-08-000 | EA | HOUSING - PIN - 4 CAVITY - IN-LINE |
| | 088473-09-000 | EA | HOUSING - PIN - 3 CAVITY - IN-LINE |
| | 088473-10-000 | EA | HOUSING - PIN - 2 CAVITY - IN LINE |
| | 088474-01-000 | EA | HOUSING - SOCKET - 12 CAVITY |
| | 088474-02-000 | EA | HOUSING - SOCKET - 15 CAVITY |
| | 088474-03-000 | EA | HOUSING - SOCKET - 9 CAVITY |
| | 088474-06-000 | EA | HOUSING - SOCKET - 6 CAVITY |
| | 088474-07-000 | EA | HOUSING - SOCKET - 5 CAVITY |

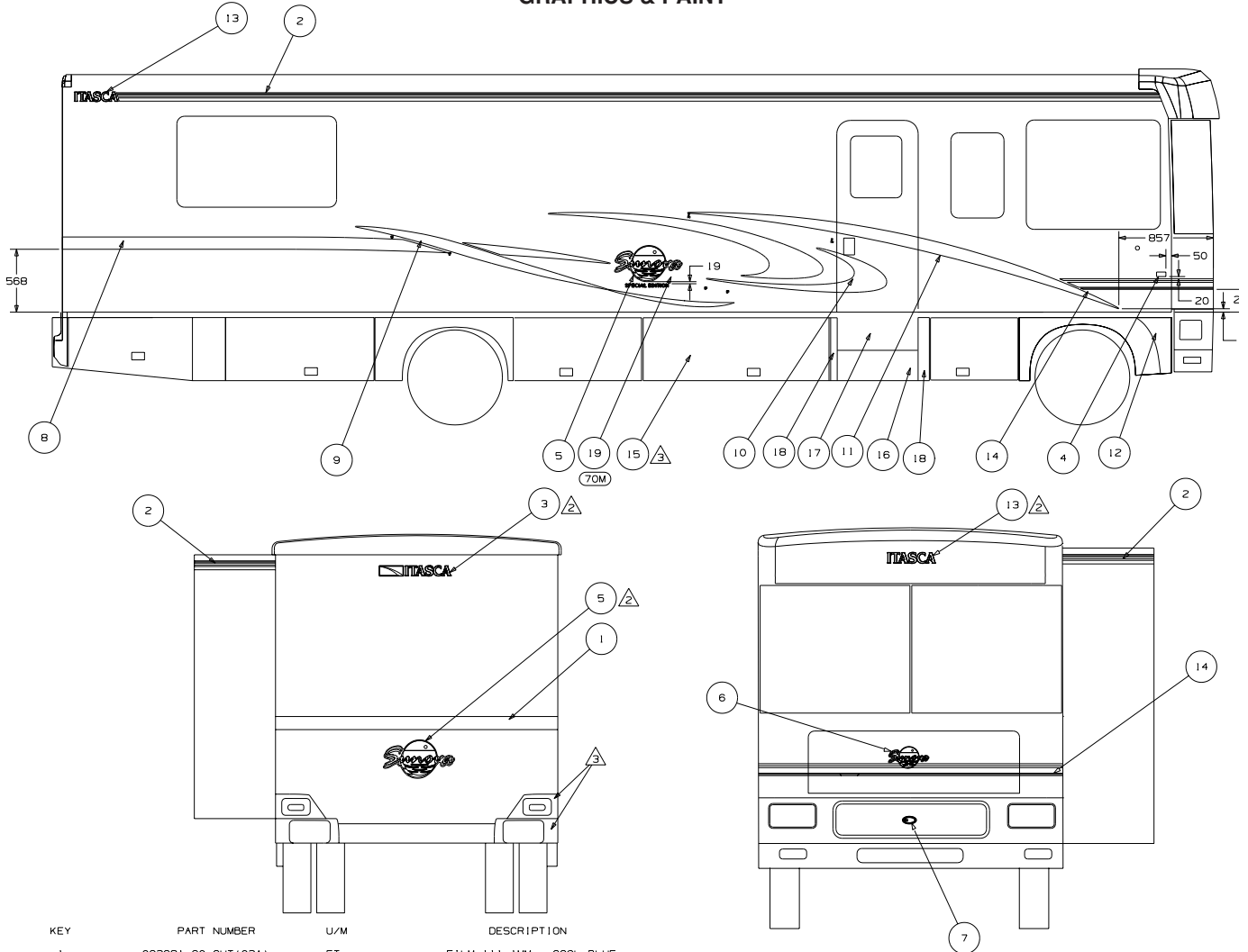
ELECTRICAL GROUP (CONTINUED)
CONNECTORS & CONDUIT (CONTINUED)

| KEY | PART NUMBER | U/M | DESCRIPTION |
|------------|--------------------|------------|---|
| | 088474-08-000 | EA | HOUSING - SOCKET - 4 CAVITY |
| | 088474-09-000 | EA | HOUSING - SOCKET - 3 CAVITY |
| | 088474-10-000 | EA | HOUSING - SOCKET - 2 CAVITY |
| | 088475-01-000 | EA | PIN - CONNECTOR - 14-20 AWG |
| | 088475-02-000 | EA | PIN - CONNECTOR - 10-12 AWG |
| | 088476-01-000 | EA | TERMINAL - ELECTRICAL |
| | 088476-02-000 | EA | SOCKET - CONNECTOR - 12-10 GA - PRE-TIN |
| | 098261-01-000 | EA | SOCKET - CONNECTOR - WEATHERPACK - 12 AWG |
| | 098261-02-000 | EA | SOCKET - CONNECTOR - WEATHERPACK - 14-18 AWG |
| | 098262-01-000 | EA | SEAL - CONNECTOR - WEATHERPACK |
| | 098264-01-000 | EA | HOUSING - 2 PIN - WEATHER PACK - MALE W/FEMALE PINS |
| | 098264-02-000 | EA | HOUSING - 2 PIN - WEATHER PACK - FEMALE W/MALE PINS |
| | 098265-02-000 | EA | PIN - CONNECTOR - WEATHER PACK |
| | 101751-02-000 | EA | HOUSING - 1 PIN - WEATHERPACK |
| | 102777-02-000 | EA | TERMINAL - RING - #6 STUD - 10 AWG |
| | 103608-01-000 | EA | SOCKET - WEDGE BASE W/LEADS |
| | 104100-01-000 | EA | HOUSING - 1 POSITION - 75 AMPS |
| | 104100-03-000 | EA | TERMINAL - 75 AMP |
| | 110178-01-000 | EA | HOUSING - WIPER MOTOR |
| | 112823-01-000 | EA | SPLICE - REDUCER - 16-14 TO 18-22 |
| | 113135-01-000 | EA | TERMINAL - FEMALE - M/P - 14-16 - F/SEALED TERMINAL |
| | 113308-01-000 | EA | TERMINAL - FEMALE - M/P - 14-16 - 280 |
| | 113468-01-000 | EA | HOUSING - 2 POSITION-FEMALE-USED ON WIPER/WASHER WIRE ASM |
| | 113638-02-000 | EA | CONNECTOR - ACTUATOR |
| | 115931-01-000 | EA | COVER - CONNECTOR - 30 AMP W/LOCK RING |
| | 115931-02-000 | EA | COVER - CONNECTOR - 50 AMP W/LOCKING RING |
| | 115932-01-000 | EA | CONNECTOR - FEMALE - 30 AMP/120 VOLT |
| | 115932-02-000 | EA | CONNECTOR - FEMALE - 50 AMP/240 VOLT |
| | 116811-01-000 | EA | TERMINAL - .110 RECEPTACLE - 16-14 AWG |
| | 118571-01-000 | EA | CONNECTOR - 3-WAY - MALE/SEALED |
| | 118571-02-000 | EA | CONNECTOR - 3-WAY - FEMALE/SEALED |
| | 118571-05-000 | EA | LOCK - SECONDARY - FEMALE |
| | 118571-06-000 | EA | LOCK - SECONDARY - MALE |
| | 118599-02-000 | EA | TERMINAL - MALE - M/P - 280/14-12 |
| | 118820-01-000 | EA | INSULATOR - TERMINAL |
| | 129233-01-000 | EA | HOUSING - 2-POSITION/FEMALE - 280-SERIES |
| | 129233-02-000 | EA | HOUSING - 2-POSITION/FEMALE - 280-SERIES |
| | 131681-01-000 | EA | CONNECTOR - 3/4" SO CORD - UL/CS |
| | 137207-01-000 | EA | HOUSING - PIN - 2 CAVITY/HIGH AMP |
| | 137208-01-000 | EA | HOUSING - SOCKET - 2 CAVITY/HIGH AMP |
| | 137209-01-000 | EA | PIN - CONNECTOR - 10AWG/HIGH AMP |
| | 137210-01-000 | EA | SOCKET - CONNECTOR - 10 AWG/HIGH AMP |
| | 138419-03-000 | EA | SOCKET - LAMP - 3 WIRE |
| | 142520-01-000 | EA | TERMINAL - FEMALE - MINI-FIT 16 |
| | 142522-01-000 | EA | HOUSING - 4 PIN/MALE - MINI FIT |
| | 142522-02-000 | EA | HOUSING - 6 PIN/MALE - MINI FIT |
| | 142522-03-000 | EA | HOUSING - 8 PIN/MALE - MINI FIT |
| | 142524-01-000 | EA | HOUSING - 4 PIN/FEMALE - WEATHER PACK |
| | 142524-02-000 | EA | HOUSING - 4 PIN/WEATHER PACK/FEMALE |
| | 144283-01-000 | EA | CONNECTOR - WIRE, SOW, BLUE, MOLEX 19403-0011 |
| | 144283-02-000 | EA | CONNECTOR - WIRE, NM, CLEAR, MOLEX 19045-1000 |

BOOTS, SOLENOIDS, RELAYS & MISCELLANEOUS

| KEY | PART NUMBER | U/M | DESCRIPTION |
|------------|--------------------|------------|--|
| | 007093-01-000 | EA | SIGNAL FLASHER |
| | 008188-01-000 | EA | SOLENOID - 3 POST - BATTERY CHANGE OVER |
| | 063910-01-000 | EA | HOUSING - RELAY |
| | 063912-02-000 | EA | RELAY - CANISTER - SPDT |
| | 065450-05-000 | EA | TIEDOWN - BATTERY - 8.4" TUBE |
| | 065451-05-000 | EA | BRACKET/TIEDOWN - BATTERY - 7.7" FROM BRKT TO BRKT |
| | 086233-01-000 | EA | STUD - ISOLATED - 3/8" X 7/8" LONG |
| | 086273-01-000 | EA | RELAY - BATTERY DISCONNECT |

EXTERIOR BODY GROUP GRAPHICS & PAINT



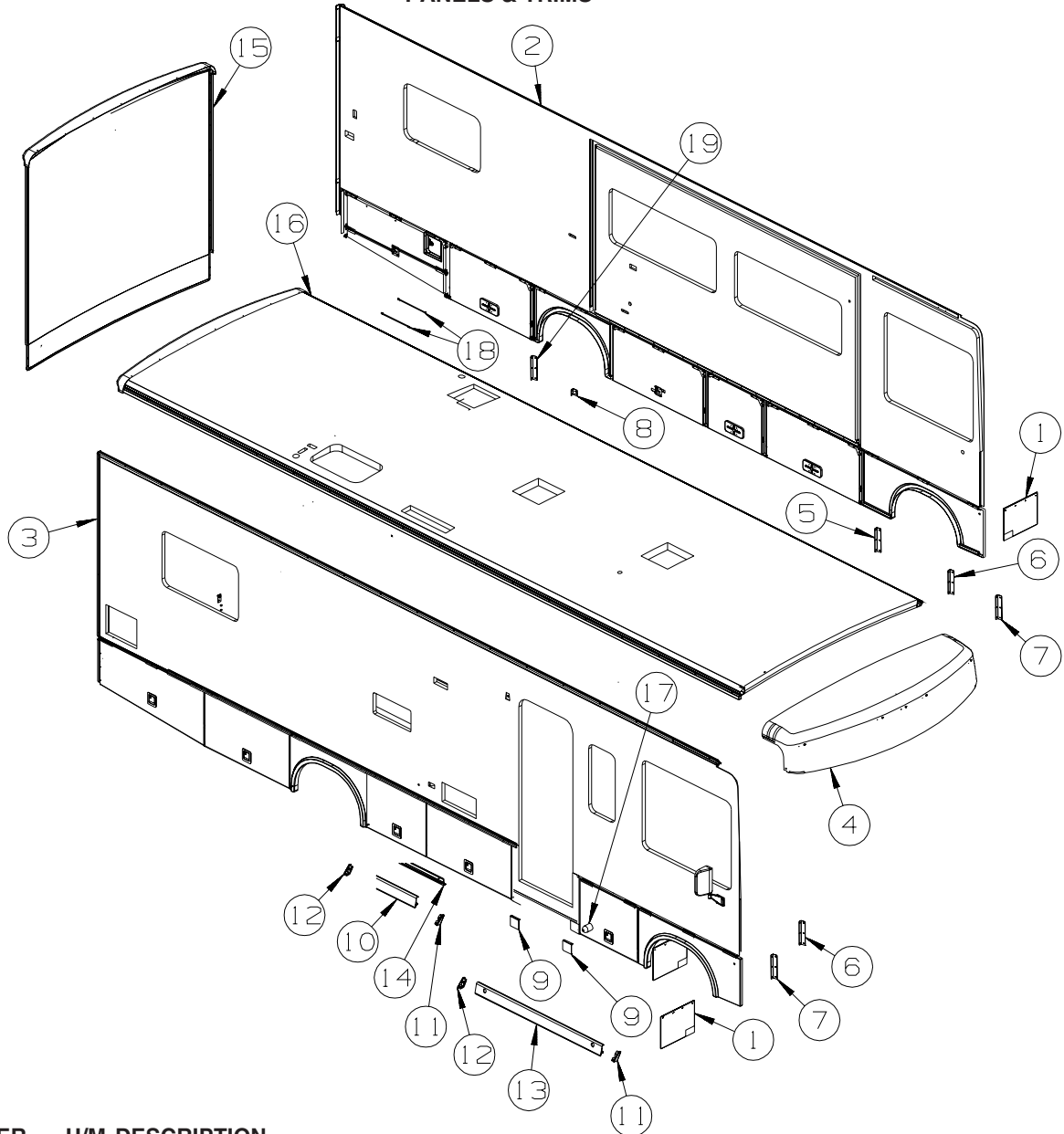
| KEY | PART NUMBER | U/M | DESCRIPTION |
|--------|--------------------|-----|--|
| 1 | 093681-60-CHT(02A) | FT | FILM-111,1MM - COOL BLUE |
| 2 | 094443-78-CHT(01A) | FT | MULTI STRIPE-76,2MM - SANDSTONE/COOL BLUE |
| 3 | 124806-01-CHT(29A) | EA | DECAL-ITASCA W/ICON - DELFT BLUE/BRT WHITE |
| 4 | 132664-01-CHT(01A) | EA | DECAL-WINNEBAGO DOMED - GOLD CHROME/BLACK |
| 5 | 135452-01-CHT(03A) | EA | DECAL-SUNOVA, LG - SLATE GRAY/SANDSTONE 70%/SANDSTONE 100%/SANDSTONE 00%/GOLD/BLACK/BRT WHITE |
| 6 | 135452-02-CHT(03A) | EA | DECAL-SUNOVA, SML - SLATE GRAY/SANDSTONE 70%/SANDSTONE 100%/SANDSTONE 00%/GOLD/BLACK/BRT WHITE |
| 7 | 137618-02-CHT(01A) | EA | DECAL-BEZEL-DOMED, GRILLE LOGO - BLACK/CHROME |
| 8 | 144580-01-CHT(01A) | EA | DECAL-SLASH, END, RH - COOL BLUE |
| 8 | 144580-02-CHT(01A) | EA | DECAL-SLASH, END, LH - COOL BLUE |
| 9 | 144581-01-CHT(01A) | EA | DECAL-SLASHES, RR, RH - SANDSTONE/DELFT BLUE/COOL BLUE |
| 9 | 144581-02-CHT(01A) | EA | DECAL-SLASHES, RR, LH - SANDSTONE/DELFT BLUE/COOL BLUE |
| 10 | 144582-01-CHT(01A) | EA | DECAL-SLASHES MID, RH - COOL BLUE/DELFT BLUE/LT. SANDSTONE |
| 10 | 144582-02-CHT(01A) | EA | DECAL-SLASHES MID, LH - COOL BLUE/DELFT BLUE/LT. SANDSTONE |
| 11 | 144583-01-CHT(01A) | EA | DECAL-SLASH, RH - DELFT BLUE |
| 11 | 144583-02-CHT(01A) | EA | DECAL-SLASH, LH - DELFT BLUE |
| 12 | 144584-01-CHT(01A) | EA | DECAL-VALLANCE, RH - BRT WHITE |
| 12 | 144584-02-CHT(01A) | EA | DECAL-VALLANCE, LH - BRT WHITE |
| 13 | 144587-01-CHT(01A) | EA | DECAL-ITASCA - DELFT BLUE/BRT WHITE |
| 14 | 144595-01-CHT(01A) | FT | MULTI STRIPE-95,3MM - DELFT BLUE/COOL BLUE/SANDSTONE |
| 15 | XXXXXXXXXXXXXXXXXX | GL | COLORED PLASTIC AND STEEL: SANDSTONE - DUPONT #M4949U |
| 16 | 136348-01-CHT(01A) | EA | DECAL-DOOR TRIM - SANDSTONE |
| 17 | 136349-01-CHT(01A) | EA | DECAL-DOOR - SANDSTONE |
| 18 | 139657-01-CHT(01A) | EA | DECAL-DOOR TRIM, SIDE |
| 70M 19 | 147534-01-CHT(01A) | EA | DECAL-SPECIAL EDITION - BLACK |

KEY PART NUMBER U/M DESCRIPTION
 041561-03-000 EA PAINT/SPRAY - 12 OZ. NET - OFF WHITE

**DUPONT COLOR CODES ARE NOW FOUND IN THE PAINT CODE MANUAL.
 YOU CAN FIND THIS MANUAL ON THE DEALER INDEX WEBPAGE UNDER SERVICE**

EXTERIOR BODY GROUP (CONTINUED)

PANELS & TRIMS

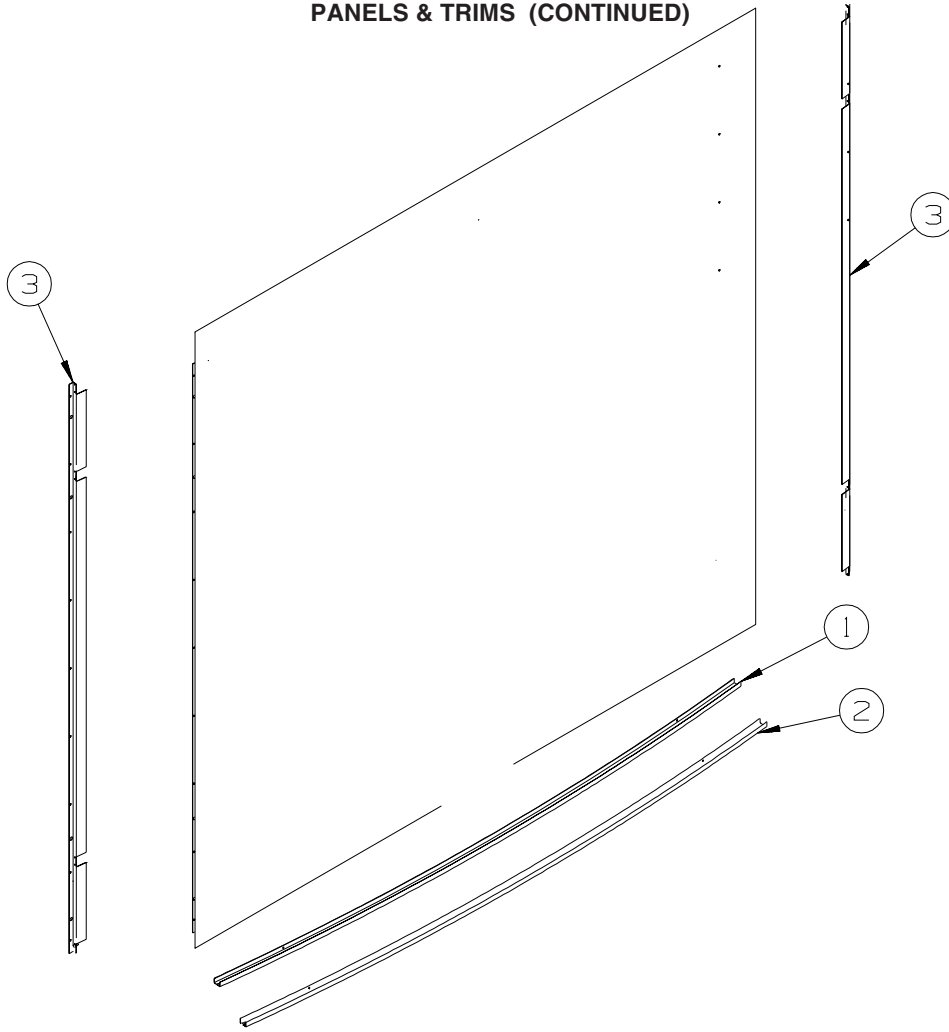


| KEY | PART NUMBER | U/M | DESCRIPTION |
|-----|---------------|-----|--|
| 1 | 017516-01-000 | EA | MUD FLAP - 14"H X 18"W - W/O MOUNTING HOLES - BLACK |
| 1 | 140922-01-02B | EA | PLATE - MUD FLAP - E-COATED |
| 2 | 144497-01-R28 | EA | SIDEWALL - DRIVER - W/O WINDOWS/TRIMS (R30) |
| 2 | 144497-01-R29 | EA | SIDEWALL - DRIVER - W/O WINDOWS/TRIMS (R31) |
| 2 | 144497-01-R98 | EA | SIDEWALL - DRIVER - W/O WINDOWS/TRIMS (R99) |
| 2 | 144497-01-R57 | EA | SIDEWALL - DRIVER - W/O WINDOWS/TRIMS (R58) |
| 3 | 144435-01-R28 | EA | SIDEWALL - PASSENGER - W/O WINDOWS/TRIMS (R30) |
| 3 | 144435-01-R29 | EA | SIDEWALL - PASSENGER - W/O WINDOWS/TRIMS (R31) |
| 3 | 144435-01-R98 | EA | SIDEWALL - PASSENGER - W/O WINDOWS/TRIMS (R99) |
| 3 | 144435-01-R57 | EA | SIDEWALL - PASSENGER - W/O WINDOWS/TRIMS (R58) |
| 4 | 138017-02-N21 | EA | CAP - ROOF/FRONT SECTION - W/O LIGHTS/VENTS - W/WIRING |
| 5 | 107865-01-000 | EA | ROD - SUPPORT - VALANCE PANEL - 14.3" |
| | | | FROM: 00-00-00 THRU: 04-20-03 |
| 5 | 113904-18-02B | EA | ANGLE - ATTACHMENT/WHEEL LIP - E-COATED |
| | | | FROM: 04-21-03 THRU: 99-99-99 |
| 6 | 107865-03-000 | EA | ROD - SUPPORT - VALANCE PANEL - 17" |
| | | | FROM: 00-00-00 THRU: 04-20-03 |
| 6 | 113904-18-02B | EA | ANGLE - ATTACHMENT/WHEEL LIP - E-COATED |
| | | | FROM: 04-21-03 THRU: 99-99-99 |

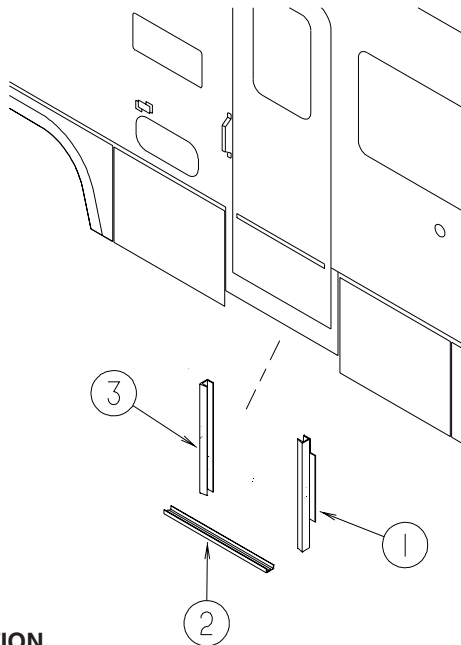
EXTERIOR BODY GROUP (CONTINUED)
PANELS & TRIMS (CONTINUED)

| KEY | PART NUMBER | U/M | DESCRIPTION |
|-----|---------------|-----|--|
| 7 | 107865-06-000 | EA | ROD - SUPPORT - VALANCE PANEL - 15" FROM: 00-00-00 THRU: 04-20-03 |
| 7 | 113904-18-02B | EA | ANGLE - ATTACHMENT/WHEEL LIP - E-COATED FROM: 04-21-03 THRU: 99-99-99 |
| 8 | 107865-24-000 | EA | ROD - SUPPORT - VALANCE PANEL - 22" FROM: 00-00-00 THRU: 04-20-03 |
| 8 | 113904-19-02B | EA | ANGLE - ATTACHMENT/WHEEL LIP - E-COATED FROM: 04-21-03 THRU: 99-99-99 |
| 9 | 121117-04-01A | EA | ANGLE - W/HOLES - SANDSTONE |
| 10 | 123993-01-03A | EA | TRIM - COVER - 182" ALUMINUM - BRIGHT WHITE FROM: 00-00-00 THRU: 12-07-03 |
| 10 | 146550-01-03A | EA | TRIM COVER - SIDEWALL FROM: 12-08-03 THRU: 99-99-99 |
| 11 | 126775-01-01A | EA | END CAP - VALANCE TRIM - RIGHT HAND - WHITE FROM: 00-00-00 THRU: 12-07-03 |
| 11 | 146576-01-01A | EA | CAP - END/TRIM - RIGHT HAND FROM: 12-08-03 THRU: 99-99-99 |
| 12 | 126775-02-01A | EA | END CAP - VALANCE TRIM - LEFT HAND - WHITE FROM: 00-00-00 THRU: 12-07-03 |
| 12 | 146576-02-01A | EA | CAP - END/TRIM - LEFT HAND FROM: 12-08-03 THRU: 99-99-99 |
| 13 | 133045-01-01A | EA | TRIM - SIDEWALL - 25.3" - BRIGHT WHITE FROM: 00-00-00 THRU: 12-07-03 |
| 13 | 149822-01-01A | EA | TRIM - SIDEWALL - 25.4" - BRIGHT WHITE FROM: 12-08-03 THRU: 99-99-99 |
| 14 | 133376-01-01A | EA | TRIM - RETAINER - 144" - MILL FROM: 00-00-00 THRU: 12-07-03 |
| 14 | 146548-01-01A | EA | TRIM - RETAINER - 144" - MILL FROM: 12-08-03 THRU: 99-99-99 |
| 15 | P45788-01-R28 | EA | BACKWALL - W/O WINDOWS/TRIMS (R30) |
| 15 | P45788-01-R29 | EA | BACKWALL - W/O WINDOWS/TRIMS (R31) |
| 15 | P45788-01-R98 | EA | BACKWALL - W/O WINDOWS/TRIMS (R99) |
| 15 | P45788-01-R57 | EA | BACKWALL - W/O WINDOWS/TRIMS (R58) |
| 16 | 144496-01-R28 | EA | ROOF - W/O LIGHTS/VENTS - W/WIRING |
| 17 | 120863-02-000 | EA | BUMPER - RUBBER/RADIUS TOP - 1" X 1 1/2" |
| 18 | 107865-06-000 | EA | ROD - SUPPORT - VALANCE PANEL - 15" |
| 19 | 113904-18-02B | EA | ANGLE - ATTACHMENT/WHEEL LIP - E-COATED |

EXTERIOR BODY GROUP (CONTINUED)
PANELS & TRIMS (CONTINUED)

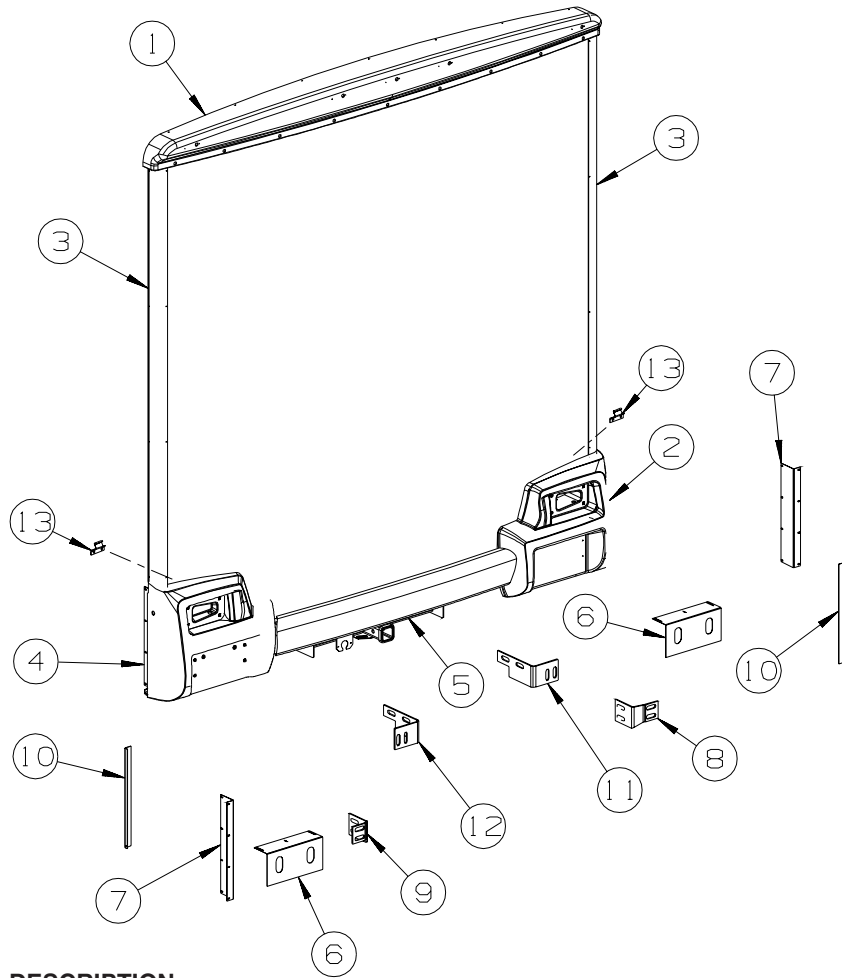


| KEY | PART NUMBER | U/M DESCRIPTION |
|-----|---------------|---|
| 1 | 140118-01-01A | EA TRIM - BACKWALL - LOWER - 98.3" - BRIGHT WHITE |
| 2 | 114248-02-01A | EA ANGLE - PLASTIC - 96.6" |
| 3 | 135270-01-02B | EA BRACKET/Z - BACKWALL MOUNT - E-COAT |



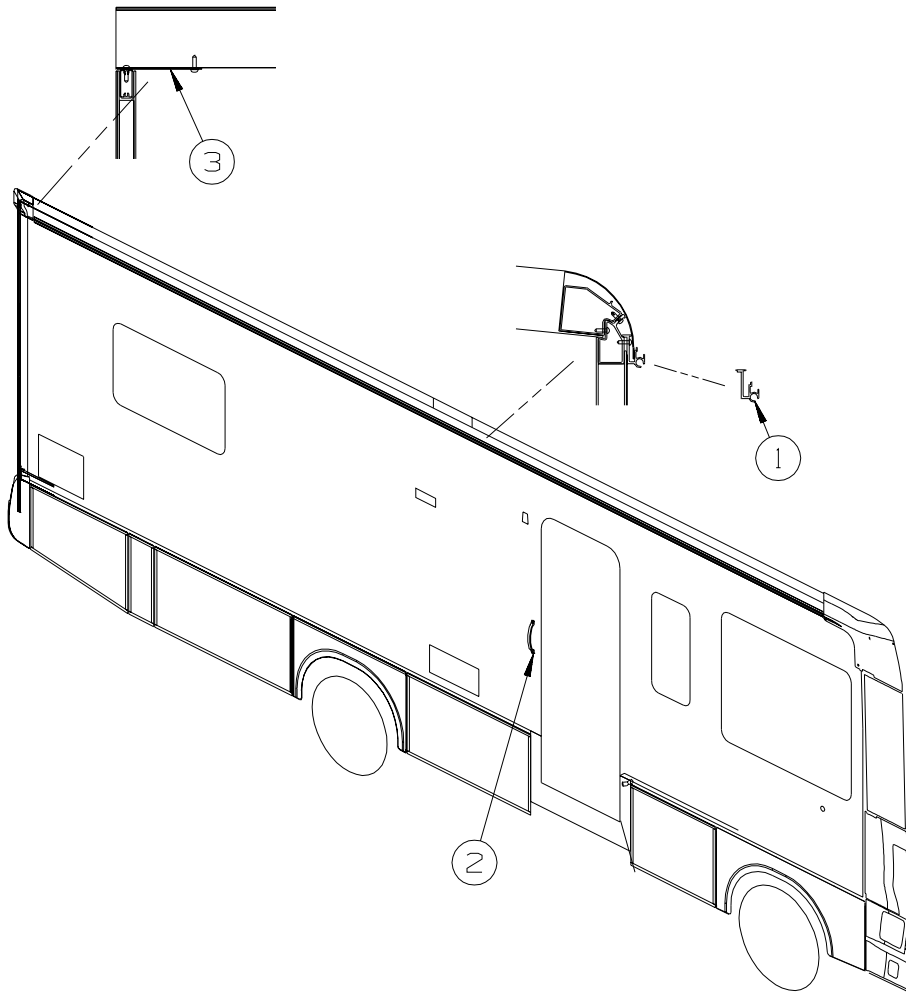
| KEY | PART NUMBER | U/M DESCRIPTION |
|-----|---------------|--|
| 1 | 133100-01-03A | EA TRIM - SIDEWALL - SANDSTONE |
| 2 | 137599-05-03A | EA TRIM - SIDEWALL/LOWER - 35.9" - SANDSTONE |
| 3 | 133100-02-03A | EA TRIM - SIDEWALL - SANDSTONE |

EXTERIOR BODY GROUP (CONTINUED)
PANELS & TRIMS (CONTINUED)



| KEY | PART NUMBER | U/M | DESCRIPTION |
|-----|---------------|-----|---|
| 1 | 137582-02-N21 | EA | CAP - REAR/ROOF - W/O LIGHTS/VENTS - W/WIRING - BRIGHT WHT |
| 2 | 138054-03-N21 | EA | TRIM - BACKWALL - LOWER/RIGHT HAND |
| 3 | 139969-01-02A | EA | COVE - BACKWALL - BRIGHT WHITE |
| 4 | 138054-04-N21 | EA | TRIM - BACKWALL - LOWER/LEFT HAND |
| 5 | 138055-02-N21 | EA | PANEL - BUMPER/REAR - W/O HARDWARE |
| 6 | 139870-01-02B | EA | BRACKET - MOUNT - TRIM - LOWER - E-COATED |
| 7 | 139811-01-02B | EA | ANGLE/MOUNT - POD - TAIL LIGHT - E-COATED |
| 8 | 138162-01-02B | EA | BRACKET/BUMPER - RIGHT HAND - E-COATED - 15,000 & 18,000 GVWR WORKHORSE |
| 9 | 138162-02-02B | EA | BRACKET/BUMPER - LEFT HAND - E-COATED - 15,000 & 18,000 GVWR WORKHORSE |
| 10 | 132721-02-02B | EA | BRACKET/MOUNT - TRIM - REAR - E-COATED |
| 11 | 138162-03-02B | EA | BRACKET/BUMPER - RH - FORD & 20,700 GVWR WORKHORSE |
| 12 | 138162-04-02B | EA | BRACKET/BUMPER - LH - FORD & 20,700 GVWR WORKHORSE ENG |
| 13 | 073050-04-000 | EA | CLIP/MOUNTING - VALANCE PANEL |

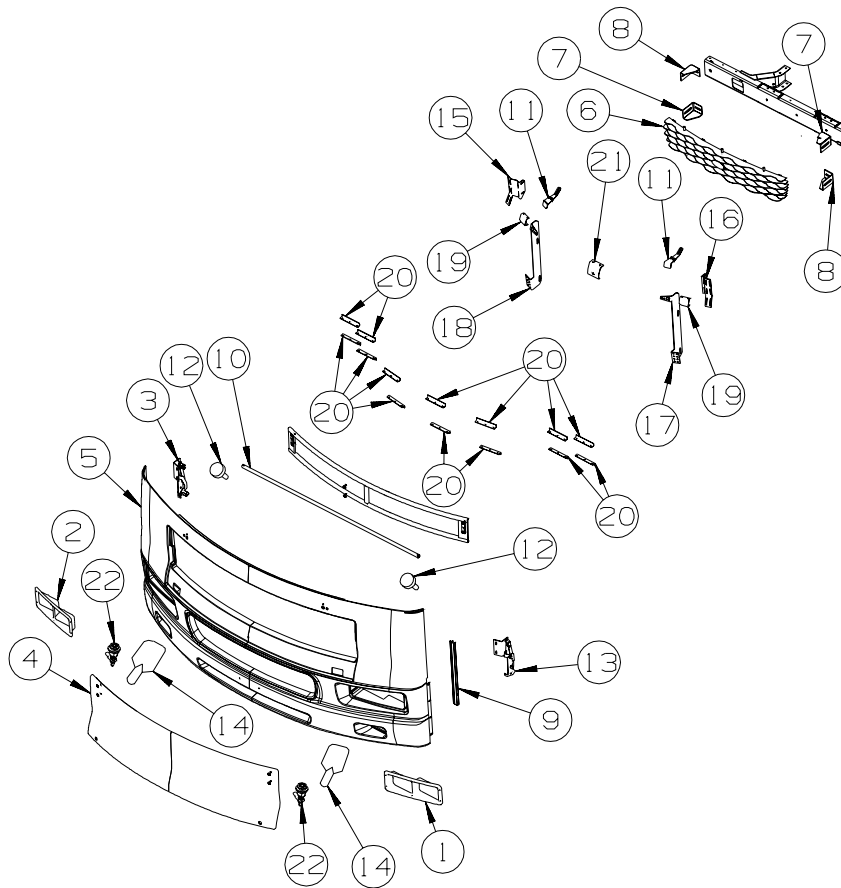
EXTERIOR BODY GROUP (CONTINUED)
PANELS & TRIMS (CONTINUED)



| KEY | PART NUMBER | U/M | DESCRIPTION |
|-----|---------------|-----|---|
| 1 | 131483-01-01A | EA | RAIL - AWNING - 192" - BRIGHT WHITE |
| 2 | 009126-03-000 | EA | HANDLE - ASSIST - BLACK TEXTURED |
| 3 | 137023-01-03B | EA | PLATE - JOINT - BACKWALL/ROOF - OFF WHITE |

EXTERIOR BODY GROUP (CONTINUED)

FRONT END



| KEY | PART NUMBER | U/M | DESCRIPTION |
|-----|---------------|-----|---|
| 1 | 138880-02-01A | EA | BEZEL - HEADLAMP - DUAL/DRIVER - BRIGHT WHITE |
| 2 | 138880-01-01A | EA | BEZEL - HEADLAMP - DUAL/PASSENGER - BRIGHT WHITE |
| 3 | 137072-03-01A | EA | HINGE - HOOD - RIGHT HAND - BLACK |
| 4 | 137590-01-N21 | EA | HOOD - FRONT |
| 5 | 137589-02-N21 | EA | PANEL - FRONT/LOWER |
| 5 | 137589-04-R28 | EA | PANEL - FRONT/LOWER - W/O GRILLE/HEADLAMPS/HOOD FROM: 00-00-00 THRU: 03-10-03 |
| 6 | 137913-03-12B | EA | GRILLE - FRONT/UPPER NEW DESIGN/THICKER - ITASCA - BRT WHT FROM: 03-11-03 THRU: 99-99-99 |
| 6 | 137913-05-01A | EA | GRILLE - FRONT/UPPER - BRIGHT WHITE FROM: 00-00-00 THRU: 03-10-03 |
| 7 | 128455-02-02B | EA | BRACKET - BUMPER |
| 8 | 128455-01-02B | EA | BRACKET - BUMPER |
| | 116617-02-02B | EA | SPACER - BUMPER |
| 9 | 092041-06-01A | EA | TRIM - BACKWALL/SIDEWALL - 25.5" - BRIGHT WHITE FROM: 00-00-00 THRU: 12-07-03 |
| 9 | 092041-10-01A | EA | TRIM - FRONT/REAR CAP (SIDEWALL) - 25.2" - BRIGHT WHITE FROM: 12-08-03 THRU: 99-99-99 |
| 9 | 091985-01-07A | FT | INSERT - TRIM - REAR CAP TO SIDEWALL - .66" - BRIGHT WHITE |
| 10 | 137300-01-02B | EA | TUBE/TIMING - HOOD - E-COATED |
| 11 | 141017-01-02B | EA | SUPPORT/HINGE - FRONT - E-COATED |
| 12 | 058786-01-000 | EA | BOLT - HOOD ADJUSTMENT - 5/16"-18 X 1.5"-2" - W/BLACK PAD |
| 13 | 137072-04-01A | EA | HINGE - HOOD - LEFT HAND - BLACK |
| 14 | 102328-01-000 | EA | KEY - BARREL - NICKEL PLATED |
| 15 | 134530-02-02B | EA | SUPPORT - HOOD LINK - E-COATED FROM: 00-00-00 THRU: 11-06-03 |
| 15 | 134530-06-02B | EA | SUPPORT - HOOD LINK - E-COATED FROM: 11-07-03 THRU: 99-99-99 |
| 16 | 134530-01-02B | EA | SUPPORT - HOOD LINK - E-COATED FROM: 00-00-00 THRU: 11-06-03 |
| 16 | 134530-05-02B | EA | SUPPORT - HOOD LINK - E-COATED FROM: 11-07-03 THRU: 99-99-99 |

EXTERIOR BODY GROUP (CONTINUED)
FRONT END (CONTINUED)

| KEY | PART NUMBER | U/M | DESCRIPTION |
|------------|--------------------|------------|---|
| 17 | 137591-01-02B | EA | BRACKET - FRONT MOUNT/RIGHT HAND - E-COATED |
| 18 | 137591-02-02B | EA | BRACKET - FRONT MOUNT/LEFT HAND - E-COATED |
| 19 | 137679-01-02B | EA | STRIKE - HOOD LATCH - E-COATED |
| 20 | 137893-01-02B | EA | ANGLE - SUPPORT - HEADLAMP - E-COATED |
| 21 | 007157-05-000 | EA | NUT - WELL |
| 22 | 102330-02-000 | EA | LATCH - VISE ACTION/KEY OPERATED |

LADDER

| KEY | PART NUMBER | U/M | DESCRIPTION |
|------------|--------------------|------------|--|
| | 129639-03-01A | EA | LADDER - 89" - 7 STEP - BRUSHED ALUMINUM |
| | 130163-06-01A | EA | LADDER EXTENSION/LOWER - 24.4" - 2 STEP - BRUSHED ALUMINUM |

MIRRORS

| KEY | PART NUMBER | U/M | DESCRIPTION |
|------------|--------------------|------------|--|
| * | 106015-12-01A | EA | MIRROR - EXTERIOR REMOTE/HEAT - PASSENGER - EXTERIOR MIRRORS W/DEFROST |
| * | 106015-14-01A | EA | MIRROR - EXTERIOR ADJUSTABLE GLASS - PASSENGER |
| * | 106015-13-01A | EA | MIRROR - EXTERIOR REMOTE/HEAT - DRIVER - EXTERIOR MIRRORS W/DEFROST |
| * | 106015-15-01A | EA | MIRROR - EXTERIOR ADJUSTABLE GLASS - DRIVER |

***COMPONENT PARTS LISTED LATER IN THIS GROUP**

EXTERIOR BODY GROUP (CONTINUED)

COMPONENT PARTS FOR MIRRORS

106015-12-01A, 106015-14-01A

| KEY | PART NUMBER | U/M | DESCRIPTION | VENDOR NO. |
|-----|---------------|-----|------------------------------|------------|
| | 106015-12-700 | EA | MIRROR-FLAT-W/W/O HEAT | 709448 |
| | 106015-12-701 | EA | MIRROR-CONVEX - W/W/O HEAT | 709449 |
| | 106015-12-702 | EA | CAP/SCREW - (PKG OF 4) - BLK | 748329 RND |
| | 106015-12-703 | EA | CONVEX GLASS/HANDSET/HOUSING | 7095892 |
| | 119774-09-700 | EA | PLATE-INNER SUPT/MIRROR HEAD | 709418-7RH |

106015-13-01A, 106015-15-01A

| KEY | PART NUMBER | U/M | DESCRIPTION | VENDOR NO. |
|-----|---------------|-----|------------------------------|------------|
| | 106015-12-700 | EA | MIRROR-FLAT-W/W/O HEAT | 709448 |
| | 106015-12-701 | EA | MIRROR-CONVEX - W/W/O HEAT | 709449 |
| | 106015-12-702 | EA | CAP/SCREW - (PKG OF 4) - BLK | 748329 RND |
| | 106015-12-703 | EA | CONVEX GLASS/HANDSET/HOUSING | 7095892 |
| | 119774-09-701 | EA | PLATE INNER SUPT/MIRROR HEAD | 709419-7LH |

EXTERIOR BODY GROUP (CONTINUED)

STRUCTURAL COMPONENTS

| KEY | PART NUMBER | U/M | DESCRIPTION |
|-----|---------------|-----|---|
| | 002726-01-001 | EA | GARNISH - U-CHANNEL - 1.38" X 19' - SERRATED |
| | 076054-X9-000 | EA | FIBERGLASS SHEET - 22.1" X 70.6" - BRIGHT WHITE |
| | 077517-62-000 | EA | FIBERGLASS SHEET - 48" X 96" - BRIGHT WHITE |
| | 089297-01-000 | SF | PLYWOOD - LUAN - OVERLAY GRADE - 4' X 8' |
| | 100619-01-000 | BF | FOAM - EXPANDED POLYSTYRENE - 1.34" X 48" X 96" |
| | 100619-02-000 | BF | FOAM - EXPANDED POLYSTYRENE - 1.5" X 48" X 96" |
| | 100619-04-000 | BF | FOAM - EXPANDED POLYSTYRENE - .5" X 48" X 96" |
| | 100619-05-000 | BF | FOAM - EXPANDED POLYSTYRENE - .75" X 48" X 96"-1.5"DENSITY |
| | 100619-16-000 | BF | FOAM - EXPANDED POLYSTYRENE - .75" X 48" X 96"-2" DENSITY |
| | 100619-27-000 | BF | FOAM - EXPANDED POLYSTYRENE - 3" X 48" X 92.8" |
| | 108535-05-03A | SF | FIBERGLASS SHEET - 108" X 500' ROLL - BRIGHT WHITE |
| | 116942-03-01A | LB | ALUMINUM - .7" X 40" X 158" |
| | 120107-01-000 | EA | FOAM - ROOF COVE - 2.8" X 96" LONG |
| | 120107-02-000 | EA | FOAM - PLUG - ROOF TUBE - 2.2" X 2.9" X 1.8" LONG |
| | 120107-03-000 | EA | FOAM - PLUG - SIDEWALL TUBE - 1.2" X 2.1" X 1.8" LONG |
| | 135926-02-01A | EA | FIBERGLASS - SHEET - 80.8" X 308.7" - BRIGHT WHITE - SIDEWALL D27C FROM: 00-00-00 THRU: 11-02-03 |
| | 148884-13-01A | EA | FIBERGLASS SHEET - 78.9" X 309.4" - HIGH GLOSS - SIDEWALL D27C FROM: 11-03-03 THRU: 99-99-99 |
| | 135926-06-01A | EA | FIBERGLASS - SHEET - 79" X 346" - BRIGHT WHITE - SIDEWALL D30B FROM: 00-00-00 THRU: 11-02-03 |
| | 148884-03-01A | EA | FIBERGLASS SHEET - 96.7" X 355.7" - HIGH GLOSS - SIDEWALL D30B FROM: 11-03-03 THRU: 99-99-99 |
| | 135926-18-01A | EA | FIBERGLASS - SHEET - 79.1" X 372.7" - BRIGHT WHITE - SIDEWALL D33L FROM: 00-00-00 THRU: 11-02-03 |
| | 148884-15-01A | EA | FIBERGLASS SHEET - 78.9" X 372.1" - HIGH GLOSS - SIDEWALL D33L FROM: 11-03-03 THRU: 99-99-99 |
| | 135926-21-01A | EA | FIBERGLASS - SHEET - 78.9" X 396" - BRIGHT WHITE - SIDEWALL D35N FROM: 00-00-00 THRU: 11-02-03 |
| | 148884-16-01A | EA | FIBERGLASS SHEET - 78.9" X 396.1" - HIGH GLOSS - SIDEWALL D35N FROM: 11-03-03 THRU: 99-99-99 |
| | 135926-04-01A | EA | FIBERGLASS - SHEET - 26.1" X 68.2" - BRIGHT WHITE - ENTRANCE DOOR FROM: 00-00-00 THRU: 11-02-03 |
| | 148884-11-01A | EA | FIBERGLASS SHEET - 26.1" X 68.2" - HIGH GLOSS - ENTRANCE DOOR FROM: 11-03-03 THRU: 99-99-99 |
| | 135926-20-01A | EA | FIBERGLASS - SHEET - 99.5" X 100.2" - BRIGHT WHITE - BACKWALL FROM: 00-00-00 THRU: 11-02-03 |
| | 148884-04-01A | EA | FIBERGLASS SHEET - 99.5" X 100.2" - HIGH GLOSS - BACKWALL FROM: 11-03-03 THRU: 99-99-99 |
| | 148884-10-01A | EA | FIBERGLASS SHEET - 22.1" X 68.2" - HIGH GLOSS-BRIGHT WHITE - SLIDEOUT SIDE SIDE PANEL FROM: 11-03-03 THRU: 99-99-99 |
| | 148884-20-01A | EA | FIBERGLASS SHEET - 4" X 93.8" - HIGH GLOSS - BRIGHT WHITE - ROOF FROM: 11-03-03 THRU: 99-99-99 |

AWNINGS

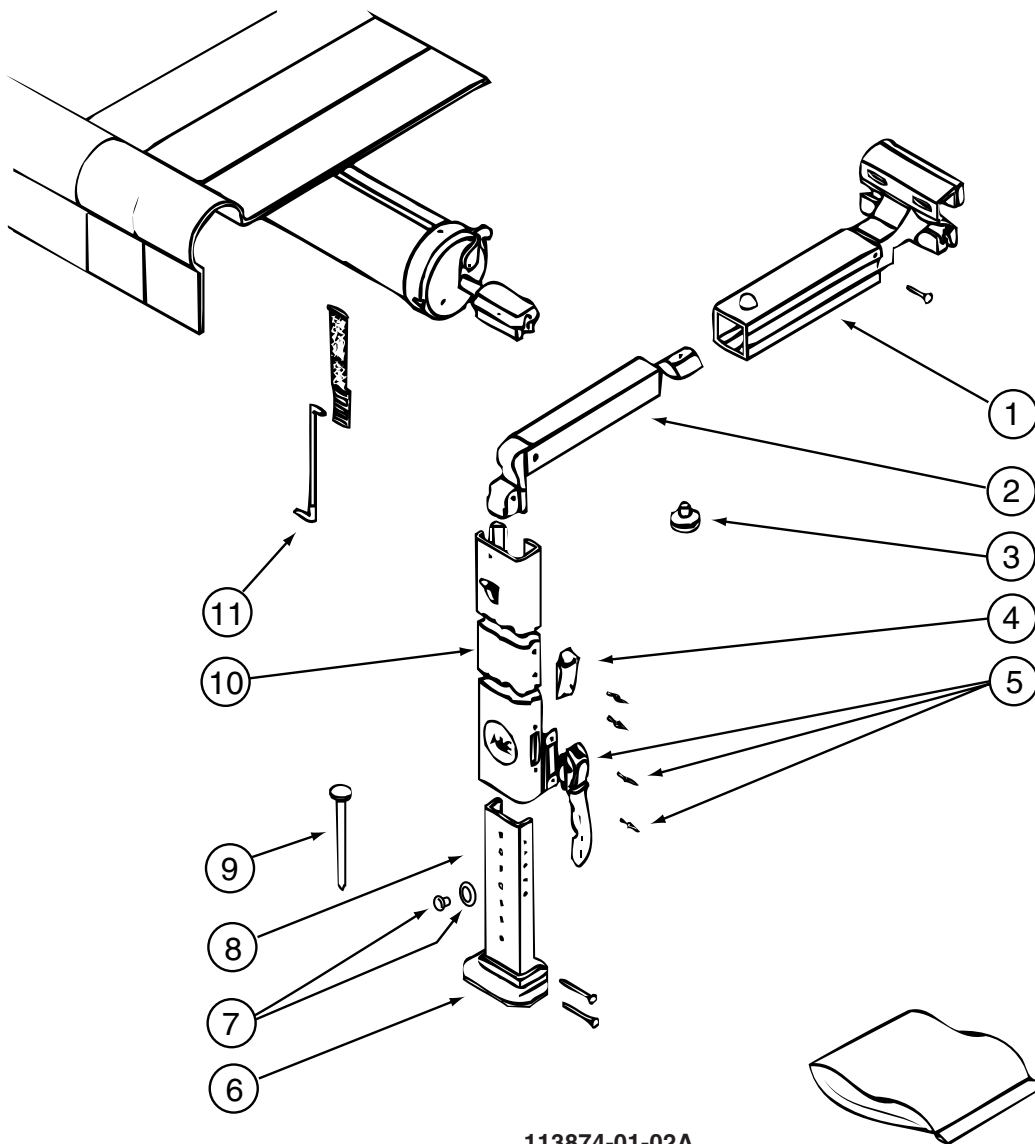
SUNOVA PATIO AWNINGS

| SERIES | MODEL | COLOR | AWNING FABRIC | AWNING LENGTH | WEATHER WRAP(MANUAL) | PART # MANUAL | VENDOR |
|--------|-------|-----------|---------------|---------------|----------------------|---------------|--------|
| | D27C | GULF BLUE | VINYL | 13' | VYL/BRT WHT | 113874-04-50A | A&E |
| | D30B | GULF BLUE | VINYL | 16' | VYL/BRT WHT | 113874-06-50A | |
| | D33L | GULF BLUE | VINYL | 16' | VYL/BRT WHT | 113874-06-50A | |
| | D35N | GULF BLUE | VINYL | 16' | VYL/BRT WHT | 113874-06-50A | |

| KEY | PART NUMBER | U/M | DESCRIPTION |
|-----|---------------|-----|---|
| * | 113874-01-02A | EA | HARDWARE KIT - AWNING - W/O STANDOFF BRACKET-BRIGHT WHITE |
| | 113874-11-01A | EA | SCREW/LAG - AWNING - 1/4" X 1" STAINLESS STEEL |
| | 113874-12-01A | EA | SCREW/LAG - AWNING - 1/4" X 2 3/4" STAINLESS STEEL |
| | 137054-01-02A | EA | BRACKET - AWNING - BRIGHT WHITE |

*COMPONENT PARTS LISTED LATER IN THIS GROUP

EXTERIOR BODY GROUP (CONTINUED)
COMPONENT PARTS FOR AWNINGS

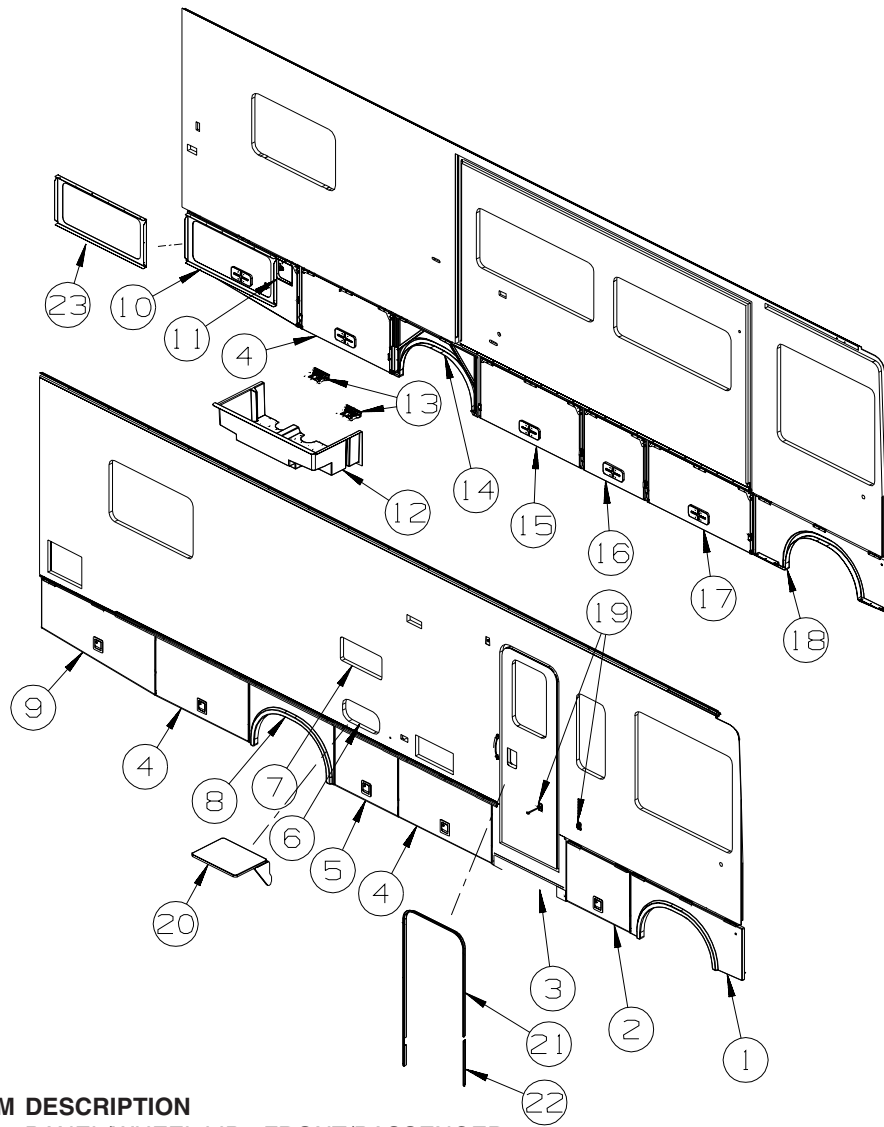


113874-01-02A

| KEY | PART NUMBER | U/M | DESCRIPTION | VENDOR NO. |
|-----|---------------|-----|-----------------------------|---------------|
| 1 | 113874-01-714 | EA | RAFTER - MAIN RH/LH BRT/WHT | 830295.536F |
| 2 | 113874-01-715 | EA | RAFTER - SECONDARY BRT/WHT | 830463.511F |
| 3 | 113874-01-702 | EA | KNOB - ADJUSTING | 3105421.014 |
| 4 | 113874-01-706 | EA | LOCK - TRAVEL | 830587.001 |
| 5 | 113874-01-707 | EA | HANDLE - LIFT W/RIVETS | 830644 |
| 6 | 113874-01-712 | EA | FOOT - PATIO | 730366-001 |
| 7 | 113874-01-710 | EA | PLUG-STOP KIT | 830456 |
| 8 | 113874-01-717 | EA | ARM - ADJUSTABLE BRT/WHT | 830467.517/F |
| 9 | 113874-01-709 | EA | NAIL-SPIKE, 8" | 113006 |
| 10 | 113874-01-716 | EA | ARM - MAIN SUPPORT BRT/WHT | 3104502.293/F |
| 11 | 113874-01-703 | EA | ROD-CENTER PULL W/ACCESSORY | 830152.102 |

EXTERIOR DOORS & COMPARTMENTS GROUP

DOOR & COMPARTMENT LAYOUT

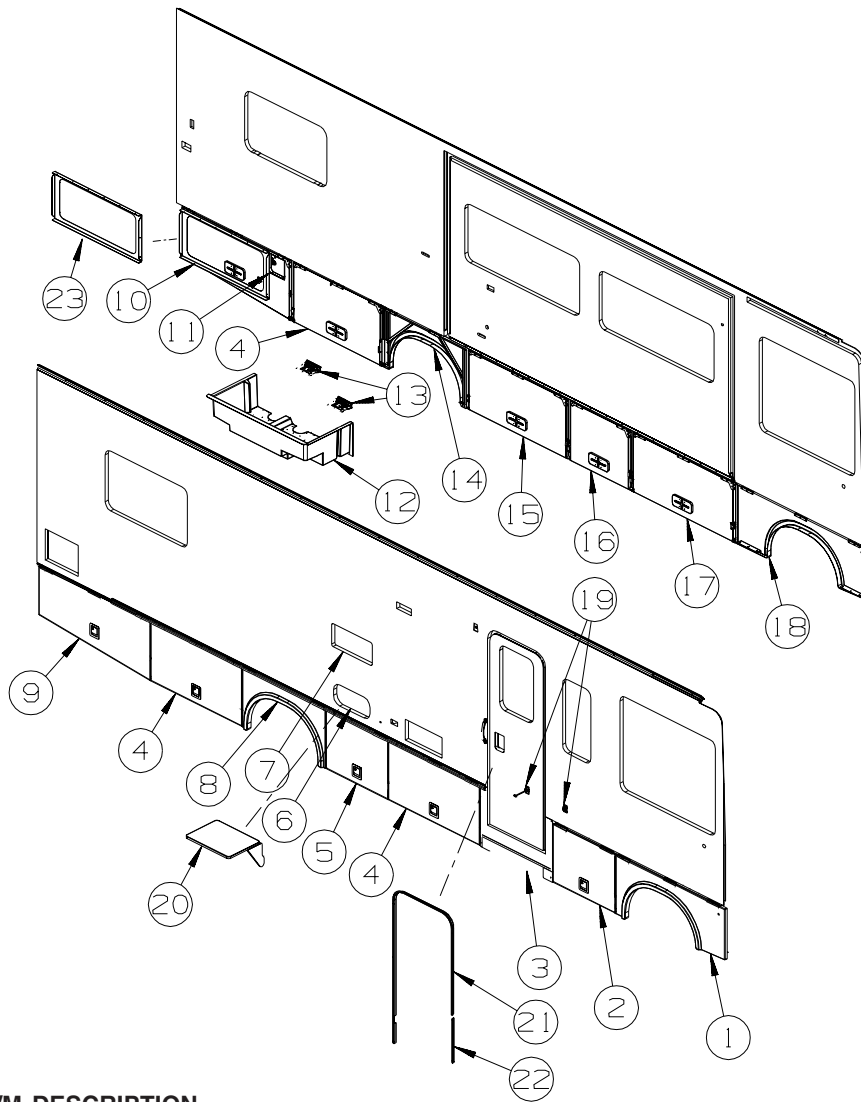


| KEY | PART NUMBER | U/M | DESCRIPTION |
|-----|---------------|-----|--|
| 1 | 138030-03-P34 | EA | PANEL/WHEEL LIP - FRONT/PASSENGER FROM: 00-00-00 THRU: 04-20-03 |
| 1 | 138030-05-R30 | EA | PANEL/WHEEL LIP - FRONT/PASSENGER FROM: 04-21-03 THRU: 99-99-99 |
| 2 | 141743-01-P31 | EA | VALANCE/DOOR - W/O PADDLE LATCH/HDWR - 31.2" X 24.3" |
| | 132873-A0-000 | EA | ROD - LATCH - 11.3" W/3/4" DOG LEG |
| | 132873-99-000 | EA | ROD - LATCH - 9.4" W/3/4" DOG LEG |
| | 107796-32-000 | EA | SPRING/GAS - 9.5" COMPRESSED/15" EXTENDED - 90 LB - BLACK FROM: 00-00-00 THRU: 08-31-03 |
| | 142569-12-000 | EA | SPRING/GAS - 90 LB. - 15" EXTENDED/9.5"COMPRESSED FROM: 09-01-03 THRU: 99-99-99 |
| | 126263-02-02B | EA | BRACKET - GAS SPRING W/BALL STUD - E-COATED |
| 3* | 094707-03-01A | EA | STEP - ELECTRIC DOUBLE - W/BLACK CONTROL BOX - KWIKEE |
| 4 | 141743-03-P31 | EA | VALANCE/DOOR - W/O PADDLE LATCH/HDWR - 45.6" X 24.3" |
| | 132873-A3-000 | EA | ROD - LATCH - 16.6" W/3/4" DOG LEG |
| | 132873-A4-000 | EA | ROD - LATCH - 18.6" W/3/4" DOG LEG |
| | 107796-32-000 | EA | SPRING/GAS - 9.5" COMPRESSED/15" EXTENDED - 90 LB - BLACK FROM: 00-00-00 THRU: 08-31-03 |
| | 142569-12-000 | EA | SPRING/GAS - 90 LB. - 15" EXTENDED/9.5"COMPRESSED FROM: 09-01-03 THRU: 99-99-99 |
| | 126263-02-02B | EA | BRACKET - GAS SPRING W/BALL STUD - E-COATED |
| | 076767-15-000 | EA | CABLE - STAINLESS STEEL - 9.8" |
| 5 | 141743-11-P31 | EA | VALANCE/DOOR - W/O PADDLE LATCH/HDWR - 31.2" X 24.3" |
| | 132873-02-000 | EA | ROD - LATCH (BLANK) - LEFT HAND |
| | 132873-99-000 | EA | ROD - LATCH - 9.4" W/3/4" DOG LEG |
| | 107796-32-000 | EA | SPRING/GAS - 9.5" COMPRESSED/15" EXTENDED - 90 LB - BLACK FROM: 00-00-00 THRU: 08-31-03 |

EXTERIOR DOORS & COMPARTMENTS GROUP (CONTINUED)
DOOR & COMPARTMENT LAYOUT (CONTINUED)

| KEY | PART NUMBER | U/M | DESCRIPTION |
|-----|---------------|-----|--|
| | 142569-12-000 | EA | SPRING/GAS - 90 LB. - 15" EXTENDED/9.5"COMPRESSED FROM: 09-01-03 THRU: 99-99-99 |
| | 126263-02-02B | EA | BRACKET - GAS SPRING W/BALL STUD - E-COATED |
| 6 | 126945-09-P07 | EA | DOOR/STORAGE - W/O HARDWARE - 18" X 8.3" |
| 7* | 084103-08-000 | EA | DOOR - VENT - REFRIGERATOR - W/O JAMB - BRIGHT WHITE |
| | 084104-08-000 | EA | JAMB - VENT DOOR/REFRIGERATOR - BRIGHT WHITE |
| 8 | 137832-03-P31 | EA | PANEL/WHEEL LIP - REAR FROM: 00-00-00 THRU: 04-20-03 |
| 8 | 137832-08-R28 | EA | PANEL/WHEEL LIP - REAR FROM: 04-21-03 THRU: 99-99-99 |
| 9 | 141743-19-P31 | EA | VALANCE/DOOR - PASS W/O LATCH/HDWR - 24.3" X 55.9" X 20.1" |
| | 132873-35-000 | EA | ROD - LATCH - 21.8" W/3/4" DOG LEG |
| | 132873-36-000 | EA | ROD - LATCH - 23.6" W/3/4" DOG LEG |
| | 107796-27-000 | EA | SPRING/GAS - 8.5" COMPRESSED/12" EXTENDED - 90 LB FROM: 00-00-00 THRU: 08-31-03 |
| | 142569-17-000 | EA | SPRING/GAS - 90 LB. - 12" EXTENDED/8.5"COMPRESSED FROM: 09-01-03 THRU: 99-99-99 |
| | 126263-02-02B | EA | BRACKET - GAS SPRING W/BALL STUD - E-COATED |
| 10 | 141743-18-P31 | EA | VALANCE/DOOR - DRVR W/O LATCH/HDWR - 24.3" X 55.9" X 20.1 |
| | 132873-35-000 | EA | ROD - LATCH - 21.8" W/3/4" DOG LEG |
| | 132873-36-000 | EA | ROD - LATCH - 23.6" W/3/4" DOG LEG |
| | 107796-27-000 | EA | SPRING/GAS - 8.5" COMPRESSED/12" EXTENDED - 90 LB FROM: 00-00-00 THRU: 08-31-03 |
| | 142569-17-000 | EA | SPRING/GAS - 90 LB. - 12" EXTENDED/8.5"COMPRESSED FROM: 09-01-03 THRU: 99-99-99 |
| | 126263-02-02B | EA | BRACKET - GAS SPRING W/BALL STUD - E-COATED |
| 11 | 131905-03-P31 | EA | DOOR - FUEL FILL - W/O LOCK |
| * | 110506-A2-000 | EA | LOCK - TWIST - 26.45" |
| | 110506-51-000 | EA | CASE/CYLINDER - TWIST LATCH - W/O CAM - 1" - 596669 |
| | 110506-78-000 | EA | CAM - LOCK |
| | 133049-04-P31 | EA | TRIM - FUEL FILL FROM: 00-00-00 THRU: 07-28-03 |
| | 133049-07-R28 | EA | TRIM - FUEL FILL FROM: 07-29-03 THRU: 99-99-99 |
| 12 | 144574-01-01A | EA | COMPARTMENT - DRAINAGE - PLASTIC |
| 13 | 142226-02-01A | EA | HATCH - POWER |
| 14 | 137832-04-P31 | EA | PANEL/WHEEL LIP - REAR FROM: 00-00-00 THRU: 04-20-03 |
| 14 | 137832-09-R28 | EA | PANEL/WHEEL LIP - REAR FROM: 04-21-03 THRU: 99-99-99 |
| 15 | 141743-02-P31 | EA | VALANCE/DOOR - W/O PADDLE LATCH/HDWR - 50.8" X 24.3" |
| | 132873-A1-000 | EA | ROD - LATCH - 19.2" W/3/4" DOG LEG |
| | 132873-A2-000 | EA | ROD - LATCH - 21.2" W/3/4" DOG LEG |
| | 107796-32-000 | EA | SPRING/GAS - 9.5" COMPRESSED/15" EXTENDED - 90 LB - BLACK FROM: 00-00-00 THRU: 08-31-03 |
| | 142569-12-000 | EA | SPRING/GAS - 90 LB. - 15" EXTENDED/9.5"COMPRESSED FROM: 09-01-03 THRU: 99-99-99 |
| | 126263-02-02B | EA | BRACKET - GAS SPRING W/BALL STUD - E-COATED |
| 16 | 141743-11-P31 | EA | VALANCE/DOOR - W/O PADDLE LATCH/HDWR - 31.2" X 24.3" |
| | 132873-02-000 | EA | ROD - LATCH (BLANK) - LEFT HAND |
| | 132873-99-000 | EA | ROD - LATCH - 9.4" W/3/4" DOG LEG |
| | 107796-32-000 | EA | SPRING/GAS - 9.5" COMPRESSED/15" EXTENDED - 90 LB - BLACK FROM: 00-00-00 THRU: 08-31-03 |
| | 142569-12-000 | EA | SPRING/GAS - 90 LB. - 15" EXTENDED/9.5"COMPRESSED FROM: 09-01-03 THRU: 99-99-99 |
| | 126263-02-02B | EA | BRACKET - GAS SPRING W/BALL STUD - E-COATED |
| 17 | 141743-04-P31 | EA | VALANCE/DOOR - W/O PADDLE LATCH/HDWR - 52.2" X 24.3" |
| | 132873-A5-000 | EA | ROD - LATCH - 21.9" W/3/4" DOG LEG |
| | 132873-33-000 | EA | ROD - LATCH - 19.8" W/3/4" DOG LEG FROM: 00-00-00 THRU: 09-15-03 |
| | 132873-C7-000 | EA | ROD - LATCH - 19.8" W/3/4" DOG LEG FROM: 09-16-03 THRU: 99-99-99 |
| | 107796-32-000 | EA | SPRING/GAS - 9.5" COMPRESSED/15" EXTENDED - 90 LB - BLACK FROM: 00-00-00 THRU: 08-31-03 |

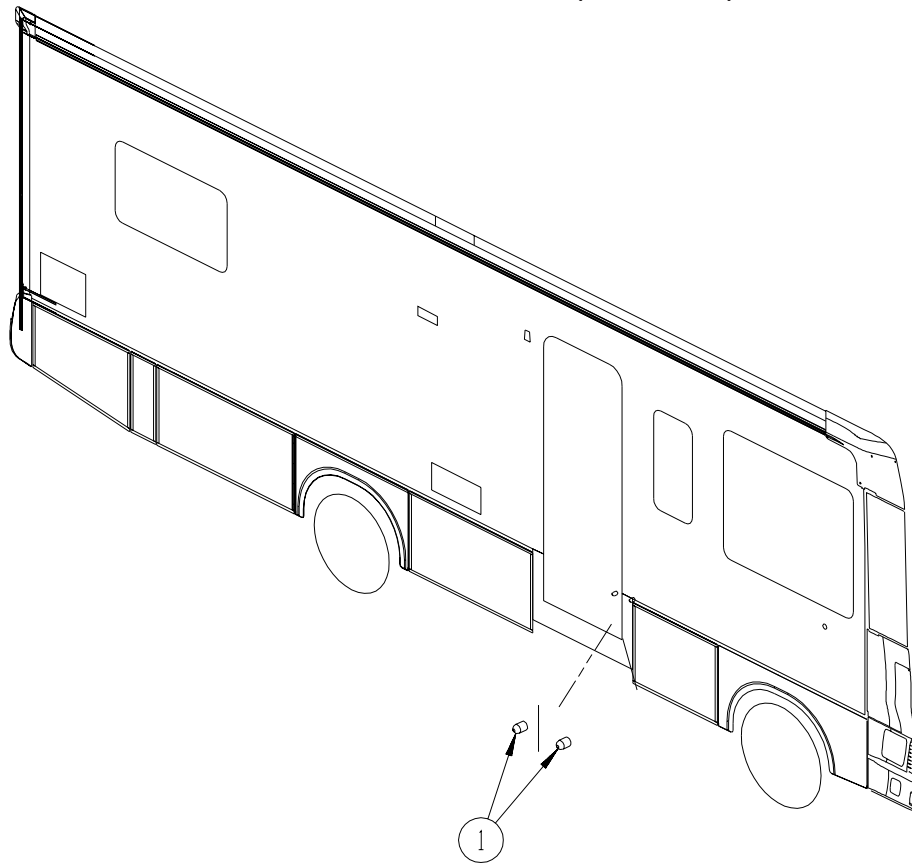
EXTERIOR DOORS & COMPARTMENTS GROUP (CONTINUED)
DOOR & COMPARTMENT LAYOUT (CONTINUED)



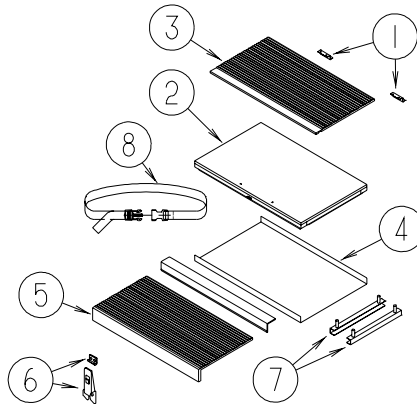
| KEY | PART NUMBER | U/M | DESCRIPTION |
|-----|---------------|-----|--|
| | 142569-12-000 | EA | SPRING/GAS - 90 LB. - 15" EXTENDED/9.5" COMPRESSED |
| | 126263-02-02B | EA | BRACKET - GAS SPRING W/BALL STUD - E-COATED |
| | | | FROM: 09-01-03 THRU: 99-99-99 |
| 18 | 138030-04-P31 | EA | PANEL/WHEEL LIP - FRONT/DRIVER |
| | | | FROM: 00-00-00 THRU: 04-20-03 |
| 18 | 138030-06-R28 | EA | PANEL/WHEEL LIP - FRONT/DRIVER |
| | | | FROM: 04-21-03 THRU: 99-99-99 |
| 19 | 104099-02-04A | EA | CATCH/RETAINER - DOOR HOLDER - BRIGHT WHITE |
| 19 | 104099-03-04A | EA | CATCH - DOOR HOLDER - STRIKE - 6" - BRIGHT WHITE |
| 20 | 142034-01-01A | EA | SHELF - F/EXTERIOR TV - BRIGHT WHITE |
| 21 | 139100-01-01A | EA | GARNISH/RADIUS - ENTRY DOOR - BRIGHT WHITE |
| 22 | 139101-01-01A | EA | GARNISH/STRAIGHT - W/NOTCH - 36.31" - BRIGHT WHITE |
| 23 | 137934-10-02B | EA | PLATE/SEAL - E-COATED |
| | 138075-01-02B | EA | ANGLE/SUPPORT - SEAL PLANE - E-COATED |
| | 112949-06-000 | EA | KEY - REVERSIBLE (DOUBLE SIDED) |
| | 138292-01-000 | EA | SEAL - LOCK CYLINDER |
| | 138289-01-000 | EA | CYLINDER - LOCKING |
| | 138289-02-000 | EA | CYLINDER - LOCKING |
| | 138289-03-000 | EA | CYLINDER - LOCKING |
| | 138289-04-000 | EA | CYLINDER - LOCKING |
| | 138289-05-000 | EA | CYLINDER - LOCKING |
| | 138289-06-000 | EA | CYLINDER - LOCKING |
| | 138289-07-000 | EA | CYLINDER - LOCKING |
| | 138289-08-000 | EA | CYLINDER - LOCKING |
| | 138289-09-000 | EA | CYLINDER - LOCKING |
| | 138289-10-000 | EA | CYLINDER - LOCKING |

*COMPONENT PARTS LISTED LATER IN THIS GROUP

EXTERIOR DOORS & COMPARTMENTS GROUP (CONTINUED)
DOOR & COMPARTMENT LAYOUT (CONTINUED)

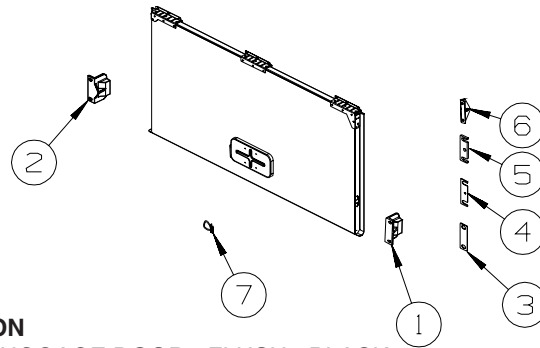


| KEY | PART NUMBER | U/M | DESCRIPTION |
|-----|---------------|-----|--|
| 1 | 120863-02-000 | EA | BUMPER - RUBBER/RADIUS TOP - 1" X 1 1/2" |



| KEY | PART NUMBER | U/M | DESCRIPTION |
|-----|---------------|-----|--|
| 1 | 101222-01-04A | EA | BRACKET - CATCH - LID - E-COATED |
| 2 | P20256-07-000 | EA | LID/DOOR - ENTRY STEP - W/O CARPET/HARDWARE |
| 3 | 133114-02-01A | EA | TREAD - STEP/RUBBER - 28.4" - TAUPE (R30, R58) |
| 3 | 133114-02-03A | EA | TREAD - STEP/RUBBER - 28.4" - GRAY (R31) |
| | | | FROM: 00-00-00 THRU: 04-27-03 |
| 3 | 133114-02-01A | EA | TREAD - STEP/RUBBER - 28.4" - TAUPE (R31) |
| | | | FROM: 04-28-03 THRU: 99-99-99 |
| 3 | 133114-02-03A | EA | TREAD - STEP/RUBBER - 28.4" - GRAY (R99) |
| 4 | 123330-03-02B | EA | SUPPORT - ENTRY STEP - E-COATED |
| 5 | 133114-01-01A | EA | TREAD - STEP/RUBBER - 29.3" - TAUPE (R30, R58) |
| 5 | 133114-01-03A | EA | TREAD - STEP/RUBBER - 29.2" - GRAY (R31) |
| | | | FROM: 00-00-00 THRU: 04-27-03 |
| 5 | 133114-01-01A | EA | TREAD - STEP/RUBBER - 29.3" - TAUPE (R31) |
| | | | FROM: 04-28-03 THRU: 99-99-99 |
| 5 | 133114-01-03A | EA | TREAD - STEP/RUBBER - 29.2" - GRAY (R99) |
| 6 | 116975-01-01A | EA | LATCH - W/O STRIKE - BLACK - NEW STYLE |
| 7 | NOT USED | EA | |
| 8 | NOT USED | EA | |

EXTERIOR DOORS & COMPARTMENTS GROUP (CONTINUED)
DOOR & COMPARTMENT LAYOUT (CONTINUED)



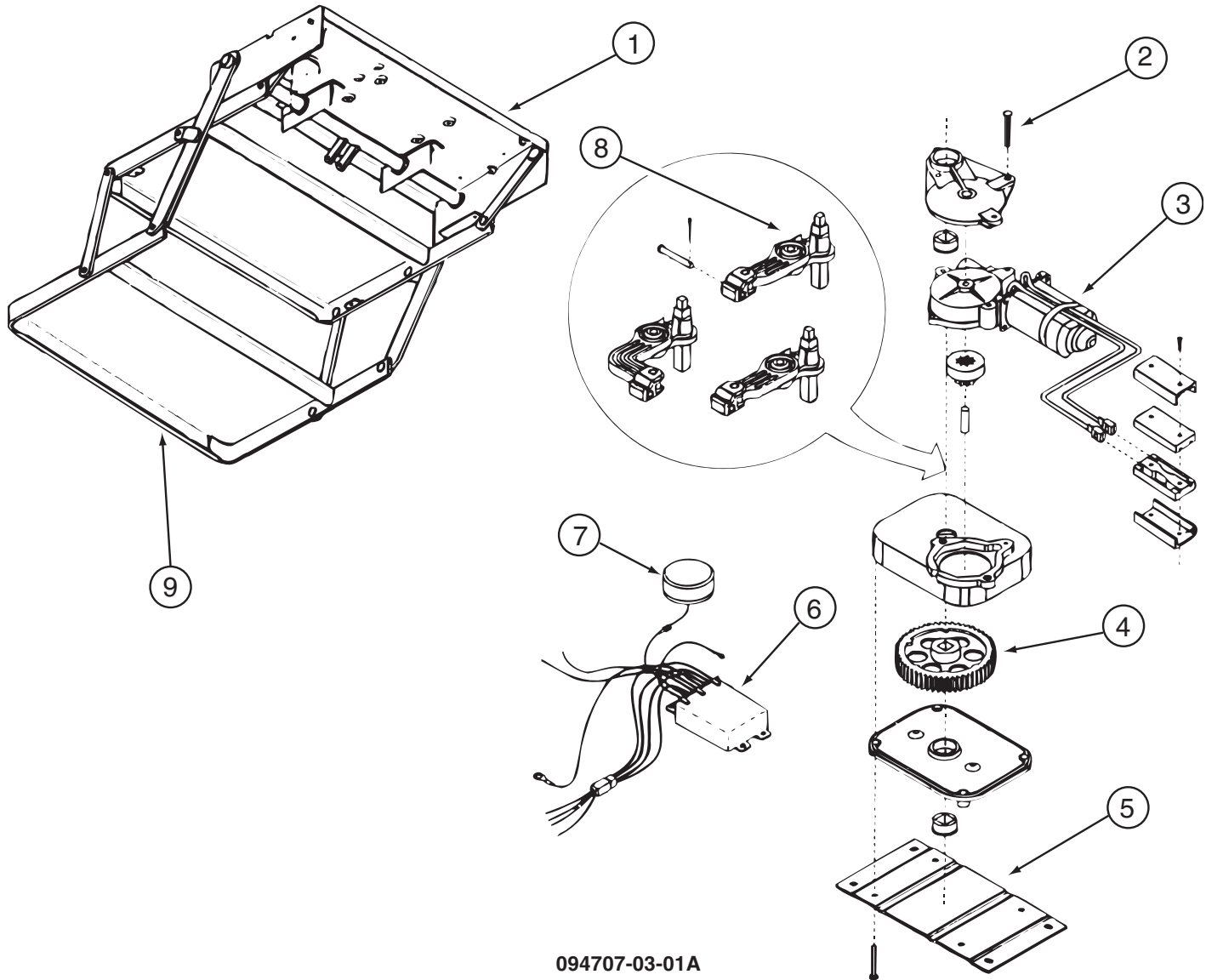
| KEY | PART NUMBER | U/M | DESCRIPTION | |
|-----|---------------|-----|--|-------------------------------|
| 1 | 130053-01-01A | EA | STRIKER - LUGGAGE DOOR - FLUSH - BLACK | |
| 2 | 130053-02-01A | EA | STRIKER - LUGGAGE DOOR - OFF SET - BLACK | |
| 3 | 143793-01-01A | EA | SHIM/STRIKER - LUGGAGE - 1.5" - BLACK | |
| 4 | 120494-03-02B | EA | SHIM - STRIKER - LUGGAGE DOOR - .20 - E-COATED | |
| 5 | 120494-04-02B | EA | SHIM - STRIKER - LUGGAGE DOOR - .27 - E-COATED | |
| 6 | 126263-02-02B | EA | BRACKET - GAS SPRING W/BALL STUD - E-COATED | |
| 7 | 132892-02-01A | FT | SEAL - BULB | FROM: 00-00-00 THRU: 11-05-03 |
| 7 | 132892-03-01A | FT | SEAL - BULB - W/LEG | FROM: 11-06-03 THRU: 99-99-99 |

EXTERIOR DOORS & COMPARTMENTS GROUP (CONTINUED)

COMPONENT PARTS FOR DOOR & COMPARTMENT LAYOUT

084103-08-000

| KEY | PART NUMBER | U/M | DESCRIPTION | VENDOR NO. |
|-----|---------------|-----|-----------------------|-------------|
| | 084104-01-700 | EA | LOCK-MALE, FASTENER | 201-721-010 |
| | 084104-01-701 | EA | LOCK-FEMALE, FASTENER | 201-802-010 |



094707-03-01A

| KEY | PART NUMBER | U/M | DESCRIPTION | VENDOR NO. |
|-----|---------------|-----|------------------------------|------------|
| 1 | 094707-01-702 | EA | FRAME W/DBL STEP,3200 SERIES | 908032 |
| 2 | 094707-02-703 | EA | BEARING & PINS | 909530 |
| 3 | 094707-02-700 | EA | MOTOR - "UT" ASM W/BRGS/PIN | 909520 |
| 4 | 094707-02-702 | EA | GEAR KIT(GEAR-BEARING-PINS) | 909525 |
| 5 | 094707-02-704 | EA | CONNECTOR-MOTOR ASM.W/PLATES | 909537 |
| 6 | 094707-03-700 | EA | KIT CONTROL/SWITCH-RETROFIT | 909506005 |
| 7 | 088746-01-705 | EA | LIGHT-UNDER STEP | 9004 |
| 7 | 088733-01-700 | EA | BULB | 9004 |
| 8 | 094707-02-701 | EA | LINKAGE ASM. W/BEARINGS-PINS | 909534 |
| 9 | 094707-02-707 | EA | TREAD - NON-SKID - BLACK | 909333 |
| | 094707-02-706 | EA | GEAR BOX ASM. W/O MOTOR | 9524 |
| | 094707-02-708 | EA | TREAD - NON-SKID - YELLOW | 909331 |
| | 094707-03-701 | EA | PLUG - 4-WAY - PACKARD | 909306 |

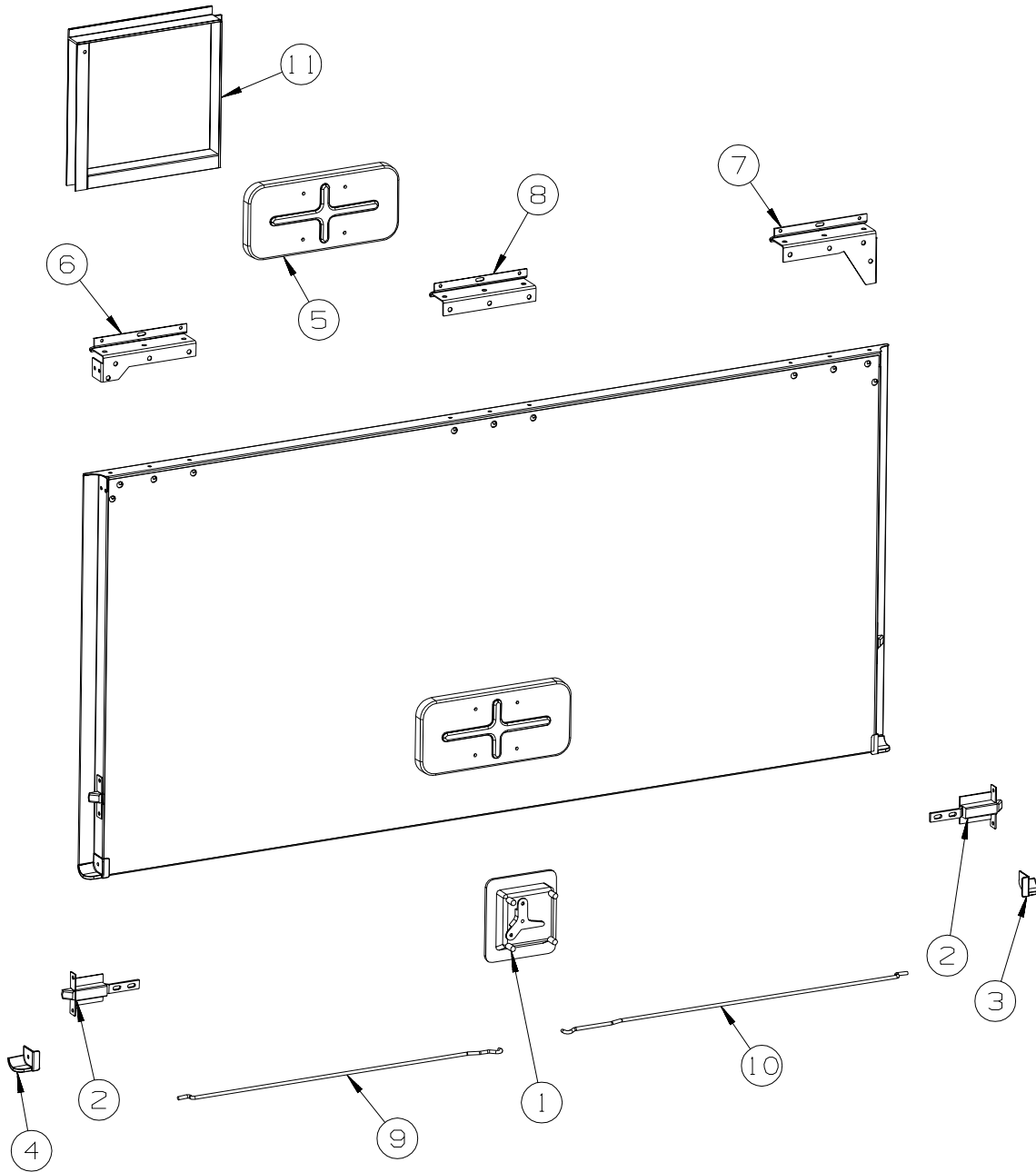
CONTACT WINNEBAGO PART SALES FOR UNLISTED COMPONENT(S)

110506-A1-000, 110506-A2-000, 110506-26-000, 110506-27-000

| KEY | PART NUMBER | U/M | DESCRIPTION | VENDOR NO. |
|-----|---------------|-----|--------------------------------|------------|
| | 110506-40-700 | EA | HARDWARE PACKAGE-CYLINDER/CASE | 596950AAL |

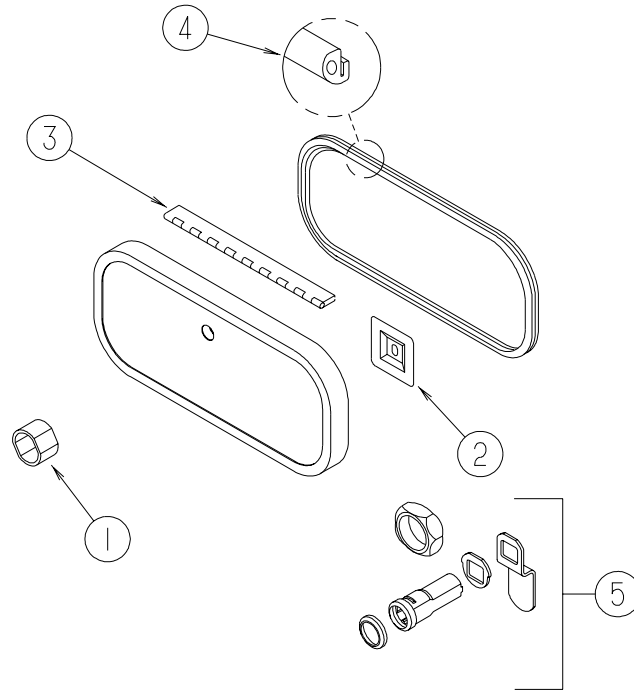
EXTERIOR DOORS & COMPARTMENTS GROUP (CONTINUED)

COMPARTMENT DOOR PIECE PARTS



| KEY | PART NUMBER | U/M | DESCRIPTION |
|-----|---------------|-----|--|
| 1 | 112949-02-05A | EA | LATCH - PADDLE NON-LOCKING - BLACK |
| 1 | 138277-01-01A | EA | LATCH/PADDLE - COMPARTMENT DOOR - BLACK - KEY ONE |
| 2 | 121947-01-01A | EA | BOLT - SLIDE W/PLASTIC PLUNGER |
| 3 | 135276-01-02A | EA | REINFORCEMENT - CORNER - SANDSTONE |
| 4 | 135276-02-02A | EA | REINFORCEMENT - CORNER - SANDSTONE |
| 5 | 137359-01-01A | EA | COVER - LATCH - WHITE |
| 6 | 139793-01-01A | EA | HINGE - RIGHT HAND/VALANCE DOOR - W/BALL STUD |
| 6 | 139793-04-01A | EA | HINGE - RIGHT HAND/VALANCE DOOR - W/O BALL STUD - REAR PASSENGER |
| 7 | 139793-05-01A | EA | HINGE - LEFT HAND/VALANCE DOOR - W/O BALL STUD |
| 7 | 139793-02-01A | EA | HINGE - LEFT HAND/VALANCE DOOR - W/BALL STUD - REAR PASSENGER |
| 8 | 139793-03-01A | EA | HINGE - CENTER/VALANCE DOOR - W/O BALL STUD |
| 9 | 132873-01-000 | EA | ROD - LATCH (BLANK) - RIGHT HAND |
| 10 | 132873-02-000 | EA | ROD - LATCH (BLANK) - LEFT HAND |
| 11 | 133049-07-R28 | EA | TRIM - FUEL FILL |

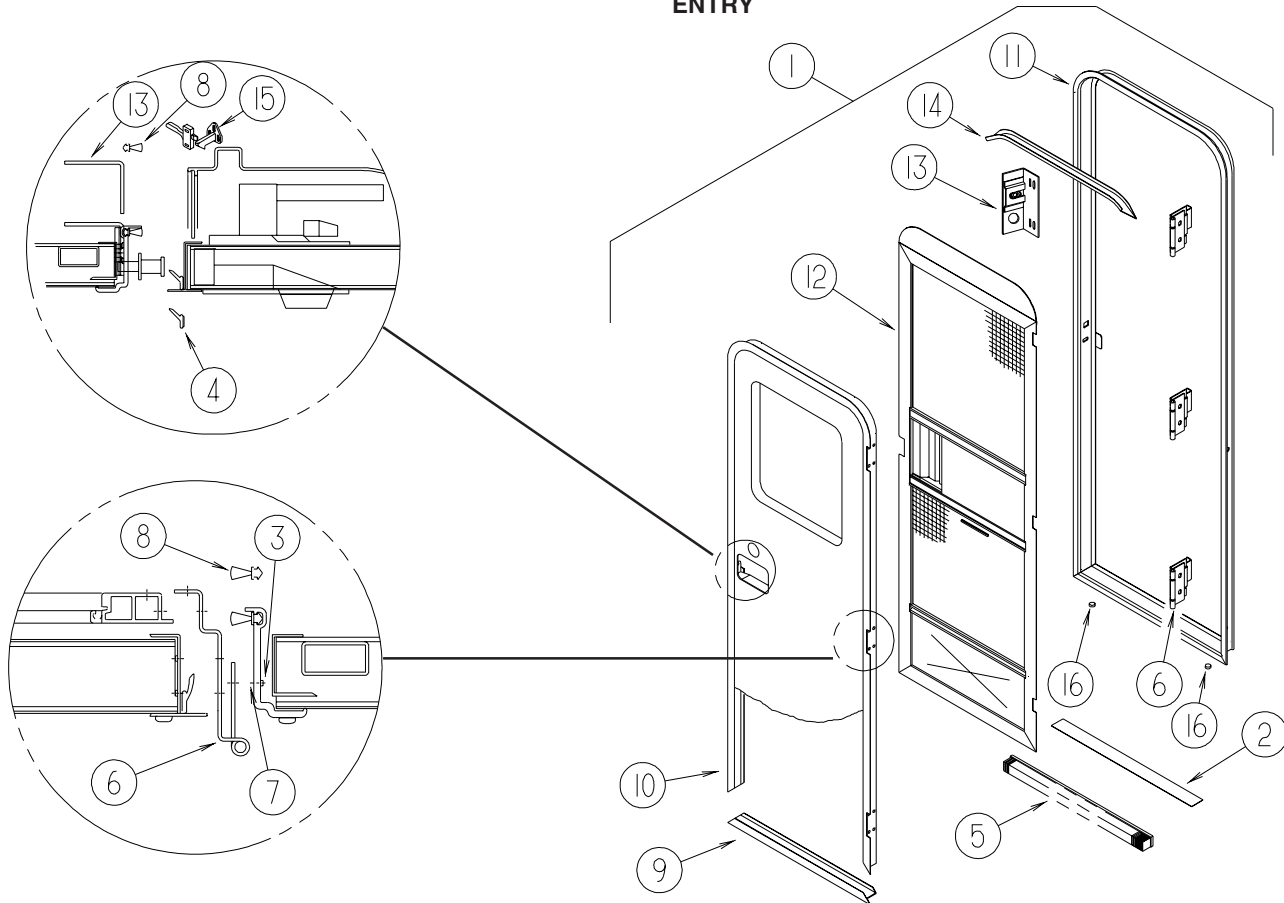
EXTERIOR DOORS & COMPARTMENTS GROUP (CONTINUED)
COMPARTMENT DOOR PIECE PARTS (CONTINUED)



| KEY | PART NUMBER | U/M | DESCRIPTION |
|-----|---------------|-----|--|
| 1 | 139325-01-000 | EA | SPACER - LOCK - 6MM |
| | 139337-01-000 | EA | GASKET - LOCK |
| 2 | 097111-02-04A | EA | POCKET - LOCK - REAR DOOR - BLACK |
| 2 | 097111-02-05A | EA | POCKET - LOCK - REAR DOOR - BRIGHT WHITE |
| 3 | 081801-V3-000 | EA | HINGE - ALUMINUM - 2" X 96" - BRIGHT WHITE |
| 4 | 106850-02-000 | FT | SEAL-E - SPONGE RUBBER - .43" X .75" |
| 5 | 138290-02-000 | EA | CASE - W/CAM - W/O CYLINDER/KEY |

EXTERIOR DOORS & COMPARTMENTS GROUP (CONTINUED)

ENTRY

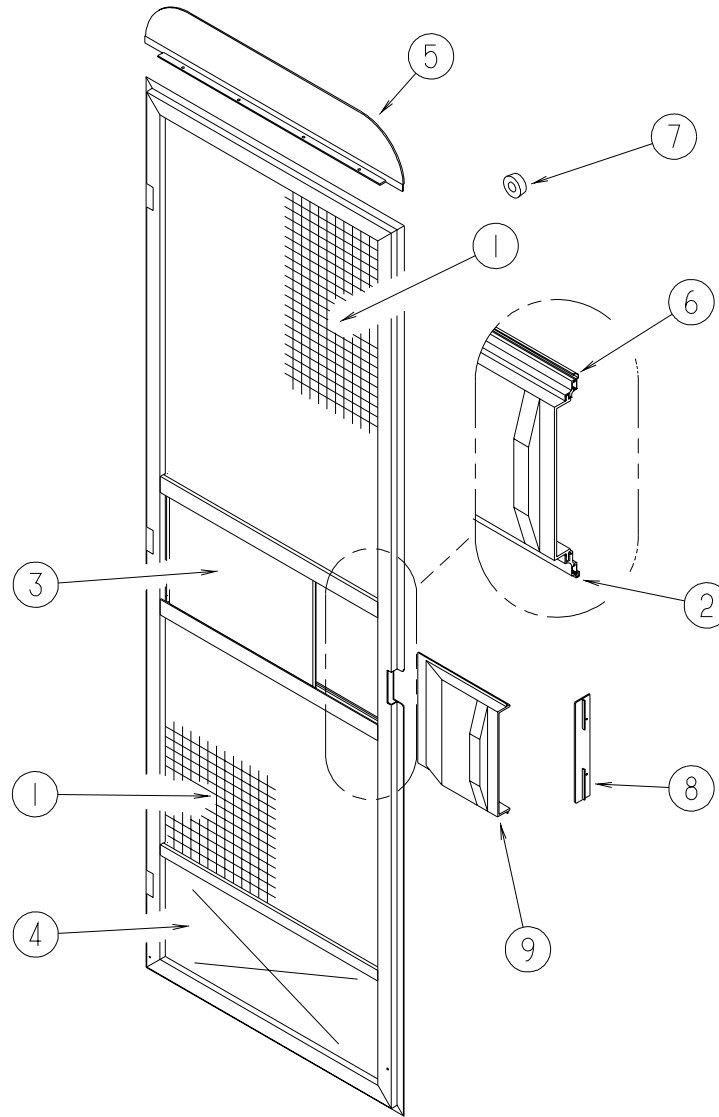


| KEY | PART NUMBER | U/M | DESCRIPTION |
|-----|---------------|-----|--|
| 1 | P32206-08-P31 | EA | DOOR - ENTRY W/SCREEN DOOR - W/O WINDOW/LATCH (R30) |
| 1 | P32206-08-N31 | EA | DOOR - ENTRY W/SCREEN DOOR - W/O WINDOW/LATCH (R31) |
| 1 | P32206-08-R34 | EA | DOOR - ENTRY W/SCREEN DOOR - W/O WINDOW/LATCH (R99) |
| 1 | P32206-08-P32 | EA | DOOR - ENTRY W/SCREEN DOOR - W/O WINDOW/LATCH (R58) |
| 2 | 038327-01-000 | EA | TAPE - ANTI-SLIP - 2" X 60" |
| 3 | 039715-01-000 | EA | NUT-SERT - 1/4" DIAMETER - 20 THREADS |
| 4 | 075671-04-000 | FT | SEAL - SPONGE - LAZY T - W/ADHESIVE STRIP - .5" WIDE |
| 5 | 075673-05-000 | FT | SEAL - PILE - ADHESIVE BACK - BLACK |
| 6 | 106719-01-05A | EA | HINGE - ENTRY DOOR - BRIGHT WHITE |
| 7 | 116111-02-01A | EA | SCREW - TAPTITE - 1/4-20 X 3/8 PPH - ZINC |
| 8 | 118929-01-01A | FT | SEAL - PILE - PUSH ON |
| 9 | 121893-03-02A | EA | FRAME - ENTRY DOOR/LOWER - BRIGHT WHITE |
| 10 | 121894-16-01A | EA | FRAME - ENTRY DOOR - BRIGHT WHITE |
| 11 | 121898-14-01A | EA | JAMB - ENTRY DOOR |
| 12 | 132208-02-L32 | EA | DOOR - SCREEN - W/O HARDWARE |
| 13 | 137401-01-03B | EA | BRACKET - DOOR ANGLE - OFF WHITE |
| 14 | 139054-19-01A | EA | CAP - DRIP - JAMB MOUNTED - BRIGHT WHITE |
| 15 | 132915-01-01A | EA | LATCH - SCREEN DOOR - BLACK |
| | 148364-01-02A | EA | STRIKE - SCREEN DOOR - BRIGHT WHITE |
| | 148364-01-12B | EA | STRIKE - SCREEN DOOR - BRIGHT WHITE |
| | | | FROM: 12-19-03 THRU: 02-11-04 |
| | | | FROM: 02-12-04 THRU: 99-99-99 |
| 16 | 081914-02-000 | EA | BUMPER - RUBBER - ROUND - 5/16" DIA. X 13/64" THICK |
| | 138287-01-000 | EA | CYLINDER/LOCK - ENTRY DOOR (MASTER) |
| | 138287-02-000 | EA | CYLINDER/LOCK - ENTRY DOOR (MASTER) |
| | 138287-03-000 | EA | CYLINDER/LOCK - ENTRY DOOR (MASTER) |
| | 138287-04-000 | EA | CYLINDER/LOCK - ENTRY DOOR (MASTER) |
| | 138287-05-000 | EA | CYLINDER/LOCK - ENTRY DOOR (MASTER) |
| | 138287-06-000 | EA | CYLINDER/LOCK - ENTRY DOOR (MASTER) |
| | 138287-07-000 | EA | CYLINDER/LOCK - ENTRY DOOR (MASTER) |
| | 138287-08-000 | EA | CYLINDER/LOCK - ENTRY DOOR (MASTER) |
| | 138287-09-000 | EA | CYLINDER/LOCK - ENTRY DOOR (MASTER) |

EXTERIOR DOORS & COMPARTMENTS GROUP (CONTINUED)

ENTRY (CONTINUED)

| KEY | PART NUMBER | U/M | DESCRIPTION |
|-----|---------------|-----|--|
| | 138287-10-000 | EA | CYLINDER/LOCK - ENTRY DOOR (MASTER) |
| | 138288-01-000 | EA | KEY - REVERSIBLE - #1151 - T/M 16169-02-3091 |
| | 138288-02-000 | EA | KEY - REVERSIBLE - #1152 - T/M 16169-02-3092 |
| | 138288-03-000 | EA | KEY - REVERSIBLE - #1153 - T/M 16169-02-3093 |
| | 138288-04-000 | EA | KEY - REVERSIBLE - #1154 - T/M 16169-02-3094 |
| | 138288-05-000 | EA | KEY - REVERSIBLE - #1155 - T/M 16169-02-3095 |
| | 138288-06-000 | EA | KEY - REVERSIBLE - #1156 - T/M 16169-02-3096 |
| | 138288-07-000 | EA | KEY - REVERSIBLE - #1157 - T/M 16169-02-3097 |
| | 138288-08-000 | EA | KEY - REVERSIBLE - #1158 - T/M 16169-02-3098 |
| | 138288-09-000 | EA | KEY - REVERSIBLE - #1159 - T/M 16169-02-3099 |
| | 138288-10-000 | EA | KEY - REVERSIBLE - #1150 - T/M 16169-02-3100 |

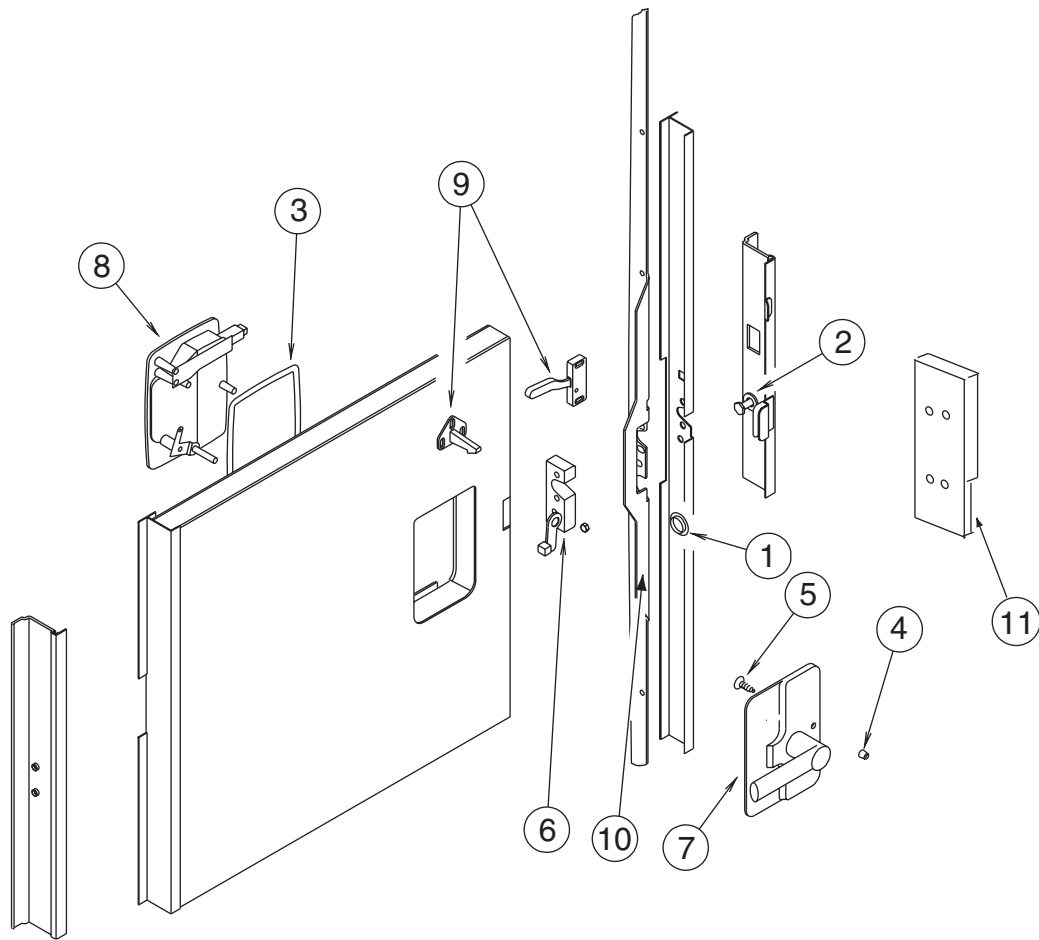


SCREEN

| KEY | PART NUMBER | U/M | DESCRIPTION |
|-----|---------------|-----|---|
| 1 | 002293-02-000 | SF | SCREEN - 26" - CHARCOAL |
| 2 | 002294-01-000 | FT | SPLINE - SCREENING - .13" X .14" |
| 3 | 016454-18-000 | EA | INSERT/CENTER - SCREEN DOOR |
| 4 | 078552-09-000 | EA | INSERT - SCREEN DOOR - LOWER |
| 5 | 078595-03-000 | EA | PLATE - SCREEN DOOR |
| 6 | 078777-08-000 | FT | CHANNEL - SLIDER - 4 FOOT INCREMENTS |
| 7 | 120863-06-000 | EA | BUMPER - RUBBER/RADIUS TOP - 3/4" X 3/8" - LT GRAY |
| 8 | 132081-01-01A | EA | STRIKE - SLIDER - SCREEN DOOR - BRIGHT WHITE |
| 8 | 132081-01-03A | EA | STRIKE - SLIDER - SCREEN DOOR - BLACK - FULL BODY PAINT |
| 9 | 132082-01-01A | EA | SLIDER - SCREEN DOOR - BRIGHT WHITE |
| 9 | 132082-01-03A | EA | SLIDER - SCREEN DOOR - BLACK - FULL BODY PAINT |

EXTERIOR DOORS & COMPARTMENTS GROUP (CONTINUED)

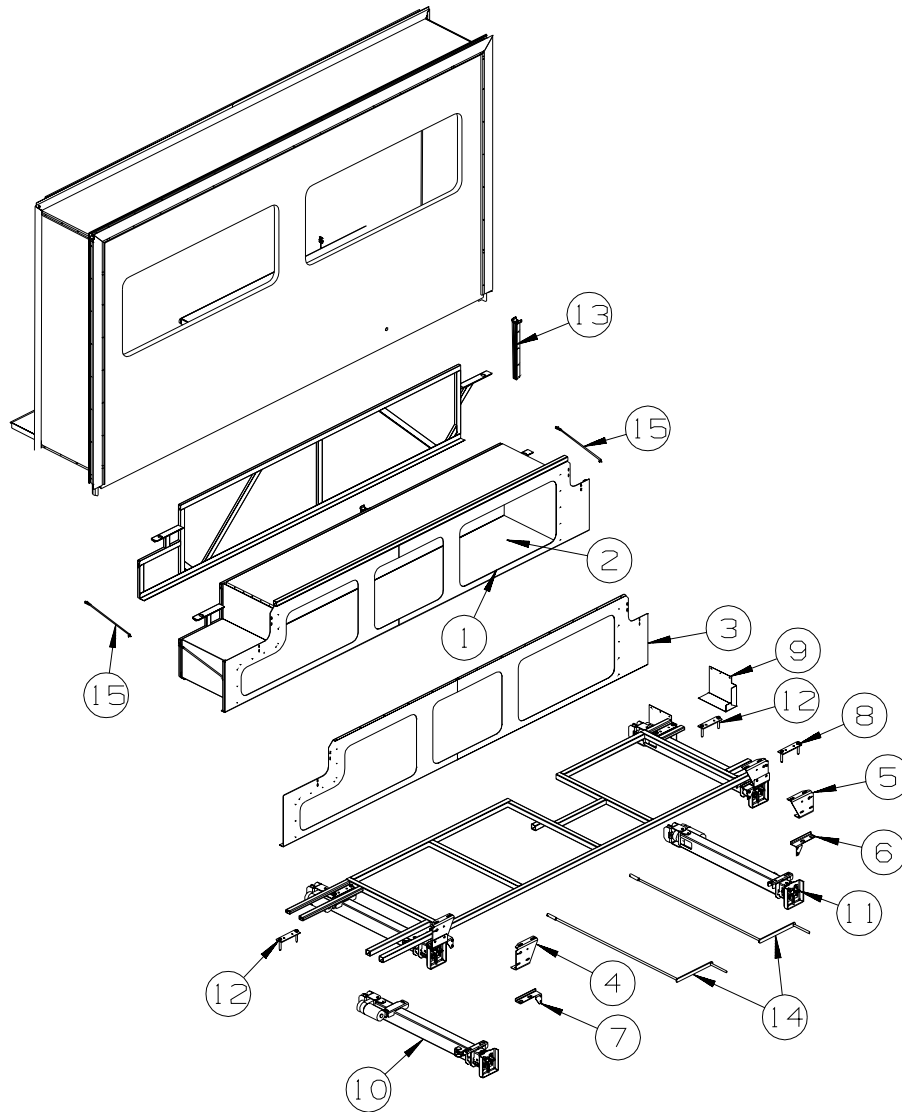
LATCH - ENTRY



| KEY | PART NUMBER | U/M | DESCRIPTION |
|-----|---------------|-----|--|
| 1 | 061420-14-000 | EA | PLUG/PLASTIC - .034" DIAMETER |
| 2 | 092927-14-000 | EA | STRIKER - ROUND - JAMB MOUNTED |
| | | | FROM: 00-00-00 THRU: 11-02-03 |
| 2 | 092927-15-000 | EA | STRIKER - ROUND - JAMB MOUNTED |
| | | | FROM: 11-03-03 THRU: 99-99-99 |
| 3 | 112782-04-01A | EA | GASKET |
| 4 | 112782-05-01A | EA | CAP - VINYL - RED |
| 5 | 112782-08-01A | EA | SCREW - MOUNTING/PLATE - ZINC |
| 6 | 112782-15-01A | EA | LATCH - SINGLE ROTOR |
| 7 | 112782-16-01A | EA | LATCH - INTERIOR PLATE |
| 8 | 112782-18-01A | EA | LATCH - EXTERIOR - W/O LOCK CYLINDER W/ICON-REVERSIBLE KEY |
| 9 | 132915-01-01A | EA | LATCH - SCREEN DOOR |
| 10 | 132207-01-02B | EA | STIFFENER/DOOR - FORMED - E-COATED |
| | 072893-04-000 | EA | NUTSERT - 10-32 |
| 11 | 139102-01-01A | EA | COVER - BRACKET - STRIKE - BRIGHT WHITE |

EXTERIOR SLIDEOUT GROUP

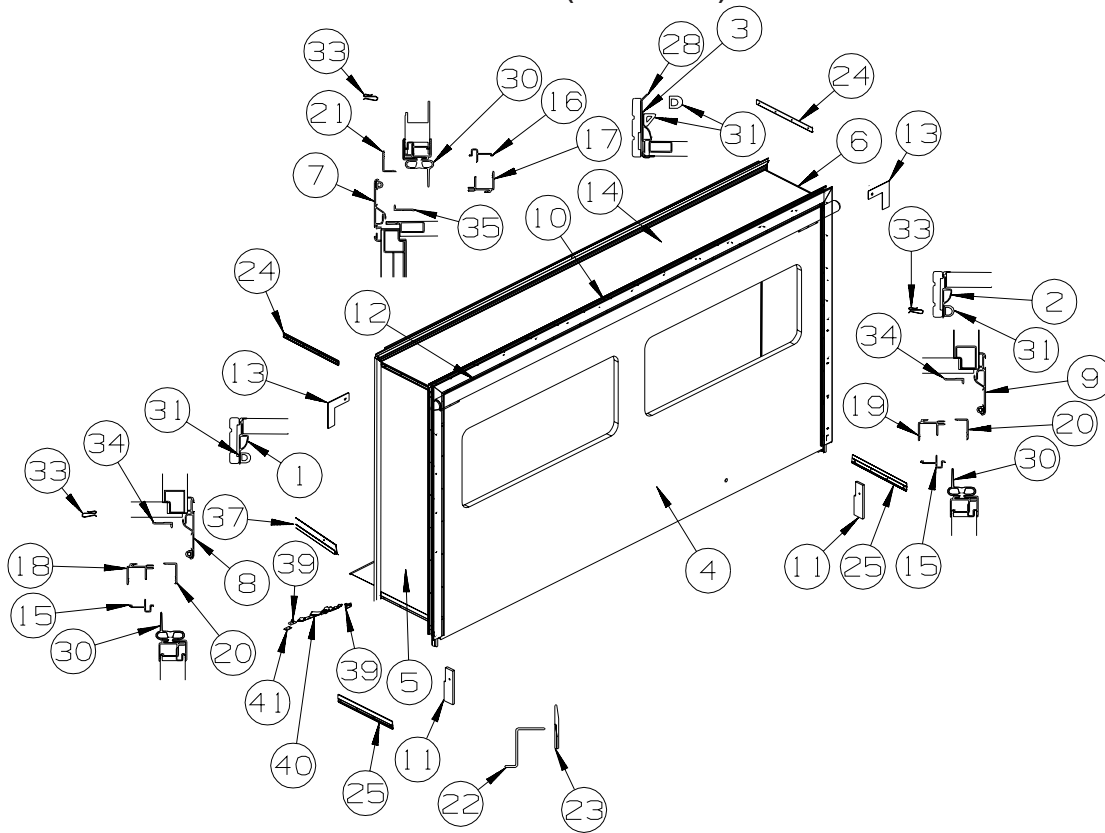
FRONT LEFT



| KEY | PART NUMBER | U/M | DESCRIPTION |
|-----|---------------|-----|--|
| 1 | 126516-01-01A | FT | TRIM - VINYL/EXTRUDED - 8' |
| 2 | 141162-04-P31 | EA | COMPARTMENT - SLIDEOUT |
| 3 | 137064-06-02B | EA | SEAL PLANE - F/SLIDEOUT - E-COATED |
| 4 | 127030-07-02B | EA | BRACKET - INNER FRONT/MOUNT - E-COATED |
| 5 | 127030-08-02B | EA | BRACKET - INNER REAR/MOUNT - E-COATED |
| 6 | 125888-05-02B | EA | BRACKET/SLIDEOUT COMPARTMENT - RIGHT HAND - E-COATED |
| 7 | 125888-06-02B | EA | BRACKET/SLIDEOUT COMPARTMENT - LEFT HAND - E-COATED |
| 8 | 136995-05-02B | EA | PLATE - E-COATED |
| 9 | 138777-01-02B | EA | COVER - MOTOR - F/SLIDEOUT - E-COATED |
| 10* | 142599-01-000 | EA | SLIDE ARM ASSEMBLY - FRONT - ELECTRIC |
| 11* | 142599-02-000 | EA | SLIDE ARM ASSEMBLY - REAR - ELECTRIC |
| 12 | 136995-03-02B | EA | PLATE - E-COATED |
| 13 | 126591-01-02B | EA | CARRIER/EXTENSION - F/SLIDEOUT-F/EXT. OF WIRE LOOM/HOSES |
| 14 | 138173-05-000 | EA | HANDLE/CRANK - SLIDEOUT - ROD |
| 15 | 107865-26-000 | EA | ROD - SUPPORT - VALANCE PANEL - 18.9" |

*COMPONENT PARTS LISTED LATER IN THIS GROUP

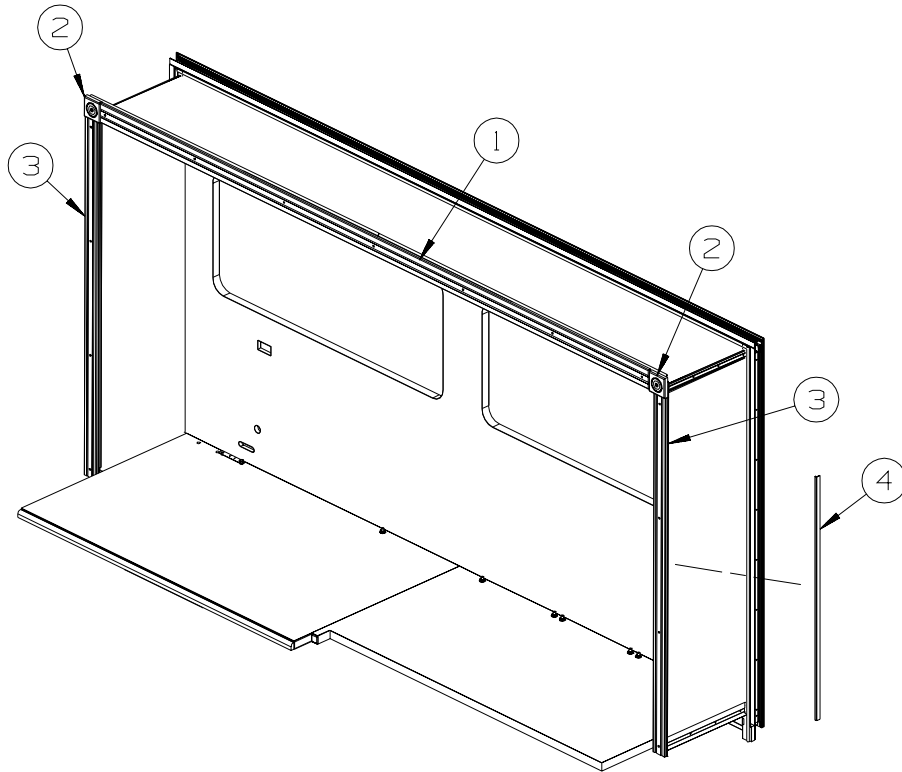
EXTERIOR SLIDEOUT GROUP (CONTINUED)
FRONT LEFT (CONTINUED)



| KEY | PART NUMBER | U/M | DESCRIPTION |
|-----|---------------|-----|---|
| 1 | 139624-01-01A | EA | TRIM/SEAL - INNER/RIGHT HAND - 73.4" - BRIGHT WHITE |
| 2 | 139624-02-01A | EA | TRIM/SEAL - INNER/LEFT HAND - 73.4" - BRIGHT WHITE |
| 3 | 139624-06-01A | EA | TRIM/SEAL - INNER/TOP - 145.2" - BRIGHT WHITE |
| 4 | 144497-11-R28 | EA | SLUG - F/SLIDEOUT (R30) |
| 4 | 144497-11-R29 | EA | SLUG - F/SLIDEOUT (R31) |
| 4 | 144497-11-R98 | EA | SLUG - F/SLIDEOUT (R99) |
| 4 | 144497-11-R57 | EA | SLUG - F/SLIDEOUT (R58) |
| 5 | 134728-01-P31 | EA | PANEL - SLIDEOUT - FRONT (R30) |
| 5 | 134728-01-R29 | EA | PANEL - SLIDEOUT - FRONT (R31) |
| 5 | 134728-01-R08 | EA | PANEL - SLIDEOUT - FRONT (R99) |
| 5 | 134728-01-M76 | EA | PANEL - SLIDEOUT - FRONT (R58) |
| 6 | 134729-01-P31 | EA | PANEL - SLIDEOUT - REAR (R30) |
| 6 | 134729-01-R29 | EA | PANEL - SLIDEOUT - REAR (R31) |
| 6 | 134729-01-R08 | EA | PANEL - SLIDEOUT - REAR (R99) |
| 6 | 134729-01-M76 | EA | PANEL - SLIDEOUT - REAR (R58) |
| 7 | 139625-06-01A | EA | TRIM/SEAL - TOP/W/MITERED ENDS - 147" - BRIGHT WHITE |
| | 105312-01-07A | FT | INSERT - FEATURE STRIP - VINYL - BRIGHT WHITE |
| 8 | 139625-01-01A | EA | TRIM/SEAL - LEFT HAND - 76.4" - BRIGHT WHITE |
| | | | FROM: 00-00-00 THRU: 12-07-03 |
| 8 | 139625-42-01A | EA | TRIM/SEAL - TOP W/RH MITERED END - 76.2" - BRIGHT WHITE |
| | | | FROM: 12-08-03 THRU: 99-99-99 |
| | 105312-01-07A | FT | INSERT - FEATURE STRIP - VINYL - BRIGHT WHITE |
| 9 | 139625-02-01A | EA | TRIM/SEAL - RIGHT HAND - 76.4" - BRIGHT WHITE |
| | | | FROM: 00-00-00 THRU: 12-07-03 |
| 9 | 139625-43-01A | EA | TRIM/SEAL - TOP W/LH MITERED END - 76.2" - BRIGHT WHITE |
| | | | FROM: 12-08-03 THRU: 99-99-99 |
| | 105312-01-07A | FT | INSERT - FEATURE STRIP - VINYL - BRIGHT WHITE |
| 10 | 117058-01-01A | FT | TAPE - LOOP - 3/4" WIDE - ADHESIVE BACKED |
| 11 | 126546-01-02A | EA | COVER - END/SIDEWALL SLIDEOUT - BRIGHT WHITE |
| 12 | 122977-07-03A | EA | AWNING/SLIDEOUT W/COVER - 147" - WHITE - VINYL/VINYL WRAP |
| 13 | 116444-04-12B | EA | TRIM/KEY CORNER - SLIDEOUT - 3.1"X3.1" - BRT WHT |
| 14 | 139519-01-N21 | EA | ROOF - SLIDEOUT - W/O WIRING |
| 15 | 142718-01-01A | EA | RETAINER - SIDEWALL/SLIDEOUT - 72.8" - MILL |
| 16 | 142718-02-01A | EA | RETAINER - SIDEWALL/SLIDEOUT - 144.9" - MILL |
| 17 | 142719-01-01A | EA | TRIM/SIDEWALL - TOP/SLIDEOUT - 146.7" - BRIGHT WHITE |

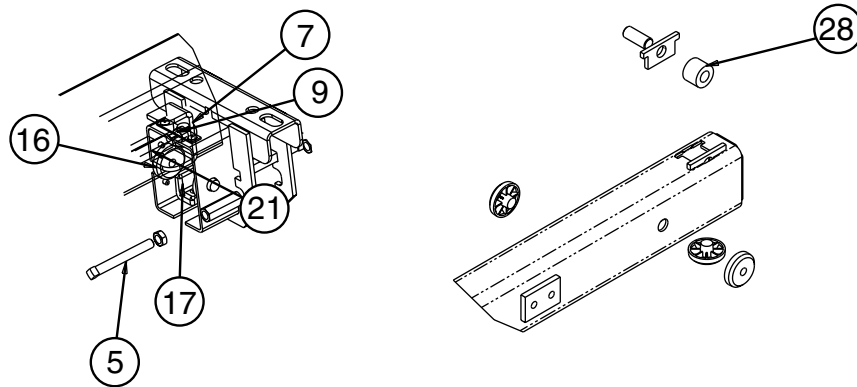
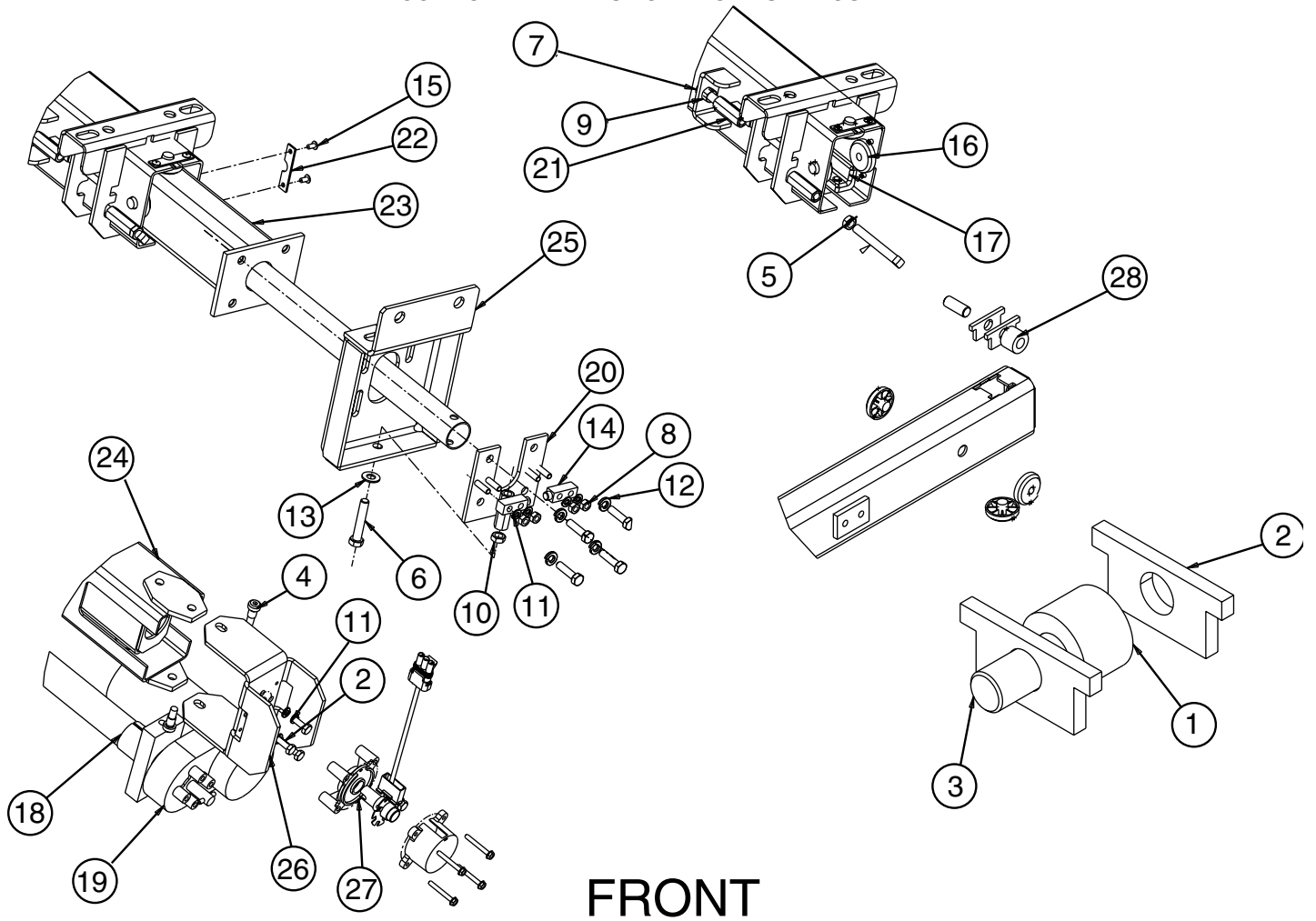
EXTERIOR SLIDEOUT GROUP (CONTINUED)
FRONT LEFT (CONTINUED)

| KEY | PART NUMBER | U/M | DESCRIPTION |
|-----|---------------|-----|--|
| 18 | 142720-08-01A | EA | TRIM - SIDEWALL/SLIDEOUT - 74.4" - BRIGHT WHITE |
| 19 | 142720-06-01A | EA | TRIM - SIDEWALL/SLIDEOUT - 74.4" - BRIGHT WHITE |
| 20 | 136824-38-01A | EA | TRIM - SIDEWALL/SLIDEOUT - 74.6" - BRIGHT WHITE |
| | | | FROM: 00-00-00 THRU: 12-07-03 |
| 20 | 136824-45-01A | EA | TRIM - SIDEWALL/SLIDEOUT - 74.4" |
| | | | FROM: 12-08-03 THRU: 99-99-99 |
| 21 | 136824-05-01A | EA | TRIM - SIDEWALL/SLIDEOUT - 146.4" - BRIGHT WHITE |
| 22 | 128621-28-01A | EA | BRACKET/ZEE - SLIDEOUT - 140.6" - MILL |
| 23 | 115075-03-000 | FT | SEAL - WIPE - .25" X 2.9" |
| 23 | 089275-02-000 | FT | STRIP - 3/4" X 84" BLACK POLYETHYLENE |
| 24 | 138659-01-01A | EA | TRIM/FEATURE STRIP - 181.7" - BRIGHT WHITE |
| | 105312-01-07A | FT | INSERT - FEATURE STRIP - VINYL - BRIGHT WHITE |
| 25 | 125051-01-01A | EA | TRIM- FEATURE STRIP/LOWER - 20.2" - BRIGHT WHITE |
| | 105312-01-07A | FT | INSERT - FEATURE STRIP - VINYL - BRIGHT WHITE |
| | 075673-05-000 | FT | SEAL - PILE - ADHESIVE BACK - BLACK |
| 26 | 115325-12-01A | EA | RAIL - FLOOR/SLIDEOUT ROOM - 86.5" LONG - BLACK |
| 27 | 115325-06-02A | EA | RAIL - FLOOR/SLIDEOUT ROOM - 19.7" LONG - BLACK |
| 28 | 125466-02-02A | EA | SUPPORT - ROOF/INTERIOR - BRIGHT WHITE |
| 29 | 115661-01-000 | FT | SHOE/GLIDE - SLIDEOUT ROOM - 1/16" X 3" - POLYETHYLENE |
| 30 | 136978-01-01A | FT | SEAL - SLIDEOUT - BLACK |
| 31 | 146056-01-000 | FT | SEAL - TRIANGLE - W/PSA |
| 32 | NOT USED | | |
| 33 | 142549-01-000 | EA | CLIP-S TYPE |
| 34 | 133954-09-01A | EA | TRIM/SEAL - W/MITERED ENDS - 71.6" - BRIGHT WHITE |
| 35 | 133954-07-01A | EA | TRIM/SEAL - W/MITERED ENDS - 141.8" - BRIGHT WHITE |
| 36 | NOT USED | | |
| 37 | 136839-05-01A | EA | TRIM-J - CARPET EDGE/SLIDEOUT - 67.8" - BLACK |
| 38 | NOT USED | | |
| 39 | 135619-02-01A | EA | PLATE - TIEDOWN - SLIDEOUT ROOM |
| 40 | 135619-01-01A | EA | STRAP - TIEDOWN - SLIDEOUT ROOM |
| 41 | 135622-01-02B | EA | PLATE - TIEDOWN - SLIDEOUT ROOM |



| KEY | PART NUMBER | U/M | DESCRIPTION |
|-----|---------------|-----|--|
| 1 | 132663-06-08A | EA | MOLDING-VINYL WRAP/PRE DRILLED-.6"X3.8"X137.4" - OAK - PORTSMOUTH OAK |
| 2 | 132844-01-08A | EA | BLOCK - CORNER - 3.9" X 3.9" - PORTSMOUTH OAK |
| 3 | 132663-04-08A | EA | MOLDING - VINYL WRAP/PRE DRILLED - .6" X 3" X 70.4" - OAK - PORTSMOUTH OAK |
| 4 | 130262-04-000 | EA | PROTECTOR - CORNER SAVER - .4" X .7" X 48" |

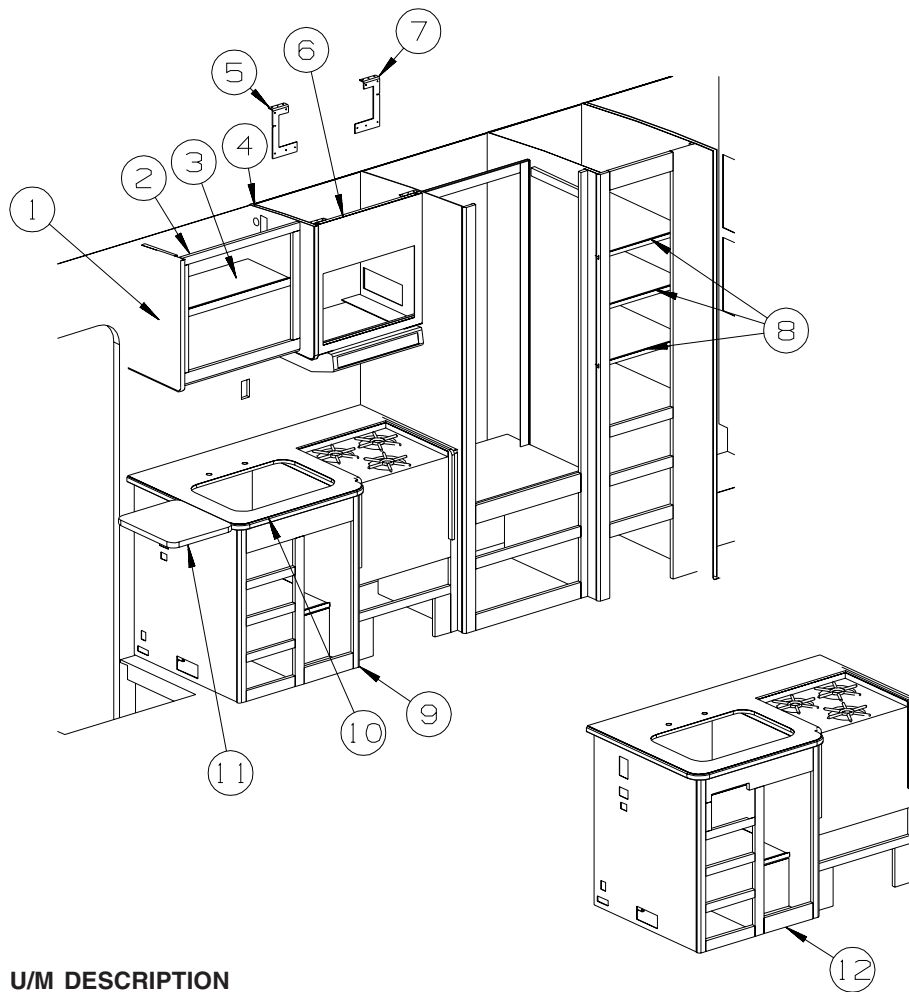
EXTERIOR SLIDEOUT GROUP (CONTINUED)
COMPONENT PARTS FOR FRONT SLIDEOUT



142599-01-000, 142599-02-000

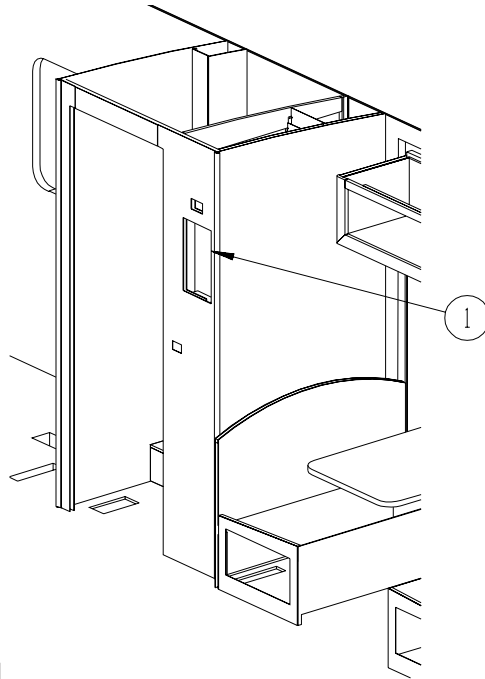
| KEY | PART NUMBER | U/M | DESCRIPTION | VENDOR NO. |
|-----|---------------|-----|------------------------------|------------|
| 1 | 140457-01-701 | EA | BUSHING - 1" X 3/4" X 1/2"ID | 1614006 |
| 3 | 140457-01-704 | EA | SHAFT/AXLE - REAR ROLLER | 7204523 |
| 14 | 138173-01-700 | EA | PIN/CLEVIS - PLATED/FRONT | 1213810 |
| 15 | 138173-01-701 | EA | POP RIVET - SS 3/16"X1/4" | 1214630 |
| 16 | 138173-01-707 | EA | WEAR PUCK - PLASTIC F/DRIVE | 1612523 |
| 17 | 138173-01-705 | EA | WEAR PAD - PLASTIC | 1612531 |
| 19 | 138173-01-706 | EA | MOTOR - DRIVE W/WORM SHAFT | 1820106 |
| | 138173-01-704 | EA | HOUSING/ENCODER-MAIN ASSY | 7200055 |
| | 142599-01-700 | EA | SWITCH ASSEMBLY W/PIGTAIL | 907202011 |

GALLEY GROUP CABINETS

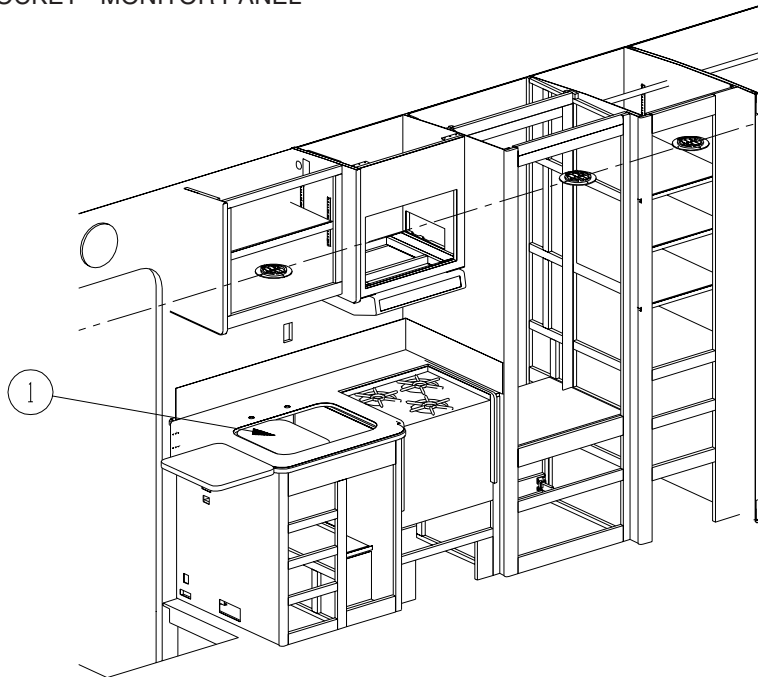


| KEY | PART NUMBER | U/M | DESCRIPTION |
|-----|---------------|-----|---|
| 1 | 144618-17-R28 | EA | END CAP - OVERHEAD CABINET |
| 2 | 144618-01-R28 | EA | CABINET - OVERHEAD/GALLEY - W/O DOORS/HARDWARE - MICROWAVE OVEN |
| 2 | 144618-02-R28 | EA | CABINET - OVERHEAD/GALLEY - W/O DOORS/HARDWARE - MICRO/CONVECTION OVEN |
| 3 | 144618-13-R28 | EA | SHELF - W/PLASTIC EDGE MOLDING - MICROWAVE OVEN |
| 3 | 144618-21-R28 | EA | SHELF - W/PLASTIC EDGE MOLDING - MICRO/CONVECTION OVEN |
| 4 | 145568-17-R28 | EA | END CAP - MICROWAVE CABINET - MICROWAVE OVEN |
| 4 | 140307-40-R13 | EA | END CAP - MICROWAVE CABINET - MICRO/CONVECTION OVEN |
| 5 | 098916-33-02B | EA | BRACE - MICROWAVE CABINET - LEFT HAND - E-COATED - MICROWAVE OVEN |
| 5 | 149420-06-02B | EA | BRACE - MICROWAVE - E-COATED - LEFT HAND - MICRO/CONVECTION OVEN |
| 6 | 145568-01-R28 | EA | CABINET - OVERHEAD/MICROWAVE - W/O DOORS/HARDWARE - MICROWAVE OVEN |
| 6 | 150460-01-R28 | EA | CABINET - OVERHEAD/MICROWAVE - W/O DOORS/HARDWARE - MICRO/CONVECTION OVEN |
| 7 | 098916-34-02B | EA | BRACE - MICROWAVE CABINET - RIGHT HAND - E-COATED - MICROWAVE OVEN |
| 7 | 149420-05-02B | EA | BRACE - MICROWAVE - E-COATED - RIGHT HAND - MICRO/CONVECTION OVEN |
| 8 | 144971-17-R28 | EA | SHELF - W/PLASTIC EDGE MOLDING |
| 9 | P44604-01-R28 | EA | CABINET - GALLEY - RANGE-3-BURNER WITH OVEN-RADIOS TWO-WAY WITHOUT |
| 9 | P44604-03-R28 | EA | CABINET - GALLEY - RANGE TOP 3-BURNER-RADIOS TWO-WAY WITHOUT |
| 10 | 133653-23-R28 | EA | COUNTERTOP - LAMINATED - LINO FRIEZE/PORTSMOUTH OAK (R30) |
| 10 | 133653-23-P31 | EA | COUNTERTOP - LAMINATED - EGGSHELL/PORTSMOUTH OAK (R31, R58) |
| 10 | 133653-23-R98 | EA | COUNTERTOP - LAMINATED - GRAY TRANQUILITY/PORTSMOUTH OAK (R99) |
| 11 | 129503-04-R28 | EA | EXTENSION/GALLEY - LAMINATED-LINO FRIEZE/PTSM OAK-W/O HDW (R30) |
| 11 | 129503-04-P31 | EA | EXTENSION/GALLEY - LAMINATED - EGGSHELL/PTSM OAK-W/O HDW (R31, R58) |
| 11 | 129503-04-P13 | EA | EXTENSION/GALLEY - LAMINATED - GRAY TRAN/PTSM OAK-W/O HDW (R99) |
| 12 | P44604-02-R28 | EA | CABINET - GALLEY - RANGE-3-BURNER WITH OVEN-RADIOS TWO-WAY (4) |
| 12 | P44604-04-R28 | EA | CABINET - GALLEY - RANGE TOP 3-BURNER-RADIOS TWO-WAY (4) |

GALLEY GROUP (CONTINUED)
CABINETS (CONTINUED)

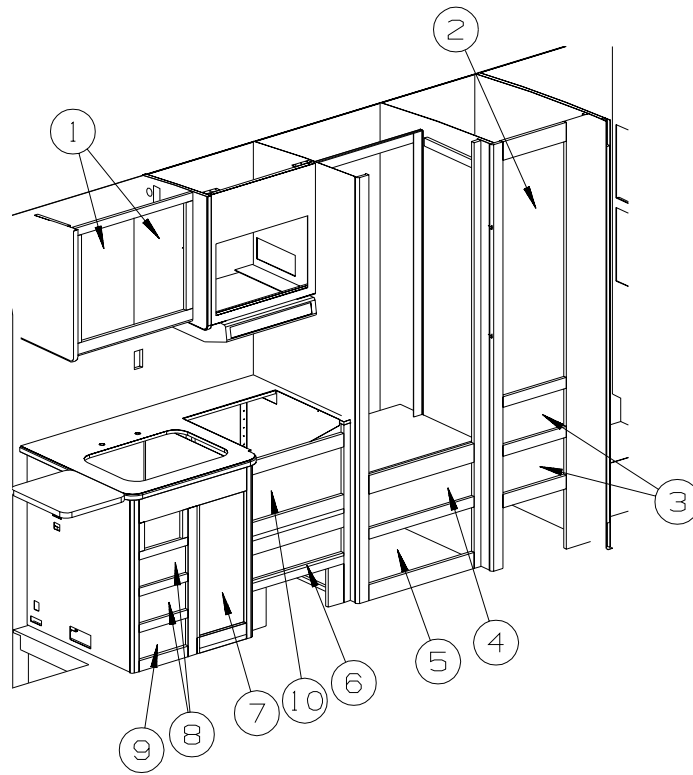


| KEY | PART NUMBER | U/M | DESCRIPTION |
|-----|---------------|-----|------------------------|
| 1 | 131096-51-N25 | EA | POCKET - MONITOR PANEL |



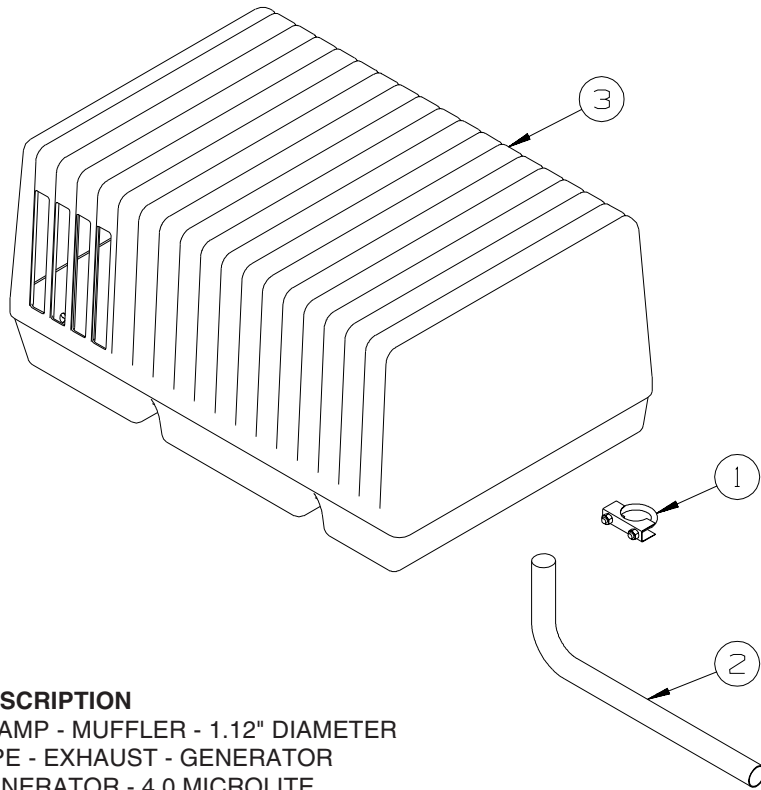
| KEY | PART NUMBER | U/M | DESCRIPTION |
|-----|---------------|-----|---|
| 1 | 103610-04-R09 | EA | COVER - SINK - 15.7" X 13.8" - LINO FRIEZE (R30) |
| 1 | 103610-04-P17 | EA | COVER - SINK - 15.7" X 13.8" - EGGSHELL MOSAIC (R31, R58) |
| 1 | 103610-04-N30 | EA | COVER - SINK - 15.7" X 13.8" - GRAY TRANQUILITY (R99) |

GALLEY GROUP (CONTINUED) DOORS & DRAWERS



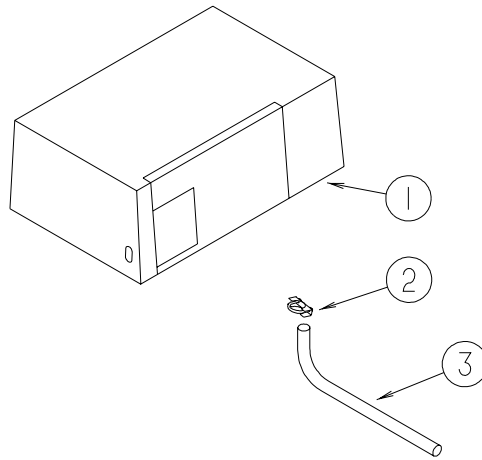
| KEY | PART NUMBER | U/M | DESCRIPTION |
|-----|---------------|-----|--|
| 1 | 136955-67-P34 | EA | DOOR - RAISED PENCIL EDGE - 12" X 21.9" - W/O HDW - MICROWAVE OVEN |
| 1 | 136955-31-P10 | EA | DOOR - RAISED PENCIL EDGE - 10.2" X 21.5" - W/O HDW - MICRO/CONVECTION OVEN |
| 2 | 136919-C7-P04 | EA | DOOR - FLAT/PENCIL EDGE - 15.5" X 45.4" - W/O HARDWARE |
| 3 | 145492-80-R30 | EA | DRAWER - PENCIL EDGE - 13.1"W X 23.6"D - W/O SLIDES/HDW |
| 4 | 145492-42-R74 | EA | DRAWER - PENCIL EDGE - 22.5"W X 17.7"D - W/O SLIDES/HDW |
| 5 | 145492-A6-R30 | EA | DRAWER - PENCIL EDGE - 22.5"W X 17.7"D - W/O SLIDES/HDW |
| 6 | 145492-91-R30 | EA | DRAWER - PENCIL EDGE - 19.8"W X 19.7"D - W/O SLIDES/HDW |
| 7 | 136919-63-P10 | EA | DOOR - FLAT/PENCIL EDGE - 11.4" X 28.1" - W/O HARDWARE |
| 8 | 145492-65-R30 | EA | DRAWER - PENCIL EDGE - 9.9"W X 19.7"D - W/O SLIDES/HDW |
| 9 | 145492-A4-R30 | EA | DRAWER - PENCIL EDGE - 9.9"W X 19.7"D - W/O SLIDES/HDW |
| 10 | 145492-X7-R30 | EA | DRAWER - PENCIL EDGE - 19.8"W X 11.8"D - W/O SLIDES/HDW - RANGE TOP 3-BURNER |

**GENERATOR GROUP
GAS**



D27C & D30B

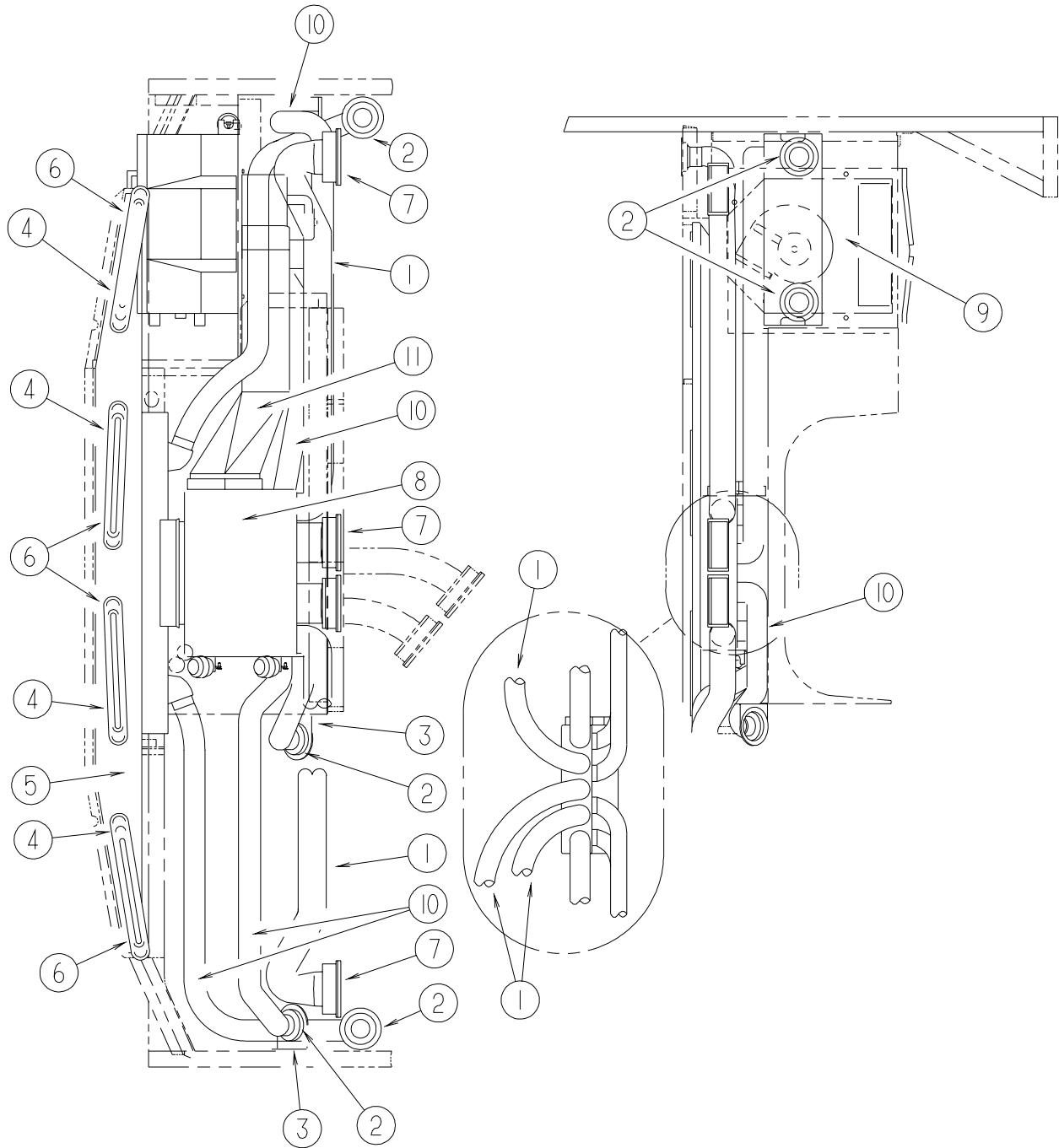
| KEY | PART NUMBER | U/M | DESCRIPTION |
|-----|---------------|-----|----------------------------------|
| 1 | 007125-04-000 | EA | CLAMP - MUFFLER - 1.12" DIAMETER |
| 2 | 105958-23-000 | EA | PIPE - EXHAUST - GENERATOR |
| 3 | 109982-03-000 | EA | GENERATOR - 4.0 MICROLITE |



D33L & D35N

| KEY | PART NUMBER | U/M | DESCRIPTION |
|-----|---------------|-----|---|
| 1 | 135707-07-000 | EA | GENERATOR - 5.5 - 30/20 - GAS - MARQUIS GOLD - 5.5 KW ONAN - D33L, D35N |
| 2 | 007125-03-000 | EA | CLAMP - MUFFLER - 1.5" DIAMETER |
| 3 | 105958-07-000 | EA | PIPE - EXHAUST - 1.4" INLET X 1.5" O.D. - 4.9" X 20.1" |

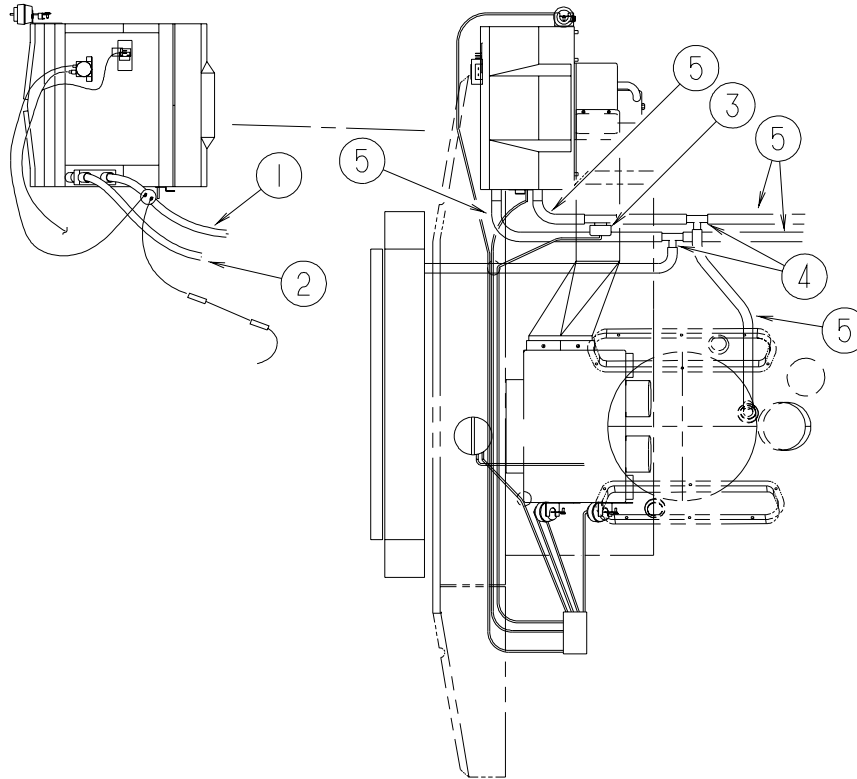
HEATING & A/C GROUP AUTOMOTIVE



| KEY | PART NUMBER | U/M | DESCRIPTION |
|-----|---------------|-----|--|
| 1 | 007281-01-000 | EA | HOSE - FLEXIBLE PVC - 2 1/2" ID X 50' |
| 2 | 024990-05-000 | EA | OUTLET - DEFROSTER - W/SWIVEL - 2" SLEEVE/4" OD - BLACK - 4 USED |
| 3 | 136157-03-02B | EA | BRACKET - HEATER - E-COATED |
| 4 | 077075-01-000 | EA | GASKET - INSTRUMENT PANEL/DEFROSTER PLENUM - .6" X 10.2" |
| 5 | 103017-03-000 | EA | PLENUM - DEFROSTER |
| 6 | 135265-01-04A | EA | VENT - DEFROSTER - PLASTIC - GLACIER |
| 7 | 135803-01-01A | EA | LOUVER - A/C - 2.5" X 5.2" - BLACK |
| 8* | 103930-39-000 | EA | CONTROL/PLENUM - ROTARY |
| 9* | 103930-55-000 | EA | EVAPORATOR/HEATER - NONCHARGED - SINGLE OUTPUT |
| 10 | 007076-01-000 | EA | HOSE - FLEXIBLE PVC - 2" ID - INCREMENTS OF 50' |
| 11 | 103016-03-000 | EA | PLENUM - TRANSITION |
| | 103930-54-000 | EA | MANUAL - OWNERS - HEATER/AC |

*COMPONENT PARTS LISTED LATER IN THIS GROUP

HEATING & A/C GROUP (CONTINUED)
AUTOMOTIVE (CONTINUED)

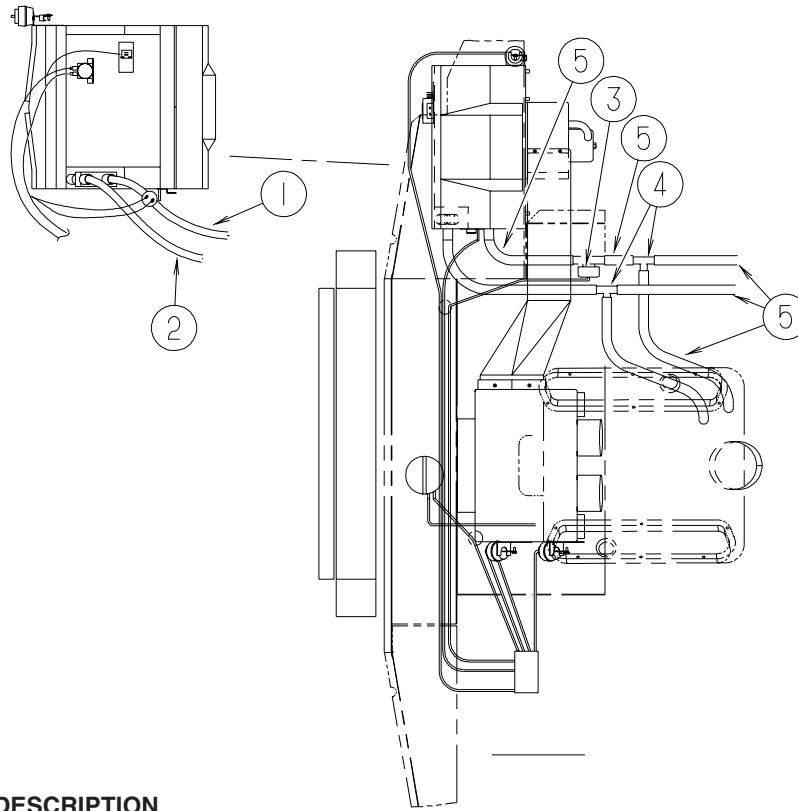


WORKHORSE

| KEY | PART NUMBER | U/M | DESCRIPTION |
|-----|---------------|-----|---|
| 1* | 103930-47-000 | EA | HOSE - EXPANSION VALVE-EVAPORATOR/DRIER |
| 2* | 103930-46-000 | EA | HOSE - EXPANSION BLOCK (EVAPORATOR) TO COMPRESSOR |
| 3 | 103930-23-000 | EA | VALVE/WATER - 2 PORT/VACUUM CONTROLLED - "NEW DESIGN" |
| 4 | 076776-01-000 | EA | TEE - BEADED - 5/8" X 5/8" X 5/8" |
| 5 | 007108-01-000 | FT | HOSE - HEATER - 5/8" ID - HI-TEMP |

***COMPONENT PARTS LISTED LATER IN THIS GROUP**

HEATING & A/C GROUP (CONTINUED)
AUTOMOTIVE (CONTINUED)



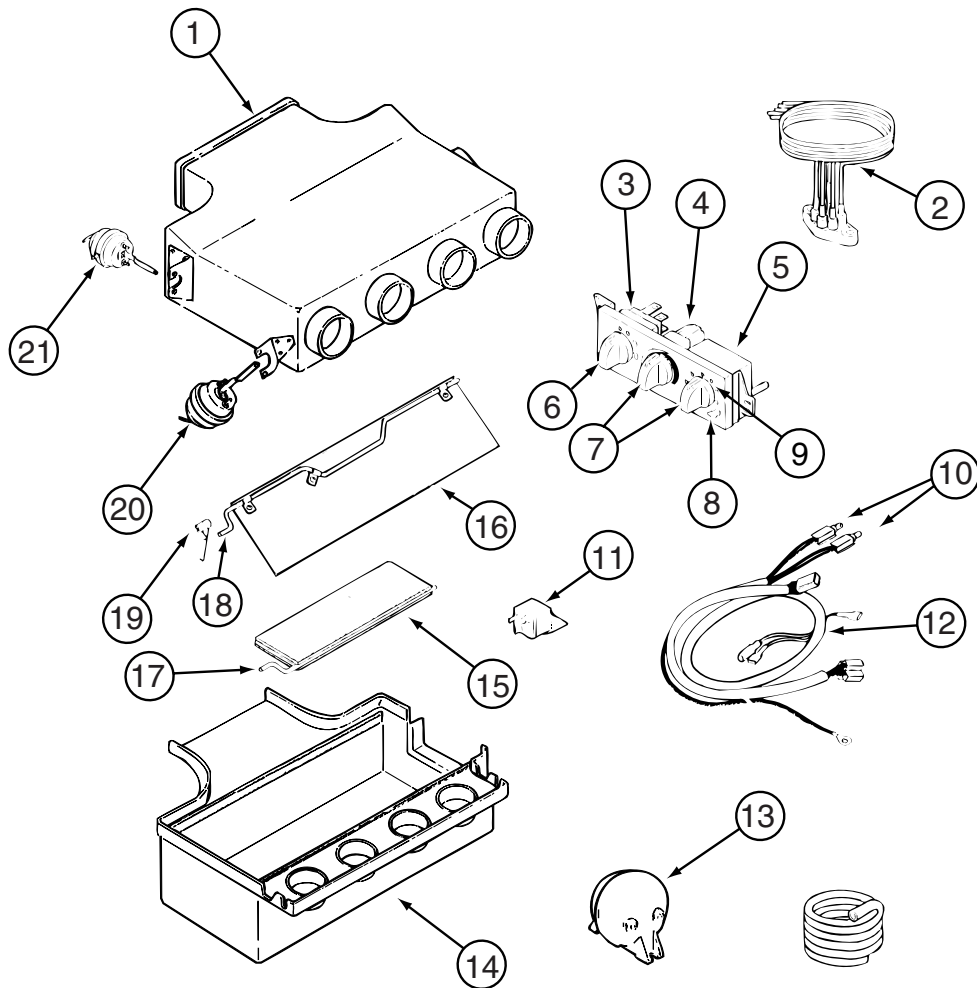
FORD

| KEY | PART NUMBER | U/M | DESCRIPTION |
|-----|---------------|-----|---|
| 1* | 103930-44-000 | EA | HOSE - EVAPORATOR/DRYER - #6 |
| 2* | 103930-45-000 | EA | HOSE - EVAPORATOR/COMPRESSOR - FORD |
| 3 | 103930-23-000 | EA | VALVE/WATER - 2 PORT/VACUUM CONTROLLED - "NEW DESIGN" |
| 4 | 076776-01-000 | EA | TEE - BEADED - 5/8" X 5/8" X 5/8" |
| 5 | 007108-01-000 | FT | HOSE - HEATER - 5/8" ID - HI-TEMP |

***COMPONENT PARTS LISTED LATER IN THIS GROUP**

HEATING & A/C GROUP (CONTINUED)

COMPONENT PARTS FOR AUTOMOTIVE



103930-39-000

| KEY | PART NUMBER | U/M | DESCRIPTION | VENDOR NO. |
|-----|---------------|-----|------------------------------|------------|
| 1 | 103930-39-705 | EA | PLENUM - TOP | 060-0482 |
| 2 | 103930-33-703 | EA | VACUUM HARNESS | 036-0466 |
| 3 | 103930-33-707 | EA | SWITCH - BLOWER | 032-00066 |
| 4 | 103930-33-708 | EA | SWITCH - POTENTIOMETER | 032-0184 |
| 5 | 103930-33-709 | EA | SWITCH - VACUUM | 032-0183 |
| 6 | 103930-33-712 | EA | KNOB - BLOWER | 062-00539 |
| 7 | 103930-33-713 | EA | KNOB - TEMPERATURE | 062-0540 |
| 8 | 103930-33-702 | EA | CONTROL PANEL | 083-0169 |
| 9 | 103930-33-710 | EA | DECAL F/CONTROL HEAD | 058-0102 |
| 10 | 103930-33-705 | EA | LIGHT BULBS | 035-0030 |
| 11 | 103930-02-707 | EA | RELAY-BOSCH W/RESISTER | 031-0001 |
| 12 | 103930-33-711 | EA | WIRE HARNESS-W/BULBS(CAVITY) | 036-0496 |
| 13 | 103930-02-710 | EA | CANISTER-VACUUM | 054-0002 |
| 14 | 103930-39-707 | EA | PLENUM - BOTTOM | 060-0483 |
| 15 | 103930-39-706 | EA | PLATE - DOOR - A/C | 071-0623 |
| 16 | 103930-04-700 | EA | DOOR - DEFROSTER-A/C | 071-0149 |
| 17 | 103930-39-700 | EA | ROD - DOOR - AC/HEAT | 073-067 |
| 18 | 103930-39-701 | EA | ROD - DOOR - AC/DEFROST | 073-0069 |
| 19 | 103930-39-704 | EA | SPRING | 022-0119 |
| 20 | 103930-02-708 | EA | MOTOR-VACUUM SERVO, A/C | 030-0025 |
| 21 | 103930-33-701 | EA | MOTOR - VACUUM, 3 STAGE | 030-0105 |

HEATING & A/C GROUP (CONTINUED)
COMPONENT PARTS FOR AUTOMOTIVE (CONTINUED)

103930-44-000

| KEY | PART NUMBER | U/M | DESCRIPTION | VENDOR NO |
|------------|--------------------|------------|------------------------------|------------------|
| | 103930-29-701 | EA | O'RING F/LOW PRESSURE SWITCH | 045-0483 |
| | 103930-44-700 | EA | HOSE ASSEMBLY #6 | 085-0462 |
| | 113245-01-711 | EA | O'RING #6 | 045-0129 |

103930-45-000

| KEY | PART NUMBER | U/M | DESCRIPTION | VENDOR NO. |
|------------|--------------------|------------|--------------------|-------------------|
| | 103930-17-702 | EA | O'RING #10 | 045-0127 |

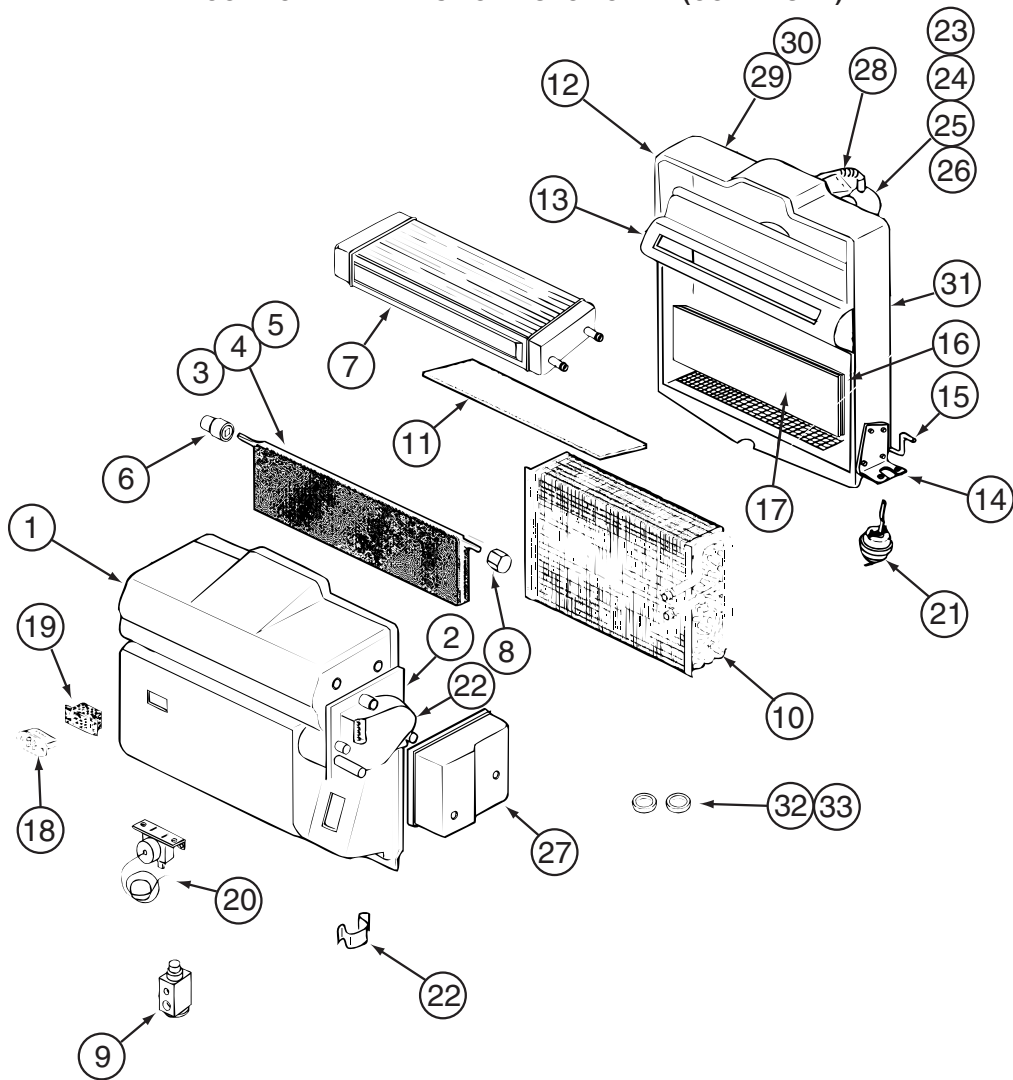
103930-46-000

| KEY | PART NUMBER | U/M | DESCRIPTION | VENDOR NO |
|------------|--------------------|------------|------------------------------|------------------|
| | 103930-17-702 | EA | O'RING #10 | 045-0127 |
| | 103930-29-701 | EA | O'RING F/LOW PRESSURE SWITCH | 045-0483 |
| | 103930-46-700 | EA | HOSE - #10 EVAP/COMP - 4.3' | 085-0486 |

103930-47-000

| KEY | PART NUMBER | U/M | DESCRIPTION | VENDOR NO |
|------------|--------------------|------------|-----------------------------|------------------|
| | 103930-47-700 | EA | HOSE - #6-EVAP/DRIER - 2.2' | 085-0485 |
| | 113245-01-710 | EA | O'RING, #12 | 045-0128 |

HEATING & A/C GROUP (CONTINUED)
COMPONENT PARTS FOR AUTOMOTIVE (CONTINUED)



103930-55-000

| KEY | PART NUMBER | U/M | DESCRIPTION | VENDOR NO. |
|-----|---------------|-----|------------------------------|------------|
| 1 | 103930-55-701 | EA | CASE - FRONT | 062-0658 |
| 2 | 103930-30-701 | EA | PLATE - MOTOR MOUNT | 062-0544 |
| 3 | 103930-55-705 | EA | DOOR - BLEND AIR | 071-0892 |
| 6 | 103930-30-702 | EA | BUSHING/DRIVE (BLEND DOOR) | 062-0168 |
| 7 | 103930-55-706 | EA | CORE - HEATER - W/GASKET | 084-0271 |
| 8 | 103930-30-709 | EA | COUPLING - BLEND DOOR SHAFT | 062-0634 |
| 9 | 103930-20-700 | EA | VALVE-EXPANSION-BLOCK, 2 TON | 034-0032 |
| 10 | 103930-55-700 | EA | CORE-EVAPORATOR | 041-00168 |
| 12 | 103930-55-702 | EA | CASE-REAR | 062-0657 |
| 14 | 103930-01-708 | EA | BRACKET-VACUUM MOTOR | 070-0113 |
| 15 | 103930-20-704 | EA | ROD-DOOR-RECIRCULATING | 073-0018 |
| 16 | 103930-55-707 | EA | DOOR - RECIRCULATION | 071-0891 |
| 18 | 103930-01-710 | EA | RESISTOR-FUSED, A/C 4 TERM | 035-0006 |
| 20 | 103930-01-711 | EA | THERMOSTAT | 033-0003 |
| 21 | 103930-02-708 | EA | MOTOR-VACUUM SERVO, A/C | 030-0025 |
| 22 | 103930-30-703 | EA | MOTOR - SERVO | 030-0104 |
| 23 | 103930-20-707 | EA | HOUSING-BLOWER | 062-0145 |
| 24 | 103930-55-703 | EA | MOTOR-BLOWER W/O PIGTAIL | 030-0137 |
| 25 | 103930-01-717 | EA | WHEEL-BLOWER, CLOCKWISE | 062-0010 |
| 26 | 103930-20-708 | EA | CLIP-MOTOR SHAFT | 022-0001 |
| 27 | 103930-30-704 | EA | COVER - SERVO | 062-0545 |
| 32 | 113245-01-707 | EA | O'RING #8 | 045-0126 |
| 33 | 103930-17-702 | EA | O'RING #10 | 045-0127 |
| | 103930-55-704 | EA | CORE-HEATER | 042-0059 |
| | 110279-01-703 | EA | HOSE-VENT F/BLOWER MOTOR | 051-0034 |

CONTACT WINNEBAGO PART SALES FOR UNLISTED COMPONENT(S)

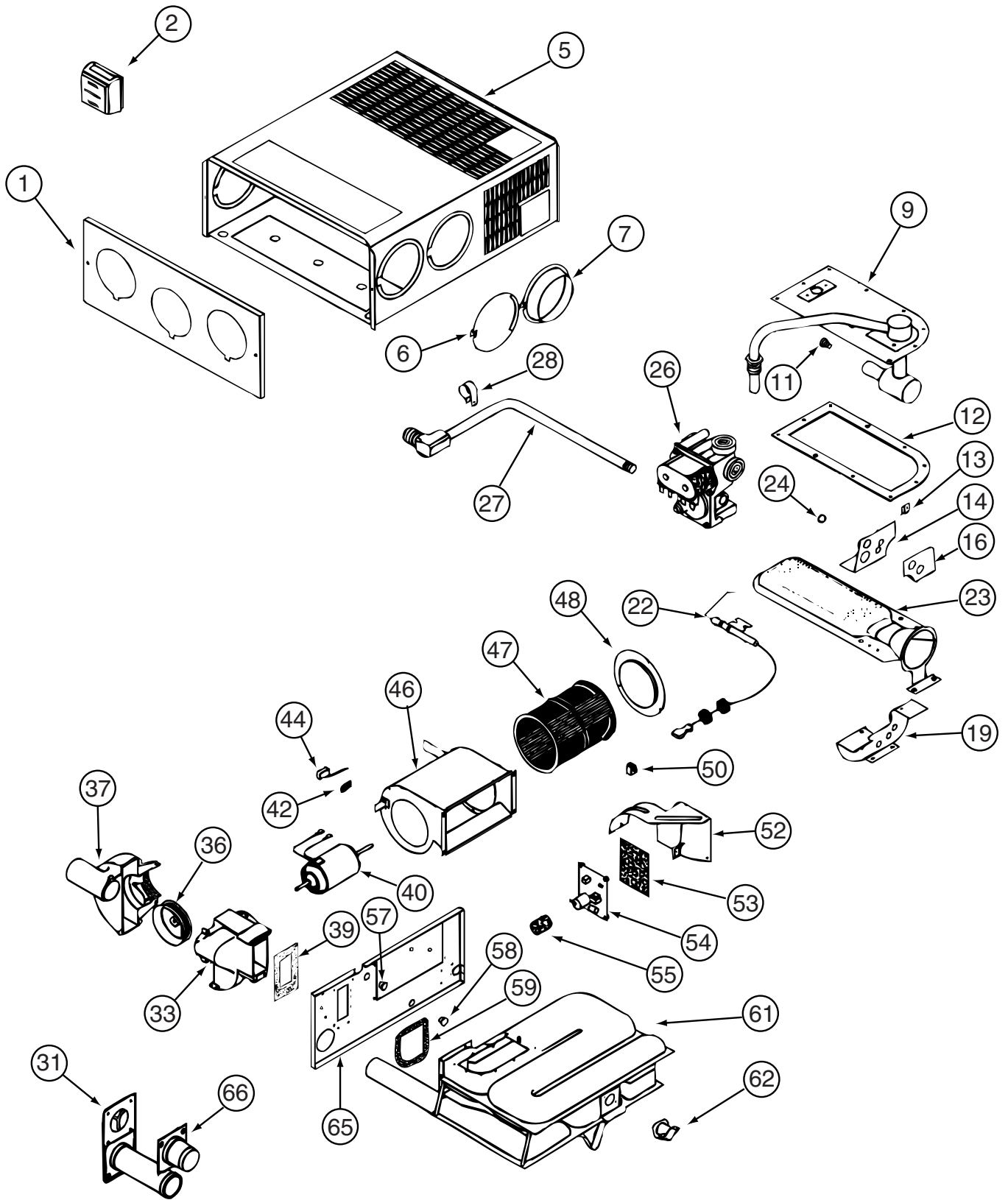
HEATING & A/C GROUP (CONTINUED)

FURNACE

| KEY | PART NUMBER | U/M | DESCRIPTION |
|-----|---------------|-----|--|
| * | 139980-02-000 | EA | FURNACE - 30000 BTU - SF QUIET - SUBURBAN SF-30 2321J - D27C, D30B |
| | 098668-23-000 | EA | DOOR - ACCESS - FURNACE - BRIGHT WHITE - D27C, D30B |
| * | 143563-01-000 | EA | FURNACE - 35000 BTU/HIGH QUIET - SUBURBAN SH-35 2322 - D33L |
| * | 143563-02-000 | EA | FURNACE - 40000 BTU HIGH QUIET - SUBURBAN SH-40 2322 - D35N |
| | 098668-23-000 | EA | DOOR - ACCESS - FURNACE - BRIGHT WHITE - D27C, D30B |
| | 098668-14-000 | EA | GASKET - FIBERGLASS - .5" X 18" X 18" |
| | | | FROM: 00-00-00 THRU: 03-23-03 |
| | 143563-05-000 | EA | GASKET - FIBERGLASS - SUBURBAN #071018 |
| | | | FROM: 03-24-03 THRU: 99-99-99 |
| | 143563-06-000 | EA | DUCT KIT - BOTTOM |
| | 130837-02-01A | EA | REGISTER - HEAT - W/DAMPER - DURA BEIGE |
| | 137965-01-01A | EA | REGISTER - 2.25" X 10" - W/O DAMPER - ANTIQUE BRASS |
| | 093614-01-02A | EA | GRILLE - AIR RETURN - 15.9" X 7.9" - BEIGE |
| | 093614-02-02A | EA | GRILLE - AIR RETURN - 9.9" X 9.9" - BEIGE |
| | 138056-01-02B | EA | PANEL - FURNACE COMPARTMENT - E-COATED |
| | | | FROM: 00-00-00 THRU: 12-07-03 |
| | 138056-03-02B | EA | PANEL - FURNACE COMPARTMENT - E-COATED |
| | | | FROM: 12-08-03 THRU: 99-99-99 |
| | 009200-01-000 | EA | TAPE - FURNACE - 1 1/2" |

*COMPONENT PARTS LISTED LATER IN THIS GROUP

HEATING & A/C GROUP (CONTINUED)
COMPONENT PARTS FOR FURNACE



139980-02-000

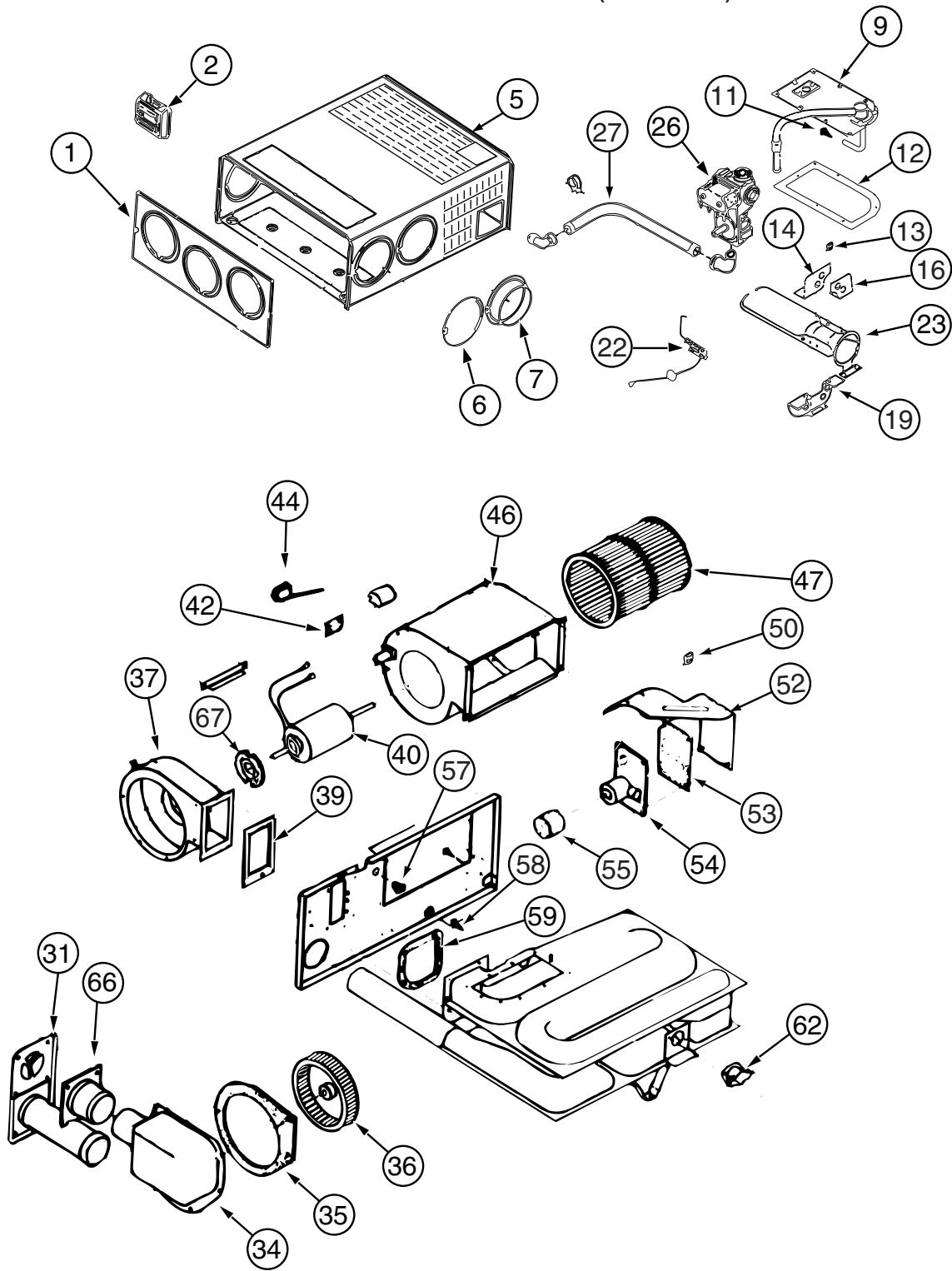
HEATING & A/C GROUP (CONTINUED)
COMPONENT PARTS FOR FURNACE (CONTINUED)

139980-02-000 (CONTNUED)

| KEY | PART NUMBER | U/M | DESCRIPTION | VENDOR NO. |
|-----|---------------|-----|------------------------------|------------|
| 9 | 139980-01-700 | EA | MANIFOLD ASSEMBLY | 171571 |
| 11 | 092300-02-701 | EA | ORIFICE-MAIN BURNER (NT-30BW | 180214 |
| 12 | 098668-22-703 | EA | GASKET - BURNER ACCESS COVER | 070811 |
| 22 | 139980-01-701 | EA | ELECTRODE | 232286 |
| 23 | 098668-02-700 | EA | BURNER ASSEMBLY,SF-30 & SF35 | 010745 |
| 26 | 098668-01-718 | EA | VALVE-GAS SF S.N.974903079 | 161122 |
| 27 | 139980-01-702 | EA | PIPE ASSEMBLY/GAS INLET | 171574 |
| 31 | 098668-01-707 | EA | TUBE ASSEMBLY, EXHAUST W/CAP | 260231 |
| 33 | 139980-01-703 | EA | COMBUSTION AIR HOUS FRT/HALF | 390852 |
| 36 | 098668-01-706 | EA | WHEEL-COMBUSTION AIR | 350184 |
| 37 | 139980-01-704 | EA | COMBUSTION AIR HOUS RR HALF | 390848 |
| 39 | 139980-01-705 | EA | GASKET/FIREWALL-COMB AIR | 071084 |
| 40 | 139980-01-706 | EA | MOTOR ASSEMBLY W/GASKET | 232682 |
| 42 | 101990-01-714 | EA | GASKET-MICROSWITCH | 230877 |
| 44 | 098668-21-700 | EA | SWITCH-MICRO-W/O FLAG 3 1/4" | 232261 |
| 46 | 139980-01-708 | EA | BLOWER ASSEMBLY - ROOM AIR | 390739BK |
| 47 | 098668-01-711 | EA | WHEEL-BLOWER, ROOM AIR | 350129 |
| 48 | 139980-01-709 | EA | ORFICE RING | 390696 |
| 50 | 139980-01-710 | EA | SWITCH - ON/OFF | 232351 |
| 52 | 139980-01-711 | EA | PANEL ASSEMBLY-MODULE BD | 101663 |
| 53 | 139980-01-712 | EA | INSULATOR - MODULE BD | 070807 |
| 54 | 098668-22-705 | EA | MODULE BD W/RELAY TIME DELAY | 520820 |
| 55 | 139980-01-713 | EA | CAP/INSULATOR-MODULE BD | 070973 |
| 57 | 139980-01-714 | EA | BUSHING - UNIVERSAL | 070362 |
| 58 | 139980-01-715 | EA | BUSHING - STRAIN RELIEF | 231809 |
| 59 | 098668-01-716 | EA | GASKET-FIREWALL,CHAMBER SIDE | 070808 |
| 61 | 139980-01-716 | EA | CHAMBER ASSEMBLY - FINAL | 021149BK |
| 62 | 098668-21-701 | EA | SWITCH - LIMIT | 232504 |
| 66 | 098668-01-713 | EA | TUBE ASSEMBLY, INTAKE | 051248 |

CONTACT WINNEBAGO PART SALES FOR UNLISTED COMPONENTS

HEATING & A/C GROUP (CONTINUED)
COMPONENT PARTS FOR FURNACE (CONTINUED)



143563-01-000

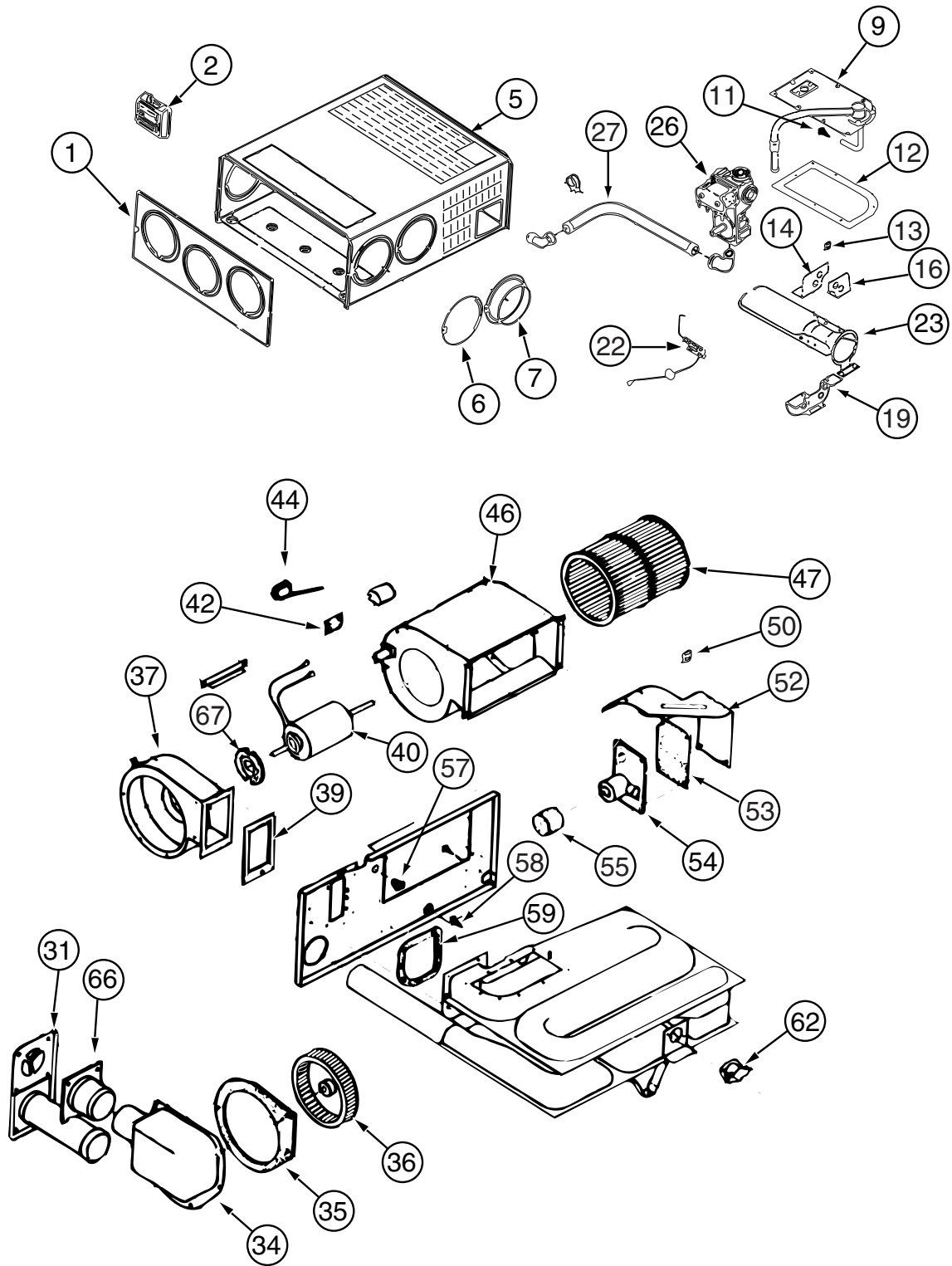
HEATING & A/C GROUP (CONTINUED)
COMPONENT PARTS FOR FURNACE (CONTINUED)

143563-01-000 (CONTINUED)

| KEY | PART NUMBER | U/M | DESCRIPTION | VENDOR NO. |
|------------|--------------------|------------|---|-------------------|
| 1 | 143563-01-700 | EA | CABINET - FRONT | 101907 |
| 2 | | | SEE EITHER FURNACE OR 12 VOLT WIRING AREAS FOR CORRECT THERMOSTAT | |
| 5 | 143563-01-701 | EA | CABINET | 101921 |
| 7 | 075696-02-703 | EA | COLLAR - DUCT | 050715 |
| 9 | 143563-01-702 | EA | MANIFOLD ASSEMBLY | 171599 |
| 11 | 143563-01-703 | EA | ORFICE - MAIN BURNER | 180308 |
| 12 | 098668-22-703 | EA | GASKET - BURNER ACCESS COVER | 070811 |
| 14 | 143563-01-704 | EA | PLATE - SECONDARY AIR/TOP BACK | 063199 |
| 16 | 143563-01-705 | EA | PLATE - SECONDARY AIR/TOP FRT | 062936 |
| 19 | 143563-01-706 | EA | PLATE - SECONDARY AIR/BOTTOM | 062938 |
| 22 | 139980-01-701 | EA | ELECTRODE | 232286 |
| 23 | 098668-02-700 | EA | BURNER ASSEMBLY,SF-30 & SF35 | 010745 |
| 26 | 098668-01-718 | EA | VALVE-GAS SF S.N.974903079 | 161122 |
| 27 | 143563-01-707 | EA | PIPE ASSEMBLY (GAS INLET) | 171603 |
| 31 | 098668-01-707 | EA | TUBE ASSEMBLY, EXHAUST W/CAP | 260231 |
| 34 | 143563-01-708 | EA | BOX ASM (COMB. AIR INTAKE) | 051430BK |
| 35 | 143563-01-709 | EA | GASKET (COMB. AIR HOUSING) | 071108 |
| 36 | 143563-01-710 | EA | WHEEL (COMBUSTION AIR) | 350199 |
| 37 | 143563-01-711 | EA | HOUSING (COMBUSTION AIR) | 390862BK |
| 39 | 143563-01-715 | EA | GASKET-FIREWALL/COMB. AIR | 071107 |
| 40 | 143563-01-712 | EA | MOTOR ASSEMBLY | 232727 |
| 42 | 098668-01-712 | EA | BOARD-MODULE | 520741 |
| 44 | 098668-21-700 | EA | SWITCH-MICRO-W/O FLAG 3 1/4" | 232261 |
| 46 | 143563-01-713 | EA | BLOWER ASSEMBLY(ROOM AIR) | 390867BK |
| 47 | 143563-01-714 | EA | WHEEL - ROOM AIR | 350198 |
| 50 | 139980-01-710 | EA | SWITCH - ON/OFF | 232351 |
| 52 | 139980-01-711 | EA | PANEL ASSEMBLY-MODULE BD | 101663 |
| 53 | 139980-01-712 | EA | INSULATOR - MODULE BD | 070807 |
| 54 | 098668-22-705 | EA | MODULE BD W/RELAY TIME DELAY | 520820 |
| 55 | 139980-01-713 | EA | CAP/INSULATOR-MODULE BD | 070973 |
| 57 | 139980-01-714 | EA | BUSHING - UNIVERSAL | 070362 |
| 58 | 139980-01-715 | EA | BUSHING - STRAIN RELIEF | 231809 |
| 59 | 098668-01-716 | EA | GASKET-FIREWALL,CHAMBER SIDE | 070808 |
| 62 | 098668-21-701 | EA | SWITCH - LIMIT | 232504 |
| 66 | 098668-01-713 | EA | TUBE ASSEMBLY, INTAKE | 051248 |
| 67 | 075697-07-703 | EA | GASKET - MOTOR | 070448 |

CONTACT WINNEBAGO PART SALES FOR UNLISTED COMPONENTS

HEATING & A/C GROUP (CONTINUED)
COMPONENT PARTS FOR FURNACE (CONTINUED)



143563-02-000

HEATING & A/C GROUP (CONTINUED)
COMPONENT PARTS FOR FURNACE (CONTINUED)

143563-02-000 (CONTINUED)

| KEY | PART NUMBER | U/M | DESCRIPTION | VENDOR NO. |
|-----|---------------|-----|---|------------|
| 1 | 143563-01-700 | EA | CABINET - FRONT | 101907 |
| 2 | | | SEE EITHER FURNACE OR 12 VOLT WIRING AREAS FOR CORRECT THERMOSTAT | |
| 5 | 143563-02-700 | EA | CABINET | 101915 |
| 7 | 075696-02-703 | EA | COLLAR - DUCT | 050715 |
| 9 | 143563-01-702 | EA | MANIFOLD ASSEMBLY | 171599 |
| 11 | 143563-02-701 | EA | ORFICE - MAIN BURNER | 180309 |
| 12 | 098668-22-703 | EA | GASKET - BURNER ACCESS COVER | 070811 |
| 14 | 143563-02-702 | EA | PLATE - SECONDARY AIR/TOP BACK | 063198 |
| 16 | 143563-02-703 | EA | PLATE - SECONDARY AIR/TOP FRT | 062933 |
| 19 | 143563-02-704 | EA | PLATE - SECONDARY AIR/BOTTOM | 062935 |
| 22 | 139980-01-701 | EA | ELECTRODE | 232286 |
| 23 | 098668-11-701 | EA | BURNER ASSEMBLY,SF-30 & SF35 | 010799 |
| 26 | 098668-01-718 | EA | VALVE-GAS SF S.N.974903079 | 161122 |
| 27 | 143563-01-707 | EA | PIPE ASSEMBLY (GAS INLET) | 171603 |
| 31 | 098668-01-707 | EA | TUBE ASSEMBLY, EXHAUST W/CAP | 260231 |
| 34 | 143563-01-708 | EA | BOX ASM (COMB. AIR INTAKE) | 051430BK |
| 35 | 143563-01-709 | EA | GASKET (COMB. AIR HOUSING) | 071108 |
| 36 | 143563-01-710 | EA | WHEEL (COMBUSTION AIR) | 350199 |
| 37 | 143563-01-711 | EA | HOUSING (COMBUSTION AIR) | 390862BK |
| 39 | 143563-01-715 | EA | GASKET-FIREWALL/COMB. AIR | 071107 |
| 40 | 143563-02-705 | EA | MOTOR ASSEMBLY | 232726 |
| 42 | 101990-01-714 | EA | GASKET-MICROSWITCH | 230877 |
| 44 | 098668-21-700 | EA | SWITCH-MICRO-W/O FLAG 3 1/4" | 232261 |
| 46 | 143563-01-713 | EA | BLOWER ASSEMBLY(ROOM AIR) | 390867BK |
| 47 | 143563-01-714 | EA | WHEEL - ROOM AIR | 350198 |
| 50 | 139980-01-710 | EA | SWITCH - ON/OFF | 232351 |
| 52 | 139980-01-711 | EA | PANEL ASSEMBLY-MODULE BD | 101663 |
| 53 | 139980-01-712 | EA | INSULATOR - MODULE BD | 070807 |
| 54 | 098668-22-705 | EA | MODULE BD W/RELAY TIME DELAY | 520820 |
| 55 | 139980-01-713 | EA | CAP/INSULATOR-MODULE BD | 070973 |
| 57 | 139980-01-714 | EA | BUSHING - UNIVERSAL | 070362 |
| 58 | 139980-01-715 | EA | BUSHING - STRAIN RELIEF | 231809 |
| 59 | 098668-01-716 | EA | GASKET-FIREWALL,CHAMBER SIDE | 070808 |
| 62 | 143563-02-706 | EA | SWITCH - LIMIT | 232735 |
| 66 | 098668-01-713 | EA | TUBE ASSEMBLY, INTAKE | 051248 |
| 67 | 075697-07-703 | EA | GASKET - MOTOR | 070448 |
| | 143563-02-707 | EA | CHAMBER ASM. - FINAL | 021172BK |

CONTACT WINNEBAGO PART SALES FOR UNLISTED COMPONENTS

HEATING & A/C GROUP (CONTINUED)
REAR HEATER

| KEY | PART NUMBER | U/M | DESCRIPTION |
|------------|--------------------|------------|---|
| * | 084405-01-000 | EA | HEATER - REAR/DUCTED - W/MOTOR AID |
| | 056464-10-000 | EA | REGISTER W/O DAMPER - 4" DIAMETER - PLASTIC - BEIGE |
| | 009198-01-000 | FT | DUCT - HEAT - FLEXIBLE - 4" ID X 25' |
| | 069636-02-000 | EA | CONNECTOR - DUCT - 4" ID |
| | 079059-13-000 | EA | HOSE - 90 DEGREE - .61"ID X 4" X 48" |
| | 079059-01-000 | EA | HOSE - 90 DEGREE - 5/8"ID X 4" X 36" |
| | 079059-02-000 | EA | HOSE - 90 DEGREE - .61" ID X 4" X 6" |
| | 007108-01-000 | FT | HOSE - HEATER - 5/8" ID - HI-TEMP |
| | 089353-01-000 | EA | UNION - 5/8" - TUBE TO TUBE |

***COMPONENT PARTS LISTED LATER IN THIS GROUP**

HEATING & A/C GROUP (CONTINUED)
COMPONENT PARTS FOR REAR HEATER

084405-01-000

| KEY | PART NUMBER | U/M | DESCRIPTION | VENDOR NO. |
|------------|--------------------|------------|-------------------------|-------------------|
| | 084405-01-700 | EA | CORE-HEATER | FT200229 |
| | 084405-01-701 | EA | FAN BLADES | HV029931 |
| | 084405-01-702 | EA | MOTOR ASSEMBLY, 12 VOLT | RV010348 |

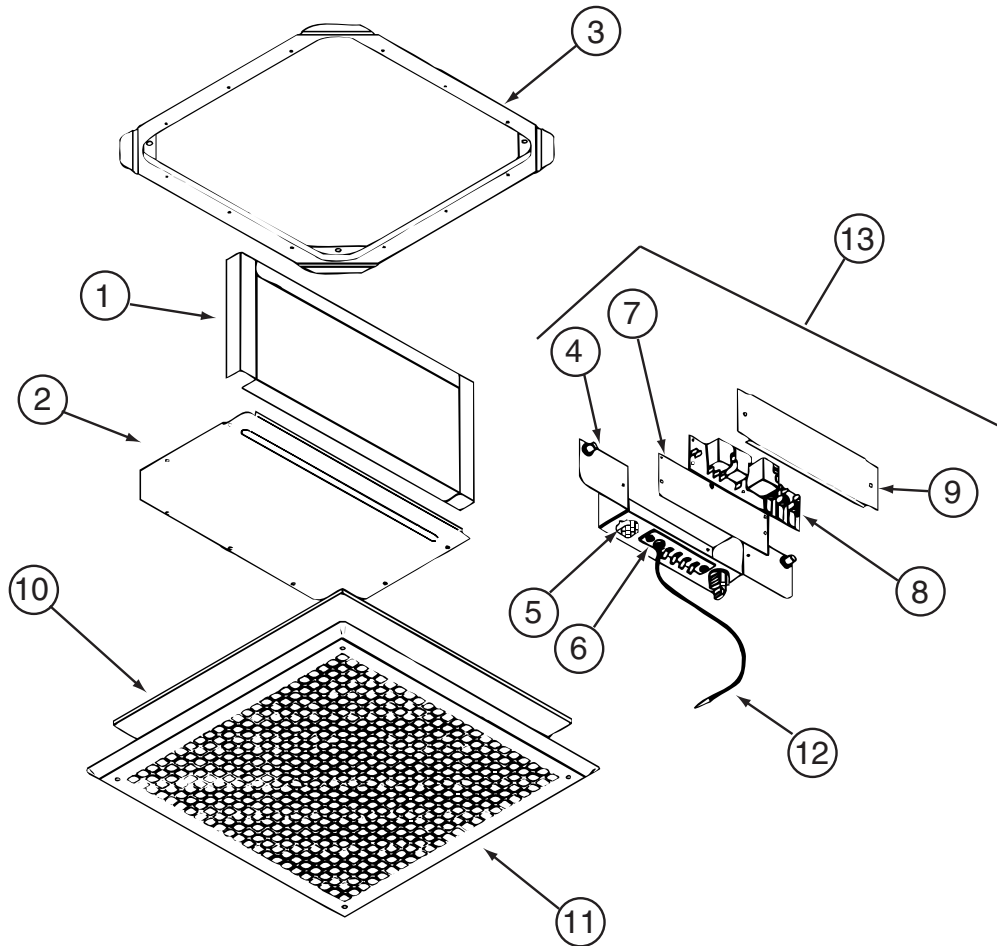
HEATING & A/C GROUP (CONTINUED)
ROOF

| KEY | PART NUMBER | U/M | DESCRIPTION |
|------------|--------------------|------------|--|
| * | 131188-03-01A | EA | A/C - ROOF - 14,800 BTU - MACH 15 - WHITE - ONE 13,500 ROOF A/C - D27C, D30B |
| * | 131186-02-01A | EA | A/C - ROOF - MACH 1 POWER SAVER - 11,000 BTU - WHITE - HI EFFICIENCY ROOF A/C - D33L, D35N |
| * | 131187-03-01A | EA | A/C - ROOF - MACH 3 POWER SAVER - WHITE - HI EFFICIENCY ROOF A/C - D33L, D35N |
| * | 131184-01-01A | EA | CEILING ASSEMBLY - A/C DUCTED - WHITE |
| | 131184-02-01A | EA | BOARD - DIVIDER - SILVER |
| | 120134-01-02A | EA | REGISTER - W/DAMPER - 4" PIPE/7" O.D. FACE - WHITE |
| | 135618-03-01A | EA | THERMOSTAT - A/C/FURNACE - WHITE |

***COMPONENT PARTS LISTED LATER IN THIS GROUP**

HEATING & A/C GROUP (CONTINUED)

COMPONENT PARTS FOR ROOF



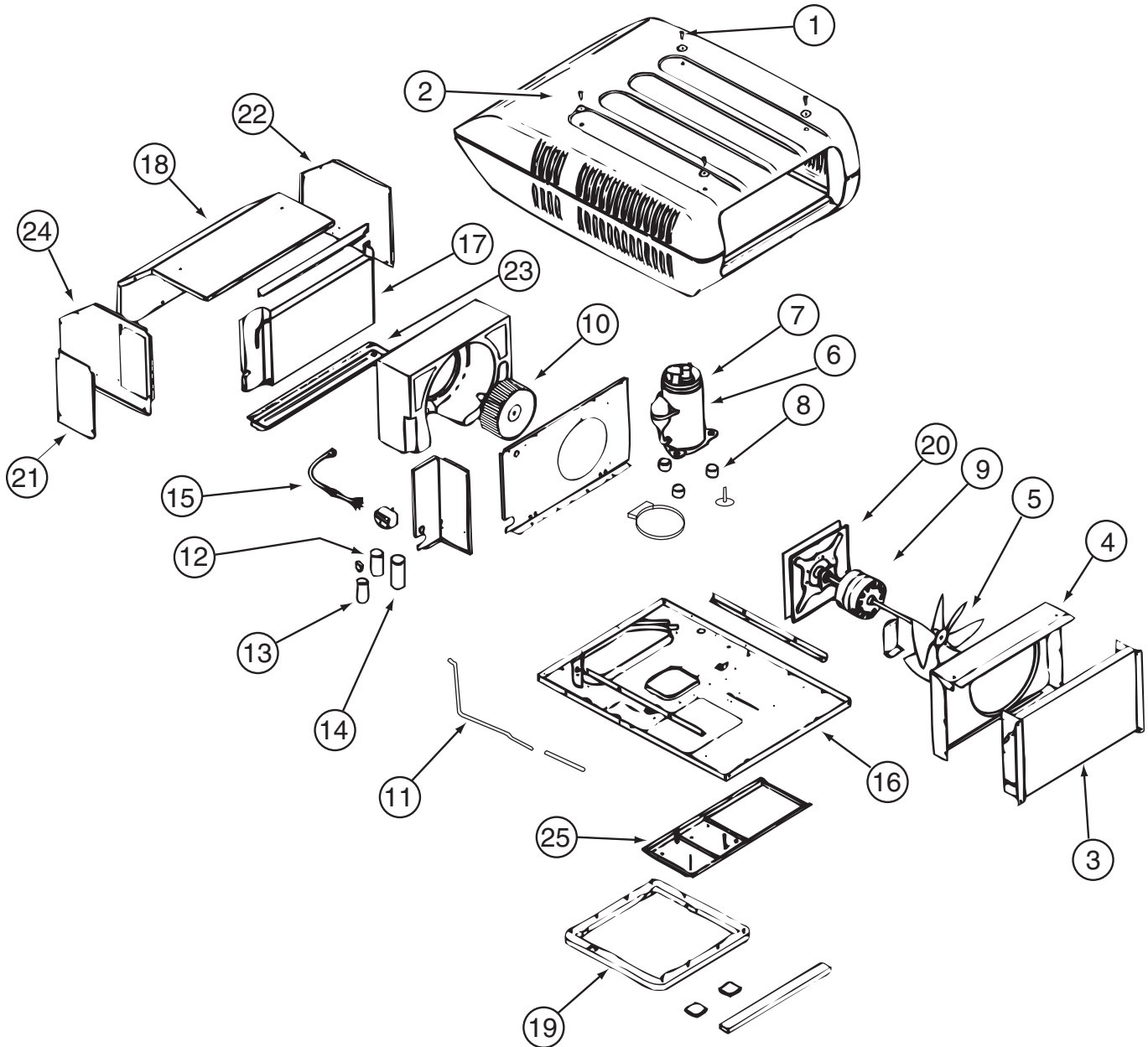
131184-01-01A

| KEY | PART NUMBER | U/M | DESCRIPTION | VENDOR NO. |
|-----|---------------|-----|-----------------------------|------------|
| 1 | 131184-01-707 | EA | DUCT DIVIDER | 8330-3501 |
| 5 | 131184-01-700 | EA | PLUG ASSEMBLY | 7330A389 |
| 6 | 131184-01-701 | EA | TERMINAL BOARD | 7330B3201 |
| 7 | 131184-01-702 | EA | ISOLATOR - BLANK | 7330C365 |
| 8 | 108892-01-702 | EA | BOARD-P.C. | 7330A3211 |
| 10 | 108892-01-703 | EA | FILTER | 6798A3761 |
| 11 | 108892-01-704 | EA | GRILLE 16 3/8X16 3/8 RETURN | 6798-3041 |
| 12 | 131184-01-704 | EA | COIL SENSOR | 7330-6111 |
| 13 | 131184-01-705 | EA | JUNCTION BOX ASSEMBLY | 7330B5551 |
| | 131184-01-703 | EA | SMALL PARTS PKG | 8330-5961 |

CONTACT WINNEBAGO PART SALES FOR UNLISTED COMPONENTS

HEATING & A/C GROUP (CONTINUED)

COMPONENT PARTS FOR ROOF (CONTINUED)



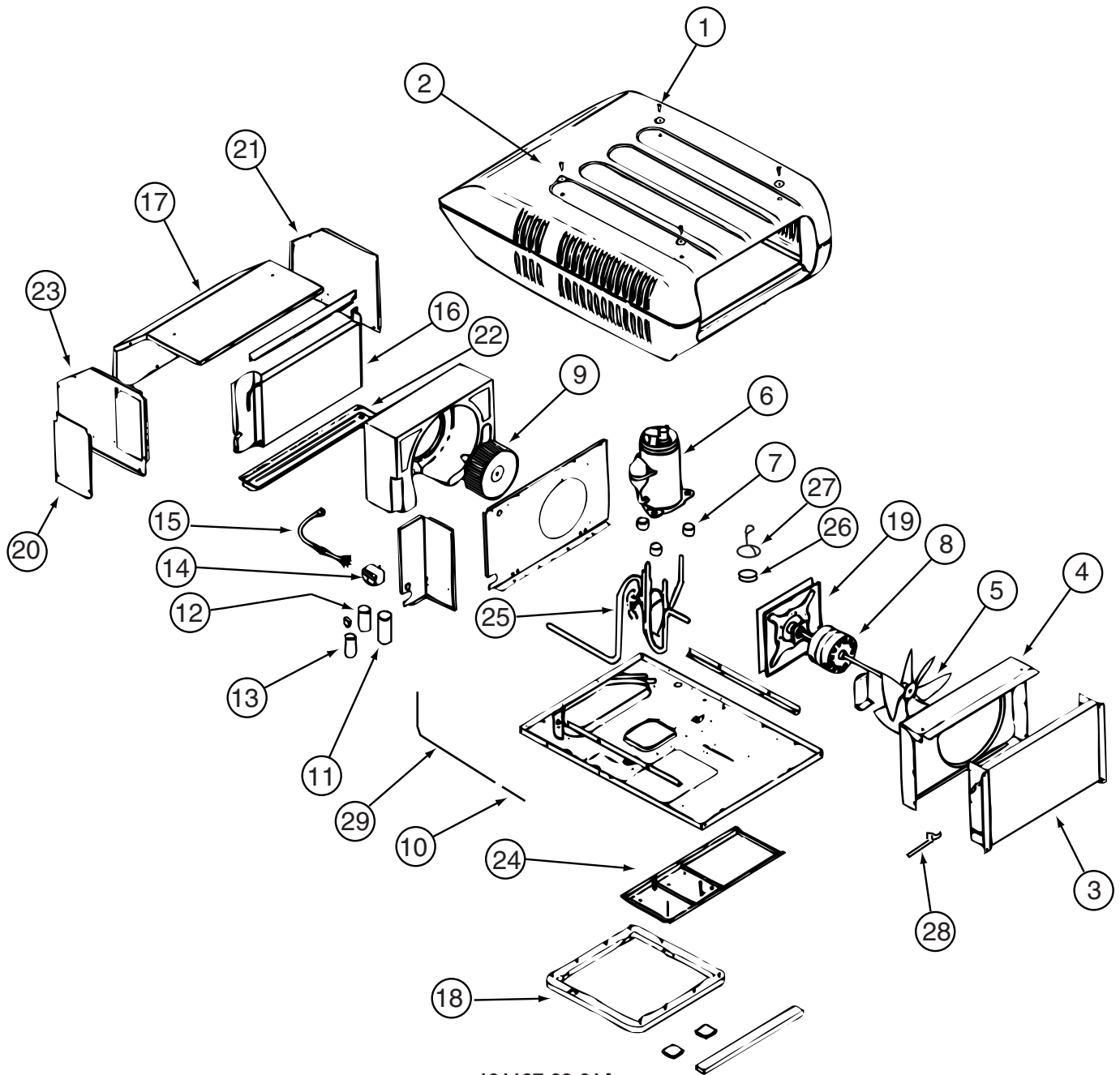
131186-02-01A

| KEY | PART NUMBER | U/M | DESCRIPTION | VENDOR NO. |
|-----|---------------|-----|------------------------------|------------|
| 2 | 131185-03-700 | EA | SHROUD - ROOF AIR | 8333-4161 |
| 3 | 115219-01-700 | EA | COIL-CONDENSER | 1452A1321 |
| 5 | 093763-01-712 | EA | BLADE-FAN-CONDENSER | 6733-3221 |
| 6 | 126859-01-700 | EA | COMPRESSOR RK124AT-001-A4Y | 1450-2109 |
| 7 | 126859-01-701 | EA | OVERLOAD PROTECTORMRA# 4761 | 1450-0061 |
| 8 | 105620-01-706 | EA | MOUNTING PKG.,COMP., 3 PER | 6759-3081 |
| 9 | 131186-01-700 | EA | MOTOR - 115V, 60 HURTZ | 1468-3109 |
| 10 | 131185-01-702 | EA | BLOWER WHEEL PACKAGE | 1472-1091 |
| 12 | 126859-01-703 | EA | CAPACITOR - RUN | 1499-5671 |
| 13 | 093763-01-704 | EA | CAPACITOR-FAN | 1499-5461 |
| 14 | 105620-10-704 | EA | START COMPACITOR | 1497-0861 |
| 15 | 105620-10-705 | EA | PTCR (START DEVICE) - W/CAP. | 8333A9021 |
| 18 | 131186-01-701 | EA | EVAPORATOR COIL | 1452-1521 |
| 21 | 131185-01-704 | EA | MOTOR MOUNT & SEAL KIT | 8333-5151 |
| | 093306-01-701 | EA | DECAL PACKAGE, LEFT & RIGHT | 6798B3591 |
| | 108889-01-710 | EA | PAD-FILLER, CONDENSER SEAL | 6759B3971 |
| | 126859-01-706 | EA | LINE - SUCTION | 7532A130 |

CONTACT WINNEBAGO PART SALES FOR UNLISTED COMPONENT

HEATING & A/C GROUP (CONTINUED)

COMPONENT PARTS FOR ROOF (CONTINUED)

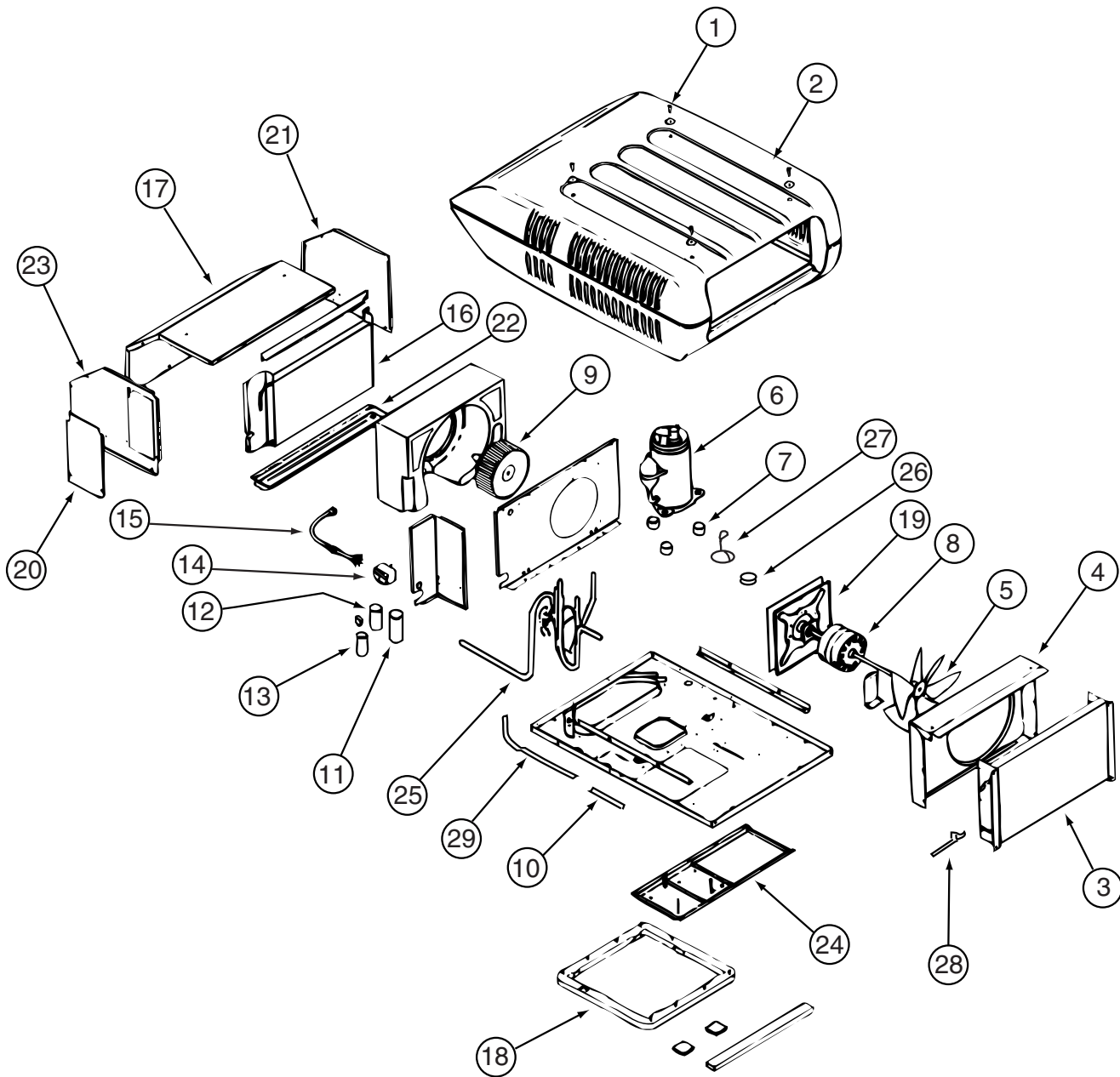


131187-03-01A

| KEY | PART NUMBER | U/M | DESCRIPTION | VENDOR NO. |
|-----|---------------|-----|------------------------------|------------|
| 2 | 131185-03-700 | EA | SHROUD - ROOF AIR | 8333-4161 |
| 3 | 115219-01-700 | EA | COIL-CONDENSER | 1452A1321 |
| 5 | 093763-01-712 | EA | BLADE-FAN-CONDENSER | 6733-3221 |
| 6 | 126860-01-700 | EA | COMPRESSOR RK136AT-002-A4Y | 1450A2119 |
| 7 | 105620-01-706 | EA | MOUNTING PKG.,COMP., 3 PER | 6759-3081 |
| 8 | 131186-01-700 | EA | MOTOR - 115V, 60 HURTZ | 1468-3109 |
| 9 | 131185-01-702 | EA | BLOWER WHEEL PACKAGE | 1472-1091 |
| 11 | 126859-01-703 | EA | CAPACITOR - RUN | 1499-5671 |
| 12 | 105620-01-725 | EA | CAPACITOR-BLOWER,I.D. 7.5MFD | 1499-5461 |
| 13 | 105620-10-705 | EA | PTCR (START DEVICE) - W/CAP. | 8333A9021 |
| 16 | 131186-01-701 | EA | EVAPORATOR COIL | 1452-1521 |
| 19 | 131185-01-704 | EA | MOTOR MOUNT & SEAL KIT | 8333-5151 |
| | 093306-01-701 | EA | DECAL PACKAGE, LEFT & RIGHT | 6798B3591 |
| | 105620-10-704 | EA | START COMPACITOR | 1497-0861 |
| | 108889-01-710 | EA | PAD-FILLER, CONDENSER SEAL | 6759B3971 |
| | 126859-01-706 | EA | LINE - SUCTION | 7532A130 |
| | 126860-01-701 | EA | OVERLOAD PROTECTOR MRA# 1460 | 1450-0071 |

CONTACT WINNEBAGO PART SALES FOR UNLISTED COMPONENT

HEATING & A/C GROUP (CONTINUED)
COMPONENT PARTS FOR ROOF (CONTINUED)



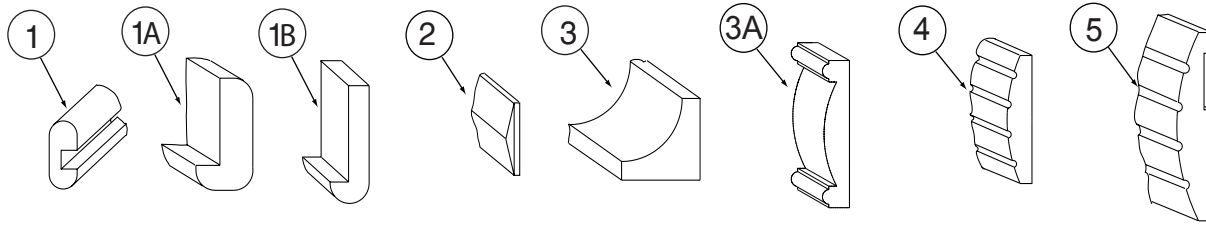
131188-03-01A

| KEY | PART NUMBER | U/M | DESCRIPTION | VENDOR NO. |
|-----|---------------|-----|-----------------------------|------------|
| 2 | 108889-05-700 | EA | SHROUD-BRIGHT/WHT. W/O LOGO | 7333-4601 |
| 3 | 115219-01-700 | EA | COIL-CONDENSER | 1452A1321 |
| 5 | 093763-01-712 | EA | BLADE-FAN-CONDENSER | 6733-3221 |
| 6 | 131188-01-700 | EA | COMPRESSOR - TECUMSEH | 1450A2609 |
| 7 | 105620-01-706 | EA | MOUNTING PKG.,COMP., 3 PER | 6759-3081 |
| 8 | 131185-01-701 | EA | MOTOR (115V, 60HZ) | 1468-3069 |
| 9 | 131185-01-702 | EA | BLOWER WHEEL PACKAGE | 1472-1091 |
| 11 | 131188-01-701 | EA | RUN CAP. (COMP-40MFD/370V) | 1499-5721 |
| 12 | 108889-01-708 | EA | CAPACITOR-FAN, 7.5MFD. 370U | 1499-5461 |
| 13 | 126859-01-704 | EA | CAPACITOR - START | 1497-0871 |
| 14 | 091225-01-709 | EA | RELAY-START | 1497-4131 |
| 16 | 131186-01-701 | EA | EVAPORATOR COIL | 1452-1521 |
| 18 | 037648-01-714 | EA | GASKET PACKAGE | 8332-3301 |
| 19 | 131185-01-704 | EA | MOTOR MOUNT & SEAL KIT | 8333-5151 |
| 20 | 093306-01-701 | EA | DECAL PACKAGE, LEFT & RIGHT | 6798B3591 |
| 21 | 108889-01-710 | EA | PAD-FILLER, CONDENSER SEAL | 6759B3971 |
| 22 | 131188-01-702 | EA | LINE - SUCTION | 7335A134 |
| 23 | 131188-01-703 | EA | LINE - DISCHARGE | 7335A135 |

CONTACT WINNEBAGO PART SALES FOR UNLISTED COMPONENT

INTERIOR FINISH GROUP

MOLDINGS & TRIMS

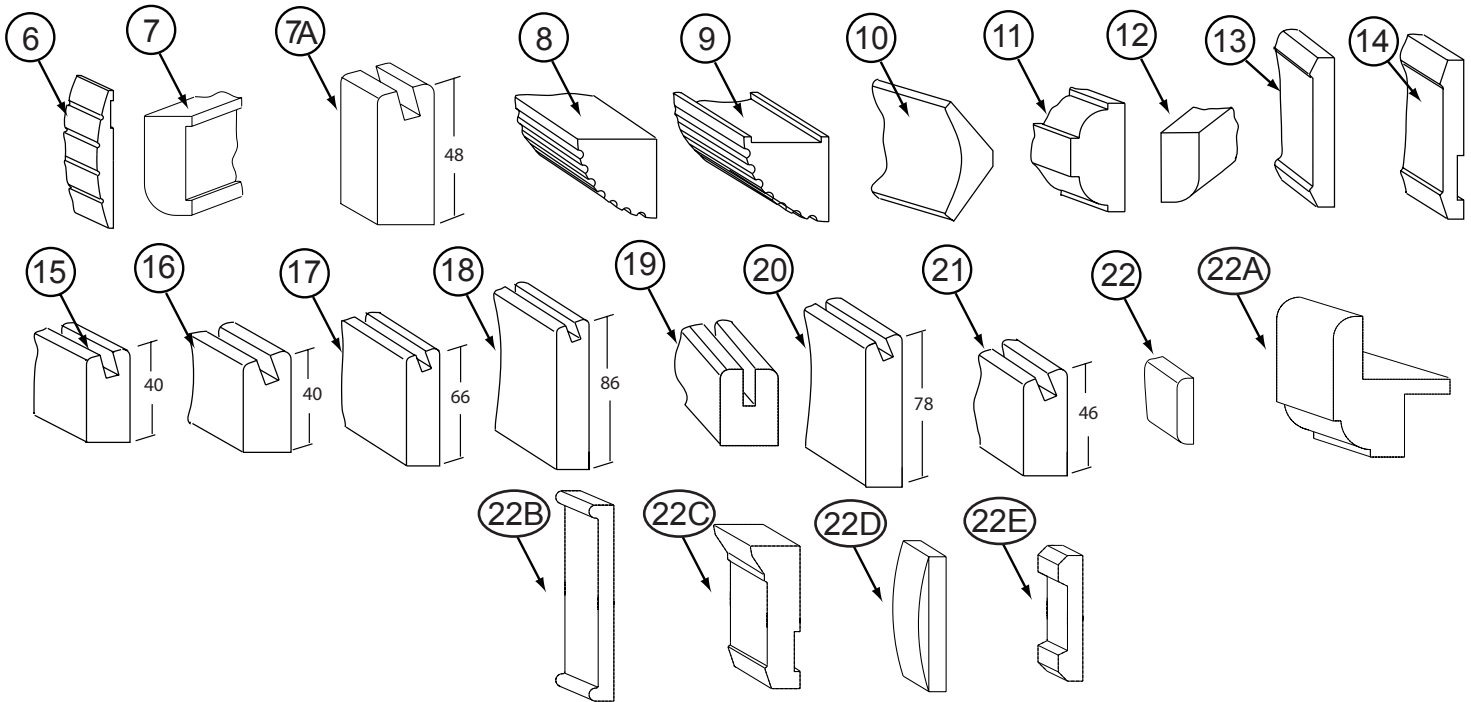


| KEY | PART NUMBER | U/M | DESCRIPTION |
|-----|---------------|-----|---|
| 1 | M09412-62-N42 | EA | MOLDING/SHELF EDGE - W/.4" NOTCH - PORTSMOUTH II - PORTSMOUTH OAK |
| 1 | M09412-62-M52 | EA | MOLDING/SHELF EDGE - W/.4" NOTCH - CHERRY IV - CONCERT CHERRY |
| 1 | M09412-62-M62 | EA | MOLDING/SHELF EDGE - W/.4" NOTCH - WASHED MAPLE |
| 1 | M09412-62-RC3 | EA | MOLDING/SHELF EDGE - W/.4" NOTCH - .6" X 1.3" X 96" - HONEY CHERRY |
| 1A | M09438-02-N70 | EA | MOLDING - HARDWOOD-W/NOTCH - 1.4"X 80.5" - OAK/PORTS OAK - PORTSMOUTH OAK |
| 1A | M09438-02-N85 | EA | MOLDING - HARDWOOD-W/NOTCH - 1.4"X 80.5" - CHERRY/CHERRY IV - CONCERT CHERRY |
| 1A | M09438-02-N84 | EA | MOLDING - HARDWOOD-W/NOTCH - 1.4"X 80.5" - MAPLE/WASHED MP - WASHED MAPLE |
| 1B | M09438-21-N95 | EA | MOLDING/TRIM - .8" X 2.2" X 80.2" - OAK/PORTS OAK - PORTSMOUTH OAK |
| 1B | M09438-21-N94 | EA | MOLDING/TRIM - .8" X 2.2" X 80.2" - CHERRY/CHERRY IV - CONCERT CHERRY |
| 1B | M09438-21-NQ0 | EA | MOLDING/TRIM - .8" X 2.2" X 80.2" - MAPLE/WASHED MP - WASHED MAPLE |
| 1B | M09438-23-N95 | EA | MOLDING - HARDWOOD-W/NOTCH - 4" X 80.2" - OAK/PORTS OAK - PORTSMOUTH OAK |
| 1B | M09438-23-N94 | EA | MOLDING - HARDWOOD-W/NOTCH - 4" X 80.2" - CHERRY/CHERRY IV - CONCERT CHERRY |
| 1B | M09438-23-NQ0 | EA | MOLDING - HARDWOOD-W/NOTCH - 4" X 80.2" - MAPLE/WASHED MP - WASHED MAPLE |
| 1B | M09438-25-N95 | EA | MOLDING - HARDWOOD-W/NOTCH - 1.4"X 80.2" - OAK/PORTS OAK - PORTSMOUTH OAK |
| 1B | M09438-25-N94 | EA | MOLDING - HARDWOOD-W/NOTCH - 1.4"X 80.2" - CHERRY/CHERRY IV - CONCERT CHERRY |
| 1B | M09438-25-NQ0 | EA | MOLDING - HARDWOOD-W/NOTCH - 1.4"X 80.2" - MAPLE/WASHED MP - WASHED MAPLE |
| 1B | M09438-25-RA3 | EA | MOLDING - HARDWOOD-W/NOTCH - 1.4"X 80.2" - CHERRY/HONEY - HONEY CHERRY |
| 1B | M09450-77-PC0 | EA | MOLDING - TRIM/HDWD W/LIP -.4"X3.2"X79.6" - OAK/PORTS OAK - PORTSMOUTH OAK |
| 1B | M09450-77-PC1 | EA | MOLDING - TRIM/HDWD W/LIP -.4"X3.2"X79.6" - CHERRY/CHERRY IV - CONCERT CHERRY |
| 1B | M09450-77-PC2 | EA | MOLDING - TRIM/HDWD W/LIP -.4"X3.2"X79.6" - MAPLE/WASHED MP - WASHED MAPLE |
| 1B | M09450-77-RC3 | EA | MOLDING - TRIM/HDWD W/LIP -.4"X3.2"X79.6" - CHERRY/HONEY - HONEY CHERRY |
| 1B | M09462-75-R38 | EA | MOLDING/TRIM - .75" X 1.2" X 80.2" - PORTSMOUTH OAK |
| 1B | M09462-75-R39 | EA | MOLDING/TRIM - .75" X 1.2" X 80.2" - CONCERT CHERRY |
| 1B | M09462-75-R46 | EA | MOLDING/TRIM - .75" X 1.2" X 80.2" - WASHED MAPLE |
| 2 | M09454-62-P54 | EA | MOLDING - TRIM/VEE - .2" X 1" X 3.5" - OAK - PORTSMOUTH OAK |
| 2 | M09454-62-P55 | EA | MOLDING - TRIM/VEE - .2" X 1" X 3.5" - CHERRY - CONCERT CHERRY |
| 2 | M09454-62-P56 | EA | MOLDING - TRIM/VEE - .2" X 1" X 3.5" - MAPLE - WASHED MAPLE |
| 2 | M09454-62-RE0 | EA | MOLDING - TRIM/VEE - .2" X 1" X 3.5" - CHERRY - HONEY CHERRY |
| 2 | M09462-50-R74 | EA | MOLDING - TRIM/VEE - .2" X 1" X 93.5" - PORTSMOUTH OAK |
| 2 | M09462-50-R75 | EA | MOLDING - TRIM/VEE - .2" X 1" X 93.5" - CONCERT CHERRY |
| 2 | M09462-50-R76 | EA | MOLDING - TRIM/VEE - .2" X 1" X 93.5" - WASHED MAPLE |
| 2 | M09477-18-R83 | EA | MOLDING - TRIM/VEE - .2" X 1" X 32" - OAK - PORTSMOUTH OAK |
| 2 | M09477-18-R84 | EA | MOLDING - TRIM/VEE - .2" X 1" X 32" - CHERRY - CONCERT CHERRY |
| 2 | M09477-18-R91 | EA | MOLDING - TRIM/VEE - .2" X 1" X 32" - MAPLE - WASHED MAPLE |
| 2 | M09477-18-RE0 | EA | MOLDING - TRIM/VEE - .2" X 1" X 32" - CHERRY - HONEY CHERRY |
| 3 | M09471-79-R38 | EA | MOLDING-STAINED - PORTSMOUTH OAK |
| 3 | M09471-79-R39 | EA | MOLDING-STAINED - CONCERT CHERRY |
| 3 | M09471-79-R46 | EA | MOLDING-STAINED - WASHED MAPLE |
| 3 | M09471-79-RE0 | EA | MOLDING-STAINED - HONEY CHERRY |
| 3A | M09471-40-R83 | EA | MOLDING-STAINED - PORTSMOUTH OAK |
| 3A | M09471-40-R84 | EA | MOLDING-STAINED - CONCERT CHERRY |
| 3A | M09471-40-RE0 | EA | MOLDING-STAINED - HONEY CHERRY |
| 4 | M09454-52-PA0 | EA | MOLDING - FLUTED - .75" X 3.5" X 76.7" - OAK - PORTSMOUTH OAK |
| 4 | M09454-52-PA1 | EA | MOLDING - FLUTED - .75" X 3.5" X 76.7" - CHERRY - CONCERT CHERRY |
| 4 | M09454-52-PA2 | EA | MOLDING - FLUTED - .75" X 3.5" X 76.7" - MAPLE - WASHED MAPLE |
| 4 | P39129-01-N53 | EA | MOLDING - FLUTED/CURVED - 3.5" X 44.5" - PORTSMOUTH OAK |
| 4 | P39129-01-N52 | EA | MOLDING - FLUTED/CURVED - 3.5" X 44.5" - CONCERT CHERRY |
| 4 | P39129-01-N62 | EA | MOLDING - FLUTED/CURVED - 3.5" X 44.5" - WASHED MAPLE |
| 4 | P39129-01-RA3 | EA | MOLDING - FLUTED/CURVED - 3.5" X 44.5" - HONEY CHERRY |

INTERIOR FINISH GROUP (CONTINUED)
MOLDINGS & TRIMS (CONTINUED)

| KEY | PART NUMBER | U/M | DESCRIPTION |
|-----|---------------|-----|--|
| 4 | P39129-08-N53 | EA | MOLDING - FLUTED/CURVED - 3.5" X 45.5" - PORTSMOUTH OAK |
| 4 | P39129-08-N52 | EA | MOLDING - FLUTED/CURVED - 3.5" X 45.5" - CONCERT CHERRY |
| 4 | P39129-08-N62 | EA | MOLDING - FLUTED/CURVED - 3.5" X 45.5" - WASHED MAPLE |
| 4 | P39129-08-RA3 | EA | MOLDING - FLUTED/CURVED - 3.5" X 45.5" - HONEY CHERRY |
| 4 | P39129-14-PA0 | EA | MOLDING - FLUTED/CURVED - 3.5" X 40.8" - PORTSMOUTH OAK |
| 4 | P39129-14-PA1 | EA | MOLDING - FLUTED/CURVED - 3.5" X 40.8" - CONCERT CHERRY |
| 4 | P39129-14-PA2 | EA | MOLDING - FLUTED/CURVED - 3.5" X 40.8" - WASHED MAPLE |
| 4 | P39129-14-RA3 | EA | MOLDING - FLUTED/CURVED - 3.5" X 40.8" - HONEY CHERRY |
| 4 | P39129-20-PA0 | EA | MOLDING - FLUTED/CURVED - 3.5" X 33.4" - PORTSMOUTH OAK |
| 4 | P39129-20-PA1 | EA | MOLDING - FLUTED/CURVED - 3.5" X 33.4" - CONCERT CHERRY |
| 4 | P39129-20-PA2 | EA | MOLDING - FLUTED/CURVED - 3.5" X 33.4" - WASHED MAPLE |
| 4 | P39129-20-RA3 | EA | MOLDING - FLUTED/CURVED - 3.5" X 33.4" - HONEY CHERRY |
| 4 | P39129-25-PA0 | EA | MOLDING - FLUTED/CURVED - 3.5" X 46.6" - PORTSMOUTH OAK |
| 4 | P39129-25-PA1 | EA | MOLDING - FLUTED/CURVED - 3.5" X 46.6" - CONCERT CHERRY |
| 4 | P39129-25-PA2 | EA | MOLDING - FLUTED/CURVED - 3.5" X 46.6" - WASHED MAPLE |
| 4 | P39129-25-RA3 | EA | MOLDING - FLUTED/CURVED - 3.5" X 46.6" - HONEY CHERRY |
| 4 | P39129-31-PA0 | EA | MOLDING - FLUTED/CURVED - 3.5" X 80.7" - PORTSMOUTH OAK |
| 4 | P39129-31-PA1 | EA | MOLDING - FLUTED/CURVED - 3.5" X 80.7" - CONCERT CHERRY |
| 4 | P39129-31-PA2 | EA | MOLDING - FLUTED/CURVED - 3.5" X 80.7" - WASHED MAPLE |
| 4 | P39129-31-RA3 | EA | MOLDING - FLUTED/CURVED - 3.5" X 80.7" - HONEY CHERRY |
| 4 | P39129-32-RA0 | EA | MOLDING - FLUTED/CURVED - 3.5" X 99.2" - PORTSMOUTH OAK |
| 4 | P39129-32-RA1 | EA | MOLDING - FLUTED/CURVED - 3.5" X 99.2" - CONCERT CHERRY |
| 4 | P39129-32-RA2 | EA | MOLDING - FLUTED/CURVED - 3.5" X 99.2" - WASHED MAPLE |
| 4 | P39129-32-RA3 | EA | MOLDING - FLUTED/CURVED - 3.5" X 99.2" - HONEY CHERRY |
| 4 | P39129-33-RA0 | EA | MOLDING - FLUTED/CURVED - 3.5" X 98.58" - PORTSMOUTH OAK |
| 4 | P39129-33-RA1 | EA | MOLDING - FLUTED/CURVED - 3.5" X 98.58" - CONCERT CHERRY |
| 4 | P39129-33-RA2 | EA | MOLDING - FLUTED/CURVED - 3.5" X 98.58" - WASHED MAPLE |
| 4 | P39129-33-RA3 | EA | MOLDING - FLUTED/CURVED - 3.5" X 98.58" - HONEY CHERRY |
| 5 | P39129-19-PA0 | EA | MOLDING - FLUTED/CURVED - 5.9" X 32.1" - PORTSMOUTH OAK |
| 5 | P39129-19-PA1 | EA | MOLDING - FLUTED/CURVED - 5.9" X 32.1" - CONCERT CHERRY |
| 5 | P39129-19-PA2 | EA | MOLDING - FLUTED/CURVED - 5.9" X 32.1" - WASHED MAPLE |
| 5 | P39129-19-RA3 | EA | MOLDING - FLUTED/CURVED - 5.9" X 32.1" - HONEY CHERRY |
| 5 | P39129-28-PA0 | EA | MOLDING - FLUTED/CURVED - 5.9" X 63.3" - PORTSMOUTH OAK |
| 5 | P39129-28-PA1 | EA | MOLDING - FLUTED/CURVED - 5.9" X 63.3" - CONCERT CHERRY |
| 5 | P39129-28-PA2 | EA | MOLDING - FLUTED/CURVED - 5.9" X 63.3" - WASHED MAPLE |
| 5 | P39129-28-RA3 | EA | MOLDING - FLUTED/CURVED - 5.9" X 63.3" - HONEY CHERRY |
| 5 | P39129-29-PA0 | EA | MOLDING - FLUTED/CURVED - 5.9" X 70.1" - PORTSMOUTH OAK |
| 5 | P39129-29-PA1 | EA | MOLDING - FLUTED/CURVED - 5.9" X 70.1" - CONCERT CHERRY |
| 5 | P39129-29-PA2 | EA | MOLDING - FLUTED/CURVED - 5.9" X 70.1" - WASHED MAPLE |
| 5 | P39129-29-RA3 | EA | MOLDING - FLUTED/CURVED - 5.9" X 70.1" - HONEY CHERRY |

INTERIOR FINISH GROUP (CONTINUED)
MOLDINGS & TRIMS (CONTINUED)

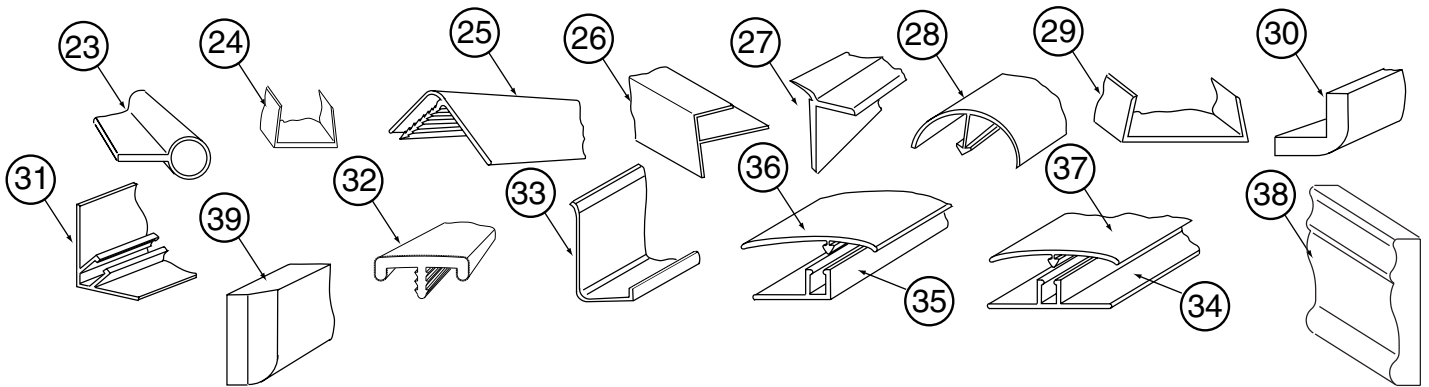


| KEY | PART NUMBER | U/M | DESCRIPTION |
|-----|---------------|-----|---|
| 6 | P39129-21-PA0 | EA | MOLDING - FLUTED/CURVED - 5.9" X 2.5" - PORTSMOUTH OAK |
| 6 | P39129-21-PA1 | EA | MOLDING - FLUTED/CURVED - 5.9" X 2.5" - CONCERT CHERRY |
| 6 | P39129-21-PA2 | EA | MOLDING - FLUTED/CURVED - 5.9" X 2.5" - WASHED MAPLE |
| 6 | P39129-21-RA3 | EA | MOLDING - FLUTED/CURVED - 5.9" X 2.5" - HONEY CHERRY |
| 6 | P39129-22-PA0 | EA | MOLDING - FLUTED/CURVED - 5.9" X 5.3" - PORTSMOUTH OAK |
| 6 | P39129-22-PA1 | EA | MOLDING - FLUTED/CURVED - 5.9" X 5.3" - CONCERT CHERRY |
| 6 | P39129-22-PA2 | EA | MOLDING - FLUTED/CURVED - 5.9" X 5.3" - WASHED MAPLE |
| 6 | P39129-22-RA3 | EA | MOLDING - FLUTED/CURVED - 5.9" X 5.3" - HONEY CHERRY |
| 7 | Y00007-22-438 | EA | MOLDING - MAPLE - UNSTAINED |
| 7 | Y00007-32-438 | EA | MOLDING - CHERRY - UNSTAINED |
| 7 | Y00007-42-438 | EA | MOLDING - OAK - UNSTAINED |
| 7A | Y00054-72-438 | EA | MOLDING - VINYL - W/SLOT - .7"X 1.9"X 96" - PORTSMOUTH OAK |
| 7A | Y00054-62-438 | EA | MOLDING - VINYL - W/SLOT - .7"X 1.9"X 96" - CONCERT CHERRY |
| 7A | Y00054-A2-438 | EA | MOLDING - VINYL - W/SLOT - .7"X 1.9"X 96" - WASHED MAPLE |
| 8 | Y00070-22-438 | EA | MOLDING/FLUTED - MAPLE - 96" - WASHED MAPLE |
| 8 | Y00070-32-438 | EA | MOLDING/FLUTED - CHERRY - 96" - CONCERT CHERRY |
| 8 | Y00070-42-438 | EA | MOLDING/FLUTED - OAK - 96" - PORTSMOUTH OAK |
| 9 | Y00071-22-438 | EA | MOLDING/FLUTED - W/NOTCH - MAPLE/UNSTAINED - 96" |
| 9 | Y00071-32-438 | EA | MOLDING/FLUTED - W/NOTCH - CHERRY/UNSTAINED - 96" |
| 9 | Y00071-42-438 | EA | MOLDING/FLUTED - W/NOTCH - OAK/UNSTAINED - 96" |
| 10 | Y00074-A2-438 | EA | MOLDING/CROWN - VINYL WRAPPED - MAPLE - 96" - WASHED MAPLE |
| 10 | Y00074-62-438 | EA | MOLDING/CROWN - VINYL WRAPPED - CONCERT CHERRY - 96" - CONCERT CHERRY |
| 10 | Y00074-72-438 | EA | MOLDING/CROWN - VINYL WRAPPED - PORTSMOUTH OAK - 96" - PORTSMOUTH OAK |
| 11 | Y00076-22-438 | EA | MOLDING/TRIM - .5" X 1" X 96" - MAPLE (UNSTAINED) |
| 11 | Y00076-32-438 | EA | MOLDING/TRIM - .5" X 1" X 96" - CHERRY (UNSTAINED) |
| 11 | Y00076-42-438 | EA | MOLDING/TRIM - .5" X 1" X 96" - OAK (UNSTAINED) |
| 12 | Y00086-A2-438 | EA | MOLDING - VINYL WRAP - .7" X 1.6" X 96" - WASHED MAPLE |
| 12 | Y00086-62-438 | EA | MOLDING - VINYL WRAP - .7" X 1.6" X 96" - CONCERT CHERRY |
| 12 | Y00086-72-438 | EA | MOLDING - VINYL WRAP - .7" X 1.6" X 96" - PORTSMOUTH OAK |
| 12 | Y00086-82-438 | EA | MOLDING - VINYL WRAP - .7" X 1.6" X 96" - HONEY CHERRY |
| 12 | Y00087-A2-438 | EA | MOLDING - VINYL WRAP - .7" X 2.9" X 96" - WASHED MAPLE |
| 12 | Y00087-62-438 | EA | MOLDING - VINYL WRAP - .7" X 2.9" X 96" - CONCERT CHERRY |
| 12 | Y00087-72-438 | EA | MOLDING - VINYL WRAP - .7" X 2.9" X 96" - PORTSMOUTH OAK |
| 12 | Y00087-82-438 | EA | MOLDING - VINYL WRAP - .7" X 2.9" X 96" - HONEY CHERRY |
| 12 | Y00267-72-438 | EA | MOLDING - VINYL WRAP/MITERED - .6" X 96" - PORTSMOUTH OAK |
| 12 | Y00267-62-438 | EA | MOLDING - VINYL WRAP/MITERED - .6" X 96" - CONCERT CHERRY |
| 12 | Y00267-A2-438 | EA | MOLDING - VINYL WRAP/MITERED - .6" X 96" - WASHED MAPLE |

INTERIOR FINISH GROUP (CONTINUED)
MOLDINGS & TRIMS (CONTINUED)

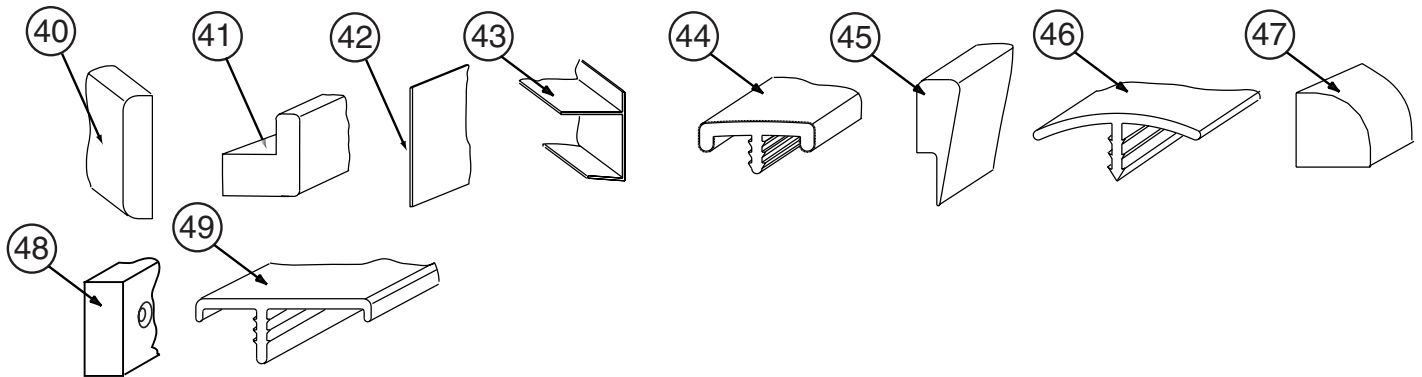
| KEY | PART NUMBER | U/M | DESCRIPTION |
|-----|---------------|-----|---|
| 13 | Y00152-A2-438 | EA | MOLDING/TRIM - VINYL - .6" X 3.5" X 96" - WASHED MAPLE |
| 13 | Y00152-62-438 | EA | MOLDING/TRIM - VINYL - .6" X 3.5" X 96" - CONCERT CHERRY |
| 13 | Y00152-72-438 | EA | MOLDING/TRIM - VINYL - .6" X 3.5" X 96" - PORTSMOUTH OAK |
| 14 | Y00153-A2-438 | EA | MOLDING/TRIM - VINYL - .6" X 3.9" X 96" - WASHED MAPLE |
| 14 | Y00153-62-438 | EA | MOLDING/TRIM - VINYL - .6" X 3.9" X 96" - CONCERT CHERRY |
| 14 | Y00153-72-438 | EA | MOLDING/TRIM - VINYL - .6" X 3.9" X 96" - PORTSMOUTH OAK |
| 14 | Y00153-82-438 | EA | MOLDING/TRIM - VINYL - .6" X 3.9" X 96" - HONEY CHERRY |
| 15 | Y00203-A2-438 | EA | MOLDING - VINYL/BEVELED - 96" - WASHED MAPLE |
| 15 | Y00203-62-438 | EA | MOLDING - VINYL/BEVELED - 96" - CONCERT CHERRY |
| 15 | Y00203-72-438 | EA | MOLDING - VINYL/BEVELED - 96" - PORTSMOUT OAK |
| 15 | Y00203-82-438 | EA | MOLDING - VINYL/BEVELED - 96" - HONEY CHERRY |
| 16 | Y00204-A2-438 | EA | MOLDING - VINYL/BEVELED - 96" - WASHED MAPLE |
| 16 | Y00204-62-438 | EA | MOLDING - VINYL/BEVELED - 96" - CONCERT CHERRY |
| 16 | Y00204-72-438 | EA | MOLDING - VINYL/BEVELED - 96" - PORTSMOUT OAK |
| 16 | Y00204-82-438 | EA | MOLDING - VINYL/BEVELED - 96" - HONEY CHERRY |
| 17 | Y00205-A2-438 | EA | MOLDING - VINYL/BEVELED - 96" - WASHED MAPLE |
| 17 | Y00205-62-438 | EA | MOLDING - VINYL/BEVELED - 96" - CONCERT CHERRY |
| 17 | Y00205-72-438 | EA | MOLDING - VINYL/BEVELED - 96" - PORTSMOUT OAK |
| 17 | Y00205-82-438 | EA | MOLDING - VINYL/BEVELED - 96" - HONEY CHERRY |
| 18 | Y00206-A2-438 | EA | MOLDING - VINYL/BEVELED - 96" - WASHED MAPLE |
| 18 | Y00206-62-438 | EA | MOLDING - VINYL/BEVELED - 96" - CONCERT CHERRY |
| 18 | Y00206-72-438 | EA | MOLDING - VINYL/BEVELED - 96" - PORTSMOUT OAK |
| 18 | Y00206-82-438 | EA | MOLDING - VINYL/BEVELED - 96" - HONEY CHERRY |
| 19 | Y00223-22-438 | EA | MOLDING - HARDWOOD/MAPLE - .7" X 1" X 96" |
| 19 | Y00223-32-438 | EA | MOLDING - HARDWOOD/CHERRY - .7" X 1" X 96" |
| 19 | Y00223-42-438 | EA | MOLDING - HARDWOOD/OAK - .7" X 1" X 96" |
| 20 | Y00258-A2-438 | EA | MOLDING - VINYL/BEVELED - 96" - WASHED MAPLE |
| 20 | Y00258-62-438 | EA | MOLDING - VINYL/BEVELED - 96" - CONCERT CHERRY |
| 20 | Y00258-72-438 | EA | MOLDING - VINYL/BEVELED - 96" - PORTSMOUT OAK |
| 20 | Y00258-82-438 | EA | MOLDING - VINYL/BEVELED - 96" - HONEY CHERRY |
| 21 | Y00259-A2-438 | EA | MOLDING - VINYL/BEVELED - 96" - WASHED MAPLE |
| 21 | Y00259-62-438 | EA | MOLDING - VINYL/BEVELED - 96" - CONCERT CHERRY |
| 21 | Y00259-72-438 | EA | MOLDING - VINYL/BEVELED - 96" - PORTSMOUT OAK |
| 21 | Y00259-82-438 | EA | MOLDING - VINYL/BEVELED - 96" - HONEY CHERRY |
| 22 | Y00262-22-438 | EA | MOLDING - 96" - MAPLE, UNSTAINED |
| 22 | Y00262-32-438 | EA | MOLDING - 96" - CHERRY, UNSTAINED |
| 22 | Y00262-42-438 | EA | MOLDING - 96" - OAK, UNSTAINED |
| 22A | Y00266-42-438 | EA | MOLDING - .75" X 1.5" X 96" OAK - .7" X 1" X 96" |
| 22A | Y00266-32-438 | EA | MOLDING - .75" X 1.5" X 96" CHERRY - .7" X 1" X 96" |
| 22A | Y00266-22-438 | EA | MOLDING - .75" X 1.5" X 96" MAPLE - .7" X 1" X 96" |
| 22B | Y00280-74-174 | EA | MOLDING/TRIM - VINYL - F/SLIDEOUT - 164.1" - PORTSMOUTH OAK |
| 22B | Y00280-64-174 | EA | MOLDING/TRIM - VINYL - F/SLIDEOUT - 164.1" - CONCERT CHERRY |
| 22B | Y00280-A4-174 | EA | MOLDING/TRIM - VINYL - F/SLIDEOUT - 164.1" - WASHED MAPLE |
| 22B | Y00281-72-438 | EA | MOLDING/TRIM - VINYL - F/SLIDEOUT - 96" - PORTSMTH OAK |
| 22B | Y00281-62-438 | EA | MOLDING/TRIM - VINYL - F/SLIDEOUT - 96"- CONCERT CHERRY |
| 22B | Y00281-A2-438 | EA | MOLDING/TRIM - VINYL - F/SLIDEOUT - 96" - WASHED MAPLE |
| 22B | Y00291-72-438 | EA | MOLDING - VINYL WRAPPED - 4" X 96" - PORTSMTH OAK |
| 22B | Y00291-62-438 | EA | MOLDING - VINYL WRAPPED - 4" X 96" - CONCERT CHERRY |
| 22B | Y00291-A2-438 | EA | MOLDING - VINYL WRAPPED - 4" X 96" - WASHED MAPLE |
| 22C | Y00282-72-438 | EA | MOLDING - SLIDEOUT/VINYL WRAP - 3.9" X 96"- PORTSMOUTH OAK |
| 22C | Y00282-62-438 | EA | MOLDING - SLIDEOUT/VINYL WRAP - 3.9" X 96"- CONCERT CHERRY |
| 22C | Y00282-A2-438 | EA | MOLDING - SLIDEOUT/VINYL WRAP - 3.9" X 96"- WASHED MAPLE |
| 22D | Y00284-42-438 | EA | MOLDING - STRAIGHT - .2" X 1.5" X 96"- UNSTAINED OAK |
| 22D | Y00284-32-438 | EA | MOLDING - STRAIGHT - .2" X 1.5" X 96"- UNSTAINED CHERRY |
| 22D | Y00284-22-438 | EA | MOLDING - STRAIGHT - .2" X 1.5" X 96"- UNSTAINED MAPLE |
| 22E | Y00285-42-438 | EA | MOLDING - STRAIGHT - .63" X 3.2" X 96"- UNSTAINED OAK |
| 22E | Y00285-32-438 | EA | MOLDING - STRAIGHT - .63" X 3.2" X 96"- UNSTAINED CHERRY |
| 22E | Y00285-22-438 | EA | MOLDING - STRAIGHT - .63" X 3.2" X 96"- UNSTAINED MAPLE |

INTERIOR FINISH GROUP (CONTINUED)
MOLDINGS & TRIMS (CONTINUED)



| KEY | PART NUMBER | U/M | DESCRIPTION |
|-----|---------------|-----|--|
| 23 | 009767-12-000 | FT | WELTING - ANTIQUE WHITE |
| 24 | 009778-25-000 | FT | U-CHANNEL - 1" - BEIGE ILLUSION |
| 24 | 009778-27-000 | FT | U-CHANNEL - 1" - WASHED MAPLE |
| 24 | 009778-32-000 | FT | U-CHANNEL - 1" - PORTSMOUTH OAK |
| 24 | 009778-34-000 | FT | U-CHANNEL - 1" - CONCERT CHERRY |
| 24 | 009778-35-000 | FT | U-CHANNEL - 1" - HONEY CHERRY |
| 25 | 009809-30-000 | EA | MOLDING - CORNER - OUTSIDE - 1" X 84" - BEIGE ILLUSION |
| 25 | 009809-32-000 | EA | MOLDING - CORNER - OUTSIDE - 1" X 84" - PORTSMOUTH OAK |
| 25 | 009809-31-000 | EA | MOLDING - CORNER - OUTSIDE - 1" X 84" - WASHED MAPLE |
| 25 | 009809-33-000 | EA | MOLDING - CORNER - OUTSIDE - 1" X 84" - CONCERT CHERRY |
| 25 | 009809-34-000 | EA | MOLDING - CORNER - OUTSIDE - 1" X 84" - HONEY CHERRY |
| 26 | 009812-31-000 | EA | MOLDING - CORNER - 1/2" W/1/4"CHAN X 84" - BEIGE ILLUSION |
| 26 | 009812-33-000 | EA | MOLDING - CORNER - 1/2" W/1/4"CHAN X 84" - WASHED MAPLE |
| 26 | 009812-34-000 | EA | MOLDING - CORNER - 1/2" W/1/4"CHAN X 84" - VW LIGHT GRAY |
| 26 | 009812-35-000 | EA | MOLDING - CORNER - 1/2" W/1/4"CHAN X 84" - PORTSMOUTH OAK |
| 26 | 009812-36-000 | EA | MOLDING - CORNER - 1/2" W/1/4"CHAN X 84" - CONCERT CHERRY |
| 26 | 009812-37-000 | EA | MOLDING - CORNER - 1/2" W/1/4"CHAN X 84" - HONEY CHERRY |
| 27 | 022992-11-000 | FT | MOLDING - REVERSE COVE - T-SHAPED - IVORY |
| 27 | 022992-14-000 | FT | MOLDING - REVERSE COVE - T-SHAPED - BRIGHT WHITE |
| 27 | 022992-15-000 | FT | MOLDING - REVERSE COVE - T-SHAPED - VW GRAY |
| 28 | 042357-25-000 | EA | MOLDING - CORNER - RADIUS/PLASTIC - WASHED MAPLE |
| 29 | 070504-42-000 | FT | U-CHANNEL - PLASTIC - .13" X 84" - BEIGE ILLUSION |
| 29 | 070504-50-000 | FT | U-CHANNEL - PLASTIC - .13" X 96" - WASHED MAPLE |
| 29 | 070504-51-000 | FT | U-CHANNEL - PLASTIC - .9" X 96" - WASHED MAPLE |
| 29 | 070504-54-000 | FT | U-CHANNEL - PLASTIC - .9" X 96" - VILLAGE OAK |
| 29 | 070504-57-000 | FT | U-CHANNEL - PLASTIC - .13" X 84" - PORTSMOUTH OAK |
| 29 | 070504-58-000 | FT | U-CHANNEL - PLASTIC - .9" X 84" - PORTSMOUTH OAK |
| 29 | 070504-60-000 | FT | U-CHANNEL - PLASTIC - .13" X 84" - CONCERT CHERRY |
| 29 | 070504-61-000 | FT | U-CHANNEL - PLASTIC - .9" X84" - CONCERT CHERRY |
| 29 | 070504-62-000 | FT | U-CHANNEL - PLASTIC - 1.65" X 84" - HONEY CHERRY |
| 29 | 070504-63-000 | FT | U-CHANNEL - PLASTIC - .9" X 84" - HONEY CHERRY |
| 29 | 070504-64-000 | FT | U-CHANNEL - PLASTIC - .7" X 84" - HONEY CHERRY |
| 30 | 080176-08-000 | EA | CAP - CORNER - RADIUS MOLDING - PLASTIC - WASHED MAPLE |
| 31 | 081521-02-007 | EA | MOUNT - METAL MOLDING - F/RADIUS CORNER MOLDING - 151.5" |
| 32 | 083620-15-000 | FT | MOLDING-T - W/EDGE LIP - 7/8" FACE - BEIGE ILLUSION |
| 32 | 083620-19-000 | FT | MOLDING-T - W/EDGE LIP - 7/8" FACE - WASHED MAPLE |
| 32 | 083620-20-000 | FT | MOLDING-T - W/EDGE LIP - 7/8" FACE - PORTSMOUTH OAK |
| 32 | 083620-21-000 | FT | MOLDING-T - W/EDGE LIP - 7/8" FACE - CONCERT CHERRY/HONEY CHERRY |
| 33 | 085746-04-000 | FT | TRIM-J - CARPET 1.2" X .5" ANGLE - 10' LONG - OFF WHITE |
| 34 | 086229-01-000 | EA | RETAINER - BATTEN - .75" X 92.1" - ANY COLOR |
| 35 | 086229-11-000 | EA | RETAINER - OFFSET - 97" |
| 36 | 086229-21-000 | EA | BATTEN - 1.5" X 83.9" OFFSET - WHITE |
| 37 | 086229-20-000 | EA | BATTEN - 1" X 96" - BEIGE |
| 38 | 100182-10-J70 | EA | TRIM/WOOD - CHAIR RAIL - 2.5" X 8' - WASHED MAPLE |
| 38 | 100182-10-N47 | EA | TRIM/WOOD - CHAIR RAIL - 2.5" X 8' - PORTSMOUTH OAK |
| 38 | 100182-10-P85 | EA | TRIM/WOOD - CHAIR RAIL - 2.5" X 8' - CHERRY - CONCERT CHERRY |
| 38 | 100182-10-RA3 | EA | TRIM/WOOD - CHAIR RAIL - 2.5" X 8' - HONEY CHERRY |
| 39 | 100659-30-N75 | EA | MOLDING - TRIM - 8' - PORTSMOUTH OAK |
| 39 | 100659-30-N74 | EA | MOLDING - TRIM - 8' - CHERRY - CONCERT CHERRY |
| 39 | 100659-30-M84 | EA | MOLDING - TRIM - 8' - WASHED MAPLE |
| 39 | 100659-27-RA2 | EA | MOLDING - TRIM - HONEY CHERRY |

INTERIOR FINISH GROUP (CONTINUED)
MOLDINGS & TRIMS (CONTINUED)

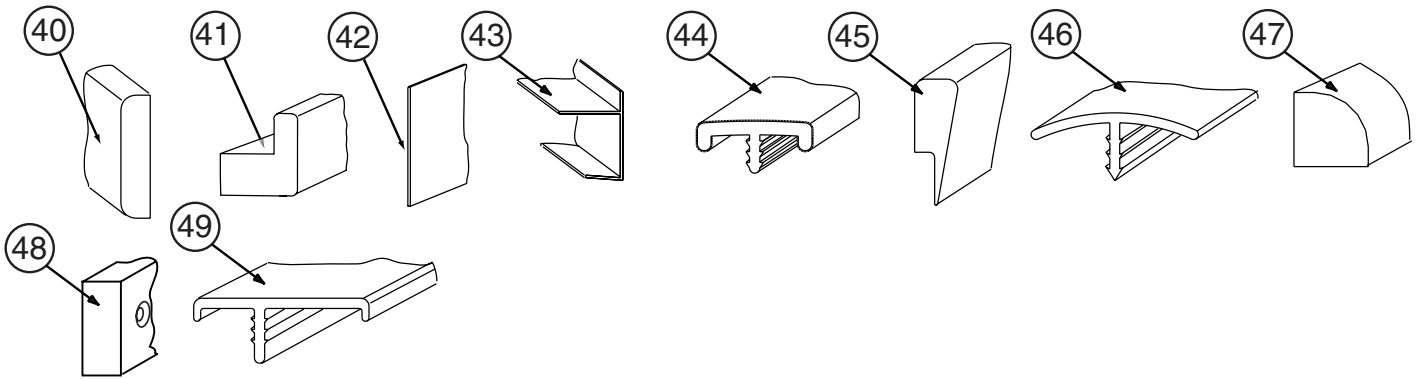


| KEY | PART NUMBER | U/M | DESCRIPTION |
|-----|---------------|-----|---|
| 40 | 100818-01-21A | EA | MOLDING - VINYL WRAPPED - 1.6" X .4" X 84" - WASHED MAPLE |
| 40 | 100818-01-12A | EA | MOLDING - VINYL WRAPPED - 1.6" X .4" X 84" - PORTSMOUTH OAK |
| 40 | 100818-01-13A | EA | MOLDING - VINYL WRAPPED - 1.6" X .4" X 84" - CHERRY - CONCERT CHERRY |
| 40 | 100818-01-14A | EA | MOLDING - VINYL WRAPPED - 1.6" X .4" X 84" - HONEY CHERRY |
| 41 | 100819-01-21A | EA | MOLDING - VINYL WRAPPED-L-SHAPED-1.5"X1.5"X84" - WASHED MAPLE |
| 41 | 100819-01-12A | EA | MOLDING - VINYL WRAPPED-L-SHAPED - 1.5" X 1.5" X 84" - OAK - PORTSMOUTH OAK |
| 41 | 100819-01-13A | EA | MOLDING - VINYL WRAPPED-L-SHAPED-1.5"X1.5"X84" - CONCERT CHERRY |
| 41 | 100819-01-14A | EA | MOLDING - VINYL WRAPPED-L-SHAPED-1.5"X1.5"X84" - HONEY CHERRY |
| 42 | 101957-01-06A | EA | EXTRUDED - PLASTIC - WASHED MAPLE |
| 43 | 103186-01-07A | FT | MOLDING/PLASTIC - 3/8" U-CHANNEL-3/4"FACE - BEIGE ILLUS 8' |
| 43 | 103186-01-08A | FT | MOLDING/PLASTIC - 3/8" U-CHANNEL-3/4"FACE-WASHED MAPLE 8' - WASHED MAPLE |
| 43 | 103186-01-09A | FT | MOLDING/PLASTIC - 3/8" U-CHAN'L-3/4"FACE-PORTSMOUTH OAK 8' - PORTSMOUTH OAK |
| 43 | 103186-01-10A | FT | MOLDING/PLASTIC-3/8" U-CHAN'L-3/4"FACE-CONCERT CHERRY 8' - CONCERT CHERRY |
| 43 | 103186-01-11A | FT | MOLDING/PLASTIC-3/8" U-CHAN'L-3/4"FACE-CONCERT CHERRY 8' - HONEY CHERRY |
| 43 | 103186-02-07A | FT | MOLDING/PLASTIC-1" U-CHAN'L-1 3/8"FACE-BEIGE ILLUSION - 8' |
| 43 | 103186-02-08A | FT | MOLDING/PLASTIC - 1" U-CHANNEL-1 3/8"FACE-WASHED MAPLE 8' - WASHED MAPLE |
| 43 | 103186-02-09A | FT | MOLDING/PLASTIC - 1" U-CHAN'L-1 3/8"FACE-PORTSMOUTH OAK 8' - PORTSMOUTH OAK |
| 43 | 103186-02-10A | FT | MOLDING/PLASTIC - 1" U-CHAN'L-1 3/8"FACE-CONCERT CHERRY 8' - CONCERT CHERRY |
| 43 | 103186-02-11A | FT | MOLDING/PLASTIC - 1" U-CHAN'L-1 3/8"FACE-CONCERT CHERRY 8' - HONEY CHERRY |
| 44 | 104676-02-06A | FT | MOLDING-T - W/EDGE LIP - 11/16" FACE - WASHED MAPLE |
| 44 | 104676-02-08A | FT | MOLDING-T - W/EDGE LIP - 11/16" FACE - PORTSMOUTH OAK |
| 44 | 104676-02-09A | FT | MOLDING-T - W/EDGE LIP - 11/16" FACE - CONCERT CHERRY |
| 44 | 104676-02-10A | FT | MOLDING-T - W/EDGE LIP - 11/16" FACE - HONEY CHERRY |
| 45 | 105004-01-21A | EA | MOLDING - VINYL WRAPPED - 1" X 96" - WASHED MAPLE |
| 45 | 105004-01-12A | EA | MOLDING - VINYL WRAPPED 1" X 96" - PORTSMOUTH OAK |
| 45 | 105004-01-13A | EA | MOLDING - VINYL WRAPPED 1" X 96" - CONCERT CHERRY |
| 45 | 105004-01-14A | EA | MOLDING - VINYL WRAPPED 1" X 96" - HONEY CHERRY |
| 46 | 105709-02-000 | FT | MOLDING-T - W/EDGE LIP - 3/4" FACE - BEIGE ILLUSION |
| 47 | 109410-01-P25 | EA | MOLDING - TRIM - 8' - BLACK CHERRY/CHERRY IV - CONCERT CHERRY |
| 47 | 109410-01-N75 | EA | MOLDING - TRIM - 8' - PORTSMOUTH OAK |
| 47 | 109410-01-J70 | EA | MOLDING - TRIM - 8' - WHITE MAPLE - WASHED MAPLE |
| 48 | 116951-11-KQ0 | EA | MOLDING - TRIM - 3.5" X 75.9" - WASHED MAPLE |
| 48 | 116951-11-KQ1 | EA | MOLDING - TRIM - 3.5" X 75.9" - CONCERT CHERRY |
| 48 | 116951-11-N95 | EA | MOLDING - TRIM - 3.5" X 75.9" - PORTSMOUTH OAK |
| 48 | 116951-11-RE0 | EA | MOLDING - TRIM - 3.5" X 75.9" - HONEY CHERRY |
| 48 | 116951-16-K37 | EA | MOLDING - TRIM - 3.5" X 74.3" - CONCERT CHERRY |
| 48 | 116951-16-K90 | EA | MOLDING - TRIM - 3.5" X 74.3" - WASHED MAPLE |
| 48 | 116951-16-N75 | EA | MOLDING - TRIM - 3.5" X 74.3" - PORTSMOUTH OAK |
| 48 | 116951-16-RC3 | EA | MOLDING - TRIM - 3.5" X 74.3" - HONEY CHERRY |
| 48 | 116951-23-L52 | EA | MOLDING - TRIM - 3.5" X 74.3" - CONCERT CHERRY |
| 48 | 116951-23-L58 | EA | MOLDING - TRIM - 3.5" X 74.3" - WASHED MAPLE |
| 48 | 116951-23-RE0 | EA | MOLDING - TRIM - 3.5" X 74.3" - HONEY CHERRY |
| 48 | 116951-23-R83 | EA | MOLDING - TRIM - 3.5" X 74.3" - PORTSMOUTH OAK |
| 48 | 116951-24-L52 | EA | MOLDING - TRIM - 3.5" X 74.6" - CONCERT CHERRY |
| 48 | 116951-24-L58 | EA | MOLDING - TRIM - 3.5" X 74.6" - WASHED MAPLE |
| 48 | 116951-24-RE0 | EA | MOLDING - TRIM - 3.5" X 74.6" - HONEY CHERRY |
| 48 | 116951-24-R83 | EA | MOLDING - TRIM - 3.5" X 74.6" - PORTSMOUTH OAK |
| 48 | 116951-27-N75 | EA | MOLDING - TRIM - 3.5" X 46.8" - PORTSMOUTH OAK |
| 48 | 116951-27-N84 | EA | MOLDING - TRIM - 3.5" X 46.8" - WASHED MAPLE |
| 48 | 116951-27-N85 | EA | MOLDING - TRIM - 3.5" X 46.8" - CONCERT CHERRY |
| 48 | 116951-28-N75 | EA | MOLDING - TRIM - 3.5" X 79.4" - PORTSMOUTH OAK |

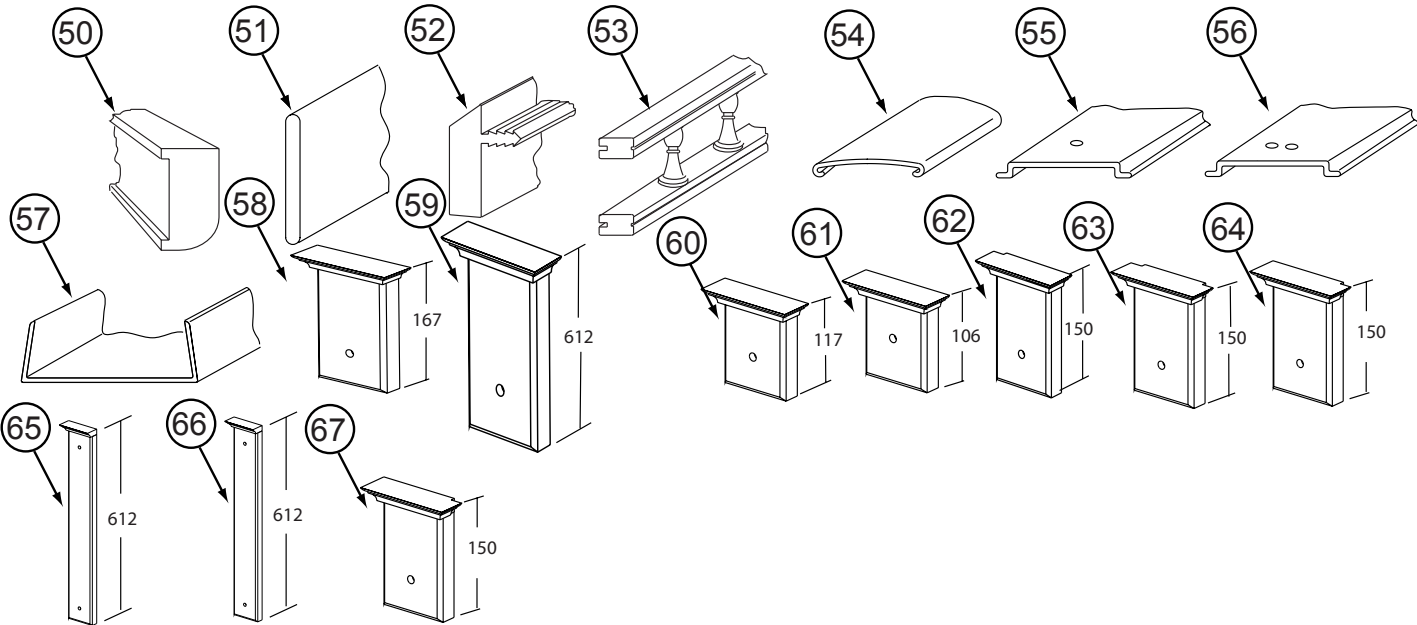
INTERIOR FINISH GROUP (CONTINUED)
MOLDINGS & TRIMS (CONTINUED)

| KEY | PART NUMBER | U/M | DESCRIPTION |
|------------|--------------------|------------|--|
| 48 | 116951-28-N84 | EA | MOLDING - TRIM - 3.5" X 79.4" - WASHED MAPLE |
| 48 | 116951-28-N85 | EA | MOLDING - TRIM - 3.5" X 79.4" - CONCERT CHERRY |
| 48 | 116951-29-N70 | EA | MOLDING - TRIM - 5.5" X 30.4" - PORTSMOUTH OAK |
| 48 | 116951-29-N84 | EA | MOLDING - TRIM - 5.5" X 30.4" - WASHED MAPLE |
| 48 | 116951-29-N85 | EA | MOLDING - TRIM - 5.5" X 30.4" - CONCERT CHERRY |
| 48 | 116951-29-RC3 | EA | MOLDING - TRIM - 5.5" X 30.4" - HONEY CHERRY |
| 48 | 116951-32-P75 | EA | MOLDING - TRIM - 3" X 33.4" - PORTSMOUTH OAK |
| 48 | 116951-32-P25 | EA | MOLDING - TRIM - 3" X 33.4" - CONCERT CHERRY |
| 48 | 116951-32-P28 | EA | MOLDING - TRIM - 3" X 33.4" - WASHED MAPLE |
| 48 | 116951-32-RE0 | EA | MOLDING - TRIM - 3" X 33.4" - HONEY CHERRY |
| 48 | 116951-34-P28 | EA | MOLDING - TRIM - 3" X 33.4" - WASHED MAPLE |
| 48 | 116951-34-P78 | EA | MOLDING - TRIM - 3" X 33.4" - PORTSMOUTH OAK |
| 48 | 116951-34-P79 | EA | MOLDING - TRIM - 3" X 33.4" - CONCERT CHERRY |
| 48 | 116951-34-RE0 | EA | MOLDING - TRIM - 3" X 33.4" - HONEY CHERRY |
| 48 | 116951-35-P28 | EA | MOLDING - TRIM - 3.5" X 96" - WASHED MAPLE |
| 48 | 116951-35-P78 | EA | MOLDING - TRIM - 3.5" X 96" - PORTSMOUTH OAK |
| 48 | 116951-35-P79 | EA | MOLDING - TRIM - 3.5" X 96" - CONCERT CHERRY |
| 48 | 116951-35-RE0 | EA | MOLDING - TRIM - 3.5" X 96" - HONEY CHERRY |
| 48 | 116951-36-R68 | EA | MOLDING - TRIM - 3.5" X 48.8" - WASHED MAPLE |
| 48 | 116951-36-R69 | EA | MOLDING - TRIM - 3.5" X 48.8" - PORTSMOUTH OAK |
| 48 | 116951-36-R76 | EA | MOLDING - TRIM - 3.5" X 48.8" - CONCERT CHERRY |
| 48 | 116951-37-R68 | EA | MOLDING - TRIM - 3.5" X 38.6" - WASHED MAPLE |
| 48 | 116951-37-R69 | EA | MOLDING - TRIM - 3.5" X 38.6" - PORTSMOUTH OAK |
| 48 | 116951-37-R76 | EA | MOLDING - TRIM - 3.5" X 38.6" - CONCERT CHERRY |
| 48 | 116951-38-RE0 | EA | MOLDING - TRIM - 3.5" X 82.6" - HONEY CHERRY |
| 48 | 116951-38-R83 | EA | MOLDING - TRIM - 3.5" X 82.6" - PORTSMOUTH OAK |
| 48 | 116951-38-R84 | EA | MOLDING - TRIM - 3.5" X 82.6" - CONCERT CHERRY |
| 48 | 116951-38-R91 | EA | MOLDING - TRIM - 3.5" X 82.6" - WASHED MAPLE |
| 48 | 116951-39-RE0 | EA | MOLDING - TRIM - 3.5" X 73.9" - HONEY CHERRY |
| 48 | 116951-39-R83 | EA | MOLDING - TRIM - 3.5" X 73.9" - PORTSMOUTH OAK |
| 48 | 116951-39-R84 | EA | MOLDING - TRIM - 3.5" X 73.9" - CONCERT CHERRY |
| 48 | 116951-39-R91 | EA | MOLDING - TRIM - 3.5" X 73.9" - WASHED MAPLE |
| 48 | 116951-40-RE0 | EA | MOLDING - TRIM - 4.5" X 81.9" - HONEY CHERRY |
| 48 | 116951-40-R83 | EA | MOLDING - TRIM - 4.5" X 81.9" - PORTSMOUTH OAK |
| 48 | 116951-40-R84 | EA | MOLDING - TRIM - 4.5" X 81.9" - CONCERT CHERRY |
| 48 | 116951-40-R91 | EA | MOLDING - TRIM - 4.5" X 81.9" - WASHED MAPLE |
| 48 | 116951-41-RE0 | EA | MOLDING - TRIM - 3.5" X 36.8" - HONEY CHERRY |
| 48 | 116951-41-R83 | EA | MOLDING - TRIM - 3.5" X 36.8" - PORTSMOUTH OAK |
| 48 | 116951-41-R84 | EA | MOLDING - TRIM - 3.5" X 36.8" - CONCERT CHERRY |
| 48 | 116951-41-R91 | EA | MOLDING - TRIM - 3.5" X 36.8" - WASHED MAPLE |
| 48 | 116951-42-RE0 | EA | MOLDING - TRIM - 3.5" X 46.8" - HONEY CHERRY |
| 48 | 116951-42-R83 | EA | MOLDING - TRIM - 3.5" X 46.8" - PORTSMOUTH OAK |
| 48 | 116951-42-R84 | EA | MOLDING - TRIM - 3.5" X 46.8" - CONCERT CHERRY |
| 48 | 116951-42-R91 | EA | MOLDING - TRIM - 3.5" X 46.8" - WASHED MAPLE |
| 48 | 116951-43-RE0 | EA | MOLDING - TRIM - 3.5" X 86.5" - HONEY CHERRY |
| 48 | 116951-43-R83 | EA | MOLDING - TRIM - 3.5" X 86.5" - PORTSMOUTH OAK |
| 48 | 116951-43-R84 | EA | MOLDING - TRIM - 3.5" X 86.5" - CONCERT CHERRY |
| 48 | 116951-43-R91 | EA | MOLDING - TRIM - 3.5" X 86.5" - WASHED MAPLE |
| 48 | 116951-44-RE0 | EA | MOLDING - TRIM - 3.5" X 76.1" - HONEY CHERRY |
| 48 | 116951-44-R83 | EA | MOLDING - TRIM - 3.5" X 76.1" - PORTSMOUTH OAK |
| 48 | 116951-44-R84 | EA | MOLDING - TRIM - 3.5" X 76.1" - CONCERT CHERRY |
| 48 | 116951-44-R91 | EA | MOLDING - TRIM - 3.5" X 76.1" - WASHED MAPLE |
| 48 | 116951-45-R68 | EA | MOLDING - TRIM - 3" X 30.3" - PORTSMOUTH OAK |
| 48 | 116951-45-R69 | EA | MOLDING - TRIM - 3" X 30.3" - CONCERT CHERRY |
| 48 | 116951-45-R76 | EA | MOLDING - TRIM - 3" X 30.3" - WASHED MAPLE |
| 48 | 116951-46-RE0 | EA | MOLDING - TRIM - 4.5" X 72.3" - HONEY CHERRY |
| 48 | 116951-46-R83 | EA | MOLDING - TRIM - 4.5" X 72.3" - PORTSMOUTH OAK |
| 48 | 116951-46-R84 | EA | MOLDING - TRIM - 4.5" X 72.3" - CONCERT CHERRY |
| 48 | 116951-46-R91 | EA | MOLDING - TRIM - 4.5" X 72.3" - WASHED MAPLE |
| 48 | 116951-48-RE0 | EA | MOLDING - TRIM - 4.5" X 76.1" - HONEY CHERRY |
| 48 | 116951-48-R83 | EA | MOLDING - TRIM - 4.5" X 76.1" - PORTSMOUTH OAK |
| 48 | 116951-48-R84 | EA | MOLDING - TRIM - 4.5" X 76.1" - CONCERT CHERRY |
| 48 | 116951-48-R91 | EA | MOLDING - TRIM - 4.5" X 76.1" - WASHED MAPLE |
| 48 | 116951-49-RE0 | EA | MOLDING - TRIM - 4.5" X 69.8" - HONEY CHERRY |

INTERIOR FINISH GROUP (CONTINUED)
MOLDINGS & TRIMS (CONTINUED)



| KEY | PART NUMBER | U/M | DESCRIPTION |
|-----|---------------|-----|--|
| 48 | 116951-49-R83 | EA | MOLDING - TRIM - 4.5" X 69.8" - PORTSMOUTH OAK |
| 48 | 116951-49-R84 | EA | MOLDING - TRIM - 4.5" X 69.8" - CONCERT CHERRY |
| 48 | 116951-49-R91 | EA | MOLDING - TRIM - 4.5" X 69.8" - WASHED MAPLE |
| 48 | 116951-50-RE0 | EA | MOLDING - TRIM - 4.5" X 70.3" - HONEY CHERRY |
| 48 | 116951-50-R83 | EA | MOLDING - TRIM - 4.5" X 70.3" - PORTSMOUTH OAK |
| 48 | 116951-50-R84 | EA | MOLDING - TRIM - 4.5" X 70.3" - CONCERT CHERRY |
| 48 | 116951-50-R91 | EA | MOLDING - TRIM - 4.5" X 70.3" - WASHED MAPLE |
| 49 | 119520-01-01A | FT | MOLDING-T/OFFSET - W/EDGE LIP - 1.3" FACE - OFF WHITE |
| 49 | 119520-01-04A | FT | MOLDING-T/OFFSET - W/EDGE LIP - 1.3" FACE - PORTSMOUTH OAK |
| 49 | 119520-01-02A | FT | MOLDING-T/OFFSET - W/EDGE LIP - 1.3" FACE - CONCERT CHERRY |
| 49 | 119520-01-03A | FT | MOLDING-T/OFFSET - W/EDGE LIP - 1.3" FACE - WASHED MAPLE |
| 49 | 119520-02-01A | FT | MOLDING-T - OFFSET W/EDGE LIP - 1.3" FACE - OFF WHITE |

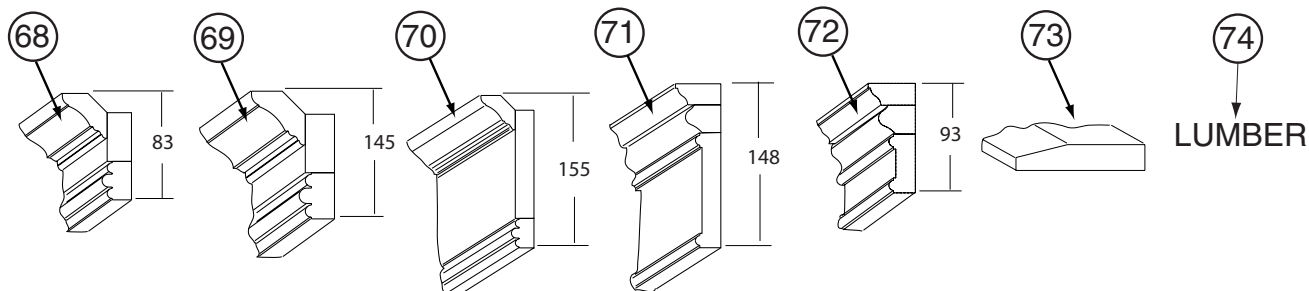


| KEY | PART NUMBER | U/M | DESCRIPTION |
|-----|---------------|-----|--|
| 50 | 149326-D2-134 | EA | MOLDING - VINYL WRAPPED - .7" X 1.6" X 84" - WASHED MAPLE |
| 50 | 149326-F2-134 | EA | MOLDING - VINYL WRAPPED - .7" X 2.5" X 84" - WASHED MAPLE |
| 50 | 137887-D2-134 | EA | MOLDING - VINYL WRAPPED - .7" X 1.6" X 96" - CONCERT CHERRY |
| 50 | 137887-D2-743 | EA | MOLDING - VINYL WRAPPED - .7" X 1.6" X 108" - CONCERT CHERRY |
| 50 | 137887-F2-134 | EA | MOLDING - VINYL WRAPPED - .7" X 2.5" X 84" - CONCERT CHERRY |
| 50 | 137887-F2-743 | EA | MOLDING - VINYL WRAPPED - .7" X 2.5" X 108" - CONCERT CHERRY |
| 50 | 137895-D2-134 | EA | MOLDING - VINYL WRAPPED - .7" X 1.6" X 84" - PORTSMOUTH OAK |
| 50 | 137895-D2-743 | EA | MOLDING - VINYL WRAPPED - .7" X 1.5" X 108" - PORTSMOUTH OAK |
| 50 | 137895-F2-743 | EA | MOLDING - VINYL WRAPPED - .7" X 2.5" X 108" - PORTSMOUTH OAK |
| 50 | 146425-D2-134 | EA | MOLDING - VINYL WRAPPED - .7" X 1.6" X 96" - HONEY CHERRY |
| 50 | 146425-F2-134 | EA | MOLDING - VINYL WRAPPED - .7" X 2.5" X 84" - HONEY CHERRY |
| 50 | 146425-F2-743 | EA | MOLDING - VINYL WRAPPED - .7" X 2.5" X 108" - HONEY CHERRY |
| 51 | 127842-01-01A | FT | SEAL - SIGHT SHIELD - 2" BLACK |
| 52 | 130247-01-02A | FT | MOLDING-T/OFF SET - 1.3" FACE - WASHED MAPLE |
| 52 | 130247-01-04A | FT | MOLDING-T/OFF SET - 1.3" FACE - PORTSMOUTH OAK |
| 52 | 130247-01-05A | FT | MOLDING-T/OFF SET - 1.3" FACE - CONCERT CHERRY/HONEY CHERRY |

INTERIOR FINISH GROUP (CONTINUED)
MOLDINGS & TRIMS (CONTINUED)

| KEY | PART NUMBER | U/M | DESCRIPTION |
|------------|--------------------|------------|---|
| 53 | 137108-01-02A | EA | RAIL - DECORATIVE - SALEM CHERRY - CONCERT CHERRY |
| 53 | 137108-01-03A | EA | RAIL - DECORATIVE - WASHED MAPLE |
| 53 | 137108-01-07A | EA | RAIL - DECORATIVE - PORTSMOUTH OAK |
| 53 | 137108-01-08A | EA | RAIL - DECORATIVE - HONEY CHERRY |
| 54 | 138359-01-01A | FT | COVER - ROOF BREAK - PEARL CREAM/PLASTIC - 96" |
| 55 | 138403-01-01A | EA | TRIM - ROOF - MILL |
| 56 | 138403-02-01A | EA | TRIM - ROOF - MILL |
| 56 | 138403-03-01A | EA | TRIM - ROOF - MILL |
| 57 | 141260-01-01A | FT | U-CHANNEL - 1" - VILLAGE OAK |
| 57 | 141260-01-02A | FT | U-CHANNEL - 1" - GRADY BROWN |
| 58 | 141303-01-N52 | EA | MOLDING - CROWN/BLOCK - CONCERT CHERRY |
| 58 | 141303-01-N53 | EA | MOLDING - CROWN/BLOCK - PORTSMOUTH OAK |
| 58 | 141303-01-N62 | EA | MOLDING - CROWN/BLOCK - WASHED MAPLE |
| 58 | 141303-01-RA3 | EA | MOLDING - CROWN/BLOCK - HONEY CHERRY |
| 59 | 141303-02-N52 | EA | MOLDING - CROWN/BLOCK - CONCERT CHERRY |
| 59 | 141303-02-N53 | EA | MOLDING - CROWN/BLOCK - PORTSMOUTH OAK |
| 59 | 141303-02-N62 | EA | MOLDING - CROWN/BLOCK - WASHED MAPLE |
| 59 | 141303-02-RA3 | EA | MOLDING - CROWN/BLOCK - HONEY CHERRY |
| 60 | 141303-03-N52 | EA | MOLDING - CROWN/BLOCK - CONCERT CHERRY |
| 60 | 141303-03-N53 | EA | MOLDING - CROWN/BLOCK - PORTSMOUTH OAK |
| 60 | 141303-03-N62 | EA | MOLDING - CROWN/BLOCK - WASHED MAPLE |
| 60 | 141303-03-RA3 | EA | MOLDING - CROWN/BLOCK - HONEY CHERRY |
| 61 | 141303-04-PC0 | EA | MOLDING - CROWN/BLOCK - PORTSMOUTH OAK |
| 61 | 141303-04-PC1 | EA | MOLDING - CROWN/BLOCK - CONCERT CHERRY |
| 61 | 141303-04-PC2 | EA | MOLDING - CROWN/BLOCK - WASHED MAPLE |
| 61 | 141303-04-RA3 | EA | MOLDING - CROWN/BLOCK - HONEY CHERRY |
| 62 | 141303-05-RE3 | EA | MOLDING - CROWN/BLOCK - HONEY CHERRY |
| 62 | 141303-05-R89 | EA | MOLDING - CROWN/BLOCK - PORTSMOUTH OAK |
| 62 | 141303-05-R90 | EA | MOLDING - CROWN/BLOCK - CONCERT CHERRY |
| 62 | 141303-05-R91 | EA | MOLDING - CROWN/BLOCK - WASHED MAPLE |
| 63 | 141303-06-RE3 | EA | MOLDING - CROWN/BLOCK - HONEY CHERRY |
| 63 | 141303-06-R89 | EA | MOLDING - CROWN/BLOCK - PORTSMOUTH OAK |
| 63 | 141303-06-R90 | EA | MOLDING - CROWN/BLOCK - CONCERT CHERRY |
| 63 | 141303-06-R91 | EA | MOLDING - CROWN/BLOCK - WASHED MAPLE |
| 64 | 141303-07-RE3 | EA | MOLDING - CROWN/BLOCK - HONEY CHERRY |
| 64 | 141303-07-R89 | EA | MOLDING - CROWN/BLOCK - PORTSMOUTH OAK |
| 64 | 141303-07-R90 | EA | MOLDING - CROWN/BLOCK - CONCERT CHERRY |
| 64 | 141303-07-R91 | EA | MOLDING - CROWN/BLOCK - WASHED MAPLE |
| 65 | 141303-08-RE3 | EA | MOLDING - CROWN/BLOCK - HONEY CHERRY |
| 65 | 141303-08-R89 | EA | MOLDING - CROWN/BLOCK - PORTSMOUTH OAK |
| 65 | 141303-08-R90 | EA | MOLDING - CROWN/BLOCK - CONCERT CHERRY |
| 65 | 141303-08-R91 | EA | MOLDING - CROWN/BLOCK - WASHED MAPLE |
| 66 | 141303-09-RE3 | EA | MOLDING - CROWN/BLOCK - HONEY CHERRY |
| 66 | 141303-09-R89 | EA | MOLDING - CROWN/BLOCK - PORTSMOUTH OAK |
| 66 | 141303-09-R90 | EA | MOLDING - CROWN/BLOCK - CONCERT CHERRY |
| 66 | 141303-09-R91 | EA | MOLDING - CROWN/BLOCK - WASHED MAPLE |
| 67 | 141303-10-RE3 | EA | MOLDING - CROWN/BLOCK - HONEY CHERRY |
| 67 | 141303-10-R89 | EA | MOLDING - CROWN/BLOCK - PORTSMOUTH OAK |
| 67 | 141303-10-R90 | EA | MOLDING - CROWN/BLOCK - CONCERT CHERRY |
| 67 | 141303-10-R91 | EA | MOLDING - CROWN/BLOCK - WASHED MAPLE |

INTERIOR FINISH GROUP (CONTINUED)
MOLDINGS & TRIMS (CONTINUED)



| KEY | PART NUMBER | U/M | DESCRIPTION |
|-----|---------------|-----|--|
| 68 | 141915-29-PC0 | EA | MOLDING - F/SLIDEOUT - 81.8" - PORTSMOUTH OAK |
| 68 | 141915-29-PC1 | EA | MOLDING - F/SLIDEOUT - 81.8" - CONCERT CHERRY |
| 68 | 141915-29-PC2 | EA | MOLDING - F/SLIDEOUT - 81.8" - WASHED MAPLE |
| 68 | 141915-29-RC3 | EA | MOLDING - F/SLIDEOUT - 81.8" - HONEY CHERRY |
| 69 | 141915-35-RC0 | EA | MOLDING - F/SLIDEOUT - 8.89' - PORTSMOUTH OAK |
| 69 | 141915-35-RC1 | EA | MOLDING - F/SLIDEOUT - 8.89' - CONCERT CHERRY |
| 69 | 141915-35-RC2 | EA | MOLDING - F/SLIDEOUT - 8.89' - WASHED MAPLE |
| 69 | 141915-35-RC3 | EA | MOLDING - F/SLIDEOUT - 8.89' - HONEY CHERRY |
| 70 | 141915-47-RC0 | EA | MOLDING - F/SLIDEOUT - 6.82' - PORTSMOUTH OAK |
| 70 | 141915-47-RC1 | EA | MOLDING - F/SLIDEOUT - 6.82' - CONCERT CHERRY |
| 70 | 141915-47-RC2 | EA | MOLDING - F/SLIDEOUT - 6.82' - WASHED MAPLE |
| 70 | 141915-47-RC3 | EA | MOLDING - F/SLIDEOUT - 6.82' - HONEY CHERRY |
| 71 | 144885-14-RE0 | EA | MOLDING - F/SLIDEOUT - 86.5" - HONEY CHERRY |
| 71 | 144885-14-R83 | EA | MOLDING - F/SLIDEOUT - 86.5" - PORTSMOUTH OAK |
| 71 | 144885-14-R84 | EA | MOLDING - F/SLIDEOUT - 86.5" - CONCERT CHERRY |
| 72 | 145379-01-RE0 | EA | MOLDING/TRIM - 47.48" - HONEY CHERRY |
| 72 | 145379-01-R83 | EA | MOLDING/TRIM - 47.48" - PORTSMOUTH OAK |
| 72 | 145379-01-R84 | EA | MOLDING/TRIM - 47.48" - CONCERT CHERRY |
| 72 | 145379-02-RE0 | EA | MOLDING/TRIM - 7.87" W/RIGHT SIDE ANGLE CUT - HONEY CHERRY |
| 72 | 145379-02-R83 | EA | MOLDING/TRIM - 7.87" W/RIGHT SIDE ANGLE CUT - PORTSMOUTH OAK |
| 72 | 145379-02-R84 | EA | MOLDING/TRIM - 7.87" W/RIGHT SIDE ANGLE CUT - CONCERT CHERRY |
| 72 | 145379-03-RE0 | EA | MOLDING/TRIM - 7.87" W/LEFT SIDE ANGLE CUT - HONEY CHERRY |
| 72 | 145379-03-R83 | EA | MOLDING/TRIM - 7.87" W/LEFT SIDE ANGLE CUT - PORTSMOUTH OAK |
| 72 | 145379-03-R84 | EA | MOLDING/TRIM - 7.87" W/LEFT SIDE ANGLE CUT - CONCERT CHERRY |
| 72 | 145379-04-RE0 | EA | MOLDING/TRIM - 86.61" - HONEY CHERRY |
| 72 | 145379-04-R83 | EA | MOLDING/TRIM - 86.61" - PORTSMOUTH OAK |
| 72 | 145379-04-R84 | EA | MOLDING/TRIM - 86.61" - CONCERT CHERRY |
| 72 | 145379-05-RE0 | EA | MOLDING/TRIM - 102.75" - HONEY CHERRY |
| 72 | 145379-05-R83 | EA | MOLDING/TRIM - 102.75" - PORTSMOUTH OAK |
| 72 | 145379-05-R84 | EA | MOLDING/TRIM - 102.75" - CONCERT CHERRY |
| 73 | 146306-01-01A | FT | TRANSITION - CARPET/TILE |
| 74 | 149325-A2-438 | EA | LUMBER - VINYL WRAPPED - .7" X .75" X 96" - WASHED MAPLE |
| 74 | 149325-D2-438 | EA | LUMBER - VINYL WRAPPED - .7" X 1.5" X 96" - WASHED MAPLE |
| 74 | 149325-E2-438 | EA | LUMBER - VINYL WRAPPED - .7" X 2" X 96" - WASHED MAPLE |
| 74 | 149325-F2-438 | EA | LUMBER - VINYL WRAPPED - .7" X 2.5" X 96" - WASHED MAPLE |
| 74 | 149325-G2-438 | EA | LUMBER - STAINED - .7" X 3" X 96" - WASHED MAPLE |
| 74 | 149325-H2-438 | EA | LUMBER - STAINED - .7" X 3.5" X 96" - WASHED MAPLE |
| 74 | 149325-J2-438 | EA | LUMBER - VINYL WRAPPED - .7" X 5.5" X 96" - WASHED MAPLE |
| 74 | 149325-J2-743 | EA | LUMBER - VINYL WRAPPED - .7" X 5.5" X 108" - WASHED MAPLE |
| 74 | 149325-K2-438 | EA | LUMBER - VINYL WRAPPED - .7" X 3.9" X 96" - WASHED MAPLE |
| 74 | 149325-R2-438 | EA | LUMBER - VINYL WRAPPED - .7" X 3" X 96" - WASHED MAPLE |
| 74 | 137885-A2-438 | EA | LUMBER - VINYL WRAPPED - .7" X .75" X 96" - CHERRY - CONCERT CHERRY |
| 74 | 137885-D2-438 | EA | LUMBER - VINYL WRAPPED - .7" X 1.5" X 96" - CHERRY - CONCERT CHERRY |
| 74 | 137885-E2-438 | EA | LUMBER - VINYL WRAPPED - .7" X 2" X 96" - CHERRY - CONCERT CHERRY |
| 74 | 137885-F2-438 | EA | LUMBER - VINYL WRAPPED - .7" X 2.5" X 96" - CHERRY - CONCERT CHERRY |
| 74 | 137885-G2-438 | EA | LUMBER - VINYL WRAPPED - .7" X 3" X 96" - CHERRY - CONCERT CHERRY |
| 74 | 137885-H2-438 | EA | LUMBER - VINYL WRAPPED - .7" X 3.5" X 96" - CHERRY - CONCERT CHERRY |
| 74 | 137885-J2-438 | EA | LUMBER - VINYL WRAPPED - .7" X 5.5" X 96" - CHERRY - CONCERT CHERRY |
| 74 | 137885-J2-743 | EA | LUMBER - VINYL WRAPPED - .7" X 5.5" X 108" - CHERRY - CONCERT CHERRY |
| 74 | 137885-K2-438 | EA | LUMBER - VINYL WRAPPED - .7" X 3.9" X 96" - CHERRY - CONCERT CHERRY |
| 74 | 137885-R2-438 | EA | LUMBER - VINYL WRAPPED - .7" X 3" X 96" - CHERRY - CONCERT CHERRY |
| 74 | 137894-A2-438 | EA | LUMBER - VINYL WRAPPED - .7" X .75" X 96" - PORTSMOUTH OAK |
| 74 | 137894-D2-438 | EA | LUMBER - VINYL WRAPPED - .7" X 1.5" X 96" - PORTSMOUTH OAK |

INTERIOR FINISH GROUP (CONTINUED)
MOLDINGS & TRIMS (CONTINUED)

| KEY | PART NUMBER | U/M | DESCRIPTION |
|------------|--------------------|------------|--|
| 74 | 137894-E2-438 | EA | LUMBER - VINYL WRAPPED - .7" X 2" X 96" - PORTSMOUTH OAK |
| 74 | 137894-F2-438 | EA | LUMBER - VINYL WRAPPED - .7" X 2.5" X 96" - PORTSMOUTH OAK |
| 74 | 137894-G2-438 | EA | LUMBER - VINYL WRAPPED - .7" X 3" X 96" - PORTSMOUTH OAK |
| 74 | 137894-H2-438 | EA | LUMBER - VINYL WRAPPED - .7" X 3.5" X 96" - PORTSMOUTH OAK |
| 74 | 137894-J2-438 | EA | LUMBER - VINYL WRAPPED - .7" X 5.5" X 96" - PORTSMOUTH OAK |
| 74 | 137894-J2-743 | EA | LUMBER - VINYL WRAPPED - .7" X 5.5" X 96" - PORTSMOUTH OAK |
| 74 | 137894-K2-438 | EA | LUMBER - VINYL WRAPPED - .7" X 3.9" X 96" - PORTSMOUTH OAK |
| 74 | 137894-R2-438 | EA | LUMBER - VINYL WRAPPED - .7" X 3" X 96" - PORTSMOUTH OAK |
| 74 | 146419-A2-438 | EA | LUMBER - VINYL WRAPPED - .7" X .75" X 96" - HONEY CHERRY |
| 74 | 146419-D2-438 | EA | LUMBER - VINYL WRAPPED - .7" X 1.5" X 96" - HONEY CHERRY |
| 74 | 146419-E2-438 | EA | LUMBER - VINYL WRAPPED - .7" X 2" X 96" - HONEY CHERRY |
| 74 | 146419-F2-438 | EA | LUMBER - VINYL WRAPPED - .7" X 2.5" X 96" - HONEY CHERRY |
| 74 | 146419-G2-438 | EA | LUMBER - VINYL WRAPPED - .7" X 3" X 96" - HONEY CHERRY |
| 74 | 146419-H2-438 | EA | LUMBER - VINYL WRAPPED - .7" X 3.5" X 96" - HONEY CHERRY |
| 74 | 146419-J2-438 | EA | LUMBER - VINYL WRAPPED - .7" X 5.5" X 96" - HONEY CHERRY |
| 74 | 146419-J2-743 | EA | LUMBER - VINYL WRAPPED - .7" X 5.5" X 108" - HONEY CHERRY |
| 74 | 146419-K2-438 | EA | LUMBER - VINYL WRAPPED - .7" X 3.9" X 96" - HONEY CHERRY |
| 74 | 146419-R2-438 | EA | LUMBER - VINYL WRAPPED - .7" X 3" X 96" - HONEY CHERRY |

INTERIOR FINISH GROUP (CONTINUED)

PANELING & LAMINATES

| KEY | PART NUMBER | U/M | DESCRIPTION |
|-----|---------------|-----|---|
| | 088272-K4-000 | SF | PANELING - MULTI - 4' X 7' (R30) |
| | 088272-K1-000 | SF | PANELING - GRAY - 4' X 7' (R31) |
| | 088272-K5-000 | SF | PANELING - SILVERADO - 4' X 7' (R99) |
| | 088272-J9-000 | SF | PANELING - ALABASTER - 4' X 7' (R58) |
| | 074497-42-000 | SF | PANELING - PORTSMOUTH OAK - 4' X 8' |
| | 076773-15-000 | SF | PANELING - 2 SIDED/PORTSMOUTH OAK - 1/8" X 4' X 8' |
| | 088272-H9-000 | SF | PANELING - PEBBLE EMBOSSED - WHITE - 4' X 7' |
| | 085284-H6-000 | FT | BATT TAPE - ADHESIVE BACKED - DECORATIVE - MULTI (R30) |
| | 085284-H1-000 | FT | BATT TAPE - ADHESIVE BACKED - DECORATIVE - GRAY (R31) |
| | 085284-H8-000 | FT | BATT TAPE - ADHESIVE BACKED - DECORATIVE - SILVERADO (R99) |
| | 085284-G9-000 | FT | BATT TAPE - ADHESIVE BACKED - DECORATIVE - ALABASTER (R58) |
| | 085284-G8-000 | FT | BATT TAPE - ADHESIVE BACKED - PORTSMOUTH OAK |
| | 088263-H2-000 | FT | BATT STRIP - DECORATIVE - MULTI - 8' (R30) |
| | 088263-H0-000 | FT | BATT STRIP - DECORATIVE - VILLA/GRAY - 8' LONG (R31) |
| | 088263-H4-000 | FT | BATT STRIP - DECORATIVE - ROCKET SILVERADO (R99) |
| | 088263-G9-000 | FT | BATT STRIP - DECORATIVE - CORK/ALABASTER - 8' (R58) |
| | 069733-87-000 | EA | BATT STRIP - WOODGRAINED/PORTSMOUTH OAK - 8' - PORTSMOUTH OAK |
| | 000885-A5-000 | SF | PARTICLE BOARD - 3/8" X 4' X 8'- WHT PEB EMBOSSED-1 SIDED |
| | 000885-92-000 | SF | PARTICLE BOARD - 3/8" X 4' X 8' - PORTSMOUTH OAK - 1 SIDED |
| | 000885-93-000 | SF | PARTICLE BOARD - 3/8" X 4' X 8' - PORTSMOUTH OAK - 2-SIDED |
| | 000885-94-000 | SF | PARTICLE BOARD - 1/2" X 4' X 8' - PORTSMOUTH OAK - 2-SIDED |
| | 000885-95-000 | SF | PARTICLE BOARD - 3/4" X 4' X 8' - PORTSMOUTH OAK - 2-SIDED |
| | 074497-42-000 | SF | PANELING - PORTSMOUTH OAK - 4' X 8' |
| | 074498-A1-000 | SF | LAMINATE - PLASTIC - LINO FRIEZE - 5' X 8' (R30) |
| | 074498-99-000 | SF | LAMINATE - PLASTIC - EGG SHELL - 5' X 8' (R31, R58) |
| | 074498-97-000 | SF | LAMINATE - PLASTIC - GRAY TRANQUILITY - 4' X 8' (R99) |
| | 074498-40-000 | SF | LAMINATE - PLASTIC - OFF WHITE - 4' X 8' |
| | 076325-39-000 | FT | MOLDING - EDGE BAND - 1 5/16" X .030" - ALMOND |
| | 076325-40-000 | FT | MOLDING - EDGE BAND - .93" X .024" - ALMOND |
| | 126339-01-000 | SF | BOARD - WHEAT - 60" X 72" |
| | 132610-05-23A | FT | WALLPAPER - BORDER - 7" - SELF-ADHESIVE (R30) |
| | 132610-05-24A | FT | WALLPAPER - BORDER - 7" - SELF-ADHESIVE (R31) |
| | 132610-05-25A | FT | WALLPAPER - BORDER - 7" - SELF-ADHESIVE (R99) |
| | 132610-05-02A | FT | WALLPAPER - BORDER - 7" - SELF-ADHESIVE (R58) |

ACCESSORIES

| KEY | PART NUMBER | U/M | DESCRIPTION |
|-----|---------------|-----|---|
| | 072852-01-000 | EA | DETECTOR - SMOKE - W/9 VOLT BATTERY - US |
| | 072852-02-000 | EA | DETECTOR - SMOKE - W/9 VOLT BATTERY - CANADIAN |
| | 125136-02-000 | EA | DETECTOR/CO - GAS MODEL - 9 VOLT |
| | 094499-03-000 | EA | EXTINGUISHER/FIRE - DRY - 10BC - W/GAUGE/BRACKET |
| * | 094499-02-000 | EA | EXTINGUISHER/FIRE - DRY - 10BC - W/GAUGE - CANADIAN |
| | 094499-04-000 | EA | STRAP - FIRE EXTINGUISHER MOUNTING - METAL |
| | 064781-06-000 | EA | HOLDER/CUP - TWO STEP - OFF WHITE |
| | 134566-01-01A | EA | HOLDER - CUP - TWO STEP - BLACK |
| | 133831-01-01A | EA | HOLDER - CUP W/THREE CENTERLINE RUBBER FINGERS |
| | 118718-01-02A | EA | HOLDER/DRINK - COLLAPSIBLE MUG - WHITE PLASTIC |
| | 142368-01-01A | EA | CLOCK - 8" ROUND - BRASS |
| | 091261-01-000 | FT | SLIPNOT - ANTISLIP - 1' WIDE X 12' - BLACK |
| | 096764-02-000 | FT | SLIPNOT - ANTISLIP - 1' WIDE (180' ROLLS) - WHITE |
| | 000C16-07-16B | EA | BOLT - CARRIAGE - ASSIST HANDLE - 7/16-14 X 1 |
| | 053552-02-N01 | EA | HANDLE - ASSIST - INTERIOR/ENTRY DOOR - VINYL/ICE WHITE |
| | 131493-02-14A | EA | PICTURE - DECORATIVE - 13" X 15" - WINTER WHITE (R30) |
| | 131493-02-10A | EA | PICTURE - DECORATIVE - 13" X 15" - HYDRANGEA (R31, R99) |
| | 131493-04-02A | EA | PICTURE - DECORATIVE - 16" X 19" - LA CHAMBRE II (R58) |
| | 137605-01-01A | EA | RAIL - HAND - INTERIOR ENTRY DOOR |
| | 093606-28-000 | EA | MIRROR - BEVELED EDGE - 17.5" X 27.9" - D27C, D30B |
| | 113195-17-01A | EA | MIRROR - BEVELED SAFETY GLASS - CLEAR - 16.6" X 26.2" |

*COMPONENT PARTS LISTED LATER IN THIS GROUP

INTERIOR FINISH GROUP (CONTINUED)
COMPONENT PARTS FOR ACCESSORIES

094499-02-000

| KEY | PART NUMBER | U/M | DESCRIPTION | VENDOR NO |
|------------|--------------------|------------|----------------------------|------------------|
| | 094499-01-700 | EA | BRACKET MTG. W/PLAS. STRAP | 294039 |

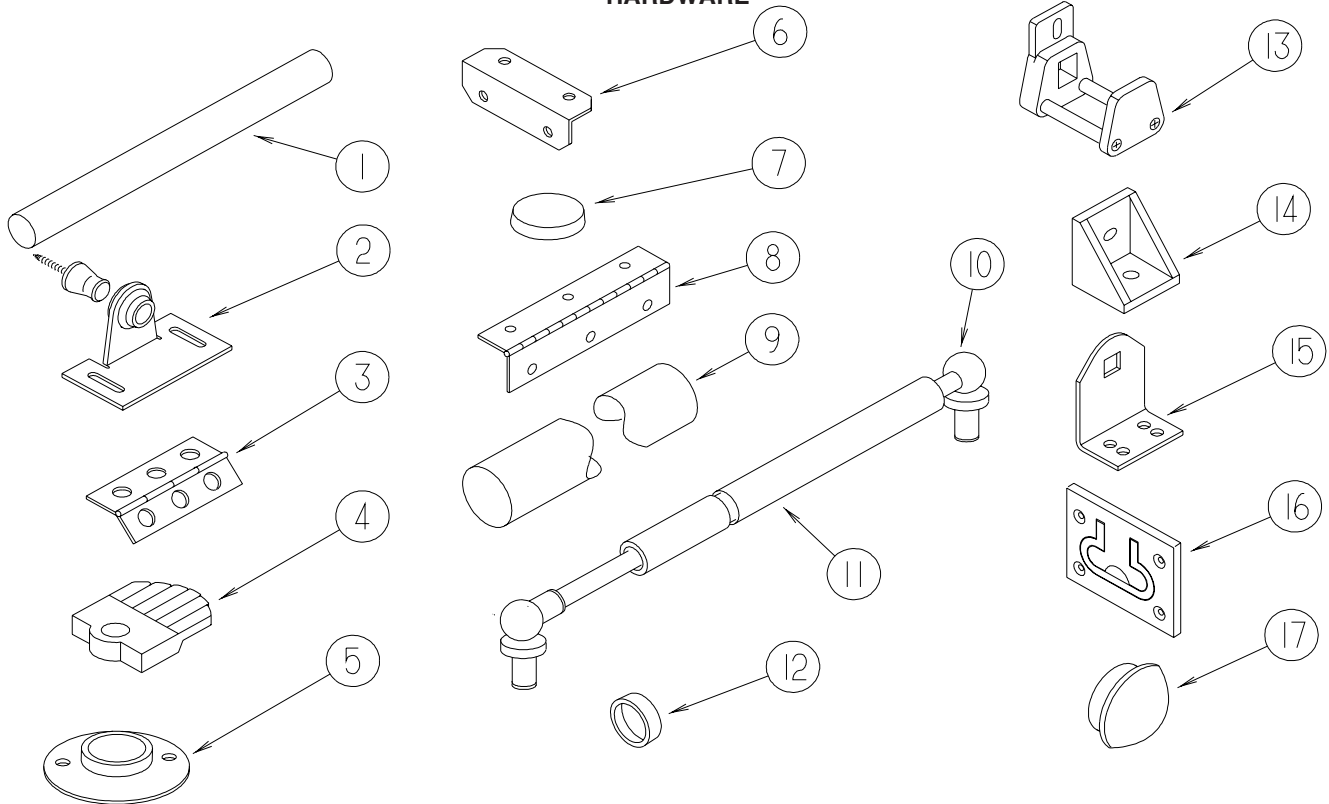
INTERIOR FINISH GROUP (CONTINUED)

FLOOR COVERINGS

| KEY | PART NUMBER | U/M | DESCRIPTION |
|-----|---------------|-----|--|
| | 096060-G9-000 | SY | CARPET - LAUREL - INCREMENTS OF 4 SQ YARDS (R30) |
| | 096060-J7-000 | SY | CARPET - SAHARA DESERT - INCREMENTS OF 4 SQ YDS (R31) |
| | 139056-06-000 | SY | CARPET - CRYSTAL LAKE - 4 SQUARE YARD INCREMENTS (R99) |
| | 096060-H1-000 | SY | CARPET - TAPIOCA - INCREMENTS OF 4 SQ YARDS (R58) |
| | 075233-01-000 | SY | PAD - CARPET - 3/8" X 6' ROLL |
| | 093486-01-000 | SY | CARPET - COMPARTMENT - 72" WIDE - DARK GRAY |
| | 042720-29-000 | SY | VINYL - FLOOR COVERING - 7.5' WIDE - DIAMOND |
| | 136839-05-01A | EA | TRIM-J - CARPET EDGE/SLIDEOUT - 67.8" - BLACK |

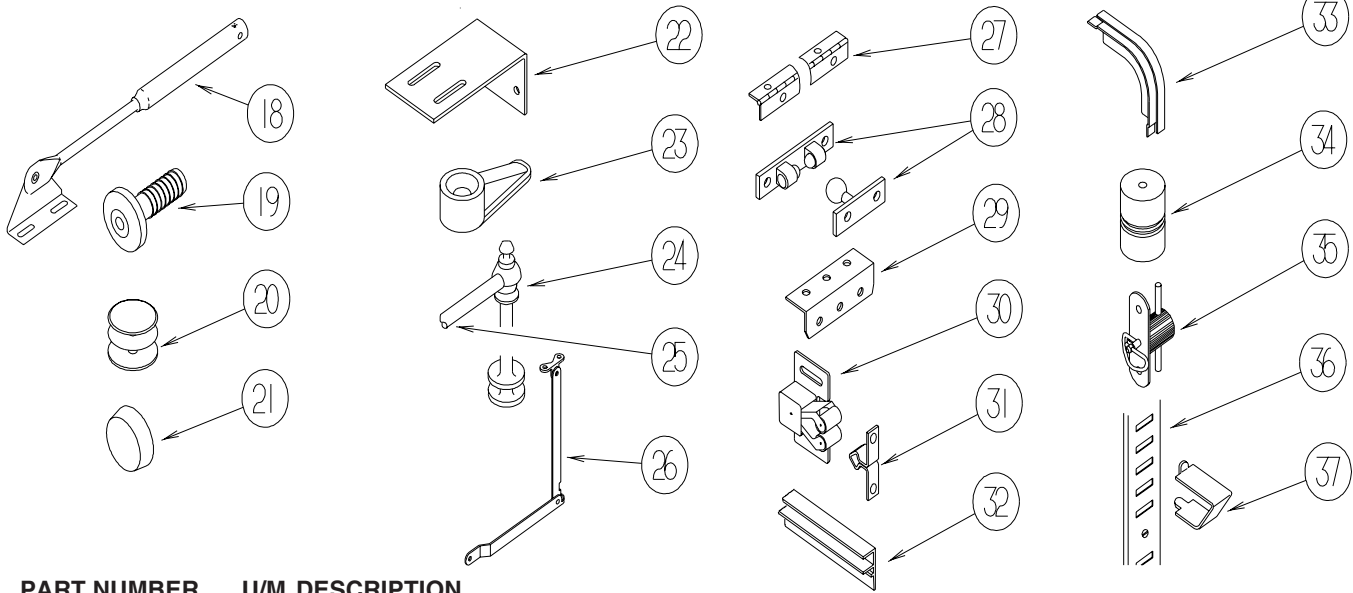
INTERIOR FINISH GROUP (CONTINUED)

HARDWARE



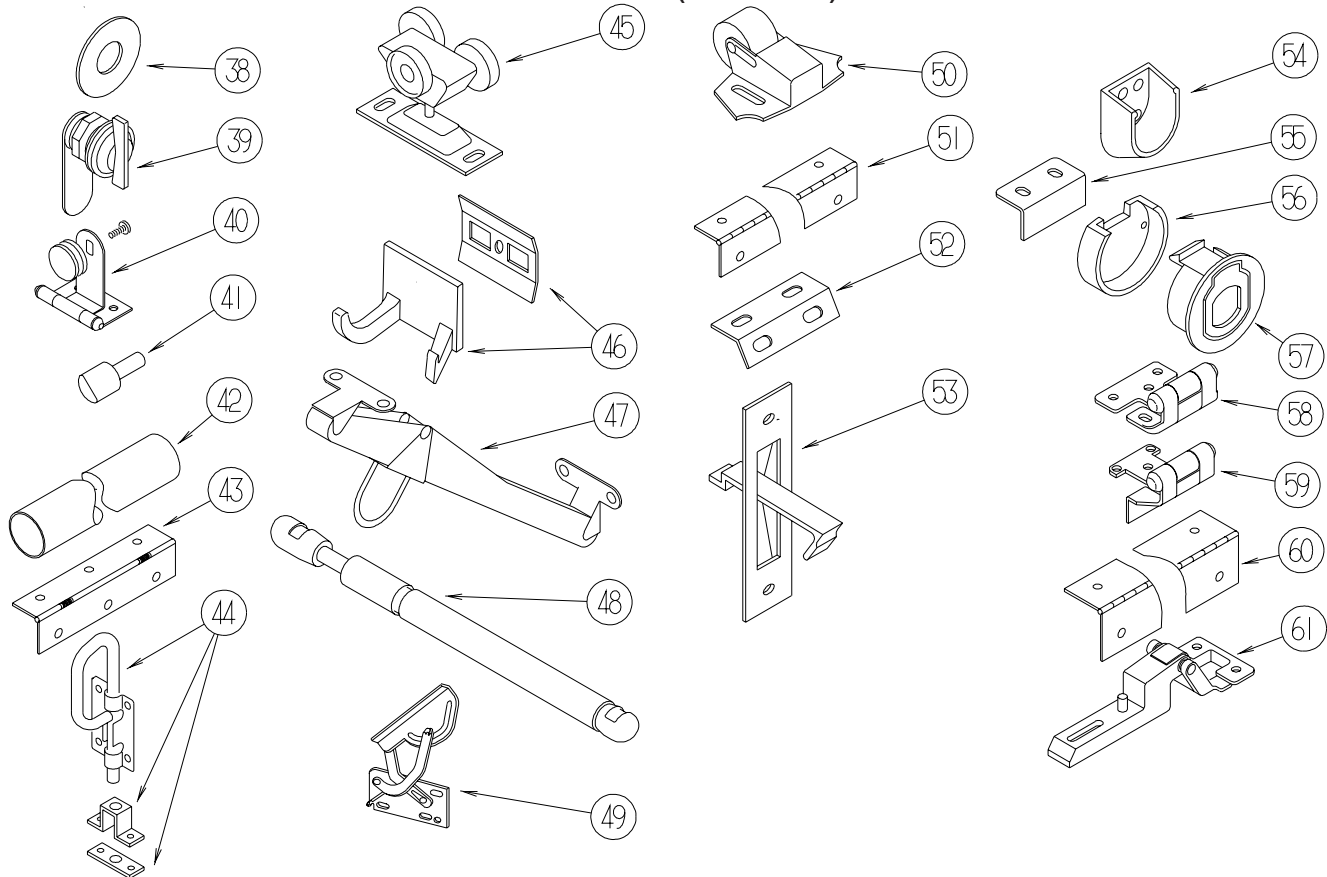
| KEY | PART NUMBER | U/M | DESCRIPTION |
|-----|---------------|-----|---|
| 1 | Y00136-21-218 | EA | DOWEL - WOOD - 1" X 4' |
| 2 | 009013-01-000 | EA | CATCH - BULLDOG - MALE/FEMALE |
| 3 | 009059-01-000 | EA | HINGE - DOOR - 2" X 1.4" - BRASS |
| 3 | 009059-02-000 | EA | HINGE - DOOR - 2" X 2.7" - BRASS |
| 3 | 009059-03-000 | EA | HINGE - BRASS - 1.75" |
| 3 | 009059-04-000 | EA | HINGE - 2" - ZINC |
| 4 | 009089-01-000 | EA | CLIP - MIRROR |
| 5 | 009112-01-000 | EA | FLANGE - PLASTIC - 1" CLOTHES ROD - OFF WHITE |
| 6 | 016604-01-000 | EA | BRACE - ANGLE - 2 1/2" - UNPAINTED METAL |
| 6 | 016604-05-000 | EA | BRACE - ANGLE - 2 1/2" - OFF WHITE METAL |
| 6 | 016604-10-000 | EA | BRACE - SEAT ANGLE - 2.5" - BLACK |
| 7 | 023320-01-000 | EA | PAD - FELT 3/8" DIAMETER |
| 8 | 041389-25-000 | EA | HINGE - PIANO - 1 1/2" X 55" - UNPAINTED |
| 9 | 042438-02-000 | EA | DOWEL - WOOD - 2" DIAMETER X 2' |
| 10 | 057460-02-000 | EA | BALL STUD - F/GAS SPRING .39" - 5/16"-18 |
| 11 | 057460-04-000 | EA | SPRING/GAS - BALL STUD STYLE - 120 PI - "SPD6209" |
| 12 | 057671-01-000 | EA | COVER - SCREW - #8 - OFF WHITE |
| 12 | 057671-15-000 | EA | COVER - SCREW - #8 - BRIGHT WHITE |
| 12 | 057671-16-000 | EA | COVER - SCREW - #8 - SOFT WHITE |
| 12 | 057671-17-000 | EA | COVER - SCREW - VW LT GRAY - #8 |
| 13 | 064467-01-000 | EA | GUIDE - POCKET - SLIDING DOOR - WALL MOUNTED |
| 14 | 065740-01-000 | EA | BRACE - CABINET/CORNER - PLASTIC |
| 15 | 069178-03-000 | EA | BRACKET/MOUNTING - ASSIST HANDLE - BRIGHT WHITE |
| 16 | 072871-01-000 | EA | PULL - FLUSH - CHROME |
| 17 | 074045-08-000 | EA | PLUG - OAK - 3/8" DOWEL-1/2" HEAD - SALEM CHERRY - CONCERT CHERRY |
| 17 | 074045-12-000 | EA | PLUG - OAK - 3/8" DOWEL-1/2" HEAD - WASHED MAPLE |
| 17 | 074045-13-000 | EA | PLUG - OAK - 3/8" DOWEL-1/2" HEAD - PORTSMOUTH OAK |
| 17 | 074045-14-000 | EA | PLUG - OAK - 3/8" DOWEL-1/2" HEAD - HONEY CHERRY |

INTERIOR FINISH GROUP (CONTINUED)
HARDWARE (CONTINUED)



| KEY | PART NUMBER | U/M | DESCRIPTION |
|-----|---------------|-----|--|
| 18 | 074493-02-000 | EA | SUPPORT - PISTON SPRING - CABINET DOOR - 26 LBS |
| 18 | 074493-03-000 | EA | SUPPORT - PISTON SPRING - CABINET DOOR - 12 LBS |
| 19 | 079921-01-000 | EA | ROLLER - NYLON - W/STEEL SHAFT - BARBED |
| 20 | 081114-02-000 | EA | CAP - INSERT - ROUND - 1" DIAMETER - WHITE PLASTIC |
| 21 | 004354-01-000 | EA | BUMPER - RUBBER - 1/2" DIA - BROWN |
| 21 | 081914-01-000 | EA | BUMPER - RUBBER - ROUND - 1/2" DIA. X 1/8" THICK |
| 22 | 083125-07-000 | EA | BRACE - ANGLE/COUCH - 2.5" - OFF WHITE |
| 22 | 132871-02-02B | EA | BRACKET/L-SHAPED W/HOLES - 1.9" X 2.8" - E-COATED |
| 23 | 083204-03-000 | EA | BUTTON - RETAINING MIRROR 5/16" TIP |
| 24 | 084070-03-000 | EA | POST - END - 2.4" - SHINY BRASS |
| 25 | 084071-05-000 | EA | ROD - BRASS - 15" |
| 25 | 084071-19-000 | EA | ROD - BRASS - 7.1" |
| 25 | 084071-20-000 | EA | ROD - BRASS - 9.8" |
| 25 | 084071-23-000 | EA | ROD - BRASS - 13.1" |
| 25 | 084071-24-000 | EA | ROD - BRASS - 3.8" |
| 25 | 084071-33-000 | EA | ROD - BRASS - 20.4" |
| 25 | 146840-01-01A | EA | ROD - .25" DIAMETER - BRASS |
| 25 | 146840-01-02A | EA | ROD - .25" DIAMETER - PEWTER |
| 25 | 146840-02-01A | EA | ROD - .25" DIAMETER - BRASS |
| 25 | 146840-02-02A | EA | ROD - .25" DIAMETER - PEWTER |
| 25 | 146840-03-01A | EA | ROD - .25" DIAMETER - BRASS |
| 25 | 146840-03-02A | EA | ROD - .25" DIAMETER - PEWTER |
| 25 | 146840-04-01A | EA | ROD - .25" DIAMETER - BRASS |
| 25 | 146840-04-02A | EA | ROD - .25" DIAMETER - PEWTER |
| 25 | 146840-05-01A | EA | ROD - .25" DIAMETER - BRASS |
| 25 | 146840-05-02A | EA | ROD - .25" DIAMETER - PEWTER |
| 26 | 084412-01-000 | EA | SUPPORT/HINGE KIT (LEFT & RIGHT HINGES) |
| 27 | 084413-01-000 | EA | HINGE - 1" X 72" - ALUMINUM - W/HOLES |
| 28 | 084451-01-000 | EA | CATCH & LATCH - 1.7" - BRASS |
| 29 | 089025-01-000 | EA | SUPPORT - SPRING TO BED - ANGLE 1.5" X 11.8" |
| 30 | 093586-03-000 | EA | CATCH - SPRING ROLLER - .377" |
| 30 | 093586-06-000 | EA | CATCH - SPRING ROLLER - .236" |
| 31 | 093586-04-000 | EA | STRIKE - SPRING STEEL - 1.14" |
| 31 | 093586-05-000 | EA | STRIKE - SPRING STEEL - .943" |
| 32 | 093622-01-000 | EA | TRACK - DOOR - TAMBOUR - PLASTIC - 8' LENGTHS |
| 33 | 093623-01-000 | EA | CORNER - TRACK - TAMBOUR DOOR |
| 34 | 097872-04-000 | EA | DOWEL - WOOD - 1" DIAMETER X 1.38" LONG - UNFINISHED |
| 35 | 098196-01-000 | EA | LATCH - 1/4 TURN - T-BAR |
| 36 | 098979-01-000 | EA | CLIP - ADJUSTABLE SHELF |
| 37 | 098980-01-000 | EA | PILASTER - ADJUSTABLE SHELF - 18" |
| 37 | 098980-02-000 | EA | PILASTER - ADJUSTABLE SHELF - 12" |
| 37 | 098980-03-000 | EA | PILASTER - ADJUSTABLE SHELF - 9" |
| 37 | 098980-04-000 | EA | PILASTER - ADJUSTABLE SHELF - 48" |
| 37 | 098980-05-000 | EA | PILASTER - ADJUSTABLE SHELF - 15" |
| 37 | 098980-06-000 | EA | PILASTER - ADJUSTABLE SHELF - 24" |

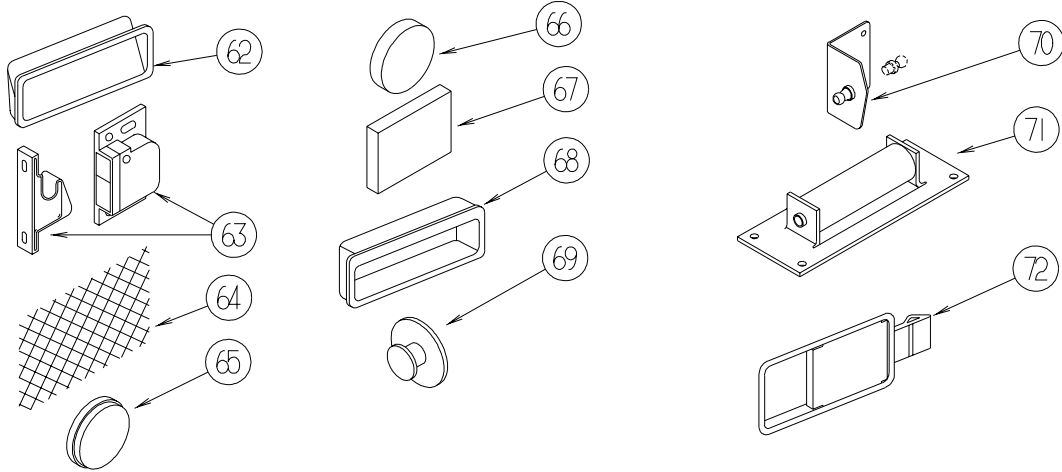
INTERIOR FINISH GROUP (CONTINUED) HARDWARE (CONTINUED)



| KEY | PART NUMBER | U/M | DESCRIPTION |
|-----|---------------|-----|---|
| 38 | 100707-01-000 | EA | SPACER - GLASS DOOR - .8" DIA - .3" HOLE - PLASTIC |
| 39 | 100710-01-01A | EA | LOCK - GLASS DOOR/TWIST TYPE - BRASS |
| 40 | 100711-01-01A | EA | HINGE - GLASS DOOR |
| 41 | 101766-01-000 | EA | PIN - SUPPORT/GLASS DOOR |
| 42 | 102075-10-02A | EA | ROD - SHOWER CURTAIN - 1" OD X 46.3" - SOFT WHITE |
| 43 | 102920-01-01A | EA | HINGE - SPRING LOADED - BRASS |
| 44 | 103256-01-000 | EA | LATCH COMPLETE (SLIDE) |
| 45 | 103874-01-000 | EA | HANGER - SLIDING DOOR |
| 46 | 104174-01-000 | EA | HOOK - ROBE - DOUBLE |
| 47 | 104181-01-01A | EA | SUPPORT - LEAF 5.3" EXTENDS TO 7.5" - SAFETY RING - METAL |
| 48 | 142569-15-000 | EA | SPRING/GAS - 12" COMPRESSED/20" EXTENDED - 120 LB. |
| 48 | 142569-16-000 | EA | SPRING/GAS - 12" COMPRESSED/20" EXTENDED - 90 LB |
| 48 | 142569-05-000 | EA | SPRING - GAS - 15 LB. - 39.9" |
| 48 | 142569-18-000 | EA | SPRING/GAS - 6.5" COMPRESSED/9.6" EXTENDED - 65 LB. |
| 49 | 108126-01-000 | EA | TRAY HINGE SET (QTY. 2 PER SET) |
| 50 | 109403-01-000 | EA | CATCH - SINGLE ROLLER - SCREEN DOOR |
| 51 | 110496-01-01A | EA | HINGE - BRASS |
| 52 | 111866-01-02A | EA | BRACE - SEAT - ANGLE - OFF WHITE |
| 53 | 113130-01-01A | EA | PULL - DOOR POCKET |
| 54 | 113236-01-01A | EA | BRACKET - CLOTHES - ROD |
| 55 | 113375-02-01A | EA | STRIKE - DOOR - CHROME |
| 56 | 113375-05-01A | EA | LATCH - SLAM - BACK - .8" THICK |
| 57 | 113375-06-01A | EA | LATCH - SLAM - FACE - .7" THICK |
| 58 | 113676-01-01A | EA | HINGE - OVERLAY - VARIABLE - BURNISHED BRASS |
| 59 | 113677-01-01A | EA | HINGE - SELF CLOSING |
| 60 | 114278-02-000 | EA | HINGE - CONTINUOUS - 3" WIDE |
| 61 | 114443-01-01A | EA | HINGE - CABINET DOOR |

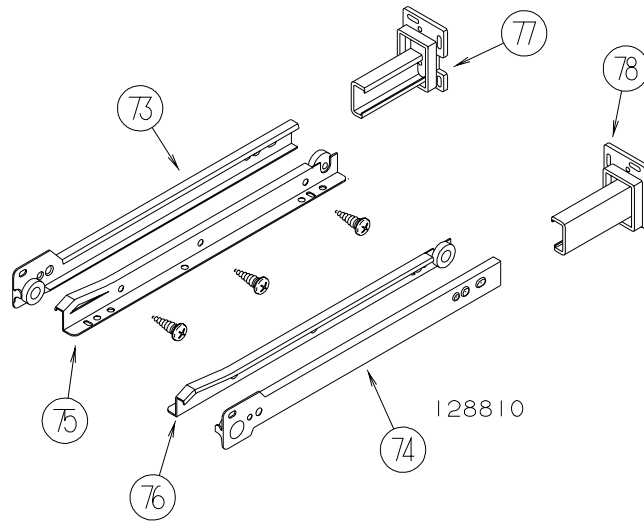
INTERIOR FINISH GROUP (CONTINUED)

HARDWARE (CONTINUED)



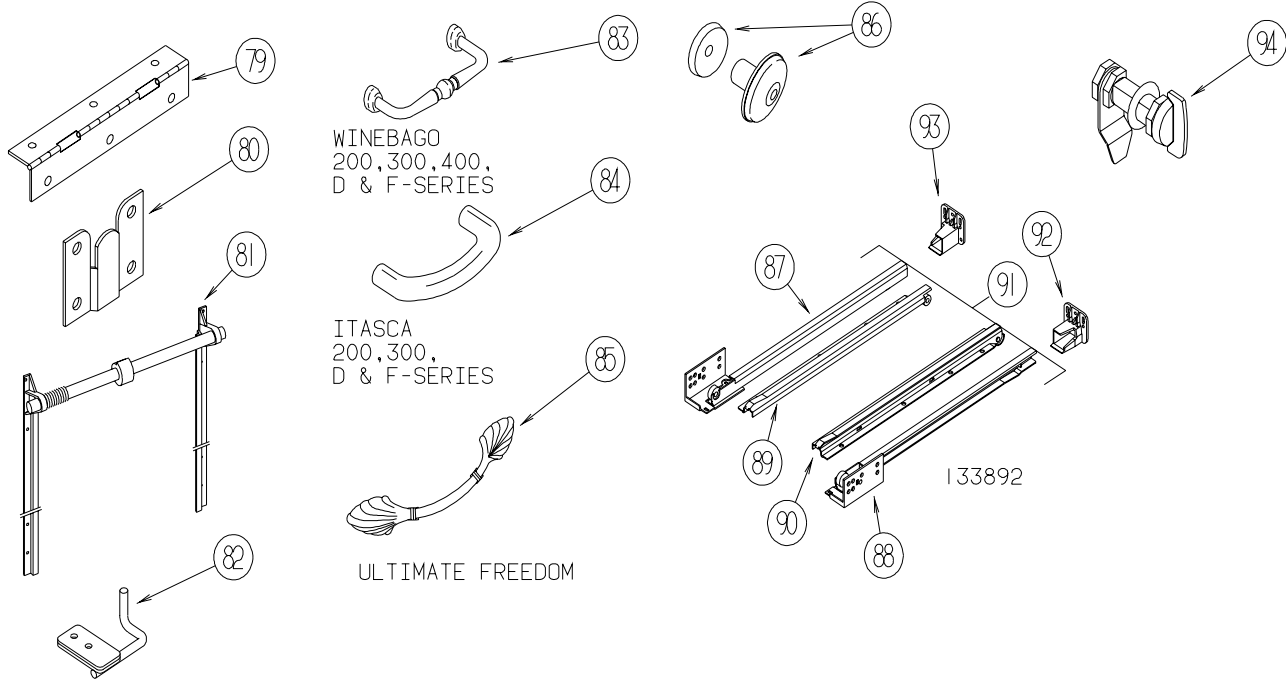
| KEY | PART NUMBER | U/M | DESCRIPTION |
|-----|---------------|-----|--|
| 62 | 115994-01-01A | EA | HANDLE - POCKET |
| 63 | 117095-01-01A | EA | LATCH - DOOR - GRABBER W/KEEPER - PLASTIC - BLK-5 LB PULL |
| 63 | 117095-02-01A | EA | LATCH - DOOR - GRABBER W/KEEPER - PLASTIC - BLK-10 LB PULL |
| 64 | 118200-01-01A | SF | MESH - PLASTIC 1/2" - 48" X LENGTH = SF - BLACK |
| 65 | 120760-01-000 | EA | RUBBER BUMPER - CLEAR - .1" THICK X .8" DIAMETER |
| 66 | 122717-01-01A | EA | PAD - NON SKID - 4" DIAMETER ROUND |
| 67 | 122717-06-01A | FT | PAD - NON-SKID - PSA - 5"W |
| 68 | 124311-01-01A | EA | HANDLE - RECESSED - BRASS |
| 69 | 125221-01-01A | EA | PULL - MIRROR - W/ROUND HANDLE |
| 70 | 126263-06-02B | EA | BRACKET - GAS SPRING W/INSIDE BALL STUD - E-COATED |
| 70 | 126263-08-02B | EA | BRACKET - GAS SPRING W/CENTERED BALL STUD - E-COATED |
| 71 | 126584-02-000 | EA | ROLLER - FLAT |
| 72 | 127349-01-01A | EA | LATCH - PADDLE |

INTERIOR FINISH GROUP (CONTINUED)
HARDWARE (CONTINUED)



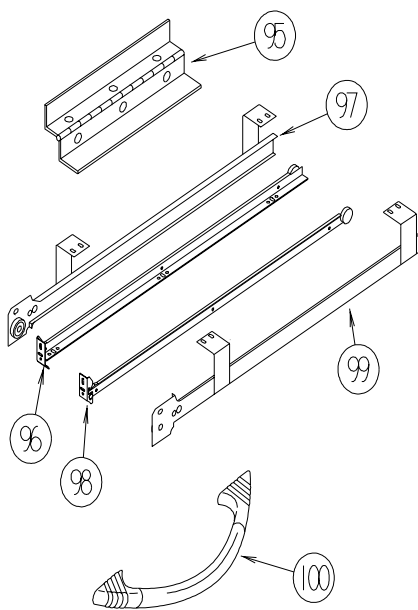
| KEY | PART NUMBER | U/M | DESCRIPTION |
|-----|---------------|-----|--------------------------------------|
| 73 | 128810-01-01A | EA | SLIDE - DRAWER - 12" - LEFT CABINET |
| 73 | 128810-05-01A | EA | SLIDE - DRAWER - 14" - LEFT CABINET |
| 73 | 128810-09-01A | EA | SLIDE - DRAWER - 16" - LEFT CABINET |
| 73 | 128810-13-01A | EA | SLIDE - DRAWER - 18" - LEFT CABINET |
| 73 | 128810-17-01A | EA | SLIDE - DRAWER - 20" - LEFT CABINET |
| 73 | 128810-21-01A | EA | SLIDE - DRAWER - 22" - LEFT CABINET |
| 73 | 128810-25-01A | EA | SLIDE - DRAWER - 24" - LEFT CABINET |
| 73 | 128810-29-01A | EA | SLIDE - DRAWER - 9" - LEFT CABINET |
| 74 | 128810-02-01A | EA | SLIDE - DRAWER - 12" - RIGHT CABINET |
| 74 | 128810-06-01A | EA | SLIDE - DRAWER - 14" - RIGHT CABINET |
| 74 | 128810-10-01A | EA | SLIDE - DRAWER - 16" - RIGHT CABINET |
| 74 | 128810-14-01A | EA | SLIDE - DRAWER - 18" - RIGHT CABINET |
| 74 | 128810-18-01A | EA | SLIDE - DRAWER - 20" - RIGHT CABINET |
| 74 | 128810-22-01A | EA | SLIDE - DRAWER - 22" - RIGHT CABINET |
| 74 | 128810-26-01A | EA | SLIDE - DRAWER - 24" - RIGHT CABINET |
| 74 | 128810-30-01A | EA | SLIDE - DRAWER - 9" - RIGHT CABINET |
| 75 | 128810-03-01A | EA | SLIDE - DRAWER - 12" - LEFT DRAWER |
| 75 | 128810-07-01A | EA | SLIDE - DRAWER - 14" - LEFT DRAWER |
| 75 | 128810-11-01A | EA | SLIDE - DRAWER - 16" - LEFT DRAWER |
| 75 | 128810-15-01A | EA | SLIDE - DRAWER - 18" - LEFT DRAWER |
| 75 | 128810-19-01A | EA | SLIDE - DRAWER - 20" - LEFT DRAWER |
| 75 | 128810-23-01A | EA | SLIDE - DRAWER - 22" - LEFT DRAWER |
| 75 | 128810-27-01A | EA | SLIDE - DRAWER - 24" - LEFT DRAWER |
| 75 | 128810-31-01A | EA | SLIDE - DRAWER - 9" - LEFT DRAWER |
| 76 | 128810-04-01A | EA | SLIDE - DRAWER - 12" - RIGHT DRAWER |
| 76 | 128810-08-01A | EA | SLIDE - DRAWER - 14" - RIGHT DRAWER |
| 76 | 128810-12-01A | EA | SLIDE - DRAWER - 16" - RIGHT DRAWER |
| 76 | 128810-16-01A | EA | SLIDE - DRAWER - 18" - RIGHT DRAWER |
| 76 | 128810-20-01A | EA | SLIDE - DRAWER - 20" - RIGHT DRAWER |
| 76 | 128810-24-01A | EA | SLIDE - DRAWER - 22" - RIGHT DRAWER |
| 76 | 128810-28-01A | EA | SLIDE - DRAWER - 24" - RIGHT DRAWER |
| 76 | 128810-32-01A | EA | SLIDE - DRAWER - 9" - RIGHT DRAWER |
| 77 | 128811-01-02A | EA | BACKSOCKET - ADJUSTABLE - LEFT |
| 78 | 128811-02-02A | EA | BACKSOCKET - ADJUSTABLE - RIGHT |

INTERIOR FINISH GROUP (CONTINUED) HARDWARE (CONTINUED)

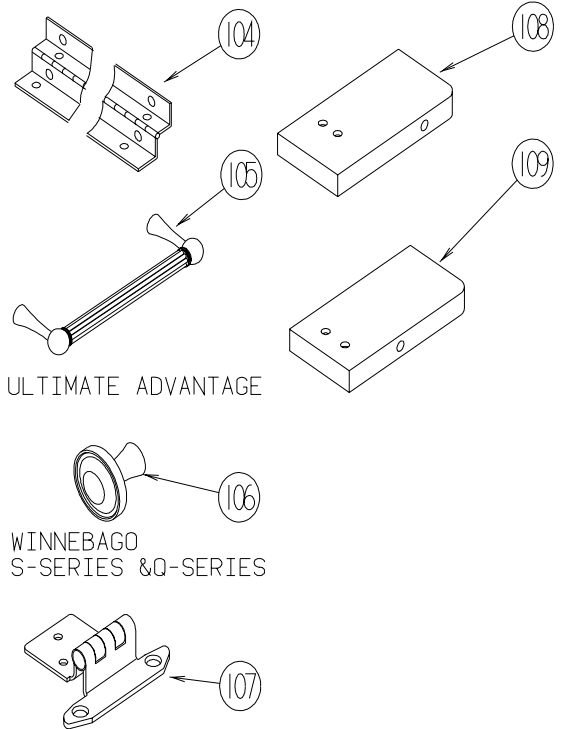
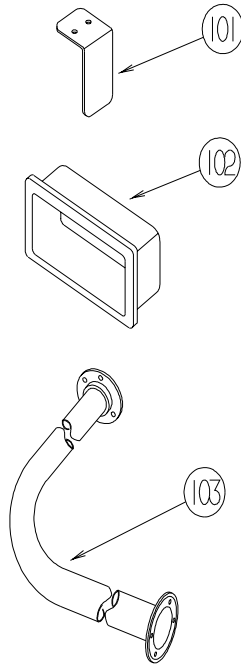


| KEY | PART NUMBER | U/M | DESCRIPTION |
|-----|---------------|-----|--|
| 79 | 129753-01-01A | EA | HINGE - SPRING LOADED - 19" X 19" - BLACK |
| 80 | 130120-01-01A | EA | BRACKET - MIRROR |
| 81 | 130787-02-000 | EA | TRACK - TAMBOUR DOOR/SPRING - 24" |
| 81 | 130787-04-000 | EA | TRACK - TAMBOUR DOOR - SPRING |
| 82 | 130798-01-02B | EA | GUIDE - POCKET DOOR - E-COATED |
| 83 | 131963-01-01A | EA | PULL - POLISHED BRASS - WINNEBAGO VISTA/MINNIE/MINNIE WINNIE/SIGHTSEER & BRAVE |
| 84 | 131964-01-01A | EA | PULL - POLISHED BRASS - ITASCA SUNSTAR/SPIRIT/SUNOVA & SUNRISE |
| 85 | 131965-01-01A | EA | PULL - DOOR/DRAWER - 6.3" - BURNISHED BRASS - ULTIMATE FREEDOM |
| 86 | 133313-01-02A | EA | PULL - DOOR/DRAWER - BRIGHT BRASS |
| 86 | 133313-01-03A | EA | PULL - DOOR/DWR - CHROME/BRASS - ITASCA SUNDANCER/SUNCRUISER/SUNFLYER/MERIDIAN |
| 87 | 133892-01-01A | EA | SLIDE - DRAWER - 16" - LEFT CABINET |
| 87 | 133892-06-01A | EA | SLIDE - DRAWER - 22" - LEFT CABINET |
| 87 | 133892-10-01A | EA | SLIDE - DRAWER - 12" - LEFT CABINET |
| 87 | 133892-14-01A | EA | SLIDE - DRAWER - 18" - LEFT CABINET |
| 88 | 133892-02-01A | EA | SLIDE - DRAWER - 16" - RIGHT CABINET |
| 88 | 133892-07-01A | EA | SLIDE - DRAWER - 22" - RIGHT CABINET |
| 88 | 133892-11-01A | EA | SLIDE - DRAWER - 12" - RIGHT CABINET |
| 88 | 133892-15-01A | EA | SLIDE - DRAWER - 18" - RIGHT CABINET |
| 89 | 133892-03-01A | EA | SLIDE - DRAWER - 16" - LEFT DRAWER |
| 89 | 133892-08-01A | EA | SLIDE - DRAWER - 22" - LEFT DRAWER |
| 89 | 133892-12-01A | EA | SLIDE - DRAWER - 12" - LEFT DRAWER |
| 89 | 133892-16-01A | EA | SLIDE - DRAWER - 18" - LEFT DRAWER |
| 90 | 133892-04-01A | EA | SLIDE - DRAWER - 16" - RIGHT DRAWER |
| 90 | 133892-09-01A | EA | SLIDE - DRAWER - 22" - RIGHT DRAWER |
| 90 | 133892-13-01A | EA | SLIDE - DRAWER - 12" - RIGHT DRAWER |
| 90 | 133892-17-01A | EA | SLIDE - DRAWER - 18" - RIGHT DRAWER |
| 91 | 133892-05-01A | EA | SLIDE - DRAWER - 9" - FULL SET |
| 92 | 133907-01-01A | EA | BACKSOCKET - RIGHT HAND |
| 93 | 133907-02-01A | EA | BACKSOCKET - LEFT HAND |
| 94 | 135231-01-01A | EA | LATCH - COMPRESSION - BLACK |

INTERIOR FINISH GROUP (CONTINUED) HARDWARE (CONTINUED)



ITASCA
400, G, L P-SERIES

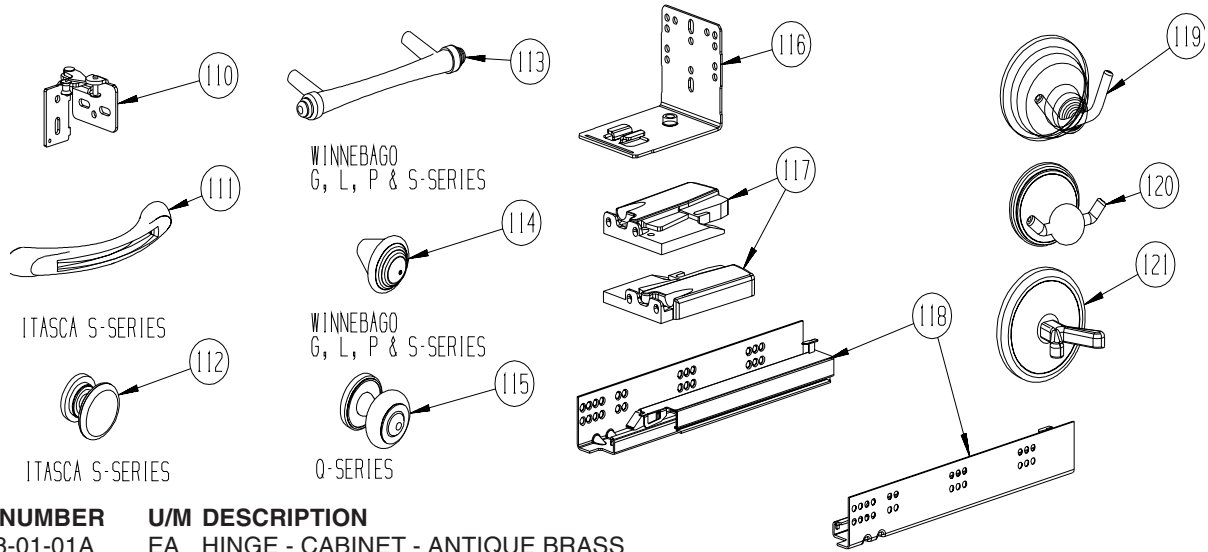


ULTIMATE ADVANTAGE

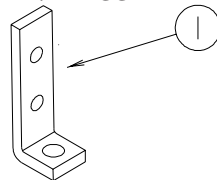
WINNEBAGO
S-SERIES & Q-SERIES

| KEY | PART NUMBER | U/M | DESCRIPTION |
|-----|---------------|-----|---|
| 95 | 135538-01-01A | EA | HINGE - PIANO - FULL WRAP - BRASS PLATED |
| 95 | 135538-03-01A | EA | HINGE - PIANO - FULL WRAP - STOCKER BRASS |
| 95 | 135538-06-01A | EA | HINGE - PIANO - FULL WRAP |
| 96 | 136944-01-01A | EA | SLIDE - DRAWER/RIGHT HAND - 13.8" |
| 97 | 136944-02-01A | EA | SLIDE - CABINET/RIGHT HAND - 13.8" |
| 98 | 136944-03-01A | EA | SLIDE - DRAWER/LEFT HAND - 13.8" |
| 99 | 136944-04-01A | EA | SLIDE - CABINET/LEFT HAND - 13.8" |
| 100 | 137446-01-01A | EA | PULL - CABINET - CHROME/BRASS - ITASCA SUNDANCE/SUNCRUISER/SUNFLYER & MERIDIAN |
| 101 | 138136-02-02B | EA | GUIDE - DOOR - E-COATED |
| 102 | 139136-01-01A | EA | HANDLE - RECESSED - BRASS |
| 102 | 139136-02-01A | EA | HANDLE - RECESSED - BRASS |
| 102 | 139136-02-02A | EA | HANDLE - RECESSED - PEWTER |
| 103 | 140494-01-01A | EA | ROD - SHOWER |
| 103 | 140494-01-02A | EA | ROD - SHOWER - SOFT WHITE |
| 104 | 142276-01-01A | EA | HINGE - PIANO - FULL WRAP - BRASS |
| 105 | 142909-01-01A | EA | PULL - CABINET - BRASS - ULTIMATE ADVANTAGE |
| 106 | 142910-01-01A | EA | KNOB - CABINET - BRASS - WINNEBAGO VECTRA & ULTIMATE ADVANTAGE |
| 107 | 143468-01-01A | EA | HINGE - SELF CLOSING - BURNISHED BRASS - ULTIMATE FREEDOM |
| 107 | 143468-01-02A | EA | HINGE - SELF CLOSING - POLISHED BRASS |
| 107 | 143468-02-02A | EA | HINGE - SELF CLOSING - POLISHED BRASS |
| 107 | 143468-02-03A | EA | HINGE - SELF CLOSING - SATIN NICKEL - ITASCA SUNFLYER, L-SERIES |
| 107 | 146553-01-02A | EA | HINGE - CABINET DOOR - BRIGHT BRASS |
| 107 | 146553-01-03A | EA | HINGE - CABINET DOOR - SATIN NICKEL |
| 108 | 137445-01-N42 | EA | STOP - F/SLIDING DOOR |
| 108 | 137445-01-P46 | EA | STOP - F/SLIDING DOOR |
| 108 | 137445-01-P56 | EA | STOP - F/SLIDING DOOR |
| 109 | 137445-02-P45 | EA | STOP - F/SLIDING DOOR |
| 109 | 137445-02-P46 | EA | STOP - F/SLIDING DOOR |
| 109 | 137445-02-P56 | EA | STOP - F/SLIDING DOOR |

INTERIOR FINISH GROUP (CONTINUED) HARDWARE (CONTINUED)



| KEY | PART NUMBER | U/M | DESCRIPTION |
|-----|---------------|-----|--|
| 110 | 144488-01-01A | EA | HINGE - CABINET - ANTIQUE BRASS |
| 110 | 144488-01-02A | EA | HINGE - CABINET - NICKEL - ITASCA HORIZON |
| 111 | 144917-01-01A | EA | PULL - DRAWER - SATIN NICKEL - ITASCA HORIZON |
| 112 | 144918-01-01A | EA | PULL - DRAWER/KNOB - SATIN NICKEL - ITASCA HORIZON |
| 113 | 145172-01-01A | EA | PULL - CABINET DOOR - WINNEBAGO ADVENTURER/CHEFTAIN/JOURNEY & VECTRA |
| 114 | 145172-02-01A | EA | PULL - DRAWER/DNOB - WINNEBAGO ADVENTURER/CHEFTAIN & JOURNEY |
| 115 | 145180-01-01A | EA | KNOB - CABINET DOOR - ULTIMATE FREEDOM |
| 116 | 145739-01-000 | EA | BRACKET - REAR MOUNT |
| 117 | 145739-02-000 | EA | LOCKING MECHANISM - LEFT |
| 117 | 145739-03-000 | EA | LOCKING MECHANISM - RIGHT |
| 118 | 145739-04-000 | EA | SLIDE - DRAWER - 12" |
| 119 | 145849-01-01A | EA | ROBE HOOK - TWIN - BRASS |
| 119 | 145849-02-01A | EA | ROBE HOOK - TWIN - CHROME |
| 120 | 145849-03-01A | EA | ROBE HOOK - TWIN - BRASS |
| 121 | 145849-04-01A | EA | ROBE HOOK - TWIN - CHROME/BRASS |



| KEY | PART NUMBER | U/M | DESCRIPTION |
|-----|---------------|-----|------------------------|
| 1 | 096826-01-01A | EA | BRACE-CABINET E-COATED |

LABELS GROUP

SEWAGE

KEY PART NUMBER U/M DESCRIPTION
006187-01-000 EA LABEL - SEWAGE

WASTE WATER

KEY PART NUMBER U/M DESCRIPTION
006188-01-000 EA LABEL - WASTE WATER

WARNING

THIS SYSTEM IS DESIGNED FOR USE WITH PROPANE ONLY
DO NOT CONNECT NATURAL GAS TO THIS SYSTEM

BEFORE TURNING ON PROPANE:

- (A) BE CERTAIN APPLIANCES ARE CERTIFIED FOR PROPANE AND ARE EQUIPPED WITH CORRECT BURNING ORIFICES.
- (B) MAKE CERTAIN ALL PROPANE CONNECTIONS ARE TIGHT BY TESTING WITH SOAPY WATER. ALL APPLIANCE VALVES ARE TURNED OFF, AND ANY UNCONNECTED OUTLETS ARE CAPPED.

AFTER TURNING ON PROPANE:

- (A) LIGHT ALL PILOT LIGHTS
- (B) (B) ALL CONNECTIONS, INCLUDING THOSE AT THE APPLIANCES, REGULATORS AND CYLINDERS SHOULD BE LEAK-TESTED PERIODICALLY WITH SOAPY WATER BY THE OCCUPANT. NEVER USE A LIGHTED MATCH OR OTHER FLAME WHEN CHECKING FOR LEAKS.
- (C) DO NOT LEAVE SYSTEM TURNED ON OF CONTAINERS CONNECTED UNTIL THE SYSTEM HAS BEEN PROVEN TO BE FREE OF LEAKS.
- (D) COOKING APPLIANCES SHOULD NOT BE USED FOR SPACE HEATING.
- (E) WHEN THE CONTAINERS ARE DISCONNECTED THE PROPANE SUPPLY LINE SHOULD BE CAPPED OR PLUGGED.

AVERTISSEMENT

CETTE INSTALLATION EST CONÇUE POUR LE PROPANE SEULEMENT
NE PAS L'ALIMENTER EN GAZ NATUREL

AVANT LA MISE EN SERVICE:

- (A) S'ASSURER QUE LES APPAREILS SONT CERTIFIÉS POUR LE PROPANE ET MUNIS D'ORIFICES DE BRULEUR APPROPRIÉS.
- (B) VÉRIFIER L'ÉTANCHEITÉ DE TOUS LES RACCORDEMENTS AU PROPANE. LA PERMÉTURE DE TOUS LES ROBINETS D'APPAREILS ET L'OBTURATION DE TOUTES LES SORTIES NON RACCORDEES.

APRES LA MISE EN SERVICE:

- (A) ALLUMER TOUTES LES VEILLEUSES.
- (B) L'OCCUPANT DOIT ÉPROUVER PÉRIODIQUEMENT L'ÉTANCHEITÉ DE TOUS LES RACCORDEMENTS Y COMPRIS CEUX AUX APPAREILS, AUX DÉTENDEURS ET AUX BOUTEILLES, EN Y APPLIQUANT DE L'EAU SAVONNEUSE NE JAMAIS SE SERVIR D'UNE ALLUMETTE OU AUTRE POUR LA DÉTECTION DES FUITES.
- (C) NE PAS LAISSER L'ALIMENTATION OUVERTE NI LES RÉCIPIENTS RACCORDES AVANT D'AVOIR COMPLÉTÉ L'ÉPREUVE D'ÉTANCHEITÉ AU PROPANE DE L'INSTALLATION.
- (D) LES APPAREILS DE CUISSON NE DOIVENT PAS ÊTRE UTILISÉS POUR LE CHAUFFAGE DES LOCAUX.
- (E) LORSQUE LES RÉCIPIENTS SONT DÉCONNECTÉS, L'ALIMENTATION DE PROPANE DOIT ÊTRE OBTURÉE OU SCELLÉE.

KEY PART NUMBER U/M DESCRIPTION
023769-01-000 EA LABEL - WARNING - LPG - CANADIAN

EXIT

KEY PART NUMBER U/M DESCRIPTION
039290-01-000 EA LABEL - WARNING - EXIT

LABELS GROUP (CONTINUED)



KEY PART NUMBER U/M DESCRIPTION
040944-01-000 EA LABEL - ENTRANCE DOOR - "OPEN"

CAUTION

THIS MOTOR HOME HAS BEEN DESIGNED, MANUFACTURED AND TESTED WITH CONCERN FOR THE PROTECTION OF IT'S OCCUPANTS. WE RECOMMEND YOU PERFORM THE FOLLOWING INSPECTIONS FOR YOUR SAFETY AND THE SAFETY OF YOUR PASSENGERS BEFORE STARTING YOUR VEHICLE.

1. LP GAS SYSTEM- TURN OFF AT TANK FOR TRAVELING. TEST FOR LEAKS UPON ARRIVAL AT DESTINATION. BEFORE LIGHTING PILOTS.
2. WHEELS- INSPECT FOR DAMAGE AND CHECK LUG NUTS FOR TIGHTNESS.
3. TIRES- INSPECT FOR WEAR AND DAMAGE AND CHECK FOR RECOMMENDED AIR PRESSURE.
4. LIGHTING- TEST FOR PROPER OPERATION OF ALL INTERIOR AND EXTERIOR LIGHTS INCLUDING DASH LIGHTS, HEADLIGHTS, TAIL LIGHTS, BRAKE LIGHTS, CLEARANCE LIGHTS AND TURN SIGNALS.
5. EXITS- INSPECT RELEASE MECHANISM ON EMERGENCY EXIT WINDOW. TEST BOTH LOCKS ON MAIN ENTRANCE DOOR FOR EASE OF OPERATION AND INSTRUCT PASSENGERS HOW TO USE BOTH MEANS OF EXIT.
6. SEAT BELTS- DIRECT PASSENGERS TO DESIGNATED SEATS AND REQUIRE USE OF SEAT BELTS.
7. APPLIANCES- TURN OFF AND LATCH OR LOCK DOORS WHERE PROVIDED.
8. LOOSE PARCELS- STORE SECURELY.
9. UTILITY SUPPLY LINES- DISCONNECT ALL ELECTRIC, SEWER AND WATER LINES AND SECURE PROPERLY.
10. ENTRANCE DOOR STEP- PLACE IN RETRACTED POSITION FOR TRAVELING.

READ YOUR MOTOR HOME AND CHASSIS OWNER'S
MANUAL FOR FURTHER PRECAUTIONS

KEY PART NUMBER U/M DESCRIPTION
056259-01-000 EA LABEL - SAFETY CHECK LIST

UNLEADED FUEL ONLY

KEY PART NUMBER U/M DESCRIPTION
062043-01-000 EA LABEL - FUEL - UNLEADED

WARNING DISCONNECT BATTERIES BEFORE
CONNECTING EXTERNAL CHARGING EQUIPMENT.

KEY PART NUMBER U/M DESCRIPTION
065748-01-000 EA LABEL - WARNING - BATTERY CHARGING - UL

AVERTISSEMENT : DEBRANCHER LES BATTERIES AVANT
DE BRANCHER TOUT EQUIPEMENT DE CHARGE EXTERIEUR.

KEY PART NUMBER U/M DESCRIPTION
065748-02-000 EA LABEL - WARNING - BATTERY CHARGING - CSA - CANADIAN

DIESEL FUEL ONLY

KEY PART NUMBER U/M DESCRIPTION
068383-01-000 EA LABEL - DIESEL FUEL

VEHICLE EMISSION CONTROL INFORMATION
THIS VEHICLE CONFORMS TO U.S. EPA
REGULATIONS APPLICABLE TO XXXX MODEL
YEAR NEW VEHICLES.

072887-01-000-2 CATALYST

KEY PART NUMBER U/M DESCRIPTION
072887-14-000 EA LABEL - EPA - 2003 MODEL YEAR

LABELS GROUP (CONTINUED)

IF YOU SMELL GAS

1. EXTINGUISH ANY OPEN FLAME, PILOT LIGHTS AND ALL SMOKING MATERIALS.
2. DO NOT TOUCH ELECTRICAL SWITCHES.
3. SHUT OFF THE GAS SUPPLY AT THE TANK VALVE(S) OR GAS SUPPLY CONNECTION.
4. OPEN DOORS AND OTHER VENTILATING OPENINGS.
5. LEAVE THE AREA UNTIL ODOR CLEARS.
6. HAVE THE GAS SYSTEM CHECKED AND LEAKAGE SOURCE CORRECTED BEFORE USING AGAIN.

KEY PART NUMBER U/M DESCRIPTION
 073998-01-000 EA LABEL - LPG ODOR WARNING

WARNING: TEST SMOKE DETECTOR
 OPERATION AFTER VEHICLE HAS BEEN IN
 STORAGE, BEFORE EACH TRIP AND AT
 LEAST ONCE PER WEEK DURING USE.

KEY PART NUMBER U/M DESCRIPTION
 077956-01-000 EA LABEL - WARNING - SMOKE DETECTOR

DO NOT FILL
 LP-GAS CONTAINER(S)
 TO MORE THAN 80%
 OF CAPACITY.

KEY PART NUMBER U/M DESCRIPTION
 079965-01-000 EA LABEL - LPG - 80% CAPACITY

WARNING
 MUST BE STOWED
 IN LATCHED POSITION
 WHILE VEHICLE IS IN MOTION

KEY PART NUMBER U/M DESCRIPTION
 079966-01-000 EA LABEL - WARNING - STOWED - MOTION

W
A
T
E
R ON
|
H
E
A
T
E
R OFF

KEY PART NUMBER U/M DESCRIPTION
 083588-01-000 EA LABEL - ON/OFF - WATER HEATER

E
N
G
I
N
E ON
|
H
E
A
T
E
R OFF

KEY PART NUMBER U/M DESCRIPTION
 083588-02-000 EA LABEL - ON/OFF - ENGINE HEATER
 083588-04-000 EA LABEL - ON/OFF - ENGINE HEATER

LABELS GROUP (CONTINUED)

| | |
|---|--|
| <p>CAUTION</p> | <p>TO HELP AVOID PERSONAL INJURY DURING REMOVAL OF FUEL FILLER CAP, SLOWLY LOOSEN CAP 1/2 TURN TO ALLOW ANY FUEL PRESSURE TO BE RELIEVED BEFORE TURNING CAP FURTHER.</p> |
| <p>FUEL SPRAY MAY CAUSE PERSONAL INJURY</p> | <p>STOP ADDING FUEL AFTER FIRST SHUTOFF BY AUTOMATIC NOZZLE WHEN TANK IS NEARLY FULL. DO NOT OVERFILL FUEL TANK.</p> <p>SEE OWNERS MANUAL FOR ADDITIONAL INFORMATION.</p> <p style="font-size: small;">PRINTED IN U.S.A. WLC PT NO 15611763</p> |

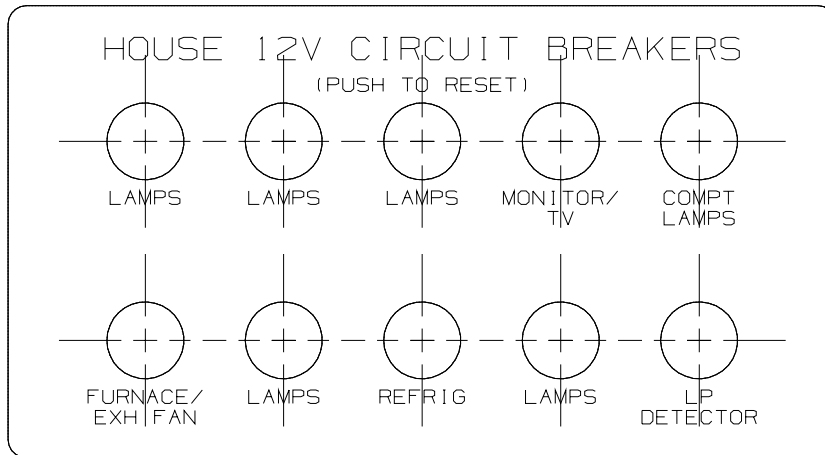
KEY PART NUMBER U/M DESCRIPTION
 087207-05-000 EA LABEL - FUEL CAP REMOVAL



KEY PART NUMBER U/M DESCRIPTION
 087236-01-000 EA LABEL - CABLE - INPUT

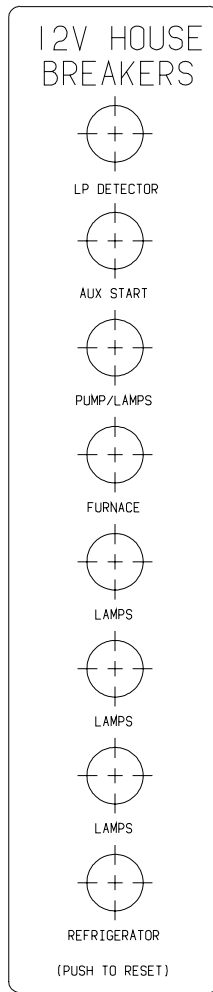


KEY PART NUMBER U/M DESCRIPTION
 087236-02-000 EA LABEL - TV OUTLET

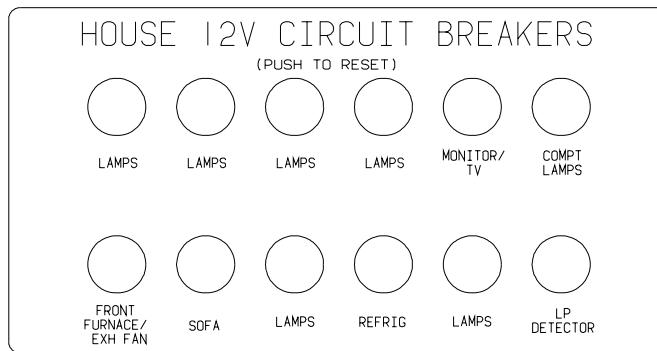


KEY PART NUMBER U/M DESCRIPTION
 092547-06-000 EA LABEL - CIRCUIT BREAKER

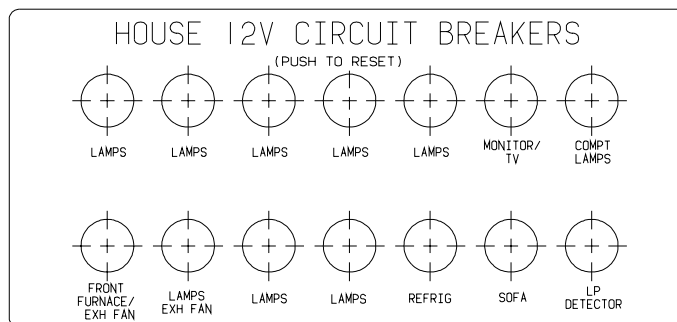
LABELS GROUP (CONTINUED)



KEY PART NUMBER U/M DESCRIPTION
 092547-08-000 EA LABEL - CIRCUIT BREAKER

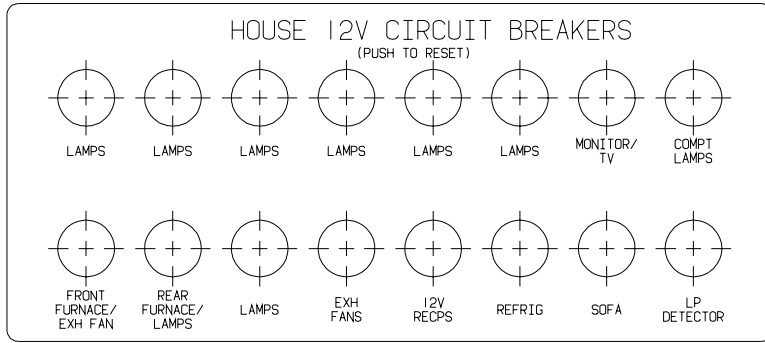


KEY PART NUMBER U/M DESCRIPTION
 092547-10-000 EA LABEL - CIRCUIT BREAKER

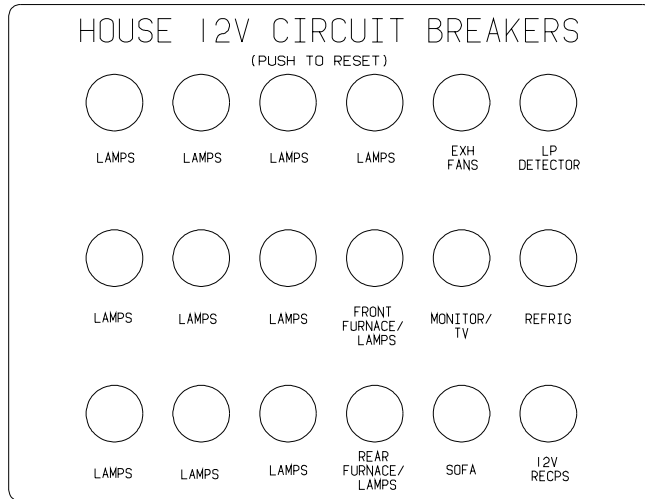


KEY PART NUMBER U/M DESCRIPTION
 092547-12-000 EA LABEL - CIRCUIT BREAKER

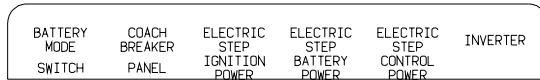
LABELS GROUP (CONTINUED)



KEY PART NUMBER U/M DESCRIPTION
 092547-13-000 EA LABEL - CIRCUIT BREAKER



KEY PART NUMBER U/M DESCRIPTION
 092547-14-000 EA LABEL - CIRCUIT BREAKER

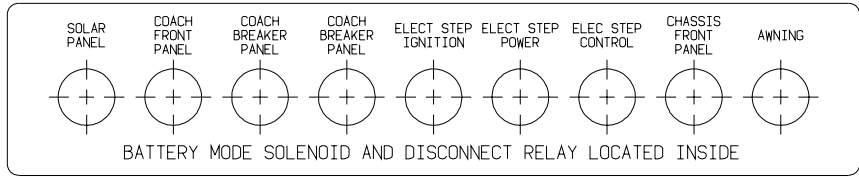


KEY PART NUMBER U/M DESCRIPTION
 093236-08-000 EA LABEL - CIRCUIT BREAKER

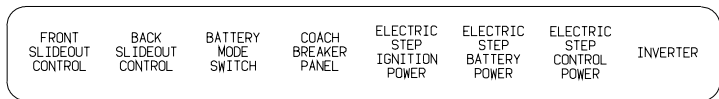
LABELS GROUP (CONTINUED)



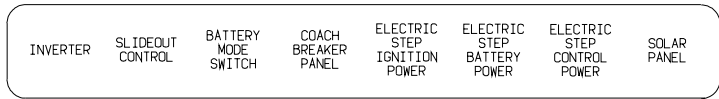
KEY PART NUMBER U/M DESCRIPTION
 093236-21-000 EA LABEL - CIRCUIT BREAKER



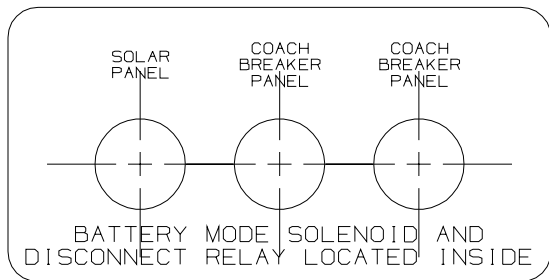
KEY PART NUMBER U/M DESCRIPTION
 093236-26-000 EA LABEL - CIRCUIT BREAKER



KEY PART NUMBER U/M DESCRIPTION
 093236-28-000 EA LABEL - CIRCUIT BREAKER

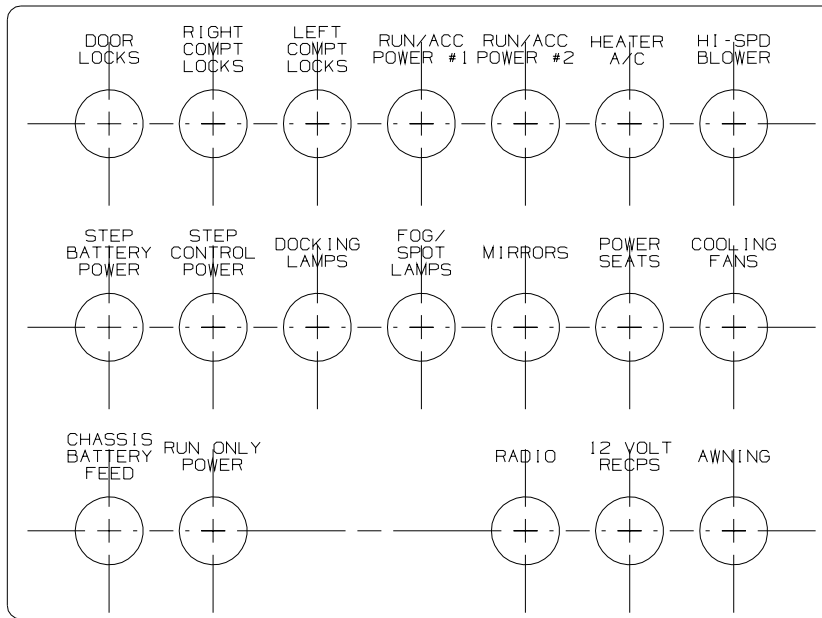


KEY PART NUMBER U/M DESCRIPTION
 093236-29-000 EA LABEL - CIRCUIT BREAKER

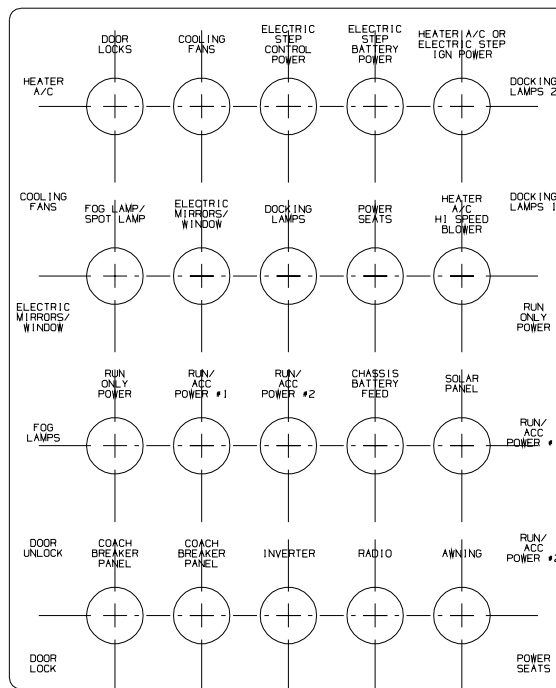


KEY PART NUMBER U/M DESCRIPTION
 093236-31-000 EA LABEL - CIRCUIT BREAKER

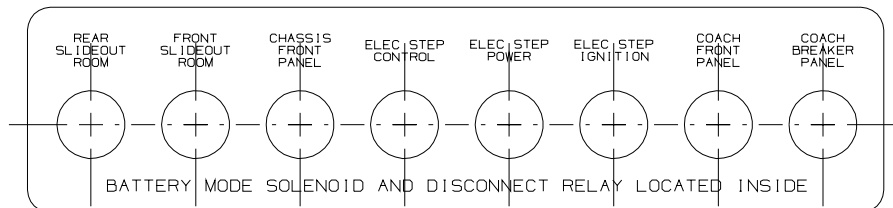
LABELS GROUP (CONTINUED)



KEY PART NUMBER 093236-32-000 **U/M DESCRIPTION**
EA LABEL - CIRCUIT BREAKER

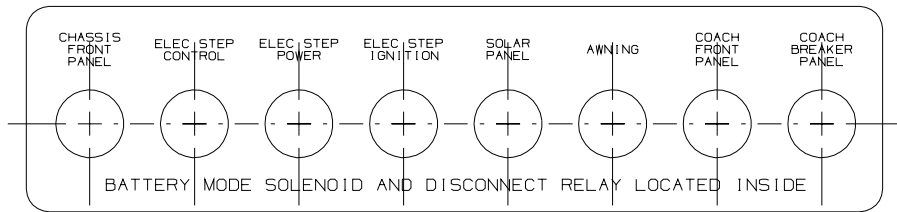


KEY PART NUMBER 093236-33-000 **U/M DESCRIPTION**
EA LABEL - CIRCUIT BREAKER

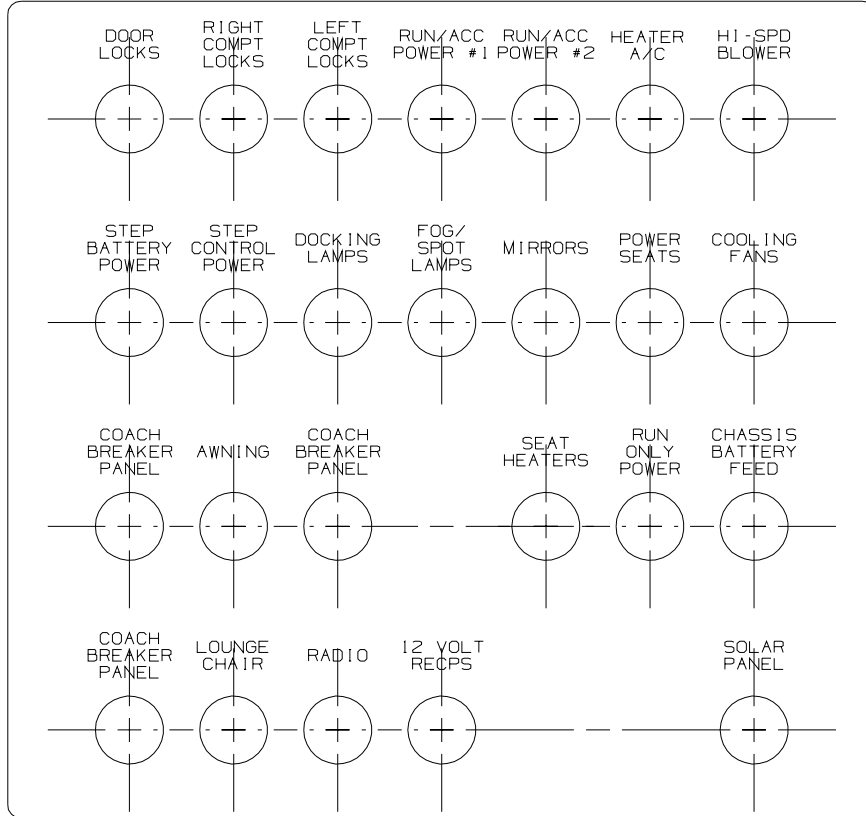


KEY PART NUMBER 093236-34-000 **U/M DESCRIPTION**
EA LABEL - CIRCUIT BREAKER

LABELS GROUP (CONTINUED)



| KEY | PART NUMBER | U/M | DESCRIPTION |
|-----|---------------|-----|-------------------------|
| | 093236-35-000 | EA | LABEL - CIRCUIT BREAKER |



| KEY | PART NUMBER | U/M | DESCRIPTION |
|-----|---------------|-----|-------------------------|
| | 093236-37-000 | EA | LABEL - CIRCUIT BREAKER |

LABELS GROUP (CONTINUED)

| | | | | | |
|-------------------------------------|--|--------------------------------|--------------------------------|--------------------------------|---|
| S U B M A I N | D I S H W A S H E R | R E C P S 1 | R E C P S 2 | R E C P S 3 | M I C R O W A V E |
|-------------------------------------|--|--------------------------------|--------------------------------|--------------------------------|---|

KEY PART NUMBER U/M DESCRIPTION
 095721-20-000 EA LABEL - CONTROL CENTER W/INVERTER

| | | | | | | | | | |
|---|------------------|---|---|---|--------------------------------|--------------------------------|--------------------------------|--|--|
| A / C C I R C U I T 1 | M A I N | A / C C I R C U I T 2 | R E F R I G / C O N V | M I C R O W A V E | R E C P S 1 | R E C P S 2 | R E C P S 3 | | |
|---|------------------|---|---|---|--------------------------------|--------------------------------|--------------------------------|--|--|

KEY PART NUMBER U/M DESCRIPTION
 095721-27-000 EA LABEL - CONTROL CENTER - 30 AMP

| | | | | | | | | | | |
|---|------------------|---|---|---|--------------------------------|--------------------------------|--------------------------------|--|---|--|
| A / C C I R C U I T 1 | M A I N | A / C C I R C U I T 2 | R E F R I G / C O N V | M I C R O W A V E | R E C P S 1 | R E C P S 2 | R E C P S 3 | W A S H E R / D R Y E R | W A T E R H E A T E R | |
|---|------------------|---|---|---|--------------------------------|--------------------------------|--------------------------------|--|---|--|

KEY PART NUMBER U/M DESCRIPTION
 095721-31-000 EA LABEL - CONTROL CENTER - 30 AMP - US

LABELS GROUP (CONTINUED)

| | | | | | | | | | | |
|-----------------------|------|------|-----------------------|---------------|-----------|-------------|-------------|-------------|----------------|-----------------|
| A / C CIRCUIT 1 | MAIN | MAIN | A / C CIRCUIT 2 | REFRIG / CONV | MICROWAVE | RECP S 1 | RECP S 2 | RECP S 3 | WASHER / DRYER | WATER HEATER |
|-----------------------|------|------|-----------------------|---------------|-----------|-------------|-------------|-------------|----------------|-----------------|

KEY PART NUMBER U/M DESCRIPTION
 095721-33-000 EA LABEL - CONTROL CENTER - 50 AMP - US

| | | | | | |
|------|-----------|--------------|--------------|------------|-------|
| MAIN | MICROWAVE | GFI / RECP S | REFER / CONV | WATER HT R | A / C |
|------|-----------|--------------|--------------|------------|-------|

KEY PART NUMBER U/M DESCRIPTION
 095721-38-000 EA LABEL - CONTROL CENTER - 30 AMP - US

| | | | | | | | | | | |
|-----------------------|------|------|-----------------------|-----------------------|----------------|-----------------|-----------------|------------|----------------------------|----------------------------|
| A / C CIRCUIT 1 | MAIN | MAIN | A / C CIRCUIT 2 | INVERTER / CHARGER | WASHER / DRYER | WATER HEATER | WATER HEATER | DISHWASHER | FIREPLACE / RECP S 4 | FIREPLACE / RECP S 4 |
|-----------------------|------|------|-----------------------|-----------------------|----------------|-----------------|-----------------|------------|----------------------------|----------------------------|

KEY PART NUMBER U/M DESCRIPTION
 095721-44-000 EA LABEL - CONTROL CENTER - 30 AMP - US

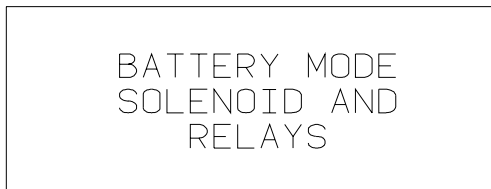
AUTOMOTIVE AND COACH
CIRCUIT BREAKERS

KEY PART NUMBER U/M DESCRIPTION
 098379-01-000 EA LABEL - CIRCUIT BREAKER - FRONT BOX

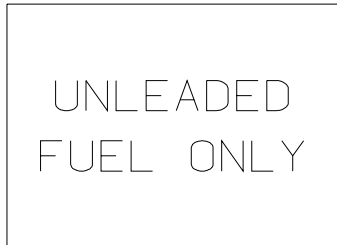
CIRCUIT BREAKERS
AND AUTOMOTIVE
FUSE PANEL

KEY PART NUMBER U/M DESCRIPTION
 098379-03-000 EA LABEL - ELECTRICAL BOX - FRONT

LABELS GROUP (CONTINUED)



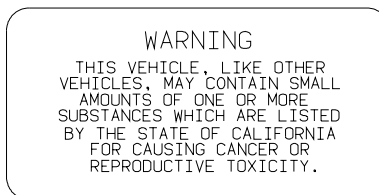
KEY PART NUMBER U/M DESCRIPTION
098379-04-000 EA LABEL - ELECTRICAL BOX - SIDE



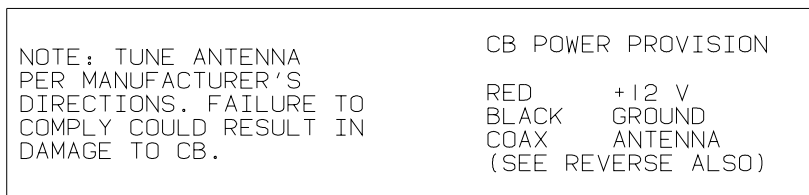
KEY PART NUMBER U/M DESCRIPTION
098641-01-000 EA LABEL - FUEL - UNLEADED - DASH



KEY PART NUMBER U/M DESCRIPTION
099509-01-000 EA LABEL - AWNING INSTALLATION



KEY PART NUMBER U/M DESCRIPTION
099689-01-000 EA LABEL - WARNING - CANCER/TOXICITY

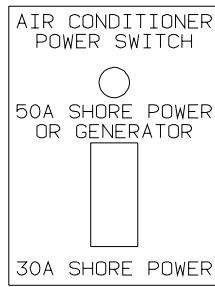


KEY PART NUMBER U/M DESCRIPTION
104678-01-000 EA LABEL - CB PREP



KEY PART NUMBER U/M DESCRIPTION
107571-01-000 EA LABEL - EXIT/ESCAPE WINDOW

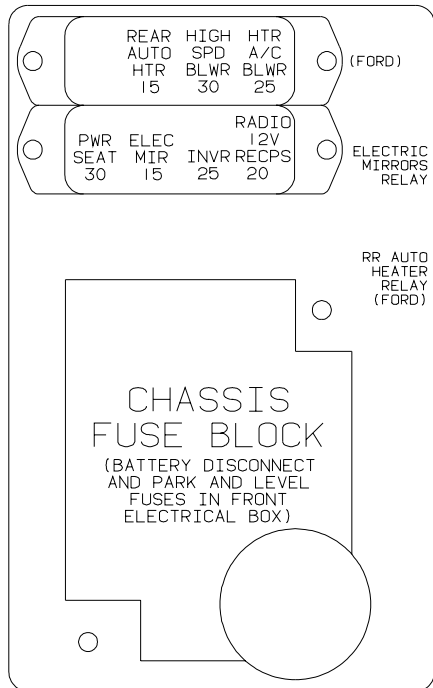
LABELS GROUP (CONTINUED)



| | | |
|------------|--------------------|----------------------------------|
| KEY | PART NUMBER | U/M DESCRIPTION |
| | 109051-02-000 | EA LABEL - SWITCH - 50 AMP POWER |

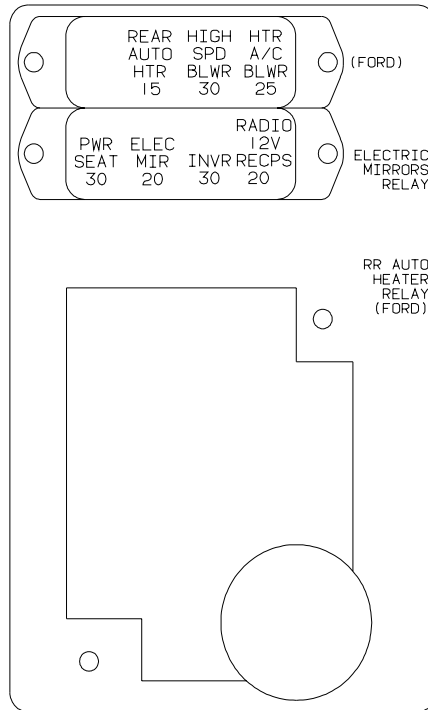


| | | |
|------------|--------------------|--|
| KEY | PART NUMBER | U/M DESCRIPTION |
| | 111104-01-000 | EA LABEL - HITCH - READ MANUAL - WHITE |



| | | |
|------------|--------------------|------------------------|
| KEY | PART NUMBER | U/M DESCRIPTION |
| | 111537-08-000 | EA LABEL - FUSES |

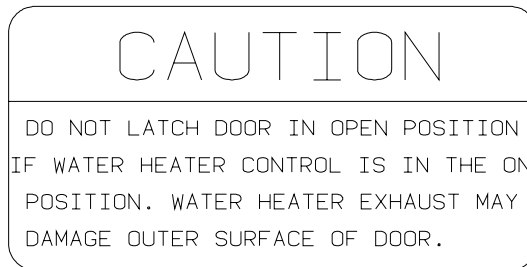
LABELS GROUP (CONTINUED)



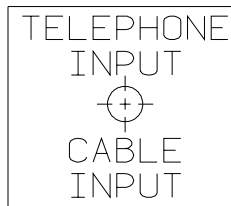
KEY PART NUMBER U/M DESCRIPTION
 111537-09-000 EA LABEL - FUSES

WARNING: CONTAINS "CFC" A SUBSTANCE WHICH HARMS PUBLIC HEALTH AND ENVIRONMENT BY DESTROYING OZONE IN THE UPPER ATMOSPHERE.

KEY PART NUMBER U/M DESCRIPTION
 111802-01-000 EA LABEL - CFC WARNING

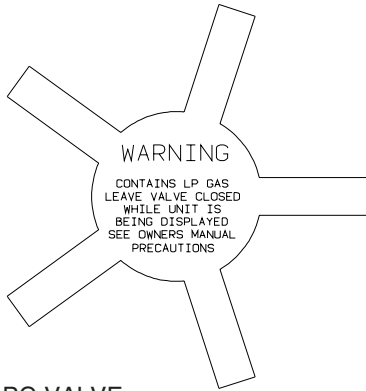


KEY PART NUMBER U/M DESCRIPTION
 113402-01-000 EA LABEL - CAUTION - WATER HEATER EXHAUST



KEY PART NUMBER U/M DESCRIPTION
 114866-02-000 EA LABEL - PHONE & CABLE INPUT - WHITE/CLEAR BACKGROUND

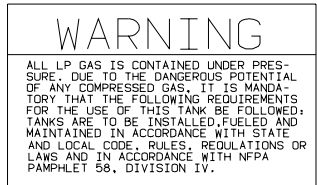
LABELS GROUP (CONTINUED)



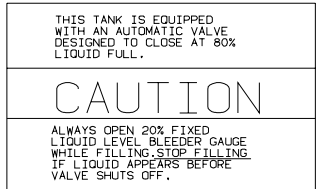
| KEY | PART NUMBER | U/M DESCRIPTION |
|-----|---------------|------------------------------|
| | 115600-01-000 | EA LABEL - WARNING LPG VALVE |

WARNING: REPLACE TIRE ONLY WITH ONE OF EXACTLY SAME TYPE AND RATING. DO NOT REPLACE WITH PASSENGER CAR TIRE. SEE OPERATOR'S MANUAL FOR MORE INFORMATION CALL WINNEBAGO OWNER RELATIONS AT 1-800-537-1885.

| KEY | PART NUMBER | U/M DESCRIPTION |
|-----|---------------|---------------------------|
| | 115869-01-000 | EA LABEL - WARNING - TIRE |



| KEY | PART NUMBER | U/M DESCRIPTION |
|-----|---------------|-------------------------|
| | 116112-01-000 | EA LABEL - CAUTION - LP |

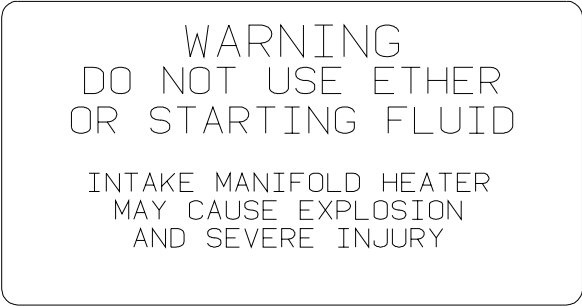


| KEY | PART NUMBER | U/M DESCRIPTION |
|-----|---------------|-------------------------|
| | 116113-01-000 | EA LABEL - CAUTION - LP |

WARNING! UNDERSTAND OPERATOR'S MANUAL BEFORE USING. KEEP PEOPLE AND OBSTRUCTIONS CLEAR OF SLIDEOUT ROOM WHEN OPERATING TO AVOID INJURY AND/OR PROPERTY DAMAGE.

| KEY | PART NUMBER | U/M DESCRIPTION |
|-----|---------------|-------------------------------|
| | 116549-01-000 | EA LABEL - WARNING - SLIDEOUT |

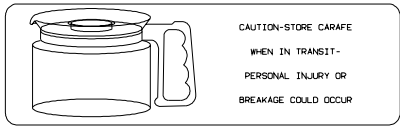
LABELS GROUP (CONTINUED)



| KEY | PART NUMBER | U/M DESCRIPTION |
|-----|---------------|--|
| | 116756-02-000 | EA LABEL - WARNING - ETHER/STARTING - RED W/CLEAR BACKGROUND |
| | 116756-03-000 | EA LABEL - WARNING - ETHER/STARTING - RED W/WHITE BACKGROUND |



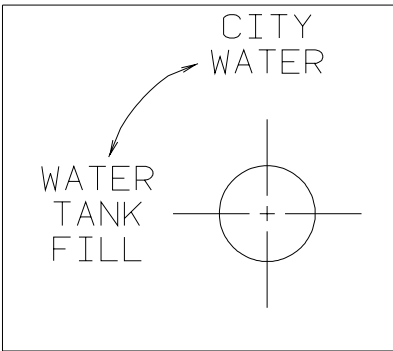
| KEY | PART NUMBER | U/M DESCRIPTION |
|-----|---------------|---------------------------------|
| | 116775-01-000 | EA LABEL/CAUTION - TRAVEL LATCH |



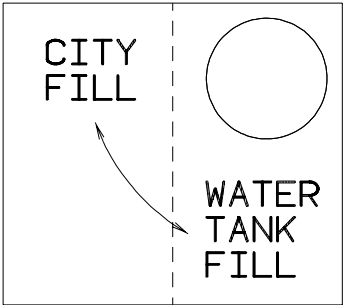
| KEY | PART NUMBER | U/M DESCRIPTION |
|-----|---------------|------------------------|
| | 116829-02-000 | EA LABEL - COFFEEMAKER |



| KEY | PART NUMBER | U/M DESCRIPTION |
|-----|---------------|--|
| | 117628-02-000 | EA LABEL - SWITCH - WATER PUMP/LIGHTS-WHITE/CLEAR BACKGROUND |

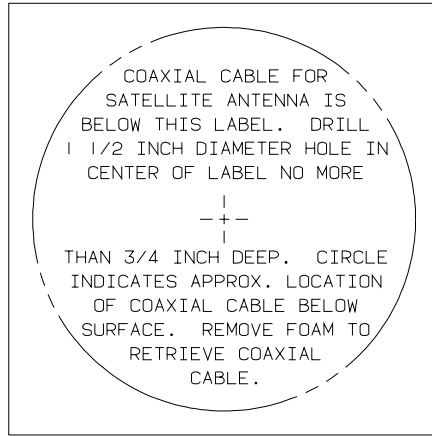


| KEY | PART NUMBER | U/M DESCRIPTION |
|-----|---------------|--|
| | 117629-01-000 | EA LABEL - WATER PUMP/FILL-BLK LETTER/CLEAR BACKGROUND-.24" |
| | 117629-03-000 | EA LABEL - WATER PUMP/FILL-BLK LETTERS/CLEAR BACKGROUND-.31" |

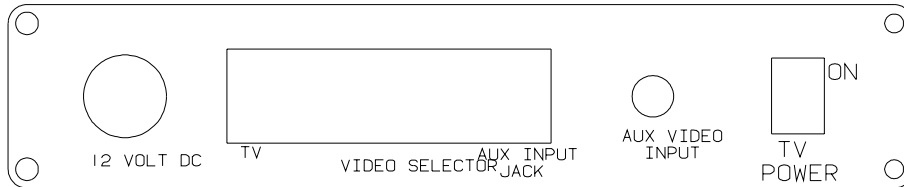


| KEY | PART NUMBER | U/M DESCRIPTION |
|-----|---------------|---------------------------------|
| | 117629-04-000 | EA LABEL - CITY WATER/TANK FILL |

LABELS GROUP (CONTINUED)



KEY PART NUMBER U/M DESCRIPTION
 120431-01-000 EA LABEL - LOCATION - COAXIAL CABLE/SATELLITE ANTENNA



KEY PART NUMBER U/M DESCRIPTION
 120677-01-000 EA LABEL - TV

KEEP THE SERVICE INLET ACCESS
 IN THE CLOSED POSITION WHEN
 UTILITY CONNECTIONS ARE NOT IN USE

KEY PART NUMBER U/M DESCRIPTION
 123562-01-000 EA LABEL - SERVICE/UTILITY ACCESS

WARNING

ALL PILOT LIGHTS, APPLIANCES AND THIER
 IGNITORS (SEE OPERATING INSTRUCTIONS) SHALL
 BE TURNED OFF DURING REFUELING OF MOTOR
 FUEL TANKS AND/OR LP GAS CONTAINERS

KEY PART NUMBER U/M DESCRIPTION
 124519-01-01A EA LABEL - WARNING/REFUELING - BLACK ON CLEAR
 124519-01-02A EA LABEL - WARNING/REFUELING - WHITE ON CLEAR

WARNING:

ALL PILOT LIGHTS AND APPLIANCES SHALL BE TURNED
 OFF DURING REFUELING OF MOTOR FUEL TANKS AND/
 OR PROPANE CONTAINERS.

AVERTISSEMENT:

FERMER TOUTES LES VEILLEUSES AINSI QUE TOUS LES
 APPAREILS LORSQU'ON FAIT LE PLEIN DES RESERVOIRS
 A CARBURANT OU A PROPANE.

124519-02

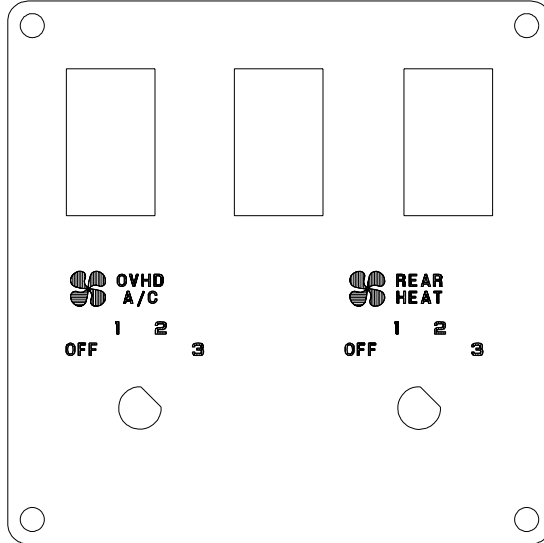
KEY PART NUMBER U/M DESCRIPTION
 124519-02-01A EA LABEL - WARNING/REFUELING - BLACK ON CLEAR - CSA
 124519-02-02A EA LABEL - WARNING/REFUELING - WHITE ON CLEAR - CSA

LABELS GROUP (CONTINUED)

LP-GAS SYSTEM
 THIS GAS PIPING SYSTEM IS
 DESIGNED FOR USE OF
 LIQUIFIED PETROLEUM GAS
 ONLY. DO NOT CONNECT
 NATURAL GAS TO THIS
 SYSTEM.
 SECURE CAP INLET(S) WHEN NOT
 CONNECTED FOR USE. AFTER TURNING
 ON GAS, EXCEPT AFTER NORMAL
 CONTAINER REPLACEMENT, TEST GAS
 PIPING AND CONNECTIONS TO
 APPLIANCES FOR LEAKAGE WITH SOAPY
 WATER OR BUBBLE SOLUTION. DO NOT
 USE PRODUCTS THAT CONTAIN AMMONIA
 OR CLORINE.

124520

| KEY | PART NUMBER | U/M | DESCRIPTION |
|-----|---------------|-----|--------------------------------------|
| | 124520-01-01A | EA | LABEL - LP GAS ONLY - BLACK ON CLEAR |
| | 124520-01-02A | EA | LABEL - LP GAS ONLY - WHITE ON CLEAR |



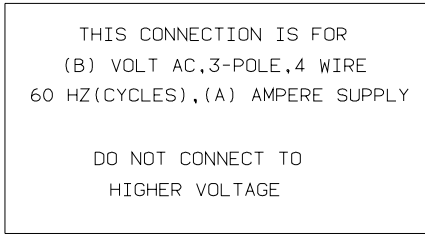
| KEY | PART NUMBER | U/M | DESCRIPTION |
|-----|---------------|-----|------------------|
| | 124572-01-000 | EA | LABEL - SWITCHES |

THIS CONNECTION IS FOR
 (B) VOLT AC, 60 HZ (CYCLES)
 (A) AMPERE SUPPLY

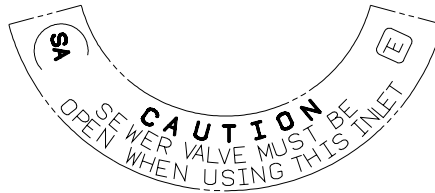
 DO NOT CONNECT TO
 HIGHER VOLTAGE

| KEY | PART NUMBER | U/M | DESCRIPTION |
|-----|---------------|-----|--|
| | 125306-01-01A | EA | LABEL - ELECTRICAL ENTRANCE - 110V 30 AMP - BLACK ON CLEAR |

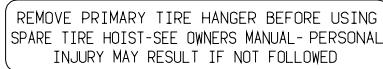
LABELS GROUP (CONTINUED)



| KEY | PART NUMBER | U/M | DESCRIPTION |
|-----|---------------|-----|--|
| | 125306-04-01A | EA | LABEL-ELECTRICAL ENTRANCE-120/240V 50 AMP-BLACK ON CLEAR |
| | 125306-04-02A | EA | LABEL - ELECTRICAL ENTRANCE-120/240V 50 AMP-WHITE ON CLEAR |



| KEY | PART NUMBER | U/M | DESCRIPTION |
|-----|---------------|-----|-----------------------------------|
| | 125697-07-000 | EA | LABEL - CAUTION - FLUSHING SYSTEM |



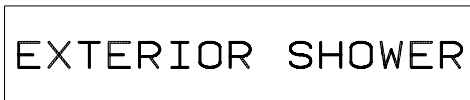
| KEY | PART NUMBER | U/M | DESCRIPTION |
|-----|---------------|-----|-----------------------------|
| | 126024-01-01A | EA | LABEL - TIRE HANGER REMOVAL |



| KEY | PART NUMBER | U/M | DESCRIPTION |
|-----|---------------|-----|--|
| | 126247-01-000 | EA | LABEL - GRAY HOLDING TANK-WHITE LETTERS/CLEAR BACKGROUND |
| | 126247-05-000 | EA | LABEL - GRAY HOLDING TANK-BLACK LETTERS/CLEAR BACKGROUND |



| KEY | PART NUMBER | U/M | DESCRIPTION |
|-----|---------------|-----|---|
| | 126247-02-000 | EA | LABEL - BLACK HOLDING TANK-WHITE LETTERS/BLACK BACKGROUND |
| | 126247-06-000 | EA | LABEL - BLACK HOLDING TANK-BLACK LETTERS/CLEAR BACKGROUND |

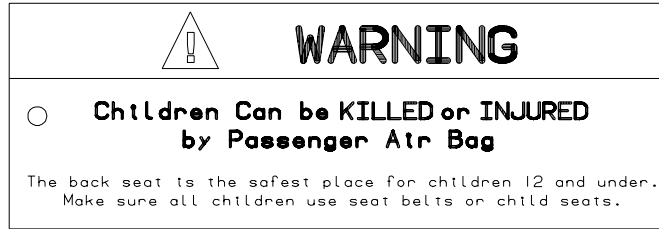


| KEY | PART NUMBER | U/M | DESCRIPTION |
|-----|---------------|-----|-------------------------|
| | 126248-03-000 | EA | LABEL - EXTERIOR SHOWER |

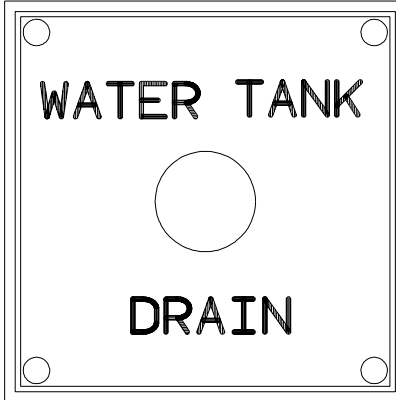


| KEY | PART NUMBER | U/M | DESCRIPTION |
|-----|---------------|-----|---|
| | 126249-03-000 | EA | LABEL - CITY WATER FILL-BLK LETTERS/CLEAR BACKGROUND .31" |

LABELS GROUP (CONTINUED)



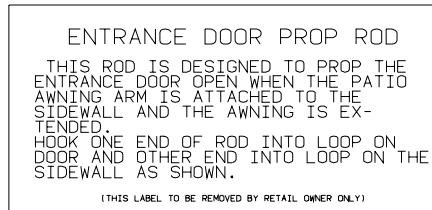
KEY PART NUMBER U/M DESCRIPTION
126612-01-000 EA LABEL - HANG TAG - AIR BAG - DASH



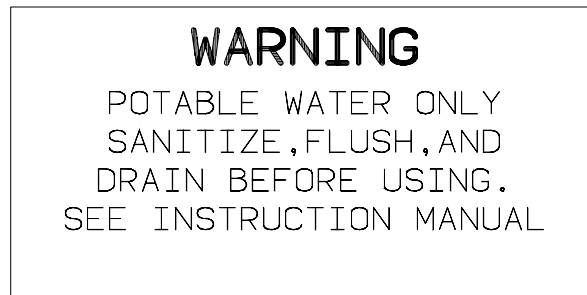
KEY PART NUMBER U/M DESCRIPTION
127170-01-000 EA LABEL - WATER TANK DRAIN



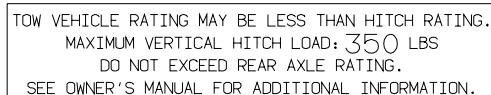
KEY PART NUMBER U/M DESCRIPTION
128218-01-01A EA LABEL - WARNING - SLIPPERY ROOF



KEY PART NUMBER U/M DESCRIPTION
128658-01-000 EA LABEL - PROP ROD - ENTRY DOOR



KEY PART NUMBER U/M DESCRIPTION
128725-01-01A EA LABEL - POTABLE WATER ONLY - BLACK ON CLEAR

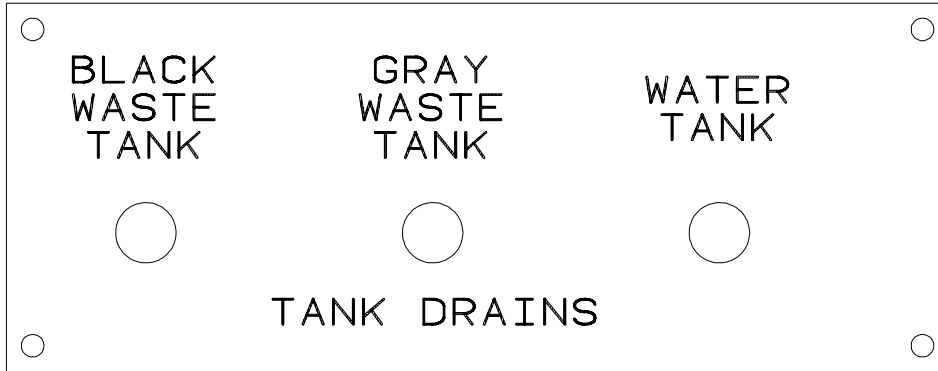


KEY PART NUMBER U/M DESCRIPTION
129669-01-01A EA LABEL - HITCH/VEHICLE RATE - 350 - WHITE ON CLEAR
129669-01-02A EA LABEL - HITCH/VEHICLE RATE - 350 - BLACK ON CLEAR
129669-02-01A EA LABEL - HITCH/VEHICLE RATE - 500 - WHITE ON CLEAR
129669-02-02A EA LABEL - HITCH/VEHICLE RATE - 500 - BLACK ON CLEAR

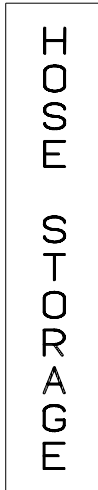
LABELS GROUP (CONTINUED)

TIRE ROTATION
 SEE RIALTA OWNERS MANUAL
 SECTION 9

KEY PART NUMBER U/M DESCRIPTION
 129684-01-000 EA LABEL - TIRE ROTATION



KEY PART NUMBER U/M DESCRIPTION
 130166-01-000 EA LABEL - DRAIN



KEY PART NUMBER U/M DESCRIPTION
 130167-02-000 EA LABEL - HOSE STORAGE

WASTE TANK FLUSH

KEY PART NUMBER U/M DESCRIPTION
 130168-01-000 EA LABEL - WASTE TANK FLUSH

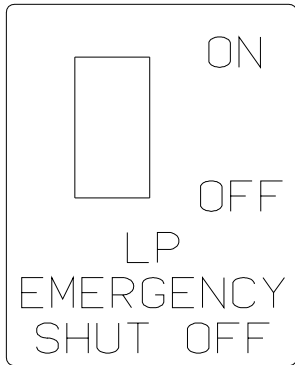
| | |
|------------------|---------------|
| MONITOR PANEL | WATER PUMP |
| LIGHT | |

KEY PART NUMBER U/M DESCRIPTION
 130170-01-000 EA LABEL - SWITCH PANEL - BLK/CLEAR BACKGROUND-1.8"H X 5.9"L

LABEL GROUP (CONTINUED)



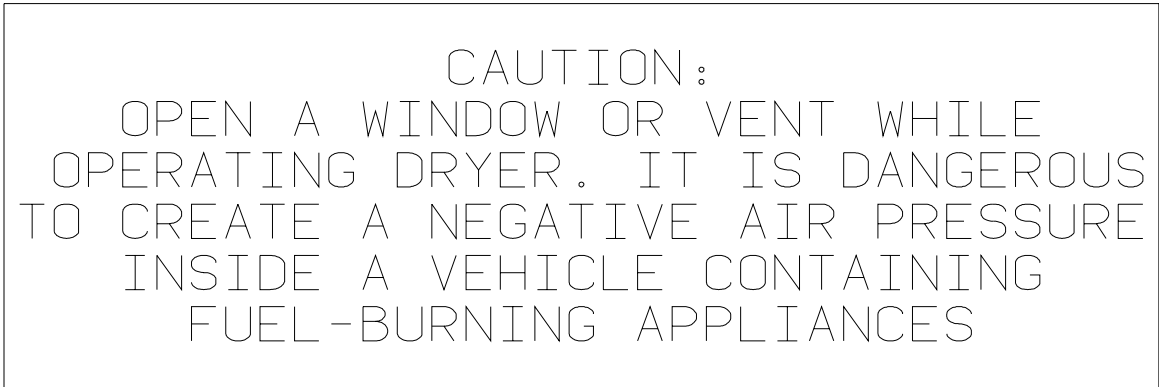
KEY PART NUMBER U/M DESCRIPTION
130170-02-000 EA LABEL - SWITCH PANEL-BLK/CLEAR BACKGROUND-1.4"H X 3.9"L



KEY PART NUMBER U/M DESCRIPTION
130170-04-000 EA LABEL - SWITCH PANEL



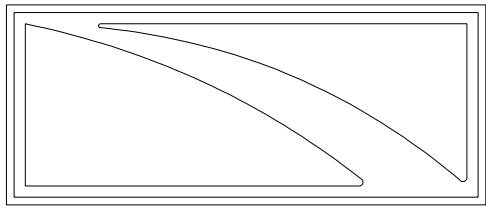
KEY PART NUMBER U/M DESCRIPTION
130170-05-000 EA LABEL - SWITCH PANEL



KEY PART NUMBER U/M DESCRIPTION
130670-01-01A EA LABEL - CAUTION DRYER VENTING - BLACK ON CLEAR

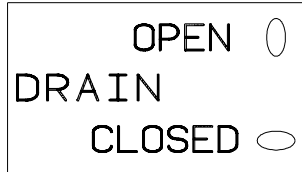


KEY PART NUMBER U/M DESCRIPTION
131779-01-01A EA LABEL - GENERATOR



KEY PART NUMBER U/M DESCRIPTION
132651-01-01A EA DECAL - MIRROR/GALLEY

LABEL GROUP (CONTINUED)



KEY PART NUMBER U/M DESCRIPTION
 133423-01-01A EA LABEL - DRAIN



KEY PART NUMBER U/M DESCRIPTION
 133424-01-01A EA LABEL - WATER HEATER BYPASS - BLACK/CLEAR



KEY PART NUMBER U/M DESCRIPTION
 133424-02-01A EA LABEL - NORMAL OPERATION



KEY PART NUMBER U/M DESCRIPTION
 133424-03-01A EA LABEL - WATER HEATER BYPASS - BLACK/CLEAR



KEY PART NUMBER U/M DESCRIPTION
 133533-01-01A EA LABEL - JACKS DOWN - CLEAR W/WHITE LETTERING



KEY PART NUMBER U/M DESCRIPTION
 133533-02-01A EA LABEL - CHECK ANTENNA - CLEAR W/WHITE LETTERING



KEY PART NUMBER U/M DESCRIPTION
 133533-03-01A EA LABEL - LOCK/UNLOCK - BLACK/WHITE



KEY PART NUMBER U/M DESCRIPTION
 133533-04-01A EA LABEL - WINDOW/MIRROR HEAT- BLACK/CLEAR

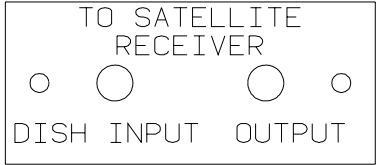


KEY PART NUMBER U/M DESCRIPTION
 133533-05-01A EA LABEL - SUNVISOR - DRIVER/PASSENGER - BLACK/CLEAR

LABELS GROUP (CONTINUED)



KEY PART NUMBER U/M DESCRIPTION
 133533-06-01A EA LABEL - MAP LIGHT/SUNVISOR - BLACK/CLEAR



KEY PART NUMBER U/M DESCRIPTION
 134250-01-01A EA LABEL - SATELLITE RECEIVER - BLACK/CLEAR

| |
|---|
| THIS CHAIR IS NOT INTENDED FOR OCCUPANCY WHEN VEHICLE IS IN MOTION AND MUST BE RETURNED TO STOWED POSITION |
|---|

| | |
|---|---|
| DTS ISICE SIEGE N/EST PAS DESTINE A ETRE OCCUPE LORSQUE LE VEHICULE EST IN MOVEMENT ET IL FAUT QUE LE RANGER | THIS CHAIR IS NOT INTENDED FOR OCCUPANCY WHEN VEHICLE IS IN MOTION AND MUST BE RETURNED TO STOWED POSITION |
|---|---|

KEY PART NUMBER U/M DESCRIPTION
 134537-01-01A EA LABEL - OCCUPANCY - CHAIR - US

| |
|---|
| THIS SEAT IS NOT INTENDED FOR OCCUPANCY WHEN VEHICLE IS IN MOTION |
|---|

KEY PART NUMBER U/M DESCRIPTION
 134538-01-01A EA LABEL - OCCUPANCY - NO SEAT BELT - BLACK ON CLEAR - US

| | |
|---|--|
| DST ISICE SIEGE N/EST PAS DESTINE A ETRE OCCUPE LORSQUE LE VEHICULE EST IN MOVUVEMENT | THIS SEAT IS NOT INTENDED FOR OCCUPANCY WHILE VEHICLE IS IN MOTION |
|---|--|

KEY PART NUMBER U/M DESCRIPTION
 134538-02-01A EA LABEL - OCCUPANCY - NO SEAT BELT - BLACK ON CLEAR - CSA

| |
|--|
| WARNING |
| IT IS NOT SAFE TO USE COOKING APPLICANCES FOR COMFORT HEATING |
| COOKING APPLICANCES NEED FRESH AIR FOR SAFE OPERATION BEFORE OPERATION. |
| 1. OPEN OVERHEAD VENT OR TURN ON EXHAUST FAN AND; 2. OPEN WINDOW. |

KEY PART NUMBER U/M DESCRIPTION
 134539-01-01A EA LABEL - WARNING - STOVE/HEATING - US - BLACK ON CLEAR

LABELS GROUP (CONTINUED)

TO ENSURE A SUPPLY OF FRESH AIR TO OCCUPANTS, OPEN VENTILATORS WHEN FUEL-BURNING RANGE, FUEL-BURNING CARRY-ON APPLIANCES AND/OR FUEL-BURNING LIGHTS ARE IN OPERATION.
 DE MANIERE A ASSURER UNE ALIMENTATION EN AIR FRAIS AUX OCCUPANTS, OUVRIER LES VENTILATEURS LORSQUE LA CUISINIERE LES APPAREILS DE CHAUFFAGE PORTABLES ET/OU LES LAMPES DE COMBUSTION D'HUILE SONT EN FONCTIONNEMENT.
 COOKING APPLIANCES SHOULD NOT BE USED FOR SPACE HEATING PURPOSES. LES APPAREILS DE CUISSON NE DOIVENT PAS SERVIR AU CHAUFFAGE DES LOCAUX.

KEY PART NUMBER U/M DESCRIPTION
 134540-01-01A EA LABEL - WARNING - STOVE/HEATING - CSA - BLACK ON CLEAR

HOLDING TANK HEATER

TURN OFF WHEN NOT IN USE
 SEE OPERATOR'S MANUAL

KEY PART NUMBER U/M DESCRIPTION
 134563-01-01A EA LABEL - SWITCH - HEATER

THIS VEHICLE MAY INCLUDE MERCURY-CONTAINING DEVICES INSTALLED BY THE MANUFACTURER:
FLUORESCENT TUBES, RANGES WITH OVEN, HWH LEVEL SENSING UNIT.

REMOVE DEVICES BEFORE VEHICLE DISPOSAL UPON REMOVAL OF DEVICES: PLEASE REUSE, RECYCLE, OR DISPOSE AS HAZARDOUS WASTE

135869-01A

KEY PART NUMBER U/M DESCRIPTION
 135869-01-01A EA LABEL - MERCURY CONTENT - BLACK ON CLEAR
 135869-01-02A EA LABEL - MERCURY CONTENT - WHITE ON CLEAR

LIQUID SOAP

KEY PART NUMBER U/M DESCRIPTION
 136047-01-01A EA LABEL - LIQUID SOAP

| | | | | | | | |
|---------------|---------------|-----------------------|-------------------------|----------------------|------------------------------|--------------------|------------|
| DOOR LOCK | DOOR UNLOCK | RIGHT COMPT DOOR LOCK | RIGHT COMPT DOOR UNLOCK | LEFT COMPT DOOR LOCK | LEFT COMPT DOOR UNLOCK | AUX START SOLENOID | AMP SOURCE |
| POWER MIRRORS | HEATER BLOWER | PASS HEATER BLOWER | FOG LAMPS | DOCKING LAMPS | DOCKING LAMPS SWITCH TRIGGER | COOLING FANS | |

KEY PART NUMBER U/M DESCRIPTION
 136161-01-01A EA LABEL - RELAY - MATTE BLACK/WHITE LETTERS

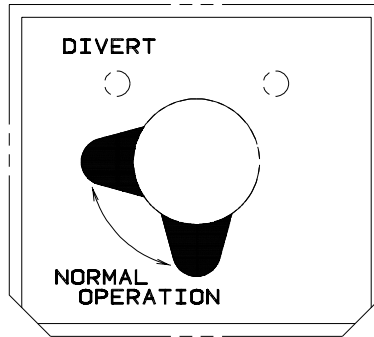
| | | | | | | | | |
|---------------|---------------|-----------------------|-------------------------|----------------------|------------------------------|--------------------|------------------|-------------|
| DOOR LOCK | DOOR UNLOCK | RIGHT COMPT DOOR LOCK | RIGHT COMPT DOOR UNLOCK | LEFT COMPT DOOR LOCK | LEFT COMPT DOOR UNLOCK | AUX START SOLENOID | RUN/ACC POWER #1 | POWER SEATS |
| POWER MIRRORS | HEATER BLOWER | RUN ONLY POWER | FOG LAMPS | DOCKING LAMPS | DOCKING LAMPS SWITCH TRIGGER | COOLING FANS | RUN/ACC POWER #2 | |

KEY PART NUMBER U/M DESCRIPTION
 136161-02-01A EA LABEL - RELAY - BLACK/WHITE

LT - AIR BAGS - RT

KEY PART NUMBER U/M DESCRIPTION
 136360-01-01A EA LABEL - AIR BAGS

LABELS GROUP (CONTINUED)



KEY PART NUMBER 137997-01-01A
U/M DESCRIPTION EA LABEL - WINTERIZATION VALVE - BLACK/CLEAR



KEY PART NUMBER 140190-01-01A
U/M DESCRIPTION EA DECAL/LOGO - V6 (DOMED) - CYAN/MAGENTA/YELLOW/BLACK

WASHER/DRYER
BRACKETS

KEY PART NUMBER 141523-01-01A
U/M DESCRIPTION EA LABEL - WASHER/DRYER BRACKETS - BLACK/WHITE

 **WARNING:** COMPRESSED AIR CAN BE HAZARDOUS.

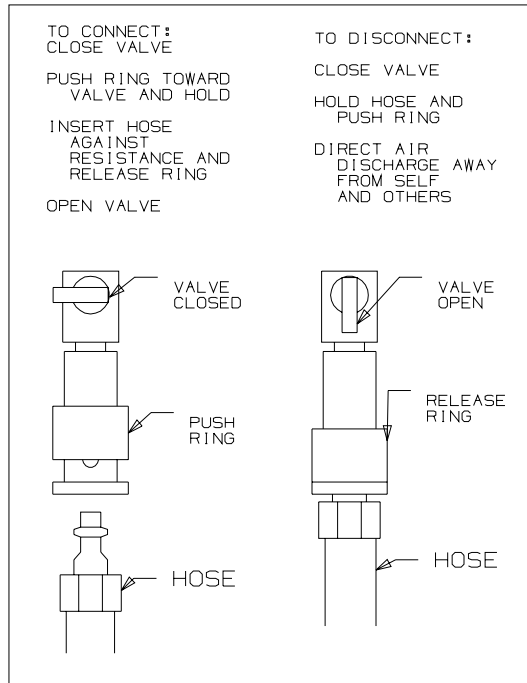
PROPER EYE PROTECTION MUST BE WORN WHEN CONNECTING, DISCONNECTING OR USING AIR HOSE.

CLOSE VALVE BEHIND CONNECTOR BEFORE CONNECTING OR DISCONNECTING AIR HOSE.

HOSE DISCONNECT WILL PRODUCE AIR DISCHARGE FROM HOSE. DIRECT AIR DISCHARGE AWAY FROM SELF AND OTHERS.

KEY PART NUMBER 142771-01-01A
U/M DESCRIPTION EA LABEL - WARNING/COMPRESSED AIR - WHITE LETTERING ON CLEAR

LABELS GROUP (CONTINUED)



| | | |
|------------|--------------------|--|
| KEY | PART NUMBER | U/M DESCRIPTION |
| | 142773-01-01A | EA LABEL - CONNECT/COMPRESS AIR - WHITE LETTERING ON CLEAR |



| | | |
|------------|--------------------|------------------------|
| KEY | PART NUMBER | U/M DESCRIPTION |
| | 142908-01-000 | EA LABEL - FREON CHARG |

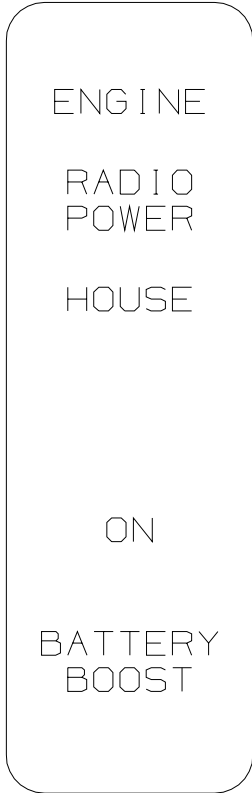


| | | |
|------------|--------------------|--|
| KEY | PART NUMBER | U/M DESCRIPTION |
| | 144183-01-01A | EA LABEL - CAUTION RELEASE CATCH - WHITE/CLEAR |

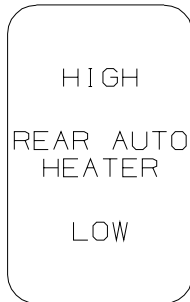


| | | |
|------------|--------------------|--|
| KEY | PART NUMBER | U/M DESCRIPTION |
| | 144649-01-01A | EA LABEL - ADJUSTABLE VALVE - WHITE ON CLEAR |

LABELS GROUP (CONTINUED)



| KEY | PART NUMBER | U/M | DESCRIPTION |
|------------|--------------------|------------|--|
| | 145731-01-01A | EA | LABEL - SWITCH - RADIO/BATTERY - BLACK |



| KEY | PART NUMBER | U/M | DESCRIPTION |
|------------|--------------------|------------|---|
| | 145731-03-01A | EA | LABEL - SWITCH - REAR AUTO HEATER - BLACK |

LABELS GROUP (CONTINUED)



KEY PART NUMBER **U/M DESCRIPTION**
146057-01-01A EA LABEL - LP SHUT OFF - RED LETTER/WHITE BACK

FOR FUTURE INSTALLATION OF WASHER/DRYER EXHAUST DUCT

(A) A CLOTHES DRYER MOISTURE-LINT EXHAUST DUCT SHALL NOT BE CONNECTED TO ANY OTHER DUCT, VENT, OR CHIMNEY.

(B) THE EXHAUST DUCT SHALL BE OF SUFFICIENT LENGTH SO AS NOT TO TERMINATE BENEATH THE RECREATION VEHICLE.

(C) MOISTURE-LINT EXHAUST DUCTS SHALL NOT BE CONNECTED WITH SHEET METAL SCREWS OR OTHER FASTENING DEVICES THAT EXTEND INTO THE INTERIOR OF THE DUCT.

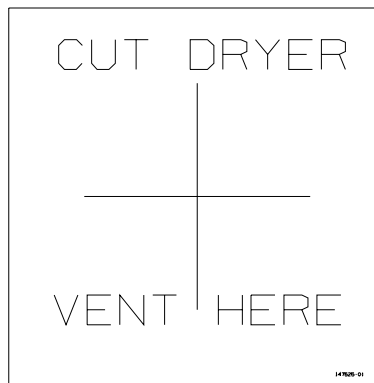
(D) MOISTURE-LINT EXHAUST DUCT AND TERMINATION FITTINGS SHALL BE INSTALLED IN ACCORDANCE WITH THE APPLIANCE MANUFACTURER'S PRINTED INSTRUCTIONS.

(E) SEE MARKED INTERIOR AREA ON SIDEWALL TO LOCATE CUTOUT FOR EXHAUST VENT.

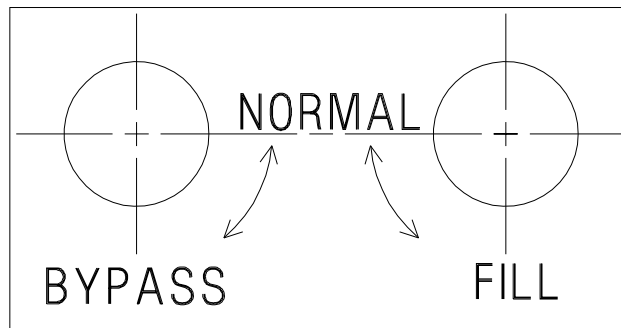
(F) AS PART OF WASHER/DRYER PREP 4 HOLD DOWN BRACKETS WERE SHIPPED WITH YOUR VEHICLE WHICH ARE INTENDED TO BE USED WITH THE WINNEBAGO OFFERED APPLIANCE.

147524-01

KEY PART NUMBER **U/M DESCRIPTION**
147524-01-000 EA LABEL - DRYER VENTING



KEY PART NUMBER **U/M DESCRIPTION**
147525-01-000 EA LABEL - DRYER VENT CUTOUT



KEY PART NUMBER **U/M DESCRIPTION**
147581-01-01A EA LABEL - WATERFILL/BYPASS - BLACK/CLEAR

YOUR MOTORHOME IS EQUIPPED WITH A SEWER HOSE END ELBOW WHICH INCLUDES A CLOSEABLE DRIP VALVE. AFTER PLACING THE END OF THE HOSE ELBOW INTO THE PARK SEWER DISPOSAL OPENING, USE THUMB TO LIFT HANDLE LOCK AND MOVE HANDLE FORWARD TO OPEN VALVE.

NEVER OPERATE TANK VALVES WITHOUT FIRST OPENING THE DRIP VALVE.

AFTER TANKS ARE EMPTY, CLOSE TANK VALVES, THEN PULL HANDLE ON ELBOW TO A VERTICAL CARRYING POSITION TO CLOSE DRIP VALVE. THIS WILL ELIMINATE ANY DRIPPING FROM THE HOSE INTO YOUR STORAGE AREA. SEE OPERATORS MANUAL FOR ADDITIONAL INFORMATION.

147845-01A

KEY PART NUMBER **U/M DESCRIPTION**
147845-01-01A EA LABEL - DRIP VALVE - BLACK/WHITE

LP GROUP
LP SYSTEM

| KEY | PART NUMBER | U/M | DESCRIPTION |
|------------|--------------------|------------|---|
| | 045703-03-000 | EA | HOSE - LP - 3/8"ID X 18" - 3/8"MPT X 1/2"F SWIVEL - U.S. |
| | 045703-05-000 | EA | HOSE - LP - 3/8"ID X 28" - 3/8"MPT X 1/2"F SWIVEL - U.S. |
| | 045703-06-000 | EA | HOSE - LP - 3/8"ID X 28" - 3/8"MPT X 1/2"F SWIVEL - CANADA |
| | 045703-07-000 | EA | HOSE - LP - 3/8"ID X 10" - 3/8"MPT X 1/2"F SWIVEL - U.S. |
| | 045703-12-000 | EA | HOSE - LP - 3/8"ID X 18" - 3/8"MPT X 1/2"F SWIVEL - CANADA |
| | 045703-13-000 | EA | HOSE - LP - 3/8"ID X 120" - 3/8"F SWIVEL X 1/2"F SWIVEL US |
| | 106150-05-000 | EA | REGULATOR - TWO STAGE |
| | 144485-01-000 | EA | COVER - LP REGULATOR |
| | 040440-03-000 | EA | TRANSMITTER - DIAL/SNAP-ON - 0-90 OHM 2 TERM(POWER/GROUND) FROM: 00-00-00 THRU: 04-24-03 |
| | 040440-02-000 | EA | TRANSMITTER - DIAL/BOLT-ON - 0-90 OHM 2 TERM(POWER/GROUND) FROM: 04-25-03 THRU: 99-99-99 |
| * | 144116-04-000 | EA | TANK - LP - 60 LB - 14"D X 29.75"L |
| | 103613-03-000 | EA | DETECTOR - LP GAS - W/O SHUT-OFF VALVE FROM: 00-00-00 THRU: 02-08-04 |
| | 150138-01-01A | EA | DETECTOR - LP GAS - WHITE FROM: 02-09-04 THRU: 99-99-99 |
| | 150138-01-02A | EA | DETECTOR - LP GAS - BROWN FROM: 02-09-04 THRU: 99-99-99 |
| | 010589-01-000 | EA | NIPPLE - PIPE - 1/2" X 1 1/2" - BLACK |
| | 010589-03-000 | EA | NIPPLE - PIPE - 1/2" X 2 1/2" - BLACK |
| | 139061-02-02B | EA | COVER - LP LINES - FRONT - E-COATED |
| | 139062-02-02B | EA | COVER - LP LINES - FRONT/TOP - E-COATED |
| | 141090-01-02B | EA | SHIELD - HEAT - E-COATED |
| | 010265-01-000 | EA | ELBOW - BRASS - 90 DEGREE - 3/8"F X 1/2"FPT |
| | 010326-01-000 | EA | ADAPTER - FLARE - W/CONE GASKET - 3/8"F X 1/2"F |
| | 010329-01-000 | EA | ADAPTER - BRASS - 1/2"F X 1/2"MPT |
| | 024250-01-000 | EA | ADAPTER - BRASS - 3/8"F X 1/2"FPT |
| | 010377-02-000 | EA | NUT - BRASS - 3/8" FLARE - FORGED |
| | 010380-02-000 | EA | NUT - BRASS - 1/2" FLARE - FORGED |

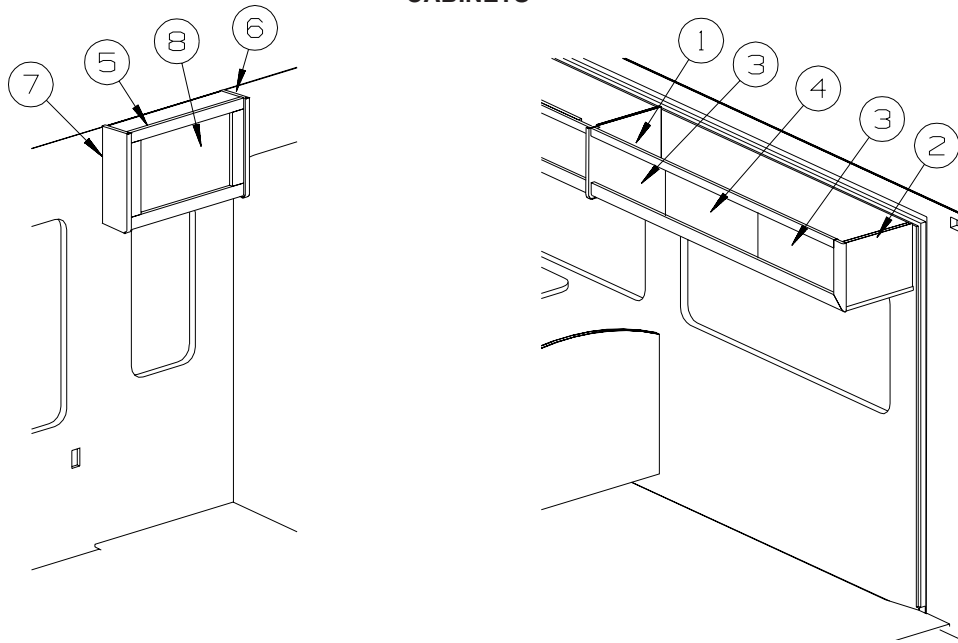
***COMPONENT PARTS LISTED LATER IN THIS GROUP**

LP GROUP (CONTINUED)
COMPONENT PARTS FOR LP SYSTEM

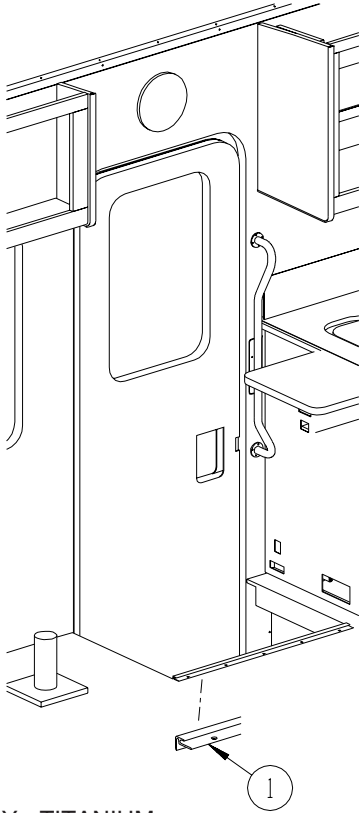
144116-04-000

| KEY | PART NUMBER | U/M | DESCRIPTION | VENDOR NO. |
|------------|--------------------|------------|------------------------------|-------------------|
| | 040421-01-712 | EA | VALVE-SERV. W/O VAPOR RELIEF | 29000853 |
| | 040421-01-713 | EA | VALVE-RELIEF 1" W/SPRING 7" | V-20479 |
| | 144116-01-700 | EA | VALVE-OUTAGE(NO STEM REMOVE) | V20058 |
| | 144116-01-701 | EA | VALVE/FILL 80 % W/YELLOW CAP | V13414 |
| | 144116-04-700 | EA | SENDING UNIT (SNAP ON GAUGE) | G11530 |
| | 144116-04-701 | EA | DIAL - TRANSMITER | G12846 |

LOUNGE GROUP CABINETS



| KEY | PART NUMBER | U/M | DESCRIPTION |
|-----|---------------|-----|--|
| 1 | 139373-01-N21 | EA | CABINET - OVERHEAD/COUCH - W/O DOORS/HARDWARE |
| 2 | 139373-16-N21 | EA | END CAP - OVERHEAD COUCH |
| 3 | 136955-22-P34 | EA | DOOR - RAISED PANEL/PENCIL EDGE - 10" X 19.1" - W/O HDW |
| 4 | 136955-25-P34 | EA | DOOR - RAISED PANEL/PENCIL EDGE - 10" X 25.2" - W/O HDW |
| 5 | 138178-01-N21 | EA | CABINET - OVERHEAD/FRONT/RIGHT HAND - W/O DOORS/HARDWARE |
| 6 | 103128-82-N21 | EA | END CAP - OVERHEAD CABINET - RIGHT HAND |
| 7 | 103128-83-N21 | EA | END CAP - OVERHEAD CABINET - LEFT HAND |
| 8 | 136955-B8-P34 | EA | DOOR - RAISED PANEL/PENCIL EDGE - 15" X 21.9" - W/O HDW |



| KEY | PART NUMBER | U/M | DESCRIPTION |
|-----|---------------|-----|------------------------------|
| 1 | 139955-06-02A | EA | TRIM - STEP/ENTRY - TITANIUM |

SEALANTS & FASTENERS GROUP
SEALANTS & ADHESIVES

| KEY | PART NUMBER | U/M | DESCRIPTION |
|-----|---------------|-----|--|
| | 004001-05-000 | EA | ADHESIVE - SCOTCH-WELD - 3M DP100 - CLEAR - 50ML |
| | 010405-02-000 | EA | TAPE - THREAD SEALING - 3/8" |
| | 034552-06-000 | EA | SILICONE - TUBE - W/O NOZZLE - OFF WHITE |
| | 034552-15-000 | EA | SILICONE - TUBE - W/O NOZZLE - BRIGHT WHITE |
| | 063642-01-000 | FT | TAPE - ADHESIVE - .4" X 1.5" X 180' |
| | 064075-07-000 | FT | SEAL - BULB - W/WIRED U CHANNEL - .3" X .5" CHANNEL-BLACK |
| | 067788-01-000 | EA | ADHESIVE - SPRAY - 3M - 19.5 OZ AEROSOL CAN |
| | 069640-01-000 | FT | SEALER - TAPE - .25" DIAMETER X 30' - BLACK OR GRAY |
| | 069640-02-000 | FT | SEALER - TAPE - .13" THICK X .5" WIDE X 60' - GRAY |
| | 069640-03-000 | FT | SEALER - TAPE - .13" THICK X .75" WIDE X 60' - BLACK |
| | 069640-07-000 | FT | SEALER - TAPE - .09" THICK X 2" WIDE X 45' - GRAY |
| | 069640-09-000 | FT | SEALER - TAPE - .03" THICK X 2.50" WIDE X 80' - GRAY |
| | 069640-10-000 | FT | SEALER - TAPE - .03" THICK X 1.50" WIDE X 90' - GRAY |
| | 069640-11-000 | FT | SEALER - TAPE - .19" THICK X .38" WIDE X 40' - BLACK |
| | 069640-13-000 | FT | SEALER - TAPE - .03" THICK X 2" WIDE X 45' - BLACK |
| | 069640-14-000 | FT | SEALER - TAPE - .06" THICK X 1" WIDE X 100' - GRAY |
| | 069640-15-000 | FT | SEALER - TAPE - .06" THICK X .38" WIDE X 100' - GRAY |
| | 069640-17-000 | FT | SEALER - TAPE - .03" THICK X 1" WIDE X 90' - GRAY |
| | 069640-18-000 | FT | SEALER - TAPE - .50" THICK X .13" WIDE X 60' - BRT WHITE |
| | 069640-19-000 | FT | SEALER - TAPE - .75" THICK X .13" WIDE X 60' - BRT WHITE |
| | 069640-20-000 | FT | SEALER - TAPE - .50" THICK X .5" WIDE X 60' - BLACK |
| | 069640-21-000 | FT | SEALER - TAPE - .50" THICK X .06" WIDE X 100'- BRT WHITE |
| | 069640-22-000 | FT | SEALER - TAPE - 1/32" THICK X 1/4" WIDE X 200'- BRT WHITE |
| | 069640-23-000 | FT | SEALER - TAPE - 1/16" THICK X 3/4" WIDE X 100'- BRT WHITE |
| | 069640-27-000 | FT | SEALER - TAPE - .06" THICK X 2.25" WIDE - BRIGHT WHITE |
| | 069640-28-000 | FT | SEALER - TAPE - .25" THICK X 1.86" WIDE X 90' - GRAY |
| | 069640-30-000 | FT | SEALER - TAPE - .03" THICK X .625" WIDE X 50' - GRAY |
| | 069640-31-000 | FT | SEALER - TAPE - .25" THICK X .75" WIDE X 15' - BLACK |
| | 069640-32-000 | FT | SEALER - RIBBON - 1/16" X 3/8" X 100' - BLACK |
| | 072889-01-000 | EA | SEALANT - URETHANE - BLACK - TUBE W/NOZZLE TIP |
| | 072889-27-000 | EA | SEALANT - URETHANE - SILVER 10 OZ - TUBE W/NOZZLE TIP |
| | 076322-01-000 | FT | TAPE-DOUBLE COATED/ADHESIVE BK-.03"THK X .8"W X 216'- WHT |
| | 076322-02-000 | FT | TAPE-DOUBLE COATED/ADHESIVE BK-.05"THK X 1"W X 108' - WHT |
| | 076322-03-000 | FT | TAPE-DOUBLE COATED/ADHESIVE BK-.05"THK X .5"W X 108' - WHT |
| | 076322-04-000 | FT | TAPE-DOUBLE COATED/ADHESIVE BK-.05"THK X .8"W X 108' - WHT |
| | 076322-05-000 | FT | TAPE-DOUBLE COATED/ADHESIVE BK-.05"THK X .8"W X 108' - WHT |
| | 076322-07-000 | FT | TAPE-DOUBLE COATED/ADHESIVE BK-.05"THK X .5"W X 200' - WHT |
| | 076322-11-000 | FT | TAPE-DOUBLE COATED/ADHESIVE BK-.02"THK X 1"W X 216' - CLR |
| | 076322-21-000 | FT | TAPE - FOAM/DOUBLE COATED - .5" |
| | 076322-22-000 | FT | TAPE - FOAM/DOUBLE COATED - .045" X .75" |
| | 076322-23-000 | FT | TAPE - FOAM/DOUBLE COATED - .045" X 1" |
| | 076322-24-000 | FT | TAPE - FOAM/DOUBLE COATED - .025" X 1" |
| | 076322-25-000 | FT | TAPE - FOAM/DOUBLE COATED - .025" X .5" |
| | 086276-01-000 | EA | TAPE - DOUBLE SIDED - 1/2" WIDE X 108' LONG (SOLD BY ROLL) |
| | 088479-01-000 | EA | TAPE - ALUMINUM - 3" |
| | 090340-01-000 | FT | SEAL - FOAM - CLOSED CELL - 1/4" X 1/2" X 50' |
| | 091255-02-000 | FT | SEAL - ADHESIVE BACKED/FOAM - 3/64" THICK X 3/16"W X 1000' |
| | 091255-03-000 | FT | SEAL - ADHESIVE BACKED/FOAM - 1/4" THICK X 1/4"W X 1000' |
| | 094401-01-000 | EA | SEALER - BODY SEAM - FLEXICLEAR |
| | 094401-03-000 | EA | SEALER - BODY SEAM - BLACK |
| | 094401-04-000 | EA | SEALER - BODY SEAM - CLEAR |
| | 098408-01-000 | FT | SEAL - SPONGE RUBBER - CLOSED CELL |
| | 099069-01-000 | FT | SEAL - RUBBER - CLOSED SPONGE - .5" WIDE X .12" THICK -BLK |
| | 099418-01-000 | FT | SEAL - D-SECTION/ADHESIVE BACK - .44" X .44"- BLK RUBBER |
| | 099418-02-000 | FT | SEAL - D-SECTION/ADHESIVE BACK - .44" X .44"- WHITE RUBBER |
| | 100128-02-000 | FT | SEAL - FOAM/ADHESIVE BACK - .37" WIDE X .37" THICK |
| | 104692-01-000 | FT | SEAL - ADHESIVE BACKED FOAM - 3/4" THICK X 3/4" WIDE X 25' |
| | 104692-03-000 | FT | SEAL - ADHESIVE BACKED FOAM - 1" THICK X 1 3/16"WIDE X 15' |
| | 107828-01-000 | EA | SEALANT - SB - 190 EVERSEAL |
| | 109506-12-000 | EA | FILM/ABRASION-RESISTANT - TRANSPARENT - 1" DIA. |
| | 110274-01-000 | FT | TAPE - DOUBLE SIDED/FOAM - .45" X 1" X 216' - BLACK |
| | 112481-02-000 | EA | ADHESIVE - PLEXUS ETHACRYLATE - CARTRIDGE |
| | 112864-01-000 | FT | SEAL - FOAM/BUTYL COVERED - 3/8" X 35' |

SEALANTS & FASTENERS GROUP (CONTINUED)
SEALANTS & ADHESIVES (CONTINUED)

| KEY | PART NUMBER | U/M | DESCRIPTION |
|-----|---------------|-----|---|
| | 112091-01-000 | FT | SEAL/D - NEOPRENE - HEAT ACTIVE ADHESIVE - .9" X .7" |
| | 112901-03-000 | EA | ADHESIVE - PLEXUS - MA300 - 50ML - WHITE |
| | 112902-01-000 | EA | NOZZLE - ELEMENT - 3/8 X 24 |
| | 112902-03-000 | EA | MIXER NOZZLE - F/GUN #00400102000 - SCOTCH-WELD & PLEXUS |
| | 112902-04-000 | EA | NOZZLE - ELEMENT - 1/4" X 3.5" |
| | 113366-01-000 | EA | ADHESIVE - INSTANT - 1 OZ |
| | 113452-02-000 | FT | SEAL/TRIM - FRONT - VINYL W/WIRE CARRIER - .027" |
| | 120074-02-03A | EA | SILICONE - TUBE - W/O NOZZLE - LOW ODOR - SMOKEY WHITE |
| | 120074-02-02A | EA | SILICONE - TUBE - W/O NOZZLE - LOW ODOR - SOFT WHITE |
| | 120534-01-01A | EA | TAPE - SCOTCH - 3M - 1/2" FINE LINE |
| | 123244-01-000 | FT | TAPE - DOUBLE SIDED/FOAM - 5/64" THICK X 3/4" WIDE X 108' |
| | 123816-01-000 | FT | TAPE - DOUBLE SIDED - 1" X 3/4" X 200' |
| | 123816-02-000 | FT | TAPE - DOUBLE SIDED - 1/2" X 1 1/3" X 200' |
| | 123816-03-000 | FT | TAPE - DOUBLE SIDED - 1/2" X 3/4" X 200' |
| | 123816-04-000 | FT | TAPE - DOUBLE SIDED - 6" X 750' |
| | 126427-01-000 | EA | ADHESIVE - ALL PURPOSE - ABS/PVC |
| | 126427-02-000 | EA | PRIMER - CLEANER - FLEX PIPING |
| | 131264-01-02A | EA | SILICONE - TUBE - W/O NOZZLE - CLEAR |
| | 131264-01-01A | EA | SILICONE - TUBE - W/O NOZZLE - BLACK |
| | 131264-02-01A | EA | SILICONE - TUBE - W/O NOZZLE - VW GRAY - BATH ONLY |
| | 131264-03-01A | EA | SILICONE - TUBE - W/O NOZZLE - SELF LEVELING - BRIGHT WHITE |
| | 131264-04-01A | EA | SILICONE/SEALANT/ADHESIVE - FAST CURE F/GLASS/VINYL - B/W |
| | 131384-01-000 | EA | ADHESIVE - JET WELD |
| | 134651-01-000 | FT | SEAL - 1/2" X 3/4" PSA 1 SIDE |
| | 900390-01-000 | EA | NOZZLE - SILICONE TUBE - 2.5" LONG - W/EXTERNAL THREADS |
| | 900390-03-000 | EA | NOZZLE - SILICONE TUBE - 4.3" LONG W/INTERNAL THREADS |

BOLTS, NUTS AND WASHERS

| KEY | PART NUMBER | U/M | DESCRIPTION |
|-----|---------------|-----|---|
| | OMC04K-06-016 | EA | BOLT - HEX - M06 X 1 X 016 |
| | OMC05K-08-055 | EA | BOLT - HEX - M08 X 1.25 X 2.2 |
| | OMC13K-14-110 | EA | BOLT - HEX |
| | OMC13K-14-070 | EA | BOLT - HEX - M14 X 2 X 2 3/4 |
| | OMC31K-08-020 | EA | BOLT - HEX - SERRATED FLANGE - M8 X 020 |
| | OMC32K-10-030 | EA | BOLT - HEX - SERRATED FLANGE - M10 X 1 1/2 |
| | OMD16K-10-000 | EA | NUT - HEX PREV TORQUE M10 X 1 1/2 CLASS 8 |
| | OMD39K-12-000 | EA | NUT - HEX W/NYLON LOCK - M12 X 1 3/4 |
| | OMD40K-14-000 | EA | NUT - HEX W/NYLON LOCK - M14 X 2 |
| | OMD54F-06-000 | EA | NUT-HEX SER FLG M6X1,0 SS - DIN6923A2M6 |
| | OME06K-14-280 | EA | WASHER - FLAT - 14 ID X 28 OD |
| | 000C12-04-08B | EA | BOLT - HEX - 1/4-20 X 1/2 - GRADE #5 - ZINC |
| | 000C12-04-12A | EA | BOLT - HEX - 1/4-20 X 3/4 - PLAIN 5 |
| | 000C12-04-40B | EA | BOLT - HEX - 1/4-20 X 2 1/2 - GRADE 5 ZINC |
| | 000C12-05-16B | EA | BOLT - HEX - 5/16 - 18X1 - GRADE #5 - ZINC |
| | 000C12-06-44B | EA | BOLT - HEX - 3/8-16 X 2 3/4 - GRADE 5 - ZINC |
| | 000C12-06-16B | EA | BOLT - HEX - 3/8 - 16X1 - GRADE #5 - ZINC |
| | 000C12-08-28B | EA | BOLT - HEX - 1/2-13 X 1 3/4 - GRADE #5 - ZINC |
| | 000C12-08-24B | EA | BOLT - HEX - 1/2 - 13X1 1/2 - GRADE #5 - ZINC |
| | 000C12-08-16B | EA | BOLT - HEX - 1/2-13 X 1 - GRADE #5 - ZINC |
| | 000C12-10-24B | EA | BOLT - HEX - 5/8 - 11X1 1/2 - GRADE #5 - ZINC |
| | 000C13-07-48B | EA | BOLT - HEX - 7/16-20 X 3 - GRADE #5 - ZINC |
| | 000C13-07-40B | EA | BOLT - HEX - 7/16-20 X 2 1/2 - GRADE #5 - ZINC |
| | 000C14-07-28B | EA | BOLT - HEX - 7/16-14 X 1 3/4 - GRADE #8 - ZINC |
| | 000C14-10-32K | EA | BOLT - HEX - 5/8-11 X 2 - GRADE #8 - ZINC |
| | 000C14-10-24K | EA | BOLT - HEX - 5/8-11 X 1 1/2 - GRADE #8 - ZINC |
| | 000C16-07-16B | EA | BOLT - CARRIAGE - ASSIST HANDLE - 7/16TH - 14 X 1 |
| | 000C18-05-40A | EA | BOLT - ELEVATOR - 5/16-18 X 2 1/2 - PL |
| | 000C26-04-10B | EA | BOLT - HEX - SERRATED FLANGE - 1/4-20 X 5/8 - ZINC |
| | 000C26-04-18B | EA | BOLT - HEX - SERRATED FLANGE - 1/4-20 X 1 1/8 - ZINC |
| | 000C26-04-14B | EA | BOLT - HEX - SERRATED FLANGE - 1/4-20 X 7/8 - ZINC |
| | 000C26-05-20B | EA | BOLT - HEX - SERRATED FLANGE - 5/16-18 X 1 1/4 - ZINC |

SEALANTS & FASTENERS GROUP (CONTINUED)
BOLTS, NUTS AND WASHERS (CONTINUED)

| KEY | PART NUMBER | U/M | DESCRIPTION |
|-----|---------------|-----|--|
| | 000C26-06-12B | EA | BOLT - HEX - SERRATED FLANGE - 3/8-16 X 3/4 - ZINC |
| | 000C26-08-24B | EA | BOLT - HEX - SERRATED FLANGE - 1/2-13 X 1 1/2 - ZINC |
| | 000C27-04-40B | EA | BOLT - CARRIAGE - 1/4-20 X 2 1/2 - ZINC |
| | 000C27-07-40B | EA | BOLT - CARRIAGE - 7/16-14 X 2 1/2 - GRADE #5 |
| | 000C27-08-48B | EA | BOLT - CARRIAGE - 1/2-13 X 3 - GRADE #5 |
| | 000D16-07-00B | EA | NUT - HEX - 7/16-14 - ZINC |
| | 000D20-07-00B | EA | NUT - ACORN - ASSIST HANDLE - 7/16 - 14 |
| | 000D24-10-00B | EA | NUT - HEX - SELF LOCKING - 10-32 - ZINC |
| | 000D28-10-00B | EA | NUT - HEX - W/NYLON LOCK - 10-32 ZINC |
| | 000D29-04-00B | EA | NUT - HEX - SELF LOCKING - 1/4 X 20 - ZINC |
| | 000D29-06-00B | EA | NUT - HEX - W/NYLON LOCK - 3/8-16 - ZINC |
| | 000D29-09-00B | EA | NUT - HEX - SELF LOCKING - 9/16-12 - ZINC |
| | 000D30-07-00B | EA | NUT - HEX LOCK - NYLON 7/16 X 20 |
| | 000D34-04-00B | EA | NUT - HEX - LOCKING - 1/4-20 - ZINC |
| | 000D34-06-00B | EA | NUT - HEX - LOCKING - 3/8-16 GRADE C - ZINC |
| | 000D39-04-00B | EA | NUT - HEX - LOCKING W/SERRATED FLANGE - 1/4-20 - ZINC |
| | 000D39-05-00B | EA | NUT - HEX - LOCKING W/SERRATED FLANGE - 5/16-18 - ZINC |
| | 000D39-06-00B | EA | NUT - HEX - LOCKING W/SERRATED FLANGE - 3/8-18 - ZINC |
| | 000D39-07-00B | EA | NUT - HEX - LOCKING W/SERRATED FLANGE - 7/16-14 - ZINC |
| | 000D39-08-00B | EA | NUT - HEX - LOCKING W/SERRATED FLANGE - 1/2-13 - ZINC |
| | 000D44-04-00B | EA | NUT - HEX - LOCKING W/SERRATED FLANGE - 1/4-28 - ZINC |
| | 000D44-07-00B | EA | NUT - HEX - LOCKING W/SERRATED FLANGE - 7/16-20 - ZINC |
| | 000D44-08-00B | EA | NUT - HEX - LOCKING W/SERRATED FLANGE - 1/2-20 - ZINC |
| | 000D46-04-00A | EA | NUT - HEX - WELD - 1/4-20 - PLAIN |
| | 000D58-06-00A | EA | NUT - HEX - WELD 3/8-16 - PLAIN |
| | 000D65-08-00B | EA | NUT - HEX - LOCKING W/SERRATED FLANGE - 8-32 - ZINC |
| | 000D67-10-00B | EA | NUT - HEX - LOCK - 5/8-11 - ZINC |
| | 000D73-08-00C | EA | NUT - HEX FLANGE - 1/2-13 |
| | 000D75-09-00B | EA | NUT - HEX LOCKING - 9/16-12 - ZINC |
| | 000D76-06-00B | EA | NUT - HEX FLANGE - 3/8-16 |
| | 000E11-04-00F | EA | WASHER - LOCKING - 1/4 MED SPLIT - STAINLESS STEEL |
| | 000E11-07-00B | EA | WASHER - LOCKING - 7/16 MED SPLIT - ZINC |
| | 000E11-08-00B | EA | WASHER - LOCKING - 1/2 MED SPLIT - ZINC |
| | 000E13-17-00B | EA | WASHER - FLAT - 3/8 AR - ZINC |
| | 000E13-18-00B | EA | WASHER - FLAT - 3/8 WIDE - ZINC |
| | 000E13-20-00B | EA | WASHER - FLAT - 7/16 WIDE - ZINC |
| | 000E13-22-00B | EA | WASHER - FLAT - 1/2 WIDE - ZINC |
| | 000E13-26-00B | EA | WASHER - FLAT - 5/8 WIDE - ZINC |
| | 000E14-10-00B | EA | WASHER - LOCKING - #10 EXTERNAL TOOTH - ZINC |
| | 000E16-10-00B | EA | WASHER - HARDENED - 5/8 - FLAT - ZINC |
| | 000G45-05-16B | EA | BOLT - LAG - 5/16-9 X 1 - ZINC |
| | 000G62-08-24B | EA | SCREW - SF/DR - 8-18 X 1 1/2 PFH |
| | 005081-01-000 | EA | NUT - SPEED - C-TYPE - #8 SCREW |
| | 040921-03-000 | EA | NUT - SPEED - U TYPE - #10 |
| | 040921-04-000 | EA | NUT - SPEED - U TYPE - #8-.59" LENGTH X .44" WIDTH |
| | 040921-05-000 | EA | NUT - SPEED - U-TYPE - 8-.67" X .44" WIDE |
| | 041322-01-000 | EA | WASHER - FLANGE - 15/32 ID X 2 3/8 OD - F/SEAT BELT MTG |
| | 044364-02-000 | EA | NUT - SPEED - FLAT - ROUND |
| | 044533-01-000 | EA | WASHER - 1 3/8"OD - FOR BUTTONS - PLASTIC |
| | 051387-06-000 | EA | BOLT - CARRIAGE W/O HOLE - 5/16-18 X 9 1/2 - ZINC |
| | 058716-02-000 | EA | WASHER - FLAT NYLON |
| | 064081-03-000 | EA | NUT - WING 3/8-16 - W/WELD NUT |
| | 077071-01-000 | EA | WASHER - FENDER - 3/16"ID X 1"OD |
| | 084406-01-000 | EA | NUT - CAPPED - CROSS RECESSED - BLACK - 1/4-20 THD |
| | 087234-01-000 | EA | NUT - JACK - 1/4 X 20 THD - MOLLY |
| | 088787-12-000 | EA | STUD - WELD - 1/4 - 20 X 1.0 LG - MN |
| | 102333-01-06A | EA | BOLT - CARRIAGE - 7/16-14 STAINLESS STEEL CAP |
| | 103020-02-000 | EA | BOLT-U - #8-32 - GRADE 5 ZINC |
| | 106166-01-000 | EA | BOLT/COLLARED HANGER - 8-32 X 1 |
| | 106956-03-000 | EA | BOLT - HEX TAP - 1/2-12NC X 3 - GRADE 5 - FULL THREAD/ZINC |
| | 106956-08-000 | EA | BOLT - HEX TAP - 1/2-13NC X 4 - GRADE 5 - FULL THREAD/ZINC |
| | 107397-01-000 | EA | WASHER - FENDER - 3/4"ID X 1"OD |
| | 108067-03-000 | EA | STUD - WELD - 1/4 - 20 X 1/2 CD |

SEALANTS & FASTENERS GROUP (CONTINUED)
BOLTS, NUTS AND WASHERS (CONTINUED)

| KEY | PART NUMBER | U/M | DESCRIPTION |
|-----|---------------|-----|--|
| | 103020-02-000 | EA | BOLT-U - #8-32 - GRADE 5 ZINC |
| | 106166-01-000 | EA | BOLT/COLLARED HANGER - 8-32 X 1 |
| | 106956-03-000 | EA | BOLT - HEX TAP - 1/2-12NC X 3 - GRADE 5 - FULL THREAD/ZINC |
| | 106956-08-000 | EA | BOLT - HEX TAP - 1/2-13NC X 4 - GRADE 5 - FULL THREAD/ZINC |
| | 107397-01-000 | EA | WASHER - FENDER - 3/4"ID X 1"OD |
| | 108067-03-000 | EA | STUD - WELD - 1/4 - 20 X 1/2 CD |
| | 109235-01-05A | FT | COVER - SCREW - BRIGHT WHITE |
| | 109235-01-01A | FT | COVER - SCREW - MAT BLACK |
| | 109917-03-000 | EA | WASHER - 1" X .50" |
| | 109917-04-000 | EA | WASHER - 1" X .75" |
| | 110794-01-000 | EA | WASHER - FLAT - 1" ID X 1 3/4" OD |
| | 121511-01-000 | EA | WASHER - SPUR |
| | 113985-02-000 | EA | BOLT - FLANGE - M10-1 1/2 X 30CL 10.9 |
| | 114259-05-000 | EA | BOLT - 7/16-20 X 1 1/4 W/WASHER |
| | 128444-01-000 | EA | WASHER - SPRING - CONICAL |
| | 131377-01-000 | EA | NUT-HEX HEAD W/WASHER-1/4-20 X 2" STEEL W/3/4" OD WASHER |
| | 135092-01-01A | EA | BOLT - HEX - SERRATED FLANGE - 1/2-20 X 1 3/4-GRADE 5 ZINC |
| | 135092-02-01A | EA | BOLT - HEX - SERRATED FLANGE - 1/2-20 X 2 1/2-GRADE 5 ZINC |
| | 143399-01-01A | EA | NUT/RETAINING - 3/8"- 24 NFT |
| | 144904-01-01A | EA | BOLT - ADJUSTMENT - HEADLAMP |
| | 148817-01-000 | EA | WASHER/SPUR - LOCKING |

SCREWS

| KEY | PART NUMBER | U/M | DESCRIPTION |
|-----|---------------|-----|--|
| | 0G1106-06-160 | EA | SCREW - 6-20 X 3/8 PPH |
| | 0G1106-08-240 | EA | SCREW - 6-20 X 1/2 PPH - VW LIGHT GRAY |
| | 0G1108-12-240 | EA | SCREW - 8-18 X 3/4 PPH - VW LIGHT GRAY |
| | 0G1108-16-240 | EA | SCREW - 8-18 X 1.00 PPS - VW LIGHT GRAY |
| | 0G1208-12-170 | EA | SCREW - 8-18 X 3/4 POH - BRIGHT WHITE |
| | 0G1308-10-240 | EA | SCREW - 8-18 X 5/8 PFH - VW LIGHT GRAY |
| | 0G3804-22-180 | EA | SCREW - MACHINE - 1/4-20 X 1 3/8 PFH - BLACK |
| | 0G3908-08-170 | EA | SCREW - SF/DR - 8-18 X 1/2 PPH - BRIGHT WHITE |
| | 0G3908-08-160 | EA | SCREW - SF/DR - 8-18 X 1/2 PPH - VW WHITE |
| | 0G3908-08-240 | EA | SCREW - SF/DR - 8-18 X 1/2 PPH - VW LIGHT GRAY |
| | 0G3908-12-250 | EA | SCREW - SF/DR - 8-18 X 3/4 PPH - DARK GRAY |
| | 0G3908-12-240 | EA | SCREW - SF/DR - 8-18 X .75 PPH - VW LIGHT GRAY |
| | 0G3908-16-170 | EA | SCREW - SF/DR - 8-18 X 1 PPH - BRIGHT WHITE |
| | 0G3908-24-170 | EA | SCREW - SF/DR - 8-18 X 1 1/2 PPH - BRIGHT WHITE |
| | 0G3910-10-330 | EA | SCREW - SF/DR - 20-16 X 5/8 PPH - PUTTY |
| | 0G3910-10-320 | EA | SCREW - SF/DR - 10-16 X 5/8 PPH - GLACIER |
| | 0G3910-10-240 | EA | SCREW - SF/DR - 10-16 X 5/8 PPH - VW LIGHT GRAY |
| | 0G3910-12-240 | EA | SCREW - SF/DR - 10-16 X .75 PPH - VW LIGHT GRAY |
| | 0G3910-12-170 | EA | SCREW - SF/DR - 10-16 X 3/4 PPH - BRIGHT WHITE |
| | 0G3910-12-320 | EA | SCREW - SF/DR - 10-16 X 3/4 PPH - GLACIER |
| | 0G5508-12-240 | EA | SCREW - SF/DR - 8-18 X 3/4 PWH - VW LIGHT GRAY |
| | 0G5508-12-170 | EA | SCREW - SF/DR - 8-18 X 3/4 PWH - BRIGHT WHITE |
| | 0G5508-12-330 | EA | SCREW - SF/DR - 8-18 X 3/4 PWH - PUTTY |
| | 0G5508-12-320 | EA | SCREW - SF/DR - 8-18 X 3/4 PWH - GLACIER |
| | 0G5508-12-260 | EA | SCREW - SF/DR - 8-18 X 3/4 PWH - ALLANTE ANTELOPE |
| | 0G5508-12-270 | EA | SCREW - SF/DR - 8-18 X 3/4 PWH - TITANIUM |
| | 0G5508-16-250 | EA | SCREW - SF/DR - 8-18 X 1 PWH - VW DARK GRAY |
| | 0G5508-16-330 | EA | SCREW - SF/DR - 8-18 X 1 PWH - PUTTY |
| | 0G5508-16-320 | EA | SCREW - SF/DR - 8-18 X 1 PWH - GLACIER |
| | 0G6008-16-170 | EA | SCREW - SF/DR - 8-18 X 1 POH - BRIGHT WHITE |
| | 0G6710-08-130 | EA | SCREW - 10-12 X 1/2 PPH - TAUPE |
| | 0G6710-08-170 | EA | SCREW - 10-12 X 1/2 PPH - BRIGHT WHITE |
| | 0G6710-08-240 | EA | SCREW - 10-12 X 1/2 PPH - VW LIGHT GRAY |
| | 0G6710-12-170 | EA | SCREW - 10-12 X 3/4 PPH - BRIGHT WHITE |
| | 0G6806-16-170 | EA | SCREW - 6-18 X 1 POH - BRIGHT WHITE |
| | 0G6810-24-280 | EA | SCREW - 10-12 X 1 1/2 POH - SOFT WHITE |
| | 000C20-04-16A | EA | SCREW - 1/4-20X 1 - FLAT SOCKET HEAD |
| | 000C20-05-28F | EA | SCREW - 5/16-18 X 1 3/4 FLAT SOC - STAINLESS STEEL |
| | 000C20-06-24T | EA | SCREW - 3/8-16 X 1 1/2 - FLAT SOCKET |

SEALANTS & FASTENERS GROUP (CONTINUED)
SCREWS (CONTINUED)

| KEY | PART NUMBER | U/M | DESCRIPTION |
|------------|--------------------|------------|---|
| | 000G11-06-10J | EA | SCREW - 6-20 X 5/8 PPH - BRASS |
| | 000G11-06-08P | EA | SCREW - 6-20 X 1/2 PPH - DARK BROWN |
| | 000G11-06-08B | EA | SCREW - 6-20 X 1/2 PPH - ZINC |
| | 000G11-07-08B | EA | SCREW - 7-19 X 1/2 PPH - ZINC |
| | 000G11-08-20G | EA | SCREW - 8-18 X 1 1/4 - ANTIQUE BRASS |
| | 000G11-08-20B | EA | SCREW - 8-18 X 1 1/4 PPH - ZINC |
| | 000G11-08-16B | EA | SCREW - 8-18 X 1 PPH - ZINC |
| | 000G11-08-12T | EA | SCREW - 8-18 X 3/4 PPH - BLACK MAGNESIUM |
| | 000G11-08-12P | EA | SCREW - 8-18 X 3/4 PPH - DARK BROWN |
| | 000G11-08-12B | EA | SCREW - 8-18 X 3/4 PPH - ZINC |
| | 000G11-08-08T | EA | SCREW - 8-18 X 1/2 PPH - FLUOROCARBON COATING |
| | 000G11-08-06B | EA | SCREW - 8-18 X 3/8 PPH - ZINC |
| | 000G11-10-24P | EA | SCREW - 10-16 X 1 1/2 PPH - DARK BROWN |
| | 000G11-10-12D | EA | SCREW - 10-16 X 3/4 PPH - BLACK |
| | 000G12-06-12J | EA | SCREW - 6-20 X .75 POH - BRASS |
| | 000G12-06-08T | EA | SCREW - 6-20 X 1/2 POH - BLACK |
| | 000G13-05-10B | EA | SCREW - 5-12 X 5/8 PFH - ZINC |
| | 000G13-06-08G | EA | SCREW - 6-20 X 1/2 PFH - ANTIQUE BRASS |
| | 000G13-06-08B | EA | SCREW - 6-20 X 1/2 PFH - ZINC |
| | 000G13-06-06I | EA | SCREW - 6-20 X 3/8 PFH - BLACK ZINC |
| | 000G13-06-24J | EA | SCREW - 6-20 X 1 1/2 PFH - BRASS |
| | 000G13-06-16J | EA | SCREW - 6-20 X 1 PFH - BRASS |
| | 000G13-06-10J | EA | SCREW - 6-20 X 5/8 PFH - BRASS |
| | 000G13-06-10G | EA | SCREW - 6-20 X 5/8 PFH - ANTIQUE BRASS |
| | 000G13-07-10H | EA | SCREW - 7-19 X 5/8 PFH - BLACK |
| | 000G13-08-16B | EA | SCREW - 8-18 X 1 PFH - ZINC |
| | 000G13-08-109 | EA | SCREW - 8-18 X 5/8 PFH |
| | 000G13-08-10B | EA | SCREW - 8-18 X 5/8 PFH - ZINC |
| | 000G13-08-24B | EA | SCREW - 8-18 X 1 1/2 PFH - ZINC |
| | 000G13-10-16I | EA | SCREW - 10-16 X 1 PFH - BLACK |
| | 000G16-04-24B | EA | SCREW - MACHINE - 1/4-20 X 1 1/2 PPH |
| | 000G18-08-16B | EA | SCREW - MACHINE - 8-32 X 1 PPH - ZINC |
| | 000G18-08-24B | EA | SCREW - MACHINE - 8-32 X 1 1/2 PPH - ZINC |
| | 000G18-08-22B | EA | SCREW - MACHINE - 8-32 X 1 3/8 PPH - ZINC |
| | 000G19-10-10B | EA | SCREW - MACHINE - 10-32 X 5/8 - PPH - ZINC |
| | 000G19-10-08B | EA | SCREW - MACHINE - 10-32 X 1/2 PPH - ZINC |
| | 000G19-10-20B | EA | SCREW - MACHINE - 10-32 X 1 1/2 PPH - ZINC |
| | 000G19-10-12F | EA | SCREW - MACHINE - 10-32 X 3/4 PPH - STAINLESS STEEL |
| | 000G36-10-12T | EA | SCREW - 10-24X 3/4 PFH TYPE 23 - BLACK |
| | 000G39-06-10T | EA | SCREW - SF/DR - 6-20 X 5/8 PPH - BLACK |
| | 000G39-06-16T | EA | SCREW - SF/DR - 6-20 X 1 PPH - BLACK |
| | 000G39-08-08S | EA | SCREW - SF/DR - 8-18 X 1/2 PPH - OFF WHITE |
| | 000G39-08-08B | EA | SCREW - SF/DR - 8-18 X 1/2 PPH - ZINC |
| | 000G39-08-08T | EA | SCREW - SF/DR - 8-18 X 1/2 PPH - BLACK |
| | 000G39-08-06B | EA | SCREW - SF/DR - 8-18 X 3/8 PPH - ZINC |
| | 000G39-08-32B | EA | SCREW - SF/DR - 8-18 X 2 PPH - ZINC |
| | 000G39-08-24T | EA | SCREW - SF/DR - 8-18 X 1 1/2 PPH - BLACK |
| | 000G39-08-24S | EA | SCREW - SF/DR - 8-18 X 1 1/2 - OFF WHITE |
| | 000G39-08-24B | EA | SCREW - SF/DR - 8-18 X 1 1/2 PPH - ZINC |
| | 000G39-08-16T | EA | SCREW - SF/DR - 6-20 X 1 PPH - BLACK |
| | 000G39-08-16B | EA | SCREW - SF/DR - 8-18 X 1 PPH - ZINC |
| | 000G39-08-12B | EA | SCREW - SF/DR - 8-18 X 3/4 PPH - ZINC |
| | 000G39-08-12T | EA | SCREW - SF/DR - 8-18 X 3/4 PPH - BLACK |
| | 000G39-10-48T | EA | SCREW - SF/DR - 10-16 X 3 PPH - BLACK |
| | 000G39-10-48B | EA | SCREW - SF/DR - 10-16 X 3 - PPH - ZINC |
| | 000G39-10-40D | EA | SCREW - SF/DR - 10-16 X 2 1/2 PPH - BLACK |
| | 000G39-10-32B | EA | SCREW - SF/DR - 10-16 X 2 - PPH - ZINC |
| | 000G39-10-20T | EA | SCREW - SF/DR - 10-16 X 1 1/4 PPH - BLACK |
| | 000G39-10-20B | EA | SCREW - SF/DR - 10-16 X 1 1/4 PPH - ZINC |
| | 000G39-10-169 | EA | SCREW - SF/DR - 10-16 X 1 PPH - FLUOROCARBON SILVER |
| | 000G39-10-129 | EA | SCREW - SF/DR - 10-16 X 3/4 PPH - FLUOROCARBON SILVER |
| | 000G39-10-12T | EA | SCREW - SF/DR - 10-16 X 3/4 - BLACK |
| | 000G39-10-10T | EA | SCREW - SF/DR - 10-16 X 5/8 - BLACK |

SEALANTS & FASTENERS GROUP (CONTINUED)
SCREWS (CONTINUED)

| KEY | PART NUMBER | U/M | DESCRIPTION |
|-----|---------------|-----|--|
| | 000G39-10-10B | EA | SCREW - SF/DR - 10-16 X 5/8 PPH - ZINC |
| | 000G39-10-08B | EA | SCREW - SF/DR - 10-16 X 1/2 PPH - ZINC |
| | 000G39-10-088 | EA | SCREW - SF/DR - 10-16 X 1/2 PPH - FLEX FLUOROCARBON |
| | 000G39-12-12E | EA | SCREW - SF/DR - 12 - 14 X 3/4 PPH - CHROME |
| | 000G42-04-24B | EA | SCREW - SF/DR - 1/4-14 X 1 1/2 - ZINC |
| | 000G42-04-16B | EA | SCREW - SF/DR - 1/4-14 X 1 HWH - ZINC |
| | 000G42-04-24B | EA | SCREW - SF/DR - 1/4-14 X 1 1/2 - ZINC |
| | 000G46-08-24T | EA | SCREW - MACHINE - 8-32 X 1 1/2 PFH - BLACK |
| | 000G50-04-48B | EA | SCREW - MACHINE - 1/4-14 X 3 - ZINC |
| | 000G52-06-05B | EA | SCREW - MACHINE - 6-32 X 5/16 PTH ZINC |
| | 000G52-06-06B | EA | SCREW - MACHINE - 6-32 X 3/8 PIN - ZINC |
| | 000G54-04-14B | EA | SCREW - 1/4-20 X 7/8 PTH - TYPE 23 - ZINC PLATED |
| | 000G55-08-124 | EA | SCREW - SF/DR - 8-18 X 3/4 PWH - ASH GRAY |
| | 000G55-08-12M | EA | SCREW - SF/DR - 8-19 X .75 PWH - GRAY |
| | 000G55-08-165 | EA | SCREW - SF/DR - 8-18 X 1 PWH - WILLOW |
| | 000G55-08-16T | EA | SCREW - SF/DR - 8-18 X 1 PWH - BLACK |
| | 000G55-08-16S | EA | SCREW - SF/DR - 8-18 X 1.00 - PWH - OFF WHITE |
| | 000G56-12-48B | EA | SCREW - WOOD - 12-11 X 3 POH - SPECIAL HARDENED |
| | 000G57-14-72B | EA | SCREW-14-10-X4 1/2 PFH ZN GENERAL MOTORHOMES |
| | 000G57-14-64B | EA | SCREW - 14-10 X 4 PFH ZINC |
| | 000G60-08-20F | EA | SCREW - SF/DR - 8-19X1.25 POH |
| | 000G60-08-16E | EA | SCREW - SF/DR - 8-1 X 1 POH - CHROME |
| | 000G60-08-22B | EA | SCREW - SF/DR - 8-18 X 1.38 POH - ZINC |
| | 000G60-10-209 | EA | SCREW - SF/DR - 10-16 X 1 1/4 POH - SILVER STALGAARD |
| | 000G60-10-20B | EA | SCREW - SF/DR - 10-16 X 1 1/4 POH - ZINC |
| | 000G60-10-16J | EA | SCREW - SF/DR - 10-16 X 1 POH - BRIGHT BRASS |
| | 000G60-10-28T | EA | SCREW - SF/DR - 10-16 X 1 3/4 - BLACK |
| | 000G67-08-32B | EA | SCREW - 8-15 X 2 PPH - ZINC |
| | 000G67-10-08B | EA | SCREW - 10-12 X 1/2 PPH - ZINC |
| | 000G67-10-24S | EA | SCREW - 10-12 X 1 1/2 PPH - OFF WHITE |
| | 000G67-10-24B | EA | SCREW - 10-12 X 1 1/2 PPH - ZINC |
| | 000G67-10-20D | EA | SCREW - 10-12 X 1 1/4 PPH - BLACK |
| | 000G67-10-12P | EA | SCREW - 10-12 X 3/4 PPH - DARK BROWN |
| | 000G67-10-12B | EA | SCREW - 10-12 X 3/4 PPH - ZINC |
| | 000G67-10-10T | EA | SCREW - 10-12 X 5/8 PPH - BLACK |
| | 000G67-10-10S | EA | SCREW - 10-12 X 5/8 PPH - OFF WHITE |
| | 000G67-10-10P | EA | SCREW - 10-12 X 5/8 PPH - DARK BROWN |
| | 000G67-10-10B | EA | SCREW - 10-12 X 5/8 PPH - ZINC - TYPE A |
| | 000G67-10-08S | EA | SCREW - 10-12 X 1/2 PPH - OFF WHITE |
| | 000G68-06-10J | EA | SCREW - 6-18 X 5/8 POH - BRASS |
| | 000G68-06-10G | EA | SCREW - 6-18 X 5/8 POH - ANTIQUE BRASS |
| | 000G68-06-12J | EA | SCREW - 6-18 X 3/4 POH - BRASS |
| | 000G68-06-12B | EA | SCREW - 6-18 X 3/4 POH - ZINC & CLEAR |
| | 029130-01-000 | EA | SCREW - SNAP STUD - #8-16 X 5/8" LONG |
| | 029130-03-000 | EA | SCREW - SNAP STUD - #8-16 X 1" LONG |
| | 049465-01-000 | EA | SCREW - 10-16 PTH W/WASHER - DARK BROWN |
| | 049465-03-000 | EA | SCREW - 10-16 X 1 POH W/WASHER - OFF WHITE |
| | 049465-04-000 | EA | SCREW - 10-16 X 1 PTH W/WASHER - BEIGE |
| | 049465-13-000 | EA | SCREW-10+16X1 PTH W/WASHER - *ASH GRAY |
| | 049465-17-000 | EA | SCREW - 10-16 X 1 POH W/WASHER - BRIGHT WHITE |
| | 049465-23-000 | EA | SCREW - 10-16 X 1.5 POH W/WASHER - VW LIGHT GRAY |
| | 054434-02-000 | EA | SCREW - SF/DR - 10-16 X 2 - ZINC |
| | 054434-03-000 | EA | SCREW - SF/DR - 10-16 X 2 - PWH - ZINC |
| | 075908-01-000 | EA | SCREW - MACHINE - 10-32 X .56 PTH - EXTERNAL TOOTH - ZINC |
| | 076790-01-000 | EA | SCREW - 6-20 X 1 1/4 PPH - BLACK |
| | 076790-05-000 | EA | SCREW - 6-20 X 1/2 PPH - BLACK - THREAD CUTTING/WOOD |
| | 083554-01-000 | EA | SCREW - DRYWALL - 8 X 1 1/4 |
| | 083554-04-000 | EA | SCREW - DRYWALL - 8 X 2 1/2 |
| | 087721-01-000 | EA | SCREW - FLAT HEAD - TAPPING - 1/4 X 1 1/4 LONG - ZINC |
| | 087721-02-000 | EA | SCREW - FLAT HEAD - TAPPING - 1/4 X 2 1/4 LONG - ZINC |
| | 090033-02-000 | EA | SCREW - 1/4-20 X 5/8 - ROUND WASHER HEAD - OFF/WHITE |
| | 097974-01-000 | EA | SCREW - PARTICLE BOARD - 7-9 X 3/4 PPH |
| | 101618-01-000 | EA | SCREW - 1/4-20 X 3/4 HEX - TAPPING - STALGARD TYPE F |

SEALANTS & FASTENERS GROUP (CONTINUED)

CLAMPS, CLIPS, GROMMETS, RIVETS & PLUGS

| KEY | PART NUMBER | U/M | DESCRIPTION |
|-----|---------------|-----|---|
| | 000F10-06-32B | EA | PIN - COTTER - 3/16" X 2" - ZINC |
| | 000H14-06-06R | EA | RIVET-MANDREL BLIND,3/16 AL - CHERRY BSP-66 |
| | 000H16-04-06R | EA | RIVET - POP ALUMINUM - 1/8 X .313 - .375 |
| | 000H16-06-10R | EA | RIVET - POP ALUMINUM - 3/16 X .501 - .625 |
| | 007161-01-000 | EA | CLAMP - HOSE - SPRING TYPE - 1/2" |
| | 008386-01-000 | EA | GROMMET - SNAP - 3/8" DIAMETER - NYLON |
| | 010495-01-000 | EA | CLAMP - CABLE - 9/16"ID - BLACK |
| | 010495-02-000 | EA | CLAMP - CABLE - 3/8"ID - BLACK |
| | 010495-04-000 | EA | CLAMP - CABLE - 11/16"ID - WHITE |
| | 010497-01-000 | EA | CLAMP - CLOSED - 5/8"ID |
| | 010497-02-000 | EA | CLAMP - CLOSED - 1.5"ID |
| | 010497-03-000 | EA | CLAMP - CLOSED - 1"ID - CUSHIONED |
| | 010497-04-000 | EA | CLAMP - CLOSED - 1 5/8"ID |
| | 010497-07-000 | EA | CLAMP - CLOSED - 3/8"ID |
| | 010497-09-000 | EA | CLAMP - CLOSED - 5/16"ID |
| | 010497-10-000 | EA | CLAMP - CLOSED - 7/8"ID |
| | 010499-01-000 | EA | CLAMP - CLOSED - 3/8"ID |
| | 016188-03-000 | EA | GROMMET - LP LINE - 3/8"HOLE X 2 1/2"LONG - RUBBER |
| | 016188-04-000 | EA | GROMMET - LP LINE - 1/2"HOLE X 2 1/2"LONG - RUBBER |
| | 016188-05-000 | EA | GROMMET - LP LINE - 3/8"HOLE X 1 1/4"LONG - RUBBER |
| | 016188-06-000 | EA | GROMMET - L/P LINE - 3/8"HOLE X 3 1/4"LONG - RUBBER |
| | 016188-08-000 | EA | GROMMET - LP LINE - 1/2"HOLE X 1 1/4"LONG - RUBBER |
| | 016188-09-000 | EA | GROMMET - LP LINE - .68"HOLE X 1 1/4"LONG - RUBBER |
| | 016188-10-000 | EA | GROMMET - LP LINE - .68"HOLE X 2.5"LONG - RUBBER |
| | 023942-01-000 | EA | GROMMET - RUBBER - 2" OD |
| | 034141-02-000 | EA | PLUG/NYLON - .38" - BLACK |
| | 061420-01-000 | EA | PLUG/PLASTIC - 1 3/4" DIAMETER - BROWN |
| | 061420-04-000 | EA | PLUG/PLASTIC - 1 1/4" DIAMETER |
| | 061420-05-000 | EA | PLUG/PLASTIC - 1 1/2" DIAMETER |
| | 061420-08-000 | EA | PLUG/PLASTIC - 2 1/2" DIAMETER |
| | 061420-09-000 | EA | PLUG/PLASTIC - 1.00" - DIAMETER |
| | 061420-10-000 | EA | PLUG/PLASTIC - 1 1/2" DIAMETER - BLACK |
| | 061420-13-000 | EA | PLUG/PLASTIC - 3/8 - 3" |
| | 061420-14-000 | EA | PLUG/PLASTIC - 7/8" DIAMETER - BLACK |
| | 061420-15-000 | EA | PLUG/PLASTIC - 2" DIAMETER - BLACK |
| | 061420-16-000 | EA | PLUG/PLASTIC - 2 1/8" DIAMETER - BLACK |

SEALANTS & FASTENERS GROUP (CONTINUED)
CLAMPS, CLIPS, GROMMETS, RIVETS & PLUGS (CONTINUED)

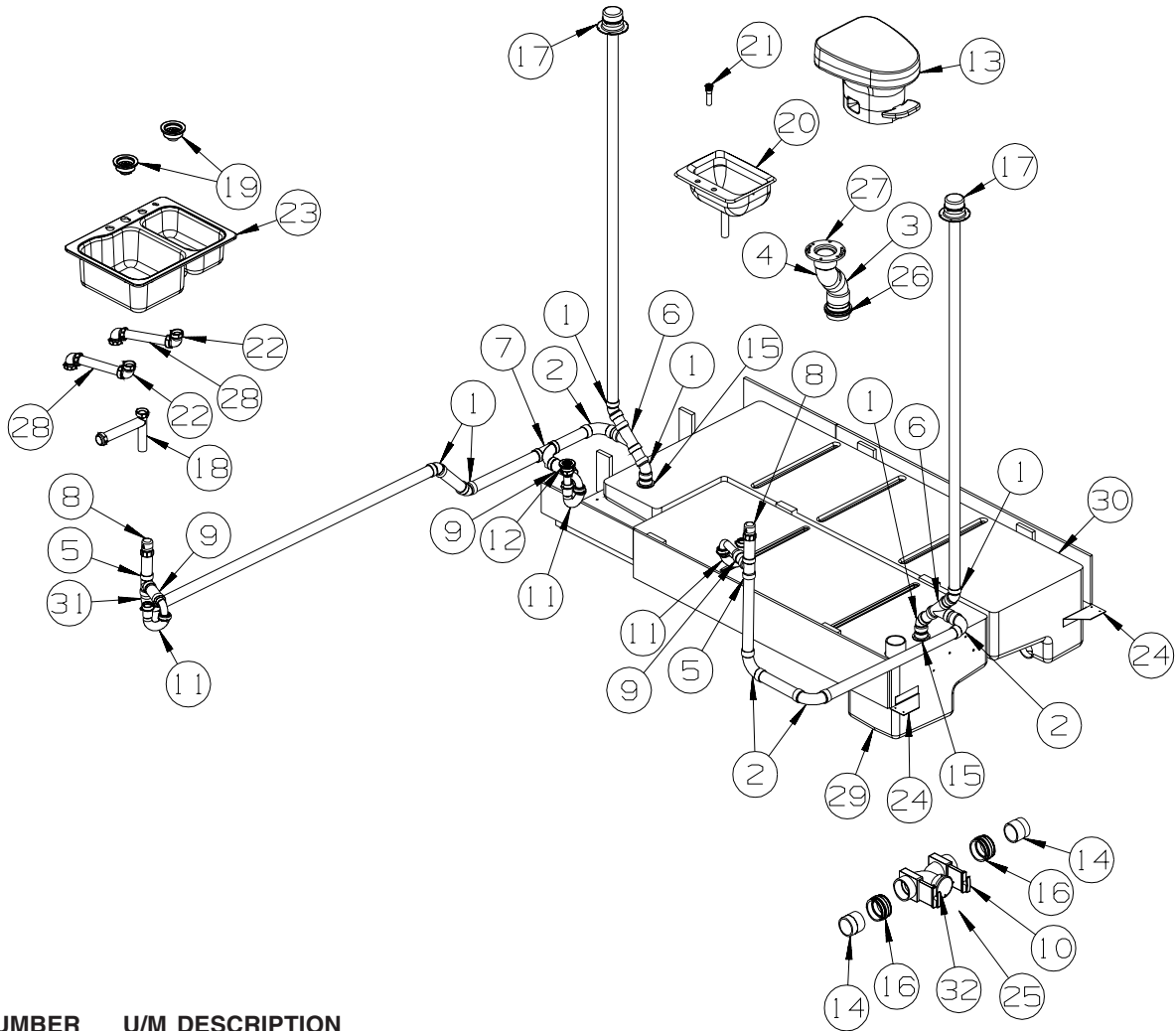
| KEY | PART NUMBER | U/M | DESCRIPTION |
|-----|---------------|-----|--|
| | 062401-01-000 | EA | CLAMP - HOSE - WORMGEAR - .25" - 1" |
| | 062401-02-000 | EA | CLAMP - HOSE - WORMGEAR - 1.56" - 2.5" |
| | 062401-03-000 | EA | CLAMP - HOSE - WORMGEAR - .22" - 1" |
| | 062401-04-000 | EA | CLAMP - HOSE - WORMGEAR - .69" - 1.25" |
| | 062401-05-000 | EA | CLAMP - HOSE - WORMGEAR - 2" - 3" ID |
| | 062401-06-000 | EA | CLAMP - HOSE - WORMGEAR - .22" - .62" ID |
| | 062401-09-000 | EA | CLAMP - HOSE - WORMGEAR - 2.8" - 3.75" |
| | 062401-11-000 | EA | CLAMP - HOSE - WORMGEAR - 3.50" - 4.50" |
| | 062401-12-000 | EA | CLAMP - HOSE - WORMGEAR - .79" X 1.26" |
| | 071015-11-000 | EA | GROMMET - RUBBER - 1 ID - FITS .12 MATERIAL - BLACK |
| | 071015-13-000 | EA | GROMMET - RUBBER - .62 ID - FITS .09 GROOVE - BLACK |
| | 071015-19-000 | EA | GROMMET - RUBBER - .38 ID - FITS .06 MATERIAL - BLACK |
| | 071015-22-000 | EA | GROMMET - RUBBER - .62 ID - 1.12 OD - W/.19 GROOVE - BLACK |
| | 071015-26-000 | EA | GROMMET - RUBBER - 1.5" ID X 2.1" OD W/.06" GROOVE-BLACK |
| | 071015-29-000 | EA | GROMMET - RUBBER - .3" ID X 1.3"OD W/.12" GROOVE - BLACK |
| | 071015-30-000 | EA | GROMMET - RUBBER - .3" ID X .81"OD W/.12" GROOVE - BLACK |
| | 071015-32-000 | EA | GROMMET - RUBBER - .75 ID X 1.375 OD W/.187 GROOVE - BLACK |
| | 071015-40-000 | EA | GROMMET - RUBBER - .38 ID - FITS .09 MATERIAL - BLACK |
| | 071015-41-000 | EA | GROMMET - .125 ID FITS .188 MTL |
| | 071015-42-000 | EA | GROMMET - RUBBER - .25 ID - FITS .06 MATERIAL - BLACK |
| | 075148-02-000 | EA | CLAMP - GROUNDING - BRONZE SCREWS |
| | 077955-01-000 | EA | CLIP/J - 3/8" - VINYL COATED |
| | 080734-02-000 | EA | CLIP - WIRE NYLON |
| | 081211-01-000 | EA | PLUG/PLASTIC - .31" DIAMETER - BLACK |
| | 081211-03-000 | EA | PLUG/PLASTIC - .50" DIAMETER - TRUSS HEAD - BLACK |
| | 081211-04-000 | EA | PLUG/PLASTIC - .46 DIAMETER - TRUSS HEAD - BLACK |
| | 083609-01-000 | EA | CLAMP - WIRE - DUAL - EQUAL DIAMETERS - 5/8" |
| | 083610-01-000 | EA | CLAMP - WIRE - DUAL - UNEQUAL DIAMETERS - 3/4" & 1 1/4" |
| | 083610-02-000 | EA | CLAMP - WIRE - DUAL - UNEQUAL DIAMETERS - 3/4" & 2" |
| | 083610-03-000 | EA | CLAMP - WIRE - DUAL - EQUAL DIAMETERS - 2" |
| | 088756-01-000 | EA | GROMMET - WEB - 1 1/8 " I.D. |
| | 089329-02-000 | EA | CLIP - SPRING |
| | 091952-01-000 | EA | CLIP - GRIPPER - 1" |
| | 091952-02-000 | EA | CLIP - GRIPPER - 3/4" |
| | 091952-03-000 | EA | CLIP - GRIPPER - 1/2" - BLACK VINYL COATED |
| | 094362-02-000 | EA | CLIP - XMAS TREE - BINDER HEAD - .9" LONG |
| | 094362-05-000 | EA | CLIP - XMAS TREE - ROUND HEAD - 1.4" LONG |
| | 114208-01-000 | EA | GROMMET - EDGE LINER - FITS 1 3/4" |
| | 114208-03-000 | EA | GROMMET - EDGE LINER - FITS 2 1/2" |
| | 114208-05-000 | EA | GROMMET - EDGE LINER - FITS 2" |
| | 118626-01-02A | EA | RIVET - POP - ALUMINUM - 3/16 X .08 - .375 |
| | 118626-01-01A | EA | RIVET - POP - ALUMINUM - 3/16 X .08 - .375 |
| | 118626-02-01A | EA | RIVET - POP - ALUMINUM - 3/16 X .500 - .750 |
| | 137014-01-01A | EA | GROMMET - CABLE - ALMOND |
| | 137014-01-02A | EA | GROMMET - CABLE - BROWN |
| | 137014-01-03A | EA | GROMMET - CABLE - BLACK |
| | 139118-02-01A | EA | GROMMET - SCREW - PLASTIC |
| | 140171-01-000 | EA | CLAMP - HOSE - STEPLESS EAR - .312 |
| | 140171-02-000 | EA | CLAMP - HOSE - STEPLESS EAR - .250 |

SEALANTS & FASTENERS GROUP (CONTINUED)

MISCELLANEOUS FASTENERS

| KEY | PART NUMBER | U/M | DESCRIPTION |
|-----|---------------|-----|--|
| | 008343-01-000 | EA | TIE - WIRE - 6" |
| | 008343-02-000 | EA | TIE - WIRE - 14" |
| | 008343-03-000 | EA | TIE - WIRE - 7 1/2" - BLACK |
| | 029094-04-000 | YD | VELCRO TAPE - LOOP - 1" WIDE - BLACK |
| | 029094-06-000 | YD | VELCRO TAPE - LOOP - 2" WIDE - BLACK |
| | 029096-03-000 | YD | VELCRO TAPE - HOOK - 1" WIDE - BLACK |
| | 048394-02-000 | YD | VELCRO TAPE - HOOK - ADHESIVE BACK - 3/4" WIDE - BEIGE |
| | 085774-01-000 | FT | FASTENER - DUAL LOCK - 1" WIDE - ADHESIVE BACK - BLACK |
| | 085774-02-000 | FT | FASTENER - DUAL HOOK - 1" WIDE - ADHESIVE BACK - BLACK |
| | 085774-07-000 | FT | FASTENER - DUAL HOOK - 1" WIDE |
| | 088792-02-000 | YD | VELCRO TAPE - LOOP - 3/4" - ADHESIVE BACK - BEIGE |
| | 088792-04-000 | YD | VELCRO TAPE - HOOK - 5/8" - NON-ADHESIVE BACK - WHITE |
| | 088792-05-000 | YD | VELCRO TAPE - LOOP - 5/8" - NON-ADHESIVE BACK - WHITE |
| | 108046-01-000 | EA | CABLE TIE - SCREW MOUNT 8" |
| | 108046-02-000 | EA | CABLE TIE - SCREW MOUNT 15" |
| | 110943-02-000 | FT | FELT STRIP - 3/8" - ADHESIVE BACK - WHITE |
| | 113133-02-01A | EA | RIVET - POP - ALUMINUM - 3/16 X .252 - .504 - BLACK |
| | 115361-01-01A | EA | PLUG/PLASTIC - 1/2" DIAMETER |
| | 127960-01-01A | EA | RETAINER - 3/8" - STAINLESS STEEL |

WATER & SEWAGE GROUP DRAINAGE SYSTEM



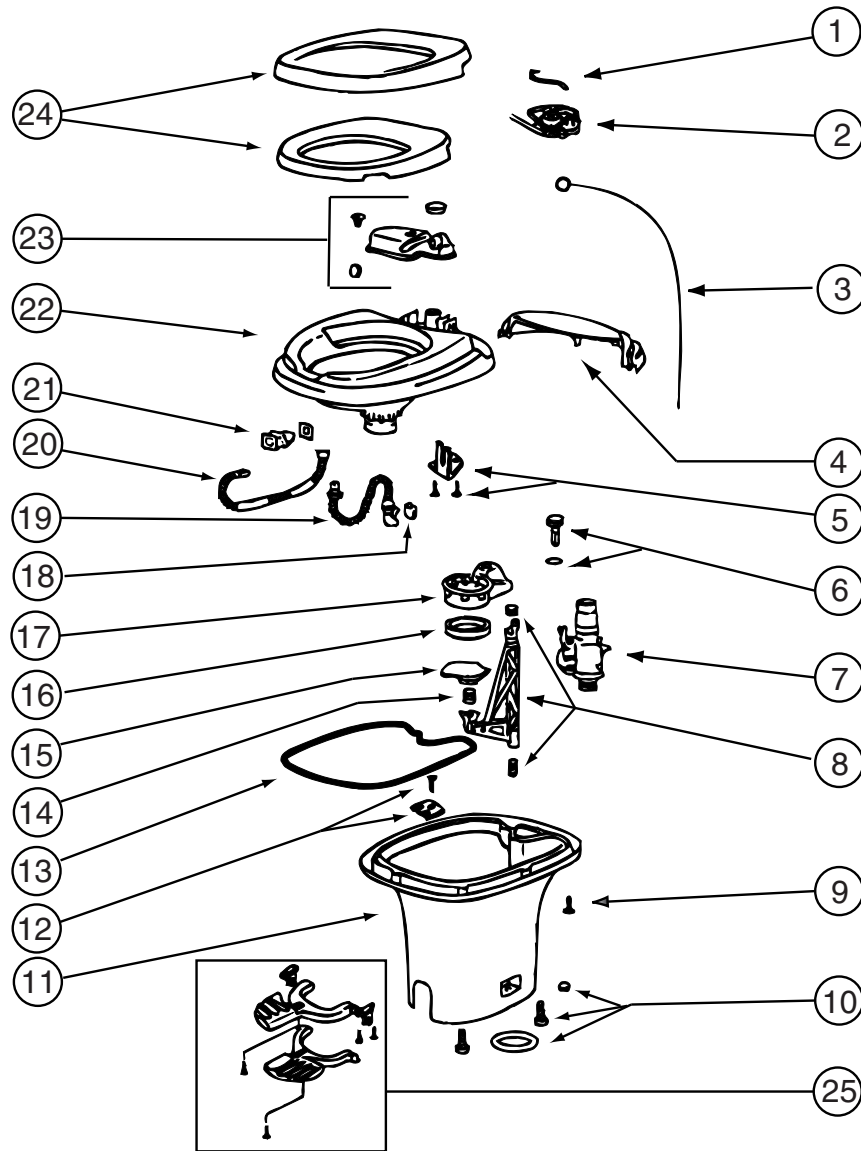
| KEY | PART NUMBER | U/M | DESCRIPTION |
|-----|---------------|-----|--|
| 1 | 010006-01-000 | EA | ELBOW - 45 DEGREE - 1 1/2" HUB X HUB - PLASTIC |
| 2 | 010008-01-000 | EA | ELBOW - 90 DEGREE - 1 1/2" HUB X HUB - PLASTIC |
| 3 | 010024-01-000 | EA | ELBOE - 45 DEGREE - 3" X HUB - PLASTIC |
| 4 | 010061-01-000 | EA | ELBOW - 45 DEGREE ST - 3" SPIGOT & HUB - PLASTIC |
| 5 | 010071-01-000 | EA | TEE - SANITARY - 1 1/2" HUB X HUB X HUB - PLASTIC |
| 6 | 010073-01-000 | EA | WYE - 45 DEGREE - 1 1/2" HUB X HUB X HUB - PLASTIC |
| 7 | 031365-02-000 | EA | TEE - PLASTIC - 1 /12" EXTRA LONG TURN |
| 8 | 079968-01-000 | EA | VENT - MECHANICAL/TRAP ARM - ANTI SIPHON-2" X 7.3" PLASTIC |
| 9 | 109571-01-000 | EA | ADAPTER - P - TRAP - 1 1/2" X 1 1 1/2"MPT |
| 10 | 136143-01-000 | EA | VALVE - DUAL - 3" X 3" |
| 11 | 107538-01-000 | EA | P - TRAP - PLASTIC - 1 1/4" E/EXTENSION ARM - USA |
| 11 | 011071-01-000 | EA | P - TRAP - PLATIC - 1 1/2" - CSA - CANADIAN |
| 12 | 066440-01-000 | EA | STRAINER - SHOWER DRAIN - W/RUBBER WASHER |
| | 011069-02-000 | EA | TAILPIECE - TUB/SHOWER - 1 1/2" X 1 1/4" X 4" - BRASS |
| | 127440-02-01A | EA | WASHER - RUBBER - 1.8" X .1" |
| | 130403-01-000 | EA | NUT - SLIP - W/WINGS 1 1/2" |
| 13* | 067487-04-000 | EA | TOILET - LOW - FOOTFLUSH - WHITE |
| | | | FROM: 00-00-00 THRU: 07-27-03 |
| 13* | 147421-02-01A | EA | TIOLET - AQUA MAGIC 5 - LOW/FOOTFLUSH/W/SPRAYER- WHITE |
| | | | FROM: 07-28-03 THRU: 99-99-99 |
| 14 | 010129-03-000 | EA | NIPPLE - PLASTIC - 3" X 3" TOE |
| 15 | 061607-01-000 | EA | GROMMET - HOLDING TANK - 1 1/2" NPS |
| 16 | 078406-01-000 | EA | COUPLER - RUBBER - W/CLAMPS - 3" X 3" |
| 17 | 083558-03-000 | EA | VENT W/COVER F/PLUMBING STACK - OFF WHITE |

WATER & SEWAGE GROUP (CONTINUED)
DRAINAGE SYSTEM (CONTINUED)

| KEY | PART NUMBER | U/M | DESCRIPTION |
|-----|---------------|-----|--|
| 18 | 091980-01-000 | EA | WASTE - CONTINUOUS FROM: 00-00-00 THRU: 11-04-03 |
| 18 | 011091-02-000 | EA | WASTE - CONTINUOUS - DOUBLE SINK FROM: 11-05-03 THRU: 99-99-99 |
| 19 | 092303-01-000 | EA | STRAINER - W/BASKET - GALLEY SINK - 4" OD |
| 20* | 096927-01-02A | EA | SINK - LAVATORY - RECTANGULAR - PLASTIC - SOFT WHITE |
| 21 | 106116-01-02A | EA | STRAINER/PLASTIC - STOPPER/TAILPIECE/GASKET & NUT-LAVATORY |
| 22 | 125569-01-000 | EA | ELBOW - 1 1/2" X 90 DEGREE - DOUBLE SLIP |
| 23 | 136828-01-01A | EA | SINK/DBL - LGE/SM BASIN-25"X19"X7" W/O NOTCH/FAUCET HOLES FROM: 00-00-00 THRU: 11-04-03 |
| 23 | 148870-02-01A | EA | SINK/DOUBLE - LRG/SML BASIN - 25" X 19" X 7" FROM: 11-05-03 THRU: 99-99-99 |
| 24 | 139004-01-02B | EA | BRACKET/TIEDOWN - WATER TANK - E-COATED |
| 25 | 139513-01-000 | EA | HOSE - SEWER - 3" X 10' - W/ADAPTER |
| 26 | 061607-02-000 | EA | GROMMET - HOLDING TANK - 3" NPS |
| 27 | 063641-01-000 | EA | FLANGE - CLOSET - 4" X 3" |
| 28 | 126588-01-000 | EA | ARM - WASTE - 1 1/2" X 9 1/2" - FEMALE |
| 29 | 133436-01-700 | EA | TANK-HOLDING W/3" NIPPLE |
| 30 | 133437-01-700 | EA | TANK-HOLDING W/3" NIPPLE |
| 31 | 033761-01-000 | EA | ELBOW - 90 DEGREE - TURN - 1 1/2" HUB X 1 1/2" SPIGOT |
| 32 | 062416-01-000 | EA | ADAPTER - SEWER HOSE TO 3" PIPE |

***COMPONENT PARTS LISTED LATER IN THIS GROUP**

WATER & SEWAGE GROUP (CONTINUED)
COMPONENT PARTS FOR DRAINAGE SYSTEM



D27C, D30B

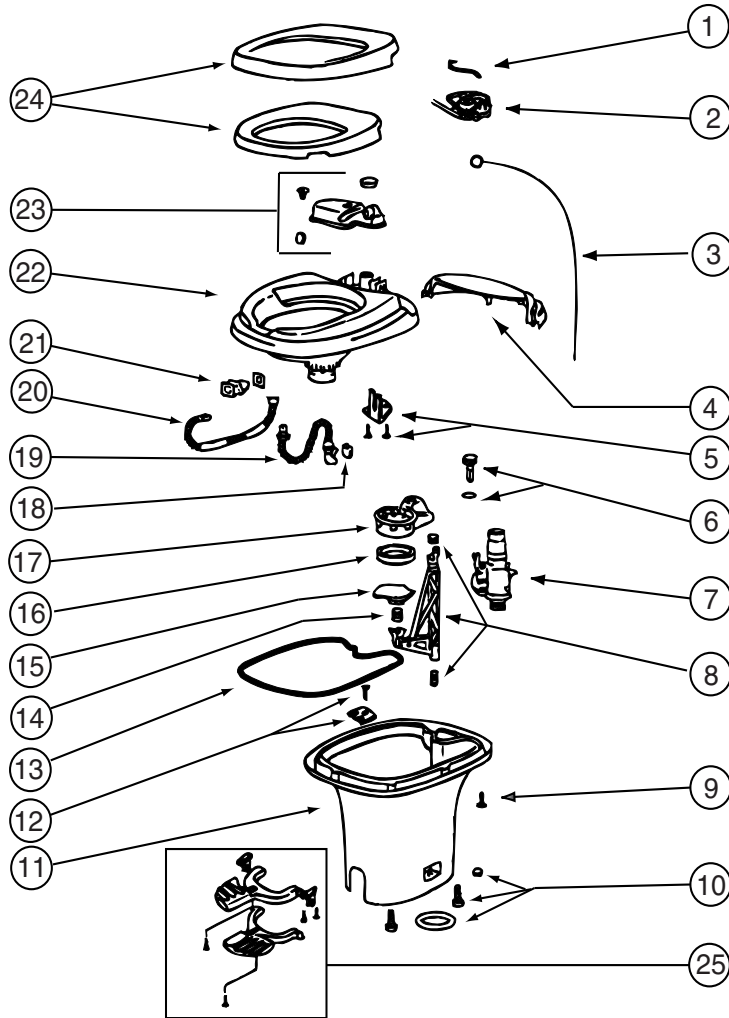
067487-04-000

| KEY | PART NUMBER | U/M | DESCRIPTION | VENDOR NO. |
|---|---------------|-----|-----------------------------|---------------|
| 2 | 063740-02-703 | EA | KIT-LEVER/WIRE ASSM FOOT FL | 24571 |
| 4 | 131932-02-701 | EA | COVER -MECHANISM- WHITE | 2086562 |
| 7 | 063740-01-714 | EA | VALVE ASM (VALVE-BALL SEAL) | 13168 |
| 10 | 063740-01-706 | EA | BOLT PACKAGE-FLOOR FLANGE | 12524THETFORD |
| 15 | 063740-01-721 | EA | BLADE ONLY | 1248262 |
| 16 | 063740-01-722 | EA | SEAL - BLADE | 12481 |
| 20 | 063740-01-717 | EA | TUBE-FLUSH | 12509 |
| 23 | 063740-02-701 | EA | RESERVOIR (TANK ASM.) | 24630 |
| 24 | 131932-01-701 | EA | SEAT/COVER ASSMBLY - WHITE | 2464162 |
| 25 | 131932-02-702 | EA | PEDAL PACKAGE(WHITE) | 2082162 |
| CONTACT WINNEBAGO PART SALES FOR UNLISTED COMPONENT | | | | |

096927-01-02A

| KEY | PART NUMBER | U/M | DESCRIPTION | VENDOR NO. |
|-----|---------------|-----|--------------------------|------------|
| | 096927-01-700 | EA | SINK STOPPER | M9801 |
| | 096927-01-701 | EA | TAILPIECE-DRAIN-LAVATORY | M9802 |

WATER & SEWAGE GROUP (CONTINUED)
COMPONENT PARTS FOR DRAINAGE SYSTEM (CONTINUED)



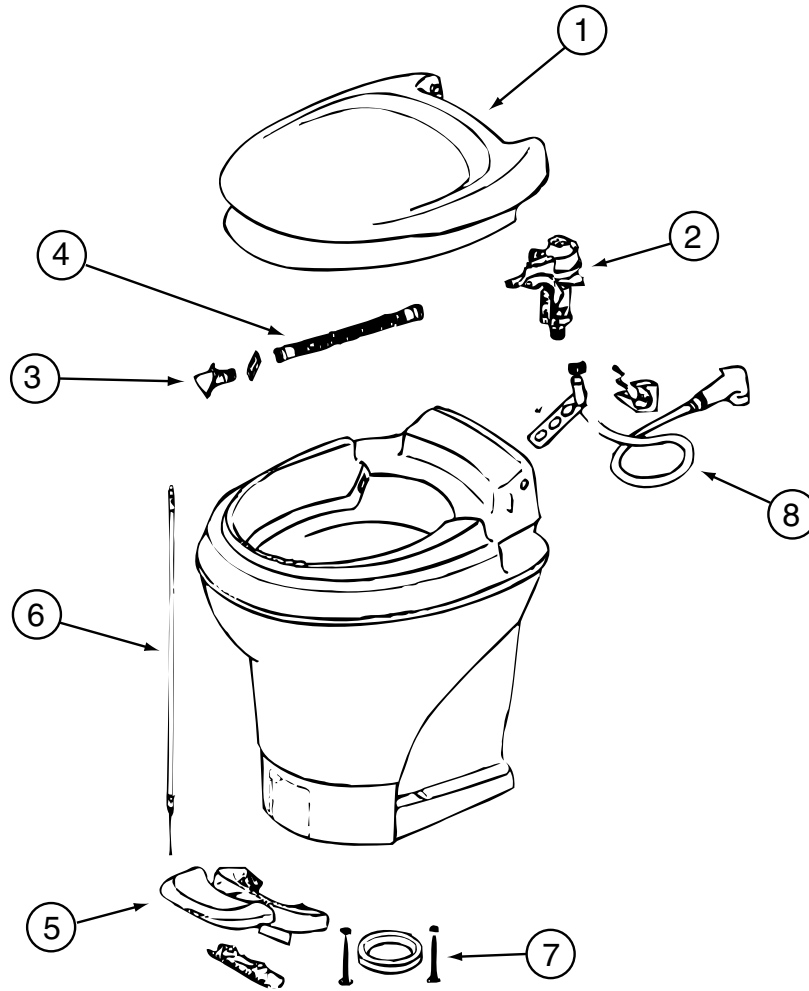
D33L, D35N

131932-02-02A

| KEY | PART NUMBER | U/M | DESCRIPTION | VENDOR NO. |
|------------|--------------------|------------|-----------------------------|-------------------|
| 2 | 063740-02-703 | EA | KIT-LEVER/WIRE ASSM FOOT FL | 24571 |
| 4 | 131932-02-701 | EA | COVER -MECHANISM- WHITE | 2086562 |
| 7 | 063740-01-714 | EA | VALVE ASM (VALVE-BALL SEAL) | 13168 |
| 10 | 063740-01-706 | EA | BOLT PACKAGE-FLOOR FLANGE | 12524 THETFORD |
| 15 | 063740-01-721 | EA | BLADE ONLY | 1248262 |
| 16 | 063740-01-722 | EA | SEAL - BLADE | 12481 |
| 20 | 063740-01-717 | EA | TUBE-FLUSH | 12509 |
| 23 | 063740-02-701 | EA | RESERVOIR (TANK ASM.) | 24630 |
| 24 | 131932-01-701 | EA | SEAT/COVER ASSMBLY - WHITE | 2464162 |
| 25 | 131932-02-702 | EA | PEDAL PACKAGE(WHITE) | 2082162 |

CONTACT WINNEBAGO PART SALES FOR UNLISTED COMPONENT

WATER & SEWAGE GROUP (CONTINUED)
COMPONENT PARTS FOR DRAINAGE SYSTEM (CONTINUED)

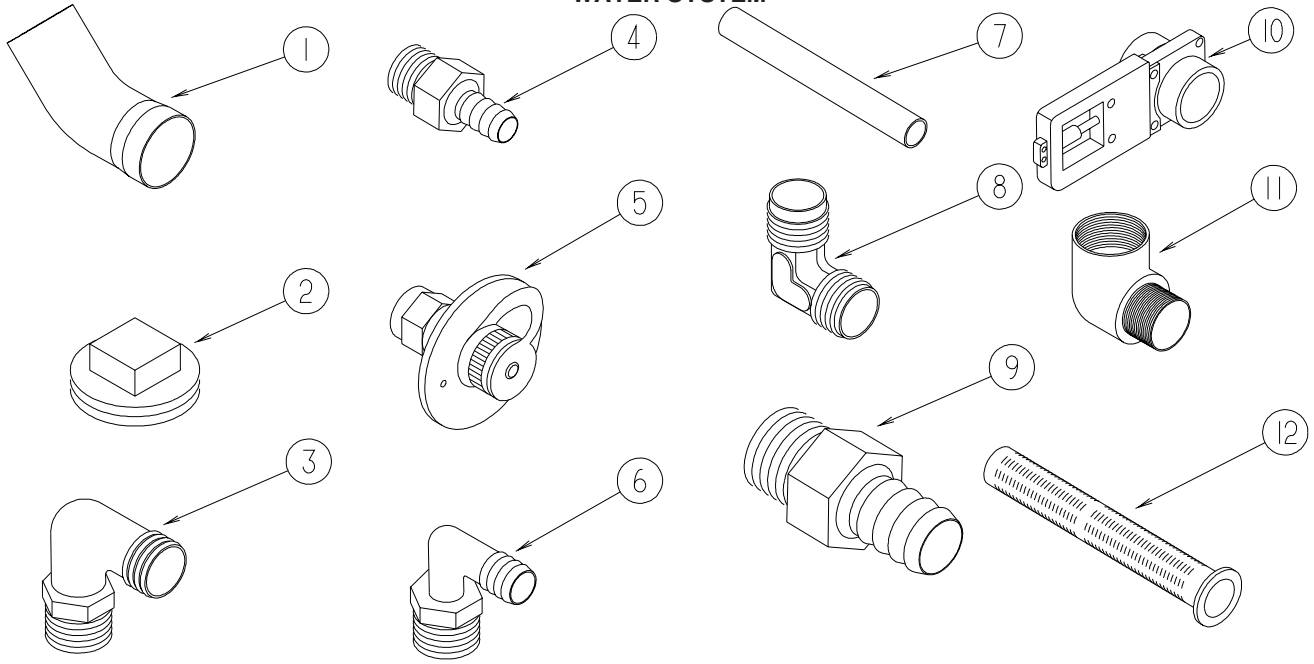


147421-01-01A, 147421-02-01A

| KEY | PART NUMBER | U/M | DESCRIPTION | VENDOR NO. |
|-----|---------------|-----|------------------------------|----------------|
| 1 | 147421-01-700 | EA | SEAT & COVER ASSEMBLY(WHT) | 31703 |
| 2 | 147421-01-701 | EA | WATER MODULE ASSEMBLY | 31705 |
| 3 | 147421-01-702 | EA | NOZZLE ASSEMBLY | 31706 |
| 4 | 147421-01-703 | EA | LINK - WATER MODULE | 31621 |
| 5 | 147421-01-704 | EA | PEDAL - WHITE | 31709 |
| 6 | 147421-01-705 | EA | FOOT CABLE | 31711 |
| 7 | 063740-01-706 | EA | BOLT PACKAGE-FLOOR FLANGE | 12524 THETFORD |
| 8 | 132389-01-708 | EA | HAND SPRAY KIT | 19289 |
| | 147421-01-706 | EA | SEAL - BLADE | 31708 |
| | 147421-01-707 | EA | CAP (UNIVERSAL BOLT) - WHITE | 31713 |

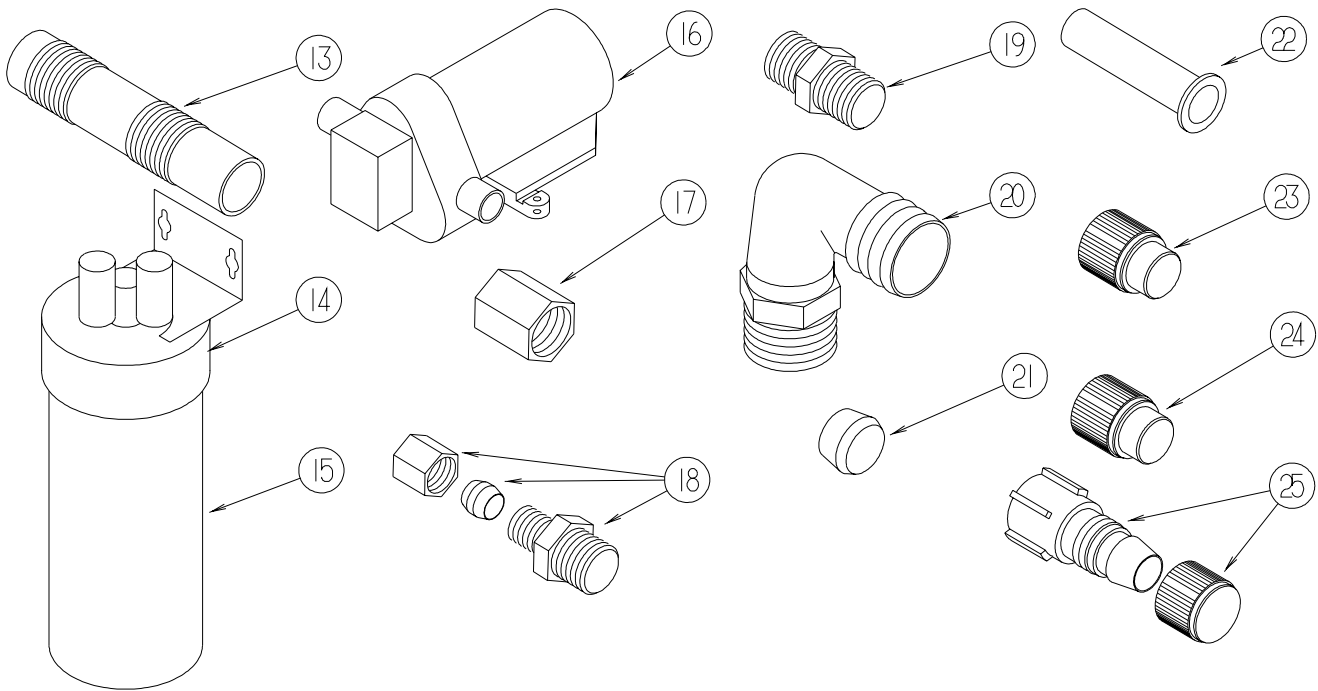
WATER & SEWAGE GROUP (CONTINUED)

WATER SYSTEM



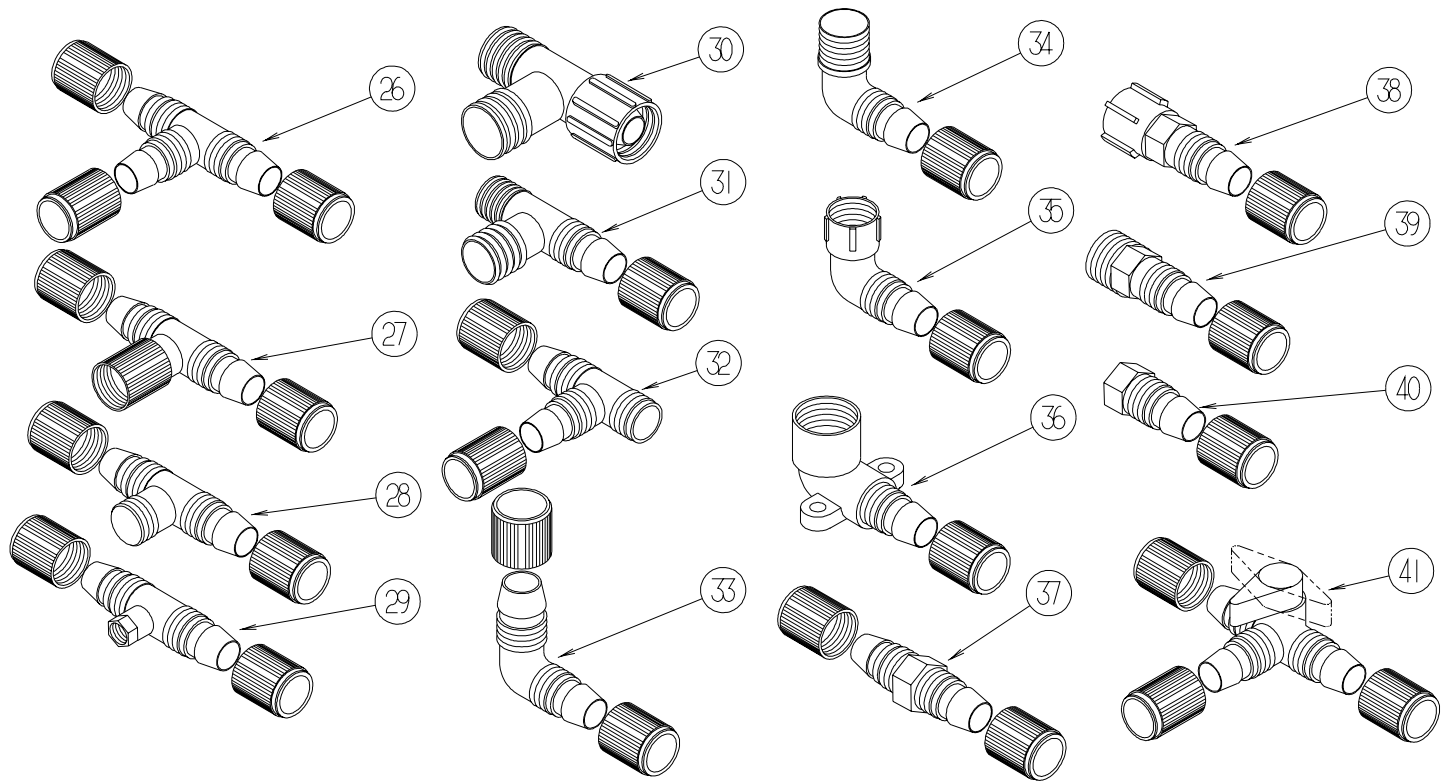
| KEY | PART NUMBER | U/M | DESCRIPTION |
|-----|---------------|-----|---|
| 1 | 010009-01-000 | EA | ELBOW - 90 DEGREE - 1/4 BEND - 1 1/2" PLASTIC |
| 2 | 010166-01-000 | EA | PLUG/THREADED - 1 1/4"MPT - PLASTIC - BLACK - UL |
| 3 | 010219-01-000 | EA | ELBOW - 1 1/4 MPT X 1 1/4 BARB - WATER FILL - PLASTIC |
| 4 | 010224-01-000 | EA | ADAPTER - HOSE TO PIPE - 3/8 MPT X 3/8 BARB - PLASTIC |
| 5 | 010230-06-000 | EA | FILL - CITY WATER - W/CHECK VALVE - MPT - BRUSHED ALUM |
| 6 | 035539-01-000 | EA | ELBOW - 3/8 MPT X 3/8 BARB - PLASTIC |
| 7 | 039800-04-000 | FT | TUBING - POLYBUTYL - 1/4"OD |
| 7 | 074462-02-000 | FT | TUBING - VINYL - 3/8 ID X 20' - CLEAR |
| 7 | 112176-01-000 | FT | TUBING - VINYL - REINFORCED - 1/2" ID |
| 7 | 124188-01-000 | FT | TUBING - PEX - 1/2" ID X 20' - BLUE(COLD) |
| 7 | 124188-02-000 | FT | TUBING - PEX - 1/2" ID X 20' - RED(HOT) |
| 8 | 039808-03-000 | EA | ELBOW - 1/2" MPT X 1/2" MPT - PLASTIC |
| 9 | 044927-01-000 | EA | ADAPTER - HOSE TO PIPE-1 1/4 MPTX1 1/4 BARB-BLACK PLASTIC |
| 10 | 062421-03-000 | EA | VALVE/DUMP W/O HANDLE - 1 1/2" X 1 1/2" HUB |
| | 062421-05-000 | EA | CABLE/ROD - F/DUMP VALVE - W/HANDLE - 48" |
| 11 | 065318-02-000 | EA | ELBOW - 90 DEGREE - 3/8" MPT TO 3/8" FPT |
| 12 | 077954-02-000 | EA | FILTER - WATER TANK - W/SCREEN IN TANK |

WATER & SEWAGE GROUP (CONTINUED)
WATER SYSTEM (CONTINUED)



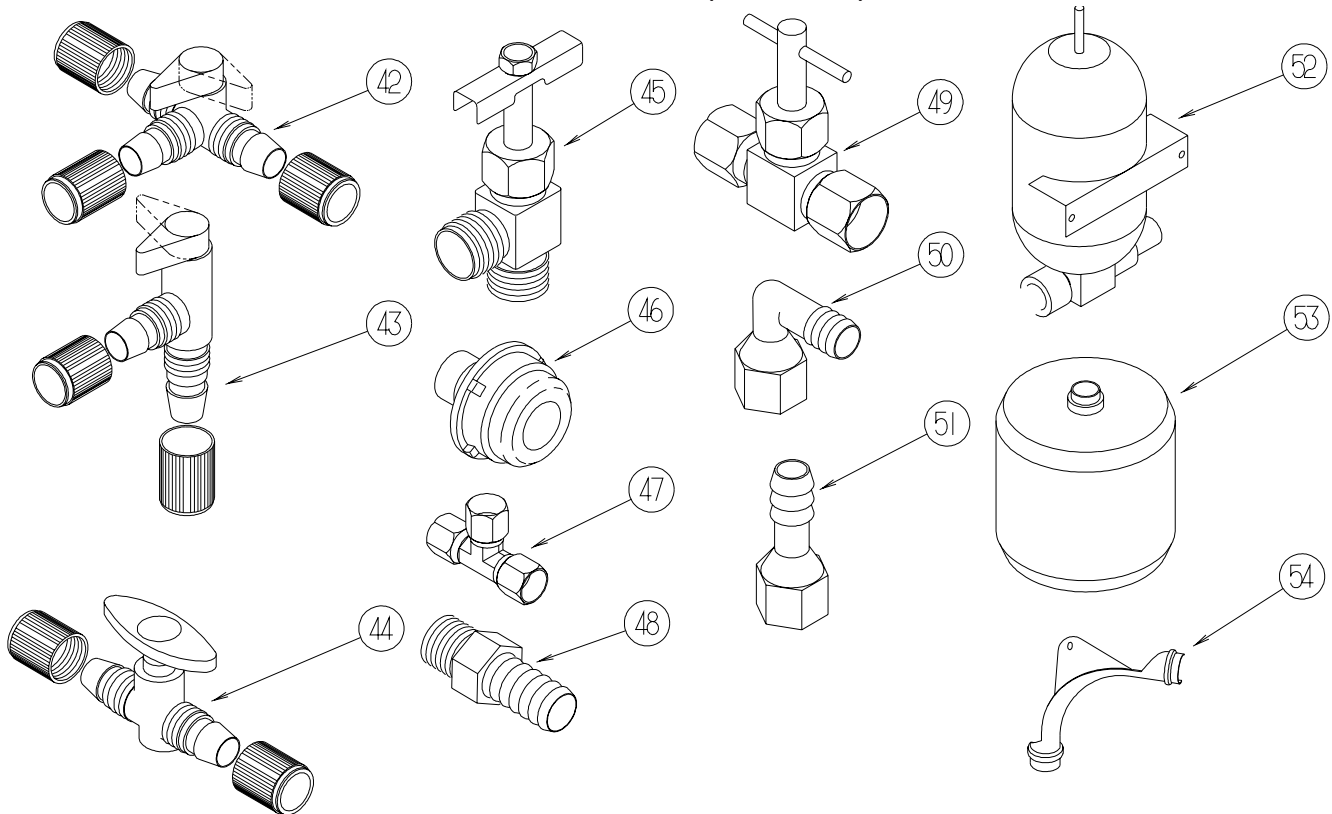
| KEY | PART NUMBER | U/M | DESCRIPTION |
|-----|---------------|-----|---|
| 13 | 079381-01-000 | FT | TUBING - RIBBED FLEXIBLE - WATER FILL - 1.4" ID |
| 14 | 087200-01-000 | EA | FILTER-WATER PURIFICATION, EVERPURE QC2-AC |
| 15 | 087200-02-000 | EA | CARTRIDGE-WATER FILTER,AC - EVERPURE 9601-11 |
| 16* | 098607-01-000 | EA | PUMP - WATER - W/.5" MPT FITTING - FLOW 2.8 GPM |
| 17 | 101814-01-000 | EA | COUPLING - FEMALE - 1/2" X 1/2" FPT - GRAY |
| 18 | 103798-01-000 | EA | CONNECTOR - 1/4 OD X 3/8 MPT |
| 19 | 110438-02-000 | EA | VALVE - CHECK - BRASS - 1/2 MPT X 1/2 MPT |
| 20 | 111223-02-000 | EA | ELBOW - 1/2" MPT X 3/8" BARB - PLASTIC |
| 20 | 111223-03-000 | EA | ELBOW - 3/4" MPT X 1/2" BARB - PLASTIC |
| 20 | 111223-04-000 | EA | ELBOW - 1/2" MPT X 1/2" BARB - PLASTIC |
| 21 | 111888-01-000 | EA | FERRULE - PLASTIC - .250 ID X .375 OD |
| 22 | 111888-02-000 | EA | INSERT - BRASS - 1/4 COMP |
| 23 | 113697-01-000 | EA | CAP - 3/8"P |
| 24 | 114427-01-000 | EA | CAP - 1/2"P |
| 25 | 114427-02-000 | EA | PLUG - W/COMP NUT - 1/2" PLASTIC PIPE/1/2" FLAIR-IT |

WATER & SEWAGE GROUP (CONTINUED)
WATER SYSTEM (CONTINUED)



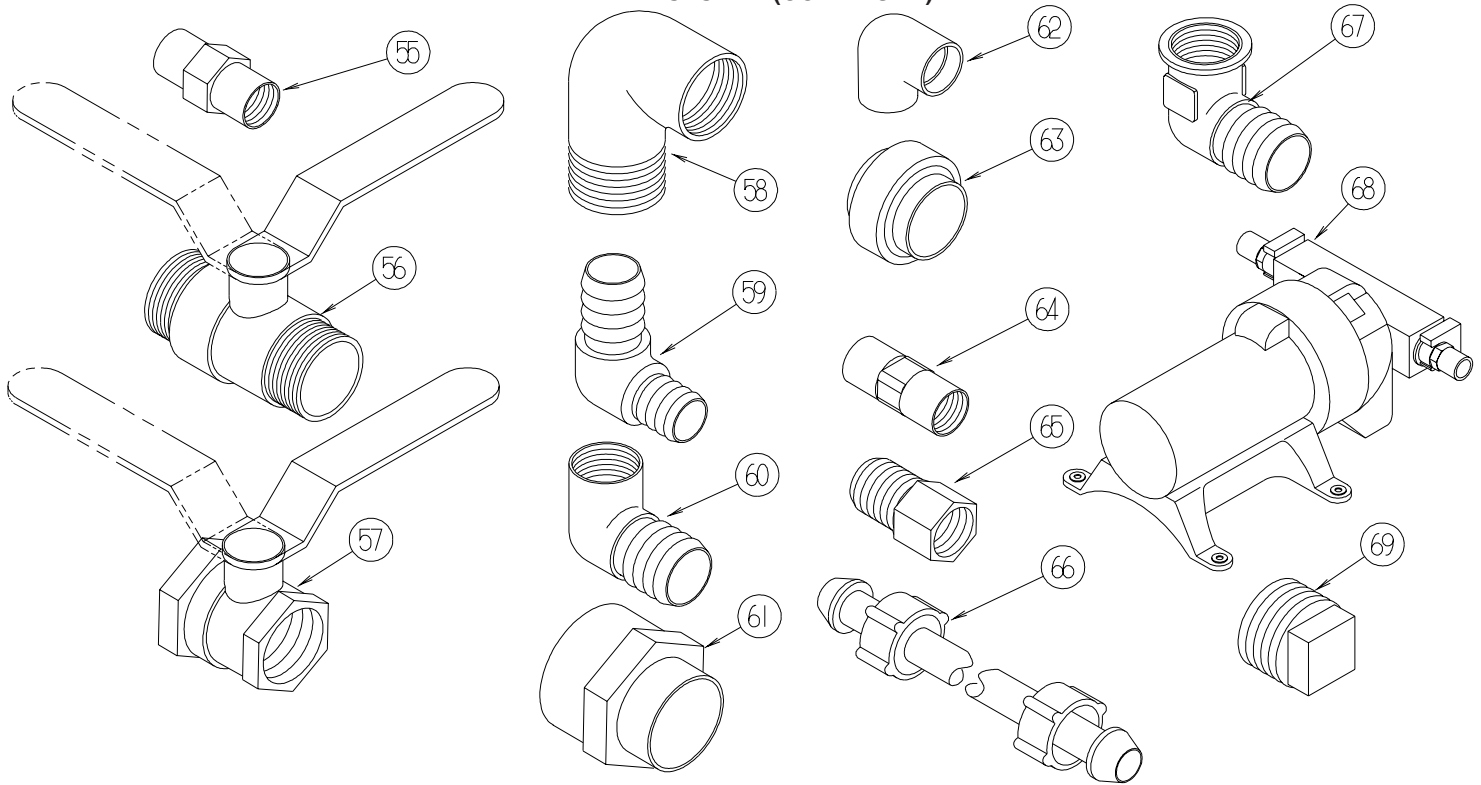
| KEY | PART NUMBER | U/M | DESCRIPTION |
|-----|---------------|-----|---|
| | 039798-01-000 | EA | TEE - 1/2"MPT X 1/2"MPT X 1/2"MPT - PLASTIC |
| 26 | 114428-01-000 | EA | TEE - 1/2"P X 1/2"P X 1/2"P |
| 27 | 114428-02-000 | EA | TEE - SWIVEL - 1/2"P X 1/2"P X 1/2"FPT |
| 28 | 114428-03-000 | EA | TEE - 1/2"P X 1/2"P X 1/2"MPT |
| 29 | 114428-04-000 | EA | TEE - 1/2"P X 1/2"P X 1/8"FPT |
| 30 | 114428-05-000 | EA | TEE - 1/2" SWIVEL X 1/2" MPT X 1/2" MPT |
| 31 | 114428-06-000 | EA | TEE - 1/2" P X 1/2" MPT X 1/2" MPT |
| 32 | 114428-07-000 | EA | TEE - 1/2" P X 1/2" MPT X 1/2" P |
| 33 | 114429-01-000 | EA | ELBOW - 1/2"P X 1/2"P |
| 34 | 114429-02-000 | EA | ELBOW - 1/2"P X 1/2"MPT |
| 34 | 114429-04-000 | EA | ELBOW - 1/2"P X 3/8"MPT |
| 34 | 114429-05-000 | EA | ELBOW - 1/2"P X 3/4"MPT |
| 34 | 114429-10-000 | EA | ELBOW - SWIVEL - 1/2"MPT X 1/2"FPT |
| 35 | 114429-03-000 | EA | ELBOW - SWIVEL - 1/2"P X 1/2"FPT |
| 35 | 114429-06-000 | EA | ELBOW - SWIVEL - 1/2"P X 3/4"FPT |
| 35 | 114429-08-000 | EA | ELBOW - SWIVEL - 1/2"P X 1/2"FPT |
| 35 | 114429-11-000 | EA | ELBOW - 1/2"P X 1/2"FPT |
| 36 | 114429-09-000 | EA | ELBOW - 1/2"P X 1/2"FPT DROP EAR |
| 37 | 114430-01-000 | EA | ADAPTER - 1/2"P X 1/2"P |
| 38 | 114430-02-000 | EA | ADAPTER - SWIVEL - 1/2"P X 1/2"FPT |
| 38 | 114430-04-000 | EA | ADAPTER - SWIVEL - 1/2"P X 3/8"MPT |
| 39 | 114430-03-000 | EA | ADAPTER - 1/2"P X 1/2"MPT |
| 40 | 114430-06-000 | EA | ADAPTER - 1/2"P X 3/8"FPT |
| 40 | 114430-09-000 | EA | ADAPTER - 1/2"P X 1/2"FPT |
| 41 | 114431-01-000 | EA | VALVE - 180 DEGREE/CENTER DRAIN - 1/2"P - THREE WAY |

WATER & SEWAGE GROUP (CONTINUED)
WATER SYSTEM (CONTINUED)



| KEY | PART NUMBER | U/M | DESCRIPTION |
|-----|---------------|-----|--|
| 42 | 114431-02-000 | EA | VALVE - WATER BYPASS - 1/2"P - THREE WAY (WATER HEATER) |
| 43 | 114431-03-000 | EA | VALVE - 90 DEGREE DRAIN - 1/2"P |
| 44 | 114431-04-000 | EA | VALVE - "INLINE SHUT-OFF" - 1/2"P |
| 45 | 114431-05-000 | EA | VALVE - NEEDLE - 1/8" MPT X 1/4" COMPRESSION (ICE MAKER) |
| 46 | 114966-01-000 | EA | FILTER - IN LINE - TWIST ON - 1/2" |
| 47 | 118423-01-000 | EA | FITTING - BRASS-TEE - 1/4C X 1/4C X 1/4C |
| 48 | 118809-01-000 | EA | ADAPTER - 1/2" MPT X 3/8" BARB - PLASTIC |
| 48 | 118809-02-000 | EA | ADAPTER - 1/2" MPT X 1/2" BARB - PLASTIC |
| 49 | 120868-01-000 | EA | VALVE - NEEDLE - 1/4" COMPRESSION X 1/4" COMPRESSION |
| 50 | 123150-01-000 | EA | ELBOW - 1/2 FPT X 1/2 BARB - SWIVEL |
| 51 | 123152-01-000 | EA | ADAPTER - 1/2 FPT X 1/2 BARB - SWIVEL |
| 52 | 123243-01-000 | EA | TANK - ACCUMULATOR - 24 OZ |
| 53 | 123317-01-000 | EA | TANK - ACCUMULATOR - 2 GALLON |
| 54 | 124184-01-000 | EA | SUPPORT - WATER LINE - BEND |

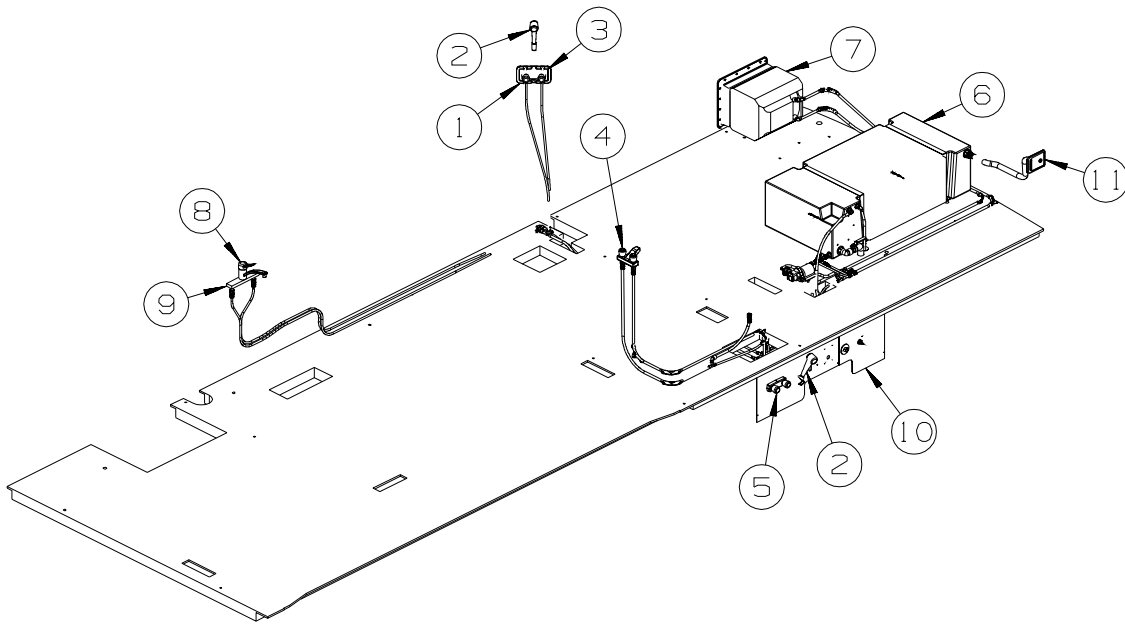
WATER & SEWAGE GROUP (CONTINUED)
WATER SYSTEM (CONTINUED)



| KEY | PART NUMBER | U/M | DESCRIPTION |
|-----|---------------|-----|---|
| 55 | 132148-01-000 | EA | CONNECTOR - 1/2" X 1/2"MPT - BRASS |
| 56 | 132483-01-000 | EA | VALVE/BALL - 1" - THREADED ENDS |
| 57 | 132483-02-000 | EA | VALVE/BALL - 1/2" - BRASS - FPT |
| 58 | 132484-01-000 | EA | ELBOW - 90 DEGREE - 1MPT X 1FPT - PLASTIC |
| 59 | 132781-01-000 | EA | ELBOW - 1.3" BARB X 1.3" BARB - 90 DEGREE - PLASTIC |
| 60 | 132782-01-000 | EA | ELBOW - 1"FPT X 1.3" BARB - 90 DEGREE - PLASTIC |
| 61 | 133835-01-000 | EA | ADAPTER - REDUCING - 1 1/2" X 1 1/4" |
| 62 | 133837-01-000 | EA | ELBOW - 1 1/2" X 90 DEGREE - DOUBLE SLIP |
| 63 | 133889-01-000 | EA | UNION - 1 1/2" DOUBLE SLIP - PVC |
| 64 | 135386-01-000 | EA | NIPPLE - 1/2" |
| 65 | 136333-01-000 | EA | ADAPTER - BRASS - 1/2"MPT X 1/2"FPT |
| 66 | 140821-01-000 | EA | TUBE - WATER SUPPLY - 3/8" X 24" |
| 66 | 140821-02-000 | EA | TUBE - WATER SUPPLY - 3/8" X 30" |
| 66 | 140821-03-000 | EA | TUBE - WATER SUPPLY - 3/8" X 36" |
| 66 | 140821-04-000 | EA | TUBE - WATER SUPPLY - 3/8" X 48" |
| 66 | 140821-05-000 | EA | TUBE - WATER SUPPLY - 3/8" X 54" |
| 66 | 140821-06-000 | EA | TUBE - WATER SUPPLY - 3/8" X 60" |
| 66 | 140821-07-000 | EA | TUBE - WATER SUPPLY - 3/8" X 72" |
| 67 | 142812-01-000 | EA | ELBOW - BRASS - 1/2"MPT X 1/2"FPT |
| 68* | 144215-01-000 | EA | PUMP - WATER - 5.7 GPM - W/1/2" MPT |
| * | 144215-02-000 | EA | STRAINER - WATER PUMP |
| 69 | 145609-01-000 | EA | PLUG - BRASS - 1/2" MPT/HEX HEAD |

***COMPONENT PARTS LISTED LATER IN THIS GROUP**

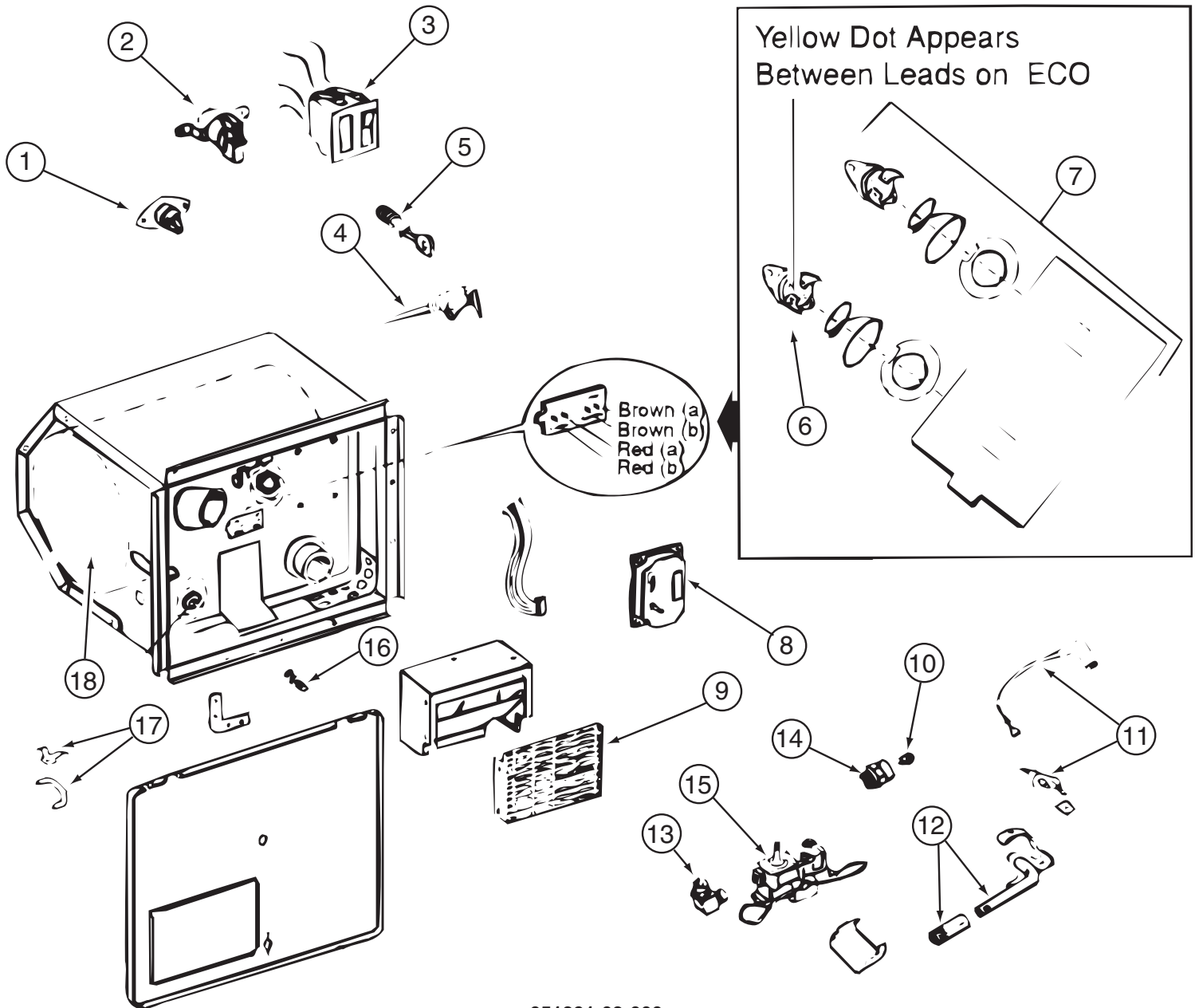
WATER & SEWAGE GROUP (CONTINUED)
WATER SYSTEM (CONTINUED)



| KEY | PART NUMBER | U/M | DESCRIPTION |
|-----|---------------|-----|---|
| 1* | 075241-04-000 | EA | FAUCET - SHOWER/BRASS |
| 2 | 131383-01-02A | EA | SHOWER HEAD - W/60" HOSE & BRACKET - WHITE |
| 3 | 075606-03-000 | EA | PANEL - FAUCET SHOWER - SOFT WHITE |
| 4* | 075240-05-000 | EA | FAUCET - LAVATORY/BRASS - W/CLEAR KNOBS |
| 5* | 075241-06-000 | EA | FAUCET - SHOWER/BRIGHT WHITE - .5" MPT W/1.9" INLET PIPES |
| 6 | 085189-01-000 | EA | TANK - WATER - 70 GALLON W/O FTGS - 51.2" X 24.9" X 13.4" |
| 6 | 085189-07-000 | EA | TANK - WATER - 70 GALLONS - W/FITTINGS |
| | 042989-03-000 | EA | FITTING - SPINWELD - 1 1/4"NPT - PLASTIC |
| | 042989-05-000 | EA | FITTING - SPINWELD - 1/2"FPT - PLASTIC |
| | 042989-08-000 | EA | FITTING - SPINWELD - 1"FPT - PLASTIC |
| | 049032-01-000 | EA | PATCH - SPINWELD - 3/8" - PLASTIC |
| 7* | 051393-01-000 | EA | WATER HEATER - GH6-8E - ELECTRONIC IGNITION W/MOTOR AID |
| 7* | 051391-03-000 | EA | WATER HEATER G6A-8E ELECTRONIC IGNITION |
| 7 | 052009-06-000 | EA | DOOR - WATER HEATER - BRIGHT WHITE - 18" X 14.6" |
| 8* | 104114-05-01A | EA | FAUCET - GALLEY - SINGLE CONTROL/LOOP HANDLE - CHROME |
| 9 | 091253-01-000 | EA | GASKET - FAUCET - LAVATORY/GALLEY |
| 10 | 139549-02-12B | EA | PANEL - SERVICE CENTER - BRIGHT WHITE |
| 11 | 137169-01-01A | EA | WATER FILL/GRAVITY - W/DOOR - W/O LOCK - BRIGHT WHITE |
| | 138290-03-000 | EA | CASE - W/CAM - W/O CYLINDER/KEY |

***COMPONENT PARTS LISTED LATER IN THIS GROUP**

WATER & SEWAGE GROUP (CONTINUED)
COMPONENT PARTS FOR WATER SYSTEM

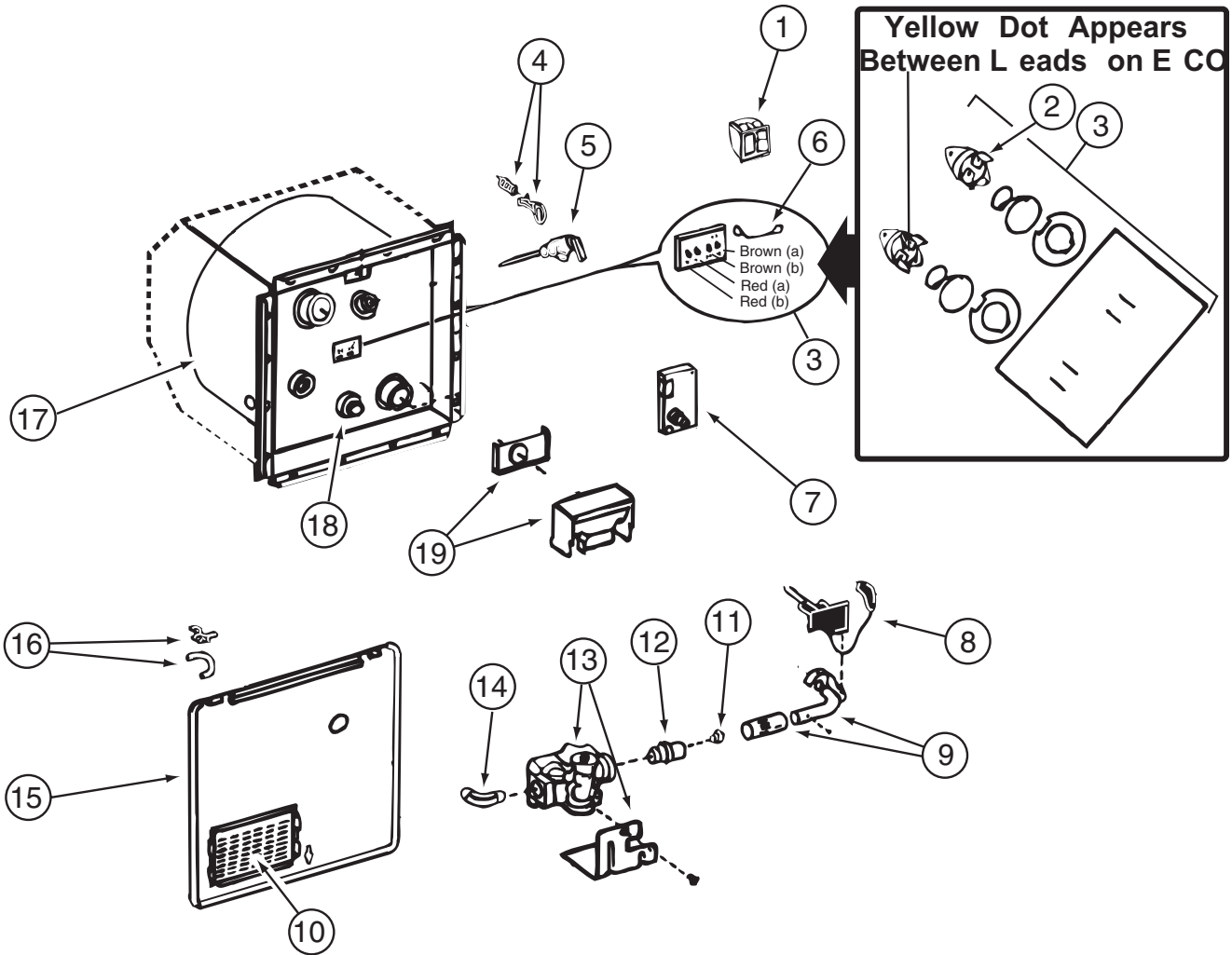


051391-03-000

| KEY | PART NUMBER | U/M | DESCRIPTION | VENDOR NO. |
|-----|---------------|-----|------------------------------|-------------|
| 3 | 051393-01-701 | EA | SWITCH - REMOTE - W/LIGHT | 91959 |
| 4 | 051391-01-704 | EA | VALVE-RELIEF, 1/2" FITTING | 91604 |
| 5 | 051391-01-705 | EA | FASTENER-CAMLOCK | 92609 |
| 6 | 051391-04-701 | EA | THERMOSTAT 12V DC-120 PRESET | 91470 |
| 7 | 051393-01-721 | EA | THERMOSTAT W/ECO, 140 FRT MT | 91447 |
| 9 | 051391-04-707 | EA | KIT-EXHAUST, (FLUE & GASKET) | 90960 |
| 10 | 051391-01-710 | EA | ORIFICE-MAIN BURNER | 92742 |
| 12 | 051391-04-703 | EA | BURNER-MAIN/ELECTRONIC | 91638 |
| 13 | 051391-01-714 | EA | FITTING-ELBOW 45,3/8F X 3/8 | MPT 1044 |
| 14 | 051391-03-700 | EA | HOLDER-ORIFICE | 91563 |
| 16 | 051391-01-715 | EA | PLUG-DRAIN, 1 EA = 2 PER PKG | 91857 |
| 17 | 051391-01-700 | EA | HINGE KIT, (PIN & CLIP) | 92568&92559 |
| 18 | 051391-04-706 | EA | TANK-INNER,G6A-4E&6E FRT. MT | 91641 |
| | 051391-01-717 | EA | GRILLE-WATER HEATER DOOR | 92640 |
| | 051393-01-723 | EA | SWITCH - THERMAL CUTOUT 2/PK | 93866 |
| | 051393-01-724 | EA | BOARD-CIRCUIT,SPADE TERMINAL | 93865 |
| | 051393-01-725 | EA | ELECTRODE-SGL SPADE CONNECT. | 93868 |
| | 051393-01-726 | EA | VALVE-SOLENOID, W/O BRACKET | 93870 |
| | 111129-01-711 | EA | BRACKET-CORNER, SET OF FOUR | 91928 |

CONTACT WINNEBAGO PARTS SALES FOR UNLISTED COMPONENTS

WATER & SEWAGE GROUP (CONTINUED)
COMPONENT PARTS FOR WATER SYSTEM (CONTINUED)



051393-01-000

| KEY | PART NUMBER | U/M | DESCRIPTION | VENDOR NO. |
|-----|---------------|-----|--|---------------|
| 1 | 051393-01-701 | EA | SWITCH PACKAGE | 91959 |
| 2 | 051391-04-701 | EA | THERMOSTAT 12V DC-120 PRESET | 91470 |
| 3 | 051393-01-721 | EA | ECO & THERMOSTAT ASM - FRT MT - 140° | 91447 |
| 4 | 051391-01-705 | EA | FASTENER - CAMLOC | 92609 |
| 5 | 051391-01-704 | EA | VALVE - RELIEF - 1/2" FITTING | 91604 |
| 6 | 051393-01-723 | EA | SWITCH - ENERGY CUT-OFF | 93866 |
| 7 | 051393-01-724 | EA | CIRCUIT BOARD - W/ SPADE TERMINAL | 93867 |
| 8 | 051393-01-725 | EA | ELECTRODE - SINGLE SPADE CNT | 93868 |
| 9 | 051391-04-703 | EA | BURNER - MAIN | 91638 |
| 10 | 051391-01-717 | EA | GRILLE | 92640 |
| 11 | 051391-01-710 | EA | ORIFICE - MAIN BURNER | 92742 |
| 12 | 051391-03-700 | EA | ORIFICE HOLDER | 91563 |
| 13 | 051393-01-726 | EA | SOLENOID VALVE & BRACKET | 93870 |
| 14 | 051391-01-714 | EA | ELBOW - 45 DEGREE - 3/8" F X 3/8" MPT | 91044 |
| 15 | | EA | DOOR-WATER HEATER - SEE EXTERIOR DOOR & COMPARTMENT GROUP BY MODEL | |
| 16 | 051391-01-700 | EA | HINGE KIT - W/CLIP | 92568 & 92559 |
| 17 | 051391-04-704 | EA | TANK - INNER | 91642 |
| 18 | 051391-01-715 | EA | DRAIN PLUG | 91857 |
| 19 | 051391-04-707 | EA | FLUE & GASKET | 90960 |
| | 111129-01-711 | EA | BRACKET-CORNER, SET OF FOUR | 91928 |

WATER & SEWAGE GROUP (CONTINUED)
COMPONENT PARTS FOR WATER SYSTEM (CONTINUED)

075240-05-000

| KEY | PART NUMBER | U/M DESCRIPTION | VENDOR NO. |
|------------|--------------------|---------------------------|-------------------|
| | 075240-05-700 | EA CARTRIDGE - WASHERLESS | 9-P42 |

075241-04-000, 075241-05-000, 075241-06-000

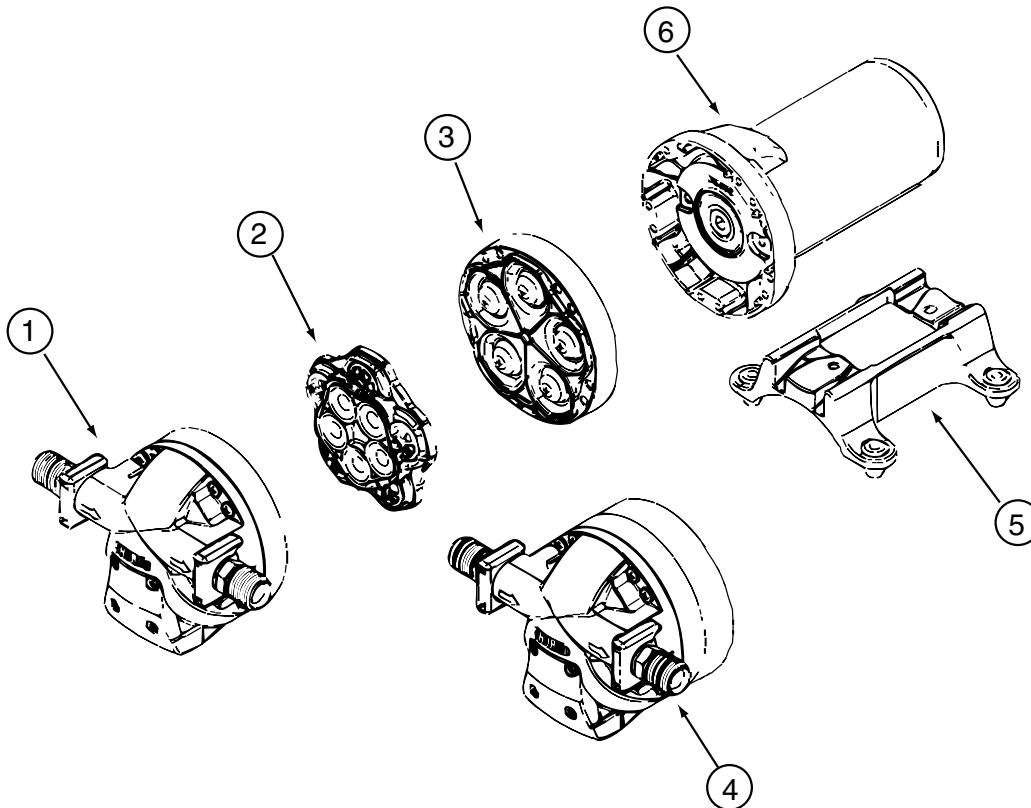
| KEY | PART NUMBER | U/M DESCRIPTION | VENDOR NO. |
|------------|--------------------|---------------------------|-------------------|
| | 075240-05-700 | EA CARTRIDGE - WASHERLESS | 9-P42 |

098607-01-000

| KEY | PART NUMBER | U/M DESCRIPTION | VENDOR NO. |
|------------|--------------------|---------------------------------|-------------------|
| | 098607-01-702 | EA DIAPHRAGM/DRIVE ASSEMBLY KIT | 94-238-04 |
| | 098607-01-703 | EA VALVE KIT | 94-232-00 |
| | 098607-01-705 | EA VALVE-CHECK, KIT | 94-237-00 |
| | 098607-01-706 | EA HOUSING, W/SWITCH ONLY | 94-231-20 |
| | 098607-01-707 | EA MOTOR W/BASEPLATE | 11-148-04 |

104114-05-01A

| KEY | PART NUMBER | U/M DESCRIPTION | VENDOR NO. |
|------------|--------------------|--------------------------|-------------------|
| | 104114-05-700 | EA CARTRIDGE- REPAIR KIT | 6-N1201-5-0WB |



144215-01-000

| KEY | PART NUMBER | U/M DESCRIPTION | VENDOR NO. |
|------------|--------------------|---------------------------|-------------------|
| 2 | 144215-01-700 | EA VALVE ASSEMBLY | 94-030-01 |
| 3 | 144215-01-701 | EA DRIVE ASSEMBLY | 94-030-02 |
| | 144215-01-702 | EA FITTING KIT - W/ORINGS | 94-615-06 |

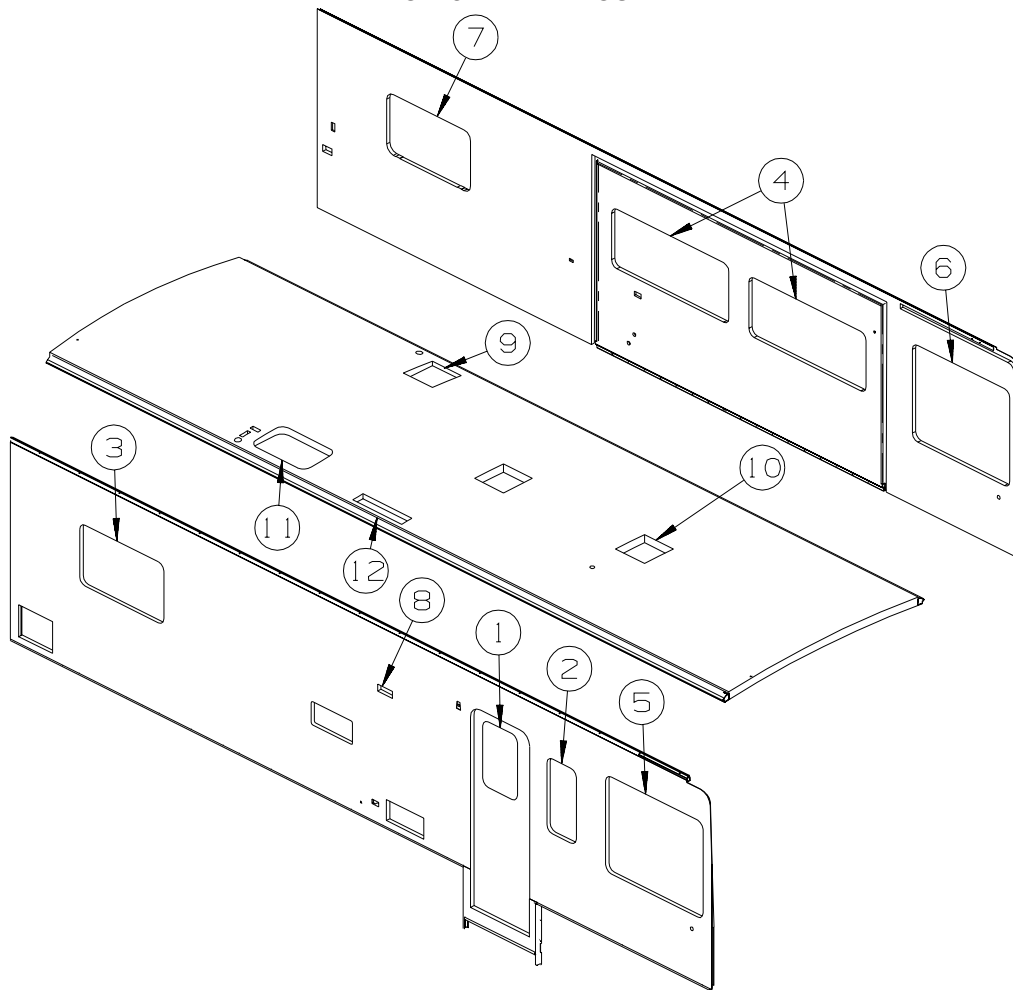
CONTACT WINNEBAGO PARTS SALES FOR UNLISTED COMPONENT(S)

144215-02-000

| KEY | PART NUMBER | U/M DESCRIPTION | VENDOR NO. |
|------------|--------------------|---------------------------------|-------------------|
| | 144215-02-700 | EA FITTING KIT- COUPLER W/ORING | 94-637-00 |

WINDOW & VENTS GROUP

WINDOW & VENT LAYOUT



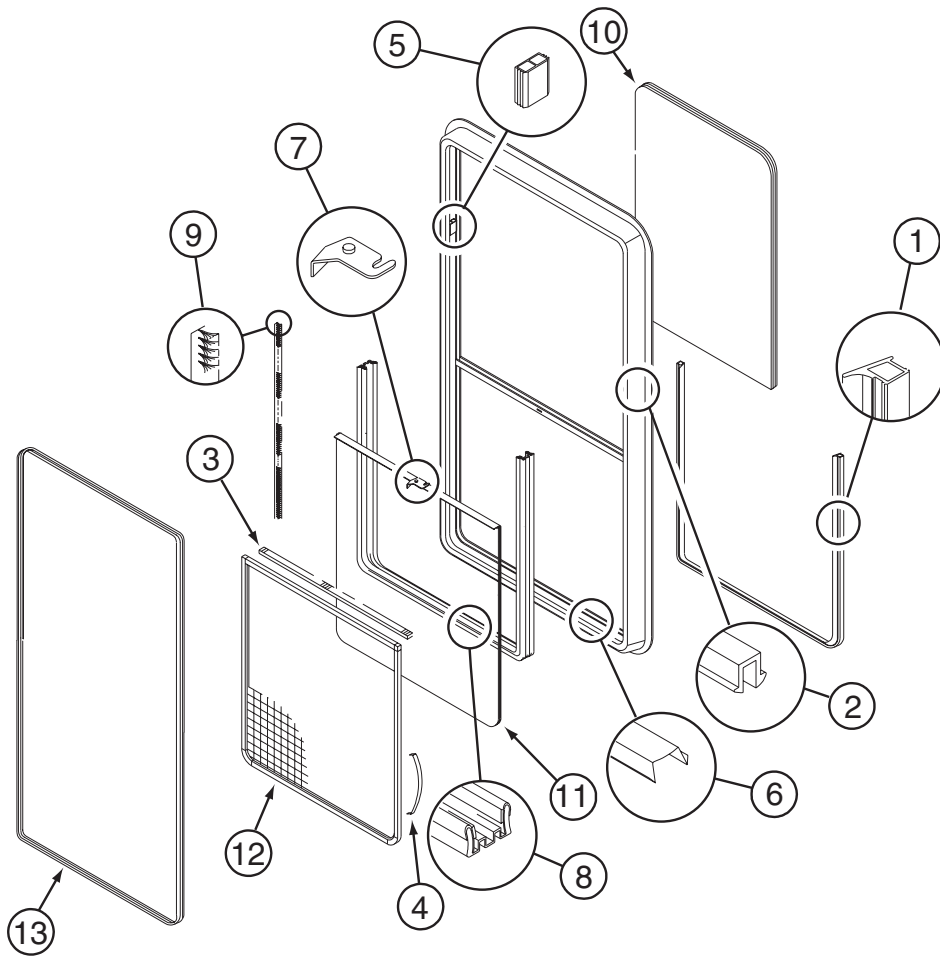
| KEY | PART NUMBER | U/M | DESCRIPTION |
|-----|---------------|-----|---|
| 1 | 117053-02-F36 | EA | WINDOW - PICTURE - W/O TRIM - 60% TINTING - 26.4" X 17" |
| | 002181-25-000 | EA | GLASS - PICTURE WINDOW - 25.8"W X 16.4"H |
| | 087561-01-000 | FT | SEAL - GLASS - EXTERIOR - .5" WIDE - VINYL BLACK |
| 1 | 117054-02-02A | EA | TRIM/RETAINER - INSIDE - 16.9" X 26.2" - BRIGHT WHITE |
| 2* | 098644-07-02A | EA | WINDOW - VERTICAL SLIDER W/TRIM - TINTED - 14" X 30" |
| 3* | 098647-41-02A | EA | WINDOW - PASS HORIZ SLIDER W/TRIM - TINTED - 41" X 24.2" |
| 4* | 098647-47-02A | EA | WINDOW - DRVR HORIZ SLIDER W/TRIM - TINTED - 57.4" X 23.6" |
| 5* | 145573-01-01A | EA | WINDOW - CAB/PASSENGER/RADIUS - 39" X 47.9" - BLACK |
| 6* | 145573-02-01A | EA | WINDOW - CAB/DRIVER/RADIUS - 39" X 47.9" - BLACK |
| 7* | 098647-63-01A | EA | WINDOW - DRVR HORIZ SLIDER/EGRESS W/TRIM - 41" X 24.2" |
| 8 | 084616-07-000 | EA | SHROUD - EXHAUST VENT/RANGE HOOD - BRIGHT WHITE |
| 8 | 084878-09-000 | EA | VENT - EXHAUST/RANGE HOOD - OFF WHITE |
| 9* | 123780-03-01A | EA | FANTASTIC VENT-3"/4"ROOF-W/FAN-W/O THERM/PWR LIFT/WHT CVR - POWER VENTILATOR VENT |
| | 009440-01-000 | EA | GEAR/ARM - LIFT - ROOF VENT COVER |
| 9* | 122882-02-01A | EA | VENT - ROOF - W/FAN - W/O INSIDE GARNISH - UL - U.S. - POWER VENT |
| | 009440-01-000 | EA | GEAR/ARM - LIFT - ROOF VENT COVER |
| | 048648-01-000 | EA | MOTOR/ROOF VENT - W/RESISTER - 1/8"SHAFT - 12VOLT |
| | 048649-01-000 | EA | FAN BLADE - ROOF VENT - 6 BLADED - 6"RADIUS |
| 9 | 122882-07-01A | EA | GARNISH - ROOF VENT - 2.5" TO 4.1" |
| 9* | 122882-03-01A | EA | VENT - ROOF - W/FAN - W/O INSIDE GARNISH - CSA - CANADIAN - POWER VENT |
| | 009440-01-000 | EA | GEAR/ARM - LIFT - ROOF VENT COVER |
| | 048648-01-000 | EA | MOTOR/ROOF VENT - W/RESISTER - 1/8"SHAFT - 12VOLT |
| | 048649-01-000 | EA | FAN BLADE - ROOF VENT - 6 BLADED - 6"RADIUS |
| 9 | 122882-07-01A | EA | GARNISH - ROOF VENT - 2.5" TO 4.1" |

WINDOW & VENTS GROUP
WINDOW & VENT LAYOUT (CONTINUED)

| KEY | PART NUMBER | U/M | DESCRIPTION |
|-----|---------------|-----|--|
| 10* | 122882-01-01A | EA | VENT - ROOF - NONPOWERED - W/O INSIDE GARNISH - NON-POWERED VENT |
| | 009440-01-000 | EA | GEAR/ARM - LIFT - ROOF VENT COVER |
| 10 | 122882-07-01A | EA | GARNISH - ROOF VENT - 2.5" TO 4.1" |
| 11 | 122193-01-02A | EA | PANEL - SKYLITE - INNER |
| 11 | 138372-01-02B | EA | TRIM - CORNER - SKYLIGHT - E-COATED |
| 11 | 138379-02-01A | EA | PANEL/SKYLIGHT OTR - RECT/4"H CTR DOME-18.4" X 29.5 - WHT |
| 12 | 084073-04-000 | EA | BASE/VENT - ROOF/REFRIGERATOR - BLACK - NORCOLD FROM: 00-00-00 THRU: 11-09-03 |
| 12 | 149508-02-02A | EA | BASE - REFRIGERATOR ROOF VENT - BRIGHT WHITE FROM: 11-10-03 THRU: 99-99-99 |
| 12 | 084073-07-000 | EA | CAP - ROOF/REFRIGERATOR VENT - 10" X 32" - BRIGHT WHITE FROM: 00-00-00 THRU: 11-09-03 |
| 12 | 149508-01-02A | EA | CAP - ROOF/REFRIGERATOR VENT - WHITE FROM: 11-10-03 THRU: 99-99-99 |

***COMPONENT PARTS LISTED LATER IN THIS GROUP**

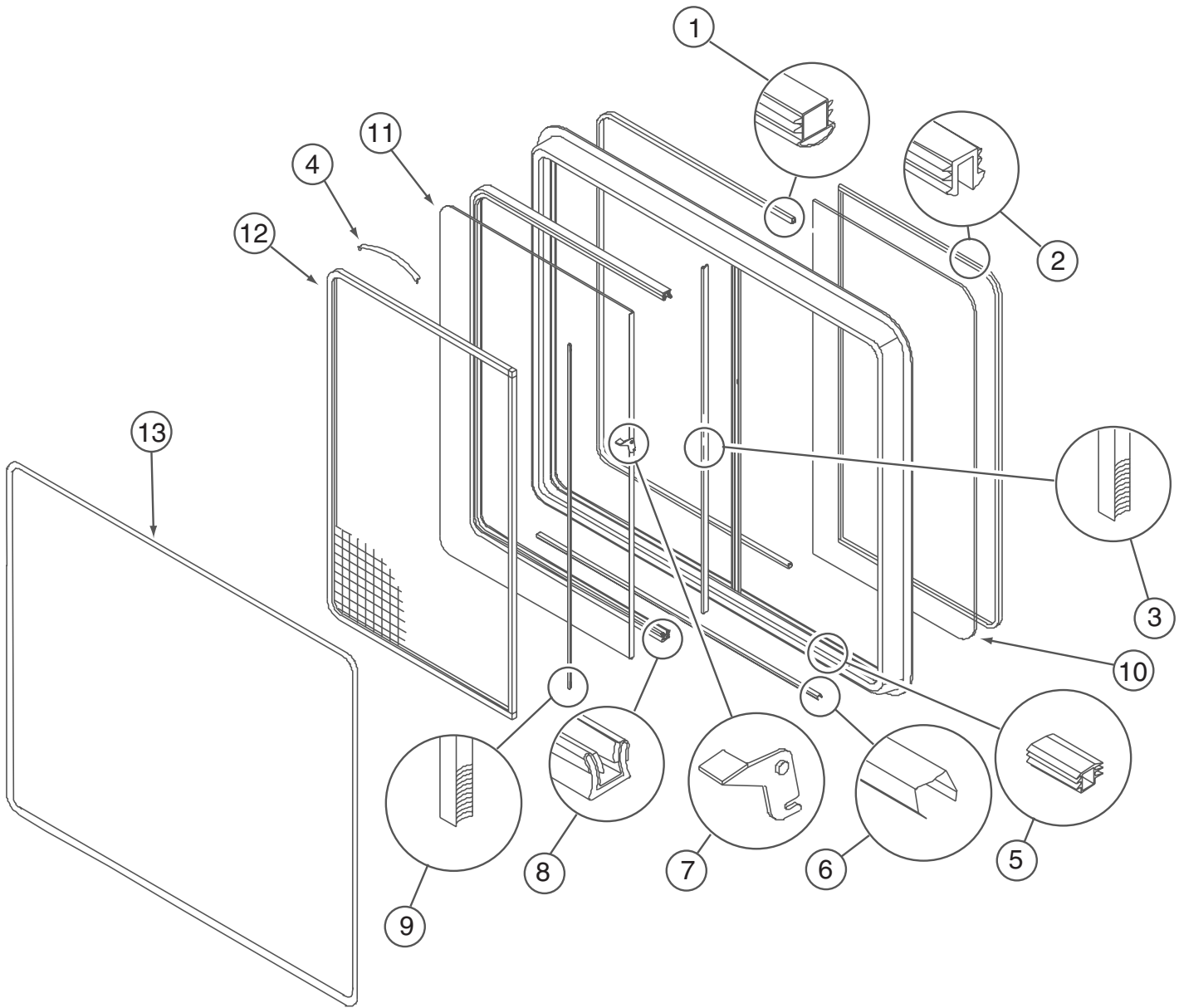
WINDOW & VENTS GROUP (CONTINUED)
COMPONENT PARTS FOR WINDOWS & VENT LAYOUT



098644-07-02A

| KEY | PART NUMBER | U/M | DESCRIPTION | VENDOR NO. |
|------------|--------------------|------------|------------------------------|-------------------|
| 1 | 098644-01-716 | FT | PLUG - FILLER | 132-014470 |
| 2 | 098644-01-705 | FT | GLAZING - STRIP | 132-010231 |
| 3 | 098644-01-706 | FT | WEATHERSTRIP - GLASS | 171-010668 |
| 4 | 098644-01-713 | EA | CLIP - SCREEN - METAL | 226-016966 |
| 4 | 125582-01-701 | EA | CLIP - SCREEN - PLASTIC | 130-005153 |
| 5 | 098644-01-719 | EA | STOP - SLIDER GLASS | 132-014203 |
| 6 | 098644-01-710 | FT | TRACK - SCREEN SPACER 12' | 132-017135 |
| 7 | 098647-54-701 | EA | LATCH - REPAIR KIT (RED) | B081-CK |
| 8 | 098644-01-708 | FT | CHANNEL - RUN PIERCED | 122-016543 |
| 9 | 098644-01-711 | FT | WEATHERSTRIP - SCREEN BLACK | 171-016965 |
| 10 | 098644-07-702 | EA | GLASS - STATIONARY | 106-015777 |
| 11 | 098644-07-703 | EA | GLASS-SLIDING W/SASH & LATCH | H170-G9 |
| 12 | 098644-07-704 | EA | SCREEN ASM - W/SEALS & CLIPS | 410-018863 |
| 13 | 098644-07-705 | EA | RETAINER - TRIM | CH02-66 |
| | 098644-01-717 | FT | SPLINE - SCREEN | 132-004716 |

WINDOW & VENTS GROUP (CONTINUED)
COMPONENT PARTS FOR WINDOWS & VENT LAYOUT (CONTINUED)



098647-41-02A

| KEY | PART NUMBER | U/M | DESCRIPTION | VENDOR NO. |
|-----|---------------|-----|------------------------------|------------|
| 1 | 098644-01-716 | FT | PLUG - FILLER | 132-014470 |
| 2 | 098644-01-705 | FT | GLAZING - STRIP | 132-010231 |
| 3 | 098644-01-706 | FT | WEATHERSTRIP - GLASS | 171-010668 |
| 4 | 098644-01-713 | EA | CLIP - SCREEN - METAL | 226-016966 |
| 4 | 125582-01-701 | EA | CLIP - SCREEN - PLASTIC | 130-005153 |
| 5 | 098644-01-719 | EA | STOP - SLIDER GLASS | 132-014203 |
| 6 | 098644-01-710 | FT | TRACK - SCREEN SPACER 12' | 132-017135 |
| 7 | 098647-54-701 | EA | LATCH - REPAIR KIT (RED) | B081-CK |
| 8 | 098644-01-708 | FT | CHANNEL - RUN PIERCED | 122-016543 |
| 9 | 098644-01-711 | FT | WEATHERSTRIP - SCREEN BLACK | 171-016965 |
| 10 | 098647-41-701 | EA | GLASS - STATIONARY | 106-015474 |
| 11 | 098647-41-700 | EA | GLASS-SLIDING W/SASH & LATCH | H172-G9 |
| 12 | 098647-29-704 | EA | SCREEN ASM - W/SEALS & CLIPS | 410-018864 |
| 13 | 098647-29-705 | EA | RETAINER - TRIM | CH04-66 |
| | 098644-01-717 | FT | SPLINE - SCREEN | 132-004716 |

WINDOW & VENTS GROUP (CONTINUED)
COMPONENT PARTS FOR WINDOWS & VENT LAYOUT (CONTINUED)

098647-47-02A

| KEY | PART NUMBER | U/M | DESCRIPTION | VENDOR NO. |
|------------|--------------------|------------|------------------------------|-------------------|
| 1 | 098644-01-716 | FT | PLUG - FILLER | 132-014470 |
| 2 | 098644-01-705 | FT | GLAZING - STRIP | 132-010231 |
| 3 | 098644-01-706 | FT | WEATHERSTRIP - GLASS | 171-010668 |
| 4 | 098644-01-713 | EA | CLIP - SCREEN - METAL | 226-016966 |
| 4 | 125582-01-701 | EA | CLIP - SCREEN - PLASTIC | 130-0 |
| 5 | 098644-01-719 | EA | STOP - SLIDER GLASS | 132-014203 |
| 6 | 098644-01-710 | FT | TRACK - SCREEN SPACER 12' | 132-017135 |
| 7 | 098647-54-701 | EA | LATCH - REPAIR KIT (RED) | B081-CK |
| 8 | 098644-01-708 | FT | CHANNEL - RUN PIERCED | 122-016543 |
| 9 | 098644-01-711 | FT | WEATHERSTRIP - SCREEN BLACK | 171-016965 |
| 10 | 098647-47-700 | EA | GLASS - STATIONARY | 106-025224 |
| 11 | 098647-47-701 | EA | GLASS-SLIDING W/SASH & LATCH | H493-G9 |
| 12 | 098647-47-702 | EA | SCREEN ASM - W/SEALS & CLIPS | 410-025226 |
| 13 | 098647-47-704 | EA | RETAINER - TRIM | H493-66 |
| | 098644-01-717 | FT | SPLINE - SCREEN | 132-004716 |

098647-63-01A

| KEY | PART NUMBER | U/M | DESCRIPTION | VENDOR NO. |
|------------|--------------------|------------|------------------------------|-------------------|
| 1 | 098644-01-716 | FT | PLUG - FILLER | 132-014470 |
| 2 | 098644-01-705 | FT | GLAZING - STRIP | 132-010231 |
| 3 | 098644-01-706 | FT | WEATHERSTRIP - GLASS | 171-010668 |
| 4 | 098644-01-713 | EA | CLIP - SCREEN - METAL | 226-016966 |
| 4 | 125582-01-701 | EA | CLIP - SCREEN - PLASTIC | 130-0 |
| 5 | 098644-01-719 | EA | STOP - SLIDER GLASS | 132-014203 |
| 6 | 098644-01-710 | FT | TRACK - SCREEN SPACER 12' | 132-017135 |
| 7 | 098647-54-701 | EA | LATCH - REPAIR KIT (RED) | B081-CK |
| 8 | 098644-01-708 | FT | CHANNEL - RUN PIERCED | 122-016543 |
| 9 | 098644-01-711 | FT | WEATHERSTRIP - SCREEN BLACK | 171-016965 |
| 10 | 098647-56-700 | EA | GLASS - STATIONARY | 106-019401 |
| 11 | 098647-63-700 | EA | GLASS-SLIDING W/SASH & LATCH | H422-G9 |
| 12 | 112795-62-702 | EA | SCREEN ASSY - W/SEAL & CLIPS | 410-018866 |
| 13 | 112795-62-704 | EA | RETAINER - TRIM | H422-64 |
| | 098644-01-717 | FT | SPLINE - SCREEN | 132-004716 |

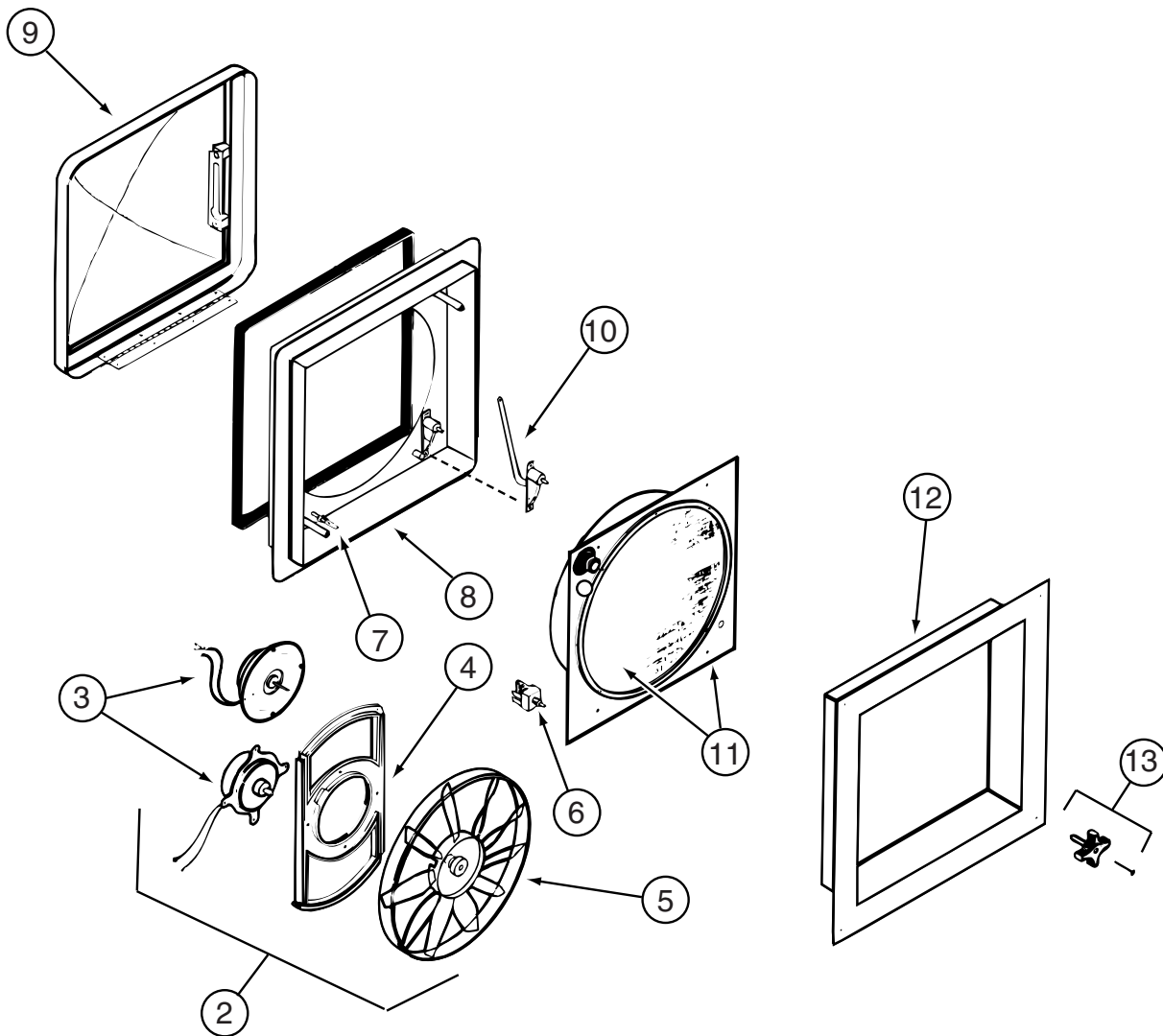
122882-01-01A

| KEY | PART NUMBER | U/M | DESCRIPTION | VENDOR NO. |
|------------|--------------------|------------|------------------------------|-------------------|
| | 009440-01-000 | EA | GEAR-ARM-ROOF VENT | 705221K38 |
| | 064470-01-700 | EA | COVER - VENT - W/O SLIDE BAR | J7291 |
| | 064470-01-701 | EA | SLIDE BAR - VENT LID | JRP1291B |
| | 122882-01-700 | EA | HANDLE - CRANK - BLACK | 90128 |
| | 122882-01-701 | EA | SCREEN | JRP-1124-B |
| | 122882-01-702 | EA | HANDLE - CRANK - WHITE | JRP1031B |

122882-02-01A, 122882-03-01A

| KEY | PART NUMBER | U/M | DESCRIPTION | VENDOR NO. |
|------------|--------------------|------------|------------------------------|-------------------|
| | 064470-01-700 | EA | COVER - VENT - W/O SLIDE BAR | J7291 |
| | 009440-01-000 | EA | GEAR-ARM-ROOF VENT | 705221K38 |
| | 048648-01-000 | EA | MOTOR-12V NONVENTED 1/8 SFT | |
| | 048649-01-000 | EA | FAN-PLAS-6 IN 6 BLADED | |
| | 122882-01-700 | EA | HANDLE - CRANK - BLACK | 90128 |
| | 122882-01-701 | EA | SCREEN | JRP-1124-B |
| | 122882-01-702 | EA | HANDLE - CRANK - WHITE | JRP1031B |
| | 064470-01-701 | EA | SLIDE BAR - VENT LID | JRP1291B |
| | 110051-03-700 | EA | SWITCH-BLACK/PUSH BUTTON | 27-0164 |

WINDOW & VENTS GROUP (CONTINUED)
COMPONENT PARTS FOR WINDOWS & VENT LAYOUT (CONTINUED)

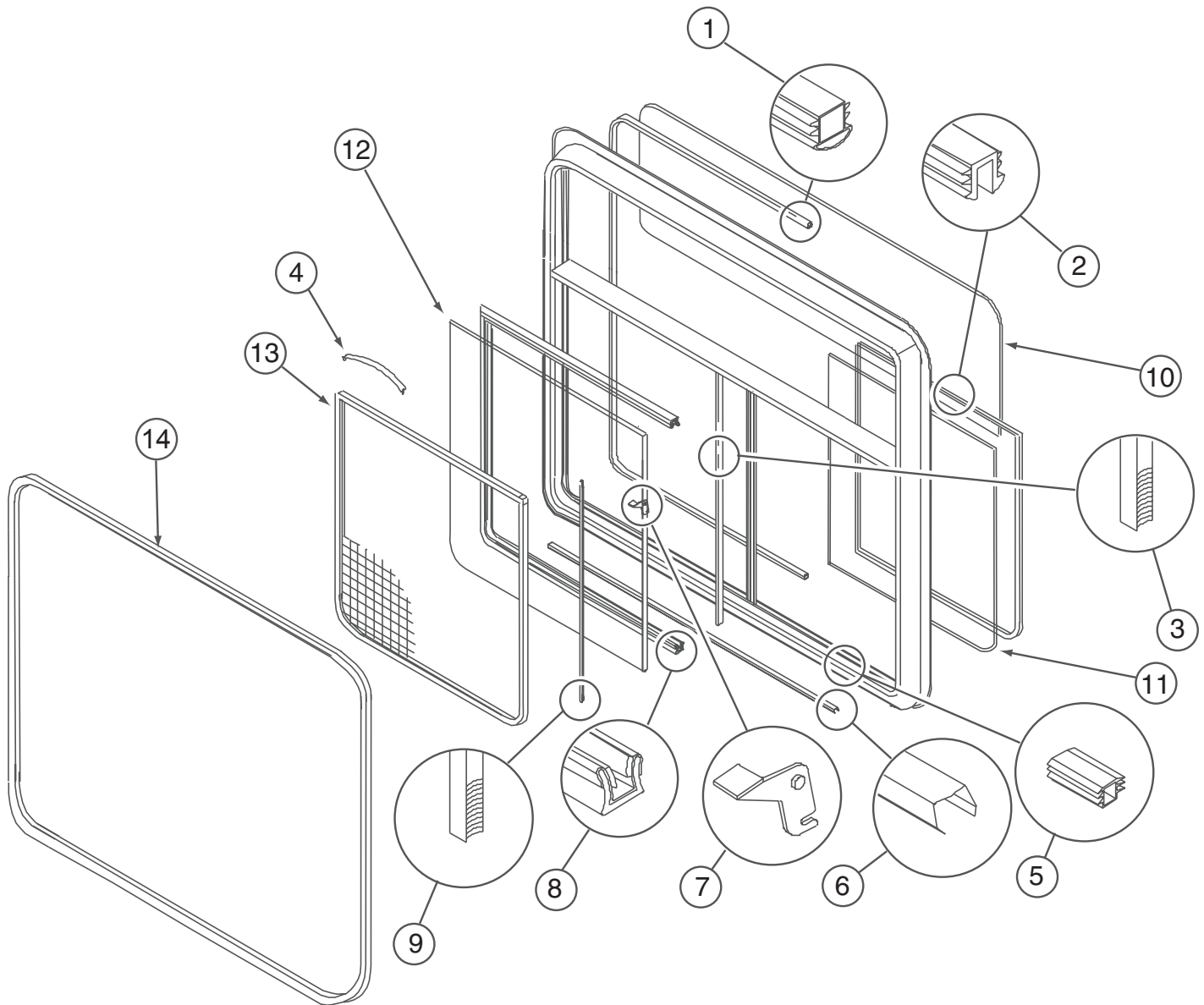


123780-03-01A

| KEY | PART NUMBER | U/M | DESCRIPTION | VENDOR NO. |
|-----|---------------|-----|------------------------------|------------|
| 2 | 084079-11-700 | EA | MOTOR & FAN BLADE W/BRACKET | K4017-09 |
| 3 | 084079-01-705 | EA | MOTOR/EXT BRKT/FAN BLADE KIT | 1080-00 |
| 4 | 084079-01-711 | EA | MOTOR MOUNT (BOWTIE) | 1015-00 |
| 5 | 084079-01-704 | EA | BLADE-FAN | 1138-00 |
| 6 | 084079-01-709 | EA | SWITCH - MAIN - 3 SPEED | 1031-05 |
| 7 | 084079-01-707 | EA | SWITCH - SAFETY | 1122-05 |
| 8 | 123780-05-700 | EA | BASE/MAIN-BRT WHT W/GASKET | 1010-81 |
| 9 | 123780-01-700 | EA | COVER - VENT W/HINGE & SLIDE | 1020K-81 |
| 10 | 009440-01-000 | EA | GEAR-ARM-ROOF VENT | 705221K38 |
| 11 | 123780-03-701 | EA | SCREEN ASM 78-100MM W/SWITCH | 1030BT-81 |
| 12 | 123780-03-700 | EA | GARNISH - INT. 3"-4" BRT/WHT | 2040-81 |
| 13 | 084079-01-703 | EA | KNOB-LIFT, W/EXT. | 1140K-00 |
| | 123780-01-702 | EA | SCREEN INSERT (SCREEN RING) | K1035-81 |
| | 084079-01-706 | EA | PLUG, 12 VOLT | 1090 |

CONTACT WINNEBAGO PART SALES FOR UNLISTED COMPONENTS

WINDOW & VENTS GROUP (CONTINUED)
COMPONENT PARTS FOR WINDOWS & VENT LAYOUT (CONTINUED)



145573-01-01A

| KEY | PART NUMBER | U/M | DESCRIPTION | VENDOR NO |
|-----|---------------|-----|------------------------------|------------|
| 1 | 098644-01-716 | FT | PLUG - FILLER | 132-014470 |
| 4 | 098644-01-713 | EA | CLIP - SCREEN - METAL | 226-016966 |
| 4 | 125582-01-701 | EA | CLIP - SCREEN - PLASTIC | 130-005153 |
| 5 | 098644-01-719 | EA | STOP - SLIDER GLASS | 132-014203 |
| 6 | 098644-01-710 | FT | TRACK - SCREEN SPACER 12' | 132-017135 |
| 7 | 098644-01-700 | EA | LATCH - REPAIR KIT (BLACK) | B801-CK |
| 8 | 098644-01-708 | FT | CHANNEL - RUN PIERCED | 122-016543 |
| 9 | 098644-01-711 | FT | WEATHERSTRIP - SCREEN BLACK | 171-016965 |
| 10 | 145573-01-701 | EA | GLASS - STATIONARY (TOP) | 106-030654 |
| 11 | 145573-01-702 | EA | GLASS - STATIONARY (LOWER) | 106-030926 |
| 12 | 145573-01-703 | EA | GLASS-SLIDING W/SASH & LATCH | H841-A9 |
| 13 | 145573-01-700 | EA | SCREEN ASM - W/SEALS & CLIP | 410-030660 |
| 14 | 112795-66-703 | EA | RETAINER - TRIM | H611-66 |
| | 098644-01-717 | FT | SPLINE - SCREEN | 132-004716 |

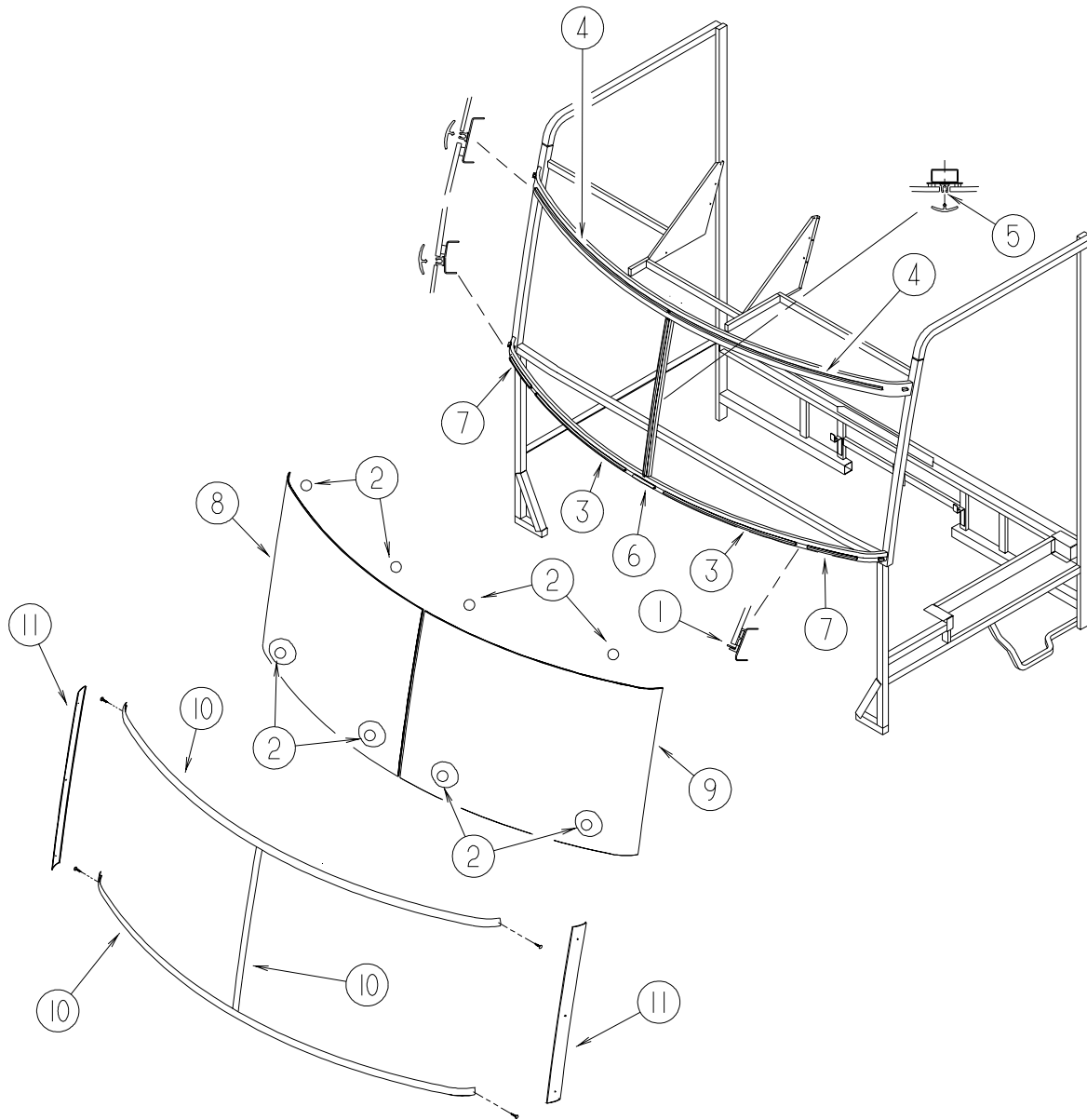
WINDOW & VENTS GROUP (CONTINUED)
COMPONENT PARTS FOR WINDOWS & VENT LAYOUT (CONTINUED)

145573-02-01A

| KEY | PART NUMBER | U/M | DESCRIPTION | VENDOR NO |
|-----|---------------|-----|------------------------------|------------|
| 1 | 098644-01-716 | FT | PLUG - FILLER | 132-014470 |
| 3 | 098644-01-706 | FT | WEATHERSTRIP - GLASS | 171-010668 |
| 4 | 098644-01-713 | EA | CLIP - SCREEN - METAL | 226-016966 |
| 4 | 125582-01-701 | EA | CLIP - SCREEN - PLASTIC | 130-005153 |
| 6 | 098644-01-710 | FT | TRACK - SCREEN SPACER 12' | 132-017135 |
| 7 | 098644-01-700 | EA | LATCH - REPAIR KIT (BLACK) | B801-CK |
| 8 | 098644-01-708 | FT | CHANNEL - RUN PIERCED | 122-016543 |
| 9 | 098644-01-711 | FT | WEATHERSTRIP - SCREEN BLACK | 171-016965 |
| 10 | 145573-01-701 | EA | GLASS - STATIONARY (TOP) | 106-030654 |
| 11 | 145573-01-702 | EA | GLASS - STATIONARY (LOWER) | 106-030926 |
| 12 | 145573-01-703 | EA | GLASS-SLIDING W/SASH & LATCH | H841-A9 |
| 13 | 145573-02-700 | EA | SCREEN W/SEALS AND CLIPS | 410-030659 |
| 14 | 112795-66-703 | EA | RETAINER - TRIM | H611-66 |
| | 098644-01-717 | FT | SPLINE - SCREEN | 132-004716 |

WINDSHIELD & WIPER GROUP

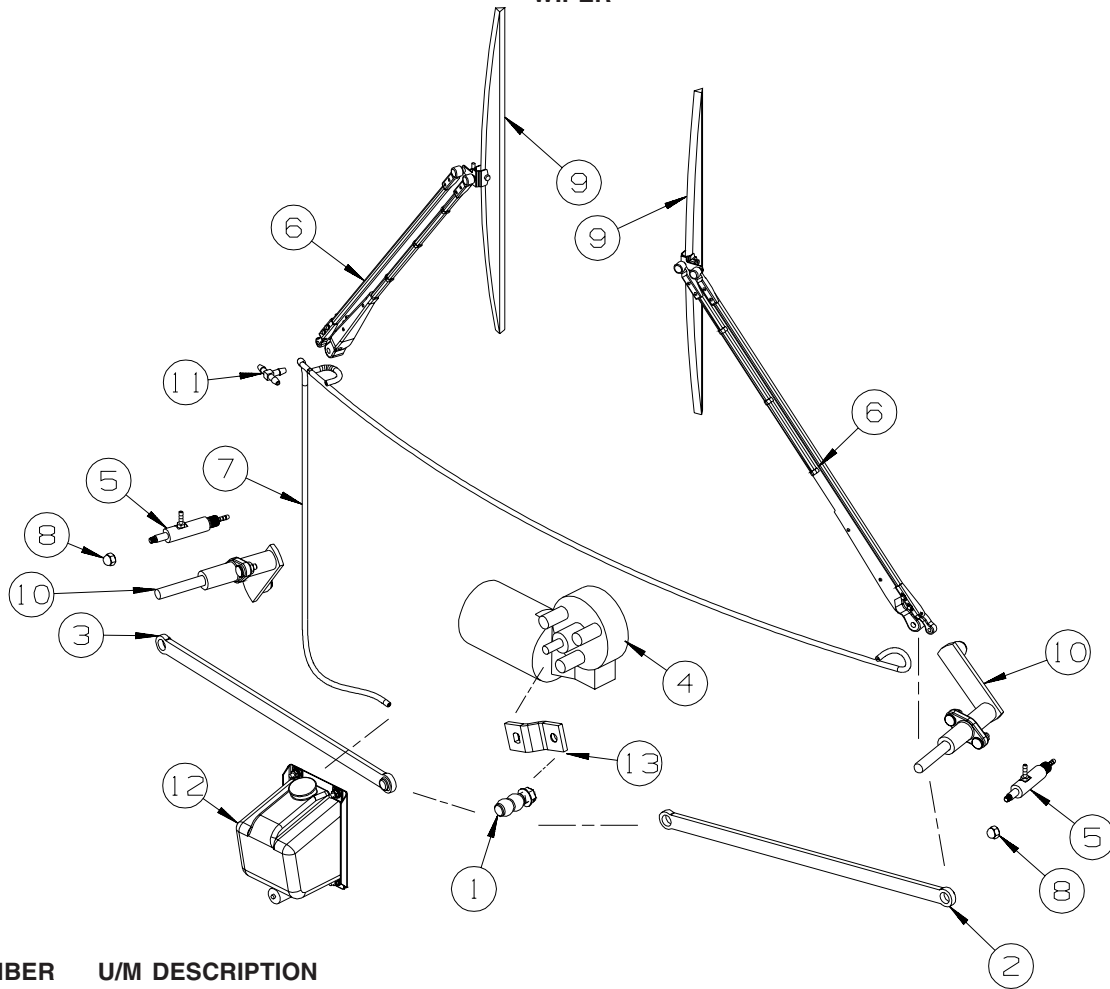
WINDSHIELD



| KEY | PART NUMBER | U/M | DESCRIPTION |
|-----|---------------|-----|---|
| 1 | 002328-02-000 | EA | BLOCK - WINDSHIELD - .062" X .5" X .98" |
| 2 | 081914-02-000 | EA | BUMPER - RUBBER - ROUND - 5/16" DIA. X 13/64" THICK |
| 3 | 132375-04-000 | EA | CARRIER/REVEAL - WINDSHIELD - 29.8" |
| 4 | 127862-01-000 | EA | CARRIER/REVEAL - WINDSHIELD - 47.2" |
| 5 | 127862-09-000 | EA | CARRIER/REVEAL - WINDSHIELD - 38.6" |
| 6 | 142036-01-000 | EA | CARRIER/REVEAL - WINDSHIELD - 5.5" |
| 7 | 142036-02-000 | EA | CARRIER/REVEAL - WINDSHIELD - 10" |
| | | | FROM: 00-00-00 THRU: 03-28-03 |
| 7 | 132375-01-000 | EA | CARRIER/REVEAL - WINDSHIELD - 5.5" |
| | | | FROM: 03-29-03 THRU: 99-99-99 |
| 8 | 137583-01-000 | EA | WINDSHIELD - PASSENGER |
| 9 | 137583-02-000 | EA | WINDSHIELD - DRIVER |
| 10 | 120533-01-000 | FT | MOLDING - REVEAL - WINDSHIELD |
| 11 | 134680-01-04A | EA | TRIM - WINDSHIELD - A-PILLAR - BRIGHT WHITE |
| | | | FROM: 00-00-00 THRU: 01-29-03 |
| 11 | 129497-07-03A | EA | TRIM - A PILLAR - BRIGHT WHITE |
| | | | FROM: 01-30-03 THRU: 99-99-99 |

WINDSHIELD & WIPER GROUP (CONTINUED)

WIPER



| KEY | PART NUMBER | U/M | DESCRIPTION |
|-----|---------------|-----|---|
| 1 | 067188-01-000 | EA | STUD - CRANK - WIPER MOTOR |
| | 117322-01-000 | EA | SCREW - 1/4-28 UNFINISHED - 2A - TORX |
| 2 | 117770-01-000 | EA | LINK - CONNECTING - 24" - CLOSED GROMMET/OPEN GROMMET |
| 3 | 117770-02-000 | EA | LINK - CONNECTING - 24" - CLOSED GROMMET/CLOSED GROMMET |
| 4 | 104346-04-000 | EA | MOTOR - "COAST TO PARK" W/BKR - W/GRN/RED/WHITE WIRE - 15,000 & 18,000 GVWR WORKHORSE |
| 4 | 104346-05-000 | EA | WIPER MOTOR - "DYNAMIC PARK" - W/INT BREAKER |
| 5 | 117768-01-000 | EA | SHAFT - ADAPTER - PANTOGRAPH ARM |
| | | | FROM: 00-00-00 THRU: 03-10-03 |
| 5 | 145698-01-000 | EA | SHAFT/ADAPTER - PANTOGRAPH - W/WASHER DIVERTER - STAINLESS |
| | | | FROM: 03-11-03 THRU: 99-99-99 |
| 6* | 117769-01-000 | EA | ARM - WIPER - PANTOGRAPH - 28" |
| 7 | 045794-01-000 | FT | HOSE - WASHER - WINDSHIELD - 5/32" ID - BLACK |
| 8 | 077049-02-000 | EA | NUT - ACORN - 10-32 BLACK/ANODIZED |
| 9* | 095964-01-000 | EA | BLADE - WINDSHIELD WIPER - 24" |
| 10* | 096505-09-000 | EA | SHAFT/PIVOT - WINDSHIELD WIPER |
| 11 | 110605-01-000 | EA | TEE - PLASTIC - BARBED - 1/8" X 1/8" X 3/16" |
| | | | FROM: 00-00-00 THRU: 03-10-03 |
| 11 | 146486-01-000 | EA | TEE - PLASTIC - 5/32" X 5/32" X 5/32" |
| | | | FROM: 03-11-03 THRU: 99-99-99 |
| 12 | 117766-02-000 | EA | RESERVOIR/PUMP - WINDSHIELD WASHER |
| 13 | 104347-04-000 | EA | ARM - DRIVE - WIPER MOTOR |
| | 110742-02-000 | EA | GASKET - NEOPRENE - WIPER ADAPTER SHAFT - .5" ID X .9" OD |
| | | | FROM: 00-00-00 THRU: 05-25-03 |
| | 110742-03-000 | EA | GASKET - WIPER |
| | | | FROM: 05-26-03 THRU: 99-99-99 |

*COMPONENT PARTS LISTED LATER IN THIS GROUP

WINDSHIELD & WIPER GROUP (CONTINUED)
COMPONENT PARTS FOR WIPER

095964-01-000

| KEY | PART NUMBER | U/M | DESCRIPTION | VENDOR NO. |
|------------|--------------------|------------|-----------------------------|-------------------|
| | 095964-01-700 | EA | BLADE-REFILL 24" EA= 1 PAIR | 12360 |

096505-09-000

| KEY | PART NUMBER | U/M | DESCRIPTION | VENDOR NO. |
|------------|--------------------|------------|------------------------------|-------------------|
| | 096505-02-700 | EA | DRIVER-KNURLED,(HD) BRL .687 | NT721017 |
| | 096505-02-701 | EA | NUT-HEX (HD) W/.687 BARREL | NT721021 |
| | 096505-02-702 | EA | CAP-RUBBER (HD) BARREL .687 | CP721084 |
| | 096505-02-703 | EA | NUT/ACORN - HD W/.687 BRL | 51065-40-NT27WC |

117769-01-000

| KEY | PART NUMBER | U/M | DESCRIPTION | VENDOR NO. |
|------------|--------------------|------------|-------------------------|-------------------|
| | 096931-01-700 | FT | HOSE - WASHER - 1/8" ID | XTU-66-0001 |
| | 117769-01-700 | EA | RETAINER CLIP - HOSE | |