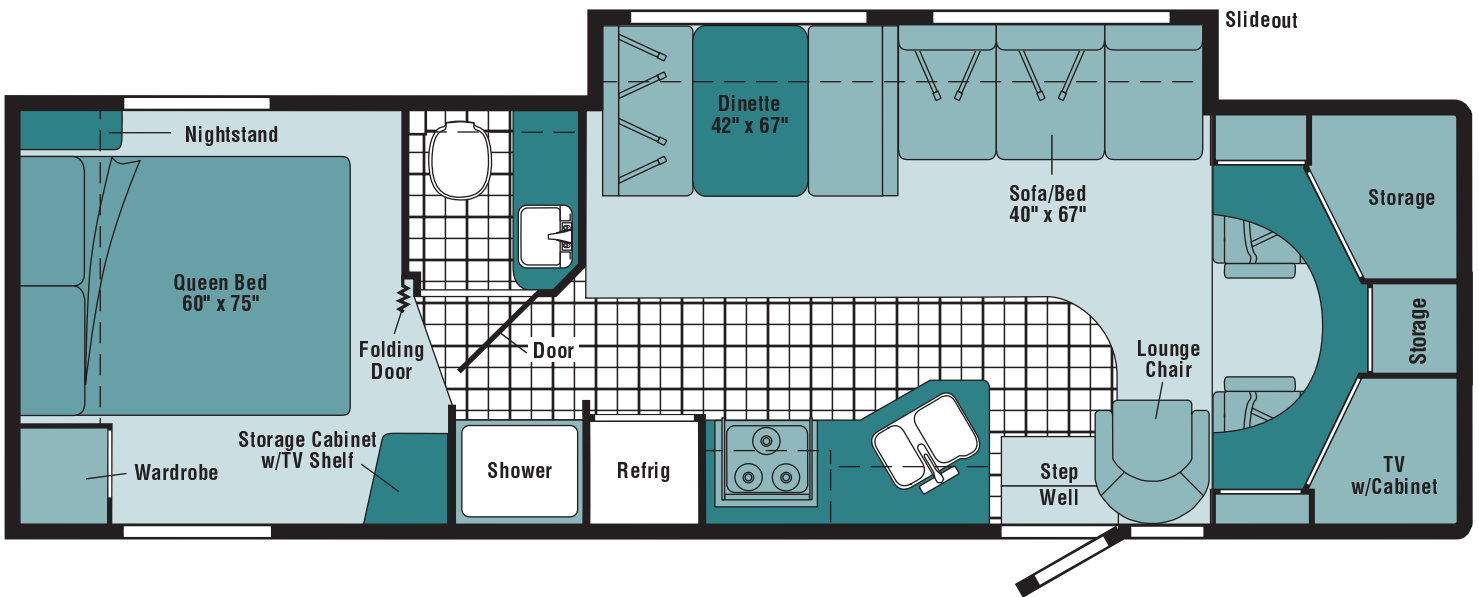


**2004**  
**SUNDANCER**  
**IF431C**  
**400-SERIES**  
**PORTSMOUTH OAK**  
**R19 CRYSTAL LAKE - BLUE**  
**R22 FERN GARDEN - GREEN**  
**R25 ALABASTER - TAN**  
**CONCERT CHERRY**  
**R20 CRYSTAL LAKE - BLUE**  
**R23 FERN GARDEN - GREEN**  
**R26 ALABASTER - TAN**  
**WASHED MAPLE**  
**R21 CRYSTAL LAKE - BLUE**  
**R24 FERN GARDEN - GREEN**  
**R27 ALABASTER - TAN**



**FLOOR PLAN**

# CONTENTS

<b>FLOOR PLAN</b> .....	<b>1</b>
<b>ACCESSORIES GROUP</b> .....	<b>6</b>
OPERATORS MANUAL .....	6
<b>APPLIANCE GROUP</b> .....	<b>7</b>
APPLIANCES .....	7
COMPONENT PARTS FOR APPLIANCE .....	10
112881-04-01A & 112881-05-01A .....	10
114030-04-01A .....	13
115504-01-000 .....	15
120075-12-01A, 120075-13-01A, 120075-14-01A, 120075-15-01A .....	15
121569-05-01A, 121569-07-01A .....	21
134940-01-01A .....	26
134940-02-01A .....	27
134940-04-01A .....	28
135656-03-01A .....	29
136354-05-01A .....	33
136354-06-01A .....	34
137354-01-000 .....	34
<b>AUDIO VIDEO GROUP</b> .....	<b>35</b>
RADIO SYSTEM .....	35
COMPONENT PARTS FOR RADIO SYSTEM .....	36
143509-01-000 .....	36
REAR VIEW MONITOR .....	37
TELEPHONE .....	37
TV & VCR .....	37
COMPONENT PARTS FOR TV & VCR .....	38
076319-23-000 .....	38
076319-25-000 .....	38
136162-03-000 .....	38
137135-02-000 .....	39
145641-01-000 .....	40
145641-02-000 .....	40
145641-03-000 .....	40
EXTERIOR ENTERTAINMENT .....	41
<b>BATH GROUP</b> .....	<b>42</b>
CABINETS .....	42
SHOWER .....	44
COMPONENT PARTS FOR SHOWER DOOR .....	45
089318-01-000 .....	45
<b>BEDROOM GROUP</b> .....	<b>46</b>
CABINETS .....	46
COMPONENT PARTS FOR QUEEN CABINETS .....	48
131595-01-01A, 131595-05-01A, 131595-10-01A .....	48
<b>CHASSIS GROUP</b> .....	<b>49</b>
FRAME .....	49
DRIVETRAIN .....	50
EXHAUST .....	51
HITCH .....	52
FUEL .....	52
SPARE TIRE .....	54
SUSPENSION .....	54
COMPONENT PARTS FOR SUSPENSION .....	55
144887-01-000 .....	55
WHEEL, TIRE, COVERS &/OR LINERS .....	56
COMPONENT PARTS FOR WHEEL, TIRE, COVERS &/OR LINERS .....	57
109443-05-000 .....	57
110435-13-000 .....	57
BRAKELINE .....	58

# CONTENTS (CONTINUED)

<b>CURTAIN &amp; CUSHION GROUP</b> .....	<b>59</b>
NOTICE .....	59
CUSHION LAYOUT .....	60
BUCKET SEATS .....	62
COMPONENT PARTS FOR BUCKET SEATS .....	63
122611-02-000 .....	63
LOUNGE CHAIR .....	64
SOFA .....	65
WINDOW TREATMENT .....	67
HARDWARE .....	69
ACCESSORIES .....	71
FABRICS .....	72
<b>DINETTE GROUP</b> .....	<b>74</b>
CABINETS .....	74
TABLE .....	78
<b>DRIVERS COMPARTMENT GROUP</b> .....	<b>79</b>
FRONT INTERIOR .....	79
CABINETS .....	80
<b>ELECTRICAL GROUP</b> .....	<b>82</b>
12V BODY WIRING .....	82
FRONT END WIRING .....	87
COMPONENT PARTS FOR LIGHTS & SWITCHES .....	88
097917-01-06A .....	88
113589-01-000 .....	88
113589-02-000 .....	88
121935-01-01A .....	88
137417-01-01A .....	88
137417-03-01A .....	88
137417-05-01A .....	88
137417-06-01A .....	88
CIRCUIT BREAKERS & FUSES .....	89
CONVERTER, INVERTER, LOAD CENTERS .....	89
110V WIRING .....	90
ENTERTAINMENT WIRING .....	92
COMPONENT PARTS FOR ENTERTAINMENT WIRING .....	93
123775-01-01A .....	93
BOXES & CORDS .....	94
WIRE ASSEMBLIES .....	94
CONNECTORS & CONDUIT .....	95
BOOTS, SOLENOIDS, RELAYS & MISCELLANEOUS .....	96
<b>EXTERIOR BODY GROUP</b> .....	<b>97</b>
GRAPHICS & PAINT .....	97
PANELS & TRIMS .....	99
LADDER .....	102
RUNNING BOARDS .....	102
MIRRORS .....	102
COMPONENT PARTS FOR MIRRORS .....	103
120269-07-01A .....	103
133908-01-01A, 133908-01-02A, 133908-02-01A, 133908-03-01A, 133908-03-02A, 133908-04-01A, 133908-05-01A, 133908-06-01A, .....	103
133908-07-01A, 133908-08-01A, 133908-10-01A, 133908-11-01A, 133908-12-01A, 133908-13-01A .....	103
STRUCTURAL COMPONENTS .....	104
AWNINGS .....	105
COMPONENT PARTS FOR AWNINGS .....	106
113874-01-02A .....	106

## CONTENTS (CONTINUED)

<b>EXTERIOR DOORS &amp; COMPARTMENTS GROUP</b> .....	<b>107</b>
DOOR & COMPARTMENT LAYOUT .....	107
COMPONENT PARTS FOR DOOR & COMPARTMENT LAYOUT .....	111
084103-08-000 .....	111
094707-03-01A .....	111
COMPARTMENT DOOR PIECE PARTS .....	112
ENTRY .....	114
SCREEN .....	115
LATCH - ENTRY .....	116
<b>EXTERIOR SLIDEOUT GROUP</b> .....	<b>117</b>
FRONT LEFT .....	117
COMPONENT PARTS FOR FRONT LEFT .....	121
122359-04-000 .....	121
137196-01-000 .....	121
<b>GALLEY GROUP</b> .....	<b>122</b>
CABINETS .....	122
DOORS & DRAWERS .....	125
<b>GENERATOR GROUP</b> .....	<b>127</b>
GAS .....	127
<b>HEATING &amp; A/C GROUP</b> .....	<b>128</b>
FURNACE .....	128
COMPONENT PARTS FOR FURNACE .....	129
139980-02-000 .....	129
REAR HEATER .....	131
COMPONENT PARTS FOR REAR HEATER .....	132
084405-01-000 .....	132
ROOF .....	133
COMPONENT PARTS FOR ROOF .....	134
131184-01-01A .....	134
131184-05-01A .....	135
131188-03-01A .....	136
131188-04-01A .....	137
<b>INTERIOR FINISH GROUP</b> .....	<b>138</b>
MOLDINGS & TRIMS .....	138
PANELING & LAMINATES .....	149
ACCESSORIES .....	150
COMPONENT PARTS FOR ACCESSORIES .....	151
094499-02-000 .....	151
FLOOR COVERINGS .....	152
HARDWARE .....	153
<b>LABELS GROUP</b> .....	<b>161</b>
<b>LP GROUP</b> .....	<b>190</b>
LP SYSTEM .....	190
COMPONENT PARTS LP SYSTEM .....	191
144116-04-000 .....	191
<b>LOUNGE GROUP</b> .....	<b>192</b>
CABINETS .....	192
<b>SEALANTS &amp; FASTENERS GROUP</b> .....	<b>194</b>
SEALANTS & ADHESIVES .....	194
BOLTS, NUTS AND WASHERS .....	195
SCREWS .....	197
CLAMPS, CLIPS, GROMMETS, RIVETS & PLUGS .....	200
MISCELLANEOUS FASTENERS .....	201

## CONTENTS (CONTINUED)

<b>WATER &amp; SEWAGE GROUP .....</b>	<b>202</b>
DRAINAGE SYSTEM .....	202
COMPONENT PARTS FOR DRAINAGE SYSTEM .....	204
067487-04-000 .....	204
096927-01-02A .....	204
147421-02-01A .....	205
WATER SYSTEM .....	206
COMPONENT PARTS FOR WATER SYSTEM .....	213
051391-03-000 .....	213
075240-05-000 .....	214
075241-04-000, 075241-05-000, 075241-06-000 .....	214
098607-01-000 .....	214
129390-03-01A .....	214
141432-01-01A .....	214
144215-01-000 .....	214
145541-02-000 .....	215
<b>WINDOW &amp; VENTS GROUP .....</b>	<b>216</b>
WINDOW & VENT LAYOUT .....	216
COMPONENT PARTS FOR WINDOW & VENT LAYOUT .....	218
098644-07-02A .....	218
098647-47-02A .....	219
112795-77-01A .....	220
112898-22-01A .....	221
113500-05-02A .....	222
113500-06-02A .....	223
113733-10-01A .....	223
122882-01-01A .....	223
122882-02-01A, 122882-03-01A .....	223
123780-03-01A .....	224
123780-09-01A .....	225
123780-11-01A .....	225
129929-09-01A .....	226
129929-10-01A .....	226

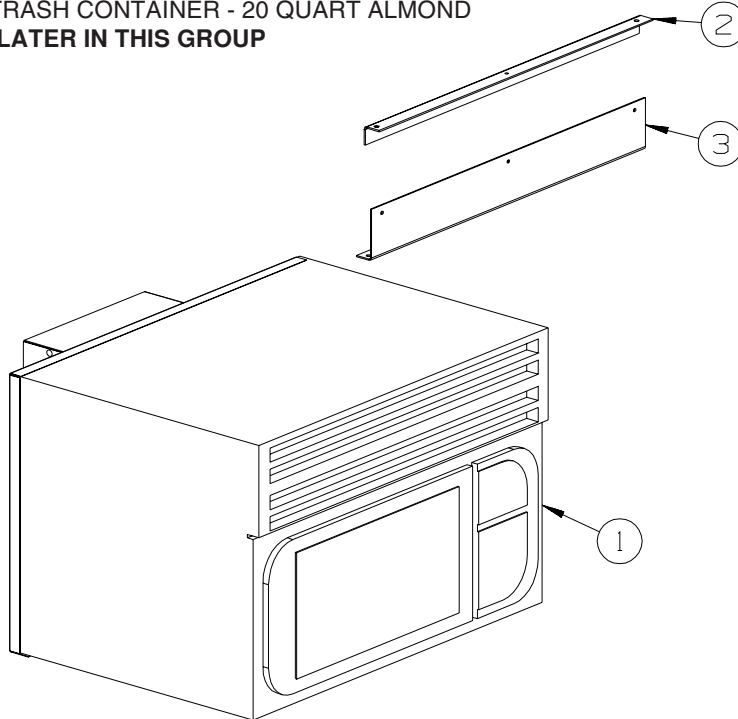
**ACCESSORIES GROUP**  
**OPERATORS MANUAL**

<b>KEY</b>	<b>PART NUMBER</b>	<b>U/M</b>	<b>DESCRIPTION</b>
	132000-13-004	EA	MANUAL/OWNER - SUNDANCER - 2004
	129079-01-01A	EA	CASE - VINYL/BLACK-EXPANDABLE ACCORDION SIDES-7"WX9"HX14"L
	144432-01-000	EA	TOP LEVEL-C,2004

## APPLIANCE GROUP APPLIANCES

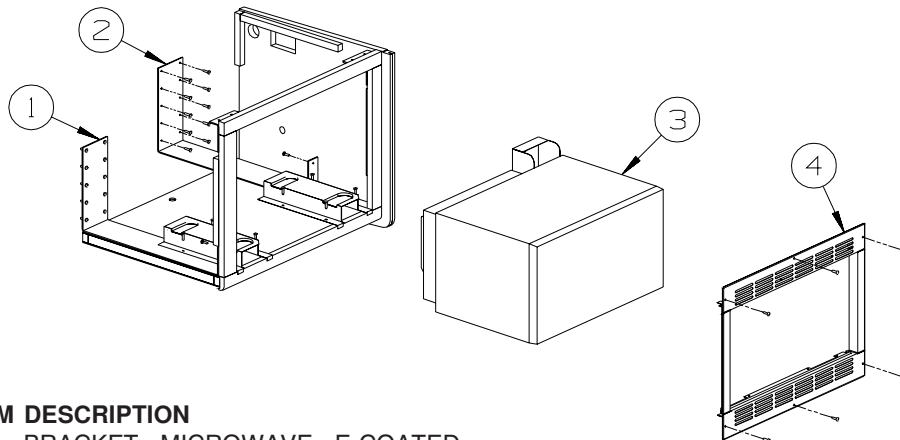
KEY	PART NUMBER	U/M	DESCRIPTION
	138584-03-01A	EA	COFFEE MAKER/CARAFE - NO TIMER - KRUPS #536-42 - BLACK
*	135656-03-01A	EA	RANGE-16"3 BURNER W/OVEN/NEW STYLE KNOBS/GRATES-BLK DR/GL
*	112881-05-01A	EA	RANGE-16"-3 BRNR/NEW STYLE KNOBS/GRATE/HDL - BLACK TEXTURE - 430V CANADIAN ONLY
*	114030-04-01A	EA	RANGE - 3 BRNR TOP/NEW STYLE KNOBS/GRATES-W/O OVEN-BLK
*	136354-05-01A	EA	HOOD - RANGE - W/LITE/FAN )- BLACK TEXTURED - UL
*	136354-06-01A	EA	HOOD - RANGE - W/LITE/FAN - BLACK TEXTURED - CSA
	140176-03-02B	EA	BRACKET/STOVE TIEDOWN - E-COATED
	140176-04-02B	EA	BRACKET/STOVE TIEDOWN - E-COATED - COOK TOP
	140176-07-02B	EA	BRACKET/TIEDOWN - STOVE - E-COATED - COOK TOP
	140176-08-02B	EA	BRACKET/TIEDOWN - STOVE - E-COATED
*	115504-01-000	EA	PANEL - SOLAR 10 WATT - 12.2"W X 26.9"L X 1.2"H
*	134940-01-01A	EA	PANEL - MONITOR - 2 TANK - W/GENERATOR SWITCH/HOUR METER - GENERATOR
*	134940-02-01A	EA	PANEL - MONITOR - 2 TANK - W/O GENERATOR SWITCH/HOUR METER
*	134940-04-01A	EA	PANEL - MONITOR - 2 TANK - W/GEN SWITCH/SOLAR CHARGER - GENERATOR/SOLAR PANEL
	130818-02-01A	EA	TRASH CONTAINER - 20 QUART ALMOND

\*COMPONENT PARTS LISTED LATER IN THIS GROUP



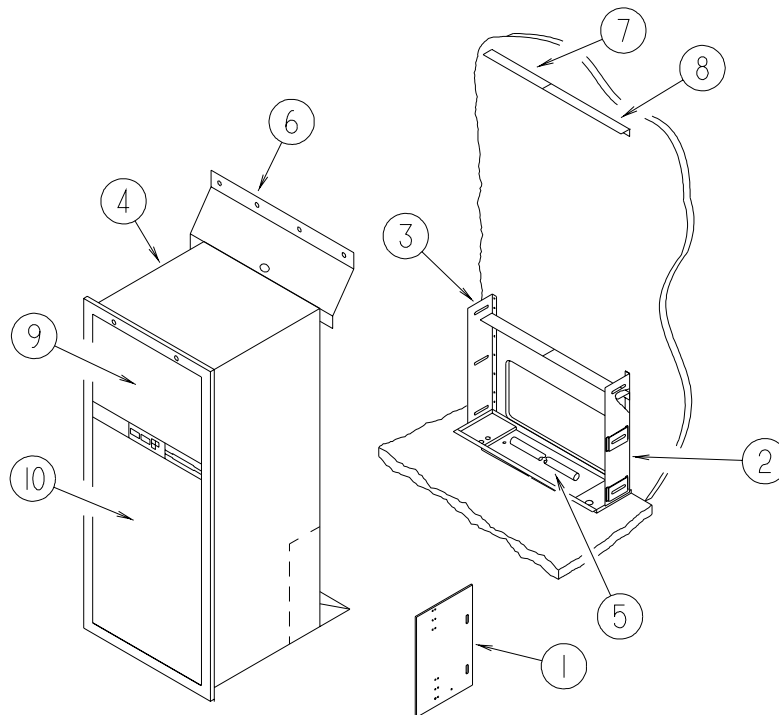
KEY	PART NUMBER	U/M	DESCRIPTION
1*	137354-01-000	EA	OVEN - MICROWAVE - 1.2 OTR - W/VENT
2	138230-02-02B	EA	ANGLE - W/HOLES - E - COATED - 430V
3	138230-01-02B	EA	ANGLE - W/HOLES - E - COATED - 430V

\*COMPONENT PARTS LISTED LATER IN THIS GROUP



KEY	PART NUMBER	U/M	DESCRIPTION
1	149418-01-02B	EA	BRACKET - MICROWAVE - E-COATED
2	149418-02-02B	EA	BRACKET - MICROWAVE - E-COATED
3	128527-11-000	EA	OVEN-MICROWAVE 1.0 CONV
4	128527-12-000	EA	TRIM KIT-1.0 FT CONV

**APPLIANCE GROUP (CONTINUED)**  
**APPLIANCES (CONTINUED)**



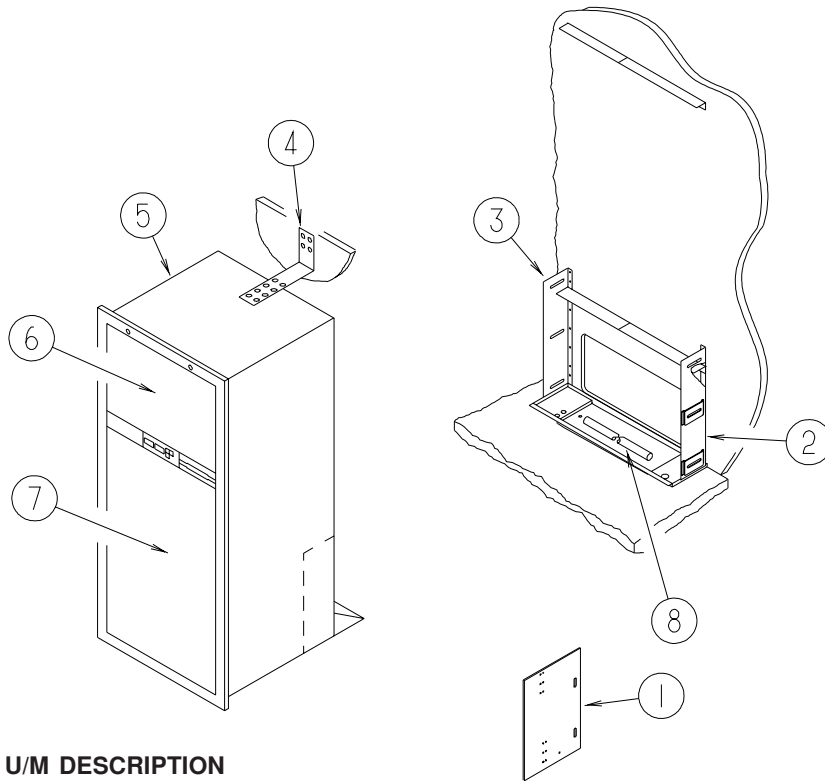
**427P**

KEY	PART NUMBER	U/M	DESCRIPTION
1	141975-04-02B	EA	PLATE/TIEDOWN - REFRIGERATOR - E-COATED
2	141550-01-02B	EA	BRACKET/TIEDOWN - REFRIGERATOR - E-COATED
3	141550-02-02B	EA	BRACKET/TIEDOWN - REFRIGERATOR - E-COATED
4*	121569-07-01A	EA	REFRIGERATOR - LARGE DBL DOOR/LEFT HAND -2 WAY- F/SLIDEOUT
4*	120075-14-01A	EA	REFRIGERATOR-LGE DBL DR-2-WAY/LH/ICE MAKER/FLUSH HDL-BLACK - <b>W/ICE MAKER</b>
5	112176-01-000	FT	TUBING - VINYL - REINFORCED - 1/2" ID
6	136966-04-02B	EA	BAFFLE - REFRIGERATOR - E-COATED
7	143195-01-02B	EA	BAFFLE - REFRIGERATOR - E-COATED
8	143195-02-02B	EA	BAFFLE - REFRIGERATOR - E-COATED
9	P34457-03-N47	EA	PANEL - INSERT RAISED MEMBRANE - 21.5" X 14.5" - PORTSMOUTH OAK
9	P34457-03-L85	EA	PANEL - INSERT RAISED MEMBRANE - 21.5" X 14.5" - CONCERT CHERRY
9	P34457-03-L94	EA	PANEL - INSERT RAISED MEMBRANE - 21.5" X 14.5" - WASHED MAPLE
10	P34457-04-N47	EA	PANEL - INSERT RAISED MEMBRANE - 21.5" X 38.5" - PORTSMOUTH OAK
10	P34457-04-L85	EA	PANEL - INSERT RAISED MEMBRANE - 21.5" X 38.5" - CONCERT CHERRY
10	P34457-04-L94	EA	PANEL - INSERT RAISED MEMBRANE - 21.5" X 38.5" - WASHED MAPLE
	054450-01-000	EA	LEVEL - REFRIGERATOR
	090329-01-000	FT	SEAL/T - REFRIGERATOR CABINET
	136907-01-01A	EA	TRAY - REFRIGERATOR - BLACK

**\*COMPONENT PARTS LISTED LATER IN THIS GROUP**



**APPLIANCE GROUP (CONTINUED)**  
**APPLIANCES (CONTINUED)**



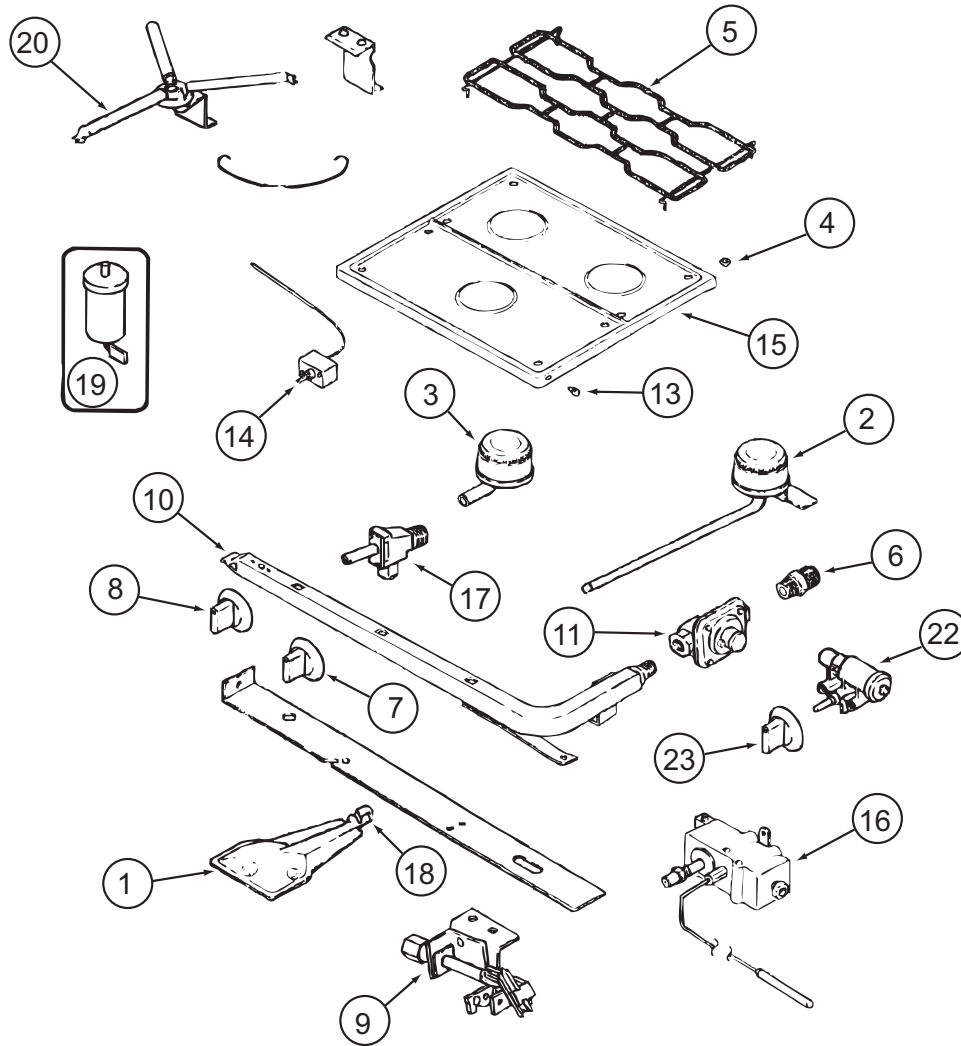
**430V AND 431C**

KEY	PART NUMBER	U/M	DESCRIPTION
1	141975-04-02B	EA	PLATE - TIEDOWN/REFRIGERATOR
2	141550-01-02B	EA	BRACKET - TIEDOWN/REFRIGERATOR - RIGHT HAND
3	141550-02-02B	EA	BRACKET - TIEDOWN/REFRIGERATOR - LEFT HAND
4	145445-02-02B	EA	STRAP - REFRIGERATOR
5*	121569-05-01A	EA	REFRIGERATOR - LARGE DOUBLE DOOR/RH - 2-WAY - BLACK
5*	120075-13-01A	EA	REFRIGERATOR-LARGE DOUBLE DOOR/RH - 2-WAY -ICE MAKER-BLACK - <b>W/ICE MAKER</b>
6	P34457-03-N47	EA	PANEL - INSERT RAISED MEMBRANE - 21.5" X 14.5" - PORTSMOUTH OAK
6	P34457-03-L85	EA	PANEL - INSERT RAISED MEMBRANE - 21.5" X 14.5" - CONCERT CHERRY
6	P34457-03-L94	EA	PANEL - INSERT RAISED MEMBRANE - 21.5" X 14.5" - WASHED MAPLE
7	P34457-04-N47	EA	PANEL - INSERT RAISED MEMBRANE - 21.5" X 38.5" - PORTSMOUTH OAK
7	P34457-04-L85	EA	PANEL - INSERT RAISED MEMBRANE - 21.5" X 38.5" - CONCERT CHERRY
7	P34457-04-L94	EA	PANEL - INSERT RAISED MEMBRANE - 21.5" X 38.5" - WASHED MAPLE
8	112176-01-000	FT	TUBING - VINYL - REINFORCED - 1/2" ID
	116751-02-01A	EA	TRAY - REFRIGERATOR - BLACK - <b>431C</b>
	116751-05-01A	EA	TRAY - REFRIGERATOR - BLACK - <b>430V</b>
	090329-01-000	FT	SEAL/T - REFRIGERATOR CABINET
	054450-01-000	EA	LEVEL - REFRIGERATOR

**\*COMPONENT PARTS LISTED LATER IN THIS GROUP**

## APPLIANCE GROUP (CONTINUED)

### COMPONENT PARTS FOR APPLIANCE

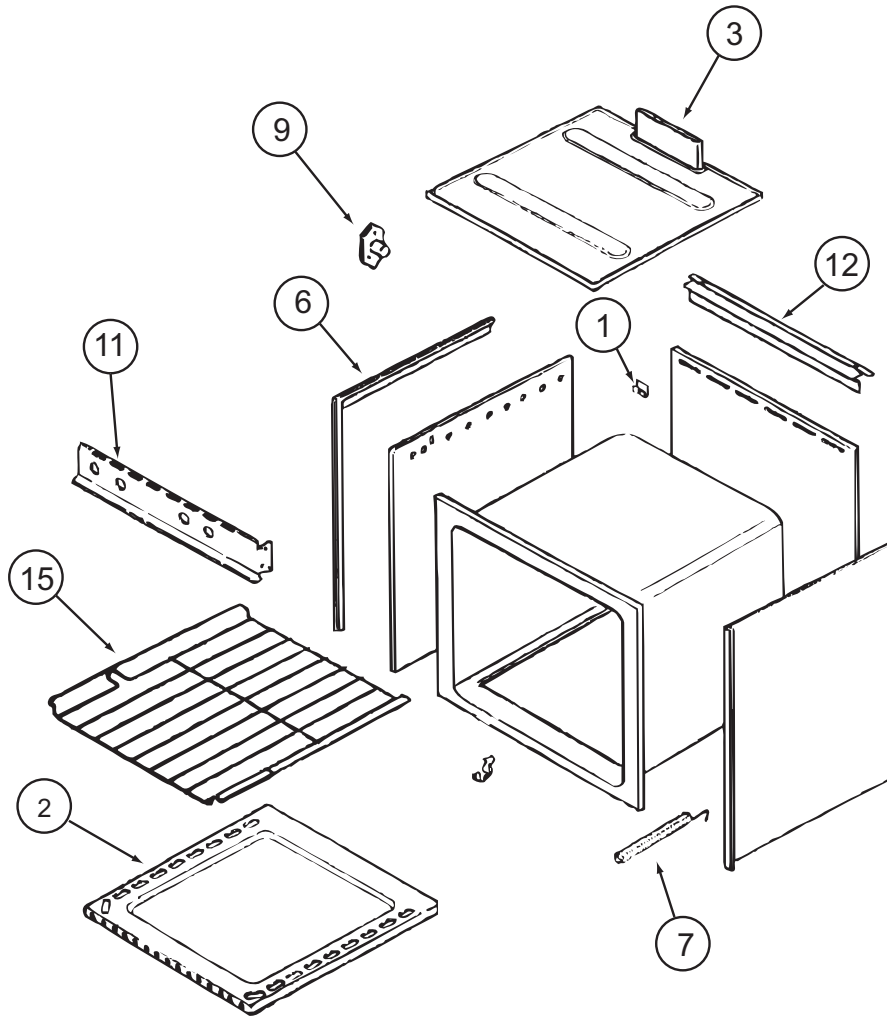


#### 112881-04-01A & 112881-05-01A

KEY	PART NUMBER	U/M	DESCRIPTION	VENDOR NO.
1	126023-01-717	EA	BURNER - OVEN	74003343
2	112881-04-700	EA	BURNER - TOP/LEFT REAR	74004584
2	126023-01-700	EA	BURNER-TOP (RT-REAR) 5100BTU	74004583
3	112881-04-701	EA	BURNER - TOP/FRONT	74004582
4	102020-01-709	EA	BUMPER-GRATE	8007-P020-60
5	112881-04-702	EA	GRATE - BLACK	74007277
6	135065-03-700	EA	FITTING - HALF UNION	74004234
7	128728-01-701	EA	KNOB - BURNER - REAR	74003941
7	128728-01-702	EA	KNOB - BURNER - FRONT	74003942
8	112881-04-703	EA	KNOB - THERMOSTAT - BLACK	74004645
9	112881-04-706	EA	PILOT - OVEN	74006334
10	126023-02-702	EA	PIPE - MANIFOLD	74004360
11	126023-02-703	EA	REGULATOR - PRESSURE	74004235
13	102020-01-724	EA	BUMPER-MAIN TOP	8003P008-60
14	126023-01-734	EA	THERMOSTAT OVEN 11/CLY MODEL	74006332
15	126023-01-728	EA	TOP - MAIN (BLACK)	74003323
16	112881-04-704	EA	VALVE - OVEN	74006333
17	126023-02-705	EA	VALVE - BURNER - REAR	74004362
17	126023-02-706	EA	VALVE - BURNER - FRONT	74004363
17	135065-03-701	EA	SCREW - VALVE	71003231
18	135656-01-701	EA	MIXER/AIR	3411F003-34
20	126023-01-736	EA	FLASH TUBE EXTENSION (REAR)	74003326
20	126023-01-737	EA	FLASH TUBE EXTENSION (FRONT)	74003327
22	126023-01-719	EA	IGNITER HEAD - TOP BURNER	74002413
23	128728-01-707	EA	KNOB - IGNITOR	74003944

CONTACT WINNEBAGO PART SALES FOR UNLISTED COMPONENTS

**APPLIANCE GROUP (CONTINUED)**  
**COMPONENT PARTS FOR APPLIANCE (CONTINUED)**

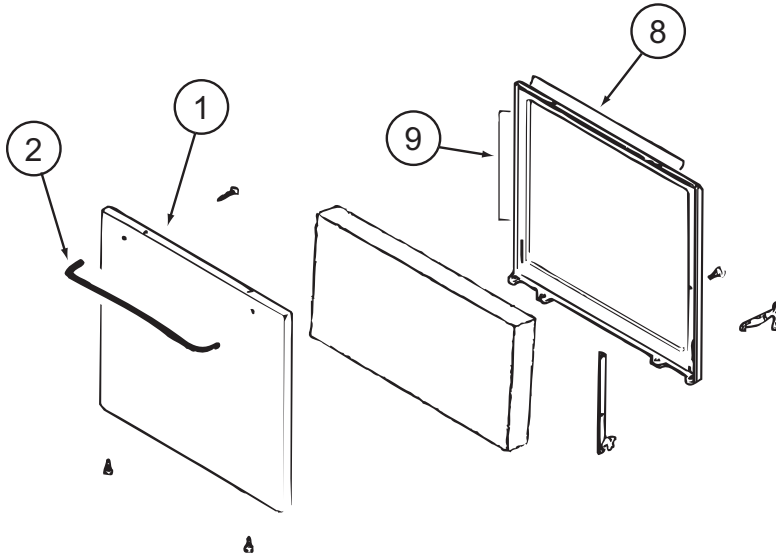


**112881-04-01A & 112881-05-01A (CONTINUED)**

KEY	PART NUMBER	U/M	DESCRIPTION	VENDOR NO.
1	112881-03-702	EA	CLIP - MAIN TOP	74003998
2	126023-01-731	EA	BOTTOM - OVEN	2205F016-19
3	126023-01-718	EA	FLUE BOX ASSEMBLY	4006W075-80
6	112881-01-720	EA	TRIM-FLAT RH BLACK TEXTURED	74002812
6	112881-01-719	EA	TRIM-FLAT LH BLACK TEXTURED	74002813
7	112881-02-702	EA	SPRING - OVEN DOOR	7803P051-60
9	128728-01-703	EA	PIN/T-NUT F/HINGE	7103P109-60
11	112881-04-707	EA	MANIFOLD - BLACK	74007296
12	112881-01-723	EA	DEFLECTOR/FLUE-BLK-NON SEAL	74002809
15	126023-01-716	EA	RACK - OVEN	74003106

CONTACT WINNEBAGO PART SALES FOR UNLISTED COMPONENTS

**APPLIANCE GROUP (CONTINUED)**  
**COMPONENT PARTS FOR APPLIANCE (CONTINUED)**

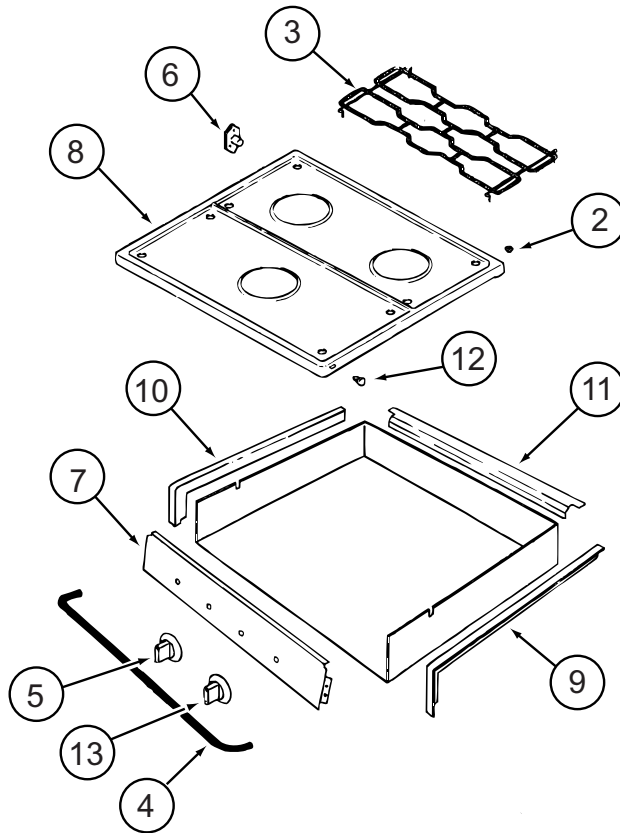


**112881-04-01A & 112881-05-01A (CONTINUED)**

KEY	PART NUMBER	U/M	DESCRIPTION	VENDOR NO.
1	112881-01-713	EA	DOOR/OVEN-TEXT/BLK NO WINDOW	2401F126-70
2	128727-01-701	EA	HANDLE - OVEN DOOR	74003929
8	126023-01-732	EA	SEAL/OVEN DR TOP	7212P014-60
9	126023-01-733	EA	SEAL/OVEN DR SIDES(2PCS)	7212P038-60

CONTACT WINNEBAGO PART SALES FOR UNLISTED COMPONENTS

**APPLIANCE GROUP (CONTINUED)**  
**COMPONENT PARTS FOR APPLIANCE (CONTINUED)**

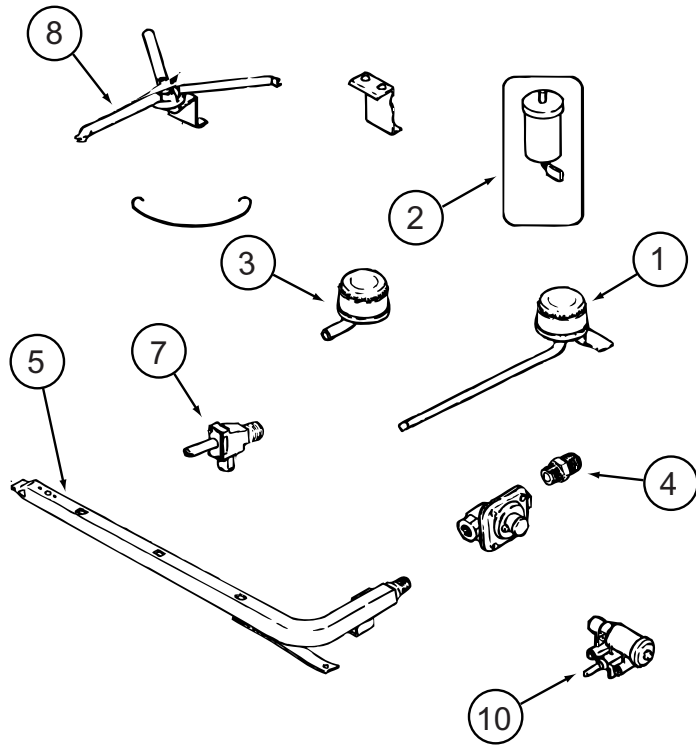


114030-04-01A

KEY	PART NUMBER	U/M	DESCRIPTION	VENDOR NO.
2	102020-01-709	EA	BUMPER-GRATE	8007P020-60
3	112881-04-702	EA	GRATE - BLACK	74007277
4	114030-02-700	EA	GUARD/FABRIC - TOWEL BAR	3609F006-70
5	128728-01-701	EA	KNOB - BURNER - REAR	74003941
5	128728-01-702	EA	KNOB - BURNER - FRONT	74003942
6	128728-01-703	EA	PIN/T-NUT F/HINGE	7103P109-60
7	126023-02-702	EA	PANEL - MANIFOLD - BLACK	74007325
8	126023-01-728	EA	TOP - MAIN (BLACK)	74003323
9	114030-01-704	EA	TRIM - RIGHT/BLACK TEXTURED	74002839
10	114030-01-705	EA	TRIM - LEFT/BLACK TEXTURED	74002840
11	114030-01-706	EA	TRIM - REAR/BLACK TEXTURED	74002841
12	102020-01-724	EA	BUMPER - MAIN TOP	8003P008-60
13	128728-01-707	EA	KNOB - IGNITER	74003944

**CONTACT WINNEBAGO PART SALES FOR UNLISTED COMPONENTS**

**APPLIANCE GROUP (CONTINUED)**  
**COMPONENT PARTS FOR APPLIANCE (CONTINUED)**



**114030-04-01A (CONTINUED)**

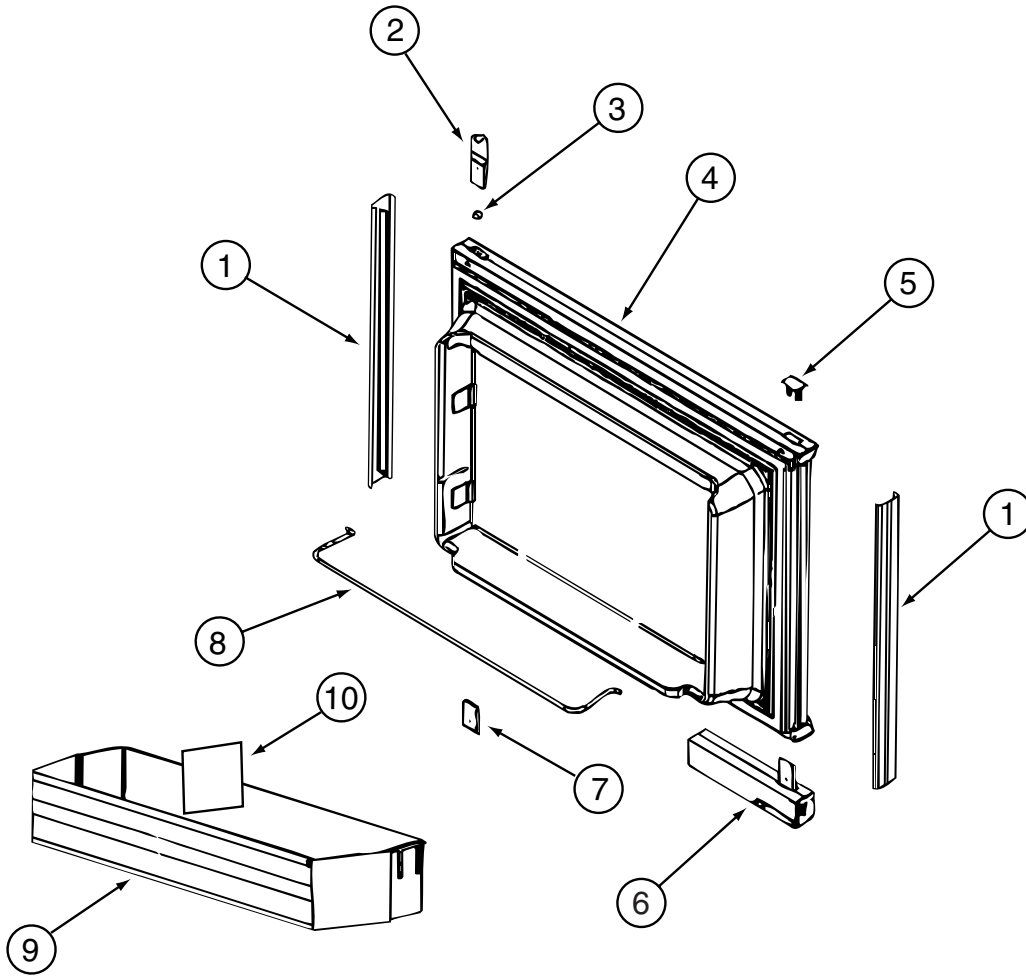
KEY	PART NUMBER	U/M	DESCRIPTION	VENDOR NO.
1	126023-01-700	EA	BURNER - TOP (RT-REAR)	74004583
1	112881-04-700	EA	BURNER - TOP /LEFT - REAR	74004584
2	126023-01-711	EA	ELECTRODE - IGNITER (ONLY)	7432P077-60
2	112881-04-705	EA	PUSH RING - ELECTRODE MOUNTING	7104P002-60
3	112881-04-701	EA	BURNER - TOP/FRONT	74004582
4	135065-03-700	EA	FITTING - HALF UNION	74004234
5	126023-02-702	EA	PIPE - MANIFOLD	74004360
7	126023-02-705	EA	VALVE - BURNER (REAR)	74004362
7	126023-02-706	EA	VALVE - BURNER (FRONT)	74004363
8	126023-01-736	EA	FLASH TUBE EXTENSION (REAR)	74003326
8	126023-01-737	EA	FLASH TUBE EXTENSION (FRONT)	74003327
10	126023-01-719	EA	IGNITER HEAD - TOP BURNER	74002413

**CONTACT WINNEBAGO PART SALES FOR UNLISTED COMPONENTS**

**APPLIANCE GROUP (CONTINUED)**  
**COMPONENT PARTS FOR APPLIANCE (CONTINUED)**

115504-01-000

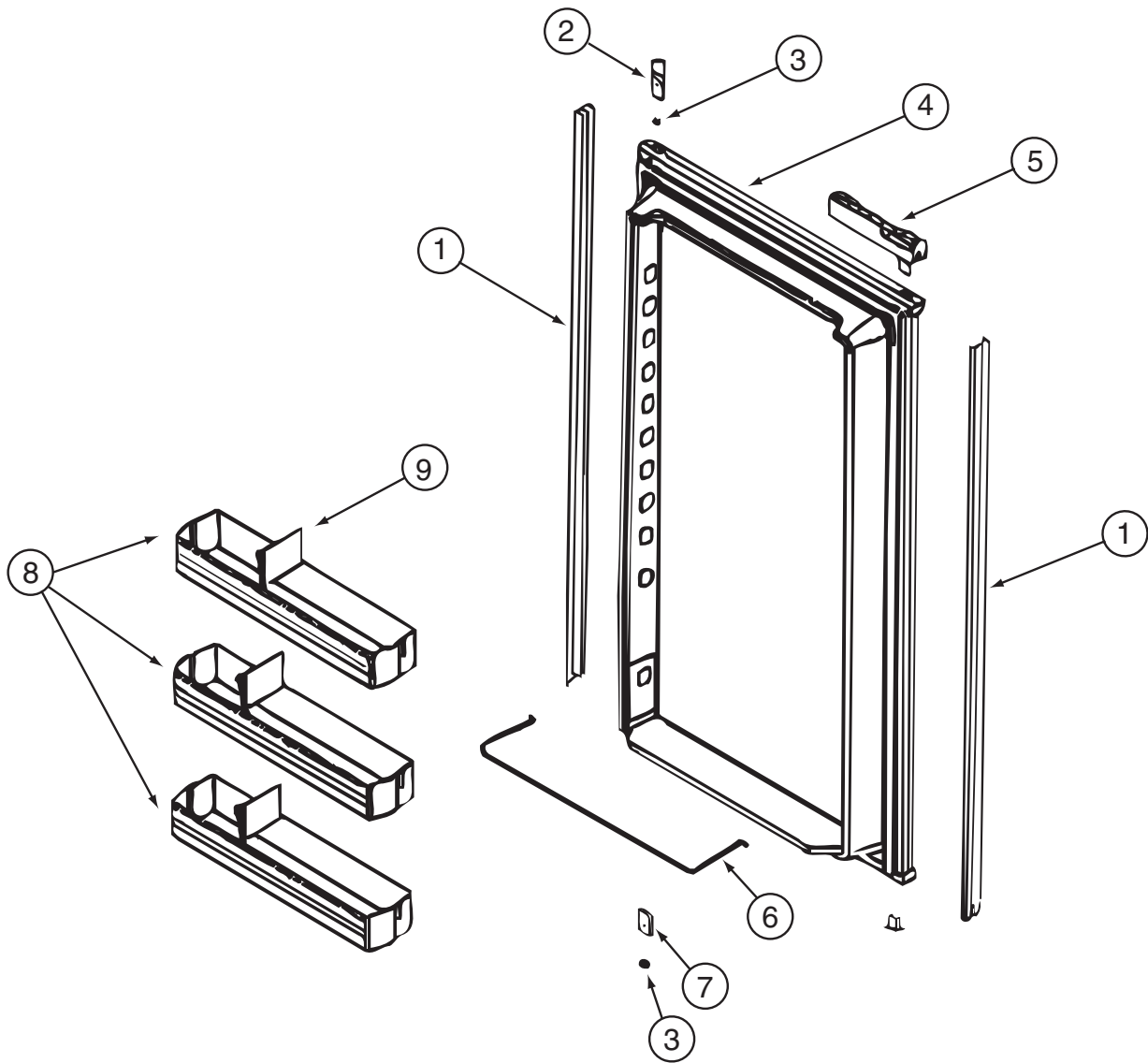
KEY	PART NUMBER	U/M DESCRIPTION	VENDOR NO.
	115504-01-700	EA PLUG & CABLE, 10 WATT PANEL	600-016



120075-12-01A, 120075-13-01A, 120075-14-01A, 120075-15-01A

KEY	PART NUMBER	U/M DESCRIPTION	VENDOR NO.
1	121568-03-700	EA RETAINER - DOOR PANEL/BLACK	619558
2	120075-01-701	EA HINGE-TOP RH/BOTTOM LH(DOOR)	618511
3	121568-03-701	EA BUSHING - HINGE PIN/GRAY	619671
4	121568-03-702	EA DOOR LINER - W/TRIM/BLACK	619627 - SMALL DOOR
5	120075-01-702	EA CAP, (HINGE PLUG)	618160
6	120075-12-700	EA HANDLE(CONTOUR)TOP LH/BTM RH	621105
	120075-12-702	EA HANDLE/HOUSING-TOP-LH/BTM RH	618159GEN
6	120075-12-701	EA HANDLE(CONTOUR)TOP RH/BTM LH	621104
	120075-12-707	EA LATCH	619648
	120075-12-709	EA HANDLE/HOUSING-BTM LH/TOP RH	618122GEN
6	121568-03-703	EA HANDLE/FLUSH-TOP/RH-LWR/LH	619865
6	121568-03-708	EA HANDLE/FLUSH-TOP/LH-LWR/RH	619866
7	120075-01-705	EA HINGE-TOP LH/BOTTOM RH(DOOR)	618510
8	121568-01-700	EA RAIL - DOOR UPPER	618618
9	120075-07-700	EA DOOR BIN - CLEAR	619006
10	120075-07-701	EA DIVIDER/DOOR BIN CLEAR	619008
	121568-03-704	EA TRAVEL LATCH - GRAY	619647
	121568-03-705	EA STORAGE LATCH - GRAY	619648

**APPLIANCE GROUP (CONTINUED)**  
**COMPONENT PARTS FOR APPLIANCE (CONTINUED)**

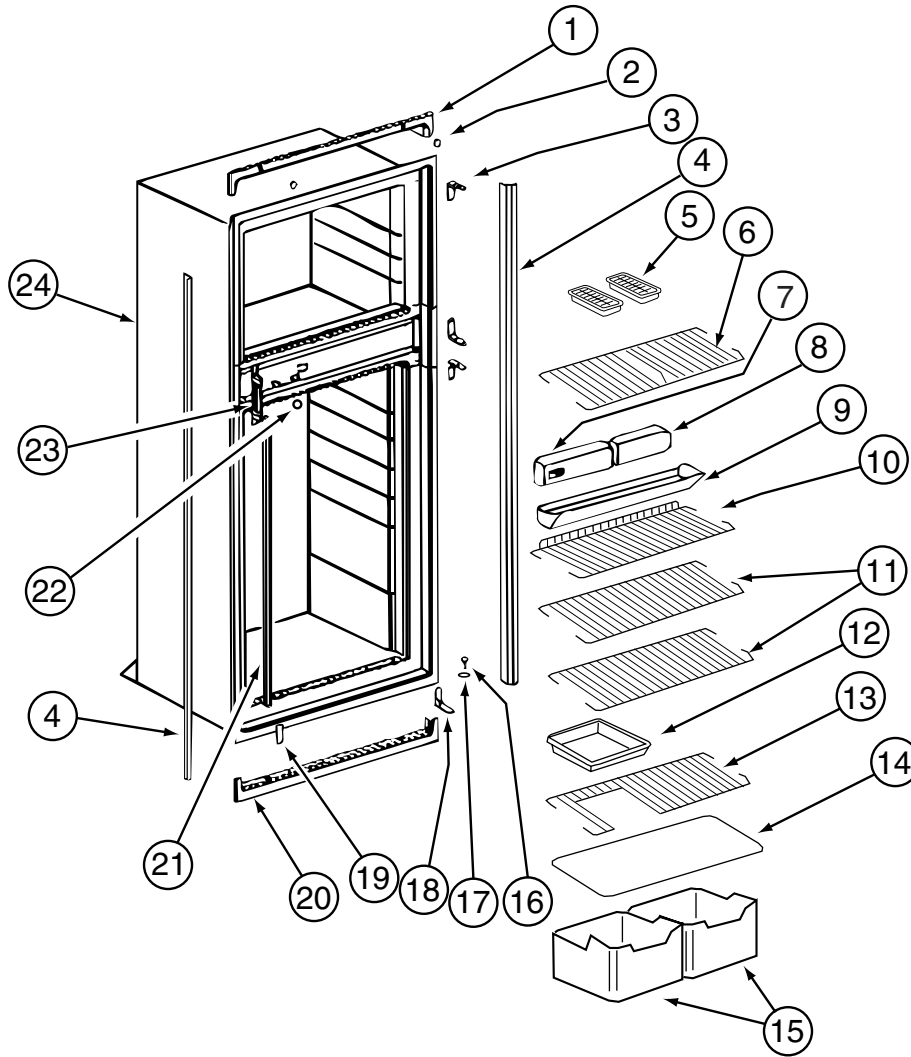


**120075-12-01A, 120075-13-01A, 120075-14-01A, 120075-15-01A (CONTINUED)**

KEY	PART NUMBER	U/M	DESCRIPTION	VENDOR NO.
1	120075-07-702	EA	RETAINER - DOOR PANEL/BLACK	619560
2	120075-01-701	EA	HINGE-TOP RH/BOTTOM LH(DOOR)	618511
3	121568-03-701	EA	BUSHING - HINGE PIN/GRAY	619671
4	120075-07-703	EA	DOOR LINER - BLACK	619631 - LARGE DOOR
5	120075-12-700	EA	HANDLE(CONTOUR)TOP LH/BTM RH	621105
	120075-12-702	EA	HANDLE/HOUSING-TOP-LH/BTM RH	618159GEN
5	120075-12-701	EA	HANDLE(CONTOUR)TOP RH/BTM LH	621104
	120075-12-707	EA	LATCH	619648
	120075-12-709	EA	HANDLE/HOUSING-BTM LH/TOP RH	618122GEN
5	121568-03-703	EA	HANDLE/FLUSH-TOP/RH-LWR/LH	619865
5	121568-03-708	EA	HANDLE/FLUSH-TOP/LH-LWR/RH	619866
6	121568-01-704	EA	RAIL - DOOR LOWER	618578
7	120075-01-705	EA	HINGE-TOP LH/BOTTOM RH(DOOR)	618510
8	120075-07-700	EA	DOOR BIN - CLEAR	619006
8	120075-07-704	EA	DOOR BIN - LARGE/CLEAR	619005
9	120075-07-701	EA	DIVIDER/DOOR BIN CLEAR	619008
	121568-03-704	EA	TRAVEL LATCH - GRAY	619647
	121568-03-705	EA	STORAGE LATCH - GRAY	619648



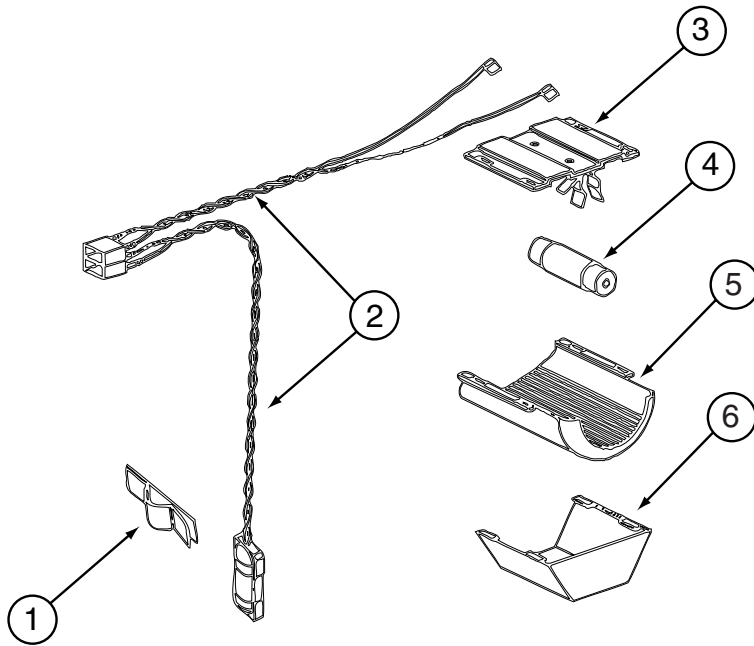
**APPLIANCE GROUP (CONTINUED)**  
**COMPONENT PARTS FOR APPLIANCE (CONTINUED)**



**120075-12-01A, 120075-13-01A, 120075-14-01A, 120075-15-01A (CONTINUED)**

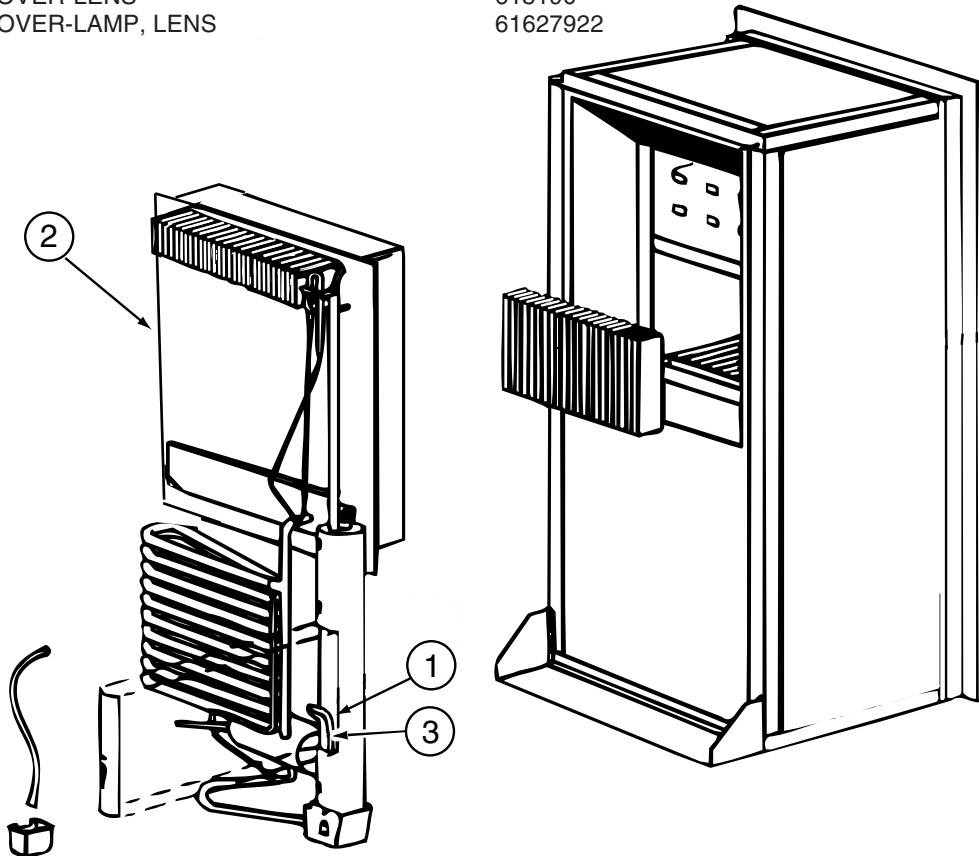
KEY	PART NUMBER	U/M	DESCRIPTION	VENDOR NO.
1	121568-03-709	EA	TRIM - TOP/BLACK	619687
2	120075-01-714	EA	PLUG-HOLE (BLACK)	618170
3	121568-03-710	EA	HINGE/CABINET-TOP/RH-LWR/LH	619335
4	120075-07-705	EA	TRIM - SIDE - BLACK	622296
5	104137-06-724	EA	ICE TRAY	61630422
6	120075-07-706	EA	SHELF - WIRE/FREEZER	620249
7	120075-07-707	EA	CONTROL BOX - BLACK	619665
8	121568-03-713	EA	FRONT BOX/DECORATIVE-BLACK	619282
9	120075-01-720	EA	TRAY-DRIP	618137
10	120075-01-722	EA	SHELF-WIRE, SHORT	620269
11	120075-01-723	EA	SHELF-WIRE	620270
12	104137-06-718	EA	SHELF-TRAY, WHITE, W/CUTOUT	617756
13	120075-01-724	EA	SHELF-WIRE, W/CUTOUT	618177
14	120075-01-725	EA	COVER-CRISPER	618158
15	120075-07-708	EA	CRISPER/ICE BIN	619007
16	120075-01-727	EA	PIN-HINGE	618145
17	121568-03-701	EA	BUSHING - HINGE PIN/GRAY	619671
18	121568-03-715	EA	HINGE/CABINET-TOP/LH-LWR/RH	619336
19	121568-03-716	EA	COVER - HINGE HOLES	619301
20	120075-01-729	EA	TRIM-BOTTOM PIECE	620958
21	120075-01-730	EA	RETAINER-SHELF(SER#926684 DN	618181
22	121568-03-717	EA	HOLE PLUG - WHITE	619561
23	120075-01-732	EA	PLATE-STRIKE	618167
24	120075-09-700	EA	CABINET - FOAMED	619660
	120075-01-721	EA	LOUVER-DRIP TRAY	618176

**APPLIANCE GROUP (CONTINUED)**  
**COMPONENT PARTS FOR APPLIANCE (CONTINUED)**



120075-12-01A, 120075-13-01A, 120075-14-01A, 120075-15-01A (CONTINUED)

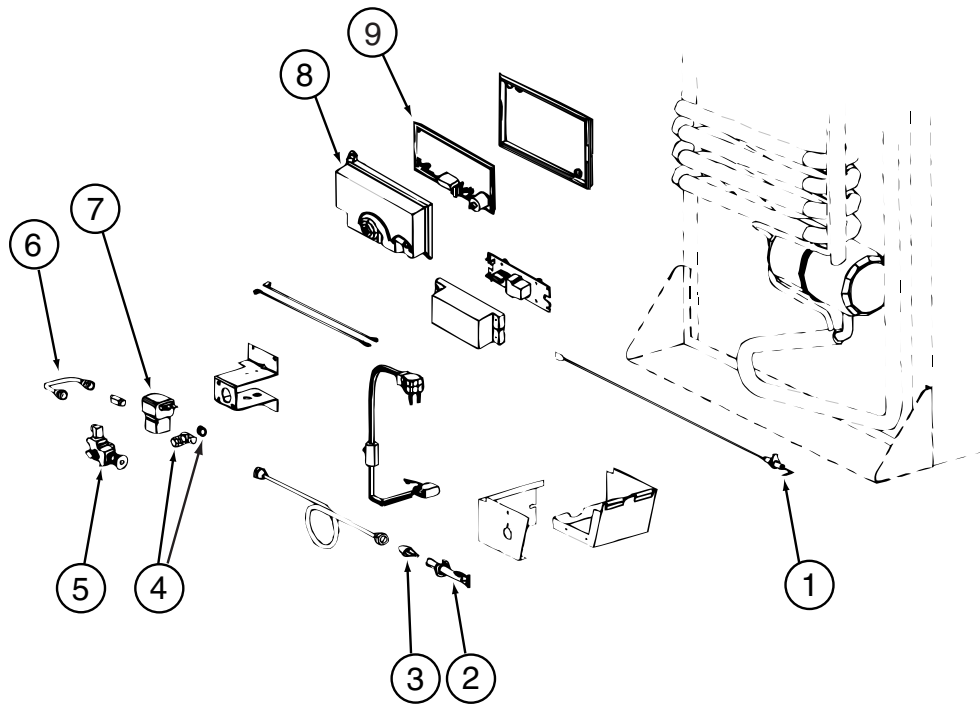
KEY	PART NUMBER	U/M DESCRIPTION	VENDOR NO.
1	084880-01-760	EA CLIP (THERMISTER)	61689122
2	120075-01-735	EA THERMISTER W/LAMP & WIRE/ASM	618548
3	084880-03-705	EA BRACKET-LIGHT-INTERIOR	61629722
4	084880-03-706	EA BULB-LAMP	61628922
5	120075-01-734	EA COVER-LENS	618190
6	084880-03-707	EA COVER-LAMP, LENS	61627922



120075-12-01A, 120075-13-01A, 120075-14-01A, 120075-15-01A (CONTINUED)

KEY	PART NUMBER	U/M DESCRIPTION	VENDOR NO.
1	088248-01-710	EA HEATER DC (HORIZONTAL)	61562822
2	120075-01-736	EA COOLING UNIT, SERVICE PACK	618542
3	088248-01-709	EA HEATER-AC (HORIZONTAL)	61562722

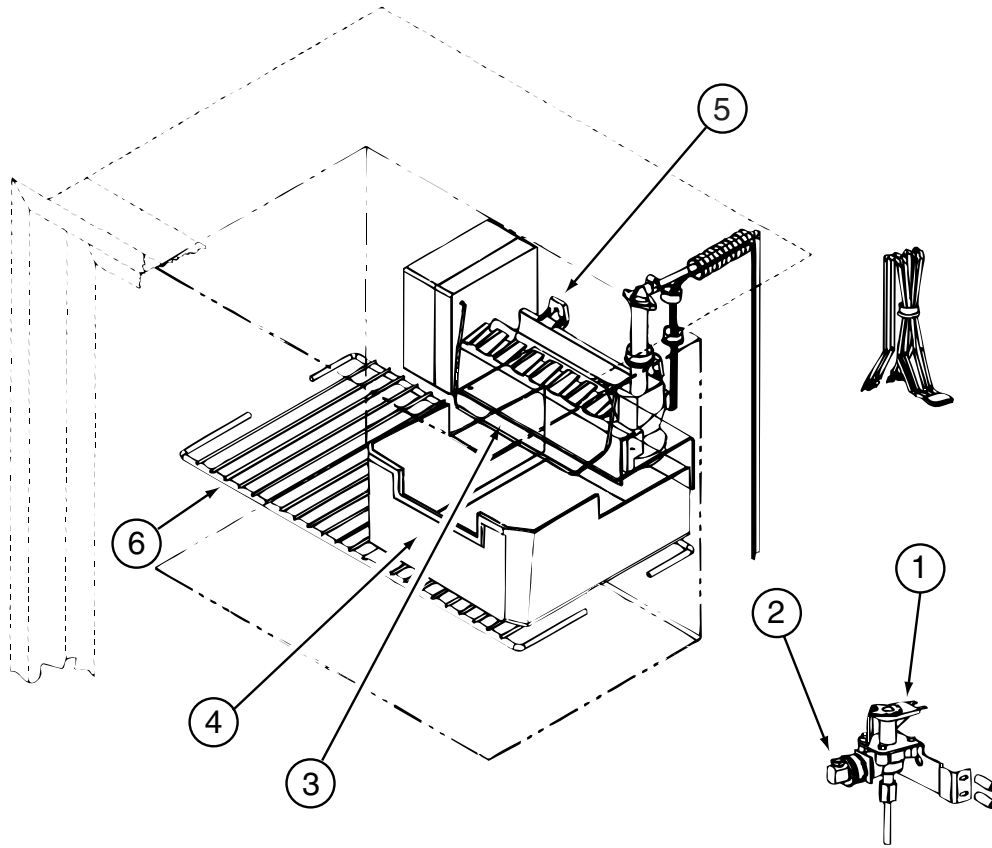
**APPLIANCE GROUP (CONTINUED)**  
**COMPONENT PARTS FOR APPLIANCE (CONTINUED)**



120075-12-01A, 120075-13-01A, 120075-14-01A, 120075-15-01A (CONTINUED)

KEY	PART NUMBER	U/M	DESCRIPTION	VENDOR NO.
1	104137-06-715	EA	ELECTRODE-SPARK/SENSOR, SGL	61692222
2	104137-06-714	EA	BURNER ASSEMBLY, 5-SLOT	61705222
3	120075-01-737	EA	ORIFICE - JEWEL - .0155	618284
4	113737-01-702	EA	PLUG 1/8" F/PRESSURE TAP	61445322
4	113737-01-716	EA	TAP-PRESSURE	61594422
5	104137-06-734	EA	VALVE-SHUT OFF/MAN-NEW STYLE	618696
6	113737-01-750	EA	TUBE-UNION	61694622
7	084880-01-718	EA	VALVE-GAS, (ASCO)	621447
8	120075-01-738	EA	COVER-POWER BOARD	618185
9	120075-07-710	EA	POWER - BOARD - 2-WAY	619360 = 621269
	120075-01-744	EA	KIT - GAS VALVE/BURNER TUBE	620609

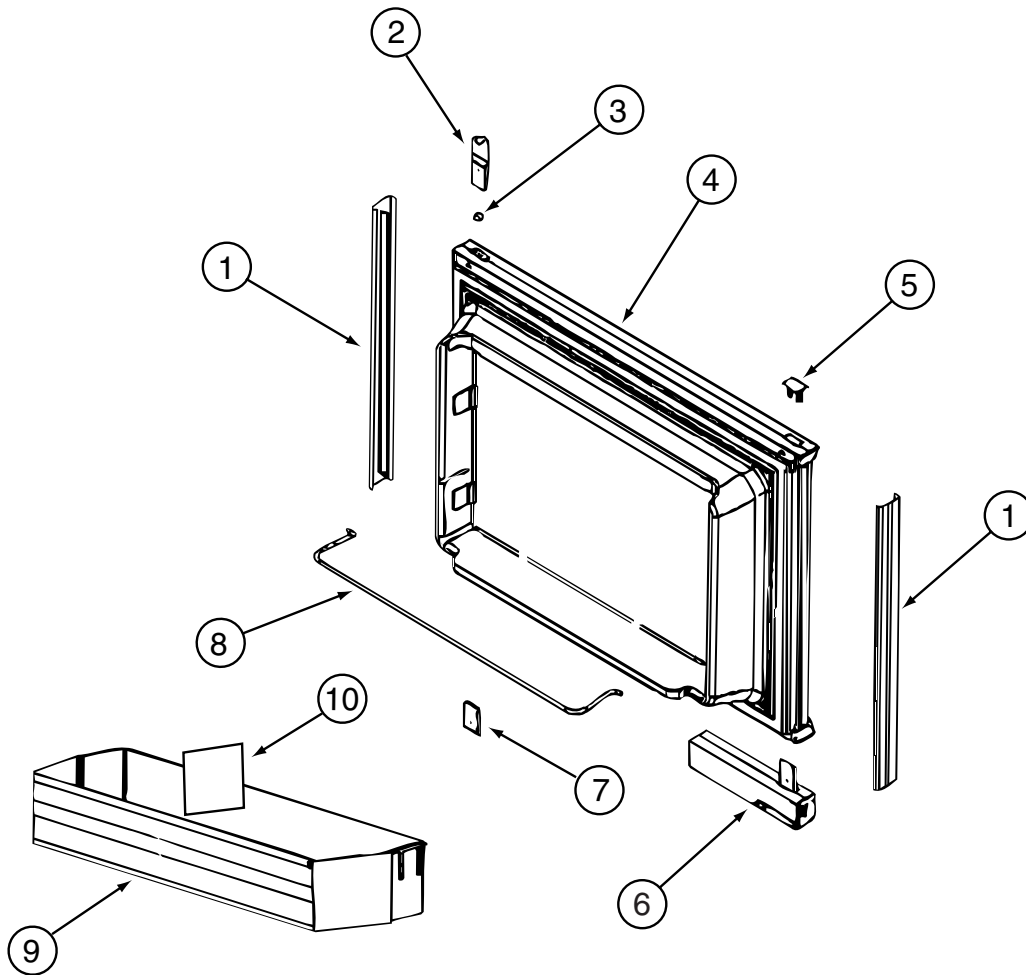
**APPLIANCE GROUP (CONTINUED)**  
**COMPONENT PARTS FOR APPLIANCE (CONTINUED)**



**120075-13-01A, 120075-14-01A (CONTINUED)**

KEY	PART NUMBER	U/M	DESCRIPTION	VENDOR NO.
1	120075-09-701	EA	WATER VALVE W/BRACKET	618253
2	120075-03-702	EA	NUT/COMPRESSION - FITTING	61678722
3	120075-03-703	EA	ARM-SHUT OFF	61656922
4	120075-03-704	EA	BIN-ICE CUBE	618154
5	094039-07-706	EA	ICE MAKER W/O PLATES	61656522
6	120075-01-717	EA	SHELF-FREEZER, WIRE	618172

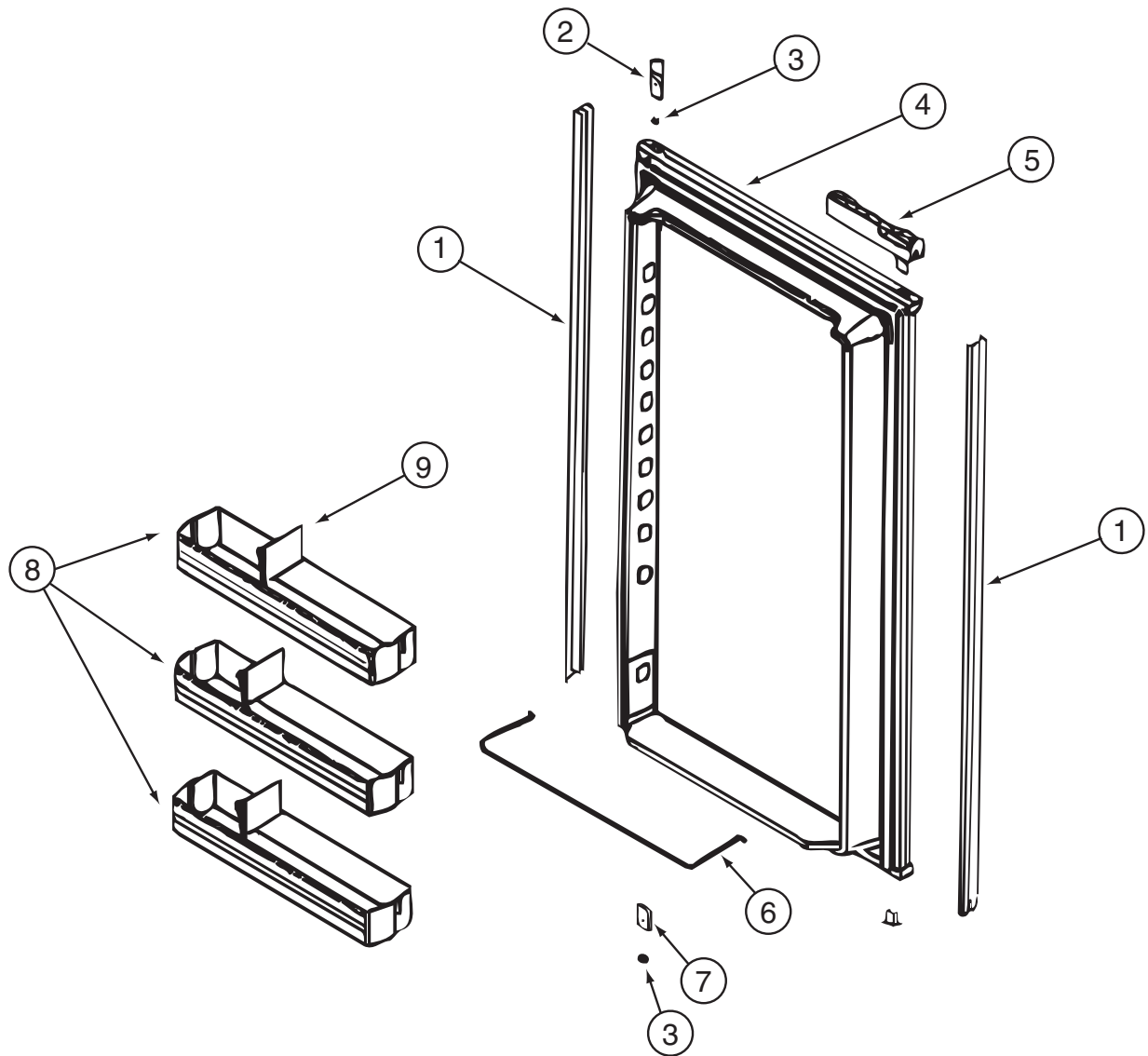
**APPLIANCE GROUP (CONTINUED)**  
**COMPONENT PARTS FOR APPLIANCE (CONTINUED)**



121569-05-01A, 121569-07-01A

KEY	PART NUMBER	U/M	DESCRIPTION	VENDOR NO.
1	121568-03-700	EA	RETAINER - DOOR PANEL/BLACK	619558
2	120075-01-701	EA	HINGE-TOP RH/BOTTOM LH(DOOR)	618511
3	121568-03-701	EA	BUSHING - HINGE PIN/GRAY	619671
4	121568-03-702	EA	DOOR LINER - W/TRIM/BLACK	619627 - SMALL DOOR
5	120075-01-702	EA	CAP, (HINGE PLUG)	618160
6	120075-12-700	EA	HANDLE(CONTOUR)TOP LH/BTM RH	621105
7	120075-01-705	EA	HINGE-TOP LH/BOTTOM RH(DOOR)	618510
8	121568-01-700	EA	RAIL - DOOR UPPER	618618
9	120075-07-700	EA	DOOR BIN - CLEAR	619006
10	120075-07-701	EA	DIVIDER/DOOR BIN CLEAR	619008
	121568-03-705	EA	STORAGE LATCH - GRAY	619648

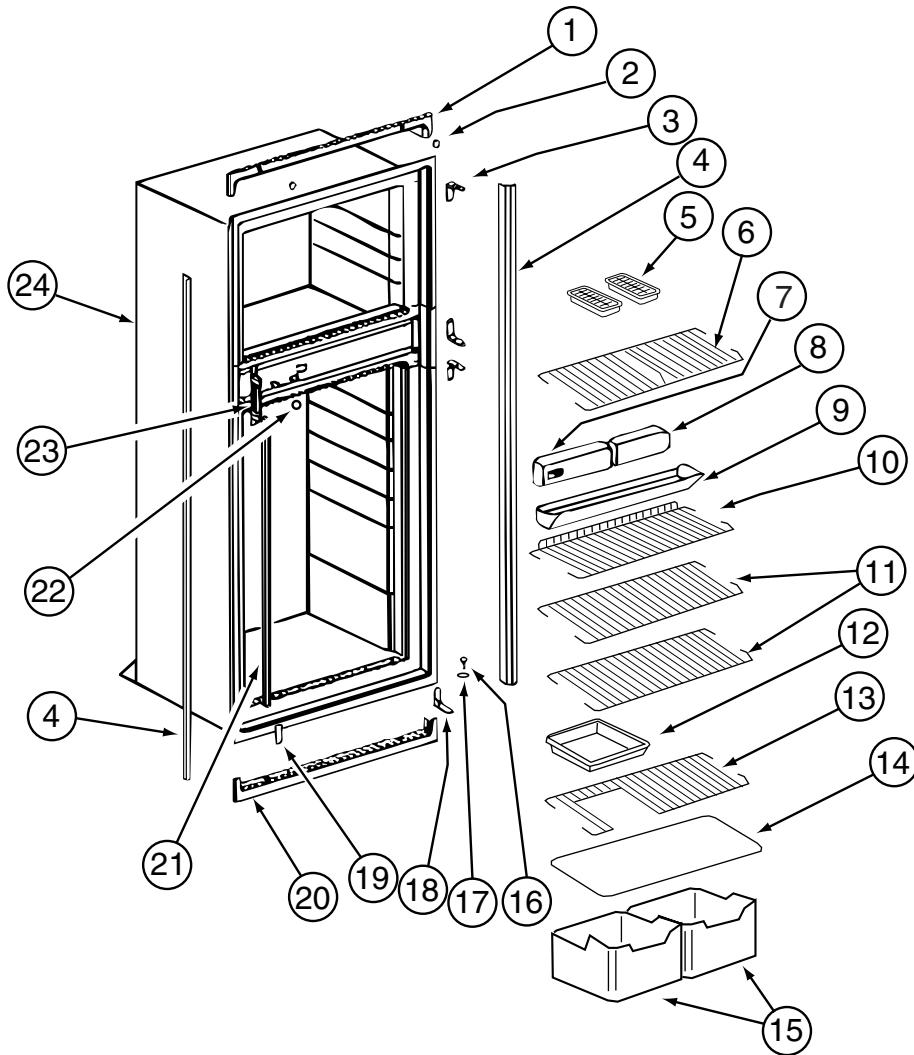
**APPLIANCE GROUP (CONTINUED)**  
**COMPONENT PARTS FOR APPLIANCE (CONTINUED)**



**121569-05-01A, 121569-07-01A (CONTINUED)**

KEY	PART NUMBER	U/M	DESCRIPTION	VENDOR NO.
1	120075-07-702	EA	RETAINER - DOOR PANEL/BLACK	619560
2	120075-01-701	EA	HINGE-TOP RH/BOTTOM LH(DOOR)	618511
3	121568-03-701	EA	BUSHING - HINGE PIN/GRAY	619671
4	121568-03-707	EA	DOOR LINER - W/BLACK TRIM	619629
5	120075-12-701	EA	HANDLE(CONTOUR)TOP RH/BTM LH	621104
6	121568-01-704	EA	RAIL - DOOR LOWER	618578
7	120075-01-705	EA	HINGE-TOP LH/BOTTOM RH(DOOR)	618510
8	121568-01-701	EA	BIN - DOOR WHITE	618619
9	120075-07-701	EA	DIVIDER/DOOR BIN CLEAR	619008
	121568-03-705	EA	STORAGE LATCH - GRAY	619648

**APPLIANCE GROUP (CONTINUED)**  
**COMPONENT PARTS FOR APPLIANCE (CONTINUED)**

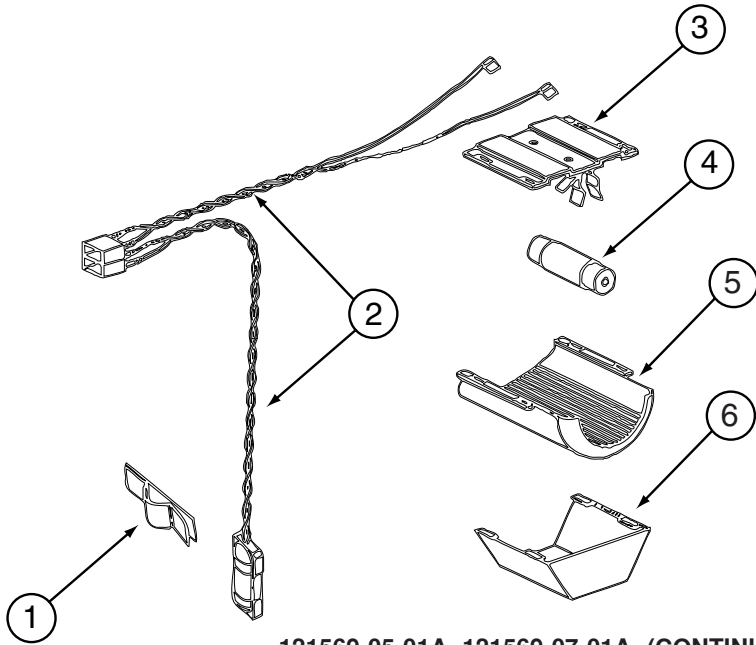


**121569-05-01A, 121569-07-01A (CONTINUED)**

KEY	PART NUMBER	U/M	DESCRIPTION	VENDOR NO.
1	121568-03-709	EA	TRIM - TOP/BLACK	619687
2	120075-01-714	EA	PLUG-HOLE	618170
3	121568-03-710	EA	HINGE/CABINET-TOP/RH-LWR/LH	619335
4	120075-07-705	EA	TRIM - SIDE - BLACK	619802
6	121568-03-712	EA	SHELF - WIRE/FREEZER	620250
7	121568-03-714	EA	CONTROL ASM - 2 WAY BLACK	619350
8	121568-03-713	EA	FRONT BOX/DECORATIVE-BLACK	619282
9	120075-01-720	EA	TRAY-DRIP	618137
10	121568-01-707	EA	SHELF - WIRE - SHORT	618624
11	121568-01-708	EA	SHELF - WIRE	618589
14	120075-01-725	EA	COVER-CRISPER	618158
15	121568-01-709	EA	CRISPER	618571
16	120075-01-727	EA	PIN-HINGE	618145
18	121568-03-715	EA	HINGE/CABINET-TOP/LH-LWR/RH	619336
19	121568-03-716	EA	COVER - HINGE HOLES	619301
20	120075-01-729	EA	TRIM-BOTTOM PIECE	618136
21	120075-01-730	EA	RETAINER-SHELF	618181
22	121568-03-717	EA	HOLE PLUG - WHITE	619561
23	120075-01-732	EA	PLATE-STRIKE	618167
24	120075-07-709	EA	CABINET - FOAMED	619347
	120075-01-721	EA	LOUVER-DRIP TRAY	618176

CONTACT WINNEBAGO PART SALES FOR UNLISTED COMPONENTS

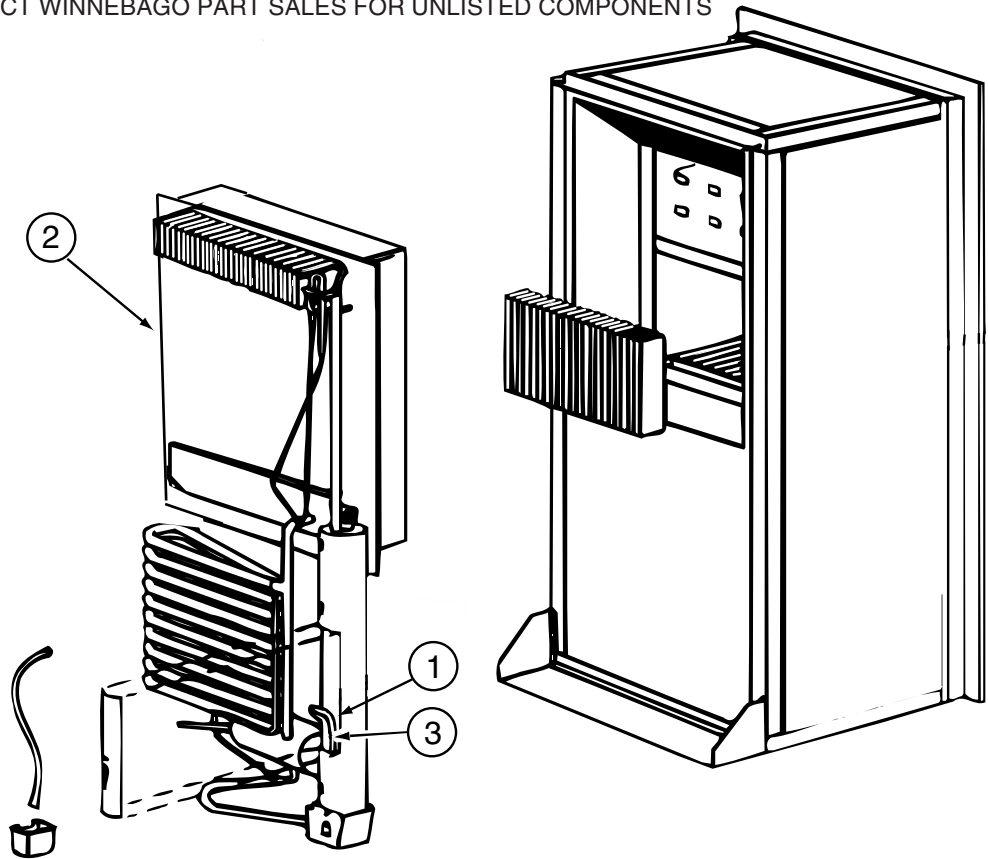
**APPLIANCE GROUP (CONTINUED)**  
**COMPONENT PARTS FOR APPLIANCE (CONTINUED)**



121569-05-01A, 121569-07-01A (CONTINUED)

KEY	PART NUMBER	U/M	DESCRIPTION	VENDOR NO.
1	084880-01-760	EA	CLIP (THERMISTER)	61689122
2	120075-01-735	EA	THERMISTER W/LAMP & WIRE/ASM	618548
3	084880-03-705	EA	BRACKET-LIGHT-INTERIOR	61629722
4	084880-03-706	EA	BULB-LAMP	61628922
6	084880-03-707	EA	COVER-LAMP, LENS	61627922

CONTACT WINNEBAGO PART SALES FOR UNLISTED COMPONENTS



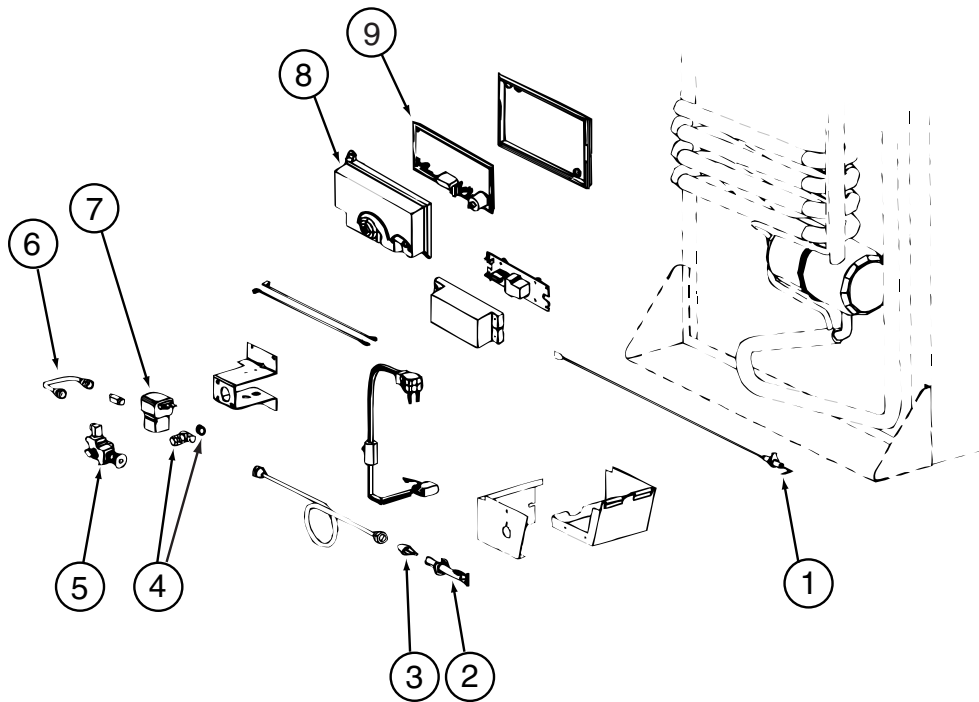
121569-05-01A, 121569-07-01A (CONTINUED)

KEY	PART NUMBER	U/M	DESCRIPTION	VENDOR NO.
2	120075-01-736	EA	COOLING UNIT, SERVICE PACK	618542
3	088248-01-709	EA	HEATER-AC (HORIZONTAL)	61562722
	120075-01-744	EA	KIT - GAS VALVE/BURNER TUBE	620609

CONTACT WINNEBAGO PART SALES FOR UNLISTED COMPONENTS



**APPLIANCE GROUP (CONTINUED)**  
**COMPONENT PARTS FOR APPLIANCE (CONTINUED)**

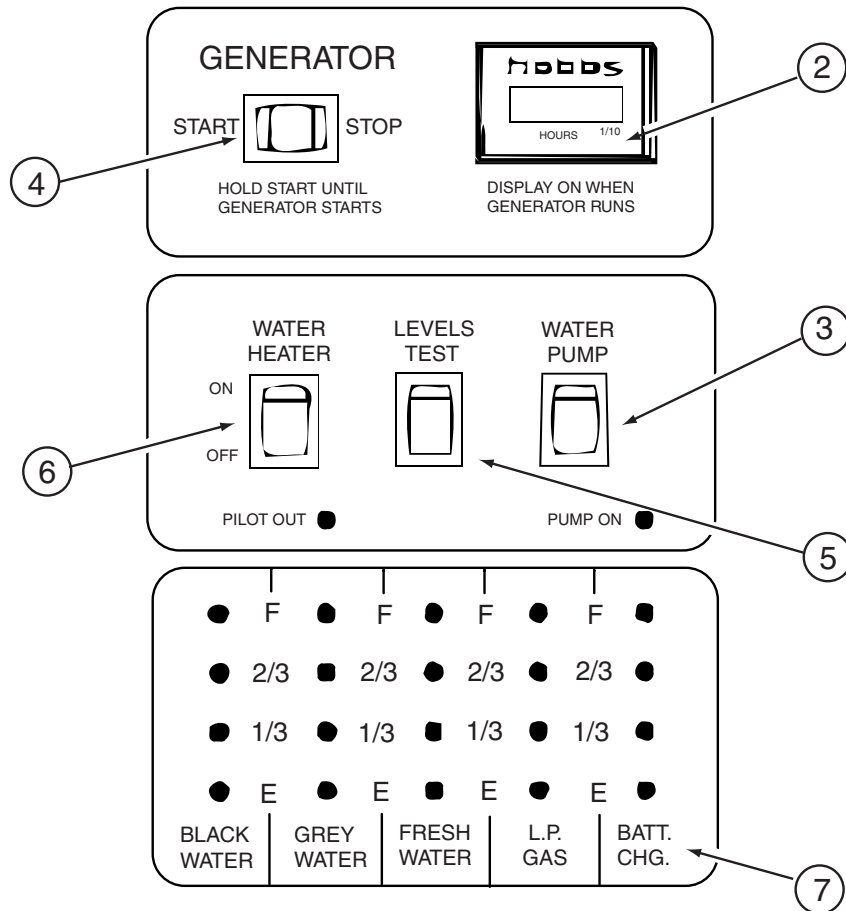


121569-05-01A, 121569-07-01A (CONTINUED)

KEY	PART NUMBER	U/M	DESCRIPTION	VENDOR NO.
1	104137-06-715	EA	ELECTRODE-SPARK/SENSOR, SGL	61692222
2	104137-06-714	EA	BURNER ASSEMBLY, 5-SLOT	61705222
3	120075-01-737	EA	ORIFICE - JEWEL - .0155	618284
4	113737-01-702	EA	PLUG 1/8" F/PRESSURE TAP	61445322
4	113737-01-716	EA	TAP-PRESSURE	61594422
6	113737-01-750	EA	TUBE-UNION	61694622
7	084880-01-718	EA	VALVE-GAS, (ASCO)	61551822
8	120075-01-738	EA	COVER-POWER BOARD	618185
9	121568-03-719	EA	POWER - BOARD - 2-WAY	619353
	121568-03-720	EA	VALVE/SHUT OF-MANUAL ELECT.	618696

CONTACT WINNEBAGO PART SALES FOR UNLISTED COMPONENTS

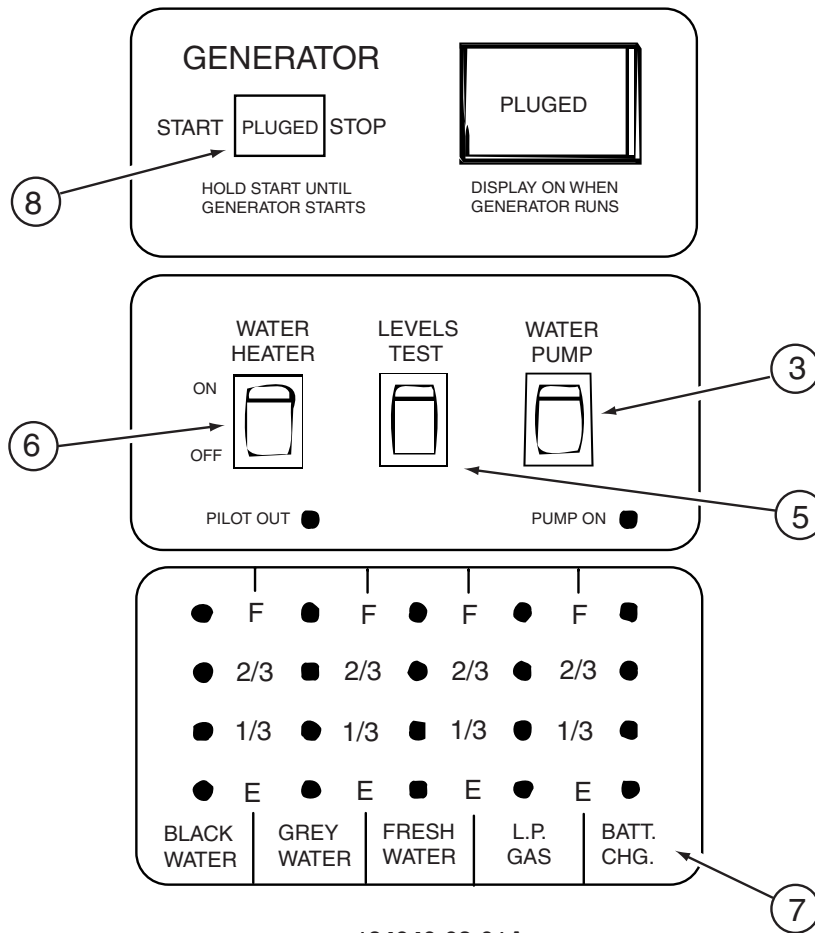
**APPLIANCE GROUP (CONTINUED)**  
**COMPONENT PARTS FOR APPLIANCE (CONTINUED)**



134940-01-01A

KEY	PART NUMBER	U/M	DESCRIPTION	VENDOR NO.
	134940-01-700	EA	BOARD - PC	L5118-01
2	100258-10-701	EA	GAUGE-HR METER ONLY (LCD)	L0775-00
3	096983-01-703	EA	SWITCH - ON/ON	L0115-00
4	096983-01-702	EA	SWITCH - MOM/OFF/MOM/3 TERM	L0112-00
5	096983-01-701	EA	SWITCH - SPST/MOM 2 TERMINAL	L0111-00
6	134940-01-701	EA	SWITCH-SPST/ON-OFF/BLK W/LGT	L0109
7	134940-01-702	EA	CHASSIS - SILKSCREENED	CC0558-00
	100258-10-702	EA	HOUR METER(CLIP ON)SW & WIRE	L4441-00

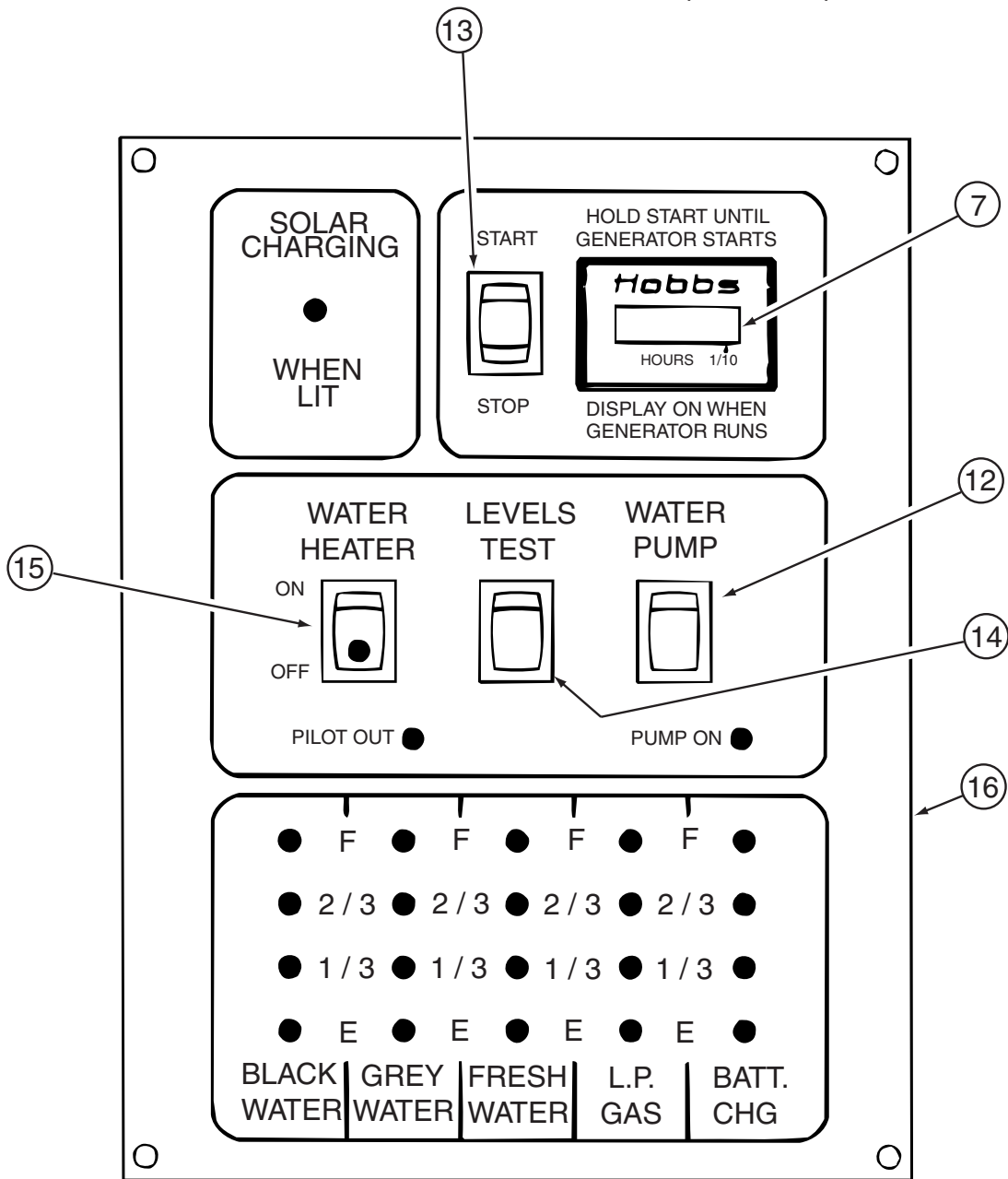
**APPLIANCE GROUP (CONTINUED)**  
**COMPONENT PARTS FOR APPLIANCE (CONTINUED)**



134940-02-01A

KEY	PART NUMBER	U/M	DESCRIPTION	VENDOR NO.
	134940-01-700	EA	BOARD - PC	L5118-01
3	096983-01-703	EA	SWITCH - ON/ON	L0115-00
5	096983-01-701	EA	SWITCH - SPST/MOM 2 TERMINAL	L0111-00
6	134940-01-701	EA	SWITCH-SPST/ON-OFF/BLK W/LGT	L0109
7	134940-01-702	EA	CHASSIS - SILKSCREENED	CC0558-00
8	134940-02-700	EA	SWITCH - DUMMY	L0118

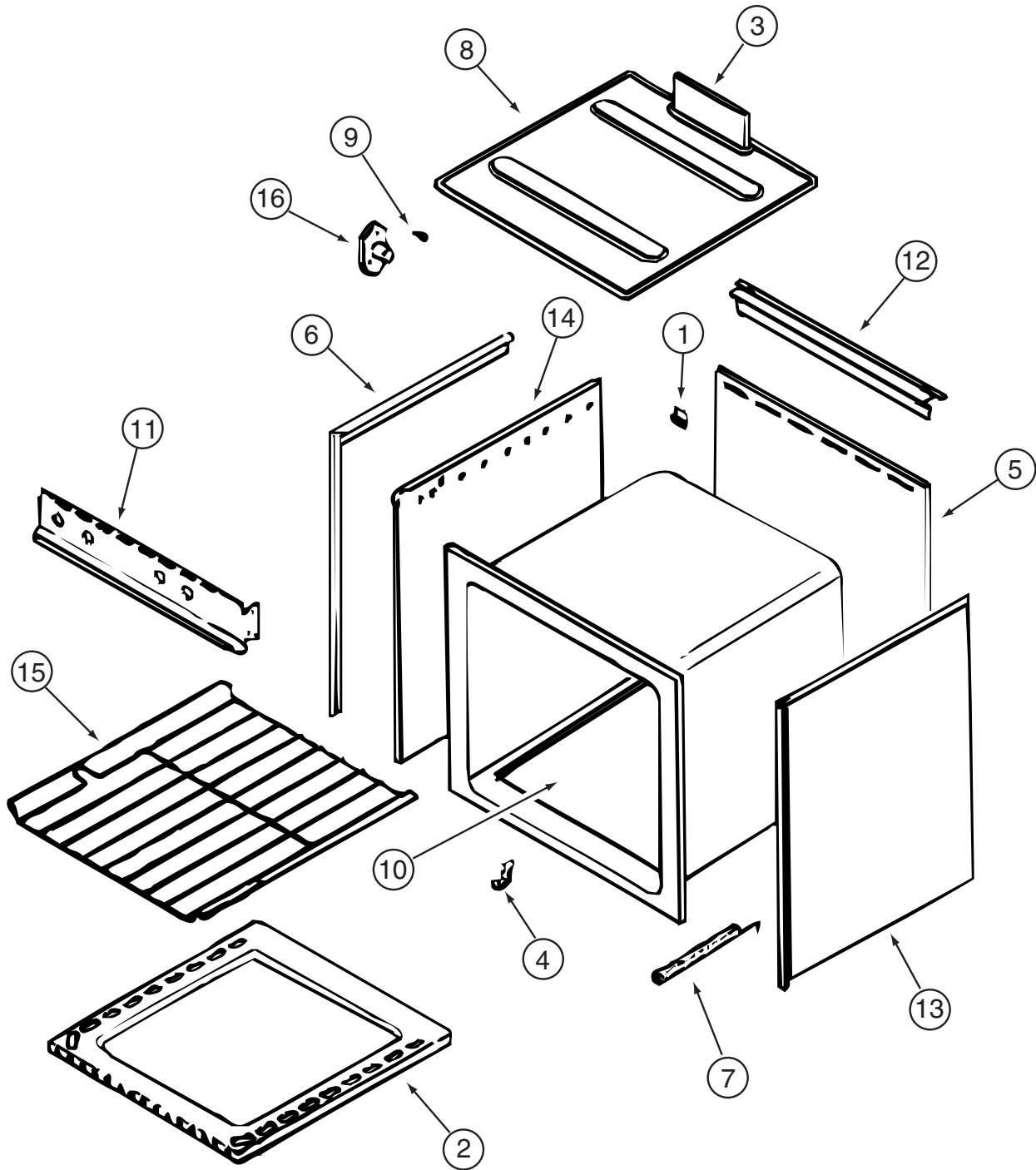
**APPLIANCE GROUP (CONTINUED)**  
**COMPONENT PARTS FOR APPLIANCE (CONTINUED)**



134940-04-01A

KEY	PART NUMBER	U/M	DESCRIPTION	VENDOR NO.
7	100258-10-701	EA	GAUGE/HOUR METER-CLIP ON LCD	L0775-00
12	096983-01-703	EA	SWITCH - ON/ON	L0115-00
13	096983-01-702	EA	SWITCH - MOM/OFF/MOM/3 TERM	L0112-00
14	096983-01-701	EA	SWITCH - SPST/MOM 2 TERMINAL	L0111-00
15	134940-01-701	EA	SWITCH-SPST/ON-OFF/BLK W/LGT	L0109
16	134940-04-700	EA	CHASSIS - SILKSCREENED	CE0136-00

**APPLIANCE GROUP (CONTINUED)**  
**COMPONENT PARTS FOR APPLIANCE (CONTINUED)**

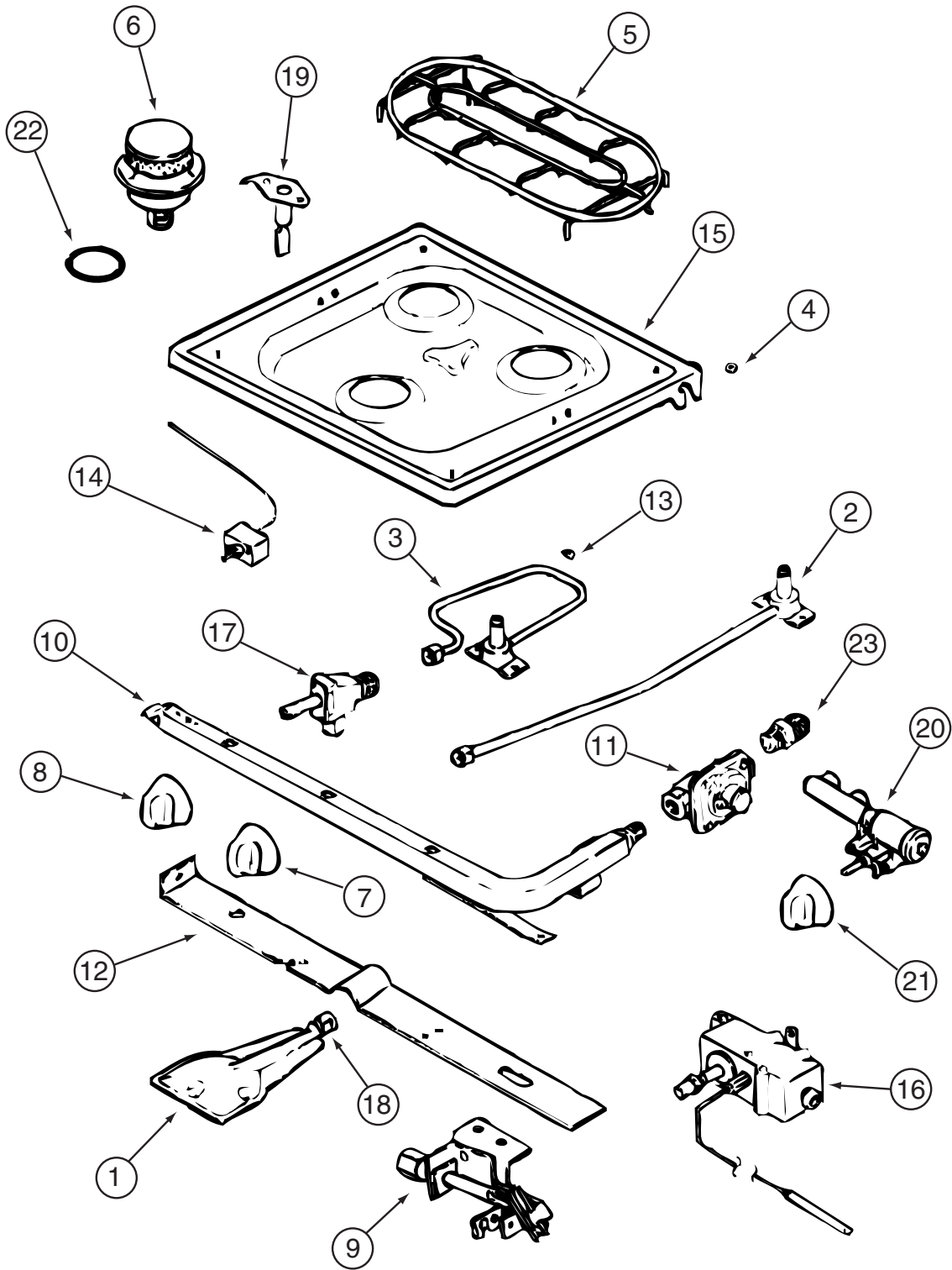


135656-03-01A

KEY	PART NUMBER	U/M	DESCRIPTION	VENDOR NO.
1	112881-03-702	EA	CLIP - MAIN TOP	74003998
2	126023-01-731	EA	BOTTOM - OVEN	2205F016-19
3	126023-01-718	EA	FLUE BOX ASSEMBLY	4006W075-80
6	112881-01-719	EA	TRIM-FLAT LH BLACK TEXTURED	74002813
6	112881-01-720	EA	TRIM-FLAT RH BLACK TEXTURED	74002812
7	135066-03-700	EA	SPRING - OVEN DOOR	74001835
9	128728-01-703	EA	PIN/T-NUT F/HINGE	7103P109-60
11	135066-03-701	EA	PANEL - MANIFOLD - BLACK	74007306
12	112881-01-723	EA	DEFLECTOR/FLUE-BLK-NON SEAL	74002809
15	126023-01-716	EA	RACK - OVEN	74003106

CONTACT WINNEBAGO PART SALES FOR UNLISTED COMPONENTS

**APPLIANCE GROUP (CONTINUED)**  
**COMPONENT PARTS FOR APPLIANCE (CONTINUED)**



135656-03-01A (CONTINUED)

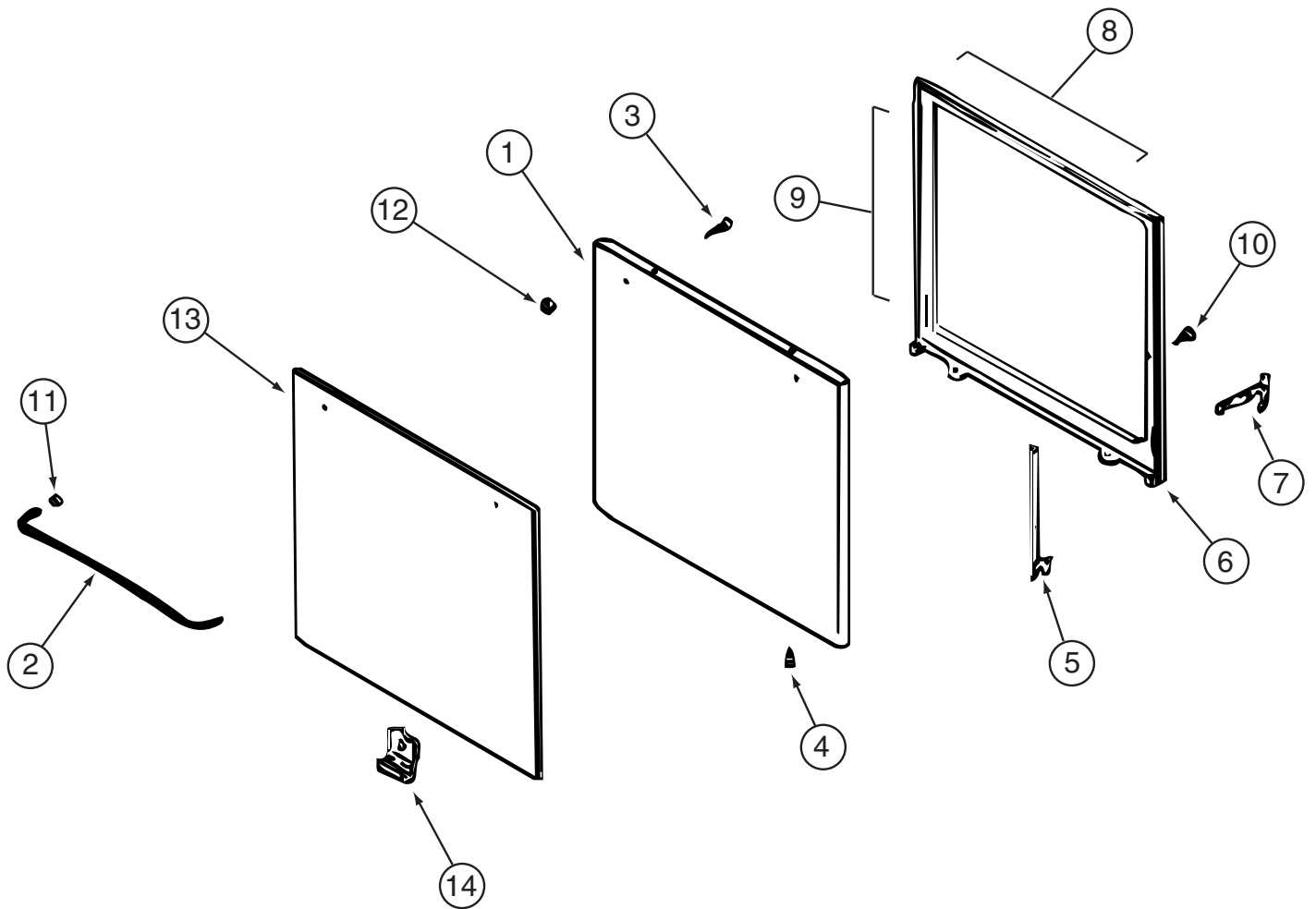
**APPLIANCE GROUP (CONTINUED)**  
**COMPONENT PARTS FOR APPLIANCE (CONTINUED)**

**135656-03-01A (CONTINUED)**

<b>KEY</b>	<b>PART NUMBER</b>	<b>U/M</b>	<b>DESCRIPTION</b>	<b>VENDOR NO.</b>
1	126023-01-717	EA	BURNER - OVEN	74003343
2	128728-01-708	EA	FITTING W/ORFICE/TUBE - REAR	74003931
3	128728-01-710	EA	FITTING W/ORFICE/TUBE - FRT	74003930
4	102020-01-709	EA	BUMPER-GRATE	8007-P020-60
5	135065-03-703	EA	GRATE - BLACK(SEALED BURNER)	74007304
6	135065-03-702	EA	SEALED BURNER ASM.(BLACK) RV	74003967
7	128728-01-701	EA	KNOB - BURNER - REAR	74003941
7	128728-01-702	EA	KNOB - BURNER - FRONT	74003942
8	112881-04-703	EA	KNOB - THERMOSTAT - BLACK	74004645
9	112881-04-706	EA	PILOT - OVEN	74006334
10	126023-02-702	EA	PIPE - MANIFOLD	74004360
11	126023-02-703	EA	REGULATOR - PRESSURE	74004235
12	112881-01-721	EA	DEFLECTOR/FLUE-BLK-SEALED BR	74002829
13	102020-01-724	EA	BUMPER-MAIN TOP	8003P008-60
14	126023-01-734	EA	THERMOSTAT/OVEN SERIES #11	74006332
15	128728-01-705	EA	TOP - MAIN - BLACK	74003928
16	112881-04-704	EA	VALVE - OVEN	74006333
17	135065-01-701	EA	IGNITOR/PORCELAIN-TOP BURNER	74004053
17	135065-01-703	EA	VALVE/BURNER - REAR	74004643
17	135065-01-704	EA	VALVE/BURNER-FRT-HI	74004644
18	135656-01-701	EA	MIXER/AIR	3411F003-34
20	128728-01-716	EA	BURNER - IGNITOR	74003946
20	128728-01-717	EA	WIRES - IGNITOR	74003947
21	128728-01-707	EA	KNOB - IGNITOR	74003944
22	135065-03-700	EA	FITTING - HALF UNION	74004234

CONTACT WINNEBAGO PART SALES FOR UNLISTED COMPONENTS

**APPLIANCE GROUP (CONTINUED)**  
**COMPONENT PARTS FOR APPLIANCE (CONTINUED)**



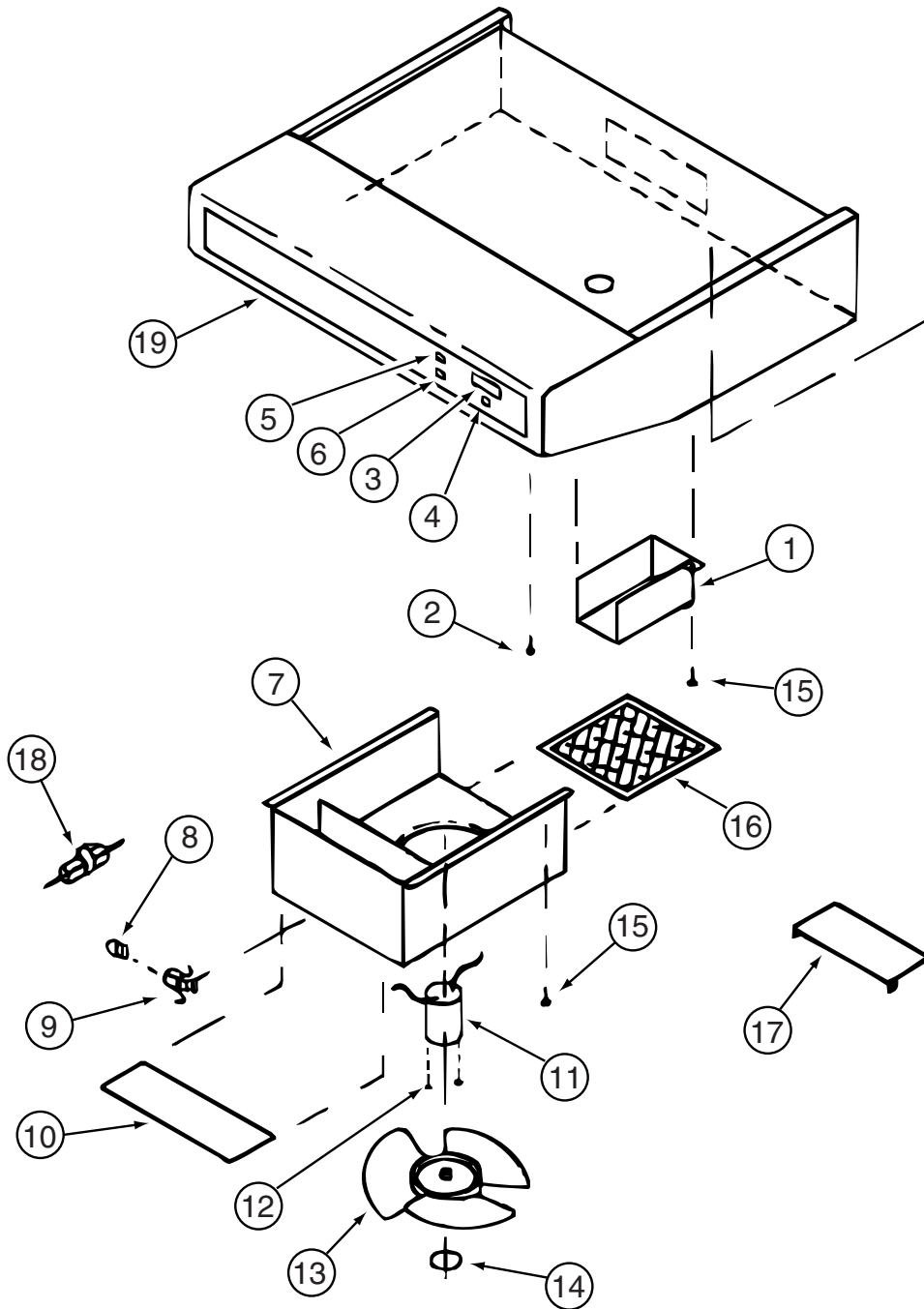
**135656-03-01A (CONTINUED)**

KEY	PART NUMBER	U/M	DESCRIPTION	VENDOR NO.
1	112881-02-705	EA	DOOR/OVEN-TEXT/BLK-F/WINDOW	74001273
2	128727-01-701	EA	HANDLE - OVEN DOOR	74003929
8	126023-01-732	EA	SEAL/OVEN DR TOP	7212P014-60
9	126023-01-733	EA	SEAL/OVEN DR SIDES(2PCS)	7212P038-60
13	102020-01-725	EA	GLASS OUTER	7902P266-60

CONTACT WINNEBAGO PART SALES FOR UNLISTED COMPONENTS



**APPLIANCE GROUP (CONTINUED)**  
**COMPONENT PARTS FOR APPLIANCE (CONTINUED)**

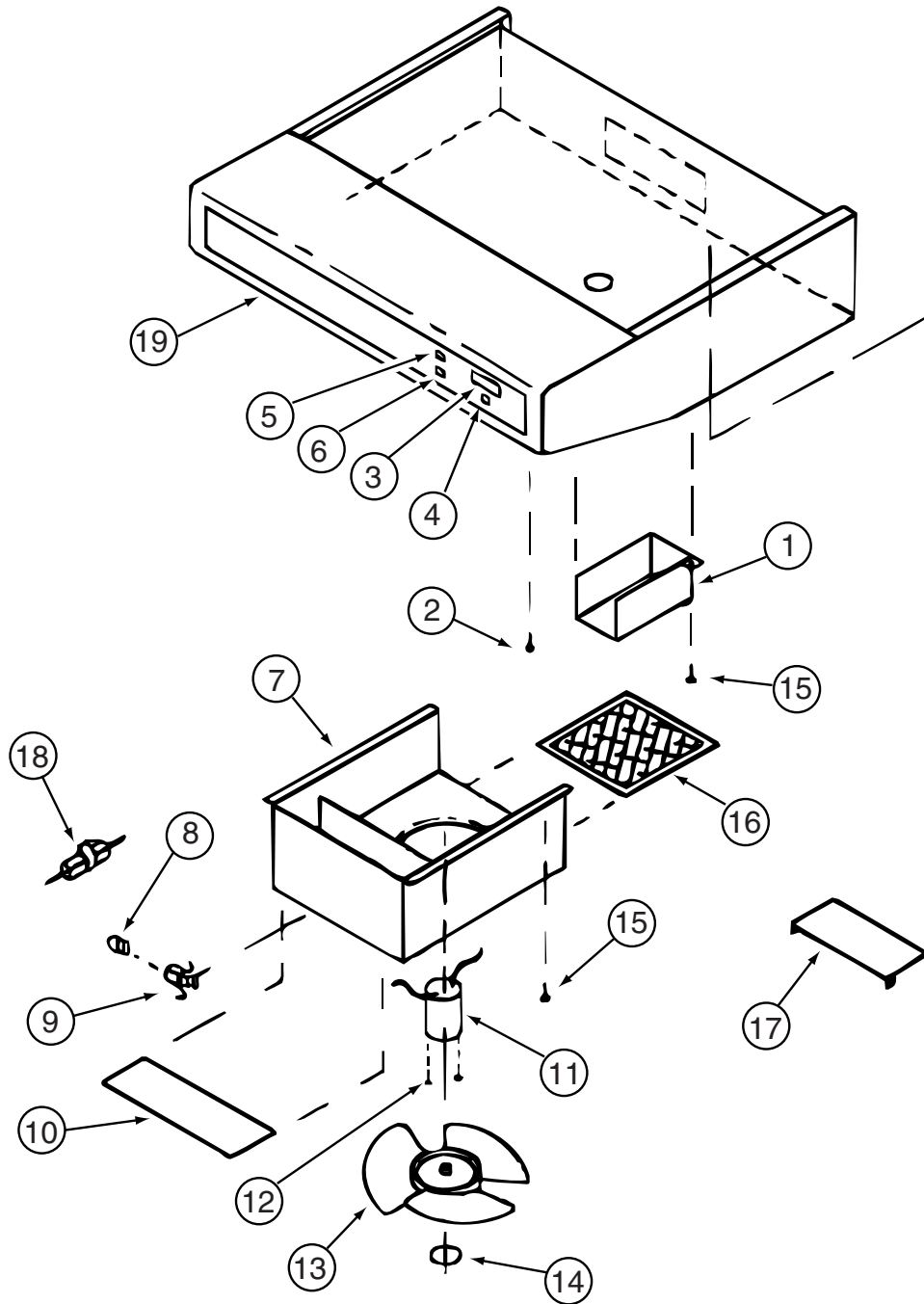


136354-05-01A

KEY	PART NUMBER	U/M	DESCRIPTION	VENDOR NO.
3	100258-10-01A	EA	GAUGE/HOUR METER - W/GEN SWITCH/WIRE (LCD) SCREW ON STYLE	150
4	096983-01-702	EA	SWITCH - MOM/OFF/MOM/3 TERM	L0112-00
5	096983-01-700	EA	SWITCH/1 SPEED -ON/OFF- BLK	L0108-00
8	117806-01-000	EA	BULB - 12V - #912 - 1.0 AMP	912
9	092696-01-710	EA	HOLDER-LAMP	CB267-02
10	092696-02-701	EA	LENS-LAMP	CC179-2
11	136354-05-700	EA	MOTOR-12 VOLT	VC0536-02
13	136354-05-701	EA	BLADE-FAN 7" DIA	VD0216-00
16	096983-01-707	EA	FILTER-MESH	CC246-00
17	100258-01-701	EA	DAMPER ASSEMBLY (METAL FLAP)	CAO-565-00
19	100258-01-700	EA	LABEL-HOOD NOSE	CC0428-00

CONTACT WINNEBAGO PART SALES FOR UNLISTED COMPONENTS

**APPLIANCE GROUP (CONTINUED)**  
**COMPONENT PARTS FOR APPLIANCE (CONTINUED)**



**136354-06-01A**

<b>KEY</b>	<b>PART NUMBER</b>	<b>U/M DESCRIPTION</b>
3	100258-10-01A	EA GAUGE/HOUR METER - W/GEN SWITCH/WIRE (LCD) SCREW ON STYLE
4	096983-01-702	EA SWITCH - MOM/OFF/MOM/3 TERM
5	096983-01-700	EA SWITCH/1 SPEED -ON/OFF- BLK
8	117806-01-000	EA BULB - 12V - #912 - 1.0 AMP
9	092696-01-710	EA HOLDER-LAMP
10	092696-02-701	EA LENS-LAMP
11	136354-06-700	EA MOTOR - FAN (CSA)
13	136354-05-701	EA BLADE-FAN 7" DIA
16	096983-01-707	EA FILTER-MESH
17	100258-01-701	EA DAMPER ASSEMBLY (METAL FLAP)
19	100258-01-700	EA LABEL-HOOD NOSE

CONTACT WINNEBAGO PART SALES FOR UNLISTED COMPONENTS

**VENDOR NO.**

150  
L0112-00  
L0108-00  
912  
CB267-02  
CC179-2  
VC0535-02  
VD0216-00  
CC246-00  
CAO-565-00  
CC0428-00

**137354-01-000**

<b>KEY</b>	<b>PART NUMBER</b>	<b>U/M DESCRIPTION</b>	<b>VENDOR NO.</b>
	137354-01-700	EA FILTER	UN38

**AUDIO VIDEO GROUP  
RADIO SYSTEM**

KEY	PART NUMBER	U/M	DESCRIPTION
	077069-02-000	EA	CABLE/EXTENSION - RADIO ANTENNA - 96"
	090944-01-000	EA	ANTENNA - RADIO - 16" RUBBER - W/72" LEAD WIRE
	108847-01-000	EA	BRACKET - ANTENNA GROUND
			FROM: 00-00-00 THRU: 06-26-03
	147741-01-09B	EA	BRACKET - ANTENNA GROUND
			FROM: 06-27-03 THRU: 99-99-99
	109889-04-000	EA	EXTENDER - ANTENNA SHAFT - 3.7"
	110469-01-000	EA	SPEAKER - 4" X 6" OVAL - COAXIAL
	124883-02-000	EA	SPEAKER/CUBE - W/BRACKET - <b>SURROUND SOUND</b>
			FROM: 00-00-00 THRU: 07-13-03
	148026-01-01A	EA	SPEAKER - CUBE - W/FIXED BRACKET - SILVER - <b>SURROUND SOUND</b>
			FROM: 07-14-03 THRU: 99-99-99
	124883-03-000	EA	SPEAKER/CUBE - W/O CASE - <b>SURROUND SOUND</b>
			FROM: 00-00-00 THRU: 07-13-03
	148026-03-01A	EA	SPEAKER - CUBE - W/O CASE - <b>SURROUND SOUND</b>
			FROM: 07-14-03 THRU: 99-99-99
	124884-01-000	EA	SPEAKER - 6" X 9" - SUB-WOOFER - W/O GRILLE - <b>SURROUND SOUND</b>
	110470-01-01A	EA	GRILLE - 4" X 6" - OVAL SPEAKER - BLACK
	124883-04-000	EA	GRILLE/SPEAKER - F/CUBE SPEAKER - <b>SURROUND SOUND</b>
			FROM: 00-00-00 THRU: 07-13-03
	148026-02-01A	EA	SPEAKER GRILLE - CUBE - SILVER - <b>SURROUND SOUND</b>
			FROM: 07-14-03 THRU: 99-99-99
	124885-01-000	EA	GRILLE - SPEAKER - 6" X 9" - SUB WOOFER - <b>SURROUND SOUND</b>
	124881-02-000	EA	AMPLIFIER - AUDIO - MTS Q SURROUND - ORANGE LABEL (LATEST) - <b>SURROUND SOUND</b>
	135420-01-000	EA	RADIO - AM/FM/CASSETTE/CD COMBO - M9900 - 7.2" X 3.3" R.O. - <b>DASH</b>
			FROM: 00-00-00 THRU: 08-17-03
	135420-05-000	EA	RADIO - MOUNTING KIT - FORD - <b>DASH</b>
	135420-09-000	EA	RADIO-AM/FM/CASS/CD COMBO-AUX/CD CHANGER INPUT-REMOTE COMP- <b>DASH</b>
			FROM: 08-18-03 THRU: 99-99-99
	135420-10-000	EA	REMOTE CONTROL/RADIO (CREDIT CARD SIZE) - <b>DASH</b>
			FROM: 08-18-03 THRU: 99-99-99
	135420-01-000	EA	RADIO - AM/FM CASSETTE/CD COMBO - M9900 - 7.2" X 3.3" R.O. - <b>DASH</b>
	135420-05-000	EA	RADIO - MOUNTING KIT - FORD - <b>DASH</b>
	135420-10-000	EA	REMOTE CONTROL/RADIO (CREDIT CARD SIZE) - <b>DASH</b>
*	143509-01-000	EA	RADIO - AM/FM CD - W/REMOTE - JENSEN CD3010X-W - <b>EXTERIOR ENTERTAINMENT</b>
			FROM: 00-00-00 THRU: 11-09-03
	148231-01-000	EA	RADIO - AM/FM CD W/REMOTE - MAGNADYNE M3100CD - <b>EXTERIOR ENTERTAINMENT</b>
			FROM: 11-10-03 THRU: 99-99-99
	141679-01-000	EA	CHARGING STATION ONLY - F/TWO WAY RADIO SYSTEM
			FROM: 00-00-00 THRU: 10-05-03
	141679-03-000	EA	CHARGER/DOCK STATION ONLY - FOR #GMRS100 TWO-WAY RADIO
			FROM: 10-06-03 THRU: 99-99-99
	141679-02-000	EA	RADIO/BATTERY KIT - TWO WAY (4 RADIOS/8 BATTERIES)
			FROM: 00-00-00 THRU: 10-05-03
	141679-04-000	EA	RADIO/TWO-WAY W/BATTERY (EACH = 1) - 5 MILE - ASA GMRS100
			FROM: 10-06-03 THRU: 99-99-99

\*COMPONENT PARTS LISTED LATER IN THIS GROUP

**AUDIO VIDEO GROUP (CONTINUED)**  
**COMPONENT PARTS FOR RADIO SYSTEM**

143509-01-000

KEY	PART NUMBER	U/M	DESCRIPTION	VENDOR NO.
	143509-01-700	EA	REMOTE - RADIO	VG70A0

**AUDIO VIDEO GROUP (CONTINUED)**  
**REAR VIEW MONITOR**

KEY	PART NUMBER	U/M	DESCRIPTION
	136514-02-000	EA	CABLE - MONITOR/CAMERA
	136514-04-000	EA	MONITOR ONLY/COLOR - 6.8" FLAT PANEL - REAR VIEW/VISOR MNT
	144677-04-000	EA	CAMERA - REAR VIEW W/BRACKET
	143999-01-01A	EA	SPACER - MONITOR - BLACK

**TELEPHONE**

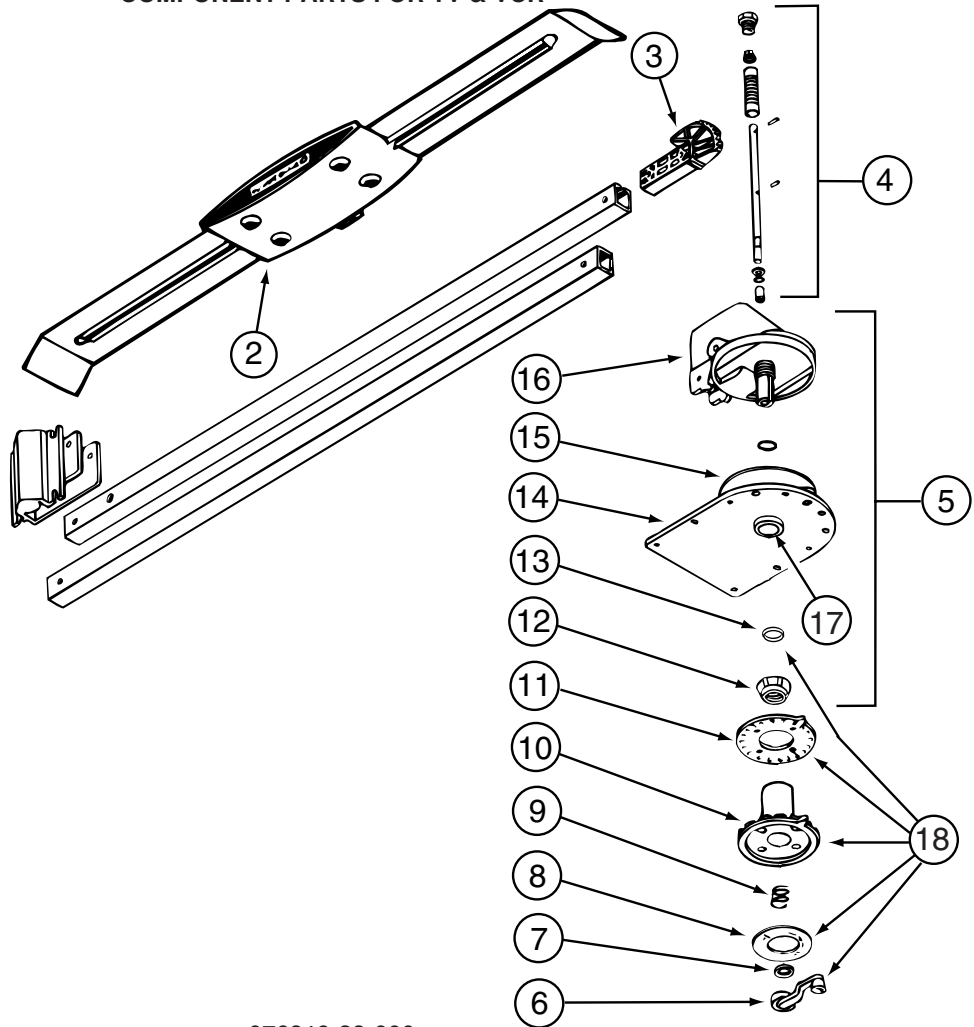
KEY	PART NUMBER	U/M	DESCRIPTION
	093253-01-03A	EA	PLATE - WALL - TELEPHONE - WHITE
	130686-01-01A	EA	PLATE - WALL - TELEPHONE/COAX - WHITE

**TV & VCR**

KEY	PART NUMBER	U/M	DESCRIPTION
	076319-09-000	EA	WALLPLATE - TV CABLE RECEPTACLE - SINGLE - BROWN
*	076319-23-000	EA	ANTENNA - TV ROOF MOUNT - 44.5" MAST
*	076319-25-000	EA	KIT - HARDWARE INTERIOR
	076319-27-000	EA	WALLPLATE/RECEPTACLE - WHITE
	082134-01-000	EA	ADAPTER - TV - CABLE TO CABLE
	082136-01-000	EA	NUT - HEX JAM - 3/8-32
	086756-01-000	EA	SPLITTER - TV/2 WAY
	123324-01-000	EA	FILTER - GROUND LOOP
	134006-01-03B	EA	PLATE - COAXIAL CABLE/OFF WHITE
*	136162-03-000	EA	TV - 27" STEREO W/5 JACKS - RCA F27440M FROM: 00-00-00 THRU: 10-12-03
	136162-04-000	EA	TV - 27" STEREO - W/5 JACKS - RCA 27R411TA0 FROM: 10-13-03 THRU: 99-99-99
	136860-01-000	EA	CABLE - RCA - #3 MALE TO #12F MALE CONNECTOR FROM: 00-00-00 THRU: 07-29-03
*	137135-02-000	EA	ANTENNA - SATELLITE DSS - W/SENSOR
	142258-01-000	EA	SWITCH - VIDEO/ANTENNA POWER SUPPLY FROM: 00-00-00 THRU: 01-08-04
	145171-01-000	EA	CONNECTOR - COAXIAL
*	145641-01-000	EA	DVD/VCR PLAYER - RCA DRC6000N FROM: 00-00-00 THRU: 08-10-03
*	145641-02-000	EA	DVD/VCR PLAYER - RCA DRC6100N FROM: 08-11-03 THRU: 11-02-03
*	145641-03-000	EA	DVD/VCR PLAYER - RCA DRC6200N FROM: 11-03-03 THRU: 99-99-99

**\*COMPONENT PARTS LISTED LATER IN THIS GROUP**

**AUDIO VIDEO GROUP (CONTINUED)**  
**COMPONENT PARTS FOR TV & VCR**



**076319-23-000**

KEY	PART NUMBER	U/M	DESCRIPTION	VENDOR NO.
2	076319-01-700	EA	HEAD-ANTENNA, AMPLIFIED	RVSA U/V
3	076319-01-701	EA	GEAR-ELEVATING, PLASTIC	2200046
4	076319-01-702	EA	SHAFT ASM-ELEVATING	RP-4000
5	076319-01-711	EA	BASE & LIFT ASM	2762802
7	076319-01-705	EA	GROMMET-NYLON, 7/8"ID	3200658
8	076319-01-708	EA	DECAL-CRANK	5413002
9	076319-01-707	EA	SPRING-HANDLE	2160822
11	076319-01-712	EA	PLATE - CEILING	3200608
12	076319-01-715	EA	NUT (GEAR HOUSING)	2200047
14	076319-01-713	EA	BASE-PLATE, STEEL	3100523
15	076319-01-703	EA	BEARING-NYLON, 5"OD	3200656
16	076319-01-714	EA	HOUSING, ROTATING GEAR	2200049
	076319-01-716	EA	TUBING, ELEVATING	RP-2900
17	076319-01-704	EA	BEARING-NYLON, 1.25"OD	3200657

CONTACT WINNEBAGO PART SALES FOR UNLISTED COMPONENT

**076319-25-000**

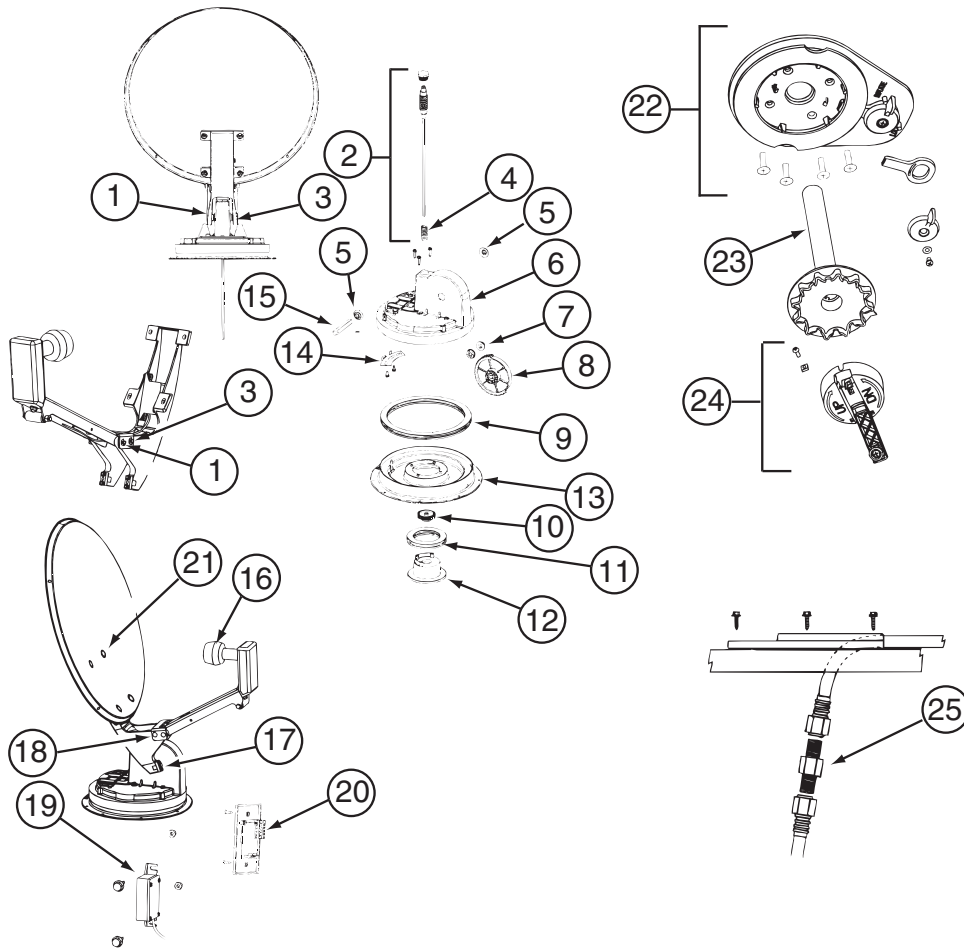
KEY	PART NUMBER	U/M	DESCRIPTION	VENDOR NO.
6	076319-01-706	EA	CRANK-W/SET SCREW UNIV/BEIGE	2750897
6	120233-01-710	EA	HANDLE-CRANK W/SCREW - WHITE	RP-6795
8	076319-01-708	EA	DECAL-CRANK	5413002
10	076319-25-700	EA	DIRECTIONAL HANDLE(WHITE)	3200612
11	076319-25-701	EA	PLATE - CEILING(WHITE)	3200609
13	120233-01-709	EA	WASHER-NYLON	RP-2658

CONTACT WINNEBAGO PART SALES FOR UNLISTED COMPONENTS

**136162-03-000**

KEY	PART NUMBER	U/M	DESCRIPTION	VENDOR NO.
	124075-05-700	EA	REMOTE - TV	242778

**AUDIO VIDEO GROUP (CONTINUED)**  
**COMPONENT PARTS FOR TV & VCR (CONTINUED)**



**137135-02-000**

KEY	PART NUMBER	U/M	DESCRIPTION	VENDOR NO.
1	120233-01-714	EA	CLIP-E	5160818
2	137135-01-703	EA	KIT ELEV - SHAFT/GEAR/SPRING	RP-4400
3	137135-01-704	EA	PIN - 1/4" X 3.25"	2160813
5	137135-01-707	EA	SEAL - PIVOT SHAFT	2200852
6	137135-01-708	EA	TURRET	3100728
7	137135-01-709	EA	PIVOT BEARING	2200470
8	137135-01-711	EA	GEAR - ELEVATING	2200464
9	137135-01-712	EA	BEARING - OUTER	2590347
10	137135-01-714	EA	GEAR - ELEVATING SHAFT	2200465
11	137135-01-715	EA	BEARING - INNER	2590348
12	137135-01-716	EA	HUB	3100731
13	137135-01-713	EA	TURRET BASE	3100730
14	137135-01-710	EA	PLATE - ROTATE LIMIT	3720052
16	137135-02-703	EA	LOW NOISE BLOCK FILTER	LB-6000 - DUAL
17	137135-01-722	EA	CLAMP	2590343
18	137135-01-719	EA	BRACKET - PIVOT	2744945
19	137135-01-720	EA	DE-SENSOR UNIT W/43" CABLE	DM4000
20	137135-02-701	EA	BOX - SURFACE MOUNT	SM-100
21	137135-01-717	EA	BOLT - FLAT HEAD	2160362
22	120233-01-737	EA	PLATE/INT-W/DIRECTIONAL HDLE	RK-CEIL
23	120233-01-704	EA	DIAL/DIRECTIONAL 4"W/SPRING	3200364
24	120233-01-738	EA	HDW PKG-HANDLE/SPRING/WASHER	RK-HAND
25	137135-01-701	EA	CONNECTOR - F - MALE TO MALE	FS-8100
	137135-01-700	EA	ROOF WEDGE W/GASKET	RW-5000
	137135-01-706	EA	KIT-TURRET/SEAL/BEARING/GEAR	RP-RM30
	137135-01-718	EA	REFLECTOR/WHITE-46CM W/HDWE	RP-35RM
	137135-02-700	EA	DE-SENSOR	2780090
	137135-02-704	EA	KIT-UPDATE DIRECTIONAL HDL	RP-RMDH

**AUDIO VIDEO GROUP (CONTINUED)**  
**COMPONENT PARTS FOR TV & VCR (CONTINUED)**

145641-01-000

KEY	PART NUMBER	U/M	DESCRIPTION	VENDOR NO.
	145641-01-700	EA	REMOTE	258154

145641-02-000

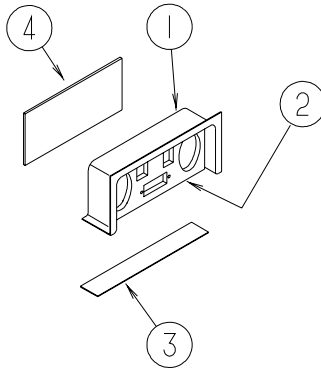
KEY	PART NUMBER	U/M	DESCRIPTION	VENDOR NO.
	145641-02-700	EA	REMOTE	260607

145641-03-000

KEY	PART NUMBER	U/M	DESCRIPTION	VENDOR NO.
	145641-03-700	EA	REMOTE	RCR311DA1

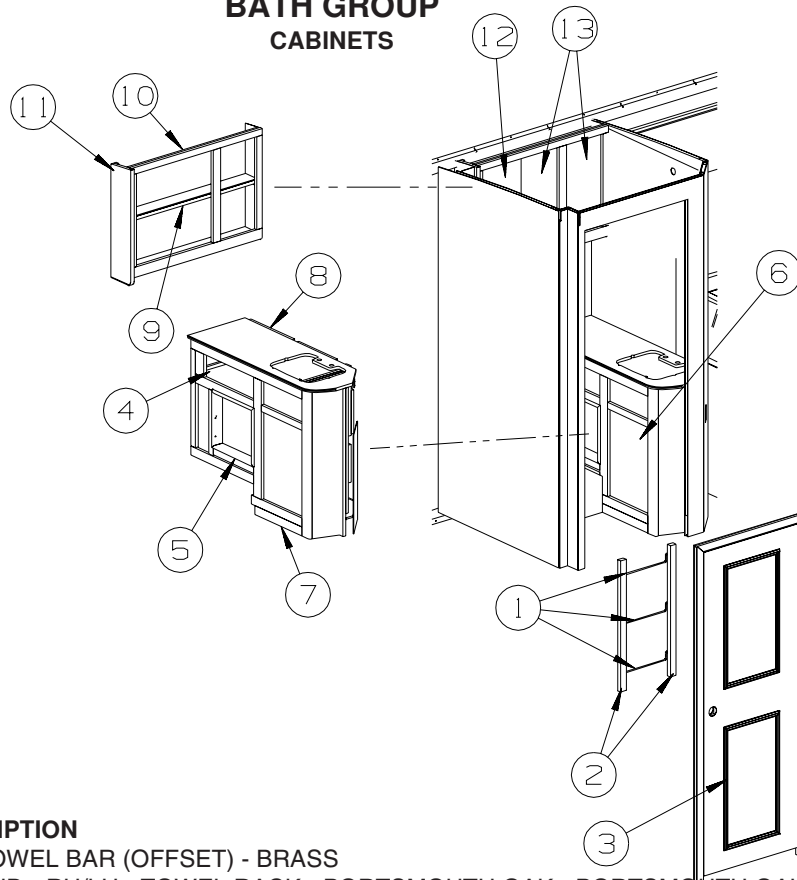


**AUDIO VIDEO GROUP (CONTINUED)**  
**EXTERIOR ENTERTAINMENT**



KEY	PART NUMBER	U/M	DESCRIPTION
1	124696-02-01A	EA	BOX - ENTERTAINMENT CENTER/EXTERIOR - BRIGHT WHITE
	124696-01-01A	EA	BOX - ENTERTAINMENT CENTER/EXTERIOR - BRIGHT WHITE
2	127409-02-L15	EA	PLATE - RADIO MOUNTING
3	104898-01-02A	EA	PLATE - PLASTIC BOTTOM - BRIGHT WHITE
4	NOT USED		

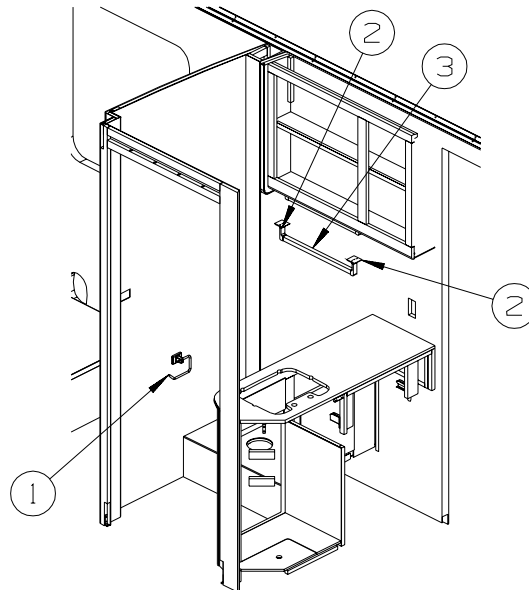
## BATH GROUP CABINETS



KEY	PART NUMBER	U/M	DESCRIPTION
1	146801-01-01A	EA	ROD/TOWEL BAR (OFFSET) - BRASS
2	P34509-01-N01	EA	RAIL END - RH/LH - TOWEL RACK - PORTSMOUTH OAK - PORTSMOUTH OAK
2	P34509-01-P14	EA	RAIL END - RH/LH - TOWEL RACK - CHERRY - CONCERT CHERRY
2	P34509-01-J70	EA	RAIL END - RH/LH - TOWEL RACK - WASHED MAPLE - WASHED MAPLE
3	144645-04-R13	EA	DOOR - BATH - W/O TOWEL RACK/HARDWARE - PORTSMOUTH OAK
3	144645-04-R14	EA	DOOR - BATH - W/O TOWEL RACK/HARDWARE - CONCERT CHERRY
3	144645-04-R21	EA	DOOR - BATH - W/O TOWEL RACK/HARDWARE - WASHED MAPLE
	146064-01-01A	EA	LOCK/PRIVACY (LOCKING) LEVER STYLE - POLISHED BRASS
4	P34767-C5-R19	EA	DRAWER - PENCIL EDGE - 15.4"W X 9.8"D-W/O SLIDES/HARDWARE - PORTSMOUTH OAK
4	P34767-C5-R20	EA	DRAWER - PENCIL EDGE - 15.4"W X 9.8"D-W/O SLIDES/HARDWARE - CONCERT CHERRY
4	P34767-C5-R21	EA	DRAWER - PENCIL EDGE - 15.4"W X 9.8"D-W/O SLIDES/HARDWARE - WASHED MAPLE
5	137602-10-N09	EA	POCKET - MAGAZINE RACK - PORTSMOUTH OAK - PORTSMOUTH OAK
5	137602-10-N10	EA	POCKET - MAGAZINE RACK - CHERRY - CONCERT CHERRY
5	137602-10-N15	EA	POCKET - MAGAZINE RACK - WASHED MAPLE - WASHED MAPLE
6	136919-A7-R19	EA	DOOR - FLAT/PENCIL EDGE - 14.3" X 21.8" - W/O HARDWARE - PORTSMOUTH OAK
6	136919-A7-R20	EA	DOOR - FLAT/PENCIL EDGE - 14.3" X 21.8" - W/O HARDWARE - CONCERT CHERRY
6	136919-A7-R21	EA	DOOR - FLAT/PENCIL EDGE - 14.3" X 21.8" - W/O HARDWARE - WASHED MAPLE
6	076767-04-000	EA	CABLE - STAINLESS STEEL - 5.9"
7	135580-01-P07	EA	CABINET - LAVATORY - W/O COUNTERTOP/DOORS/DRAWERS/HDW - PORTSMOUTH OAK
7	135580-01-P14	EA	CABINET - LAVATORY - W/O COUNTERTOP/DOORS/DRAWERS/HDW - CONCERT CHERRY
7	135580-01-P33	EA	CABINET - LAVATORY - W/O COUNTERTOP/DOORS/DRAWERS/HDW - WASHED MAPLE
8	133654-02-P13	EA	COUNTERTOP - LAMINATED - GRAY TRANQUILITY/PORTSMOUTH OAK (R19)
8	133654-02-P14	EA	COUNTERTOP - LAMINATED - GRAY TRANQUILITY/CONCERT CHERRY (R20)
8	133654-02-P33	EA	COUNTERTOP - LAMINATED - GRAY TRANQUILITY/WASHED MAPLE (R21)
8	133654-02-R09	EA	COUNTERTOP - LAMINATED - LINO FRIEZE/PORTSMOUTH OAK (R22)
8	133654-02-R16	EA	COUNTERTOP - LAMINATED - LINO FRIEZE/CHERRY (R23)
8	133654-02-R24	EA	COUNTERTOP - LAMINATED - LINO FRIEZE/WASHED MAPLE (R24)
8	133654-02-R17	EA	COUNTERTOP - LAMINATED - ROCKY MOUNTAIN HIGH/PORTSMOUTH OAK (R25)
8	133654-02-R18	EA	COUNTERTOP - LAMINATED - ROCKY MOUNTAIN HIGH/CHERRY (R26)
8	133654-02-R27	EA	COUNTERTOP - LAMINATED - ROCKY MOUNTAIN HIGH/WASHED MAPLE (R27)
9	140674-15-P07	EA	SHELF - W/PLASTIC EDGE MOLDING - PORTSMOUTH OAK
9	140674-15-P14	EA	SHELF - W/PLASTIC EDGE MOLDING - CONCERT CHERRY
9	140674-15-P33	EA	SHELF - W/PLASTIC EDGE MOLDING - WASHED MAPLE

**BATH GROUP (CONTINUED)**  
**CABINETS (CONTINUED)**

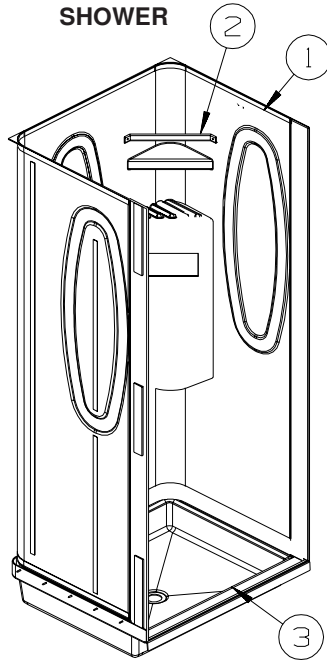
KEY	PART NUMBER	U/M	DESCRIPTION
10	140674-01-P07	EA	CABINET - OVERHEAD/MEDICINE - W/O DOORS/HARDWARE - PORTSMOUTH OAK
10	140674-01-P14	EA	CABINET - OVERHEAD/MEDICINE - W/O DOORS/HARDWARE - CONCERT CHERRY
10	140674-01-P33	EA	CABINET - OVERHEAD/MEDICINE - W/O DOORS/HARDWARE - WASHED MAPLE
11	140674-18-P07	EA	END CAP - OVERHEAD CABINET - PORTSMOUTH OAK
11	140674-18-P14	EA	END CAP - OVERHEAD CABINET - CONCERT CHERRY
11	140674-18-P33	EA	END CAP - OVERHEAD CABINET - WASHED MAPLE
12	134868-18-N47	EA	DOOR - RAIL/ARCHED TOP - 10.8" X 21.8" - W/O HARDWARE - PORTSMOUTH OAK FROM: 00-00-00 THRU: 08-10-03
12	141518-40-P54	EA	DOOR - ARCHED/PENCIL EDGE/LEFT HAND-10.8" X 21.8"-W/O HDW - PORTSMOUTH OAK FROM: 08-11-03 THRU: 99-99-99
12	134868-18-P55	EA	DOOR - RAIL/ARCHED TOP - 10.8" X 21.8" - W/O HARDWARE - CONCERT CHERRY FROM: 00-00-00 THRU: 08-10-03
12	141518-40-P55	EA	DOOR - ARCHED/PENCIL EDGE/LEFT HAND-10.8" X 21.8"-W/O HDW - CONCERT CHERRY FROM: 08-11-03 THRU: 99-99-99
12	134868-18-P56	EA	DOOR - RAIL/ARCHED TOP - 10.8" X 21.8" - W/O HARDWARE - WASHED MAPLE FROM: 00-00-00 THRU: 08-10-03
12	141518-40-P56	EA	DOOR - ARCHED/PENCIL EDGE/LEFT HAND-10.8" X 21.8"-W/O HDW - WASHED MAPLE FROM: 08-11-03 THRU: 99-99-99
13	134868-17-N47	EA	DOOR - RAIL/ARCHED TOP - 10.8" X 21.8" - W/O HARDWARE - PORTSMOUTH OAK FROM: 00-00-00 THRU: 08-10-03
13	141520-40-P54	EA	DOOR - ARCHED/PENCIL EDGE/RIGHT HAND -10.8"X21.8"- W/O HDW - PORTSMOUTH OAK FROM: 08-11-03 THRU: 99-99-99
13	134868-17-P55	EA	DOOR - RAIL/ARCHED TOP - 10.8" X 21.8" - W/O HARDWARE - CONCERT CHERRY FROM: 00-00-00 THRU: 08-10-03
13	141520-40-P55	EA	DOOR - ARCHED/PENCIL EDGE/RIGHT HAND -10.8"X21.8"- W/O HDW - CONCERT CHERRY FROM: 08-11-03 THRU: 99-99-99
13	134868-17-P56	EA	DOOR - RAIL/ARCHED TOP - 10.8" X 21.8" - W/O HARDWARE - WASHED MAPLE FROM: 00-00-00 THRU: 08-10-03
13	141520-40-P56	EA	DOOR - ARCHED/PENCIL EDGE/RIGHT HAND -10.8"X21.8"- W/O HDW - WASHED MAPLE FROM: 08-11-03 THRU: 99-99-99



KEY	PART NUMBER	U/M	DESCRIPTION
1	145980-03-02A	EA	PAPER HOLDER - EURO - BRASS/CHROME
2	145980-04-01A	EA	TOWEL BAR - POST - PAIR/BRASS
3	145980-05-02A	EA	TOWEL BAR - 18" - CHROME

## BATH GROUP (CONTINUED)

### SHOWER



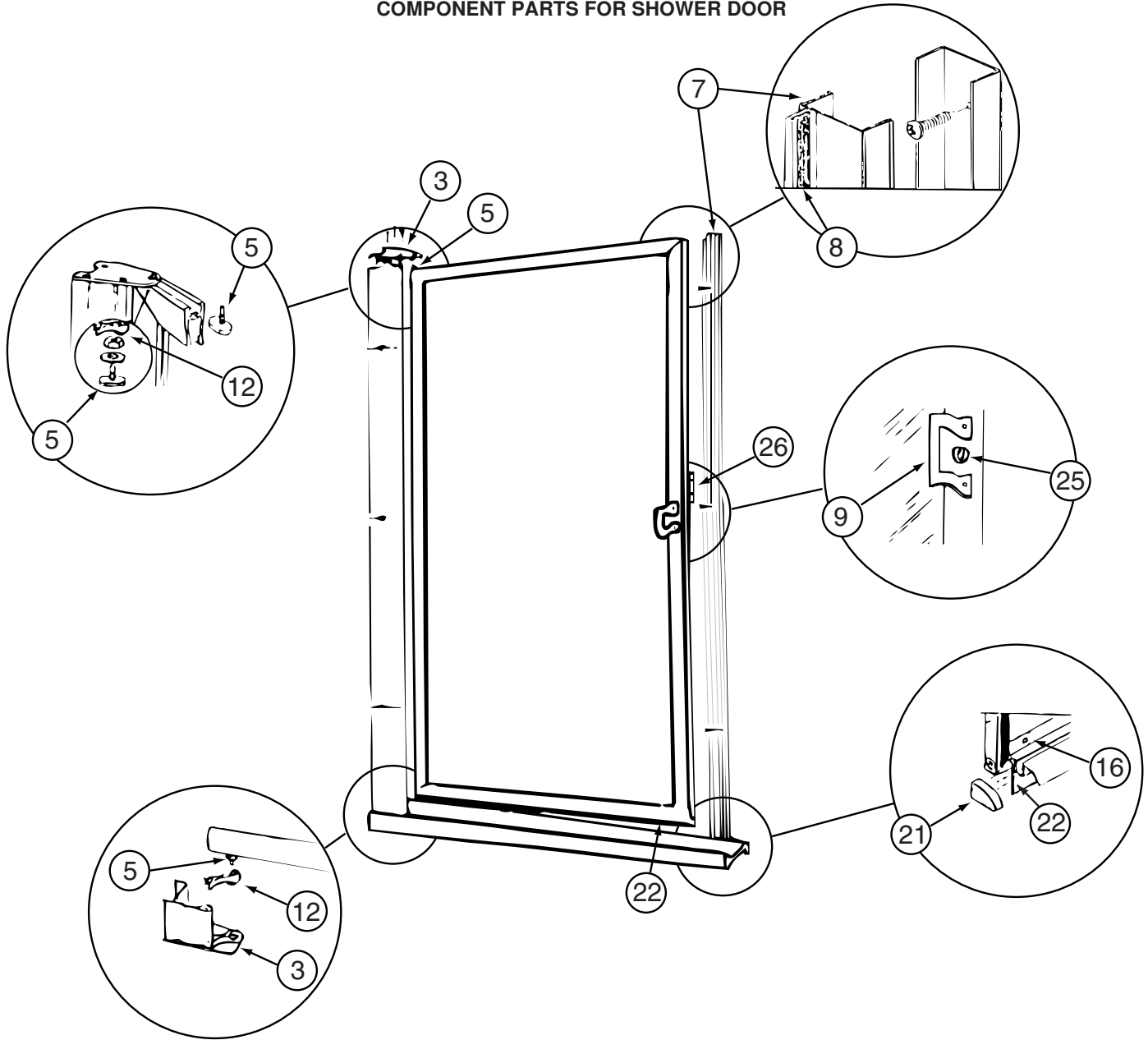
KEY	PART NUMBER	U/M	DESCRIPTION
1	105629-01-02A	EA	SURROUND - SHOWER - SOFT WHITE FROM: 00-00-00 THRU: 09-07-03
1	147070-01-18A	EA	SURROUND - SHOWER - SOFT WHITE FROM: 09-08-03 THRU: 99-99-99
2	113714-02-02A	EA	RETAINER - SHELF/SHOWER - 10.6" - SOFT WHITE
3	M02673-13-N09	EA	SHOWER PAN - W/STRAINER FROM: 00-00-00 THRU: 10-26-03
3	M02630-76-R13	EA	SHOWER PAN - W/STRAINER FROM: 10-27-03 THRU: 99-99-99

### SHOWER DOOR

KEY	PART NUMBER	U/M	DESCRIPTION
*	089318-01-000	EA	DOOR - SHOWER - HINGED W/GOLD FRAME - WINN#1 GOLD

**\*COMPONENT PARTS LISTED LATER IN THIS GROUP**

**BATH GROUP (CONTINUED)**  
**COMPONENT PARTS FOR SHOWER DOOR**

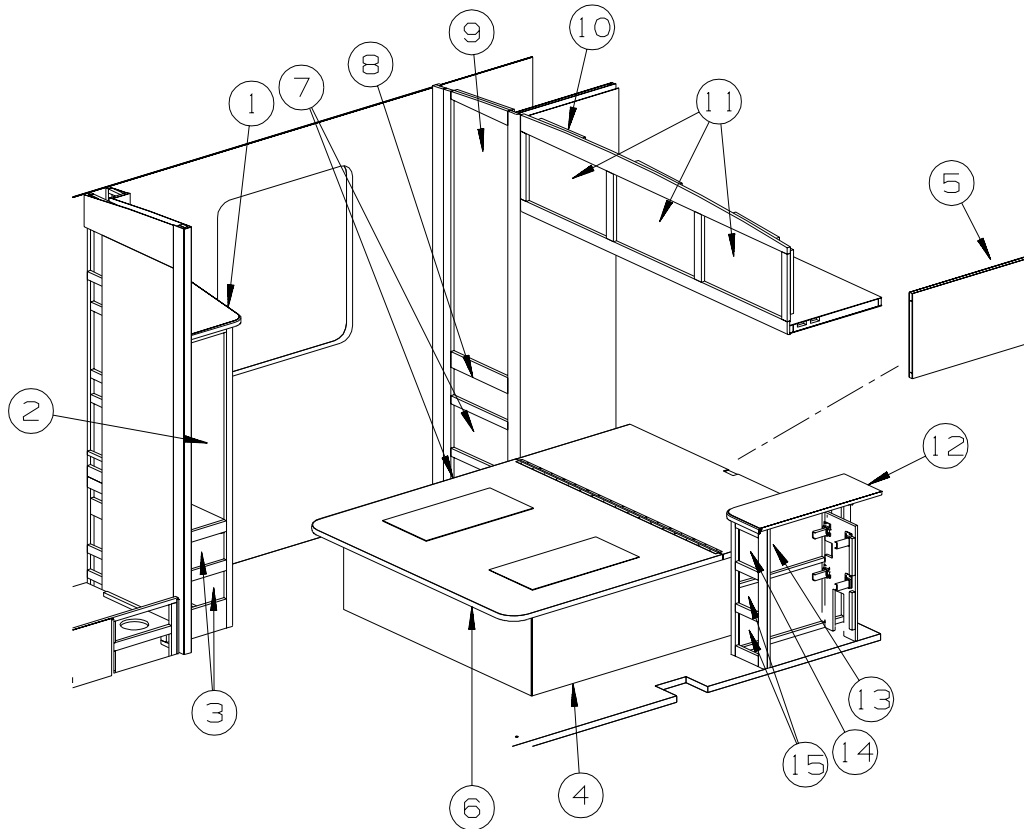


089318-01-000

KEY	PART NUMBER	U/M	DESCRIPTION	VENDOR NO.
3	089318-01-706	EA	PLATE - PIVOT (UPPER/LOWER)	796
5	089318-01-704	EA	BOLT-PIVOT, TOP OR BOTTOM	1428B
7	089318-01-703	EA	STRIKE-JAMB W/MAGNETIC STRIP	150G
8	092574-01-705	EA	STRIP-MAGNETIC, 66"	98-41G
9	092574-01-703	EA	BRACKET/DOOR PULL-W/O STUDS	8149G
12	089318-01-702	EA	BUSHING W/ARM, LOWER	18712A
12	092574-01-707	EA	BUSHING-PIVOT, TOP	18712B
16	092574-01-704	EA	SCREW-GOLD #6 3/8	638G
19	092574-01-708	EA	DRIP RAIL - (SWEEP)	927G-35"/OLD #34
21	107878-01-703	EA	CAP-DRIP, PLUG SET	CP933
22	089318-01-701	FT	SWEEP-VINYL	C171G 500FT RL
25	089318-01-707	EA	LATCH/CATCH - SAFETY - BLACK	9730N
25	092574-01-700	EA	KNOB/LATCH - SAFETY - BLACK	9728
26	092574-01-701	EA	BRACKET-DOOR PULL/TOWEL BAR	8141G
26	116814-01-700	EA	BAR-TOWEL 17 5/16"	68G
	092574-01-710	EA	SCREW-GOLD, FOR TOWEL BAR	83212G
	092574-01-711	EA	BRACKET/DOOR PULL - W/STUDS	8153G

CONTACT WINNEBAGO PART SALES FOR UNLISTED COMPONENT(S)

## BEDROOM GROUP CABINETS

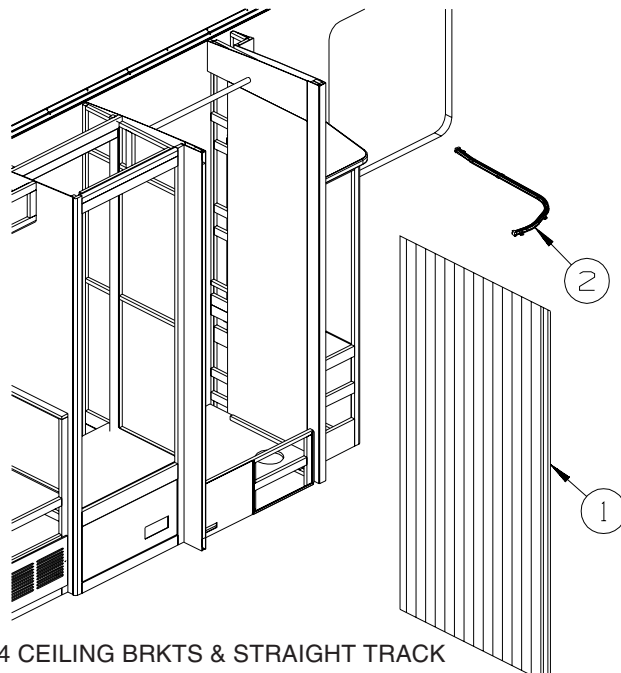


KEY	PART NUMBER	U/M	DESCRIPTION
1	140887-01-P13	EA	COUNTERTOP - LAMINATED - GRAY TRANQUILITY/PORTSMOUTH OAK (R19)
1	140887-01-P14	EA	COUNTERTOP - LAMINATED (R20)
1	140887-01-P33	EA	COUNTERTOP - LAMINATED - GRAY TRANQUILITY/WASHED MAPLE (R21)
1	140887-01-R09	EA	COUNTERTOP - LAMINATED - LINO FRIEZE/PORTSMOUTH OAK (R22)
1	140887-01-R16	EA	COUNTERTOP - LAMINATED - LINO FRIEZE/CHERRY (R23)
1	140887-01-R24	EA	COUNTERTOP - LAMINATED - LINO FRIEZE/WASHED MAPLE (R24)
1	140887-01-R17	EA	COUNTERTOP - LAMINATED-ROCKY MOUNTAIN HIGH/PORTSMOUTH OAK (R25)
1	140887-01-R18	EA	COUNTERTOP - LAMINATED - ROCKY MOUNTAIN HIGH/CHERRY (R26)
1	140887-01-R27	EA	COUNTERTOP - LAMINATED - ROCKY MOUNTAIN HIGH/WASHED MAPLE (R27)
2	136955-49-R19	EA	DOOR - RAISED PANEL/PENCIL EDGE - 10.8" X 36.4" - W/O HDW - PORTSMOUTH OAK
2	136955-49-R20	EA	DOOR - RAISED PANEL/PENCIL EDGE - 10.8" X 36.4" - W/O HDW - CONCERT CHERRY
2	136955-49-R21	EA	DOOR - RAISED PANEL/PENCIL EDGE - 10.8" X 36.4" - W/O HDW - WASHED MAPLE
2	076767-04-000	EA	CABLE - STAINLESS STEEL - 5.9"
3	P34767-32-R19	EA	DRAWER - PENCIL EDGE - 5.2"W X 11.8"D-W/O SLIDES/HARDWARE - PORTSMOUTH OAK
3	P34767-32-R20	EA	DRAWER - PENCIL EDGE - 5.2"W X 11.8"D-W/O SLIDES/HARDWARE - CONCERT CHERRY
3	P34767-32-R21	EA	DRAWER - PENCIL EDGE - 5.2"W X 11.8"D-W/O SLIDES/HARDWARE - WASHED MAPLE
4	140249-01-P13	EA	CABINET/BASE - QUEEN BED - W/O DOORS/DRAWERS/HARDWARE - PORTSMOUTH OAK FROM: 00-00-00 THRU: 03-09-03
4	147001-01-R13	EA	CABINET/BASE - QUEEN BED - W/O DOOR/DRAWER/HARDWARE - PORTSMOUTH OAK FROM: 03-10-03 THRU: 99-99-99
4	140249-01-P14	EA	CABINET/BASE - QUEEN BED - W/O DOORS/DRAWERS/HARDWARE - CONCERT CHERRY FROM: 00-00-00 THRU: 03-09-03
4	147001-01-R14	EA	CABINET/BASE - QUEEN BED - W/O DOOR/DRAWER/HARDWARE - CONCERT CHERRY FROM: 03-10-03 THRU: 99-99-99
4	140249-01-P33	EA	CABINET/BASE - QUEEN BED - W/O DOORS/DRAWERS/HARDWARE - WASHED MAPLE FROM: 00-00-00 THRU: 03-09-03
4	147001-01-R21	EA	CABINET/BASE - QUEEN BED - W/O DOOR/DRAWER/HARDWARE - WASHED MAPLE FROM: 03-10-03 THRU: 99-99-99
5	140249-19-000	EA	PANEL/BASE - CENTER DIVIDER
6	137406-05-P13	EA	BEDBOARD - W/HINGE/T-MOLDING/SLIPNOT - FLIP-UP
7	P34767-28-R19	EA	DRAWER - PENCIL EDGE - 14.7"W X 17.7"D-W/O SLIDES/HARDWARE - PORTSMOUTH OAK
7	P34767-28-R20	EA	DRAWER - PENCIL EDGE - 14.7"W X 17.7"D-W/O SLIDES/HARDWARE - CONCERT CHERRY
7	P34767-28-R21	EA	DRAWER - PENCIL EDGE - 14.7"W X 17.7"D-W/O SLIDES/HARDWARE - WASHED MAPLE

## BEDROOM GROUP (CONTINUED)

### CABINETS (CONTINUED)

KEY	PART NUMBER	U/M	DESCRIPTION
8	P34767-27-R19	EA	DRAWER - PENCIL EDGE - 14.7"W X 17.7"D-W/O SLIDES/HARDWARE - PORTSMOUTH OAK
8	P34767-27-R20	EA	DRAWER - PENCIL EDGE - 14.7"W X 17.7"D-W/O SLIDES/HARDWARE - CONCERT CHERRY
8	P34767-27-R21	EA	DRAWER - PENCIL EDGE - 14.7"W X 17.7"D-W/O SLIDES/HARDWARE - WASHED MAPLE
9	134786-02-N04	EA	DOOR - MIRROR/MITERED CORNERS - 16.7" X 47.9"-W/O HARDWARE - PORTSMOUTH OAK
9	134786-02-M15	EA	DOOR - MIRROR/MITERED CORNERS - 16.7" X 47.9"-W/O HARDWARE - CONCERT CHERRY
9	134786-02-M16	EA	DOOR - MIRROR/MITERED CORNERS - 16.7" X 47.9"-W/O HARDWARE - WASHED MAPLE
10	140341-01-P13	EA	CABINET - OVERHEAD/REAR - W/O DOORS/HARDWARE - PORTSMOUTH OAK
10	140341-01-P14	EA	CABINET - OVERHEAD/REAR - W/O DOORS/HARDWARE - CONCERT CHERRY
10	140341-01-P33	EA	CABINET - OVERHEAD/REAR - W/O DOORS/HARDWARE - WASHED MAPLE
11	134868-07-R19	EA	DOOR - RAIL/ARCHED TOP - 13.7" X 23.2" - W/O HARDWARE - PORTSMOUTH OAK FROM: 00-00-00 THRU: 08-10-03
11	141522-97-R19	EA	DOOR - ARCHED/PENCIL EDGE/HORIZ - 13.8" X 23.2" - W/O HDW - PORTSMOUTH OAK FROM: 08-11-03 THRU: 99-99-99
11	134868-07-R20	EA	DOOR - RAIL/ARCHED TOP - 13.7" X 23.2" - W/O HARDWARE - CONCERT CHERRY FROM: 00-00-00 THRU: 08-10-03
11	141522-97-R20	EA	DOOR - ARCHED/PENCIL EDGE/HORIZ - 13.8" X 23.2" - W/O HDW - CONCERT CHERRY FROM: 08-11-03 THRU: 99-99-99
11	134868-07-R21	EA	DOOR - RAIL/ARCHED TOP - 13.7" X 23.2" - W/O HARDWARE - WASHED MAPLE FROM: 00-00-00 THRU: 08-10-03
11	141522-97-R21	EA	DOOR - ARCHED/PENCIL EDGE/HORIZ - 13.8" X 23.2" - W/O HDW - WASHED MAPLE FROM: 08-11-03 THRU: 99-99-99
12	140888-01-P13	EA	COUNTERTOP - LAMINATED - GRAY TRANQUILITY/PORTSMOUTH OAK (R19)
12	140888-01-P14	EA	COUNTERTOP - LAMINATED (R20)
12	140888-01-P33	EA	COUNTERTOP - LAMINATED - GRAY TRANQUILITY/WASHED MAPLE (R21)
12	140888-01-R09	EA	COUNTERTOP - LAMINATED - LINO FRIEZE/PORTSMOUTH OAK (R22)
12	140888-01-R16	EA	COUNTERTOP - LAMINATED - LINO FRIEZE/CHERRY (R23)
12	140888-01-R24	EA	COUNTERTOP - LAMINATED - LINO FRIEZE/WASHED MAPLE (R24)
12	140888-01-R17	EA	COUNTERTOP - LAMINATED-ROCKY MOUNTAIN HIGH/PORTSMOUTH OAK (R25)
12	140888-01-R18	EA	COUNTERTOP - LAMINATED - ROCKY MOUNTAIN HIGH/CHERRY (R26)
12	140888-01-R27	EA	COUNTERTOP - LAMINATED - ROCKY MOUNTAIN HIGH/WASHED MAPLE (R27)
13	134910-02-P13	EA	CABINET - NIGHTSTAND/LH - W/O COUNTERTOP/DOOR/DRAWER/HDW - PORTSMOUTH OAK
13	134910-02-P14	EA	CABINET - NIGHTSTAND/LH - W/O COUNTERTOP/DOOR/DRAWER/HDW - CONCERT CHERRY
13	134910-02-P33	EA	CABINET - NIGHTSTAND/LH - W/O COUNTERTOP/DOOR/DRAWER/HDW - WASHED MAPLE
14	P34767-12-P84	EA	DRAWER - PENCIL EDGE - 5.2"W X 19.6"D-W/O SLIDES/HARDWARE - PORTSMOUTH OAK
14	P34767-12-P85	EA	DRAWER - PENCIL EDGE - 5.2"W X 19.6"D-W/O SLIDES/HARDWARE - CONCERT CHERRY
14	P34767-12-P28	EA	DRAWER - PENCIL EDGE - 5.2"W X 19.6"D-W/O SLIDES/HARDWARE - WASHED MAPLE
15	P34767-C4-R19	EA	DRAWER - PENCIL EDGE - 5.2"W X 11.8"D-W/O SLIDES/HARDWARE - PORTSMOUTH OAK
15	P34767-C4-R20	EA	DRAWER - PENCIL EDGE - 5.2"W X 11.8"D-W/O SLIDES/HARDWARE - CONCERT CHERRY
15	P34767-C4-R21	EA	DRAWER - PENCIL EDGE - 5.2"W X 11.8"D-W/O SLIDES/HARDWARE - WASHED MAPLE



KEY	PART NUMBER	U/M	DESCRIPTION
1*	131595-01-01A	EA	DOOR/FOLDING- 37" X 74.9"-4 CEILING BRKTS & STRAIGHT TRACK
2	131595-02-01A	EA	TRACK - DOOR - CURVED ENDS - 28.6"

\*COMPONENT PARTS LISTED LATER IN THIS GROUP

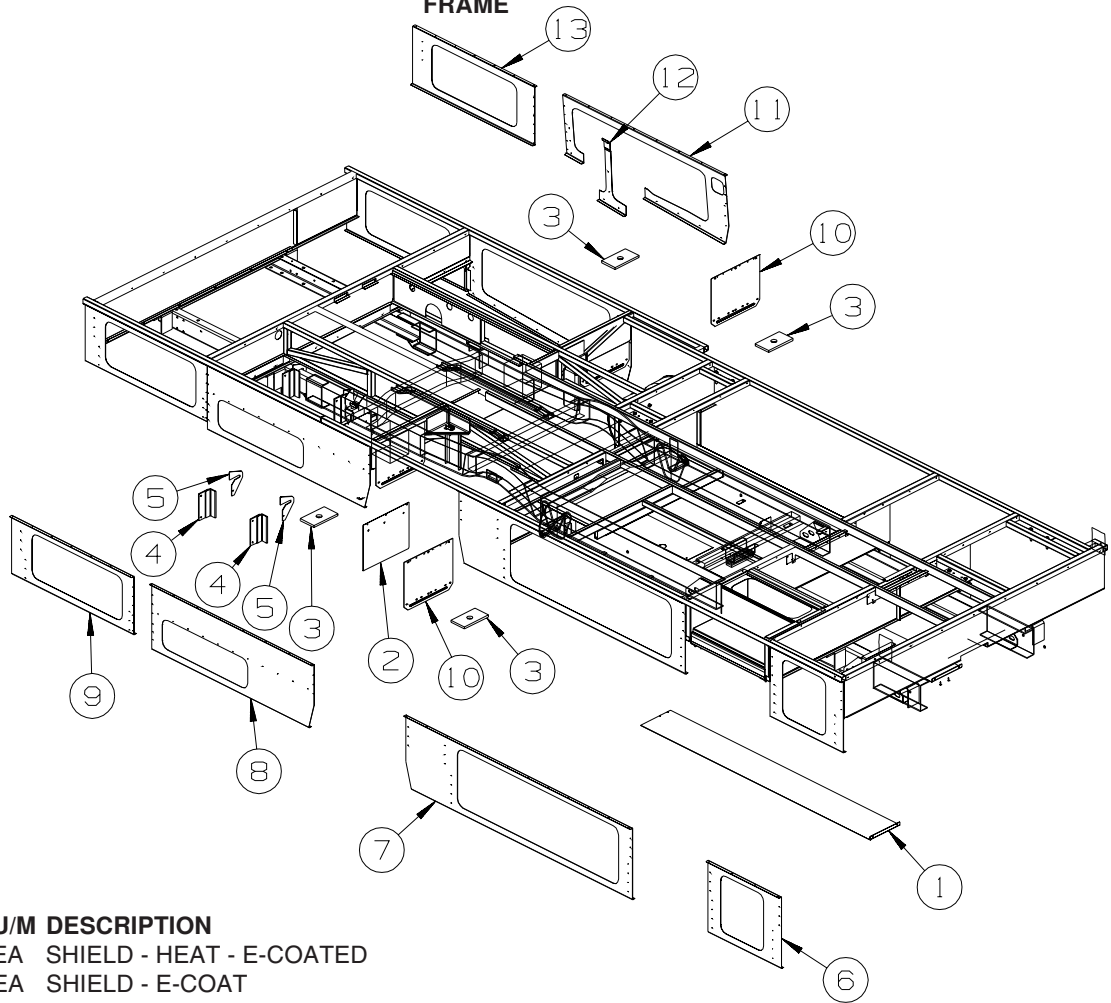
**BEDROOM GROUP (CONTINUED)**  
**COMPONENT PARTS FOR QUEEN CABINETS**

131595-01-01A, 131595-05-01A, 131595-10-01A

<b>KEY</b>	<b>PART NUMBER</b>	<b>U/M</b>	<b>DESCRIPTION</b>	<b>VENDOR NO.</b>
	117431-01-707	EA	CATCH/PIN - PLASTIC	
	131595-01-700	EA	END STOP ONLY	
	131595-01-701	EA	BRACKET/MOUNTING	908956
	131595-01-702	EA	TRACK/STRAIGHT - 37"	



# CHASSIS GROUP FRAME



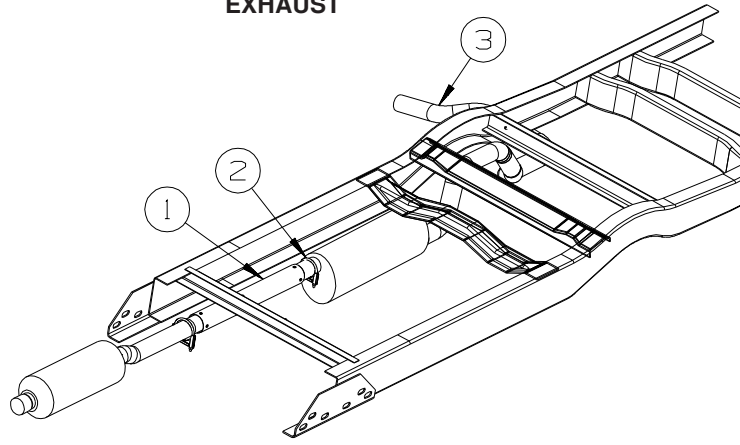
KEY	PART NUMBER	U/M	DESCRIPTION
1	135676-05-02B	EA	SHIELD - HEAT - E-COATED
2	111848-03-02B	EA	SHIELD - E-COAT
3	135712-01-02B	EA	PLATE - BODY MOUNT - E-COATED
4	136042-01-02B	EA	BRACKET - LP SUPPORT - E-COATED
5	118106-02-02B	EA	BRACKET - LP SUPPORT - E-COATED
FROM: 00-00-00 THRU: 05-05-03			
6	140567-01-02B	EA	PLATE - SEAL PLANE - E-COATED
7	140567-02-02B	EA	PLATE - SEAL - E-COATED
8	140567-03-02B	EA	PLATE - SEAL - E-COATED
9	140567-04-02B	EA	PLATE - SEAL - E-COATED
10	136388-02-02B	EA	GUARD/ROCK - STEEL - W/O BEND - 18"W X 14.9"H - E-COATED
11	140567-07-02B	EA	PLATE - SEAL PLANE - E-COATED
12	146202-01-02B	EA	PLATE - SEAL PLANE - E-COATED
13	140567-06-02B	EA	PLATE - SEAL - E-COATED
	119845-01-01A	EA	PLUG/PLASTIC - 1 1/2" SQUARE - BLACK
	143130-02-02B	EA	PLATE - BACKING - RIGHT/LEFT - E-COATED

**CHASSIS GROUP (CONTINUED)**  
**DRIVETRAIN**

<b>KEY</b>	<b>PART NUMBER</b>	<b>U/M</b>	<b>DESCRIPTION</b>
	103653-23-000	EA	BOLT - U-JOINT - 5/16-24 X .75 - 430V, 431C
	103653-24-000	EA	STRAP - U-JOINT - 430V, 431C
	131694-09-000	EA	DRIVESHAFT ASSEMBLY - BALANCED PAIR - 190" WHEELBASE - 427P
	131695-05-000	EA	DRIVESHAFT - 3 BALANCED - 205" WHEELBASE - 430V
	131695-08-000	EA	DRIVESHAFT - 3 BALANCED - 216" WHEELBASE - 431C

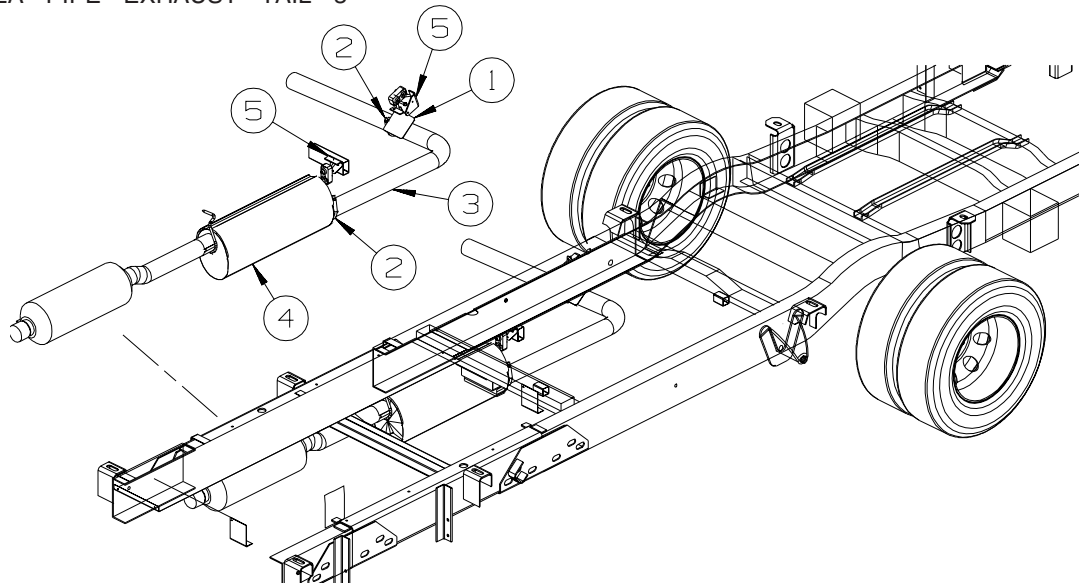
## CHASSIS GROUP (CONTINUED)

### EXHAUST



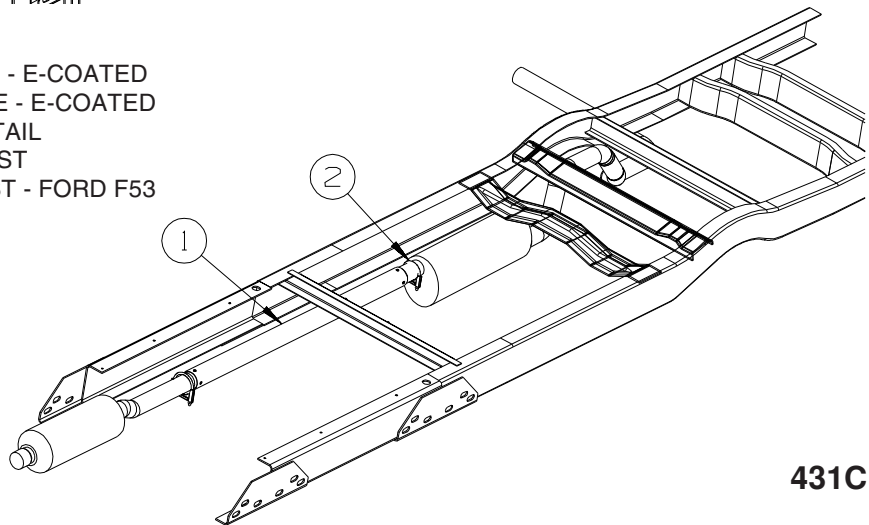
427P

KEY	PART NUMBER	U/M DESCRIPTION
1	111478-02-000	EA EXHAUST PIPE - DOUBLE WALL STAINLESS STEEL - 34" - GAS
2	094918-06-000	EA CLAMP - EXHAUST - 3" - HEAVY DUTY
3	129846-02-000	EA PIPE - EXHAUST - TAIL - 3"



430V

KEY	PART NUMBER	U/M DESCRIPTION
1	143138-02-02B	EA SHIELD - EXHAUST - E-COATED
2	122392-02-02B	EA HANGER - TAILPIPE - E-COATED
3	143927-01-000	EA PIPE - EXHAUST - TAIL
4	143929-01-000	EA MUFFLER - EXHAUST
5	143811-02-000	EA HANGER - EXHAUST - FORD F53



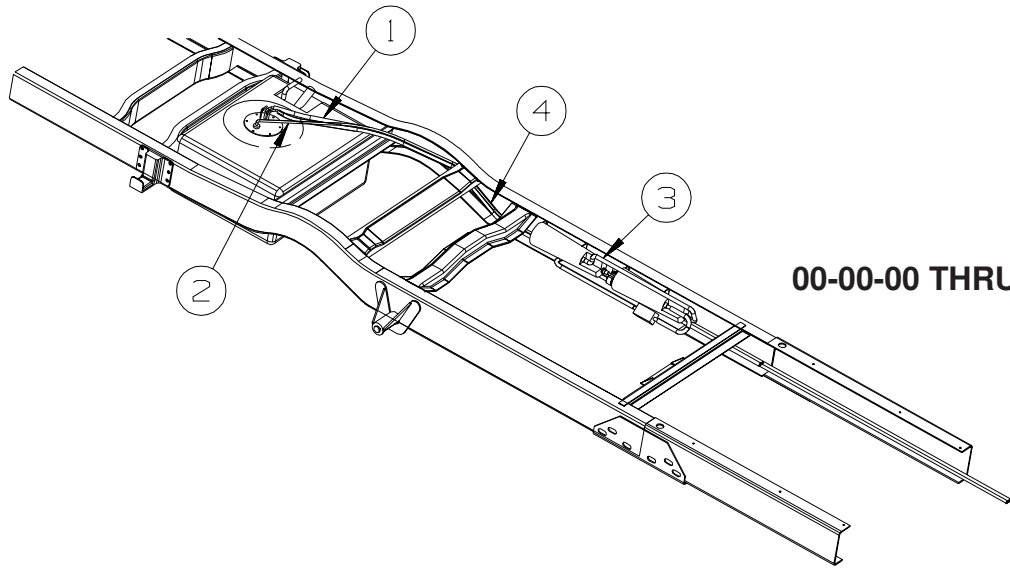
431C

KEY	PART NUMBER	U/M DESCRIPTION
1	111478-05-000	EA EXHAUST PIPE - DOUBLE WALL STAINLESS STEEL
2	094918-06-000	EA CLAMP - EXHAUST - 3" - HEAVY DUTY

## CHASSIS GROUP (CONTINUED)

### HITCH

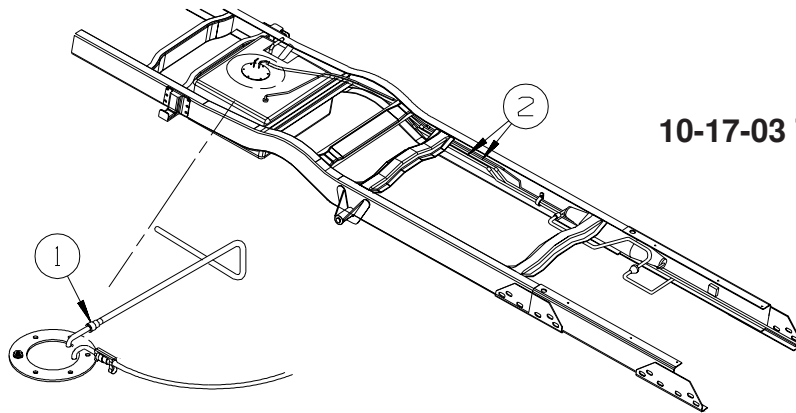
KEY	PART NUMBER	U/M DESCRIPTION
	130339-11-000	EA HITCH RECEIVER - BOLT ON CLASS III



**00-00-00 THRU 10-16-03**

### FUEL

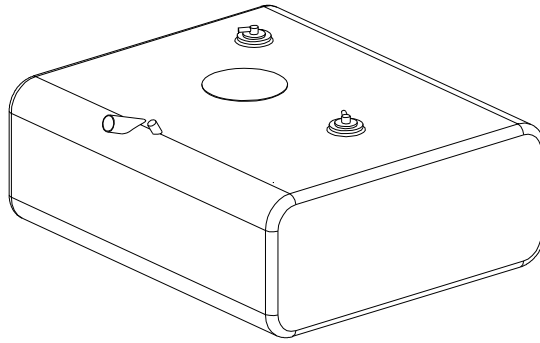
KEY	PART NUMBER	U/M DESCRIPTION
1	106389-12-000	EA FUEL LINE - FORD - 3/8 HP - FORD
2	125187-01-000	FT HOSE - FUEL - LOW PERMEABILITY - .4" ID - FORD
3	125187-02-000	FT HOSE - FUEL - LOW PERMEABILITY - .5" ID - FORD
4	106388-12-000	EA FUEL LINE - FORD - 5/16 HP - FORD
	128139-03-000	FT HOSE - FUEL - LOW PERMEABILITY - 1/4" DIAMETER



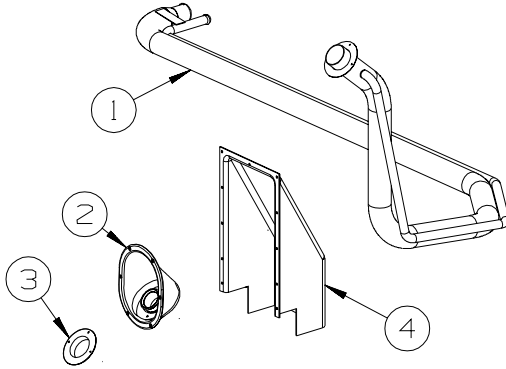
**10-17-03 THRU 99-99-99**

KEY	PART NUMBER	U/M DESCRIPTION
1	149468-01-000	EA FITTING - F/FUEL-SENDING UNIT - 1/4"
2	106388-12-000	EA FUEL LINE - FORD - 5/16 HP - FORD E350

**CHASSIS GROUP (CONTINUED)**  
**FUEL (CONTINUED)**



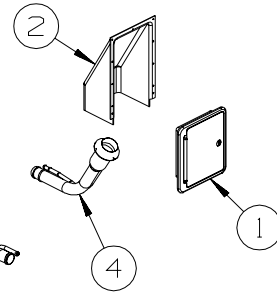
**00-00-00 THRU 10-16-03**



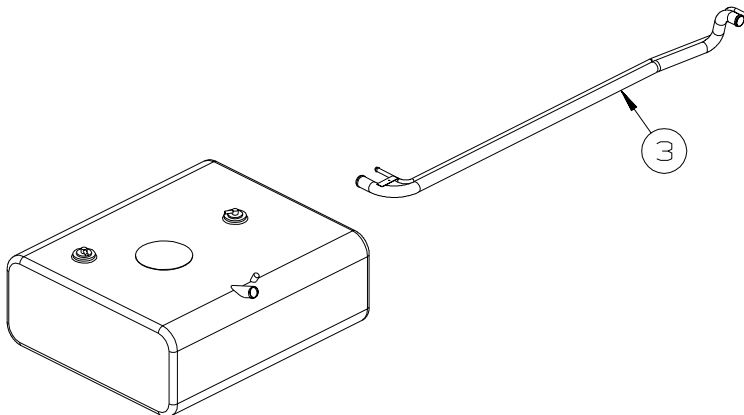
KEY	PART NUMBER	U/M	DESCRIPTION
1	135543-03-000	EA	NECK - FUEL FILL - .50" VENT - 431C
1	135543-02-000	EA	NECK - FUEL FILL - 427P
1	135543-04-000	EA	NECK - FUEL FILL - .50" VENT - 427P
2	127291-02-01A	EA	SHROUD - FUEL FILL - BRIGHT WHITE
3	078200-01-000	EA	GASKET - FUEL FILL - 3.5"OD X 2"ID
4	135557-01-01A	EA	SHROUD - FUEL FILL - UPPER

FROM: 00-00-00 THRU: 09-05-03

FROM: 09-06-03 THRU: 99-99-99

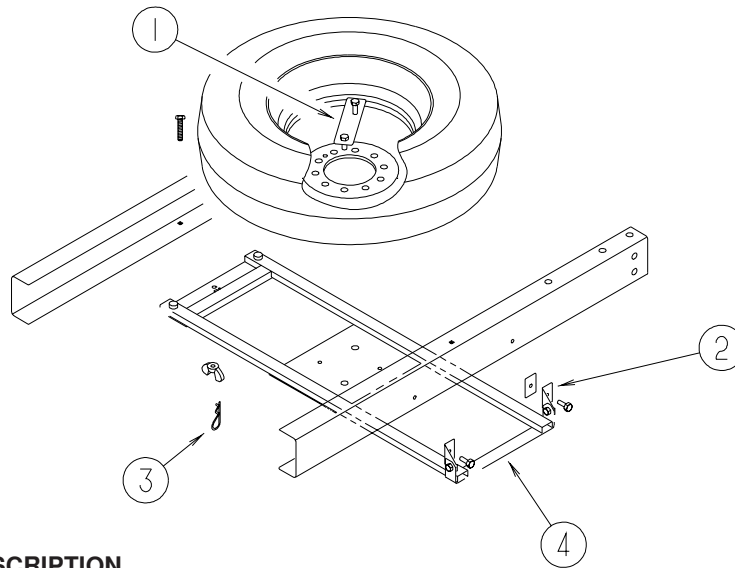


**10-17-03 THRU 99-99-99**



KEY	PART NUMBER	U/M	DESCRIPTION
1	147587-01-01A	EA	DOOR - FUEL FILL
2	135557-02-01A	EA	SHROUD - FUEL FILL - UPPER
3	148812-01-000	EA	NECK - FILLER/MAIN/EXTENSION
4	148789-01-000	EA	NECK - FUEL FILL

**CHASSIS GROUP (CONTINUED)**  
**SPARE TIRE**



KEY	PART NUMBER	U/M	DESCRIPTION
1	116338-02-02B	EA	BRACKET/CLAMP - SPARE TIRE - E-COATED
2	116349-03-02B	EA	BRACKET/HINGE - SPARE TIRE - 2.4" - E-COATED - 427P, 431C
2	116349-04-02B	EA	BRACKET - HINGE - SPARE TIRE - E-COATED - 430V
3	034513-01-000	EA	PIN - HITCH - 3/16" WIRE
4	141986-01-02B	EA	CRADLE - SPARE TIRE - E-COATED
	069726-02-000	EA	BUMPER - .88" OD X .40" THICK - BLACK

**SUSPENSION**

KEY	PART NUMBER	U/M	DESCRIPTION
*	144887-01-000	EA	AIRSPRING - 4" DIAMETER TWIN

**\*COMPONENT PARTS LISTED LATER IN THIS GROUP**

**CHASSIS GROUP (CONTINUED)**  
**COMPONENT PARTS FOR SUSPENSION**

144887-01-000

<b>KEY</b>	<b>PART NUMBER</b>	<b>U/M</b>	<b>DESCRIPTION</b>	<b>VENDOR NO.</b>
	144887-01-700	EA	BAG KIT - PASS - W/AIR LINE/FILL VALVE	T-9RKFH4WP
	144887-01-701	EA	BAG KIT - DR- W/AIR LINE/FILL VALVE	T-9RKFH4WD
	144887-01-702	EA	AIR LINE KIT - PASS - W/FILL VALVE	T-9FH4WALKP
	144887-01-703	EA	AIR LINE KIT - PR - W/FILL VALVE	T-9FH4WALKD

**CHASSIS GROUP (CONTINUED)**  
**WHEEL, TIRE, COVERS &/OR LINERS**

<b>KEY</b>	<b>PART NUMBER</b>	<b>U/M</b>	<b>DESCRIPTION</b>
	112358-01-000	EA	WRENCH - LUG - 7/8" - L-SHAPE
*	109443-05-000	EA	WHEEL COVER - 4/SET - 16" STAINLESS STEEL - 8 LUG
	083425-14-000	EA	TIRE - LT225/75R16 LRE - MICHELIN LTX M/S
	083617-04-000	EA	WHEEL - STEEL - 6" X 16"
*	110435-13-000	EA	LINER - WHEEL - SET OF 4 - 16" (8 HOLE)
	077030-01-000	EA	EXTENSION - VALVE STEM - 1.25" - METAL
	095012-05-000	EA	EXTENSION/VALVE STEM - LIVE - 5"
	095012-06-000	EA	STABILIZER/VALVE EXTENSION - LIVE - 2"
	051377-04-000	EA	VALVE STEM - .5" X 2"

**\*COMPONENT PARTS LISTED LATER IN THIS GROUP**



**CHASSIS GROUP (CONTINUED)**  
**COMPONENT PARTS FOR WHEEL, TIRE, COVERS &/OR LINERS**

109443-05-000

<b>KEY</b>	<b>PART NUMBER</b>	<b>U/M</b>	<b>DESCRIPTION</b>	<b>VENDOR NO.</b>
	098532-01-700	EA	COVER-LUG NUT (CHROME)	SHAU-LNC
	109443-05-700	EA	COVER-WHEEL, 16" SS EA=1	SHFM16-CVR

110435-13-000

<b>KEY</b>	<b>PART NUMBER</b>	<b>U/M</b>	<b>DESCRIPTION</b>	<b>VENDOR NO.</b>
	110435-01-711	EA	DECAL-CENTER CAP, 2"	2" DECAL
	110435-10-705	EA	TOOL - INSTALLATION	V195P7-TOL
	110435-13-700	EA	LINER - WHEEL - FRONT	V160F7-FWC
	110435-13-701	EA	LINER - WHEEL - REAR	V160F7-RWC
	110435-13-702	EA	COVER-LUG NUT W/JAMB NUT FT	V160F7-EJN

**CHASSIS GROUP (CONTINUED)**  
**BRAKELINE**

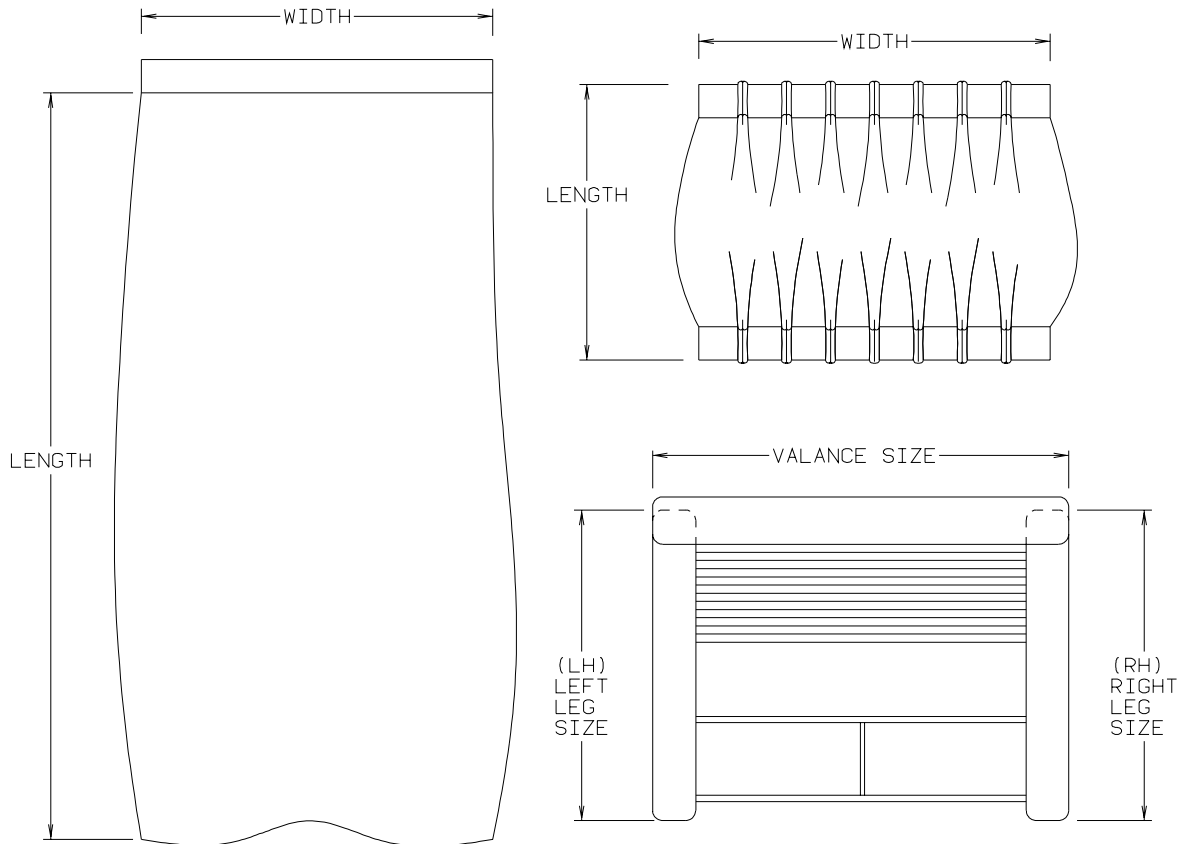
<b>KEY</b>	<b>PART NUMBER</b>	<b>U/M</b>	<b>DESCRIPTION</b>
	088498-01-000	EA	UNION - INVERTED FLARE - BRASS - 3/16

## CURTAIN & CUSHION GROUP

### NOTICE

IN ORDER TO ASSIST OUR PARTS SALES DEPT. IN PROVIDING INTERIOR SOFTWARE ITEMS, PLEASE INCLUDE THE SERIAL NUMBER AND THE COLOR CODE NUMBER FROM THE VEHICLE CERTIFICATION LABEL WHEN ORDERING. THIS LABEL IS LOCATED ON THE LEFT SIDEWALL AT THE END OF THE DASH (A-BODY), OR ON THE DRIVER'S DOOR LATCH PLATE (C-BODY).

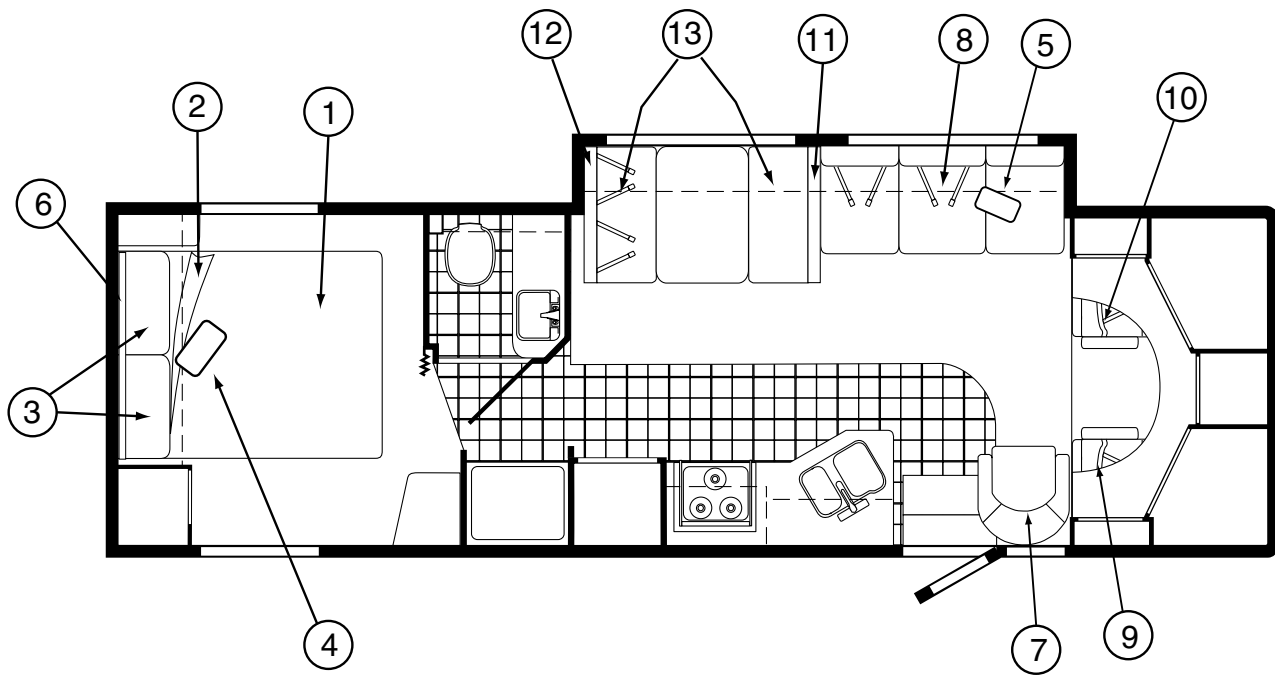
AN EXAMPLE OF A COLOR CODE NUMBER IS B07, WHICH DESIGNATES AN OVERALL COLOR SCHEME OF A PARTICULAR UNIT. THE COLOR LISTED AFTER THE ITEM DESCRIPTION ON THE MICROFICHE, INDICATES THE OVERALL UNIT COLOR. ORDER THE ITEM YOU DESIRE ACCORDING TO UNIT COLOR CODE. IF ALL COLORS USE THE SAME ITEM NO COLOR CODE WILL BE NOTED.



NOTE: USE THIS ILLUSTRATION WHEN DETERMINING LENGTH AND WIDTH MEASUREMENTS FOR CURTAINS. YOU WILL NOTE THE WIDTH MEASUREMENT IS TAKEN ON THE TOP OF THE CURTAIN WITH THE CURTAIN FULLY EXTENDED. THE LENGTH MEASUREMENT IS TAKEN FROM TOP TO BOTTOM. LEFT AND RIGHT WINDOW LEGS ARE DETERMINED WHEN FACING THE WINDOW.

# CURTAIN & CUSHION GROUP (CONTINUED)

## CUSHION LAYOUT



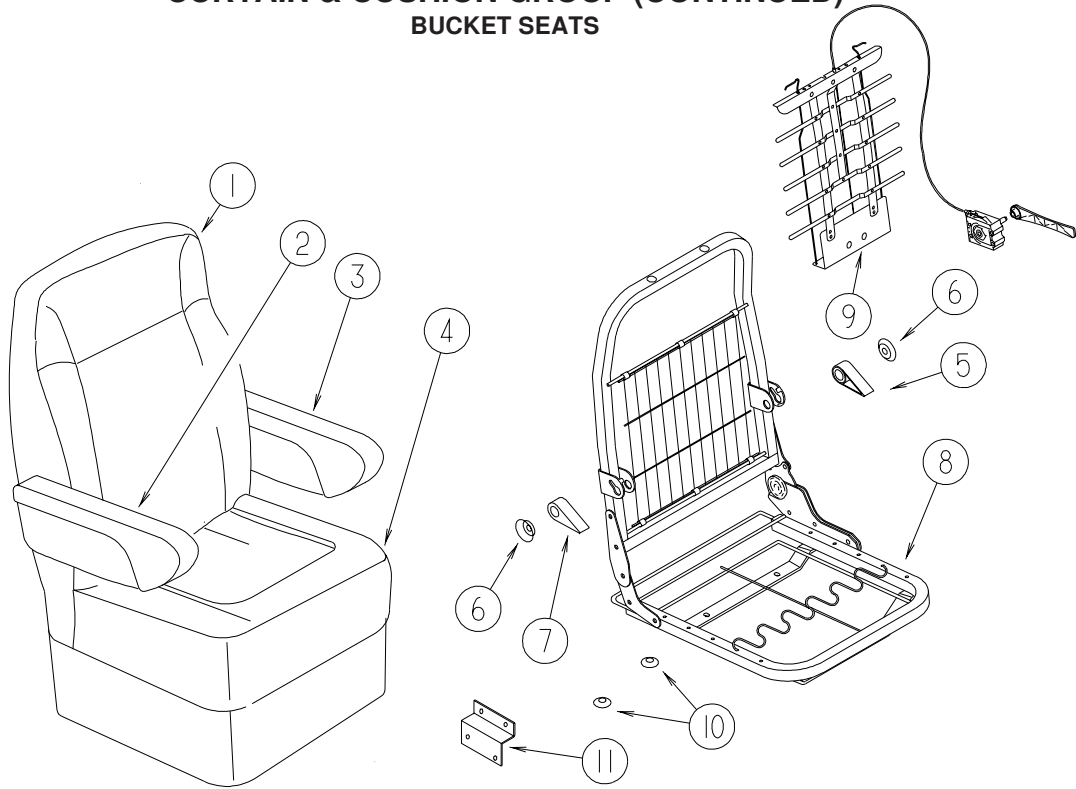
KEY	PART NUMBER	U/M	DESCRIPTION
1	142411-04-000	EA	MATTRESS/AIR - 60" X 75" - SELECT COMFORT
1	142411-03-000	EA	AIR PUMP W/CONTROLS - F/SELECT COMFORT MATTRESS
2	132336-05-R50	EA	BEDSPREAD/CAP - 60" X 75" (R19, R20, R21)
2	132336-05-R47	EA	BEDSPREAD/CAP - 60" X 75" (R22, R23, R24)
2	132336-05-R25	EA	BEDSPREAD/CAP - 60" X 75" (R25, R26, R27)
3	142405-02-P60	EA	SHAM - PILLOW (R19, R20, R21)
3	142405-02-P21	EA	SHAM - PILLOW (R22, R23, R24)
3	142405-02-R25	EA	SHAM - PILLOW (R25, R26, R27)
4	132338-28-P60	EA	PILLOW - 10" X 17" (R19, R20, R21)
4	132338-28-P21	EA	PILLOW - 10" X 17" (R22, R23, R24)
4	132338-28-R25	EA	PILLOW - 10" X 17" (R25, R26, R27)
5	132319-59-R19	EA	PILLOW - 17" - W/FROWN OVERLAY (R19, R20, R21)
5	132319-59-R22	EA	PILLOW - 17" - W/FROWN OVERLAY (R22, R23, R24)
5	132319-65-R25	EA	PILLOW - 17" - W/FROWN OVERLAY (R25, R26, R27)
6	140489-03-P60	EA	HEADBOARD - FABRIC COVERED - 25" X 62.5" (R19, R20, R21)
6	140489-03-P21	EA	HEADBOARD - FABRIC COVERED - 25" X 62.5" (R22, R23, R24)
6	140489-03-R25	EA	HEADBOARD - FABRIC COVERED - 25" X 62.5" (R25, R26, R27)
7	138523-01-R19	EA	CHAIR - GLIDER - W/SWIVEL & HOOP (R19, R20, R21)
7	138523-01-R22	EA	CHAIR - GLIDER - W/SWIVEL & HOOP (R22, R23, R24)
7	138523-04-R25	EA	CHAIR - GLIDER - W/SWIVEL & HOOP (R25, R26, R27)
8			SOFA-SEE SOFA AREA
9	136590-18-P19	EA	BUCKET SEAT - PASSENGER - <b>ULTRA LEATHER</b>
9	136590-16-R19	EA	BUCKET SEAT - PASSENGER (R19, R20, R21)
9	136590-16-P21	EA	BUCKET SEAT - PASSENGER (R22, R23, R24)
9	136590-20-R25	EA	BUCKET SEAT - PASSENGER (R25, R26, R27)
10	136590-17-P19	EA	BUCKET SEAT - DRIVER - W/LUMBAR - <b>ULTRA LEATHER</b>
10	136590-15-R19	EA	BUCKET SEAT - DRIVER - W/LUMBAR (R19, R20, R21)
10	136590-15-P21	EA	BUCKET SEAT - DRIVER - W/LUMBAR (R22, R23, R24)
10	136590-19-R25	EA	BUCKET SEAT - DRIVER - W/LUMBAR (R25, R26, R27)
11	142291-01-R19	EA	BACK - DINETTE CUSHION - RIGHT - 11" X 42" (R19, R20, R21)
11	142291-01-P21	EA	BACK - DINETTE CUSHION - RIGHT - 11" X 42" (R22, R23, R24)
11	142291-07-R25	EA	BACK - DINETTE CUSHION - RIGHT - 11" X 42" (R25, R26, R27)
	P42291-01-R19	EA	COVER/BACK - DINETTE CUSHION - RIGHT - 11" X 42" (R19, R20, R21)
	P42291-01-P21	EA	COVER/BACK - DINETTE CUSHION - RIGHT - 11" X 42" (R22, R23, R24)
	P42291-07-R25	EA	COVER/BACK - DINETTE CUSHION - RIGHT - 11" X 42" (R25, R26, R27)
12	142291-02-R19	EA	BACK - DINETTE CUSHION - LEFT - 11" X 42" (R19, R20, R21)
12	142291-02-P21	EA	BACK - DINETTE CUSHION - LEFT - 11" X 42" (R22, R23, R24)
12	142291-08-R25	EA	BACK - DINETTE CUSHION - LEFT - 11" X 42" (R25, R26, R27)
	P42291-02-R19	EA	COVER/BACK - DINETTE CUSHION - LEFT - 11" X 42" (R19, R20, R21)
	P42291-02-P21	EA	COVER/BACK - DINETTE CUSHION - LEFT - 11" X 42" (R22, R23, R24)
	P42291-08-R25	EA	COVER/BACK - DINETTE CUSHION - LEFT - 11" X 42" (R25, R26, R27)

**CURTAIN & CUSHION GROUP (CONTINUED)**  
**CUSHION LAYOUT (CONTINUED)**

<b>KEY</b>	<b>PART NUMBER</b>	<b>U/M</b>	<b>DESCRIPTION</b>
13	142292-06-R19	EA	SEAT - DINETTE CUSHION (SPRUNG) - 22" X 37" (R19, R20, R21)
13	142292-06-P21	EA	SEAT - DINETTE CUSHION (SPRUNG) - 22" X 37" (R22, R23, R24)
13	142292-08-R25	EA	SEAT - DINETTE CUSHION (SPRUNG) - 22" X 37" (R25, R26, R27)
	P42292-06-R19	EA	COVER/SEAT - DINETTE CUSHION (SPRUNG) - 22" X 37" (R19, R20, R21)
	P42292-06-P21	EA	COVER/SEAT - DINETTE CUSHION (SPRUNG) - 22" X 37" (R22, R23, R24)
	P42292-08-R25	EA	COVER/SEAT - DINETTE CUSHION (SPRUNG) - 22" X 37" (R25, R26, R27)
	142366-03-000	EA	FRAME - SPRUNG - DINETTE SEAT

## CURTAIN & CUSHION GROUP (CONTINUED)

### BUCKET SEATS



KEY	PART NUMBER	U/M	DESCRIPTION
1	M05962-F0-R19	EA	COVER - BACK (R19, R20, R21)
1	M05962-F0-P21	EA	COVER - BACK (R22, R23, R24)
1	M05962-K5-R25	EA	COVER - BACK (R25, R26, R27)
1	M05962-F2-M15	EA	COVER - BACK - <b>ULTRALEATHER</b>
2	129666-07-P13	EA	ARMREST - RIGHT HAND (R19, R20, R21)
2	129666-07-P21	EA	ARMREST - RIGHT HAND (R22, R23, R24)
2	129666-21-R25	EA	ARMREST - RIGHT HAND (R25, R26, R27)
2	129666-09-M04	EA	ARMREST - RIGHT HAND - <b>ULTRALEATHER</b>
	P29666-07-P13	EA	COVER/ARMREST - RIGHT HAND (R19, R20, R21)
	P29666-07-P21	EA	COVER/ARMREST - RIGHT HAND (R22, R23, R24)
	P29666-21-R25	EA	COVER/ARMREST - RIGHT HAND (R25, R26, R27)
	P29666-09-M04	EA	COVER/ARMREST - RIGHT HAND - <b>ULTRALEATHER</b>
	130698-01-000	EA	ARMREST/MOLDED - RIGHT - W/O COVER
3	129666-08-P13	EA	ARMREST - LEFT HAND (R19, R20, R21)
3	129666-08-P21	EA	ARMREST - LEFT HAND (R22, R23, R24)
3	129666-22-R25	EA	ARMREST - LEFT HAND (R25, R26, R27)
3	129666-10-N06	EA	ARMREST - LEFT HAND - <b>ULTRALEATHER</b>
	P29666-08-P13	EA	COVER/ARMREST - LEFT HAND (R19, R20, R21)
	P29666-08-P21	EA	COVER/ARMREST - LEFT HAND (R22, R23, R24)
	P29666-22-R25	EA	COVER/ARMREST - LEFT HAND (R25, R26, R27)
	P29666-10-N06	EA	COVER/ARMREST - LEFT HAND - <b>ULTRALEATHER</b>
	130698-02-000	EA	ARMREST/MOLDED - LEFT - W/O COVER
4	M05962-F1-R19	EA	COVER - SEAT (R19, R20, R21)
4	M05962-F1-P21	EA	COVER - SEAT (R22, R23, R24)
4	M05962-K6-R25	EA	COVER - SEAT (R25, R26, R27)
4	M05962-F3-M15	EA	COVER - SEAT - <b>ULTRALEATHER</b>
	029134-01-000	EA	CLIP - FINISH - UPHOLSTERY
5	130802-01-000	EA	LEVER - LEFT HAND
6	130802-03-000	EA	SCREW F/LEVER
7	130802-02-000	EA	LEVER - RIGHT HAND
8	132875-04-000	EA	FRAME - LEFT HAND CHAIR/TAPERED BACK
8	132875-03-000	EA	FRAME - RIGHT HAND CHAIR/TAPERED BACK
9*	122611-02-000	EA	LUMBAR - W/LEVER
10	007221-01-000	EA	SPACER - SEAT/ADJUSTER
11	147457-01-02B	EA	BRACKET - ZEE W/HOLES - 2.8" - E-COATED
	029134-01-000	EA	CLIP - FINISH - UPHOLSTERY

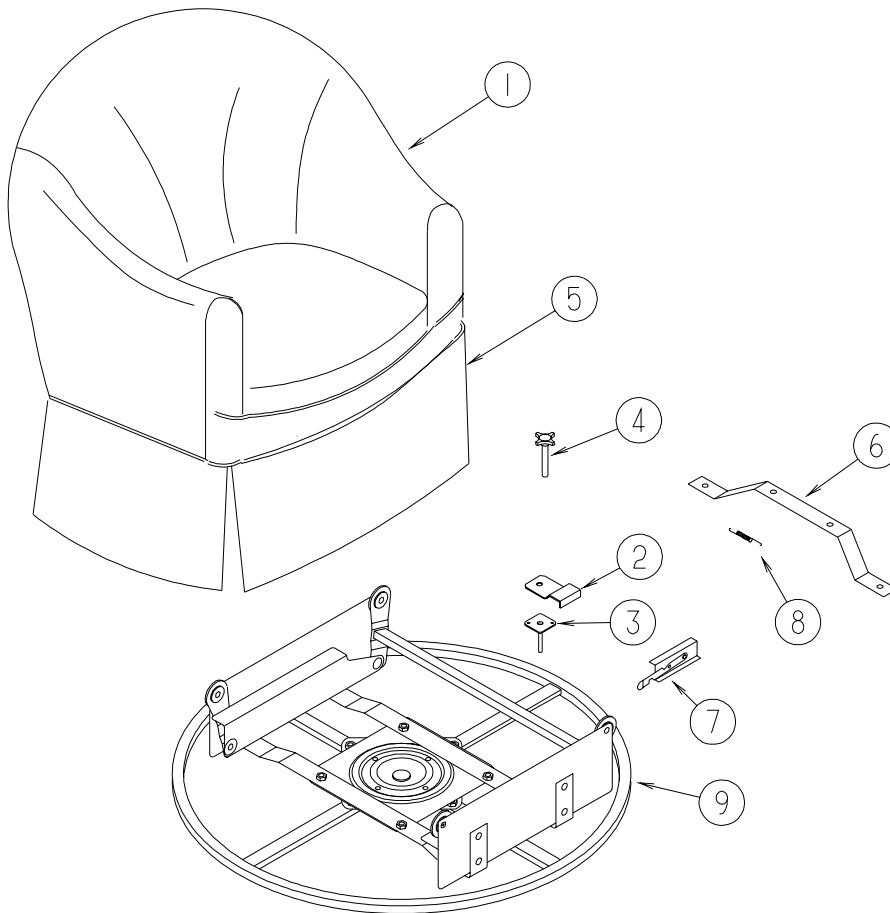
\*COMPONENT PARTS LISTED LATER IN THIS GROUP

**CURTAIN & CUSHION GROUP (CONTINUED)**  
**COMPONENT PARTS FOR BUCKET SEATS**

122611-02-000

<b>KEY</b>	<b>PART NUMBER</b>	<b>U/M</b>	<b>DESCRIPTION</b>	<b>VENDOR NO.</b>
	122611-02-701	EA	LUMBAR - LEVER	412
	122611-02-702	EA	LUMBAR MECHANISM	24395-FLEXSTEEL

**CURTAIN & CUSHION GROUP (CONTINUED)**  
**LOUNGE CHAIR**

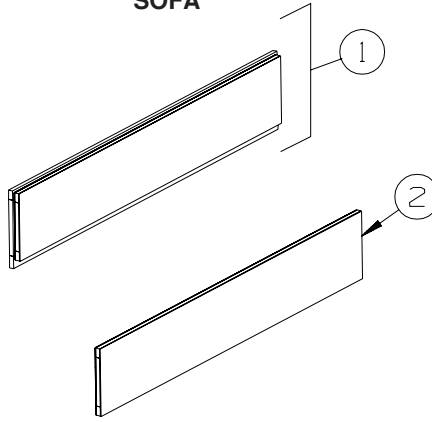


KEY	PART NUMBER	U/M	DESCRIPTION
1	P38523-01-P13	EA	COVER/CHAIR - W/SPRUNG SEAT (R19, R20, R21)
1	P38523-01-R22	EA	COVER/CHAIR - W/SPRUNG SEAT (R22, R23, R24)
1	P38523-03-R25	EA	COVER/CHAIR (R25, R26, R27)
2	134057-01-11B	EA	BRACKET - RECLINER - FLAT BLACK
3	134128-02-02B	EA	PLATE - W/HOLES - W/WELDNUT - E-COATED
4	134194-01-01A	EA	KNOB - HOLD DOWN/RECLINER - BLACK
5	139083-01-R19	EA	SKIRT - F/GLIDER CHAIR (R19, R20, R21)
5	139083-01-R22	EA	SKIRT - F/GLIDER CHAIR (R22, R23, R24)
5	139083-03-R25	EA	SKIRT - F/GLIDER CHAIR (R25, R26, R27)
6	139208-01-000	EA	SUPPORT BAR - TALL - W/HOOP
7	139342-01-000	EA	BRACKET - ROCKERLOCK
8	139342-02-000	EA	SPRING-#9GL-SPRING,LOCK OUT - SHROCK
9	133126-15-000	EA	BASE - SWIVEL/GLIDER - W/FLOOR RING



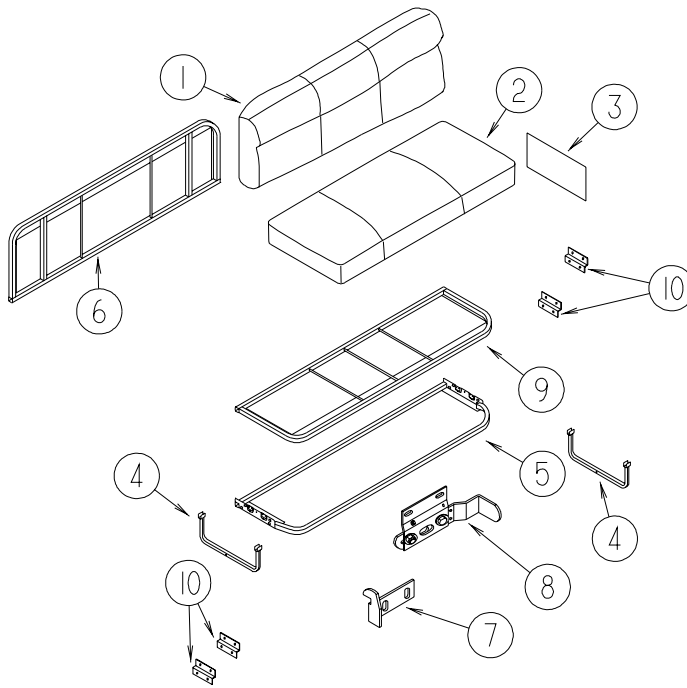
## CURTAIN & CUSHION GROUP (CONTINUED)

SOFA



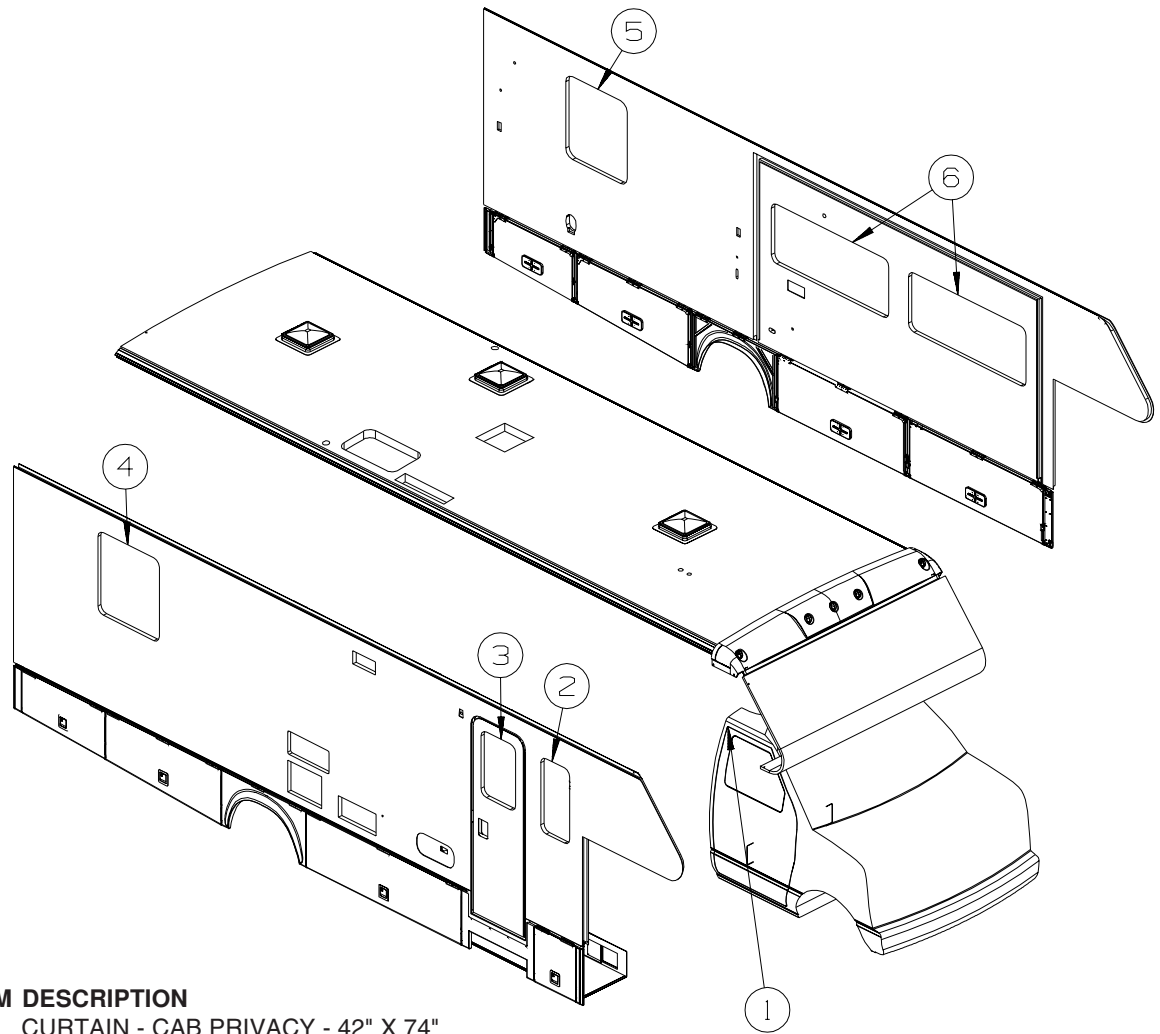
KEY	PART NUMBER	U/M	DESCRIPTION
1	142692-01-R19	EA	PANEL/DOOR - FRONT KICK/SOFA BED - FABRIC COVERED (R19)
1	142692-01-R20	EA	PANEL/DOOR - FRONT KICK/SOFA BED - FABRIC COVERED (R20)
1	142692-01-R21	EA	PANEL/DOOR - FRONT KICK/SOFA BED - FABRIC COVERED (R21)
1	142692-01-P21	EA	PANEL/DOOR - FRONT KICK/SOFA BED - FABRIC COVERED (R22)
1	142692-01-P22	EA	PANEL/DOOR - FRONT KICK/SOFA BED - FABRIC COVERED (R23)
1	142692-01-P36	EA	PANEL/DOOR - FRONT KICK/SOFA BED - FABRIC COVERED (R24)
1	142692-01-R25	EA	PANEL/DOOR - FRONT KICK/SOFA BED - FABRIC COVERED (R25)
1	142692-01-R26	EA	PANEL/DOOR - FRONT KICK/SOFA BED - FABRIC COVERED (R26)
1	142692-01-R27	EA	PANEL/DOOR - FRONT KICK/SOFA BED - FABRIC COVERED (R27)
2	142692-11-R19	EA	DOOR/FRONT KICK PANEL - FABRIC COVERED (R19)
2	142692-11-R19	EA	DOOR/FRONT KICK PANEL - FABRIC COVERED (R20)
2	142692-11-R19	EA	DOOR/FRONT KICK PANEL - FABRIC COVERED (R21)
2	142692-11-P21	EA	DOOR/FRONT KICK PANEL - FABRIC COVERED (R22)
2	142692-11-P21	EA	DOOR/FRONT KICK PANEL - FABRIC COVERED (R23)
2	142692-11-P21	EA	DOOR/FRONT KICK PANEL - FABRIC COVERED (R24)
2	142692-11-R25	EA	DOOR/FRONT KICK PANEL - FABRIC COVERED (R25)
2	142692-11-R25	EA	DOOR/FRONT KICK PANEL - FABRIC COVERED (R26)
2	142692-11-R25	EA	DOOR/FRONT KICK PANEL - FABRIC COVERED (R27)

**CURTAIN & CUSHION GROUP (CONTINUED)**  
**SOFA (CONTINUED)**



KEY	PART NUMBER	U/M	DESCRIPTION
1	143072-01-R19	EA	BACK - SOFA/BED - 66.5" (R19, R20, R21)
1	143072-01-P21	EA	BACK - SOFA/BED - 66.5" (R22, R23, R24)
1	143072-01-R25	EA	BACK - SOFA/BED - 66.5" (R25, R26, R27)
	P43072-01-R19	EA	COVER - BACK - SOFA/BED - 66.5" (R19, R20, R21)
	P43072-01-P21	EA	COVER - BACK - SOFA/BED - 66.5" (R22, R23, R24)
	P43072-01-R25	EA	COVER - BACK - SOFA/BED - 66.5" (R25, R26, R27)
2	141077-02-R19	EA	SEAT - SOFA/BED - 66.5" (R19, R20, R21)
2	141077-02-P21	EA	SEAT - SOFA/BED - 66.5" (R22, R23, R24)
2	141077-02-R25	EA	SEAT - SOFA/BED - 66.5" (R25, R26, R27)
	P41077-02-R19	EA	COVER - SEAT - SOFA/BED - 66.5" (R19, R20, R21)
	P41077-02-P21	EA	COVER - SEAT - SOFA/BED - 66.5" (R22, R23, R24)
	P41077-02-R25	EA	COVER - SEAT - SOFA/BED - 66.5" (R25, R26, R27)
3	M02634-25-R19	EA	SKIRT - SOFA/SLEEPER (R19, R20, R21)
3	M02634-25-P21	EA	SKIRT - SOFA/SLEEPER (R22, R23, R24)
3	M02634-25-R25	EA	SKIRT - SOFA/SLEEPER (R25, R26, R27)
4	114763-08-000	EA	FRAME - FORWARD FACING LEGS
5	101085-03-000	EA	FRAME - BASE - SOFA/BED - 66.5"
6	101085-09-000	EA	FRAME - BACK - SOFA/BED - 66.5" X 16"
7	NOT USED		
8	NOT USED		
9	101085-01-000	EA	FRAME - SEAT - SOFA/BED - 66.5"
10	101926-01-02A	EA	BRACKET - ZEE - 2" - BLACK - MOUNTS SOFA TO FLOOR
	124656-96-000	EA	LOCK - CANADIAN

**CURTAIN & CUSHION GROUP (CONTINUED)**  
**WINDOW TREATMENT**



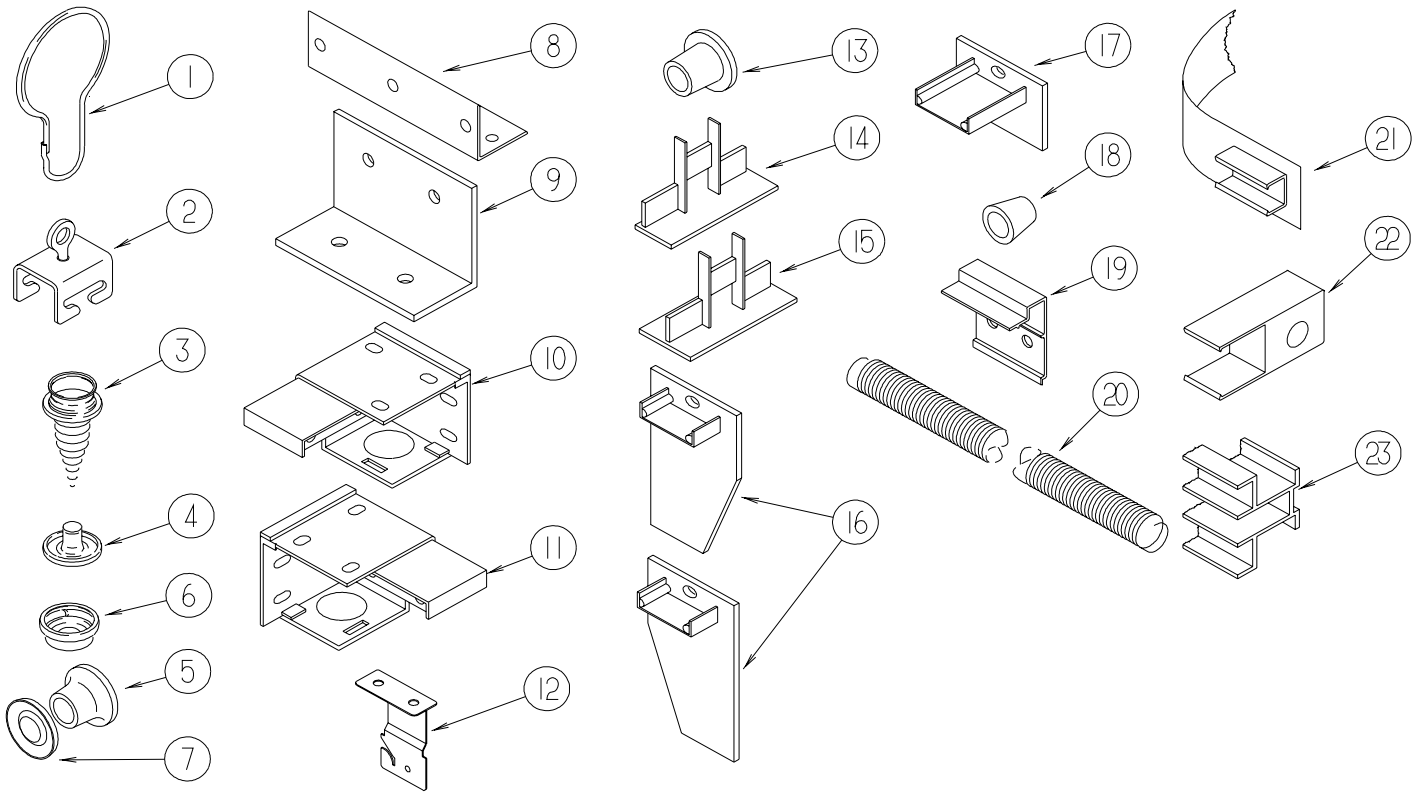
KEY	PART NUMBER	U/M	DESCRIPTION
1	076892-28-P13	EA	CURTAIN - CAB PRIVACY - 42" X 74"
2	142259-03-R19	EA	VALANCE - PALM COURT - 19" (R19, R20, R21)
2	142259-03-P21	EA	VALANCE - PALM COURT - 19" (R22, R23, R24)
2	142259-03-R25	EA	VALANCE - PALM COURT - 19" (R25, R26, R27)
2	136988-95-R19	EA	LEG - RIGHT - 32" (R19, R20, R21)
2	136988-95-P21	EA	LEG - RIGHT - 32" (R22, R23, R24)
2	136988-95-R25	EA	LEG - RIGHT - 32" (R25, R26, R27)
2	136988-96-R19	EA	LEG - LEFT - 32" (R19, R20, R21)
2	136988-96-P21	EA	LEG - LEFT - 32" (R22, R23, R24)
2	136988-96-R25	EA	LEG - LEFT - 32" (R25, R26, R27)
2	140789-23-P13	EA	BLIND - DAY/NIGHTER - 15.5" X 33" (R19, R20, R21)
2	140789-23-P13	EA	BLIND - DAY/NIGHTER - 15.5" X 33" (R22, R23, R24)
2	140789-23-N09	EA	BLIND - DAY/NIGHTER - 15.5" X 33" (R25, R26, R27)
3	121410-C1-R19	EA	VALANCE - MODERATE - 10" X 31" (R19, R20, R21)
3	121410-C1-P21	EA	VALANCE - MODERATE - 10" X 31" (R22, R23, R24)
3	121410-C1-R25	EA	VALANCE - MODERATE - 10" X 31" (R25, R26, R27)
3	084755-57-P37	EA	SHADE - PULL - 27.25"
4	142266-03-P60	EA	VALANCE - BEL AIR - 35" (R19, R20, R21)
4	142266-03-P21	EA	VALANCE - BEL AIR - 35" (R22, R23, R24)
4	142266-03-R25	EA	VALANCE - BEL AIR - 35" (R25, R26, R27)
4	136988-23-R19	EA	LEG - RIGHT - 35" (R19, R20, R21)
4	136988-23-P21	EA	LEG - RIGHT - 35" (R22, R23, R24)
4	136988-23-R25	EA	LEG - RIGHT - 35" (R25, R26, R27)
4	136988-24-R19	EA	LEG - LEFT - 35" (R19, R20, R21)
4	136988-24-P21	EA	LEG - LEFT - 35" (R22, R23, R24)
4	136988-24-R25	EA	LEG - LEFT - 35" (R25, R26, R27)
4	140789-22-N44	EA	BLIND - DAY/NIGHTER - 32" X 36" (R19, R20, R21, R22, R23, R24)
4	140789-22-N42	EA	BLIND - DAY/NIGHTER - 32" X 36" (R25, R26, R27)

**CURTAIN & CUSHION GROUP (CONTINUED)**  
**WINDOW TREATMENT (CONTINUED)**

<b>KEY</b>	<b>PART NUMBER</b>	<b>U/M</b>	<b>DESCRIPTION</b>
5	142266-03-P60	EA	VALANCE - BEL AIR - 35" (R19, R20, R21)
5	142266-03-P21	EA	VALANCE - BEL AIR - 35" (R22, R23, R24)
5	142266-03-R25	EA	VALANCE - BEL AIR - 35" (R25, R26, R27)
5	136988-79-P60	EA	LEG - RIGHT - 35" (R19, R20, R21)
5	136988-79-P57	EA	LEG - RIGHT - 35" (R22, R23, R24)
5	136988-79-R25	EA	LEG - RIGHT - 35" (R25, R26, R27)
5	136988-80-P60	EA	LEG - LEFT - 35" (R19, R20, R21)
5	136988-80-P57	EA	LEG - LEFT - 35" (R22, R23, R24)
5	136988-80-R25	EA	LEG - LEFT - 35" (R25, R26, R27)
5	140789-22-N44	EA	BLIND - DAY/NIGHTER - 32" X 36" (R19, R20, R21, R22, R23, R24)
5	140789-22-N42	EA	BLIND - DAY/NIGHTER - 32" X 36" (R25, R26, R27)
6	142259-02-P60	EA	LAMBREQUIN - PALM COURT - 61" (R19, R20, R21)
6	142259-02-P21	EA	LAMBREQUIN - PALM COURT - 61" (R22, R23, R24)
6	142259-02-R25	EA	LAMBREQUIN - PALM COURT - 61" (R25, R26, R27)
6	140789-08-N44	EA	BLIND - DAY/NIGHTER - 59" X 26.5" (R19, R20, R21, R22, R23, R24)
6	140789-08-N09	EA	BLIND - DAY/NIGHTER - 59" X 26.5" (R25, R26, R27)

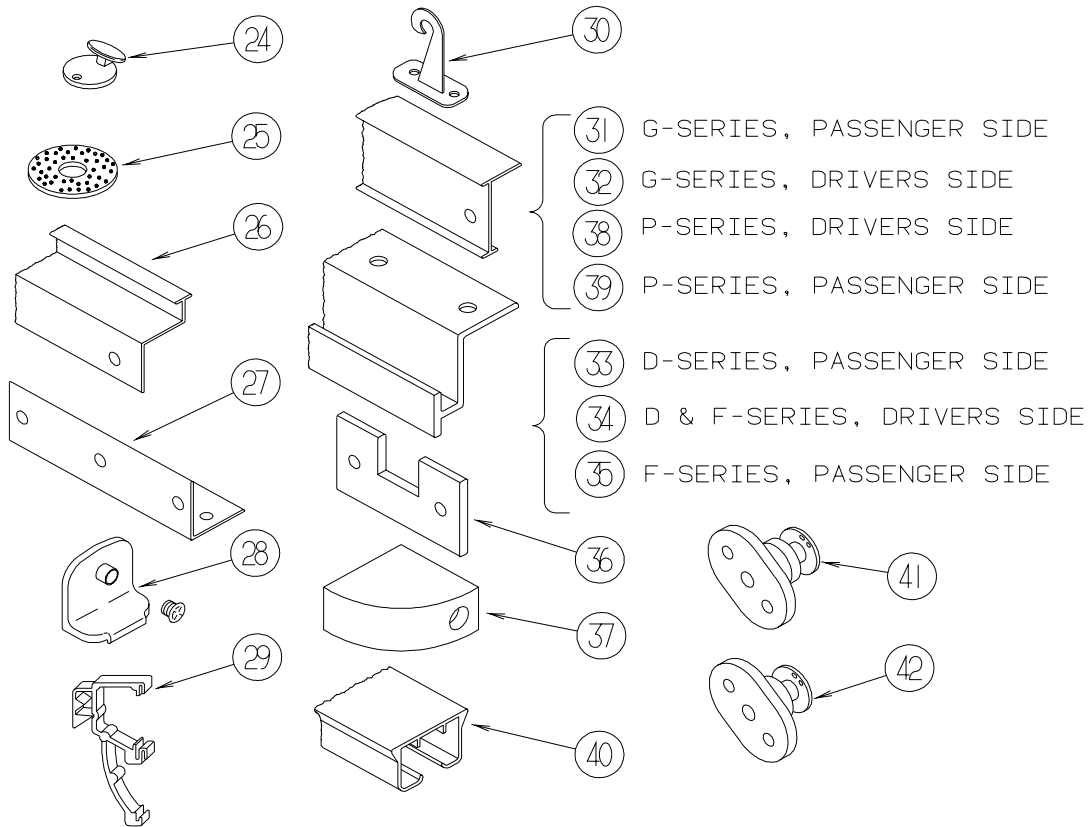
# CURTAIN & CUSHION GROUP (CONTINUED)

## HARDWARE



KEY	PART NUMBER	U/M	DESCRIPTION
1	009136-02-000	EA	HANGER - RING - PIN TYPE - CURTAIN - BRASS
2	009702-01-000	EA	END STOP - CURTAIN CARRIER - L - ROD
3	029130-01-000	EA	SCREW - SNAP STUD - #8-16 X 3/8" LONG
3	029130-03-000	EA	SCREW - SNAP STUD - #8-16 X 1" LONG
4	029155-01-000	EA	CAP - SNAP - 5/32" OUTSIDE DIAMETER OF PIN
5	029156-01-000	EA	SOCKET - SNAP - 9/16" O.D.
6	046867-02-000	EA	WASHER - HANDY BUTTON #3
7	046867-03-000	EA	GROMMET - HANDY BUTTON #3
8	075943-10-000	EA	BRACE - VALANCE - 20" - OFF WHITE
9	083125-07-000	EA	BRACE - ANGLE/COUCH - 2.5" - OFF WHITE
9	083125-08-000	EA	BRACE - WINDOW MOUNT - .75" - OFF WHITE
10	083170-01-000	EA	BRACKET/BLIND - LEFT SIDE WHEN FACING WINDOW - CLEAR
11	083170-02-000	EA	BRACKET/BLIND - RIGHT SIDE WHEN FACING WINDOW - CLEAR
12	084434-01-000	EA	BRACKET - MOUNTING - ROLLER SHADE - 1 3/8"
13	094896-02-000	EA	GROMMET - CORD/PLEATED BLIND - NYLON - GRAY
14	094907-02-000	EA	END CAP - PLEATED BLIND/TOP - RH/LH - GRAY PLASTIC
15	094907-04-000	EA	END CAP - PLEATED BLIND/BOTTOM - RH/LH
16	094907-05-000	EA	END CAP - PLEATED BLIND/BOTTOM - PULL TYPE - PLASTIC
17	094907-06-000	EA	END CAP - PLEATED BLIND/TOP
18	097564-03-000	EA	HANDLE - KNOB - E-Z LIFT SHADE - TAN
18	097564-05-000	EA	HANDLE - KNOB - E-Z LIFT SHADE - TEAL
18	097564-06-000	EA	HANDLE - KNOB - E-Z LIFT SHADE - ALABASTER
	097593-02-000	FT	CORD - BLIND - PLEATED - GRAY
	097593-06-000	FT	CORD - BLIND - PLEATED - PEWTER
	097593-10-000	FT	CORD - BLIND - PLEATED - VANILLA
19	097565-01-000	EA	BRACKET - MOUNTING - PLEATED BLIND
19	097565-02-000	EA	BRACKET - MOUNTING - PLEATED BLIND
20	097591-01-000	EA	SPRING - EXTENSION - PLEATED BLIND
21	101031-01-000	YD	TAPE/GLIDE - 4.25" SPACING
22	101033-02-000	EA	END CAP - LOW PROFILE TRACK - CLEAR
23	101033-08-000	EA	TRACK/WALL - 75" - FRT BUNK WINDOW 300 SERIES (MINNIE/SPIRIT)
23	101033-09-000	EA	TRACK/WALL - 32" - SIDE BUNK WINDOW 200 SERIES/300 SERIES (VISTA/SUNSTAR /MINNIE/SPIRIT)

## CURTAIN & CUSHION GROUP (CONTINUED) HARDWARE (CONTINUED)



KEY	PART NUMBER	U/M	DESCRIPTION
24	102555-03-000	EA	CLEAT - BLIND CORD - MILKY WHITE - PLASTIC
25	103242-01-000	EA	VELCRO HOOK - BEIGE 7/8" ROUND W/CENTER HOLE
25	103242-02-000	EA	VELCRO HOOK - BLACK 7/8" ROUND W/CENTER HOLE
26	105450-14-01A	EA	TRACK - CURTAIN - 90" - OFF WHITE - <b>FRONT BUNK PRIVACY 300 SERIES (MINNIE/SPIRIT)</b>
26	105450-15-01A	EA	TRACK - CURTAIN - 82.3" - OFF WHITE - <b>FRONT BUNK PRIVACY 200 SERIES (VISTA/SUNSTAR)</b>
27	105648-01-02A	EA	BRACE - VALANCE - OFF/WHITE - 14"
28	106544-01-000	EA	PULL - SHADE/BRASS
	106544-01-001	EA	SCREW - SHADE/BRASS
29	109353-04-000	EA	CLIP - VALANCE SLAT MOUNTING - CLEAR PLASTIC
	109441-02-000	EA	SPACER/BACKET - BLIND HOLD DOWN
30	109441-03-000	EA	BRACKET/HOOK - BLIND HOLD DOWN - NEW DESIGN/CLEAR
31	126456-03-04A	EA	TRACK/WRAPAROUND - PASSENGER - GLACIER - <b>G SERIES (ADVENTURER/SUNCRUISER)</b>
32	126456-04-04A	EA	TRACK/WRAPAROUND - DRIVER - GLACIER - <b>G SERIES (ADVENTURER/SUNCRUISER)</b>
33	127254-03-05A	EA	TRACK/WRAPAROUND - PASSENGER - GLACIER - <b>D SERIES (SIGHTSEER/SUNOVA)</b>
			FROM: 00-00-00 THRU: 09-07-03
33	127254-14-03A	EA	TRACK/WRAP - PASS - GLACIER - <b>D SERIES (SIGHTSEER/SUNOVA)</b>
			FROM: 09-08-03 THRU: 99-99-99
34	127254-04-05A	EA	TRACK/WRAP - DRIVER - GLACIER - <b>D SERIES/F SERIES (SIGHTSEER/SUNOVA/BRAVE/SUNRISE)</b>
35	127254-14-03A	EA	TRACK/WRAP - PASS - GLACIER - <b>F SERIES (BRAVE/SUNRISE)</b>
36	130549-01-01A	EA	STOP - CURTAIN TRACK
37	132504-01-N92	EA	BRACKET - SHADE
38	146591-01-01A	EA	TRACK - CURTAIN - LEFT HAND - GLACIER - <b>P SERIES (JOURNEY/MERIDIAN)</b>
39	146591-02-01A	EA	TRACK - CURTAIN - RIGHT HAND - GLACIER - <b>P SERIES (JOURNEY/MERIDIAN)</b>
40	138460-01-02A	EA	TRACK/CURTAIN - PASSENGER - WHITE - <b>Q SERIES (ULTIMATE ADVANTAGE/ULTIMATE FREEDOM)</b>
	138460-02-02A	EA	TRACK/CURTAIN - DRIVER - WHITE - <b>Q SERIES (ULTIMATE ADVANTAGE/ULTIMATE FREEDOM)</b>
40	138460-05-02A	EA	TRACK/CURTAIN - PASSENGER - WHITE - <b>L SERIES (CHIEFTAIN/SUNFLYER)</b>
	138460-06-02A	EA	TRACK/CURTAIN - DRIVER - WHITE - <b>L SERIES (CHIEFTAIN/SUNFLYER)</b>
40	138460-07-02A	EA	TRACK/CURTAIN - PASSENGER - WHITE - <b>S SERIES (VECTRA/HORIZON)</b>
	138460-08-02A	EA	TRACK/CURTAIN - DRIVER - WHITE - <b>S SERIES (VECTRA/HORIZON)</b>
41	141634-01-000	EA	BRACKET-(BOBBIN TYPE) 7/8"H HOLDUPBASE(OVAL)-2 HOLE-CLEAR
42	143805-01-000	EA	BRACKET-(BOBBIN TYPE) 1/2"H HOLDUPBASE(OVAL)-2 HOLES CLEAR

## CURTAIN & CUSHION GROUP (CONTINUED)

### ACCESSORIES

KEY	PART NUMBER	U/M	DESCRIPTION
	007021-01-000	EA	SEAT BELT - 2" X 90" - BLACK
	056271-01-000	EA	SEAT BELT - 2" X 102" - BLACK
	057534-03-000	EA	TIEBACK - CLEAR PLASTIC - 7.5"
	057759-01-000	EA	WASHER - FLAT F/SEAT BELT - 4" DIAMETER
	140221-01-02B	EA	WASHER - SEAT BELT - E-COAT

**CURTAIN & CUSHION GROUP (CONTINUED)**  
FABRICS

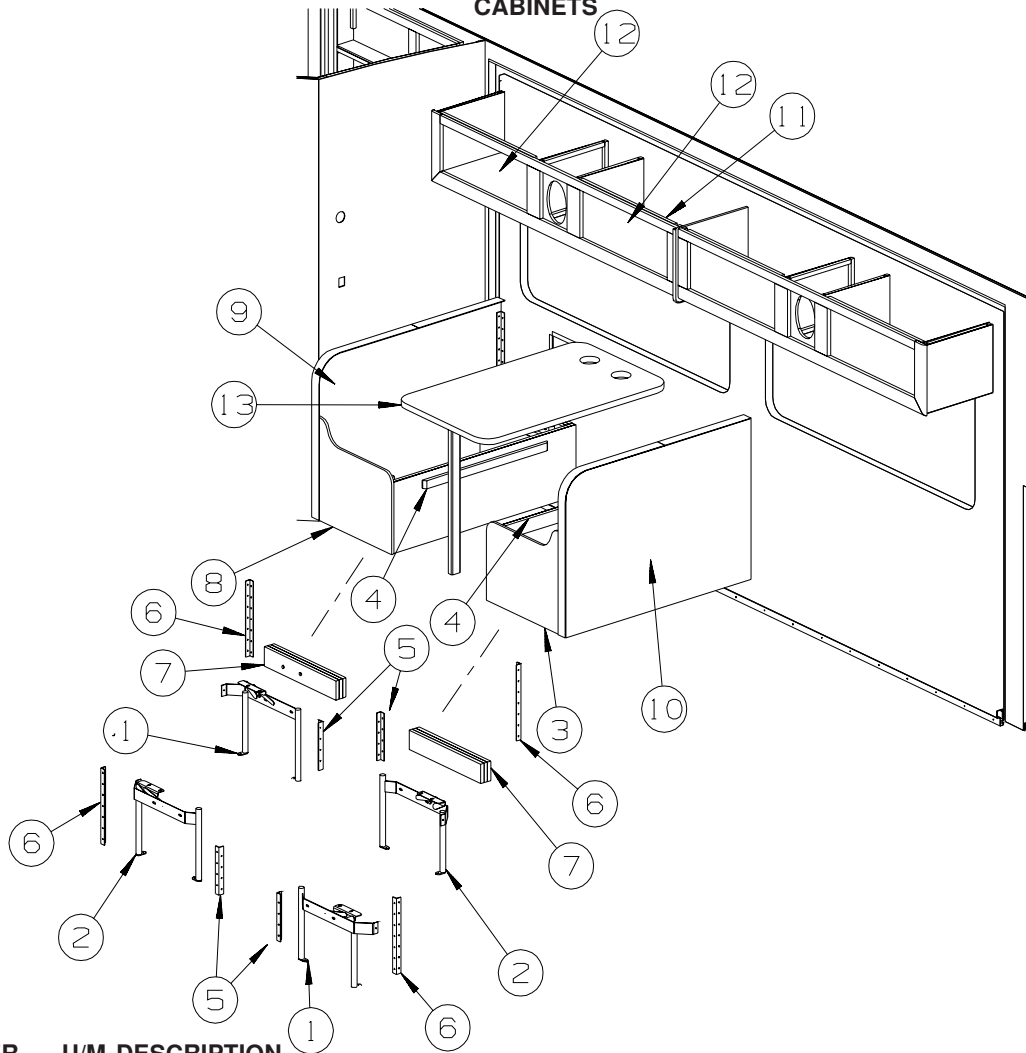
2004 FAMILY	R19/R20/R21	R22/R23/R24	R25/R26/R27
	CRYSTAL LAKE	FERN GARDEN	ALABASTER
<b>BUCKET</b>	566H STYLE	566H STYLE	566H STYLE
	126883-L1-000	126883-K9-000	126883-U9-000
	*OPT. ULTRA/STEEL GRAY	*OPT. ULTRA/STEEL GRAY	*OPT. ULTRA/STEEL GRAY
	079680-39-000	079680-39-000	079680-39-000
<b>DINETTE CUSHIONS</b>	CLUB	CLUB	CLUB
	126883-L0-000	126883-K8-000	126883-V8-000
<b>DINETTE WRAP</b>	126883-L1-000	126883-K9-000	126883-U9-000
<b>SOFA (2 CUSHION)</b>	427P/430V: 695 COMFORT SOFA	427P/430V: 695 COMFORT SOFA	427P/430V: 695 COMFORT SOFA
	431C: 605 ARMLESS JACK KNIF	431C: 605 ARMLESS JACK KNIF	431C: 605 ARMLESS JACK KNIF
	126883-L0-000	126883-K8-000	126883-U9-000
<b>LOUNGE CHAIR</b>	#465	#465	#465
	126883-L1-000	126883-K9-000	126883-U9-000
<b>LOUNGE WINDOWS</b>	PALM COURT LAMBREQUIN	PALM COURT LAMBREQUIN	PALM COURT LAMBREQUIN
	UNDERALY - 126883-L1-000	UNDERLAY - 126883-K9-000	UNDERLAY - 126883-V9-000
	OVLY - 126883-L0-000	OVLY - 126883-K8-000	OVLY - 126883-U9-000
	BRAID - 139041-11-000	BRAID - 084415-F2-000	BRAID - 084415-F4-000
<b>LOUNGE PILLOW</b>	(2) 17" PALM COURT	(2) 17" PALM COURT	(2) 17" PALM COURT
	BACK & BODY - 126883-L1-000	BACK & BODY - 126883-K9-000	BACK & BODY - 126883-U9-000
	OVERLAY - 126883-L0-000	OVERLAY - 126883-K8-000	OVERLAY - 126883-V8-000
	WELT - 126883-L1-000	WELT - 126883-K9-000	WELT - 126883-U9-000
	BRAID - 139041-11-000	BRAID - 084415-F2-000	BRAID - 084415-F4-000
<b>FWA, BLACKOUT &amp; PRIVACY CURTAIN</b>	0732333-85-000	0732333-85-000	0732333-85-000
	CLOUDS MUSHROOM	CLOUDS MUSHROOM	CLOUDS MUSHROOM
<b>DAY/NIGHTER</b>	094911-56/126883-50	094911-56/126883-50	094911-58/126883-50
	EGGSHELL/WT. DECO	EGGSHELL/WT. DECO	PUTTY/WT. DECO
<b>GALLEY BLINDS</b>	386 SNOCAP	386 SNOCAP	C011 BEIGE



**CURTAIN & CUSHION GROUP (CONTINUED)**  
**FABRICS (CONTINUED)**

2004 FAMILY	R19/R20/R21	R22/R23/R24	R25/R26/R27
	CRYSTAL LAKE	FERN GARDEN	ALABASTER
<b>BEDROOM WDO TREATMENT</b>	BEL-AIR VALANCE	BEL-AIR VALANCE	BEL-AIR VALANCE
	BODY - 105745-Y1-000	BODY - 137813-20-000	BODY - 105745-V0-000
	GATH. OVLY - 137813-23-000	GATH. OVLY - 137813-21-000	GATH. OVLY - 137813-72-000
	LEGS - 105745-Y1-000	LEGS - 137813-20-000	LEGS - 105745-V0-000
	CORD - 139041-11-000	CORD - 084415-F2-000	CORD - 084415-F5-000
<b>BEDCOVER</b>	BEDCAP W/CORD	BEDCAP W/CORD	BEDCAP W/CORD
	137813-Y1/139041-11	137813-20/084415-F2	137813-22/084415-F4
<b>QUILT PATTERN</b>	LARGE DIAMOND	LARGE DIAMOND	LARGE DIAMOND
<b>SHAMS</b>	SHAM W/2" GATH. BAND	SHAM W/2" GATH. BAND	SHAM W/2" GATH. BAND
	BODY - 105745-Y1-000	BODY - 137813-20-000	BODY - 105745-V0-000
	BAND - 137813-23-000	BAND - 137813-23-000	BAND - 137813-72-000
	BRAID - 139041-11-000	BRAID - 084415-F2-000	BRAID - 084415-F4-000
<b>BED PILLOW</b>	(2) 10X17" W/1½" GATH. BAND	(2) 10X17" W/1½" GATH. BAND	(2) 10X17" W/1½" GATH. BAND
	BODY - 137813-23-000	BODY - 137813-21-000	BODY - 137813-72-000
	GATH. BAND - 105745-Y1-000	GATH. BAND - 137813-20-000	GATH. BAND - 105745-V0-000
	BRAID - 139041-11-000	BRAID - 084415-F2-000	BRAID - 084415-F4-000
<b>HEADBOARD</b>	CAMEO STYLE	CAMEO STYLE	CAMEO STYLE
	CTR - 105745-Y1-000	CTR - 137813-20-000	CTR - 105745-V0-000
	SIDES - 137813-23-000	SIDES - 137813-21-000	SIDES - 137813-72-000
	CORD - 139041-11-000	CORD - 084415-F2-000	CORD - 084415-F4-000
<b>BEDROOM VANITY CHAIR</b>	REM	REM	REM
	126883-L1-000	126883-K9-000	126883-V9-000
<b>CARPET</b>	139056-06-000	096060-F0-000	096060-H1-000
	CRYSTAL LAKE	PALE SAGE	TAPIOCA
<b>LOUNGE CABINET FABRIC INSERT</b>	126883-L1-000	126883-K9-000	126883-V9-000
<b>BEDROOM CABINET INSERT</b>	105745-Y1-000	137813-21-000	105745-V0-000

## DINETTE GROUP CABINETS

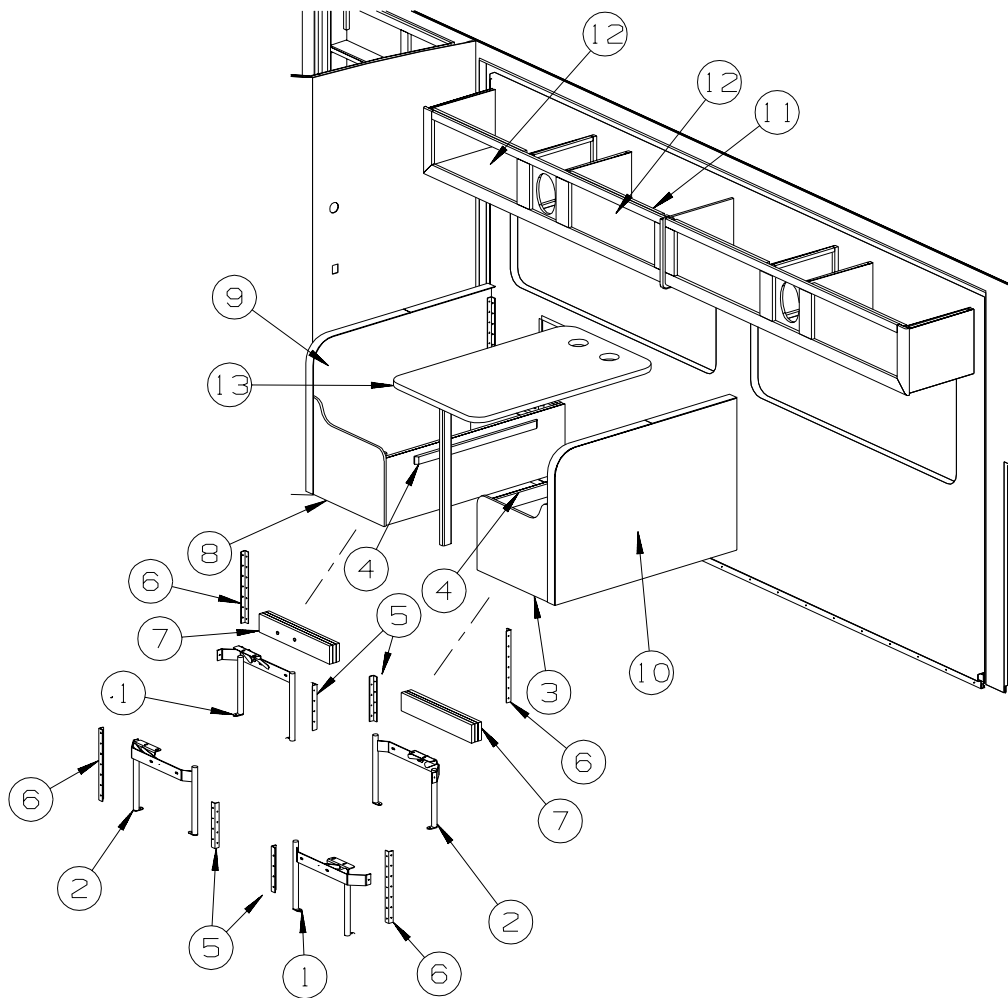


KEY	PART NUMBER	U/M	DESCRIPTION
1	142033-01-000	EA	BRACKET - DINETTE - RIGHT HAND
2	142033-02-000	EA	BRACKET - DINETTE - LEFT HAND
3	142046-05-P13	EA	CABINET/BASE - DINETTE W/O BACK-F/FLIP UP CUSHION - RH (R19)
3	142046-05-P14	EA	CABINET/BASE - DINETTE W/O BACK-F/FLIP UP CUSHION - RH (R20)
3	142046-05-R21	EA	CABINET/BASE - DINETTE W/O BACK-F/FLIP UP CUSHION - RH (R21)
			FROM: 00-00-00 THRU: 01-04-04
3	142046-05-RW1	EA	CABINET/BASE - DINETTE W/O BACK-F/FLIP UP CUSHION - RH (R21)
			FROM: 01-05-04 THRU: 99-99-99
3	142046-05-P21	EA	CABINET/BASE - DINETTE W/O BACK-F/FLIP UP CUSHION - RH (R22)
3	142046-05-P22	EA	CABINET/BASE - DINETTE W/O BACK-F/FLIP UP CUSHION - RH (R23)
3	142046-05-P36	EA	CABINET/BASE - DINETTE W/O BACK-F/FLIP UP CUSHION - RH (R24)
			FROM: 00-00-00 THRU: 01-04-04
3	142046-05-RW2	EA	CABINET/BASE - DINETTE W/O BACK-F/FLIP UP CUSHION - RH (R24)
			FROM: 01-05-04 THRU: 99-99-99
3	142046-05-R25	EA	CABINET/BASE - DINETTE W/O BACK-F/FLIP UP CUSHION - RH (R25)
3	142046-05-R26	EA	CABINET/BASE - DINETTE W/O BACK-F/FLIP UP CUSHION - RH (R26)
3	142046-05-R27	EA	CABINET/BASE - DINETTE W/O BACK-F/FLIP UP CUSHION - RH (R27)
			FROM: 00-00-00 THRU: 01-04-04
3	142046-05-RW3	EA	CABINET/BASE - DINETTE W/O BACK-F/FLIP UP CUSHION - RH (R27)
			FROM: 01-05-04 THRU: 99-99-99
4	081295-01-N70	EA	SUPPORT - BED/DINETTE - 28" LONG - PORTSMOUTH OAK
4	081295-01-M52	EA	SUPPORT - BED/DINETTE - 28" LONG - CONCERT CHERRY
4	081295-01-H37	EA	SUPPORT - BED/DINETTE - 28" LONG - WASHED MAPLE
5	122021-01-02A	EA	ANGLE - W/HOLES - 8.6" LONG - OFF WHITE
6	122021-02-02A	EA	ANGLE - W/HOLES - 13.7" LONG - OFF WHITE
7	142046-63-P13	EA	SPACER/BASE - DINETTE SEAT (R19, R20, R21)
7	142046-63-P21	EA	SPACER/BASE - DINETTE SEAT (R22, R23, R24)
7	142046-63-R25	EA	SPACER/BASE - DINETTE SEAT (R25, R26, R27)

**DINETTE GROUP (CONTINUED)**  
**CABINETS (CONTINUED)**

KEY	PART NUMBER	U/M	DESCRIPTION
8	142046-06-P13	EA	CABINET/BASE - DINETTE W/O BACK-F/FLIP UP CUSHION - LH (R19)
8	142046-06-P14	EA	CABINET/BASE - DINETTE W/O BACK-F/FLIP UP CUSHION - LH (R20)
8	142046-06-R21	EA	CABINET/BASE - DINETTE W/O BACK-F/FLIP UP CUSHION - LH (R21) FROM: 00-00-00 THRU: 01-04-04
8	142046-06-RW1	EA	CABINET/BASE - DINETTE W/O BACK-F/FLIP UP CUSHION - LH (R21) FROM: 01-05-04 THRU: 99-99-99
8	142046-06-P21	EA	CABINET/BASE - DINETTE W/O BACK-F/FLIP UP CUSHION - LH (R22)
8	142046-06-P22	EA	CABINET/BASE - DINETTE W/O BACK-F/FLIP UP CUSHION - LH (R23)
8	142046-06-P36	EA	CABINET/BASE - DINETTE W/O BACK-F/FLIP UP CUSHION - LH (R24) FROM: 00-00-00 THRU: 01-04-04
8	142046-06-RW2	EA	CABINET/BASE - DINETTE W/O BACK-F/FLIP UP CUSHION - LH (R24) FROM: 01-05-04 THRU: 99-99-99
8	142046-06-R25	EA	CABINET/BASE - DINETTE W/O BACK-F/FLIP UP CUSHION - LH (R25)
8	142046-06-R26	EA	CABINET/BASE - DINETTE W/O BACK-F/FLIP UP CUSHION - LH (R26)
8	142046-06-R27	EA	CABINET/BASE - DINETTE W/O BACK-F/FLIP UP CUSHION - LH (R27) FROM: 00-00-00 THRU: 01-04-04
8	142046-06-RW3	EA	CABINET/BASE - DINETTE W/O BACK-F/FLIP UP CUSHION - LH (R27) FROM: 01-05-04 THRU: 99-99-99
9	142046-46-P13	EA	PANEL/BACK - DINETTE SEAT - LEFT HAND (R19)
9	142046-46-P14	EA	PANEL/BACK - DINETTE SEAT - LEFT HAND (R20)
9	142046-46-R21	EA	PANEL/BACK - DINETTE SEAT - LEFT HAND (R21) FROM: 00-00-00 THRU: 01-04-04
9	142046-46-RW1	EA	PANEL/BACK - DINETTE SEAT - LEFT HAND (R21) FROM: 01-05-04 THRU: 99-99-99
9	142046-46-P21	EA	PANEL/BACK - DINETTE SEAT - LEFT HAND (R22)
9	142046-46-P22	EA	PANEL/BACK - DINETTE SEAT - LEFT HAND (R23)
9	142046-46-P36	EA	PANEL/BACK - DINETTE SEAT - LEFT HAND (R24) FROM: 00-00-00 THRU: 01-04-04
9	142046-46-RW2	EA	PANEL/BACK - DINETTE SEAT - LEFT HAND (R24) FROM: 01-05-04 THRU: 99-99-99
9	142046-46-R25	EA	PANEL/BACK - DINETTE SEAT - LEFT HAND (R25)
9	142046-46-R26	EA	PANEL/BACK - DINETTE SEAT - LEFT HAND (R26)
9	142046-46-R27	EA	PANEL/BACK - DINETTE SEAT - LEFT HAND (R27) FROM: 00-00-00 THRU: 01-04-04
9	142046-46-RW3	EA	PANEL/BACK - DINETTE SEAT - LEFT HAND (R27) FROM: 01-05-04 THRU: 99-99-99
10	142046-69-P13	EA	PANEL/BACK - DINETTE SEAT - RIGHT HAND (R19)
10	142046-69-P14	EA	PANEL/BACK - DINETTE SEAT - RIGHT HAND (R20)
10	142046-69-R21	EA	PANEL/BACK - DINETTE SEAT - RIGHT HAND (R21) FROM: 00-00-00 THRU: 01-04-04
10	142046-69-R21	EA	PANEL/BACK - DINETTE SEAT - RIGHT HAND (R21) FROM: 01-05-04 THRU: 99-99-99
10	142046-69-P21	EA	PANEL/BACK - DINETTE SEAT - RIGHT HAND (R22)
10	142046-69-P22	EA	PANEL/BACK - DINETTE SEAT - RIGHT HAND (R23)
10	142046-69-P36	EA	PANEL/BACK - DINETTE SEAT - RIGHT HAND (R24) FROM: 00-00-00 THRU: 01-04-04
10	142046-69-RW2	EA	PANEL/BACK - DINETTE SEAT - RIGHT HAND (R24) FROM: 01-05-04 THRU: 99-99-99
10	142046-69-R25	EA	PANEL/BACK - DINETTE SEAT - RIGHT HAND (R25)
10	142046-69-R26	EA	PANEL/BACK - DINETTE SEAT - RIGHT HAND (R26)
10	142046-69-R27	EA	PANEL/BACK - DINETTE SEAT - RIGHT HAND (R27) FROM: 00-00-00 THRU: 01-04-04
10	142046-69-RW3	EA	PANEL/BACK - DINETTE SEAT - RIGHT HAND (R27) FROM: 01-05-04 THRU: 99-99-99

**DINETTE GROUP (CONTINUED)**  
**CABINETS (CONTINUED)**

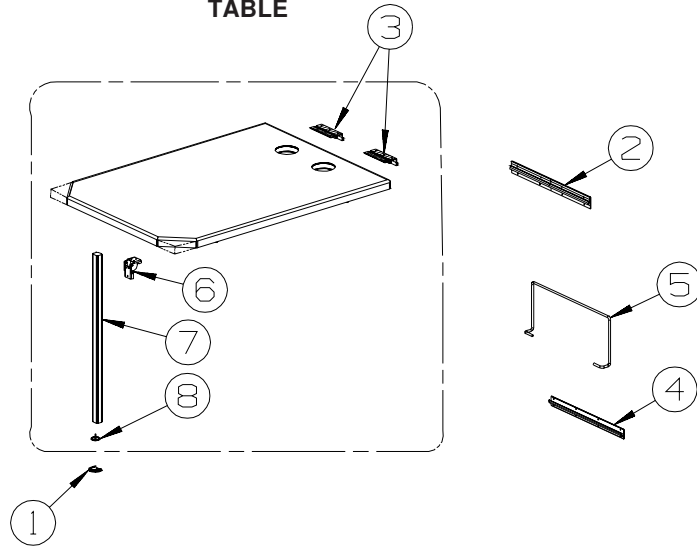


KEY	PART NUMBER	U/M	DESCRIPTION
11	137298-01-P13	EA	CABINET - OVERHEAD/FRONT/DINETTE - W/O DOORS/HARDWARE (R19)
11	137298-01-P14	EA	CABINET - OVERHEAD/FRONT/DINETTE - W/O DOORS/HARDWARE (R20)
11	137298-01-R21	EA	CABINET - OVERHEAD/FRONT/DINETTE - W/O DOORS/HARDWARE (R21) FROM: 00-00-00 THRU: 01-04-04
11	137298-01-RW1	EA	CABINET - OVERHEAD/FRONT/DINETTE - W/O DOORS/HARDWARE (R21) FROM: 01-05-04 THRU: 99-99-99
11	137298-01-P21	EA	CABINET - OVERHEAD/FRONT/DINETTE - W/O DOORS/HARDWARE (R22)
11	137298-01-P22	EA	CABINET - OVERHEAD/FRONT/DINETTE - W/O DOORS/HARDWARE (R23)
11	137298-01-P36	EA	CABINET - OVERHEAD/FRONT/DINETTE - W/O DOORS/HARDWARE (R24) FROM: 00-00-00 THRU: 01-04-04
11	137298-01-RW2	EA	CABINET - OVERHEAD/FRONT/DINETTE - W/O DOORS/HARDWARE (R24) FROM: 01-05-04 THRU: 99-99-99
11	137298-01-R25	EA	CABINET - OVERHEAD/FRONT/DINETTE - W/O DOORS/HARDWARE (R25)
11	137298-01-R26	EA	CABINET - OVERHEAD/FRONT/DINETTE - W/O DOORS/HARDWARE (R26)
11	137298-01-R27	EA	CABINET - OVERHEAD/FRONT/DINETTE - W/O DOORS/HARDWARE (R27) FROM: 00-00-00 THRU: 01-04-04
11	137298-01-RW3	EA	CABINET - OVERHEAD/FRONT/DINETTE - W/O DOORS/HARDWARE (R27) FROM: 01-05-04 THRU: 99-99-99
12	134868-26-N47	EA	DOOR - RAIL/ARCHED TOP - 10" X 25.1" - W/O HARDWARE - PORTSMOUTH OAK FROM: 00-00-00 THRU: 08-10-03
12	141522-25-P54	EA	DOOR - ARCHED/PENCIL EDGE/HORIZ - 10" X 25.2" - W/O HDW - PORTSMOUTH OAK FROM: 08-11-03 THRU: 99-99-99
12	134868-26-P55	EA	DOOR - RAIL/ARCHED TOP - 10" X 25.1" - W/O HARDWARE - CONCERT CHERRY FROM: 00-00-00 THRU: 08-10-03
12	141522-25-P55	EA	DOOR - ARCHED/PENCIL EDGE/HORIZ - 10" X 25.2" - W/O HDW - CONCERT CHERRY FROM: 08-11-03 THRU: 99-99-99
12	134868-26-P56	EA	DOOR - RAIL/ARCHED TOP - 10" X 25.1" - W/O HARDWARE - WASHED MAPLE FROM: 00-00-00 THRU: 08-10-03
12	141522-25-P56	EA	DOOR - ARCHED/PENCIL EDGE/HORIZ - 10" X 25.2" - W/O HDW - WASHED MAPLE FROM: 08-11-03 THRU: 99-99-99

**DINETTE GROUP (CONTINUED)**  
**CABINETS (CONTINUED)**

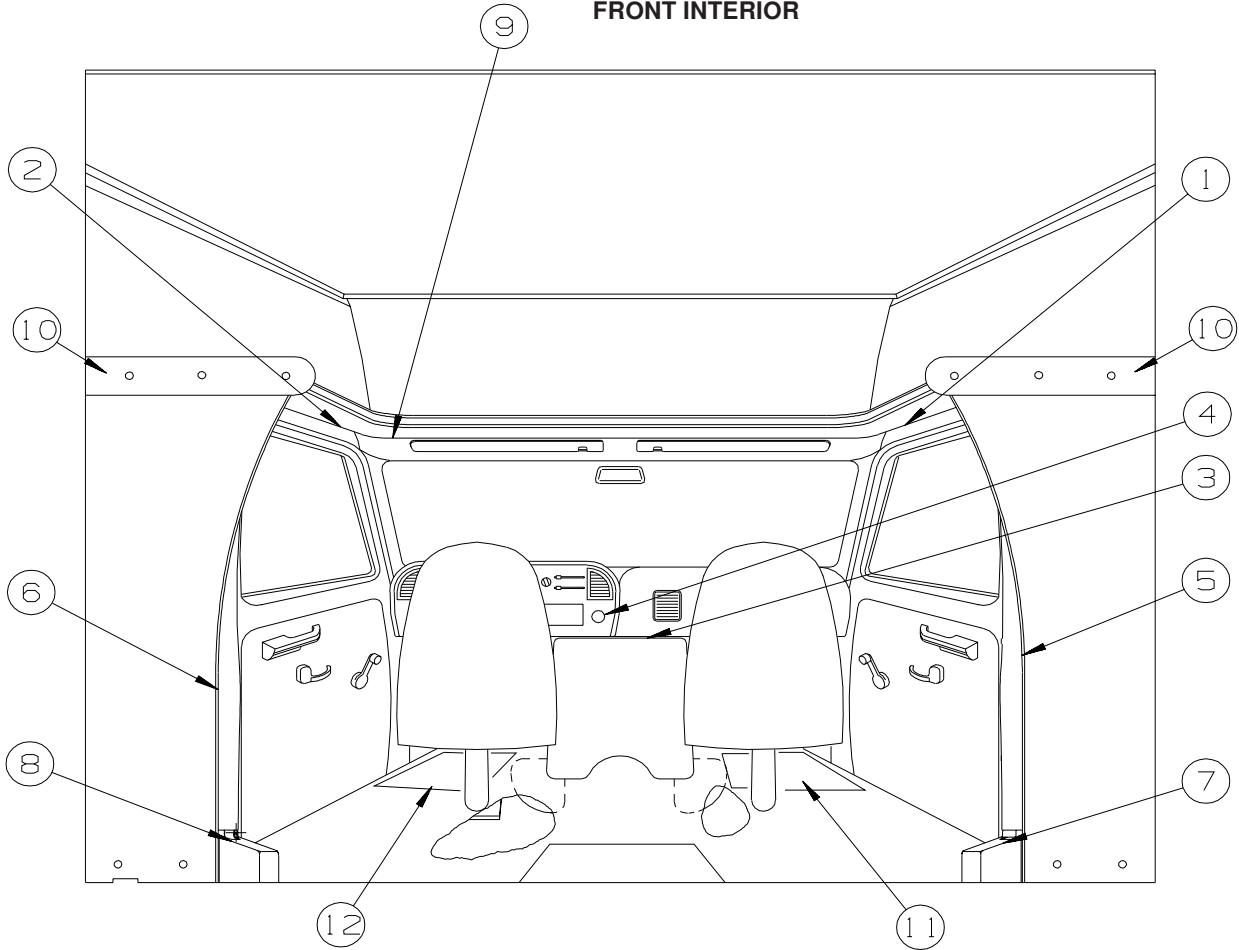
<b>KEY</b>	<b>PART NUMBER</b>	<b>U/M</b>	<b>DESCRIPTION</b>
13	143257-09-R13	EA	TABLE - 24" X 41.6" - GRAY TRANQUILITY/PORTSMOUTH OAK (R19)
13	143257-09-R14	EA	TABLE - 24" X 41.6" - GRAY TRANQUILITY/CONCERT CHERRY (R20)
13	143257-09-R21	EA	TABLE - 24" X 41.6" - GRAY TRANQUILITY/WASHED MAPLE (R21)
13	143257-09-R15	EA	TABLE - 24" X 41.6" - LINO FRIEZE/PORTSMOUTH OAK (R22)
13	143257-09-R16	EA	TABLE - 24" X 41.6" - LINO FRIEZE/CONCERT CHERRY (R23)
13	143257-09-R24	EA	TABLE - 24" X 41.6" - LINO FRIEZE/CONCERT CHERRY (R24)
13	143257-09-R17	EA	TABLE - 24" X 41.6" - ROCKY MOUNTAIN HIGH (R25)
13	143257-09-R18	EA	TABLE - 24" X 41.6" - ROCKY MOUNTAIN HIGH/CONCERT CHERRY (R26)
13	143257-09-R27	EA	TABLE - 24" X 41.6" - ROCKY MOUNTAIN HIGH/CONCERT CHERRY (R27)

**DINETTE GROUP (CONTINUED)**  
**TABLE**



KEY	PART NUMBER	U/M	DESCRIPTION
1	143798-01-01A	EA	CATCH - FLOOR TO TABLE LEG - BRIGHT WHITE
2	140921-02-01A	EA	SUPPORT - TABLE - 18.5" - OFF WHITE
3	140921-03-01A	EA	HANGER - TABLE - W/VINYL - OFF WHITE
4	024281-15-000	EA	BRACKET/TABLE - LIFT ROD/LOWER WALL MOUNTED - 17.1"
5	024275-13-000	EA	ROD - TABLE LIFT - OFF/WHITE
6	093550-01-000	EA	BRACKET - HINGE - MOUNTS TO LEG & TABLE TOP - 1.7" X 2.6"
7	092707-04-10A	EA	LEG - TABLE - W/O HARDWARE - 27" - PORTSMOUTH OAK
7	092707-04-04A	EA	LEG - TABLE - W/O HARDWARE - 27" - CONCERT CHERRY
7	092707-04-08A	EA	LEG - TABLE - W/O HARDWARE - 27" - WASHED MAPLE
8	143798-02-01A	EA	CATCH - TABLE LEG - BRIGHT WHITE
	143798-03-01A	EA	WASHER - TABLE LEG - CATCH

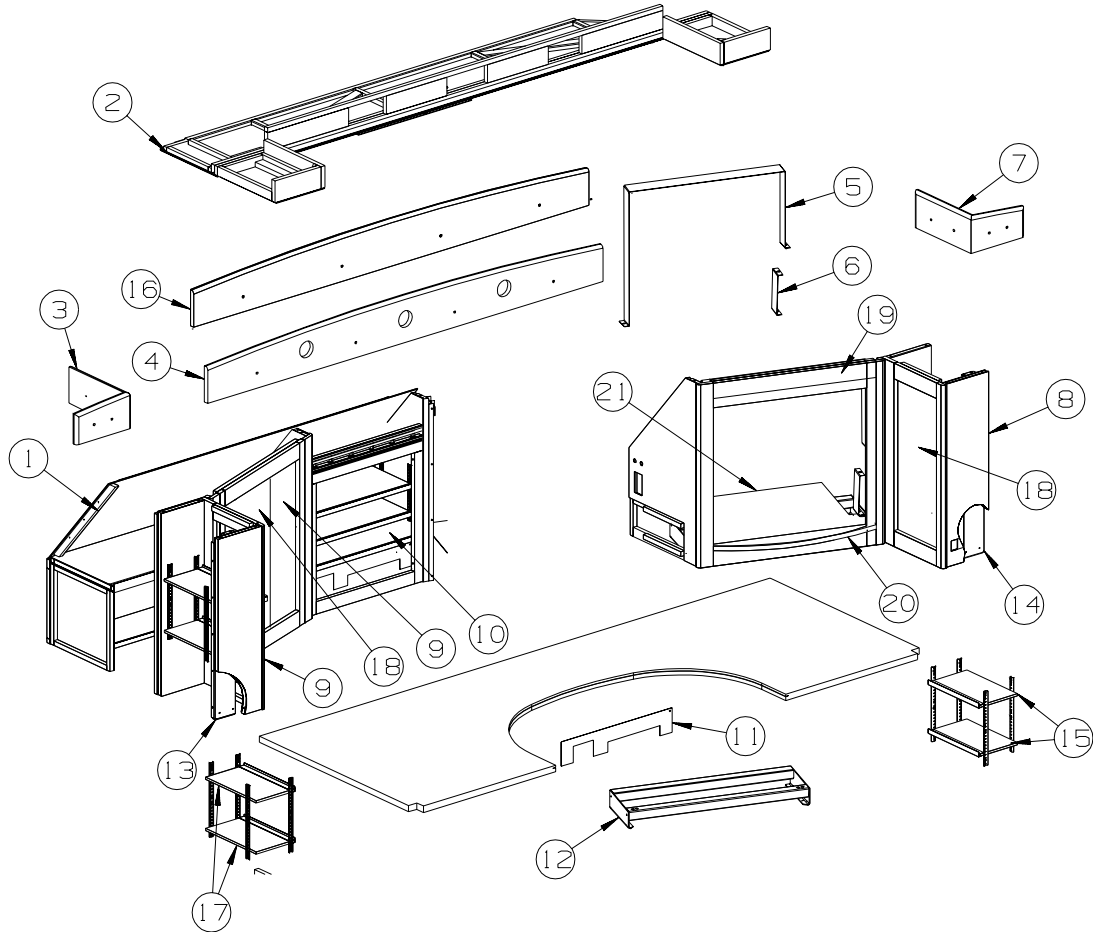
## DRIVERS COMPARTMENT GROUP FRONT INTERIOR



KEY	PART NUMBER	U/M	DESCRIPTION
1	106447-09-R13	EA	TRIM - CAB DOOR - UPPER/RIGHT HAND
2	106447-10-P13	EA	TRIM - CAB DOOR - UPPER/LEFT HAND
3	136524-03-03A	EA	APPLIQUE - BEZEL - DASH - WOOD GRAINED/GRAY BURL
4	136524-04-03A	EA	APPLIQUE - BEZEL - DASH - WOOD GRAINED/GRAY BURL
5	125031-01-H04	EA	TRIM - CAB - B-PILLAR - PASSENGER SIDE
6	125031-02-H04	EA	TRIM - CAB - B-PILLAR - DRIVER SIDE
7	106431-01-02A	EA	COVER - SEATBELT RECOIL - PASSENGER SIDE - VW GREY
8	106431-02-02A	EA	COVER - SEATBELT RECOIL - DRIVER SIDE - VW GREY
9	106448-06-P13	EA	HEADLINER - W/VINYL
10	142374-01-P13	EA	CAP - SLEEPERBOARD - PORTSMOUTH OAK
10	142374-01-P14	EA	CAP - SLEEPERBOARD - CONCERT CHERRY
10	142374-01-P33	EA	CAP - SLEEPERBOARD - WASHED MAPLE
11	125780-03-000	EA	MAT - FLOOR - FRONT PASSENGER - "I" - FORD (GRAY)
12	125780-04-000	EA	MAT - FLOOR - FRONT DRIVER - "I" - FORD (GRAY)

## DRIVERS COMPARTMENT GROUP (CONTINUED)

### CABINETS



KEY	PART NUMBER	U/M	DESCRIPTION
1	142076-01-P07	EA	CABINET - ENT CTR - LH - W/O DOORS/HDW - PORTSMOUTH OAK
1	142076-01-P14	EA	CABINET - ENT CTR - LH - W/O DOORS/HDW - CONCERT CHERRY
1	142076-01-P33	EA	CABINET - ENT CTR - LH - W/O DOORS/HDW - WASHED MAPLE
1	142076-01-RW1	EA	CABINET - ENT CTR - LH - W/O DOORS/HDW - WASHED MAPLE FROM: 00-00-00 THRU: 01-04-04
1	142076-04-R13	EA	CABINET - ENT CTR - LH - W/O DOORS/HDW - PORTSMOUTH OAK - <b>STEREO DVD/VCR W/REMOTE</b>
1	142076-04-R14	EA	CABINET - ENT CTR - LH - W/O DOORS/HDW - CONCERT CHERRY - <b>STEREO DVD/VCR W/REMOTE</b>
1	142076-04-R21	EA	CABINET - ENT CTR - LH - W/O DOORS/HDW - WASHED MAPLE - <b>STEREO DVD/VCR W/REMOTE</b> FROM: 00-00-00 THRU: 01-04-04
1	142076-04-RW1	EA	CABINET - ENT CTR - LH - W/O DOORS/HDW - WASHED MAPLE - <b>STEREO DVD/VCR W/REMOTE</b> FROM: 01-05-04 THRU: 99-99-99
2	142079-01-P13	EA	CABINET - ENTERTAINMENT CENTER/TOP - W/O DOORS/HARDWARE
3	142078-07-P13	EA	TRIM/FACE - ENTERTAINMENT CENTER - PORTSMOUTH OAK
3	142078-07-P14	EA	TRIM/FACE - ENTERTAINMENT CENTER - CONCERT CHERRY
3	142078-07-P33	EA	TRIM/FACE - ENTERTAINMENT CENTER - WASHED MAPLE
4	142078-03-P13	EA	TRIM/FACE - ENTERTAINMENT CENTER - PORTSMOUTH OAK - <b>SURROUND SOUND</b>
4	142078-03-P14	EA	TRIM/FACE - ENTERTAINMENT CENTER - CONCERT CHERRY - <b>SURROUND SOUND</b>
4	142078-03-P33	EA	TRIM/FACE - ENTERTAINMENT CENTER - WASHED MAPLE - <b>SURROUND SOUND</b>
5	144148-03-02B	EA	BRACKET/TV TIEDOWN - E-COATED
6	136269-08-02B	EA	BRACKET/TV TIEDOWN - E-COATED
7	142078-08-P13	EA	TRIM/FACE - ENTERTAINMENT CENTER - PORTSMOUTH OAK
7	142078-08-P14	EA	TRIM/FACE - ENTERTAINMENT CENTER - CONCERT CHERRY
7	142078-08-P33	EA	TRIM/FACE - ENTERTAINMENT CENTER - WASHED MAPLE

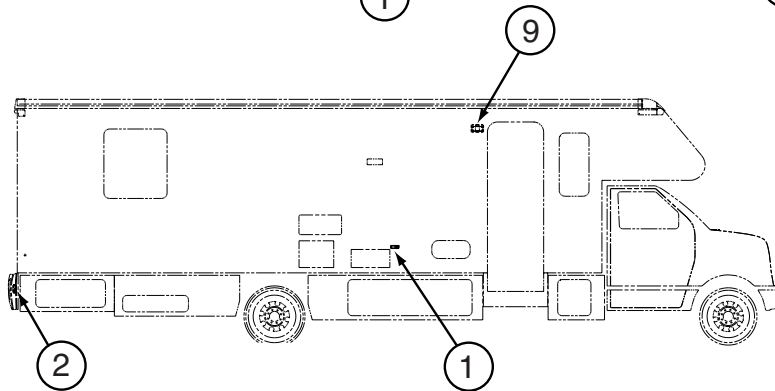
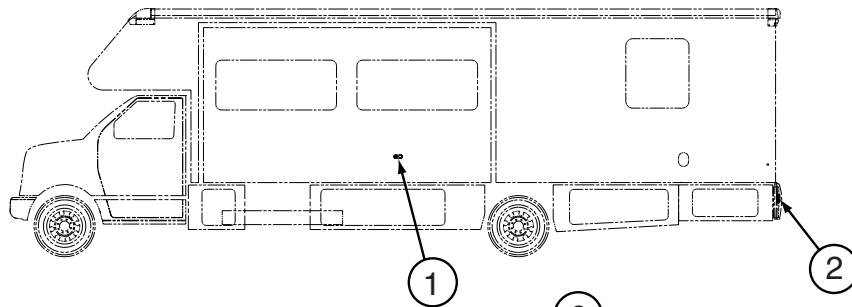
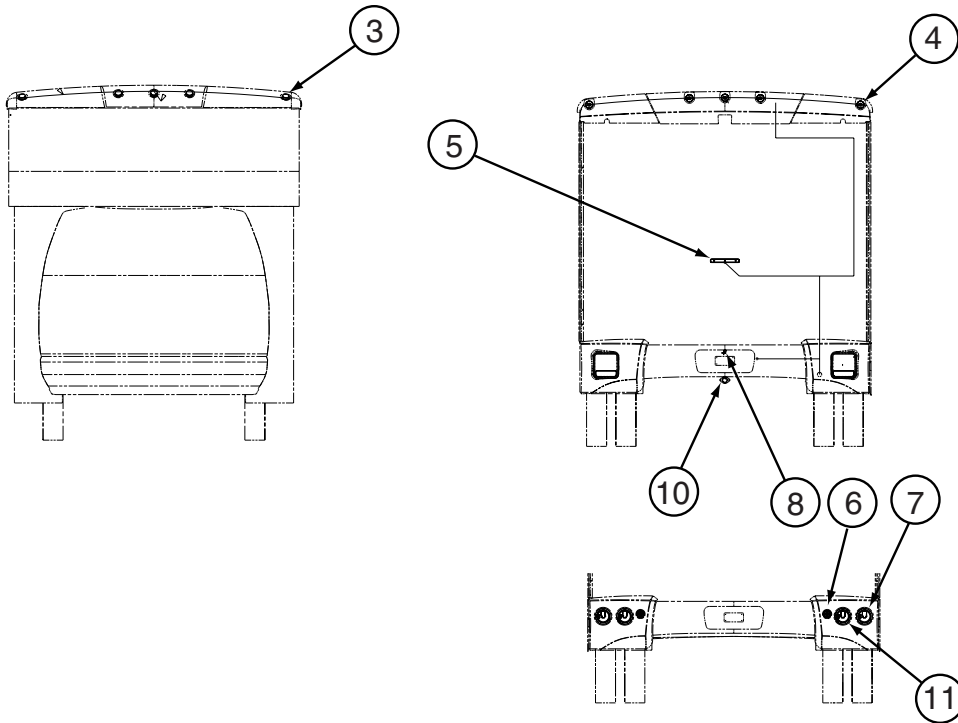


**DRIVERS COMPARTMENT GROUP (CONTINUED)**  
**CABINETS (CONTINUED)**

KEY	PART NUMBER	U/M	DESCRIPTION
8	142077-05-P13	EA	CABINET - ENTERTAINMENT CENTER/RIGHT HAND - W/O DOORS/HDW - PORTSMOUTH OAK
8	142077-05-P14	EA	CABINET - ENTERTAINMENT CENTER/RIGHT HAND - W/O DOORS/HDW - CONCERT CHERRY
8	142077-05-P33	EA	CABINET - ENTERTAINMENT CENTER/RIGHT HAND - W/O DOORS/HDW - WASHED MAPLE FROM: 00-00-00 THRU: 01-04-04
8	142077-05-RW1	EA	CABINET - ENTERTAINMENT CENTER/RIGHT HAND - W/O DOORS/HDW - WASHED MAPLE FROM: 01-05-04 THRU: 99-99-99
9	141518-70-P19	EA	DOOR - ARCHED/PENCIL EDGE/LEFT HAND-12" X 25.9"-W/O HDW - PORTSMOUTH OAK
9	141518-70-P20	EA	DOOR - ARCHED/PENCIL EDGE/LEFT HAND-12" X 25.9"-W/O HDW - CONCERT CHERRY
9	141518-70-P33	EA	DOOR - ARCHED/PENCIL EDGE/LEFT HAND-12" X 25.9"-W/O HDW - WASHED MAPLE
10	100708-30-000	EA	DOOR/GLASS - TV CABINET - 18.8" X 18.8" - W/O HARDWARE
11	142200-01-R13	EA	PANEL - VINYL COVERED
11	142200-03-P07	EA	PANEL - VINYL COVERED - DC/AC INVERTER
12	142119-01-02B	EA	BRACKET - ENTERTAINMENT CENTER - E-COATED
13	136268-04-03B	EA	BRACKET - WINGWALL - OFF WHITE
14	136268-03-03B	EA	BRACKET - WINGWALL - OFF WHITE
15	142077-17-P07	EA	SHELF - W/PLASTIC EDGE MOLDING - PORTSMOUTH OAK
15	142077-17-P14	EA	SHELF - W/PLASTIC EDGE MOLDING - CONCERT CHERRY
15	142077-17-P33	EA	SHELF - W/PLASTIC EDGE MOLDING - WASHED MAPLE FROM: 00-00-00 THRU: 01-04-04
15	142077-17-RW1	EA	SHELF - W/PLASTIC EDGE MOLDING - WASHED MAPLE FROM: 01-05-04 THRU: 99-99-99
16	142078-06-P13	EA	TRIM/FACE - ENTERTAINMENT CENTER - PORTSMOUTH OAK
16	142078-06-P14	EA	TRIM/FACE - ENTERTAINMENT CENTER - CONCERT CHERRY
16	142078-06-P33	EA	TRIM/FACE - ENTERTAINMENT CENTER - WASHED MAPLE
17	142076-34-P07	EA	SHELF - W/PLASTIC EDGE MOLDING - PORTSMOUTH OAK
17	142076-34-P14	EA	SHELF - W/PLASTIC EDGE MOLDING - CONCERT CHERRY
17	142076-34-P33	EA	SHELF - W/PLASTIC EDGE MOLDING - WASHED MAPLE FROM: 00-00-00 THRU: 01-04-04
17	142076-34-RW1	EA	SHELF - W/PLASTIC EDGE MOLDING - WASHED MAPLE FROM: 01-05-04 THRU: 99-99-99
18	141520-70-P19	EA	DOOR - ARCHED/PENCIL EDGE/RIGHT HAND -12"X25.9"- W/O HDW - PORTSMOUTH OAK
18	141520-70-P20	EA	DOOR - ARCHED/PENCIL EDGE/RIGHT HAND -12"X25.9"- W/O HDW - CONCERT CHERRY
18	141520-70-P33	EA	DOOR - ARCHED/PENCIL EDGE/RIGHT HAND -12"X25.9"- W/O HDW - WASHED MAPLE
19	142077-41-P13	EA	FACE/FRAME - TV CABINET (PICTURE FRAME) - PORTSMOUTH OAK
19	142077-41-P14	EA	FACE/FRAME - TV CABINET (PICTURE FRAME) - CONCERT CHERRY
19	142077-41-P33	EA	FACE/FRAME - TV CABINET (PICTURE FRAME) - WASHED MAPLE FROM: 00-00-00 THRU: 01-04-04
19	142077-41-RW1	EA	FACE/FRAME - TV CABINET (PICTURE FRAME)- WASHED MAPLE FROM: 01-05-04 THRU: 99-99-99
20	142077-43-P13	EA	SHELF - TV CABINET - PORTSMOUTH OAK
20	142077-43-P14	EA	SHELF - TV CABINET - CONCERT CHERRY
20	142077-43-P33	EA	SHELF - TV CABINET - WASHED MAPLE FROM: 00-00-00 THRU: 01-04-04
20	142077-43-RW1	EA	SHELF - TV CABINET - WASHED MAPLE FROM: 01-05-04 THRU: 99-99-99
21•	142077-42-P13	EA	WEDGE/BASE - TV CABINET - PORTSMOUTH OAK
21	142077-42-P14	EA	WEDGE/BASE - TV CABINET - CONCERT CHERRY
21	142077-43-P33	EA	SHELF - TV CABINET - WASHED MAPLE FROM: 00-00-00 THRU: 01-04-04
21	142077-43-RW1	EA	SHELF - TV CABINET - WASHED MAPLE FROM: 01-05-04 THRU: 99-99-99
	076767-04-000	EA	CABLE - STAINLESS STEEL - 5.9"

# ELECTRICAL GROUP

## 12V BODY WIRING



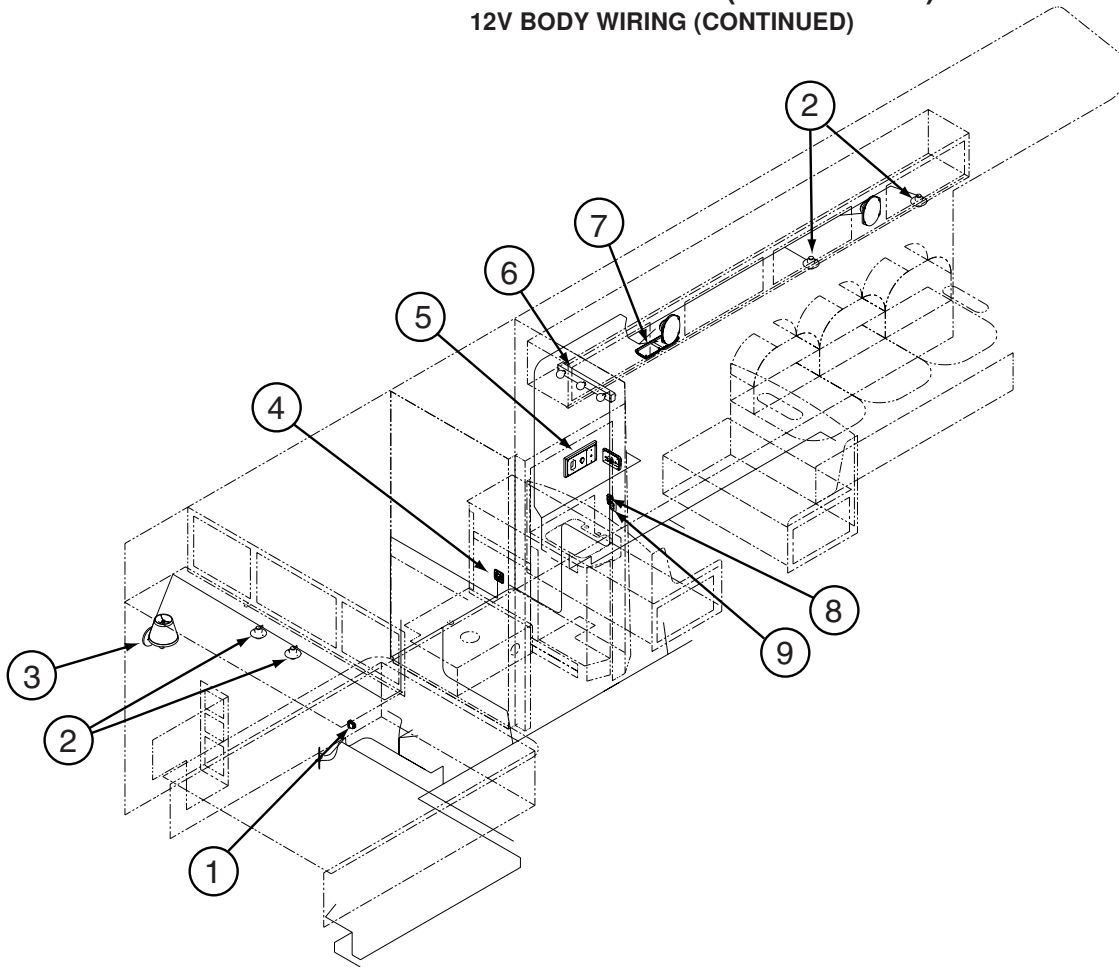
KEY	PART NUMBER	U/M	DESCRIPTION
1	111102-01-000	EA	BASE - MARKER LAMP - 430V, 431C
1	111102-02-000	EA	LENS - AMBER - MARKER LAMP - 430V, 431C
1	036196-01-000	EA	BULB - 12V - #194 - .27 AMP - BAYONETTE
2	111102-01-000	EA	BASE - MARKER LAMP
2	111102-03-000	EA	LENS - RED - MARKER LAMP
2	036196-01-000	EA	BULB - 12V - #194 - .27 AMP - BAYONETTE
3	138996-01-000	EA	LAMP - CLEARANCE - AMBER
3	138996-03-000	EA	BRACKET - CLEARANCE LIGHT
4	138996-02-000	EA	LAMP - CLEARANCE - RED
4	138996-03-000	EA	BRACKET - CLEARANCE LIGHT
5	136916-01-000	EA	LIGHT - CENTER BRAKE - L.E.D.
6	141514-01-000	EA	REFLECTOR - ROUND/RED

**ELECTRICAL GROUP (CONTINUED)**  
**12V BODY WIRING (CONTINUED)**

<b>KEY</b>	<b>PART NUMBER</b>	<b>U/M</b>	<b>DESCRIPTION</b>
7	138441-01-000	EA	LAMP - BRAKE/TAIL/TURN - 4 1/2" ROUND
7	126403-01-000	EA	CONNECTOR - 2 CIRCUIT
7	126403-02-000	EA	CONNECTOR - 3 CIRCUIT
8	087201-01-000	EA	LIGHT - HALF ROUND - 1" X 1.7" - PLASTIC - BLACK OR WHITE
9*	097917-01-06A	EA	LIGHT - PORCH - ENTRY DOOR - BRIGHT WHITE
	008215-01-000	EA	BULB - 12 VOLT - #1003 - .94 AMP
10*	113589-01-000	EA	CONNECTOR - PLUG - TRAILER
10*	113589-02-000	EA	CONNECTOR - SOCKET - TRAILER
11	138441-02-000	EA	LAMP - BACKUP - 4 1/2" ROUND
11	126403-01-000	EA	CONNECTOR - 2 CIRCUIT
11	126403-02-000	EA	CONNECTOR - 3 CIRCUIT

**\*COMPONENT PARTS LISTED LATER IN THIS GROUP**

**ELECTRICAL GROUP (CONTINUED)**  
**12V BODY WIRING (CONTINUED)**

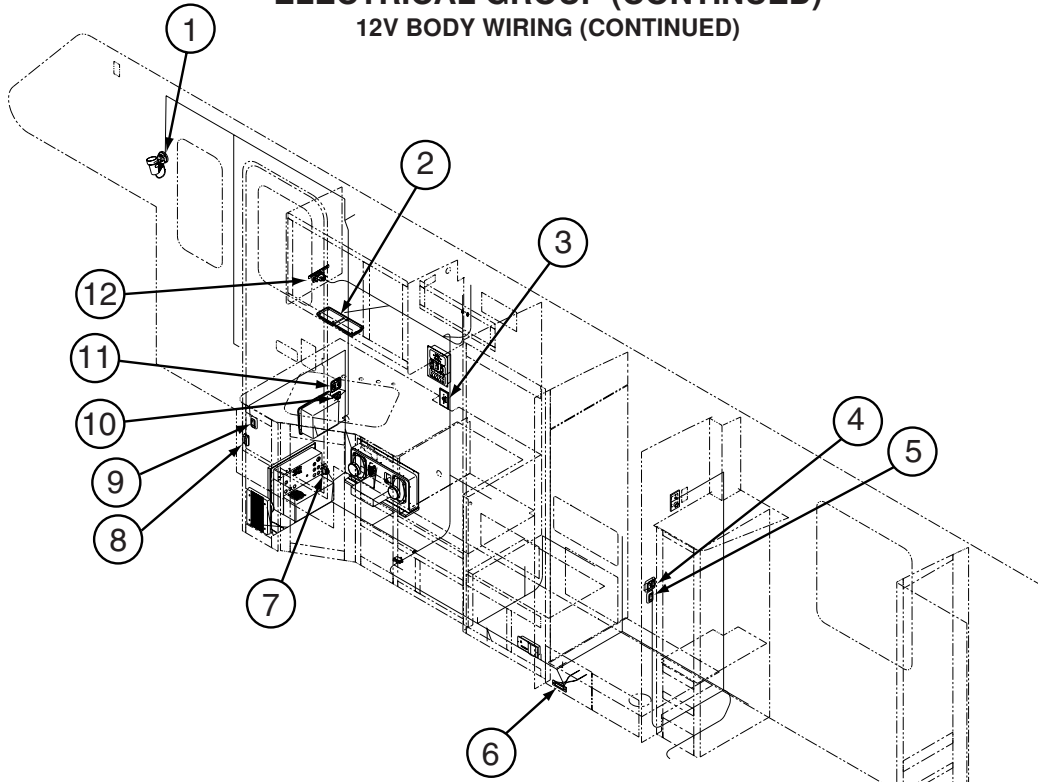


KEY	PART NUMBER	U/M	DESCRIPTION
1	108357-15-000	EA	SWITCH - ROCKER - DPDT - ON/NONE/ON - W/LIGHT W/O COVER
1	108356-03-01A	EA	COVER/ACTUATOR SWITCH - 3 GROOVES W/LIGHT-CONTURA III-BLK
1	108355-01-000	EA	HOUSING - SWITCH
2	132427-01-01A	EA	LIGHT - READING - SWIVEL/ROUND - BRASS
2	123917-01-000	EA	BULB - 12V - HALOGEN SPOT
3	119258-32-01A	EA	LAMP - WALL - BRASS - UL/CSA
3	119257-15-01A	EA	SHADE - LAMP - LINEN SILKARA FABRIC
3	067479-01-000	EA	BULB - 12V - #1076 - 1.80 AMP
4	135740-01-02A	EA	SWITCH - ROCKER - SPST - ON/OFF - WHITE
4	135741-02-02A	EA	SWITCH - BASE - DOUBLE - WHITE
4	135742-15-01A	EA	BEZEL - SWITCH - CEILING/SHOWER - WHITE
5	132958-01-000	EA	RECEPTACLE - 12 VOLT - MOUNTING FLANGE - BLACK
5	133713-06-20A	EA	SPACER/RECEPTACLE - PHONE - WHITE VINYL
6	138116-01-01A	EA	LIGHT/MAKE UP - 3 BULB - CURVED - W/O BULB - BRASS
	123918-01-000	EA	BULB - 12V - MAKEUP - WHITE
7*	137417-05-01A	EA	LIGHT - DOME - DOUBLE - W/SWITCH/OPTIC LENS - WHITE
8	135740-01-02A	EA	SWITCH - ROCKER - SPST - ON/OFF - WHITE
8	135741-01-02A	EA	SWITCH - BASE - SINGLE - WHITE
8	135742-07-01A	EA	BEZEL - SWITCH - CEILING - WHITE
9	135740-01-02A	EA	SWITCH - ROCKER - SPST - ON/OFF - WHITE
9	135741-01-02A	EA	SWITCH - BASE - SINGLE - WHITE
9	135742-08-01A	EA	BEZEL - SWITCH - MAKEUP - WHITE

\*COMPONENT PARTS LISTED LATER IN THIS GROUP

## ELECTRICAL GROUP (CONTINUED)

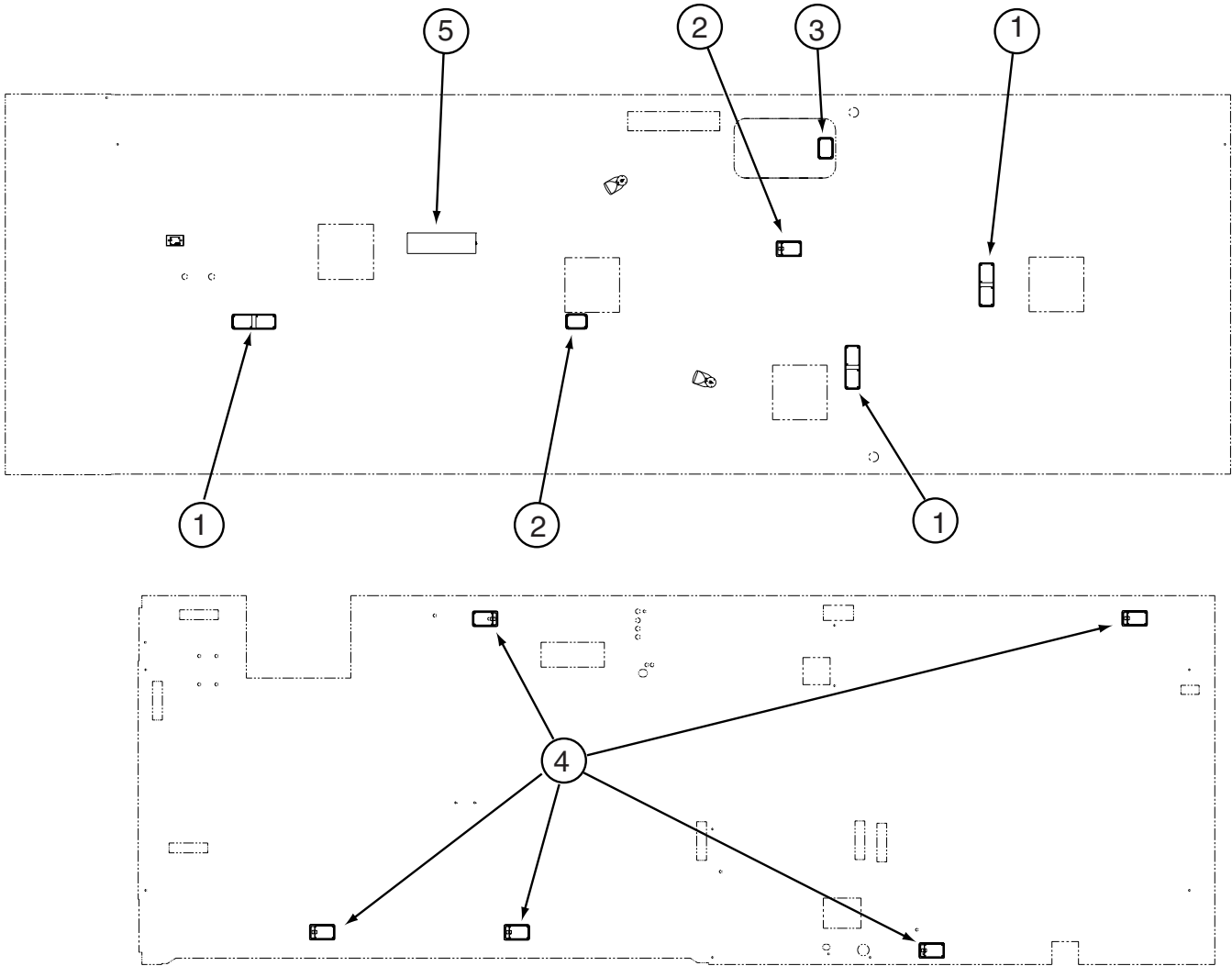
### 12V BODY WIRING (CONTINUED)



KEY	PART NUMBER	U/M	DESCRIPTION
1	128786-01-01A	EA	LIGHT - READING/SWIVEL
	123917-01-000	EA	BULB - 12V - HALOGEN SPOT
2*	137417-05-01A	EA	LIGHT - DOME - DOUBLE - W/SWITCH/OPTIC LENS - WHITE
3	101894-03-01A	EA	SWITCH - TOGGLE - 15 AMP/120 VOLT - BROWN
			FROM: 00-00-00 THRU: 07-06-03
3	101911-01-01A	EA	WALL PLATE - SWITCH (1 GANG)
			FROM: 00-00-00 THRU: 07-06-03
3	135740-06-01A	EA	SWITCH - ROCKER - ON/OFF - LIGHTED - RED
			FROM: 07-07-03 THRU: 99-99-99
3	135741-01-01A	EA	SWITCH - BASE - SINGLE - BROWN
			FROM: 07-07-03 THRU: 99-99-99
3	135742-35-02A	EA	BEZEL - SWITCH - WATER HEATER/110 VOLT - BROWN
			FROM: 07-07-03 THRU: 99-99-99
4	135740-01-02A	EA	SWITCH - ROCKER - SPST - ON/OFF - WHITE
4	135741-02-02A	EA	SWITCH - BASE - DOUBLE - WHITE
4	135742-16-01A	EA	BEZEL - SWITCH - CEILING/HALL - WHITE
5	135740-02-01A	EA	SWITCH - ROCKER - SPDT - ON/ON - BROWN
5	135741-01-01A	EA	SWITCH - BASE - SINGLE - BROWN
5	135742-06-02A	EA	BEZEL - SWITCH - AISLE - BROWN
6	061424-01-000	EA	LIGHT - AISLE - 12 VOLT - RECTANGULAR
7	108357-06-000	EA	SWITCH - ROCKER - DPDT - MOM/OFF/MOM - 6 TERM - W/O COVER
7	108356-11-01A	EA	COVER/ACTUATOR SWITCH - 3 GROOVES - AUX BATT - BLACK
7	108355-01-000	EA	HOUSING - SWITCH
7	098351-07-01A	EA	PLATE/SWITCH - 1 GANG - POLISHED BRASS - GENERATOR
8	116995-02-000	EA	SWITCH/MAGNET - ELECTRIC STEP - BLACK/WHITE-CLOSED CIRCUIT
9	135740-02-02A	EA	SWITCH - ROCKER - SPDT - ON/ON - WHITE
9	135741-01-02A	EA	SWITCH - BASE - SINGLE - WHITE
9	135742-06-01A	EA	BEZEL - SWITCH - AISLE - WHITE
10	135740-01-01A	EA	SWITCH - ROCKER - SPST - ON/OFF - BROWN
10	135741-01-01A	EA	SWITCH - BASE - SINGLE - BROWN
10	135742-11-02A	EA	BEZEL - SWITCH - STEP - BROWN
11	135740-01-01A	EA	SWITCH - ROCKER - SPST - ON/OFF - BROWN
11	135741-02-01A	EA	SWITCH - BASE - DOUBLE - BROWN
11	135742-19-02A	EA	BEZEL - SWITCH - CEILING/PORCH - BROWN
12	108357-06-000	EA	SWITCH - ROCKER - DPDT - MOM/OFF/MOM - 6 TERM - W/O COVER
12	108356-02-01A	EA	COVER/ACTUATOR SWITCH - 2 ROWS DIMPLES- CONTURA II - BLACK
12	108355-01-000	EA	HOUSING - SWITCH
12	081994-10-000	EA	PLATE/SWITCH - SLIDEOUT

\*COMPONENT PARTS LISTED LATER IN THIS GROUP

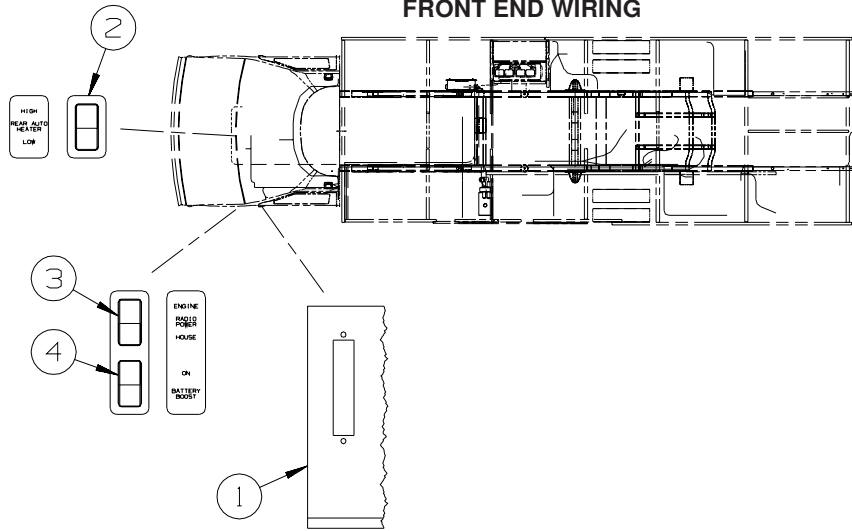
**ELECTRICAL GROUP (CONTINUED)**  
**12V BODY WIRING (CONTINUED)**



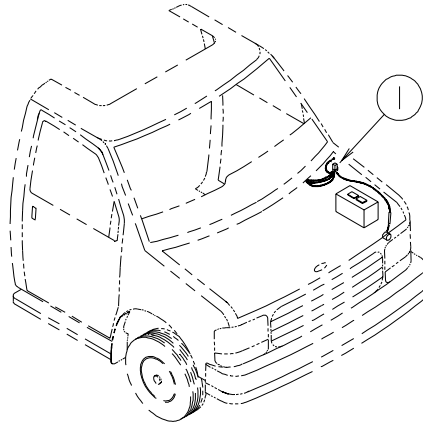
KEY	PART NUMBER	U/M	DESCRIPTION
1*	137417-06-01A	EA	LIGHT - DOME - DOUBLE - W/FROSTED LENS - W/O SWITCH-WHITE
2*	137417-03-01A	EA	LIGHT - DOME - SINGLE - W/O SWITCH - W/FROSTED LENS-WHITE
3*	121935-01-01A	EA	LIGHT - DOME - SHOWER
4*	137417-01-01A	EA	LIGHT - DOME - SINGLE - W/SWITCH/FROSTED LENS - WHITE
5	130338-01-01A	EA	LIGHT - FLUORESCENT 18" - THIN LITE
5	091937-03-000	EA	BULB - FLUORESCENT LIGHT - 12 VOLT

\*COMPONENT PARTS LISTED LATER IN THIS GROUP

## ELECTRICAL GROUP (CONTINUED) FRONT END WIRING



KEY	PART NUMBER	U/M	DESCRIPTION
1	112643-01-000	EA	LIGHT - SINGLE - SWIVEL
	112642-01-06A	EA	TRIM RING - SINGLE LIGHT - BLACK
	058028-01-000	EA	CONNECTOR - ELECTRICAL PIGTAIL - NYLON - CLEAR
2	108357-03-000	EA	SWITCH - ROCKER - SPDT - ON/OFF/ON - 3 TERM - W/O COVER
	108356-02-01A	EA	COVER/ACTUATOR SWITCH - 2 ROWS DIMPLES- CONTURA II - BLACK
3	108357-08-000	EA	SWITCH - ROCKER - DPDT - 0N/NONE/ON - 6 TERM - W/O COVER
	108356-02-01A	EA	COVER/ACTUATOR SWITCH - 2 ROWS DIMPLES- CONTURA II - BLACK
4	108357-09-000	EA	SWITCH - ROCKER - SPDT - ON/NONE/MOM - 3 TERM - W/O COVER
	108356-02-01A	EA	COVER/ACTUATOR SWITCH - 2 ROWS DIMPLES- CONTURA II - BLACK



KEY	PART NUMBER	U/M	DESCRIPTION
1	100138-01-000	EA	MODULE - DAYTIME/RUNNING LIGHT - HAMSAR DRL #H8005B

**ELECTRICAL GROUP (CONTINUED)**  
**COMPONENT PARTS FOR LIGHTS & SWITCHES**

			<b>097917-01-06A</b>	
<b>KEY</b>	<b>PART NUMBER</b>	<b>U/M DESCRIPTION</b>		<b>VENDOR NO.</b>
	097917-01-700	EA LENS-LIGHT, CLEAR		30-78-021
			<b>113589-01-000</b>	
<b>KEY</b>	<b>PART NUMBER</b>	<b>U/M DESCRIPTION</b>		<b>VENDOR NO.</b>
	113589-01-700	EA ADAPTER, 4-WAY/6-WAY		5291
			<b>113589-02-000</b>	
<b>KEY</b>	<b>PART NUMBER</b>	<b>U/M DESCRIPTION</b>		<b>VENDOR NO.</b>
	113589-03-700	EA ADAPTER 7 RND SPADE/4 FLAT		5290
			<b>121935-01-01A</b>	
<b>KEY</b>	<b>PART NUMBER</b>	<b>U/M DESCRIPTION</b>		<b>VENDOR NO.</b>
	121935-01-700	EA LENS ONLY		809511
			<b>137417-01-01A</b>	
<b>KEY</b>	<b>PART NUMBER</b>	<b>U/M DESCRIPTION</b>		<b>VENDOR NO.</b>
	137417-01-700	EA LENS - SINGLE (FROSTED)		810868
			<b>137417-03-01A</b>	
<b>KEY</b>	<b>PART NUMBER</b>	<b>U/M DESCRIPTION</b>		<b>VENDOR NO.</b>
	137417-01-700	EA LENS - SINGLE (FROSTED)		810868
			<b>137417-05-01A</b>	
<b>KEY</b>	<b>PART NUMBER</b>	<b>U/M DESCRIPTION</b>		<b>VENDOR NO.</b>
	137417-05-700	EA LENS - DOUBLE OPTIC		810845
			<b>137417-06-01A</b>	
<b>KEY</b>	<b>PART NUMBER</b>	<b>U/M DESCRIPTION</b>		<b>VENDOR NO.</b>
	137417-06-700	EA LENS - DOUBLE WHITE		810867



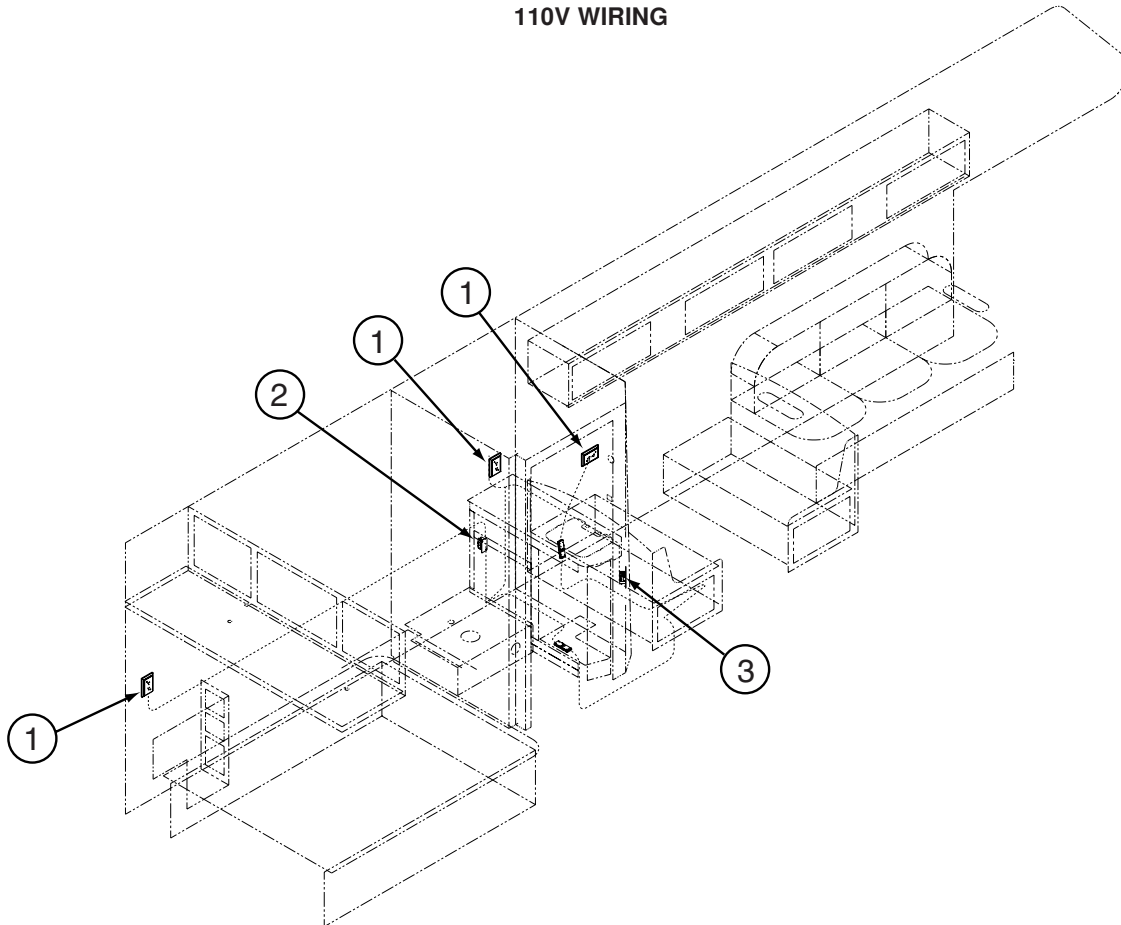
**ELECTRICAL GROUP (CONTINUED)**  
**CIRCUIT BREAKERS & FUSES**

<b>KEY</b>	<b>PART NUMBER</b>	<b>U/M</b>	<b>DESCRIPTION</b>
	008233-01-000	EA	FUSE - 12 VOLT - 6 AMP
	008235-01-000	EA	FUSE - 15 AMP/12VOLT - AUTOMOTIVE
	033573-01-000	EA	CIRCUIT BREAKER W/MOUNT-20A, 12V - FASCO 1711-2026
	062901-02-000	EA	FUSE - 5 AMP - AUTOMOTIVE
	062901-04-000	EA	FUSE - 10 AMP - AUTOMOTIVE
	062901-05-000	EA	FUSE - 15 AMP - AUTOMOTIVE
	062901-06-000	EA	FUSE - 20 AMP - AUTOMOTIVE
	062901-07-000	EA	FUSE - 25 AMP - AUTOMOTIVE
	062901-08-000	EA	FUSE - 30 AMP - AUTOMOTIVE
	083209-01-000	EA	CIRCUIT BREAKER - 15 AMP - 120 VOLT - CANADIAN
	083209-02-000	EA	CIRCUIT BREAKER - 15/15 AMP - 120 VOLT
	083209-03-000	EA	CIRCUIT BREAKER - 15/20 AMP - 120 VOLT
	083209-04-000	EA	CIRCUIT BREAKER - 30 AMP - 120 VOLT
	083209-05-000	EA	CIRCUIT BREAKER - 20 AMP - 120 VOLT
	083209-06-000	EA	CIRCUIT BREAKER - 30/15 AMP - 120 VOLT
	083209-07-000	EA	CIRCUIT BREAKER - 20/20 AMP - 120 VOLT
	083209-10-000	EA	CIRCUIT BREAKER - 20/30 AMP - 120 VOLT
	083209-11-000	EA	CIRCUIT BREAKER - 20/15 AMP - 120 VOLT
	092786-03-000	EA	BUSS BAR - 6.9" LONG
	092786-06-000	EA	BUSS BAR
	093654-01-000	EA	CIRCUIT BREAKER - 6 AMP - 12 VOLT - PUSH BUTTON - WHITE
	093654-02-000	EA	CIRCUIT BREAKER - 15 AMP - 12 VOLT - PUSH BUTTON - WHITE
	093654-03-000	EA	CIRCUIT BREAKER - 20 AMP - 12 VOLT - PUSH BUTTON - WHITE
	093654-11-000	EA	COVER - RESET BUTTON
	093655-01-000	EA	CIRCUIT BREAKER - 25 AMP - 12 VOLT - PUSH BUTTON - WHITE
	093655-02-000	EA	CIRCUIT BREAKER - 30 AMP - 12 VOLT - PUSH BUTTON - WHITE
	093655-03-000	EA	CIRCUIT BREAKER - 40 AMP - 12 VOLT - PUSH BUTTON - WHITE
	097611-01-000	EA	CIRCUIT BREAKER - 10 AMP
	097611-03-000	EA	CIRCUIT BREAKER - 20 AMP
	097611-04-000	EA	CIRCUIT BREAKER - 25 AMP
	106656-01-000	EA	FUSE BLOCK - 4 CAVITY - AUTOFUSE
	108567-01-000	EA	CIRCUIT BREAKER - 40 AMP - 12 VOLT - TYPE II
	111683-01-000	EA	FUSE - HOLDER - GLASS - 1/4" X 1 1/4"
	113482-01-000	EA	CIRCUIT BREAKER - 55 AMP - MANUAL
	115187-01-000	EA	FUSE - 300 AMP - NON-DELAY
	115187-02-000	EA	FUSE HOLDER - BUSS ANN/ANL BLOCK
	118531-05-02B	EA	PLATE - CIRCUIT BREAKER - E-COAT - <b>CHIEFTAIN/SUNFLYER L-SERIES</b>
	122811-01-000	EA	CIRCUIT BREAKER - 20/50/50/20 AMP - 250V
	134127-01-000	EA	CIRCUIT BREAKER - 10 AMP - MINI
	139067-01-02B	EA	PLATE - CIRCUIT BRKR-HOUSE - E-CTD - <b>10 PLACE</b>
	139067-02-02B	EA	PLATE - CIRCUIT BRKR-HOUSE - E-CTD - <b>12 PLACE</b>
	139067-03-02B	EA	PLATE-CIRCUIT BKR/HOUSE-E-CTD - <b>14 PLACE</b>
	139067-04-02B	EA	PLATE - CIRCUIT BRKR-HOUSE - E-CTD - <b>TOP 10 PLACE</b>
	139067-05-02B	EA	PLATE - CIRCUIT BREAKER/HOUSE - E-COATED - <b>16 PLACE</b>
	139067-06-02B	EA	PLATE - CIRCUIT BREAKER/HOUSE - E-COATED - <b>18 PLACE</b>
	139067-07-02B	EA	PLATE - CIRCUIT BREAKER/HOUSE - E-COATED - <b>21 PLACE</b>
	141789-01-000	EA	SPACER - CIRCUIT BREAKER

**CONVERTER, INVERTER, LOAD CENTERS**

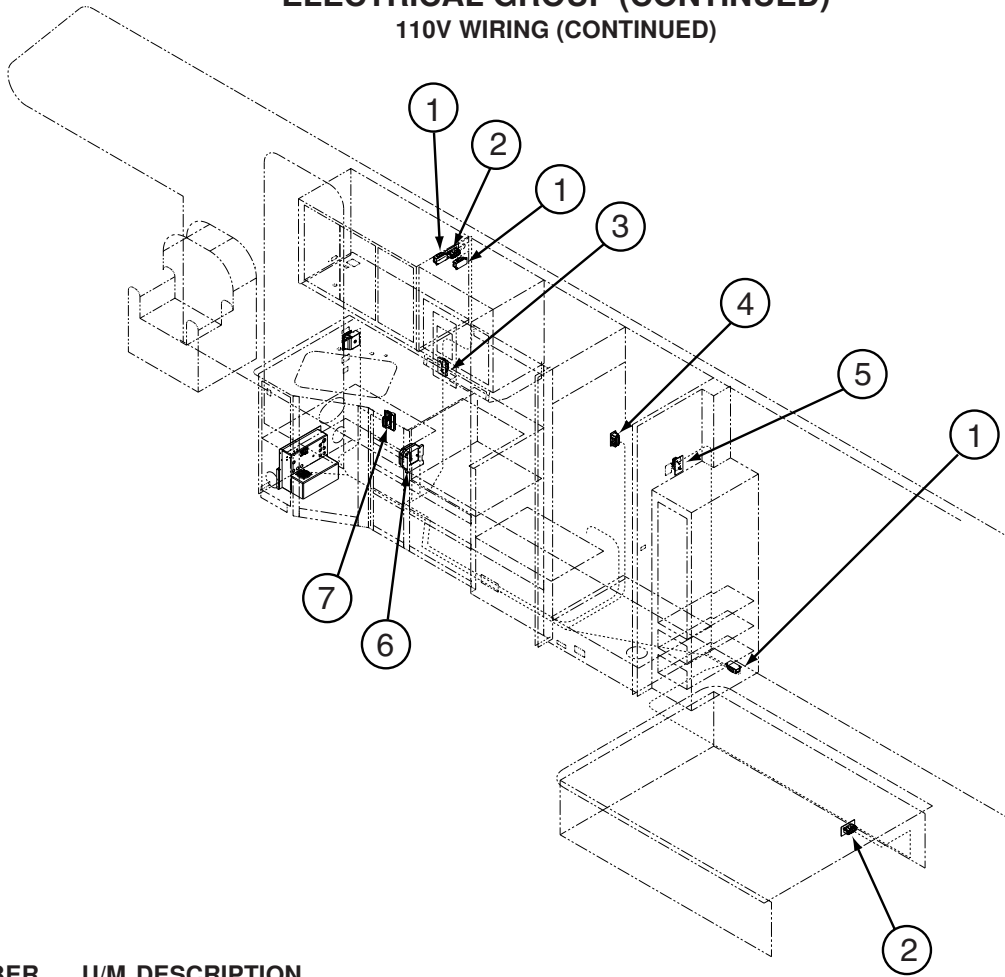
<b>KEY</b>	<b>PART NUMBER</b>	<b>U/M</b>	<b>DESCRIPTION</b>
	083208-06-000	EA	CONTROL CENTER - 45 AMP/120V/12V - W/O BREAKERS/ELECTRONIC
	099048-04-000	EA	INVERTER - 300 WATT

**ELECTRICAL GROUP (CONTINUED)**  
**110V WIRING**



KEY	PART NUMBER	U/M	DESCRIPTION
1	058708-06-000	EA	RECEPTACLE - DUPLEX - WHITE
1	133713-01-20A	EA	SPACER/RECEPTACLE - WHITE VINYL
2	058707-02-000	EA	RECEPTACLE - BLANK - JUNCTION BOX
3	058708-01-000	EA	RECEPTACLE - ELECTRIC - DOUBLE - BROWN

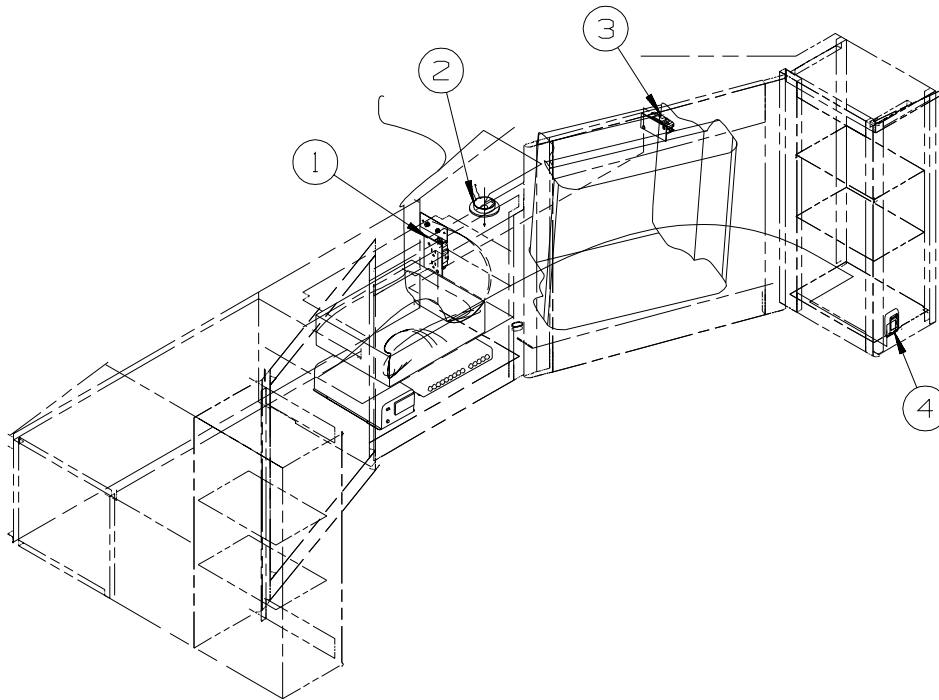
**ELECTRICAL GROUP (CONTINUED)**  
**110V WIRING (CONTINUED)**



KEY	PART NUMBER	U/M	DESCRIPTION
1	058707-02-000	EA	RECEPTACLE - BLANK - JUNCTION BOX
2	058708-05-000	EA	RECEPTACLE - ELECTRIC - SINGLE - BROWN
3	058708-06-000	EA	RECEPTACLE - DUPLEX - WHITE
4	058707-01-000	EA	RECEPTACLE - ELECTRIC - SINGLE - BROWN
5	058708-06-000	EA	RECEPTACLE - DUPLEX - WHITE
5	133713-01-20A	EA	SPACER/RECEPTACLE - WHITE VINYL
6	136481-01-000	EA	MODULE - AUTO ENERGY SELECTOR
7	131826-01-01A	EA	RECEPTACLE - EXTERIOR - W/COVER/GASKET - WHITE

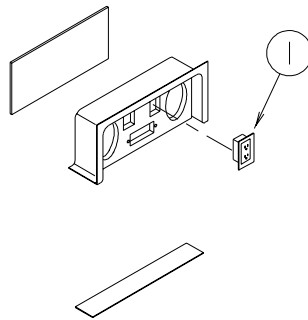
## ELECTRICAL GROUP (CONTINUED)

### ENTERTAINMENT WIRING



KEY	PART NUMBER	U/M	DESCRIPTION
1	058708-01-000	EA	RECEPTACLE - ELECTRIC - DOUBLE - BROWN
2*	123775-01-01A	EA	LIGHT - HALOGEN - ROUND
3	058707-02-000	EA	RECEPTACLE - BLANK - JUNCTION BOX
4	135740-01-01A	EA	SWITCH - ROCKER - SPST - ON/OFF - BROWN
4	135741-01-01A	EA	SWITCH - BASE - SINGLE - BROWN
4	135742-07-02A	EA	BEZEL - SWITCH - CEILING - BROWN

**\*COMPONENT PARTS LISTED LATER IN THIS GROUP**



KEY	PART NUMBER	U/M	DESCRIPTION
1	058708-01-000	EA	RECEPTACLE - ELECTRIC - DOUBLE - BROWN

**ELECTRICAL GROUP (CONTINUED)**  
**COMPONENT PARTS FOR ENTERTAINMENT WIRING**

123775-01-01A

<b>KEY</b>	<b>PART NUMBER</b>	<b>U/M</b>	<b>DESCRIPTION</b>	<b>VENDOR NO</b>
	123775-01-700	EA	BULB - 10 WATT - HALOGEN	71-JC10
	123775-01-701	EA	BEZEL/LENS - RECESSED LIGHT	

**ELECTRICAL GROUP (CONTINUED)**  
**BOXES & CORDS**

<b>KEY</b>	<b>PART NUMBER</b>	<b>U/M</b>	<b>DESCRIPTION</b>
	008289-01-000	EA	BOX - ELECTRIC/STEEL - 4" X 4" - 1/2" & 3/4" KNOCKOUTS
	091910-01-000	EA	BOX - ELECTRIC - 3.8" X 3.5" X 1.8" - PLASTIC
	091910-02-000	EA	BOX - ELECTRIC - 2.2" X 3.5" X 1.8" - PLASTIC
	131679-01-000	EA	BOX/ELECTRIC-WATERPROOF-4" X 4" - W/4 3/4"OUTLETS-UL/CSA
	133070-01-000	EA	BOX - ELECTRIC/PLASTIC - 3" X 2" X 2.8" - UL
	133070-02-000	EA	BOX - ELECTRIC/PLASTIC - 3" X 2" X 2.8" - CSA
	141272-01-02B	EA	BOX - ELECTRICAL - E-COATED
	092492-16-000	EA	SEAL - ELECTRICAL BOX
	008054-01-000	EA	CORD - POWER - 10/3 WIRE - 30 AMP - 25'
	115832-01-000	FT	CORD - HEAVY DUTY - 14-2W GROUND
	008294-01-000	EA	COVER - ELECTRIC BOX - BLANK/STEEL - 4" X 4" - GRAY
	131680-01-000	EA	COVER - F/ELECTRIC BOX W/GASKET 4" X 4" - UL/CSA
	141273-01-02B	EA	COVER - ELECTRICAL BOX - E-COATED

**WIRE ASSEMBLIES**

<b>KEY</b>	<b>PART NUMBER</b>	<b>U/M</b>	<b>DESCRIPTION</b>
	096449-01-000	EA	WIRE ASSEMBLY - WATER TANK TO MONITOR PANEL
	106851-01-000	EA	WIRE ASSEMBLY - RUNNING LIGHTS - FUSE
	116894-01-000	EA	WIRE ASSEMBLY - SPEED SENSOR EXTENDED
	096451-06-000	EA	WIRE F/SENSORS - GREY WATER - 23.6"
	096450-01-000	EA	WIRE F/SENSORS - BLACK WATER - 39.3"
	096450-05-000	EA	WIRE F/SENSORS - BLACK WATER - 23.6"
	124882-10-000	EA	WIRE LOOM - AMPLIFIER - Q SURROUND
	125853-04-000	EA	WIRE LOOM - ENTERTAINMENT CENTER
	137135-03-000	EA	WIRE LOOM - DIGITAL ELEVATION SENSOR
	137135-04-000	EA	WIRE HARNESS - POWER - DIGITAL ELEVATION SENSOR
	142258-02-000	EA	WIRE LOOM - VIDEO SWITCH/POWER SUPPLY
	135420-08-000	EA	WIRE - RADIO - FORD C - 4 PIN

**ELECTRICAL GROUP (CONTINUED)**  
**CONNECTORS & CONDUIT**

KEY	PART NUMBER	U/M	DESCRIPTION
	007940-01-000	EA	RECEPTACLE/SLIDE 16 TO 12 AWG - FEMALE END
	007940-02-000	EA	RECEPTACLE-SLIDE 10 AWG - AMP 180351-2
	007954-01-000	EA	RECEPTACLE - HOUSING - 6 POSITION
	007956-05-000	EA	INSULATOR - SHRINK - 1/4" ID X 1 1/2"
	008058-01-700	EA	ADAP-ELEC.30AMP M X 50 AMP F 30M50F
	008058-01-000	EA	ADAPTER - POWER CORD - 30 AMP TO 15 AMP
	008311-01-000	EA	CONNECTOR - WIRE NUT - INSULATED - RED
	008312-01-000	EA	CONNECTOR - WIRE NUT - INSULATED - BLUE
	008313-01-000	EA	CONNECTOR - WIRE NUT - INSULATED - YELLOW
	008314-01-000	EA	CONNECTOR - WIRE NUT - INSULATED - GRAY
	008326-01-000	EA	TERMINAL - RING - 16/14 WIRE - 3/8" STUD
	008328-01-000	EA	TERMINAL - RING - 12/10 WIRE - #10 STUD FIT
	008331-01-000	EA	TERMINAL - RING - TONGUE - #4 WIRE - 3/8" STUD - COPPER
	008348-01-000	EA	TERMINAL - RING - 3/8" STUD 2 GA. WIRE
	008355-01-000	EA	CONNECTOR - CABLE CLAMPING - 3/4"
	008356-01-000	EA	CONNECTOR - PLASTIC - 3/8"
	008356-02-000	EA	CONNECTOR - PLASTIC - 21/32"
	008394-01-000	FT	CONDUIT - FLEXIBLE - 1/2"
	008398-01-000	EA	CONNECTOR - 1/2" X 90 DEGREE - FLEX CONDUIT - UL & CSA
	035416-04-000	EA	TERMINAL - RING - #10 STUD FIT - INSULATED BARREL #16/14
	041953-01-000	FT	CONDUIT - CONVOLUTE SLIT - .5" ID - POLYETHYLENE
	041953-02-000	FT	CONDUIT - CONVOLUTE SLIT - .6" ID - POLYETHYLENE
	041953-03-000	FT	CONDUIT - CONVOLUTE SLIT - 1" ID (CLOTHES ROD COVER)
	041953-06-000	FT	CONDUIT - CONVOLUTE SLIT - .4" ID - POLYETHYLENE
	041953-07-000	FT	CONDUIT - CONVOLUTE SLIT - .25" ID - POLYETHYLENE
	041953-08-000	FT	CONDUIT - CONVOLUTE SLIT - 1.5" ID - POLYETHYLENE
	041953-09-000	FT	CONDUIT - CONVOLUTE SLIT - .5" ID - NYLON
	041953-10-000	FT	CONDUIT - CONVOLUTE SLIT - .75" ID - NYLON
	041953-11-000	FT	CONDUIT - CONVOLUTE SLIT - 1.06" ID - NYLON
	041953-12-000	FT	CONDUIT - CONVOLUTE SOLID - 1.1" ID - NYLON
	041953-13-000	FT	CONDUIT - CONVOLUTE SLIT - 1.25" ID
	041953-14-000	FT	CONDUIT - CONVOLUTE SLIT - 1.5" ID
	041953-15-000	FT	CONDUIT - CONVOLUTE SLIT - 2"
	041953-16-000	FT	CONDUIT - CONVOLUTE SLIT - 2"
	047443-01-000	EA	TERMINAL - .250 RECEPTACLE FIT - INSULATED - 16/14 AWG
	047443-02-000	EA	TERMINAL - .250 RECEPTACLE FIT - INSULATED - 12/10 AWG
	058028-01-000	EA	CONNECTOR - ELECTRICAL PIGTAIL - NYLON - CLEAR
	062036-01-000	EA	TERMINAL - PACK - CON - 12/10 AWG
	074017-02-000	EA	HOUSING - 5 POSITION - RIGHT ANGLED
	077479-01-000	EA	BOOT - BATTERY TERMINAL - DOUBLE CABLE
	077479-02-000	EA	BOOT - BATTERY TERMINAL - SINGLE CABLE
	080015-02-000	EA	RECEPTACLE - FLAG - .185 - 16/14 GAUGE
	080015-03-000	EA	RECEPTACLE - FLAG - .250 - 14/16 GAUGE
	082109-01-000	EA	HOUSING - CONNECTOR - PACKARD
	082741-01-000	EA	CONNECTOR BODY - 2 CONNECTOR MALE
	087225-01-000	FT	SLEEVING - 1/2" - TYPE H
	087949-01-000	EA	BUSS BAR - 2 POSITION - .6" X 1.5"
	087949-03-000	EA	BUSS BAR - 4 POSITION
	087949-05-000	EA	BUSS BAR - 7 POSITION
	088473-01-000	EA	HOUSING - PIN - 12 CAVITY (3 ROWS OF 4)
	088473-02-000	EA	HOUSING - PIN - 15 CAVITY (3 ROWS OF 5)
	088473-03-000	EA	HOUSING - PIN - 9 CAVITY (3 ROWS OF 3)
	088473-04-000	EA	HOUSING - PIN - 8 CAVITY IN-LINE
	088473-06-000	EA	HOUSING - PIN - 6 CAVITY (2 ROWS OF 3)
	088473-08-000	EA	HOUSING - PIN - 4 CAVITY - IN-LINE
	088473-09-000	EA	HOUSING - PIN - 3 CAVITY - IN-LINE
	088473-10-000	EA	HOUSING - PIN - 2 CAVITY - IN LINE
	088474-01-000	EA	HOUSING - SOCKET - 12 CAVITY
	088474-02-000	EA	HOUSING - SOCKET - 15 CAVITY
	088474-03-000	EA	HOUSING - SOCKET - 9 CAVITY
	088474-06-000	EA	HOUSING - SOCKET - 6 CAVITY
	088474-08-000	EA	HOUSING - SOCKET - 4 CAVITY
	088474-09-000	EA	HOUSING - SOCKET - 3 CAVITY
	088474-10-000	EA	HOUSING - SOCKET - 2 CAVITY

**ELECTRICAL GROUP (CONTINUED)**  
**CONNECTORS & CONDUIT (CONTINUED)**

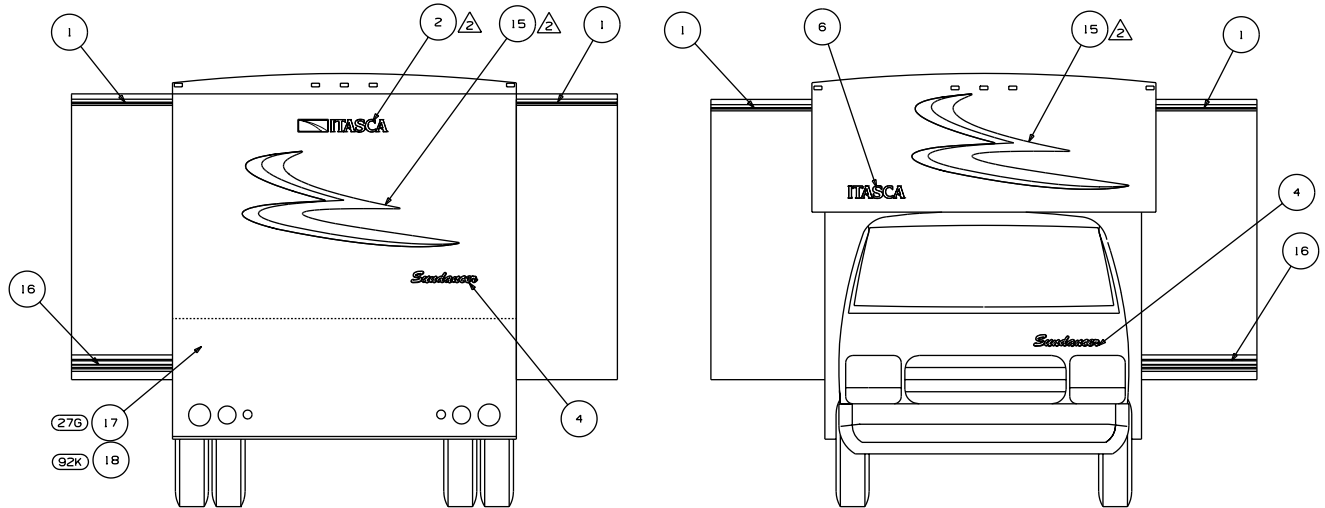
<b>KEY</b>	<b>PART NUMBER</b>	<b>U/M</b>	<b>DESCRIPTION</b>
	088475-01-000	EA	PIN - CONNECTOR - 14-20 AWG
	088475-02-000	EA	PIN - CONNECTOR - 10-12 AWG
	088476-01-000	EA	TERMINAL - ELECTRICAL
	088476-02-000	EA	SOCKET - CONNECTOR - 12-10 GA - PRE-TIN
	098261-01-000	EA	SOCKET - CONNECTOR - WEATHERPACK - 12 AWG
	098261-02-000	EA	SOCKET - CONNECTOR - WEATHERPACK - 14-18 AWG
	098262-01-000	EA	SEAL - CONNECTOR - WEATHERPACK
	098264-01-000	EA	HOUSING - 2 PIN - WEATHER PACK - MALE W/FEMALE PINS
	098264-02-000	EA	HOUSING - 2 PIN - WEATHER PACK - FEMALE W/MALE PINS
	098265-02-000	EA	PIN - CONNECTOR - WEATHER PACK
	101751-02-000	EA	HOUSING - 1 PIN - WEATHERPACK
	102777-02-000	EA	TERMINAL - RING - #6 STUD - 10 AWG
	104100-01-000	EA	HOUSING - 1 POSITION - 75 AMPS
	104100-03-000	EA	TERMINAL - 75 AMP
	110178-01-000	EA	HOUSING - WIPER MOTOR
	112823-01-000	EA	SPLICE - REDUCER - 16-14 TO 18-22
	113135-01-000	EA	TERMINAL - FEMALE - M/P - 14-16 - F/SEALED TERMINAL
	113308-01-000	EA	TERMINAL - FEMALE - M/P - 14-16 - 280
	113468-01-000	EA	HOUSING - 2 POSITION-FEMALE-USED ON WIPER/WASHER WIRE ASM
	113638-02-000	EA	CONNECTOR - ACTUATOR
	115931-01-000	EA	COVER - CONNECTOR - 30 AMP W/LOCK RING
	115931-02-000	EA	COVER - CONNECTOR - 50 AMP W/LOCKING RING
	115932-01-000	EA	CONNECTOR - FEMALE - 30 AMP/120 VOLT
	115932-02-000	EA	CONNECTOR - FEMALE - 50 AMP/240 VOLT
	116811-01-000	EA	TERMINAL - .110 RECEPTACLE - 16-14 AWG
	118599-02-000	EA	TERMINAL - MALE - M/P - 280/14-12
	118820-01-000	EA	INSULATOR - TERMINAL
	129233-01-000	EA	HOUSING - 2-POSITION/FEMALE - 280-SERIES
	129233-02-000	EA	HOUSING - 2-POSITION/FEMALE - 280-SERIES
	131681-01-000	EA	CONNECTOR - 3/4" SO CORD - UL/CS
	137207-01-000	EA	HOUSING - PIN - 2 CAVITY/HIGH AMP
	137208-01-000	EA	HOUSING - SOCKET - 2 CAVITY/HIGH AMP
	137209-01-000	EA	PIN - CONNECTOR - 10AWG/HIGH AMP
	137210-01-000	EA	SOCKET - CONNECTOR - 10 AWG/HIGH AMP
	138419-03-000	EA	SOCKET - LAMP - 3 WIRE
	142520-01-000	EA	TERMINAL - FEMALE - MINI-FIT 16
	142522-01-000	EA	HOUSING - 4 PIN/MALE - MINI FIT
	142524-01-000	EA	HOUSING - 4 PIN/FEMALE - WEATHER PACK
	142524-02-000	EA	HOUSING - 4 PIN/WEATHER PACK/FEMALE

**BOOTS, SOLENOIDS, RELAYS & MISCELLANEOUS**

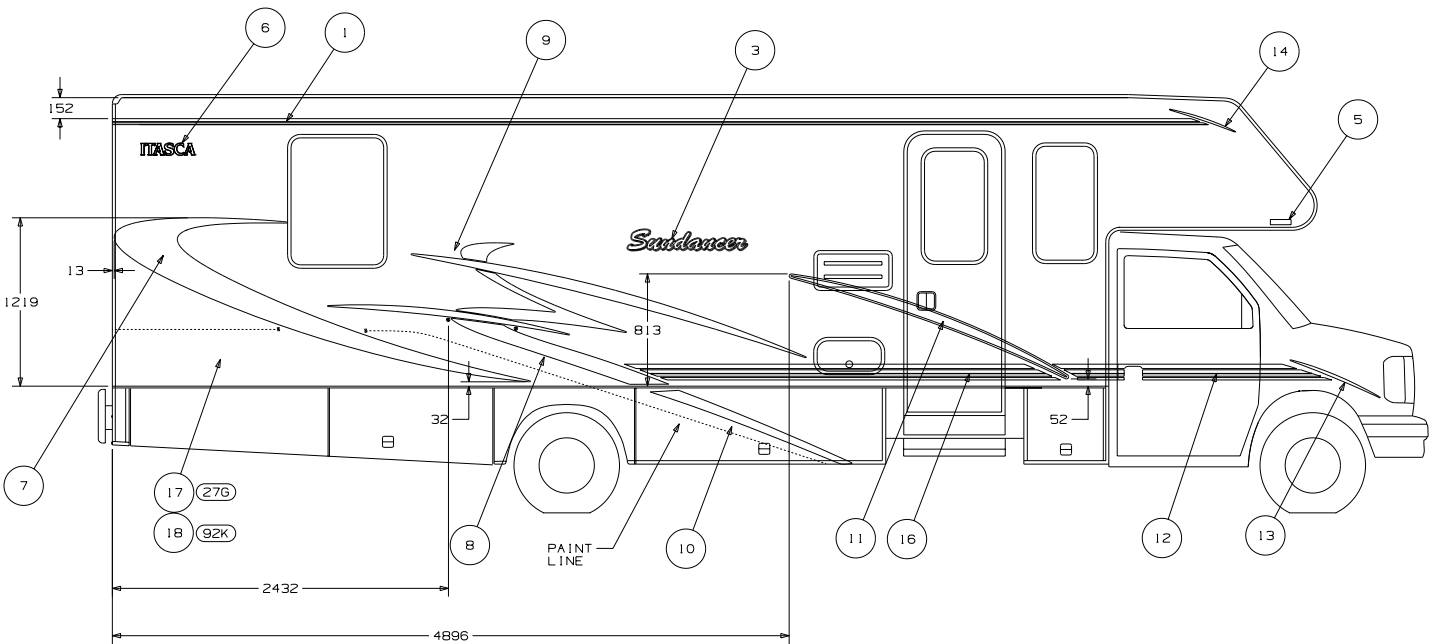
<b>KEY</b>	<b>PART NUMBER</b>	<b>U/M</b>	<b>DESCRIPTION</b>
	008188-01-000	EA	SOLENOID - 3 POST - BATTERY CHANGE OVER
	063910-01-000	EA	HOUSING - RELAY
	063912-02-000	EA	RELAY - CANISTER - SPDT
	065450-05-000	EA	TIEDOWN - BATTERY - 8.4" TUBE
	065451-05-000	EA	BRACKET/TIEDOWN - BATTERY - 7.7" FROM BRKT TO BRKT
	086273-01-000	EA	RELAY - BATTERY DISCONNECT
	136481-01-000	EA	MODULE - AUTO ENERGY SELECTOR



# EXTERIOR BODY GROUP GRAPHICS & PAINT



KEY	PART NUMBER	U/M	DESCRIPTION
1	105781-96-CHT(01A)	FT	MULTISTRIPE-42.9MM - MOSS GREEN/SEAMIST TEAL
2	124906-01-CHT(32A)	EA	DECAL-ITASCA W/ICON - MOSS GREEN/BRT WHITE
3	125103-01-CHT(08A)	EA	DECAL-SUNDANCER, LG - BRT WHITE/SAND/SEAMIST TEAL/MOSS GREEN
4	25103-02-CHT(04A)	EA	DECAL-SUNDANCER, SML - BRT WHITE/SAND/SEAMIST TEAL/MOSS GREEN
5	132664-01-CHT(01A)	EA	DECAL-WINNEBAGO, DOMED - GOLD CHROME/BLACK
6	144587-01-CHT(02A)	EA	DECAL-ITASCA - MOSS GREEN/BRT WHITE
7	145741-01-CHT(01A)	EA	DECAL-SWEEP, RH - SEAMIST TEAL
7	145741-02-CHT(01A)	EA	DECAL-SWEEP, LH - SEAMIST TEAL
8	145742-01-CHT(01A)	EA	DECAL-SLASHES, LWR, RH - MOSS GREEN
8	145742-02-CHT(01A)	EA	DECAL-SLASHES, LWR, LH - MOSS GREEN
9	145743-01-CHT(01A)	EA	DECAL-SLASHES, UPPER, RH - MOSS GREEN/SEAMIST TEAL/SAND
9	145743-02-CHT(01A)	EA	DECAL-SLASHES, UPPER, LH - MOSS GREEN/SEAMIST TEAL/SAND
10	145744-01-CHT(01A)	EA	DECAL-SWEEP, LWR, RH - MOSS GREEN
10	145744-02-CHT(01A)	EA	DECAL-SWEEP, LWR, LH - MOSS GREEN
11	145745-01-CHT(01A)	EA	DECAL-SLASH, LG, RH - BRT WHITE/MOSS GREEN/SEAMIST TEAL
11	145745-02-CHT(01A)	EA	DECAL-SLASH, LG, LH - BRT WHITE/MOSS GREEN/SEAMIST TEAL
12	145749-01-CHT(01A)	EA	DECAL-CAB STRIPE, RH - SEAMIST TEAL/MOSS GREEN/SAND
12	145749-02-CHT(01A)	EA	DECAL-CAB STRIPE, LH - SEAMIST TEAL/MOSS GREEN/SAND
13	145749-01-CHT(01A)	EA	DECAL-CAB SLASH, RH - MOSS GREEN/SEAMIST TEAL
13	145749-02-CHT(01A)	EA	DECAL-CAB SLASH, LH - MOSS GREEN/SEAMIST TEAL
14	145750-01-CHT(01A)	EA	DECAL-SLASH, SML, RH - MOSS GREEN/SEAMIST TEAL
14	145750-02-CHT(01A)	EA	DECAL-SLASH, SML, LH - MOSS GREEN/SEAMIST TEAL
15	145751-01-CHT(01A)	EA	DECAL-SLEEPER - SEAMIST TEAL/MOSS GREEN
16	145775-01-CHT(01A)	EA	MULTISTRIPE-114.3MM - SEAMIST TEAL/MOSS GREEN/SAND
17	141599-04-000	GL	PAINT: SAND MET
18	141599-02-000	GL	PAINT: JAGUAR BLUE MET



92K EXT - GRAPHICS - PKG #2  
27G EXT - GRAPHICS - PKG #1

3. CONTINUE MULTISTRIPE ONTO WINGWALLS OF SLIDEOUT.  
 1. APPLY PROTECTOR 116424-01-000 TO WATER HEATER DOOR LATCH.

**NOTES:**

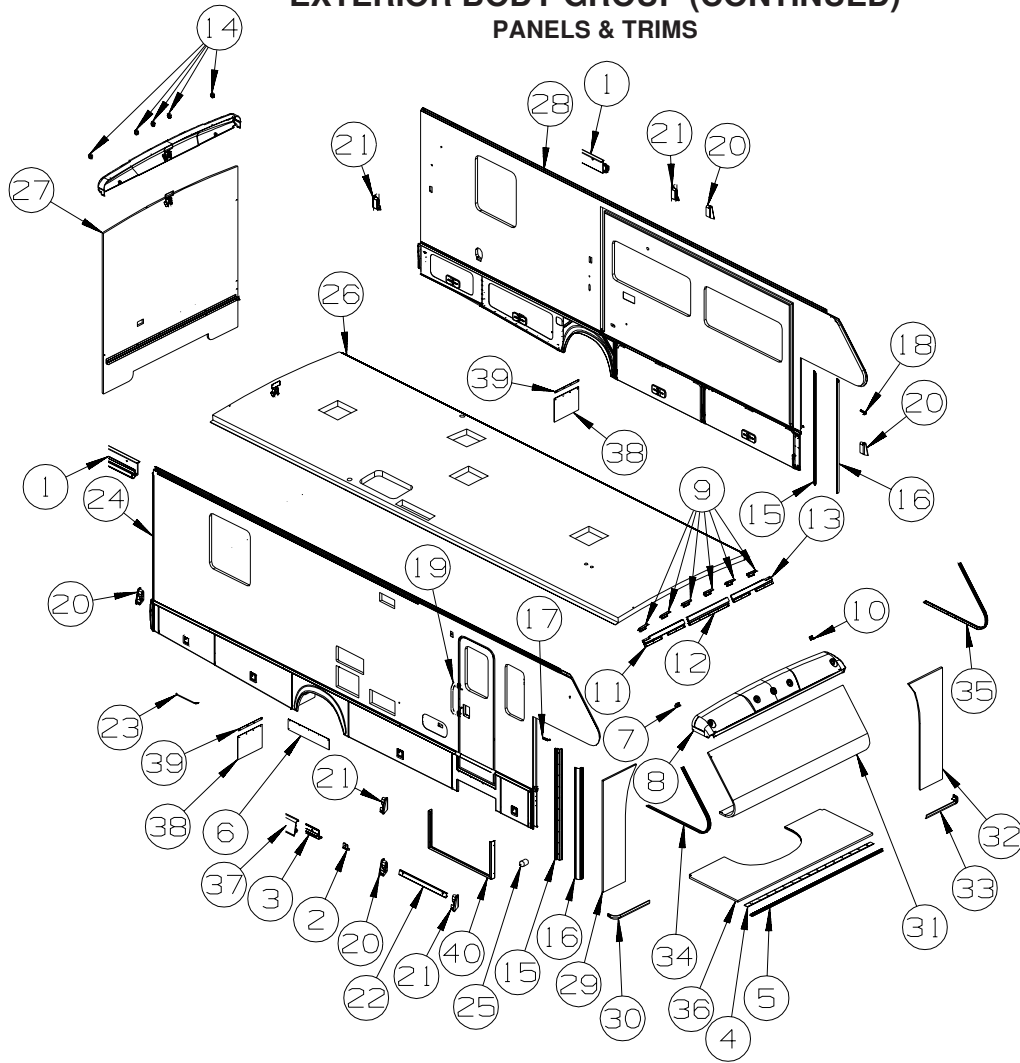
D	C	B	A		UNITS

**EXTERIOR BODY GROUP (CONTINUED)**  
**GRAPHICS & PAINT (CONTINUED)**

<b>KEY</b>	<b>PART NUMBER</b>	<b>U/M</b>	<b>DESCRIPTION</b>
	072882-01-000	GL	PAINT - LOW BAKE - OFF WHITE
	141599-02-000	GL	PAINT - JAGUAR BLUE METALLIC - DUPONT #P7414
	141599-04-000	GL	PAINT - SAND METALLIC - DUPONT #7415
	141599-27-000	GL	PAINT - IMRON CLEAR - DUPONT #3440S

**DUPONT COLOR CODES ARE NOW FOUND IN THE PAINT CODE MANUAL.  
YOU CAN FIND THIS MANUAL ON YOUR DEALER INDEX WEB PAGE UNDER SERVICE.**

## EXTERIOR BODY GROUP (CONTINUED) PANELS & TRIMS

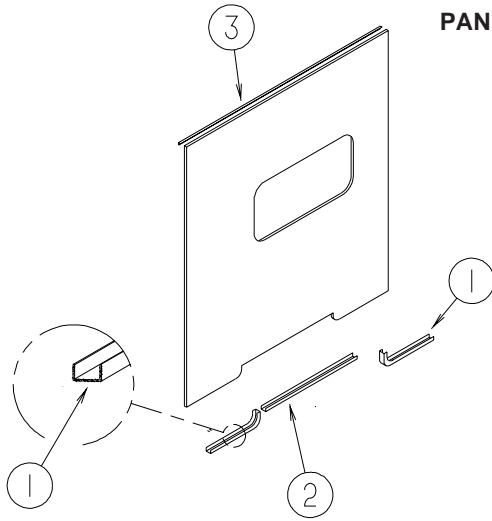


KEY	PART NUMBER	U/M	DESCRIPTION
1	131483-01-01A	EA	RAIL - AWNING - 192" - BRIGHT WHITE
2	143143-01-01A	EA	ANGLE - SUPPORT/TRIM
3	133376-01-01A	EA	TRIM - RETAINER - 144" - MILL
			FROM: 00-00-00 THRU: 12-07-03
3	146548-01-01A	EA	TRIM - RETAINER
			FROM: 12-08-03 THRU: 99-99-99
4	100085-05-01A	EA	TRIM/STRAP - SLEEPERBOARD - OFF/WHITE - 92.9"
5	100086-04-01A	EA	TRIM - SLEEPERBOARD/ROOF/LOWER - BRIGHT WHITE - 96.5"
6	121948-02-000	EA	SHIELD - SIGHT
7	140476-02-01A	EA	CAP - TRIM - CORNER/DRIVER
8	140443-02-P07	EA	CAP - ROOF/FRONT - W/O LIGHTS/VENTS - W/WIRING
9	134774-01-02B	EA	BRACKET - CAB ATTACHMENT - E-COATED
10	140476-01-01A	EA	CAP - TRIM - CORNER/PASSENGER
11	141718-02-02B	EA	BRACKET - ROOF CAP - END/LEFT HAND - E-COATED
12	140805-01-02B	EA	BRACKET - ROOF CAP/FRONT - E-COATED
13	141718-01-02B	EA	BRACKET - ROOF CAP - END/RIGHT HAND - E-COATED
14	138423-01-12B	EA	PLATE/BACKING - LITE - BRIGHT WHITE
15	105015-03-02A	EA	TRIM - WINGWALL/SIDEWALL CURVED - INNER SUPT BRKT - B/W
16	108037-03-02A	EA	COVER - WINGWALL OUTER/CURVED - BRIGHT WHITE
17	104444-01-02A	EA	COVER - WINGWALL TRIM - UPPER PASSENGER - BRIGHT WHITE
18	104444-02-02A	EA	COVER - WINGWALL TRIM - UPPER DRIVER - BRIGHT WHITE
19	132442-03-01A	EA	HANDLE - ASSIST/ITASCA LOGO W/CHROME ENDS

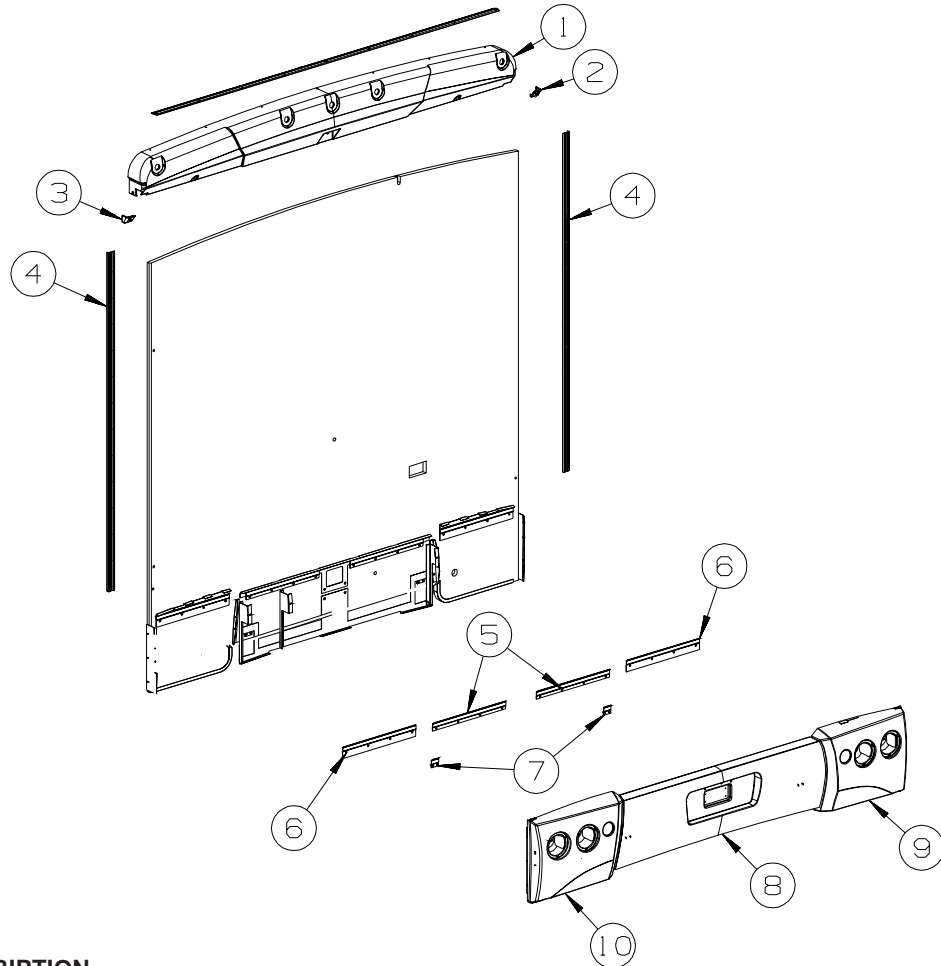
**EXTERIOR BODY GROUP (CONTINUED)**  
**PANELS & TRIMS (CONTINUED)**

KEY	PART NUMBER	U/M	DESCRIPTION
20	126775-01-01A	EA	END CAP - VALANCE TRIM - RIGHT HAND - WHITE FROM: 00-00-00 THRU: 12-07-03
20	146576-01-01A	EA	END CAP/TRIM - RIGHT HAND - BRIGHT WHITE FROM: 12-08-03 THRU: 99-99-99
21	126775-02-01A	EA	END CAP - VALANCE TRIM - LEFT HAND - WHITE FROM: 00-00-00 THRU: 12-07-03
21	146576-02-01A	EA	END CAP/TRIM - LEFT HAND - BRIGHT WHITE FROM: 12-08-03 THRU: 99-99-99
22	133045-02-01A	EA	TRIM - W/HOLES - 23.1" - BRIGHT WHITE FROM: 00-00-00 THRU: 12-07-03
22	149822-02-01A	EA	TRIM - SIDEWALL/ENTRY DOOR - 23.1" - BRIGHT WHITE FROM: 12-08-03 THRU: 99-99-99
23	107865-02-000	EA	ROD - SUPPORT - VALANCE PANEL - 13.2"
24	P45195-01-R13	EA	SIDEWALL - PASSENGER - W/O WINDOWS/TRIMS (R19,R20,R21)
24	P45195-01-R15	EA	SIDEWALL - PASSENGER - W/O WINDOWS/TRIMS (R22,R23,R24)
24	P45195-01-R17	EA	SIDEWALL - PASSENGER - W/O WINDOWS/TRIMS (R25,R26,R27)
25	117046-02-000	EA	BUMPER - RUBBER/ROUND END - 1.5"
26	145198-01-R13	EA	ROOF - W/O LIGHTS/VENTS - W/WIRING
27	145199-01-R13	EA	BACKWALL - W/O WINDOWS/TRIMS (R19,R20,R21)
27	145199-01-R15	EA	BACKWALL - W/O WINDOWS/TRIMS (R22,R23,R24)
27	145199-01-R17	EA	BACKWALL - W/O WINDOWS/TRIMS (R25,R26,R27)
28	P45196-01-R13	EA	SIDEWALL - DRIVER - W/O WINDOWS/TRIMS (R19,R20,R21)
28	P45196-01-R15	EA	SIDEWALL - DRIVER - W/O WINDOWS/TRIMS (R22,R23,R24)
28	P45196-01-R17	EA	SIDEWALL - DRIVER - W/O WINDOWS/TRIMS (R25,R26,R27)
29	141437-01-P13	EA	WINGWALL - PASSENGER
30	122910-01-G07	EA	COVER - WINGWALL - PASSENGER
31	141436-01-P13	EA	ROOF - FRONT SECTION - W/O LIGHTS/VENTS - W/WIRING
32	141437-02-P13	EA	WINGWALL - DRIVER
33	122910-02-G07	EA	COVER - WINGWALL - DRIVER
34	136826-15-01A	EA	TRIM - CONTOUR - 83.5"
35	136826-16-01A	EA	TRIM - CONTOUR - 83.5"
36	125129-03-P13	EA	SLEEPERBOARD - PORTSMOUTH OAK
36	125129-03-P14	EA	SLEEPERBOARD - CONCERT CHERRY
36	125129-03-P33	EA	SLEEPERBOARD - WASHED MAPLE FROM: 00-00-00 THRU: 01-04-04
36	125129-03-RW1	EA	SLEEPERBOARD - WASHED MAPLE FROM: 01-05-04 THRU: 99-99-99
37	123993-01-03A	EA	TRIM - COVER - 182" ALUMINUM - BRIGHT WHITE FROM: 00-00-00 THRU: 12-07-03
37	146550-01-03A	EA	TRIM COVER - SIDEWALL - 182" - BRIGHT WHITE FROM: 12-08-03 THRU: 99-99-99
38	017516-01-000	EA	MUD FLAP - 14"H X 18"W - W/O MOUNTING HOLES - BLACK
39	140922-01-02B	EA	PLATE - MUD FLAP - E-COATED
40	144153-02-P13	EA	ANGLE ASM - "U" F/ENTRANCE DOOR - 31" X 18.9"

**EXTERIOR BODY GROUP (CONTINUED)**  
**PANELS & TRIMS (CONTINUED)**



KEY	PART NUMBER	U/M	DESCRIPTION
1	103334-08-02A	EA	TRIM - BACKWALL/LOWER - 20.4" - BRIGHT WHITE
2	103335-09-02A	EA	TRIM - BACKWALL/LOWER - 56.9" - BRIGHT WHITE
3	114248-02-01A	EA	ANGLE - PLASTIC - 96.6"



KEY	PART NUMBER	U/M	DESCRIPTION
1	140596-02-P07	EA	CAP - ROOF/REAR - W/O LIGHTS/VENTS/WIRING-W/STEEL SUPPORT
2	140620-01-01A	EA	CAP - TRIM - REAR/RIGHT - BRIGHT WHITE
3	140620-02-01A	EA	CAP - TRIM - REAR/LEFT - BRIGHT WHITE
4	096854-13-01A	EA	TRIM - CONTOUR - 76.3" - BRIGHT WHITE
5	130034-04-02B	EA	CLIP - TRIM - E-COATED
6	130034-05-02B	EA	CLIP - TRIM - E-COATED
7	130034-07-02B	EA	CLIP - TRIM - E-COATED
8	144427-02-R13	EA	BUMPER - REAR
9	140460-03-P19	EA	TRIM/BACKWALL - LOWER/PASSENGER - W/BACKWALL SUPT BRACKETS
10	140460-04-P19	EA	TRIM/BACKWALL - LOWER/DRIVER - W/BACKWALL SUPT BRACKETS

## EXTERIOR BODY GROUP (CONTINUED)

### LADDER

KEY	PART NUMBER	U/M	DESCRIPTION
	129639-07-01A	EA	LADDER - 81.7" - 6 STEP - BRUSHED ALUMINUM
	130163-10-01A	EA	LADDER EXTENSION/LOWER - 35.6" - 3 STEP - BRUSHED ALUMINUM

### RUNNING BOARDS

KEY	PART NUMBER	U/M	DESCRIPTION
	106461-03-000	EA	HARDWARE KIT - RUNNING BOARD
	106461-08-01A	EA	RUNNING BOARD - PASSENGER/FORD - BRIGHT WHITE
	106461-09-01A	EA	RUNNING BOARD - DRIVER/FORD - BRIGHT WHITE

### MIRRORS

KEY	PART NUMBER	U/M	DESCRIPTION
*	120269-07-01A	EA	PANEL - W/ELECTRIC MIRROR/HEAT SWITCH - F/#L28X OPTION
	120269-08-000	EA	HARNESS/WIRE - F/ELECTRIC MIRRORS
*	133908-12-01A	EA	MIRROR/PASS - 102" C BODY/FORD 4 BOLT MT-HEATED/REMOTE-B/W
*	133908-13-01A	EA	MIRROR/DRVR - 102" C BODY/FORD 4-BOLT MT-HEATED/REMOTE-B/W

\*COMPONENT PARTS LISTED LATER IN THIS GROUP

**EXTERIOR BODY GROUP (CONTINUED)**  
**COMPONENT PARTS FOR MIRRORS**

120269-07-01A

KEY	PART NUMBER	U/M	DESCRIPTION	VENDOR NO.
	120269-07-700	EA	SWITCH - REMOTE	7475720
	133908-09-700	EA	SWITCH-MIRROR HEATER	7475150

133908-01-01A, 133908-01-02A, 133908-02-01A, 133908-03-01A, 133908-03-02A, 133908-04-01A, 133908-05-01A, 133908-06-01A,  
133908-07-01A, 133908-08-01A, 133908-10-01A, 133908-11-01A, 133908-12-01A, 133908-13-01A

KEY	PART NUMBER	U/M	DESCRIPTION	VENDOR NO.
	117051-01-700	EA	MIRROR-CONVEX	723068-4
	120269-05-701	EA	GLASS ONLY REPLACEMENT RH/LH	709411
	133908-03-700	EA	CAP - RECT/BLACK-W/O LIGHT	7095570
	133908-04-700	EA	CAP-MIRROR/ROUND - W/O LIGHT	7095470

**EXTERIOR BODY GROUP (CONTINUED)**  
**STRUCTURAL COMPONENTS**

<b>KEY</b>	<b>PART NUMBER</b>	<b>U/M</b>	<b>DESCRIPTION</b>
	002726-01-001	EA	GARNISH - U-CHANNEL - 1.38" X 19' - SERRATED
	089297-01-000	SF	PLYWOOD - LUAN - OVERLAY GRADE - 4' X 8'
	100619-01-000	BF	FOAM - EXPANDED POLYSTYRENE - 1.34" X 48" X 96"
	100619-02-000	BF	FOAM - EXPANDED POLYSTYRENE - 1.5" X 48" X 96"
	100619-04-000	BF	FOAM - EXPANDED POLYSTYRENE - .5" X 48" X 96"
	100619-05-000	BF	FOAM - EXPANDED POLYSTYRENE - .75" X 48" X 96"-1.5"DENSITY
	100619-13-000	BF	FOAM - EXPANDED POLYSTYRENE-.34" X 34.7" X 96"-2" DENSITY
	100619-16-000	BF	FOAM - EXPANDED POLYSTYRENE - .75" X 48" X 96"-2" DENSITY
	100619-27-000	BF	FOAM - EXPANDED POLYSTYRENE - 3" X 48" X 92.8"
	105077-10-000	EA	FOAM - PLUG - ROOF CAP
	108535-05-03A	SF	FIBERGLASS SHEET - 108" X 500' ROLL - BRIGHT WHITE
	116942-03-01A	LB	ALUMINUM - .7" X 40" X 158"
	120107-01-000	EA	FOAM - ROOF COVE - 2.8" X 96" LONG
	120107-02-000	EA	FOAM - PLUG - ROOF TUBE - 2.2" X 2.9" X 1.8" LONG
	120107-03-000	EA	FOAM - PLUG - SIDEWALL TUBE - 1.2" X 2.1" X 1.8" LONG
	135926-02-01A	EA	FIBERGLASS - SHEET - 80.8" X 308.7" - BRIGHT WHITE
			FROM: 00-00-00 THRU: 11-02-03
	148884-13-01A	EA	FIBERGLASS SHEET - 78.9" X 309.4" -HIGH GLOSS-BRIGHT WHITE
			FROM: 11-03-03 THRU: 99-99-99
	135926-06-01A	EA	FIBERGLASS - SHEET - 79" X 346" - BRIGHT WHITE
			FROM: 00-00-00 THRU: 11-02-03
	148884-03-01A	EA	FIBERGLASS SHEET - 96.7" X 355.7" -HIGH GLOSS-BRIGHT WHITE
			FROM: 11-03-03 THRU: 99-99-99
	135926-13-01A	EA	FIBERGLASS - SHEET - 27.4" X 67.2" - BRIGHT WHITE
			FROM: 00-00-00 THRU: 11-02-03
	148884-09-01A	EA	FIBERGLASS SHEET - 27.4" X 67.2" - HIGH GLOSS-BRIGHT WHITE
			FROM: 11-03-03 THRU: 99-99-99
	135926-20-01A	EA	FIBERGLASS - SHEET - 99.5" X 100.2" - BRIGHT WHITE
			FROM: 00-00-00 THRU: 11-02-03
	148884-04-01A	EA	FIBERGLASS SHEET - 99.5" X 100.2" -HIGH GLOSS-BRIGHT WHITE
			FROM: 11-03-03 THRU: 99-99-99
	076054-P9-000	EA	FIBERGLASS SHEET - 37.4" X 99.3" - BRIGHT WHITE
			FROM: 00-00-00 THRU: 11-02-03
	148884-05-01A	EA	FIBERGLASS SHEET - 37.7" X 99.7" - HIGH GLOSS-BRIGHT WHITE
			FROM: 11-03-03 THRU: 99-99-99
	076054-AC-000	EA	FIBERGLASS SHEET - 20" X 99.8" - OFF WHITE
			FROM: 00-00-00 THRU: 11-02-03
	148884-07-01A	EA	FIBERGLASS SHEET - 56.4" X 99.8" - HIGH GLOSS-BRIGHT WHITE
			FROM: 11-03-03 THRU: 99-99-99
	076054-X9-000	EA	FIBERGLASS SHEET - 22.1" X 70.6" - BRIGHT WHITE
			FROM: 00-00-00 THRU: 11-02-03
	148884-10-01A	EA	FIBERGLASS SHEET - 22.1" X 68.2" - HIGH GLOSS-BRIGHT WHITE
			FROM: 11-03-03 THRU: 99-99-99
	076054-Z3-000	EA	FIBERGLASS SHEET - 102" X 93.9" - ROOF/SIDEWALL - BRT WHT
	077517-62-000	EA	FIBERGLASS SHEET - 48" X 96" - BRIGHT WHITE
	135926-17-01A	EA	FIBERGLASS - SHEET - 12.6" X 68" - BRIGHT WHITE
	148884-22-01A	EA	FIBERGLASS SHEET - 47.9" X 95.8" - HIGH GLOSS-BRIGHT WHITE



## EXTERIOR BODY GROUP (CONTINUED)

### AWNINGS

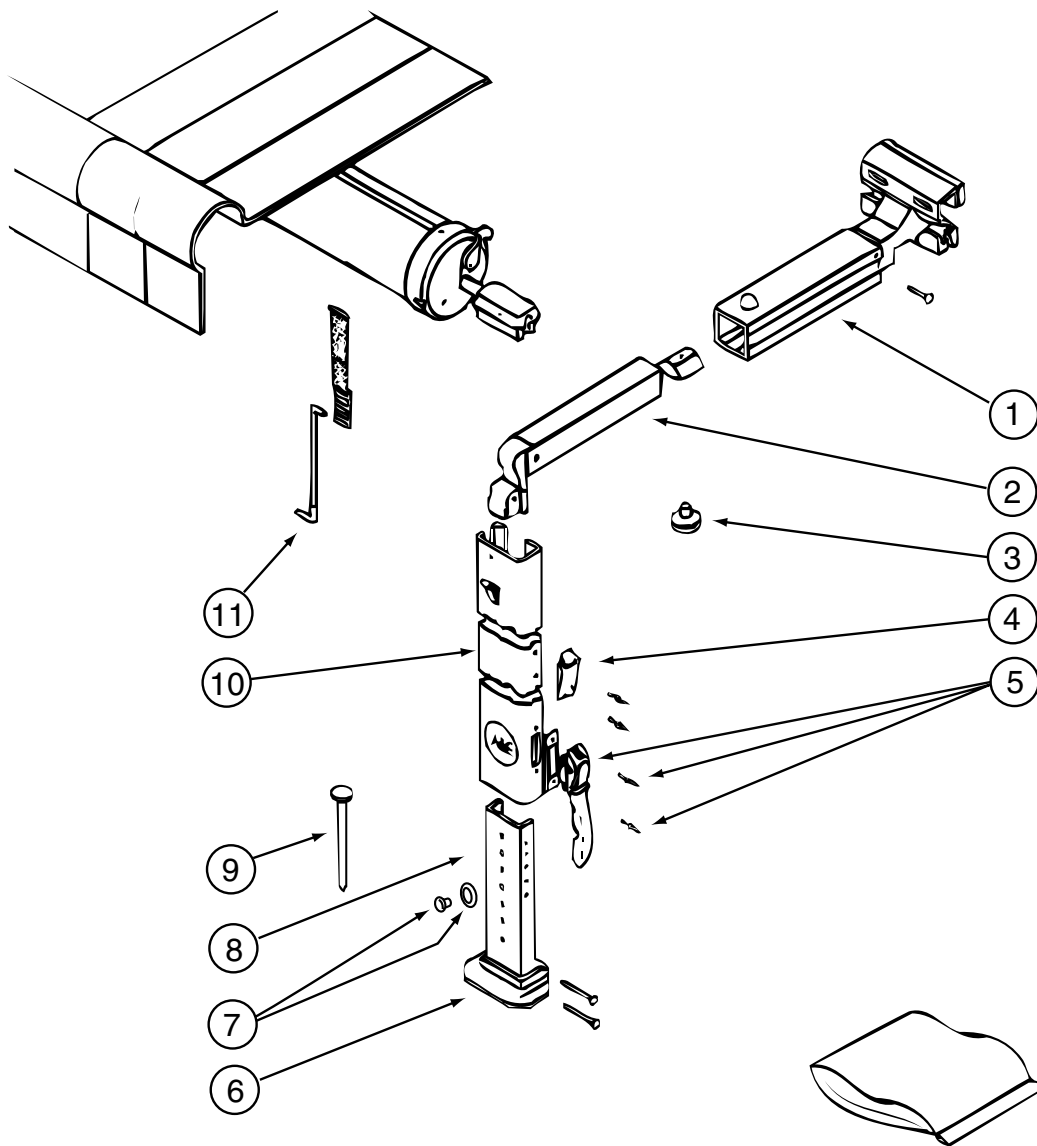
#### SUNDANCER PATIO AWNINGS

SERIES	MODEL	COLOR DESIGNATION	AWNING FABRIC	AWNING LENGTH	WEATHER WRAP(MANUAL)	PART # MANUAL	VENDOR
SUN- DANCER	427P	POLAR NAVY TAUPE	VINYL	11.5'	VYL/BRT WHT	113874-03-48A	A&E
	430V	POLAR NAVY TAUPE	VINYL	14'	VYL/BRT WHT	113874-05-48A	
	431C	POLAR NAVY TAUPE	VINYL	14'	VYL/BRT WHT	113874-05-48A	

KEY	PART NUMBER	U/M	DESCRIPTION
*	113874-01-02A	EA	HARDWARE KIT - AWNING - W/O STANDOFF BRACKET-BRIGHT WHITE
	113874-11-01A	EA	SCREW/LAG - AWNING - 1/4" X 1" STAINLESS STEEL
	113874-12-01A	EA	SCREW/LAG - AWNING - 1/4" X 2 3/4" STAINLESS STEEL
	127647-02-01A	EA	ROD/AWNING GUARD - ENTRANCE DOOR - 12.7" LONG - 431C
	137054-01-02A	EA	BRACKET - AWNING - BRIGHT WHITE

\*COMPONENT PARTS LISTED LATER IN THIS GROUP

**EXTERIOR BODY GROUP (CONTINUED)**  
**COMPONENT PARTS FOR AWNINGS**

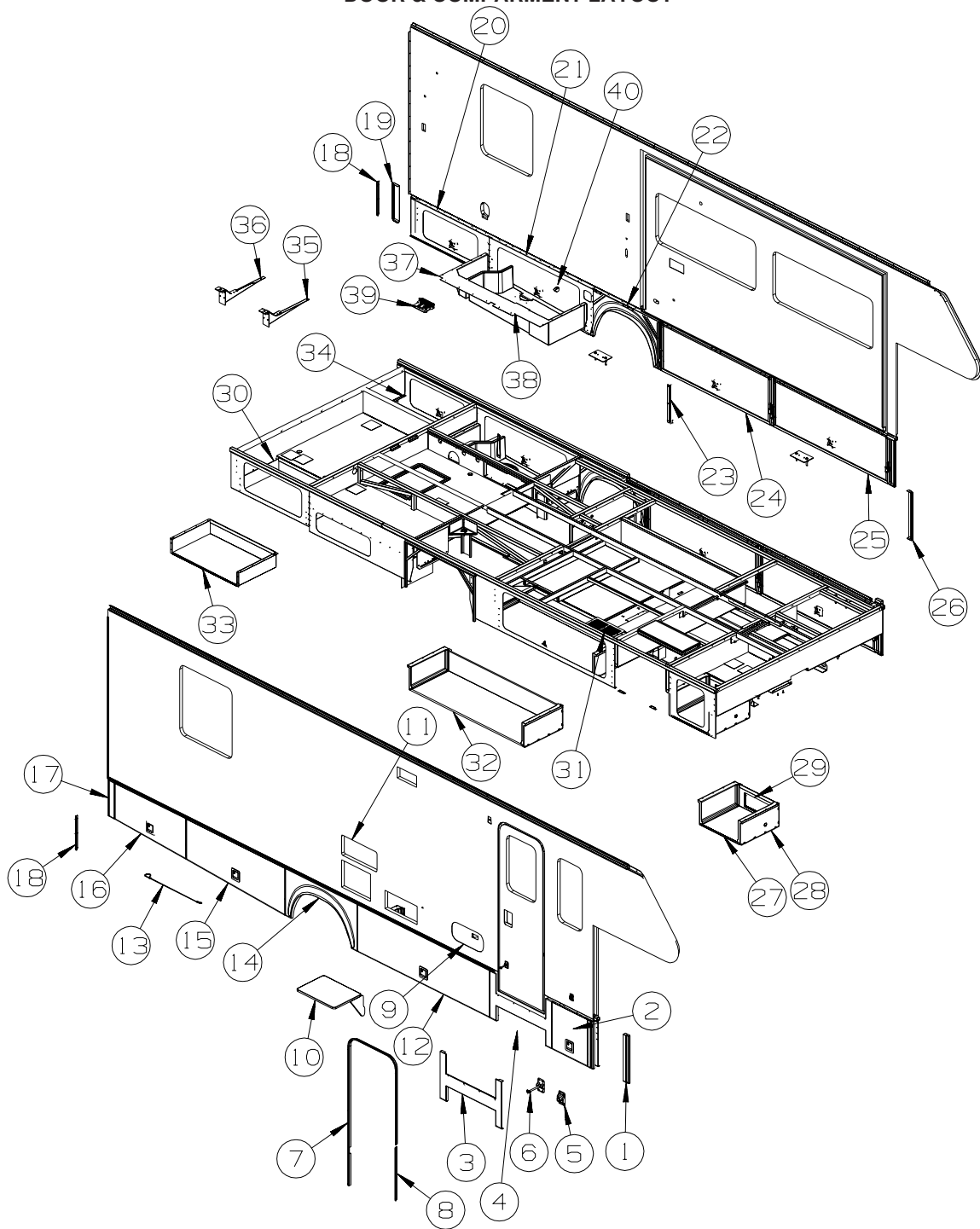


**113874-01-02A**

KEY	PART NUMBER	U/M	DESCRIPTION	VENDOR NO.
1	113874-01-714	EA	RAFTER - MAIN RH/LH BRT/WHT	830295.536F
2	113874-01-715	EA	RAFTER - SECONDARY BRT/WHT	830463.511F
3	113874-01-702	EA	KNOB - ADJUSTING	3105421.014
4	113874-01-706	EA	LOCK - TRAVEL	830587.001
5	113874-01-707	EA	HANDLE - LIFT W/RIVETS	830644
6	113874-01-712	EA	FOOT - PATIO	730366-001
7	113874-01-710	EA	PLUG-STOP KIT	830456
8	113874-01-717	EA	ARM - ADJUSTABLE BRT/WHT	830467.517/F
9	113874-01-709	EA	NAIL-SPIKE, 8"	113006
10	113874-01-716	EA	ARM - MAIN SUPPORT BRT/WHT	3104502.293/F
11	113874-01-703	EA	ROD-CENTER PULL W/ACCESSORY	830152.102

# EXTERIOR DOORS & COMPARTMENTS GROUP

## DOOR & COMPARTMENT LAYOUT

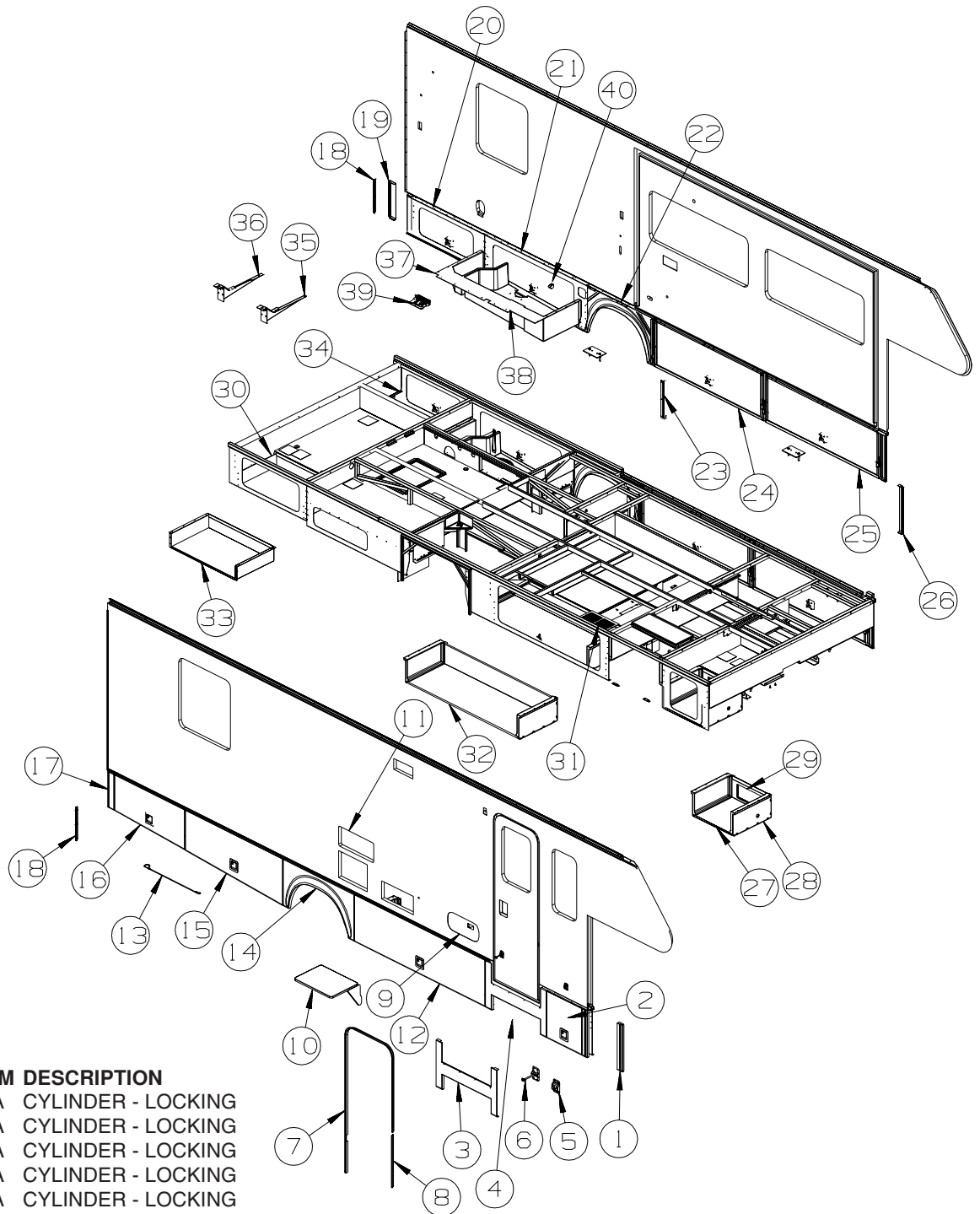


KEY	PART NUMBER	U/M DESCRIPTION
1	135764-01-M07	EA PANEL/FILLER - VALANCE
2	140552-15-P14	EA VALANCE/DOOR - W/O PADDLE LATCH - 20.3" X 22.4"
	132873-95-000	EA ROD - LATCH - 4" W/3/4" DOG LEG
	132873-96-000	EA ROD - LATCH - 5.8" W/3/4" DOG LEG
	142569-13-000	EA SPRING/GAS - 60 LB. - 15" EXTENDED/9.5" COMPRESSED
3	143065-01-P14	EA VALANCE/PANEL - ENTRY DOOR - HORSESHOE - 35.4" - BRT WHT
4*	094707-03-01A	EA STEP - ELECTRIC DOUBLE - W/BLACK CONTROL BOX - KWIKEE
5	104099-02-04A	EA CATCH/RETAINER - DOOR HOLDER - BRIGHT WHITE
6	104099-01-04A	EA CATCH - DOOR HOLDER - STRIKE - 3.9" - BRIGHT WHITE
7	139100-07-01A	EA GARNISH/RADIUS - ENTRY DOOR
8	139101-06-01A	EA GARNISH/STRAIGHT - ENTRY DOOR
9	126945-09-N42	EA DOOR/STORAGE - W/O HARDWARE - 18" X 8.3"
10	142034-02-01A	EA SHELF - F/EXTERIOR TV - BRIGHT WHITE

**EXTERIOR DOORS & COMPARTMENTS GROUP (CONTINUED)**  
**DOOR & COMPARTMENT LAYOUT (CONTINUED)**

<b>KEY</b>	<b>PART NUMBER</b>	<b>U/M</b>	<b>DESCRIPTION</b>
11*	084103-08-000	EA	DOOR - VENT - REFRIGERATOR - W/O JAMB - BRIGHT WHITE
	084104-08-000	EA	JAMB - VENT DOOR/REFRIGERATOR - BRIGHT WHITE
12	140552-14-P14	EA	VALANCE/DOOR - W/O PADDLE LATCH - 76.1" X 22.4"
	132873-93-000	EA	ROD - LATCH - 31.9" W/3/4" DOG LEG
	132873-94-000	EA	ROD - LATCH - 33.8" W/3/4" DOG LEG
	142569-12-000	EA	SPRING/GAS - 90 LB. - 15" EXTENDED/9.5"COMPRESSED
13	076767-15-000	EA	CABLE - STAINLESS STEEL - 9.8"
14	135983-01-M07	EA	PANEL - WHEEL LIP - REAR
	123512-06-02B	EA	BRACKET - DOOR/VALANCE - E-COATED
15	140552-05-N09	EA	VALANCE/DOOR - PASS W/O PAD LATCH - 22.4" X 56.8" X 19.4"
	132873-58-000	EA	ROD - LATCH - 22.2" W/3/4" DOG LEG
	132873-59-000	EA	ROD - LATCH - 24" W/3/4" DOG LEG
	142569-17-000	EA	SPRING/GAS - 90 LB. - 12" EXTENDED/8.5"COMPRESSED
16	140552-17-P13	EA	VALANCE/DOOR - PASS W/O PADDLE LATCH - 19.3" X 41" X 17.3"
	132873-97-000	EA	ROD - LATCH - 14.4" W/3/4" DOG LEG
	132873-98-000	EA	ROD - LATCH - 16.2" W/3/4" DOG LEG
	142569-17-000	EA	SPRING/GAS - 90 LB. - 12" EXTENDED/8.5"COMPRESSED
17	135764-03-M07	EA	PANEL/FILLER - VALANCE
18	113904-06-02B	EA	ANGLE - ATTACHMENT/WHEEL LIP - 15.7" - E-COAT
19	135764-04-M07	EA	PANEL/FILLER - VALANCE
20	140552-16-P13	EA	VALANCE/DOOR - DRVR W/O PADDLE LATCH - 19.3" X 41" X 17.3"
	132873-97-000	EA	ROD - LATCH - 14.4" W/3/4" DOG LEG
	132873-98-000	EA	ROD - LATCH - 16.2" W/3/4" DOG LEG
	142569-17-000	EA	SPRING/GAS - 90 LB. - 12" EXTENDED/8.5"COMPRESSED
21	140552-28-R13	EA	VALANCE/DOOR - DRVR W/O PAD LATCH - 22.4" X 56.8" X 19.4"
	132873-C3-000	EA	ROD - LATCH - 15.6" W/3/4" DOG LEG
	132873-C4-000	EA	ROD - LATCH - 30.4" W/3/4" DOG LEG
	142569-17-000	EA	SPRING/GAS - 90 LB. - 12" EXTENDED/8.5"COMPRESSED
22	135983-02-P13	EA	PANEL - WHEEL LIP - REAR
	123512-06-02B	EA	BRACKET - DOOR/VALANCE - E-COATED
23	113904-14-02B	EA	ANGLE - ATTACHMENT/WHEEL LIP - 8" - E-COAT
24	140552-13-P14	EA	VALANCE/DOOR - W/O PADDLE LATCH - 64.6" X 22.4"
	132873-91-000	EA	ROD - LATCH - 28" W/3/4" DOG LEG
	132873-92-000	EA	ROD - LATCH - 26.2" W/3/4" DOG LEG
	142569-12-000	EA	SPRING/GAS - 90 LB. - 15" EXTENDED/9.5"COMPRESSED
25	140552-01-N10	EA	VALANCE/DOOR - W/O PADDLE LATCH - 67.6" X 22.4"
	132873-52-000	EA	ROD - LATCH - 27.6" W/3/4" DOG LEG
	132873-53-000	EA	ROD - LATCH - 29.4" W/3/4" DOG LEG
	142569-12-000	EA	SPRING/GAS - 90 LB. - 15" EXTENDED/9.5"COMPRESSED
26	135764-02-M07	EA	PANEL/FILLER - VALANCE
27	135927-13-P13	EA	COMPARTMENT - LUGGAGE
28	143749-01-01A	EA	EXTRUDED - VINYL - TRIM
29	137053-01-02B	EA	PANEL - CLOSEOUT - E-COATED
30	134751-01-02B	EA	PANEL - END - COMPARTMENT - E-COATED
31	093614-01-02A	EA	GRILLE - AIR RETURN - 15.9" X 7.9" - BEIGE
32	135927-14-P13	EA	COMPARTMENT - LUGGAGE
	143749-01-01A	EA	EXTRUDED - VINYL - TRIM
33	135929-03-P13	EA	COMPARTMENT - LUGGAGE
	143749-01-01A	EA	EXTRUDED - VINYL - TRIM
34	147447-01-02B	EA	COMPARTMENT - STORAGE - E-COATED
35	135575-01-02B	EA	BRACKET - GENERATOR - E-COATED
36	135575-02-02B	EA	BRACKET - GENERATOR - E-COATED
37	135759-03-R13	EA	COMPARTMENT - DRAINAGE
38	135758-03-01A	EA	COMPARTMENT - STORAGE
39	142226-02-01A	EA	HATCH - POWER
40	131383-03-02A	EA	BRACKET - SHOWER HEAD - WHITE
	116800-55-005	EA	EXTRUDED CHANNEL - 192" - BRIGHT WHITE
	138292-01-000	EA	SEAL - LOCK CYLINDER

**EXTERIOR DOORS & COMPARTMENTS GROUP (CONTINUED)**  
**DOOR & COMPARTMENT LAYOUT (CONTINUED)**



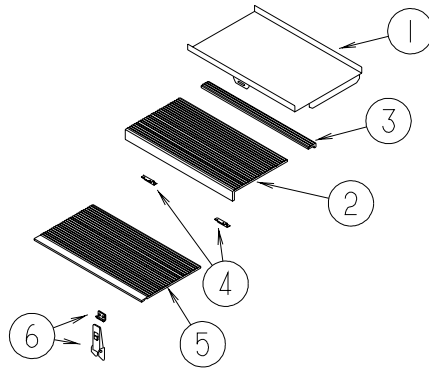
**KEY PART NUMBER**

**U/M DESCRIPTION**

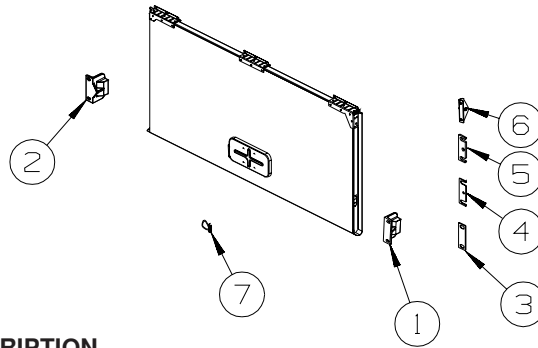
138289-01-000	EA CYLINDER - LOCKING
138289-02-000	EA CYLINDER - LOCKING
138289-03-000	EA CYLINDER - LOCKING
138289-04-000	EA CYLINDER - LOCKING
138289-05-000	EA CYLINDER - LOCKING
138289-06-000	EA CYLINDER - LOCKING
138289-07-000	EA CYLINDER - LOCKING
138289-08-000	EA CYLINDER - LOCKING
138289-09-000	EA CYLINDER - LOCKING
138289-10-000	EA CYLINDER - LOCKING
138288-01-000	EA KEY - REVERSIBLE - #1151 - T/M 16169-02-3091
138288-02-000	EA KEY - REVERSIBLE - #1151 - T/M 16169-02-3091
138288-03-000	EA KEY - REVERSIBLE - #1151 - T/M 16169-02-3091
138288-04-000	EA KEY - REVERSIBLE - #1151 - T/M 16169-02-3091
138288-05-000	EA KEY - REVERSIBLE - #1151 - T/M 16169-02-3091
138288-06-000	EA KEY - REVERSIBLE - #1151 - T/M 16169-02-3091
138288-07-000	EA KEY - REVERSIBLE - #1151 - T/M 16169-02-3091
138288-08-000	EA KEY - REVERSIBLE - #1151 - T/M 16169-02-3091
138288-09-000	EA KEY - REVERSIBLE - #1151 - T/M 16169-02-3091
138288-10-000	EA KEY - REVERSIBLE - #1151 - T/M 16169-02-3091

**\*COMPONENT PARTS LISTED LATER IN THIS GROUP**

**EXTERIOR DOORS & COMPARTMENTS GROUP (CONTINUED)**  
**DOOR & COMPARTMENT LAYOUT (CONTINUED)**



KEY	PART NUMBER	U/M	DESCRIPTION
1	123330-05-02B	EA	SUPPORT ASM-ENTRANCE STEP
2	133114-07-03A	EA	TREAD - STEP - RUBBER - 26.3" - GRAY (R19, R20, R21) FROM: 00-00-00 THRU: 10-12-03
2	133114-07-01A	EA	TREAD - STEP - RUBBER - 26.3" - TAUPE (R22, R23, R24, R25, R26, 27) FROM: 00-00-00 THRU: 10-12-03
2	147781-01-03A	EA	TREAD/STEP - RUBBER - GRAY (R19, R20, R21) FROM: 10-13-03 THRU: 99-99-99
2	147781-01-01A	EA	TREAD/STEP - RUBBER - TAUPE (R22, R23, R24, R25, R26, R27) FROM: 10-13-03 THRU: 99-99-99
3	133114-08-03A	EA	TREAD - STEP - RUBBER - 26.3" - GRAY (R19, R20, R21) FROM: 00-00-00 THRU: 10-12-03
3	133114-08-01A	EA	TREAD - STEP - RUBBER - 26.3" - TAUPE (R22, R23, R24, R25, R26, R27) FROM: 00-00-00 THRU: 10-12-03
3	147781-01-03A	EA	TREAD/STEP - RUBBER - GRAY (R19, R20, R21) FROM: 10-13-03 THRU: 99-99-99
3	147781-01-01A	EA	TREAD/STEP - RUBBER - TAUPE (R22, R23, R24, R25, R26, R27) FROM: 10-13-03 THRU: 99-99-99
4	146747-01-02B	EA	BRACKET/CATCH - E-COATED
5	133114-03-03A	EA	TREAD - STEP - RUBBER - 27.1" - GRAY (R19, R20, R21)
5	133114-03-01A	EA	TREAD - STEP - RUBBER - 27.1" - TAUPE (R22, R23, R24, R25, R26, R27)
6	116975-01-01A	EA	LATCH - W/O STRIKE - BLACK - NEW STYLE



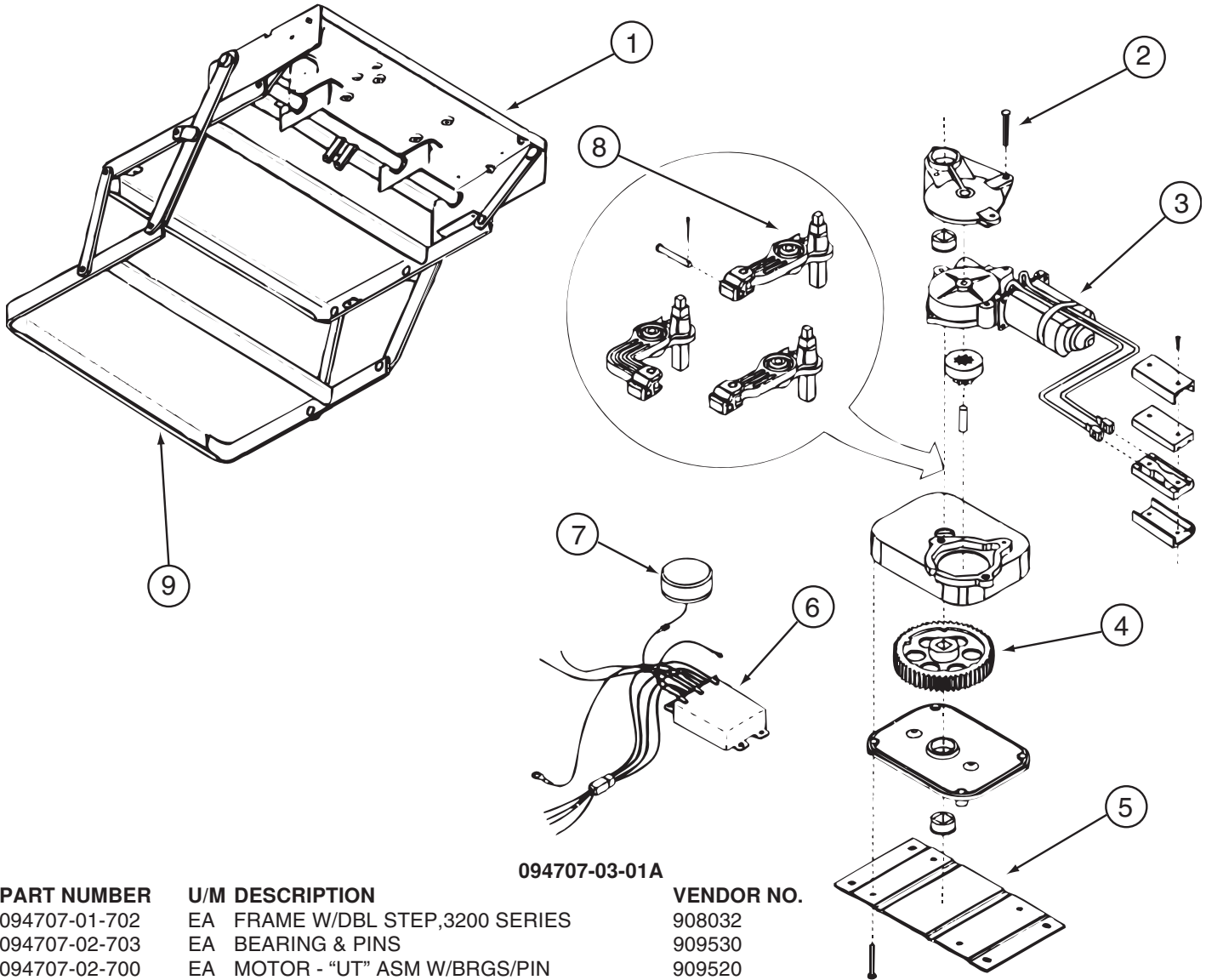
KEY	PART NUMBER	U/M	DESCRIPTION
1	130053-01-01A	EA	STRIKER - LUGGAGE DOOR - FLUSH - BLACK
2	130053-02-01A	EA	STRIKER - LUGGAGE DOOR - OFF SET - BLACK
3	143793-01-01A	EA	SHIM/STRIKER - LUGGAGE - 1.5" - BLACK
4	120494-03-02B	EA	SHIM - STRIKER - LUGGAGE DOOR - .20 - E-COATED
5	120494-04-02B	EA	SHIM - STRIKER - LUGGAGE DOOR - .27 - E-COATED
6	126263-02-02B	EA	BRACKET - GAS SPRING W/BALL STUD - E-COATED
7	132892-02-01A	FT	SEAL - BULB FROM: 00-00-00 THRU: 11-05-03
7	132892-03-01A	FT	SEAL - BULB - W/LEG FROM: 11-06-03 THRU: 99-99-99

## EXTERIOR DOORS & COMPARTMENTS GROUP (CONTINUED)

### COMPONENT PARTS FOR DOOR & COMPARTMENT LAYOUT

084103-08-000

KEY	PART NUMBER	U/M	DESCRIPTION	VENDOR NO.
	084104-01-700	EA	LOCK-MALE, FASTENER	201-721-010
	084104-01-701	EA	LOCK-FEMALE, FASTENER	201-802-010



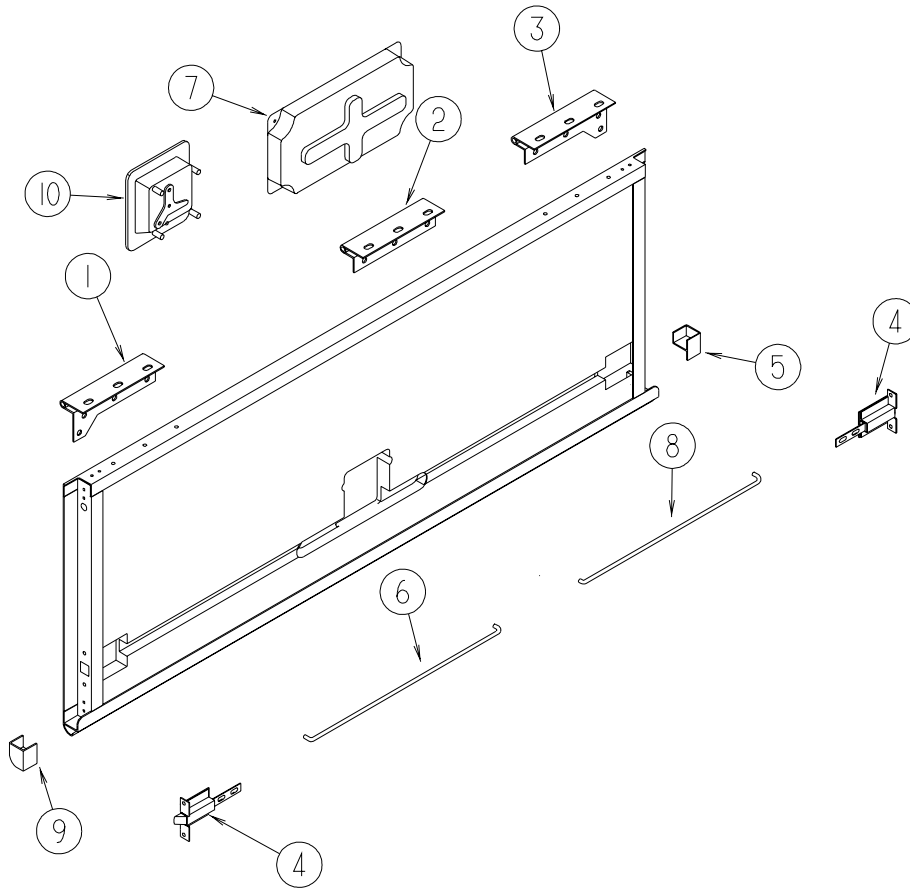
094707-03-01A

KEY	PART NUMBER	U/M	DESCRIPTION	VENDOR NO.
1	094707-01-702	EA	FRAME W/DBL STEP,3200 SERIES	908032
2	094707-02-703	EA	BEARING & PINS	909530
3	094707-02-700	EA	MOTOR - "UT" ASM W/BRGS/PIN	909520
4	094707-02-702	EA	GEAR KIT(GEAR-BEARING-PINS)	909525
5	094707-02-704	EA	CONNECTOR-MOTOR ASM.W/PLATES	909537
6	094707-03-700	EA	KIT CONTROL/SWITCH-RETROFIT	909506005
7	088746-01-705	EA	LIGHT-UNDER STEP	9004
8	094707-02-701	EA	LINKAGE ASM. W/BEARINGS-PINS	909534
	094707-02-706	EA	GEAR BOX ASM. W/O MOTOR	9524
	094707-02-708	EA	TREAD - NON-SKID - YELLOW	909331
	094707-03-701	EA	PLUG - 4-WAY - PACKARD	909306

CONTACT WINNEBAGO PART SALES FOR UNLISTED COMPONENTS



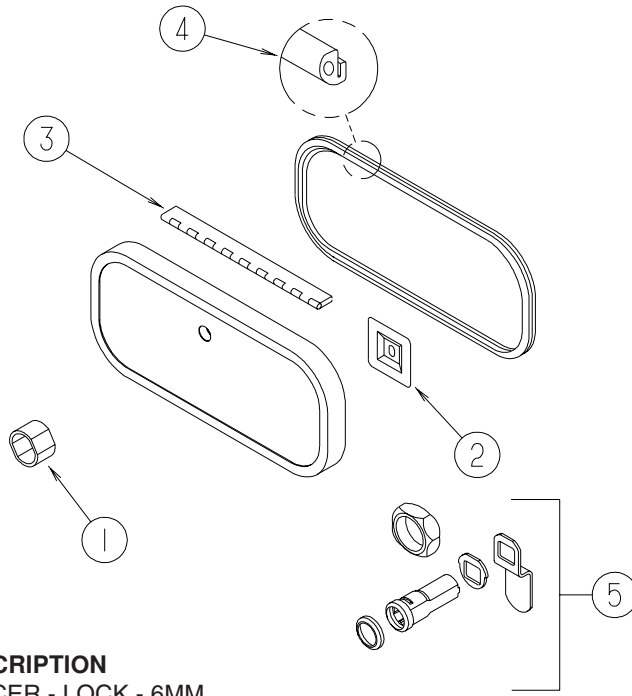
**EXTERIOR DOORS & COMPARTMENTS GROUP (CONTINUED)**  
**COMPARTMENT DOOR PIECE PARTS**



KEY	PART NUMBER	U/M	DESCRIPTION
1	139793-02-01A	EA	HINGE - LEFT HAND/VALANCE DOOR - W/BALLSTUD
1	139793-05-01A	EA	HINGE - LEFT HAND/VALANCE DOOR - W/O BALLSTUD
2	139793-03-01A	EA	HINGE - CENTER/VALANCE DOOR - W/O BALLSTUD
2	139793-09-01A	EA	HINGE - VALANCE DOOR - CENTER - <b>W/O BALLSTUD - SHORT</b>
3	139793-04-01A	EA	HINGE - RIGHT HAND/VALANCE DOOR - W/O BALLSTUD
4	121947-01-01A	EA	BOLT - SLIDE/LATCH - W/PLASTIC PLUNGER
5	135276-01-01A	EA	REINFORCEMENT - CORNER - RIGHT HAND
6	132873-02-000	EA	ROD - LATCH (BLANK) - LEFT HAND
6			SEE DOOR & COMPARTMENT LAYOUT FOR ROD-LATCH
7	137359-01-01A	EA	COVER - LATCH - WHITE
8	132873-01-000	EA	ROD - LATCH (BLANK) - RIGHT HAND
8			SEE DOOR & COMPARTMENT LAYOUT FOR ROD-LATCH
9	135276-02-01A	EA	REINFORCEMENT - CORNER - LEFT HAND
10	138277-01-01A	EA	LATCH/PADDLE - COMPARTMENT DOOR - BLACK - KEY ONE
10	138277-01-02A	EA	LATCH/PADDLE - COMPARTMENT DOOR - WHITE - KEY ONE
10	112949-02-05A	EA	LATCH/PADDLE - NON-LOCKING - BLACK



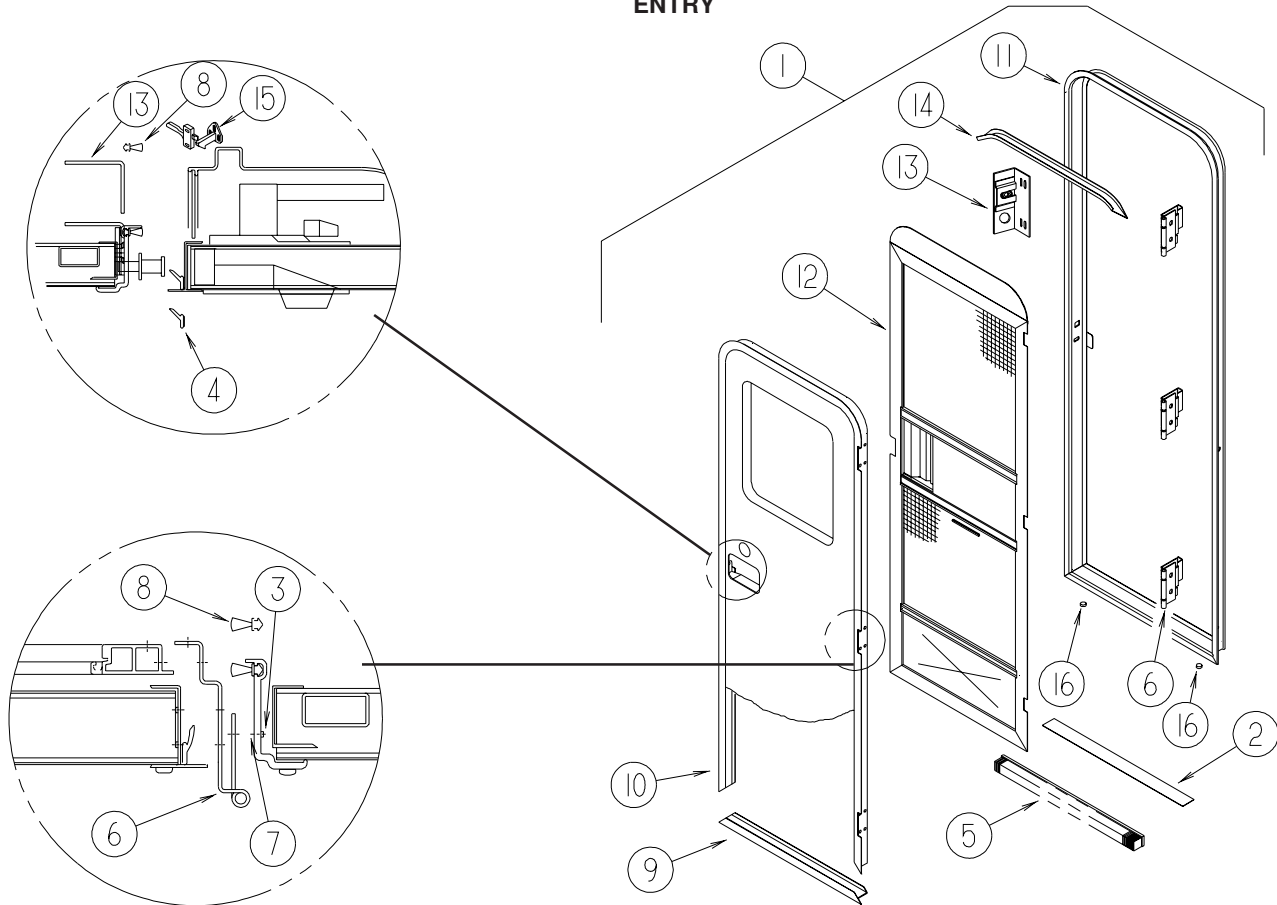
**EXTERIOR DOORS & COMPARTMENTS GROUP (CONTINUED)**  
**COMPARTMENT DOOR PIECE PARTS (CONTINUED)**



KEY	PART NUMBER	U/M	DESCRIPTION
1	139325-01-000	EA	SPACER - LOCK - 6MM
	139337-01-000	EA	GASKET - LOCK
2	097111-02-04A	EA	POCKET - LOCK - REAR DOOR - BLACK
2	097111-02-05A	EA	POCKET - LOCK - REAR DOOR - BRIGHT WHITE
3	081801-V3-000	EA	HINGE - ALUMINUM - 2" X 96" - BRIGHT WHITE
4	106850-02-000	FT	SEAL-E - SPONGE RUBBER - .43" X .75"
5	138290-02-000	EA	CASE - W/CAM - W/O CYLINDER/KEY

# EXTERIOR DOORS & COMPARTMENTS GROUP (CONTINUED)

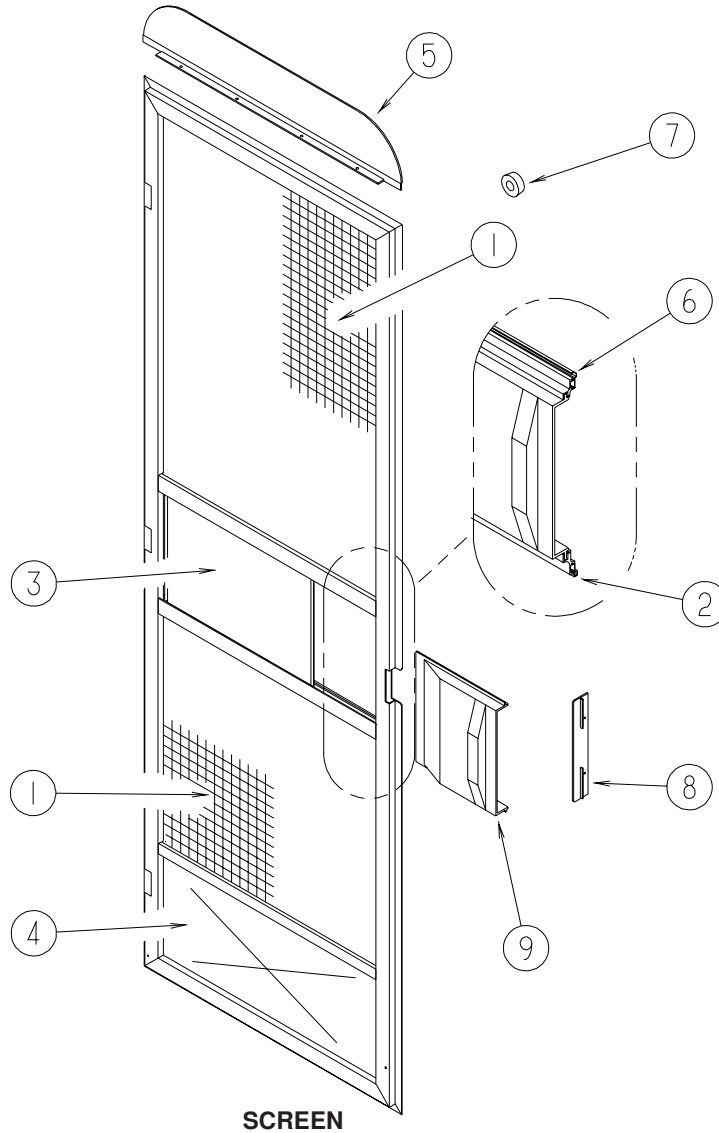
## ENTRY



KEY	PART NUMBER	U/M	DESCRIPTION
1	P32206-10-R13	EA	DOOR - ENTRY W/SCREEN DOOR - W/O WINDOW/LATCH (R19, R20, R21)
1	P32206-10-P15	EA	DOOR - ENTRY W/SCREEN DOOR - W/O WINDOW/LATCH (R22, R23, R24)
1	P32206-10-R17	EA	DOOR - ENTRY W/SCREEN DOOR - W/O WINDOW/LATCH (R25, R26, R27)
2	038327-01-000	FT	TAPE - ANTI-SLIP - 2" X 60'
3	039715-01-000	EA	NUT-SERT - 1/4" DIAMETER - 20 THREADS
4	075671-04-000	FT	SEAL - SPONGE - LAZY T - W/ADHESIVE STRIP - .5" WIDE
5	075673-05-000	FT	SEAL - PILE - ADHESIVE BACK - BLACK
6	106719-01-05A	EA	HINGE - ENTRY DOOR - BRIGHT WHITE
7	116111-02-01A	EA	SCREW - TAPTITE - 1/4-20 X 3/8 PPH 0 ZINC
8	118929-01-01A	FT	SEAL - PILE - PUSH ON
9	121893-01-01A	EA	FRAME - ENTRY DOOR/BOTTOM - BRIGHT WHITE
10	121894-23-01A	EA	FRAME - ENTRY DOOR - BRIGHT WHITE
11	121898-18-01A	EA	JAMB - ENTRY DOOR - BRIGHT WHITE
12	132208-04-L07	EA	DOOR - SCREEN - W/O HARDWARE
13	137401-01-03B	EA	BRACKET - DOOR ANGLE - OFF WHITE
14	139054-01-01A	EA	CAP - DRIP - JAMB MOUNTED - BRIGHT WHITE
15	132915-01-01A	EA	LATCH - SCREEN DOOR - BLACK
	148364-01-02A	EA	STRIKE - SCREEN DOOR - BRIGHT WHITE
			FROM: 12-19-03 THRU: 99-99-99
16	081914-02-000	EA	BUMPER - RUBBER - ROUND - 5/16" DIA. X 13/64" THICK
	138287-01-000	EA	CYLINDER/LOCK - ENTRY DOOR (MASTER)
	138287-02-000	EA	CYLINDER/LOCK - ENTRY DOOR (MASTER)
	138287-03-000	EA	CYLINDER/LOCK - ENTRY DOOR (MASTER)
	138287-04-000	EA	CYLINDER/LOCK - ENTRY DOOR (MASTER)
	138287-05-000	EA	CYLINDER/LOCK - ENTRY DOOR (MASTER)
	138287-06-000	EA	CYLINDER/LOCK - ENTRY DOOR (MASTER)
	138287-07-000	EA	CYLINDER/LOCK - ENTRY DOOR (MASTER)
	138287-08-000	EA	CYLINDER/LOCK - ENTRY DOOR (MASTER)
	138287-09-000	EA	CYLINDER/LOCK - ENTRY DOOR (MASTER)
	138287-10-000	EA	CYLINDER/LOCK - ENTRY DOOR (MASTER)

**EXTERIOR DOORS & COMPARTMENTS GROUP (CONTINUED)**  
**ENTRY (CONTINUED)**

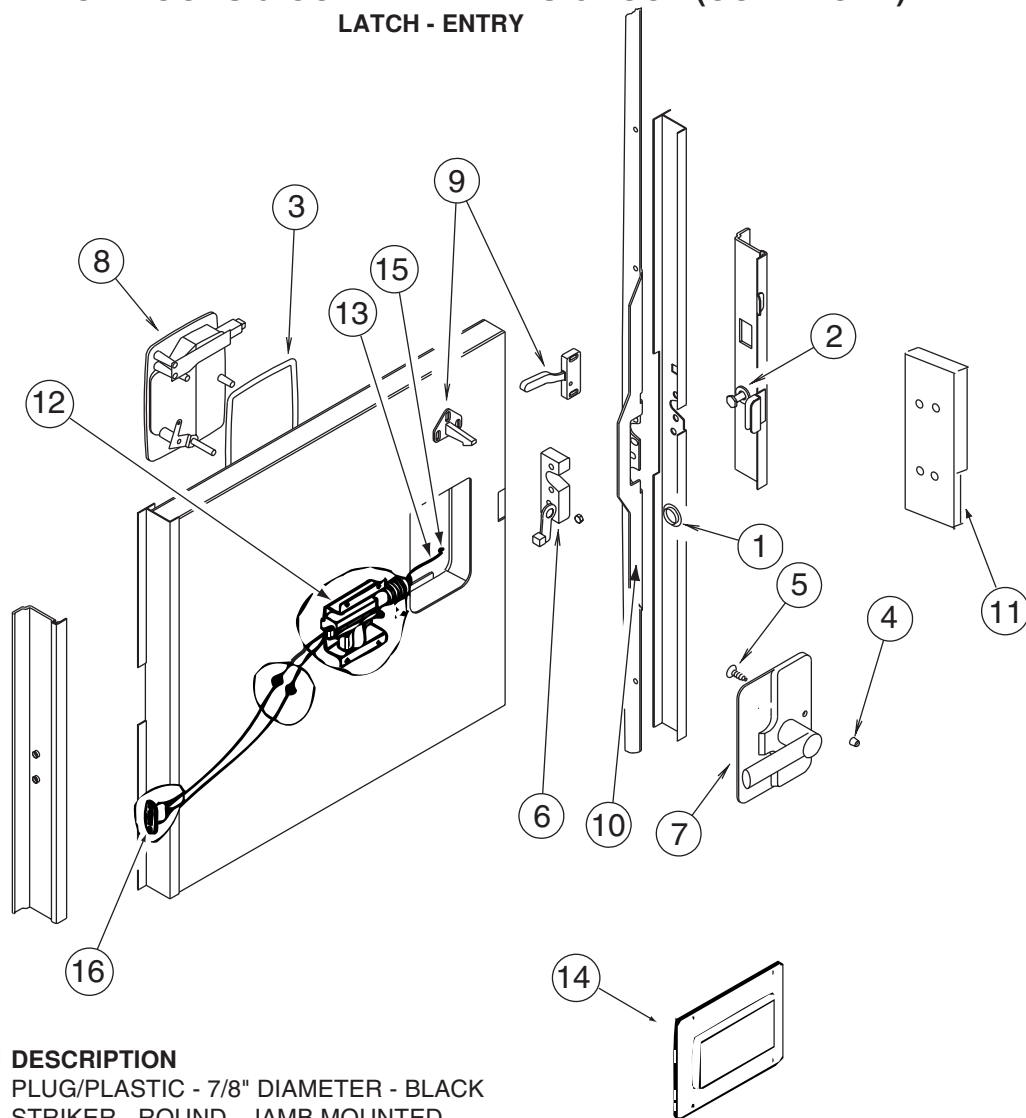
KEY	PART NUMBER	U/M	DESCRIPTION
	138288-01-000	EA	KEY - REVERSIBLE - #1151 - T/M 16169-02-3091
	138288-02-000	EA	KEY - REVERSIBLE - #1152 - T/M 16169-02-3092
	138288-03-000	EA	KEY - REVERSIBLE - #1153 - T/M 16169-02-3093
	138288-04-000	EA	KEY - REVERSIBLE - #1154 - T/M 16169-02-3094
	138288-05-000	EA	KEY - REVERSIBLE - #1155 - T/M 16169-02-3095
	138288-06-000	EA	KEY - REVERSIBLE - #1156 - T/M 16169-02-3096
	138288-07-000	EA	KEY - REVERSIBLE - #1157 - T/M 16169-02-3097
	138288-08-000	EA	KEY - REVERSIBLE - #1158 - T/M 16169-02-3098
	138288-09-000	EA	KEY - REVERSIBLE - #1159 - T/M 16169-02-3099
	138288-10-000	EA	KEY - REVERSIBLE - #1150 - T/M 16169-02-3100



KEY	PART NUMBER	U/M	DESCRIPTION
1	002293-02-000	SF	SCREEN - 26" - CHARCOAL
2	002294-01-000	FT	SPLINE - SCREENING - .13" X .14"
3	016454-21-000	EA	INSERT - SCREEN DOOR - CENTER
4	078552-03-000	EA	KICK PANEL - SCREEN DOOR - LOWER INSERT - UNPAINTED
5	078595-01-000	EA	TOP PLATE - SCREEN DOOR - CURVED TOP - 4.7" X 25.35"
6	078777-08-000	FT	CHANNEL - SLIDER
7	120863-06-000	EA	BUMPER - RUBBER - 3/4" X 3/8"
8	132081-01-01A	EA	STRIKE - SLIDER - SCREEN DOOR - BRIGHT WHITE
9	132082-01-01A	EA	SLIDER - SCREEN DOOR - BRIGHT WHITE

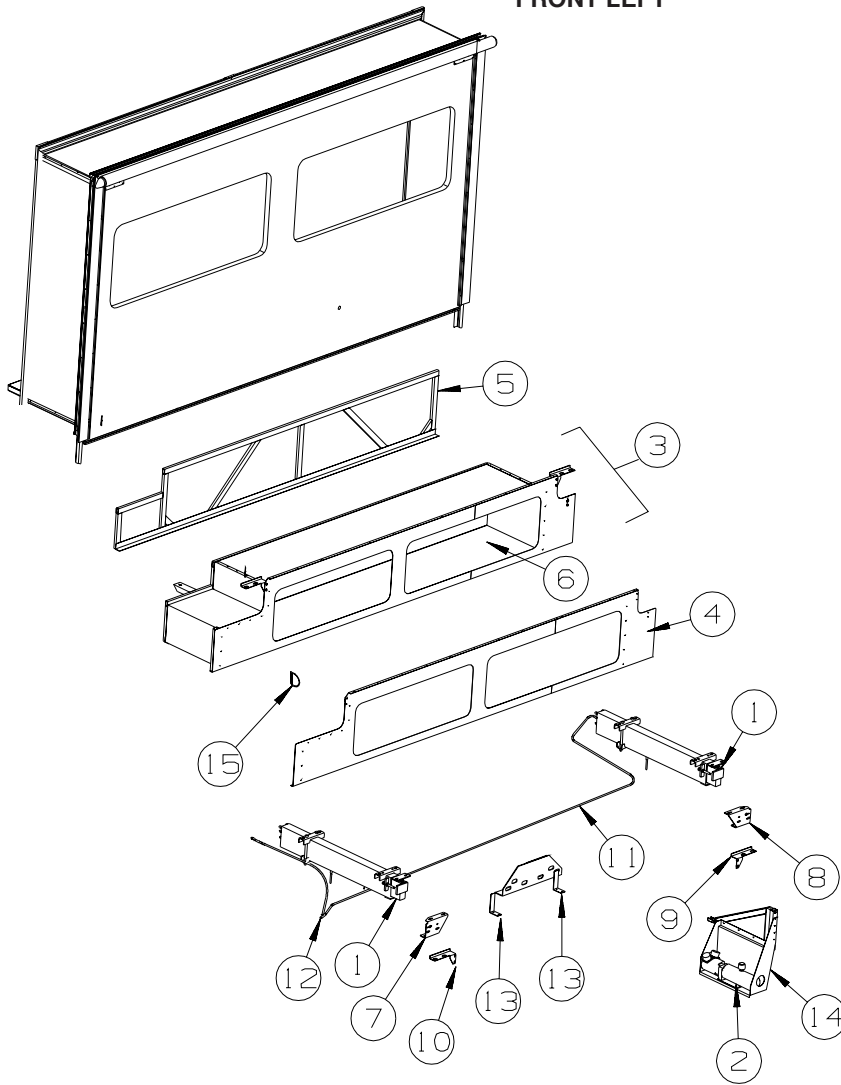
# EXTERIOR DOORS & COMPARTMENTS GROUP (CONTINUED)

## LATCH - ENTRY



KEY	PART NUMBER	U/M	DESCRIPTION
1	061420-14-000	EA	PLUG/PLASTIC - 7/8" DIAMETER - BLACK
2	092927-14-000	EA	STRIKER - ROUND - JAMB MOUNTED
2	092927-15-000	EA	STRIKER - BOLT
3	112782-04-01A	EA	GASKET
4	112782-05-01A	EA	CAP - VINYL - RED
5	112782-08-01A	EA	SCREW - MOUNTING/PLATE - ZINC
6	112782-15-01A	EA	LATCH - SINGLE ROTOR
6	112782-22-01A	EA	LATCH - SINGLE ROTOR
7	112782-16-01A	EA	LATCH - INTERIOR PLATE
7	112782-21-01A	EA	LATCH - INTERIOR PLATE
8	112782-18-01A	EA	LATCH - EXTERIOR - W/O LOCK CYLINDER W/ICON-REVERSIBLE KEY
8	112782-20-01A	EA	LATCH - EXTERIOR - W/O LOCK CYLINDER W/ICON-REVERSIBLE KEY
9	132915-01-01A	EA	LATCH - SCREEN DOOR - BLACK
10	132207-01-02B	EA	STIFFENER/DOOR - FORMED - E-COATED
11	072893-04-000	EA	NUTSERT - 10-32
11	139102-01-01A	EA	COVER - BRACKET - STRIKE - BRIGHT WHITE
12	113650-02-02B	EA	BRACKET - ACTUATOR - ELECTRIC - E-COATED
13	138898-01-000	EA	ACTUATOR/LOCK - ELECTRIC
13	113651-01-01A	EA	ROD - CONTROL - MOTOR/LOCK
14	113960-01-01A	EA	COVER - ACTUATOR - POWER LOCK
15	114209-01-01A	EA	PUSHNUT - CAP - 1/8" - WHITE
16	138897-01-000	EA	SWITCH - 2 PIN/SPRING LOADED CONTACTS (EA=1 SWITCH)

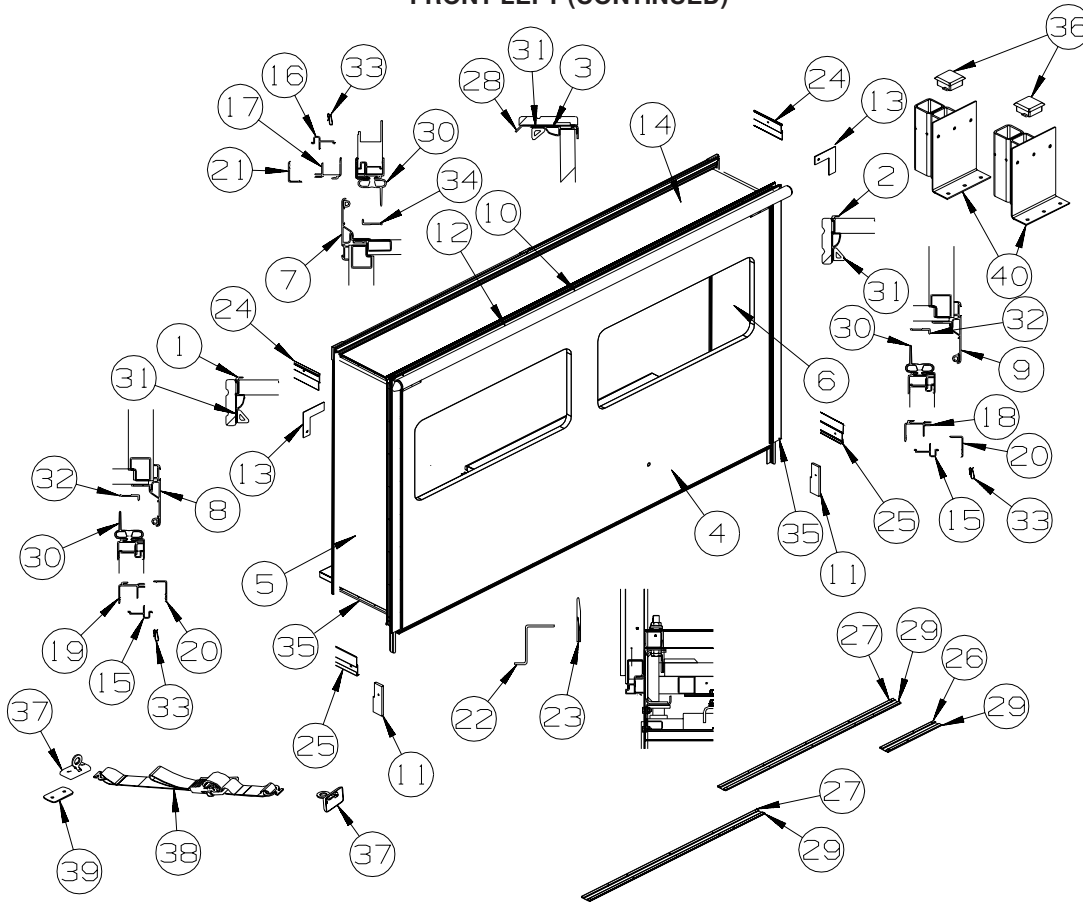
## EXTERIOR SLIDEOUT GROUP FRONT LEFT



KEY	PART NUMBER	U/M	DESCRIPTION
1*	137196-01-000	EA	SLIDEOUT - HYDRAULIC
2*	122359-04-000	EA	PUMP/RESERVOIR - SLIDE-OUT - HYDRAULIC - W/O JACKS SYSTEM
3	140950-01-P13	EA	COMPARTMENT - SLIDEOUT
4	135747-02-02B	EA	SEAL PLANE - F/SLIDEOUT - E-COATED
5	NOT USED		
6	140952-01-P13	EA	COMPARTMENT - SLIDEOUT
7	127030-01-02B	EA	BRACKET - INNER FRONT/SLIDEOUT - E-COATED
8	127030-02-02B	EA	BRACKET - INNER REAR/MOUNT - E-COATED
9	125888-05-02B	EA	BRACKET/SLIDEOUT COMPARTMENT - RIGHT HAND - E-COATED
10	125888-06-02B	EA	BRACKET/SLIDEOUT COMPARTMENT - LEFT HAND - E-COATED
11	100536-41-000	EA	HOSE - F/SLIDEOUT
12	123264-01-000	EA	TEE - UNION - 1/4" X 1/4" X 1/4"
13	122922-03-02B	EA	BRACKET/SUPPORT - CYLINDER -(QTY 2)
14	137158-01-02B	EA	BRACKET - PUMP/HYDRAULIC - E-COATED
15	126516-01-01A	FT	TRIM - VINYL/EXTRUDED - 8'

\*COMPONENT PARTS LISTED LATER IN THIS GROUP

**EXTERIOR SLIDEOUT GROUP (CONTINUED)**  
**FRONT LEFT (CONTINUED)**

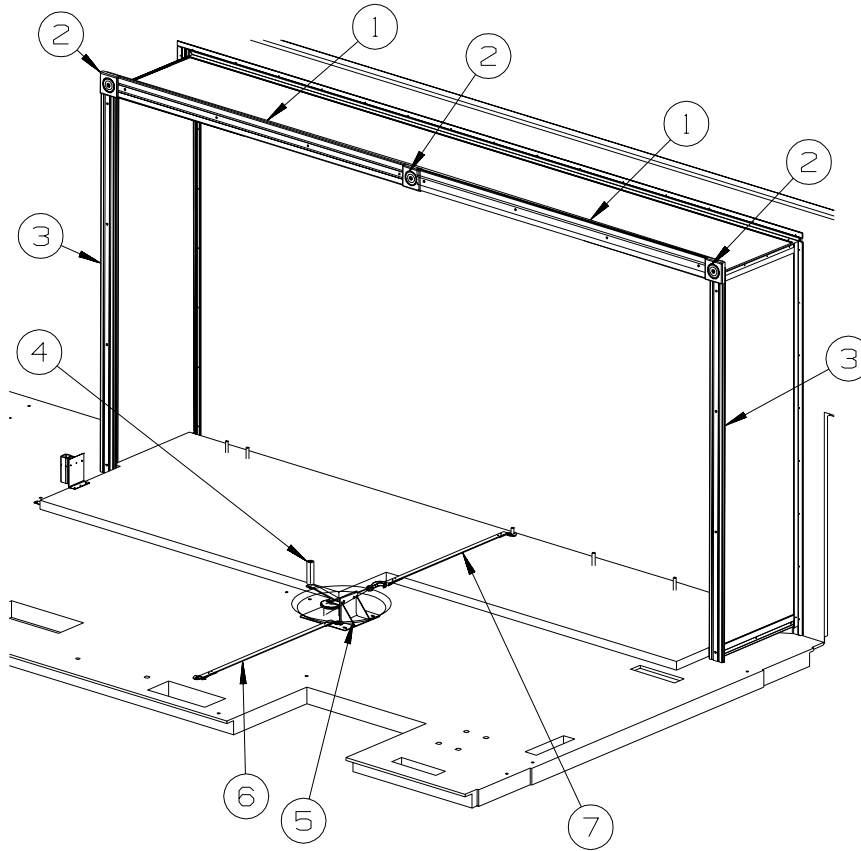


KEY	PART NUMBER	U/M	DESCRIPTION
1	139624-01-01A	EA	TRIM/SEAL - INNER/RIGHT HAND - 73.4" - BRIGHT WHITE
2	139624-02-01A	EA	TRIM/SEAL - INNER/LEFT HAND - 73.4" - BRIGHT WHITE
3	139624-07-01A	EA	TRIM/SEAL - INNER/TOP - 141.7" - BRIGHT WHITE
4	145196-11-R13	EA	SLUG - F/SLIDEOUT (R19, R20, R21)
4	145196-11-R15	EA	SLUG - F/SLIDEOUT (R22, R23, R24)
4	145196-11-R17	EA	SLUG - F/SLIDEOUT (R25, R26, R27)
5	134728-01-R08	EA	PANEL - SLIDEOUT - FRONT (R19, R20, R21)
5	134728-01-P31	EA	PANEL - SLIDEOUT - FRONT (R22, R23, R24)
5	134728-01-R29	EA	PANEL - SLIDEOUT - FRONT (R25, R26, R27)
6	134729-01-R08	EA	PANEL - SLIDEOUT - REAR (R19, R20, R21)
6	134729-01-P31	EA	PANEL - SLIDEOUT - REAR (R22, R23, R24)
6	134729-01-R29	EA	PANEL - SLIDEOUT - REAR (R25, R26, R27)
7	139625-08-01A	EA	TRIM/SEAL - TOP/W/MITERED ENDS - 143.5" - BRIGHT WHITE
	105312-01-07A	FT	INSERT - FEATURE STRIP - VINYL - BRIGHT WHITE
8	139625-01-01A	EA	TRIM/SEAL - W/RH MITERED END - 76.4" - BRIGHT WHITE
			FROM: 00-00-00 THRU: 12-07-03
8	139625-42-01A	EA	TRIM/SEAL - TOP W/RH MITERED END - 76.2" - BRIGHT WHITE
			FROM: 12-08-03 THRU: 99-99-99
	105312-01-07A	FT	INSERT - FEATURE STRIP - VINYL - BRIGHT WHITE
9	139625-02-01A	EA	TRIM/SEAL - W/LH MITERED END - 76.4" - BRIGHT WHITE
			FROM: 00-00-00 THRU: 12-07-03
9	139625-43-01A	EA	TRIM/SEAL - TOP W/LH MITERED END - 76.2" - BRIGHT WHITE
			FROM: 12-08-03 THRU: 99-99-99
	105312-01-07A	FT	INSERT - FEATURE STRIP - VINYL - BRIGHT WHITE
10	117058-01-01A	FT	TAPE - LOOP - 3/4" WIDE - ADHESIVE BACKED
11	126546-01-02A	EA	COVER - END/SIDEWALL SLIDEOUT - BRIGHT WHITE
12	122977-10-03A	EA	AWNING/SLIDEOUT W/COVER - 143" - WHITE - VINYL/VINYL WRAP
13	116444-04-12B	EA	TRIM/KEY CORNER - SLIDEOUT - 3.1"X3.1" - BRT WHT
14	134730-01-M07	EA	ROOF - W/O VENTS/WIRING - F/SLIDEOUT ROOM
15	142718-01-01A	EA	RETAINER - SIDEWALL/SLIDEOUT - 72.8" - MILL
16	142718-22-01A	EA	RETAINER - SIDEWALL/SLIDEOUT - 141.3"

**EXTERIOR SLIDEOUT GROUP (CONTINUED)**  
**FRONT LEFT (CONTINUED)**

<b>KEY</b>	<b>PART NUMBER</b>	<b>U/M</b>	<b>DESCRIPTION</b>
17	142719-06-01A	EA	TRIM/SIDEWALL - TOP/SLIDEOUT - 143.3" - BRIGHT WHITE
18	142720-06-01A	EA	TRIM - SIDEWALL/SLIDEOUT - 74.4" - BRIGHT WHITE
19	142720-08-01A	EA	TRIM - SIDEWALL/SLIDEOUT - 74.4" - BRIGHT WHITE
20	136824-38-01A	EA	TRIM - SIDEWALL/SLIDEOUT - 74.6" - BRIGHT WHITE
21	136824-07-01A	EA	TRIM - SIDEWALL/SLIDEOUT - 144.1" - BRIGHT WHITE
22	128621-26-01A	EA	BRACKET/ZEE - SLIDEOUT - 137.1" - MILL
			FROM: 00-00-00 THRU: 08-29-03
22	128621-29-01A	EA	BRACKET/ZEE - SLIDEOUT - 137.1" - MILL
			FROM: 09-01-03 THRU: 99-99-99
23	115075-03-000	FT	SEAL - WIPE - .25" X 2.9"
23	089275-02-000	FT	STRIP - 3/4" X 84" BLACK POLYETHYLENE
24	138659-01-01A	EA	TRIM/FEATURE STRIP - 181.7" - BRIGHT WHITE
	105312-01-07A	FT	INSERT - FEATURE STRIP - VINYL - BRIGHT WHITE
25	125051-01-01A	EA	TRIM- FEATURE STRIP/LOWER - 20.2" - BRIGHT WHITE
	105312-01-07A	FT	INSERT - FEATURE STRIP - VINYL - BRIGHT WHITE
26	115325-06-02A	EA	RAIL - FLOOR/SLIDEOUT ROOM - 19.7" LONG - BLACK
27	115325-03-02A	EA	RAIL - FLOOR/SLIDEOUT ROOM - 64.5" LONG - BLACK
28	125466-03-01A	EA	SUPPORT - ROOF/INTERIOR - OFF WHITE
29	115661-01-000	FT	SHOE/GLIDE - SLIDEOUT ROOM - 1/16" X 3" - POLYETHYLENE
30	136978-01-01A	FT	SEAL - SLIDEOUT - BLACK
31	146056-01-000	FT	SEAL - TRIANGLE - W/PSA
32	133954-09-01A	EA	TRIM/SEAL - W/MITERED ENDS - 71.6" - BRIGHT WHITE
33	142549-01-000	EA	CLIP-S TYPE
34	133954-13-01A	EA	TRIM/SEAL - W/MITERED ENDS - 138.2" - BRIGHT WHITE
35	075673-05-000	FT	SEAL - PILE - ADHESIVE BACK - BLACK
36	NOT USED		
37	135619-02-01A	EA	PLATE - TIEDOWN - SLIDEOUT ROOM
38	135619-01-01A	EA	STRAP - TIEDOWN - SLIDEOUT ROOM
39	135622-01-01B	EA	PLATE - TIEDOWN - SLIDEOUT ROOM
40	NOT USED		

**EXTERIOR SLIDEOUT GROUP (CONTINUED)**  
**FRONT LEFT (CONTINUED)**



KEY	PART NUMBER	U/M	DESCRIPTION
1	132663-10-08A	EA	MOLDING-VINYL WRAP/PRE DRILLED-.6"X3.8"X65.8" - OAK - PORTSMOUTH OAK
1	132663-10-07A	EA	MOLDING-VINYL WRAP/PRE DRILLED-.6"X3.8"X65.8" - CHERRY - CONCERT CHERRY
1	132663-10-03A	EA	MOLDING-VINYL WRAP/PRE DRILLED-.6"X3.8"X65.8" - WASHED MAPLE FROM: 00-00-00 THRU: 01-04-04
1	132663-10-21A	EA	MOLDING-VINYL WRAP/PRE DRILLED -.6" X 3.8" X 65.8" - WASHED MAPLE FROM: 01-05-04 THRU: 99-99-99
2	132844-01-08A	EA	BLOCK - CORNER - 3.9" X 3.9" - PORTSMOUTH OAK
2	132844-01-02A	EA	BLOCK - CORNER - 3.9" X 3.9" - SALEM CHERRY - CONCERT CHERRY
2	132844-01-03A	EA	BLOCK - CORNER - 3.9" X 3.9" - WASHED MAPLE FROM: 00-00-00 THRU: 01-04-04
2	132844-01-21A	EA	BLOCK - CORNER - 3.9" X 3.9" - WASHED MAPLE FROM: 01-05-04 THRU: 99-99-99
3	132663-04-08A	EA	MOLDING-VINYL WRAP/PRE DRILLED - .6" X 3" X 70.4" - OAK - PORTSMOUTH OAK
3	132663-04-07A	EA	MOLDING-VINYL WRAP/PRE DRILLED-.6"X3"X70.4" - CHERRY - CONCERT CHERRY
3	132663-04-03A	EA	MOLDING-VINYL WRAP/PRE DRILLED-.6"X3"X70.4" - WASHED MAPLE FROM: 00-00-00 THRU: 01-04-04
3	132663-04-21A	EA	MOLDING-VINYL WRAP/PRE DRILLED-.6"X3"X70.2" - WASHED MAPLE FROM: 01-05-04 THRU: 99-99-99
4	115767-02-000	EA	WINCH - SLIDEOUT W/10' STRAP
5	116082-01-02B	EA	BRACKET - WINCH
	069726-02-000	EA	BUMPER - .88" OD X .40" THICK - BLACK
6	116101-03-H13	EA	STRAP - WINCH - 39.5" CENTER BRACKET/CENTER
	140221-01-02B	EA	WASHER - SEAT BELT - E-COAT
7	116101-02-R74	EA	STRAP - WINCH - 34" CENTER BRACKET/STRAP END



**EXTERIOR SLIDEOUT GROUP (CONTINUED)**  
**COMPONENT PARTS FOR FRONT LEFT**

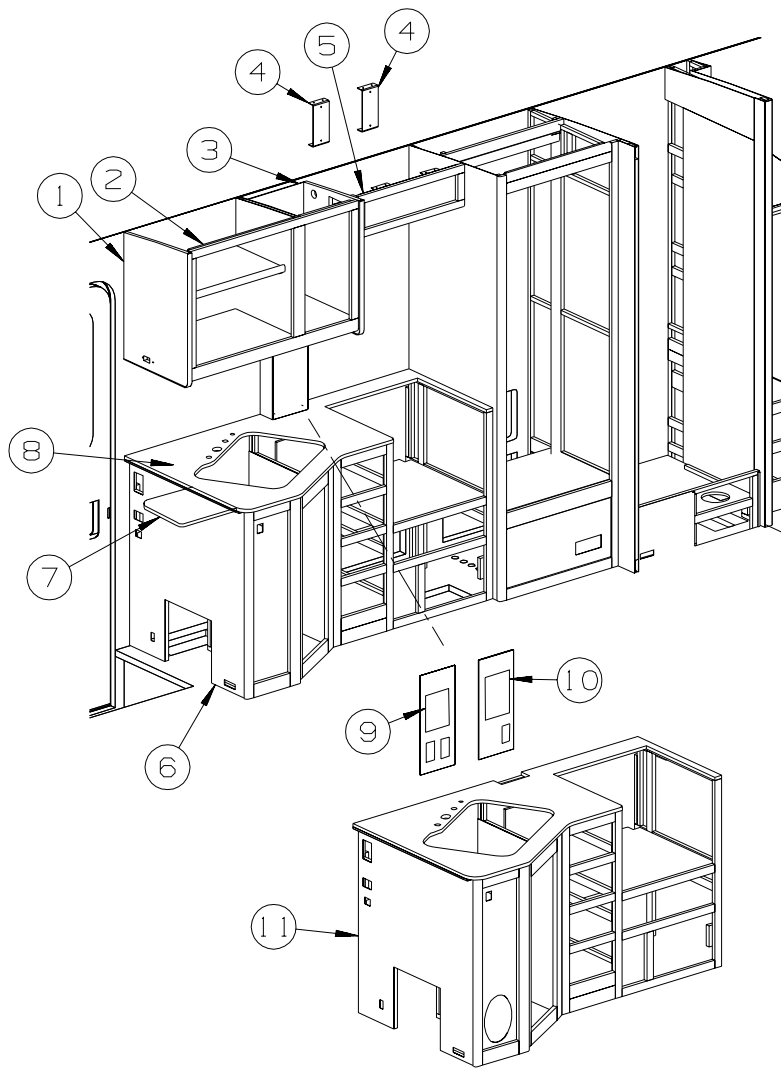
**122359-04-000**

<b>KEY</b>	<b>PART NUMBER</b>	<b>U/M</b>	<b>DESCRIPTION</b>	<b>VENDOR NO.</b>
	100532-03-715	EA	CAP-BREATHER W/DIPSTICK	RAP7876
	100532-09-710	EA	SOLENOID-INTERMITENT DUTY	RAP0533
	122359-04-700	EA	PRESSURE SOLENOID - HYD	RAP90376 / AP12292
	122359-04-701	EA	PUMP/RESERVOIR ASM	RAP90364/AP11468

**137196-01-000**

<b>KEY</b>	<b>PART NUMBER</b>	<b>U/M</b>	<b>DESCRIPTION</b>	<b>VENDOR NO.</b>
	125687-01-700	EA	CYLINDER (RAM - 2 USED PER SLIDE)	RAP90512/AP15190
	125687-01-702	EA	CYLINDER - SYNCHRONIZING	RAP90471/AP13607
	132540-01-706	EA	BOLT - SLIDE ROOM ADJUSTER	RAP90865/P19611
	137196-01-700	EA	HOSE-HYDRAULIC - 1/8" X 120"	AP24642
	137196-01-701	EA	HOSE-HYDRAULIC - 1/4" X 116"	AP5384

## GALLEY GROUP CABINETS

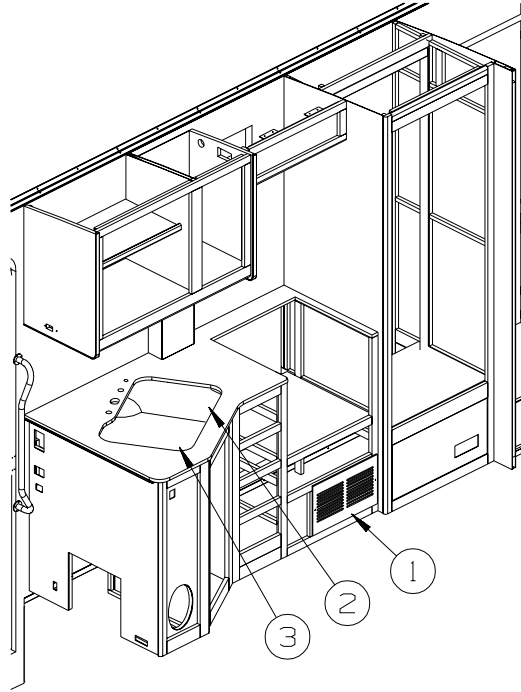


KEY	PART NUMBER	U/M	DESCRIPTION
1	145912-20-R13	EA	END CAP - OVERHEAD CABINET - PORTSMOUTH OAK
1	145912-20-R14	EA	END CAP - OVERHEAD CABINET - CONCERT CHERRY
1	145912-20-R21	EA	END CAP - OVERHEAD CABINET - WASHED MAPLE
			FROM: 00-00-00 THRU: 01-04-04
1	145912-20-RW1	EA	END CAP - OVERHEAD CABINET - WASHED MAPLE
			FROM: 01-05-04 THRU: 99-99-99
2	145912-01-R13	EA	CABINET - OVERHEAD/GALLEY - W/O DOORS/HARDWARE - PORTSMOUTH OAK
2	145912-01-R14	EA	CABINET - OVERHEAD/GALLEY - W/O DOORS/HARDWARE - CONCERT CHERRY
2	145912-01-R21	EA	CABINET - OVERHEAD/GALLEY - W/O DOORS/HARDWARE - WASHED MAPLE
			FROM: 00-00-00 THRU: 01-04-04
2	145912-01-RW1	EA	CABINET - OVERHEAD/GALLEY - W/O DOORS/HARDWARE - WASHED MAPLE
			FROM: 01-05-04 THRU: 99-99-99
3	145912-21-R13	EA	END CAP - OVERHEAD CABINET - PORTSMOUTH OAK
3	145912-21-R14	EA	END CAP - OVERHEAD CABINET - CONCERT CHERRY
3	145912-21-R21	EA	END CAP - OVERHEAD CABINET - WASHED MAPLE
			FROM: 00-00-00 THRU: 01-04-04
3	145912-21-RW1	EA	END CAP - OVERHEAD CABINET - WASHED MAPLE
			FROM: 01-05-04 THRU: 99-99-99
4	138425-01-02B	EA	BRACE/MICROWAVE CABINET - RIGHT HAND - E-COATED

**GALLEY GROUP (CONTINUED)**  
**CABINETS (CONTINUED)**

KEY	PART NUMBER	U/M	DESCRIPTION
5	140253-01-P13	EA	CABINET - OVERHEAD/MICROWAVE - W/O DOORS/HARDWARE - PORTSMOUTH OAK
5	140253-01-P14	EA	CABINET - OVERHEAD/MICROWAVE - W/O DOORS/HARDWARE - CONCERT CHERRY
5	140253-01-R21	EA	CABINET - OVERHEAD/MICROWAVE - W/O DOORS/HARDWARE - WASHED MAPLE FROM: 00-00-00 THRU: 01-04-04
5	140253-01-RW1	EA	CABINET - OVERHEAD/MICROWAVE - W/O DOORS/HARDWARE - WASHED MAPLE FROM: 01-05-04 THRU: 99-99-99
5	149584-01-S07	EA	CABINET ASM-OVHD,MICROWAVE - PORTSMOUTH OAK - CONVECTION
5	149584-01-S08	EA	CABINET ASM-OVHD,MICROWAVE - CONCERT CHERRY - CONVECTION
5	149584-01-S09	EA	CABINET ASM-OVHD,MICROWAVE - WASHED MAPLE - CONVECTION
	149420-01-02B	EA	BRACE - MICROWAVE - E-COATED FROM: 00-00-00 THRU: 01-21-04
	149420-06-02B	EA	BRACE - MICROWAVE - E-COATED FROM: 01-22-04 THRU: 99-99-99
	149420-02-02B	EA	BRACE - MICROWAVE - E-COATED FROM: 00-00-00 THRU: 01-21-04
	149420-05-02B	EA	BRACE - MICROWAVE - E-COATED FROM: 01-22-04 THRU: 99-99-99
6	P45798-01-R13	EA	CABINET - GALLEY - PORTSMOUTH OAK - SURROUND SOUND/OVEN
6	P45798-01-R14	EA	CABINET - GALLEY - CONCERT CHERRY - SURROUND SOUND/OVEN
6	P45798-01-RW1	EA	CABINET - GALLEY - WASHED MAPLE - SURROUND SOUND/OVEN
6	P45798-03-R13	EA	CABINET - GALLEY - PORTSMOUTH OAK - SURROUND SOUND/OVEN/2 WAY RADIO
6	P45798-03-R14	EA	CABINET - GALLEY - CONCERT CHERRY - SURROUND SOUND/OVEN/2 WAY RADIO
6	P45798-03-RW1	EA	CABINET - GALLEY - WASHED MAPLE - SURROUND SOUND/OVEN/2 WAY RADIO
6	P45798-05-R13	EA	CABINET - GALLEY - PORTSMOUTH OAK - SURROUND SOUND/COOK TOP
6	P45798-05-R14	EA	CABINET - GALLEY - CONCERT CHERRY - SURROUND SOUND/COOK TOP
6	P45798-05-RW3	EA	CABINET - GALLEY - WASHED MAPLE - SURROUND SOUND/COOK TOP
6	P45798-07-R13	EA	CABINET - GALLEY - PORTSMOUTH OAK - SURROUND SOUND/COOK TOP/2 WAY RADIO
6	P45798-07-R14	EA	CABINET - GALLEY - CONCERT CHERRY - SURROUND SOUND/COOK TOP/2 WAY RADIO
6	P45798-07-RW3	EA	CABINET - GALLEY - WASHED MAPLE - SURROUND SOUND/COOK TOP/2 WAY RADIO
7	141784-01-03A	EA	COUNTERTOP - EXTENSION - 1/4" VENDURA - QUARRY
8	137475-13-03A	EA	COUNTERTOP - 1/4" VENDURA - ROCKY MOUNTAIN HIGH
9	136126-01-P13	EA	CABINET - MONITOR PANEL - PORTSMOUTH OAK - WTR HTR-6 GAL/ELEC/LP/MOTORAID FROM: 00-00-00 THRU: 07-06-03
9	136126-03-R13	EA	CABINET - MONITOR PANEL - PORTSMOUTH OAK - WTR HTR-6 GAL/ELEC/LP/MOTORAID FROM: 07-07-03 THRU: 99-99-99
9	136126-01-P15	EA	CABINET - MONITOR PANEL- CONCERT CHERRY - WTR HTR-6 GAL/ELEC/LP/MOTORAID FROM: 00-00-00 THRU: 07-06-03
9	136126-03-P15	EA	CABINET - MONITOR PANEL- CONCERT CHERRY - WTR HTR-6 GAL/ELEC/LP/MOTORAID FROM: 07-07-03 THRU: 99-99-99
9	136126-01-P17	EA	CABINET - MONITOR PANEL- WASHED MAPLE - WTR HTR-6 GAL/ELEC/LP/MOTORAID FROM: 00-00-00 THRU: 07-06-03
9	136126-03-R17	EA	CABINET - MONITOR PANEL- WASHED MAPLE - WTR HTR-6 GAL/ELEC/LP/MOTORAID FROM: 07-07-03 THRU: 99-99-99
10	136126-02-P13	EA	CABINET - MONITOR PANEL - PORTSMOUTH OAK - WATER HEATER - ELEC.IGNITION
10	136126-02-P15	EA	CABINET - MONITOR PANEL- CONCERT CHERRY - WATER HEATER - ELEC.IGNITION
10	136126-02-P17	EA	CABINET - MONITOR PANEL- WASHED MAPLE - WATER HEATER - ELEC.IGNITION
11	P45798-02-R13	EA	CABINET - GALLEY - PORTSMOUTH OAK - OVEN
11	P45798-02-R14	EA	CABINET - GALLEY - CONCERT CHERRY - OVEN
11	P45798-02-RW1	EA	CABINET - GALLEY - WASHED MAPLE - OVEN
11	P45798-04-R13	EA	CABINET - GALLEY - PORTSMOUTH OAK - OVEN/2 WAY RADIO
11	P45798-04-R14	EA	CABINET - GALLEY - CONCERT CHERRY - OVEN/2 WAY RADIO
11	P45798-04-RW1	EA	CABINET - GALLEY - WASHED MAPLE - OVEN/2 WAY RADIO
11	P45798-06-R13	EA	CABINET - GALLEY - PORTSMOUTH OAK -COOK TOP
11	P45798-06-R14	EA	CABINET - GALLEY - CONCERT CHERRY -COOK TOP
11	P45798-06-RW3	EA	CABINET - GALLEY - WASHED MAPLE -COOK TOP
11	P45798-08-R13	EA	CABINET - GALLEY - PORTSMOUTH OAK -COOK TOP/2 WAY RADIO
11	P45798-08-R14	EA	CABINET - GALLEY - CONCERT CHERRY -COOK TOP/2 WAY RADIO
11	P45798-08-RW3	EA	CABINET - GALLEY - WASHED MAPLE -COOK TOP/2 WAY RADIO

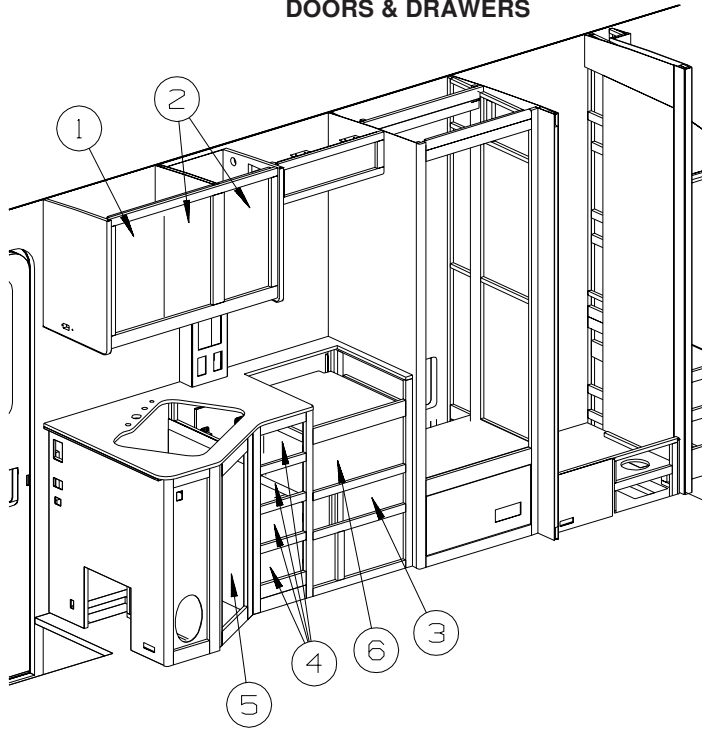
**GALLEY GROUP (CONTINUED)**  
**CABINETS (CONTINUED)**



KEY	PART NUMBER	U/M	DESCRIPTION
1	093614-02-02A	EA	GRILLE - AIR RETURN - 9.9" X 9.9" - BEIGE
2	137489-02-03A	EA	COVER - SINK/SMALL - 9.6" X 15.7" - 1/4" VENDURA/QUARRY
3	137489-01-03A	EA	COVER - SINK/LARGE - 13.8" X 17" - 1/4" VENDURA/QUARRY

## GALLEY GROUP (CONTINUED)

### DOORS & DRAWERS



KEY	PART NUMBER	U/M	DESCRIPTION
1	134868-42-R19	EA	DOOR - RAIL/ARCHED TOP - 11.4" X 21.8" - W/O HARDWARE - PORTSMOUTH OAK FROM: 00-00-00 THRU: 08-10-03
1	141518-58-R19	EA	DOOR - ARCHED/PENCIL EDGE/LEFT HAND-11.2" X 21.8"-W/O HDW - PORTSMOUTH OAK FROM: 08-11-03 THRU: 99-99-99
1	134868-42-R20	EA	DOOR - RAIL/ARCHED TOP - 11.4" X 21.8" - W/O HARDWARE - CONCERT CHERRY FROM: 00-00-00 THRU: 08-10-03
1	141518-58-R20	EA	DOOR - ARCHED/PENCIL EDGE/LEFT HAND-11.2" X 21.8"-W/O HDW - CONCERT CHERRY FROM: 08-11-03 THRU: 99-99-99
1	134868-42-R21	EA	DOOR - RAIL/ARCHED TOP - 11.4" X 21.8" - W/O HARDWARE - WASHED MAPLE FROM: 00-00-00 THRU: 08-10-03
1	141518-58-R21	EA	DOOR - ARCHED/PENCIL EDGE/LEFT HAND-11.2" X 21.8"-W/O HDW - WASHED MAPLE FROM: 08-11-03 THRU: 99-99-99
2	134868-41-R19	EA	DOOR - RAIL/ARCHED TOP - 11.4" X 21.8" - W/O HARDWARE - PORTSMOUTH OAK FROM: 00-00-00 THRU: 08-10-03
2	141520-58-R19	EA	DOOR - ARCHED/PENCIL EDGE/RIGHT HAND -11.4"X21.8"- W/O HDW - PORTSMOUTH OAK FROM: 08-11-03 THRU: 99-99-99
2	134868-41-R20	EA	DOOR - RAIL/ARCHED TOP - 11.4" X 21.8" - W/O HARDWARE - CONCERT CHERRY FROM: 00-00-00 THRU: 08-10-03
2	141520-58-R20	EA	DOOR - ARCHED/PENCIL EDGE/RIGHT HAND -11.4"X21.8"- W/O HDW - CONCERT CHERRY FROM: 08-11-03 THRU: 99-99-99
2	134868-41-R21	EA	DOOR - RAIL/ARCHED TOP - 11.4" X 21.8" - W/O HARDWARE - WASHED MAPLE FROM: 00-00-00 THRU: 08-10-03
2	141520-58-R21	EA	DOOR - ARCHED/PENCIL EDGE/RIGHT HAND -11.4"X21.8"- W/O HDW - WASHED MAPLE FROM: 08-11-03 THRU: 99-99-99
3	134870-03-N47	EA	DRAWER - PENCIL EDGE - 20.2"W X 15.7"D - PORTSMOUTH OAK - RANGE 3-BURNR W/OVEN FROM: 00-00-00 THRU: 01-23-04
3	145386-03-R74	EA	DRAWER - PENCIL EDGE-20.2"W X 15.7"D - PORTSMOUTH OAK - RANGE 3-BURNR W/OVEN FROM: 01-24-04 THRU: 99-99-99
3	134870-03-M85	EA	DRAWER - PENCIL EDGE - 20.2"W X 15.7"D - CONCERT CHERRY - RANGE 3-BURNR W/OVEN FROM: 00-00-00 THRU: 01-23-04
3	145386-03-R75	EA	DRAWER - PENCIL EDGE-20.2"W X 15.7"D - CONCERT CHERRY - RANGE 3-BURNR W/OVEN FROM: 01-24-04 THRU: 99-99-99
3	134870-03-M84	EA	DRAWER - PENCIL EDGE - 20.2"W X 15.7"D - WASHED MAPLE - RANGE 3-BURNR W/OVEN FROM: 00-00-00 THRU: 01-23-04
3	145386-03-R76	EA	DRAWER - PENCIL EDGE-20.2"W X 15.7"D - WASHED MAPLE - RANGE 3-BURNR W/OVEN FROM: 01-24-04 THRU: 99-99-99

**GALLEY GROUP (CONTINUED)**  
**DOORS & DRAWERS (CONTINUED)**

<b>KEY</b>	<b>PART NUMBER</b>	<b>U/M</b>	<b>DESCRIPTION</b>
4	134870-01-N47	EA	DRAWER - PENCIL EDGE - 9.6"W X 15.7"D - W/O SLIDES/HDW - PORTSMOUTH OAK FROM: 00-00-00 THRU: 01-23-04
4	145386-01-S16	EA	DRAWER - PENCIL EDGE-9.6"W X 15.7"D - W/O SLIDES/HDW - PORTSMOUTH OAK FROM: 01-24-04 THRU: 99-99-99
4	134870-01-R20	EA	DRAWER - PENCIL EDGE - 9.6"W X 15.7"D - W/O SLIDES/HDW - CONCERT CHERRY FROM: 00-00-00 THRU: 01-23-04
4	145386-01-R20	EA	DRAWER - PENCIL EDGE-9.6"W X 15.7"D - W/O SLIDES/HDW - CONCERT CHERRY FROM: 01-24-04 THRU: 99-99-99
4	134870-01-R21	EA	DRAWER - PENCIL EDGE - 9.6"W X 15.7"D - W/O SLIDES/HDW - WASHED MAPLE FROM: 00-00-00 THRU: 01-23-04
4	145386-01-R21	EA	DRAWER - PENCIL EDGE-9.6"W X 15.7"D - W/O SLIDES/HDW - WASHED MAPLE FROM: 01-24-04 THRU: 99-99-99
5	136919-95-R19	EA	DOOR - FLAT/PENCIL EDGE - 13.6" X 30.3" - PORTSMOUTH OAK
5	136919-95-R20	EA	DOOR - FLAT/PENCIL EDGE - 13.6" X 30.3" - CONCERT CHERRY
5	136919-95-R21	EA	DOOR - FLAT/PENCIL EDGE - 13.6" X 30.3" - WASHED MAPLE
6	145492-X7-R30	EA	DRAWER - PENCIL EDGE - 19.8"W X 11.8"D - PORTSMOUTH OAK - RANGE TOP 3-BURNER
6	145492-X7-R20	EA	DRAWER - PENCIL EDGE - 19.8"W X 11.8"D - CONCERT CHERRY - RANGE TOP 3-BURNER
6	145492-X7-R24	EA	DRAWER - PENCIL EDGE - 19.8"W X 11.8"D - WASHED MAPLE - RANGE TOP 3-BURNER

# GENERATOR GROUP

GAS

## 430V

KEY	PART NUMBER	U/M	DESCRIPTION
	109982-03-000	EA	GENERATOR - 4.0 MICROLITE
	007131-01-000	EA	HANGER - TAILPIPE - 6 SLOTS
	143954-01-000	EA	PIPE - EXHAUST - GENERATOR
	007125-04-000	EA	CLAMP - MUFFLER - 1.12" DIAMETER
	007125-03-000	EA	CLAMP - MUFFLER - 1.5" DIAMETER

FROM: 04-23-03 THRU: 99-99-99

## 427P & 431C

KEY	PART NUMBER	U/M	DESCRIPTION
	109982-03-000	EA	GENERATOR - 4.0 MICROLITE
	007131-01-000	EA	HANGER - TAILPIPE - 6 SLOTS
	105958-26-000	EA	PIPE - EXHAUST - GENERATOR
	007125-04-000	EA	CLAMP - MUFFLER - 1.12" DIAMETER

**HEATING & A/C GROUP  
FURNACE**

**427P**

<b>KEY</b>	<b>PART NUMBER</b>	<b>U/M</b>	<b>DESCRIPTION</b>
*	139980-02-000	EA	FURNACE - 30000 BTU - SF QUIET - SUBURBAN SF-30 2321J
	137965-01-01A	EA	REGISTER - 2.25" X 10" - W/O DAMPER - ANTIQUE BRASS
	137965-02-01A	EA	REGISTER - 2.25" X 10" - W/DAMPER - ANTIQUE BRASS
	009200-01-000	EA	TAPE - FURNACE - 1 1/2"
	093741-01-000	EA	BOX - BOOT - FLOOR REGISTER
	098668-26-000	EA	BOTTOM DUCT KIT - 40,000 BTU

**\*COMPONENT PARTS LISTED LATER IN THIS GROUP**

**430V**

<b>KEY</b>	<b>PART NUMBER</b>	<b>U/M</b>	<b>DESCRIPTION</b>
*	139980-02-000	EA	FURNACE - 30000 BTU - SF QUIET - SUBURBAN SF-30 2321J
	137965-01-01A	EA	REGISTER - 2.25" X 10" - W/O DAMPER - ANTIQUE BRASS
	137965-02-01A	EA	REGISTER - 2.25" X 10" - W/DAMPER - ANTIQUE BRASS
	009200-01-000	EA	TAPE - FURNACE - 1 1/2"
	098668-15-000	EA	PLATE - FACE - SUBURBAN FURNACE

**\*COMPONENT PARTS LISTED LATER IN THIS GROUP**

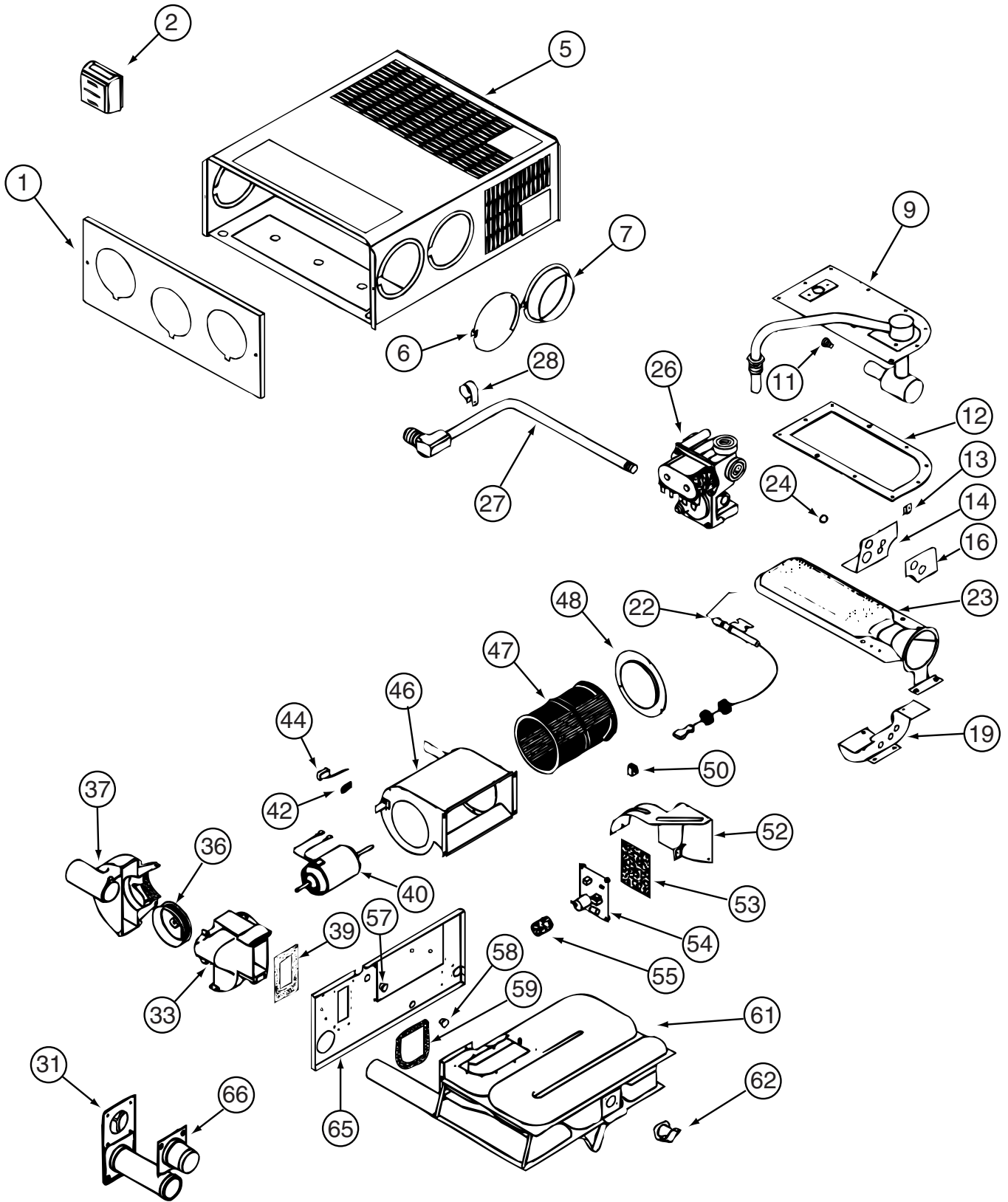
**431C**

<b>KEY</b>	<b>PART NUMBER</b>	<b>U/M</b>	<b>DESCRIPTION</b>
*	139980-02-000	EA	FURNACE - 30000 BTU - SF QUIET - SUBURBAN SF-30 2321J
	137965-01-01A	EA	REGISTER - 2.25" X 10" - W/O DAMPER - ANTIQUE BRASS
	137965-02-01A	EA	REGISTER - 2.25" X 10" - W/DAMPER - ANTIQUE BRASS
	009200-01-000	EA	TAPE - FURNACE - 1 1/2"
	093741-01-000	EA	BOX - BOOT - FLOOR REGISTER
	098668-26-000	EA	BOTTOM DUCT KIT - 40,000 BTU

**\*COMPONENT PARTS LISTED LATER IN THIS GROUP**



HEATING & A/C GROUP (CONTINUED)  
COMPONENT PARTS FOR FURNACE



139980-02-000

**HEATING & A/C GROUP (CONTINUED)**  
**COMPONENT PARTS FOR FURNACE (CONTINUED)**

**139980-02-000 (CONTNUED)**

<b>KEY</b>	<b>PART NUMBER</b>	<b>U/M</b>	<b>DESCRIPTION</b>	<b>VENDOR NO.</b>
9	139980-01-700	EA	MANIFOLD ASSEMBLY	171571
11	092300-02-701	EA	ORIFICE-MAIN BURNER (NT-30BW	180214
12	098668-22-703	EA	GASKET - BURNER ACCESS COVER	070811
22	139980-01-701	EA	ELECTRODE	232286
23	098668-02-700	EA	BURNER ASSEMBLY,SF-30 & SF35	010745
26	098668-01-718	EA	VALVE-GAS SF S.N.974903079	161122
27	139980-01-702	EA	PIPE ASSEMBLY/GAS INLET	171574
31	098668-01-707	EA	TUBE ASSEMBLY, EXHAUST W/CAP	260231
33	139980-01-703	EA	COMBUSTION AIR HOUS FRT/HALF	390852
36	098668-01-706	EA	WHEEL-COMBUSTION AIR	350184
37	139980-01-704	EA	COMBUSTION AIR HOUS RR HALF	390848
39	139980-01-705	EA	GASKET/FIREWALL-COMB AIR	071084
40	139980-01-706	EA	MOTOR ASSEMBLY W/GASKET	232682
42	101990-01-714	EA	GASKET-MICROSWITCH	230877
44	098668-21-700	EA	SWITCH-MICRO-W/O FLAG 3 1/4"	232261
46	139980-01-708	EA	BLOWER ASSEMBLY - ROOM AIR	390739BK
47	098668-01-711	EA	WHEEL-BLOWER, ROOM AIR	350129
48	139980-01-709	EA	ORFICE RING	390696
50	139980-01-710	EA	SWITCH - ON/OFF	232351
52	139980-01-711	EA	PANEL ASSEMBLY-MODULE BD	101663
53	139980-01-712	EA	INSULATOR - MODULE BD	070807
54	098668-22-705	EA	MODULE BD W/RELAY TIME DELAY	520820
55	139980-01-713	EA	CAP/INSULATOR-MODULE BD	070973
57	139980-01-714	EA	BUSHING - UNIVERSAL	070362
58	139980-01-715	EA	BUSHING - STRAIN RELIEF	231809
59	098668-01-716	EA	GASKET-FIREWALL,CHAMBER SIDE	070808
61	139980-01-716	EA	CHAMBER ASSEMBLY - FINAL	021149BK
62	098668-21-701	EA	SWITCH - LIMIT	232504
66	098668-01-713	EA	TUBE ASSEMBLY, INTAKE	051248

CONTACT WINNEBAGO PART SALES FOR UNLISTED COMPONENTS

## HEATING & A/C GROUP (CONTINUED)

### REAR HEATER

#### 427P

KEY	PART NUMBER	U/M	DESCRIPTION
*	084405-01-000	EA	HEATER - REAR/DUCTED - W/MOTOR AID
	137965-01-01A	EA	REGISTER - 2.25" X 10" - W/O DAMPER - ANTIQUE BRASS
	009198-01-000	FT	DUCT - HEAT - FLEXIBLE - 4" ID X 25'
	069636-02-000	EA	CONNECTOR - DUCT - 4" ID
	007108-01-000	FT	HOSE - HEATER - 5/8" ID - HI-TEMP
	079059-01-000	EA	HOSE - 90 DEGREE - 5/8"ID X 4" X 36"
	079059-02-000	EA	HOSE - 90 DEGREE - .61" ID X 4" X 6"
	093741-01-000	EA	BOX - BOOT - FLOOR REGISTER
	076776-01-000	EA	TEE - BEADED - 5/8" X 5/8" X 5/8"

\*COMPONENT PARTS LISTED LATER IN THIS GROUP

#### 430V

KEY	PART NUMBER	U/M	DESCRIPTION
*	084405-01-000	EA	HEATER - REAR/DUCTED - W/MOTOR AID
	118761-01-000	EA	REDUCER - 4' - 2" - GALVANIZED
	009198-01-000	FT	DUCT - HEAT - FLEXIBLE - 4" ID X 25'
	009198-02-000	FT	DUCT - HEAT - FLEXIBLE - 2" ID X 25'
	069636-02-000	EA	CONNECTOR - DUCT - 4" ID
	007108-01-000	FT	HOSE - HEATER - 5/8" ID - HI-TEMP
	079059-01-000	EA	HOSE - 90 DEGREE - 5/8"ID X 4" X 36"
	093614-01-02A	EA	GRILLE - AIR RETURN - 15.9" X 7.9" - BEIGE
	076776-01-000	EA	TEE - BEADED - 5/8" X 5/8" X 5/8"

\*COMPONENT PARTS LISTED LATER IN THIS GROUP

#### 431C

KEY	PART NUMBER	U/M	DESCRIPTION
*	084405-01-000	EA	HEATER - REAR/DUCTED - W/MOTOR AID
	137965-01-01A	EA	REGISTER - 2.25" X 10" - W/O DAMPER - ANTIQUE BRASS
	009198-01-000	FT	DUCT - HEAT - FLEXIBLE - 4" ID X 25'
	069636-02-000	EA	CONNECTOR - DUCT - 4" ID
	007108-01-000	FT	HOSE - HEATER - 5/8" ID - HI-TEMP
	079059-01-000	EA	HOSE - 90 DEGREE - 5/8"ID X 4" X 36"
	079059-02-000	EA	HOSE - 90 DEGREE - .61" ID X 4" X 6"
	093741-01-000	EA	BOX - BOOT - FLOOR REGISTER
	076776-01-000	EA	TEE - BEADED - 5/8" X 5/8" X 5/8"

\*COMPONENT PARTS LISTED LATER IN THIS GROUP

**HEATING & A/C GROUP (CONTINUED)**  
**COMPONENT PARTS FOR REAR HEATER**

084405-01-000

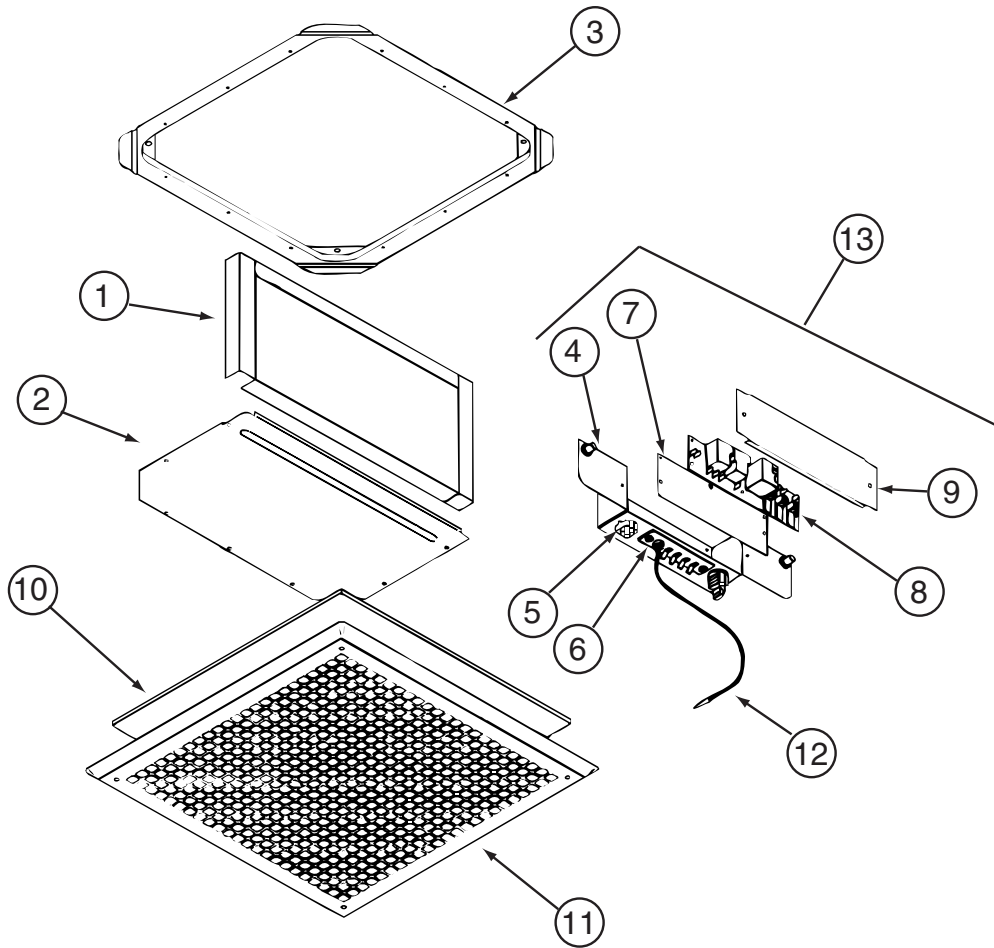
<b>KEY</b>	<b>PART NUMBER</b>	<b>U/M</b>	<b>DESCRIPTION</b>	<b>VENDOR NO.</b>
	084405-01-700	EA	CORE-HEATER	FT200229
	084405-01-701	EA	FAN BLADES	HV029931
	084405-01-702	EA	MOTOR ASSEMBLY, 12 VOLT	RV010348

**HEATING & A/C GROUP (CONTINUED)**  
**ROOF**

<b>KEY</b>	<b>PART NUMBER</b>	<b>U/M</b>	<b>DESCRIPTION</b>
*	131184-01-01A	EA	CEILING ASSEMBLY - A/C DUCTED - WHITE
*	131184-05-01A	EA	CEILING ASSEMBLY - HEAT PUMP - WHITE
*	131188-03-01A	EA	A/C/ROOF - 14,800 BTU/MACH 15 - NEW MODEL #8335B676 - WHT
*	131188-04-01A	EA	A/C/ROOF - 14,800 BTU/HEAT PUMP - NEW MODEL #8535B676- WHT
	131184-02-01A	EA	BOARD - DIVIDER - SILVER
	135618-01-01A	EA	THERMOSTAT - HEAT PUMP/FURNACE - WHITE
	135618-03-01A	EA	THERMOSTAT - A/C/FURNACE - WHITE
	120134-01-02A	EA	REGISTER - W/DAMPER - 4" PIPE/6.4" O.D. FACE - WHITE

**\*COMPONENT PARTS LISTED LATER IN THIS GROUP**

**HEATING & A/C GROUP (CONTINUED)**  
**COMPONENT PARTS FOR ROOF**

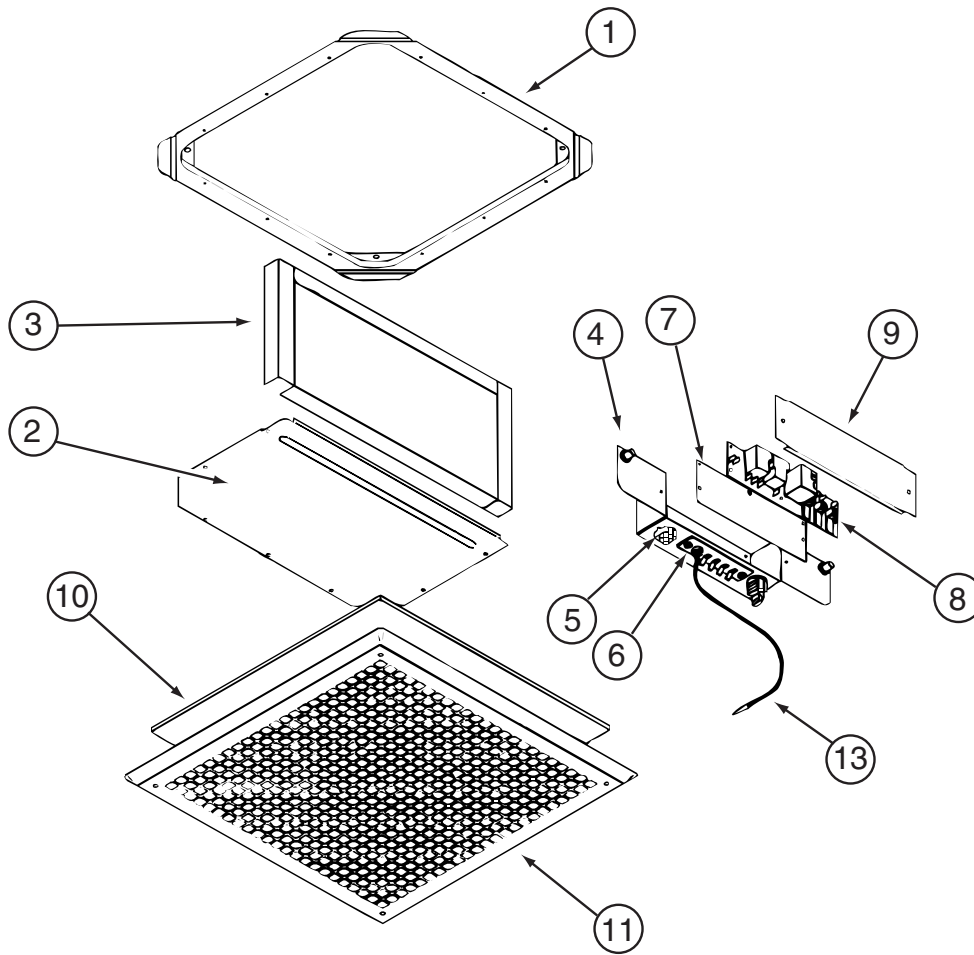


**131184-01-01A**

KEY	PART NUMBER	U/M	DESCRIPTION	VENDOR NO.
1	131184-01-707	EA	DUCT DIVIDER	8330-3501
5	131184-01-700	EA	PLUG ASSEMBLY	7330A389
6	131184-01-701	EA	TERMINAL BOARD	7330B3201
7	131184-01-702	EA	ISOLATOR - BLANK	7330C365
8	108892-01-702	EA	BOARD-P.C.	7330A3211
10	108892-01-703	EA	FILTER	6798A3761
11	108892-01-704	EA	GRILLE 16 3/8X16 3/8 RETURN	6798-3041
12	131184-01-704	EA	COIL SENSOR	7330-6111
13	131184-01-705	EA	JUNCTION BOX ASSEMBLY	7330B5551
	131184-01-703	EA	SMALL PARTS PKG	8330-5961

CONTACT WINNEBAGO PART SALES FOR UNLISTED COMPONENTS

**HEATING & A/C GROUP (CONTINUED)**  
**COMPONENT PARTS FOR ROOF (CONTINUED)**

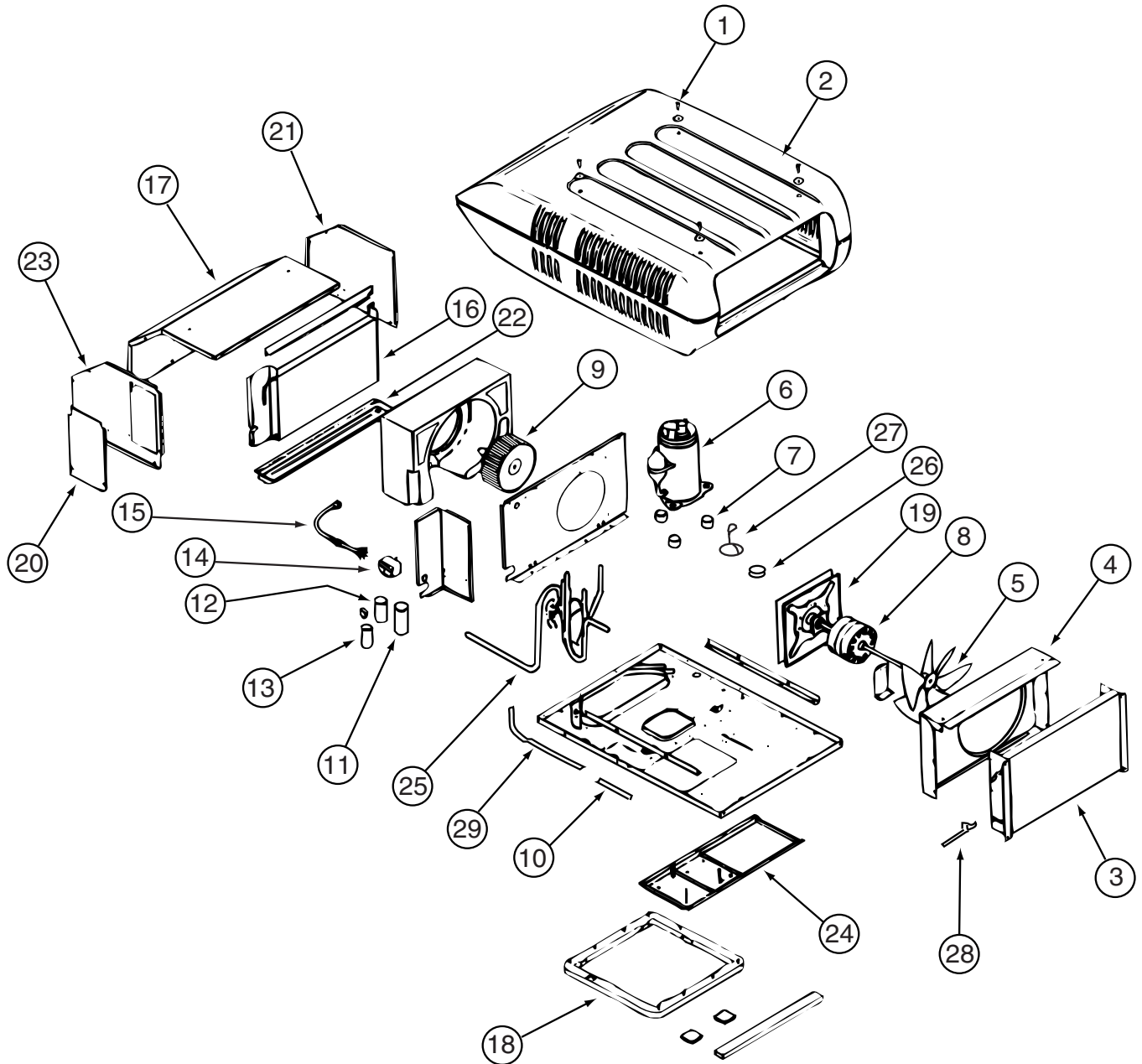


131184-05-01A

KEY	PART NUMBER	U/M	DESCRIPTION	VENDOR NO.
4	131184-04-703	EA	BOX - JUNCTION	7330-113
5	131184-04-700	EA	PLUG ASSEMBLY	7530A340
6	131184-04-702	EA	BOARD - TERMINAL	7530B3201
7	131184-01-702	EA	ISOLATOR - BLANK	7330C365
8	131184-04-705	EA	BOARD - P.C.	7330B3311
10	108892-01-703	EA	FILTER	6798A3761
11	108892-01-704	EA	GRILLE 16 3/8X16 3/8 RETURN	6798-3041
13	105620-12-719	EA	COIL SENSOR	7330A3231
	131184-01-703	EA	SMALL PARTS PKG	8330-5961

CONTACT WINNEBAGO PART SALES FOR UNLISTED COMPONENT

**HEATING & A/C GROUP (CONTINUED)**  
**COMPONENT PARTS FOR ROOF (CONTINUED)**



131188-03-01A

KEY	PART NUMBER	U/M	DESCRIPTION	VENDOR NO.
2	108889-05-700	EA	SHROUD-BRIGHT/WHT. W/O LOGO	7333-4601
3	115219-01-700	EA	COIL-CONDENSER	1452A1321
5	093763-01-712	EA	BLADE-FAN-CONDENSER	6733-3221
6	131188-01-700	EA	COMPRESSOR - TECUMSEH	1450A2609
7	105620-01-706	EA	MOUNTING PKG.,COMP., 3 PER	6759-3081
8	131185-01-701	EA	MOTOR (115V, 60HZ)	1468-3069
9	131185-01-702	EA	BLOWER WHEEL PACKAGE	1472-1091
11	131188-01-701	EA	RUN CAP. (COMP-40MFD/370V)	1499-5721
12	108889-01-708	EA	CAPACITOR-FAN, 7.5MFD. 370U	1499-5461
13	126859-01-704	EA	CAPACITOR - START	1497-0871
14	091225-01-709	EA	RELAY-START	1497-4131
16	131186-01-701	EA	EVAPORATOR COIL	1452-1521
18	037648-01-714	EA	GASKET PACKAGE	8332-3301
19	131185-01-704	EA	MOTOR MOUNT & SEAL KIT	8333-5151
	093306-01-701	EA	DECAL PACKAGE, LEFT & RIGHT	6798B3591
	108889-01-710	EA	PAD-FILLER, CONDENSER SEAL	6759B3971
	131188-01-702	EA	LINE - SUCTION	7335A134
	131188-01-703	EA	LINE - DISCHARGE	7335A135

CONTACT WINNEBAGO PART SALES FOR UNLISTED COMPONENT



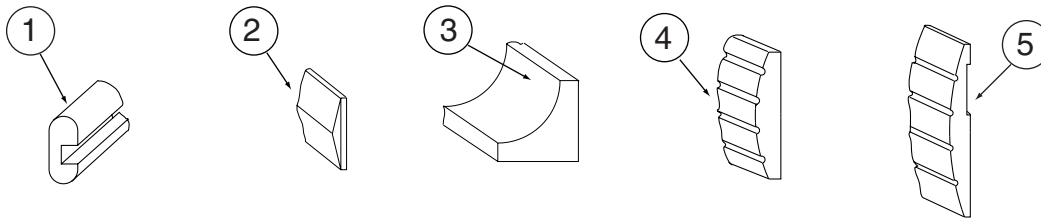
**HEATING & A/C GROUP (CONTINUED)**  
**COMPONENT PARTS FOR ROOF (CONTINUED)**

131188-04-01A

KEY	PART NUMBER	U/M	DESCRIPTION	VENDOR NO.
3	131188-02-700	EA	CONDENSER COIL	1452-1441
5	093763-01-712	EA	BLADE-FAN-CONDENSER	6733-3221
6	131188-02-701	EA	COMPRESSOR(TECUMSEH-RK225AT)	1450A2069
7	105620-01-706	EA	MOUNTING PKG.,COMP., 3 PER	6759-3081
8	131185-01-701	EA	MOTOR (115V, 60HZ)	1468-3069
9	131185-01-702	EA	BLOWER WHEEL PACKAGE	1472-1091
10	131188-02-702	EA	RESTRICTOR - BY FLOW	1454-2501
11	131188-01-701	EA	RUN CAP. (COMP-40MFD/370V)	1499-5721
12	093763-01-704	EA	CAPACITOR-FAN	1499-5461
13	131188-02-703	EA	CAPACITOR-START(21-25MFD)	1497-0211
14	091225-01-709	EA	RELAY-START	1497-4131
16	131186-01-701	EA	EVAPORATOR COIL	1452-1521
18	037648-01-714	EA	GASKET PACKAGE	8332-3301
19	131185-01-704	EA	MOTOR MOUNT & SEAL KIT	8333-5151
25	131188-02-704	EA	VALVE/REVERSE ASSEMBLY	7535A5301
26	105620-12-708	EA	COIL - SOLENOID	1460-1081
27	131188-02-705	EA	WIRE HARNESS F/SOLENOID	7535-109
28	131188-02-706	EA	SWITCH - FREEZE	1460-2041
29	131188-02-707	EA	LIQUID LINE	7535-135

CONTACT WINNEBAGO PART SALES FOR UNLISTED COMPONENT

## INTERIOR FINISH GROUP MOLDINGS & TRIMS

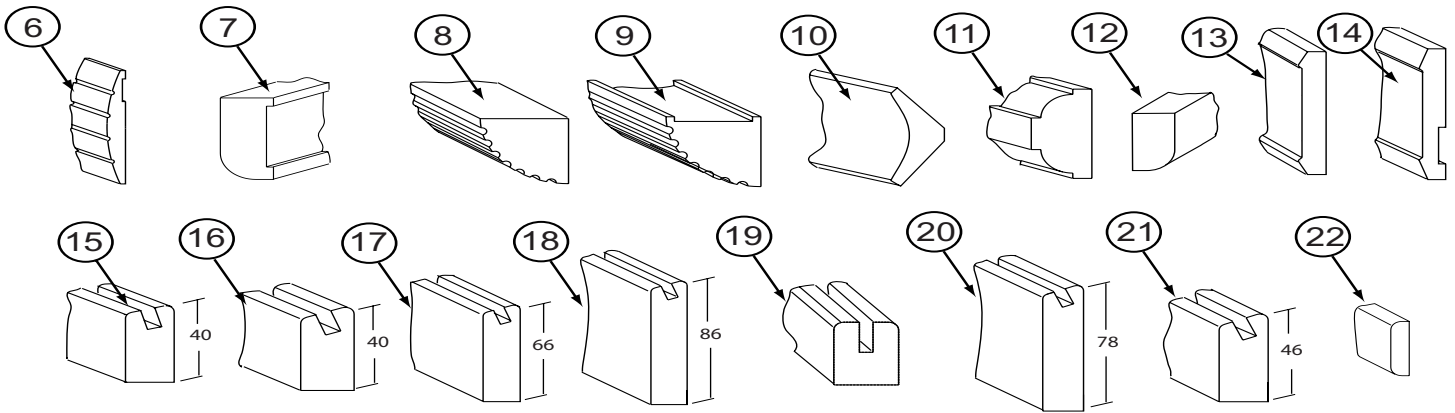


KEY	PART NUMBER	U/M	DESCRIPTION
1	M09412-62-N42	EA	MOLDING/SHELF EDGE - W/.4" NOTCH - PORTSMOUTH II - PORTSMOUTH OAK
1	M09412-62-M52	EA	MOLDING/SHELF EDGE - W/.4" NOTCH - CHERRY IV - CONCERT CHERRY
1	M09412-62-M62	EA	MOLDING/SHELF EDGE - W/.4" NOTCH - WASHED MAPLE
1	M09412-62-RC3	EA	MOLDING/SHELF EDGE - W/.4" NOTCH - .6" X 1.3" X 96" - HONEY CHERRY
2	M09454-62-P54	EA	MOLDING - TRIM/VEE - .2" X 1" X 3.5" - OAK - PORTSMOUTH OAK
2	M09454-62-P55	EA	MOLDING - TRIM/VEE - .2" X 1" X 3.5" - CHERRY - CONCERT CHERRY
2	M09454-62-P56	EA	MOLDING - TRIM/VEE - .2" X 1" X 3.5" - MAPLE - WASHED MAPLE
2	M09454-62-RE0	EA	MOLDING - TRIM/VEE - .2" X 1" X 3.5" - CHERRY - HONEY CHERRY
2	M09462-50-R74	EA	MOLDING - TRIM/VEE - .2" X 1" X 93.5" - PORTSMOUTH OAK
2	M09462-50-R75	EA	MOLDING - TRIM/VEE - .2" X 1" X 93.5" - CONCERT CHERRY
2	M09462-50-R76	EA	MOLDING - TRIM/VEE - .2" X 1" X 93.5" - WASHED MAPLE
2	M09477-18-R83	EA	MOLDING - TRIM/VEE - .2" X 1" X 32" - OAK - PORTSMOUTH OAK
2	M09477-18-R84	EA	MOLDING - TRIM/VEE - .2" X 1" X 32" - CHERRY - CONCERT CHERRY
2	M09477-18-R91	EA	MOLDING - TRIM/VEE - .2" X 1" X 32" - MAPLE - WASHED MAPLE
2	M09477-18-RE0	EA	MOLDING - TRIM/VEE - .2" X 1" X 32" - CHERRY - HONEY CHERRY
3	M09471-79-R38	EA	MOLDING-STAINED - PORTSMOUTH OAK
3	M09471-79-R39	EA	MOLDING-STAINED - CONCERT CHERRY
3	M09471-79-R46	EA	MOLDING-STAINED - WASHED MAPLE
3	M09471-79-RE0	EA	MOLDING-STAINED - HONEY CHERRY
4	P39129-01-N53	EA	MOLDING - FLUTED/CURVED - 3.5" X 44.5" - PORTSMOUTH OAK
4	P39129-01-N52	EA	MOLDING - FLUTED/CURVED - 3.5" X 44.5" - CONCERT CHERRY
4	P39129-01-N62	EA	MOLDING - FLUTED/CURVED - 3.5" X 44.5" - WASHED MAPLE
4	P39129-01-RA3	EA	MOLDING - FLUTED/CURVED - 3.5" X 44.5" - HONEY CHERRY
4	P39129-08-N53	EA	MOLDING - FLUTED/CURVED - 3.5" X 45.5" - PORTSMOUTH OAK
4	P39129-08-N52	EA	MOLDING - FLUTED/CURVED - 3.5" X 45.5" - CONCERT CHERRY
4	P39129-08-N62	EA	MOLDING - FLUTED/CURVED - 3.5" X 45.5" - WASHED MAPLE
4	P39129-08-RA3	EA	MOLDING - FLUTED/CURVED - 3.5" X 45.5" - HONEY CHERRY
4	P39129-14-PA0	EA	MOLDING - FLUTED/CURVED - 3.5" X 40.8" - PORTSMOUTH OAK
4	P39129-14-PA1	EA	MOLDING - FLUTED/CURVED - 3.5" X 40.8" - CONCERT CHERRY
4	P39129-14-PA2	EA	MOLDING - FLUTED/CURVED - 3.5" X 40.8" - WASHED MAPLE
4	P39129-14-RA3	EA	MOLDING - FLUTED/CURVED - 3.5" X 40.8" - HONEY CHERRY
4	P39129-20-PA0	EA	MOLDING - FLUTED/CURVED - 3.5" X 33.4" - PORTSMOUTH OAK
4	P39129-20-PA1	EA	MOLDING - FLUTED/CURVED - 3.5" X 33.4" - CONCERT CHERRY
4	P39129-20-PA2	EA	MOLDING - FLUTED/CURVED - 3.5" X 33.4" - WASHED MAPLE
4	P39129-20-RA3	EA	MOLDING - FLUTED/CURVED - 3.5" X 33.4" - HONEY CHERRY
4	P39129-25-PA0	EA	MOLDING - FLUTED/CURVED - 3.5" X 46.6" - PORTSMOUTH OAK
4	P39129-25-PA1	EA	MOLDING - FLUTED/CURVED - 3.5" X 46.6" - CONCERT CHERRY
4	P39129-25-PA2	EA	MOLDING - FLUTED/CURVED - 3.5" X 46.6" - WASHED MAPLE
4	P39129-25-RA3	EA	MOLDING - FLUTED/CURVED - 3.5" X 46.6" - HONEY CHERRY
4	P39129-31-PA0	EA	MOLDING - FLUTED/CURVED - 3.5" X 80.7" - PORTSMOUTH OAK
4	P39129-31-PA1	EA	MOLDING - FLUTED/CURVED - 3.5" X 80.7" - CONCERT CHERRY
4	P39129-31-PA2	EA	MOLDING - FLUTED/CURVED - 3.5" X 80.7" - WASHED MAPLE
4	P39129-31-RA3	EA	MOLDING - FLUTED/CURVED - 3.5" X 80.7" - HONEY CHERRY
4	P39129-32-RA0	EA	MOLDING - FLUTED/CURVED - 3.5" X 99.2" - PORTSMOUTH OAK
4	P39129-32-RA1	EA	MOLDING - FLUTED/CURVED - 3.5" X 99.2" - CONCERT CHERRY
4	P39129-32-RA2	EA	MOLDING - FLUTED/CURVED - 3.5" X 99.2" - WASHED MAPLE
4	P39129-32-RA3	EA	MOLDING - FLUTED/CURVED - 3.5" X 99.2" - HONEY CHERRY
4	P39129-33-RA0	EA	MOLDING - FLUTED/CURVED - 3.5" X 98.58" - PORTSMOUTH OAK
4	P39129-33-RA1	EA	MOLDING - FLUTED/CURVED - 3.5" X 98.58" - CONCERT CHERRY
4	P39129-33-RA2	EA	MOLDING - FLUTED/CURVED - 3.5" X 98.58" - WASHED MAPLE
4	P39129-33-RA3	EA	MOLDING - FLUTED/CURVED - 3.5" X 98.58" - HONEY CHERRY

## INTERIOR FINISH GROUP (CONTINUED)

### MOLDINGS & TRIMS (CONTINUED)

KEY	PART NUMBER	U/M	DESCRIPTION
5	P39129-19-PA0	EA	MOLDING - FLUTED/CURVED - 5.9" X 32.1" - PORTSMOUTH OAK
5	P39129-19-PA1	EA	MOLDING - FLUTED/CURVED - 5.9" X 32.1" - CONCERT CHERRY
5	P39129-19-PA2	EA	MOLDING - FLUTED/CURVED - 5.9" X 32.1" - WASHED MAPLE
5	P39129-19-RA3	EA	MOLDING - FLUTED/CURVED - 5.9" X 32.1" - HONEY CHERRY
5	P39129-28-PA0	EA	MOLDING - FLUTED/CURVED - 5.9" X 63.3" - PORTSMOUTH OAK
5	P39129-28-PA1	EA	MOLDING - FLUTED/CURVED - 5.9" X 63.3" - CONCERT CHERRY
5	P39129-28-PA2	EA	MOLDING - FLUTED/CURVED - 5.9" X 63.3" - WASHED MAPLE
5	P39129-28-RA3	EA	MOLDING - FLUTED/CURVED - 5.9" X 63.3" - HONEY CHERRY
5	P39129-29-PA0	EA	MOLDING - FLUTED/CURVED - 5.9" X 70.1" - PORTSMOUTH OAK
5	P39129-29-PA1	EA	MOLDING - FLUTED/CURVED - 5.9" X 70.1" - CONCERT CHERRY
5	P39129-29-PA2	EA	MOLDING - FLUTED/CURVED - 5.9" X 70.1" - WASHED MAPLE
5	P39129-29-RA3	EA	MOLDING - FLUTED/CURVED - 5.9" X 70.1" - HONEY CHERRY

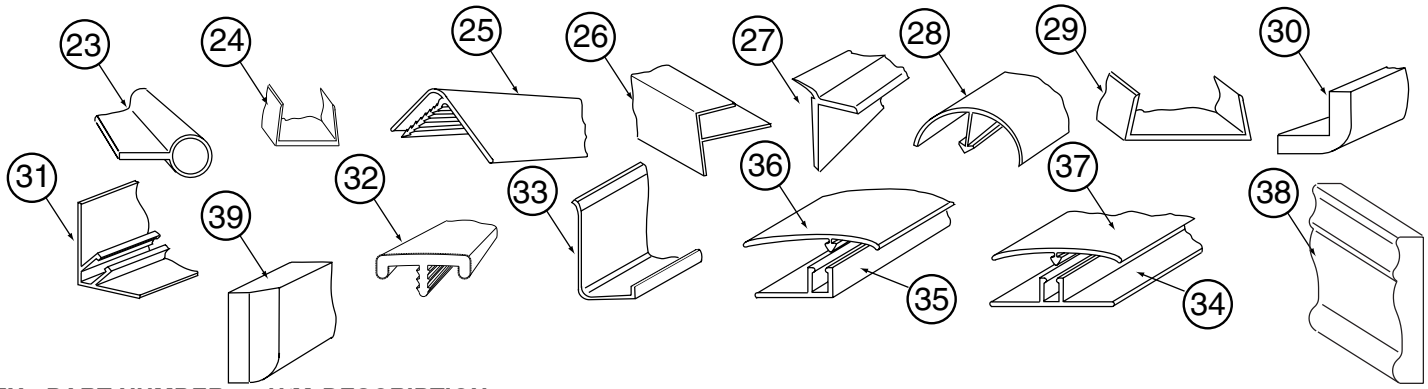


KEY	PART NUMBER	U/M	DESCRIPTION
6	P39129-21-PA0	EA	MOLDING - FLUTED/CURVED - 5.9" X 2.5" - PORTSMOUTH OAK
6	P39129-21-PA1	EA	MOLDING - FLUTED/CURVED - 5.9" X 2.5" - CONCERT CHERRY
6	P39129-21-PA2	EA	MOLDING - FLUTED/CURVED - 5.9" X 2.5" - WASHED MAPLE
6	P39129-21-RA3	EA	MOLDING - FLUTED/CURVED - 5.9" X 2.5" - HONEY CHERRY
6	P39129-22-PA0	EA	MOLDING - FLUTED/CURVED - 5.9" X 5.3" - PORTSMOUTH OAK
6	P39129-22-PA1	EA	MOLDING - FLUTED/CURVED - 5.9" X 5.3" - CONCERT CHERRY
6	P39129-22-PA2	EA	MOLDING - FLUTED/CURVED - 5.9" X 5.3" - WASHED MAPLE
6	P39129-22-RA3	EA	MOLDING - FLUTED/CURVED - 5.9" X 5.3" - HONEY CHERRY
7	Y00007-22-438	EA	MOLDING - MAPLE - UNSTAINED
7	Y00007-32-438	EA	MOLDING - CHERRY - UNSTAINED
7	Y00007-42-438	EA	MOLDING - OAK - UNSTAINED
8	Y00070-22-438	EA	MOLDING/FLUTED - MAPLE - 96" - WASHED MAPLE
8	Y00070-32-438	EA	MOLDING/FLUTED - CHERRY - 96" - CONCERT CHERRY
8	Y00070-42-438	EA	MOLDING/FLUTED - OAK - 96" - PORTSMOUTH OAK
9	Y00071-22-438	EA	MOLDING/FLUTED - W/NOTCH - MAPLE/UNSTAINED - 96"
9	Y00071-32-438	EA	MOLDING/FLUTED - W/NOTCH - CHERRY/UNSTAINED - 96"
9	Y00071-42-438	EA	MOLDING/FLUTED - W/NOTCH - OAK/UNSTAINED - 96"
10	Y00074-22-438	EA	MOLDING/CROWN - VINYL WRAPPED - MAPLE - 96" - WASHED MAPLE FROM: 00-00-00 THRU: 01-04-04
10	Y00074-A2-438	EA	MOLDING/CROWN - VINYL WRAPPED - MAPLE - 96" - WASHED MAPLE FROM: 01-05-04 THRU: 99-99-99
10	Y00074-62-438	EA	MOLDING/CROWN - VINYL WRAPPED - CONCERT CHERRY - 96" - CONCERT CHERRY
10	Y00074-72-438	EA	MOLDING/CROWN - VINYL WRAPPED - PORTSMOUTH OAK - 96" - PORTSMOUTH OAK
11	Y00076-22-438	EA	MOLDING/TRIM - .5" X 1" X 96" - MAPLE (UNSTAINED)
11	Y00076-32-438	EA	MOLDING/TRIM - .5" X 1" X 96" - CHERRY (UNSTAINED)
11	Y00076-42-438	EA	MOLDING/TRIM - .5" X 1" X 96" - OAK (UNSTAINED)
12	Y00086-22-438	EA	MOLDING - VINYL WRAP - 96" - WASHED MAPLE FROM: 00-00-00 THRU: 01-04-04
12	Y00086-A2-438	EA	MOLDING - VINYL WRAP - 96" - WASHED MAPLE FROM: 01-05-04 THRU: 99-99-99
12	Y00086-62-438	EA	MOLDING - VINYL WRAP - 96" - CONCERT CHERRY
12	Y00086-72-438	EA	MOLDING - VINYL WRAP - 96" - PORTSMOUTH OAK
12	Y00086-82-438	EA	MOLDING - VINYL WRAP - 96" - HONEY CHERRY

**INTERIOR FINISH GROUP (CONTINUED)**  
**MOLDINGS & TRIMS (CONTINUED)**

KEY	PART NUMBER	U/M	DESCRIPTION
13	Y00152-22-438	EA	MOLDING/TRIM - VINYL - .6" X 3.5" X 96" - WASHED MAPLE FROM: 00-00-00 THRU: 01-04-04
13	Y00152-A2-438	EA	MOLDING/TRIM - VINYL - .6" X 3.5" X 96" - WASHED MAPLE FROM: 01-05-04 THRU: 99-99-99
13	Y00152-62-438	EA	MOLDING/TRIM - VINYL - .6" X 3.5" X 96" - CONCERT CHERRY
13	Y00152-72-438	EA	MOLDING/TRIM - VINYL - .6" X 3.5" X 96" - PORTSMOUTH OAK
14	Y00153-22-438	EA	MOLDING/TRIM - VINYL - .6" X 3.9" X 96" - WASHED MAPLE FROM: 00-00-00 THRU: 01-04-04
14	Y00153-A2-438	EA	MOLDING/TRIM - VINYL - .6" X 3.9" X 96" - WASHED MAPLE FROM: 01-05-04 THRU: 99-99-99
14	Y00153-62-438	EA	MOLDING/TRIM - VINYL - .6" X 3.9" X 96" - CONCERT CHERRY
14	Y00153-72-438	EA	MOLDING/TRIM - VINYL - .6" X 3.9" X 96" - PORTSMOUTH OAK
14	Y00153-82-438	EA	MOLDING/TRIM - VINYL - .6" X 3.9" X 96" - HONEY CHERRY
15	Y00203-22-438	EA	MOLDING - VINYL/BEVELED - 96" - WASHED MAPLE FROM: 00-00-00 THRU: 01-04-04
15	Y00203-A2-438	EA	MOLDING - VINYL/BEVELED - 96" - WASHED MAPLE FROM: 01-05-04 THRU: 99-99-99
15	Y00203-62-438	EA	MOLDING - VINYL/BEVELED - 96" - CONCERT CHERRY
15	Y00203-72-438	EA	MOLDING - VINYL/BEVELED - 96" - PORTSMOUT OAK
15	Y00203-82-438	EA	MOLDING - VINYL/BEVELED - 96" - HONEY CHERRY
16	Y00204-22-438	EA	MOLDING - VINYL/BEVELED - 96" - WASHED MAPLE FROM: 00-00-00 THRU: 01-04-04
16	Y00204-A2-438	EA	MOLDING - VINYL/BEVELED - 96" - WASHED MAPLE FROM: 01-05-04 THRU: 99-99-99
16	Y00204-62-438	EA	MOLDING - VINYL/BEVELED - 96" - CONCERT CHERRY
16	Y00204-72-438	EA	MOLDING - VINYL/BEVELED - 96" - PORTSMOUT OAK
16	Y00204-82-438	EA	MOLDING - VINYL/BEVELED - 96" - HONEY CHERRY
17	Y00205-22-438	EA	MOLDING - VINYL/BEVELED - 96" - WASHED MAPLE FROM: 00-00-00 THRU: 01-04-04
17	Y00205-A2-438	EA	MOLDING - VINYL/BEVELED - 96" - WASHED MAPLE FROM: 01-05-04 THRU: 99-99-99
17	Y00205-62-438	EA	MOLDING - VINYL/BEVELED - 96" - CONCERT CHERRY
17	Y00205-72-438	EA	MOLDING - VINYL/BEVELED - 96" - PORTSMOUT OAK
17	Y00205-82-438	EA	MOLDING - VINYL/BEVELED - 96" - HONEY CHERRY
18	Y00206-22-438	EA	MOLDING - VINYL/BEVELED - 96" - WASHED MAPLE FROM: 00-00-00 THRU: 01-04-04
18	Y00206-A2-438	EA	MOLDING - VINYL/BEVELED - 96" - WASHED MAPLE FROM: 01-05-04 THRU: 99-99-99
18	Y00206-62-438	EA	MOLDING - VINYL/BEVELED - 96" - CONCERT CHERRY
18	Y00206-72-438	EA	MOLDING - VINYL/BEVELED - 96" - PORTSMOUT OAK
18	Y00206-82-438	EA	MOLDING - VINYL/BEVELED - 96" - HONEY CHERRY
19	Y00223-22-438	EA	MOLDING - HARDWOOD/MAPLE - .7" X 1" X 96"
19	Y00223-32-438	EA	MOLDING - HARDWOOD/CHERRY - .7" X 1" X 96"
19	Y00223-42-438	EA	MOLDING - HARDWOOD/OAK - .7" X 1" X 96"
20	Y00258-22-438	EA	MOLDING - VINYL/BEVELED - 96" - WASHED MAPLE FROM: 00-00-00 THRU: 01-04-04
20	Y00258-A2-438	EA	MOLDING - VINYL/BEVELED - 96" - WASHED MAPLE FROM: 01-05-04 THRU: 99-99-99
20	Y00258-62-438	EA	MOLDING - VINYL/BEVELED - 96" - CONCERT CHERRY
20	Y00258-72-438	EA	MOLDING - VINYL/BEVELED - 96" - PORTSMOUT OAK
20	Y00258-82-438	EA	MOLDING - VINYL/BEVELED - 96" - HONEY CHERRY
21	Y00259-22-438	EA	MOLDING - VINYL/BEVELED - 96" - WASHED MAPLE FROM: 00-00-00 THRU: 01-04-04
21	Y00259-A2-438	EA	MOLDING - VINYL/BEVELED - 96" - WASHED MAPLE FROM: 01-05-04 THRU: 99-99-99
21	Y00259-62-438	EA	MOLDING - VINYL/BEVELED - 96" - CONCERT CHERRY
21	Y00259-72-438	EA	MOLDING - VINYL/BEVELED - 96" - PORTSMOUT OAK
21	Y00259-82-438	EA	MOLDING - VINYL/BEVELED - 96" - HONEY CHERRY
22	Y00262-22-438	EA	MOLDING - 96" - MAPLE, UNSTAINED
22	Y00262-32-438	EA	MOLDING - 96" - CHERRY, UNSTAINED
22	Y00262-42-438	EA	MOLDING - 96" - OAK, UNSTAINED

**INTERIOR FINISH GROUP (CONTINUED)**  
**MOLDINGS & TRIMS (CONTINUED)**

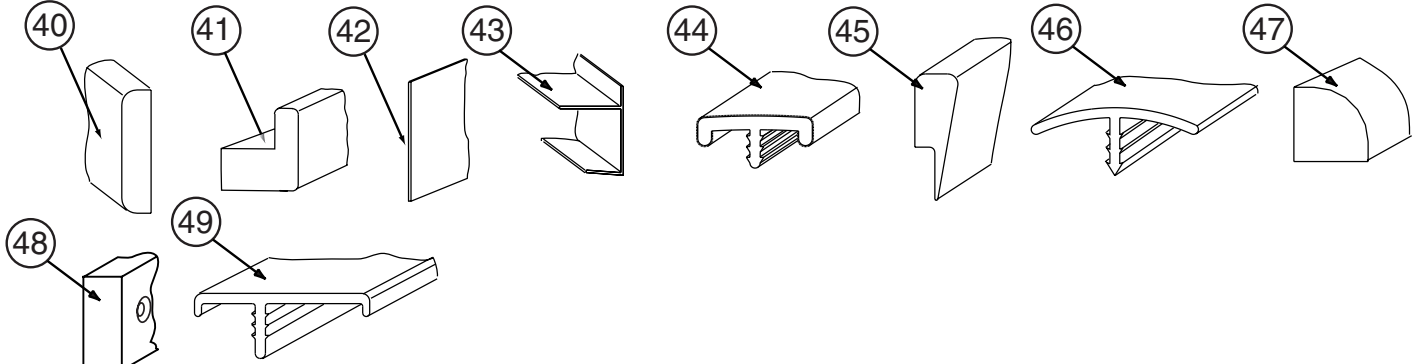


KEY	PART NUMBER	U/M	DESCRIPTION
23	009767-12-000	FT	WELTING - ANTIQUE WHITE
24	009778-25-000	FT	U-CHANNEL - 1" - BEIGE ILLUSION
24	009778-27-000	FT	U-CHANNEL - 1" - WASHED MAPLE
24	009778-37-000	FT	U-CHANNEL - 1" - NEAT/WASHED MAPLE FROM: 00-00-00 THRU: 01-04-04 FROM: 01-05-04 THRU: 99-99-99
24	009778-30-000	FT	U-CHANNEL - 1" - VILLAGE OAK
24	009778-32-000	FT	U-CHANNEL - 1" - PORTSMOUTH OAK
24	009778-34-000	FT	U-CHANNEL - 1" - CONCERT CHERRY
24	009778-35-000	FT	U-CHANNEL - 1" - HONEY CHERRY
25	009809-30-000	EA	MOLDING - CORNER - OUTSIDE - 1" X 84" - BEIGE ILLUSION
25	009809-32-000	EA	MOLDING - CORNER - OUTSIDE - 1" X 84" - PORTSMOUTH OAK
25	009809-31-000	EA	MOLDING - CORNER - OUTSIDE - 1" X 84" - WASHED MAPLE FROM: 00-00-00 THRU: 01-04-04
25	009809-36-000	EA	MOLDING - CORNER - OUTSIDE - 1" X 84" - WASHED MAPLE FROM: 01-05-04 THRU: 99-99-99
25	009809-33-000	EA	MOLDING - CORNER - OUTSIDE - 1" X 84" - CONCERT CHERRY
25	009809-34-000	EA	MOLDING - CORNER - OUTSIDE - 1" X 84" - HONEY CHERRY
26	009812-24-000	EA	MOLDING - CORNER - 1/2" W/1/4"CHAN X 84" - IVORY PLASTIC
26	009812-31-000	EA	MOLDING - CORNER - 1/2" W/1/4"CHAN X 84" - BEIGE ILLUSION
26	009812-33-000	EA	MOLDING - CORNER - 1/2" W/1/4"CHAN X 84" - WASHED MAPLE FROM: 00-00-00 THRU: 01-04-04
26	009812-39-000	EA	MOLDING - CORNER - 1/2" W/1/4"CHAN X 84" - WASHED MAPLE FROM: 01-05-04 THRU: 99-99-99
26	009812-34-000	EA	MOLDING - CORNER - 1/2" W/1/4"CHAN X 84" - VW LIGHT GRAY
26	009812-35-000	EA	MOLDING - CORNER - 1/2" W/1/4"CHAN X 84" - PORTSMOUTH OAK
26	009812-36-000	EA	MOLDING - CORNER - 1/2" W/1/4"CHAN X 84" - CONCERT CHERRY
26	009812-37-000	EA	MOLDING - CORNER - 1/2" W/1/4"CHAN X 84" - HONEY CHERRY
27	022992-11-000	FT	MOLDING - REVERSE COVE - T-SHAPED - IVORY
27	022992-14-000	FT	MOLDING - REVERSE COVE - T-SHAPED - BRIGHT WHITE
27	022992-15-000	FT	MOLDING - REVERSE COVE - T-SHAPED - VW GRAY
28	042357-25-000	EA	MOLDING - CORNER - RADIUS/PLASTIC - WASHED MAPLE
29	070504-18-000	FT	U-CHANNEL - PLASTIC - .13" X 96" - IVORY
29	070504-35-000	FT	U-CHANNEL - PLASTIC - .13" X 72" - IVORY
29	070504-42-000	FT	U-CHANNEL - PLASTIC - .13" X 84" - BEIGE ILLUSION
29	070504-50-000	FT	U-CHANNEL - PLASTIC - .13" X 96" - WASHED MAPLE FROM: 00-00-00 THRU: 01-04-04
29	070504-67-000	FT	U-CHANNEL - PLASTIC - .13" X 96" - WASHED MAPLE FROM: 01-05-04 THRU: 99-99-99
29	070504-51-000	FT	U-CHANNEL - PLASTIC - .9" X 96" - WASHED MAPLE FROM: 00-00-00 THRU: 01-04-04
29	070504-68-000	FT	U-CHANNEL - PLASTIC - .9" X 96" - WASHED MAPLE FROM: 01-05-04 THRU: 99-99-99
29	070504-54-000	FT	U-CHANNEL - PLASTIC - .9" X 96" - VILLAGE OAK
29	070504-57-000	FT	U-CHANNEL - PLASTIC - .13" X 84" - PORTSMOUTH OAK
29	070504-58-000	FT	U-CHANNEL - PLASTIC - .9" X 84" - PORTSMOUTH OAK
29	070504-60-000	FT	U-CHANNEL - PLASTIC - .13" X 84" - CONCERT CHERRY
29	070504-62-000	FT	U-CHANNEL - PLASTIC - 1.65" X 84" - HONEY CHERRY
29	070504-63-000	FT	U-CHANNEL - PLASTIC - .9" X 84" - HONEY CHERRY
30	080176-08-000	EA	CAP - CORNER - RADIUS MOLDING - PLASTIC - WASHED MAPLE



**INTERIOR FINISH GROUP (CONTINUED)**  
**MOLDINGS & TRIMS (CONTINUED)**

KEY	PART NUMBER	U/M	DESCRIPTION
31	081521-02-007	EA	MOUNT - METAL MOLDING - F/RADIUS CORNER MOLDING - 151.5"
32	083620-15-000	FT	MOLDING-T - W/EDGE LIP - 7/8" FACE - BEIGE ILLUSION
32	083620-19-000	FT	MOLDING-T - W/EDGE LIP - 7/8" FACE - WASHED MAPLE
			FROM: 00-00-00 THRU: 01-04-04
32	083620-23-000	FT	MOLDING-T - W/EDGE LIP - 7/8" FACE - WASHED MAPLE
			FROM: 01-05-04 THRU: 99-99-99
32	083620-20-000	FT	MOLDING-T - W/EDGE LIP - 7/8" FACE - PORTSMOUTH OAK
32	083620-21-000	FT	MOLDING-T - W/EDGE LIP - 7/8" FACE - CONCERT CHERRY/HONEY CHERRY
33	085746-04-000	FT	TRIM-J - CARPET 1.2" X .5" ANGLE - 10' LONG - OFF WHITE
34	086229-01-000	EA	RETAINER - BATTEN - .75" X 92.1" - ANY COLOR
35	086229-11-000	EA	RETAINER - OFFSET - 97"
36	086229-21-000	EA	BATTEN - 1.5" X 83.9" OFFSET - WHITE
37	086229-20-000	EA	BATTEN - 1" X 96" - BEIGE
38	100182-10-J70	EA	TRIM/WOOD - CHAIR RAIL - 2.5" X 8' - WASHED MAPLE
38	100182-10-N47	EA	TRIM/WOOD - CHAIR RAIL - 2.5" X 8' - PORTSMOUTH OAK
38	100182-10-P85	EA	TTRIM/WOOD - CHAIR RAIL - 2.5" X 8' - CHERRY - CONCERT CHERRY
38	100182-10-RA3	EA	TRIM/WOOD - CHAIR RAIL - 2.5" X 8' - HONEY CHERRY
39	100659-30-N75	EA	MOLDING - TRIM - 8' - PORTSMOUTH OAK
39	100659-30-N74	EA	MOLDING - TRIM - 8' - CHERRY - CONCERT CHERRY
39	100659-30-M84	EA	MOLDING - TRIM - 8' - WASHED MAPLE

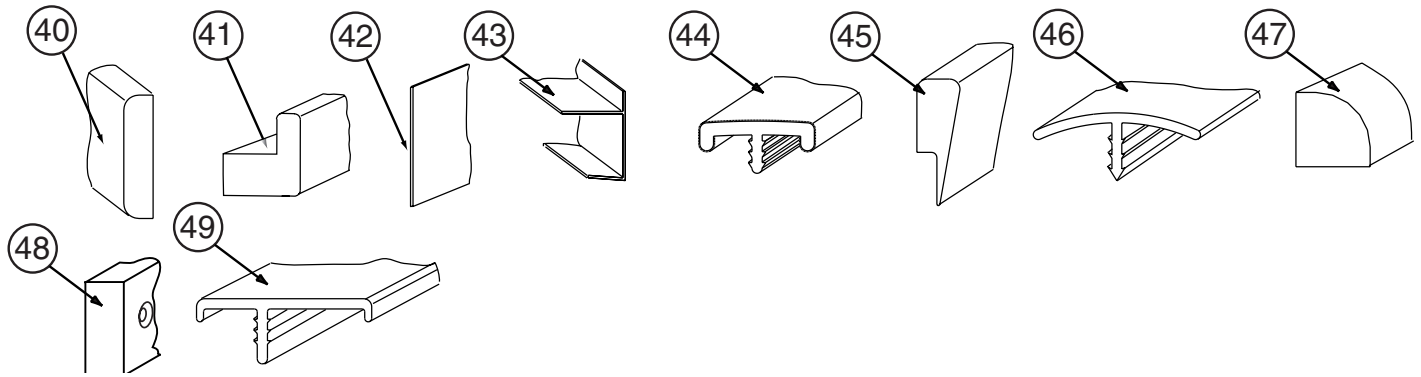


KEY	PART NUMBER	U/M	DESCRIPTION
40	100818-01-08A	EA	MOLDING - VINYL WRAPPED - 1.6" X .4" X 84" - WASHED MAPLE
			FROM: 00-00-00 THRU: 01-04-04
40	100818-01-21A	EA	MOLDING - VINYL WRAPPED - 1.6" X .4" X 84" - WASHED MAPLE
			FROM: 01-05-04 THRU: 99-99-99
40	100818-01-12A	EA	MOLDING - VINYL WRAPPED - 1.6" X .4" X 84" - PORTSMOUTH OAK
40	100818-01-13A	EA	MOLDING - VINYL WRAPPED - 1.6" X .4" X 84" - CHERRY - CONCERT CHERRY
40	100818-01-14A	EA	MOLDING - VINYL WRAPPED - 1.6" X .4" X 84" - HONEY CHERRY
41	100819-01-08A	EA	MOLDING - VINYL WRAPPED-L-SHAPED-1.5"X1.5"X84" - WASHED MAPLE
			FROM: 00-00-00 THRU: 01-04-04
41	100819-01-21A	EA	MOLDING - VINYL WRAPPED-L-SHAPED-1.5"X1.5"X84" - WASHED MAPLE
			FROM: 01-05-04 THRU: 99-99-99
41	100819-01-12A	EA	MOLDING - VINYL WRAPPED-L-SHAPED - 1.5" X 1.5" X 84" - OAK - PORTSMOUTH OAK
41	100819-01-13A	EA	MOLDING - VINYL WRAPPED-L-SHAPED-1.5"X1.5"X84" - CONCERT CHERRY
41	100819-01-14A	EA	MOLDING - VINYL WRAPPED-L-SHAPED-1.5"X1.5"X84" - HONEY CHERRY
42	101957-01-06A	EA	EXTRUDED - PLASTIC - WASHED MAPLE
43	103186-01-07A	FT	MOLDING/PLASTIC - 3/8" U-CHANNEL-3/4"FACE - BEIGE ILLUS 8'
43	103186-01-08A	FT	MOLDING/PLASTIC - 3/8" U-CHANNEL-3/4"FACE-WASHED MAPLE 8' - WASHED MAPLE
			FROM: 00-00-00 THRU: 01-04-04
43	103186-01-13A	FT	MOLDING/PLASTIC - 3/8" U-CHANNEL-3/4"FACE-WASHED MAPLE 8' - WASHED MAPLE
			FROM: 01-05-04 THRU: 99-99-99
43	103186-01-09A	FT	MOLDING/PLASTIC - 3/8" U-CHAN'L-3/4"FACE-PORTSMOUTH OAK 8' - PORTSMOUTH OAK
43	103186-01-10A	FT	MOLDING/PLASTIC-3/8" U-CHAN'L-3/4"FACE-CONCERT CHERRY 8' - CONCERT CHERRY
43	103186-01-11A	FT	MOLDING/PLASTIC-3/8" U-CHAN'L-3/4"FACE-CONCERT CHERRY 8' - HONEY CHERRY
43	103186-02-07A	FT	MOLDING/PLASTIC-1" U-CHAN'L-1 3/8"FACE-BEIGE ILLUSION - 8'
43	103186-02-08A	FT	MOLDING/PLASTIC - 1" U-CHANNEL-1 3/8"FACE-WASHED MAPLE 8' - WASHED MAPLE
			FROM: 00-00-00 THRU: 01-04-04
43	103186-02-13A	FT	MOLDING/PLASTIC - 1" U-CHANNEL-1 3/8"FACE-WASHED MAPLE 8' - WASHED MAPLE
			FROM: 01-05-04 THRU: 99-99-99
43	103186-02-09A	FT	MOLDING/PLASTIC - 1" U-CHAN'L-1 3/8"FACE-PORTSMOUTH OAK 8' - PORTSMOUTH OAK
43	103186-02-10A	FT	MOLDING/PLASTIC - 1" U-CHAN'L-1 3/8"FACE-CONCERT CHERRY 8' - CONCERT CHERRY

**INTERIOR FINISH GROUP (CONTINUED)**  
**MOLDINGS & TRIMS (CONTINUED)**

KEY	PART NUMBER	U/M	DESCRIPTION
43	103186-02-11A	FT	MOLDING/PLASTIC - 1" U-CHAN'L-1 3/8"FACE-CONCERT CHERRY 8' - HONEY CHERRY
44	104676-02-06A	FT	MOLDING-T - W/EDGE LIP - 11/16" FACE - WASHED MAPLE FROM: 00-00-00 THRU: 01-04-04
44	104676-02-11A	FT	MOLDING-T - W/EDGE LIP - 11/16" FACE - WASHED MAPLE FROM: 01-05-04 THRU: 99-99-99
44	104676-02-08A	FT	MOLDING-T - W/EDGE LIP - 11/16" FACE - PORTSMOUTH OAK
44	104676-02-09A	FT	MOLDING-T - W/EDGE LIP - 11/16" FACE - CONCERT CHERRY
44	104676-02-10A	FT	MOLDING-T - W/EDGE LIP - 11/16" FACE - HONEY CHERRY
45	105004-01-08A	EA	MOLDING - VINYL WRAPPED - 1" X 96" - WASHED MAPLE FROM: 00-00-00 THRU: 01-04-04
45	105004-01-21A	EA	MOLDING - VINYL WRAPPED - 1" X 96" - WASHED MAPLE FROM: 01-05-04 THRU: 99-99-99
45	105004-01-12A	EA	MOLDING - VINYL WRAPPED 1" X 96" - PORTSMOUTH OAK
45	105004-01-13A	EA	MOLDING - VINYL WRAPPED 1" X 96" - CONCERT CHERRY
45	105004-01-14A	EA	MOLDING - VINYL WRAPPED 1" X 96" - HONEY CHERRY
46	105709-02-000	FT	MOLDING-T - W/EDGE LIP - 3/4" FACE - BEIGE ILLUSION
47	109410-01-P25	EA	MOLDING - TRIM - 8' - BLACK CHERRY/CHERRY IV - CONCERT CHERRY
47	109410-01-N75	EA	MOLDING - TRIM - 8' - PORTSMOUTH OAK
47	109410-01-J70	EA	MOLDING - TRIM - 8' - WHITE MAPLE - WASHED MAPLE
48	116951-11-KQ0	EA	MOLDING - TRIM - 3.5" X 75.9" - WASHED MAPLE
48	116951-11-KQ1	EA	MOLDING - TRIM - 3.5" X 75.9" - CONCERT CHERRY
48	116951-11-N95	EA	MOLDING - TRIM - 3.5" X 75.9" - PORTSMOUTH OAK
48	116951-11-RE0	EA	MOLDING - TRIM - 3.5" X 75.9" - HONEY CHERRY
48	116951-16-K37	EA	MOLDING - TRIM - 3.5" X 74.3" - CONCERT CHERRY
48	116951-16-K90	EA	MOLDING - TRIM - 3.5" X 74.3" - WASHED MAPLE
48	116951-16-N75	EA	MOLDING - TRIM - 3.5" X 74.3" - PORTSMOUTH OAK
48	116951-16-RC3	EA	MOLDING - TRIM - 3.5" X 74.3" - HONEY CHERRY
48	116951-23-L52	EA	MOLDING - TRIM - 3.5" X 74.3" - CONCERT CHERRY
48	116951-23-L58	EA	MOLDING - TRIM - 3.5" X 74.3" - WASHED MAPLE
48	116951-23-RE0	EA	MOLDING - TRIM - 3.5" X 74.3" - HONEY CHERRY
48	116951-23-R83	EA	MOLDING - TRIM - 3.5" X 74.3" - PORTSMOUTH OAK
48	116951-24-L52	EA	MOLDING - TRIM - 3.5" X 74.6" - CONCERT CHERRY
48	116951-24-L58	EA	MOLDING - TRIM - 3.5" X 74.6" - WASHED MAPLE
48	116951-24-RE0	EA	MOLDING - TRIM - 3.5" X 74.6" - HONEY CHERRY
48	116951-24-R83	EA	MOLDING - TRIM - 3.5" X 74.6" - PORTSMOUTH OAK
48	116951-27-N75	EA	MOLDING - TRIM - 3.5" X 46.8" - PORTSMOUTH OAK
48	116951-27-N84	EA	MOLDING - TRIM - 3.5" X 46.8" - WASHED MAPLE
48	116951-27-N85	EA	MOLDING - TRIM - 3.5" X 46.8" - CONCERT CHERRY
48	116951-28-N75	EA	MOLDING - TRIM - 3.5" X 79.4" - PORTSMOUTH OAK
48	116951-28-N84	EA	MOLDING - TRIM - 3.5" X 79.4" - WASHED MAPLE
48	116951-28-N85	EA	MOLDING - TRIM - 3.5" X 79.4" - CONCERT CHERRY
48	116951-29-N70	EA	MOLDING - TRIM - 5.5" X 30.4" - PORTSMOUTH OAK
48	116951-29-N84	EA	MOLDING - TRIM - 5.5" X 30.4" - WASHED MAPLE
48	116951-29-N85	EA	MOLDING - TRIM - 5.5" X 30.4" - CONCERT CHERRY
48	116951-29-RC3	EA	MOLDING - TRIM - 5.5" X 30.4" - HONEY CHERRY
48	116951-32-P75	EA	MOLDING - TRIM - 3" X 33.4" - PORTSMOUTH OAK
48	116951-32-P25	EA	MOLDING - TRIM - 3" X 33.4" - CONCERT CHERRY
48	116951-32-P28	EA	MOLDING - TRIM - 3" X 33.4" - WASHED MAPLE
48	116951-32-RE0	EA	MOLDING - TRIM - 3" X 33.4" - HONEY CHERRY
48	116951-34-P28	EA	MOLDING - TRIM - 3" X 33.4" - WASHED MAPLE
48	116951-34-P78	EA	MOLDING - TRIM - 3" X 33.4" - PORTSMOUTH OAK
48	116951-34-P79	EA	MOLDING - TRIM - 3" X 33.4" - CONCERT CHERRY
48	116951-34-RE0	EA	MOLDING - TRIM - 3" X 33.4" - HONEY CHERRY
48	116951-35-P28	EA	MOLDING - TRIM - 3.5" X 96" - WASHED MAPLE
48	116951-35-P78	EA	MOLDING - TRIM - 3.5" X 96" - PORTSMOUTH OAK
48	116951-35-P79	EA	MOLDING - TRIM - 3.5" X 96" - CONCERT CHERRY
48	116951-35-RE0	EA	MOLDING - TRIM - 3.5" X 96" - HONEY CHERRY
48	116951-36-R68	EA	MOLDING - TRIM - 3.5" X 48.8" - WASHED MAPLE
48	116951-36-R69	EA	MOLDING - TRIM - 3.5" X 48.8" - PORTSMOUTH OAK
48	116951-36-R76	EA	MOLDING - TRIM - 3.5" X 48.8" - CONCERT CHERRY
48	116951-37-R68	EA	MOLDING - TRIM - 3.5" X 38.6" - WASHED MAPLE
48	116951-37-R69	EA	MOLDING - TRIM - 3.5" X 38.6" - PORTSMOUTH OAK
48	116951-37-R76	EA	MOLDING - TRIM - 3.5" X 38.6" - CONCERT CHERRY
48	116951-38-RE0	EA	MOLDING - TRIM - 3.5" X 82.6" - HONEY CHERRY

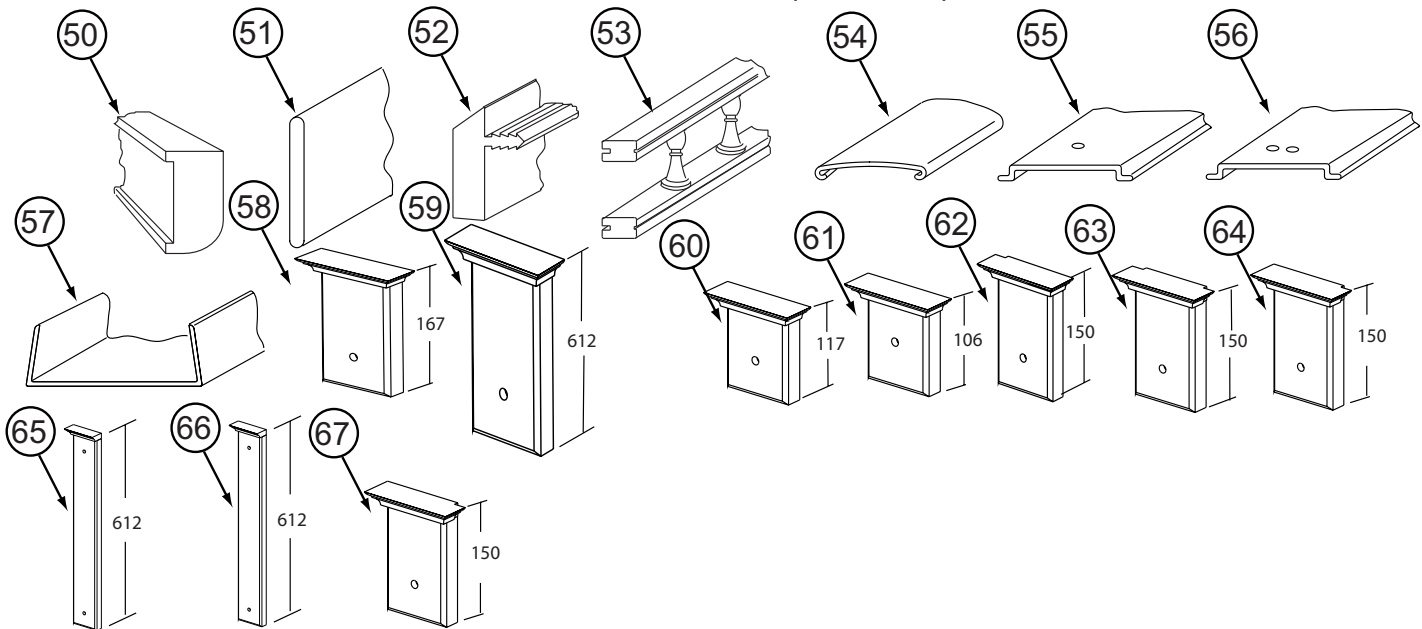
**INTERIOR FINISH GROUP (CONTINUED)**  
**MOLDINGS & TRIMS (CONTINUED)**



KEY	PART NUMBER	U/M	DESCRIPTION
48	116951-38-R83	EA	MOLDING - TRIM - 3.5" X 82.6" - PORTSMOUTH OAK
48	116951-38-R84	EA	MOLDING - TRIM - 3.5" X 82.6" - CONCERT CHERRY
48	116951-38-R91	EA	MOLDING - TRIM - 3.5" X 82.6" - WASHED MAPLE
48	116951-39-RE0	EA	MOLDING - TRIM - 3.5" X 73.9" - HONEY CHERRY
48	116951-39-R83	EA	MOLDING - TRIM - 3.5" X 73.9" - PORTSMOUTH OAK
48	116951-39-R84	EA	MOLDING - TRIM - 3.5" X 73.9" - CONCERT CHERRY
48	116951-39-R91	EA	MOLDING - TRIM - 3.5" X 73.9" - WASHED MAPLE
48	116951-40-RE0	EA	MOLDING - TRIM - 4.5" X 81.9" - HONEY CHERRY
48	116951-40-R83	EA	MOLDING - TRIM - 4.5" X 81.9" - PORTSMOUTH OAK
48	116951-40-R84	EA	MOLDING - TRIM - 4.5" X 81.9" - CONCERT CHERRY
48	116951-40-R91	EA	MOLDING - TRIM - 4.5" X 81.9" - WASHED MAPLE
48	116951-41-RE0	EA	MOLDING - TRIM - 3.5" X 36.8" - HONEY CHERRY
48	116951-41-R83	EA	MOLDING - TRIM - 3.5" X 36.8" - PORTSMOUTH OAK
48	116951-41-R84	EA	MOLDING - TRIM - 3.5" X 36.8" - CONCERT CHERRY
48	116951-41-R91	EA	MOLDING - TRIM - 3.5" X 36.8" - WASHED MAPLE
48	116951-42-RE0	EA	MOLDING - TRIM - 3.5" X 46.8" - HONEY CHERRY
48	116951-42-R83	EA	MOLDING - TRIM - 3.5" X 46.8" - PORTSMOUTH OAK
48	116951-42-R84	EA	MOLDING - TRIM - 3.5" X 46.8" - CONCERT CHERRY
48	116951-42-R91	EA	MOLDING - TRIM - 3.5" X 46.8" - WASHED MAPLE
48	116951-43-RE0	EA	MOLDING - TRIM - 3.5" X 86.5" - HONEY CHERRY
48	116951-43-R83	EA	MOLDING - TRIM - 3.5" X 86.5" - PORTSMOUTH OAK
48	116951-43-R84	EA	MOLDING - TRIM - 3.5" X 86.5" - CONCERT CHERRY
48	116951-43-R91	EA	MOLDING - TRIM - 3.5" X 86.5" - WASHED MAPLE
48	116951-44-RE0	EA	MOLDING - TRIM - 3.5" X 76.1" - HONEY CHERRY
48	116951-44-R83	EA	MOLDING - TRIM - 3.5" X 76.1" - PORTSMOUTH OAK
48	116951-44-R84	EA	MOLDING - TRIM - 3.5" X 76.1" - CONCERT CHERRY
48	116951-44-R91	EA	MOLDING - TRIM - 3.5" X 76.1" - WASHED MAPLE
48	116951-45-R68	EA	MOLDING - TRIM - 3" X 30.3" - PORTSMOUTH OAK
48	116951-45-R69	EA	MOLDING - TRIM - 3" X 30.3" - CONCERT CHERRY
48	116951-45-R76	EA	MOLDING - TRIM - 3" X 30.3" - WASHED MAPLE
48	116951-46-RE0	EA	MOLDING - TRIM - 4.5" X 72.3" - HONEY CHERRY
48	116951-46-R83	EA	MOLDING - TRIM - 4.5" X 72.3" - PORTSMOUTH OAK
48	116951-46-R84	EA	MOLDING - TRIM - 4.5" X 72.3" - CONCERT CHERRY
48	116951-46-R91	EA	MOLDING - TRIM - 4.5" X 72.3" - WASHED MAPLE
48	116951-48-RE0	EA	MOLDING - TRIM - 4.5" X 76.1" - HONEY CHERRY
48	116951-48-R83	EA	MOLDING - TRIM - 4.5" X 76.1" - PORTSMOUTH OAK
48	116951-48-R84	EA	MOLDING - TRIM - 4.5" X 76.1" - CONCERT CHERRY
48	116951-48-R91	EA	MOLDING - TRIM - 4.5" X 76.1" - WASHED MAPLE
48	116951-49-RE0	EA	MOLDING - TRIM - 4.5" X 69.8" - HONEY CHERRY
48	116951-49-R83	EA	MOLDING - TRIM - 4.5" X 69.8" - PORTSMOUTH OAK
48	116951-49-R84	EA	MOLDING - TRIM - 4.5" X 69.8" - CONCERT CHERRY
48	116951-49-R91	EA	MOLDING - TRIM - 4.5" X 69.8" - WASHED MAPLE
48	116951-50-RE0	EA	MOLDING - TRIM - 4.5" X 70.3" - HONEY CHERRY
48	116951-50-R83	EA	MOLDING - TRIM - 4.5" X 70.3" - PORTSMOUTH OAK
48	116951-50-R84	EA	MOLDING - TRIM - 4.5" X 70.3" - CONCERT CHERRY
48	116951-50-R91	EA	MOLDING - TRIM - 4.5" X 70.3" - WASHED MAPLE
49	119520-01-01A	FT	MOLDING-T/OFFSET - W/EDGE LIP - 1"FACE - OFF WHITE
49	119520-01-02A	FT	MOLDING-T/OFFSET - W/EDGE LIP - 1"FACE - CONCERT CHERRY
49	119520-01-03A	FT	MOLDING-T/OFFSET - W/EDGE LIP - 1"FACE - WASHED MAPLE
49	119520-01-04A	FT	MOLDING-T/OFFSET - W/EDGE LIP - 1"FACE - PORTSMOUTH OAK
49	119520-02-01A	FT	MOLDING-T/OFFSET - W/EDGE LIP - 1"FACE



**INTERIOR FINISH GROUP (CONTINUED)**  
**MOLDINGS & TRIMS (CONTINUED)**

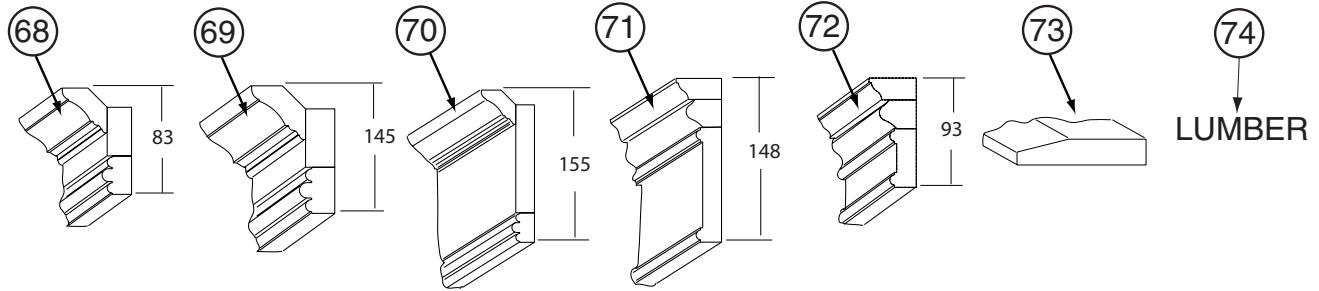


KEY	PART NUMBER	U/M	DESCRIPTION
50	126204-D2-134	EA	MOLDING - VINYL WRAPPED - .7" X 1.6" X 84" - WASHED MAPLE FROM: 00-00-00 THRU: 01-04-04
50	149326-D2-134	EA	MOLDING - VINYL WRAPPED - .7" X 1.6" X 84" - WASHED MAPLE FROM: 01-05-04 THRU: 99-99-99
50	126204-F2-134	EA	MOLDING - VINYL WRAPPED - .7" X 2.5" X 84" - WASHED MAPLE FROM: 00-00-00 THRU: 01-04-04
50	149326-F2-134	EA	MOLDING - VINYL WRAPPED - .7" X 2.5" X 84" - WASHED MAPLE FROM: 01-05-04 THRU: 99-99-99
50	137887-D2-134	EA	MOLDING - VINYL WRAPPED - .7" X 1.6" X 96" - CONCERT CHERRY
50	137887-D2-743	EA	MOLDING - VINYL WRAPPED - .7" X 1.6" X 108" - CONCERT CHERRY
50	137887-F2-134	EA	MOLDING - VINYL WRAPPED - .7" X 2.5" X 84" - CONCERT CHERRY
50	137887-F2-743	EA	MOLDING - VINYL WRAPPED - .7" X 2.5" X 108" - CONCERT CHERRY
50	137895-D2-134	EA	MOLDING - VINYL WRAPPED - .7" X 1.6" X 84" - PORTSMOUTH OAK
50	137895-D2-743	EA	MOLDING - VINYL WRAPPED - .7" X 1.5" X 108" - PORTSMOUTH OAK
50	137895-F2-743	EA	MOLDING - VINYL WRAPPED - .7" X 2.5" X 108" - PORTSMOUTH OAK
50	146425-D2-134	EA	MOLDING - VINYL WRAPPED - .7" X 1.6" X 96" - HONEY CHERRY
50	146425-F2-134	EA	MOLDING - VINYL WRAPPED - .7" X 2.5" X 84" - HONEY CHERRY
50	146425-F2-743	EA	MOLDING - VINYL WRAPPED - .7" X 2.5" X 108" - HONEY CHERRY
51	127842-01-01A	FT	SEAL - SIGHT SHIELD - 2" BLACK
52	130247-01-02A	FT	MOLDING-T/OFF SET - 1.3" FACE - WASHED MAPLE FROM: 00-00-00 THRU: 01-04-04
52	130247-01-07A	FT	MOLDING-T/OFF SET - 1.3" FACE - WASHED MAPLE FROM: 01-05-04 THRU: 99-99-99
52	130247-01-04A	FT	MOLDING-T/OFF SET - 1.3" FACE - PORTSMOUTH OAK
52	130247-01-05A	FT	MOLDING-T/OFF SET - 1.3" FACE - CONCERT CHERRY/HONEY CHERRY
53	137108-01-02A	EA	RAIL - DECORATIVE - SALEM CHERRY - CONCERT CHERRY
53	137108-01-03A	EA	RAIL - DECORATIVE - WASHED MAPLE
53	137108-01-07A	EA	RAIL - DECORATIVE - PORTSMOUTH OAK
53	137108-01-08A	EA	RAIL - DECORATIVE - HONEY CHERRY
54	138359-01-01A	FT	COVER - ROOF BREAK - PEARL CREAM/PLASTIC - 96"
55	138403-01-01A	EA	TRIM - ROOF - MILL
56	138403-02-01A	EA	TRIM - ROOF - MILL
56	138403-03-01A	EA	TRIM - ROOF - MILL
57	141260-01-01A	FT	U-CHANNEL - 1" - VILLAGE OAK
57	141260-01-02A	FT	U-CHANNEL - 1" - GRADY BROWN
58	141303-01-N52	EA	MOLDING - CROWN/BLOCK - CONCERT CHERRY
58	141303-01-N53	EA	MOLDING - CROWN/BLOCK - PORTSMOUTH OAK
58	141303-01-N62	EA	MOLDING - CROWN/BLOCK - WASHED MAPLE
58	141303-01-RA3	EA	MOLDING - CROWN/BLOCK - HONEY CHERRY
59	141303-02-N52	EA	MOLDING - CROWN/BLOCK - CONCERT CHERRY
59	141303-02-N53	EA	MOLDING - CROWN/BLOCK - PORTSMOUTH OAK
59	141303-02-N62	EA	MOLDING - CROWN/BLOCK - WASHED MAPLE
59	141303-02-RA3	EA	MOLDING - CROWN/BLOCK - HONEY CHERRY

**INTERIOR FINISH GROUP (CONTINUED)**  
**MOLDINGS & TRIMS (CONTINUED)**

<b>KEY</b>	<b>PART NUMBER</b>	<b>U/M</b>	<b>DESCRIPTION</b>
60	141303-03-N52	EA	MOLDING - CROWN/BLOCK - CONCERT CHERRY
60	141303-03-N53	EA	MOLDING - CROWN/BLOCK - PORTSMOUTH OAK
60	141303-03-N62	EA	MOLDING - CROWN/BLOCK - WASHED MAPLE
60	141303-03-RA3	EA	MOLDING - CROWN/BLOCK - HONEY CHERRY
61	141303-04-PC0	EA	MOLDING - CROWN/BLOCK - PORTSMOUTH OAK
61	141303-04-PC1	EA	MOLDING - CROWN/BLOCK - CONCERT CHERRY
61	141303-04-PC2	EA	MOLDING - CROWN/BLOCK - WASHED MAPLE
61	141303-04-RA3	EA	MOLDING - CROWN/BLOCK - HONEY CHERRY
62	141303-05-RE3	EA	MOLDING - CROWN/BLOCK - HONEY CHERRY
62	141303-05-R89	EA	MOLDING - CROWN/BLOCK - PORTSMOUTH OAK
62	141303-05-R90	EA	MOLDING - CROWN/BLOCK - CONCERT CHERRY
62	141303-05-R91	EA	MOLDING - CROWN/BLOCK - WASHED MAPLE
63	141303-06-RE3	EA	MOLDING - CROWN/BLOCK - HONEY CHERRY
63	141303-06-R89	EA	MOLDING - CROWN/BLOCK - PORTSMOUTH OAK
63	141303-06-R90	EA	MOLDING - CROWN/BLOCK - CONCERT CHERRY
63	141303-06-R91	EA	MOLDING - CROWN/BLOCK - WASHED MAPLE
64	141303-07-RE3	EA	MOLDING - CROWN/BLOCK - HONEY CHERRY
64	141303-07-R89	EA	MOLDING - CROWN/BLOCK - PORTSMOUTH OAK
64	141303-07-R90	EA	MOLDING - CROWN/BLOCK - CONCERT CHERRY
64	141303-07-R91	EA	MOLDING - CROWN/BLOCK - WASHED MAPLE
65	141303-08-RE3	EA	MOLDING - CROWN/BLOCK - HONEY CHERRY
65	141303-08-R89	EA	MOLDING - CROWN/BLOCK - PORTSMOUTH OAK
65	141303-08-R90	EA	MOLDING - CROWN/BLOCK - CONCERT CHERRY
65	141303-08-R91	EA	MOLDING - CROWN/BLOCK - WASHED MAPLE
66	141303-09-RE3	EA	MOLDING - CROWN/BLOCK - HONEY CHERRY
66	141303-09-R89	EA	MOLDING - CROWN/BLOCK - PORTSMOUTH OAK
66	141303-09-R90	EA	MOLDING - CROWN/BLOCK - CONCERT CHERRY
66	141303-09-R91	EA	MOLDING - CROWN/BLOCK - WASHED MAPLE
67	141303-10-RE3	EA	MOLDING - CROWN/BLOCK - HONEY CHERRY
67	141303-10-R89	EA	MOLDING - CROWN/BLOCK - PORTSMOUTH OAK
67	141303-10-R90	EA	MOLDING - CROWN/BLOCK - CONCERT CHERRY
67	141303-10-R91	EA	MOLDING - CROWN/BLOCK - WASHED MAPLE

**INTERIOR FINISH GROUP (CONTINUED)**  
**MOLDINGS & TRIMS (CONTINUED)**



KEY	PART NUMBER	U/M	DESCRIPTION
68	141915-29-PC0	EA	MOLDING - F/SLIDEOUT - 81.8" - PORTSMOUTH OAK
68	141915-29-PC1	EA	MOLDING - F/SLIDEOUT - 81.8" - CONCERT CHERRY
68	141915-29-PC2	EA	MOLDING - F/SLIDEOUT - 81.8" - WASHED MAPLE
68	141915-29-RC3	EA	MOLDING - F/SLIDEOUT - 81.8" - HONEY CHERRY
69	141915-35-RC0	EA	MOLDING - F/SLIDEOUT - 8.89' - PORTSMOUTH OAK
69	141915-35-RC1	EA	MOLDING - F/SLIDEOUT - 8.89' - CONCERT CHERRY
69	141915-35-RC2	EA	MOLDING - F/SLIDEOUT - 8.89' - WASHED MAPLE
69	141915-35-RC3	EA	MOLDING - F/SLIDEOUT - 8.89' - HONEY CHERRY
70	141915-47-RC0	EA	MOLDING - F/SLIDEOUT - 6.82' - PORTSMOUTH OAK
70	141915-47-RC1	EA	MOLDING - F/SLIDEOUT - 6.82' - CONCERT CHERRY
70	141915-47-RC2	EA	MOLDING - F/SLIDEOUT - 6.82' - WASHED MAPLE
70	141915-47-RC3	EA	MOLDING - F/SLIDEOUT - 6.82' - HONEY CHERRY
71	144885-12-RE0	EA	MOLDING - F/SLIDEOUT - HONEY CHERRY
71	144885-12-R83	EA	MOLDING - F/SLIDEOUT - PORTSMOUTH OAK
71	144885-12-R84	EA	MOLDING - F/SLIDEOUT - CONCERT CHERRY
72	145379-01-RE0	EA	MOLDING/TRIM - 47.48" - HONEY CHERRY
72	145379-01-R83	EA	MOLDING/TRIM - 47.48" - PORTSMOUTH OAK
72	145379-01-R84	EA	MOLDING/TRIM - 47.48" - CONCERT CHERRY
72	145379-02-RE0	EA	MOLDING/TRIM - 7.87" W/RIGHT SIDE ANGLE CUT - HONEY CHERRY
72	145379-02-R83	EA	MOLDING/TRIM - 7.87" W/RIGHT SIDE ANGLE CUT - PORTSMOUTH OAK
72	145379-02-R84	EA	MOLDING/TRIM - 7.87" W/RIGHT SIDE ANGLE CUT - CONCERT CHERRY
72	145379-03-RE0	EA	MOLDING/TRIM - 7.87" W/LEFT SIDE ANGLE CUT - HONEY CHERRY
72	145379-03-R83	EA	MOLDING/TRIM - 7.87" W/LEFT SIDE ANGLE CUT - PORTSMOUTH OAK
72	145379-03-R84	EA	MOLDING/TRIM - 7.87" W/LEFT SIDE ANGLE CUT - CONCERT CHERRY
72	145379-04-RE0	EA	MOLDING/TRIM - 86.61" - HONEY CHERRY
72	145379-04-R83	EA	MOLDING/TRIM - 86.61" - PORTSMOUTH OAK
72	145379-04-R84	EA	MOLDING/TRIM - 86.61" - CONCERT CHERRY
72	145379-05-RE0	EA	MOLDING/TRIM - 102.75" - HONEY CHERRY
72	145379-05-R83	EA	MOLDING/TRIM - 102.75" - PORTSMOUTH OAK
72	145379-05-R84	EA	MOLDING/TRIM - 102.75" - CONCERT CHERRY
73	146306-01-01A	FT	TRANSITION - CARPET/TILE
74	126205-A2-438	EA	LUMBER - VINYL WRAPPED - .7" X .75" X 96" - WASHED MAPLE FROM: 00-00-00 THRU: 01-04-04
74	149325-A2-438	EA	LUMBER - VINYL WRAPPED - .7" X .75" X 96" - WASHED MAPLE FROM: 01-05-04 THRU: 99-99-99
74	126205-D2-438	EA	LUMBER - VINYL WRAPPED - .7" X 1.5" X 96" - WASHED MAPLE FROM: 00-00-00 THRU: 01-04-04
74	149325-D2-438	EA	LUMBER - VINYL WRAPPED - .7" X 1.5" X 96" - WASHED MAPLE FROM: 01-05-04 THRU: 99-99-99
74	126205-E2-438	EA	LUMBER - VINYL WRAPPED - .7" X 2" X 96" - WASHED MAPLE FROM: 00-00-00 THRU: 01-04-04
74	149325-E2-438	EA	LUMBER - VINYL WRAPPED - .7" X 2" X 96" - WASHED MAPLE FROM: 01-05-04 THRU: 99-99-99
74	126205-F2-438	EA	LUMBER - VINYL WRAPPED - .7" X 2.5" X 96" - WASHED MAPLE FROM: 00-00-00 THRU: 01-04-04
74	149325-F2-438	EA	LUMBER - VINYL WRAPPED - .7" X 2.5" X 96" - WASHED MAPLE FROM: 01-05-04 THRU: 99-99-99
74	126205-G2-438	EA	LUMBER - STAINED - .7" X 3" X 96" - WASHED MAPLE FROM: 00-00-00 THRU: 01-04-04
74	149325-G2-438	EA	LUMBER - STAINED - .7" X 3" X 96" - WASHED MAPLE FROM: 01-05-04 THRU: 99-99-99

**INTERIOR FINISH GROUP (CONTINUED)**  
**MOLDINGS & TRIMS (CONTINUED)**

KEY	PART NUMBER	U/M	DESCRIPTION
74	126205-H2-438	EA	LUMBER - STAINED - .7" X 3.5" X 96" - WASHED MAPLE FROM: 00-00-00 THRU: 01-04-04
74	149325-H2-438	EA	LUMBER - STAINED - .7" X 3.5" X 96" - WASHED MAPLE FROM: 01-05-04 THRU: 99-99-99
74	126205-J2-438	EA	LUMBER - VINYL WRAPPED - .7" X 5.5" X 96" - WASHED MAPLE FROM: 00-00-00 THRU: 01-04-04
74	149325-J2-438	EA	LUMBER - VINYL WRAPPED - .7" X 5.5" X 96" - WASHED MAPLE FROM: 01-05-04 THRU: 99-99-99
74	126205-J2-743	EA	LUMBER - VINYL WRAPPED - .7" X 5.5" X 108" - WASHED MAPLE FROM: 00-00-00 THRU: 01-04-04
74	149325-J2-743	EA	LUMBER - VINYL WRAPPED - .7" X 5.5" X 108" - WASHED MAPLE FROM: 01-05-04 THRU: 99-99-99
74	126205-K2-438	EA	LUMBER - VINYL WRAPPED - .7" X 3.9" X 96" - WASHED MAPLE FROM: 00-00-00 THRU: 01-04-04
74	149325-K2-438	EA	LUMBER - VINYL WRAPPED - .7" X 3.9" X 96" - WASHED MAPLE FROM: 01-05-04 THRU: 99-99-99
74	126205-R2-438	EA	LUMBER - VINYL WRAPPED - .7" X 3" X 96" - WASHED MAPLE FROM: 00-00-00 THRU: 01-04-04
74	149325-R2-438	EA	LUMBER - VINYL WRAPPED - .7" X 3" X 96" - WASHED MAPLE FROM: 01-05-04 THRU: 99-99-99
74	137885-A2-438	EA	LUMBER - VINYL WRAPPED - .7" X .75" X 96" - CHERRY - CONCERT CHERRY
74	137885-D2-438	EA	LUMBER - VINYL WRAPPED - .7" X 1.5" X 96" - CHERRY - CONCERT CHERRY
74	137885-E2-438	EA	LUMBER - VINYL WRAPPED - .7" X 2" X 96" - CHERRY - CONCERT CHERRY
74	137885-F2-438	EA	LUMBER - VINYL WRAPPED - .7" X 2.5" X 96" - CHERRY - CONCERT CHERRY
74	137885-G2-438	EA	LUMBER - VINYL WRAPPED - .7" X 3" X 96" - CHERRY - CONCERT CHERRY
74	137885-H2-438	EA	LUMBER - VINYL WRAPPED - .7" X 3.5" X 96" - CHERRY - CONCERT CHERRY
74	137885-J2-438	EA	LUMBER - VINYL WRAPPED - .7" X 5.5" X 96" - CHERRY - CONCERT CHERRY
74	137885-J2-743	EA	LUMBER - VINYL WRAPPED - .7" X 5.5" X 108" - CHERRY - CONCERT CHERRY
74	137885-K2-438	EA	LUMBER - VINYL WRAPPED - .7" X 3.9" X 96" - CHERRY - CONCERT CHERRY
74	137885-R2-438	EA	LUMBER - VINYL WRAPPED - .7" X 3" X 96" - CHERRY - CONCERT CHERRY
74	137894-A2-438	EA	LUMBER - VINYL WRAPPED - .7" X .75" X 96" - PORTSMOUTH OAK
74	137894-D2-438	EA	LUMBER - VINYL WRAPPED - .7" X 1.5" X 96" - PORTSMOUTH OAK
74	137894-E2-438	EA	LUMBER - VINYL WRAPPED - .7" X 2" X 96" - PORTSMOUTH OAK
74	137894-F2-438	EA	LUMBER - VINYL WRAPPED - .7" X 2.5" X 96" - PORTSMOUTH OAK
74	137894-G2-438	EA	LUMBER - VINYL WRAPPED - .7" X 3" X 96" - PORTSMOUTH OAK
74	137894-H2-438	EA	LUMBER - VINYL WRAPPED - .7" X 3.5" X 96" - PORTSMOUTH OAK
74	137894-J2-438	EA	LUMBER - VINYL WRAPPED - .7" X 5.5" X 96" - PORTSMOUTH OAK
74	137894-J2-743	EA	LUMBER - VINYL WRAPPED - .7" X 5.5" X 96" - PORTSMOUTH OAK
74	137894-K2-438	EA	LUMBER - VINYL WRAPPED - .7" X 3.9" X 96" - PORTSMOUTH OAK
74	137894-R2-438	EA	LUMBER - VINYL WRAPPED - .7" X 3" X 96" - PORTSMOUTH OAK
74	146419-A2-438	EA	LUMBER - VINYL WRAPPED - .7" X .75" X 96" - HONEY CHERRY
74	146419-D2-438	EA	LUMBER - VINYL WRAPPED - .7" X 1.5" X 96" - HONEY CHERRY
74	146419-E2-438	EA	LUMBER - VINYL WRAPPED - .7" X 2" X 96" - HONEY CHERRY
74	146419-F2-438	EA	LUMBER - VINYL WRAPPED - .7" X 2.5" X 96" - HONEY CHERRY
74	146419-G2-438	EA	LUMBER - VINYL WRAPPED - .7" X 3" X 96" - HONEY CHERRY
74	146419-H2-438	EA	LUMBER - VINYL WRAPPED - .7" X 3.5" X 96" - HONEY CHERRY
74	146419-J2-438	EA	LUMBER - VINYL WRAPPED - .7" X 5.5" X 96" - HONEY CHERRY
74	146419-J2-743	EA	LUMBER - VINYL WRAPPED - .7" X 5.5" X 108" - HONEY CHERRY
74	146419-K2-438	EA	LUMBER - VINYL WRAPPED - .7" X 3.9" X 96" - HONEY CHERRY
74	146419-R2-438	EA	LUMBER - VINYL WRAPPED - .7" X 3" X 96" - HONEY CHERRY

**INTERIOR FINISH GROUP (CONTINUED)**  
**PANELING & LAMINATES**

KEY	PART NUMBER	U/M	DESCRIPTION
	000885-A5-000	SF	PARTICLE BOARD - 3/8" X 4' X 8'- WHT PEB EMBOSSED-1 SIDED
	000885-92-000	SF	PARTICLE BOARD - 3/8" X 4' X 8' - PORTSMOUTH OAK - 1 SIDED
	000885-96-000	SF	PARTICLE BOARD - 3/8" X 4' X 8' - CONCERT CHERRY - 1-SIDED
	000885-88-000	SF	PARTICLE BOARD - 3/8" X 4' X 8' - WASHED MAPLE - 1-SIDED - WASHED MAPLE FROM: 00-00-00 THRU: 01-04-04
	000885-B5-000	SF	PARTICLE BOARD - 3/8" X 4' X 8' - NEAT WASHED MAPLE - 1-SIDED - WASHED MAPLE FROM: 01-05-04 THRU: 99-99-99
	000885-93-000	SF	PARTICLE BOARD - 3/8" X 4' X 8' - PORTSMOUTH OAK - 2-SIDED
	000885-98-000	SF	PARTICLE BOARD - 3/8" X 4' X 8' - SALEM CHERRY - 2 SIDED
	000885-89-000	SF	PARTICLE BOARD - 3/8" X 4' X 8' - WASHED MAPLE - 2-SIDED - WASHED MAPLE FROM: 00-00-00 THRU: 01-04-04
	000885-B4-000	SF	PARTICLE BOARD - 3/8" X 4' X 8' - NEAT WASHED MAPLE - 2-SIDED - WASHED MAPLE FROM: 01-05-04 THRU: 99-99-99
	000885-94-000	SF	PARTICLE BOARD - 1/2" X 4' X 8' - PORTSMOUTH OAK - 2-SIDED
	000885-A1-000	SF	PARTICLE BOARD - 1/2" X 4' X 8' - SALEM CHERRY - 2 SIDED
	000885-90-000	SF	PARTICLE BOARD - 1/2" X 4' X 8' - WASHED MAPLE - 2-SIDED FROM: 00-00-00 THRU: 01-04-04
	000885-B7-000	SF	PARTICLE BOARD - 1/2" X 4' X 8'- NEAT/WASHED MPL - 2 SIDED FROM: 01-05-04 THRU: 99-99-99
	000885-95-000	SF	PARTICLE BOARD - 3/4" X 4' X 8' - PORTSMOUTH OAK - 2-SIDED
	000885-A3-000	SF	PARTICLE BOARD - 3/4" X 4' X 8' - SALEM CHERRY - 2 SIDED
	000885-91-000	SF	PARTICLE BOARD - 3/4" X 4' X 8' - WASHED MAPLE - 2-SIDED FROM: 00-00-00 THRU: 01-04-04
	000885-B6-000	SF	PARTICLE BOARD - 3/4" X 4' X 8'- WASHED MAPLE - 2 SIDED FROM: 01-05-04 THRU: 99-99-99
	069733-87-000	EA	BATT STRIP - WOODGRAINED/PORTSMOUTH OAK - 8'
	069733-88-000	EA	BATT STRIP - WOODGRAINED/SALEM CHERRY - 8'
	069733-89-000	EA	BATT STRIP - WOODGRAINED/WASHED MAPLE - 8'
	074497-42-000	SF	PANELING - PORTSMOUTH OAK - 4' X 8'
	074497-43-000	SF	PANELING - SALEM CHERRY - 4' X 8'
	074497-39-000	SF	PANELING - WASHED MAPLE - 1/8" X 4' X 8' FROM: 00-00-00 THRU: 01-04-04
	074497-49-000	SF	PANELING/PAPER WRAPPED - WASHED MAPLE- 1/8" X 4' X 8' FROM: 01-05-04 THRU: 99-99-99
	074498-40-000	SF	LAMINATE - PLASTIC - OFF WHITE - 4' X 8'
	074498-97-000	SF	LAMINATE - PLASTIC - GRAY TRANQUILITY - 4' X 8' (R19, R20, R21)
	074498-A1-000	SF	LAMINATE - PLASTIC - LINO FRIEZE - 5' X 8' (R22, R23, R24)
	074498-A0-000	SF	LAMINATE - PLASTIC - ROCKY MOUNTAIN HIGH - 4' X 8' (R25, R26, R27)
	085284-G8-000	FT	BATT TAPE - ADHESIVE BACKED - PORTSMOUTH OAK
	085284-H2-000	FT	BATT TAPE - ADHESIVE BACKED - SALEM CHERRY
	085284-H3-000	FT	BATT TAPE - ADHESIVE BACKED - DECORATIVE - WASHED MAPLE
	085284-H8-000	FT	BATT TAPE - ADHESIVE BACKED - ROCKET SILVERADO (R19, R20, R21)
	085284-H6-000	FT	BATT TAPE - ADHESIVE BACKED - DECORATIVE - MULTI (R22, R23, R24)
	085284-H1-000	FT	BATT TAPE - ADHESIVE BACKED - DECORATIVE - GRAY (R25, R26, R27)
	088263-H4-000	EA	BATT STRIP - DECORATIVE - ROCKET SILVERADO (R19, R20, R21)
	088263-H2-000	EA	BATT STRIP - DECORATIVE - MULTI - 8' (R22, R23, R24)
	088263-H0-000	EA	BATT STRIP - DECORATIVE - VILLA/GRAY - 8' LONG (R25, R26, R27)
	076773-15-000	SF	PANELING - 2 SIDED/PORTSMOUTH OAK - 1/8" X 4' X 8'
	076773-16-000	SF	PANELING - 2 SIDED/SALEM CHERRY - 1/8" X 4' X 8'
	076773-14-000	SF	PANELING - 2 SIDED/WASHED MAPLE - 1/8" X 4' X 8' - WASHED MAPLE FROM: 00-00-00 THRU: 01-04-04
	076773-20-000	SF	PANELING - 2 SIDED/NEAT WASHED MAPLE - 1/8" X 4' X 8' - WASHED MAPLE FROM: 01-05-04 THRU: 99-99-99
	088272-H9-000	SF	PANELING - PEBBLE EMBOSSED - WHITE - 4' X 7'
	088272-K5-000	SF	PANELING - SILVERADO - 4' X 7' (R19, R20, R21)
	088272-K4-000	SF	PANELING - MULTI - 4' X 7' (R22, R23, R24)
	088272-K1-000	SF	PANELING - GRAY - 4' X 7' (R25, R26, R27)
	126339-01-000	SF	BOARD - WHEAT - 60" X 72"
	132610-05-11A	FT	WALLPAPER - BORDER - 7" - SELF ADHESIVE (R19, R20, R21)
	132610-05-01A	FT	WALLPAPER - BORDER - 7" - SELF-ADHESIVE (R22, R23, R24)
	132610-05-08A	FT	WALLPAPER - BORDER - 7" - SELF-ADHESIVE (R25, R26, R27)



**INTERIOR FINISH GROUP (CONTINUED)**  
**ACCESSORIES**

KEY	PART NUMBER	U/M	DESCRIPTION
	072852-01-000	EA	DETECTOR - SMOKE - W/9 VOLT BATTERY - US
	072852-02-000	EA	DETECTOR - SMOKE - W/9 VOLT BATTERY - CANADIAN
	094499-03-000	EA	EXTINGUISHER/FIRE - DRY - 10BC - W/GAUGE/BRACKET
*	094499-02-000	EA	EXTINGUISHER/FIRE - DRY - 10BC - W/GAUGE - CANADIAN
	094499-04-000	EA	STRAP - FIRE EXTINGUISHER MOUNTING - METAL
	064781-06-000	EA	HOLDER/CUP - TWO STEP - OFF WHITE
	096764-02-000	FT	SLIPNOT - ANTISLIP - 1'WIDE (180' ROLLS) - WHITE
	118718-01-02A	EA	HOLDER/DRINK - COLLAPSIBLE MUG - WHITE PLASTIC
	118718-01-01A	EA	HOLDER/DRINK - COLLAPSIBLE MUG - BLACK PLASTIC
	142368-02-01A	EA	CLOCK - 8" SQUARE - BRASS
	125136-02-000	EA	DETECTOR/CO - GAS MODEL - 9 VOLT
	131493-02-12A	EA	PICTURE - DECORATIVE - 13" X 15" - AFRICAN LILY(R19, R20, R21)
	131493-02-11A	EA	PICTURE - DECORATIVE - 13" X 15" - RHODODENDRON(R22, R23, R24) FROM: 00-00-00 THRU: 09-07-03
	131493-02-13A	EA	PICTURE - DECORATIVE - 13" X 15" - SANDCASTLE(R22, R23, R24) FROM: 09-08-03 THRU: 99-99-99
	131493-02-13A	EA	PICTURE - DECORATIVE - 13" X 15" - SANDCASTLE(R25, R26, R27)
	137605-01-01A	EA	RAIL - HAND - INTERIOR ENTRY DOOR
	140374-14-000	EA	MIRROR - SAFETY GLASS - 20.8" X 35.4" - 430V
	140374-36-000	EA	MIRROR - SAFETY GLASS - 20.9" X 25.2"- 427P, 431C FROM: 00-00-00 THRU: 11-26-03
	140374-66-000	EA	MIRROR - SAFETY GLASS - 20.1" X 25.2"- 427P, 431C FROM: 11-27-03 THRU: 99-99-99
	131494-04-01A	EA	MIRROR - ARCHED TOP - 20" X 30" - W/DIAMOND - 431C
	140374-30-000	EA	MIRROR - SAFETY GLASS - 25.6" X 31.5" - 430V
	142631-02-03A	EA	FRAME - MIRROR - 35.8"H X 29.9"W - PORTSMOUTH OAK - 430V
	142631-02-01A	EA	FRAME - MIRROR - 35.8"H X 29.9"W - CONCERT CHERRY - 430V
	142631-02-02A	EA	FRAME - MIRROR - 35.8"H X 29.9"W - WASHED MAPLE - 430V

\*COMPONENT PARTS LISTED LATER IN THIS GROUP

**INTERIOR FINISH GROUP (CONTINUED)**  
**COMPONENT PARTS FOR ACCESSORIES**

094499-02-000

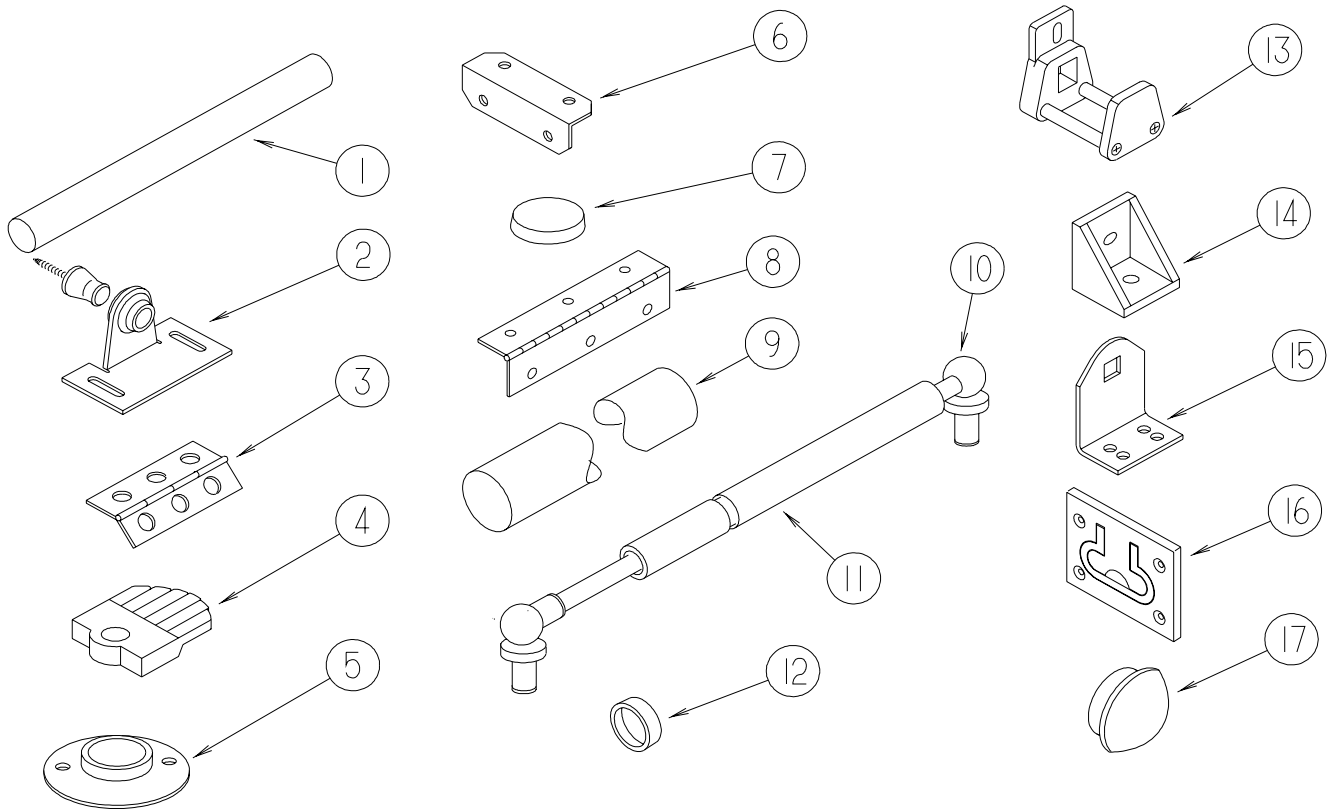
<b>KEY</b>	<b>PART NUMBER</b>	<b>U/M</b>	<b>DESCRIPTION</b>	<b>VENDOR NO</b>
	094499-01-700	EA	BRACKET MTG. W/PLAS. STRAP	294039

**INTERIOR FINISH GROUP (CONTINUED)**  
**FLOOR COVERINGS**

<b>KEY</b>	<b>PART NUMBER</b>	<b>U/M</b>	<b>DESCRIPTION</b>
	042720-28-000	SY	VINYL - FLOOR COVERING - 14' WIDE - OPTIMATION
	139056-06-000	SY	CARPET - CRYSTAL LAKE - 4 SQUARE YARD INCREMENTS (R19, R20, R21)
	096060-F0-000	SY	CARPET - PALE SAGE - INCREMENTS OF 4 SQ YARDS (R22, R23, R24)
	096060-H1-000	SY	CARPET - TAPIOCA - INCREMENTS OF 4 SQ YARDS (R25, R26, R27)
	093486-01-000	SY	CARPET - COMPARTMENT - 72" WIDE - DARK GRAY
	075233-01-000	SY	PAD - CARPET - 3/8" X 6' ROLL



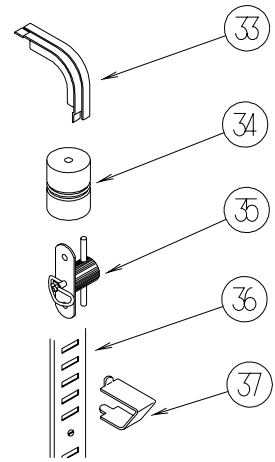
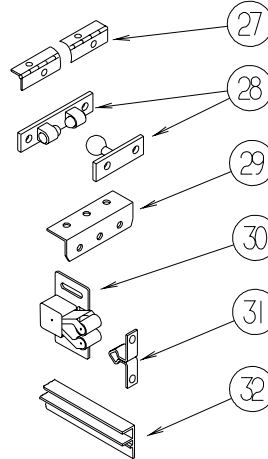
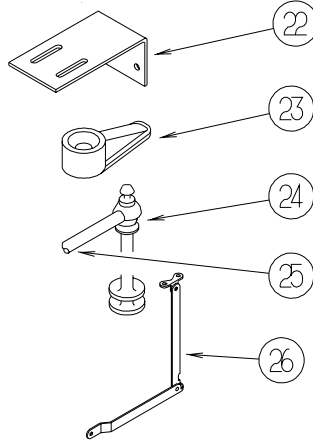
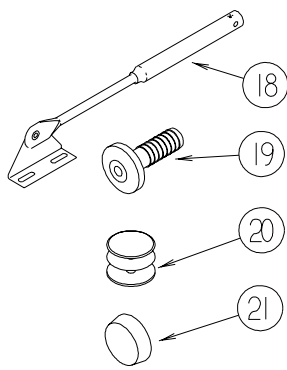
## INTERIOR FINISH GROUP (CONTINUED)



KEY	PART NUMBER	U/M	DESCRIPTION
1	Y00136-21-218	EA	DOWEL - WOOD - 1" X 4'
2	009013-01-000	EA	CATCH - BULLDOG - MALE/FEMALE
3	009059-01-000	EA	HINGE - DOOR - 2" X 1.4" - BRASS
3	009059-02-000	EA	HINGE - DOOR - 2" X 2.7" - BRASS
3	009059-03-000	EA	HINGE - BRASS - 1.75"
3	009059-04-000	EA	HINGE - 2" - ZINC
4	009089-01-000	EA	CLIP - MIRROR
5	009112-01-000	EA	FLANGE - PLASTIC - 1" CLOTHES ROD - OFF WHITE
6	016604-05-000	EA	BRACE - ANGLE - 2 1/2" - OFF WHITE METAL
6	016604-10-000	EA	BRACE - SEAT ANGLE - 2.5" - BLACK
7	023320-01-000	EA	PAD - FELT 3/8" DIAMETER
8	041389-25-000	EA	HINGE - PIANO - 1 1/2" X 55" - UNPAINTED
9	042438-02-000	EA	DOWEL - WOOD - 2" DIAMETER X 2'
10	057460-02-000	EA	BALL STUD - F/GAS SPRING .39" - 5/16"-18
11	057460-04-000	EA	SPRING/GAS - BALL STUD STYLE - 120 PI - "SPD6209"
12	057671-01-000	EA	COVER - SCREW - #8 - OFF WHITE
12	057671-15-000	EA	COVER - SCREW - #8 - BRIGHT WHITE
12	057671-16-000	EA	COVER - SCREW - #8 - SOFT WHITE
12	057671-17-000	EA	COVER - SCREW - VW LT GRAY - #8
13	064467-01-000	EA	GUIDE - POCKET - SLIDING DOOR - WALL MOUNTED
14	065740-01-000	EA	BRACE - CABINET/CORNER - PLASTIC
15	069178-03-000	EA	BRACKET/MOUNTING - ASSIST HANDLE - BRIGHT WHITE
16	072871-01-000	EA	PULL - FLUSH - CHROME
17	074045-08-000	EA	PLUG - OAK - 3/8" DOWEL-1/2" HEAD - SALEM CHERRY - CONCERT CHERRY
17	074045-12-000	EA	PLUG - OAK - 3/8" DOWEL-1/2" HEAD - WASHED MAPLE
17	074045-13-000	EA	PLUG - OAK - 3/8" DOWEL-1/2" HEAD - PORTSMOUTH OAK
17	074045-14-000	EA	PLUG - OAK - 3/8" DOWEL-1/2" HEAD - HONEY CHERRY

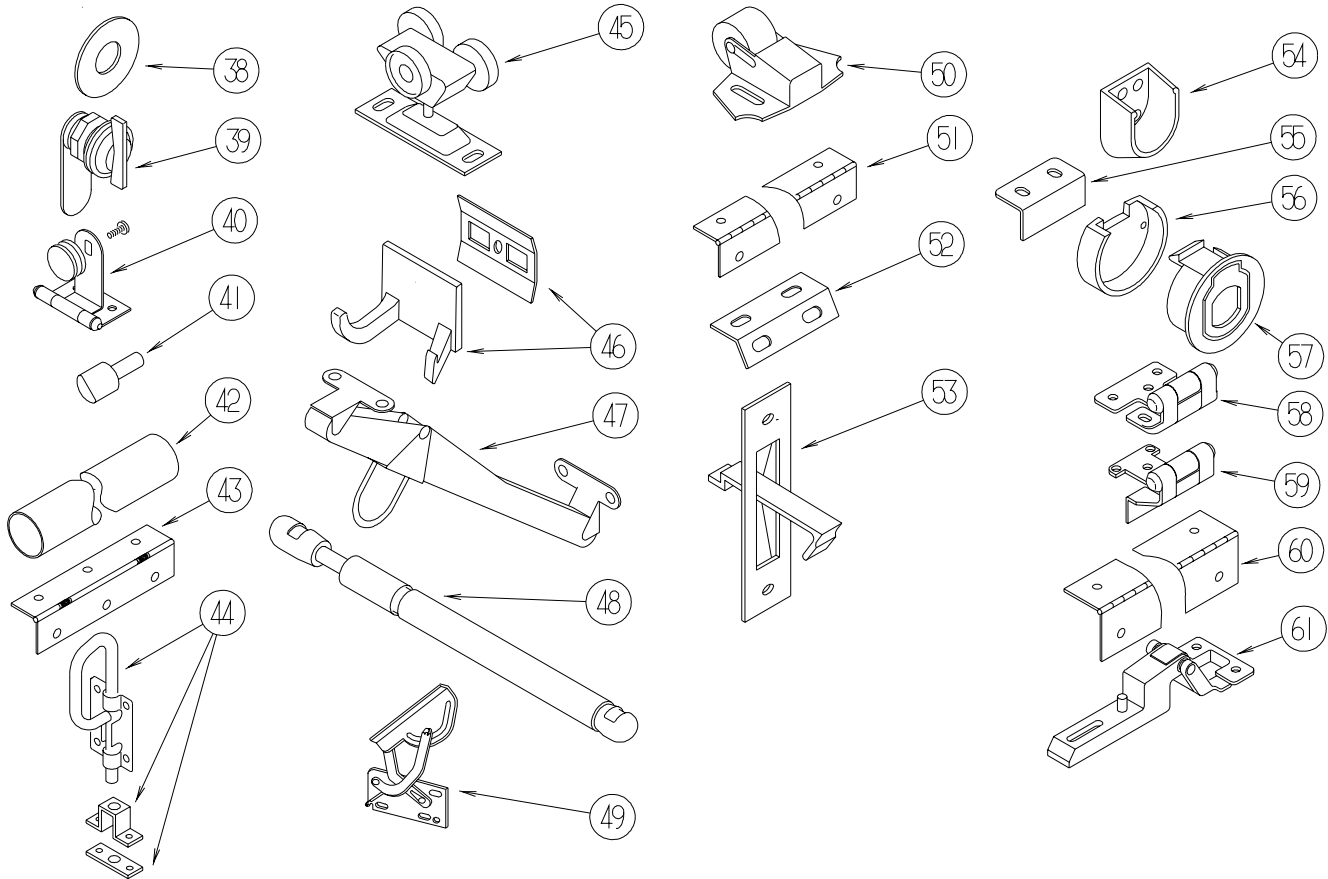
## INTERIOR FINISH GROUP (CONTINUED)

### HARDWARE (CONTINUED)



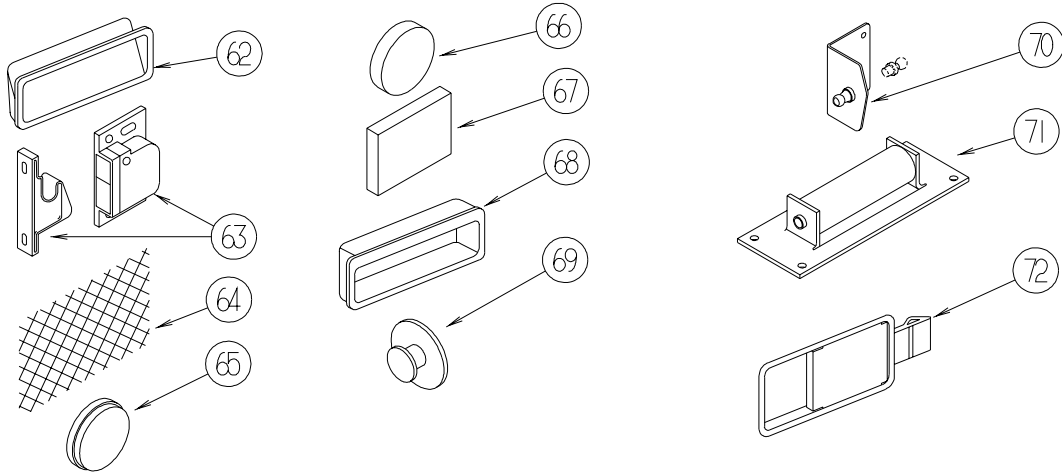
KEY	PART NUMBER	U/M	DESCRIPTION
18	074493-02-000	EA	SUPPORT - PISTON SPRING - CABINET DOOR - 26 LBS
18	074493-03-000	EA	SUPPORT - PISTON SPRING - CABINET DOOR - 12 LBS
19	079921-01-000	EA	ROLLER - NYLON - W/STEEL SHAFT - BARBED
20	081114-02-000	EA	CAP - INSERT - ROUND - 1" DIAMETER - WHITE PLASTIC
21	081914-01-000	EA	BUMPER - RUBBER - ROUND - 1/2" DIA. X 1/8" THICK
22	083125-07-000	EA	BRACE - ANGLE/COUCH - 2.5" - OFF WHITE
23	083204-03-000	EA	BUTTON - RETAINING MIRROR 5/16" TIP
24	084070-03-000	EA	POST - END - 2.4" - SHINY BRASS
25	084071-05-000	EA	ROD - BRASS - 15"
25	084071-19-000	EA	ROD - BRASS - 7.1"
25	084071-20-000	EA	ROD - BRASS - 9.8"
25	084071-23-000	EA	ROD - BRASS - 13.1"
25	084071-24-000	EA	ROD - BRASS - 3.8"
25	084071-33-000	EA	ROD - BRASS - 20.4"
25	146840-01-01A	EA	ROD - .25" DIAMETER - BRASS
25	146840-01-02A	EA	ROD - .25" DIAMETER - PEWTER
25	146840-02-01A	EA	ROD - .25" DIAMETER - BRASS
25	146840-02-02A	EA	ROD - .25" DIAMETER - PEWTER
25	146840-03-01A	EA	ROD - .25" DIAMETER - BRASS
25	146840-03-02A	EA	ROD - .25" DIAMETER - PEWTER
25	146840-04-01A	EA	ROD - .25" DIAMETER - BRASS
25	146840-04-02A	EA	ROD - .25" DIAMETER - PEWTER
25	146840-05-01A	EA	ROD - .25" DIAMETER - BRASS
25	146840-05-02A	EA	ROD - .25" DIAMETER - PEWTER
26	084412-01-000	EA	SUPPORT/HINGE KIT (LEFT & RIGHT HINGES)
27	084413-01-000	EA	HINGE - 1" X 72" - ALUMINUM - W/HOLES
28	084451-01-000	EA	CATCH & LATCH - 1.7" - BRASS
29	089025-01-000	EA	SUPPORT - SPRING TO BED - ANGLE 1.5" X 11.8"
30	093586-03-000	EA	CATCH - SPRING ROLLER - .377"
30	093586-06-000	EA	CATCH - SPRING ROLLER - .236"
31	093586-04-000	EA	STRIKE - SPRING STEEL - 1.14"
31	093586-05-000	EA	STRIKE - SPRING STEEL - .943"
32	093622-01-000	EA	TRACK - DOOR - TAMBOUR - PLASTIC - 8' LENGTHS
33	093623-01-000	EA	CORNER - TRACK - TAMBOUR DOOR
34	097872-04-000	EA	DOWEL - WOOD - 1" DIAMETER X 1.38" LONG - UNFINISHED
35	098196-01-000	EA	LATCH - 1/4 TURN - T-BAR
36	098979-01-000	EA	CLIP - ADJUSTABLE SHELF
37	098980-01-000	EA	PILASTER - ADJUSTABLE SHELF - 18"
37	098980-02-000	EA	PILASTER - ADJUSTABLE SHELF - 12"
37	098980-03-000	EA	PILASTER - ADJUSTABLE SHELF - 9"
37	098980-04-000	EA	PILASTER - ADJUSTABLE SHELF - 48"
37	098980-05-000	EA	PILASTER - ADJUSTABLE SHELF - 15"
37	098980-06-000	EA	PILASTER - ADJUSTABLE SHELF - 24"

**INTERIOR FINISH GROUP (CONTINUED)**  
**HARDWARE (CONTINUED)**



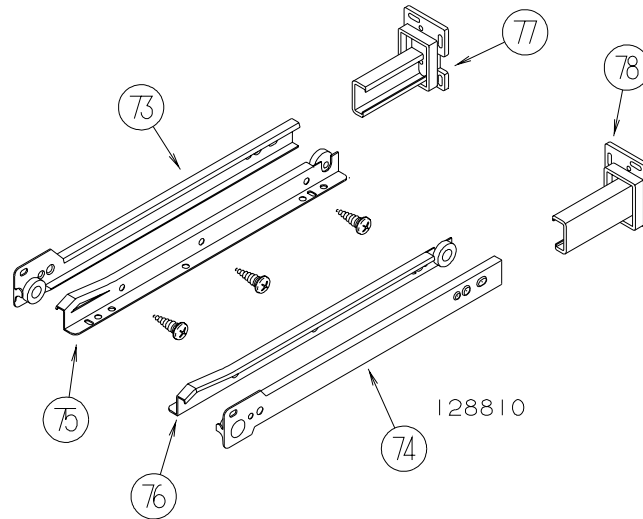
KEY	PART NUMBER	U/M	DESCRIPTION
38	100707-01-000	EA	SPACER - GLASS DOOR - .8" DIA - .3" HOLE - PLASTIC
39	100710-01-01A	EA	LOCK - GLASS DOOR/TWIST TYPE - BRASS
40	100711-01-01A	EA	HINGE - GLASS DOOR
41	101766-01-000	EA	PIN - SUPPORT/GLASS DOOR
42	102075-10-02A	EA	ROD - SHOWER CURTAIN - 1" OD X 46.3" - SOFT WHITE
43	102920-01-01A	EA	HINGE - SPRING LOADED - BRASS
44	103256-01-000	EA	LATCH COMPLETE (SLIDE)
45	103874-01-000	EA	HANGER - SLIDING DOOR
46	104174-01-000	EA	HOOK - ROBE - DOUBLE
47	104181-01-01A	EA	SUPPORT - LEAF 5.3" EXTENDS TO 7.5" - SAFETY RING - METAL
48	142569-15-000	EA	SPRING/GAS - 12" COMPRESSED/20" EXTENDED - 120 LB.
48	142569-16-000	EA	SPRING/GAS - 12" COMPRESSED/20" EXTENDED - 90 LB.
48	142569-05-000	EA	SPRING - GAS - 15 LB. - 39.9"
48	142569-18-000	EA	SPRING/GAS - 6.5" COMPRESSED/9.6" EXTENDED - 65 LB.
49	108126-01-000	EA	TRAY HINGE SET (QTY. 2 PER SET)
50	109403-01-000	EA	CATCH - SINGLE ROLLER - SCREEN DOOR
51	110496-01-01A	EA	HINGE - BRASS
52	111866-01-02A	EA	BRACE - SEAT - ANGLE - OFF WHITE
53	113130-01-01A	EA	PULL - DOOR POCKET
54	113236-01-01A	EA	BRACKET - CLOTHES - ROD
55	113375-02-01A	EA	STRIKE - DOOR - CHROME
56	113375-05-01A	EA	LATCH - SLAM - BACK - .8" THICK
57	113375-06-01A	EA	LATCH - SLAM - FACE - .7" THICK
58	113676-01-01A	EA	HINGE - OVERLAY - VARIABLE - BURNISHED BRASS
59	113677-01-01A	EA	HINGE - SELF CLOSING
60	114278-02-000	EA	HINGE - CONTINUOUS - 3" WIDE
61	114443-01-01A	EA	HINGE - CABINET DOOR

**INTERIOR FINISH GROUP (CONTINUED)**  
**HARDWARE (CONTINUED)**



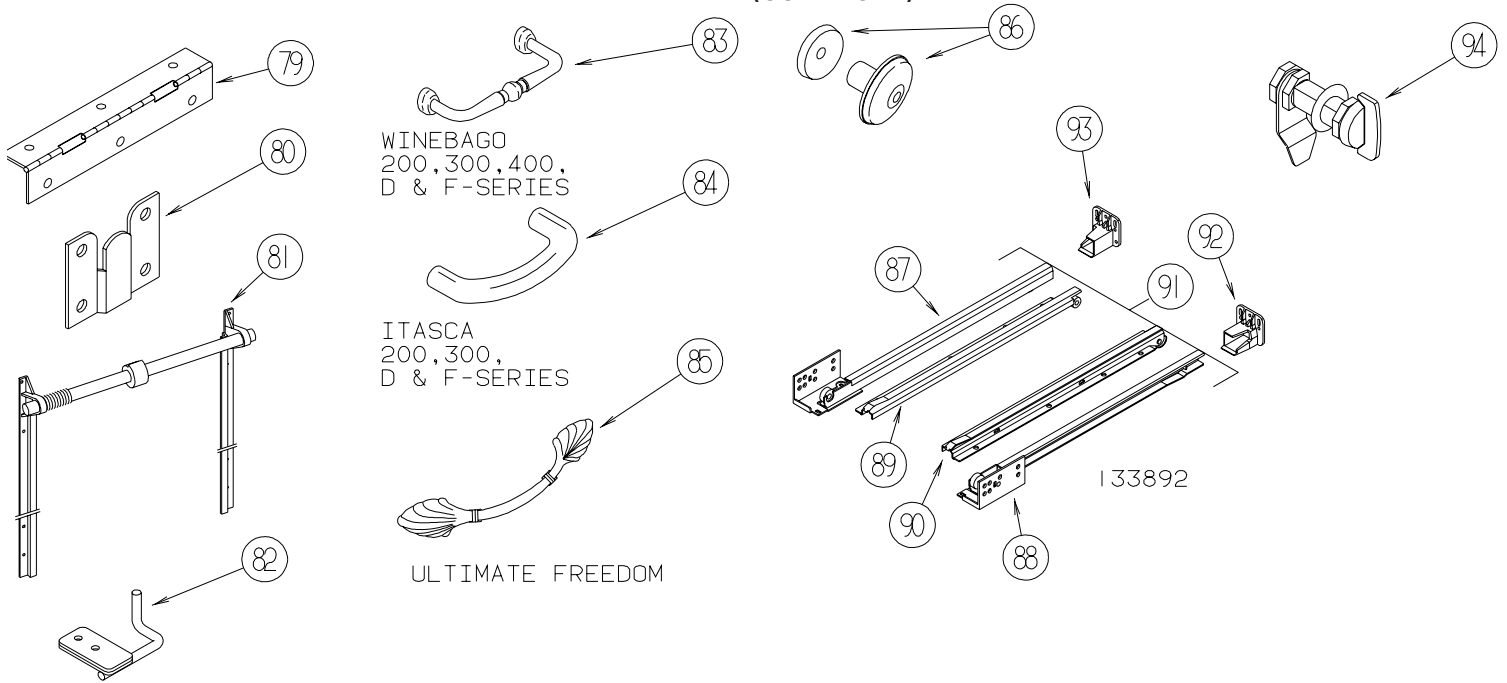
KEY	PART NUMBER	U/M	DESCRIPTION
62	115994-01-01A	EA	HANDLE - POCKET
63	117095-01-01A	EA	LATCH - DOOR - GRABBER W/KEEPER - PLASTIC - BLK-5 LB PULL
63	117095-02-01A	EA	LATCH - DOOR - GRABBER W/KEEPER - PLASTIC - BLK-10 LB PULL
64	118200-01-01A	SF	MESH - PLASTIC 1/2" - 48" X LENGTH = SF - BLACK
65	120760-01-000	EA	RUBBER BUMPER - CLEAR - .1" THICK X .8" DIAMETER
66	122717-01-01A	EA	PAD - NON SKID - 4" DIAMETER ROUND
67	122717-06-01A	FT	PAD - NON-SKID - PSA - 5"W
68	124311-01-01A	EA	HANDLE - RECESSED - BRASS
69	125221-01-01A	EA	PULL - MIRROR - W/ROUND HANDLE
70	126263-06-02B	EA	BRACKET - GAS SPRING W/INSIDE BALL STUD - E-COATED
70	126263-08-02B	EA	BRACKET - GAS SPRING W/CENTERED BALL STUD - E-COATED
71	126584-02-000	EA	ROLLER - FLAT
72	127349-01-01A	EA	LATCH - PADDLE

**INTERIOR FINISH GROUP (CONTINUED)**  
**HARDWARE (CONTINUED)**



KEY	PART NUMBER	U/M	DESCRIPTION
73	128810-01-01A	EA	SLIDE - DRAWER - 12" - LEFT CABINET
73	128810-05-01A	EA	SLIDE - DRAWER - 14" - LEFT CABINET
73	128810-09-01A	EA	SLIDE - DRAWER - 16" - LEFT CABINET
73	128810-13-01A	EA	SLIDE - DRAWER - 18" - LEFT CABINET
73	128810-17-01A	EA	SLIDE - DRAWER - 20" - LEFT CABINET
73	128810-21-01A	EA	SLIDE - DRAWER - 22" - LEFT CABINET
73	128810-25-01A	EA	SLIDE - DRAWER - 24" - LEFT CABINET
73	128810-29-01A	EA	SLIDE - DRAWER - 9" - LEFT CABINET
74	128810-02-01A	EA	SLIDE - DRAWER - 12" - RIGHT CABINET
74	128810-06-01A	EA	SLIDE - DRAWER - 14" - RIGHT CABINET
74	128810-10-01A	EA	SLIDE - DRAWER - 16" - RIGHT CABINET
74	128810-14-01A	EA	SLIDE - DRAWER - 18" - RIGHT CABINET
74	128810-18-01A	EA	SLIDE - DRAWER - 20" - RIGHT CABINET
74	128810-22-01A	EA	SLIDE - DRAWER - 22" - RIGHT CABINET
74	128810-26-01A	EA	SLIDE - DRAWER - 24" - RIGHT CABINET
74	128810-30-01A	EA	SLIDE - DRAWER - 9" - RIGHT CABINET
75	128810-03-01A	EA	SLIDE - DRAWER - 12" - LEFT DRAWER
75	128810-07-01A	EA	SLIDE - DRAWER - 14" - LEFT DRAWER
75	128810-11-01A	EA	SLIDE - DRAWER - 16" - LEFT DRAWER
75	128810-15-01A	EA	SLIDE - DRAWER - 18" - LEFT DRAWER
75	128810-19-01A	EA	SLIDE - DRAWER - 20" - LEFT DRAWER
75	128810-23-01A	EA	SLIDE - DRAWER - 22" - LEFT DRAWER
75	128810-27-01A	EA	SLIDE - DRAWER - 24" - LEFT DRAWER
75	128810-27-01A	EA	SLIDE - DRAWER - 24" - LEFT DRAWER
75	128810-31-01A	EA	SLIDE - DRAWER - 9" - LEFT DRAWER
76	128810-04-01A	EA	SLIDE - DRAWER - 12" - RIGHT DRAWER
76	128810-08-01A	EA	SLIDE - DRAWER - 14" - RIGHT DRAWER
76	128810-12-01A	EA	SLIDE - DRAWER - 16" - RIGHT DRAWER
76	128810-16-01A	EA	SLIDE - DRAWER - 18" - RIGHT DRAWER
76	128810-20-01A	EA	SLIDE - DRAWER - 20" - RIGHT DRAWER
76	128810-24-01A	EA	SLIDE - DRAWER - 22" - RIGHT DRAWER
76	128810-28-01A	EA	SLIDE - DRAWER - 24" - RIGHT DRAWER
76	128810-32-01A	EA	SLIDE - DRAWER - 9" - RIGHT DRAWER
77	128811-01-02A	EA	BACKSOCKET - ADJUSTABLE - LEFT
78	128811-02-02A	EA	BACKSOCKET - ADJUSTABLE - RIGHT

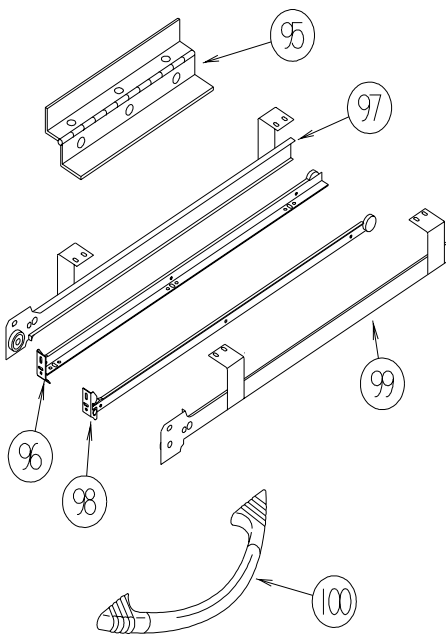
**INTERIOR FINISH GROUP (CONTINUED)**  
**HARDWARE (CONTINUED)**



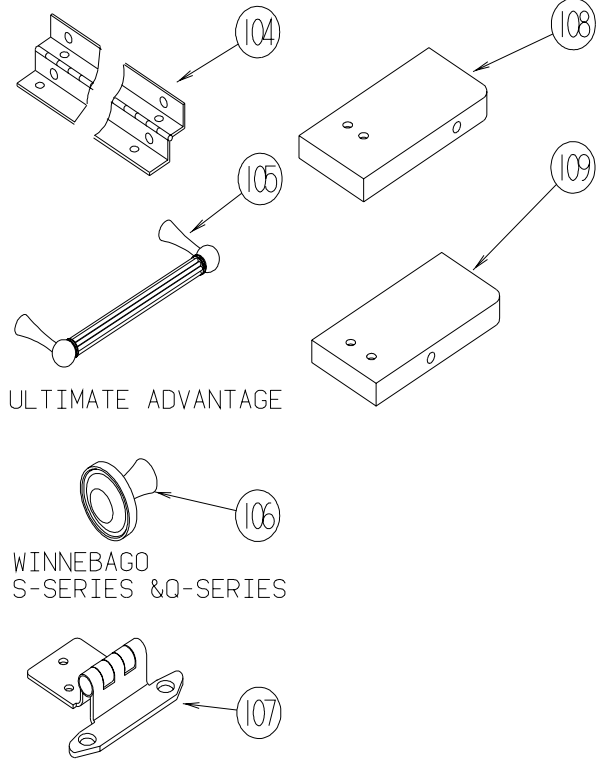
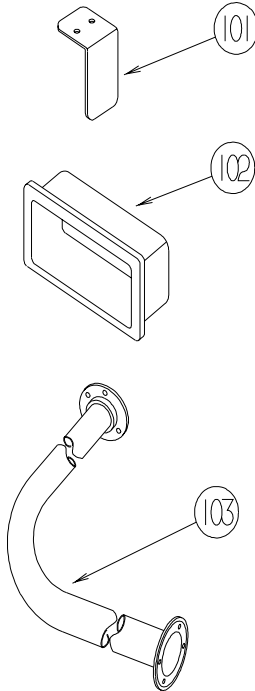
KEY	PART NUMBER	U/M	DESCRIPTION
79	129753-01-01A	EA	HINGE - SPRING LOADED - 19" X 19" - BLACK
80	130120-01-01A	EA	BRACKET - MIRROR
81	130787-02-000	EA	TRACK - TAMBOUR DOOR/SPRING - 24"
81	130787-04-000	EA	TRACK - TAMBOUR DOOR - SPRING
82	130798-01-02B	EA	GUIDE - POCKET DOOR - E-COATED
83	131963-01-01A	EA	PULL - POLISHED BRASS - <b>WINEBAGO VISTA/MINNIE/MINNIE WINNIE/SIGHTSEER &amp; BRAVE</b>
84	131964-01-01A	EA	PULL - POLISHED BRASS - <b>ITASCA SUNSTAR/SPIRIT/SUNOVA &amp; SUNRISE</b>
85	131965-01-01A	EA	PULL - DOOR/DRAWER - 6.3" - BURNISHED BRASS - <b>ULTIMATE FREEDOM</b>
86	133313-01-02A	EA	PULL - DOOR/DRAWER - BRIGHT BRASS
86	133313-01-03A	EA	PULL - DOOR/DWR - CHROME/BRASS - <b>ITASCA SUNDANCER/SUNCRUISER/SUNFLYER/MERIDIAN</b>
87	133892-01-01A	EA	SLIDE - DRAWER - 16" - LEFT CABINET
87	133892-06-01A	EA	SLIDE - DRAWER - 22" - LEFT CABINET
87	133892-10-01A	EA	SLIDE - DRAWER - 12" - LEFT CABINET
87	133892-14-01A	EA	SLIDE - DRAWER - 18" - LEFT CABINET
88	133892-02-01A	EA	SLIDE - DRAWER - 16" - RIGHT CABINET
88	133892-07-01A	EA	SLIDE - DRAWER - 22" - RIGHT CABINET
88	133892-11-01A	EA	SLIDE - DRAWER - 12" - RIGHT CABINET
88	133892-15-01A	EA	SLIDE - DRAWER - 18" - RIGHT CABINET
89	133892-03-01A	EA	SLIDE - DRAWER - 16" - LEFT DRAWER
89	133892-08-01A	EA	SLIDE - DRAWER - 22" - LEFT DRAWER
89	133892-12-01A	EA	SLIDE - DRAWER - 12" - LEFT DRAWER
89	133892-16-01A	EA	SLIDE - DRAWER - 18" - LEFT DRAWER
90	133892-04-01A	EA	SLIDE - DRAWER - 16" - RIGHT DRAWER
90	133892-09-01A	EA	SLIDE - DRAWER - 22" - RIGHT DRAWER
90	133892-13-01A	EA	SLIDE - DRAWER - 12" - RIGHT DRAWER
90	133892-17-01A	EA	SLIDE - DRAWER - 18" - RIGHT DRAWER
91	133892-05-01A	EA	SLIDE - DRAWER - 9" - FULL SET
92	133907-01-01A	EA	BACKSOCKET - RIGHT HAND
93	133907-02-01A	EA	BACKSOCKET - LEFT HAND
94	135231-01-01A	EA	LATCH - COMPRESSION - BLACK

## INTERIOR FINISH GROUP (CONTINUED)

### HARDWARE (CONTINUED)



ITASCA  
400, G, L P-SERIES



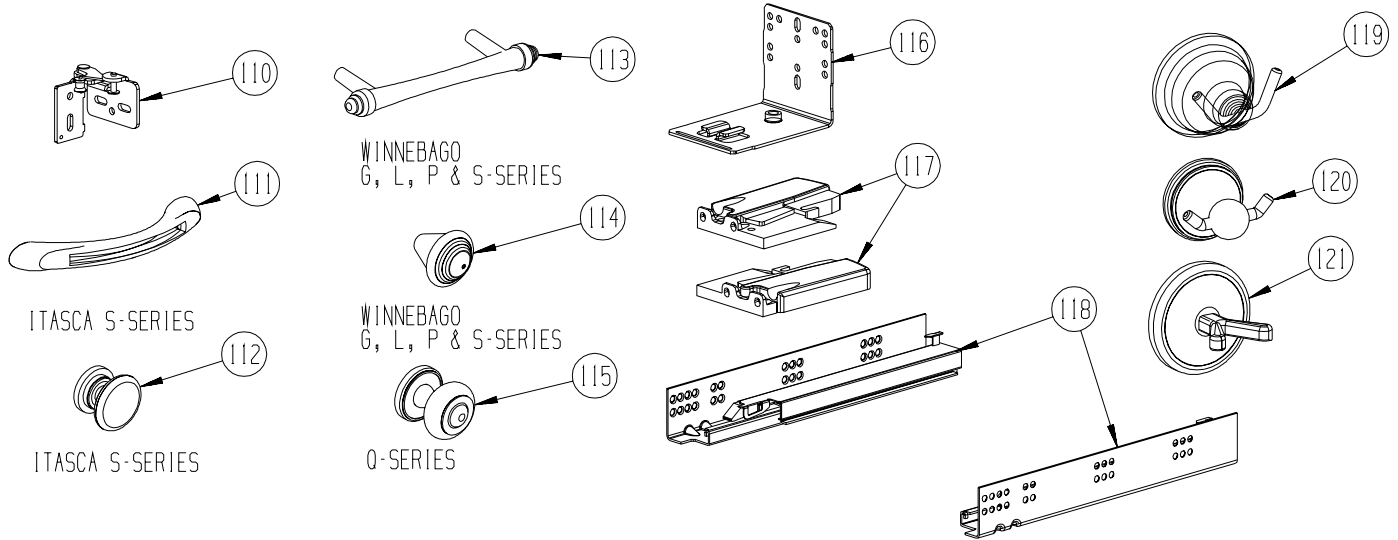
ULTIMATE ADVANTAGE

WINNEBAGO  
S-SERIES & Q-SERIES

KEY	PART NUMBER	U/M	DESCRIPTION
95	135538-01-01A	EA	HINGE - PIANO - FULL WRAP - BRASS PLATED
95	135538-03-01A	EA	HINGE - PIANO - FULL WRAP - STOCKER BRASS
96	136944-01-01A	EA	SLIDE - DRAWER/RIGHT HAND - 13.8"
97	136944-02-01A	EA	SLIDE - CABINET/RIGHT HAND - 13.8"
98	136944-03-01A	EA	SLIDE - DRAWER/LEFT HAND - 13.8"
99	136944-04-01A	EA	SLIDE - CABINET/LEFT HAND - 13.8"
100	137446-01-01A	EA	PULL - CABINET - CHROME/BRASS - <b>ITASCA SUNDANCE/SUNCRUISER/SUNFLYER &amp; MERIDIAN</b>
101	138136-02-02B	EA	GUIDE - DOOR - E-COATED
102	139136-01-01A	EA	HANDLE - RECESSED - BRASS
102	139136-02-01A	EA	HANDLE - RECESSED - BRASS
102	139136-02-02A	EA	HANDLE - RECESSED - PEWTER
103	140494-01-01A	EA	ROD - SHOWER
103	140494-01-02A	EA	ROD - SHOWER - SOFT WHITE
104	142276-01-01A	EA	HINGE - PIANO - FULL WRAP - BRASS
105	142909-01-01A	EA	PULL - CABINET - BRASS - <b>ULTIMATE ADVANTAGE</b>
106	142910-01-01A	EA	KNOB - CABINET - BRASS - <b>WINNEBAGO VECTRA &amp; ULTIMATE ADVANTAGE</b>
107	143468-01-01A	EA	HINGE - SELF CLOSING - BURNISHED BRASS - <b>ULTIMATE FREEDOM</b>
107	143468-01-02A	EA	HINGE - SELF CLOSING - POLISHED BRASS
107	143468-02-03A	EA	HINGE - SELF CLOSING - SATIN NICKEL - <b>ITASCA SUNFLYER, L-SERIES</b>
107	146553-01-02A	EA	HINGE - CABINET DOOR - BRIGHT BRASS
107	146553-01-03A	EA	HINGE - CABINET DOOR - SATIN NICKEL
108	137445-01-N42	EA	STOP - F/SLIDING DOOR
108	137445-01-P46	EA	STOP - F/SLIDING DOOR
108	137445-01-P56	EA	STOP - F/SLIDING DOOR
109	137445-02-P45	EA	STOP - F/SLIDING DOOR
109	137445-02-P46	EA	STOP - F/SLIDING DOOR
109	137445-02-P56	EA	STOP - F/SLIDING DOOR



## INTERIOR FINISH GROUP (CONTINUED) HARDWARE (CONTINUED)



KEY	PART NUMBER	U/M	DESCRIPTION
110	144488-01-01A	EA	HINGE - CABINET - ANTIQUE BRASS
110	144488-01-02A	EA	HINGE - CABINET - NICKEL - <b>ITASCA HORIZON</b>
111	144917-01-01A	EA	PULL - DRAWER - SATIN NICKEL - <b>ITASCA HORIZON</b>
112	144918-01-01A	EA	PULL - DRAWER/KNOB - SATIN NICKEL - <b>ITASCA HORIZON</b>
113	145172-01-01A	EA	PULL - CABINET DOOR - <b>WINNEBAGO ADVENTURER/CHIEFTAIN/JOURNEY &amp; VECTRA</b>
114	145172-02-01A	EA	PULL - DRAWER/DNOB - <b>WINNEBAGO ADVENTURER/CHIEFTAIN &amp; JOURNEY</b>
115	145180-01-01A	EA	KNOB - CABINET DOOR - <b>ULTIMATE FREEDOM</b>
116	145739-01-000	EA	BRACKET - REAR MOUNT
117	145739-02-000	EA	LOCKING MECHANISM - LEFT
117	145739-03-000	EA	LOCKING MECHANISM - RIGHT
118	145739-04-000	EA	SLIDE - DRAWER - 12"
119	145849-01-01A	EA	ROBE HOOK - TWIN - BRASS
119	145849-02-01A	EA	ROBE HOOK - TWIN - CHROME
120	145849-03-01A	EA	ROBE HOOK - TWIN - BRASS
121	145849-04-01A	EA	ROBE HOOK - TWIN - CHROME/BRASS



## LABELS GROUP

SEWAGE

**KEY PART NUMBER U/M DESCRIPTION**  
006187-01-000 EA LABEL - SEWAGE

WASTE WATER

**KEY PART NUMBER U/M DESCRIPTION**  
006188-01-000 EA LABEL - WASTE WATER

### WARNING

THIS SYSTEM IS DESIGNED FOR USE WITH PROPANE ONLY  
DO NOT CONNECT NATURAL GAS TO THIS SYSTEM

BEFORE TURNING ON PROPANE:

- (A) BE CERTAIN APPLIANCES ARE CERTIFIED FOR PROPANE AND ARE EQUIPPED WITH CORRECT BURNING ORIFICES.
- (B) MAKE CERTAIN ALL PROPANE CONNECTIONS ARE TIGHT BY TESTING WITH SOAPY WATER. ALL APPLIANCE VALVES ARE TURNED OFF, AND ANY UNCONNECTED OUTLETS ARE CAPPED.

AFTER TURNING ON PROPANE:

- (A) LIGHT ALL PILOT LIGHTS
- (B) (B) ALL CONNECTIONS, INCLUDING THOSE AT THE APPLIANCES, REGULATORS AND CYLINDERS SHOULD BE LEAK-TESTED PERIODICALLY WITH SOAPY WATER BY THE OCCUPANT. NEVER USE A LIGHTED MATCH OR OTHER FLAME WHEN CHECKING FOR LEAKS.
- (C) DO NOT LEAVE SYSTEM TURNED ON OF CONTAINERS CONNECTED UNTIL THE SYSTEM HAS BEEN PROVEN TO BE FREE OF LEAKS.
- (D) COOKING APPLIANCES SHOULD NOT BE USED FOR SPACE HEATING.
- (E) WHEN THE CONTAINERS ARE DISCONNECTED THE PROPANE SUPPLY LINE SHOULD BE CAPPED OR PLUGGED.

### AVERTISSEMENT

CETTE INSTALLATION EST CONÇUE POUR LE PROPANE SEULEMENT  
NE PAS L'ALIMENTER EN GAZ NATUREL

AVANT LA MISE EN SERVICE:

- (A) S'ASSURER QUE LES APPAREILS SONT CERTIFIÉS POUR LE PROPANE ET MUNIS D'ORIFICES DE BRULEUR APPROPRIÉS.
- (B) VÉRIFIER L'ÉTANCHEITÉ DE TOUS LES RACCORDEMENTS AU PROPANE. LA PERMÉTURE DE TOUS LES ROBINETS D'APPAREILS ET L'OBTURATION DE TOUTES LES SORTIES NON RACCORDEES.

APRES LA MISE EN SERVICE:

- (A) ALLUMER TOUTES LES VEILLEUSES.
- (B) L'OCCUPANT DOIT ÉPROUVER PÉRIODIQUEMENT L'ÉTANCHEITÉ DE TOUS LES RACCORDEMENTS Y COMPRIS CEUX AUX APPAREILS, AUX DÉTENDEURS ET AUX BOUTEILLES, EN Y APPLIQUANT DE L'EAU SAVONNEUSE NE JAMAIS SE SERVIR D'UNE ALLUMETTE OU AUTRE POUR LA DÉTECTION DES FUITES.
- (C) NE PAS LAISSER L'ALIMENTATION OUVERTE NI LES RÉCIPIENTS RACCORDES AVANT D'AVOIR COMPLÉTÉ L'ÉPREUVE D'ÉTANCHEITÉ AU PROPANE DE L'INSTALLATION.
- (D) LES APPAREILS DE CUISSON NE DOIVENT PAS ÊTRE UTILISÉS POUR LE CHAUFFAGE DES LOCAUX.
- (E) LORSQUE LES RÉCIPIENTS SONT DÉCONNECTÉS, L'ALIMENTATION DE PROPANE DOIT ÊTRE OBTURÉE OU SCELLÉE.

**KEY PART NUMBER U/M DESCRIPTION**  
023769-01-000 EA LABEL - WARNING - LPG - CANADIAN

EXIT

**KEY PART NUMBER U/M DESCRIPTION**  
039290-01-000 EA LABEL - WARNING - EXIT

## LABELS GROUP (CONTINUED)



**KEY PART NUMBER** 040944-01-000 **U/M DESCRIPTION**  
EA LABEL - ENTRANCE DOOR - "OPEN"

### CAUTION

THIS MOTOR HOME HAS BEEN DESIGNED, MANUFACTURED AND TESTED WITH CONCERN FOR THE PROTECTION OF IT'S OCCUPANTS. WE RECOMMEND YOU PERFORM THE FOLLOWING INSPECTIONS FOR YOUR SAFETY AND THE SAFETY OF YOUR PASSENGERS BEFORE STARTING YOUR VEHICLE.

1. LP GAS SYSTEM- TURN OFF AT TANK FOR TRAVELING. TEST FOR LEAKS UPON ARRIVAL AT DESTINATION. BEFORE LIGHTING PILOTS.
2. WHEELS- INSPECT FOR DAMAGE AND CHECK LUG NUTS FOR TIGHTNESS.
3. TIRES- INSPECT FOR WEAR AND DAMAGE AND CHECK FOR RECOMMENDED AIR PRESSURE.
4. LIGHTING- TEST FOR PROPER OPERATION OF ALL INTERIOR AND EXTERIOR LIGHTS INCLUDING DASH LIGHTS, HEADLIGHTS, TAIL LIGHTS, BRAKE LIGHTS, CLEARANCE LIGHTS AND TURN SIGNALS.
5. EXITS- INSPECT RELEASE MECHANISM ON EMERGENCY EXIT WINDOW. TEST BOTH LOCKS ON MAIN ENTRANCE DOOR FOR EASE OF OPERATION AND INSTRUCT PASSENGERS HOW TO USE BOTH MEANS OF EXIT.
6. SEAT BELTS- DIRECT PASSENGERS TO DESIGNATED SEATS AND REQUIRE USE OF SEAT BELTS.
7. APPLIANCES- TURN OFF AND LATCH OR LOCK DOORS WHERE PROVIDED.
8. LOOSE PARCELS- STORE SECURELY.
9. UTILITY SUPPLY LINES- DISCONNECT ALL ELECTRIC, SEWER AND WATER LINES AND SECURE PROPERLY.
10. ENTRANCE DOOR STEP- PLACE IN RETRACTED POSITION FOR TRAVELING.

READ YOUR MOTOR HOME AND CHASSIS OWNER'S  
MANUAL FOR FURTHER PRECAUTIONS

**KEY PART NUMBER** 056259-01-000 **U/M DESCRIPTION**  
EA LABEL - SAFETY CHECK LIST

UNLEADED FUEL ONLY

**KEY PART NUMBER** 062043-01-000 **U/M DESCRIPTION**  
EA LABEL - FUEL - UNLEADED

**WARNING** DISCONNECT BATTERIES BEFORE  
CONNECTING EXTERNAL CHARGING EQUIPMENT.

**KEY PART NUMBER** 065748-01-000 **U/M DESCRIPTION**  
EA LABEL - WARNING - BATTERY CHARGING - UL

AVERTISSEMENT : DEBRANCHER LES BATTERIES AVANT  
DE BRANCHER TOUT EQUIPEMENT DE CHARGE EXTERIEUR.

**KEY PART NUMBER** 065748-02-000 **U/M DESCRIPTION**  
EA LABEL - WARNING - BATTERY CHARGING - CSA - **CANADIAN**

DIESEL FUEL ONLY

**KEY PART NUMBER** 068383-01-000 **U/M DESCRIPTION**  
EA LABEL - DIESEL FUEL

VEHICLE EMISSION CONTROL INFORMATION  
THIS VEHICLE CONFORMS TO U.S. EPA  
REGULATIONS APPLICABLE TO XXXX MODEL  
YEAR NEW VEHICLES.

072887-01-000-2 CATALYST

**KEY PART NUMBER** 072887-14-000 **U/M DESCRIPTION**  
EA LABEL - EPA - 2003 MODEL YEAR

## LABELS GROUP (CONTINUED)

### IF YOU SMELL GAS

1. EXTINGUISH ANY OPEN FLAME, PILOT LIGHTS AND ALL SMOKING MATERIALS.
2. DO NOT TOUCH ELECTRICAL SWITCHES.
3. SHUT OFF THE GAS SUPPLY AT THE TANK VALVE(S) OR GAS SUPPLY CONNECTION.
4. OPEN DOORS AND OTHER VENTILATING OPENINGS.
5. LEAVE THE AREA UNTIL ODOR CLEARS.
6. HAVE THE GAS SYSTEM CHECKED AND LEAKAGE SOURCE CORRECTED BEFORE USING AGAIN.

**KEY PART NUMBER U/M DESCRIPTION**  
073998-01-000 EA LABEL - LPG ODOR WARNING

WARNING: TEST SMOKE DETECTOR OPERATION AFTER VEHICLE HAS BEEN IN STORAGE, BEFORE EACH TRIP AND AT LEAST ONCE PER WEEK DURING USE.

**KEY PART NUMBER U/M DESCRIPTION**  
077956-01-000 EA LABEL - WARNING - SMOKE DETECTOR

DO NOT FILL LP-GAS CONTAINER(S) TO MORE THAN 80% OF CAPACITY.

**KEY PART NUMBER U/M DESCRIPTION**  
079965-01-000 EA LABEL - LPG - 80% CAPACITY

WARNING  
MUST BE STOWED  
IN LATCHED POSITION  
WHILE VEHICLE IS IN MOTION

**KEY PART NUMBER U/M DESCRIPTION**  
079966-01-000 EA LABEL - WARNING - STOWED - MOTION

W  
A  
T  
E  
R  
H  
E  
A  
T  
E  
R  
ON  
OFF

**KEY PART NUMBER U/M DESCRIPTION**  
083588-01-000 EA LABEL - ON/OFF - WATER HEATER

E  
N  
G  
I  
N  
E  
H  
E  
A  
T  
E  
R  
ON  
OFF

**KEY PART NUMBER U/M DESCRIPTION**  
083588-02-000 EA LABEL - ON/OFF - ENGINE HEATER  
083588-04-000 EA LABEL - ON/OFF - ENGINE HEATER

## LABELS GROUP (CONTINUED)

<p><b>CAUTION</b></p>	<p>TO HELP AVOID PERSONAL INJURY DURING REMOVAL OF FUEL FILLER CAP, SLOWLY LOOSEN CAP 1/2 TURN TO ALLOW ANY FUEL PRESSURE TO BE RELIEVED BEFORE TURNING CAP FURTHER.</p>
<p>FUEL SPRAY MAY CAUSE PERSONAL INJURY</p>	<p>STOP ADDING FUEL AFTER FIRST SHUTOFF BY AUTOMATIC NOZZLE WHEN TANK IS NEARLY FULL. DO NOT OVERFILL FUEL TANK.</p> <p>SEE OWNERS MANUAL FOR ADDITIONAL INFORMATION.</p> <p style="font-size: small;">PRINTED IN U.S.A. <span style="float: right;">WLC PT NO 15611763</span></p>

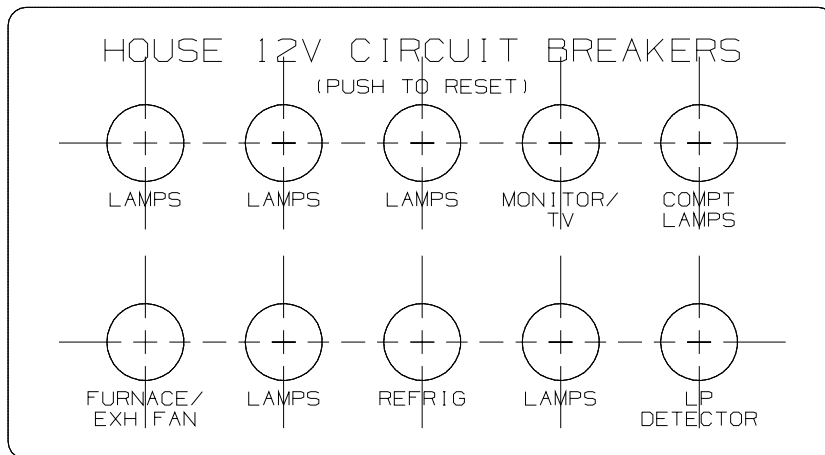
**KEY PART NUMBER U/M DESCRIPTION**  
 087207-05-000 EA LABEL - FUEL CAP REMOVAL



**KEY PART NUMBER U/M DESCRIPTION**  
 087236-01-000 EA LABEL - CABLE - INPUT

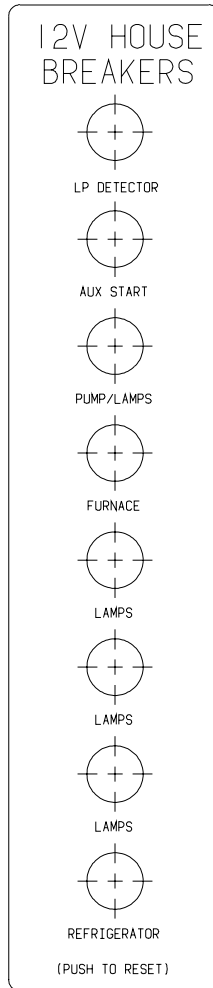


**KEY PART NUMBER U/M DESCRIPTION**  
 087236-02-000 EA LABEL - TV OUTLET

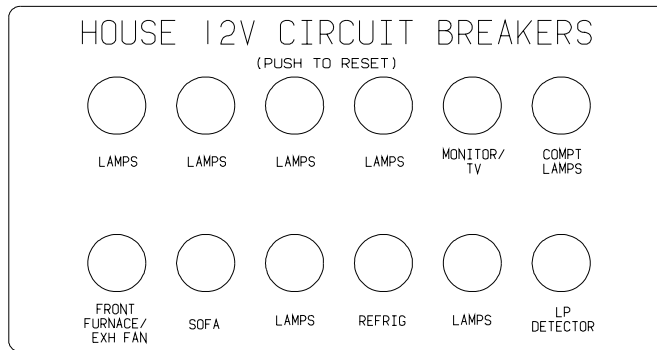


**KEY PART NUMBER U/M DESCRIPTION**  
 092547-06-000 EA LABEL - CIRCUIT BREAKER

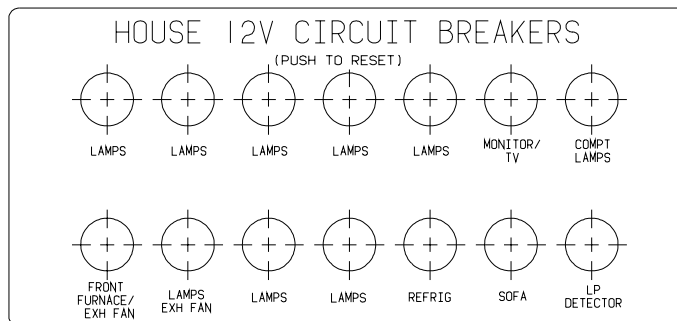
## LABELS GROUP (CONTINUED)



KEY	PART NUMBER	U/M DESCRIPTION
	092547-08-000	EA LABEL - CIRCUIT BREAKER

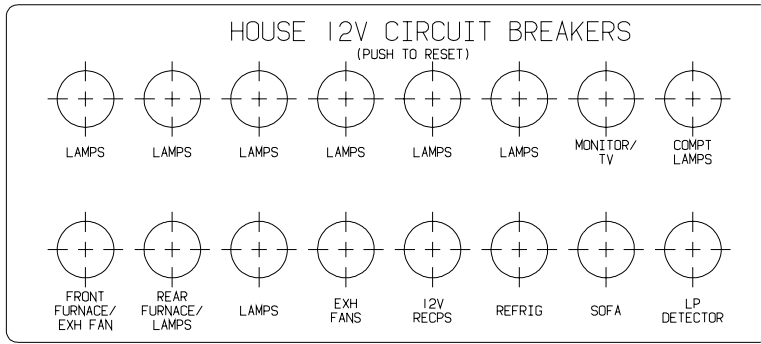


KEY	PART NUMBER	U/M DESCRIPTION
	092547-10-000	EA LABEL - CIRCUIT BREAKER

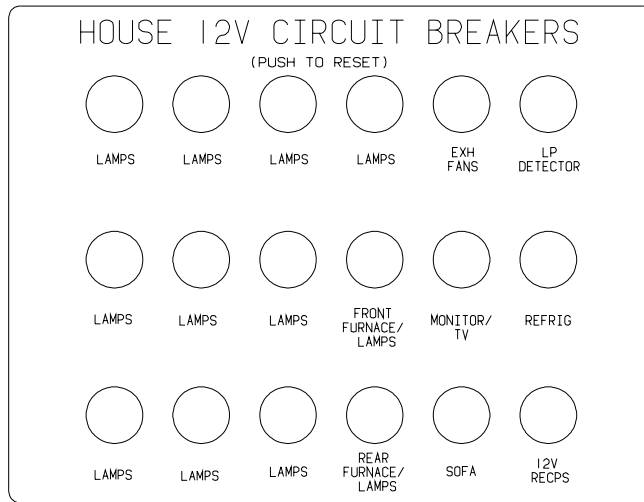


KEY	PART NUMBER	U/M DESCRIPTION
	092547-12-000	EA LABEL - CIRCUIT BREAKER

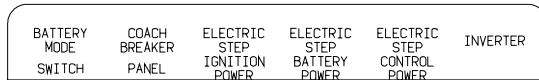
## LABELS GROUP (CONTINUED)



**KEY PART NUMBER U/M DESCRIPTION**  
 092547-13-000 EA LABEL - CIRCUIT BREAKER

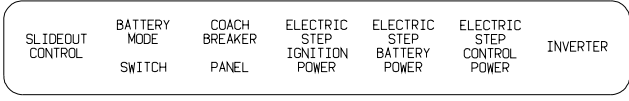


**KEY PART NUMBER U/M DESCRIPTION**  
 092547-14-000 EA LABEL - CIRCUIT BREAKER

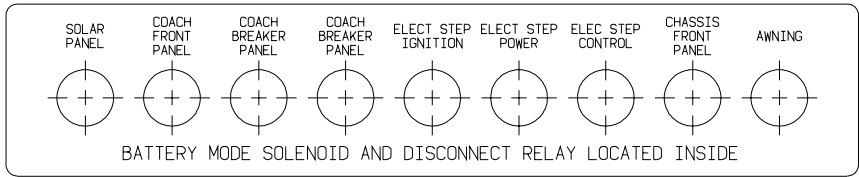


**KEY PART NUMBER U/M DESCRIPTION**  
 093236-08-000 EA LABEL - CIRCUIT BREAKER

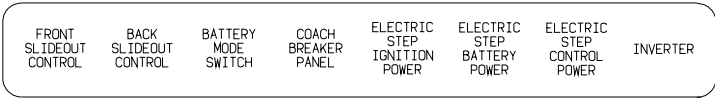
## LABELS GROUP (CONTINUED)



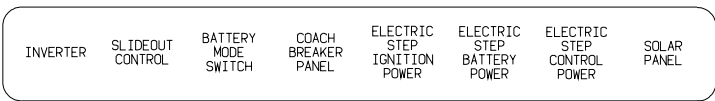
**KEY PART NUMBER**    **U/M DESCRIPTION**  
 093236-21-000    EA LABEL - CIRCUIT BREAKER



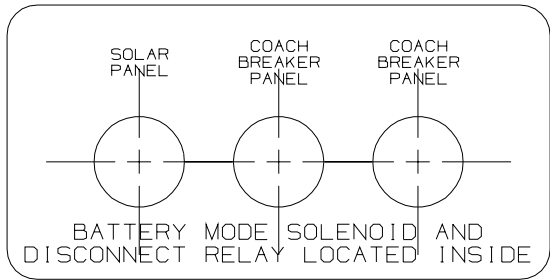
**KEY PART NUMBER**    **U/M DESCRIPTION**  
 093236-26-000    EA LABEL - CIRCUIT BREAKER



**KEY PART NUMBER**    **U/M DESCRIPTION**  
 093236-28-000    EA LABEL - CIRCUIT BREAKER

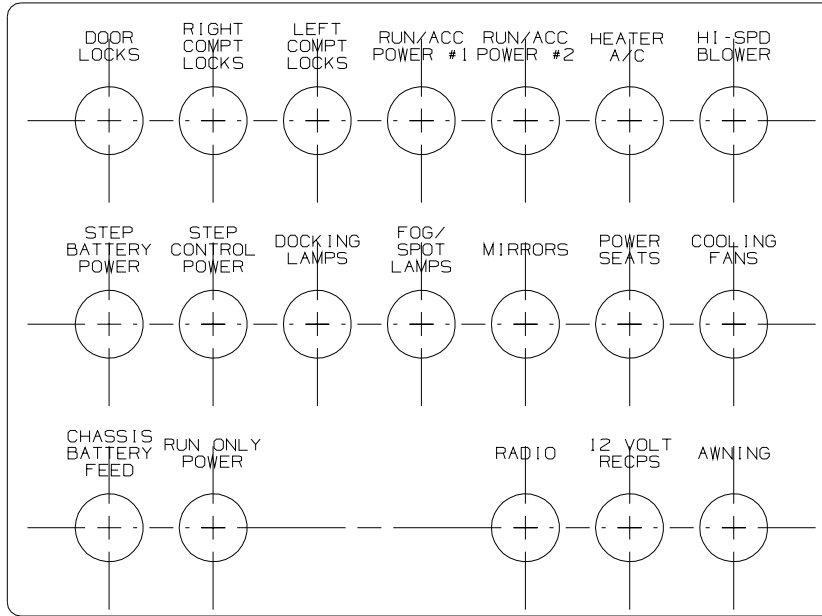


**KEY PART NUMBER**    **U/M DESCRIPTION**  
 093236-29-000    EA LABEL - CIRCUIT BREAKER



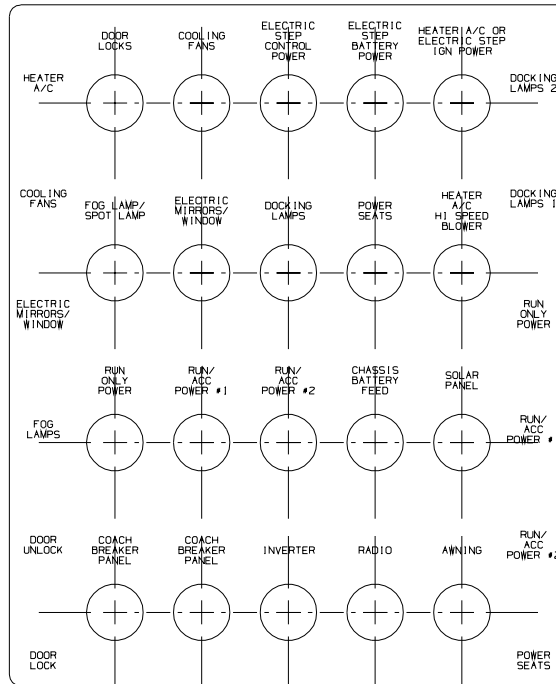
**KEY PART NUMBER**    **U/M DESCRIPTION**  
 093236-31-000    EA LABEL - CIRCUIT BREAKER

## LABELS GROUP (CONTINUED)



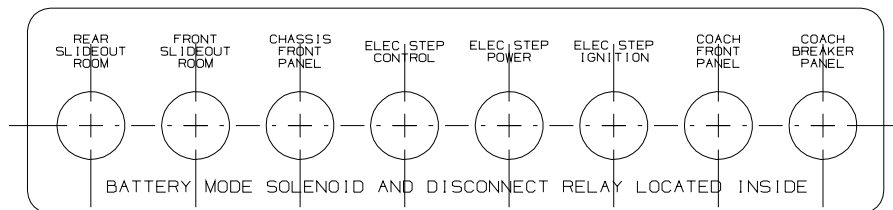
**KEY PART NUMBER**  
093236-32-000

**U/M DESCRIPTION**  
EA LABEL - CIRCUIT BREAKER



**KEY PART NUMBER**  
093236-33-000

**U/M DESCRIPTION**  
EA LABEL - CIRCUIT BREAKER

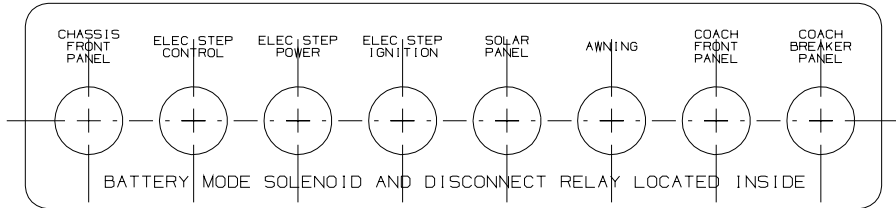


**KEY PART NUMBER**  
093236-34-000

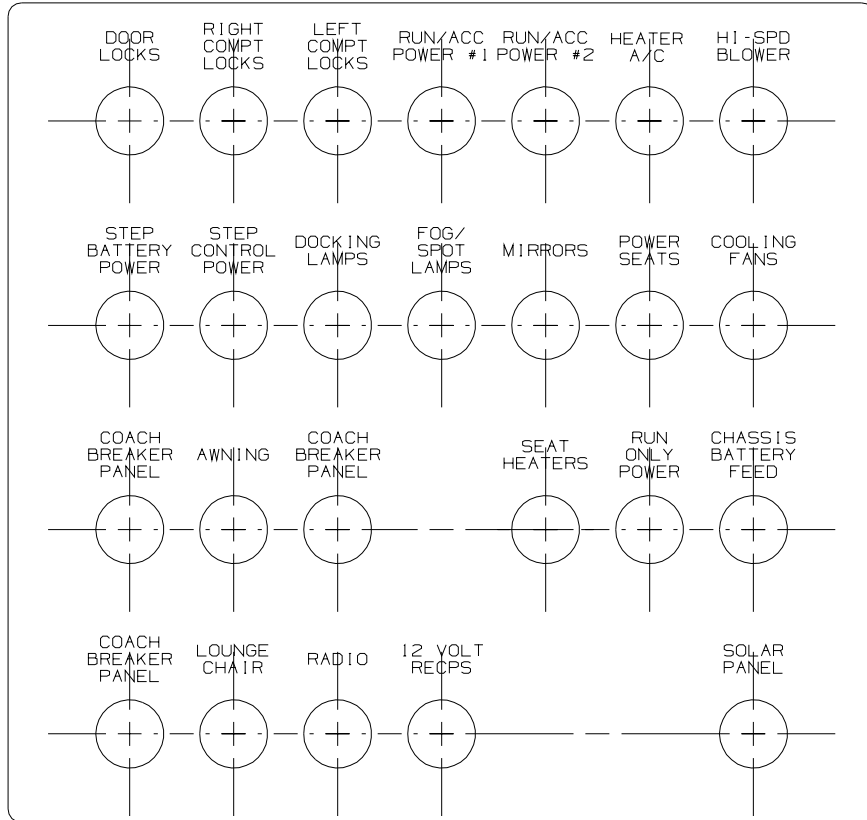
**U/M DESCRIPTION**  
EA LABEL - CIRCUIT BREAKER



## LABELS GROUP (CONTINUED)



KEY	PART NUMBER	U/M	DESCRIPTION
	093236-35-000	EA	LABEL - CIRCUIT BREAKER



KEY	PART NUMBER	U/M	DESCRIPTION
	093236-37-000	EA	LABEL - CIRCUIT BREAKER

## LABELS GROUP (CONTINUED)

S U B M A I N	D I S H W A S H E R	R E C P S  1	R E C P S  2	R E C P S  3	M I C R O W A V E
---------------------------------	------------------------------------------------	--------------------------------	--------------------------------	--------------------------------	-------------------------------------------

**KEY PART NUMBER U/M DESCRIPTION**  
 095721-20-000 EA LABEL - CONTROL CENTER W/INVERTER

A / C  C I R C U I T  1	M A I N	A / C  C I R C U I T  2	R E F R I G / C O N V	M I C R O W A V E	R E C P S  1	R E C P S  2	R E C P S  3		
-------------------------------------------------------------	------------------	-------------------------------------------------------------	-----------------------------------------------------	-------------------------------------------	--------------------------------	--------------------------------	--------------------------------	--	--

**KEY PART NUMBER U/M DESCRIPTION**  
 095721-27-000 EA LABEL - CONTROL CENTER - 30 AMP

A / C  C I R C U I T  1	M A I N	A / C  C I R C U I T  2	R E F R I G / C O N V	M I C R O W A V E	R E C P S  1	R E C P S  2	R E C P S  3	W A S H E R / D R Y E R	W A T E R  H E A T E R	
-------------------------------------------------------------	------------------	-------------------------------------------------------------	-----------------------------------------------------	-------------------------------------------	--------------------------------	--------------------------------	--------------------------------	----------------------------------------------------------	---------------------------------------------------------	--

**KEY PART NUMBER U/M DESCRIPTION**  
 095721-31-000 EA LABEL - CONTROL CENTER - 30 AMP - US

## LABELS GROUP (CONTINUED)

A / C CIRCUIT 1	M A I N	M A I N	A / C CIRCUIT 2	R E F R I G / C O N V	M I C R O W A V E	R E C P S 1	R E C P S 2	R E C P S 3	W A S H E R / D R Y E R	W A T E R  H E A T E R
-----------------------	------------------	------------------	-----------------------	-----------------------------------------------------	-------------------------------------------	----------------------------	----------------------------	----------------------------	----------------------------------------------------------	---------------------------------------------------------

**KEY PART NUMBER U/M DESCRIPTION**  
 095721-33-000 EA LABEL - CONTROL CENTER - 50 AMP - US

M A I N	M I C R O W A V E	G F I / R E C E P S	R E F E R / C O N V	W A T E R H T R	A / C
------------------	-------------------------------------------	------------------------------------------------	------------------------------------------------	--------------------------------------	-------------

**KEY PART NUMBER U/M DESCRIPTION**  
 095721-38-000 EA LABEL - CONTROL CENTER - 30 AMP - US

A / C CIRCUIT 1	M A I N	M A I N	A / C CIRCUIT 2	I N V E R T E R / C H A R G E E R	W A S H E R / D R Y E R	W A T E R  H E A T E R	W A T E R  H E A T E R	D I S H W A S H E R	F I R E P L A C C E / R E C P S 4	F I R E P L A C C E / R E C P S 4
-----------------------	------------------	------------------	-----------------------	-----------------------------------------------------------------------------------	----------------------------------------------------------	---------------------------------------------------------	---------------------------------------------------------	------------------------------------------------	-----------------------------------------------------------------------------------	-----------------------------------------------------------------------------------

**KEY PART NUMBER U/M DESCRIPTION**  
 095721-44-000 EA LABEL - CONTROL CENTER - 30 AMP - US

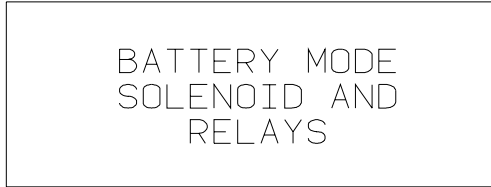
AUTOMOTIVE AND COACH  
CIRCUIT BREAKERS

**KEY PART NUMBER U/M DESCRIPTION**  
 098379-01-000 EA LABEL - CIRCUIT BREAKER - FRONT BOX

CIRCUIT BREAKERS  
AND AUTOMOTIVE  
FUSE PANEL

**KEY PART NUMBER U/M DESCRIPTION**  
 098379-03-000 EA LABEL - ELECTRICAL BOX - FRONT

**LABELS GROUP (CONTINUED)**



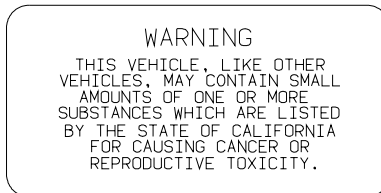
**KEY PART NUMBER U/M DESCRIPTION**  
098379-04-000 EA LABEL - ELECTRICAL BOX - SIDE



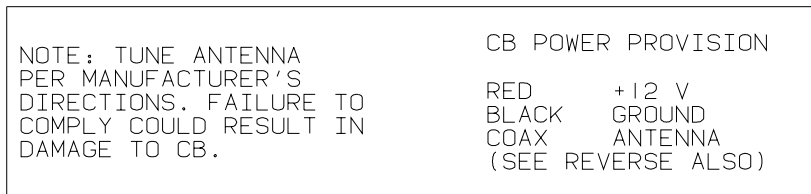
**KEY PART NUMBER U/M DESCRIPTION**  
098641-01-000 EA LABEL - FUEL - UNLEADED - DASH



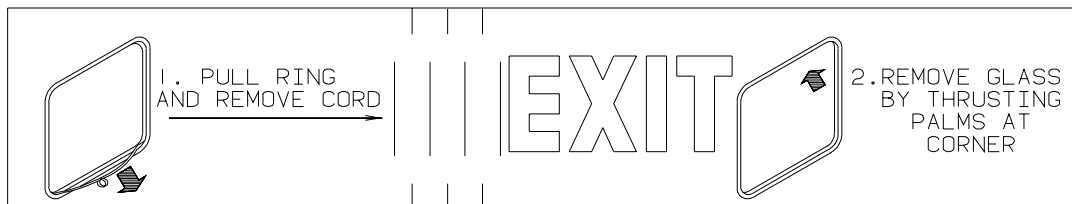
**KEY PART NUMBER U/M DESCRIPTION**  
099509-01-000 EA LABEL - AWNING INSTALLATION



**KEY PART NUMBER U/M DESCRIPTION**  
099689-01-000 EA LABEL - WARNING - CANCER/TOXICITY

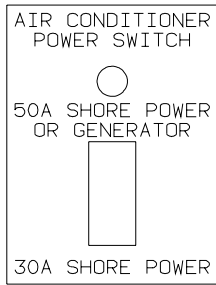


**KEY PART NUMBER U/M DESCRIPTION**  
104678-01-000 EA LABEL - CB PREP



**KEY PART NUMBER U/M DESCRIPTION**  
107571-01-000 EA LABEL - EXIT/ESCAPE WINDOW

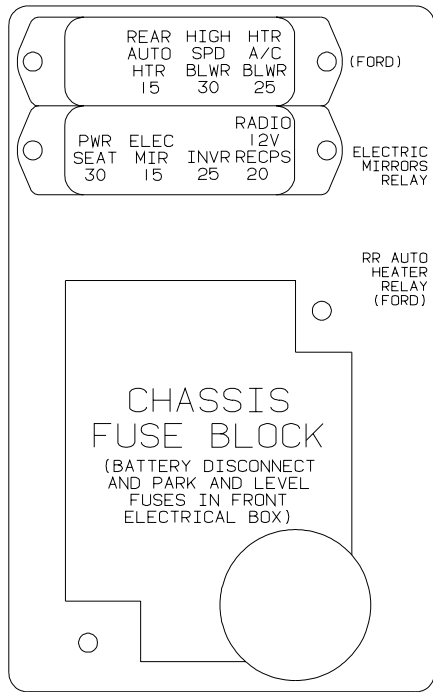
## LABELS GROUP (CONTINUED)



KEY	PART NUMBER	U/M DESCRIPTION
	109051-02-000	EA LABEL - SWITCH - 50 AMP POWER

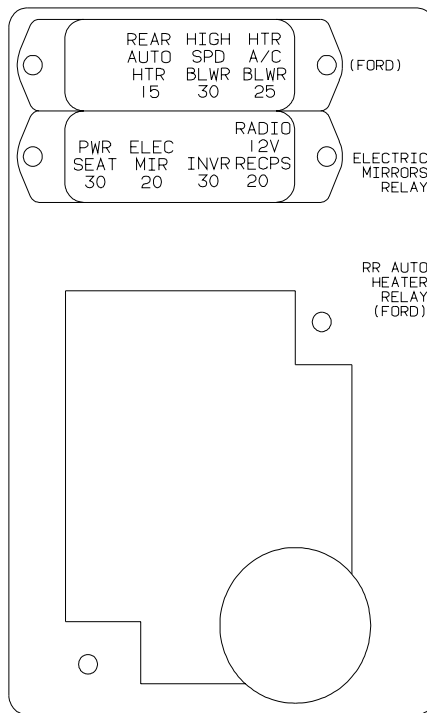


KEY	PART NUMBER	U/M DESCRIPTION
	111104-01-000	EA LABEL - HITCH - READ MANUAL - WHITE



KEY	PART NUMBER	U/M DESCRIPTION
	111537-08-000	EA LABEL - FUSES

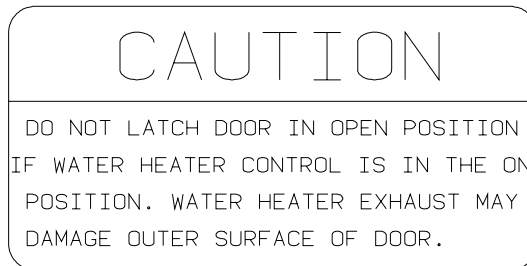
## LABELS GROUP (CONTINUED)



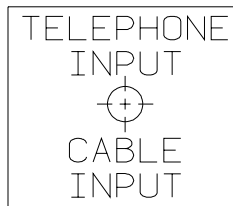
KEY	PART NUMBER	U/M DESCRIPTION
	111537-09-000	EA LABEL - FUSES

WARNING: CONTAINS "CFC" A SUBSTANCE WHICH HARMS PUBLIC HEALTH AND ENVIRONMENT BY DESTROYING OZONE IN THE UPPER ATMOSPHERE.

KEY	PART NUMBER	U/M DESCRIPTION
	111802-01-000	EA LABEL - CFC WARNING

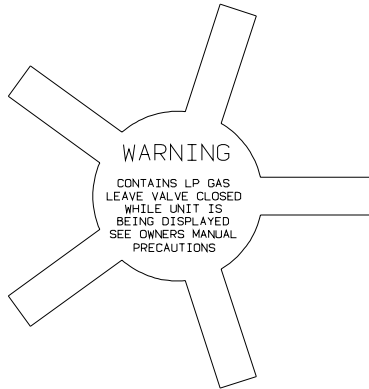


KEY	PART NUMBER	U/M DESCRIPTION
	113402-01-000	EA LABEL - CAUTION - WATER HEATER EXHAUST



KEY	PART NUMBER	U/M DESCRIPTION
	114866-02-000	EA LABEL - PHONE & CABLE INPUT - WHITE/CLEAR BACKGROUND

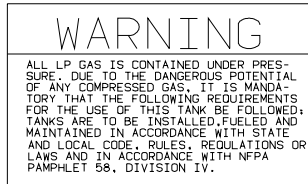
## LABELS GROUP (CONTINUED)



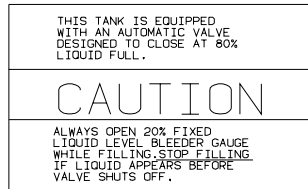
**KEY PART NUMBER U/M DESCRIPTION**  
 115600-01-000 EA LABEL - WARNING LPG VALVE

WARNING: REPLACE TIRE ONLY WITH ONE OF EXACTLY SAME TYPE AND RATING. DO NOT REPLACE WITH PASSENGER CAR TIRE. SEE OPERATOR'S MANUAL FOR MORE INFORMATION CALL WINNEBAGO OWNER RELATIONS AT 1-800-537-1885.

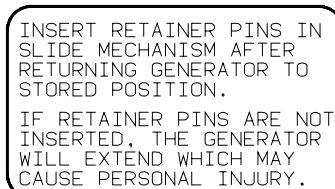
**KEY PART NUMBER U/M DESCRIPTION**  
 115869-01-000 EA LABEL - WARNING - TIRE



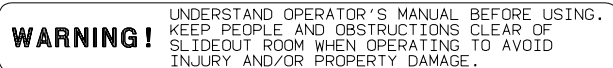
**KEY PART NUMBER U/M DESCRIPTION**  
 116112-01-000 EA LABEL - CAUTION - LP



**KEY PART NUMBER U/M DESCRIPTION**  
 116113-01-000 EA LABEL - CAUTION - LP

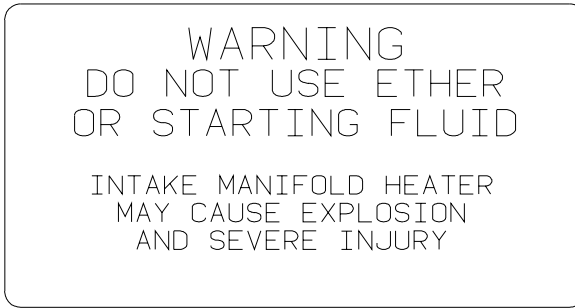


**KEY PART NUMBER U/M DESCRIPTION**  
 116273-01-000 EA LABEL - WARNING - GENERATOR



**KEY PART NUMBER U/M DESCRIPTION**  
 116549-01-000 EA LABEL - WARNING - SLIDEOUT

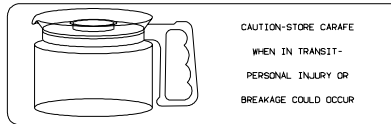
**LABELS GROUP (CONTINUED)**



KEY	PART NUMBER	U/M DESCRIPTION
	116756-02-000	EA LABEL - WARNING - ETHER/STARTING - CLEAR BACKGROUND W/RED LETTERING
	116756-03-000	EA LABEL - WARNING - ETHER/STARTING - WHITE BACKGROUND W/RED LETTERING



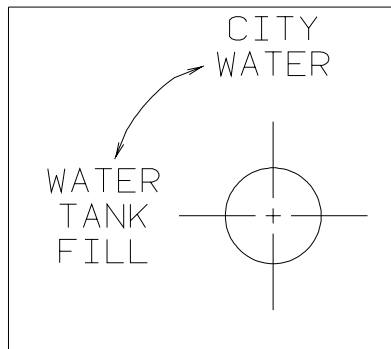
KEY	PART NUMBER	U/M DESCRIPTION
	116775-01-000	EA LABEL/CAUTION - TRAVEL LATCH



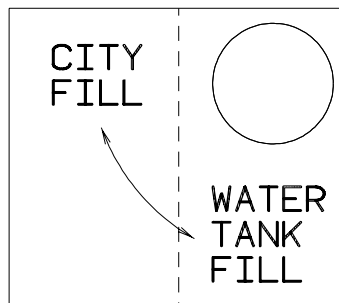
KEY	PART NUMBER	U/M DESCRIPTION
	116829-02-000	EA LABEL - COFFEEMAKER



KEY	PART NUMBER	U/M DESCRIPTION
	117628-02-000	EA LABEL - SWITCH - WATER PUMP/LIGHTS-WHITE/CLEAR BACKGROUND



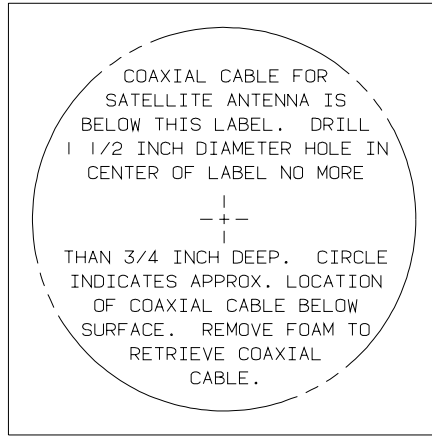
KEY	PART NUMBER	U/M DESCRIPTION
	117629-01-000	EA LABEL - WATER PUMP/FILL-BLK LETTER/CLEAR BACKGROUND-.24"
	117629-03-000	EA LABEL - WATER PUMP/FILL-BLK LETTERS/CLEAR BACKGROUND-.31"



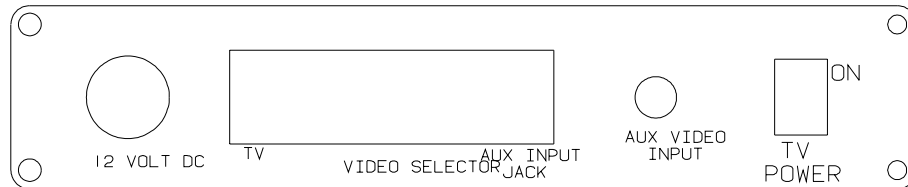
KEY	PART NUMBER	U/M DESCRIPTION
	117629-04-000	EA LABEL - CITY WATER/TANK FILL



## LABELS GROUP (CONTINUED)



**KEY PART NUMBER** 120431-01-000  
**U/M DESCRIPTION** EA LABEL - LOCATION - COAXIAL CABLE/SATELLITE ANTENNA



**KEY PART NUMBER** 120677-01-000  
**U/M DESCRIPTION** EA LABEL - TV

KEEP THE SERVICE INLET ACCESS  
 IN THE CLOSED POSITION WHEN  
 UTILITY CONNECTIONS ARE NOT IN USE

**KEY PART NUMBER** 123562-01-000  
**U/M DESCRIPTION** EA LABEL - SERVICE/UTILITY ACCESS

WARNING  
 ALL PILOT LIGHTS, APPLIANCES AND THIER  
 IGNITORS (SEE OPERATING INSTRUCTIONS) SHALL  
 BE TURNED OFF DURING REFUELING OF MOTOR  
 FUEL TANKS AND/OR LP GAS CONTAINERS

**KEY PART NUMBER** 124519-01-01A  
 124519-01-02A  
**U/M DESCRIPTION** EA LABEL - WARNING/REFUELING - BLACK ON CLEAR  
 EA LABEL - WARNING/REFUELING - WHITE ON CLEAR

WARNING:  
 ALL PILOT LIGHTS AND APPLIANCES SHALL BE TURNED  
 OFF DURING REFUELING OF MOTOR FUEL TANKS AND/  
 OR PROPANE CONTAINERS.  
 AVERTISSEMENT:  
 FERMER TOUTES LES VEILLEUSES AINSI QUE TOUTS LES  
 APPAREILS LORSQU'ON FAIT LE PLEIN DES RESERVOIRS  
 A CARBURANT OU A PROPANE.  
 124519-02

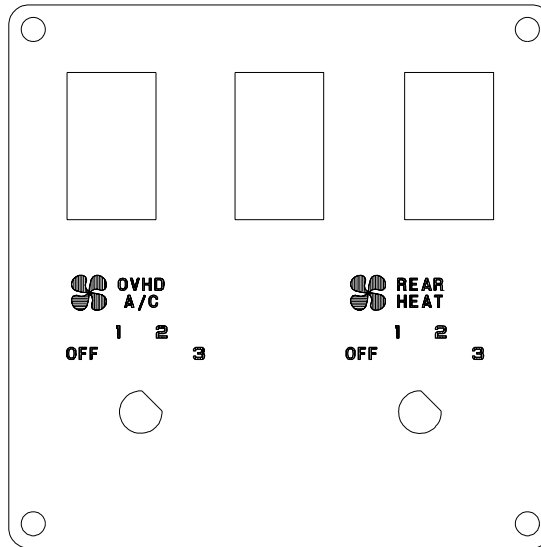
**KEY PART NUMBER** 124519-02-01A  
 124519-02-02A  
**U/M DESCRIPTION** EA LABEL - WARNING/REFUELING - BLACK ON CLEAR - CSA  
 EA LABEL - WARNING/REFUELING - WHITE ON CLEAR - CSA

## LABELS GROUP (CONTINUED)

LP-GAS SYSTEM  
 THIS GAS PIPING SYSTEM IS  
 DESIGNED FOR USE OF  
 LIQUIFIED PETROLEUM GAS  
 ONLY. DO NOT CONNECT  
 NATURAL GAS TO THIS  
 SYSTEM.  
 SECURE CAP INLET(S) WHEN NOT  
 CONNECTED FOR USE. AFTER TURNING  
 ON GAS, EXCEPT AFTER NORMAL  
 CONTAINER REPLACEMENT, TEST GAS  
 PIPING AND CONNECTIONS TO  
 APPLIANCES FOR LEAKAGE WITH SOAPY  
 WATER OR BUBBLE SOLUTION. DO NOT  
 USE PRODUCTS THAT CONTAIN AMMONIA  
 OR CLORINE.

124520

KEY	PART NUMBER	U/M	DESCRIPTION
	124520-01-01A	EA	LABEL - LP GAS ONLY - BLACK ON CLEAR
	124520-01-02A	EA	LABEL - LP GAS ONLY - WHITE ON CLEAR



KEY	PART NUMBER	U/M	DESCRIPTION
	124572-01-000	EA	LABEL - SWITCHES

THIS CONNECTION IS FOR  
 (B) VOLT AC, 60 HZ(CYCLES)  
 (A) AMPERE SUPPLY

DO NOT CONNECT TO  
 HIGHER VOLTAGE

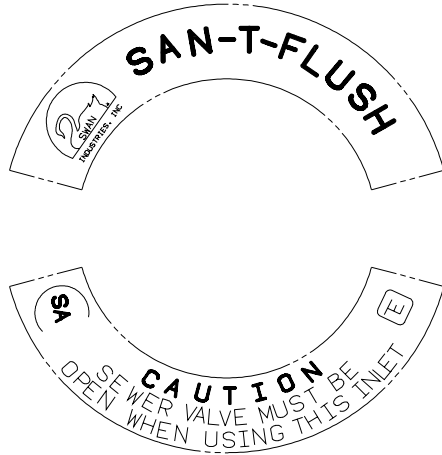
KEY	PART NUMBER	U/M	DESCRIPTION
	125306-01-01A	EA	LABEL - ELECTRICAL ENTRANCE - 110V 30 AMP - BLACK ON CLEAR

## LABELS GROUP (CONTINUED)

THIS CONNECTION IS FOR  
 (B) VOLT AC, 3-POLE, 4 WIRE  
 60 HZ (CYCLES), (A) AMPERE SUPPLY

DO NOT CONNECT TO  
 HIGHER VOLTAGE

KEY	PART NUMBER	U/M	DESCRIPTION
	125306-04-01A	EA	LABEL-ELECTRICAL ENTRANCE-120/240V 50 AMP-BLACK ON CLEAR
	125306-04-02A	EA	LABEL - ELECTRICAL ENTRANCE-120/240V 50 AMP-WHITE ON CLEAR



KEY	PART NUMBER	U/M	DESCRIPTION
	125697-07-000	EA	LABEL - CAUTION - FLUSHING SYSTEM

REMOVE PRIMARY TIRE HANGER BEFORE USING  
 SPARE TIRE HOIST-SEE OWNERS MANUAL - PERSONAL  
 INJURY MAY RESULT IF NOT FOLLOWED

KEY	PART NUMBER	U/M	DESCRIPTION
	126024-01-01A	EA	LABEL - TIRE HANGER REMOVAL

# GRAY HOLDING TANK

KEY	PART NUMBER	U/M	DESCRIPTION
	126247-01-000	EA	LABEL - GRAY HOLDING TANK-WHITE LETTERS/CLEAR BACKGROUND
	126247-05-000	EA	LABEL - GRAY HOLDING TANK-BLACK LETTERS/CLEAR BACKGROUND

# BLACK HOLDING TANK

KEY	PART NUMBER	U/M	DESCRIPTION
	126247-02-000	EA	LABEL - BLACK HOLDING TANK-WHITE LETTERS/BLACK BACKGROUND
	126247-06-000	EA	LABEL - BLACK HOLDING TANK-BLACK LETTERS/CLEAR BACKGROUND

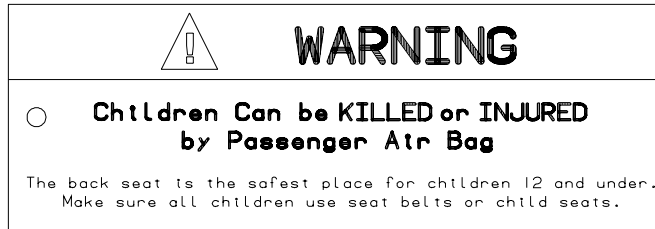
# EXTERIOR SHOWER

KEY	PART NUMBER	U/M	DESCRIPTION
	126248-03-000	EA	LABEL - EXTERIOR SHOWER

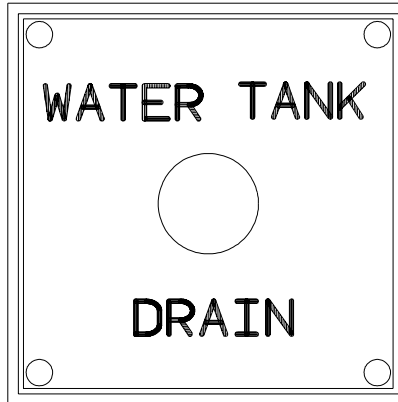
# CITY WATER FILL

KEY	PART NUMBER	U/M	DESCRIPTION
	126249-03-000	EA	LABEL - CITY WATER FILL-BLK LETTERS/CLEAR BACKGROUND .31"

**LABELS GROUP (CONTINUED)**



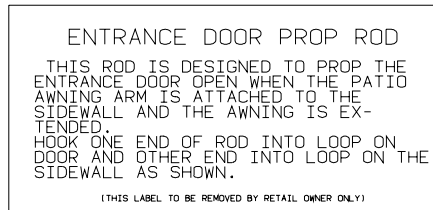
**KEY PART NUMBER U/M DESCRIPTION**  
 126612-01-000 EA LABEL - HANG TAG - AIR BAG - DASH



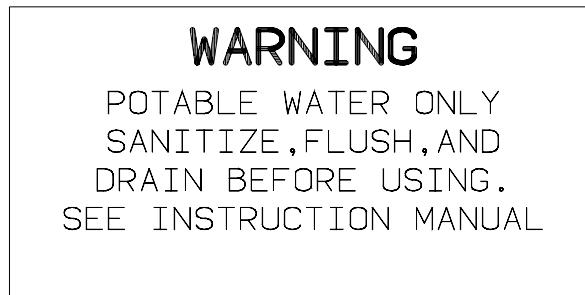
**KEY PART NUMBER U/M DESCRIPTION**  
 127170-01-000 EA LABEL - WATER TANK DRAIN



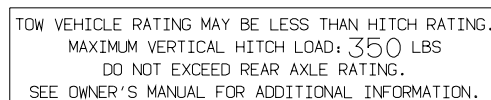
**KEY PART NUMBER U/M DESCRIPTION**  
 128218-01-01A EA LABEL - WARNING - SLIPPERY ROOF



**KEY PART NUMBER U/M DESCRIPTION**  
 128658-01-000 EA LABEL - PROP ROD - ENTRY DOOR



**KEY PART NUMBER U/M DESCRIPTION**  
 128725-01-01A EA LABEL - POTABLE WATER ONLY - BLACK ON CLEAR

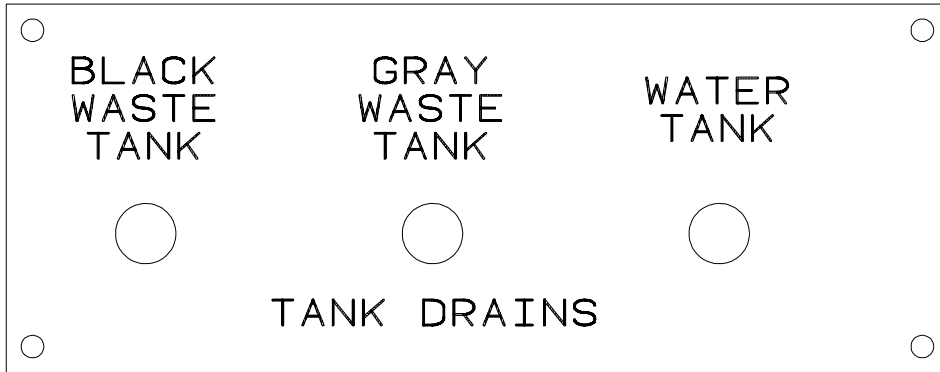


**KEY PART NUMBER U/M DESCRIPTION**  
 129669-01-01A EA LABEL - HITCH/VEHICLE RATE - 350 - WHITE ON CLEAR  
 129669-01-02A EA LABEL - HITCH/VEHICLE RATE - 350 - BLACK ON CLEAR  
 129669-02-01A EA LABEL - HITCH/VEHICLE RATE - 500 - WHITE ON CLEAR  
 129669-02-02A EA LABEL - HITCH/VEHICLE RATE - 500 - BLACK ON CLEAR

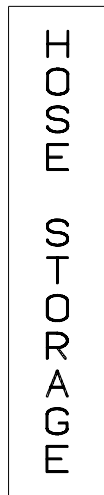
## LABELS GROUP (CONTINUED)

TIRE ROTATION  
 SEE RIALTA OWNERS MANUAL  
 SECTION 9

**KEY PART NUMBER U/M DESCRIPTION**  
 129684-01-000 EA LABEL - TIRE ROTATION



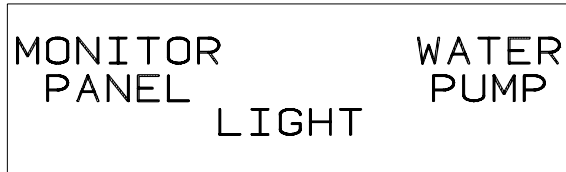
**KEY PART NUMBER U/M DESCRIPTION**  
 130166-01-000 EA LABEL - DRAIN



**KEY PART NUMBER U/M DESCRIPTION**  
 130167-02-000 EA LABEL - HOSE STORAGE



**KEY PART NUMBER U/M DESCRIPTION**  
 130168-01-000 EA LABEL - WASTE TANK FLUSH

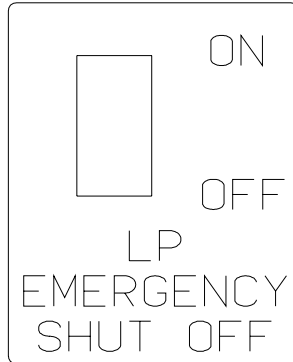


**KEY PART NUMBER U/M DESCRIPTION**  
 130170-01-000 EA LABEL - SWITCH PANEL - BLK/CLEAR BACKGROUND-1.8"H X 5.9"L

**LABEL GROUP (CONTINUED)**



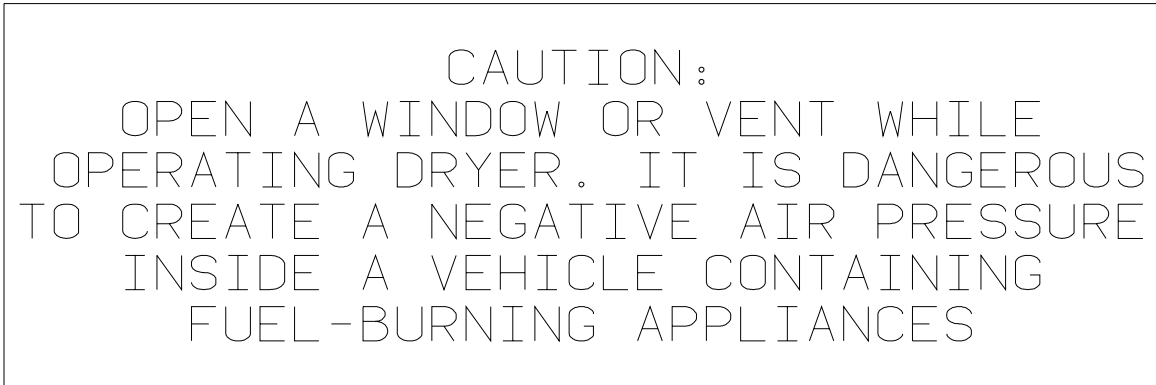
**KEY PART NUMBER U/M DESCRIPTION**  
130170-02-000 EA LABEL - SWITCH PANEL-BLK/CLEAR BACKGROUND-1.4"H X 3.9"L



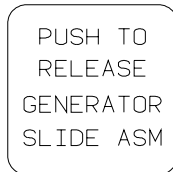
**KEY PART NUMBER U/M DESCRIPTION**  
130170-04-000 EA LABEL - SWITCH PANEL



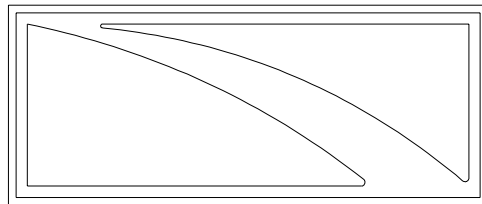
**KEY PART NUMBER U/M DESCRIPTION**  
130170-05-000 EA LABEL - SWITCH PANEL



**KEY PART NUMBER U/M DESCRIPTION**  
130670-01-01A EA LABEL - CAUTION DRYER VENTING - BLACK ON CLEAR

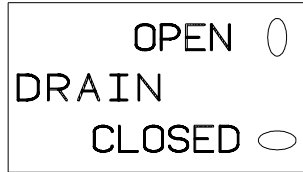


**KEY PART NUMBER U/M DESCRIPTION**  
131779-01-01A EA LABEL - GENERATOR



**KEY PART NUMBER U/M DESCRIPTION**  
132651-01-01A EA DECAL - MIRROR/GALLEY

**LABEL GROUP (CONTINUED)**



**KEY PART NUMBER U/M DESCRIPTION**  
133423-01-01A EA LABEL - DRAIN



**KEY PART NUMBER U/M DESCRIPTION**  
133424-01-01A EA LABEL - WATER HEATER BYPASS - BLACK/CLEAR



**KEY PART NUMBER U/M DESCRIPTION**  
133424-02-01A EA LABEL - NORMAL OPERATION



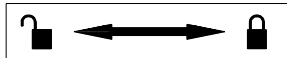
**KEY PART NUMBER U/M DESCRIPTION**  
133424-03-01A EA LABEL - WATER HEATER BYPASS - BLACK/CLEAR



**KEY PART NUMBER U/M DESCRIPTION**  
133533-01-01A EA LABEL - JACKS DOWN - CLEAR W/WHITE LETTERING



**KEY PART NUMBER U/M DESCRIPTION**  
133533-02-01A EA LABEL - CHECK ANTENNA - CLEAR W/WHITE LETTERING



**KEY PART NUMBER U/M DESCRIPTION**  
133533-03-01A EA LABEL - LOCK/UNLOCK - BLACK/WHITE



**KEY PART NUMBER U/M DESCRIPTION**  
133533-04-01A EA LABEL - WINDOW/MIRROR HEAT- BLACK/CLEAR

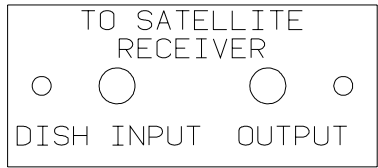


**KEY PART NUMBER U/M DESCRIPTION**  
133533-05-01A EA LABEL - SUNVISOR - DRIVER/PASSENGER - BLACK/CLEAR

## LABELS GROUP (CONTINUED)



**KEY PART NUMBER U/M DESCRIPTION**  
 133533-06-01A EA LABEL - MAP LIGHT/SUNVISOR - BLACK/CLEAR



**KEY PART NUMBER U/M DESCRIPTION**  
 134250-01-01A EA LABEL - SATELLITE RECEIVER - BLACK/CLEAR

THIS CHAIR IS NOT INTENDED FOR OCCUPANCY WHEN VEHICLE IS IN MOTION AND MUST BE RETURNED TO STOWED POSITION
---------------------------------------------------------------------------------------------------------------------

DTS ISICE SIEGE N/EST PAS DESTINE A ETRE OCCUPE LORSQUE LE VEHICULE EST IN MOVEMENT ET IL FAUT QUE LE RANGER	THIS CHAIR IS NOT INTENDED FOR OCCUPANCY WHEN VEHICLE IS IN MOTION AND MUST BE RETURNED TO STOWED POSITION
-----------------------------------------------------------------------------------------------------------------------	---------------------------------------------------------------------------------------------------------------------

**KEY PART NUMBER U/M DESCRIPTION**  
 134537-01-01A EA LABEL - OCCUPANCY - CHAIR - US

THIS SEAT IS NOT INTENDED FOR OCCUPANCY WHEN VEHICLE IS IN MOTION
-------------------------------------------------------------------------

**KEY PART NUMBER U/M DESCRIPTION**  
 134538-01-01A EA LABEL - OCCUPANCY - NO SEAT BELT - BLACK ON CLEAR - US

DST ISICE SIEGE N/EST PAS DESTINE A ETRE OCCUPE LORSQUE LE VEHICULE EST IN MOVUVEMENT	THIS SEAT IS NOT INTENDED FOR OCCUPANCY WHILE VEHICLE IS IN MOTION
---------------------------------------------------------------------------------------------	--------------------------------------------------------------------------

**KEY PART NUMBER U/M DESCRIPTION**  
 134538-02-01A EA LABEL - OCCUPANCY - NO SEAT BELT - BLACK ON CLEAR - CSA

WARNING
IT IS NOT SAFE TO USE COOKING APPLICANCES FOR COMFORT HEATING
COOKING APPLICANCES NEED FRESH AIR FOR SAFE OPERATION BEFORE OPERATION.
1. OPEN OVERHEAD VENT OR TURN ON EXHAUST FAN AND; 2. OPEN WINDOW.

**KEY PART NUMBER U/M DESCRIPTION**  
 134539-01-01A EA LABEL - WARNING - STOVE/HEATING - US - BLACK ON CLEAR



## LABELS GROUP (CONTINUED)

TO ENSURE A SUPPLY OF FRESH AIR TO OCCUPANTS, OPEN VENTILATORS WHEN FUEL-BURNING RANGE, FUEL-BURNING CARRY-ON APPLIANCES AND/OR FUEL-BURNING LIGHTS ARE IN OPERATION.  COOKING APPLIANCES SHOULD NOT BE USED FOR SPACE HEATING PURPOSES.	DE MANIERE A ASSURER UNE ALIMENTATION EN AIR FRAIS AUX OCCUPANTS, OUVRIER LES VENTILATEURS LORSQUE LA CUISINIERE LES APPAREILS DE CHAUFFAGE PORTABLES ET/OU LES LAMPES DE COMBUSTION D'HUILE SONT EN FONCTIONNEMENT.  LES APPAREILS DE CUISSON NE DOIVENT PAS SERVIR AU CHAUFFAGE DES LOCAUX.
------------------------------------------------------------------------------------------------------------------------------------------------------------------------------------------------------------------------------------------------	-----------------------------------------------------------------------------------------------------------------------------------------------------------------------------------------------------------------------------------------------------------------------------------------------------

**KEY PART NUMBER U/M DESCRIPTION**  
 134540-01-01A EA LABEL - WARNING - STOVE/HEATING - CSA - BLACK ON CLEAR

**HOLDING TANK HEATER**  
 TURN OFF WHEN NOT IN USE  
 SEE OPERATOR'S MANUAL

**KEY PART NUMBER U/M DESCRIPTION**  
 134563-01-01A EA LABEL - SWITCH - HEATER

THIS VEHICLE MAY INCLUDE MERCURY-CONTAINING DEVICES INSTALLED BY THE MANUFACTURER:  
FLUORESCENT TUBES, RANGES WITH OVEN, HWH LEVEL SENSING UNIT.  
 REMOVE DEVICES BEFORE VEHICLE DISPOSAL UPON REMOVAL OF DEVICES: PLEASE REUSE, RECYCLE, OR DISPOSE AS HAZARDOUS WASTE

135869-01A

**KEY PART NUMBER U/M DESCRIPTION**  
 135869-01-01A EA LABEL - MERCURY CONTENT - BLACK ON CLEAR  
 135869-01-02A EA LABEL - MERCURY CONTENT - WHITE ON CLEAR

**LIQUID SOAP**

**KEY PART NUMBER U/M DESCRIPTION**  
 136047-01-01A EA LABEL - LIQUID SOAP

DOOR LOCK	DOOR UNLOCK	RIGHT COMPT DOOR LOCK	RIGHT COMPT DOOR UNLOCK	LEFT COMPT DOOR LOCK	LEFT COMPT DOOR UNLOCK	AUX START SOLENOID	AMP SOURCE
POWER MIRRORS	HEATER BLOWER	PASS HEATER BLOWER	FOG LAMPS	DOCKING LAMPS	DOCKING LAMPS SWITCH TRIGGER	COOLING FANS	

**KEY PART NUMBER U/M DESCRIPTION**  
 136161-01-01A EA LABEL - RELAY - MATTE BLACK/WHITE LETTERS

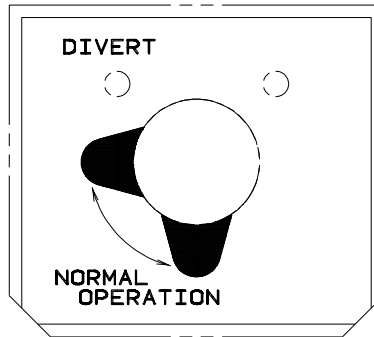
DOOR LOCK	DOOR UNLOCK	RIGHT COMPT DOOR LOCK	RIGHT COMPT DOOR UNLOCK	LEFT COMPT DOOR LOCK	LEFT COMPT DOOR UNLOCK	AUX START SOLENOID	RUN/ACC POWER #1	POWER SEATS
POWER MIRRORS	HEATER BLOWER	RUN ONLY POWER	FOG LAMPS	DOCKING LAMPS	DOCKING LAMPS SWITCH TRIGGER	COOLING FANS	RUN/ACC POWER #2	

**KEY PART NUMBER U/M DESCRIPTION**  
 136161-02-01A EA LABEL - RELAY - BLACK/WHITE

**LT - AIR BAGS - RT**

**KEY PART NUMBER U/M DESCRIPTION**  
 136360-01-01A EA LABEL - AIR BAGS

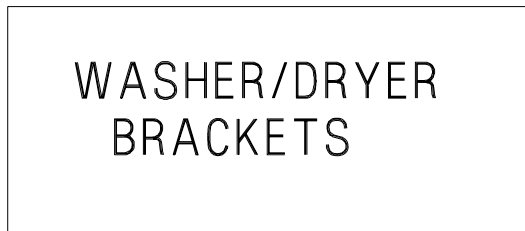
## LABELS GROUP (CONTINUED)



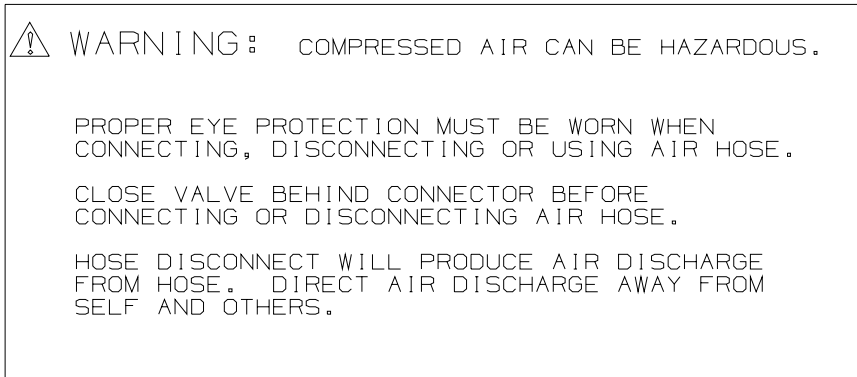
**KEY PART NUMBER**      **U/M DESCRIPTION**  
137997-01-01A      EA LABEL - WINTERIZATION VALVE - BLACK/CLEAR



**KEY PART NUMBER**      **U/M DESCRIPTION**  
140190-01-01A      EA DECAL/LOGO - V6 (DOMED) - CYAN/MAGENTA/YELLOW/BLACK

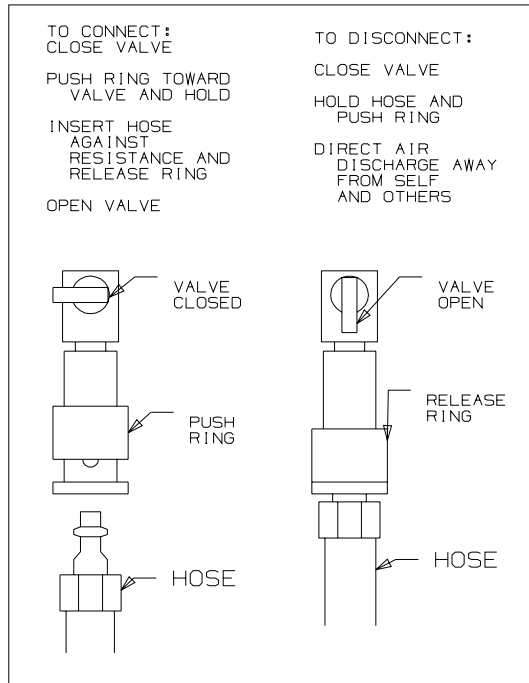


**KEY PART NUMBER**      **U/M DESCRIPTION**  
141523-01-01A      EA LABEL - WASHER/DRYER BRACKETS - BLACK/WHITE



**KEY PART NUMBER**      **U/M DESCRIPTION**  
142771-01-01A      EA LABEL - WARNING/COMPRESSED AIR - WHITE LETTERING ON CLEAR

## LABELS GROUP (CONTINUED)



<b>KEY</b>	<b>PART NUMBER</b>	<b>U/M DESCRIPTION</b>
	142773-01-01A	EA LABEL - CONNECT/COMPRESS AIR - WHITE LETTERING ON CLEAR



<b>KEY</b>	<b>PART NUMBER</b>	<b>U/M DESCRIPTION</b>
	142908-01-000	EA LABEL - FREON CHARG

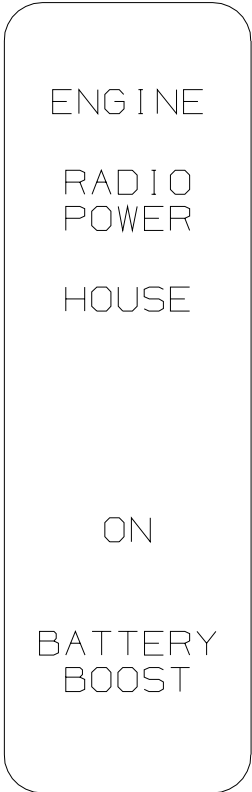


<b>KEY</b>	<b>PART NUMBER</b>	<b>U/M DESCRIPTION</b>
	144183-01-01A	EA LABEL - CAUTION RELEASE CATCH - WHITE/CLEAR

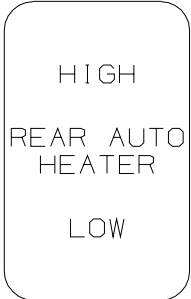


<b>KEY</b>	<b>PART NUMBER</b>	<b>U/M DESCRIPTION</b>
	144649-01-01A	EA LABEL - ADJUSTABLE VALVE - WHITE ON CLEAR

**LABELS GROUP (CONTINUED)**



**KEY PART NUMBER U/M DESCRIPTION**  
145731-01-01A EA LABEL - SWITCH - RADIO/BATTERY - BLACK



**KEY PART NUMBER U/M DESCRIPTION**  
145731-03-01A EA LABEL - SWITCH - REAR AUTO HEATER - BLACK

## LABELS GROUP (CONTINUED)



**KEY PART NUMBER**      **U/M DESCRIPTION**  
146057-01-01A      EA LABEL - LP SHUT OFF - RED LETTER/WHITE BACK

FOR FUTURE INSTALLATION OF WASHER/DRYER EXHAUST DUCT

(A) A CLOTHES DRYER MOISTURE-LINT EXHAUST DUCT SHALL NOT BE CONNECTED TO ANY OTHER DUCT, VENT, OR CHIMNEY.

(B) THE EXHAUST DUCT SHALL BE OF SUFFICIENT LENGTH SO AS NOT TO TERMINATE BENEATH THE RECREATION VEHICLE.

(C) MOISTURE-LINT EXHAUST DUCTS SHALL NOT BE CONNECTED WITH SHEET METAL SCREWS OR OTHER FASTENING DEVICES THAT EXTEND INTO THE INTERIOR OF THE DUCT.

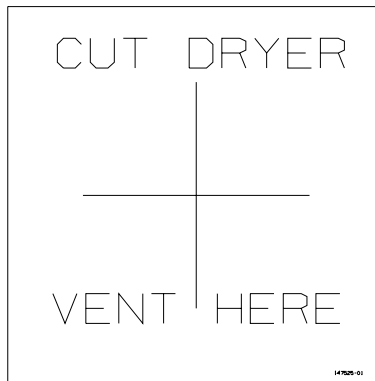
(D) MOISTURE-LINT EXHAUST DUCT AND TERMINATION FITTINGS SHALL BE INSTALLED IN ACCORDANCE WITH THE APPLIANCE MANUFACTURER'S PRINTED INSTRUCTIONS.

(E) SEE MARKED INTERIOR AREA ON SIDEWALL TO LOCATE CUTOUT FOR EXHAUST VENT.

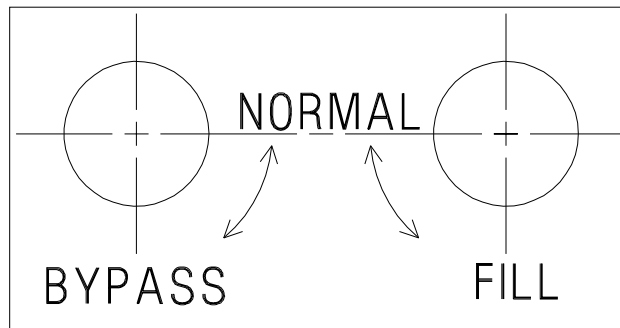
(F) AS PART OF WASHER/DRYER PREP 4 HOLD DOWN BRACKETS WERE SHIPPED WITH YOUR VEHICLE WHICH ARE INTENDED TO BE USED WITH THE WINNEBAGO OFFERED APPLIANCE.

147524-01

**KEY PART NUMBER**      **U/M DESCRIPTION**  
147524-01-000      EA LABEL - DRYER VENTING



**KEY PART NUMBER**      **U/M DESCRIPTION**  
147525-01-000      EA LABEL - DRYER VENT CUTOUT



**KEY PART NUMBER**      **U/M DESCRIPTION**  
147581-01-01A      EA LABEL - WATERFILL/BYPASS - BLACK/CLEAR

YOUR MOTORHOME IS EQUIPPED WITH A SEWER HOSE END ELBOW WHICH INCLUDES A CLOSEABLE DRIP VALVE. AFTER PLACING THE END OF THE HOSE ELBOW INTO THE PARK SEWER DISPOSAL OPENING, USE THUMB TO LIFT HANDLE LOCK AND MOVE HANDLE FORWARD TO OPEN VALVE.

NEVER OPERATE TANK VALVES WITHOUT FIRST OPENING THE DRIP VALVE.

AFTER TANKS ARE EMPTY, CLOSE TANK VALVES, THEN PULL HANDLE ON ELBOW TO A VERTICAL CARRYING POSITION TO CLOSE DRIP VALVE. THIS WILL ELIMINATE ANY DRIPPING FROM THE HOSE INTO YOUR STORAGE AREA. SEE OPERATORS MANUAL FOR ADDITIONAL INFORMATION.

147845-01A

**KEY PART NUMBER**      **U/M DESCRIPTION**  
147845-01-01A      EA LABEL - DRIP VALVE - BLACK/WHITE

**LP GROUP**  
**LP SYSTEM**

KEY	PART NUMBER	U/M	DESCRIPTION
	045703-03-000	EA	HOSE - LP - 3/8"ID X 18" - 3/8"MPT X 1/2"F SWIVEL - U.S.
	045703-12-000	EA	HOSE - LP - 3/8"ID X 18" - 3/8"MPT X 1/2"F SWIVEL - CANADA
	045703-15-000	EA	HOSE - LP - 3/8"ID X 142" - 1/2"F SWIVEL X 3/8"F SWIVEL - 430V
	045703-19-000	EA	HOSE - LP 3/8"ID X 102"-US/CGA - 1/2F SWIVEL X 3/8F SWIVEL - 427P
	106150-05-000	EA	REGULATOR - TWO STAGE
	144485-01-000	EA	COMPARTMENT - LP REGULATOR
	105658-01-000	EA	COMPARTMENT - LP REGULATOR - 430V
	024250-01-000	EA	ADAPTER - BRASS - 3/8"F X 1/2"FPT - 430V
	010323-01-000	EA	ADAPTER - 3/8"F X 1/2"MPT - BRASS - 427P, 431C
	010326-01-000	EA	ADAPTER - FLARE - W/CONE GASKET - 3/8"F X 1/2"F - 427P, 431C
	010329-01-000	EA	ADAPTER - 1/2"F X 1/2"MPT - BRASS
	040440-02-000	EA	TRANSMITTER - DIAL/BOLT-ON - 0-90 OHM 2 TERM(POWER/GROUND)
*	144116-04-000	EA	TANK - LP - 60 LB - 14"D X 29.75"L
	010377-02-000	EA	NUT - 3/8" FLARE - FORGED - BRASS - 430V, 431C
	010380-02-000	EA	NUT - 1/2" FLARE - FORGED - BRASS
	103613-03-000	EA	DETECTOR - LP GAS - W/O SHUT-OFF VALVE
	150138-01-01A	EA	DETECTOR - LP GAS - WHITE FROM: 00-00-00 THRU: 02-08-04
	150138-01-02A	EA	DETECTOR - LP GAS - BROWN FROM: 02-09-04 THRU: 99-99-99
	010265-01-000	EA	ELBOW - BRASS - 90 DEGREE - 3/8"F X 1/2"FPT - 430V
	010589-03-000	EA	NIPPLE - PIPE - 1/2" X 2 1/2" - BLACK - 427P, 430V

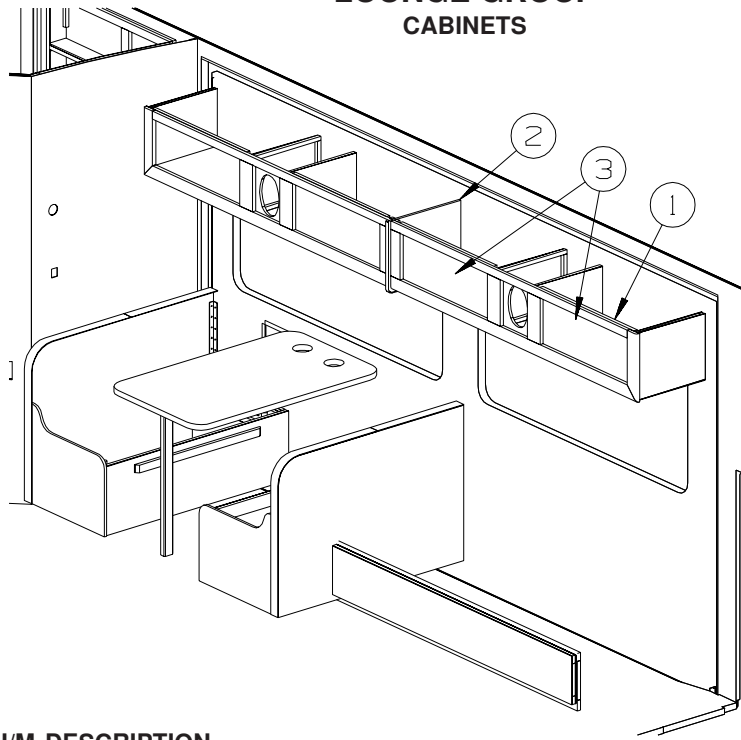
\*COMPONENT PARTS LISTED LATER IN THIS GROUP

**LP GROUP (CONTINUED)**  
**COMPONENT PARTS LP SYSTEM**

144116-04-000

<b>KEY</b>	<b>PART NUMBER</b>	<b>U/M</b>	<b>DESCRIPTION</b>	<b>VENDOR NO.</b>
	040421-01-712	EA	VALVE-SERV. W/O VAPOR RELIEF	29000853
	040421-01-713	EA	VALVE-RELIEF 1" W/SPRING 7"	V-20479
	144116-01-700	EA	VALVE-OUTAGE(NO STEM REMOVE)	V20058
	144116-01-701	EA	VALVE/FILL 80 % W/YELLOW CAP	V13414
	144116-04-700	EA	SENDING UNIT (SNAP ON GAUGE)	G11530

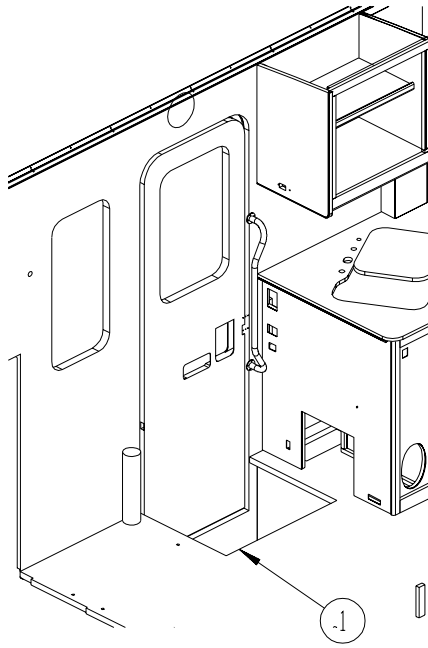
## LOUNGE GROUP CABINETS



KEY	PART NUMBER	U/M	DESCRIPTION
1	137365-01-P13	EA	CABINET - OVERHEAD/FRONT/SOFA - W/O DOORS/HARDWARE (R19)
1	137365-01-P14	EA	CABINET - OVERHEAD/FRONT/SOFA - W/O DOORS/HARDWARE (R20)
1	137365-01-R21	EA	CABINET - OVERHEAD/FRONT/SOFA - W/O DOORS/HARDWARE (R21) FROM: 00-00-00 THRU: 01-04-04
1	137365-01-RW1	EA	CABINET - OVERHEAD/FRONT/SOFA - W/O DOORS/HARDWARE (R21) FROM: 01-05-04 THRU: 99-99-99
1	137365-01-P21	EA	CABINET - OVERHEAD/FRONT/SOFA - W/O DOORS/HARDWARE (R22)
1	137365-01-P22	EA	CABINET - OVERHEAD/FRONT/SOFA - W/O DOORS/HARDWARE (R23)
1	137365-01-P36	EA	CABINET - OVERHEAD/FRONT/SOFA - W/O DOORS/HARDWARE (R24) FROM: 00-00-00 THRU: 01-04-04
1	137365-01-RW2	EA	CABINET - OVERHEAD/FRONT/SOFA - W/O DOORS/HARDWARE (R24) FROM: 01-05-04 THRU: 99-99-99
1	137365-01-R25	EA	CABINET - OVERHEAD/FRONT/SOFA - W/O DOORS/HARDWARE (R25)
1	137365-01-R26	EA	CABINET - OVERHEAD/FRONT/SOFA - W/O DOORS/HARDWARE (R26)
1	137365-01-R27	EA	CABINET - OVERHEAD/FRONT/SOFA - W/O DOORS/HARDWARE (R27) FROM: 00-00-00 THRU: 01-04-04
1	137365-01-RW3	EA	CABINET - OVERHEAD/FRONT/SOFA - W/O DOORS/HARDWARE (R27) FROM: 01-05-04 THRU: 99-99-99
2	109908-B7-M07	EA	END CAP - OVERHEAD CABINET - PORTSMOUTH OAK
2	109908-B7-M08	EA	END CAP - OVERHEAD CABINET - CONCERT CHERRY
2	109908-B7-M15	EA	END CAP - OVERHEAD CABINET - WASHED MAPLE FROM: 00-00-00 THRU: 01-04-04
2	109908-B7-RW1	EA	END CAP - OVERHEAD CABINET - WASHED MAPLE FROM: 01-05-04 THRU: 99-99-99
3	134868-26-N47	EA	DOOR - RAIL/ARCHED TOP - 10" X 25.1" - W/O HARDWARE - PORTSMOUTH OAK FROM: 00-00-00 THRU: 08-10-03
3	141522-25-P54	EA	DOOR - ARCHED/PENCIL EDGE/HORIZ - 10" X 25.2" - W/O HDW - PORTSMOUTH OAK FROM: 08-11-03 THRU: 99-99-99
3	134868-26-P55	EA	DOOR - RAIL/ARCHED TOP - 10" X 25.1" - W/O HARDWARE - CONCERT CHERRY FROM: 00-00-00 THRU: 08-10-03
3	141522-25-P55	EA	DOOR - ARCHED/PENCIL EDGE/HORIZ - 10" X 25.2" - W/O HDW - CONCERT CHERRY FROM: 08-11-03 THRU: 99-99-99
3	134868-26-P56	EA	DOOR - RAIL/ARCHED TOP - 10" X 25.1" - W/O HARDWARE - WASHED MAPLE FROM: 00-00-00 THRU: 08-10-03
3	141522-25-P56	EA	DOOR - ARCHED/PENCIL EDGE/HORIZ - 10" X 25.2" - W/O HDW - WASHED MAPLE FROM: 08-11-03 THRU: 99-99-99



**LOUNGE GROUP (CONTINUED)**  
**CABINETS (CONTINUED)**



KEY	PART NUMBER	U/M DESCRIPTION
1	139955-14-04A	EA TRIM - ENTRY STEP - TITANIUM

**SEALANTS & FASTENERS GROUP**  
**SEALANTS & ADHESIVES**

KEY	PART NUMBER	U/M	DESCRIPTION
	004001-05-000	EA	ADHESIVE - SCOTCH-WELD - 3M DP100 - CLEAR - 50ML
	010405-02-000	EA	TAPE - THREAD SEALING - 3/8"
	034552-06-000	EA	SILICONE - TUBE - W/O NOZZLE - OFF WHITE
	034552-15-000	EA	SILICONE - TUBE - W/O NOZZLE - BRIGHT WHITE
	063642-01-000	FT	TAPE - ADHESIVE - .4" X 1.5" X 180'
	064075-07-000	FT	SEAL - BULB - W/WIRED U CHANNEL - .3" X .5" CHANNEL-BLACK
	067788-01-000	EA	ADHESIVE - SPRAY - 3M - 19.5 OZ AEROSOL CAN
	069640-01-000	FT	SEALER - TAPE - .25" DIAMETER X 30' - BLACK OR GRAY
	069640-02-000	FT	SEALER - TAPE - .13" THICK X .5" WIDE X 60' - GRAY
	069640-03-000	FT	SEALER - TAPE - .13" THICK X .75" WIDE X 60' - BLACK
	069640-07-000	FT	SEALER - TAPE - .09" THICK X 2" WIDE X 45' - GRAY
	069640-09-000	FT	SEALER - TAPE - .03" THICK X 2.50" WIDE X 80' - GRAY
	069640-10-000	FT	SEALER - TAPE - .03" THICK X 1.50" WIDE X 90' - GRAY
	069640-11-000	FT	SEALER - TAPE - .19" THICK X .38" WIDE X 40' - BLACK
	069640-13-000	FT	SEALER - TAPE - .03" THICK X 2" WIDE X 45' - BLACK
	069640-14-000	FT	SEALER - TAPE - .06" THICK X 1" WIDE X 100' - GRAY
	069640-15-000	FT	SEALER - TAPE - .06" THICK X .38" WIDE X 100' - GRAY
	069640-17-000	FT	SEALER - TAPE - .03" THICK X 1" WIDE X 90' - GRAY
	069640-18-000	FT	SEALER - TAPE - .50" THICK X .13" WIDE X 60' - BRT WHITE
	069640-19-000	FT	SEALER - TAPE - .75" THICK X .13" WIDE X 60' - BRT WHITE
	069640-20-000	FT	SEALER - TAPE - .50" THICK X .5" WIDE X 60' - BLACK
	069640-21-000	FT	SEALER - TAPE - .50" THICK X .06" WIDE X 100'- BRT WHITE
	069640-27-000	FT	SEALER - TAPE - .06" THICK X 2.25" WIDE - BRIGHT WHITE
	069640-28-000	FT	SEALER - TAPE - .25" THICK X 1.86" WIDE X 90' - GRAY
	069640-30-000	FT	SEALER - TAPE - .03" THICK X .625" WIDE X 50' - GRAY
	069640-31-000	FT	SEALER - TAPE - .25" THICK X .75" WIDE X 15' - BLACK
	069640-32-000	FT	SEALER - RIBBON - 1/16" X 3/8" X 100' - BLACK
	072889-01-000	EA	SEALANT - URETHANE - BLACK - TUBE W/NOZZLE TIP
	076322-01-000	FT	TAPE-DOUBLE COATED/ADHESIVE BK-.03"THK X .8"W X 216'- WHT
	076322-02-000	FT	TAPE-DOUBLE COATED/ADHESIVE BK-.05"THK X 1"W X 108' - WHT
	076322-03-000	FT	TAPE-DOUBLE COATED/ADHESIVE BK-.05"THK X .5"W X 108' - WHT
	076322-04-000	FT	TAPE-DOUBLE COATED/ADHESIVE BK-.05"THK X .8"W X 108' - WHT
	076322-05-000	FT	TAPE-DOUBLE COATED/ADHESIVE BK-.05"THK X .8"W X 108' - WHT
	076322-07-000	FT	TAPE-DOUBLE COATED/ADHESIVE BK-.05"THK X .5"W X 200' - WHT
	076322-11-000	FT	TAPE-DOUBLE COATED/ADHESIVE BK-.02"THK X 1"W X 216' - CLR
	076322-21-000	FT	TAPE - FOAM/DOUBLE COATED - .5"
	086276-01-000	EA	TAPE - DOUBLE SIDED - 1/2" WIDE X 108' LONG (SOLD BY ROLL)
	088479-01-000	EA	TAPE - ALUMINUM - 3"
	090340-01-000	FT	SEAL - FOAM - CLOSED CELL - 1/4" X 1/2" X 50'
	091255-02-000	FT	SEAL - ADHESIVE BACKED/FOAM - 3/64" THICK X 3/16"W X 1000'
	091255-03-000	FT	SEAL - ADHESIVE BACKED/FOAM - 1/4" THICK X 1/4"W X 1000'
	094401-01-000	EA	SEALER - BODY SEAM - FLEXICLEAR
	094401-03-000	EA	SEALER - BODY SEAM - BLACK
	094401-04-000	EA	SEALER - BODY SEAM - CLEAR
	098408-01-000	FT	SEAL - SPONGE RUBBER - CLOSED CELL
	099069-01-000	FT	SEAL - RUBBER - CLOSED SPONGE - .5" WIDE X .12" THICK -BLK
	099418-01-000	FT	SEAL - D-SECTION/ADHESIVE BACK - .44" X .44"- BLK RUBBER
	099418-02-000	FT	SEAL - D-SECTION/ADHESIVE BACK - .44" X .44"- WHITE RUBBER
	100128-02-000	FT	SEAL - FOAM/ADHESIVE BACK - .37" WIDE X .37" THICK
	104692-01-000	FT	SEAL - ADHESIVE BACKED FOAM - 3/4" THICK X 3/4" WIDE X 25'
	104692-03-000	FT	SEAL - ADHESIVE BACKED FOAM - 1" THICK X 1 3/16"WIDE X 15'
	107828-01-000	EA	SEALANT - SB - 190 EVERSEAL
	109506-12-000	EA	FILM/ABRASION-RESISTANT - TRANSPARENT - 1" DIA.
	110274-01-000	FT	TAPE - DOUBLE SIDED/FOAM - .45" X 1" X 216' - BLACK
	112481-02-000	EA	ADHESIVE - PLEXUS ETHACRYLATE - CARTRIDGE
	112864-01-000	FT	SEAL - FOAM/BUTYL COVERED - 3/8" X 35'
	112864-02-000	FT	FOAM - BUTYL COVERED - 5/16" X 44'
	112864-04-000	FT	FOAM - BUTYL COVERED - 3/8" X 1/8"
	112901-02-000	EA	ADHESIVE - PLEXUS - MA330 - 50ML - GRAY
	112901-03-000	EA	ADHESIVE - PLEXUS - MA300 - 50ML - WHITE
	112902-01-000	EA	NOZZLE - ELEMENT - 3/8 X 24
	112902-03-000	EA	MIXER NOZZLE - F/GUN #00400102000 - SCOTCH-WELD & PLEXUS
	112902-04-000	EA	NOZZLE - ELEMENT - 1/4" X 3.5"

## SEALANTS & FASTENERS GROUP (CONTINUED)

### SEALANTS & ADHESIVES (CONTINUED)

KEY	PART NUMBER	U/M	DESCRIPTION
	113366-01-000	EA	ADHESIVE - INSTANT - 1 OZ
	113452-02-000	FT	SEAL/TRIM - FRONT - VINYL W/WIRE CARRIER - .027"
	120074-02-03A	EA	SILICONE - TUBE - W/O NOZZLE - LOW ODOR - SMOKEY WHITE
	120074-02-02A	EA	SILICONE - TUBE - W/O NOZZLE - LOW ODOR - SOFT WHITE
	120534-01-01A	EA	TAPE - SCOTCH - 3M - 1/2" FINE LINE
	123244-01-000	FT	TAPE - DOUBLE SIDED/FOAM - 5/64" THICK X 3/4" WIDE X 108'
	123816-01-000	FT	TAPE - DOUBLE SIDED - 1" X 3/4" X 200'
	123816-02-000	FT	TAPE - DOUBLE SIDED - 1/2" X 1 1/3" X 200'
	123816-03-000	FT	TAPE - DOUBLE SIDED - 1/2" X 3/4" X 200'
	123816-04-000	FT	TAPE - DOUBLE SIDED - 6" X 750'
	126427-01-000	EA	ADHESIVE - ALL PURPOSE - ABS/PVC
	126427-02-000	EA	PRIMER - CLEANER - FLEX PIPING
	131264-01-02A	EA	SILICONE - TUBE - W/O NOZZLE - CLEAR
	131264-01-01A	EA	SILICONE - TUBE - W/O NOZZLE - BLACK
	131264-02-01A	EA	SILICONE - TUBE - W/O NOZZLE - VW GRAY - BATH ONLY
	131264-03-01A	EA	SILICONE - TUBE - W/O NOZZLE - SELF LEVELING - BRIGHT WHITE
	131264-04-01A	EA	SILICONE/SEALANT/ADHESIVE - FAST CURE F/GLASS/VINYL - B/W
	131384-01-000	EA	ADHESIVE - JET WELD
	134651-01-000	FT	SEAL - 1/2" X 3/4" PSA 1 SIDE
	900390-01-000	EA	NOZZLE - SILICONE TUBE - 2.5" LONG - W/EXTERNAL THREADS
	900390-03-000	EA	NOZZLE - SILICONE TUBE - 4.3" LONG W/INTERNAL THREADS

### BOLTS, NUTS AND WASHERS

KEY	PART NUMBER	U/M	DESCRIPTION
	OMC04K-06-016	EA	BOLT - HEX - M06 X 1 X 016
	OMC05K-08-055	EA	BOLT - HEX - M08 X 1.25 X 2.2
	OMC13K-14-110	EA	BOLT - HEX
	OMC13K-14-070	EA	BOLT - HEX - M14 X 2 X 2 3/4
	OMC31K-08-020	EA	BOLT - HEX - SERRATED FLANGE - M8 X 020
	OMC32K-10-030	EA	BOLT - HEX - SERRATED FLANGE - M10 X 1 1/2
	OMD16K-10-000	EA	NUT - HEX PREV TORQUE M10 X 1 1/2 CLASS 8
	OMD39K-12-000	EA	NUT - HEX W/NYLON LOCK - M12 X 1 3/4
	OMD40K-14-000	EA	NUT - HEX W/NYLON LOCK - M14 X 2
	OMD54F-06-000	EA	NUT-HEX SER FLG M6X1,0 SS - DIN6923A2M6
	OME06K-14-280	EA	WASHER - FLAT - 14 ID X 28 OD
	000C12-04-08B	EA	BOLT - HEX - 1/4-20 X 1/2 - GRADE #5 - ZINC
	000C12-04-12A	EA	BOLT - HEX - 1/4-20 X 3/4 - PLAIN 5
	000C12-04-40B	EA	BOLT - HEX - 1/4-20 X 2 1/2 - GRADE 5 ZINC
	000C12-05-16B	EA	BOLT - HEX - 5/16 - 18X1 - GRADE #5 - ZINC
	000C12-06-44B	EA	BOLT - HEX - 3/8-16 X 2 3/4 - GRADE 5 - ZINC
	000C12-06-16B	EA	BOLT - HEX - 3/8 - 16X1 - GRADE #5 - ZINC
	000C12-08-28B	EA	BOLT - HEX - 1/2-13 X 1 3/4 - GRADE #5 - ZINC
	000C12-08-24B	EA	BOLT - HEX - 1/2 - 13X1 1/2 - GRADE #5 - ZINC
	000C12-08-16B	EA	BOLT - HEX - 1/2-13 X 1 - GRADE #5 - ZINC
	000C12-10-24B	EA	BOLT - HEX - 5/8 - 11X1 1/2 - GRADE #5 - ZINC
	000C13-07-48B	EA	BOLT - HEX - 7/16-20 X 3 - GRADE #5 - ZINC
	000C13-07-40B	EA	BOLT - HEX - 7/16-20 X 2 1/2 - GRADE #5 - ZINC
	000C14-07-28B	EA	BOLT - HEX - 7/16-14 X 1 3/4 - GRADE #8 - ZINC
	000C14-10-32K	EA	BOLT - HEX - 5/8-11 X 2 - GRADE #8 - ZINC
	000C14-10-24K	EA	BOLT - HEX - 5/8-11 X 1 1/2 - GRADE #8 - ZINC
	000C18-05-40A	EA	BOLT - ELEVATOR - 5/16-18 X 2 1/2 - PL
	000C26-04-10B	EA	BOLT - HEX - SERRATED FLANGE - 1/4-20 X 5/8 - ZINC
	000C26-04-18B	EA	BOLT - HEX - SERRATED FLANGE - 1/4-20 X 1 1/8 - ZINC
	000C26-04-14B	EA	BOLT - HEX - SERRATED FLANGE - 1/4-20 X 7/8 - ZINC
	000C26-05-20B	EA	BOLT - HEX - SERRATED FLANGE - 5/16-18 X 1 1/4 - ZINC
	000C26-05-12B	EA	BOLT - HEX - SERRATED FLANGE - 5/16-18 X 3/4 - ZINC
	000C26-06-40B	EA	BOLT - HEX - SERRATED FLANGE - 3/8-16 X 2 1/2 - ZINC
	000C26-06-28B	EA	BOLT - HEX - SERRATED FLANGE - 3/8-16 X 1 3/4 - ZINC
	000C26-06-20B	EA	BOLT - HEX - SERRATED FLANGE - 3/8-16 X 1 1/4 - ZINC
	000C26-06-12B	EA	BOLT - HEX - SERRATED FLANGE - 3/8-16 X 3/4 - ZINC
	000C26-08-24B	EA	BOLT - HEX - SERRATED FLANGE - 1/2-13 X 1 1/2 - ZINC
	000C27-04-40B	EA	BOLT - CARRIAGE - 1/4-20 X 2 1/2 - ZINC
	000C27-07-40B	EA	BOLT - CARRIAGE - 7/16-14 X 2 1/2 - GRADE #5
	000C27-08-48B	EA	BOLT - CARRIAGE - 1/2-13 X 3 - GRADE #5

**SEALANTS & FASTENERS GROUP (CONTINUED)**  
**BOLTS, NUTS AND WASHERS (CONTINUED)**

KEY	PART NUMBER	U/M	DESCRIPTION
	000D16-07-00B	EA	NUT - HEX - 7/16-14 - ZINC
	000D20-07-00B	EA	NUT - ACORN - ASSIST HANDLE - 7/16 - 14
	000D24-10-00B	EA	NUT - HEX - SELF LOCKING - 10-32 - ZINC
	000D28-10-00B	EA	NUT - HEX - W/NYLON LOCK - 10-32 ZINC
	000D29-04-00B	EA	NUT - HEX - SELF LOCKING - 1/4 X 20 - ZINC
	000D29-06-00B	EA	NUT - HEX - W/NYLON LOCK - 3/8-16 - ZINC
	000D29-09-00B	EA	NUT - HEX - SELF LOCKING - 9/16-12 - ZINC
	000D30-07-00B	EA	NUT - HEX LOCK - NYLON 7/16 X 20
	000D34-04-00B	EA	NUT - HEX - LOCKING - 1/4-20 - ZINC
	000D34-06-00B	EA	NUT - HEX - LOCKING - 3/8-16 GRADE C - ZINC
	000D39-04-00B	EA	NUT - HEX - LOCKING W/SERRATED FLANGE - 1/4-20 - ZINC
	000D39-05-00B	EA	NUT - HEX - LOCKING W/SERRATED FLANGE - 5/16-18 - ZINC
	000D39-06-00B	EA	NUT - HEX - LOCKING W/SERRATED FLANGE - 3/8-18 - ZINC
	000D39-07-00B	EA	NUT - HEX - LOCKING W/SERRATED FLANGE - 7/16-14 - ZINC
	000D39-08-00B	EA	NUT - HEX - LOCKING W/SERRATED FLANGE - 1/2-13 - ZINC
	000D44-04-00B	EA	NUT - HEX - LOCKING W/SERRATED FLANGE - 1/4-28 - ZINC
	000D44-07-00B	EA	NUT - HEX - LOCKING W/SERRATED FLANGE - 7/16-20 - ZINC
	000D44-08-00B	EA	NUT - HEX - LOCKING W/SERRATED FLANGE - 1/2-20 - ZINC
	000D46-04-00A	EA	NUT - HEX - WELD - 1/4-20 - PLAIN
	000D58-06-00A	EA	NUT - HEX - WELD 3/8-16 - PLAIN
	000D65-08-00B	EA	NUT - HEX - LOCKING W/SERRATED FLANGE - 8-32 - ZINC
	000D67-10-00B	EA	NUT - HEX - LOCK - 5/8-11 - ZINC
	000D73-08-00C	EA	NUT - HEX FLANGE - 1/2-13
	000D75-09-00B	EA	NUT - HEX LOCKING - 9/16-12 - ZINC
	000D76-06-00B	EA	NUT - HEX FLANGE - 3/8-16
	000E11-04-00F	EA	WASHER - LOCKING - 1/4 MED SPLIT - STAINLESS STEEL
	000E11-07-00B	EA	WASHER - LOCKING - 7/16 MED SPLIT - ZINC
	000E11-08-00B	EA	WASHER - LOCKING - 1/2 MED SPLIT - ZINC
	000E13-17-00B	EA	WASHER - FLAT - 3/8 AR - ZINC
	000E13-18-00B	EA	WASHER - FLAT - 3/8 WIDE - ZINC
	000E13-20-00B	EA	WASHER - FLAT - 7/16 WIDE - ZINC
	000E13-22-00B	EA	WASHER - FLAT - 1/2 WIDE - ZINC
	000E13-26-00B	EA	WASHER - FLAT - 5/8 WIDE - ZINC
	000E14-10-00B	EA	WASHER - LOCKING - #10 EXTERNAL TOOTH - ZINC
	000E16-10-00B	EA	WASHER - HARDENED - 5/8 - FLAT - ZINC
	000G45-05-16B	EA	BOLT - LAG - 5/16-9 X 1 - ZINC
	000G62-08-24B	EA	SCREW - SF/DR - 8-18 X 1 1/2 PFH
	005081-01-000	EA	NUT - SPEED - C-TYPE - #8 SCREW
	040921-03-000	EA	NUT - SPEED - U TYPE - #10
	040921-04-000	EA	NUT - SPEED - U TYPE - #8-.59" LENGTH X .44" WIDTH
	040921-05-000	EA	NUT - SPEED - U-TYPE - 8-.67" X .44" WIDE
	041322-01-000	EA	WASHER - FLANGE - 15/32 ID X 2 3/8 OD - F/SEAT BELT MTG
	044364-02-000	EA	NUT - SPEED - FLAT - ROUND
	044533-01-000	EA	WASHER - 1 3/8"OD - FOR BUTTONS - PLASTIC
	051387-06-000	EA	BOLT - CARRIAGE W/O HOLE - 5/16-18 X 9 1/2 - ZINC
	058716-02-000	EA	WASHER - FLAT NYLON
	064081-03-000	EA	NUT - WING 3/8-16 - W/WELD NUT
	077071-01-000	EA	WASHER - FENDER - 3/16"ID X 1"OD
	084406-01-000	EA	NUT - CAPPED - CROSS RECESSED - BLACK - 1/4-20 THD
	087234-01-000	EA	NUT - JACK - 1/4 X 20 THD - MOLLY
	088787-12-000	EA	STUD - WELD - 1/4 - 20 X 1.0 LG - MN
	102333-01-06A	EA	BOLT - CARRIAGE - 7/16-14 STAINLESS STEEL CAP
	103020-02-000	EA	BOLT-U - #8-32 - GRADE 5 ZINC
	106166-01-000	EA	BOLT/COLLARED HANGER - 8-32 X 1
	106956-03-000	EA	BOLT - HEX TAP - 1/2-12NC X 3 - GRADE 5 - FULL THREAD/ZINC
	106956-08-000	EA	BOLT - HEX TAP - 1/2-13NC X 4 - GRADE 5 - FULL THREAD/ZINC
	107397-01-000	EA	WASHER - FENDER - 3/4"ID X 1"OD
	108067-03-000	EA	STUD - WELD - 1/4 - 20 X 1/2 CD
	109235-01-05A	FT	COVER - SCREW - BRIGHT WHITE
	109235-01-01A	FT	COVER - SCREW - MAT BLACK
	109917-03-000	EA	WASHER - 1" X .50"
	109917-04-000	EA	WASHER - 1" X .75"
	121511-01-000	EA	WASHER - SPUR

**SEALANTS & FASTENERS GROUP (CONTINUED)**  
**BOLTS, NUTS AND WASHERS (CONTINUED)**

KEY	PART NUMBER	U/M	DESCRIPTION
	113985-02-000	EA	BOLT - FLANGE - M10-1 1/2 X 30CL 10.9
	114259-05-000	EA	BOLT - 7/16-20 X 1 1/4 W/WASHER
	128444-01-000	EA	WASHER - SPRING - CONICAL
	131377-01-000	EA	NUT-HEX HEAD W/WASHER-1/4-20 X 2" STEEL W/3/4" OD WASHER
	135092-01-01A	EA	BOLT - HEX - SERRATED FLANGE - 1/2-20 X 1 3/4-GRADE 5 ZINC
	135092-02-01A	EA	BOLT - HEX - SERRATED FLANGE - 1/2-20 X 2 1/2-GRADE 5 ZINC
	143399-01-01A	EA	NUT/RETAINING - 3/8" - 24 NFT
	144904-01-01A	EA	BOLT - ADJUSTMENT - HEADLAMP

**SCREWS**

KEY	PART NUMBER	U/M	DESCRIPTION
	0G1106-06-160	EA	SCREW - 6-20 X 3/8 PPH
	0G1106-08-240	EA	SCREW - 6-20 X 1/2 PPH - VW LIGHT GRAY
	0G1108-12-240	EA	SCREW - 8-18 X 3/4 PPH - VW LIGHT GRAY
	0G1108-16-240	EA	SCREW - 8-18 X 1.00 PPS - VW LIGHT GRAY
	0G1208-12-170	EA	SCREW - 8-18 X 3/4 POH - BRIGHT WHITE
	0G1308-10-240	EA	SCREW - 8-18 X 5/8 PFH - VW LIGHT GRAY
	0G3804-22-180	EA	SCREW - MACHINE - 1/4-20 X 1 3/8 PFH - BLACK
	0G3908-08-170	EA	SCREW - SF/DR - 8-18 X 1/2 PPH - BRIGHT WHITE
	0G3908-08-160	EA	SCREW - SF/DR - 8-18 X 1/2 PPH - VW WHITE
	0G3908-08-240	EA	SCREW - SF/DR - 8-18 X 1/2 PPH - VW LIGHT GRAY
	0G3908-12-250	EA	SCREW - SF/DR - 8-18 X 3/4 PPH - DARK GRAY
	0G3908-12-240	EA	SCREW - SF/DR - 8-18 X .75 PPH - VW LIGHT GRAY
	0G3908-16-170	EA	SCREW - SF/DR - 8-18 X 1 PPH - BRIGHT WHITE
	0G3908-24-170	EA	SCREW - SF/DR - 8-18 X 1 1/2 PPH - BRIGHT WHITE
	0G3910-10-330	EA	SCREW - SF/DR - 20-16 X 5/8 PPH - PUTTY
	0G3910-10-320	EA	SCREW - SF/DR - 10-16 X 5/8 PPH - GLACIER
	0G3910-10-240	EA	SCREW - SF/DR - 10-16 X 5/8 PPH - VW LIGHT GRAY
	0G3910-12-240	EA	SCREW - SF/DR - 10-16 X .75 PPH - VW LIGHT GRAY
	0G3910-12-170	EA	SCREW - SF/DR - 10-16 X 3/4 PPH - BRIGHT WHITE
	0G3910-12-320	EA	SCREW - SF/DR - 10-16 X 3/4 PPH - GLACIER
	0G5508-12-240	EA	SCREW - SF/DR - 8-18 X 3/4 PWH - VW LIGHT GRAY
	0G5508-12-170	EA	SCREW - SF/DR - 8-18 X 3/4 PWH - BRIGHT WHITE
	0G5508-12-330	EA	SCREW - SF/DR - 8-18 X 3/4 PWH - PUTTY
	0G5508-12-320	EA	SCREW - SF/DR - 8-18 X 3/4 PWH - GLACIER
	0G5508-12-260	EA	SCREW - SF/DR - 8-18 X 3/4 PWH - ALLANTE ANTELOPE
	0G5508-12-270	EA	SCREW - SF/DR - 8-18 X 3/4 PWH - TITANIUM
	0G5508-16-250	EA	SCREW - SF/DR - 8-18 X 1 PWH - VW DARK GRAY
	0G5508-16-330	EA	SCREW - SF/DR - 8-18 X 1 PWH - PUTTY
	0G5508-16-320	EA	SCREW - SF/DR - 8-18 X 1 PWH - GLACIER
	0G6008-16-170	EA	SCREW - SF/DR - 8-18 X 1 POH - BRIGHT WHITE
	0G6710-08-130	EA	SCREW - 10-12 X 1/2 PPH - TAUPE
	0G6710-08-170	EA	SCREW - 10-12 X 1/2 PPH - BRIGHT WHITE
	0G6710-08-240	EA	SCREW - 10-12 X 1/2 PPH - VW LIGHT GRAY
	0G6710-12-170	EA	SCREW - 10-12 X 3/4 PPH - BRIGHT WHITE
	0G6806-16-170	EA	SCREW - 6-18 X 1 POH - BRIGHT WHITE
	0G6810-24-280	EA	SCREW - 10-12 X 1 1/2 POH - SOFT WHITE
	000C20-04-16A	EA	SCREW - 1/4-20X 1 - FLAT SOCKET HEAD
	000C20-05-28F	EA	SCREW - 5/16-18 X 1 3/4 FLAT SOC - STAINLESS STEEL
	000C20-06-24T	EA	SCREW - 3/8-16 X 1 1/2 - FLAT SOCKET
	000G11-06-10J	EA	SCREW - 6-20 X 5/8 PPH - BRASS
	000G11-06-08P	EA	SCREW - 6-20 X 1/2 PPH - DARK BROWN
	000G11-06-08B	EA	SCREW - 6-20 X 1/2 PPH - ZINC
	000G11-07-08B	EA	SCREW - 7-19 X 1/2 PPH - ZINC
	000G11-08-20G	EA	SCREW - 8-18 X 1 1/4 - ANTIQUE BRASS
	000G11-08-20B	EA	SCREW - 8-18 X 1 1/4 PPH - ZINC
	000G11-08-16B	EA	SCREW - 8-18 X 1 PPH - ZINC
	000G11-08-12T	EA	SCREW - 8-18 X 3/4 PPH - BLACK MAGNESIUM
	000G11-08-12P	EA	SCREW - 8-18 X 3/4 PPH - DARK BROWN
	000G11-08-12B	EA	SCREW - 8-18 X 3/4 PPH - ZINC
	000G11-08-08T	EA	SCREW - 8-18 X 1/2 PPH - FLUOROCARBON COATING
	000G11-08-06B	EA	SCREW - 8-18 X 3/8 PPH - ZINC
	000G11-10-24P	EA	SCREW - 10-16 X 1 1/2 PPH - DARK BROWN
	000G11-10-12D	EA	SCREW - 10-16 X 3/4 PPH - BLACK
	000G12-06-12J	EA	SCREW - 6-20 X .75 POH - BRASS



**SEALANTS & FASTENERS GROUP (CONTINUED)**  
**SCREWS (CONTINUED)**

<b>KEY</b>	<b>PART NUMBER</b>	<b>U/M</b>	<b>DESCRIPTION</b>
	000G12-06-08T	EA	SCREW - 6-20 X 1/2 POH - BLACK
	000G13-05-10B	EA	SCREW - 5-12 X 5/8 PFH - ZINC
	000G13-06-08G	EA	SCREW - 6-20 X 1/2 PFH - ANTIQUE BRASS
	000G13-06-08B	EA	SCREW - 6-20 X 1/2 PFH - ZINC
	000G13-06-06I	EA	SCREW - 6-20 X 3/8 PFH - BLACK ZINC
	000G13-06-24J	EA	SCREW - 6-20 X 1 1/2 PFH - BRASS
	000G13-06-16J	EA	SCREW - 6-20 X 1 PFH - BRASS
	000G13-06-10J	EA	SCREW - 6-20 X 5/8 PFH - BRASS
	000G13-06-10G	EA	SCREW - 6-20 X 5/8 PFH - ANTIQUE BRASS
	000G13-07-10H	EA	SCREW - 7-19 X 5/8 PFH - BLACK
	000G13-08-16B	EA	SCREW - 8-18 X 1 PFH - ZINC
	000G13-08-109	EA	SCREW - 8-18 X 5/8 PFH
	000G13-08-10B	EA	SCREW - 8-18 X 5/8 PFH - ZINC
	000G13-08-24B	EA	SCREW - 8-18 X 1 1/2 PFH - ZINC
	000G13-10-16I	EA	SCREW - 10-16 X 1 PFH - BLACK
	000G16-04-24B	EA	SCREW - MACHINE - 1/4-20 X 1 1/2 PPH
	000G18-08-16B	EA	SCREW - MACHINE - 8-32 X 1 PPH - ZINC
	000G18-08-24B	EA	SCREW - MACHINE - 8-32 X 1 1/2 PPH - ZINC
	000G18-08-22B	EA	SCREW - MACHINE - 8-32 X 1 3/8 PPH - ZINC
	000G19-10-10B	EA	SCREW - MACHINE - 10-32 X 5/8 - PPH - ZINC
	000G19-10-08B	EA	SCREW - MACHINE - 10-32 X 1/2 PPH - ZINC
	000G19-10-20B	EA	SCREW - MACHINE - 10-32 X 1 1/2 PPH - ZINC
	000G19-10-12F	EA	SCREW - MACHINE - 10-32 X 3/4 PPH - STAINLESS STEEL
	000G36-10-12T	EA	SCREW - 10-24X 3/4 PFH TYPE 23 - BLACK
	000G39-06-10T	EA	SCREW - SF/DR - 6-20 X 5/8 PPH - BLACK
	000G39-06-16T	EA	SCREW - SF/DR - 6-20 X 1 PPH - BLACK
	000G39-08-08S	EA	SCREW - SF/DR - 8-18 X 1/2 PPH - OFF WHITE
	000G39-08-08B	EA	SCREW - SF/DR - 8-18 X 1/2 PPH - ZINC
	000G39-08-08T	EA	SCREW - SF/DR - 8-18 X 1/2 PPH - BLACK
	000G39-08-06B	EA	SCREW - SF/DR - 8-18 X 3/8 PPH - ZINC
	000G39-08-32B	EA	SCREW - SF/DR - 8-18 X 2 PPH - ZINC
	000G39-08-24T	EA	SCREW - SF/DR - 8-18 X 1 1/2 PPH - BLACK
	000G39-08-24S	EA	SCREW - SF/DR - 8-18 X 1 1/2 - OFF WHITE
	000G39-08-24B	EA	SCREW - SF/DR - 8-18 X 1 1/2 PPH - ZINC
	000G39-08-16T	EA	SCREW - SF/DR - 6-20 X 1 PPH - BLACK
	000G39-08-16B	EA	SCREW - SF/DR - 8-18 X 1 PPH - ZINC
	000G39-08-12B	EA	SCREW - SF/DR - 8-18 X 3/4 PPH - ZINC
	000G39-08-12T	EA	SCREW - SF/DR - 8-18 X 3/4 PPH - BLACK
	000G39-10-48T	EA	SCREW - SF/DR - 10-16 X 3 PPH - BLACK
	000G39-10-48B	EA	SCREW - SF/DR - 10-16 X 3 - PPH - ZINC
	000G39-10-40D	EA	SCREW - SF/DR - 10-16 X 2 1/2 PPH - BLACK
	000G39-10-32B	EA	SCREW - SF/DR - 10-16 X 2 - PPH - ZINC
	000G39-10-20T	EA	SCREW - SF/DR - 10-16 X 1 1/4 PPH - BLACK
	000G39-10-20B	EA	SCREW - SF/DR - 10-16 X 1 1/4 PPH - ZINC
	000G39-10-169	EA	SCREW - SF/DR - 10-16 X 1 PPH - FLUOROCARBON SILVER
	000G39-10-129	EA	SCREW - SF/DR - 10-16 X 3/4 PPH - FLUOROCARBON SILVER
	000G39-10-12T	EA	SCREW - SF/DR - 10-16 X 3/4 - BLACK
	000G39-10-10T	EA	SCREW - SF/DR - 10-16 X 5/8 - BLACK
	000G39-10-10B	EA	SCREW - SF/DR - 10-16 X 5/8 PPH - ZINC
	000G39-10-08B	EA	SCREW - SF/DR - 10-16 X 1/2 PPH - ZINC
	000G39-10-088	EA	SCREW - SF/DR - 10-16 X 1/2 PPH - FLEX FLUOROCARBON
	000G39-12-12E	EA	SCREW - SF/DR - 12 - 14 X 3/4 PPH - CHROME
	000G42-04-24B	EA	SCREW - SF/DR - 1/4-14 X 1 1/2 - ZINC
	000G42-04-16B	EA	SCREW - SF/DR - 1/4-14 X 1 HWH - ZINC
	000G42-04-24B	EA	SCREW - SF/DR - 1/4-14 X 1 1/2 - ZINC
	000G46-08-24T	EA	SCREW - MACHINE - 8-32 X 1 1/2 PFH - BLACK
	000G50-04-48B	EA	SCREW - MACHINE - 1/4-14 X 3 - ZINC
	000G52-06-05B	EA	SCREW - MACHINE - 6-32 X 5/16 PTH ZINC
	000G52-06-06B	EA	SCREW - MACHINE - 6-32 X 3/8 PIN - ZINC
	000G54-04-14B	EA	SCREW - 1/4-20 X 7/8 PTH - TYPE 23 - ZINC PLATED
	000G55-08-124	EA	SCREW - SF/DR - 8-18 X 3/4 PWH - ASH GRAY
	000G55-08-12M	EA	SCREW - SF/DR - 8-19 X .75 PWH - GRAY
	000G55-08-165	EA	SCREW - SF/DR - 8-18 X 1 PWH - WILLOW
	000G55-08-16T	EA	SCREW - SF/DR - 8-18 X 1 PWH - BLACK

**SEALANTS & FASTENERS GROUP (CONTINUED)**  
**SCREWS (CONTINUED)**

KEY	PART NUMBER	U/M	DESCRIPTION
	000G55-08-16S	EA	SCREW - SF/DR - 8-18 X 1.00 - PWH - OFF WHITE
	000G56-12-48B	EA	SCREW - WOOD - 12-11 X 3 POH - SPECIAL HARDENED
	000G57-14-72B	EA	SCREW-14-10-X4 1/2 PFH ZN GENERAL MOTORHOMES
	000G57-14-64B	EA	SCREW - 14-10 X 4 PFH ZINC
	000G60-08-20F	EA	SCREW - SF/DR - 8-19X1.25 POH
	000G60-08-16E	EA	SCREW - SF/DR - 8-1 X 1 POH - CHROME
	000G60-08-22B	EA	SCREW - SF/DR - 8-18 X 1.38 POH - ZINC
	000G60-10-209	EA	SCREW - SF/DR - 10-16 X 1 1/4 POH - SILVER STALGAARD
	000G60-10-20B	EA	SCREW - SF/DR - 10-16 X 1 1/4 POH - ZINC
	000G60-10-16J	EA	SCREW - SF/DR - 10-16 X 1 POH - BRIGHT BRASS
	000G60-10-28T	EA	SCREW - SF/DR - 10-16 X 1 3/4 - BLACK
	000G67-08-32B	EA	SCREW - 8-15 X 2 PPH - ZINC
	000G67-10-08B	EA	SCREW - 10-12 X 1/2 PPH - ZINC
	000G67-10-24S	EA	SCREW - 10-12 X 1 1/2 PPH - OFF WHITE
	000G67-10-24B	EA	SCREW - 10-12 X 1 1/2 PPH - ZINC
	000G67-10-20D	EA	SCREW - 10-12 X 1 1/4 PPH - BLACK
	000G67-10-12P	EA	SCREW - 10-12 X 3/4 PPH - DARK BROWN
	000G67-10-12B	EA	SCREW - 10-12 X 3/4 PPH - ZINC
	000G67-10-10T	EA	SCREW - 10-12 X 5/8 PPH - BLACK
	000G67-10-10S	EA	SCREW - 10-12 X 5/8 PPH - OFF WHITE
	000G67-10-10P	EA	SCREW - 10-12 X 5/8 PPH - DARK BROWN
	000G67-10-10B	EA	SCREW - 10-12 X 5/8 PPH - ZINC - TYPE A
	000G67-10-08S	EA	SCREW - 10-12 X 1/2 PPH - OFF WHITE
	000G68-06-10J	EA	SCREW - 6-18 X 5/8 POH - BRASS
	000G68-06-10G	EA	SCREW - 6-18 X 5/8 POH - ANTIQUE BRASS
	000G68-06-12J	EA	SCREW - 6-18 X 3/4 POH - BRASS
	000G68-06-12B	EA	SCREW - 6-18 X 3/4 POH - ZINC & CLEAR
	029130-01-000	EA	SCREW - SNAP STUD - #8-16 X 5/8" LONG
	029130-03-000	EA	SCREW - SNAP STUD - #8-16 X 1" LONG
	049465-01-000	EA	SCREW - 10-16 PTH W/WASHER - DARK BROWN
	049465-03-000	EA	SCREW - 10-16 X 1 POH W/WASHER - OFF WHITE
	049465-04-000	EA	SCREW - 10-16 X 1 PTH W/WASHER - BEIGE
	049465-13-000	EA	SCREW-10+16X1 PTH W/WASHER - *ASH GRAY
	049465-17-000	EA	SCREW - 10-16 X 1 POH W/WASHER - BRIGHT WHITE
	049465-23-000	EA	SCREW - 10-16 X 1.5 POH W/WASHER - VW LIGHT GRAY
	054434-02-000	EA	SCREW - SF/DR - 10-16 X 2 - ZINC
	054434-03-000	EA	SCREW - SF/DR - 10-16 X 2 - PWH - ZINC
	075908-01-000	EA	SCREW - MACHINE - 10-32 X .56 PTH - EXTERNAL TOOTH - ZINC
	076790-01-000	EA	SCREW - 6-20 X 1 1/4 PPH - BLACK
	076790-05-000	EA	SCREW - 6-20 X 1/2 PPH - BLACK - THREAD CUTTING/WOOD
	083554-01-000	EA	SCREW - DRYWALL - 8 X 1 1/4
	083554-04-000	EA	SCREW - DRYWALL - 8 X 2 1/2
	087721-01-000	EA	SCREW - FLAT HEAD - TAPPING - 1/4 X 1 1/4 LONG - ZINC
	090033-02-000	EA	SCREW - 1/4-20 X 5/8 - ROUND WASHER HEAD - OFF/WHITE
	097974-01-000	EA	SCREW - PARTICLE BOARD - 7-9 X 3/4 PPH
	101618-01-000	EA	SCREW - 1/4-20 X 3/4 HEX - TAPPING - STALGARD TYPE F
	110460-05-02A	EA	SCREW - MACHINE - 10-24 X 2 1/2 PFH - WHITE
	113563-01-01A	EA	SCREW - 8 X 5/8 LONG SHOULDER/WASHER HEAD
	114469-01-02A	EA	COVER - SCREW - VW DARK GRAY
	117478-01-04A	EA	SCREW - 8-18 X 3/4 PPH W/WASHER - VW LIGHT GRAY
	118383-01-09A	EA	RETAINER/RECESSED - F/.22" SCREW - GLACIER
	118383-01-06A	EA	RETAINER/RECESSED - F/.22" SCREW - ALLANTE ANTELOPE
	118383-01-05A	EA	RETAINER/RECESSED - F/.22" SCREW - VW LIGHT GRAY
	118383-01-04A	EA	RETAINER/RECESSED - F/.22" SCREW - BRIGHT WHITE
	118383-02-09A	EA	RETAINER/RECESSED - F/.27" SCREW - GLACIER
	118383-02-05A	EA	RETAINER/RECESSED - F/.27" SCREW - VW LIGHT GRAY
	118383-02-04A	EA	RETAINER/RECESSED - F/.27" SCREW - BRIGHT WHITE
	118383-03-09A	EA	RETAINER/RECESSED - F/.32" SCREW - GLACIER
	118383-04-05A	EA	CAP - F/RECESSED RETAINER - VW LIGHT GRAY
	118383-04-04A	EA	CAP - F/RECESSED RETAINER - BRIGHT WHITE
	118383-04-09A	EA	CAP - F/RECESSED RETAINER - GLACIER
	118383-04-06A	EA	CAP - F/RECESSED RETAINER - ALLANTE ANTELOPE
	134126-01-01A	EA	SCREW/NAIL - HEX HEAD - 3/4"
	140040-01-000	EA	SCREW - 1/4-20 X 1 - BUTTON HEAD/SOCKET - W/LOCTITE

**SEALANTS & FASTENERS GROUP (CONTINUED)**  
**CLAMPS, CLIPS, GROMMETS, RIVETS & PLUGS**

KEY	PART NUMBER	U/M	DESCRIPTION
	000F10-06-32B	EA	PIN - COTTER - 3/16" X 2" - ZINC
	000H14-06-06R	EA	RIVET-MANDREL BLIND,3/16 AL - CHERRY BSP-66
	000H16-04-06R	EA	RIVET - POP ALUMINUM - 1/8 X .313 - .375
	000H16-06-10R	EA	RIVET - POP ALUMINUM - 3/16 X .501 - .625
	007161-01-000	EA	CLAMP - HOSE - SPRING TYPE - 1/2"
	008386-01-000	EA	GROMMET - SNAP - 3/8" DIAMETER - NYLON
	010495-01-000	EA	CLAMP - CABLE - 9/16"ID - BLACK
	010495-02-000	EA	CLAMP - CABLE - 3/8"ID - BLACK
	010495-04-000	EA	CLAMP - CABLE - 11/16"ID - WHITE
	010497-01-000	EA	CLAMP - CLOSED - 5/8"ID
	010497-03-000	EA	CLAMP - CLOSED - 1"ID - CUSHIONED
	010497-04-000	EA	CLAMP - CLOSED - 1 5/8"ID
	010497-07-000	EA	CLAMP - CLOSED - 3/8"ID
	010497-09-000	EA	CLAMP - CLOSED - 5/16"ID
	010497-10-000	EA	CLAMP - CLOSED - 7/8"ID
	010499-01-000	EA	CLAMP - CLOSED - 3/8"ID
	016188-03-000	EA	GROMMET - LP LINE - 3/8"HOLE X 2 1/2"LONG - RUBBER
	016188-04-000	EA	GROMMET - LP LINE - 1/2"HOLE X 2 1/2"LONG - RUBBER
	016188-05-000	EA	GROMMET - LP LINE - 3/8"HOLE X 1 1/4"LONG - RUBBER
	016188-06-000	EA	GROMMET - L/P LINE - 3/8"HOLE X 3 1/4"LONG - RUBBER
	016188-08-000	EA	GROMMET - LP LINE - 1/2"HOLE X 1 1/4"LONG - RUBBER
	016188-09-000	EA	GROMMET - LP LINE - .68"HOLE X 1 1/4"LONG - RUBBER
	016188-10-000	EA	GROMMET - LP LINE - .68"HOLE X 2.5"LONG - RUBBER
	023942-01-000	EA	GROMMET - RUBBER - 2" OD
	034141-02-000	EA	PLUG/NYLON - .38" - BLACK
	061420-01-000	EA	PLUG/PLASTIC - 1 3/4" DIAMETER - BROWN
	061420-04-000	EA	PLUG/PLASTIC - 1 1/4" DIAMETER
	061420-05-000	EA	PLUG/PLASTIC - 1 1/2" DIAMETER
	061420-08-000	EA	PLUG/PLASTIC - 2 1/2" DIAMETER
	061420-09-000	EA	PLUG/PLASTIC - 1.00" - DIAMETER
	061420-10-000	EA	PLUG/PLASTIC - 1 1/2" DIAMETER - BLACK
	061420-13-000	EA	PLUG/PLASTIC - 3/8 - 3"
	061420-14-000	EA	PLUG/PLASTIC - 7/8" DIAMETER - BLACK
	061420-15-000	EA	PLUG/PLASTIC - 2" DIAMETER - BLACK
	061420-16-000	EA	PLUG/PLASTIC - 2 1/8" DIAMETER - BLACK
	062401-01-000	EA	CLAMP - HOSE - WORMGEAR - .25" - 1"
	062401-02-000	EA	CLAMP - HOSE - WORMGEAR - 1.56" - 2.5"
	062401-03-000	EA	CLAMP - HOSE - WORMGEAR - .22" - 1"
	062401-04-000	EA	CLAMP - HOSE - WORMGEAR - .69" - 1.25"
	062401-05-000	EA	CLAMP - HOSE - WORMGEAR - 2" - 3" ID
	062401-06-000	EA	CLAMP - HOSE - WORMGEAR - .22" - .62" ID
	062401-09-000	EA	CLAMP - HOSE - WORMGEAR - 2.8" - 3.75"
	062401-11-000	EA	CLAMP - HOSE - WORMGEAR - 3.50" - 4.50"
	062401-12-000	EA	CLAMP - HOSE - WORMGEAR - .79" X 1.26"
	071015-11-000	EA	GROMMET - RUBBER - 1 ID - FITS .12 MATERIAL - BLACK
	071015-13-000	EA	GROMMET - RUBBER - .62 ID - FITS .09 GROOVE - BLACK
	071015-19-000	EA	GROMMET - RUBBER - .38 ID - FITS .06 MATERIAL - BLACK
	071015-22-000	EA	GROMMET - RUBBER - .62 ID - 1.12 OD - W/.19 GROOVE - BLACK
	071015-26-000	EA	GROMMET - RUBBER - 1.5" ID X 2.1" OD W/.06" GROOVE-BLACK
	071015-29-000	EA	GROMMET - RUBBER - .3" ID X 1.3"OD W/.12" GROOVE - BLACK
	071015-30-000	EA	GROMMET - RUBBER - .3" ID X .81"OD W/.12" GROOVE - BLACK
	071015-32-000	EA	GROMMET - RUBBER - .75 ID X 1.375 OD W/.187 GROOVE - BLACK
	071015-40-000	EA	GROMMET - RUBBER - .38 ID - FITS .09 MATERIAL - BLACK
	071015-41-000	EA	GROMMET - .125 ID FITS .188 MTL
	071015-42-000	EA	GROMMET - RUBBER - .25 ID - FITS .06 MATERIAL - BLACK
	075148-02-000	EA	CLAMP - GROUNDING - BRONZE SCREWS
	077955-01-000	EA	CLIP/J - 3/8" - VINYL COATED
	080734-02-000	EA	CLIP - WIRE NYLON
	081211-03-000	EA	PLUG/PLASTIC - .50" DIAMETER - TRUSS HEAD - BLACK
	081211-04-000	EA	PLUG/PLASTIC - .46 DIAMETER - TRUSS HEAD - BLACK
	083609-01-000	EA	CLAMP - WIRE - DUAL - EQUAL DIAMETERS - 5/8"
	083610-01-000	EA	CLAMP - WIRE - DUAL - UNEQUAL DIAMETERS - 3/4" & 1 1/4"
	083610-02-000	EA	CLAMP - WIRE - DUAL - UNEQUAL DIAMETERS - 3/4" & 2"
	083610-03-000	EA	CLAMP - WIRE - DUAL - EQUAL DIAMETERS - 2"



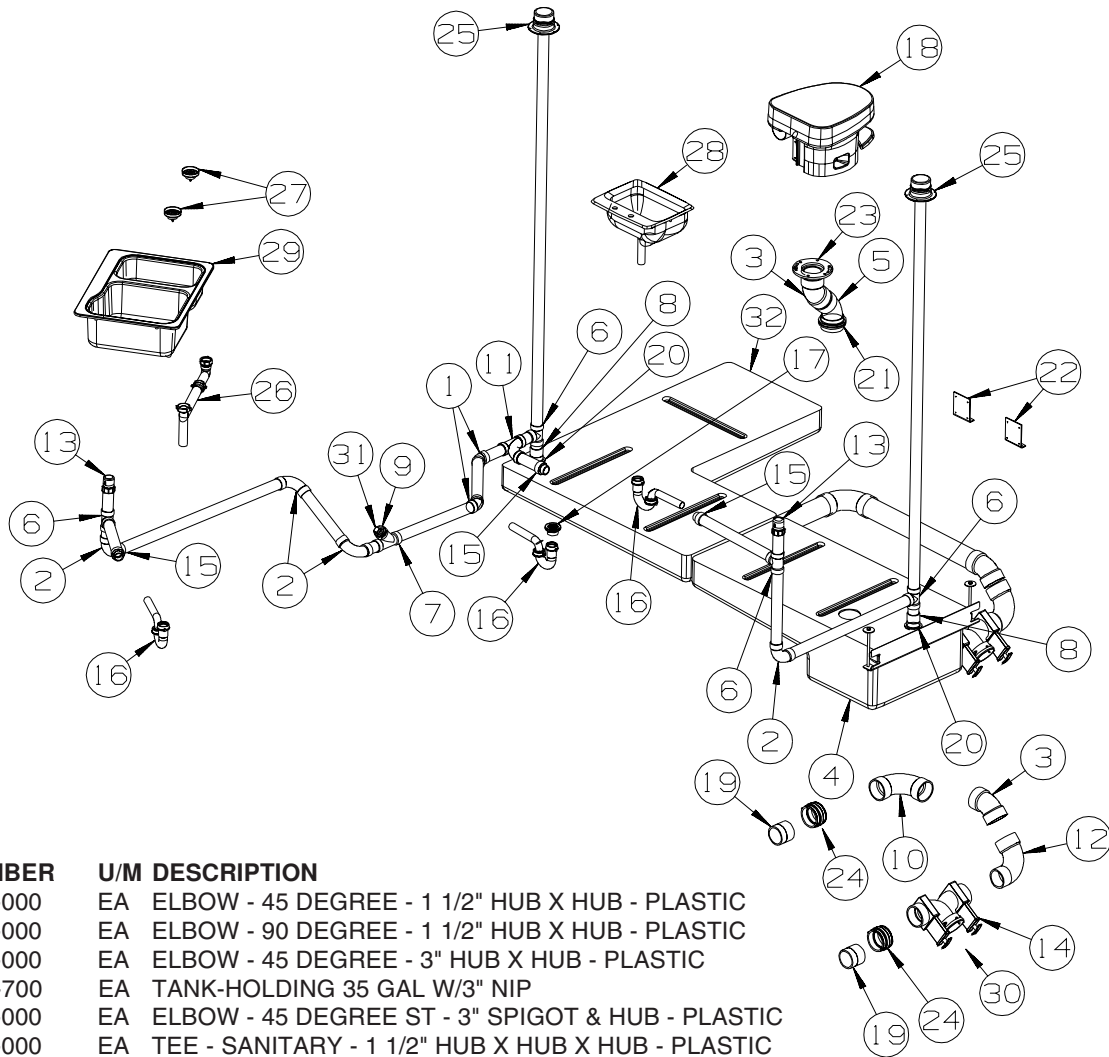
**SEALANTS & FASTENERS GROUP (CONTINUED)**  
**CLAMPS, CLIPS, GROMMETS, RIVETS & PLUGS (CONTINUED)**

KEY	PART NUMBER	U/M	DESCRIPTION
	088756-01-000	EA	GROMMET - WEB - 1 1/8 " I.D.
	089329-02-000	EA	CLIP - SPRING
	091952-01-000	EA	CLIP - GRIPPER - 1"
	091952-02-000	EA	CLIP - GRIPPER - 3/4"
	091952-03-000	EA	CLIP - GRIPPER - 1/2" - BLACK VINYL COATED
	094362-02-000	EA	CLIP - XMAS TREE - BINDER HEAD - .9" LONG
	094362-05-000	EA	CLIP - XMAS TREE - ROUND HEAD - 1.4" LONG
	114208-01-000	EA	GROMMET - EDGE LINER - FITS 1 3/4"
	114208-03-000	EA	GROMMET - EDGE LINER - FITS 2 1/2"
	114208-05-000	EA	GROMMET - EDGE LINER - FITS 2"
	118626-01-02A	EA	RIVET - POP - ALUMINUM - 3/16 X .08 - .375
	118626-01-01A	EA	RIVET - POP - ALUMINUM - 3/16 X .08 - .375
	118626-02-01A	EA	RIVET - POP - ALUMINUM - 3/16 X .500 - .750
	137014-01-02A	EA	GROMMET - CABLE - BROWN
	137014-01-01A	EA	GROMMET - CABLE - ALMOND
	139118-02-01A	EA	GROMMET - SCREW - PLASTIC
	140171-01-000	EA	CLAMP - HOSE - STEPLESS EAR - .312
	140171-02-000	EA	CLAMP - HOSE - STEPLESS EAR - .250

**MISCELLANEOUS FASTENERS**

KEY	PART NUMBER	U/M	DESCRIPTION
	008343-01-000	EA	TIE - WIRE - 6"
	008343-02-000	EA	TIE - WIRE - 14"
	008343-03-000	EA	TIE - WIRE - 7 1/2" - BLACK
	029094-04-000	YD	VELCRO TAPE - LOOP - 1" WIDE - BLACK
	029094-06-000	YD	VELCRO TAPE - LOOP - 2" WIDE - BLACK
	029096-03-000	YD	VELCRO TAPE - HOOK - 1" WIDE - BLACK
	048394-02-000	YD	VELCRO TAPE - HOOK - ADHESIVE BACK - 3/4" WIDE - BEIGE
	085774-01-000	FT	FASTENER - DUAL LOCK - 1" WIDE - ADHESIVE BACK - BLACK
	085774-02-000	FT	FASTENER - DUAL HOOK - 1" WIDE - ADHESIVE BACK - BLACK
	085774-07-000	FT	FASTENER - DUAL HOOK - 1" WIDE
	088792-02-000	YD	VELCRO TAPE - LOOP - 3/4" - ADHESIVE BACK - BEIGE
	088792-04-000	YD	VELCRO TAPE - HOOK - 5/8" - NON-ADHESIVE BACK - WHITE
	088792-05-000	YD	VELCRO TAPE - LOOP - 5/8" - NON-ADHESIVE BACK - WHITE
	108046-01-000	EA	CABLE TIE - SCREW MOUNT 8"
	108046-02-000	EA	CABLE TIE - SCREW MOUNT 15"
	110943-02-000	FT	FELT STRIP - 3/8" - ADHESIVE BACK - WHITE
	113133-02-01A	EA	RIVET - POP - ALUMINUM - 3/16 X .252 - .504 - BLACK
	115361-01-01A	EA	PLUG/PLASTIC - 1/2" DIAMETER
	127960-01-01A	EA	RETAINER - 3/8" - STAINLESS STEEL

# WATER & SEWAGE GROUP DRAINAGE SYSTEM



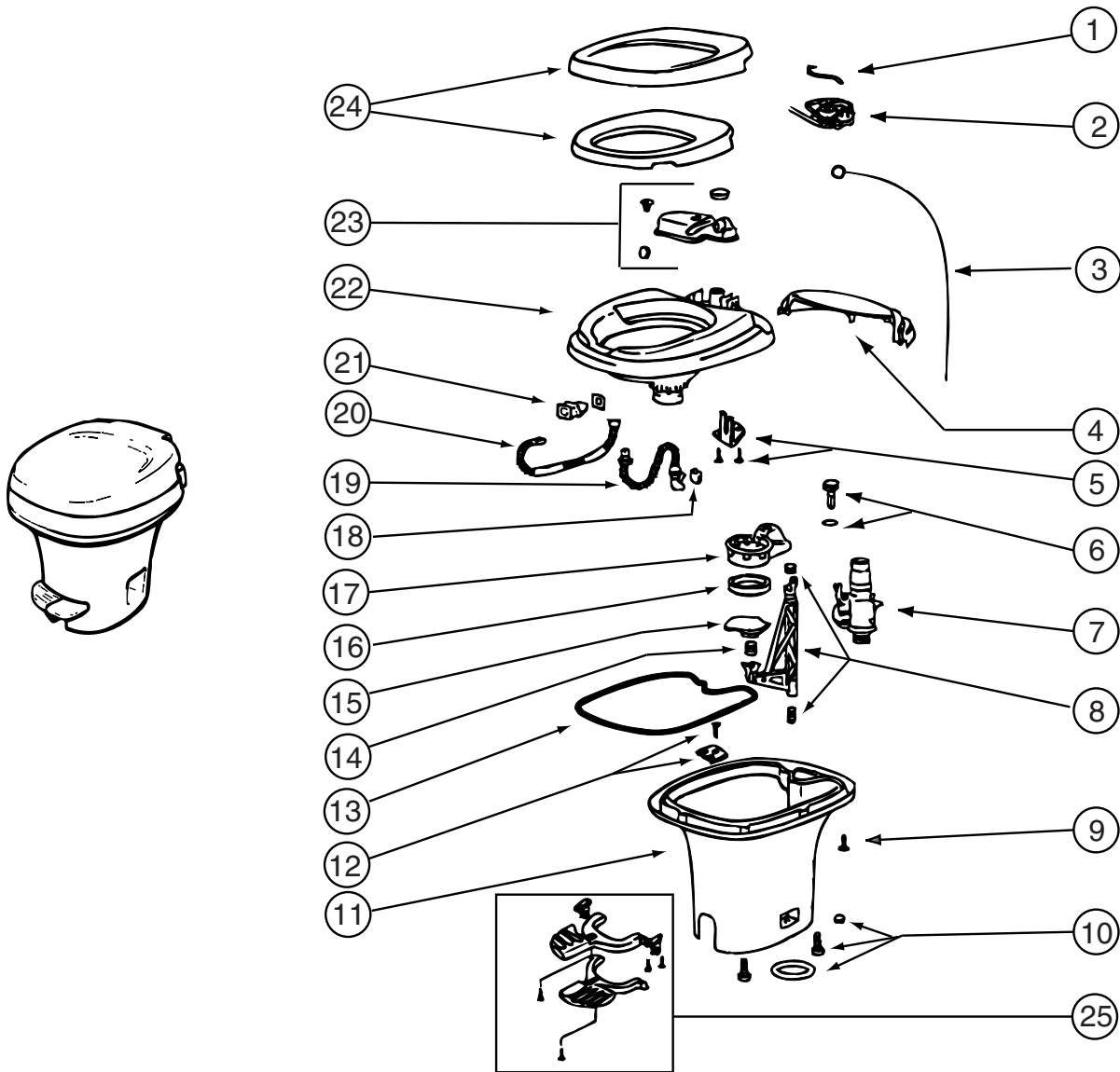
KEY	PART NUMBER	U/M	DESCRIPTION
1	010006-01-000	EA	ELBOW - 45 DEGREE - 1 1/2" HUB X HUB - PLASTIC
2	010008-01-000	EA	ELBOW - 90 DEGREE - 1 1/2" HUB X HUB - PLASTIC
3	010024-01-000	EA	ELBOW - 45 DEGREE - 3" HUB X HUB - PLASTIC
4	135406-01-700	EA	TANK-HOLDING 35 GAL W/3" NIP
5	010061-01-000	EA	ELBOW - 45 DEGREE ST - 3" SPIGOT & HUB - PLASTIC
6	010071-01-000	EA	TEE - SANITARY - 1 1/2" HUB X HUB X HUB - PLASTIC
7	010073-01-000	EA	WYE - 45 DEGREE - 1 1/2" HUB X HUB X HUB - PLASTIC
8	010115-01-000	EA	COUPLING - 1 1/2" HUB X HUB - PLASTIC
9	010122-01-000	EA	BUSHING/PLASTIC - REDUCER - 1 1/2"SMTH X 1 1/4"THD - BLACK
10	031126-01-000	EA	ELBOW - 1/4 BEND - 3" X 90" XLT - BLACK PLASTIC
11	031365-02-000	EA	TEE - PLASTIC - 1 1/2" EXTRA LONG TURN
12	041956-01-000	EA	ELBOW - 3" STREET - 90 DEGREE PLASTIC
13	079968-01-000	EA	VENT - MECHANICAL/TRAP ARM - ANTI-SIPHON-2" X 7.3" PLASTIC
14	136143-01-000	EA	VALVE - DUAL - 3" X 3"
15	109571-01-000	EA	ADAPTER - P-TRAP - 1 1/2"P X 1 1/4"MPT
16	107538-01-000	EA	P-TRAP - PLASTIC - 1 1/4" W/EXTENSION ARM - USA
16	011071-01-000	EA	P-TRAP - PLASTIC - 1 1/2" - CSA - CANADIAN
17	066440-01-000	EA	STRAINER - SHOWER DRAIN - W/RUBBER WASHER
	127440-02-01A	EA	WASHER - RUBBER - 1.8" X .1"
	130403-01-000	EA	NUT - SLIP - W/WINGS 1 1/2"
	011069-06-000	EA	TAILPIECE - 1 1/2" X 1 1/4" X 2 1/2"
18*	067487-04-000	EA	TOILET - LOW - FOOTFLUSH - WHITE
			FROM: 00-00-00 THRU: 09-28-03
18*	147421-02-01A	EA	TOILET/AQUA MAGIC 5 (LOW) FOOTFLUSH - W/SPRAY - WHITE
			FROM: 09-29-03 THRU: 99-99-99
19	010129-03-000	EA	NIPPLE - PLASTIC - 3" X 3" TOE
20	061607-01-000	EA	GROMMET - HOLDING TANK - 1 1/2" NPS
21	061607-02-000	EA	GROMMET - HOLDING TANK - 3" NPS
22	094756-01-01A	EA	BRACKET/ANGLE - W/HOLES
			FROM: 00-00-00 THRU: 02-15-04
22	094756-02-01A	EA	BRACKET - L - 6.1" LONG X 3.9" WIDE - STEEL
			FROM: 02-16-04 THRU: 99-99-99
23	063641-01-000	EA	FLANGE - CLOSET - 4" X 3"
24	078406-01-000	EA	COUPLER - RUBBER - W/CLAMPS - 3" X 3"

**WATER & SEWAGE GROUP (CONTINUED)**  
**DRAINAGE SYSTEM (CONTINUED)**

KEY	PART NUMBER	U/M	DESCRIPTION
25	083558-06-000	EA	VENT - PLUMBING - ROOF PIPE COVERED - VW WHITE FROM: 00-00-00 THRU: 07-06-03
25	083558-03-000	EA	VENT W/COVER F/PLUMBING STACK - OFF WHITE FROM: 07-07-03 THRU: 99-99-99
26	091980-01-000	EA	WASTE - CONTINUOUS FROM: 00-00-00 THRU: 11-04-03
26	011091-02-000	EA	WASTE - CONTINUOUS - DOUBLE SINK FROM: 11-05-03 THRU: 99-99-99
27	092303-01-000	EA	STRAINER - W/BASKET - GALLEY SINK - 4" OD
	127440-02-01A	EA	WASHER - RUBBER - 1.8" X .1"
28*	096927-01-02A	EA	SINK - LAVATORY - RECTANGULAR - PLASTIC - SOFT WHITE
	106116-01-02A	EA	STRAINER/PLASTIC - STOPPER/TAILPIECE/GASKET & NUT-LAVATORY
29	136828-01-01A	EA	SINK/DBL - LGE/SM BASIN-25"X19"X7" W/O NOTCH/FAUCET HOLES FROM: 00-00-00 THRU: 11-04-03
29	148870-01-01A	EA	SINK/DBL - LGE/SM BASIN-25"X19"X7" W/O NOTCH/FAUCET HOLES FROM: 11-05-03 THRU: 99-99-99
30	139513-01-000	EA	HOSE - SEWER - 3" X 10' - W/ADAPTER
	062416-01-000	EA	ADAPTER - SEWER HOSE TO 3" PIPE
31	010166-01-000	EA	PLUG/THREADED - 1 1/4"MPT - PLASTIC - BLACK - UL
	010122-01-000	EA	BUSHING/PLASTIC - REDUCER - 1 1/2"SMTH X 1 1/4"THD - BLACK
32	135405-01-700	EA	TANK-HOLDING 38 GAL W/3" NIP

**\*COMPONENT PARTS LISTED LATER IN THIS GROUP**

**WATER & SEWAGE GROUP (CONTINUED)**  
**COMPONENT PARTS FOR DRAINAGE SYSTEM**



067487-04-000

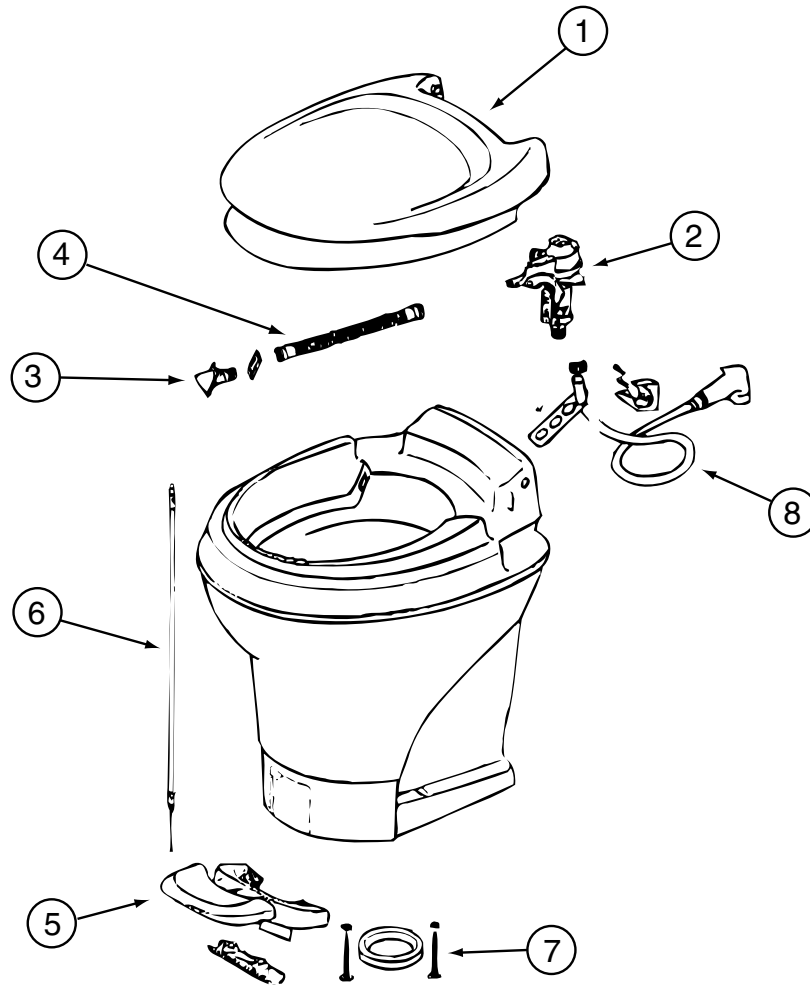
KEY	PART NUMBER	U/M	DESCRIPTION	VENDOR NO.
2	063740-02-703	EA	KIT-LEVER/WIRE ASSM FOOT FL	24571
4	131932-02-701	EA	COVER -MECHANISM- WHITE	2086562
7	063740-01-714	EA	VALVE ASM (VALVE-BALL SEAL)	13168
10	063740-01-706	EA	BOLT PACKAGE-FLOOR FLANGE	12524THETFORD
15	063740-01-721	EA	BLADE ONLY	1248262
16	063740-01-722	EA	SEAL - BLADE	12481
20	063740-01-717	EA	TUBE-FLUSH	12509
23	063740-02-701	EA	RESERVOIR (TANK ASM.)	24630
24	131932-01-701	EA	SEAT/COVER ASSMBLY - WHITE	2464162
25	131932-02-702	EA	PEDAL PACKAGE(WHITE)	2082162

CONTACT WINNEBAGO PART SALES FOR UNLISTED COMPONENT

096927-01-02A

KEY	PART NUMBER	U/M	DESCRIPTION	VENDOR NO.
	096927-01-700	EA	SINK STOPPER	M9801
	096927-01-701	EA	TAILPIECE-DRAIN-LAVATORY	M9802

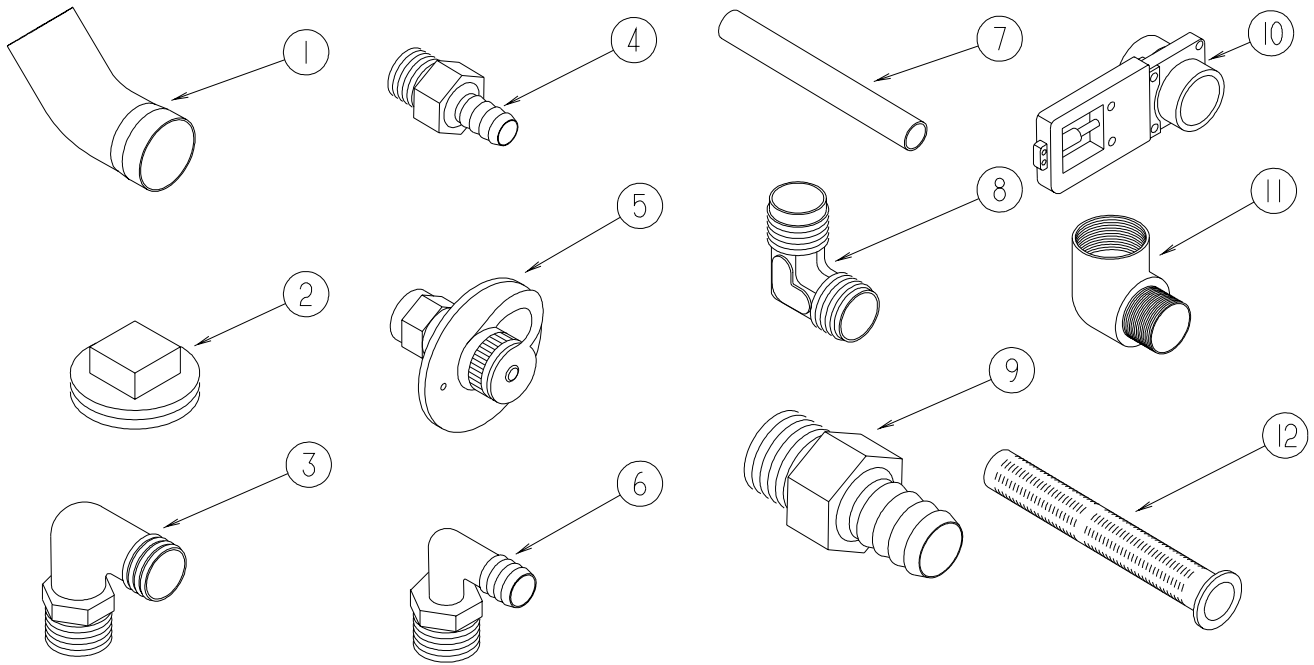
**WATER & SEWAGE GROUP (CONTINUED)**  
**COMPONENT PARTS FOR DRAINAGE SYSTEM (CONTINUED)**



147421-02-01A

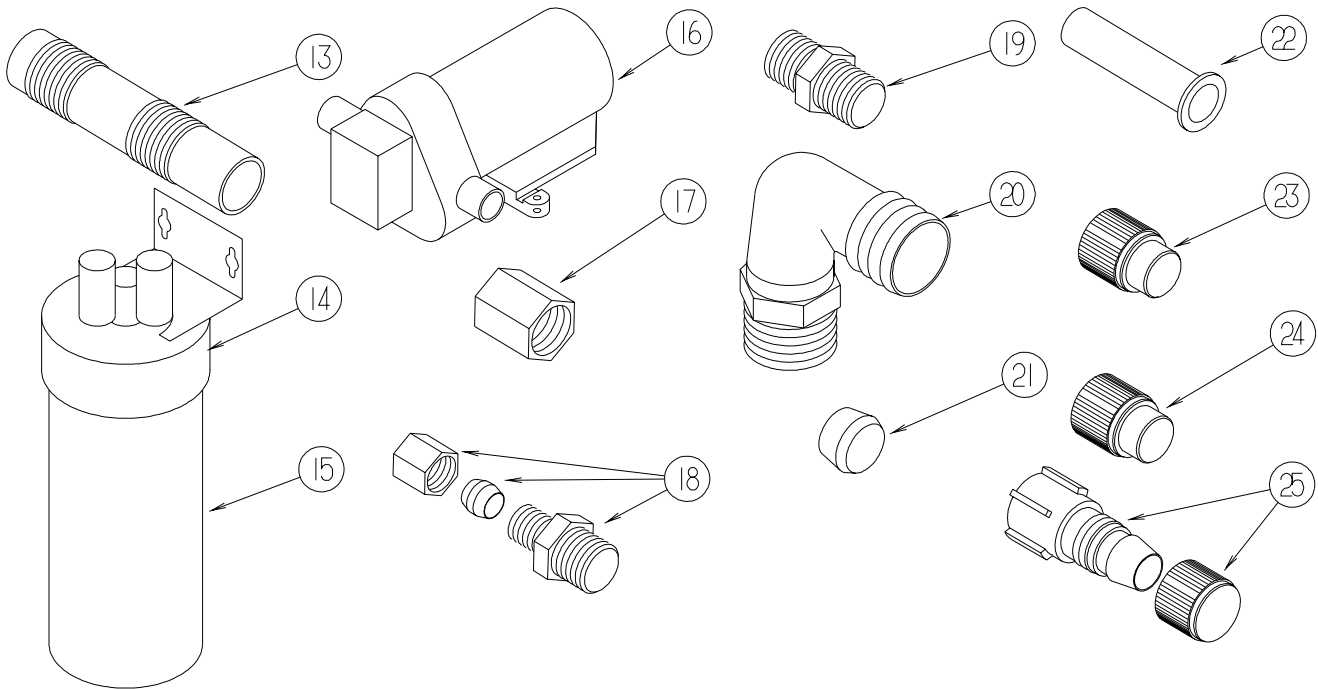
KEY	PART NUMBER	U/M	DESCRIPTION	VENDOR NO.
1	147421-01-700	EA	SEAT & COVER ASSEMBLY(WHT)	31703
2	147421-01-701	EA	WATER MODULE ASSEMBLY	31705
3	147421-01-702	EA	NOZZLE ASSEMBLY	31706
4	147421-01-703	EA	LINK - WATER MODULE	31621
5	147421-01-704	EA	PEDAL - WHITE	31709
6	147421-01-705	EA	FOOT CABLE	31711
7	063740-01-706	EA	BOLT PACKAGE-FLOOR FLANGE	12524 THETFORD
8	132389-01-708	EA	HAND SPRAY KIT	19289
	147421-01-706	EA	SEAL - BLADE	31708
	147421-01-707	EA	CAP (UNIVERSAL BOLT) - WHITE	31713

**WATER & SEWAGE GROUP (CONTINUED)**  
**WATER SYSTEM**



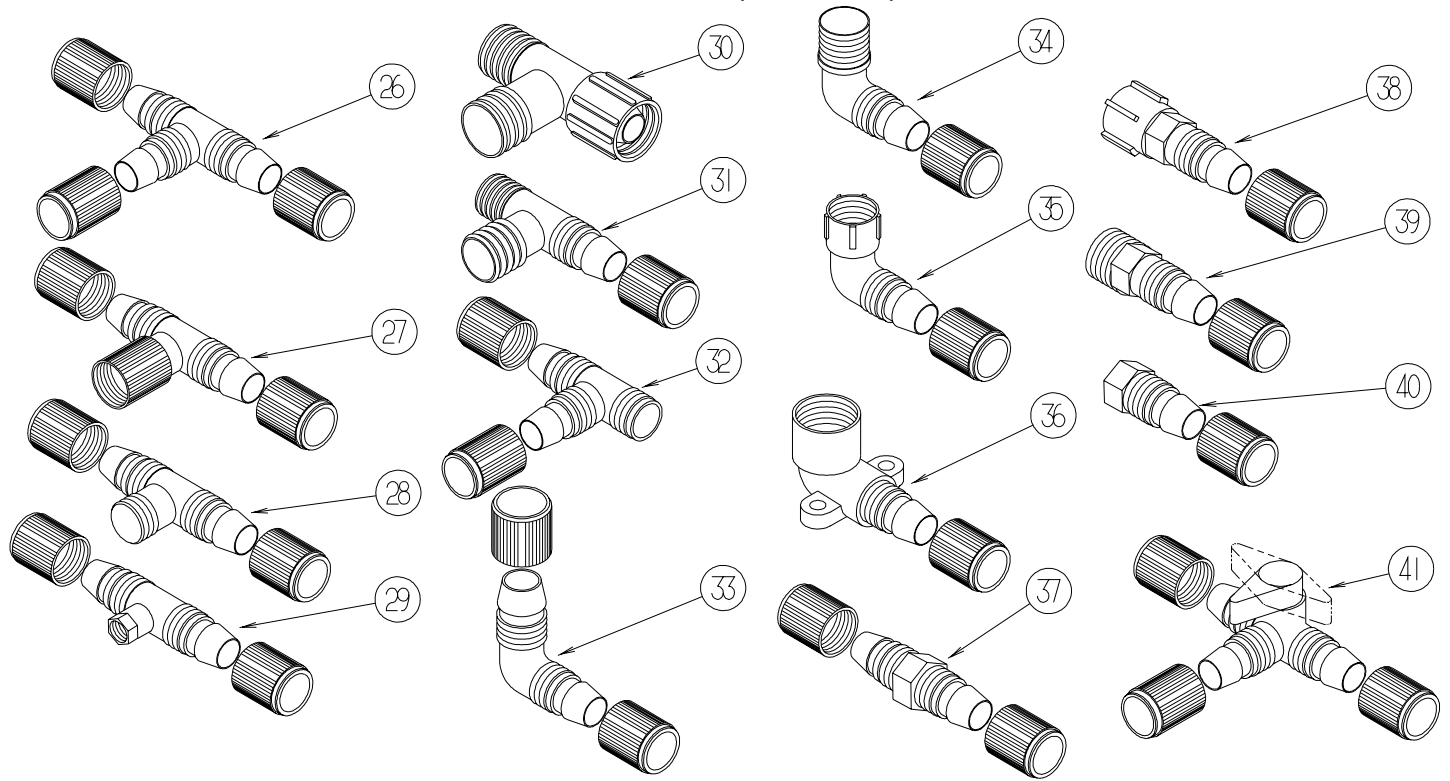
KEY	PART NUMBER	U/M	DESCRIPTION
1	010009-01-000	EA	ELBOW - 90 DEGREE - 1/4 BEND - 1 1/2" PLASTIC
2	010166-01-000	EA	PLUG/THREADED - 1 1/4"MPT - PLASTIC - BLACK - UL
3	010219-01-000	EA	ELBOW - 1 1/4 MPT X 1 1/4 BARB - WATER FILL - PLASTIC
4	010224-01-000	EA	ADAPTER - HOSE TO PIPE - 3/8 MPT X 3/8 BARB - PLASTIC
5	010230-06-000	EA	FILL - CITY WATER - W/CHECK VALVE - MPT - BRUSHED ALUM
6	035539-01-000	EA	ELBOW - 3/8 MPT X 3/8 BARB - PLASTIC
7	039800-04-000	FT	TUBING - POLYBUTYL - 1/4"OD
7	074462-02-000	FT	TUBING - VINYL - 3/8 ID X 20' - CLEAR
7	112176-01-000	FT	TUBING - VINYL - REINFORCED - 1/2" ID
7	124188-01-000	FT	TUBING - PEX - 1/2" ID X 20' - BLUE(COLD)
7	124188-02-000	FT	TUBING - PEX - 1/2" ID X 20' - RED(HOT)
8	039808-03-000	EA	ELBOW - 1/2" MPT X 1/2" MPT - PLASTIC
9	044927-01-000	EA	ADAPTER - HOSE TO PIPE-1 1/4 MPTX1 1/4 BARB-BLACK PLASTIC
10	062421-03-000	EA	VALVE/DUMP W/O HANDLE - 1 1/2" X 1 1/2" HUB
	062421-05-000	EA	CABLE/ROD - F/DUMP VALVE - W/HANDLE - 48"
11	065318-02-000	EA	ELBOW - 90 DEGREE - 3/8" MPT TO 3/8" FPT
12	077954-02-000	EA	FILTER - WATER TANK - W/SCREEN IN TANK

**WATER & SEWAGE GROUP (CONTINUED)**  
**WATER SYSTEM (CONTINUED)**



KEY	PART NUMBER	U/M	DESCRIPTION
13	079381-01-000	FT	TUBING - RIBBED FLEXIBLE - WATER FILL - 1.4" ID
14	087200-01-000	EA	FILTER-WATER PURIFICATION, EVERPURE QC2-AC
15	087200-02-000	EA	CARTRIDGE-WATER FILTER, AC - EVERPURE 9601-11
16*	098607-01-000	EA	PUMP - WATER - W/.5" MPT FITTING - FLOW 2.8 GPM
17	101814-01-000	EA	COUPLING - FEMALE - 1/2" X 1/2" FPT - GRAY
18	103798-01-000	EA	CONNECTOR - 1/4 OD X 3/8 MPT
19	110438-02-000	EA	VALVE - CHECK - BRASS - 1/2 MPT X 1/2 MPT
20	111223-02-000	EA	ELBOW - 1/2" MPT X 3/8" BARB - PLASTIC
20	111223-03-000	EA	ELBOW - 3/4" MPT X 1/2" BARB - PLASTIC
20	111223-04-000	EA	ELBOW - 1/2" MPT X 1/2" BARB - PLASTIC
21	111888-01-000	EA	FERRULE - PLASTIC - .250 ID X .375 OD
22	111888-02-000	EA	INSERT - BRASS - 1/4 COMP
23	113697-01-000	EA	CAP - 3/8"P
24	114427-01-000	EA	CAP - 1/2"P
25	114427-02-000	EA	PLUG - W/COMP NUT - 1/2" PLASTIC PIPE/1/2" FLAIR-IT

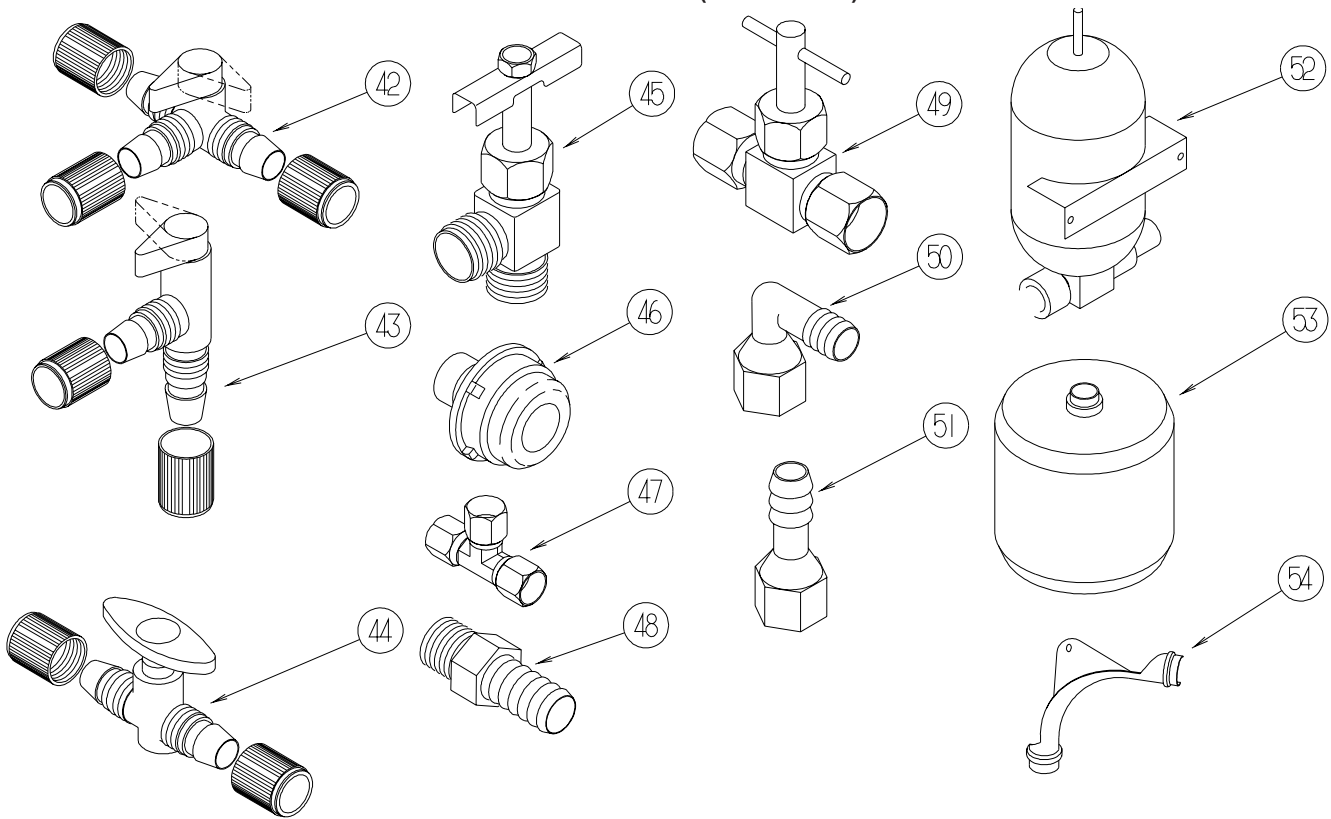
**WATER & SEWAGE GROUP (CONTINUED)**  
**WATER SYSTEM (CONTINUED)**



KEY	PART NUMBER	U/M	DESCRIPTION
26	114428-01-000	EA	TEE - 1/2"P X 1/2"P X 1/2"P
27	114428-02-000	EA	TEE - SWIVEL - 1/2"P X 1/2"P X 1/2"FPT
28	114428-03-000	EA	TEE - 1/2"P X 1/2"P X 1/2"MPT
29	114428-04-000	EA	TEE - 1/2"P X 1/2"P X 1/8"FPT
30	114428-05-000	EA	TEE - 1/2" SWIVEL X 1/2" MPT X 1/2" MPT
31	114428-06-000	EA	TEE - 1/2" P X 1/2" MPT X 1/2" MPT
32	114428-07-000	EA	TEE - 1/2" P X 1/2" MPT X 1/2" P
33	114429-01-000	EA	ELBOW - 1/2"P X 1/2"P
34	114429-02-000	EA	ELBOW - 1/2"P X 1/2"MPT
34	114429-04-000	EA	ELBOW - 1/2"P X 3/8"MPT
34	114429-05-000	EA	ELBOW - 1/2"P X 3/4"MPT
34	114429-10-000	EA	ELBOW - SWIVEL - 1/2"MPT X 1/2"FPT
35	114429-03-000	EA	ELBOW - SWIVEL - 1/2"P X 1/2"FPT
35	114429-06-000	EA	ELBOW - SWIVEL - 1/2"P X 3/4"FPT
35	114429-08-000	EA	ELBOW - SWIVEL - 1/2"P X 1/2"FPT
35	114429-11-000	EA	ELBOW - 1/2"P X 1/2"FPT
36	114429-09-000	EA	ELBOW - 1/2"P X 1/2"FPT DROP EAR
37	114430-01-000	EA	ADAPTER - 1/2"P X 1/2"P
38	114430-02-000	EA	ADAPTER - SWIVEL - 1/2"P X 1/2"FPT
38	114430-04-000	EA	ADAPTER - SWIVEL - 1/2"P X 3/8"MPT
39	114430-03-000	EA	ADAPTER - 1/2"P X 1/2"MPT
40	114430-06-000	EA	ADAPTER - 1/2"P X 3/8"FPT
40	114430-09-000	EA	ADAPTER - 1/2"P X 1/2"FPT
41	114431-01-000	EA	VALVE - 180 DEGREE/CENTER DRAIN - 1/2"P - THREE WAY

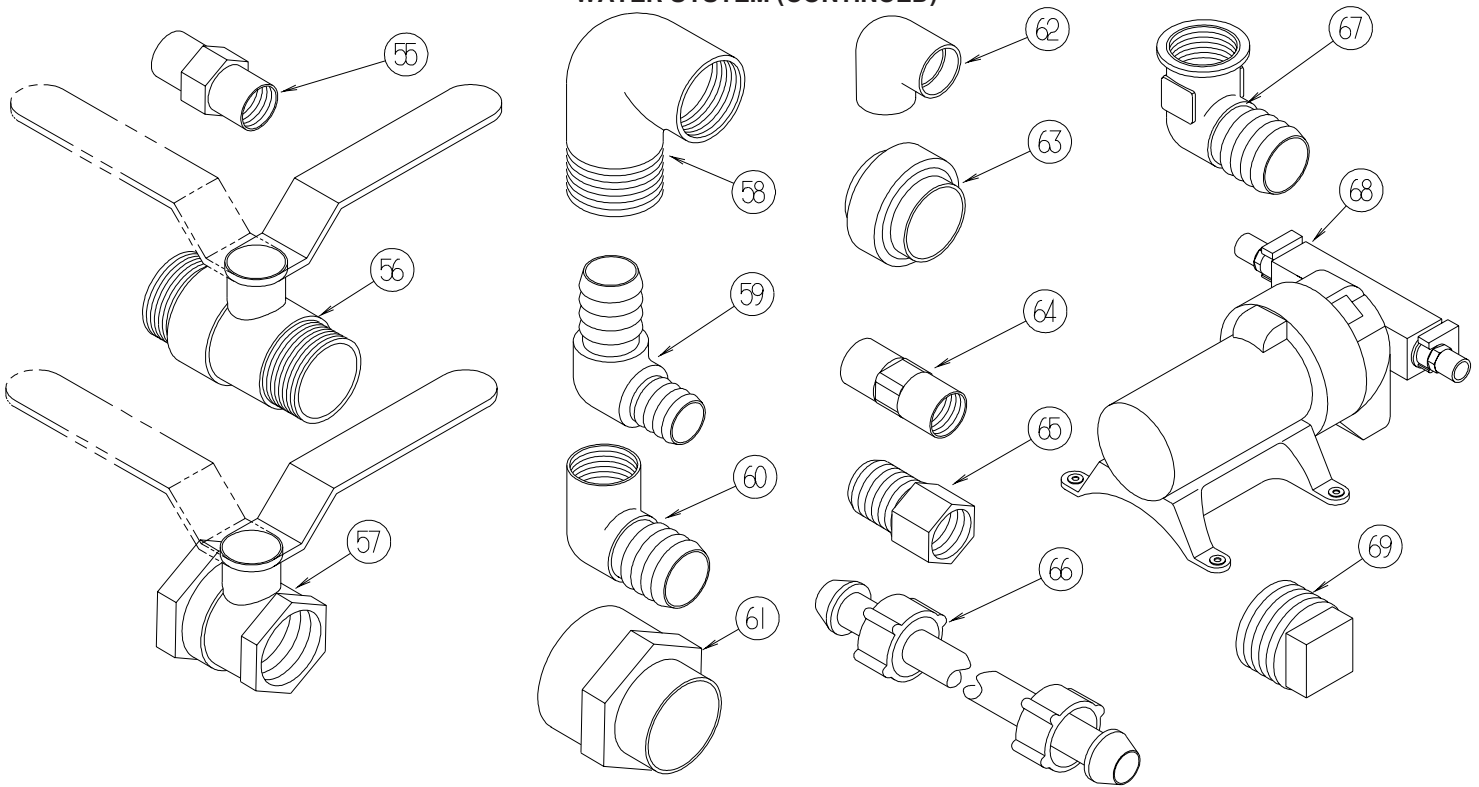


**WATER & SEWAGE GROUP (CONTINUED)**  
**WATER SYSTEM (CONTINUED)**



KEY	PART NUMBER	U/M	DESCRIPTION
42	114431-02-000	EA	VALVE - WATER BYPASS - 1/2"P - THREE WAY (WATER HEATER)
43	114431-03-000	EA	VALVE - 90 DEGREE DRAIN - 1/2"P
44	114431-04-000	EA	VALVE - "INLINE SHUT-OFF" - 1/2"P
45	114431-05-000	EA	VALVE - NEEDLE - 1/8" MPT X 1/4" COMPRESSION (ICE MAKER)
46	114966-01-000	EA	FILTER - IN LINE - TWIST ON - 1/2"
47	118423-01-000	EA	FITTING - BRASS-TEE - 1/4C X 1/4C X 1/4C
48	118809-01-000	EA	ADAPTER - 1/2" MPT X 3/8" BARB - PLASTIC
48	118809-02-000	EA	ADAPTER - 1/2" MPT X 1/2" BARB - PLASTIC
49	120868-01-000	EA	VALVE - NEEDLE - 1/4" COMPRESSION X 1/4" COMPRESSION
50	123150-01-000	EA	ELBOW - 1/2 FPT X 1/2 BARB - SWIVEL
51	123152-01-000	EA	ADAPTER - 1/2 FPT X 1/2 BARB - SWIVEL
52	123243-01-000	EA	TANK - ACCUMULATOR - 24 OZ
53	123317-01-000	EA	TANK - ACCUMULATOR - 2 GALLON
54	124184-01-000	EA	SUPPORT - WATER LINE - BEND

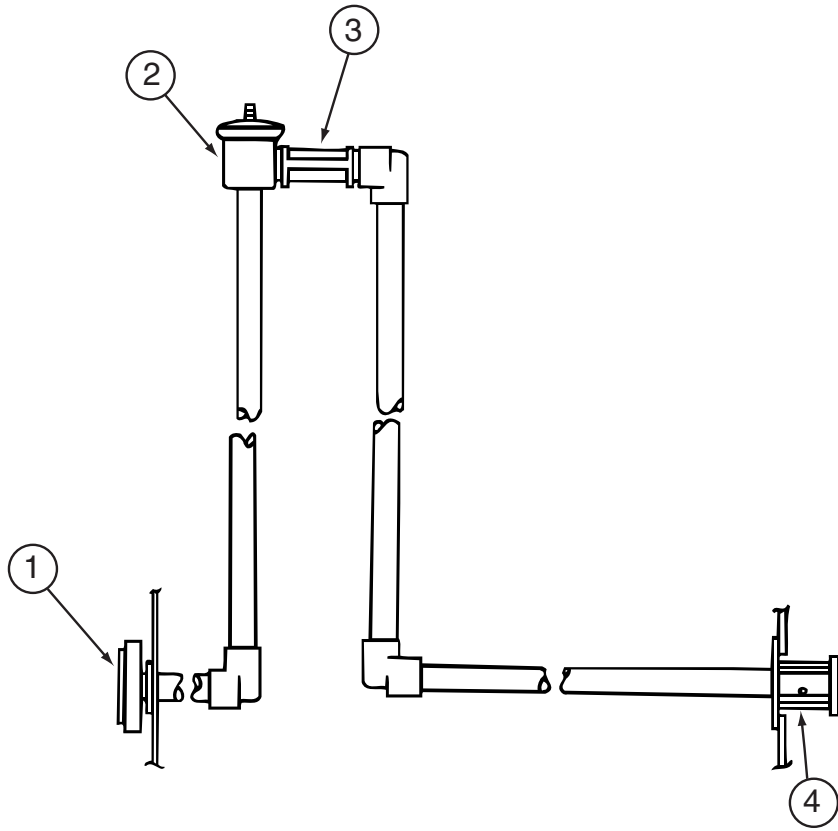
**WATER & SEWAGE GROUP (CONTINUED)**  
**WATER SYSTEM (CONTINUED)**



KEY	PART NUMBER	U/M	DESCRIPTION
55	132148-01-000	EA	CONNECTOR - 1/2" X 1/2"MPT - BRASS
56	132483-01-000	EA	VALVE/BALL - 1" - THREADED ENDS
57	132483-02-000	EA	VALVE/BALL - 1/2" - BRASS - FPT
58	132484-01-000	EA	ELBOW - 90 DEGREE - 1MPT X 1FPT - PLASTIC
59	132781-01-000	EA	ELBOW - 1.3" BARB X 1.3" BARB - 90 DEGREE - PLASTIC
60	132782-01-000	EA	ELBOW - 1"FPT X 1.3" BARB - 90 DEGREE - PLASTIC
61	133835-01-000	EA	ADAPTER - REDUCING - 1 1/2" X 1 1/4"
62	133837-01-000	EA	ELBOW - 1 1/2" X 90 DEGREE - DOUBLE SLIP
63	133889-01-000	EA	UNION - 1 1/2 DOUBLE SLIP - PVC
64	135386-01-000	EA	NIPPLE - 1/2"
65	136333-01-000	EA	ADAPTER - BRASS - 1/2"MPT X 1/2"FPT
66	140821-01-000	EA	TUBE - WATER SUPPLY - 3/8" X 24"
66	140821-02-000	EA	TUBE - WATER SUPPLY - 3/8" X 30"
66	140821-03-000	EA	TUBE - WATER SUPPLY - 3/8" X 36"
66	140821-04-000	EA	TUBE - WATER SUPPLY - 3/8" X 48"
66	140821-05-000	EA	TUBE - WATER SUPPLY - 3/8" X 54"
66	140821-06-000	EA	TUBE - WATER SUPPLY - 3/8" X 60"
66	140821-07-000	EA	TUBE - WATER SUPPLY - 3/8" X 72"
67	142812-01-000	EA	ELBOW - BRASS - 1/2"MPT X 1/2"FPT
68*	144215-01-000	EA	PUMP - WATER - 5.7 GPM - W/1/2" MPT
	144215-02-000	EA	STRAINER - WATER PUMP
69	145609-01-000	EA	PLUG - BRASS - 1/2" MPT/HEX HEAD

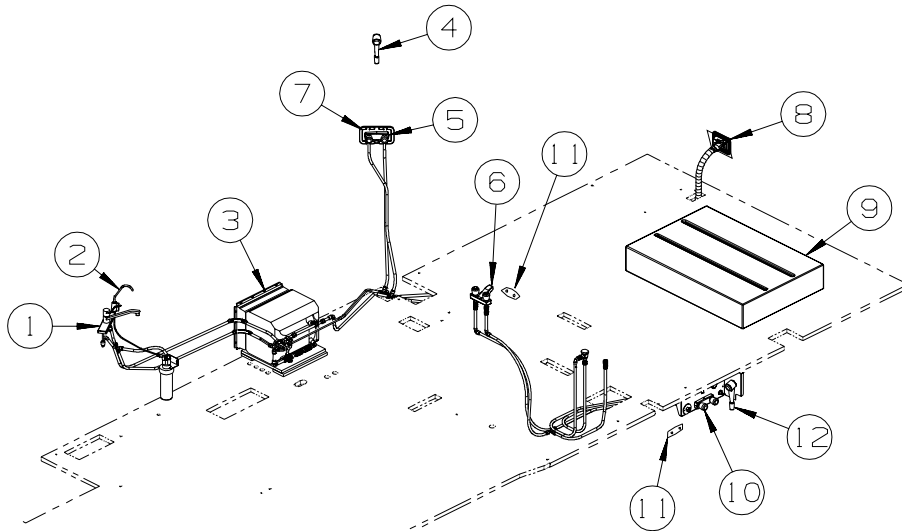
\*COMPONENT PARTS LISTED LATER IN THIS GROUP

**WATER & SEWAGE GROUP (CONTINUED)**  
**WATER SYSTEM (CONTINUED)**



KEY	PART NUMBER	U/M	DESCRIPTION
1	125697-05-000	EA	INLET/WATER - F/FLUSHING SYSTEM
2	125697-04-000	EA	BREAKER/VACUUM - F/FLUSHING SYSTEM
3	125697-03-000	EA	CHECK VALVE - F/FLUSHING SYSTEM
4	125697-02-000	EA	NOZZLE - WELD-A-FLUSH
	125697-06-000	EA	INSTRUCTIONS - USER - F/FLUSHING SYSTEM

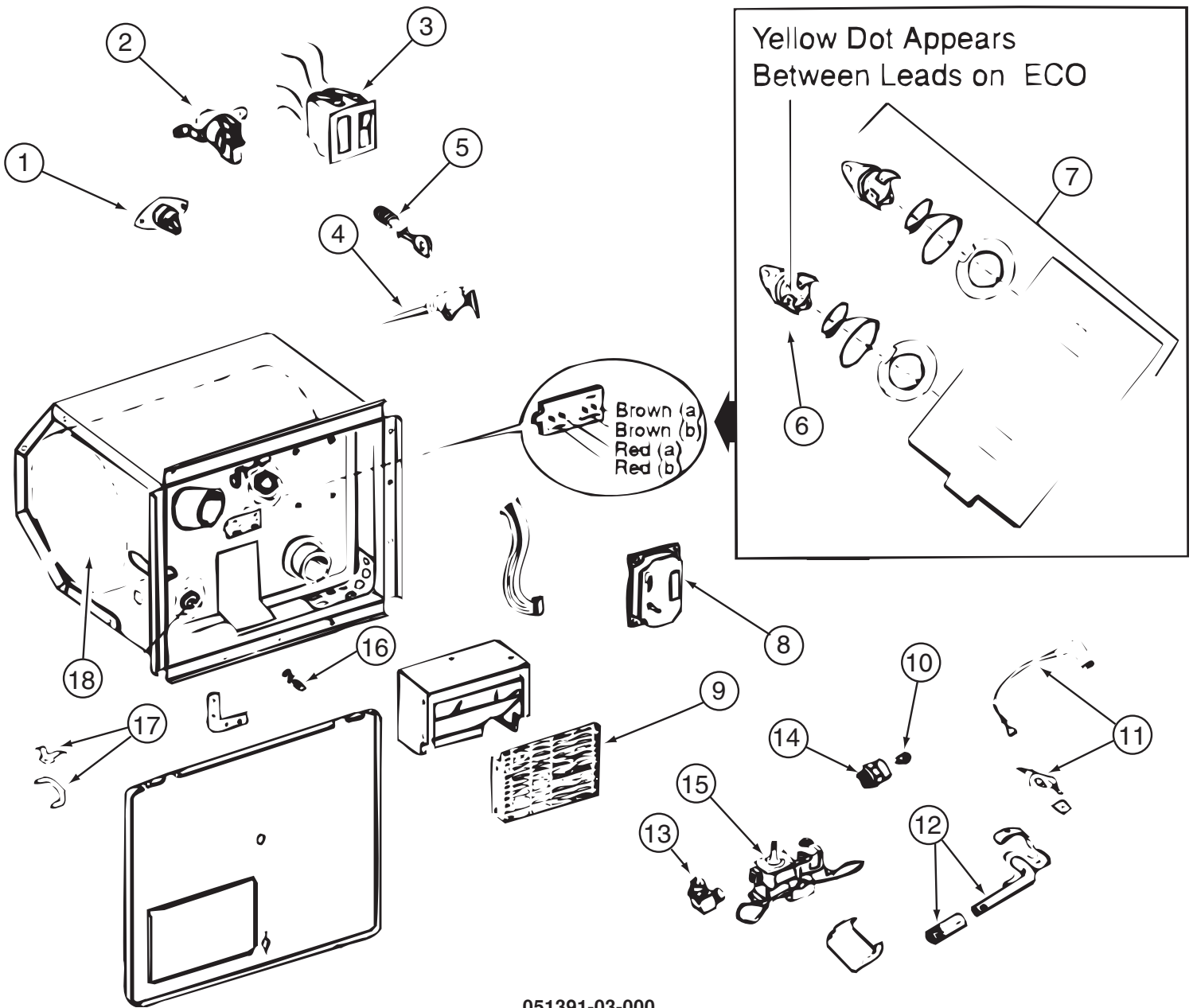
**WATER & SEWAGE GROUP (CONTINUED)**  
**WATER SYSTEM (CONTINUED)**



KEY	PART NUMBER	U/M	DESCRIPTION
1*	141432-01-01A	EA	FAUCET - GALLEY - SINGLE CONTROL
2	103635-01-000	EA	FAUCET - SINGLE CONTROL/DRINKING WATER
3*	051391-03-000	EA	WATER HEATER G6A-8E ELECTRONIC IGNITION
3*	145541-02-000	EA	WATER HEATER - 6 GALLONS-GAS/120 DEGREES-REMOTE IGNITION
3	052009-06-000	EA	DOOR - WATER HEATER - BRIGHT WHITE - 18" X 14.6"
4*	129390-04-01A	EA	SHOWER HEAD - W/HOSE & BRACKET - WHITE
5*	075241-04-000	EA	FAUCET - SHOWER/BRASS
6*	075240-05-000	EA	FAUCET - LAVATORY/BRASS - W/CLEAR KNOBS
7	075606-03-000	EA	PANEL - FAUCET SHOWER - SOFT WHITE
8	137169-01-01A	EA	WATER FILL/GRAVITY - W/DOOR - W/O LOCK - BRIGHT WHITE
	138290-03-000	EA	CASE - W/CAM - W/O CYLINDER/KEY
	138637-03-000	EA	LOCK ASM. - KEYED - .9" CASE (CYLINDER/CAM/HDWR PKG)
	138637-52-000	EA	CASE/CYLINDER - LOCKING - W/O CAM/KEY - .9"
	138637-52-001	EA	CASE/CYLINDER - LOCKING - W/O CAM/KEY - .9"
	138637-52-002	EA	CASE/CYLINDER - LOCKING - W/O CAM/KEY - .9"
	138637-52-003	EA	CASE/CYLINDER - LOCKING - W/O CAM/KEY - .9"
	138637-52-004	EA	CASE/CYLINDER - LOCKING - W/O CAM/KEY - .9"
	138637-52-005	EA	CASE/CYLINDER - LOCKING - W/O CAM/KEY - .9"
	138637-52-006	EA	CASE/CYLINDER - LOCKING - W/O CAM/KEY - .9"
	138637-52-007	EA	CASE/CYLINDER - LOCKING - W/O CAM/KEY - .9"
	138637-52-008	EA	CASE/CYLINDER - LOCKING - W/O CAM/KEY - .9"
	138637-52-009	EA	CASE/CYLINDER - LOCKING - W/O CAM/KEY - .9"
	138637-62-000	EA	CAM - LATCHING - DOG LEG - 1" LONG
9	126086-01-000	EA	TANK - WATER - 35 GALLON - W/O FITTINGS
9	126086-05-000	EA	TANK - WATER - 35 GALLON - W/FITTINGS
	042989-03-000	EA	FITTING - SPINWELD - 1 1/4"NPT - PLASTIC
	042989-05-000	EA	FITTING - SPINWELD - 1/2"FPT - PLASTIC
	042989-08-000	EA	FITTING - SPINWELD - 1"FPT - PLASTIC
	049032-01-000	EA	PATCH - SPINWELD - 3/8" - PLASTIC
10*	075241-06-000	EA	FAUCET - SHOWER/BRIGHT WHITE - .5" MPT W/1.9" INLET PIPES
11	091253-01-000	EA	GASKET - FAUCET - LAVATORY/GALLEY
12	131383-01-02A	EA	SHOWER HEAD - W/60" HOSE & BRACKET - WHITE.

\*COMPONENT PARTS LISTED LATER IN THIS GROUP

**WATER & SEWAGE GROUP (CONTINUED)**  
**COMPONENT PARTS FOR WATER SYSTEM**



051391-03-000

KEY	PART NUMBER	U/M	DESCRIPTION	VENDOR NO.
3	051393-01-701	EA	SWITCH - REMOTE - W/LIGHT	91959
4	051391-01-704	EA	VALVE-RELIEF, 1/2" FITTING	91604
5	051391-01-705	EA	FASTENER-CAMLOCK	92609
6	051391-04-701	EA	THERMOSTAT 12V DC-120 PRESET	91470
7	051393-01-721	EA	THERMOSTAT W/ECO, 140 FRT MT	91447
9	051391-04-707	EA	KIT-EXHAUST, (FLUE & GASKET)	90960
10	051391-01-710	EA	ORIFICE-MAIN BURNER	92742
12	051391-04-703	EA	BURNER-MAIN/ELECTRONIC	91638
13	051391-01-714	EA	FITTING-ELBOW 45,3/8F X 3/8	MPT 1044
14	051391-03-700	EA	HOLDER-ORIFICE	91563
16	051391-01-715	EA	PLUG-DRAIN, 1 EA = 2 PER PKG	91857
17	051391-01-700	EA	HINGE KIT, (PIN & CLIP)	92568&92559
18	051391-04-706	EA	TANK-INNER,G6A-4E&6E FRT. MT	91641
	051391-01-717	EA	GRILLE-WATER HEATER DOOR	92640
	051393-01-723	EA	SWITCH - THERMAL CUTOUT 2/PK	93866
	051393-01-724	EA	BOARD-CIRCUIT,SPADE TERMINAL	93865
	051393-01-725	EA	ELECTRODE-SGL SPADE CONNECT.	93868
	051393-01-726	EA	VALVE-SOLENOID, W/O BRACKET	93870
	111129-01-711	EA	BRACKET-CORNER, SET OF FOUR	91928

CONTACT WINNEBAGO PARTS SALES FOR UNLISTED COMPONENTS

**WATER & SEWAGE GROUP (CONTINUED)**  
**COMPONENT PARTS FOR WATER SYSTEM (CONTINUED)**

075240-05-000

KEY	PART NUMBER	U/M DESCRIPTION	VENDOR NO.
	075240-05-700	EA CARTRIDGE - WASHERLESS	9-P42

075241-04-000, 075241-05-000, 075241-06-000

KEY	PART NUMBER	U/M DESCRIPTION	VENDOR NO.
	075240-05-700	EA CARTRIDGE - WASHERLESS	9-P42

098607-01-000

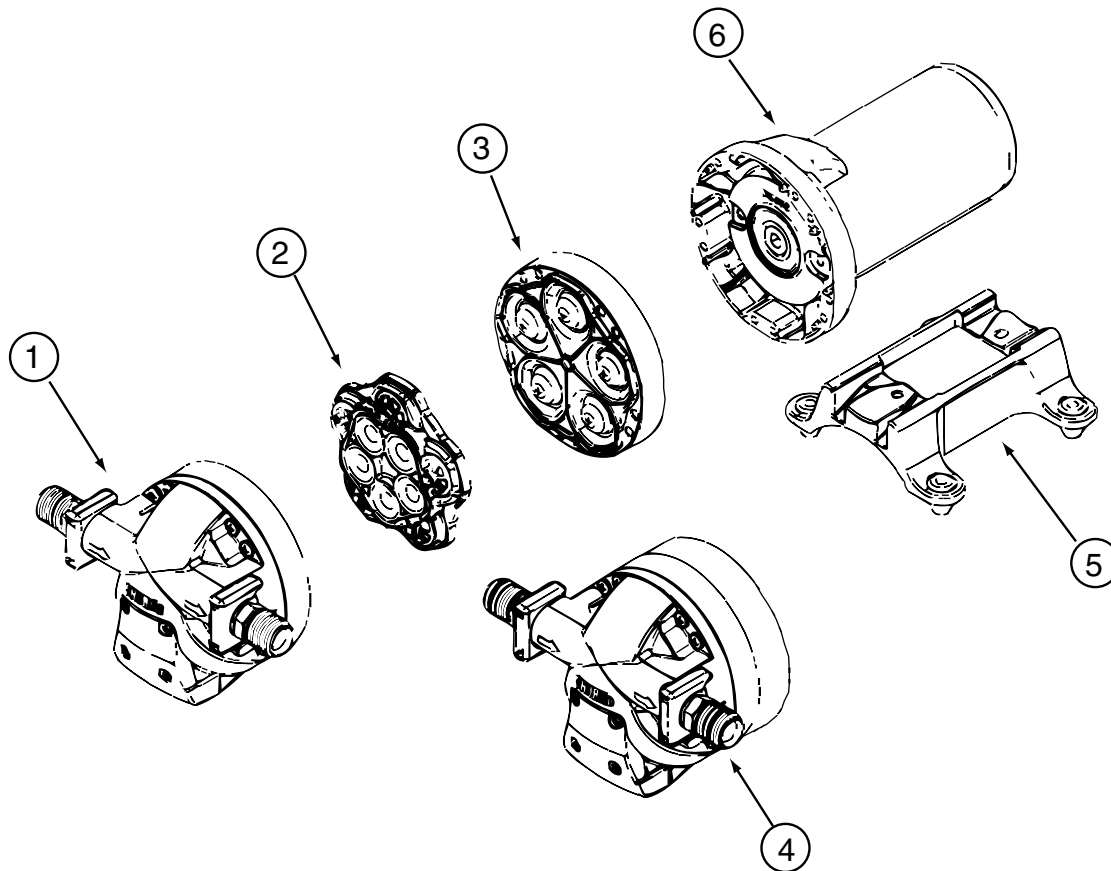
KEY	PART NUMBER	U/M DESCRIPTION	VENDOR NO.
	098607-01-702	EA DIAPHRAGM/DRIVE ASSEMBLY KIT	94-238-04
	098607-01-703	EA VALVE KIT	94-232-00
	098607-01-705	EA VALVE-CHECK, KIT	94-237-00
	098607-01-706	EA HOUSING, W/SWITCH ONLY	94-231-20
	098607-01-707	EA MOTOR W/BASEPLATE	11-148-04

129390-03-01A

KEY	PART NUMBER	U/M DESCRIPTION	VENDOR NO.
	129390-03-700	EA BRACKET-HANGAR/SHOWER HEAD	5001-210PK
	129390 03 701	EA CONNECTOR-SWIVE	4002-210PK

141432-01-01A

KEY	PART NUMBER	U/M DESCRIPTION	VENDOR NO.
	135027-01-705	EA CARTRIDGE F/SGL LEVER FAUCET,	1225

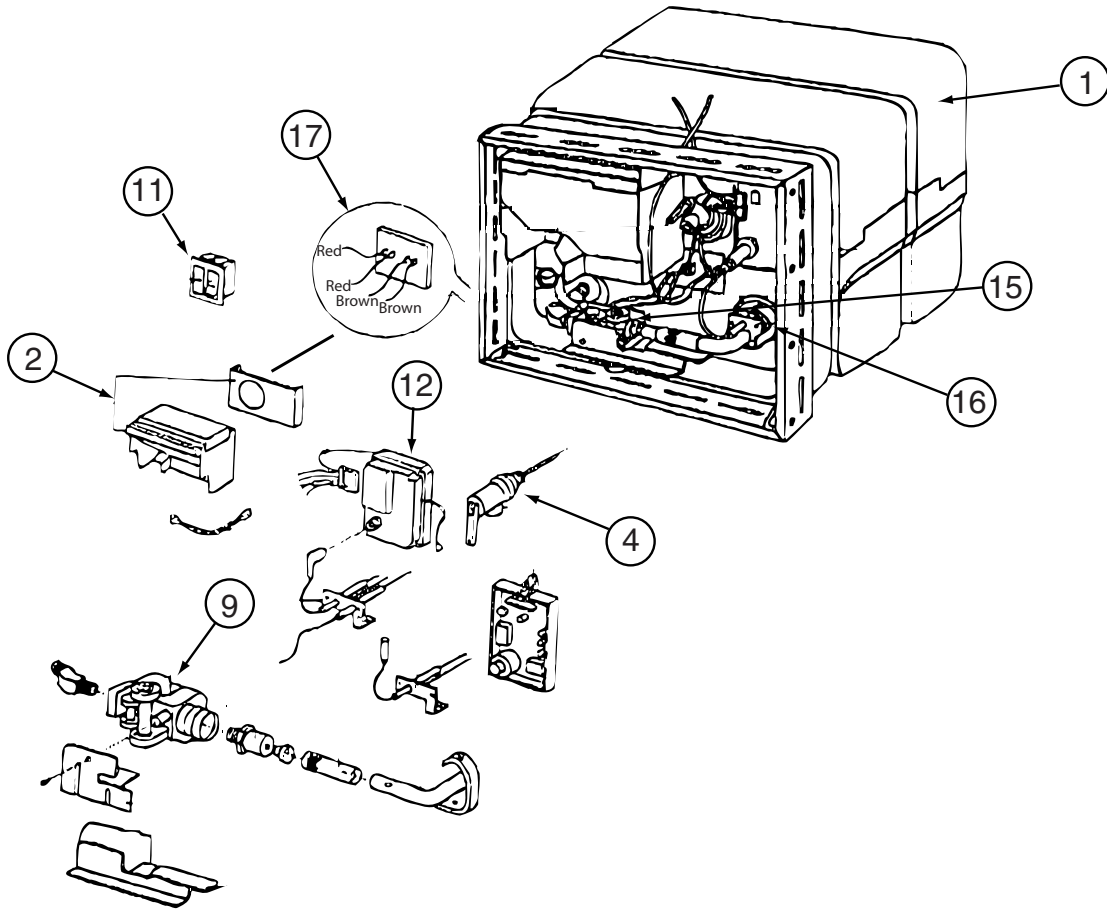


144215-01-000

KEY	PART NUMBER	U/M DESCRIPTION	VENDOR NO.
2	144215-01-700	EA VALVE ASSEMBLY	94-030-01
3	144215-01-701	EA DRIVE ASSEMBLY	94-030-02

CONTACT WINNEBAGO PARTS SALES FOR UNLISTED COMPONENTS

**WATER & SEWAGE GROUP (CONTINUED)**  
**COMPONENT PARTS FOR WATER SYSTEM (CONTINUED)**



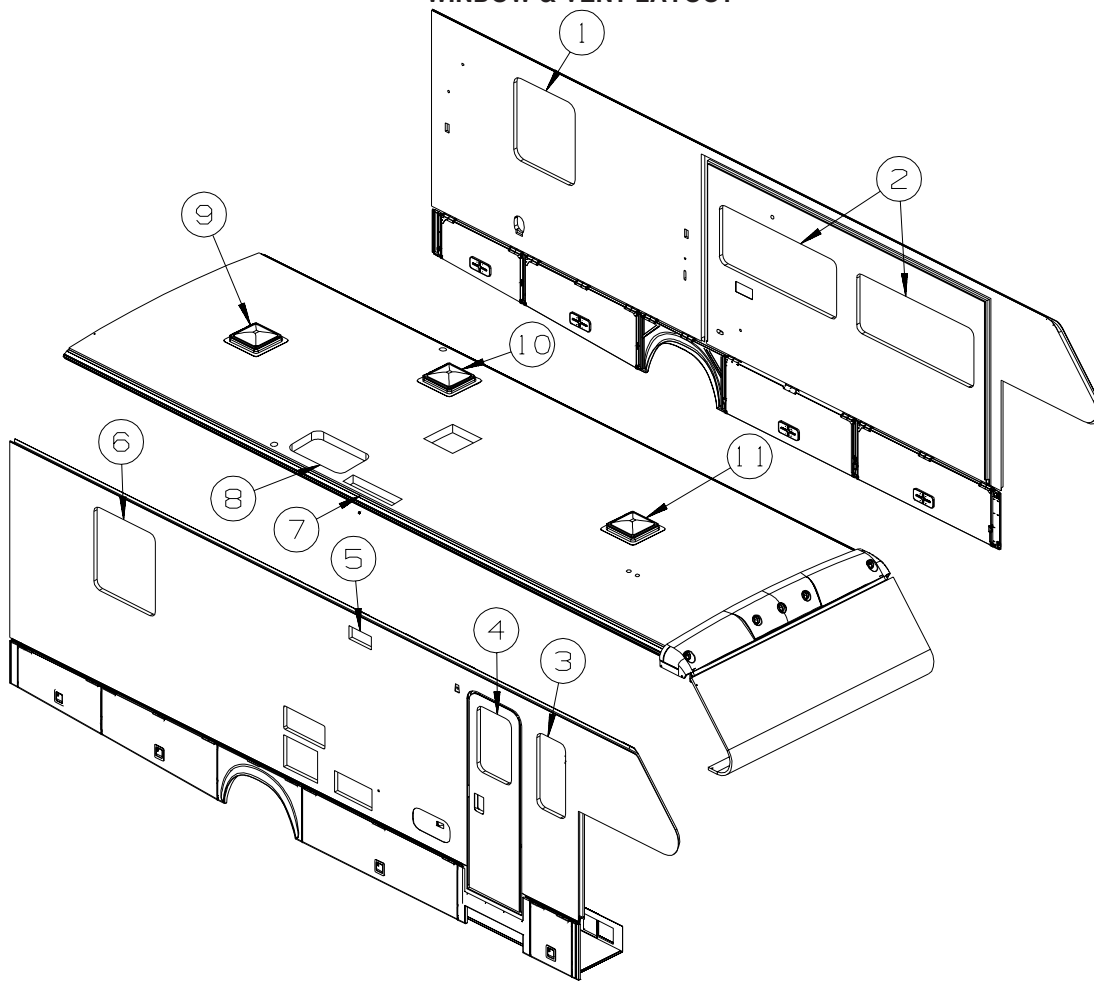
145541-02-000

KEY	PART NUMBER	U/M	DESCRIPTION	VENDOR NO.
1	145541-02-700	EA	TANK - W/INSULATION - 06 GAL	
2	051391-04-707	EA	KIT-EXHAUST, (FLUE & GASKET)	90960
3	051391-01-715	EA	PLUG-DRAIN, 1 EA = 2 PER PKG	91857
4	051391-01-704	EA	VALVE-RELIEF, 1/2" FITTING	91604
9	051393-01-726	EA	VALVE-SOLENOID, W/O BRACKET	93870
11	145541-01-701	EA	SWITCH - ON/OFF - WHITE	91859
11	051393-01-701	EA	SWITCH - REMOTE - W/LIGHT	91959
12	145541-01-702	EA	CIRCUIT BOARD	91226
15	145541-01-703	EA	SWITCH - THERMAL CUT OFF	93866
16	051393-01-725	EA	ELECTRODE-SGL SPADE CONNECT.	93868
17	051393-01-721	EA	THERMOSTAT W/ECO, 140 FRT MT	91447
	051391-05-706	EA	ELEMENT-HEATING 1500 WATT	91160 W/GASKET
	145541-01-704	EA	RELAY	90061

CONTACT WINNEBAGO PARTS SALES FOR UNLISTED COMPONENTS

# WINDOW & VENTS GROUP

## WINDOW & VENT LAYOUT



KEY	PART NUMBER	U/M	DESCRIPTION
1*	113500-06-02A	EA	WINDOW - DBL TIPOUT/ESCAPE W/TRIM - TINTED - 33.2" X 30.2"
1*	129929-10-01A	EA	WINDOW - TIPOUT/THERMO/ESCAPE W/TRIM - 30" X 33" - <b>DUAL PANE</b>
2*	098647-47-02A	EA	WINDOW - DRVR HORIZ SLIDER W/TRIM - TINTED - 57.4" X 23.6"
2*	112795-77-01A	EA	WINDOW - DRVR HORIZ SLIDER/THERMO - W/TRIM - 57.4" X 23.6" - <b>DUAL PANE</b>
3*	098644-07-02A	EA	WINDOW - VERTICAL SLIDER W/TRIM - TINTED - 14" X 30"
3*	112898-22-01A	EA	WINDOW - VERTICAL SLIDER W/TRIM - THERMO - 30.9" X 14.2" - <b>DUAL PANE</b>
4	117053-02-F36	EA	WINDOW - PICTURE - W/O TRIM - 60% TINTING - 26.4" X 17"
	002181-25-000	EA	GLASS - PICTURE WINDOW - 25.8"W X 16.4"H
	087561-01-000	FT	SEAL - GLASS - EXTERIOR - .5" WIDE - VINYL BLACK
4	117054-02-02A	EA	TRIM/RETAINER - INSIDE - 16.9" X 26.2" - BRIGHT WHITE
4*	113733-10-01A	EA	WINDOW - STATIONARY W/TRIM - THERMO/EURO - 26.3" X 17" - <b>DUAL PANE</b>
5	138983-01-01A	EA	VENT - MICROWAVE/OUTER - BRIGHT WHITE
5	138983-03-01A	EA	COVER - VENT MICROWAVE/OUTER - BRIGHT WHITE
6*	113500-05-02A	EA	WINDOW - DOUBLE TIPOUT W/TRIM - TINTED - 33.2" X 30.2"
6*	129929-09-01A	EA	WINDOW - TIPOUT/THERMO W/TRIM - 30" X 33" - <b>DUAL PANE</b>
7	084073-04-000	EA	BASE/VENT - ROOF/REFRIGERATOR - BLACK - NORCOLD FROM: 00-00-00 THRU: 11-09-03
7	149508-02-02A	EA	BASE - REFRIGERATOR ROOF VENT - BRIGHT WHITE FROM: 11-10-03 THRU: 99-99-99
7	084073-07-000	EA	CAP - ROOF/REFRIGERATOR VENT - 10" X 32" - BRIGHT WHITE FROM: 00-00-00 THRU: 11-09-03
7	149508-01-02A	EA	CAP - ROOF/REFRIGERATOR VENT - WHITE FROM: 11-10-03 THRU: 99-99-99
8	122193-01-02A	EA	PANEL - SKYLITE - INNER
8	138372-01-02B	EA	TRIM - CORNER - SKYLIGHT - E-COATED
8	138379-02-01A	EA	PANEL/SKYLIGHT OTR - RECT/4"H CTR DOME-18.4" X 29.5 - WHT

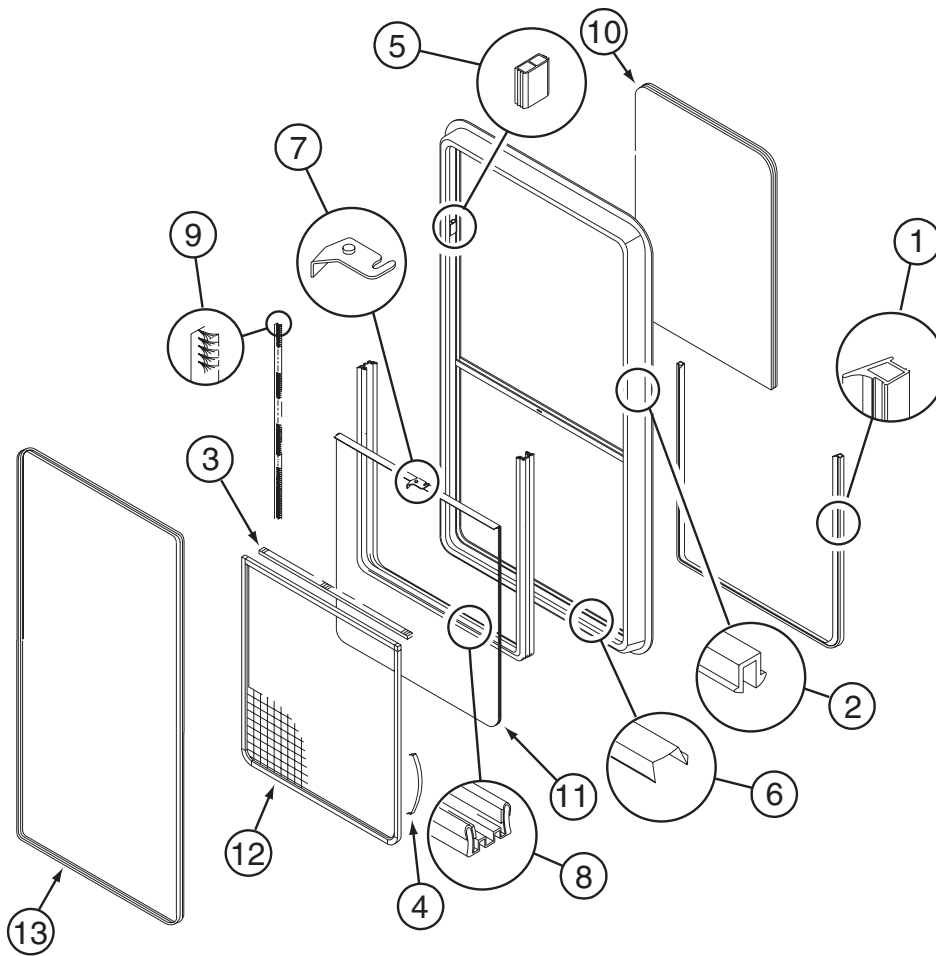


**WINDOW & VENTS GROUP (CONTINUED)**  
**WINDOW & VENT LAYOUT (CONTINUED)**

KEY	PART NUMBER	U/M	DESCRIPTION
9*	122882-01-01A	EA	VENT - ROOF - NONPOWERED - W/O INSIDE GARNISH - <b>NON-POWERED ROOF VENT</b>
	009440-01-000	EA	GEAR/ARM - LIFT - ROOF VENT COVER
9	122882-07-01A	EA	GARNISH - ROOF VENT - 2.5" TO 4.1"
9*	123780-11-01A	EA	FANTASTIC VENT-4"ROOF-DBL DOME-W/O FAN/THERM/PWR LIFT
	009440-01-000	EA	GEAR/ARM - LIFT - ROOF VENT COVER
10*	122882-02-01A	EA	VENT - ROOF - W/FAN - W/O INSIDE GARNISH - UL - <b>POWERED ROOF VENT - U.S.</b>
	009440-01-000	EA	GEAR/ARM - LIFT - ROOF VENT COVER
	048648-01-000	EA	MOTOR/ROOF VENT - W/RESISTER - 1/8"SHAFT - 12VOLT
	048649-01-000	EA	FAN BLADE - ROOF VENT - 6 BLADED - 6"RADIUS
10	122882-07-01A	EA	GARNISH - ROOF VENT - 2.5" TO 4.1"
10*	122882-03-01A	EA	VENT - ROOF - W/FAN - W/O INSIDE GARNISH - <b>POWERED ROOF VENT - CANADIAN</b>
	009440-01-000	EA	GEAR/ARM - LIFT - ROOF VENT COVER
	048648-01-000	EA	MOTOR/ROOF VENT - W/RESISTER - 1/8"SHAFT - 12VOLT
	048649-01-000	EA	FAN BLADE - ROOF VENT - 6 BLADED - 6"RADIUS
10	122882-07-01A	EA	GARNISH - ROOF VENT - 2.5" TO 4.1"
10*	123780-09-01A	EA	VENT-4"ROOF- W/FAN/DBL DOME-W/O THERM/PWR LIFT - <b>HOME COMFORT PLUS PACKAGE</b>
	009440-01-000	EA	GEAR/ARM - LIFT - ROOF VENT COVER
11*	122882-01-01A	EA	VENT - ROOF - NONPOWERED - W/O INSIDE GARNISH - <b>NON-POWERED ROOF VENT</b>
	009440-01-000	EA	GEAR/ARM - LIFT - ROOF VENT COVER
11	122882-07-01A	EA	GARNISH - ROOF VENT - 2.5" TO 4.1"
11*	123780-03-01A	EA	VENT-3"/4"ROOF-W/FAN-W/O THERM/PWR LIFT/WHT CVR - <b>POWERED VENTILATOR VENT</b>
	009440-01-000	EA	GEAR/ARM - LIFT - ROOF VENT COVER
11*	123780-09-01A	EA	VENT-4"ROOF- W/FAN/DBL DOME-W/O THERM/PWR LIFT - <b>HOME COMFORT PLUS PACKAGE</b>
	009440-01-000	EA	GEAR/ARM - LIFT - ROOF VENT COVER

**\*COMPONENT PARTS LISTED LATER IN THIS GROUP**

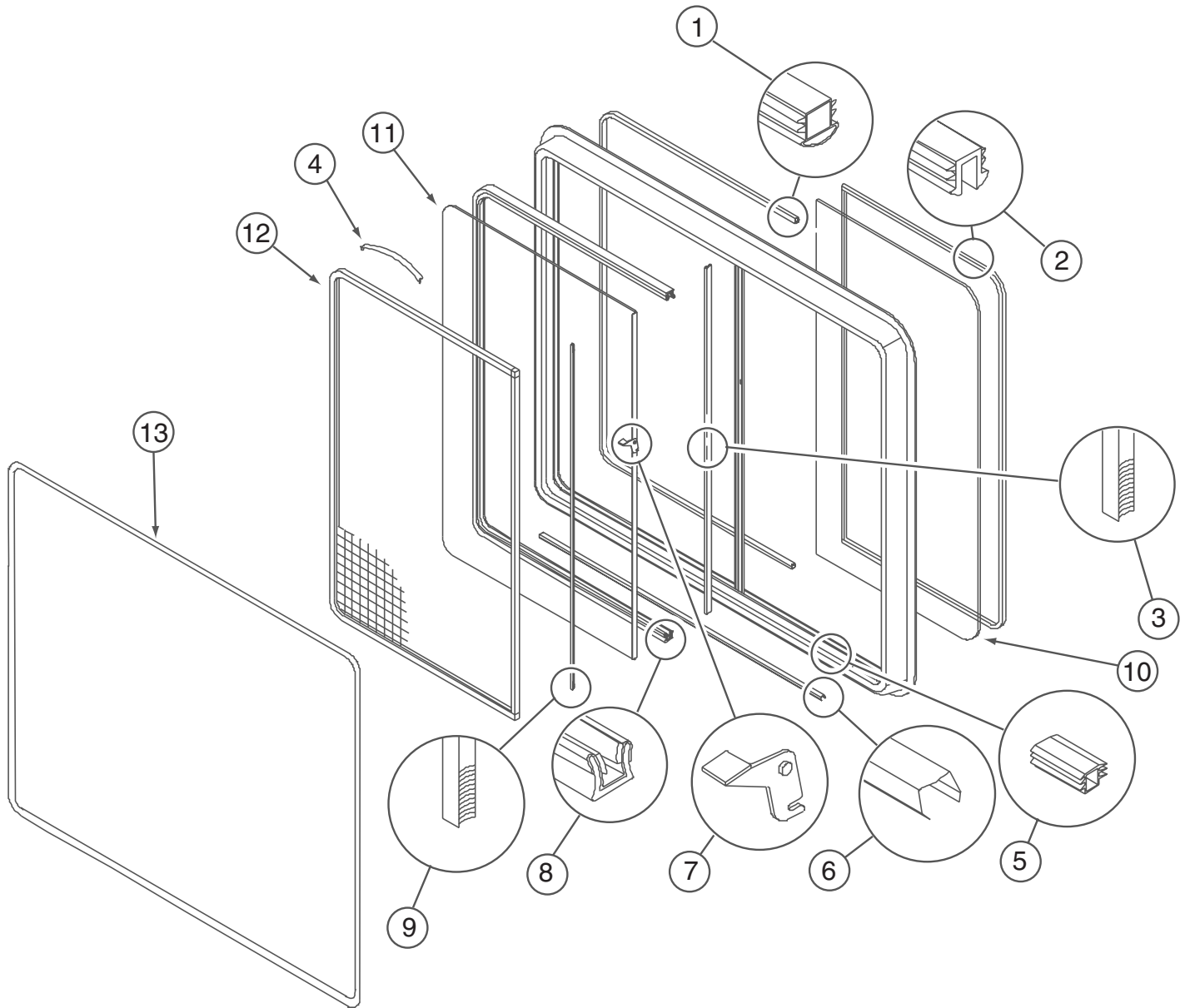
**WINDOW & VENTS GROUP (CONTINUED)**  
**COMPONENT PARTS FOR WINDOW & VENT LAYOUT**



098644-07-02A

KEY	PART NUMBER	U/M	DESCRIPTION	VENDOR NO.
1	098644-01-716	FT	PLUG - FILLER	132-014470
2	098644-01-705	FT	GLAZING - STRIP	132-010231
3	098644-01-706	FT	WEATHERSTRIP - GLASS	171-010668
4	098644-01-713	EA	CLIP - SCREEN - METAL	226-016966
4	125582-01-701	EA	CLIP - SCREEN - PLASTIC	130-005153
5	098644-01-719	EA	STOP - SLIDER GLASS	132-014203
6	098644-01-710	FT	TRACK - SCREEN SPACER 12'	132-017135
7	098647-54-701	EA	LATCH - REPAIR KIT (RED)	B081-CK
8	098644-01-708	FT	CHANNEL - RUN PIERCED	122-016543
9	098644-01-711	FT	WEATHERSTRIP - SCREEN BLACK	171-016965
10	098644-07-702	EA	GLASS - STATIONARY	106-015777
11	098644-07-703	EA	GLASS-SLIDING W/SASH & LATCH	H170-G9
12	098644-07-704	EA	SCREEN ASM - W/SEALS & CLIPS	410-018863
13	098644-07-705	EA	RETAINER - TRIM	CH02-66
	098644-01-717	FT	SPLINE - SCREEN	132-004716

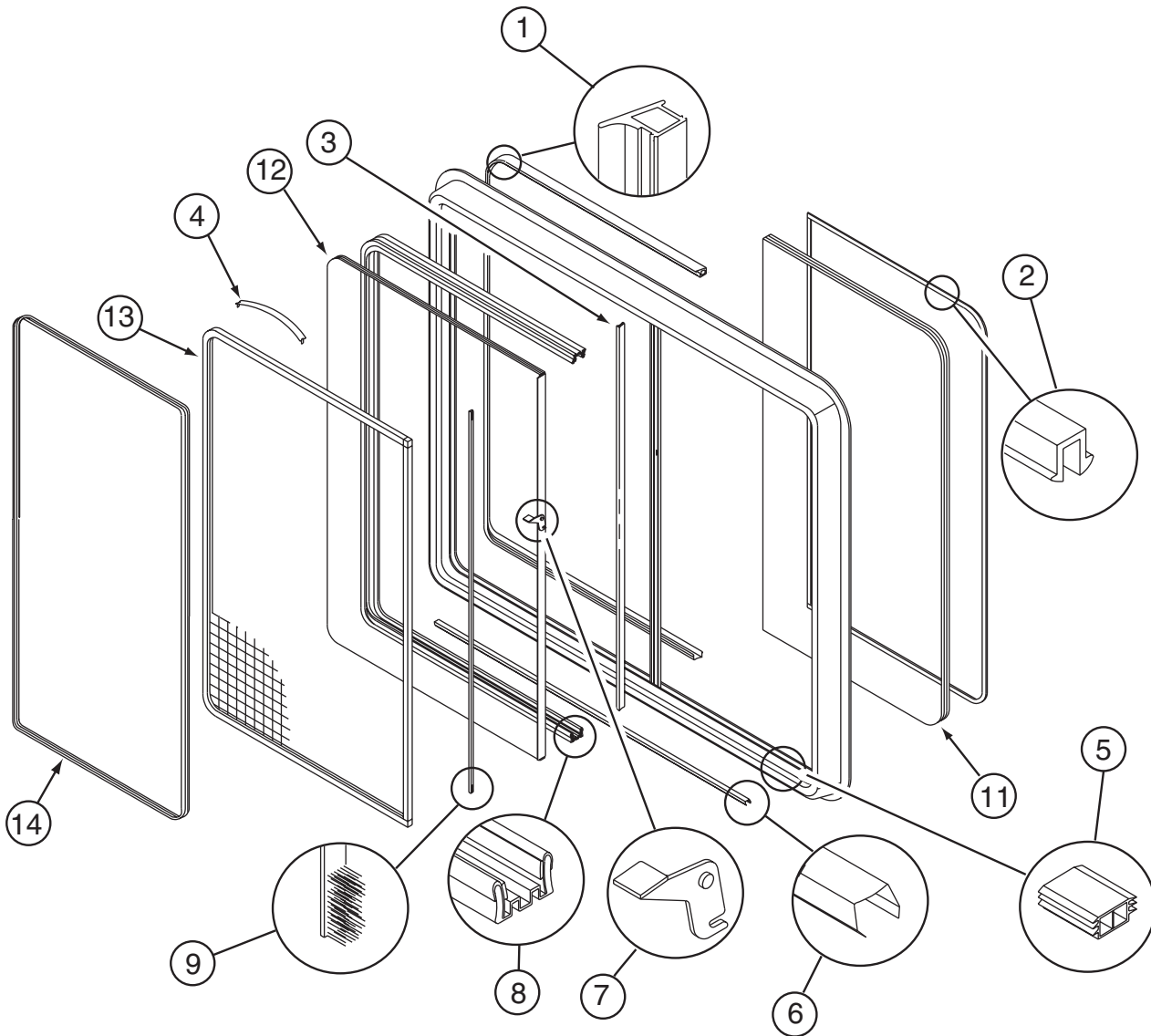
**WINDOW & VENTS GROUP (CONTINUED)**  
**COMPONENT PARTS FOR WINDOW & VENT LAYOUT (CONTINUED)**



**098647-47-02A**

KEY	PART NUMBER	U/M	DESCRIPTION	VENDOR NO.
1	098644-01-716	FT	PLUG - FILLER	132-014470
2	098644-01-705	FT	GLAZING - STRIP	132-010231
3	098644-01-706	FT	WEATHERSTRIP - GLASS	171-010668
4	098644-01-713	EA	CLIP - SCREEN - METAL	226-016966
4	125582-01-701	EA	CLIP - SCREEN - PLASTIC	130-0
5	098644-01-719	EA	STOP - SLIDER GLASS	132-014203
6	098644-01-710	FT	TRACK - SCREEN SPACER 12'	132-017135
7	098647-54-701	EA	LATCH - REPAIR KIT (RED)	B081-CK
8	098644-01-708	FT	CHANNEL - RUN PIERCED	122-016543
9	098644-01-711	FT	WEATHERSTRIP - SCREEN BLACK	171-016965
10	098647-47-700	EA	GLASS - STATIONARY	106-025224
11	098647-47-701	EA	GLASS-SLIDING W/SASH & LATCH	H493-G9
12	098647-47-702	EA	SCREEN ASM - W/SEALS & CLIPS	410-025226
13	098647-47-704	EA	RETAINER - TRIM	H493-66
	098644-01-717	FT	SPLINE - SCREEN	132-004716

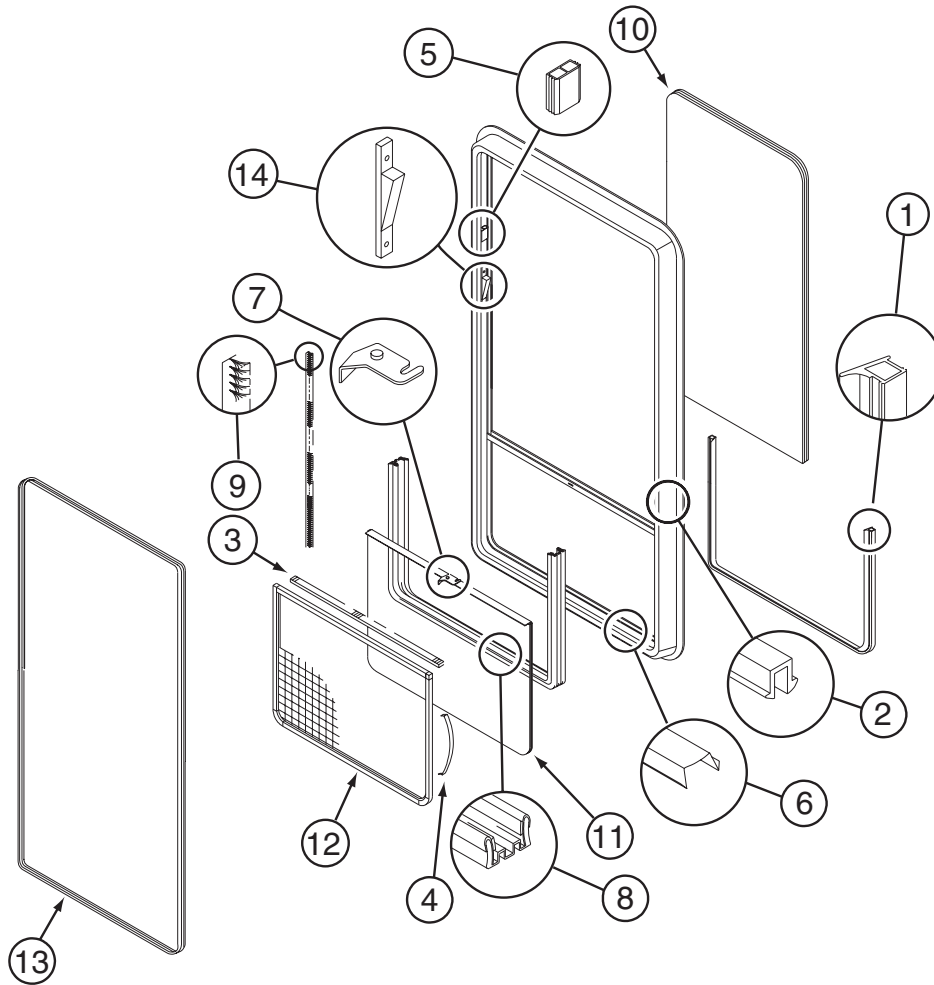
**WINDOW & VENTS GROUP (CONTINUED)**  
**COMPONENT PARTS FOR WINDOW & VENT LAYOUT (CONTINUED)**



112795-77-01A

KEY	PART NUMBER	U/M	DESCRIPTION	VENDOR NO.
1	112795-01-704	FT	PLUG FILLER (DOUBLE GLAZED)	122-018737
2	112795-01-705	FT	VINYL - GLAZING	132-025736
3	098644-01-706	FT	WEATHERSTRIP - GLASS	171-010668
4	098644-01-713	EA	CLIP - SCREEN - METAL	226-016966
4	125582-01-701	EA	CLIP - SCREEN - PLASTIC	130-005153
5	112795-01-701	EA	SLIDE-STOP	132-019092
6	098644-01-710	FT	TRACK - SCREEN SPACER 12'	132-017135
7	112795-01-700	EA	LATCH ASM., BLK.,(BOLT ON)	DH287-CK
8	112795-01-703	IN	CHANNEL-RUN (INCHES)	122-018736
9	098644-01-711	FT	WEATHERSTRIP - SCREEN BLACK	171-016965
11	112795-77-700	EA	GLASS - STATIONARY	390-28313
12	112795-77-701	EA	GLASS - SLIDING W/SASH LATCH	DH493-G8
13	098647-47-702	EA	SCREEN ASSY - W/SEAL & CLIPS	410-025226
14	098647-47-704	EA	RETAINER - TRIM	H493-66
	098644-01-717	FT	SPLINE - SCREEN	132-004716

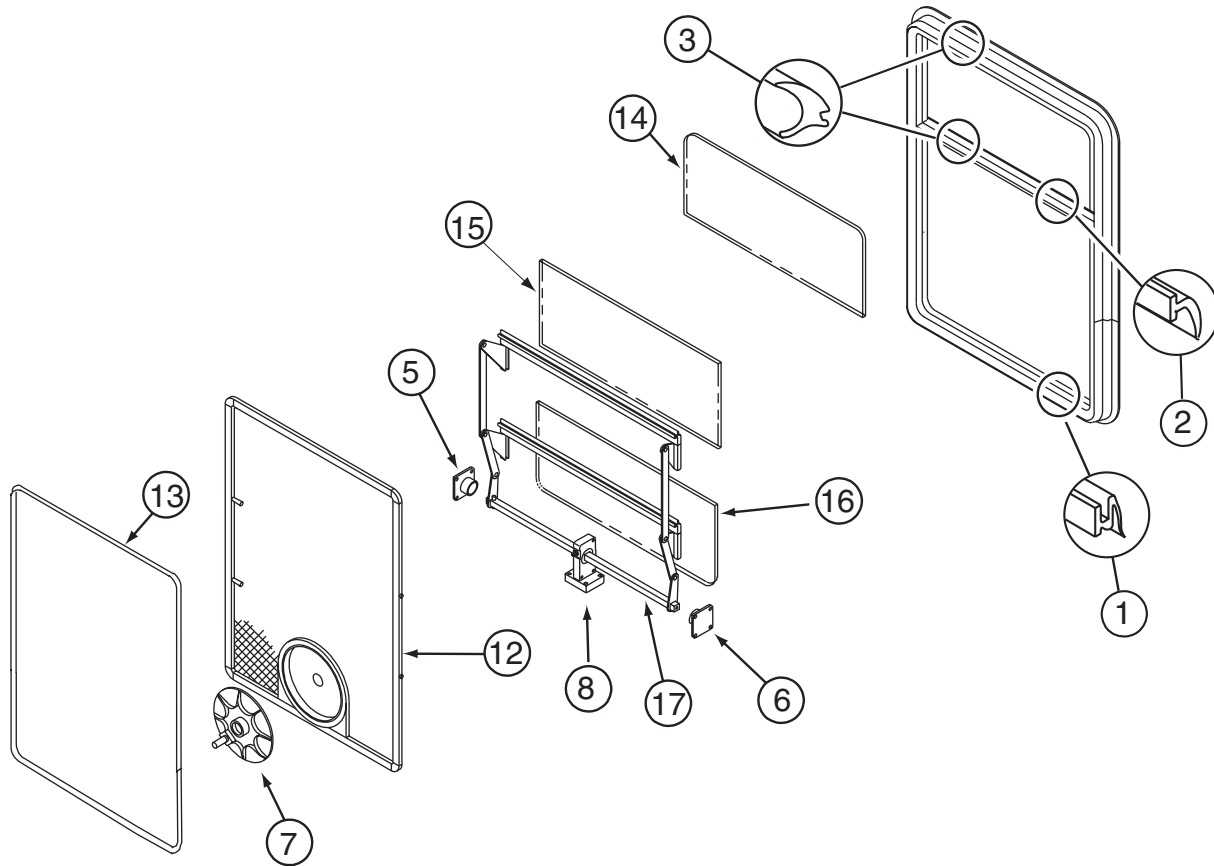
**WINDOW & VENTS GROUP (CONTINUED)**  
**COMPONENT PARTS FOR WINDOW & VENT LAYOUT (CONTINUED)**



112898-22-01A

KEY	PART NUMBER	U/M	DESCRIPTION	VENDOR NO.
1	112795-01-704	FT	PLUG FILLER (DOUBLE GLAZED)	122-018737
2	112795-01-705	FT	VINYL - GLAZING	132-025736
3	098644-01-706	FT	WEATHERSTRIP - GLASS	171-010668
4	098644-01-713	EA	CLIP - SCREEN - METAL	226-016966
4	125582-01-701	EA	CLIP - SCREEN - PLASTIC	130-005153
5	112795-01-701	EA	SLIDE-STOP	132-019092
6	098644-01-710	FT	TRACK - SCREEN SPACER 12'	132-017135
7	112795-01-700	EA	LATCH ASM., BLK.,(BOLT ON)	DH287-CK
8	112795-01-703	IN	CHANNEL-RUN (INCHES)	122-018736
9	098644-01-711	FT	WEATHERSTRIP - SCREEN BLACK	171-016965
10	112898-22-700	EA	GLASS - STATIONARY	390-028345
11	112898-22-701	EA	GLASS-SLIDING-W/SASH & LATCH	DC02-G8
12	098644-07-704	EA	SCREEN ASM - W/SEALS & CLIPS	410-018863
13	098644-07-705	EA	RETAINER - TRIM	CH02-66
14	112898-04-703	EA	VERTICAL LATCH (SASH KIT)	DH343-CK
	098644-01-717	FT	SPLINE - SCREEN	132-004716

**WINDOW & VENTS GROUP (CONTINUED)**  
**COMPONENT PARTS FOR WINDOW & VENT LAYOUT (CONTINUED)**



113500-05-02A

KEY	PART NUMBER	U/M	DESCRIPTION	VENDOR NO.
1	116976-01-702	FT	FILLER PLUG	132-016065
2	100322-01-701	FT	SEAL-VENT	122-016071
3	100322-01-702	EA	WEATHERSTRIP-HORIZ RAIL-148"	132-019631
	100322-01-703	FT	VINYL-GLAZING, BUTYL	132-010723
5	100322-01-714	EA	SUPPORT-TORQUE BAR, LH	130-015978
6	100322-01-715	EA	SUPPORT-TORQUE BAR, RH	130-015979
7	100322-01-718	EA	HANDLE-DIAL	410-016081
8	112519-01-702	EA	OPERATOR-VENT-CENTER SUPPORT	410-016123
12	113500-05-704	EA	SCREEN ASM - W/SEALS & CLIPS	410-025657
13	112463-03-704	EA	RETAINER - TRIM	CB100-59
14	113500-05-700	EA	GLASS - STATIONARY	106-025654
15	113500-05-701	EA	VENT ASM (UPPER)	CH104-D7
16	113500-05-702	EA	VENT ASM (LOWER)	CH104-D9
17	113500-05-703	EA	OPERATOR BAR ASSEMBLY	CH10-15
	112898-06-704	EA	HANDLE-LATCH/RED-RH (TIPOUT)	182-11293
	112898-06-705	EA	HANDLE-LATCH/RED-LH (TIPOUT)	182-11294
	100322-01-717	EA	E-RING	245-015975
	112463-02-706	FT	SEAL - FOAM RUBBER	140-014727

CONTACT WINNEBAGO PART SALES FOR UNLISTED COMPONENTS

**WINDOW & VENTS GROUP (CONTINUED)**  
**COMPONENT PARTS FOR WINDOW & VENT LAYOUT (CONTINUED)**

**113500-06-02A**

<b>KEY</b>	<b>PART NUMBER</b>	<b>U/M</b>	<b>DESCRIPTION</b>	<b>VENDOR NO.</b>
1	116976-01-702	FT	FILLER PLUG	132-016065
2	100322-01-701	FT	SEAL-VENT	122-016071
3	100322-01-702	EA	WEATHERSTRIP-HORIZ RAIL-148"	132-019631
	100322-01-703	FT	VINYL-GLAZING, BUTYL	132-010723
5	100322-01-714	EA	SUPPORT-TORQUE BAR, LH	130-015978
6	100322-01-715	EA	SUPPORT-TORQUE BAR, RH	130-015979
7	100322-01-718	EA	HANDLE-DIAL	410-016081
8	112519-01-702	EA	OPERATOR-VENT-CENTER SUPPORT	410-016123
12	113500-06-704	EA	SCREEN ASM - W/SEALS & CLIPS	410-025661
13	112463-05-704	EA	RETAINER - TRIM	CB101-59
14	113500-06-700	EA	GLASS - STATIONARY	106-025658
15	113500-06-701	EA	VENT ASM (UPPER)	CH105-D7
16	113500-06-702	EA	VENT ASM (LOWER)	CH105-D9
17	113500-06-703	EA	OPERATOR BAR ASSEMBLY	CH65-15
	112898-06-704	EA	HANDLE-LATCH/RED-RH (TIPOUT)	182-11293
	112898-06-705	EA	HANDLE-LATCH/RED-LH (TIPOUT)	182-11294
	100322-01-717	EA	E-RING	245-015975
	112463-02-706	FT	SEAL - FOAM RUBBER	140-014727

**113733-10-01A**

<b>KEY</b>	<b>PART NUMBER</b>	<b>U/M</b>	<b>DESCRIPTION</b>	<b>VENDOR NO.</b>
	112795-01-705	FT	VINYL - GLAZING	132-025736
	113733-10-700	EA	GLASS-STATIONARY	390-028306
	113733-10-701	EA	RETAINER-TRIM	H416-66

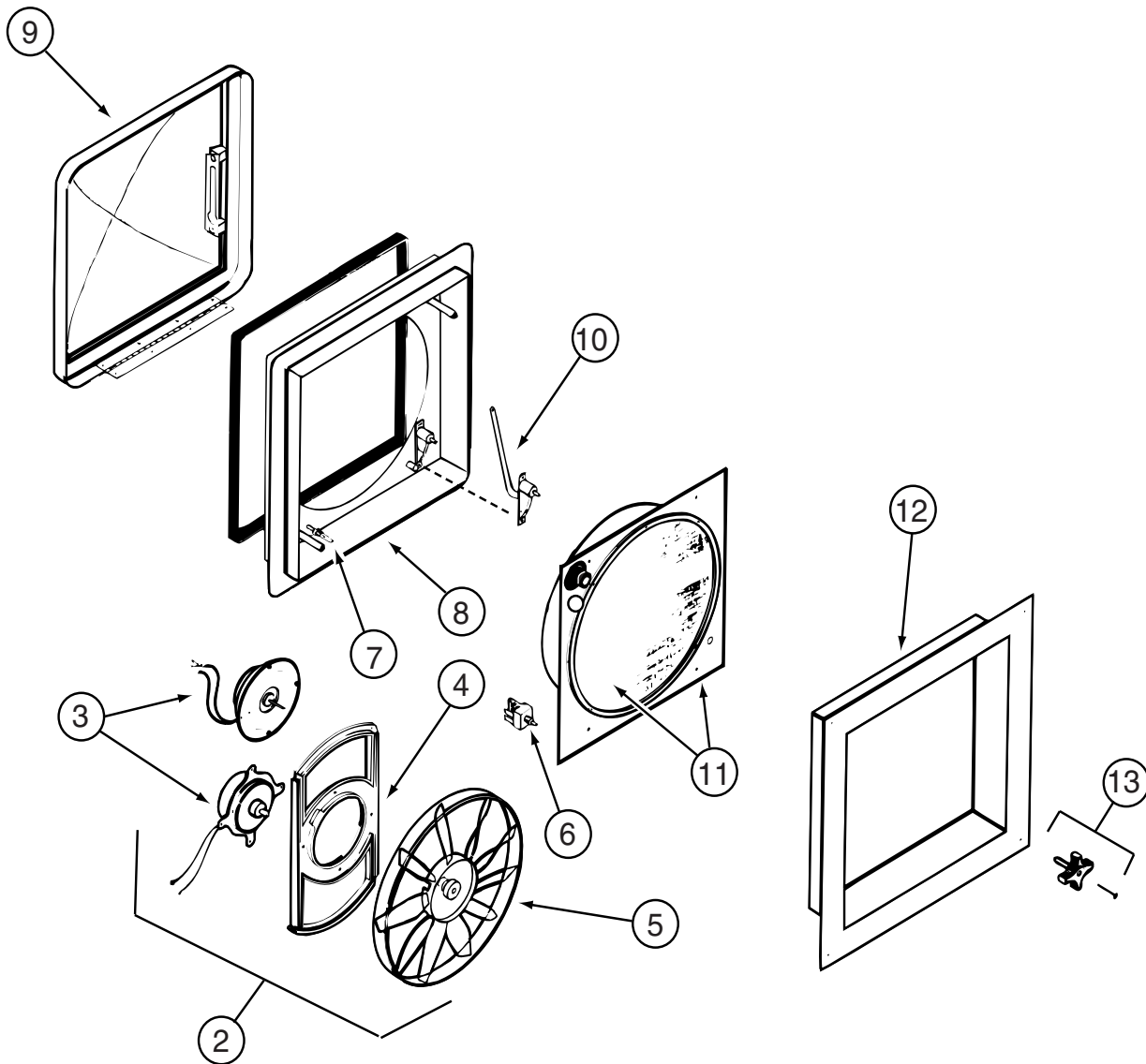
**122882-01-01A**

<b>KEY</b>	<b>PART NUMBER</b>	<b>U/M</b>	<b>DESCRIPTION</b>	<b>VENDOR NO.</b>
	009440-01-000	EA	GEAR-ARM-ROOF VENT	705221K38
	064470-01-700	EA	COVER - VENT - W/O SLIDE BAR	J7291
	064470-01-701	EA	SLIDE BAR - VENT LID	JRP1291B
	122882-01-701	EA	SCREEN	JRP-1124-B
	122882-01-702	EA	HANDLE - CRANK - WHITE	JRP1031B

**122882-02-01A, 122882-03-01A**

<b>KEY</b>	<b>PART NUMBER</b>	<b>U/M</b>	<b>DESCRIPTION</b>	<b>VENDOR NO.</b>
	064470-01-700	EA	COVER - VENT - W/O SLIDE BAR	J7291
	009440-01-000	EA	GEAR-ARM-ROOF VENT	705221K38
	048648-01-000	EA	MOTOR-12V NONVENTED 1/8 SFT	
	048649-01-000	EA	FAN-PLAS-6 IN 6 BLADED	
	122882-01-701	EA	SCREEN	JRP-1124-B
	122882-01-702	EA	HANDLE - CRANK - WHITE	JRP1031B
	064470-01-701	EA	SLIDE BAR - VENT LID	JRP1291B
	110051-03-700	EA	SWITCH-BLACK/PUSH BUTTON	27-0164

**WINDOW & VENTS GROUP (CONTINUED)**  
**COMPONENT PARTS FOR WINDOW & VENT LAYOUT (CONTINUED)**



123780-03-01A

KEY	PART NUMBER	U/M	DESCRIPTION	VENDOR NO.
2	084079-11-700	EA	MOTOR & FAN BLADE W/BRACKET	K4017-09
3	084079-01-705	EA	MOTOR/EXT BRKT/FAN BLADE KIT	1080-00
5	084079-01-704	EA	BLADE-FAN	1138-00
6	084079-01-709	EA	SWITCH - MAIN - 3 SPEED	1031-05
7	084079-01-707	EA	SWITCH - SAFETY	1122-05
8	123780-05-700	EA	BASE/MAIN-BRT WHT W/GASKET	1010-81
9	123780-01-700	EA	COVER - VENT W/HINGE & SLIDE	1020K-81
10	009440-01-000	EA	GEAR-ARM-ROOF VENT	705221K38
11	123780-03-701	EA	SCREEN ASM 78-100MM W/SWITCH	1030BT-81
12	123780-03-700	EA	GARNISH - INT. 3"-4" BRT/WHT	2040-81
13	084079-01-703	EA	KNOB-LIFT, W/EXT.	1140K-00
	123780-01-702	EA	SCREEN INSERT (SCREEN RING)	K1035-81

CONTACT WINNEBAGO PART SALES FOR UNLISTED COMPONENTS



**WINDOW & VENTS GROUP (CONTINUED)**  
**COMPONENT PARTS FOR WINDOW & VENT LAYOUT (CONTINUED)**

**123780-09-01A**

<b>KEY</b>	<b>PART NUMBER</b>	<b>U/M</b>	<b>DESCRIPTION</b>	<b>VENDOR NO.</b>
2	084079-11-700	EA	MOTOR & FAN BLADE W/BRACKET	K4017-09
3	084079-01-705	EA	MOTOR/EXT BRKT/FAN BLADE KIT	1080-00
5	084079-01-704	EA	BLADE-FAN	1138-00
6	084079-01-709	EA	SWITCH - MAIN - 3 SPEED	1031-05
7	084079-01-707	EA	SWITCH - SAFETY	1122-05
8	123780-05-700	EA	BASE/MAIN-BRT WHT W/GASKET	1010-81
9	123780-09-700	EA	DOVE (DOUBLE)WHT TRANSPARENT	K2020-82
10	009440-01-000	EA	GEAR-ARM-ROOF VENT	705221K38
11	123780-03-701	EA	SCREEN ASM 78-100MM W/SWITCH	1030BT-81
12	123780-03-700	EA	GARNISH - INT. 3"-4" BRT/WHT	2040-81
13	084079-01-703	EA	KNOB-LIFT, W/EXT.	1140K-00
	123780-01-702	EA	SCREEN INSERT (SCREEN RING)	K1035-81

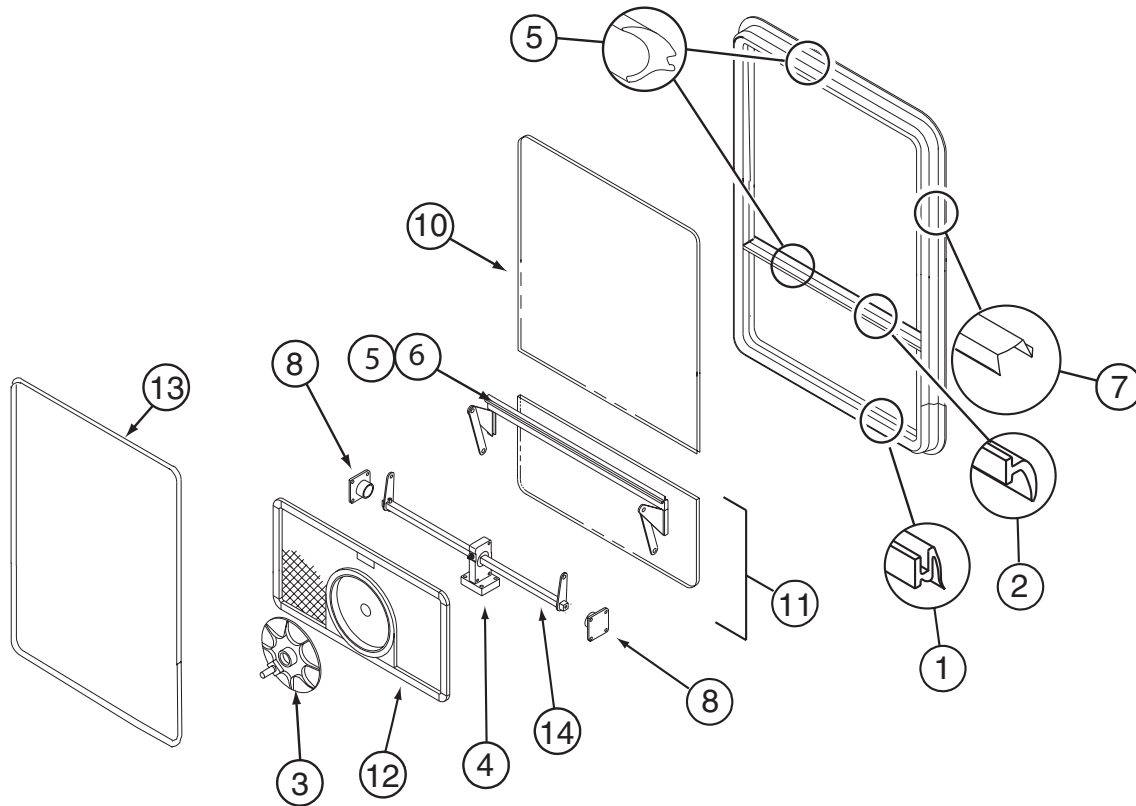
CONTACT WINNEBAGO PART SALES FOR UNLISTED COMPONENTS

**123780-11-01A**

<b>KEY</b>	<b>PART NUMBER</b>	<b>U/M</b>	<b>DESCRIPTION</b>	<b>VENDOR NO.</b>
8	123780-05-700	EA	BASE/MAIN-BRT WHT W/GASKET	1010-81
9	123780-09-700	EA	DOVE (DOUBLE)WHT TRANSPARENT	K2020-82
10	009440-01-000	EA	GEAR-ARM-ROOF VENT	705221K38
12	123780-03-700	EA	GARNISH - INT. 3"-4" BRT/WHT	2040-81
13	084079-01-703	EA	KNOB-LIFT, W/EXT.	1140K-00
	123780-01-702	EA	SCREEN INSERT (SCREEN RING)	K1035-81

CONTACT WINNEBAGO PART SALES FOR UNLISTED COMPONENTS

**WINDOW & VENTS GROUP (CONTINUED)**  
**COMPONENT PARTS FOR WINDOW & VENT LAYOUT (CONTINUED)**



**129929-09-01A**

KEY	PART NUMBER	U/M	DESCRIPTION	VENDOR NO .
1	100322-01-701	FT	SEAL-VENT	122-016071
3	100322-01-718	EA	HANDLE-DIAL	410-016081
4	129929-01-710	EA	TORQUE-CTR SUPPORT (2 HOLE)	410-026806
5	129929-01-705	FT	GLAZING VINYL	132-026811
6	129929-01-707	FT	COVER/SCREW-FILLER STRIP	132-026808
8	129929-01-708	EA	SUPPORT - TORQUE BAR - RT/LT	130-026804
10	129929-09-700	EA	GLASS - STATIONARY	390-028298
11	129929-09-701	EA	VENT GLASS ASSEMBLY	DTH001-G8
12	129929-01-702	EA	SCREEN ASM - W/SEALS & CLIPS	410-026858
13	129920-01-709	EA	RETAINER - TRIM	CH10062
14	129929-01-704	EA	OPERATOR BAR ASSEMBLY	DTH001-15
	100322-01-717	EA	E-RING	245-015975
	129929-01-706	FT	SEAL - TOP F/CENTER EGRESS	132-026811
	129929-02-706	FT	SEAL - FOAM	140-027022

CONTACT WINNEBAGO PART SALES FOR UNLISTED COMPONENTS

**129929-10-01A**

KEY	PART NUMBER	U/M	DESCRIPTION	VENDOR NO .
1	100322-01-701	FT	SEAL-VENT	122-016071
3	100322-01-718	EA	HANDLE-DIAL	410-016081
4	129929-01-710	EA	TORQUE-CTR SUPPORT (2 HOLE)	410-026806
5	129929-01-705	FT	GLAZING VINYL	132-026811
6	129929-01-707	FT	COVER/SCREW-FILLER STRIP	132-026808
8	129929-01-708	EA	SUPPORT - TORQUE BAR - RT/LT	130-026804
10	129929-10-700	EA	GLASS - STATIONARY	390-028300
11	129929-10-701	EA	VENT GLASS ASSEMBLY	DTH002-G8
12	129929-02-702	EA	SCREEN ASM - W/SEALS & CLIPS	410-026861
13	129929-02-707	EA	RETAINER - TRIM	CH10162
14	129929-02-704	EA	OPERATOR BAR ASSEMBLY	DTH002-15
	100322-01-717	EA	E-RING	245-015975
	129929-01-706	FT	SEAL - TOP F/CENTER EGRESS	132-026811
	129929-02-706	FT	SEAL - FOAM	140-027022

CONTACT WINNEBAGO PART SALES FOR UNLISTED COMPONENTS