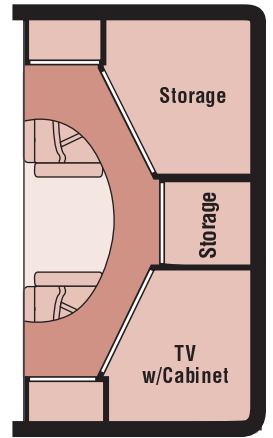
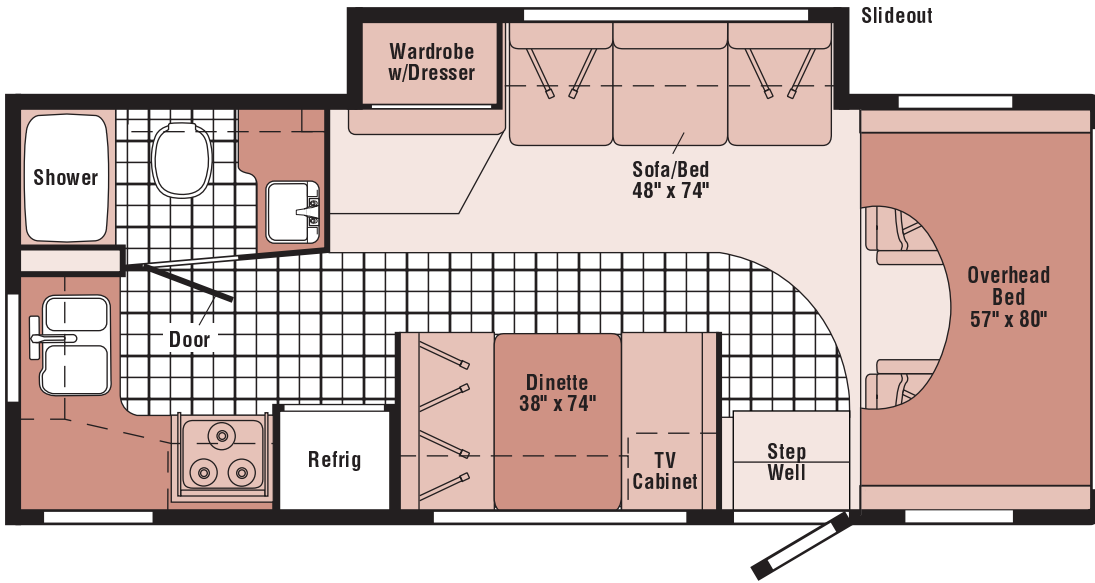


**2004
SPIRIT
IF324F
300-SERIES
PORTSMOUTH OAK
R10 GREENGAGE - GREEN
R11 CHAMBRAY BLUE - GREEN
R12 WINTER BIRCH - BEIGE**



**Optional Front
Overhead Area**

FLOORPLAN

CONTENTS

| | |
|---|-----------|
| FLOORPLAN | 1 |
| ACCESSORIES GROUP | 6 |
| OPERATORS MANUAL | 6 |
| APPLIANCE GROUP | 7 |
| APPLIANCES | 7 |
| COMPONENT PARTS FOR APPLIANCES | 10 |
| 112881-04/05-01A & 151277-01/02-01A | 10 |
| 114030-04-01A | 13 |
| 114030-02-01A, 114030-03-01A | 15 |
| 121568-06-01A, 121568-07-01A, 121568-08-01A | 16 |
| 128527-08-000 | 21 |
| 134940-01-01A | 21 |
| 134940-02-01A | 22 |
| 136354-01-01A, 136354-02-01A | 23 |
| 136354-03-01A, 136354-04-01A | 24 |
| 136354-05-01A | 25 |
| 136354-06-01A | 26 |
| AUDIO VIDEO GROUP | 27 |
| RADIO SYSTEM | 27 |
| COMPONENT PARTS FOR RADIO SYSTEM | 28 |
| 143509-01-000 | 28 |
| 148231-01-000 | 28 |
| TV & VCR | 29 |
| COMPONENT PARTS FOR TV & VCR | 31 |
| 076319-23-000 | 31 |
| 076319-25-000 | 31 |
| 086231-10-000 | 32 |
| 094487-07-000 | 32 |
| 137135-02-000 | 33 |
| 145641-01-000 | 34 |
| 145641-02-000 | 34 |
| 146355-01-000 | 34 |
| 146356-01-000 | 34 |
| 148230-01-000, 148230-02-000 | 34 |
| 145641-03-000 | 34 |
| EXTERIOR ENTERTAINMENT | 35 |
| BATH GROUP | 36 |
| CABINETS | 36 |
| SHOWER | 37 |
| COMPONENT PARTS FOR SHOWER DOOR | 38 |
| 135615-01-01A, 135615-02-01A, 135615-05-01A | 38 |
| CHASSIS GROUP | 39 |
| FRAME | 39 |
| DRIVETRAIN | 41 |
| EXHAUST | 41 |
| HITCH | 41 |
| REAR BUMPER | 41 |
| FUEL | 42 |
| SPARE TIRE | 43 |
| WHEEL, TIRES, COVERS &/OR LINERS | 44 |
| COMPONENT PARTS FOR WHEEL, TIRE, COVERS &/OR LINERS | 45 |
| 109443-05-000 | 45 |
| 110435-13-000 | 45 |
| 144647-01-000 | 45 |
| BRAKELINE | 46 |

CONTENTS (CONTINUED)

| | |
|---|-----------|
| CURTAIN & CUSHION GROUP | 47 |
| NOTICE | 47 |
| CUSHION LAYOUT | 48 |
| BUCKET SEATS | 49 |
| SOFA | 50 |
| WINDOW TREATMENT | 51 |
| HARDWARE | 53 |
| ACCESSORIES | 55 |
| FABRICS | 56 |
| DINETTE GROUP | 58 |
| CABINETS | 58 |
| TABLE | 60 |
| DRIVERS COMPARTMENT GROUP | 61 |
| FRONT INTERIOR | 61 |
| COMPONENT PARTS FOR FRONT INTERIOR | 62 |
| 106025-02-01A | 62 |
| CABINETS | 63 |
| ELECTRICAL GROUP | 65 |
| 12V BODY WIRING | 65 |
| FRONT END WIRING | 70 |
| COMPONENT PARTS FOR LIGHTS & SWITCHES | 71 |
| 081638-01-000 | 71 |
| 097917-01-06A | 71 |
| 113589-01-000 | 71 |
| 113589-02-000 | 71 |
| 121935-01-01A | 71 |
| 137417-02-01A | 71 |
| 137417-05-01A | 71 |
| 137417-06-01A | 71 |
| CIRCUIT BREAKERS & FUSES | 72 |
| CONVERTER, INVERTER, LOAD CENTER | 72 |
| 110V WIRING | 73 |
| ENTERTAINMENT WIRING | 75 |
| COMPONENT PARTS FOR ENTERTAINMENT WIRING | 77 |
| 123775-01-01A | 77 |
| BOXES & CORDS | 78 |
| WIRE ASSEMBLIES | 78 |
| CONNECTORS & CONDUIT | 79 |
| BOOTS, SOLENOIDS, RELAYS & MISCELLANEOUS | 80 |
| EXTERIOR BODY GROUP | 81 |
| GRAPHICS & PAINT | 81 |
| PANELS & TRIMS | 82 |
| LADDER | 86 |
| RUNNING BOARDS | 86 |
| COMPONENT PARTS FOR RUNNING BOARDS | 87 |
| 072884-27-000 | 87 |
| 072884-28-000 | 87 |
| MIRRORS | 88 |
| COMPONENT PARTS FOR MIRRORS | 89 |
| 120269-07-01A | 89 |
| 133908-01 THRU 133908-08, 133908-10- THRU 133908-13, 133908-16 & 133908-17- 01A/02A | 89 |
| 133908-09-01A | 89 |
| STRUCTURAL COMPONENTS | 90 |
| AWNINGS | 91 |
| COMPONENT PARTS FOR AWNINGS | 92 |
| 113874-01-02A | 92 |

CONTENTS (CONTINUED)

| | |
|--|------------|
| EXTERIOR DOORS & COMPARTMENTS GROUP | 93 |
| DOOR & COMPARTMENT LAYOUT | 93 |
| COMPONENT PARTS FOR DOOR & COMPARTMENT LAYOUT | 95 |
| 084103-08-000 | 95 |
| 094708-03-01A | 95 |
| COMPARTMENT DOOR PIECE PARTS | 96 |
| COMPARTMENT DOOR PIECE PARTS | 98 |
| 110506-A1-000, 110506-A2-000, 110506-26-000, 110506-27-000 | 98 |
| ENTRY | 99 |
| SCREEN | 101 |
| LATCH - ENTRY | 102 |
| EXTERIOR SLIDEOUT GROUP | 103 |
| FRONT LEFT | 103 |
| COMPONENT PARTS FOR FRONT SLIDEOUT | 107 |
| 142598-01-000, 142598-02-000 | 107 |
| GALLEY GROUP | 108 |
| CABINETS | 108 |
| DOORS & DRAWERS | 110 |
| GENERATOR GROUP | 111 |
| HEATING & A/C GROUP | 112 |
| FURNACE | 112 |
| COMPONENT PARTS FOR FURNACE | 113 |
| 139980-01-000 | 113 |
| 139980-02-000 | 113 |
| ROOF | 115 |
| COMPONENT PARTS FOR ROOF | 116 |
| 131184-01-01A | 116 |
| 131184-05-01A | 117 |
| 131185-03-01A | 118 |
| 131188-03-01A | 119 |
| 131188-04-01A | 120 |
| INTERIOR FINISH GROUP | 121 |
| MOLDINGS & TRIMS | 121 |
| PANELING & LAMINATES | 132 |
| ACCESSORIES | 132 |
| COMPONENT PARTS FOR ACCESSORIES | 133 |
| 094499-02-000 | 133 |
| FLOOR COVERINGS | 134 |
| HARDWARE | 135 |
| LABELS GROUP | 143 |
| LP GROUP | 172 |
| LP SYSTEM | 172 |
| COMPONENT PARTS FOR LP SYSTEM | 173 |
| 144116-04-000 | 173 |
| LOUNGE GROUP | 174 |
| CABINETS | 174 |
| SEALANTS & FASTENERS GROUP | 176 |
| SEALANTS & ADHESIVES | 176 |
| BOLTS, NUTS AND WASHERS | 177 |
| SCREWS | 179 |
| CLAMPS, CLIPS, GROMMETS, RIVETS & PLUGS | 182 |
| MISCELLANEOUS FASTENERS | 184 |

CONTENTS (CONTINUED)

| | |
|---|------------|
| WATER & SEWAGE GROUP | 185 |
| DRAINAGE SYSTEM | 185 |
| COMPONENT PARTS FOR DRAINAGE SYSTEM | 187 |
| 062415-01-000 | 187 |
| 096927-01-02A | 187 |
| 131932-02-02A | 187 |
| 147421-01-01A, 147421-02-01A | 188 |
| WATER SYSTEM | 189 |
| COMPONENT PARTS FOR WATER SYSTEM | 195 |
| 051391-03-000 | 195 |
| 075241-04-000, 075241-05-000, 075241-06-000 | 196 |
| 075240-05-000 | 196 |
| 098607-01-000 | 196 |
| 104114-05-01A | 196 |
| WINDOWS & VENTS GROUP | 197 |
| WINDOW & VENT LAYOUT | 197 |
| COMPONENT PARTS FOR WINDOW & VENT LAYOUT | 199 |
| 098647-27-02A | 199 |
| 098647-31-02A | 200 |
| 098647-32-02A | 200 |
| 098647-49-02A | 200 |
| 098647-68-01A | 201 |
| 112795-69-01A | 202 |
| 112795-72-01A | 203 |
| 112795-73-01A | 203 |
| 112795-77-01A | 203 |
| 112795-78-01A | 204 |
| 113733-10-01A | 205 |
| 113733-11-01A | 205 |
| 115630-04-01A | 205 |
| 122882-01-01A | 205 |
| 122882-02-01A, 122882-03-01A | 205 |
| 123780-03-01A | 206 |

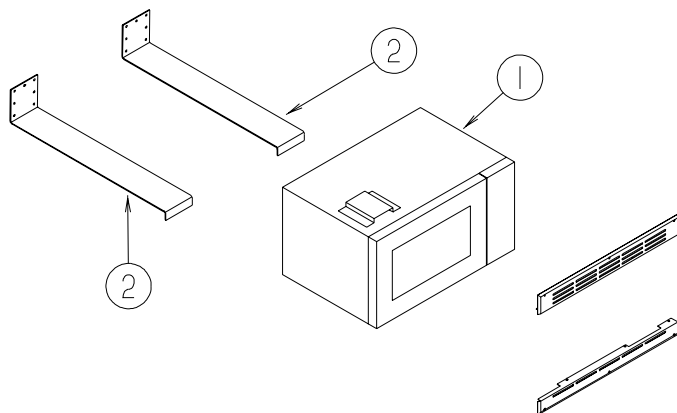
ACCESSORIES GROUP
OPERATORS MANUAL

| KEY | PART NUMBER | U/M | DESCRIPTION |
|------------|--------------------|------------|--|
| | 129079-01-01A | EA | CASE - VINYL/BLACK-EXPANDABLE ACCORDION SIDES-7"WX9"HX14"L |
| | 132000-12-004 | EA | MANUAL/OWNER - SPIRIT - 2004 |
| | 144432-01-000 | EA | TOP LEVEL-C,2004 |

APPLIANCE GROUP APPLIANCES

| KEY | PART NUMBER | U/M | DESCRIPTION |
|-----|---------------|-----|---|
| * | 134940-01-01A | EA | PANEL - MONITOR - 2 TANK - W/GENERATOR SWITCH/HOUR METER - GENERATOR |
| * | 134940-02-01A | EA | PANEL - MONITOR - 2 TANK - W/O GENERATOR SWITCH/HOUR METER |
| * | 136354-01-01A | EA | HOOD - RANGE - W/LITE/FAN - US/VENTED - TEXTURED BLK - NON CONVECTION MICROWAVE |
| * | 136354-03-01A | EA | HOOD - RANGE - W/LITE/FAN - US/NON VENTED - CHARCOAL - 322E ONLY |
| * | 136354-02-01A | EA | HOOD - RANGE - W/LITE/FAN - CSA/VENTED - TEXTURED BLK - NON CONVECTION MICROWAVE |
| * | 136354-04-01A | EA | HOOD - RANGE - W/LITE/FAN - CSA/NON VENTED - CHARCOAL - 322 ONLY CANADIAN |
| * | 136354-05-01A | EA | HOOD - RANGE - W/LITE/FAN - BLACK TEXTURED - UL - CONVECTION MICROWAVE |
| * | 136354-06-01A | EA | HOOD - RANGE - W/LITE/FAN - BLACK TEXTURED - CSA - CONVECTION MICROWAVE CANADIAN |
| * | 112881-04-01A | EA | RANGE-16"-3 BRNR/NEW STYLE KNOBS/GRATE/HDL-BLK DOOR/TOP |
| * | 112881-05-01A | EA | RANGE-16"-3 BRNR/NEW STYLE KNOBS/GRATE/HDL - BLACK TEXTURE - CANADIAN |
| * | 114030-04-01A | EA | RANGE - 3 BRNR TOP/NEW STYLE KNOBS/GRATES-W/O OVEN-BLK |
| | 140176-03-02B | EA | BRACKET/STOVE TIEDOWN - E-COATED - RANGE W/ OVEN FROM: 03-10-03 THRU: 99-99-99 |
| | 140176-04-02B | EA | BRACKET/STOVE TIEDOWN - E-COATED - RANGE W/ OVEN FROM: 03-10-03 THRU: 99-99-99 |
| | 140176-07-01B | EA | BRACKET/TIEDOWN - STOVE - RANGE W/ OVEN 329B, 329K |
| | 140176-08-01B | EA | BRACKET/TIEDOWN - STOVE - RANGE W/ OVEN 329B, 329K |
| | 116884-01-01B | EA | BRACKET - TIE DOWN - RANGE W/ OVEN 322E ONLY |
| | 116884-02-01B | EA | BRACKET - TIE DOWN - RANGE W/ OVEN 322E ONLY |
| | 142139-13-02B | EA | BRACKET/TIEDOWN - STOVE - E-COATED - RANGE TOP 331, 322R, 329B, 329K |
| | 142139-14-02B | EA | BRACKET/TIEDOWN - STOVE - E-COATED - RANGE TOP 331, 322R, 329B, 329K |
| | 142139-15-02B | EA | BRACKET/TIEDOWN - STOVE - E-COATED - RANGE TOP 324V, 324F |
| | 142139-16-02B | EA | BRACKET/TIEDOWN - STOVE - E-COATED - RANGE TOP 324V, 324F |
| | 149374-01-02B | EA | BRACKET/TIEDOWN - STOVE - E-COATED - RANGE TOP 332G |
| | 116884-03-02B | EA | BRACKET/TIEDOWN - STOVE - E-COATED - RANGE TOP 322E |
| | 116884-04-02B | EA | BRACKET/TIEDOWN - STOVE - E-COATED - RANGE TOP 322E |

*COMPONENT PARTS LISTED LATER IN THIS GROUP

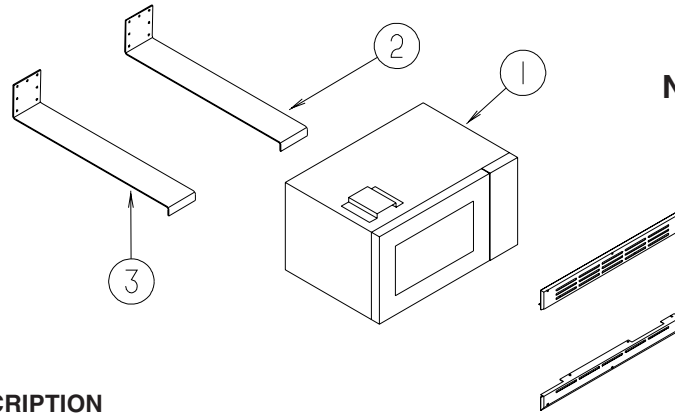


NON-CONVECTION OVEN

| KEY | PART NUMBER | U/M | DESCRIPTION |
|-----|---------------|-----|---|
| 1* | 128527-08-000 | EA | OVEN-MICROWAVE-1.0 CUBIC FT/NON CONVECTION-SAMSUNG MR1032B, FROM: 00-00-00 THRU: 08-03-03 |
| 1* | 128527-09-000 | EA | OVEN/MICROWAVE W/TRIM KIT - 1.1 CUBIC FT - NON CONVECTION FROM: 08-04-03 THRU: 99-99-99 |
| 1* | 128527-10-000 | EA | OVEN/MICROWAVE W/TRIM KIT - 1.1 CUBIC FT - NON CONVECTION - CANADIAN FROM: 08-04-03 THRU: 99-99-99 |
| 2 | 143759-06-02B | EA | BRACKET - MICROWAVE - E-COATED |

*COMPONENT PARTS LISTED LATER IN THIS GROUP

APPLIANCE GROUP (CONTINUED)
APPLIANCES (CONTINUED)

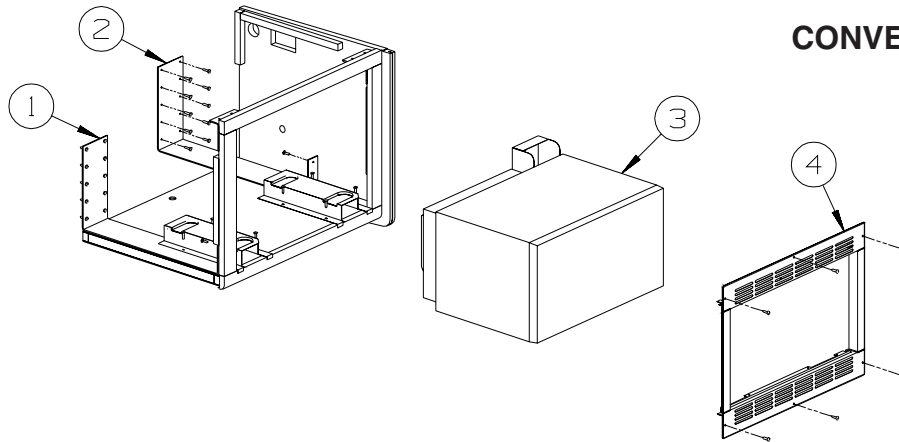


NON-CONVECTION OVEN
322E ONLY

| KEY | PART NUMBER | U/M | DESCRIPTION |
|-----|---------------|-----|--|
| 1* | 128527-08-000 | EA | OVEN-MICROWAVE-1.0 CUBIC FT/NON CONVECTION-SAMSUNG MR1032B, FROM: 00-00-00 THRU: 08-03-03 |
| 1* | 128527-09-000 | EA | OVEN/MICROWAVE W/TRIM KIT - 1.1 CUBIC FT - NON CONVECTION FROM: 08-04-03 THRU: 99-99-99 |
| 1* | 128527-10-000 | EA | OVEN/MICROWAVE W/TRIM KIT - 1.1 CUBIC FT - NON CONVECTION - CANADIAN FROM: 08-04-03 THRU: 99-99-99 |

| | | | |
|---|---------------|----|---------------------|
| 2 | 128711-01-02B | EA | BRACKET - MICROWAVE |
| 2 | 116843-03-02B | EA | BRACKET - MICROWAVE |

***COMPONENT PARTS LISTED LATER IN THIS GROUP**

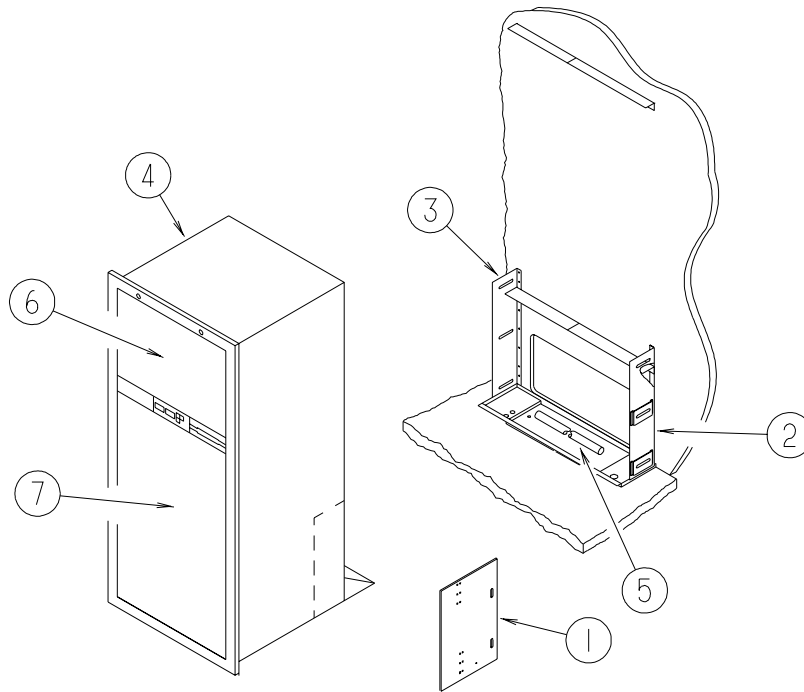


CONVECTION OVEN

| KEY | PART NUMBER | U/M | DESCRIPTION |
|-----|---------------|-----|--|
| 1 | 149418-02-02B | EA | BRACKET - MICROWAVE - E-COATED |
| 1 | 148418-06-02B | EA | BRACKET - MICROWAVE - E-COATED - 322E ONLY |
| 2 | 149418-01-02B | EA | BRACKET - MICROWAVE - E-COATED |
| 2 | 148418-05-02B | EA | BRACKET - MICROWAVE - E-COATED - 322E ONLY |
| 3 | 128527-11-000 | EA | OVEN/MICROWAVE W/O TRIM KIT - 1.0 CUBIC FT - CONVECTION |
| 3 | 122753-02-000 | EA | OVEN - MICROWAVE - CONVECTION - .9 CU. FT - SHARP - UL(US) |
| 4 | 128527-12-000 | EA | MOUNTING FRAME/RAILS-W/TRIM KIT (SASH) 1.0 FT - CONVECTION |
| 4 | 150606-03-01A | EA | TRIM KIT - MICROWAVE .9 CU FT - BLACK - SHARP #RK-82K |

***COMPONENT PARTS LISTED LATER IN THIS GROUP**

APPLIANCE GROUP (CONTINUED)
APPLIANCES (CONTINUED)

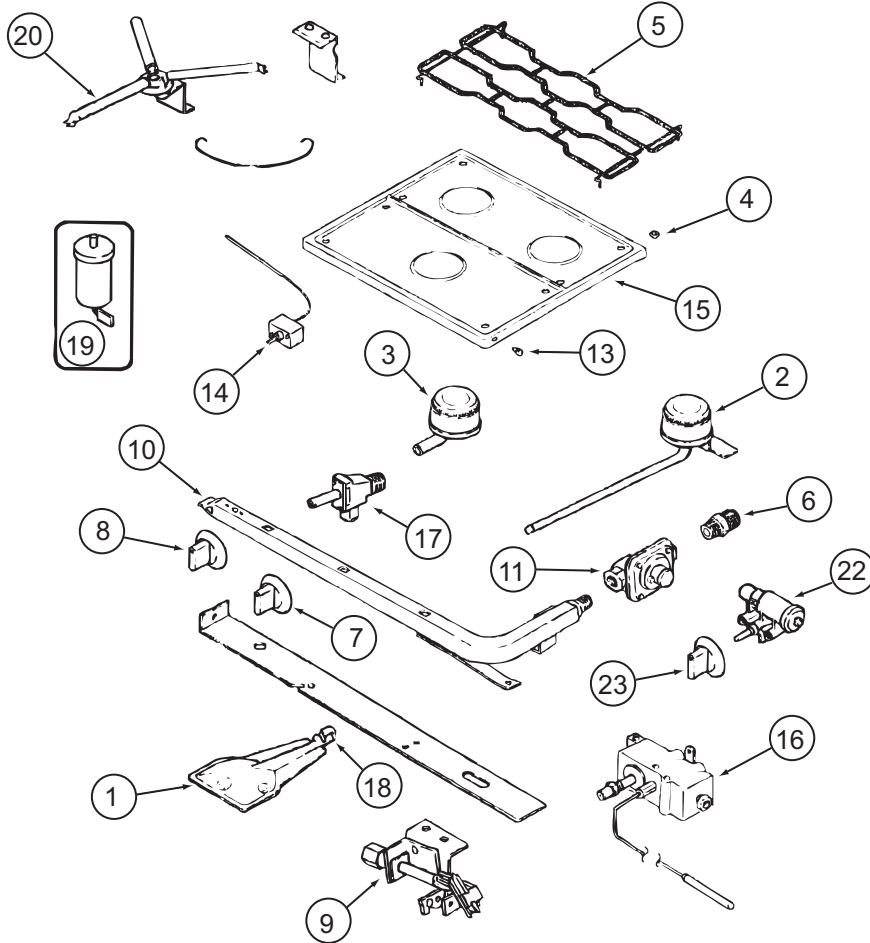


| KEY | PART NUMBER | U/M | DESCRIPTION |
|-----|-----------------------------------|-----|---|
| 1 | 141975-04-02B | EA | PLATE/TIEDOWN - REFRIGERATOR - E-COATED |
| 2 | 141550-01-02B | EA | BRACKET/TIEDOWN - REFRIGERATOR - E-COATED |
| 3 | 141550-02-02B | EA | BRACKET/TIEDOWN - REFRIGERATOR - E-COATED |
| 4* | 121568-07-01A | EA | REFRIGERATOR - SMALL DBL DOOR-LH/2 WAY- 52.8"HX23.5"WX24"D - 324F, 324V, 322E, 322R |
| 4* | 121568-06-01A | EA | REFRIGERATOR - SMALL DBL DOOR-RH/2 WAY- 52.8"HX23.5"WX24"D - 331, 332G, 329B, 329K |
| 5 | 112176-01-000 | FT | TUBING - VINYL - REINFORCED - 1/2" ID |
| 6 | NOT USED - USE WOODGRAIN PANELING | | |
| 7 | NOT USED - USE WOODGRAIN PANELING | | |
| | 090329-01-000 | FT | SEAL/T - REFRIGERATOR CABINET |
| | 116751-01-01A | EA | TRAY - REFRIGERATOR - 322E, 322R, 324V |
| | 116751-05-01A | EA | TRAY - REFRIGERATOR - BLACK - 332G |
| | | | FROM: 00-00-00 THRU: 02-23-03 |
| | 116751-02-01A | EA | TRAY - REFRIGERATOR - BLACK - 332G |
| | | | FROM: 02-24-03 THRU: 99-99-99 |
| | 116751-02-01A | EA | TRAY - REFRIGERATOR - BLACK - 331 |
| | 116751-04-01A | EA | TRAY - REFRIGERATOR - BLACK - 324F |
| | 116751-05-01A | EA | TRAY - REFRIGERATOR - BLACK - 329B, 329K |
| | 054450-01-000 | EA | LEVEL - REFRIGERATOR |

***COMPONENT PARTS LISTED LATER IN THIS GROUP**

APPLIANCE GROUP (CONTINUED)

COMPONENT PARTS FOR APPLIANCES

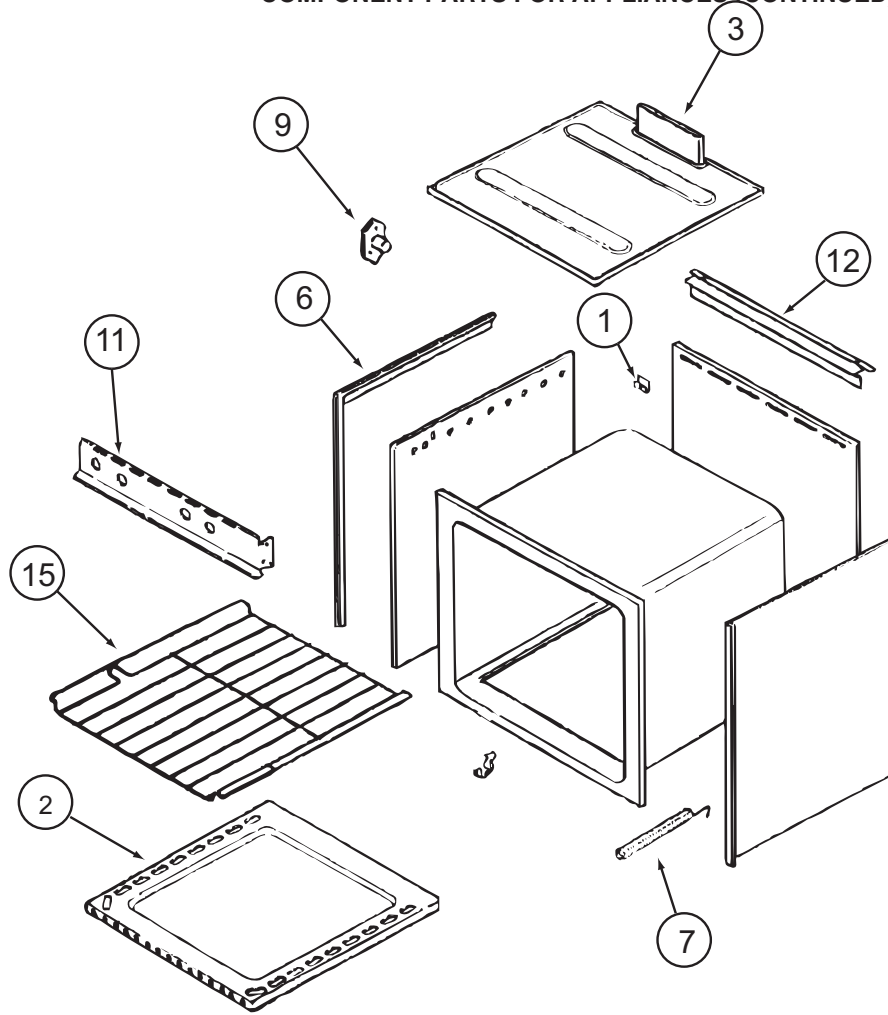


112881-04/05-01A & 151277-01/02-01A

| KEY | PART NUMBER | U/M | DESCRIPTION | VENDOR NO. |
|-----|---------------|-----|-----------------------------------|--------------|
| 1 | 126023-01-717 | EA | BURNER - OVEN | 74003343 |
| 2 | 112881-04-700 | EA | BURNER - TOP/LEFT REAR | 74004584 |
| 2 | 126023-01-700 | EA | BURNER-TOP (RT-REAR) 5100BTU | 74004583 |
| 3 | 112881-04-701 | EA | BURNER - TOP/FRONT | 74004582 |
| 4 | 102020-01-709 | EA | BUMPER-GRATE | 8007-P020-60 |
| 5 | 112881-04-702 | EA | GRATE - BLACK | 74007277 |
| 6 | 135065-03-700 | EA | FITTING - HALF UNION | 74004234 |
| 7 | 128728-01-701 | EA | KNOB - BURNER - REAR | 74003941 |
| 7 | 128728-01-702 | EA | KNOB - BURNER - FRONT | 74003942 |
| 8 | 112881-04-703 | EA | KNOB - THERMOSTAT - BLACK | 74004645 |
| 9 | 112881-04-706 | EA | PILOT - OVEN | 74006334 |
| 10 | 126023-02-702 | EA | PIPE - MANIFOLD | 74004360 |
| 11 | 126023-02-703 | EA | REGULATOR - PRESSURE | 74004235 |
| 13 | 102020-01-724 | EA | BUMPER-MAIN TOP | 8003P008-60 |
| 14 | 126023-01-734 | EA | THERMOSTAT OVEN 11/CLY MODEL | 74006332 |
| 15 | 126023-01-728 | EA | TOP - MAIN (BLACK) (112881-04/05) | 74003323 |
| 15 | 151277-01-700 | EA | TOP - MAIN (BLACK) (151277-01/02) | 74007287 |
| 16 | 112881-04-704 | EA | VALVE - OVEN | 74006333 |
| 17 | 126023-02-705 | EA | VALVE - BURNER - REAR | 74004362 |
| 17 | 126023-02-706 | EA | VALVE - BURNER - FRONT | 74004363 |
| 17 | 135065-03-701 | EA | SCREW - VALVE | 71003231 |
| 18 | 135656-01-701 | EA | MIXER/AIR | 3411F003-34 |
| 19 | 126023-01-711 | EA | ELECTRODE - IGNITER (ONLY) | 7432P077-60 |
| 20 | 126023-01-736 | EA | FLASH TUBE EXTENSION (REAR) | 74003326 |
| 20 | 126023-01-737 | EA | FLASH TUBE EXTENSION (FRONT) | 74003327 |
| 21 | 112881-04-708 | EA | CLIP-FLASH TUBE | 7112P068-60 |
| 22 | 126023-01-719 | EA | IGNITER HEAD - TOP BURNER | 74002413 |
| 23 | 128728-01-707 | EA | KNOB - IGNITOR | 74003944 |
| 26 | 112881-04-709 | EA | SHIELD-SPARK | 3604F211-45 |

CONTACT WINNEBAGO PART SALES FOR UNLISTED COMPONENTS

APPLIANCE GROUP (CONTINUED)
COMPONENT PARTS FOR APPLIANCES (CONTINUED)

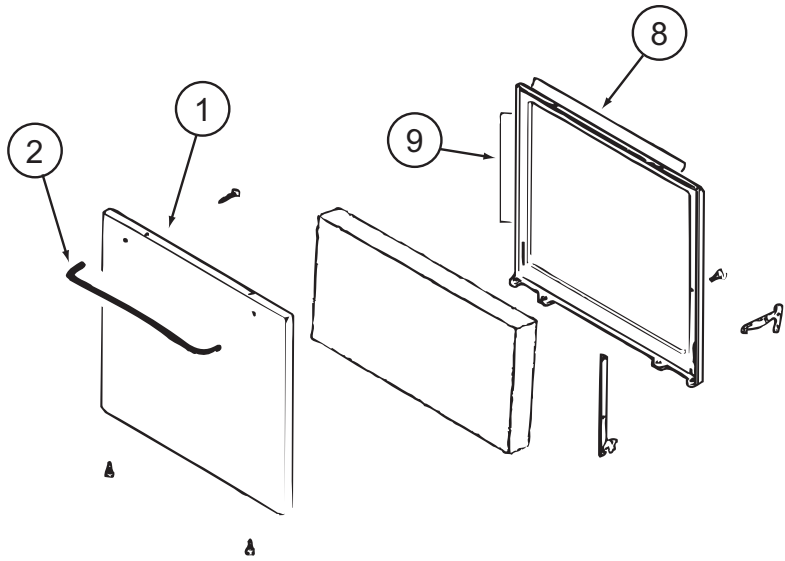


112881-04-01A, 112881-05-01A, 151277-02-01A (CONTINUED)

| KEY | PART NUMBER | U/M | DESCRIPTION | VENDOR NO. |
|-----|---------------|-----|-----------------------------|-------------|
| 1 | 112881-03-702 | EA | CLIP - MAIN TOP | 74003998 |
| 2 | 126023-01-731 | EA | BOTTOM - OVEN | 2205F016-19 |
| 3 | 126023-01-718 | EA | FLUE BOX ASSEMBLY | 4006W075-80 |
| 6 | 112881-01-720 | EA | TRIM-FLAT RH BLACK TEXTURED | 74002812 |
| 6 | 112881-01-719 | EA | TRIM-FLAT LH BLACK TEXTURED | 74002813 |
| 7 | 112881-02-702 | EA | SPRING - OVEN DOOR | 7803P051-60 |
| 9 | 128728-01-703 | EA | PIN/T-NUT F/HINGE | 7103P109-60 |
| 11 | 112881-04-707 | EA | MANIFOLD - BLACK | 74007296 |
| 12 | 112881-01-723 | EA | DEFLECTOR/FLUE-BLK-NON SEAL | 74002809 |
| 15 | 126023-01-716 | EA | RACK - OVEN | 74003106 |

CONTACT WINNEBAGO PART SALES FOR UNLISTED COMPONENTS

APPLIANCE GROUP (CONTINUED)
COMPONENT PARTS FOR APPLIANCES (CONTINUED)

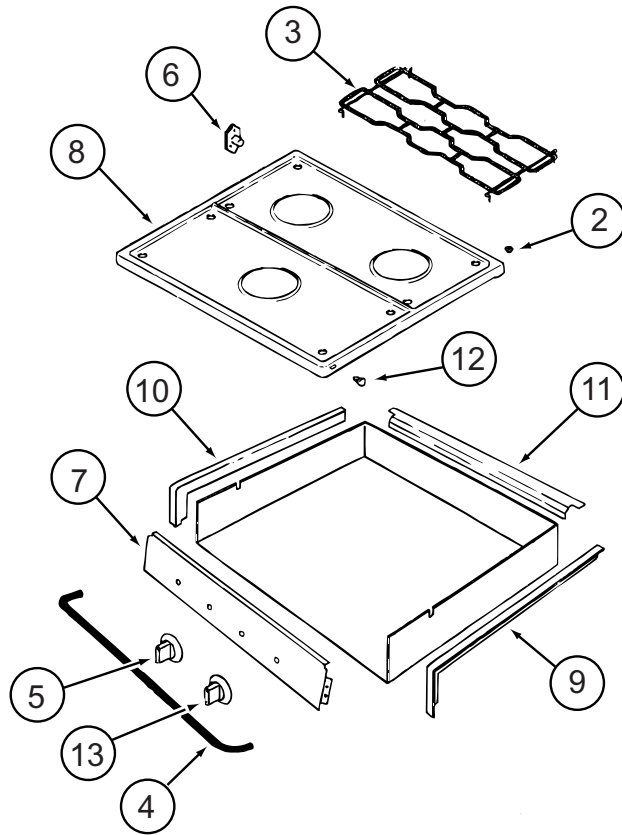


112881-04-01A, 112881-05-01A, 151277-02-01A (CONTINUED)

| KEY | PART NUMBER | U/M | DESCRIPTION | VENDOR NO. |
|-----|---------------|-----|--------------------------------------|-------------|
| 1 | 112881-01-713 | EA | DR-TXT/BLK NO WNDW(112881-05/151277) | 2401F126-70 |
| 1 | 112881-02-705 | EA | DR-TXT/BLK F/WINDOW(112881-04) | 74001273 |
| 2 | 128727-01-701 | EA | HANDLE - OVEN DOOR | 74003929 |
| 8 | 126023-01-732 | EA | SEAL/OVEN DR TOP | 7212P014-60 |
| 9 | 126023-01-733 | EA | SEAL/OVEN DR SIDES(2PCS) | 7212P038-60 |

CONTACT WINNEBAGO PART SALES FOR UNLISTED COMPONENTS

APPLIANCE GROUP (CONTINUED)
COMPONENT PARTS FOR APPLIANCES (CONTINUED)

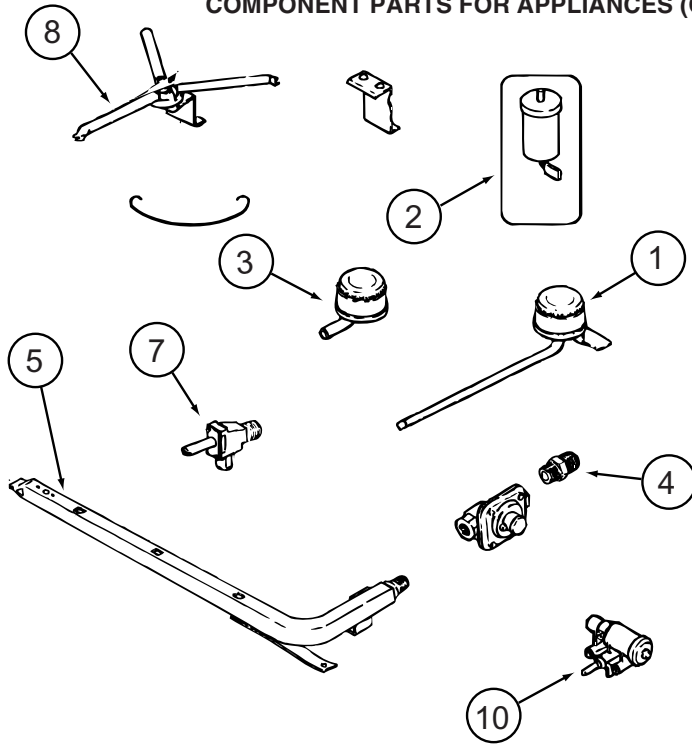


114030-04-01A

| KEY | PART NUMBER | U/M | DESCRIPTION | VENDOR NO. |
|-----|---------------|-----|-----------------------------|-------------|
| 2 | 102020-01-709 | EA | BUMPER-GRATE | 8007P020-60 |
| 3 | 112881-04-702 | EA | GRATE - BLACK | 74007277 |
| 4 | 114030-02-700 | EA | GUARD/FABRIC - TOWEL BAR | 3609F006-70 |
| 5 | 128728-01-701 | EA | KNOB - BURNER - REAR | 74003941 |
| 5 | 128728-01-702 | EA | KNOB - BURNER - FRONT | 74003942 |
| 6 | 128728-01-703 | EA | PIN/T-NUT F/HINGE | 7103P109-60 |
| 7 | 114030-04-700 | EA | PANEL - MANIFOLD - BLACK | 74007325 |
| 8 | 126023-01-728 | EA | TOP - MAIN (BLACK) | 74003323 |
| 9 | 114030-01-704 | EA | TRIM - RIGHT/BLACK TEXTURED | 74002839 |
| 10 | 114030-01-705 | EA | TRIM - LEFT/BLACK TEXTURED | 74002840 |
| 11 | 114030-01-706 | EA | TRIM - REAR/BLACK TEXTURED | 74002841 |
| 12 | 102020-01-724 | EA | BUMPER - MAIN TOP | 8003P008-60 |
| 13 | 128728-01-707 | EA | KNOB - IGNITER | 74003944 |

CONTACT WINNEBAGO PART SALES FOR UNLISTED COMPONENTS

APPLIANCE GROUP (CONTINUED)
COMPONENT PARTS FOR APPLIANCES (CONTINUED)

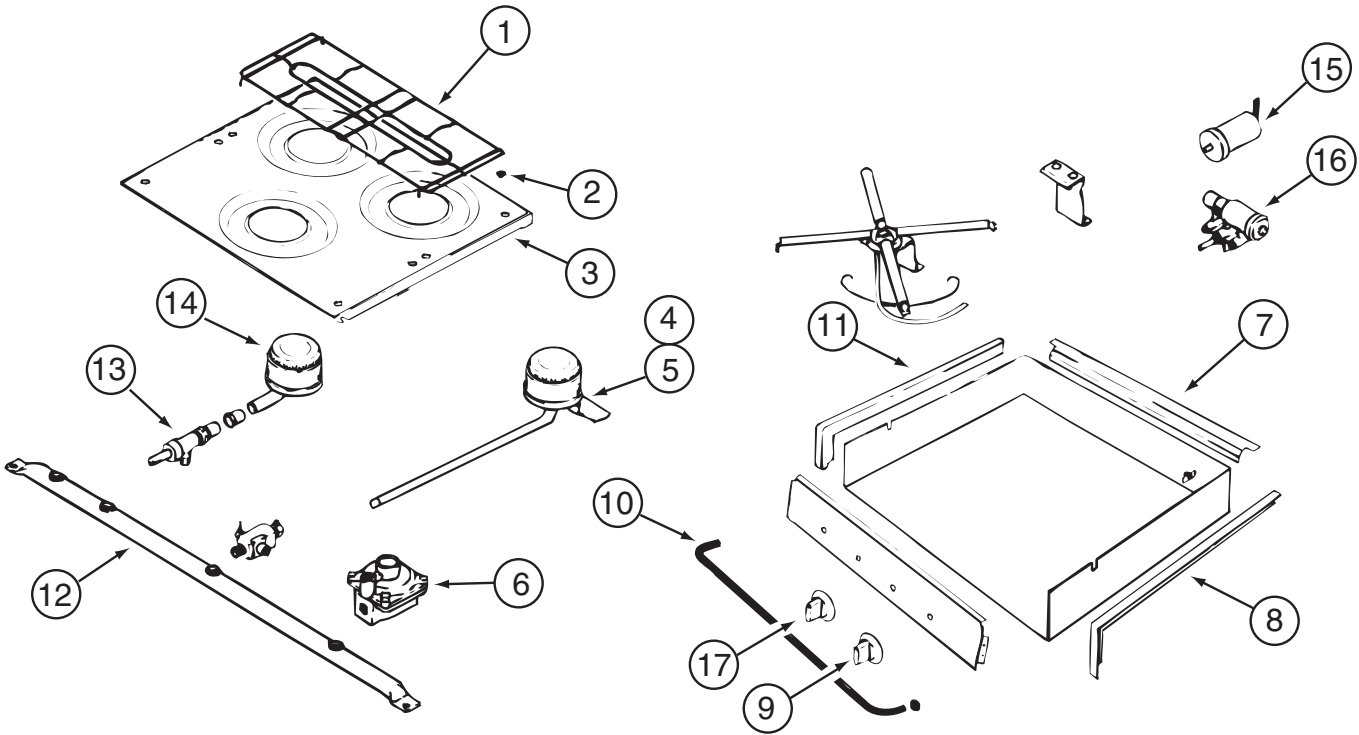


114030-04-01A (CONTINUED)

| KEY | PART NUMBER | U/M | DESCRIPTION | VENDOR NO. |
|-----|---------------|-----|--------------------------------|-------------|
| 1 | 126023-01-700 | EA | BURNER - TOP (RT-REAR) | 74004583 |
| 1 | 112881-04-700 | EA | BURNER - TOP /LEFT - REAR | 74004584 |
| 2 | 126023-01-711 | EA | ELECTRODE - IGNITER (ONLY) | 7432P077-60 |
| 2 | 112881-04-705 | EA | PUSH RING - ELECTRODE MOUNTING | 7104P002-60 |
| 3 | 112881-04-701 | EA | BURNER - TOP/FRONT | 74004582 |
| 4 | 135065-03-700 | EA | FITTING - HALF UNION | 74004234 |
| 5 | 126023-02-702 | EA | PIPE - MANIFOLD | 74004360 |
| 7 | 126023-02-705 | EA | VALVE - BURNER (REAR) | 74004362 |
| 7 | 126023-02-706 | EA | VALVE - BURNER (FRONT) | 74004363 |
| 8 | 126023-01-736 | EA | FLASH TUBE EXTENSION (REAR) | 74003326 |
| 8 | 126023-01-737 | EA | FLASH TUBE EXTENSION (FRONT) | 74003327 |
| 10 | 126023-01-719 | EA | IGNITER HEAD - TOP BURNER | 74002413 |

CONTACT WINNEBAGO PART SALES FOR UNLISTED COMPONENTS

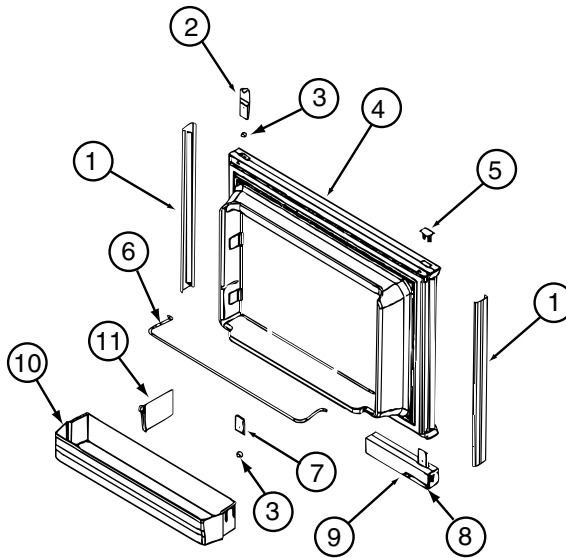
APPLIANCE GROUP (CONTINUED)
COMPONENT PARTS FOR APPLIANCES (CONTINUED)



114030-02-01A, 114030-03-01A

| KEY | PART NUMBER | U/M | DESCRIPTION | VENDOR NO. |
|-----|---------------|-----|------------------------------|--------------------|
| 1 | 126023-01-703 | EA | GRATE - TOP | 74003358 |
| 2 | 102020-01-709 | EA | BUMPER - GRATE | 8007-P020-60 |
| 3 | 126023-01-706 | EA | TOP - MAIN (WHITE) | 74003322 |
| 3 | 126023-01-707 | EA | TOP - MAIN (BLACK) | 74003323 |
| 3 | 126023-01-708 | EA | TOP - MAIN (ALMOND) | 74003324 |
| 4 | 126023-01-700 | EA | BURNER - TOP (RT-REAR) | 7505P195-60 |
| 5 | 126023-01-701 | EA | BURNER - TOP (LT-REAR) | 7505P196-60 |
| 6 | 102020-01-729 | EA | REGULATOR - PRESSURE | 7510P043-60 |
| 7 | 114030-01-706 | EA | TRIM - REAR/BLACK TEXTURED | 74002841 |
| 8 | 114030-01-704 | EA | TRIM - RIGHT/BLACK TEXTURED | 74002839 |
| 9 | 126023-01-720 | EA | KNOB - IGNITER | 74002414 |
| 10 | 114030-02-700 | EA | GUARD/FABRIC - TOWEL BAR | 3609F006-70 |
| 11 | 114030-01-705 | EA | TRIM - LEFT/BLACK TEXTURED | 74002840 |
| 12 | 126023-01-705 | EA | PIPE - MANIFOLD | 7513P161-60 |
| 13 | 126023-01-709 | EA | VALVE - BURNER (REAR) | 74003348 |
| 13 | 126023-01-710 | EA | VALVE - BURNER (FRONT) | 74003349 |
| 14 | 126023-01-702 | EA | BURNER - TOP (FRONT) | 7505P144-60 |
| 15 | 126023-01-711 | EA | ELECTRODE - IGNITER | 7432P077-60 |
| 16 | 126023-01-719 | EA | IGNITER - TOP BURNER | 74002413 |
| 17 | 112881-01-705 | EA | KNOB - TOP BURNER | 733P072-60 |
| 17 | 112881-01-718 | EA | KNOB - TOP BURNER HI-OUTPUT | 74001794 |
| | 126023-01-735 | EA | KIT-IGNITOR TOP BRNER & KNOB | 12001296=74002413& |
| | 128728-01-703 | EA | T-NUT - F/HINGE | 7103P109-60 |

APPLIANCE GROUP (CONTINUED)
COMPONENT PARTS FOR APPLIANCES (CONTINUED)

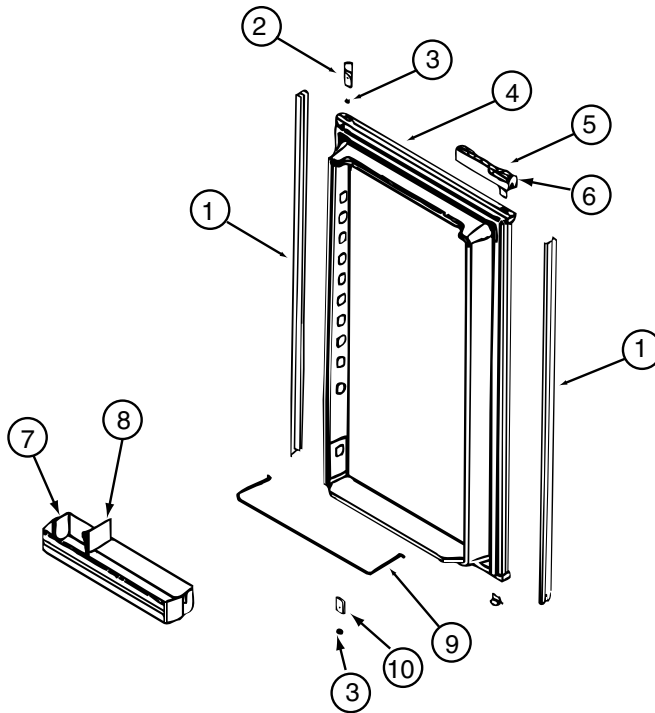


121568-06-01A, 121568-07-01A, 121568-08-01A

| KEY | PART NUMBER | U/M | DESCRIPTION | VENDOR NO. |
|------------|--------------------|------------|------------------------------|-------------------|
| 1 | 121568-03-700 | EA | RETAINER - DOOR PANEL/BLACK | 619559 |
| 2 | 120075-01-701 | EA | HINGE-TOP RH/BOTTOM LH(DOOR) | 618511 |
| 3 | 121568-03-701 | EA | BUSHING - HINGE PIN/GRAY | 619671 |
| 4 | 121568-03-702 | EA | DOOR LINER - W/BLACK TRIM | 619627 |
| 5 | 120075-01-702 | EA | CAP, (HINGE PLUG) | 618160 |
| 6 | 121568-01-700 | EA | RAIL - DOOR UPPER | 618618 |
| 7 | 120075-01-705 | EA | HINGE-TOP LH/BOTTOM RH(DOOR) | 618510 |
| 8 | 121568-03-705 | EA | STORAGE LATCH - GRAY | 619648 |
| 9 | 121568-01-708 | EA | HANDLE/FLUSH-TOP/LH-LWR/RH | 619866 |
| 10 | 121568-01-701 | EA | BIN - DOOR WHITE | 618619 |

CONTACT WINNEBAGO PART SALES FOR UNLISTED COMPONENTS

APPLIANCE GROUP (CONTINUED)
COMPONENT PARTS FOR APPLIANCES (CONTINUED)

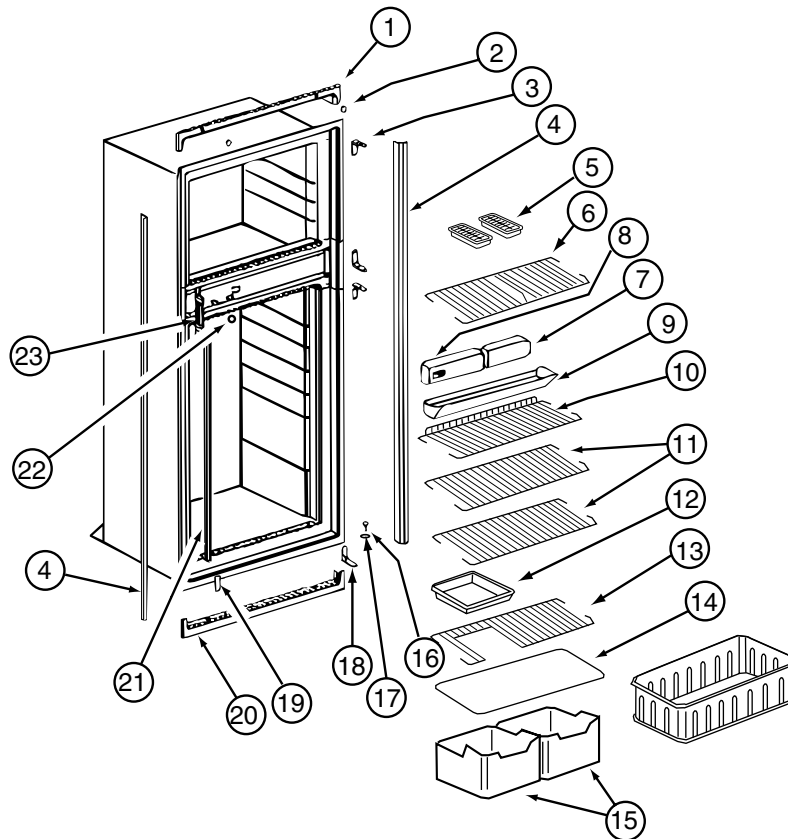


121568-06-01A, 121568-07-01A, 121568-08-01A (CONTINUED)

| KEY | PART NUMBER | U/M | DESCRIPTION | VENDOR NO. |
|-----|---------------|-----|------------------------------|------------|
| 1 | 121568-03-706 | EA | RETAINER - DOOR PANEL/BLACK | 619559 |
| 2 | 120075-01-701 | EA | HINGE-TOP RH/BOTTOM LH(DOOR) | 618511 |
| 3 | 121568-03-701 | EA | BUSHING - HINGE PIN/GRAY | 619671 |
| 4 | 121568-03-707 | EA | DOOR LINER - W/BLACK TRIM | 619629 |
| 5 | 121568-03-703 | EA | HANDLE/FLUSH-TOP/RH-LWR/LH | 619865 |
| 6 | 121568-03-705 | EA | STORAGE LATCH - GRAY | 619648 |
| 7 | 121568-01-701 | EA | BIN - DOOR WHITE | 618619 |
| 9 | 121568-01-704 | EA | RAIL - DOOR LOWER | 618578 |
| 10 | 120075-01-705 | EA | HINGE-TOP LH/BOTTOM RH(DOOR) | 618510 |

CONTACT WINNEBAGO PART SALES FOR UNLISTED COMPONENTS

APPLIANCE GROUP (CONTINUED)
COMPONENT PARTS FOR APPLIANCES (CONTINUED)

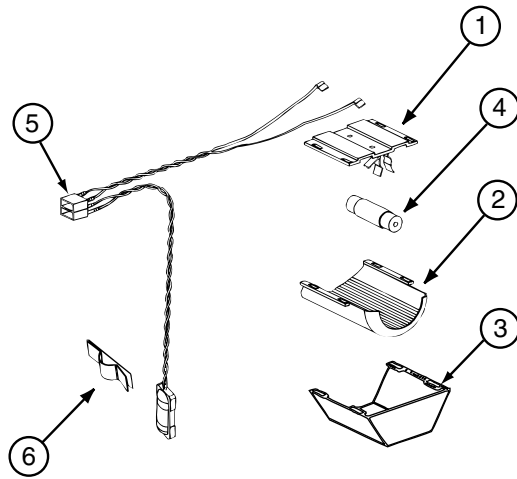


121568-06-01A, 121568-07-01A, 121568-08-01A (CONTINUED)

| KEY | PART NUMBER | U/M | DESCRIPTION | VENDOR NO. |
|-----|---------------|-----|-------------------------------|------------|
| 1 | 120075-01-713 | EA | TRIM-TOP PIECE | 619687 |
| 2 | 120075-01-714 | EA | PLUG-HOLE (BLACK) | 618170 |
| 3 | 121568-03-710 | EA | HINGE/CABINET-TOP/RH-LWR/LH | 619335 |
| 4 | 121568-03-711 | EA | TRIM - SIDE/BLACK | 622295 |
| 6 | 121568-01-705 | EA | SHELF - WIRE FREEZER | 620250 |
| 7 | 121568-06-700 | EA | FRONT BOX-N611 | 622002 |
| 8 | 121568-06-701 | EA | CONTROL ASSEMBLY-OPTICAL/N611 | 621988 |
| 9 | 120075-01-720 | EA | TRAY-DRIP | 618137 |
| 9 | 120075-01-721 | EA | LOUVER-DRIP TRAY | 618176 |
| 11 | 121568-01-708 | EA | SHELF - WIRE | 620273 |
| 13 | 121568-01-707 | EA | SHELF - WIRE - SHORT | 620272 |
| 14 | 120075-01-725 | EA | COVER-CRISPER | 618158 |
| 15 | 121568-01-709 | EA | CRISPER | 618571 |
| 16 | 120075-01-727 | EA | PIN-HINGE | 618145 |
| 17 | 121568-03-701 | EA | BUSHING - HINGE PIN/GRAY | 619671 |
| 18 | 121568-03-715 | EA | HINGE/CABINET-TOP/LH-LWR/RH | 619336 |
| 19 | 121568-03-716 | EA | COVER - HINGE HOLES | 619301 |
| 20 | 120075-01-729 | EA | TRIM-BOTTOM PIECE | 620958 |
| 21 | 121568-06-702 | EA | CLIP - SHELF | 61536522 |
| 22 | 121568-06-703 | EA | HOLE PLUG - WHITE | 620282 |
| 23 | 120075-01-732 | EA | PLATE-STRIKE | 618167 |

CONTACT WINNEBAGO PART SALES FOR UNLISTED COMPONENTS

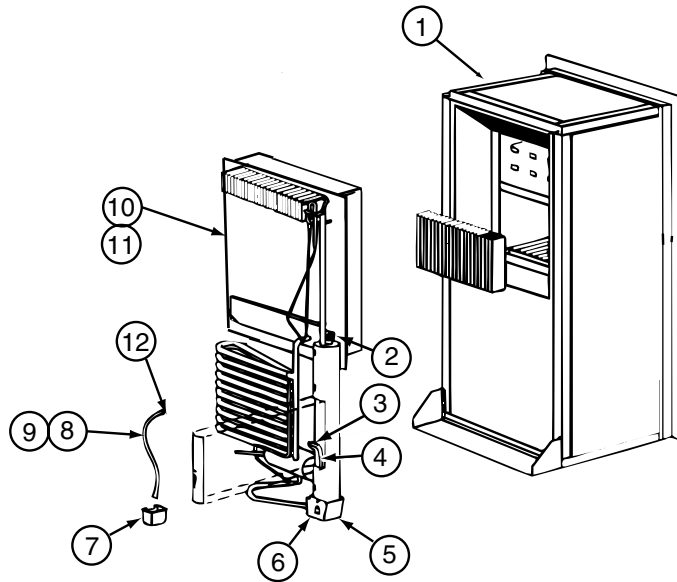
APPLIANCE GROUP (CONTINUED)
COMPONENT PARTS FOR APPLIANCES (CONTINUED)



121568-06-01A, 121568-07-01A, 121568-08-01A (CONTINUED)

| KEY | PART NUMBER | U/M | DESCRIPTION | VENDOR NO. |
|-----|---------------|-----|------------------------------|------------|
| 1 | 084880-01-760 | EA | CLIP (THERMISTER) | 61689122 |
| 2 | 120075-01-735 | EA | THERMISTER W/LAMP & WIRE/ASM | 618548 |
| 3 | 084880-03-705 | EA | BRACKET-LIGHT-INTERIOR | 61629722 |
| 4 | 084880-03-706 | EA | BULB-LAMP | 61628922 |
| 6 | 084880-03-707 | EA | COVER-LAMP, LENS | 61627922 |

CONTACT WINNEBAGO PART SALES FOR UNLISTED COMPONENTS

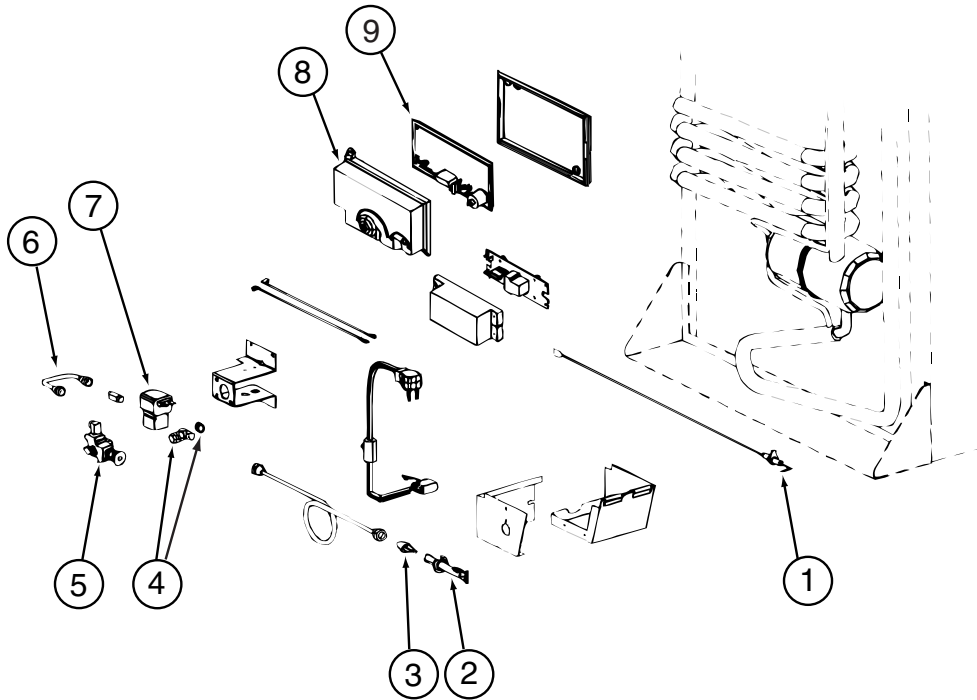


121568-06-01A, 121568-07-01A, 121568-08-01A (CONTINUED)

| KEY | PART NUMBER | U/M | DESCRIPTION | VENDOR NO. |
|-----|---------------|-----|----------------------------|------------|
| 4 | 121568-06-704 | EA | HEATER-AC/300W/120VAC | 621702 |
| 10 | 120076-01-704 | EA | COOLING UNIT, SERVICE PACK | 618543 |

CONTACT WINNEBAGO PART SALES FOR UNLISTED COMPONENTS

APPLIANCE GROUP (CONTINUED)
COMPONENT PARTS FOR APPLIANCE (CONTINUED)



121568-06-01A, 121568-07-01A, 121568-08-01A (CONTINUED)

| KEY | PART NUMBER | U/M | DESCRIPTION | VENDOR NO. |
|-----|---------------|-----|--|------------|
| 1 | 121568-06-705 | EA | GAS VALVE/BRKT ASSY-COMBO | 621439 |
| 1 | 121568-06-706 | EA | GAS VALVE-COMBO/WRENCH FLAT | 621329 |
| 4 | 120075-01-738 | EA | COVER-POWER BOARD | 618185 |
| 5 | 121568-06-707 | EA | BOARD/POWER-N611 | 621991 |
| 6 | 120075-01-740 | EA | COVER-BASE, POWER BOARD | 618186 |
| 8 | 121568-06-708 | EA | BURNER/ORFICE-ADAPTER KIT | 621957 |
| 13 | 104137-06-715 | EA | ELECTRODE-SPARK/SENSOR, SGL | 61692222 |
| | | | CONTACT WINNEBAGO PART SALES FOR UNLISTED COMPONENTS | |

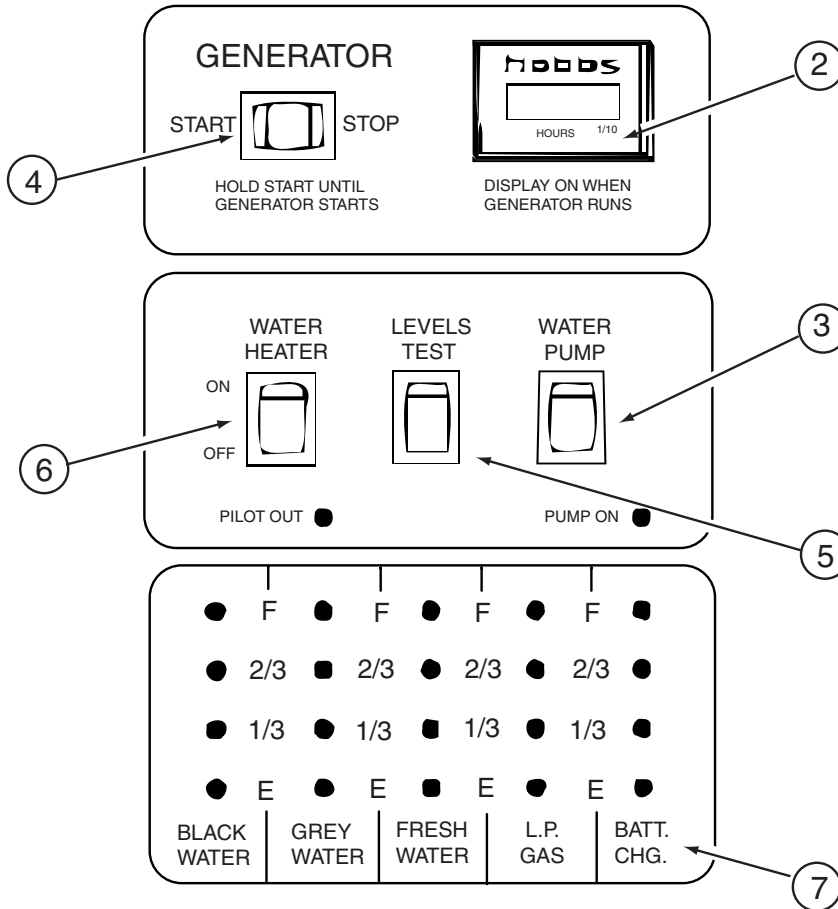
121568-05-01A, 121568-07-01A, 121568-08-01A (CONTINUED)

| KEY | PART NUMBER | U/M | DESCRIPTION | VENDOR NO. |
|-----|---------------|-----|---------------------------|------------|
| | 121568-05-700 | EA | FAN 12V KIT DBLE SIDEWALL | 619020 |

APPLIANCE GROUP (CONTINUED)
COMPONENT PARTS FOR APPLIANCES (CONTINUED)

128527-08-000

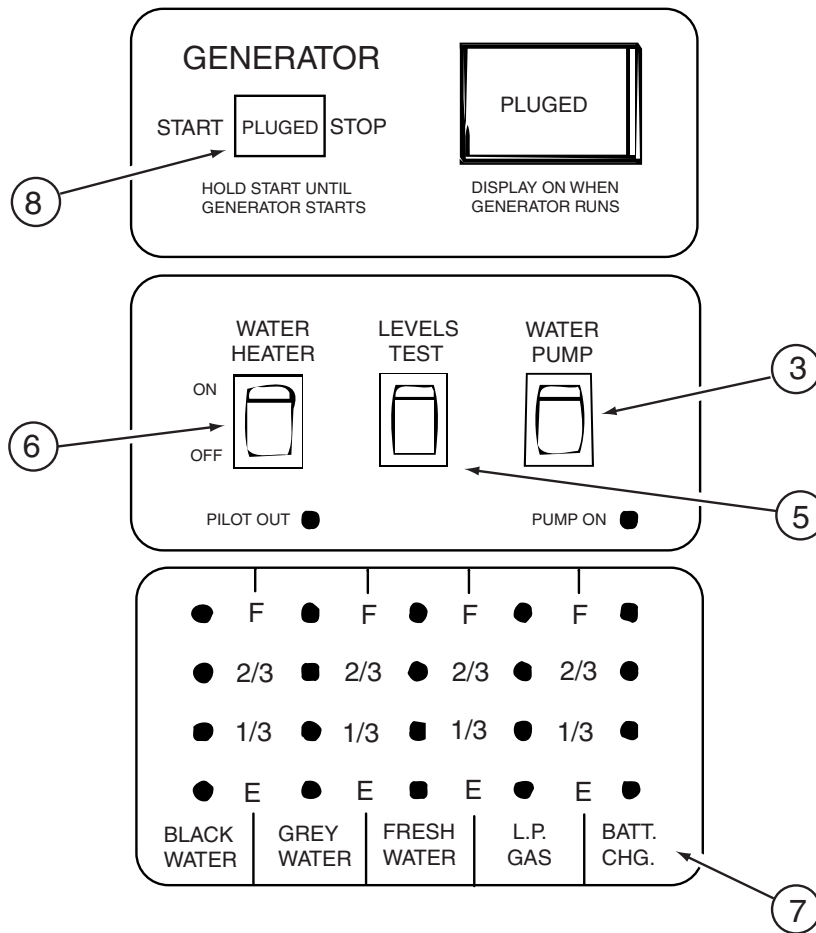
| KEY | PART NUMBER | U/M DESCRIPTION | VENDOR NO. |
|-----|---------------|-----------------------------|------------|
| | 128527-08-700 | EA TRIM RING-F/1.0 NON CONV | MR10BB |



134940-01-01A

| KEY | PART NUMBER | U/M DESCRIPTION | VENDOR NO. |
|-----|---------------|---------------------------------|------------|
| | 134940-01-700 | EA BOARD - PC | L5118-01 |
| 2 | 100258-10-701 | EA GAUGE-HR METER ONLY (LCD) | L0775-00 |
| 3 | 096983-01-703 | EA SWITCH - ON/ON | L0115-00 |
| 4 | 096983-01-702 | EA SWITCH - MOM/OFF/MOM/3 TERM | L0112-00 |
| 5 | 096983-01-701 | EA SWITCH - SPST/MOM 2 TERMINAL | L0111-00 |
| 6 | 134940-01-701 | EA SWITCH-SPST/ON-OFF/BLK W/LGT | L0109 |
| 7 | 134940-01-702 | EA CHASSIS - SILKSCREENED | CC0558-00 |
| | 100258-10-702 | EA HOUR METER(CLIP ON)SW & WIRE | L4441-00 |

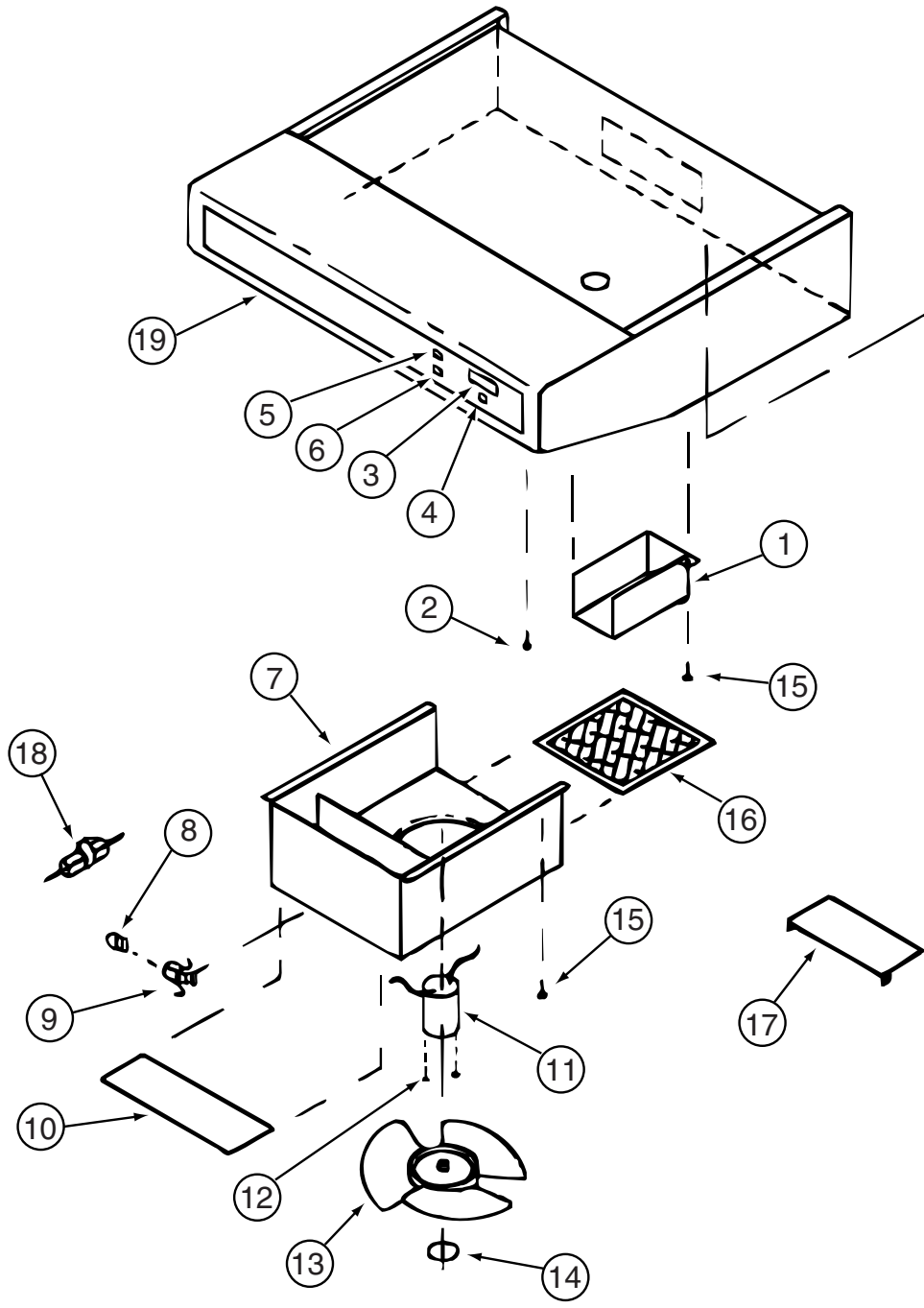
APPLIANCE GROUP (CONTINUED)
COMPONENT PARTS FOR APPLIANCES (CONTINUED)



134940-02-01A

| KEY | PART NUMBER | U/M | DESCRIPTION | VENDOR NO. |
|-----|---------------|-----|------------------------------|------------|
| | 134940-01-700 | EA | BOARD - PC | L5118-01 |
| 3 | 096983-01-703 | EA | SWITCH - ON/ON | L0115-00 |
| 5 | 096983-01-701 | EA | SWITCH - SPST/MOM 2 TERMINAL | L0111-00 |
| 6 | 134940-01-701 | EA | SWITCH-SPST/ON-OFF/BLK W/LGT | L0109 |
| 7 | 134940-01-702 | EA | CHASSIS - SILKSCREENED | CC0558-00 |
| 8 | 134940-02-700 | EA | SWITCH - DUMMY | L0118 |

APPLIANCE GROUP (CONTINUED)
COMPONENT PARTS FOR APPLIANCES (CONTINUED)

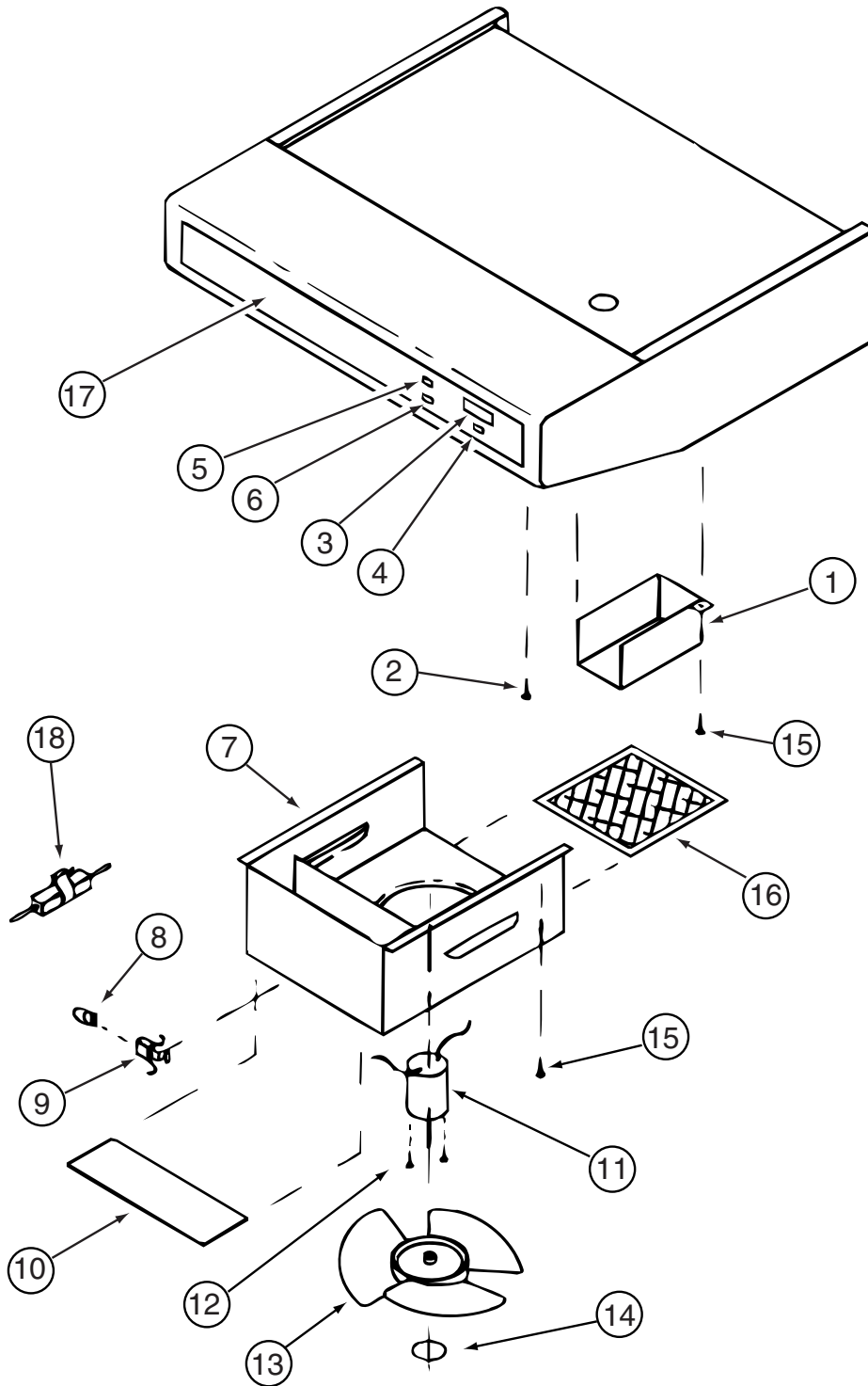


136354-01-01A, 136354-02-01A

| KEY | PART NUMBER | U/M | DESCRIPTION | VENDOR NO. |
|-----|---------------|-----|------------------------------|------------------|
| 3 | 100258-10-700 | EA | GAUGE-HOUR METER, SCREW ON | L0150-00 WAS 150 |
| 4 | 096983-01-702 | EA | SWITCH - MOM/OFF/MOM/3 TERM | L0112-00 |
| 6 | 096983-01-700 | EA | SWITCH/1 SPEED -ON/OFF- BLK | 00108-00 |
| 8 | 092696-01-709 | EA | LAMP #912 | VA415 |
| 9 | 092696-01-710 | EA | HOLDER-LAMP | CB267-2 |
| 10 | 092696-02-701 | EA | LENS-LAMP | CC179-2 |
| 11 | 090973-01-700 | EA | MOTOR-12 VOLT, CSA & UL | CA508-1 |
| 13 | 090973-01-702 | EA | BLADE-FAN | VA183-1 |
| 16 | 096983-01-707 | EA | FILTER-MESH | CC246 |
| 17 | 100258-01-701 | EA | DAMPER ASSEMBLY (METAL FLAP) | CAO-565-00 |
| 19 | 100258-01-700 | EA | LABEL-HOOD NOSE | CC0428-00 |

CONTACT WINNEBAGO PART SALES FOR UNLISTED COMPONENTS

APPLIANCE GROUP (CONTINUED)
COMPONENT PARTS FOR APPLIANCES (CONTINUED)

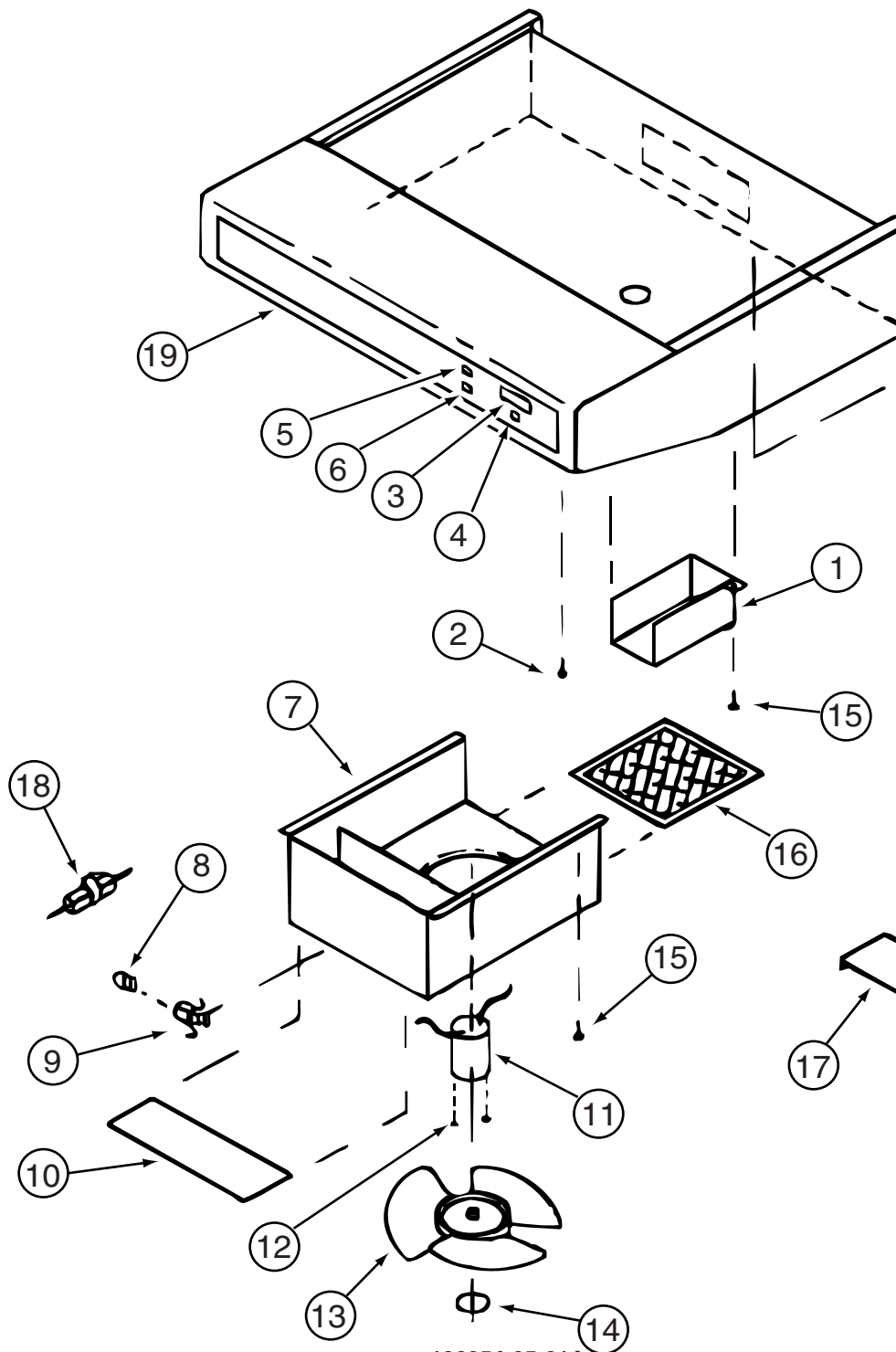


136354-03-01A, 136354-04-01A

| KEY | PART NUMBER | U/M | DESCRIPTION | VENDOR NO. |
|-----|---------------|-----|-----------------------------|------------------|
| 3 | 100258-10-700 | EA | GAUGE-HOUR METER, SCREW ON | L0150-00 WAS 150 |
| 4 | 096983-01-702 | EA | SWITCH - MOM/OFF/MOM/3 TERM | L0112-00 |
| 6 | 096983-01-700 | EA | SWITCH/1 SPEED -ON/OFF- BLK | 00108-00 |
| 8 | 092696-01-709 | EA | LAMP #912 | VA415 |
| 9 | 092696-01-710 | EA | HOLDER-LAMP | CB267-2 |
| 10 | 092696-02-701 | EA | LENS-LAMP | CC179-2 |
| 11 | 090973-01-700 | EA | MOTOR-12 VOLT, CSA & UL | CA508-1 |
| 13 | 090973-01-702 | EA | BLADE-FAN | VA183-1 |
| 16 | 096983-01-707 | EA | FILTER-MESH | CC246 |
| 17 | 100258-01-700 | EA | LABEL-HOOD NOSE | CC0428-00 |

CONTACT WINNEBAGO PART SALES FOR UNLISTED COMPONENTS

APPLIANCE GROUP (CONTINUED)
COMPONENT PARTS FOR APPLIANCES (CONTINUED)

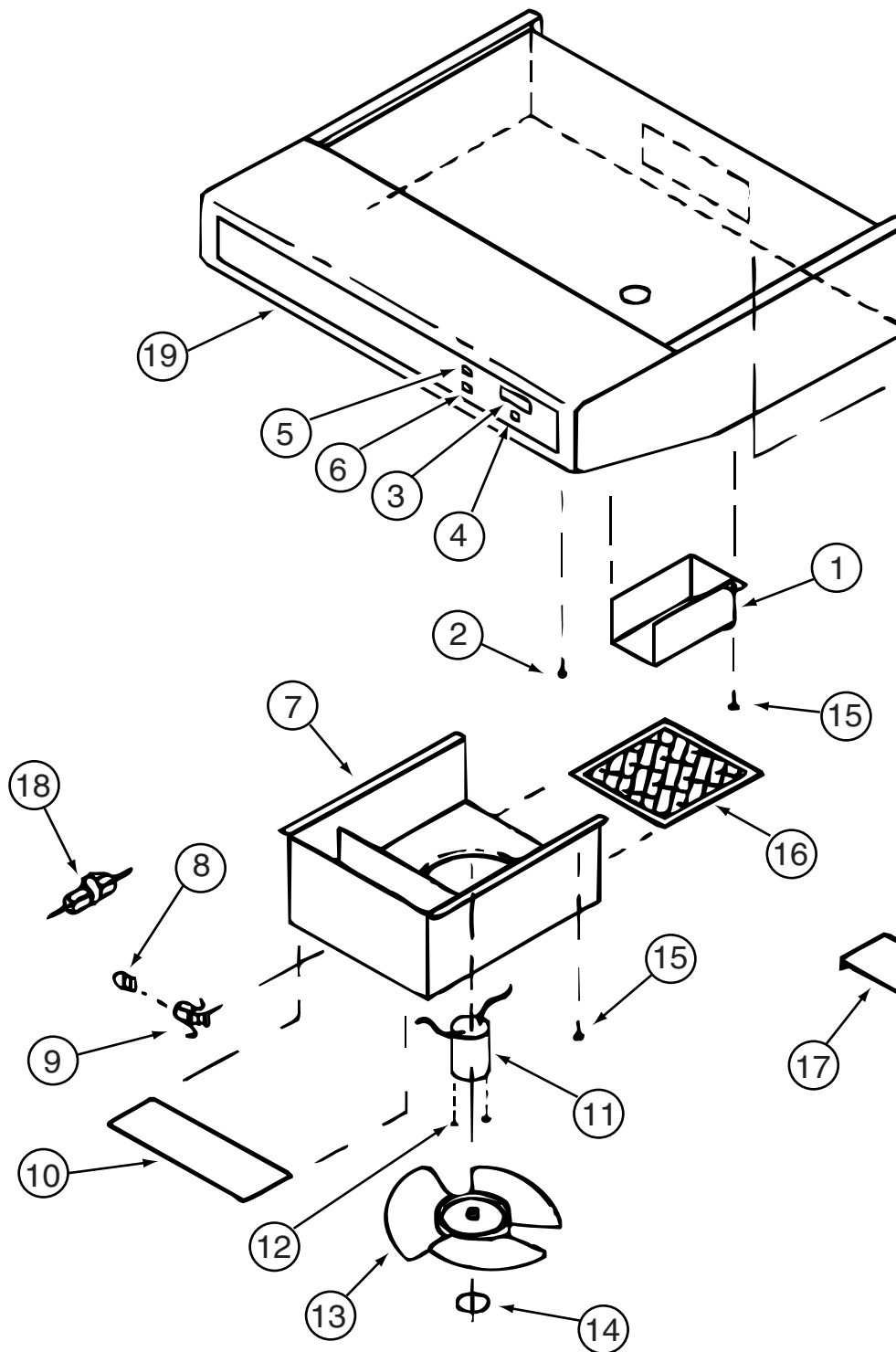


136354-05-01A

| KEY | PART NUMBER | U/M | DESCRIPTION | VENDOR NO. |
|-----|---------------|-----|------------------------------|------------------|
| 3 | 100258-10-700 | EA | GAUGE-HOUR METER, SCREW ON | L0150-00 WAS 150 |
| 4 | 096983-01-702 | EA | SWITCH - MOM/OFF/MOM/3 TERM | L0112-00 |
| 5 | 096983-01-700 | EA | SWITCH/1 SPEED -ON/OFF- BLK | L0108-00 |
| 8 | 117806-01-000 | EA | BULB - 12V - #912 - 1.0 AMP | 912 |
| 9 | 092696-01-710 | EA | HOLDER-LAMP | CB267-02 |
| 10 | 092696-02-701 | EA | LENS-LAMP | CC179-2 |
| 11 | 136354-05-700 | EA | MOTOR-12 VOLT | VC0536-02 |
| 13 | 136354-05-701 | EA | BLADE-FAN 7" DIA | VD0216-00 |
| 16 | 096983-01-707 | EA | FILTER-MESH | CC246-00 |
| 17 | 100258-01-701 | EA | DAMPER ASSEMBLY (METAL FLAP) | CAO-565-00 |
| 19 | 100258-01-700 | EA | LABEL-HOOD NOSE | CC0428-00 |

CONTACT WINNEBAGO PART SALES FOR UNLISTED COMPONENTS

APPLIANCE GROUP (CONTINUED)
COMPONENT PARTS FOR APPLIANCES (CONTINUED)



136354-06-01A

| KEY | PART NUMBER | U/M | DESCRIPTION | VENDOR NO. |
|-----|---------------|-----|------------------------------|------------------|
| 3 | 100258-10-700 | EA | GAUGE-HOUR METER, SCREW ON | L0150-00 WAS 150 |
| 4 | 096983-01-702 | EA | SWITCH - MOM/OFF/MOM/3 TERM | L0112-00 |
| 5 | 096983-01-700 | EA | SWITCH/1 SPEED -ON/OFF- BLK | L0108-00 |
| 8 | 117806-01-000 | EA | BULB - 12V - #912 - 1.0 AMP | 912 |
| 9 | 092696-01-710 | EA | HOLDER-LAMP | CB267-02 |
| 10 | 096983-01-708 | EA | LENS-LAMP | CC0179 |
| 11 | 136354-06-700 | EA | MOTOR - FAN (CSA) | VC0535-02 |
| 13 | 136354-05-701 | EA | BLADE-FAN 7" DIA | VD0216-00 |
| 16 | 096983-01-707 | EA | FILTER-MESH | CC246-00 |
| 17 | 100258-01-701 | EA | DAMPER ASSEMBLY (METAL FLAP) | CAO-565-00 |
| 19 | 100258-01-700 | EA | LABEL-HOOD NOSE | CC0428-00 |

CONTACT WINNEBAGO PART SALES FOR UNLISTED COMPONENTS

AUDIO VIDEO GROUP RADIO SYSTEM

| KEY | PART NUMBER | U/M | DESCRIPTION |
|-----|---------------|-----|--|
| | 135420-01-000 | EA | RADIO - AM/FM CASSETTE/CD COMBO - M9900 - 7.2" X 3.3" R.O. - DASH FROM: 00-00-00 THRU: 08-17-03 |
| | 135420-09-000 | EA | RADIO-AM/FM/CASS/CD COMBO-AUX/CD CHANGER INPUT - REMOTE COMP - DASH FROM: 08-18-03 THRU: 99-99-99 |
| | 135420-10-000 | EA | REMOTE CONTROL/RADIO (CREDIT CARD SIZE) - DASH FROM: 08-18-03 THRU: 99-99-99 |
| | 134520-11-000 | EA | REMOTE CONTROL/RADIO (STEERING WHEEL MOUNT) - DASH FROM 08-18-03 THRU: 99-99-99 |
| | 135420-05-000 | EA | RADIO - MOUNTING KIT - FORD- DASH |
| * | 143509-01-000 | EA | RADIO - AM/FM CD - W/REMOTE - JENSEN CD3010X-W - EXTERIOR ENTERTAINMENT CENTER FROM: 00-00-00 THRU: 11-09-03 |
| * | 148231-01-000 | EA | RADIO - AM/FM CD W/REMOTE - MAGNADYNE M3100CD - EXTERIOR ENTERTAINMENT CENTER FROM: 11-10-03 THRU: 99-99-99 |
| | 110469-01-000 | EA | SPEAKER - 4" X 6" OVAL - COAXIAL - EXTERIOR ENTERTAINMENT CENTER |
| | 110470-01-01A | EA | GRILLE - 4" X 6" - OVAL SPEAKER - BLACK - EXTERIOR ENTERTAINMENT CENTER |
| | 111177-01-01A | EA | GRILLE - 8.9" X 6.5" HOUSING - F/5" X 7" OVAL SPEAKER |
| | 077069-02-000 | EA | CABLE/EXTENSION - RADIO ANTENNA - 96" |
| | 077069-03-000 | EA | CABLE/EXTENSION - RADIO ANTENNA - 260" |
| | 090944-01-000 | EA | ANTENNA - RADIO - 16" RUBBER - W/72" LEAD WIRE |
| | 147741-01-09B | EA | BRACKET - ANTENNA GROUND |
| | 109889-04-000 | EA | EXTENDER - ANTENNA SHAFT - 3.7" |
| | 141679-01-000 | EA | CHARGING STATION ONLY - F/TWO WAY RADIO SYSTEM FROM: 00-00-00 THRU: 10-05-03 |
| | 141679-02-000 | EA | RADIO/BATTERY KIT - TWO WAY (4 RADIOS/8 BATTERIES) FROM: 00-00-00 THRU: 10-05-03 |
| | 141679-03-000 | EA | RADIOS - TWO WAY/DOCK STATION - ASA GMRS4WMWIN FROM: 10-06-03 THRU: 99-99-99 |
| | 141679-04-000 | EA | RADIO - TWO WAY - 5 MILE/BATTERY - ASA GMRS100 FROM: 10-06-03 THRU: 99-99-99 |
| | 108137-01-000 | EA | PLUG - ANTENNA |

***COMPONENT PARTS LISTED LATER IN THIS GROUP**

AUDIO VIDEO GROUP (CONTINUED)
COMPONENT PARTS FOR RADIO SYSTEM

143509-01-000

| KEY | PART NUMBER | U/M DESCRIPTION | VENDOR NO. |
|------------|--------------------|------------------------|-------------------|
| | 143509-01-700 | EA REMOTE - RADIO | VG70A0 |

148231-01-000

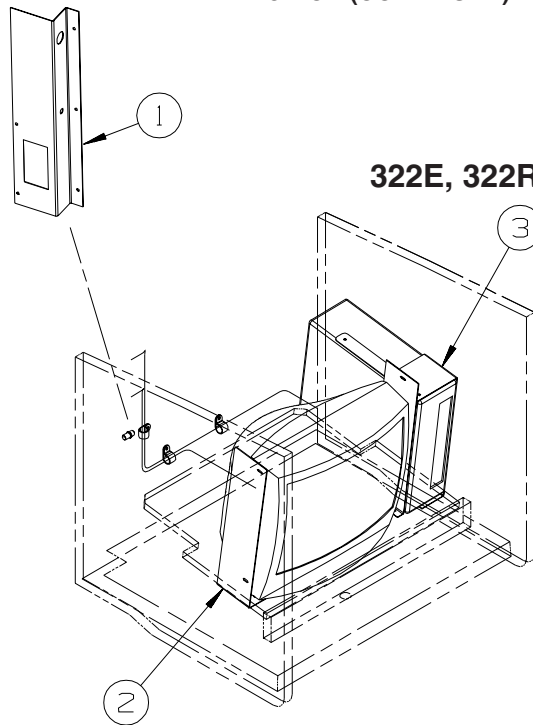
| KEY | PART NUMBER | U/M DESCRIPTION | VENDOR NO. |
|------------|--------------------|------------------------|-------------------|
| | 148231-01-700 | EA REMOTE | RC3100 |

AUDIO VIDEO GROUP (CONTINUED)
TV & VCR

| KEY | PART NUMBER | U/M | DESCRIPTION |
|-----|---------------|-----|---|
| | 076319-03-000 | FT | CABLE - COAXIAL - 75 OHM |
| | 136860-01-000 | EA | CABLE - RCA - #3 MALE TO #12F MALE CONNECTOR |
| | 076319-06-000 | EA | ADAPTER - CABLE ROOF PLATE |
| | 076319-08-000 | EA | WALLPLATE - CABLE RECEPTACLE - TV - SINGLE - IVORY |
| | 076319-09-000 | EA | WALLPLATE - TV CABLE RECEPTACLE - SINGLE - BROWN |
| | 076319-27-000 | EA | WALLPLATE/RECEPTACLE - WHITE |
| | 086777-02-000 | EA | WALLPLATE - TV CABLE - W/ANTENNA SWITCH - BLACK |
| | 086777-06-000 | EA | WALLPLATE - TV CABLE - ANTENNA BOOSTER/1 OUTPUT - BLACK |
| | 134006-01-03B | EA | PLATE - COAXIAL CABLE/OFF WHITE |
| | 139335-01-02B | EA | PLATE - ELECTRICAL - E-COATED |
| | 076319-12-000 | EA | CONNECTOR - COAXIAL - ONE PIECE |
| | 145171-01-000 | EA | CONNECTOR - COAXIAL |
| * | 076319-25-000 | EA | KIT - HARDWARE INTERIOR |
| * | 076319-23-000 | EA | ANTENNA - TV ROOF MOUNT - 44.5" MAST |
| * | 137135-02-000 | EA | ANTENNA - SATELLITE DSS - W/SENSOR |
| * | 086231-10-000 | EA | TV - 13" COLOR _ AUDIOVOX - FLEX VISION/AVT-1498 DC - 13" COLOR TV W/VCP |
| | 124075-07-000 | EA | TV - 19" - 1/8 JACK - W/RCA INPUT - RCA F19431 - 19" COLOR TV W/VIDEO SELECT SYS. - 331 |
| * | 146356-01-000 | EA | TV - 25" STEREO W/5 JACKS - SAMSUNG TXM2556 - 25" STEREO TV W/VIDEO SELECT SYS |
| * | 148230-01-000 | EA | TV - 24" - STEREO/3 JACKS - RCA 24V510T - TV 24" COLOR |
| * | 146355-01-000 | EA | DVD/VCR COMBINATION PLAYER - SAMSUNG DVD-V2000 - 24"/25" STEREO TV W/VIDEO SELECT SYS |
| * | 145641-02-000 | EA | DVD/VCR PLAYER - COMBINATION - RCA DRC6100N - TV 24" COLOR |
| * | 145641-01-000 | EA | DVD/VCR PLAYER - COMBINATION - RCA DRC6000N - 19" COLOR TV W/VIDEO SELECT SYS. - 331 FROM: 00-00-00 THRU: 08-10-03 |
| * | 145641-02-000 | EA | DVD/VCR PLAYER - COMBINATION - TCA DRC6100N - 19" COLOR TV W/VIDEO SELECT SYS. - 331 FROM: 08-11-03 THRU: 11-02-03 |
| * | 145641-03-000 | EA | DVD/VCR PLAYER - RCA DRC6200 - 19" COLOR TV W/VIDEO SELECT SYS. - 331 FROM: 11-06-03 THRU: 99-99-99 |
| * | 094487-07-000 | EA | VCP - W/O REMOTE - VERTICAL MOUNT - FLEX VISION/AVP-9000VF - 13" COLOR TV W/VCP |
| | 082134-01-000 | EA | ADAPTER - TV - CABLE TO CABLE |
| | 086756-01-000 | EA | SPLITTER - TV/2 WAY |
| | 086757-04-000 | EA | CONTROL CENTER - SWITCH - VCR/TV - 5 INPUTS |
| | 082136-01-000 | EA | NUT - HEX JAM - 3/8-32 |
| | 118847-02-02B | EA | MOUNT - SWITCH BOX - E - COATED - 19" COLOR TV W/VIDEO SELECT SYS. - 331 |
| | 146843-02-02B | EA | BRACKET/TIEDOWN - TV - E - COATED - 19" COLOR TV W/VIDEO SELECT SYS. - 331 |

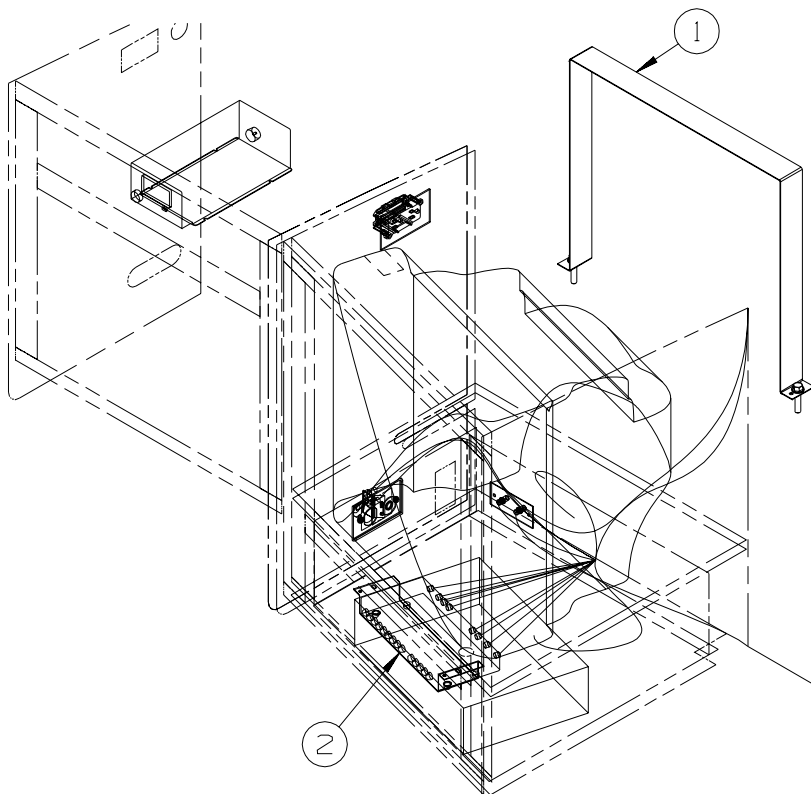
*COMPONENT PARTS LISTED LATER IN THIS GROUP

AUDIO VIDEO GROUP (CONTINUED)
TV & VCR (CONTINUED)



322E, 322R, 324V, 324F, 329B, 329K, 332G

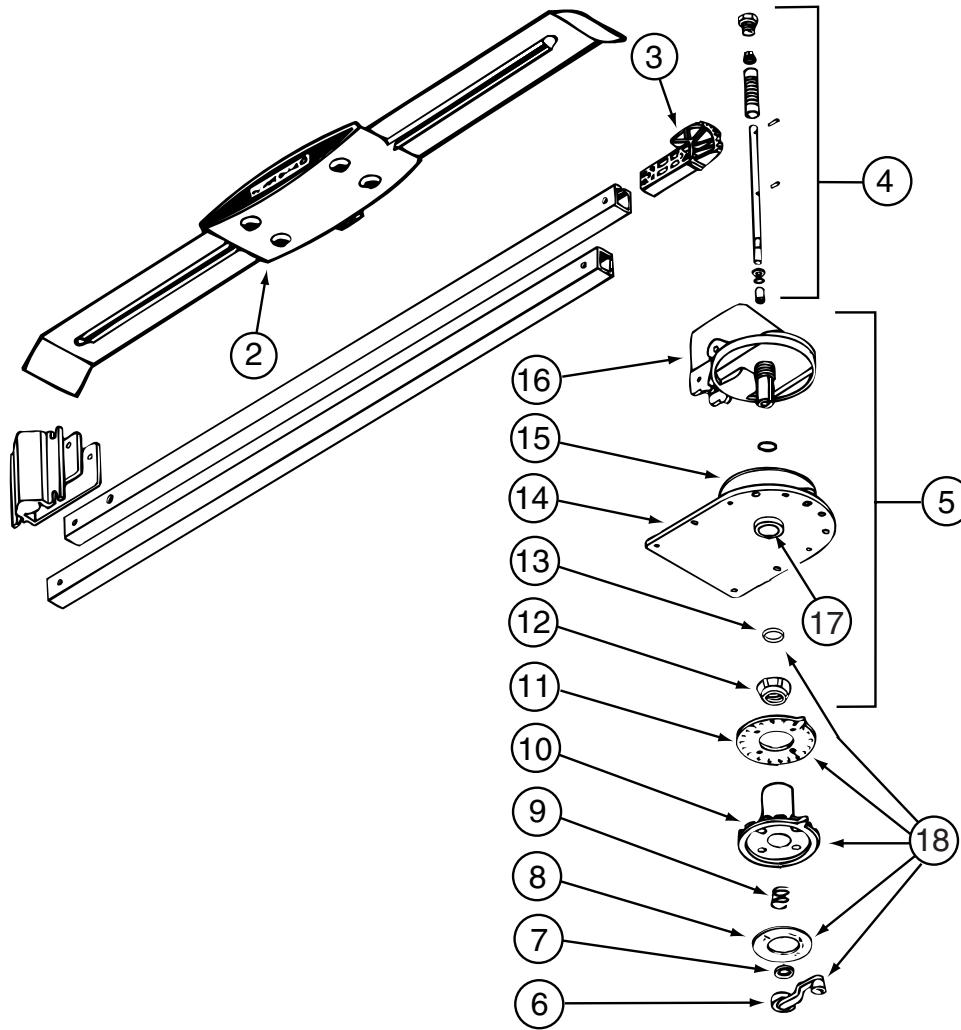
| KEY | PART NUMBER | U/M | DESCRIPTION |
|-----|---------------|-----|-------------------------------------|
| 1 | 122469-01-02B | EA | BRACKET - ZEE - 13" TV W/VCP-12V |
| 1 | 122469-02-02B | EA | BRACKET - ZEE - W/CUTOUT - E-COATED |
| 2 | 143650-01-02B | EA | BRACKET - TV - E-COATED |
| 3 | 143676-02-02B | EA | BRACKET - VCP - E-COATED |



331

| KEY | PART NUMBER | U/M | DESCRIPTION |
|-----|---------------|-----|---------------------------------|
| 1 | 146843-02-02B | EA | BRACKET/TIEDOWN - TV - E-COATED |
| 2 | 118847-02-02B | EA | MOUNT - SWITCH BOX - E-COATED |

AUDIO VIDEO GROUP (CONTINUED)
COMPONENT PARTS FOR TV & VCR



076319-23-000

| KEY | PART NUMBER | U/M | DESCRIPTION | VENDOR NO. |
|-----|---------------|-----|-------------------------|------------|
| 2 | 076319-01-700 | EA | HEAD-ANTENNA, AMPLIFIED | RVSA U/V |
| 3 | 076319-01-701 | EA | GEAR-ELEVATING, PLASTIC | 2200046 |
| 4 | 076319-01-702 | EA | SHAFT ASM-ELEVATING | RP-4000 |
| 5 | 076319-01-711 | EA | BASE & LIFT ASM | 2762802 |
| 7 | 076319-01-705 | EA | GROMMET-NYLON, 7/8"ID | 3200658 |
| 8 | 076319-01-708 | EA | DECAL-CRANK | 5413002 |
| 9 | 076319-01-707 | EA | SPRING-HANDLE | 2160822 |
| 11 | 076319-01-712 | EA | PLATE - CEILING | 3200608 |
| 12 | 076319-01-715 | EA | NUT (GEAR HOUSING) | 2200047 |
| 14 | 076319-01-713 | EA | BASE-PLATE, STEEL | 3100523 |
| 15 | 076319-01-703 | EA | BEARING-NYLON, 5"OD | 3200656 |
| 16 | 076319-01-714 | EA | HOUSING, ROTATING GEAR | 2200049 |
| | 076319-01-716 | EA | TUBING, ELEVATING | RP-2900 |
| 17 | 076319-01-704 | EA | BEARING-NYLON, 1.25"OD | 3200657 |
| 18 | 076319-01-709 | EA | HANDLE-HEAD DIRECTIONAL | 200644 |

CONTACT WINNEBAGO PART SALES FOR UNLISTED COMPONENT

076319-25-000

| KEY | PART NUMBER | U/M | DESCRIPTION | VENDOR NO. |
|-----|---------------|-----|------------------------------|------------|
| 6 | 076319-01-706 | EA | CRANK-W/SET SCREW UNIV/BEIGE | 2750897 |
| 6 | 120233-01-710 | EA | HANDLE-CRANK W/SCREW - WHITE | RP-6795 |
| 8 | 076319-01-708 | EA | DECAL-CRANK | 5413002 |
| 10 | 076319-25-700 | EA | DIRECTIONAL HANDLE(WHITE) | 3200612 |
| 11 | 076319-25-701 | EA | PLATE - CEILING(WHITE) | 3200609 |
| 13 | 120233-01-709 | EA | WASHER-NYLON | RP-2658 |

CONTACT WINNEBAGO PART SALES FOR UNLISTED COMPONENTS

AUDIO VIDEO GROUP (CONTINUED)
COMPONENT PARTS FOR TV & VCR (CONTINUED)

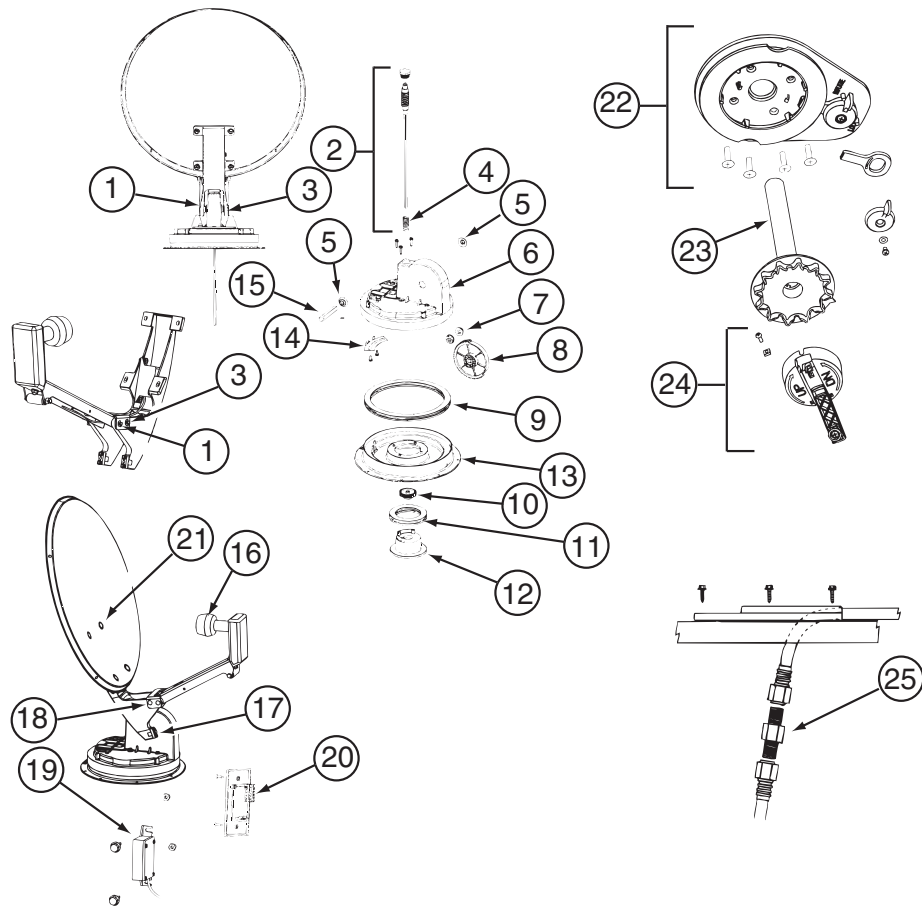
086231-10-000

| KEY | PART NUMBER | U/M | DESCRIPTION | VENDOR NO. |
|------------|--------------------|------------|------------------------------|-------------------|
| | 086231-08-700 | EA | REMOTE-UNIVERSAL | 892325 |
| | 086231-08-701 | EA | CONVERTER/POWER SUP 110/12 V | 891436 |
| | 086231-10-700 | EA | ADAPTER WIRE - (CIGARETTE) | 894000 |

094487-07-000

| KEY | PART NUMBER | U/M | DESCRIPTION | VENDOR NO. |
|------------|--------------------|------------|--------------------|-------------------|
| | 086231-08-700 | EA | REMOTE-UNIVERSAL | 0892325 |

AUDIO VIDEO GROUP (CONTINUED)
COMPONENT PARTS FOR TV & VCR (CONTINUED)



137135-02-000

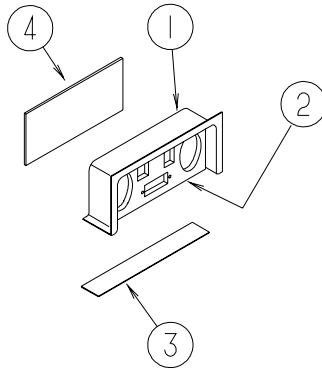
| KEY | PART NUMBER | U/M | DESCRIPTION | VENDOR NO. |
|-----|---------------|-----|------------------------------|----------------|
| 1 | 120233-01-714 | EA | CLIP-E | 5160818 |
| 2 | 137135-01-703 | EA | KIT ELEV - SHAFT/GEAR/SPRING | RP-4400 |
| 3 | 137135-01-704 | EA | PIN - 1/4" X 3.25" | 2160813 |
| 4 | 137135-01-705 | EA | SPRING | 2160818 |
| 5 | 137135-01-707 | EA | SEAL - PIVOT SHAFT | 2200852 |
| 6 | 137135-01-708 | EA | TURRET | 3100728 |
| 7 | 137135-01-709 | EA | PIVOT BEARING | 2200470 |
| 8 | 137135-01-711 | EA | GEAR - ELEVATING | 2200464 |
| 9 | 137135-01-712 | EA | BEARING - OUTER | 2590347 |
| 10 | 137135-01-714 | EA | GEAR - ELEVATING SHAFT | 2200465 |
| 11 | 137135-01-715 | EA | BEARING - INNER | 2590348 |
| 12 | 137135-01-716 | EA | HUB | 3100731 |
| 13 | 137135-01-713 | EA | TURRET BASE | 3100730 |
| 14 | 137135-01-710 | EA | PLATE - ROTATE LIMIT | 3720052 |
| 16 | 137135-02-703 | EA | LOW NOISE BLOCK FILTER | LB-6000 - DUAL |
| 17 | 137135-01-722 | EA | CLAMP | 2590343 |
| 18 | 137135-01-719 | EA | BRACKET - PIVOT | 2744945 |
| 19 | 137135-01-720 | EA | DE-SENSOR UNIT W/43" CABLE | DM4000 |
| 20 | 137135-02-701 | EA | BOX - SURFACE MOUNT | SM-100 |
| 21 | 137135-01-717 | EA | BOLT - FLAT HEAD | 2160362 |
| 22 | 120233-01-737 | EA | PLATE/INT-W/DIRECTIONAL HDLE | RK-CEIL |
| 23 | 120233-01-704 | EA | DIAL/DIRECTIONAL 4"W/SPRING | 3200364 |
| 24 | 120233-01-738 | EA | HDW PKG-HANDLE/SPRING/WASHER | RK-HAND |
| 25 | 137135-01-701 | EA | CONNECTOR - F - MALE TO MALE | FS-8100 |
| | 120233-04-700 | EA | KIT-WALL PLATE/CABLE - GRAY | DM4000 |
| | 137135-01-700 | EA | ROOF WEDGE W/GASKET | RW-5000 |
| | 137135-01-706 | EA | KIT-TURRET/SEAL/BEARING/GEAR | RP-RM30 |
| | 137135-01-718 | EA | REFLECTOR/WHITE-46CM W/HDW | RP-35RM |
| | 137135-02-700 | EA | DE-SENSOR | 2780096 |
| | 137135-02-704 | EA | KIT-UPDATE DIRECTIONAL HDL | RP-RMDH |

CONTACT WINNEBAGO PART SALES FOR UNLISTED COMPONENT(S)

AUDIO VIDEO GROUP (CONTINUED)
COMPONENT PARTS FOR TV & VCR (CONTINUED)

| | | | | |
|------------|--------------------|------------------------|-------------------------------------|-------------------|
| | | | 145641-01-000 | |
| KEY | PART NUMBER | U/M DESCRIPTION | | VENDOR NO. |
| | 145641-01-700 | EA REMOTE | | 258154 |
| | | | 145641-02-000 | |
| KEY | PART NUMBER | U/M DESCRIPTION | | VENDOR NO. |
| | 145641-02-700 | EA REMOTE | | 260607 |
| | | | 145641-03-000 | |
| KEY | PART NUMBER | U/M DESCRIPTION | | VENDOR NO. |
| | 145641-03-700 | EA REMOTE | | RCR311DA1 |
| | | | 146355-01-000 | |
| KEY | PART NUMBER | U/M DESCRIPTION | | VENDOR NO. |
| | 146355-01-700 | EA REMOTE-DVD | | AC59-00058K |
| | | | 146356-01-000 | |
| KEY | PART NUMBER | U/M DESCRIPTION | | VENDOR NO. |
| | 146356-01-700 | EA REMOTE - TV | | AA59-10110H |
| | | | 148230-01-000, 148230-02-000 | |
| KEY | PART NUMBER | U/M DESCRIPTION | | VENDOR NO. |
| | 148230-01-700 | EA REMOTE (TV) | | RCR311TBM1 |

AUDIO VIDEO GROUP (CONTINUED)
EXTERIOR ENTERTAINMENT



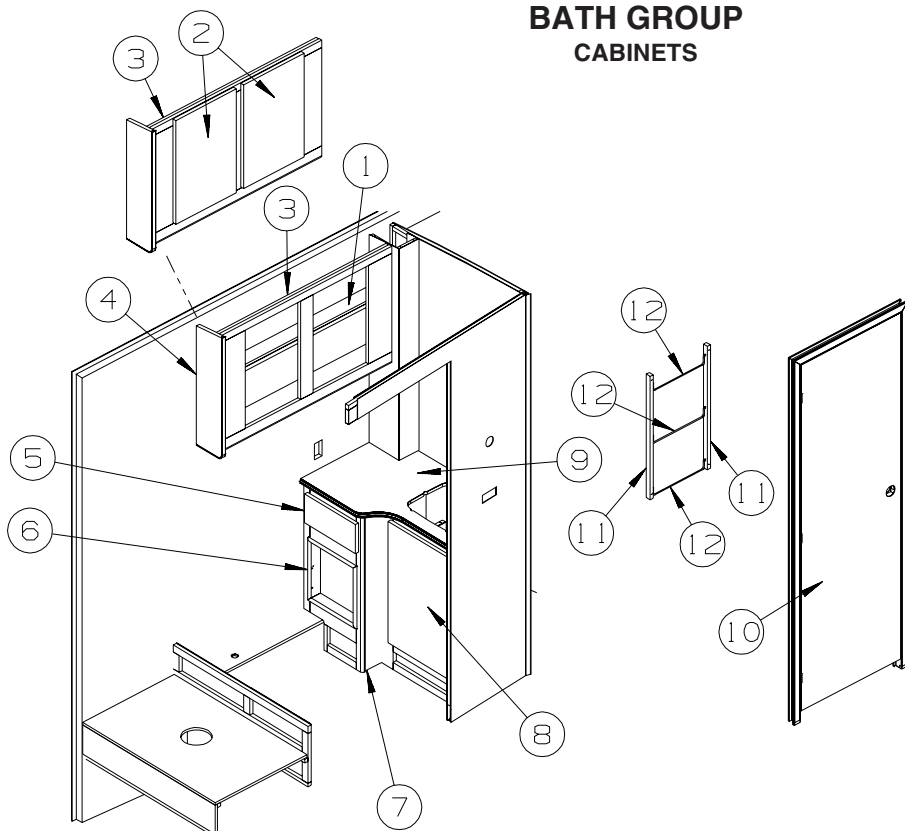
331, 322E, 322R

| KEY | PART NUMBER | U/M | DESCRIPTION |
|-----|---------------|-----|--|
| 1 | 124696-01-01A | EA | BOX - ENTERTAINMENT CENTER/EXTERIOR - BRIGHT WHITE |
| 2 | 127409-02-L15 | EA | PLATE - RADIO MOUNTING |
| 3 | 104898-01-02A | EA | PLATE - PLASTIC BOTTOM - BRIGHT WHITE |
| 4 | 104898-02-02A | EA | PLATE - PLASTIC BACK - BRIGHT WHITE |

329B, 329K, 324V, 332G, 324F

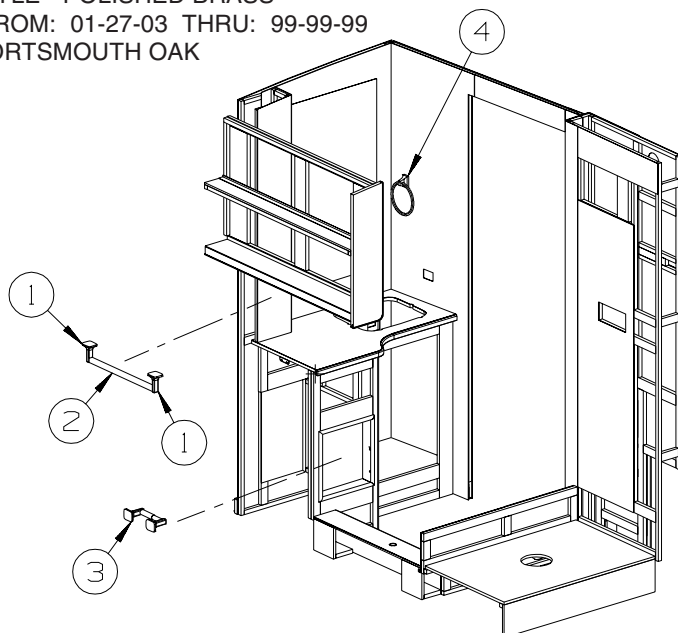
| KEY | PART NUMBER | U/M | DESCRIPTION |
|-----|---------------|-----|--|
| 1 | 124696-02-01A | EA | BOX - ENTERTAINMENT CENTER/EXTERIOR - BRIGHT WHITE |
| | 124696-01-01A | EA | BOX - ENTERTAINMENT CENTER/EXTERIOR - BRIGHT WHITE |
| 2 | 127409-02-L15 | EA | PLATE - RADIO MOUNTING |
| 3 | 104898-01-02A | EA | PLATE - PLASTIC BOTTOM - BRIGHT WHITE |
| 4 | NOT USED | | |

BATH GROUP CABINETS

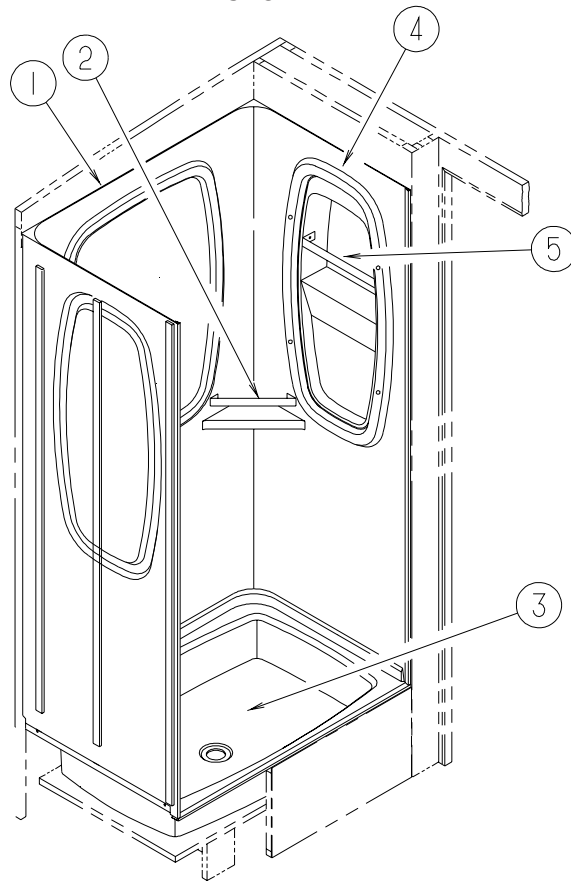


| KEY | PART NUMBER | U/M | DESCRIPTION |
|-----|---------------|-----|---|
| 1 | 141148-14-P07 | EA | SHELF - W/PLASTIC EDGE MOLDING |
| 2 | 136955-A6-P10 | EA | DOOR - RAISED PANEL/PENCIL EDGE - 14.4" X 21.9" - W/O HDW |
| 2 | 076767-04-000 | EA | CABLE - STAINLESS STEEL - 5.9" |
| 3 | 141148-01-P07 | EA | CABINET - MEDICINE - W/O DOORS/HARDWARE |
| 4 | 140307-13-P07 | EA | END CAP - OVERHEAD CABINET |
| 5 | 145492-36-R10 | EA | DRAWER - PENCIL EDGE - 10.7"W X 13.8"D-W/O SLIDES/HARDWARE |
| 6 | 137602-07-N01 | EA | POCKET - MAGAZINE - PORTSMOUTH OAK |
| 7 | 137759-01-N01 | EA | CABINET - LAVATORY - W/O COUNTERTOP/DOORS/DRAWERS/HARDWARE |
| 8 | 136919-C3-P10 | EA | DOOR - FLAT/PENCIL EDGE - 15.3" X 25.6" - W/O HARDWARE |
| 9 | 133654-30-R07 | EA | COUNTERTOP - LAMINATED - EGGSHELL/PORTSMOUTH OAK (R10) |
| 9 | 133654-30-R08 | EA | COUNTERTOP - LAMINATED - GRAY TRANQUILITY/PORTSMOUTH OAK (R11) |
| 9 | 133654-30-R09 | EA | COUNTERTOP - LAMINATED - LINO FRIEZE/PORTSMOUTH OAK (R12) |
| 10 | 144645-03-R28 | EA | DOOR - BATH - W/O TOWEL RACK/HARDWARE |
| | 111155-05-01A | EA | LOCK - PRIVACY/LOCKING - POLISHED BRASS - "S" SHAPE HANDLE FROM: 00-00-00 THRU: 01-26-03 |
| | 146064-01-01A | EA | LOCK/PRIVACY (LOCKING) LEVER STYLE - POLISHED BRASS FROM: 01-27-03 THRU: 99-99-99 |
| 11 | P34509-01-N01 | EA | RAIL END - RH/LH - TOWEL RACK - PORTSMOUTH OAK |
| 12 | 146801-01-01A | EA | ROD/TOWEL BAR (OFFSET) - BRASS |

| KEY | PART NUMBER | U/M | DESCRIPTION |
|-----|---------------|-----|-------------------------------|
| 1 | 145980-04-01A | EA | TOWEL BAR - POST - PAIR/BRASS |
| 2 | 145980-05-01A | EA | TOWEL BAR - 18" - BRASS |
| 3 | 145980-01-01A | EA | PAPER HOLDER - BRASS |
| 4 | 145980-06-01A | EA | TOWEL RING - BRASS |



BATH GROUP (CONTINUED)
SHOWER



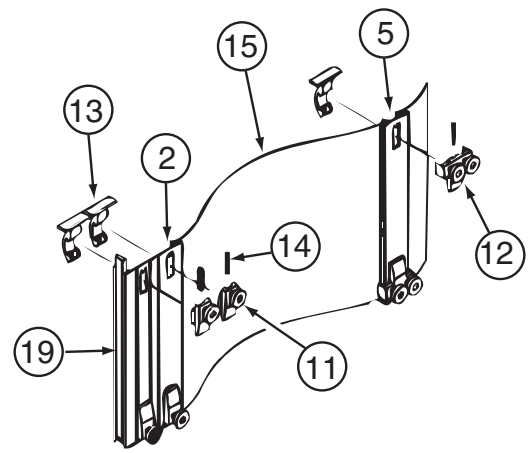
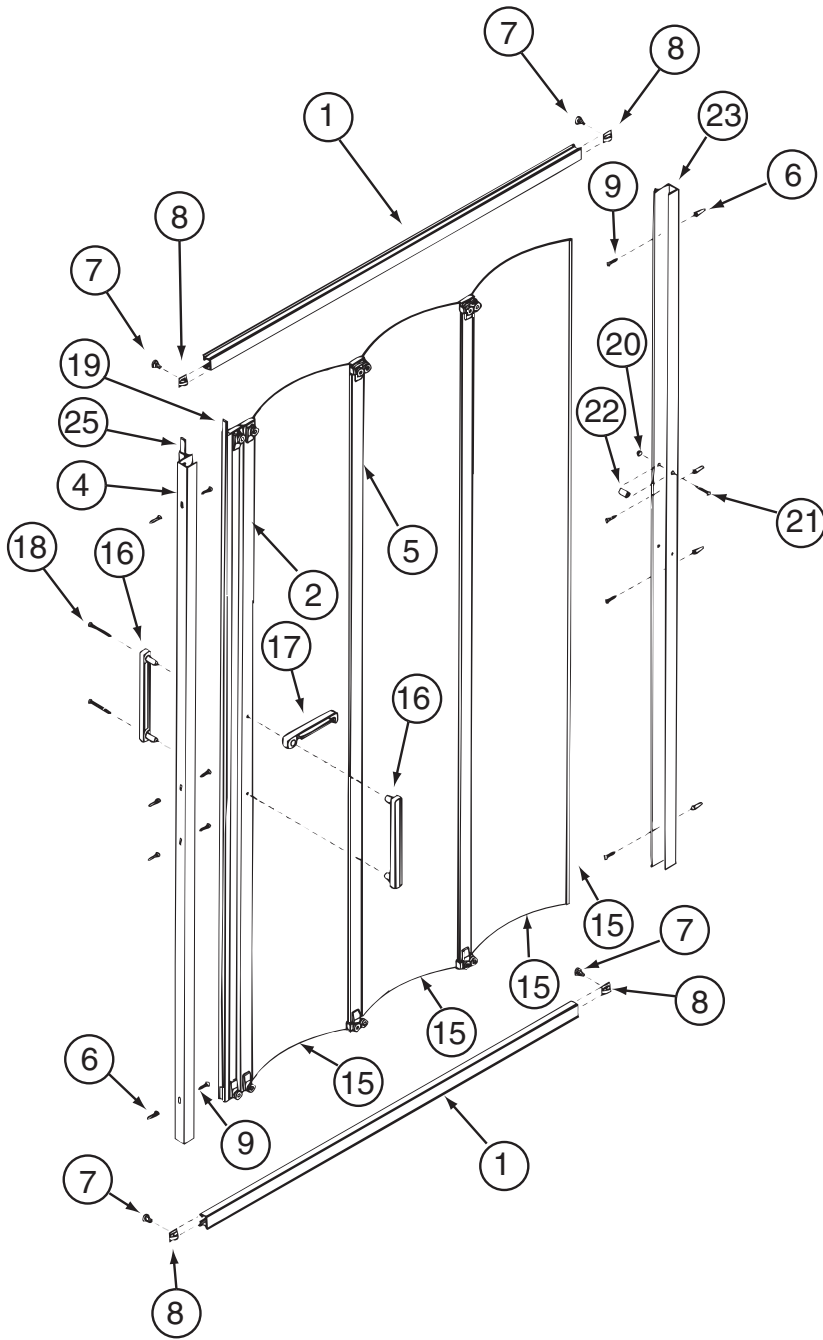
| KEY | PART NUMBER | U/M | DESCRIPTION |
|-----|---------------|-----|--|
| 1 | 104464-04-02A | EA | SURROUND - SHOWER - SOFT WHITE |
| 2 | 113714-04-02A | EA | RETAINER - SHELF/SHOWER - SOFT WHITE |
| 3 | M02630-22-K04 | EA | SHOWER PAN - W/SPRING LOADED DRAIN PLUNGER |
| 4 | NOT USED | | |
| 5 | NOT USED | | |

SHOWER DOOR

| KEY | PART NUMBER | U/M | DESCRIPTION |
|-----|---------------|-----|---|
| * | 135615-02-01A | EA | DOOR - SHOWER/FOLDING - 34.1" X 62.9" - WHITE |

***COMPONENT PARTS LISTED LATER IN THIS GROUP**

BATH GROUP (CONTINUED)
COMPONENT PARTS FOR SHOWER DOOR



Roller Assembly Detail

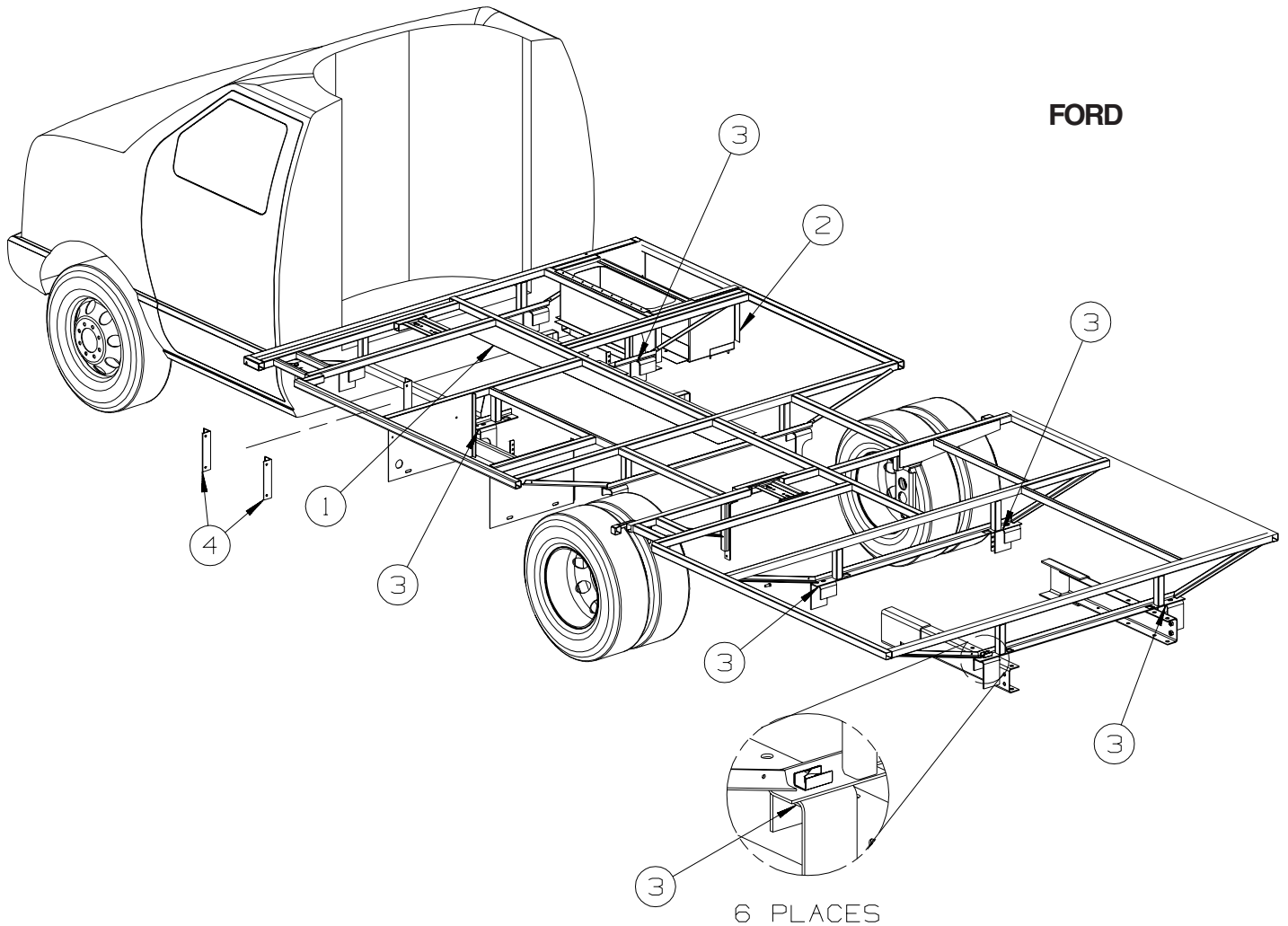
135615-01-01A, 135615-02-01A, 135615-05-01A

| KEY | PART NUMBER | U/M | DESCRIPTION | VENDOR NO. |
|-----|---------------|-----|--------------------------------|------------|
| 1 | 135615-01-702 | EA | TRACK - (TOP/BOTTOM) - 40" | 117W |
| 2 | 135615-01-701 | EA | STRIKE ASSEMBLY - 66" | 109W |
| 4 | 135615-01-703 | EA | JAMB/WALL - W/O MAG STRIKE 66" | 112W |
| 11 | 108351-01-703 | EA | BRACKET & ROLLER ASM. SINGLE | GRB1 |
| 12 | 108351-01-704 | EA | BRACKET & ROLLER ASM. DOUBLE | GRB2 |
| 13 | 108351-01-705 | EA | CLIP ONLY F/SGL/DBL ROLLER | GRC1 |
| 14 | 108351-01-706 | EA | SPRING-ROLLER BRACKET | GS1 |
| 16 | 108351-01-701 | EA | HANDLES-DOOR, SET | SFH |
| 17 | 108351-01-702 | EA | LATCH-DOOR | SFL |
| 23 | 135615-01-704 | EA | JAMB/WALL PANEL RECEIVER 66" | 110W |
| 25 | 135615-01-700 | EA | STRIP/MAGNETIC - 66" | 98-41W |

CONTACT WINNEBAGO PART SALES FOR UNLISTED COMPONENT(S)

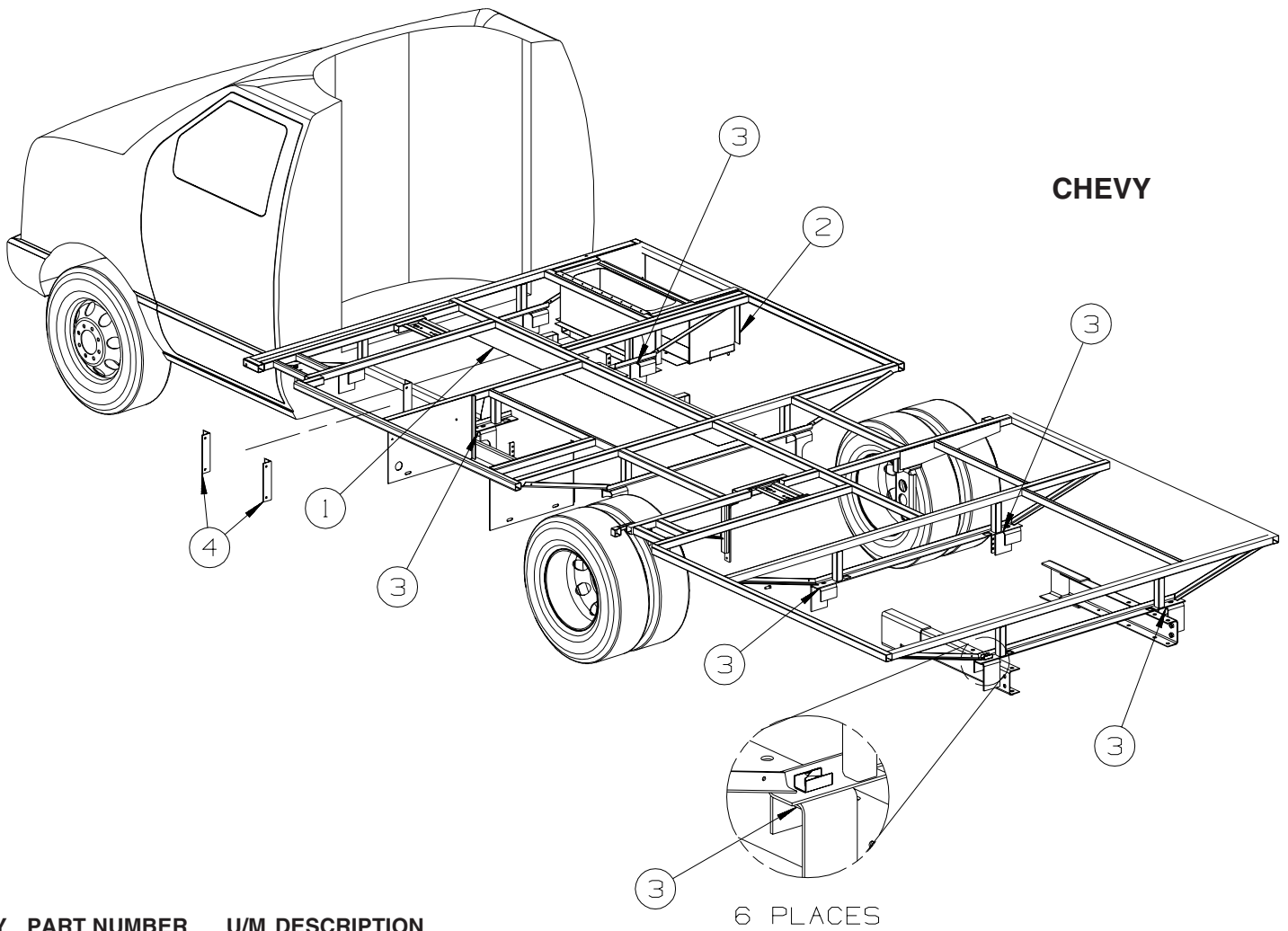
CHASSIS GROUP FRAME

FORD



| KEY | PART NUMBER | U/M | DESCRIPTION |
|-----|---------------|-----|---|
| 1 | 135676-06-02B | EA | SHIELD - HEAT - E - C COATED |
| 2 | 135458-04-02B | EA | BOX - ENTRY STEP - E - COATED |
| 2 | 139998-01-01B | EA | SUPPORT - BASE - ENTRY STEP - MILL FINISH |
| 3 | 135712-01-02B | EA | PLATE - BODY MOUNT - E - COATED |
| 4 | 141218-02-02B | EA | BRACKET - LP SUPPORT - E-COATED |
| | | | FROM: 00-00-00 THRU: 11-25-03 |
| 4 | 141218-06-02B | EA | BRACKET - LP SUPPORT - E-COATED |
| | | | FROM: 11-26-03 THRU: 99-99-99 |

CHASSIS GROUP (CONTINUED)



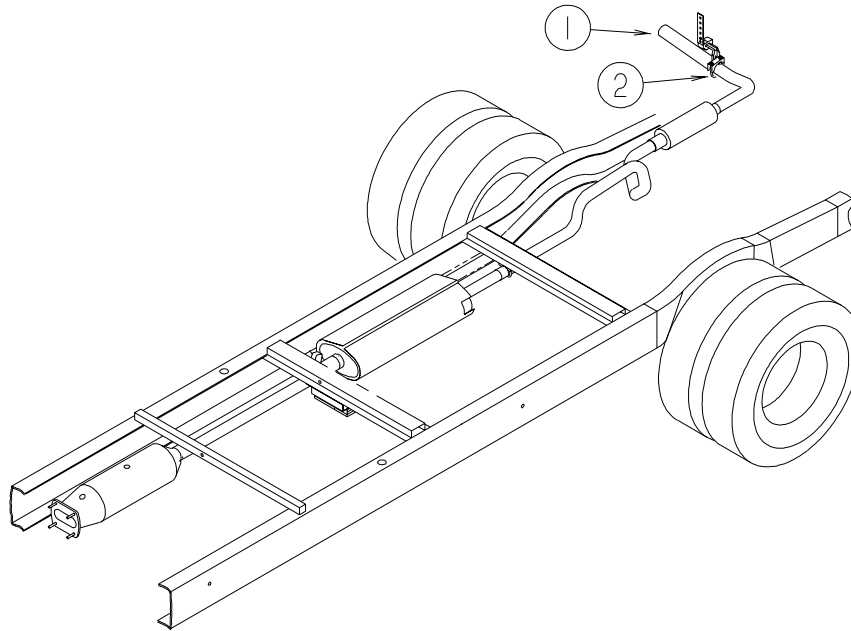
| KEY | PART NUMBER | U/M | DESCRIPTION |
|-----|---------------|-----|---|
| 1 | 135676-07-02B | EA | SHIELD - HEAT - E - C COATED |
| 2 | 135458-04-02B | EA | BOX - ENTRY STEP - E - COATED |
| 2 | 139998-01-01B | EA | SUPPORT - BASE - ENTRY STEP - MILL FINISH |
| 3 | 135712-01-02B | EA | PLATE - BODY MOUNT - E - COATED |
| 4 | 141218-02-02B | EA | BRACKET - LP SUPPORT - E-COATED |

6 PLACES

CHASSIS GROUP (CONTINUED)

DRIVETRAIN

| KEY | PART NUMBER | U/M | DESCRIPTION |
|-----|---------------|-----|---|
| | 103653-23-000 | EA | BOLT - U-JOINT - 5/16-24 X .75 |
| | 103653-24-000 | EA | STRAP - U-JOINT |
| | 131695-06-000 | EA | DRIVESHAFT - 3 BALANCED - 220" WHEELBASE - 331 |
| | 131695-09-000 | EA | DRIVESHAFT - 3 BALANCED - 215" WHEELBASE - 332G |
| | 131694-09-000 | EA | DRIVESHAFT ASSEMBLY - BALANCED PAIR - 190" WHEELBASE - 329B, 329K |



CHEVY

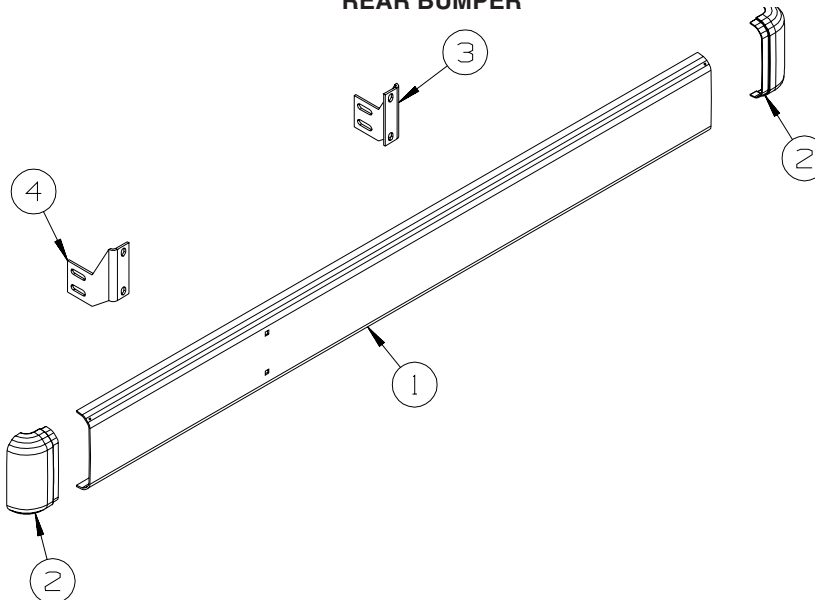
EXHAUST

| KEY | PART NUMBER | U/M | DESCRIPTION |
|-----|---------------|-----|-------------------------------|
| 1 | 129846-02-000 | EA | PIPE - EXHAUST - TAIL - 3" |
| 2 | 007125-08-000 | EA | CLAMP - MUFFLER - 3" DIAMETER |

HITCH

| KEY | PART NUMBER | U/M | DESCRIPTION |
|-----|---------------|-----|---|
| | 130339-04-000 | EA | HITCH RECEIVER - BOLT ON CLASS II - 3500# - CHEVY |
| | 130339-11-000 | EA | HITCH RECEIVER - BOLT ON CLASS III - FORD |

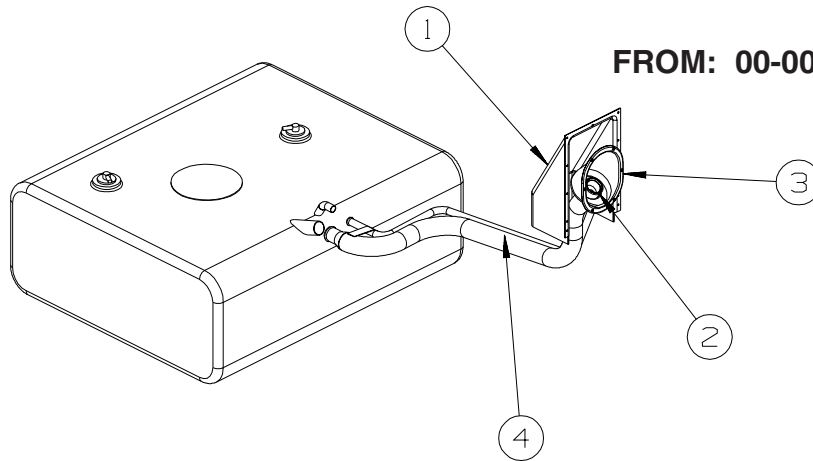
REAR BUMPER



| KEY | PART NUMBER | U/M | DESCRIPTION |
|-----|---------------|-----|--------------------------------------|
| 1 | 103099-05-02A | EA | BUMPER - REAR - 91.7" - BRIGHT WHITE |
| 2 | 106147-02-03A | EA | END CAP - BUMPER - BRIGHT WHITE |
| 3 | 136945-03-02B | EA | BRACKET - BUMPER - REAR - E-COATED |
| 4 | 136945-04-02B | EA | BRACKET - BUMPER - REAR - E-COATED |
| | 038327-01-000 | EA | TAPE - ANTI-SLIP - 2" X 60' |

CHASSIS GROUP (CONTINUED) FUEL

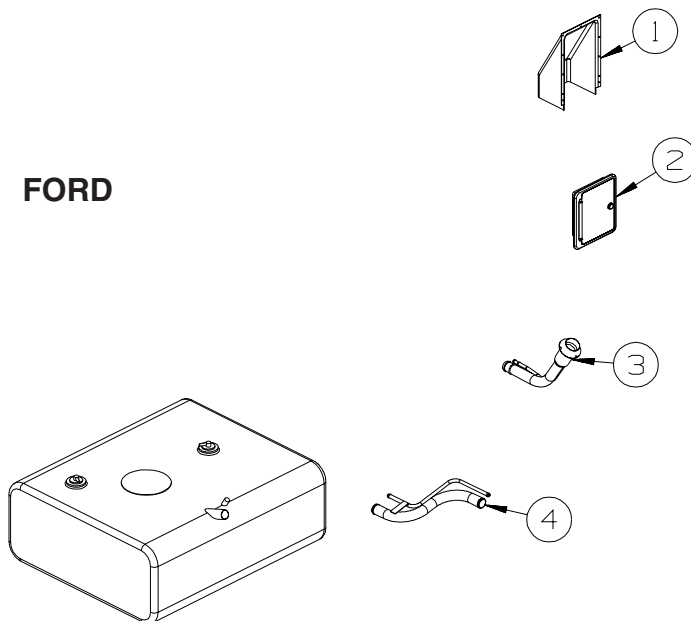
FORD



FROM: 00-00-00 THRU: 10-15-03

| KEY | PART NUMBER | U/M | DESCRIPTION |
|-----|---------------|-----|--|
| 1 | 135557-02-01A | EA | SHROUD - FUEL FILL/UPPER |
| 2 | 078200-01-000 | EA | GASKET - FUEL FILL - 3.5"OD X 2"ID |
| 3 | 127291-02-01A | EA | SHROUD - FUEL FILL - BRIGHT WHITE |
| 4 | 137923-02-000 | EA | NECK - FUEL FILL - .50" VENT |
| | 149468-01-000 | EA | FITTING - F/FUEL-SENDING UNIT - 1/4" |
| | 128139-03-000 | FT | HOSE - FUEL - LOW PERMEABILITY - 1/4" DIAMETER - GENERATOR PREP |
| | 084884-01-000 | EA | PLUG - BRASS - 3/8" - WITHOUT GENERATOR |

FORD

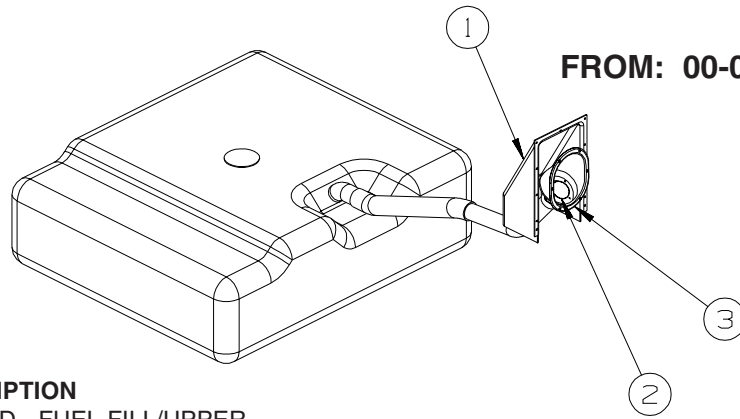


FROM: 10-16-03 THRU: 99-99-99

| KEY | PART NUMBER | U/M | DESCRIPTION |
|-----|---------------|-----|------------------------------|
| 1 | 135557-02-01A | EA | SHROUD - FUEL FILL - UPPER |
| 2 | 147587-01-01A | EA | DOOR - FUEL FILL |
| 3 | 148789-01-000 | EA | NECK - FUEL FILL |
| 4 | 148650-02-000 | EA | NECK - FILLER/MAIN/EXTENSION |

CHASSIS GROUP (CONTINUED)

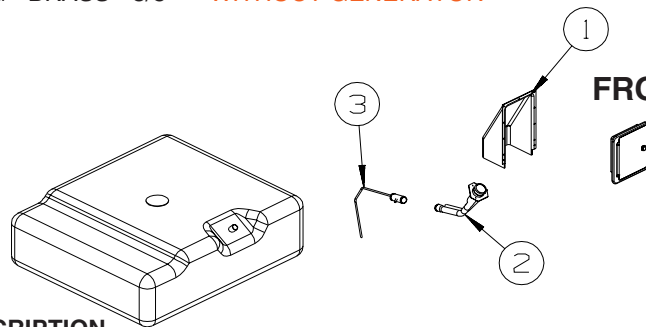
FUEL (CONTINUED)



FROM: 00-00-00 THRU: 10-22-03

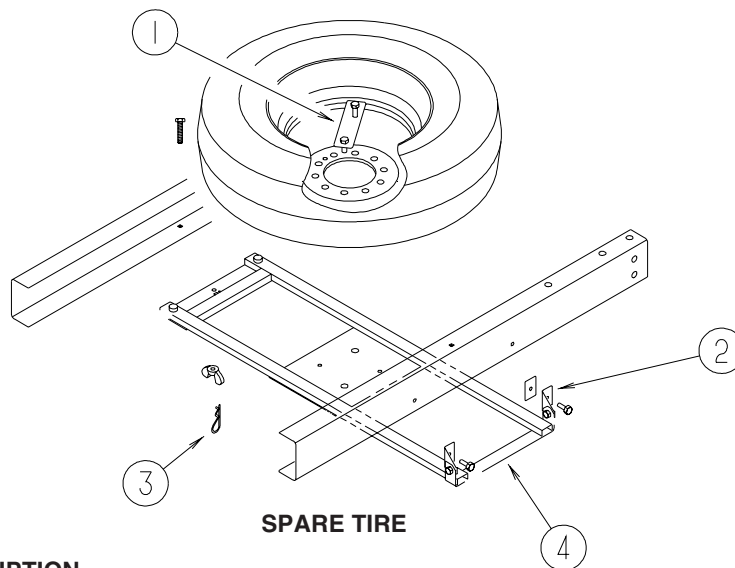
CHEVY

| KEY | PART NUMBER | U/M | DESCRIPTION |
|-----|---------------|-----|---|
| 1 | 135557-02-01A | EA | SHROUD - FUEL FILL/UPPER |
| 2 | 078200-01-000 | EA | GASKET - FUEL FILL - 3.5"OD X 2"ID |
| 3 | 127291-01-01A | EA | SHROUD - FUEL FILL - BRIGHT WHITE |
| | 128139-03-000 | FT | HOSE - FUEL - LOW PERMEABILITY - 1/4" DIAMETER - GENERATOR PREP |
| | 084884-01-000 | EA | PLUG - BRASS - 3/8" - WITHOUT GENERATOR |



FROM: 10-23-03 THRU: 99-99-99

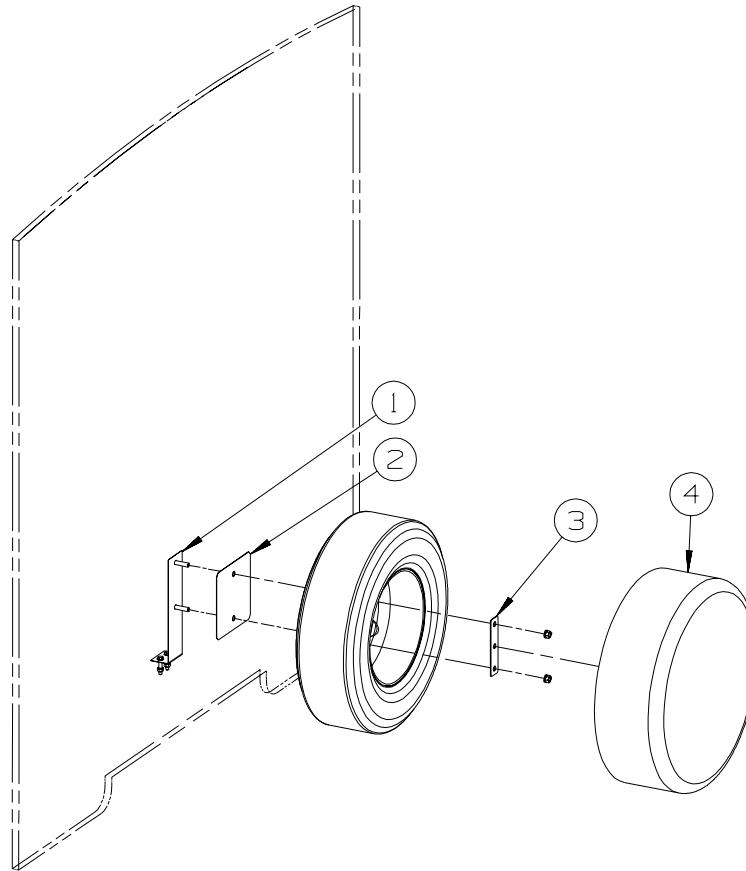
| KEY | PART NUMBER | U/M | DESCRIPTION |
|-----|---------------|-----|---|
| 1 | 135557-02-01A | EA | SHROUD - FUEL FILL/UPPER |
| 2 | 150120-01-000 | EA | NECK - FUEL FILL |
| 3 | 146977-02-000 | EA | ADAPTOR - FUEL FILL - GENERATOR PICKUP |
| | 128139-03-000 | FT | HOSE - FUEL - LOW PERMEABILITY - 1/4" DIAMETER - GENERATOR PREP |
| | 084884-01-000 | EA | PLUG - BRASS - 3/8" - WITHOUT GENERATOR |



SPARE TIRE

| KEY | PART NUMBER | U/M | DESCRIPTION |
|-----|---------------|-----|--|
| 1 | 116338-02-02B | EA | BRACKET/CLAMP - SPARE TIRE - E-COATED |
| 2 | 116349-04-02B | EA | BRACKET - HINGE - SPARE TIRE - E-COATED - 324F, 324V, 329B, 332G, 329K |
| 2 | 116349-01-02B | EA | BRACKET - HINGE - SPARE TIRE - E-COATED - 331 |
| 3 | 034513-01-000 | EA | PIN - HITCH - 3/16" WIRE |
| 4 | 135796-02-02B | EA | CRADLE - SPARE TIRE - E-COATED - 324F, 324V, 329B, 332G, 329K |
| 4 | 135796-04-02B | EA | CRADLE - SPARE TIRE - E-COATED - 331 |
| | 069726-02-000 | EA | BUMPER - .88" OD X .40" THICK - BLACK |
| | 144388-01-000 | EA | TIRE - LT225/75R16 LRD - UNIROYAL LAREDO HD |

CHASSIS GROUP (CONTINUED)
SPARE TIRE (CONTINUED)



| KEY | PART NUMBER | U/M | DESCRIPTION |
|-----|---------------|-----|---------------------------------------|
| 1 | 105209-05-C52 | EA | BRACKET ASSEMBLY - SPARE TIRE - CHEVY |
| 1 | 105209-03-C52 | EA | BRACKET ASSEMBLY - SPARE TIRE - FORD |
| 2 | 105208-01-000 | EA | PLATE - SPARE TIRE |
| 3 | 143547-01-02B | EA | RETAINER - SPARE TIRE - E-COATED |
| 4 | 073322-09-N06 | EA | COVER - TIRE - 30" |
| | 073322-50-000 | EA | COVER - UNIVERSAL LINER |

WHEEL, TIRES, COVERS &/OR LINERS

| KEY | PART NUMBER | U/M | DESCRIPTION |
|-----|---------------|-----|---|
| | 112358-01-000 | EA | WRENCH - LUG - 7/8" - L-SHAPE |
| * | 109443-05-000 | EA | WHEEL COVER - 4/SET - 16" STAINLESS STEEL - 8 LUG |
| | 083425-14-000 | EA | TIRE - LT225/75R16 LRE - MICHELIN LTX M/S - FORD |
| | 144388-01-000 | EA | TIRE - LT225/75R16 LRD - UNIROYAL LAREDO HD - GM |
| | 083617-04-000 | EA | WHEEL - STEEL - 6" X 16" - FORD |
| * | 110435-13-000 | EA | LINER - WHEEL - SET OF 4 - 16" (8 HOLE) - FORD |
| * | 144647-01-000 | EA | LINER - WHEEL SET (SET=4) 16" - GM |
| | 077030-01-000 | EA | EXTENSION - VALVE STEM - 1.25" - METAL |
| | 077030-02-000 | EA | EXTENSION - VALVE STEM - 1.25" - PLASTIC |
| | 095012-05-000 | EA | EXTENSION/VALVE STEM - LIVE - 5" |
| | 095012-06-000 | EA | STABILIZER/VALVE EXTENSION - LIVE - 2" |
| | 051377-04-000 | EA | VALVE STEM - .5" X 2" |
| | 051377-03-000 | EA | VALVE STEM |

***COMPONENT PARTS LISTED LATER IN THIS GROUP**

CHASSIS GROUP (CONTINUED)
COMPONENT PARTS FOR WHEEL, TIRE, COVERS &/OR LINERS

109443-05-000

| KEY | PART NUMBER | U/M | DESCRIPTION | VENDOR NO. |
|------------|--------------------|------------|--------------------------|-------------------|
| | 098532-01-700 | EA | COVER-LUG NUT (CHROME) | SHAU-LNC |
| | 109443-05-700 | EA | COVER-WHEEL, 16" SS EA=1 | SHFM16-CVR |

110435-13-000

| KEY | PART NUMBER | U/M | DESCRIPTION | VENDOR NO. |
|------------|--------------------|------------|----------------------------|-------------------|
| | 110435-01-711 | EA | DECAL-CENTER CAP, 2" | 2" DECAL |
| | 110435-10-705 | EA | TOOL/JAMB NUT INSTALLATION | V195P7-TOL |
| | 110435-13-700 | EA | LINER - WHEEL - FRONT | V160F7-FWC |
| | 110435-13-701 | EA | LINER - WHEEL - REAR | V160F7-RWC |
| | 110435-13-702 | EA | JAMB NUT W/COVER - 9/16" | V160F7-EJN |

144647-01-000

| KEY | PART NUMBER | U/M | DESCRIPTION | VENDOR NO. |
|------------|--------------------|------------|-----------------------------|-------------------|
| | 110435-01-711 | EA | DECAL-CENTER CAP, 2" | 2" DECAL |
| | 144647-01-700 | EA | WHEEL COVER - FRONT/1 PIECE | FL60-FWC |
| | 144647-01-701 | EA | WHEEL COVER - REAR/1 PIECE | FL60-RWC |

CHASSIS GROUP (CONTINUED)
BRAKELINE

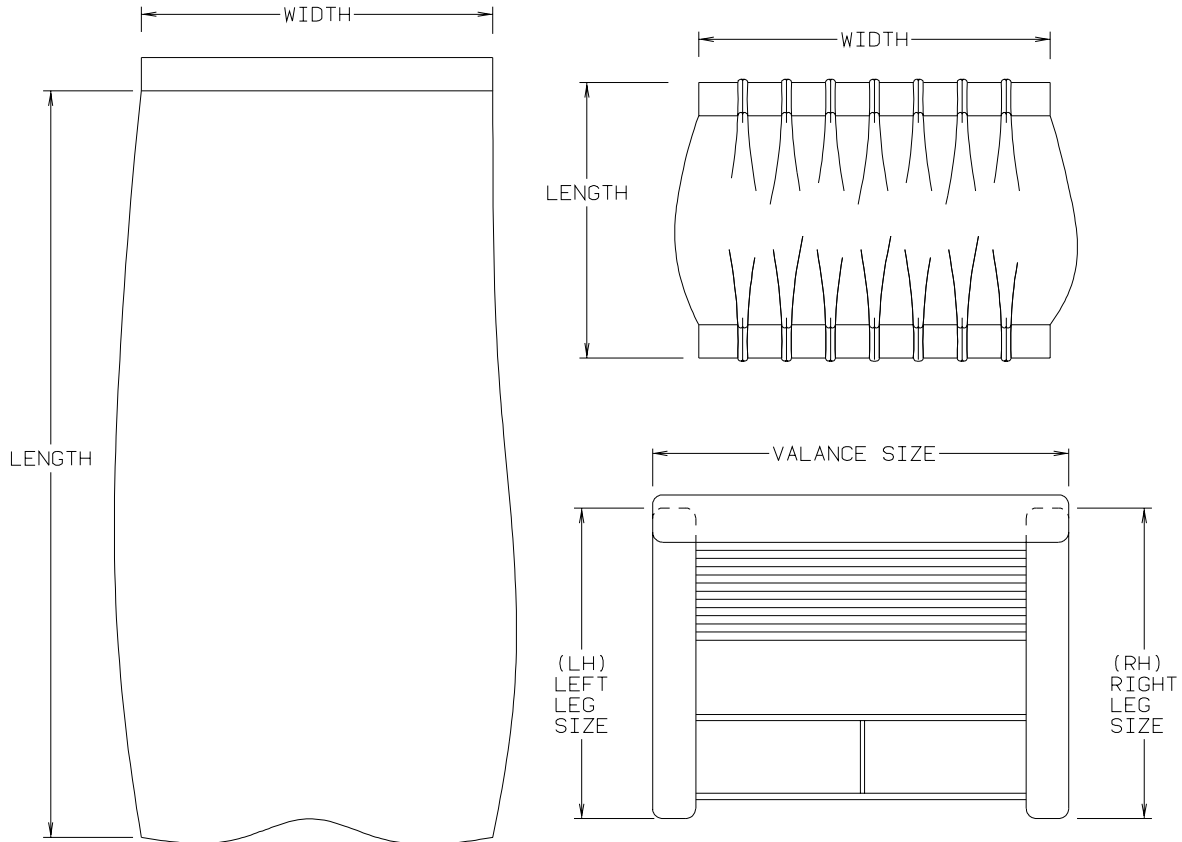
| KEY | PART NUMBER | U/M | DESCRIPTION |
|------------|--------------------|------------|---------------------------------------|
| | 088498-01-000 | EA | UNION - INVERTED FLARE - BRASS - 3/16 |

CURTAIN & CUSHION GROUP

NOTICE

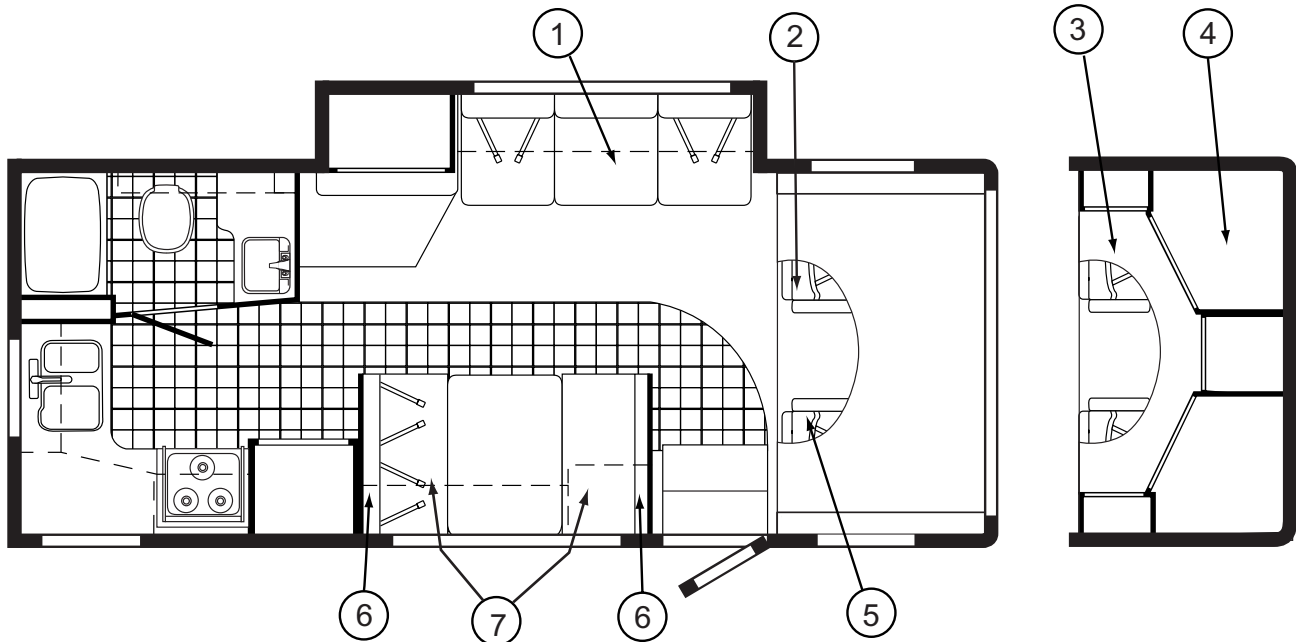
IN ORDER TO ASSIST OUR PARTS SALES DEPT. IN PROVIDING INTERIOR SOFTWARE ITEMS, PLEASE INCLUDE THE SERIAL NUMBER AND THE COLOR CODE NUMBER FROM THE VEHICLE CERTIFICATION LABEL WHEN ORDERING. THIS LABEL IS LOCATED ON THE LEFT SIDEWALL AT THE END OF THE DASH (A-BODY), OR ON THE DRIVER'S DOOR LATCH PLATE (C-BODY).

AN EXAMPLE OF A COLOR CODE NUMBER IS B07, WHICH DESIGNATES AN OVERALL COLOR SCHEME OF A PARTICULAR UNIT. THE COLOR LISTED AFTER THE ITEM DESCRIPTION ON THE MICROFICHE, INDICATES THE OVERALL UNIT COLOR. ORDER THE ITEM YOU DESIRE ACCORDING TO UNIT COLOR CODE. IF ALL COLORS USE THE SAME ITEM NO COLOR CODE WILL BE NOTED.



NOTE: USE THIS ILLUSTRATION WHEN DETERMINING LENGTH AND WIDTH MEASUREMENTS FOR CURTAINS. YOU WILL NOTE THE WIDTH MEASUREMENT IS TAKEN ON THE TOP OF THE CURTAIN WITH THE CURTAIN FULLY EXTENDED. THE LENGTH MEASUREMENT IS TAKEN FROM TOP TO BOTTOM. LEFT AND RIGHT WINDOW LEGS ARE DETERMINED WHEN FACING THE WINDOW.

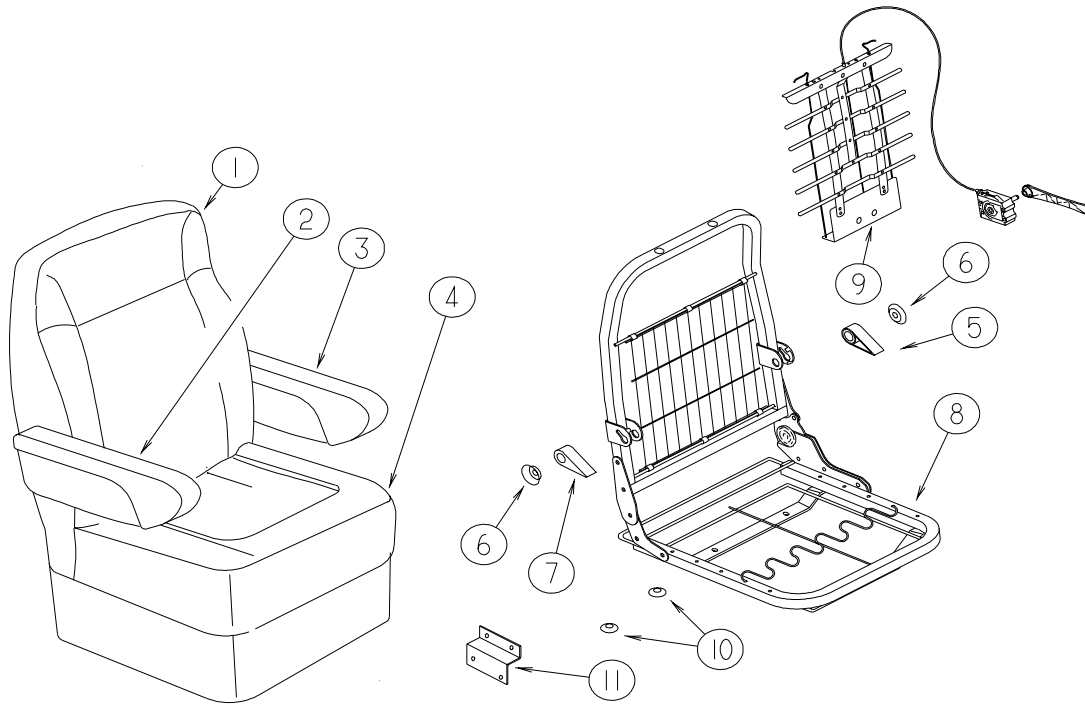
CURTAIN & CUSHION GROUP (CONTINUED)
CUSHION LAYOUT



| KEY | PART NUMBER | U/M | DESCRIPTION |
|-----|---------------|-----|---|
| 1 | | EA | SEE SOFA AREA |
| 2 | 136590-01-P10 | EA | BUCKET SEAT - DRIVER (R10) |
| 2 | 136590-01-R11 | EA | BUCKET SEAT - DRIVER (R11) |
| 2 | 136590-01-R12 | EA | BUCKET SEAT - DRIVER (R12) |
| 2 | 136590-03-P10 | EA | BUCKET SEAT - DRIVER - W/SKIRT (R10) - CHEVY |
| 2 | 136590-03-R11 | EA | BUCKET SEAT - DRIVER - W/SKIRT (R11) - CHEVY |
| 2 | 136590-03-R12 | EA | BUCKET SEAT - DRIVER - W/SKIRT (R12) - CHEVY |
| 2 | 136590-09-M04 | EA | BUCKET SEAT - DRIVER - ULTRALEATHER |
| 2 | 136590-11-M04 | EA | BUCKET SEAT - DRIVER - W/SKIRT - ULTRALEATHER CHEVY |
| 3 | 105573-17-P10 | EA | CUSHION - OVERHEAD BUNK/REAR - 27" X 23" X 80" X 5" (R10) |
| 3 | 105573-17-R11 | EA | CUSHION - OVERHEAD BUNK/REAR - 27" X 23" X 80" X 5" (R11) |
| 3 | 105573-17-R12 | EA | CUSHION - OVERHEAD BUNK/REAR - 27" X 23" X 80" X 5" (R12) |
| | P05573-17-P10 | EA | COVER - OVERHEAD/REAR - 27" X 23" X 80" X 5" (R10) |
| | P05573-17-R11 | EA | COVER - OVERHEAD/REAR - 27" X 23" X 80" X 5" (R11) |
| | P05573-17-R12 | EA | COVER - OVERHEAD/REAR - 27" X 23" X 80" X 5" (R12) |
| 4 | 105573-18-P10 | EA | CUSHION - OVERHEAD BUNK/FRONT - 32.5" X 80" X 5" (R10) |
| 4 | 105573-18-R11 | EA | CUSHION - OVERHEAD BUNK/FRONT - 32.5" X 80" X 5" (R11) |
| 4 | 105573-18-R12 | EA | CUSHION - OVERHEAD BUNK/FRONT - 32.5" X 80" X 5" (R12) |
| | P05573-18-P10 | EA | COVER - OVERHEAD/FRONT - 32.5" X 80" X 5" (R10) |
| | P05573-18-R11 | EA | COVER - OVERHEAD/FRONT - 32.5" X 80" X 5" (R11) |
| | P05573-18-R12 | EA | COVER - OVERHEAD/FRONT - 32.5" X 80" X 5" (R12) |
| 5 | 136590-02-P10 | EA | BUCKET SEAT - PASSENGER (R10) |
| 5 | 136590-02-R11 | EA | BUCKET SEAT - PASSENGER (R11) |
| 5 | 136590-02-R12 | EA | BUCKET SEAT - PASSENGER (R12) |
| 5 | 136590-04-P10 | EA | BUCKET SEAT - PASSENGER - W/SKIRT (R10) - CHEVY |
| 5 | 136590-04-R11 | EA | BUCKET SEAT - PASSENGER - W/SKIRT (R11) - CHEVY |
| 5 | 136590-04-R12 | EA | BUCKET SEAT - PASSENGER - W/SKIRT (R12) - CHEVY |
| 5 | 136590-10-M04 | EA | BUCKET SEAT - PASSENGER - ULTRALEATHER |
| 5 | 136590-12-M04 | EA | BUCKET SEAT - PASSENGER - W/SKIRT - ULTRALEATHER |
| 6 | 111897-17-P10 | EA | CUSHION - BACK - 13.5" X 38" X 5" (R10) |
| 6 | 111897-17-R11 | EA | CUSHION - BACK - 13.5" X 38" X 5" (R11) |
| 6 | 111897-17-R12 | EA | CUSHION - BACK - 13.5" X 38" X 5" (R12) |
| | P11897-17-P10 | EA | COVER - BACK - 13.5" X 38" X 5" (R10) |
| | P11897-17-R11 | EA | COVER/BACK - 13.5" X 38" X 5" (R11) |
| | P11897-17-R12 | EA | COVER/BACK - 13.5" X 38" X 5" (R12) |
| 7 | 088927-87-P10 | EA | CUSHION - SEAT - 23" X 38" X 5" (R10) |
| 7 | 088927-87-R11 | EA | CUSHION - SEAT - 23" X 38" X 5" (R11) |
| 7 | 088927-87-R12 | EA | CUSHION - SEAT - 23" X 38" X 5" (R12) |
| | M88927-87-P10 | EA | COVER - SEAT - 23" X 38" X 5" (R10) |
| | M88927-87-R11 | EA | COVER/SEAT - 23" X 38" X 5" (R11) |
| | M88927-87-R12 | EA | COVER/SEAT - 23" X 38" X 5" (R12) |

CURTAIN & CUSHION GROUP (CONTINUED)

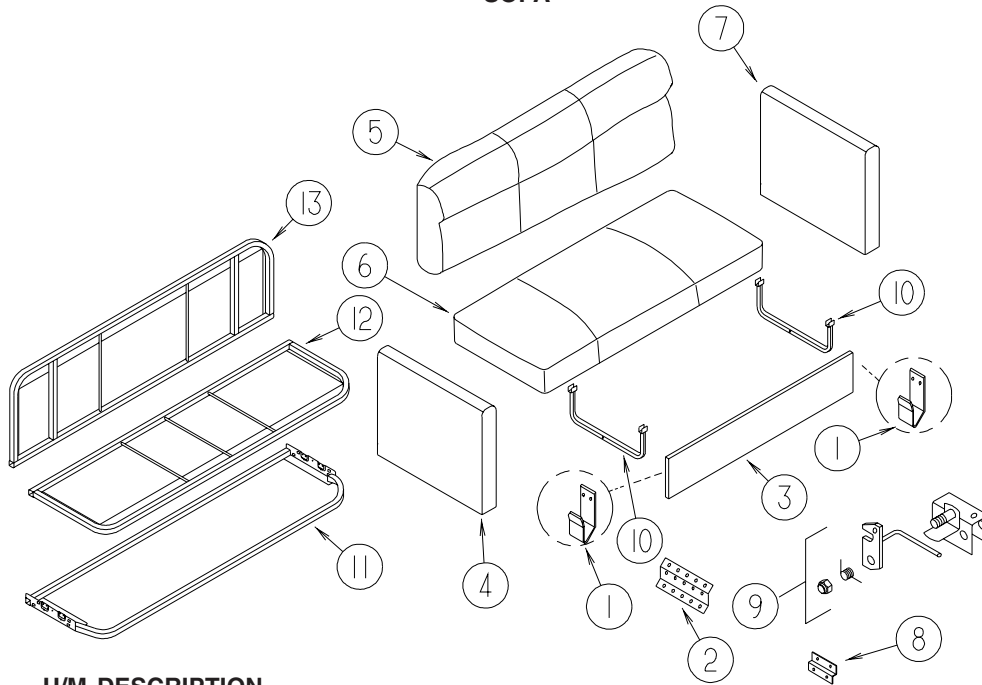
BUCKET SEATS



| KEY | PART NUMBER | U/M | DESCRIPTION |
|-----|---------------|-----|--|
| 1 | M05962-E1-P10 | EA | COVER/BACK (R10) |
| 1 | M05962-E1-R11 | EA | COVER/BACK (R11) |
| 1 | M05962-E1-R12 | EA | COVER/BACK (R12) |
| 1 | M05962-E7-M04 | EA | COVER/BACK - ULTRALEATHER |
| 2 | 129666-07-P10 | EA | ARMREST - RIGHT HAND (R10) |
| 2 | 129666-07-P19 | EA | ARMREST - RIGHT HAND (R11) |
| 2 | 129666-07-R35 | EA | ARMREST - RIGHT HAND (R12) |
| 2 | 129666-09-M04 | EA | ARMREST - RIGHT HAND - ULTRALEATHER |
| | P29666-07-P10 | EA | COVER/ARMREST - RIGHT HAND (R10) |
| | P29666-07-P19 | EA | COVER/ARMREST - RIGHT HAND (R11) |
| | P29666-07-R35 | EA | COVER/ARMREST - RIGHT HAND (R12) |
| | P29666-09-M04 | EA | COVER/ARMREST - RIGHT HAND - ULTRALEATHER |
| | 130698-01-000 | EA | ARMREST/MOLDED - RIGHT - W/O COVER |
| 3 | 129666-08-P10 | EA | ARMREST - LEFT HAND (R10) |
| 3 | 129666-08-P19 | EA | ARMREST - LEFT HAND (R11) |
| 3 | 129666-08-R35 | EA | ARMREST - LEFT HAND (R12) |
| | 129666-10-M04 | EA | ARMREST - LEFT HAND - ULTRALEATHER |
| | P29666-08-P10 | EA | COVER/ARMREST - LEFT HAND (R10) |
| | P29666-08-P19 | EA | COVER/ARMREST - LEFT HAND (R11) |
| | P29666-08-R35 | EA | COVER/ARMREST - LEFT HAND (R12) |
| | P29666-10-M04 | EA | COVER/ARMREST - LEFT HAND - ULTRALEATHER |
| | 130698-02-000 | EA | ARMREST/MOLDED - LEFT - W/O COVER |
| 4 | M05962-E2-P10 | EA | COVER/SEAT (R10) - FORD |
| 4 | M05962-E2-R11 | EA | COVER/SEAT (R11) - FORD |
| 4 | M05962-E2-R12 | EA | COVER/SEAT (R12) - FORD |
| 4 | M05962-E8-M04 | EA | COVER/SEAT - ULTRALEATHER, FORD |
| 4 | M05962-E3-P10 | EA | COVER/SEAT (R10) - CHEVY |
| 4 | M05962-E3-R11 | EA | COVER/SEAT (R11) - CHEVY |
| 4 | M05962-E3-R12 | EA | COVER/SEAT (R12) - CHEVY |
| 4 | M05962-E9-M04 | EA | COVER/SEAT - ULTRALEATHER, CHEVY |
| 5 | 130802-01-000 | EA | LEVER - LEFT HAND |
| 6 | 130802-03-000 | EA | SCREW F/LEVER |
| 7 | 130802-02-000 | EA | LEVER - RIGHT HAND |
| 8 | 132875-03-000 | EA | FRAME - RIGHT HAND CHAIR/TAPERED BACK |
| 8 | 132875-04-000 | EA | FRAME - LEFT HAND CHAIR/TAPERED BACK |
| 9 | NOT USED | | |
| 10 | 007221-01-000 | EA | SPACER - SEAT/ADJUSTER |
| 11 | NOT USED | | |
| | 029134-01-000 | EA | CLIP - FINISH - UPHOLSTERY |

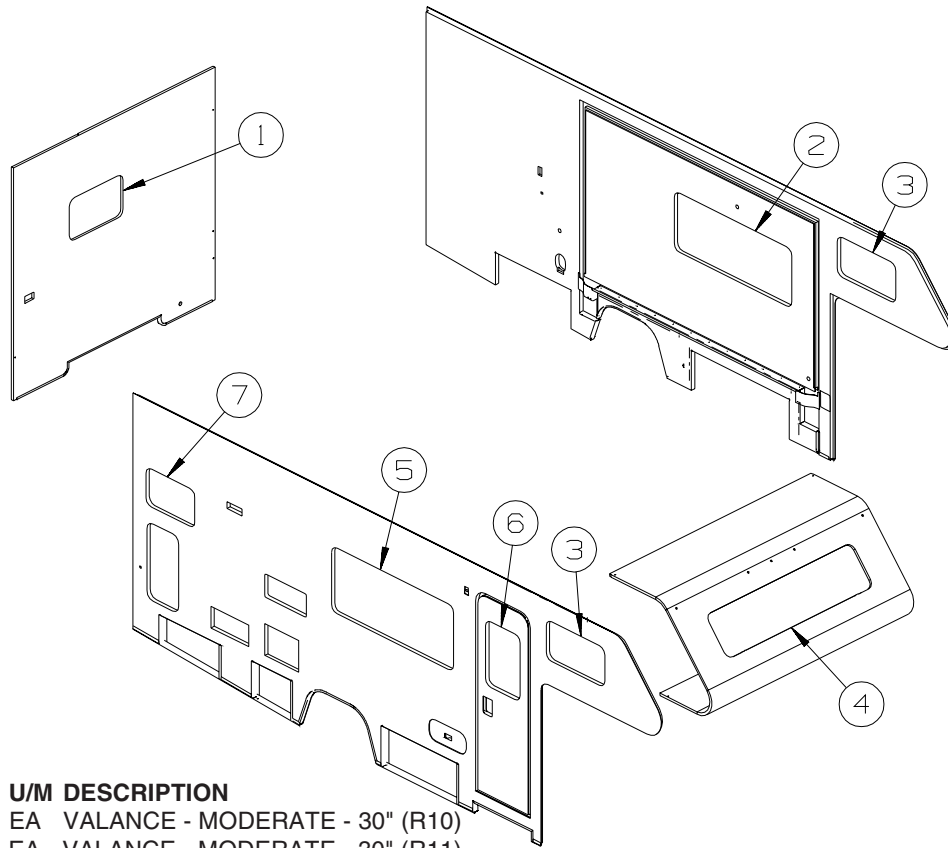
CURTAIN & CUSHION GROUP (CONTINUED)

SOFA



| KEY | PART NUMBER | U/M | DESCRIPTION |
|-----|---------------|-----|--|
| 1 | 121906-01-02B | EA | BRACKET - KICKBOARD - E-COATED |
| 2 | 116104-04-02B | EA | BRACKET - ZEE W/HOLES - 3.2" - E-COATED - MOUNTS ARM TO FLOOR |
| 3 | 134284-01-P10 | EA | PANEL/FRONT KICK W/SKIRT - SOFA/BED - 74.5"/FABRIC COVERED (R10) |
| 3 | 134284-01-R11 | EA | PANEL/FRONT KICK W/SKIRT - SOFA/BED - 74.5"/FABRIC COVERED (R11) |
| 3 | 134284-01-R12 | EA | PANEL/FRONT KICK W/SKIRT - SOFA/BED - 74.5"/FABRIC COVERED (R12) |
| 4 | 134282-25-P10 | EA | PANEL/RIGHT END/SHORT - SOFA/BED - FABRIC COVERED (R10) |
| 4 | 134282-25-R11 | EA | PANEL/RIGHT END/SHORT - SOFA/BED - FABRIC COVERED (R11) |
| 4 | 134282-25-R12 | EA | PANEL/RIGHT END/SHORT - SOFA/BED - FABRIC COVERED (R12) |
| 5 | 135138-02-P10 | EA | BACK - SOFA/BED - 74" (R10) |
| 5 | 135138-02-R11 | EA | BACK - SOFA/BED - 74" (R11) |
| 5 | 135138-02-R12 | EA | BACK - SOFA/BED - 74" (R12) |
| | P35138-02-P10 | EA | COVER/BACK - SOFA/BED - 74" (R10) |
| | P35138-02-R11 | EA | COVER/BACK - SOFA/BED - 74" (R11) |
| | P35138-02-R12 | EA | COVER/BACK - SOFA/BED - 74" (R12) |
| 6 | 135138-01-P10 | EA | SEAT - SOFA/BED - 74" (R10) |
| 6 | 135138-01-R11 | EA | SEAT - SOFA/BED - 74" (R11) |
| 6 | 135138-01-R12 | EA | SEAT - SOFA/BED - 74" (R12) |
| | P35138-01-P10 | EA | COVER/SEAT - SOFA/BED - 74" (R10) |
| | P35138-01-R11 | EA | COVER/SEAT - SOFA/BED - 74" (R11) |
| | P35138-01-R12 | EA | COVER/SEAT - SOFA/BED - 74" (R12) |
| 7 | 134282-26-P10 | EA | PANEL/LEFT END/SHORT - SOFA/BED - FABRIC COVERED (R10) |
| 7 | 134282-26-R11 | EA | PANEL/LEFT END/SHORT - SOFA/BED - FABRIC COVERED (R11) |
| 7 | 134282-26-R12 | EA | PANEL/LEFT END/SHORT - SOFA/BED - FABRIC COVERED (R12) |
| 8 | 101926-01-02A | EA | BRACKET - ZEE - 2" - BLACK - MOUNTS SOFA TO FLOOR |
| 9 | 127335-10-000 | EA | BRACKET - CANADIAN LATCH |
| 10 | 127335-13-000 | EA | LEG - SOFA/BED - 4.5" |
| 11 | 127335-01-000 | EA | FRAME/BASE - (SEAT) - 74" |
| 12 | 127335-03-000 | EA | FRAME/SEAT - 74" |
| 13 | 127335-02-000 | EA | FRAME/BACK - 74" |

CURTAIN & CUSHION GROUP (CONTINUED)
WINDOW TREATMENT



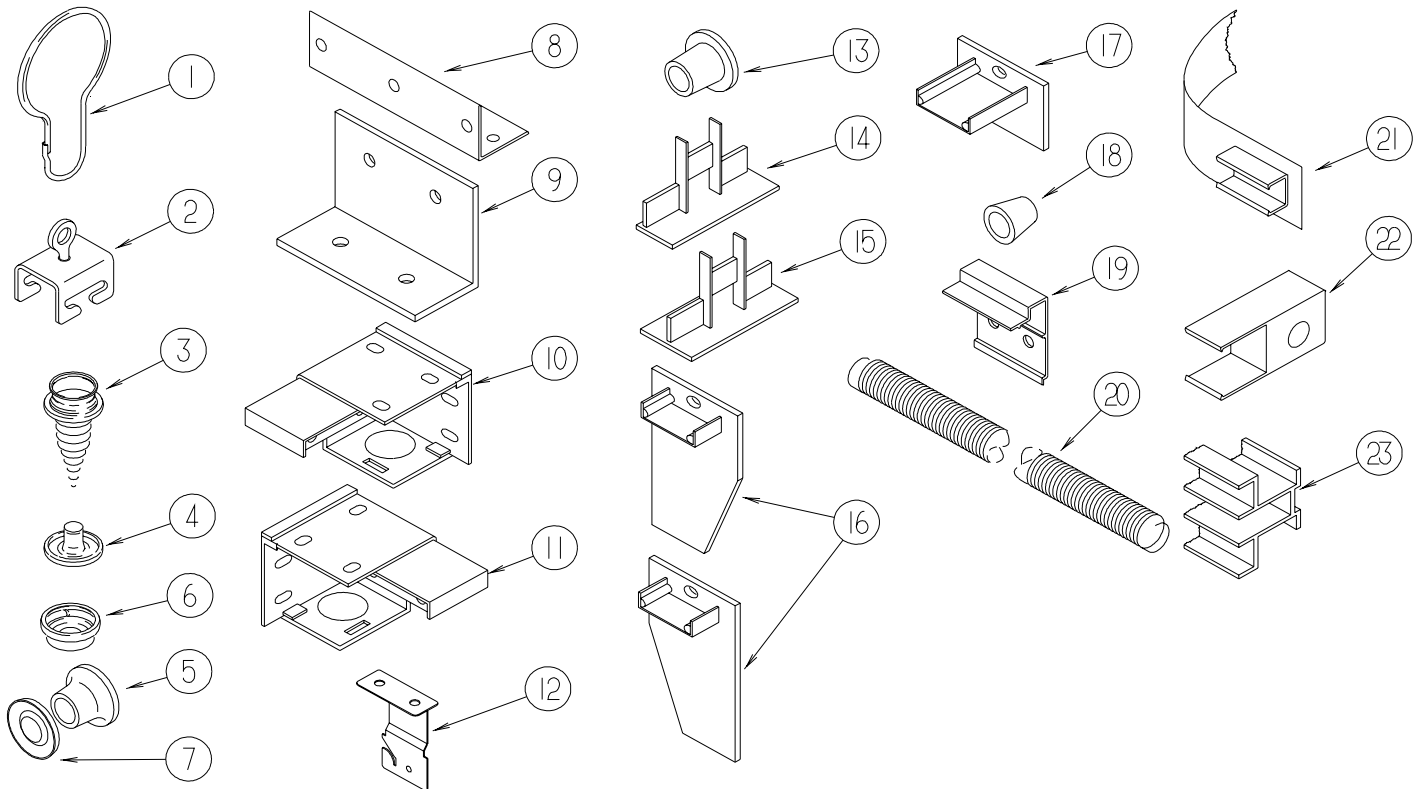
| KEY | PART NUMBER | U/M | DESCRIPTION |
|-----|---------------|-----|--|
| 1 | 121410-B2-P10 | EA | VALANCE - MODERATE - 30" (R10) |
| 1 | 121410-B2-R11 | EA | VALANCE - MODERATE - 30" (R11) |
| 1 | 121410-B2-R12 | EA | VALANCE - MODERATE - 30" (R12) |
| 1 | 109041-65-01A | EA | BLIND - MINI - 28" |
| 2 | 138097-03-P10 | EA | VALANCE - CUFFED - 62.5" (R10) |
| 2 | 138097-03-P41 | EA | VALANCE - CUFFED - 62.5" (R12) |
| 2 | 138097-03-R11 | EA | VALANCE - CUFFED - 62.5" (R11) |
| 2 | 140789-08-N02 | EA | BLIND - DAY/NIGHTER - 59" X 26.5" |
| 2 | 127017-47-P10 | EA | LEG - RIGHT - 23.5" (R10) |
| 2 | 127017-47-R11 | EA | LEG - RIGHT - 23.5" (R11) |
| 2 | 127017-47-P41 | EA | LEG - RIGHT - 23.5" (R12) |
| 2 | 127017-48-P10 | EA | LEG - LEFT - 23.5" (R10) |
| 2 | 127017-48-R11 | EA | LEG - LEFT - 23.5" (R11) |
| 2 | 127017-48-P41 | EA | LEG - LEFT - 23.5" (R12) |
| 3 | 101034-63-P10 | EA | CURTAIN - PRIVACY/RIGHT HAND - 19.5" X 31" (R10) |
| 3 | 101034-63-R11 | EA | CURTAIN - PRIVACY/RIGHT HAND - 19.5" X 31" (R11) |
| 3 | 101034-63-R12 | EA | CURTAIN - PRIVACY/RIGHT HAND - 19.5" X 31" (R12) |
| 3 | 101034-64-P10 | EA | CURTAIN - PRIVACY/LEFT HAND - 19.5" X 31" (R10) |
| 3 | 101034-64-R11 | EA | CURTAIN - PRIVACY/LEFT HAND - 19.5" X 31" (R11) |
| 3 | 101034-64-R12 | EA | CURTAIN - PRIVACY/LEFT HAND - 19.5" X 31" (R12) |
| 4 | 101034-66-P10 | EA | CURTAIN - PRIVACY/RIGHT HAND - 19" X 56" (R10) |
| 4 | 101034-66-R11 | EA | CURTAIN - PRIVACY/RIGHT HAND - 19" X 56" (R11) |
| 4 | 101034-66-R12 | EA | CURTAIN - PRIVACY/RIGHT HAND - 19" X 56" (R12) |
| 4 | 101034-67-P10 | EA | CURTAIN - PRIVACY/LEFT HAND - 19" X 56" (R10) |
| 4 | 101034-67-R11 | EA | CURTAIN - PRIVACY/LEFT HAND - 19" X 56" (R11) |
| 4 | 101034-67-R12 | EA | CURTAIN - PRIVACY/LEFT HAND - 19" X 56" (R12) |
| 5 | 138097-01-P10 | EA | VALANCE - CUFFED - 64.5" (R10) |
| 5 | 138097-01-R11 | EA | VALANCE - CUFFED - 64.5" (R11) |
| 5 | 138097-01-R12 | EA | VALANCE - CUFFED - 64.5" (R12) |
| 5 | 140789-14-N02 | EA | BLIND - DAY/NIGHTER - 61" X 28.5" |
| 5 | 127017-13-P10 | EA | LEG - RIGHT - 25" (R10) |
| 5 | 127017-13-R11 | EA | LEG - RIGHT - 25" (R11) |
| 5 | 127017-13-R12 | EA | LEG - RIGHT - 25" (R12) |
| 5 | 127017-14-P10 | EA | LEG - LEFT - 25" (R10) |
| 5 | 127017-14-R11 | EA | LEG - LEFT - 25" (R11) |
| 5 | 127017-14-R12 | EA | LEG - LEFT - 25" (R12) |

CURTAIN & CUSHION GROUP (CONTINUED)
WINDOW TREATMENT (CONTINUED)

| KEY | PART NUMBER | U/M | DESCRIPTION |
|-----|---------------|-----|---|
| 6 | 138097-02-P10 | EA | VALANCE - CUFFED - 29" (R10) |
| 6 | 138097-02-R11 | EA | VALANCE - CUFFED - 29" (R11) |
| 6 | 138097-02-R12 | EA | VALANCE - CUFFED - 29" (R12) |
| 6 | 084755-57-E07 | EA | SHADE - PULL - 27.25" |
| 7 | 121410-B1-P10 | EA | VALANCE - MODERATE - 29" (R10) |
| 7 | 121410-B1-R11 | EA | VALANCE - MODERATE - 29" (R11) |
| 7 | 121410-B1-R12 | EA | VALANCE - MODERATE - 29" (R12) |
| 7 | 109041-43-04A | EA | BLIND - MINI - 27" |
| | 076892-29-P10 | EA | CURTAIN - CAB PRIVACY - 47.5" X 74" (R10) - 24"/25" STEREO TV W/VIDEO SELECT SYSTEM |
| | 076892-29-R11 | EA | CURTAIN - CAB PRIVACY - 47.5" X 74" (R11) - 24"/25" STEREO TV W/VIDEO SELECT SYSTEM |
| | 076892-29-R12 | EA | CURTAIN - CAB PRIVACY - 47.5" X 74" (R12) - 24"/25" STEREO TV W/VIDEO SELECT SYSTEM |
| | 076892-30-P10 | EA | CURTAIN - CAB PRIVACY - 47.5" X 74" (R10) |
| | 076892-30-R11 | EA | CURTAIN - CAB PRIVACY - 47.5" X 74" (R11) |
| | 076892-30-R12 | EA | CURTAIN - CAB PRIVACY - 47.5" X 74" (R12) |
| | 101668-39-P10 | EA | CURTAIN - PRIVACY/RIGHT HAND - 35" X 50" (R10) - BUNK FRONT OVERHEAD-DOUBLE |
| | 101668-39-R11 | EA | CURTAIN - PRIVACY/RIGHT HAND - 35" X 50" (R11) - BUNK FRONT OVERHEAD-DOUBLE |
| | 101668-39-R12 | EA | CURTAIN - PRIVACY/RIGHT HAND - 35" X 50" (R12) - BUNK FRONT OVERHEAD-DOUBLE |
| | 101668-40-P10 | EA | CURTAIN - PRIVACY/LEFT HAND - 35" X 50" (R10) - BUNK FRONT OVERHEAD-DOUBLE |
| | 101668-40-R11 | EA | CURTAIN - PRIVACY/LEFT HAND - 35" X 50" (R11) - BUNK FRONT OVERHEAD-DOUBLE |
| | 101668-40-R12 | EA | CURTAIN - PRIVACY/LEFT HAND - 35" X 50" (R12) - BUNK FRONT OVERHEAD-DOUBLE |
| | 073260-23-P10 | EA | TIEBACK - 3" X 18" (R10) - BUNK FRONT OVERHEAD-DOUBLE |
| | 073260-23-R11 | EA | TIEBACK - 3" X 18" (R11) - BUNK FRONT OVERHEAD-DOUBLE |
| | 073260-23-R12 | EA | TIEBACK - 3" X 18" (R12) - BUNK FRONT OVERHEAD-DOUBLE |

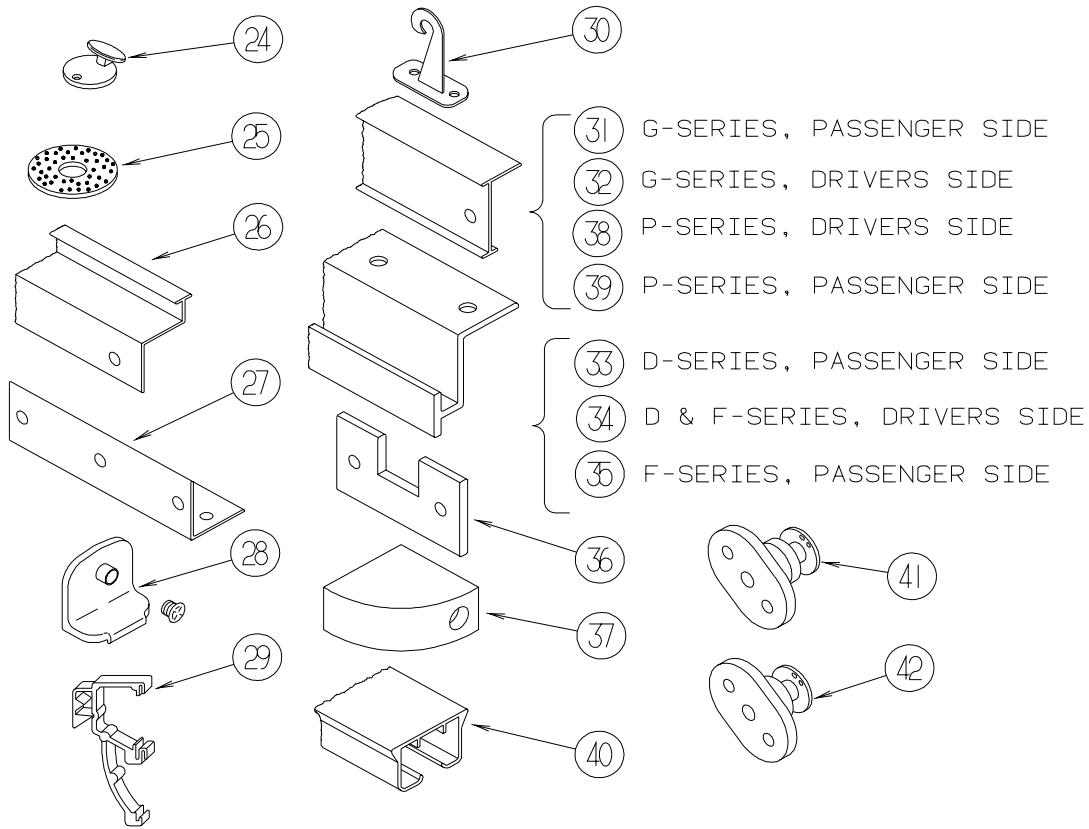
CURTAIN & CUSHION GROUP (CONTINUED)

HARDWARE



| KEY | PART NUMBER | U/M | DESCRIPTION |
|-----|---------------|-----|---|
| 1 | 009136-02-000 | EA | HANGER - RING - PIN TYPE - CURTAIN - BRASS |
| 2 | 009702-01-000 | EA | END STOP - CURTAIN CARRIER - L - ROD |
| 3 | 029130-01-000 | EA | SCREW - SNAP STUD - #8-16 X 3/8" LONG |
| 3 | 029130-03-000 | EA | SCREW - SNAP STUD - #8-16 X 1" LONG |
| 4 | 029155-01-000 | EA | CAP - SNAP - 5/32" OUTSIDE DIAMETER OF PIN |
| 5 | 029156-01-000 | EA | SOCKET - SNAP - 9/16" O.D. |
| 6 | 046867-02-000 | EA | WASHER - HANDY BUTTON #3 |
| 7 | 046867-03-000 | EA | GROMMET - HANDY BUTTON #3 |
| 8 | 075943-10-000 | EA | BRACE - VALANCE - 20" - OFF WHITE |
| 9 | 083125-07-000 | EA | BRACE - ANGLE/COUCH - 2.5" - OFF WHITE |
| 9 | 083125-08-000 | EA | BRACE - WINDOW MOUNT - .75" - OFF WHITE |
| 10 | 083170-01-000 | EA | BRACKET/BLIND - LEFT SIDE WHEN FACING WINDOW - CLEAR |
| 11 | 083170-02-000 | EA | BRACKET/BLIND - RIGHT SIDE WHEN FACING WINDOW - CLEAR |
| 12 | 084434-01-000 | EA | BRACKET - MOUNTING - ROLLER SHADE - 1 3/8" |
| 13 | 094896-02-000 | EA | GROMMET - CORD/PLEATED BLIND - NYLON - GRAY |
| 14 | 094907-02-000 | EA | END CAP - PLEATED BLIND/TOP - RH/LH - GRAY PLASTIC |
| 15 | 094907-04-000 | EA | END CAP - PLEATED BLIND/BOTTOM - RH/LH |
| 16 | 094907-05-000 | EA | END CAP - PLEATED BLIND/BOTTOM - PULL TYPE - PLASTIC |
| 17 | 094907-06-000 | EA | END CAP - PLEATED BLIND/TOP |
| 18 | 097564-03-000 | EA | HANDLE - KNOB - E-Z LIFT SHADE - TAN |
| 18 | 097564-05-000 | EA | HANDLE - KNOB - E-Z LIFT SHADE - TEAL |
| 18 | 097564-06-000 | EA | HANDLE - KNOB - E-Z LIFT SHADE - ALABASTER |
| | 097593-02-000 | FT | CORD - BLIND - PLEATED - GRAY |
| | 097593-06-000 | FT | CORD - BLIND - PLEATED - PEWTER |
| | 097593-10-000 | FT | CORD - BLIND - PLEATED - VANILLA |
| 19 | 097565-01-000 | EA | BRACKET - MOUNTING - PLEATED BLIND |
| 19 | 097565-02-000 | EA | BRACKET - MOUNTING - PLEATED BLIND |
| 20 | 097591-01-000 | EA | SPRING - EXTENSION - PLEATED BLIND |
| 21 | 101031-01-000 | YD | TAPE/GLIDE - 4.25" SPACING |
| 22 | 101033-02-000 | EA | END CAP - LOW PROFILE TRACK - CLEAR |
| 23 | 101033-08-000 | EA | TRACK/WALL - 75" - FRT BUNK WINDOW 300 SERIES (MINNIE/SPIRIT) |
| 23 | 101033-09-000 | EA | TRACK/WALL - 32" - SIDE BUNK WINDOW 200 SERIES/300 SERIES (VISTA/SUNSTAR /MINNIE/SPIRIT) |

CURTAIN & CUSHION GROUP (CONTINUED)
HARDWARE (CONTINUED)



| KEY | PART NUMBER | U/M | DESCRIPTION |
|-----|---------------|-----|--|
| 24 | 102555-03-000 | EA | CLEAT - BLIND CORD - MILKY WHITE - PLASTIC |
| 25 | 103242-01-000 | EA | VELCRO HOOK - BEIGE 7/8" ROUND W/CENTER HOLE |
| 25 | 103242-02-000 | EA | VELCRO HOOK - BLACK 7/8" ROUND W/CENTER HOLE |
| 26 | 105450-14-01A | EA | TRACK - CURTAIN - 90" - OFF WHITE - FRONT BUNK PRIVACY 300 SERIES (MINNIE/SPIRIT) |
| 26 | 105450-15-01A | EA | TRACK - CURTAIN - 82.3" - OFF WHITE - FRONT BUNK PRIVACY 200 SERIES (VISTA/SUNSTAR) |
| 27 | 105648-01-02A | EA | BRACE - VALANCE - OFF/WHITE - 14" |
| 28 | 106544-01-000 | EA | PULL - SHADE/BRASS |
| | 106544-01-001 | EA | SCREW - SHADE/BRASS |
| 29 | 109353-04-000 | EA | CLIP - VALANCE SLAT MOUNTING - CLEAR PLASTIC |
| | 109441-02-000 | EA | SPACER/BACKET - BLIND HOLD DOWN |
| 30 | 109441-03-000 | EA | BRACKET/HOOK - BLIND HOLD DOWN - NEW DESIGN/CLEAR |
| 31 | 126456-03-04A | EA | TRACK/WRAPAROUND - PASSENGER - GLACIER - G SERIES (ADVENTURER/SUNCRUISER) |
| 32 | 126456-04-04A | EA | TRACK/WRAPAROUND - DRIVER - GLACIER - G SERIES (ADVENTURER/SUNCRUISER) |
| 33 | 127254-03-05A | EA | TRACK/WRAPAROUND - PASSENGER - GLACIER - D SERIES (SIGHTSEER/SUNOVA) |
| | | | FROM: 00-00-00 THRU: 09-07-03 |
| 33 | 127254-14-03A | EA | TRACK/WRAP - PASS - GLACIER - D SERIES (SIGHTSEER/SUNOVA) |
| | | | FROM: 09-08-03 THRU: 99-99-99 |
| 34 | 127254-04-05A | EA | TRACK/WRAP - DRIVER - GLACIER - D SERIES/F SERIES (SIGHTSEER/SUNOVA/BRAVE/SUNRISE) |
| 35 | 127254-14-03A | EA | TRACK/WRAP - PASS - GLACIER - F SERIES (BRAVE/SUNRISE) |
| 36 | 130549-01-01A | EA | STOP - CURTAIN TRACK |
| 37 | 132504-01-N92 | EA | BRACKET - SHADE |
| 38 | 146591-01-01A | EA | TRACK - CURTAIN - LEFT HAND - GLACIER - P SERIES (JOURNEY/MERIDIAN) |
| 39 | 146591-02-01A | EA | TRACK - CURTAIN - RIGHT HAND - GLACIER - P SERIES (JOURNEY/MERIDIAN) |
| 40 | 138460-01-02A | EA | TRACK/CURTAIN - PASSENGER - WHITE - Q SERIES (ULTIMATE ADVANTAGE/ULTIMATE FREEDOM) |
| | 138460-02-02A | EA | TRACK/CURTAIN - DRIVER - WHITE - Q SERIES (ULTIMATE ADVANTAGE/ULTIMATE FREEDOM) |
| 40 | 138460-05-02A | EA | TRACK/CURTAIN - PASSENGER - WHITE - L SERIES (CHIEFTAIN/SUNFLYER) |
| | 138460-06-02A | EA | TRACK/CURTAIN - DRIVER - WHITE - L SERIES (CHIEFTAIN/SUNFLYER) |
| 40 | 138460-07-02A | EA | TRACK/CURTAIN - PASSENGER - WHITE - S SERIES (VECTRA/HORIZON) |
| | 138460-08-02A | EA | TRACK/CURTAIN - DRIVER - WHITE - S SERIES (VECTRA/HORIZON) |
| 41 | 141634-01-000 | EA | BRACKET-(BOBBIN TYPE) 7/8"H HOLDUPBASE(OVAL)-2 HOLE-CLEAR |
| 42 | 143805-01-000 | EA | BRACKET-(BOBBIN TYPE) 1/2"H HOLDUPBASE(OVAL)-2 HOLES CLEAR |

CURTAIN & CUSHION GROUP (CONTINUED)
ACCESSORIES

| KEY | PART NUMBER | U/M | DESCRIPTION |
|------------|--------------------|------------|---|
| | 118337-06-P10 | EA | BUTTON - #60 - FABRIC COVERED (R10) |
| | 118337-06-R11 | EA | BUTTON - #60 - FABRIC COVERED (R11) |
| | 118337-06-R12 | EA | BUTTON - #60 - FABRIC COVERED (R12) |
| | 118337-01-P10 | EA | BUTTON - #60 - FABRIC COVERED (R10) |
| | 118337-01-R11 | EA | BUTTON - #60 - FABRIC COVERED (R11) |
| | 118337-01-P41 | EA | BUTTON - #60 - FABRIC COVERED (R12) |
| | 057534-01-000 | EA | TIEBACK - CLEAR PLASTIC - 6" |
| | 057534-03-000 | EA | TIEBACK - CLEAR PLASTIC - 7.5" |
| | 007021-01-000 | EA | SEAT BELT - 2" X 90" - BLACK |
| | 056271-01-000 | EA | SEAT BELT - 2" X 102" - BLACK |
| | 140221-01-02B | EA | WASHER - SEAT BELT - E-COAT |
| | 057759-01-000 | EA | WASHER - FLAT F/SEAT BELT - 4" DIAMETER |

CURTAIN & CUSHION GROUP (CONTINUED)

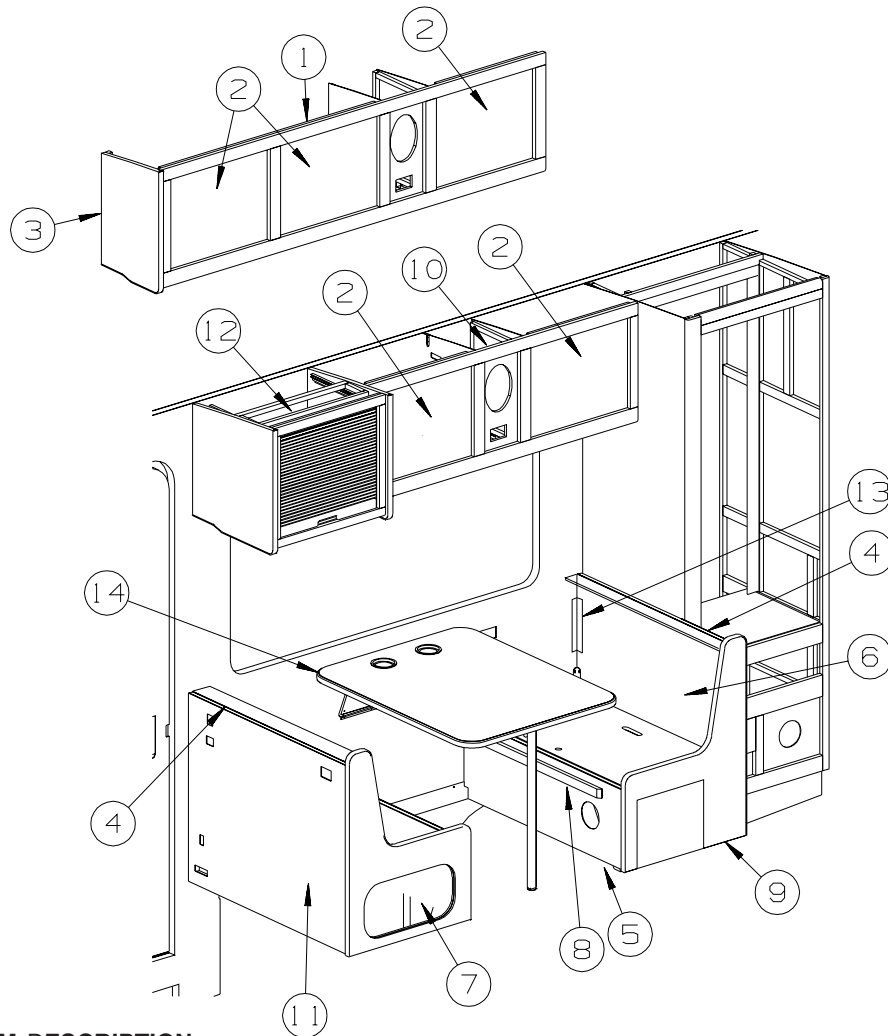
FABRICS

| | R10 GREENGAGE | R11 CHAMBRAY BLUE | R12 WINTER BIRCH |
|--|------------------------------|------------------------------|------------------------------|
| 2004 FAMILY BUCKET | 566 SEAT | 566 SEAT | 566 SEAT |
| | 126883-L7-000 | 126883-N0-000 | 126883-N3-000 |
| | *OPT. ULTRA/STEEL GRAY | *OPT. ULTRA/STEEL GRAY | *OPT. ULTRA/STEEL GRAY |
| | 079680-39-000 | 079680-39-000 | 079680-39-000 |
| DINETTE | SQUARE CLUB | SQUARE CLUB | SQUARE CLUB |
| | 126883-L6-000 | 126883-M9-000 | 126883-N2-000 |
| DINETTE PADS | 126883-L7-000 | 126883-N0-000 | 126883-N3-000 |
| SOFA | 695 /K.E. JACK KNIFE | 695 /K.E. JACK KNIFE | 695 /K.E. JACK KNIFE |
| | 126883-L6-000 | 126883-M9-000 | 126883-N2-000 |
| LOUNGE CHAIR | 465 CHAIR | 465 CHAIR | 465 CHAIR |
| | 126883-L7-000 | 126883-N0-000 | 126883-N3-000 |
| LOUNGE WINDOWS | CUFFED VALANCE | CUFFED VALANCE | CUFFED VALANCE |
| | WRAP - 126883-L7-000 | WRAP - 126883-N0-000 | WRAP - 126883-N3-000 |
| | OVERLAY - 126883-L6-000 | OVERLAY - 126883-M9-000 | OVERLAY - 126883-N2-000 |
| | BUTTONS - 126883-L7-000 | BUTTONS - 126883-N0-000 | BUTTONS - 126883-N3-000 |
| | LEGS - 126883-L7-000 | LEGS - 126883-N0-000 | LEGS - 126883-N3-000 |
| LOUNGE PILLOW | NOT NEEDED | NOT NEEDED | NOT NEEDED |
| FWA, PRIVACY & OVHD. CURTAINS | 105745-Y0-000 | 137813-40-000 | 137813-44-000 |
| | | | |
| OVERHEAD BUNK | 126883-L7-000 | 126883-N0-000 | 126883-N3-000 |
| DIVIDER CURTAIN | 105745-X9-000/105745-Y0-000 | 137813-A0-000/137813-40-000 | 137813-45-000/137813-44-000 |
| DAY/NIGHTER | 094911-53-000/094911-50-000 | 094911-53-000/094911-50-000 | 094911-53-000/094911-50-000 |
| | COTTON/WT. DECO | COTTON/WT. DECO | COTTON/WT. DECO |
| GALLEY BLINDS | 386 SNOCAP | 386 SNOCAP | 386 SNOCAP |
| BEDROOM WDO TREATMENT | MILAN VALANCE | MILAN VALANCE | MILAN VALANCE |
| | WRAP (GATH.) - 105745-X9-000 | WRAP (GATH.) - 137813-A0-000 | WRAP (GATH.) - 137813-45-000 |
| | OVLY & LEGS - 105745-Y0-000 | OVLY & LEGS - 137813-40-000 | OVLY & LEGS - 137813-44-000 |
| | BUTTONS - 105745-X9-000 | BUTTONS - 137813-A0-000 | BUTTONS - 137813-45-000 |
| BEDCOVER | BEDCAP W/1/2" N-G WELT | BEDCAP W/1/2" N-G WELT | BEDCAP W/1/2" N-G WELT |
| | 105745-X9-000/105745-Y0-000 | 137813-A0-000/137813-40-000 | 137813-45-000/137813-44-000 |
| QUILT PATTERN | DIAMOND | DIAMOND | DIAMOND |
| SHAMS | 1/2" NON-GATH. WELT | 1/2" NON-GATH. WELT | 1/2" NON-GATH. WELT |
| | 105745-X9-000/105745-Y0-000 | 137813-A0-000/137813-40-000 | 137813-45-000/137813-44-000 |
| BED PILLOW | NOT NEEDED | NOT NEEDED | NOT NEEDED |
| VANITY CHAIR | REM CHAIR | REM CHAIR | REM CHAIR |
| | 126883-L7-000 | 126883-N0-000 | 126883-N3-000 |
| CARPET | 096060-G9-000 | 139056-06-000 | 096060-H1-000 |
| | LAUREL GREEN | CRYSTAL LAKE | TAPIOCA |
| CARPET TAPE | 102695-21-000 | 102695-24-000 | 102695-12-000 |

CURTAIN & CUSHION GROUP (CONTINUED)
FABRICS (CONTINUED)

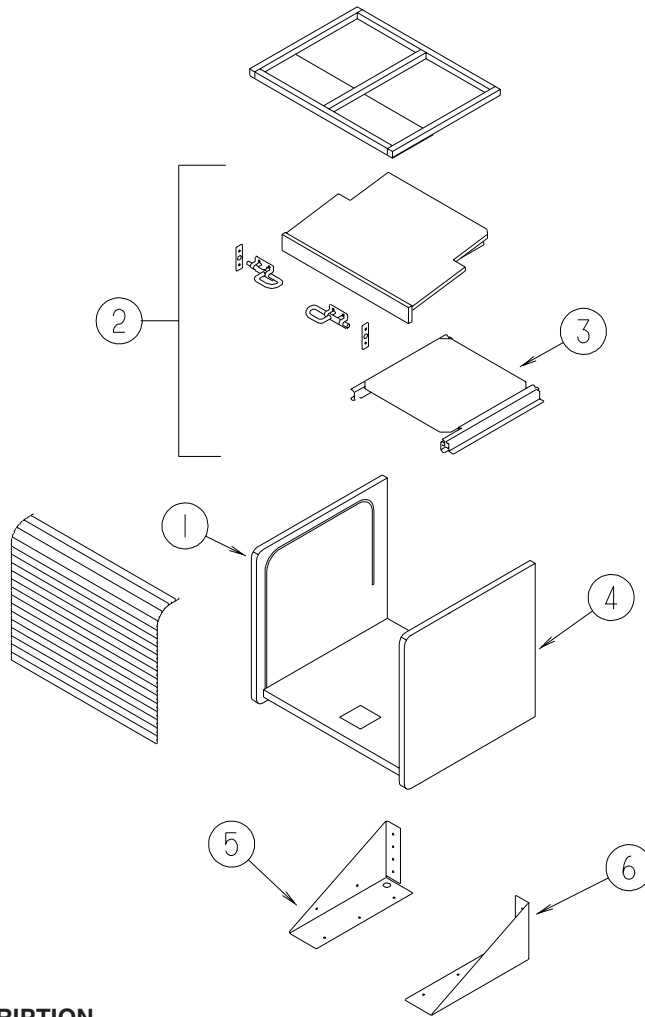
| 2004 FAMILY | R10 GREENGAGE | R11 CHAMBRAY BLUE | R12 WINTER BIRCH |
|-------------------------|----------------------|--------------------------|-------------------------|
| DRAPERY LINING | 087272-03-000 | 087272-03-000 | 087272-03-000 |
| CEILING | 113979-09-01A | 113979-09-01A | 113979-09-01A |
| VINYL-EXPANDED | 103907-01-01A | 103907-01-01A | 103907-01-01A |
| VINYL-HEADLINER | 103907-01-06A | 103907-01-06A | 103907-01-06A |
| VINYL-TIRE COVER | 103907-05-000 | 103907-05-000 | 103907-05-000 |

DINETTE GROUP CABINETS



| KEY | PART NUMBER | U/M | DESCRIPTION |
|-----|---------------|-----|---|
| 1 | 141244-03-P10 | EA | CABINET - OVHD/FRONT - W/O DOORS/HDW (R10) - 24"/25" STEREO TV W/VIDEO SELECT SYSTEM |
| 1 | 141244-03-R11 | EA | CABINET - OVHD/FRONT - W/O DOORS/HDW (R11) - 24"/25" STEREO TV W/VIDEO SELECT SYSTEM |
| 1 | 141244-03-R12 | EA | CABINET - OVHD/FRONT - W/O DOORS/HDW (R12) - 24"/25" STEREO TV W/VIDEO SELECT SYSTEM |
| 2 | 136955-D0-P10 | EA | DOOR - RAISED PANEL/PENCIL EDGE - 15.7" X 20.5" - W/O HDW |
| 3 | 140307-14-P07 | EA | END CAP - OVERHEAD CABINET |
| 4 | 111338-15-P10 | EA | PAD - DINETTE (R10) |
| 4 | 111338-15-R11 | EA | PAD - DINETTE (R11) |
| 4 | 111338-15-R12 | EA | PAD - DINETTE (R12) |
| 5 | 137450-25-N01 | EA | PANEL/FACE - DINETTE SEAT - RIGHT HAND |
| 6 | 137450-27-N01 | EA | PANEL/BACK - DINETTE SEAT - RIGHT HAND |
| 7 | 134783-02-P19 | EA | DOOR - RAIL/SOLID PANEL - 10" X 19.1" - W/O HARDWARE |
| 7 | 147084-08-S04 | EA | DOOR - FLAT PANEL/PENCIL EDGE - 10" X 19.1" - W/O HDW FROM: 00-00-00 THRU: 04-25-04 FROM: 04-26-04 THRU: 99-99-99 |
| 8 | 081295-01-N70 | EA | SUPPORT - BED/DINETTE - 28" LONG |
| 9 | 137450-30-N01 | EA | PANEL/END CAP - DINETTE SEAT - RIGHT HAND |
| 10 | 141085-01-R10 | EA | CABINET - OVERHEAD/FRONT - W/O DOORS/HARDWARE - TV STORAGE/13" TV W/VCP |
| 10 | 141085-01-R11 | EA | CABINET - OVERHEAD/FRONT - W/O DOORS/HARDWARE - TV STORAGE/13" TV W/VCP |
| 10 | 141085-01-R12 | EA | CABINET - OVERHEAD/FRONT - W/O DOORS/HARDWARE - TV STORAGE/13" TV W/VCP |
| 11 | 145004-01-R07 | EA | CABINET/DINETTE-LH-W/ENDCAP/BACK/FACE-W/O DOOR/SEAT BD - ELECTRIC. STEP |
| 11 | 145004-02-R07 | EA | CABINET/DINETTE-LH-W/ENDCAP/BACK/FACE-W/O DOOR/SEAT BD - ELECTRIC STEP/2-WAY RADIO |
| 11 | 145004-03-R07 | EA | CABINET/DINETTE-LH-W/ENDCAP/BACK/FACE-W/O DOOR/SEAT BD |
| 11 | 145004-04-R07 | EA | CABINET/DINETTE-LH-W/ENDCAP/BACK/FACE-W/O DOOR/SEAT B - 2-WAY RADIO |
| 12 | 140957-01-P07 | EA | CABINET - OVERHEAD/TV - W/TAMBOUR DOOR - 13" TV W/VCP |
| 12 | 140957-02-P07 | EA | CABINET - OVERHEAD/TV - W/TAMBOUR DOOR |
| 13 | 122021-02-02A | EA | ANGLE - W/HOLES - 13.7" LONG - OFF WHITE |
| 14 | 144605-02-R07 | EA | TABLE/DINETTE - LAMINATED-37.7"X29.7" - EGGSHELL/PORTSMOUTH OAK (R10) |
| 14 | 144605-02-R11 | EA | TABLE/DINETTE - LAMINATED-37.7"X29.7" - GRAY TRANQUILITY/PORTSMOUTH OAK (R11) |
| 14 | 144605-02-R09 | EA | TABLE/DINETTE - LAMINATED-37.7"X29.7" - LINO FRIEZE/PORTSMOUTH OAK (R12) |

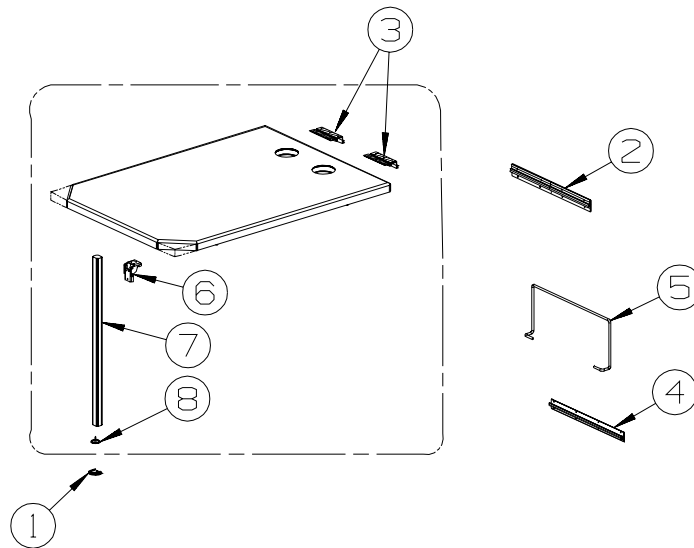
DINETTE GROUP (CONTINUED)
CABINETS (CONTINUED)



| KEY | PART NUMBER | U/M | DESCRIPTION |
|-----|---------------|-----|--|
| 1 | 140307-11-P07 | EA | END CAP - OVERHEAD CABINET |
| 2 | 140957-18-P07 | EA | SHELF - W/SLIDE & SWIVEL |
| 3 | 116773-02-000 | EA | SWIVEL/SLIDES - F/TV SHELF - 17.9"D X 1.6"H X 15.3"W |
| 4 | 140307-11-P07 | EA | END CAP - OVERHEAD CABINET |
| 5 | 122298-03-02B | EA | BRACKET - TV/VCR W/ANGLE - RIGHT HAND - E-COATED |
| 6 | 122298-02-02B | EA | BRACKET - TV/VCR W/ANGLE - LEFT HAND - E-COATED |

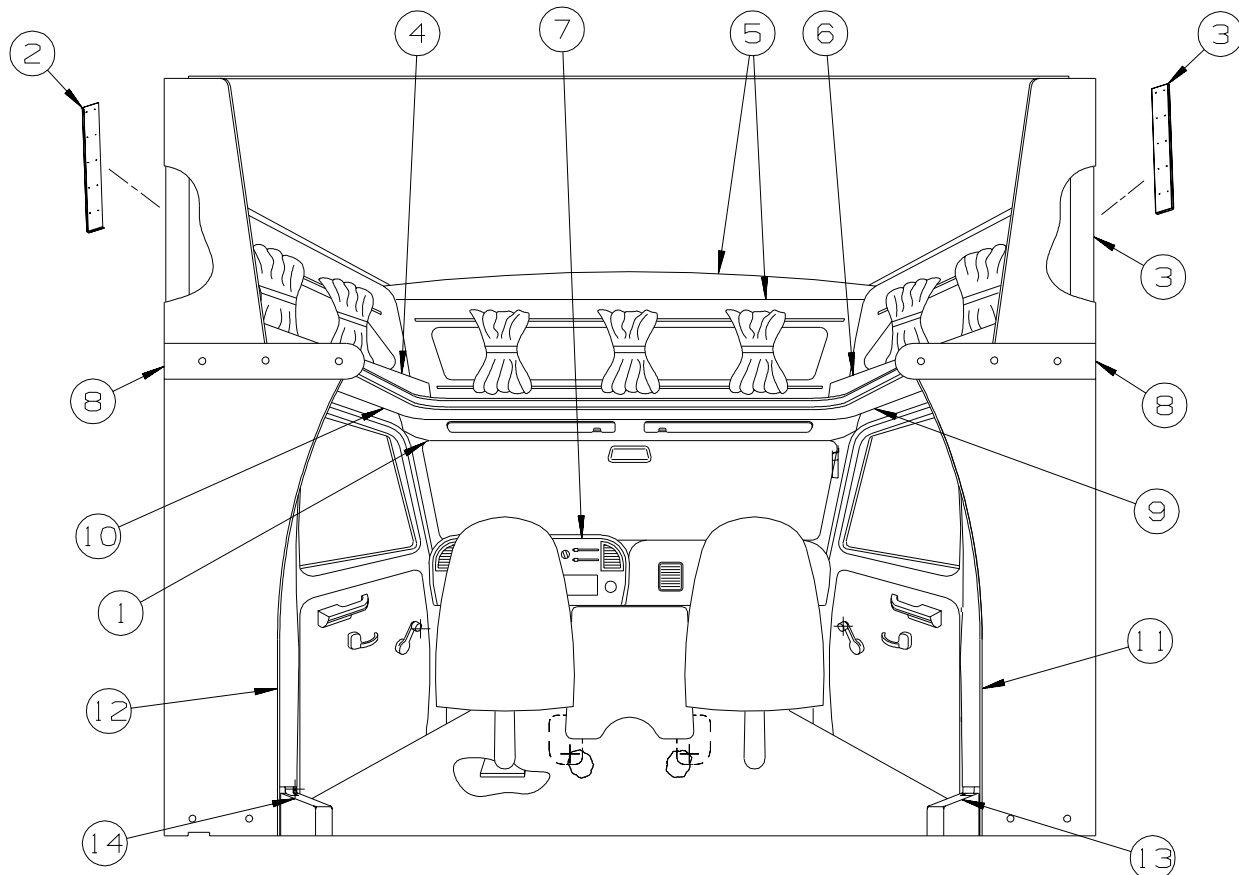
DINETTE GROUP (CONTINUED)

TABLE



| KEY | PART NUMBER | U/M | DESCRIPTION |
|-----|---------------|-----|---|
| 1 | 143798-01-01A | EA | CATCH - FLOOR TO TABLE LEG - BRIGHT WHITE |
| 2 | 140921-02-01A | EA | SUPPORT - TABLE - 18.5" - OFF WHITE |
| 3 | 140921-03-01A | EA | HANGER - TABLE - W/VINYL - OFF WHITE |
| 4 | 024281-15-000 | EA | BRACKET/TABLE - LIFT ROD/LOWER WALL MOUNTED - 17.1" |
| 5 | 024275-13-000 | EA | ROD - TABLE LIFT - OFF/WHITE |
| 6 | 093550-01-000 | EA | BRACKET - HINGE - MOUNTS TO LEG & TABLE TOP - 1.7" X 2.6" |
| 7 | 092707-10-03A | EA | LEG - TABLE - W/O HARDWARE - 26.8" - PORTSMOUTH OAK |
| 8 | 143798-02-01A | EA | CATCH - TABLE LEG - BRIGHT WHITE |
| | 143798-03-01A | EA | WASHER - TABLE LEG - CATCH |

DRIVERS COMPARTMENT GROUP FRONT INTERIOR



| KEY | PART NUMBER | U/M | DESCRIPTION |
|-----|---------------|-----|--|
| 1 | 106448-05-P07 | EA | HEADLINER - W/VINYL - FORD |
| 1 | 124818-02-P07 | EA | HEADLINER - W/VINYL - CHEVY |
| 2 | 109709-01-01A | EA | BRACKET - WINGWALL - OFF WHITE |
| 3 | 109709-02-01A | EA | BRACKET - WINGWALL - OFF WHITE |
| 4 | 141795-01-P07 | EA | CABINET/HAMPER - FRONT - W/DOOR - W/O HARDWARE (R10) |
| 4 | 141795-01-P09 | EA | CABINET/HAMPER - FRONT - W/DOOR - W/O HARDWARE (R11) |
| 4 | 141795-01-R08 | EA | CABINET/HAMPER - FRONT - W/DOOR - W/O HARDWARE (R12) |
| 5 | 141829-01-01A | EA | TRIM - J MOLDING - OFF WHITE - 96" |
| 6 | 141795-02-P07 | EA | CABINET/HAMPER - FRONT - W/DOOR - W/O HARDWARE (R10) |
| 6 | 141795-02-P09 | EA | CABINET/HAMPER - FRONT - W/DOOR - W/O HARDWARE (R11) |
| 6 | 141795-02-R08 | EA | CABINET/HAMPER - FRONT - W/DOOR - W/O HARDWARE (R12) |
| 7 | 136524-04-04A | EA | APPLIQUE - BEZEL - DASH - WOOD GRAINED/BRUSHED PEWTER - FORD |
| 8 | 141793-01-P07 | EA | CAP - SLEEPERBOARD (R10) |
| 8 | 141793-01-P09 | EA | CAP - SLEEPERBOARD (R11) |
| 8 | 141793-01-R08 | EA | CAP - SLEEPERBOARD (R12) |
| 9 | 106447-07-P07 | EA | TRIM - CAB DOOR - UPPER/RIGHT HAND - FORD |
| 10 | 106447-08-P07 | EA | TRIM - CAB DOOR - UPPER/LEFT HAND - FORD |
| 11 | 125031-01-H04 | EA | TRIM - CAB - B-PILLAR - PASSENGER SIDE - FORD |
| 12 | 125031-02-H04 | EA | TRIM - CAB - B-PILLAR - DRIVER SIDE - FORD |
| 13 | 106431-01-02A | EA | COVER - SEATBELT RECOIL - PASSENGER SIDE - VW GREY - FORD |
| 14 | 106431-02-02A | EA | COVER - SEATBELT RECOIL - DRIVER SIDE - VW GREY - FORD |
| | 094658-02-M01 | EA | HANDLE - BUNK - 2" X 14.2" - OAK |
| * | 106025-02-01A | EA | LADDER - BUNK - 52" |
| | 125780-03-000 | EA | MAT - FLOOR - FRONT PASSENGER - "I" - FORD (GRAY) - FORD |
| | 125780-04-000 | EA | MAT - FLOOR - FRONT DRIVER - "I" - FORD (GRAY) - FORD |
| | 124182-03-01A | EA | MAT - PASSENGER FRONT - CHEVY - CHEVY |
| | 124182-04-01A | EA | MAT - DRIVER FRONT - CHEVY - CHEVY |

*COMPONENT PARTS LISTED LATER IN THIS GROUP

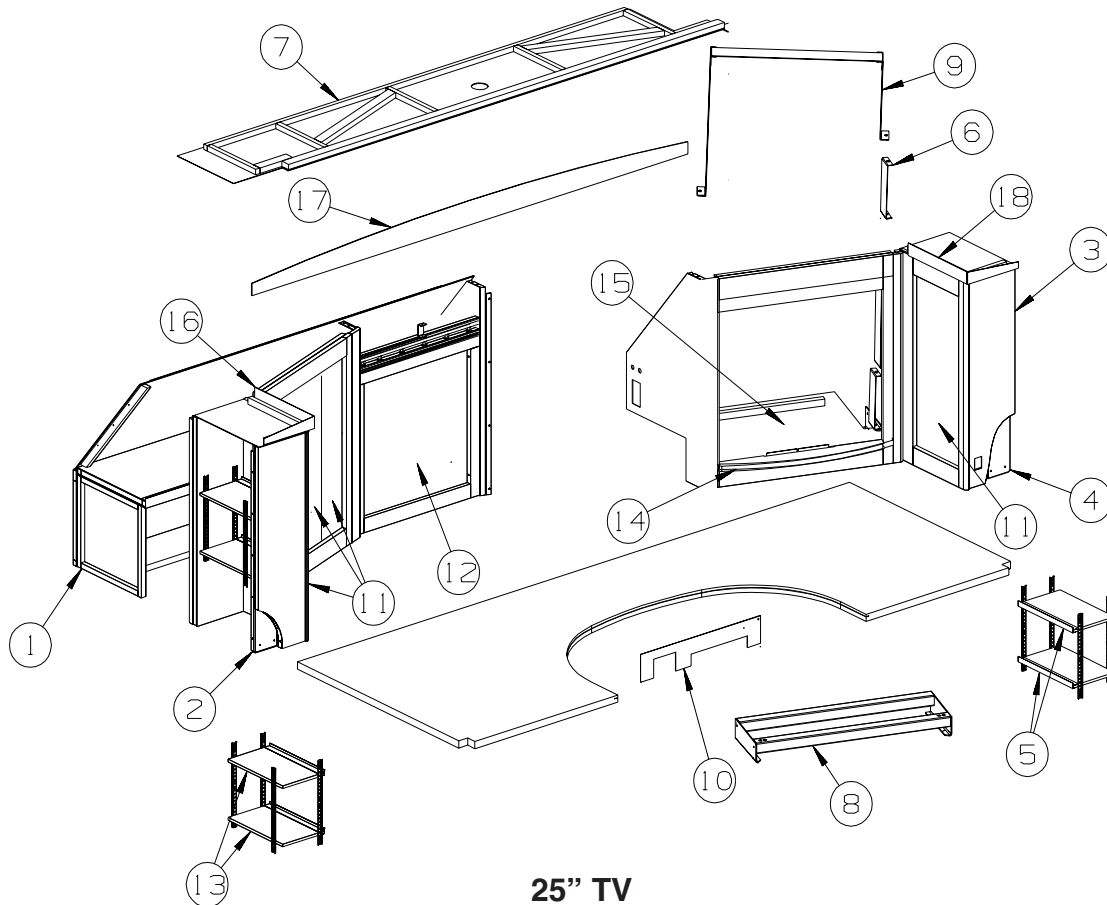
DRIVERS COMPARTMENT GROUP (CONTINUED)
COMPONENT PARTS FOR FRONT INTERIOR

106025-02-01A

| KEY | PART NUMBER | U/M | DESCRIPTION | VENDOR NO. |
|------------|--------------------|------------|-----------------------------|-------------------|
| | 106025-01-700 | EA | BRACKET SET-F/BUNK LADDER | |
| | 106025-01-701 | EA | END CAP-F/STEP LADDER RUNGS | |

DRIVERS COMPARTMENT GROUP (CONTINUED)

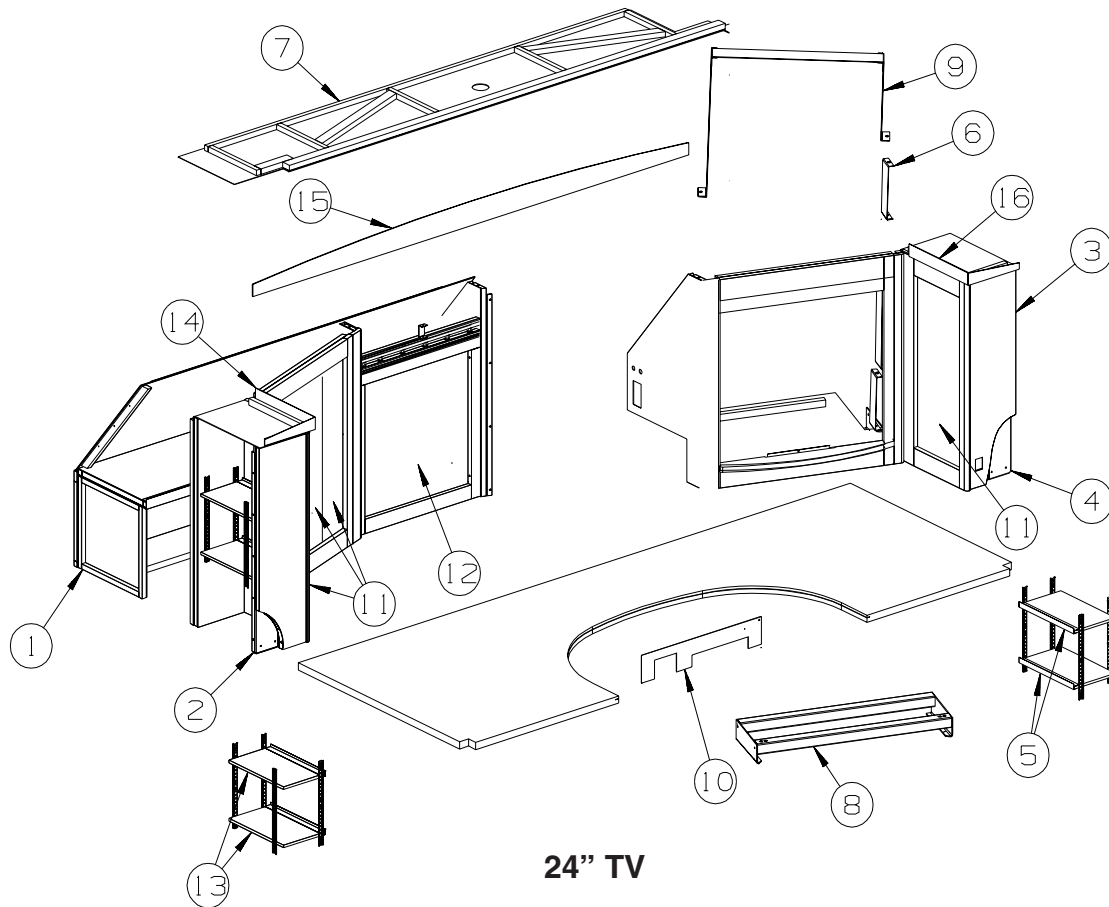
CABINETS



25" TV

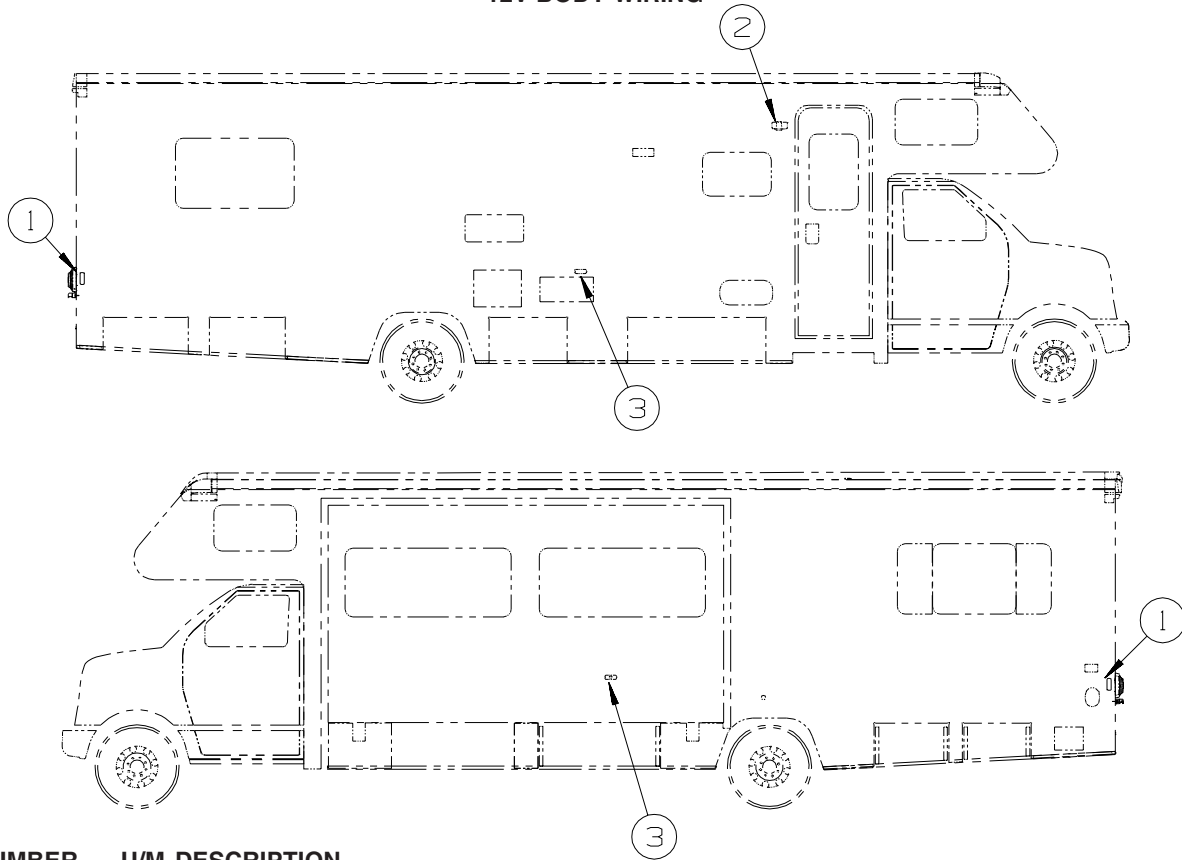
| KEY | PART NUMBER | U/M | DESCRIPTION |
|-----|---------------|-----|--|
| 1 | 142076-02-P07 | EA | CABINET - ENTERTAINMENT CENTER/LEFT HAND-W/O DOORS/HDW |
| 1 | 142076-03-R07 | EA | CABINET - ENTERTAINMENT CENTER/LEFT HAND-W/O DOORS/HDW - DVD/VCR COMBO |
| 2 | 136268-04-03B | EA | BRACKET - WINGWALL - OFF WHITE |
| 3 | 142077-04-P07 | EA | CABINET - ENTERTAINMENT CENTER/RIGHT HAND - W/O DOORS/HDW |
| 4 | 136268-03-03B | EA | BRACKET - WINGWALL - OFF WHITE |
| 5 | 142077-17-P07 | EA | SHELF - W/PLASTIC EDGE MOLDING |
| 6 | 136269-08-02B | EA | BRACKET/TV TIEDOWN - E-COATED |
| 7 | 142079-04-P07 | EA | CABINET - ENTERTAINMENT CENTER/TOP - W/O DOORS/HARDWARE |
| 8 | 142119-01-02B | EA | BRACKET - ENTERTAINMENT CENTER - E-COATED |
| 9 | 144148-04-02B | EA | BRACKET/TV TIEDOWN - E-COATED |
| 10 | 142200-01-P07 | EA | PANEL - VINYL COVERED |
| 10 | 142200-02-P07 | EA | PANEL - VINYL COVERED - INVERTER |
| 11 | 136955-70-P10 | EA | DOOR - RAISED PANEL/PENCIL EDGE - 12" X 26" - W/O HDW |
| 12 | 100708-30-000 | EA | DOOR/GLASS - TV CABINET - 18.8" X 18.8" - W/O HARDWARE |
| 13 | 142076-34-P07 | EA | SHELF - W/PLASTIC EDGE MOLDING |
| 14 | 142077-37-P07 | EA | FACE/FRAME - TV CABINET (PICTURE FRAME) |
| 15 | 142077-39-P07 | EA | SHELF - TV CABINET |
| 16 | 142078-07-P13 | EA | TRIM/FACE - ENTERTAINMENT CENTER |
| 17 | 142078-03-P13 | EA | TRIM/FACE - ENTERTAINMENT CENTER |
| 18 | 142078-08-P13 | EA | TRIM/FACE - ENTERTAINMENT CENTER |

DRIVERS COMPARTMENT GROUP (CONTINUED)
CABINETS (CONTINUED)



| KEY | PART NUMBER | U/M | DESCRIPTION |
|-----|---------------|-----|--|
| 1 | 148347-01-R07 | EA | CABINET - ENTERTAINMENT CENTER/LEFT HAND - W/O DOORS/HDW |
| 1 | 148347-02-R07 | EA | CABINET - ENTERTAINMENT CENTER - LEFT HAND - W/O DOORS/HDW - DVD/VCR COMBO |
| 2 | 136268-04-03B | EA | BRACKET - WINGWALL - OFF WHITE |
| 3 | 148339-01-R07 | EA | CABINET - ENTERTAINMENT CENTER/TV - W/O DOORS/HARDWARE |
| 4 | 136268-03-03B | EA | BRACKET - WINGWALL - OFF WHITE |
| 5 | 148339-22-R07 | EA | SHELF - W/PLASTIC EDGE MOLDING |
| 6 | 136269-08-02B | EA | BRACKET/TV TIEDOWN - E-COATED |
| 7 | 148349-01-R07 | EA | CABINET ASM-ENT CTR, TOP |
| 8 | 148344-01-02B | EA | BRACKET - ENTERTAINMENT CTR - E-COATED |
| 9 | 148247-03-02B | EA | STRAP/TIEDOWN - TV - E-COATED |
| 10 | 142200-01-P07 | EA | PANEL - VINYL COVERED |
| 10 | 142200-02-P07 | EA | PANEL - VINYL COVERED - INVERTER |
| 11 | 136955-70-P10 | EA | DOOR - RAISED PANEL/OGEE EDGE - 12" X 26" - W/O HDW |
| 12 | 100708-30-000 | EA | DOOR/GLASS - TV CABINET - 18.8" X 18.8" - W/O HARDWARE |
| 13 | 148347-34-R07 | EA | SHELF - W/PLASTIC EDGE TRIM |
| 14 | 148348-01-R07 | EA | TRIM - ENTERTAINMENT CENTER |
| 15 | 148348-02-R07 | EA | TRIM - ENTERTAINMENT CENTER |
| 16 | 148348-03-R07 | EA | TRIM - ENTERTAINMENT CENTER |

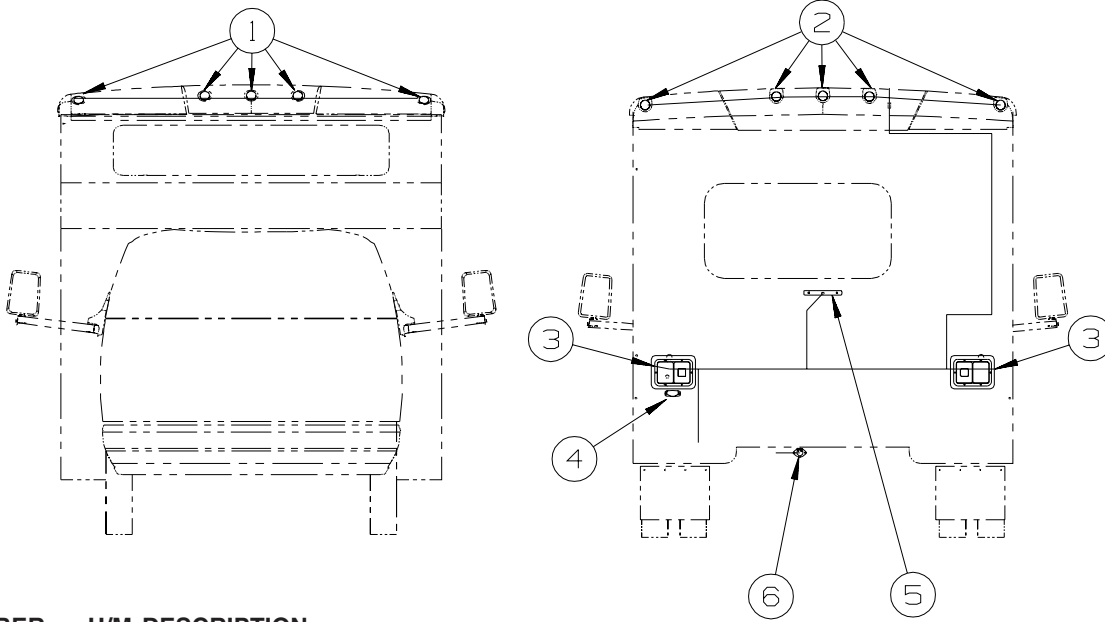
ELECTRICAL GROUP
12V BODY WIRING



| KEY | PART NUMBER | U/M | DESCRIPTION |
|-----|---------------|-----|---|
| 1 | 111102-01-000 | EA | BASE - MARKER LAMP |
| | 036196-01-000 | EA | BULB - 12V - #194 - .27 AMP - BAYONETTE |
| 1 | 111102-03-000 | EA | LENS - RED - MARKER LAMP |
| 2* | 097917-01-06A | EA | LIGHT - PORCH - BRIGHT WHITE |
| | 008215-01-000 | EA | BULB - 12 VOLT - #1003 - .94 AMP |
| 3 | 111102-01-000 | EA | BASE - MARKER LAMP |
| | 036196-01-000 | EA | BULB - 12V - #194 - .27 AMP - BAYONETTE |
| 3 | 111102-02-000 | EA | LENS - AMBER - MARKER LAMP |

***COMPONENT PARTS LISTED LATER IN THIS GROUP**

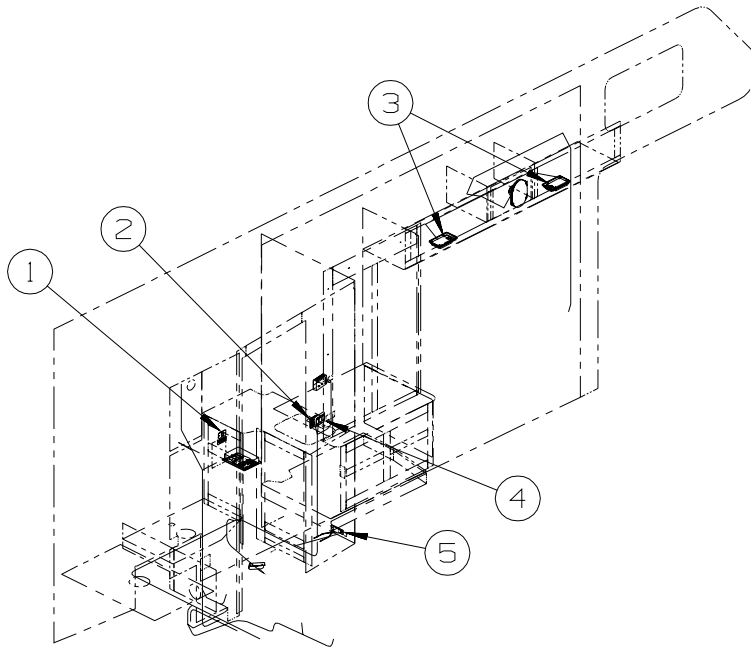
ELECTRICAL GROUP (CONTINUED)
12V BODY WIRING (CONTINUED)



| KEY | PART NUMBER | U/M | DESCRIPTION |
|-----|---------------|-----|---|
| 1 | 138996-01-000 | EA | LAMP - CLEARANCE - AMBER |
| 1 | 138996-03-000 | EA | BRACKET - CLEARANCE LIGHT |
| 2 | 138996-02-000 | EA | LAMP - CLEARANCE - RED |
| 2 | 138996-03-000 | EA | BRACKET - CLEARANCE LIGHT |
| 3* | 081638-01-000 | EA | TAILLIGHT/DOUBLE W/BLACK TRIM - DRIVER/PASSENGER SIDE |
| 3 | 103355-02-01A | EA | POD - TAIL LIGHT - BRIGHT WHITE |
| 4 | 066432-02-000 | EA | LIGHT - LICENSE - BLACK |
| 4 | 066432-03-000 | EA | BRACKET - LICENSE PLATE |
| 5 | 136916-01-000 | EA | LIGHT - CENTER BRAKE - L.E.D. |
| 6* | 113589-01-000 | EA | CONNECTOR - PLUG - TRAILER |
| 6* | 113589-02-000 | EA | CONNECTOR - SOCKET - TRAILER |

***COMPONENT PARTS LISTED LATER IN THIS GROUP**

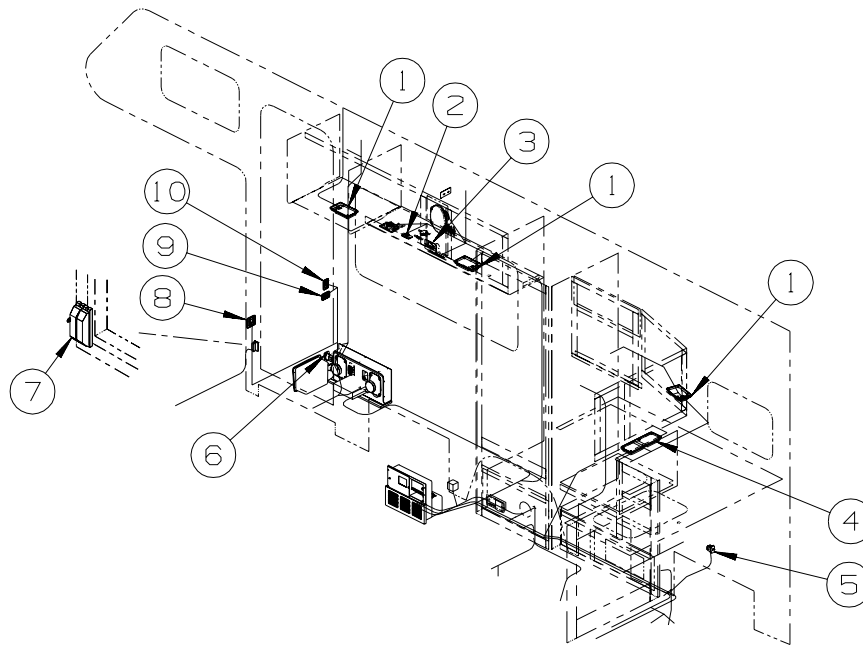
ELECTRICAL GROUP (CONTINUED)
12V BODY WIRING (CONTINUED)



| KEY | PART NUMBER | U/M | DESCRIPTION |
|-----|---------------|-----|--|
| 1 | 079364-08-000 | EA | SWITCH - ON/OFF LIGHTED - GREEN |
| 1 | 098351-01-01A | EA | PLATE/SEITCH - 1 GANG - POLISHED BRASS - W/O LABEL |
| 2 | 135740-01-02A | EA | SWITCH - ROCKER - SPST - ON/OFF - WHITE |
| 2 | 135741-02-02A | EA | SWITCH - BASE - DOUBLE - WHITE |
| 2 | 135742-15-01A | EA | BEZEL - SWITCH - CEILING/SHOWER - WHITE |
| 3* | 137417-02-01A | EA | LIGHT - DOME - SINGLE - W/SWITCH/OPTIC LENS - WHITE |
| 4 | 135740-01-02A | EA | SWITCH - ROCKER - SPST - ON/OFF - WHITE - HALL/CEILING |
| 4 | 135740-02-02A | EA | SWITCH - ROCKER - SPDT - ON/ON - WHITE - AISLE |
| 4 | 135741-03-02A | EA | SWITCH - BASE - TRIPLE - WHITE |
| 4 | 135742-25-01A | EA | BEZEL - SWITCH - CEILING/AISLE/HALL - WHITE |
| 5 | 061424-01-000 | EA | LIGHT - AISLE - 12 VOLT - RECTANGULAR |

***COMPONENT PARTS LISTED LATER IN THIS GROUP**

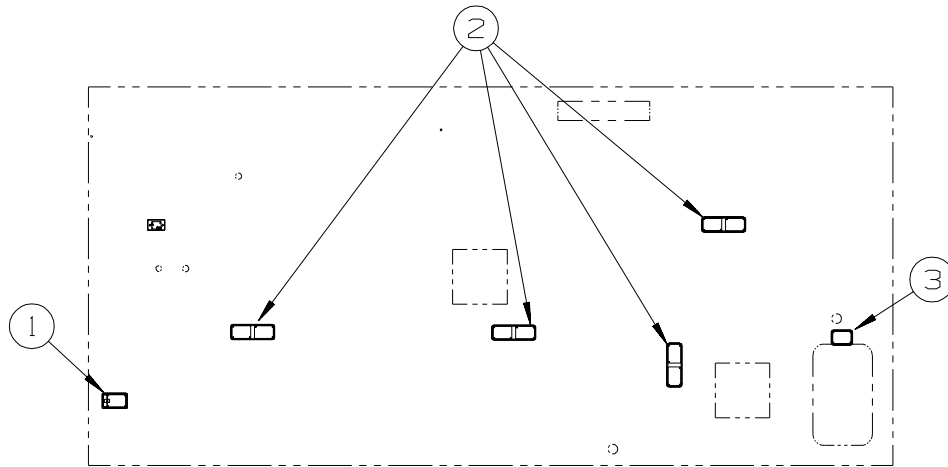
ELECTRICAL GROUP (CONTINUED)
12V BODY WIRING (CONTINUED)



| KEY | PART NUMBER | U/M | DESCRIPTION |
|-----|---------------|-----|--|
| 1* | 137417-02-01A | EA | LIGHT - DOME - SINGLE - W/SWITCH/OPTIC LENS - WHITE |
| 2 | 132180-01-01A | EA | SWITCH - PADDLE - SPST - ON/OFF - BLACK |
| 2 | 098351-14-01A | EA | PLATE/SWITCH - 1 GANG - POLISHED BRASS - TV |
| 3 | 138173-04-000 | EA | CONTROL PANEL (TOUCH PAD) - ELECTRIC SLIDEOUT - #1802931 |
| 4* | 137417-05-01A | EA | LIGHT - DOME - DOUBLE - W/SWITCH/OPTIC LENS - WHITE |
| 5 | 108357-15-000 | EA | SWITCH - ROCKER - DPDT - ON/NONE/ON - W/LIGHT W/O COVER |
| 5 | 108356-04-01A | EA | COVER/ACTUATOR SWITCH - 2 ROWS DIMPLES W/LENS-CONTURA-BLK |
| 5 | 108355-01-000 | EA | HOUSING - SWITCH |
| 5 | 144363-02-02B | EA | PLATE - SWITCH - BLACK |
| 6 | 108357-06-000 | EA | SWITCH - ROCKER - DPDT - MOM/OFF/MOM - 6 TERM - W/O COVER |
| 6 | 108356-11-01A | EA | COVER/ACTUATOR SWITCH - 3 GROOVES - AUX BATT - BLACK |
| 6 | 108355-01-000 | EA | HOUSING - SWITCH |
| 6 | 098351-07-01A | EA | PLATE/SWITCH - 1 GANG - POLISHED BRASS - GENERATOR |
| 7 | 116995-02-000 | EA | SWITCH/MAGNET - ELECTRIC STEP - BLACK/WHITE-CLOSED CIRCUIT |
| 8 | 135740-01-01A | EA | SWITCH - ROCKER - SPST - ON/OFF - BROWN - CEILING |
| 8 | 135740-02-01A | EA | SWITCH - ROCKER - SPDT - ON/ON - BROWN - AISLE |
| 8 | 135741-02-01A | EA | SWITCH - BASE - DOUBLE - BROWN |
| 8 | 135742-13-02A | EA | BEZEL - SWITCH - CEILING/AISLE - BROWN |
| 9 | 135740-01-01A | EA | SWITCH - ROCKER - SPST - ON/OFF - BROWN |
| 9 | 135741-01-01A | EA | SWITCH - BASE - SINGLE - BROWN |
| 9 | 135742-11-02A | EA | BEZEL - SWITCH - STEP - BROWN |
| 10 | 135740-01-01A | EA | SWITCH - ROCKER - SPST - ON/OFF - BROWN |
| 10 | 135741-01-01A | EA | SWITCH - BASE - SINGLE - BROWN |
| 10 | 135742-09-02A | EA | BEZEL - SWITCH - PORCH - BROWN |

***COMPONENT PARTS LISTED LATER IN THIS GROUP**

ELECTRICAL GROUP (CONTINUED)
12V BODY WIRING (CONTINUED)

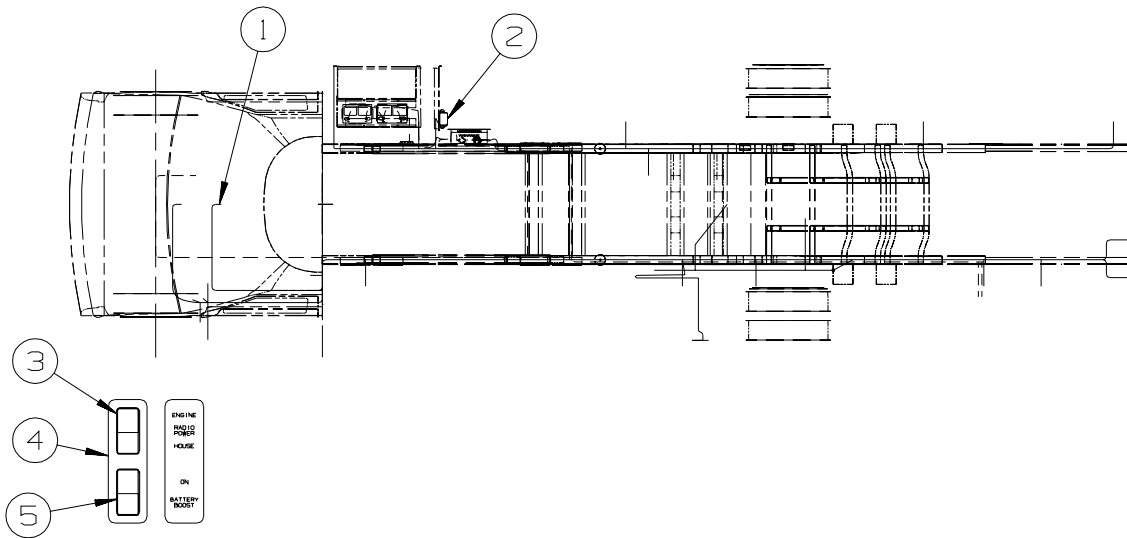


| KEY | PART NUMBER | U/M | DESCRIPTION |
|-----|---------------|-----|---|
| 1* | 137417-02-01A | EA | LIGHT - DOME - SINGLE - W/SWITCH/OPTIC LENS - WHITE |
| 2* | 137417-06-01A | EA | LIGHT - DOME - DOUBLE - W/FROSTED LENS - W/O SWITCH-WHITE |
| 3* | 121935-01-01A | EA | LIGHT - DOME - SHOWER |

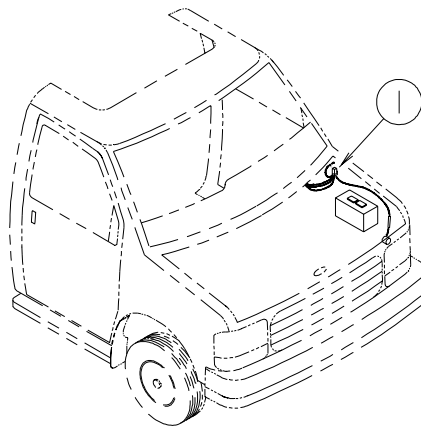
***COMPONENT PARTS LISTED LATER IN THIS GROUP**

ELECTRICAL GROUP (CONTINUED)

FRONT END WIRING



| KEY | PART NUMBER | U/M | DESCRIPTION |
|-----|---------------|-----|---|
| 1 | 135376-01-01A | EA | LIGHT - DOME - CAB - BLACK |
| 2 | 138173-03-000 | EA | MODULE - (CONTROL BOX) - SLIDEOUT CONTROL - #1802930 |
| 3 | 108357-08-000 | EA | SWITCH - ROCKER - DPDT - 0N/NONE/ON - 6 TERM - W/O COVER |
| 3 | 108356-02-01A | EA | COVER/ACTUATOR SWITCH - 2 ROWS DIMPLES- CONTURA II - BLACK |
| 3 | 108355-01-000 | EA | HOUSING - SWITCH |
| 4 | 144363-12-02B | EA | PLATE - SWITCH - E-COATED |
| 5 | 108357-09-000 | EA | SWITCH - ROCKER - SPDT - ON/NONE/MOM - 3 TERM - W/O COVER - FORD |
| 5 | 108356-02-01A | EA | COVER/ACTUATOR SWITCH - 2 ROWS DIMPLES- CONTURA II - BLACK - FORD |
| 5 | 108355-01-000 | EA | HOUSING - SWITCH - FORD |
| 5 | 108357-09-000 | EA | SWITCH - ROCKER - SPDT - ON/NONE/MOM - 3 TERM - W/O COVER - CHEVY |
| 5 | 108356-07-01A | EA | COVER/ACTUATOR SWITCH - 2 ROWS DIMPLES - AUX START - BLAC - CHEVY |
| 5 | 081994-07-000 | EA | PLATE - SWITCH - "AUXILIARY START" - CHEVY |



| KEY | PART NUMBER | U/M | DESCRIPTION |
|-----|---------------|-----|---|
| 1 | 100138-01-000 | EA | MODULE - DAYTIME/RUNNING LIGHT - HAMSAR DRL #H8005B |

ELECTRICAL GROUP (CONTINUED)
COMPONENT PARTS FOR LIGHTS & SWITCHES

081638-01-000

| KEY | PART NUMBER | U/M | DESCRIPTION | VENDOR NO. |
|------------|--------------------|------------|--------------------------|-------------------|
| | 081638 01 700 | EA | LENS-TAILLIGHT, RED | 30-84-010 |
| | 081638 01 701 | EA | LENS-TAILLIGHT, W/BACKUP | 30-84-700 |

097917-01-06A

| KEY | PART NUMBER | U/M | DESCRIPTION | VENDOR NO. |
|------------|--------------------|------------|--------------------|-------------------|
| | 097917-01-700 | EA | LENS-LIGHT, CLEAR | 30-78-021 |

113589-01-000

| KEY | PART NUMBER | U/M | DESCRIPTION | VENDOR NO. |
|------------|--------------------|------------|----------------------|-------------------|
| | 113589-01-700 | EA | ADAPTER, 4-WAY/6-WAY | 5291 |

113589-02-000

| KEY | PART NUMBER | U/M | DESCRIPTION | VENDOR NO. |
|------------|--------------------|------------|----------------------------|-------------------|
| | 113589-03-700 | EA | ADAPTER 7 RND SPADE/4 FLAT | 5290 |

121935-01-01A

| KEY | PART NUMBER | U/M | DESCRIPTION | VENDOR NO. |
|------------|--------------------|------------|--------------------|-------------------|
| | 121935-01-700 | EA | LENS ONLY | 809511 |

137417-02-01A

| KEY | PART NUMBER | U/M | DESCRIPTION | VENDOR NO. |
|------------|--------------------|------------|---------------------|-------------------|
| | 137417-02-700 | EA | LENS - SINGLE OPTIC | 810844 |

137417-05-01A

| KEY | PART NUMBER | U/M | DESCRIPTION | VENDOR NO. |
|------------|--------------------|------------|---------------------|-------------------|
| | 137417-05-700 | EA | LENS - DOUBLE OPTIC | 810845 |

137417-06-01A

| KEY | PART NUMBER | U/M | DESCRIPTION | VENDOR NO. |
|------------|--------------------|------------|---------------------|-------------------|
| | 137417-06-700 | EA | LENS - DOUBLE WHITE | 810867 |

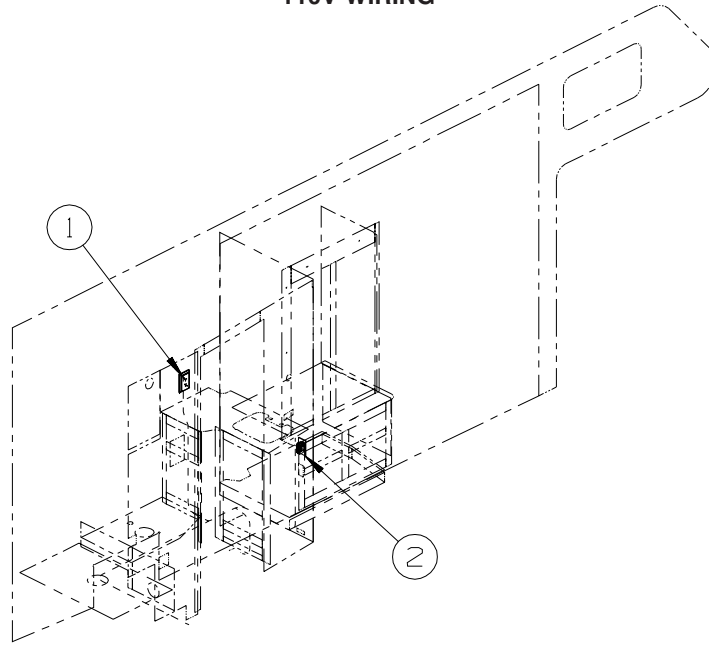
ELECTRICAL GROUP (CONTINUED)
CIRCUIT BREAKERS & FUSES

| KEY | PART NUMBER | U/M | DESCRIPTION |
|------------|--------------------|------------|---|
| | 008233-01-000 | EA | FUSE - 12 VOLT - 6 AMP |
| | 008235-01-000 | EA | FUSE - 15 AMP/12VOLT - AUTOMOTIVE |
| | 033573-01-000 | EA | CIRCUIT BREAKER W/MOUNT-20A, 12V - FASCO 1711-2026 |
| | 062901-02-000 | EA | FUSE - 5 AMP - AUTOMOTIVE |
| | 062901-04-000 | EA | FUSE - 10 AMP - AUTOMOTIVE |
| | 062901-05-000 | EA | FUSE - 15 AMP - AUTOMOTIVE |
| | 062901-06-000 | EA | FUSE - 20 AMP - AUTOMOTIVE |
| | 062901-07-000 | EA | FUSE - 25 AMP - AUTOMOTIVE |
| | 062901-08-000 | EA | FUSE - 30 AMP - AUTOMOTIVE |
| | 083209-01-000 | EA | CIRCUIT BREAKER - 15 AMP - 120 VOLT - CANADIAN |
| | 083209-02-000 | EA | CIRCUIT BREAKER - 15/15 AMP - 120 VOLT |
| | 083209-03-000 | EA | CIRCUIT BREAKER - 15/20 AMP - 120 VOLT |
| | 083209-04-000 | EA | CIRCUIT BREAKER - 30 AMP - 120 VOLT |
| | 083209-05-000 | EA | CIRCUIT BREAKER - 20 AMP - 120 VOLT |
| | 083209-06-000 | EA | CIRCUIT BREAKER - 30/15 AMP - 120 VOLT |
| | 083209-07-000 | EA | CIRCUIT BREAKER - 20/20 AMP - 120 VOLT |
| | 083209-10-000 | EA | CIRCUIT BREAKER - 20/30 AMP - 120 VOLT |
| | 083209-11-000 | EA | CIRCUIT BREAKER - 20/15 AMP - 120 VOLT |
| | 092786-03-000 | EA | BUSS BAR - 6.9" LONG |
| | 092786-06-000 | EA | BUSS BAR |
| | 093654-01-000 | EA | CIRCUIT BREAKER - 6 AMP - 12 VOLT - PUSH BUTTON - WHITE |
| | 093654-02-000 | EA | CIRCUIT BREAKER - 15 AMP - 12 VOLT - PUSH BUTTON - WHITE |
| | 093654-03-000 | EA | CIRCUIT BREAKER - 20 AMP - 12 VOLT - PUSH BUTTON - WHITE |
| | 093654-11-000 | EA | COVER - RESET BUTTON |
| | 093655-01-000 | EA | CIRCUIT BREAKER - 25 AMP - 12 VOLT - PUSH BUTTON - WHITE |
| | 093655-02-000 | EA | CIRCUIT BREAKER - 30 AMP - 12 VOLT - PUSH BUTTON - WHITE |
| | 093655-03-000 | EA | CIRCUIT BREAKER - 40 AMP - 12 VOLT - PUSH BUTTON - WHITE |
| | 097611-01-000 | EA | CIRCUIT BREAKER - 10 AMP |
| | 097611-02-000 | EA | CIRCUIT BREAKER - 30 AMP |
| | 097611-03-000 | EA | CIRCUIT BREAKER - 20 AMP |
| | 097611-04-000 | EA | CIRCUIT BREAKER - 25 AMP |
| | 100341-01-000 | EA | FUSE HOLDER - IN LINE TYPE |
| | 106656-01-000 | EA | FUSE BLOCK - 4 CAVITY - AUTOFUSE |
| | 108567-01-000 | EA | CIRCUIT BREAKER - 40 AMP - 12 VOLT - TYPE II |
| | 111683-01-000 | EA | FUSE - HOLDER - GLASS - 1/4" X 1 1/4" |
| | 113482-01-000 | EA | CIRCUIT BREAKER - 55 AMP - MANUAL |
| | 115187-01-000 | EA | FUSE - 300 AMP - NON-DELAY |
| | 115187-02-000 | EA | FUSE HOLDER - BUSS ANN/ANL BLOCK |
| | 118531-05-02B | EA | PLATE - CIRCUIT BREAKER - E-COAT - CHIEFTAIN/SUNFLYER L-SERIES |
| | 122811-01-000 | EA | CIRCUIT BREAKER - 20/50/50/20 AMP - 250V |
| | 134127-01-000 | EA | CIRCUIT BREAKER - 10 AMP - MINI |
| | 139067-01-02B | EA | PLATE - CIRCUIT BRKR-HOUSE - E-CTD - 10 PLACE |
| | 139067-02-02B | EA | PLATE - CIRCUIT BRKR-HOUSE - E-CTD - 12 PLACE |
| | 139067-03-02B | EA | PLATE-CIRCUIT BKR/HOUSE-E-CTD - 14 PLACE |
| | 139067-04-02B | EA | PLATE - CIRCUIT BRKR-HOUSE - E-CTD - TOP 10 PLACE |
| | 139067-05-02B | EA | PLATE - CIRCUIT BREAKER/HOUSE - E-COATED - 16 PLACE |
| | 139067-06-02B | EA | PLATE - CIRCUIT BREAKER/HOUSE - E-COATED - 18 PLACE |
| | 139067-07-02B | EA | PLATE - CIRCUIT BREAKER/HOUSE - E-COATED - 21 PLACE |
| | 141789-01-000 | EA | SPACER - CIRCUIT BREAKER |

CONVERTER, INVERTER, LOAD CENTER

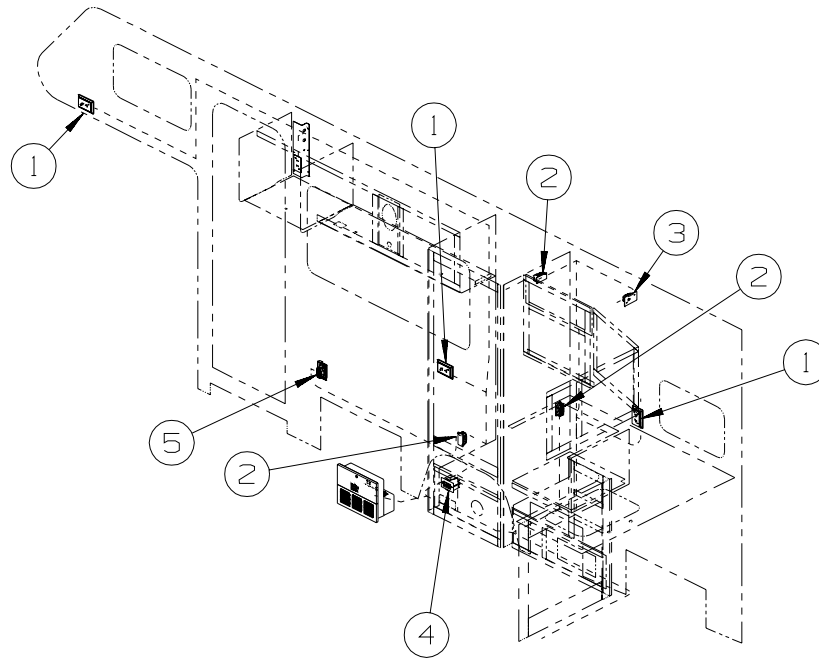
| KEY | PART NUMBER | U/M | DESCRIPTION |
|------------|--------------------|------------|--|
| | 083208-06-000 | EA | CONTROL CENTER - 45 AMP/120V/12V - W/O BREAKERS/ELECTRONIC |
| | 099048-03-000 | EA | INVERTER - 130 WATT |

ELECTRICAL GROUP (CONTINUED)
110V WIRING



| KEY | PART NUMBER | U/M | DESCRIPTION |
|------------|--------------------|------------|--|
| 1 | 058708-06-000 | EA | RECEPTACLE - DUPLEX - WHITE |
| 1 | 133713-01-20A | EA | SPACER/RECEPTACLE - WHITE VINYL |
| 1 | 133713-01-08A | EA | SPACER/RECEPTACLE - VINYL/PORTSMOUTH OAK |
| 2 | 058708-01-000 | EA | RECEPTACLE - ELECTRIC - DOUBLE - BROWN |

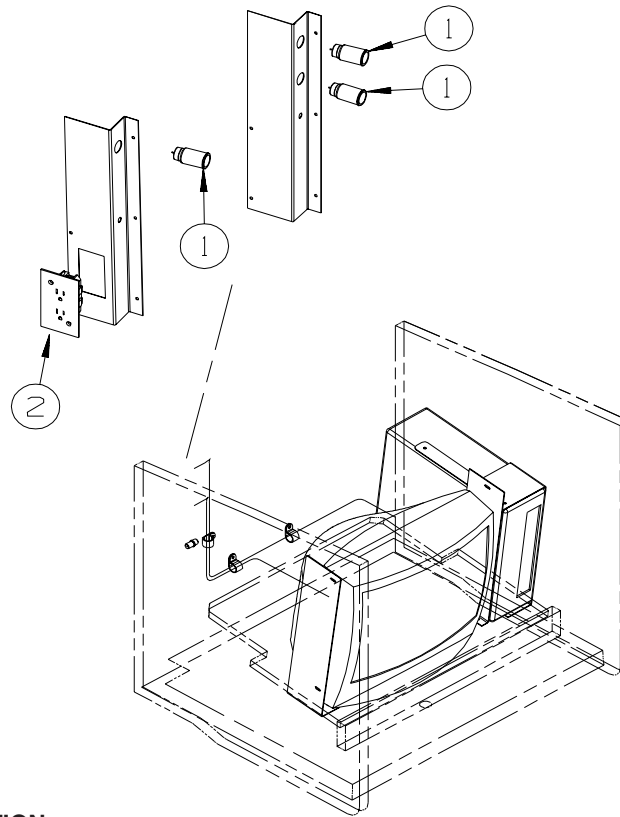
ELECTRICAL GROUP (CONTINUED)
110V WIRING (CONTINUED)



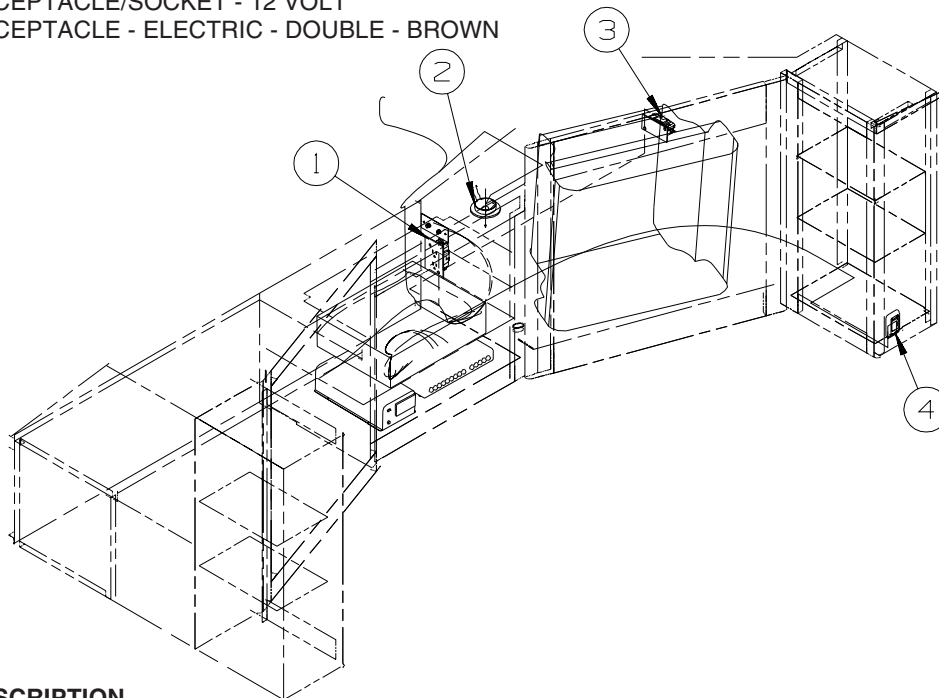
| KEY | PART NUMBER | U/M | DESCRIPTION |
|-----|---------------|-----|--|
| 1 | 058708-06-000 | EA | RECEPTACLE - DUPLEX - WHITE |
| 1 | 133713-01-20A | EA | SPACER/RECEPTACLE - WHITE VINYL |
| 1 | 133713-01-08A | EA | SPACER/RECEPTACLE - VINYL/PORTSMOUTH OAK |
| 2 | 058707-02-000 | EA | RECEPTACLE - BLANK - JUNCTION BOX |
| 3 | 058708-05-000 | EA | RECEPTACLE - ELECTRIC - SINGLE - BROWN |
| 4 | 147446-01-02A | EA | RECEPTACLE - GFCI - 15A 125V - BROWN |
| 4 | 147450-01-02A | EA | PLATE - ELECTRICAL OUTLET - BROWN |
| 5 | 131826-01-01A | EA | RECEPTACLE - EXTERIOR - W/COVER/GASKET - WHITE |
| | 024924-02-000 | EA | RECEPTACLE - POWER CORD - W/PARTIAL PLATE |

ELECTRICAL GROUP (CONTINUED)

ENTERTAINMENT WIRING



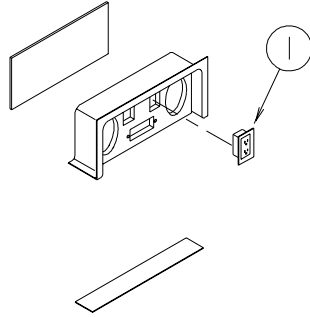
| KEY | PART NUMBER | U/M | DESCRIPTION |
|-----|---------------|-----|--|
| 1 | 111414-01-000 | EA | RECEPTACLE/SOCKET - 12 VOLT |
| 2 | 058708-01-000 | EA | RECEPTACLE - ELECTRIC - DOUBLE - BROWN |



| KEY | PART NUMBER | U/M | DESCRIPTION |
|-----|---------------|-----|--|
| 1 | 058708-01-000 | EA | RECEPTACLE - ELECTRIC - DOUBLE - BROWN |
| 2* | 123775-01-01A | EA | LIGHT - HALOGEN - ROUND |
| 3 | 058707-02-000 | EA | RECEPTACLE - BLANK - JUNCTION BOX |
| 4 | 135740-01-01A | EA | SWITCH - ROCKER - SPST - ON/OFF - BROWN |
| 4 | 135740-05-01A | EA | SWITCH - ROCKER - SPST - ON/OFF - BROWN - W/SND SYS DLX W/Q-SRND |
| 4 | 138253-01-02A | EA | SWITCH - BLANK - BROWN - W/O DELUXE SOUND SYSTEM |
| 4 | 135741-01-01A | EA | SWITCH - BASE - SINGLE - BROWN - 300 SERIES |
| 4 | 135741-02-01A | EA | SWITCH - BASE - SINGLE - BROWN - 400 SERIES |
| 4 | 135742-07-02A | EA | BEZEL - SWITCH - CEILING - BROWN - 300 SERIES |
| 4 | 135742-29-02A | EA | BEZEL - SWITCH - CEILING - BROWN - 400 SERIES |

*COMPONENT PARTS LISTED LATER IN THIS GROUP

ELECTRICAL GROUP (CONTINUED)
ENTERTAINMENT WIRING (CONTINUED)



| KEY | PART NUMBER | U/M | DESCRIPTION |
|------------|--------------------|------------|--|
| 1 | 058708-01-000 | EA | RECEPTACLE - ELECTRIC - DOUBLE - BROWN |

ELECTRICAL GROUP (CONTINUED)
COMPONENT PARTS FOR ENTERTAINMENT WIRING

123775-01-01A

| KEY | PART NUMBER | U/M | DESCRIPTION | VENDOR NO |
|------------|--------------------|------------|-----------------------------|------------------|
| | 123775-01-700 | EA | BULB - 10 WATT - HALOGEN | 71-JC10 |
| | 123775-01-701 | EA | BEZEL/LENS - RECESSED LIGHT | |

ELECTRICAL GROUP (CONTINUED)

BOXES & CORDS

| KEY | PART NUMBER | U/M | DESCRIPTION |
|-----|---------------|-----|--|
| | 008054-01-000 | EA | CORD - POWER - 10/3 WIRE - 30 AMP - 25' |
| | 008289-01-000 | EA | BOX - ELECTRIC/STEEL - 4" X 4" - 1/2" & 3/4" KNOCKOUTS |
| | 008294-01-000 | EA | COVER - ELECTRIC BOX - BLANK/STEEL - 4" X 4" - GRAY |
| | 069238-01-000 | EA | COVER - ELECTRICAL BOX - W/HOLE - 4" X 4" - GRAY |
| | 084993-01-000 | EA | STRAP - BATTERY - 43.2" LONG |
| | 091910-01-000 | EA | BOX - ELECTRIC - 3.8" X 3.5" X 1.8" - PLASTIC |
| | 091910-02-000 | EA | BOX - ELECTRIC - 2.2" X 3.5" X 1.8" - PLASTIC |
| | 092492-16-000 | EA | SEAL - ELECTRICAL BOX |
| | 115832-01-000 | FT | CORD - HEAVY DUTY - 14-2W GROUND |
| | 141272-01-02B | EA | BOX - ELECTRICAL - E-COATED |
| | 141273-01-02B | EA | COVER - ELECTRICAL BOX - E-COATED |
| | 131679-01-000 | EA | BOX/ELECTRIC-WATERPROOF-4" X 4" - W/4 3/4"OUTLETS-UL/CSA |
| | 131680-01-000 | EA | COVER - F/ELECTRIC BOX W/GASKET 4" X 4" - UL/CSA |
| | 133070-01-000 | EA | BOX - ELECTRIC/PLASTIC - 3" X 2" X 2.8" - UL |
| | 133070-02-000 | EA | BOX - ELECTRIC/PLASTIC - 3" X 2" X 2.8" - CSA |
| | 084993-02-000 | EA | STRAP - BATTERY - 55" LONG |
| | 107165-01-01A | EA | BOX - CIRCUIT BREAKER - 14.6" X 4" - PLASTIC |
| | 069238-01-000 | EA | COVER - ELECTRICAL BOX - W/HOLE - 4" X 4" - GRAY |
| | 084077-03-000 | EA | COVER/BLANK - WIRE ACCESS - 5.2" X 3.5" - IVORY |

WIRE ASSEMBLIES

| KEY | PART NUMBER | U/M | DESCRIPTION |
|-----|---------------|-----|---|
| | 090986-02-000 | EA | WIRE ASSEMBLY - ELECTRIC STEP |
| | 096449-01-000 | EA | WIRE ASSEMBLY - WATER TANK TO MONITOR PANEL |
| | 096449-02-000 | EA | WIRE ASSEMBLY - WATER TANK TO MONITOR PANEL |
| | 096450-01-000 | EA | WIRE F/SENSORS - BLACK WATER - 39.3" |
| | 096450-02-000 | EA | WIRE F/SENSORS - BLACK WATER - 59" |
| | 096450-03-000 | EA | WIRE F/SENSORS - BLACK WATER - 78.6" |
| | 096450-05-000 | EA | WIRE F/SENSORS - BLACK WATER - 23.6" |
| | 096451-01-000 | EA | WIRE F/SENSORS - GREY WATER - 86" |
| | 096451-03-000 | EA | WIRE F/SENSORS - GREY WATER - 78.6" |
| | 096451-05-000 | EA | WIRE F/SENSORS - GREY WATER - 43.2" |
| | 096451-06-000 | EA | WIRE F/SENSORS - GREY WATER - 23.6" |
| | 097618-02-000 | EA | WIRE ASSEMBLY/MONITOR PANEL - 3 WIRES & RESISTOR - 102.4" |
| | 106851-01-000 | EA | WIRE ASSEMBLY - RUNNING LIGHTS - FUSE |
| | 116894-01-000 | EA | WIRE ASSEMBLY - SPEED SENSOR EXTENDED |
| | 122743-01-000 | EA | WIRE LOOM - DINETTE/TV |
| | 125853-04-000 | EA | WIRE LOOM - ENTERTAINMENT CENTER |
| | 126501-01-000 | EA | WIRE ASSEMBLY - REMOTE MIRRORS - FORD |
| | 134550-01-000 | EA | WIRE ASSEMBLY - HEATER/RELAY |
| | 134551-06-000 | EA | WIRE ASSEMBLY - HEATER/TANKS |
| | 134551-08-000 | EA | WIRE ASM-HEATER,TANKS |
| | 135420-08-000 | EA | WIRE - RADIO - FORD C - 4 PIN |
| | 134551-09-000 | EA | WIRE ASM-HEATER,TANKS |
| | 134551-10-000 | EA | WIRE ASM-HEATER/TANKS - 2 PADS |
| | 137135-03-000 | EA | WIRE LOOM - DIGITAL ELEVATION SENSOR |
| | 137135-04-000 | EA | WIRE HARNESS - POWER - DIGITAL ELEVATION SENSOR |

ELECTRICAL GROUP (CONTINUED)
CONNECTORS & CONDUIT

| KEY | PART NUMBER | U/M | DESCRIPTION |
|-----|---------------|-----|--|
| | 007940-01-000 | EA | RECEPTACLE/SLIDE 16 TO 12 AWG - FEMALE END |
| | 007940-02-000 | EA | RECEPTACLE-SLIDE 10 AWG - AMP 180351-2 |
| | 007954-01-000 | EA | RECEPTACLE - HOUSING - 6 POSITION |
| | 007956-05-000 | EA | INSULATOR - SHRINK - 1/4" ID X 1 1/2" |
| | 008058-01-700 | EA | ADAP-ELEC.30AMP M X 50 AMP F 30M50F |
| | 008058-01-000 | EA | ADAPTER - POWER CORD - 30 AMP TO 15 AMP |
| | 008311-01-000 | EA | CONNECTOR - WIRE NUT - INSULATED - RED |
| | 008312-01-000 | EA | CONNECTOR - WIRE NUT - INSULATED - BLUE |
| | 008313-01-000 | EA | CONNECTOR - WIRE NUT - INSULATED - YELLOW |
| | 008314-01-000 | EA | CONNECTOR - WIRE NUT - INSULATED - GRAY |
| | 008326-01-000 | EA | TERMINAL - RING - 16/14 WIRE - 3/8" STUD |
| | 008328-01-000 | EA | TERMINAL - RING - 12/10 WIRE - #10 STUD FIT |
| | 008331-01-000 | EA | TERMINAL - RING - TONGUE - #4 WIRE - 3/8" STUD - COPPER |
| | 008348-01-000 | EA | TERMINAL - RING - 3/8" STUD 2 GA. WIRE |
| | 008355-01-000 | EA | CONNECTOR - CABLE CLAMPING - 3/4" |
| | 008356-01-000 | EA | CONNECTOR - PLASTIC - 3/8" |
| | 008356-02-000 | EA | CONNECTOR - PLASTIC - 21/32" |
| | 008394-01-000 | FT | CONDUIT - FLEXIBLE - 1/2" |
| | 008398-01-000 | EA | CONNECTOR - 1/2" X 90 DEGREE - FLEX CONDUIT - UL & CSA |
| | 035416-04-000 | EA | TERMINAL - RING - #10 STUD FIT - INSULATED BARREL #16/14 |
| | 041953-01-000 | FT | CONDUIT - CONVOLUTE SLIT - .5" ID - POLYETHYLENE |
| | 041953-02-000 | FT | CONDUIT - CONVOLUTE SLIT - .6" ID - POLYETHYLENE |
| | 041953-03-000 | FT | CONDUIT - CONVOLUTE SLIT - 1" ID (CLOTHES ROD COVER) |
| | 041953-06-000 | FT | CONDUIT - CONVOLUTE SLIT - .4" ID - POLYETHYLENE |
| | 041953-07-000 | FT | CONDUIT - CONVOLUTE SLIT - .25" ID - POLYETHYLENE |
| | 041953-08-000 | FT | CONDUIT - CONVOLUTE SLIT - 1.5" ID - POLYETHYLENE |
| | 041953-09-000 | FT | CONDUIT - CONVOLUTE SLIT - .5" ID - NYLON |
| | 041953-10-000 | FT | CONDUIT - CONVOLUTE SLIT - .75" ID - NYLON |
| | 041953-11-000 | FT | CONDUIT - CONVOLUTE SLIT - 1.06" ID - NYLON |
| | 041953-12-000 | FT | CONDUIT - CONVOLUTE SOLID - 1.1" ID - NYLON |
| | 041953-13-000 | FT | CONDUIT - CONVOLUTE SLIT - 1.25" ID |
| | 041953-14-000 | FT | CONDUIT - CONVOLUTE SLIT - 1.5" ID |
| | 041953-15-000 | FT | CONDUIT - CONVOLUTE SLIT - 2" |
| | 041953-16-000 | FT | CONDUIT - CONVOLUTE SLIT - 2" |
| | 047443-01-000 | EA | TERMINAL - .250 RECEPTACLE FIT - INSULATED - 16/14 AWG |
| | 047443-02-000 | EA | TERMINAL - .250 RECEPTACLE FIT - INSULATED - 12/10 AWG |
| | 058028-01-000 | EA | CONNECTOR - ELECTRICAL PIGTAIL - NYLON - CLEAR |
| | 062036-01-000 | EA | TERMINAL - PACK - CON - 12/10 AWG |
| | 074017-02-000 | EA | HOUSING - 5 POSITION - RIGHT ANGLED |
| | 077479-01-000 | EA | BOOT - BATTERY TERMINAL - DOUBLE CABLE |
| | 077479-02-000 | EA | BOOT - BATTERY TERMINAL - SINGLE CABLE |
| | 080015-02-000 | EA | RECEPTACLE - FLAG - .185 - 16/14 GAUGE |
| | 080015-03-000 | EA | RECEPTACLE - FLAG - .250 - 14/16 GAUGE |
| | 082109-01-000 | EA | HOUSING - CONNECTOR - PACKARD |
| | 082741-01-000 | EA | CONNECTOR BODY - 2 CONNECTOR MALE |
| | 087225-01-000 | FT | SLEEVING - 1/2" - TYPE H |
| | 087949-01-000 | EA | BUSS BAR - 2 POSITION - .6" X 1.5" |
| | 087949-03-000 | EA | BUSS BAR - 4 POSITION |
| | 087949-05-000 | EA | BUSS BAR - 7 POSITION |
| | 088473-01-000 | EA | HOUSING - PIN - 12 CAVITY (3 ROWS OF 4) |
| | 088473-02-000 | EA | HOUSING - PIN - 15 CAVITY (3 ROWS OF 5) |
| | 088473-03-000 | EA | HOUSING - PIN - 9 CAVITY (3 ROWS OF 3) |
| | 088473-04-000 | EA | HOUSING - PIN - 8 CAVITY IN-LINE |
| | 088473-06-000 | EA | HOUSING - PIN - 6 CAVITY (2 ROWS OF 3) |
| | 088473-07-000 | EA | HOUSING - PIN - 5 CAVITY - IN LINE |
| | 088473-08-000 | EA | HOUSING - PIN - 4 CAVITY - IN-LINE |
| | 088473-09-000 | EA | HOUSING - PIN - 3 CAVITY - IN-LINE |
| | 088473-10-000 | EA | HOUSING - PIN - 2 CAVITY - IN LINE |
| | 088474-01-000 | EA | HOUSING - SOCKET - 12 CAVITY |
| | 088474-02-000 | EA | HOUSING - SOCKET - 15 CAVITY |
| | 088474-03-000 | EA | HOUSING - SOCKET - 9 CAVITY |
| | 088474-06-000 | EA | HOUSING - SOCKET - 6 CAVITY |
| | 088474-07-000 | EA | HOUSING - SOCKET - 5 CAVITY |

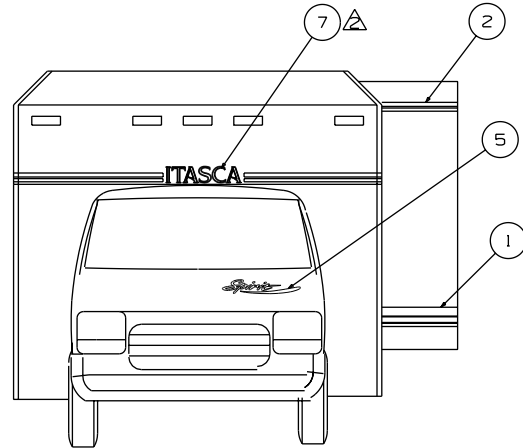
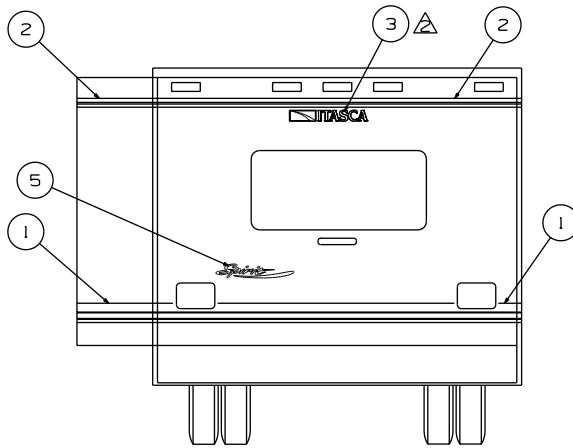
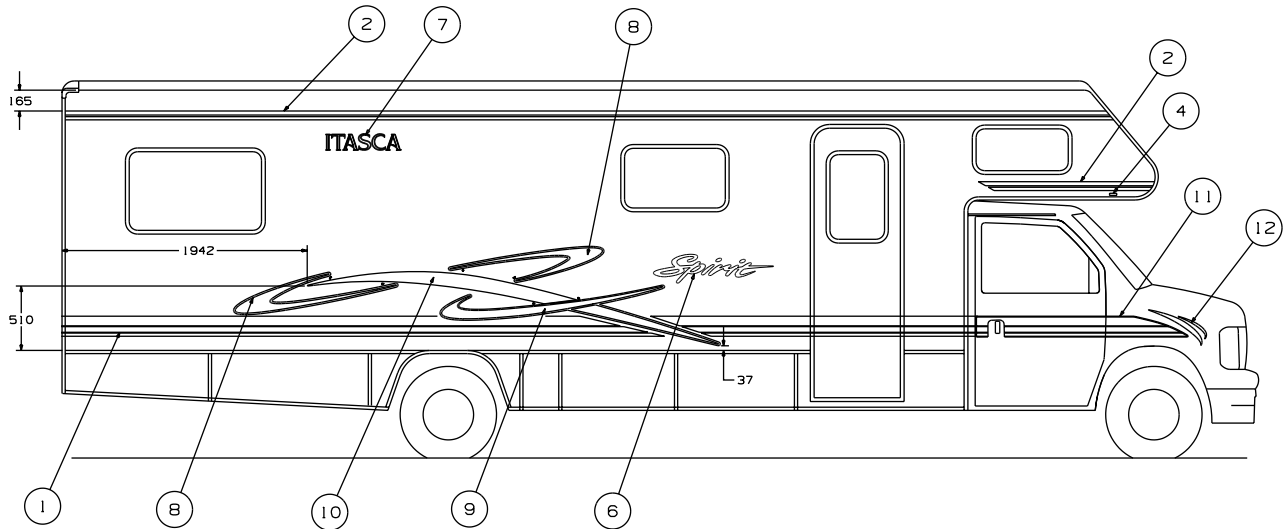
ELECTRICAL GROUP (CONTINUED)
CONNECTORS & CONDUIT (CONTINUED)

| KEY | PART NUMBER | U/M | DESCRIPTION |
|------------|--------------------|------------|---|
| | 088474-08-000 | EA | HOUSING - SOCKET - 4 CAVITY |
| | 088474-09-000 | EA | HOUSING - SOCKET - 3 CAVITY |
| | 088474-10-000 | EA | HOUSING - SOCKET - 2 CAVITY |
| | 088475-01-000 | EA | PIN - CONNECTOR - 14-20 AWG |
| | 088475-02-000 | EA | PIN - CONNECTOR - 10-12 AWG |
| | 088476-01-000 | EA | TERMINAL - ELECTRICAL |
| | 088476-02-000 | EA | SOCKET - CONNECTOR - 12-10 GA - PRE-TIN |
| | 098261-01-000 | EA | SOCKET - CONNECTOR - WEATHERPACK - 12 AWG |
| | 098261-02-000 | EA | SOCKET - CONNECTOR - WEATHERPACK - 14-18 AWG |
| | 098262-01-000 | EA | SEAL - CONNECTOR - WEATHERPACK |
| | 098264-01-000 | EA | HOUSING - 2 PIN - WEATHER PACK - MALE W/FEMALE PINS |
| | 098264-02-000 | EA | HOUSING - 2 PIN - WEATHER PACK - FEMALE W/MALE PINS |
| | 098265-02-000 | EA | PIN - CONNECTOR - WEATHER PACK |
| | 101751-02-000 | EA | HOUSING - 1 PIN - WEATHERPACK |
| | 102777-02-000 | EA | TERMINAL - RING - #6 STUD - 10 AWG |
| | 103608-01-000 | EA | SOCKET - WEDGE BASE W/LEADS |
| | 104100-01-000 | EA | HOUSING - 1 POSITION - 75 AMPS |
| | 104100-03-000 | EA | TERMINAL - 75 AMP |
| | 110178-01-000 | EA | HOUSING - WIPER MOTOR |
| | 112823-01-000 | EA | SPLICE - REDUCER - 16-14 TO 18-22 |
| | 113135-01-000 | EA | TERMINAL - FEMALE - M/P - 14-16 - F/SEALED TERMINAL |
| | 113308-01-000 | EA | TERMINAL - FEMALE - M/P - 14-16 - 280 |
| | 113468-01-000 | EA | HOUSING - 2 POSITION-FEMALE-USED ON WIPER/WASHER WIRE ASM |
| | 113638-02-000 | EA | CONNECTOR - ACTUATOR |
| | 115931-01-000 | EA | COVER - CONNECTOR - 30 AMP W/LOCK RING |
| | 115931-02-000 | EA | COVER - CONNECTOR - 50 AMP W/LOCKING RING |
| | 115932-01-000 | EA | CONNECTOR - FEMALE - 30 AMP/120 VOLT |
| | 115932-02-000 | EA | CONNECTOR - FEMALE - 50 AMP/240 VOLT |
| | 116811-01-000 | EA | TERMINAL - .110 RECEPTACLE - 16-14 AWG |
| | 118571-01-000 | EA | CONNECTOR - 3-WAY - MALE/SEALED |
| | 118571-02-000 | EA | CONNECTOR - 3-WAY - FEMALE/SEALED |
| | 118571-05-000 | EA | LOCK - SECONDARY - FEMALE |
| | 118571-06-000 | EA | LOCK - SECONDARY - MALE |
| | 118599-02-000 | EA | TERMINAL - MALE - M/P - 280/14-12 |
| | 118820-01-000 | EA | INSULATOR - TERMINAL |
| | 129233-01-000 | EA | HOUSING - 2-POSITION/FEMALE - 280-SERIES |
| | 129233-02-000 | EA | HOUSING - 2-POSITION/FEMALE - 280-SERIES |
| | 131681-01-000 | EA | CONNECTOR - 3/4" SO CORD - UL/CS |
| | 137207-01-000 | EA | HOUSING - PIN - 2 CAVITY/HIGH AMP |
| | 137208-01-000 | EA | HOUSING - SOCKET - 2 CAVITY/HIGH AMP |
| | 137209-01-000 | EA | PIN - CONNECTOR - 10AWG/HIGH AMP |
| | 137210-01-000 | EA | SOCKET - CONNECTOR - 10 AWG/HIGH AMP |
| | 138419-03-000 | EA | SOCKET - LAMP - 3 WIRE |
| | 142520-01-000 | EA | TERMINAL - FEMALE - MINI-FIT 16 |
| | 142522-01-000 | EA | HOUSING - 4 PIN/MALE - MINI FIT |
| | 142522-02-000 | EA | HOUSING - 6 PIN/MALE - MINI FIT |
| | 142522-03-000 | EA | HOUSING - 8 PIN/MALE - MINI FIT |
| | 142524-01-000 | EA | HOUSING - 4 PIN/FEMALE - WEATHER PACK |
| | 142524-02-000 | EA | HOUSING - 4 PIN/WEATHER PACK/FEMALE |
| | 144283-01-000 | EA | CONNECTOR - WIRE, SOW, BLUE, MOLEX 19403-0011 |
| | 144283-02-000 | EA | CONNECTOR - WIRE, NM, CLEAR, MOLEX 19045-1000 |

BOOTS, SOLENOIDS, RELAYS & MISCELLANEOUS

| KEY | PART NUMBER | U/M | DESCRIPTION |
|------------|--------------------|------------|--|
| | 008188-01-000 | EA | SOLENOID - 3 POST - BATTERY CHANGE OVER |
| | 063910-01-000 | EA | HOUSING - RELAY |
| | 063912-02-000 | EA | RELAY - CANISTER - SPDT |
| | 065450-05-000 | EA | TIEDOWN - BATTERY - 8.4" TUBE |
| | 065451-05-000 | EA | BRACKET/TIEDOWN - BATTERY - 7.7" FROM BRKT TO BRKT |
| | 086273-01-000 | EA | RELAY - BATTERY DISCONNECT |

EXTERIOR BODY GROUP GRAPHICS & PAINT



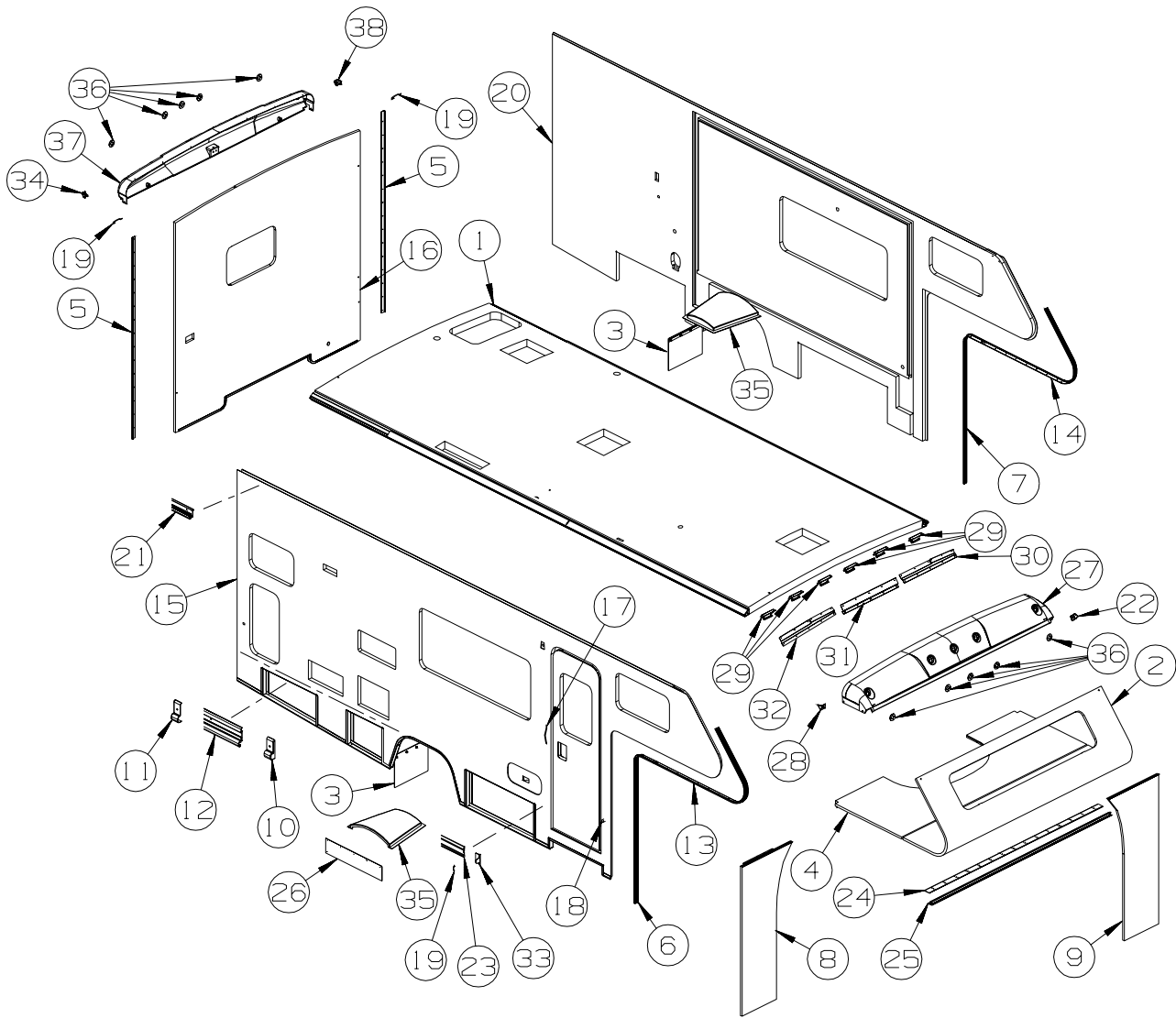
| KEY | PART NO. | U/M | DESCRIPTION |
|-----|--------------------|-----|---|
| 1 | 94443-79-CHT(01A) | FT | MULTISTRIPE-152.4 MM - WIN.GREEN/DEEP BLUE STAR/WIN BLUE |
| 2 | 105781-82-CHT(03A) | FT | MULTISTRIPE-69.9 MM - WIN GREEN/DEEP BLUE STAR |
| 3 | 124806-01-CHT(30A) | EA | DECAL-ITASCA W/ICON - WIN GREEN/BRT.WHITE |
| 4 | 132664-01-CHT(01A) | EA | DECAL-LOGO,DOMED,WINNEBAGO - CHROME/BLACK |
| 5 | 137507-01-CHT(03A) | EA | DECAL-SPIRIT,SML,W/SLASH - WIN GREEN/DEEP BLUE STAR/BRT.WHITE/EMERALD GREEN |
| 6 | 137508-01-CHT(03A) | EA | DECAL-SPIRIT - WIN.GREEN/DEEP BLUE STAR/BRT.WHITE |
| 7 | 144587-02-CHT(01A) | EA | DECAL-LOGO,ITASCA - WIN.GREEN/BRT.WHITE |
| 8 | 144638-01-CHT(01A) | EA | DECAL-SWEEP,RH - BRT.WHITE/EMERALD GREEN |
| 9 | 144638-02-CHT(01A) | EA | DECAL-SWEEP,LH - BRT.WHITE/EMERALD GREEN |
| 10 | 144639-01-CHT(01A) | EA | DECAL-SWISH,RH - BRT.WHITE/DEEP BLUE STAR/WIN BLUE |
| 10 | 144639-02-CHT(01A) | EA | DECAL-SWISH,LH - BRT.WHITE/DEEP BLUE STAR/WIN BLUE |
| 10 | 144640-01-CHT(01A) | EA | DECAL-SLASH,RH - WIN BLUE |
| 10 | 144640-02-CHT(01A) | EA | DECAL-SLASH,LH - WIN BLUE |
| 11 | 144641-01-CHT(01A) | EA | DECAL-CAB STRIPE,RH - WIN GREEN/DEEP BLUE STAR/WIN BLUE |
| 11 | 144641-02-CHT(01A) | EA | DECAL-CAB STRIPE,LH - WIN GREEN/DEEP BLUE STAR/WIN BLUE |
| 12 | 144642-01-CHT(01A) | EA | DECAL-SWEEP,CAB,RH - WIN GREEN/WIN BLUE |
| 12 | 144642-02-CHT(01A) | EA | DECAL-SWEEP,CAB,LH - WIN GREEN/WIN BLUE |

| KEY | PART NUMBER | U/M | DESCRIPTION |
|-----|---------------|-----|------------------------------------|
| | 041561-03-000 | EA | PAINT - 16 OUNCE SPRAY - OFF WHITE |
| | 116424-01-000 | EA | PROTECTOR - LATCH - WATER HEATER |

**DUPONT COLOR CODES ARE NOW FOUND IN THE PAINT CODE MANUAL.
YOU CAN FIND THIS MANUAL ON YOUR DEALER INDEX WEBPAGE UNDER SERVICE**

EXTERIOR BODY GROUP (CONTINUED)

PANELS & TRIMS

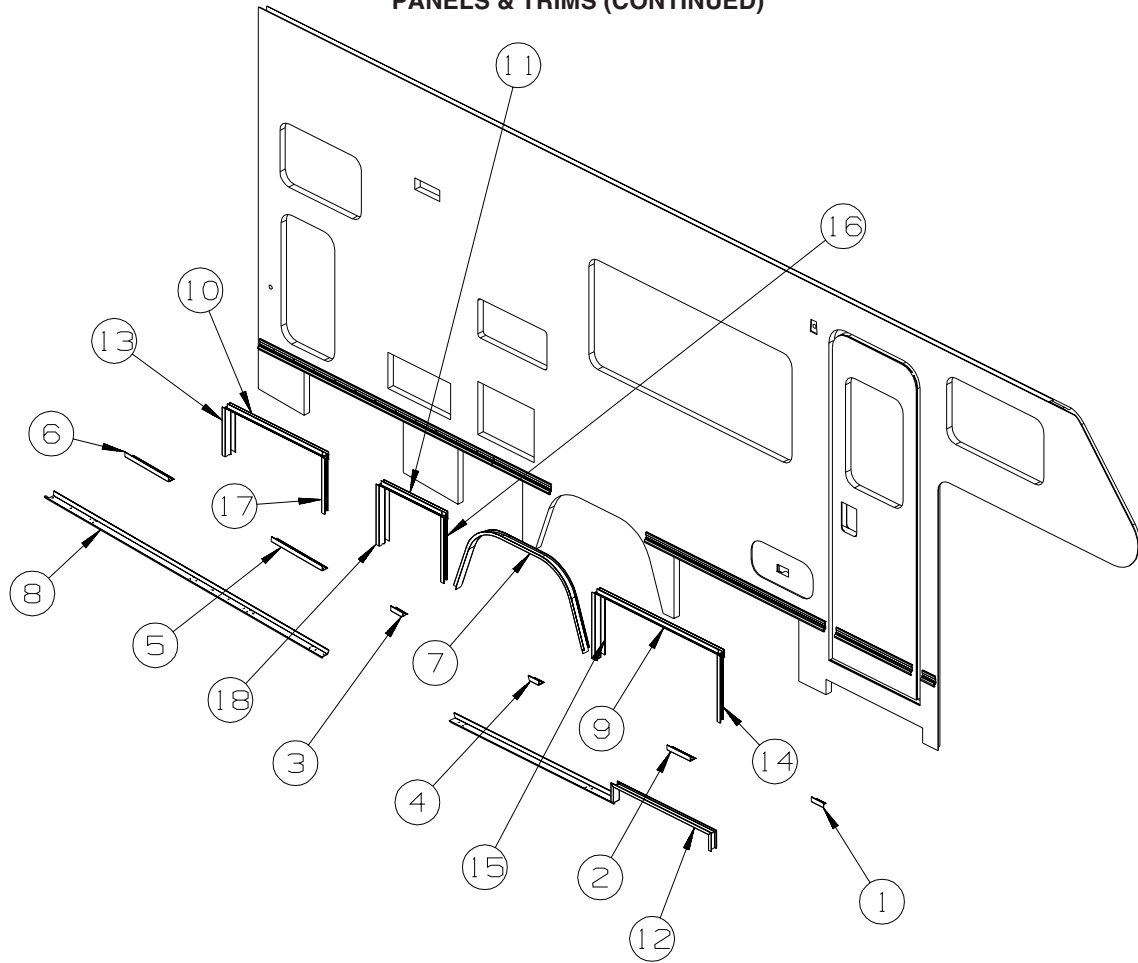


| KEY | PART NUMBER | U/M | DESCRIPTION |
|-----|---------------|-----|--|
| 1 | 144879-01-R07 | EA | ROOF - W/O LIGHTS/VENTS - W/WIRING |
| 2 | 141126-01-P07 | EA | ROOF - FRONT SECTION - W/O LIGHTS/VENTS - W/WIRING - WINDOW-BUNK, FRONT |
| 2 | 141126-02-P07 | EA | ROOF - FRONT SECTION - W/O LIGHTS/VENTS - W/WIRING |
| 2 | 141126-03-P07 | EA | ROOF - FRONT SECTION - W/O LIGHTS/VENTS - W/WIRING - 24"/25" STEREO TV W/VIDEO SEL SYS |
| 3 | 017516-05-000 | EA | MUD FLAP - BLACK - RUBBER - 9"H X 18"W |
| 3 | 140922-01-02B | EA | PLATE - MUD FLAP - E-COATED |
| 4 | P25129-01-P07 | EA | SLEEPERBOARD |
| 5 | 096854-14-01A | EA | TRIM - CONTOUR - 76.3" - BRIGHT WHITE |
| 6 | 104479-09-02A | EA | TRIM - WINGWALL - PASSENGER SIDE - VERTICAL - BRIGHT WHITE |
| 7 | 104479-10-02A | EA | TRIM - WINGWALL - DRIVER SIDE - VERTICAL - BRIGHT WHITE |
| 8 | 125088-08-N01 | EA | WINGWALL - RIGHT HAND |
| 9 | 125088-09-N01 | EA | WINGWALL - LEFT HAND |
| 10 | 127910-01-01A | EA | CAP - TRIM/SIDEWALL - RIGHT HAND - BRIGHT WHITE |
| 11 | 127910-02-01A | EA | CAP - TRIM/SIDEWALL - LEFT HAND - BRIGHT WHITE |
| 12 | 128129-04-01A | EA | STRIP/FEATURE - HINGE - 96" - BRIGHT WHITE |
| 13 | 136826-13-01A | EA | TRIM - CONTOUR - 80.2" - BRIGHT WHITE |
| 14 | 136826-14-01A | EA | TRIM - CONTOUR - 80.2" - BRIGHT WHITE |
| 15 | P44875-01-R07 | EA | SIDEWALL - PASSENGER - W/O WINDOWS/TRIMS (R10) |
| 15 | P44875-01-R08 | EA | SIDEWALL - PASSENGER - W/O WINDOWS/TRIMS (R11) |
| 15 | P44875-01-R09 | EA | SIDEWALL - PASSENGER - W/O WINDOWS/TRIMS (R12) |
| 16 | 144878-01-R07 | EA | BACKWALL - W/O WINDOWS/TRIMS (R10) |
| 16 | 144878-01-R08 | EA | BACKWALL - W/O WINDOWS/TRIMS (R11) |
| 16 | 144878-01-R09 | EA | BACKWALL - W/O WINDOWS/TRIMS (R12) |
| 17 | 009126-03-000 | EA | HANDLE - ASSIST - BLACK TEXTURED |
| 18 | 117046-02-000 | EA | BUMPER - RUBBER/ROUND END - 1.5" |
| 19 | 105312-01-07A | FT | INSERT - FEATURE STRIP - VINYL - BRIGHT WHITE |

EXTERIOR BODY GROUP (CONTINUED)
PANELS & TRIMS (CONTINUED)

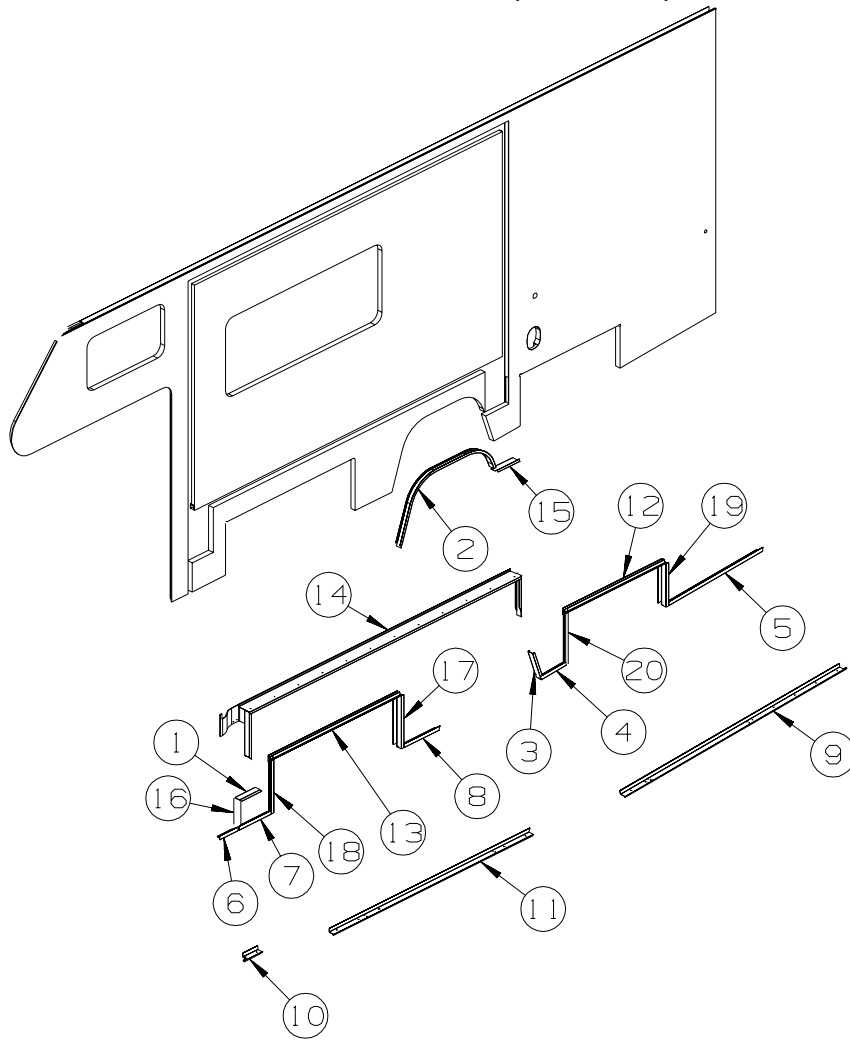
| KEY | PART NUMBER | U/M | DESCRIPTION |
|------------|--------------------|------------|--|
| 20 | P44876-01-R07 | EA | SIDEWALL - DRIVER - W/O WINDOWS/TRIMS (R10) |
| 20 | P44876-01-R08 | EA | SIDEWALL - DRIVER - W/O WINDOWS/TRIMS (R11) |
| 20 | P44876-01-R09 | EA | SIDEWALL - DRIVER - W/O WINDOWS/TRIMS (R12) |
| 21 | 131483-01-01A | EA | RAIL - AWNING - 192" - BRIGHT WHITE |
| 22 | 140476-01-01A | EA | CAP - TRIM - CORNER/PASSENGER |
| 23 | 108688-06-03A | EA | STRIP - FEATURE - BRIGHT WHITE - 96.9" |
| 24 | 100085-05-01A | EA | TRIM/STRAP - SLEEPERBOARD - OFF/WHITE - 92.9" |
| 25 | 100086-04-01A | EA | TRIM - SLEEPERBOARD/ROOF/LOWER - BRIGHT WHITE - 96.5" |
| 26 | 121948-02-000 | EA | SHIELD - SIGHT |
| 27 | 140443-02-P07 | EA | CAP - ROOF - W/O LIGHTS/VENTS - W/WIRING |
| 28 | 140476-02-01A | EA | CAP - TRIM - CORNER/DRIVER |
| 29 | 134774-01-02B | EA | BRACKET - CAB ATTACHMENT - E-COATED |
| 30 | 141718-01-02B | EA | BRACKET - ROOF CAP - END/RIGHT HAND - E-COATED |
| 31 | 140805-01-02B | EA | BRACKET - ROOF CAP/FRONT - E-COATED |
| 32 | 141718-02-02B | EA | BRACKET - ROOF CAP - END/LEFT HAND - E-COATED |
| 33 | 108651-01-01A | EA | END CAP - FEATURE STRIP |
| 34 | 140620-01-01A | EA | CAP - TRIM - REAR/RIGHT - BRIGHT WHITE |
| 35 | 112435-03-000 | EA | WHEELWELL |
| 36 | 138423-01-12B | EA | PLATE/BACKING - LITE - BRIGHT WHITE |
| 37 | 140596-02-P07 | EA | CAP - ROOF - W/O LIGHTS/VENTS/WIRING-W/STEEL REINFORCEMENT |
| 38 | 140620-02-01A | EA | CAP - TRIM - REAR/LEFT - BRIGHT WHITE |

EXTERIOR BODY GROUP (CONTINUED)
PANELS & TRIMS (CONTINUED)



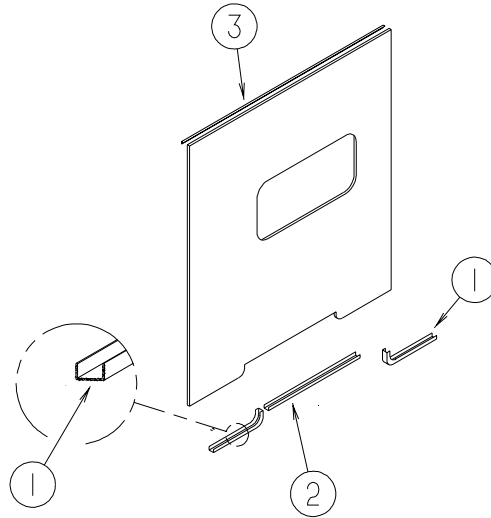
| KEY | PART NUMBER | U/M | DESCRIPTION |
|-----|---------------|-----|---|
| 1 | 127820-27-01A | EA | TRIM - SIDEWALL/LOWER - 3.7" - BRIGHT WHITE |
| 2 | 127820-67-01A | EA | TRIM - SIDEWALL/LOWER - 6.9" - BRIGHT WHITE |
| 3 | 127820-69-01A | EA | TRIM - SIDEWALL/LOWER - 3.7" - BRIGHT WHITE |
| 4 | 127820-96-01A | EA | TRIM - SIDEWALL/LOWER - 3.1" - BRIGHT WHITE |
| 5 | 127820-97-01A | EA | TRIM - SIDEWALL/LOWER - 115.2" - BRIGHT WHITE |
| 6 | 127820-98-01A | EA | TRIM - SIDEWALL/LOWER - 13" - BRIGHT WHITE |
| 7 | 127848-01-01A | EA | TRIM - WHEELWELL - BRIGHT WHITE |
| 8 | 128426-39-01A | EA | RIM - ROCKER - NOTCHED - 82.4" - BRIGHT WHITE |
| 9 | 128427-09-01A | EA | JAMB - DOOR/STORAGE - TOP - 36.7" - BRIGHT WHITE |
| 10 | 128427-11-01A | EA | JAMB - DOOR/STORAGE - TOP - 29.1" - BRIGHT WHITE |
| 11 | 128427-15-01A | EA | JAMB - DOOR/STORAGE - TOP - 18.8" - BRIGHT WHITE |
| 12 | 128732-09-P07 | EA | TRIM - SIDEWALL - 80.9" |
| 14 | 138148-01-01A | EA | JAMB - DOOR/STORAGE - RIGHT HAND - 16" - BRIGHT WHITE |
| 15 | 138148-02-01A | EA | JAMB - DOOR/STORAGE - LEFT HAND - 16" - BRIGHT WHITE |
| 16 | 138149-01-01A | EA | JAMB - DOOR/STORAGE - RIGHT HAND - 15.8" - BRIGHT WHITE |
| 17 | 138149-02-01A | EA | JAMB - DOOR/STORAGE - RIGHT HAND - 13.5" - BRIGHT WHITE |
| 18 | 138152-01-01A | EA | JAMB - DOOR/STORAGE - LEFT HAND - 14.6" - BRIGHT WHITE |
| 13 | 138152-02-01A | EA | JAMB - DOOR/STORAGE - LEFT HAND - 11.7" - BRIGHT WHITE |

EXTERIOR BODY GROUP (CONTINUED)
PANELS & TRIMS (CONTINUED)



| KEY | PART NUMBER | U/M | DESCRIPTION |
|-----|---------------|-----|--|
| 1 | 105026-32-02A | EA | TRIM/SIDEWALL - 8.3" - BRIGHT WHITE |
| 2 | 127815-03-01A | EA | TRIM/WHEELWELL - REAR DRVR/FRONT SECTION (LARGE) - BRT WHT |
| 3 | 127815-04-01A | EA | TRIM/WHEELWELL - REAR DRVR/REAR SECTION (SMALL) - BRT WHT |
| 4 | 127820-65-01A | EA | TRIM - SIDEWALL/LOWER - 9.4" - BRIGHT WHITE |
| 5 | 127820-88-01A | EA | TRIM - SIDEWALL/LOWER - 34.8" - BRIGHT WHITE |
| 6 | 127820-89-01A | EA | TRIM - SIDEWALL/LOWER - 6.7" - BRIGHT WHITE |
| 7 | 127820-B3-01A | EA | TRIM - SIDEWALL/LOWER - 11.8" - BRIGHT WHITE |
| 8 | 127820-B4-01A | EA | TRIM - SIDEWALL/LOWER - 11.8" - BRIGHT WHITE |
| 9 | 128426-36-01A | EA | TRIM - ROCKER - NOTCHED - 82,2"- BRIGHT WHITE |
| 10 | 128426-37-01A | EA | TRIM - ROCKER - NOTCHED - 6.6" - BRIGHT WHITE |
| 11 | 128426-46-01A | EA | TRIM - ROCKER - NOTCHED - 74" - BRIGHT WHITE |
| 12 | 128427-09-01A | EA | JAMB - DOOR/STORAGE - TOP - 36.7" - BRIGHT WHITE |
| 13 | 128427-10-01A | EA | JAMB - DOOR/STORAGE - TOP - 47.6" - BRIGHT WHITE |
| 14 | 137969-01-N01 | EA | TRIM - SIDEWALL |
| 15 | 137970-03-01A | EA | TRIM - SIDEWALL |
| 16 | 137970-04-01A | EA | TRIM - SIDEWALL |
| 17 | 138148-01-01A | EA | JAMB - DOOR/STORAGE - RIGHT HAND - 16" - BRIGHT WHITE |
| 18 | 138148-03-01A | EA | JAMB - DOOR/STORAGE - LEFT HAND - BRIGHT WHITE |
| 19 | 138150-04-01A | EA | JAMB - DOOR/STORAGE - RIGHT HAND - 13.1" - BRIGHT WHITE |
| 20 | 138151-01-01A | EA | JAMB - DOOR/STORAGE - LEFT HAND - 15.5" - BRIGHT WHITE |

EXTERIOR BODY GROUP (CONTINUED)
PANELS & TRIMS (CONTINUED)



| KEY | PART NUMBER | U/M | DESCRIPTION |
|-----|---------------|-----|--|
| 1 | 103334-03-02A | EA | TRIM - BACKWALL - LOWER/DRIVER/PASSENGER - 25.6" - BRT WHT |
| 2 | 103335-02-02A | EA | TRIM - BACKWALL - LOWER/CENTER - 46.3" - BRIGHT WHITE |
| 3 | 114248-02-01A | EA | ANGLE - PLASTIC - 96.6" |

LADDER

| KEY | PART NUMBER | U/M | DESCRIPTION |
|-----|---------------|-----|--|
| | 129639-04-01A | EA | LADDER - 85.1" - 7 STEP - BRUSHED ALUMINUM |

RUNNING BOARDS

| KEY | PART NUMBER | U/M | DESCRIPTION |
|-----|---------------|-----|--|
| * | 072884-27-000 | EA | RUNNING BOARD SET - 39" - FORD - ALUMINUM |
| * | 072884-28-000 | EA | RUNNING BOARD SET - ALUMINUM - CHEVY CHASSIS |

***COMPONENT PARTS LISTED LATER IN THIS GROUP**

EXTERIOR BODY GROUP (CONTINUED)
COMPONENT PARTS FOR RUNNING BOARDS

072884-27-000

| KEY | PART NUMBER | U/M | DESCRIPTION | VENDOR NO. |
|------------|--------------------|------------|------------------------------|-------------------|
| | 072884-27-700 | EA | BRACKET SET 12" 92 | RB2BRK/M |
| | 072884-27-701 | EA | RUNNING BOARD-FORD 39",RT< | |
| | 072884-27-702 | FT | TREAD TAPE | RB9202 |
| | 072884-27-703 | EA | MUD FLAP W/HOLES, 1EA=PAIR | 99171 |
| | 072884-27-704 | EA | CAP-ENDS, 1EA=PAIR | 99148 |

072884-28-000

| KEY | PART NUMBER | U/M | DESCRIPTION | VENDOR NO. |
|------------|--------------------|------------|-----------------------------|-------------------|
| | 072884-27-704 | EA | CAP-ENDS, 1EA=PAIR | 99148 |
| | 072884-28-700 | EA | RUNNING BOARD W/BRKTS RT/LT | 15543 |
| | 072884-28-701 | EA | MUD FLAP - FRONT - 1EA=PAIR | 99153 |
| | 072884-28-702 | EA | BRACKET SET - COMPLETE | 206771 |

EXTERIOR BODY GROUP (CONTINUED)

MIRRORS

| KEY | PART NUMBER | U/M | DESCRIPTION |
|-----|---------------|-----|--|
| * | 133908-10-01A | EA | MIRROR/PASS - 102" C BODY/FORD 4-BOLT MT - BRIGHT WHITE |
| * | 133908-11-01A | EA | MIRROR/DRVR - 102" C BODY/FORD 4-BOLT MT - BRIGHT WHITE |
| * | 133908-05-02A | EA | MIRROR/PASS - 102" WIDE BODY/CHEVY - BRIGHT WHITE - CHEVY |
| * | 133908-06-02A | EA | MIRROR/DRVR - 102" WIDE BODY/CHEVY - BRIGHT WHITE - CHEVY |
| * | 133908-12-01A | EA | MIRROR/PASS - FORD 4 BOLT MT-HEATED/REMOTE-B/W- EXTERIOR MIRRORS W/DEFROST |
| * | 133908-13-01A | EA | MIRROR/DRVR - FORD 4-BOLT MT-HEATED/REMOTE-B/W- EXTERIOR MIRRORS W/DEFROST |
| * | 133908-07-02A | EA | MIRROR/PASS - CHEVY - HEATED REMOTE - BRT WHT- EXTERIOR MIRRORS W/DEFROST, CHEVY |
| * | 133908-08-02A | EA | MIRROR/DRVR - CHEVY - HEATED/REMOTE - BRT WHT- EXTERIOR MIRRORS W/DEFROST, CHEVY |
| | 120269-08-000 | EA | HARNES/WIRE - F/ELECTRIC MIRRORS- EXTERIOR MIRRORS W/DEFROST |
| * | 120269-07-01A | EA | PANEL - W/ELECTRIC MIRROR/HEAT SWITCH - EXTERIOR MIRRORS W/DEFROST, FORD |
| * | 133908-09-01A | EA | PANEL - F/ELECTRIC MIRROR ONLY - L28X OPTION - GM- EXTERIOR MIRRORS W/DEFROST, CHEVY |

*COMPONENT PARTS LISTED LATER IN THIS GROUP

EXTERIOR BODY GROUP (CONTINUED)
COMPONENT PARTS FOR MIRRORS

120269-07-01A

| KEY | PART NUMBER | U/M | DESCRIPTION | VENDOR NO. |
|------------|--------------------|------------|----------------------|-------------------|
| | 120269-07-700 | EA | SWITCH - REMOTE | 7475720 |
| | 133908-09-700 | EA | SWITCH-MIRROR HEATER | 7475150 |

133908-01 THRU 133908-08, 133908-10- THRU 133908-13, 133908-16 & 133908-17- 01A/02A

| KEY | PART NUMBER | U/M | DESCRIPTION | VENDOR NO. |
|------------|--------------------|------------|------------------------------|-------------------|
| | 117051-01-700 | EA | MIRROR-CONVEX | 723068-4 |
| | 120269-05-701 | EA | GLASS ONLY REPLACEMENT RH/LH | 709411 |
| | 133908-03-700 | EA | CAP - RECT/BLACK-W/O LIGHT | 7095570 |
| | 133908-04-700 | EA | CAP-MIRROR/ROUND - W/O LIGHT | 7095470 |

133908-09-01A

| KEY | PART NUMBER | U/M | DESCRIPTION | VENDOR NO. |
|------------|--------------------|------------|----------------------|-------------------|
| | 133908-09-700 | EA | SWITCH-MIRROR HEATER | 7475150 |

EXTERIOR BODY GROUP (CONTINUED)
STRUCTURAL COMPONENTS

| KEY | PART NUMBER | U/M | DESCRIPTION |
|------------|--------------------|------------|--|
| | 002365-03-006 | EA | U-CHANNEL - EXTRUDED - 1" X 192" - BRIGHT WHITE |
| | 002726-01-001 | EA | GARNISH - U-CHANNEL - 1.38" X 19' - SERRATED |
| | 002754-01-001 | EA | ANGLE - EXTRUDED - 3/4" X 3/4" X 16' - MILL ALUMINUM |
| | 068716-01-001 | EA | BRACE - 90 DEGREE - L- ANGLE - 16' |
| | 076054-AC-000 | EA | FIBERGLASS SHEET - 20" X 99.8" - OFF WHITE |
| | 076054-P9-000 | EA | FIBERGLASS SHEET - 37.4" X 99.3" - BRIGHT WHITE |
| | | | FROM: 00-00-00 THRU: 11-02-03 |
| | 076054-X9-000 | EA | FIBERGLASS SHEET - 22.1" X 70.6" - BRIGHT WHITE |
| | 076054-Z3-000 | EA | FIBERGLASS SHEET - 102" X 93.9" - ROOF/SIDEWALL - BRT WHT |
| | 077517-62-000 | EA | FIBERGLASS SHEET - 48" X 96" - BRIGHT WHITE |
| | 089297-01-000 | SF | PLYWOOD - LUAN - OVERLAY GRADE - 4' X 8' |
| | 100619-01-000 | BF | FOAM - EXPANDED POLYSTYRENE - 1.34" X 48" X 96" |
| | 100619-02-000 | BF | FOAM - EXPANDED POLYSTYRENE - 1.5" X 48" X 96" |
| | 100619-04-000 | BF | FOAM - EXPANDED POLYSTYRENE - .5" X 48" X 96" |
| | 100619-05-000 | BF | FOAM - EXPANDED POLYSTYRENE - .75" X 48" X 96"-1.5"DENSITY |
| | 100619-16-000 | BF | FOAM - EXPANDED POLYSTYRENE - .75" X 48" X 96"-2" DENSITY |
| | 100619-27-000 | BF | FOAM - EXPANDED POLYSTYRENE - 3" X 48" X 92.8" |
| | 105077-10-000 | EA | FOAM - PLUG - ROOF CAP |
| | 108535-05-03A | SF | FIBERGLASS SHEET - 108" X 500' ROLL - BRIGHT WHITE |
| | 116942-03-01A | LB | ALUMINUM - .7" X 40" X 158" |
| | 120107-01-000 | EA | FOAM - ROOF COVE - 2.8" X 96" LONG |
| | 120107-02-000 | EA | FOAM - PLUG - ROOF TUBE - 2.2" X 2.9" X 1.8" LONG |
| | 120107-03-000 | EA | FOAM - PLUG - SIDEWALL TUBE - 1.2" X 2.1" X 1.8" LONG |
| | 135926-15-01A | EA | FIBERGLASS - SHEET - 96.7" X 345.1" - BRIGHT WHITE |
| | | | FROM: 00-00-00 THRU: 11-02-03 |
| | 135926-20-01A | EA | FIBERGLASS - SHEET - 99.5" X 100.2" - BRIGHT WHITE |
| | | | FROM: 00-00-00 THRU: 11-02-03 |
| | 135926-04-01A | EA | FIBERGLASS - SHEET - 26.1" X 68.2" - BRIGHT WHITE |
| | | | FROM: 00-00-00 THRU: 11-02-03 |
| | 135926-19-01A | EA | FIBERGLASS - SHEET - 31.1" X 68.2" - BRIGHT WHITE |
| | | | FROM: 00-00-00 THRU: 11-02-03 |
| | 135926-14-01A | EA | FIBERGLASS - SHEET - 96.7" X 261.4" - BRIGHT WHITE |
| | | | FROM: 00-00-00 THRU: 11-02-03 |
| | 148884-01-01A | EA | FIBERGLASS SHEET - 96.7" X 261.4" -HIGH GLOSS-BRIGHT WHITE |
| | | | FROM: 11-03-03 THRU: 99-99-99 |
| | 148884-02-01A | EA | FIBERGLASS SHEET - 96.7" X 355.7" -HIGH GLOSS-BRIGHT WHITE |
| | | | FROM: 11-03-03 THRU: 99-99-99 |
| | 148884-04-01A | EA | FIBERGLASS SHEET - 99.5" X 100.2" -HIGH GLOSS-BRIGHT WHITE |
| | | | FROM: 11-03-03 THRU: 99-99-99 |
| | 148884-05-01A | EA | FIBERGLASS SHEET - 37.7" X 99.7" - HIGH GLOSS-BRIGHT WHITE |
| | | | FROM: 11-03-03 THRU: 99-99-99 |
| | 148884-07-01A | EA | FIBERGLASS SHEET - 56.4" X 99.8" - HIGH GLOSS-BRIGHT WHITE |
| | | | FROM: 11-03-03 THRU: 99-99-99 |
| | 148884-08-01A | EA | FIBERGLASS SHEET - 27.4" X 65.8" - HIGH GLOSS-BRIGHT WHITE |
| | | | FROM: 11-03-03 THRU: 99-99-99 |
| | 148884-10-01A | EA | FIBERGLASS SHEET - 22.1" X 68.2" - HIGH GLOSS-BRIGHT WHITE |
| | | | FROM: 11-03-03 THRU: 99-99-99 |
| | 148884-22-01A | EA | FIBERGLASS SHEET - 47.9" X 95.8" - HIGH GLOSS-BRIGHT WHITE |
| | | | FROM: 11-03-03 THRU: 99-99-99 |
| | 148884-23-01A | EA | FIBERGLASS SHEET - 47.9" X 95.8" - HIGH GLOSS-BRIGHT WHITE |
| | | | FROM: 11-03-03 THRU: 99-99-99 |
| | 002766-01-001 | EA | ANGLE - EXTRUDED - 1" X 1 1/2" X 17' |
| | 089297-02-000 | SF | PLYWOOD - LUAN - OVERLAY GRADE - 4' X 9' |

EXTERIOR BODY GROUP (CONTINUED)

AWNINGS

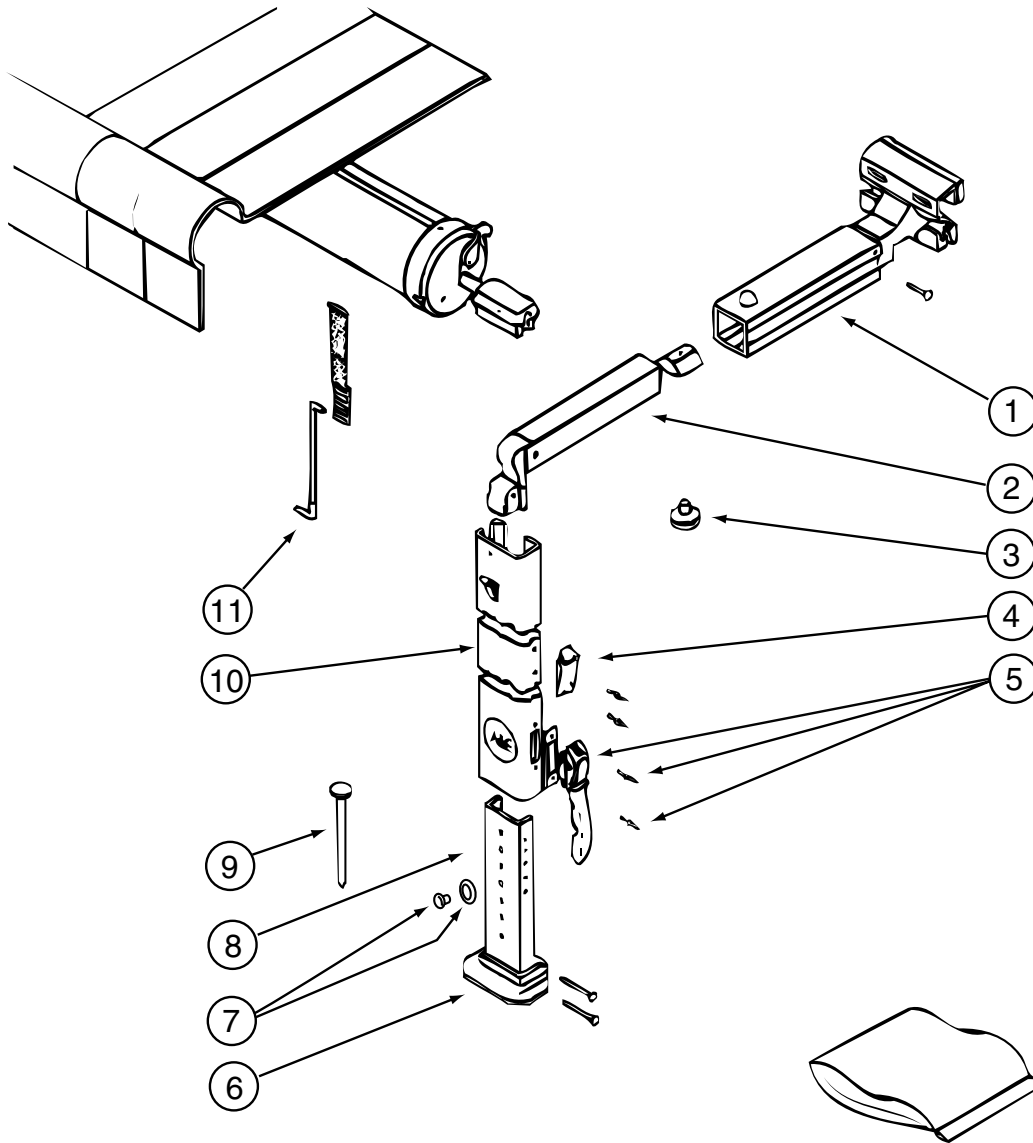
SPIRIT PATIO AWNINGS

| SERIES | MODEL | COLOR | AWNING FABRIC | AWNING LENGTH | WEATHER WRAP(MANUAL) | PART # MANUAL | VENDOR |
|--------|-------|------------------|---------------|---------------|----------------------|---------------|--------|
| SPIRIT | 322E | POLAR NAVY TAUPE | VINYL | 11.5' | VYL/BRT WHT | 113874-03-48A | A&E |
| | 322R | POLAR NAVY TAUPE | VINYL | 11.5' | VYL/BRT WHT | 113874-03-48A | |
| | 324F | POLAR NAVY TAUPE | VINYL | 11.5' | VYL/BRT WHT | 113874-03-48A | |
| | 324V | POLAR NAVY TAUPE | VINYL | 11.5' | VYL/BRT WHT | 113874-03-48A | |
| | 329B | POLAR NAVY TAUPE | VINYL | 14' | VYL/BRT WHT | 113874-05-48A | |
| | 331C | POLAR NAVY TAUPE | VINYL | 16' | VYL/BRT WHT | 113874-06-48A | |
| | 332G | POLAR NAVY TAUPE | VINYL | 16' | VYL/BRT WHT | 113874-06-48A | |

| KEY | PART NUMBER | U/M | DESCRIPTION |
|-----|---------------|-----|---|
| | 111038-01-01A | EA | SPACER - AWNING - LOWER |
| * | 113874-01-02A | EA | HARDWARE KIT - AWNING - W/O STANDOFF BRACKET-BRIGHT WHITE |
| | 113874-10-01A | EA | SPACER - AWNING - LOWER BRACKET |
| | 113874-12-01A | EA | SCREW/LAG - AWNING - 1/4" X 2 3/4" STAINLESS STEEL |
| | 137054-01-02A | EA | BRACKET - AWNING - BRIGHT WHITE |
| | 127647-01-01A | EA | ROD/AWNING GUARD - ENTRY DOOR - 17.8" LONG |
| | 127647-02-01A | EA | ROD/AWNING GUARD - ENTRY DOOR - 12.7" LONG |

*COMPONENT PARTS LISTED LATER IN THIS GROUP

EXTERIOR BODY GROUP (CONTINUED)
COMPONENT PARTS FOR AWNINGS

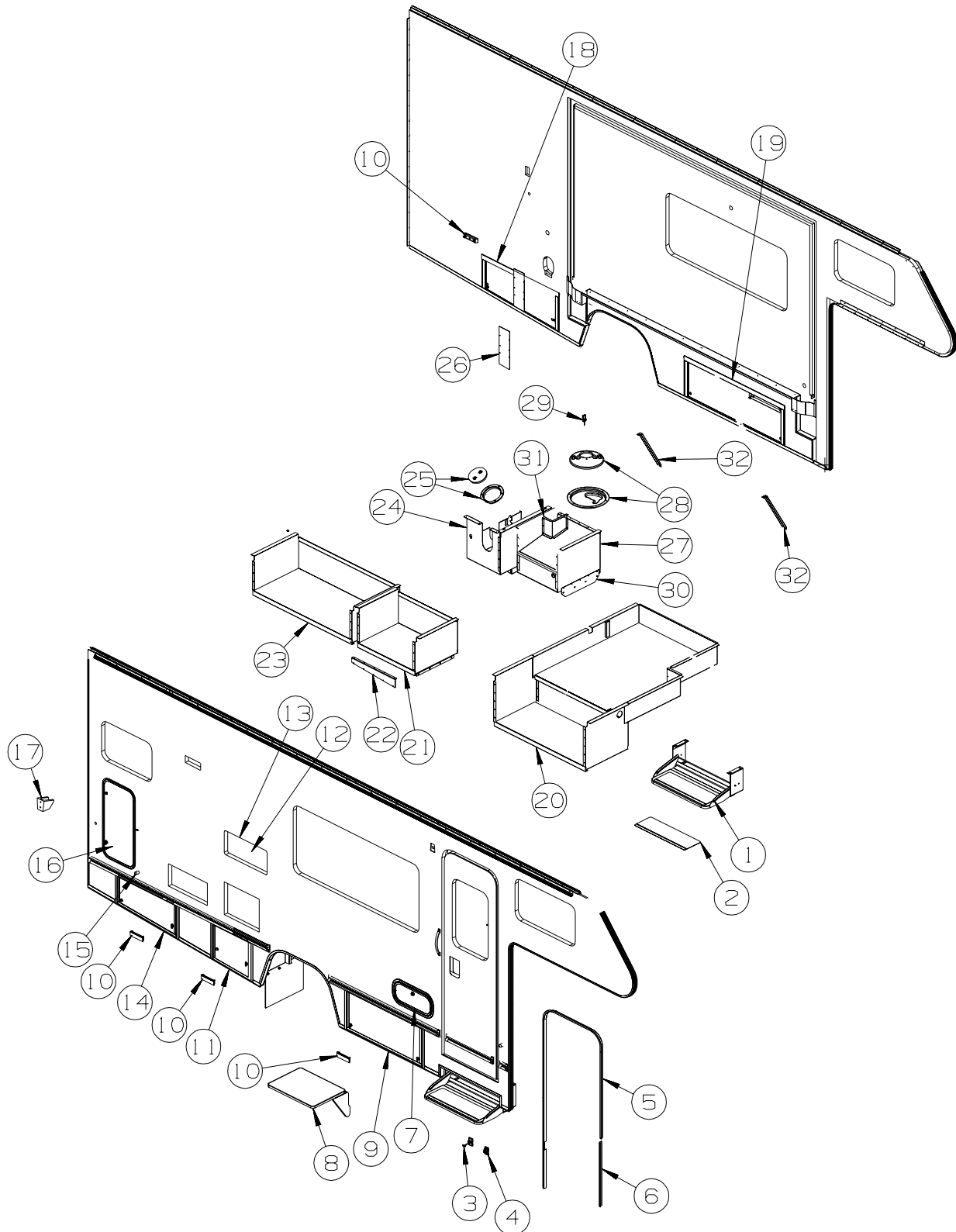


113874-01-02A

| KEY | PART NUMBER | U/M | DESCRIPTION | VENDOR NO. |
|-----|---------------|-----|-----------------------------|---------------|
| 1 | 113874-01-714 | EA | RAFTER - MAIN RH/LH BRT/WHT | 830295.536F |
| 2 | 113874-01-715 | EA | RAFTER - SECONDARY BRT/WHT | 830463.511F |
| 3 | 113874-01-702 | EA | KNOB - ADJUSTING | 3105421.014 |
| 4 | 113874-01-706 | EA | LOCK - TRAVEL | 830587.001 |
| 5 | 113874-01-707 | EA | HANDLE - LIFT W/RIVETS | 830644 |
| 6 | 113874-01-712 | EA | FOOT - PATIO | 730366-001 |
| 7 | 113874-01-710 | EA | PLUG-STOP KIT | 830456 |
| 8 | 113874-01-717 | EA | ARM - ADJUSTABLE BRT/WHT | 830467.517/F |
| 9 | 113874-01-709 | EA | NAIL-SPIKE, 8" | 113006 |
| 10 | 113874-01-716 | EA | ARM - MAIN SUPPORT BRT/WHT | 3104502.293/F |
| 11 | 113874-01-703 | EA | ROD-CENTER PULL W/ACCESSORY | 830152.102 |

EXTERIOR DOORS & COMPARTMENTS GROUP

DOOR & COMPARTMENT LAYOUT

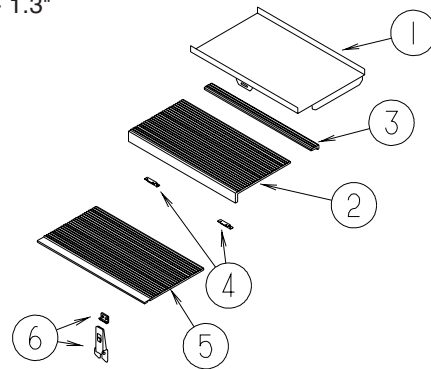


| KEY | PART NUMBER | U/M | DESCRIPTION |
|-----|---------------|-----|---|
| 1 | 139748-03-04B | EA | STEP/PULLOUT - W/BRACKETS - BLACK |
| 1* | 094708-03-01A | EA | STEP - ELECTRIC - SINGLE - BLACK CONTROL BOX - KWIKEE - ELECTRIC |
| 2 | 102569-04-000 | EA | MAT - ANTI SLIP |
| 3 | 135788-04-02B | EA | SUPPORT - VALANCE - E-COATED |
| 4 | 117046-02-000 | EA | BUMPER - RUBBER/ROUND END - 1.5" |
| 5 | 139100-02-01A | EA | GARNISH/RADIUS - ENTRY DOOR - BRIGHT WHITE |
| 6 | 139101-02-01A | EA | GARNISH/STRAIGHT - 35.31" - W/O NOTCHES - BRIGHT WHITE |
| 7 | 126945-09-P07 | EA | DOOR/STORAGE - W/O HARDWARE - 18" X 8.3" |

EXTERIOR DOORS & COMPARTMENTS GROUP (CONTINUED)
DOOR & COMPARTMENT LAYOUT (CONTINUED)

| KEY | PART NUMBER | U/M | DESCRIPTION |
|-----|---------------|-----|--|
| 8 | 142034-01-01A | EA | SHELF - F/EXTERIOR TV - BRIGHT WHITE |
| 9 | 127795-11-P07 | EA | VALANCE/DOOR - W/O HARDWARE - 35.4" X 15.3" |
| 10 | 102768-01-000 | EA | HOLDER - COMPARTMENT/ENTRY DOOR - METAL - MILL FINISH |
| 11 | 127434-17-P07 | EA | VALANCE/DOOR - PASS W/HDWR/PROP ROD- 15.3" X 17.6" X 14.2" |
| 12* | 084103-08-000 | EA | DOOR - VENT - REFRIGERATOR - W/O JAMB - BRIGHT WHITE |
| 12 | 084104-08-000 | EA | JAMB - VENT DOOR/REFRIGERATOR - BRIGHT WHITE |
| 13 | 138427-01-02B | EA | PANEL - CLOSEOUT - FILLNECK - E-COATED |
| 14 | 127826-28-P07 | EA | VALANCE/DOOR - PASS W/O HARDWARE - 13.1" X 27.8" X 11.3" |
| 15 | 120863-05-000 | EA | BUMPER - RUBBER/RADIUS TOP - 3/4" X 3/8" |
| 16 | 126946-34-P07 | EA | DOOR/STORAGE - W/O HARDWARE - 38.7" X 15.4" |
| 17 | 131383-03-02A | EA | BRACKET - SHOWER HEAD - WHITE |
| 18 | 127826-27-P07 | EA | VALANCE/DOOR - DRVR W/O HARDWARE - 15.1" X 35.4" X 12.7" |
| 19 | 127434-08-N01 | EA | VALANCE/DOOR - W/HARDWARE & PROP ROD - 46.4" X 15.3" |
| 20 | 137554-15-N01 | EA | COMPARTMENT - LUGGAGE |
| 21 | 137554-02-N01 | EA | COMPARTMENT - LUGGAGE |
| 22 | 138617-01-12B | EA | ANGLE - SEAL - BRIGHT WHITE |
| 23 | 137554-03-N01 | EA | COMPARTMENT - LUGGAGE |
| 24 | 137989-02-02B | EA | COMPARTMENT - SEWER - E-COATED |
| 25 | 092887-01-000 | EA | HATCH/PLATE - 8.2" FLANGE/6.5" R.O. - BLACK |
| 26 | 138614-02-02B | EA | PLATE - SEAL - E-COATED |
| 27 | 137554-04-N01 | EA | COMPARTMENT - LUGGAGE |
| 28 | 129015-01-K80 | EA | PORT W/HATCH - F/ELECTRICAL/DRAIN |
| 29 | 121175-02-01A | EA | LATCH - SWELL |
| 30 | 137828-02-02B | EA | PANEL - ROCKGUARD/LP - E-COATED |
| | 132892-02-01A | FT | SEAL - BULB |
| | 138292-01-000 | EA | SEAL - LOCK CYLINDER |
| | 138637-50-000 | EA | CASE/CYLINDER - LOCKING - W/O CAM/KEY - 1.3" |
| | 138637-50-001 | EA | CASE/CYLINDER - LOCKING - W/O CAM/KEY - 1.3" |
| | 138637-50-002 | EA | CASE/CYLINDER - LOCKING - W/O CAM/KEY - 1.3" |
| | 138637-50-003 | EA | CASE/CYLINDER - LOCKING - W/O CAM/KEY - 1.3" |
| | 138637-50-004 | EA | CASE/CYLINDER - LOCKING - W/O CAM/KEY - 1.3" |
| | 138637-50-005 | EA | CASE/CYLINDER - LOCKING - W/O CAM/KEY - 1.3" |
| | 138637-50-006 | EA | CASE/CYLINDER - LOCKING - W/O CAM/KEY - 1.3" |
| | 138637-50-007 | EA | CASE/CYLINDER - LOCKING - W/O CAM/KEY - 1.3" |
| | 138637-50-008 | EA | CASE/CYLINDER - LOCKING - W/O CAM/KEY - 1.3" |
| | 138637-50-009 | EA | CASE/CYLINDER - LOCKING - W/O CAM/KEY - 1.3" |
| | 138637-51-000 | EA | KEYS - SET OF TWO |
| | 138637-51-001 | EA | KEYS - SET OF TWO |
| | 138637-51-002 | EA | KEYS - SET OF TWO |
| | 138637-51-003 | EA | KEYS - SET OF TWO |
| | 138637-51-004 | EA | KEYS - SET OF TWO |
| | 138637-51-005 | EA | KEYS - SET OF TWO |
| | 138637-51-006 | EA | KEYS - SET OF TWO |
| | 138637-51-007 | EA | KEYS - SET OF TWO |

*COMPONENT PARTS LISTED LATER IN THIS GROUP



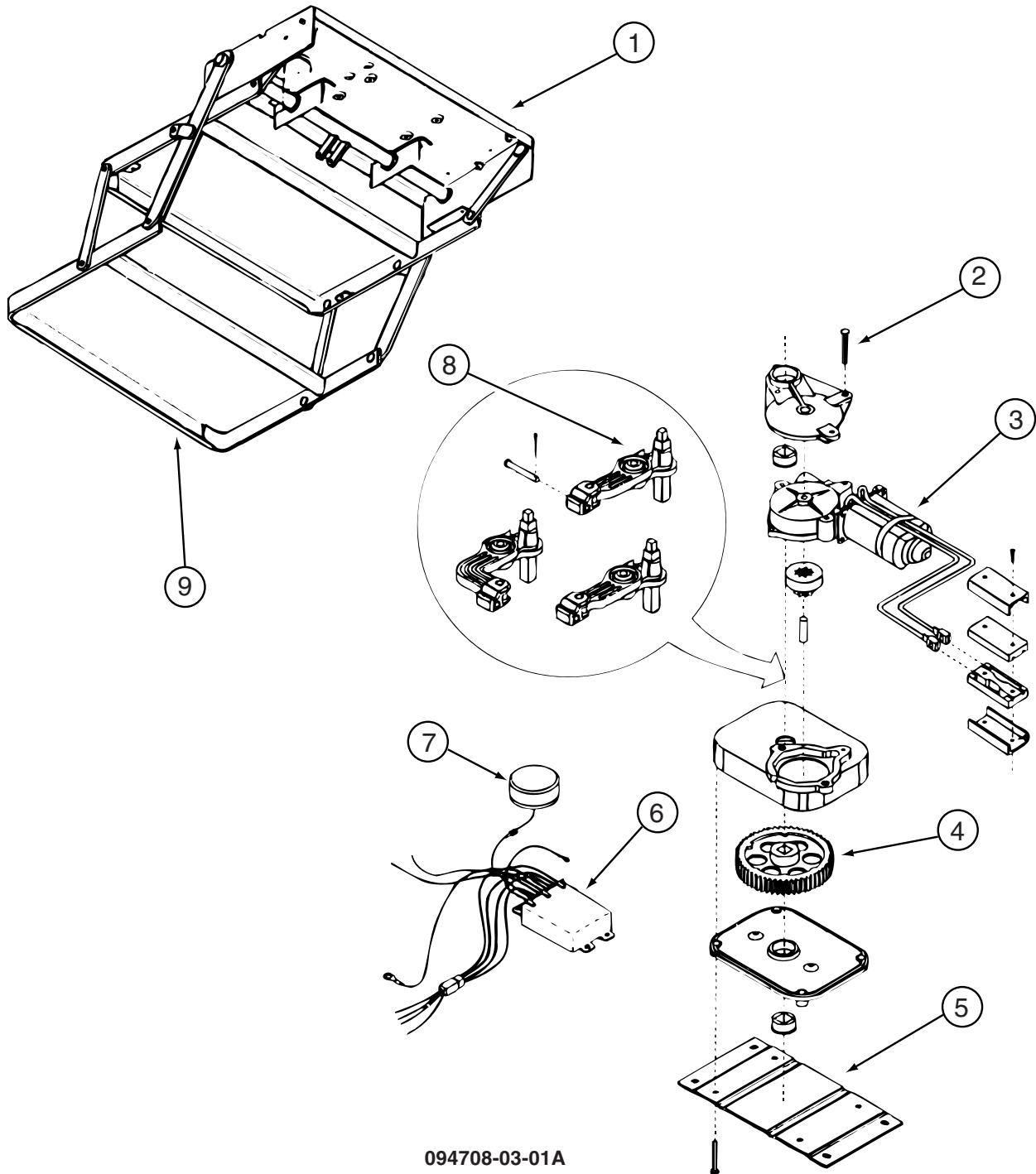
| KEY | PART NUMBER | U/M | DESCRIPTION |
|-----|---------------|-----|---|
| 1 | 123330-05-02B | EA | SUPPORT ASM-ENTRANCE STEP |
| 2 | 133114-07-01A | EA | TREAD - STEP - RUBBER - 26.3" - TAUPE (R10, R12) FROM: 00-00-00 THRU: 10-12-03 |
| 2 | 147781-01-01A | EA | TREAD/STEP - RUBBER - TAUPE (R10, R12) FROM: 10-13-03 THRU: 99-99-99 |
| 2 | 133114-07-03A | EA | TREAD - STEP - RUBBER - 26.3" - GRAY (R11) FROM: 00-00-00 THRU: 10-12-03 |
| 2 | 147781-01-03A | EA | TREAD/STEP - RUBBER - GRAY (R11) FROM: 10-13-03 THRU: 99-99-99 |
| 3 | 133114-08-01A | EA | TREAD - STEP - RUBBER - 26.3" - TAUPE (R10, R12) FROM: 00-00-00 THRU: 10-12-03 |
| 3 | 133114-08-03A | EA | TREAD - STEP - RUBBER - 26.3" - GRAY (R11) FROM: 00-00-00 THRU: 10-12-03 |
| 4 | 146747-01-02B | EA | BRACKET/CATCH - E-COATED |
| 5 | 133114-03-01A | EA | TREAD - STEP - RUBBER - 27.1" - TAUPE (R10, R12) |
| 5 | 133114-03-03A | EA | TREAD - STEP - RUBBER - 27.1" - GRAY (R11) |
| 6 | 116975-01-01A | EA | LATCH - W/O STRIKE - BLACK - NEW STYLE |

EXTERIOR DOORS & COMPARTMENTS GROUP (CONTINUED)

COMPONENT PARTS FOR DOOR & COMPARTMENT LAYOUT

084103-08-000

| KEY | PART NUMBER | U/M DESCRIPTION | VENDOR NO. |
|-----|---------------|--------------------------|-------------|
| | 084104-01-700 | EA LOCK-MALE, FASTENER | 201-721-010 |
| | 084104-01-701 | EA LOCK-FEMALE, FASTENER | 201-802-010 |

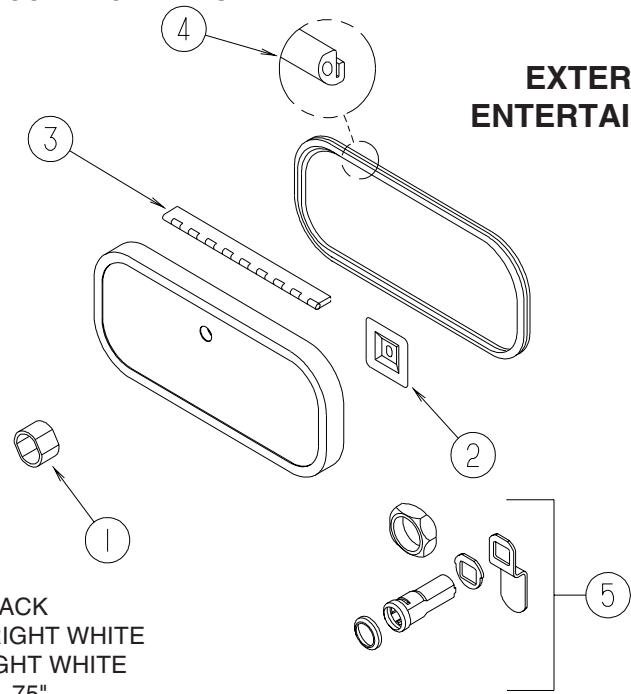


094708-03-01A

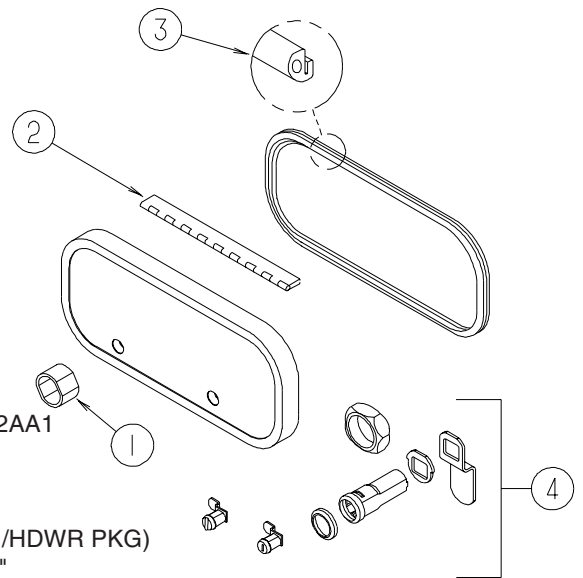
| KEY | PART NUMBER | U/M DESCRIPTION | VENDOR NO. |
|-----|---------------|---------------------------------|------------|
| 1 | 088746-01-709 | EA FRAME W/SGL STEP,2800 SERIES | 908028 |
| 2 | 094707-02-703 | EA BEARING & PINS | 909530 |
| 3 | 094707-02-700 | EA MOTOR - "UT" ASM W/BRGS/PIN | 909520 |
| 4 | 094707-02-702 | EA GEAR KIT(GEAR-BEARING-PINS) | 909525 |
| 5 | 094707-02-704 | EA CONNECTOR-MOTOR ASM.W/PLATES | 909537 |
| 6 | 094707-03-700 | EA KIT CONTROL/SWITCH-RETROFIT | 909506005 |
| 7 | 088733-01-700 | EA BULB | 9004 |
| 7 | 088746-01-705 | EA LIGHT-UNDER STEP | 9004 |
| 8 | 094708-03-700 | EA LINKAGE ASSEMBLY-SERIES 28 | 909533 |
| 9 | 094707-02-707 | EA TREAD - NON-SKID - BLACK | 909333 |
| | 094707-03-701 | EA PLUG - 4-WAY - PACKARD | 909306 |

EXTERIOR DOORS & COMPARTMENTS GROUP (CONTINUED)
COMPARTMENT DOOR PIECE PARTS

EXTERIOR ENTERTAINMENT



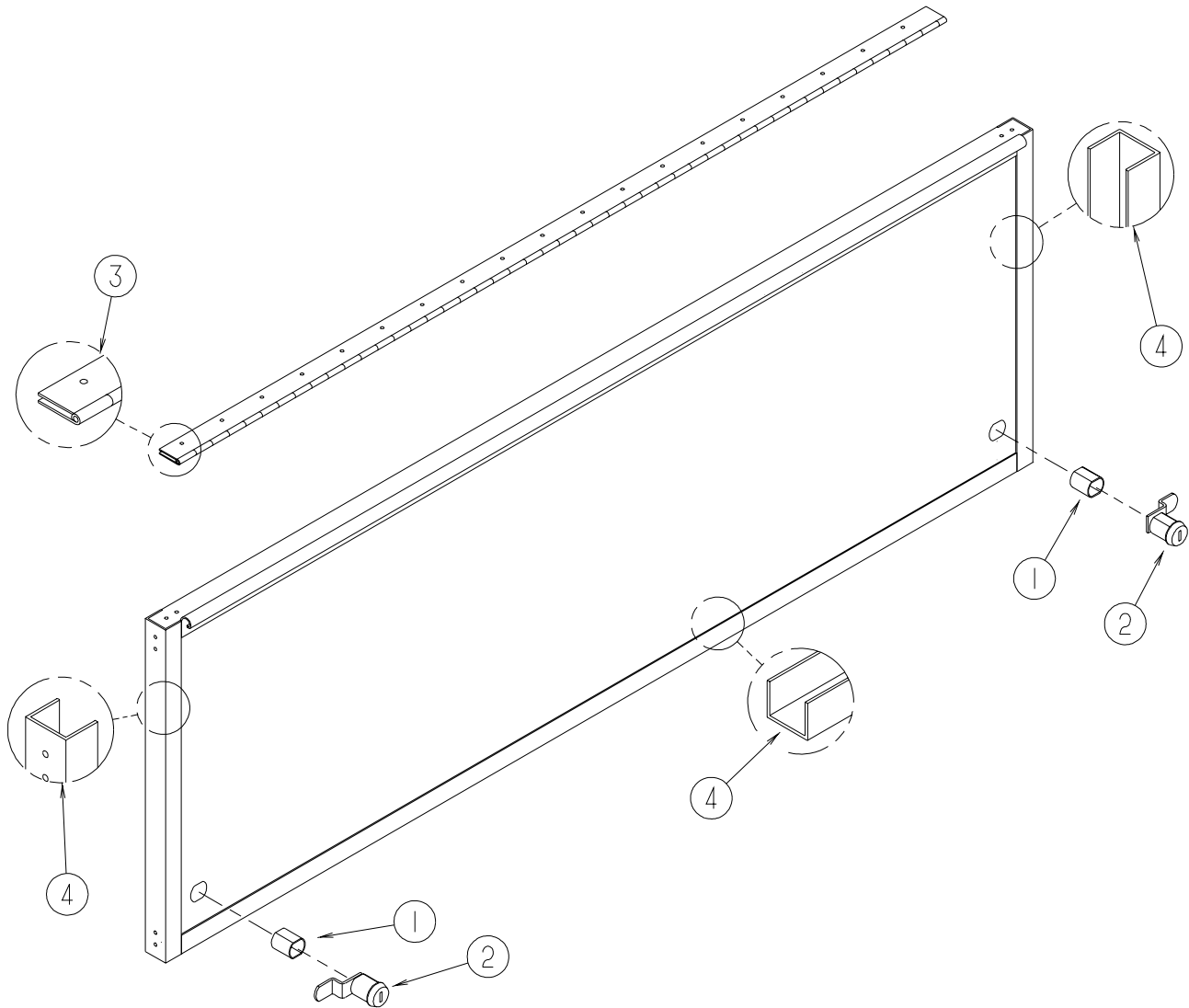
| KEY | PART NUMBER | U/M | DESCRIPTION |
|-----|---------------|-----|--|
| 1 | 139325-01-000 | EA | SPACER - LOCK - 6MM |
| | 139337-01-000 | EA | GASKET - LOCK |
| 2 | 097111-02-04A | EA | POCKET - LOCK - REAR DOOR - BLACK |
| 2 | 097111-02-05A | EA | POCKET - LOCK - REAR DOOR - BRIGHT WHITE |
| 3 | 081801-V3-000 | EA | HINGE - ALUMINUM - 2" X 96" - BRIGHT WHITE |
| 4 | 106850-02-000 | FT | SEAL-E - SPONGE RUBBER - .43" X .75" |
| 5 | 138290-02-000 | EA | CASE - W/CAM - W/O CYLINDER/KEY |



| KEY | PART NUMBER | U/M | DESCRIPTION |
|-----|---------------|-----|---|
| 1 | 144734-01-000 | EA | SPACER |
| 2 | 081801-V3-000 | EA | HINGE - ALUMINUM - 2" X 96" - BRIGHT WHITE |
| 3 | 106850-02-000 | FT | SEAL-E - SPONGE RUBBER - .43" X .75" |
| 4* | 110506-27-000 | EA | LOCK - TWIST - 1.6" |
| | 110506-55-000 | EA | CASE/CYLINDER -TWIST -W/O CAM -1.25" -597312AA1 |
| | 110506-66-000 | EA | CAM - LATCHING - DOG LEG - 1.5" LONG |
| | 144474-01-000 | EA | ADAPTER - LOCK - 180 DEGREEE |
| | 138292-01-000 | EA | SEAL - LOCK CYLINDER |
| 4 | 138637-04-000 | EA | LOCK ASM. - KEYED - 1.5" CASE (CYLINDER/CAM/HDWR PKG) |
| | 138637-53-000 | EA | CASE/CYLINDER - LOCKING - W/O CAM/KEY - 1.5" |
| | 138637-53-001 | EA | CASE/CYLINDER - LOCKING - W/O CAM/KEY - 1.5" |
| | 138637-53-002 | EA | CASE/CYLINDER - LOCKING - W/O CAM/KEY - 1.5" |
| | 138637-53-003 | EA | CASE/CYLINDER - LOCKING - W/O CAM/KEY - 1.5" |
| | 138637-53-004 | EA | CASE/CYLINDER - LOCKING - W/O CAM/KEY - 1.5" |
| | 138637-53-005 | EA | CASE/CYLINDER - LOCKING - W/O CAM/KEY - 1.5" |
| | 138637-53-006 | EA | CASE/CYLINDER - LOCKING - W/O CAM/KEY - 1.5" |
| | 138637-53-007 | EA | CASE/CYLINDER - LOCKING - W/O CAM/KEY - 1.5" |
| | 138637-53-008 | EA | CASE/CYLINDER - LOCKING - W/O CAM/KEY - 1.5" |
| | 138637-53-009 | EA | CASE/CYLINDER - LOCKING - W/O CAM/KEY - 1.5" |
| | 138637-51-000 | EA | KEYS - SET OF TWO |
| | 138637-51-001 | EA | KEYS - SET OF TWO |
| | 138637-51-002 | EA | KEYS - SET OF TWO |
| | 138637-51-003 | EA | KEYS - SET OF TWO |
| | 138637-51-004 | EA | KEYS - SET OF TWO |
| | 138637-51-005 | EA | KEYS - SET OF TWO |
| | 138637-51-006 | EA | KEYS - SET OF TWO |
| | 138637-51-007 | EA | KEYS - SET OF TWO |
| | 138637-51-008 | EA | KEYS - SET OF TWO |
| | 138637-51-009 | EA | KEYS - SET OF TWO |
| | 138637-63-000 | EA | CAM - LATCHING - DOG LEG - 1.5" LONG |

*COMPONENT PARTS LISTED LATER IN THIS GROUP

EXTERIOR DOORS & COMPARTMENTS GROUP (CONTINUED)
COMPARTMENT DOOR PIECE PARTS (CONTINUED)



| KEY | PART NUMBER | U/M DESCRIPTION |
|-----|---------------|--|
| 1 | 107997-51-004 | EA SPACER - DOOR LOCK .9" DEEP - TWIST LOCKS |
| 1 | 144734-03-000 | EA SPACER - KEYED LOCKS |
| 2 | 110506-55-000 | EA CASE/CYLINDER - TWIST LOCK - W/O CAM - 1.25" - 597312AA1 |
| 2 | 138637-53-000 | EA CASE/CYLINDER - LOCKING - W/O CAM/KEY - 1.5" |
| 2 | 138637-53-001 | EA CASE/CYLINDER - LOCKING - W/O CAM/KEY - 1.5" |
| 2 | 138637-53-002 | EA CASE/CYLINDER - LOCKING - W/O CAM/KEY - 1.5" |
| 2 | 138637-53-003 | EA CASE/CYLINDER - LOCKING - W/O CAM/KEY - 1.5" |
| 2 | 138637-53-004 | EA CASE/CYLINDER - LOCKING - W/O CAM/KEY - 1.5" |
| 2 | 138637-53-005 | EA CASE/CYLINDER - LOCKING - W/O CAM/KEY - 1.5" |
| 2 | 138637-53-006 | EA CASE/CYLINDER - LOCKING - W/O CAM/KEY - 1.5" |
| 2 | 138637-53-007 | EA CASE/CYLINDER - LOCKING - W/O CAM/KEY - 1.5" |
| 2 | 138637-53-008 | EA CASE/CYLINDER - LOCKING - W/O CAM/KEY - 1.5" |
| 2 | 138637-53-009 | EA CASE/CYLINDER - LOCKING - W/O CAM/KEY - 1.5" |
| | 110506-64-000 | EA CAM - LATCHING - DOG LEG - 1.8" LONG - TWIST LOCKS |
| | 138637-64-000 | EA CAM - LATCHING - KEYED LOCKS |
| 3 | 126694-55-002 | EA EXTRUSION = U-CHANNEL/HINGED - 143.8" - BRIGHT WHITE |
| 4 | 122612-55-008 | EA U-CHANNEL/EXTRUSION - 144" - BRIGHT WHITE |

EXTERIOR DOORS & COMPARTMENTS GROUP (CONTINUED)

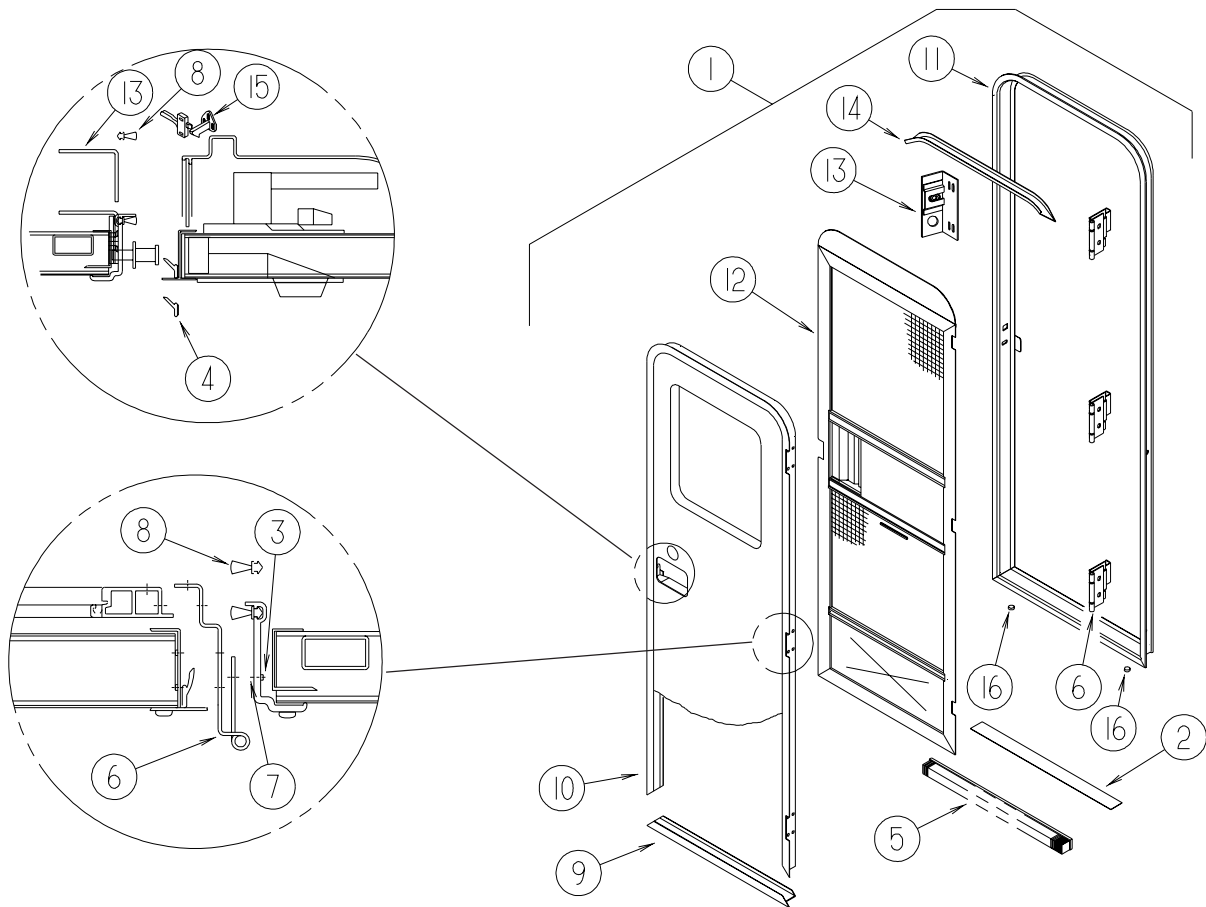
COMPARTMENT DOOR PIECE PARTS

110506-A1-000, 110506-A2-000, 110506-26-000, 110506-27-000

| KEY | PART NUMBER | U/M | DESCRIPTION | VENDOR NO . |
|-----|---------------|-----|--------------------------------|-------------|
| | 110506-40-700 | EA | HARDWARE PACKAGE-CYLINDER/CASE | 596950AAL |

EXTERIOR DOORS & COMPARTMENTS GROUP (CONTINUED)

ENTRY

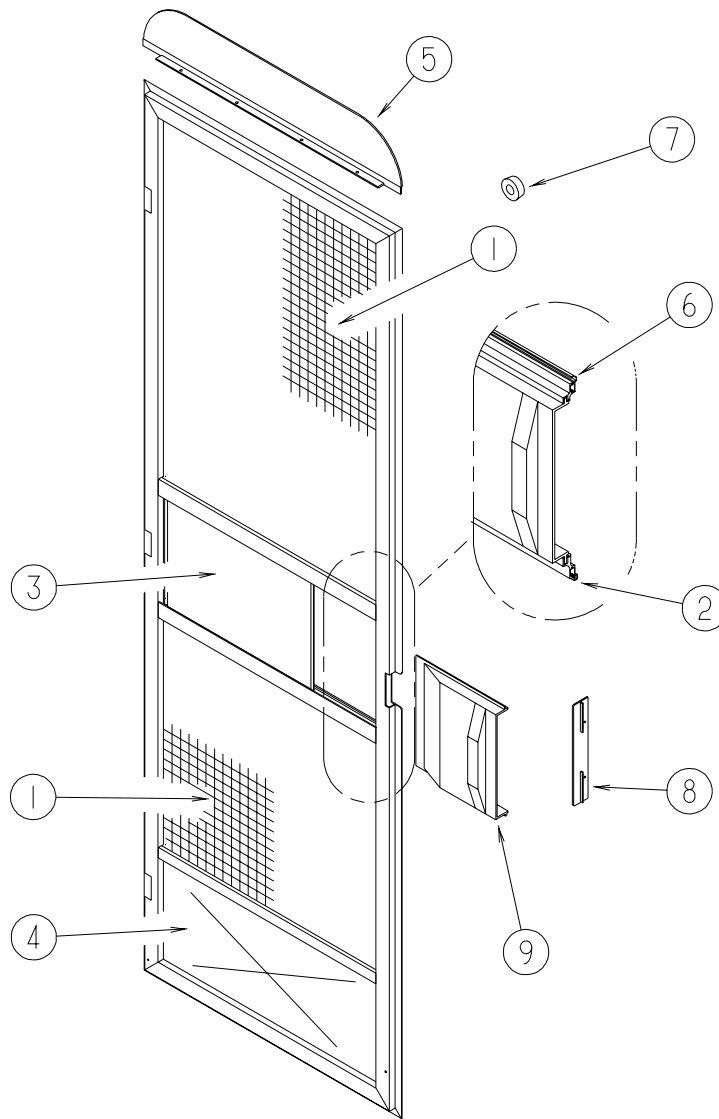


| KEY | PART NUMBER | U/M | DESCRIPTION |
|-----|---------------|-----|--|
| 1 | P32206-09-P07 | EA | DOOR - ENTRY W/SCREEN DOOR - W/O WINDOW LATCH (R10) |
| 1 | P32206-09-R08 | EA | DOOR - ENTRY W/SCREEN DOOR - W/O WINDOW LATCH (R11) |
| 1 | P32206-09-N03 | EA | DOOR - ENTRY W/SCREEN DOOR - W/O WINDOW LATCH (R12) |
| 2 | 038327-01-000 | EA | TAPE - ANTI-SLIP - 2" X 60" |
| 3 | 039715-01-000 | EA | NUT-SERT - 1/4" DIAMETER - 20 THREADS |
| 4 | 075671-04-000 | FT | SEAL - SPONGE - LAZY T - W/ADHESIVE STRIP - .5" WIDE |
| 5 | 075673-05-000 | FT | SEAL - PILE - ADHESIVE BACK - BLACK |
| 6 | 106719-01-05A | EA | HINGE - ENTRY DOOR - BRIGHT WHITE |
| 7 | 116111-02-01A | EA | SCREW - TAPTITE - 1/4-20 X 3/8 PPH 0 ZINC |
| 8 | 118929-01-01A | FT | SEAL - PILE - PUSH ON |
| 9 | 121893-01-01A | EA | FRAME - ENTRY DOOR/LOWER - BRIGHT WHITE |
| 10 | 121894-21-01A | EA | FRAME - ENTRY DOOR - BRIGHT WHITE |
| 11 | 121898-16-01A | EA | JAMB - ENTRY DOOR |
| 12 | 132208-04-L07 | EA | DOOR - SCREEN - W/O HARDWARE |
| 13 | 137401-01-03B | EA | BRACKET - DOOR ANGLE - OFF WHITE |
| 14 | 139054-01-01A | EA | CAP - DRIP - JAMB MOUNTED - BRIGHT WHITE |
| 15 | 132915-01-01A | EA | LATCH - SCREEN DOOR - BLACK |
| | 148364-01-02A | EA | STRIKE - SCREEN DOOR - BRIGHT WHITE |
| | | | FROM: 12-19-03 THRU: 02-11-04 |
| | 148364-01-12B | EA | STRIKE - SCREEN DOOR - BRIGHT WHITE |
| | | | FROM: 02-12-04 THR 99-99-99 |
| 16 | 081914-02-000 | EA | BUMPER - RUBBER - ROUND - 5/16" DIA. X 13/64" THICK |
| | 138287-01-000 | EA | CYLINDER/LOCK - ENTRY DOOR (MASTER) |
| | 138287-02-000 | EA | CYLINDER/LOCK - ENTRY DOOR (MASTER) |
| | 138287-03-000 | EA | CYLINDER/LOCK - ENTRY DOOR (MASTER) |
| | 138287-04-000 | EA | CYLINDER/LOCK - ENTRY DOOR (MASTER) |
| | 138287-05-000 | EA | CYLINDER/LOCK - ENTRY DOOR (MASTER) |
| | 138287-06-000 | EA | CYLINDER/LOCK - ENTRY DOOR (MASTER) |
| | 138287-07-000 | EA | CYLINDER/LOCK - ENTRY DOOR (MASTER) |
| | 138287-08-000 | EA | CYLINDER/LOCK - ENTRY DOOR (MASTER) |
| | 138287-09-000 | EA | CYLINDER/LOCK - ENTRY DOOR (MASTER) |
| | 138287-10-000 | EA | CYLINDER/LOCK - ENTRY DOOR (MASTER) |

EXTERIOR DOORS & COMPARTMENTS GROUP (CONTINUED)
ENTRY (CONTINUED)

| KEY | PART NUMBER | U/M | DESCRIPTION |
|------------|--------------------|------------|--|
| | 138288-01-000 | EA | KEY - REVERSIBLE - #1151 - T/M 16169-02-3091 |
| | 138288-02-000 | EA | KEY - REVERSIBLE - #1152 - T/M 16169-02-3092 |
| | 138288-03-000 | EA | KEY - REVERSIBLE - #1153 - T/M 16169-02-3093 |
| | 138288-04-000 | EA | KEY - REVERSIBLE - #1154 - T/M 16169-02-3094 |
| | 138288-05-000 | EA | KEY - REVERSIBLE - #1155 - T/M 16169-02-3095 |
| | 138288-06-000 | EA | KEY - REVERSIBLE - #1156 - T/M 16169-02-3096 |
| | 138288-07-000 | EA | KEY - REVERSIBLE - #1157 - T/M 16169-02-3097 |
| | 138288-08-000 | EA | KEY - REVERSIBLE - #1158 - T/M 16169-02-3098 |
| | 138288-09-000 | EA | KEY - REVERSIBLE - #1159 - T/M 16169-02-3099 |
| | 138288-10-000 | EA | KEY - REVERSIBLE - #1150 - T/M 16169-02-3100 |

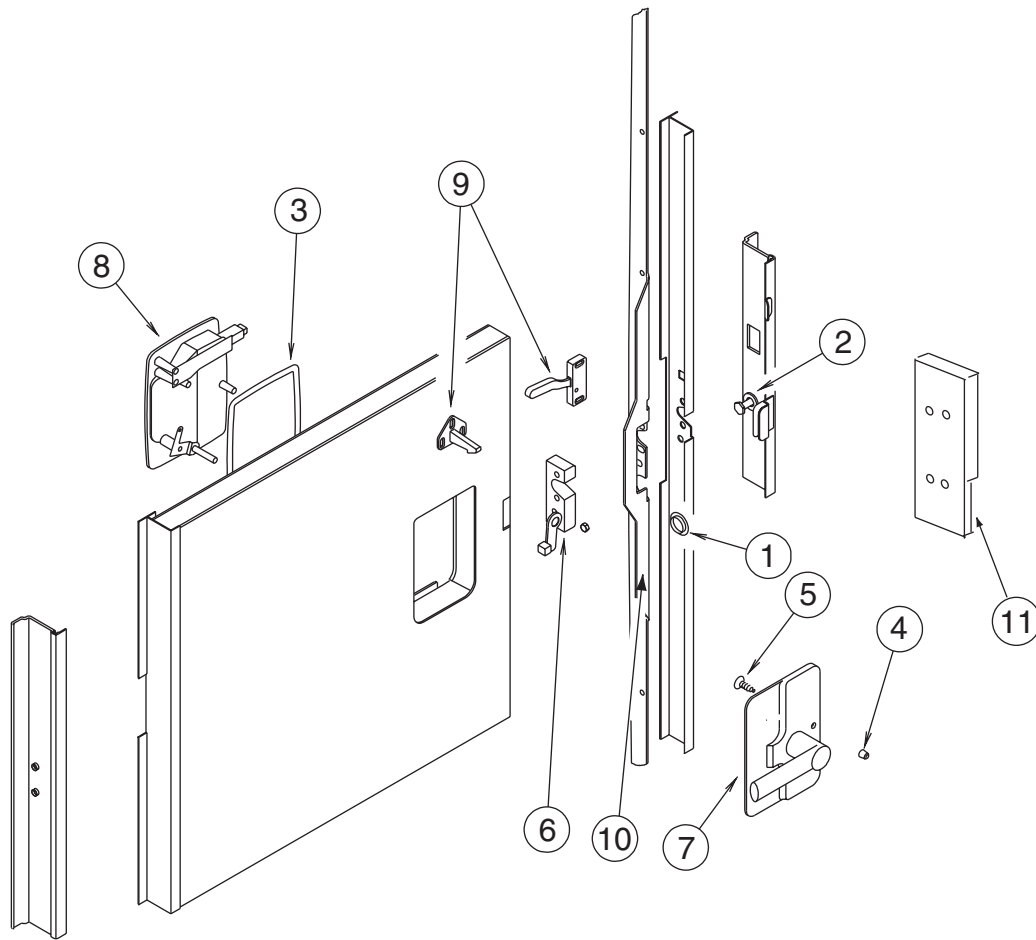
EXTERIOR DOORS & COMPARTMENTS GROUP (CONTINUED)
SCREEN



| KEY | PART NUMBER | U/M | DESCRIPTION |
|-----|---------------|-----|--|
| 1 | 002293-02-000 | SF | SCREEN - 26" - CHARCOAL |
| 2 | 002294-01-000 | FT | SPLINE - SCREENING - .13" X .14" |
| 3 | 016454-21-000 | EA | INSERT - SCREEN DOOR - CENTER |
| 4 | 078552-03-000 | EA | KICK PANEL - SCREEN DOOR - LOWER INSERT - UNPAINTED |
| 5 | 078595-01-000 | EA | TOP PLATE - SCREEN DOOR - CURVED TOP - 4.7" X 25.35" |
| 6 | 078777-08-000 | FT | CHANNEL - SLIDER |
| 7 | 120863-06-000 | EA | BUMPER - RUBBER - 3/4" X 3/8" |
| 8 | 132081-01-01A | EA | STRIKE - SLIDER - SCREEN DOOR - BRIGHT WHITE |
| 9 | 132082-01-01A | EA | SLIDER - SCREEN DOOR - BRIGHT WHITE |

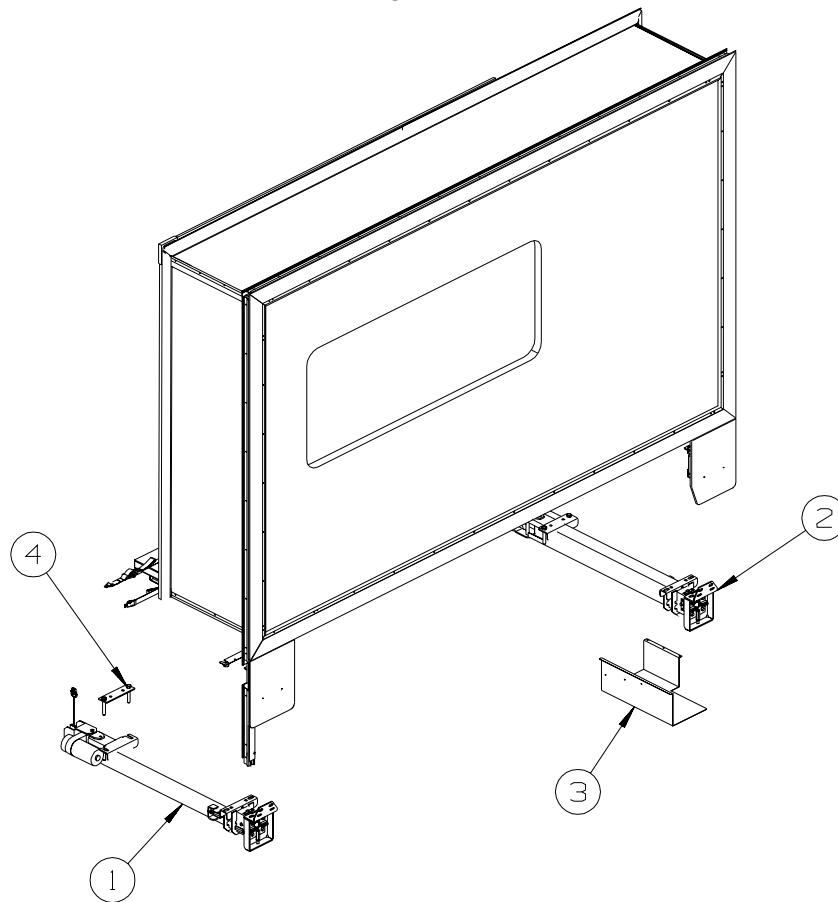
EXTERIOR DOORS & COMPARTMENTS GROUP (CONTINUED)

LATCH - ENTRY



| KEY | PART NUMBER | U/M | DESCRIPTION |
|-----|---------------|-----|--|
| 1 | 061420-14-000 | EA | PLUG/PLASTIC - .034" DIAMETER |
| 2 | 092927-14-000 | EA | STRIKER - ROUND - JAMB MOUNTED |
| | | | FROM: 00-00-00 THRU: 11-02-03 |
| 2 | 092927-15-000 | EA | STRIKER - ROUND - JAMB MOUNTED |
| | | | FROM: 11-03-03 THRU: 99-99-99 |
| 3 | 112782-04-01A | EA | GASKET |
| 4 | 112782-05-01A | EA | CAP - VINYL - RED |
| 5 | 112782-08-01A | EA | SCREW - MOUNTING/PLATE - ZINC |
| 6 | 112782-15-01A | EA | LATCH - SINGLE ROTOR |
| 7 | 112782-16-01A | EA | LATCH - INTERIOR PLATE |
| 8 | 112782-18-01A | EA | LATCH - EXTERIOR - W/O LOCK CYLINDER W/ICON-REVERSIBLE KEY |
| 9 | 132915-01-01A | EA | LATCH - SCREEN DOOR |
| 10 | 132207-01-02B | EA | STIFFENER/DOOR - FORMED - E-COATED |
| | 072893-04-000 | EA | NUTSERT - 10-32 |
| 11 | 139102-01-01A | EA | COVER - BRACKET - STRIKE - BRIGHT WHITE |

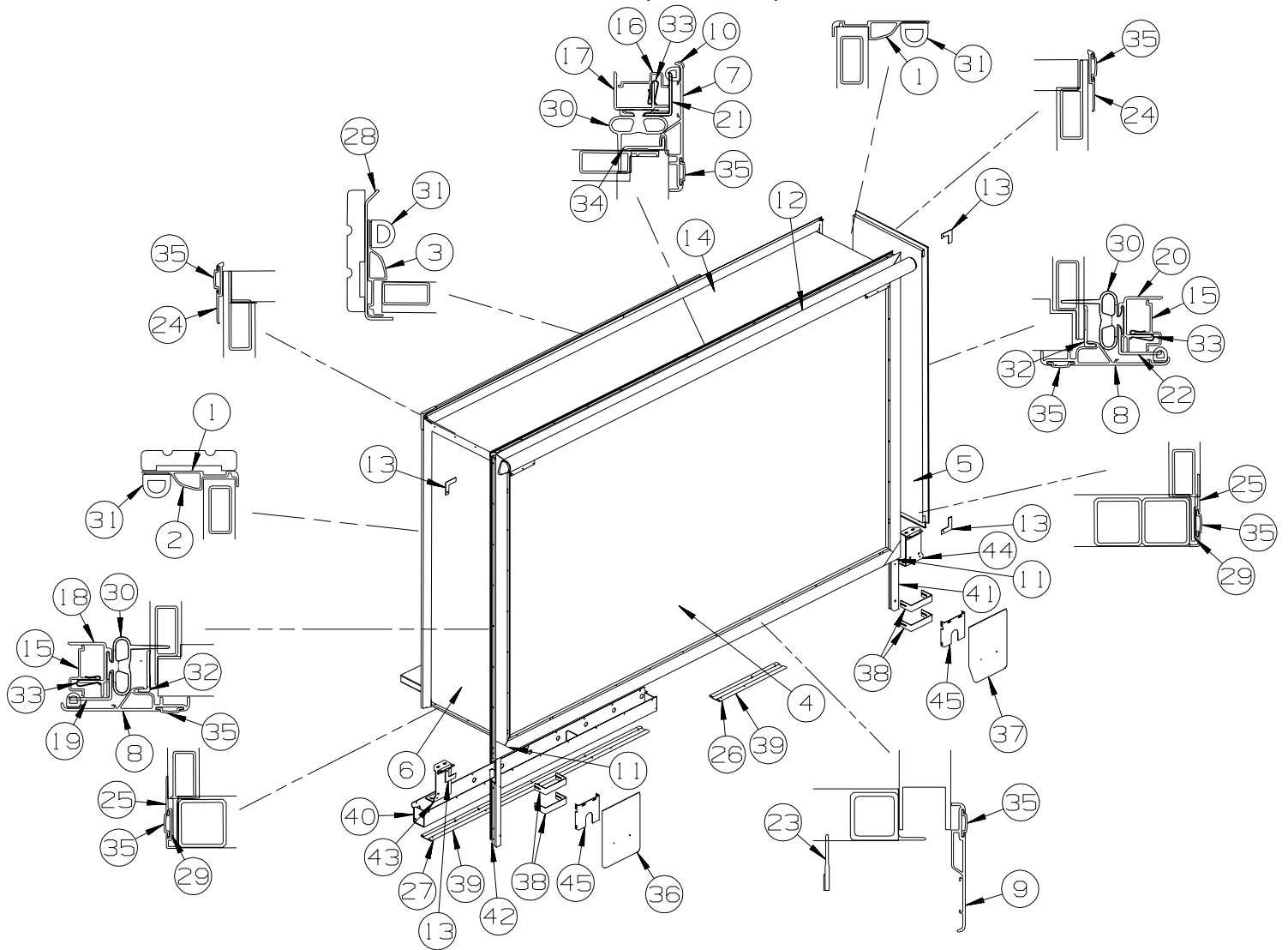
**EXTERIOR SLIDEOUT GROUP
FRONT LEFT**



| KEY | PART NUMBER | U/M | DESCRIPTION |
|-----|---------------|-----|---------------------------------------|
| 1* | 142598-01-000 | EA | SLIDE ARM ASSEMBLY - FRONT - ELECTRIC |
| 2* | 142598-02-000 | EA | SLIDE ARM ASSEMBLY - REAR - ELECTRIC |
| | 138173-05-000 | EA | HANDLE/CRANK - SLIDEOUT |
| 3 | 138908-01-02B | EA | PANEL - COVER - RAM - E-COATED |
| 4 | 136995-03-02B | EA | PLATE - E-COATED |
| 4 | 137165-02-01A | EA | PLATE - W/HOLES |

***COMPONENT PARTS LISTED LATER IN THIS GROUP**

EXTERIOR SLIDEOUT GROUP (CONTINUED)
FRONT LEFT (CONTINUED)

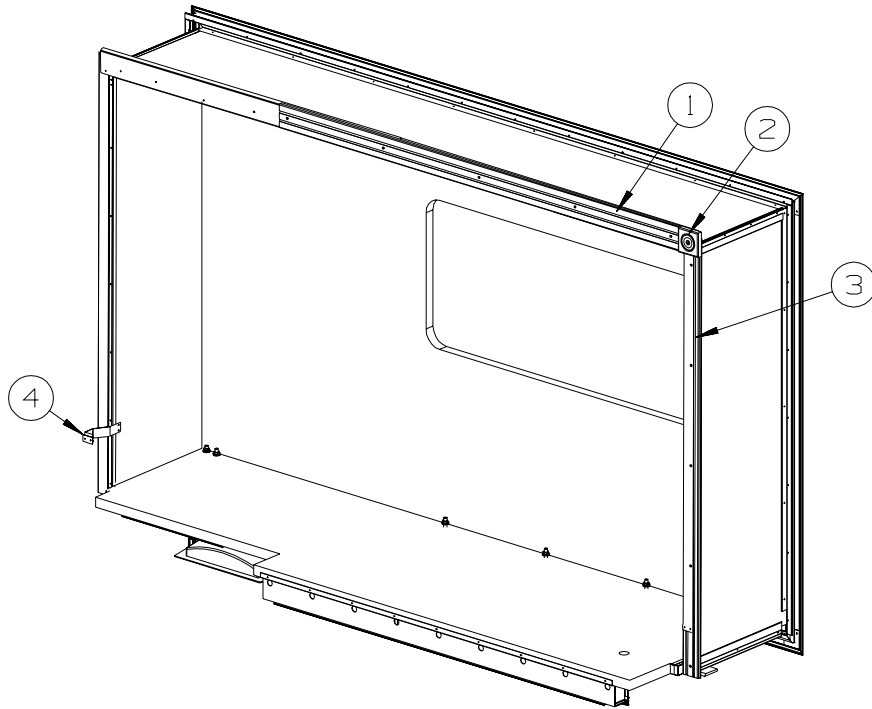


| KEY | PART NUMBER | U/M | DESCRIPTION |
|-----|---------------|-----|---|
| 1 | 139624-14-01A | EA | TRIM/SEAL - INNER/LEFT HAND - 70.2" - BRIGHT WHITE |
| 2 | 139624-13-01A | EA | TRIM/SEAL - INNER/RIGHT HAND - 70.2" - BRIGHT WHITE |
| 3 | 139624-03-01A | EA | TRIM/SEAL - INNER/TOP - 117.7" - BRIGHT WHITE |
| 4 | 144876-11-R07 | EA | SLUG - SLIDEOUT (R10) |
| 4 | 144876-11-R08 | EA | SLUG - SLIDEOUT (R11) |
| 4 | 144876-11-R09 | EA | SLUG - SLIDEOUT (R12) |
| 5 | 137908-01-P07 | EA | PANEL - SLIDEOUT - REAR (R10) |
| 5 | 137908-01-R08 | EA | PANEL - SLIDEOUT - REAR (R11) |
| 5 | 137908-01-N03 | EA | PANEL - SLIDEOUT - REAR (R12) |
| 6 | 137907-01-P07 | EA | PANEL - SLIDEOUT - FRONT (R10) |
| 6 | 137907-01-R08 | EA | PANEL - SLIDEOUT - FRONT (R11) |
| 6 | 137907-01-N03 | EA | PANEL - SLIDEOUT - FRONT (R12) |
| 7 | 139625-04-01A | EA | TRIM/SEAL - TOP/W/ MITERED ENDS - 119.5" - BRIGHT WHITE |
| 8 | 139625-14-01A | EA | TRIM/SEAL - TOP/W/ MITERED ENDS - 73.7" - BRIGHT WHITE |
| 9 | 142233-10-01A | EA | TRIM/SEAL - W/ MITERED ENDS - 119.5" - BRIGHT WHITE |
| 10 | 117058-01-01A | FT | TAPE - LOOP - 3/4" WIDE - ADHESIVE BACKED |
| 11 | 135275-01-01A | EA | PROTECTOR - CORNER - SLIDEOUT - WHITE |
| 12 | 122977-11-03A | EA | AWNING/SLIDEOUT W/COVER - 120" - WHITE - VINYL/VINYL WRAP |
| 13 | 116444-04-12B | EA | TRIM/KEY CORNER - SLIDEOUT - 3.1"X3.1" - BRT WHT |
| 14 | 136559-01-P84 | EA | ROOF - W/O LIGHTS/VENTS - W/WIRING - F/SLIDEOUT |
| 15 | 142718-01-01A | EA | RETAINER - SIDEWALL/SLIDEOUT - 72.8" |
| 16 | 142718-12-01A | EA | RETAINER - SIDEWALL/SLIDEOUT - 117.3" |
| 17 | 142719-02-01A | EA | TRIM/SIDEWALL - TOP/SLIDEOUT - 119" - BRIGHT WHITE |
| 18 | 141581-01-01A | EA | TRIM - SIDEWALL/SLIDEOUT - 93.2" - BRIGHT WHITE |
| 19 | 136824-41-01A | EA | TRIM - SIDEWALL/SLIDEOUT - 93.5" - BRIGHT WHITE |
| 20 | 141581-02-01A | EA | TRIM - SIDEWALL/SLIDEOUT - 84.5" - BRIGHT WHITE |

EXTERIOR SLIDEOUT GROUP (CONTINUED)
FRONT LEFT (CONTINUED)

| KEY | PART NUMBER | U/M | DESCRIPTION |
|-----|---------------|-----|--|
| 21 | 136824-15-01A | EA | TRIM - SIDEWALL/SLIDEOUT - 118.9" - BRIGHT WHITE |
| 22 | 136824-14-01A | EA | TRIM - SIDEWALL/SLIDEOUT - 84.3" - BRIGHT WHITE |
| 23 | 123012-03-000 | FT | SEAL - F/SLIDEOUT |
| 24 | 138659-01-01A | EA | TRIM/FEATURE STRIP - 181.7" - BRIGHT WHITE |
| 25 | 125051-07-01A | EA | TRIM- FEATURE STRIP/LOWER - 21.4" - BRIGHT WHITE |
| | | | FROM: 00-00-00 THRU: 03-16-03 |
| 25 | 125051-01-01A | EA | TRIM- FEATURE STRIP/LOWER - 20.2" - BRIGHT WHITE |
| | | | FROM: 03-17-03 THRU: 99-99-99 |
| 26 | 115325-06-02A | EA | RAIL - FLOOR/SLIDEOUT ROOM - 19.7" LONG - BLACK |
| 27 | 115325-03-02A | EA | RAIL - FLOOR/SLIDEOUT ROOM - 64.5" LONG - BLACK |
| 28 | 125466-07-02A | EA | SUPPORT - ROOF/INTERIOR - BRIGHT WHITE |
| 29 | 075673-05-000 | FT | SEAL - PILE - ADHESIVE BACK - BLACK |
| 30 | 136978-01-01A | FT | SEAL - SLIDEOUT - BLACK |
| 31 | 146056-01-000 | FT | SEAL - TRIANGLE - W/PSA |
| 32 | 133954-20-01A | EA | TRIM/SEAL - W/MITERED ENDS - 64.1" - BRIGHT WHITE |
| | | | FROM: 00-00-00 THRU: 03-16-03 |
| 32 | 133954-47-01A | EA | TRIM/SEAL - W/MITERED ENDS - 66.4" - BRIGHT WHITE |
| | | | FROM: 03-17-03 THRU: 99-99-99 |
| 33 | 142549-01-000 | EA | CLIP-S TYPE |
| 34 | 133954-17-01A | EA | TRIM/SEAL - W/MITERED ENDS - 114.2" - BRIGHT WHITE |
| 35 | 105312-01-07A | FT | INSERT - FEATURE STRIP - VINYL - BRIGHT WHITE |
| 36 | 138077-01-01A | EA | COVER - RAM - BRIGHT WHITE |
| 37 | 138078-01-01A | EA | COVER - RAM - BRIGHT WHITE |
| 38 | 138083-01-02B | EA | BRACKET - COVER - F/SLIDEOUT - E-COATED |
| 39 | 115661-01-000 | FT | SHOE/GLIDE - SLIDEOUT ROOM - 1/16" X 3" - POLYETHYLENE |
| 40 | 138084-02-02B | EA | SUPPORT - F/SLIDEOUT - E-COATED |
| 41 | 142718-08-01A | EA | RETAINER - SIDEWALL/SLIDEOUT - 6.7" |
| 42 | 142718-27-01A | EA | RETAINER - SIDEWALL/SLIDEOUT - 15.2" |
| 43 | 137964-01-02B | EA | BRACKET/MOUNT - F/SLIDEOUT - E-COATED |
| 44 | 137964-02-02B | EA | BRACKET/MOUNT - F/SLIDEOUT - E-COATED |
| 45 | 138082-01-02B | EA | BRACKET - COVER - F/SLIDEOUT - E-COATED |
| | 134756-04-N74 | EA | RAMP - FABRIC COVERED - F/SLIDEOUT - 66.6" - VINYL FLOOR - FRONT AND/OR THRU OUT |
| | 151282-10-01A | EA | TRIM - CARPET EDGE/F-ANGLE - 73.5" - BLACK |

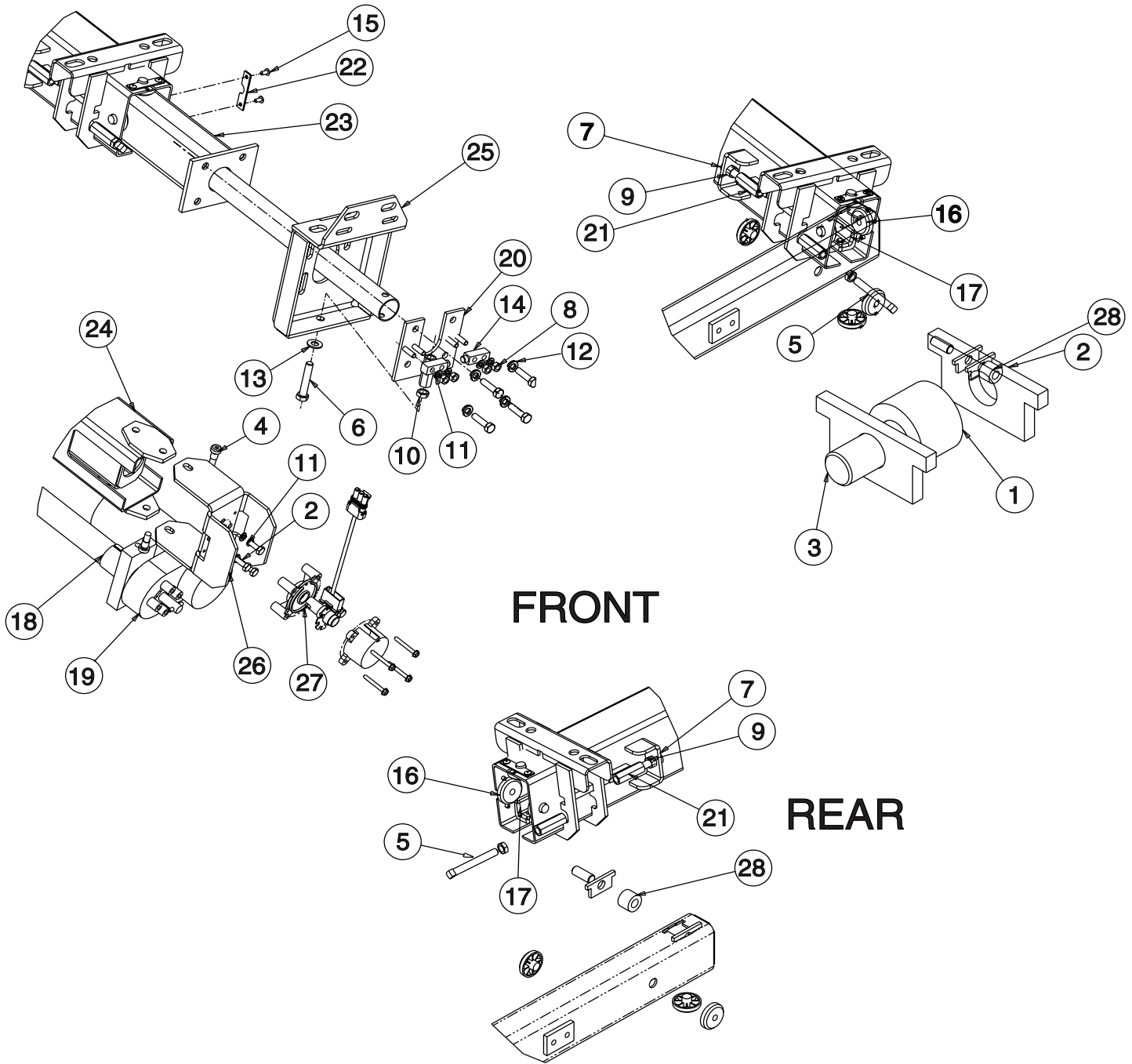
EXTERIOR SLIDEOUT GROUP (CONTINUED)
FRONT LEFT (CONTINUED)



| KEY | PART NUMBER | U/M | DESCRIPTION |
|-----|---------------|-----|--|
| 1 | 132663-19-08A | EA | MOLDING-VINYL WRAP/PRE DRILLED-.6"X3.8"X78.1" - OAK |
| 2 | 132844-01-08A | EA | BLOCK - CORNER - 3.9" X 3.9" - PORTSMOUTH OAK |
| 3 | 132663-20-08A | EA | MOLDING-VINYL WRAP/PRE DRILLED - .6"X3"X 67.1" - OAK |
| 4 | 139184-01-02B | EA | BRACKET - TIEDOWN - E-COATED |

FROM: 00-00-00 THRU: 03-25-03

EXTERIOR SLIDEOUT GROUP (CONTINUED)
COMPONENT PARTS FOR FRONT SLIDEOUT



FRONT

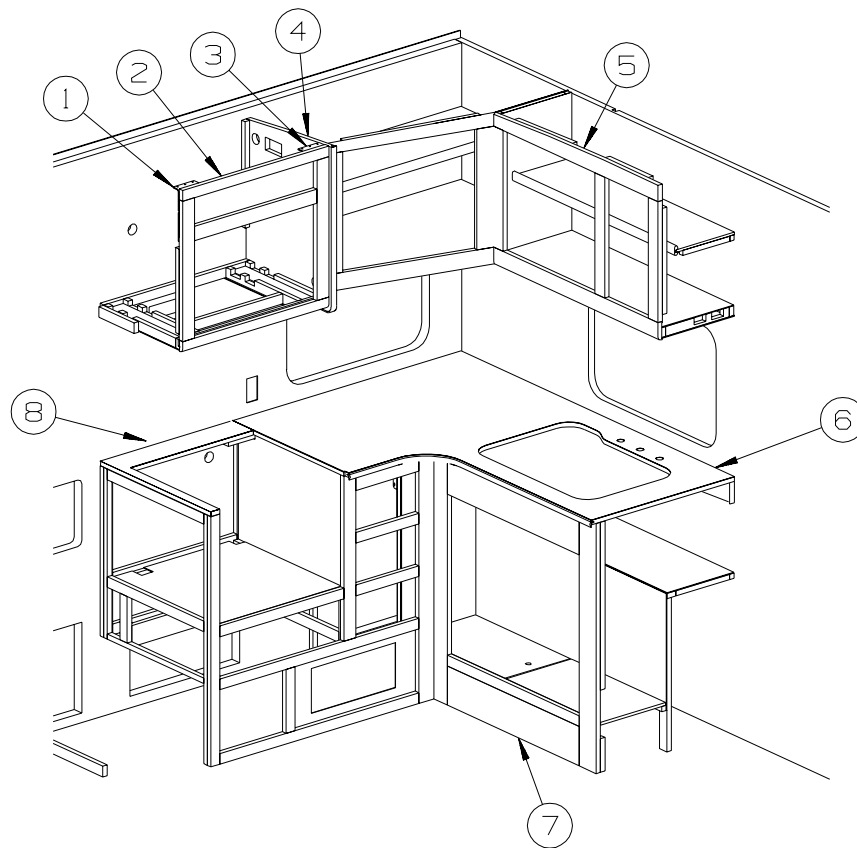
REAR

142598-01-000, 142598-02-000

| KEY | PART NUMBER | U/M | DESCRIPTION | VENDOR NO. |
|-----|---------------|-----|------------------------------|------------|
| 1 | 140457-01-701 | EA | BUSHING - 1" X 3/4" X 1/2"ID | 1614006 |
| 3 | 140457-01-704 | EA | SHAFT/AXLE - REAR ROLLER | 7204523 |
| 10 | 138173-01-710 | EA | MOUNT PLATE W/STUDS | 7201098 |
| 14 | 138173-01-700 | EA | PIN/CLEVIS - PLATED/Front | 1213810 |
| 15 | 138173-01-701 | EA | POP RIVET - SS 3/16"X1/4" | 1214630 |
| 16 | 138173-01-707 | EA | WEAR PUCK - PLASTIC F/DRIVE | 1612523 |
| 17 | 138173-01-705 | EA | WEAR PAD - PLASTIC | 1612531 |
| 19 | 138173-01-706 | EA | MOTOR - DRIVE W/WORM SHAFT | 1820106 |
| | 138173-01-704 | EA | HOUSING/ENCODER-MAIN ASSY | 7200055 |

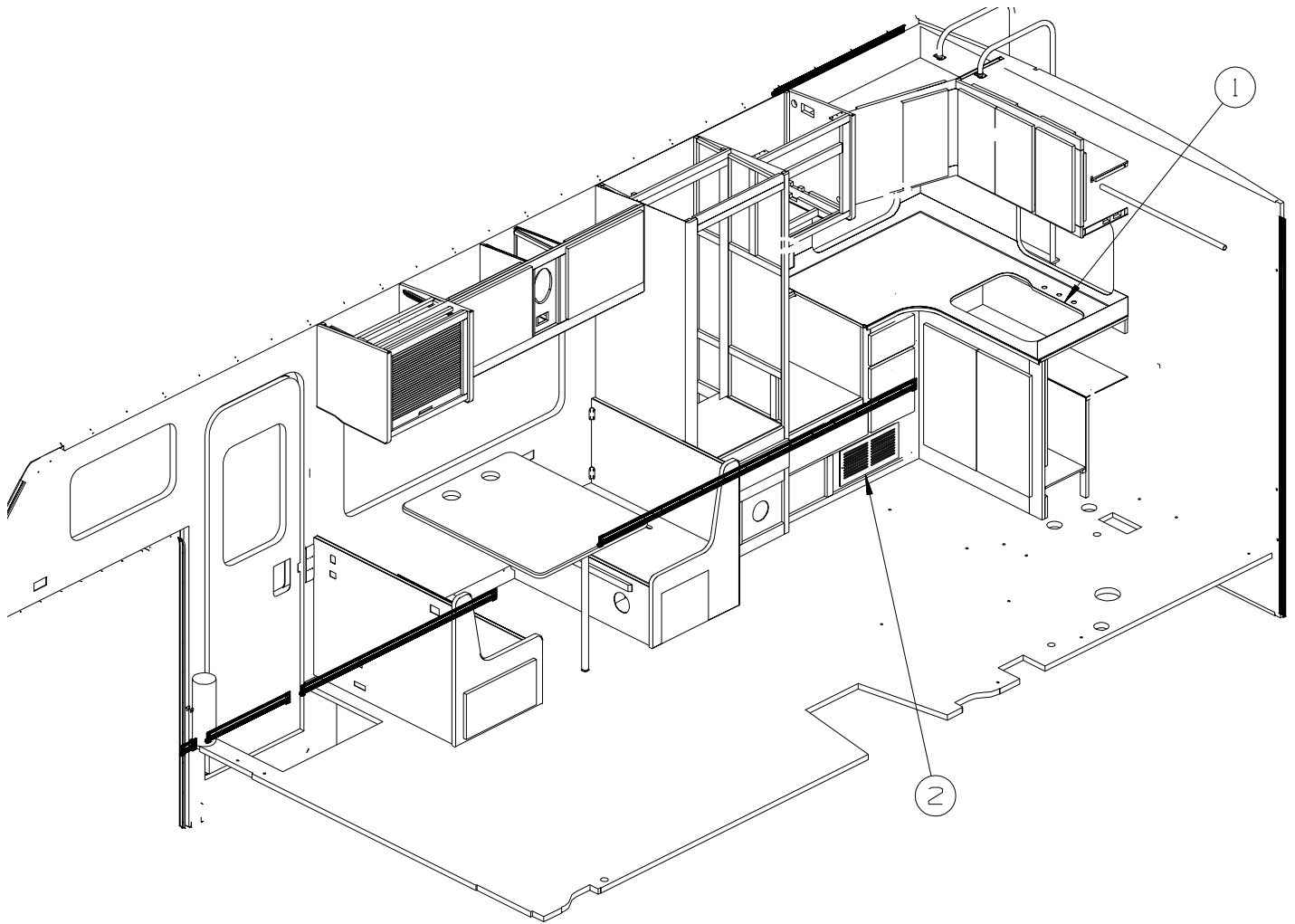
CONTACT WINNEBAGO PART SALES FOR UNLISTED COMPONENTS

GALLEY GROUP CABINETS



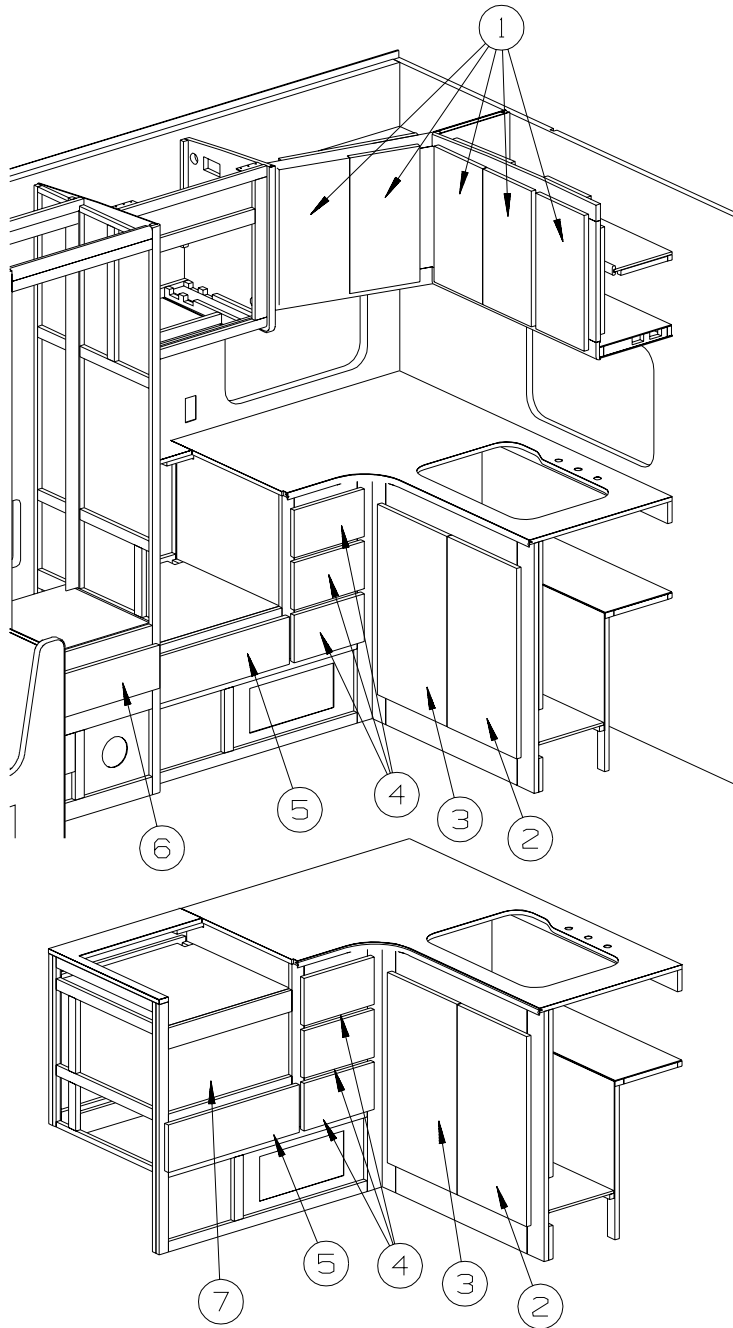
| KEY | PART NUMBER | U/M | DESCRIPTION |
|-----|---------------|-----|--|
| 1 | 098916-33-02B | EA | BRACE - MICROWAVE CABINET - LEFT HAND - E-COATED - NON-CONVECTION |
| 1 | 149420-05-02B | EA | BRACE - MICROWAVE - E-COATED - CONVECTION |
| 2 | 141087-03-P07 | EA | CABINET - OVERHEAD/MICROWAVE - W/O DOORS/HARDWARE - NON-CONVECTION |
| 2 | 149584-07-R07 | EA | CABINET - OVERHEAD/MICROWAVE - W/O DOORS/HARDWARE - CONVECTION SAMSUNG |
| 2 | 149584-52-R07 | EA | CABINET - OVERHEAD/MICROWAVE - W/O DOORS/HARDWARE - CONVECTION SHARP |
| 3 | 098916-34-02B | EA | BRACE - MICROWAVE CABINET - RIGHT HAND - E-COATED - NON-CONVECTION |
| 3 | 149420-06-02B | EA | BRACE - MICROWAVE - E-COATED - CONVECTION |
| 4 | 140307-12-P07 | EA | END CAP - OVERHEAD CABINET - NON-CONVECTION |
| 4 | 140307-42-R13 | EA | END CAP - OVERHEAD CABINET - CONVECTION |
| 5 | 141146-01-P07 | EA | CABINET - GALLEY/OVERHEAD - W/O DOORS/HARDWARE |
| 6 | 133653-32-R07 | EA | COUNTERTOP - LAMINATED - EGGSHELL/PORTSMOUTH OAK (R10) |
| 6 | 133653-32-R08 | EA | COUNTERTOP - LAMINATED - GRAY TRANQUILITY/PORTSMOUTH OAK (R11) |
| 6 | 133653-32-R09 | EA | COUNTERTOP - LAMINATED - LINO FREIZE/PORTSMOUTH OAK (R12) |
| 7 | 137453-01-R07 | EA | CABINET - GALLEY - W/O COUNTERTOP/DOORS/DRAWERS/HARDWARE - OVEN |
| 7 | 137453-02-N01 | EA | CABINET - GALLEY - W/O COUNTERTOP/DOORS/DRAWERS/HARDWARE - OVEN W/64R |
| 7 | 137453-03-R07 | EA | CABINET - GALLEY - W/O COUNTERTOP/DOORS/DRAWERS/HARDWARE - RANGE TOP |
| 7 | 137453-04-R07 | EA | CABINET - GALLEY - W/O COUNTERTOP/DOORS/DRAWERS/HARDWARE - RANGE TOP W/64R |
| 8 | 133653-12-P07 | EA | COUNTERTOP - LAMINATED - EGGSHELL (R10) |
| 8 | 133653-12-N01 | EA | COUNTERTOP - LAMINATED - GRAY TRANQUILITY (R11) |
| 8 | 133653-12-R09 | EA | COUNTERTOP - LAMINATED - LINO FRIEZE (R12) |

GALLEY GROUP (CONTINUED)
CABINETS (CONTINUED)



| KEY | PART NUMBER | U/M | DESCRIPTION |
|-----|---------------|-----|---|
| 1 | 103610-04-P17 | EA | COVER - SINK - 15.7" X 13.8" - EGGSHELL MOSAIC (R10) |
| 1 | 103610-04-N30 | EA | COVER - SINK - 15.7" X 13.8" - GRAY TRANQUILITY (R11) |
| 1 | 103610-04-R09 | EA | COVER - SINK - 15.7" X 13.8" - LINO FRIEZE (R12) |
| 2 | 093614-01-02A | EA | GRILLE - AIR RETURN - 15.9" X 7.9" - BEIGE |

GALLEY GROUP (CONTINUED) DOORS & DRAWERS



| KEY | PART NUMBER | U/M | DESCRIPTION |
|-----|---------------|-----|---|
| 1 | 136955-22-P34 | EA | DOOR - RAISED PANEL/PENCIL EDGE - 10" X 19.1" - W/O HDW |
| 2 | 136919-B1-P10 | EA | DOOR - FLAT/PENCIL EDGE - 14.3" X 26.7" - W/O HARDWARE |
| 3 | 136919-B0-P04 | EA | DOOR - FLAT/PENCIL EDGE - 14.3" X 26.7" - W/O HARDWARE |
| 4 | 145386-E8-R07 | EA | DRAWER - PENCIL EDGE - 10"W X 15.7"D - W/O SLIDES/HARDWARE |
| 5 | 145386-03-R74 | EA | DRAWER - PENCIL EDGE-20.2"W X 15.7"D - W/O SLIDES/HARDWARE |
| 6 | 145492-59-R07 | EA | DRAWER - PENCIL EDGE - 22.5"W X 17.7"D - W/O SLIDES/HDW |
| 9 | 145492-X7-R30 | EA | DRAWER - PENCIL EDGE - 19.8"W X 11.8"D - W/O SLIDES/HDW - RANGE TOP |

**GENERATOR GROUP
322E, 322R**

| KEY | PART NUMBER | U/M | DESCRIPTION |
|-----|---------------|-----|---|
| | 109982-03-000 | EA | GENERATOR - 4.0 MICROLITE |
| | 114071-02-02B | EA | SUPPORT - GENERATOR - RIGHT |
| | 105958-08-000 | EA | PIPE - GENERATOR EXHAUST - 1.5" OD X 3.1" X 19.7" |
| | 007125-04-000 | EA | CLAMP - MUFFLER - 1.12" DIAMETER |
| | 114070-02-02B | EA | SUPPORT - GENERATOR - LEFT |
| | 088258-02-000 | EA | CLIP - RETAINING - FUEL LINE SINGLE |
| | 024924-02-000 | EA | RECEPTACLE - POWER CORD - W/PARTIAL PLATE |

324V

| KEY | PART NUMBER | U/M | DESCRIPTION |
|-----|---------------|-----|---|
| | 109982-03-000 | EA | GENERATOR - 4.0 MICROLITE |
| | 114071-02-02B | EA | SUPPORT - GENERATOR - RIGHT |
| | 105958-08-000 | EA | PIPE - GENERATOR EXHAUST - 1.5" OD X 3.1" X 19.7" |
| | 007125-03-000 | EA | CLAMP - MUFFLER - 1.5" DIAMETER |
| | 007125-04-000 | EA | CLAMP - MUFFLER - 1.12" DIAMETER |
| | 114070-02-02B | EA | SUPPORT - GENERATOR - LEFT |
| | 024924-02-000 | EA | RECEPTACLE - POWER CORD - W/PARTIAL PLATE |
| | 088258-02-000 | EA | CLIP - RETAINING - FUEL LINE SINGLE |

324F, 329B, 329K, 331, 332G

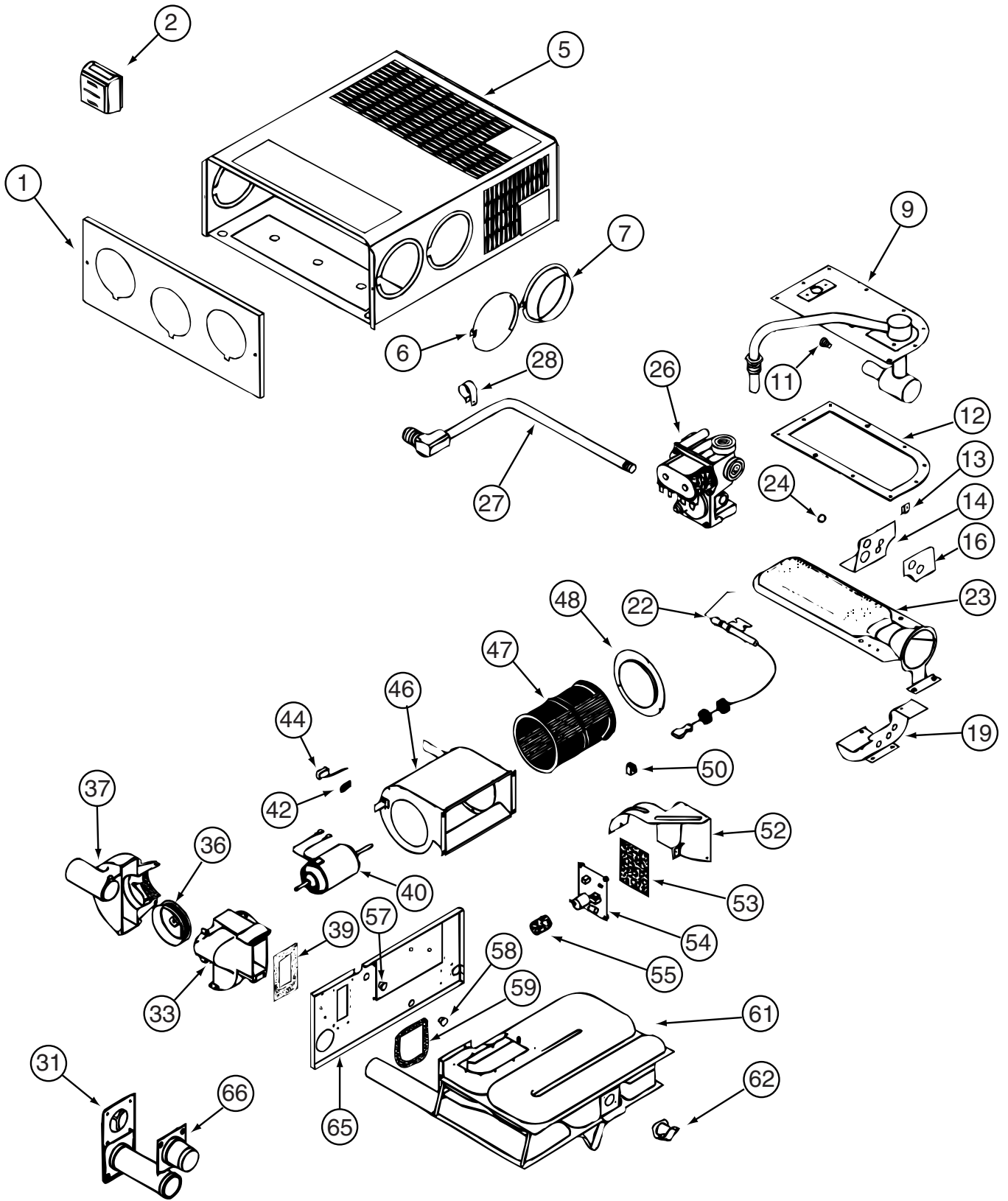
| KEY | PART NUMBER | U/M | DESCRIPTION |
|-----|---------------|-----|---|
| | 109982-03-000 | EA | GENERATOR - 4.0 MICROLITE - 324F, 329B, 329K, 331, 332G |
| | 109982-04-000 | EA | GENERATOR - 3.6 MICROLITE - LP - 324F |
| | 114071-02-02B | EA | SUPPORT - GENERATOR - RIGHT |
| | 105958-08-000 | EA | PIPE - GENERATOR EXHAUST - 1.5" OD X 3.1" X 19.7" - 331 |
| | 138232-01-000 | EA | PIPE - EXHAUST - GENERATOR - 324F |
| | 139763-01-000 | EA | PIPE - EXHAUST - GENERATOR - 324F |
| | 141158-01-000 | EA | PIPE/EXHAUST - GENERATOR - 329B, 329K |
| | 127920-01-000 | EA | PIPE - EXHAUST - GENERATOR - 322G |
| | 007131-01-000 | EA | HANGER - TAILPIPE - 6 SLOTS - 324F, 329B, 329K, 331 |
| | 007125-03-000 | EA | CLAMP - MUFFLER - 1.5" DIAMETER - 324F, 329B, 329K |
| | 007125-04-000 | EA | CLAMP - MUFFLER - 1.12" DIAMETER |
| | 114070-02-02B | EA | SUPPORT - GENERATOR - LEFT |
| | 024924-02-000 | EA | RECEPTACLE - POWER CORD - W/PARTIAL PLATE |
| | 088258-02-000 | EA | CLIP - RETAINING - FUEL LINE SINGLE |

HEATING & A/C GROUP FURNACE

| KEY | PART NUMBER | U/M | DESCRIPTION |
|-----|---------------|-----|--|
| * | 139980-01-000 | EA | FURNACE - 25000 BTU - SF QUIET - SUBURBAN SF-25 2320J - 324F, 324V, 322E, 322R |
| * | 139980-02-000 | EA | FURNACE - 30000 BTU - SF QUIET - SUBURBAN SF-30 2321J - 331, 332G, 329B, 329K |
| | 139980-07-000 | EA | ADAPTOR - VENT BOTTOM SF-30/35 |
| | 139980-08-000 | EA | GASKET - BOTTOM VENT SF-30/35 |
| | 098668-23-000 | EA | DOOR - ACCESS - FURNACE - BRIGHT WHITE |
| | 009198-01-000 | FT | DUCT - HEAT - FLEXIBLE - 4" ID X 25' |
| | 009198-02-000 | FT | DUCT - HEAT - FLEXIBLE - 2" ID X 25' |
| | 056464-10-000 | EA | REGISTER W/O DAMPER - 4" DIAMETER - PLASTIC - BEIGE |
| | 137965-01-01A | EA | REGISTER - 2.25" X 10" - W/O DAMPER - ANTIQUE BRASS |
| | 069636-02-000 | EA | CONNECTOR - DUCT - 4" ID |
| | 009200-01-000 | EA | TAPE - FURNACE - 1 1/2" |
| | 089367-01-000 | EA | TEE - 4" OD - 7" LONG - METAL |
| | 089367-02-000 | EA | TEE - 4" X 2" X 4" |
| | 024990-11-000 | EA | OUTLET - DEFROSTER - W/SWIVEL - 2" SLEEVE/4" OD - CAD CRM |
| | 118761-01-000 | EA | REDUCER - 4"-2" - GALVANIZED |
| | 093614-01-02A | EA | GRILL - AIR RETURN - 15.9" X 7.9" - BIEGE |

***COMPONENT PARTS LISTED LATER IN THIS GROUP**

HEATING & A/C GROUP (CONTINUED)
COMPONENT PARTS FOR FURNACE



139980-01-000

139980-02-000

HEATING & A/C GROUP (CONTINUED)
COMPONENT PARTS FOR FURNACE (CONTINUED)

139980-01-000 (CONTINUED)

| KEY | PART NUMBER | U/M | DESCRIPTION | VENDOR NO. |
|------------|--------------------|------------|--|-------------------|
| 9 | 139980-01-700 | EA | MANIFOLD ASSEMBLY | 171571 |
| 11 | 090039-01-703 | EA | ORIFICE-MAIN BURNER | 180193 |
| 12 | 098668-22-703 | EA | GASKET - BURNER ACCESS COVER | 070811 |
| 22 | 139980-01-701 | EA | ELECTRODE | 232286 |
| 23 | 098668-01-703 | EA | BURNER ASSEMBLY | 010762 |
| 26 | 098668-01-718 | EA | VALVE-GAS SF S.N.974903079 | 161122 |
| 27 | 139980-01-702 | EA | PIPE ASSEMBLY/GAS INLET | 171574 |
| 31 | 098668-01-707 | EA | TUBE ASSEMBLY, EXHAUST W/CAP | 260231 |
| 33 | 139980-01-703 | EA | HOUSING/COMB. - FRONT/HALF | 390852 |
| 36 | 098668-01-706 | EA | WHEEL-COMBUSTION AIR | 350184 |
| 37 | 139980-01-704 | EA | HOUSING/COMB. - REAR/HALF | 390848 |
| 39 | 139980-01-705 | EA | GASKET/FIREWALL-COMB AIR | 071084 |
| 40 | 139980-01-706 | EA | MOTOR ASSEMBLY W/GASKET | 232682 |
| 42 | 101990-01-714 | EA | GASKET-MICROSWITCH | 230877 |
| 44 | 098668-21-700 | EA | SWITCH-MICRO-W/O FLAG 3 1/4" | 232261 |
| 46 | 139980-01-708 | EA | BLOWER ASSEMBLY - ROOM AIR | 390739BK |
| 47 | 098668-01-711 | EA | WHEEL-BLOWER, ROOM AIR | 350129 |
| 48 | 139980-01-709 | EA | ORFICE RING | 390696 |
| 50 | 139980-01-710 | EA | SWITCH - ON/OFF | 232351 |
| 52 | 139980-01-711 | EA | PANEL ASSEMBLY-MODULE BD | 101663 |
| 53 | 139980-01-712 | EA | INSULATOR - MODULE BD | 070807 |
| 54 | 098668-22-705 | EA | MODULE BD W/RELAY TIME DELAY | 520820 |
| 55 | 139980-01-713 | EA | CAP/INSULATOR-MODULE BD | 070973 |
| 57 | 139980-01-714 | EA | BUSHING - UNIVERSAL | 070362 |
| 58 | 139980-01-715 | EA | BUSHING - STRAIN RELIEF | 231809 |
| 59 | 098668-01-716 | EA | GASKET-FIREWALL,CHAMBER SIDE | 070808 |
| 61 | 139980-01-716 | EA | CHAMBER ASSEMBLY - FINAL | 021149BK |
| 62 | 098668-21-701 | EA | SWITCH - LIMIT | 232504 |
| 66 | 098668-01-713 | EA | TUBE ASSEMBLY, INTAKE | 051248 |
| | 098668-19-700 | EA | DOOR/CABINET ACCESS | 101888 |
| | | | CONTACT WINNEBAGO PART SALES FOR UNLISTED COMPONENT(S) | |

139980-02-000 (CONTNUED)

| KEY | PART NUMBER | U/M | DESCRIPTION | VENDOR NO. |
|------------|--------------------|------------|--|-------------------|
| 9 | 139980-01-700 | EA | MANIFOLD ASSEMBLY | 171571 |
| 11 | 092300-02-701 | EA | ORIFICE-MAIN BURNER (NT-30BW | 180214 |
| 12 | 098668-22-703 | EA | GASKET - BURNER ACCESS COVER | 070811 |
| 22 | 139980-01-701 | EA | ELECTRODE | 232286 |
| 23 | 098668-02-700 | EA | BURNER ASSEMBLY,SF-30 & SF35 | 010745 |
| 26 | 098668-01-718 | EA | VALVE-GAS SF S.N.974903079 | 161122 |
| 27 | 139980-01-702 | EA | PIPE ASSEMBLY/GAS INLET | 171574 |
| 31 | 098668-01-707 | EA | TUBE ASSEMBLY, EXHAUST W/CAP | 260231 |
| 33 | 139980-01-703 | EA | COMBUSTION AIR HOUS FRT/HALF | 390852 |
| 36 | 098668-01-706 | EA | WHEEL-COMBUSTION AIR | 350184 |
| 37 | 139980-01-704 | EA | COMBUSTION AIR HOUS RR HALF | 390848 |
| 39 | 139980-01-705 | EA | GASKET/FIREWALL-COMB AIR | 071084 |
| 40 | 139980-01-706 | EA | MOTOR ASSEMBLY W/GASKET | 232682 |
| 42 | 101990-01-714 | EA | GASKET-MICROSWITCH | 230877 |
| 44 | 098668-21-700 | EA | SWITCH-MICRO-W/O FLAG 3 1/4" | 232261 |
| 46 | 139980-01-708 | EA | BLOWER ASSEMBLY - ROOM AIR | 390739BK |
| 47 | 098668-01-711 | EA | WHEEL-BLOWER, ROOM AIR | 350129 |
| 48 | 139980-01-709 | EA | ORFICE RING | 390696 |
| 50 | 139980-01-710 | EA | SWITCH - ON/OFF | 232351 |
| 52 | 139980-01-711 | EA | PANEL ASSEMBLY-MODULE BD | 101663 |
| 53 | 139980-01-712 | EA | INSULATOR - MODULE BD | 070807 |
| 54 | 098668-22-705 | EA | MODULE BD W/RELAY TIME DELAY | 520820 |
| 55 | 139980-01-713 | EA | CAP/INSULATOR-MODULE BD | 070973 |
| 57 | 139980-01-714 | EA | BUSHING - UNIVERSAL | 070362 |
| 58 | 139980-01-715 | EA | BUSHING - STRAIN RELIEF | 231809 |
| 59 | 098668-01-716 | EA | GASKET-FIREWALL,CHAMBER SIDE | 070808 |
| 61 | 139980-01-716 | EA | CHAMBER ASSEMBLY - FINAL | 021149BK |
| 62 | 098668-21-701 | EA | SWITCH - LIMIT | 232504 |
| 66 | 098668-01-713 | EA | TUBE ASSEMBLY, INTAKE | 051248 |
| | | | CONTACT WINNEBAGO PART SALES FOR UNLISTED COMPONENTS | |

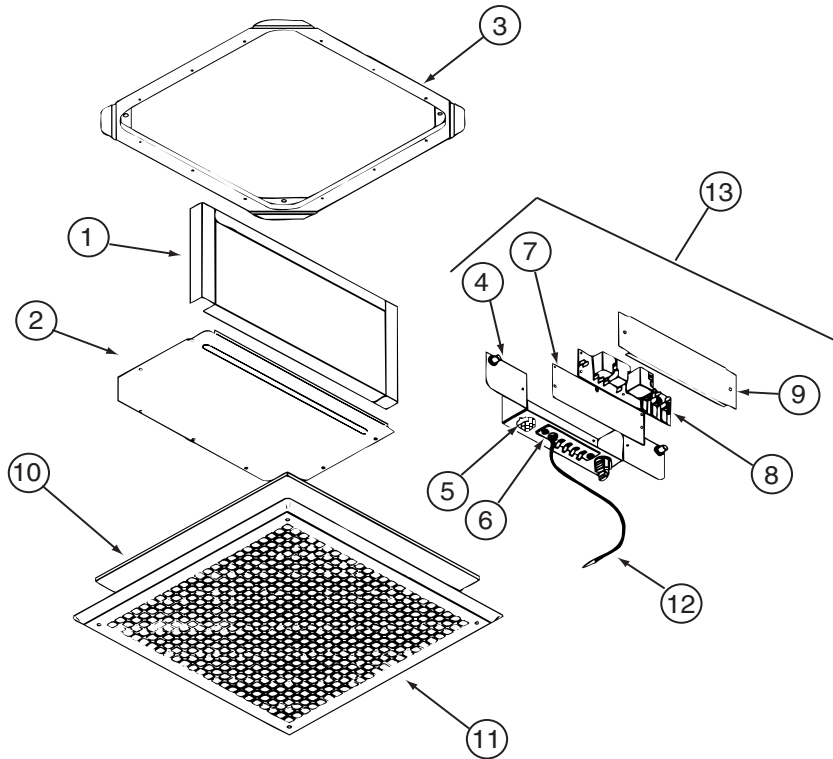
HEATING & A/C GROUP (CONTINUED)
ROOF

| KEY | PART NUMBER | U/M | DESCRIPTION |
|------------|--------------------|------------|---|
| * | 131185-03-01A | EA | A/C - ROOF - 13,500 BTU - MACH 3 WHITE - 324F, 324V, 322E, 322R |
| * | 131188-03-01A | EA | A/C - ROOF - 14,800 BTU - MACH 15 - WHITE - 331, 332G, 329B, 329K |
| * | 131188-04-01A | EA | A/C - ROOF - 14,800 BTU - HEAT PUMP - WHITE - A/C HEAT PUMP |
| * | 131184-01-01A | EA | CEILING ASSEMBLY - A/C DUCTED - WHITE |
| * | 131184-05-01A | EA | CEILING - HEAT PUMP - WHITE - A/C HEAT PUMP |
| | 131184-02-01A | EA | BOARD - DIVIDER - SILVER |
| | 135618-03-01A | EA | THERMOSTAT - A/C & FURNACE - WHITE |
| | 135618-01-01A | EA | THERMOSTAT - HEAT PUMP/FURNACE - WHITE- A/C HEAT PUMP |
| | 120134-01-02A | EA | REGISTER - W/DAMPER - 4" PIPE/7" O.D. FACE - WHITE |

***COMPONENT PARTS LISTED LATER IN THIS GROUP**

HEATING & A/C GROUP (CONTINUED)

COMPONENT PARTS FOR ROOF

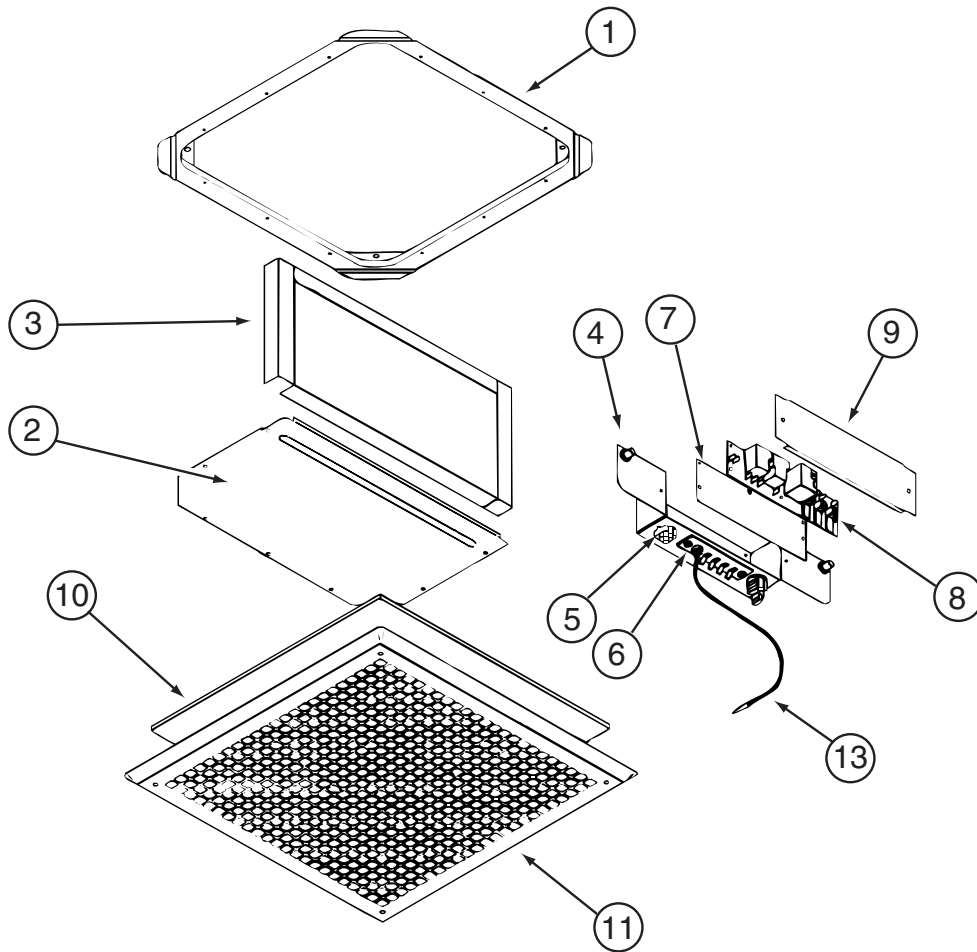


131184-01-01A

| KEY | PART NUMBER | U/M | DESCRIPTION | VENDOR NO. |
|-----|---------------|-----|-----------------------------|------------|
| 1 | 131184-01-707 | EA | DUCT DIVIDER | 8330-3501 |
| 5 | 131184-01-700 | EA | PLUG ASSEMBLY | 7330A389 |
| 6 | 131184-01-701 | EA | TERMINAL BOARD | 7330B3201 |
| 7 | 131184-01-702 | EA | ISOLATOR - BLANK | 7330C365 |
| 8 | 108892-01-702 | EA | BOARD-P.C. | 7330A3211 |
| 10 | 108892-01-703 | EA | FILTER | 6798A3761 |
| 11 | 108892-01-704 | EA | GRILLE 16 3/8X16 3/8 RETURN | 6798-3041 |
| 12 | 131184-01-704 | EA | COIL SENSOR | 7330-6111 |
| 13 | 131184-01-705 | EA | JUNCTION BOX ASSEMBLY | 7330B5551 |
| | 131184-01-703 | EA | SMALL PARTS PKG | 8330-5961 |

CONTACT WINNEBAGO PART SALES FOR UNLISTED COMPONENTS

HEATING & A/C GROUP (CONTINUED)
COMPONENT PARTS FOR ROOF (CONTINUED)

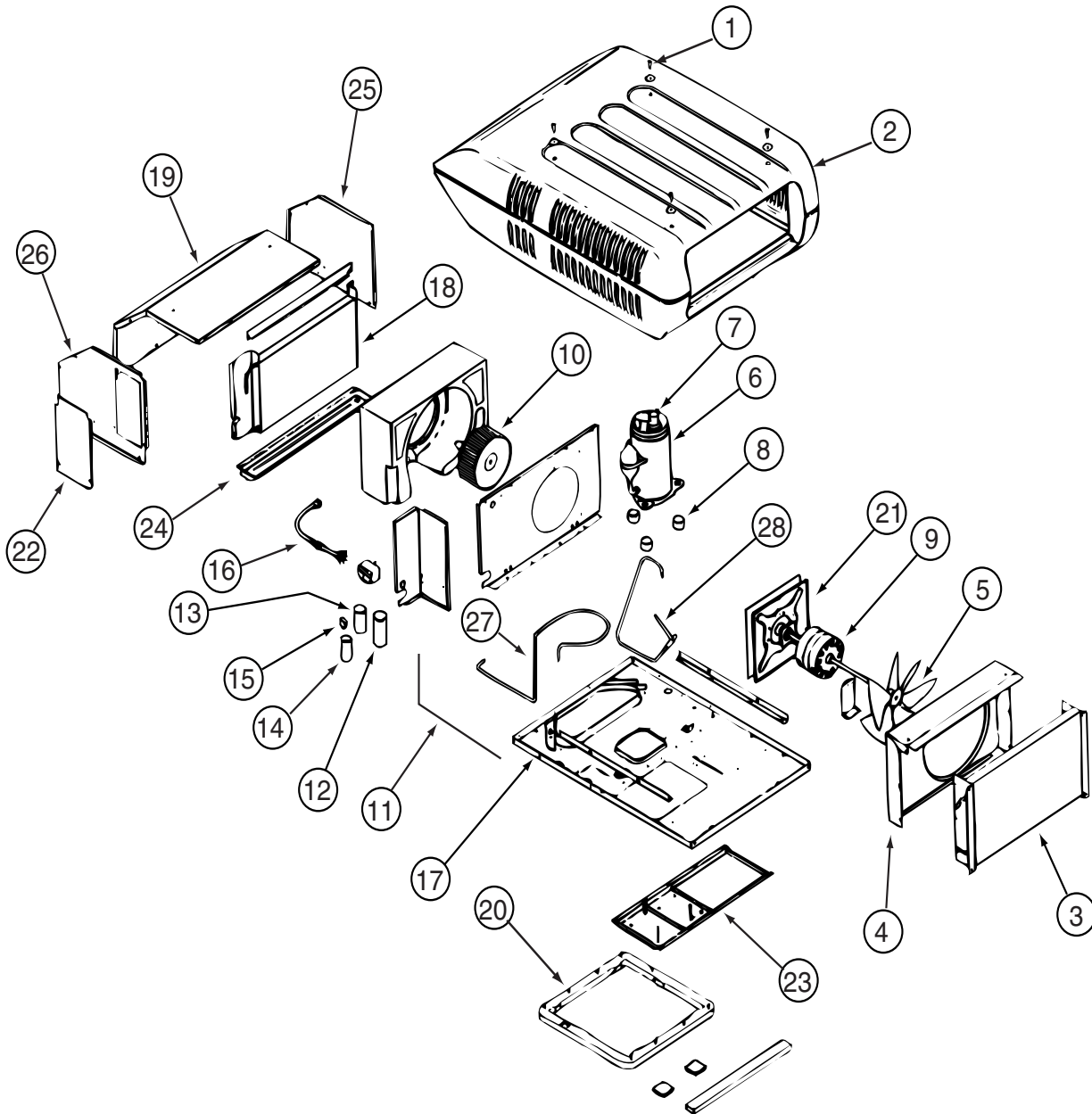


131184-05-01A

| KEY | PART NUMBER | U/M | DESCRIPTION | VENDOR NO. |
|-----|---------------|-----|-------------------------------|------------|
| 4 | 131184-04-703 | EA | BOX - JUNCTION | 7330-113 |
| 5 | 131184-04-700 | EA | PLUG ASSEMBLY | 7530A340 |
| 6 | 131184-04-702 | EA | BOARD - TERMINAL | 7530B3201 |
| 7 | 131184-01-702 | EA | ISOLATOR - BLANK | 7330C365 |
| 8 | 131184-04-705 | EA | BOARD - P.C. | 7330B3311 |
| 10 | 108892-01-703 | EA | FILTER | 6798A3761 |
| 11 | 108892-01-704 | EA | GRILLE 16 3/8X16 3/8 RETURN | 6798-3041 |
| 13 | 105620-12-719 | EA | COIL SENSOR | 7330A3231 |
| | 131184-01-703 | EA | SMALL PARTS PKG | 8330-5961 |
| | 131184-04-706 | EA | JUNCTION BOX AMS. (HEAT PUMP) | 7530-508 |

CONTACT WINNEBAGO PART SALES FOR UNLISTED COMPONENT

HEATING & A/C GROUP (CONTINUED)
COMPONENT PARTS FOR ROOF (CONTINUED)

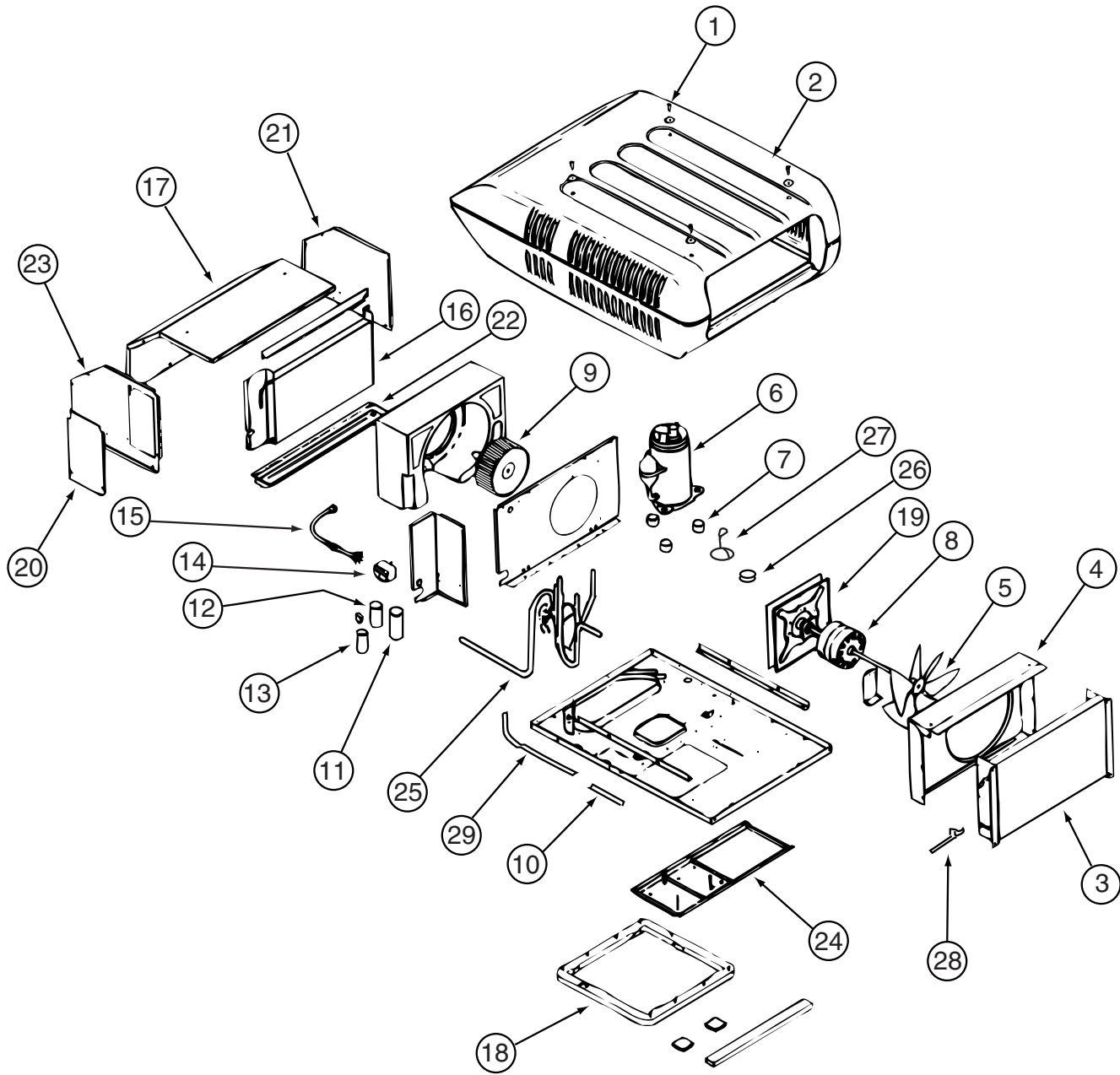


131185-03-01A

| KEY | PART NUMBER | U/M | DESCRIPTION | VENDOR NO. |
|-----|---------------|-----|------------------------------|------------|
| 2 | 131185-03-700 | EA | SHROUD - ROOF AIR | 8333-4161 |
| 3 | 131185-01-700 | EA | CONDENSER COIL | 1452A1451 |
| 5 | 093763-01-712 | EA | BLADE-FAN-CONDENSER | 6733-3221 |
| 6 | 131185-03-701 | EA | COMPRESSOR - (PANASONC) | 1450A2059 |
| 6 | 105620-01-706 | EA | MOUNTING PKG.,COMP., 3 PER | 6759-3081 |
| 7 | 131185-03-702 | EA | OVERLOAD | 1450-0141 |
| 9 | 131185-01-701 | EA | MOTOR (115V, 60HZ) | 1468-3069 |
| 10 | 131185-01-702 | EA | BLOWER WHEEL PACKAGE | 1472-1091 |
| 12 | 105620-12-725 | EA | COMPRESSOR RUN CAPACITO | 1499-5731 |
| 13 | 108889-01-708 | EA | CAPACITOR-FAN, 7.5MFD. 370U | 1499-5461 |
| 15 | 105620-10-704 | EA | START COMPACITOR | 1497-0861 |
| 15 | 105620-10-705 | EA | PTCR (START DEVICE) - W/CAP. | 8333A9021 |
| 18 | 131185-01-703 | EA | EVAPORATOR COIL | 1452A1491 |
| 20 | 037648-01-714 | EA | GASKET PACKAGE | 8332-3301 |
| 21 | 131185-01-704 | EA | MOTOR MOUNT & SEAL KIT | 8333-5151 |
| 27 | 131185-03-704 | EA | LINE - SUCTION | 8333B530 |
| 28 | 131185-03-705 | EA | LINE - DISCHARGE | 8333-131 |
| | 131185-03-703 | EA | PAD/FILLER (COND AIR SEAL) | 8332-3301 |
| | 093306-01-701 | EA | DECAL PACKAGE, LEFT & RIGHT | 6798B3591 |

CONTACT WINNEBAGO PART SALES FOR UNLISTED COMPONENTS

HEATING & A/C GROUP (CONTINUED)
COMPONENT PARTS FOR ROOF (CONTINUED)



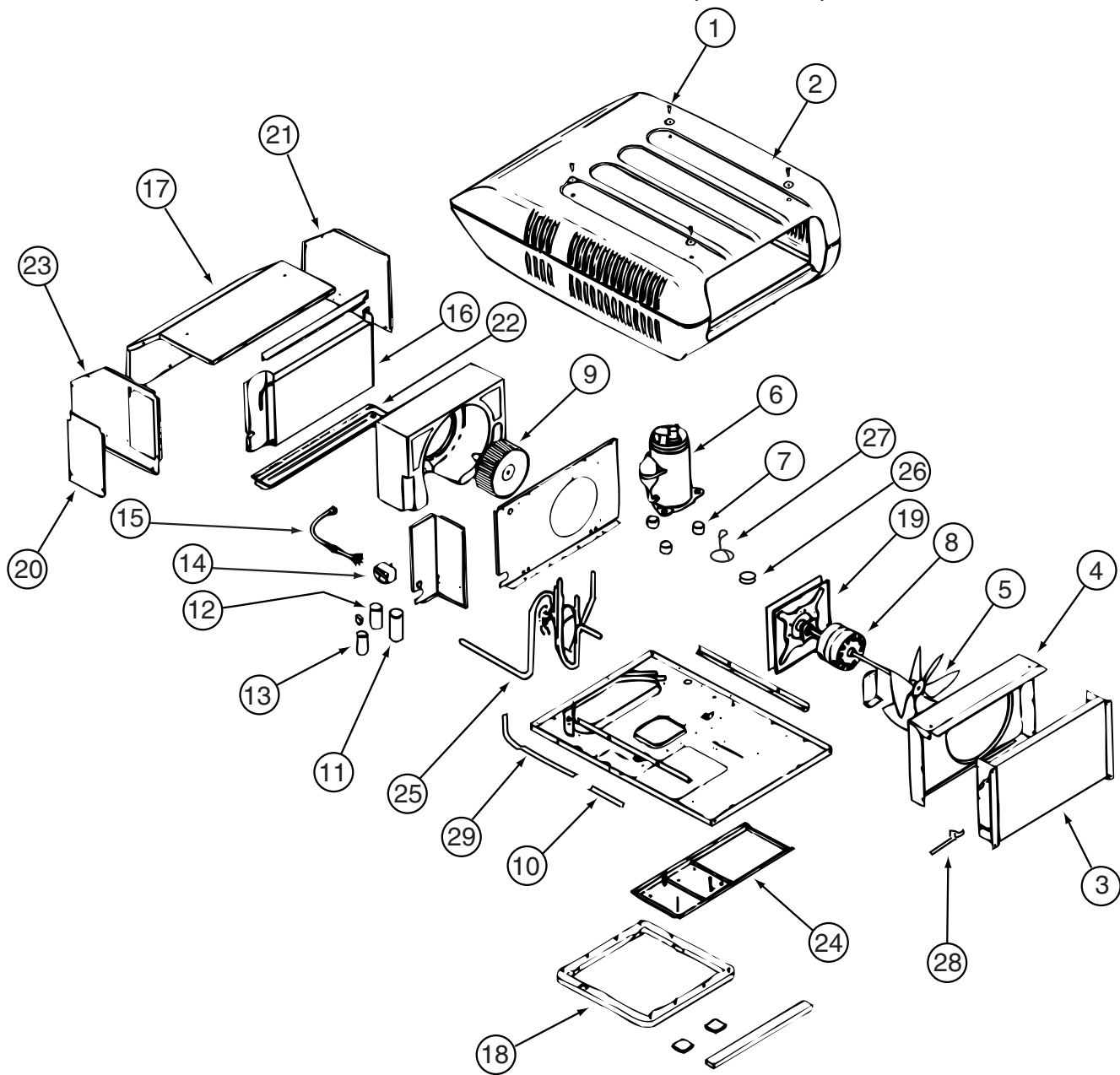
131188-03-01A

| KEY | PART NUMBER | U/M | DESCRIPTION | VENDOR NO. |
|-----|---------------|-----|-----------------------------|------------|
| 2 | 108889-05-700 | EA | SHROUD-BRIGHT/WHT. W/O LOGO | 7333-4601 |
| 3 | 115219-01-700 | EA | COIL-CONDENSER | 1452A1321 |
| 5 | 093763-01-712 | EA | BLADE-FAN-CONDENSER | 6733-3221 |
| 6 | 131188-01-700 | EA | COMPRESSOR - TECUMSEH | 1450A2609 |
| 7 | 105620-01-706 | EA | MOUNTING PKG.,COMP., 3 PER | 6759-3081 |
| 8 | 131185-01-701 | EA | MOTOR (115V, 60HZ) | 1468-3069 |
| 9 | 131185-01-702 | EA | BLOWER WHEEL PACKAGE | 1472-1091 |
| 11 | 131188-01-701 | EA | RUN CAP. (COMP-40MFD/370V) | 1499-5721 |
| 12 | 108889-01-708 | EA | CAPACITOR-FAN, 7.5MFD. 370U | 1499-5461 |
| 13 | 126859-01-704 | EA | CAPACITOR - START | 1497-0871 |
| 14 | 091225-01-709 | EA | RELAY-START | 1497-4131 |
| 16 | 131186-01-701 | EA | EVAPORATOR COIL | 1452-1521 |
| 18 | 037648-01-714 | EA | GASKET PACKAGE | 8332-3301 |
| 19 | 131185-01-704 | EA | MOTOR MOUNT & SEAL KIT | 8333-5151 |
| 20 | 093306-01-701 | EA | DECAL PACKAGE, LEFT & RIGHT | 6798B3591 |
| 21 | 108889-01-710 | EA | PAD-FILLER, CONDENSER SEAL | 6759B3971 |
| 22 | 131188-01-702 | EA | LINE - SUCTION | 7335A134 |
| 23 | 131188-01-703 | EA | LINE - DISCHARGE | 7335A135 |

CONTACT WINNEBAGO PART SALES FOR UNLISTED COMPONENT

HEATING & A/C GROUP (CONTINUED)

COMPONENT PARTS FOR ROOF (CONTINUED)



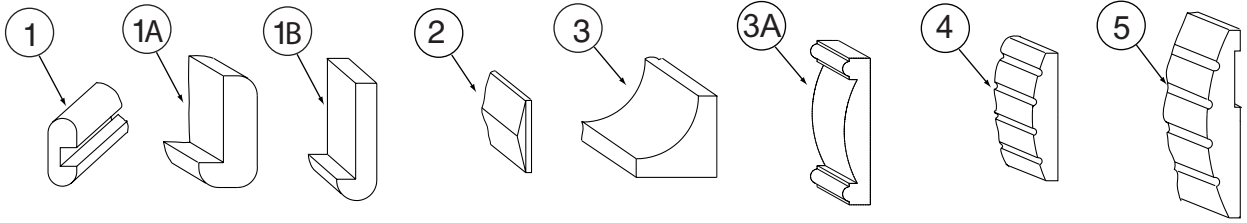
131188-04-01A

| KEY | PART NUMBER | U/M | DESCRIPTION | VENDOR NO. |
|-----|---------------|-----|------------------------------|------------|
| 3 | 131188-02-700 | EA | CONDENSER COIL | 1452-1441 |
| 5 | 093763-01-712 | EA | BLADE-FAN-CONDENSER | 6733-3221 |
| 6 | 131188-02-701 | EA | COMPRESSOR(TECUMSEH-RK225AT) | 1450A2069 |
| 7 | 105620-01-706 | EA | MOUNTING PKG.,COMP., 3 PER | 6759-3081 |
| 8 | 131185-01-701 | EA | MOTOR (115V, 60HZ) | 1468-3069 |
| 9 | 131185-01-702 | EA | BLOWER WHEEL PACKAGE | 1472-1091 |
| 10 | 131188-02-702 | EA | RESTRICTOR - BY FLOW | 1454-2501 |
| 11 | 131188-01-701 | EA | RUN CAP. (COMP-40MFD/370V) | 1499-5721 |
| 12 | 093763-01-704 | EA | CAPACITOR-FAN | 1499-5461 |
| 13 | 131188-02-703 | EA | CAPACITOR-START(21-25MFD) | 1497-0211 |
| 14 | 091225-01-709 | EA | RELAY-START | 1497-4131 |
| 16 | 131186-01-701 | EA | EVAPORATOR COIL | 1452-1521 |
| 18 | 037648-01-714 | EA | GASKET PACKAGE | 8332-3301 |
| 19 | 131185-01-704 | EA | MOTOR MOUNT & SEAL KIT | 8333-5151 |
| 25 | 131188-02-704 | EA | VALVE/REVERSE ASSEMBLY | 7535A5301 |
| 26 | 105620-12-708 | EA | COIL - SOLENOID | 1460-1081 |
| 27 | 131188-02-705 | EA | WIRE HARNESS F/SOLENOID | 7535-109 |
| 28 | 131188-02-706 | EA | SWITCH - FREEZE | 1460-2041 |
| 29 | 131188-02-707 | EA | LIQUID LINE | 7535-135 |

CONTACT WINNEBAGO PART SALES FOR UNLISTED COMPONENT

INTERIOR FINISH GROUP

MOLDINGS & TRIMS PORTSMOUTH OAK

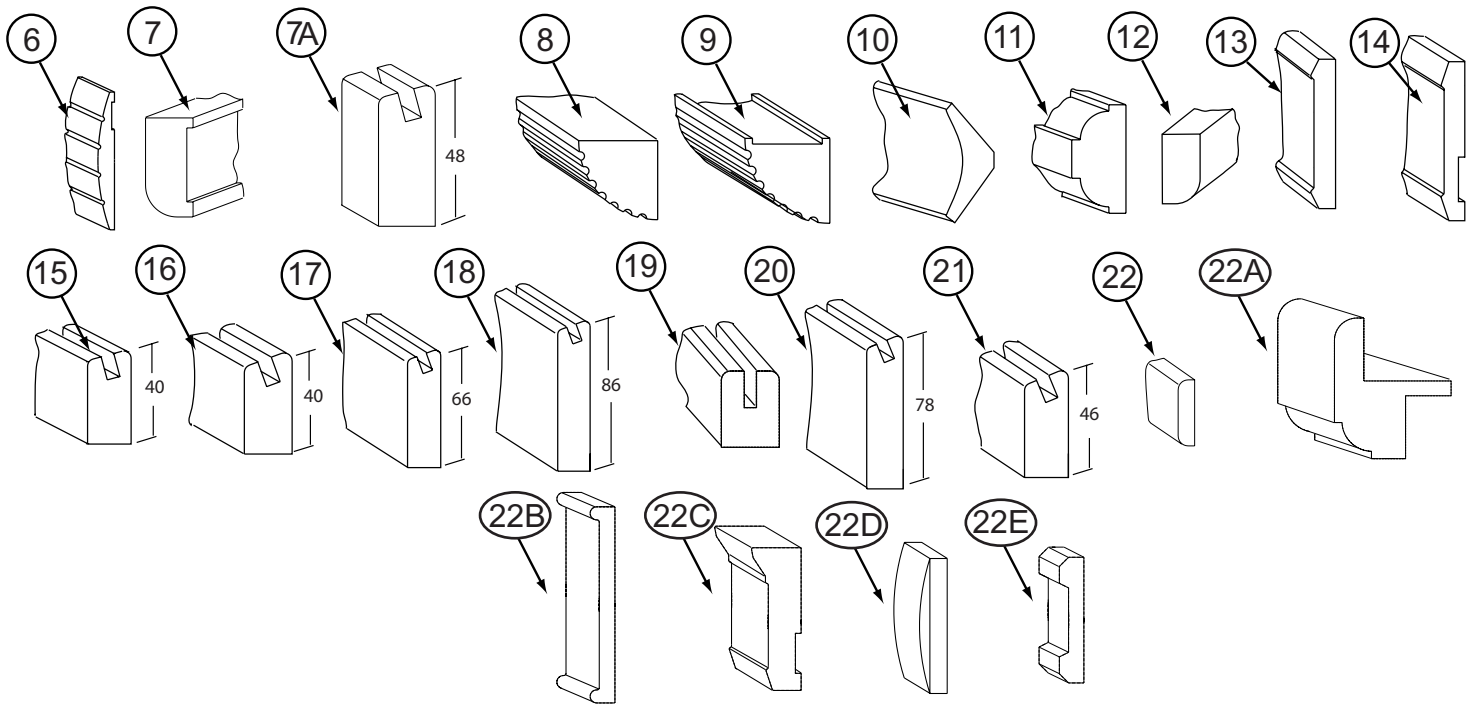


| KEY | PART NUMBER | U/M | DESCRIPTION |
|-----|---------------|-----|---|
| 1 | M09412-62-N42 | EA | MOLDING/SHELF EDGE - W/.4" NOTCH - PORTSMOUTH II - PORTSMOUTH OAK |
| 1 | M09412-62-M52 | EA | MOLDING/SHELF EDGE - W/.4" NOTCH - CHERRY IV - CONCERT CHERRY |
| 1 | M09412-62-M62 | EA | MOLDING/SHELF EDGE - W/.4" NOTCH - WASHED MAPLE |
| 1 | M09412-62-RC3 | EA | MOLDING/SHELF EDGE - W/.4" NOTCH - .6" X 1.3" X 96" - HONEY CHERRY |
| 1A | M09438-02-N70 | EA | MOLDING - HARDWOOD-W/NOTCH - 1.4"X 80.5" - OAK/PORTS OAK - PORTSMOUTH OAK |
| 1A | M09438-02-N85 | EA | MOLDING - HARDWOOD-W/NOTCH - 1.4"X 80.5" - CHERRY/CHERRY IV - CONCERT CHERRY |
| 1A | M09438-02-N84 | EA | MOLDING - HARDWOOD-W/NOTCH - 1.4"X 80.5" - MAPLE/WASHED MP - WASHED MAPLE |
| 1B | M09438-21-N95 | EA | MOLDING/TRIM - .8" X 2.2" X 80.2" - OAK/PORTS OAK - PORTSMOUTH OAK |
| 1B | M09438-21-N94 | EA | MOLDING/TRIM - .8" X 2.2" X 80.2" - CHERRY/CHERRY IV - CONCERT CHERRY |
| 1B | M09438-21-NQ0 | EA | MOLDING/TRIM - .8" X 2.2" X 80.2" - MAPLE/WASHED MP - WASHED MAPLE |
| 1B | M09438-23-N95 | EA | MOLDING - HARDWOOD-W/NOTCH - 4" X 80.2" - OAK/PORTS OAK - PORTSMOUTH OAK |
| 1B | M09438-23-N94 | EA | MOLDING - HARDWOOD-W/NOTCH - 4" X 80.2" - CHERRY/CHERRY IV - CONCERT CHERRY |
| 1B | M09438-23-NQ0 | EA | MOLDING - HARDWOOD-W/NOTCH - 4" X 80.2" - MAPLE/WASHED MP - WASHED MAPLE |
| 1B | M09438-25-N95 | EA | MOLDING - HARDWOOD-W/NOTCH - 1.4"X 80.2" - OAK/PORTS OAK - PORTSMOUTH OAK |
| 1B | M09438-25-N94 | EA | MOLDING - HARDWOOD-W/NOTCH - 1.4"X 80.2" - CHERRY/CHERRY IV - CONCERT CHERRY |
| 1B | M09438-25-NQ0 | EA | MOLDING - HARDWOOD-W/NOTCH - 1.4"X 80.2" - MAPLE/WASHED MP - WASHED MAPLE |
| 1B | M09438-25-RA3 | EA | MOLDING - HARDWOOD-W/NOTCH - 1.4"X 80.2" - CHERRY/HONEY - HONEY CHERRY |
| 1B | M09450-77-PC0 | EA | MOLDING - TRIM/HDWD W/LIP -.4"X3.2"X79.6" - OAK/PORTS OAK - PORTSMOUTH OAK |
| 1B | M09450-77-PC1 | EA | MOLDING - TRIM/HDWD W/LIP -.4"X3.2"X79.6" - CHERRY/CHERRY IV - CONCERT CHERRY |
| 1B | M09450-77-PC2 | EA | MOLDING - TRIM/HDWD W/LIP -.4"X3.2"X79.6" - MAPLE/WASHED MP - WASHED MAPLE |
| 1B | M09450-77-RC3 | EA | MOLDING - TRIM/HDWD W/LIP -.4"X3.2"X79.6" - CHERRY/HONEY - HONEY CHERRY |
| 1B | M09462-75-R38 | EA | MOLDING/TRIM - .75" X 1.2" X 80.2" - PORTSMOUTH OAK |
| 1B | M09462-75-R39 | EA | MOLDING/TRIM - .75" X 1.2" X 80.2" - CONCERT CHERRY |
| 1B | M09462-75-R46 | EA | MOLDING/TRIM - .75" X 1.2" X 80.2" - WASHED MAPLE |
| 2 | M09454-62-P54 | EA | MOLDING - TRIM/VEE - .2" X 1" X 3.5" - OAK - PORTSMOUTH OAK |
| 2 | M09454-62-P55 | EA | MOLDING - TRIM/VEE - .2" X 1" X 3.5" - CHERRY - CONCERT CHERRY |
| 2 | M09454-62-P56 | EA | MOLDING - TRIM/VEE - .2" X 1" X 3.5" - MAPLE - WASHED MAPLE |
| 2 | M09454-62-RE0 | EA | MOLDING - TRIM/VEE - .2" X 1" X 3.5" - CHERRY - HONEY CHERRY |
| 2 | M09462-50-R74 | EA | MOLDING - TRIM/VEE - .2" X 1" X 93.5" - PORTSMOUTH OAK |
| 2 | M09462-50-R75 | EA | MOLDING - TRIM/VEE - .2" X 1" X 93.5" - CONCERT CHERRY |
| 2 | M09462-50-R76 | EA | MOLDING - TRIM/VEE - .2" X 1" X 93.5" - WASHED MAPLE |
| 2 | M09477-18-R83 | EA | MOLDING - TRIM/VEE - .2" X 1" X 32" - OAK - PORTSMOUTH OAK |
| 2 | M09477-18-R84 | EA | MOLDING - TRIM/VEE - .2" X 1" X 32" - CHERRY - CONCERT CHERRY |
| 2 | M09477-18-R91 | EA | MOLDING - TRIM/VEE - .2" X 1" X 32" - MAPLE - WASHED MAPLE |
| 2 | M09477-18-RE0 | EA | MOLDING - TRIM/VEE - .2" X 1" X 32" - CHERRY - HONEY CHERRY |
| 3 | M09471-79-R38 | EA | MOLDING-STAINED - PORTSMOUTH OAK |
| 3 | M09471-79-R39 | EA | MOLDING-STAINED - CONCERT CHERRY |
| 3 | M09471-79-R46 | EA | MOLDING-STAINED - WASHED MAPLE |
| 3 | M09471-79-RE0 | EA | MOLDING-STAINED - HONEY CHERRY |
| 3A | M09471-40-R83 | EA | MOLDING-STAINED - PORTSMOUTH OAK |
| 3A | M09471-40-R84 | EA | MOLDING-STAINED - CONCERT CHERRY |
| 3A | M09471-40-RE0 | EA | MOLDING-STAINED - HONEY CHERRY |
| 4 | M09454-52-PA0 | EA | MOLDING - FLUTED - .75" X 3.5" X 76.7" - OAK - PORTSMOUTH OAK |
| 4 | M09454-52-PA1 | EA | MOLDING - FLUTED - .75" X 3.5" X 76.7" - CHERRY - CONCERT CHERRY |
| 4 | M09454-52-PA2 | EA | MOLDING - FLUTED - .75" X 3.5" X 76.7" - MAPLE - WASHED MAPLE |
| 4 | P39129-01-N53 | EA | MOLDING - FLUTED/CURVED - 3.5" X 44.5" - PORTSMOUTH OAK |
| 4 | P39129-01-N52 | EA | MOLDING - FLUTED/CURVED - 3.5" X 44.5" - CONCERT CHERRY |
| 4 | P39129-01-N62 | EA | MOLDING - FLUTED/CURVED - 3.5" X 44.5" - WASHED MAPLE |
| 4 | P39129-01-RA3 | EA | MOLDING - FLUTED/CURVED - 3.5" X 44.5" - HONEY CHERRY |

INTERIOR FINISH GROUP (CONTINUED)
MOLDINGS & TRIMS (CONTINUED)

| KEY | PART NUMBER | U/M | DESCRIPTION |
|-----|---------------|-----|--|
| 4 | P39129-08-N53 | EA | MOLDING - FLUTED/CURVED - 3.5" X 45.5" - PORTSMOUTH OAK |
| 4 | P39129-08-N52 | EA | MOLDING - FLUTED/CURVED - 3.5" X 45.5" - CONCERT CHERRY |
| 4 | P39129-08-N62 | EA | MOLDING - FLUTED/CURVED - 3.5" X 45.5" - WASHED MAPLE |
| 4 | P39129-08-RA3 | EA | MOLDING - FLUTED/CURVED - 3.5" X 45.5" - HONEY CHERRY |
| 4 | P39129-14-PA0 | EA | MOLDING - FLUTED/CURVED - 3.5" X 40.8" - PORTSMOUTH OAK |
| 4 | P39129-14-PA1 | EA | MOLDING - FLUTED/CURVED - 3.5" X 40.8" - CONCERT CHERRY |
| 4 | P39129-14-PA2 | EA | MOLDING - FLUTED/CURVED - 3.5" X 40.8" - WASHED MAPLE |
| 4 | P39129-14-RA3 | EA | MOLDING - FLUTED/CURVED - 3.5" X 40.8" - HONEY CHERRY |
| 4 | P39129-20-PA0 | EA | MOLDING - FLUTED/CURVED - 3.5" X 33.4" - PORTSMOUTH OAK |
| 4 | P39129-20-PA1 | EA | MOLDING - FLUTED/CURVED - 3.5" X 33.4" - CONCERT CHERRY |
| 4 | P39129-20-PA2 | EA | MOLDING - FLUTED/CURVED - 3.5" X 33.4" - WASHED MAPLE |
| 4 | P39129-20-RA3 | EA | MOLDING - FLUTED/CURVED - 3.5" X 33.4" - HONEY CHERRY |
| 4 | P39129-25-PA0 | EA | MOLDING - FLUTED/CURVED - 3.5" X 46.6" - PORTSMOUTH OAK |
| 4 | P39129-25-PA1 | EA | MOLDING - FLUTED/CURVED - 3.5" X 46.6" - CONCERT CHERRY |
| 4 | P39129-25-PA2 | EA | MOLDING - FLUTED/CURVED - 3.5" X 46.6" - WASHED MAPLE |
| 4 | P39129-25-RA3 | EA | MOLDING - FLUTED/CURVED - 3.5" X 46.6" - HONEY CHERRY |
| 4 | P39129-31-PA0 | EA | MOLDING - FLUTED/CURVED - 3.5" X 80.7" - PORTSMOUTH OAK |
| 4 | P39129-31-PA1 | EA | MOLDING - FLUTED/CURVED - 3.5" X 80.7" - CONCERT CHERRY |
| 4 | P39129-31-PA2 | EA | MOLDING - FLUTED/CURVED - 3.5" X 80.7" - WASHED MAPLE |
| 4 | P39129-31-RA3 | EA | MOLDING - FLUTED/CURVED - 3.5" X 80.7" - HONEY CHERRY |
| 4 | P39129-32-RA0 | EA | MOLDING - FLUTED/CURVED - 3.5" X 99.2" - PORTSMOUTH OAK |
| 4 | P39129-32-RA1 | EA | MOLDING - FLUTED/CURVED - 3.5" X 99.2" - CONCERT CHERRY |
| 4 | P39129-32-RA2 | EA | MOLDING - FLUTED/CURVED - 3.5" X 99.2" - WASHED MAPLE |
| 4 | P39129-32-RA3 | EA | MOLDING - FLUTED/CURVED - 3.5" X 99.2" - HONEY CHERRY |
| 4 | P39129-33-RA0 | EA | MOLDING - FLUTED/CURVED - 3.5" X 98.58" - PORTSMOUTH OAK |
| 4 | P39129-33-RA1 | EA | MOLDING - FLUTED/CURVED - 3.5" X 98.58" - CONCERT CHERRY |
| 4 | P39129-33-RA2 | EA | MOLDING - FLUTED/CURVED - 3.5" X 98.58" - WASHED MAPLE |
| 4 | P39129-33-RA3 | EA | MOLDING - FLUTED/CURVED - 3.5" X 98.58" - HONEY CHERRY |
| 5 | P39129-19-PA0 | EA | MOLDING - FLUTED/CURVED - 5.9" X 32.1" - PORTSMOUTH OAK |
| 5 | P39129-19-PA1 | EA | MOLDING - FLUTED/CURVED - 5.9" X 32.1" - CONCERT CHERRY |
| 5 | P39129-19-PA2 | EA | MOLDING - FLUTED/CURVED - 5.9" X 32.1" - WASHED MAPLE |
| 5 | P39129-19-RA3 | EA | MOLDING - FLUTED/CURVED - 5.9" X 32.1" - HONEY CHERRY |
| 5 | P39129-28-PA0 | EA | MOLDING - FLUTED/CURVED - 5.9" X 63.3" - PORTSMOUTH OAK |
| 5 | P39129-28-PA1 | EA | MOLDING - FLUTED/CURVED - 5.9" X 63.3" - CONCERT CHERRY |
| 5 | P39129-28-PA2 | EA | MOLDING - FLUTED/CURVED - 5.9" X 63.3" - WASHED MAPLE |
| 5 | P39129-28-RA3 | EA | MOLDING - FLUTED/CURVED - 5.9" X 63.3" - HONEY CHERRY |
| 5 | P39129-29-PA0 | EA | MOLDING - FLUTED/CURVED - 5.9" X 70.1" - PORTSMOUTH OAK |
| 5 | P39129-29-PA1 | EA | MOLDING - FLUTED/CURVED - 5.9" X 70.1" - CONCERT CHERRY |
| 5 | P39129-29-PA2 | EA | MOLDING - FLUTED/CURVED - 5.9" X 70.1" - WASHED MAPLE |
| 5 | P39129-29-RA3 | EA | MOLDING - FLUTED/CURVED - 5.9" X 70.1" - HONEY CHERRY |

INTERIOR FINISH GROUP (CONTINUED)
MOLDINGS & TRIMS (CONTINUED)

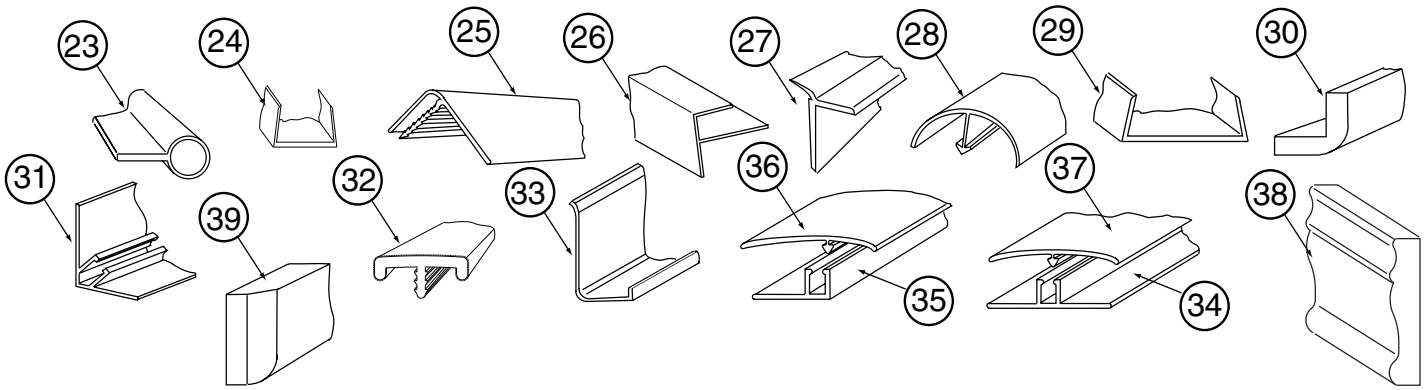


| KEY | PART NUMBER | U/M | DESCRIPTION |
|-----|---------------|-----|---|
| 6 | P39129-21-PA0 | EA | MOLDING - FLUTED/CURVED - 5.9" X 2.5" - PORTSMOUTH OAK |
| 6 | P39129-21-PA1 | EA | MOLDING - FLUTED/CURVED - 5.9" X 2.5" - CONCERT CHERRY |
| 6 | P39129-21-PA2 | EA | MOLDING - FLUTED/CURVED - 5.9" X 2.5" - WASHED MAPLE |
| 6 | P39129-21-RA3 | EA | MOLDING - FLUTED/CURVED - 5.9" X 2.5" - HONEY CHERRY |
| 6 | P39129-22-PA0 | EA | MOLDING - FLUTED/CURVED - 5.9" X 5.3" - PORTSMOUTH OAK |
| 6 | P39129-22-PA1 | EA | MOLDING - FLUTED/CURVED - 5.9" X 5.3" - CONCERT CHERRY |
| 6 | P39129-22-PA2 | EA | MOLDING - FLUTED/CURVED - 5.9" X 5.3" - WASHED MAPLE |
| 6 | P39129-22-RA3 | EA | MOLDING - FLUTED/CURVED - 5.9" X 5.3" - HONEY CHERRY |
| 7 | Y00007-22-438 | EA | MOLDING - MAPLE - UNSTAINED |
| 7 | Y00007-32-438 | EA | MOLDING - CHERRY - UNSTAINED |
| 7 | Y00007-42-438 | EA | MOLDING - OAK - UNSTAINED |
| 7A | Y00054-72-438 | EA | MOLDING - VINYL - W/SLOT - .7"X 1.9"X 96" - PORTSMOUTH OAK |
| 7A | Y00054-62-438 | EA | MOLDING - VINYL - W/SLOT - .7"X 1.9"X 96" - CONCERT CHERRY |
| 7A | Y00054-A2-438 | EA | MOLDING - VINYL - W/SLOT - .7"X 1.9"X 96" - WASHED MAPLE |
| 8 | Y00070-22-438 | EA | MOLDING/FLUTED - MAPLE - 96" - WASHED MAPLE |
| 8 | Y00070-32-438 | EA | MOLDING/FLUTED - CHERRY - 96" - CONCERT CHERRY |
| 8 | Y00070-42-438 | EA | MOLDING/FLUTED - OAK - 96" - PORTSMOUTH OAK |
| 9 | Y00071-22-438 | EA | MOLDING/FLUTED - W/NOTCH - MAPLE/UNSTAINED - 96" |
| 9 | Y00071-32-438 | EA | MOLDING/FLUTED - W/NOTCH - CHERRY/UNSTAINED - 96" |
| 9 | Y00071-42-438 | EA | MOLDING/FLUTED - W/NOTCH - OAK/UNSTAINED - 96" |
| 10 | Y00074-A2-438 | EA | MOLDING/CROWN - VINYL WRAPPED - MAPLE - 96" - WASHED MAPLE |
| 10 | Y00074-62-438 | EA | MOLDING/CROWN - VINYL WRAPPED - CONCERT CHERRY - 96" - CONCERT CHERRY |
| 10 | Y00074-72-438 | EA | MOLDING/CROWN - VINYL WRAPPED - PORTSMOUTH OAK - 96" - PORTSMOUTH OAK |
| 11 | Y00076-22-438 | EA | MOLDING/TRIM - .5" X 1" X 96" - MAPLE (UNSTAINED) |
| 11 | Y00076-32-438 | EA | MOLDING/TRIM - .5" X 1" X 96" - CHERRY (UNSTAINED) |
| 11 | Y00076-42-438 | EA | MOLDING/TRIM - .5" X 1" X 96" - OAK (UNSTAINED) |
| 12 | Y00086-A2-438 | EA | MOLDING - VINYL WRAP - .7" X 1.6" X 96" - WASHED MAPLE |
| 12 | Y00086-62-438 | EA | MOLDING - VINYL WRAP - .7" X 1.6" X 96" - CONCERT CHERRY |
| 12 | Y00086-72-438 | EA | MOLDING - VINYL WRAP - .7" X 1.6" X 96" - PORTSMOUTH OAK |
| 12 | Y00086-82-438 | EA | MOLDING - VINYL WRAP - .7" X 1.6" X 96" - HONEY CHERRY |
| 12 | Y00087-A2-438 | EA | MOLDING - VINYL WRAP - .7" X 2.9" X 96" - WASHED MAPLE |
| 12 | Y00087-62-438 | EA | MOLDING - VINYL WRAP - .7" X 2.9" X 96" - CONCERT CHERRY |
| 12 | Y00087-72-438 | EA | MOLDING - VINYL WRAP - .7" X 2.9" X 96" - PORTSMOUTH OAK |
| 12 | Y00087-82-438 | EA | MOLDING - VINYL WRAP - .7" X 2.9" X 96" - HONEY CHERRY |
| 12 | Y00267-72-438 | EA | MOLDING - VINYL WRAP/MITERED - .6" X 96" - PORTSMOUTH OAK |
| 12 | Y00267-62-438 | EA | MOLDING - VINYL WRAP/MITERED - .6" X 96" - CONCERT CHERRY |
| 12 | Y00267-A2-438 | EA | MOLDING - VINYL WRAP/MITERED - .6" X 96" - WASHED MAPLE |

INTERIOR FINISH GROUP (CONTINUED)
MOLDINGS & TRIMS (CONTINUED)

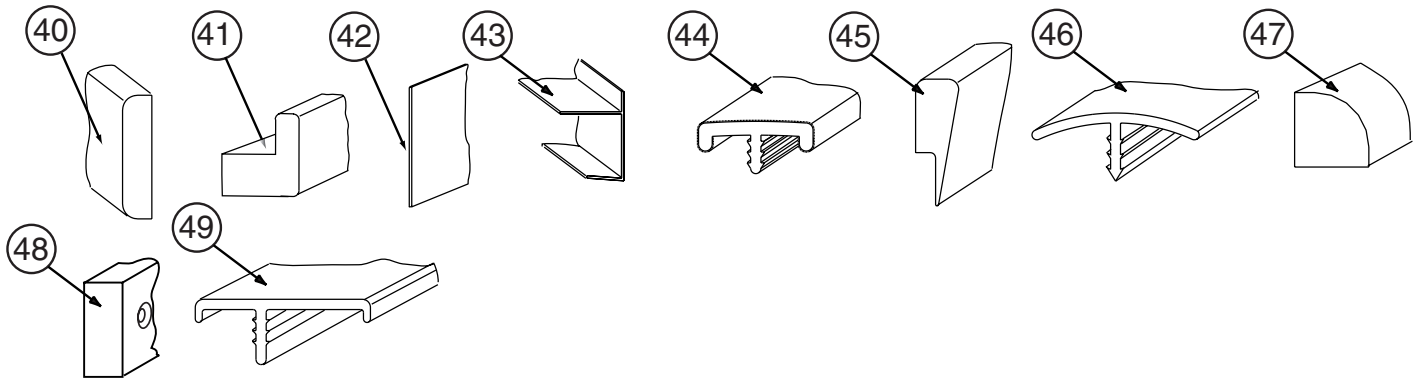
| KEY | PART NUMBER | U/M | DESCRIPTION |
|-----|---------------|-----|---|
| 13 | Y00152-A2-438 | EA | MOLDING/TRIM - VINYL - .6" X 3.5" X 96" - WASHED MAPLE |
| 13 | Y00152-62-438 | EA | MOLDING/TRIM - VINYL - .6" X 3.5" X 96" - CONCERT CHERRY |
| 13 | Y00152-72-438 | EA | MOLDING/TRIM - VINYL - .6" X 3.5" X 96" - PORTSMOUTH OAK |
| 14 | Y00153-A2-438 | EA | MOLDING/TRIM - VINYL - .6" X 3.9" X 96" - WASHED MAPLE |
| 14 | Y00153-62-438 | EA | MOLDING/TRIM - VINYL - .6" X 3.9" X 96" - CONCERT CHERRY |
| 14 | Y00153-72-438 | EA | MOLDING/TRIM - VINYL - .6" X 3.9" X 96" - PORTSMOUTH OAK |
| 14 | Y00153-82-438 | EA | MOLDING/TRIM - VINYL - .6" X 3.9" X 96" - HONEY CHERRY |
| 15 | Y00203-A2-438 | EA | MOLDING - VINYL/BEVELED - 96" - WASHED MAPLE |
| 15 | Y00203-62-438 | EA | MOLDING - VINYL/BEVELED - 96" - CONCERT CHERRY |
| 15 | Y00203-72-438 | EA | MOLDING - VINYL/BEVELED - 96" - PORTSMOUT OAK |
| 15 | Y00203-82-438 | EA | MOLDING - VINYL/BEVELED - 96" - HONEY CHERRY |
| 16 | Y00204-A2-438 | EA | MOLDING - VINYL/BEVELED - 96" - WASHED MAPLE |
| 16 | Y00204-62-438 | EA | MOLDING - VINYL/BEVELED - 96" - CONCERT CHERRY |
| 16 | Y00204-72-438 | EA | MOLDING - VINYL/BEVELED - 96" - PORTSMOUT OAK |
| 16 | Y00204-82-438 | EA | MOLDING - VINYL/BEVELED - 96" - HONEY CHERRY |
| 17 | Y00205-A2-438 | EA | MOLDING - VINYL/BEVELED - 96" - WASHED MAPLE |
| 17 | Y00205-62-438 | EA | MOLDING - VINYL/BEVELED - 96" - CONCERT CHERRY |
| 17 | Y00205-72-438 | EA | MOLDING - VINYL/BEVELED - 96" - PORTSMOUT OAK |
| 17 | Y00205-82-438 | EA | MOLDING - VINYL/BEVELED - 96" - HONEY CHERRY |
| 18 | Y00206-A2-438 | EA | MOLDING - VINYL/BEVELED - 96" - WASHED MAPLE |
| 18 | Y00206-62-438 | EA | MOLDING - VINYL/BEVELED - 96" - CONCERT CHERRY |
| 18 | Y00206-72-438 | EA | MOLDING - VINYL/BEVELED - 96" - PORTSMOUT OAK |
| 18 | Y00206-82-438 | EA | MOLDING - VINYL/BEVELED - 96" - HONEY CHERRY |
| 19 | Y00223-22-438 | EA | MOLDING - HARDWOOD/MAPLE - .7" X 1" X 96" |
| 19 | Y00223-32-438 | EA | MOLDING - HARDWOOD/CHERRY - .7" X 1" X 96" |
| 19 | Y00223-42-438 | EA | MOLDING - HARDWOOD/OAK - .7" X 1" X 96" |
| 20 | Y00258-A2-438 | EA | MOLDING - VINYL/BEVELED - 96" - WASHED MAPLE |
| 20 | Y00258-62-438 | EA | MOLDING - VINYL/BEVELED - 96" - CONCERT CHERRY |
| 20 | Y00258-72-438 | EA | MOLDING - VINYL/BEVELED - 96" - PORTSMOUT OAK |
| 20 | Y00258-82-438 | EA | MOLDING - VINYL/BEVELED - 96" - HONEY CHERRY |
| 21 | Y00259-A2-438 | EA | MOLDING - VINYL/BEVELED - 96" - WASHED MAPLE |
| 21 | Y00259-62-438 | EA | MOLDING - VINYL/BEVELED - 96" - CONCERT CHERRY |
| 21 | Y00259-72-438 | EA | MOLDING - VINYL/BEVELED - 96" - PORTSMOUT OAK |
| 21 | Y00259-82-438 | EA | MOLDING - VINYL/BEVELED - 96" - HONEY CHERRY |
| 22 | Y00262-22-438 | EA | MOLDING - 96" - MAPLE, UNSTAINED |
| 22 | Y00262-32-438 | EA | MOLDING - 96" - CHERRY, UNSTAINED |
| 22 | Y00262-42-438 | EA | MOLDING - 96" - OAK, UNSTAINED |
| 22A | Y00266-42-438 | EA | MOLDING - .75" X 1.5" X 96" OAK - .7" X 1" X 96" |
| 22A | Y00266-32-438 | EA | MOLDING - .75" X 1.5" X 96" CHERRY - .7" X 1" X 96" |
| 22A | Y00266-22-438 | EA | MOLDING - .75" X 1.5" X 96" MAPLE - .7" X 1" X 96" |
| 22B | Y00280-74-174 | EA | MOLDING/TRIM - VINYL - F/SLIDEOUT - 164.1" - PORTSMOUTH OAK |
| 22B | Y00280-64-174 | EA | MOLDING/TRIM - VINYL - F/SLIDEOUT - 164.1" - CONCERT CHERRY |
| 22B | Y00280-A4-174 | EA | MOLDING/TRIM - VINYL - F/SLIDEOUT - 164.1" - WASHED MAPLE |
| 22B | Y00281-72-438 | EA | MOLDING/TRIM - VINYL - F/SLIDEOUT - 96" - PORTSMTH OAK |
| 22B | Y00281-62-438 | EA | MOLDING/TRIM - VINYL - F/SLIDEOUT - 96" - CONCERT CHERRY |
| 22B | Y00281-A2-438 | EA | MOLDING/TRIM - VINYL - F/SLIDEOUT - 96" - WASHED MAPLE |
| 22B | Y00291-72-438 | EA | MOLDING - VINYL WRAPPED - 4" X 96" - PORTSMTH OAK |
| 22B | Y00291-62-438 | EA | MOLDING - VINYL WRAPPED - 4" X 96" - CONCERT CHERRY |
| 22B | Y00291-A2-438 | EA | MOLDING - VINYL WRAPPED - 4" X 96" - WASHED MAPLE |
| 22C | Y00282-72-438 | EA | MOLDING - SLIDEOUT/VINYL WRAP - 3.9" X 96" - PORTSMOUTH OAK |
| 22C | Y00282-62-438 | EA | MOLDING - SLIDEOUT/VINYL WRAP - 3.9" X 96" - CONCERT CHERRY |
| 22C | Y00282-A2-438 | EA | MOLDING - SLIDEOUT/VINYL WRAP - 3.9" X 96" - WASHED MAPLE |
| 22D | Y00284-42-438 | EA | MOLDING - STRAIGHT - .2" X 1.5" X 96" - UNSTAINED OAK |
| 22D | Y00284-32-438 | EA | MOLDING - STRAIGHT - .2" X 1.5" X 96" - UNSTAINED CHERRY |
| 22D | Y00284-22-438 | EA | MOLDING - STRAIGHT - .2" X 1.5" X 96" - UNSTAINED MAPLE |
| 22E | Y00285-42-438 | EA | MOLDING - STRAIGHT - .63" X 3.2" X 96" - UNSTAINED OAK |
| 22E | Y00285-32-438 | EA | MOLDING - STRAIGHT - .63" X 3.2" X 96" - UNSTAINED CHERRY |
| 22E | Y00285-22-438 | EA | MOLDING - STRAIGHT - .63" X 3.2" X 96" - UNSTAINED MAPLE |

INTERIOR FINISH GROUP (CONTINUED)
MOLDINGS & TRIMS (CONTINUED)



| KEY | PART NUMBER | U/M | DESCRIPTION |
|-----|---------------|-----|--|
| 23 | 009767-12-000 | FT | WELTING - ANTIQUE WHITE |
| 24 | 009778-25-000 | FT | U-CHANNEL - 1" - BEIGE ILLUSION |
| 24 | 009778-27-000 | FT | U-CHANNEL - 1" - WASHED MAPLE |
| 24 | 009778-32-000 | FT | U-CHANNEL - 1" - PORTSMOUTH OAK |
| 24 | 009778-34-000 | FT | U-CHANNEL - 1" - CONCERT CHERRY |
| 24 | 009778-35-000 | FT | U-CHANNEL - 1" - HONEY CHERRY |
| 25 | 009809-30-000 | EA | MOLDING - CORNER - OUTSIDE - 1" X 84" - BEIGE ILLUSION |
| 25 | 009809-32-000 | EA | MOLDING - CORNER - OUTSIDE - 1" X 84" - PORTSMOUTH OAK |
| 25 | 009809-31-000 | EA | MOLDING - CORNER - OUTSIDE - 1" X 84" - WASHED MAPLE |
| 25 | 009809-33-000 | EA | MOLDING - CORNER - OUTSIDE - 1" X 84" - CONCERT CHERRY |
| 25 | 009809-34-000 | EA | MOLDING - CORNER - OUTSIDE - 1" X 84" - HONEY CHERRY |
| 26 | 009812-31-000 | EA | MOLDING - CORNER - 1/2" W/1/4"CHAN X 84" - BEIGE ILLUSION |
| 26 | 009812-33-000 | EA | MOLDING - CORNER - 1/2" W/1/4"CHAN X 84" - WASHED MAPLE |
| 26 | 009812-34-000 | EA | MOLDING - CORNER - 1/2" W/1/4"CHAN X 84" - VW LIGHT GRAY |
| 26 | 009812-35-000 | EA | MOLDING - CORNER - 1/2" W/1/4"CHAN X 84" - PORTSMOUTH OAK |
| 26 | 009812-36-000 | EA | MOLDING - CORNER - 1/2" W/1/4"CHAN X 84" - CONCERT CHERRY |
| 26 | 009812-37-000 | EA | MOLDING - CORNER - 1/2" W/1/4"CHAN X 84" - HONEY CHERRY |
| 27 | 022992-11-000 | FT | MOLDING - REVERSE COVE - T-SHAPED - IVORY |
| 27 | 022992-14-000 | FT | MOLDING - REVERSE COVE - T-SHAPED - BRIGHT WHITE |
| 27 | 022992-15-000 | FT | MOLDING - REVERSE COVE - T-SHAPED - VW GRAY |
| 28 | 042357-25-000 | EA | MOLDING - CORNER - RADIUS/PLASTIC - WASHED MAPLE |
| 29 | 070504-42-000 | FT | U-CHANNEL - PLASTIC - .13" X 84" - BEIGE ILLUSION |
| 29 | 070504-50-000 | FT | U-CHANNEL - PLASTIC - .13" X 96" - WASHED MAPLE |
| 29 | 070504-51-000 | FT | U-CHANNEL - PLASTIC - .9" X 96" - WASHED MAPLE |
| 29 | 070504-54-000 | FT | U-CHANNEL - PLASTIC - .9" X 96" - VILLAGE OAK |
| 29 | 070504-57-000 | FT | U-CHANNEL - PLASTIC - .13" X 84" - PORTSMOUTH OAK |
| 29 | 070504-58-000 | FT | U-CHANNEL - PLASTIC - .9" X 84" - PORTSMOUTH OAK |
| 29 | 070504-60-000 | FT | U-CHANNEL - PLASTIC - .13" X 84" - CONCERT CHERRY |
| 29 | 070504-61-000 | FT | U-CHANNEL - PLASTIC - .9" X 84" - CONCERT CHERRY |
| 29 | 070504-62-000 | FT | U-CHANNEL - PLASTIC - 1.65" X 84" - HONEY CHERRY |
| 29 | 070504-63-000 | FT | U-CHANNEL - PLASTIC - .9" X 84" - HONEY CHERRY |
| 29 | 070504-64-000 | FT | U-CHANNEL - PLASTIC - .7" X 84" - HONEY CHERRY |
| 30 | 080176-08-000 | EA | CAP - CORNER - RADIUS MOLDING - PLASTIC - WASHED MAPLE |
| 31 | 081521-02-007 | EA | MOUNT - METAL MOLDING - F/RADIUS CORNER MOLDING - 151.5" |
| 32 | 083620-15-000 | FT | MOLDING-T - W/EDGE LIP - 7/8" FACE - BEIGE ILLUSION |
| 32 | 083620-19-000 | FT | MOLDING-T - W/EDGE LIP - 7/8" FACE - WASHED MAPLE |
| 32 | 083620-20-000 | FT | MOLDING-T - W/EDGE LIP - 7/8" FACE - PORTSMOUTH OAK |
| 32 | 083620-21-000 | FT | MOLDING-T - W/EDGE LIP - 7/8" FACE - CONCERT CHERRY/HONEY CHERRY |
| 33 | 085746-04-000 | FT | TRIM-J - CARPET 1.2" X .5" ANGLE - 10' LONG - OFF WHITE |
| 34 | 086229-01-000 | EA | RETAINER - BATTEN - .75" X 92.1" - ANY COLOR |
| 35 | 086229-11-000 | EA | RETAINER - OFFSET - 97" |
| 36 | 086229-21-000 | EA | BATTEN - 1.5" X 83.9" OFFSET - WHITE |
| 37 | 086229-20-000 | EA | BATTEN - 1" X 96" - BEIGE |
| 38 | 100182-10-J70 | EA | TRIM/WOOD - CHAIR RAIL - 2.5" X 8' - WASHED MAPLE |
| 38 | 100182-10-N47 | EA | TRIM/WOOD - CHAIR RAIL - 2.5" X 8' - PORTSMOUTH OAK |
| 38 | 100182-10-P85 | EA | TRIM/WOOD - CHAIR RAIL - 2.5" X 8' - CHERRY - CONCERT CHERRY |
| 38 | 100182-10-RA3 | EA | TRIM/WOOD - CHAIR RAIL - 2.5" X 8' - HONEY CHERRY |
| 39 | 100659-30-N75 | EA | MOLDING - TRIM - 8' - PORTSMOUTH OAK |
| 39 | 100659-30-N74 | EA | MOLDING - TRIM - 8' - CHERRY - CONCERT CHERRY |
| 39 | 100659-30-M84 | EA | MOLDING - TRIM - 8' - WASHED MAPLE |
| 39 | 100659-27-RA2 | EA | MOLDING - TRIM - HONEY CHERRY |

INTERIOR FINISH GROUP (CONTINUED)
MOLDINGS & TRIMS (CONTINUED)



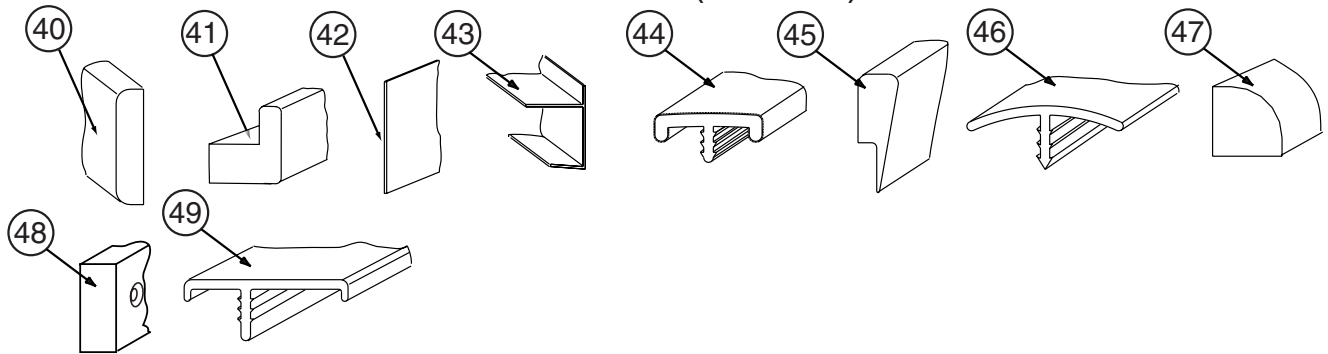
| KEY | PART NUMBER | U/M | DESCRIPTION |
|-----|---------------|-----|---|
| 40 | 100818-01-21A | EA | MOLDING - VINYL WRAPPED - 1.6" X .4" X 84" - WASHED MAPLE |
| 40 | 100818-01-12A | EA | MOLDING - VINYL WRAPPED - 1.6" X .4" X 84" - PORTSMOUTH OAK |
| 40 | 100818-01-13A | EA | MOLDING - VINYL WRAPPED - 1.6" X .4" X 84" - CHERRY - CONCERT CHERRY |
| 40 | 100818-01-14A | EA | MOLDING - VINYL WRAPPED - 1.6" X .4" X 84" - HONEY CHERRY |
| 41 | 100819-01-21A | EA | MOLDING - VINYL WRAPPED-L-SHAPED-1.5"X1.5"X84" - WASHED MAPLE |
| 41 | 100819-01-12A | EA | MOLDING - VINYL WRAPPED-L-SHAPED - 1.5" X 1.5" X 84" - OAK - PORTSMOUTH OAK |
| 41 | 100819-01-13A | EA | MOLDING - VINYL WRAPPED-L-SHAPED-1.5"X1.5"X84" - CONCERT CHERRY |
| 41 | 100819-01-14A | EA | MOLDING - VINYL WRAPPED-L-SHAPED-1.5"X1.5"X84" - HONEY CHERRY |
| 42 | 101957-01-06A | EA | EXTRUDED - PLASTIC - WASHED MAPLE |
| 43 | 103186-01-07A | FT | MOLDING/PLASTIC - 3/8" U-CHANNEL-3/4"FACE - BEIGE ILLUS 8' |
| 43 | 103186-01-08A | FT | MOLDING/PLASTIC - 3/8" U-CHANNEL-3/4"FACE-WASHED MAPLE 8' - WASHED MAPLE |
| 43 | 103186-01-09A | FT | MOLDING/PLASTIC - 3/8" U-CHAN'L-3/4"FACE-PORTSMOUTH OAK 8' - PORTSMOUTH OAK |
| 43 | 103186-01-10A | FT | MOLDING/PLASTIC-3/8" U-CHAN'L-3/4"FACE-CONCERT CHERRY 8' - CONCERT CHERRY |
| 43 | 103186-01-11A | FT | MOLDING/PLASTIC-3/8" U-CHAN'L-3/4"FACE-CONCERT CHERRY 8' - HONEY CHERRY |
| 43 | 103186-02-07A | FT | MOLDING/PLASTIC-1" U-CHAN'L-1 3/8"FACE-BEIGE ILLUSION - 8' |
| 43 | 103186-02-08A | FT | MOLDING/PLASTIC - 1" U-CHANNEL-1 3/8"FACE-WASHED MAPLE 8' - WASHED MAPLE |
| 43 | 103186-02-09A | FT | MOLDING/PLASTIC - 1" U-CHAN'L-1 3/8"FACE-PORTSMOUTH OAK 8' - PORTSMOUTH OAK |
| 43 | 103186-02-10A | FT | MOLDING/PLASTIC - 1" U-CHAN'L-1 3/8"FACE-CONCERT CHERRY 8' - CONCERT CHERRY |
| 43 | 103186-02-11A | FT | MOLDING/PLASTIC - 1" U-CHAN'L-1 3/8"FACE-CONCERT CHERRY 8' - HONEY CHERRY |
| 44 | 104676-02-06A | FT | MOLDING-T - W/EDGE LIP - 11/16" FACE - WASHED MAPLE |
| 44 | 104676-02-08A | FT | MOLDING-T - W/EDGE LIP - 11/16" FACE - PORTSMOUTH OAK |
| 44 | 104676-02-09A | FT | MOLDING-T - W/EDGE LIP - 11/16" FACE - CONCERT CHERRY |
| 44 | 104676-02-10A | FT | MOLDING-T - W/EDGE LIP - 11/16" FACE - HONEY CHERRY |
| 45 | 105004-01-21A | EA | MOLDING - VINYL WRAPPED - 1" X 96" - WASHED MAPLE |
| 45 | 105004-01-12A | EA | MOLDING - VINYL WRAPPED 1" X 96" - PORTSMOUTH OAK |
| 45 | 105004-01-13A | EA | MOLDING - VINYL WRAPPED 1" X 96" - CONCERT CHERRY |
| 45 | 105004-01-14A | EA | MOLDING - VINYL WRAPPED 1" X 96" - HONEY CHERRY |
| 46 | 105709-02-000 | FT | MOLDING-T - W/EDGE LIP - 3/4" FACE - BEIGE ILLUSION |
| 47 | 109410-01-P25 | EA | MOLDING - TRIM - 8' - BLACK CHERRY/CHERRY IV - CONCERT CHERRY |
| 47 | 109410-01-N75 | EA | MOLDING - TRIM - 8' - PORTSMOUTH OAK |
| 47 | 109410-01-J70 | EA | MOLDING - TRIM - 8' - WHITE MAPLE - WASHED MAPLE |
| 48 | 116951-11-KQ0 | EA | MOLDING - TRIM - 3.5" X 75.9" - WASHED MAPLE |
| 48 | 116951-11-KQ1 | EA | MOLDING - TRIM - 3.5" X 75.9" - CONCERT CHERRY |
| 48 | 116951-11-N95 | EA | MOLDING - TRIM - 3.5" X 75.9" - PORTSMOUTH OAK |
| 48 | 116951-11-RE0 | EA | MOLDING - TRIM - 3.5" X 75.9" - HONEY CHERRY |
| 48 | 116951-16-K37 | EA | MOLDING - TRIM - 3.5" X 74.3" - CONCERT CHERRY |
| 48 | 116951-16-K90 | EA | MOLDING - TRIM - 3.5" X 74.3" - WASHED MAPLE |
| 48 | 116951-16-N75 | EA | MOLDING - TRIM - 3.5" X 74.3" - PORTSMOUTH OAK |
| 48 | 116951-16-RC3 | EA | MOLDING - TRIM - 3.5" X 74.3" - HONEY CHERRY |
| 48 | 116951-23-L52 | EA | MOLDING - TRIM - 3.5" X 74.3" - CONCERT CHERRY |
| 48 | 116951-23-L58 | EA | MOLDING - TRIM - 3.5" X 74.3" - WASHED MAPLE |
| 48 | 116951-23-RE0 | EA | MOLDING - TRIM - 3.5" X 74.3" - HONEY CHERRY |
| 48 | 116951-23-R83 | EA | MOLDING - TRIM - 3.5" X 74.3" - PORTSMOUTH OAK |
| 48 | 116951-24-L52 | EA | MOLDING - TRIM - 3.5" X 74.6" - CONCERT CHERRY |
| 48 | 116951-24-L58 | EA | MOLDING - TRIM - 3.5" X 74.6" - WASHED MAPLE |
| 48 | 116951-24-RE0 | EA | MOLDING - TRIM - 3.5" X 74.6" - HONEY CHERRY |
| 48 | 116951-24-R83 | EA | MOLDING - TRIM - 3.5" X 74.6" - PORTSMOUTH OAK |
| 48 | 116951-27-N75 | EA | MOLDING - TRIM - 3.5" X 46.8" - PORTSMOUTH OAK |
| 48 | 116951-27-N84 | EA | MOLDING - TRIM - 3.5" X 46.8" - WASHED MAPLE |
| 48 | 116951-27-N85 | EA | MOLDING - TRIM - 3.5" X 46.8" - CONCERT CHERRY |
| 48 | 116951-28-N75 | EA | MOLDING - TRIM - 3.5" X 79.4" - PORTSMOUTH OAK |

INTERIOR FINISH GROUP (CONTINUED)
MOLDINGS & TRIMS (CONTINUED)

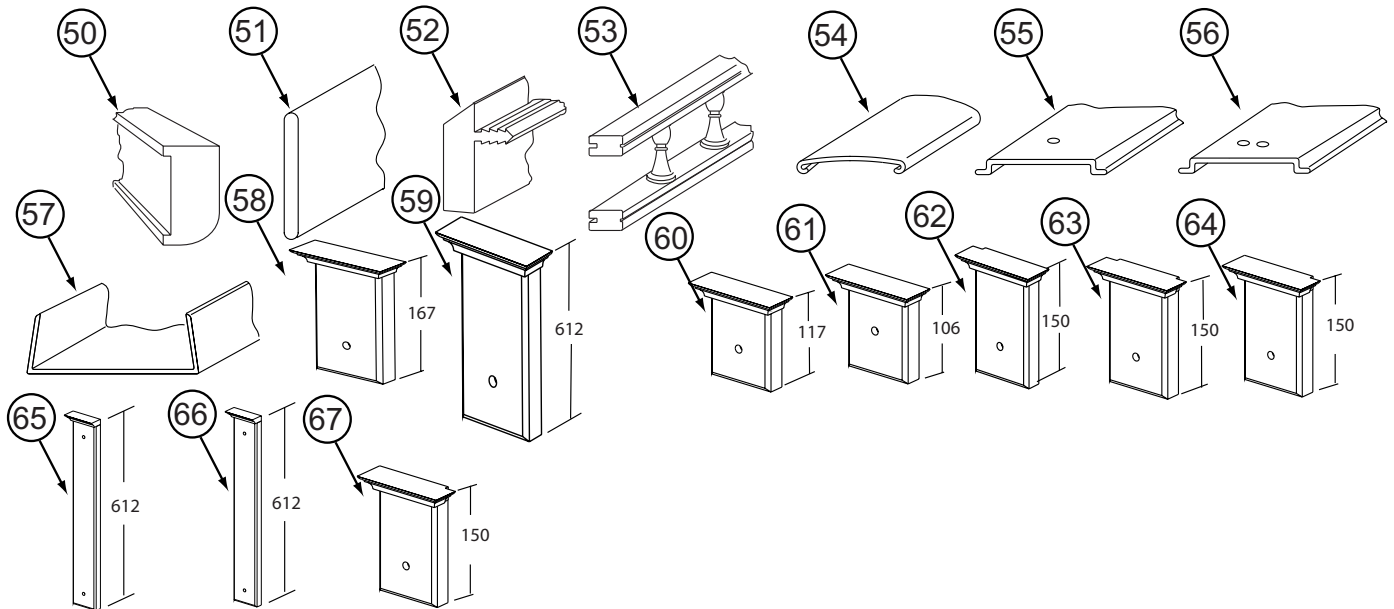
| KEY | PART NUMBER | U/M | DESCRIPTION |
|-----|---------------|-----|--|
| 48 | 116951-28-N84 | EA | MOLDING - TRIM - 3.5" X 79.4" - WASHED MAPLE |
| 48 | 116951-28-N85 | EA | MOLDING - TRIM - 3.5" X 79.4" - CONCERT CHERRY |
| 48 | 116951-29-N70 | EA | MOLDING - TRIM - 5.5" X 30.4" - PORTSMOUTH OAK |
| 48 | 116951-29-N84 | EA | MOLDING - TRIM - 5.5" X 30.4" - WASHED MAPLE |
| 48 | 116951-29-N85 | EA | MOLDING - TRIM - 5.5" X 30.4" - CONCERT CHERRY |
| 48 | 116951-29-RC3 | EA | MOLDING - TRIM - 5.5" X 30.4" - HONEY CHERRY |
| 48 | 116951-32-P75 | EA | MOLDING - TRIM - 3" X 33.4" - PORTSMOUTH OAK |
| 48 | 116951-32-P25 | EA | MOLDING - TRIM - 3" X 33.4" - CONCERT CHERRY |
| 48 | 116951-32-P28 | EA | MOLDING - TRIM - 3" X 33.4" - WASHED MAPLE |
| 48 | 116951-32-RE0 | EA | MOLDING - TRIM - 3" X 33.4" - HONEY CHERRY |
| 48 | 116951-34-P28 | EA | MOLDING - TRIM - 3" X 33.4" - WASHED MAPLE |
| 48 | 116951-34-P78 | EA | MOLDING - TRIM - 3" X 33.4" - PORTSMOUTH OAK |
| 48 | 116951-34-P79 | EA | MOLDING - TRIM - 3" X 33.4" - CONCERT CHERRY |
| 48 | 116951-34-RE0 | EA | MOLDING - TRIM - 3" X 33.4" - HONEY CHERRY |
| 48 | 116951-35-P28 | EA | MOLDING - TRIM - 3.5" X 96" - WASHED MAPLE |
| 48 | 116951-35-P78 | EA | MOLDING - TRIM - 3.5" X 96" - PORTSMOUTH OAK |
| 48 | 116951-35-P79 | EA | MOLDING - TRIM - 3.5" X 96" - CONCERT CHERRY |
| 48 | 116951-35-RE0 | EA | MOLDING - TRIM - 3.5" X 96" - HONEY CHERRY |
| 48 | 116951-36-R68 | EA | MOLDING - TRIM - 3.5" X 48.8" - WASHED MAPLE |
| 48 | 116951-36-R69 | EA | MOLDING - TRIM - 3.5" X 48.8" - PORTSMOUTH OAK |
| 48 | 116951-36-R76 | EA | MOLDING - TRIM - 3.5" X 48.8" - CONCERT CHERRY |
| 48 | 116951-37-R68 | EA | MOLDING - TRIM - 3.5" X 38.6" - WASHED MAPLE |
| 48 | 116951-37-R69 | EA | MOLDING - TRIM - 3.5" X 38.6" - PORTSMOUTH OAK |
| 48 | 116951-37-R76 | EA | MOLDING - TRIM - 3.5" X 38.6" - CONCERT CHERRY |
| 48 | 116951-38-RE0 | EA | MOLDING - TRIM - 3.5" X 82.6" - HONEY CHERRY |
| 48 | 116951-38-R83 | EA | MOLDING - TRIM - 3.5" X 82.6" - PORTSMOUTH OAK |
| 48 | 116951-38-R84 | EA | MOLDING - TRIM - 3.5" X 82.6" - CONCERT CHERRY |
| 48 | 116951-38-R91 | EA | MOLDING - TRIM - 3.5" X 82.6" - WASHED MAPLE |
| 48 | 116951-39-RE0 | EA | MOLDING - TRIM - 3.5" X 73.9" - HONEY CHERRY |
| 48 | 116951-39-R83 | EA | MOLDING - TRIM - 3.5" X 73.9" - PORTSMOUTH OAK |
| 48 | 116951-39-R84 | EA | MOLDING - TRIM - 3.5" X 73.9" - CONCERT CHERRY |
| 48 | 116951-39-R91 | EA | MOLDING - TRIM - 3.5" X 73.9" - WASHED MAPLE |
| 48 | 116951-40-RE0 | EA | MOLDING - TRIM - 4.5" X 81.9" - HONEY CHERRY |
| 48 | 116951-40-R83 | EA | MOLDING - TRIM - 4.5" X 81.9" - PORTSMOUTH OAK |
| 48 | 116951-40-R84 | EA | MOLDING - TRIM - 4.5" X 81.9" - CONCERT CHERRY |
| 48 | 116951-40-R91 | EA | MOLDING - TRIM - 4.5" X 81.9" - WASHED MAPLE |
| 48 | 116951-41-RE0 | EA | MOLDING - TRIM - 3.5" X 36.8" - HONEY CHERRY |
| 48 | 116951-41-R83 | EA | MOLDING - TRIM - 3.5" X 36.8" - PORTSMOUTH OAK |
| 48 | 116951-41-R84 | EA | MOLDING - TRIM - 3.5" X 36.8" - CONCERT CHERRY |
| 48 | 116951-41-R91 | EA | MOLDING - TRIM - 3.5" X 36.8" - WASHED MAPLE |
| 48 | 116951-42-RE0 | EA | MOLDING - TRIM - 3.5" X 46.8" - HONEY CHERRY |
| 48 | 116951-42-R83 | EA | MOLDING - TRIM - 3.5" X 46.8" - PORTSMOUTH OAK |
| 48 | 116951-42-R84 | EA | MOLDING - TRIM - 3.5" X 46.8" - CONCERT CHERRY |
| 48 | 116951-42-R91 | EA | MOLDING - TRIM - 3.5" X 46.8" - WASHED MAPLE |
| 48 | 116951-43-RE0 | EA | MOLDING - TRIM - 3.5" X 86.5" - HONEY CHERRY |
| 48 | 116951-43-R83 | EA | MOLDING - TRIM - 3.5" X 86.5" - PORTSMOUTH OAK |
| 48 | 116951-43-R84 | EA | MOLDING - TRIM - 3.5" X 86.5" - CONCERT CHERRY |
| 48 | 116951-43-R91 | EA | MOLDING - TRIM - 3.5" X 86.5" - WASHED MAPLE |
| 48 | 116951-44-RE0 | EA | MOLDING - TRIM - 3.5" X 76.1" - HONEY CHERRY |
| 48 | 116951-44-R83 | EA | MOLDING - TRIM - 3.5" X 76.1" - PORTSMOUTH OAK |
| 48 | 116951-44-R84 | EA | MOLDING - TRIM - 3.5" X 76.1" - CONCERT CHERRY |
| 48 | 116951-44-R91 | EA | MOLDING - TRIM - 3.5" X 76.1" - WASHED MAPLE |
| 48 | 116951-45-R68 | EA | MOLDING - TRIM - 3" X 30.3" - PORTSMOUTH OAK |
| 48 | 116951-45-R69 | EA | MOLDING - TRIM - 3" X 30.3" - CONCERT CHERRY |
| 48 | 116951-45-R76 | EA | MOLDING - TRIM - 3" X 30.3" - WASHED MAPLE |
| 48 | 116951-46-RE0 | EA | MOLDING - TRIM - 4.5" X 72.3" - HONEY CHERRY |
| 48 | 116951-46-R83 | EA | MOLDING - TRIM - 4.5" X 72.3" - PORTSMOUTH OAK |
| 48 | 116951-46-R84 | EA | MOLDING - TRIM - 4.5" X 72.3" - CONCERT CHERRY |
| 48 | 116951-46-R91 | EA | MOLDING - TRIM - 4.5" X 72.3" - WASHED MAPLE |
| 48 | 116951-48-RE0 | EA | MOLDING - TRIM - 4.5" X 76.1" - HONEY CHERRY |
| 48 | 116951-48-R83 | EA | MOLDING - TRIM - 4.5" X 76.1" - PORTSMOUTH OAK |
| 48 | 116951-48-R84 | EA | MOLDING - TRIM - 4.5" X 76.1" - CONCERT CHERRY |
| 48 | 116951-48-R91 | EA | MOLDING - TRIM - 4.5" X 76.1" - WASHED MAPLE |
| 48 | 116951-49-RE0 | EA | MOLDING - TRIM - 4.5" X 69.8" - HONEY CHERRY |

INTERIOR FINISH GROUP (CONTINUED)

MOLDINGS & TRIMS (CONTINUED)



| KEY | PART NUMBER | U/M | DESCRIPTION |
|-----|---------------|-----|--|
| 48 | 116951-49-R83 | EA | MOLDING - TRIM - 4.5" X 69.8" - PORTSMOUTH OAK |
| 48 | 116951-49-R84 | EA | MOLDING - TRIM - 4.5" X 69.8" - CONCERT CHERRY |
| 48 | 116951-49-R91 | EA | MOLDING - TRIM - 4.5" X 69.8" - WASHED MAPLE |
| 48 | 116951-50-RE0 | EA | MOLDING - TRIM - 4.5" X 70.3" - HONEY CHERRY |
| 48 | 116951-50-R83 | EA | MOLDING - TRIM - 4.5" X 70.3" - PORTSMOUTH OAK |
| 48 | 116951-50-R84 | EA | MOLDING - TRIM - 4.5" X 70.3" - CONCERT CHERRY |
| 48 | 116951-50-R91 | EA | MOLDING - TRIM - 4.5" X 70.3" - WASHED MAPLE |
| 49 | 119520-01-01A | FT | MOLDING-T/OFFSET - W/EDGE LIP - 1.3" FACE - OFF WHITE |
| 49 | 119520-01-04A | FT | MOLDING-T/OFFSET - W/EDGE LIP - 1.3" FACE - PORTSMOUTH OAK |
| 49 | 119520-01-02A | FT | MOLDING-T/OFFSET - W/EDGE LIP - 1.3" FACE - CONCERT CHERRY |
| 49 | 119520-01-03A | FT | MOLDING-T/OFFSET - W/EDGE LIP - 1.3" FACE - WASHED MAPLE |
| 49 | 119520-02-01A | FT | MOLDING-T - OFFSET W/EDGE LIP - 1.3" FACE - OFF WHITE |

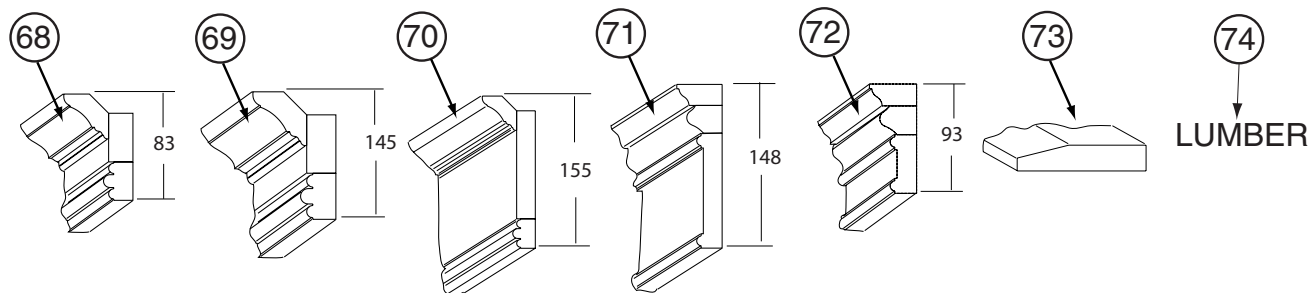


| KEY | PART NUMBER | U/M | DESCRIPTION |
|-----|---------------|-----|--|
| 50 | 149326-D2-134 | EA | MOLDING - VINYL WRAPPED - .7" X 1.6" X 84" - WASHED MAPLE |
| 50 | 149326-F2-134 | EA | MOLDING - VINYL WRAPPED - .7" X 2.5" X 84" - WASHED MAPLE |
| 50 | 137887-D2-134 | EA | MOLDING - VINYL WRAPPED - .7" X 1.6" X 96" - CONCERT CHERRY |
| 50 | 137887-D2-743 | EA | MOLDING - VINYL WRAPPED - .7" X 1.6" X 108" - CONCERT CHERRY |
| 50 | 137887-F2-134 | EA | MOLDING - VINYL WRAPPED - .7" X 2.5" X 84" - CONCERT CHERRY |
| 50 | 137887-F2-743 | EA | MOLDING - VINYL WRAPPED - .7" X 2.5" X 108" - CONCERT CHERRY |
| 50 | 137895-D2-134 | EA | MOLDING - VINYL WRAPPED - .7" X 1.6" X 84" - PORTSMOUTH OAK |
| 50 | 137895-D2-743 | EA | MOLDING - VINYL WRAPPED - .7" X 1.5" X 108" - PORTSMOUTH OAK |
| 50 | 137895-F2-743 | EA | MOLDING - VINYL WRAPPED - .7" X 2.5" X 108" - PORTSMOUTH OAK |
| 50 | 146425-D2-134 | EA | MOLDING - VINYL WRAPPED - .7" X 1.6" X 96" - HONEY CHERRY |
| 50 | 146425-F2-134 | EA | MOLDING - VINYL WRAPPED - .7" X 2.5" X 84" - HONEY CHERRY |
| 50 | 146425-F2-743 | EA | MOLDING - VINYL WRAPPED - .7" X 2.5" X 108" - HONEY CHERRY |
| 51 | 127842-01-01A | FT | SEAL - SIGHT SHIELD - 2" BLACK |
| 52 | 130247-01-02A | FT | MOLDING-T/OFF SET - 1.3" FACE - WASHED MAPLE |
| 52 | 130247-01-04A | FT | MOLDING-T/OFF SET - 1.3" FACE - PORTSMOUTH OAK |
| 52 | 130247-01-05A | FT | MOLDING-T/OFF SET - 1.3" FACE - CONCERT CHERRY/HONEY CHERRY |

INTERIOR FINISH GROUP (CONTINUED)
MOLDINGS & TRIMS (CONTINUED)

| KEY | PART NUMBER | U/M | DESCRIPTION |
|-----|---------------|-----|---|
| 53 | 137108-01-02A | EA | RAIL - DECORATIVE - SALEM CHERRY - CONCERT CHERRY |
| 53 | 137108-01-03A | EA | RAIL - DECORATIVE - WASHED MAPLE |
| 53 | 137108-01-07A | EA | RAIL - DECORATIVE - PORTSMOUTH OAK |
| 53 | 137108-01-08A | EA | RAIL - DECORATIVE - HONEY CHERRY |
| 54 | 138359-01-01A | FT | COVER - ROOF BREAK - PEARL CREAM/PLASTIC - 96" |
| 55 | 138403-01-01A | EA | TRIM - ROOF - MILL |
| 56 | 138403-02-01A | EA | TRIM - ROOF - MILL |
| 56 | 138403-03-01A | EA | TRIM - ROOF - MILL |
| 57 | 141260-01-01A | FT | U-CHANNEL - 1" - VILLAGE OAK |
| 57 | 141260-01-02A | FT | U-CHANNEL - 1" - GRADY BROWN |
| 58 | 141303-01-N52 | EA | MOLDING - CROWN/BLOCK - CONCERT CHERRY |
| 58 | 141303-01-N53 | EA | MOLDING - CROWN/BLOCK - PORTSMOUTH OAK |
| 58 | 141303-01-N62 | EA | MOLDING - CROWN/BLOCK - WASHED MAPLE |
| 58 | 141303-01-RA3 | EA | MOLDING - CROWN/BLOCK - HONEY CHERRY |
| 59 | 141303-02-N52 | EA | MOLDING - CROWN/BLOCK - CONCERT CHERRY |
| 59 | 141303-02-N53 | EA | MOLDING - CROWN/BLOCK - PORTSMOUTH OAK |
| 59 | 141303-02-N62 | EA | MOLDING - CROWN/BLOCK - WASHED MAPLE |
| 59 | 141303-02-RA3 | EA | MOLDING - CROWN/BLOCK - HONEY CHERRY |
| 60 | 141303-03-N52 | EA | MOLDING - CROWN/BLOCK - CONCERT CHERRY |
| 60 | 141303-03-N53 | EA | MOLDING - CROWN/BLOCK - PORTSMOUTH OAK |
| 60 | 141303-03-N62 | EA | MOLDING - CROWN/BLOCK - WASHED MAPLE |
| 60 | 141303-03-RA3 | EA | MOLDING - CROWN/BLOCK - HONEY CHERRY |
| 61 | 141303-04-PC0 | EA | MOLDING - CROWN/BLOCK - PORTSMOUTH OAK |
| 61 | 141303-04-PC1 | EA | MOLDING - CROWN/BLOCK - CONCERT CHERRY |
| 61 | 141303-04-PC2 | EA | MOLDING - CROWN/BLOCK - WASHED MAPLE |
| 61 | 141303-04-RA3 | EA | MOLDING - CROWN/BLOCK - HONEY CHERRY |
| 62 | 141303-05-RE3 | EA | MOLDING - CROWN/BLOCK - HONEY CHERRY |
| 62 | 141303-05-R89 | EA | MOLDING - CROWN/BLOCK - PORTSMOUTH OAK |
| 62 | 141303-05-R90 | EA | MOLDING - CROWN/BLOCK - CONCERT CHERRY |
| 62 | 141303-05-R91 | EA | MOLDING - CROWN/BLOCK - WASHED MAPLE |
| 63 | 141303-06-RE3 | EA | MOLDING - CROWN/BLOCK - HONEY CHERRY |
| 63 | 141303-06-R89 | EA | MOLDING - CROWN/BLOCK - PORTSMOUTH OAK |
| 63 | 141303-06-R90 | EA | MOLDING - CROWN/BLOCK - CONCERT CHERRY |
| 63 | 141303-06-R91 | EA | MOLDING - CROWN/BLOCK - WASHED MAPLE |
| 64 | 141303-07-RE3 | EA | MOLDING - CROWN/BLOCK - HONEY CHERRY |
| 64 | 141303-07-R89 | EA | MOLDING - CROWN/BLOCK - PORTSMOUTH OAK |
| 64 | 141303-07-R90 | EA | MOLDING - CROWN/BLOCK - CONCERT CHERRY |
| 64 | 141303-07-R91 | EA | MOLDING - CROWN/BLOCK - WASHED MAPLE |
| 65 | 141303-08-RE3 | EA | MOLDING - CROWN/BLOCK - HONEY CHERRY |
| 65 | 141303-08-R89 | EA | MOLDING - CROWN/BLOCK - PORTSMOUTH OAK |
| 65 | 141303-08-R90 | EA | MOLDING - CROWN/BLOCK - CONCERT CHERRY |
| 65 | 141303-08-R91 | EA | MOLDING - CROWN/BLOCK - WASHED MAPLE |
| 66 | 141303-09-RE3 | EA | MOLDING - CROWN/BLOCK - HONEY CHERRY |
| 66 | 141303-09-R89 | EA | MOLDING - CROWN/BLOCK - PORTSMOUTH OAK |
| 66 | 141303-09-R90 | EA | MOLDING - CROWN/BLOCK - CONCERT CHERRY |
| 66 | 141303-09-R91 | EA | MOLDING - CROWN/BLOCK - WASHED MAPLE |
| 67 | 141303-10-RE3 | EA | MOLDING - CROWN/BLOCK - HONEY CHERRY |
| 67 | 141303-10-R89 | EA | MOLDING - CROWN/BLOCK - PORTSMOUTH OAK |
| 67 | 141303-10-R90 | EA | MOLDING - CROWN/BLOCK - CONCERT CHERRY |
| 67 | 141303-10-R91 | EA | MOLDING - CROWN/BLOCK - WASHED MAPLE |

INTERIOR FINISH GROUP (CONTINUED)
MOLDINGS & TRIMS (CONTINUED)



| KEY | PART NUMBER | U/M | DESCRIPTION |
|-----|---------------|-----|--|
| 68 | 141915-29-PC0 | EA | MOLDING - F/SLIDEOUT - 81.8" - PORTSMOUTH OAK |
| 68 | 141915-29-PC1 | EA | MOLDING - F/SLIDEOUT - 81.8" - CONCERT CHERRY |
| 68 | 141915-29-PC2 | EA | MOLDING - F/SLIDEOUT - 81.8" - WASHED MAPLE |
| 68 | 141915-29-RC3 | EA | MOLDING - F/SLIDEOUT - 81.8" - HONEY CHERRY |
| 69 | 141915-35-RC0 | EA | MOLDING - F/SLIDEOUT - 8.89' - PORTSMOUTH OAK |
| 69 | 141915-35-RC1 | EA | MOLDING - F/SLIDEOUT - 8.89' - CONCERT CHERRY |
| 69 | 141915-35-RC2 | EA | MOLDING - F/SLIDEOUT - 8.89' - WASHED MAPLE |
| 69 | 141915-35-RC3 | EA | MOLDING - F/SLIDEOUT - 8.89' - HONEY CHERRY |
| 70 | 141915-47-RC0 | EA | MOLDING - F/SLIDEOUT - 6.82' - PORTSMOUTH OAK |
| 70 | 141915-47-RC1 | EA | MOLDING - F/SLIDEOUT - 6.82' - CONCERT CHERRY |
| 70 | 141915-47-RC2 | EA | MOLDING - F/SLIDEOUT - 6.82' - WASHED MAPLE |
| 70 | 141915-47-RC3 | EA | MOLDING - F/SLIDEOUT - 6.82' - HONEY CHERRY |
| 71 | 144885-14-RE0 | EA | MOLDING - F/SLIDEOUT - 86.5" - HONEY CHERRY |
| 71 | 144885-14-R83 | EA | MOLDING - F/SLIDEOUT - 86.5" - PORTSMOUTH OAK |
| 71 | 144885-14-R84 | EA | MOLDING - F/SLIDEOUT - 86.5" - CONCERT CHERRY |
| 72 | 145379-01-RE0 | EA | MOLDING/TRIM - 47.48" - HONEY CHERRY |
| 72 | 145379-01-R83 | EA | MOLDING/TRIM - 47.48" - PORTSMOUTH OAK |
| 72 | 145379-01-R84 | EA | MOLDING/TRIM - 47.48" - CONCERT CHERRY |
| 72 | 145379-02-RE0 | EA | MOLDING/TRIM - 7.87" W/RIGHT SIDE ANGLE CUT - HONEY CHERRY |
| 72 | 145379-02-R83 | EA | MOLDING/TRIM - 7.87" W/RIGHT SIDE ANGLE CUT - PORTSMOUTH OAK |
| 72 | 145379-02-R84 | EA | MOLDING/TRIM - 7.87" W/RIGHT SIDE ANGLE CUT - CONCERT CHERRY |
| 72 | 145379-03-RE0 | EA | MOLDING/TRIM - 7.87" W/LEFT SIDE ANGLE CUT - HONEY CHERRY |
| 72 | 145379-03-R83 | EA | MOLDING/TRIM - 7.87" W/LEFT SIDE ANGLE CUT - PORTSMOUTH OAK |
| 72 | 145379-03-R84 | EA | MOLDING/TRIM - 7.87" W/LEFT SIDE ANGLE CUT - CONCERT CHERRY |
| 72 | 145379-04-RE0 | EA | MOLDING/TRIM - 86.61" - HONEY CHERRY |
| 72 | 145379-04-R83 | EA | MOLDING/TRIM - 86.61" - PORTSMOUTH OAK |
| 72 | 145379-04-R84 | EA | MOLDING/TRIM - 86.61" - CONCERT CHERRY |
| 72 | 145379-05-RE0 | EA | MOLDING/TRIM - 102.75" - HONEY CHERRY |
| 72 | 145379-05-R83 | EA | MOLDING/TRIM - 102.75" - PORTSMOUTH OAK |
| 72 | 145379-05-R84 | EA | MOLDING/TRIM - 102.75" - CONCERT CHERRY |
| 73 | 146306-01-01A | FT | TRANSITION - CARPET/TILE |
| 74 | 149325-A2-438 | EA | LUMBER - VINYL WRAPPED - .7" X .75" X 96" - WASHED MAPLE |
| 74 | 149325-D2-438 | EA | LUMBER - VINYL WRAPPED - .7" X 1.5" X 96" - WASHED MAPLE |
| 74 | 149325-E2-438 | EA | LUMBER - VINYL WRAPPED - .7" X 2" X 96" - WASHED MAPLE |
| 74 | 149325-F2-438 | EA | LUMBER - VINYL WRAPPED - .7" X 2.5" X 96" - WASHED MAPLE |
| 74 | 149325-G2-438 | EA | LUMBER - STAINED - .7" X 3" X 96" - WASHED MAPLE |
| 74 | 149325-H2-438 | EA | LUMBER - STAINED - .7" X 3.5" X 96" - WASHED MAPLE |
| 74 | 149325-J2-438 | EA | LUMBER - VINYL WRAPPED - .7" X 5.5" X 96" - WASHED MAPLE |
| 74 | 149325-J2-743 | EA | LUMBER - VINYL WRAPPED - .7" X 5.5" X 108" - WASHED MAPLE |
| 74 | 149325-K2-438 | EA | LUMBER - VINYL WRAPPED - .7" X 3.9" X 96" - WASHED MAPLE |
| 74 | 149325-R2-438 | EA | LUMBER - VINYL WRAPPED - .7" X 3" X 96" - WASHED MAPLE |
| 74 | 137885-A2-438 | EA | LUMBER - VINYL WRAPPED - .7" X .75" X 96" - CHERRY - CONCERT CHERRY |
| 74 | 137885-D2-438 | EA | LUMBER - VINYL WRAPPED - .7" X 1.5" X 96" - CHERRY - CONCERT CHERRY |
| 74 | 137885-E2-438 | EA | LUMBER - VINYL WRAPPED - .7" X 2" X 96" - CHERRY - CONCERT CHERRY |
| 74 | 137885-F2-438 | EA | LUMBER - VINYL WRAPPED - .7" X 2.5" X 96" - CHERRY - CONCERT CHERRY |
| 74 | 137885-G2-438 | EA | LUMBER - VINYL WRAPPED - .7" X 3" X 96" - CHERRY - CONCERT CHERRY |
| 74 | 137885-H2-438 | EA | LUMBER - VINYL WRAPPED - .7" X 3.5" X 96" - CHERRY - CONCERT CHERRY |
| 74 | 137885-J2-438 | EA | LUMBER - VINYL WRAPPED - .7" X 5.5" X 96" - CHERRY - CONCERT CHERRY |
| 74 | 137885-J2-743 | EA | LUMBER - VINYL WRAPPED - .7" X 5.5" X 108" - CHERRY - CONCERT CHERRY |
| 74 | 137885-K2-438 | EA | LUMBER - VINYL WRAPPED - .7" X 3.9" X 96" - CHERRY - CONCERT CHERRY |
| 74 | 137885-R2-438 | EA | LUMBER - VINYL WRAPPED - .7" X 3" X 96" - CHERRY - CONCERT CHERRY |
| 74 | 137894-A2-438 | EA | LUMBER - VINYL WRAPPED - .7" X .75" X 96" - PORTSMOUTH OAK |
| 74 | 137894-D2-438 | EA | LUMBER - VINYL WRAPPED - .7" X 1.5" X 96" - PORTSMOUTH OAK |

INTERIOR FINISH GROUP (CONTINUED)
MOLDINGS & TRIMS (CONTINUED)

| KEY | PART NUMBER | U/M | DESCRIPTION |
|------------|--------------------|------------|--|
| 74 | 137894-E2-438 | EA | LUMBER - VINYL WRAPPED - .7" X 2" X 96" - PORTSMOUTH OAK |
| 74 | 137894-F2-438 | EA | LUMBER - VINYL WRAPPED - .7" X 2.5" X 96" - PORTSMOUTH OAK |
| 74 | 137894-G2-438 | EA | LUMBER - VINYL WRAPPED - .7" X 3" X 96" - PORTSMOUTH OAK |
| 74 | 137894-H2-438 | EA | LUMBER - VINYL WRAPPED - .7" X 3.5" X 96" - PORTSMOUTH OAK |
| 74 | 137894-J2-438 | EA | LUMBER - VINYL WRAPPED - .7" X 5.5" X 96" - PORTSMOUTH OAK |
| 74 | 137894-J2-743 | EA | LUMBER - VINYL WRAPPED - .7" X 5.5" X 96" - PORTSMOUTH OAK |
| 74 | 137894-K2-438 | EA | LUMBER - VINYL WRAPPED - .7" X 3.9" X 96" - PORTSMOUTH OAK |
| 74 | 137894-R2-438 | EA | LUMBER - VINYL WRAPPED - .7" X 3" X 96" - PORTSMOUTH OAK |
| 74 | 146419-A2-438 | EA | LUMBER - VINYL WRAPPED - .7" X .75" X 96" - HONEY CHERRY |
| 74 | 146419-D2-438 | EA | LUMBER - VINYL WRAPPED - .7" X 1.5" X 96" - HONEY CHERRY |
| 74 | 146419-E2-438 | EA | LUMBER - VINYL WRAPPED - .7" X 2" X 96" - HONEY CHERRY |
| 74 | 146419-F2-438 | EA | LUMBER - VINYL WRAPPED - .7" X 2.5" X 96" - HONEY CHERRY |
| 74 | 146419-G2-438 | EA | LUMBER - VINYL WRAPPED - .7" X 3" X 96" - HONEY CHERRY |
| 74 | 146419-H2-438 | EA | LUMBER - VINYL WRAPPED - .7" X 3.5" X 96" - HONEY CHERRY |
| 74 | 146419-J2-438 | EA | LUMBER - VINYL WRAPPED - .7" X 5.5" X 96" - HONEY CHERRY |
| 74 | 146419-J2-743 | EA | LUMBER - VINYL WRAPPED - .7" X 5.5" X 108" - HONEY CHERRY |
| 74 | 146419-K2-438 | EA | LUMBER - VINYL WRAPPED - .7" X 3.9" X 96" - HONEY CHERRY |
| 74 | 146419-R2-438 | EA | LUMBER - VINYL WRAPPED - .7" X 3" X 96" - HONEY CHERRY |

INTERIOR FINISH GROUP (CONTINUED)

| | | PANELING & LAMINATES | |
|-----|---------------|----------------------|--|
| KEY | PART NUMBER | U/M | DESCRIPTION |
| | 000885-A5-000 | SF | PARTICLE BOARD - 3/8" X 4' X 8' - WHT PEB EMBOSSED-1 SIDED |
| | 000885-92-000 | SF | PARTICLE BOARD - 3/8" X 4' X 8' - PORTSMOUTH OAK - 1 SIDED |
| | 000885-93-000 | SF | PARTICLE BOARD - 3/8" X 4' X 8' - PORTSMOUTH OAK - 2-SIDED |
| | 000885-94-000 | SF | PARTICLE BOARD - 1/2" X 4' X 8' - PORTSMOUTH OAK - 2-SIDED |
| | 000885-95-000 | SF | PARTICLE BOARD - 3/4" X 4' X 8' - PORTSMOUTH OAK - 2-SIDED |
| | 126339-01-000 | SF | BOARD - WHEAT - 60" X 72" |
| | 057882-04-000 | SF | TAMBOUR - 48" X 96" SHEET - UNFINISHED |
| | 088272-K4-000 | SF | PANELING - MULTI - 4' X 7' (R10) |
| | 088272-K5-000 | SF | PANELING - SILVERADO - 4' X 7' (R11) |
| | 088272-J9-000 | SF | PANELING - ALABASTER - 4' X 7' (R12) |
| | 088272-H9-000 | SF | PANELING - PEBBLE EMBOSSED - WHITE - 4' X 7' |
| | 080215-14-000 | SF | PANELING - 2 SIDED/PORTSMOUTH OAK - 3/16" X 4' X 8' |
| | 076773-15-000 | SF | PANELING - 2 SIDED/PORTSMOUTH OAK - 1/8" X 4' X 8' |
| | 074497-42-000 | SF | PANELING - PORTSMOUTH OAK - 4' X 8' |
| | 074497-46-000 | SF | PANELING - CEILING - SCULPTURES - 4' X 8'3" |
| | | | FROM: 00-00-00 THRU: 10-26-03 |
| | 074497-52-000 | SF | PANELING/PAPER WRAPPED - SCULPTURES PA - 1/8" X 48" X 100" |
| | | | FROM: 10-27-03 THRU: 99-99-99 |
| | 074498-99-000 | SF | LAMINATE - PLASTIC - EGGSHELL - 5' X 8' (R10) |
| | 074498-97-000 | SF | LAMINATE - PLASTIC - GRAY TRANQUILITY - 4' X 8' (R11) |
| | 074498-A1-000 | SF | LAMINATE - PLASTIC - LINO FRIEZE - 5' X 8' (R12) |
| | 074498-40-000 | SF | LAMINATE - PLASTIC - OFF WHITE - 4' X 8' |
| | 076325-40-000 | FT | MOLDING - EDGE BAND - .93" X .024" - ALMOND |
| | 076325-39-000 | FT | MOLDING - EDGE BAND - 1 5/16" X .030" - ALMOND |
| | 085284-H6-000 | FT | BATT TAPE - ADHESIVE BACKED - DECORATIVE - MULTI (R10) |
| | 085284-H8-000 | FT | BATT TAPE - ADHESIVE BACKED - ROCKET SILVERADO (R11) |
| | 085284-G9-000 | FT | BATT TAPE - ADHESIVE BACKED - DECORATIVE - ALABASTER (R12) |
| | 085284-G8-000 | FT | BATT TAPE - ADHESIVE BACKED - PORTSMOUTH OAK |
| | 088263-H2-000 | EA | BATT STRIP - DECORATIVE - MULTI - 8' (R10) |
| | 088263-H4-000 | EA | BATT STRIP - DECORATIVE - ROCKET SILVERADO (R11) |
| | 088263-G9-000 | EA | BATT STRIP - DECORATIVE - CORK/ALABASTER - 8' (R12) |
| | 069738-87-000 | EA | BATT STRIP - WOODGRAINED/PORTSMOUTH OAK - 8' |
| | 079653-28-000 | EA | BATT STRIP - KERFED - WOODGRAINED/WATERFORD OAK - 8' |
| | 132610-10-09A | FT | WALLPAPER - BORDER - 5 3/4" - SELF ADHESIVE (R10) |
| | | | FROM: 00-00-00 THRU: 03-09-03 |
| | 132610-05-01A | FT | WALLPAPER - BORDER - 7" - CALYPSO - SELF-ADHESIVE (R10) |
| | | | FROM: 03-10-03 THRU: 99-99-99 |
| | 132610-06-07A | FT | WALLPAPER - BORDER - 5 1/4" - SELF ADHESIVE (R11) |
| | | | FROM: 00-00-00 THRU: 03-09-03 |
| | 132610-05-25A | FT | WALLPAPER - BORDER - 7" - SELF-ADHESIVE (R11) |
| | | | FROM: 03-10-03 THRU: 99-99-99 |
| | 132610-10-10A | FT | WALLPAPER - BORDER - 5 3/4" - SELF-ADHESIVE (R12) |
| | | | FROM: 00-00-00 THRU: 03-09-03 |
| | 132610-05-02A | FT | WALLPAPER - BORDER - 7" - SELF ADHESIVE (R12) |
| | | | FROM: 03-10-03 THRU: 99-99-99 |

| | | ACCESSORIES | |
|-----|---------------|-------------|---|
| KEY | PART NUMBER | U/M | DESCRIPTION |
| | 072852-01-000 | EA | DETECTOR - SMOKE - W/9 VOLT BATTERY - US |
| | 072852-02-000 | EA | DETECTOR - SMOKE - W/9 VOLT BATTERY - CANADIAN |
| | 125136-02-000 | EA | DETECTOR/CO - GAS MODEL - 9 VOLT |
| | 094499-03-000 | EA | EXTINGUISHER/FIRE - DRY - 10BC - W/GAUGE/BRACKET |
| * | 094499-02-000 | EA | EXTINGUISHER/FIRE - DRY - 10BC - W/GAUGE - CANADIAN |
| | 094499-04-000 | EA | STRAP - FIRE EXTINGUISHER MOUNTING - METAL |
| | 091261-01-000 | FT | SLIPNOT - ANTISLIP - 1' WIDE X 12' - BLACK |
| | 096764-02-000 | FT | SLIPNOT - ANTISLIP - 1' WIDE (180' ROLLS) - WHITE |
| | 064781-06-000 | EA | HOLDER/CUP - TWO STEP - OFF WHITE |
| | 118718-01-01A | EA | HOLDER/DRINK - COLLAPSIBLE MUG - BLACK PLASTIC |
| | 118718-01-02A | EA | HOLDER/DRINK - COLLAPSIBLE MUG - WHITE PLASTIC |
| | 000C16-07-16B | EA | BOLT - CARRIAGE - ASSIST HANDLE - 7/16-14 X 1 |
| | 053552-02-N01 | EA | HANDLE - ASSIST - INTERIOR/ENTRY DOOR - VINYL/ICE WHITE |
| | 131494-04-01A | EA | MIRROR - ARCHED TOP - 20" X 30" - W/DIAMOND |
| | 131494-05-01A | EA | MIRROR - ARCHED W/BEVELED DIAMOND - 20" X 30" |
| | 140374-14-000 | EA | MIRROR - SAFETY GLASS - 20.8" X 35.4" |
| | 140374-36-000 | EA | MIRROR - SAFETY GLASS - 20.9" X 25.2" |
| | 140374-66-000 | EA | MIRROR - SAFETY GLASS - 20.1" X 25.2" |

*COMPONENT PARTS LISTED LATER IN THIS GROUP

INTERIOR FINISH GROUP (CONTINUED)
COMPONENT PARTS FOR ACCESSORIES

094499-02-000

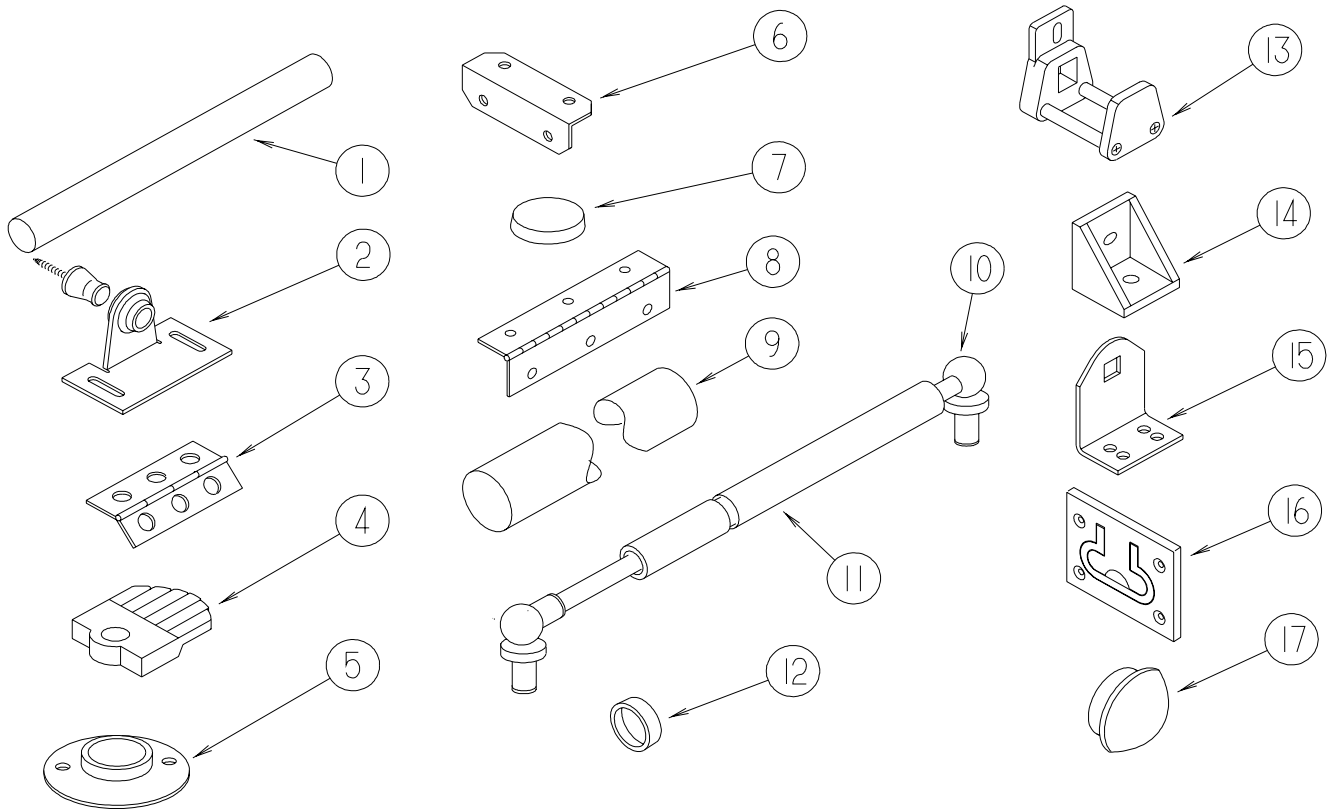
| KEY | PART NUMBER | U/M | DESCRIPTION | VENDOR NO |
|------------|--------------------|------------|----------------------------|------------------|
| | 094499-01-700 | EA | BRACKET MTG. W/PLAS. STRAP | 294039 |

INTERIOR FINISH GROUP (CONTINUED)
FLOOR COVERINGS

| KEY | PART NUMBER | U/M | DESCRIPTION |
|------------|--------------------|------------|--|
| | 042720-29-000 | SY | VINYL - FLOOR COVERING - 7.5' WIDE - DIAMOND |
| | 075233-01-000 | SY | PAD - CARPET - 3/8" X 6' ROLL |
| | 093486-01-000 | SY | CARPET - COMPARTMENT - 72" WIDE - DARK GRAY |
| | 096060-G9-000 | SY | CARPET - LAUREL - INCREMENTS OF 4 SQ YARDS (R10) |
| | 139085-06-000 | SY | CARPET - CRYSTAL LAKE - 4 SQUARE YARD INCREMENTS (R11) |
| | 096060-H1-000 | SY | CARPET - TAPIOCA - INCREMENTS OF 4 SQ YARDS (R12) |
| | 096060-H0-000 | SY | CARPET - JADE GREEN - INCREMENTS OF 4 SY YDS |
| | 109583-01-P10 | EA | CARPET/PEDESTAL COVER - W/EDGE BINDING TAPE (R10) |
| | 109583-01-R11 | EA | CARPET/PEDESTAL COVER - W/EDGE BINDING TAPE (R11) |
| | 109583-01-M06 | EA | CARPET/PEDESTAL COVER - W/EDGE BINDING TAPE (R12) |
| | 089275-02-000 | FT | STRIP - 3/4" X 84" BLACK POLYETHYLENE |

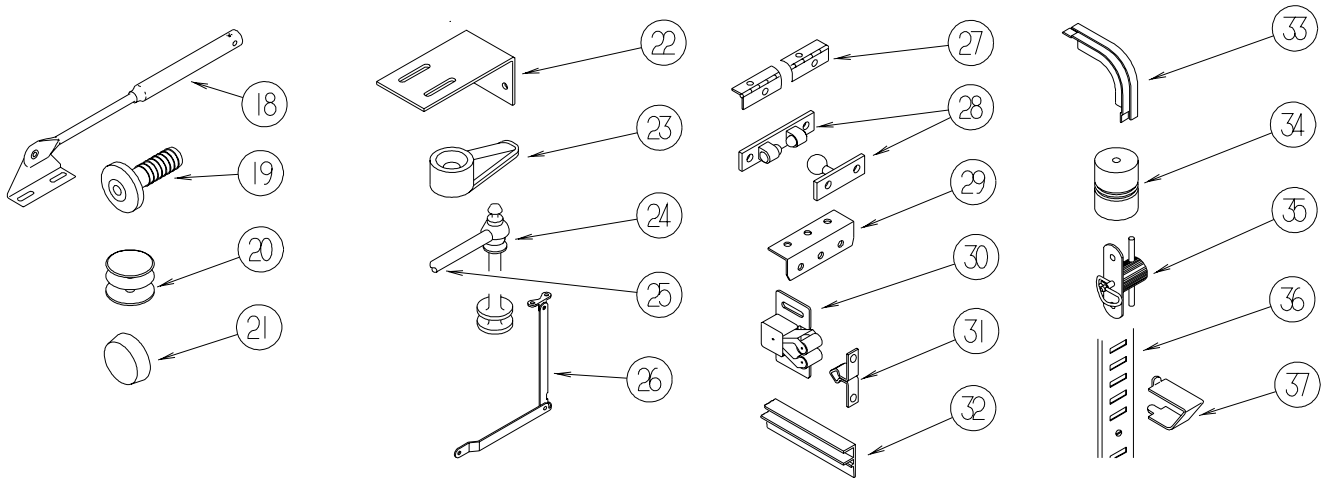
INTERIOR FINISH GROUP (CONTINUED)

HARDWARE



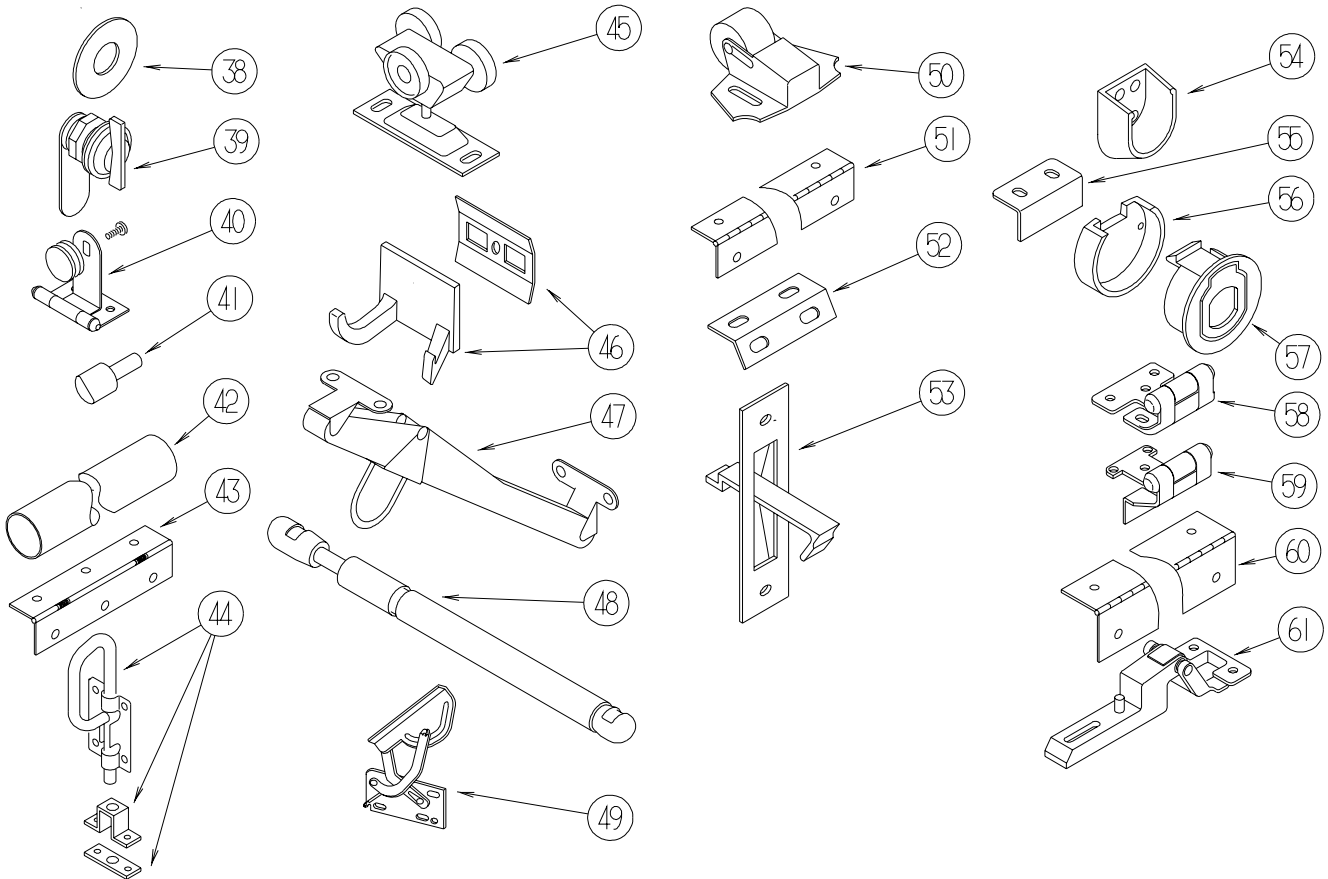
| KEY | PART NUMBER | U/M | DESCRIPTION |
|-----|---------------|-----|---|
| 1 | Y00136-21-218 | EA | DOWEL - WOOD - 1" X 4' |
| 2 | 009013-01-000 | EA | CATCH - BULLDOG - MALE/FEMALE |
| 3 | 009059-01-000 | EA | HINGE - DOOR - 2" X 1.4" - BRASS |
| 3 | 009059-02-000 | EA | HINGE - DOOR - 2" X 2.7" - BRASS |
| 3 | 009059-03-000 | EA | HINGE - BRASS - 1.75" |
| 3 | 009059-04-000 | EA | HINGE - 2" - ZINC |
| 4 | 009089-01-000 | EA | CLIP - MIRROR |
| 5 | 009112-01-000 | EA | FLANGE - PLASTIC - 1" CLOTHES ROD - OFF WHITE |
| 6 | 016604-01-000 | EA | BRACE - ANGLE - 2 1/2" - UNPAINTED METAL |
| 6 | 016604-05-000 | EA | BRACE - ANGLE - 2 1/2" - OFF WHITE METAL |
| 6 | 016604-10-000 | EA | BRACE - SEAT ANGLE - 2.5" - BLACK |
| 7 | 023320-01-000 | EA | PAD - FELT 3/8" DIAMETER |
| 8 | 041389-25-000 | EA | HINGE - PIANO - 1 1/2" X 55" - UNPAINTED |
| 9 | 042438-02-000 | EA | DOWEL - WOOD - 2" DIAMETER X 2' |
| 10 | 057460-02-000 | EA | BALL STUD - F/GAS SPRING .39" - 5/16"-18 |
| 11 | 057460-04-000 | EA | SPRING/GAS - BALL STUD STYLE - 120 PI - "SPD6209" |
| 12 | 057671-01-000 | EA | COVER - SCREW - #8 - OFF WHITE |
| 12 | 057671-15-000 | EA | COVER - SCREW - #8 - BRIGHT WHITE |
| 12 | 057671-16-000 | EA | COVER - SCREW - #8 - SOFT WHITE |
| 12 | 057671-17-000 | EA | COVER - SCREW - VW LT GRAY - #8 |
| 13 | 064467-01-000 | EA | GUIDE - POCKET - SLIDING DOOR - WALL MOUNTED |
| 14 | 065740-01-000 | EA | BRACE - CABINET/CORNER - PLASTIC |
| 15 | 069178-03-000 | EA | BRACKET/MOUNTING - ASSIST HANDLE - BRIGHT WHITE |
| 16 | 072871-01-000 | EA | PULL - FLUSH - CHROME |
| 17 | 074045-08-000 | EA | PLUG - OAK - 3/8" DOWEL-1/2" HEAD - SALEM CHERRY - CONCERT CHERRY |
| 17 | 074045-12-000 | EA | PLUG - OAK - 3/8" DOWEL-1/2" HEAD - WASHED MAPLE |
| 17 | 074045-13-000 | EA | PLUG - OAK - 3/8" DOWEL-1/2" HEAD - PORTSMOUTH OAK |
| 17 | 074045-14-000 | EA | PLUG - OAK - 3/8" DOWEL-1/2" HEAD - HONEY CHERRY |

INTERIOR FINISH GROUP (CONTINUED) HARDWARE (CONTINUED)



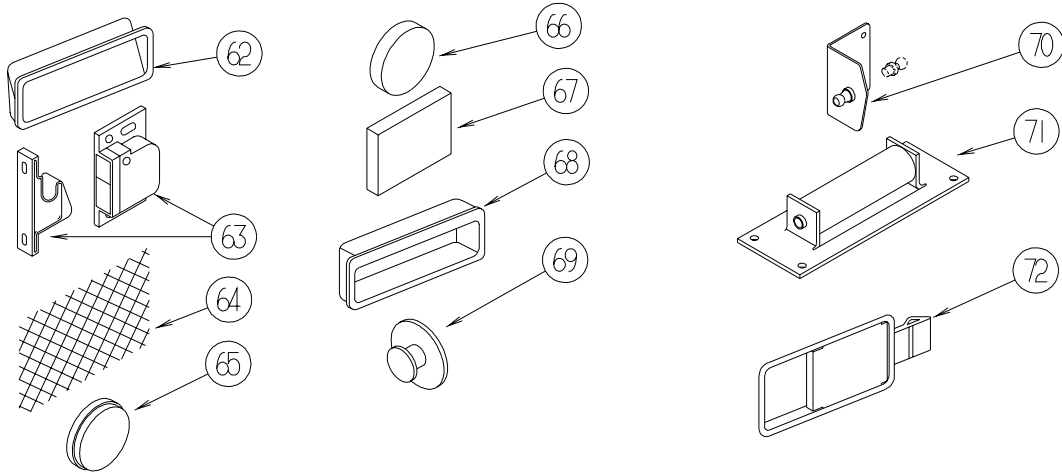
| KEY | PART NUMBER | U/M | DESCRIPTION |
|-----|---------------|-----|--|
| 18 | 074493-02-000 | EA | SUPPORT - PISTON SPRING - CABINET DOOR - 26 LBS |
| 18 | 074493-03-000 | EA | SUPPORT - PISTON SPRING - CABINET DOOR - 12 LBS |
| 19 | 079921-01-000 | EA | ROLLER - NYLON - W/STEEL SHAFT - BARBED |
| 20 | 081114-02-000 | EA | CAP - INSERT - ROUND - 1" DIAMETER - WHITE PLASTIC |
| 21 | 004354-01-000 | EA | BUMPER - RUBBER - 1/2" DIA - BROWN |
| 21 | 081914-01-000 | EA | BUMPER - RUBBER - ROUND - 1/2" DIA. X 1/8" THICK |
| 22 | 083125-07-000 | EA | BRACE - ANGLE/COUCH - 2.5" - OFF WHITE |
| 22 | 132871-02-02B | EA | BRACKET/L-SHAPED W/HOLES - 1.9" X 2.8" - E-COATED |
| 23 | 083204-03-000 | EA | BUTTON - RETAINING MIRROR 5/16" TIP |
| 24 | 084070-03-000 | EA | POST - END - 2.4" - SHINY BRASS |
| 25 | 084071-05-000 | EA | ROD - BRASS - 15" |
| 25 | 084071-19-000 | EA | ROD - BRASS - 7.1" |
| 25 | 084071-20-000 | EA | ROD - BRASS - 9.8" |
| 25 | 084071-23-000 | EA | ROD - BRASS - 13.1" |
| 25 | 084071-24-000 | EA | ROD - BRASS - 3.8" |
| 25 | 084071-33-000 | EA | ROD - BRASS - 20.4" |
| 25 | 146840-01-01A | EA | ROD - .25" DIAMETER - BRASS |
| 25 | 146840-01-02A | EA | ROD - .25" DIAMETER - PEWTER |
| 25 | 146840-02-01A | EA | ROD - .25" DIAMETER - BRASS |
| 25 | 146840-02-02A | EA | ROD - .25" DIAMETER - PEWTER |
| 25 | 146840-03-01A | EA | ROD - .25" DIAMETER - BRASS |
| 25 | 146840-03-02A | EA | ROD - .25" DIAMETER - PEWTER |
| 25 | 146840-04-01A | EA | ROD - .25" DIAMETER - BRASS |
| 25 | 146840-04-02A | EA | ROD - .25" DIAMETER - PEWTER |
| 25 | 146840-05-01A | EA | ROD - .25" DIAMETER - BRASS |
| 25 | 146840-05-02A | EA | ROD - .25" DIAMETER - PEWTER |
| 26 | 084412-01-000 | EA | SUPPORT/HINGE KIT (LEFT & RIGHT HINGES) |
| 27 | 084413-01-000 | EA | HINGE - 1" X 72" - ALUMINUM - W/HOLES |
| 28 | 084451-01-000 | EA | CATCH & LATCH - 1.7" - BRASS |
| 29 | 089025-01-000 | EA | SUPPORT - SPRING TO BED - ANGLE 1.5" X 11.8" |
| 30 | 093586-03-000 | EA | CATCH - SPRING ROLLER - .377" |
| 30 | 093586-06-000 | EA | CATCH - SPRING ROLLER - .236" |
| 31 | 093586-04-000 | EA | STRIKE - SPRING STEEL - 1.14" |
| 31 | 093586-05-000 | EA | STRIKE - SPRING STEEL - .943" |
| 32 | 093622-01-000 | EA | TRACK - DOOR - TAMBOUR - PLASTIC - 8' LENGTHS |
| 33 | 093623-01-000 | EA | CORNER - TRACK - TAMBOUR DOOR |
| 34 | 097872-04-000 | EA | DOWEL - WOOD - 1" DIAMETER X 1.38" LONG - UNFINISHED |
| 35 | 098196-01-000 | EA | LATCH - 1/4 TURN - T-BAR |
| 36 | 098979-01-000 | EA | CLIP - ADJUSTABLE SHELF |
| 37 | 098980-01-000 | EA | PILASTER - ADJUSTABLE SHELF - 18" |
| 37 | 098980-02-000 | EA | PILASTER - ADJUSTABLE SHELF - 12" |
| 37 | 098980-03-000 | EA | PILASTER - ADJUSTABLE SHELF - 9" |
| 37 | 098980-04-000 | EA | PILASTER - ADJUSTABLE SHELF - 48" |
| 37 | 098980-05-000 | EA | PILASTER - ADJUSTABLE SHELF - 15" |
| 37 | 098980-06-000 | EA | PILASTER - ADJUSTABLE SHELF - 24" |

INTERIOR FINISH GROUP (CONTINUED)
HARDWARE (CONTINUED)



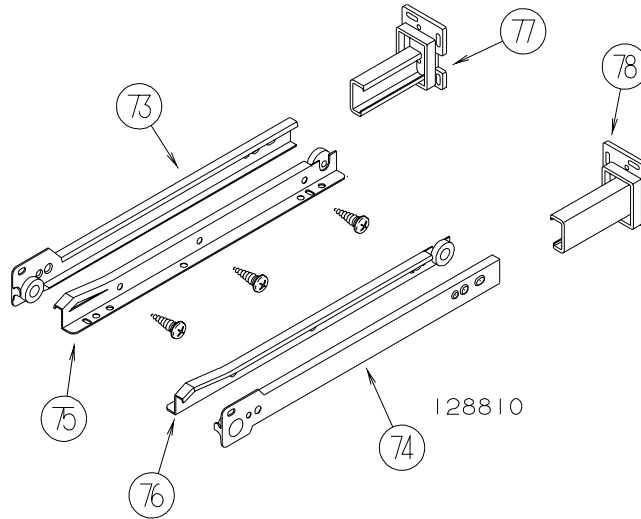
| KEY | PART NUMBER | U/M | DESCRIPTION |
|-----|---------------|-----|---|
| 38 | 100707-01-000 | EA | SPACER - GLASS DOOR - .8" DIA - .3" HOLE - PLASTIC |
| 39 | 100710-01-01A | EA | LOCK - GLASS DOOR/TWIST TYPE - BRASS |
| 40 | 100711-01-01A | EA | HINGE - GLASS DOOR |
| 41 | 101766-01-000 | EA | PIN - SUPPORT/GLASS DOOR |
| 42 | 102075-10-02A | EA | ROD - SHOWER CURTAIN - 1" OD X 46.3" - SOFT WHITE |
| 43 | 102920-01-01A | EA | HINGE - SPRING LOADED - BRASS |
| 44 | 103256-01-000 | EA | LATCH COMPLETE (SLIDE) |
| 45 | 103874-01-000 | EA | HANGER - SLIDING DOOR |
| 46 | 104174-01-000 | EA | HOOK - ROBE - DOUBLE |
| 47 | 104181-01-01A | EA | SUPPORT - LEAF 5.3" EXTENDS TO 7.5" - SAFETY RING - METAL |
| 48 | 142569-15-000 | EA | SPRING/GAS - 12" COMPRESSED/20" EXTENDED - 120 LB. |
| 48 | 142569-16-000 | EA | SPRING/GAS - 12" COMPRESSED/20" EXTENDED - 90 LB |
| 48 | 142569-05-000 | EA | SPRING - GAS - 15 LB. - 39.9" |
| 48 | 142569-18-000 | EA | SPRING/GAS - 6.5" COMPRESSED/9.6" EXTENDED - 65 LB. |
| 49 | 108126-01-000 | EA | TRAY HINGE SET (QTY. 2 PER SET) |
| 50 | 109403-01-000 | EA | CATCH - SINGLE ROLLER - SCREEN DOOR |
| 51 | 110496-01-01A | EA | HINGE - BRASS |
| 52 | 111866-01-02A | EA | BRACE - SEAT - ANGLE - OFF WHITE |
| 53 | 113130-01-01A | EA | PULL - DOOR POCKET |
| 54 | 113236-01-01A | EA | BRACKET - CLOTHES - ROD |
| 55 | 113375-02-01A | EA | STRIKE - DOOR - CHROME |
| 56 | 113375-05-01A | EA | LATCH - SLAM - BACK - .8" THICK |
| 57 | 113375-06-01A | EA | LATCH - SLAM - FACE - .7" THICK |
| 58 | 113676-01-01A | EA | HINGE - OVERLAY - VARIABLE - BURNISHED BRASS |
| 59 | 113677-01-01A | EA | HINGE - SELF CLOSING |
| 60 | 114278-02-000 | EA | HINGE - CONTINUOUS - 3" WIDE |
| 61 | 114443-01-01A | EA | HINGE - CABINET DOOR |

INTERIOR FINISH GROUP (CONTINUED)
HARDWARE (CONTINUED)



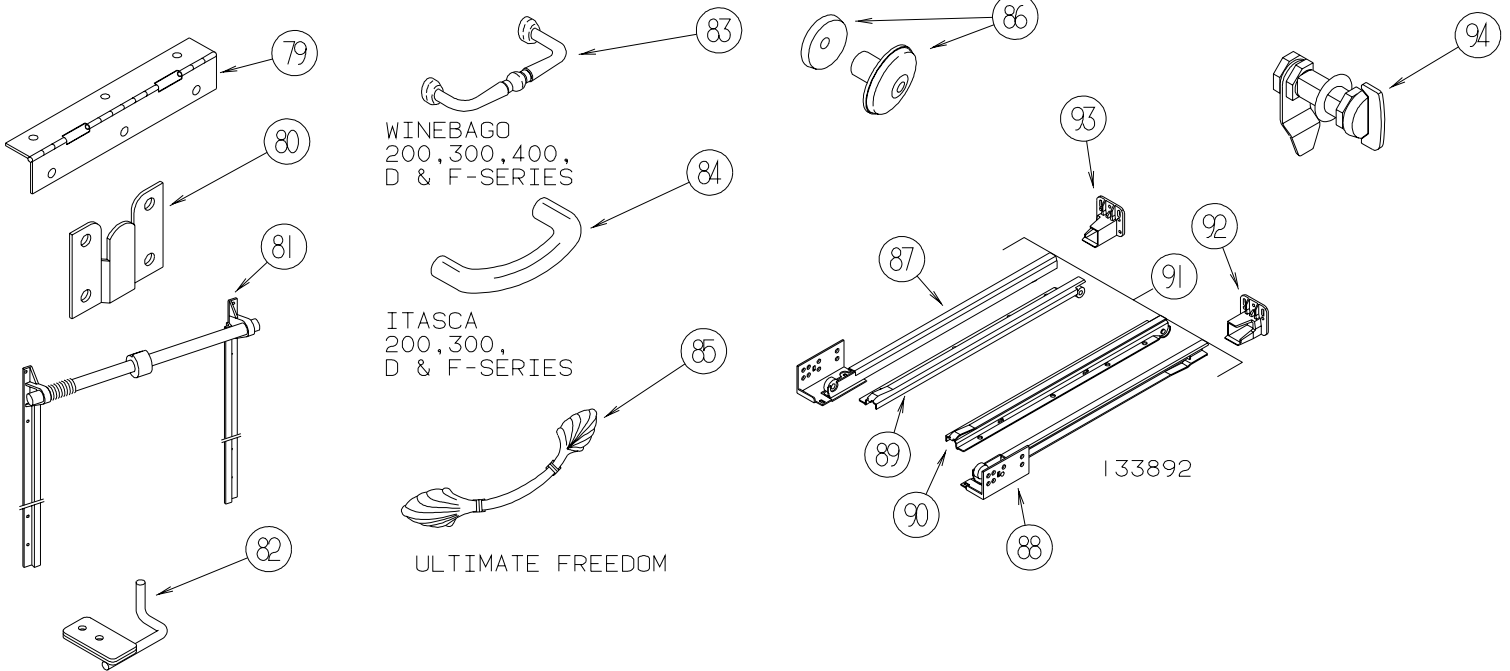
| KEY | PART NUMBER | U/M | DESCRIPTION |
|-----|---------------|-----|--|
| 62 | 115994-01-01A | EA | HANDLE - POCKET |
| 63 | 117095-01-01A | EA | LATCH - DOOR - GRABBER W/KEEPER - PLASTIC - BLK-5 LB PULL |
| 63 | 117095-02-01A | EA | LATCH - DOOR - GRABBER W/KEEPER - PLASTIC - BLK-10 LB PULL |
| 64 | 118200-01-01A | SF | MESH - PLASTIC 1/2" - 48" X LENGTH = SF - BLACK |
| 65 | 120760-01-000 | EA | RUBBER BUMPER - CLEAR - .1" THICK X .8" DIAMETER |
| 66 | 122717-01-01A | EA | PAD - NON SKID - 4" DIAMETER ROUND |
| 67 | 122717-06-01A | FT | PAD - NON-SKID - PSA - 5"W |
| 68 | 124311-01-01A | EA | HANDLE - RECESSED - BRASS |
| 69 | 125221-01-01A | EA | PULL - MIRROR - W/ROUND HANDLE |
| 70 | 126263-06-02B | EA | BRACKET - GAS SPRING W/INSIDE BALL STUD - E-COATED |
| 70 | 126263-08-02B | EA | BRACKET - GAS SPRING W/CENTERED BALL STUD - E-COATED |
| 71 | 126584-02-000 | EA | ROLLER - FLAT |
| 72 | 127349-01-01A | EA | LATCH - PADDLE |

INTERIOR FINISH GROUP (CONTINUED)
HARDWARE (CONTINUED)



| KEY | PART NUMBER | U/M | DESCRIPTION |
|-----|---------------|-----|--------------------------------------|
| 73 | 128810-01-01A | EA | SLIDE - DRAWER - 12" - LEFT CABINET |
| 73 | 128810-05-01A | EA | SLIDE - DRAWER - 14" - LEFT CABINET |
| 73 | 128810-09-01A | EA | SLIDE - DRAWER - 16" - LEFT CABINET |
| 73 | 128810-13-01A | EA | SLIDE - DRAWER - 18" - LEFT CABINET |
| 73 | 128810-17-01A | EA | SLIDE - DRAWER - 20" - LEFT CABINET |
| 73 | 128810-21-01A | EA | SLIDE - DRAWER - 22" - LEFT CABINET |
| 73 | 128810-25-01A | EA | SLIDE - DRAWER - 24" - LEFT CABINET |
| 73 | 128810-29-01A | EA | SLIDE - DRAWER - 9" - LEFT CABINET |
| 74 | 128810-02-01A | EA | SLIDE - DRAWER - 12" - RIGHT CABINET |
| 74 | 128810-06-01A | EA | SLIDE - DRAWER - 14" - RIGHT CABINET |
| 74 | 128810-10-01A | EA | SLIDE - DRAWER - 16" - RIGHT CABINET |
| 74 | 128810-14-01A | EA | SLIDE - DRAWER - 18" - RIGHT CABINET |
| 74 | 128810-18-01A | EA | SLIDE - DRAWER - 20" - RIGHT CABINET |
| 74 | 128810-22-01A | EA | SLIDE - DRAWER - 22" - RIGHT CABINET |
| 74 | 128810-26-01A | EA | SLIDE - DRAWER - 24" - RIGHT CABINET |
| 74 | 128810-30-01A | EA | SLIDE - DRAWER - 9" - RIGHT CABINET |
| 75 | 128810-03-01A | EA | SLIDE - DRAWER - 12" - LEFT DRAWER |
| 75 | 128810-07-01A | EA | SLIDE - DRAWER - 14" - LEFT DRAWER |
| 75 | 128810-11-01A | EA | SLIDE - DRAWER - 16" - LEFT DRAWER |
| 75 | 128810-15-01A | EA | SLIDE - DRAWER - 18" - LEFT DRAWER |
| 75 | 128810-19-01A | EA | SLIDE - DRAWER - 20" - LEFT DRAWER |
| 75 | 128810-23-01A | EA | SLIDE - DRAWER - 22" - LEFT DRAWER |
| 75 | 128810-27-01A | EA | SLIDE - DRAWER - 24" - LEFT DRAWER |
| 75 | 128810-27-01A | EA | SLIDE - DRAWER - 24" - LEFT DRAWER |
| 75 | 128810-31-01A | EA | SLIDE - DRAWER - 9" - LEFT DRAWER |
| 76 | 128810-04-01A | EA | SLIDE - DRAWER - 12" - RIGHT DRAWER |
| 76 | 128810-08-01A | EA | SLIDE - DRAWER - 14" - RIGHT DRAWER |
| 76 | 128810-12-01A | EA | SLIDE - DRAWER - 16" - RIGHT DRAWER |
| 76 | 128810-16-01A | EA | SLIDE - DRAWER - 18" - RIGHT DRAWER |
| 76 | 128810-20-01A | EA | SLIDE - DRAWER - 20" - RIGHT DRAWER |
| 76 | 128810-24-01A | EA | SLIDE - DRAWER - 22" - RIGHT DRAWER |
| 76 | 128810-28-01A | EA | SLIDE - DRAWER - 24" - RIGHT DRAWER |
| 76 | 128810-32-01A | EA | SLIDE - DRAWER - 9" - RIGHT DRAWER |
| 77 | 128811-01-02A | EA | BACKSOCKET - ADJUSTABLE - LEFT |
| 78 | 128811-02-02A | EA | BACKSOCKET - ADJUSTABLE - RIGHT |

INTERIOR FINISH GROUP (CONTINUED) HARDWARE (CONTINUED)



WINEBAGO
200, 300, 400,
D & F-SERIES

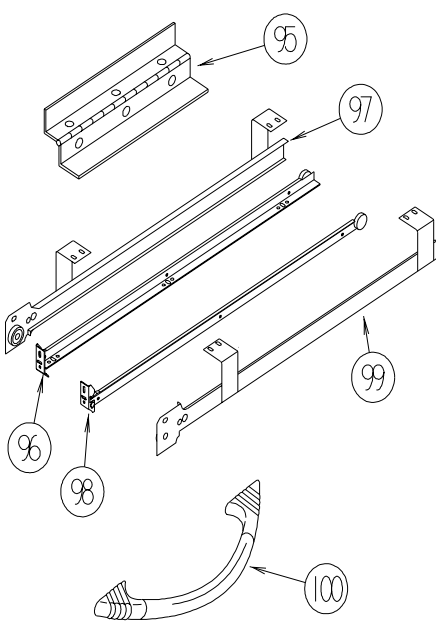
ITASCA
200, 300,
D & F-SERIES

ULTIMATE FREEDOM

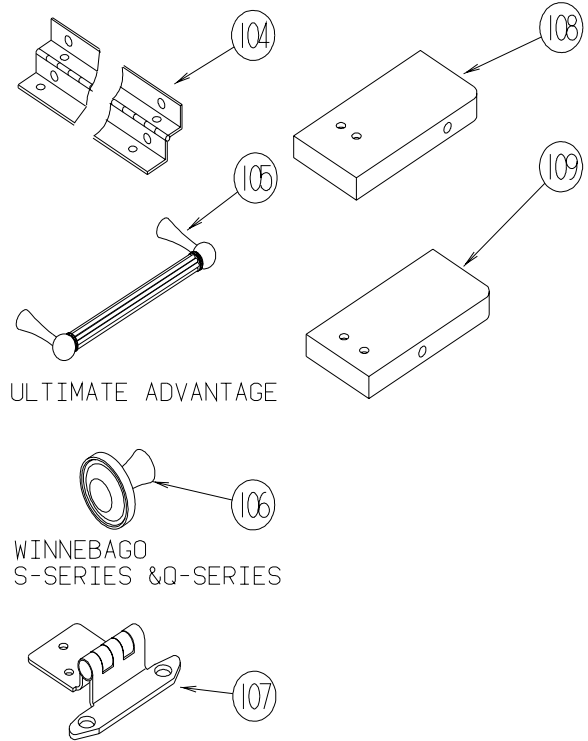
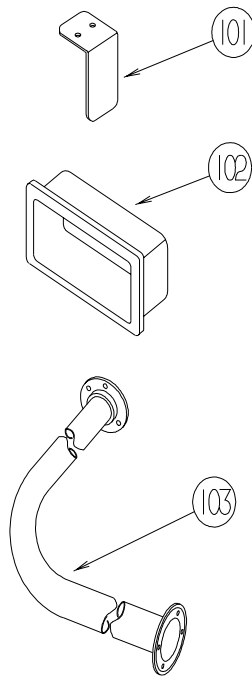
133892

| KEY | PART NUMBER | U/M | DESCRIPTION |
|-----|---------------|-----|--|
| 79 | 129753-01-01A | EA | HINGE - SPRING LOADED - 19" X 19" - BLACK |
| 80 | 130120-01-01A | EA | BRACKET - MIRROR |
| 81 | 130787-02-000 | EA | TRACK - TAMBOUR DOOR/SPRING - 24" |
| 81 | 130787-04-000 | EA | TRACK - TAMBOUR DOOR - SPRING |
| 82 | 130798-01-02B | EA | GUIDE - POCKET DOOR - E-COATED |
| 83 | 131963-01-01A | EA | PULL - POLISHED BRASS - WINNEBAGO VISTA/MINNIE/MINNIE WINNIE/SIGHTSEER & BRAVE |
| 84 | 131964-01-01A | EA | PULL - POLISHED BRASS - ITASCA SUNSTAR/SPIRIT/SUNOVA & SUNRISE |
| 85 | 131965-01-01A | EA | PULL - DOOR/DRAWER - 6.3" - BURNISHED BRASS - ULTIMATE FREEDOM |
| 86 | 133313-01-02A | EA | PULL - DOOR/DRAWER - BRIGHT BRASS |
| 86 | 133313-01-03A | EA | PULL - DOOR/DWR - CHROME/BRASS - ITASCA SUNDANCER/SUNCRUISER/SUNFLYER/MERIDIAN |
| 87 | 133892-01-01A | EA | SLIDE - DRAWER - 16" - LEFT CABINET |
| 87 | 133892-06-01A | EA | SLIDE - DRAWER - 22" - LEFT CABINET |
| 87 | 133892-10-01A | EA | SLIDE - DRAWER - 12" - LEFT CABINET |
| 87 | 133892-14-01A | EA | SLIDE - DRAWER - 18" - LEFT CABINET |
| 88 | 133892-02-01A | EA | SLIDE - DRAWER - 16" - RIGHT CABINET |
| 88 | 133892-07-01A | EA | SLIDE - DRAWER - 22" - RIGHT CABINET |
| 88 | 133892-11-01A | EA | SLIDE - DRAWER - 12" - RIGHT CABINET |
| 88 | 133892-15-01A | EA | SLIDE - DRAWER - 18" - RIGHT CABINET |
| 89 | 133892-03-01A | EA | SLIDE - DRAWER - 16" - LEFT DRAWER |
| 89 | 133892-08-01A | EA | SLIDE - DRAWER - 22" - LEFT DRAWER |
| 89 | 133892-12-01A | EA | SLIDE - DRAWER - 12" - LEFT DRAWER |
| 89 | 133892-16-01A | EA | SLIDE - DRAWER - 18" - LEFT DRAWER |
| 90 | 133892-04-01A | EA | SLIDE - DRAWER - 16" - RIGHT DRAWER |
| 90 | 133892-09-01A | EA | SLIDE - DRAWER - 22" - RIGHT DRAWER |
| 90 | 133892-13-01A | EA | SLIDE - DRAWER - 12" - RIGHT DRAWER |
| 90 | 133892-17-01A | EA | SLIDE - DRAWER - 18" - RIGHT DRAWER |
| 91 | 133892-05-01A | EA | SLIDE - DRAWER - 9" - FULL SET |
| 92 | 133907-01-01A | EA | BACKSOCKET - RIGHT HAND |
| 93 | 133907-02-01A | EA | BACKSOCKET - LEFT HAND |
| 94 | 135231-01-01A | EA | LATCH - COMPRESSION - BLACK |

INTERIOR FINISH GROUP (CONTINUED)
HARDWARE (CONTINUED)



ITASCA
400, G, L P-SERIES

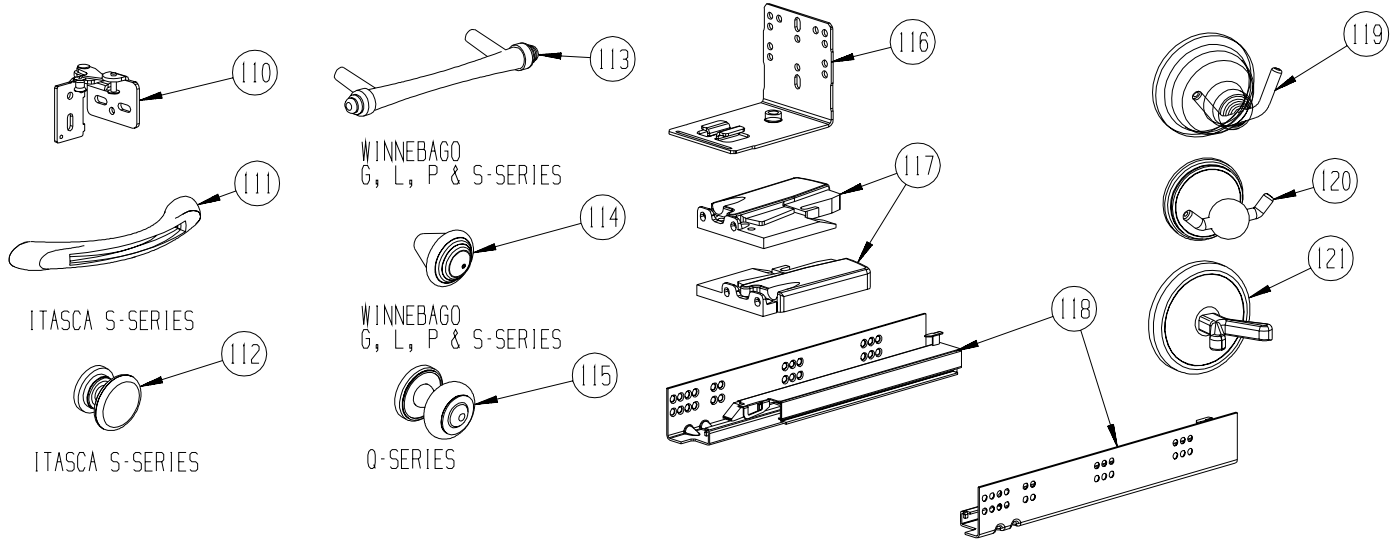


ULTIMATE ADVANTAGE

WINNEBAGO
S-SERIES & Q-SERIES

| KEY | PART NUMBER | U/M | DESCRIPTION |
|-----|---------------|-----|---|
| 95 | 135538-01-01A | EA | HINGE - PIANO - FULL WRAP - BRASS PLATED |
| 95 | 135538-03-01A | EA | HINGE - PIANO - FULL WRAP - STOCKER BRASS |
| 95 | 135538-06-01A | EA | HINGE - PIANO - FULL WRAP |
| 96 | 136944-01-01A | EA | SLIDE - DRAWER/RIGHT HAND - 13.8" |
| 97 | 136944-02-01A | EA | SLIDE - CABINET/RIGHT HAND - 13.8" |
| 98 | 136944-03-01A | EA | SLIDE - DRAWER/LEFT HAND - 13.8" |
| 99 | 136944-04-01A | EA | SLIDE - CABINET/LEFT HAND - 13.8" |
| 100 | 137446-01-01A | EA | PULL - CABINET - CHROME/BRASS - ITASCA SUNDANCE/SUNCRUISER/SUNFLYER & MERIDIAN |
| 101 | 138136-02-02B | EA | GUIDE - DOOR - E-COATED |
| 102 | 139136-01-01A | EA | HANDLE - RECESSED - BRASS |
| 102 | 139136-02-01A | EA | HANDLE - RECESSED - BRASS |
| 102 | 139136-02-02A | EA | HANDLE - RECESSED - PEWTER |
| 103 | 140494-01-01A | EA | ROD - SHOWER |
| 103 | 140494-01-02A | EA | ROD - SHOWER - SOFT WHITE |
| 104 | 142276-01-01A | EA | HINGE - PIANO - FULL WRAP - BRASS |
| 105 | 142909-01-01A | EA | PULL - CABINET - BRASS - ULTIMATE ADVANTAGE |
| 106 | 142910-01-01A | EA | KNOB - CABINET - BRASS - WINNEBAGO VECTRA & ULTIMATE ADVANTAGE |
| 107 | 143468-01-01A | EA | HINGE - SELF CLOSING - BURNISHED BRASS - ULTIMATE FREEDOM |
| 107 | 143468-01-02A | EA | HINGE - SELF CLOSING - POLISHED BRASS |
| 107 | 143468-02-02A | EA | HINGE - SELF CLOSING - POLISHED BRASS |
| 107 | 143468-02-03A | EA | HINGE - SELF CLOSING - SATIN NICKEL - ITASCA SUNFLYER, L-SERIES |
| 107 | 146553-01-02A | EA | HINGE - CABINET DOOR - BRIGHT BRASS |
| 107 | 146553-01-03A | EA | HINGE - CABINET DOOR - SATIN NICKEL |
| 108 | 137445-01-N42 | EA | STOP - F/SLIDING DOOR |
| 108 | 137445-01-P46 | EA | STOP - F/SLIDING DOOR |
| 108 | 137445-01-P56 | EA | STOP - F/SLIDING DOOR |
| 109 | 137445-02-P45 | EA | STOP - F/SLIDING DOOR |
| 109 | 137445-02-P46 | EA | STOP - F/SLIDING DOOR |
| 109 | 137445-02-P56 | EA | STOP - F/SLIDING DOOR |

INTERIOR FINISH GROUP (CONTINUED)
HARDWARE (CONTINUED)



| KEY | PART NUMBER | U/M | DESCRIPTION |
|-----|---------------|-----|--|
| 110 | 144488-01-01A | EA | HINGE - CABINET - ANTIQUE BRASS |
| 110 | 144488-01-02A | EA | HINGE - CABINET - NICKEL - ITASCA HORIZON |
| 111 | 144917-01-01A | EA | PULL - DRAWER - SATIN NICKEL - ITASCA HORIZON |
| 112 | 144918-01-01A | EA | PULL - DRAWER/KNOB - SATIN NICKEL - ITASCA HORIZON |
| 113 | 145172-01-01A | EA | PULL - CABINET DOOR - WINNEBAGO ADVENTURER/CHIEFTAIN/JOURNEY & VECTRA |
| 114 | 145172-02-01A | EA | PULL - DRAWER/DOOR - WINNEBAGO ADVENTURER/CHIEFTAIN & JOURNEY |
| 115 | 145180-01-01A | EA | KNOB - CABINET DOOR - ULTIMATE FREEDOM |
| 116 | 145739-01-000 | EA | BRACKET - REAR MOUNT |
| 117 | 145739-02-000 | EA | LOCKING MECHANISM - LEFT |
| 117 | 145739-03-000 | EA | LOCKING MECHANISM - RIGHT |
| 118 | 145739-04-000 | EA | SLIDE - DRAWER - 12" |
| 119 | 145849-01-01A | EA | ROBE HOOK - TWIN - BRASS |
| 119 | 145849-02-01A | EA | ROBE HOOK - TWIN - CHROME |
| 120 | 145849-03-01A | EA | ROBE HOOK - TWIN - BRASS |
| 121 | 145849-04-01A | EA | ROBE HOOK - TWIN - CHROME/BRASS |

LABELS GROUP

SEWAGE

KEY PART NUMBER U/M DESCRIPTION
006187-01-000 EA LABEL - SEWAGE

WASTE WATER

KEY PART NUMBER U/M DESCRIPTION
006188-01-000 EA LABEL - WASTE WATER

WARNING

THIS SYSTEM IS DESIGNED FOR USE WITH PROPANE ONLY
DO NOT CONNECT NATURAL GAS TO THIS SYSTEM

BEFORE TURNING ON PROPANE:

- (A) BE CERTAIN APPLIANCES ARE CERTIFIED FOR PROPANE AND ARE EQUIPPED WITH CORRECT BURNING ORIFICES.
- (B) MAKE CERTAIN ALL PROPANE CONNECTIONS ARE TIGHT BY TESTING WITH SOAPY WATER. ALL APPLIANCE VALVES ARE TURNED OFF, AND ANY UNCONNECTED OUTLETS ARE CAPPED.

AFTER TURNING ON PROPANE:

- (A) LIGHT ALL PILOT LIGHTS
- (B) (B) ALL CONNECTIONS, INCLUDING THOSE AT THE APPLIANCES, REGULATORS AND CYLINDERS SHOULD BE LEAK-TESTED PERIODICALLY WITH SOAPY WATER BY THE OCCUPANT. NEVER USE A LIGHTED MATCH OR OTHER FLAME WHEN CHECKING FOR LEAKS.
- (C) DO NOT LEAVE SYSTEM TURNED ON OF CONTAINERS CONNECTED UNTIL THE SYSTEM HAS BEEN PROVEN TO BE FREE OF LEAKS.
- (D) COOKING APPLIANCES SHOULD NOT BE USED FOR SPACE HEATING.
- (E) WHEN THE CONTAINERS ARE DISCONNECTED THE PROPANE SUPPLY LINE SHOULD BE CAPPED OR PLUGGED.

AVERTISSEMENT

CETTE INSTALLATION EST CONÇUE POUR LE PROPANE SEULEMENT
NE PAS L'ALIMENTER EN GAZ NATUREL

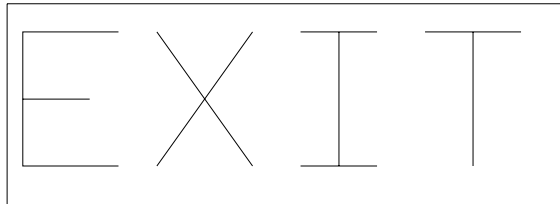
AVANT LA MISE EN SERVICE:

- (A) S'ASSURER QUE LES APPAREILS SONT CERTIFIÉS POUR LE PROPANE ET MUNIS D'ORIFICES DE BRULEUR APPROPRIÉS.
- (B) VÉRIFIER L'ÉTANCHEITÉ DE TOUS LES RACCORDEMENTS AU PROPANE. LA PERMÉABILITÉ DE TOUS LES ROBINETS D'APPAREILS ET L'OBTURATION DE TOUTES LES SORTIES NON RACCORDEES.

APRÈS LA MISE EN SERVICE:

- (A) ALLUMER TOUTES LES VEILLEUSES.
- (B) L'OCCUPANT DOIT ÉPROUVER PÉRIODIQUEMENT L'ÉTANCHEITÉ DE TOUS LES RACCORDEMENTS Y COMPRIS CEUX AUX APPAREILS, AUX DÉTENDEURS ET AUX BOUTEILLES, EN Y APPLIQUANT DE L'EAU SAVONNEUSE NE JAMAIS SE SERVIR D'UNE ALLUMETTE OU AUTRE POUR LA DÉTECTION DES FUITES.
- (C) NE PAS LAISSER L'ALIMENTATION OUVERTE NI LES RÉCIPIENTS RACCORDES AVANT D'AVOIR COMPLÉTÉ L'ÉPREUVE D'ÉTANCHEITÉ AU PROPANE DE L'INSTALLATION.
- (D) LES APPAREILS DE CUISSON NE DOIVENT PAS ÊTRE UTILISÉS POUR LE CHAUFFAGE DES LOCAUX.
- (E) LORSQUE LES RÉCIPIENTS SONT DÉCONNECTÉS, L'ALIMENTATION DE PROPANE DOIT ÊTRE OBTURÉE OU SCELLÉE.

KEY PART NUMBER U/M DESCRIPTION
023769-01-000 EA LABEL - WARNING - LPG - CANADIAN



KEY PART NUMBER U/M DESCRIPTION
039290-01-000 EA LABEL - WARNING - EXIT



KEY PART NUMBER U/M DESCRIPTION
040944-01-000 EA LABEL - ENTRANCE DOOR - "OPEN"

LABELS GROUP (CONTINUED)

CAUTION

THIS MOTOR HOME HAS BEEN DESIGNED, MANUFACTURED AND TESTED WITH CONCERN FOR THE PROTECTION OF IT'S OCCUPANTS. WE RECOMMEND YOU PERFORM THE FOLLOWING INSPECTIONS FOR YOUR SAFETY AND THE SAFETY OF YOUR PASSENGERS BEFORE STARTING YOUR VEHICLE.

1. LP GAS SYSTEM- TURN OFF AT TANK FOR TRAVELING. TEST FOR LEAKS UPON ARRIVAL AT DESTINATION. BEFORE LIGHTING PILOTS.
2. WHEELS- INSPECT FOR DAMAGE AND CHECK LUG NUTS FOR TIGHTNESS.
3. TIRES- INSPECT FOR WEAR AND DAMAGE AND CHECK FOR RECOMMENDED AIR PRESSURE.
4. LIGHTING- TEST FOR PROPER OPERATION OF ALL INTERIOR AND EXTERIOR LIGHTS INCLUDING DASH LIGHTS, HEADLIGHTS, TAIL LIGHTS, BRAKE LIGHTS, CLEARANCE LIGHTS AND TURN SIGNALS.
5. EXITS- INSPECT RELEASE MECHANISM ON EMERGENCY EXIT WINDOW. TEST BOTH LOCKS ON MAIN ENTRANCE DOOR FOR EASE OF OPERATION AND INSTRUCT PASSENGERS HOW TO USE BOTH MEANS OF EXIT.
6. SEAT BELTS- DIRECT PASSENGERS TO DESIGNATED SEATS AND REQUIRE USE OF SEAT BELTS.
7. APPLIANCES- TURN OFF AND LATCH OR LOCK DOORS WHERE PROVIDED.
8. LOOSE PARCELS- STORE SECURELY.
9. UTILITY SUPPLY LINES- DISCONNECT ALL ELECTRIC, SEWER AND WATER LINES AND SECURE PROPERLY.
10. ENTRANCE DOOR STEP- PLACE IN RETRACTED POSITION FOR TRAVELING.

READ YOUR MOTOR HOME AND CHASSIS OWNER'S
MANUAL FOR FURTHER PRECAUTIONS

KEY PART NUMBER U/M DESCRIPTION
056259-01-000 EA LABEL - SAFETY CHECK LIST

UNLEADED FUEL ONLY

KEY PART NUMBER U/M DESCRIPTION
062043-01-000 EA LABEL - FUEL - UNLEADED

WARNING DISCONNECT BATTERIES BEFORE
CONNECTING EXTERNAL CHARGING EQUIPMENT.

KEY PART NUMBER U/M DESCRIPTION
065748-01-000 EA LABEL - WARNING - BATTERY CHARGING - UL

AVERTISSEMENT : DEBRANCHER LES BATTERIES AVANT
DE BRANCHER TOUT EQUIPEMENT DE CHARGE EXTERIEUR.

KEY PART NUMBER U/M DESCRIPTION
065748-02-000 EA LABEL - WARNING - BATTERY CHARGING - CSA - CANADIAN

DIESEL FUEL ONLY

KEY PART NUMBER U/M DESCRIPTION
068383-01-000 EA LABEL - DIESEL FUEL

VEHICLE EMISSION CONTROL INFORMATION
THIS VEHICLE CONFORMS TO U.S. EPA
REGULATIONS APPLICABLE TO XXXX MODEL
YEAR NEW VEHICLES.

072887-01-000-2 CATALYST

KEY PART NUMBER U/M DESCRIPTION
072887-14-000 EA LABEL - EPA - 2003 MODEL YEAR

LABELS GROUP (CONTINUED)

IF YOU SMELL GAS

1. EXTINGUISH ANY OPEN FLAME, PILOT LIGHTS AND ALL SMOKING MATERIALS.
2. DO NOT TOUCH ELECTRICAL SWITCHES.
3. SHUT OFF THE GAS SUPPLY AT THE TANK VALVE(S) OR GAS SUPPLY CONNECTION.
4. OPEN DOORS AND OTHER VENTILATING OPENINGS.
5. LEAVE THE AREA UNTIL ODOR CLEARS.
6. HAVE THE GAS SYSTEM CHECKED AND LEAKAGE SOURCE CORRECTED BEFORE USING AGAIN.

KEY PART NUMBER U/M DESCRIPTION
 073998-01-000 EA LABEL - LPG ODOR WARNING

WARNING: TEST SMOKE DETECTOR
 OPERATION AFTER VEHICLE HAS BEEN IN
 STORAGE, BEFORE EACH TRIP AND AT
 LEAST ONCE PER WEEK DURING USE.

KEY PART NUMBER U/M DESCRIPTION
 077956-01-000 EA LABEL - WARNING - SMOKE DETECTOR

DO NOT FILL
 LP-GAS CONTAINER(S)
 TO MORE THAN 80%
 OF CAPACITY.

KEY PART NUMBER U/M DESCRIPTION
 079965-01-000 EA LABEL - LPG - 80% CAPACITY

WARNING
 MUST BE STOWED
 IN LATCHED POSITION
 WHILE VEHICLE IS IN MOTION

KEY PART NUMBER U/M DESCRIPTION
 079966-01-000 EA LABEL - WARNING - STOWED - MOTION

W
A
T
E
R

H
E
A
T
E
R

ON
|
OFF

KEY PART NUMBER U/M DESCRIPTION
 083588-01-000 EA LABEL - ON/OFF - WATER HEATER

E
N
G
I
N
E

H
E
A
T
E
R

ON
|
OFF

KEY PART NUMBER U/M DESCRIPTION
 083588-02-000 EA LABEL - ON/OFF - ENGINE HEATER
 083588-04-000 EA LABEL - ON/OFF - ENGINE HEATER

LABELS GROUP (CONTINUED)

| | |
|---|--|
| <p>CAUTION</p> | <p>TO HELP AVOID PERSONAL INJURY DURING REMOVAL OF FUEL FILLER CAP, SLOWLY LOOSEN CAP 1/2 TURN TO ALLOW ANY FUEL PRESSURE TO BE RELIEVED BEFORE TURNING CAP FURTHER.</p> |
| <p>FUEL SPRAY MAY CAUSE PERSONAL INJURY</p> | <p>STOP ADDING FUEL AFTER FIRST SHUTOFF BY AUTOMATIC NOZZLE WHEN TANK IS NEARLY FULL. DO NOT OVERFILL FUEL TANK.</p> <p>SEE OWNERS MANUAL FOR ADDITIONAL INFORMATION.</p> <p style="font-size: small;">PRINTED IN U.S.A. WLC PT NO 15611763</p> |

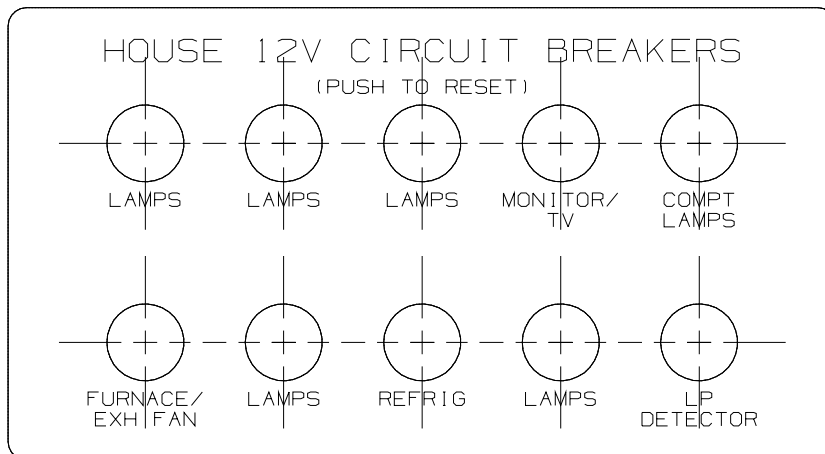
KEY PART NUMBER U/M DESCRIPTION
 087207-05-000 EA LABEL - FUEL CAP REMOVAL



KEY PART NUMBER U/M DESCRIPTION
 087236-01-000 EA LABEL - CABLE - INPUT

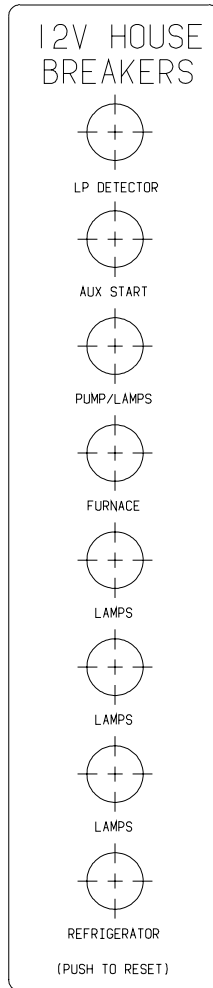


KEY PART NUMBER U/M DESCRIPTION
 087236-02-000 EA LABEL - TV OUTLET

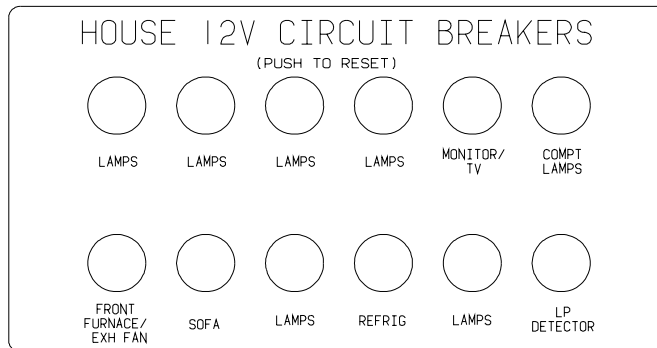


KEY PART NUMBER U/M DESCRIPTION
 092547-06-000 EA LABEL - CIRCUIT BREAKER

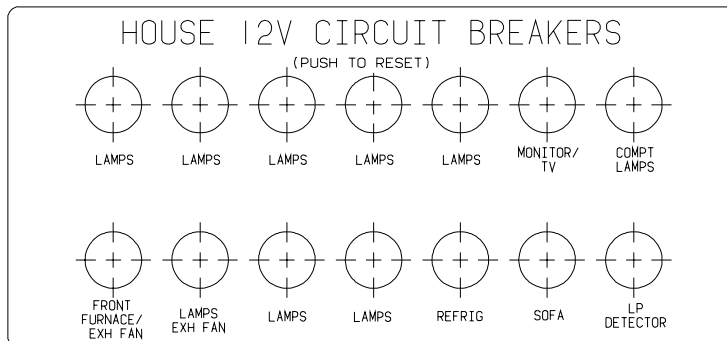
LABELS GROUP (CONTINUED)



| KEY | PART NUMBER | U/M DESCRIPTION |
|-----|---------------|----------------------------|
| | 092547-08-000 | EA LABEL - CIRCUIT BREAKER |

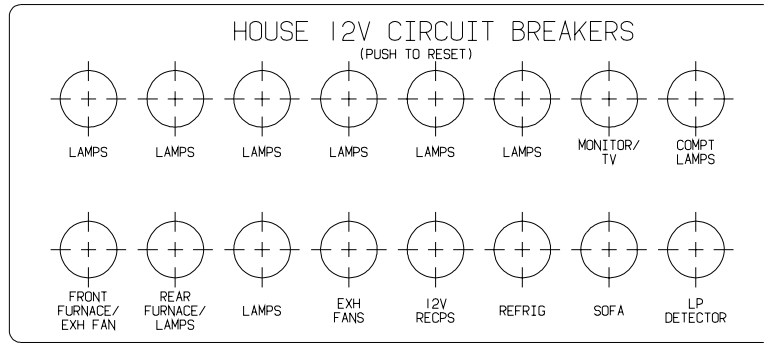


| KEY | PART NUMBER | U/M DESCRIPTION |
|-----|---------------|----------------------------|
| | 092547-10-000 | EA LABEL - CIRCUIT BREAKER |

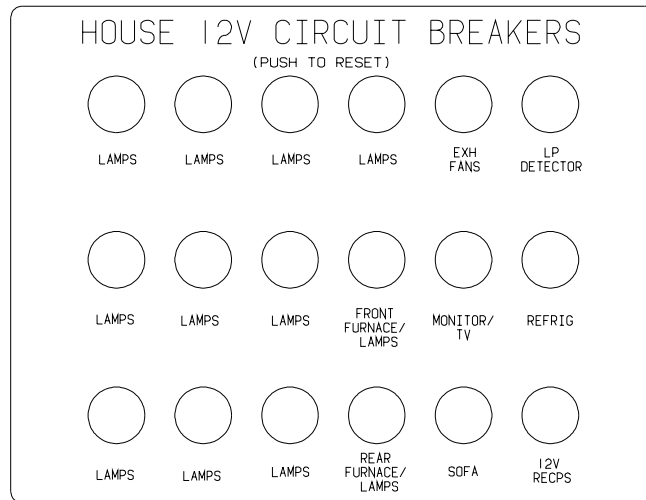


| KEY | PART NUMBER | U/M DESCRIPTION |
|-----|---------------|----------------------------|
| | 092547-12-000 | EA LABEL - CIRCUIT BREAKER |

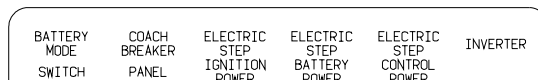
LABELS GROUP (CONTINUED)



KEY PART NUMBER U/M DESCRIPTION
 092547-13-000 EA LABEL - CIRCUIT BREAKER

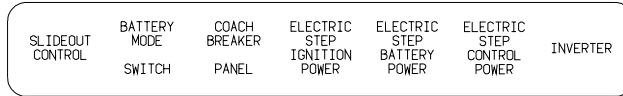


KEY PART NUMBER U/M DESCRIPTION
 092547-14-000 EA LABEL - CIRCUIT BREAKER

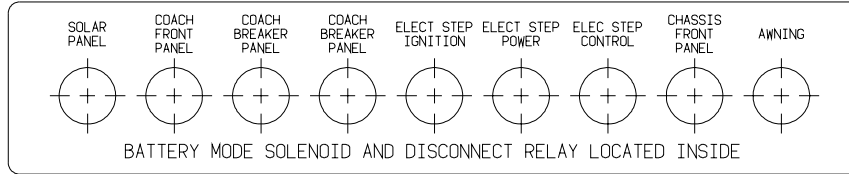


KEY PART NUMBER U/M DESCRIPTION
 093236-08-000 EA LABEL - CIRCUIT BREAKER

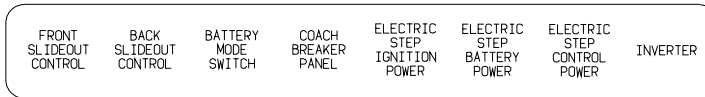
LABELS GROUP (CONTINUED)



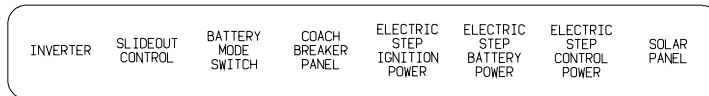
KEY PART NUMBER U/M DESCRIPTION
 093236-21-000 EA LABEL - CIRCUIT BREAKER



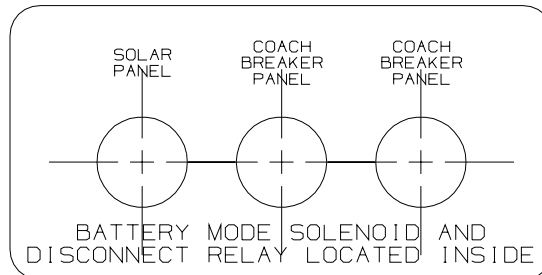
KEY PART NUMBER U/M DESCRIPTION
 093236-26-000 EA LABEL - CIRCUIT BREAKER



KEY PART NUMBER U/M DESCRIPTION
 093236-28-000 EA LABEL - CIRCUIT BREAKER

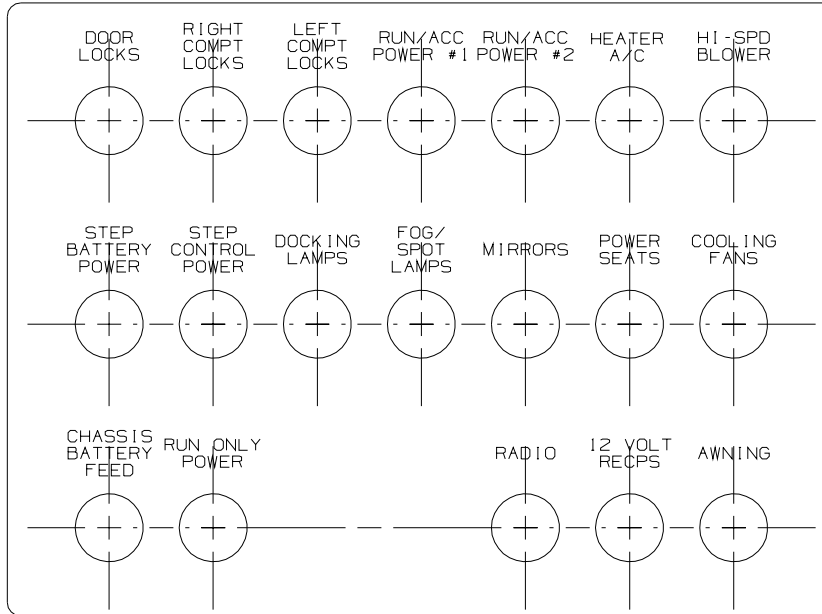


KEY PART NUMBER U/M DESCRIPTION
 093236-29-000 EA LABEL - CIRCUIT BREAKER



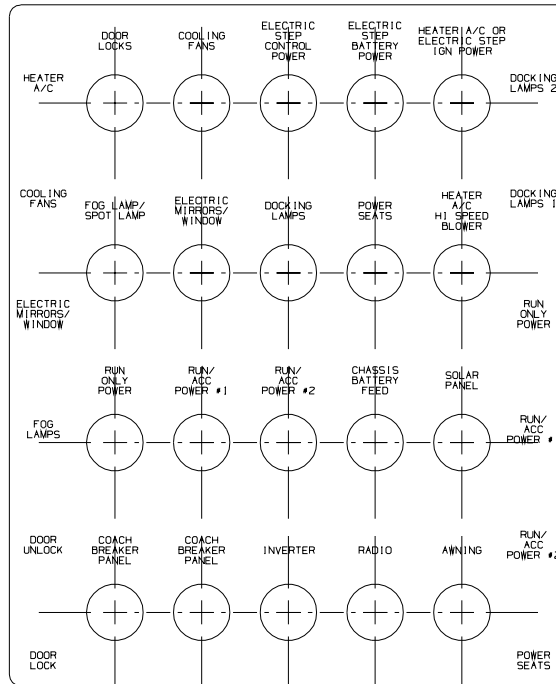
KEY PART NUMBER U/M DESCRIPTION
 093236-31-000 EA LABEL - CIRCUIT BREAKER

LABELS GROUP (CONTINUED)



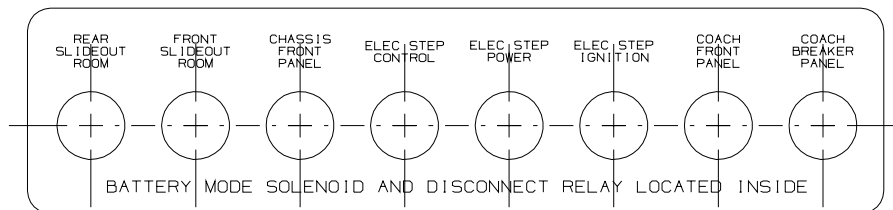
KEY PART NUMBER
093236-32-000

U/M DESCRIPTION
EA LABEL - CIRCUIT BREAKER



KEY PART NUMBER
093236-33-000

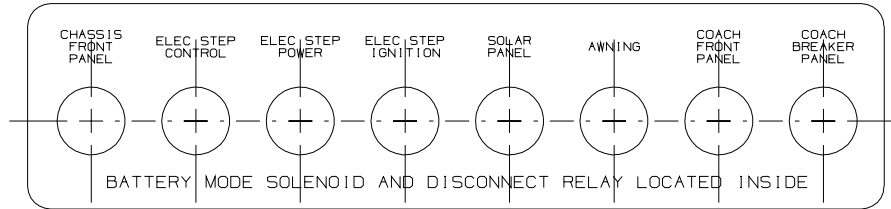
U/M DESCRIPTION
EA LABEL - CIRCUIT BREAKER



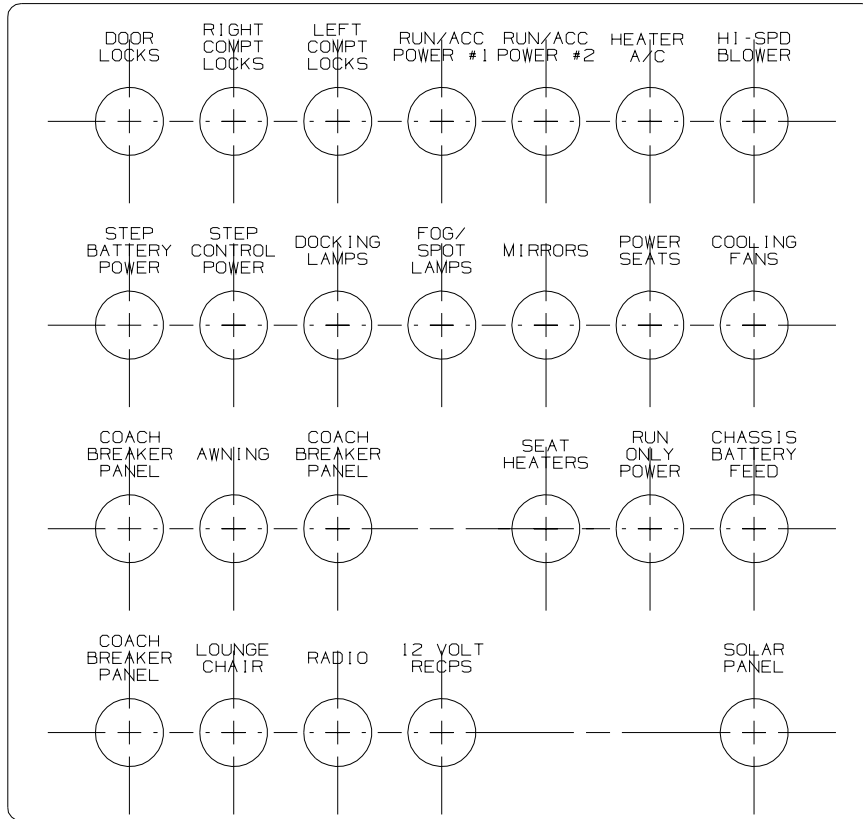
KEY PART NUMBER
093236-34-000

U/M DESCRIPTION
EA LABEL - CIRCUIT BREAKER

LABELS GROUP (CONTINUED)



| | |
|---|--|
| KEY PART NUMBER 093236-35-000 | U/M DESCRIPTION EA LABEL - CIRCUIT BREAKER |
|---|--|



| | |
|---|--|
| KEY PART NUMBER 093236-37-000 | U/M DESCRIPTION EA LABEL - CIRCUIT BREAKER |
|---|--|

LABELS GROUP (CONTINUED)

| | | | | | |
|---------------------------------|--|--------------------------------|--------------------------------|--------------------------------|---|
| S U B M A I N | D I S H W A S H E R | R E C P S 1 | R E C P S 2 | R E C P S 3 | M I C R O W A V E |
|---------------------------------|--|--------------------------------|--------------------------------|--------------------------------|---|

KEY PART NUMBER U/M DESCRIPTION
 095721-20-000 EA LABEL - CONTROL CENTER W/INVERTER

| | | | | | | | | | |
|---|------------------|---|---|---|--------------------------------|--------------------------------|--------------------------------|--|--|
| A / C C I R C U I T 1 | M A I N | A / C C I R C U I T 2 | R E F R I G / C O N V | M I C R O W A V E | R E C P S 1 | R E C P S 2 | R E C P S 3 | | |
|---|------------------|---|---|---|--------------------------------|--------------------------------|--------------------------------|--|--|

KEY PART NUMBER U/M DESCRIPTION
 095721-27-000 EA LABEL - CONTROL CENTER - 30 AMP

| | | | | | | | | | | |
|---|------------------|---|---|---|--------------------------------|--------------------------------|--------------------------------|--|---|--|
| A / C C I R C U I T 1 | M A I N | A / C C I R C U I T 2 | R E F R I G / C O N V | M I C R O W A V E | R E C P S 1 | R E C P S 2 | R E C P S 3 | W A S H E R / D R Y E R | W A T E R H E A T E R | |
|---|------------------|---|---|---|--------------------------------|--------------------------------|--------------------------------|--|---|--|

KEY PART NUMBER U/M DESCRIPTION
 095721-31-000 EA LABEL - CONTROL CENTER - 30 AMP - US

LABELS GROUP (CONTINUED)

| | | | | | | | | | | |
|-----------------------|------------------|------------------|-----------------------|---|---|--------------------------------|--------------------------------|--------------------------------|--|---|
| A / C CIRCUIT 1 | M A I N | M A I N | A / C CIRCUIT 2 | R E F R I G / C O N V | M I C R O W A V E | R E C P S 1 | R E C P S 2 | R E C P S 3 | W A S H E R / D R Y E R | W A T E R H E A T E R |
|-----------------------|------------------|------------------|-----------------------|---|---|--------------------------------|--------------------------------|--------------------------------|--|---|

KEY PART NUMBER U/M DESCRIPTION
 095721-33-000 EA LABEL - CONTROL CENTER - 50 AMP - US

| | | | | | |
|------------------|---|--|--|--------------------------------------|-------------|
| M A I N | M I C R O W A V E | G F I / R E C E P S | R E F E R / C O N V | W A T E R H T R | A / C |
|------------------|---|--|--|--------------------------------------|-------------|

KEY PART NUMBER U/M DESCRIPTION
 095721-38-000 EA LABEL - CONTROL CENTER - 30 AMP - US

| | | | | | | | | | | |
|-----------------------|------------------|------------------|-----------------------|--|--|---|---|--|---|---|
| A / C CIRCUIT 1 | M A I N | M A I N | A / C CIRCUIT 2 | I N V E R T E R / C H A R G E R | W A S H E R / D R Y E R | W A T E R H E A T E R | W A T E R H E A T E R | D I S H W A S H E R | F I R E P L A C C E / R E C P S 4 | F I R E P L A C C E / R E C P S 4 |
|-----------------------|------------------|------------------|-----------------------|--|--|---|---|--|---|---|

KEY PART NUMBER U/M DESCRIPTION
 095721-44-000 EA LABEL - CONTROL CENTER - 30 AMP - US

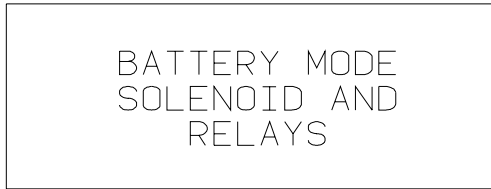
AUTOMOTIVE AND COACH
CIRCUIT BREAKERS

KEY PART NUMBER U/M DESCRIPTION
 098379-01-000 EA LABEL - CIRCUIT BREAKER - FRONT BOX

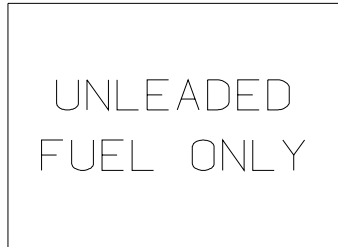
CIRCUIT BREAKERS
AND AUTOMOTIVE
FUSE PANEL

KEY PART NUMBER U/M DESCRIPTION
 098379-03-000 EA LABEL - ELECTRICAL BOX - FRONT

LABELS GROUP (CONTINUED)



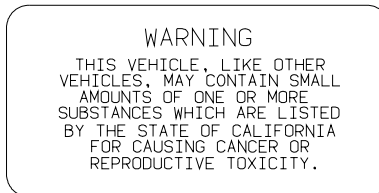
KEY PART NUMBER U/M DESCRIPTION
098379-04-000 EA LABEL - ELECTRICAL BOX - SIDE



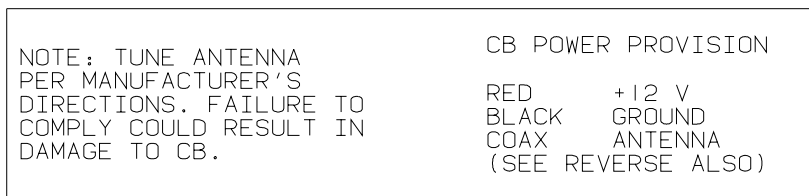
KEY PART NUMBER U/M DESCRIPTION
098641-01-000 EA LABEL - FUEL - UNLEADED - DASH



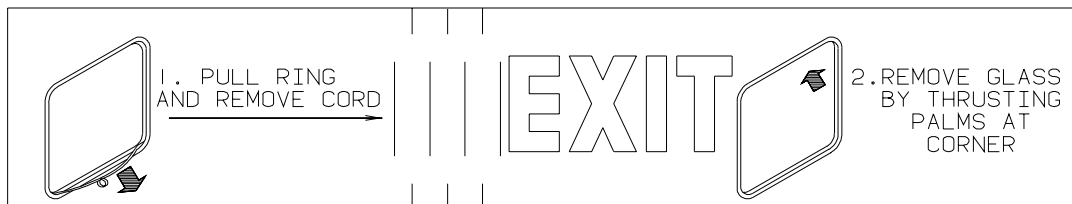
KEY PART NUMBER U/M DESCRIPTION
099509-01-000 EA LABEL - AWNING INSTALLATION



KEY PART NUMBER U/M DESCRIPTION
099689-01-000 EA LABEL - WARNING - CANCER/TOXICITY

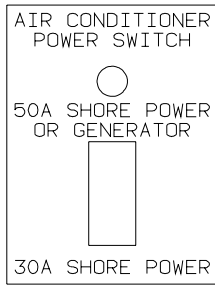


KEY PART NUMBER U/M DESCRIPTION
104678-01-000 EA LABEL - CB PREP



KEY PART NUMBER U/M DESCRIPTION
107571-01-000 EA LABEL - EXIT/ESCAPE WINDOW

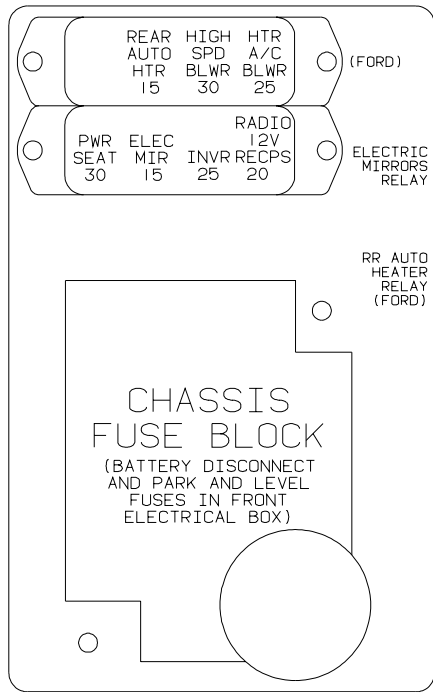
LABELS GROUP (CONTINUED)



| KEY | PART NUMBER | U/M DESCRIPTION |
|-----|---------------|----------------------------------|
| | 109051-02-000 | EA LABEL - SWITCH - 50 AMP POWER |

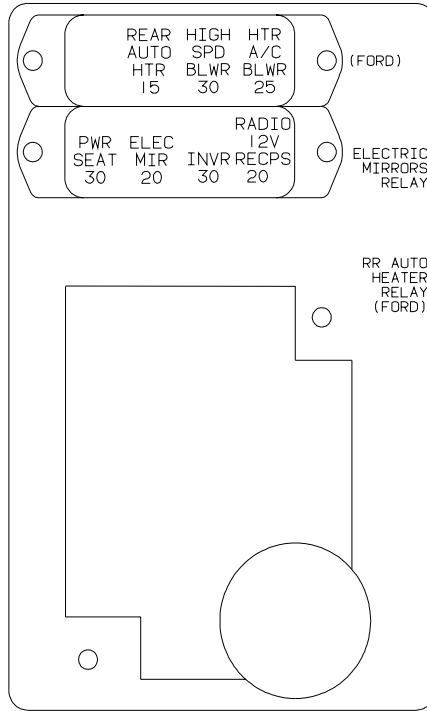


| KEY | PART NUMBER | U/M DESCRIPTION |
|-----|---------------|--|
| | 111104-01-000 | EA LABEL - HITCH - READ MANUAL - WHITE |



| KEY | PART NUMBER | U/M DESCRIPTION |
|-----|---------------|------------------|
| | 111537-08-000 | EA LABEL - FUSES |

LABELS GROUP (CONTINUED)



KEY PART NUMBER U/M DESCRIPTION
 111537-09-000 EA LABEL - FUSES

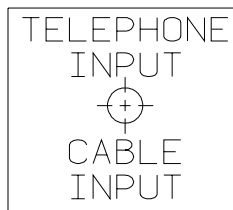
WARNING: CONTAINS "CFC" A SUBSTANCE WHICH HARMS PUBLIC HEALTH AND ENVIRONMENT BY DESTROYING OZONE IN THE UPPER ATMOSPHERE.

KEY PART NUMBER U/M DESCRIPTION
 111802-01-000 EA LABEL - CFC WARNING

CAUTION

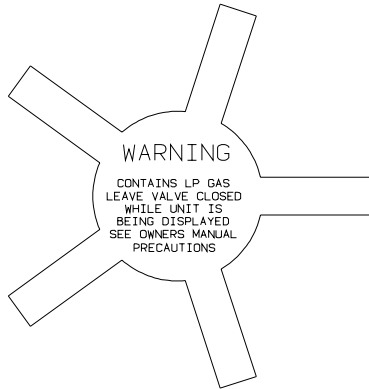
DO NOT LATCH DOOR IN OPEN POSITION IF WATER HEATER CONTROL IS IN THE ON POSITION. WATER HEATER EXHAUST MAY DAMAGE OUTER SURFACE OF DOOR.

KEY PART NUMBER U/M DESCRIPTION
 113402-01-000 EA LABEL - CAUTION - WATER HEATER EXHAUST



KEY PART NUMBER U/M DESCRIPTION
 114866-02-000 EA LABEL - PHONE & CABLE INPUT - WHITE/CLEAR BACKGROUND

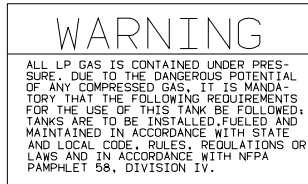
LABELS GROUP (CONTINUED)



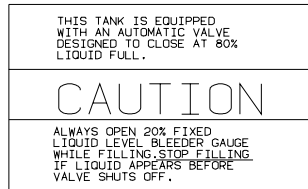
KEY PART NUMBER U/M DESCRIPTION
 115600-01-000 EA LABEL - WARNING LPG VALVE

WARNING: REPLACE TIRE ONLY WITH ONE OF EXACTLY SAME TYPE AND RATING. DO NOT REPLACE WITH PASSENGER CAR TIRE. SEE OPERATOR'S MANUAL FOR MORE INFORMATION CALL WINNEBAGO OWNER RELATIONS AT 1-800-537-1885.

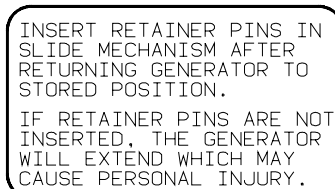
KEY PART NUMBER U/M DESCRIPTION
 115869-01-000 EA LABEL - WARNING - TIRE



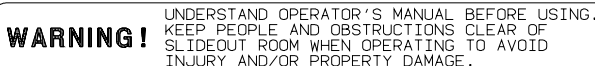
KEY PART NUMBER U/M DESCRIPTION
 116112-01-000 EA LABEL - CAUTION - LP



KEY PART NUMBER U/M DESCRIPTION
 116113-01-000 EA LABEL - CAUTION - LP

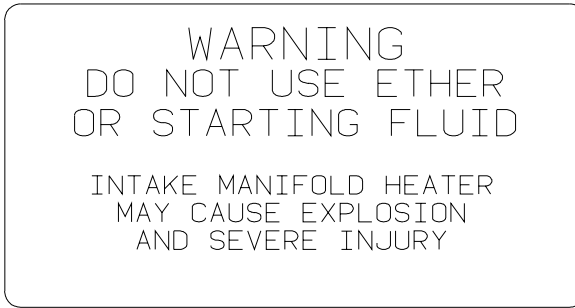


KEY PART NUMBER U/M DESCRIPTION
 116273-01-000 EA LABEL - WARNING - GENERATOR



KEY PART NUMBER U/M DESCRIPTION
 116549-01-000 EA LABEL - WARNING - SLIDEOUT

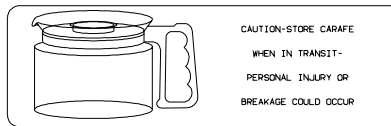
LABELS GROUP (CONTINUED)



| KEY | PART NUMBER | U/M DESCRIPTION |
|-----|---------------|--|
| | 116756-02-000 | EA LABEL - WARNING - ETHER/STARTING - RED W/CLEAR BACKGROUND |
| | 116756-03-000 | EA LABEL - WARNING - ETHER/STARTING - RED W/WHITE BACKGROUND |



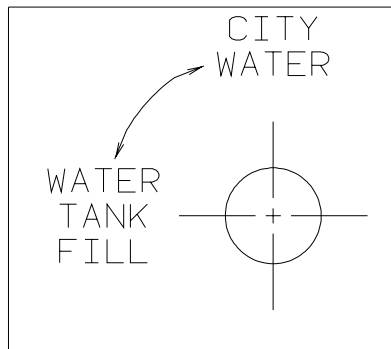
| KEY | PART NUMBER | U/M DESCRIPTION |
|-----|---------------|---------------------------------|
| | 116775-01-000 | EA LABEL/CAUTION - TRAVEL LATCH |



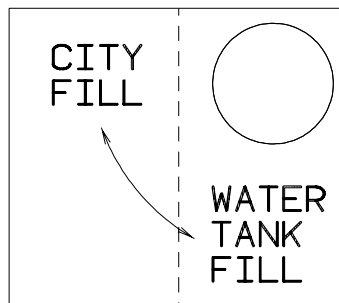
| KEY | PART NUMBER | U/M DESCRIPTION |
|-----|---------------|------------------------|
| | 116829-02-000 | EA LABEL - COFFEEMAKER |



| KEY | PART NUMBER | U/M DESCRIPTION |
|-----|---------------|--|
| | 117628-02-000 | EA LABEL - SWITCH - WATER PUMP/LIGHTS-WHITE/CLEAR BACKGROUND |

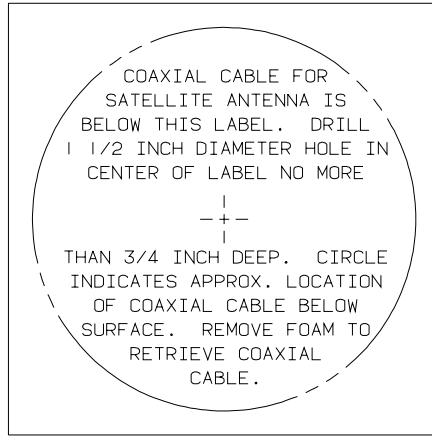


| KEY | PART NUMBER | U/M DESCRIPTION |
|-----|---------------|--|
| | 117629-01-000 | EA LABEL - WATER PUMP/FILL-BLK LETTER/CLEAR BACKGROUND-.24" |
| | 117629-03-000 | EA LABEL - WATER PUMP/FILL-BLK LETTERS/CLEAR BACKGROUND-.31" |

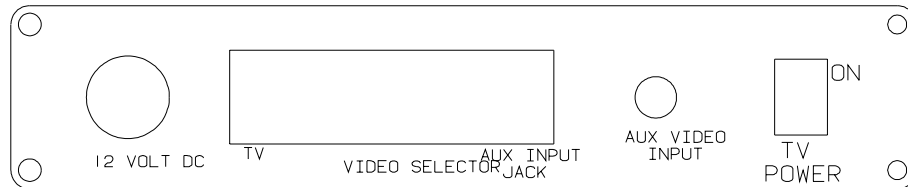


| KEY | PART NUMBER | U/M DESCRIPTION |
|-----|---------------|---------------------------------|
| | 117629-04-000 | EA LABEL - CITY WATER/TANK FILL |

LABELS GROUP (CONTINUED)



KEY PART NUMBER 120431-01-000 **U/M DESCRIPTION**
EA LABEL - LOCATION - COAXIAL CABLE/SATELLITE ANTENNA



KEY PART NUMBER 120677-01-000 **U/M DESCRIPTION**
EA LABEL - TV

KEEP THE SERVICE INLET ACCESS
IN THE CLOSED POSITION WHEN
UTILITY CONNECTIONS ARE NOT IN USE

KEY PART NUMBER 123562-01-000 **U/M DESCRIPTION**
EA LABEL - SERVICE/UTILITY ACCESS

WARNING
ALL PILOT LIGHTS, APPLIANCES AND THIER
IGNITORS (SEE OPERATING INSTRUCTIONS) SHALL
BE TURNED OFF DURING REFUELING OF MOTOR
FUEL TANKS AND/OR LP GAS CONTAINERS

KEY PART NUMBER 124519-01-01A **U/M DESCRIPTION**
EA LABEL - WARNING/REFUELING - BLACK ON CLEAR
124519-01-02A EA LABEL - WARNING/REFUELING - WHITE ON CLEAR

WARNING:
ALL PILOT LIGHTS AND APPLIANCES SHALL BE TURNED
OFF DURING REFUELING OF MOTOR FUEL TANKS AND/
OR PROPANE CONTAINERS.
AVERTISSEMENT:
FERMER TOUTES LES VEILLEUSES AINSI QUE TOUTS LES
APPAREILS LORSQU'ON FAIT LE PLEIN DES RESERVOIRS
À CARBURANT OU À PROPANE.
124519-02

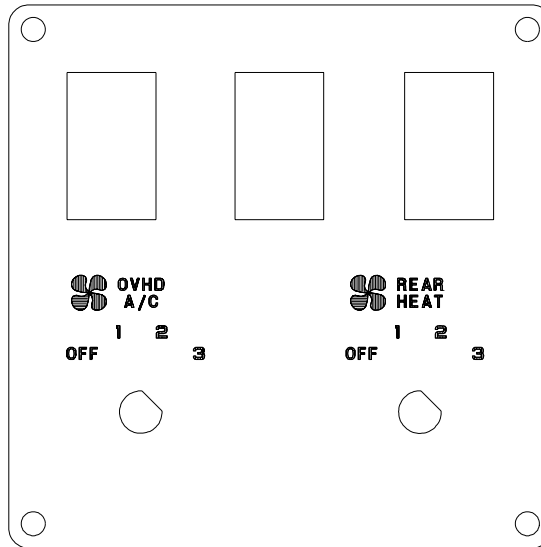
KEY PART NUMBER 124519-02-01A **U/M DESCRIPTION**
EA LABEL - WARNING/REFUELING - BLACK ON CLEAR - CSA
124519-02-02A EA LABEL - WARNING/REFUELING - WHITE ON CLEAR - CSA

LABELS GROUP (CONTINUED)

LP-GAS SYSTEM
 THIS GAS PIPING SYSTEM IS
 DESIGNED FOR USE OF
 LIQUIFIED PETROLEUM GAS
 ONLY. DO NOT CONNECT
 NATURAL GAS TO THIS
 SYSTEM.
 SECURE CAP INLET(S) WHEN NOT
 CONNECTED FOR USE. AFTER TURNING
 ON GAS, EXCEPT AFTER NORMAL
 CONTAINER REPLACEMENT, TEST GAS
 PIPING AND CONNECTIONS TO
 APPLIANCES FOR LEAKAGE WITH SOAPY
 WATER OR BUBBLE SOLUTION. DO NOT
 USE PRODUCTS THAT CONTAIN AMMONIA
 OR CLORINE.

124520

| KEY | PART NUMBER | U/M | DESCRIPTION |
|-----|---------------|-----|--------------------------------------|
| | 124520-01-01A | EA | LABEL - LP GAS ONLY - BLACK ON CLEAR |
| | 124520-01-02A | EA | LABEL - LP GAS ONLY - WHITE ON CLEAR |



| KEY | PART NUMBER | U/M | DESCRIPTION |
|-----|---------------|-----|------------------|
| | 124572-01-000 | EA | LABEL - SWITCHES |

THIS CONNECTION IS FOR
 (B) VOLT AC, 60 HZ(CYCLES)
 (A) AMPERE SUPPLY

DO NOT CONNECT TO
 HIGHER VOLTAGE

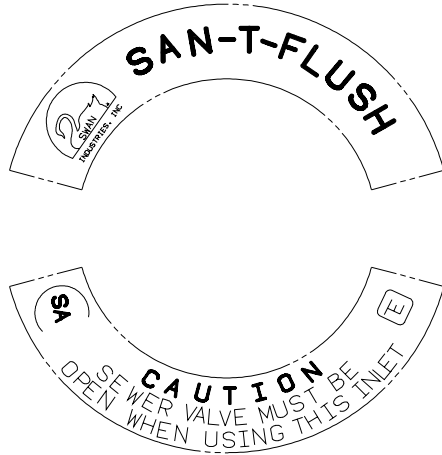
| KEY | PART NUMBER | U/M | DESCRIPTION |
|-----|---------------|-----|--|
| | 125306-01-01A | EA | LABEL - ELECTRICAL ENTRANCE - 110V 30 AMP - BLACK ON CLEAR |

LABELS GROUP (CONTINUED)

THIS CONNECTION IS FOR
 (B) VOLT AC, 3-POLE, 4 WIRE
 60 HZ (CYCLES), (A) AMPERE SUPPLY

DO NOT CONNECT TO
 HIGHER VOLTAGE

| KEY | PART NUMBER | U/M | DESCRIPTION |
|-----|---------------|-----|--|
| | 125306-04-01A | EA | LABEL-ELECTRICAL ENTRANCE-120/240V 50 AMP-BLACK ON CLEAR |
| | 125306-04-02A | EA | LABEL - ELECTRICAL ENTRANCE-120/240V 50 AMP-WHITE ON CLEAR |



| KEY | PART NUMBER | U/M | DESCRIPTION |
|-----|---------------|-----|-----------------------------------|
| | 125697-07-000 | EA | LABEL - CAUTION - FLUSHING SYSTEM |

REMOVE PRIMARY TIRE HANGER BEFORE USING
 SPARE TIRE HOIST-SEE OWNERS MANUAL - PERSONAL
 INJURY MAY RESULT IF NOT FOLLOWED

| KEY | PART NUMBER | U/M | DESCRIPTION |
|-----|---------------|-----|-----------------------------|
| | 126024-01-01A | EA | LABEL - TIRE HANGER REMOVAL |

GRAY HOLDING TANK

| KEY | PART NUMBER | U/M | DESCRIPTION |
|-----|---------------|-----|--|
| | 126247-01-000 | EA | LABEL - GRAY HOLDING TANK-WHITE LETTERS/CLEAR BACKGROUND |
| | 126247-05-000 | EA | LABEL - GRAY HOLDING TANK-BLACK LETTERS/CLEAR BACKGROUND |

BLACK HOLDING TANK

| KEY | PART NUMBER | U/M | DESCRIPTION |
|-----|---------------|-----|---|
| | 126247-02-000 | EA | LABEL - BLACK HOLDING TANK-WHITE LETTERS/BLACK BACKGROUND |
| | 126247-06-000 | EA | LABEL - BLACK HOLDING TANK-BLACK LETTERS/CLEAR BACKGROUND |

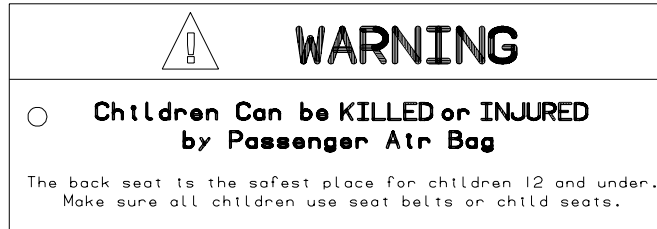
EXTERIOR SHOWER

| KEY | PART NUMBER | U/M | DESCRIPTION |
|-----|---------------|-----|-------------------------|
| | 126248-03-000 | EA | LABEL - EXTERIOR SHOWER |

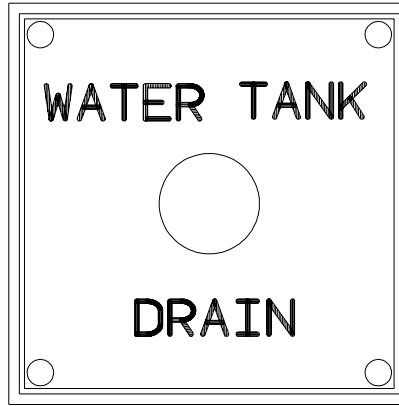
CITY WATER FILL

| KEY | PART NUMBER | U/M | DESCRIPTION |
|-----|---------------|-----|---|
| | 126249-03-000 | EA | LABEL - CITY WATER FILL-BLK LETTERS/CLEAR BACKGROUND .31" |

LABELS GROUP (CONTINUED)



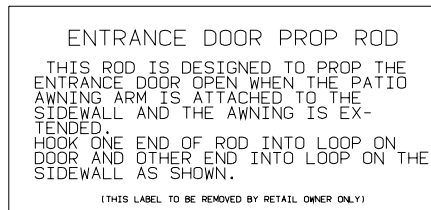
KEY PART NUMBER U/M DESCRIPTION
 126612-01-000 EA LABEL - HANG TAG - AIR BAG - DASH



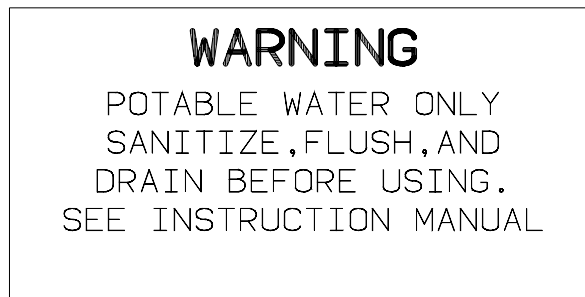
KEY PART NUMBER U/M DESCRIPTION
 127170-01-000 EA LABEL - WATER TANK DRAIN



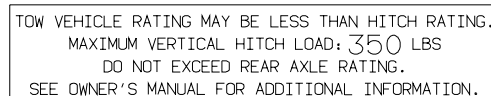
KEY PART NUMBER U/M DESCRIPTION
 128218-01-01A EA LABEL - WARNING - SLIPPERY ROOF



KEY PART NUMBER U/M DESCRIPTION
 128658-01-000 EA LABEL - PROP ROD - ENTRY DOOR



KEY PART NUMBER U/M DESCRIPTION
 128725-01-01A EA LABEL - POTABLE WATER ONLY - BLACK ON CLEAR

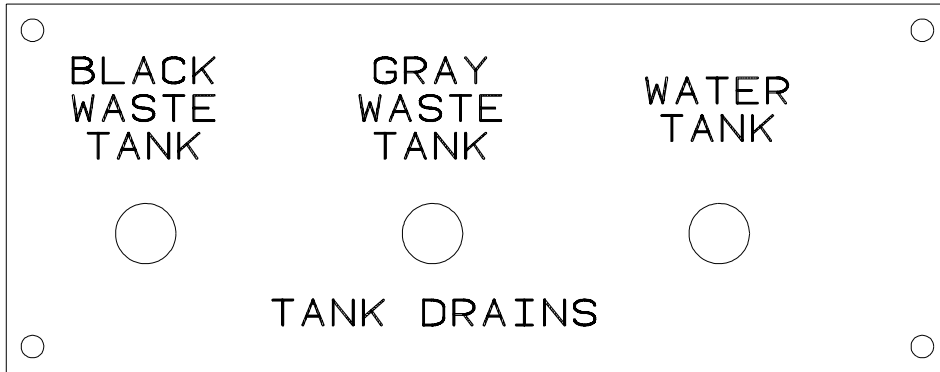


KEY PART NUMBER U/M DESCRIPTION
 129669-01-01A EA LABEL - HITCH/VEHICLE RATE - 350 - WHITE ON CLEAR
 129669-01-02A EA LABEL - HITCH/VEHICLE RATE - 350 - BLACK ON CLEAR
 129669-02-01A EA LABEL - HITCH/VEHICLE RATE - 500 - WHITE ON CLEAR
 129669-02-02A EA LABEL - HITCH/VEHICLE RATE - 500 - BLACK ON CLEAR

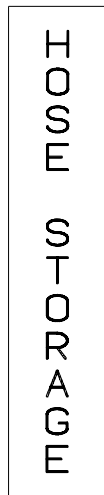
LABELS GROUP (CONTINUED)

| |
|--|
| TIRE ROTATION SEE RIALTA OWNERS MANUAL SECTION 9 |
|--|

KEY PART NUMBER U/M DESCRIPTION
 129684-01-000 EA LABEL - TIRE ROTATION



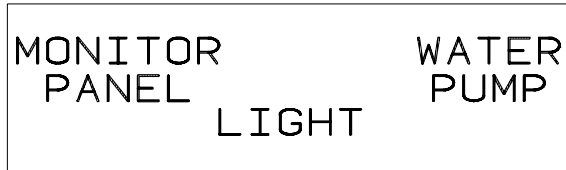
KEY PART NUMBER U/M DESCRIPTION
 130166-01-000 EA LABEL - DRAIN



KEY PART NUMBER U/M DESCRIPTION
 130167-02-000 EA LABEL - HOSE STORAGE



KEY PART NUMBER U/M DESCRIPTION
 130168-01-000 EA LABEL - WASTE TANK FLUSH

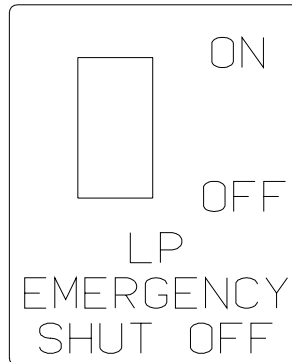


KEY PART NUMBER U/M DESCRIPTION
 130170-01-000 EA LABEL - SWITCH PANEL - BLK/CLEAR BACKGROUND-1.8"H X 5.9"L

LABEL GROUP (CONTINUED)



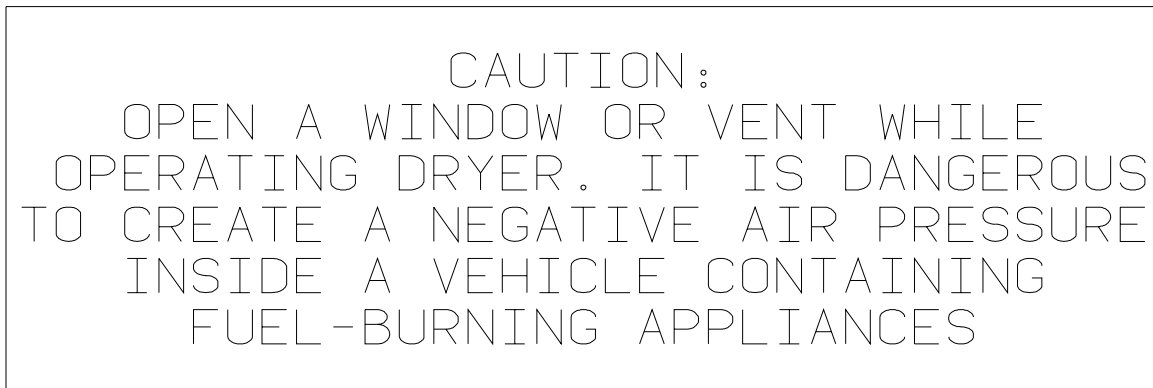
KEY PART NUMBER U/M DESCRIPTION
 130170-02-000 EA LABEL - SWITCH PANEL-BLK/CLEAR BACKGROUND-1.4"H X 3.9"L



KEY PART NUMBER U/M DESCRIPTION
 130170-04-000 EA LABEL - SWITCH PANEL



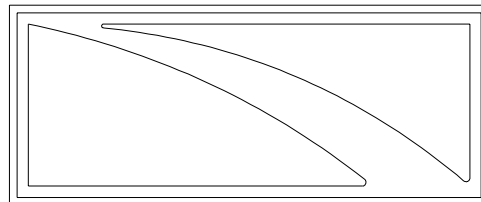
KEY PART NUMBER U/M DESCRIPTION
 130170-05-000 EA LABEL - SWITCH PANEL



KEY PART NUMBER U/M DESCRIPTION
 130670-01-01A EA LABEL - CAUTION DRYER VENTING - BLACK ON CLEAR

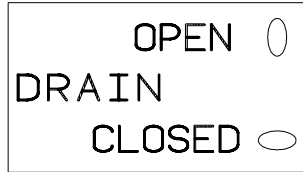


KEY PART NUMBER U/M DESCRIPTION
 131779-01-01A EA LABEL - GENERATOR



KEY PART NUMBER U/M DESCRIPTION
 132651-01-01A EA DECAL - MIRROR/GALLEY

LABEL GROUP (CONTINUED)



KEY PART NUMBER U/M DESCRIPTION
133423-01-01A EA LABEL - DRAIN



KEY PART NUMBER U/M DESCRIPTION
133424-01-01A EA LABEL - WATER HEATER BYPASS - BLACK/CLEAR



KEY PART NUMBER U/M DESCRIPTION
133424-02-01A EA LABEL - NORMAL OPERATION



KEY PART NUMBER U/M DESCRIPTION
133424-03-01A EA LABEL - WATER HEATER BYPASS - BLACK/CLEAR



KEY PART NUMBER U/M DESCRIPTION
133533-01-01A EA LABEL - JACKS DOWN - CLEAR W/WHITE LETTERING



KEY PART NUMBER U/M DESCRIPTION
133533-02-01A EA LABEL - CHECK ANTENNA - CLEAR W/WHITE LETTERING



KEY PART NUMBER U/M DESCRIPTION
133533-03-01A EA LABEL - LOCK/UNLOCK - BLACK/WHITE



KEY PART NUMBER U/M DESCRIPTION
133533-04-01A EA LABEL - WINDOW/MIRROR HEAT- BLACK/CLEAR



KEY PART NUMBER U/M DESCRIPTION
133533-05-01A EA LABEL - SUNVISOR - DRIVER/PASSENGER - BLACK/CLEAR

LABELS GROUP (CONTINUED)

| | |
|-----------------------|--------------|
| SUNVISOR PASSENGER | MAP LIGHT |
|-----------------------|--------------|

KEY PART NUMBER U/M DESCRIPTION
 133533-06-01A EA LABEL - MAP LIGHT/SUNVISOR - BLACK/CLEAR

| | | | |
|--------------------------|---|--------|---|
| TO SATELLITE RECEIVER | | | |
| ○ | ○ | ○ | ○ |
| DISH INPUT | | OUTPUT | |

KEY PART NUMBER U/M DESCRIPTION
 134250-01-01A EA LABEL - SATELLITE RECEIVER - BLACK/CLEAR

| |
|--|
| THIS CHAIR IS NOT INTENDED FOR OCCUPANCY WHEN VEHICLE IS IN MOTION AND MUST BE RETURNED TO STOWED POSITION |
|--|

| | |
|--|--|
| DTS ISICE SIEGE N/EST PAS DESTINE A ETRE OCCUPE LORSQUE LE VEHICULE EST IN MOVEMENT ET IL FAUT QUE LE RANGER | THIS CHAIR IS NOT INTENDED FOR OCCUPANCY WHEN VEHICLE IS IN MOTION AND MUST BE RETURNED TO STOWED POSITION |
|--|--|

KEY PART NUMBER U/M DESCRIPTION
 134537-01-01A EA LABEL - OCCUPANCY - CHAIR - US

| |
|---|
| THIS SEAT IS NOT INTENDED FOR OCCUPANCY WHEN VEHICLE IS IN MOTION |
|---|

KEY PART NUMBER U/M DESCRIPTION
 134538-01-01A EA LABEL - OCCUPANCY - NO SEAT BELT - BLACK ON CLEAR - US

| | |
|---|--|
| DST ISICE SIEGE N/EST PAS DESTINE A ETRE OCCUPE LORSQUE LE VEHICULE EST IN MOVUVEMENT | THIS SEAT IS NOT INTENDED FOR OCCUPANCY WHILE VEHICLE IS IN MOTION |
|---|--|

KEY PART NUMBER U/M DESCRIPTION
 134538-02-01A EA LABEL - OCCUPANCY - NO SEAT BELT - BLACK ON CLEAR - CSA

| |
|---|
| <p style="font-size: 1.2em; margin: 0;">WARNING</p> <p style="margin: 5px 0;">IT IS NOT SAFE TO USE COOKING APPLICANCES FOR COMFORT HEATING</p> <p style="margin: 10px 0;">COOKING APPLICANCES NEED FRESH AIR FOR SAFE OPERATION BEFORE OPERATION.</p> <p style="margin: 10px 0;">1. OPEN OVERHEAD VENT OR TURN ON EXHAUST FAN AND; 2. OPEN WINDOW.</p> |
|---|

KEY PART NUMBER U/M DESCRIPTION
 134539-01-01A EA LABEL - WARNING - STOVE/HEATING - US - BLACK ON CLEAR

LABELS GROUP (CONTINUED)

| | |
|---|--|
| TO ENSURE A SUPPLY OF FRESH AIR TO OCCUPANTS, OPEN VENTILATORS WHEN FUEL-BURNING RANGE, FUEL-BURNING CARRY-ON APPLIANCES AND/OR FUEL-BURNING LIGHTS ARE IN OPERATION. | DE MANIERE A ASSURER UNE ALIMENTATION EN AIR FRAIS AUX OCCUPANTS, OUVRIER LES VENTILATEURS LORSQUE LA CUISINIERE LES APPAREILS DE CHAUFFAGE PORTABLES ET/OU LES LAMPES DE COMBUSTION D'HUILE SONT EN FONCTIONNEMENT. |
| COOKING APPLIANCES SHOULD NOT BE USED FOR SPACE HEATING PURPOSES. | LES APPAREILS DE CUISSON NE DOIVENT PAS SERVIR AU CHAUFFAGE DES LOCAUX. |

KEY PART NUMBER U/M DESCRIPTION
 134540-01-01A EA LABEL - WARNING - STOVE/HEATING - CSA - BLACK ON CLEAR

HOLDING TANK HEATER
 TURN OFF WHEN NOT IN USE
 SEE OPERATOR'S MANUAL

KEY PART NUMBER U/M DESCRIPTION
 134563-01-01A EA LABEL - SWITCH - HEATER

THIS VEHICLE MAY INCLUDE MERCURY-CONTAINING DEVICES INSTALLED BY THE MANUFACTURER:
FLUORESCENT TUBES, RANGES WITH OVEN, HWH LEVEL SENSING UNIT.

REMOVE DEVICES BEFORE VEHICLE DISPOSAL UPON REMOVAL OF DEVICES: PLEASE REUSE, RECYCLE, OR DISPOSE AS HAZARDOUS WASTE

135869-01A

KEY PART NUMBER U/M DESCRIPTION
 135869-01-01A EA LABEL - MERCURY CONTENT - BLACK ON CLEAR
 135869-01-02A EA LABEL - MERCURY CONTENT - WHITE ON CLEAR

LIQUID SOAP

KEY PART NUMBER U/M DESCRIPTION
 136047-01-01A EA LABEL - LIQUID SOAP

| | | | | | | | |
|---------------|---------------|-----------------------|-------------------------|----------------------|------------------------------|--------------------|------------|
| DOOR LOCK | DOOR UNLOCK | RIGHT COMPT DOOR LOCK | RIGHT COMPT DOOR UNLOCK | LEFT COMPT DOOR LOCK | LEFT COMPT DOOR UNLOCK | AUX START SOLENOID | AMP SOURCE |
| POWER MIRRORS | HEATER BLOWER | PASS HEATER BLOWER | FOG LAMPS | DOCKING LAMPS | DOCKING LAMPS SWITCH TRIGGER | COOLING FANS | |

KEY PART NUMBER U/M DESCRIPTION
 136161-01-01A EA LABEL - RELAY - MATTE BLACK/WHITE LETTERS

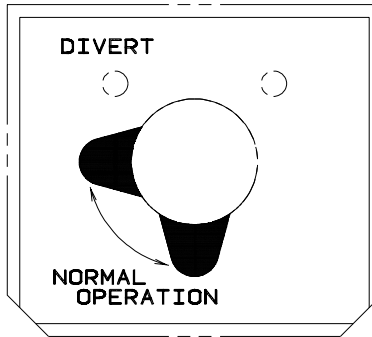
| | | | | | | | | |
|---------------|---------------|-----------------------|-------------------------|----------------------|------------------------------|--------------------|------------------|-------------|
| DOOR LOCK | DOOR UNLOCK | RIGHT COMPT DOOR LOCK | RIGHT COMPT DOOR UNLOCK | LEFT COMPT DOOR LOCK | LEFT COMPT DOOR UNLOCK | AUX START SOLENOID | RUN/ACC POWER #1 | POWER SEATS |
| POWER MIRRORS | HEATER BLOWER | RUN ONLY POWER | FOG LAMPS | DOCKING LAMPS | DOCKING LAMPS SWITCH TRIGGER | COOLING FANS | RUN/ACC POWER #2 | |

KEY PART NUMBER U/M DESCRIPTION
 136161-02-01A EA LABEL - RELAY - BLACK/WHITE

LT - AIR BAGS - RT

KEY PART NUMBER U/M DESCRIPTION
 136360-01-01A EA LABEL - AIR BAGS

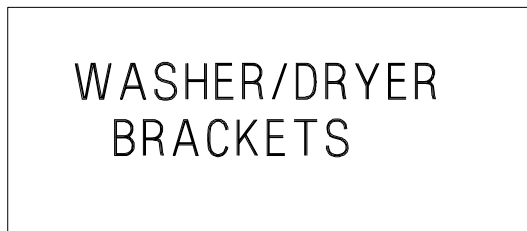
LABELS GROUP (CONTINUED)



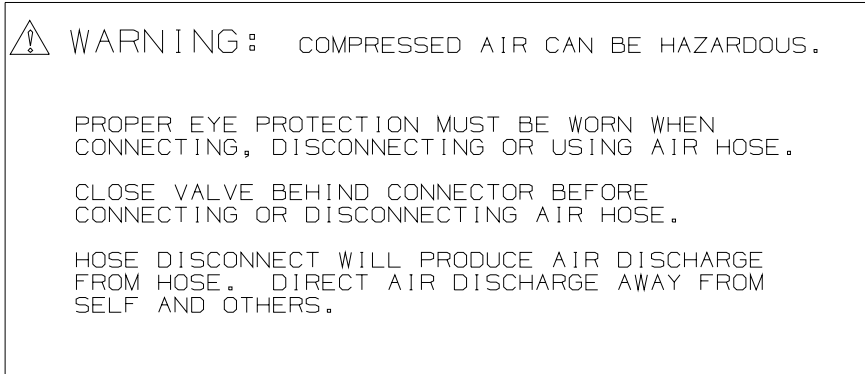
KEY PART NUMBER 137997-01-01A **U/M DESCRIPTION**
EA LABEL - WINTERIZATION VALVE - BLACK/CLEAR



KEY PART NUMBER 140190-01-01A **U/M DESCRIPTION**
EA DECAL/LOGO - V6 (DOMED) - CYAN/MAGENTA/YELLOW/BLACK

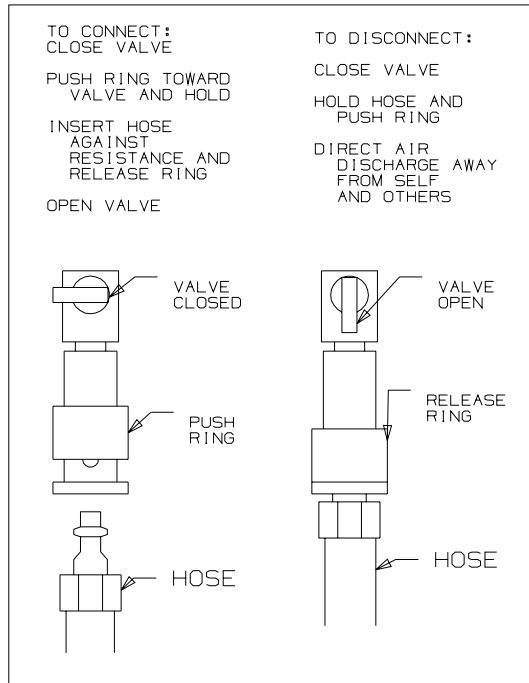


KEY PART NUMBER 141523-01-01A **U/M DESCRIPTION**
EA LABEL - WASHER/DRYER BRACKETS - BLACK/WHITE



KEY PART NUMBER 142771-01-01A **U/M DESCRIPTION**
EA LABEL - WARNING/COMPRESSED AIR - WHITE LETTERING ON CLEAR

LABELS GROUP (CONTINUED)



| | | |
|------------|--------------------|--|
| KEY | PART NUMBER | U/M DESCRIPTION |
| | 142773-01-01A | EA LABEL - CONNECT/COMPRESS AIR - WHITE LETTERING ON CLEAR |



| | | |
|------------|--------------------|------------------------|
| KEY | PART NUMBER | U/M DESCRIPTION |
| | 142908-01-000 | EA LABEL - FREON CHARG |

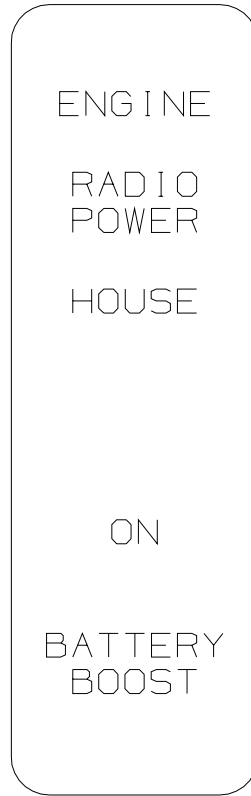


| | | |
|------------|--------------------|--|
| KEY | PART NUMBER | U/M DESCRIPTION |
| | 144183-01-01A | EA LABEL - CAUTION RELEASE CATCH - WHITE/CLEAR |

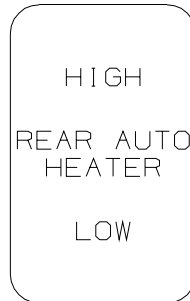


| | | |
|------------|--------------------|--|
| KEY | PART NUMBER | U/M DESCRIPTION |
| | 144649-01-01A | EA LABEL - ADJUSTABLE VALVE - WHITE ON CLEAR |

LABELS GROUP (CONTINUED)



| KEY | PART NUMBER | U/M | DESCRIPTION |
|------------|--------------------|------------|--|
| | 145731-01-01A | EA | LABEL - SWITCH - RADIO/BATTERY - BLACK |



| KEY | PART NUMBER | U/M | DESCRIPTION |
|------------|--------------------|------------|---|
| | 145731-03-01A | EA | LABEL - SWITCH - REAR AUTO HEATER - BLACK |

LABELS GROUP (CONTINUED)



KEY PART NUMBER **U/M DESCRIPTION**
146057-01-01A EA LABEL - LP SHUT OFF - RED LETTER/WHITE BACK

FOR FUTURE INSTALLATION OF WASHER/DRYER EXHAUST DUCT

(A) A CLOTHES DRYER MOISTURE-LINT EXHAUST DUCT SHALL NOT BE CONNECTED TO ANY OTHER DUCT, VENT, OR CHIMNEY.

(B) THE EXHAUST DUCT SHALL BE OF SUFFICIENT LENGTH SO AS NOT TO TERMINATE BENEATH THE RECREATION VEHICLE.

(C) MOISTURE-LINT EXHAUST DUCTS SHALL NOT BE CONNECTED WITH SHEET METAL SCREWS OR OTHER FASTENING DEVICES THAT EXTEND INTO THE INTERIOR OF THE DUCT.

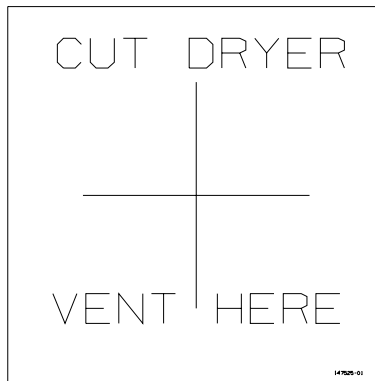
(D) MOISTURE-LINT EXHAUST DUCT AND TERMINATION FITTINGS SHALL BE INSTALLED IN ACCORDANCE WITH THE APPLIANCE MANUFACTURER'S PRINTED INSTRUCTIONS.

(E) SEE MARKED INTERIOR AREA ON SIDEWALL TO LOCATE CUTOUT FOR EXHAUST VENT.

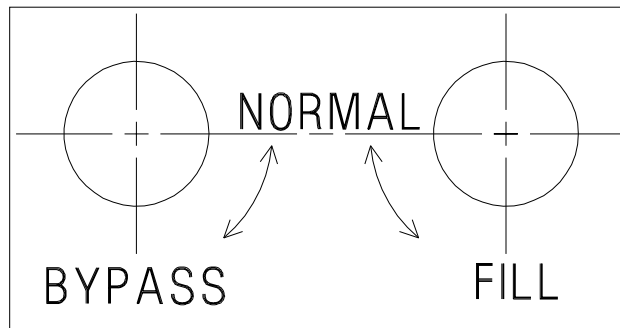
(F) AS PART OF WASHER/DRYER PREP 4 HOLD DOWN BRACKETS WERE SHIPPED WITH YOUR VEHICLE WHICH ARE INTENDED TO BE USED WITH THE WINNEBAGO OFFERED APPLIANCE.

147524-01

KEY PART NUMBER **U/M DESCRIPTION**
147524-01-000 EA LABEL - DRYER VENTING



KEY PART NUMBER **U/M DESCRIPTION**
147525-01-000 EA LABEL - DRYER VENT CUTOUT



KEY PART NUMBER **U/M DESCRIPTION**
147581-01-01A EA LABEL - WATERFILL/BYPASS - BLACK/CLEAR

YOUR MOTORHOME IS EQUIPPED WITH A SEWER HOSE END ELBOW WHICH INCLUDES A CLOSEABLE DRIP VALVE. AFTER PLACING THE END OF THE HOSE ELBOW INTO THE PARK SEWER DISPOSAL OPENING, USE THUMB TO LIFT HANDLE LOCK AND MOVE HANDLE FORWARD TO OPEN VALVE.

NEVER OPERATE TANK VALVES WITHOUT FIRST OPENING THE DRIP VALVE.

AFTER TANKS ARE EMPTY, CLOSE TANK VALVES, THEN PULL HANDLE ON ELBOW TO A VERTICAL CARRYING POSITION TO CLOSE DRIP VALVE. THIS WILL ELIMINATE ANY DRIPPING FROM THE HOSE INTO YOUR STORAGE AREA. SEE OPERATORS MANUAL FOR ADDITIONAL INFORMATION.

147845-01A

KEY PART NUMBER **U/M DESCRIPTION**
147845-01-01A EA LABEL - DRIP VALVE - BLACK/WHITE

LP GROUP
LP SYSTEM

| KEY | PART NUMBER | U/M | DESCRIPTION |
|-----|---------------|-----|---|
| * | 144116-04-000 | EA | TANK - LP - 60 LB - 14"D X 29.75"L |
| | 103613-03-000 | EA | DETECTOR - LP GAS - W/O SHUT-OFF VALVE |
| | | | FROM: 00-00-00 THRU: 02-08-04 |
| | 150138-01-01A | EA | DETECTOR - LP GAS - WHITE |
| | | | FROM: 02-09-04 THRU: 99-99-99 |
| | 150138-01-02A | EA | DETECTOR - LP GAS - BROWN |
| | | | FROM: 02-09-04 THRU: 99-99-99 |
| | 045703-01-000 | EA | HOSE - LP - 3/8"ID X 24" - 3/8"MPT X 1/2"F SWIVEL - U.S. |
| | 045703-02-000 | EA | HOSE - LP - 3/8"ID X 24" - 3/8"MPT X 1/2"F SWIVEL - CANADA |
| | 045703-03-000 | EA | HOSE - LP - 3/8"ID X 18" - 3/8"MPT X 1/2"F SWIVEL - U.S. |
| | 045703-05-000 | EA | HOSE - LP - 3/8"ID X 28" - 3/8"MPT X 1/2"F SWIVEL - U.S. |
| | 045703-06-000 | EA | HOSE - LP - 3/8"ID X 28" - 3/8"MPT X 1/2"F SWIVEL - CANADA |
| | 045703-07-000 | EA | HOSE - LP - 3/8"ID X 10" - 3/8"MPT X 1/2"F SWIVEL - U.S. |
| | 045703-11-000 | EA | HOSE - LP - 3/8"ID X 36" - 3/8"MPT X 3/8"F SWIVEL - UL/CSA |
| | 045703-12-000 | EA | HOSE - LP - 3/8"ID X 18" - 3/8"MPT X 1/2"F SWIVEL - CANADA |
| | 045703-15-000 | EA | HOSE - LP - 3/8"ID X 142" - 1/2"F SWIVEL X 3/8"F SWIVEL |
| | 106150-05-000 | EA | REGULATOR - TWO STAGE - 322E, 322R, 324V, 329B, 329K, 331, 332G |
| | 106150-06-000 | EA | REGULATOR - TWO STAGE - 324F |
| | 144485-01-000 | EA | COVER - LP REGULATOR |
| | 105658-01-000 | EA | COMPARTMENT - LP REGULATOR - 324F, 332G |
| | 010323-01-000 | EA | ADAPTER - 3/8"F X 1/2"MPT - BRASS |
| | 010326-01-000 | EA | ADAPTER - FLARE - W/CONE GASKET - 3/8"F X 1/2"F |
| | 010329-01-000 | EA | ADAPTER - 1/2"F X 1/2"MPT - BRASS |
| | 024250-01-000 | EA | ADAPTER - BRASS - 3/8"F X 1/2"FPT |
| | 057042-01-000 | EA | ADAPTER - CROSS 1/2"PIPE |
| | 010377-02-000 | EA | NUT - 3/8" FLARE - FORGED - BRASS |
| | 010380-02-000 | EA | NUT - 1/2" FLARE - FORGED - BRASS |
| | 010265-01-000 | EA | ELBOW - BRASS - 90 DEGREE - 3/8"F X 1/2"FPT |
| | | | FROM: 00-00-00 THRU: 02-16-03 |
| | 010589-01-000 | EA | NIPPLE - PIPE - 1/2" X 1 1/2" - BLACK |
| | 010589-03-000 | EA | NIPPLE - PIPE - 1/2" X 2 1/2" - BLACK |
| | 145622-01-000 | EA | NIPPLE - STEEL/PIPE - 1/4" X 6" - BLACK |
| | 145639-01-02B | EA | BRACKET - REGULATOR - E-COATED |
| | 040440-02-000 | EA | TRANSMITTER - DIAL/BOLT-ON - 0-90 OHM 2 TERM(POWER/GROUND) |
| | | | FROM: 00-00-00 THRU: 04-30-03 |
| | 040440-03-000 | EA | TRANSMITTER - DIAL/SNAP-ON - 0-90 OHM 2 TERM(POWER/GROUND) |
| | | | FROM: 05-01-03 THRU: 99-99-99 |
| | 111848-02-02B | EA | SHIELD - HEAT - EXHAUST - 322R |
| | 111848-06-02B | EA | SHIELD - HEAT - EXHAUST - E-COATED - 322R, 324V |
| | 137828-01-02B | EA | PANEL - ROCKGUARD/LP - E - COATED |

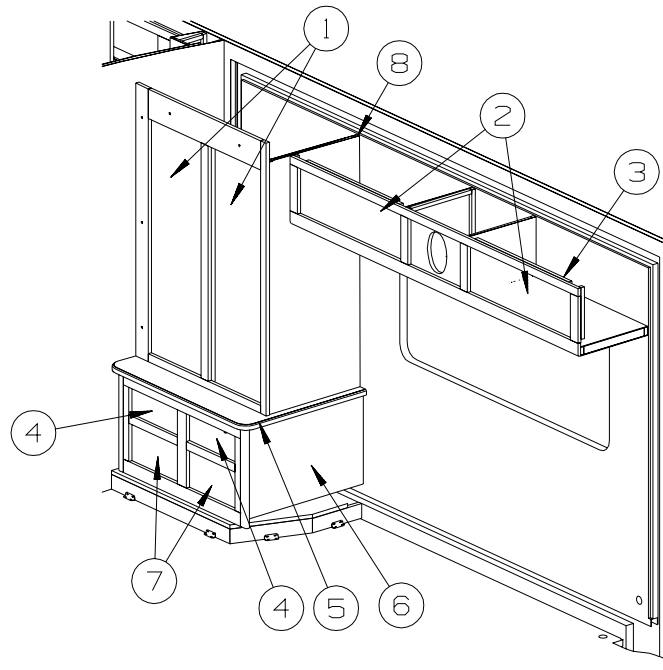
*COMPONENT PARTS LISTED LATER IN THIS GROUP

LP GROUP (CONTINUED)
COMPONENT PARTS FOR LP SYSTEM

144116-04-000

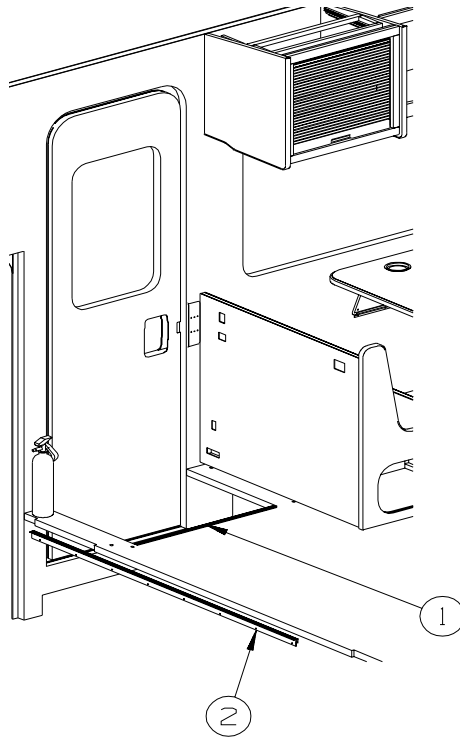
| KEY | PART NUMBER | U/M | DESCRIPTION | VENDOR NO. |
|------------|--------------------|------------|------------------------------|-------------------|
| | 040421-01-712 | EA | VALVE-SERV. W/O VAPOR RELIEF | 29000853 |
| | 040421-01-713 | EA | VALVE-RELIEF 1" W/SPRING 7" | V-20479 |
| | 144116-01-700 | EA | VALVE-OUTAGE(NO STEM REMOVE) | V20058 |
| | 144116-01-701 | EA | VALVE/FILL 80 % W/YELLOW CAP | V13414 |
| | 144116-04-700 | EA | SENDING UNIT (SNAP ON GAUGE) | G11530 |
| | 144116-04-701 | EA | DIAL - TRANSMITER | G12846 |

LOUNGE GROUP CABINETS



| KEY | PART NUMBER | U/M | DESCRIPTION |
|-----|---------------|-----|---|
| 1 | 134786-04-N04 | EA | DOOR - MIRROR/MITERED CORNERS- 15.5" X 45.4"-W/O HARDWARE FROM: 00-00-00 THRU: 04-25-04 |
| 1 | 141507-02-S04 | EA | DOOR - MIRRORED/PENCIL EDGE - 15.5" X 45.4" - W/O HARDWARE FROM: 04-26-04 THRU: 99-99-99 |
| 2 | 136955-28-P10 | EA | DOOR - RAISED PANEL/PENCIL EDGE - 10" X 29.5" - W/O HDW |
| 3 | 138179-01-P10 | EA | CABINET - OVERHEAD/FRONT - W/O DOORS/HARDWARE (R10) |
| 3 | 138179-01-R11 | EA | CABINET - OVERHEAD/FRONT - W/O DOORS/HARDWARE (R11) |
| 3 | 138179-01-R12 | EA | CABINET - OVERHEAD/FRONT - W/O DOORS/HARDWARE (R12) |
| 4 | 145492-60-R07 | EA | DRAWER - PENCIL EDGE - 12.3"W X 23.6"D - W/O SLIDES/HDW |
| 5 | 140887-16-R07 | EA | COUNTERTOP - LAMINATED - EGGSHELL/PORTSMOUTH OAK (R10) |
| 5 | 140887-16-R08 | EA | COUNTERTOP - LAMINATED - GRAY TRANQUILITY/PORTSMOUTH OAK (R11) |
| 5 | 140887-16-R09 | EA | COUNTERTOP - LAMINATED - LINO FRIEZE/PORTSMOUTH OAK (R12) |
| 6 | 137930-01-P07 | EA | CABINET/DRESSER - W/O DRAWERS/HARDWARE (R10) |
| 6 | 137930-01-R08 | EA | CABINET/DRESSER - W/O DRAWERS/HARDWARE (R11) |
| 6 | 137930-01-N03 | EA | CABINET/DRESSER - W/O DRAWERS/HARDWARE (R12) |
| 7 | 145492-61-R07 | EA | DRAWER - PENCIL EDGE - 12.3"W X 23.6"D-W/O SLIDES/HARDWARE |
| 8 | 137929-01-P07 | EA | CABINET - WARDROBE/TOP - W/O DOORS/HARDWARE (R10) |
| 8 | 137929-01-R08 | EA | CABINET - WARDROBE/TOP - W/O DOORS/HARDWARE (R11) |
| 8 | 137929-01-N03 | EA | CABINET - WARDROBE/TOP - W/O DOORS/HARDWARE (R12) |

LOUNGE GROUP (CONTINUED)
CABINETS (CONTINUED)



| KEY | PART NUMBER | U/M | DESCRIPTION | |
|-----|---------------|-----|---|-------------------------------|
| 1 | 139955-14-02A | EA | TRIM - ENTRY STEP - BRIGHT WHITE | FROM: 00-00-00 THRU: 02-26-03 |
| 1 | 139955-14-04A | EA | TRIM - ENTRY STEP - TITANIUM | FROM: 02-27-03 THRU: 99-99-99 |
| 1 | 139956-06-S01 | EA | TRIM ASM-STEP,ENTRANCE - VINYL FLOOR | |
| 2 | 139955-18-02A | EA | TRIM - STEP/ENTRY - 62.3" - BRIGHT WHIT | |
| 2 | 139955-18-02A | EA | TRIM - STEP/ENTRY - 62.3" - TITANIUM | |

SEALANTS & FASTENERS GROUP

SEALANTS & ADHESIVES

| KEY | PART NUMBER | U/M | DESCRIPTION |
|-----|---------------|-----|--|
| | 004001-05-000 | EA | ADHESIVE - SCOTCH-WELD - 3M DP100 - CLEAR - 50ML |
| | 010405-02-000 | EA | TAPE - THREAD SEALING - 3/8" |
| | 034552-06-000 | EA | SILICONE - TUBE - W/O NOZZLE - OFF WHITE |
| | 034552-15-000 | EA | SILICONE - TUBE - W/O NOZZLE - BRIGHT WHITE |
| | 063642-01-000 | FT | TAPE - ADHESIVE - .4" X 1.5" X 180' |
| | 064075-07-000 | FT | SEAL - BULB - W/WIRED U CHANNEL - .3" X .5" CHANNEL-BLACK |
| | 067788-01-000 | EA | ADHESIVE - SPRAY - 3M - 19.5 OZ AEROSOL CAN |
| | 069640-01-000 | FT | SEALER - TAPE - .25" DIAMETER X 30' - BLACK OR GRAY |
| | 069640-02-000 | FT | SEALER - TAPE - .13" THICK X .5" WIDE X 60' - GRAY |
| | 069640-03-000 | FT | SEALER - TAPE - .13" THICK X .75" WIDE X 60' - BLACK |
| | 069640-07-000 | FT | SEALER - TAPE - .09" THICK X 2" WIDE X 45' - GRAY |
| | 069640-09-000 | FT | SEALER - TAPE - .03" THICK X 2.50" WIDE X 80' - GRAY |
| | 069640-10-000 | FT | SEALER - TAPE - .03" THICK X 1.50" WIDE X 90' - GRAY |
| | 069640-11-000 | FT | SEALER - TAPE - .19" THICK X .38" WIDE X 40' - BLACK |
| | 069640-13-000 | FT | SEALER - TAPE - .03" THICK X 2" WIDE X 45' - BLACK |
| | 069640-14-000 | FT | SEALER - TAPE - .06" THICK X 1" WIDE X 100' - GRAY |
| | 069640-15-000 | FT | SEALER - TAPE - .06" THICK X .38" WIDE X 100' - GRAY |
| | 069640-17-000 | FT | SEALER - TAPE - .03" THICK X 1" WIDE X 90' - GRAY |
| | 069640-18-000 | FT | SEALER - TAPE - .50" THICK X .13" WIDE X 60' - BRT WHITE |
| | 069640-19-000 | FT | SEALER - TAPE - .75" THICK X .13" WIDE X 60' - BRT WHITE |
| | 069640-20-000 | FT | SEALER - TAPE - .50" THICK X .5" WIDE X 60' - BLACK |
| | 069640-21-000 | FT | SEALER - TAPE - .50" THICK X .06" WIDE X 100'- BRT WHITE |
| | 069640-22-000 | FT | SEALER - TAPE - 1/32" THICK X 1/4" WIDE X 200'- BRT WHITE |
| | 069640-23-000 | FT | SEALER - TAPE - 1/16" THICK X 3/4" WIDE X 100'- BRT WHITE |
| | 069640-27-000 | FT | SEALER - TAPE - .06" THICK X 2.25" WIDE - BRIGHT WHITE |
| | 069640-28-000 | FT | SEALER - TAPE - .25" THICK X 1.86" WIDE X 90' - GRAY |
| | 069640-30-000 | FT | SEALER - TAPE - .03" THICK X .625" WIDE X 50' - GRAY |
| | 069640-31-000 | FT | SEALER - TAPE - .25" THICK X .75" WIDE X 15' - BLACK |
| | 069640-32-000 | FT | SEALER - RIBBON - 1/16" X 3/8" X 100' - BLACK |
| | 072889-01-000 | EA | SEALANT - URETHANE - BLACK - TUBE W/NOZZLE TIP |
| | 072889-27-000 | EA | SEALANT - URETHANE - SILVER 10 OZ - TUBE W/NOZZLE TIP |
| | 076322-01-000 | FT | TAPE-DOUBLE COATED/ADHESIVE BK-.03"THK X .8"W X 216'- WHT |
| | 076322-02-000 | FT | TAPE-DOUBLE COATED/ADHESIVE BK-.05"THK X 1"W X 108' - WHT |
| | 076322-03-000 | FT | TAPE-DOUBLE COATED/ADHESIVE BK-.05"THK X .5"W X 108' - WHT |
| | 076322-04-000 | FT | TAPE-DOUBLE COATED/ADHESIVE BK-.05"THK X .8"W X 108' - WHT |
| | 076322-05-000 | FT | TAPE-DOUBLE COATED/ADHESIVE BK-.05"THK X .8"W X 108' - WHT |
| | 076322-07-000 | FT | TAPE-DOUBLE COATED/ADHESIVE BK-.05"THK X .5"W X 200' - WHT |
| | 076322-11-000 | FT | TAPE-DOUBLE COATED/ADHESIVE BK-.02"THK X 1"W X 216' - CLR |
| | 076322-21-000 | FT | TAPE - FOAM/DOUBLE COATED - .5" |
| | 076322-22-000 | FT | TAPE - FOAM/DOUBLE COATED - .045" X .75" |
| | 076322-23-000 | FT | TAPE - FOAM/DOUBLE COATED - .045" X 1" |
| | 076322-24-000 | FT | TAPE - FOAM/DOUBLE COATED - .025" X 1" |
| | 076322-25-000 | FT | TAPE - FOAM/DOUBLE COATED - .025" X .5" |
| | 086276-01-000 | EA | TAPE - DOUBLE SIDED - 1/2" WIDE X 108' LONG (SOLD BY ROLL) |
| | 088479-01-000 | EA | TAPE - ALUMINUM - 3" |
| | 090340-01-000 | FT | SEAL - FOAM - CLOSED CELL - 1/4" X 1/2" X 50' |
| | 091255-02-000 | FT | SEAL - ADHESIVE BACKED/FOAM - 3/64" THICK X 3/16"W X 1000' |
| | 091255-03-000 | FT | SEAL - ADHESIVE BACKED/FOAM - 1/4" THICK X 1/4"W X 1000' |
| | 094401-01-000 | EA | SEALER - BODY SEAM - FLEXICLEAR |
| | 094401-03-000 | EA | SEALER - BODY SEAM - BLACK |
| | 094401-04-000 | EA | SEALER - BODY SEAM - CLEAR |
| | 098408-01-000 | FT | SEAL - SPONGE RUBBER - CLOSED CELL |
| | 099069-01-000 | FT | SEAL - RUBBER - CLOSED SPONGE - .5" WIDE X .12" THICK -BLK |
| | 099418-01-000 | FT | SEAL - D-SECTION/ADHESIVE BACK - .44" X .44"- BLK RUBBER |
| | 099418-02-000 | FT | SEAL - D-SECTION/ADHESIVE BACK - .44" X .44"- WHITE RUBBER |
| | 100128-02-000 | FT | SEAL - FOAM/ADHESIVE BACK - .37" WIDE X .37" THICK |
| | 104692-01-000 | FT | SEAL - ADHESIVE BACKED FOAM - 3/4" THICK X 3/4" WIDE X 25' |
| | 104692-03-000 | FT | SEAL - ADHESIVE BACKED FOAM - 1" THICK X 1 3/16"WIDE X 15' |
| | 107828-01-000 | EA | SEALANT - SB - 190 EVERSEAL |
| | 109506-12-000 | EA | FILM/ABRASION-RESISTANT - TRANSPARENT - 1" DIA. |
| | 110274-01-000 | FT | TAPE - DOUBLE SIDED/FOAM - .45" X 1" X 216' - BLACK |
| | 112481-02-000 | EA | ADHESIVE - PLEXUS ETHACRYLATE - CARTRIDGE |
| | 112864-01-000 | FT | SEAL - FOAM/BUTYL COVERED - 3/8" X 35' |

SEALANTS & FASTENERS GROUP (CONTINUED)

SEALANTS & ADHESIVES (CONTINUED)

| KEY | PART NUMBER | U/M | DESCRIPTION |
|-----|---------------|-----|---|
| | 112091-01-000 | FT | SEAL/D - NEOPRENE - HEAT ACTIVE ADHESIVE - .9" X .7" |
| | 112901-03-000 | EA | ADHESIVE - PLEXUS - MA300 - 50ML - WHITE |
| | 112902-01-000 | EA | NOZZLE - ELEMENT - 3/8 X 24 |
| | 112902-03-000 | EA | MIXER NOZZLE - F/GUN #00400102000 - SCOTCH-WELD & PLEXUS |
| | 112902-04-000 | EA | NOZZLE - ELEMENT - 1/4" X 3.5" |
| | 113366-01-000 | EA | ADHESIVE - INSTANT - 1 OZ |
| | 113452-02-000 | FT | SEAL/TRIM - FRONT - VINYL W/WIRE CARRIER - .027" |
| | 120074-02-03A | EA | SILICONE - TUBE - W/O NOZZLE - LOW ODOR - SMOKEY WHITE |
| | 120074-02-02A | EA | SILICONE - TUBE - W/O NOZZLE - LOW ODOR - SOFT WHITE |
| | 120534-01-01A | EA | TAPE - SCOTCH - 3M - 1/2" FINE LINE |
| | 123244-01-000 | FT | TAPE - DOUBLE SIDED/FOAM - 5/64" THICK X 3/4" WIDE X 108' |
| | 123816-01-000 | FT | TAPE - DOUBLE SIDED - 1" X 3/4" X 200' |
| | 123816-02-000 | FT | TAPE - DOUBLE SIDED - 1/2" X 1 1/3" X 200' |
| | 123816-03-000 | FT | TAPE - DOUBLE SIDED - 1/2" X 3/4" X 200' |
| | 123816-04-000 | FT | TAPE - DOUBLE SIDED - 6" X 750' |
| | 126427-01-000 | EA | ADHESIVE - ALL PURPOSE - ABS/PVC |
| | 126427-02-000 | EA | PRIMER - CLEANER - FLEX PIPING |
| | 131264-01-02A | EA | SILICONE - TUBE - W/O NOZZLE - CLEAR |
| | 131264-01-01A | EA | SILICONE - TUBE - W/O NOZZLE - BLACK |
| | 131264-02-01A | EA | SILICONE - TUBE - W/O NOZZLE - VW GRAY - BATH ONLY |
| | 131264-03-01A | EA | SILICONE - TUBE - W/O NOZZLE - SELF LEVELING - BRIGHT WHITE |
| | 131264-04-01A | EA | SILICONE/SEALANT/ADHESIVE - FAST CURE F/GLASS/VINYL - B/W |
| | 131384-01-000 | EA | ADHESIVE - JET WELD |
| | 134651-01-000 | FT | SEAL - 1/2" X 3/4" PSA 1 SIDE |
| | 900390-01-000 | EA | NOZZLE - SILICONE TUBE - 2.5" LONG - W/EXTERNAL THREADS |
| | 900390-03-000 | EA | NOZZLE - SILICONE TUBE - 4.3" LONG W/INTERNAL THREADS |

BOLTS, NUTS AND WASHERS

| KEY | PART NUMBER | U/M | DESCRIPTION |
|-----|---------------|-----|---|
| | OMC04K-06-016 | EA | BOLT - HEX - M06 X 1 X 016 |
| | OMC05K-08-055 | EA | BOLT - HEX - M08 X 1.25 X 2.2 |
| | OMC13K-14-110 | EA | BOLT - HEX |
| | OMC13K-14-070 | EA | BOLT - HEX - M14 X 2 X 2 3/4 |
| | OMC31K-08-020 | EA | BOLT - HEX - SERRATED FLANGE - M8 X 020 |
| | OMC32K-10-030 | EA | BOLT - HEX - SERRATED FLANGE - M10 X 1 1/2 |
| | OMD16K-10-000 | EA | NUT - HEX PREV TORQUE M10 X 1 1/2 CLASS 8 |
| | OMD39K-12-000 | EA | NUT - HEX W/NYLON LOCK - M12 X 1 3/4 |
| | OMD40K-14-000 | EA | NUT - HEX W/NYLON LOCK - M14 X 2 |
| | OMD54F-06-000 | EA | NUT-HEX SER FLG M6X1,0 SS - DIN6923A2M6 |
| | OME06K-14-280 | EA | WASHER - FLAT - 14 ID X 28 OD |
| | 000C12-04-08B | EA | BOLT - HEX - 1/4-20 X 1/2 - GRADE #5 - ZINC |
| | 000C12-04-12A | EA | BOLT - HEX - 1/4-20 X 3/4 - PLAIN 5 |
| | 000C12-04-40B | EA | BOLT - HEX - 1/4-20 X 2 1/2 - GRADE 5 ZINC |
| | 000C12-05-16B | EA | BOLT - HEX - 5/16 - 18X1 - GRADE #5 - ZINC |
| | 000C12-06-44B | EA | BOLT - HEX - 3/8-16 X 2 3/4 - GRADE 5 - ZINC |
| | 000C12-06-16B | EA | BOLT - HEX - 3/8 - 16X1 - GRADE #5 - ZINC |
| | 000C12-08-28B | EA | BOLT - HEX - 1/2-13 X 1 3/4 - GRADE #5 - ZINC |
| | 000C12-08-24B | EA | BOLT - HEX - 1/2 - 13X1 1/2 - GRADE #5 - ZINC |
| | 000C12-08-16B | EA | BOLT - HEX - 1/2-13 X 1 - GRADE #5 - ZINC |
| | 000C12-10-24B | EA | BOLT - HEX - 5/8 - 11X1 1/2 - GRADE #5 - ZINC |
| | 000C13-07-48B | EA | BOLT - HEX - 7/16-20 X 3 - GRADE #5 - ZINC |
| | 000C13-07-40B | EA | BOLT - HEX - 7/16-20 X 2 1/2 - GRADE #5 - ZINC |
| | 000C14-07-28B | EA | BOLT - HEX - 7/16-14 X 1 3/4 - GRADE #8 - ZINC |
| | 000C14-10-32K | EA | BOLT - HEX - 5/8-11 X 2 - GRADE #8 - ZINC |
| | 000C14-10-24K | EA | BOLT - HEX - 5/8-11 X 1 1/2 - GRADE #8 - ZINC |
| | 000C16-07-16B | EA | BOLT - CARRIAGE - ASSIST HANDLE - 7/16TH - 14 X 1 |
| | 000C18-05-40A | EA | BOLT - ELEVATOR - 5/16-18 X 2 1/2 - PL |
| | 000C26-04-10B | EA | BOLT - HEX - SERRATED FLANGE - 1/4-20 X 5/8 - ZINC |
| | 000C26-04-18B | EA | BOLT - HEX - SERRATED FLANGE - 1/4-20 X 1 1/8 - ZINC |
| | 000C26-04-14B | EA | BOLT - HEX - SERRATED FLANGE - 1/4-20 X 7/8 - ZINC |
| | 000C26-05-20B | EA | BOLT - HEX - SERRATED FLANGE - 5/16-18 X 1 1/4 - ZINC |

SEALANTS & FASTENERS GROUP (CONTINUED)
BOLTS, NUTS AND WASHERS (CONTINUED)

| KEY | PART NUMBER | U/M | DESCRIPTION |
|-----|---------------|-----|--|
| | 000C26-06-12B | EA | BOLT - HEX - SERRATED FLANGE - 3/8-16 X 3/4 - ZINC |
| | 000C26-08-24B | EA | BOLT - HEX - SERRATED FLANGE - 1/2-13 X 1 1/2 - ZINC |
| | 000C27-04-40B | EA | BOLT - CARRIAGE - 1/4-20 X 2 1/2 - ZINC |
| | 000C27-07-40B | EA | BOLT - CARRIAGE - 7/16-14 X 2 1/2 - GRADE #5 |
| | 000C27-08-48B | EA | BOLT - CARRIAGE - 1/2-13 X 3 - GRADE #5 |
| | 000D16-07-00B | EA | NUT - HEX - 7/16-14 - ZINC |
| | 000D20-07-00B | EA | NUT - ACORN - ASSIST HANDLE - 7/16 - 14 |
| | 000D24-10-00B | EA | NUT - HEX - SELF LOCKING - 10-32 - ZINC |
| | 000D28-10-00B | EA | NUT - HEX - W/NYLON LOCK - 10-32 ZINC |
| | 000D29-04-00B | EA | NUT - HEX - SELF LOCKING - 1/4 X 20 - ZINC |
| | 000D29-06-00B | EA | NUT - HEX - W/NYLON LOCK - 3/8-16 - ZINC |
| | 000D29-09-00B | EA | NUT - HEX - SELF LOCKING - 9/16-12 - ZINC |
| | 000D30-07-00B | EA | NUT - HEX LOCK - NYLON 7/16 X 20 |
| | 000D34-04-00B | EA | NUT - HEX - LOCKING - 1/4-20 - ZINC |
| | 000D34-06-00B | EA | NUT - HEX - LOCKING - 3/8-16 GRADE C - ZINC |
| | 000D39-04-00B | EA | NUT - HEX - LOCKING W/SERRATED FLANGE - 1/4-20 - ZINC |
| | 000D39-05-00B | EA | NUT - HEX - LOCKING W/SERRATED FLANGE - 5/16-18 - ZINC |
| | 000D39-06-00B | EA | NUT - HEX - LOCKING W/SERRATED FLANGE - 3/8-18 - ZINC |
| | 000D39-07-00B | EA | NUT - HEX - LOCKING W/SERRATED FLANGE - 7/16-14 - ZINC |
| | 000D39-08-00B | EA | NUT - HEX - LOCKING W/SERRATED FLANGE - 1/2-13 - ZINC |
| | 000D44-04-00B | EA | NUT - HEX - LOCKING W/SERRATED FLANGE - 1/4-28 - ZINC |
| | 000D44-07-00B | EA | NUT - HEX - LOCKING W/SERRATED FLANGE - 7/16-20 - ZINC |
| | 000D44-08-00B | EA | NUT - HEX - LOCKING W/SERRATED FLANGE - 1/2-20 - ZINC |
| | 000D46-04-00A | EA | NUT - HEX - WELD - 1/4-20 - PLAIN |
| | 000D58-06-00A | EA | NUT - HEX - WELD 3/8-16 - PLAIN |
| | 000D65-08-00B | EA | NUT - HEX - LOCKING W/SERRATED FLANGE - 8-32 - ZINC |
| | 000D67-10-00B | EA | NUT - HEX - LOCK - 5/8-11 - ZINC |
| | 000D73-08-00C | EA | NUT - HEX FLANGE - 1/2-13 |
| | 000D75-09-00B | EA | NUT - HEX LOCKING - 9/16-12 - ZINC |
| | 000D76-06-00B | EA | NUT - HEX FLANGE - 3/8-16 |
| | 000E11-04-00F | EA | WASHER - LOCKING - 1/4 MED SPLIT - STAINLESS STEEL |
| | 000E11-07-00B | EA | WASHER - LOCKING - 7/16 MED SPLIT - ZINC |
| | 000E11-08-00B | EA | WASHER - LOCKING - 1/2 MED SPLIT - ZINC |
| | 000E13-17-00B | EA | WASHER - FLAT - 3/8 AR - ZINC |
| | 000E13-18-00B | EA | WASHER - FLAT - 3/8 WIDE - ZINC |
| | 000E13-20-00B | EA | WASHER - FLAT - 7/16 WIDE - ZINC |
| | 000E13-22-00B | EA | WASHER - FLAT - 1/2 WIDE - ZINC |
| | 000E13-26-00B | EA | WASHER - FLAT - 5/8 WIDE - ZINC |
| | 000E14-10-00B | EA | WASHER - LOCKING - #10 EXTERNAL TOOTH - ZINC |
| | 000E16-10-00B | EA | WASHER - HARDENED - 5/8 - FLAT - ZINC |
| | 000G45-05-16B | EA | BOLT - LAG - 5/16-9 X 1 - ZINC |
| | 000G62-08-24B | EA | SCREW - SF/DR - 8-18 X 1 1/2 PFH |
| | 005081-01-000 | EA | NUT - SPEED - C-TYPE - #8 SCREW |
| | 040921-03-000 | EA | NUT - SPEED - U TYPE - #10 |
| | 040921-04-000 | EA | NUT - SPEED - U TYPE - #8-.59" LENGTH X .44" WIDTH |
| | 040921-05-000 | EA | NUT - SPEED - U-TYPE - 8-.67" X .44" WIDE |
| | 041322-01-000 | EA | WASHER - FLANGE - 15/32 ID X 2 3/8 OD - F/SEAT BELT MTG |
| | 044364-02-000 | EA | NUT - SPEED - FLAT - ROUND |
| | 044533-01-000 | EA | WASHER - 1 3/8"OD - FOR BUTTONS - PLASTIC |
| | 051387-06-000 | EA | BOLT - CARRIAGE W/O HOLE - 5/16-18 X 9 1/2 - ZINC |
| | 058716-02-000 | EA | WASHER - FLAT NYLON |
| | 064081-03-000 | EA | NUT - WING 3/8-16 - W/WELD NUT |
| | 077071-01-000 | EA | WASHER - FENDER - 3/16"ID X 1"OD |
| | 084406-01-000 | EA | NUT - CAPPED - CROSS RECESSED - BLACK - 1/4-20 THD |
| | 087234-01-000 | EA | NUT - JACK - 1/4 X 20 THD - MOLLY |
| | 088787-12-000 | EA | STUD - WELD - 1/4 - 20 X 1.0 LG - MN |
| | 102333-01-06A | EA | BOLT - CARRIAGE - 7/16-14 STAINLESS STEEL CAP |
| | 103020-02-000 | EA | BOLT-U - #8-32 - GRADE 5 ZINC |
| | 106166-01-000 | EA | BOLT/COLLARED HANGER - 8-32 X 1 |
| | 106956-03-000 | EA | BOLT - HEX TAP - 1/2-12NC X 3 - GRADE 5 - FULL THREAD/ZINC |
| | 106956-08-000 | EA | BOLT - HEX TAP - 1/2-13NC X 4 - GRADE 5 - FULL THREAD/ZINC |
| | 107397-01-000 | EA | WASHER - FENDER - 3/4"ID X 1"OD |
| | 108067-03-000 | EA | STUD - WELD - 1/4 - 20 X 1/2 CD |

SEALANTS & FASTENERS GROUP (CONTINUED)

BOLTS, NUTS AND WASHERS (CONTINUED)

| KEY | PART NUMBER | U/M | DESCRIPTION |
|-----|---------------|-----|--|
| | 103020-02-000 | EA | BOLT-U - #8-32 - GRADE 5 ZINC |
| | 106166-01-000 | EA | BOLT/COLLARED HANGER - 8-32 X 1 |
| | 106956-03-000 | EA | BOLT - HEX TAP - 1/2-12NC X 3 - GRADE 5 - FULL THREAD/ZINC |
| | 106956-08-000 | EA | BOLT - HEX TAP - 1/2-13NC X 4 - GRADE 5 - FULL THREAD/ZINC |
| | 107397-01-000 | EA | WASHER - FENDER - 3/4"ID X 1"OD |
| | 108067-03-000 | EA | STUD - WELD - 1/4 - 20 X 1/2 CD |
| | 109235-01-05A | FT | COVER - SCREW - BRIGHT WHITE |
| | 109235-01-01A | FT | COVER - SCREW - MAT BLACK |
| | 109917-03-000 | EA | WASHER - 1" X .50" |
| | 109917-04-000 | EA | WASHER - 1" X .75" |
| | 110794-01-000 | EA | WASHER - FLAT - 1" ID X 1 3/4" OD |
| | 121511-01-000 | EA | WASHER - SPUR |
| | 113985-02-000 | EA | BOLT - FLANGE - M10-1 1/2 X 30CL 10.9 |
| | 114259-05-000 | EA | BOLT - 7/16-20 X 1 1/4 W/WASHER |
| | 128444-01-000 | EA | WASHER - SPRING - CONICAL |
| | 131377-01-000 | EA | NUT-HEX HEAD W/WASHER-1/4-20 X 2" STEEL W/3/4" OD WASHER |
| | 135092-01-01A | EA | BOLT - HEX - SERRATED FLANGE - 1/2-20 X 1 3/4-GRADE 5 ZINC |
| | 135092-02-01A | EA | BOLT - HEX - SERRATED FLANGE - 1/2-20 X 2 1/2-GRADE 5 ZINC |
| | 143399-01-01A | EA | NUT/RETAINING - 3/8"- 24 NFT |
| | 144904-01-01A | EA | BOLT - ADJUSTMENT - HEADLAMP |
| | 148817-01-000 | EA | WASHER/SPUR - LOCKING |

SCREWS

| KEY | PART NUMBER | U/M | DESCRIPTION |
|-----|---------------|-----|--|
| | 0G1106-06-160 | EA | SCREW - 6-20 X 3/8 PPH |
| | 0G1106-08-240 | EA | SCREW - 6-20 X 1/2 PPH - VW LIGHT GRAY |
| | 0G1108-12-240 | EA | SCREW - 8-18 X 3/4 PPH - VW LIGHT GRAY |
| | 0G1108-16-240 | EA | SCREW - 8-18 X 1.00 PPS - VW LIGHT GRAY |
| | 0G1208-12-170 | EA | SCREW - 8-18 X 3/4 POH - BRIGHT WHITE |
| | 0G1308-10-240 | EA | SCREW - 8-18 X 5/8 PFH - VW LIGHT GRAY |
| | 0G3804-22-180 | EA | SCREW - MACHINE - 1/4-20 X 1 3/8 PFH - BLACK |
| | 0G3908-08-170 | EA | SCREW - SF/DR - 8-18 X 1/2 PPH - BRIGHT WHITE |
| | 0G3908-08-160 | EA | SCREW - SF/DR - 8-18 X 1/2 PPH - VW WHITE |
| | 0G3908-08-240 | EA | SCREW - SF/DR - 8-18 X 1/2 PPH - VW LIGHT GRAY |
| | 0G3908-12-250 | EA | SCREW - SF/DR - 8-18 X 3/4 PPH - DARK GRAY |
| | 0G3908-12-240 | EA | SCREW - SF/DR - 8-18 X .75 PPH - VW LIGHT GRAY |
| | 0G3908-16-170 | EA | SCREW - SF/DR - 8-18 X 1 PPH - BRIGHT WHITE |
| | 0G3908-24-170 | EA | SCREW - SF/DR - 8-18 X 1 1/2 PPH - BRIGHT WHITE |
| | 0G3910-10-330 | EA | SCREW - SF/DR - 20-16 X 5/8 PPH - PUTTY |
| | 0G3910-10-320 | EA | SCREW - SF/DR - 10-16 X 5/8 PPH - GLACIER |
| | 0G3910-10-240 | EA | SCREW - SF/DR - 10-16 X 5/8 PPH - VW LIGHT GRAY |
| | 0G3910-12-240 | EA | SCREW - SF/DR - 10-16 X .75 PPH - VW LIGHT GRAY |
| | 0G3910-12-170 | EA | SCREW - SF/DR - 10-16 X 3/4 PPH - BRIGHT WHITE |
| | 0G3910-12-320 | EA | SCREW - SF/DR - 10-16 X 3/4 PPH - GLACIER |
| | 0G5508-12-240 | EA | SCREW - SF/DR - 8-18 X 3/4 PWH - VW LIGHT GRAY |
| | 0G5508-12-170 | EA | SCREW - SF/DR - 8-18 X 3/4 PWH - BRIGHT WHITE |
| | 0G5508-12-330 | EA | SCREW - SF/DR - 8-18 X 3/4 PWH - PUTTY |
| | 0G5508-12-320 | EA | SCREW - SF/DR - 8-18 X 3/4 PWH - GLACIER |
| | 0G5508-12-260 | EA | SCREW - SF/DR - 8-18 X 3/4 PWH - ALLANTE ANTELOPE |
| | 0G5508-12-270 | EA | SCREW - SF/DR - 8-18 X 3/4 PWH - TITANIUM |
| | 0G5508-16-250 | EA | SCREW - SF/DR - 8-18 X 1 PWH - VW DARK GRAY |
| | 0G5508-16-330 | EA | SCREW - SF/DR - 8-18 X 1 PWH - PUTTY |
| | 0G5508-16-320 | EA | SCREW - SF/DR - 8-18 X 1 PWH - GLACIER |
| | 0G6008-16-170 | EA | SCREW - SF/DR - 8-18 X 1 POH - BRIGHT WHITE |
| | 0G6710-08-130 | EA | SCREW - 10-12 X 1/2 PPH - TAUPE |
| | 0G6710-08-170 | EA | SCREW - 10-12 X 1/2 PPH - BRIGHT WHITE |
| | 0G6710-08-240 | EA | SCREW - 10-12 X 1/2 PPH - VW LIGHT GRAY |
| | 0G6710-12-170 | EA | SCREW - 10-12 X 3/4 PPH - BRIGHT WHITE |
| | 0G6806-16-170 | EA | SCREW - 6-18 X 1 POH - BRIGHT WHITE |
| | 0G6810-24-280 | EA | SCREW - 10-12 X 1 1/2 POH - SOFT WHITE |
| | 000C20-04-16A | EA | SCREW - 1/4-20X 1 - FLAT SOCKET HEAD |
| | 000C20-05-28F | EA | SCREW - 5/16-18 X 1 3/4 FLAT SOC - STAINLESS STEEL |
| | 000C20-06-24T | EA | SCREW - 3/8-16 X 1 1/2 - FLAT SOCKET |

SEALANTS & FASTENERS GROUP (CONTINUED)
SCREWS (CONTINUED)

| KEY | PART NUMBER | U/M | DESCRIPTION |
|-----|---------------|-----|---|
| | 000G11-06-10J | EA | SCREW - 6-20 X 5/8 PPH - BRASS |
| | 000G11-06-08P | EA | SCREW - 6-20 X 1/2 PPH - DARK BROWN |
| | 000G11-06-08B | EA | SCREW - 6-20 X 1/2 PPH - ZINC |
| | 000G11-07-08B | EA | SCREW - 7-19 X 1/2 PPH - ZINC |
| | 000G11-08-20G | EA | SCREW - 8-18 X 1 1/4 - ANTIQUE BRASS |
| | 000G11-08-20B | EA | SCREW - 8-18 X 1 1/4 PPH - ZINC |
| | 000G11-08-16B | EA | SCREW - 8-18 X 1 PPH - ZINC |
| | 000G11-08-12T | EA | SCREW - 8-18 X 3/4 PPH - BLACK MAGNESIUM |
| | 000G11-08-12P | EA | SCREW - 8-18 X 3/4 PPH - DARK BROWN |
| | 000G11-08-12B | EA | SCREW - 8-18 X 3/4 PPH - ZINC |
| | 000G11-08-08T | EA | SCREW - 8-18 X 1/2 PPH - FLUOROCARBON COATING |
| | 000G11-08-06B | EA | SCREW - 8-18 X 3/8 PPH - ZINC |
| | 000G11-10-24P | EA | SCREW - 10-16 X 1 1/2 PPH - DARK BROWN |
| | 000G11-10-12D | EA | SCREW - 10-16 X 3/4 PPH - BLACK |
| | 000G12-06-12J | EA | SCREW - 6-20 X .75 POH - BRASS |
| | 000G12-06-08T | EA | SCREW - 6-20 X 1/2 POH - BLACK |
| | 000G13-05-10B | EA | SCREW - 5-12 X 5/8 PFH - ZINC |
| | 000G13-06-08G | EA | SCREW - 6-20 X 1/2 PFH - ANTIQUE BRASS |
| | 000G13-06-08B | EA | SCREW - 6-20 X 1/2 PFH - ZINC |
| | 000G13-06-06I | EA | SCREW - 6-20 X 3/8 PFH - BLACK ZINC |
| | 000G13-06-24J | EA | SCREW - 6-20 X 1 1/2 PFH - BRASS |
| | 000G13-06-16J | EA | SCREW - 6-20 X 1 PFH - BRASS |
| | 000G13-06-10J | EA | SCREW - 6-20 X 5/8 PFH - BRASS |
| | 000G13-06-10G | EA | SCREW - 6-20 X 5/8 PFH - ANTIQUE BRASS |
| | 000G13-07-10H | EA | SCREW - 7-19 X 5/8 PFH - BLACK |
| | 000G13-08-16B | EA | SCREW - 8-18 X 1 PFH - ZINC |
| | 000G13-08-109 | EA | SCREW - 8-18 X 5/8 PFH |
| | 000G13-08-10B | EA | SCREW - 8-18 X 5/8 PFH - ZINC |
| | 000G13-08-24B | EA | SCREW - 8-18 X 1 1/2 PFH - ZINC |
| | 000G13-10-16I | EA | SCREW - 10-16 X 1 PFH - BLACK |
| | 000G16-04-24B | EA | SCREW - MACHINE - 1/4-20 X 1 1/2 PPH |
| | 000G18-08-16B | EA | SCREW - MACHINE - 8-32 X 1 PPH - ZINC |
| | 000G18-08-24B | EA | SCREW - MACHINE - 8-32 X 1 1/2 PPH - ZINC |
| | 000G18-08-22B | EA | SCREW - MACHINE - 8-32 X 1 3/8 PPH - ZINC |
| | 000G19-10-10B | EA | SCREW - MACHINE - 10-32 X 5/8 - PPH - ZINC |
| | 000G19-10-08B | EA | SCREW - MACHINE - 10-32 X 1/2 PPH - ZINC |
| | 000G19-10-20B | EA | SCREW - MACHINE - 10-32 X 1 1/2 PPH - ZINC |
| | 000G19-10-12F | EA | SCREW - MACHINE - 10-32 X 3/4 PPH - STAINLESS STEEL |
| | 000G36-10-12T | EA | SCREW - 10-24X 3/4 PFH TYPE 23 - BLACK |
| | 000G39-06-10T | EA | SCREW - SF/DR - 6-20 X 5/8 PPH - BLACK |
| | 000G39-06-16T | EA | SCREW - SF/DR - 6-20 X 1 PPH - BLACK |
| | 000G39-08-08S | EA | SCREW - SF/DR - 8-18 X 1/2 PPH - OFF WHITE |
| | 000G39-08-08B | EA | SCREW - SF/DR - 8-18 X 1/2 PPH - ZINC |
| | 000G39-08-08T | EA | SCREW - SF/DR - 8-18 X 1/2 PPH - BLACK |
| | 000G39-08-06B | EA | SCREW - SF/DR - 8-18 X 3/8 PPH - ZINC |
| | 000G39-08-32B | EA | SCREW - SF/DR - 8-18 X 2 PPH - ZINC |
| | 000G39-08-24T | EA | SCREW - SF/DR - 8-18 X 1 1/2 PPH - BLACK |
| | 000G39-08-24S | EA | SCREW - SF/DR - 8-18 X 1 1/2 - OFF WHITE |
| | 000G39-08-24B | EA | SCREW - SF/DR - 8-18 X 1 1/2 PPH - ZINC |
| | 000G39-08-16T | EA | SCREW - SF/DR - 6-20 X 1 PPH - BLACK |
| | 000G39-08-16B | EA | SCREW - SF/DR - 8-18 X 1 PPH - ZINC |
| | 000G39-08-12B | EA | SCREW - SF/DR - 8-18 X 3/4 PPH - ZINC |
| | 000G39-08-12T | EA | SCREW - SF/DR - 8-18 X 3/4 PPH - BLACK |
| | 000G39-10-48T | EA | SCREW - SF/DR - 10-16 X 3 PPH - BLACK |
| | 000G39-10-48B | EA | SCREW - SF/DR - 10-16 X 3 - PPH - ZINC |
| | 000G39-10-40D | EA | SCREW - SF/DR - 10-16 X 2 1/2 PPH - BLACK |
| | 000G39-10-32B | EA | SCREW - SF/DR - 10-16 X 2 - PPH - ZINC |
| | 000G39-10-20T | EA | SCREW - SF/DR - 10-16 X 1 1/4 PPH - BLACK |
| | 000G39-10-20B | EA | SCREW - SF/DR - 10-16 X 1 1/4 PPH - ZINC |
| | 000G39-10-169 | EA | SCREW - SF/DR - 10-16 X 1 PPH - FLUOROCARBON SILVER |
| | 000G39-10-129 | EA | SCREW - SF/DR - 10-16 X 3/4 PPH - FLUOROCARBON SILVER |
| | 000G39-10-12T | EA | SCREW - SF/DR - 10-16 X 3/4 - BLACK |
| | 000G39-10-10T | EA | SCREW - SF/DR - 10-16 X 5/8 - BLACK |

SEALANTS & FASTENERS GROUP (CONTINUED)
SCREWS (CONTINUED)

| KEY | PART NUMBER | U/M | DESCRIPTION |
|-----|---------------|-----|---|
| | 000G39-10-10B | EA | SCREW - SF/DR - 10-16 X 5/8 PPH - ZINC |
| | 000G39-10-08B | EA | SCREW - SF/DR - 10-16 X 1/2 PPH - ZINC |
| | 000G39-10-088 | EA | SCREW - SF/DR - 10-16 X 1/2 PPH - FLEX FLUOROCARBON |
| | 000G39-12-12E | EA | SCREW - SF/DR - 12 - 14 X 3/4 PPH - CHROME |
| | 000G42-04-24B | EA | SCREW - SF/DR - 1/4-14 X 1 1/2 - ZINC |
| | 000G42-04-16B | EA | SCREW - SF/DR - 1/4-14 X 1 HWH - ZINC |
| | 000G42-04-24B | EA | SCREW - SF/DR - 1/4-14 X 1 1/2 - ZINC |
| | 000G46-08-24T | EA | SCREW - MACHINE - 8-32 X 1 1/2 PFH - BLACK |
| | 000G50-04-48B | EA | SCREW - MACHINE - 1/4-14 X 3 - ZINC |
| | 000G52-06-05B | EA | SCREW - MACHINE - 6-32 X 5/16 PTH ZINC |
| | 000G52-06-06B | EA | SCREW - MACHINE - 6-32 X 3/8 PIN - ZINC |
| | 000G54-04-14B | EA | SCREW - 1/4-20 X 7/8 PTH - TYPE 23 - ZINC PLATED |
| | 000G55-08-124 | EA | SCREW - SF/DR - 8-18 X 3/4 PWH - ASH GRAY |
| | 000G55-08-12M | EA | SCREW - SF/DR - 8-19 X .75 PWH - GRAY |
| | 000G55-08-165 | EA | SCREW - SF/DR - 8-18 X 1 PWH - WILLOW |
| | 000G55-08-16T | EA | SCREW - SF/DR - 8-18 X 1 PWH - BLACK |
| | 000G55-08-16S | EA | SCREW - SF/DR - 8-18 X 1.00 - PWH - OFF WHITE |
| | 000G56-12-48B | EA | SCREW - WOOD - 12-11 X 3 POH - SPECIAL HARDENED |
| | 000G57-14-72B | EA | SCREW-14-10-X4 1/2 PFH ZN GENERAL MOTORHOMES |
| | 000G57-14-64B | EA | SCREW - 14-10 X 4 PFH ZINC |
| | 000G60-08-20F | EA | SCREW - SF/DR - 8-19X1.25 POH |
| | 000G60-08-16E | EA | SCREW - SF/DR - 8-1 X 1 POH - CHROME |
| | 000G60-08-22B | EA | SCREW - SF/DR - 8-18 X 1.38 POH - ZINC |
| | 000G60-10-209 | EA | SCREW - SF/DR - 10-16 X 1 1/4 POH - SILVER STALGAARD |
| | 000G60-10-20B | EA | SCREW - SF/DR - 10-16 X 1 1/4 POH - ZINC |
| | 000G60-10-16J | EA | SCREW - SF/DR - 10-16 X 1 POH - BRIGHT BRASS |
| | 000G60-10-28T | EA | SCREW - SF/DR - 10-16 X 1 3/4 - BLACK |
| | 000G67-08-32B | EA | SCREW - 8-15 X 2 PPH - ZINC |
| | 000G67-10-08B | EA | SCREW - 10-12 X 1/2 PPH - ZINC |
| | 000G67-10-24S | EA | SCREW - 10-12 X 1 1/2 PPH - OFF WHITE |
| | 000G67-10-24B | EA | SCREW - 10-12 X 1 1/2 PPH - ZINC |
| | 000G67-10-20D | EA | SCREW - 10-12 X 1 1/4 PPH - BLACK |
| | 000G67-10-12P | EA | SCREW - 10-12 X 3/4 PPH - DARK BROWN |
| | 000G67-10-12B | EA | SCREW - 10-12 X 3/4 PPH - ZINC |
| | 000G67-10-10T | EA | SCREW - 10-12 X 5/8 PPH - BLACK |
| | 000G67-10-10S | EA | SCREW - 10-12 X 5/8 PPH - OFF WHITE |
| | 000G67-10-10P | EA | SCREW - 10-12 X 5/8 PPH - DARK BROWN |
| | 000G67-10-10B | EA | SCREW - 10-12 X 5/8 PPH - ZINC - TYPE A |
| | 000G67-10-08S | EA | SCREW - 10-12 X 1/2 PPH - OFF WHITE |
| | 000G68-06-10J | EA | SCREW - 6-18 X 5/8 POH - BRASS |
| | 000G68-06-10G | EA | SCREW - 6-18 X 5/8 POH - ANTIQUE BRASS |
| | 000G68-06-12J | EA | SCREW - 6-18 X 3/4 POH - BRASS |
| | 000G68-06-12B | EA | SCREW - 6-18 X 3/4 POH - ZINC & CLEAR |
| | 029130-01-000 | EA | SCREW - SNAP STUD - #8-16 X 5/8" LONG |
| | 029130-03-000 | EA | SCREW - SNAP STUD - #8-16 X 1" LONG |
| | 049465-01-000 | EA | SCREW - 10-16 PTH W/WASHER - DARK BROWN |
| | 049465-03-000 | EA | SCREW - 10-16 X 1 POH W/WASHER - OFF WHITE |
| | 049465-04-000 | EA | SCREW - 10-16 X 1 PTH W/WASHER - BEIGE |
| | 049465-13-000 | EA | SCREW-10+16X1 PTH W/WASHER - *ASH GRAY |
| | 049465-17-000 | EA | SCREW - 10-16 X 1 POH W/WASHER - BRIGHT WHITE |
| | 049465-23-000 | EA | SCREW - 10-16 X 1.5 POH W/WASHER - VW LIGHT GRAY |
| | 054434-02-000 | EA | SCREW - SF/DR - 10-16 X 2 - ZINC |
| | 054434-03-000 | EA | SCREW - SF/DR - 10-16 X 2 - PWH - ZINC |
| | 075908-01-000 | EA | SCREW - MACHINE - 10-32 X .56 PTH - EXTERNAL TOOTH - ZINC |
| | 076790-01-000 | EA | SCREW - 6-20 X 1 1/4 PPH - BLACK |
| | 076790-05-000 | EA | SCREW - 6-20 X 1/2 PPH - BLACK - THREAD CUTTING/WOOD |
| | 083554-01-000 | EA | SCREW - DRYWALL - 8 X 1 1/4 |
| | 083554-04-000 | EA | SCREW - DRYWALL - 8 X 2 1/2 |
| | 087721-01-000 | EA | SCREW - FLAT HEAD - TAPPING - 1/4 X 1 1/4 LONG - ZINC |
| | 087721-02-000 | EA | SCREW - FLAT HEAD - TAPPING - 1/4 X 2 1/4 LONG - ZINC |
| | 090033-02-000 | EA | SCREW - 1/4-20 X 5/8 - ROUND WASHER HEAD - OFF/WHITE |
| | 097974-01-000 | EA | SCREW - PARTICLE BOARD - 7-9 X 3/4 PPH |
| | 101618-01-000 | EA | SCREW - 1/4-20 X 3/4 HEX - TAPPING - STALGARD TYPE F |

SEALANTS & FASTENERS GROUP (CONTINUED)

SCREWS (CONTINUED)

| KEY | PART NUMBER | U/M | DESCRIPTION |
|-----|---------------|-----|--|
| | 110460-05-02A | EA | SCREW - MACHINE - 10-24 X 2 1/2 PFH - WHITE |
| | 113563-01-01A | EA | SCREW - 8 X 5/8 LONG SHOULDER/WASHER HEAD |
| | 114469-01-02A | EA | COVER - SCREW - VW DARK GRAY |
| | 117478-01-04A | EA | SCREW - 8-18 X 3/4 PPH W/WASHER - VW LIGHT GRAY |
| | 118383-01-09A | EA | RETAINER/RECESSED - F/.22" SCREW - GLACIER |
| | 118383-01-06A | EA | RETAINER/RECESSED - F/.22" SCREW - ALLANTE ANTELOPE |
| | 118383-01-05A | EA | RETAINER/RECESSED - F/.22" SCREW - VW LIGHT GRAY |
| | 118383-01-04A | EA | RETAINER/RECESSED - F/.22" SCREW - BRIGHT WHITE |
| | 118383-02-09A | EA | RETAINER/RECESSED - F/.27" SCREW - GLACIER |
| | 118383-02-05A | EA | RETAINER/RECESSED - F/.27" SCREW - VW LIGHT GRAY |
| | 118383-02-04A | EA | RETAINER/RECESSED - F/.27" SCREW - BRIGHT WHITE |
| | 118383-03-09A | EA | RETAINER/RECESSED - F/.32" SCREW - GLACIER |
| | 118383-04-05A | EA | CAP - F/RECESSED RETAINER - VW LIGHT GRAY |
| | 118383-04-04A | EA | CAP - F/RECESSED RETAINER - BRIGHT WHITE |
| | 118383-04-09A | EA | CAP - F/RECESSED RETAINER - GLACIER |
| | 118383-04-06A | EA | CAP - F/RECESSED RETAINER - ALLANTE ANTELOPE |
| | 134126-01-01A | EA | SCREW/NAIL - HEX HEAD - 3/4" |
| | 140040-01-000 | EA | SCREW - 1/4-20 X 1 - BUTTON HEAD/SOCKET - W/LOCTITE |
| | 144078-01-01A | EA | SCREW - HEX/FLANGE HEAD CAP - 1" W/.75" THREAD LENGTH - ZINC |
| | 149753-01-01A | EA | RETAINER/RECESSED - F/.22" SCREW - BLACK |
| | 149753-01-02A | EA | RETAINER/RECESSED - F/.22" SCREW - BRIGHT WHITE |
| | 149753-02-01A | EA | CAP - F/RECESSED RETAINER - BLACK |
| | 149753-02-02A | EA | CAP - F/RECESSED RETAINER - BRIGHT WHITE |

CLAMPS, CLIPS, GROMMETS, RIVETS & PLUGS

| KEY | PART NUMBER | U/M | DESCRIPTION |
|-----|---------------|-----|---|
| | 000F10-06-32B | EA | PIN - COTTER - 3/16" X 2" - ZINC |
| | 000H14-06-06R | EA | RIVET-MANDREL BLIND,3/16 AL - CHERRY BSP-66 |
| | 000H16-04-06R | EA | RIVET - POP ALUMINUM - 1/8 X .313 - .375 |
| | 000H16-06-10R | EA | RIVET - POP ALUMINUM - 3/16 X .501 - .625 |
| | 007161-01-000 | EA | CLAMP - HOSE - SPRING TYPE - 1/2" |
| | 008386-01-000 | EA | GROMMET - SNAP - 3/8" DIAMETER - NYLON |
| | 010495-01-000 | EA | CLAMP - CABLE - 9/16"ID - BLACK |
| | 010495-02-000 | EA | CLAMP - CABLE - 3/8"ID - BLACK |
| | 010495-04-000 | EA | CLAMP - CABLE - 11/16"ID - WHITE |
| | 010497-01-000 | EA | CLAMP - CLOSED - 5/8"ID |
| | 010497-02-000 | EA | CLAMP - CLOSED - 1.5"ID |
| | 010497-03-000 | EA | CLAMP - CLOSED - 1"ID - CUSHIONED |
| | 010497-04-000 | EA | CLAMP - CLOSED - 1 5/8"ID |
| | 010497-07-000 | EA | CLAMP - CLOSED - 3/8"ID |
| | 010497-09-000 | EA | CLAMP - CLOSED - 5/16"ID |
| | 010497-10-000 | EA | CLAMP - CLOSED - 7/8"ID |
| | 010499-01-000 | EA | CLAMP - CLOSED - 3/8"ID |
| | 016188-03-000 | EA | GROMMET - LP LINE - 3/8"HOLE X 2 1/2"LONG - RUBBER |
| | 016188-04-000 | EA | GROMMET - LP LINE - 1/2"HOLE X 2 1/2"LONG - RUBBER |
| | 016188-05-000 | EA | GROMMET - LP LINE - 3/8"HOLE X 1 1/4"LONG - RUBBER |
| | 016188-06-000 | EA | GROMMET - L/P LINE - 3/8"HOLE X 3 1/4"LONG - RUBBER |
| | 016188-08-000 | EA | GROMMET - LP LINE - 1/2"HOLE X 1 1/4"LONG - RUBBER |
| | 016188-09-000 | EA | GROMMET - LP LINE - .68"HOLE X 1 1/4"LONG - RUBBER |
| | 016188-10-000 | EA | GROMMET - LP LINE - .68"HOLE X 2.5"LONG - RUBBER |
| | 023942-01-000 | EA | GROMMET - RUBBER - 2" OD |
| | 034141-02-000 | EA | PLUG/NYLON - .38" - BLACK |
| | 061420-01-000 | EA | PLUG/PLASTIC - 1 3/4" DIAMETER - BROWN |
| | 061420-04-000 | EA | PLUG/PLASTIC - 1 1/4" DIAMETER |
| | 061420-05-000 | EA | PLUG/PLASTIC - 1 1/2" DIAMETER |
| | 061420-08-000 | EA | PLUG/PLASTIC - 2 1/2" DIAMETER |
| | 061420-09-000 | EA | PLUG/PLASTIC - 1.00" - DIAMETER |
| | 061420-10-000 | EA | PLUG/PLASTIC - 1 1/2" DIAMETER - BLACK |
| | 061420-13-000 | EA | PLUG/PLASTIC - 3/8 - 3" |
| | 061420-14-000 | EA | PLUG/PLASTIC - 7/8" DIAMETER - BLACK |
| | 061420-15-000 | EA | PLUG/PLASTIC - 2" DIAMETER - BLACK |
| | 061420-16-000 | EA | PLUG/PLASTIC - 2 1/8" DIAMETER - BLACK |
| | 062401-01-000 | EA | CLAMP - HOSE - WORMGEAR - .25" - 1" |

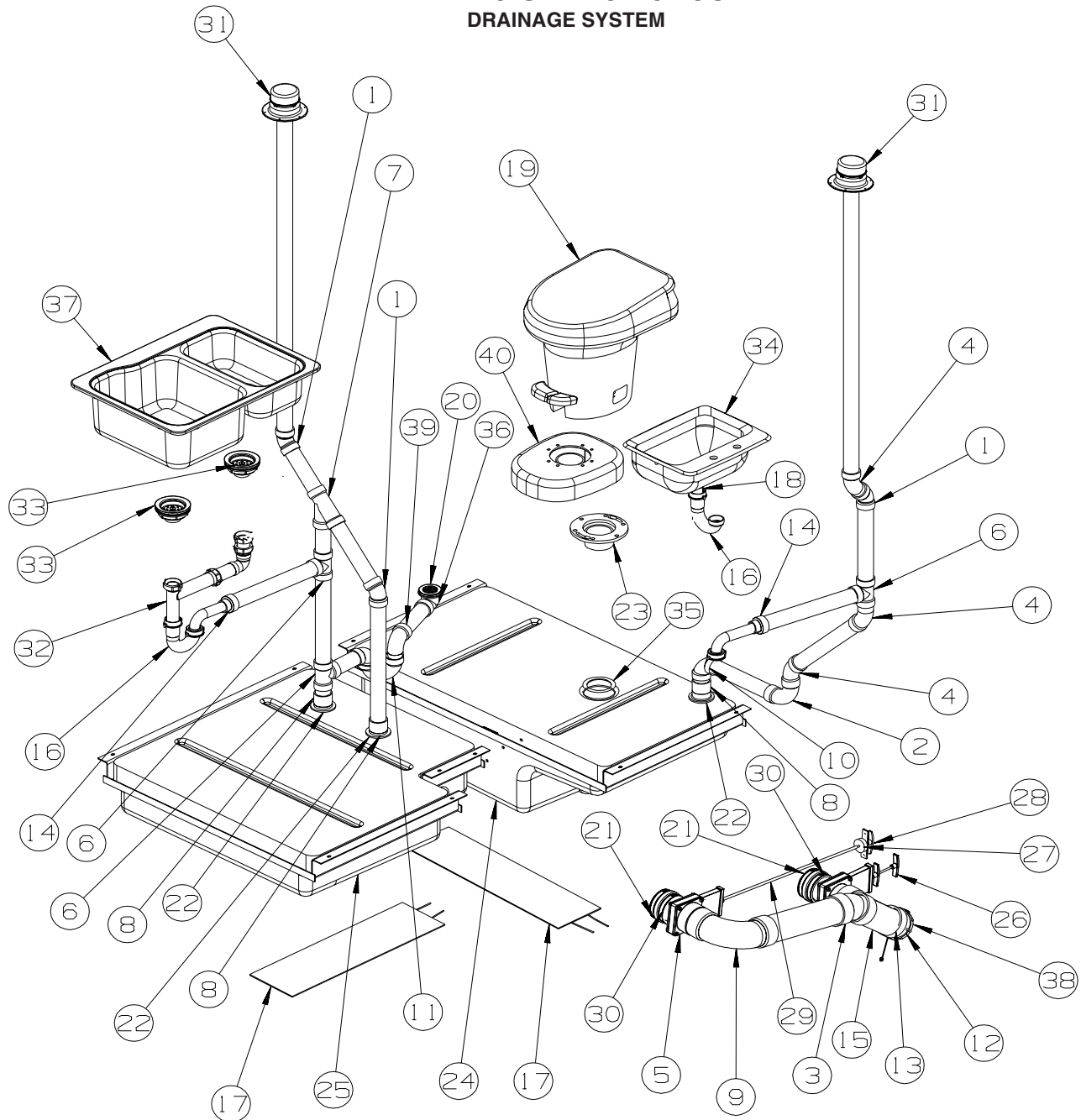
SEALANTS & FASTENERS GROUP (CONTINUED)
CLAMPS, CLIPS, GROMMETS, RIVETS & PLUGS (CONTINUED)

| KEY | PART NUMBER | U/M | DESCRIPTION |
|-----|---------------|-----|--|
| | 062401-02-000 | EA | CLAMP - HOSE - WORMGEAR - 1.56" - 2.5" |
| | 062401-03-000 | EA | CLAMP - HOSE - WORMGEAR - .22" - 1" |
| | 062401-04-000 | EA | CLAMP - HOSE - WORMGEAR - .69" - 1.25" |
| | 062401-05-000 | EA | CLAMP - HOSE - WORMGEAR - 2" - 3" ID |
| | 062401-06-000 | EA | CLAMP - HOSE - WORMGEAR - .22" - .62" ID |
| | 062401-09-000 | EA | CLAMP - HOSE - WORMGEAR - 2.8" - 3.75" |
| | 062401-11-000 | EA | CLAMP - HOSE - WORMGEAR - 3.50" - 4.50" |
| | 062401-12-000 | EA | CLAMP - HOSE - WORMGEAR - .79" X 1.26" |
| | 071015-11-000 | EA | GROMMET - RUBBER - 1 ID - FITS .12 MATERIAL - BLACK |
| | 071015-13-000 | EA | GROMMET - RUBBER - .62 ID - FITS .09 GROOVE - BLACK |
| | 071015-19-000 | EA | GROMMET - RUBBER - .38 ID - FITS .06 MATERIAL - BLACK |
| | 071015-22-000 | EA | GROMMET - RUBBER - .62 ID - 1.12 OD - W/.19 GROOVE - BLACK |
| | 071015-26-000 | EA | GROMMET - RUBBER - 1.5" ID X 2.1" OD W/.06" GROOVE-BLACK |
| | 071015-29-000 | EA | GROMMET - RUBBER - .3" ID X 1.3"OD W/.12" GROOVE - BLACK |
| | 071015-30-000 | EA | GROMMET - RUBBER - .3" ID X .81"OD W/.12" GROOVE - BLACK |
| | 071015-32-000 | EA | GROMMET - RUBBER - .75 ID X 1.375 OD W/.187 GROOVE - BLACK |
| | 071015-40-000 | EA | GROMMET - RUBBER - .38 ID - FITS .09 MATERIAL - BLACK |
| | 071015-41-000 | EA | GROMMET - .125 ID FITS .188 MTL |
| | 071015-42-000 | EA | GROMMET - RUBBER - .25 ID - FITS .06 MATERIAL - BLACK |
| | 075148-02-000 | EA | CLAMP - GROUNDING - BRONZE SCREWS |
| | 077955-01-000 | EA | CLIP/J - 3/8" - VINYL COATED |
| | 080734-02-000 | EA | CLIP - WIRE NYLON |
| | 081211-01-000 | EA | PLUG/PLASTIC - .31" DIAMETER - BLACK |
| | 081211-03-000 | EA | PLUG/PLASTIC - .50" DIAMETER - TRUSS HEAD - BLACK |
| | 081211-04-000 | EA | PLUG/PLASTIC - .46 DIAMETER - TRUSS HEAD - BLACK |
| | 083609-01-000 | EA | CLAMP - WIRE - DUAL - EQUAL DIAMETERS - 5/8" |
| | 083610-01-000 | EA | CLAMP - WIRE - DUAL - UNEQUAL DIAMETERS - 3/4" & 1 1/4" |
| | 083610-02-000 | EA | CLAMP - WIRE - DUAL - UNEQUAL DIAMETERS - 3/4" & 2" |
| | 083610-03-000 | EA | CLAMP - WIRE - DUAL - EQUAL DIAMETERS - 2" |
| | 088756-01-000 | EA | GROMMET - WEB - 1 1/8 " I.D. |
| | 089329-02-000 | EA | CLIP - SPRING |
| | 091952-01-000 | EA | CLIP - GRIPPER - 1" |
| | 091952-02-000 | EA | CLIP - GRIPPER - 3/4" |
| | 091952-03-000 | EA | CLIP - GRIPPER - 1/2" - BLACK VINYL COATED |
| | 094362-02-000 | EA | CLIP - XMAS TREE - BINDER HEAD - .9" LONG |
| | 094362-05-000 | EA | CLIP - XMAS TREE - ROUND HEAD - 1.4" LONG |
| | 114208-01-000 | EA | GROMMET - EDGE LINER - FITS 1 3/4" |
| | 114208-03-000 | EA | GROMMET - EDGE LINER - FITS 2 1/2" |
| | 114208-05-000 | EA | GROMMET - EDGE LINER - FITS 2" |
| | 118626-01-02A | EA | RIVET - POP - ALUMINUM - 3/16 X .08 - .375 |
| | 118626-01-01A | EA | RIVET - POP - ALUMINUM - 3/16 X .08 - .375 |
| | 118626-02-01A | EA | RIVET - POP - ALUMINUM - 3/16 X .500 - .750 |
| | 137014-01-01A | EA | GROMMET - CABLE - ALMOND |
| | 137014-01-02A | EA | GROMMET - CABLE - BROWN |
| | 137014-01-03A | EA | GROMMET - CABLE - BLACK |
| | 139118-02-01A | EA | GROMMET - SCREW - PLASTIC |
| | 140171-01-000 | EA | CLAMP - HOSE - STEPLESS EAR - .312 |
| | 140171-02-000 | EA | CLAMP - HOSE - STEPLESS EAR - .250 |

SEALANTS & FASTENERS GROUP (CONTINUED)
MISCELLANEOUS FASTENERS

| KEY | PART NUMBER | U/M | DESCRIPTION |
|------------|--------------------|------------|---|
| | 008343-01-000 | EA | TIE - WIRE - 6" |
| | 008343-02-000 | EA | TIE - WIRE - 14" |
| | 008343-03-000 | EA | TIE - WIRE - 7 1/2" - BLACK |
| | 029094-04-000 | YD | VELCRO TAPE - LOOP - 1" WIDE - BLACK |
| | 029094-06-000 | YD | VELCRO TAPE - LOOP - 2" WIDE - BLACK |
| | 029096-03-000 | YD | VELCRO TAPE - HOOK - 1" WIDE - BLACK |
| | 029096-04-000 | YD | VELCRO TAPE/HOOK - 1"WIDE - BLACK - W/ADHESIVE BACK (PSA) |
| | 048394-02-000 | YD | VELCRO TAPE - HOOK - ADHESIVE BACK - 3/4" WIDE - BEIGE |
| | 085774-01-000 | FT | FASTENER - DUAL LOCK - 1" WIDE - ADHESIVE BACK - BLACK |
| | 085774-02-000 | FT | FASTENER - DUAL HOOK - 1" WIDE - ADHESIVE BACK - BLACK |
| | 085774-07-000 | FT | FASTENER - DUAL HOOK - 1" WIDE |
| | 088792-02-000 | YD | VELCRO TAPE - LOOP - 3/4" - ADHESIVE BACK - BEIGE |
| | 088792-04-000 | YD | VELCRO TAPE - HOOK - 5/8" - NON-ADHESIVE BACK - WHITE |
| | 088792-05-000 | YD | VELCRO TAPE - LOOP - 5/8" - NON-ADHESIVE BACK - WHITE |
| | 108046-01-000 | EA | CABLE TIE - SCREW MOUNT 8" |
| | 108046-02-000 | EA | CABLE TIE - SCREW MOUNT 15" |
| | 110943-01-000 | FT | FELT STRIP - 3/8" - ADHESIVE BACK - BLACK |
| | 110943-02-000 | FT | FELT STRIP - 3/8" - ADHESIVE BACK - WHITE |
| | 113133-02-01A | EA | RIVET - POP - ALUMINUM - 3/16 X .252 - .504 - BLACK |
| | 115361-01-01A | EA | PLUG/PLASTIC - 1/2" DIAMETER |
| | 127960-01-01A | EA | RETAINER - 3/8" - STAINLESS STEEL |

WATER & SEWAGE GROUP DRAINAGE SYSTEM



| KEY | PART NUMBER | U/M | DESCRIPTION |
|-----|---------------|-----|--|
| 1 | 010006-01-000 | EA | ELBOW - 45 DEGREE - 1 1/2" HUB X HUB - PLASTIC |
| 2 | 010008-01-000 | EA | ELBOW - 90 DEGREE - 1 1/2" HUB X HUB - PLASTIC |
| 3 | 010023-01-000 | EA | ELBOW/STREET - PLASTIC |
| 4 | 010051-01-000 | EA | ELBOW - 45 DEGREE - 1 1/2" SPIGOT X HUB - PLASTIC |
| 5 | 062418-01-000 | EA | VALVE - DUMP - W/HANDLE - 3" - PLASTIC/BLACK |
| 6 | 010071-01-000 | EA | TEE - SANITARY - 1 1/2" HUB X HUB X HUB - PLASTIC |
| 7 | 010073-01-000 | EA | WYE - 45 DEGREE - 1 1/2" HUB X HUB X HUB - PLASTIC |
| 8 | 010115-01-000 | EA | COUPLING - 1 1/2" HUB X HUB - PLASTIC |
| 9 | 031126-01-000 | EA | ELBOW - 1/4 BEND - 3" X 90" XLT - BLACK PLASTIC |
| 10 | 034250-01-000 | EA | ELBOW - 90 DEGREE - LONG TURN - 1 1/2" HUB X HUB - ABS |
| 11 | 037763-01-000 | EA | P-TRAP - PLASTIC - 1 1/2 HXH W/UNION |
| 12* | 062415-01-000 | EA | CAP - SEWER - 3" DIAMETER |
| 13 | 062417-01-000 | EA | ADAPTER - TERMINATION - 3" |
| 14 | 109571-01-000 | EA | ADAPTER - P-TRAP - 1 1/2"P X 1 1/4"MPT |
| 15 | 136664-01-000 | EA | TEE - PLASTIC - 3" |
| 16 | 107538-01-000 | EA | P-TRAP - PLASTIC - 1 1/4" W/EXTENSION ARM - USA |
| 16 | 011071-01-000 | EA | P-TRAP - 1 1/2" - CSA - PLASTIC - CANADIAN |
| 17 | 133972-01-000 | EA | PAD - HEATER - HOLDING TANK - 40 GALLON |
| 18 | 106116-01-02A | EA | STRAINER/PLASTIC - STOPPER/TAILPIECE/GASKET & NUT-LAVATORY |

WATER & SEWAGE GROUP (CONTINUED)
DRAINAGE SYSTEM (CONTINUED)

| KEY | PART NUMBER | U/M | DESCRIPTION |
|-----|---------------|-----|---|
| 19* | 131932-02-02A | EA | TOILET - AQUA MAGIC 4 - HIGH - FOOT FLUSH - WHITE FROM: 00-00-00 THRU: 09-28-03 |
| 19* | 147421-01-01A | EA | TIOLET - AQUA MAGIC 5 - HIGH/FOOTFLUSH/W/SPRAYER - WHITE FROM: 09-29-03 THRU: 99-99-99 |
| 20 | 066440-01-000 | EA | STRAINER - SHOWER DRAIN - W/RUBBER WASHER |
| 21 | 010129-03-000 | EA | NIPPLE - 3" X 3" TOE - PLASTIC |
| 22 | 061607-01-000 | EA | GROMMET - HOLDING TANK - 1 1/2" NPS |
| 23 | 116644-01-000 | EA | FLANGE/CLOSET - 3" FEMALE - 4 BOLT |
| 24 | 137501-01-700 | EA | TANK - HOLDING |
| | 049032-01-000 | EA | PATCH - SPINWELD - 3/8" - PLASTIC |
| 25 | 137502-01-700 | EA | TANK - HOLDING |
| | 049032-01-000 | EA | PATCH - SPINWELD - 3/8" - PLASTIC |
| 26 | 062418-03-000 | EA | VALVE- 3" SPIGOT X 3" SPIGOT |
| 27 | 062419-05-000 | EA | BRACKET - VALVE - LOCKING |
| 28 | 062419-06-000 | EA | HANDLE - T |
| 29 | 062419-10-000 | EA | HANDLE - EXTENSION - W/TAPPED END |
| 30 | 078406-01-000 | EA | COUPLER - 3" X 3" W/CLAMPS - RUBBER |
| 31 | 083558-03-000 | EA | VENT W/COVER F/PLUMBING STACK - OFF WHITE |
| 32 | 091980-01-000 | EA | WASTE - CONTINUOUS |
| 32 | 011091-02-000 | EA | WASTE - CONTINUOUS - DOUBLE SINK |
| 33 | 092303-01-000 | EA | STRAINER - W/BASKET - GALLEY SINK - 4" OD |
| 34* | 096927-01-02A | EA | SINK - LAVATORY - RECTANGULAR - PLASTIC - SOFT WHITE |
| 35 | 061607-02-000 | EA | GROMMET - HOLDING TANK - 3" NPS |
| 36 | 131486-01-000 | EA | ELBOW - DRAIN - 1 1/2 LOW PROFILE - TUB DRAIN |
| 37 | 136828-01-01A | EA | SINK/DBL - LGE/SM BASIN-25"X19"X7" W/O NOTCH/FAUCET HOLES FROM: 00-00-00 THRU: 12-05-03 |
| 37 | 144870-01-01A | EA | SINK/DOUBLE - LRG/SML BASIN - 25" X 19" X 7" FROM: 12-06-03 THRU: 99-99-99 |
| 38 | 139513-01-000 | EA | HOSE - SEWER - 3" X 10' - W/ADAPTER |
| | 062416-01-000 | EA | ADAPTER - SEWER HOSE TO 3" PIPE |
| 39 | 010009-01-000 | EA | ELBOW - 90 DEGREE - 1/4 BEND - 1 1/2" PLASTIC |
| 40 | 131786-02-01A | EA | SPACER - TOILET - OVAL - 13.5" LONG X 2.8" HIGH - SOFT WHT FROM: 06-20-03 THRU: 12-05-03 |
| 40 | 131786-07-01A | EA | SPACER/TOILET - OVAL - 13.5" LONG X 1.25" HIGH - SOFT WHT FROM: 12-06-03 THRU: 99-99-99 |

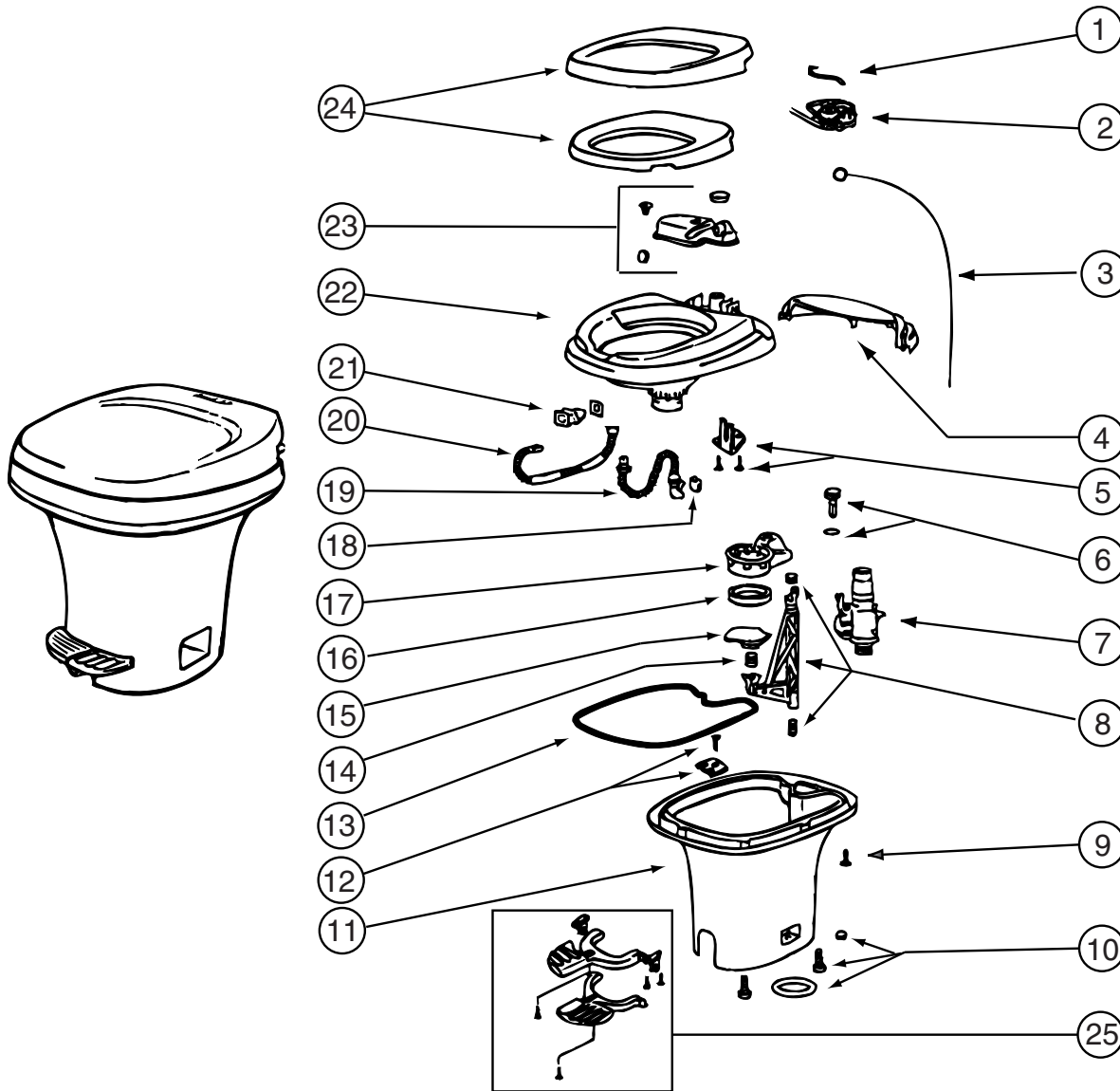
***COMPONENT PARTS LISTED LATER IN THIS GROUP**

WATER & SEWAGE GROUP (CONTINUED)

COMPONENT PARTS FOR DRAINAGE SYSTEM

| KEY | PART NUMBER | U/M DESCRIPTION | 062415-01-000 | VENDOR NO. |
|-----|---------------|---------------------|---------------|-------------|
| | 062415-01-700 | EA STRING-SEWER CAP | | V#SV7 STRAP |

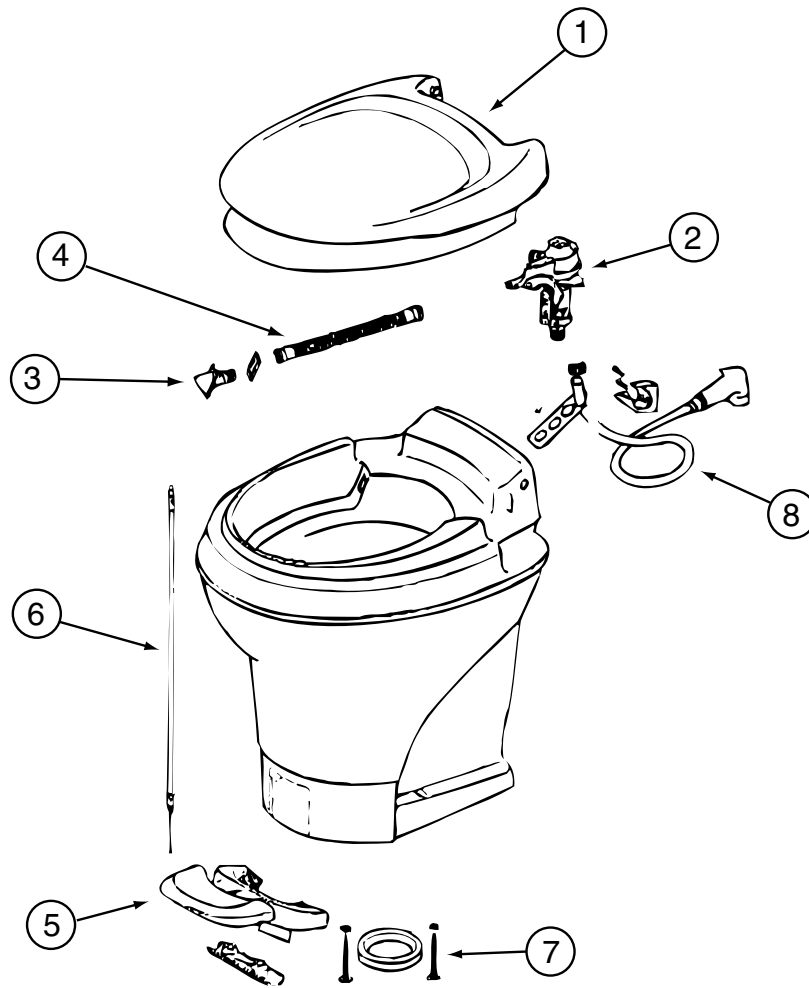
| KEY | PART NUMBER | U/M DESCRIPTION | 096927-01-02A | VENDOR NO. |
|-----|---------------|-----------------------------|---------------|------------|
| | 096927-01-700 | EA SINK STOPPER | | M9801 |
| | 096927-01-701 | EA TAILPIECE-DRAIN-LAVATORY | | M9802 |



| KEY | PART NUMBER | U/M DESCRIPTION | 131932-02-02A | VENDOR NO. |
|-----|---------------|--------------------------------|---------------|----------------|
| 2 | 063740-02-703 | EA KIT-LEVER/WIRE ASSM FOOT FL | | 24571 |
| 4 | 131932-02-701 | EA COVER -MECHANISM- WHITE | | 2086562 |
| 7 | 063740-01-714 | EA VALVE ASM (VALVE-BALL SEAL) | | 13168 |
| 10 | 063740-01-706 | EA BOLT PACKAGE-FLOOR FLANGE | | 12524 THETFORD |
| 15 | 063740-01-721 | EA BLADE ONLY | | 1248262 |
| 16 | 063740-01-722 | EA SEAL - BLADE | | 12481 |
| 20 | 063740-01-717 | EA TUBE-FLUSH | | 12509 |
| 23 | 063740-02-701 | EA RESERVOIR (TANK ASM.) | | 24630 |
| 24 | 131932-01-701 | EA SEAT/COVER ASSMBLY - WHITE | | 2464162 |
| 25 | 131932-02-702 | EA PEDAL PACKAGE(WHITE) | | 2082162 |

CONTACT WINNEBAGO PART SALES FOR UNLISTED COMPONENT

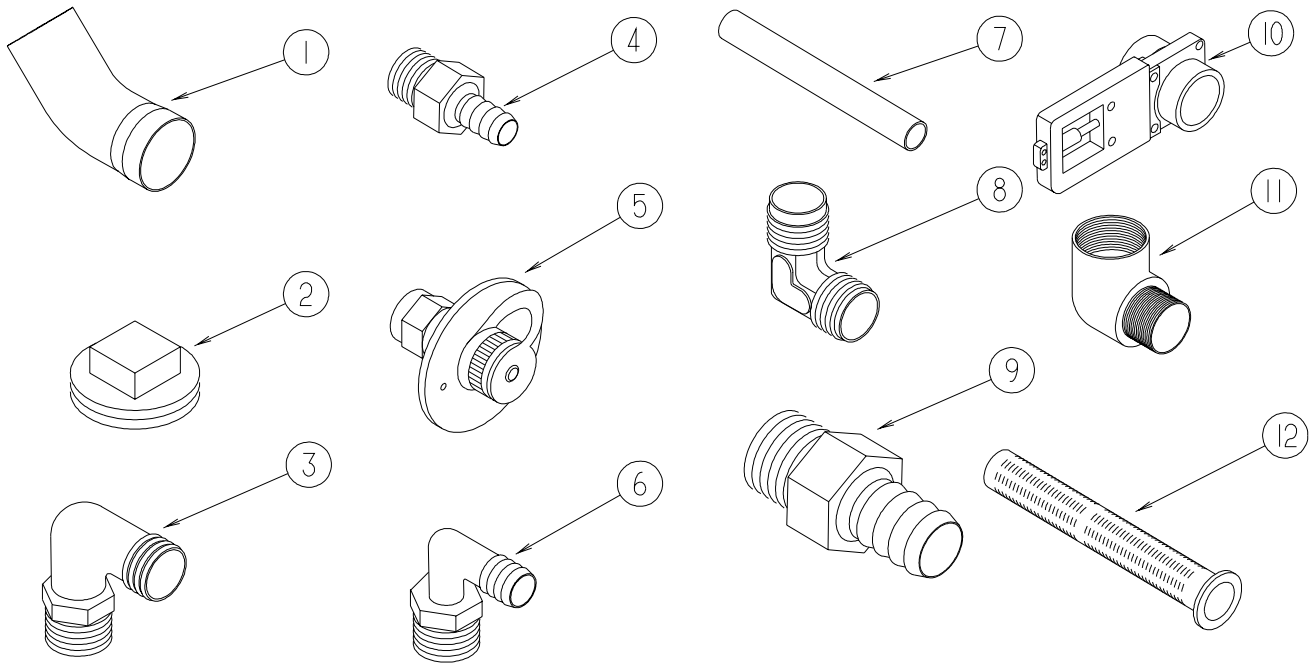
WATER & SEWAGE GROUP (CONTINUED)
COMPONENT PARTS FOR DRAINAGE SYSTEM (CONTINUED)



147421-01-01A, 147421-02-01A

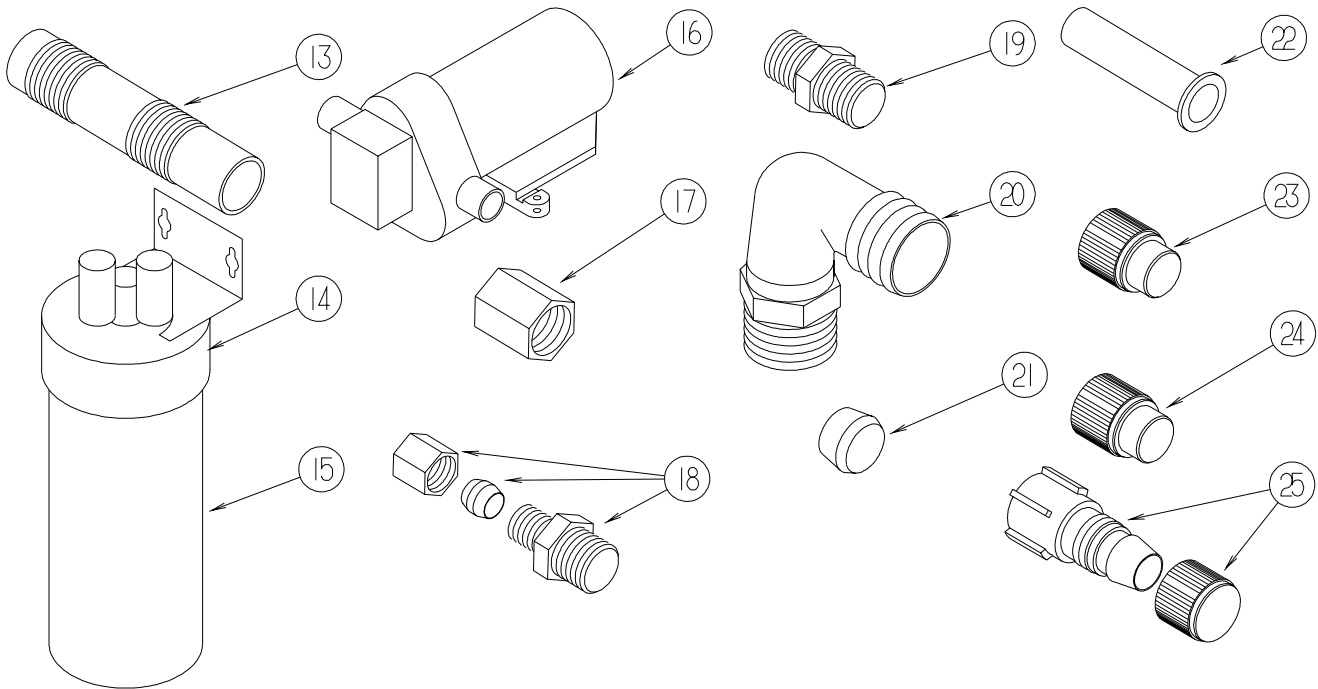
| KEY | PART NUMBER | U/M | DESCRIPTION | VENDOR NO. |
|-----|---------------|-----|------------------------------|----------------|
| 1 | 147421-01-700 | EA | SEAT & COVER ASSEMBLY(WHT) | 31703 |
| 2 | 147421-01-701 | EA | WATER MODULE ASSEMBLY | 31705 |
| 3 | 147421-01-702 | EA | NOZZLE ASSEMBLY | 31706 |
| 4 | 147421-01-703 | EA | LINK - WATER MODULE | 31621 |
| 5 | 147421-01-704 | EA | PEDAL - WHITE | 31709 |
| 6 | 147421-01-705 | EA | FOOT CABLE | 31711 |
| 7 | 063740-01-706 | EA | BOLT PACKAGE-FLOOR FLANGE | 12524 THETFORD |
| 8 | 132389-01-708 | EA | HAND SPRAY KIT | 19289 |
| | 147421-01-706 | EA | SEAL - BLADE | 31708 |
| | 147421-01-707 | EA | CAP (UNIVERSAL BOLT) - WHITE | 31713 |

WATER & SEWAGE GROUP (CONTINUED)
WATER SYSTEM



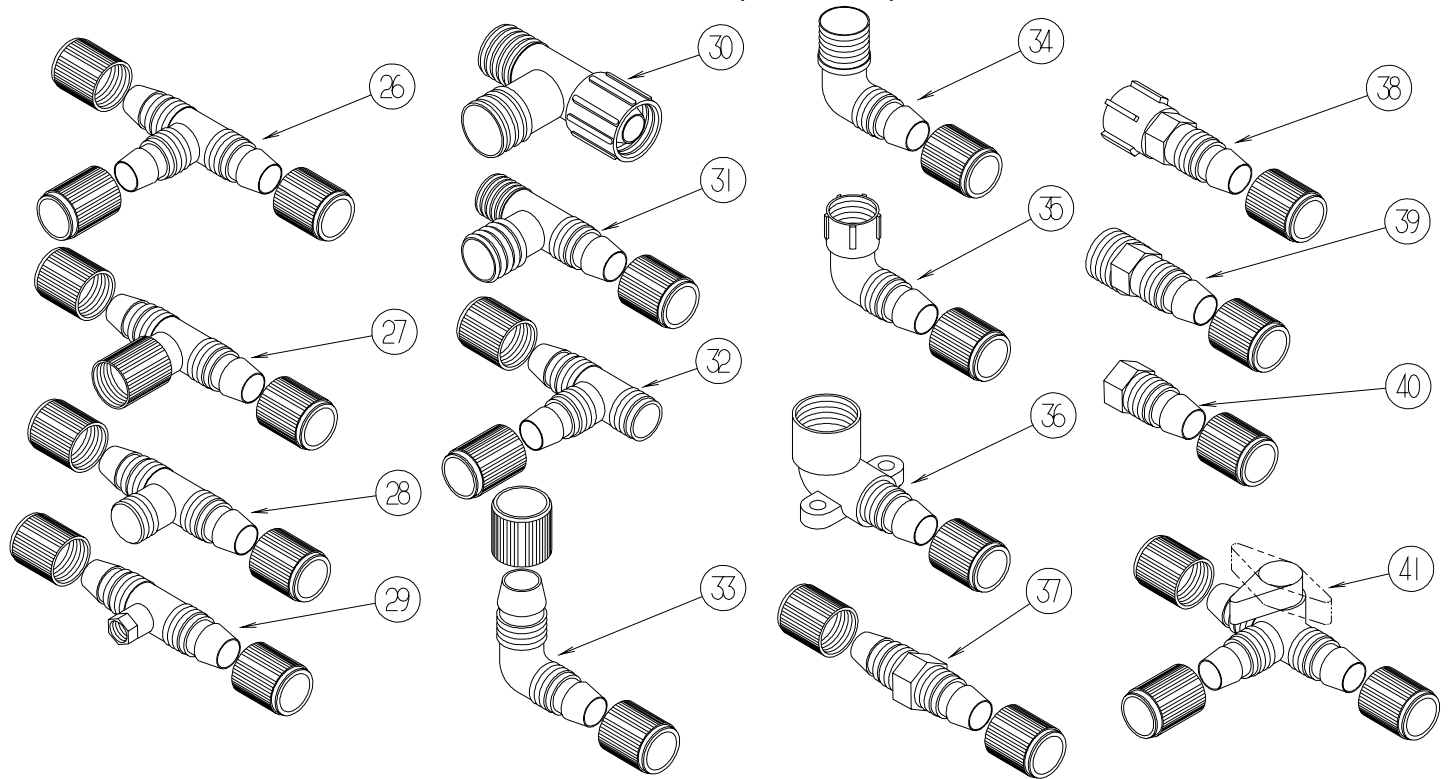
| KEY | PART NUMBER | U/M | DESCRIPTION |
|-----|---------------|-----|---|
| 1 | 010009-01-000 | EA | ELBOW - 90 DEGREE - 1/4 BEND - 1 1/2" PLASTIC |
| 2 | 010166-01-000 | EA | PLUG/THREADED - 1 1/4"MPT - PLASTIC - BLACK - UL |
| 3 | 010219-01-000 | EA | ELBOW - 1 1/4 MPT X 1 1/4 BARB - WATER FILL - PLASTIC |
| 4 | 010224-01-000 | EA | ADAPTER - HOSE TO PIPE - 3/8 MPT X 3/8 BARB - PLASTIC |
| 5 | 010230-06-000 | EA | FILL - CITY WATER - W/CHECK VALVE - MPT - BRUSHED ALUM |
| 6 | 035539-01-000 | EA | ELBOW - 3/8 MPT X 3/8 BARB - PLASTIC |
| 7 | 039800-04-000 | FT | TUBING - POLYBUTYL - 1/4"OD |
| 7 | 074462-02-000 | FT | TUBING - VINYL - 3/8 ID X 20' - CLEAR |
| 7 | 112176-01-000 | FT | TUBING - VINYL - REINFORCED - 1/2" ID |
| 7 | 124188-01-000 | FT | TUBING - PEX - 1/2" ID X 20' - BLUE(COLD) |
| 7 | 124188-02-000 | FT | TUBING - PEX - 1/2" ID X 20' - RED(HOT) |
| 8 | 039808-03-000 | EA | ELBOW - 1/2" MPT X 1/2" MPT - PLASTIC |
| 9 | 044927-01-000 | EA | ADAPTER - HOSE TO PIPE-1 1/4 MPTX1 1/4 BARB-BLACK PLASTIC |
| 10 | 062421-03-000 | EA | VALVE/DUMP W/O HANDLE - 1 1/2" X 1 1/2" HUB |
| | 062421-05-000 | EA | CABLE/ROD - F/DUMP VALVE - W/HANDLE - 48" |
| 11 | 065318-02-000 | EA | ELBOW - 90 DEGREE - 3/8" MPT TO 3/8" FPT |
| 12 | 077954-02-000 | EA | FILTER - WATER TANK - W/SCREEN IN TANK |

WATER & SEWAGE GROUP (CONTINUED)
WATER SYSTEM (CONTINUED)



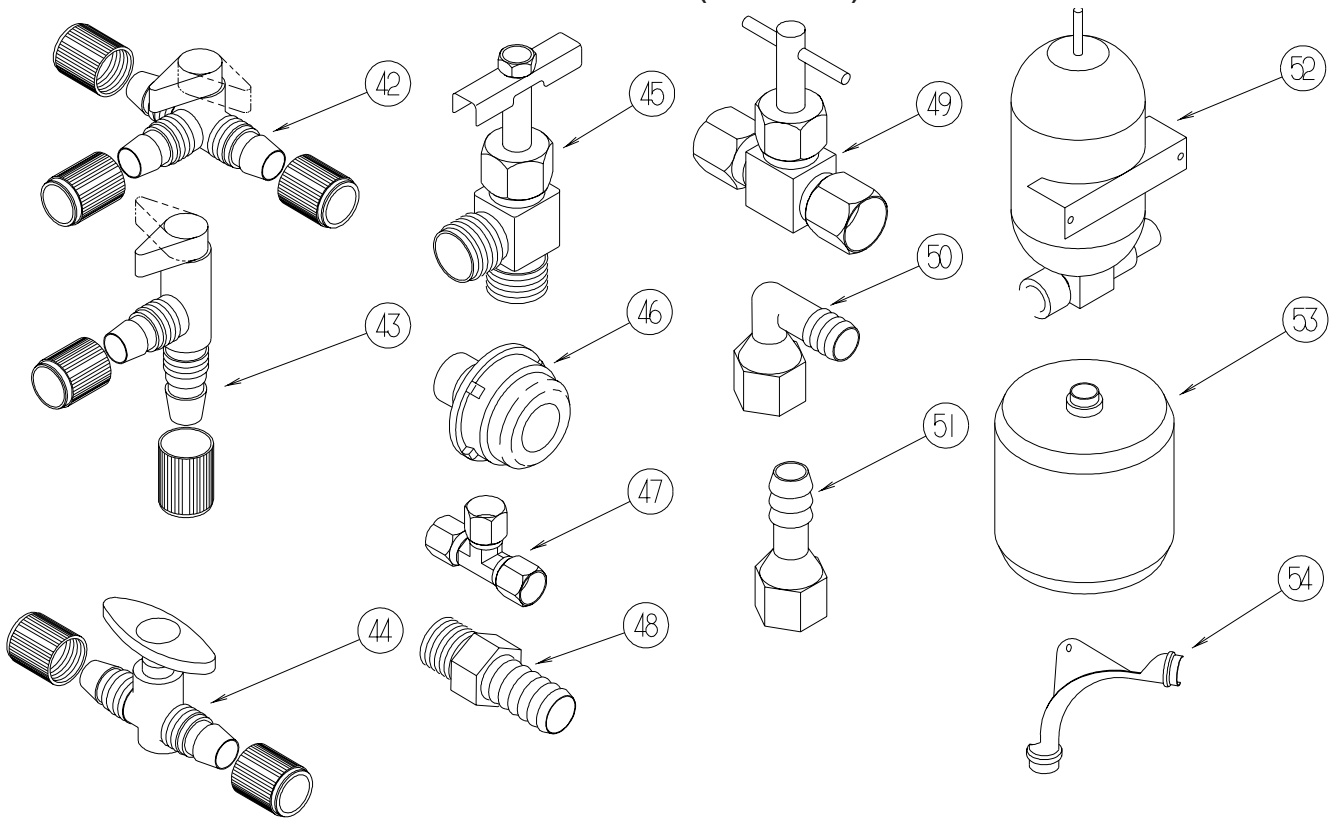
| KEY | PART NUMBER | U/M | DESCRIPTION |
|-----|---------------|-----|---|
| 13 | 079381-01-000 | FT | TUBING - RIBBED FLEXIBLE - WATER FILL - 1.4" ID |
| 14 | 087200-01-000 | EA | FILTER-WATER PURIFICATION, EVERPURE QC2-AC |
| 15 | 087200-02-000 | EA | CARTRIDGE-WATER FILTER, AC - EVERPURE 9601-11 |
| 16* | 098607-01-000 | EA | PUMP - WATER - W/.5" MPT FITTING - FLOW 2.8 GPM |
| 17 | 101814-01-000 | EA | COUPLING - FEMALE - 1/2" X 1/2" FPT - GRAY |
| 18 | 103798-01-000 | EA | CONNECTOR - 1/4 OD X 3/8 MPT |
| 19 | 110438-02-000 | EA | VALVE - CHECK - BRASS - 1/2 MPT X 1/2 MPT |
| 20 | 111223-02-000 | EA | ELBOW - 1/2" MPT X 3/8" BARB - PLASTIC |
| 20 | 111223-03-000 | EA | ELBOW - 3/4" MPT X 1/2" BARB - PLASTIC |
| 20 | 111223-04-000 | EA | ELBOW - 1/2" MPT X 1/2" BARB - PLASTIC |
| 21 | 111888-01-000 | EA | FERRULE - PLASTIC - .250 ID X .375 OD |
| 22 | 111888-02-000 | EA | INSERT - BRASS - 1/4 COMP |
| 23 | 113697-01-000 | EA | CAP - 3/8"P |
| 24 | 114427-01-000 | EA | CAP - 1/2"P |
| 25 | 114427-02-000 | EA | PLUG - W/COMP NUT - 1/2" PLASTIC PIPE/1/2" FLAIR-IT |

WATER & SEWAGE GROUP (CONTINUED)
WATER SYSTEM (CONTINUED)



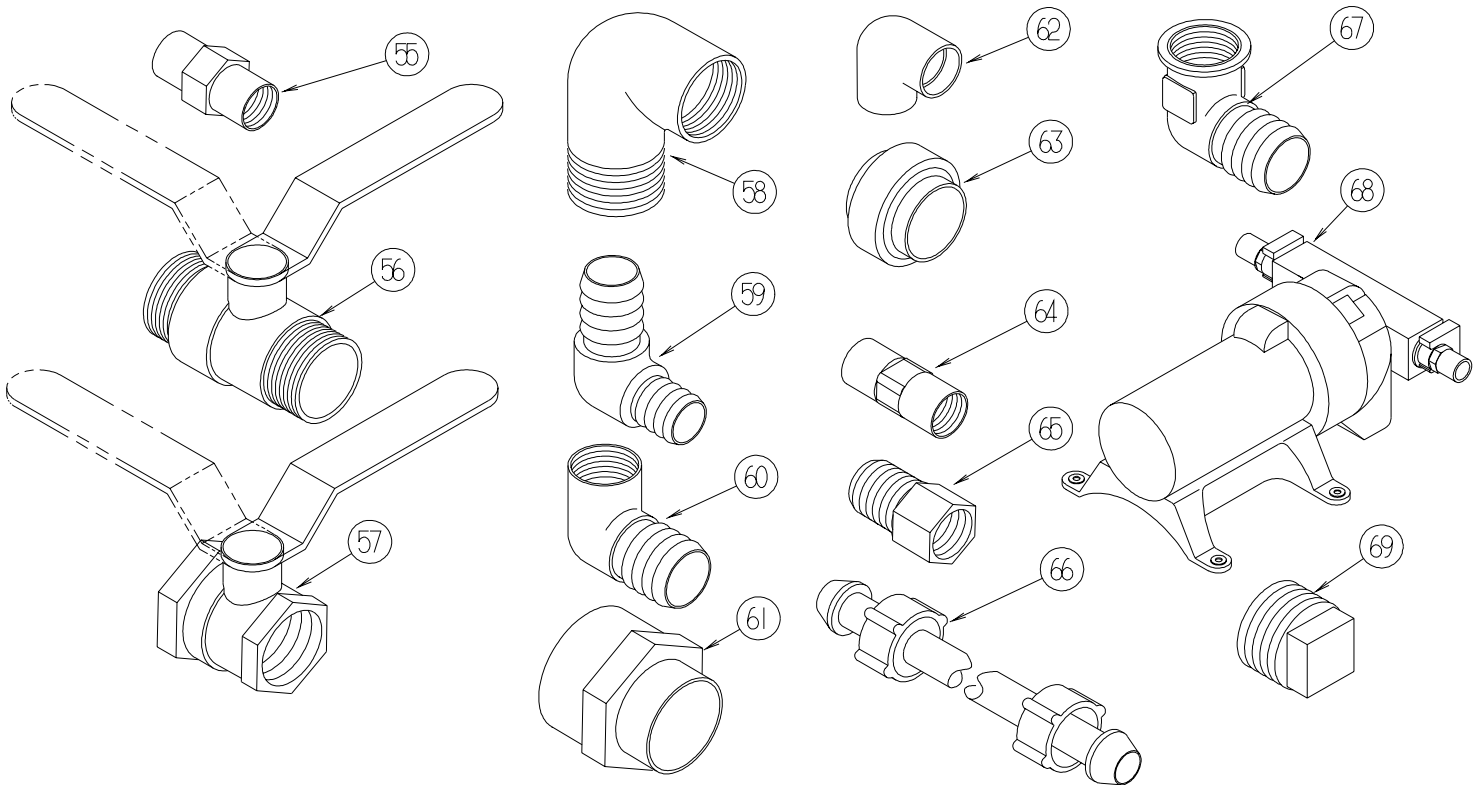
| KEY | PART NUMBER | U/M | DESCRIPTION |
|-----|---------------|---------|---|
| | 039798-01-000 | EA | TEE - 1/2"MPT X 1/2"MPT X 1/2"MPT - PLASTIC |
| 26 | 114428-01-000 | EA | TEE - 1/2"P X 1/2"P X 1/2"P |
| 27 | 114428-02-000 | EA | TEE - SWIVEL - 1/2"P X 1/2"P X 1/2"FPT |
| 28 | 114428-03-000 | EA | TEE - 1/2"P X 1/2"P X 1/2"MPT |
| 29 | 114428-04-000 | EA | TEE - 1/2"P X 1/2"P X 1/8"FPT |
| 30 | 114428-05-000 | EA | TEE - 1/2" SWIVEL X 1/2" MPT X 1/2" MPT |
| 31 | 114428-06-000 | EA | TEE - 1/2" P X 1/2" MPT X 1/2" MPT |
| 32 | 114428-07-000 | EA | TEE - 1/2" P X 1/2" MPT X 1/2" P |
| 33 | 114429-01-000 | EA | ELBOW - 1/2"P X 1/2"P |
| 34 | 114429-02-000 | EA | ELBOW - 1/2"P X 1/2"MPT |
| 34 | | -000 EA | ELBOW - 1/2"P X 3/8"MPT |
| 34 | 114429-05-000 | EA | ELBOW - 1/2"P X 3/4"MPT |
| 34 | 114429-10-000 | EA | ELBOW - SWIVEL - 1/2"MPT X 1/2"FPT |
| 35 | 114429-03-000 | EA | ELBOW - SWIVEL - 1/2"P X 1/2"FPT |
| 35 | 114429-06-000 | EA | ELBOW - SWIVEL - 1/2"P X 3/4"FPT |
| 35 | 114429-08-000 | EA | ELBOW - SWIVEL - 1/2"P X 1/2"FPT |
| 35 | 114429-11-000 | EA | ELBOW - 1/2"P X 1/2"FPT |
| 36 | 114429-09-000 | EA | ELBOW - 1/2"P X 1/2"FPT DROP EAR |
| 37 | 114430-01-000 | EA | ADAPTER - 1/2"P X 1/2"P |
| 38 | 114430-02-000 | EA | ADAPTER - SWIVEL - 1/2"P X 1/2"FPT |
| 38 | 114430-04-000 | EA | ADAPTER - SWIVEL - 1/2"P X 3/8"MPT |
| 39 | 114430-03-000 | EA | ADAPTER - 1/2"P X 1/2"MPT |
| 40 | 114430-06-000 | EA | ADAPTER - 1/2"P X 3/8"FPT |
| 40 | 114430-09-000 | EA | ADAPTER - 1/2"P X 1/2"FPT |
| 41 | 114431-01-000 | EA | VALVE - 180 DEGREE/CENTER DRAIN - 1/2"P - THREE WAY |

WATER & SEWAGE GROUP (CONTINUED)
WATER SYSTEM (CONTINUED)



| KEY | PART NUMBER | U/M | DESCRIPTION |
|-----|---------------|-----|--|
| 42 | 114431-02-000 | EA | VALVE - WATER BYPASS - 1/2"P - THREE WAY (WATER HEATER) |
| 43 | 114431-03-000 | EA | VALVE - 90 DEGREE DRAIN - 1/2"P |
| 44 | 114431-04-000 | EA | VALVE - "INLINE SHUT-OFF" - 1/2"P |
| 45 | 114431-05-000 | EA | VALVE - NEEDLE - 1/8" MPT X 1/4" COMPRESSION (ICE MAKER) |
| 46 | 114966-01-000 | EA | FILTER - IN LINE - TWIST ON - 1/2" |
| 47 | 118423-01-000 | EA | FITTING - BRASS-TEE - 1/4C X 1/4C X 1/4C |
| 48 | 118809-01-000 | EA | ADAPTER - 1/2" MPT X 3/8" BARB - PLASTIC |
| 48 | 118809-02-000 | EA | ADAPTER - 1/2" MPT X 1/2" BARB - PLASTIC |
| 49 | 120868-01-000 | EA | VALVE - NEEDLE - 1/4" COMPRESSION X 1/4" COMPRESSION |
| 50 | 123150-01-000 | EA | ELBOW - 1/2 FPT X 1/2 BARB - SWIVEL |
| 51 | 123152-01-000 | EA | ADAPTER - 1/2 FPT X 1/2 BARB - SWIVEL |
| 52 | 123243-01-000 | EA | TANK - ACCUMULATOR - 24 OZ |
| 53 | 123317-01-000 | EA | TANK - ACCUMULATOR - 2 GALLON |
| 54 | 124184-01-000 | EA | SUPPORT - WATER LINE - BEND |

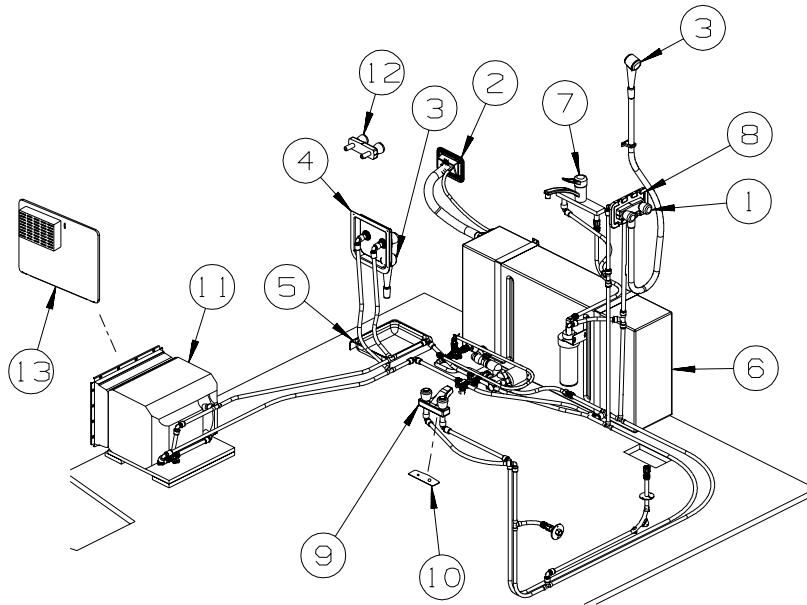
WATER & SEWAGE GROUP (CONTINUED)
WATER SYSTEM (CONTINUED)



| KEY | PART NUMBER | U/M | DESCRIPTION |
|-----|---------------|-----|---|
| 55 | 132148-01-000 | EA | CONNECTOR - 1/2" X 1/2"MPT - BRASS |
| 56 | 132483-01-000 | EA | VALVE/BALL - 1" - THREADED ENDS |
| 57 | 132483-02-000 | EA | VALVE/BALL - 1/2" - BRASS - FPT |
| 58 | 132484-01-000 | EA | ELBOW - 90 DEGREE - 1MPT X 1FPT - PLASTIC |
| 59 | 132781-01-000 | EA | ELBOW - 1.3" BARB X 1.3" BARB - 90 DEGREE - PLASTIC |
| 60 | 132782-01-000 | EA | ELBOW - 1"FPT X 1.3" BARB - 90 DEGREE - PLASTIC |
| 61 | 133835-01-000 | EA | ADAPTER - REDUCING - 1 1/2" X 1 1/4" |
| 62 | 133837-01-000 | EA | ELBOW - 1 1/2" X 90 DEGREE - DOUBLE SLIP |
| 63 | 133889-01-000 | EA | UNION - 1 1/2 DOUBLE SLIP - PVC |
| 64 | 135386-01-000 | EA | NIPPLE - 1/2" |
| 65 | 136333-01-000 | EA | ADAPTER - BRASS - 1/2"MPT X 1/2"FPT |
| 66 | 140821-01-000 | EA | TUBE - WATER SUPPLY - 3/8" X 24" |
| 66 | 140821-02-000 | EA | TUBE - WATER SUPPLY - 3/8" X 30" |
| 66 | 140821-03-000 | EA | TUBE - WATER SUPPLY - 3/8" X 36" |
| 66 | 140821-04-000 | EA | TUBE - WATER SUPPLY - 3/8" X 48" |
| 66 | 140821-05-000 | EA | TUBE - WATER SUPPLY - 3/8" X 54" |
| 66 | 140821-06-000 | EA | TUBE - WATER SUPPLY - 3/8" X 60" |
| 66 | 140821-07-000 | EA | TUBE - WATER SUPPLY - 3/8" X 72" |
| 67 | 142812-01-000 | EA | ELBOW - BRASS - 1/2"MPT X 1/2"FPT |
| 68* | 144215-01-000 | EA | PUMP - WATER - 5.7 GPM - W/1/2" MPT |
| | 144215-02-000 | EA | STRAINER - WATER PUMP |
| 69 | 145609-01-000 | EA | PLUG - BRASS - 1/2" MPT/HEX HEAD |

***COMPONENT PARTS LISTED LATER IN THIS GROUP**

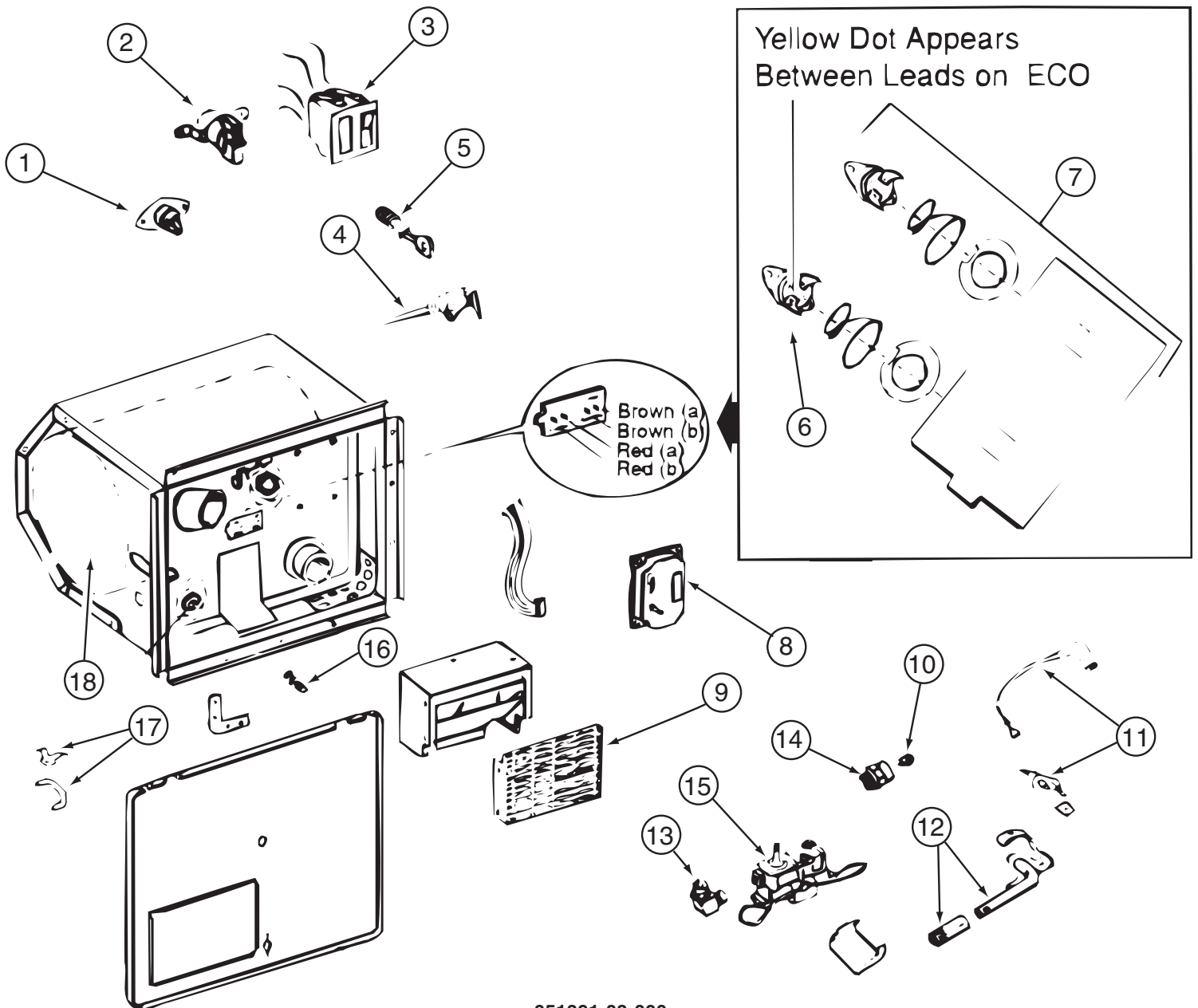
WATER & SEWAGE GROUP (CONTINUED)



| KEY | PART NUMBER | U/M | DESCRIPTION |
|-----|---------------|-----|---|
| 1* | 075241-04-000 | EA | FAUCET - SHOWER/BRASS |
| 2 | 131081-05-P07 | EA | DOOR - WATER FILL - W/LOCK & CAM |
| 2 | 137169-01-01A | EA | WATER FILL/GRAVITY - W/DOOR - W/O LOCK - BRIGHT WHITE |
| | 138637-03-000 | EA | LOCK ASM. - KEYED - .9" CASE (CYLINDER/CAM/HDWR PKG) |
| | 137169-02-01A | EA | ADAPTER/LOCK - (WASHER) F/GRAVITY WATERFILL |
| | 138637-52-000 | EA | CASE/CYLINDER - LOCKING - W/O CAM/KEY - .9" |
| | 138637-52-001 | EA | CASE/CYLINDER - LOCKING - W/O CAM/KEY - .9" |
| | 138637-52-002 | EA | CASE/CYLINDER - LOCKING - W/O CAM/KEY - .9" |
| | 138637-52-003 | EA | CASE/CYLINDER - LOCKING - W/O CAM/KEY - .9" |
| | 138637-52-004 | EA | CASE/CYLINDER - LOCKING - W/O CAM/KEY - .9" |
| | 138637-52-005 | EA | CASE/CYLINDER - LOCKING - W/O CAM/KEY - .9" |
| | 138637-52-006 | EA | CASE/CYLINDER - LOCKING - W/O CAM/KEY - .9" |
| | 138637-52-007 | EA | CASE/CYLINDER - LOCKING - W/O CAM/KEY - .9" |
| | 138637-52-008 | EA | CASE/CYLINDER - LOCKING - W/O CAM/KEY - .9" |
| | 138637-52-009 | EA | CASE/CYLINDER - LOCKING - W/O CAM/KEY - .9" |
| | 138637-62-000 | EA | CAM - LATCHING - DOG LEG - 1" LONG |
| 3 | 131383-01-02A | EA | SHOWER HEAD - W/60" HOSE & BRACKET - WHITE |
| 4 | 139682-01-01A | EA | SHOWER - SPACER - BRIGHT WHITE |
| 5 | 114293-01-02A | EA | PAN/DRIP - EXTERIOR - BRIGHT WHITE |
| 6 | 137734-01-01A | EA | TANK - HOLDING - W/O FITTINGS |
| 6 | 137734-02-01A | EA | TANK - HOLDING - W/FITTINGS |
| | 042989-03-000 | EA | FITTING - SPINWELD - 1 1/4"NPT - PLASTIC |
| | 042989-04-000 | EA | FITTING - SPINWELD - 3/8"FPT - PLASTIC |
| | 042989-05-000 | EA | FITTING - SPINWELD - 1/2"FPT - PLASTIC |
| | 042989-08-000 | EA | FITTING - SPINWELD - 1"FPT - PLASTIC |
| | 049032-01-000 | EA | PATCH - SPINWELD - 3/8" - PLASTIC |
| 7* | 104114-05-01A | EA | FAUCET - GALLEY - SINGLE CONTROL/LOOP HANDLE - CHROME |
| 8 | 075606-03-000 | EA | PANEL - FAUCET SHOWER - SOFT WHITE |
| 9* | 075240-05-000 | EA | FAUCET - LAVATORY/BRASS - W/CLEAR KNOBS |
| 10 | 091253-01-000 | EA | GASKET - FAUCET - LAVATORY/GALLEY |
| 11* | 051391-03-000 | EA | WATER HEATER G6A-8E ELECTRONIC IGNITION |
| 12* | 075241-06-000 | EA | FAUCET - SHOWER/BRIGHT WHITE - .5" MPT W/1.9" INLET PIPES |
| 13 | 052009-06-000 | EA | DOOR - WATER HEATER - BRIGHT WHITE - 18" X 14.6" |

***COMPONENT PARTS LISTED LATER IN THIS GROUP**

WATER & SEWAGE GROUP (CONTINUED)
COMPONENT PARTS FOR WATER SYSTEM



051391-03-000

| KEY | PART NUMBER | U/M | DESCRIPTION | VENDOR NO. |
|-----|---------------|-----|------------------------------|-------------|
| 3 | 051393-01-701 | EA | SWITCH - REMOTE - W/LIGHT | 91959 |
| 4 | 051391-01-704 | EA | VALVE-RELIEF, 1/2" FITTING | 91604 |
| 5 | 051391-01-705 | EA | FASTENER-CAMLOCK | 92609 |
| 6 | 051391-04-701 | EA | THERMOSTAT 12V DC-120 PRESET | 91470 |
| 7 | 051393-01-721 | EA | THERMOSTAT W/ECO, 140 FRT MT | 91447 |
| 9 | 051391-04-707 | EA | KIT-EXHAUST, (FLUE & GASKET) | 90960 |
| 10 | 051391-01-710 | EA | ORIFICE-MAIN BURNER | 92742 |
| 12 | 051391-04-703 | EA | BURNER-MAIN/ELECTRONIC | 91638 |
| 13 | 051391-01-714 | EA | FITTING-ELBOW 45,3/8F X 3/8 | MPT 1044 |
| 14 | 051391-03-700 | EA | HOLDER-ORIFICE | 91563 |
| 16 | 051391-01-715 | EA | PLUG-DRAIN, 1 EA = 2 PER PKG | 91857 |
| 17 | 051391-01-700 | EA | HINGE KIT, (PIN & CLIP) | 92568&92559 |
| 18 | 051391-04-706 | EA | TANK-INNER,G6A-4E&6E FRT. MT | 91641 |
| | 051391-01-717 | EA | GRILLE-WATER HEATER DOOR | 92640 |
| | 051393-01-723 | EA | SWITCH - THERMAL CUTOUT 2/PK | 93866 |
| | 051393-01-724 | EA | BOARD-CIRCUIT,SPADE TERMINAL | 93865 |
| | 051393-01-725 | EA | ELECTRODE-SGL SPADE CONNECT. | 93868 |
| | 051393-01-726 | EA | VALVE-SOLENOID, W/O BRACKET | 93870 |
| | 111129-01-711 | EA | BRACKET-CORNER, SET OF FOUR | 91928 |

CONTACT WINNEBAGO PARTS SALES FOR UNLISTED COMPONENTS

WATER & SEWAGE GROUP (CONTINUED)
COMPONENT PARTS FOR WATER SYSTEM (CONTINUED)

075241-04-000, 075241-05-000, 075241-06-000

| KEY | PART NUMBER | U/M | DESCRIPTION | VENDOR NO. |
|------------|--------------------|------------|------------------------|-------------------|
| | 075240-05-700 | EA | CARTRIDGE - WASHERLESS | 9-P42 |

075240-05-000

| KEY | PART NUMBER | U/M | DESCRIPTION | VENDOR NO. |
|------------|--------------------|------------|------------------------|-------------------|
| | 075240-05-700 | EA | CARTRIDGE - WASHERLESS | 9-P42 |

098607-01-000

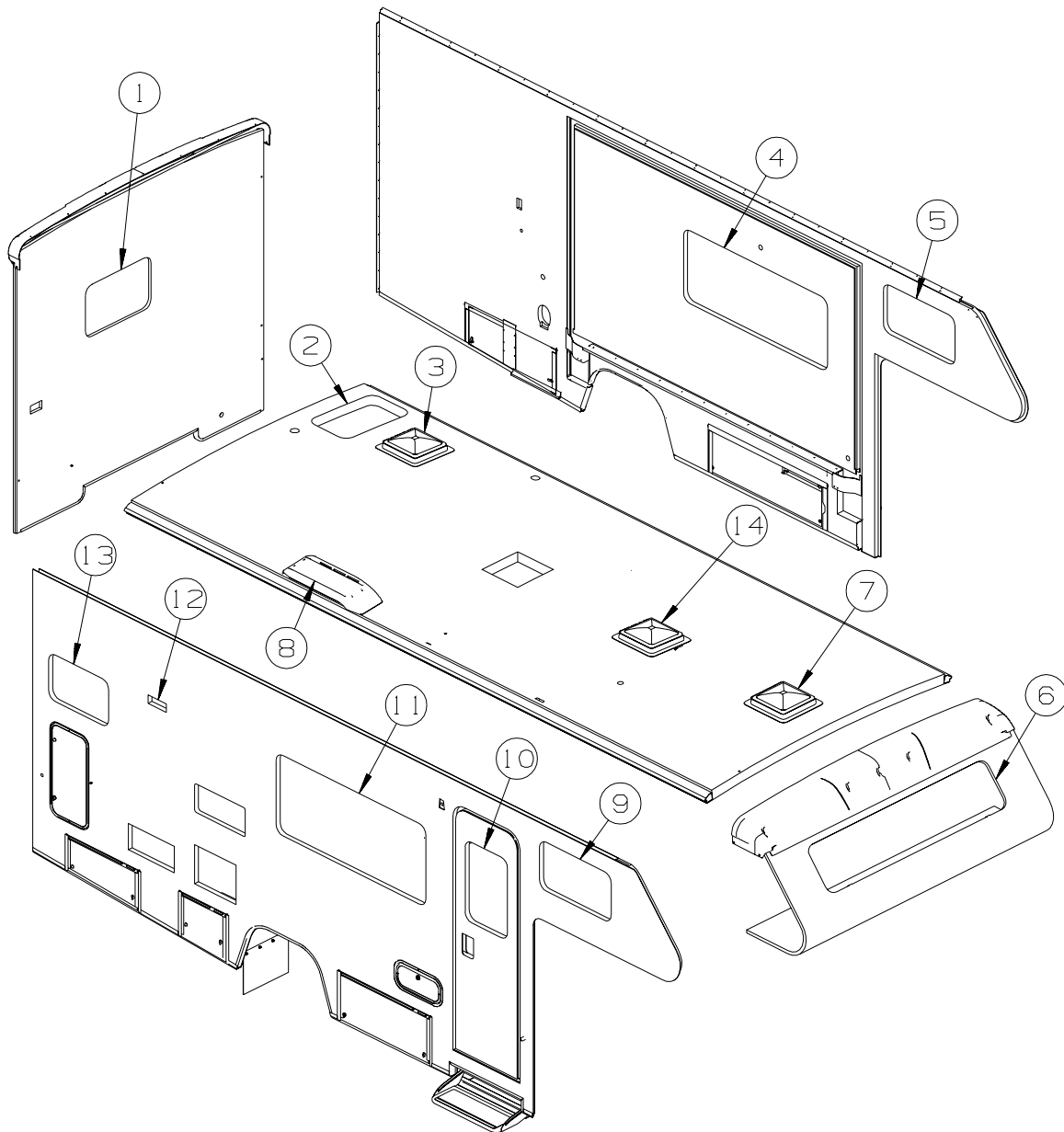
| KEY | PART NUMBER | U/M | DESCRIPTION | VENDOR NO. |
|------------|--------------------|------------|------------------------------|-------------------|
| | 098607-01-702 | EA | DIAPHRAGM/DRIVE ASSEMBLY KIT | 94-238-04 |
| | 098607-01-703 | EA | VALVE KIT | 94-232-00 |
| | 098607-01-705 | EA | VALVE-CHECK, KIT | 94-237-00 |
| | 098607-01-706 | EA | HOUSING, W/SWITCH ONLY | 94-231-20 |
| | 098607-01-707 | EA | MOTOR W/BASEPLATE | 11-148-04 |

104114-05-01A

| KEY | PART NUMBER | U/M | DESCRIPTION | VENDOR NO. |
|------------|--------------------|------------|-----------------------|-------------------|
| | 104114-05-700 | EA | CARTRIDGE- REPAIR KIT | 6-N1201-5-0WB |

WINDOWS & VENTS GROUP

WINDOW & VENT LAYOUT



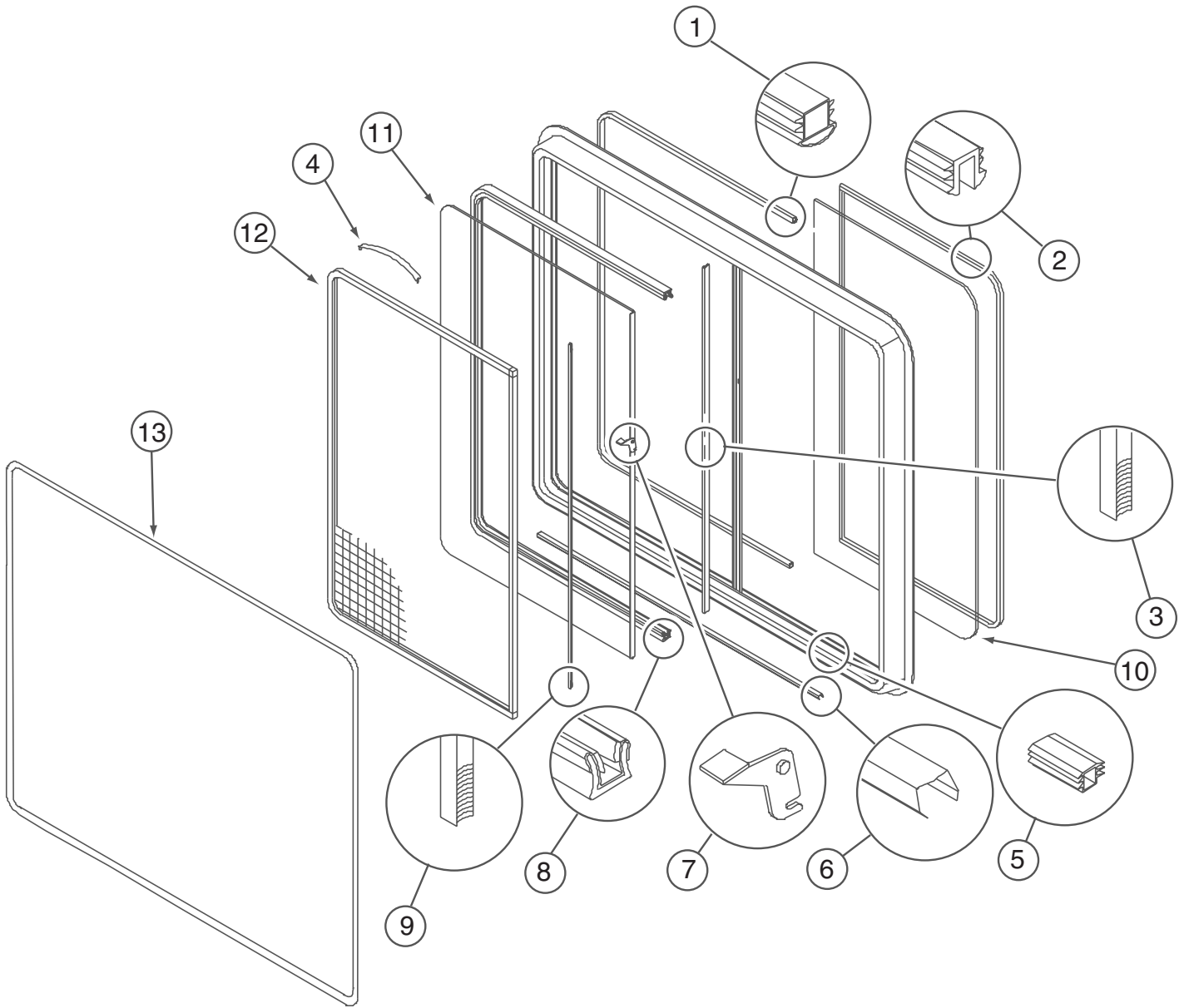
| KEY | PART NUMBER | U/M | DESCRIPTION |
|-----|---------------|-----|---|
| 1 | 117053-04-FB1 | EA | WINDOW - PICTURE/CLEAR W/O TRIM - 17" X 26.4" |
| | 002181-27-000 | EA | GLASS - PICTURE WINDOW - 25.8"W X 16.4"H - CLEAR |
| | 087561-01-000 | FT | SEAL - GLASS - EXTERIOR - .5" WIDE - VINYL BLACK |
| 1 | 117054-02-02A | EA | TRIM/RETAINER - INSIDE - 16.9" X 26.2" - BRIGHT WHITE |
| 1* | 113733-11-01A | EA | WINDOW - STATIONARY W/TRIM - THERMO/EURO - 17" X 26.3" - DUAL PANE |
| 2 | 122193-01-02A | EA | PANEL - SKYLITE - INNER |
| 2 | 138372-01-02B | EA | TRIM - CORNER - SKYLIGHT - E-COATED |
| 2 | 138379-02-01A | EA | PANEL/SKYLIGHT OTR - RECT/4"H CTR DOME-18.4" X 29.5 - WHT |
| 3* | 122882-02-01A | EA | VENT - ROOF - W/FAN - W/O INSIDE GARNISH - UL - U.S. - VENT-POWER |
| | 009440-01-000 | EA | GEAR/ARM - LIFT - ROOF VENT COVER |
| | 048648-01-000 | EA | MOTOR/ROOF VENT - W/RESISTER - 1/8"SHAFT - 12VOLT |
| | 048649-01-000 | EA | FAN BLADE - ROOF VENT - 6 BLADED - 6"RADIUS |
| 3 | 122882-07-01A | EA | GARNISH - ROOF VENT - 2.5" TO 4.1" |
| 3* | 122882-03-01A | EA | VENT - ROOF - W/FAN - W/O INSIDE GARNISH - CSA - CANADIAN - VENT-POWER |
| | 009440-01-000 | EA | GEAR/ARM - LIFT - ROOF VENT COVER |
| | 048648-01-000 | EA | MOTOR/ROOF VENT - W/RESISTER - 1/8"SHAFT - 12VOLT |
| | 048649-01-000 | EA | FAN BLADE - ROOF VENT - 6 BLADED - 6"RADIUS |
| 3 | 122882-07-01A | EA | GARNISH - ROOF VENT - 2.5" TO 4.1" |
| 4* | 098647-68-01A | EA | WINDOW - DRIVER HORIZONTAL SLIDER W/TRIM - 57.5" X 23.6" |
| 4* | 112795-77-01A | EA | WINDOW - DRVR HORIZ SLIDER/THERMO - W/TRIM - 57.4" X 23.6" - DUAL PANE |

WINDOW & VENTS GROUP (CONTINUED)
WINDOW & VENT LAYOUT (CONTINUED)

| KEY | PART NUMBER | U/M | DESCRIPTION |
|-----|---------------|-----|---|
| 5* | 098647-32-02A | EA | WINDOW - DRVR HORIZ SLIDER W/TRIM - CLEAR- 15.7" X 28.5" |
| 5* | 112795-73-01A | EA | WINDOW - DRVR HORIZ SLIDER/THERMO - W/TRIM - 28.7" X 15.7" - DUAL PANE |
| 6 | 103313-04-P07 | EA | WINDOW - PICTURE - 14.3" X 71" |
| | 002181-33-000 | EA | GLASS - PICTURE WINDOW - 70.9"W X 14.2"H - GRAY |
| | 099154-01-000 | FT | CHANNEL - GLAZING - STATIONARY GLASS - .62" X .45" - BLK |
| 6 | 117054-06-01A | EA | TRIM/RETAINER - INSIDE - 14.9" X 71.8" - BLACK |
| 6* | 115630-04-01A | EA | WINDOW - STATIONARY/THERMO W/TRIM - 15.2" X 72" - DUAL PANE |
| 7* | 122882-01-01A | EA | VENT - ROOF - NONPOWERED - W/O INSIDE GARNISH - VENT - NON POWERED |
| | 009440-01-000 | EA | GEAR/ARM - LIFT - ROOF VENT COVER |
| 7 | 122882-07-01A | EA | GARNISH - ROOF VENT - 2.5" TO 4.1" |
| 8 | 084073-04-000 | EA | BASE/VENT - ROOF/REFRIGERATOR - BLACK - NORCOLD |
| | | | FROM: 00-00-00 THRU: 11-09-03 |
| 8 | 149508-02-02A | EA | BASE - REFIRGERATOR ROOF VENT - BRIGHT WHITE |
| | | | FROM: 11-10-03 THRU: 99-99-99 |
| 8 | 084073-07-000 | EA | CAP - ROOF/REFRIGERATOR VENT - 10" X 32" - BRIGHT WHITE |
| | | | FROM: 00-00-00 THRU: 11-09-03 |
| 8 | 149508-01-02A | EA | CAP - ROOF/REFIRGERATOR VENT - WHITE |
| | | | FROM: 11-10-03 THRU: 99-99-99 |
| 9* | 098647-31-02A | EA | WINDOW - PASS HORIZ SLIDER W/TRIM - CLEAR - 15.7" X 28.5" |
| 9* | 112795-72-01A | EA | WINDOW - PASS HORIZ SLIDER/THERMO - W/TRIM - 28.5" X 15.7" - DUAL PANE |
| 10 | 117053-04-FB1 | EA | WINDOW - PICTURE/CLEAR W/O TRIM - 17" X 26.4" |
| | 002181-27-000 | EA | GLASS - PICTURE WINDOW - 25.8"W X 16.4"H - CLEAR |
| | 087561-01-000 | FT | SEAL - GLASS - EXTERIOR - .5" WIDE - VINYL BLACK |
| 10 | 117054-02-02A | EA | TRIM/RETAINER - INSIDE - 16.9" X 26.2" - BRIGHT WHITE |
| 10* | 113733-10-01A | EA | WINDOW - STATIONARY W/TRIM - THERMO/EURO - 26.3" X 17" - DUAL PANE |
| 11* | 098647-27-02A | EA | WINDOW - PASS HORIZ SLIDER W/TRIM - CLEAR - 26.1" X 59.7" |
| 11* | 112795-69-01A | EA | WINDOW - PASS HORIZ SLIDER-THERMO W/TRIM - 26.3" X 60" - DUAL PANE |
| 12 | 084616-07-000 | EA | SHROUD - EXHAUST VENT/RANGE HOOD - BRIGHT WHITE |
| 12 | 084878-09-000 | EA | VENT - EXHAUST/RANGE HOOD - OFF WHITE |
| 13* | 098647-49-02A | EA | WINDOW - PASS HORIZ SLIDER W/TRIM - TINTED - 15" X 23.7" |
| 13* | 112795-78-01A | EA | WINDOW - PASS HORIZ SLIDER/THERMO - W/TRIM - 23.7" X 15" - DUAL PANE |
| 14* | 123780-03-01A | EA | FANTASTIC VENT-3"/4"ROOF-W/FAN-W/O THERM/PWR LIFT/WHT CVR - VENT - POWER VENTILATOR |
| | 009440-01-000 | EA | GEAR/ARM - LIFT - ROOF VENT COVER |

*COMPONENT PARTS LISTED LATER IN THIS GROUP

WINDOWS & VENTS GROUP (CONTINUED)
COMPONENT PARTS FOR WINDOW & VENT LAYOUT



098647-27-02A

| KEY | PART NUMBER | U/M | DESCRIPTION | VENDOR NO. |
|------------|--------------------|------------|------------------------------|-------------------|
| 1 | 098644-01-716 | FT | PLUG - FILLER | 132-014470 |
| 2 | 098644-01-705 | FT | GLAZING - STRIP | 132-010231 |
| 3 | 098644-01-706 | FT | WEATHERSTRIP - GLASS | 171-010668 |
| 4 | 098644-01-713 | EA | CLIP - SCREEN - METAL | 226-016966 |
| 4 | 125582-01-701 | EA | CLIP - SCREEN - PLASTIC | 130-005153 |
| 5 | 098644-01-719 | EA | STOP - SLIDER GLASS | 132-014203 |
| 6 | 098644-01-710 | FT | TRACK - SCREEN SPACER 12' | 132-017135 |
| 7 | 098644-01-700 | EA | LATCH - REPAIR KIT (BLACK) | B801-CK |
| 8 | 098644-01-708 | FT | CHANNEL - RUN PIERCED | 122-016543 |
| 9 | 098644-01-711 | FT | WEATHERSTRIP - SCREEN BLACK | 171-016965 |
| 10 | 098647-27-702 | EA | GLASS - STATIONARY | 096-017868 |
| 11 | 098647-27-703 | EA | GLASS-SLIDING W/SASH & LATCH | H287-C8 |
| 12 | 098647-23-704 | EA | SCREEN ASM - W/SEALS & CLIPS | 410-019066 |
| 13 | 098647-27-704 | EA | RETAINER - TRIM | H287-66 |
| | 098644-01-717 | FT | SPLINE - SCREEN | 132-004716 |

WINDOWS & VENTS GROUP (CONTINUED)
COMPONENT PARTS FOR WINDOW & VENT LAYOUT (CONTINUED)

098647-31-02A

| KEY | PART NUMBER | U/M | DESCRIPTION | VENDOR NO. |
|------------|--------------------|------------|------------------------------|-------------------|
| 1 | 098644-01-716 | FT | PLUG - FILLER | 132-014470 |
| 2 | 098644-01-705 | FT | GLAZING - STRIP | 132-010231 |
| 3 | 098644-01-706 | FT | WEATHERSTRIP - GLASS | 171-010668 |
| 4 | 098644-01-713 | EA | CLIP - SCREEN - METAL | 226-016966 |
| 4 | 125582-01-701 | EA | CLIP - SCREEN - PLASTIC | 130-005153 |
| 5 | 098644-01-719 | EA | STOP - SLIDER GLASS | 132-014203 |
| 6 | 098644-01-710 | FT | TRACK - SCREEN SPACER 12' | 132-017135 |
| 7 | 098647-54-701 | EA | LATCH - REPAIR KIT (RED) | B081-CK |
| 8 | 098644-01-708 | FT | CHANNEL - RUN PIERCED | 122-016543 |
| 9 | 098644-01-711 | FT | WEATHERSTRIP - SCREEN BLACK | 171-016965 |
| 10 | 098647-31-702 | EA | GLASS - STATIONARY | 096-019299 |
| 11 | 098647-31-703 | EA | GLASS-SLIDING W/SASH & LATCH | H425-C8 |
| 12 | 098647-31-704 | EA | SCREEN ASM - W/SEALS & CLIPS | 410-019128 |
| 13 | 098647-31-705 | EA | RETAINER - TRIM | CH29-66 |
| | 098644-01-717 | FT | SPLINE - SCREEN | 132-004716 |

098647-32-02A

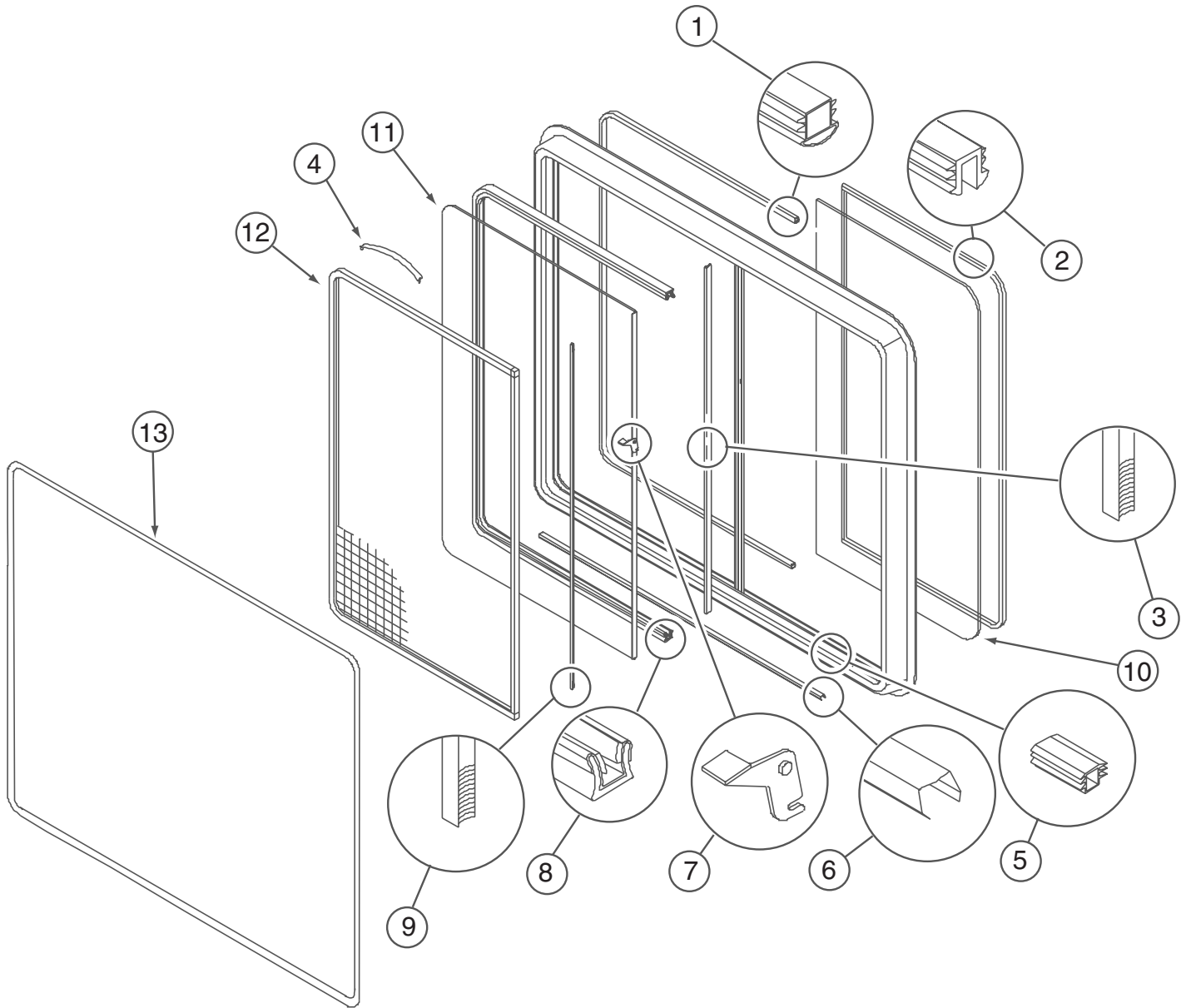
| KEY | PART NUMBER | U/M | DESCRIPTION | VENDOR NO. |
|------------|--------------------|------------|------------------------------|-------------------|
| 1 | 098644-01-716 | FT | PLUG - FILLER | 132-014470 |
| 2 | 098644-01-705 | FT | GLAZING - STRIP | 132-010231 |
| 3 | 098644-01-706 | FT | WEATHERSTRIP - GLASS | 171-010668 |
| 4 | 098644-01-713 | EA | CLIP - SCREEN - METAL | 226-016966 |
| 4 | 125582-01-701 | EA | CLIP - SCREEN - PLASTIC | 130-0 |
| 5 | 098644-01-719 | EA | STOP - SLIDER GLASS | 132-014203 |
| 6 | 098644-01-710 | FT | TRACK - SCREEN SPACER 12' | 132-017135 |
| 7 | 098647-54-701 | EA | LATCH - REPAIR KIT (RED) | B081-CK |
| 8 | 098644-01-708 | FT | CHANNEL - RUN PIERCED | 122-016543 |
| 9 | 098644-01-711 | FT | WEATHERSTRIP - SCREEN BLACK | 171-016965 |
| 10 | 098647-31-702 | EA | GLASS - STATIONARY | 096-019299 |
| 11 | 098647-31-703 | EA | GLASS-SLIDING W/SASH & LATCH | H425-C8 |
| 12 | 098647-31-704 | EA | SCREEN ASM - W/SEALS & CLIPS | 410-019128 |
| 13 | 098647-31-705 | EA | RETAINER - TRIM | CH29-66 |
| | 098644-01-717 | FT | SPLINE - SCREEN | 132-004716 |

098647-49-02A

| KEY | PART NUMBER | U/M | DESCRIPTION | VENDOR NO. |
|------------|--------------------|------------|------------------------------|-------------------|
| 1 | 098644-01-716 | FT | PLUG - FILLER | 132-014470 |
| 2 | 098644-01-705 | FT | GLAZING - STRIP | 132-010231 |
| 3 | 098644-01-706 | FT | WEATHERSTRIP - GLASS | 171-010668 |
| 4 | 098644-01-713 | EA | CLIP - SCREEN - METAL | 226-016966 |
| 4 | 125582-01-701 | EA | CLIP - SCREEN - PLASTIC | 130-0 |
| 5 | 098644-01-719 | EA | STOP - SLIDER GLASS | 132-014203 |
| 6 | 098644-01-710 | FT | TRACK - SCREEN SPACER 12' | 132-017135 |
| 7 | 098647-54-701 | EA | LATCH - REPAIR KIT (RED) | B081-CK |
| 8 | 098644-01-708 | FT | CHANNEL - RUN PIERCED | 122-016543 |
| 9 | 098644-01-711 | FT | WEATHERSTRIP - SCREEN BLACK | 171-016965 |
| 10 | 098647-49-700 | EA | GLASS - STATIONARY | 096-012066 |
| 11 | 098647-49-701 | EA | GLASS-SLIDING W/SASH & LATCH | B969-G8 |
| 12 | 112795-56-702 | EA | SCREEN ASM - W/SEALS & CLIPS | 410-019414 |
| 13 | 098647-49-702 | EA | RETAINER - TRIM | H969-66 |
| | 098644-01-717 | FT | SPLINE - SCREEN | 132-004716 |

CONTACT WINNEBAGO PART SALES FOR UNLISTED COMPONENTS

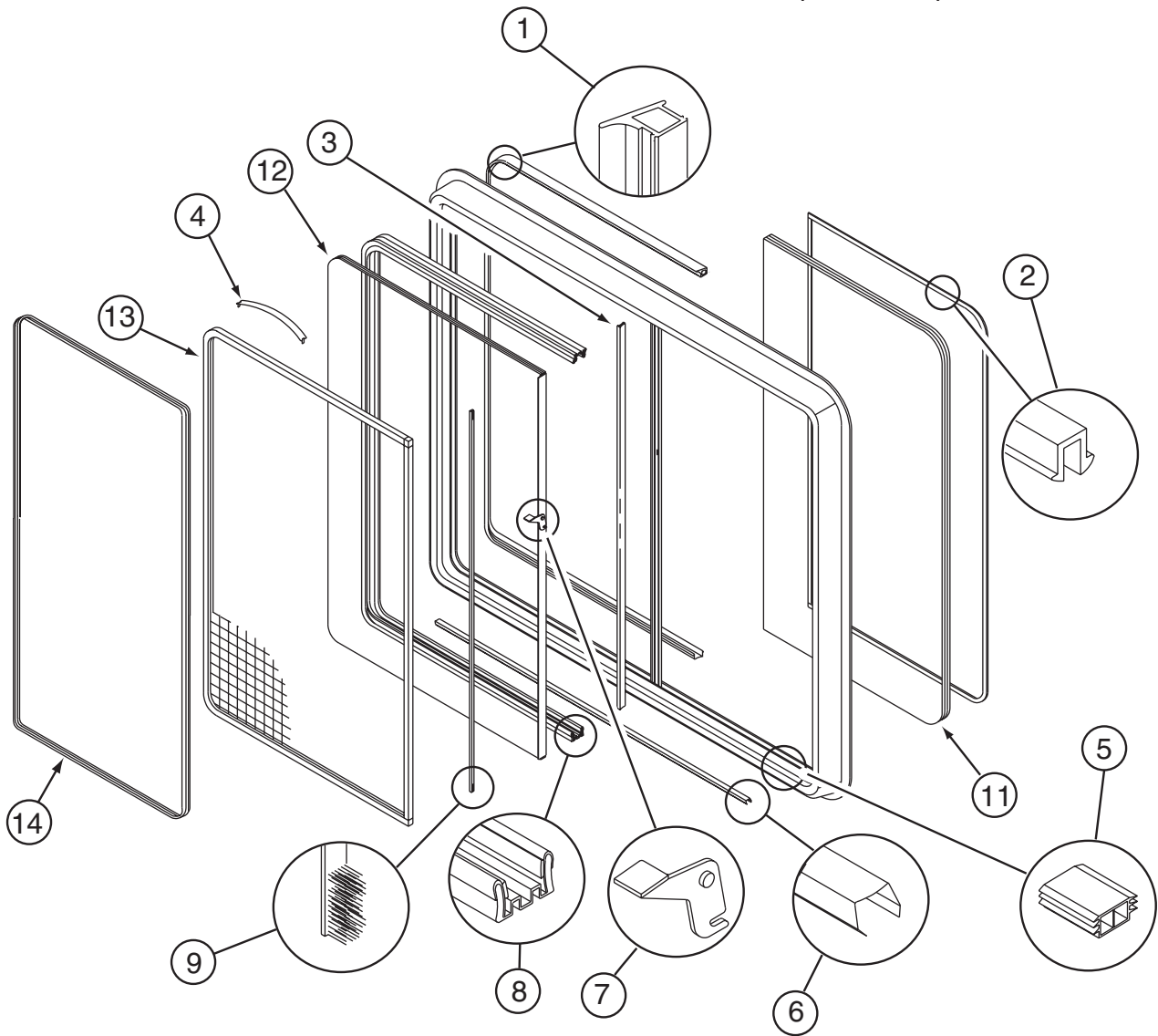
WINDOWS & VENTS GROUP (CONTINUED)
COMPONENT PARTS FOR WINDOW & VENT LAYOUT (CONTINUED)



098647-68-01A

| KEY | PART NUMBER | U/M | DESCRIPTION | VENDOR NO. |
|-----|---------------|-----|------------------------------|------------|
| 1 | 098644-01-716 | FT | PLUG - FILLER | 132-014470 |
| 2 | 098644-01-705 | FT | GLAZING - STRIP | 132-010231 |
| 3 | 098644-01-706 | FT | WEATHERSTRIP - GLASS | 171-010668 |
| 4 | 098644-01-713 | EA | CLIP - SCREEN - METAL | 226-016966 |
| 4 | 125582-01-701 | EA | CLIP - SCREEN - PLASTIC | 130-0 |
| 5 | 098644-01-719 | EA | STOP - SLIDER GLASS | 132-014203 |
| 6 | 098644-01-710 | FT | TRACK - SCREEN SPACER 12' | 132-017135 |
| 7 | 098647-54-701 | EA | LATCH - REPAIR KIT (RED) | B081-CK |
| 8 | 098644-01-708 | FT | CHANNEL - RUN PIERCED | 122-016543 |
| 9 | 098644-01-711 | FT | WEATHERSTRIP - SCREEN BLACK | 171-016965 |
| 10 | 098647-68-700 | EA | GLASS - STATIONARY | 096-029585 |
| 11 | 098647-68-701 | EA | GLASS-SLIDING W/SASH & LATCH | |
| 12 | 098647-47-702 | EA | SCREEN ASM - W/SEALS & CLIPS | 410-025226 |
| 13 | 098647-47-704 | EA | RETAINER - TRIM | H493-66 |
| | 098644-01-717 | FT | SPLINE - SCREEN | 132-004716 |

WINDOWS & VENTS GROUP (CONTINUED)
COMPONENT PARTS FOR WINDOW & VENT LAYOUT (CONTINUED)



112795-69-01A

| KEY | PART NUMBER | U/M | DESCRIPTION | VENDOR NO. |
|-----|---------------|-----|------------------------------|------------|
| 1 | 112795-01-704 | FT | PLUG FILLER (DOUBLE GLAZED) | 122-018737 |
| 2 | 112795-01-705 | FT | VINYL - GLAZING | 132-025736 |
| 3 | 098644-01-706 | FT | WEATHERSTRIP - GLASS | 171-010668 |
| 4 | 098644-01-713 | EA | CLIP - SCREEN - METAL | 226-016966 |
| 4 | 125582-01-701 | EA | CLIP - SCREEN - PLASTIC | 130-005153 |
| | 098644-01-717 | FT | SPLINE - SCREEN | 132-004716 |
| 5 | 112795-01-701 | EA | SLIDE-STOP | 132-019092 |
| 6 | 098644-01-710 | FT | TRACK - SCREEN SPACER 12' | 132-017135 |
| 7 | 112795-01-700 | EA | LATCH ASM., BLK.,(BOLT ON) | DH287-CK |
| 8 | 112795-01-703 | IN | CHANNEL-RUN (INCHES) | 122-018736 |
| 9 | 098644-01-711 | FT | WEATHERSTRIP - SCREEN BLACK | 171-016965 |
| 11 | 112795-68-700 | EA | GLASS - STATIONARY | 390-028353 |
| 12 | 112795-68-701 | EA | GLASS - SLIDING W/SASH LATCH | 390-028353 |
| 13 | 098647-23-704 | EA | SCREEN ASSY - W/SEAL & CLIPS | 410-019066 |
| 14 | 098647-27-704 | EA | RETAINER - TRIM | H287-66 |

WINDOWS & VENTS GROUP (CONTINUED)
COMPONENT PARTS FOR WINDOW & VENT LAYOUT (CONTINUED)

112795-72-01A

| KEY | PART NUMBER | U/M | DESCRIPTION | VENDOR NO. |
|------------|--------------------|------------|------------------------------|-------------------|
| 1 | 112795-01-704 | FT | PLUG FILLER (DOUBLE GLAZED) | 122-018737 |
| 2 | 112795-01-705 | FT | VINYL - GLAZING | 132-025736 |
| 3 | 098644-01-706 | FT | WEATHERSTRIP - GLASS | 171-010668 |
| 4 | 098644-01-713 | EA | CLIP - SCREEN - METAL | 226-016966 |
| 4 | 125582-01-701 | EA | CLIP - SCREEN - PLASTIC | 130-005153 |
| | 098644-01-717 | FT | SPLINE - SCREEN | 132-004716 |
| 5 | 112795-01-701 | EA | SLIDE-STOP | 132-019092 |
| 6 | 098644-01-710 | FT | TRACK - SCREEN SPACER 12' | 132-017135 |
| 7 | 112795-01-700 | EA | LATCH ASM., BLK.,(BOLT ON) | DH287-CK |
| 8 | 112795-01-703 | IN | CHANNEL-RUN (INCHES) | 122-018736 |
| 9 | 098644-01-711 | FT | WEATHERSTRIP - SCREEN BLACK | 171-016965 |
| 11 | 112795-72-700 | EA | GLASS - STATIONARY | 390-028307 |
| 12 | 112795-72-701 | EA | GLASS - SLIDING W/SASH LATCH | DC29-G8 |
| 13 | 098647-31-704 | EA | SCREEN ASSY - W/SEAL & CLIPS | 410-019128 |
| 14 | 098647-31-705 | EA | RETAINER - TRIM | CH29-66 |

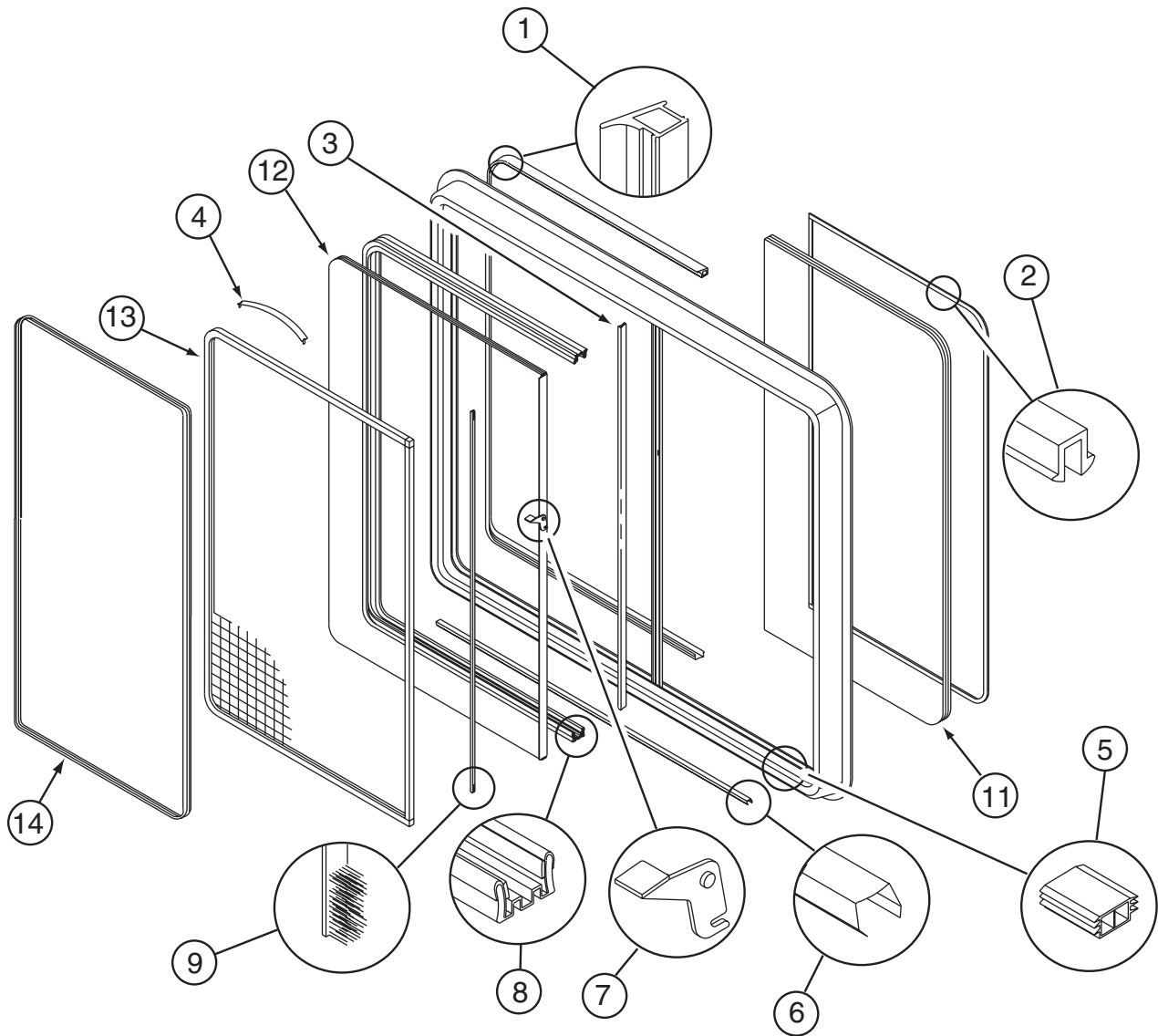
112795-73-01A

| KEY | PART NUMBER | U/M | DESCRIPTION | VENDOR NO. |
|------------|--------------------|------------|------------------------------|-------------------|
| 1 | 112795-01-704 | FT | PLUG FILLER (DOUBLE GLAZED) | 122-018737 |
| 2 | 112795-01-705 | FT | VINYL - GLAZING | 132-025736 |
| 3 | 098644-01-706 | FT | WEATHERSTRIP - GLASS | 171-010668 |
| 4 | 098644-01-713 | EA | CLIP - SCREEN - METAL | 226-016966 |
| 4 | 125582-01-701 | EA | CLIP - SCREEN - PLASTIC | 130-005153 |
| | 098644-01-717 | FT | SPLINE - SCREEN | 132-004716 |
| 5 | 112795-01-701 | EA | SLIDE-STOP | 132-019092 |
| 6 | 098644-01-710 | FT | TRACK - SCREEN SPACER 12' | 132-017135 |
| 7 | 112795-01-700 | EA | LATCH ASM., BLK.,(BOLT ON) | DH287-CK |
| 8 | 112795-01-703 | IN | CHANNEL-RUN (INCHES) | 122-018736 |
| 9 | 098644-01-711 | FT | WEATHERSTRIP - SCREEN BLACK | 171-016965 |
| 11 | 112795-72-700 | EA | GLASS - STATIONARY | 390-028307 |
| 12 | 112795-72-701 | EA | GLASS - SLIDING W/SASH LATCH | DC29-G8 |
| 13 | 098647-31-704 | EA | SCREEN ASSY - W/SEAL & CLIPS | 410-019128 |
| 14 | 098647-31-705 | EA | RETAINER - TRIM | CH29-66 |

112795-77-01A

| KEY | PART NUMBER | U/M | DESCRIPTION | VENDOR NO. |
|------------|--------------------|------------|------------------------------|-------------------|
| 1 | 112795-01-704 | FT | PLUG FILLER (DOUBLE GLAZED) | 122-018737 |
| 2 | 112795-01-705 | FT | VINYL - GLAZING | 132-025736 |
| 3 | 098644-01-706 | FT | WEATHERSTRIP - GLASS | 171-010668 |
| 4 | 098644-01-713 | EA | CLIP - SCREEN - METAL | 226-016966 |
| 4 | 125582-01-701 | EA | CLIP - SCREEN - PLASTIC | 130-005153 |
| 5 | 112795-01-701 | EA | SLIDE-STOP | 132-019092 |
| 6 | 098644-01-710 | FT | TRACK - SCREEN SPACER 12' | 132-017135 |
| 7 | 112795-01-700 | EA | LATCH ASM., BLK.,(BOLT ON) | DH287-CK |
| 8 | 112795-01-703 | IN | CHANNEL-RUN (INCHES) | 122-018736 |
| 9 | 098644-01-711 | FT | WEATHERSTRIP - SCREEN BLACK | 171-016965 |
| 11 | 112795-77-700 | EA | GLASS - STATIONARY | 390-28313 |
| 12 | 112795-77-701 | EA | GLASS - SLIDING W/SASH LATCH | DH493-G8 |
| 13 | 098647-47-702 | EA | SCREEN ASSY - W/SEAL & CLIPS | 410-025226 |
| 14 | 098647-47-704 | EA | RETAINER - TRIM | H493-66 |
| | 098644-01-717 | FT | SPLINE - SCREEN | 132-004716 |

WINDOWS & VENTS GROUP (CONTINUED)
COMPONENT PARTS FOR WINDOW & VENT LAYOUT (CONTINUED)



112795-78-01A

| KEY | PART NUMBER | U/M | DESCRIPTION | VENDOR NO. |
|-----|---------------|-----|------------------------------|------------|
| 1 | 112795-01-704 | FT | PLUG FILLER (DOUBLE GLAZED) | 122-018737 |
| 2 | 112795-01-705 | FT | VINYL - GLAZING | 132-025736 |
| 3 | 098644-01-706 | FT | WEATHERSTRIP - GLASS | 171-010668 |
| 4 | 098644-01-713 | EA | CLIP - SCREEN - METAL | 226-016966 |
| 4 | 125582-01-701 | EA | CLIP - SCREEN - PLASTIC | 130-005153 |
| | 098644-01-717 | FT | SPLINE - SCREEN | 132-004716 |
| 5 | 112795-01-701 | EA | SLIDE-STOP | 132-019092 |
| 6 | 098644-01-710 | FT | TRACK - SCREEN SPACER 12' | 132-017135 |
| 7 | 112795-01-700 | EA | LATCH ASM., BLK.,(BOLT ON) | DH287-CK |
| 8 | 112795-01-703 | IN | CHANNEL-RUN (INCHES) | 122-018736 |
| 9 | 098644-01-711 | FT | WEATHERSTRIP - SCREEN BLACK | 171-016965 |
| 11 | 112795-78-700 | EA | GLASS - STATIONARY | 390-028338 |
| 12 | 112795-78-701 | EA | GLASS - SLIDING W/SASH LATCH | DB969-G8 |
| 13 | 112795-56-702 | EA | SCREEN ASSY - W/SEAL & CLIPS | 410-019414 |
| 14 | 112795-56-704 | EA | RETAINER - TRIM | B969-66 |

WINDOWS & VENTS GROUP (CONTINUED)
COMPONENT PARTS FOR WINDOW & VENT LAYOUT (CONTINUED)

113733-10-01A

| KEY | PART NUMBER | U/M | DESCRIPTION | VENDOR NO. |
|------------|--------------------|------------|--------------------|-------------------|
| | 112795-01-705 | FT | VINYL - GLAZING | 132-025736 |
| | 113733-10-700 | EA | GLASS-STATIONARY | 390-028306 |
| | 113733-10-701 | EA | RETAINER-TRIM | H416-66 |

113733-11-01A

| KEY | PART NUMBER | U/M | DESCRIPTION | VENDOR NO. |
|------------|--------------------|------------|--------------------|-------------------|
| | 112795-01-705 | FT | VINYL - GLAZING | 132-025736 |
| | 113733-11-700 | EA | GLASS-STATIONARY | 390-028306 |
| | 113733-11-701 | EA | RETAINER-TRIM | H455-59 |

115630-04-01A

| KEY | PART NUMBER | U/M | DESCRIPTION | VENDOR NO. |
|------------|--------------------|------------|--------------------|-------------------|
| | 115630-04-701 | EA | RETAINER - TRIM | H829-60 |
| | 115630-04-700 | EA | GLASS-STATIONARY | 390-030159 |

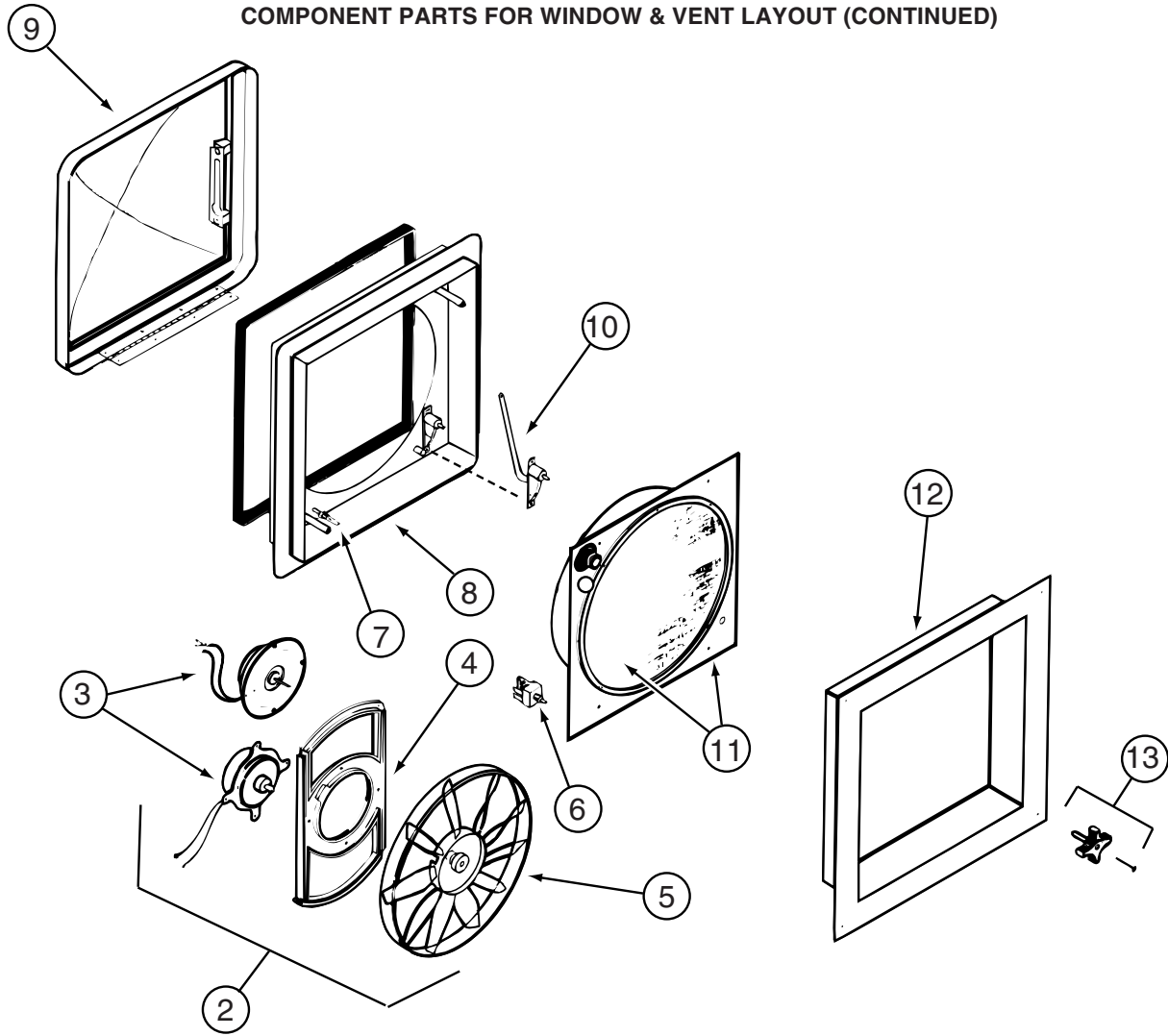
122882-01-01A

| KEY | PART NUMBER | U/M | DESCRIPTION | VENDOR NO. |
|------------|--------------------|------------|------------------------------|-------------------|
| | 009440-01-000 | EA | GEAR-ARM-ROOF VENT | 705221K38 |
| | 064470-01-700 | EA | COVER - VENT - W/O SLIDE BAR | J7291 |
| | 064470-01-701 | EA | SLIDE BAR - VENT LID | JRP1291B |
| | 122882-01-700 | EA | HANDLE - CRANK - BLACK | 90128 |
| | 122882-01-701 | EA | SCREEN | JRP-1124-B |
| | 122882-01-702 | EA | HANDLE - CRANK - WHITE | JRP1031B |

122882-02-01A, 122882-03-01A

| KEY | PART NUMBER | U/M | DESCRIPTION | VENDOR NO. |
|------------|--------------------|------------|------------------------------|-------------------|
| | 064470-01-700 | EA | COVER - VENT - W/O SLIDE BAR | J7291 |
| | 009440-01-000 | EA | GEAR-ARM-ROOF VENT | 705221K38 |
| | 048648-01-000 | EA | MOTOR-12V NONVENTED 1/8 SFT | |
| | 048649-01-000 | EA | FAN-PLAS-6 IN 6 BLADED | |
| | 122882-01-700 | EA | HANDLE - CRANK - BLACK | 90128 |
| | 122882-01-701 | EA | SCREEN | JRP-1124-B |
| | 122882-01-702 | EA | HANDLE - CRANK - WHITE | JRP1031B |
| | 064470-01-701 | EA | SLIDE BAR - VENT LID | JRP1291B |
| | 110051-03-700 | EA | SWITCH-BLACK/PUSH BUTTON | 27-0164 |

WINDOWS & VENTS GROUP (CONTINUED)
COMPONENT PARTS FOR WINDOW & VENT LAYOUT (CONTINUED)



123780-03-01A

| KEY | PART NUMBER | U/M | DESCRIPTION | VENDOR NO. |
|-----|---------------|-----|------------------------------|------------|
| 2 | 084079-11-700 | EA | MOTOR & FAN BLADE W/BRACKET | K4017-09 |
| 3 | 084079-01-705 | EA | MOTOR/EXT BRKT/FAN BLADE KIT | 1080-00 |
| 4 | 084079-01-711 | EA | MOTOR MOUNT (BOWTIE) | 1015-00 |
| 5 | 084079-01-704 | EA | BLADE-FAN | 1138-00 |
| 6 | 084079-01-709 | EA | SWITCH - MAIN - 3 SPEED | 1031-05 |
| 7 | 084079-01-707 | EA | SWITCH - SAFETY | 1122-05 |
| 8 | 123780-05-700 | EA | BASE/MAIN-BRT WHT W/GASKET | 1010-81 |
| 9 | 123780-01-700 | EA | COVER - VENT W/HINGE & SLIDE | 1020K-81 |
| 10 | 009440-01-000 | EA | GEAR-ARM-ROOF VENT | 705221K38 |
| 11 | 123780-03-701 | EA | SCREEN ASM 78-100MM W/SWITCH | 1030BT-81 |
| 12 | 123780-03-700 | EA | GARNISH - INT. 3"-4" BRT/WHT | 2040-81 |
| 13 | 084079-01-703 | EA | KNOB-LIFT, W/EXT. | 1140K-00 |
| | 123780-01-702 | EA | SCREEN INSERT (SCREEN RING) | K1035-81 |
| | 084079-01-706 | EA | PLUG, 12 VOLT | 1090 |

CONTACT WINNEBAGO PART SALES FOR UNLISTED COMPONENTS