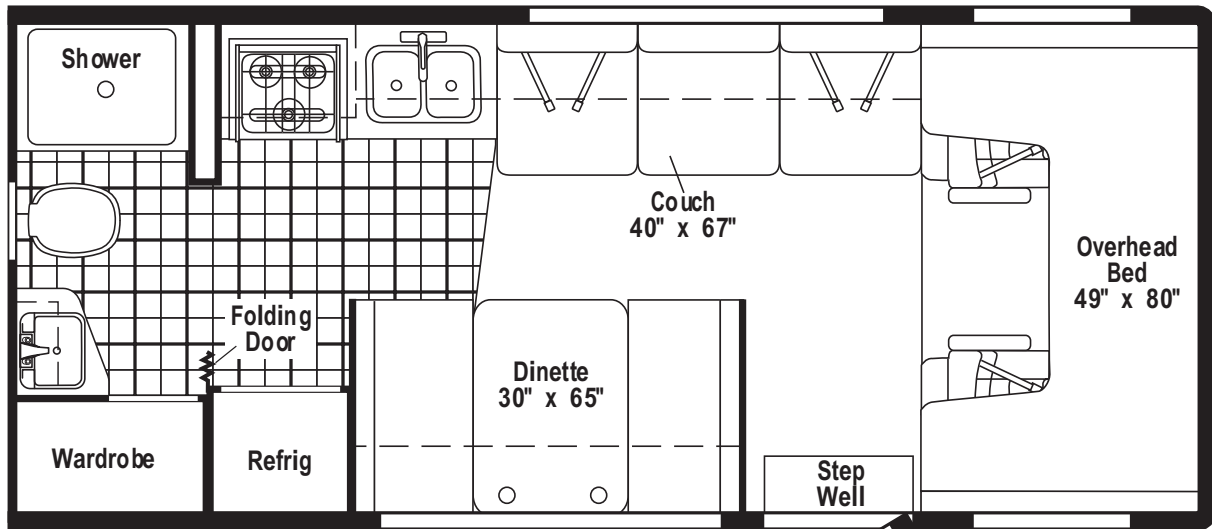


**2003
VISTA
WV221B
200 SERIES
PORTSMOUTH OAK
P01 SAGEBRUSH - GREEN
P02 BLUECAMEO - BLUE
P03 SANDSTONE - BEIGE**



FLOORPLAN

CONTENTS

| | |
|---|-----------|
| FLOORPLAN | 1 |
| ACCESSORIES GROUP | 5 |
| OPERATORS MANUAL | 5 |
| APPLIANCE GROUP | 6 |
| APPLIANCES | 6 |
| COMPONENT PARTS FOR APPLIANCE | 7 |
| 112881-02-03A | 7 |
| 114030-02-01A, 114030-03-01A | 10 |
| 134940-01-01A | 11 |
| 134940-02-01A | 12 |
| 136354-01-01A, 136354-02-01A | 13 |
| 138809-01-01A | 14 |
| AUDIO VIDEO GROUP | 21 |
| RADIO SYSTEM | 21 |
| COMPONENT PARTS FOR RADIO SYSTEM | 22 |
| 127517-12-000 | 22 |
| TV & VCR | 23 |
| COMPONENT PARTS FOR TV & VCR | 24 |
| 076319-24-000 | 24 |
| 076319-25-000 | 24 |
| BATH GROUP | 25 |
| CABINETS | 25 |
| COMPONENT PARTS FOR CABINETS | 27 |
| 131595-01-01A | 27 |
| CHASSIS GROUP | 28 |
| FRAME | 28 |
| EXHAUST | 29 |
| HITCH | 30 |
| REAR BUMPER | 30 |
| EMISSIONS SYSTEM | 31 |
| SPARE TIRE | 32 |
| SUSPENSION | 33 |
| COMPONENT PARTS FOR SUSPENSION | 34 |
| 100293-03-000 | 34 |
| 112033-02-000 | 34 |
| WHEEL, TIRE, COVERS &/OR LINERS | 35 |
| COMPONENT PARTS FOR WHEEL, TIRE, COVERS &/OR LINERS | 36 |
| 134261-02-01A | 36 |
| 134261-03-01A | 36 |
| PARK BRAKE | 37 |
| BRAKELINE | 38 |
| CURTAIN & CUSHION GROUP | 39 |
| NOTICE | 39 |
| CUSHION LAYOUT | 40 |
| BUCKETSEAT | 42 |
| SOFA | 44 |
| WINDOW TREATMENT | 45 |
| HARDWARE | 47 |
| ACCESSORIES | 49 |
| FABRICS | 50 |
| DINETTE GROUP | 51 |
| CABINETS | 51 |
| TABLE | 52 |

CONTENTS (CONTINUED)

| | |
|--|-----------|
| DRIVERS COMPARTMENT GROUP | 53 |
| FRONT INTERIOR | 53 |
| ELECTRICAL GROUP | 54 |
| 12V BODY WIRING | 54 |
| COMPONENT PARTS FOR LIGHTS & SWITCHES | 57 |
| 097917-01-06A | 57 |
| 115632-02-01A | 57 |
| 115632-03-01A | 57 |
| 115632-04-01A | 57 |
| 121935-01-01A | 57 |
| 137417-01-01A | 57 |
| 137417-02-01A | 57 |
| 137417-05-01A | 57 |
| 137417-06-01A | 57 |
| CIRCUIT BREAKERS & FUSES | 58 |
| CONVERTER, INVERTER, LOAD CENTERS | 58 |
| 110V WIRING | 59 |
| BOXES & CORDS | 61 |
| WIRE ASSEMBLIES | 61 |
| CONNECTORS & CONDUIT | 62 |
| BOOTS, SOLENOIDS, RELAYS & MISCELLANEOUS | 64 |
| EXTERIOR BODY GROUP | 65 |
| GRAPHICS & PAINT | 65 |
| PANELS & TRIMS | 67 |
| MIRRORS | 69 |
| STRUCTURAL COMPONENTS | 70 |
| EXTERIOR DOORS & COMPARTMENTS GROUP | 71 |
| DOOR & COMPARTMENT LAYOUT | 71 |
| COMPARTMENT DOOR PIECE PARTS | 73 |
| COMPONENT PARTS FOR COMPARTMENT DOOR PIECE PARTS | 77 |
| 110506-A1-000, 110506-A2-000, 110506-26-000, 110506-27-000 | 77 |
| ENTRY | 78 |
| SCREEN | 80 |
| LATCH - ENTRY | 81 |
| GALLEY GROUP | 82 |
| CABINETS | 82 |
| DOORS & DRAWERS | 83 |
| GENERATOR GROUP | 84 |
| GAS | 84 |
| HEATING & A/C GROUP | 85 |
| FURNACE | 85 |
| COMPONENT PARTS FOR FURNACE | 86 |
| 075697-04-000 | 86 |
| ROOF | 88 |
| COMPONENT PARTS FOR ROOF | 89 |
| 093306-01-03A | 89 |
| 093307-03-000 | 90 |
| 131183-03-01A | 91 |
| 131183-04-01A | 92 |
| 131186-02-02A | 93 |
| INTERIOR FINISH GROUP | 94 |
| MOLDINGS & TRIMS | 94 |
| PANELING & LAMINATES | 98 |
| ACCESSORIES | 98 |
| FLOOR COVERINGS | 98 |
| HARDWARE | 99 |

CONTENTS (CONTINUED)

| | |
|---|------------|
| LABELS GROUP | 105 |
| LP GROUP | 129 |
| LP SYSTEM | 129 |
| COMPONENT PARTS FOR LP SYSTEM | 130 |
| 140000-01-000 | 130 |
| LOUNGE GROUP | 131 |
| CABINETS | 131 |
| SEALANTS & FASTENERS GROUP | 132 |
| SEALANTS & ADHESIVES | 132 |
| BOLTS, NUTS AND WASHERS | 133 |
| SCREWS | 135 |
| CLAMPS, CLIPS, GROMMETS, RIVETS & PLUGS | 138 |
| MISCELLANEOUS FASTENERS | 139 |
| WATER & SEWAGE GROUP | 140 |
| DRAINAGE SYSTEM | 140 |
| COMPONENT PARTS FOR DRAINAGE SYSTEM | 142 |
| 062415-01-000 | 142 |
| 096927-01-02A | 142 |
| 131932-02-02A | 143 |
| WATER SYSTEM | 144 |
| COMPONENT PARTS FOR WATER SYSTEM | 151 |
| 051391-03-000 | 151 |
| 075240-05-000 | 152 |
| 075241-04-000, 075241-05-000, 075241-06-000 | 152 |
| 098607-01-000 | 152 |
| 104114-05-01A | 152 |
| WINDOW & VENTS GROUP | 153 |
| WINDOW & VENT LAYOUT | 153 |
| COMPONENT PARTS FOR WINDOWS & VENT LAYOUT | 154 |
| 098647-49-02A | 154 |
| 098647-65-01A | 155 |
| 098647-67-01A | 155 |
| 098647-68-01A | 155 |
| 122882-01-01A | 156 |
| 122882-02-01A, 122882-03-01A | 156 |

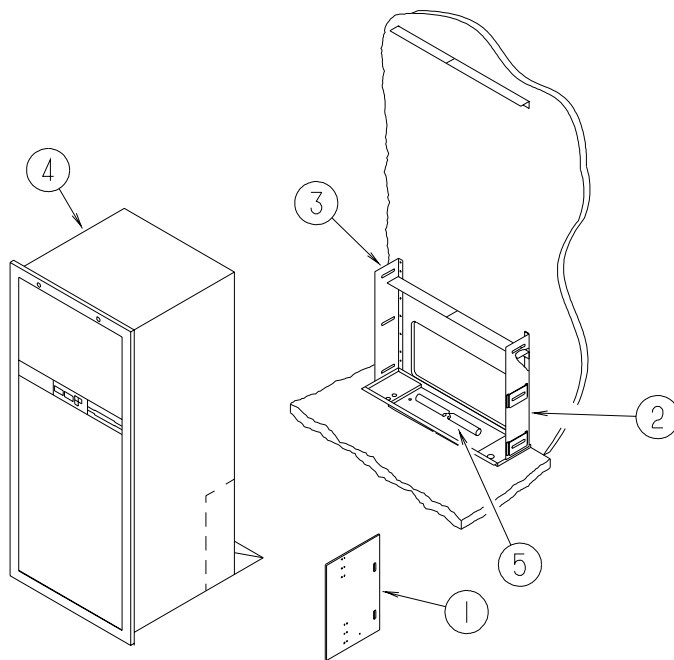
ACCESSORIES GROUP
OPERATORS MANUAL

| KEY | PART NUMBER | U/M | DESCRIPTION |
|------------|--------------------|------------|--|
| | 129079-01-01A | EA | CASE - VINYL/BLACK-EXPANDABLE ACCORDION SIDES-7"WX9"HX14"L |
| | 132000-20-003 | EA | MANUAL/OWNER - VISTA - 2003 |
| | 141137-01-000 | DW | TOP LEVEL-H,2003 |

APPLIANCE GROUP APPLIANCES

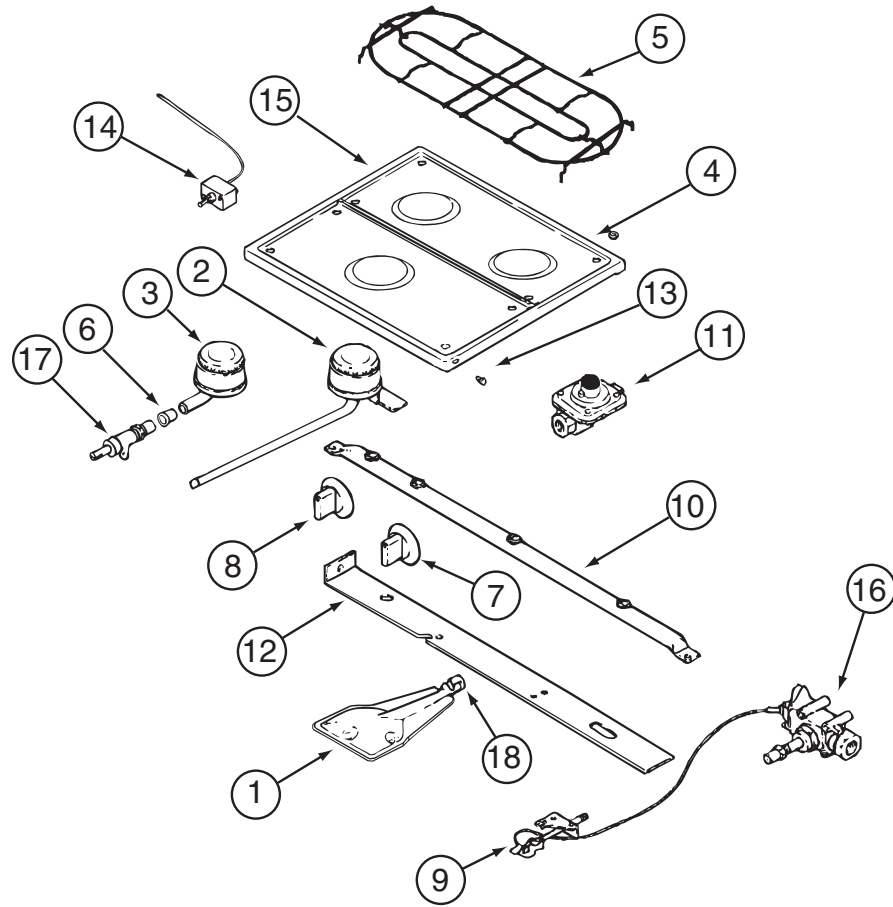
| KEY | PART NUMBER | U/M | DESCRIPTION |
|-----|---------------|-----|---|
| * | 112881-02-03A | EA | RANGE - 16" - 3 BURNER - FRONT HI-OUTPUT BRNR - BLK TOP/DR - RANGE 3-BURNER W/OVEN FROM: 00-00-00 THRU: 06-17-02 |
| | 112881-04-01A | EA | RANGE -16"/3 BURNER/NEW STYLE KNOBS-GRATES-HANDLES BLK DR - RANGE 3-BURNER W/OVEN FROM: 06-18-02 THRU: 99-99-99 |
| * | 114030-02-01A | EA | RANGE - 3 BURNER TOP - W/O OVEN - BLACK - UL - RANGE TOP 3-BURNER FROM: 00-00-00 THRU: 06-17-02 |
| | 114030-04-01A | EA | RANGE - 3 BURNER TOP/NEW STYLE KNOBS/GRATES - BLK - RANGE TOP 3-BURNER FROM: 06-18-02 THRU: 99-99-99 |
| | 140176-09-02B | EA | BRACKET/TIEDOWN - STOVE - E-COATED - RANGE 3-BURNER W/OVEN |
| | 140176-10-02B | EA | BRACKET/TIEDOWN - STOVE - E-COATED - RANGE 3-BURNER W/OVEN |
| | 142139-11-02B | EA | BRACKET/TIEDOWN - STOVE - E-COATED - RANGE TOP 3-BURNER |
| | 142139-12-02B | EA | BRACKET/TIEDOWN - STOVE - E-COATED - RANGE TOP 3-BURNER |
| * | 136354-01-01A | EA | HOOD - RANGE - W/LITE/FAN - US/VENTED - TEXTURED BLK |
| | 128527-06-000 | EA | OVEN - MICROWAVE W/TRIM KIT- 1 CU.FT.- NON CONVECTION FROM: 00-00-00 THRU: 08-11-02 |
| | 128527-08-000 | EA | OVEN-MICROWAVE-1.0 CUBIC FT/NON CONVECTION-SAMSUNG MR1032B FROM: 08-12-02 THRU: 99-99-99 |
| | 094750-10-000 | EA | BRACKET - MICROWAVE - 89 DEGREE |
| * | 134940-01-01A | EA | PANEL - MONITOR - 2 TANK - W/GENERATOR SWITCH/HOUR METER - GENERATOR |
| * | 134940-02-01A | EA | PANEL - MONITOR - 2 TANK - W/O GENERATOR SWITCH/HOUR METER - W/O GENERATOR |

*COMPONENT PARTS LISTED LATER IN THIS GROUP



| KEY | PART NUMBER | U/M | DESCRIPTION |
|-----|---------------|-----|---|
| 1 | 065225-03-000 | EA | PLATE - TIEDOWN/REFRIGERATOR |
| 2 | 093646-01-000 | EA | BRACKET - TIEDOWN/REFRIGERATOR - RIGHT HAND |
| 3 | 093646-02-000 | EA | BRACKET - TIEDOWN/REFRIGERATOR - LEFT HAND |
| 4* | 138809-01-01A | EA | REFRIGERATOR - SINGLE DOOR - TOP CONTROL |
| 5 | 112176-01-000 | FT | TUBING - VINYL - REINFORCED - 1/2" ID |
| | 116751-02-01A | EA | TRAY - REFRIGERATOR - BLACK |
| | 054450-01-000 | EA | LEVEL - REFRIGERATOR |
| | 090329-01-000 | FT | SEAL/T - REFRIGERATOR CABINET |

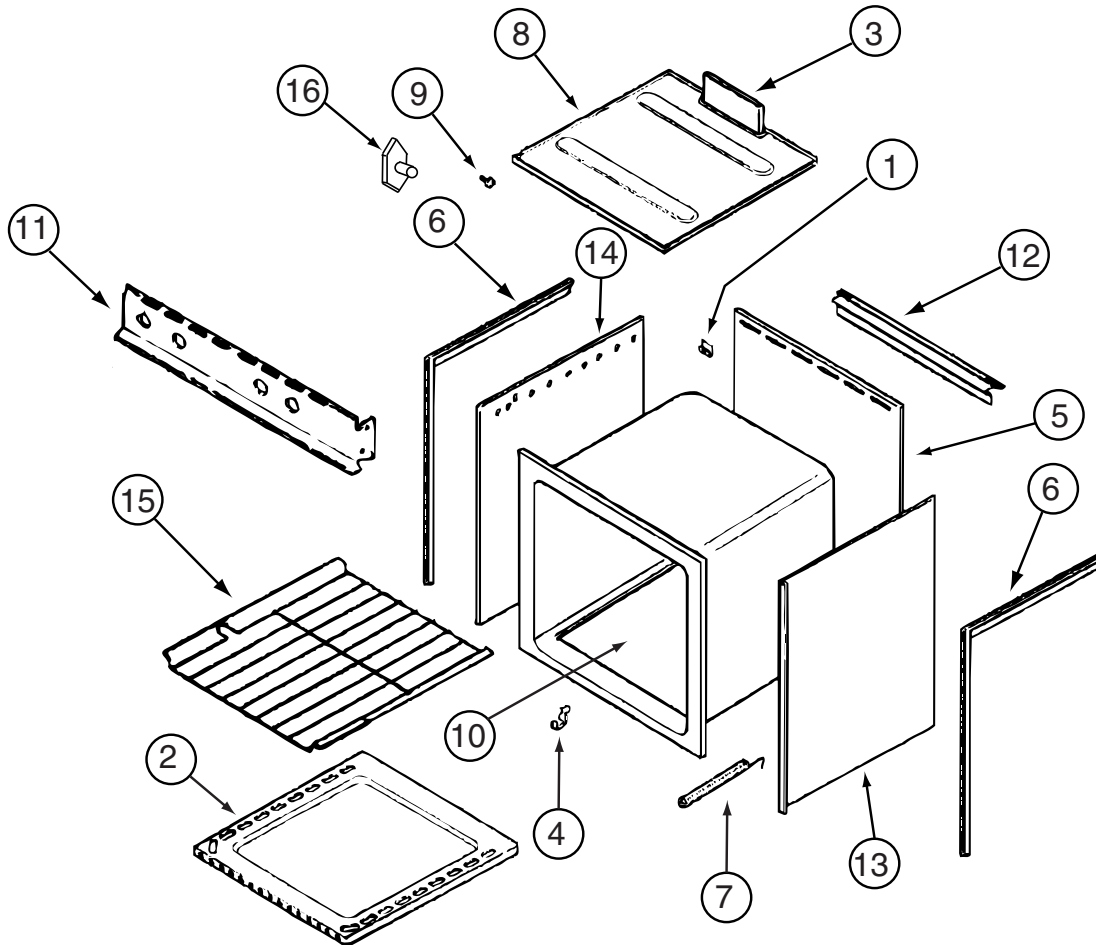
APPLIANCE GROUP (CONTINUED)
COMPONENT PARTS FOR APPLIANCE



112881-02-03A

| KEY | PART NUMBER | U/M | DESCRIPTION | VENDOR NO. |
|-----|---------------|-----|--------------------------------------|---------------------|
| 1 | 126023-01-717 | EA | BURNER - OVEN | 74003343 |
| 2 | 112881-01-717 | EA | BURNER, TOP REAR | 7505P181-60 |
| 3 | 112881-02-703 | EA | BURNER - FRONT HIGH OUTPUT | 7505P142-60 |
| 4 | 102020-01-709 | EA | BUMPER-GRATE | 8007-P020-60 |
| 5 | 126023-01-730 | EA | GRATE - TOP | 74003358 |
| 6 | 098507-02-701 | EA | INSERT-BURNER, SLOTTED VENT | 7214P015-60 |
| 7 | 112881-01-718 | EA | KNOB - TOP BURNER HI-OUTPUT | 74001794 |
| 7 | 112881-01-705 | EA | KNOB-TOP BURNER | 7733P072-60 |
| 8 | 126023-02-700 | EA | KNOB - THERMOSTAT - SERIES 11 | 74004359 |
| 8 | 126023-01-704 | EA | KNOB - THERMOSTAT - SERIES 10 | 7731P109-60 |
| 9 | 126023-02-701 | EA | PILOT - OVEN - SERIES 11 | 74004586 |
| 9 | 102020-01-714 | EA | PILOT-OVEN - SERIES 10 | 968-143 |
| 10 | 126023-02-702 | EA | PIPE - MANIFOLD - SERIES 11 | 74004360 |
| 10 | 126023-01-705 | EA | PIPE - MANIFOLD - SERIES 10 | 7513P161-60 |
| 11 | 126023-02-703 | EA | REGULATOR - PRESSURE - SERIES 11 | 74004235 |
| 11 | 128728-01-712 | EA | FITTING HALF UNION - SERIES 11 | 7507P083-60 |
| 11 | 102022-01-708 | EA | REGULATOR, 1/4 & 1/2 OUT - SERIES 10 | 7510P04160/12001285 |
| 13 | 102020-01-724 | EA | BUMPER-MAIN TOP | 8003P008-60 |
| 14 | 126023-01-734 | EA | THERMOSTAT OVEN - SERIES 11 | 74004361 |
| 14 | 112881-01-722 | EA | THERMOSTAT SER. - SERIES 10 | 7515P029-60K |
| 15 | 126023-01-728 | EA | TOP - MAIN (BLACK) | 74003323 |
| 16 | 126023-02-704 | EA | VALVE/OVEN - MERCURY - SERIES 11 | 74004585 |
| 16 | 112881-02-700 | EA | VALVE - OVEN - SERIES 10 | 7501P056-60 |
| 17 | 126023-02-705 | EA | VALVE -BURNER - REAR - SERIES 11 | 74004362 |
| 17 | 126023-02-706 | EA | VALVE - BURNER -FRONT - SERIES 11 | 74004363 |
| 17 | 126023-01-709 | EA | VALVE - BURNER (REAR) - SERIES 10 | 74003348 |
| 17 | 126023-01-710 | EA | VALVE - BURNER (FRONT) - SERIES 10 | 74003349 |
| 18 | 135656-01-701 | EA | MIXER/AIR | 3411F003-34 |
| | 128728-01-712 | EA | FITTING - HALF UNION | 7507P083-60 |

APPLIANCE GROUP (CONTINUED)
COMPONENT PARTS FOR APPLIANCE (CONTINUED)

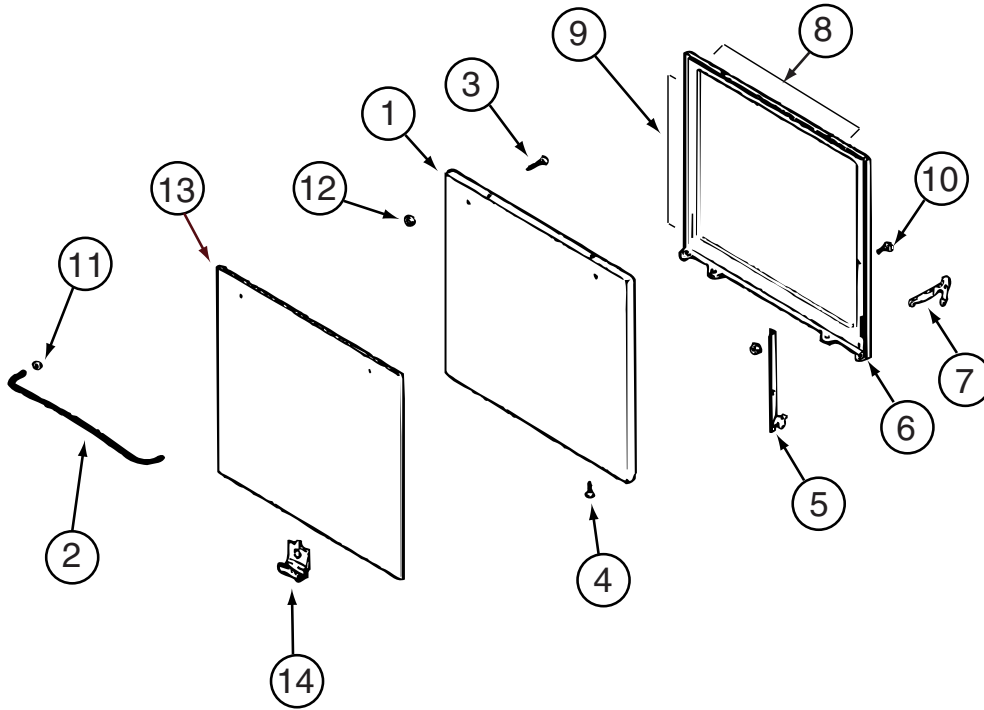


112881-02-03A (CONTINUED)

| KEY | PART NUMBER | U/M | DESCRIPTION | VENDOR NO. |
|-----|---------------|-----|------------------------------|-------------|
| 1 | 112881-02-701 | EA | CLIP - MAIN TOP (REAR) | 7112P071-60 |
| 2 | 126023-01-731 | EA | BOTTOM - OVEN | 2205F016-19 |
| 3 | 126023-01-718 | EA | FLUE BOX ASSEMBLY | 4006W075-80 |
| 6 | 112881-01-720 | EA | TRIM-FLAT RH BLACK TEXTURED | 4002812 |
| 6 | 112881-01-719 | EA | TRIM-FLAT LH BLACK TEXTURED | 74002813 |
| 7 | 112881-02-704 | EA | SPRING-OVEN DOOR F/1641 MOD | 7803P052-60 |
| 7 | 112881-02-702 | EA | SPRING - OVEN DOOR | 7803P051-60 |
| 11 | 126023-01-715 | EA | PANEL - MANIFOLD | 74003350 |
| 12 | 112881-01-721 | EA | DEFLECTOR FLUE BLACK TEXTURE | 74002809 |
| 15 | 126023-01-716 | EA | RACK - OVEN | 74003106 |
| 16 | 128728-01-703 | EA | T-NUT - F/HINGE | 7103P109-60 |
| | 112881-03-702 | EA | CLIP - MAIN TOP | 74003998 |

CONTACT WINNEBAGO PART SALES FOR UNLISTED COMPONENTS

APPLIANCE GROUP (CONTINUED)
COMPONENT PARTS FOR APPLIANCE (CONTINUED)

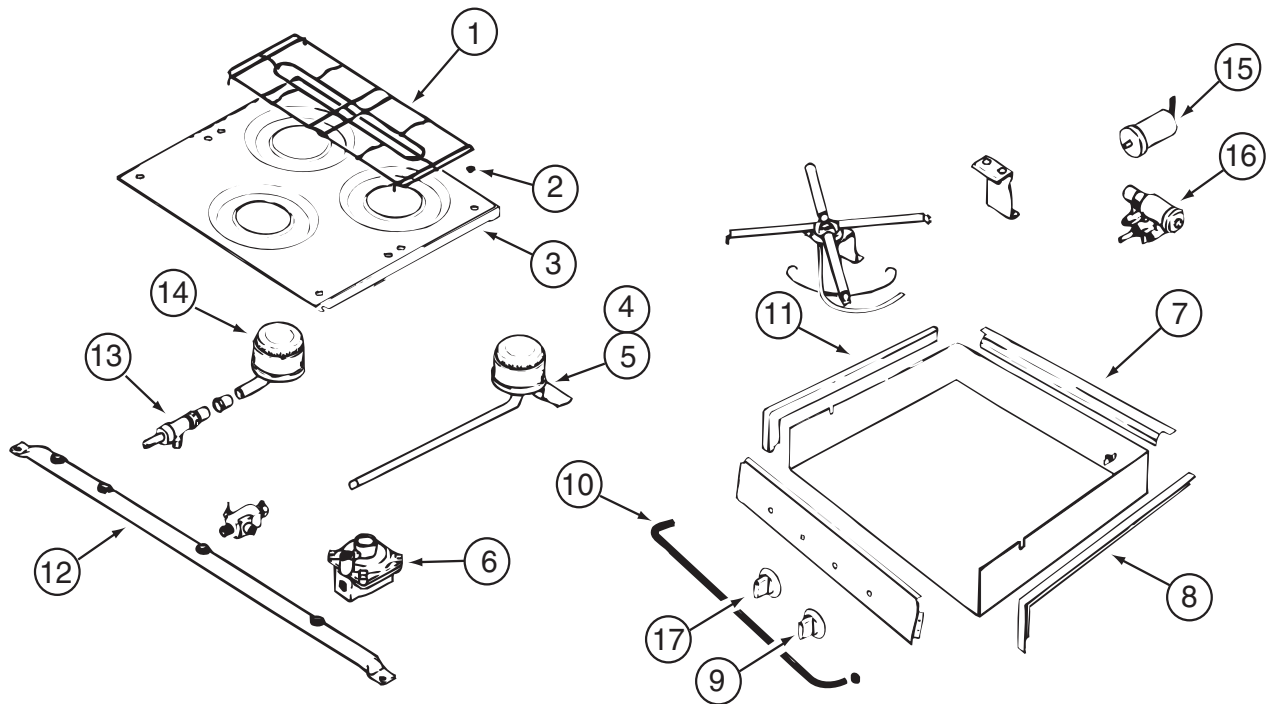


112881-02-03A (CONTINUED)

| KEY | PART NUMBER | U/M | DESCRIPTION | VENDOR NO. |
|-----|---------------|-----|------------------------------|-------------|
| 1 | 112881-02-705 | EA | DOOR/OVEN-TEXT/BLK-F/WINDOW | 74001273 |
| 1 | 112881-01-713 | EA | DOOR/OVEN-TEXT/BLK NO WINDOW | 2401F126-70 |
| 2 | 102020-01-701 | EA | HANDLE,DOOR | 7701P092-60 |
| 8 | 126023-01-732 | EA | SEAL/OVEN DR TOP | 7212P014-60 |
| 9 | 126023-01-733 | EA | SEAL/OVEN DR SIDES(2PCS) | 7212P038-60 |
| 13 | 102022-01-704 | EA | GLASS-OUTER | 7902P261-60 |

CONTACT WINNEBAGO PART SALES FOR UNLISTED COMPONENTS

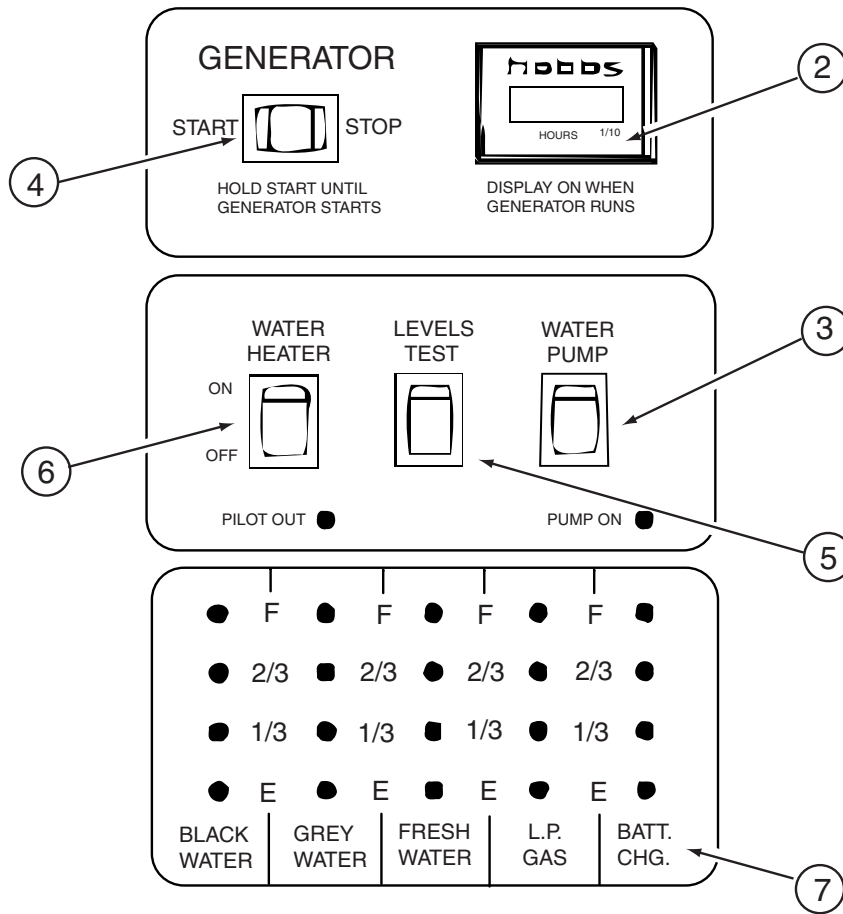
APPLIANCE GROUP (CONTINUED)
COMPONENT PARTS FOR APPLIANCE (CONTINUED)



114030-02-01A, 114030-03-01A

| KEY | PART NUMBER | U/M | DESCRIPTION | VENDOR NO. |
|-----|---------------|-----|------------------------------|--------------------|
| 1 | 126023-01-703 | EA | GRATE - TOP | 74003358 |
| 2 | 102020-01-709 | EA | BUMPER - GRATE | 8007-P020-60 |
| 3 | 126023-01-706 | EA | TOP - MAIN (WHITE) | 74003322 |
| 3 | 126023-01-707 | EA | TOP - MAIN (BLACK) | 74003323 |
| 3 | 126023-01-708 | EA | TOP - MAIN (ALMOND) | 74003324 |
| 4 | 126023-01-700 | EA | BURNER - TOP (RT-REAR) | 7505P195-60 |
| 5 | 126023-01-701 | EA | BURNER - TOP (LT-REAR) | 7505P196-60 |
| 6 | 102020-01-729 | EA | REGULATOR - PRESSURE | 7510P043-60 |
| 7 | 114030-01-706 | EA | TRIM - REAR/BLACK TEXTURED | 74002841 |
| 8 | 114030-01-704 | EA | TRIM - RIGHT/BLACK TEXTURED | 74002839 |
| 9 | 126023-01-720 | EA | KNOB - IGNITER | 74002414 |
| 10 | 114030-02-700 | EA | GUARD/FABRIC - TOWEL BAR | 3609F006-70 |
| 11 | 114030-01-705 | EA | TRIM - LEFT/BLACK TEXTURED | 74002840 |
| 12 | 126023-01-705 | EA | PIPE - MANIFOLD | 7513P161-60 |
| 13 | 126023-01-709 | EA | VALVE - BURNER (REAR) | 74003348 |
| 13 | 126023-01-710 | EA | VALVE - BURNER (FRONT) | 74003349 |
| 14 | 126023-01-702 | EA | BURNER - TOP (FRONT) | 7505P144-60 |
| 15 | 126023-01-711 | EA | ELECTRODE - IGNITER | 7432P077-60 |
| 16 | 126023-01-719 | EA | IGNITER - TOP BURNER | 74002413 |
| 17 | 112881-01-705 | EA | KNOB - TOP BURNER | 733P072-60 |
| 17 | 112881-01-718 | EA | KNOB - TOP BURNER HI-OUTPUT | 74001794 |
| | 126023-01-735 | EA | KIT-IGNITOR TOP BRNER & KNOB | 12001296=74002413& |
| | 128728-01-703 | EA | T-NUT - F/HINGE | 7103P109-60 |

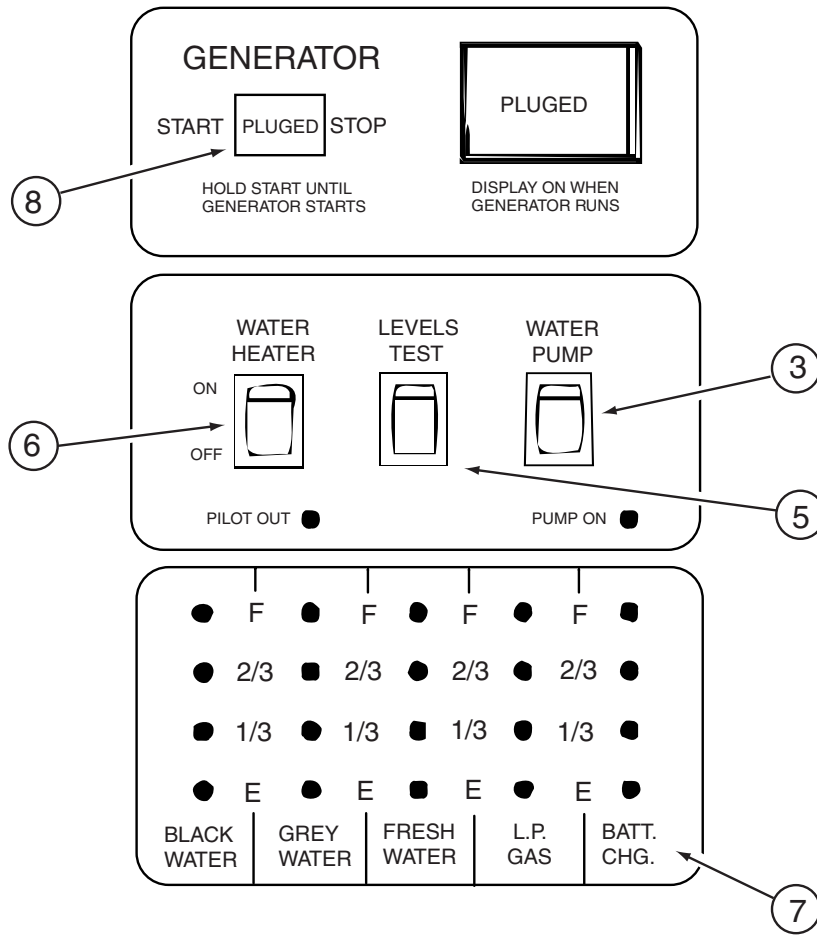
APPLIANCE GROUP (CONTINUED)
COMPONENT PARTS FOR APPLIANCE (CONTINUED)



134940-01-01A

| KEY | PART NUMBER | U/M | DESCRIPTION | VENDOR NO. |
|-----|---------------|-----|------------------------------|------------|
| | 134940-01-700 | EA | BOARD - PC | L5118-01 |
| 2 | 100258-10-701 | EA | GAUGE-HR METER ONLY (LCD) | L0775-00 |
| 3 | 096983-01-703 | EA | SWITCH - ON/ON | L0115-00 |
| 4 | 096983-01-702 | EA | SWITCH - MOM/OFF/MOM/3 TERM | L0112-00 |
| 5 | 096983-01-701 | EA | SWITCH - SPST/MOM 2 TERMINAL | L0111-00 |
| 6 | 134940-01-701 | EA | SWITCH-SPST/ON-OFF/BLK W/LGT | L0109 |
| 7 | 134940-01-702 | EA | CHASSIS - SILKSCREENED | CC0558-00 |
| | 100258-10-702 | EA | HOUR METER(CLIP ON)SW & WIRE | L4441-00 |

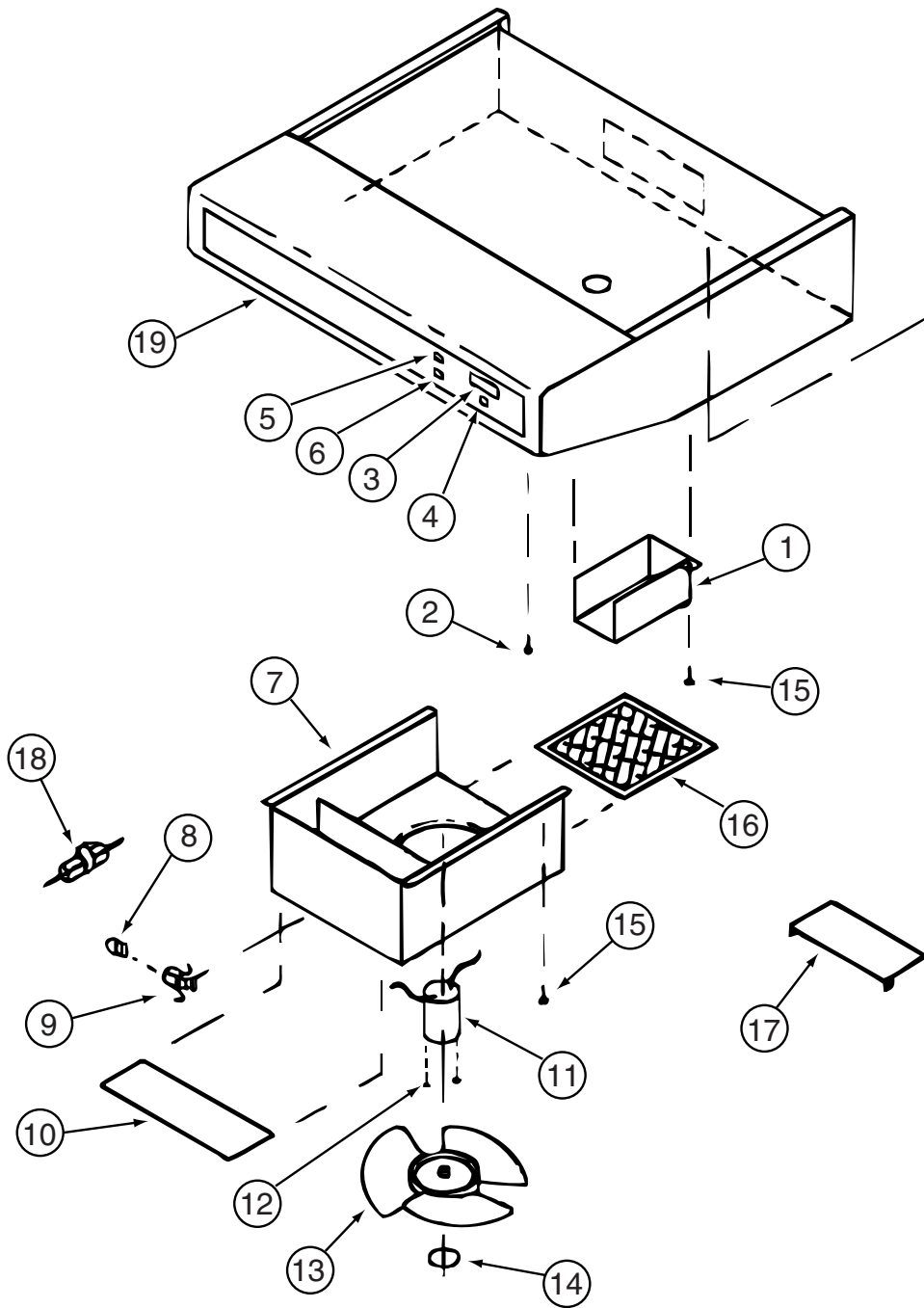
APPLIANCE GROUP (CONTINUED)
COMPONENT PARTS FOR APPLIANCE (CONTINUED)



134940-02-01A

| KEY | PART NUMBER | U/M | DESCRIPTION | VENDOR NO. |
|-----|---------------|-----|------------------------------|------------|
| | 134940-01-700 | EA | BOARD - PC | L5118-01 |
| 3 | 096983-01-703 | EA | SWITCH - ON/ON | L0115-00 |
| 5 | 096983-01-701 | EA | SWITCH - SPST/MOM 2 TERMINAL | L0111-00 |
| 6 | 134940-01-701 | EA | SWITCH-SPST/ON-OFF/BLK W/LGT | L0109 |
| 7 | 134940-01-702 | EA | CHASSIS - SILKSCREENED | CC0558-00 |
| 8 | 134940-02-700 | EA | SWITCH - DUMMY | L0118 |

APPLIANCE GROUP (CONTINUED)
COMPONENT PARTS FOR APPLIANCE (CONTINUED)

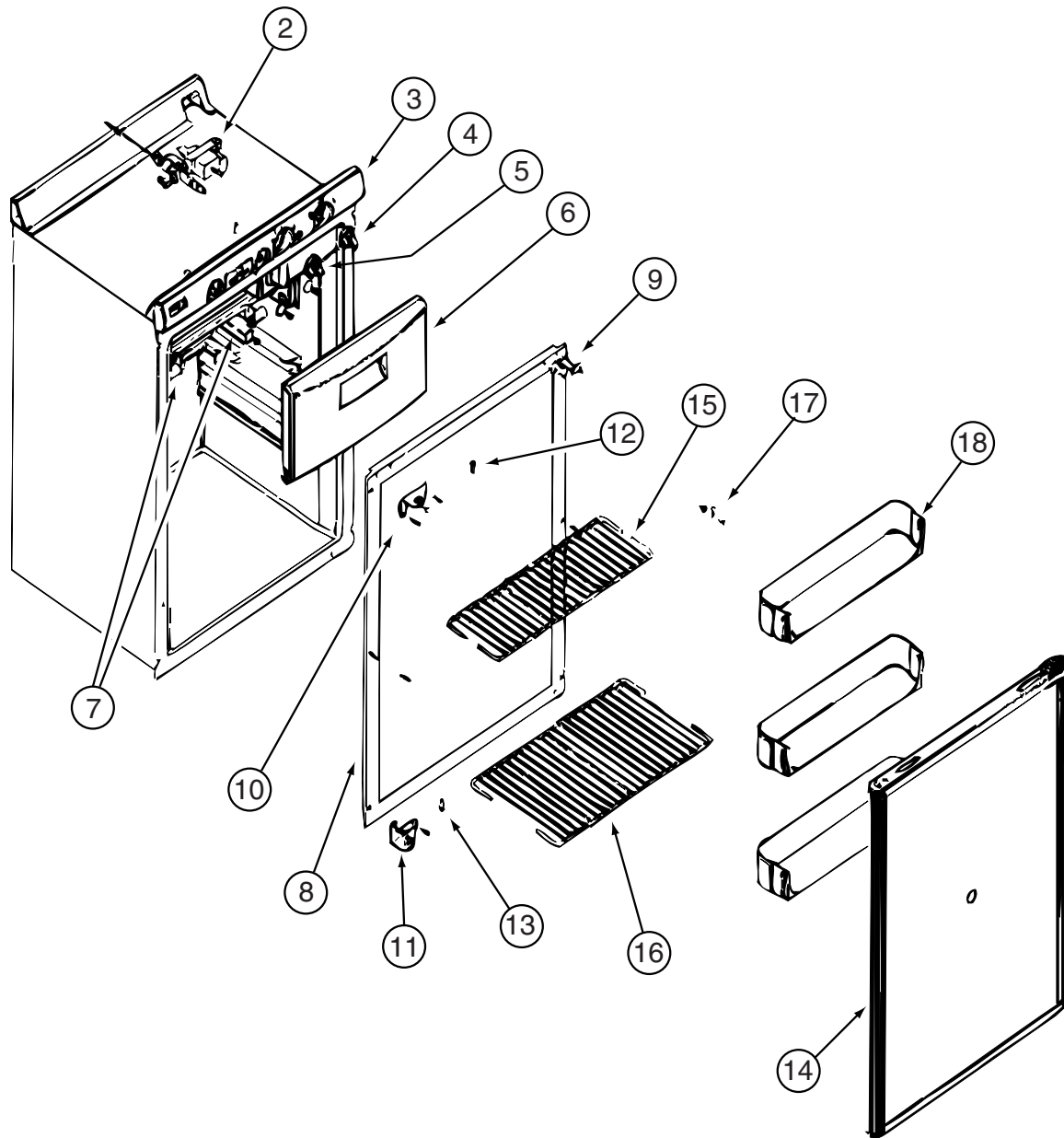


136354-01-01A, 136354-02-01A

| KEY | PART NUMBER | U/M | DESCRIPTION | VENDOR NO. |
|-----|---------------|-----|------------------------------|------------|
| 4 | 096983-01-702 | EA | SWITCH - MOM/OFF/MOM/3 TERM | L0112-00 |
| 6 | 096983-01-700 | EA | SWITCH/1 SPEED -ON/OFF- BLK | 00108-00 |
| 8 | 092696-01-709 | EA | LAMP #912 | VA415 |
| 9 | 092696-01-710 | EA | HOLDER-LAMP | CB267-2 |
| 10 | 092696-02-701 | EA | LENS-LAMP | CC179-2 |
| 11 | 090973-01-700 | EA | MOTOR-12 VOLT, CSA & UL | CA508-1 |
| 13 | 090973-01-702 | EA | BLADE-FAN | VA183-1 |
| 16 | 096983-01-707 | EA | FILTER-MESH | CC246 |
| 17 | 100258-01-701 | EA | DAMPER ASSEMBLY (METAL FLAP) | CAO-565-00 |
| 19 | 136354-01-700 | EA | OVERLAY | CE0110-00 |

CONTACT WINNEBAGO PART SALES FOR UNLISTED COMPONENTS

APPLIANCE GROUP (CONTINUED)
COMPONENT PARTS FOR APPLIANCE (CONTINUED)

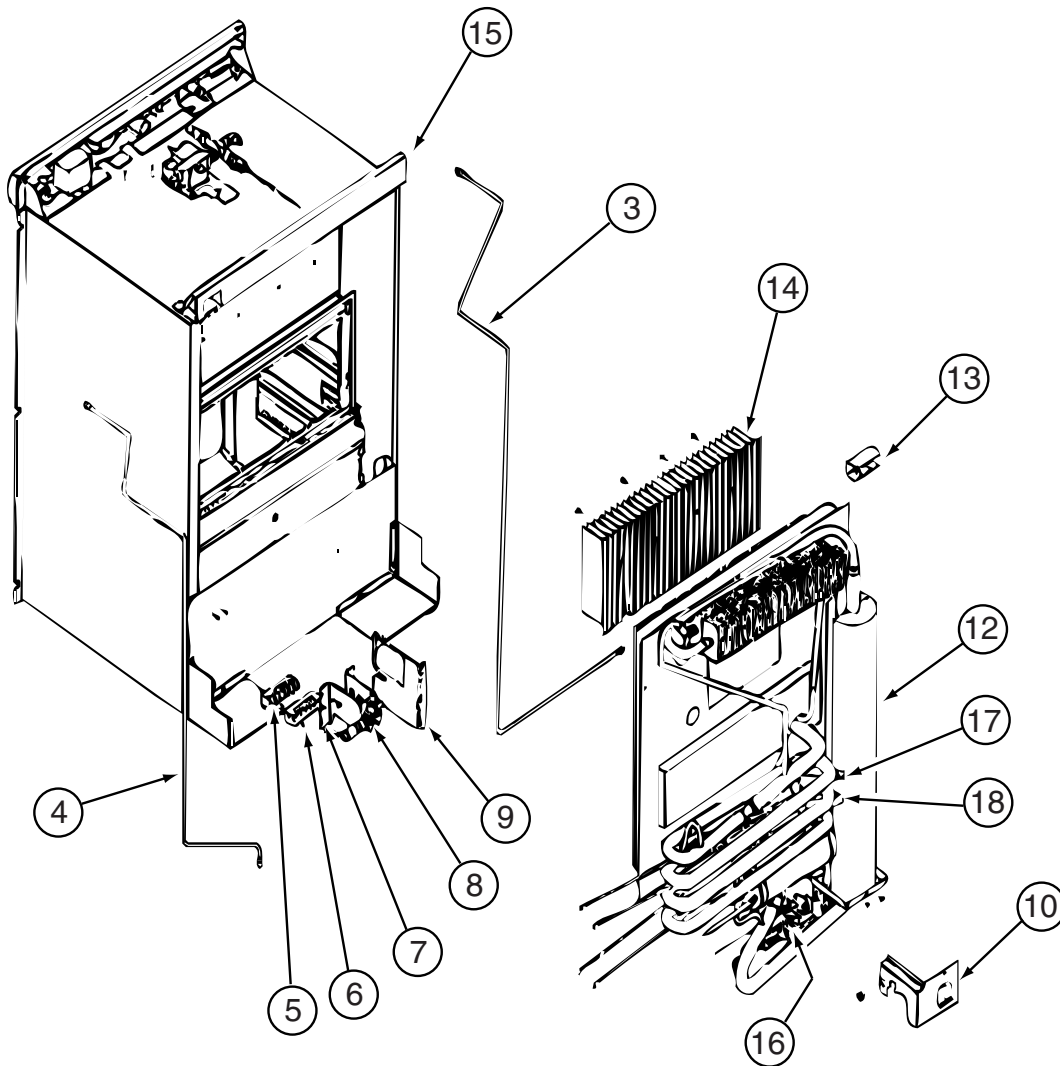


138809-01-01A

| KEY | PART NUMBER | U/M | DESCRIPTION | VENDOR NO. |
|-----|---------------|-----|-----------------------------|------------|
| 2 | 138809-01-700 | EA | GAS CONTROL | 620198 |
| 3 | 138809-01-701 | EA | CONTROL PANEL ASSY | 620159 |
| 4 | 131147-01-703 | EA | KNOB - SELECTOR | 619070 |
| 6 | 131147-01-705 | EA | FREEZER DOOR | 619117 |
| 7 | 131147-01-706 | EA | SRPING HOLDER ASSEMBLY - RH | 619041 |
| 7 | 131147-01-707 | EA | SPRING HOLDER ASSEMBLY - LH | 691042 |
| 9 | 131147-01-708 | EA | DOOR LATCH | 619103 |
| 10 | 138809-01-702 | EA | HINGE - UPPER LH/LOWER RH | 620188 |
| 11 | 138809-01-703 | EA | HINGE - TOP RH/LOWER LH | 621087 |
| 12 | 113737-01-708 | EA | PIN-HINGE, TOP | 61114600 |
| 13 | 113737-01-710 | EA | PIN-HINGE, BOTTOM | 61550722 |
| 14 | 138809-01-704 | EA | DOOR ASSY | 620164 |
| 15 | 138809-01-705 | EA | SHELF-WIRE/TOP/SHORT | 620156 |
| 16 | 138809-01-706 | EA | SHELF-WIRE/LOWER/FLIPPER | 620178 |
| 17 | 125242-01-750 | EA | CLIP | 61409622 |
| 18 | 138809-01-707 | EA | BIN-DOOR SHELF | 620157 |
| | 138809-01-708 | EA | DRIP TRAY - INSIDE | 620433 |
| | 138809-01-709 | EA | BREAKER-BOTTOMTRIM SEAL | 621426 |
| | 104137-06-724 | EA | ICE TRAY | 61630422 |

PLEASE CONTACT PART SALES FOR ALL UNLISTED COMPONENTS

APPLIANCE GROUP (CONTINUED)
COMPONENT PARTS FOR APPLIANCE (CONTINUED)

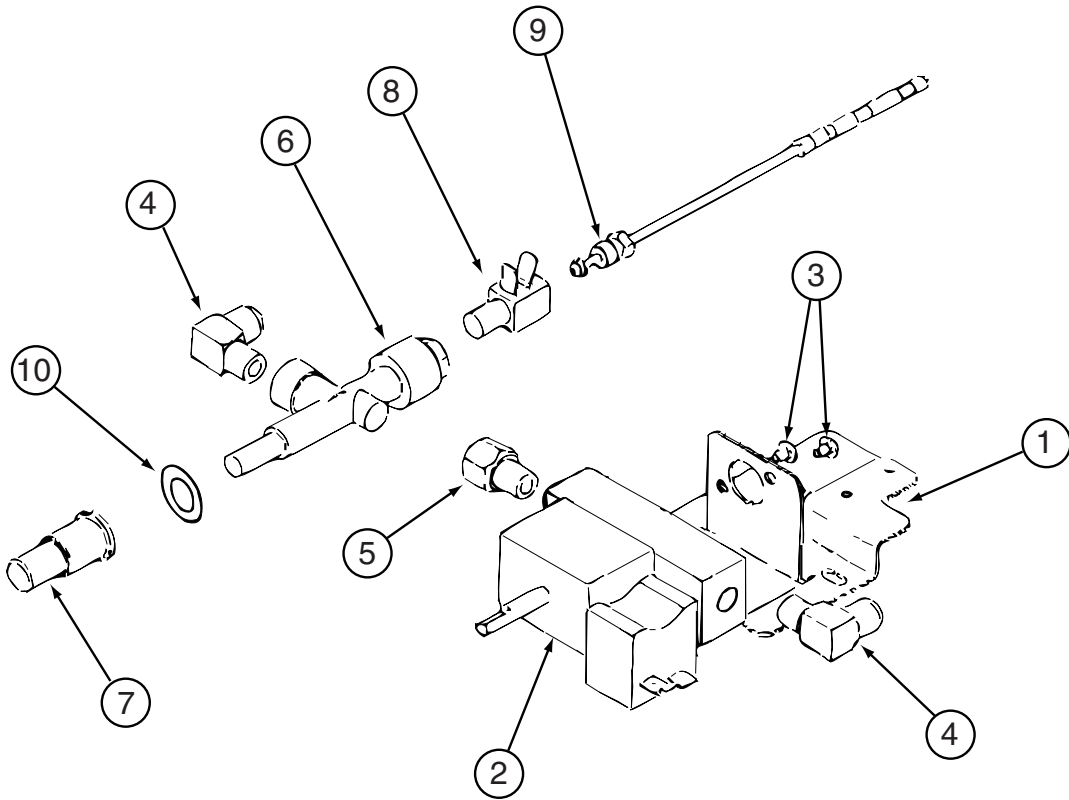


138809-01-01A (CONTINUED)

| KEY | PART NUMBER | U/M | DESCRIPTION | VENDOR NO. |
|-----|---------------|-----|------------------------------|------------|
| 3 | 138809-01-710 | EA | BURNER TUBE | 620223 |
| 4 | 138809-01-711 | EA | INLET TUBE-GAS | 620225 |
| 5 | 131147-01-718 | EA | TERMINAL BLOCK | 619173 |
| 8 | 138809-01-712 | EA | VALVE-MANUAL/SHUT OFF | 61692322 |
| 12 | 138809-01-713 | EA | COOLING UNIT | 621462 |
| 17 | 138809-01-714 | EA | HEATER-DC/EG3 | 620884 |
| 18 | 064473-03-701 | EA | HEATER-AC, HORIZONTAL BURNER | 61562522 |
| | 113737-01-705 | EA | CLIP-FIN | 61728722 |
| | 113737-01-720 | EA | FUSE 3 AMP (32V OR LESS) | 61654622 |
| | 138809-01-715 | EA | SHROUD-UPPER CONTROL AREA | 620881 |

PLEASE CONTACT PART SALES FOR ALL UNLISTED COMPONENTS

APPLIANCE GROUP (CONTINUED)
COMPONENT PARTS FOR APPLIANCE (CONTINUED)

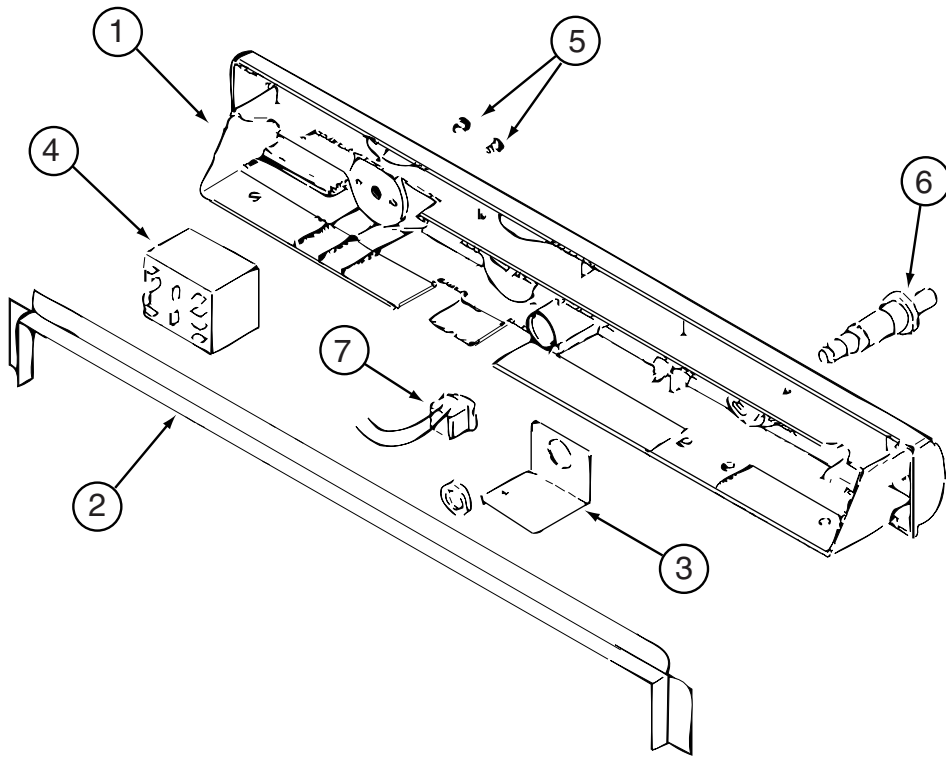


138809-01-01A (CONTINUED)

| KEY | PART NUMBER | U/M | DESCRIPTION | VENDOR NO. |
|-----|---------------|-----|-----------------------------|------------|
| 2 | 138809-01-717 | EA | GAS CONTROL | 621298 |
| 4 | 131147-01-725 | EA | ELBOW - BRASS/90 DEG - 2 PC | 61621622 |
| 6 | 113737-01-730 | EA | VAVLVE - SAFETY IGNITION | 617965 |
| 8 | 113737-01-709 | EA | INTERRUPTER | 61750522 |
| 9 | 138809-01-719 | EA | THERMOCOUPLE | 620424 |
| | 138809-01-718 | EA | TAB ADAPTER-INTERRUPTER | 619073 |

PLEASE CONTACT PART SALES FOR ALL UNLISTED COMPONENTS

APPLIANCE GROUP (CONTINUED)
COMPONENT PARTS FOR APPLIANCE (CONTINUED)

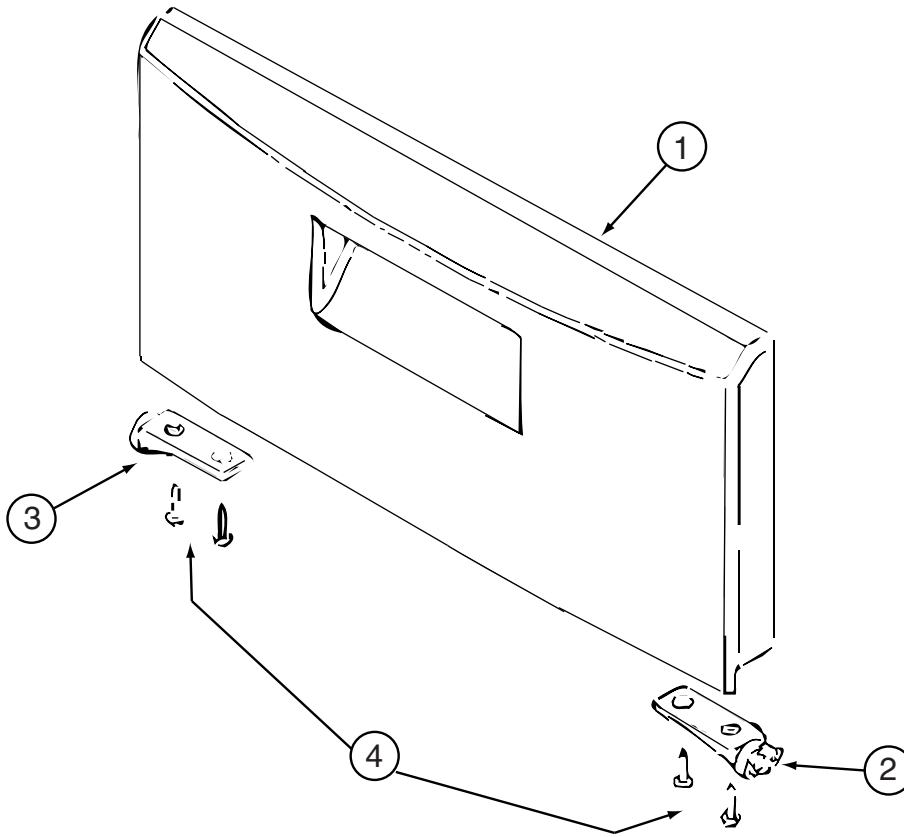


138809-01-01A (CONTINUED)

| KEY | PART NUMBER | U/M DESCRIPTION | VENDOR NO. |
|------------|--------------------|------------------------|-------------------|
| 1 | 138809-01-720 | EA CONTROLPANEL | 620205 |
| 4 | 138809-01-721 | EA SWITCH-SELECTOR | 620863 |
| 6 | 113737-01-709 | EA SPARK IGNITOR | 61645622 |
| 7 | 131147-01-734 | EA FLAME METER | 61481322 |

PLEASE CONTACT PART SALES FOR ALL UNLISTED COMPONENTS

APPLIANCE GROUP (CONTINUED)
COMPONENT PARTS FOR APPLIANCE (CONTINUED)

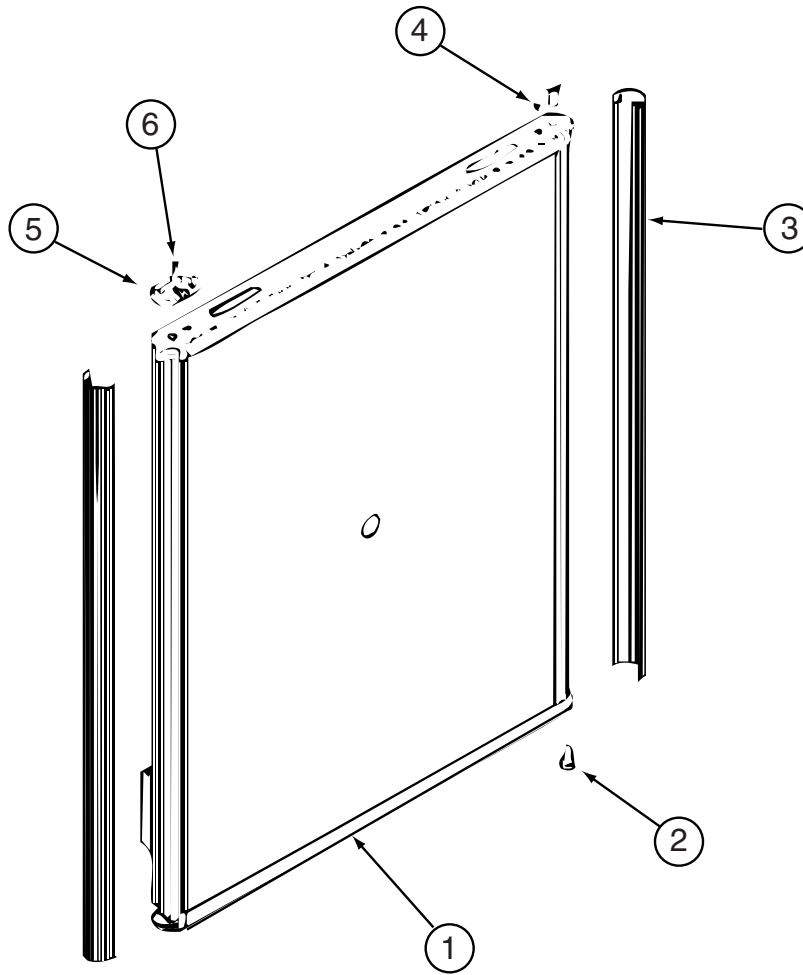


138809-01-01A (CONTINUED)

| KEY | PART NUMBER | U/M DESCRIPTION | VENDOR NO. |
|-----|---------------|----------------------------|------------|
| 1 | 131147-01-705 | EA FREEZER DOOR | 619117 |
| 2 | 131147-01-735 | EA HINGE/FREEZER DOOR - RH | 61632930 |
| 3 | 131147-01-736 | EA HINGE/FREEZER DOOR - LH | 61633030 |

PLEASE CONTACT PART SALES FOR ALL UNLISTED COMPONENTS

APPLIANCE GROUP (CONTINUED)
COMPONENT PARTS FOR APPLIANCE (CONTINUED)

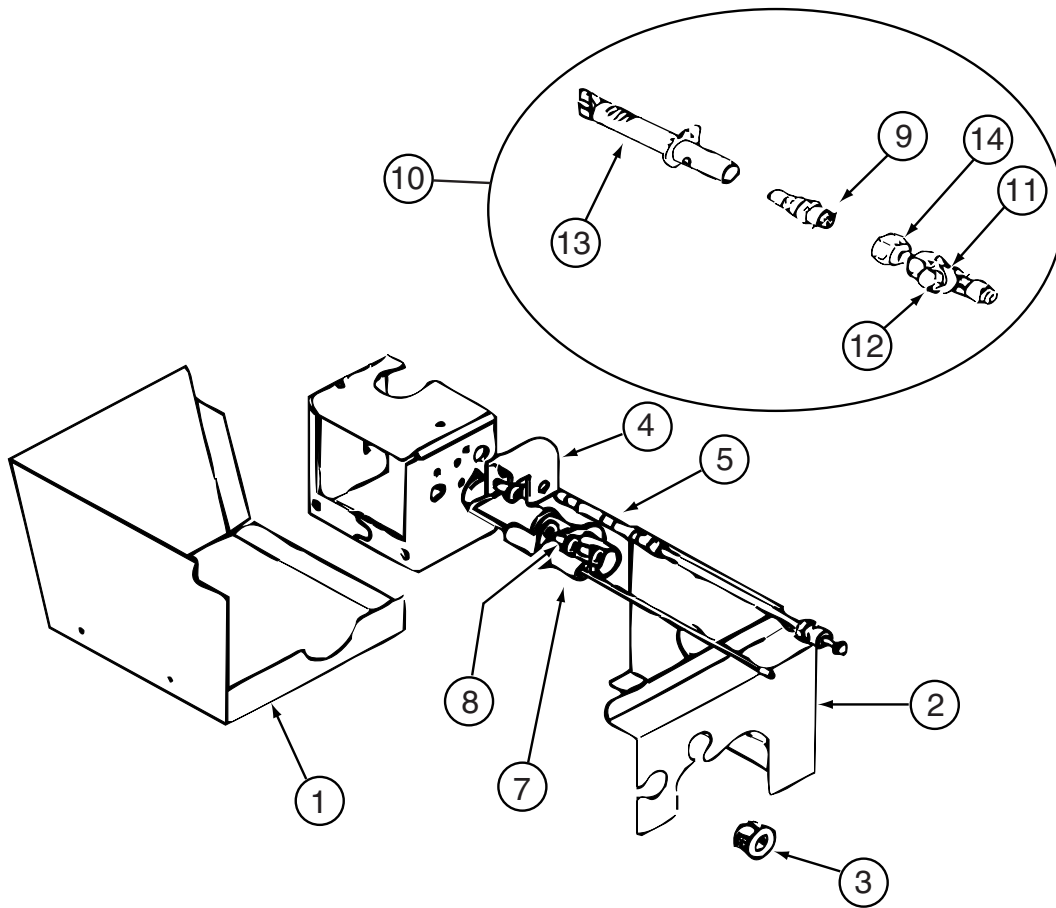


138809-01-01A (CONTINUED)

| KEY | PART NUMBER | U/M DESCRIPTION | VENDOR NO. |
|------------|--------------------|------------------------|-------------------|
| 2 | 131147-01-705 | EA BUSHING-HINGE | 61742022 |
| 5 | 131147-01-744 | EA LATCH PLATE | 619104 |
| | 138809-01-722 | EA DOOR ASSEMBLY | 620164 |

PLEASE CONTACT PART SALES FOR ALL UNLISTED COMPONENTS

APPLIANCE GROUP (CONTINUED)
COMPONENT PARTS FOR APPLIANCE (CONTINUED)



138809-01-01A (CONTINUED)

| KEY | PART NUMBER | U/M | DESCRIPTION | VENDOR NO. |
|-----|---------------|-----|--------------------------|------------|
| 5 | 138809-01-719 | EA | THERMOCOUPLE | 620424 |
| 7 | 138809-01-723 | EA | ELECTRODE-SPARK IGNITON | 620227 |
| 10 | 138809-01-724 | EA | BURNER/ORFICE DAPTER KIT | 621955 |
| 11 | 138809-01-725 | EA | PRESSURE TAP S#84 UP | 621054 |
| 12 | 113737-01-702 | EA | PLUG 1/8" F/PRESSURE TAP | 61445322 |
| 13 | 104137-06-714 | EA | BURNER ASSEMBLY, 5-SLOT | 61705222 |

PLEASE CONTACT PART SALES FOR ALL UNLISTED COMPONENTS

AUDIO VIDEO GROUP
RADIO SYSTEM

| KEY | PART NUMBER | U/M | DESCRIPTION |
|------------|--------------------|------------|--|
| | 094097-01-000 | EA | SPEAKER - RADIO/TV - W/O GRILLE - 5.25" DIAMETER |
| | 114365-02-000 | EA | ADAPTER - RADIO - POWER/SPEAKERS |
| | 114366-01-000 | EA | ADAPTER - RADIO - ANTENNA |
| * | 127517-12-000 | EA | RADIO - AM/FM/CD - REMOTE CONTROL - SONY CDX-CA400 |

***COMPONENT PARTS LISTED LATER IN THIS GROUP**

AUDIO VIDEO GROUP (CONTINUED)
COMPONENT PARTS FOR RADIO SYSTEM

127517-12-000

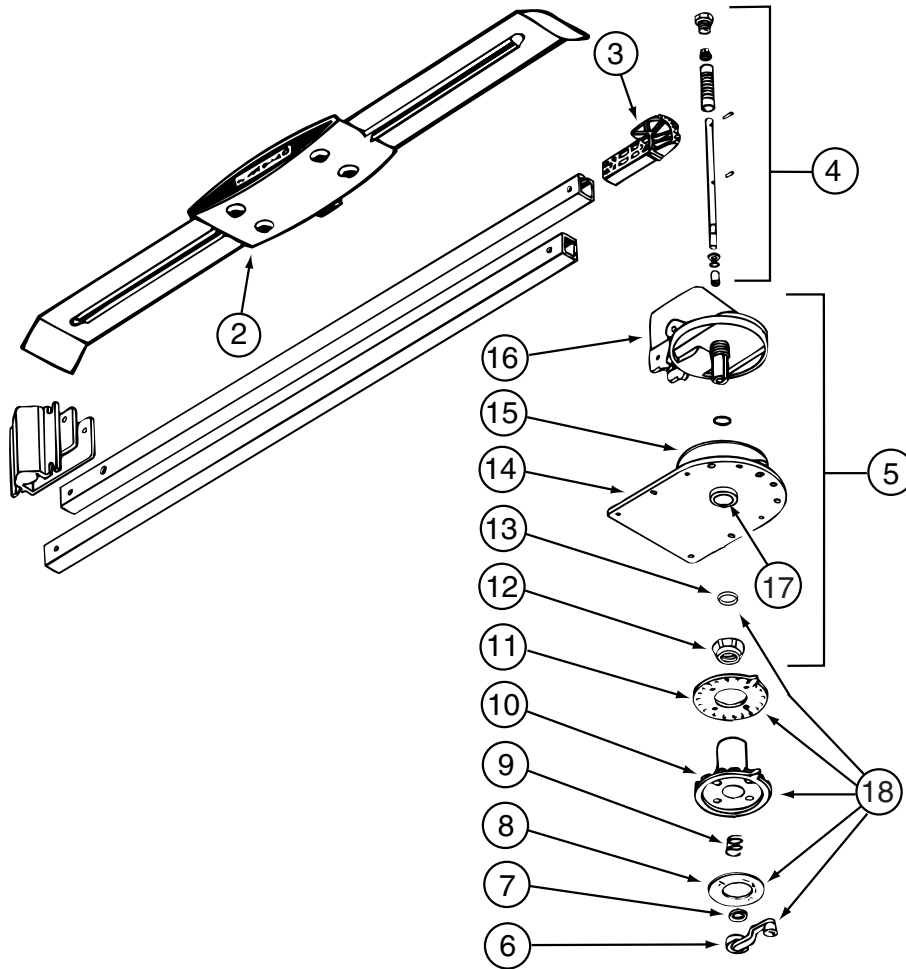
| KEY | PART NUMBER | U/M | DESCRIPTION | VENDOR NO. |
|------------|--------------------|------------|--------------------|-------------------|
| | 127517-12-700 | EA | REMOTE | RMX114 |

AUDIO VIDEO GROUP (CONTINUED)
TV & VCR

| KEY | PART NUMBER | U/M | DESCRIPTION |
|------------|--------------------|------------|---|
| | 076319-06-000 | EA | ADAPTER - CABLE ROOF PLATE |
| * | 076319-24-000 | EA | ANTENNA - TV ROOF MOUNT - 25.5" MAST |
| * | 076319-25-000 | EA | KIT - HARDWARE INTERIOR |
| | 076319-03-000 | FT | CABLE - COAXIAL - 75 OHM |
| | 076319-12-000 | EA | CONNECTOR - COAXIAL - ONE PIECE |
| | 086777-02-000 | EA | WALLPLATE - TV CABLE - W/ANTENNA SWITCH - BLACK |

***COMPONENT PARTS LISTED LATER IN THIS GROUP**

AUDIO VIDEO GROUP (CONTINUED)
COMPONENT PARTS FOR TV & VCR



076319-24-000

| KEY | PART NUMBER | U/M | DESCRIPTION | VENDOR NO. |
|-----|---------------|-----|---------------------------|------------|
| 2 | 076319-01-700 | EA | HEAD-ANTENNA, AMPLIFIED | RVSA U/V |
| 3 | 076319-01-701 | EA | GEAR-ELEVATING, PLASTIC | 2200046 |
| 4 | 076319-01-702 | EA | SHAFT ASM-ELEVATING | RP-4000 |
| 5 | 076319-01-711 | EA | BASE & LIFT ASM | 2762802 |
| 7 | 076319-01-705 | EA | GROMMET-NYLON, 7/8"ID | 3200658 |
| 8 | 076319-01-708 | EA | DECAL-CRANK | 5413002 |
| 9 | 076319-01-707 | EA | SPRING-HANDLE | 2160822 |
| 10 | 076319-25-700 | EA | DIRECTIONAL HANDLE(WHITE) | 3200612 |
| 11 | 076319-01-712 | EA | PLATE - CEILING | 3200608 |
| 11 | 076319-01-709 | EA | PLATE-CEILING (IVORY) | 3200621 |
| 12 | 076319-01-715 | EA | NUT (GEAR HOUSING) | 2200047 |
| 13 | 076319-01-704 | EA | BEARING-NYLON, 1.25"OD | 3200657 |
| 14 | 076319-01-713 | EA | PLATE-BASE, STEEL | 3100523 |
| 15 | 076319-01-703 | EA | BEARING-NYLON, 5" OD | 3200656 |
| 16 | 076319-01-714 | EA | HOUSING, ROTATING GEAR | 2200049 |
| | 076319-01-716 | EA | TUBING, ELEVATING | RP-2900 |

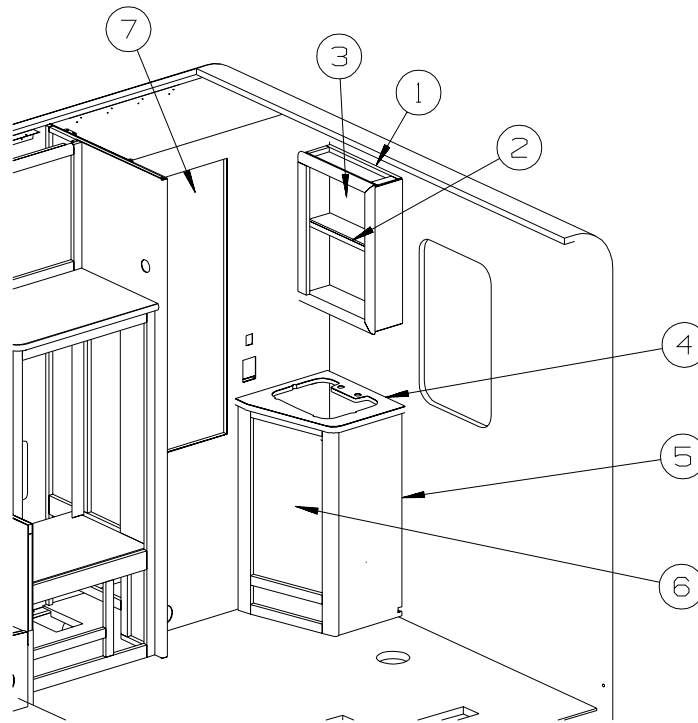
CONTACT WINNEBAGO PART SALES FOR UNLISTED COMPONENTS

076319-25-000

| KEY | PART NUMBER | U/M | DESCRIPTION | VENDOR NO. |
|-----|---------------|-----|------------------------------|------------|
| 6 | 076319-01-706 | EA | CRANK-W/SET SCREW UNIV/BEIGE | 2750897 |
| 6 | 120233-01-710 | EA | HANDLE-CRANK W/SCREW - WHITE | RP-6795 |
| 8 | 076319-01-708 | EA | DECAL-CRANK | 5413002 |
| 10 | 076319-25-700 | EA | DIRECTIONAL HANDLE(WHITE) | 3200612 |
| 11 | 076319-25-701 | EA | PLATE - CEILING(WHITE) | 3200609 |
| 13 | 120233-01-709 | EA | WASHER-NYLON | RP-2658 |

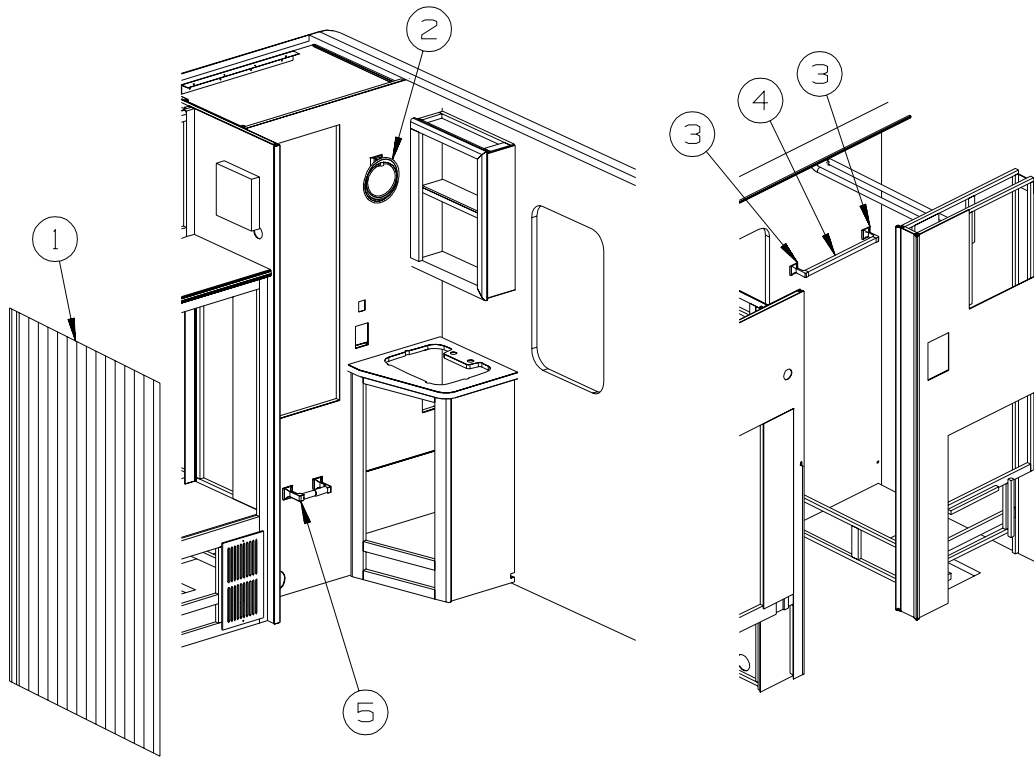
CONTACT WINNEBAGO PART SALES FOR UNLISTED COMPONENTS

BATH GROUP CABINETS



| KEY | PART NUMBER | U/M | DESCRIPTION |
|-----|---------------|-----|--|
| 1 | 139785-01-P01 | EA | CABINET - MEDICINE - W/O DOORS/HARDWARE |
| 2 | 139785-18-N33 | EA | SHELF - W/PLASTIC EDGE MOLDING |
| 3 | 132005-21-N33 | EA | DOOR - MIRROR/MITERED RAIL - 14.9" X 21.8" - W/O HARDWARE |
| | 076767-04-000 | EA | CABLE - STAINLESS STEEL - 5.9" |
| 4 | 133654-32-R01 | EA | COUNTERTOP - LAMINATED - LINO FRIEZE/PORTSMOUTH OAK (R01) |
| 4 | 133654-32-R02 | EA | COUNTERTOP - LAMINATED - GREY TRANQUILITY/PORTSMOUTH OAK (R02) |
| 4 | 133654-32-R03 | EA | COUNTERTOP - LAMINATED - EGGHELL/PORTSMOUTH OAK (R03) |
| 5 | 139104-01-N33 | EA | CABINET - LAVATORY - W/O COUNTERTOP/DOORS/DRAWERS/HARDWARE |
| 6 | 136918-B0-P13 | EA | DOOR - FLAT/OGEE EDGE - 14.3" X 26.7" - W/O HARDWARE |
| 7 | 136918-C7-R28 | EA | DOOR - FLAT/OGEE EDGE - 15.5" X 45.4" - W/O HARDWARE |
| | M02630-22-K04 | EA | SHOWER PAN - W/SPRING LOADED DRAIN PLUNGER |
| | 084481-30-000 | EA | CURTAIN - SHOWER - 67" X 32" |

BATH GROUP (CONTINUED)
CABINETS (CONTINUED)



| KEY | PART NUMBER | U/M | DESCRIPTION |
|-----|---------------|-----|---|
| 1* | 131595-01-01A | EA | DOOR - FOLDING-36.9" X 74.9"-W/4 CEILING MOUNTED BRACKETS |
| 2 | 132046-02-01A | EA | RING - TOWEL - BRASS |
| 3 | 075453-03-000 | EA | BRACKET - TOWEL BAR - BRASS - 2 PER PACK |
| 4 | 075453-04-000 | EA | ROD - F/TOWEL BAR - 18" BRASS - W/O END BRACKETS |
| 5 | 075452-02-000 | EA | HOLDER - TOILET TISSUE - BRASS |

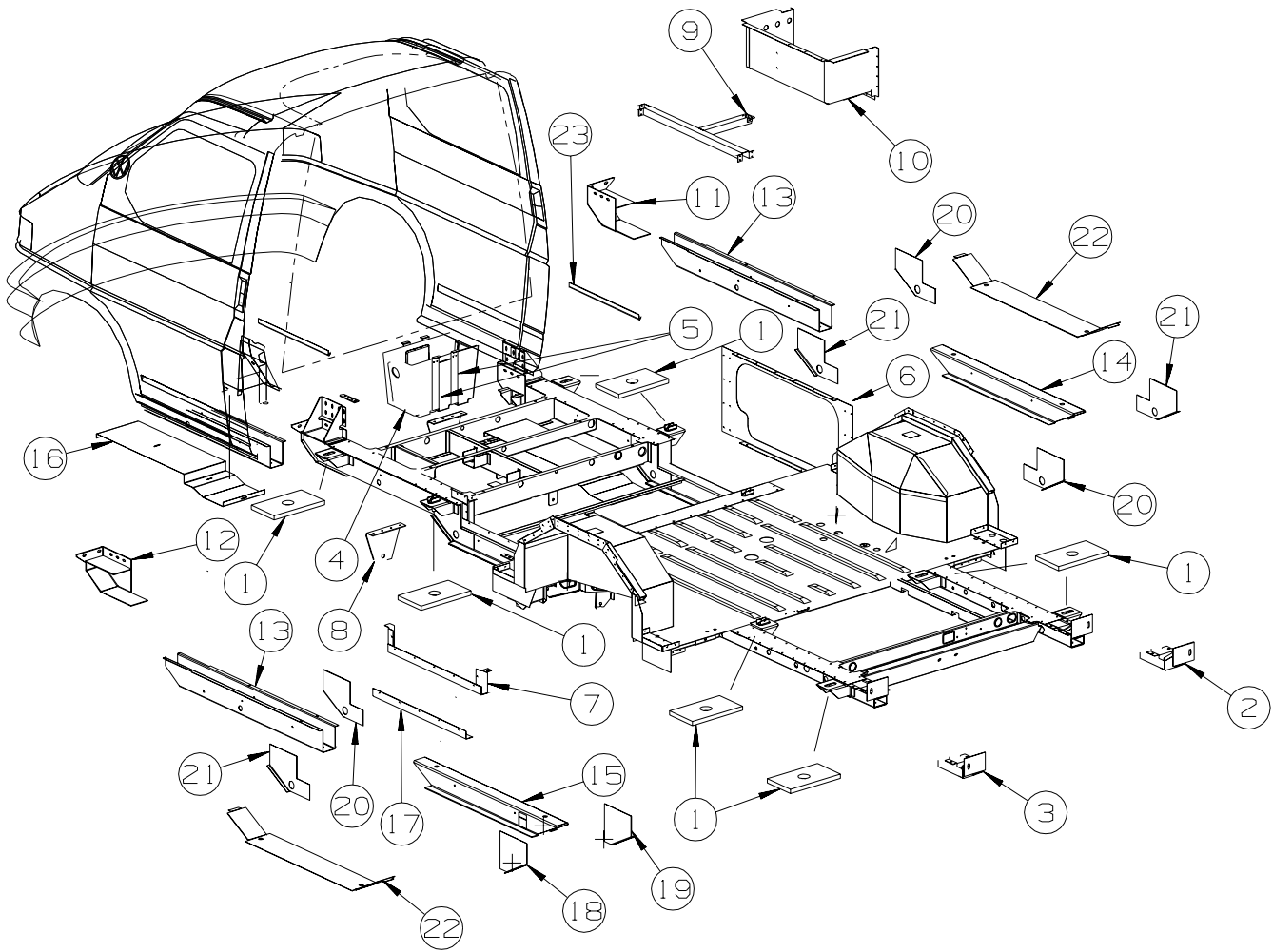
***COMPONENT PARTS LISTED LATER IN THIS GROUP**

BATH GROUP (CONTINUED)
COMPONENT PARTS FOR CABINETS

131595-01-01A

| KEY | PART NUMBER | U/M | DESCRIPTION | VENDOR NO. |
|------------|--------------------|------------|----------------------|-------------------|
| | 117431-01-707 | EA | CATCH/PIN - PLASTIC | |
| | 131595-01-700 | EA | END STOP ONLY | |
| | 131595-01-701 | EA | BRACKET/MOUNTING | 908956 |
| | 131595-01-702 | EA | TRACK/STRAIGHT - 37" | |

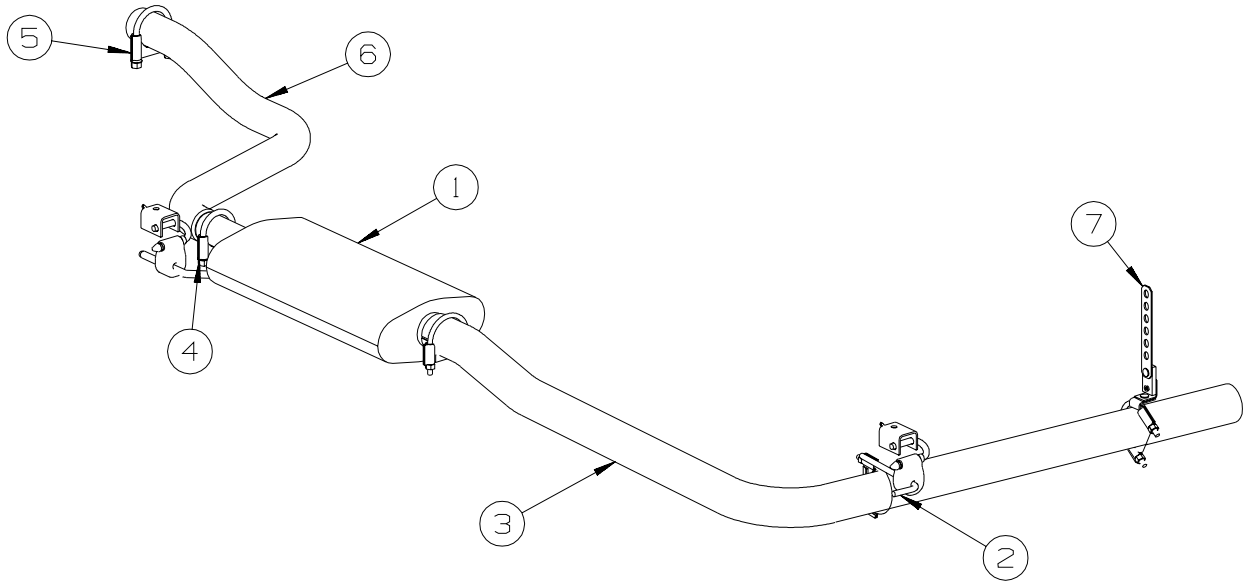
CHASSIS GROUP FRAME



KEY PART NUMBER U/M DESCRIPTION

| | | |
|----|---|-------------------------------------|
| 1 | NO LONGER AVAILABLE- CONTACT PART SALES | |
| 2 | 139098-02-02B | EA BRACKET - BUMPER - E-COATED |
| | | FROM: 00-00-00 THRU: 09-24-02 |
| 3 | 139098-01-02B | EA BRACKET - BUMPER - E-COATED |
| | | FROM: 00-00-00 THRU: 09-24-02 |
| 4 | 111394-01-000 | EA BOX - BATTERY - SINGLE |
| 5 | 139186-01-02B | EA STRAP - BATTERY - E-COATED |
| 6 | 141641-01-02B | EA PANEL/SEAL PLATE - E-COATED |
| 7 | 139740-01-02B | EA ANGLE - FLOOR - LOWER - E-COATED |
| 8 | 139844-01-02B | EA BRACKET - PARK BRAKE - E-COATED |
| 9 | 139600-01-02B | EA SUPPORT - STEP - E-COATED |
| 10 | 139520-01-02B | EA BOX - STEP - ENTRY - E-COATED |
| 11 | 117866-01-01B | EA BRACKET-FRAME,FLOOR,MILL |
| 12 | 117866-02-01B | EA BRACKET-FRAME,FLOOR,MILL |
| 13 | 117865-03-01B | EA RAIL ASM-FRAME,FRONT,RH,MILL |
| 14 | 126977-02-01B | EA RAIL-FRAME,LOWER,MILL |
| 15 | 126977-01-01B | EA RAIL-FRAME,LOWER,MILL |
| 16 | 140285-01-01B | EA SHIELD - HEAT - E-COATED |
| 17 | 139738-01-02B | EA ANGLE - FLOOR - LOWER - E-COATED |
| 18 | 126976-01-01B | EA GUSSET - FRAME/LOWER |
| 19 | 126976-02-01B | EA GUSSET - FRAME/LOWER |
| 20 | 136003-01-01B | EA GUSSET - FRAME/LOWER |
| 21 | 136003-02-01B | EA GUSSET - FRAME/LOWER |
| 22 | 139105-01-01B | EA CAP - RAIL/LOWER |
| 23 | 140685-01-02B | EA ANGLE/SUPPORT - E - COATED |

CHASSIS GROUP (CONTINUED)
EXHAUST

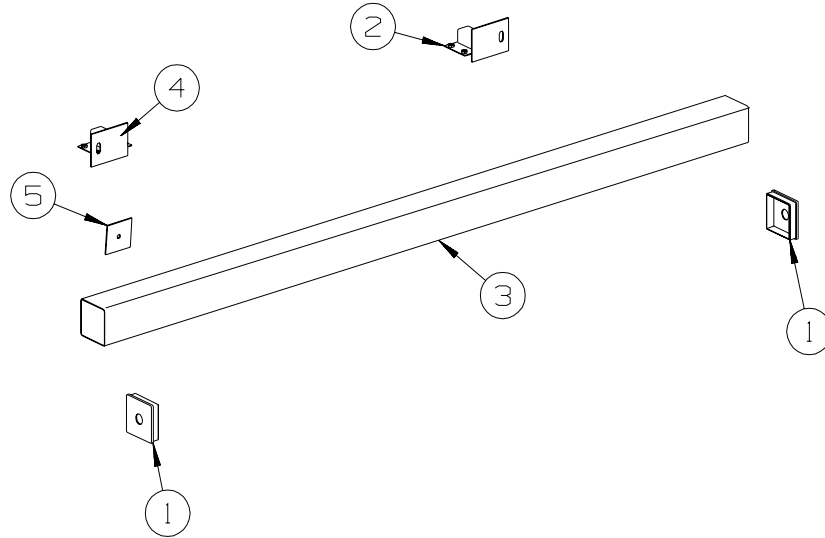


| KEY | PART NUMBER | U/M | DESCRIPTION |
|-----|---------------|-----|------------------------------------|
| 1 | 121261-02-000 | EA | MUFFLER - FRONT |
| 2 | 122392-10-02B | EA | HANGER - TAILPIPE/FRONT - E-COATED |
| 3 | 140291-01-000 | EA | PIPE - EXHAUST |
| 4 | 082716-01-000 | EA | CLAMP - EXHAUST - 2" |
| 5 | 082716-02-000 | EA | CLAMP - EXHAUST - 2.24" |
| 6 | 113098-02-000 | EA | PIPE - EXHAUST/FRONT |
| 7 | 007131-01-000 | EA | HANGER - TAILPIPE - 6 SLOTS |

CHASSIS GROUP (CONTINUED)

HITCH

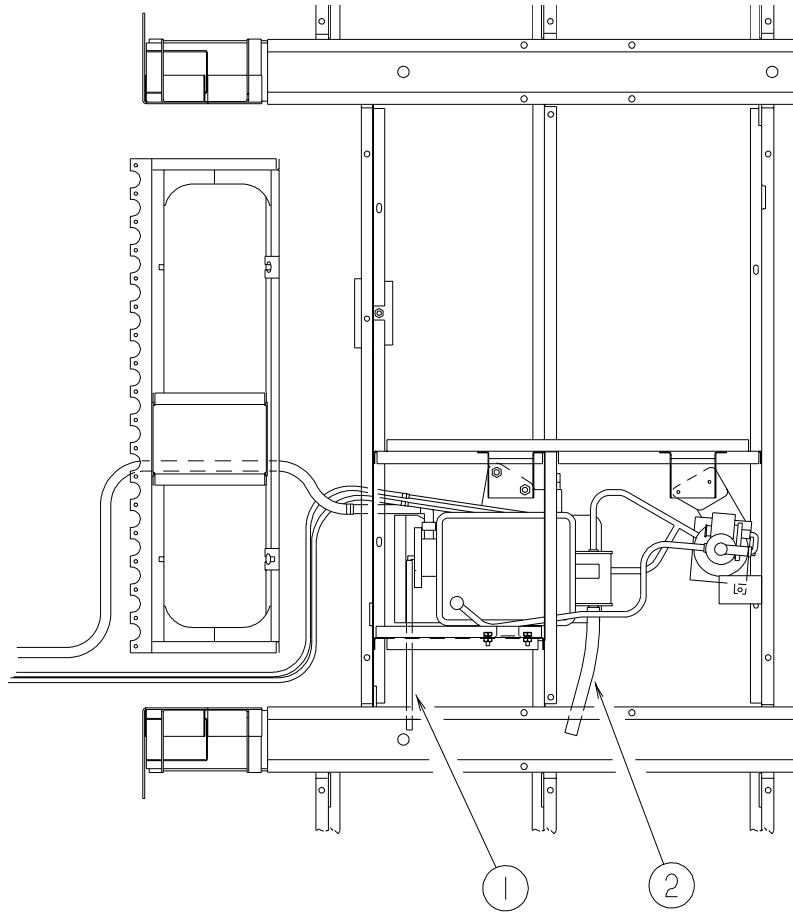
| KEY | PART NUMBER | U/M | DESCRIPTION |
|-----|---------------|-----|---|
| | 130339-06-000 | EA | HITCH RECEIVER - BOLT ON CLASS I FROM: 00-00-00 THRU: 09-24-02 |
| | 130339-10-000 | EA | HITCH RECEIVER - BOLT ON CLASS I FROM: 09-25-02 THRU: 99-99-99 |



REAR BUMPER

| KEY | PART NUMBER | U/M | DESCRIPTION |
|-----|---------------|-----|--|
| 1 | 039779-01-000 | EA | CAP - BUMPER - RUBBER - 4" X 4" - BLACK |
| 2 | 139098-02-02B | EA | BRACKET - BUMPER - E-COATED FROM: 00-00-00 THRU: 09-24-02 |
| 2 | 143920-02-02B | EA | BRACKET/BUMPER MOUNTING - DRIVER REAR - E-COATED FROM: 09-25-02 THRU: 99-99-99 |
| 3 | 103422-06-01A | EA | BUMPER - REAR - SQUARE ALUMINUM - 87.3" - BRIGHT WHITE |
| 4 | 139098-01-02B | EA | BRACKET - BUMPER - E-COATED FROM: 00-00-00 THRU: 09-24-02 |
| 4 | 143920-01-02B | EA | BRACKET/BUMPER MOUNTING - PASSENGER REAR - E-COATED FROM: 09-25-02 THRU: 99-99-99 |
| 5 | 140371-01-02B | EA | PLATE/WASHER - BUMPER - 3.3"SQ - E-COATED |

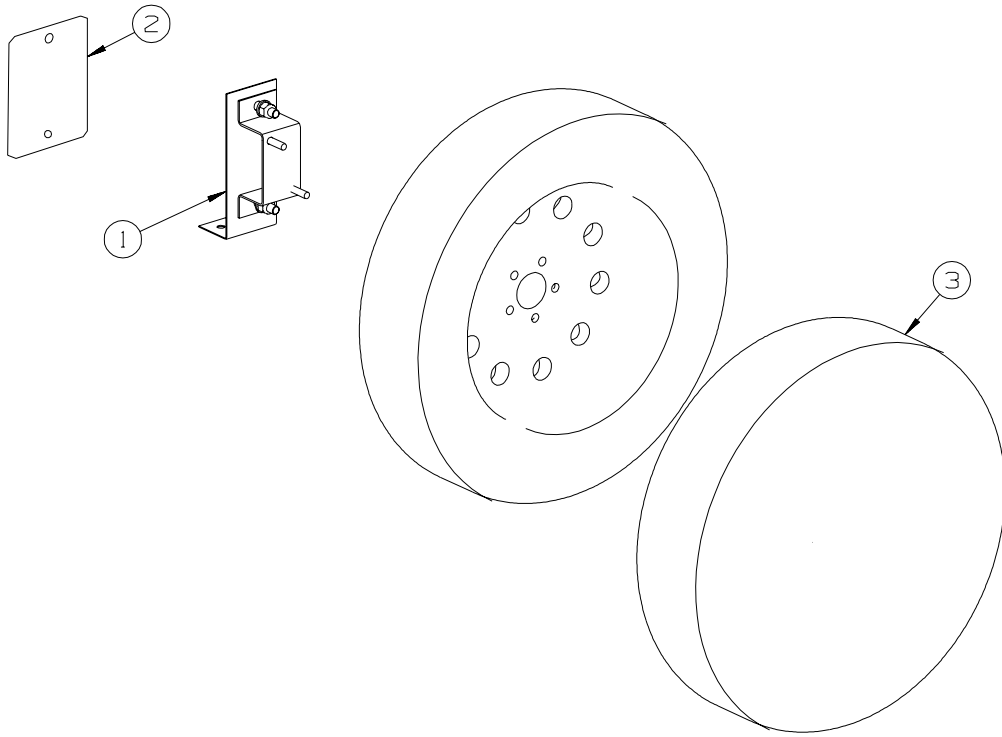
CHASSIS GROUP (CONTINUED)
EMISSIONS SYSTEM



| KEY | PART NUMBER | U/M | DESCRIPTION |
|------------|--------------------|------------|---|
| 1 | 045794-01-000 | FT | HOSE - WASHER - WINDSHIELD - 5/32" ID - BLACK |
| 2 | 007108-01-000 | FT | HOSE - HEATER - 5/8" ID - HI-TEMP |

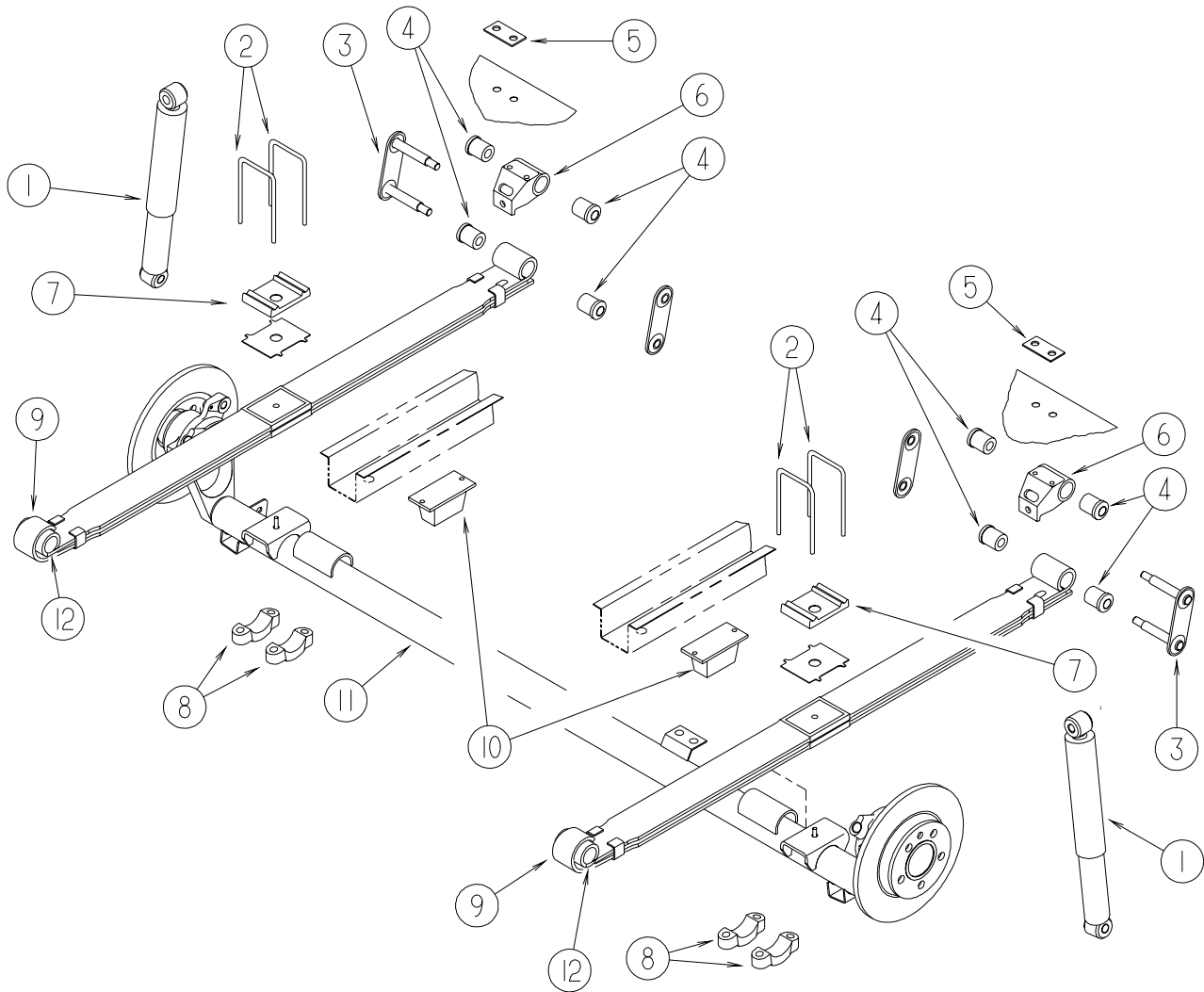
CHASSIS GROUP (CONTINUED)

SPARE TIRE



| KEY | PART NUMBER | U/M | DESCRIPTION |
|-----|---------------|-----|---|
| 1 | 105209-10-02B | EA | BRACKET/SUPPORT - SPARE TIRE - E-COATED |
| 2 | 105208-01-000 | EA | PLATE - SPARE TIRE |
| 3 | 073322-10-P01 | EA | COVER - TIRE - 26" |
| | 073322-50-000 | EA | COVER - UNIVERSAL LINER |

CHASSIS GROUP (CONTINUED) SUSPENSION



| KEY | PART NUMBER | U/M | DESCRIPTION |
|-----|---------------|-----|--|
| 1* | 112033-02-000 | EA | SHOCK ABSORBER - REAR VW H-BODY - NEW DESIGN |
| 2 | 112410-01-000 | EA | BOLT-U - REAR SPRING |
| 3 | 112560-01-000 | EA | SHACKLE - SPRING - REAR |
| 4 | 112503-01-000 | EA | BUSHING - SPRING - REAR |
| 5 | 071231-01-000 | EA | PLATE - FLOOR DOUBLER |
| 6 | 112415-01-000 | EA | SUPPORT - SHACKLE - REAR |
| 7 | 112414-01-000 | EA | PLATE - SPRING CLAMP |
| 8 | 112413-01-000 | EA | BRACKET - U BOLT - REAR SUSPENSION |
| 9 | 134195-01-000 | EA | SPRING - REAR LEAF W/O BUSHINGS |
| 10 | 113876-01-000 | EA | PAD - JOUNCE - REAR SPRING |
| 11 | 120493-01-01A | EA | AXLE - REAR - DISC BRAKE |
| 12 | 116712-01-000 | EA | BUSHING - SPRING - FRONT |
| * | 100293-03-000 | EA | AIR SPRING KIT - W/O WARNING LIGHT SYSTEM - RIALTA |
| | 136662-02-000 | EA | BOLT/LUG - CHROME F/RIALTA W/ALUMINUM WHEEL(#L54W OPTION) - STYLIZED ALUMINUM |

*COMPONENT PARTS LISTED LATER IN THIS GROUP

CHASSIS GROUP (CONTINUED)
COMPONENT PARTS FOR SUSPENSION

100293-03-000

| KEY | PART NUMBER | U/M | DESCRIPTION | VENDOR NO. |
|------------|--------------------|------------|-----------------------------|-------------------|
| | 100293-03-700 | EA | BAG - PRECHARGED KIT LT. VW | RK-W2L |
| | 100293-03-701 | EA | BAG - PRECHARGED KIT RT. VW | RK-W2R |
| | 100293-03-702 | EA | VALVE - AIR FILL | T9-AFV |

112033-02-000

| KEY | PART NUMBER | U/M | DESCRIPTION | VENDOR NO. |
|------------|--------------------|------------|-------------------------------|-------------------|
| | 112033-02-700 | EA | SHOCK ABSORBER RR(PAIRS ONLY) | |

CHASSIS GROUP (CONTINUED)
WHEEL, TIRE, COVERS &/OR LINERS

| KEY | PART NUMBER | U/M | DESCRIPTION |
|-----|---------------|-----|--|
| | 051377-03-000 | EA | VALVE STEM |
| | 136663-01-000 | EA | VALVE STEM - USED W/16" WHEELS |
| | 077030-08-000 | EA | CAP - VALVE STEM - W/SHROUD - CHROME - STYLIZED ALUMINUM WHEELS |
| | 077030-04-000 | EA | EXTENSION - VALVE STEM - .75" |
| | 077030-02-000 | EA | EXTENSION - VALVE STEM - 1.25" - PLASTIC - STYLIZED ALUMINUM WHEELS |
| | 137603-01-000 | EA | TIRE - 195/65 RI6 C 104/102R (FRONT TIRE) |
| | 137603-02-000 | EA | TIRE - 215/65 RI6 C 109/107R (REAR TIRE) |
| * | 134261-02-01A | EA | COVER/WHEEL - 16" - SET OF 4 |
| | | | FROM: 00-00-00 THRU: 04-30-02 |
| * | 134261-03-01A | EA | COVER/WHEEL - 16" - SET OF 4 - KAPER II - F/RIALTA |
| | | | FROM: 05-01-02 THRU: 99-99-99 |
| | 137604-01-000 | EA | WHEEL - ALUMINUM - 16" X 6" - CHROME/CAST - STYLIZED ALUMINUM WHEELS |
| | 137604-02-000 | EA | WHEEL - ALUMINUM - 16" X 6" - PLAIN/ROUGH - SPARE TIRE - STYLIZED ALUMINUM WHEELS |
| | 136662-02-000 | EA | BOLT/LUG - CHROME F/RIALTA W/ALUMINUM WHEEL - STYLIZED ALUMINUM WHEELS |
| | 137604-04-000 | EA | CAP/CENTER - ALUMINUM WHEEL - RIALTA - PLAIN BLACK - STYLIZED ALUMINUM WHEELS |
| | 114387-02-000 | EA | HANDLE - JACK - SCREW - 1 PIECE |
| | 114387-03-000 | EA | JACK - SCREW - 4000 LB |
| | 139963-02-02B | EA | BRACKET - SPARE TIRE - E-COATED |
| | 139963-04-02B | EA | BRACKET - SPARE TIRE - E-COATED - STYLIZED ALUMINUM WHEELS/DELUXE FEATURE PACKAGE |
| | 116209-01-000 | EA | WRENCH - LUG - .75" |

***COMPONENT PARTS LISTED LATER IN THIS GROUP**

CHASSIS GROUP (CONTINUED)
COMPONENT PARTS FOR WHEEL, TIRE, COVERS &/OR LINERS

134261-02-01A

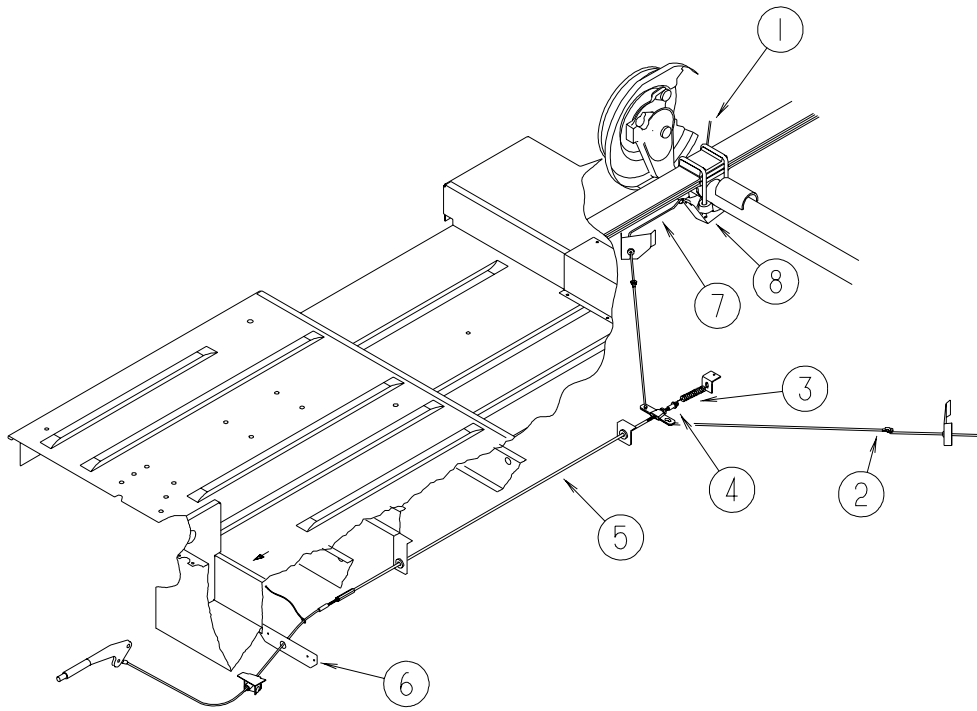
| KEY | PART NUMBER | U/M | DESCRIPTION | VENDOR NO |
|------------|--------------------|------------|--------------------|------------------|
| | 134261-02-700 | EA | COVER/WHEEL- 16" | |

134261-03-01A

| KEY | PART NUMBER | U/M | DESCRIPTION | VENDOR NO |
|------------|--------------------|------------|---------------------------|------------------|
| | 134261-03-701 | EA | COVER WHEEL (1 EA=1 ONLY) | |

CHASSIS GROUP (CONTINUED)

PARK BRAKE

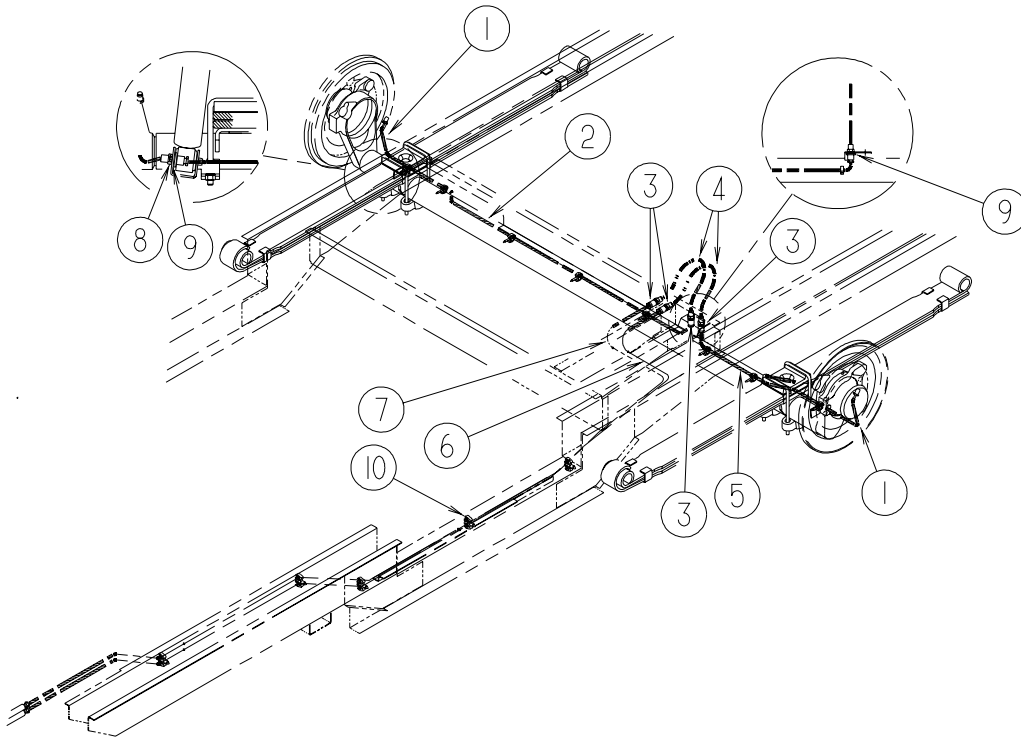


| KEY | PART NUMBER | U/M | DESCRIPTION |
|-----|---------------|-----|--|
| 1 | 123961-01-000 | EA | CLIP - CABLE - PARK BRAKE |
| 2 | 123956-01-000 | EA | ROD - CONNECTING - PARK BRAKE |
| 3 | 124053-01-000 | EA | SPRING - PARK BRAKE |
| 4 | 123960-01-000 | EA | SPRING - RETAINER - PARK BRAKE |
| 5 | 120406-02-02B | EA | ROD - THREADED - PARK BRAKE |
| 6 | 119693-01-02B | EA | BRACKET - PARK BRAKE - E-COATED |
| | 121406-01-01A | EA | BUSHING - THREADED - 2 PIECE NYLON |
| 7 | 123954-01-000 | EA | CABLE - REAR PARK BRAKE W/DISC BRAKES |
| 8 | 130075-01-02B | EA | BRACKET - PARK BRAKE CABLE/LEFT HAND - E-COATED |
| 8 | 130075-02-02B | EA | BRACKET - PARK BRAKE CABLE/RIGHT HAND - E-COATED |

FROM: 00-00-00 THRU: 10-08-02

CHASSIS GROUP (CONTINUED)

BRAKELINE



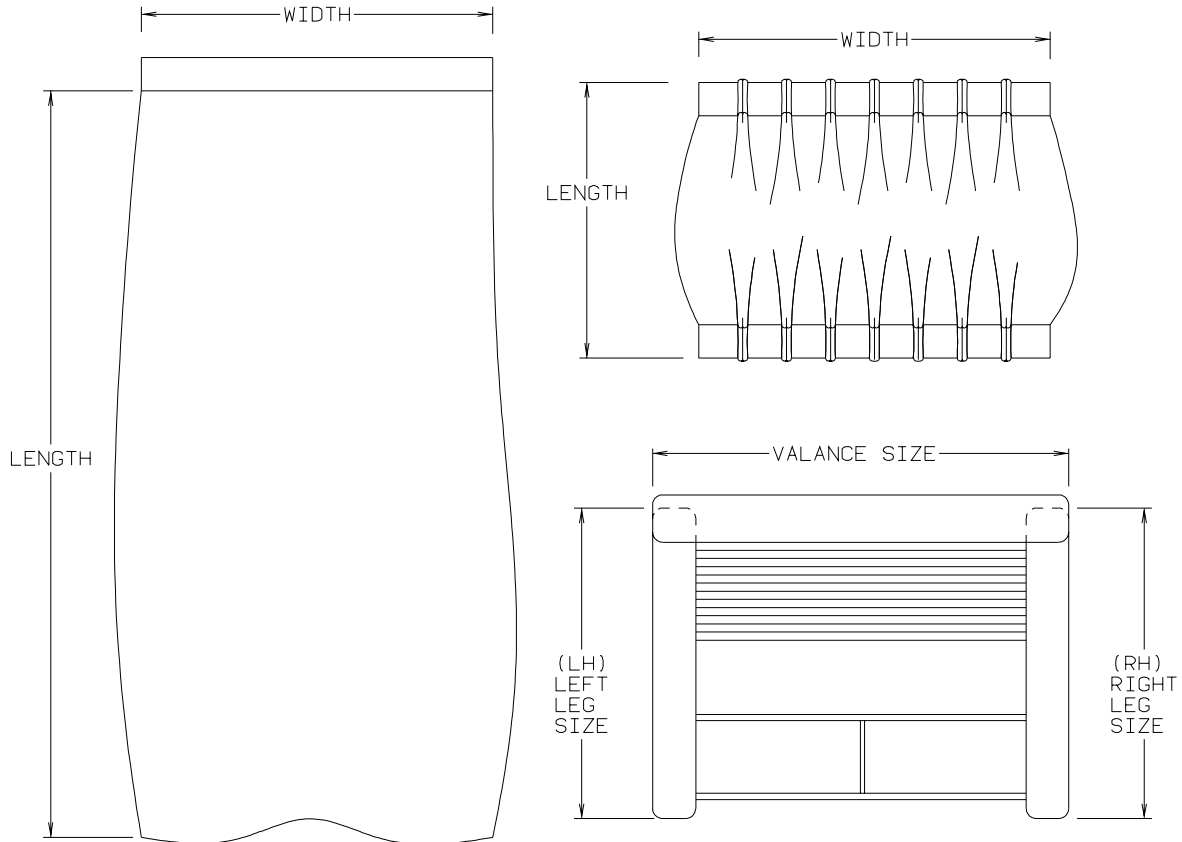
| KEY | PART NUMBER | U/M | DESCRIPTION |
|-----|---------------|-----|--|
| 1 | 125522-01-000 | EA | HOSE ASM - BRAKE LINE |
| 2 | 121592-01-000 | EA | REAR RH BRAKE LINE FOR VW H-BODY WITH REAR DISC BRAKES |
| 3 | 112638-02-000 | EA | CLIP - SPRING - BRAKE HOSE |
| 4 | 112638-01-000 | EA | HOSE - BRAKE LINE/REAR |
| 5 | 121592-02-000 | EA | REAR LH BRAKE LINE FOR THE VW H-BODY WITH REAR DISC BRAKES |
| 6 | 112640-05-000 | EA | BRAKE LINE/FRONT |
| 7 | 112640-06-000 | EA | BRAKE LINE/FRONT |
| 8 | 125486-01-02B | EA | BRACKET-RETAINING,BRAKE LINE |
| 9 | 125523-01-000 | EA | CLIP - RETAINER |
| 10 | 088258-02-000 | EA | CLIP - RETAINING - FUEL LINE SINGLE - 17 USED |

CURTAIN & CUSHION GROUP

NOTICE

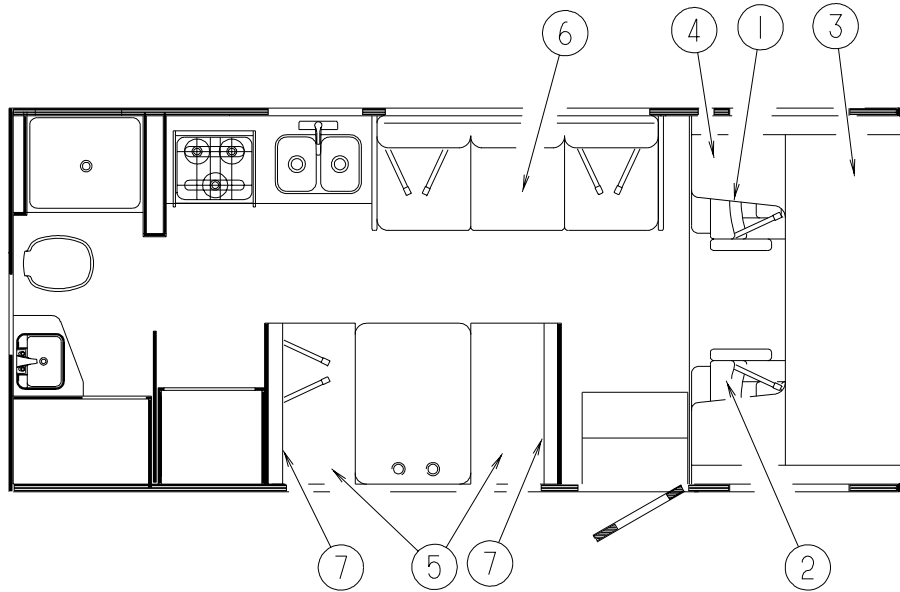
IN ORDER TO ASSIST OUR PARTS SALES DEPT. IN PROVIDING INTERIOR SOFTWARE ITEMS, PLEASE INCLUDE THE SERIAL NUMBER AND THE COLOR CODE NUMBER FROM THE VEHICLE CERTIFICATION LABEL WHEN ORDERING. THIS LABEL IS LOCATED ON THE LEFT SIDEWALL AT THE END OF THE DASH (A-BODY), OR ON THE DRIVER'S DOOR LATCH PLATE (C-BODY).

AN EXAMPLE OF A COLOR CODE NUMBER IS B07, WHICH DESIGNATES AN OVERALL COLOR SCHEME OF A PARTICULAR UNIT. THE COLOR LISTED AFTER THE ITEM DESCRIPTION ON THE MICROFICHE, INDICATES THE OVERALL UNIT COLOR. ORDER THE ITEM YOU DESIRE ACCORDING TO UNIT COLOR CODE. IF ALL COLORS USE THE SAME ITEM NO COLOR CODE WILL BE NOTED.



NOTE: USE THIS ILLUSTRATION WHEN DETERMINING LENGTH AND WIDTH MEASUREMENTS FOR CURTAINS. YOU WILL NOTE THE WIDTH MEASUREMENT IS TAKEN ON THE TOP OF THE CURTAIN WITH THE CURTAIN FULLY EXTENDED. THE LENGTH MEASUREMENT IS TAKEN FROM TOP TO BOTTOM. LEFT AND RIGHT WINDOW LEGS ARE DETERMINED WHEN FACING THE WINDOW.

CURTAIN & CUSHION GROUP (CONTINUED)
CUSHION LAYOUT



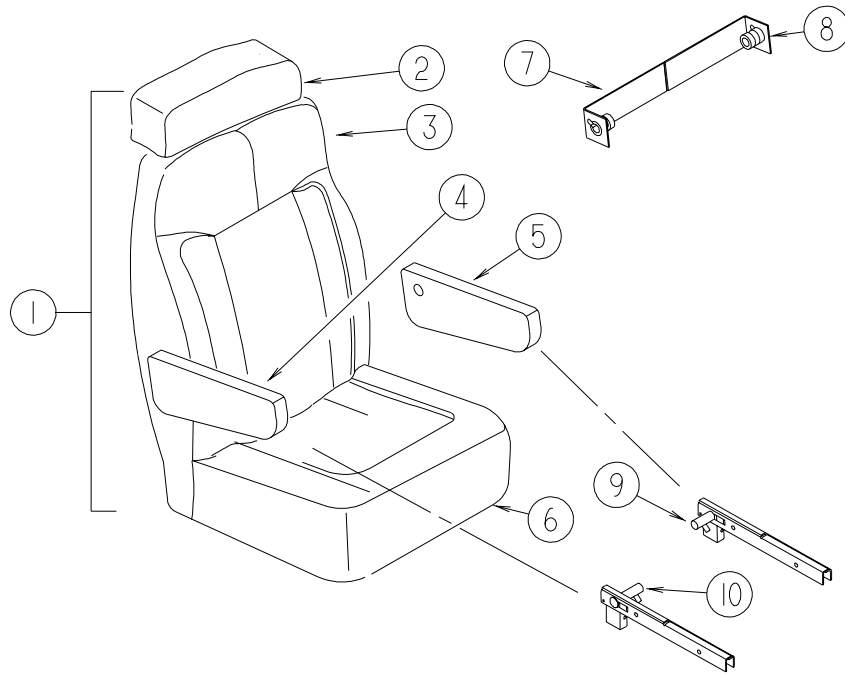
| KEY | PART NUMBER | U/M | DESCRIPTION |
|-----|---------------|-----|---|
| 1 | 140223-01-P01 | EA | SEAT-VW,CHASSIS SUPPLIED,DR. (P01) FROM: 00-00-00 THRU: 08-04-02 |
| 1 | 140223-03-P01 | EA | SEAT-VW,CHASSIS SUPPLIED,DR. (P01) FROM: 08-05-02 THRU: 99-99-99 |
| 1 | 140223-01-P02 | EA | SEAT-VW,CHASSIS SUPPLIED,DR. (P02) FROM: 00-00-00 THRU: 08-04-02 |
| 1 | 140223-03-P02 | EA | SEAT-VW,CHASSIS SUPPLIED,DR. (P02) FROM: 08-05-02 THRU: 99-99-99 |
| 1 | 140223-01-N35 | EA | SEAT-VW,CHASSIS SUPPLIED,DR. (P03) FROM: 00-00-00 THRU: 08-04-02 |
| 1 | 140223-03-P03 | EA | SEAT-VW,CHASSIS SUPPLIED,DR. (P03) FROM: 08-05-02 THRU: 99-99-99 |
| 2 | 140223-02-P01 | EA | SEAT-VW,CHASSIS SUPPLIED,PAS (P01) FROM: 00-00-00 THRU: 08-04-02 |
| 2 | 140223-04-P01 | EA | SEAT-VW,CHASSIS SUPPLIED,PAS (P01) FROM: 08-05-02 THRU: 99-99-99 |
| 2 | 140223-02-P02 | EA | SEAT-VW,CHASSIS SUPPLIED,PAS (P02) FROM: 00-00-00 THRU: 08-04-02 |
| 2 | 140223-04-P02 | EA | SEAT-VW,CHASSIS SUPPLIED,PAS (P02) FROM: 08-05-02 THRU: 99-99-99 |
| 2 | 140223-02-N35 | EA | SEAT-VW,CHASSIS SUPPLIED,PAS (P03) FROM: 00-00-00 THRU: 08-04-02 |
| 2 | 140223-04-P03 | EA | SEAT-VW,CHASSIS SUPPLIED,PAS (P03) FROM: 08-05-02 THRU: 99-99-99 |
| 3 | 105573-15-P01 | EA | CUSHION - OVERHEAD/FRONT - 26" X 80" X 5" (P01) |
| 3 | 105573-15-P02 | EA | CUSHION - OVERHEAD/FRONT - 26" X 80" X 5" (P02) |
| 3 | 105573-15-N35 | EA | CUSHION - OVERHEAD/FRONT - 26" X 80" X 5" (P03) |
| | P05573-15-P01 | EA | COVER - OVERHEAD/FRONT - 26" X 80" X 5" (P01) |
| | P05573-15-P02 | EA | COVER - OVERHEAD/FRONT - 26" X 80" X 5" (P02) |
| | P05573-15-N35 | EA | COVER - OVERHEAD/FRONT - 26" X 80" X 5" (P03) |
| 4 | 105573-10-P01 | EA | CUSHION - OVERHEAD BUNK/REAR - 27" X 23" X 80" X 5" (P01) |
| 4 | 105573-10-P02 | EA | CUSHION - OVERHEAD BUNK/REAR - 27" X 23" X 80" X 5" (P02) |
| 4 | 105573-10-N03 | EA | CUSHION - OVERHEAD BUNK/REAR - 27" X 23" X 80" X 5" (P03) |
| | P05573-10-P01 | EA | COVER - CUSHION/OVERHEAD BUNK/REAR - 27" X 23" X 80" X 5" (P01) |
| | P05573-10-P02 | EA | COVER - CUSHION/OVERHEAD BUNK/REAR - 27" X 23" X 80" X 5" (P02) |
| | P05573-10-N03 | EA | COVER - CUSHION/OVERHEAD BUNK/REAR - 27" X 23" X 80" X 5" (P03) |

CURTAIN & CUSHION GROUP (CONTINUED)
CUSHION LAYOUT (CONTINUED)

| KEY | PART NUMBER | U/M | DESCRIPTION |
|------------|--------------------|------------|---|
| 5 | 105603-13-P01 | EA | CUSHION - SEAT - 21" X 30" X 5" (P01) |
| 5 | 105603-13-P02 | EA | CUSHION - SEAT - 21" X 30" X 5" (P02) |
| 5 | 105603-13-N35 | EA | CUSHION - SEAT - 21" X 30" X 5" (P03) |
| | P05603-13-P01 | EA | COVER - SEAT - 21" X 30" X 5" (P01) |
| | P05603-13-P02 | EA | COVER - SEAT - 21" X 30" X 5" (P02) |
| | P05603-13-N35 | EA | COVER - SEAT - 21" X 30" X 5" (P03) |
| 6 | | EA | SOFA - SEE SOFA AREA |
| 7 | 111897-24-P01 | EA | CUSHION - BACK - 13.5" X 30" X 5" (P01) |
| 7 | 111897-24-P02 | EA | CUSHION - BACK - 13.5" X 30" X 5" (P02) |
| 7 | 111897-24-N35 | EA | CUSHION - BACK - 13.5" X 30" X 5" (P03) |
| | P11897-24-P01 | EA | COVER - BACK - 13.5" X 30" X 5" (P01) |
| | P11897-24-P02 | EA | COVER - BACK - 13.5" X 30" X 5" (P02) |
| | P11897-24-N35 | EA | COVER - BACK - 13.5" X 30" X 5" (P03) |

CURTAIN & CUSHION GROUP (CONTINUED)

BUCKETSEAT



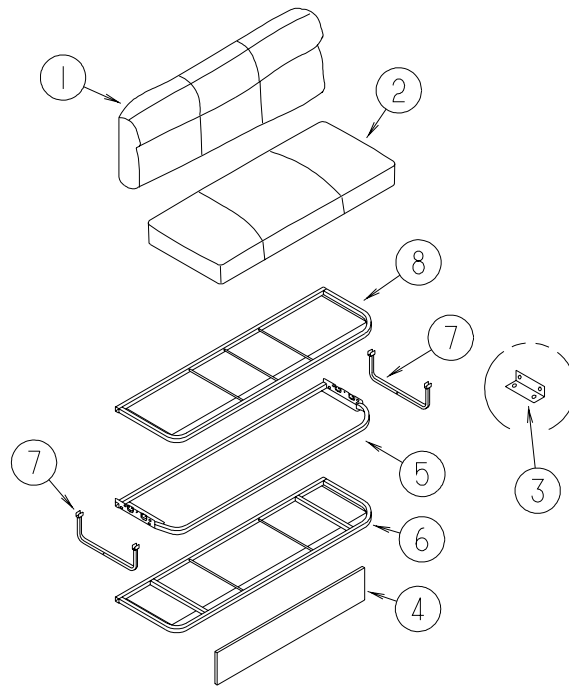
| KEY | PART NUMBER | U/M | DESCRIPTION |
|-----|---------------|-----|---|
| 1 | 140223-01-P01 | EA | SEAT-VW,CHASSIS SUPPLIED,DR. (P01) FROM: 00-00-00 THRU: 08-04-02 |
| 1 | 140223-03-P01 | EA | SEAT-VW,CHASSIS SUPPLIED,DR. (P01) FROM: 08-05-02 THRU: 99-99-99 |
| 1 | 140223-01-P02 | EA | SEAT-VW,CHASSIS SUPPLIED,DR. (P02) FROM: 00-00-00 THRU: 08-04-02 |
| 1 | 140223-03-P02 | EA | SEAT-VW,CHASSIS SUPPLIED,DR. (P02) FROM: 08-05-02 THRU: 99-99-99 |
| 1 | 140223-01-N35 | EA | SEAT-VW,CHASSIS SUPPLIED,DR. (P03) FROM: 00-00-00 THRU: 08-04-02 |
| 1 | 140223-03-P03 | EA | SEAT-VW,CHASSIS SUPPLIED,DR. (P03) FROM: 08-05-02 THRU: 99-99-99 |
| 1 | 140223-02-P01 | EA | SEAT-VW,CHASSIS SUPPLIED,PAS (P01) FROM: 00-00-00 THRU: 08-04-02 |
| 1 | 140223-04-P01 | EA | SEAT-VW,CHASSIS SUPPLIED,PAS (P01) FROM: 08-05-02 THRU: 99-99-99 |
| 1 | 140223-02-P02 | EA | SEAT-VW,CHASSIS SUPPLIED,PAS (P02) FROM: 00-00-00 THRU: 08-04-02 |
| 1 | 140223-04-P02 | EA | SEAT-VW,CHASSIS SUPPLIED,PAS (P02) FROM: 08-05-02 THRU: 99-99-99 |
| 1 | 140223-02-N35 | EA | SEAT-VW,CHASSIS SUPPLIED,PAS (P03) FROM: 00-00-00 THRU: 08-04-02 |
| 1 | 140223-04-P03 | EA | SEAT-VW,CHASSIS SUPPLIED,PAS (P03) FROM: 08-05-02 THRU: 99-99-99 |

CURTAIN & CUSHION GROUP (CONTINUED)
BUCKETSEAT (CONTINUED)

| KEY | PART NUMBER | U/M | DESCRIPTION |
|------------|--------------------|------------|---------------------------------------|
| 2 | P14514-03-P01 | EA | COVER/HEADREST (P01) |
| 2 | P14514-03-P02 | EA | COVER/HEADREST (P02) |
| 2 | P14514-03-N35 | EA | COVER/HEADREST (P03) |
| 3 | M05962-F7-P01 | EA | COVER/BACKV (P01) |
| 3 | M05962-F7-P02 | EA | COVER/BACK (P02) |
| 3 | M05962-F7-N35 | EA | COVER/BACK (P03) |
| 4 | 128826-11-P01 | EA | ARMREST - RIGHT HAND |
| 4 | 128826-11-P02 | EA | ARMREST - RIGHT HAND |
| 4 | 128826-11-P03 | EA | ARMREST - RIGHT HAND |
| | P28826-11-P01 | EA | COVER - ARMREST/RIGHT HAND |
| | P28826-11-P02 | EA | COVER - ARMREST/RIGHT HAND |
| | P28826-11-P03 | EA | COVER - ARMREST/RIGHT HAND |
| 5 | 128826-12-P01 | EA | ARMREST - LEFT HAND |
| 5 | 128826-12-P02 | EA | ARMREST - LEFT HAND |
| 5 | 128826-12-P03 | EA | ARMREST - LEFT HAND |
| | P28826-12-P01 | EA | COVER - ARMREST/LEFT HAND |
| | P28826-12-P02 | EA | COVER - ARMREST/LEFT HAND |
| | P28826-12-P03 | EA | COVER - ARMREST/LEFT HAND |
| 6 | M05962-F8-P01 | EA | COVER/SEAT (P01) |
| 6 | M05962-F8-P02 | EA | COVER/SEAT (P02) |
| 6 | M05962-F8-N35 | EA | COVER/SEAT (P03) |
| 7 | 128181-01-01B | EA | BRACKET - ARMREST/RIGHT HAND |
| 8 | 128181-02-01B | EA | BRACKET - ARMREST/LEFT HAND |
| 9 | 130188-02-000 | EA | BRACKET - ARMREST/LEFT HAND - W/FOAM |
| 10 | 130188-01-000 | EA | BRACKET - ARMREST/RIGHT HAND - W/FOAM |

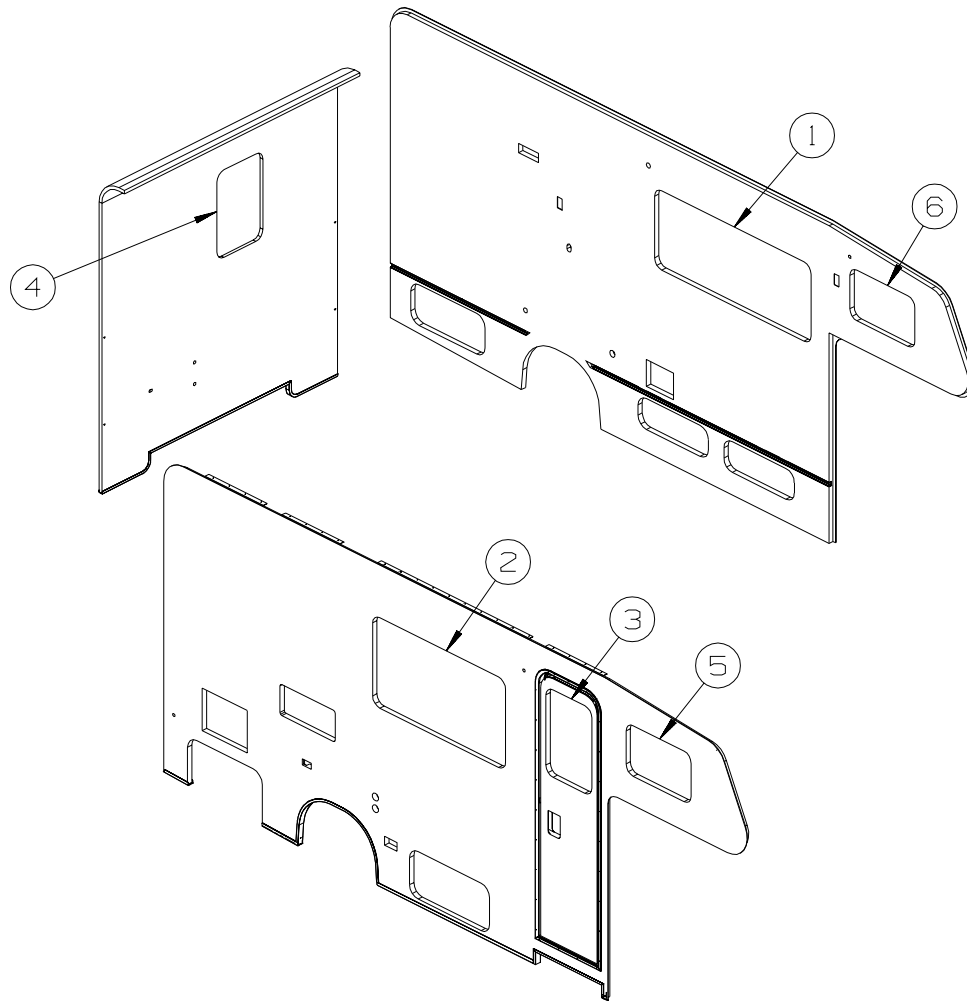
CURTAIN & CUSHION GROUP (CONTINUED)

SOFA



| KEY | PART NUMBER | U/M | DESCRIPTION |
|-----|---------------|-----|---|
| 1 | 141077-01-P01 | EA | BACK - SOFA/BED - 66.5" (P01) |
| 1 | 141077-01-P02 | EA | BACK - SOFA/BED - 66.5" (P02) |
| 1 | 141077-01-N35 | EA | BACK - SOFA/BED - 66.5" (P03) |
| | P41077-01-P01 | EA | COVER - BACK - SOFA/BED - 66.5" (P01) |
| | P41077-01-P02 | EA | COVER - BACK - SOFA/BED - 66.5" (P02) |
| | P41077-01-N35 | EA | COVER - BACK - SOFA/BED - 66.5" (P03) |
| 2 | 141077-02-P01 | EA | SEAT - SOFA/BED - 66.5" (P01) |
| 2 | 141077-02-P02 | EA | SEAT - SOFA/BED - 66.5" (P02) |
| 2 | 141077-02-N35 | EA | SEAT - SOFA/BED - 66.5" (P03) |
| | P41077-02-P01 | EA | COVER - SEAT - SOFA/BED - 66.5" (P01) |
| | P41077-02-P02 | EA | COVER - SEAT - SOFA/BED - 66.5" (P02) |
| | P41077-02-N35 | EA | COVER - SEAT - SOFA/BED - 66.5" (P03) |
| 3 | 083125-08-000 | EA | BRACE - WINDOW MOUNT - .75" - OFF WHITE |
| 4 | M08107-33-P01 | EA | PANEL/DOOR/FRONT KICK - SOFA BED - FABRIC COVERED (P01) |
| 4 | M08107-33-P02 | EA | PANEL/DOOR/FRONT KICK - SOFA BED - FABRIC COVERED (P02) |
| 4 | M08107-33-N35 | EA | PANEL/DOOR/FRONT KICK - SOFA BED - FABRIC COVERED (P03) |
| 5 | 101085-03-000 | EA | FRAME - BASE - SOFA/BED - 66.5" |
| 6 | 101085-09-000 | EA | FRAME - BACK - SOFA/BED - 66.5" X 16" |
| 7 | 114763-08-000 | EA | FRAME - FORWARD FACING LEGS |
| 8 | 101085-01-000 | EA | FRAME - SEAT - SOFA/BED - 66.5" |

CURTAIN & CUSHION GROUP (CONTINUED)
WINDOW TREATMENT



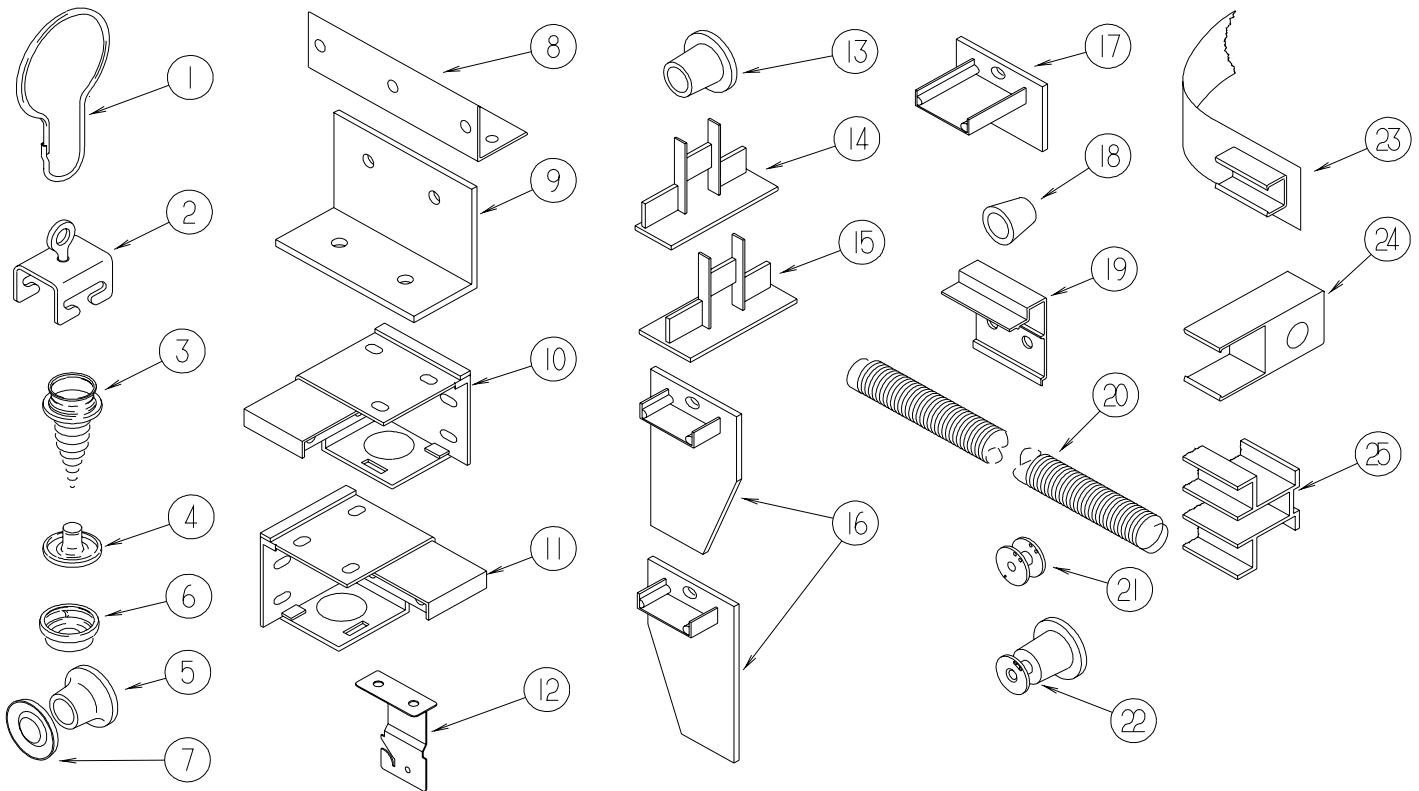
| KEY | PART NUMBER | U/M | DESCRIPTION |
|-----|---------------|-----|--|
| 1 | 142210-01-P07 | EA | VALANCE - FLANDER - 62.5" (P01) |
| 1 | 142210-01-P08 | EA | VALANCE - FLANDER - 62.5" (P02) |
| 1 | 142210-01-P09 | EA | VALANCE - FLANDER - 62.5" (P03) |
| 1 | 109802-27-L02 | EA | BLIND - PLEATED - 59" X 26.5" |
| 1 | 136988-39-P38 | EA | LEG - RIGHT - 26" (P01) |
| 1 | 136988-39-P39 | EA | LEG - RIGHT - 26" (P02) |
| 1 | 136988-39-N35 | EA | LEG - RIGHT - 26" - FABRIC COVERED (P03) |
| 1 | 136988-40-P38 | EA | LEG - LEFT - 26" (P01) |
| 1 | 136988-40-P39 | EA | LEG - LEFT - 26" (P02) |
| 1 | 136988-40-N35 | EA | LEG - LEFT - 26" (P03) |
| 2 | 142210-08-P01 | EA | VALANCE - FLANDER - 54" (P01) |
| 2 | 142210-08-P02 | EA | VALANCE - FLANDER - 54" (P02) |
| 2 | 142210-08-P03 | EA | VALANCE - FLANDER - 54" (P03) |
| 2 | 109802-65-P01 | EA | BLIND - PLEATED - 51" X 30" |
| 2 | 136988-49-P01 | EA | LEG - RIGHT - 28" - FABRIC COVERED (P01) |
| 2 | 136988-49-P02 | EA | LEG - RIGHT - 28" - FABRIC COVERED (P02) |
| 2 | 136988-49-N35 | EA | LEG - RIGHT - 28" - FABRIC COVERED (P03) |
| 2 | 136988-50-P01 | EA | LEG - LEFT - 28" - FABRIC COVERED (P01) |
| 2 | 136988-50-P02 | EA | LEG - LEFT - 28" - FABRIC COVERED (P02) |
| 2 | 136988-50-N35 | EA | LEG - LEFT - 28" - FABRIC COVERED (P03) |
| 3 | 142210-09-P01 | EA | VALANCE - FLANDER - 25" (P01) |
| 3 | 142210-09-P02 | EA | VALANCE - FLANDER - 25" (P02) |
| 3 | 142210-09-P03 | EA | VALANCE - FLANDER - 25" (P03) |
| 3 | 084755-99-N33 | EA | SHADE - PULL - 23.25" |
| 4 | 121410-B6-P01 | EA | VALANCE - MODERATE - 20" (P01) |
| 4 | 121410-B6-P02 | EA | VALANCE - MODERATE - 20" (P02) |
| 4 | 121410-B6-N35 | EA | VALANCE - MODERATE - 20" (P03) |
| 4 | 109041-69-01A | EA | BLIND - MINI - 19" X 30" |

CURTAIN & CUSHION GROUP (CONTINUED)
WINDOW TREATMENT (CONTINUED)

| KEY | PART NUMBER | U/M | DESCRIPTION |
|------------|--------------------|------------|---|
| 5 | 101668-39-P07 | EA | CURTAIN - RIGHT HAND - TAPE TOP - 35" X 50" (P01) |
| 5 | 101668-39-P08 | EA | CURTAIN - RIGHT HAND - TAPE TOP - 35" X 50" (P02) |
| 5 | 101668-39-NA3 | EA | CURTAIN - RIGHT HAND - TAPE TOP - 35" X 50" (P03) |
| 6 | 101668-40-P07 | EA | CURTAIN - LEFT HAND - TAPE TOP - 35" X 50" (P01) |
| 6 | 101668-40-P08 | EA | CURTAIN - LEFT HAND - TAPE TOP - 35" X 50" (P02) |
| 6 | 101668-40-NA3 | EA | CURTAIN - LEFT HAND - TAPE TOP - 35" X 50" (P03) |
| | 073260-23-P07 | EA | TIEBACK - 3" X 18" (P01) |
| | 073260-23-P08 | EA | TIEBACK - 3" X 18" (P02) |
| | 073260-23-NA3 | EA | TIEBACK - 3" X 18" (P03) |
| | 076892-27-P01 | EA | CURTAIN - CAB PRIVACY - 40" X 60" (P01) |
| | 076892-27-P02 | EA | CURTAIN - CAB PRIVACY - 40" X 60" (P02) |
| | 076892-27-NA3 | EA | CURTAIN - CAB PRIVACY - 40" X 60" (P03) |
| | 101034-65-P01 | EA | CURTAIN - 19" X 35" (P01) |
| | 101034-65-P02 | EA | CURTAIN - 19" X 35" (P02) |
| | 101034-65-P03 | EA | CURTAIN - 19" X 35" (P03) |

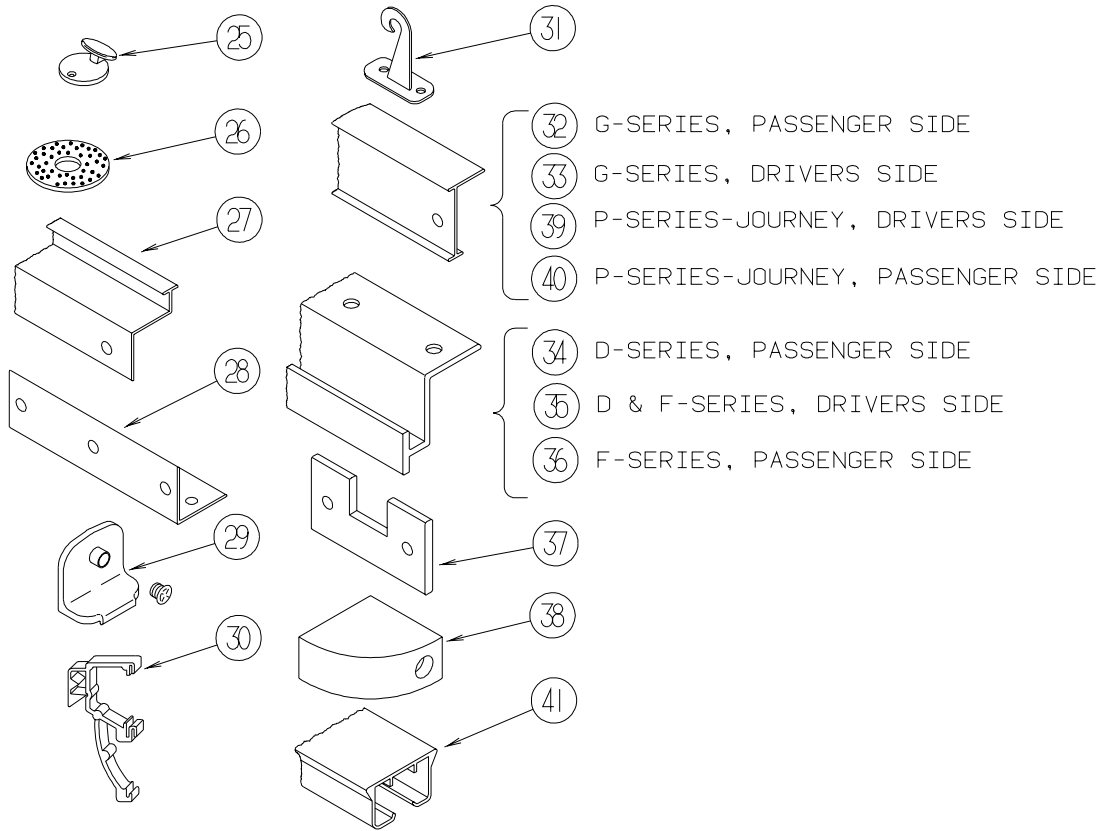
CURTAIN & CUSHION GROUP (CONTINUED)

HARDWARE



| KEY | PART NUMBER | U/M | DESCRIPTION |
|-----|---------------|-----|---|
| 1 | 009136-02-000 | EA | HANGER - RING - PIN TYPE - CURTAIN - BRASS |
| 2 | 009702-01-000 | EA | END STOP - CURTAIN CARRIER - L - ROD |
| 3 | 029130-01-000 | EA | SCREW - SNAP STUD - #8-16 X 3/8" LONG |
| 3 | 029130-03-000 | EA | SCREW - SNAP STUD - #8-16 X 1" LONG |
| 4 | 029155-01-000 | EA | CAP - SNAP - 5/32" OUTSIDE DIAMETER OF PIN |
| 5 | 029156-01-000 | EA | SOCKET - SNAP - 9/16" O.D. |
| 6 | 046867-02-000 | EA | WASHER - HANDY BUTTON #3 |
| 7 | 046867-03-000 | EA | GROMMET - HANDY BUTTON #3 |
| 8 | 075943-10-000 | EA | BRACE - VALANCE - 20" - OFF WHITE |
| 9 | 083125-07-000 | EA | BRACE - ANGLE/COUCH - 2.5" - OFF WHITE |
| 9 | 083125-08-000 | EA | BRACE - WINDOW MOUNT - .75" - OFF WHITE |
| 10 | 083170-01-000 | EA | BRACKET/BLIND - LEFT SIDE WHEN FACING WINDOW - CLEAR |
| 11 | 083170-02-000 | EA | BRACKET/BLIND - RIGHT SIDE WHEN FACING WINDOW - CLEAR |
| 12 | 084434-01-000 | EA | BRACKET - MOUNTING - ROLLER SHADE - 1 3/8" |
| 13 | 094896-02-000 | EA | GROMMET - CORD/PLEATED BLIND - NYLON - GRAY |
| 14 | 094907-02-000 | EA | END CAP - PLEATED BLIND/TOP - RH/LH - GRAY PLASTIC |
| 15 | 094907-04-000 | EA | END CAP - PLEATED BLIND/BOTTOM - RH/LH |
| 16 | 094907-05-000 | EA | END CAP - PLEATED BLIND/BOTTOM - PULL TYPE - PLASTIC |
| 17 | 094907-06-000 | EA | END CAP - PLEATED BLIND/TOP |
| 18 | 097564-99-000 | EA | HANDLE - KNOB - E-Z LIFT SHADE - COLORLESS |
| 19 | 097565-01-000 | EA | BRACKET - MOUNTING - PLEATED BLIND |
| 20 | 097591-01-000 | EA | SPRING - EXTENSION - PLEATED BLIND |
| 21 | 097592-01-000 | EA | SPOOL - CORD - ELEVATED BLIND HOLDUP - SMALL - CLEAR |
| 22 | 097592-02-000 | EA | SPOOL - CORD - ELEVATED BLIND HOLDUP - LARGE - CLEAR |
| | 097593-02-000 | FT | CORD - BLIND - PLEATED - GRAY |
| | 097593-06-000 | FT | CORD - BLIND - PLEATED - PEWTER |
| | 097593-10-000 | FT | CORD - BLIND - PLEATED - VANILLA |
| 23 | 101031-01-000 | YD | TAPE/GLIDE - 4.25" SPACING |
| 24 | 101033-02-000 | EA | END CAP - LOW PROFILE TRACK - CLEAR |
| 25 | 101033-08-000 | EA | TRACK/WALL - 75" - FRT BUNK WINDOW 300 SERIES (MINNIE/SPIRIT) |
| 25 | 101033-09-000 | EA | TRACK/WALL - 32" - SIDE BUNK WINDOW 200 SERIES/300 SERIES (VISTA/SUNSTAR /MINNIE/SPIRIT) |

CURTAIN & CUSHION GROUP (CONTINUED)
HARDWARE (CONTINUED)



| KEY | PART NUMBER | U/M | DESCRIPTION |
|-----|---------------|-----|--|
| 25 | 102555-03-000 | EA | CLEAT - BLIND CORD - MILKY WHITE - PLASTIC |
| 26 | 103242-01-000 | EA | VELCRO HOOK - BEIGE 7/8" ROUND W/CENTER HOLE |
| 26 | 103242-02-000 | EA | VELCRO HOOK - BLACK 7/8" ROUND W/CENTER HOLE |
| 27 | 105450-14-01A | EA | TRACK - CURTAIN - 90" - OFF WHITE - FRONT BUNK PRIVACY 300 SERIES (MINNIE/SPIRITE) |
| 27 | 105450-15-01A | EA | TRACK - CURTAIN - 82.3" - OFF WHITE - FRONT BUNK PRIVACY 200 SERIES (VISTA/SUNSTAR) |
| 28 | 105648-01-02A | EA | BRACE - VALANCE - OFF/WHITE - 14" |
| 29 | 106544-01-000 | EA | PULL - SHADE/BRASS |
| | 106544-01-001 | EA | SCREW - SHADE/BRASS |
| 30 | 109353-04-000 | EA | CLIP - VALANCE SLAT MOUNTING - CLEAR PLASTIC |
| | 109441-02-000 | EA | SPACER/BRACKET - BLIND HOLD DOWN |
| 31 | 109441-03-000 | EA | BRACKET/HOOK - BLIND HOLD DOWN - CLOUDY |
| 32 | 126456-03-04A | EA | TRACK/WRAPAROUND - PASSENGER - GLACIER - G SERIES (ADVENTURER/SUNCRUISER) |
| 33 | 126456-04-04A | EA | TRACK/WRAPAROUND - DRIVER - GLACIER - G SERIES (ADVENTURER/SUNCRUISER) |
| 34 | 127254-03-05A | EA | TRACK/WRAPAROUND - PASSENGER - GLACIER - D SERIES (SIGHTSEER/SUNOVA) |
| 35 | 127254-04-05A | EA | TRACK/WRAP - DRIVER - GLACIER - D SERIES/F SERIES (SIGHTSEER/SUNOVA/BRAVE/SUNRISE) |
| 36 | 127254-14-03A | EA | TRACK/WRAPAROUND - PASSENGER - GLACIER - F SERIES (BRAVE/SUNRISE) |
| 37 | 130549-01-01A | EA | STOP - CURTAIN TRACK |
| 38 | 132504-01-N92 | EA | BRACKET - SHADE |
| 39 | 133235-01-04A | EA | TRACK - CURTAIN/LEFT HAND - GLACIER - P SERIES (JOURNEY) |
| 40 | 133236-01-04A | EA | TRACK - CURTAIN/RIGHT HAND - GLACIER - P SERIES (JOURNEY) |
| 41 | 138460-01-02A | EA | TRACK/CURTAIN - PASSENGER - WHITE - Q SERIES (ULTIMATE ADVANTAGE/ULTIMATE FREEDOM) |
| | 138460-02-02A | EA | TRACK/CURTAIN - DRIVER - WHITE - Q SERIES (ULTIMATE ADVANTAGE/ULTIMATE FREEDOM) |
| 41 | 138460-03-02A | EA | TRACK/CURTAIN - PASSENGER - WHITE - P SERIES (JOURNEY DL/HORIZON) |
| | 138460-04-02A | EA | TRACK/CURTAIN - DRIVER - WHITE - P SERIES (JOURNEY DL/HORIZON) |
| 41 | 138460-05-02A | EA | TRACK/CURTAIN - PASSENGER - WHITE - L SERIES (CHIEFTAIN/SUNFLYER) |
| | 138460-06-02A | EA | TRACK/CURTAIN - DRIVER - WHITE - L SERIES (CHIEFTAIN/SUNFLYER) |
| | 141634-01-000 | EA | BOBBIN-PLEATED,ADJUSTABLE |

FROM: 06-17-02 THRU: 99-99-99

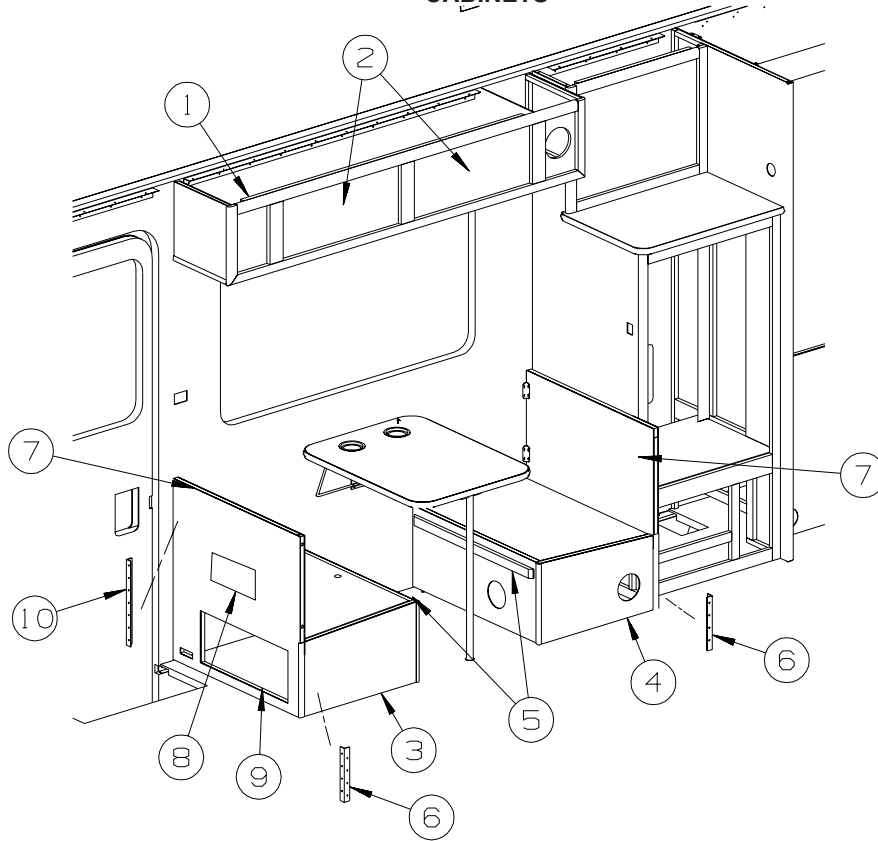
CURTAIN & CUSHION GROUP (CONTINUED)
ACCESSORIES

| KEY | PART NUMBER | U/M | DESCRIPTION |
|------------|--------------------|------------|---|
| | 118337-04-P07 | EA | BUTTON - #60 - FABRIC COVERED (P01) |
| | 118337-04-P08 | EA | BUTTON - #60 - FABRIC COVERED (P02) |
| | 118337-04-N03 | EA | BUTTON - #60 - FABRIC COVERED (P03) |
| | 074494-02-000 | EA | BUTTON - RETAINING PIVOT - #60 |
| | 074494-03-000 | EA | BUTTON - SERRATED PIVOT - W/3/8 TACK |
| | 057534-03-000 | EA | TIEBACK - CLEAR PLASTIC - 7.5" |
| | 007021-01-000 | EA | SEAT BELT - 2" X 90" - BLACK |
| | 089275-01-000 | FT | STRIP - 3/4" X 96" - CLEAR POLYETHYLENE |
| | 143107-01-01A | EA | BOLT - SHOULDER - M12 X 1.5 X 35 |

CURTAIN & CUSHION GROUP (CONTINUED)
FABRICS

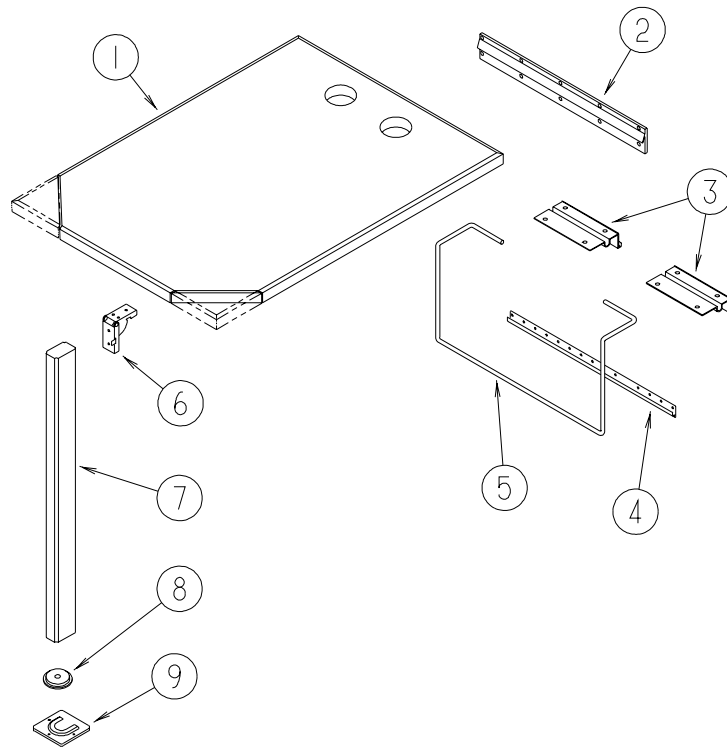
| FAMILY | P01 SAGEBRUSH | P02 BLUE CAMEO | P03 SANDSTONE |
|-------------------------------------|--------------------------|--------------------------|--------------------------|
| VISTA (VW) | | | |
| BUCKET | VW SEAT COVERS | VW SEAT COVERS | VW SEAT COVERS |
| *CHASSIS SUPPLIED | 126883-L3-000 | 126883-L5-000 | 126883-E7-000 |
| DINETTE | CLUB SQ. BACK | CLUB SQ. BACK | CLUB SQ. BACK |
| | 126883-L2-000 | 126883-L4-000 | 126883-E6-000 |
| DINETTE PADS | 126883-L3-000 | 126883-L5-000 | 126883-E7-000 |
| SOFA | 600 JACK KNIFE | 600 JACK KNIFE | 600 JACK KNIFE |
| | 126883-L2-000 | 126883-L4-000 | 126883-E6-000 |
| OVERHEAD BUNK | 126883-L3-000 | 126883-L5-000 | 126883-E7-000 |
| LOUNGE WINDOWS | FLANDERS VALANCE | FLANDERS VALANCE | FLANDERS VALANCE |
| | 126883-L2/126883-L3 | 126883-L4/126883-L5 | 126883-E6/126883-E7 |
| | UNDERLAY/OVERLAY | UNDERLAY/OVERLAY | UNDERLAY/OVERLAY |
| | BUTTONS 126883-L2-000 | BUTTONS 126883-L4-000 | BUTTONS 126883-E6-000 |
| | FLUSH LEGS 126883-L3-000 | FLUSH LEGS 126883-L5-000 | FLUSH LEGS 126883-E7-000 |
| BATH VALANCE | MODERATE | MODERATE | MODERATE |
| | 126883-L3-000 | 126883-L5-000 | 126883-E7-000 |
| BATH & GALLEY MINI BLIND | 386 SNO CAP | 386 SNO CAP | 386 SNO CAP |
| OVHD. INSERTS | 126883-L3-000 | 126883-L5-000 | 126883-E7-000 |
| FRONT WRAP&PRIV. | 137813-25-000 | 137813-27-000 | 137813-32-000 |
| OVHD. BUNK CURT. | 137813-25-000 | 137813-27-000 | 137813-32-000 |
| SHOWER CURTAIN | 075244-10-000 | 075244-10-000 | 075244-10-000 |
| CAB CARPET | CARPET 096060-G9-000 | CARPET 139056-06-000 | CARPET 096060-H1-000 |
| | TAPE 102695-20-000 | TAPE 102695-24-000 | TAPE 102695-14-000 |
| PLEATEDS | COTTON | COTTON | COTTON |
| | 094911-53-000 | 094911-53-000 | 094911-53-000 |
| TIRE COVER | 142523-01-000 | 142523-01-000 | 142523-01-000 |
| MAP POCKET (1) | 126883-L3-000 | 126883-L5-000 | 126883-E7-000 |
| DRAPERY LINING | IVORY - 54" | IVORY - 54" | IVORY - 54" |
| | 087272-03-000 | 087272-03-000 | 087272-03-000 |
| EXPANDED VINYL | MADRID - OFF WHITE-54" | MADRID - OFF WHITE-54" | MADRID - OFF WHITE-54" |
| | 103907-01-01A | 103907-01-01A | 103907-01-01A |

DINETTE GROUP CABINETS



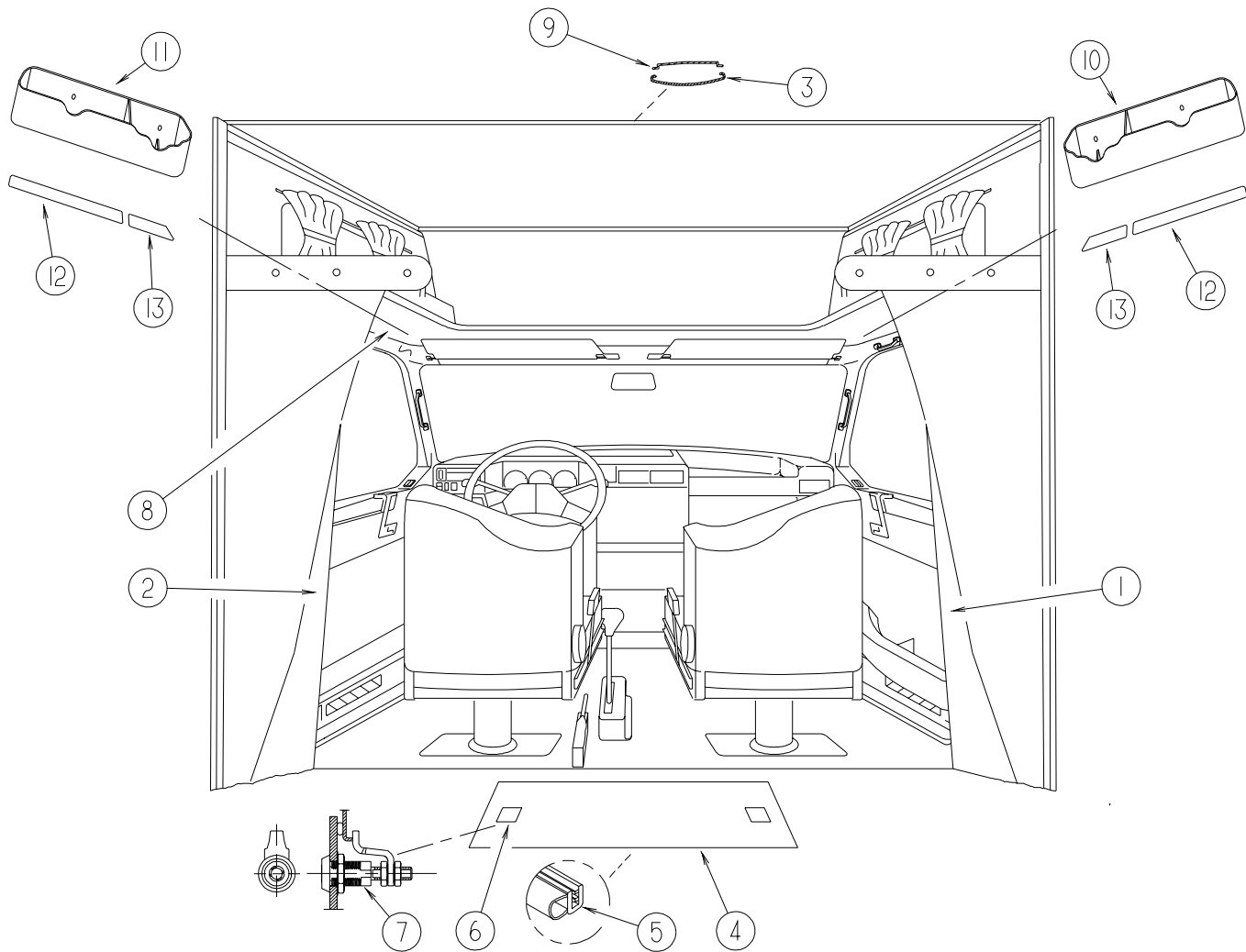
| KEY | PART NUMBER | U/M | DESCRIPTION |
|-----|---------------|-----|--|
| 1 | 139783-01-P01 | EA | CABINET - OVERHEAD/DINETTE - W/O DOORS/HARDWARE (P01) |
| 1 | 139783-01-P02 | EA | CABINET - OVERHEAD/DINETTE - W/O DOORS/HARDWARE (P02) |
| 1 | 139783-01-N35 | EA | CABINET - OVERHEAD/DINETTE - W/O DOORS/HARDWARE (P03) |
| 2 | 136918-43-P01 | EA | DOOR - RAIL/SOLID PANEL - 10.8" X 23.8" - W/O HARDWARE |
| 3 | P39788-02-N33 | EA | CABINET - DINETTE/LEFT HAND - W/O DOORS/HARDWARE |
| 4 | P39788-01-N33 | EA | CABINET - DINETTE/RIGHT HAND - W/O DOORS/HARDWARE |
| 5 | 081295-01-N70 | EA | SUPPORT - BED/DINETTE - 28" LONG |
| 6 | 122021-01-02A | EA | ANGLE - W/HOLES - 8.6" LONG - OFF WHITE |
| 7 | 104787-31-P01 | EA | PAD - DINETTE - 30" (P01) |
| 7 | 104787-31-P02 | EA | PAD - DINETTE - 30" (P02) |
| 7 | 104787-31-N35 | EA | PAD - DINETTE - 30" (P03) |
| 8 | 086120-01-P01 | EA | PAD - MAP POCKET - 12" X 16" |
| 8 | 086120-01-P02 | EA | PAD - MAP POCKET - 12" X 16" |
| 8 | 086120-01-P03 | EA | PAD - MAP POCKET - 12" X 16" |
| 9 | 131995-BR-N33 | EA | DOOR - RAIL/SOLID PANEL - 9.2" X 21.8" - W/O HARDWARE |
| 10 | 122021-02-02A | EA | ANGLE - W/HOLES - 13.7" LONG - OFF WHITE |

DINETTE GROUP (CONTINUED) TABLE



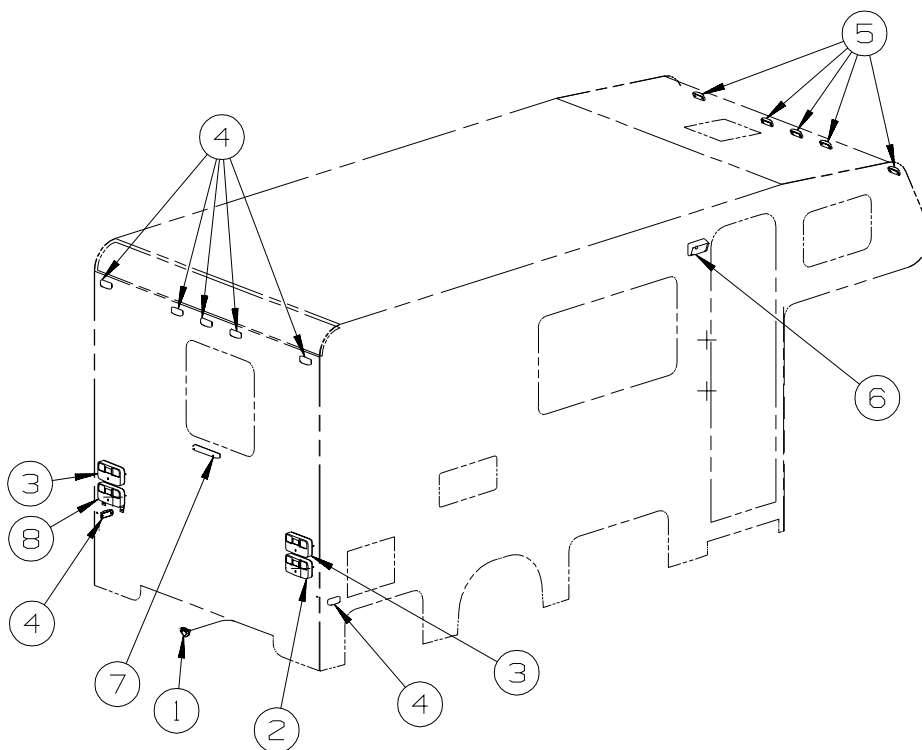
| KEY | PART NUMBER | U/M | DESCRIPTION |
|-----|---------------|-----|---|
| 1 | 132034-19-P01 | EA | TABLE TOP ONLY - 22.4" X 28.9" (P01) |
| 1 | 132034-19-N33 | EA | TABLE TOP ONLY - 22.4" X 28.9" (P02) |
| 1 | 132034-19-N35 | EA | TABLE TOP ONLY - 22.4" X 28.9" (P03) |
| 2 | 053200-16-000 | EA | SUPPORT - TABLE - 14.5" - OFF WHITE |
| | | | FROM: 00-00-00 THRU: 01-05-03 |
| 2 | 140921-01-01A | EA | SUPPORT - TABLE - 14.5" - OFF WHITE |
| | | | FROM: 01-06-03 THRU: 99-99-99 |
| 3 | 088410-02-000 | EA | BRACKET - LIFT - TABLE MOUNTED - OFF WHITE |
| | | | FROM: 00-00-00 THRU: 01-05-03 |
| 3 | 140921-03-01A | EA | HANGER - TABLE - W/VINYL - OFF WHITE |
| | | | FROM: 01-06-03 THRU: 99-99-99 |
| 4 | 024281-17-000 | EA | BRACKET - TABLE - LIFT - 135.5" - OFF WHITE |
| 5 | 024275-15-000 | EA | ROD - TABLE LIFT - OFF WHITE |
| 6 | 093550-01-000 | EA | BRACKET - HINGE - MOUNTS TO LEG & TABLE TOP - 1.7" X 2.6" |
| 7 | 092707-04-10A | EA | LEG - TABLE - W/O HARDWARE - 27" - PORTSMOUTH OAK II |
| 8 | 143798-02-01A | EA | CATCH - TABLE LEG - BRIGHT WHITE |
| 9 | 049493-12-000 | EA | CATCH - TABLE LEG/FLOOR MOUNTED - OFF WHITE |

DRIVERS COMPARTMENT GROUP FRONT INTERIOR



| KEY | PART NUMBER | U/M | DESCRIPTION |
|-----|---------------|-----|--|
| 1 | 139660-01-01A | EA | PANEL/TRANSITION - INNER - RIGHT HAND - VW LIGHT GRAY FROM: 00-00-00 THRU: 07-31-02 |
| 1 | 142833-01-01A | EA | PANEL/TRANSITION - INNER - VW/LT GRAY FROM: 08-01-02 THRU: 99-99-99 |
| 2 | 139660-02-01A | EA | PANEL/TRANSITION - INNER - LEFT HAND - VW LIGHT GRAY FROM: 00-00-00 THRU: 07-31-02 |
| 2 | 142833-02-01A | EA | PANEL/TRANSITION - INNER - VW/LT GRAY FROM: 08-01-02 THRU: 99-99-99 |
| 3 | 082111-02-000 | EA | COVER - ROOF BREAK - OFF WHITE/PLASTIC - 96" |
| 4 | 139985-01-02B | EA | PANEL/COMPARTMENT - BATTERY TOP - E-COATED |
| 5 | 064075-07-000 | FT | SEAL - BULB - W/WIRED U CHANNEL - .3" X .5" CHANNEL-BLACK |
| 6 | 097111-02-04A | EA | POCKET - LOCK - REAR DOOR - BLACK |
| 7 | 102328-01-000 | EA | KEY - BARREL - NICKEL PLATED |
| | 102330-01-000 | EA | LATCH - VISE ACTION/KEY OPERATED |
| 8 | 139472-01-01A | EA | HEADLINER - MOLDED - PEARL GRAY |
| 9 | 131666-03-01A | EA | TRIM - FRONT ROOF SECTION |
| 10 | 142892-01-01A | EA | BIN - ACCESSORY - VW LIGHT GREY FROM: 08-01-02 THRU: 99-99-99 |
| 11 | 142892-02-01A | EA | BIN - ACCESSORY - LIGHT GREY FROM: 08-01-02 THRU: 99-99-99 |
| 12 | 143059-01-01A | EA | PAD/FELT - GREY FROM: 08-01-02 THRU: 99-99-99 |
| 13 | 143059-02-01A | EA | PAD/FELT - GREY FROM: 08-01-02 THRU: 99-99-99 |

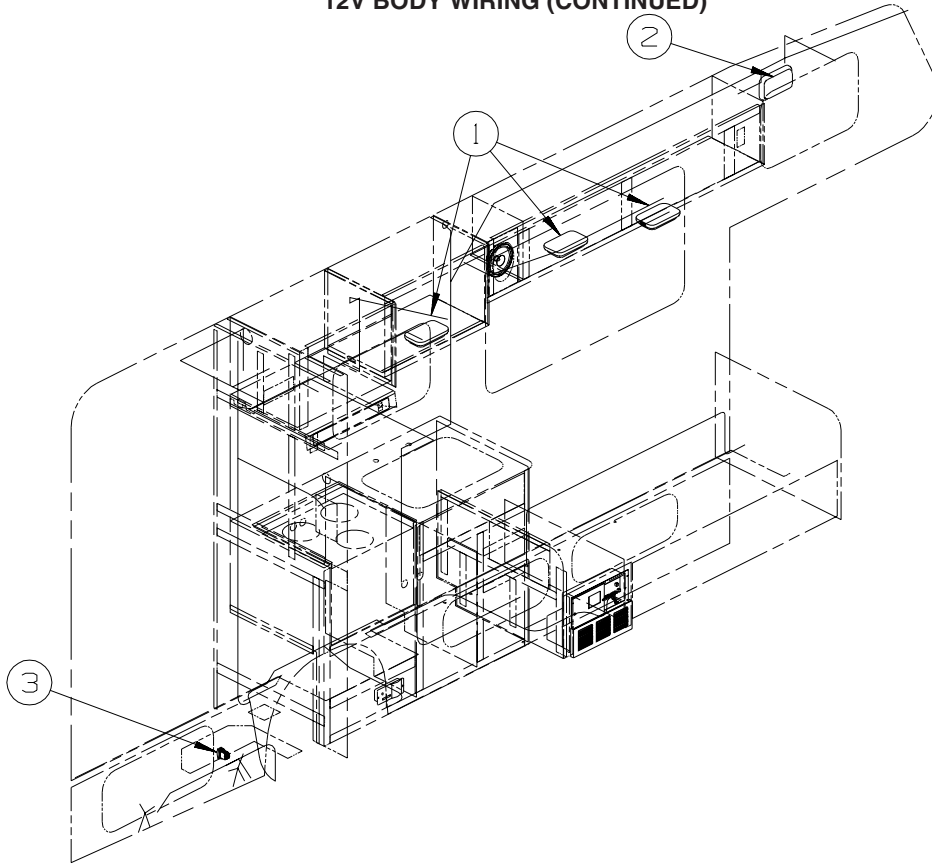
ELECTRICAL GROUP 12V BODY WIRING



| KEY | PART NUMBER | U/M | DESCRIPTION |
|-----|---------------|-----|--|
| 1 | 113589-02-000 | EA | CONNECTOR - SOCKET - TRAILER |
| 1 | 113589-01-000 | EA | CONNECTOR - PLUG - TRAILER |
| 2* | 115632-03-01A | EA | LIGHT - STOP/TAIL/BACKUP |
| 3* | 115632-02-01A | EA | LIGHT - TURN - AMBER |
| 4 | 111102-01-000 | EA | BASE - MARKER LAMP |
| 4 | 111102-03-000 | EA | LENS - RED - MARKER LAMP |
| | 036196-01-000 | EA | BULB - 12V - #194 - .27 AMP - BAYONETTE |
| 5 | 111102-01-000 | EA | BASE - MARKER LAMP |
| 5 | 111102-02-000 | EA | LENS - AMBER - MARKER LAMP |
| | 036196-01-000 | EA | BULB - 12V - #194 - .27 AMP - BAYONETTE |
| 6* | 097917-01-06A | EA | LIGHT - PORCH - BRIGHT WHITE |
| | 008215-01-000 | EA | BULB - 12 VOLT - #1003 - .94 AMP |
| 7 | 136916-01-000 | EA | LIGHT - CENTER BRAKE - L.E.D. |
| | 036196-01-000 | EA | BULB - 12V - #194 - .27 AMP - BAYONETTE |
| 8* | 115632-04-02A | EA | LIGHT - STOP/TAIL/BACKUP/LICENSE PLATE - BLACK |

*COMPONENT PARTS LISTED LATER IN THIS GROUP

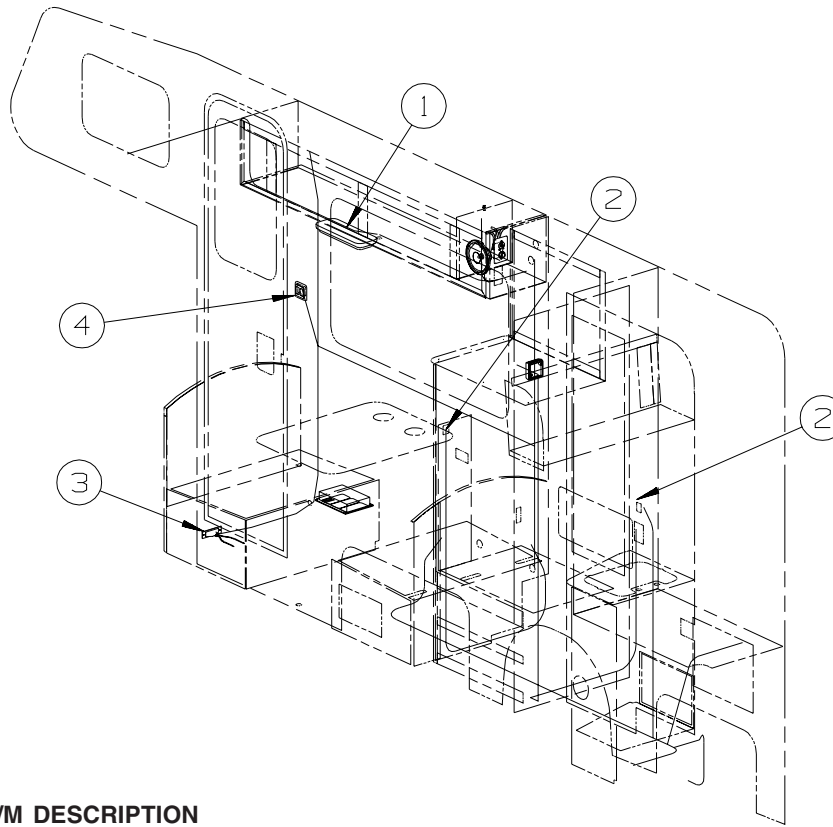
ELECTRICAL GROUP (CONTINUED)
12V BODY WIRING (CONTINUED)



| KEY | PART NUMBER | U/M | DESCRIPTION |
|-----|---------------|-----|--|
| 1* | 137417-02-01A | EA | LIGHT - DOME - SINGLE - W/SWITCH/OPTIC LENS - WHITE |
| 2 | 137417-04-01A | EA | LIGHT - DOME - DOUBLE - W/SWITCH/FROSTED LENS - WHITE FROM: 00-00-00 THRU: 05-31-02 |
| 2* | 137417-01-01A | EA | LIGHT - DOME - SINGLE - W/SWITCH/FROSTED LENS - WHITE FROM: 06-01-02 THRU: 99-99-99 |
| 3 | 108357-15-000 | EA | SWITCH - ROCKER - DPDT - ON/NONE/ON - WATER PUMP |
| 3 | 108356-04-01A | EA | COVER/ACTUATOR SWITCH - 2 ROWS DIMPLES W/LENS-CONTURA-BLK |
| 3 | 108355-01-000 | EA | HOUSING - SWITCH |

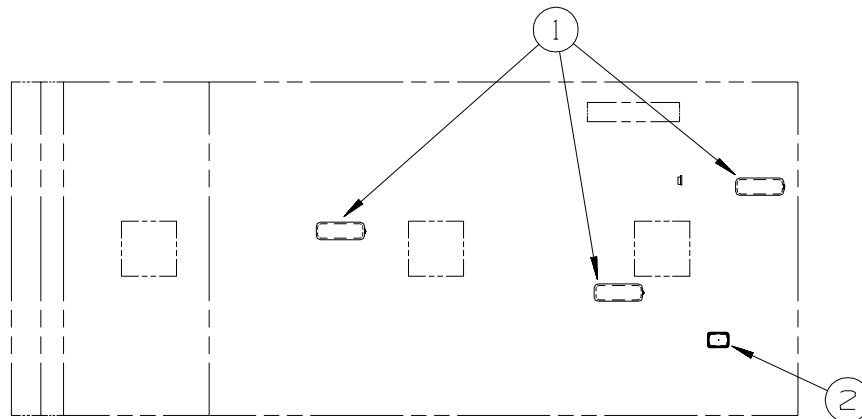
***COMPONENT PARTS LISTED LATER IN THIS GROUP**

ELECTRICAL GROUP (CONTINUED)
12V BODY WIRING (CONTINUED)



| KEY | PART NUMBER | U/M | DESCRIPTION |
|-----|---------------|-----|---|
| 1* | 137417-05-01A | EA | LIGHT - DOME - DOUBLE - W/SWITCH/OPTIC LENS - WHITE |
| 2 | 135740-01-02A | EA | SWITCH - ROCKER - SPST - ON/OFF - WHITE |
| 2 | 135741-01-02A | EA | SWITCH - BASE - SINGLE - WHITE |
| 2 | 135742-07-01A | EA | BEZEL - SWITCH - CEILING - WHITE |
| 3 | 061424-01-000 | EA | LIGHT - AISLE - 12 VOLT - RECTANGULAR |
| 4 | 135740-01-02A | EA | SWITCH - ROCKER - SPST - ON/OFF - WHITE |
| 4 | 135741-01-02A | EA | SWITCH - BASE - SINGLE - WHITE |
| 4 | 135742-19-01A | EA | BEZEL - SWITCH - CEILING/PORCH - WHITE |

***COMPONENT PARTS LISTED LATER IN THIS GROUP**



| KEY | PART NUMBER | U/M | DESCRIPTION |
|-----|---------------|-----|---|
| 1* | 137417-06-01A | EA | LIGHT - DOME - DOUBLE - W/FROSTED LENS - W/O SWITCH-WHITE |
| 2* | 121935-01-01A | EA | LIGHT - DOME - SHOWER |

***COMPONENT PARTS LISTED LATER IN THIS GROUP**

ELECTRICAL GROUP (CONTINUED)
COMPONENT PARTS FOR LIGHTS & SWITCHES

097917-01-06A

| KEY | PART NUMBER | U/M | DESCRIPTION | VENDOR NO. |
|------------|--------------------|------------|--------------------|-------------------|
| | 097917-01-700 | EA | LENS-LIGHT, CLEAR | 30-78-021 |

115632-02-01A

| KEY | PART NUMBER | U/M | DESCRIPTION | VENDOR NO. |
|------------|--------------------|------------|--------------------|-------------------|
| | 115632-02-700 | EA | LENS-AMBER-(TURN) | 3092-135 |

115632-03-01A

| KEY | PART NUMBER | U/M | DESCRIPTION | VENDOR NO. |
|------------|--------------------|------------|-----------------------------|-------------------|
| | 115632-03-700 | EA | LENS - RED-(STOP/TAIL/BACK) | 3092-704 |

115632-04-01A

| KEY | PART NUMBER | U/M | DESCRIPTION | VENDOR NO. |
|------------|--------------------|------------|-----------------------------|-------------------|
| | 115632-04-700 | EA | LENS - RED-(STOP/TAIL/BACK) | 3072-713 |

121935-01-01A

| KEY | PART NUMBER | U/M | DESCRIPTION | VENDOR NO. |
|------------|--------------------|------------|--------------------|-------------------|
| | 121935-01-700 | EA | LENS ONLY | 809511 |

137417-01-01A

| KEY | PART NUMBER | U/M | DESCRIPTION | VENDOR NO. |
|------------|--------------------|------------|-------------------------|-------------------|
| | 137417-01-700 | EA | LENS - SINGLE (FROSTED) | 810868 |

137417-02-01A

| KEY | PART NUMBER | U/M | DESCRIPTION | VENDOR NO. |
|------------|--------------------|------------|---------------------|-------------------|
| | 137417-02-700 | EA | LENS - SINGLE OPTIC | 810844 |

137417-05-01A

| KEY | PART NUMBER | U/M | DESCRIPTION | VENDOR NO. |
|------------|--------------------|------------|---------------------|-------------------|
| | 137417-05-700 | EA | LENS - DOUBLE OPTIC | 810845 |

137417-06-01A

| KEY | PART NUMBER | U/M | DESCRIPTION | VENDOR NO. |
|------------|--------------------|------------|---------------------|-------------------|
| | 137417-06-700 | EA | LENS - DOUBLE WHITE | 810867 |

ELECTRICAL GROUP (CONTINUED)
CIRCUIT BREAKERS & FUSES

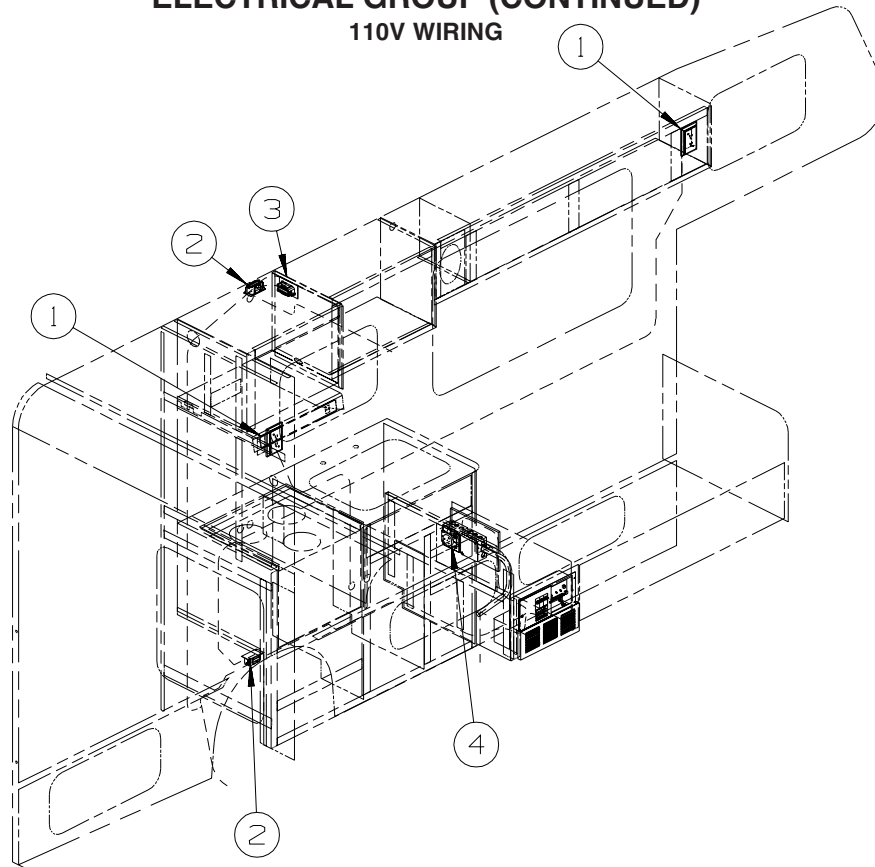
| KEY | PART NUMBER | U/M | DESCRIPTION |
|------------|--------------------|------------|--|
| | 008233-01-000 | EA | FUSE - 12 VOLT - 6 AMP |
| | 008235-01-000 | EA | FUSE - 15 AMP/12VOLT - AUTOMOTIVE |
| | 008268-01-000 | EA | CIRCUIT BREAKER W/MOUNT - 30A, 12V - FASCO 1711-3023 |
| | 033573-01-000 | EA | CIRCUIT BREAKER W/MOUNT-20A, 12V - FASCO 1711-2026 |
| | 062901-02-000 | EA | FUSE - 5 AMP - AUTOMOTIVE |
| | 062901-04-000 | EA | FUSE - 10 AMP - AUTOMOTIVE |
| | 062901-05-000 | EA | FUSE - 15 AMP - AUTOMOTIVE |
| | 062901-06-000 | EA | FUSE - 20 AMP - AUTOMOTIVE |
| | 062901-07-000 | EA | FUSE - 25 AMP - AUTOMOTIVE |
| | 062901-08-000 | EA | FUSE - 30 AMP - AUTOMOTIVE |
| | 083209-01-000 | EA | CIRCUIT BREAKER - 15 AMP - 120 VOLT - CANADIAN |
| | 083209-02-000 | EA | CIRCUIT BREAKER - 15/15 AMP - 120 VOLT |
| | 083209-03-000 | EA | CIRCUIT BREAKER - 15/20 AMP - 120 VOLT |
| | 083209-04-000 | EA | CIRCUIT BREAKER - 30 AMP - 120 VOLT |
| | 083209-05-000 | EA | CIRCUIT BREAKER - 20 AMP - 120 VOLT |
| | 083209-06-000 | EA | CIRCUIT BREAKER - 30/15 AMP - 120 VOLT |
| | 083209-07-000 | EA | CIRCUIT BREAKER - 20/20 AMP - 120 VOLT |
| | 083209-10-000 | EA | CIRCUIT BREAKER - 20/30 AMP - 120 VOLT |
| | 083209-11-000 | EA | CIRCUIT BREAKER - 20/15 AMP - 120 VOLT |
| | 092786-03-000 | EA | BUSS BAR - 6.9" LONG |
| | 092786-06-000 | EA | BUSS BAR |
| | 093654-01-000 | EA | CIRCUIT BREAKER - 6 AMP - 12 VOLT - PUSH BUTTON - WHITE |
| | 093654-02-000 | EA | CIRCUIT BREAKER - 15 AMP - 12 VOLT - PUSH BUTTON - WHITE |
| | 093654-03-000 | EA | CIRCUIT BREAKER - 20 AMP - 12 VOLT - PUSH BUTTON - WHITE |
| | 093654-11-000 | EA | COVER - RESET BUTTON |
| | 093655-01-000 | EA | CIRCUIT BREAKER - 25 AMP - 12 VOLT - PUSH BUTTON - WHITE |
| | 093655-02-000 | EA | CIRCUIT BREAKER - 30 AMP - 12 VOLT - PUSH BUTTON - WHITE |
| | 093655-03-000 | EA | CIRCUIT BREAKER - 40 AMP - 12 VOLT - PUSH BUTTON - WHITE |
| | 097611-01-000 | EA | CIRCUIT BREAKER - 10 AMP |
| | 097611-03-000 | EA | CIRCUIT BREAKER - 20 AMP |
| | 097611-04-000 | EA | CIRCUIT BREAKER - 25 AMP |
| | 106656-01-000 | EA | FUSE BLOCK - 4 CAVITY - AUTOFUSE |
| | 108567-01-000 | EA | CIRCUIT BREAKER - 40 AMP - 12 VOLT - TYPE II |
| | 108669-01-000 | EA | HOUSING - AUTO FUSE HOLDER |
| | 111683-01-000 | EA | FUSE - HOLDER - GLASS - 1/4" X 1 1/4" |
| | 113482-01-000 | EA | CIRCUIT BREAKER - 55 AMP - MANUAL |
| | 113520-01-000 | EA | BREAKER - CIRCUIT - 15AMP - SWITCHED |
| | 115187-01-000 | EA | FUSE - 300 AMP - NON-DELAY |
| | 115187-02-000 | EA | FUSE HOLDER - BUSS ANN/ANL BLOCK |
| | 118531-05-02B | EA | PLATE - CIRCUIT BREAKER - E-COAT |
| | 122811-01-000 | EA | CIRCUIT BREAKER - 20/50/50/20 |
| | 125986-04-000 | EA | FUSE - 10 AMP - AUTO - MINI BLADE |
| | 125986-05-000 | EA | FUSE - 15 AMP - AUTO - MINI BLADE |
| | 134127-01-000 | EA | CIRCUIT BREAKER - 10 AMP - MINI |

CONVERTER, INVERTER, LOAD CENTERS

| KEY | PART NUMBER | U/M | DESCRIPTION |
|------------|--------------------|------------|--|
| | 083208-06-000 | EA | CONTROL CENTER - 45 AMP/120V/12V - W/O BREAKERS/ELECTRONIC |

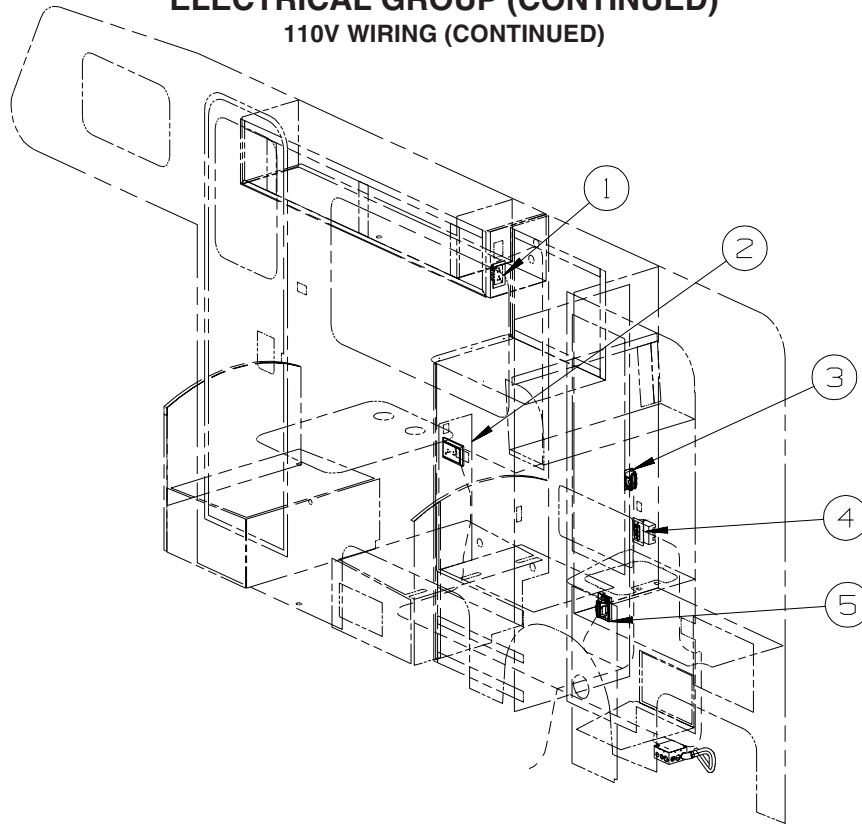
ELECTRICAL GROUP (CONTINUED)

110V WIRING



| KEY | PART NUMBER | U/M | DESCRIPTION |
|-----|---------------|-----|---|
| 1 | 058708-06-000 | EA | RECEPTACLE - DUPLEX - WHITE |
| 1 | 133713-01-20A | EA | SPACER/RECEPTACLE - WHITE VINYL |
| 2 | 058707-02-000 | EA | RECEPTACLE - BLANK - JUNCTION BOX |
| 3 | 058708-05-000 | EA | RECEPTACLE - ELECTRIC - SINGLE - BROWN |
| 3 | 058708-07-000 | EA | RECEPTACLE - SINGLE - WHITE |
| 4 | 024924-02-000 | EA | RECEPTACLE - POWER CORD - W/PARTIAL PLATE |

ELECTRICAL GROUP (CONTINUED)
110V WIRING (CONTINUED)



| KEY | PART NUMBER | U/M | DESCRIPTION |
|-----|---------------|-----|--|
| 1 | 058708-01-000 | EA | RECEPTACLE - ELECTRIC - DOUBLE - BROWN |
| 2 | 058708-06-000 | EA | RECEPTACLE - DUPLEX - WHITE |
| 2 | 133713-01-20A | EA | SPACER/RECEPTACLE - WHITE VINYL |
| 3 | 058707-01-000 | EA | RECEPTACLE - ELECTRIC - SINGLE - BROWN |
| 4 | 084076-05-000 | EA | RECEPTACLE - GFI - 15 AMP/125 VOLT - WHITE |
| 5 | 131826-01-01A | EA | RECEPTACLE - EXTERIOR - W/COVER/GASKET - WHITE |

ELECTRICAL GROUP (CONTINUED)
BOXES & CORDS

| KEY | PART NUMBER | U/M | DESCRIPTION |
|------------|--------------------|------------|--|
| | 008054-01-000 | EA | CORD - POWER - 10/3 WIRE - 30 AMP - 25' |
| | 008289-01-000 | EA | BOX - ELECTRIC/STEEL - 4" X 4" - 1/2" & 3/4" KNOCKOUTS |
| | 008294-01-000 | EA | COVER - ELECTRIC BOX - BLANK/STEEL - 4" X 4" - GRAY |
| | 069238-01-000 | EA | COVER - ELECTRICAL BOX - W/HOLE - 4" X 4" - GRAY |
| | 084993-01-000 | EA | STRAP - BATTERY - 43.2" LONG |
| | 091910-02-000 | EA | BOX - ELECTRIC - 2.2" X 3.5" X 1.8" - PLASTIC |

WIRE ASSEMBLIES

| KEY | PART NUMBER | U/M | DESCRIPTION |
|------------|--------------------|------------|---|
| | 096449-01-000 | EA | WIRE ASSEMBLY - WATER TANK TO MONITOR PANEL |
| | 096450-02-000 | EA | WIRE F/SENSORS - BLACK WATER - 59" |
| | 096451-06-000 | EA | WIRE F/SENSORS - GREY WATER - 23.6" |

ELECTRICAL GROUP (CONTINUED)
CONNECTORS & CONDUIT

| KEY | PART NUMBER | U/M | DESCRIPTION |
|-----|---------------|-----|--|
| | 007956-01-000 | EA | RECEPTACLE - HOUSING - 6 POSITION |
| | 007956-05-000 | EA | INSULATOR - SHRINK - 1/4" ID X 1 1/2" |
| | 008058-01-000 | EA | ADAPTER - POWER CORD - 30 AMP TO 15 AMP |
| | 008311-01-000 | EA | CONNECTOR - WIRE NUT - INSULATED - RED |
| | 008312-01-000 | EA | CONNECTOR - WIRE NUT - INSULATED - BLUE |
| | 008313-01-000 | EA | CONNECTOR - WIRE NUT - INSULATED - YELLOW |
| | 008314-01-000 | EA | CONNECTOR - WIRE NUT - INSULATED - GRAY |
| | 008326-01-000 | EA | TERMINAL - RING - 16/14 WIRE - 3/8" STUD |
| | 008328-01-000 | EA | TERMINAL - RING - 12/10 WIRE - #10 STUD FIT |
| | 008331-01-000 | EA | TERMINAL - RING - TONGUE - #4 WIRE - 3/8" STUD - COPPER |
| | 008348-01-000 | EA | TERMINAL - RING - 3/8" STUD 2 GA. WIRE |
| | 008355-01-000 | EA | CONNECTOR - CABLE CLAMPING - 3/4" |
| | 008356-01-000 | EA | CONNECTOR - PLASTIC - 3/8" AVG |
| | 008356-02-000 | EA | CONNECTOR - PLASTIC - 21/32 |
| | 035416-04-000 | EA | TERMINAL - RING - #10 STUD FIT - INSULATED BARREL #16/14 |
| | 041953-01-000 | FT | CONDUIT - CONVOLUTE SLIT - .5" ID - POLYETHYLENE |
| | 041953-02-000 | FT | CONDUIT - CONVOLUTE SLIT - .6" ID - POLYETHYLENE |
| | 041953-03-000 | FT | CONDUIT - CONVOLUTE SLIT - 1" ID (CLOTHES ROD COVER) |
| | 041953-05-000 | FT | CONDUIT - CONVOLUTE SOLID - .62" ID - POLYETHYLENE |
| | 041953-06-000 | FT | CONDUIT - CONVOLUTE SLIT - .4" ID - POLYETHYLENE |
| | 041953-07-000 | FT | CONDUIT - CONVOLUTE SLIT - .25" ID - POLYETHYLENE |
| | 041953-08-000 | FT | CONDUIT - CONVOLUTE SLIT - 1.5" ID - POLYETHYLENE |
| | 041953-09-000 | FT | CONDUIT - CONVOLUTE SLIT - .5" ID - NYLON |
| | 041953-10-000 | FT | CONDUIT - CONVOLUTE SLIT - .75" ID - NYLON |
| | 041953-11-000 | FT | CONDUIT - CONVOLUTE SLIT - 1.06" ID - NYLON |
| | 041953-12-000 | FT | CONDUIT - CONVOLUTE SOLID - 1.1" ID - NYLON |
| | 041953-13-000 | FT | CONDUIT - CONVOLUTE SLIT - 1.25 |
| | 041953-14-000 | FT | CONDUIT - CONVOLUTE SLIT - 1.5 |
| | 047443-01-000 | EA | TERMINAL - .250 RECEPTACLE FIT - INSULATED - 16/14 AWG |
| | 047443-02-000 | EA | TERMINAL - .250 RECEPTACLE FIT - INSULATED - 12/10 AWG |
| | 058028-01-000 | EA | CONNECTOR - ELECTRICAL PIGTAIL - NYLON - CLEAR |
| | 062036-01-000 | EA | TERMINAL - PACK - CON - 12/10 AWG |
| | 074017-02-000 | EA | HOUSING - 5 POSITION - RIGHT ANGLED |
| | 077479-01-000 | EA | BOOT - BATTERY TERMINAL - DOUBLE CABLE |
| | 077479-02-000 | EA | BOOT - BATTERY TERMINAL - SINGLE CABLE |
| | 080015-02-000 | EA | RECEPTACLE - FLAG - .185 - 16/14 GAUGE |
| | 080015-03-000 | EA | RECEPTACLE - FLAG - .250 - 14/16 GAUGE |
| | 082109-01-000 | EA | HOUSING - CONNECTOR - PACKARD |
| | 082741-01-000 | EA | CONNECTOR BODY - 2 CONNECTOR MALE |
| | 087225-01-000 | FT | SLEEVING - 1/2" - TYPE H |
| | 087949-01-000 | EA | BUSS BAR - 2 POSITION - .6" X 1.5" |
| | 087949-02-000 | EA | BUSS BAR - 3 POSITION - .6" X 2.4" |
| | 087949-03-000 | EA | BUSS BAR - 4 POSITION |
| | 087949-05-000 | EA | BUSS BAR - 7 POSITION |
| | 088267-01-000 | EA | TERMINAL - FEMALE - 1/4 |
| | 088473-01-000 | EA | HOUSING - PIN - 12 CAVITY (3 ROWS OF 4) |
| | 088473-02-000 | EA | HOUSING - PIN - 15 CAVITY (3 ROWS OF 5) |
| | 088473-03-000 | EA | HOUSING - PIN - 9 CAVITY (3 ROWS OF 3) |
| | 088473-04-000 | EA | HOUSING - PIN - 8 CAVITY IN-LINE |
| | 088473-06-000 | EA | HOUSING - PIN - 6 CAVITY (2 ROWS OF 3) |
| | 088473-08-000 | EA | HOUSING - PIN - 4 CAVITY - IN-LINE |
| | 088473-09-000 | EA | HOUSING - PIN - 3 CAVITY - IN-LINE |
| | 088473-10-000 | EA | HOUSING - PIN - 2 CAVITY - IN LINE |
| | 088474-01-000 | EA | HOUSING - SOCKET - 12 CAVITY |
| | 088474-02-000 | EA | HOUSING - SOCKET - 15 CAVITY |
| | 088474-03-000 | EA | HOUSING - SOCKET - 9 CAVITY |
| | 088474-06-000 | EA | HOUSING - SOCKET - 6 CAVITY |
| | 088474-07-000 | EA | HOUSING - SOCKET - 5 CAVITY |
| | 088474-08-000 | EA | HOUSING - SOCKET - 4 CAVITY |
| | 088474-09-000 | EA | HOUSING - SOCKET - 3 CAVITY |
| | 088474-10-000 | EA | HOUSING - SOCKET - 2 CAVITY |
| | 088475-01-000 | EA | PIN - CONNECTOR - 14-20 AWG |
| | 088475-02-000 | EA | PIN - CONNECTOR - 10-12 AWG |
| | 088476-01-000 | EA | TERMINAL - ELECTRICAL |

ELECTRICAL GROUP (CONTINUED)
CONNECTORS & CONDUIT (CONTINUED)

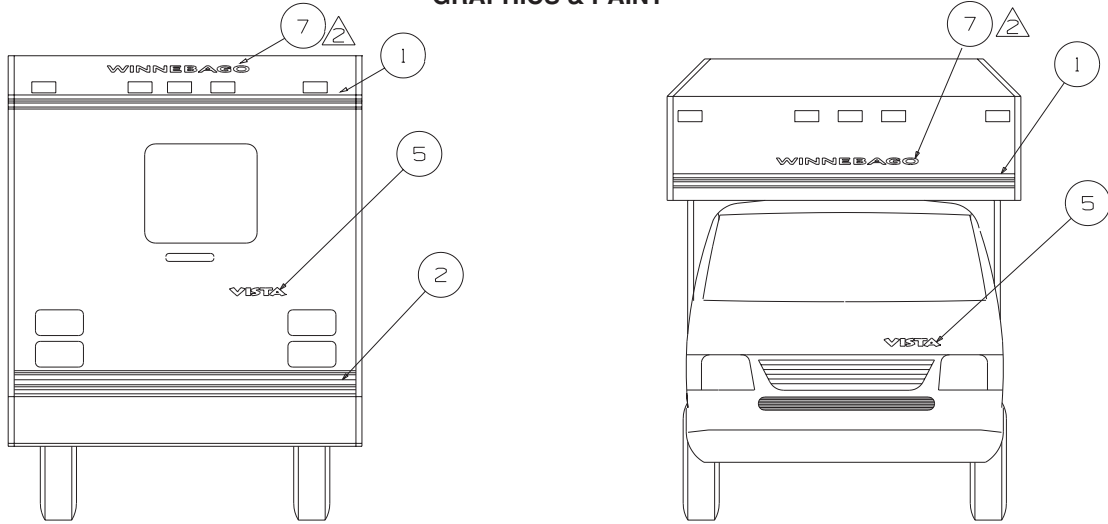
| KEY | PART NUMBER | U/M | DESCRIPTION |
|-----|---------------|-----|---|
| | 088476-02-000 | EA | SOCKET - CONNECTOR - 12-10 GA - PRE-TIN |
| | 098261-01-000 | EA | SOCKET - CONNECTOR - WEATHERPACK - 12 AWG |
| | 098261-02-000 | EA | SOCKET - CONNECTOR - WEATHERPACK - 14-18 AWG |
| | 098262-01-000 | EA | SEAL - CONNECTOR - WEATHERPACK |
| | 098262-05-000 | EA | SEAL - CAVITY |
| | 098262-06-000 | EA | SEAL - CONNECTOR - M/P - 10 GAUGE |
| | 098262-07-000 | EA | SEAL - CONNECTOR - 12 AWG - 280 SER |
| | 098263-01-000 | EA | HOUSING - 3 PIN - WEATHER PACK |
| | 098263-02-000 | EA | HOUSING - 3 PIN - WEATHER PACK |
| | 098264-01-000 | EA | HOUSING - 2 PIN - WEATHER PACK - MALE W/FEMALE PINS |
| | 098264-02-000 | EA | HOUSING - 2 PIN - WEATHER PACK - FEMALE W/MALE PINS |
| | 098265-02-000 | EA | PIN - CONNECTOR - WEATHER PACK |
| | 100690-01-000 | EA | HOUSING - 5 POSITION - MALE - WEATHER PACK |
| | 100690-02-000 | EA | HOUSING - 5 POSITION - FEMALE - WEATHER PACK |
| | 102777-02-000 | EA | TERMINAL - RING - #6 STUD - 10 AWG |
| | 104100-01-000 | EA | HOUSING - 1 POSITION - 75 AMPS |
| | 104100-03-000 | EA | TERMINAL - 75 AMP |
| | 106655-02-000 | EA | TERMINAL - FUSE BLOCK - 10-12 AWG |
| | 110178-01-000 | EA | HOUSING - WIPER MOTOR |
| | 112823-01-000 | EA | SPLICE - REDUCER - 16-14 TO 18-22 |
| | 113072-01-000 | EA | HOUSING - ELECTRICAL - TURN/TAIL LAMP |
| | 113072-03-000 | EA | HOUSING - ELECTRICAL - STOP/MARKER TAILLAMP |
| | 113135-01-000 | EA | TERMINAL - FEMALE - M/P - 14-16 - F/SEALED TERMINAL |
| | 113306-01-000 | EA | TERMINAL - FEMALE - M/P - 14-16 - F/NON-SEALED TERMINAL |
| | 113306-02-000 | EA | TERMINAL - FEMALE - M/P - 10-12 - 480 |
| | 113307-01-000 | EA | TERMINAL - FEMALE - M/P - 16-20 |
| | 113308-01-000 | EA | TERMINAL - FEMALE - M/P - 14-16 - 280 |
| | 113468-01-000 | EA | HOUSING - 2 POSITION-FEMALE-USED ON WIPER/WASHER WIRE ASM |
| | 113638-02-000 | EA | CONNECTOR - ACTUATOR |
| | 114667-01-000 | FT | HOSE - 2" ID - FLEXIBLE |
| | 115556-01-000 | EA | HOUSING - 3 POSITION - FEMALE |
| | 115556-02-000 | EA | HOUSING - 2 POSITION - FEMALE/PARALLEL |
| | 115931-02-000 | EA | COVER - CONNECTOR - 50 AMP W/LOCKING RING |
| | 115932-02-000 | EA | CONNECTOR - FEMALE - 50 AMP/240 VOLT |
| | 116811-01-000 | EA | TERMINAL - .110 RECEPTACLE - 16-14 AWG |
| | 118571-01-000 | EA | CONNECTOR - 3-WAY - MALE/SEALED |
| | 118571-02-000 | EA | CONNECTOR - 3-WAY - FEMALE/SEALED |
| | 118571-05-000 | EA | LOCK - SECONDARY - FEMALE |
| | 118571-06-000 | EA | LOCK - SECONDARY - MALE |
| | 118597-01-000 | EA | TERMINAL - MALE - M/P - 480 - 14-16 |
| | 118599-01-000 | EA | TERMINAL - MALE - M/P - 280 - 14-16 |
| | 118820-01-000 | EA | INSULATOR - TERMINAL |
| | 119223-01-000 | EA | HOUSING - 6 POSITION - MALE - WEATHERPACK |
| | 119248-02-000 | EA | HOUSING - 7 POSITION - FEMALE |
| | 125323-01-000 | EA | HOUSING - 10 POSITION - MALE |
| | 125323-02-000 | EA | HOUSING - 8 POSITION - MALE |
| | 125323-03-000 | EA | LOCK - SECONDARY 8 POSITION |
| | 125323-04-000 | EA | LOCK - SECONDARY 10 POSITION |
| | 125323-05-000 | EA | HOUSING - 6 POSITION - MALE |
| | 125323-06-000 | EA | LOCK - SECONDARY 6 POSITION |
| | 125324-01-000 | EA | TERMINAL - MALE - METRI-PACK - 150 |
| | 125325-01-000 | EA | SEAL - CAVITY |
| | 126403-01-000 | EA | CONNECTOR - 2 CIRCUIT |
| | 126403-02-000 | EA | CONNECTOR - 3 CIRCUIT |
| | 129233-01-000 | EA | HOUSING - 6 POSITION - MALE WEATHERPACK |
| | 129233-02-000 | EA | HOUSING - 2-POSITION/FEMALE - 280-SERIES |
| | 129234-01-000 | EA | HOUSING - 6-POSITION/FEMALE - 280-SERIES |
| | 129234-02-000 | EA | HOUSING - 6-POSITION/FEMALE - 280-SERIES |
| | 129234-03-000 | EA | LOCK - SECONDARY - 6-POSITION |
| | 129235-01-000 | EA | HOUSING - 2-POSITION/FEMALE - 630-SERIES |
| | 129235-02-000 | EA | LOCK - SECONDARY - 2-POSITION |
| | 129236-01-000 | EA | TERMINAL - FEMALE - M/P - 630 - 10-12 |
| | 131515-01-000 | EA | HOUSING - PIN - 2 CAVITY/HIGH AMP |

ELECTRICAL GROUP (CONTINUED)

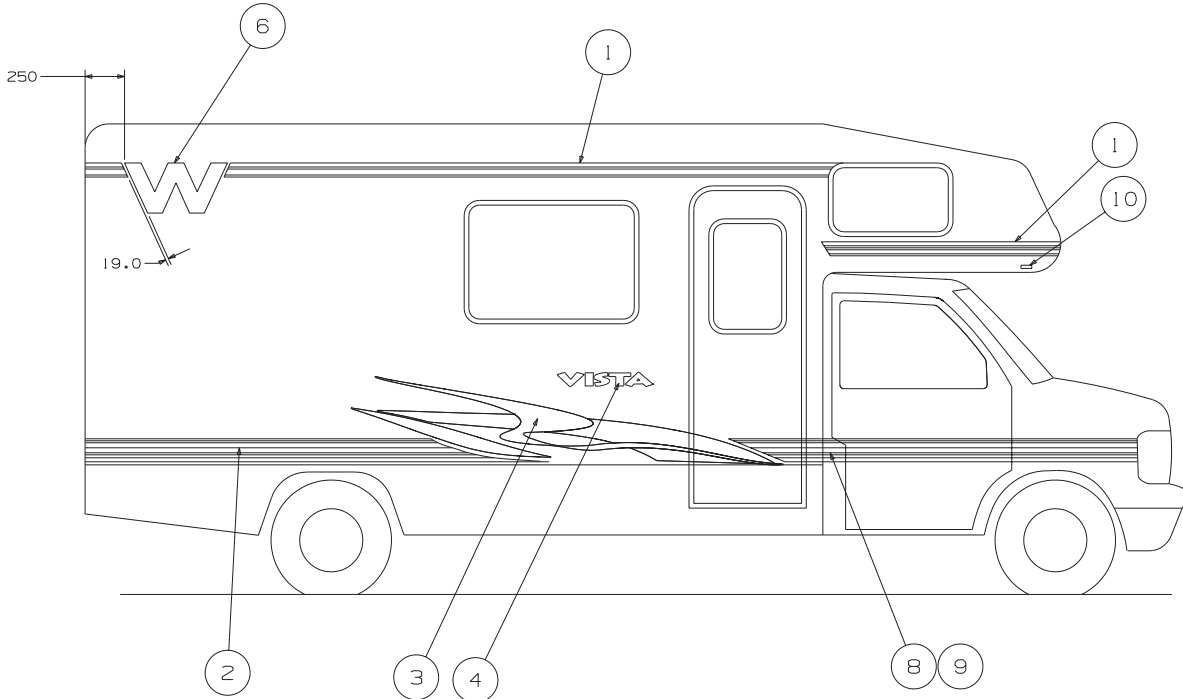
BOOTS, SOLENOIDS, RELAYS & MISCELLANEOUS

| KEY | PART NUMBER | U/M | DESCRIPTION |
|-----|---------------|-----|---|
| | 008188-01-000 | EA | SOLENOID - 3 POST - BATTERY CHANGE OVER |
| | 086233-01-000 | EA | STUD - ISOLATED - 3/8" X 7/8" LONG |

EXTERIOR BODY GROUP GRAPHICS & PAINT



| KEY | PART NO. | U/M | DESCRIPTION |
|-----|--------------------|-----|---|
| 1 | 94443-71-CHT(02A) | FT | MULTISTRIPE-88.9MM - SHALE BLUE/SHADOW BLUE/FLINTSTONE |
| 2 | 137498-01-CHT(02A) | FT | MULTISTRIPE OVERLAY-146.1MM - SHALE BLUE/FLINTSTONE/WIN GREEN/SHADOW BLUE |
| 3 | 137499-01-CHT(02A) | EA | DECAL-MAIN GRAPHIC, RH - SHALE BLUE/SHADOW BLUE/FLINTSTONE/WIN GREEN |
| 3 | 137499-02-CHT(02A) | EA | DECAL-MAIN GRAPHIC, LH - SHALE BLUE/SHADOW BLUE/FLINTSTONE/WIN GREEN |
| 4 | 140086-01-CHT(02A) | EA | DECAL-VISTA,LG - SHALE BLUE |
| 5 | 140086-02-CHT(02A) | EA | DECAL-VISTA,SML - SHALE BLUE |
| 6 | 120700-10-CHT(02A) | EA | DECAL-W - FLINTSTONE |
| 7 | 120702-03-CHT(34A) | EA | DECAL-WINNEBAGO - SHALE BLUE |
| 8 | 140275-01-CHT(02A) | EA | DECAL-WINGWALL,RH - SHALE BLUE/FLINTSTONE/WIN GREEN/SHADOW BLUE |
| 8 | 140275-02-CHT(02A) | EA | DECAL-WINGWALL,LH - SHALE BLUE/FLINTSTONE/WIN GREEN/SHADOW BLUE |
| 9 | 140276-01-CHT(02A) | EA | DECAL-CAB CORNER,RR,RH - SHALE BLUE/FLINTSTONE/WIN GREEN/SHADOW BLUE |
| 9 | 140276-02-CHT(02A) | EA | DECAL-CAB CORNER,RR,LH - SHALE BLUE/FLINTSTONE/WIN GREEN/SHADOW BLUE |
| 10 | 132664-01-CHT(01A) | EA | DECAL-DOMED,WINNEBAGO - CHROME/BLACK |



3. GRAPHICS WILL BE DELETED ON REFRIGERATOR VENT.

CENTERED ON UNIT

1. APPLY PROTECTOR 116424-01-000 TO WATER HEATER DOOR LATCH.

NOTES:

| | | | | | |
|--|--|--|--|--|--------|
| | | | | | 221 B |
| | | | | | 222 HD |
| | | | | | 222 OD |
| | | | | | 222 FD |
| | | | | | UNIT |

EXTERIOR BODY GROUP (CONTINUED)
GRAPHICS & PAINT (CONTINUED)

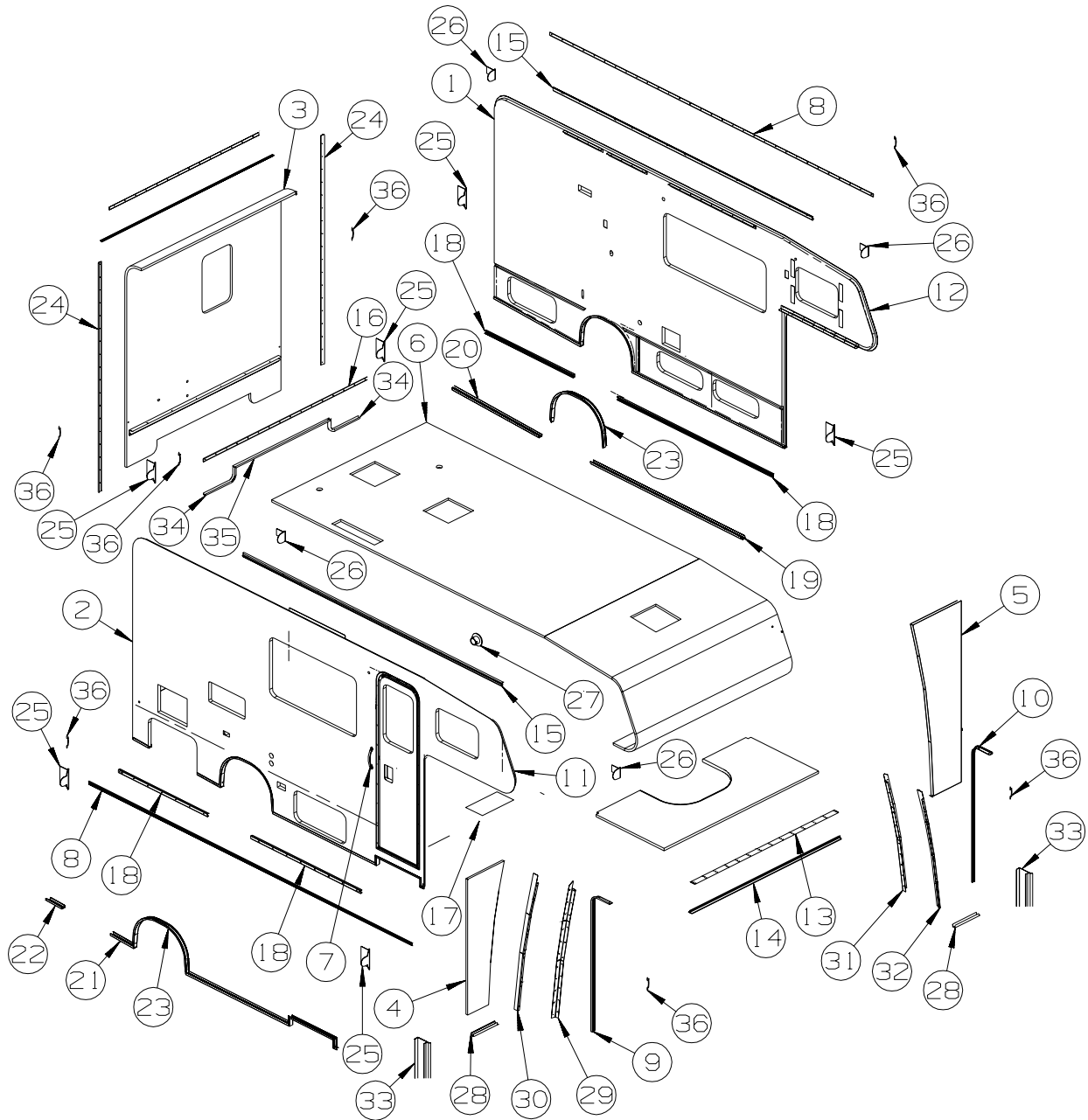
| KEY | PART NUMBER | U/M | DESCRIPTION |
|------------|--------------------|------------|--|
| | 072882-01-000 | GL | PAINT - LOW BAKE, OFF WHITE - REF:72897-01 |

DUPONT COLOR CODES

| | |
|------------------|--------|
| FLINTSTONE MET. | #DM440 |
| WIN.GREEN MET. | #GM198 |
| SHALE BLUE MET. | #F7044 |
| SHADOW BLUE MET. | #K9468 |

EXTERIOR BODY GROUP (CONTINUED)

PANELS & TRIMS



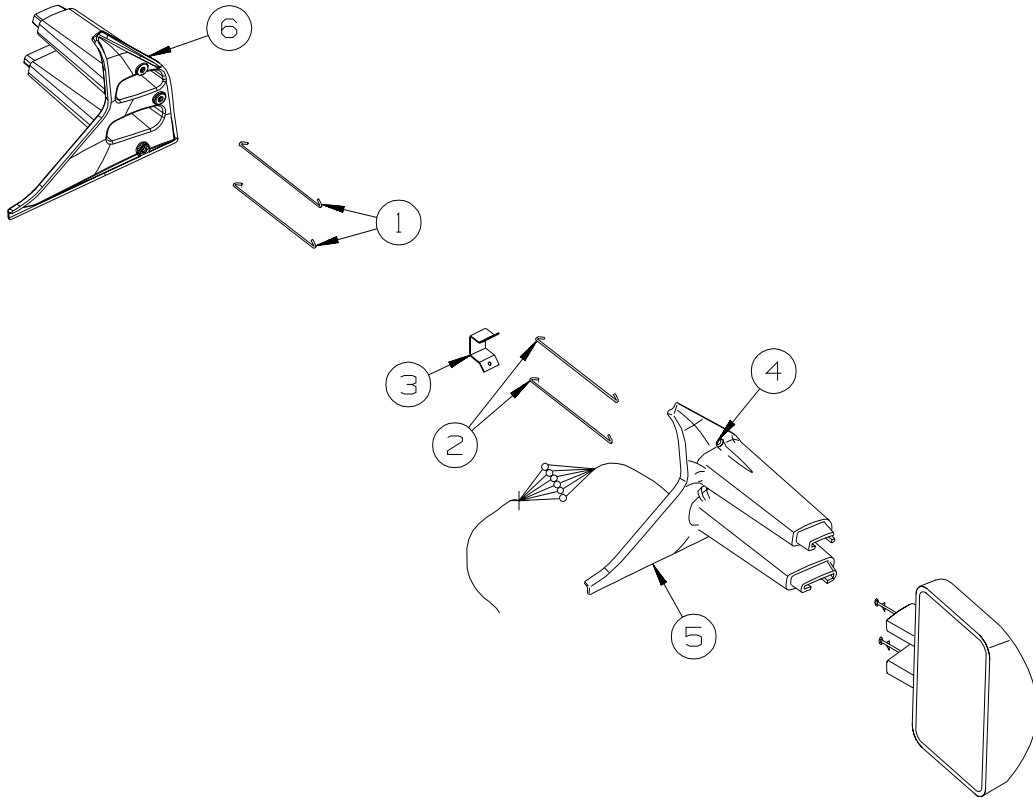
| KEY | PART NUMBER | U/M | DESCRIPTION |
|-----|---------------|-----|--|
| 1 | P39630-01-P01 | EA | SIDEWALL - DRIVER - W/O WINDOWS/TRIMS |
| 1 | P39630-01-P02 | EA | SIDEWALL - DRIVER - W/O WINDOWS/TRIMS |
| 1 | P39630-01-P03 | EA | SIDEWALL - DRIVER - W/O WINDOWS/TRIMS |
| 2 | P39631-01-P01 | EA | SIDEWALL - PASSENGER - W/O WINDOWS/TRIMS |
| 2 | P39631-01-P02 | EA | SIDEWALL - PASSENGER - W/O WINDOWS/TRIMS |
| 2 | P39631-01-P03 | EA | SIDEWALL - PASSENGER - W/O WINDOWS/TRIMS |
| 3 | 139815-01-P01 | EA | BACKWALL - W/O WINDOWS/TRIMS |
| 3 | 139815-01-P02 | EA | BACKWALL - W/O WINDOWS/TRIMS |
| 3 | 139815-01-P03 | EA | BACKWALL - W/O WINDOWS/TRIMS |
| 4 | 139632-01-P01 | EA | WINGWALL - PASSENGER |
| 4 | 139632-01-P02 | EA | WINGWALL - PASSENGER |
| 4 | 139632-01-P03 | EA | WINGWALL - PASSENGER |
| 5 | 139632-02-P01 | EA | WINGWALL - DRIVER |
| 5 | 139632-02-P02 | EA | WINGWALL - DRIVER |
| 5 | 139632-02-P03 | EA | WINGWALL - DRIVER |

EXTERIOR BODY GROUP (CONTINUED)
PANELS & TRIMS (CONTINUED)

| KEY | PART NUMBER | U/M | DESCRIPTION |
|------------|--------------------|------------|---|
| 6 | 139816-01-P01 | EA | ROOF - W/O LIGHTS/VENTS - W/WIRING |
| 7 | 009126-03-000 | EA | HANDLE - ASSIST - BLACK TEXTURED |
| 8 | 108688-01-07A | EA | STRIP - FEATURE - W/O INSERT/END CAPS - 15' - VW WHITE |
| 9 | 104479-11-01A | EA | TRIM - WINGWALL - PASS SIDE - VERTICAL - 62.3" VW/WHITE |
| 10 | 104479-12-01A | EA | TRIM - WINGWALL - DRVR SIDE - VERTICAL - 62.3" VW/WHITE |
| 11 | 136826-11-01A | EA | TRIM - CONTOUR |
| 12 | 136826-12-01A | EA | TRIM - CONTOUR |
| 13 | 100085-06-01A | EA | TRIM/STRAP - SLEEPERBOARD - VW WHITE - 84.2" |
| 14 | 100086-05-01A | EA | TRIM - SLEEPERBOARD/ROOF/LOWER - VW WHITE - 83.8" |
| 15 | 140155-01-01A | EA | RAIL - AWNING - VW WHITE |
| 16 | 108688-07-07A | EA | STRIP - FEATURE - W/O INSERT/END CAPS |
| 17 | 140051-01-02B | EA | PANEL - SEAL - BATTERY COMPARTMENT - E-COATED |
| 18 | 139251-51-001 | EA | EXTRUSION - SIDEWALL/LOWER - 191.7" |
| 19 | 108039-42-01A | EA | TRIM - SIDEWALL - 85.2" - BRIGHT WHITE |
| 20 | 108039-43-01A | EA | TRIM - SIDEWALL - 48.6" - BRIGHT WHITE |
| 21 | 108039-40-01A | EA | TRIM - SIDEWALL - 12.6" - BRIGHT WHITE |
| 22 | 108039-41-01A | EA | TRIM - SIDEWALL - 9" - BRIGHT WHITE |
| 23 | 140373-01-01A | EA | TRIM - WHEELWELL - REAR - VW WHITE |
| 24 | 096854-12-01A | EA | TRIM - CONTOUR - 100.6" - VW/WHITE |
| 25 | 108651-01-01A | EA | END CAP - FEATURE STRIP |
| 26 | 108651-02-01A | EA | END CAP - FEATURE STRIP |
| 27 | 137050-01-01A | EA | PLUG - CAP - PUSH-IN |
| 28 | 103335-08-03A | EA | TRIM - BACKWALL/WINGWALL - LOWER - 10.4" - VW WHITE |
| 29 | 139647-02-08B | EA | BRACKET - WINGWALL - VW WHITE |
| 30 | 140119-02-08B | EA | BRACKET - WINGWALL/INNER - VW WHITE |
| 31 | 139647-01-08B | EA | BRACKET - WINGWALL - VW WHITE |
| 32 | 140119-01-08B | EA | BRACKET - WINGWALL/INNER - VW WHITE |
| 33 | 140627-01-01A | EA | U-CHANNEL - W/REVERSE COVE |
| 34 | 103334-05-03A | EA | TRIM - BACKWALL/LOWER - DRIVER/PASSENGER - VW WHITE |
| | | | FROM: 00-00-00 THRU: 09-24-02 |
| 34 | 103334-07-03A | EA | TRIM - BACKWALL/LOWER - 17.1" - VW WHITE |
| | | | FROM: 09-25-02 THRU: 99-99-99 |
| 35 | 103335-07-03A | EA | TRIM - BACKWALL/LOWER - VW WHITE |
| | | | FROM: 00-00-00 THRU: 09-24-02 |
| 35 | 103335-10-03A | EA | TRIM - BACKWALL/LOWER - 54" - VW WHITE |
| | | | FROM: 09-25-02 THRU: 99-99-99 |
| 36 | 105312-01-12A | FT | INSERT - FEATURE STRIP - VINYL - VW WHITE |

EXTERIOR BODY GROUP (CONTINUED)

MIRRORS



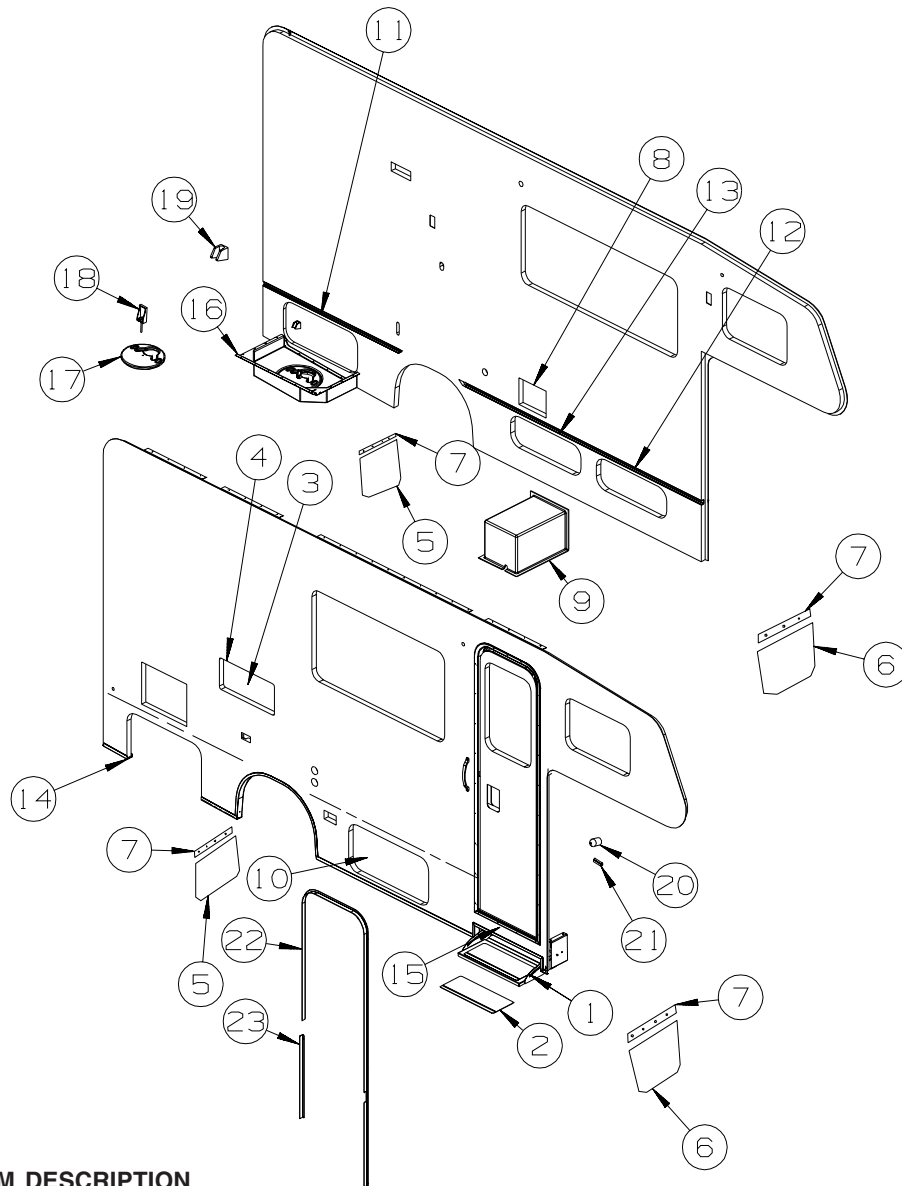
| KEY | PART NUMBER | U/M | DESCRIPTION |
|-----|---------------|-----|---|
| 1 | 115752-04-01A | EA | ROD/MIRROR HOOK - 5.8" |
| 2 | 115752-04-01A | EA | ROD/MIRROR HOOK - 5.8" |
| | | | FROM: 00-00-00 THRU: 06-26-02 |
| 2 | 115752-05-01A | EA | ROD/MIRROR HOOK - 6.8" |
| | | | FROM: 06-27-02 THRU: 99-99-99 |
| 3 | 115334-01-02B | EA | BRACKET - F/MIRROR ROD - E-COATED |
| | | | FROM: 00-00-00 THRU: 08-18-02 |
| 3 | 115334-02-02B | EA | HOOK/BRACKET - MIRROR - E-COATED |
| | | | FROM: 08-19-02 THRU: 99-99-99 |
| 4 | 127984-01-01A | EA | SCREW - EXTERIOR MIRROR - VW WHITE |
| 5 | 114494-05-02A | EA | BRACKET - MIRROR - PASSENGER - VW WHITE |
| | | | FROM: 00-00-00 THRU: 06-26-02 |
| 5 | 143191-01-02A | EA | BRACKET - MIRROR - PASSENGER - VW WHITE |
| | | | FROM: 06-27-02 THRU: 99-99-99 |
| | 143191-01-01A | EA | BRACKET - MIRROR - PASSENGER - MILL |
| | | | FROM: 06-27-02 THRU: 99-99-99 |
| 6 | 114494-06-02A | EA | BRACKET - MIRROR - DRIVER - VW WHITE |
| | | | FROM: 00-00-00 THRU: 06-26-02 |
| 6 | 143191-02-02A | EA | BRACKET - MIRROR - DRIVER - VW WHITE |
| | | | FROM: 06-27-02 THRU: 99-99-99 |
| | 143191-02-01A | EA | BRACKET - MIRROR - DRIVER - MILL |
| | | | FROM: 06-27-02 THRU: 99-99-99 |

EXTERIOR BODY GROUP (CONTINUED)
STRUCTURAL COMPONENTS

| KEY | PART NUMBER | U/M | DESCRIPTION |
|------------|--------------------|------------|--|
| | 002726-01-001 | EA | GARNISH - U-CHANNEL - 1.38" X 19' - SERRATED |
| | 089297-01-000 | SF | PLYWOOD - LUAN - OVERLAY GRADE - 4' X 8' |
| | 100619-01-000 | BF | FOAM - EXPANDED POLYSTYRENE - 1.34" X 48" X 96" |
| | 100619-02-000 | BF | FOAM - EXPANDED POLYSTYRENE - 1.5" X 48" X 96" |
| | 100619-04-000 | BF | FOAM - EXPANDED POLYSTYRENE - .5" X 48" X 96" |
| | 100619-05-000 | BF | FOAM - EXPANDED POLYSTYRENE - .75" X 48" X 96"-1.5 DENSITY |
| | 100619-16-000 | BF | FOAM - EXPANDED POLYSTYRENE - .75" X 48" X 96"-2.0 DENSITY |
| | 108535-08-01A | EA | FIBERGLASS SHEET - 90" X 96" - ROOF - VW WHITE |
| | 135926-07-02A | EA | FIBERGLASS - SHEET - 97.5" X 219.5" - SIDEWALL/VW WHITE |
| | 135926-08-02A | EA | FIBERGLASS - SHEET - 87" X 104" - BACKWALL/VW WHITE |
| | 135926-09-02A | EA | FIBERGLASS - SHEET - 35.8" X 87" - VW WHITE |
| | 135926-10-02A | EA | FIBERGLASS - SHEET - 23.5" X 62.9"- VW WHITE |
| | 135926-11-01A | EA | FIBERGLASS - SHEET - 18.6" X 87.1"-BACKWALL/ROOF - BRT WHT |
| | 135926-11-02A | EA | FIBERGLASS - SHEET - 18.6" X 86.9" - BACKWALL - VW WHITE |
| | 135926-12-02A | EA | FIBERGLASS - SHEET - 12.6" X 86.9" - VW WHITE |
| | 135926-16-02A | EA | FIBERGLASS - SHEET - 14.8" X 87.1" - BACKWALL - VW WHITE |

EXTERIOR DOORS & COMPARTMENTS GROUP

DOOR & COMPARTMENT LAYOUT

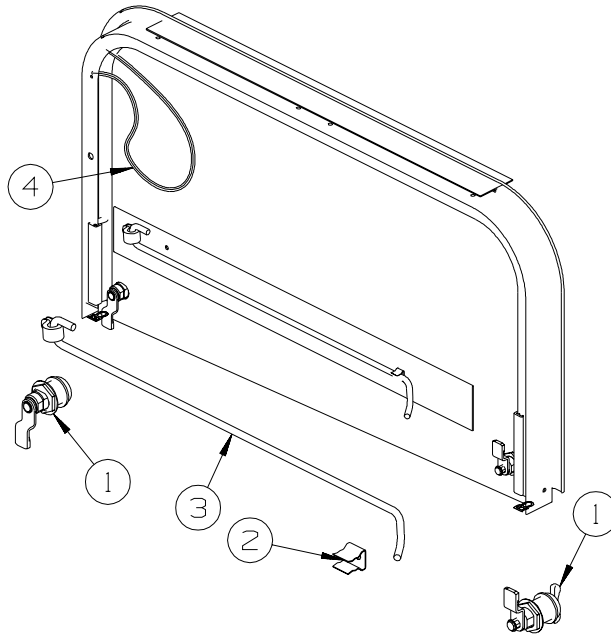


| KEY | PART NUMBER | U/M | DESCRIPTION |
|-----|---------------|-----|---|
| 1 | 139748-01-04B | EA | STEP/PULLOUT - W/BRACKETS - BLACK |
| 2 | 102569-05-000 | EA | MAT - ANTI SLIP |
| 3 | 084103-10-000 | EA | DOOR - VENT/REFRIGERATOR - W/O JAMB - VW WHITE |
| 4 | 084104-10-000 | EA | JAMB - VENT DOOR/REFRIGERATOR - VW WHITE |
| 5 | 073905-01-000 | EA | MUD FLAP - REAR - 10.1" X 9.3" |
| 6 | 073905-03-000 | EA | MUD FLAP - FRONT - 12.2" X 7.9" |
| 7 | 073913-01-000 | EA | RETAINER - MUDFLAP - METAL |
| 8 | 088794-08-000 | EA | DOOR - POWER CORD W/HATCH - VW WHITE |
| 8 | 142894-01-02A | EA | DOOR/POWER CORD - W/HATCH - W/O LOCK - VW WHITE FROM: 00-00-00 THRU: 12-08-02 FROM: 12-09-02 THRU: 99-99-99 |
| 9 | 102979-07-000 | EA | BOX - POWER CORD |
| 10 | 126946-14-N33 | EA | DOOR/STORAGE - W/O HARDWARE - 29.2" X 14" FROM: 00-00-00 THRU: 09-15-02 |
| 10 | 126946-31-P01 | EA | DOOR/STORAGE - W/O HARDWARE FROM: 09-16-02 THRU: 99-99-99 |
| 11 | 126946-28-N33 | EA | DOOR/STORAGE - W/O HARDWARE - 26.3" X 11.9" FROM: 00-00-00 THRU: 09-15-02 |
| 11 | 126946-32-P01 | EA | DOOR/STORAGE - W/O HARDWARE FROM: 09-16-02 THRU: 99-99-99 |
| 12 | 126946-29-N33 | EA | DOOR/STORAGE - W/O HARDWARE - 25.7" X 8.9" FROM: 00-00-00 THRU: 09-15-02 |
| 12 | 126946-33-P01 | EA | DOOR/STORAGE - W/O HARDWARE FROM: 09-16-02 THRU: 99-99-99 |

EXTERIOR DOORS & COMPARTMENTS GROUP (CONTINUED)
DOOR & COMPARTMENT LAYOUT (CONTINUED)

| KEY | PART NUMBER | U/M | DESCRIPTION |
|------------|--------------------|------------|---|
| 13 | 126946-30-N33 | EA | DOOR/STORAGE - W/O HARDWARE - 25.7" X 8.9" |
| 14 | 127278-05-N33 | EA | VALANCE/DOOR - PASS W/O HARDWARE - 15.5" X 26.9" X 14.4" FROM: 00-00-00 THRU: 09-15-02 |
| 14 | 127278-07-P01 | EA | VALANCE/DOOR - PASS W/O HARDWARE - 15.4" X 27.2" X 14.1" FROM: 09-16-02 THRU: 99-99-99 |
| 15 | 133114-05-01A | EA | TREAD - STEP/RUBBER - TAUPE (P01, P03) |
| 15 | 133114-05-03A | EA | TREAD - STEP/RUBBER - GRAY (P02) |
| 16 | 139649-01-N33 | EA | COMPARTMENT - DRAINAGE |
| 17 | M08628-01-H17 | EA | HATCH - W/FOAM INSERT - 3/4" X 11 1/2" DIA.- BLACK PLASTIC |
| 18 | 121175-02-01A | EA | LATCH - SWELL |
| 19 | 131383-03-02A | EA | BRACKET - SHOWER HEAD - WHITE |
| 20 | 117046-02-000 | EA | BUMPER - RUBBER/ROUND END - 1.5" |
| 21 | 102768-01-000 | EA | HOLDER - COMPARTMENT/ENTRY DOOR - METAL - MILL FINISH |
| 22 | 139100-05-01A | EA | GARNISH/RADIUS - ENTRY DOOR - VW WHITE |
| 23 | 139101-02-02A | EA | GARNISH/STRAIGHT - ENTRY DOOR - VW WHITE |

EXTERIOR DOORS & COMPARTMENTS GROUP (CONTINUED)
COMPARTMENT DOOR PIECE PARTS



| KEY | PART NUMBER | U/M | DESCRIPTION | |
|-----|---------------|-----|--|-------------------------------|
| 1 * | 110506-27-000 | EA | LOCK - TWIST - 1.6" | |
| | 110506-55-000 | EA | CASE/CYLINDER - TWIST LOCK - W/O CAM - 1.25" - 597312AA1 | |
| | 110506-66-000 | EA | CAM - LATCHING - DOG LEG - 1.5" LONG | |
| | 107997-51-003 | EA | SPACER - DOOR LOCK .79" DEEP | |
| | | | | FROM: 00-00-00 THRU: 01-19-03 |
| | 144734-01-000 | EA | SPACER - LOCK | |
| | | | | FROM: 01-20-03 THRU: 99-99-99 |

LOCK ASSEMBLY USED UP TO: 09-15-02

| | | | |
|----|---------------|----|--|
| 1* | 110506-26-000 | EA | LOCK - KEYED - 1.6" |
| | 110506-54-000 | EA | CASE/CYLINDER - LOCKING - W/O CAM/KEY - 1.25" - 703170 |
| | 110506-54-001 | EA | CASE/CYLINDER - LOCKING - W/O CAM/KEY - 1.25" - 703171 |
| | 110506-54-002 | EA | CASE/CYLINDER - LOCKING - W/O CAM/KEY - 1.25" - 703172 |
| | 110506-54-003 | EA | CASE/CYLINDER - LOCKING - W/O CAM/KEY - 1.25" - 703173 |
| | 110506-54-004 | EA | CASE/CYLINDER - LOCKING - W/O CAM/KEY - 1.25" - 703174 |
| | 110506-54-005 | EA | CASE/CYLINDER - LOCKING - W/O CAM/KEY - 1.25" - 703175 |
| | 110506-54-006 | EA | CASE/CYLINDER - LOCKING - W/O CAM/KEY - 1.25" - 703176 |
| | 110506-54-007 | EA | CASE/CYLINDER - LOCKING - W/O CAM/KEY - 1.25" - 703177 |
| | 110506-54-008 | EA | CASE/CYLINDER - LOCKING - W/O CAM/KEY - 1.25" - 703178 |
| | 110506-66-000 | EA | CAM - LATCHING - DOG LEG - 1.5" LONG |

LOCK ASSEMBLY USED FROM: 09-16-02 TO 01-19-03

| | | | |
|---|---------------|----|---|
| 1 | 138637-02-000 | EA | LOCK ASM. - KEYED - 1.3" CASE (CYLINDER/CAM/HDWR PKG) |
| | 138637-50-000 | EA | CASE/CYLINDER - LOCKING - W/O CAM/KEY - 1.3" |
| | 138637-50-001 | EA | CASE/CYLINDER - LOCKING - W/O CAM/KEY - 1.3" |
| | 138637-50-002 | EA | CASE/CYLINDER - LOCKING - W/O CAM/KEY - 1.3" |
| | 138637-50-003 | EA | CASE/CYLINDER - LOCKING - W/O CAM/KEY - 1.3" |
| | 138637-50-004 | EA | CASE/CYLINDER - LOCKING - W/O CAM/KEY - 1.3" |
| | 138637-50-005 | EA | CASE/CYLINDER - LOCKING - W/O CAM/KEY - 1.3" |
| | 138637-50-006 | EA | CASE/CYLINDER - LOCKING - W/O CAM/KEY - 1.3" |
| | 138637-50-007 | EA | CASE/CYLINDER - LOCKING - W/O CAM/KEY - 1.3" |
| | 138637-50-008 | EA | CASE/CYLINDER - LOCKING - W/O CAM/KEY - 1.3" |
| | 138637-50-009 | EA | CASE/CYLINDER - LOCKING - W/O CAM/KEY - 1.3" |
| | 138637-61-000 | EA | CAM - LATCHING - DOG LEG - 1 15/32" LONG |

EXTERIOR DOORS & COMPARTMENTS GROUP (CONTINUED)
COMPARTMENT DOOR PIECE PARTS (CONTINUED)

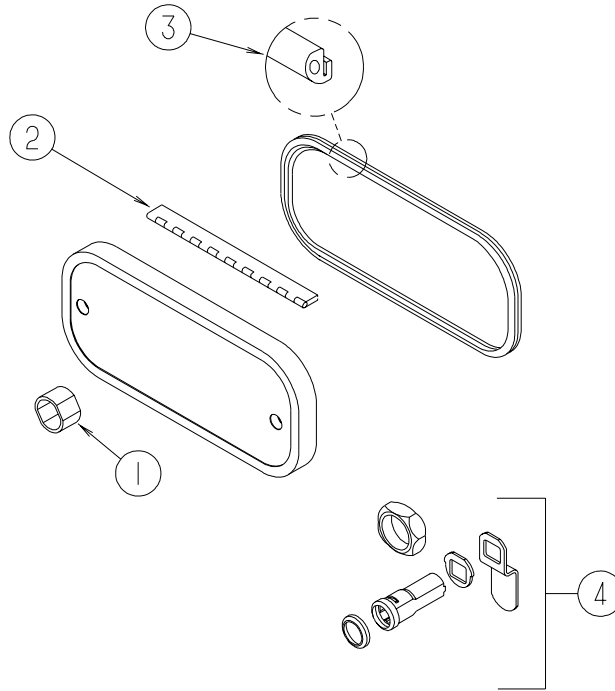
KEY PART NUMBER U/M DESCRIPTION

LOCK ASSEMBLY USED FROM: 01-20-03 TO 99-99-99

| | | | |
|---|---------------|----|---|
| 1 | 138637-04-000 | EA | LOCK ASM. - KEYED - 1.5" CASE (CYLINDER/CAM/HDWR PKG) |
| | 138637-53-000 | EA | CASE/CYLINDER - LOCKING - W/O CAM/KEY - 1.5" |
| | 138637-53-001 | EA | CASE/CYLINDER - LOCKING - W/O CAM/KEY - 1.5" |
| | 138637-53-002 | EA | CASE/CYLINDER - LOCKING - W/O CAM/KEY - 1.5" |
| | 138637-53-003 | EA | CASE/CYLINDER - LOCKING - W/O CAM/KEY - 1.5" |
| | 138637-53-004 | EA | CASE/CYLINDER - LOCKING - W/O CAM/KEY - 1.5" |
| | 138637-53-005 | EA | CASE/CYLINDER - LOCKING - W/O CAM/KEY - 1.5" |
| | 138637-53-006 | EA | CASE/CYLINDER - LOCKING - W/O CAM/KEY - 1.5" |
| | 138637-53-007 | EA | CASE/CYLINDER - LOCKING - W/O CAM/KEY - 1.5" |
| | 138637-53-008 | EA | CASE/CYLINDER - LOCKING - W/O CAM/KEY - 1.5" |
| | 138637-53-009 | EA | CASE/CYLINDER - LOCKING - W/O CAM/KEY - 1.5" |
| | 138637-63-000 | EA | CAM - LATCHING |
| 2 | 089329-02-000 | EA | CLIP - SPRING |
| 3 | 101667-05-000 | EA | PROP ROD - 17.53" |
| | 121577-05-01A | EA | PLATE - W/HOLE - BRIGHT WHITE |
| 4 | 076767-04-000 | EA | CABLE - STAINLESS STEEL - 5.9" |
| | 081801-AG-000 | EA | HINGE - ALUMINUM - VW WHITE |

***COMPONENT PARTS LISTED LATER IN THIS GROUP**

EXTERIOR DOORS & COMPARTMENTS GROUP (CONTINUED)
COMPARTMENT DOOR PIECE PARTS (CONTINUED)



| KEY | PART NUMBER | U/M | DESCRIPTION | |
|--|---------------|-----|--|-------------------------------|
| 1 | 107997-51-001 | EA | SPACER - DOOR LOCK - .6" DEEP | |
| | | | | FROM: 00-00-00 THRU: 01-19-03 |
| 1 | 144734-01-000 | EA | SPACER - LOCK | |
| | | | | FROM: 01-20-03 THRU: 99-99-99 |
| 2 | 081801-AG-000 | EA | HINGE - ALUMINUM - VW WHITE | |
| 3 | 106850-02-000 | FT | SEAL-E - SPONGE RUBBER - .43" X .75" | |
| 4* | 110506-27-000 | EA | LOCK - TWIST - 1.6" | |
| | 110506-55-000 | EA | CASE/CYLINDER - TWIST LOCK - W/O CAM - 1.25" - 597312AA1 | |
| | 110506-66-000 | EA | CAM - LATCHING - DOG LEG - 1.5" LONG | |
| LOCK ASSEMBLY USED UP TO: 09-15-02 | | | | |
| 4* | 110506-26-000 | EA | LOCK - KEYED - 1.6" | |
| | 110506-54-000 | EA | CASE/CYLINDER - LOCKING - W/O CAM/KEY - 1.25" - 703170 | |
| | 110506-54-001 | EA | CASE/CYLINDER - LOCKING - W/O CAM/KEY - 1.25" - 703171 | |
| | 110506-54-002 | EA | CASE/CYLINDER - LOCKING - W/O CAM/KEY - 1.25" - 703172 | |
| | 110506-54-003 | EA | CASE/CYLINDER - LOCKING - W/O CAM/KEY - 1.25" - 703173 | |
| | 110506-54-004 | EA | CASE/CYLINDER - LOCKING - W/O CAM/KEY - 1.25" - 703174 | |
| | 110506-54-005 | EA | CASE/CYLINDER - LOCKING - W/O CAM/KEY - 1.25" - 703175 | |
| | 110506-54-006 | EA | CASE/CYLINDER - LOCKING - W/O CAM/KEY - 1.25" - 703176 | |
| | 110506-54-007 | EA | CASE/CYLINDER - LOCKING - W/O CAM/KEY - 1.25" - 703177 | |
| | 110506-54-008 | EA | CASE/CYLINDER - LOCKING - W/O CAM/KEY - 1.25" - 703178 | |
| | 110506-54-009 | EA | CASE/CYLINDER - LOCKING - W/O CAM/KEY - 1.25" - 703179 | |
| | 110506-66-000 | EA | CAM - LATCHING - DOG LEGGED 1.5" LONG | |
| LOCK ASSEMBLY USED FROM: 09-16-02 TO 01-19-03 | | | | |
| 4 | 138637-02-000 | EA | LOCK ASM. - KEYED - 1.3" CASE (CYLINDER/CAM/HDWR PKG) | |
| | 138637-50-000 | EA | CASE/CYLINDER - LOCKING - W/O CAM/KEY - 1.3" | |
| | 138637-50-001 | EA | CASE/CYLINDER - LOCKING - W/O CAM/KEY - 1.3" | |
| | 138637-50-002 | EA | CASE/CYLINDER - LOCKING - W/O CAM/KEY - 1.3" | |
| | 138637-50-003 | EA | CASE/CYLINDER - LOCKING - W/O CAM/KEY - 1.3" | |
| | 138637-50-004 | EA | CASE/CYLINDER - LOCKING - W/O CAM/KEY - 1.3" | |
| | 138637-50-005 | EA | CASE/CYLINDER - LOCKING - W/O CAM/KEY - 1.3" | |
| | 138637-50-006 | EA | CASE/CYLINDER - LOCKING - W/O CAM/KEY - 1.3" | |
| | 138637-50-007 | EA | CASE/CYLINDER - LOCKING - W/O CAM/KEY - 1.3" | |
| | 138637-50-008 | EA | CASE/CYLINDER - LOCKING - W/O CAM/KEY - 1.3" | |
| | 138637-50-009 | EA | CASE/CYLINDER - LOCKING - W/O CAM/KEY - 1.3" | |
| | 138637-61-000 | EA | CAM - LATCHING - DOG LEG - 1 15/32" LONG | |

EXTERIOR DOORS & COMPARTMENTS GROUP (CONTINUED)
COMPARTMENT DOOR PIECE PARTS (CONTINUED)

KEY PART NUMBER U/M DESCRIPTION

LOCK ASSEMBLY USED FROM: 01-20-03 TO 99-99-99

| | | | |
|---|---------------|----|---|
| 4 | 138637-04-000 | EA | LOCK ASM. - KEYED - 1.5" CASE (CYLINDER/CAM/HDWR PKG) |
| | 138637-53-000 | EA | CASE/CYLINDER - LOCKING - W/O CAM/KEY - 1.5" |
| | 138637-53-001 | EA | CASE/CYLINDER - LOCKING - W/O CAM/KEY - 1.5" |
| | 138637-53-002 | EA | CASE/CYLINDER - LOCKING - W/O CAM/KEY - 1.5" |
| | 138637-53-003 | EA | CASE/CYLINDER - LOCKING - W/O CAM/KEY - 1.5" |
| | 138637-53-004 | EA | CASE/CYLINDER - LOCKING - W/O CAM/KEY - 1.5" |
| | 138637-53-005 | EA | CASE/CYLINDER - LOCKING - W/O CAM/KEY - 1.5" |
| | 138637-53-006 | EA | CASE/CYLINDER - LOCKING - W/O CAM/KEY - 1.5" |
| | 138637-53-007 | EA | CASE/CYLINDER - LOCKING - W/O CAM/KEY - 1.5" |
| | 138637-53-008 | EA | CASE/CYLINDER - LOCKING - W/O CAM/KEY - 1.5" |
| | 138637-53-009 | EA | CASE/CYLINDER - LOCKING - W/O CAM/KEY - 1.5" |
| | 138637-63-000 | EA | CAM - LATCHING - DOG LEG - 1.5" LONG |

***COMPONENT PARTS LISTED LATER IN THIS GROUP**

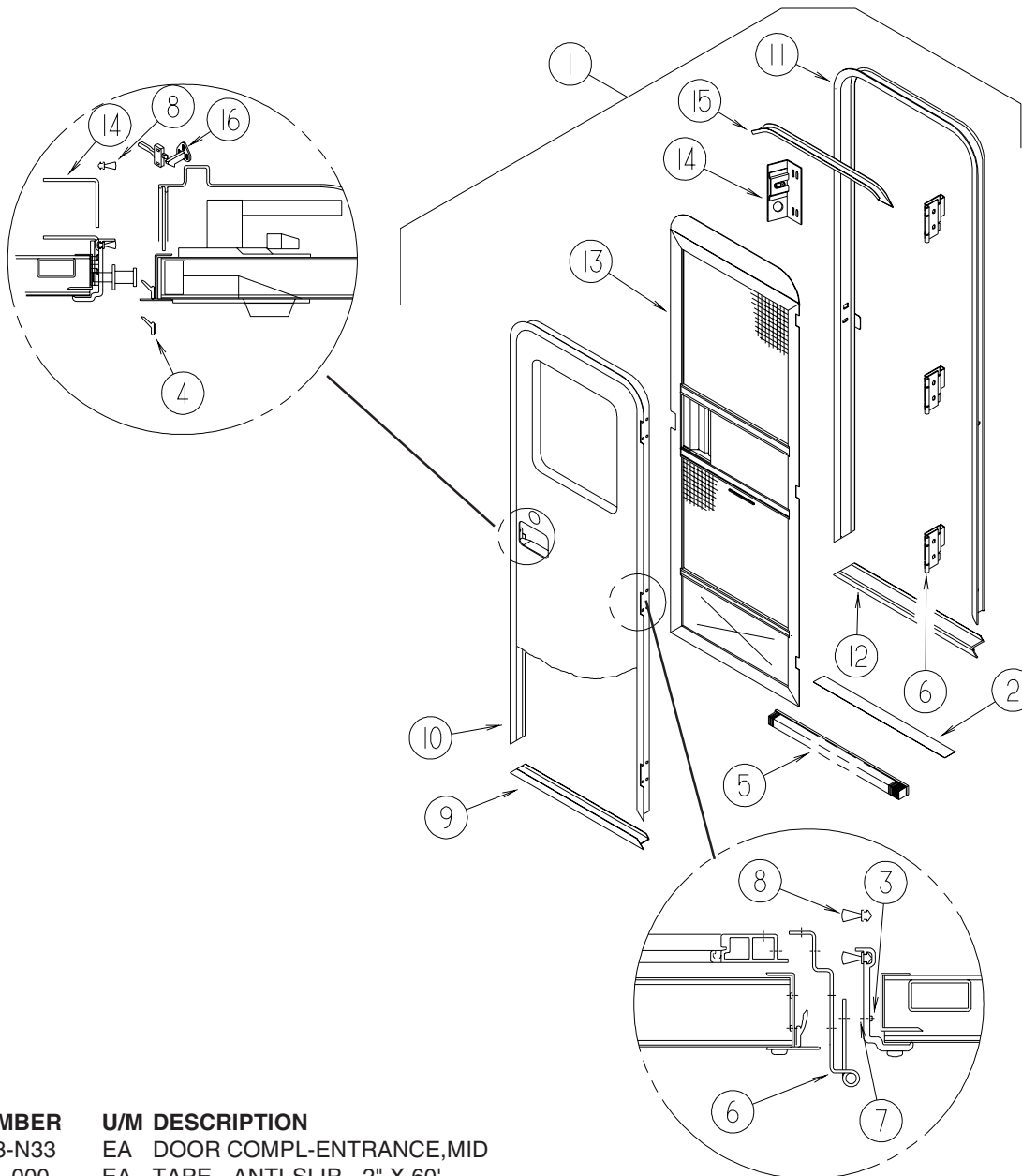
EXTERIOR DOORS & COMPARTMENTS GROUP (CONTINUED)
COMPONENT PARTS FOR COMPARTMENT DOOR PIECE PARTS

110506-A1-000, 110506-A2-000, 110506-26-000, 110506-27-000

| KEY | PART NUMBER | U/M | DESCRIPTION | VENDOR NO . |
|------------|--------------------|------------|--------------------------------|--------------------|
| | 110506-40-700 | EA | HARDWARE PACKAGE-CYLINDER/CASE | 596950AAL |

EXTERIOR DOORS & COMPARTMENTS GROUP (CONTINUED)

ENTRY

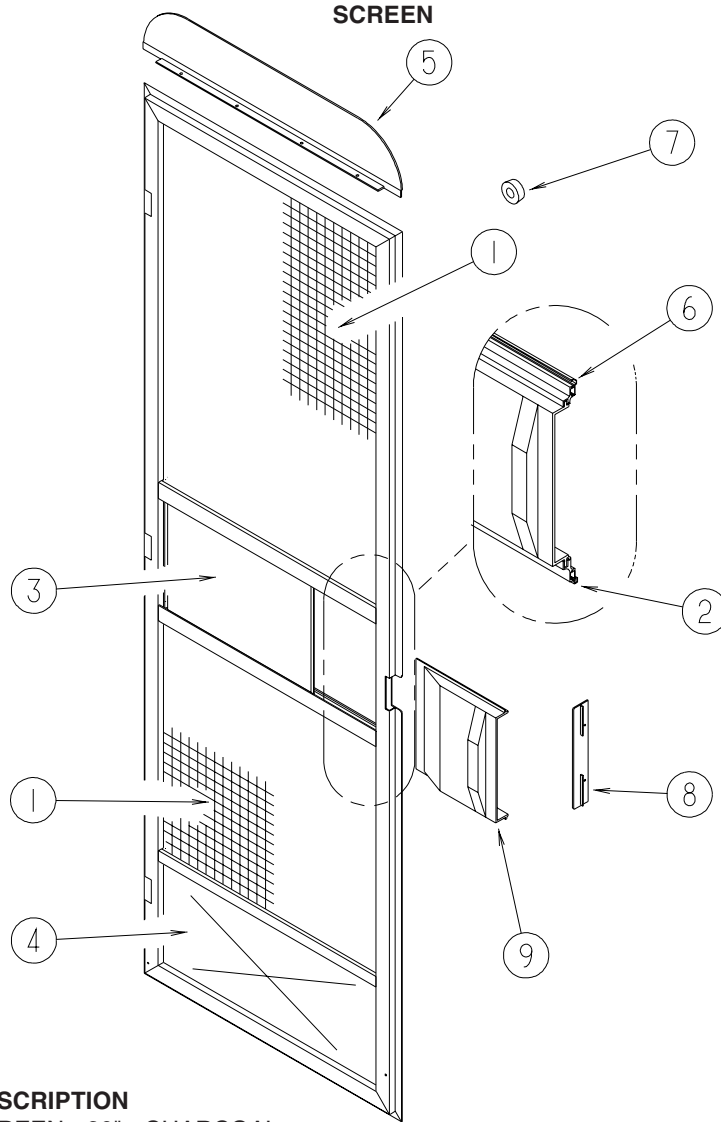


| KEY | PART NUMBER | U/M | DESCRIPTION |
|-----|---------------|-----|--|
| 1 | P32206-13-N33 | EA | DOOR COMPL-ENTRANCE,MID |
| 2 | 038327-01-000 | EA | TAPE - ANTI-SLIP - 2" X 60' |
| 3 | 039715-01-000 | EA | NUT-SERT - 1/4" DIAMETER - 20 THREADS |
| 4 | 075671-04-000 | FT | SEAL - SPONGE - LAZY T - W/ADHESIVE STRIP - .5" WIDE |
| 5 | 075673-05-000 | FT | SEAL - PILE - ADHESIVE BACK - BLACK |
| 6 | 106719-01-07A | EA | HINGE - ENTRY DOOR - VW WHITE |
| 7 | 116111-02-01A | EA | SCREW - TAPTITE - 1/4-20 X 3/8 PPH - ZINC |
| 8 | 118929-01-01A | FT | SEAL - PILE - PUSH ON |
| 9 | 121893-02-03A | EA | FRAME - ENTRY DOOR - VW/WHITE |
| 10 | 121894-24-01A | EA | FRAME - ENTRY DOOR - VW WHITE |
| 11 | 121898-19-01A | EA | JAMB - ENTRY DOOR - VW WHITE |
| 12 | 051049-04-000 | EA | JAMB/DOOR - BOTTOM - UNPAINTED |
| 13 | 132208-05-N33 | EA | DOOR - SCREEN - W/O HARDWARE |
| 14 | 137401-01-03B | EA | BRACKET - DOOR ANGLE - OFF WHITE |
| 15 | 044582-53-000 | EA | CAP - DRIP - JAMB MOUNTED - VW WHITE |
| | | | FROM: 00-00-00 THRU: 08-04-02 |
| 15 | 139054-11-01A | EA | CAP - DRIP - JAMB MOUNTED - VW WHITE |
| | | | FROM: 08-05-02 THRU: 99-99-99 |
| 16 | 132915-01-01A | EA | LATCH - SCREEN DOOR - BLACK |

EXTERIOR DOORS & COMPARTMENTS GROUP (CONTINUED)
ENTRY (CONTINUED)

| KEY | PART NUMBER | U/M | DESCRIPTION |
|------------|--------------------|------------|--|
| | 138287-01-000 | EA | CYLINDER/LOCK - ENTRY DOOR (MASTER) |
| | 138287-02-000 | EA | CYLINDER/LOCK - ENTRY DOOR (MASTER) |
| | 138287-03-000 | EA | CYLINDER/LOCK - ENTRY DOOR (MASTER) |
| | 138287-04-000 | EA | CYLINDER/LOCK - ENTRY DOOR (MASTER) |
| | 138287-05-000 | EA | CYLINDER/LOCK - ENTRY DOOR (MASTER) |
| | 138287-06-000 | EA | CYLINDER/LOCK - ENTRY DOOR (MASTER) |
| | 138287-07-000 | EA | CYLINDER/LOCK - ENTRY DOOR (MASTER) |
| | 138287-08-000 | EA | CYLINDER/LOCK - ENTRY DOOR (MASTER) |
| | 138287-09-000 | EA | CYLINDER/LOCK - ENTRY DOOR (MASTER) |
| | 138287-10-000 | EA | CYLINDER/LOCK - ENTRY DOOR (MASTER) |
| | 138288-01-000 | EA | KEY - REVERSIBLE - #1151 - T/M 16169-02-3091 |
| | 138288-02-000 | EA | KEY - REVERSIBLE - #1152 - T/M 16169-02-3092 |
| | 138288-03-000 | EA | KEY - REVERSIBLE - #1153 - T/M 16169-02-3093 |
| | 138288-04-000 | EA | KEY - REVERSIBLE - #1154 - T/M 16169-02-3094 |
| | 138288-05-000 | EA | KEY - REVERSIBLE - #1155 - T/M 16169-02-3095 |
| | 138288-06-000 | EA | KEY - REVERSIBLE - #1156 - T/M 16169-02-3096 |
| | 138288-07-000 | EA | KEY - REVERSIBLE - #1157 - T/M 16169-02-3097 |
| | 138288-08-000 | EA | KEY - REVERSIBLE - #1158 - T/M 16169-02-3098 |
| | 138288-09-000 | EA | KEY - REVERSIBLE - #1159 - T/M 16169-02-3099 |
| | 138288-10-000 | EA | KEY - REVERSIBLE - #1150 - T/M 16169-02-3100 |

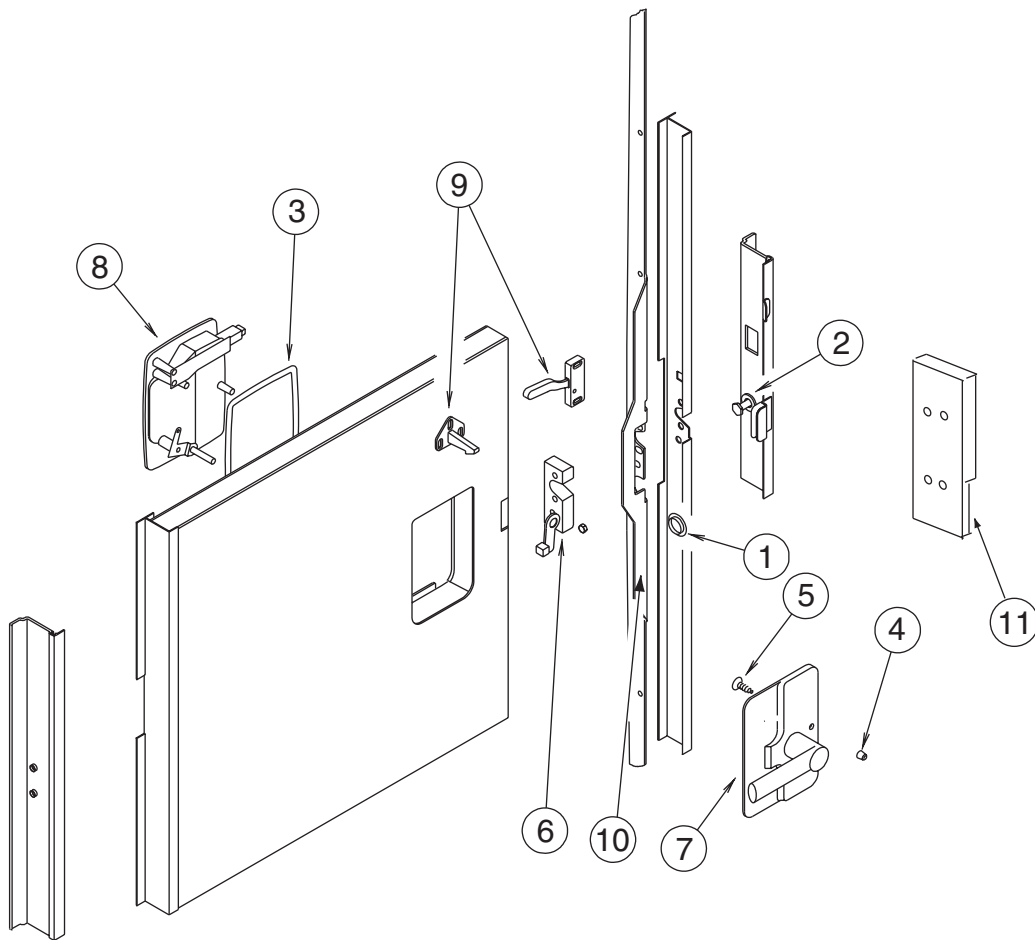
EXTERIOR DOORS & COMPARTMENTS GROUP (CONTINUED)



| KEY | PART NUMBER | U/M | DESCRIPTION |
|-----|---------------|-----|--|
| 1 | 002293-02-000 | SF | SCREEN - 26" - CHARCOAL |
| 2 | 002294-01-000 | FT | SPLINE - SCREENING - .13" X .14" |
| 3 | 016454-22-000 | EA | INSERT - SCREEN DOOR - CENTER |
| 4 | 078552-05-000 | EA | INSERT - SCEEN DOOR - LOWER - UNPAINTED |
| 5 | 078595-02-000 | EA | PLATE - SCREEN DOOR |
| 6 | 078777-08-000 | FT | CHANNEL - SLIDER |
| 7 | 120863-06-000 | EA | BUMPER - RUBBER/RADIUS TOP - 3/4" X 3/8" |
| 8 | 132081-01-01A | EA | STRIKE - SLIDER - SCREEN DOOR - BRIGHT WHITE |
| 9 | 132082-01-01A | EA | SLIDER - SCREEN DOOR - BRIGHT WHITE |

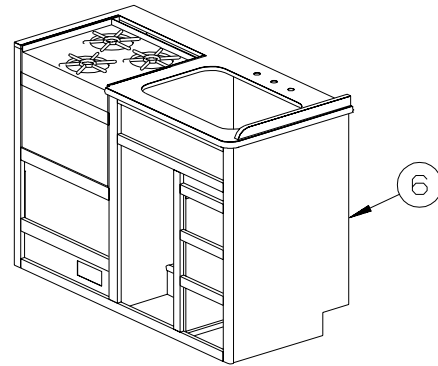
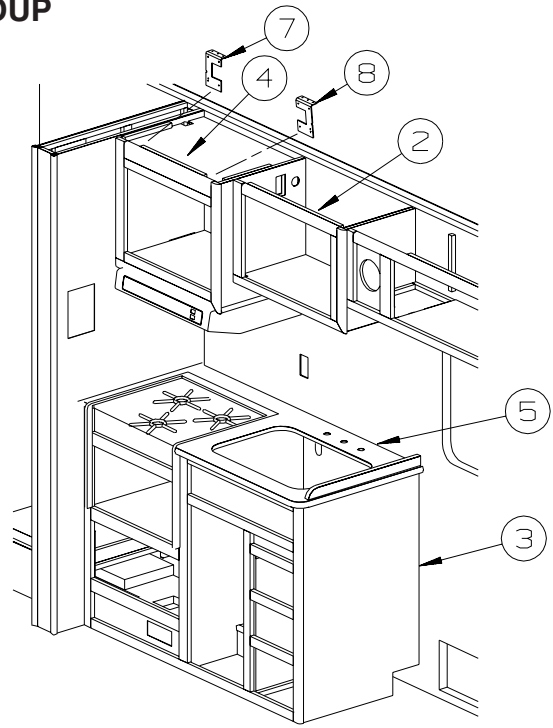
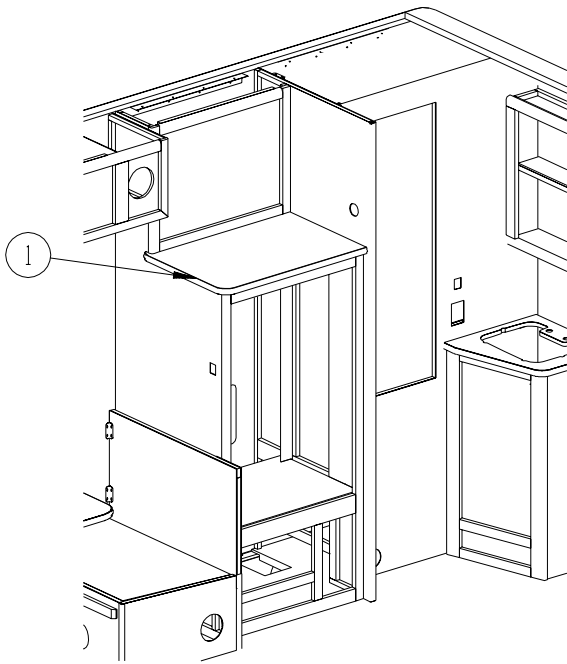
EXTERIOR DOORS & COMPARTMENTS GROUP (CONTINUED)

LATCH - ENTRY



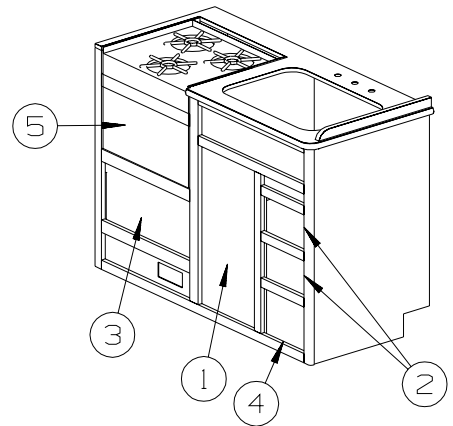
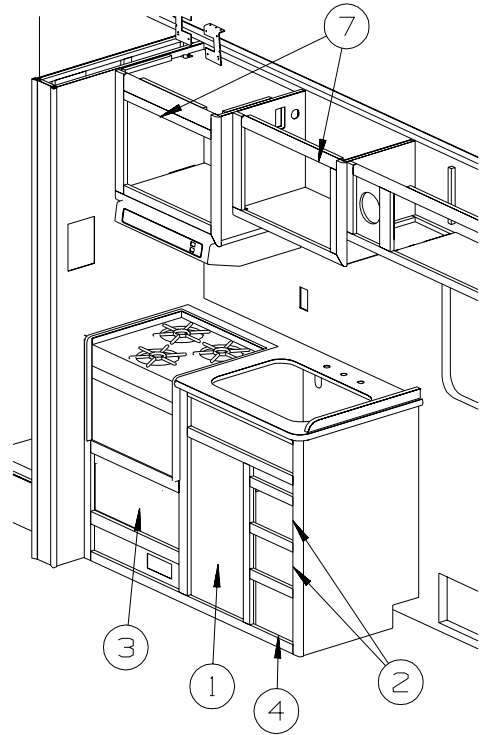
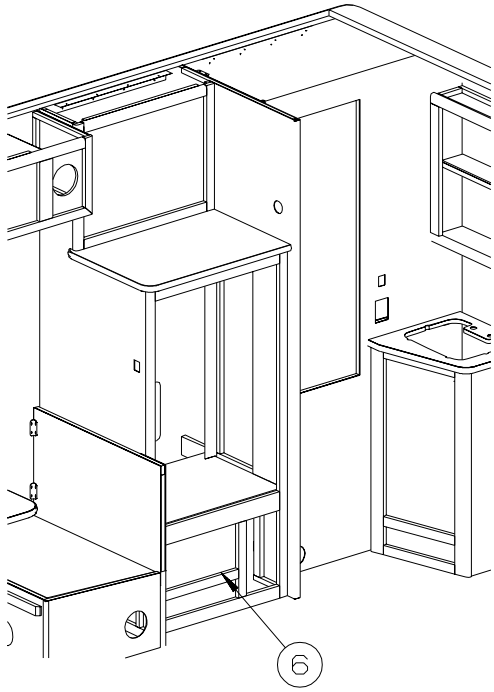
| KEY | PART NUMBER | U/M | DESCRIPTION |
|-----|---------------|-----|--|
| 1 | 061420-14-000 | EA | PLUG/PLASTIC - .034" DIAMETER |
| 2 | 092927-14-000 | EA | STRIKER - ROUND - JAMB MOUNTED |
| 3 | 112782-04-01A | EA | GASKET |
| 4 | 112782-05-01A | EA | CAP - VINYL - RED |
| 5 | 112782-08-01A | EA | SCREW - MOUNTING/PLATE - ZINC |
| 6 | 112782-15-01A | EA | LATCH - SINGLE ROTOR |
| 7 | 112782-16-01A | EA | LATCH - INTERIOR PLATE |
| 8 | 112782-18-01A | EA | LATCH - EXTERIOR - W/O LOCK CYLINDER W/ICON-REVERSIBLE KEY |
| 9 | 132915-01-01A | EA | LATCH - SCREEN DOOR |
| 10 | 132207-01-02B | EA | STIFFENER/DOOR - FORMED - E-COATED |
| | 072893-04-000 | EA | NUTSERT - 10-32 |
| 11 | 139102-01-01A | EA | COVER - BRACKET - STRIKE - BRIGHT WHITE |

GALLEY GROUP CABINETS



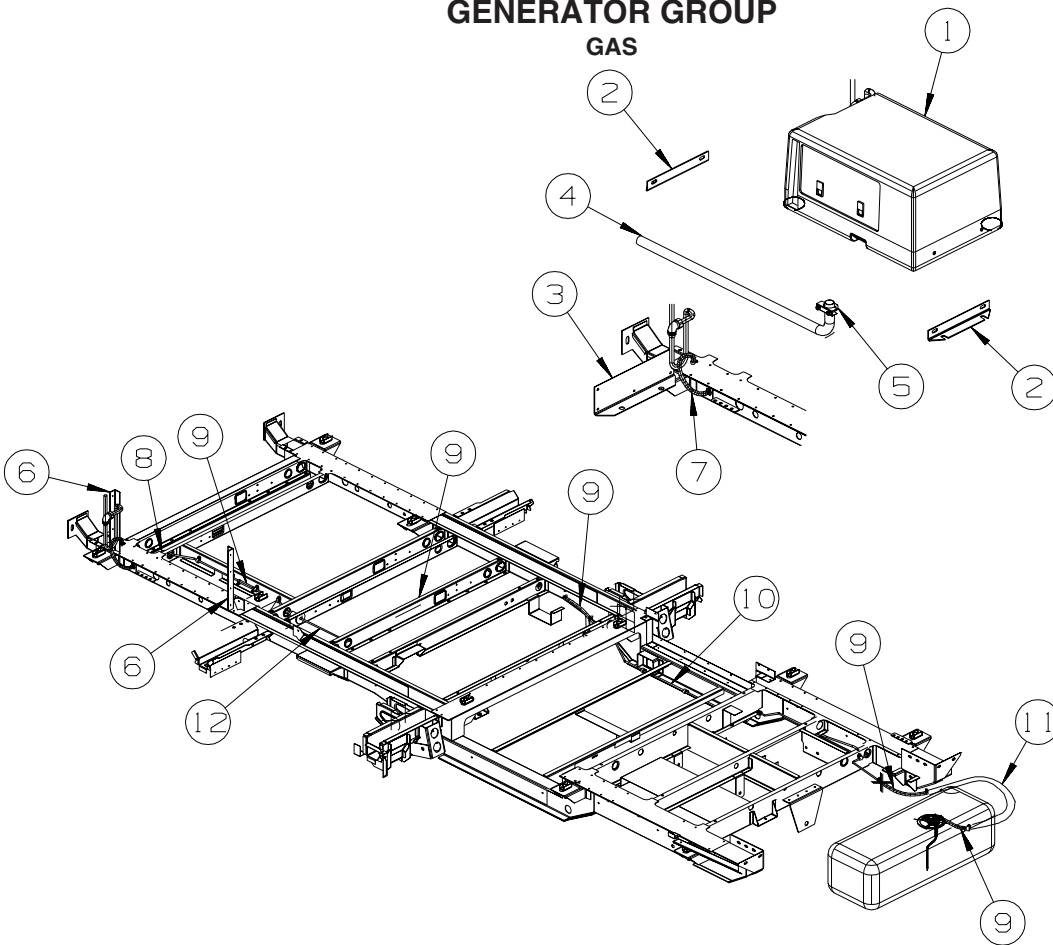
| KEY | PART NUMBER | U/M | DESCRIPTION |
|-----|---------------|-----|---|
| 1 | 133655-42-P01 | EA | COUNTERTOP - LAMINATED - EGGSHELL (P01) |
| 1 | 133655-42-N33 | EA | COUNTERTOP - LAMINATED - GRAY TRANQUILITY/NATURAL OAK (P02) |
| 1 | 133655-42-N35 | EA | COUNTERTOP - LAMINATED - WHITE TALC/NATURAL OAK (P03) |
| 2 | 139786-01-N33 | EA | CABINET - OVERHEAD/GALLEY - W/O DOORS/HARDWARE |
| 3 | 138930-01-N33 | EA | CABINET - GALLEY - W/O COUNTERTOP/DOORS/DRAWERS/HARDWARE - W/RANGE TOP |
| 4 | 139074-02-N33 | EA | CABINET - MICROWAVE - W/O DOORS/HARDWARE - W/O MICROWAVE |
| 4 | 139074-01-P01 | EA | CABINET - MICROWAVE - W/O DOORS/HARDWARE - W/MICROWAVE |
| 5 | 133653-13-P01 | EA | COUNTERTOP - LAMINATED - EGGSHELL (P01) |
| 5 | 133653-13-N33 | EA | COUNTERTOP - LAMINATED - GRAY TRANQUILITY/NATURAL OAK (P02) |
| 5 | 133653-13-N35 | EA | COUNTERTOP - LAMINATED - WHITE TALC/NATURAL OAK (P03) |
| 6 | 138930-02-N33 | EA | CABINET - GALLEY - W/O COUNTERTOP/DOORS/DRAWERS/HARDWARE - W/OVEN |
| 7 | 098916-35-02B | EA | BRACE - MICROWAVE - LEFT HAND - E-COATED |
| 8 | 098916-36-02B | EA | BRACE - MICROWAVE - LEFT HAND - E-COATED |

GALLEY GROUP (CONTINUED) DOORS & DRAWERS



| KEY | PART NUMBER | U/M | DESCRIPTION |
|-----|---------------|-----|--|
| 1 | 136918-B0-P01 | EA | DOOR - FLAT/OGEE EDGE - 14.3" X 26.7" - W/O HARDWARE |
| 2 | M09316-N8-N33 | EA | DRAWER - OGEE EDGE - 9.2"W X 15.7"D - W/O SLIDES/HARDWARE |
| 3 | M09316-P0-N33 | EA | DRAWER - OGEE EDGE - 19.8"W X 15.7"D - W/O SLIDES/HARDWARE |
| 4 | M09316-N9-N33 | EA | DRAWER - OGEE EDGE - 9.2"W X 15.7"D - W/O SLIDES/HARDWARE |
| 5 | 131995-Y2-N33 | EA | DOOR - RAIL/SOLID PANEL - 21.8" X 11.4" - W/O HARDWARE |
| 6 | M09316-P4-P01 | EA | DRAWER - OGEE EDGE - 14.7"W X 17.7"D - W/O SLIDE/HARDWARE |
| 7 | 136918-B8-P01 | EA | DOOR - FLAT/OGEE EDGE - 14.9" X 21.8" - W/O HARDWARE |

GENERATOR GROUP



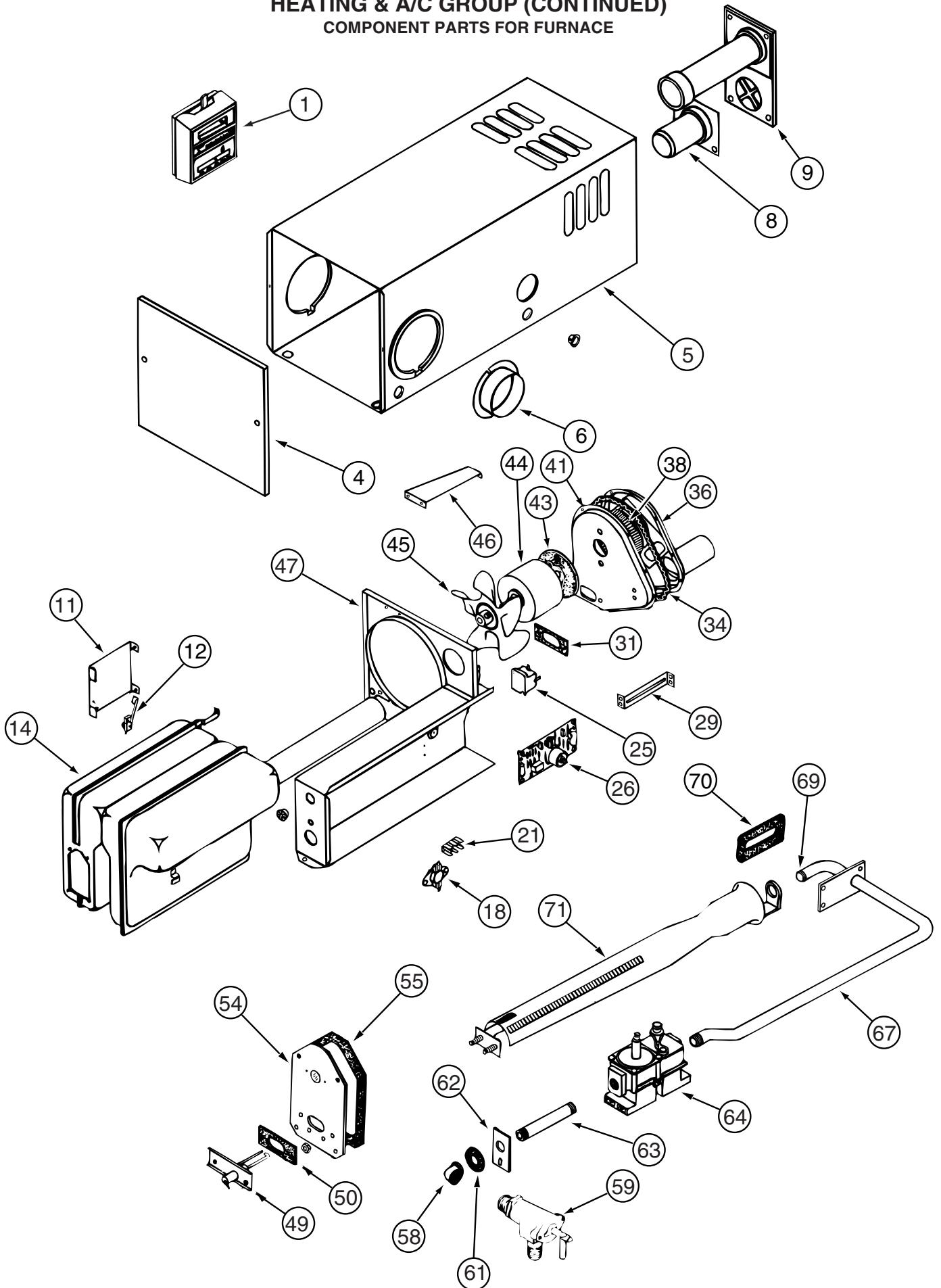
| KEY | PART NUMBER | U/M | DESCRIPTION |
|-----|---------------|-----|--|
| 1 | 139841-01-000 | EA | GENERATOR-2.8 - MICROLITE - ONAN KV-FA/26100 |
| 2 | 139866-01-02B | EA | ANGLE/SUPPORT - GENERATOR - E-COATED |
| 3 | 139858-02-02B | EA | BRACKET - GENERATOR - E-COATED |
| | 139858-01-01B | EA | BRACKET - GENERATOR |
| 4 | 105958-24-000 | EA | PIPE - EXHAUST - GENERATOR |
| 5 | 007125-04-000 | EA | CLAMP - MUFFLER - 1.12" DIAMETER |
| 6 | 007131-01-000 | EA | HANGER - TAILPIPE - 6 SLOTS |
| | 007125-03-000 | EA | CLAMP - MUFFLER - 1.5" DIAMETER |
| 7 | 128139-03-000 | EA | HOSE - FUEL - LOW PERMEABILITY - 1/4" DIAMETER |
| 8 | 139669-03-000 | EA | FUEL LINE - GENERATOR/REAR |
| 9 | 128139-01-000 | EA | HOSE - FUEL - LOW PERMEABILITY |
| 10 | 139669-01-000 | EA | FUEL LINE - GENERATOR/FRONT |
| 11 | 113378-01-000 | EA | FUEL LINE - GENERATOR - FRONT |
| 12 | 139669-02-000 | EA | FUEL LINE - GENERATOR/MIDDLE |

HEATING & A/C GROUP
FURNACE

| KEY | PART NUMBER | U/M | DESCRIPTION |
|------------|--------------------|------------|---|
| * | 075697-04-000 | EA | FURNACE-DUCTED, FORCED AIR |
| | 115764-01-01A | EA | THERMOSTAT - FURNACE |
| | 093614-11-01A | EA | GRILLE - AIR RETURN - 13.9" X 7.9" - BEIGE |
| | 089367-01-000 | EA | TEE - 4" OD - 7" LONG - METAL |
| | 089367-02-000 | EA | TEE - 4" X 2" X 4" |
| | 118761-01-000 | EA | REDUCER - 4"-2" - GALVANIZED |
| | 024990-08-000 | EA | OUTLET - DEFROSTER - W/O SWIVEL - 2" SLEEVE/4" OD - WHITE |
| | 009200-01-000 | EA | TAPE - FURNACE - 1 1/2" |

***COMPONENT PARTS LISTED LATER IN THIS GROUP**

HEATING & A/C GROUP (CONTINUED)
COMPONENT PARTS FOR FURNACE



075697-04-000

HEATING & A/C GROUP (CONTINUED)
COMPONENT PARTS FOR FURNACE (CONTINUED)

075697-04-000 (CONTINUED)

| KEY | PART NUMBER | U/M | DESCRIPTION | VENDOR NO. |
|------------|--------------------|------------|------------------------------|-------------------|
| 4 | 075697-05-700 | EA | CABINET-FRONT | 100960 |
| 6 | 075696-02-703 | EA | COLLAR-DUCT | 50715 |
| 8 | 075696-02-736 | EA | TUBE-INTAKE ASSEMBLY | 50906 |
| 9 | 075697-01-701 | EA | VENT CAP & EXHAUST ASM 20SE | 260098 |
| 12 | 075697-05-701 | EA | MICROSWITCH ASSEMBLY | 230933 |
| 18 | 075697-04-700 | EA | SWITCH - LIMIT | 230621 |
| 25 | 074466-01-702 | EA | RELAY, TIME DELAY | 230625 |
| 26 | 098668-01-712 | EA | BOARD-MODULE | 520741 |
| 38 | 074035-01-706 | EA | WHEEL, COMBUSTION AIR | 350082 |
| 44 | 075697-04-701 | EA | MOTOR | 230634 |
| 49 | 075697-01-708 | EA | ELECTRODE-DBL PROBE PRIOR 92 | 231258 |
| 50 | 092300-01-704 | EA | GASKET-ELECTRODE | 70163 |
| 54 | 075697-04-704 | EA | DOOR-BURNER ACCESS | 30621 |
| 55 | 069634-01-732 | EA | GASKET, BURNER ACCESS DOOR | 70398 |
| 61 | 075696-02-721 | EA | GASKET-GAS INLET PIPE | 70432 |
| 64 | 069634-01-729 | EA | VALVE-GAS-JOHNSON | 161078 |
| 69 | 074035-01-709 | EA | ORFICE | 180231 |
| 70 | 075697-01-709 | EA | GASKET-MANIFOLD | 70449 |

CONTACT WINNEBAGO PART SALES FOR UNLISTED COMPONENTS

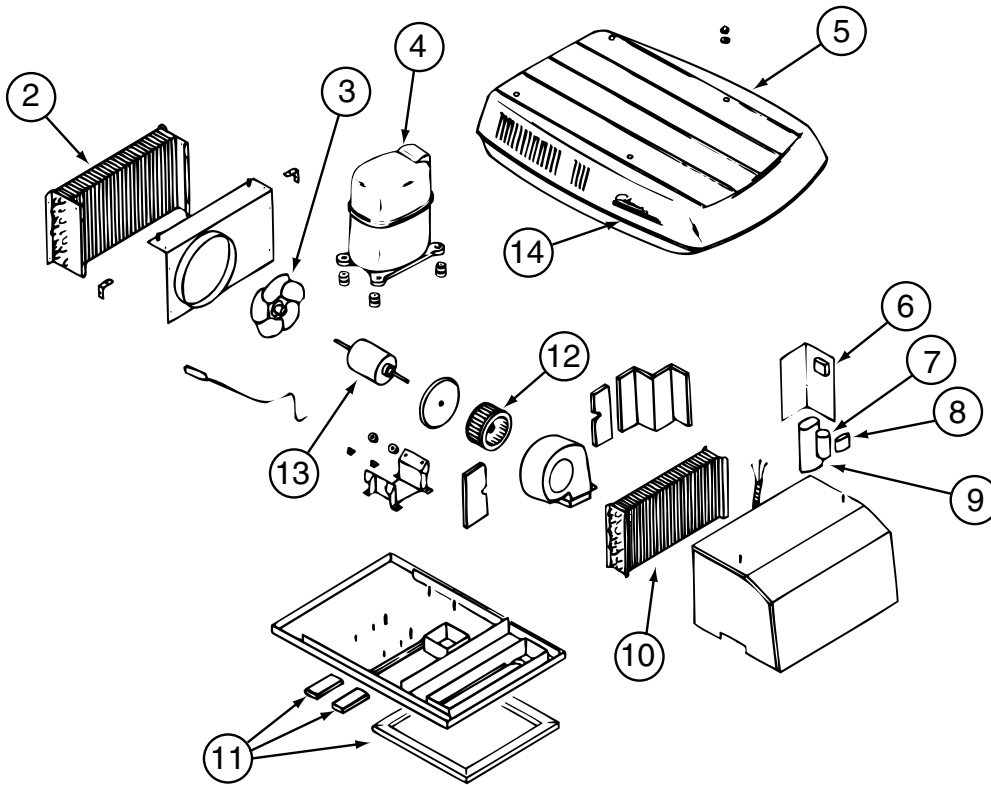
HEATING & A/C GROUP (CONTINUED)
ROOF

| KEY | PART NUMBER | U/M | DESCRIPTION |
|------------|--------------------|------------|--|
| * | 093306-01-03A | EA | A/C - ROOF - 7100 BTU - POLAR WHITE - 6727-731 |
| * | 131186-02-02A | EA | A/C-ROOF-MACH 1 POWER SAVER-11,000 BTU - POLAR WHITE - DLX FEATURE PKG |
| * | 093307-03-000 | EA | CEILING ASSEMBLY - COOL ONLY - WHITE |
| | 093307-04-000 | EA | CEILING ASSEMBLY - A/C - COOL/HEAT - WHITE - AC HEAT STRIP |
| * | 131183-03-01A | EA | CEILING ASSEMBLY - A/C - COOL - WHITE - DELUXE FEATURE PACKAGE |
| * | 131183-04-01A | EA | CEILING ASSEMBLY - A/C - COOL/HEAT - WHITE - DELUXE FEATURE PACKAGE/AC HEAT STRIP |
| | 102289-01-000 | EA | SPRING - SCREW - ROOF A/C GASKET |

***COMPONENT PARTS LISTED LATER IN THIS GROUP**

HEATING & A/C GROUP (CONTINUED)

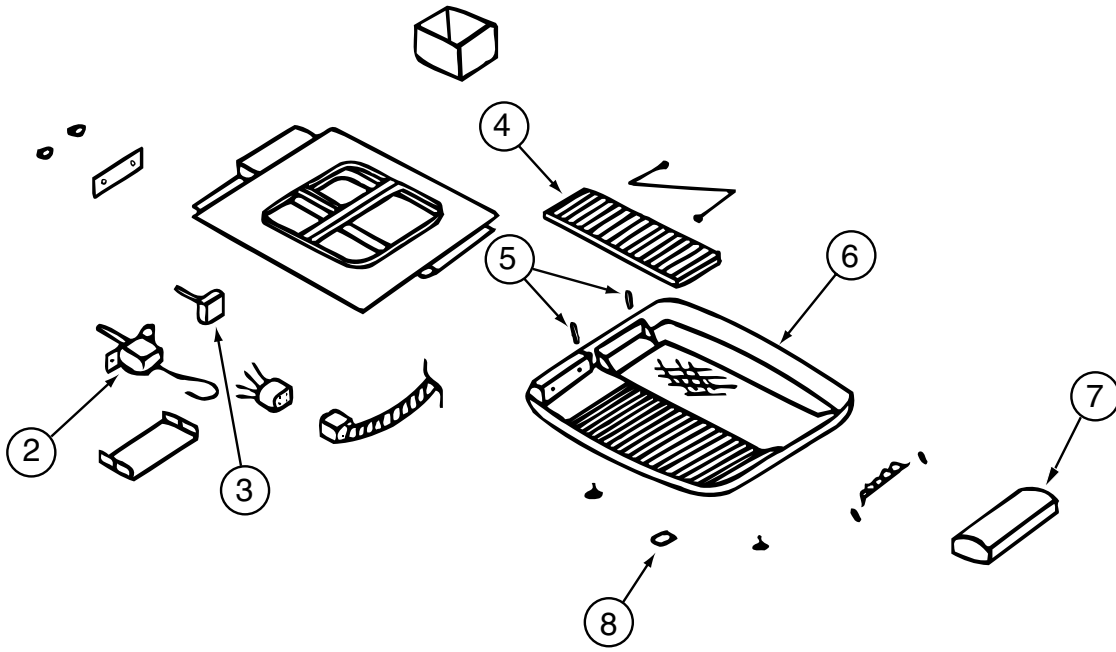
COMPONENT PARTS FOR ROOF



093306-01-03A

| KEY | PART NUMBER | U/M | DESCRIPTION | VENDOR NO. |
|-----|---------------|-----|------------------------------|------------|
| 2 | 093306-01-711 | EA | COIL-CONDENSER | 1452-0701 |
| 3 | 093306-01-703 | EA | FAN-4 BLADE. 9" DIAMETER | 6707-3321 |
| 4 | 093306-01-717 | EA | COMPRESSOR-PANASONIC | 1450-2019 |
| 5 | 093306-01-723 | EA | SHROUD - (POLAR WHITE) | 6727-5711 |
| 6 | 093306-01-721 | EA | RELAY-START | 1497-5051 |
| 7 | 093306-01-720 | EA | CAPACITOR-START, 21-25 MFD33 | 1497-3351 |
| 8 | 093306-01-719 | EA | OVERLOAD | 1450A0011 |
| 9 | 093306-01-718 | EA | CAPACITOR-FAN, 5MFD 370 V | 1499-5421 |
| 9 | 108889-01-707 | EA | CAPACITOR-RUN,COMP-25MFD/370 | 1499-5661 |
| 10 | 093306-01-713 | EA | COIL-EVAPORATOR | 1452-0601 |
| 11 | 037648-01-714 | EA | GASKET PACKAGE | 8332-3301 |
| 12 | 093306-01-706 | EA | WHEEL-BLOWER,6 5/16X2 7/8 | 6707-3281 |
| 13 | 093306-01-705 | EA | MOTOR(115V1.6A60H2-RPM | 6727-3119 |
| 14 | 093306-01-701 | EA | DECAL PACKAGE, LEFT & RIGHT | 6798B3591 |

HEATING & A/C GROUP (CONTINUED)
COMPONENT PARTS FOR ROOF (CONTINUED)

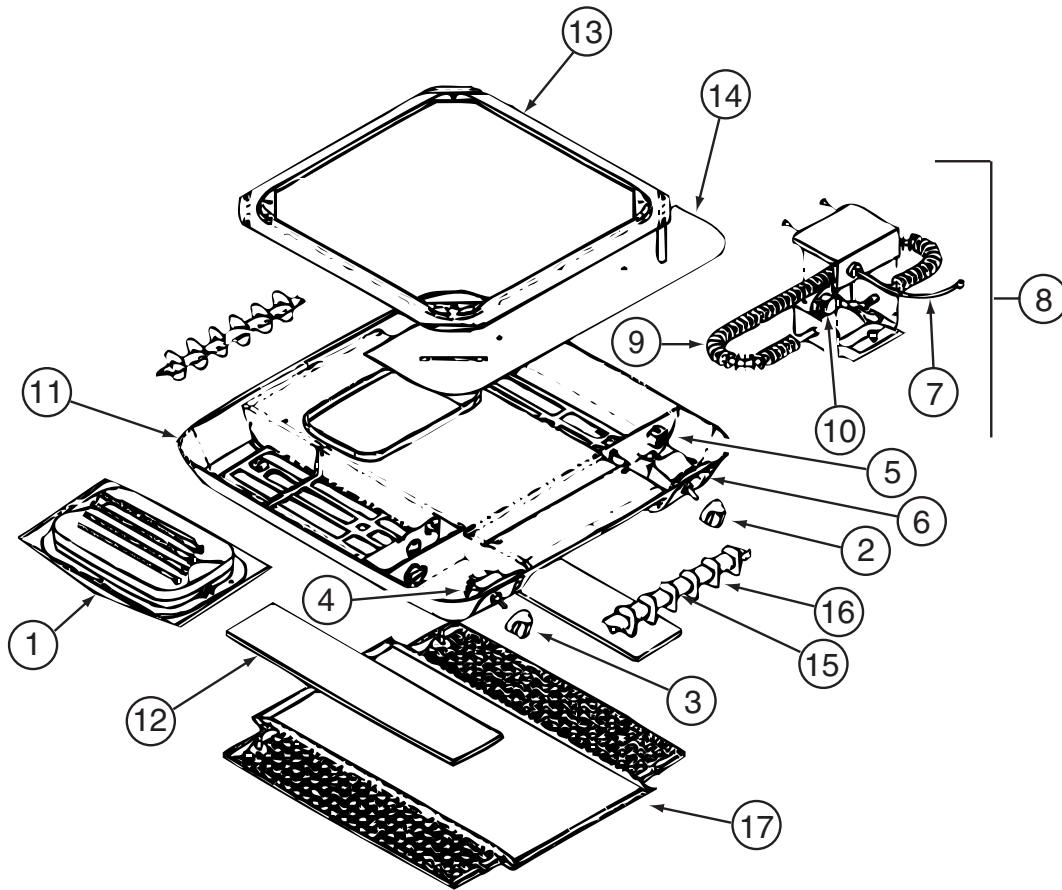


093307-03-000

| KEY | PART NUMBER | U/M | DESCRIPTION | VENDOR NO. |
|-----|---------------|-----|------------------------------|---------------------|
| 2 | 076303-01-710 | EA | THERMOSTAT | 6733-3411 |
| 4 | 093766-02-702 | EA | FILTER-PKG OF 2-5 X14.5 X1/8 | 6703-3303 |
| 5 | 076303-01-701 | EA | KNOB-CONTROL | 6733A3241 |
| 6 | 093307-03-700 | EA | SHROUD - CEILING - WHITE | 6727-3521 |
| | 091227-01-700 | EA | WASHER PKG., PLASTIC | 6250-3241 6703A3341 |

CONTACT WINNEBAGO PART SALES FOR UNLISTED COMPONENTS

HEATING & A/C GROUP (CONTINUED)
COMPONENT PARTS FOR ROOF (CONTINUED)

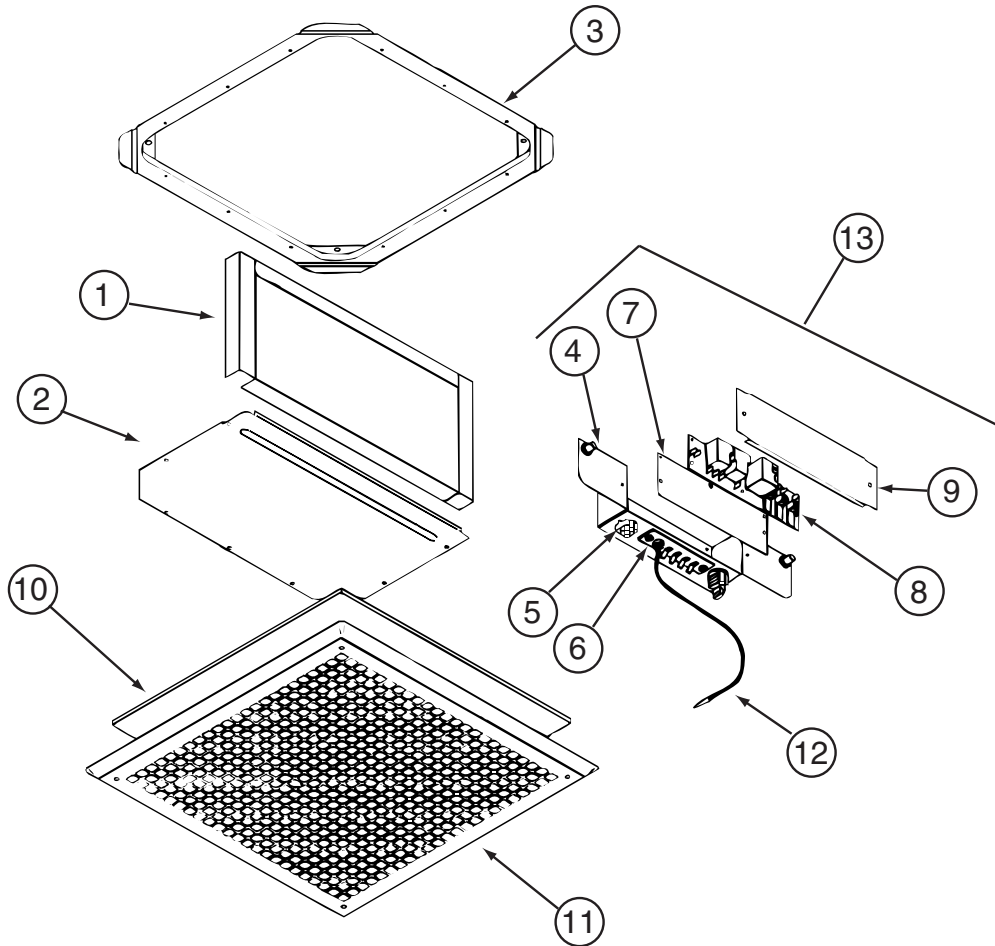


131183-03-01A

| KEY | PART NUMBER | U/M | DESCRIPTION | VENDOR NO. |
|-----|---------------|-----|---------------------------|------------|
| 2 | 131183-03-700 | EA | KNOB-THERMOSTAT/COOL ONLY | 9330-3131 |
| 3 | 131183-03-701 | EA | KNOB-SELECT SW/COOL ONLY | 9330-3111 |
| 4 | 131183-04-702 | EA | SWITCH-SELECT | 9330-3251 |
| 5 | 131183-04-703 | EA | PLUG ASSEMBLY | 9330-345 |
| 6 | 131183-03-702 | EA | THERMOSTAT-COOL ONLY | 9330-3401 |
| 11 | 131183-03-703 | EA | SHROUD/CEILING - WHITE | 9330-3551 |
| 12 | 131183-04-709 | EA | FILTER PKG - 2/PKG | 9330-3151 |
| 15 | 131183-03-704 | EA | VANE - WHITE | 9330-30 |
| 16 | 131183-03-705 | EA | LOUVER -WHITE | 9330-309 |
| 17 | 131183-03-706 | EA | GRILLE - WHITE | 9330-305 |
| | 131183-04-710 | EA | SMALL PARTS PACKAGE | 9330-5991 |

CONTACT WINNEBAGO PART SALES FOR UNLISTED COMPONENTS

HEATING & A/C GROUP (CONTINUED)
COMPONENT PARTS FOR ROOF (CONTINUED)

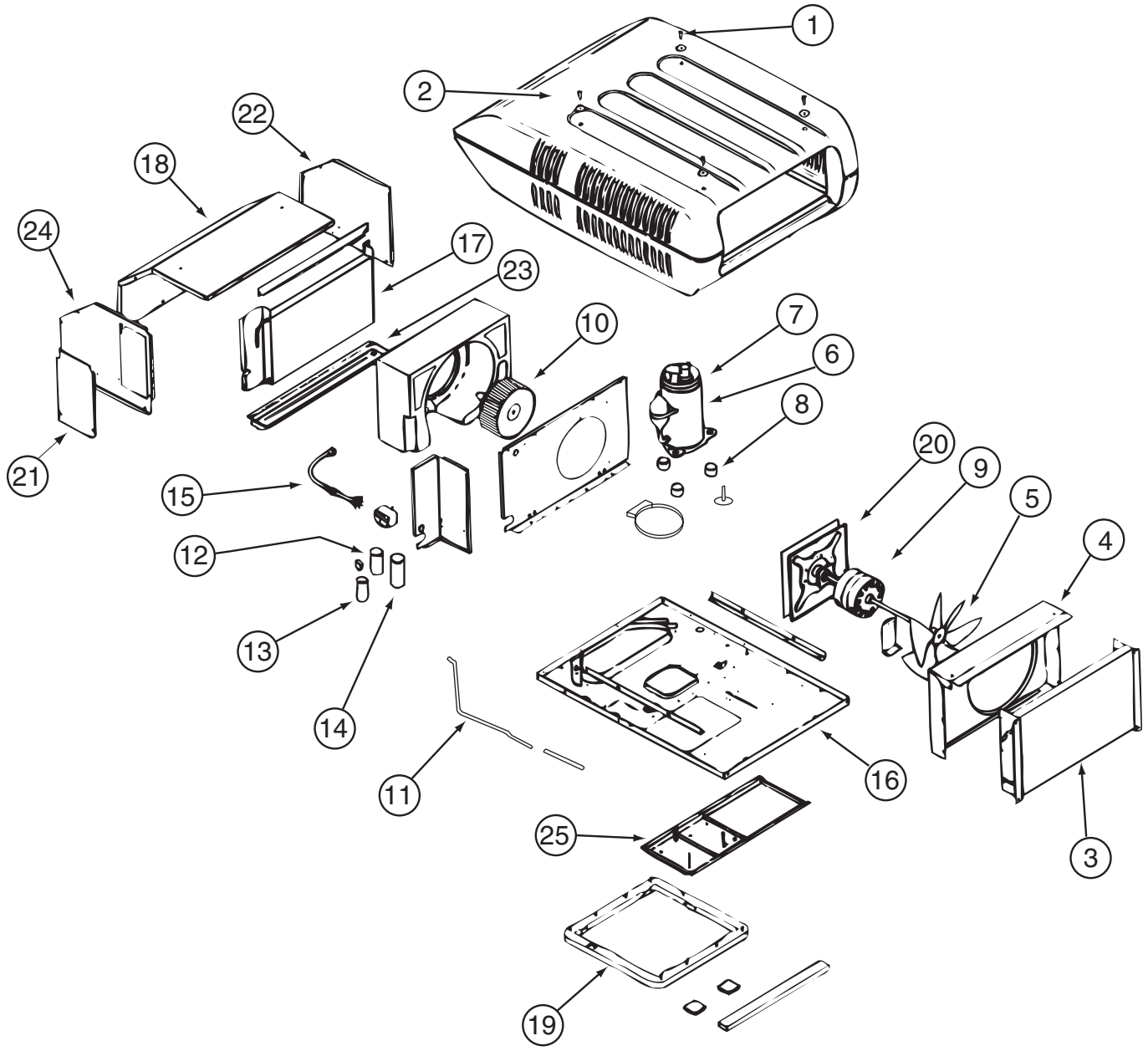


131183-04-01A

| KEY | PART NUMBER | U/M | DESCRIPTION | VENDOR NO. |
|-----|---------------|-----|---------------------------|------------|
| 2 | 131183-04-700 | EA | KNOB-THERMOSTAT/HEAT-COOL | 7330A3131 |
| 3 | 131183-04-701 | EA | KNOB-SELECT SW/HEAT-COOL | 9330-3121 |
| 4 | 131183-04-702 | EA | SWITCH-SELECT | 9330-3251 |
| 5 | 131183-04-703 | EA | PLUG ASSEMBLY | 9330-345 |
| 6 | 131183-04-704 | EA | THERMOSTAT - HEAT/COOL | 9330-3411 |
| 7 | 131183-04-705 | EA | WIRING HARNES/HEATER ASM | 9233-515 |
| 8 | 131183-04-706 | EA | HEAT STRIP ASSEMBLY | 9330-4551 |
| 9 | 131183-04-707 | EA | HEAT ELEMENT | 9233-3551 |
| 10 | 131183-04-708 | EA | SWITCH-LIMIT | 1460-5031 |
| 11 | 131183-03-703 | EA | SHROUD/CEILING - WHITE | 9330-3551 |
| 12 | 131183-04-709 | EA | FILTER PKG - 2/PKG | 9330-3151 |
| 15 | 131183-03-704 | EA | VANE - WHITE | 9330-30 |
| 16 | 131183-03-705 | EA | LOUVER -WHITE | 9330-309 |
| 17 | 131183-03-706 | EA | GRILLE - WHITE | 9330-305 |
| | 131183-04-710 | EA | SMALL PARTS PACKAGE | 9330-5991 |

CONTACT WINNEBAGO PART SALES FOR UNLISTED COMPONENTS

HEATING & A/C GROUP (CONTINUED)
COMPONENT PARTS FOR ROOF (CONTINUED)

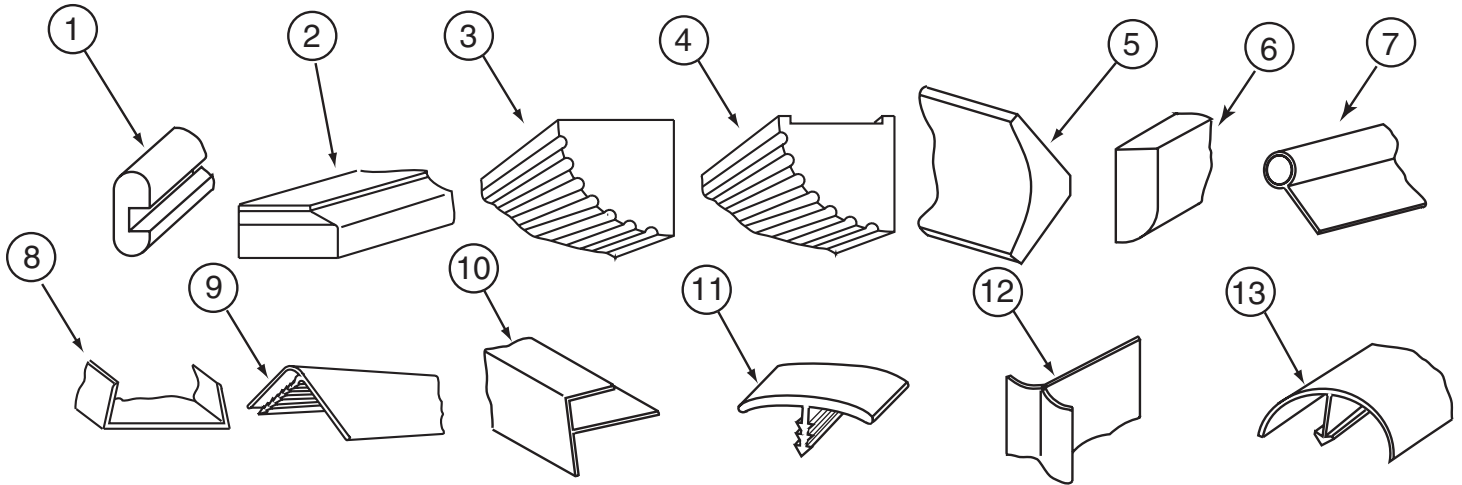


131186-02-02A

| KEY | PART NUMBER | U/M | DESCRIPTION | VENDOR NO. |
|-----|---------------|-----|------------------------------|------------|
| 2 | 131185-02-700 | EA | SHROUD - COLONEL WHITE | 8333-4161 |
| 3 | 115219-01-700 | EA | COIL-CONDENSER | 1452A1321 |
| 5 | 093763-01-712 | EA | BLADE-FAN-CONDENSER | 6733-3221 |
| 6 | 126859-01-700 | EA | COMPRESSOR RK124AT-001-A4Y | 1450-2109 |
| 7 | 126859-01-701 | EA | OVERLOAD PROTECTORMRA# 4761 | 1450-0061 |
| 8 | 105620-01-706 | EA | MOUNTING PKG.,COMP., 3 PER | 6759-3081 |
| 9 | 131186-01-700 | EA | MOTOR - 115V, 60 HURTZ | 1468-3109 |
| 10 | 131185-01-702 | EA | BLOWER WHEEL PACKAGE | 1472-1091 |
| 12 | 126859-01-703 | EA | CAPACITOR - RUN | 1499-5671 |
| 13 | 093763-01-704 | EA | CAPACITOR-FAN | 1499-5461 |
| 14 | 105620-10-704 | EA | START COMPACITOR | 1497-0861 |
| 15 | 105620-10-705 | EA | PTCR (START DEVICE) - W/CAP. | 8333A9021 |
| 18 | 131186-01-701 | EA | EVAPORATOR COIL | 1452-1521 |
| 20 | 037648-01-714 | EA | GASKET PACKAGE | 8332-3301 |
| 21 | 131185-01-704 | EA | MOTOR MOUNT & SEAL KIT | 8333-5151 |
| | 093306-01-701 | EA | DECAL PACKAGE, LEFT & RIGHT | 6798B3591 |
| | 108889-01-710 | EA | PAD-FILLER, CONDENSER SEAL | 6759B3971 |

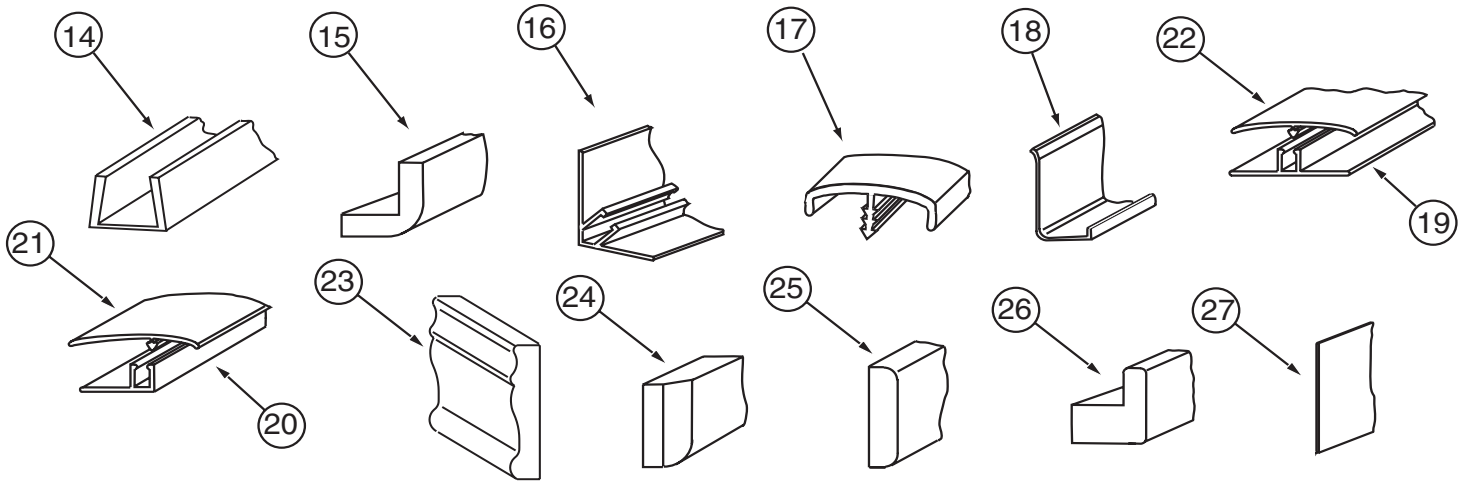
CONTACT WINNEBAGO PART SALES FOR UNLISTED COMPONENT

INTERIOR FINISH GROUP
MOLDINGS & TRIMS



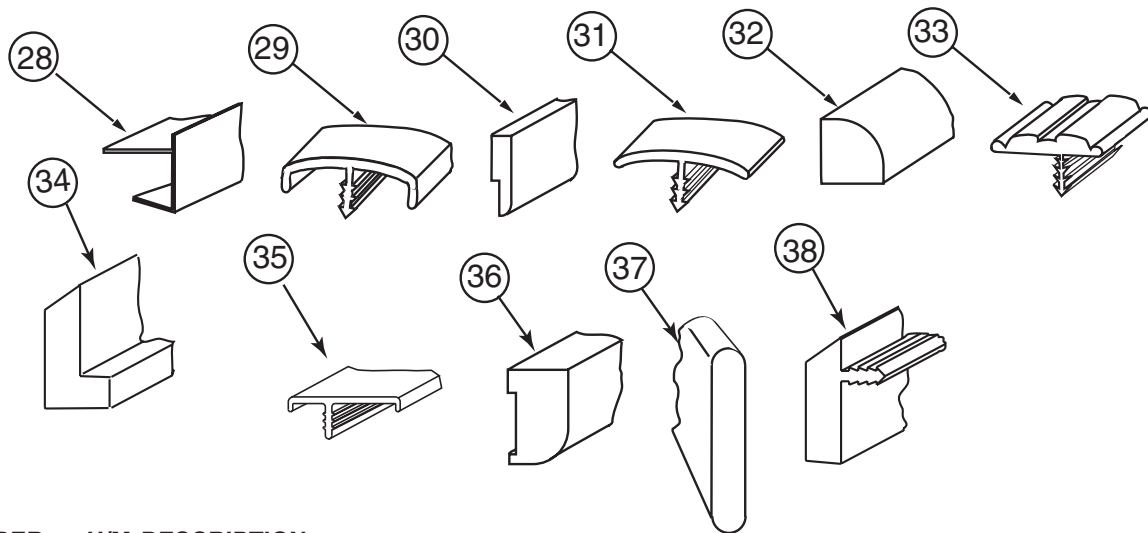
| KEY | PART NUMBER | U/M | DESCRIPTION |
|-----|---------------|-----|---|
| 1 | M09412-62-N42 | EA | MOLDING/SHELF EDGE - W/.4" NOTCH - PORTSMOUTH II - PORTSMOUTH OAK |
| 1 | M09412-62-M62 | EA | MOLDING/SHELF EDGE - W/.4" NOTCH - WASHED MAPLE |
| 1 | M09412-62-M52 | EA | MOLDING/SHELF EDGE - W/.4" NOTCH - CHERRY IV - CONCERT CHERRY |
| 2 | P34052-01-N75 | EA | TRIM/TABLE - 29.7" - PORTSMOUTH OAK |
| 2 | P34052-01-M84 | EA | TRIM/TABLE - 29.7" - WASHED MAPLE |
| 2 | P34052-01-M52 | EA | TRIM/TABLE - 29.7" - SALEM CHERRY - CONCERT CHERRY |
| 2 | P34052-02-N47 | EA | TRIM/TABLE - 24" - PORTSMOUTH OAK |
| 2 | P34052-02-M84 | EA | TRIM/TABLE - 24" - WASHED MAPLE |
| 2 | P34052-02-M52 | EA | TRIM/TABLE - 24" - SALEM CHERRY - CONCERT CHERRY |
| 3 | Y00070-22-438 | EA | MOLDING/FLUTED - MAPLE - 96" - WASHED MAPLE |
| 3 | Y00070-32-438 | EA | MOLDING/FLUTED - CHERRY - 96" - CONCERT CHERRY |
| 3 | Y00070-42-438 | EA | MOLDING/FLUTED - OAK - 96" - PORTSMOUTH OAK |
| 4 | Y00071-22-438 | EA | MOLDING/FLUTED - W/NOTCH - MAPLE - 96" - WASHED MAPLE |
| 4 | Y00071-32-438 | EA | MOLDING/FLUTED - W/NOTCH - CHERRY - 96" - CONCERT CHERRY |
| 4 | Y00071-42-438 | EA | MOLDING/FLUTED - W/NOTCH - OAK - 96" - PORTSMOUTH OAK |
| 5 | Y00074-22-438 | EA | MOLDING/CROWN - VINYL WRAPPED - MAPLE - 96" - WASHED MAPLE |
| 5 | Y00074-62-438 | EA | MOLDING/CROWN - VINYL WRAPPED - CONCERT CHERRY - 96" - CONCERT CHERRY |
| 5 | Y00074-72-438 | EA | MOLDING/CROWN - VINYL WRAPPED - PORTSMOUTH OAK - 96" - PORTSMOUTH OAK |
| 6 | Y00086-22-438 | EA | MOLDING - VINYL WRAP - 96" - WASHED MAPLE |
| 6 | Y00086-62-438 | EA | MOLDING - VINYL WRAP - 96" - CONCERT CHERRY |
| 6 | Y00086-72-438 | EA | MOLDING - VINYL WRAP - 96" - PORTSMOUTH OAK |
| 7 | 009767-12-000 | FT | WELTING - ANTIQUE WHITE |
| 8 | 009778-25-000 | FT | U-CHANNEL - 1" - BEIGE ILLUSION |
| 8 | 009778-27-000 | FT | U-CHANNEL - 1" - WASHED MAPLE |
| 8 | 009778-30-000 | FT | U-CHANNEL - 1" - VILLAGE OAK |
| 8 | 009778-32-000 | FT | U-CHANNEL - 1" - PORTSMOUTH OAK |
| 8 | 009778-34-000 | FT | U-CHANNEL - 1" - CONCERT CHERRY |
| 9 | 009809-23-000 | EA | MOLDING - CORNER - OUTSIDE - 1" X 84" - MODERN IVORY |
| 9 | 009809-30-000 | EA | MOLDING - CORNER - OUTSIDE - 1" X 84" - BEIGE ILLUSION |
| 9 | 009809-32-000 | EA | MOLDING - CORNER - OUTSIDE - 1" X 84" - PORTSMOUTH OAK |
| 9 | 009809-33-000 | EA | MOLDING - CORNER - OUTSIDE - 1" X 84" - CONCERT CHERRY |
| 10 | 009812-24-000 | EA | MOLDING - CORNER - 1/2" W/1/4"CHAN X 84" - IVORY PLASTIC |
| 10 | 009812-31-000 | EA | MOLDING - CORNER - 1/2" W/1/4"CHAN X 84" - BEIGE ILLUSION |
| 10 | 009812-33-000 | EA | MOLDING - CORNER - 1/2" W/1/4"CHAN X 84" - WASHED MAPLE |
| 10 | 009812-34-000 | EA | MOLDING - CORNER - 1/2" W/1/4"CHAN X 84" - VW LIGHT GRAY |
| 10 | 009812-35-000 | EA | MOLDING - CORNER - 1/2" W/1/4"CHAN X 84" - PORTSMOUTH OAK |
| 10 | 009812-36-000 | EA | MOLDING - CORNER - 1/2" W/1/4"CHAN X 84" - CONCERT CHERRY |
| 11 | 009815-10-000 | FT | MOLDING-T - W/EDGE LIP - 3/4" FACE - BEIGE ILLUSION |
| 12 | 022992-11-000 | FT | MOLDING - REVERSE COVE - T-SHAPED - IVORY |
| 12 | 022992-14-000 | FT | MOLDING - REVERSE COVE - T-SHAPED - BRIGHT WHITE |
| 12 | 022992-15-000 | FT | MOLDING - REVERSE COVE - T-SHAPED - VW GRAY |
| 13 | 042357-25-000 | EA | MOLDING - CORNER - RADIUS/PLASTIC - WASHED MAPLE |

INTERIOR FINISH GROUP (CONTINUED)
MOLDINGS & TRIMS (CONTINUED)



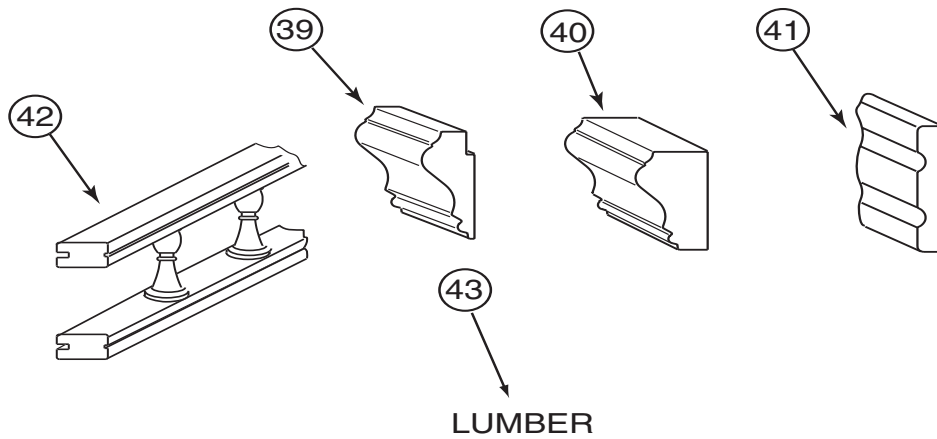
| KEY | PART NUMBER | U/M | DESCRIPTION |
|-----|---------------|-----|---|
| 14 | 070504-18-000 | FT | U-CHANNEL - PLASTIC - .13" X 96" - IVORY |
| 14 | 070504-35-000 | FT | U-CHANNEL - PLASTIC - .13" X 72" - IVORY |
| 14 | 070504-42-000 | FT | U-CHANNEL - PLASTIC - .13" X 84" - BEIGE ILLUSION |
| 14 | 070504-43-000 | FT | U-CHANNEL - PLASTIC - .9" X 96" - BEIGE ILLUSION |
| 14 | 070504-50-000 | FT | U-CHANNEL - PLASTIC - .13" X 96" - WASHED MAPLE |
| 14 | 070504-54-000 | FT | U-CHANNEL - PLASTIC - .9" X 96" - VILLAGE OAK |
| 14 | 070504-57-000 | FT | U-CHANNEL - PLASTIC - .13" X 84" - PORTSMOUTH OAK |
| 14 | 070504-58-000 | FT | U-CHANNEL - PLASTIC - .9" X 84" - PORTSMOUTH OAK |
| 14 | 070504-60-000 | FT | U-CHANNEL - PLASTIC - .13" X 84" - CONCERT CHERRY |
| 14 | 070504-61-000 | FT | U-CHANNEL - PLASTIC - .9" X 84" - CONCERT CHERRY |
| 15 | 080176-08-000 | EA | CAP - CORNER - RADIUS MOLDING - PLASTIC - WASHED MAPLE |
| 16 | 081521-02-007 | EA | MOUNT - METAL MOLDING - F/RADIUS CORNER MOLDING - 151.5" |
| 17 | 083620-09-000 | FT | MOLDING-T - W/EDGE LIP - 7/8" FACE - MODERN IVORY |
| 17 | 083620-15-000 | FT | MOLDING-T - W/EDGE LIP - 7/8" FACE - BEIGE ILLUSION |
| 17 | 083620-19-000 | FT | MOLDING-T - W/EDGE LIP - 7/8" FACE - WASHED MAPLE |
| 17 | 083620-20-000 | FT | MOLDING-T - W/EDGE LIP - 7/8" FACE - PORTSMOUTH OAK |
| 17 | 083620-21-000 | FT | MOLDING-T - W/EDGE LIP - 7/8" FACE - CONCERT CHERRY |
| 18 | 085746-04-000 | FT | TRIM-J - CARPET 1.2" X .5" ANGLE - 10' LONG - OFF WHITE |
| 19 | 086229-01-000 | EA | RETAINER - BATTEN - .75" X 92.1" - ANY COLOR |
| 20 | 086229-11-000 | EA | RETAINER - OFFSET - 97" |
| 21 | 086229-12-000 | EA | BATTEN - 1.5" OFFSET X 96.8" - MODERN IVORY |
| 21 | 086229-21-000 | EA | BATTEN - 1.5" X 83.9" OFFSET - WHITE |
| 22 | 086229-20-000 | EA | BATTEN - 1" X 96" - BEIGE |
| 23 | 100182-10-J70 | EA | TRIM - CHAIR RAIL - 2.5" X 8' EACH - WOOD - WASHED MAPLE |
| 23 | 100182-10-N47 | EA | TRIM/RAIL - PORTSMOUTH OAK |
| 23 | 100182-10-P85 | EA | TRIM - CHAIR RAIL - 2.5" X 8' EACH - WOOD - CONCERT CHERRY |
| 24 | 100659-30-N75 | EA | MOLDING - TRIM - PORTSMOUTH OAK |
| 24 | 100659-30-N74 | EA | MOLDING - TRIM - CHERRY - CONCERT CHERRY |
| 24 | 100659-30-M84 | EA | MOLDING-TRIM,VINYL FLOOR - WASHED MAPLE |
| 25 | 100818-01-08A | EA | MOLDING - VINYL WRAPPED - 1.6" X .4" X 84"-WASHED MAPLE |
| 25 | 100818-01-12A | EA | MOLDING - VINYL WRAPPED - 1.6" X .4" X 84"-PORTSMOUTH OAK |
| 25 | 100818-01-13A | EA | MOLDING - VINYL WRAPPED - 1.6" X .4" X 84" - CHERRY - CONCERT CHERRY |
| 26 | 100819-01-08A | EA | MOLDING - VINYL WRAPPED-L-SHAPED-1.5"X1.5"X84"- WASHED MAPLE |
| 26 | 100819-01-12A | EA | MOLDING - VINYL WRAPPED-L-SHAPED - 1.5" X 1.5" X 84" - OAK - PORTSMOUTH OAK |
| 26 | 100819-01-13A | EA | MOLDING - VINYL WRAPPED-L-SHAPED-1.5"X1.5"X84" - CONCERT CHERRY |
| 27 | 101957-01-06A | EA | EXTRUDED - PLASTIC - WASHED MAPLE |

INTERIOR FINISH GROUP (CONTINUED)
MOLDINGS & TRIMS (CONTINUED)



| KEY | PART NUMBER | U/M | DESCRIPTION |
|-----|---------------|-----|---|
| 28 | 103186-01-07A | FT | MOLDING/PLASTIC - 3/8" U-CHANNEL-3/4"FACE - BEIGE ILLUS 8' |
| 28 | 103186-01-08A | FT | MOLDING/PLASTIC - 3/8" U-CHANNEL-3/4"FACE-WASHED MAPLE 8' - WASHED MAPLE |
| 28 | 103186-01-09A | FT | MOLDING/PLASTIC - 3/8" U-CHAN'L-3/4"FACE-PORTSMOUTH OAK 8' - PORTSMOUTH OAK |
| 28 | 103186-01-10A | FT | MOLDING/PLASTIC-3/8" U-CHAN'L-3/4"FACE-CONCERT CHERRY 8' - CONCERT CHERRY |
| 28 | 103186-02-07A | FT | MOLDING/PLASTIC-1" U-CHAN'L-1 3/8"FACE-BEIGE ILLUSION - 8' |
| 28 | 103186-02-08A | FT | MOLDING/PLASTIC - 1" U-CHANNEL-1 3/8"FACE-WASHED MAPLE 8' - WASHED MAPLE |
| 28 | 103186-02-09A | FT | MOLDING/PLASTIC - 1" U-CHAN'L-1 3/8"FACE-PORTSMOUTH OAK 8' - PORTSMOUTH OAK |
| 28 | 103186-02-10A | FT | MOLDING/PLASTIC - 1" U-CHAN'L-1 3/8"FACE-CONCERT CHERRY 8' - CONCERT CHERRY |
| 29 | 104676-02-06A | FT | MOLDING-T - W/EDGE LIP - 11/16" FACE - WASHED MAPLE |
| 29 | 104676-02-08A | FT | MOLDING-T - W/EDGE LIP - 11/16" FACE - PORTSMOUTH OAK |
| 29 | 104676-02-09A | FT | MOLDING-T - W/EDGE LIP - 11/16" FACE - CONCERT CHERRY |
| 30 | 105004-01-08A | EA | MOLDING - VINYL WRAPPED - 1" X 96" - WASHED MAPLE |
| 30 | 105004-01-12A | EA | MOLDING - VINYL WRAPPED 1" X 96" - PORTSMOUTH OAK |
| 30 | 105004-01-13A | EA | MOLDING - VINYL WRAPPED 1" X 96" - CONCERT CHERRY |
| 31 | 105709-02-000 | FT | MOLDING-T - W/EDGE LIP - 3/4" FACE - BEIGE ILLUSION |
| 32 | 109410-01-P25 | EA | MOLDING - TRIM - 8' - BLACK CHERRY/CHERRY IV - CONCERT CHERRY |
| 32 | 109410-01-N75 | EA | MOLDING - TRIM - 8' - PORTSMOUTH OAK |
| 32 | 109410-01-J70 | EA | MOLDING - TRIM - 8' - WHITE MAPLE/WASHED MAPLE |
| 33 | 109736-02-01A | FT | MOLDING-T/OFFSET - W/EDGE LIP - 1" FACE - NAT OAK/BRASS |
| 34 | 111235-01-H56 | EA | MOLDING - COUNTERTOP - 1.4" X 8' - WHITE MAPLE - UNSTAINED - WASHED MAPLE |
| 34 | 111235-01-N42 | EA | MOLDING - COUNTERTOP - 1.4" X 8' - OAK - UNSTAINED - PORTSMOUTH OAK |
| 34 | 111235-01-P79 | EA | MOLDING - COUNTERTOP - 1.4" X 8' - CONCERT CHERRY |
| 35 | 119520-01-01A | FT | MOLDING-T/OFFSET - W/EDGE LIP - 1"FACE - OFF WHITE |
| 35 | 119520-01-02A | FT | MOLDING-T/OFFSET - W/EDGE LIP - 1"FACE - CONCERT CHERRY |
| 35 | 119520-01-03A | FT | MOLDING-T/OFFSET - W/EDGE LIP - 1"FACE - WASHED MAPLE |
| 35 | 119520-01-04A | FT | MOLDING-T/OFFSET - W/EDGE LIP - 1"FACE - PORTSMOUTH OAK |
| 35 | 119520-02-01A | FT | MOLDING-T/OFFSET - W/EDGE LIP - 1"FACE |
| 36 | 126204-D2-134 | EA | MOLDING - VINYL WRAPPED - .7" X 1.6" X 84" - WASHED MAPLE |
| 36 | 126204-F2-134 | EA | MOLDING - VINYL WRAPPED - .7" X 2.5" X 84" - WASHED MAPLE |
| 36 | 137887-D2-134 | EA | MOLDING - VINYL WRAPPED - .7" X 1.6" X 96" - CHERRY - CONCERT CHERRY |
| 36 | 137887-F2-134 | EA | MOLDING - VINYL WRAPPED - .7" X 2.5" X 84" - CHERRY - CONCERT CHERRY |
| 36 | 137887-F2-743 | EA | MOLDING - VINYL WRAPPED - .7" X 2.5" X 108" - CHERRY - CONCERT CHERRY |
| 36 | 137895-D2-134 | EA | MOLDING - VINYL WRAPPED - .7" X 1.6" X 84" - PORTSMOUTH OAK |
| 36 | 137895-F2-134 | EA | MOLDING - VINYL WRAPPED - .7" X 2.5" X 84" - PORTSMOUTH OAK |
| 36 | 137895-F2-743 | EA | MOLDING - VINYL WRAPPED - .7" X 2.5" X 108" - PORTSMOUTH OAK |
| 37 | 127842-01-01A | FT | SEAL - SIGHT SHIELD - 2" BLACK |
| 38 | 130247-01-05A | FT | MOLDING-T/OFF SET - 1.3" FACE - CONCERT CHERRY |
| 38 | 130247-01-04A | FT | MOLDING-T/OFF SET - 1.3" FACE - PORTSMOUTH OAK |
| 38 | 130247-01-02A | FT | MOLDING-T/OFF SET - 1.3" FACE - WASHED MAPLE |

INTERIOR FINISH GROUP (CONTINUED)
MOLDINGS & TRIMS (CONTINUED)



| KEY | PART NUMBER | U/M | DESCRIPTION |
|-----|---------------|-----|---|
| 39 | 131923-02-04A | FT | MOLDING - PICTURE - OAK - PORTSMOUTH OAK |
| 40 | 131923-03-03A | FT | MOLDING - CROWN - DIVIDER - WHITE MAPLE - WASHED MAPLE |
| 40 | 131923-03-02A | FT | MOLDING - CROWN - DIVIDER - CHERRY - CONCERT CHERRY |
| 41 | 134156-01-03A | EA | MOLDING - VINYL WRAP - .7" X 3.8" X 33.8" - WASHED MAPLE |
| 41 | 134156-01-08A | EA | MOLDING - VINYL WRAP - .7" X 3.8" X 33.8" - PORTSMOUTH OAK |
| 41 | 134156-03-03A | EA | MOLDING - VINYL WRAP - .7" X 3.4" X 28.3" - WASHED MAPLE |
| 41 | 134156-03-07A | EA | MOLDING - VINYL WRAP - .7" X 3.4" X 28.3" - CONCERT CHERRY |
| 41 | 134156-03-08A | EA | MOLDING - VINYL WRAP - .7" X 3.4" X 28.3" - PORTSMOUTH OAK |
| 41 | 134156-05-07A | EA | MOLDING - VINYL WRAP - .7" X 3.8" X 34.4" - CONCERT CHERRY |
| 42 | 137108-01-02A | EA | RAIL - DECORATIVE - SALEM CHERRY - CONCERT CHERRY |
| 42 | 137108-01-03A | EA | RAIL - DECORATIVE - WASHED MAPLE |
| 42 | 137108-01-07A | EA | RAIL - DECORATIVE - PORTSMOUTH OAK |
| 43 | 126205-D2-438 | EA | LUMBER - VINYL WRAPPED - .7" X 1.5" X 96" - WASHED MAPLE |
| 43 | 126205-E2-438 | EA | LUMBER - VINYL WRAPPED - .7" X 2" X 96" - WASHED MAPLE |
| 43 | 126205-F2-438 | EA | LUMBER - VINYL WRAPPED - .7" X 2.5" X 96" - WASHED MAPLE |
| 43 | 126205-G2-438 | EA | LUMBER - STAINED - .7" X 3" X 96" - WASHED MAPLE |
| 43 | 126205-J2-438 | EA | LUMBER - VINYL WRAPPED - .7" X 5.5" X 96" - WASHED MAPLE |
| 43 | 126205-R2-438 | EA | LUMBER - LUMBER - VINYL WRAPPED - .7" X 3" X 96" - WASHED MAPLE |
| 43 | 137885-A2-438 | EA | LUMBER - VINYL WRAPPED - .7" X .75" X 96" - CHERRY - CONCERT CHERRY |
| 43 | 137885-D2-438 | EA | LUMBER - VINYL WRAPPED - .7" X 1.5" X 96" - CHERRY - CONCERT CHERRY |
| 43 | 137885-E2-438 | EA | LUMBER - VINYL WRAPPED - .7" X 2" X 96" - CHERRY - CONCERT CHERRY |
| 43 | 137885-F2-438 | EA | LUMBER - VINYL WRAPPED - .7" X 2.5" X 96" - CHERRY - CONCERT CHERRY |
| 43 | 137885-G2-438 | EA | LUMBER - VINYL WRAPPED - .7" X 3" X 96" - CHERRY - CONCERT CHERRY |
| 43 | 137885-J2-743 | EA | LUMBER-018X140X2743 MM VYL - CONCERT CHERRY |
| 43 | 137885-J2-438 | EA | LUMBER - VINYL WRAPPED - .7" X 5.5" X 96" - CHERRY - CONCERT CHERRY |
| 43 | 137885-R2-438 | EA | LUMBER - VINYL WRAPPED - .7" X 3" X 96" - CHERRY - CONCERT CHERRY |
| 43 | 137894-A2-438 | EA | LUMBER - VINYL WRAPPED - .7" X .75" X 96" - PORTSMOUTH OAK |
| 43 | 137894-D2-438 | EA | LUMBER - VINYL WRAPPED - .7" X 1.5" X 96" - PORTSMOUTH OAK |
| 43 | 137894-E2-438 | EA | LUMBER - VINYL WRAPPED - .7" X 2" X 96" - PORTSMOUTH OAK |
| 43 | 137894-F2-438 | EA | LUMBER - VINYL WRAPPED - .7" X 2.5" X 96" - PORTSMOUTH OAK |
| 43 | 137894-G2-438 | EA | LUMBER - VINYL WRAPPED - .7" X 3" X 96" - PORTSMOUTH OAK |
| 43 | 137894-H2-438 | EA | LUMBER - VINYL WRAPPED - .7" X 3.5" X 96" - PORTSMOUTH OAK |
| 43 | 137894-J2-438 | EA | LUMBER - VINYL WRAPPED - .7" X 5.5" X 96" - PORTSMOUTH OAK |
| 43 | 137894-J2-743 | EA | LUMBER - VINYL WRAPPED - .7" X 5.5" X 108" - PORTSMOUTH OAK |
| 43 | 137894-R2-438 | EA | LUMBER - VINYL WRAPPED - .7" X 3" X 96" - PORTSMOUTH OAK |
| | 141260-01-02A | FT | U-CHANNEL - 1" - GRADY BROWN |
| | 141260-01-01A | FT | U-CHANNEL - 1" - VILLAGE OAK |

INTERIOR FINISH GROUP (CONTINUED)
PANELING & LAMINATES

| KEY | PART NUMBER | U/M | DESCRIPTION |
|------------|--------------------|------------|--|
| | 085284-H6-000 | FT | BATT TAPE - ADHESIVE BACKED - DECORATIVE - MULTI (P01) |
| | 085284-H4-000 | FT | BATT TAPE - ADHESIVE BACKED - DECORATIVE - STARLIGHT (P02) |
| | 085284-G9-000 | FT | BATT TAPE - ADHESIVE BACKED - DECORATIVE - ALABASTER (P03) |
| | 085284-H7-000 | FT | BATT TAPE - ADHESIVE BACKED - SCULPTURES |
| | 085284-G8-000 | FT | BATT TAPE - ADHESIVE BACKED - PORTSMOUTH OAK |
| | 088263-H2-000 | EA | BATT STRIP - DECORATIVE - MULTI - 8' LONG (P01) |
| | 088263-H1-000 | EA | BATT STRIP - DECORATIVE - STARLIGHT - 8' LONG (P02) |
| | 088263-G9-000 | EA | BATT STRIP - DECORATIVE - CORK/ALABASTER - 8' (P03) |
| | 088263-G1-000 | EA | BATT STRIP - DECORATIVE - PEBBLE EMBOSSED - 8' LONG |
| | 132610-10-07A | FT | WALLPAPER - BORDER - 5 3/4" - SELF ADHESIVE (P01) |
| | 132610-10-08A | FT | WALLPAPER - BORDER - 5 3/4" - SELF ADHESIVE (P02) |
| | 132610-06-12A | FT | WALLPAPER - BORDER - 5 1/4" - SELF-ADHESIVE (P03) |
| | 076325-40-000 | FT | MOLDING - EDGE BAND - .93" X .024" - ALMOND |
| | 076325-39-000 | FT | MOLDING - EDGE BAND - 1 5/16" X .030" - ALMOND |
| | 074498-99-000 | SF | LAMINATE - PLASTIC - EGGSHELL - 4' X 8' (P01) |
| | 074498-97-000 | SF | LAMINATE - PLASTIC - GRAY TRANQUILITY - 4' X 8' (P02) |
| | 074498-84-000 | SF | LAMINATE - PLASTIC - WHITE TALC - 4' X 8' (P03) |
| | 076773-15-000 | SF | PANELING - 2 SIDED/PORTSMOUTH OAK - 1/8" X 4' X 8' |
| | 088272-K4-000 | SF | PANELING - MULTI - 4' X 7' (P01) |
| | 088272-K3-000 | SF | PANELING - STARLIGHT - 4' X 7' (P02) |
| | 088272-J9-000 | SF | PANELING - ALABASTER - 4' X 7' (P03) |
| | 074497-45-000 | SF | PANELING - CEILING - SCULPTURES - 4' X 7.2' |
| | 088272-H9-000 | SF | PANELING - PEBBLE EMBOSSED - WHITE - 4' X 7' |
| | 074497-42-000 | SF | PANELING - PORTSMOUTH OAK - 4' X 8' |
| | 000885-93-000 | SF | PARTICLE BOARD - 3/8" X 4' X 8' - PORTSMOUTH OAK - 2-SIDED |
| | 000885-A5-000 | SF | PARTICLE BOARD - 3/8" X 4' X 8' - WHT PEB EMBOSSED-1 SIDED |
| | 000885-92-000 | SF | PARTICLE BOARD-3/8" X 4' X 8'-PORTSMOUTH OAK-VINYL 1 SIDED |
| | 126339-01-000 | SF | BOARD - WHEAT - 60" X 72" |

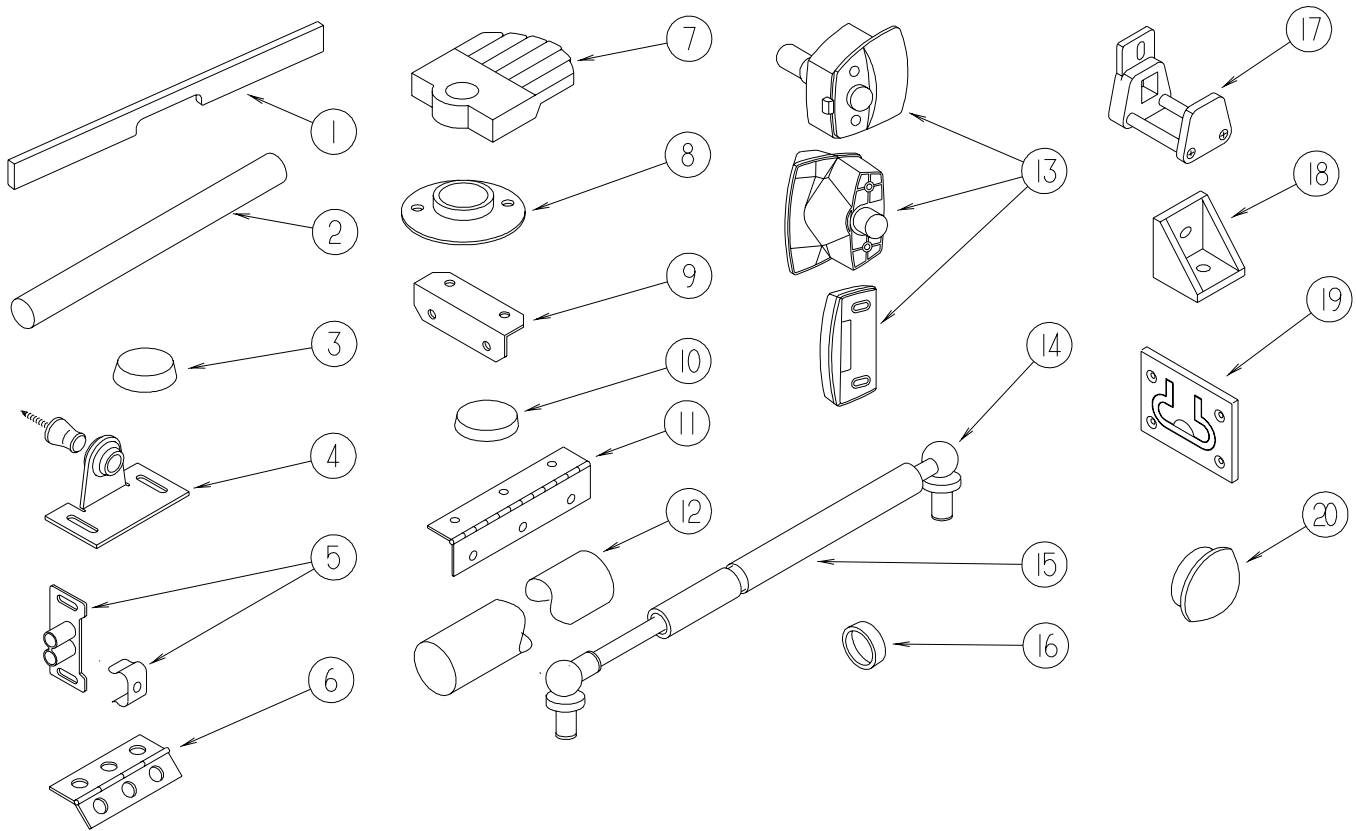
ACCESSORIES

| KEY | PART NUMBER | U/M | DESCRIPTION |
|------------|--------------------|------------|---|
| | 064781-06-000 | EA | HOLDER/CUP - TWO STEP - OFF WHITE |
| | 091261-01-000 | FT | SLIPNOT - ANTISLIP - 1' WIDE X 12' - BLACK |
| | 053552-02-K01 | EA | HANDLE - ASSIST - INTERIOR/ENTRY DOOR - VINYL/OFF WHITE |
| | 000C16-07-16B | EA | BOLT - CARRIAGE - ASSIST HANDLE - 7/16-14 X 1 |
| | 000D20-07-00B | EA | NUT - ACORN - ASSIST HANDLE - 7/16 - 14 |
| | 072852-01-000 | EA | DETECTOR - SMOKE - W/9 VOLT BATTERY - US |
| | 125136-02-000 | EA | DETECTOR/CO - GAS MODEL - 9 VOLT |
| | 094499-03-000 | EA | EXTINGUISHER/FIRE - DRY - 10BC - W/GAUGE/BRACKET |
| | 094499-04-000 | EA | STRAP - FIRE EXTINGUISHER MOUNTING - METAL |
| | 142368-01-01A | EA | CLOCK - 8" ROUND - BRASS |

FLOOR COVERINGS

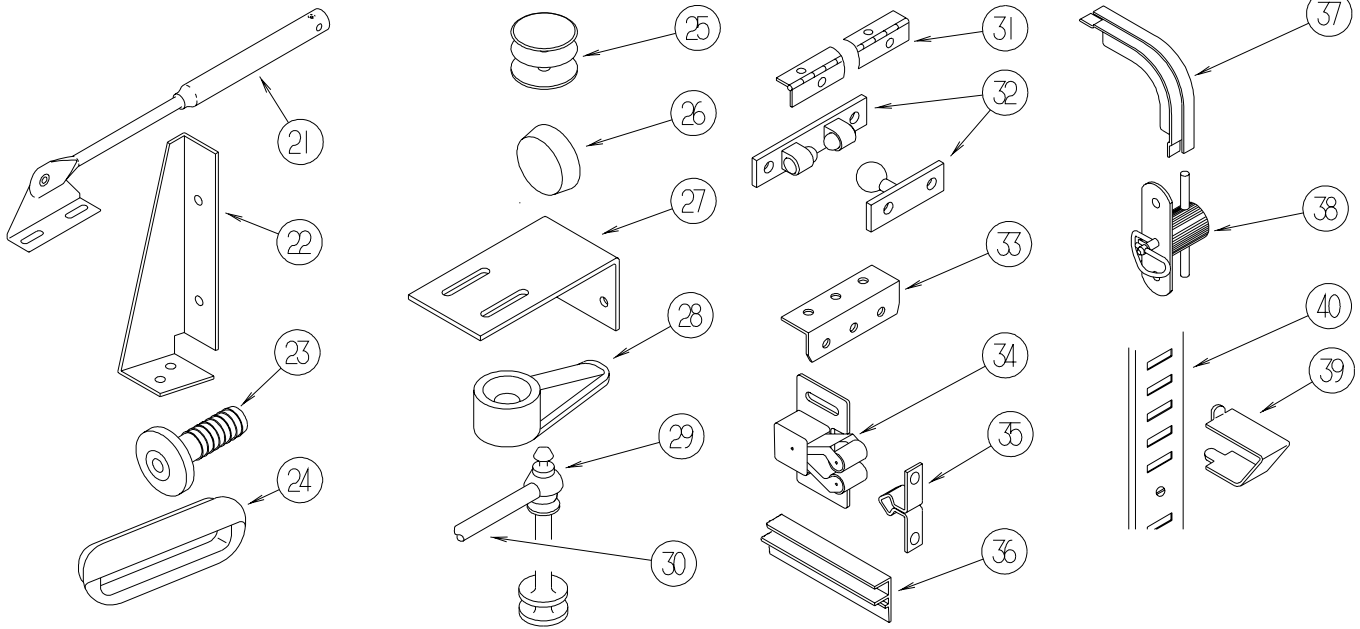
| KEY | PART NUMBER | U/M | DESCRIPTION |
|------------|--------------------|------------|---|
| | 042720-29-000 | SY | VINYL - FLOOR COVERING - 7.5' WIDE - DIAMOND |
| | 093486-02-000 | SY | CARPET - COMPARTMENT - 72" WIDE - LIGHT GRAY |
| | 096060-G9-000 | SY | CARPET - LAUREL - INCREMENTS OF 4 SQ YARDS (P01) |
| | 139056-06-000 | SY | CARPET - CRYSTAL LAKE - 4 SQUARE YARD INCREMENTS (P02) |
| | 096060-H1-000 | SY | CARPET - TAPIOCA - INCREMENTS OF 4 SQ YARDS (P03) |
| | 117477-02-P01 | EA | CARPET - RIALTA CAB - MADE W/#096060G9000 CARPET ONLY (P01) |
| | 117477-02-P02 | EA | CARPET - RIALTA CAB - MADE W/#13905606000 CARPET ONLY (P02) |
| | 117477-02-N35 | EA | CARPET - RIALTA CAB - MADE W/#096060H1000 CARPET ONLY (P03) |

INTERIOR FINISH GROUP (CONTINUED) HARDWARE



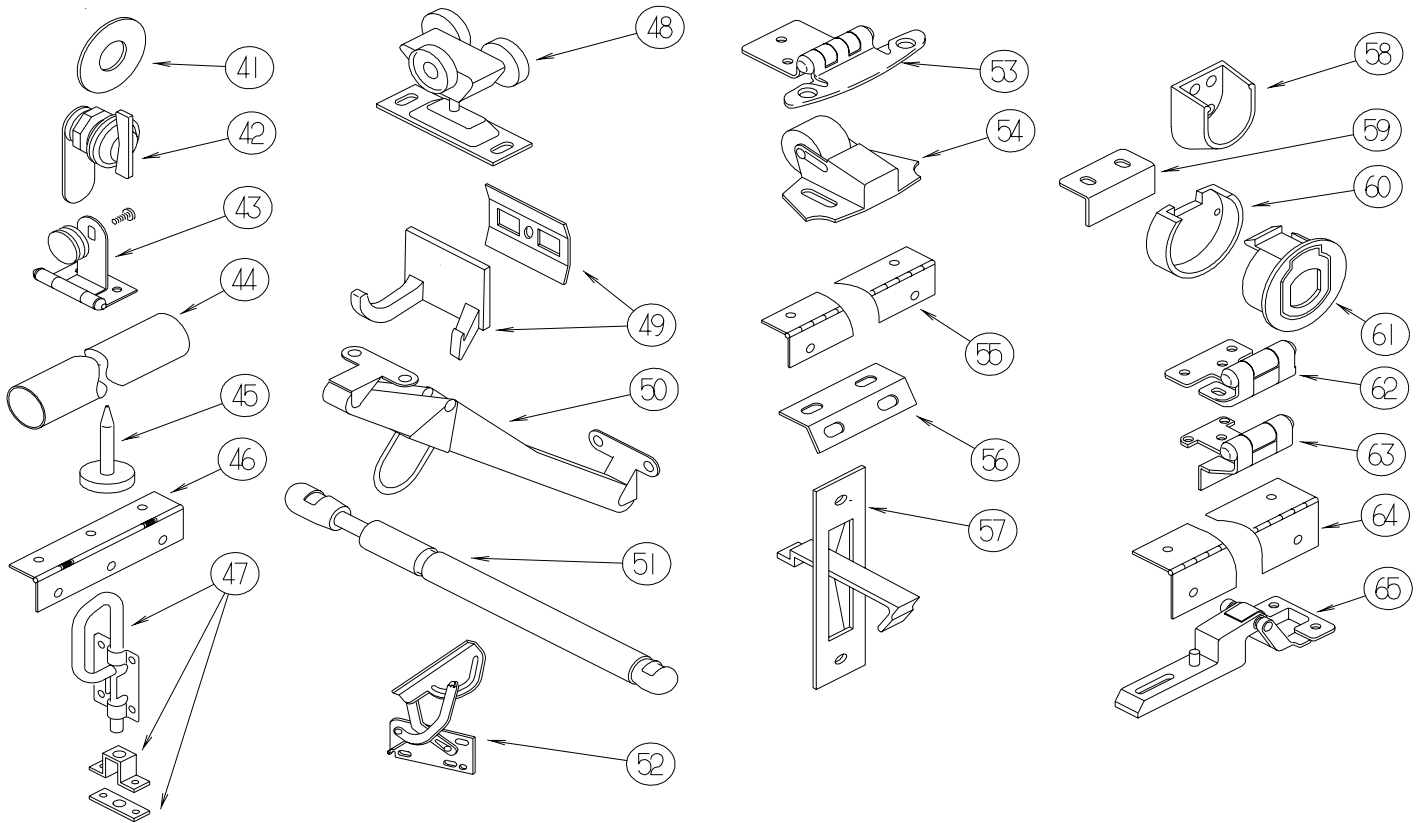
| KEY | PART NUMBER | U/M | DESCRIPTION |
|-----|---------------|-----|---|
| 1 | P26866-12-N62 | EA | HANDLE - DOOR/TAMBOUR - 14.7" - WASHED MAPLE |
| 1 | P26866-12-N63 | EA | HANDLE - DOOR/TAMBOUR - 11.6" - CONCERT CHERRY |
| 1 | P26866-12-P69 | EA | HANDLE - DOOR/TAMBOUR - 11.6" - PORTSMOUTH OAK |
| 2 | Y00136-21-218 | EA | DOWEL - WOOD - 1" X 4' |
| 3 | 004354-01-000 | EA | BUMPER - RUBBER - .5" DIA - BROWN |
| 4 | 009013-01-000 | EA | CATCH - BULLDOG - MALE/FEMALE |
| 5 | 009021-01-000 | EA | CATCH - GRILLE - NYLON |
| 5 | 009021-02-000 | EA | STRIKE - SPRING STEEL - .68" |
| 6 | 009059-01-000 | EA | HINGE - DOOR - 2" X 1.4" - BRASS |
| 6 | 009059-02-000 | EA | HINGE - DOOR - 2" X 2.7" - BRASS |
| 6 | 009059-03-000 | EA | HINGE - BRASS - 1.75" |
| 7 | 009089-01-000 | EA | CLIP - MIRROR |
| 8 | 009112-01-000 | EA | FLANGE - PLASTIC - 1" CLOTHES ROD - OFF WHITE |
| 9 | 016604-05-000 | EA | BRACE - ANGLE - 2 1/2" - OFF WHITE METAL |
| 9 | 016604-10-000 | EA | BRACE - SEAT ANGLE - 2.5" - BLACK |
| 9 | 016604-11-000 | EA | BRACE - SEAT - ANGLE - 2.5" - CHESTNUT |
| 10 | 023320-01-000 | EA | PAD - FELT 3/8" DIAMETER |
| 11 | 041389-25-000 | EA | HINGE - PIANO - 1 1/2" X 55" - UNPAINTED |
| 12 | 042438-02-000 | EA | DOWEL - WOOD - 2" DIAMETER X 2' |
| 12 | 042438-06-000 | EA | DOWEL - WOOD - CLOTHES ROD - 1.5" X 26" |
| 13 | 058335-03-000 | EA | LATCH W/O LOCK - BATHROOM DOOR BLACK |
| 14 | 057460-02-000 | EA | BALL STUD - F/GAS SPRING .39" - 5/16"-18 |
| 15 | 057460-04-000 | EA | SPRING/GAS - BALL STUD STYLE - 120 PI - "SPD6209" |
| 16 | 057671-01-000 | EA | COVER - SCREW - #8 - OFF WHITE |
| 16 | 057671-15-000 | EA | COVER - SCREW - #8 - BRIGHT WHITE |
| 16 | 057671-16-000 | EA | COVER - SCREW - #8 - SOFT WHITE |
| 16 | 057671-17-000 | EA | COVER - SCREW - VW LT GRAY - #8 |
| 17 | 064467-01-000 | EA | GUIDE - POCKET - SLIDING DOOR - WALL MOUNTED |
| 18 | 065740-01-000 | EA | BRACE - CABINET/CORNER - PLASTIC |
| 19 | 072871-01-000 | EA | PULL - FLUSH - CHROME |
| 20 | 074045-08-000 | EA | PLUG - OAK - 3/8" DOWEL-1/2" HEAD - SALEM CHERRY - CONCERT CHERRY |
| 20 | 074045-12-000 | EA | PLUG - OAK - 3/8" DOWEL-1/2" HEAD - WASHED MAPLE |
| 20 | 074045-13-000 | EA | PLUG - OAK - 3/8" DOWEL-1/2" HEAD - PORTSMOUTH OAK |

INTERIOR FINISH GROUP (CONTINUED)
HARDWARE (CONTINUED)



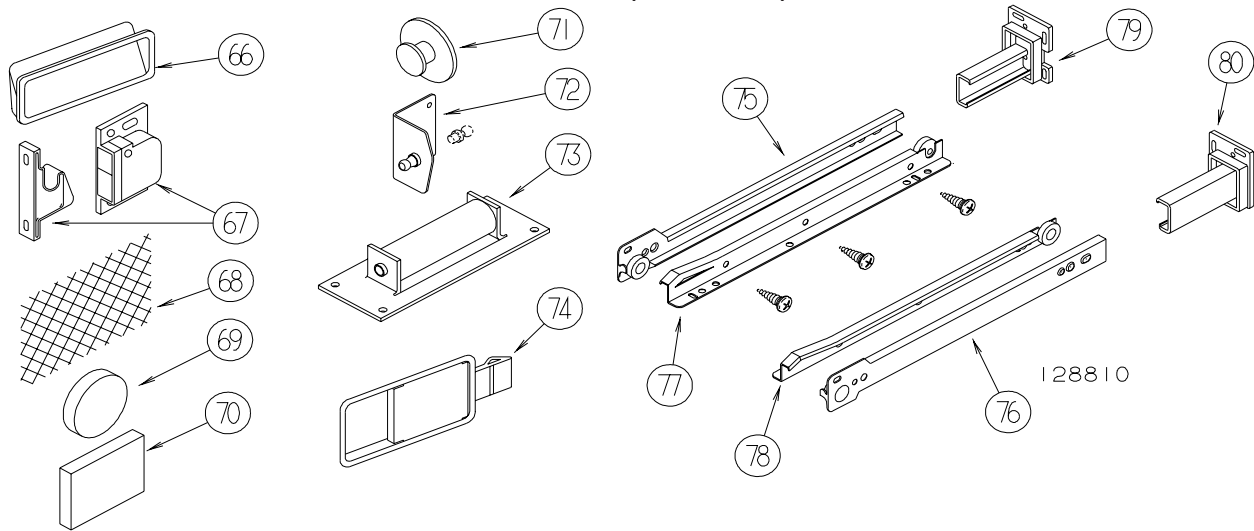
| KEY | PART NUMBER | U/M | DESCRIPTION |
|-----|---------------|-----|--|
| 21 | 074493-02-000 | EA | SUPPORT - PISTON SPRING - CABINET DOOR - 26 LBS |
| 21 | 074493-03-000 | EA | SUPPORT - PISTON SPRING - CABINET DOOR - 12 LBS |
| 21 | 074493-04-000 | EA | SUPPORT - PISTON SPRING - CABINET DOOR - 32 LBS |
| 22 | 076827-02-000 | EA | BRACKET/LEG - 2.9" X 1.8" - TRIANGULAR - LEFT/E-COATED |
| 23 | 079921-01-000 | EA | ROLLER - NYLON - W/STEEL SHAFT - BARBED |
| 24 | 080736-01-000 | EA | PULL - RECESSED - 1.25" X 4" - OAK |
| 25 | 081114-02-000 | EA | CAP - INSERT - ROUND - 1" DIAMETER - WHITE PLASTIC |
| 26 | 081914-01-000 | EA | BUMPER - RUBBER - ROUND - 1/2" DIA. X 1/8" THICK |
| 27 | 083125-07-000 | EA | BRACE - ANGLE/COUCH - 2.5" - OFF WHITE |
| 28 | 083204-03-000 | EA | BUTTON - RETAINING MIRROR 5/16" TIP |
| 29 | 084070-03-000 | EA | POST - END - 2.4" - SHINY BRASS |
| 30 | 084071-05-000 | EA | ROD - BRASS - 15" |
| 30 | 084071-19-000 | EA | ROD - BRASS - 7.1" |
| 30 | 084071-20-000 | EA | ROD - BRASS - 9.8" |
| 30 | 084071-23-000 | EA | ROD - BRASS - 13.1" |
| 30 | 084071-24-000 | EA | ROD - BRASS - 3.8" |
| 30 | 084071-28-000 | EA | ROD - BRASS - 6" |
| 30 | 084071-30-000 | EA | ROD - BRASS - 11.6" |
| 30 | 084071-31-000 | EA | ROD - BRASS - 14.8" |
| 30 | 084071-33-000 | EA | ROD - BRASS - 20.4" |
| 30 | 084071-34-000 | EA | ROD - BRASS - 16.9" |
| 31 | 084413-01-000 | EA | HINGE - 1" X 72" - ALUMINUM - W/HOLES |
| 32 | 084451-01-000 | EA | CATCH & LATCH - 1.7" - BRASS |
| 33 | 089025-01-000 | EA | SUPPORT - SPRING TO BED - ANGLE 1.5" X 11.8" |
| 34 | 093586-03-000 | EA | CATCH - SPRING ROLLER - .377" |
| 34 | 093586-06-000 | EA | CATCH - SPRING ROLLER - .236" |
| 35 | 093586-04-000 | EA | STRIKE - SPRING STEEL - 1.14" |
| 35 | 093586-05-000 | EA | STRIKE - SPRING STEEL - .943" |
| 36 | 093622-01-000 | EA | TRACK - DOOR - TAMBOUR - PLASTIC - 8' LENGTHS |
| 37 | 093623-01-000 | EA | CORNER - TRACK - TAMBOUR DOOR |
| | 097872-04-000 | EA | DOWEL - WOOD - 1" DIAMETER X 1.38" LONG - UNFINISHED |
| 38 | 098196-01-000 | EA | LATCH - 1/4 TURN - T-BAR |
| 39 | 098979-01-000 | EA | CLIP - ADJUSTABLE SHELF |
| 40 | 098980-01-000 | EA | PILASTER - ADJUSTABLE SHELF - 18" |
| 40 | 098980-02-000 | EA | PILASTER - ADJUSTABLE SHELF - 12" |
| 40 | 098980-03-000 | EA | PILASTER - ADJUSTABLE SHELF - 9" |
| 40 | 098980-04-000 | EA | PILASTER - ADJUSTABLE SHELF - 48" |
| 40 | 098980-05-000 | EA | PILASTER - ADJUSTABLE SHELF - 15" |
| 40 | 098980-06-000 | EA | PILASTER - ADJUSTABLE SHELF - 24" |

INTERIOR FINISH GROUP (CONTINUED)
HARDWARE (CONTINUED)



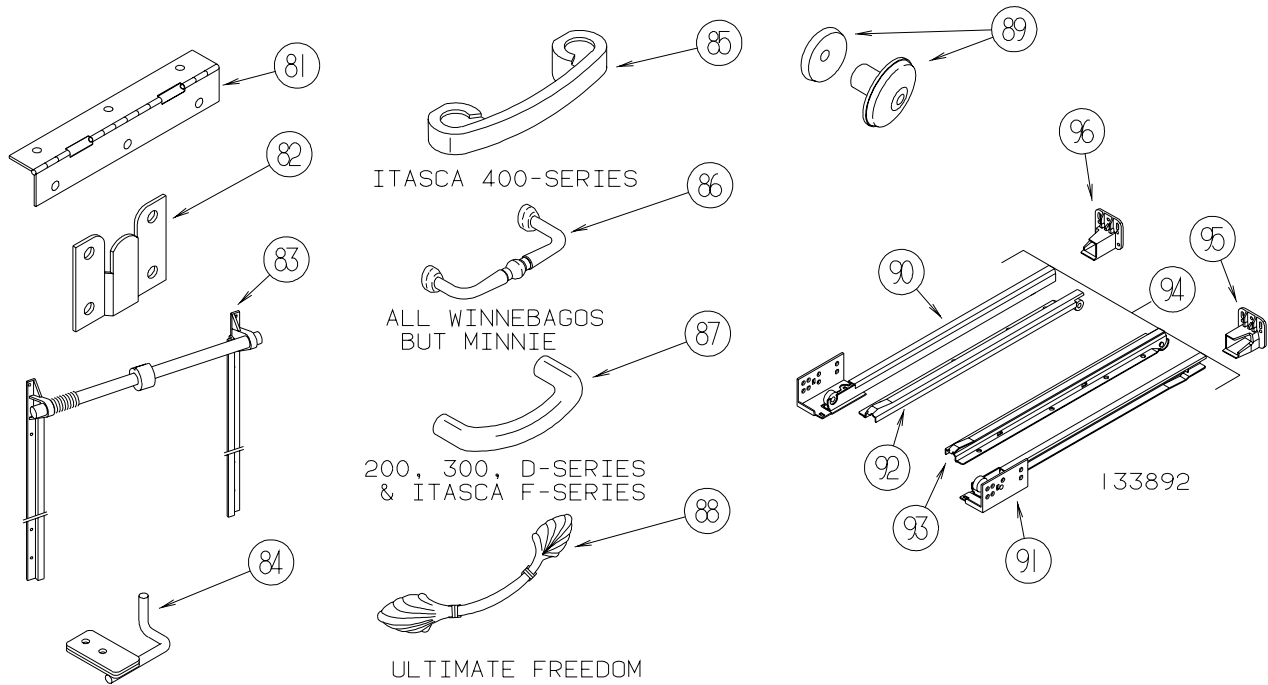
| KEY | PART NUMBER | U/M | DESCRIPTION |
|-----|---------------|-----|---|
| 41 | 100707-01-000 | EA | SPACER - GLASS DOOR - .8" DIA - .3" HOLE - PLASTIC |
| 42 | 100710-01-01A | EA | LOCK - GLASS DOOR/TWIST TYPE - BRASS |
| 43 | 100711-01-01A | EA | HINGE - GLASS DOOR |
| 44 | 102075-06-02A | EA | ROD - SHOWER CURTAIN - 1" OD X 33.5" - SOFT WHITE |
| 44 | 102075-09-02A | EA | ROD - SHOWER CURTAIN - 3/4"OD X 29.5" - SOFT WHITE |
| 44 | 102075-16-02A | EA | ROD - SHOWER CURTAIN - 3/4"OD X 34.2" - SOFT WHITE |
| 44 | 102075-18-02A | EA | ROD - SHOWER CURTAIN - 1" OD X 38.9" - SOFT WHITE |
| 44 | 102075-20-03A | EA | ROD - SHOWER CURTAIN - 48.8" - MILL |
| 44 | 102075-21-03A | EA | ROD - SHOWER CURTAIN - 46.1" |
| 45 | 102194-01-000 | EA | GUIDE - PLASTIC - 1" (HEAD/PIN) |
| 46 | 102920-01-01A | EA | HINGE - SPRING LOADED - BRASS |
| 47 | 103256-01-000 | EA | LATCH COMPLETE (SLIDE) |
| 48 | 103874-01-000 | EA | HANGER - SLIDING DOOR |
| 49 | 104174-01-000 | EA | HOOK - ROBE - DOUBLE |
| 50 | 104181-01-01A | EA | SUPPORT - LEAF 5.3" EXTENDS TO 7.5" - SAFETY RING - METAL |
| 51 | 107796-06-000 | EA | SPRING/GAS - 12" COMPRESSED/20" EXTENDED - 120 LB. |
| 51 | 107796-08-000 | EA | SPRING/GAS - 11" COMPRESSED/17" EXTENDED - 60 LB. |
| 51 | 107796-15-000 | EA | SPRING/GAS - 24" COMPRESSED/40" EXTENDED - 15 LB. |
| 51 | 107796-16-000 | EA | SPRING/GAS - 6.4" COMPRESSED/9.6" EXTENDED - 65 LB. |
| 52 | 108126-01-000 | EA | TRAY HINGE SET (QTY. 2 PER SET) |
| 53 | 108138-01-000 | EA | HINGE - CABINET DOOR - BURNISHED BRASS - Q SERIES (ULTIMATE FREEDOM) ONLY |
| 53 | 108138-03-000 | EA | HINGE - BRIGHT BRASS |
| 54 | 109403-01-000 | EA | CATCH - SINGLE ROLLER - SCREEN DOOR |
| 55 | 110496-01-01A | EA | HINGE - BRASS |
| 56 | 111866-01-02A | EA | BRACE - SEAT - ANGLE - OFF WHITE |
| 57 | 113130-01-01A | EA | PULL - DOOR POCKET |
| 58 | 113236-01-01A | EA | BRACKET - CLOTHES - ROD |
| 59 | 113375-02-01A | EA | STRIKE - DOOR - CHROME |
| 60 | 113375-05-01A | EA | LATCH - SLAM - BACK - .8" THICK |
| 61 | 113375-06-01A | EA | LATCH - SLAM - FACE - .7" THICK |
| 62 | 113676-01-01A | EA | HINGE - OVERLAY - VARIABLE - BURNISHED BRASS |
| 63 | 113677-01-01A | EA | HINGE - SELF CLOSING |
| 64 | 114278-02-000 | EA | HINGE - CONTINUOUS - 3" WIDE |
| 65 | 114443-01-01A | EA | HINGE - CABINET DOOR |

INTERIOR FINISH GROUP (CONTINUED)
HARDWARE (CONTINUED)



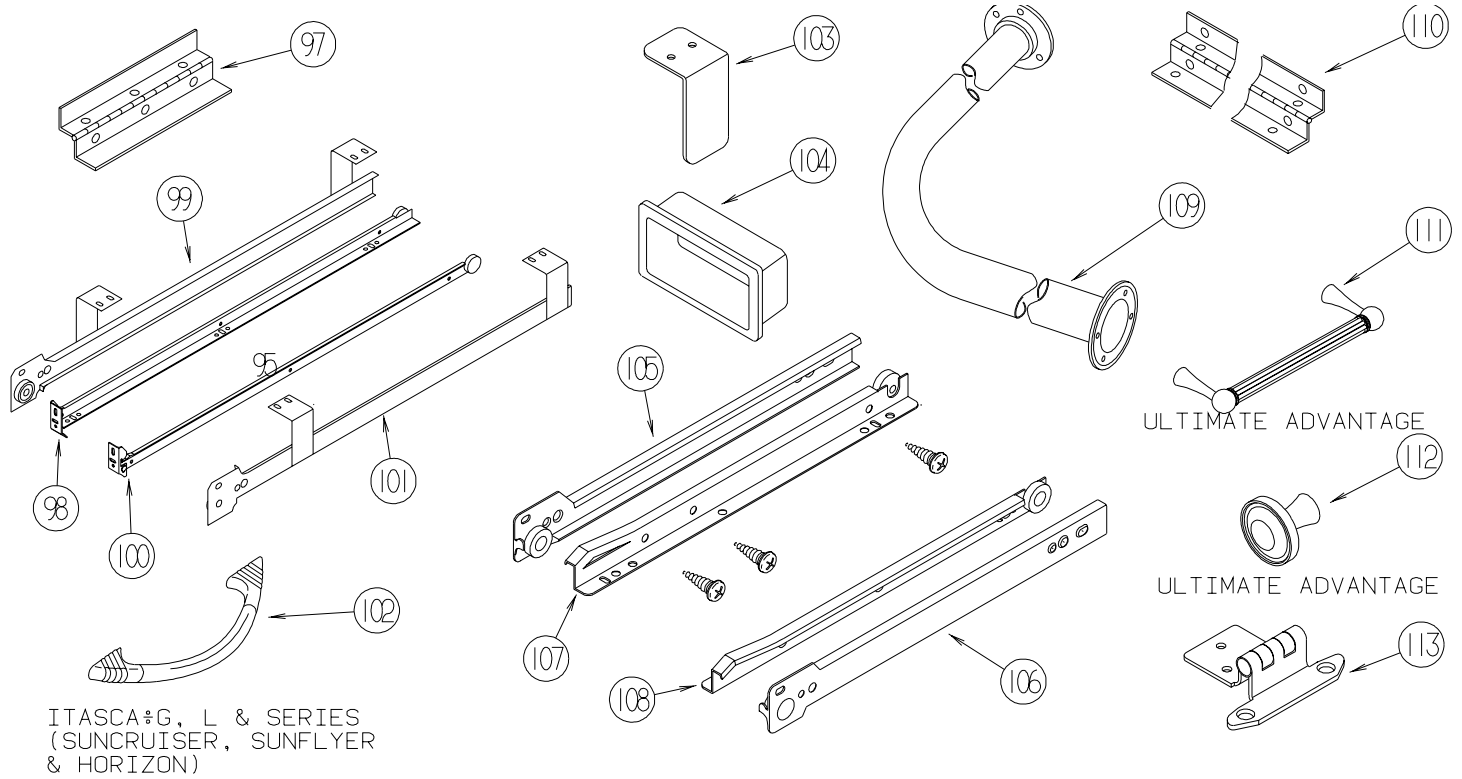
| KEY | PART NUMBER | U/M | DESCRIPTION |
|-----|---------------|-----|--|
| 66 | 115994-01-01A | EA | HANDLE - POCKET |
| 67 | 117095-01-01A | EA | LATCH - DOOR - GRABBER W/KEEPER - PLASTIC - BLK-5 LB PULL |
| 67 | 117095-02-01A | EA | LATCH - DOOR - GRABBER W/KEEPER - PLASTIC - BLK-10 LB PULL |
| 68 | 118200-01-01A | SF | MESH - PLASTIC 1/2" - 48" X LENGTH = SF - BLACK |
| 69 | 122717-01-01A | EA | PAD - NON SKID - 4" DIAMETER ROUND |
| 70 | 122717-06-01A | FT | PAD - NON-SKID - PSA - 5"W |
| 71 | 125221-01-01A | EA | PULL - MIRROR - W/ROUND HANDLE |
| 72 | 126263-06-02B | EA | BRACKET - GAS SPRING W/INSIDE BALL STUD - E-COATED |
| 72 | 126263-08-02B | EA | BRACKET - GAS SPRING W/CENTERED BALL STUD - E-COATED |
| 73 | 126584-02-000 | EA | ROLLER - FLAT |
| 74 | 127349-01-01A | EA | LATCH - PADDLE |
| 75 | 128810-01-01A | EA | SLIDE - DRAWER - 12" - LEFT CABINET |
| 75 | 128810-05-01A | EA | SLIDE - DRAWER - 14" - LEFT CABINET |
| 75 | 128810-09-01A | EA | SLIDE - DRAWER - 16" - LEFT CABINET |
| 75 | 128810-13-01A | EA | SLIDE - DRAWER - 18" - LEFT CABINET |
| 75 | 128810-17-01A | EA | SLIDE - DRAWER - 20" - LEFT CABINET |
| 75 | 128810-21-01A | EA | SLIDE - DRAWER - 22" - LEFT CABINET |
| 75 | 128810-25-01A | EA | SLIDE - DRAWER - 24" - LEFT CABINET |
| 75 | 128810-29-01A | EA | SLIDE - DRAWER - 9" - LEFT CABINET |
| 76 | 128810-02-01A | EA | SLIDE - DRAWER - 12" - RIGHT CABINET |
| 76 | 128810-06-01A | EA | SLIDE - DRAWER - 14" - RIGHT CABINET |
| 76 | 128810-10-01A | EA | SLIDE - DRAWER - 16" - RIGHT CABINET |
| 76 | 128810-14-01A | EA | SLIDE - DRAWER - 18" - RIGHT CABINET |
| 76 | 128810-18-01A | EA | SLIDE - DRAWER - 20" - RIGHT CABINET |
| 76 | 128810-22-01A | EA | SLIDE - DRAWER - 22" - RIGHT CABINET |
| 76 | 128810-26-01A | EA | SLIDE - DRAWER - 24" - RIGHT CABINET |
| 76 | 128810-30-01A | EA | SLIDE - DRAWER - 9" - RIGHT CABINET |
| 77 | 128810-03-01A | EA | SLIDE - DRAWER - 12" - LEFT DRAWER |
| 77 | 128810-07-01A | EA | SLIDE - DRAWER - 14" - LEFT DRAWER |
| 77 | 128810-11-01A | EA | SLIDE - DRAWER - 16" - LEFT DRAWER |
| 77 | 128810-15-01A | EA | SLIDE - DRAWER - 18" - LEFT DRAWER |
| 77 | 128810-19-01A | EA | SLIDE - DRAWER - 20" - LEFT DRAWER |
| 77 | 128810-23-01A | EA | SLIDE - DRAWER - 22" - LEFT DRAWER |
| 77 | 128810-27-01A | EA | SLIDE - DRAWER - 24" - LEFT DRAWER |
| 77 | 128810-27-01A | EA | SLIDE - DRAWER - 24" - LEFT DRAWER |
| 77 | 128810-31-01A | EA | SLIDE - DRAWER - 9" - LEFT DRAWER |
| 78 | 128810-04-01A | EA | SLIDE - DRAWER - 12" - RIGHT DRAWER |
| 78 | 128810-08-01A | EA | SLIDE - DRAWER - 14" - RIGHT DRAWER |
| 78 | 128810-12-01A | EA | SLIDE - DRAWER - 16" - RIGHT DRAWER |
| 78 | 128810-16-01A | EA | SLIDE - DRAWER - 18" - RIGHT DRAWER |
| 78 | 128810-20-01A | EA | SLIDE - DRAWER - 20" - RIGHT DRAWER |
| 78 | 128810-24-01A | EA | SLIDE - DRAWER - 22" - RIGHT DRAWER |
| 78 | 128810-28-01A | EA | SLIDE - DRAWER - 24" - RIGHT DRAWER |
| 78 | 128810-32-01A | EA | SLIDE - DRAWER - 9" - RIGHT DRAWER |
| 79 | 128811-01-01A | EA | BACKSOCKET - ADJUSTABLE - LEFT |
| 80 | 128811-02-01A | EA | BACKSOCKET - ADJUSTABLE - RIGHT |

INTERIOR FINISH GROUP (CONTINUED) HARDWARE (CONTINUED)



| KEY | PART NUMBER | U/M | DESCRIPTION |
|-----|---------------|-----|--|
| 81 | 129753-01-01A | EA | HINGE - SPRING LOADED - 19" X 19" - BLACK |
| 82 | 130120-01-01A | EA | BRACKET - MIRROR |
| 83 | 130787-01-000 | EA | TRACK - TAMBOUR DOOR/SPRING - 15.9" |
| 83 | 130787-02-000 | EA | TRACK - TAMBOUR DOOR/SPRING - 24" |
| 83 | 130787-04-000 | EA | TRACK - TAMBOUR DOOR - SPRING |
| 84 | 130798-01-02B | EA | GUIDE - POCKET DOOR - E-COATED |
| 85 | 131962-01-01A | EA | PULL - DOOR/DRAWER - POLISHED BRASS - ITASCA 400 SERIES (SUNDANCER) |
| 86 | 131963-01-01A | EA | PULL - POLISHED BRASS - WINNEBAGO BRAVE/ADVENTURER/CHIEFTAIN/JOURNEY/MINNIE WINNIE |
| 87 | 131964-01-01A | EA | PULL - POLISHED BRASS - RIALTA/WINNEBAGO MINNIE/VISTA, ITASCA SPIRIT/SUNOVA |
| 88 | 131965-01-01A | EA | PULL - DOOR/DRAWER - 6.3" - BURNISHED BRASS - ULTIMATE FREEDOM |
| 89 | 133313-01-02A | EA | PULL - DOOR/DRAWER - BRIGHT BRASS |
| 89 | 133313-01-03A | EA | PULL - DOOR/DRAWER - CHROME/BRASS - ITASCA L & P SERIES (SUNFLYER & HORISON) ONLY |
| 90 | 133892-01-01A | EA | SLIDE - DRAWER - 16" - LEFT CABINET |
| 90 | 133892-06-01A | EA | SLIDE - DRAWER - 22" - LEFT CABINET |
| 90 | 133892-10-01A | EA | SLIDE - DRAWER - 12" - LEFT CABINET |
| 90 | 133892-14-01A | EA | SLIDE - DRAWER - 18" - LEFT CABINET |
| 91 | 133892-02-01A | EA | SLIDE - DRAWER - 16" - RIGHT CABINET |
| 91 | 133892-07-01A | EA | SLIDE - DRAWER - 22" - RIGHT CABINET |
| 91 | 133892-11-01A | EA | SLIDE - DRAWER - 12" - RIGHT CABINET |
| 91 | 133892-15-01A | EA | SLIDE - DRAWER - 18" - RIGHT CABINET |
| 92 | 133892-03-01A | EA | SLIDE - DRAWER - 16" - LEFT DRAWER |
| 92 | 133892-08-01A | EA | SLIDE - DRAWER - 22" - LEFT DRAWER |
| 92 | 133892-12-01A | EA | SLIDE - DRAWER - 12" - LEFT DRAWER |
| 92 | 133892-16-01A | EA | SLIDE - DRAWER - 18" - LEFT DRAWER |
| 93 | 133892-04-01A | EA | SLIDE - DRAWER - 16" - RIGHT DRAWER |
| 93 | 133892-09-01A | EA | SLIDE - DRAWER - 22" - RIGHT DRAWER |
| 93 | 133892-13-01A | EA | SLIDE - DRAWER - 12" - RIGHT DRAWER |
| 93 | 133892-17-01A | EA | SLIDE - DRAWER - 18" - RIGHT DRAWER |
| 94 | 133892-05-01A | EA | SLIDE - DRAWER - 9" - FULL SET |
| 95 | 133907-01-01A | EA | BACKSOCKET - RIGHT HAND |
| 96 | 133907-02-01A | EA | BACKSOCKET - LEFT HAND |

INTERIOR FINISH GROUP (CONTINUED) HARDWARE (CONTINUED)



| KEY | PART NUMBER | U/M | DESCRIPTION |
|-------------------------------|---------------|-----|---|
| 97 | 135538-01-01A | EA | HINGE - PIANO - FULL WRAP - BRASS PLATED |
| 97 | 135538-03-01A | EA | HINGE - PIANO - FULL WRAP - STOCKER BRASS |
| 98 | 136944-01-01A | EA | SLIDE - DRAWER/RIGHT HAND - 13.8" |
| 99 | 136944-02-01A | EA | SLIDE - CABINET/RIGHT HAND - 13.8" |
| 100 | 136944-03-01A | EA | SLIDE - DRAWER/LEFT HAND - 13.8" |
| 101 | 136944-04-01A | EA | SLIDE - CABINET/LEFT HAND - 13.8" |
| 102 | 137446-01-01A | EA | PULL - CABINET - CHROME/BRASS - ITASCA G, L & P SERIES (SUNCRUISER/SUNFLYER/HORIZON) |
| 103 | 138136-02-02B | EA | GUIDE - DOOR - E-COATED |
| 104 | 139136-01-01A | EA | HANDLE - RECESSED - 2.9" X 1.3"/2.7" X 1" X .7" C/O- BRASS |
| 104 | 139136-02-01A | EA | HANDLE - RECESSED - 2.9" X 1.3"/2.7" X 1" X .4" C/O- BRASS |
| 105 | 139566-01-01A | EA | SLIDE - DRAWER - 37.5" - LEFT CABINET |
| 105 | 139566-05-01A | EA | SLIDE - DRAWER - 32" - LEFT CABINET |
| 106 | 139566-02-01A | EA | SLIDE - DRAWER - 37.5" - RIGHT CABINET |
| 106 | 139566-06-01A | EA | SLIDE - DRAWER - 32" - RIGHT CABINET |
| 107 | 139566-03-01A | EA | SLIDE - DRAWER - 37.5" - LEFT DRAWER |
| 107 | 139566-07-01A | EA | SLIDE - DRAWER - 32" - LEFT DRAWER |
| 108 | 139566-04-01A | EA | SLIDE - DRAWER - 37.5" - RIGHT DRAWER |
| 108 | 139566-08-01A | EA | SLIDE - DRAWER - 32" - RIGHT DRAWER |
| 109 | 140494-01-01A | EA | ROD - SHOWER |
| 109 | 140494-01-02A | EA | ROD - SHOWER - SOFT WHITE |
| 110 | 142276-01-01A | EA | HINGE - PIANO - FULL WRAP - BRASS |
| | 142569-05-000 | EA | SPRING - GAS - 39.9"/15 LB |
| FROM: 01-18-03 THRU: 99-99-99 | | | |
| 111 | 142909-01-01A | EA | PULL - CABINET - BRASS - ULTIMATE ADVANTAGE |
| 112 | 142910-01-01A | EA | KNOB - CABINET - BRASS - ULTIMATE ADVANTAGE |
| 113 | 143468-01-02A | EA | HINGE - SELF CLOSING - POLISHED BRASS |

LABELS GROUP

SEWAGE

KEY PART NUMBER U/M DESCRIPTION
006187-01-000 EA LABEL - SEWAGE

WASTE WATER

KEY PART NUMBER U/M DESCRIPTION
006188-01-000 EA LABEL - WASTE WATER

WARNING

THIS SYSTEM IS DESIGNED FOR USE WITH PROPANE ONLY
DO NOT CONNECT NATURAL GAS TO THIS SYSTEM

BEFORE TURNING ON PROPANE:

- (A) BE CERTAIN APPLIANCES ARE CERTIFIED FOR PROPANE AND ARE EQUIPPED WITH CORRECT BURNING ORIFICES.
- (B) MAKE CERTAIN ALL PROPANE CONNECTIONS ARE TIGHT BY TESTING WITH SOAPY WATER. ALL APPLIANCE VALVES ARE TURNED OFF, AND ANY UNCONNECTED OUTLETS ARE CAPPED.

AFTER TURNING ON PROPANE:

- (A) LIGHT ALL PILOT LIGHTS
- (B) (B) ALL CONNECTIONS, INCLUDING THOSE AT THE APPLIANCES, REGULATORS AND CYLINDERS SHOULD BE LEAK-TESTED PERIODICALLY WITH SOAPY WATER BY THE OCCUPANT. NEVER USE A LIGHTED MATCH OR OTHER FLAME WHEN CHECKING FOR LEAKS.
- (C) DO NOT LEAVE SYSTEM TURNED ON OF CONTAINERS CONNECTED UNTIL THE SYSTEM HAS BEEN PROVEN TO BE FREE OF LEAKS.
- (D) COOKING APPLIANCES SHOULD NOT BE USED FOR SPACE HEATING.
- (E) WHEN THE CONTAINERS ARE DISCONNECTED THE PROPANE SUPPLY LINE SHOULD BE CAPPED OR PLUGGED.

AVERTISSEMENT

CETTE INSTALLATION EST CONÇUE POUR LE PROPANE SEULEMENT
NE PAS L'ALIMENTER EN GAZ NATUREL

AVANT LA MISE EN SERVICE:

- (A) S'ASSURER QUE LES APPAREILS SONT CERTIFIÉS POUR LE PROPANE ET MUNIS D'ORIFICES DE BRULEUR APPROPRIÉS.
- (B) VÉRIFIER L'ÉTANCHEITÉ DE TOUS LES RACCORDEMENTS AU PROPANE. LA PERMÉTURE DE TOUS LES ROBINETS D'APPAREILS ET L'OBTURATION DE TOUTES LES SORTIES NON RACCORDEES.

APRES LA MISE EN SERVICE:

- (A) ALLUMER TOUTES LES VEILLEUSES.
- (B) L'OCCUPANT DOIT ÉPROUVER PÉRIODIQUEMENT L'ÉTANCHEITÉ DE TOUS LES RACCORDEMENTS Y COMPRIS CEUX AUX APPAREILS, AUX DÉTENDEURS ET AUX BOUTEILLES, EN Y APPLIQUANT DE L'EAU SAVONNEUSE NE JAMAIS SE SERVIR D'UNE ALLUMETTE OU AUTRE POUR LA DÉTECTION DES FUITES.
- (C) NE PAS LAISSER L'ALIMENTATION OUVERTE NI LES RÉCIPIENTS RACCORDES AVANT D'AVOIR COMPLÉTÉ L'ÉPREUVE D'ÉTANCHEITÉ AU PROPANE DE L'INSTALLATION.
- (D) LES APPAREILS DE CUISSON NE DOIVENT PAS ÊTRE UTILISÉS POUR LE CHAUFFAGE DES LOCAUX.
- (E) LORSQUE LES RÉCIPIENTS SONT DÉCONNECTÉS, L'ALIMENTATION DE PROPANE DOIT ÊTRE OBTURÉE OU SCELLÉE.

KEY PART NUMBER U/M DESCRIPTION
023769-01-000 EA LABEL - WARNING - LPG - CANADIAN

EXIT

KEY PART NUMBER U/M DESCRIPTION
039290-01-000 EA LABEL - WARNING - EXIT

LABELS GROUP (CONTINUED)



KEY PART NUMBER U/M DESCRIPTION
040944-01-000 EA LABEL - ENTRANCE DOOR - "OPEN"

CAUTION

THIS MOTOR HOME HAS BEEN DESIGNED, MANUFACTURED AND TESTED WITH CONCERN FOR THE PROTECTION OF IT'S OCCUPANTS. WE RECOMMEND YOU PERFORM THE FOLLOWING INSPECTIONS FOR YOUR SAFETY AND THE SAFETY OF YOUR PASSENGERS BEFORE STARTING YOUR VEHICLE.

1. LP GAS SYSTEM- TURN OFF AT TANK FOR TRAVELING. TEST FOR LEAKS UPON ARRIVAL AT DESTINATION. BEFORE LIGHTING PILOTS.
2. WHEELS- INSPECT FOR DAMAGE AND CHECK LUG NUTS FOR TIGHTNESS.
3. TIRES- INSPECT FOR WEAR AND DAMAGE AND CHECK FOR RECOMMENDED AIR PRESSURE.
4. LIGHTING- TEST FOR PROPER OPERATION OF ALL INTERIOR AND EXTERIOR LIGHTS INCLUDING DASH LIGHTS, HEADLIGHTS, TAIL LIGHTS, BRAKE LIGHTS, CLEARANCE LIGHTS AND TURN SIGNALS.
5. EXITS- INSPECT RELEASE MECHANISM ON EMERGENCY EXIT WINDOW. TEST BOTH LOCKS ON MAIN ENTRANCE DOOR FOR EASE OF OPERATION AND INSTRUCT PASSENGERS HOW TO USE BOTH MEANS OF EXIT.
6. SEAT BELTS- DIRECT PASSENGERS TO DESIGNATED SEATS AND REQUIRE USE OF SEAT BELTS.
7. APPLIANCES- TURN OFF AND LATCH OR LOCK DOORS WHERE PROVIDED.
8. LOOSE PARCELS- STORE SECURELY.
9. UTILITY SUPPLY LINES- DISCONNECT ALL ELECTRIC, SEWER AND WATER LINES AND SECURE PROPERLY.
10. ENTRANCE DOOR STEP- PLACE IN RETRACTED POSITION FOR TRAVELING.

READ YOUR MOTOR HOME AND CHASSIS OWNER'S
MANUAL FOR FURTHER PRECAUTIONS

KEY PART NUMBER U/M DESCRIPTION
056259-01-000 EA LABEL - SAFETY CHECK LIST

UNLEADED FUEL ONLY

KEY PART NUMBER U/M DESCRIPTION
062043-01-000 EA LABEL - FUEL - UNLEADED

WARNING DISCONNECT BATTERIES BEFORE
CONNECTING EXTERNAL CHARGING EQUIPMENT.

KEY PART NUMBER U/M DESCRIPTION
065748-01-000 EA LABEL - CAUTION - BATTERY CHARGING

AVERTISSEMENT : DEBRANCHER LES BATTERIES AVANT
DE BRANCHER TOUT EQUIPEMENT DE CHARGE EXTERIEUR.

KEY PART NUMBER U/M DESCRIPTION
065748-02-000 EA LABEL - WARNING - BATTERY/FRENCH - CANADIAN

DIESEL FUEL ONLY

KEY PART NUMBER U/M DESCRIPTION
068383-01-000 EA LABEL - DIESEL FUEL

VEHICLE EMISSION CONTROL INFORMATION
THIS VEHICLE CONFORMS TO U.S. EPA
REGULATIONS APPLICABLE TO XXXX MODEL
YEAR NEW VEHICLES.

072887-01-000-7 CATALYST

KEY PART NUMBER U/M DESCRIPTION
072887-14-000 EA LABEL - EPA - 2003 MODEL YEAR

LABELS GROUP (CONTINUED)

IF YOU SMELL GAS

1. EXTINGUISH ANY OPEN FLAME, PILOT LIGHTS AND ALL SMOKING MATERIALS.
2. DO NOT TOUCH ELECTRICAL SWITCHES.
3. SHUT OFF THE GAS SUPPLY AT THE TANK VALVE(S) OR GAS SUPPLY CONNECTION.
4. OPEN DOORS AND OTHER VENTILATING OPENINGS.
5. LEAVE THE AREA UNTIL ODOR CLEARS.
6. HAVE THE GAS SYSTEM CHECKED AND LEAKAGE SOURCE CORRECTED BEFORE USING AGAIN.

KEY PART NUMBER U/M DESCRIPTION
 073998-01-000 EA LABEL - LPG ODOR WARNING

WARNING: TEST SMOKE DETECTOR
 OPERATION AFTER VEHICLE HAS BEEN IN
 STORAGE, BEFORE EACH TRIP AND AT
 LEAST ONCE PER WEEK DURING USE.

KEY PART NUMBER U/M DESCRIPTION
 077956-01-000 EA LABEL - WARNING - SMOKE DETECTOR

DO NOT FILL
 LP-GAS CONTAINER(S)
 TO MORE THAN 80%
 OF CAPACITY.

KEY PART NUMBER U/M DESCRIPTION
 079965-01-000 EA LABEL - LPG - 80% CAPACITY

WARNING
 MUST BE STOWED
 IN LATCHED POSITION
 WHILE VEHICLE IS IN MOTION

KEY PART NUMBER U/M DESCRIPTION
 079966-01-000 EA LABEL - WARNING - STOWED - MOTION

W
A
T
E
R
O
N
|
H
E
A
T
E
R
O
F
F

KEY PART NUMBER U/M DESCRIPTION
 083588-01-000 EA LABEL - ON/OFF - WATER HEATER
 083588-03-000 EA LABEL - ON/OFF - WATER HEATER

E
N
G
I
N
E
O
N
|
H
E
A
T
E
R
O
F
F

KEY PART NUMBER U/M DESCRIPTION
 083588-02-000 EA LABEL - ON/OFF - ENGINE HEATER
 083588-04-000 EA LABEL - ON/OFF - ENGINE HEATER

LABELS GROUP (CONTINUED)

| | |
|---|---|
| CAUTION | TO HELP AVOID PERSONAL INJURY DURING REMOVAL OF FUEL FILLER CAP, SLOWLY LOOSEN CAP 1/2 TURN TO ALLOW ANY FUEL PRESSURE TO BE RELIEVED BEFORE TURNING CAP FURTHER. |
| FUEL SPRAY MAY CAUSE PERSONAL INJURY | STOP ADDING FUEL AFTER FIRST SHUTOFF BY AUTOMATIC NOZZLE WHEN TANK IS NEARLY FULL. DO NOT OVERFILL FUEL TANK. SEE OWNERS MANUAL FOR ADDITIONAL INFORMATION. PRINTED IN U.S.A. WLC PT NO 15611763 |

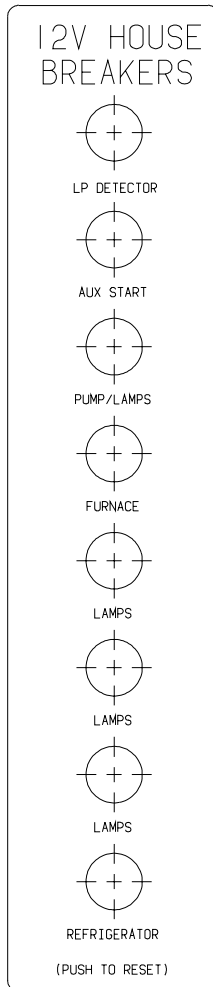
KEY PART NUMBER U/M DESCRIPTION
087207-05-000 EA LABEL - FUEL CAP REMOVAL



KEY PART NUMBER U/M DESCRIPTION
087236-01-000 EA LABEL - CABLE - INPUT

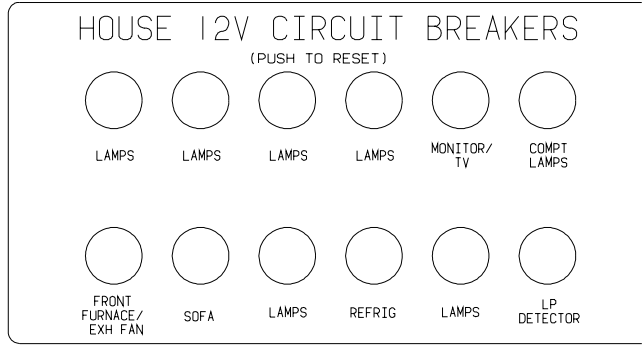


KEY PART NUMBER U/M DESCRIPTION
087236-02-000 EA LABEL - TV OUTLET

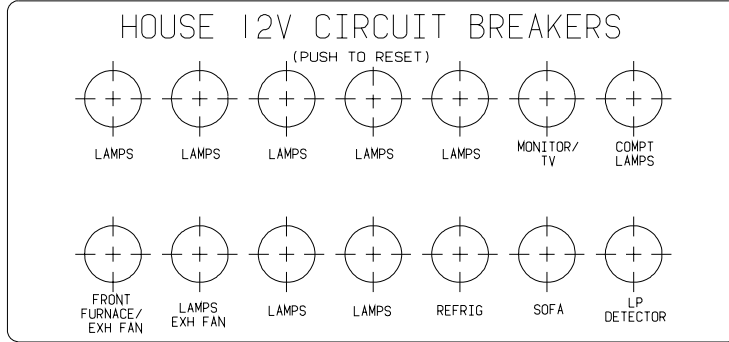


KEY PART NUMBER U/M DESCRIPTION
092547-08-000 EA LABEL - CIRCUIT BREAKER

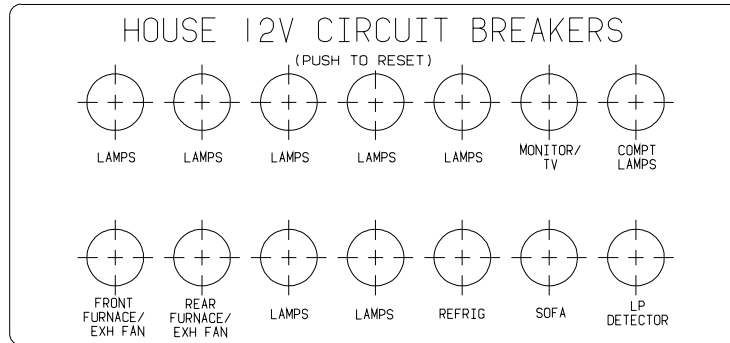
LABELS GROUP (CONTINUED)



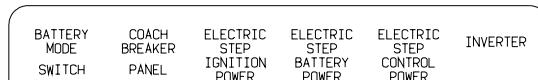
KEY PART NUMBER 092547-10-000 **U/M DESCRIPTION**
EA LABEL - CIRCUIT BREAKER



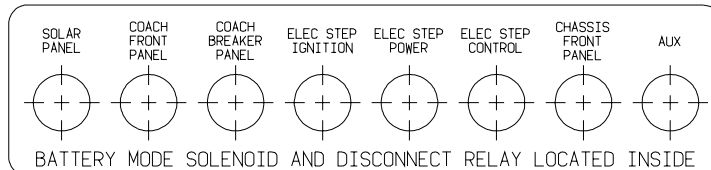
KEY PART NUMBER 092547-11-000 **U/M DESCRIPTION**
EA LABEL - CIRCUIT BREAKER



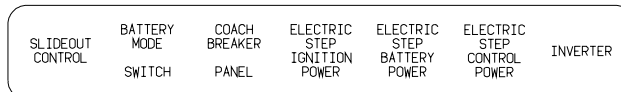
KEY PART NUMBER 092547-12-000 **U/M DESCRIPTION**
EA LABEL - CIRCUIT BREAKER



KEY PART NUMBER 093236-08-000 **U/M DESCRIPTION**
EA LABEL - CIRCUIT BREAKER

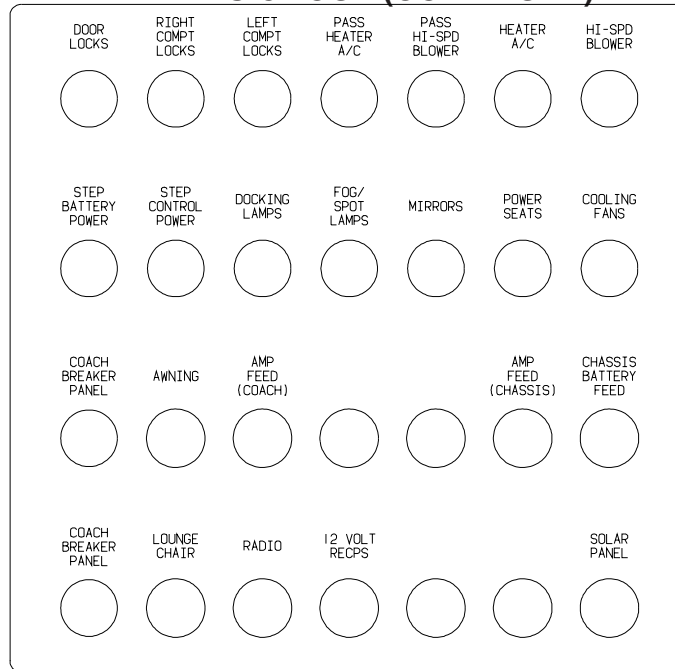


KEY PART NUMBER 093236-13-000 **U/M DESCRIPTION**
EA LABEL - CIRCUIT BREAKER

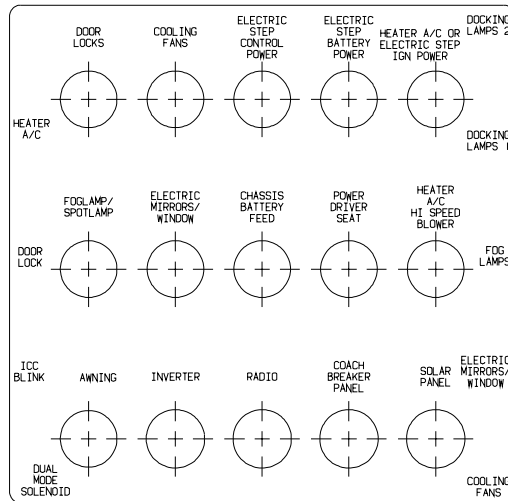


KEY PART NUMBER 093236-21-000 **U/M DESCRIPTION**
EA LABEL - CIRCUIT BREAKER

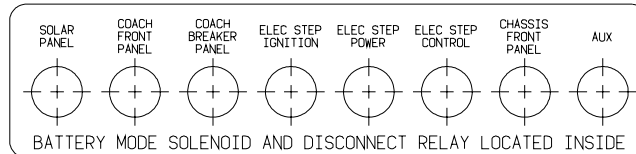
LABELS GROUP (CONTINUED)



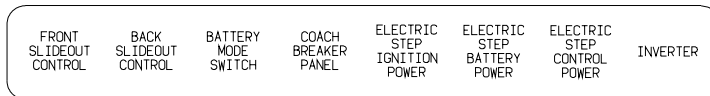
KEY PART NUMBER U/M DESCRIPTION
 093236-22-000 EA LABEL - CIRCUIT BREAKER



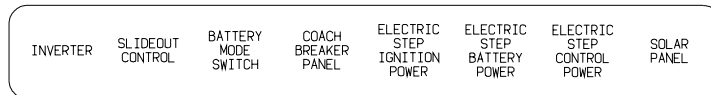
KEY PART NUMBER U/M DESCRIPTION
 093236-23-000 EA LABEL - CIRCUIT BREAKER - MAIN



KEY PART NUMBER U/M DESCRIPTION
 093236-24-000 EA LABEL - CIRCUIT BREAKER

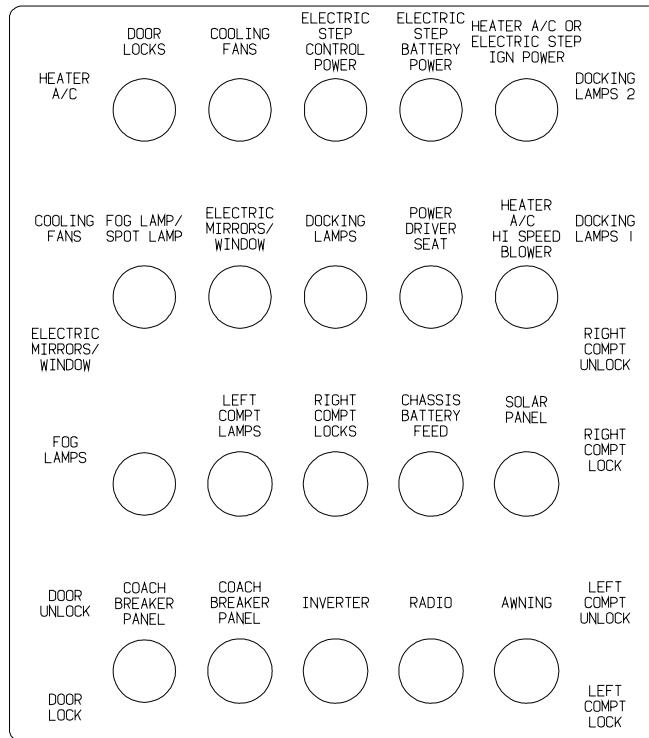


KEY PART NUMBER U/M DESCRIPTION
 093236-28-000 EA LABEL - CIRCUIT BREAKER

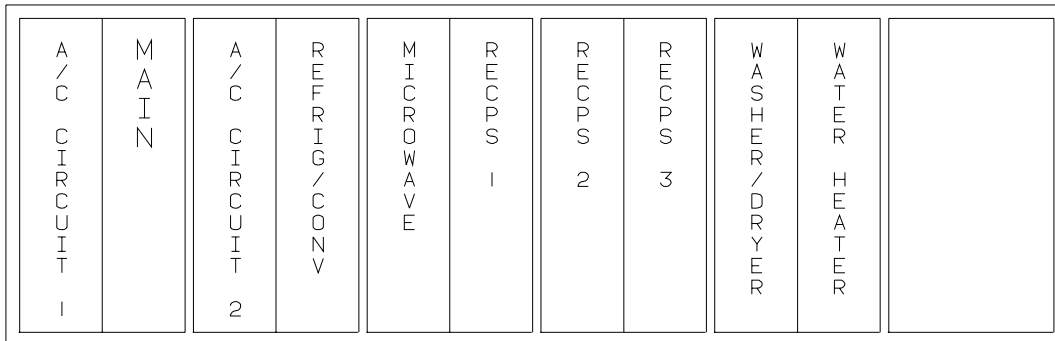


KEY PART NUMBER U/M DESCRIPTION
 093236-29-000 EA LABEL - CIRCUIT BREAKER

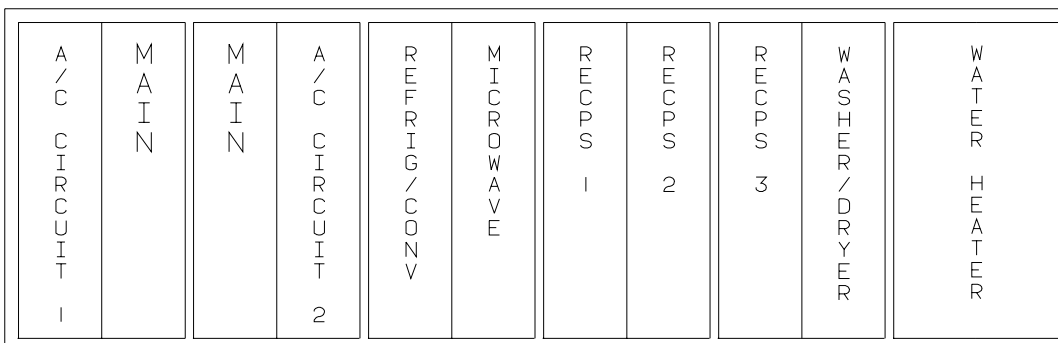
LABELS GROUP (CONTINUED)



KEY PART NUMBER U/M DESCRIPTION
 093236-30-000 EA LABEL - CIRCUIT BREAKER

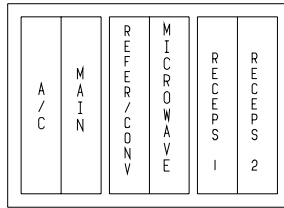


KEY PART NUMBER U/M DESCRIPTION
 095721-31-000 EA LABEL - CONTROL CENTER - 30 AMP - US



KEY PART NUMBER U/M DESCRIPTION
 095721-33-000 EA LABEL - CONTROL CENTER - 50 AMP - US

LABELS GROUP (CONTINUED)



KEY PART NUMBER U/M DESCRIPTION
095721-40-000 EA LABEL - CONTROL CENTER

AUTOMOTIVE AND COACH
CIRCUIT BREAKERS

KEY PART NUMBER U/M DESCRIPTION
098379-01-000 EA LABEL - CIRCUIT BREAKER - FRONT BOX

CIRCUIT BREAKERS
AND AUTOMOTIVE
FUSE PANEL

KEY PART NUMBER U/M DESCRIPTION
098379-03-000 EA LABEL - ELECTRICAL BOX - FRONT

BATTERY MODE
SOLENOID AND
RELAYS

KEY PART NUMBER U/M DESCRIPTION
098379-04-000 EA LABEL - ELECTRICAL BOX - SIDE

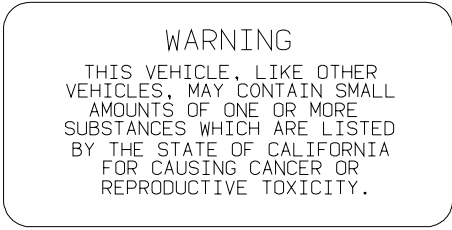
UNLEADED
FUEL ONLY

KEY PART NUMBER U/M DESCRIPTION
098641-01-000 EA LABEL - FUEL - UNLEADED - DASH

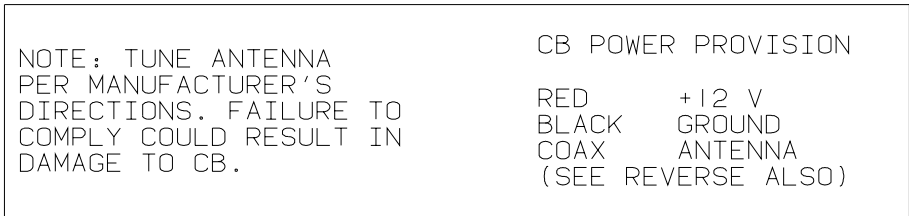
FOR AWNING INSTALLATION
CONTACT YOUR MOTORHOME
DEALERSHIP

KEY PART NUMBER U/M DESCRIPTION
099509-01-000 EA LABEL - AWNING INSTALLATION

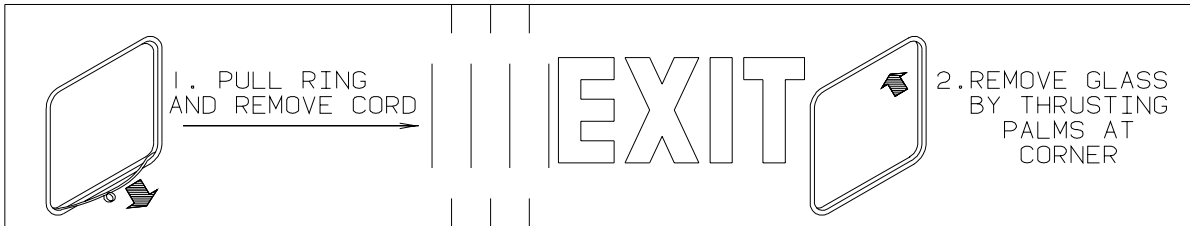
LABELS GROUP (CONTINUED)



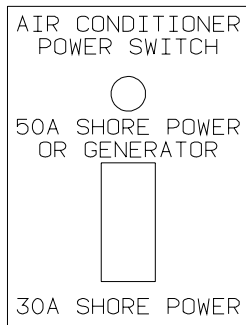
| KEY | PART NUMBER | U/M DESCRIPTION |
|-----|---------------|--------------------------------------|
| | 099689-01-000 | EA LABEL - WARNING - CANCER/TOXICITY |



| KEY | PART NUMBER | U/M DESCRIPTION |
|-----|---------------|--------------------|
| | 104678-01-000 | EA LABEL - CB PREP |



| KEY | PART NUMBER | U/M DESCRIPTION |
|-----|---------------|-------------------------------|
| | 107571-01-000 | EA LABEL - EXIT/ESCAPE WINDOW |

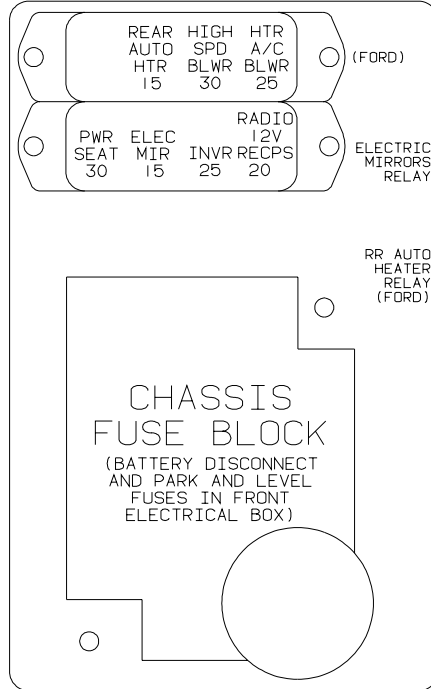


| KEY | PART NUMBER | U/M DESCRIPTION |
|-----|---------------|----------------------------------|
| | 109051-02-000 | EA LABEL - SWITCH - 50 AMP POWER |

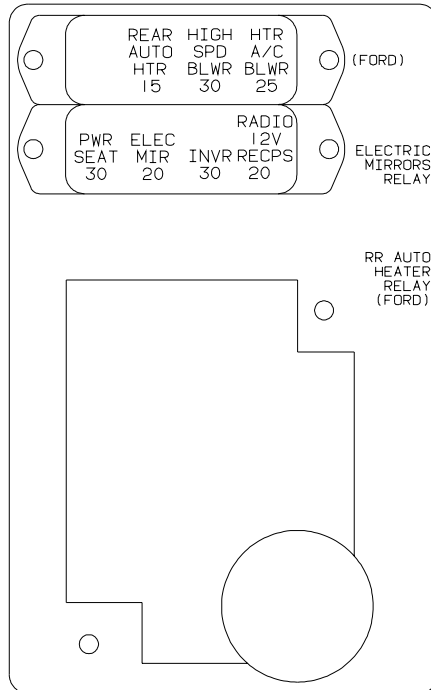
LABELS GROUP (CONTINUED)

DO NOT USE HITCH BEFORE
READING OWNERS MANUAL REGARDING
VEHICLE LOADING AND TOWING

| KEY | PART NUMBER | U/M DESCRIPTION |
|-----|---------------|--|
| | 111104-01-000 | EA LABEL - HITCH - READ MANUAL - WHITE |
| | 111104-02-000 | EA LABEL - HITCH - READ MANUAL - BLACK |



| KEY | PART NUMBER | U/M DESCRIPTION |
|-----|---------------|------------------|
| | 111537-08-000 | EA LABEL - FUSES |

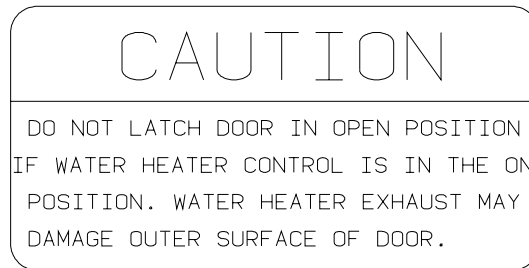


| KEY | PART NUMBER | U/M DESCRIPTION |
|-----|---------------|------------------|
| | 111537-09-000 | EA LABEL - FUSES |

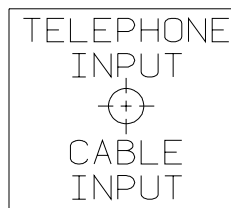
LABELS GROUP (CONTINUED)

WARNING: CONTAINS "CFC" A SUBSTANCE WHICH HARMS PUBLIC HEALTH AND ENVIRONMENT BY DESTROYING OZONE IN THE UPPER ATMOSPHERE.

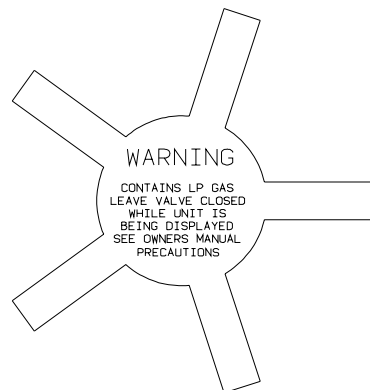
| KEY | PART NUMBER | U/M DESCRIPTION |
|-----|---------------|------------------------|
| | 111802-01-000 | EA LABEL - CFC WARNING |



| KEY | PART NUMBER | U/M DESCRIPTION |
|-----|---------------|---|
| | 113402-01-000 | EA LABEL - CAUTION - WATER HEATER EXHAUST |



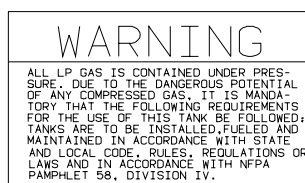
| KEY | PART NUMBER | U/M DESCRIPTION |
|-----|---------------|---|
| | 114866-02-000 | EA LABEL - PHONE & CABLE INPUT - WHITE/CLEAR BACKGROUND |
| | 114866-03-000 | EA LABEL - PHONE & CABLE INPUT - BLACK/CLEAR BACKGROUND |



| KEY | PART NUMBER | U/M DESCRIPTION |
|-----|---------------|------------------------------|
| | 115600-01-000 | EA LABEL - WARNING LPG VALVE |

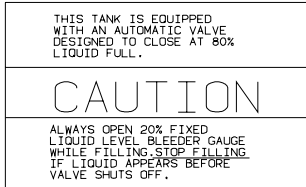
WARNING: REPLACE TIRE ONLY WITH ONE OF EXACTLY SAME TYPE AND RATING. DO NOT REPLACE WITH PASSENGER CAR TIRE. SEE OPERATOR'S MANUAL FOR MORE INFORMATION CALL WINNEBAGO OWNER RELATIONS AT 1-800-537-1885.

| KEY | PART NUMBER | U/M DESCRIPTION |
|-----|---------------|---------------------------|
| | 115869-01-000 | EA LABEL - WARNING - TIRE |

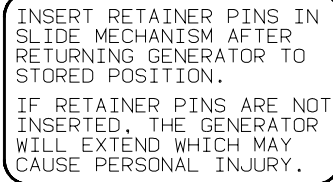


| KEY | PART NUMBER | U/M DESCRIPTION |
|-----|---------------|-------------------------|
| | 116112-01-000 | EA LABEL - CAUTION - LP |

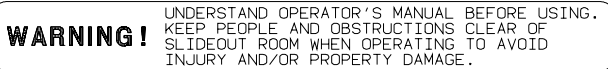
LABELS GROUP (CONTINUED)



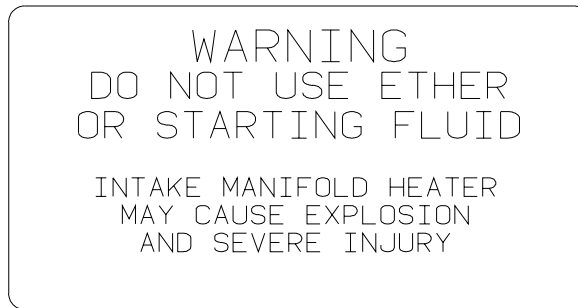
KEY PART NUMBER **U/M DESCRIPTION**
 116113-01-000 EA LABEL - CAUTION - LP



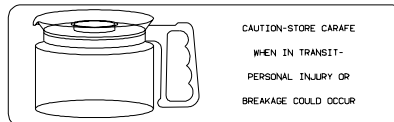
KEY PART NUMBER **U/M DESCRIPTION**
 116273-01-000 EA LABEL - WARNING - GENERATOR



KEY PART NUMBER **U/M DESCRIPTION**
 116549-01-000 EA LABEL - WARNING - SLIDEOUT



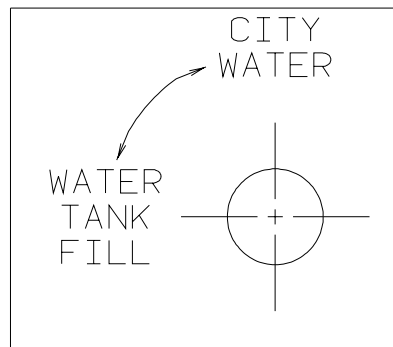
KEY PART NUMBER **U/M DESCRIPTION**
 116756-02-000 EA LABEL - WARNING - ETHER/STARTING



KEY PART NUMBER **U/M DESCRIPTION**
 116829-02-000 EA LABEL - COFFEEMAKER

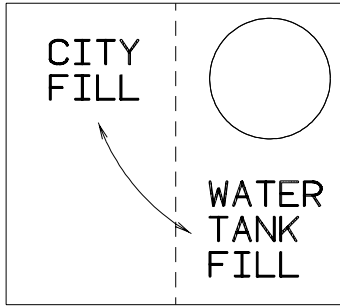


KEY PART NUMBER **U/M DESCRIPTION**
 117628-02-000 EA LABEL - SWITCH - WATER PUMP/LIGHTS-WHITE/CLEAR BACKGROUND

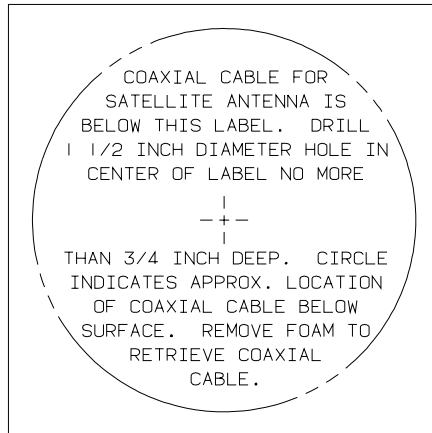


KEY PART NUMBER **U/M DESCRIPTION**
 117629-03-000 EA LABEL - WATER PUMP/FILL-BLK LETTERS/CLEAR BACKGROUND-.31"

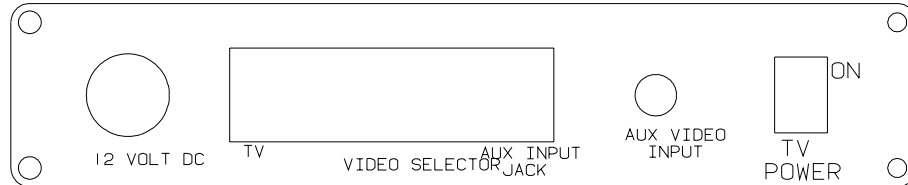
LABELS GROUP (CONTINUED)



KEY PART NUMBER 117629-04-000
U/M DESCRIPTION EA LABEL - CITY WATER/TANK FILL



KEY PART NUMBER 120431-01-000
U/M DESCRIPTION EA LABEL - LOCATION - COAXIAL CABLE/SATELLITE ANTENNA



KEY PART NUMBER 120677-01-000
U/M DESCRIPTION EA LABEL - TV

KEEP THE SERVICE INLET ACCESS
 IN THE CLOSED POSITION WHEN
 UTILITY CONNECTIONS ARE NOT IN USE

KEY PART NUMBER 123562-01-000
U/M DESCRIPTION EA LABEL - SERVICE/UTILITY ACCESS

WARNING

ALL PILOT LIGHTS, APPLIANCES AND THIER
 IGNITORS (SEE OPERATING INSTRUCTIONS) SHALL
 BE TURNED OFF DURING REFUELING OF MOTOR
 FUEL TANKS AND/OR LP GAS CONTAINERS

KEY PART NUMBER 124519-01-01A
 124519-01-02A
U/M DESCRIPTION EA LABEL - WARNING/REFUELING - BLACK ON CLEAR
 EA LABEL - WARNING/REFUELING - WHITE ON CLEAR

LABELS GROUP (CONTINUED)

WARNING:

ALL PILOT LIGHTS AND APPLIANCES SHALL BE TURNED OFF DURING REFUELING OF MOTOR FUEL TANKS AND/OR PROPANE CONTAINERS.

AVERTISSEMENT:

FERMER TOUTES LES VEILLEUSES AINSI QUE TOUS LES APPAREILS LORSQU'ON FAIT LE PLEIN DES RESERVOIRS A CARBURANT OU A PROPANE.

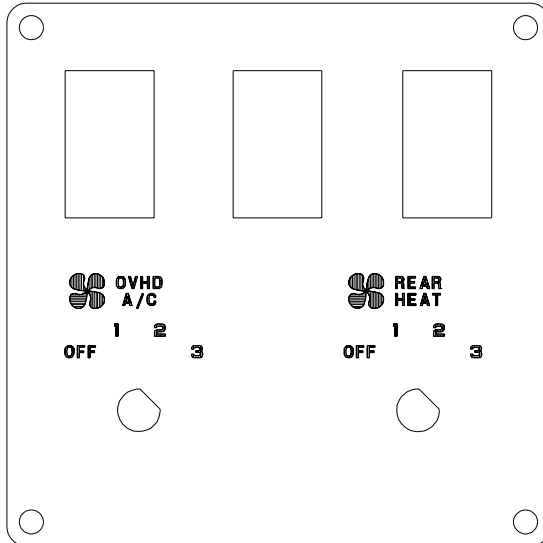
124519-02

| KEY | PART NUMBER | U/M | DESCRIPTION |
|-----|---------------|-----|--|
| | 124519-02-01A | EA | LABEL - WARNING/REFUELING - BLACK ON CLEAR - CSA |
| | 124519-02-02A | EA | LABEL - WARNING/REFUELING - WHITE ON CLEAR - CSA |

LP-GAS SYSTEM
THIS GAS PIPING SYSTEM IS DESIGNED FOR USE OF LIQUIFIED PETROLEUM GAS ONLY. DO NOT CONNECT NATURAL GAS TO THIS SYSTEM.
SECURE CAP INLET(S) WHEN NOT CONNECTED FOR USE. AFTER TURNING ON GAS, EXCEPT AFTER NORMAL CONTAINER REPLACEMENT, TEST GAS PIPING AND CONNECTIONS TO APPLIANCES FOR LEAKAGE WITH SOAPY WATER OR BUBBLE SOLUTION. DO NOT USE PRODUCTS THAT CONTAIN AMMONIA OR CLORINE.

124520

| KEY | PART NUMBER | U/M | DESCRIPTION |
|-----|---------------|-----|--------------------------------------|
| | 124520-01-01A | EA | LABEL - LP GAS ONLY - BLACK ON CLEAR |
| | 124520-01-02A | EA | LABEL - LP GAS ONLY - WHITE ON CLEAR |



| KEY | PART NUMBER | U/M | DESCRIPTION |
|-----|---------------|-----|------------------|
| | 124572-01-000 | EA | LABEL - SWITCHES |

WINNEBAGO

EMISSION CONTROL INFORMATION

CATALYST

| | |
|--|---------------------|
| ENGINE FAMILY | XXXXXXX |
| EVAP. FAMILY | XXXXXXX |
| EXH.EMISSION CONTR.SYST. | SFI/AIR/TWC/HO2S(2) |
| DISPL 2792 CC | OBD II CERTIFIED |
| TUNE UP SPECIFICATIONS; NO ADJUSTMENT NEEDED | |
| CARB EXH.EMISSION STAND. | STANDARD CATEGORY |
| CERTIFICATION | XXX |
| IN-USE | XXX |

THIS HEAVY DUTY VEHICLE CONFORMS TO U.S. EPA REGULATIONS APPLICABLE TO XXXX MODEL YEAR LIGHT-DUTYTRUCKS UNDER THE SPECIAL PROVISIONS OF 40 CFR XXXXXX, AND IS CERTIFIED TO MEDIUM-DUTY VEHICLE STANDARDS FOR SALE IN CALIFORNIA.

XXXX

||| ||| ||| ||| BAR CODE ||| ||| |||

| KEY | PART NUMBER | U/M | DESCRIPTION |
|-----|---------------|-----|---------------------------------|
| | 124709-07-000 | EA | LABEL - EMISSION CONTROL - DUAL |

LABELS GROUP (CONTINUED)

THIS CONNECTION IS FOR
(B) VOLT AC,60 HZ(CYCLES)
(A) AMPERE SUPPLY

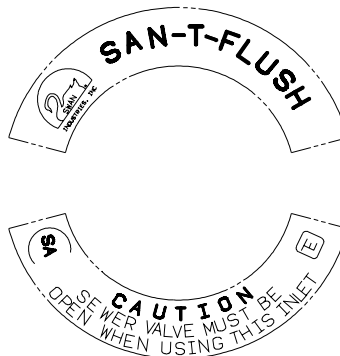
DO NOT CONNECT TO
HIGHER VOLTAGE

| KEY | PART NUMBER | U/M | DESCRIPTION |
|-----|---------------|-----|--|
| | 125306-01-01A | EA | LABEL - ELECTRICAL ENTRANCE - 110V 30 AMP - BLACK ON CLEAR |
| | 125306-01-02A | EA | LABEL - ELECTRICAL ENTRANCE - 110V 30 AMP - WHITE ON CLEAR |

THIS CONNECTION IS FOR
(B) VOLT AC,3-POLE,4 WIRE
60 HZ(CYCLES),(A) AMPERE SUPPLY

DO NOT CONNECT TO
HIGHER VOLTAGE

| KEY | PART NUMBER | U/M | DESCRIPTION |
|-----|---------------|-----|--|
| | 125306-04-01A | EA | LABEL-ELECTRICAL ENTRANCE-120/240V 50 AMP-BLACK ON CLEAR |
| | 125306-04-02A | EA | LABEL - ELECTRICAL ENTRANCE-120/240V 50 AMP-WHITE ON CLEAR |



| KEY | PART NUMBER | U/M | DESCRIPTION |
|-----|---------------|-----|-----------------------------------|
| | 125697-07-000 | EA | LABEL - CAUTION - FLUSHING SYSTEM |

REMOVE PRIMARY TIRE HANGER BEFORE USING
SPARE TIRE HOIST-SEE OWNERS MANUAL- PERSONAL
INJURY MAY RESULT IF NOT FOLLOWED

| KEY | PART NUMBER | U/M | DESCRIPTION |
|-----|---------------|-----|-----------------------------|
| | 126024-01-000 | EA | LABEL - TIRE HANGER REMOVAL |

GRAY HOLDING TANK

| KEY | PART NUMBER | U/M | DESCRIPTION |
|-----|---------------|-----|--|
| | 126247-05-000 | EA | LABEL - GRAY HOLDING TANK-BLACK LETTERS/CLEAR BACKGROUND |

BLACK HOLDING TANK

| KEY | PART NUMBER | U/M | DESCRIPTION |
|-----|---------------|-----|---|
| | 126247-06-000 | EA | LABEL - BLACK HOLDING TANK-BLACK LETTERS/CLEAR BACKGROUND |

LABELS GROUP (CONTINUED)

EXTERIOR SHOWER

KEY PART NUMBER U/M DESCRIPTION
126248-03-000 EA LABEL - EXTERIOR SHOWER

CITY WATER FILL

KEY PART NUMBER U/M DESCRIPTION
126249-03-000 EA LABEL - CITY WATER FILL-BLK LETTERS/CLEAR BACKGROUND .31"

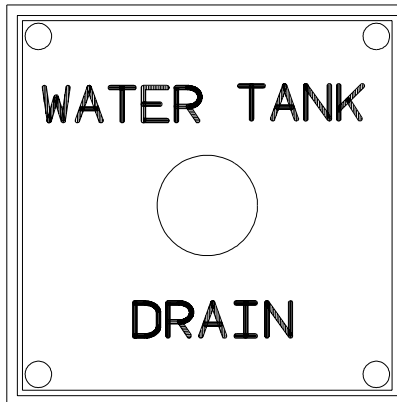


WARNING

○ **Children Can be KILLED or INJURED
by Passenger Air Bag**

The back seat is the safest place for children 12 and under.
Make sure all children use seat belts or child seats.

KEY PART NUMBER U/M DESCRIPTION
126612-01-000 EA LABEL - HANG TAG - AIR BAG - DASH



KEY PART NUMBER U/M DESCRIPTION
127170-01-000 EA LABEL - WATER TANK DRAIN

WARNING

ROOF SURFACE MAY BE SLIPPERY
ESPECIALLY WHERE MOISTURE IS PRESENT
SLIPPING MAY RESULT IN PERSONAL INJURY.

128218-01

KEY PART NUMBER U/M DESCRIPTION
128218-01-01A EA LABEL - WARNING - SLIPPERY ROOF

ENTRANCE DOOR PROP ROD

THIS ROD IS DESIGNED TO PROP THE
ENTRANCE DOOR OPEN WHEN THE PATIO
AWNING ARM IS ATTACHED TO THE
SIDEWALL AND THE AWNING IS EX-
TENDED.
HOOK ONE END OF ROD INTO LOOP ON
DOOR AND OTHER END INTO LOOP ON THE
SIDEWALL AS SHOWN.

(THIS LABEL TO BE REMOVED BY RETAIL OWNER ONLY)

KEY PART NUMBER U/M DESCRIPTION
128658-01-000 EA LABEL - PROP ROD - ENTRY DOOR

LABEL GROUP (CONTINUED)

WARNING

POTABLE WATER ONLY
SANITIZE, FLUSH, AND
DRAIN BEFORE USING.
SEE INSTRUCTION MANUAL

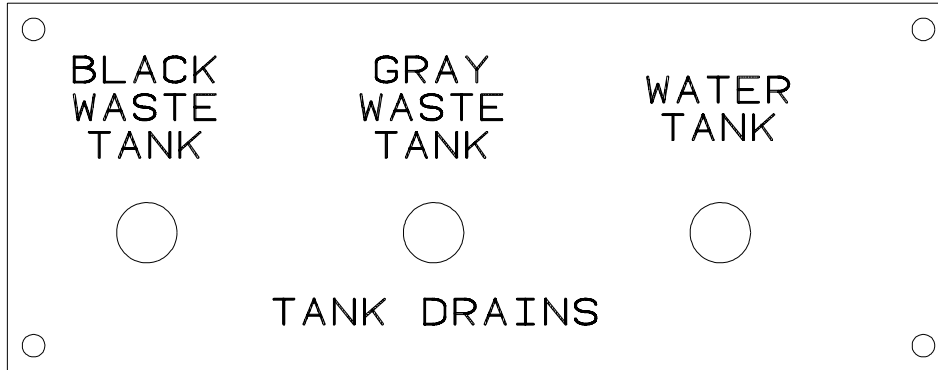
KEY PART NUMBER U/M DESCRIPTION
128725-01-01A EA LABEL - POTABLE WATER ONLY - BLACK ON CLEAR

TOW VEHICLE RATING MAY BE LESS THAN HITCH RATING.
MAXIMUM VERTICAL HITCH LOAD: 350 LBS
DO NOT EXCEED REAR AXLE RATING.
SEE OWNER'S MANUAL FOR ADDITIONAL INFORMATION.

KEY PART NUMBER U/M DESCRIPTION
129669-01-01A EA LABEL - HITCH/VEHICLE RATE - 350 - WHITE ON CLEAR
129669-01-02A EA LABEL - HITCH/VEHICLE RATE - 350 - BLACK ON CLEAR
129669-02-01A EA LABEL - HITCH/VEHICLE RATE - 500 - WHITE ON CLEAR
129669-02-02A EA LABEL - HITCH/VEHICLE RATE - 500 - BLACK ON CLEAR

TIRE ROTATION
SEE RIALTA OWNERS MANUAL
SECTION 9

KEY PART NUMBER U/M DESCRIPTION
129684-01-000 EA LABEL - TIRE ROTATION



KEY PART NUMBER U/M DESCRIPTION
130166-01-000 EA LABEL - DRAIN

H
O
S
E

S
T
O
R
A
G
E

KEY PART NUMBER U/M DESCRIPTION
130167-02-000 EA LABEL - HOSE STORAGE

LABELS GROUP (CONTINUED)

WASTE TANK FLUSH

KEY PART NUMBER U/M DESCRIPTION
130168-01-000 EA LABEL - WASTE TANK FLUSH

MONITOR WATER
PANEL LIGHT PUMP

KEY PART NUMBER U/M DESCRIPTION
130170-01-000 EA LABEL - SWITCH PANEL - BLK/CLEAR BACKGROUND-1.8"H X 5.9"L

LIGHTS WATER
PUMP

KEY PART NUMBER U/M DESCRIPTION
130170-02-000 EA LABEL - SWITCH PANEL-BLK/CLEAR BACKGROUND-1.4"H X 3.9"L

WATER
PUMP

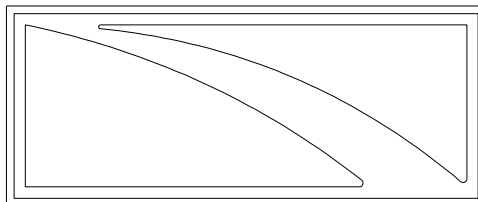
KEY PART NUMBER U/M DESCRIPTION
130170-03-000 EA LABEL - PANEL SWITCH

CAUTION:
OPEN A WINDOW OR VENT WHILE
OPERATING DRYER. IT IS DANGEROUS
TO CREATE A NEGATIVE AIR PRESSURE
INSIDE A VEHICLE CONTAINING
FUEL-BURNING APPLIANCES

KEY PART NUMBER U/M DESCRIPTION
130670-01-01A EA LABEL - CAUTION DRYER VENTING - BLACK ON CLEAR

PUSH TO
RELEASE
GENERATOR
SLIDE ASM

KEY PART NUMBER U/M DESCRIPTION
131779-01-01A EA LABEL - GENERATOR



KEY PART NUMBER U/M DESCRIPTION
132651-01-01A EA DECAL - MIRROR/GALLEY

LABELS GROUP (CONTINUED)



KEY PART NUMBER U/M DESCRIPTION
 133423-01-01A EA LABEL - DRAIN



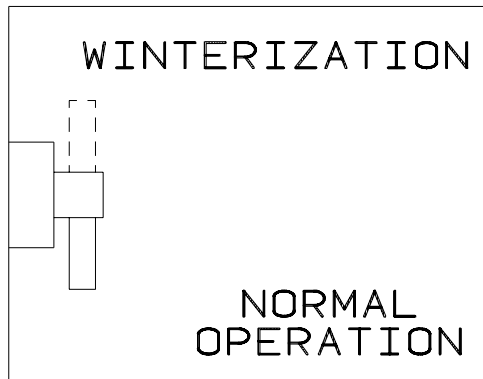
KEY PART NUMBER U/M DESCRIPTION
 133424-01-01A EA LABEL - BYPASS - WATER HEATER



KEY PART NUMBER U/M DESCRIPTION
 133424-02-01A EA LABEL - NORMAL OPERATION



KEY PART NUMBER U/M DESCRIPTION
 133424-03-01A EA LABEL - WATER HEATER BYPASS - BLACK/CLEAR



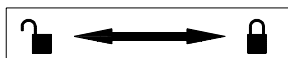
KEY PART NUMBER U/M DESCRIPTION
 133425-01-01A EA LABEL - VALVE - WINTERIZATION



KEY PART NUMBER U/M DESCRIPTION
 133533-01-01A EA LABEL - JACKS DOWN - CLEAR W/WHITE LETTERING

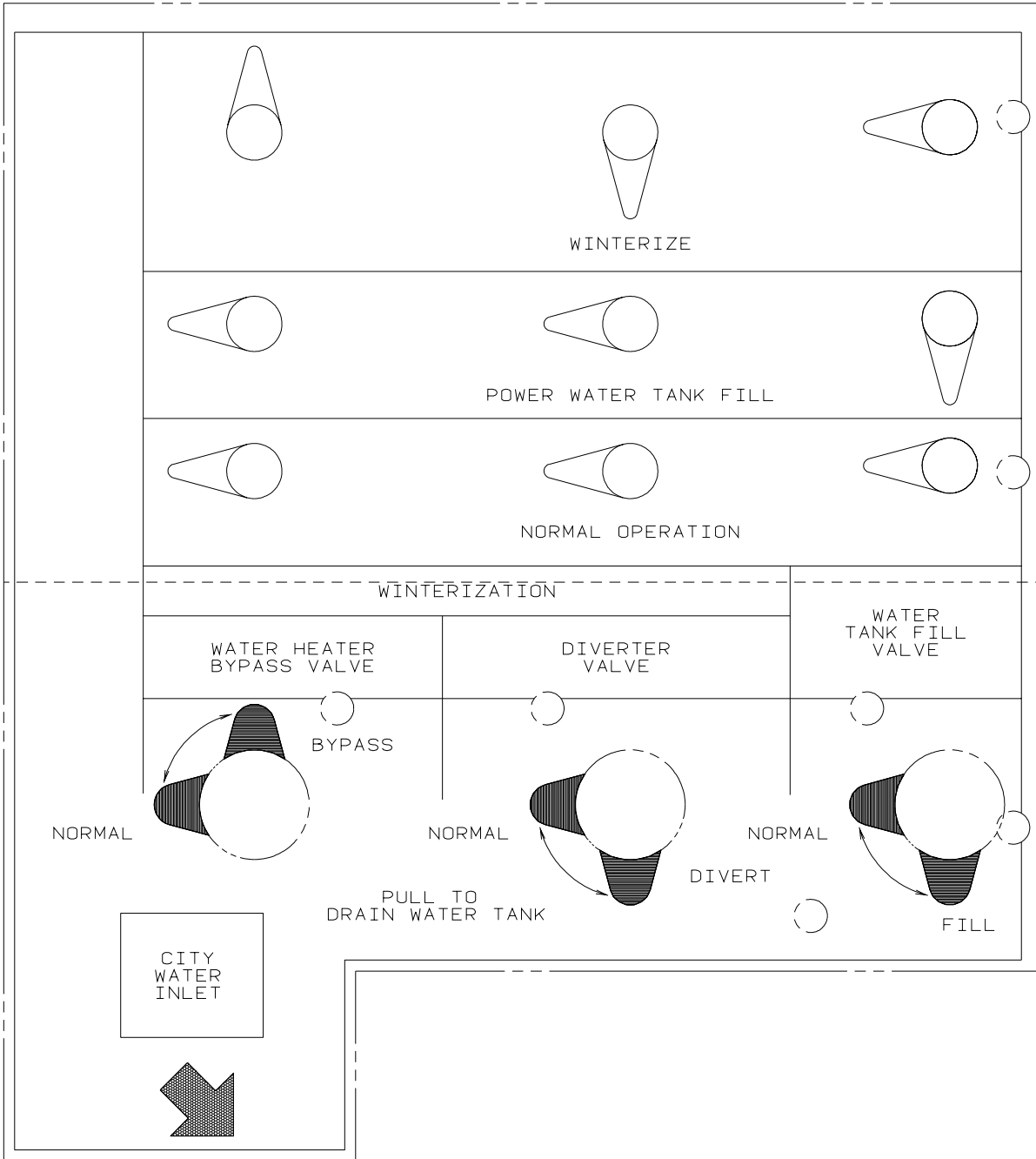


KEY PART NUMBER U/M DESCRIPTION
 133533-02-01A EA LABEL - CHECK ANTENNA - CLEAR W/WHITE LETTERING



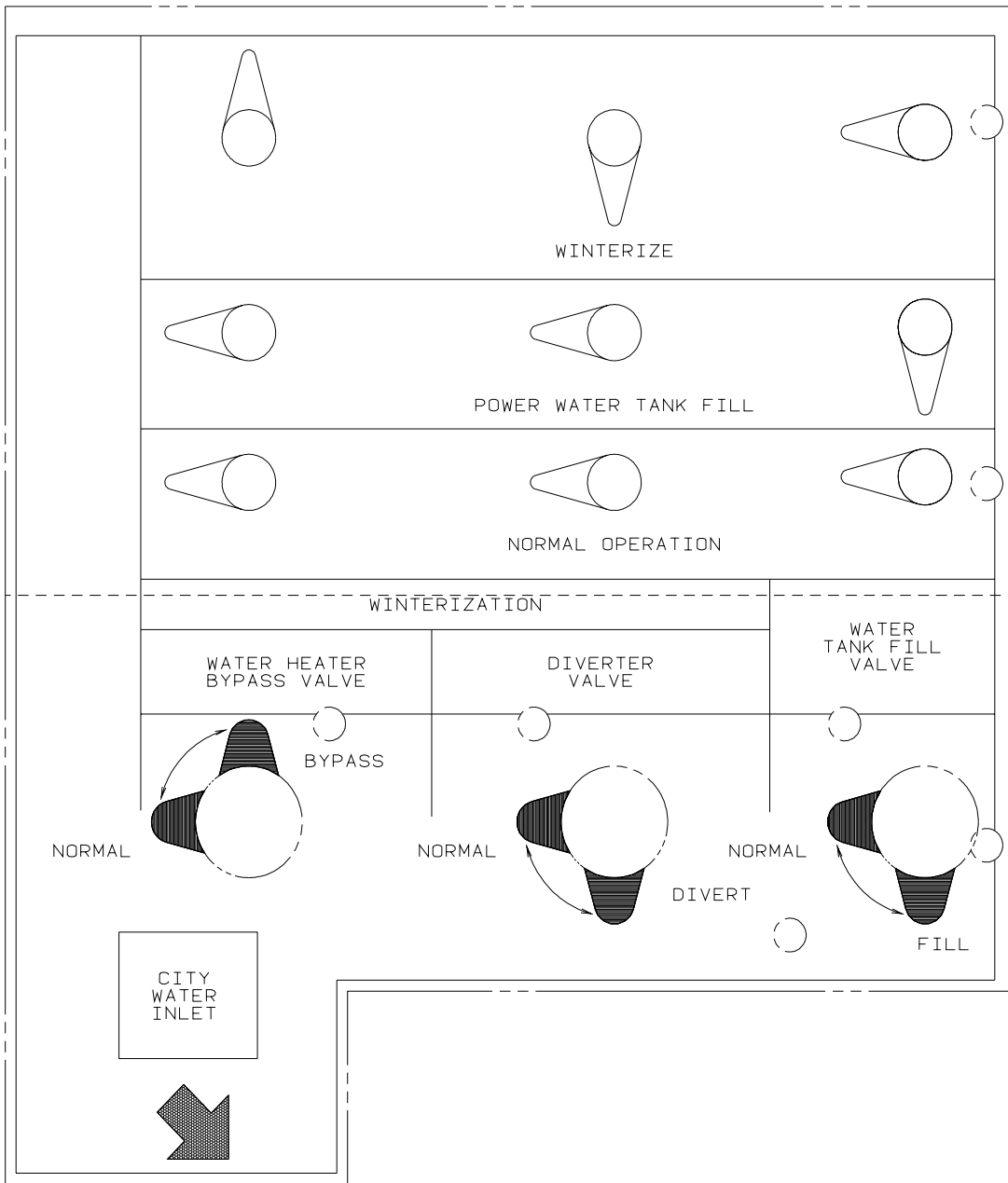
KEY PART NUMBER U/M DESCRIPTION
 133533-03-01A EA LABEL - LOCK/UNLOCK - BLACK/WHITE

LABELS GROUP (CONTINUED)

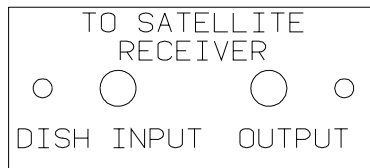


| KEY | PART NUMBER | U/M | DESCRIPTION |
|-----|---------------|-----|----------------------|
| | 133629-01-01A | EA | LABEL - WATER CENTER |

LABELS GROUP (CONTINUED)



KEY PART NUMBER U/M DESCRIPTION
 133629-02-01A EA LABEL - WATER CENTER - BLACK/CLEAR



KEY PART NUMBER U/M DESCRIPTION
 134250-01-01A EA LABEL - SATELLITE RECEIVER - BLACK/CLEAR

THIS CHAIR IS NOT INTENDED FOR OCCUPANCY WHEN VEHICLE IS IN MOTION AND MUST BE RETURNED TO STOWED POSITION

DTS ISICE SIEGE N/EST PAS DESTINE A ETRE OCCUPE LORSQUE LE VEHICULE EST IN MOVEMENT ET IL FAUT QUE LE RANGER

THIS CHAIR IS NOT INTENDED FOR OCCUPANCY WHEN VEHICLE IS IN MOTION AND MUST BE RETURNED TO STOWED POSITION

KEY PART NUMBER U/M DESCRIPTION
 134537-01-01A EA LABEL - OCCUPANCY - CHAIR - US

LABELS GROUP (CONTINUED)

THIS SEAT IS NOT INTENDED
FOR OCCUPANCY WHEN
VEHICLE IS IN MOTION

KEY PART NUMBER U/M DESCRIPTION
134538-01-01A EA LABEL - OCCUPANCY - NO SEAT BELT - BLACK ON CLEAR - US

DST ISICE SIEGE N/EST PAS THIS SEAT IS NOT INTENDED
DESTINE A ETRE OCCUPE LORSQUE FOR OCCUPANCY WHILE
LE VEHICULE EST IN MOVUEMENT VEHICLE IS IN MOTION

KEY PART NUMBER U/M DESCRIPTION
134538-02-01A EA LABEL - OCCUPANCY - NO SEAT BELT - BLACK ON CLEAR - CSA

WARNING

IT IS NOT SAFE TO USE COOKING
APPLICANCES FOR COMFORT HEATING

COOKING APPLICANCES NEED FRESH AIR FOR SAFE OPERATION
BEFORE OPERATION.

1. OPEN OVERHEAD VENT OR TURN ON EXHAUST FAN AND;
2. OPEN WINDOW.

KEY PART NUMBER U/M DESCRIPTION
134539-01-01A EA LABEL - WARNING - STOVE/HEATING - US - BLACK ON CLEAR

HOLDING TANK HEATER

TURN OFF WHEN NOT IN USE
SEE OPERATOR'S MANUAL

KEY PART NUMBER U/M DESCRIPTION
134563-01-01A EA LABEL - SWITCH - HEATER

THIS VEHICLE MAY INCLUDE MERCURY-CONTAINING DEVICES INSTALLED BY THE MANUFACTURER:

FLUORESCENT TUBES, RANGES WITH OVEN, HWH LEVEL SENSING UNIT.

REMOVE DEVICES BEFORE VEHICLE DISPOSAL UPON REMOVAL OF
DEVICES: PLEASE REUSE, RECYCLE, OR DISPOSE AS HAZARDOUS WASTE

135869-01A

KEY PART NUMBER U/M DESCRIPTION
135869-01-01A EA LABEL - MERCURY CONTENT - BLACK ON CLEAR
135869-01-02A EA LABEL - MERCURY CONTENT - WHITE ON CLEAR

LIQUID SOAP

KEY PART NUMBER U/M DESCRIPTION
136047-01-01A EA LABEL - LIQUID SOAP

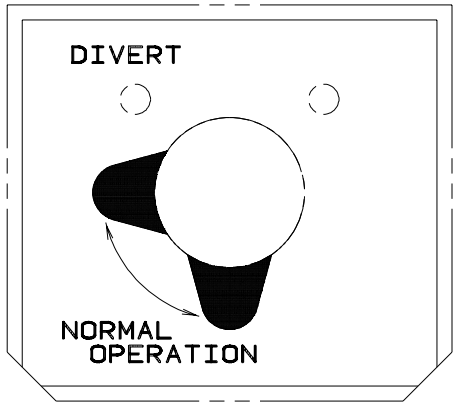
LABELS GROUP (CONTINUED)

| | | | | | | | |
|------------------|------------------|--------------------------------|----------------------------------|-------------------------------|---------------------------------------|--------------------------|---------------|
| DOOR LOCK | DOOR UNLOCK | RIGHT COMPT DOOR LOCK | RIGHT COMPT DOOR UNLOCK | LEFT COMPT DOOR LOCK | LEFT COMPT DOOR UNLOCK | AUX START SOLENOID | AMP SOURCE |
| POWER MIRRORS | HEATER BLOWER | PASS HEATER BLOWER | FOG LAMPS | DOCKING LAMPS | DOCKING LAMPS SWITCH TRIGGER | COOLING FANS | |

KEY PART NUMBER U/M DESCRIPTION
 136161-01-01A EA LABEL - RELAY - MATTE BLACK/WHITE LETTERS



KEY PART NUMBER U/M DESCRIPTION
 136360-01-01A EA LABEL - AIR BAGS



KEY PART NUMBER U/M DESCRIPTION
 137997-01-01A EA LABEL - WINTERIZATION VALVE - BLACK/CLEAR

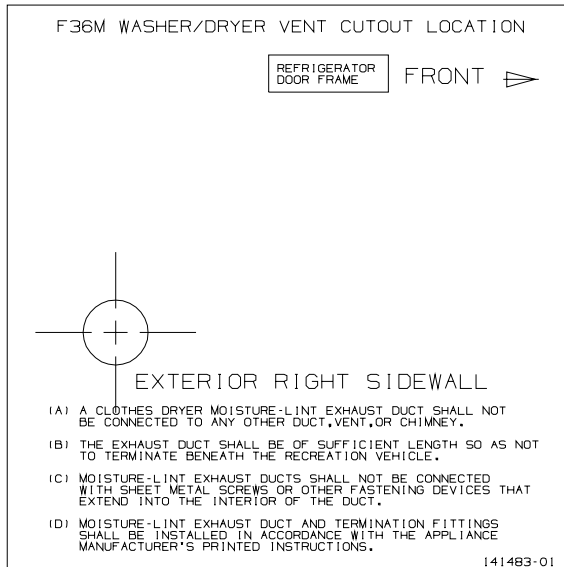


KEY PART NUMBER U/M DESCRIPTION
 140190-01-01A EA DECAL/LOGO - V6 (DOMED) - CYAN/MAGENTA/YELLOW/BLACK



KEY PART NUMBER U/M DESCRIPTION
 141523-01-01A EA LABEL - WASHER/DRYER BRACKETS - BLACK/WHITE

LABELS GROUP (CONTINUED)



KEY PART NUMBER 141483-01-01A **U/M DESCRIPTION**
EA LABEL - DRYER VENTING - BLACK/WHITE

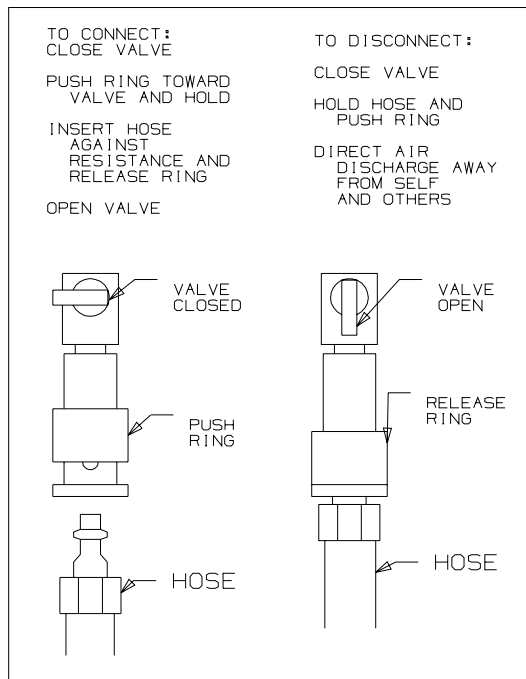
WARNING: COMPRESSED AIR CAN BE HAZARDOUS.

PROPER EYE PROTECTION MUST BE WORN WHEN CONNECTING, DISCONNECTING OR USING AIR HOSE.

CLOSE VALVE BEHIND CONNECTOR BEFORE CONNECTING OR DISCONNECTING AIR HOSE.

HOSE DISCONNECT WILL PRODUCE AIR DISCHARGE FROM HOSE. DIRECT AIR DISCHARGE AWAY FROM SELF AND OTHERS.

KEY PART NUMBER 142771-01-01A **U/M DESCRIPTION**
EA LABEL - WARNING/COMPRESSED AIR - WHITE LETTERING ON CLEAR



KEY PART NUMBER 142773-01-01A **U/M DESCRIPTION**
EA LABEL - CONNECT/COMPRESS AIR - WHITE LETTERING ON CLEAR

LP GROUP
LP SYSTEM

| KEY | PART NUMBER | U/M | DESCRIPTION |
|------------|--------------------|------------|--|
| | 010281-01-000 | EA | TEE - BRASS - 3/8 F |
| | 010377-02-000 | EA | NUT - BRASS - 3/8" FLARE - FORGED |
| | 010323-01-000 | EA | ADAPTER - BRASS - 3/8"F X 1/2"MPT |
| | 045703-03-000 | EA | HOSE - LP - 3/8"ID X 18" - 3/8"MPT X 1/2"F SWIVEL - U.S. |
| | 106150-01-000 | EA | REGULATOR - TWO STAGE-W/90 DEGREE ELBOW & 3/8" FPT OUTLET |
| | 040440-03-000 | EA | TRANSMITTER - DIAL/SNAP-ON - 0-90 OHM 2 TERM(POWER/GROUND) |
| * | 140000-01-000 | EA | TANK - LP - TOP MOUNT - 28 LB- 10" DIAMETER X 23" LONG |
| | 103613-03-000 | EA | DETECTOR - LP GAS - W/O SHUT-OFF VALVE |

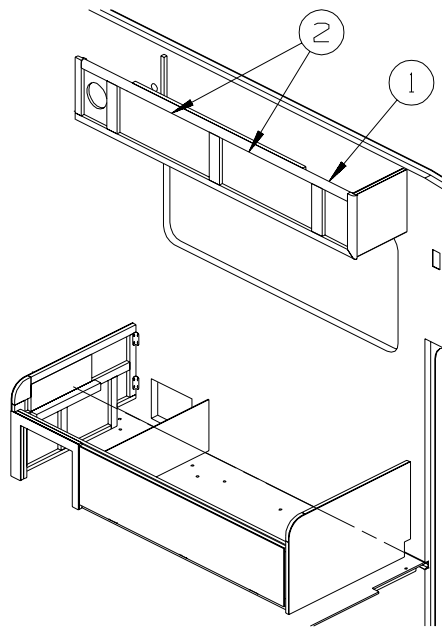
***COMPONENT PARTS LISTED LATER IN THIS GROUP**

LP GROUP (CONTINUED)
COMPONENT PARTS FOR LP SYSTEM

140000-01-000

| KEY | PART NUMBER | U/M | DESCRIPTION | VENDOR NO. |
|------------|--------------------|------------|--------------------------------|-------------------|
| | 140000-01-700 | EA | SENDING UNIT (SIGHT GAUGE) 10C | G12942 |
| | 140000-01-701 | EA | VALVE 80% FILL W/AUTO STOP | V21236 |
| | 140000-01-702 | EA | VAVLE (OUTAGE) | V21199 |
| | 140000-01-703 | EA | VAVLE - VAPOR RELEIF | V21202 |
| | 140000-01-704 | EA | VAVLE - RELIEF (SHERWOOD) | V21201 |

LOUNGE GROUP CABINETS



| KEY | PART NUMBER | U/M | DESCRIPTION |
|-----|---------------|-----|--|
| 1 | 139784-01-P01 | EA | CABINET - OVERHEAD/COUCH - W/O DOORS/HARDWARE |
| 1 | 139784-01-P02 | EA | CABINET - OVERHEAD/COUCH - W/O DOORS/HARDWARE |
| 1 | 139784-01-P03 | EA | CABINET - OVERHEAD/COUCH - W/O DOORS/HARDWARE |
| 2 | 136918-43-P01 | EA | DOOR - FLAT/OGEE EDGE - 10.8" X 23.8" - W/O HARDWARE |

SEALANTS & FASTENERS GROUP
SEALANTS & ADHESIVES

| KEY | PART NUMBER | U/M | DESCRIPTION |
|-----|---------------|-----|--|
| | 002707-02-000 | FT | TAPE - SEALER - 5/16" X 1/2" - INCREMENTS OF 50 FT |
| | 004001-02-000 | EA | GUN - PLEXUS ADHESIVE - W/O NOZZLE |
| | 004001-05-000 | EA | ADHESIVE - SCOTCH-WELD - 3M DP100 - CLEAR - 50ML |
| | 004011-01-000 | EA | ADHESIVE-3M-4475 TUBE |
| | 010405-02-000 | EA | TAPE - THREAD SEALING - 3/8" |
| | 034552-06-000 | EA | SILICONE - TUBE - W/O NOZZLE - OFF WHITE |
| | 034552-15-000 | EA | SILICONE - TUBE - W/O NOZZLE - BRIGHT WHITE |
| | 063642-01-000 | FT | TAPE - ADHESIVE - .4" X 1.5" X 180' |
| | 064075-07-000 | FT | SEAL - BULB - W/WIRED U CHANNEL - .3" X .5" CHANNEL-BLACK |
| | 067788-01-000 | EA | ADHESIVE - SPRAY - 3M - 19.5 OZ AEROSOL CAN |
| | 069640-01-000 | FT | SEALER - RIBBON - 1/4" DIAMETER X 30' - BLACK OR GRAY |
| | 069640-02-000 | FT | SEALER - TAPE - .13" THICK X .5" WIDE X 60' - GRAY |
| | 069640-03-000 | FT | SEALER - TAPE - .13" THICK X .75" WIDE X 60' - BLACK |
| | 069640-07-000 | FT | SEALER - TAPE - .09" THICK X 2" WIDE X 45' - GRAY |
| | 069640-09-000 | FT | SEALER - TAPE - .03" THICK X 2.50"WIDE X 80' - GRAY |
| | 069640-10-000 | FT | SEALER - TAPE - .03" THICK X 1.50" WIDE X 90' - GRAY |
| | 069640-11-000 | FT | SEALER - TAPE - .19" THICK X .38" WIDE X 40' - BLACK |
| | 069640-13-000 | FT | SEALER - TAPE - .03" THICK X 2" WIDE X 45' - BLACK |
| | 069640-14-000 | FT | SEALER - TAPE - .06" THICK X 1" WIDE X 100' - GRAY |
| | 069640-15-000 | FT | SEALER - TAPE - .06" THICK X .38" WIDE X 100' - GRAY |
| | 069640-17-000 | FT | SEALER - TAPE - .03" THICK X 1" WIDE X 90' - GRAY |
| | 069640-18-000 | FT | SEALER - TAPE - .50" THICK X .13" WIDE X 60' - BRT WHITE |
| | 069640-19-000 | FT | SEALER - TAPE - .75" THICK X .13" WIDE X 60' - BRT WHITE |
| | 069640-20-000 | FT | SEALER - TAPE - .50" THICK X 1/8" WIDE X 60' - BLACK |
| | 069640-21-000 | FT | SEALER - TAPE - .50" THICK X 1/16" WIDE X 100'-BRIGHT WHT |
| | 069640-23-000 | FT | SEALER - TAPE - .06" THICK X 3/4" WIDE X 100' - BRT WHITE |
| | 069640-27-000 | FT | SEALER - TAPE - .06" THICK X 2.25" WIDE - BRIGHT WHITE |
| | 069640-28-000 | FT | SEALER - TAPE - .25" THICK X 1 7/8" WIDE X 90' - GRAY |
| | 069640-30-000 | FT | SEALER - TAPE - 3/8" X 1/32" - GRAY |
| | 069640-31-000 | FT | SEALER - TAPE - 25"THICK X 3/4"WIDE X 60' - BLACK |
| | 072889-01-000 | EA | SEALANT - URETHANE - BLACK - TUBE W/NOZZLE TIP |
| | 076322-01-000 | FT | TAPE-DOUBLE COATED/ADHESIVE BK-.03"THK X .8"W X 216'- WHT |
| | 076322-02-000 | FT | TAPE-DOUBLE COATED/ADHESIVE BK-.05"THK X 1"W X 108' - WHT |
| | 076322-03-000 | FT | TAPE-DOUBLE COATED/ADHESIVE BK-.05"THK X .5"W X 108' - WHT |
| | 076322-04-000 | FT | TAPE-DOUBLE COATED/ADHESIVE BK-.05"THK X .8"W X 108' - WHT |
| | 076322-05-000 | FT | TAPE-DOUBLE COATED/ADHESIVE BK-.05"THK X .8"W X 108' - WHT |
| | 076322-11-000 | FT | TAPE-DOUBLE COATED/ADHESIVE BK-.02"THK X 1"W X 216' - CLR |
| | 086276-01-000 | EA | TAPE - DOUBLE SIDED - 1/2" WIDE X 108' LONG (SOLD BY ROLL) |
| | 088479-01-000 | EA | TAPE - ALUMINUM - 3" |
| | 090340-01-000 | FT | SEAL - FOAM - CLOSED CELL - 1/4" X 1/2" X 50' |
| | 090340-02-000 | FT | SEAL - FOAM - CLOSED CELL - 3/8" X 1/2" X 50' |
| | 091255-02-000 | FT | SEAL - ADHESIVE BACKED/FOAM - 3/64" THICK X 3/16"W X 1000' |
| | 091255-03-000 | FT | SEAL - ADHESIVE BACKED/FOAM - 1/4" THICK X 1/4"W X 1000' |
| | 094401-01-000 | EA | SEALER - BODY SEAM - FLEXICLEAR |
| | 094401-03-000 | EA | SEALER - BODY SEAM - BLACK |
| | 094401-04-000 | EA | SEALER - BODY SEAM - CLEAR |
| | 098408-01-000 | FT | SEAL - SPONGE RUBBER - CLOSED CELL |
| | 099069-01-000 | FT | SEAL - RUBBER - CLOSED SPONGE - .5" WIDE X .12" THICK -BLK |
| | 099418-01-000 | FT | SEAL - D-SECTION/ADHESIVE BACK - .44" X .44"- BLK RUBBER |
| | 099418-02-000 | FT | SEAL - D SECTION - WHITE |
| | 100128-02-000 | FT | SEAL - FOAM/ADHESIVE BACK - .37" WIDE X .37" THICK |
| | 104692-01-000 | FT | SEAL - ADHESIVE BACKED FOAM - 3/4" THICK X 3/4" WIDE X 25' |
| | 104692-03-000 | FT | SEAL - ADHESIVE BACKED FOAM - 1" THICK X 1 3/16"WIDE X 15' |
| | 107828-01-000 | EA | SEALANT - SB - 190 EVERSEAL |
| | 108716-01-000 | EA | SILICONE - W/O NOZZLE - OFF WHITE - SELF LEVELING |
| | 109506-12-000 | EA | FILM/ABRASION-RESISTANT - TRANSPARENT - 1" DIA. |
| | 110274-01-000 | FT | TAPE - DOUBLE SIDED/FOAM - .45" X 1" X 216' - BLACK |
| | 112481-02-000 | EA | ADHESIVE - PLEXUS ETHACRYLATE - CARTRIDGE |
| | 112864-01-000 | FT | SEAL - FOAM/BUTYL COVERED - 3/8" X 35' |
| | 112864-02-000 | FT | FOAM - BUTYL COVERED 5/16" X 44' |
| | 112864-03-000 | FT | FOAM - BUTYL COVERED - 1/2" X 1/8" X 25' |
| | 112864-04-000 | FT | FOAM - BUTYL COVERED - 3/8" X 1/8" |
| | 112901-02-000 | EA | ADHESIVE - PLEXUS - MA330 - 50ML - GRAY |
| | 112901-03-000 | EA | ADHESIVE - PLEXUS - MA300 - 50ML - WHITE |

SEALANTS & FASTENERS GROUP (CONTINUED)

SEALANTS & ADHESIVES (CONTINUED)

| KEY | PART NUMBER | U/M | DESCRIPTION |
|-----|---------------|-----|--|
| | 112902-01-000 | EA | NOZZLE - ELEMENT - 3/8 X 24 |
| | 112902-02-000 | EA | NOZZLE-BELL 3/8X24 - TAH 160-824 |
| | 112902-03-000 | EA | MIXER NOZZLE - F/GUN #00400102000 - SCOTCH-WELD & PLEXUS |
| | 112902-04-000 | EA | NOZZLE - ELEMENT - 1/4" X 3.5" |
| | 113366-01-000 | EA | ADHESIVE - INSTANT - 1 OZ |
| | 113452-02-000 | FT | SEAL/TRIM - FRONT - VINYL W/WIRE CARRIER - .027" |
| | 115933-01-000 | FT | TAPE - 1/64" X 3/8" X 100' |
| | 120074-02-03A | EA | SILICONE - TUBE - W/O NOZZLE - SMOKEY WHITE |
| | 120074-02-02A | EA | SILICONE - TUBE - W/O NOZZLE - LOW ODOR - SOFT WHITE |
| | 120534-01-01A | EA | TAPE - SCOTCH - 3M - 1/2" FINE LINE |
| | 123244-01-000 | FT | TAPE - DOUBLE SIDED/FOAM - 5/64" THICK X 3/4" WIDE X 108' |
| | 123816-01-000 | FT | TAPE - DOUBLE SIDED - 1" X 3/4" X 200' |
| | 123816-02-000 | FT | TAPE - DOUBLE SIDED - 1/2" X 1 1/3" X 200' |
| | 123816-03-000 | FT | TAPE - DOUBLE SIDED - 1/2" X 3/4" X 200' |
| | 123816-04-000 | FT | TAPE - DOUBLE SIDED - 6" X 750' |
| | 126427-01-000 | EA | ADHESIVE - ALL PURPOSE - ABS/PVC |
| | 126427-02-000 | EA | PRIMER - CLEANER - FLEX PIPING |
| | 131264-01-08A | EA | SILICONE - TUBE - W/O NOZZLE - BUFF |
| | 131264-01-02A | EA | SILICONE - TUBE - W/O NOZZLE - CLEAR |
| | 131264-01-01A | EA | SILICONE - TUBE - W/O NOZZLE - BLACK |
| | 131264-02-01A | EA | SILICONE - TUBE - W/O NOZZLE - VW GRAY - BATH ONLY |
| | 131264-03-01A | EA | SILICONE - TUBE - W/O NOZZLE- SELF LEVELING - BRIGHT WHITE |
| | 131264-04-01A | EA | SILICONE/SEALANT/ADHESIVE - FAST CURE F/GLASS/VINYL - B/W |
| | 131384-01-000 | EA | ADHESIVE - JETWELD |
| | 134651-01-000 | FT | SEAL - 1/2" X 3/4" PSA 1 SIDE |
| | 900390-01-000 | EA | NOZZLE - SILICONE TUBE - 2.5" LONG |
| | 900390-03-000 | EA | NOZZLE - SILICONE TUBE - 4.3" LONG |

BOLTS, NUTS AND WASHERS

| KEY | PART NUMBER | U/M | DESCRIPTION |
|-----|---------------|-----|---|
| | OMC04K-06-016 | EA | BOLT - HEX - M06 X 1 X 016 |
| | OMC05K-08-055 | EA | BOLT - HEX - M08 X 1.25 X 2.2 |
| | OMC13K-14-110 | EA | BOLT - HEX |
| | OMC13K-14-070 | EA | BOLT - HEX - M14 X 2 X 2 3/4 |
| | OMC31K-08-020 | EA | BOLT - HEX - SERRATED FLANGE - M8 X 020 |
| | OMC32K-10-030 | EA | BOLT - HEX - SERRATED FLANGE - M10 X 1 1/2 |
| | OMD16K-10-000 | EA | NUT - HEX PREV TORQUE M10 X 1 1/2 CLASS 8 |
| | OMD39K-12-000 | EA | NUT - HEX W/NYLON LOCK - M12 X 1 3/4 |
| | OMD40K-14-000 | EA | NUT - HEX W/NYLON LOCK - M14 X 2 |
| | OMD54F-06-000 | EA | NUT-HEX SER FLG M6X1,0 SS - DIN6923A2M6 |
| | OME06K-14-280 | EA | WASHER - FLAT - 14 ID X 28 OD |
| | 000C12-04-40B | EA | BOLT - HEX - 1/4-20 X 2 1/2 - GRADE 5 ZINC |
| | 000C12-04-08B | EA | BOLT - HEX - 1/4-20 X 1/2 - GRADE #5 - ZINC |
| | 000C12-05-16B | EA | BOLT - HEX - 5/16-18 X 1 - GRADE #5 - ZINC |
| | 000C12-06-24B | EA | BOLT - HEX - 3/8-16 X 1 1/2 - ZINC #5 |
| | 000C12-06-16B | EA | BOLT - HEX - 3/8-16 X 1 - GRADE #5 - ZINC |
| | 000C12-06-128 | EA | BOLT - HEX - 3/8 - 16 X 8 - ZINC 5 |
| | 000C12-06-44B | EA | BOLT - HEX - 3/8-16 X 2 3/4 - GRADE 5 - ZINC |
| | 000C12-08-28B | EA | BOLT - HEX - 1/2-13 X 1 3/4 - GRADE #5 - ZINC |
| | 000C12-08-24B | EA | BOLT - HEX - 1/2-13 X 1 1/2 - GRADE #5 - ZINC |
| | 000C12-08-16B | EA | BOLT - HEX - 1/2-13 X 1 - GRADE #5 - ZINC |
| | 000C12-10-24B | EA | BOLT - HEX - 5/8-11 X 1 1/2 - GRADE #5 - ZINC |
| | 000C13-07-48B | EA | BOLT - HEX - 7/16-20 X 3 - GRADE #5 - ZINC |
| | 000C13-07-40B | EA | BOLT - HEX - 7/16-20 X 2 1/2 - GRADE #5 - ZINC |
| | 000C14-07-28B | EA | BOLT - HEX - 7/16-14 X 1 3/4 - GRADE #8 - ZINC |
| | 000C14-10-32K | EA | BOLT - HEX - 5/8-11 X 2 - GRADE #8 - ZINC |
| | 000C18-05-40A | EA | BOLT - ELEVATOR - 5/16-18 X 2 1/2 - PL |
| | 000C18-06-48B | EA | BOLT - ELEVATOR - 3/8-16 X 3 - GRADE 5 - ZINC |
| | 000C26-04-18B | EA | BOLT - HEX - SERRATED FLANGE - 1/4-20 X 1 1/8 - ZINC |
| | 000C26-04-14B | EA | BOLT - HEX - SERRATED FLANGE - 1/4-20 X 7/8 - ZINC |
| | 000C26-04-10B | EA | BOLT - HEX - SERRATED FLANGE - 1/4-20 X 5/8 - ZINC |
| | 000C26-05-20B | EA | BOLT - HEX - SERRATED FLANGE - 5/16-18 X 1 1/4 - ZINC |
| | 000C26-05-129 | EA | BOLT - HEX - SERRATED FLANGE - 5/16-18 X 3/4 |
| | 000C26-05-12B | EA | BOLT - HEX - SERRATED FLANGE - 5/16-18 X 3/4 - ZINC |

SEALANTS & FASTENERS GROUP (CONTINUED)
BOLTS, NUTS AND WASHERS (CONTINUED)

| KEY | PART NUMBER | U/M | DESCRIPTION |
|-----|---------------|-----|---|
| | 000C26-05-249 | EA | BOLT - HEX - SERRATED FLANGE - 5/16-18 X 1 1/2 |
| | 000C26-06-28B | EA | BOLT - HEX - SERRATED FLANGE - 3/8-16 X 1 3/4 - ZINC |
| | 000C26-06-20B | EA | BOLT - HEX - SERRATED FLANGE - 3/8-16 X 1 1/4 - ZINC |
| | 000C26-06-12B | EA | BOLT - HEX - SERRATED FLANGE - 3/8-16 X 3/4 - ZINC |
| | 000C26-06-40B | EA | BOLT - HEX - SERRATED FLANGE - 3/8-16 X 2 1/2 - ZINC |
| | 000C26-08-24B | EA | BOLT - HEX - SERRATED FLANGE - 1/2-13 X 1 1/2 - ZINC |
| | 000C27-04-40B | EA | BOLT - CARRIAGE - 1/4-20 X 2 1/2 - ZINC |
| | 000C27-05-44I | EA | BOLT-CARR,5/16-18X2.75" - BLACK ZINC |
| | 000C27-07-40B | EA | BOLT - CARRIAGE - 7/16-14 X 2 1/2 - GRADE #5 |
| | 000D16-07-00B | EA | NUT - HEX - 7/16-14 - ZINC |
| | 000D24-10-00B | EA | NUT - HEX - SELF LOCKING - 10-32 ZINC |
| | 000D28-10-00B | EA | NUT - HEX - W/NYLON LOCK - 10-32 ZINC |
| | 000D29-04-00B | EA | NUT - HEX - SELF LOCKING - 1/4 X 20 - ZINC |
| | 000D29-06-00B | EA | NUT - HEX - W/NYLON LOCK - 3/8-16 - ZINC |
| | 000D29-09-00B | EA | NUT - HEX - SELF LOCKING - 9/16-12 - ZINC |
| | 000D30-07-00B | EA | NUT - HEX LOCK - NYLON 7/16 X 20 |
| | 000D34-06-00B | EA | NUT - HEX - LOCKING - 3/8-16 GRADE C - ZINC |
| | 000D39-04-00B | EA | NUT - HEX - LOCKING W/SERRATED FLANGE - 1/4-20 - ZINC |
| | 000D39-05-00B | EA | NUT - HEX - LOCKING W/SERRATED FLANGE - 5/16-18 - ZINC |
| | 000D39-06-00B | EA | NUT - HEX - LOCKING W/SERRATED FLANGE - 3/8-18 - ZINC |
| | 000D39-06-00D | EA | NUT - HEX - LOCKING W/SERRATED FLANGE - 3/8"-16 BLACK |
| | 000D39-07-00B | EA | NUT - HEX - LOCKING W/SERRATED FLANGE - 7/16-14 - ZINC |
| | 000D44-04-00B | EA | NUT - HEX - LOCKING W/SERRATED FLANGE - 1/4-28 - ZINC |
| | 000D44-07-00B | EA | NUT - HEX - LOCKING W/SERRATED FLANGE - 7/16-20 - ZINC |
| | 000D44-08-00B | EA | NUT - HEX - LOCKING W/SERRATED FLANGE - 1/2-20 - ZINC |
| | 000D46-04-00A | EA | NUT - HEX - WELD - 1/4-20 - PLAIN |
| | 000D65-08-00B | EA | NUT - HEX - LOCKING W/SERRATED FLANGE - 8-32 - ZINC |
| | 000D67-10-00B | EA | NUT - HEX - LOCK - 5/8-11 - ZINC |
| | 000D73-08-00C | EA | NUT - HEX FLANGE - 1/2-13 |
| | 000D75-09-00B | EA | NUT - HEX LOCKING - 9/16-12 - ZINC |
| | 000D76-06-00B | EA | NUT - HEX FLANGE - 3/8-16 |
| | 000E11-04-00F | EA | WASHER - LOCKING - 1/4 MED SPLIT - STAINLESS STEEL |
| | 000E11-07-00B | EA | WASHER - LOCKING - 7/16 MED SPLIT - ZINC |
| | 000E11-08-00B | EA | WASHER - LOCKING - 1/2 MED SPLIT - ZINC |
| | 000E13-17-00B | EA | WASHER - FLAT - 3/8 AR - ZINC |
| | 000E13-18-00B | EA | WASHER - FLAT - 3/8 WIDE - ZINC |
| | 000E13-20-00B | EA | WASHER - FLAT - 7/16 WIDE - ZINC |
| | 000E13-22-00B | EA | WASHER - FLAT - 1/2 WIDE - ZINC |
| | 000E13-26-00B | EA | WASHER - FLAT - 5/8 WIDE - ZINC |
| | 000E14-10-00B | EA | WASHER - LOCKING - #10 EXTERNAL TOOTH - ZINC |
| | 000E16-10-00B | EA | WASHER - HARDENED - 5/8 - FLAT - ZINC |
| | 000G45-05-16B | EA | BOLT - LAG - 5/16-9 X 1 - ZINC |
| | 000G62-08-24B | EA | SCREW - SF/DR - 8-18 X 1 1/2 PFH |
| | 002329-01-000 | EA | WASHER-FLAT, 9/32" ID X 5/8" OD - NYLON |
| | 005081-01-000 | EA | NUT - SPEED - C-TYPE - #8 SCREW |
| | 040921-03-000 | EA | NUT - SPEED - U TYPE - #10 |
| | 040921-04-000 | EA | NUT - SPEED - U TYPE - #8-.59" LENGTH X .44" WIDTH |
| | 040921-05-000 | EA | NUT - SPEED - U-TYPE - 8-.67" X .44" WIDE |
| | 041322-01-000 | EA | WASHER - FLANGE - 15/32 ID X 2 3/8 OD - F/SEAT BELT MTG |
| | 044364-01-000 | EA | NUT - SPEED - FLAT - RECTANGULAR - SELF LOCKING/ONE PIECE |
| | 044364-02-000 | EA | NUT - SPEED - FLAT - ROUND |
| | 044533-01-000 | EA | WASHER - PLASTIC - 1 3/8 OD - FOR BUTTONS |
| | 046867-04-000 | EA | GROMMET - #0 |
| | 046867-05-000 | EA | WASHER - #0 |
| | 051387-06-000 | EA | BOLT - CARRIAGE W/O HOLE - 5/16-18 X 9 1/2 - ZINC |
| | 058716-02-000 | EA | WASHER - FLAT NYLON |
| | 058716-03-000 | EA | WASHER - FLAT/NYLON - .500 X 1 1/4 X 060 |
| | 064081-03-000 | EA | NUT - WING 3/8-16 - W/WELD NUT |
| | 077071-01-000 | EA | WASHER - FENDER - 3/16 ID X 1 OD |
| | 084406-01-000 | EA | NUT - CAPPED - CROSS RECESSED - BLACK - 1/4-20 THD |
| | 087234-01-000 | EA | NUT - JACK - 1/4 X 20 THD - MOLLY |
| | 087718-01-000 | EA | MONOBOLT - STEEL - 3/16 DIAMETER |
| | 088787-12-000 | EA | STUD - WELD - 1/4 - 20 X 1.0 LG - MN |
| | 102333-02-01A | EA | BOLT - CARRIAGE - 1/4-20 |

SEALANTS & FASTENERS GROUP (CONTINUED)
BOLTS, NUTS AND WASHERS (CONTINUED)

| KEY | PART NUMBER | U/M | DESCRIPTION |
|-----|---------------|-----|--|
| | 102540-02-000 | EA | SEAL - SCREW |
| | 103020-02-000 | EA | BOLT-U - #8-32 - GRADE 5 ZINC |
| | 106166-01-000 | EA | BOLT/COLLARED HANGER - 8-32 X 1 |
| | 106956-03-000 | EA | BOLT - HEX TAP - 1/2-12NC X 3 - GRADE 5 - FULL THREAD/ZINC |
| | 106956-08-000 | EA | BOLT - HEX TAP - 1/2-13NC X 4 - GRADE 5 - FULL THREAD/ZINC |
| | 107393-02-000 | EA | BOLT - SHOULDER - 3/8" SOCKETHEAD |
| | 107397-01-000 | EA | WASHER - FENDER - 3/4 ID X 1 OD |
| | 108067-03-000 | EA | STUD - WELD - 1/4 - 20 X 1/2 CD |
| | 109235-01-05A | FT | COVER - SCREW - BRIGHT WHITE |
| | 109235-01-01A | FT | COVER - SCREW - MAT BLACK |
| | 109917-03-000 | EA | WASHER - 1" X .50" |
| | 109917-04-000 | EA | WASHER - 1" X .75" |
| | 113985-02-000 | EA | BOLT - FLANGE - M10-1 1/2 X 30CL 10.9 |
| | 114259-05-000 | EA | BOLT - 7/16-20 X 1 1/4 W/WASHER |
| | 128444-01-000 | EA | WASHER - SPRING - CONICAL |
| | 131377-01-000 | EA | NUT-HEX HEAD W/WASHER-1/4-20 X 2" STEEL W/3/4" OD WASHER |
| | 135092-01-01A | EA | BOLT - HEX - SERRATED FLANGE - 1/2-20 X 1 3/4-GRADE 5 ZINC |
| | 135092-02-01A | EA | BOLT - HEX - SERRATED FLANGE - 1/2-20 X 2 1/2-GRADE 5 ZINC |

SCREWS

| KEY | PART NUMBER | U/M | DESCRIPTION |
|-----|---------------|-----|--|
| | 0G1106-08-240 | EA | SCREW - 6-20 X 1/2 PPH - VW LIGHT GRAY |
| | 0G1108-12-240 | EA | SCREW - 8-18 X 3/4 PPH - VW LIGHT GRAY |
| | 0G1208-12-170 | EA | SCREW - 8-18 X 3/4 POH - BRIGHT WHITE |
| | 0G1306-08-130 | EA | SCREW-6-20X1/2 PFH TAUPE |
| | 0G1308-10-240 | EA | SCREW - 8-18 X 5/8 PFH - VW LIGHT GRAY |
| | 0G3804-22-180 | EA | SCREW - MACHINE - 1/4-20 X 1 3/8 PFH - BLACK |
| | 0G3908-08-160 | EA | SCREW - SF/DR - 8-18 X 1/2 PPH - VW WHITE |
| | 0G3908-08-240 | EA | SCREW - SF/DR - 8-18 X 1/2 PPH - VW LIGHT GRAY |
| | 0G3908-08-170 | EA | SCREW - SF/DR - 8-18 X 1/2 PPH - BRIGHT WHITE |
| | 0G3908-12-250 | EA | SCREW - SF/DR - 8-18 X 3/4 PPH - DARK GRAY |
| | 0G3908-12-240 | EA | SCREW - SF/DR - 8-18 X .75 PPH - VW LIGHT GRAY |
| | 0G3908-16-170 | EA | SCREW - SF/DR - 8-18 X 1 PPH - BRIGHT WHITE |
| | 0G3908-24-170 | EA | SCREW - SF/DR - 8-18 X 1 1/2 PPH - BRIGHT WHITE |
| | 0G3910-10-320 | EA | SCREW - SF/DR - 10-16 X 5/8 PPH - GLACIER |
| | 0G3910-10-240 | EA | SCREW - SF/DR - 10-16 X 5/8 PPH - VW LIGHT GRAY |
| | 0G3910-10-330 | EA | SCREW - SF/DR - 20-16 X 5/8 PPH - PUTTY |
| | 0G3910-12-320 | EA | SCREW - SF/DR - 10-16 X .75 PPH - GLACIER |
| | 0G3910-12-240 | EA | SCREW - SF/DR - 10-16 X .75 PPH - VW LIGHT GRAY |
| | 0G3910-12-170 | EA | SCREW - SF/DR - 10-16 X 3/4 PPH - BRIGHT WHITE |
| | 0G5508-12-270 | EA | SCREW - SF/DR - 8-18 X 3/4 PWH - TITANIUM |
| | 0G5508-12-260 | EA | SCREW - SF/DR - 8-18 X 3/4 PWH - ALLANTE ANTELOPE |
| | 0G5508-12-240 | EA | SCREW - SF/DR - 8-18 X 3/4 PWH - VW LIGHT GRAY |
| | 0G5508-12-170 | EA | SCREW - SF/DR - 8-18 X 3/4 PWH - BRIGHT WHITE |
| | 0G5508-12-330 | EA | SCREW - SF/DR - 8-18 X 3/4 PWH - PUTTY |
| | 0G5508-12-320 | EA | SCREW - SF/DR - 8-18 X 3/4 PWH - GLACIER |
| | 0G5508-16-320 | EA | SCREW - SF/DR - 8-18 X 1 PWH - GLACIER |
| | 0G5508-16-250 | EA | SCREW - SF/DR - 8-18 X 1 PWH - VW DARK GRAY |
| | 0G6008-16-170 | EA | SCREW - SF/DR - 8-18 X 1 POH - BRIGHT WHITE |
| | 0G6710-08-240 | EA | SCREW - 10-12 X 1/2 PPH TAUPE - VW LIGHT GRAY |
| | 0G6710-08-170 | EA | SCREW - 10-12 X 1/2 PPH - BRIGHT WHITE |
| | 0G6710-08-130 | EA | SCREW - 10-12 X 1/2 PPH - TAUPE |
| | 0G6710-12-170 | EA | SCREW - 10-12 X 3/4 PPH - BRIGHT WHITE |
| | 0G6806-16-170 | EA | SCREW - 6-18 X 1 POH - BRIGHT WHITE |
| | 0G6810-24-280 | EA | SCREW - 10-12 X 1 1/2 POH - SOFT WHITE |
| | 000C20-04-16A | EA | SCREW - 1/4-20X 1 - FLAT SOCKET HEAD |
| | 000C20-05-28F | EA | SCREW - 5/16-18 X 1 3/4 FLAT SOC - STAINLESS STEEL |
| | 000C20-06-24T | EA | SCREW - 3/8-16 X 1 1/2 - FLAT SOCKET |
| | 000G11-06-10J | EA | SCREW - 6-20 X 5/8 PPH - BRASS |
| | 000G11-06-08B | EA | SCREW - 6-20 X 1/2 PPH - ZINC |
| | 000G11-07-08B | EA | SCREW - 7-19 X 1/2 PPH - ZINC |
| | 000G11-08-12B | EA | SCREW - 8-18 X 3/4 PPH - ZINC |
| | 000G11-08-08T | EA | SCREW - 8-18 X 1/2 PPH - FLUOROCARBON COATING |

SEALANTS & FASTENERS GROUP (CONTINUED)
SCREWS (CONTINUED)

| KEY | PART NUMBER | U/M | DESCRIPTION |
|------------|--------------------|------------|---|
| | 000G11-08-06B | EA | SCREW - 8-18 X 3/8 PPH - ZINC |
| | 000G11-08-20G | EA | SCREW - 8-18 X 1 1/4 - ANTIQUE BRASS |
| | 000G11-08-20B | EA | SCREW - 8-18 X 1 1/4 PPH - ZINC |
| | 000G11-08-16B | EA | SCREW - 8-18 X 1 PPH - ZINC |
| | 000G11-08-12T | EA | SCREW - 8-18 X 3/4 PPH - BLACK MAGNESIUM |
| | 000G11-08-12P | EA | SCREW - 8-18 X 3/4 PPH - DARK BROWN |
| | 000G11-10-12D | EA | SCREW - 10-16 X 3/4 PPH - BLACK |
| | 000G12-06-12J | EA | SCREW - 6-20 X .75 POH - BRASS |
| | 000G12-06-08T | EA | SCREW - 6-20 X 1/2 POH - BLACK |
| | 000G12-08-12S | EA | SCREW - 8-18 X 3/4 POH - OFF WHITE |
| | 000G13-05-10B | EA | SCREW - 5-12 X 5/8 PFH - ZINC |
| | 000G13-06-08B | EA | SCREW - 6-20 X 1/2 PFH - ZINC |
| | 000G13-06-06I | EA | SCREW - 6-20 X 3/8 PFH - BLACK ZINC |
| | 000G13-06-16J | EA | SCREW - 6-20 X 1 PFH - BRASS |
| | 000G13-06-10J | EA | SCREW - 6-20 X 5/8 PFH - BRASS |
| | 000G13-06-10G | EA | SCREW - 6-20 X 5/8 PFH - ANTIQUE BRASS |
| | 000G13-06-08G | EA | SCREW - 6-20 X 1/2 PFH - ANTIQUE BRASS |
| | 000G13-06-24J | EA | SCREW - 6-20 X 1 1/2 PFH - BRASS |
| | 000G13-07-12B | EA | SCREW - 7-19 X 3/4 PFH - ZINC |
| | 000G13-07-10H | EA | SCREW - 7-19 X 5/8 PFH - BLACK |
| | 000G13-08-10B | EA | SCREW - 8-18 X 5/8 PFH - ZINC |
| | 000G13-08-24B | EA | SCREW - 8-18 X 1 1/2 PFH - ZINC |
| | 000G13-08-16B | EA | SCREW - 8-18 X 1 PFH - ZINC |
| | 000G13-08-109 | EA | SCREW - 8-18 X 5/8 PFH |
| | 000G13-10-16I | EA | SCREW - 10-16 X 1 PFH - BLACK |
| | 000G16-04-24B | EA | SCREW - MACHINE - 1/4-20 X 1 1/2 PPH |
| | 000G18-08-22B | EA | SCREW - MACHINE - 8-32 X 1 3/8 PPH - ZINC |
| | 000G18-08-16B | EA | SCREW - MACHINE - 8-32 X 1 PPH - ZINC |
| | 000G18-08-12B | EA | SCREW - MACHINE - 8-32 X 3/4 PPH - ZINC |
| | 000G18-08-24B | EA | SCREW - MACHINE - 8-32 X 1 1/2 PPH - ZINC |
| | 000G19-10-12F | EA | SCREW - MACHINE - 10-32 X 3/4 PPH - STAINLESS STEEL |
| | 000G19-10-10B | EA | SCREW - MACHINE - 10-32 X 5/8 - PPH - ZINC |
| | 000G19-10-08B | EA | SCREW - MACHINE - 10-32 X 1/2 PPH - ZINC |
| | 000G19-10-20B | EA | SCREW - MACHINE - 10-32 X 1 1/2 PPH - ZINC |
| | 000G36-10-12T | EA | SCREW - 10-24X 3/4 PFH TYPE 23 - BLACK |
| | 000G39-06-16T | EA | SCREW - SF/DR - 6-20 X 1 PPH - BLACK |
| | 000G39-06-10T | EA | SCREW - SF/DR - 6-20 X 5/8 PPH - BLACK |
| | 000G39-08-32B | EA | SCREW - SF/DR - 8-18 X 2 PPH - ZINC |
| | 000G39-08-24T | EA | SCREW - SF/DR - 8-18 X 1 1/2 PPH - BLACK |
| | 000G39-08-24S | EA | SCREW - SF/DR - 8-18 X 1 1/2 - OFF WHITE |
| | 000G39-08-24B | EA | SCREW - SF/DR - 8-18 X 1 1/2 PPH - ZINC |
| | 000G39-08-16T | EA | SCREW - SF/DR - 6-20 X 1 PPH - BLACK |
| | 000G39-08-16B | EA | SCREW - SF/DR - 8-18 X 1 PPH - ZINC |
| | 000G39-08-12B | EA | SCREW - SF/DR - 8-18 X 3/4 PPH - ZINC |
| | 000G39-08-08T | EA | SCREW - SF/DR - 8-18 X 1/2 PPH - BLACK |
| | 000G39-08-08S | EA | SCREW - SF/DR - 8-18 X 1/2 PPH - OFF WHITE |
| | 000G39-08-08B | EA | SCREW - SF/DR - 8-18 X 1/2 PPH - ZINC |
| | 000G39-08-06B | EA | SCREW - SF/DR - 8-18 X 3/8 PPH - ZINC |
| | 000G39-10-08B | EA | SCREW - SF/DR - 10-16 X 1/2 PPH - ZINC |
| | 000G39-10-48T | EA | SCREW - SF/DR - 10-16 X 3 PPH - BLACK |
| | 000G39-10-48B | EA | SCREW - SF/DR - 10-16 X 3 - PPH - ZINC |
| | 000G39-10-32B | EA | SCREW - SF/DR - 10-16 X 2 - PPH - ZINC |
| | 000G39-10-20T | EA | SCREW - SF/DR - 10-16 X 1 1/4 PPH - BLACK |
| | 000G39-10-20B | EA | SCREW - SF/DR - 10-16 X 1 1/4 PPH - ZINC |
| | 000G39-10-169 | EA | SCREW - SF/DR - 10-16 X 1 PPH - FLUOROCARBON SILVER |
| | 000G39-10-129 | EA | SCREW - SF/DR - 10-16 X 3/4 PPH - FLUOROCARBON SILVER |
| | 000G39-10-12T | EA | SCREW - SF/DR - 10-16 X 3/4 - BLACK |
| | 000G39-10-10T | EA | SCREW - SF/DR - 10-16 X 5/8 - BLACK |
| | 000G39-10-10B | EA | SCREW - SF/DR - 10-16 X 5/8 - ZINC |
| | 000G39-12-12E | EA | SCREW - SF/DR - 12-14 X 3/4 PPH - CHROME |
| | 000G42-04-16B | EA | SCREW - SF/DR - 1/4-14 X 1 HWH - ZINC |
| | 000G42-04-24B | EA | SCREW - SF/DR - 1/4-14 X 1 1/2 - ZINC |
| | 000G46-08-24T | EA | SCREW - MACHINE - 8-32 X 1 1/2 PFH - BLACK |
| | 000G50-04-08B | EA | SCREW - MACHINE - 1/4-20 X 1/2 PTH - ZINC |

SEALANTS & FASTENERS GROUP (CONTINUED)
SCREWS (CONTINUED)

| KEY | PART NUMBER | U/M | DESCRIPTION |
|-----|---------------|-----|---|
| | 000G51-06-12B | EA | SCREW - 6-20 X 3/4 PTH - ZINC |
| | 000G52-06-05B | EA | SCREW - MACHINE - 6-32 X 5/16 PTH ZINC |
| | 000G52-08-18B | EA | SCREW - MACHINE - 8-32 X 1 1/8 PTH - ZINC |
| | 000G54-04-14B | EA | SCREW - 1/4-20 X 7/8 PTH - TYPE 23 - ZINC PLATED |
| | 000G55-08-16S | EA | SCREW - SF/DR - 8-18 X 1 PWH - WILLOW |
| | 000G55-08-16T | EA | SCREW - SF/DR - 8-18 X 1 PWH - BLACK |
| | 000G55-08-16S | EA | SCREW - SF/DR - 8-18 X 1.00 - PWH - OFF WHITE |
| | 000G55-08-124 | EA | SCREW - SF/DR - 8-18 X 3/4 PWH - ASH GRAY |
| | 000G55-08-12M | EA | SCREW - SF/DR - 8-19 X .75 PWH - GRAY |
| | 000G56-12-48B | EA | SCREW - WOOD - 12-11 X 3 POH - SPECIAL HARDENED |
| | 000G57-14-72B | EA | SCREW-14-10-X4 1/2 PFH ZN GENERAL MOTORHOMES |
| | 000G57-14-64B | EA | SCREW - 14-10 X 4 PFH ZINC |
| | 000G60-08-22B | EA | SCREW - SF/DR - 8-18 X 1.38 POH - ZINC |
| | 000G60-08-20F | EA | SCREW - SF/DR - 8-19X1.25 POH |
| | 000G60-08-16E | EA | SCREW - SF/DR - 8-1 X 1 POH - CHROME |
| | 000G60-10-20B | EA | SCREW - SF/DR - 10-16 X 1 1/4 POH - ZINC |
| | 000G60-10-28T | EA | SCREW - SF/DR - 10-16 X 1 3/4 - BLACK |
| | 000G60-10-209 | EA | SCREW - SF/DR - 10-16 X 1 1/4 POH - SILVER STALGAARD |
| | 000G67-08-32B | EA | SCREW - 8-15 X 2 PPH - ZINC |
| | 000G67-10-24S | EA | SCREW - 10-12 X 1 1/2 PPH - OFF WHITE |
| | 000G67-10-24B | EA | SCREW - 10-12 X 1 1/2 PPH - ZINC |
| | 000G67-10-20D | EA | SCREW - 10-12 X 1 1/4 PPH - BLACK |
| | 000G67-10-125 | EA | SCREW - 10-12 X 3/4 PPH - WILLOW |
| | 000G67-10-12S | EA | SCREW - 10-12 X 3/4 PPH - OFF WHITE |
| | 000G67-10-12P | EA | SCREW - 10-12 X 3/4 PPH - DARK BROWN |
| | 000G67-10-12B | EA | SCREW - 10-12 X 3/4 PPH - ZINC |
| | 000G67-10-10T | EA | SCREW - 10-12 X 5/8 PPH - BLACK |
| | 000G67-10-10S | EA | SCREW - 10-12 X 5/8 PPH - OFF WHITE |
| | 000G67-10-10P | EA | SCREW - 10-12 X 5/8 PPH - DARK BROWN |
| | 000G67-10-10B | EA | SCREW - 10-12 X 5/8 PPH - ZINC - TYPE A |
| | 000G67-10-08B | EA | SCREW - 10-12 X 1/2 PPH - ZINC |
| | 000G67-10-36T | EA | SCREW - 10-12 X 2 1/4 - PPH - BLACK |
| | 000G68-06-12J | EA | SCREW - 6-18 X 3/4 POH - BRASS |
| | 000G68-06-10J | EA | SCREW - 6-18 X 5/8 POH - BRASS |
| | 000G68-06-10G | EA | SCREW - 6-18 X 5/8 POH - ANTIQUE BRASS |
| | 029130-01-000 | EA | SCREW - SNAP STUD - #8-16 X 5/8" LONG |
| | 029130-03-000 | EA | SCREW - SNAP STUD - #8-16 X 1" LONG |
| | 049465-01-000 | EA | SCREW - 10-16 PTH W/WASHER - DARK BROWN |
| | 049465-03-000 | EA | SCREW - 10-16 X 1 POH W/WASHER - OFF WHITE |
| | 049465-04-000 | EA | SCREW - 10-16 X 1 PTH W/WASHER - BEIGE |
| | 049465-13-000 | EA | SCREW-10+16X1 PTH W/WASHER - *ASH GRAY |
| | 049465-17-000 | EA | SCREW - 10-16 X 1 POH W/WASHER - BRIGHT WHITE |
| | 049465-23-000 | EA | SCREW - 10-16 X 1.5 POH W/WASHER - VW LIGHT GRAY |
| | 054434-03-000 | EA | SCREW - SF/DR - 10-16 X 2 - PWH - ZINC - W/O WINGS |
| | 075908-01-000 | EA | SCREW - MACHINE - 10-32 X .56 PTH - EXTERNAL TOOTH - ZINC |
| | 076790-01-000 | EA | SCREW - 6-20 X 1 1/4 PPH - BLACK |
| | 076790-05-000 | EA | SCREW - 6-20 X 1/2 PPH - BLACK - THREAD CUTTING/WOOD |
| | 083554-01-000 | EA | SCREW - DRYWALL - 8 X 1 1/4 |
| | 083554-04-000 | EA | SCREW - DRYWALL - 8 X 2 1/2 |
| | 087721-01-000 | EA | SCREW - FLAT HEAD - TAPPING - 1/4 X 1 1/4 LONG - ZINC |
| | 090033-02-000 | EA | SCREW - 1/4-20 X 5/8 - ROUND WASHER HEAD - OFF/WHITE |
| | 097974-01-000 | EA | SCREW - PARTICLE BOARD - 7-9 X 3/4 PPH |
| | 101618-01-000 | EA | SCREW - 1/4-20 X 3/4 HEX - TAPPING - STALGARD TYPE F |
| | 110460-05-02A | EA | SCREW - MACHINE - 10-24 X 2 1/2 PFH - WHITE |
| | 113563-01-01A | EA | SCREW - 8 X 5/8 LONG SHOULDER/WASHER HEAD |
| | 117478-01-04A | EA | SCREW - 8-18 X 3/4 PPH W/WASHER - VW LIGHT GRAY |
| | 118383-01-04A | EA | RETAINER/RECESSED - F/.22" SCREW - BRIGHT WHITE |
| | 118383-01-05A | EA | RETAINER/RECESSED - F/.22" SCREW - VW LIGHT GRAY |
| | 118383-01-09A | EA | RETAINER/RECESSED - F/.22" SCREW - GLACIER |
| | 118383-02-09A | EA | RETAINER/RECESSED - F/.27" SCREW - GLACIER |
| | 118383-02-05A | EA | RETAINER/RECESSED - F/.27" SCREW - VW LIGHT GRAY |
| | 118383-03-09A | EA | RETAINER/RECESSED - F/.32" SCREW - GLACIER |

SEALANTS & FASTENERS GROUP (CONTINUED)
SCREWS (CONTINUED)

| KEY | PART NUMBER | U/M | DESCRIPTION |
|-----|---------------|-----|---|
| | 118383-04-09A | EA | CAP - F/RECESSED RETAINER - GLACIER |
| | 118383-04-05A | EA | CAP - F/RECESSED RETAINER - VW LIGHT GRAY |
| | 118383-04-04A | EA | CAP - F/RECESSED RETAINER - BRIGHT WHITE |
| | 126458-01-01A | EA | SCREW - 8-18 X 1/2 - PRWH - BLACK |
| | 134126-01-01A | EA | SCREW/NAIL - HEX HEAD - 3/4" |
| | 140040-01-000 | EA | SCREW - 1/4-20 X 1 - BUTTON HEAD/SOCKET - W/LOCTITE |

CLAMPS, CLIPS, GROMMETS, RIVETS & PLUGS

| KEY | PART NUMBER | U/M | DESCRIPTION |
|-----|---------------|-----|--|
| | 000F10-06-32B | EA | PIN - COTTER - 3/16" X 2" - ZINC |
| | 000H14-06-06R | EA | RIVET-MANDREL BLIND,3/16 AL - CHERRY BSP-66 |
| | 000H14-06-03R | EA | RIVET - MANDREL BLIND - 3/16 ALUMINUM |
| | 000H16-04-06R | EA | RIVET - POP ALUMINUM - 1/8 X .313 - .375 |
| | 000H16-06-10R | EA | RIVET - POP ALUMINUM - 3/16 X .501-.625 |
| | 007161-01-000 | EA | CLAMP - HOSE - SPRING TYPE - 1/2" |
| | 010495-01-000 | EA | CLAMP - CABLE - 9/16"ID |
| | 010495-02-000 | EA | CLAMP - CABLE - 3/8"ID |
| | 010495-04-000 | EA | CLAMP - CABLE - 11/16" - WHITE |
| | 010497-01-000 | EA | CLAMP - CLOSED - 5/8"ID |
| | 010497-03-000 | EA | CLAMP - CLOSED - 1"ID - CUSHIONED |
| | 010497-04-000 | EA | CLAMP - CLOSED - 1 5/8"ID |
| | 010497-05-000 | EA | CLAMP - CLOSED - 1/2"ID |
| | 010497-07-000 | EA | CLAMP - CLOSED - 3/8"ID |
| | 010497-10-000 | EA | CLAMP - CLOSED |
| | 010499-01-000 | EA | CLAMP - CLOSED - 3/8"ID |
| | 016188-03-000 | EA | GROMMET - L/P LINE - 3/8"HOLE X 2 1/2"LONG - RUBBER |
| | 016188-04-000 | EA | GROMMET - L/P LINE - 1/2"HOLE X 2 1/2"LONG - RUBBER |
| | 016188-05-000 | EA | GROMMET - L/P LINE - 3/8"HOLE X 1 1/4"LONG - RUBBER |
| | 016188-06-000 | EA | GROMMET - L/P LINE - 3/8"HOLE X 3 1/4"LONG |
| | 016188-07-000 | EA | GROMMET - L/P LINE - 1/2"HOLE X 3 1/4"LONG |
| | 023942-01-000 | EA | GROMMET - RUBBER - 2" OD |
| | 034141-02-000 | EA | PLUG/NYLON - .38" - BLACK |
| | 061420-04-000 | EA | PLUG/PLASTIC - 1 1/4" DIAMETER |
| | 061420-05-000 | EA | PLUG/PLASTIC - 1 1/2" DIAMETER |
| | 061420-08-000 | EA | PLUG/PLASTIC - 2 1/2" DIAMETER |
| | 061420-09-000 | EA | PLUG/PLASTIC - 1.00" - DIAMETER |
| | 061420-10-000 | EA | PLUG/PLASTIC - 1 1/2" DIAMETER - BLACK |
| | 061420-14-000 | EA | PLUG/PLASTIC - .034" DIAMETER |
| | 061420-15-000 | EA | PLUG/PLASTIC - 2" DIAMETER - BLACK |
| | 061420-16-000 | EA | PLUG/PLASTIC - 2 1/8" DIAMETER |
| | 062401-01-000 | EA | CLAMP - HOSE - WORMGEAR - .25" - 1" |
| | 062401-02-000 | EA | CLAMP - HOSE - WORMGEAR - 1.56" - 2.5" |
| | 062401-03-000 | EA | CLAMP - HOSE - WORMGEAR - .22" - 1" |
| | 062401-04-000 | EA | CLAMP - HOSE - WORMGEAR - .69" - 1.25" |
| | 062401-05-000 | EA | CLAMP - HOSE - WORMGEAR - 2" - 3" ID |
| | 062401-06-000 | EA | CLAMP - HOSE - WORMGEAR - .22" - .62" ID |
| | 062401-09-000 | EA | CLAMP - HOSE - WORMGEAR - 2.8" - 3.75" |
| | 062401-11-000 | EA | CLAMP - HOSE - WORMGEAR - 3.50" - 4.50" |
| | 062401-12-000 | EA | CLAMP - HOSE - WORMGEAR - .79" X 1.26" |
| | 071015-11-000 | EA | GROMMET - RUBBER - 1"ID FITS .12 MATERIAL - BLACK |
| | 071015-19-000 | EA | GROMMET - RUBBER - .38 ID - FITS .06 MATERIAL - BLACK |
| | 071015-26-000 | EA | GROMMET - RUBBER - 1.5" ID X 2.1" OD W/.06" GROOVE-BLACK |
| | 071015-30-000 | EA | GROMMET - RUBBER - .31" ID X .81" OD W/.12" GROOVE-BLACK |
| | 071015-39-000 | EA | GROMMET - .75 ID FITS .06 MTL |
| | 071015-41-000 | EA | GROMMET - .125 ID FITS .188 MTL |
| | 075148-02-000 | EA | CLAMP - GROUNDING - BRONZE SCREWS |
| | 077955-01-000 | EA | CLIP/J - 3/8" - VINYL COATED |
| | 080734-02-000 | EA | CLIP - WIRE NYLON |
| | 081211-03-000 | EA | PLUG/PLASTIC - .50 DIAMETER - BLACK |
| | 081211-04-000 | EA | PLUG/PLASTIC - .46 DIAMETER - BLACK |

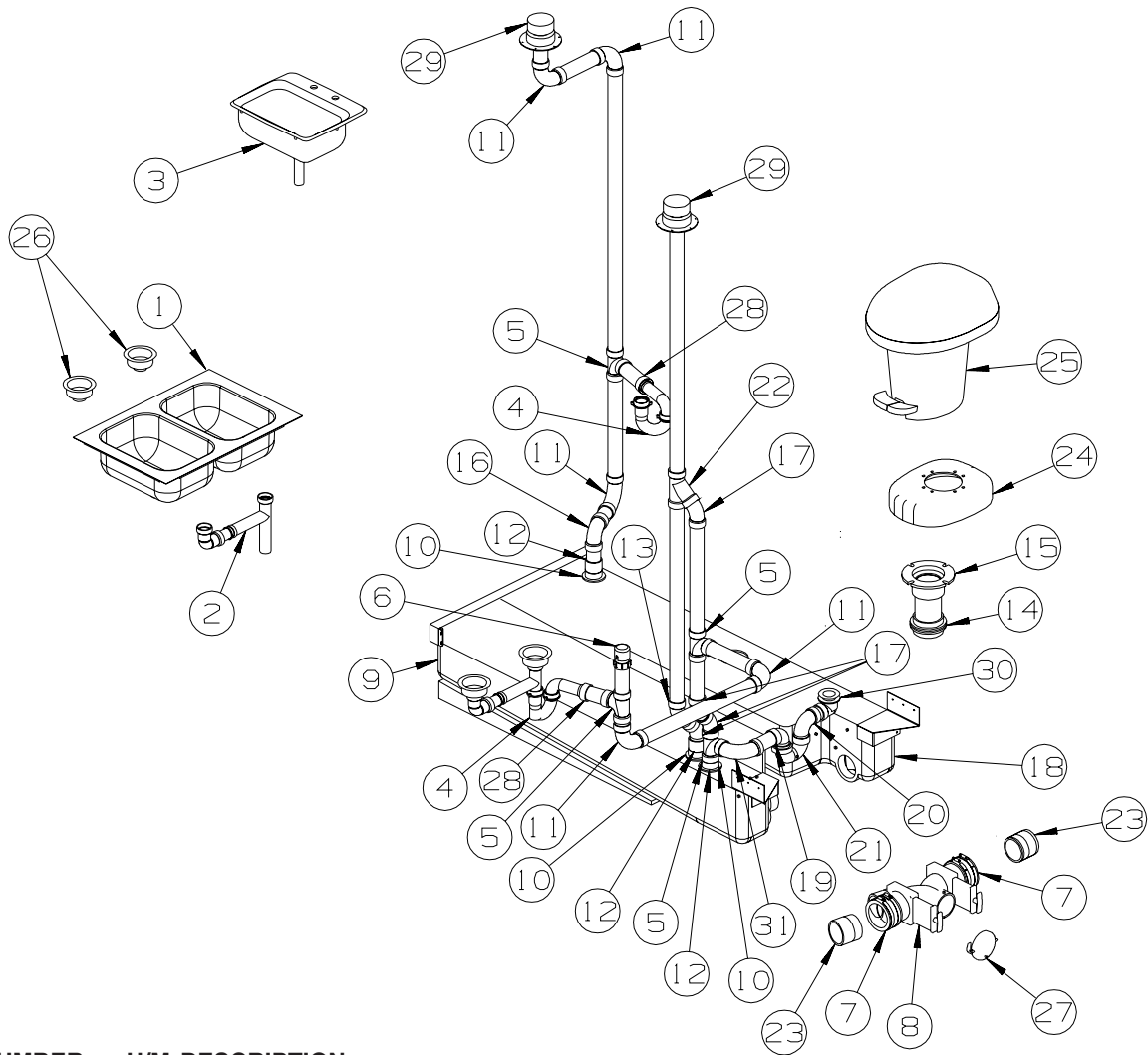
SEALANTS & FASTENERS GROUP (CONTINUED)
CLAMPS, CLIPS, GROMMETS, RIVETS & PLUGS (CONTINUED)

| KEY | PART NUMBER | U/M | DESCRIPTION |
|-----|---------------|-----|---|
| | 083609-01-000 | EA | CLAMP - WIRE - DUAL - EQUAL DIAMETERS - 5/8" |
| | 083610-01-000 | EA | CLAMP - WIRE - DUAL - UNEQUAL DIAMETERS - 3/4" & 1 1/4" |
| | 083610-02-000 | EA | CLAMP - WIRE - DUAL - UNEQUAL DIAMETERS - 3/4" & 2" |
| | 083610-03-000 | EA | CLAMP - WIRE - DUAL - EQUAL DIAMETERS - 2" |
| | 088756-01-000 | EA | GROMMET - WEB - 1 1/8 " I.D. |
| | 091952-01-000 | EA | CLIP - GRIPPER - 1" |
| | 091952-02-000 | EA | CLIP - GRIPPER - 3/4" |
| | 094362-02-000 | EA | CLIP - XMAS TREE - BINDER HEAD - .9" LONG |
| | 114208-04-000 | EA | GROMMET - EDGE LINER - FITS 1" |
| | 114208-05-000 | EA | GROMMET - EDGE LINER - FITS 2" |
| | 118626-01-02A | EA | RIVET - POP - ALUMINUM - 3/16 X .08 - .375 |
| | 118626-01-01A | EA | RIVET - POP - ALUMINUM - 3/16 X .08 - .375 |
| | 118626-02-01A | EA | RIVET - POP - ALUMINUM - 3/16 X .500 - .750 |
| | 137014-01-01A | EA | GROMMET - CABLE - ALMOND |
| | 137014-01-02A | EA | GROMMET - CABLE - BROWN |
| | 139118-01-01A | EA | GROMMET - PLASTIC/SCREW |
| | 139118-02-01A | EA | GROMMET - SCREW - PLASTIC |
| | 140171-02-000 | EA | CLAMP - HOSE - STEPLESS EAR - .250 |

MISCELLANEOUS FASTENERS

| KEY | PART NUMBER | U/M | DESCRIPTION |
|-----|---------------|-----|--|
| | 008343-01-000 | EA | TIE - WIRE - 6" |
| | 008343-02-000 | EA | TIE - WIRE - 14" |
| | 008343-03-000 | EA | TIE - WIRE - 7 1/2" - BLACK |
| | 029094-04-000 | YD | VELCRO TAPE - LOOP - 1" WIDE - BLACK |
| | 029094-06-000 | YD | VELCRO TAPE - LOOP - 2" WIDE - BLACK |
| | 029096-03-000 | YD | VELCRO TAPE - HOOK - 1" WIDE - BLACK |
| | 029096-04-000 | YD | VELCRO TAPE - HOOK - 1" WIDE - BLACK |
| | 048394-02-000 | YD | VELCRO TAPE - HOOK - ADHESIVE BACK - 3/4" WIDE - BEIGE |
| | 085774-01-000 | FT | FASTENER - DUAL LOCK - 1" WIDE - ADHESIVE BACK - BLACK |
| | 085774-02-000 | FT | FASTENER - DUAL HOOK - 1" WIDE - ADHESIVE BACK - BLACK |
| | 085774-03-000 | FT | FASTENER - DUAL LOCK - 1/2" WIDE - ADHESIVE BACK - BLACK |
| | 085774-04-000 | FT | FASTENER - DUAL HOOK - 1/2" WIDE - ADHESIVE BACK - BLACK |
| | 088792-02-000 | YD | VELCRO TAPE - LOOP - 3/4" - ADHESIVE BACK - BEIGE |
| | 088792-04-000 | YD | VELCRO TAPE - HOOK - 5/8" - NON-ADHESIVE BACK - WHITE |
| | 088792-05-000 | YD | VELCRO TAPE - LOOP - 5/8" - NON-ADHESIVE BACK - WHITE |
| | 108046-02-000 | EA | CABLE TIE - SCREW MOUNT 15" |
| | 110943-02-000 | FT | FELT STRIP - 3/8" - ADHESIVE BACK - WHITE |
| | 113133-02-01A | EA | RIVET - POP - ALUMINUM - 3/16 X .252 - .504 - BLACK |
| | 127960-01-01A | EA | RETAINER - 3/8" - STAINLESS STEEL |

WATER & SEWAGE GROUP DRAINAGE SYSTEM



| KEY | PART NUMBER | U/M | DESCRIPTION |
|-----|---------------|-----|--|
| 1 | 104113-01-000 | EA | SINK/STAINLESS STEEL/DOUBLE 17.2" X 25.2" X 5.9" CNTR DROP |
| 2 | 011091-02-000 | EA | WASTE - CONTINUOUS - DOUBLE SINK |
| 3* | 096927-01-02A | EA | SINK - LAVATORY - RECTANGLE - SOFT WHITE |
| 4 | 107538-01-000 | EA | P-TRAP - PLASTIC - 1 1/4" W/EXTENSION ARM |
| 5 | 010071-01-000 | EA | TEE - SANITARY - 1 1/2" HUB X HUB X HUB - PLASTIC |
| 6 | 079968-01-000 | EA | VENT - MECHANICAL/TRAP ARM - ANTI-SIPHON-2" X 7.3" PLASTIC |
| 7 | 078406-01-000 | EA | COUPLER - RUBBER - W/CLAMPS - 3" X 3" |
| 8 | 136143-01-000 | EA | VALVE - DUAL - 3" X 3" |
| 9 | 139259-01-01A | EA | TANK - HOLDING - W/O FITTINGS |
| 10 | 061607-01-000 | EA | GROMMET - HOLDING TANK - 1 1/2" NPS |
| 11 | 010008-01-000 | EA | ELBOW - 90 DEGREE - 1 1/2" HUB X HUB - PLASTIC |
| 12 | 010115-01-000 | EA | COUPLING - 1 1/2" HUB X HUB - PLASTIC |
| 13 | 010006-01-000 | EA | ELBOW - 45 DEGREE - 1 1/2" HUB X HUB - PLASTIC |
| 14 | 061607-02-000 | EA | GROMMET - HOLDING TANK - 3" NPS |
| 15 | 116644-01-000 | EA | FLANGE/CLOSET - 4 BOLT X 3" FEMALE |
| 16 | 034250-01-000 | EA | ELBOW - 90 DEGREE - LONG TURN - 1 1/2" HUB X HUB - ABS |
| 17 | 010051-01-000 | EA | ELBOW - 45 DEGREE - 1 1/2" SPIGOT X HUB - PLASTIC |
| 18 | 139258-01-01A | EA | TANK - HOLDING - W/O FITTINGS |
| 19 | 131486-01-000 | EA | ELBOW - DRAIN - 1 1/2" LOW PROFILE - TUB DRAIN |
| 20 | 010009-01-000 | EA | ELBOW - 90 DEGREE - 1/4 BEND - 1 1/2" PLASTIC |
| 21 | 037763-01-000 | EA | P-TRAP - PLASTIC - 1 1/2" HXH W/UNION |
| 22 | 010073-01-000 | EA | WYE - 45 DEGREE - 1 1/2" HUB X HUB X HUB - PLASTIC |
| 23 | 010129-03-000 | EA | NIPPLE - PLASTIC - 3" X 3" TOE |
| 24 | 131786-02-01A | EA | SPACER - TOILET - OVAL - 13.5" LONG X 2.8" HIGH - SOFT WHT |
| 25* | 131932-02-02A | EA | TOILET - AQUA MAGIC 4 - HIGH - FOOT FLUSH - WHITE |
| 26 | 092303-01-000 | EA | STRAINER - W/BASKET - GALLEY SINK - 4" OD |
| 27* | 062415-01-000 | EA | CAP - SEWER - 3" DIAMETER |
| 28 | 109571-01-000 | EA | ADAPTER - P-TRAP - 1 1/2" P X 1 1/4" MPT |

WATER & SEWAGE GROUP (CONTINUED)
DRAINAGE SYSTEM (CONTINUED)

| KEY | PART NUMBER | U/M | DESCRIPTION |
|------------|--------------------|------------|---|
| 29 | 083558-06-000 | EA | VENT - ROOF PLUMBING PIPE - COVERED |
| 30 | 132150-01-01A | EA | STRAINER - SHOWER DRAIN |
| | 132376-01-01A | EA | GASKET - FOAM - 1 1/2" - TUB STRAINER |
| | | | FROM: 00-00-00 THRU: 05-12-02 |
| | | | FROM: 00-00-00 THRU: 05-12-02 |
| 30 | 066440-01-000 | EA | STRAINER - SHOWER DRAIN - W/RUBBER WASHER |
| | | | FROM: 05-13-02 THRU: 99-99-99 |
| 31 | 033761-01-000 | EA | ELBOW - 90 DEGREE - TURN - 1 1/2" HUB X 1 1/2" SPIGOT |
| | 139513-01-000 | EA | HOSE - SEWER - 3" X 10' - W/ADAPTER |

***COMPONENT PARTS LISTED LATER IN THIS GROUP**

WATER & SEWAGE GROUP (CONTINUED)
COMPONENT PARTS FOR DRAINAGE SYSTEM

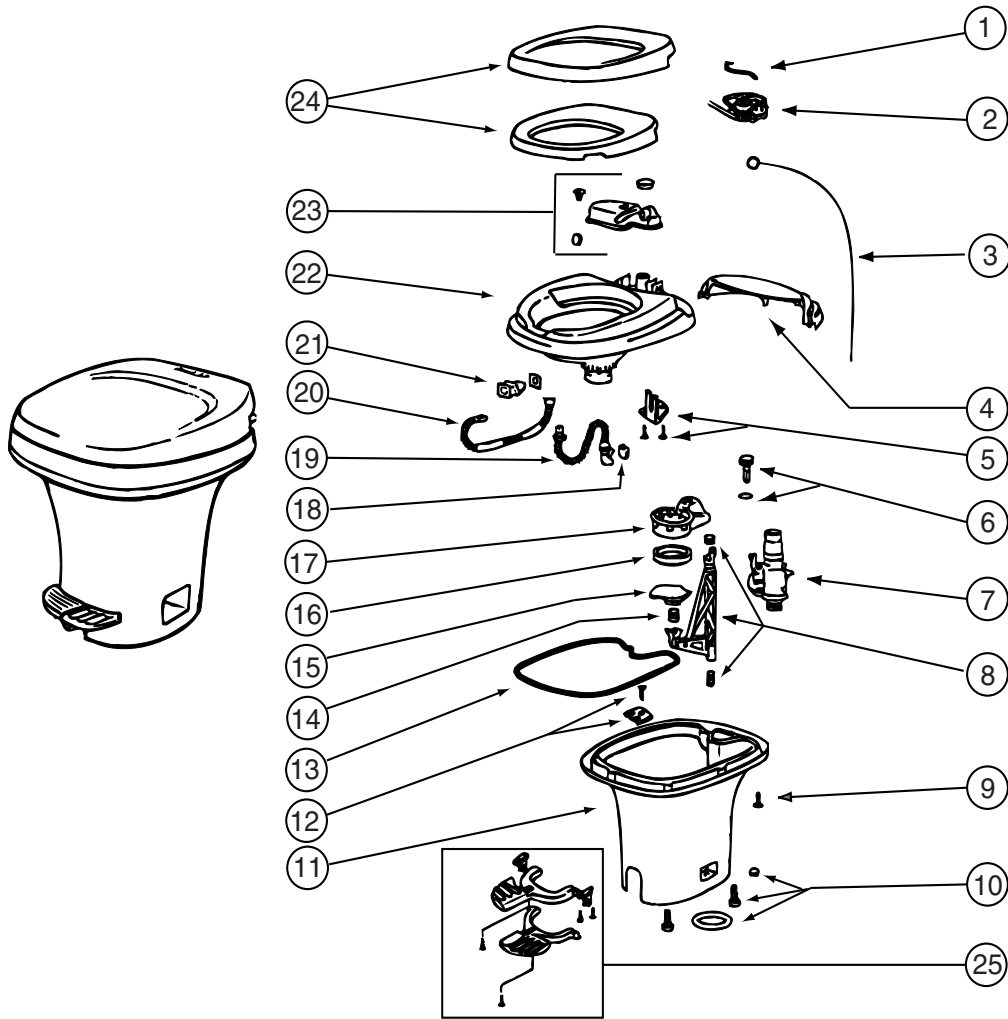
062415-01-000

| KEY | PART NUMBER | U/M | DESCRIPTION | VENDOR NO. |
|------------|--------------------|------------|--------------------|-------------------|
| | 062415-01-700 | EA | STRING-SEWER CAP | V#SV7 STRAP |

096927-01-02A

| KEY | PART NUMBER | U/M | DESCRIPTION | VENDOR NO. |
|------------|--------------------|------------|--------------------------|-------------------|
| | 096927-01-700 | EA | SINK STOPPER | M9801 |
| | 096927-01-701 | EA | TAILPIECE-DRAIN-LAVATORY | M9802 |

WATER & SEWAGE GROUP (CONTINUED)
COMPONENT PARTS FOR DRAINAGE SYSTEM (CONTINUED)

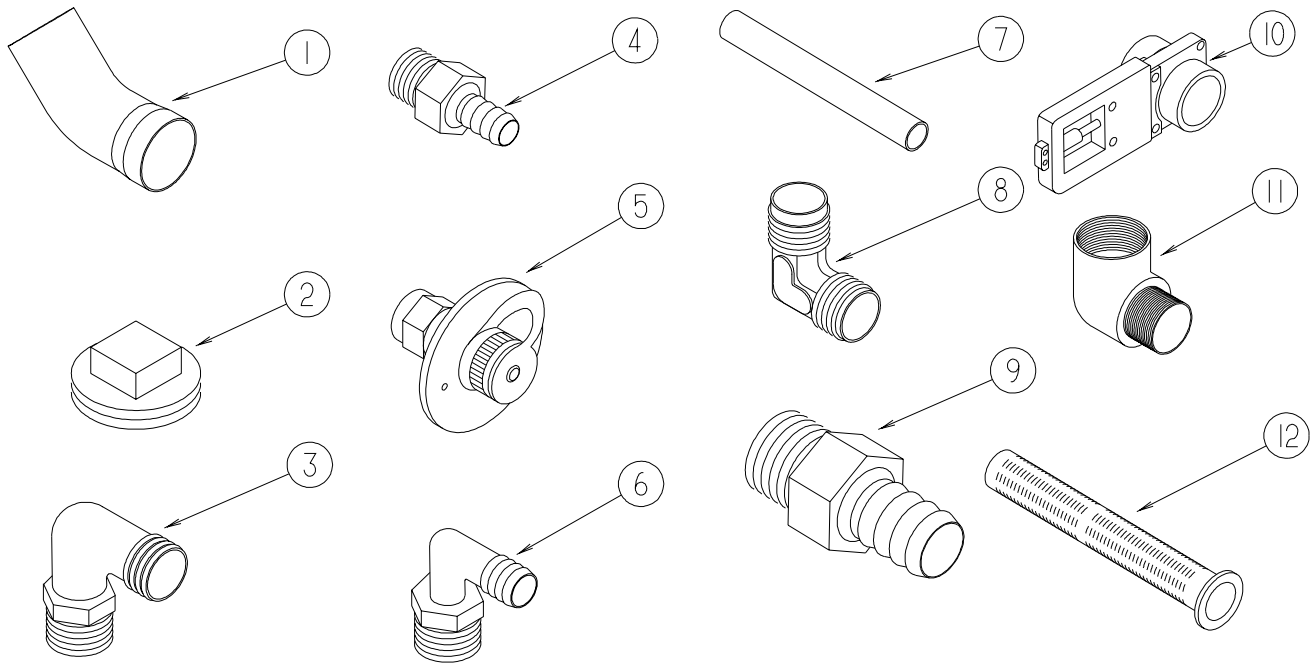


131932-02-02A

| KEY | PART NUMBER | U/M | DESCRIPTION | VENDOR NO. |
|-----|---------------|-----|-----------------------------|----------------|
| 2 | 063740-02-703 | EA | KIT-LEVER/WIRE ASSM FOOT FL | 24571 |
| 4 | 131932-02-701 | EA | COVER -MECHANISM- WHITE | 2086562 |
| 7 | 063740-01-714 | EA | VALVE ASM (VALVE-BALL SEAL) | 13168 |
| 10 | 063740-01-706 | EA | BOLT PACKAGE-FLOOR FLANGE | 12524 THETFORD |
| 15 | 063740-01-721 | EA | BLADE ONLY | 1248262 |
| 16 | 063740-01-722 | EA | SEAL - BLADE | 12481 |
| 23 | 063740-02-701 | EA | RESERVOIR (TANK ASM.) | 24630 |
| 24 | 131932-01-701 | EA | SEAT/COVER ASSMBLY - WHITE | 2464162 |
| 25 | 131932-02-702 | EA | PEDAL PACKAGE(WHITE) | 2082162 |

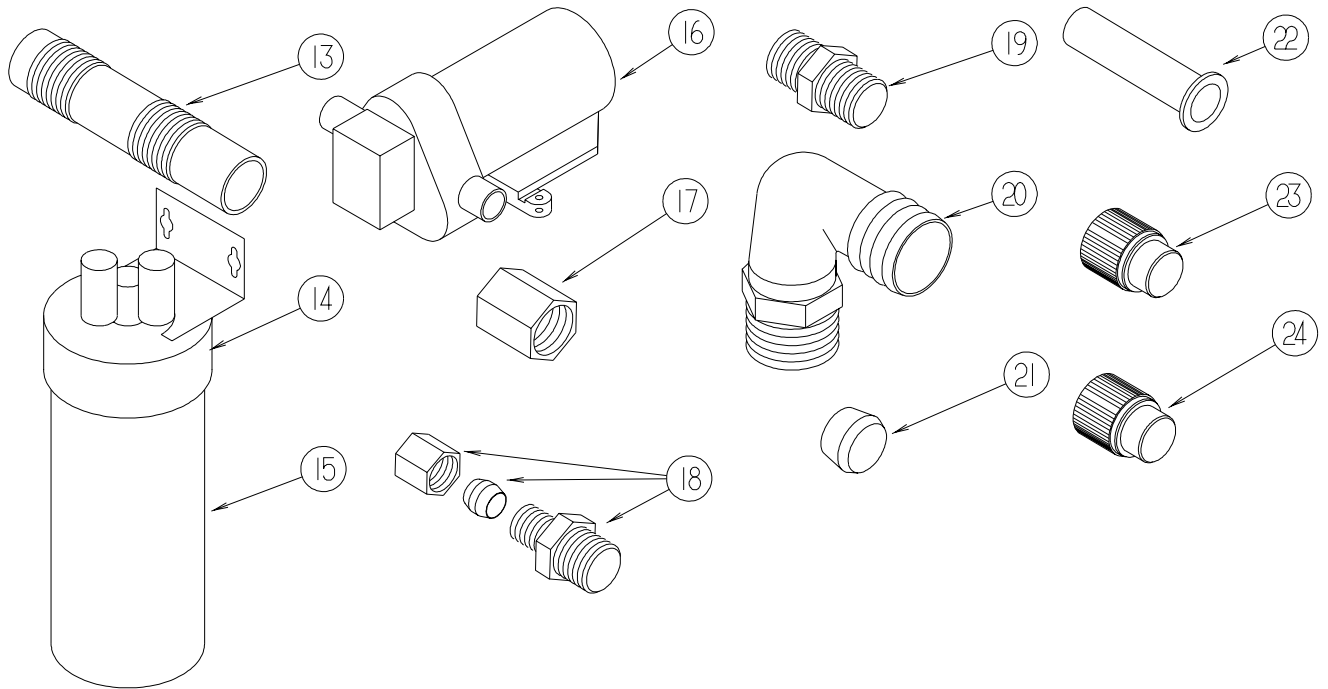
CONTACT WINNEBAGO PART SALES FOR UNLISTED COMPONENT

WATER & SEWAGE GROUP (CONTINUED)
WATER SYSTEM



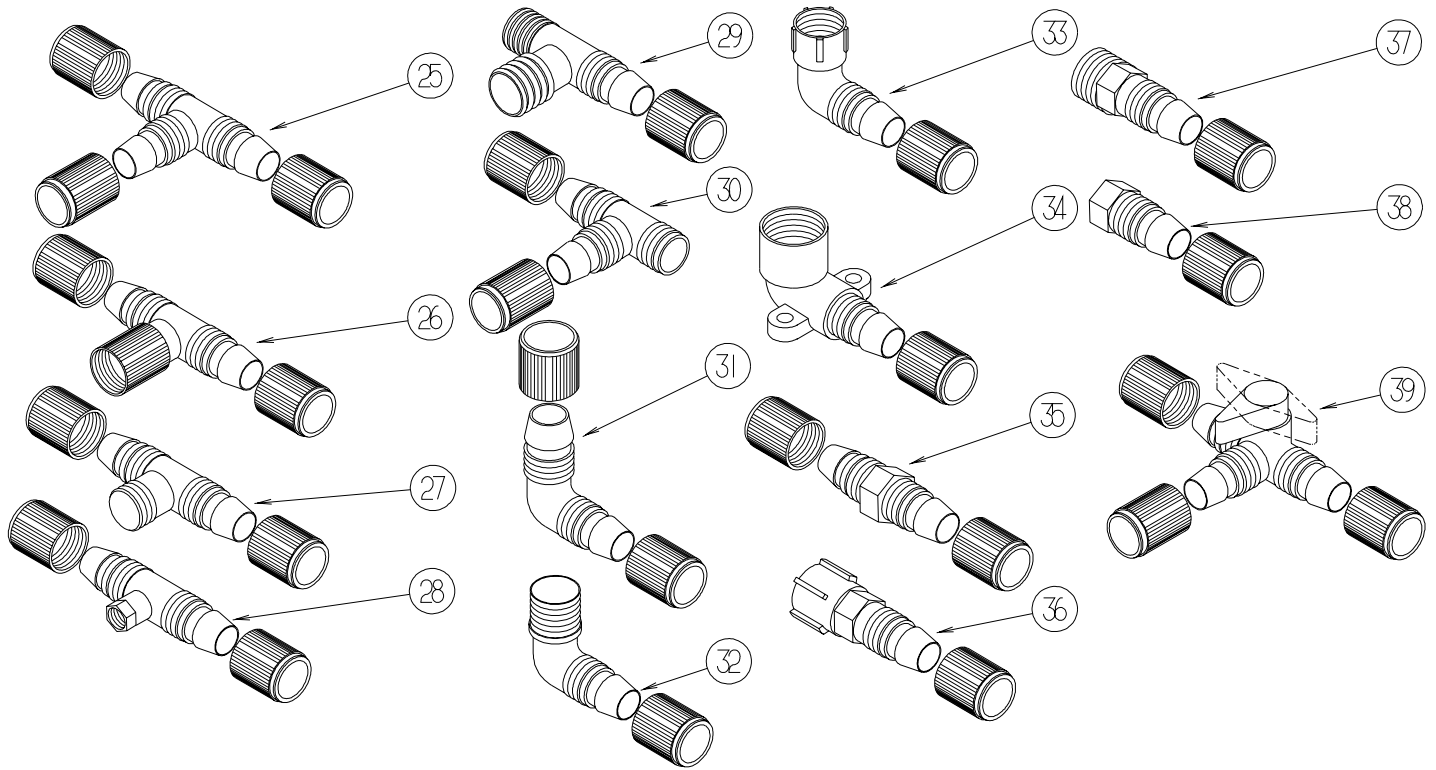
| KEY | PART NUMBER | U/M | DESCRIPTION |
|-----|---------------|-----|---|
| 1 | 010009-01-000 | EA | ELBOW - 90 DEGREE - 1/4 BEND - 1 1/2" PLASTIC |
| 2 | 010166-01-000 | EA | PLUG/THREADED - 1 1/4"MPT - PLASTIC - BLACK - UL |
| 3 | 010219-01-000 | EA | ELBOW - 1 1/4 MPT X 1 1/4 BARB - WATER FILL - PLASTIC |
| 4 | 010224-01-000 | EA | ADAPTER - HOSE TO PIPE - 3/8 MPT X 3/8 BARB - PLASTIC |
| 5 | 010230-06-000 | EA | FILL - CITY WATER - W/CHECK VALVE - MPT - BRUSHED ALUM |
| 6 | 035539-01-000 | EA | ELBOW - 3/8 MPT X 3/8 BARB - PLASTIC |
| 7 | 039800-04-000 | FT | TUBING - POLYBUTYL - 1/4"OD |
| 7 | 074462-02-000 | FT | TUBING - VINYL - 3/8 ID X 20' - CLEAR |
| 7 | 112176-01-000 | FT | TUBING - VINYL - REINFORCED - 1/2" ID |
| 7 | 124188-01-000 | FT | TUBING - PEX - 1/2" ID X 20' - BLUE(COLD) |
| 7 | 124188-02-000 | FT | TUBING - PEX - 1/2" ID X 20' - RED(HOT) |
| 8 | 039808-03-000 | EA | ELBOW - 1/2" MPT X 1/2" MPT - PLASTIC |
| 9 | 044927-01-000 | EA | ADAPTER - HOSE TO PIPE-1 1/4 MPTX1 1/4 BARB-BLACK PLASTIC |
| 10 | 062421-03-000 | EA | VALVE/DUMP W/O HANDLE - 1 1/2" X 1 1/2" HUB |
| 11 | 065318-02-000 | EA | ELBOW - 90 DEGREE - 3/8" MPT TO 3/8" FPT |
| 12 | 077954-02-000 | EA | FILTER - WATER TANK - W/SCREEN IN TANK |

WATER & SEWAGE GROUP (CONTINUED)
WATER SYSTEM (CONTINUED)



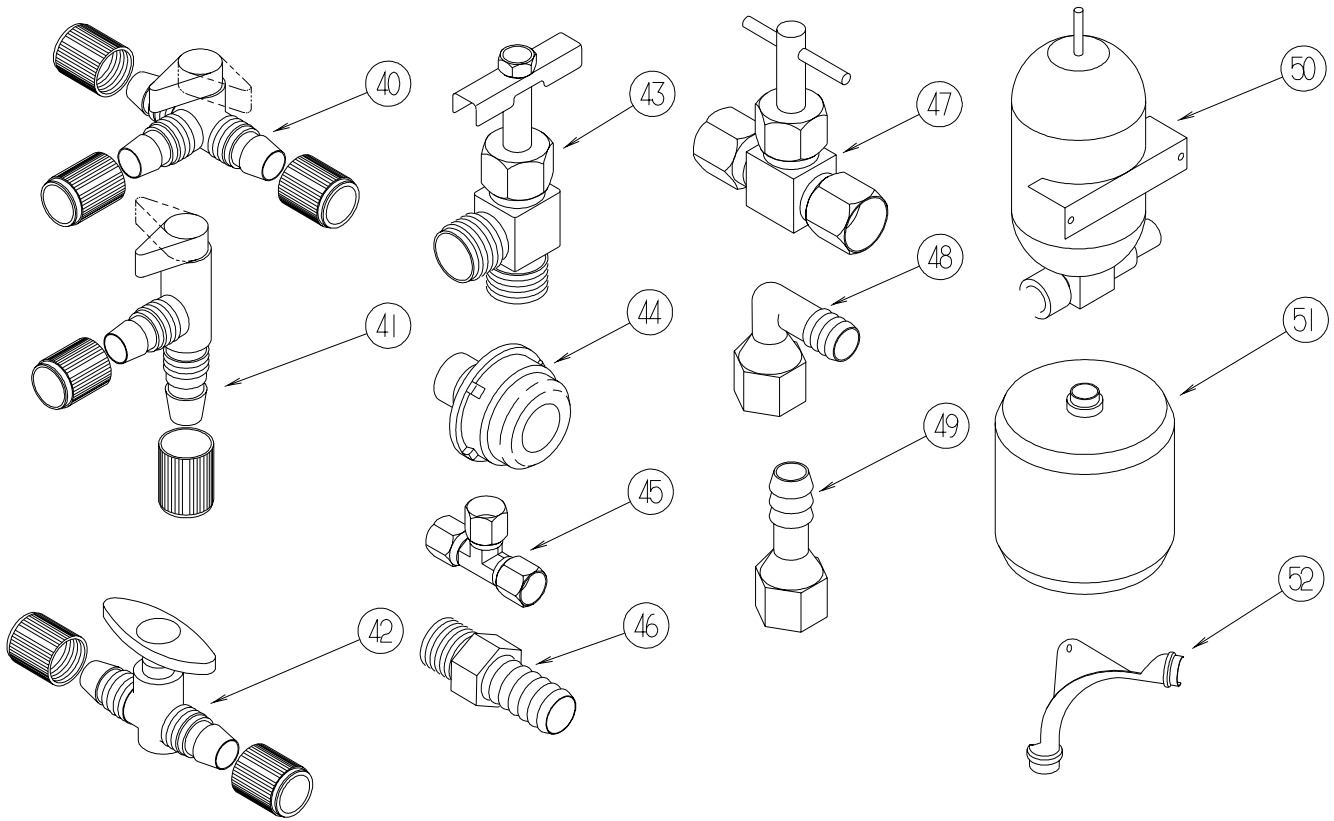
| KEY | PART NUMBER | U/M | DESCRIPTION |
|-----|---------------|-----|---|
| 13 | 079381-01-000 | FT | TUBING - RIBBED FLEXIBLE - WATER FILL - 1.4" ID |
| 14 | 087200-01-000 | EA | FILTER-WATER PURIFICATION, EVERPURE QC2-AC |
| 15 | 087200-02-000 | EA | CARTRIDGE-WATER FILTER, AC - EVERPURE 9601-11 |
| 16* | 098607-01-000 | EA | PUMP - WATER - W/.5" MPT FITTING - FLOW 2.8 GPM |
| 17 | 101814-01-000 | EA | COUPLING - FEMALE - 1/2" X 1/2" FPT - GRAY |
| 18 | 103798-01-000 | EA | CONNECTOR - 1/4 OD X 3/8 MPT |
| 19 | 110438-02-000 | EA | VALVE - CHECK - BRASS - 1/2 MPT X 1/2 MPT |
| 20 | 111223-02-000 | EA | ELBOW - 1/2" MPT X 3/8" BARB - PLASTIC |
| 20 | 111223-03-000 | EA | ELBOW - 3/4" MPT X 1/2" BARB - PLASTIC |
| 20 | 111223-04-000 | EA | ELBOW - 1/2" MPT X 1/2" BARB - PLASTIC |
| 21 | 111888-01-000 | EA | FERRULE - PLASTIC - .250 ID X .375 OD |
| 22 | 111888-02-000 | EA | INSERT - BRASS - 1/4 COMP |
| 23 | 113697-01-000 | EA | CAP - 3/8"P |
| 24 | 114427-01-000 | EA | CAP - 1/2"P |

WATER & SEWAGE GROUP (CONTINUED)
WATER SYSTEM (CONTINUED)



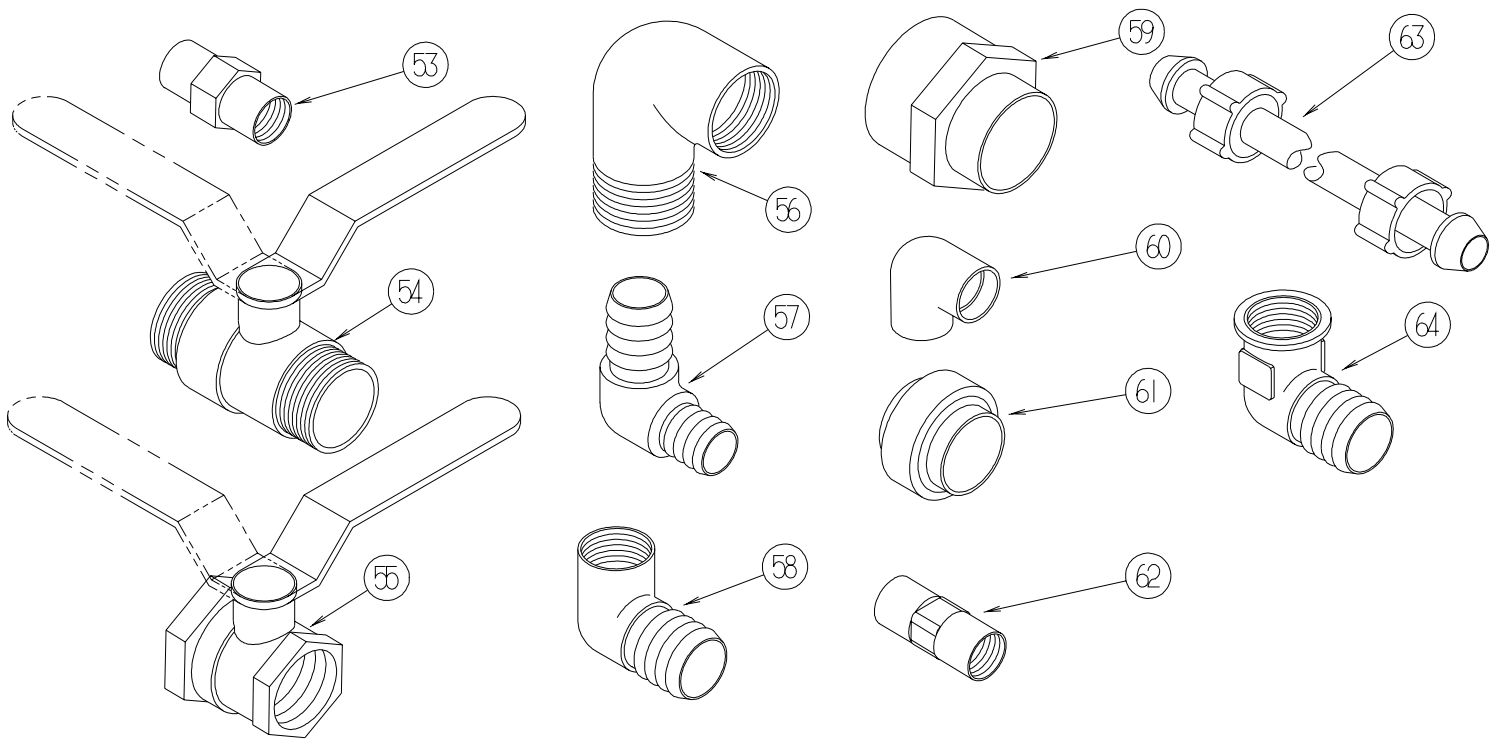
| KEY | PART NUMBER | U/M | DESCRIPTION |
|-----|---------------|-----|---|
| 25 | 114428-01-000 | EA | TEE - 1/2"P X 1/2"P X 1/2"P |
| 26 | 114428-02-000 | EA | TEE - SWIVEL - 1/2"P X 1/2"P X 1/2"FPT |
| 27 | 114428-03-000 | EA | TEE - 1/2"P X 1/2"P X 1/2"MPT |
| 28 | 114428-04-000 | EA | TEE - 1/2"P X 1/2"P X 1/8"FPT |
| 29 | 114428-06-000 | EA | TEE - 1/2" P X 1/2" MPT X 1/2" MPT |
| 30 | 114428-07-000 | EA | TEE - 1/2" P X 1/2" MPT X 1/2" P |
| 31 | 114429-01-000 | EA | ELBOW - 1/2"P X 1/2"P |
| 32 | 114429-02-000 | EA | ELBOW - 1/2"P X 1/2"MPT |
| 32 | 114429-04-000 | EA | ELBOW - 1/2"P X 3/8"MPT |
| 32 | 114429-05-000 | EA | ELBOW - 1/2"P X 3/4"MPT |
| 33 | 114429-03-000 | EA | ELBOW - SWIVEL - 1/2"P X 1/2"FPT |
| 33 | 114429-06-000 | EA | ELBOW - SWIVEL - 1/2"P X 3/4"FPT |
| 33 | 114429-08-000 | EA | ELBOW - SWIVEL - 1/2"P X 1/2"FPT |
| 34 | 114429-09-000 | EA | ELBOW - 1/2"P X 1/2"FPT DROP EAR |
| 35 | 114430-01-000 | EA | ADAPTER - 1/2"P X 1/2"P |
| 36 | 114430-02-000 | EA | ADAPTER - SWIVEL - 1/2"P X 1/2"FPT |
| 37 | 114430-03-000 | EA | ADAPTER - 1/2"P X 1/2"MPT |
| 38 | 114430-06-000 | EA | ADAPTER - 1/2"P X 3/8"FPT |
| 39 | 114431-01-000 | EA | VALVE - 180 DEGREE/CENTER DRAIN - 1/2"P - THREE WAY |

WATER & SEWAGE GROUP (CONTINUED)
WATER SYSTEM (CONTINUED)



| KEY | PART NUMBER | U/M | DESCRIPTION |
|-----|---------------|-----|--|
| 40 | 114431-02-000 | EA | VALVE - WATER BYPASS - 1/2"P - THREE WAY (WATER HEATER) |
| 41 | 114431-03-000 | EA | VALVE - 90 DEGREE DRAIN - 1/2"P |
| 42 | 114431-04-000 | EA | VALVE - "INLINE SHUT-OFF" - 1/2"P |
| 43 | 114431-05-000 | EA | VALVE - NEEDLE - 1/8" MPT X 1/4" COMPRESSION (ICE MAKER) |
| 44 | 114966-01-000 | EA | FILTER - IN LINE - TWIST ON - 1/2" |
| 45 | 118423-01-000 | EA | FITTING - BRASS-TEE - 1/4C X 1/4C X 1/4C |
| 46 | 118809-02-000 | EA | ADAPTER - 1/2" MPT X 1/2" BARB - PLASTIC |
| 47 | 120868-01-000 | EA | VALVE - NEEDLE - 1/4" COMPRESSION X 1/4" COMPRESSION |
| 48 | 123150-01-000 | EA | ELBOW - 1/2 FPT X 1/2 BARB - SWIVEL |
| 49 | 123152-01-000 | EA | ADAPTER - 1/2 FPT X 1/2 BARB - SWIVEL |
| 50 | 123243-01-000 | EA | TANK - ACCUMULATOR - 24 OZ |
| 51 | 123317-01-000 | EA | TANK - ACCUMULATOR - 2 GALLON |
| 52 | 124184-01-000 | EA | SUPPORT - WATER LINE - BEND |

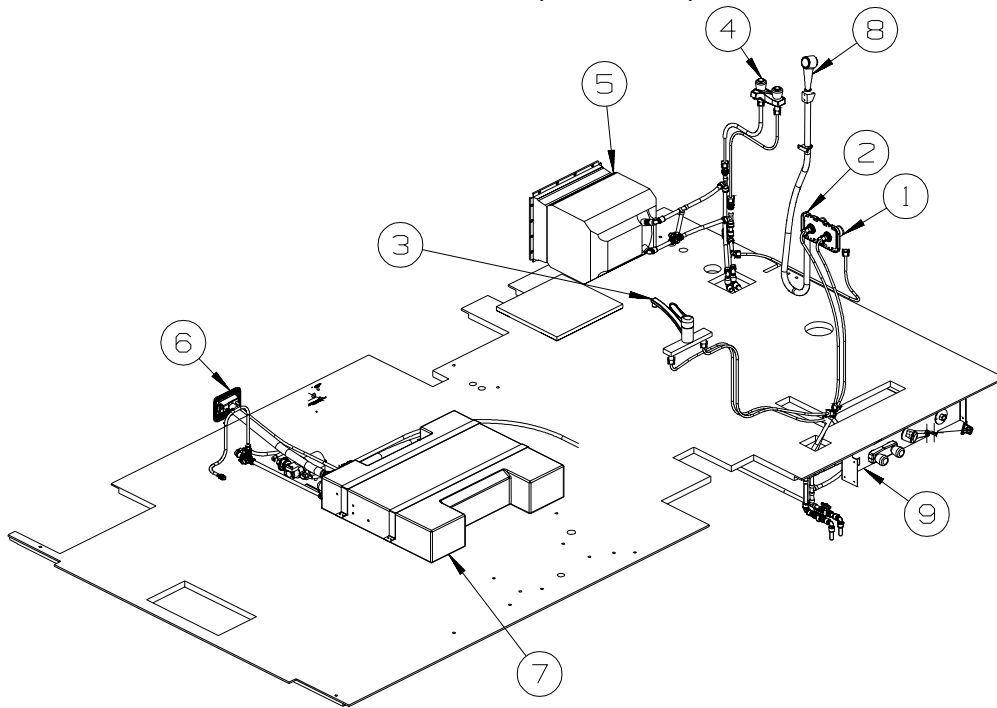
WATER & SEWAGE GROUP (CONTINUED)
WATER SYSTEM (CONTINUED)



| KEY | PART NUMBER | U/M | DESCRIPTION |
|-----|---------------|-----|---|
| 53 | 132148-01-000 | EA | CONNECTOR - 1/2" X 1/2"MPT - BRASS |
| 54 | 132483-01-000 | EA | VALVE/BALL - 1" - THREADED ENDS |
| 55 | 132483-02-000 | EA | VALVE/BALL - 1/2" - BRASS - FPT |
| 56 | 132484-01-000 | EA | ELBOW - 90 DEGREE - 1MPT X 1FPT - PLASTIC |
| 57 | 132781-01-000 | EA | ELBOW - 1.3" BARB X 1.3" BARB - 90 DEGREE - PLASTIC |
| 58 | 132782-01-000 | EA | ELBOW - 1"FPT X 1.3" BARB - 90 DEGREE - PLASTIC |
| 59 | 133835-01-000 | EA | ADAPTER - REDUCING - 1 1/2" X 1 1/4" |
| 60 | 133837-01-000 | EA | ELBOW - 1 1/2" X 90 DEGREE - DOUBLE SLIP |
| 61 | 133889-01-000 | EA | UNION - 1 1/2" DOUBLE SLIP - PVC |
| 62 | 135386-01-000 | EA | NIPPLE - 1/2" |
| 63 | 140821-01-000 | EA | TUBE - WATER SUPPLY - 3/8" X 24" |
| 63 | 140821-02-000 | EA | TUBE - WATER SUPPLY - 3/8" X 30" |
| 63 | 140821-03-000 | EA | TUBE - WATER SUPPLY - 3/8" X 36" |
| 63 | 140821-04-000 | EA | TUBE - WATER SUPPLY - 3/8" X 48" |
| 63 | 140821-05-000 | EA | TUBE - WATER SUPPLY - 3/8" X 54" |
| 63 | 140821-06-000 | EA | TUBE - WATER SUPPLY - 3/8" X 60" |
| 63 | 140821-07-000 | EA | TUBE - WATER SUPPLY - 3/8" X 72" |
| 64 | 142812-01-000 | EA | ELBOW - BRASS - 1/2"MPT X 1/2"FPT |

***COMPONENT PARTS LISTED LATER IN THIS GROUP**

WATER & SEWAGE GROUP (CONTINUED)
WATER SYSTEM (CONTINUED)



| KEY | PART NUMBER | U/M | DESCRIPTION |
|-----|---------------|-----|--|
| 1* | 075241-06-000 | EA | FAUCET - SHOWER/BRIGHT WHITE - 5.5" MPT W?1.9" INLET PIPES |
| 2 | 075606-03-000 | EA | PANEL - FAUCET SHOWER - SOFT WHITE |
| 3* | 104114-05-01A | EA | FAUCET - GALLEY - SINGLE CONTROL - CHROME |
| 4* | 075240-05-000 | EA | FAUCET - LAVATORY/BRASS |
| 5* | 051391-03-000 | EA | WATER HEATER G6A - 8E ELECTRONIC IGNITION |
| 5 | 052009-08-000 | EA | DOOR - WATER HEATER - VW WHITE |
| 6 | 137169-01-02A | EA | WATER FILL/GRAVITY - W/DOOR - W/O LOCK - VW WHITE |
| | 137169-02-01A | EA | ADAPTER/LOCK - (WASHER) F/GRAVITY WATERFILL |

LOCK ASM USED UP TO 09-15-02

| | | |
|---------------|----|---|
| 110506-A3-000 | EA | LOCK - KEYED |
| 110506-52-000 | EA | CASE/CYLINDER - LOCKING - W/O CAM/KEY - .65" - 702370 |
| 110506-52-001 | EA | CASE/CYLINDER - LOCKING - W/O CAM/KEY - .65" - 702371 |
| 110506-52-002 | EA | CASE/CYLINDER - LOCKING - W/O CAM/KEY - .65" - 702372 |
| 110506-52-003 | EA | CASE/CYLINDER - LOCKING - W/O CAM/KEY - .65" - 702373 |
| 110506-52-004 | EA | CASE/CYLINDER - LOCKING - W/O CAM/KEY - .65" - 702374 |
| 110506-52-005 | EA | CASE/CYLINDER - LOCKING - W/O CAM/KEY - .65" - 702375 |
| 110506-52-006 | EA | CASE/CYLINDER - LOCKING - W/O CAM/KEY - .65" - 702376 |
| 110506-52-007 | EA | CASE/CYLINDER - LOCKING - W/O CAM/KEY - .65" - 702377 |
| 110506-52-008 | EA | CASE/CYLINDER - LOCKING - W/O CAM/KEY - .65" - 702378 |
| 110506-52-009 | EA | CASE/CYLINDER - LOCKING - W/O CAM/KEY - .65" - 702379 |
| 110506-77-000 | EA | CAM - LOCK |
| 110506-59-000 | EA | KEY SET |
| 110506-59-001 | EA | KEY SET |
| 110506-59-002 | EA | KEY SET |
| 110506-59-003 | EA | KEY SET |
| 110506-59-004 | EA | KEY SET |
| 110506-59-005 | EA | KEY SET |
| 110506-59-006 | EA | KEY SET |
| 110506-59-007 | EA | KEY SET |
| 110506-59-008 | EA | KEY SET |
| 110506-59-009 | EA | KEY SET |

WATER & SEWAGE GROUP (CONTINUED)
WATER SYSTEM (CONTINUED)

KEY PART NUMBER U/M DESCRIPTION

LOCK ASM USED FROM 09-15-02 THRU 01-19-03

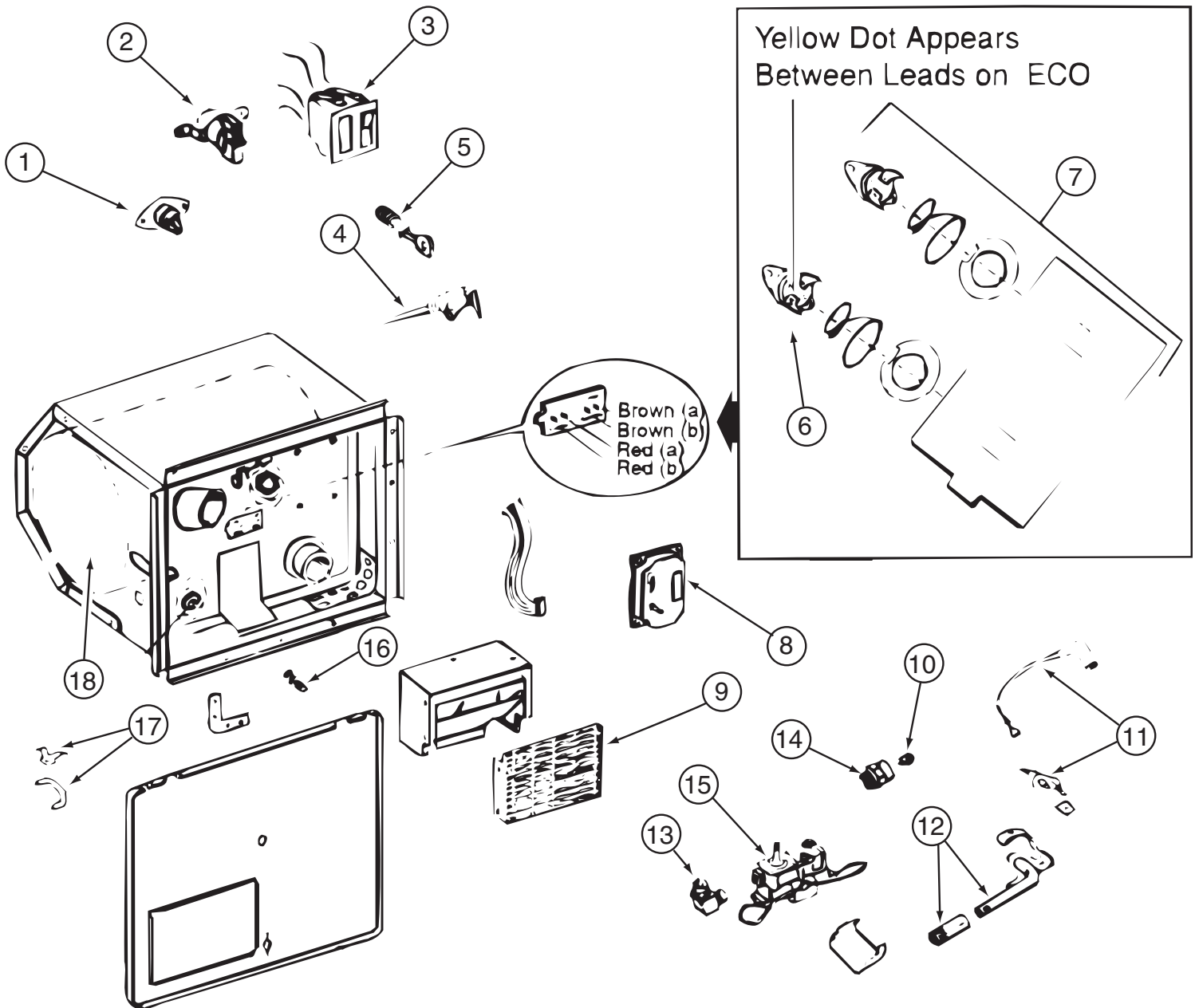
| | | |
|---------------|----|---------------------------------|
| 138289-01-000 | EA | CYLINDER - LOCKING |
| 138289-02-000 | EA | CYLINDER - LOCKING |
| 138289-03-000 | EA | CYLINDER - LOCKING |
| 138289-04-000 | EA | CYLINDER - LOCKING |
| 138289-05-000 | EA | CYLINDER - LOCKING |
| 138289-06-000 | EA | CYLINDER - LOCKING |
| 138289-07-000 | EA | CYLINDER - LOCKING |
| 138289-08-000 | EA | CYLINDER - LOCKING |
| 138289-09-000 | EA | CYLINDER - LOCKING |
| 138289-10-000 | EA | CYLINDER - LOCKING |
| 138290-03-000 | EA | CASE - W/CAM - W/O CYLINDER/KEY |
| 138288-01-000 | EA | KEY - REVERSIBLE |
| 138288-02-000 | EA | KEY - REVERSIBLE |
| 138288-03-000 | EA | KEY - REVERSIBLE |
| 138288-04-000 | EA | KEY - REVERSIBLE |
| 138288-05-000 | EA | KEY - REVERSIBLE |
| 138288-06-000 | EA | KEY - REVERSIBLE |
| 138288-07-000 | EA | KEY - REVERSIBLE |
| 138288-08-000 | EA | KEY - REVERSIBLE |
| 138288-09-000 | EA | KEY - REVERSIBLE |
| 138288-10-000 | EA | KEY - REVERSIBLE |

LOCK ASM USED FROM 01-20-03 THRU 99-99-99

| | | |
|---------------|----|--|
| 138637-03-000 | EA | LOCK ASM. - KEYED - .9" CASE (CYLINDER/CAM/HDWR PKG) |
| 138637-52-000 | EA | CASE/CYLINDER - LOCKING - W/O CAM/KEY - .9" |
| 138637-52-001 | EA | CASE/CYLINDER - LOCKING - W/O CAM/KEY - .9" |
| 138637-52-002 | EA | CASE/CYLINDER - LOCKING - W/O CAM/KEY - .9" |
| 138637-52-003 | EA | CASE/CYLINDER - LOCKING - W/O CAM/KEY - .9" |
| 138637-52-004 | EA | CASE/CYLINDER - LOCKING - W/O CAM/KEY - .9" |
| 138637-52-005 | EA | CASE/CYLINDER - LOCKING - W/O CAM/KEY - .9" |
| 138637-52-006 | EA | CASE/CYLINDER - LOCKING - W/O CAM/KEY - .9" |
| 138637-52-007 | EA | CASE/CYLINDER - LOCKING - W/O CAM/KEY - .9" |
| 138637-52-008 | EA | CASE/CYLINDER - LOCKING - W/O CAM/KEY - .9" |
| 138637-52-009 | EA | CASE/CYLINDER - LOCKING - W/O CAM/KEY - .9" |
| 138637-62-000 | EA | CAM - LATCHING - DOG LEG - 1" LONG |
| 138637-51-000 | EA | KEY SET |
| 138637-51-001 | EA | KEY SET |
| 138637-51-002 | EA | KEY SET |
| 138637-51-003 | EA | KEY SET |
| 138637-51-004 | EA | KEY SET |
| 138637-51-005 | EA | KEY SET |
| 138637-51-006 | EA | KEY SET |
| 138637-51-007 | EA | KEY SET |
| 138637-51-008 | EA | KEY SET |
| 138637-51-009 | EA | KEY SET |

***COMPONENT PARTS LISTED LATER IN THIS GROUP**

WATER & SEWAGE GROUP (CONTINUED)
COMPONENT PARTS FOR WATER SYSTEM



051391-03-000

| KEY | PART NUMBER | U/M | DESCRIPTION | VENDOR NO. |
|-----|---------------|-----|------------------------------|-------------|
| 3 | 051393-01-701 | EA | SWITCH - REMOTE - W/LIGHT | 91959 |
| 4 | 051391-01-704 | EA | VALVE-RELIEF, 1/2" FITTING | 91604 |
| 5 | 051391-01-705 | EA | FASTENER-CAMLOCK | 92609 |
| 6 | 051391-04-701 | EA | THERMOSTAT 12V DC-120 PRESET | 91470 |
| 7 | 051393-01-721 | EA | THERMOSTAT W/ECO, 140 FRT MT | 91447 |
| 9 | 051391-04-707 | EA | KIT-EXHAUST, (FLUE & GASKET) | 90960 |
| 10 | 051391-01-710 | EA | ORIFICE-MAIN BURNER | 92742 |
| 12 | 051391-04-703 | EA | BURNER-MAIN/ELECTRONIC | 91638 |
| 13 | 051391-01-714 | EA | FITTING-ELBOW 45,3/8F X 3/8 | MPT 1044 |
| 14 | 051391-03-700 | EA | HOLDER-ORIFICE | 91563 |
| 16 | 051391-01-715 | EA | PLUG-DRAIN, 1 EA = 2 PER PKG | 91857 |
| 17 | 051391-01-700 | EA | HINGE KIT, (PIN & CLIP) | 92568&92559 |
| 18 | 051391-04-706 | EA | TANK-INNER,G6A-4E&6E FRT. MT | 91641 |
| | 051391-01-717 | EA | GRILLE-WATER HEATER DOOR | 92640 |
| | 051393-01-723 | EA | SWITCH - THERMAL CUTOUT 2/PK | 93866 |
| | 051393-01-724 | EA | BOARD-CIRCUIT,SPADE TERMINAL | 93865 |
| | 051393-01-725 | EA | ELECTRODE-SGL SPADE CONNECT. | 93868 |
| | 051393-01-726 | EA | VALVE-SOLENOID, W/O BRACKET | 93870 |
| | 111129-01-711 | EA | BRACKET-CORNER, SET OF FOUR | 91928 |

CONTACT WINNEBAGO PARTS SALES FOR UNLISTED COMPONENTS

WATER & SEWAGE GROUP (CONTINUED)
COMPONENT PARTS FOR WATER SYSTEM (CONTINUED)

075240-05-000

| KEY | PART NUMBER | U/M | DESCRIPTION | VENDOR NO. |
|------------|--------------------|------------|------------------------|-------------------|
| | 075240-05-700 | EA | CARTRIDGE - WASHERLESS | 9-P42 |

075241-04-000, 075241-05-000, 075241-06-000

| KEY | PART NUMBER | U/M | DESCRIPTION | VENDOR NO. |
|------------|--------------------|------------|------------------------|-------------------|
| | 075240-05-700 | EA | CARTRIDGE - WASHERLESS | 9-P42 |

098607-01-000

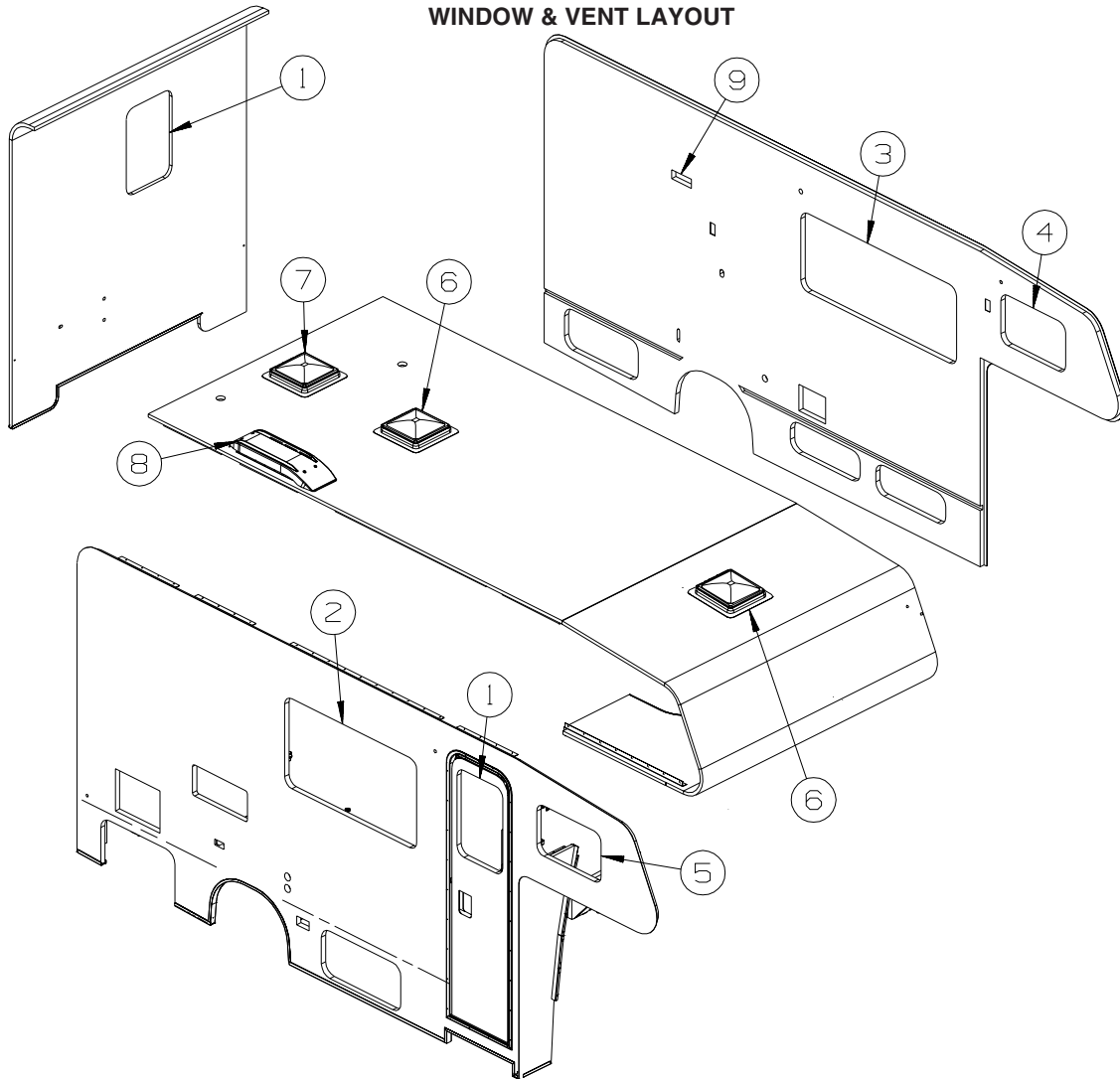
| KEY | PART NUMBER | U/M | DESCRIPTION | VENDOR NO. |
|------------|--------------------|------------|------------------------------|-------------------|
| | 098607-01-702 | EA | DIAPHRAGM/DRIVE ASSEMBLY KIT | 94-238-04 |
| | 098607-01-703 | EA | VALVE KIT | 94-232-00 |
| | 098607-01-705 | EA | VALVE-CHECK, KIT | 94-237-00 |
| | 098607-01-706 | EA | HOUSING, W/SWITCH ONLY | 94-231-20 |
| | 098607-01-707 | EA | MOTOR W/BASEPLATE | 11-148-04 |

104114-05-01A

| KEY | PART NUMBER | U/M | DESCRIPTION | VENDOR NO. |
|------------|--------------------|------------|-----------------------|-------------------|
| | 104114-05-700 | EA | CARTRIDGE- REPAIR KIT | 6-N1201-5-0WB |

WINDOW & VENTS GROUP

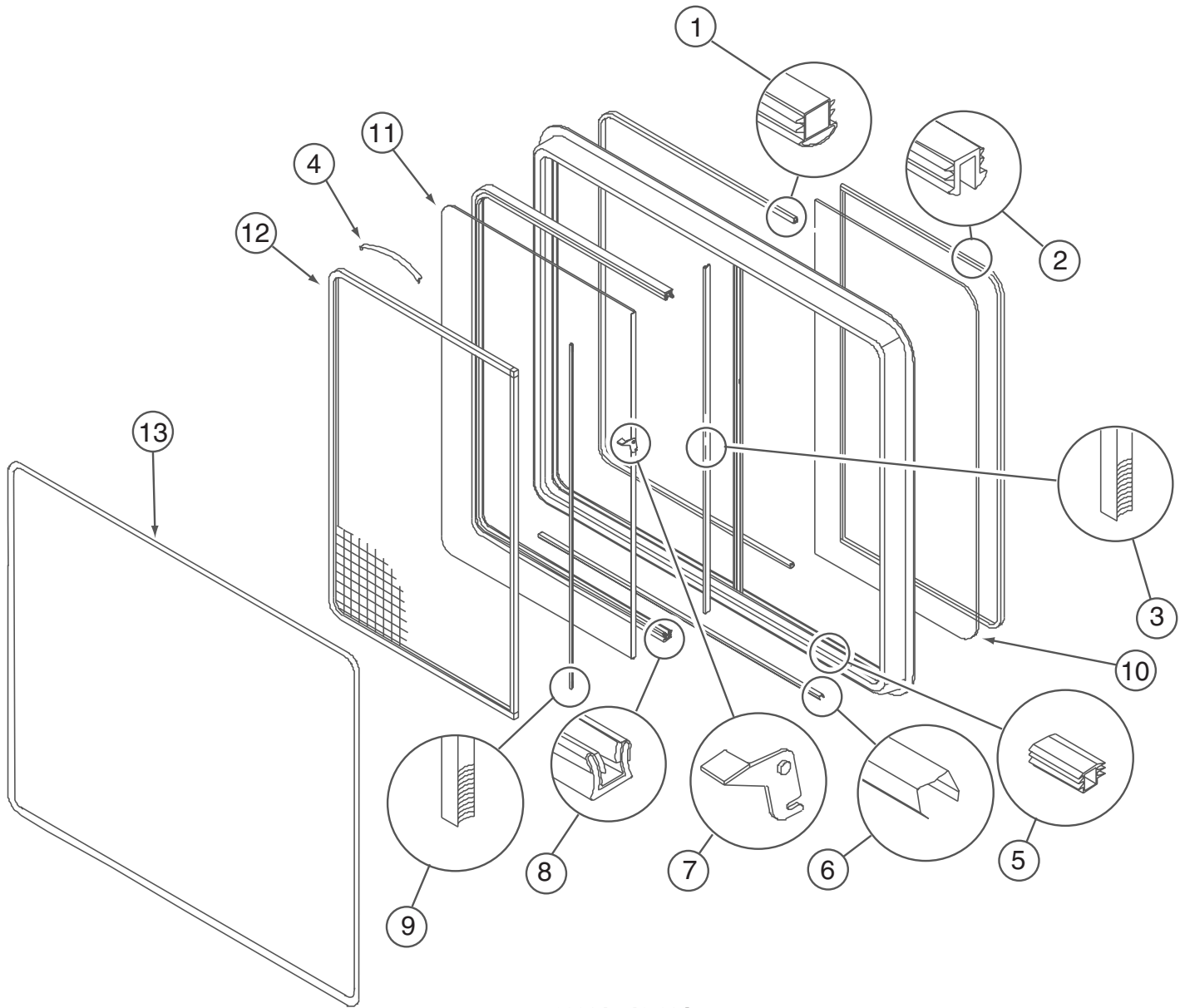
WINDOW & VENT LAYOUT



| KEY | PART NUMBER | U/M | DESCRIPTION |
|-----|---------------|-----|--|
| 1 | 117053-04-FB1 | EA | WINDOW - PICTURE - CLEAR - 17" X 26.4" - W/O RETAINER |
| | 002181-27-000 | EA | GLASS - PICTURE WINDOW - 25.8"W X 16.4"H - CLEAR |
| | 087561-01-000 | FT | SEAL - GLASS - EXTERIOR - .5" WIDE - VINYL BLACK |
| 1 | 117054-02-03A | EA | RETAINER - TRIM - BLACK |
| 2* | 098647-65-01A | EA | WINDOW - PASSENGER HORIZONTAL SLIDER W/RET - 27.2" X 49" |
| 3* | 098647-68-01A | EA | WINDOW - DRIVER HORIZONTAL SLIDER W/RET - 23.8" X 57.7" |
| 4* | 098647-67-01A | EA | WINDOW - DRIVER HORIZONTAL SLIDER W/RET - 15.3" X 24" |
| 5* | 098647-49-02A | EA | WINDOW - PASSENGER HORIZONTAL SLIDER W/RET - 15.7" X 23.7" |
| 6* | 122882-01-01A | EA | VENT - ROOF - NONPOWERED - W/O INSIDE GARNISH |
| | 009440-01-000 | EA | GEAR/ARM - LIFT - ROOF VENT COVER |
| | 122882-06-01A | EA | GARNISH - ROOF VENT - 1" TO 2.5" |
| 7* | 122882-02-01A | EA | VENT - ROOF - W/FAN - W/O INSIDE GARNISH - UL |
| | 009440-01-000 | EA | GEAR/ARM - LIFT - ROOF VENT COVER |
| | 048648-01-000 | EA | MOTOR - ROOF VENT - 1/8 SHAFT - 12VOLT |
| | 048649-01-000 | EA | FAN BLADE - ROOF VENT - 6 BLADES - 6" |
| | 122882-06-01A | EA | GARNISH - ROOF VENT - 1" TO 2.5" |
| 8 | 084073-04-000 | EA | BASE/VENT - ROOF/REFRIGERATOR - BLACK - NORCOLD |
| 8 | 084073-07-000 | EA | CAP - ROOF/REFRIGERATOR VENT - 10" X 32" - BRIGHT WHITE |
| 9 | 084878-09-000 | EA | VENT - EXHAUST/RANGE HOOD - OFF WHITE |
| 9 | 084616-08-000 | EA | SHROUD/VENT - RANGE HOOD - VW WHITE |

***COMPONENT PARTS LISTED LATER IN THIS GROUP**

WINDOW & VENTS GROUP (CONTINUED)
COMPONENT PARTS FOR WINDOWS & VENT LAYOUT



098647-49-02A

| KEY | PART NUMBER | U/M | DESCRIPTION | VENDOR NO. |
|-----|---------------|-----|------------------------------|------------|
| 1 | 098644-01-716 | FT | PLUG - FILLER | 132-014470 |
| 2 | 098644-01-705 | FT | GLAZING - STRIP | 132-010231 |
| 3 | 098644-01-706 | FT | WEATHERSTRIP - GLASS | 171-010668 |
| 4 | 098644-01-713 | EA | CLIP - SCREEN - METAL | 226-016966 |
| 4 | 125582-01-701 | EA | CLIP - SCREEN - PLASTIC | 130-0 |
| 5 | 098644-01-719 | EA | STOP - SLIDER GLASS | 132-014203 |
| 6 | 098644-01-710 | FT | TRACK - SCREEN SPACER 12' | 132-017135 |
| 7 | 098644-01-700 | EA | LATCH - REPAIR KIT (BLACK) | B801-CK |
| 8 | 098644-01-708 | FT | CHANNEL - RUN PIERCED | 122-016543 |
| 9 | 098644-01-711 | FT | WEATHERSTRIP - SCREEN BLACK | 171-016965 |
| 10 | 098647-49-700 | EA | GLASS - STATIONARY | 096-012066 |
| 11 | 098647-49-701 | EA | GLASS-SLIDING W/SASH & LATCH | B969-G8 |
| 12 | 112795-56-702 | EA | SCREEN ASM - W/SEALS & CLIPS | 410-019414 |
| 13 | 098647-49-702 | EA | RETAINER - TRIM | H969-66 |
| | 098644-01-717 | FT | SPLINE - SCREEN | 132-004716 |

CONTACT WINNEBAGO PART SALES FOR UNLISTED COMPONENTS

WINDOW & VENTS GROUP (CONTINUED)
COMPONENT PARTS FOR WINDOWS & VENT LAYOUT (CONTINUED)

098647-65-01A

| KEY | PART NUMBER | U/M | DESCRIPTION | VENDOR NO. |
|------------|--------------------|------------|------------------------------|-------------------|
| 1 | 098644-01-716 | FT | PLUG - FILLER | 132-014470 |
| 2 | 098644-01-705 | FT | GLAZING - STRIP | 132-010231 |
| 3 | 098644-01-706 | FT | WEATHERSTRIP - GLASS | 171-010668 |
| 4 | 098644-01-713 | EA | CLIP - SCREEN - METAL | 226-016966 |
| 4 | 125582-01-701 | EA | CLIP - SCREEN - PLASTIC | 130-0 |
| 5 | 098644-01-719 | EA | STOP - SLIDER GLASS | 132-014203 |
| 6 | 098644-01-710 | FT | TRACK - SCREEN SPACER 12' | 132-017135 |
| 7 | 098644-01-700 | EA | LATCH - REPAIR KIT (BLACK) | B801-CK |
| 8 | 098644-01-708 | FT | CHANNEL - RUN PIERCED | 122-016543 |
| 9 | 098644-01-711 | FT | WEATHERSTRIP - SCREEN BLACK | 171-016965 |
| 10 | 098647-65-700 | EA | GLASS - STATIONARY | 096-012066 |
| 11 | 098647-65-701 | EA | GLASS-SLIDING W/SASH & LATCH | B969-G8 |
| 12 | 098647-11-704 | EA | SCREEN ASM - W/SEALS & CLIPS | 410-019414 |
| 13 | 098647-65-702 | EA | RETAINER - TRIM | H969-66 |
| | 098644-01-717 | FT | SPLINE - SCREEN | 132-004716 |

CONTACT WINNEBAGO PART SALES FOR UNLISTED COMPONENTS

098647-67-01A

| KEY | PART NUMBER | U/M | DESCRIPTION | VENDOR NO. |
|------------|--------------------|------------|------------------------------|-------------------|
| 1 | 098644-01-716 | FT | PLUG - FILLER | 132-014470 |
| 2 | 098644-01-705 | FT | GLAZING - STRIP | 132-010231 |
| 3 | 098644-01-706 | FT | WEATHERSTRIP - GLASS | 171-010668 |
| 4 | 098644-01-713 | EA | CLIP - SCREEN - METAL | 226-016966 |
| 4 | 125582-01-701 | EA | CLIP - SCREEN - PLASTIC | 130-0 |
| 5 | 098644-01-719 | EA | STOP - SLIDER GLASS | 132-014203 |
| 6 | 098644-01-710 | FT | TRACK - SCREEN SPACER 12' | 132-017135 |
| 7 | 098644-01-700 | EA | LATCH - REPAIR KIT (BLACK) | B801-CK |
| 8 | 098644-01-708 | FT | CHANNEL - RUN PIERCED | 122-016543 |
| 9 | 098644-01-711 | FT | WEATHERSTRIP - SCREEN BLACK | 171-016965 |
| 10 | 098647-49-700 | EA | GLASS - STATIONARY | 096-012066 |
| 11 | 098647-67-700 | EA | GLASS-SLIDING W/SASH & LATCH | B969-G8 |
| 12 | 112795-56-702 | EA | SCREEN ASM - W/SEALS & CLIPS | 410-019414 |
| 13 | 112795-56-704 | EA | RETAINER - TRIM | H969-66 |
| | 098644-01-717 | FT | SPLINE - SCREEN | 132-004716 |

CONTACT WINNEBAGO PART SALES FOR UNLISTED COMPONENTS

098647-68-01A

| KEY | PART NUMBER | U/M | DESCRIPTION | VENDOR NO. |
|------------|--------------------|------------|------------------------------|-------------------|
| 1 | 098644-01-716 | FT | PLUG - FILLER | 132-014470 |
| 2 | 098644-01-705 | FT | GLAZING - STRIP | 132-010231 |
| 3 | 098644-01-706 | FT | WEATHERSTRIP - GLASS | 171-010668 |
| 4 | 098644-01-713 | EA | CLIP - SCREEN - METAL | 226-016966 |
| 4 | 125582-01-701 | EA | CLIP - SCREEN - PLASTIC | 130-0 |
| 5 | 098644-01-719 | EA | STOP - SLIDER GLASS | 132-014203 |
| 6 | 098644-01-710 | FT | TRACK - SCREEN SPACER 12' | 132-017135 |
| 7 | 098644-01-700 | EA | LATCH - REPAIR KIT (BLACK) | B801-CK |
| 8 | 098644-01-708 | FT | CHANNEL - RUN PIERCED | 122-016543 |
| 9 | 098644-01-711 | FT | WEATHERSTRIP - SCREEN BLACK | 171-016965 |
| 10 | 098647-68-701 | EA | GLASS - STATIONARY | 096-029585 |
| 11 | 098647-68-700 | EA | GLASS-SLIDING W/SASH & LATCH | |
| 12 | 098647-47-702 | EA | SCREEN ASM - W/SEALS & CLIPS | 410-025226 |
| 13 | 098647-47-704 | EA | RETAINER - TRIM | H493-66 |
| | 098644-01-717 | FT | SPLINE - SCREEN | 132-004716 |

WINDOW & VENTS GROUP (CONTINUED)
COMPONENT PARTS FOR WINDOWS & VENT LAYOUT (CONTINUED)

122882-01-01A

| KEY | PART NUMBER | U/M | DESCRIPTION | VENDOR NO. |
|------------|--------------------|------------|------------------------------|-------------------|
| | 009440-01-000 | EA | GEAR-ARM-ROOF VENT | 705221K38 |
| | 064470-01-700 | EA | COVER - VENT - W/O SLIDE BAR | J7291 |
| | 064470-01-701 | EA | SLIDE BAR - VENT LID | JRP1291B |
| | 122882-01-701 | EA | SCREEN | JRP-1124-B |
| | 122882-01-702 | EA | HANDLE - CRANK - WHITE | JRP1031B |

122882-02-01A, 122882-03-01A

| KEY | PART NUMBER | U/M | DESCRIPTION | VENDOR NO. |
|------------|--------------------|------------|------------------------------|-------------------|
| | 064470-01-700 | EA | COVER - VENT - W/O SLIDE BAR | J7291 |
| | 009440-01-000 | EA | GEAR-ARM-ROOF VENT | 705221K38 |
| | 048648-01-000 | EA | MOTOR-12V NONVENTED 1/8 SFT | |
| | 048649-01-000 | EA | FAN-PLAS-6 IN 6 BLADED | |
| | 122882-01-701 | EA | SCREEN | JRP-1124-B |
| | 122882-01-702 | EA | HANDLE - CRANK - WHITE | JRP1031B |
| | 064470-01-701 | EA | SLIDE BAR - VENT LID | JRP1291B |
| | 110051-03-700 | EA | SWITCH-BLACK/PUSH BUTTON | 27-0164 |