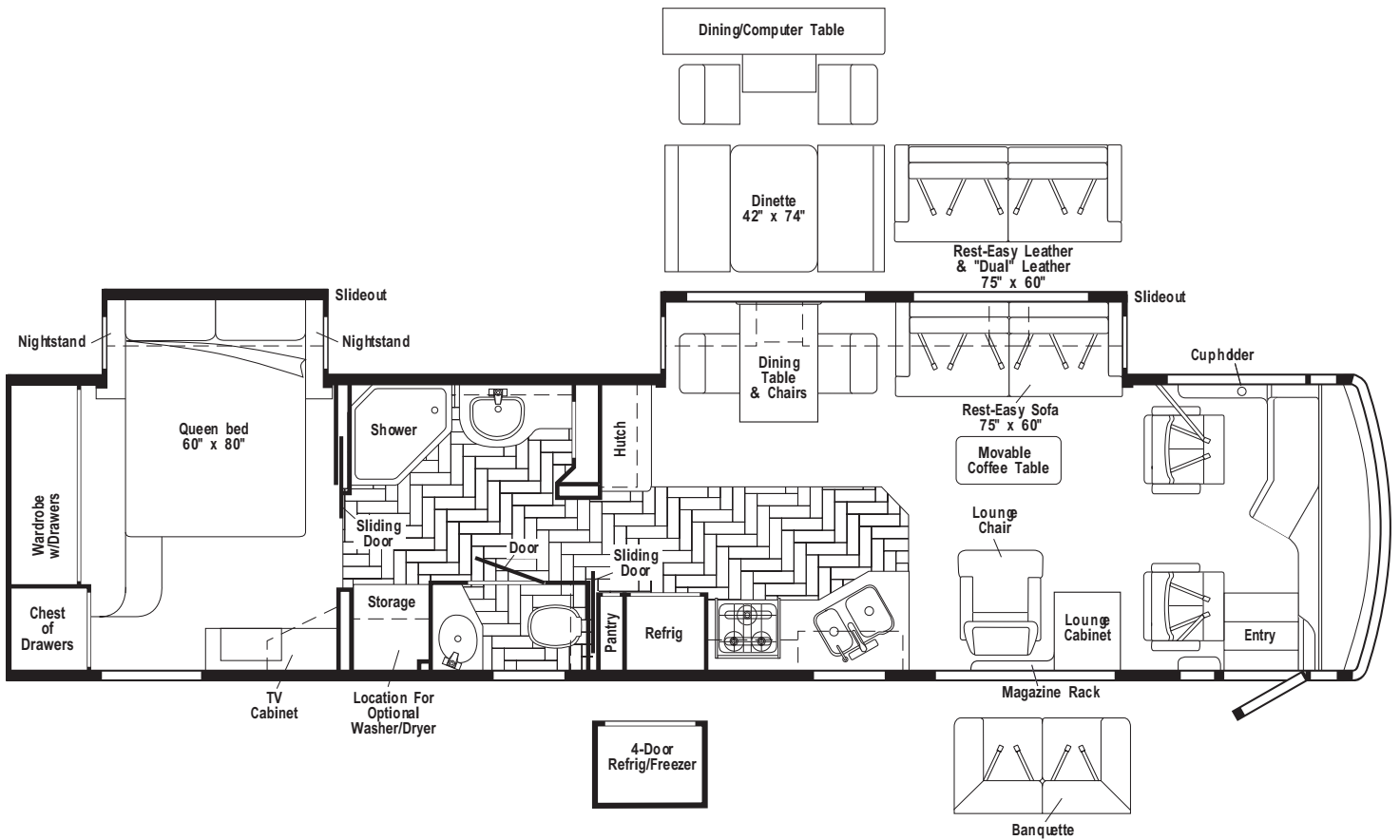


2003
JOURNEY DL
WKP39QD
P-SERIES
PORTSMOUTH OAK
P78 PALACE GATE - BEIGE
P80 GARDEN PATH - GREEN
P82 VANDERBILT BLUE - BLUE
P94 GREEN LAWN - GREEN
CONCERT CHERRY
P79 PALACE GATE - BEIGE
P81 GARDEN PATH - GREEN
P83 VANDERBILT BLUE - BLUE
P95 GREEN LAWN - GREEN



FLOORPLAN

CONTENTS

FLOORPLAN	1
ACCESSORIES GROUP	6
OPERATORS MANUAL	6
APPLIANCE GROUP	7
APPLIANCES	7
COMPONENT PARTS FOR APPLIANCE	13
115504-01-000	14
120075-13-01A, 120075-14-01A, 120075-15-01A	14
125242-02-01A	20
126019-01-01A	28
126022-01-01A, 126022-02-01A, 126022-03-01A	28
133004-02-01A	29
135065-01-01A, 135065-01-02A, 135065-02-01A	30
135066-02-01A	32
AUDIO VIDEO GROUP	36
RADIO SYSTEM	36
REAR VIEW MONITOR	37
TELEPHONE	37
TV & VCR	38
COMPONENT PARTS FOR TV & VCR	39
076319-23-000	39
076319-25-000	39
124073-11-000	40
124073-12-000	40
124073-13-000	40
126696-07-000	40
126697-07-000	40
130121-06-000	40
133377-01-000 & 133377-02-000	40
137135-01-000	41
EXTERIOR ENTERTAINMENT	42
BATH GROUP	43
CABINETS	43
COMPONENT PARTS FOR CABINETS	46
134528-01-01A	46
SHOWER	47
COMPONENT PARTS FOR SHOWER DOOR	48
139047-05-01A	48
BEDROOM GROUP	49
QUEEN CABINETS	49
TV & RADIO CABINETS	52
CHASSIS GROUP	53
FRAME	53
FRONT END	55
AIR INTAKE	57
INSULATION	58
STEPWELL COVER	61
COMPONENT PARTS FOR STEPWELL COVER	62
141691-01-01A	62
EXHAUST	63
HITCH	63
REAR BUMPER	64
FUEL OR FUEL FILL OR EMISSIONS	65
HYDRAULIC LEVELING	66
COMPONENT PARTS FOR HYDRAULIC LEVELING	67
100536-45-000	67
131306-27-000	67
WHEEL, TIRE, COVERS &/OR LINERS	68
COMPONENT PARTS FOR WHEEL, TIRE, COVERS &/OR LINERS	69
110435-17-000	69

CONTENTS (CONTINUED)

CURTAIN & CUSHION GROUP	70
NOTICE	70
CUSHION LAYOUT	71
BUCKET SEATS	73
COMPONENT PARTS FOR BUCKET SEATS	76
081373-03-000	76
122611-02-000	76
LOUNGE CHAIR	77
SOFA	78
COMPONENT PARTS FOR SOFA	83
136534-15-000, 136534-29-000	83
136534-16-000	83
WINDOW TREATMENT	84
HARDWARE	87
ACCESSORIES	89
COMPONENT PARTS FOR ACCESSORIES	90
091990-08-01A	90
FABRICS	91
DINETTE GROUP	93
CABINETS	93
TABLE	97
DRIVERS COMPARTMENT GROUP	99
DASH	99
FRONT INTERIOR	100
CABINETS	105
ELECTRICAL GROUP	106
12V BODY WIRING	106
FRONT END WIRING	113
COMPONENT PARTS FOR LIGHTS & SWITCHES	117
008089-02-000	117
086280-01-000	117
091206-04-000	117
091937-08-000	117
091937-09-000	117
093575-19-01A	117
108354-01-01A	117
121935-01-01A	117
123775-01-01A	117
133054-03-000	117
133054-04-000	117
137417-01-01A	117
137417-03-01A	117
137417-06-01A	117
143591-05-000	117
CIRCUIT BREAKERS & FUSES	118
CONVERTER, INVERTER, LOAD CENTERS	118
110V WIRING	119
ENTERTAINMENT WIRING	122
BOXES & CORDS	123
WIRE ASSEMBLIES	123
CONNECTORS & CONDUIT	124
BOOTS, SOLENOIDS, RELAYS & MISCELLANEOUS	126

CONTENTS (CONTINUED)

EXTERIOR BODY GROUP	127
AIR HORN	127
COMPONENT PARTS FOR AIR HORN	128
077497-06-000	128
GRAPHICS & PAINT	129
PANELS & TRIMS	133
FRONT END	137
LADDER	139
MIRRORS	139
COMPONENT PARTS FOR MIRRORS	140
106015-18-01A, 106015-19-01A	140
131431-06-01A & 02A	140
STRUCTURAL COMPONENTS	141
AWNINGS	142
COMPONENT PARTS FOR AWNINGS	145
113874-01-02A	145
EXTERIOR DOORS & COMPARTMENTS GROUP	146
DOOR & COMPARTMENT LAYOUT	146
COMPARTMENT DOOR PIECE PARTS	150
ENTRY	151
COMPONENT PARTS FOR ENTRY	152
128913-10-02A	152
EXTERIOR SLIDEOUT GROUP	157
FRONT LEFT	157
COMPONENT PARTS FOR FRONT SLIDEOUT	162
100536-44-000	162
143625-01-000	162
143625-02-000	162
143625-03-000	162
LEFT REAR	163
COMPONENT PARTS FOR LEFT REAR SLIDEOUT	168
100536-35-000	168
137390-01-000	168
GALLEY GROUP	169
CABINETS	169
DOORS & DRAWERS	171
GENERATOR GROUP	172
LPG	172
DIESEL	173
HEATING & A/C GROUP	174
AUTOMOTIVE	174
COMPONENT PARTS FOR AUTOMOTIVE	176
072342-15-000	176
072342-17-000	176
072342-18-000	177
103930-36-000	178
103930-41-000	179
FURNACE	180
COMPONENT PARTS FOR FURNACE	181
139980-04-000	181
CENTRAL	183
COMPONENT PARTS FOR CENTRAL	185
105620-12-000	185
105620-15-000	186
INTERIOR FINISH GROUP	187
MOLDINGS & TRIMS	187
PANELING & LAMINATES	191
ACCESSORIES	192
COMPONENT PARTS FOR ACCESSORIES	193
094499-02-000	193
FLOOR COVERINGS	194
HARDWARE	195

CONTENTS (CONTINUED)

LABELS GROUP	201
LP GROUP	225
LP SYSTEM	225
COMPONENT PARTS FOR LP SYSTEM	226
088253-05-000	226
088253-06-000	226
LOUNGE GROUP	227
CABINETS	227
TABLES	229
SEALANTS & FASTENERS GROUP	230
SEALANTS & ADHESIVES	230
BOLTS, NUTS AND WASHERS	231
SCREWS	233
CLAMPS, CLIPS, GROMMETS, RIVETS & PLUGS	236
MISCELLANEOUS FASTENERS	237
WATER & SEWAGE GROUP	238
DRAINAGE SYSTEM	238
COMPONENTS PARTS FOR DRAWINGS	239
136729-01-01A	239
WATER SYSTEM	240
COMPONENT PARTS FOR WATER SYSTEM	248
051391-05-000	248
075241-04-000, 075241-05-000, 075241-06-000	248
118569-03-000	249
123744-03-01A	249
125420-01-02A, 125420-01-03A, 125420-04-03A	249
128997-01-01A	249
131340-01-01A	249
131340-02-01A	249
WINDOW & VENTS GROUP	250
WINDOW & VENT LAYOUT	250
COMPONENT PARTS FOR WINDOWS & VENT LAYOUT	252
098644-13-01A	252
098647-33-02A	253
098647-47-02A	254
098647-54-01A	254
098647-64-01A	254
106466-13-01A	255
106466-14-01A	255
112463-06-01A	256
112795-72-01A	257
112795-77-01A	258
112795-80-01A	258
112795-81-01A	258
112898-27-01A	259
123780-09-01A	260
123780-10-01A	261
129929-08-01A	262
134004-03-01A	263
WINDSHIELD & WIPER GROUP	264
WINDSHIELD	264
WIPER	265
COMPONENT PARTS FOR WIPER	266
095964-01-000	266
096505-09-000	266
117769-01-000	266

ACCESSORIES GROUP
OPERATORS MANUAL

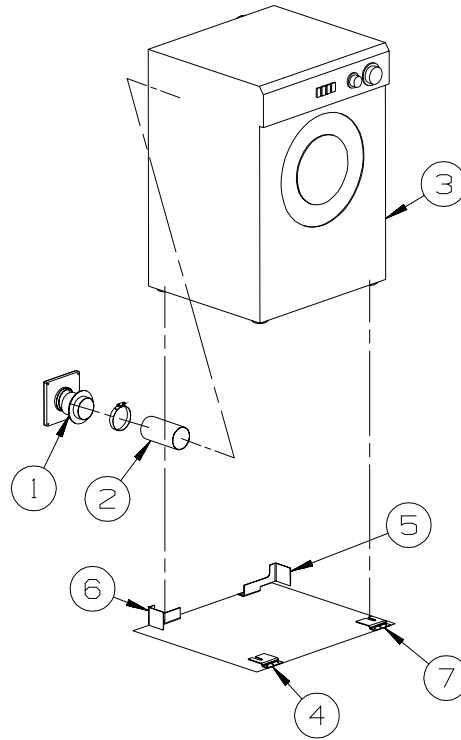
KEY	PART NUMBER	U/M	DESCRIPTION
	129079-04-01A	EA	CASE - VINYL/BLK-EXPANDABLE ACCORDION SIDES-11"WX9"HX14"L
	132000-09-003	EA	MANUAL/OWNER - JOURNEY - 2003
	141548-01-000	DW	TOP LEVEL-P,2003

APPLIANCE GROUP APPLIANCES

KEY	PART NUMBER	U/M	DESCRIPTION
	135066-03-01A	EA	RANGE - 3 BURNER W/OVEN - 22" - W/BLACK GLASS DOOR - RANGE W/OVEN U.S.
*	135066-02-01A	EA	RANGE - 3 BURNER W/OVEN - SEALED BURNERS - 22" - CSA - RANGE W/OVEN CANADIAN
	135065-03-01A	EA	RANGE - 3 SEALED BURNERS/NEW STYLE KNOBS-GRATES - BLACK - RANGE TOP U.S.
*	135065-02-01A	EA	RANGE - 3 BURNER W/O OVEN - SEALED BURNERS - CSA - RANGE TOP CANADIAN
	136382-08-04B	EA	BRACKET - TIEDOWN - OVEN - BLACK - RANGE W/OVEN - P32TD
	137915-01-04B	EA	BRACKET - TIEDOWN - BLACK - RANGE W/OVEN - P32TD
	136382-01-04B	EA	BRACKET - TIEDOWN/OVEN - BLACK - FRONT - RANGE W/OVEN - P34HD, P36LD, P39WD
	136382-02-04B	EA	BRACKET - TIEDOWN/OVEN - BLACK - BACK - RANGE W/OVEN - P34HD, P36LD, P39WD
	136382-05-04B	EA	BRACKET - TIEDOWN/OVEN - BLACK - FRONT - RANGE W/OVEN - P36GD, P39QD
	136382-06-04B	EA	BRACKET - TIEDOWN/OVEN - BLACK - BACK - RANGE W/OVEN - P36GD, P39QD
	139031-01-04B	EA	BRACKET - TIEDOWN - STOVE - BLACK - RANGE TOP - P32TD
	137915-02-04B	EA	BRACKET - TIEDOWN - BLACK - RANGE TOP - P32TD
	106936-21-04B	EA	BRACKET - STOVE TIEDOWN/FRONT - BLACK - RANGE TOP - P34HD, P36LD, P39WD
	106936-22-04B	EA	BRACKET - STOVE TIEDOWN/REAR - BLACK - RANGE TOP - P34HD, P36LD, P39WD
	106936-35-04B	EA	BRACKET - STOVE TIEDOWN/FRONT - BLACK - RANGE TOP - P36GD, P39QD
	106936-36-04B	EA	BRACKET - STOVE TIEDOWN/REAR - BLACK - RANGE TOP - P36GD, P39QD
*	126022-01-01A	EA	COVER - RANGE/BI-FOLD - 16" & 22" - BLACK TEXTURED
	130816-01-03A	EA	COUNTERTOP/STOVE LID - 1/4" VENDURA - ALMONDINE
	130816-02-03A	EA	COUNTERTOP/STOVE LID - 1/4" VENDURA - ALMONDINE
*	126019-01-01A	EA	COFFEEMAKER - OPTIMA - W/BRACKETS - BLACK & DECKER
*	115504-01-000	EA	PANEL - SOLAR 10 WATT - 12.2"W X 26.9"L X 1.2"H
*	133004-02-01A	EA	PANEL - MONITOR - 2 TANK DIGITAL VOLT METER - SOLAR
	133068-01-000	EA	HAIR DRYER - 3 SPEED W/NIGHT LIGHT - WALL MOUNT
	133139-01-000	EA	VACUUM CLEANER - RECHARGEABLE DUST-BUSTER - BLACK & DECKER
	143733-01-000	EA	VACUUM CLEANER - RECHARGEABLE - EUREKA 79A
			FROM: 00-00-00 THRU: 10-06-02
	144676-01-000	EA	VACUUM CLEANER - RECHARGEABLE - EUREKA 77A
			FROM: 10-07-02 THRU: 99-99-99
	133140-01-000	EA	FLASHLIGHT - RECHARGEABLE - BLACK & DECKER
			FROM: 00-00-00 THRU: 07-24-02
	143981-01-000	EA	FLASHLIGHT - RECHARGEABLE
			FROM: 07-25-02 THRU: 99-99-99
	130818-02-01A	EA	TRASH CONTAINER - 20 QUART ALMOND

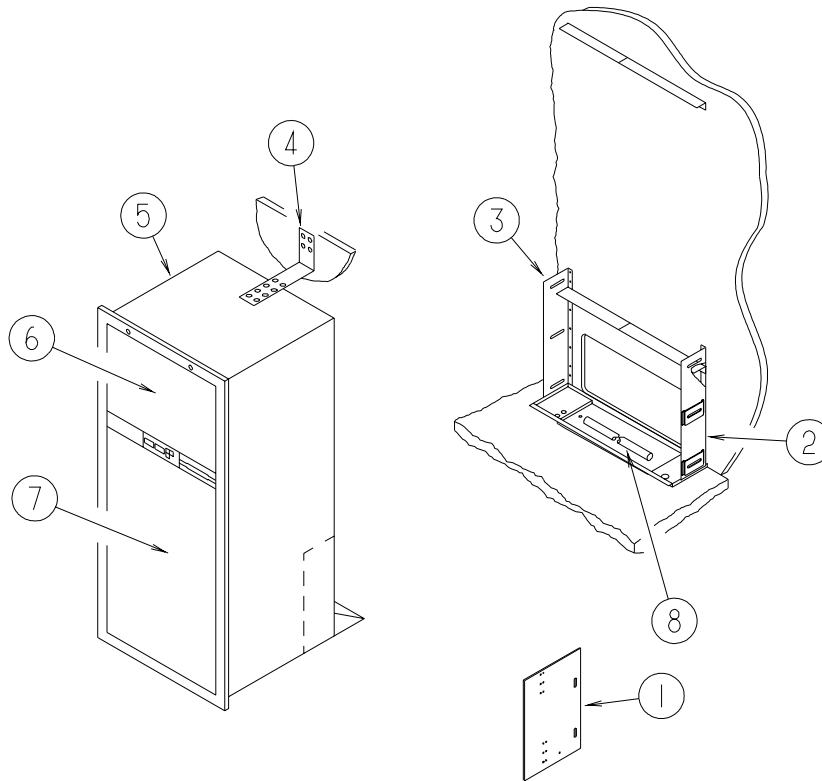
*COMPONENT PARTS LISTED LATER IN THIS GROUP

APPLIANCE GROUP (CONTINUED)
APPLIANCES (CONTINUED)



KEY	PART NUMBER	U/M	DESCRIPTION
1	111947-02-01A	EA	VENT - DRYER - 3"
2	116653-02-000	FT	DUCT - FLEXIBLE - 3' COMPRESSED/8' EXTENDED
3	107753-03-01A	EA	WASHER - DRYER - VENTED - UL/CSA - WHITE
			FROM: 00-00-00 THRU: 10-21-02
3	107753-04-01A	EA	WASHER - DRYER - VENTED - UL/CSA - WHITE
			FROM: 10-22-02 THRU: 99-99-99
4	111913-01-01A	EA	BRACKET - WASHER - TIE DOWN
			FROM: 00-00-00 THRU: 11-24-02
4	111913-02-04B	EA	BRACKET/WASHER - TIE DOWN - BLACK
			FROM: 11-25-02 THRU: 99-99-99
5	113795-01-02B	EA	BRACKET - WASHER - E-COATED
			FROM: 00-00-00 THRU: 02-09-03
5	113795-03-02B	EA	BRACKET - WASHER - E-COATED
			FROM: 02-10-03 THRU: 99-99-99
6	113795-02-02B	EA	BRACKET - WASHER - E-COATED
			FROM: 00-00-00 THRU: 02-09-03
6	113795-04-02B	EA	BRACKET - WASHER - E-COATED
			FROM: 02-10-03 THRU: 99-99-99
7	111913-01-01A	EA	BRACKET - WASHER - TIE DOWN
			FROM: 00-00-00 THRU: 11-24-02
7	111913-03-04B	EA	BRACKET/WASHER - TIE DOWN - BLACK
			FROM: 11-25-02 THRU: 99-99-99

APPLIANCE GROUP (CONTINUED)
APPLIANCES (CONTINUED)

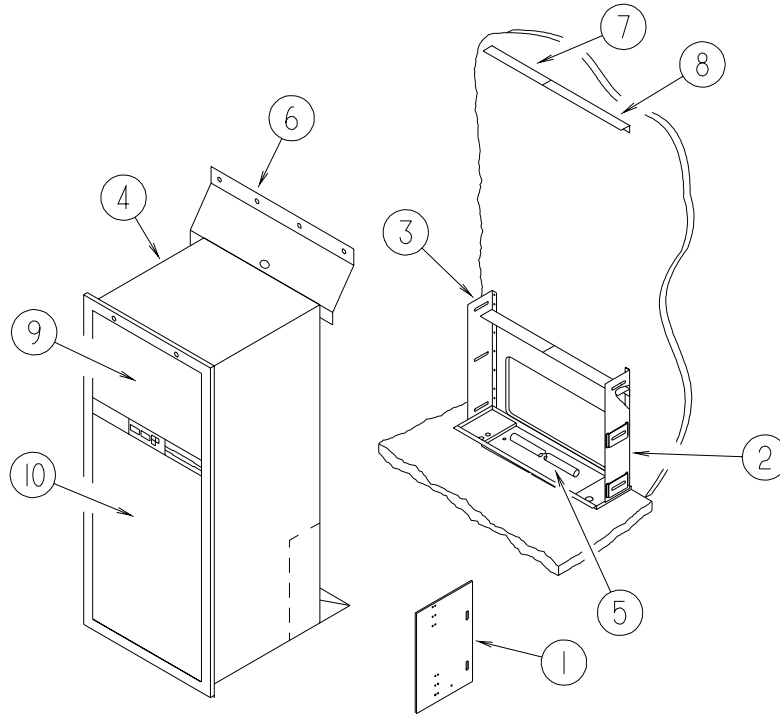


**P34HD, P36GD, P36LD
P39QD, P39WD**

KEY	PART NUMBER	U/M	DESCRIPTION
1	065225-04-000	EA	PLATE - TIEDOWN/REFRIGERATOR
2	093646-01-000	EA	BRACKET - TIEDOWN/REFRIGERATOR - RIGHT HAND
3	093646-02-000	EA	BRACKET - TIEDOWN/REFRIGERATOR - LEFT HAND
4	093369-02-000	EA	STRAP - REFRIGERATOR
5*	120075-13-01A	EA	REFRIGERATOR-LARGE DOUBLE DOOR/RH - 2-WAY -ICE MAKER-BLACK
6	P34457-03-N47	EA	PANEL - INSERT RAISED MEMBRANE - 21.5" X 14.5" - PORTSMOUTHN OAK
6	P34457-03-L85	EA	PANEL - INSERT RAISED MEMBRANE - 21.5" X 14.5" - CONCERT CHERRY
7	P34457-04-N47	EA	PANEL - INSERT RAISED MEMBRANE - 21.5" X 38.5" - PORTSMOUTHN OAK
7	P34457-04-L85	EA	PANEL - INSERT RAISED MEMBRANE - 21.5" X 38.5" - CONCERT CHERRY
8	112176-01-000	FT	TUBING - VINYL - REINFORCED - 1/2" ID
	090329-01-000	FT	SEAL/T - REFRIGERATOR CABINET
	116751-02-01A	EA	TRAY - REFRIGERATOR - BLACK
	054450-01-000	EA	LEVEL - REFRIGERATOR

***COMPONENT PARTS LISTED LATER IN THIS GROUP**

APPLIANCE GROUP (CONTINUED)
APPLIANCES (CONTINUED)

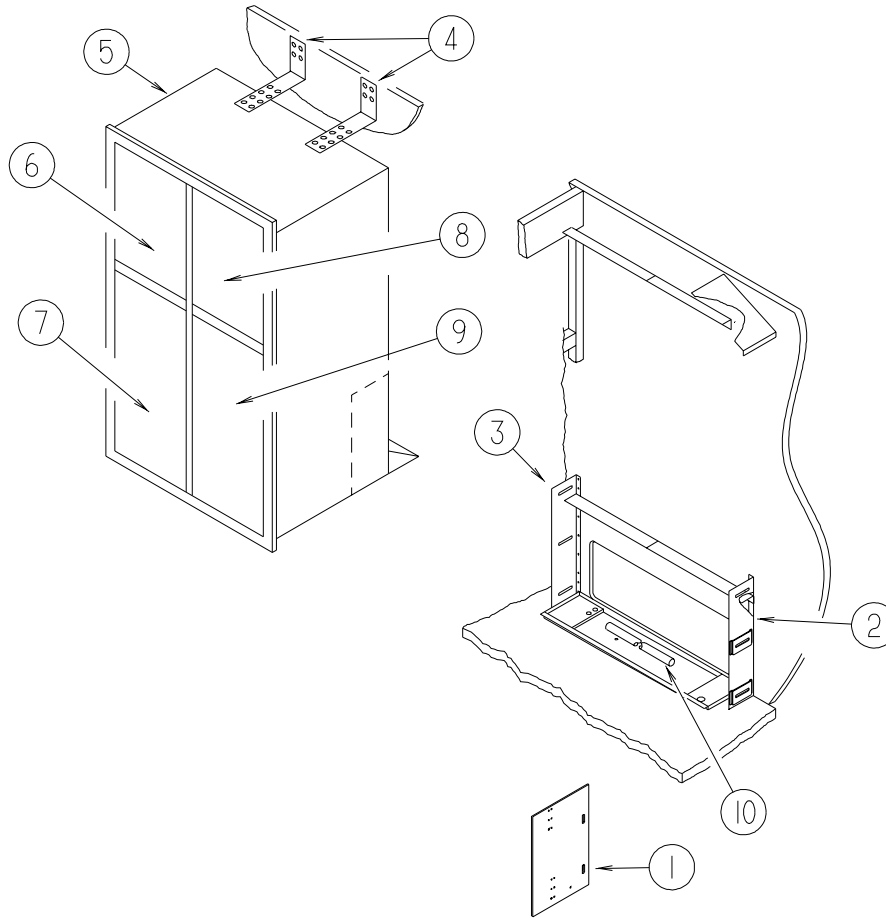


P32TD

KEY	PART NUMBER	U/M	DESCRIPTION
1	065225-04-000	EA	PLATE - TIEDOWN/REFRIGERATOR
2	093646-01-000	EA	BRACKET - TIEDOWN/REFRIGERATOR - RIGHT HAND
3	093646-02-000	EA	BRACKET - TIEDOWN/REFRIGERATOR - LEFT HAND
4*	120075-14-01A	EA	REFRIGERATOR - LARGE DOUBLE/DOOR/RH- 2-WAY-ICE MAKER-BLACK
5	112176-01-000	FT	TUBING - VINYL - REINFORCED - 1/2" ID
6	136966-01-02B	EA	BAFFLE - REFRIGERATOR - E-COATED
7	143195-02-02B	EA	BAFFLE - REFRIGERATOR - E-COATED
8	143195-01-02B	EA	BAFFLE - REFRIGERATOR - E-COATED
9	P34457-03-N47	EA	PANEL - INSERT RAISED MEMBRANE - 21.5" X 14.5" - PORTSMOUTH OAK
9	P34457-03-L85	EA	PANEL - INSERT RAISED MEMBRANE - 21.5" X 14.5" - CONCERT CHERRY
10	P34457-04-N47	EA	PANEL - INSERT RAISED MEMBRANE - 21.5" X 38.5" - PORTSMOUTH OAK
10	P34457-04-L85	EA	PANEL - INSERT RAISED MEMBRANE - 21.5" X 38.5" - CONCERT CHERRY
	090329-01-000	FT	SEAL/T - REFRIGERATOR CABINET
	054450-01-000	EA	LEVEL - REFRIGERATOR
	136907-01-01A	EA	TRAY - REFRIGERATOR - BLACK

***COMPONENT PARTS LISTED LATER IN THIS GROUP**

APPLIANCE GROUP (CONTINUED)
APPLIANCES (CONTINUED)

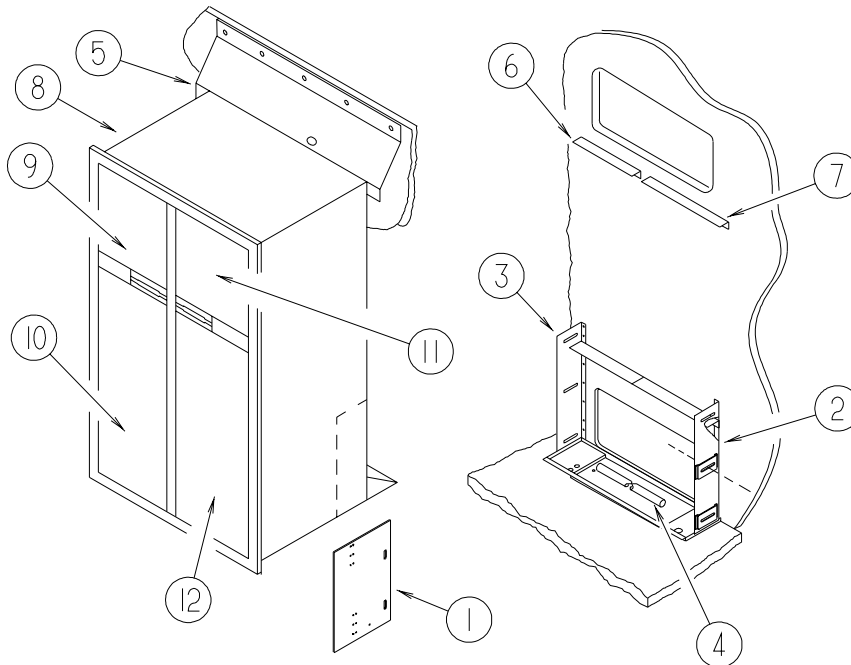


**P34HD, P36GD, P36LD
P39QD, P39WD**

KEY	PART NUMBER	U/M	DESCRIPTION
1	065225-01-000	EA	PLATE - TIEDOWN/REFRIGERATOR
2	093646-01-000	EA	BRACKET - TIEDOWN/REFRIGERATOR - RIGHT HAND
3	093646-02-000	EA	BRACKET - TIEDOWN/REFRIGERATOR - LEFT HAND
4	093369-02-000	EA	STRAP - REFRIGERATOR
5*	125242-02-01A	EA	REFRIGERATOR-4 DR-W/ICE MKR-W/CONTOURED HANDLE-NORCOLD1201
6	P34457-01-N75	EA	PANEL - INSERT RAISED MEMBRANE - 16.1" X 18.3" - PORTSMOUTH OAK
6	P34457-01-LQ1	EA	PANEL - INSERT RAISED MEMBRANE - 16.1" X 18.3" - CONCERT CHERRY
7	P34457-02-N75	EA	PANEL - INSERT RAISED MEMBRANE - 16.1" X 41.1" - PORTSMOUTH OAK
7	P34457-02-LQ1	EA	PANEL - INSERT RAISED MEMBRANE - 16.1" X 41.1" - CONCERT CHERRY
8	P34457-01-N75	EA	PANEL - INSERT RAISED MEMBRANE - 16.1" X 18.3" - PORTSMOUTH OAK
8	P34457-01-LQ1	EA	PANEL - INSERT RAISED MEMBRANE - 16.1" X 18.3" - CONCERT CHERRY
9	P34457-02-N75	EA	PANEL - INSERT RAISED MEMBRANE - 16.1" X 41.1" - PORTSMOUTH OAK
9	P34457-02-LQ1	EA	PANEL - INSERT RAISED MEMBRANE - 16.1" X 41.1" - CONCERT CHERRY
10	112176-01-000	FT	TUBING - VINYL - REINFORCED - 1/2" ID
	090329-01-000	FT	SEAL/T - REFRIGERATOR CABINET
	054450-01-000	EA	LEVEL - REFRIGERATOR
	118871-02-01A	EA	TRAY/PAN - F/SIDE BY SIDE REFRIGERATOR - BLACK

***COMPONENT PARTS LISTED LATER IN THIS GROUP**

APPLIANCE GROUP (CONTINUED)
APPLIANCES (CONTINUED)



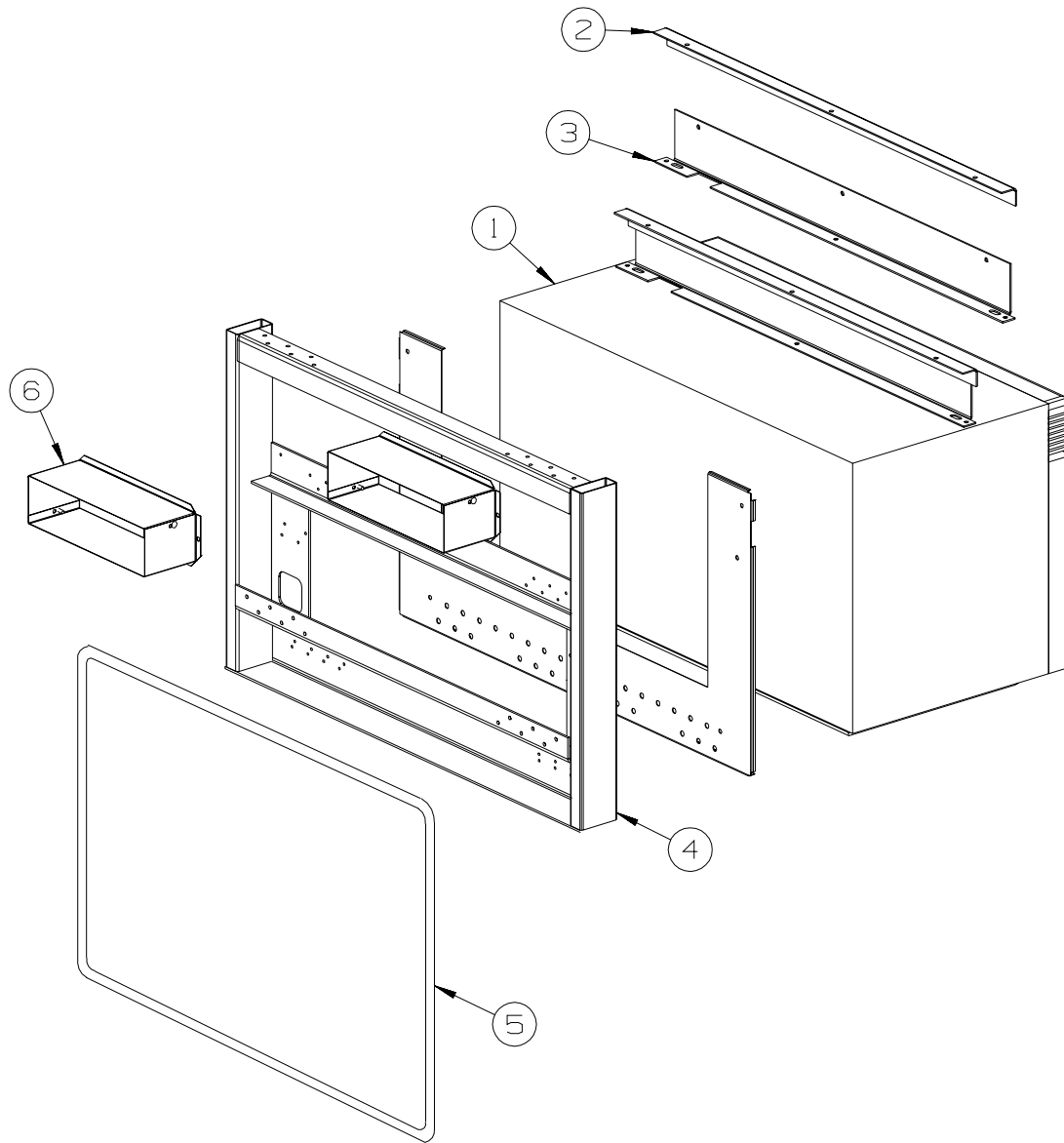
P32TD

KEY	PART NUMBER	U/M	DESCRIPTION
1	065225-01-000	EA	PLATE - TIEDOWN/REFRIGERATOR
2	093646-01-000	EA	BRACKET - TIEDOWN/REFRIGERATOR - RIGHT HAND
3	093646-02-000	EA	BRACKET - TIEDOWN/REFRIGERATOR - LEFT HAND
4	112176-01-000	FT	TUBING - VINYL - REINFORCED - 1/2" ID
5	136966-03-02B	EA	BAFFLE - REFRIGERATOR - E-COATED
6	143195-01-02B	EA	BAFFLE - REFRIGERATOR - E-COATED
7	143195-02-02B	EA	BAFFLE - REFRIGERATOR - E-COATED
8*	125242-02-01A	EA	REFRIGERATOR-4 DR-W/ICE MKR-W/CONTOURED HANDLE-NORCOLD1201
9	P34457-01-N75	EA	PANEL - INSERT RAISED MEMBRANE - 16.1" X 18.3" - PORTSMOUTH OAK
9	P34457-01-LQ1	EA	PANEL - INSERT RAISED MEMBRANE - 16.1" X 18.3" - CONCERT CHERRY
10	P34457-02-N75	EA	PANEL - INSERT RAISED MEMBRANE - 16.1" X 41.1" - PORTSMOUTH OAK
10	P34457-02-LQ1	EA	PANEL - INSERT RAISED MEMBRANE - 16.1" X 41.1" - CONCERT CHERRY
11	P34457-01-N75	EA	PANEL - INSERT RAISED MEMBRANE - 16.1" X 18.3" - PORTSMOUTH OAK
11	P34457-01-LQ1	EA	PANEL - INSERT RAISED MEMBRANE - 16.1" X 18.3" - CONCERT CHERRY
12	P34457-02-N75	EA	PANEL - INSERT RAISED MEMBRANE - 16.1" X 41.1" - PORTSMOUTH OAK
12	P34457-02-LQ1	EA	PANEL - INSERT RAISED MEMBRANE - 16.1" X 41.1" - CONCERT CHERRY
	090329-01-000	FT	SEAL/T - REFRIGERATOR CABINET
	054450-01-000	EA	LEVEL - REFRIGERATOR
	137495-01-01A	EA	TRAY - REFRIGERATOR - BLACK

***COMPONENT PARTS LISTED LATER IN THIS GROUP**

APPLIANCE GROUP (CONTINUED)

COMPONENT PARTS FOR APPLIANCE



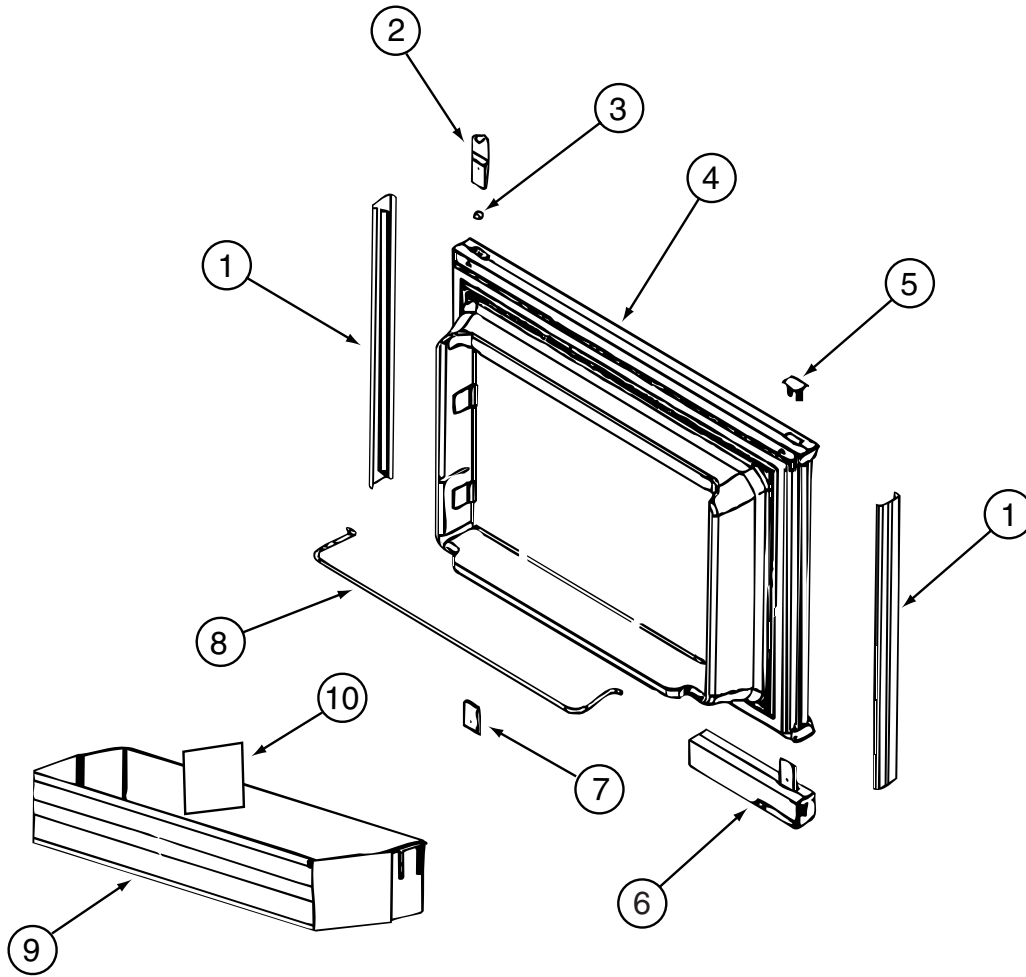
KEY	PART NUMBER	U/M	DESCRIPTION
1	119267-12-01A	EA	OVEN - MICROWAVE/CONVECTION W/HOOD US - #R-1875 - CONVECTION, U.S.
1	119267-13-01A	EA	OVEN - MICROWAVE/CONVECTION W/HOOD CSA - #R-1875A - CONVECTION, C.S.A.
1	140147-02-01A	EA	OVEN/MICROWAVE - 1.4 CUBIC FT - STAINLESS STEEL FACE - SPEEDCOOK
2	129836-02-02B	EA	ANGLE - W/HOLES - .7" X 1" X 28.3" - E-COATED - LH
3	129836-05-02B	EA	ANGLE - W/HOLES - E-COATED - P36LD,P39WD
3	129836-04-02B	EA	ANGLE - W/HOLES - .7" X 2.2" X 28.3" - E-COATED- CONVECTION P34HD FROM: 00-00-00 THRU: 09-15-02
3	129836-01-02B	EA	ANGLE - W/HOLES - .7" X 1" X 28.3" - E-COATED - CONVECTION P34HD FROM: 09-16-02 THRU: 99-99-99
3	129836-06-02B	EA	ANGLE - W/HOLES - E-COATED - SPEEDCOOK P34HD
4	137824-02-02B	EA	BRACKET - MICROWAVE - E-COATED - P36LD,P39WD
4	137824-03-02B	EA	BRACKET - MICROWAVE - E-COATED - P34HD
5	093305-01-01A	FT	TRIM - EDGE C-TYPE - WIRE CARRIER - .35" X .24" - VINYL - P34HD
6	140093-01-02B	EA	DUCT - E-COATED - CONVECTION P36LD,P39WD
6	140093-03-02B	EA	DUCT - E-COATED - CONVECTION P34HD
6	140093-04-02B	EA	DUCT - E-COATED - SPEEDCOOK P36LD,P39WD
6	140093-05-02B	EA	DUCT - E-COATED - SPEEDCOOK P34HD

*COMPONENT PARTS LISTED LATER IN THIS GROUP

APPLIANCE GROUP (CONTINUED)
COMPONENTS PARTS FOR APPLIANCE (CONTINUED)

115504-01-000

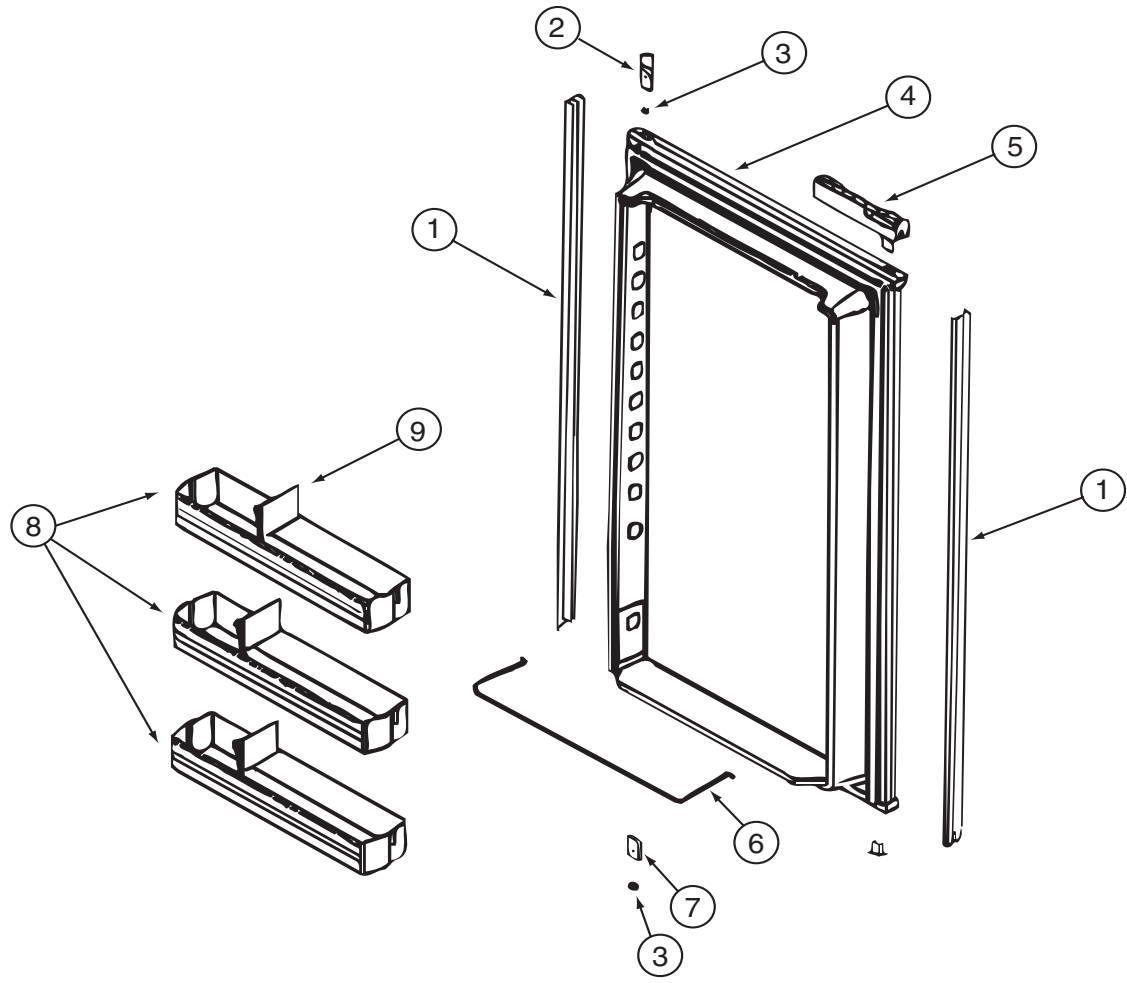
KEY	PART NUMBER	U/M	DESCRIPTION	VENDOR NO.
	115504-01-700	EA	PLUG & CABLE, 10 WATT PANEL	600-016



120075-13-01A, 120075-14-01A, 120075-15-01A

KEY	PART NUMBER	U/M	DESCRIPTION	VENDOR NO.
1	121568-03-700	EA	RETAINER - DOOR PANEL/BLACK	619558
2	120075-01-701	EA	HINGE-TOP RH/BOTTOM LH(DOOR)	618511
3	121568-03-701	EA	BUSHING - HINGE PIN/GRAY	619671
4	121568-03-702	EA	DOOR LINER - W/TRIM/BLACK	619627 - SMALL DOOR
5	120075-01-702	EA	CAP, (HINGE PLUG)	618160
6	120075-12-700	EA	HANDLE(CONTOUR)TOP LH/BTM RH	621105
	120075-12-702	EA	HANDLE/HOUSING-TOP-LH/BTM RH	618159GEN
6	120075-12-701	EA	HANDLE(CONTOUR)TOP RH/BTM LH	621104
	120075-12-707	EA	LATCH	619648
	120075-12-709	EA	HANDLE/HOUSING-BTM LH/TOP RH	618122GEN
6	121568-03-703	EA	HANDLE/FLUSH-TOP/RH-LWR/LH	619865
6	121568-03-708	EA	HANDLE/FLUSH-TOP/LH-LWR/RH	619866
7	120075-01-705	EA	HINGE-TOP LH/BOTTOM RH(DOOR)	618510
8	121568-01-700	EA	RAIL - DOOR UPPER	618618
9	120075-07-700	EA	DOOR BIN - CLEAR	619006
10	120075-07-701	EA	DIVIDER/DOOR BIN CLEAR	619008
	121568-03-704	EA	TRAVEL LATCH - GRAY	619647
	121568-03-705	EA	STORAGE LATCH - GRAY	619648

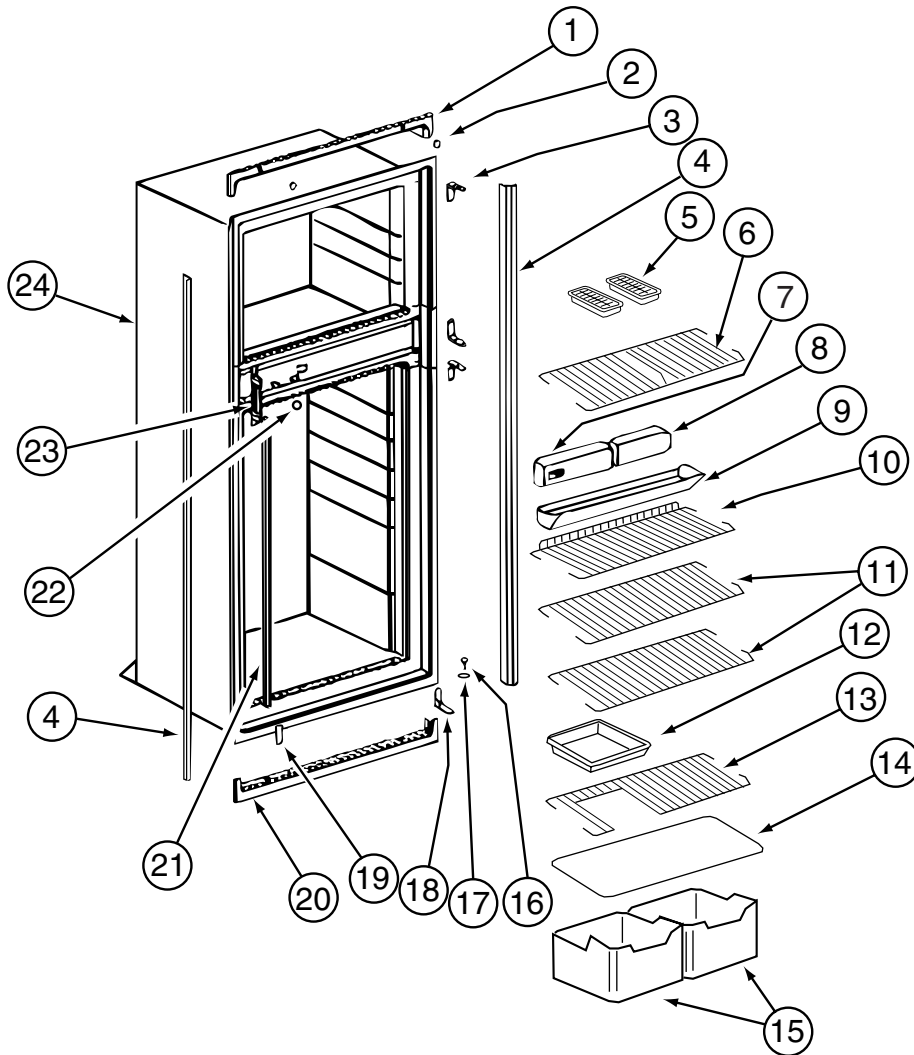
APPLIANCE GROUP (CONTINUED)
COMPONENTS PARTS FOR APPLIANCE (CONTINUED)



120075-13-01A, 120075-14-01A, 120075-15-01A (CONTINUED)

KEY	PART NUMBER	U/M	DESCRIPTION	VENDOR NO.
1	120075-07-702	EA	RETAINER - DOOR PANEL/BLACK	619560
2	120075-01-701	EA	HINGE-TOP RH/BOTTOM LH(DOOR)	618511
3	121568-03-701	EA	BUSHING - HINGE PIN/GRAY	619671
4	120075-07-703	EA	DOOR LINER - BLACK	619631 - LARGE DOOR
5	120075-12-700	EA	HANDLE(CONTOUR)TOP LH/BTM RH	621105
	120075-12-702	EA	HANDLE/HOUSING-TOP-LH/BTM RH	618159GEN
5	120075-12-701	EA	HANDLE(CONTOUR)TOP RH/BTM LH	621104
	120075-12-707	EA	LATCH	619648
	120075-12-709	EA	HANDLE/HOUSING-BTM LH/TOP RH	618122GEN
5	121568-03-703	EA	HANDLE/FLUSH-TOP/RH-LWR/LH	619865
5	121568-03-708	EA	HANDLE/FLUSH-TOP/LH-LWR/RH	619866
6	121568-01-704	EA	RAIL - DOOR LOWER	618578
7	120075-01-705	EA	HINGE-TOP LH/BOTTOM RH(DOOR)	618510
8	120075-07-700	EA	DOOR BIN - CLEAR	619006
8	120075-07-704	EA	DOOR BIN - LARGE/CLEAR	619005
9	120075-07-701	EA	DIVIDER/DOOR BIN CLEAR	619008
	121568-03-704	EA	TRAVEL LATCH - GRAY	619647
	121568-03-705	EA	STORAGE LATCH - GRAY	619648

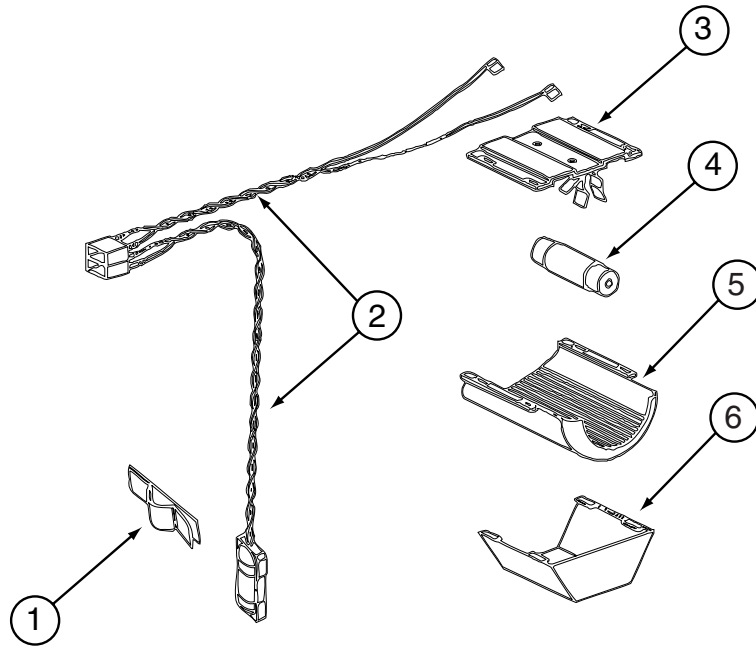
APPLIANCE GROUP (CONTINUED)
COMPONENTS PARTS FOR APPLIANCE (CONTINUED)



120075-13-01A, 120075-14-01A, 120075-15-01A (CONTINUED)

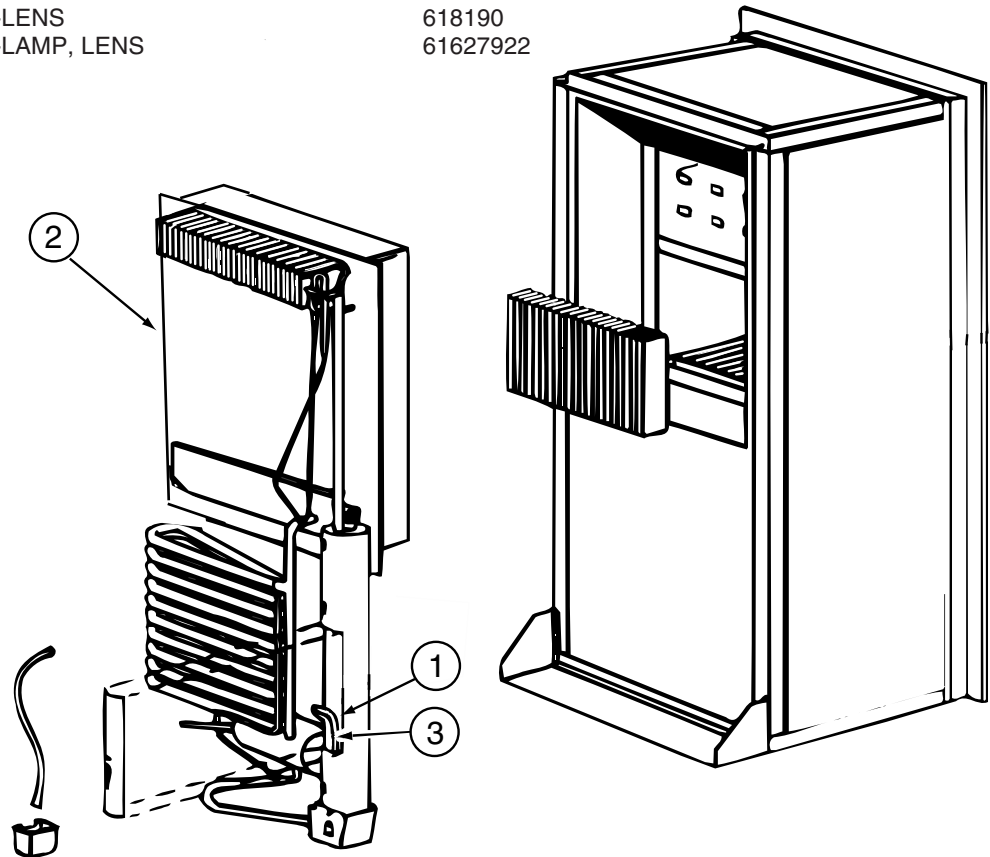
KEY	PART NUMBER	U/M	DESCRIPTION	VENDOR NO.
1	121568-03-709	EA	TRIM - TOP/BLACK	619687
2	120075-01-714	EA	PLUG-HOLE (BLACK)	618170
3	121568-03-710	EA	HINGE/CABINET-TOP/RH-LWR/LH	619335
4	120075-07-705	EA	TRIM - SIDE - BLACK	622296
5	104137-06-724	EA	ICE TRAY	61630422
6	120075-07-706	EA	SHELF - WIRE/FREEZER	620249
7	120075-07-707	EA	CONTROL BOX - BLACK	619665
8	121568-03-713	EA	FRONT BOX/DECORATIVE-BLACK	619282
9	120075-01-720	EA	TRAY-DRIP	618137
10	120075-01-722	EA	SHELF-WIRE, SHORT	620269
11	120075-01-723	EA	SHELF-WIRE	620270
12	104137-06-718	EA	SHELF-TRAY, WHITE, W/CUTOUT	617756
13	120075-01-724	EA	SHELF-WIRE, W/CUTOUT	618177
14	120075-01-725	EA	COVER-CRISPER	618158
15	120075-07-708	EA	CRISPER/ICE BIN	619007
16	120075-01-727	EA	PIN-HINGE	618145
17	121568-03-701	EA	BUSHING - HINGE PIN/GRAY	619671
18	121568-03-715	EA	HINGE/CABINET-TOP/LH-LWR/RH	619336
19	121568-03-716	EA	COVER - HINGE HOLES	619301
20	120075-01-729	EA	TRIM-BOTTOM PIECE	620958
21	120075-01-730	EA	RETAINER-SHELF(SER#926684 DN	618181
22	121568-03-717	EA	HOLE PLUG - WHITE	619561
23	120075-01-732	EA	PLATE-STRIKE	618167
24	120075-09-700	EA	CABINET - FOAMED	619660
	120075-01-721	EA	LOUVER-DRIP TRAY	618176

APPLIANCE GROUP (CONTINUED)
COMPONENTS PARTS FOR APPLIANCE (CONTINUED)



120075-13-01A, 120075-14-01A, 120075-15-01A (CONTINUED)

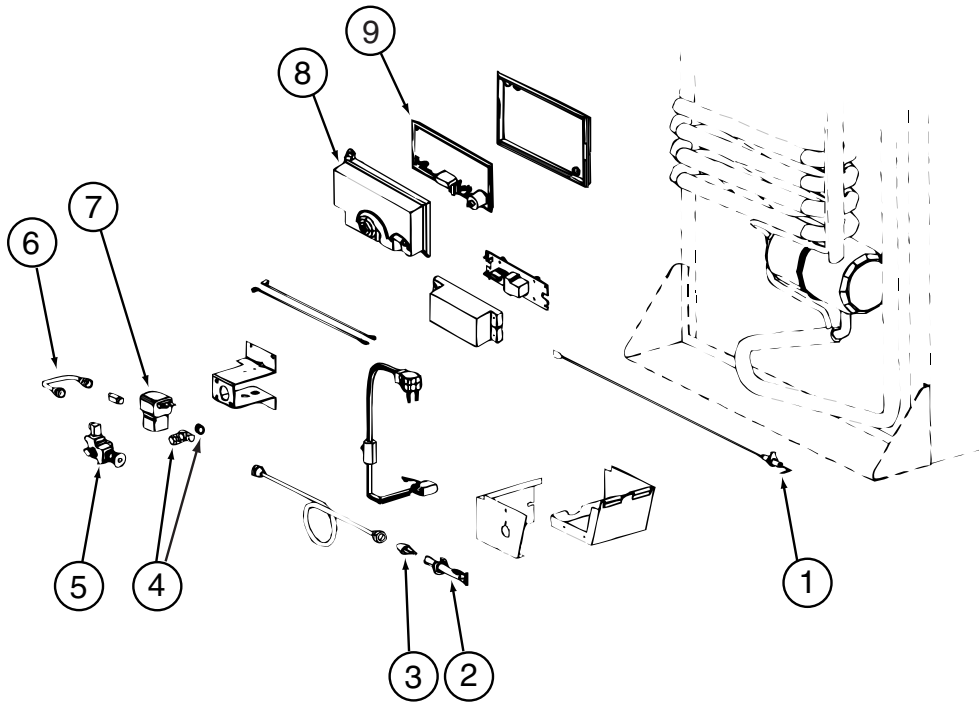
KEY	PART NUMBER	U/M	DESCRIPTION	VENDOR NO.
1	084880-01-760	EA	CLIP (THERMISTER)	61689122
2	120075-01-735	EA	THERMISTER W/LAMP & WIRE/ASM	618548
3	084880-03-705	EA	BRACKET-LIGHT-INTERIOR	61629722
4	084880-03-706	EA	BULB-LAMP	61628922
5	120075-01-734	EA	COVER-LENS	618190
6	084880-03-707	EA	COVER-LAMP, LENS	61627922



120075-13-01A, 120075-14-01A, 120075-15-01A (CONTINUED)

KEY	PART NUMBER	U/M	DESCRIPTION	VENDOR NO.
1	088248-01-710	EA	HEATER DC (HORIZONTAL)	61562822
2	120075-01-736	EA	COOLING UNIT, SERVICE PACK	618542
3	088248-01-709	EA	HEATER-AC (HORIZONTAL)	61562722

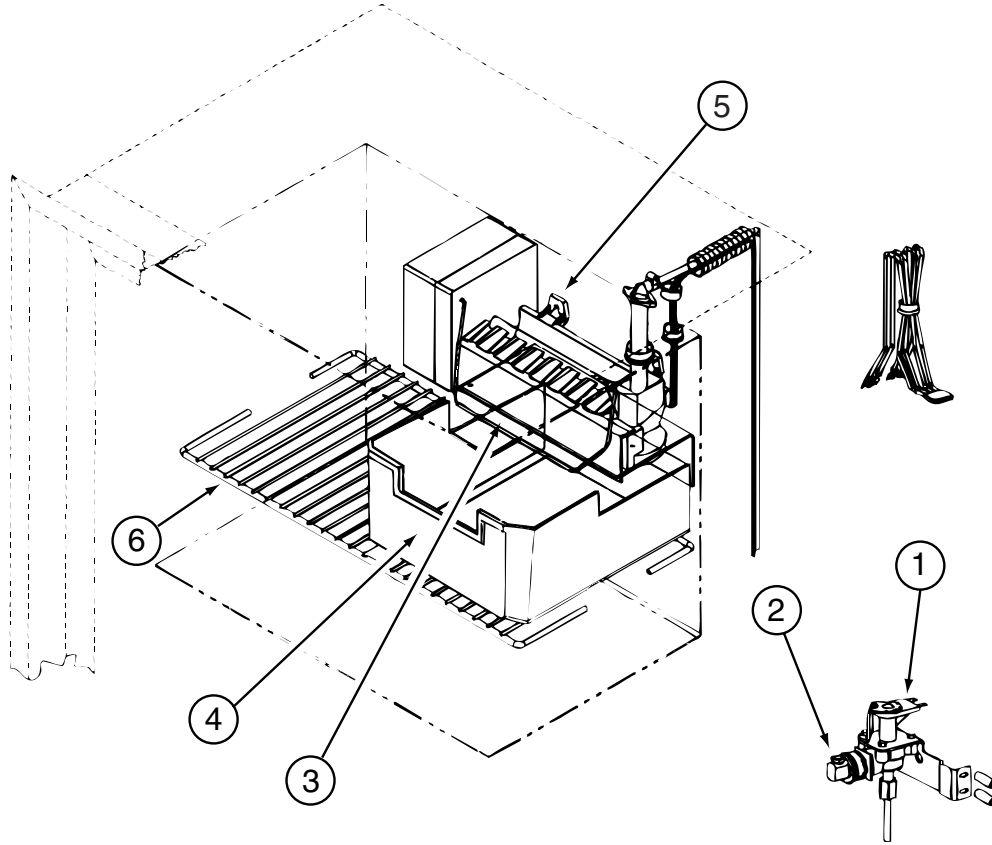
APPLIANCE GROUP (CONTINUED)
COMPONENTS PARTS FOR APPLIANCE (CONTINUED)



120075-13-01A, 120075-14-01A, 120075-15-01A (CONTINUED)

KEY	PART NUMBER	U/M	DESCRIPTION	VENDOR NO.
1	104137-06-715	EA	ELECTRODE-SPARK/SENSOR, SGL	61692222
2	104137-06-714	EA	BURNER ASSEMBLY, 5-SLOT	61705222
3	120075-01-737	EA	ORIFICE - JEWEL - .0155	618284
4	113737-01-702	EA	PLUG 1/8" F/PRESSURE TAP	61445322
4	113737-01-716	EA	TAP-PRESSURE	61594422
5	104137-06-734	EA	VALVE-SHUT OFF/MAN-OLD STYLE	61694922
6	113737-01-750	EA	TUBE-UNION	61694622
7	084880-01-718	EA	VALVE-GAS, (ASCO)	621447
8	120075-01-738	EA	COVER-POWER BOARD	618185
9	120075-07-710	EA	POWER - BOARD - 2-WAY	619360 = 621269
	104137-06-734	EA	VALVE-SHUT OFF/MAN-NEW STYLE	618696
	120075-01-744	EA	KIT - GAS VALVE/BURNER TUBE	620609

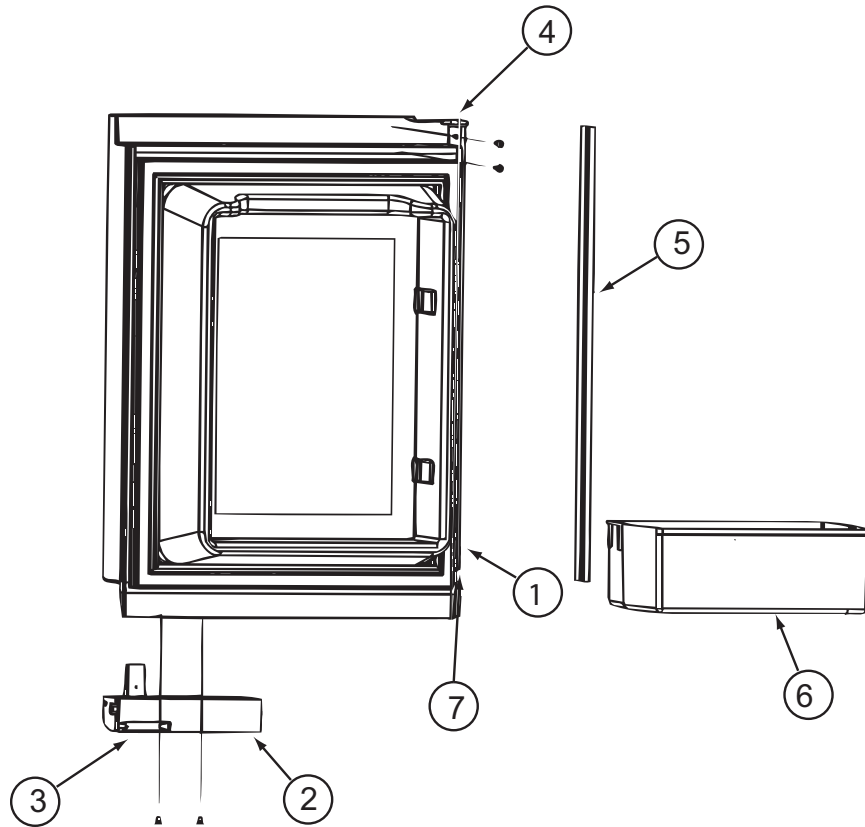
APPLIANCE GROUP (CONTINUED)
COMPONENTS PARTS FOR APPLIANCE (CONTINUED)



120075-13-01A, 120075-14-01A (CONTINUED)

KEY	PART NUMBER	U/M	DESCRIPTION	VENDOR NO.
1	120075-09-701	EA	WATER VALVE W/BRACKET	618253
2	120075-03-702	EA	NUT/COMPRESSION - FITTING	61678722
3	120075-03-703	EA	ARM-SHUT OFF	61656922
4	120075-03-704	EA	BIN-ICE CUBE	618154
5	094039-07-706	EA	ICE MAKER W/O PLATES	61656522
6	120075-01-717	EA	SHELF-FREEZER, WIRE	618172
	120075-09-702	EA	RELAY - 12 VOLT	620239

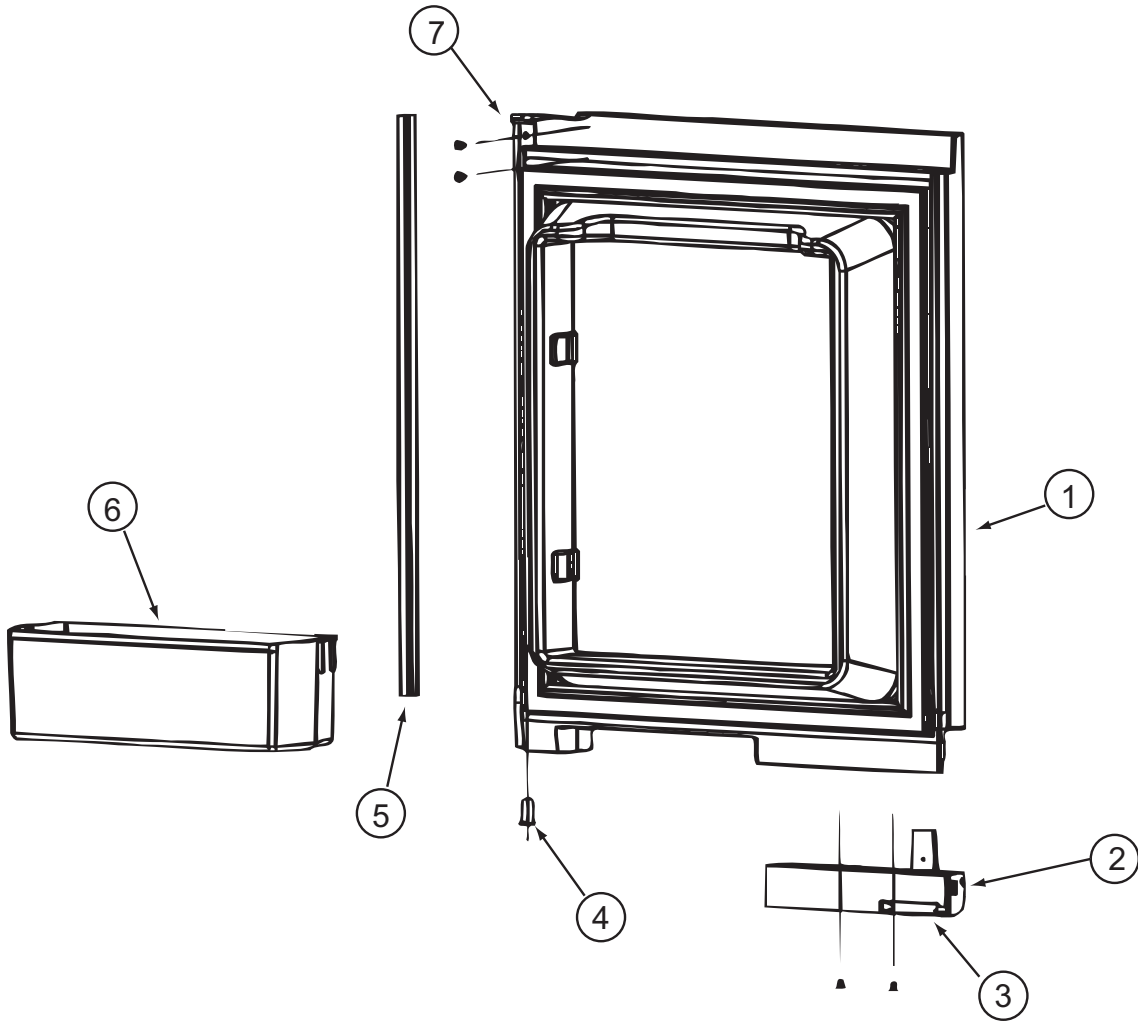
APPLIANCE GROUP (CONTINUED)
COMPONENTS PARTS FOR APPLIANCE (CONTINUED)



125242-02-01A

KEY	PART NUMBER	U/M	DESCRIPTION	VENDOR NO.
1	125242-01-762	EA	LINER/FOAMED-UPPER/LH-WHITE	619839
2	125242-02-700	EA	HANDLE(CONTOUR)TOP LH BTM RH	621107
3	125242-02-722	EA	LATCH-STORAGE DR/BLK POINTED	619374
4	125242-02-724	EA	HINGE - DOOR	618792
5	125242-02-723	EA	RETAINER/PANEL-UPPER DOOR	621974
6	125242-01-711	EA	DOOR BIN	618765
7	125242-01-704	EA	BUSHING-HINGE MIDDLE	618746
	125242-02-725	EA	DOOR ASM/UPR LH/WHITE GASKET	621148

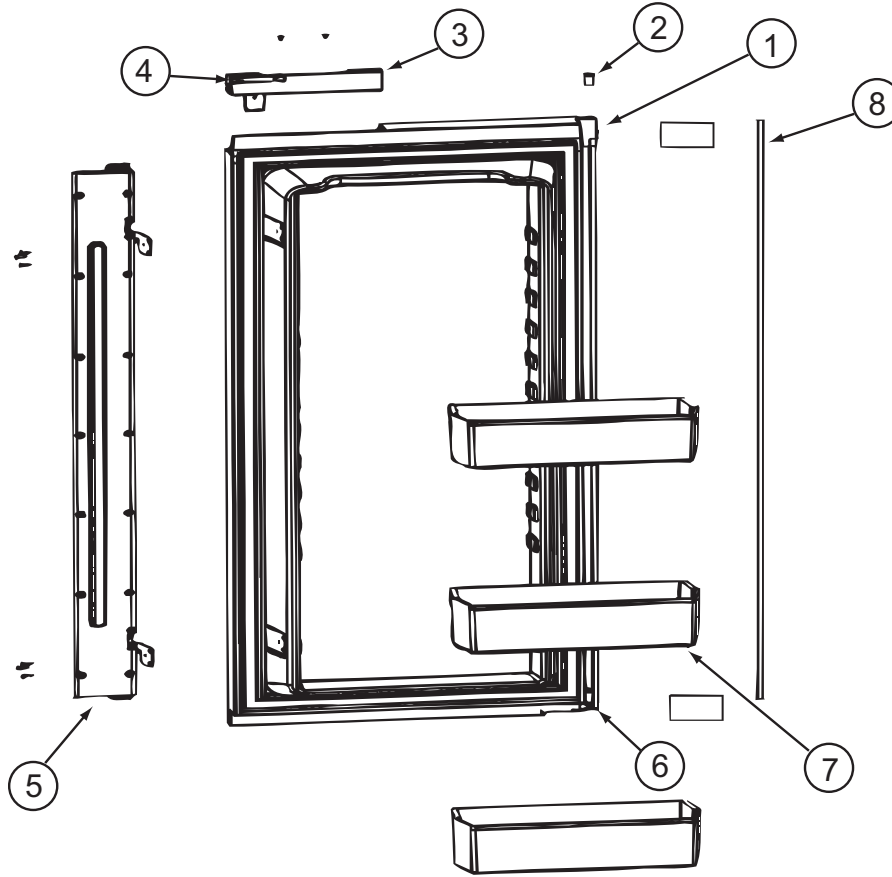
APPLIANCE GROUP (CONTINUED)
COMPONENTS PARTS FOR APPLIANCE (CONTINUED)



125242-02-01A (CONTINUED)

KEY	PART NUMBER	U/M	DESCRIPTION	VENDOR NO.
1	125242-01-763	EA	LINER/FOAMED-UPPER/RH-WHITE	619840
2	125242-02-701	EA	HANDLE(CONTOUR)TOP RH LWR LH	621106
3	125242-02-722	EA	LATCH-STORAGE DR/BLK POINTED	619374
4	125242-01-704	EA	BUSHING-HINGE MIDDLE	618746
5	125242-02-723	EA	RETAINER/PANEL-UPPER DOOR	621974
6	125242-01-711	EA	DOOR BIN	618765
7	125242-02-724	EA	HINGE - DOOR	618792
	125242-02-721	EA	DOOR ASM-UPR/RH/WHITE GASKET	621149

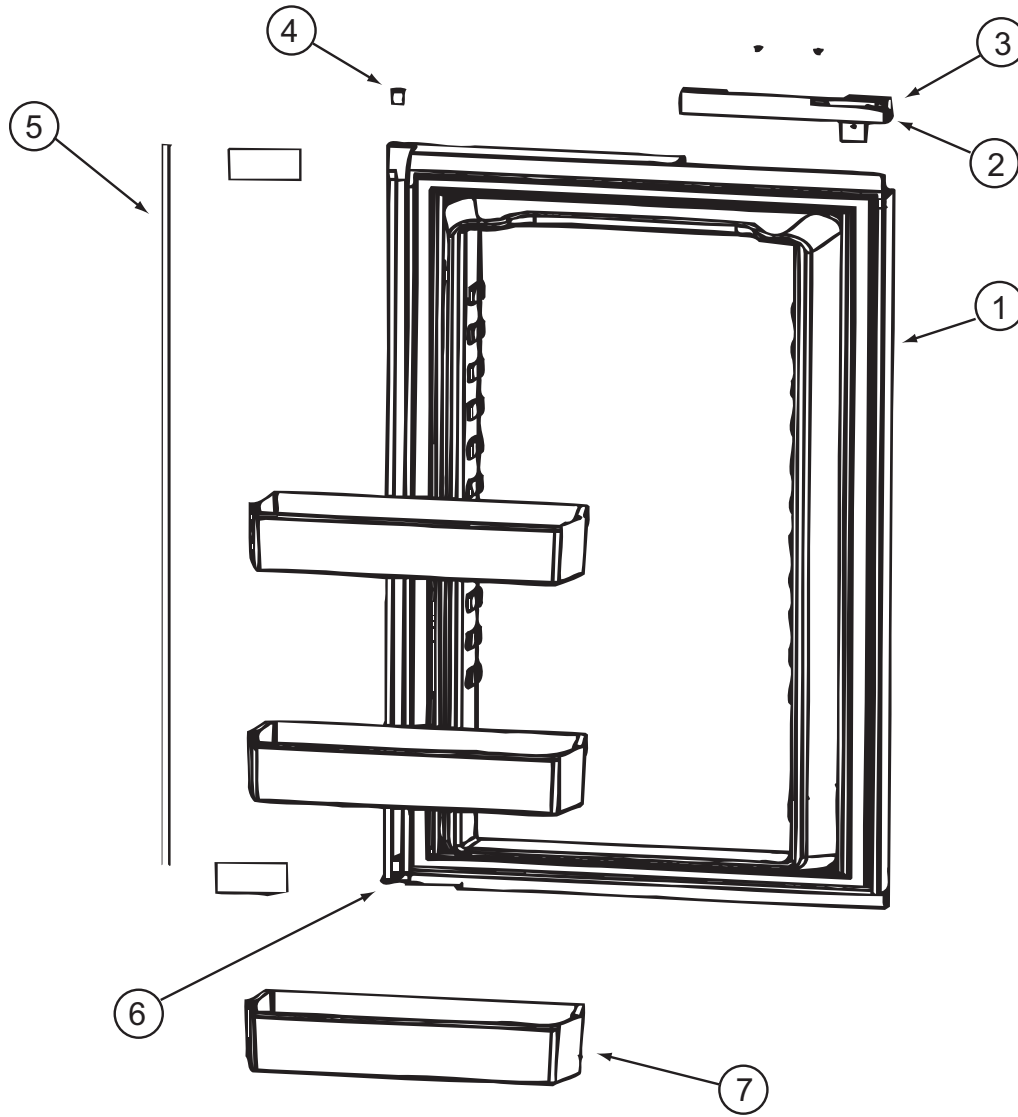
APPLIANCE GROUP (CONTINUED)
COMPONENTS PARTS FOR APPLIANCE (CONTINUED)



125242-02-01A (CONTINUED)

KEY	PART NUMBER	U/M	DESCRIPTION	VENDOR NO.
1	125242-01-765	EA	LINER/FOAMED-LOWER-LH-WHITE	619837
2	125242-01-704	EA	BUSHING-HINGE MIDDLE	618746
3	125242-02-701	EA	HANDLE(CONTOUR)TOP RH LWR LH	621106
4	125242-02-722	EA	LATCH-STORAGE DR/BLK POINTED	619374
5	125242-02-727	EA	FLAPPER ASM DOUBLE POLE	619845
6	125242-02-724	EA	HINGE - DOOR	618792
7	125242-01-711	EA	DOOR BIN	618765
8	125242-02-728	EA	RETAINER/PANEL - LOWER	621973
	125242-01-736	EA	CONTACT-PROBE PIN	618886
	125242-02-726	EA	DOOR ASM-LWR LH/WHITE GASKET	621150

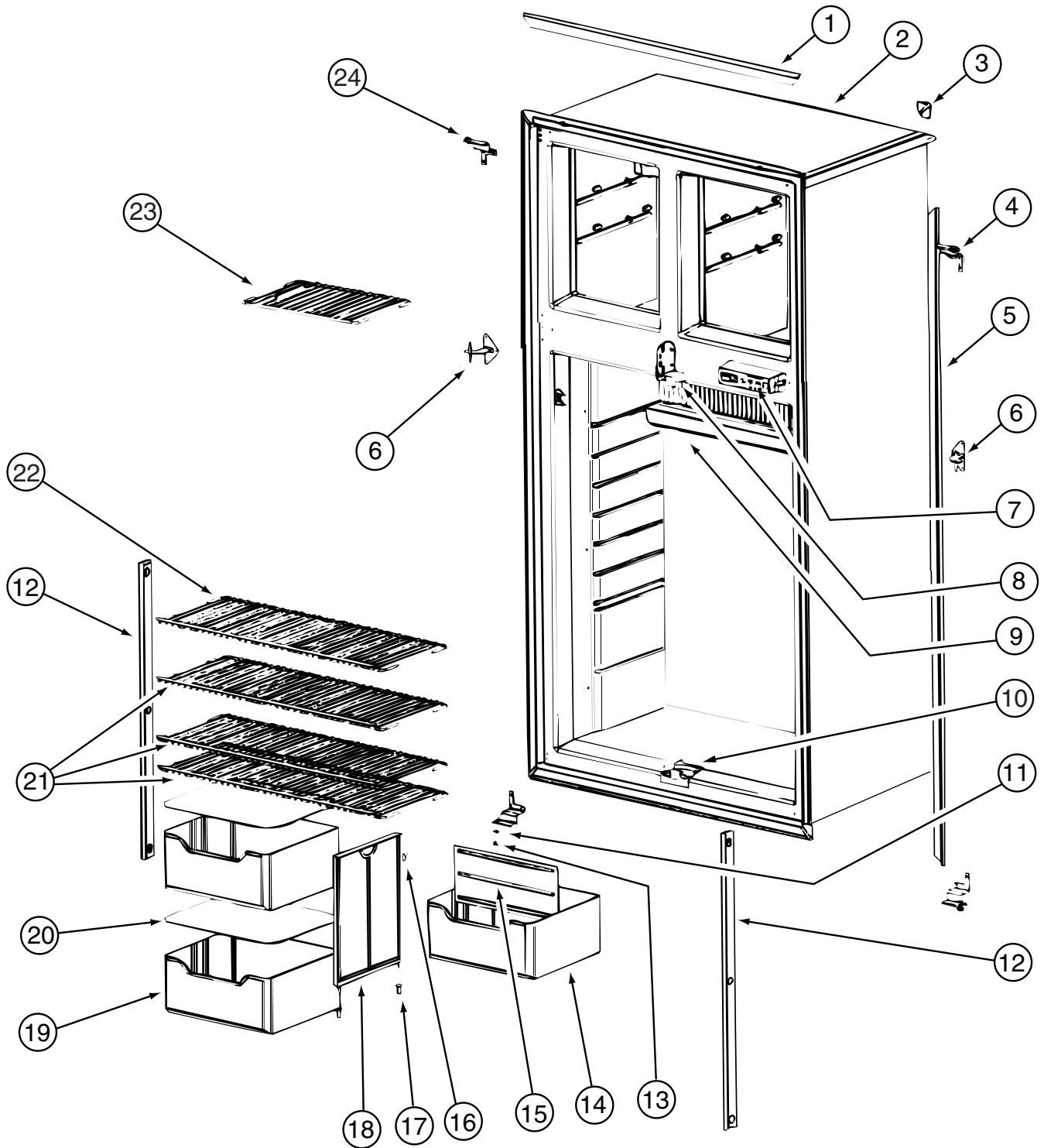
APPLIANCE GROUP (CONTINUED)
COMPONENTS PARTS FOR APPLIANCE (CONTINUED)



125242-02-01A (CONTINUED)

KEY	PART NUMBER	U/M	DESCRIPTION	VENDOR NO.
1	125242-01-764	EA	LINER/FOAMED-LOWER/RH-WHITE	619838
2	125242-02-700	EA	HANDLE(CONTOUR)TOP LH BTM RH	621107
3	125242-02-722	EA	LATCH-STORAGE DR/BLK POINTED	619374
4	125242-01-704	EA	BUSHING-HINGE MIDDLE	618746
5	125242-02-728	EA	RETAINER/PANEL - LOWER	621973
6	125242-02-724	EA	HINGE - DOOR	618792
7	125242-01-711	EA	DOOR BIN	618765
	125242-01-729	EA	FAN-EXTERNAL DC	618856
	125242-02-716	EA	GUIDE ASM LWR(SER#540294 DN)	620042
	125242-02-717	EA	GUIDE ASM LWR(SER#540295 UP)	620043

APPLIANCE GROUP (CONTINUED)
COMPONENTS PARTS FOR APPLIANCE (CONTINUED)

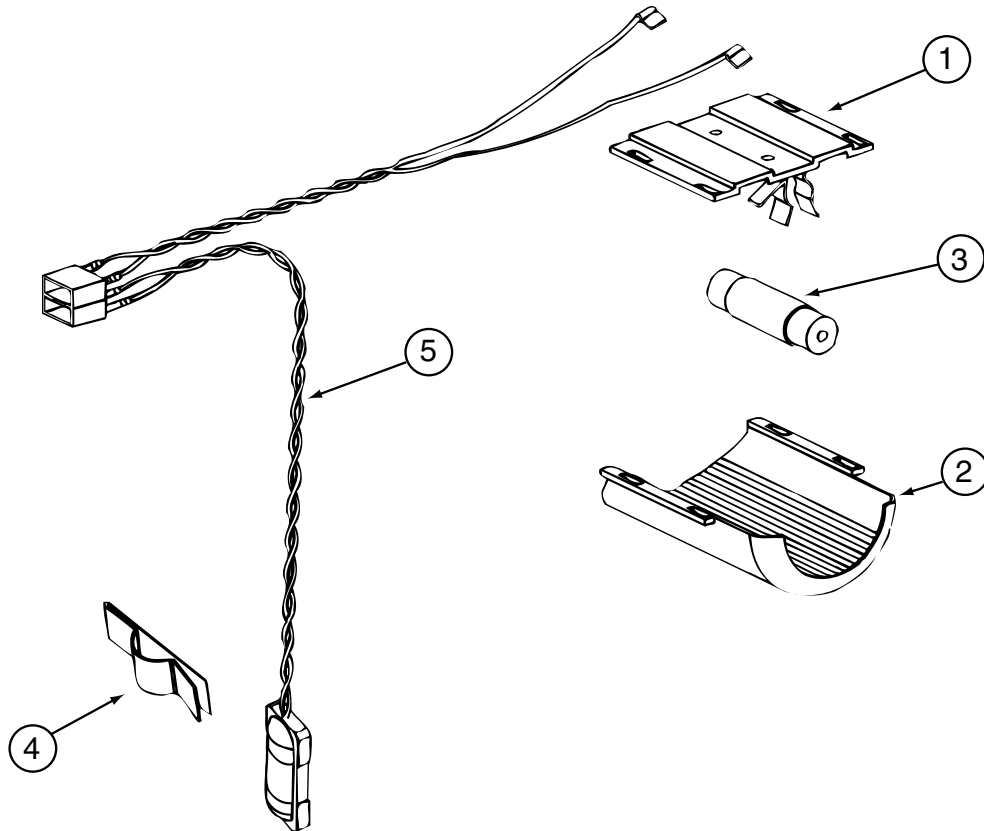


125242-02-01A (CONTINUED)

APPLIANCE GROUP (CONTINUED)
COMPONENTS PARTS FOR APPLIANCE (CONTINUED)

125242-02-01A (CONTINUED)

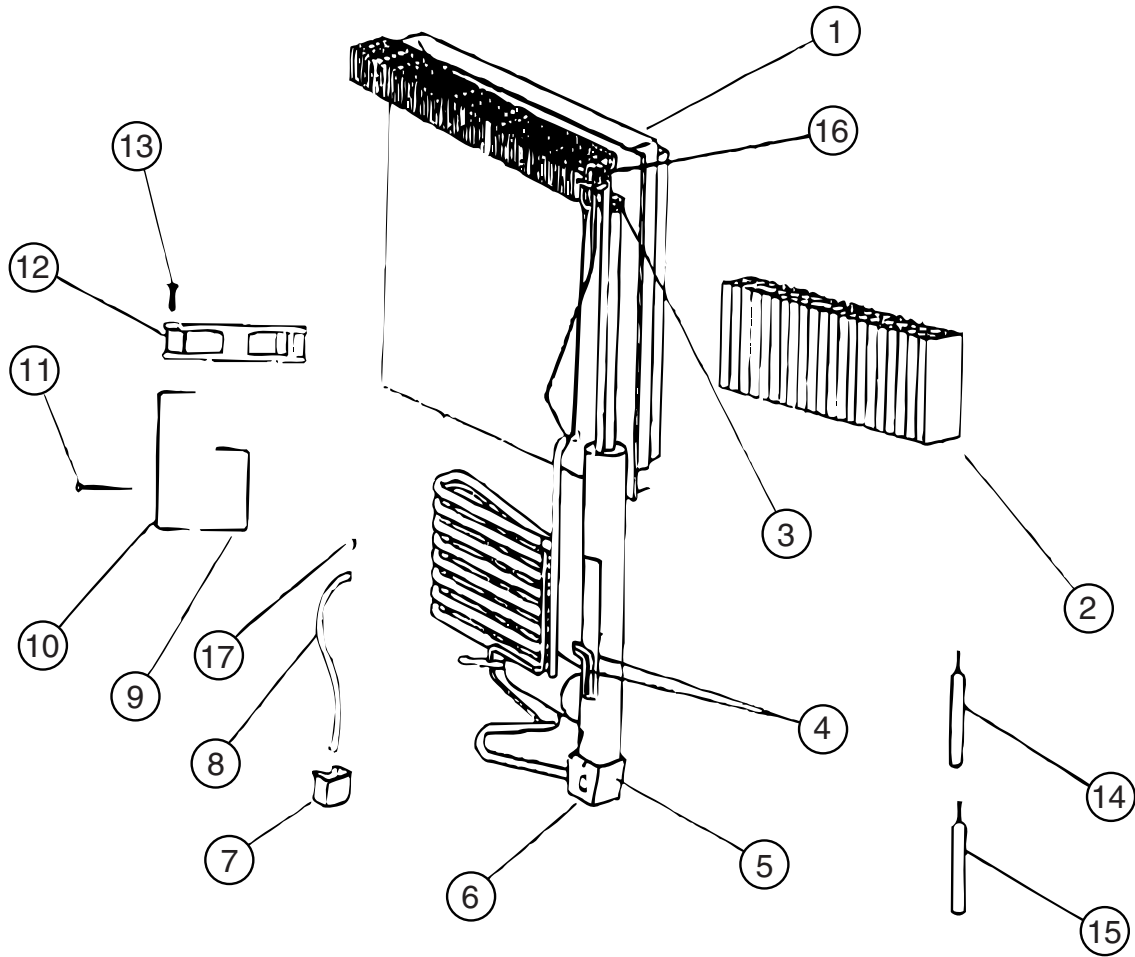
KEY	PART NUMBER	U/M	DESCRIPTION	VENDOR NO.
1	125242-01-723	EA	TRIM-HORIZONTAL-FRT SNAP ON	618845
2	125242-01-748	EA	CABINET/FOAMED ASSEMBLY	618748
3	125242-01-722	EA	TRIM - CORNER	618844
4	125242-01-715	EA	HINGE - TOP RH/BOTTOM LH	618798
5	125242-01-724	EA	RIM-LT/RT-FRT VERT SNAPON	618846
6	125242-01-713	EA	HINGE-MIDDLE (PAINTED)	618794
7	125242-02-704	EA	DISPLAY ASM (SER#832172) UP	621188
8	125242-01-751	EA	BLOCK - GUIDE - UPPER	618789
9	125242-01-712	EA	DRIP TRAY	618774
10	125242-01-752	EA	BLOCK - GUIDE - LOWER	618788
11	120075-01-708	EA	BUSHING - DOOR HINGE	618144
12	120075-01-730	EA	RETAINER - SHELF(SER#926684 DN	618181
13	120075-01-727	EA	PIN - HINGE	618145
14	125242-01-734	EA	CRISPER/BOTTLE BIN	618878
15	125242-01-733	EA	DIVIDER - BOTTLE CRISPER	618877
16	125242-01-750	EA	CLIP	61409622
17	113737-01-701	EA	BUSHING - HINGE	61742022
18	125242-01-749	EA	SUPPORT - WALL	618840
19	125242-01-734	EA	CRISPER/BOTTLE BIN	618878
20	125242-01-706	EA	COVER - CRISPER	618757
21	125242-01-726	EA	SHELF - WIRE (LONG)	618848
22	125242-01-727	EA	SHELF - WIRE (SHORT)	618849
23	125242-01-725	EA	SHELF - FREEZER (WIRE)	618847
24	125242-01-714	EA	HINGE - TOP LH/BOTTOM RH	618796
	125242-01-735	EA	SWITCH - DOOR LIGHT	618884



125242-02-01A (CONTINUED)

KEY	PART NUMBER	U/M	DESCRIPTION	VENDOR NO.
1	084880-03-705	EA	BRACKET - LIGHT - INTERIOR	61629722
2	120075-01-734	EA	COVER - LENS	618190
3	084880-03-706	EA	BULB - LAMP	61628922
4	084880-01-760	EA	CLIP (THERMISTER)	61689122
5	120075-01-735	EA	THERMISTER W/LAMP & WIRE/ASM	618548

APPLIANCE GROUP (CONTINUED)
COMPONENTS PARTS FOR APPLIANCE (CONTINUED)

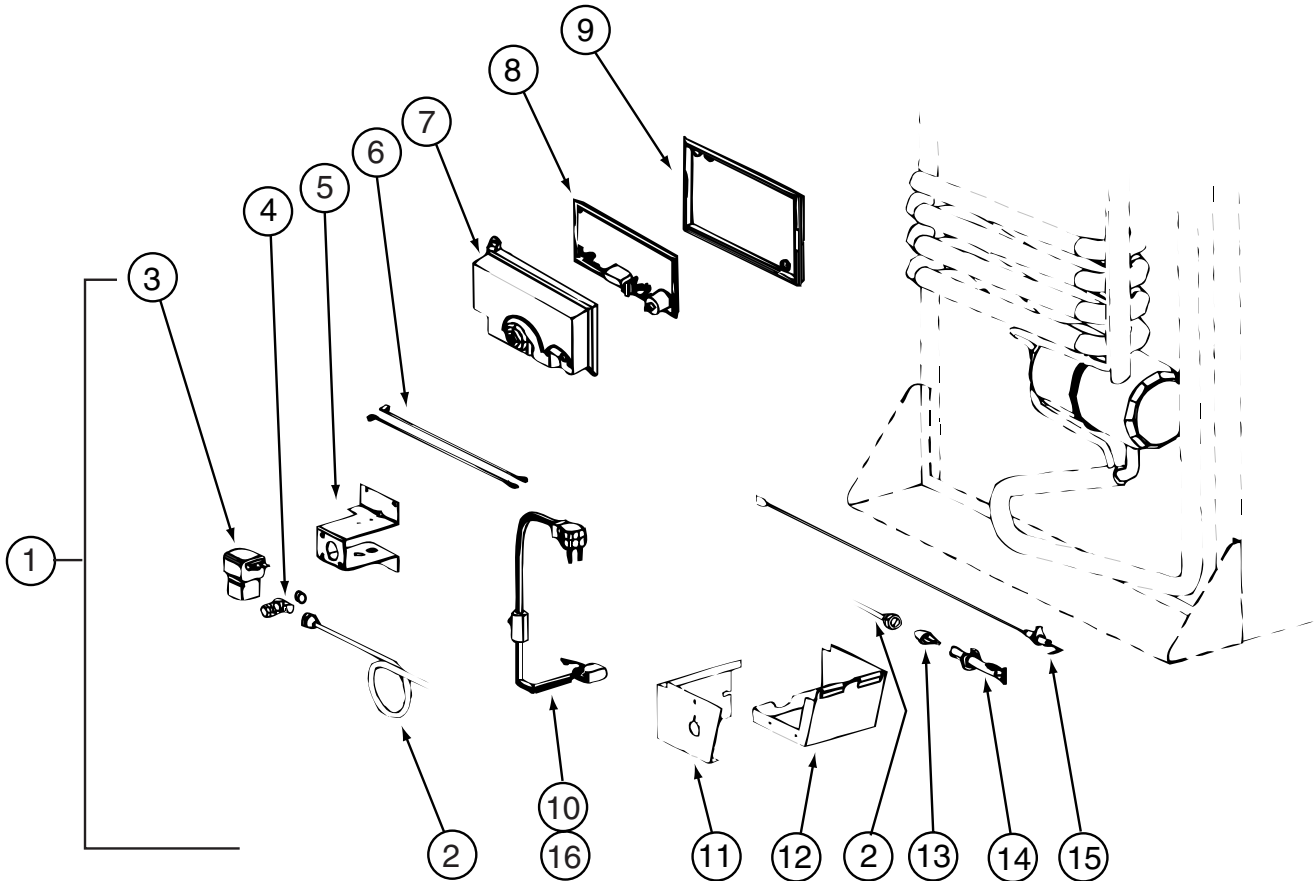


125242-02-01A (CONTINUED)

KEY	PART NUMBER	U/M	DESCRIPTION	VENDOR NO.
1	125242-01-746	EA	COOLING UNIT - 1200	618964
4	125242-01-732	EA	HEATER AC - 225W/110VAC	618872
5	125242-01-739	EA	BASE-BURNER BOX	618902
6	125242-01-740	EA	COVER-BURNER BOX	618910
9	125242-01-730	EA	BRACKET-DC FAN	618857
10	125242-01-741	EA	SUPPORT-DC FAN	618912
12	125242-01-729	EA	FAN-EXTERNAL DC	618856
16	113737-01-754	EA	THERMOSTAT (FAN 12V DC)	618093

CONTACT WINNEBAGO PART SALES FOR UNLISTED COMPONENTS

APPLIANCE GROUP (CONTINUED)
COMPONENTS PARTS FOR APPLIANCE (CONTINUED)

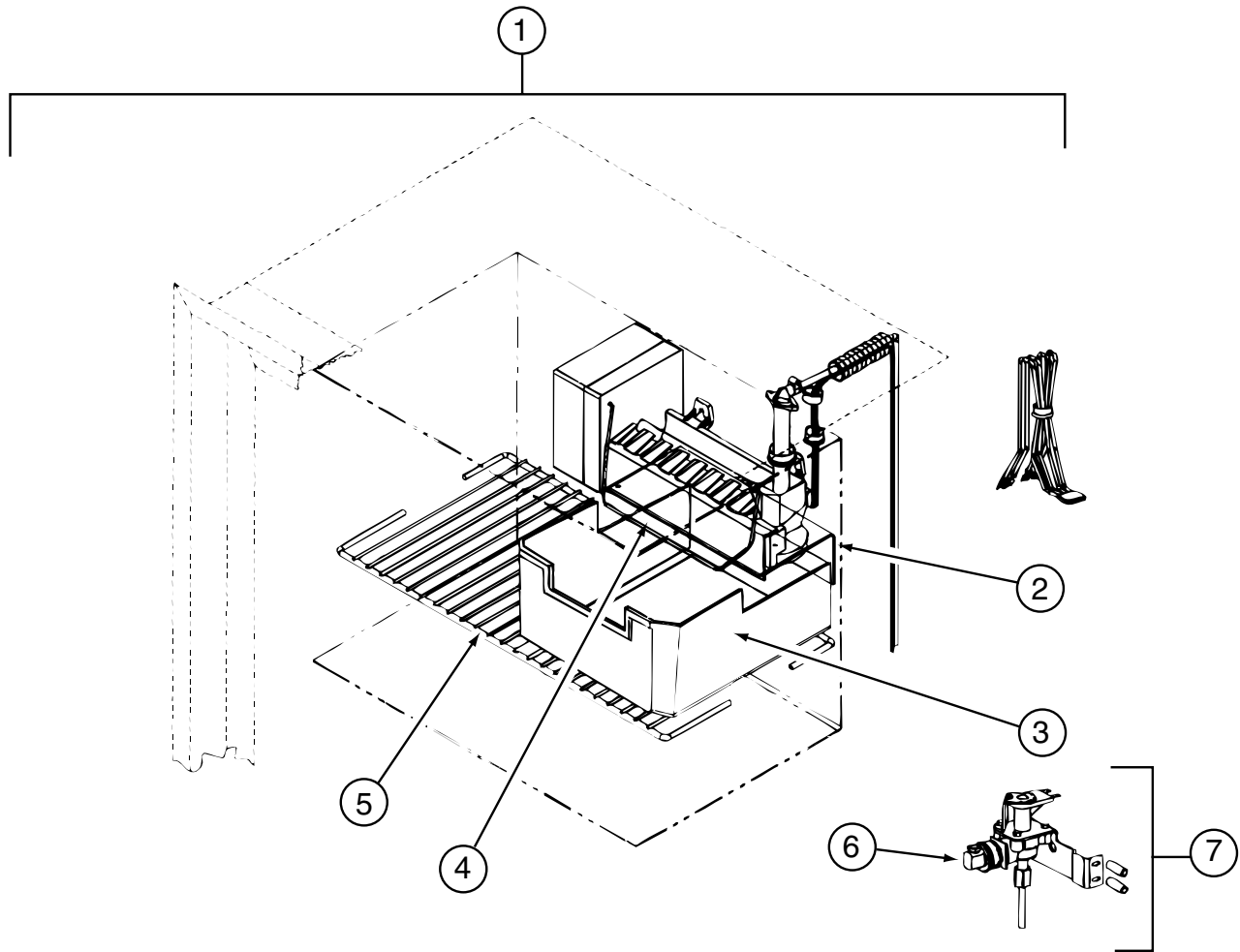


125242-02-01A (CONTINUED)

KEY	PART NUMBER	U/M	DESCRIPTION	VENDOR NO.
1	125242-01-753	EA	KIT - GAS VALVE/BURNER TUBE	620610
2	125242-01-744	EA	BURNER TUBE	618937
4	113737-01-716	EA	TAP-PRESSURE	61594422
7	120075-01-738	EA	COVER-POWER BOARD	618185
8	125242-02-703	EA	POWER BOARD	621271
9	120075-01-740	EA	COVER-BASE, POWER BOARD	618186
11	125242-01-739	EA	BASE-BURNER BOX	618902
12	125242-01-740	EA	COVER-BURNER BOX	618910
13	125242-01-717	EA	ORIFICE-JEWEL	618814
14	125242-01-743	EA	BURNER - 8 SLOT	618932
15	104137-06-715	EA	ELECTRODE-SPARK/SENSOR, SGL	61692222

CONTACT WINNEBAGO PART SALES FOR UNLISTED COMPONENTS

APPLIANCE GROUP (CONTINUED)
COMPONENTS PARTS FOR APPLIANCE (CONTINUED)



125242-02-01A (CONTINUED)

KEY	PART NUMBER	U/M	DESCRIPTION	VENDOR NO.
1	094039-07-706	EA	ICE MAKER W/O PLATES	61656522
2	125242-01-737	EA	BRACKET - MOUNTING (ICE MAKER)	618894
3	125242-01-716	EA	ICE BIN	618803
4	120075-03-703	EA	ARM - SHUT OFF	61656922
5	125242-01-725	EA	SHELF - FREEZER (WIRE)	618847
6	120075-03-702	EA	NUT/COMPRESSION - FITTING	61678722
7	120075-03-701	EA	VALVE - WATER - W/BRACKET	618523

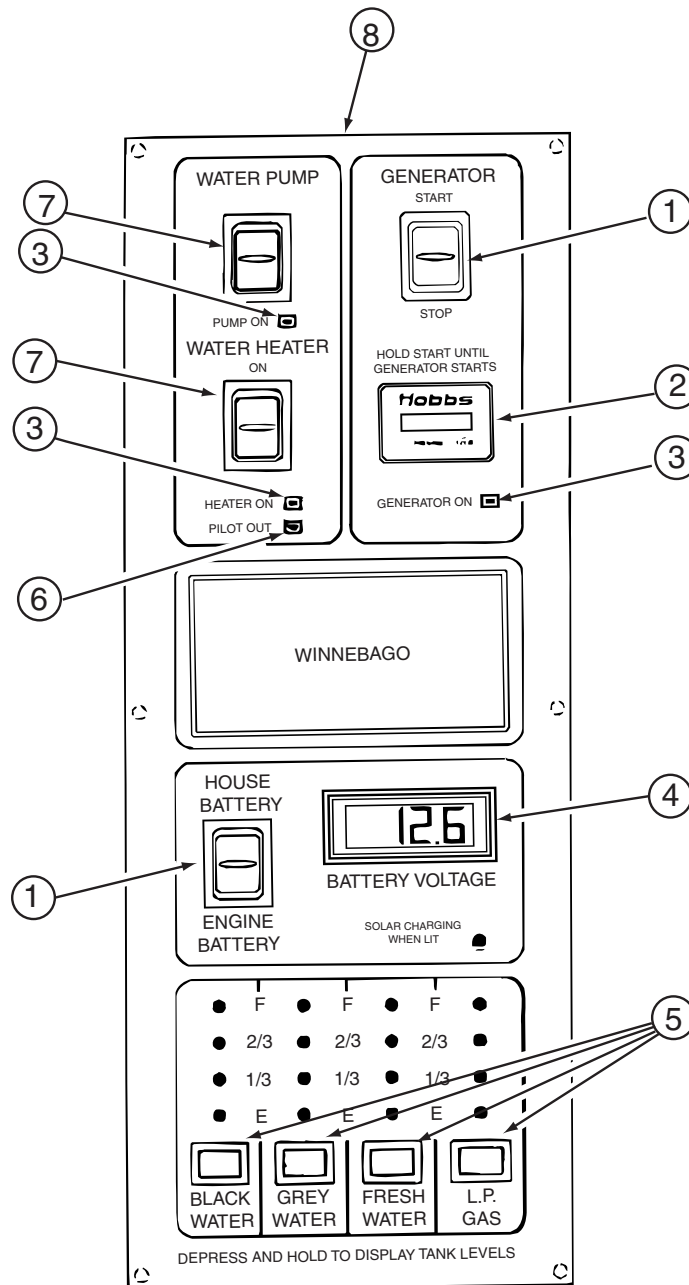
126019-01-01A

KEY	PART NUMBER	U/M	DESCRIPTION	VENDOR NO.
	126019-01-700	EA	GLASS CARAFE	172547-00
	126019-01-701	EA	RESERVOIR- WATER	172554
	126019-01-702	EA	BASKET - FILTER	172553-00
	126019-01-703	EA	HARDWARE - MOUNTING	172174-00

126022-01-01A, 126022-02-01A, 126022-03-01A

KEY	PART NUMBER	U/M	DESCRIPTION	VENDOR NO.
	114030-01-707	EA	PLUG BUTTON BLACK	74002628
	126022-01-700	EA	BUMPER - RANGE BIFOLD COVER	MAGIC 8003P007-60
	126022-01-701	EA	HINGE-RANGE BIFOLD COVER-22"	MAGIC 3418F067-34

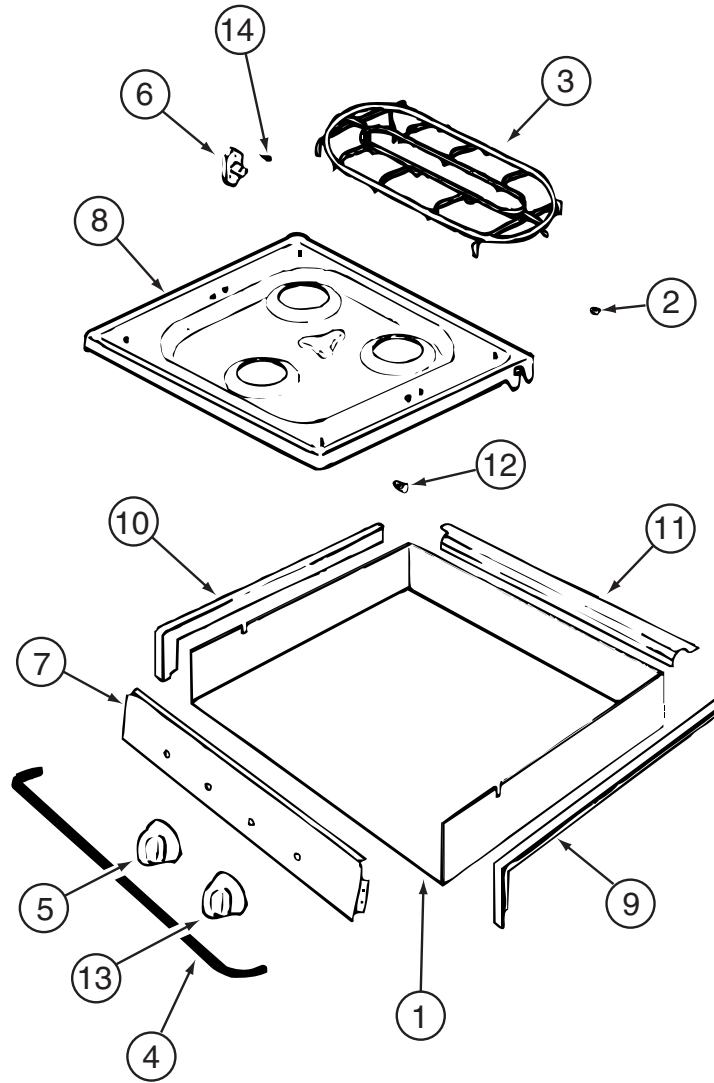
APPLIANCE GROUP (CONTINUED)
COMPONENTS PARTS FOR APPLIANCE (CONTINUED)



133004-02-01A

KEY	PART NUMBER	U/M	DESCRIPTION	VENDOR NO.
1	133004-01-702	EA	SWITCH/DPDT MOM=ON-OFF-ON	L1011-00
2	100258-10-701	EA	GAUGE-HR METER ONLY (LCD)	L0775-00
3	133004-01-706	EA	L.E.D. GREEN-PANEL MOUNT	L0785
4	133004-01-704	EA	METER/VOLT-DIGITAL - LCD	L1008-00
5	133004-01-705	EA	SWITCH/MOM ON - PUSH BUTTON	L0950-00
6	133004-01-703	EA	L.E.D. RED-PANEL MOUNT	L1009-00
7	133004-01-701	EA	SWITCH/DPDT ON-ON/MAINTAINED	L1025-00
8	133004-02-701	EA	SCREENED - CHASSIS	CC0547-00
	133004-02-700	EA	BOARD - PC	L5113-03

APPLIANCE GROUP (CONTINUED)
COMPONENTS PARTS FOR APPLIANCE (CONTINUED)

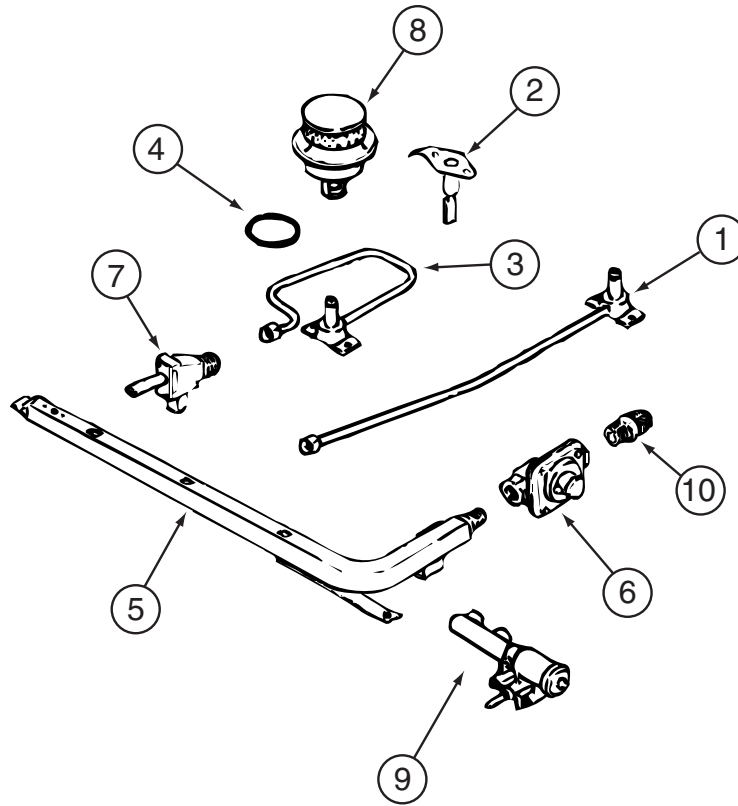


135065-01-01A, 135065-01-02A, 135065-02-01A

KEY	PART NUMBER	U/M	DESCRIPTION	VENDOR NO.
2	102020-01-709	EA	BUMPER-GRATE	8007-P020-60
3	128728-01-700	EA	GRATE - BURNER	74003948
4	114030-02-700	EA	GUARD/FABRIC - TOWEL BAR	3609F006-70
5	112881-01-705	EA	KNOB-TOP BURNER	7733P072-60
5	112881-01-718	EA	KNOB - TOP BURNER HI-OUTPUT	74001794
6	128728-01-703	EA	PIN/T-NUT F/HINGE	7103P109-60
7	135065-01-700	EA	PANEL/MANIFOLD	74003354
8	128728-01-705	EA	TOP - MAIN - BLACK	74003928
8	135066-01-700	EA	TOP - MAIN - BISQUE	74005332
9	114030-01-704	EA	TRIM - RIGHT/BLACK TEXTURED	74002839
10	114030-01-705	EA	TRIM - LEFT/BLACK TEXTURED	74002840
11	114030-01-706	EA	TRIM - REAR/BLACK TEXTURED	74002841
12	102020-01-724	EA	BUMPER-MAIN TOP	8003P008-60
13	126023-01-720	EA	KNOB - IGNITER	74002414

CONTACT WINNEBAGO PART SALES FOR UNLISTED COMPONENTS

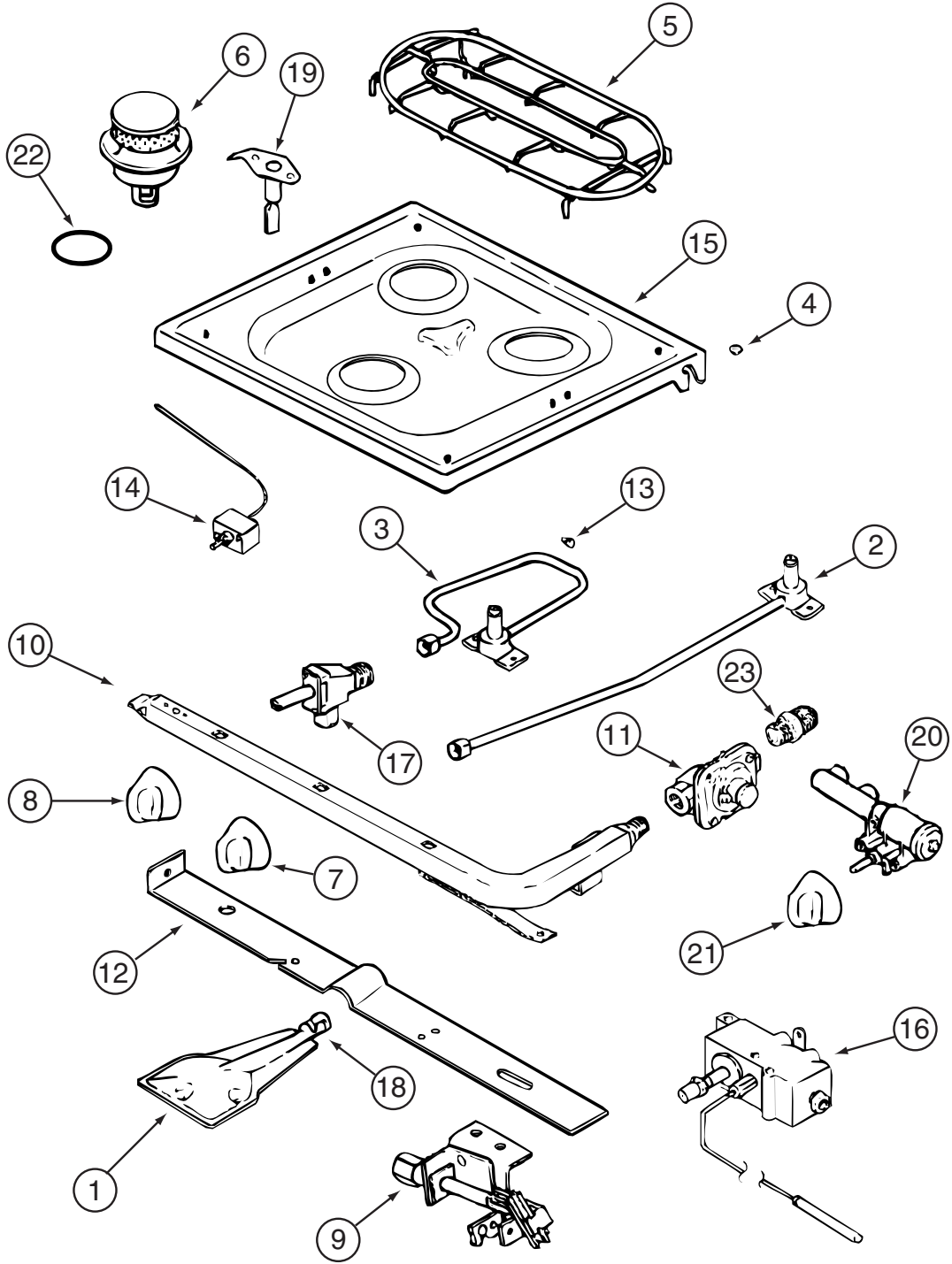
APPLIANCE GROUP (CONTINUED)
COMPONENTS PARTS FOR APPLIANCE (CONTINUED)



135065-01-01A, 135065-01-02A, 135065-02-01A (CONTINUED)

KEY	PART NUMBER	U/M	DESCRIPTION	VENDOR NO.
1	128728-01-708	EA	FITTING W/ORFICE/TUBE - REAR	74003931
2	135065-01-701	EA	IGNITOR/PORCELAIN-TOP BURNER	74004053
3	128728-01-710	EA	FITTING W/ORFICE/TUBE - FRT	74003930
4	128728-01-711	EA	GASKET - BURNER	74002745
5	135065-01-702	EA	PIPE/MANIFOLD	74004642
6	126023-02-703	EA	REGULATOR - PRESSURE	74004235
7	135065-01-703	EA	VALVE/BURNER - REAR	74004643
7	135065-01-704	EA	VALVE/BURNER-FRT-HI	74004644
8	135065-01-705	EA	BURNER/SEALED ASSEMBLY	12001497
9	128728-01-716	EA	BURNER - IGNITOR	74003946
9	128728-01-717	EA	WIRES - IGNITOR	74003947

APPLIANCE GROUP (CONTINUED)
COMPONENTS PARTS FOR APPLIANCE (CONTINUED)



135066-02-01A

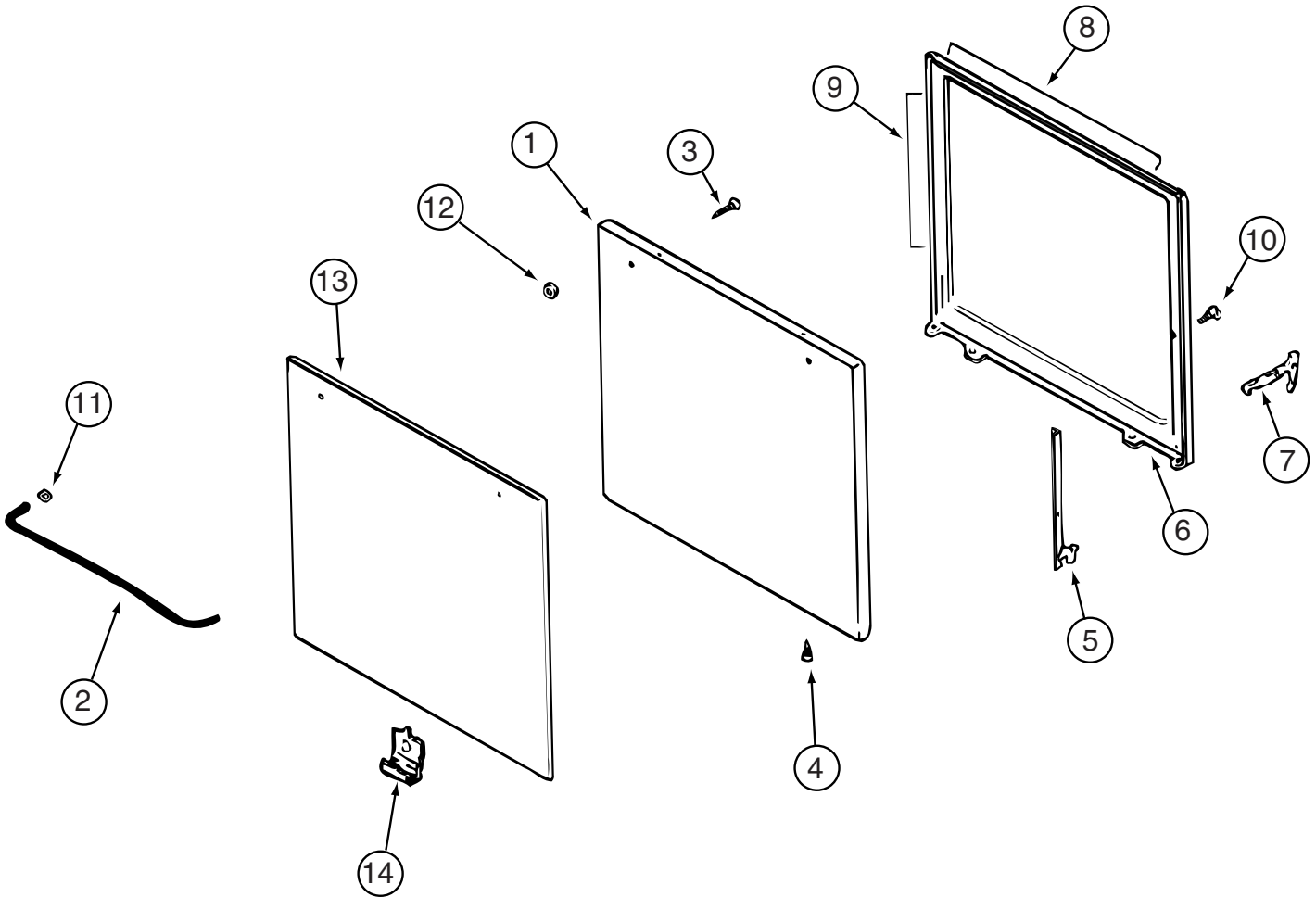
APPLIANCE GROUP (CONTINUED)
COMPONENTS PARTS FOR APPLIANCE (CONTINUED)

135066-02-01A (CONTINUED)

KEY	PART NUMBER	U/M	DESCRIPTION	VENDOR NO.
1	126023-01-717	EA	BURNER - OVEN	74003343
2	128728-01-708	EA	FITTING W/ORFICE/TUBE - REAR	74003931
3	128728-01-710	EA	FITTING W/ORFICE/TUBE - FRT	74003930
4	102020-01-709	EA	BUMPER-GRATE	8007-P020-60
5	128728-01-700	EA	GRATE - BURNER	74003948
6	135065-01-705	EA	BURNER/SEALED ASSEMBLY	12001497
7	112881-01-705	EA	KNOB-TOP BURNER	7733P072-60
7	112881-01-718	EA	KNOB - TOP BURNER HI-OUTPUT	74001794
8	135656-01-700	EA	KNOB/THERMOSTAT	74002529
9	126023-02-701	EA	PILOT - OVEN	74004586
10	126023-02-702	EA	PIPE - MANIFOLD	74004360
11	135066-02-700	EA	REGULATOR - PRESSURE	74004236
13	102020-01-724	EA	BUMPER-MAIN TOP	8003P008-60
14	126023-01-734	EA	THERMOSTAT/OVEN SERIES #11	74006332
15	128728-01-705	EA	TOP - MAIN - BLACK	74003928
16	126023-02-704	EA	VALVE/OVEN - MERCURY	74004585
17	135065-01-703	EA	VALVE/BURNER - REAR	74004643
17	135065-01-704	EA	VALVE/BURNER-FRT-HI	74004644
18	135656-01-701	EA	MIXER/AIR	3411F003-34
19	135065-01-701	EA	IGNITOR/PORCELAIN-TOP BURNER	74004053
20	128728-01-716	EA	BURNER - IGNITOR	74003946
20	128728-01-717	EA	WIRES - IGNITOR	74003947
21	126023-01-720	EA	KNOB - IGNITER	74002414

CONTACT WINNEBAGO PART SALES FOR UNLISTED COMPONENTS

APPLIANCE GROUP (CONTINUED)
COMPONENTS PARTS FOR APPLIANCE (CONTINUED)

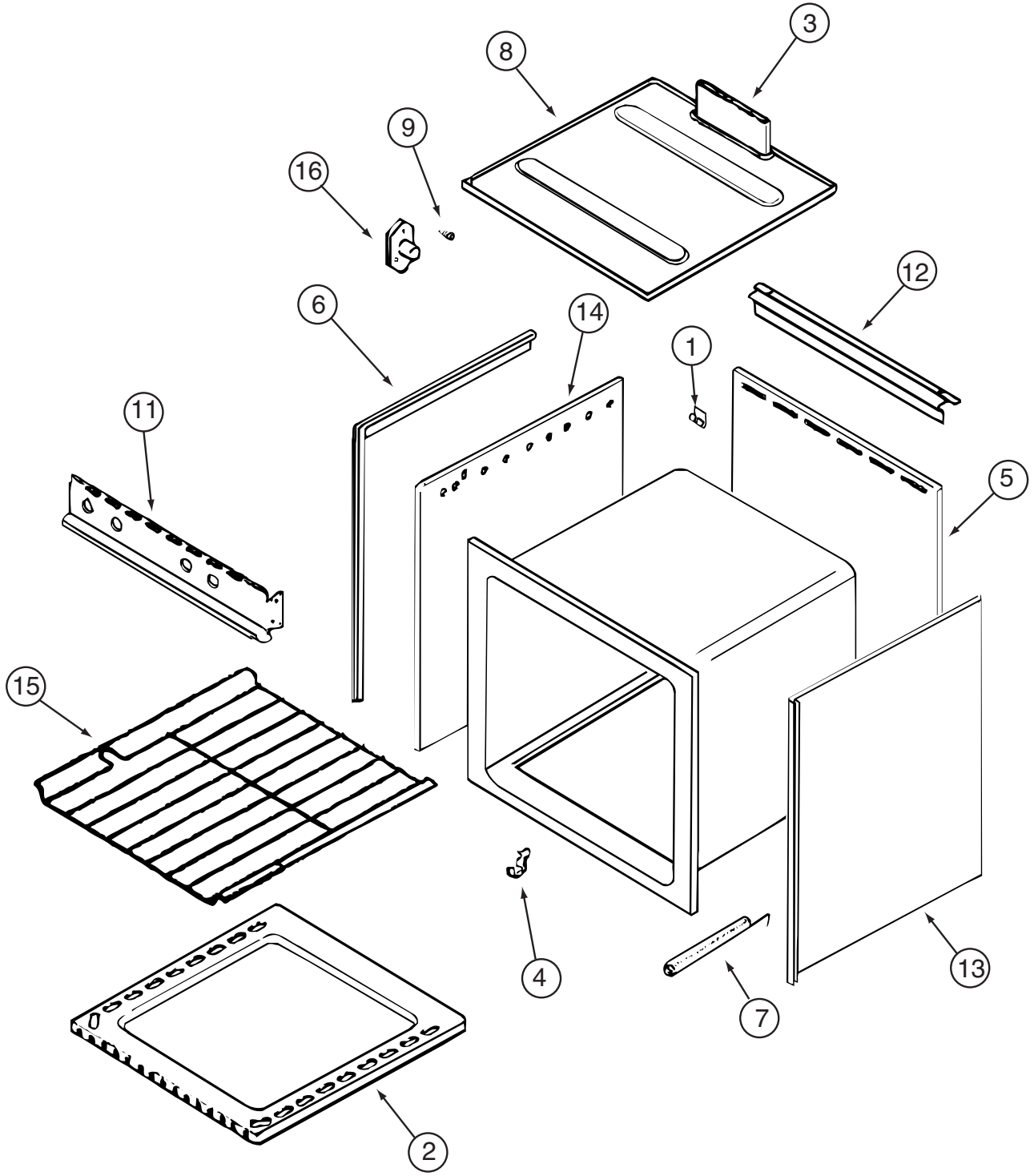


135066-01-01A, 135066-01-02A, 135066-02-01A (CONTINUED)

KEY	PART NUMBER	U/M	DESCRIPTION	VENDOR NO.
1	126023-01-712	EA	PANEL - DOOR (BLACK)	74001190
2	102020-01-701	EA	HANDLE,DOOR	7701P092-60
8	126023-01-732	EA	SEAL/OVEN DR TOP	7212P014-60
9	126023-01-733	EA	SEAL/OVEN DR SIDES(2PCS)	7212P038-60
13	102020-01-725	EA	GLASS OUTER	7902P266-60

CONTACT WINNEBAGO PART SALES FOR UNLISTED COMPONENTS

APPLIANCE GROUP (CONTINUED)
COMPONENTS PARTS FOR APPLIANCE (CONTINUED)



135066-01-01A, 135066-01-02A, 135066-02-01A (CONTINUED)

KEY	PART NUMBER	U/M	DESCRIPTION	VENDOR NO.
1	112881-03-702	EA	CLIP - MAIN TOP	74003998
2	126023-01-731	EA	BOTTOM - OVEN	2205F016-19
3	126023-01-718	EA	FLUE BOX ASSEMBLY	4006W075-80
6	126023-01-713	EA	TRIM - SIDE (RIGHT)	74002827
6	126023-01-714	EA	TRIM - SIDE (LEFT)	74002828
11	126023-01-729	EA	PANEL - MANIFOLD	74003351
15	126023-01-716	EA	RACK - OVEN	74003106

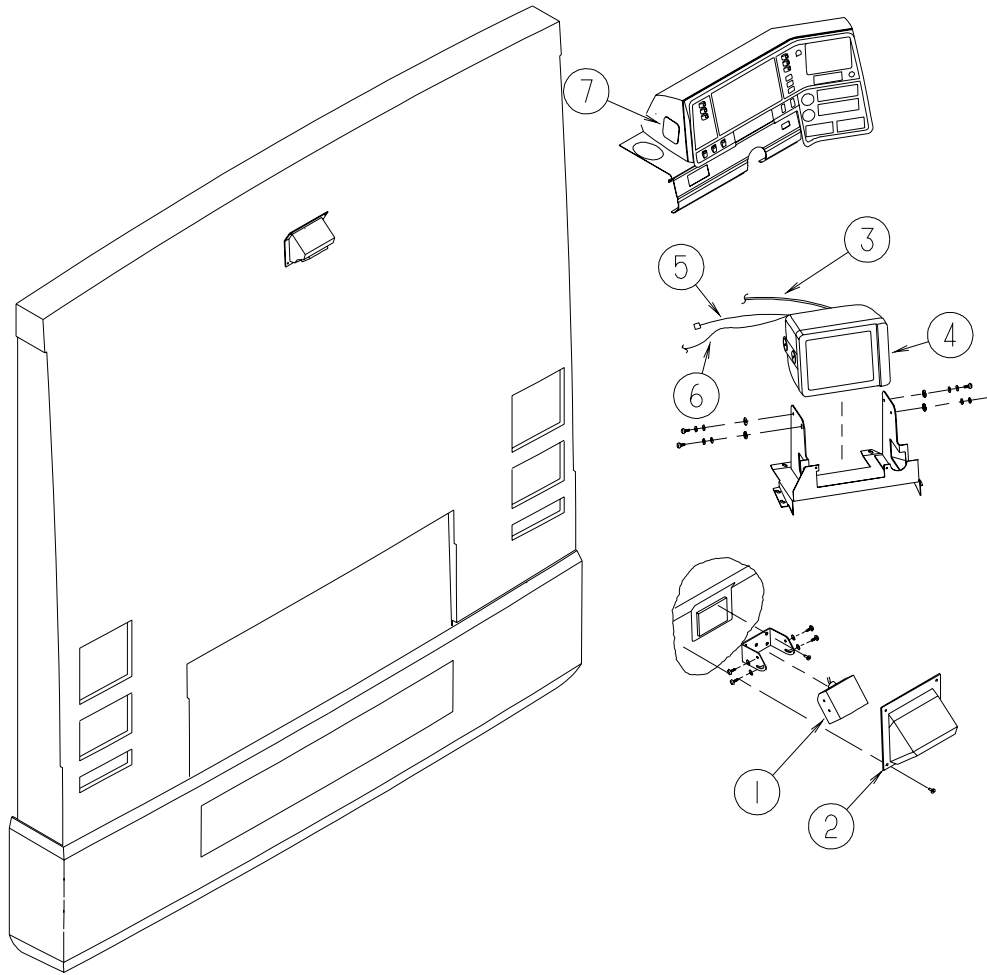
CONTACT WINNEBAGO PART SALES FOR UNLISTED COMPONENTS

AUDIO VIDEO GROUP
RADIO SYSTEM

KEY	PART NUMBER	U/M	DESCRIPTION
	133307-01-000	EA	RADIO - WALL MOUNT - CASSETTE W/ALARM - AUDIOVOX AWM-820 - REAR STEREO
	133307-02-000	EA	RADIO - WALL MOUNT - CD W/ALARM - AUDIOVOX AWN-930 - REAR STEREO W/CD
	125322-02-000	EA	RADIO-AM/FM STEREO/CASSETTE-AUDIOVOX-MS-306-EXT ENT W/CASS - EXT. ENTERTAINMENT
	127517-10-000	EA	RADIO - AM/FM STEREO/CD PLAYER - CDX-L250 - EXT. ENTERTAINMENT W/CD FROM: 00-00-00THRU: 02-10-02
	127517-11-000	EA	RADIO - AM/FM STEREO/CD PLAYER - SONY CDX-L300 - EXT. ENTERTAINMENT W/CD FROM: 02-11-02 THRU: 06-02-02
	143509-01-000	EA	RADIO - AM/FM CD - W/REMOTE - JENSEN CD3010X-W - EXT. ENTERTAINMENT W/CD FROM: 06-03-02 THRU: 99-99-99
	135420-01-000	EA	RADIO - AM/FM CASSETTE/CD COMBO - M9900 - 7.2" X 3.3" R.O. - DASH
	135420-07-000	EA	RADIO - MOUNTING KIT - A-BODY - DASH
	141679-02-000	EA	RADIO/BATTERY KIT - TWO WAY (4 RADIOS/8 BATTERIES) - TWO WAY RADIO
	141679-01-000	EA	CHARGING STATION ONLY - F/TWO WAY RADIO SYSTEM - TWO WAY RADIO
	124881-02-000	EA	AMPLIFIER - AUDIO - MTS Q SURROUND - ORANGE LABEL (LATEST) - DELUXE SOUND
	133089-01-000	EA	CONTROL - VOLUME - SPEAKER - W/O DELUXE SOUND
	110469-01-000	EA	SPEAKER - 4" X 6" OVAL - COAXIAL - EXT. ENTERTAINMENT
	124883-02-000	EA	SPEAKER - CUBE - W/BRACKET - DELUXE SOUND
	124884-01-000	EA	SPEAKER - 6" X 9" - SUB-WOOFER - DELUXE SOUND
	124883-03-000	EA	CUBE/SPEAKER - W/O CASE - DELUXE SOUND - P36GD ONLY
	124883-04-000	EA	GRILLE/SPEAKER - F/CUBE - DELUXE SOUND - P36GD ONLY
	094097-01-000	EA	SPEAKER - RADIO/TV - W/O GRILLE - 5.25" DIAMETER - W/O DELUXE SOUND
	110470-01-01A	EA	GRILLE - 4" X 6" OVAL SPEAKER - BLACK - EXT. ENTERTAINMENT
	124885-01-000	EA	GRILLE - SPEAKER - 6" X 9" - SUB-WOOFER - DELUXE SOUND
	089340-02-000	EA	GRILLE - SPEAKER - 6.5" SQUARE - W/O DELUXE SOUND
	123256-01-000	EA	ANTENNA - CB - W/O CABLE - CB RADIO
	123256-02-000	EA	CABLE - CB - COAX - CB RADIO
	090944-01-000	EA	ANTENNA - RADIO - 16" RUBBER - W/72" LEAD WIRE FROM: 00-00-00 THRU: 01-05-03
	090944-02-000	EA	ANTENNA - RADIO - 16" RUBBER - W/O LEAD WIRE FROM: 01-06-03 THRU: 99-99-99
	090944-03-000	EA	CABLE - ANTENNA FROM: 01-06-03 THRU: 99-99-99
	108847-01-000	EA	BRACKET - ANTENNA GROUND
	109889-04-000	EA	EXTENDER - ANTENNA SHAFT - 3.7"
	077069-02-000	EA	CABLE/EXTENSION - RADIO ANTENNA - 96" FROM: 00-00-00 THRU: 05-23-02
	077069-03-000	EA	CABLE/EXTENSION - RADIO ANTENNA - 260" FROM: 05-24-02 THRU: 99-99-99
	102080-17-000	EA	CHANGER - COMPACT DISC - SONY CDX-555RF - CD CHANGER
	102080-18-000	EA	CHANGER - CONTROL/FM MODULE & REMOTE - SONY CDX-555RF KIT - CD CHANGER

AUDIO VIDEO GROUP (CONTINUED)

REAR VIEW MONITOR



KEY	PART NUMBER	U/M	DESCRIPTION
1	143363-02-000	EA	CAMERA/REAR - COLOR - W/BRACKET - SONY VCB-MHD1
2	123281-01-01A	EA	SHROUD - CAMERA/OUTER - BRIGHT WHITE
3	143363-03-000	EA	CABLE - MONITOR/CAMERA - COLOR - SONY VCB-MHC20
4	143363-01-000	EA	MONITOR/REAR - COLOR - W/BRACKET - SONY VCB-MH1
5	143545-01-000	EA	WIRE ASSEMBLY - REAR MONITOR
6	114870-01-000	EA	PLUG - AUDIO W/LEADS - 48.5"
7	093214-01-03A	EA	GRILLE - SPEAKER - 4" - GLACIER
7	098819-01-000	EA	SPEAKER - 4" - 2 WATT - 8 OHM

TELEPHONE

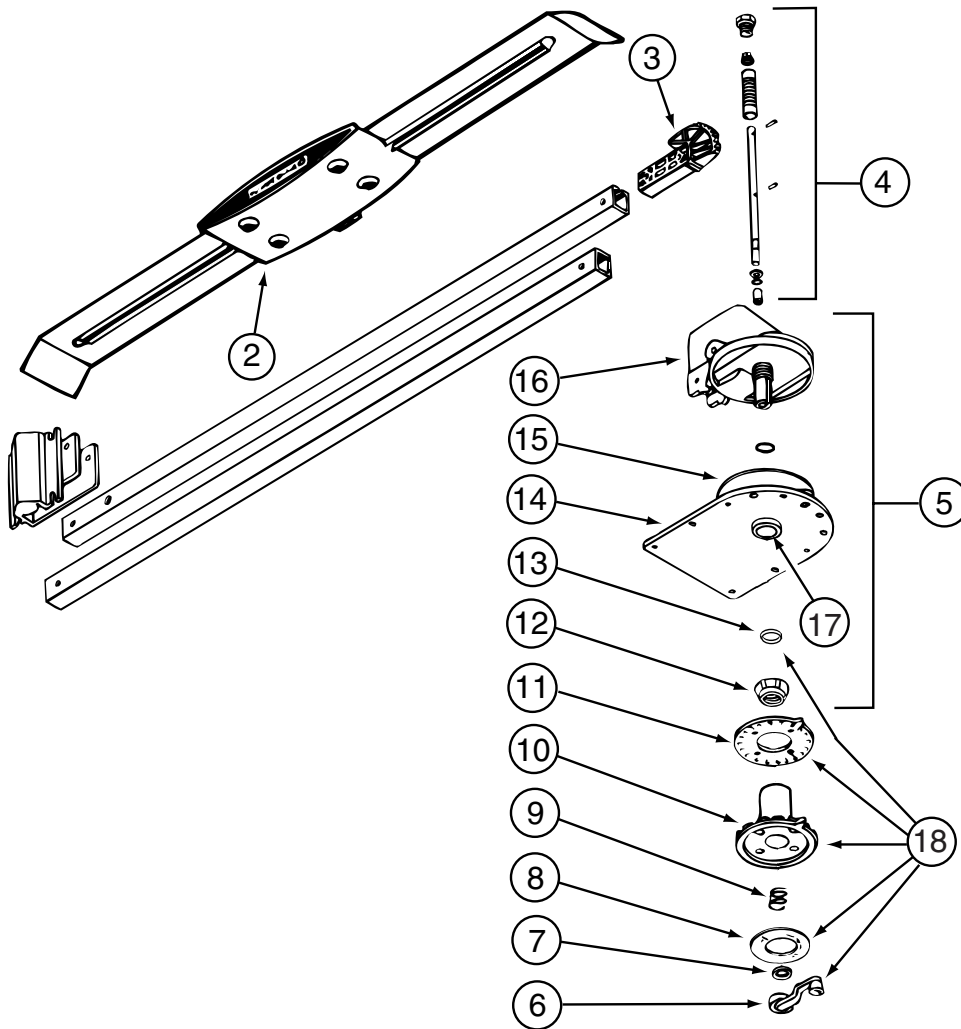
KEY	PART NUMBER	U/M	DESCRIPTION
	093253-01-02A	EA	PLATE - WALL - TELEPHONE - BROWN
	093253-01-03A	EA	PLATE - WALL - TELEPHONE - WHITE
	130686-01-01A	EA	PLATE - WALL - TELEPHONE/COAX - WHITE

AUDIO VIDEO GROUP (CONTINUED)
TV & VCR

KEY	PART NUMBER	U/M	DESCRIPTION
	146396-01-000	EA	DVD/VCR - COMBINATION PLAYER
	136860-01-000	EA	CABLE - RCA - #3 MALE TO #12F MALE CONNECTOR - SURROUND SOUND
	123324-01-000	EA	FILTER - GROUND LOOP - SURROUND SOUND
	115540-01-000	EA	AMPLIFIER - TV SPEAKERS
	086756-01-000	EA	SPLITTER - TV/2 WAY
	142258-01-000	EA	SWITCH - VIDEO/ANTENNA POWER SUPPLY - VIDEO SELECTION SYSTEM
*	126696-07-000	EA	TV - 19" COLOR - W/O 1/8" JACK - UL/CSA - GE 19GT243
*	146299-01-000	EA	TV - 24" STEREO W/5 JACKS - SONY 24FS100
	082134-01-000	EA	ADAPTER - TV - CABLE TO CABLE
	082136-01-000	EA	NUT - HEX JAM - 3/8-32
	134006-01-03B	EA	PLATE - COAXIAL CABLE/OFF WHITE
	076319-09-000	EA	WALLPLATE - CABLE RECEPTACLE - TV - SINGLE - BROWN
	137135-03-000	EA	WIRE LOOM - DIGITAL ELEVATION SENSOR
	137135-04-000	EA	WIRE HARNESS - POWER - DIGITAL ELEVATION SENSOR
	145171-01-000	EA	CONNECTOR - COAXIAL
*	076319-23-000	EA	ANTENNA - TV ROOF MOUNT - 44.5" MAST
*	076319-25-000	EA	KIT - HARDWARE INTERIOR
*	137135-02-000	EA	ANTENNA - SATELLITE DSS - W/SENSOR
*	141454-01-01A	EA	ANTENNA - SATELLITE - AUTOMATIC
	144377-01-000	EA	ANTENNA - SATELLITE - IN MOTION
	120233-03-000	EA	CERTIFICATE - SATELLITE RECEIVER

*COMPONENT PARTS LISTED LATER IN THIS GROUP

AUDIO VIDEO GROUP (CONTINUED)
COMPONENT PARTS FOR TV & VCR



076319-23-000

KEY	PART NUMBER	U/M	DESCRIPTION	VENDOR NO.
2	076319-01-700	EA	HEAD-ANTENNA, AMPLIFIED	RVSA U/V
3	076319-01-701	EA	GEAR-ELEVATING, PLASTIC	2200046
4	076319-01-702	EA	SHAFT ASM-ELEVATING	RP-4000
5	076319-01-711	EA	BASE & LIFT ASM	2762802
7	076319-01-705	EA	GROMMET-NYLON, 7/8"ID	3200658
8	076319-01-708	EA	DECAL-CRANK	5413002
9	076319-01-707	EA	SPRING-HANDLE	2160822
11	076319-01-712	EA	PLATE - CEILING	3200608
12	076319-01-715	EA	NUT (GEAR HOUSING)	2200047
14	076319-01-713	EA	BASE-PLATE, STEEL	3100523
15	076319-01-703	EA	BEARING-NYLON, 5"OD	3200656
16	076319-01-714	EA	HOUSING, ROTATING GEAR	2200049
	076319-01-716	EA	TUBING, ELEVATING	RP-2900
17	076319-01-704	EA	BEARING-NYLON, 1.25"OD	3200657

CONTACT WINNEBAGO PART SALES FOR UNLISTED COMPONENT

076319-25-000

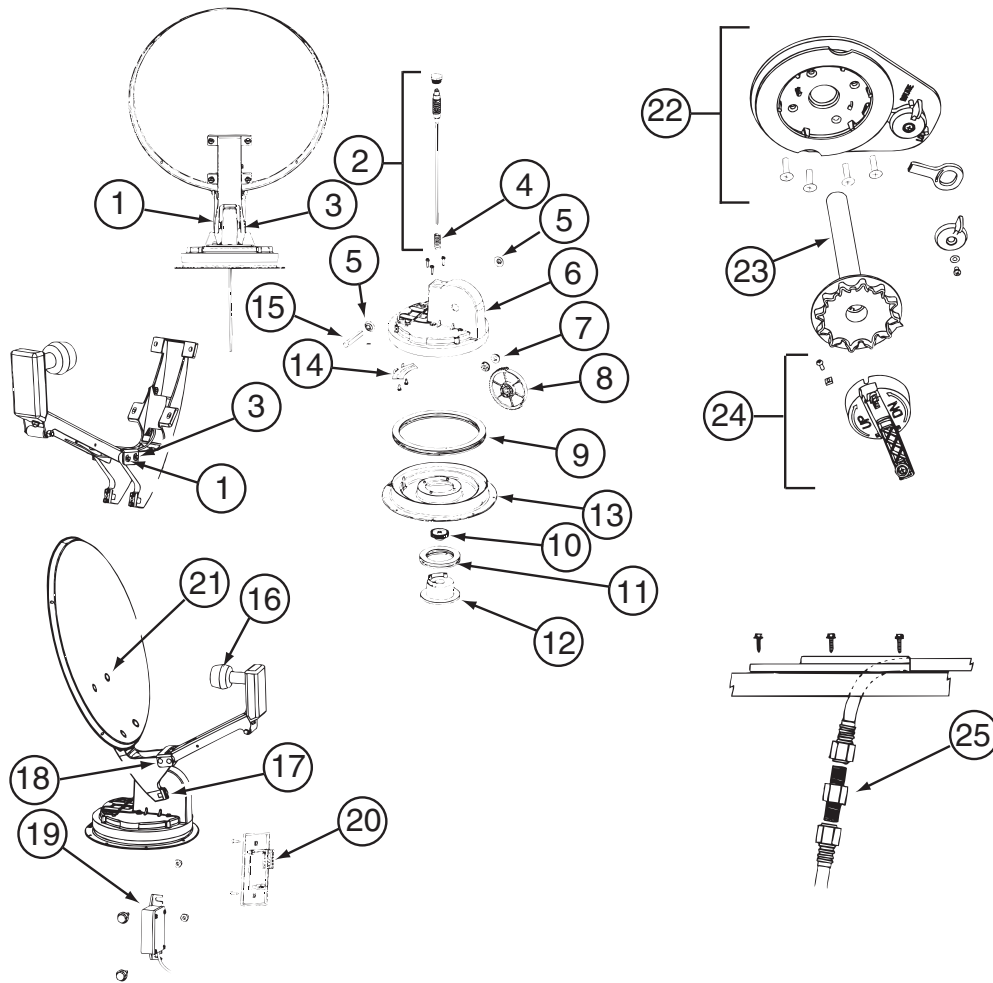
KEY	PART NUMBER	U/M	DESCRIPTION	VENDOR NO.
6	076319-01-706	EA	CRANK-W/SET SCREW UNIV/BEIGE	2750897
6	120233-01-710	EA	HANDLE-CRANK W/SCREW - WHITE	RP-6795
8	076319-01-708	EA	DECAL-CRANK	5413002
10	076319-25-700	EA	DIRECTIONAL HANDLE(WHITE)	3200612
11	076319-25-701	EA	PLATE - CEILING(WHITE)	3200609
13	120233-01-709	EA	WASHER-NYLON	RP-2658

CONTACT WINNEBAGO PART SALES FOR UNLISTED COMPONENTS

AUDIO VIDEO GROUP (CONTINUED)
COMPONENT PARTS FOR TV & VCR (CONTINUED)

			124073-11-000	
KEY	PART NUMBER	U/M DESCRIPTION		VENDOR NO.
	126697-04-700	EA REMOTE		239040
			124073-12-000	
KEY	PART NUMBER	U/M DESCRIPTION		VENDOR NO.
	126697-04-700	EA REMOTE		239040
			124073-13-000	
KEY	PART NUMBER	U/M DESCRIPTION		VENDOR NO.
	124073-13-700	EA REMOTE		257450
			126696-07-000	
KEY	PART NUMBER	U/M DESCRIPTION		VENDOR NO.
	133377-01-700	EA REMOTE		240961
			126697-07-000	
KEY	PART NUMBER	U/M DESCRIPTION		VENDOR NO.
	126697-07-700	EA REMOTE		248687
			130121-06-000	
KEY	PART NUMBER	U/M DESCRIPTION		VENDOR NO.
	130121-05-700	EA REMOTE		242524
			133377-01-000 & 133377-02-000	
KEY	PART NUMBER	U/M DESCRIPTION		VENDOR NO.
	133377-01-700	EA REMOTE		240961

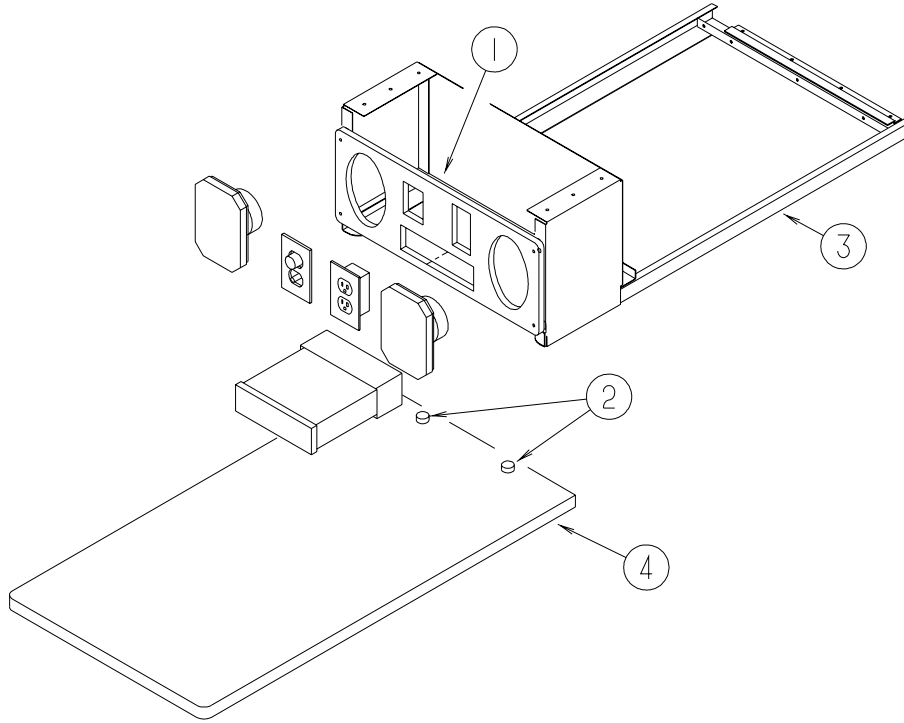
AUDIO VIDEO GROUP (CONTINUED)
COMPONENT PARTS FOR TV & VCR (CONTINUED)



137135-01-000

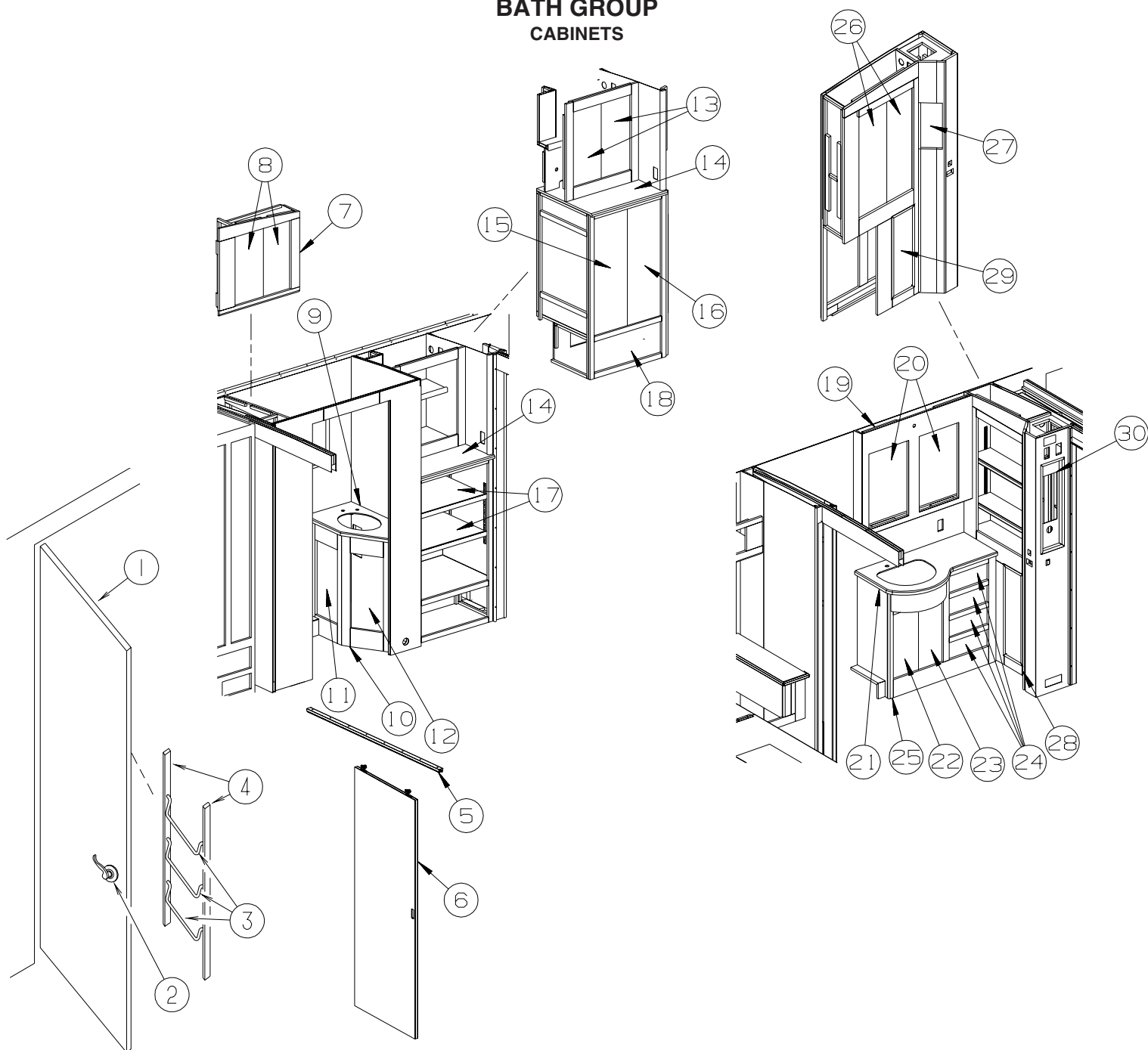
KEY	PART NUMBER	U/M	DESCRIPTION	VENDOR NO.
1	120233-01-714	EA	CLIP-E	5160818
2	137135-01-703	EA	SHAFT-ELEVATING(SPRING/PLUG)	RP-4400
3	137135-01-704	EA	PIN - 1/4" X 3.25"	2160813
4	137135-01-705	EA	SPRING	2160818
5	137135-01-707	EA	SEAL - PIVOT SHAFT	2200852
6	137135-01-708	EA	TURRET	3100728
7	137135-01-709	EA	PIVOT BEARING	2200470
8	137135-01-711	EA	GEAR - ELEVATING	2200464
9	137135-01-712	EA	BEARING - OUTER	2590347
10	137135-01-714	EA	GEAR - ELEVATING SHAFT	2200465
11	137135-01-715	EA	BEARING - INNER	2590348
12	137135-01-716	EA	HUB	3100731
13	137135-01-713	EA	TURRET BASE	3100730
14	137135-01-710	EA	PLATE - ROTATE LIMIT	3720052
15	137135-01-706	EA	KIT-TURRET/SEAL/BEARING/GEAR	RP-RM30
16	120233-01-734	EA	LOW NOISE BLOCK FILTER (SGL)	LB10003
17	137135-01-722	EA	CLAMP	2590343
18	137135-01-719	EA	BRACKET - PIVOT	2744945
19	137135-01-720	EA	DE-SENSOR UNIT W/43" CABLE	276342
20	137135-01-721	EA	WALL PLATE	3200213
21	137135-01-717	EA	BOLT - FLAT HEAD	216032
22	120233-01-722	EA	PLATE ASSEMBLY (CEILING)	2762826
23	120233-01-704	EA	DIAL - DIRECTIONAL	3200364
24	120233-01-721	EA	CRANK HANDLE ASSEMBLY	2762825
25	137135-01-701	EA	CONNECTOR - F - MALE TO MALE	FS-8100
	137135-01-700	EA	ROOF WEDGE W/GASKET	RW-5000
	137135-01-718	EA	REFLECTOR/WHITE - 46CM	2745282

AUDIO VIDEO GROUP (CONTINUED)
EXTERIOR ENTERTAINMENT



KEY	PART NUMBER	U/M	DESCRIPTION
1	126123-01-K30	EA	PLATE - RADIO MOUNTING - WHITE LAMINATE
2	069726-02-000	EA	BUMPER - .88" OD X .40" THICK - BLACK
3	126119-03-02B	EA	FRAME/ENTERTAINMENT CENTER - 24.6" X 10.3" - E-COATED
4	126125-01-K30	EA	TABLE - ENTERTAINMENT CENTER

BATH GROUP CABINETS



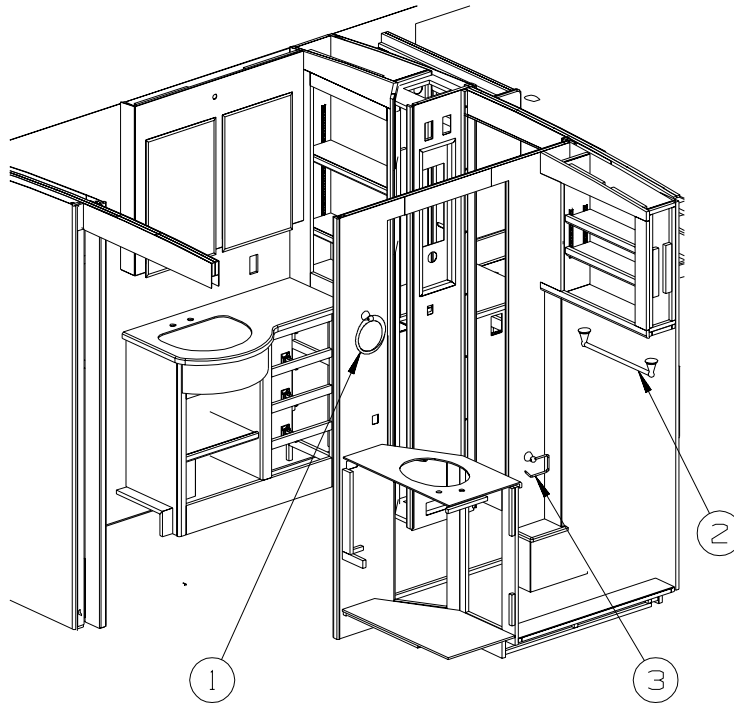
KEY	PART NUMBER	U/M	DESCRIPTION
1	131933-08-M42	EA	DOOR - BATH - W/O HARDWARE - PORTSMOUTH OAK
1	131933-08-M08	EA	DOOR - BATH - W/O HARDWARE - CONCERT CHERRY
2	111155-05-01A	EA	LOCK - PRIVACY/LOCKING - POLISHED BRASS - "S" SHAPE HANDLE FROM: 00-00-00 THRU: 01-26-03
2	146064-01-01A	EA	LOCK - PRIVACY HANDLE - POLISHED BRASS FROM: 01-27-03 THRU: 99-99-99
3	100357-01-000	EA	ROD - F/TOWEL BAR - BRASS
4	P34509-01-N01	EA	RAIL END - RH/LH - TOWEL RACK - PORTSMOUTH OAK - PORTSMOUTH OAK
4	P34509-01-P14	EA	RAIL END - RH/LH - TOWEL RACK - CHERRY - CONCERT CHERRY
5	137422-13-01A	EA	TRACK - DOOR - OFF WHITE
6	140629-02-N75	EA	DOOR - SLIDING - W/O HARDWARE - PORTSMOUTH OAK
6	140629-02-N85	EA	DOOR - SLIDING - W/O HARDWARE - CONCERT CHERRY
7	140191-01-N70	EA	CABINET - OVERHEAD/BATH - W/O DOORS/HARDWARE - PORTSMOUTH OAK
7	140191-01-N85	EA	CABINET - OVERHEAD/BATH - W/O DOORS/HARDWARE - CONCERT CHERRY
8	136709-58-P78	EA	DOOR - RAISED PANEL/OGEE EDGE - 11.4" X 21.8" - W/O HDW - PORTSMOUTH OAK
8	136709-58-P79	EA	DOOR - RAISED PANEL/OGEE EDGE - 11.4" X 21.8" - W/O HDW - CONCERT CHERRY
9	137162-09-02A	EA	COUNTERTOP - LAVATORY - 1/4" VENDURA - ALMONDINE

BATH GROUP (CONTINUED)
CABINETS (CONTINUED)

KEY	PART NUMBER	U/M	DESCRIPTION
10	140216-01-N75	EA	CABINET - LAVATORY - W/O COUNTERTOP/DOORS/DRAWERS/HARDWARE - PORTSMOUTH OAK
10	140216-01-N85	EA	CABINET - LAVATORY - W/O COUNTERTOP/DOORS/DRAWERS/HARDWARE - CONCERT CHERRY
11	136709-44-P78	EA	DOOR - RAISED PANEL/OGEE EDGE - 10.8" X 23.8" - W/O HDW - PORTSMOUTH OAK
11	136709-44-P79	EA	DOOR - RAISED PANEL/OGEE EDGE - 10.8" X 23.8" - W/O HDW - CONCERT CHERRY
12	136709-45-P78	EA	DOOR - RAISED PANEL/OGEE EDGE - 10.8" X 23.8" - W/O HDW - PORTSMOUTH OAK
12	136709-45-P79	EA	DOOR - RAISED PANEL/OGEE EDGE - 10.8" X 23.8" - W/O HDW - CONCERT CHERRY
13	136709-43-P78	EA	DOOR - RAISED PANEL/OGEE EDGE - 10.8" X 23.8" - W/O HDW - PORTSMOUTH OAK
13	136709-43-P79	EA	DOOR - RAISED PANEL/OGEE EDGE - 10.8" X 23.8" - W/O HDW - CONCERT CHERRY
14	133655-64-P78	EA	COUNTERTOP - LAMINATED - EGGSHELL/PORTSMOUTH OAK (P78, P80, P94)
14	133655-64-P79	EA	COUNTERTOP - LAMINATED - EGGSHELL/CHERRY (P79, P81, P95)
14	133655-64-P82	EA	COUNTERTOP - LAMINATED - GRAY TRANQUILITY/PORTSMOUTH OAK (P82)
14	133655-64-P83	EA	COUNTERTOP - LAMINATED - GRAY TRANQUILITY/CHERRY (P83)
15	132850-09-N75	EA	DOOR - LOUVERED/RH - 12.4" X 36" - W/O HARDWARE - PORTSMOUTH OAK
15	132850-09-M70	EA	DOOR - LOUVERED/RH - 12.4" X 36" - W/O HARDWARE - CONCERT CHERRY
16	132850-14-N75	EA	DOOR - LOUVERED/LH - 12.4" X 36" - W/O HARDWARE - PORTSMOUTH OAK
16	132850-14-N74	EA	DOOR - LOUVERED/LH - 12.4" X 36" - W/O HARDWARE - CONCERT CHERRY
17	139971-37-N75	EA	SHELF - W/PLASTIC EDGE MOLDING - PORTSMOUTH OAK - WASHER/DRYER PREP
17	139971-37-N85	EA	SHELF - W/PLASTIC EDGE MOLDING - CONCERT CHERRY - WASHER/DRYER PREP
18	M09316-42-N75	EA	DRAWER - OGEE EDGE - 22.9"W X 15.7"D - W/O SLIDES/HARDWARE - PORTSMOUTH OAK
18	M09316-42-N74	EA	DRAWER - OGEE EDGE - 22.9"W X 15.7"D - W/O SLIDES/HARDWARE - CONCERT CHERRY
19	140126-01-N86	EA	CABINET - MEDICINE - W/O DOORS/HARDWARE (P78, P79, P80, P81, P94, P95)
19	140126-01-N84	EA	CABINET - MEDICINE - W/O DOORS/HARDWARE (P82, P83)
20*	134528-01-01A	EA	CABINET - MEDICINE - W/DOOR W/MIRROR
21	137162-08-02A	EA	COUNTERTOP - LAVATORY - 1/4" VENDURA - ALMONDINE
22	136709-08-P78	EA	DOOR - RAISED PANEL/OGEE EDGE - 9.2" X 21.8" - W/O HDW - PORTSMOUTH OAK
22	136709-08-P79	EA	DOOR - RAISED PANEL/OGEE EDGE - 9.2" X 21.8" - W/O HDW - CONCERT CHERRY
23	136709-09-P78	EA	DOOR - RAISED PANEL/OGEE EDGE - 9.2" X 21.8" - W/O HDW - PORTSMOUTH OAK
23	136709-09-P79	EA	DOOR - RAISED PANEL/OGEE EDGE - 9.2" X 21.8" - W/O HDW - CONCERT CHERRY
24	M09316-A7-N75	EA	DRAWER - OGEE EDGE - 12.7"W X 12"D - W/O SLIDES/HARDWARE - PORTSMOUTH OAK
24	M09316-A7-N74	EA	DRAWER - OGEE EDGE - 12.7"W X 12"D - W/O SLIDES/HARDWARE - CONCERT CHERRY
25	140059-01-N75	EA	CABINET - LAVATORY - W/O COUNTERTOP/DOORS/DRAWERS/HARDWARE - PORTSMOUTH OAK
25	140059-01-N85	EA	CABINET - LAVATORY - W/O COUNTERTOP/DOORS/DRAWERS/HARDWARE - CONCERT CHERRY
26	136709-49-P78	EA	DOOR - RAISED PANEL/OGEE EDGE - 10.8" X 36.4" - W/O HDW - PORTSMOUTH OAK
26	136709-49-P14	EA	DOOR - RAISED PANEL/OGEE EDGE - 10.8" X 36.4" - W/O HDW - CONCERT CHERRY
	076767-04-000	EA	CABLE - STAINLESS STEEL - 5.9"
27	137602-51-N70	EA	POCKET - F/HAIR DRYER - PORTSMOUTH OAK
27	137602-51-N85	EA	POCKET - F/HAIR DRYER - CONCERT CHERRY
28	140359-03-P78	EA	CABINET - STORAGE - W/O DOORS/HARDWARE - PORTSMOUTH OAK
28	140359-03-P79	EA	CABINET - STORAGE - W/O DOORS/HARDWARE - CONCERT CHERRY
29	131995-K7-N70	EA	DOOR - RAIL/SOLID PANEL - 9.8" X 33.4" - W/O HARDWARE - PORTSMOUTH OAK FROM: 00-00-00 THRU: 08-22-02
29	136709-20-P78	EA	DOOR - RAISED PANEL/OGEE EDGE - 9.8" X 33.4" - W/O HDW - PORTSMOUTH OAK FROM: 08-23-02 THRU: 99-99-99
29	131995-K7-N74	EA	DOOR - RAIL/SOLID PANEL - 9.8" X 33.4" - W/O HARDWARE - CONCERT CHERRY FROM: 00-00-00 THRU: 08-22-02
29	136709-20-P79	EA	DOOR - RAISED PANEL/OGEE EDGE - 9.8" X 33.4" - W/O HDW - CONCERT CHERRY FROM: 08-23-02 THRU: 99-99-99
	076767-04-000	EA	CABLE - STAINLESS STEEL - 5.9"
30	137602-03-N75	EA	POCKET - MONITOR PANEL - PORTSMOUTH OAK - 1,500 WATT INVERTER/CHARGER
30	137602-03-N74	EA	POCKET - MONITOR PANEL - CONCERT CHERRY - 1,500 WATT INVERTER/CHARGER
30	137602-06-N75	EA	POCKET - MONITOR PANEL - PORTSMOUTH OAK - W/O DC/AC INVERTER/CHARGER
30	137602-06-N74	EA	POCKET - MONITOR PANEL - CONCERT CHERRY - W/O DC/AC INVERTER/CHARGER

*COMPONENT PARTS LISTED LATER IN THIS GROUP

BATH GROUP (CONTINUED)
CABINETS (CONTINUED)



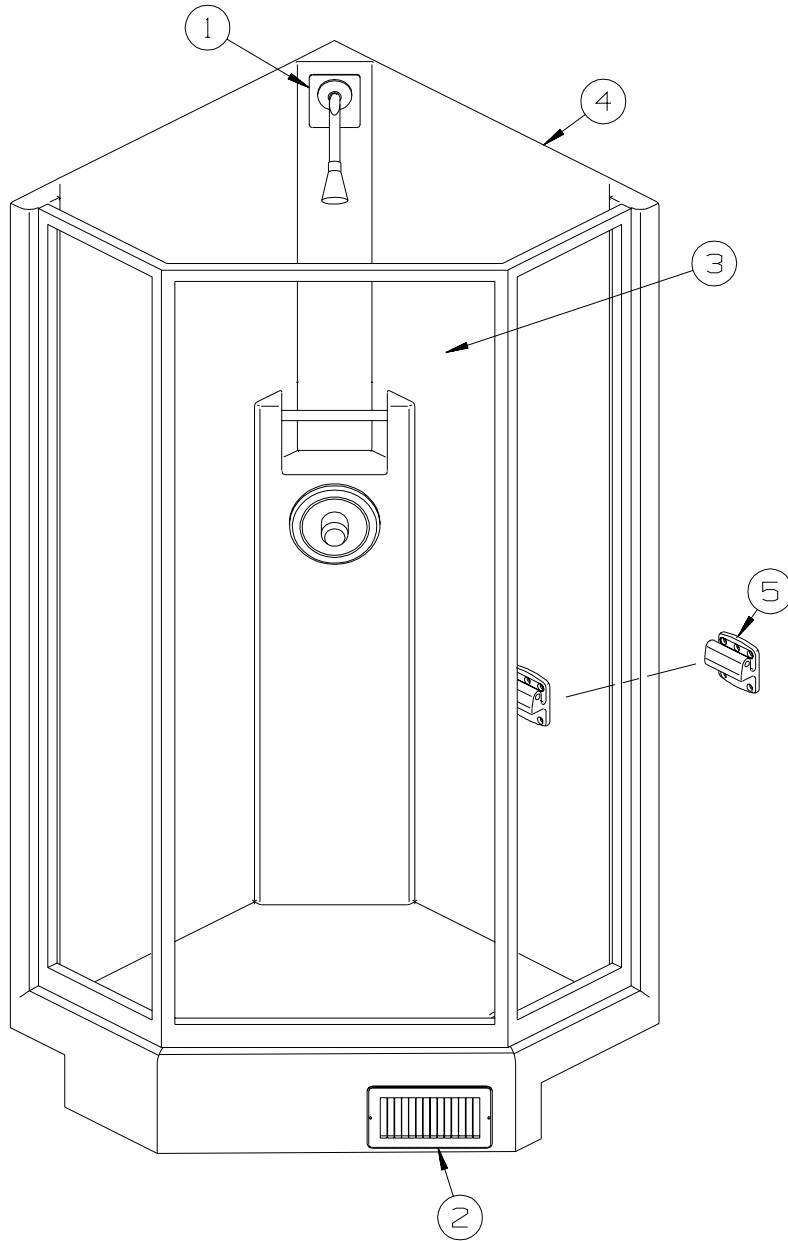
KEY	PART NUMBER	U/M	DESCRIPTION
1	132046-03-01A	EA	RING - TOWEL - BRASS
2	140849-01-01A	EA	BAR - TOWEL - 18" - BRASS
3	140973-01-01A	EA	HOLDER - PAPER - BRASS

BATH GROUP (CONTINUED)
COMPONENT PARTS FOR CABINETS

134528-01-01A

KEY	PART NUMBER	U/M	DESCRIPTION	VENDOR NO
	134528-01-700	EA	LATCH	

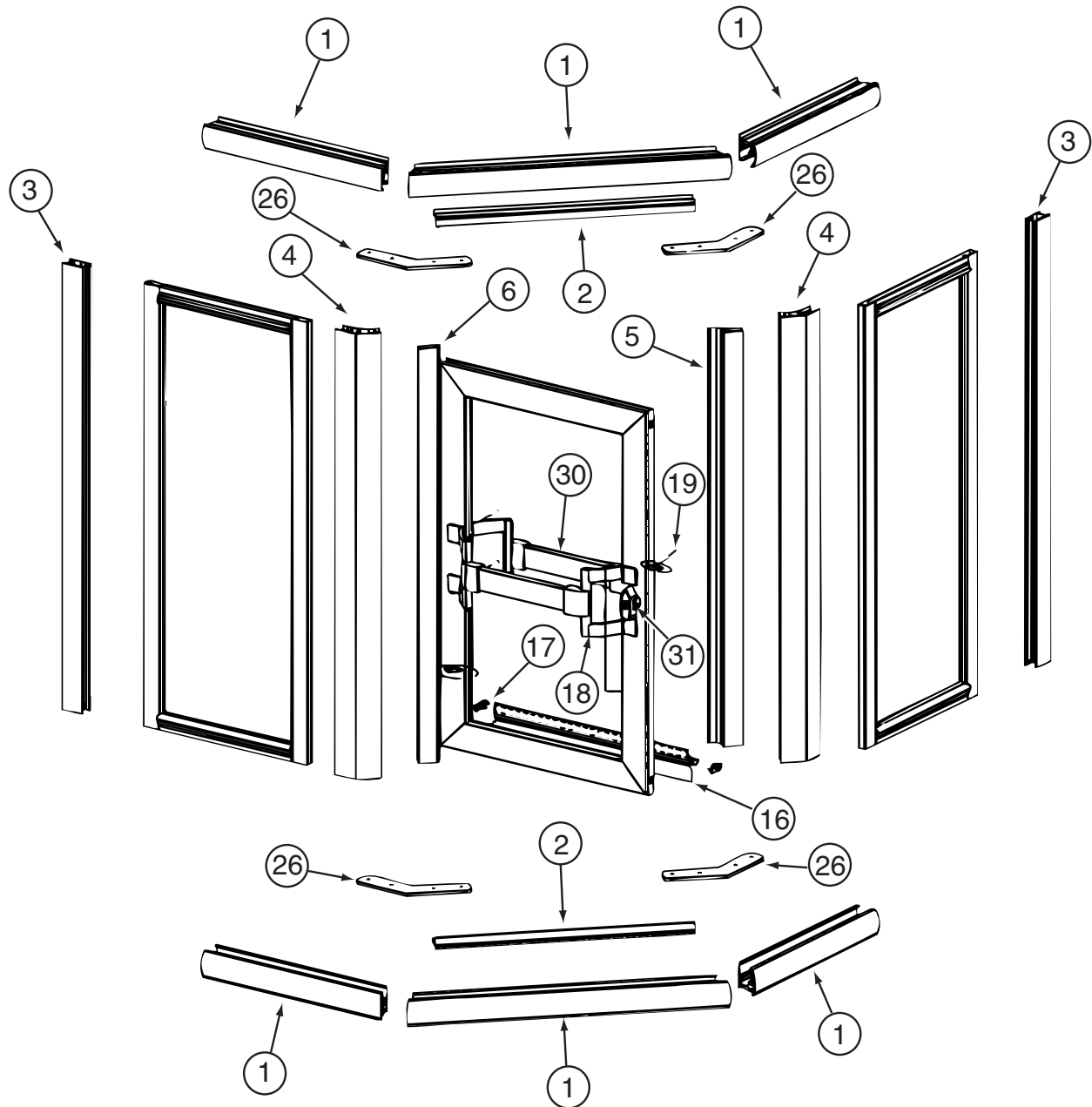
BATH GROUP (CONTINUED) SHOWER



KEY	PART NUMBER	U/M	DESCRIPTION
1	143218-01-02A	EA	PLATE/COVER - SHOWER HEAD - SOFT WHITE
2	089326-02-000	EA	GRILLE - FLOOR - HEATING - 9.3" X 5.3" - SOFT WHITE
3*	139047-05-01A	EA	DOOR - SHOWER - NEO ANGLE - 66.4" TALL - GOLD/AQUA
4	142017-01-01A	EA	SHOWER - FIBERGLASS - SOFT WHITE
5	135607-03-01A	EA	SEAT - SHOWER/FOLDING(FOR REPLACMENT OR OPTION INST ONLY)

***COMPONENT PARTS LISTED LATER IN THIS GROUP**

BATH GROUP (CONTINUED)
COMPONENT PARTS FOR SHOWER DOOR

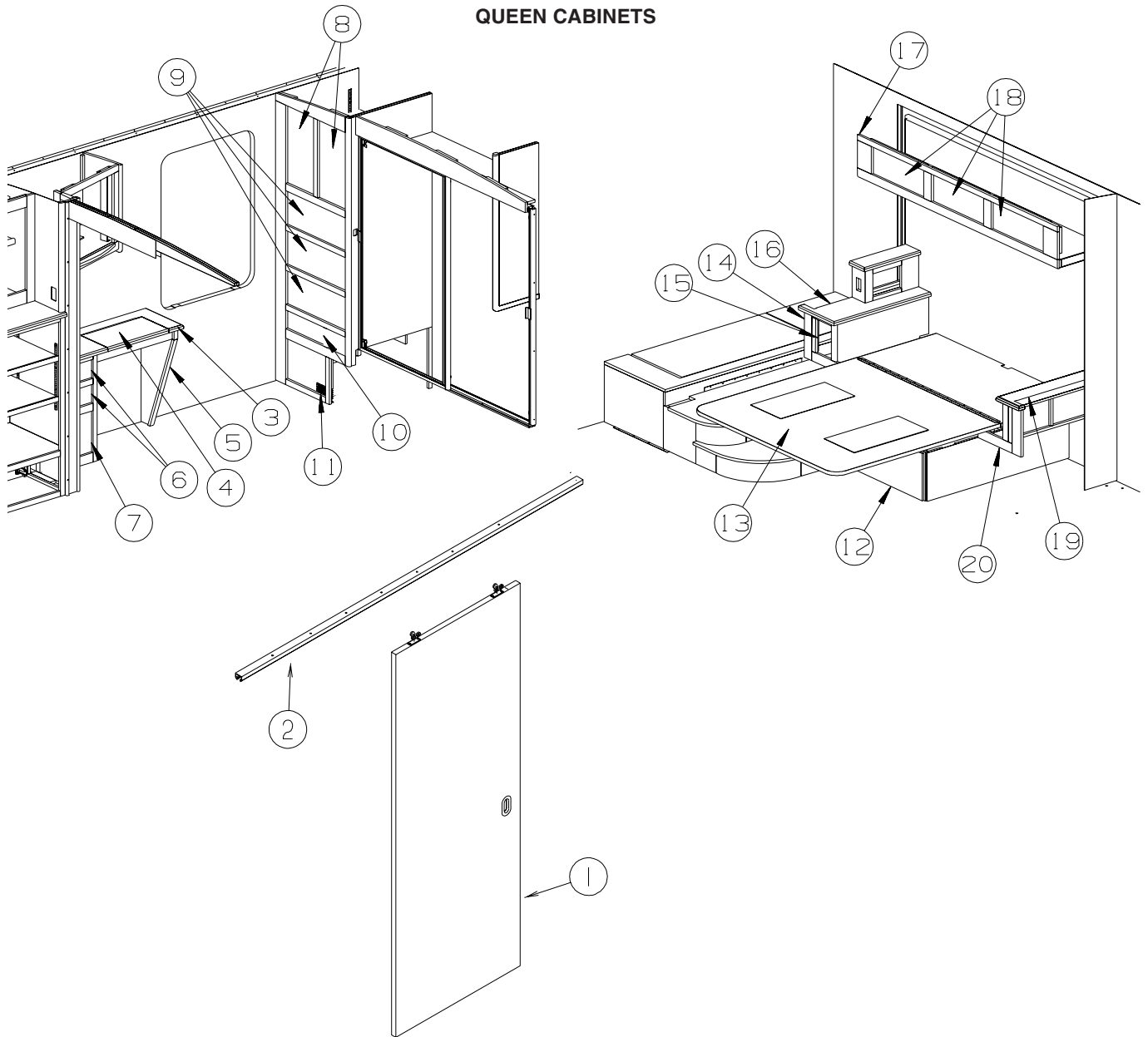


139047-05-01A

KEY	PART NUMBER	U/M	DESCRIPTION	VENDOR NO.
1	139047-01-700	EA	HEADER/SILL - 30" (PAIR)	900
2	139047-01-701	EA	DAM STRIP-TOP/BOTTOM-35.4"	901
3	139047-01-702	EA	JAMB - WALL - 65.9"	903
4	139047-01-703	EA	CORNER POST-45 DEGREE- 65.9"	909
5	139047-01-704	EA	STRIKE - JAMB - 64.6"	926
6	139047-01-705	EA	HINGE/POST - DOOR - 64.5"	920
16	139047-01-710	EA	VINYL SWEEP	C176G
17	139047-01-711	EA	PLUG - DRIP CAP (SET)	CP933
18	092574-01-701	EA	BRACKET/DOOR PULL/TOWEL BAR	8141G
19	092574-01-710	EA	SCREW-GOLD, FOR TOWEL BAR	83212G
26	139047-01-712	E	HEADER - CORNER BRACKET	313.45C
30	116814-01-700	EA	BAR-TOWEL 17 5/16"	68G
31	089318-01-707	EA	LATCH/CATCH - SAFETY - BLACK	9730N
	139047-01-706	EA	HINGE PINS	CP932
	139047-01-707	EA	WASHERS - HINGE	CP148TW
	139047-01-708	EA	HINGE - SLEEVE - 61.5"	C921B
	139047-01-709	EA	STRIP - MAGNETIC- 55"	98-42
	139047-01-713	EA	RAIL DRIP - 31.6"	927G

CONTACT WINNEBAGO PART SALES FOR UNLISTED COMPONENT

BEDROOM GROUP QUEEN CABINETS

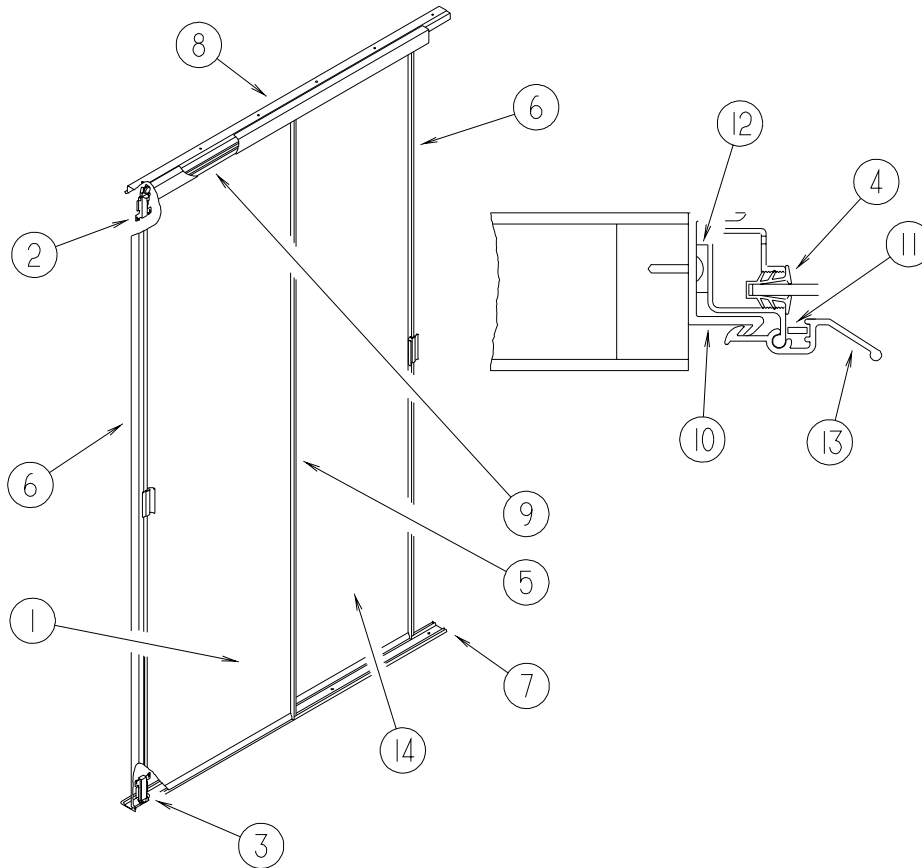


KEY	PART NUMBER	U/M	DESCRIPTION
1	137422-21-01A	EA	TRACK - DOOR - OFF WHITE
2	104013-11-M95	EA	DOOR - SLIDING - W/O HARDWARE - PORTSMOUTH OAK
2	104013-11-M94	EA	DOOR - SLIDING - W/O HARDWARE - CONCERT CHERRY
3	133655-65-P78	EA	COUNTERTOP - LAMINATED - EGGSHELL/PORTSMOUTH OAK (P78, P80, P94)
3	133655-65-P79	EA	COUNTERTOP - LAMINATED - EGGSHELL/CHERRY (P79, P81, P95)
3	133655-65-P82	EA	COUNTERTOP - LAMINATED - GRAY TRANQUILITY/PORTSMOUTH OAK (P82)
3	133655-65-P83	EA	COUNTERTOP - LAMINATED - GRAY TRANQUILITY/CHERRY (P83)
4	133655-20-P15	EA	COUNTERTOP - LAMINATED - EGGSHELL/PORTSMOUTH OAK (P78, P80, P94)
4	133655-20-P16	EA	COUNTERTOP - LAMINATED - EGGSHELL/CHERRY IV (P79, P81, P95)
4	133655-20-P13	EA	COUNTERTOP - LAMINATED - GRAY TRANQUILITY/PORTSMOUTH OAK (P82)
4	133655-20-P14	EA	COUNTERTOP - LAMINATED - GRAY TRANQUILITY (P83)
5	140272-01-N75	EA	CABINET - VANITY - W/O COUNTERTOP/DOORS/DRAWERS/HARDWARE - PORTSMOUTH OAK
5	140272-01-N85	EA	CABINET - VANITY - W/O COUNTERTOP/DOORS/DRAWERS/HARDWARE - CONCERT CHERRY
	140374-35-000	EA	MIRROR - SAFETY GLASS - 9" X 14.9"
6	M09316-12-N42	EA	DRAWER - OGEE EDGE - 13.5"W X 11.8"D - W/O SLIDES/HARDWARE - PORTSMOUTH OAK
6	M09316-12-L52	EA	DRAWER - OGEE EDGE - 13.5"W X 11.8"D - W/O SLIDES/HARDWARE - CONCERT CHERRY
7	M09316-A6-N75	EA	DRAWER - OGEE EDGE - 13.5"W X 15.7"D - W/O SLIDES/HARDWARE - PORTSMOUTH OAK
7	M09316-A6-L52	EA	DRAWER - OGEE EDGE - 13.5"W X 15.7"D - W/O SLIDES/HARDWARE - CONCERT CHERRY
8	136709-67-P78	EA	DOOR - RAISED PANEL/OGEE EDGE - 12" X 21.8" - W/O HDW - PORTSMOUTH OAK
8	136709-67-P14	EA	DOOR - RAISED PANEL/OGEE EDGE - 12" X 21.8" - W/O HDW - CONCERT CHERRY
9	M09316-N5-N53	EA	DRAWER - OGEE EDGE - 22.5"W X 23.6"D - W/O SLIDES/HARDWARE - PORTSMOUTH OAK
9	M09316-N5-N52	EA	DRAWER - OGEE EDGE - 22.5"W X 23.6"D - W/O SLIDES/HARDWARE - CONCERT CHERRY

BEDROOM GROUP (CONTINUED)
QUEEN CABINETS (CONTINUED)

KEY	PART NUMBER	U/M	DESCRIPTION
10	M09316-78-N75	EA	DRAWER - OGEE EDGE - 13.9"W X 23.6"D - W/O SLIDES/HARDWARE - PORTSMOUTH OAK
10	M09316-78-N74	EA	DRAWER - OGEE EDGE - 13.9"W X 23.6"D - W/O SLIDES/HARDWARE - CONCERT CHERRY
11	140594-03-01A	EA	GRILL - RETURN AIR - 11.8" X 19.6" - BLACK
12	140361-01-N75	EA	CABINET/BASE - F/QUEEN BED - W/O DRS/HDW - PORTSMOUTH OAK - W/O DC/AC INVRTR/CHARGER
12	140361-01-N85	EA	CABINET/BASE - F/QUEEN BED - W/O DRS/HDW - CONCERT CHERRY - W/O DC/AC INVRTR/CHARGER
12	140361-02-N75	EA	CABINET/BASE - F/QUEEN BED - W/O DRS/HDW - PORTSMOUTH OAK - 1.5 KW INVERTER/CHARGER
12	140361-02-N85	EA	CABINET/BASE - F/QUEEN BED - W/O DRS/HDW - CONCERT CHERRY - 1.5 KW INVERTER/CHARGER
13	137406-04-N52	EA	BEDBOARD - W/HINGE/T-MOLDING/SLIPNOT - FLIP-UP
14	140557-01-N75	EA	CABINET - NIGHTSTAND - W/O COUNTERTOP/DOOR/DRAWERS/HDW - PORTSMOUTH OAK
14	140557-01-N85	EA	CABINET - NIGHTSTAND - W/O COUNTERTOP/DOOR/DRAWERS/HDW - CONCERT CHERRY
15	M09316-P6-N75	EA	DRAWER - OGEE EDGE - 5.2"W X 15.7"D - W/O SLIDE/HARDWARE - PORTSMOUTH OAK
15	M09316-P6-N74	EA	DRAWER - OGEE EDGE - 5.2"W X 15.7"D - W/O SLIDE/HARDWARE - CONCERT CHERRY
16	133655-66-P78	EA	COUNTERTOP - LAMINATED - EGGHELL/PORTSMOUTH OAK (P78, P80, P94) - W/O RR STEREO SYS
16	133655-66-P79	EA	COUNTERTOP - LAMINATED - EGGHELL/CHERRY IV (P79, P81, P95) - W/O RR STEREO SYS
16	133655-66-P82	EA	COUNTERTOP - LAMINATED (P82) - W/O RR STEREO SYS
16	133655-66-P83	EA	COUNTERTOP - LAMINATED - GRAY TRANQUILITY/CHERRY IV (P83) - W/O RR STEREO SYS
16	133655-74-P78	EA	COUNTERTOP - LAMINATED - EGGHELL/PORTSMOUTH OAK (P78, P80, P94) - REAR STEREO SYS
16	133655-74-P79	EA	COUNTERTOP - LAMINATED - EGGHELL/CHERRY (P79, P81, P95) - REAR STEREO SYS
16	133655-74-P82	EA	COUNTERTOP - LAMINATED - GRAY TRANQUILITY/PORTSMOUTH OAK (P82) - REAR STEREO SYS
16	133655-74-P83	EA	COUNTERTOP - LAMINATED - GRAY TRANQUILITY/CHERRY IV (P83) - REAR STEREO SYS
17	140556-01-N75	EA	CABINET - OVERHEAD/REAR - W/O DOORS/HARDWARE - PORTSMOUTH OAK - REAR STEREO SYS
17	140556-01-N85	EA	CABINET - OVERHEAD/REAR - W/O DOORS/HARDWARE - CONCERT CHERRY - REAR STEREO SYS
17	140556-02-N75	EA	CABINET - OVERHEAD/REAR - W/O DOORS/HARDWARE - PORTSMOUTH OAK - W/O RR STEREO SYS
17	140556-02-N85	EA	CABINET - OVERHEAD/REAR - W/O DOORS/HARDWARE - CONCERT CHERRY - W/O RR STEREO SYS
18	136709-07-P78	EA	DOOR - RAISED PANEL/OGEE EDGE - 9.2" X 21.8" - W/O HDW - PORTSMOUTH OAK
18	136709-07-P79	EA	DOOR - RAISED PANEL/OGEE EDGE - 9.2" X 21.8" - W/O HDW - CONCERT CHERRY
19	133655-70-P78	EA	COUNTERTOP - LAMINATED - EGGHELL/PORTSMOUTH OAK (P78, P80, P94)
19	133655-70-P79	EA	COUNTERTOP - LAMINATED - EGGHELL/CHERRY (P79, P81, P95)
19	133655-70-P82	EA	COUNTERTOP - LAMINATED - GRAY TRANQUILITY/PORTSMOUTH OAK (P82)
19	133655-70-P83	EA	COUNTERTOP - LAMINATED - GRAY TRANQUILITY/CHERRY (P83)
20	140558-01-N75	EA	CABINET - NIGHTSTAND - W/O COUNTERTOP/DOORS/DRAWERS/HDW - PORTSMOUTH OAK
20	140558-01-N85	EA	CABINET - NIGHTSTAND - W/O COUNTERTOP/DOORS/DRAWERS/HDW - CONCERT CHERRY

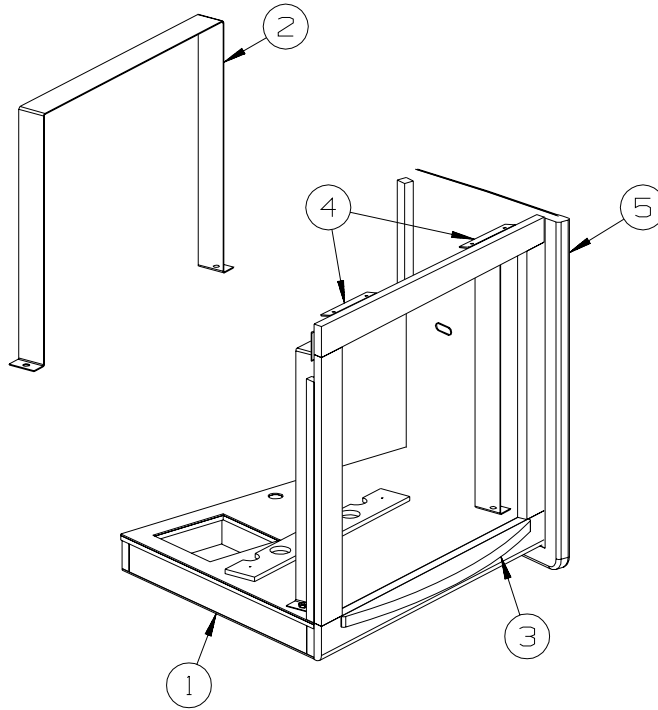
BEDROOM GROUP (CONTINUED)
QUEEN CABINETS (CONTINUED)



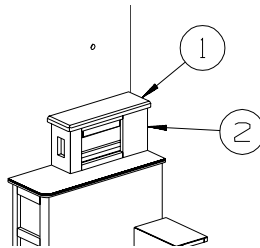
KEY	PART NUMBER	U/M	DESCRIPTION
1	136681-21-N84 140374-57-000	EA	DOOR - MIRRORED/WARDROBE - LH - W/HANGERS/GUIDES/LATCH
2	107390-02-000	EA	CORNER HANGER (DOUBLE ROLLER W/BRACKET) (SOLD AS 1 EACH)
3	107391-01-000	EA	GUIDE - BOTTOM - BY-PASS (4 USED PER DOOR)
4	111575-01-01A	FT	CHANNEL - GLAZING - SWING DOOR
5	114104-21-01A	EA	STILE - DOOR - SLIDING - 57.9" - TERRATONE
6	114104-22-01A	EA	STILE - DOOR - SLIDING - 57.9" - TERRATONE
7	114105-18-01A	EA	TRACK - SLIDING DOOR - LOWER - 67.2" - TERRATONE
8	114106-18-01A	EA	TRACK - SLIDING DOOR - UPPER - 67.2" - TERRATONE
9	114107-03-01A	EA	RAIL - DOOR/SLIDING - UPPER/LOWER - 34.1" - TERRATONE
10	115538-10-01A	EA	JAMB - DOOR - WARDROBE/MIRRORED - 58.6" - BLACK
11	115541-01-000	EA	SPRING - DOOR - SLIDING
12	123655-01-000	FT	SEAL - CLOSED CELL/FOAM
13	132038-01-01A	EA	LATCH - DOOR/WARDROBE - TERRATONE
14	136680-21-N84 140374-57-000	EA	DOOR - MIRRORED/WARDROBE - RH - W/HANGERS/GUIDES/LATCH
		EA	MIRROR - SAFETY GLASS - 34.7" X 57.9"

BEDROOM GROUP (CONTINUED)

TV & RADIO CABINETS



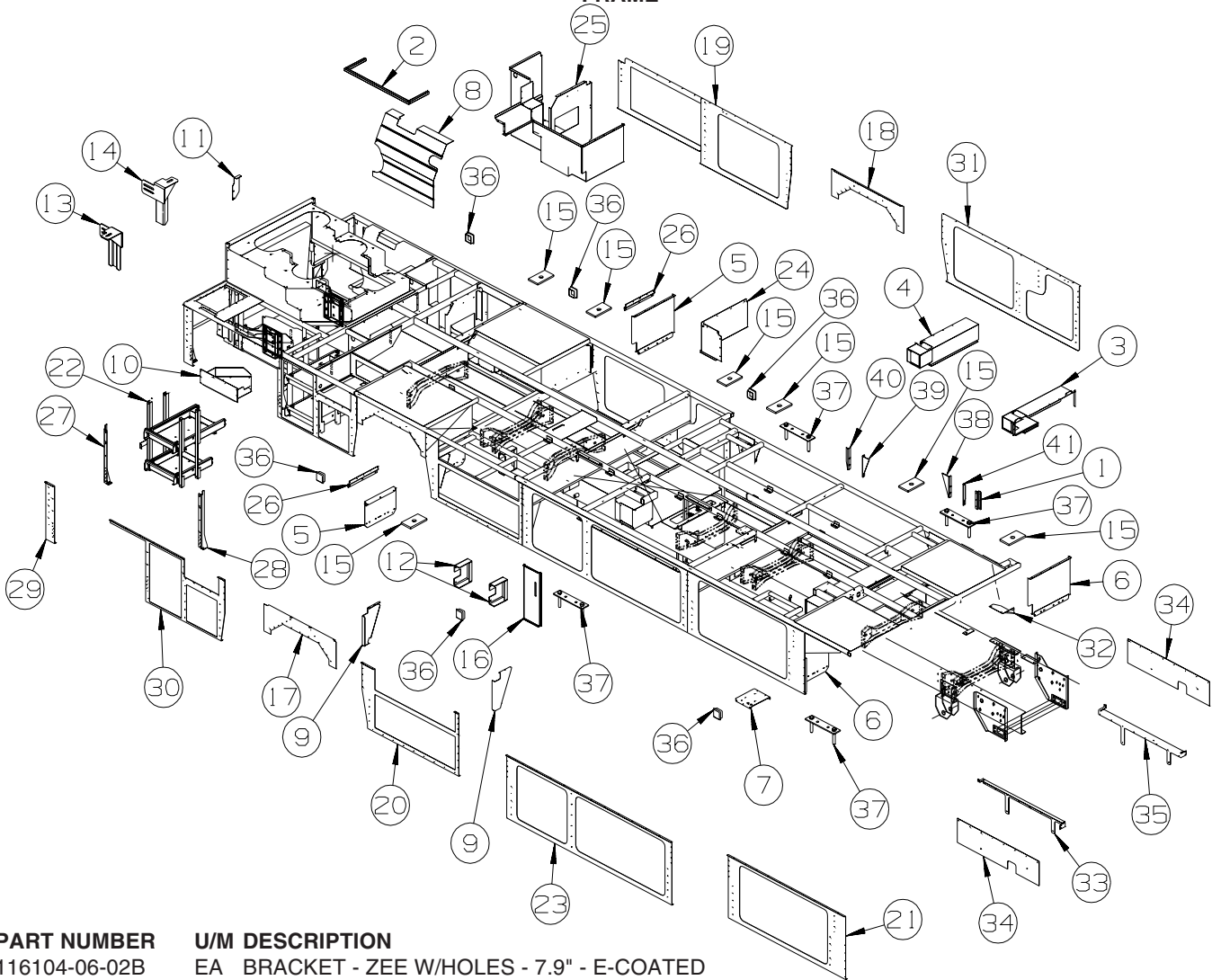
KEY	PART NUMBER	U/M	DESCRIPTION
1	140236-01-N75	EA	CABINET - OVERHEAD/TV - W/O DOORS/HARDWARE - PORTSMOUTH OAK
1	140236-01-N85	EA	CABINET - OVERHEAD/TV - W/O DOORS/HARDWARE - CONCERT CHERRY
2	115466-28-02B	EA	STRAP - TIEDOWN/TV - E-COATED
3	P39390-01-N30	EA	TRIM - TV/CURVED - PORTSMOUTH OAK
3	P39390-01-N94	EA	TRIM - TV/CURVED - CONCERT CHERRY
4	106699-01-01A	EA	BRACKET F/TV INSTALLATION - OVERHEAD CABINET
5	P38119-29-N75	EA	END CAP - OVERHEAD CABINET - PORTSMOUTH OAK
5	P38119-29-N85	EA	END CAP - OVERHEAD CABINET - CONCERT CHERRY



KEY	PART NUMBER	U/M	DESCRIPTION
1	133655-67-P78	EA	COUNTERTOP - LAMINATED - EGGSHELL/PORTSMOUTH OAK (P78, P80, P94)
1	133655-67-P79	EA	COUNTERTOP - LAMINATED - EGGSHELL/CHERRY IV (P79, P81, P95)
1	133655-67-P82	EA	COUNTERTOP - LAMINATED - GRAY TRANQUILITY/PORTSMOUTH OAK (P82)
1	133655-67-P83	EA	COUNTERTOP - LAMINATED - GRAY TRANQUILITY/CHERRY IV (P83)
2	140452-01-N75	EA	CABINET - F/RADIO - W/O HARDWARE - PORTSMOUTH OAK
2	140452-01-N85	EA	CABINET - F/RADIO - W/O HARDWARE - CONCERT CHERRY

CHASSIS GROUP

FRAME



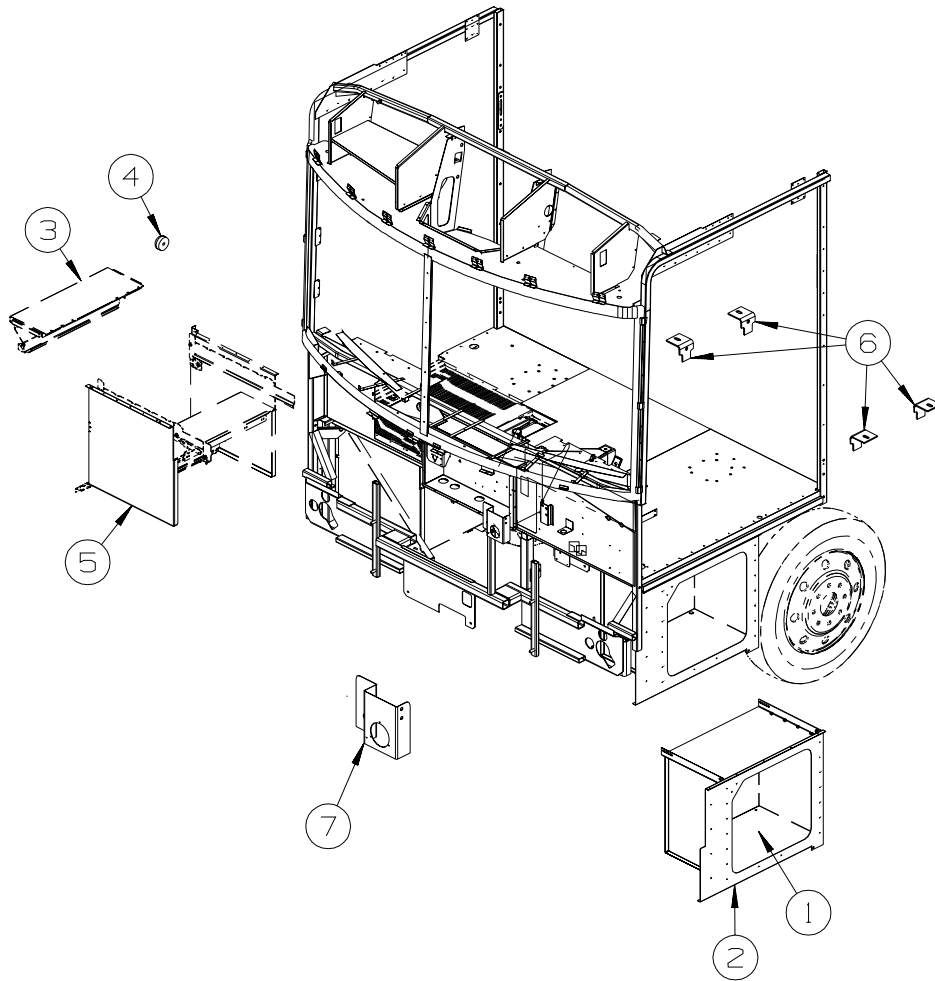
KEY	PART NUMBER	U/M	DESCRIPTION
1	116104-06-02B	EA	BRACKET - ZEE W/HOLES - 7.9" - E-COATED
2	134225-01-02B	EA	SUPPORT - CONDENSOR SHIELD - E-COATED
	122922-02-02B	EA	BRACKET/CYLINDER SUPPORT - E-COATED
3	135401-01-02B	EA	COMPARTMENT - E-COATED
4	135401-03-02B	EA	COMPARTMENT - E-COATED
5	136391-01-02B	EA	GUARD/ROCK - STEEL - W/ANGLE - 18"W X 11"H - E-COATED
6	136391-02-02B	EA	GUARD/ROCK - STEEL - W/ANGLE - 18"W X 15"H - E-COATED
7	138799-01-02B	EA	SHIM - BODY - E-COATED
7	144724-01-02B	EA	BRACKET - SENSOR/LEVELING - E-COATED
FROM: 00-00-00 THRU: 12-22-02			
FROM: 12-23-02 THRU: 99-99-99			
8	139420-01-02B	EA	SHIELD - A/C CONDENSOR - E-COATED
9	140166-01-02B	EA	SUPPORT - SEAL PLANE - E-COATED
10	140290-01-02B	EA	PANEL - CONTROL/POWER - E-COATED
11	141728-01-02B	EA	HANGER - EXHAUST - E-COATED
12	120867-01-02B	EA	MOUNT - LP TANK - E-COAT
13	131328-03-02B	EA	SUPPORT - REAR RISER - RIGHT HAND - E-COATED
14	131328-04-02B	EA	SUPPORT - REAR RISER - LEFT HAND - E-COATED
15	135712-01-02B	EA	PLATE - BODY MOUNT - E-COATED
16	117804-13-02B	EA	PANEL - CLOSEOUT - HEAT DUCT - E-COATED
17	119750-04-02B	EA	SEAL PLANE/WHEEL WELL - RIGHT HAND - E-COATED
18	119750-05-02B	EA	SEAL PLANE/WHEEL WELL - LEFT HAND - E-COATED
19	135640-01-02B	EA	SEAL PLANE - E-COATED
20	135642-01-02B	EA	PLATE/SEAL - E-COATED
21	138549-01-02B	EA	PLATE/SEAL - E-COATED
22	138866-01-01A	EA	SLIDE - BATTERY TRAY
23	139876-01-02B	EA	PLATE/SEAL - E-COATED
24	139885-01-02B	EA	PANEL - CLOSEOUT - E-COATED
25	140102-01-02B	EA	COMPARTMENT - POWER CORD - E-COATED

CHASSIS GROUP (CONTINUED)
FRAME (CONTINUED)

KEY	PART NUMBER	U/M	DESCRIPTION
26	140273-01-02B	EA	BRACE - ROCK GUARD - E-COATED FROM: 08-26-02 THRU: 99-99-99
27	141649-01-02B	EA	BRACKET - A/C - E-COATED
28	141649-02-02B	EA	BRACKET - A/C - E-COATED
29	141650-01-02B	EA	PLATE/SEAL - E-COATED
30	141651-01-02B	EA	PLATE - SEAL - FURNACE - E-COATED
31	143173-01-02B	EA	PLATE - SEAL - E-COATED
32	143530-01-02B	EA	COVER/HOLE - SEAL ACCESS/SLIDEOUT - E-COATED FROM: 05-24-02 THRU: 99-99-99
33	143916-01-02B	EA	BRACKET/SHIELD - SPLASH - E-COATED
34	143917-01-01A	EA	SHIELD/SPLASH - WHEELWELL
35	143916-02-02B	EA	BRACKET/SHIELD - SPLASH - E-COATED
36	119845-01-01A	EA	PLUG/PLASTIC - 1 1/2" SQUARE - BLACK
37	136995-02-02B	EA	PLATE - E-COATED
38	131531-01-02B	EA	GUSSET - SLIDEOUT - E-COATED
39	131531-02-02B	EA	GUSSET - SLIDEOUT - E-COATED
40	131531-04-02B	EA	GUSSET - SLIDEOUT - E-COATED
41	131531-07-02B	EA	GUSSET - SLIDEOUT - E-COATED

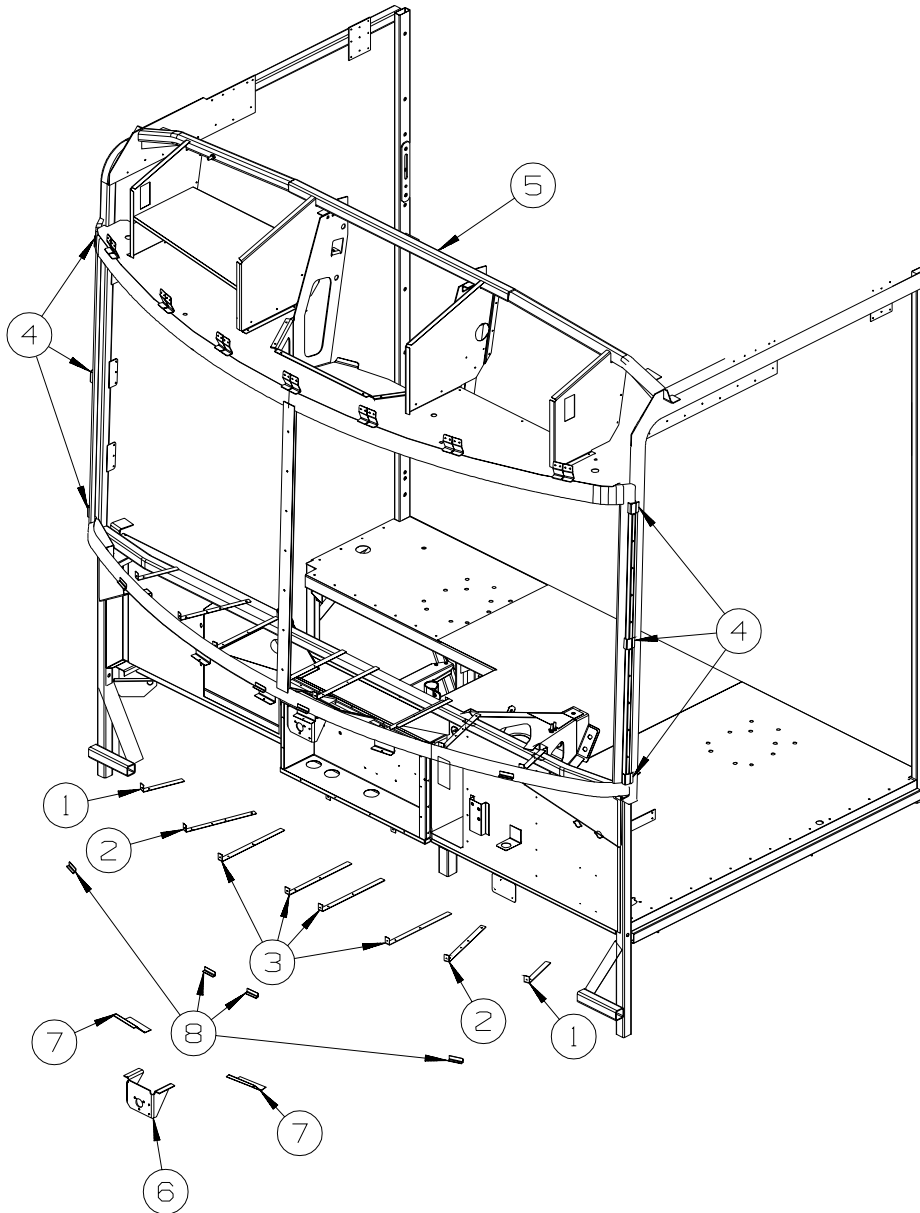
CHASSIS GROUP (CONTINUED)

FRONT END



KEY	PART NUMBER	U/M	DESCRIPTION
1	123764-05-02B	EA	COMPARTMENT/LUGGAGE - E-COATED
2	136332-01-02B	EA	SEAL PLANE - FRONT - E-COAT
			FROM: 00-00-00 THRU: 12-08-02
2	136332-02-02B	EA	PANEL/SEAL - FRONT - E-COATED
			FROM: 12-09-02 THRU: 99-99-99
3	131519-03-PC0	EA	STEP - FOLD UP - ENTRY DOOR
4	120863-08-000	EA	BUMPER - RUBBER - W/INSERT - .4" X .7"
5	132987-03-02B	EA	STEP - ENTRY DOOR - E-COATED
6	117154-04-02B	EA	MOUNT - FRAME RAIL/FLOOR
7	142478-01-04B	EA	BRACKET - GAUGE - AIR SOURCE - BLACK

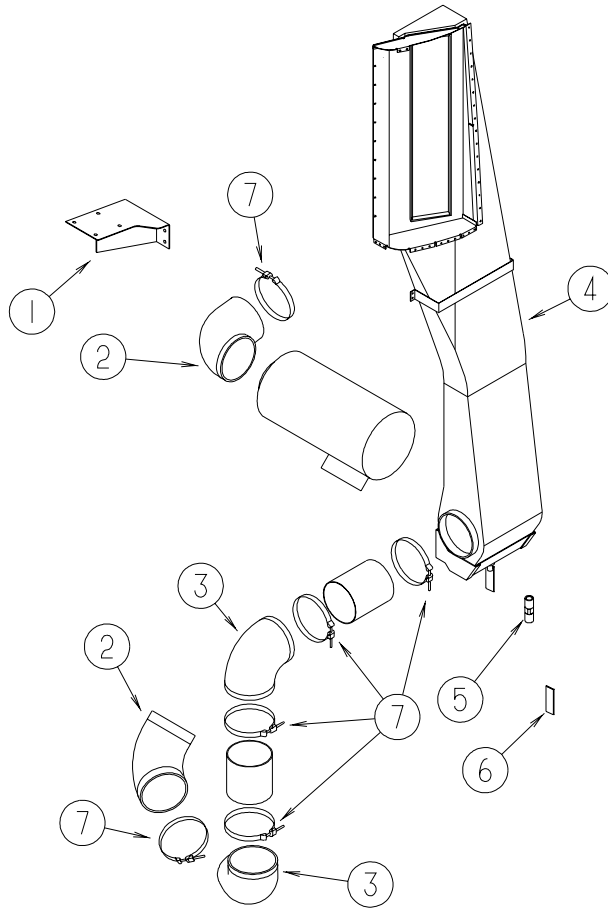
CHASSIS GROUP (CONTINUED)
FRONT END (CONTINUED)



KEY	PART NUMBER	U/M	DESCRIPTION
1	137047-06-01B	EA	STRAP - DEFROSTER PLENUM
2	137047-05-01B	EA	STRAP - DEFROSTER PLENUM
3	137047-04-01B	EA	STRAP - DEFROSTER PLENUM
4	120363-01-01B	EA	BRACKET - WINDSHIELD
5	132796-01-01B	EA	SUPPORT - CABINET/TV - FRONT MIDDLE
6	134506-01-01B	EA	BRACKET - WIPER MOTOR
7	134202-01-01B	EA	REINFORCEMENT - SUPPORT - LOWER WINDSHIELD/MIDDLE
8	076364-57-000	EA	ANGLE - FORMED

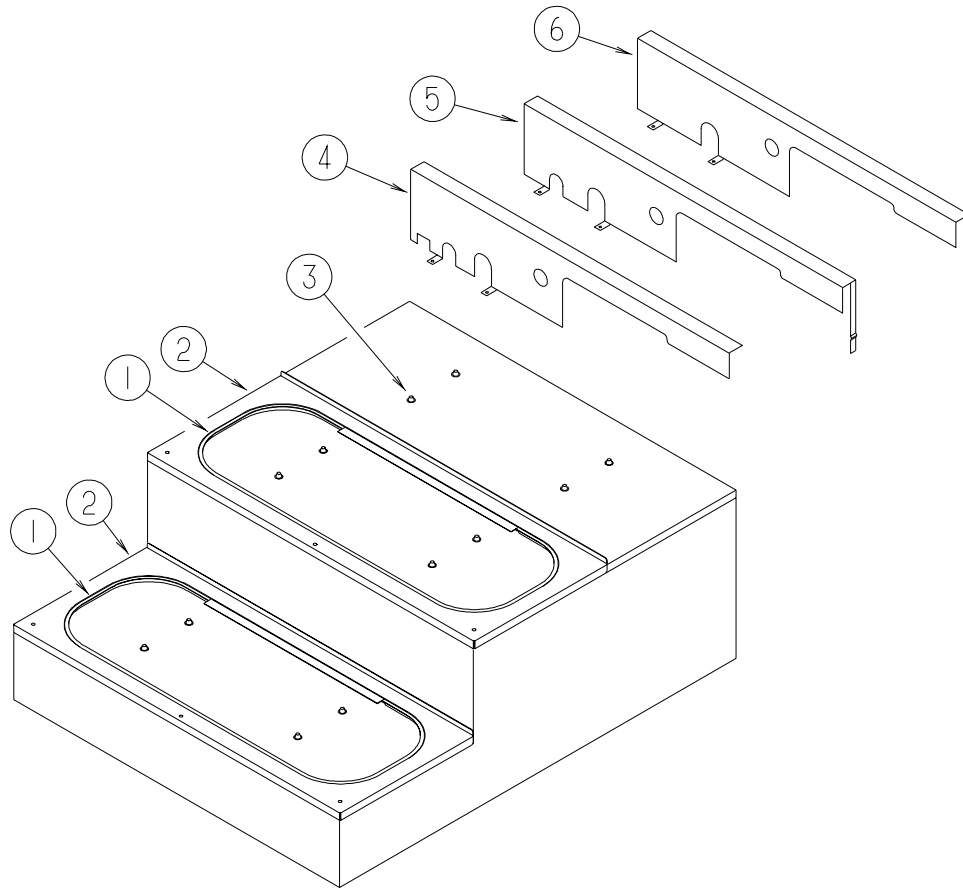
CHASSIS GROUP (CONTINUED)

AIR INTAKE



KEY	PART NUMBER	U/M	DESCRIPTION
1	136817-01-02B	EA	BRACKET/AIR FILTER - E-COATED - P32T, P32TD
2	123362-03-000	EA	ELBOW - RUBBER - 68 DEGREE 6" ID
3	123362-02-000	EA	ELBOW - AIR INTAKE - RUBBER - 90 DEGREE 6" ID
4	129514-02-01A	EA	DUCT - INTAKE AIR - W/FITTING
	129514-01-01A	EA	DUCT - INTAKE AIR
5	135386-01-000	EA	NIPPLE - 1/2"
6	130377-01-000	EA	TUBE/DRAIN - KAZOO - 1 1/4" X 4"
7	125083-01-01A	EA	CLAMP - T BOLT - 6"

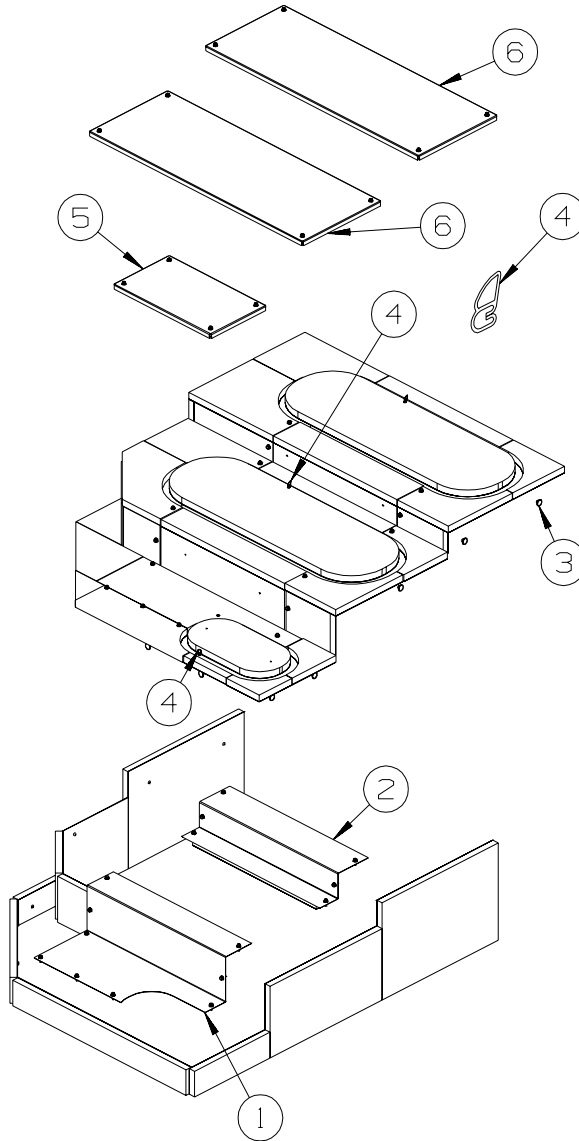
CHASSIS GROUP (CONTINUED) INSULATION



P32TD, P34HD, P36LD, P36GD

KEY	PART NUMBER	U/M	DESCRIPTION
1	039623-01-000	FT	SEAL - MOTOR COVER - RUBBER BULB TYPE
2	134340-01-02B	EA	COVER - ENGINE - E-COATED
3	106648-01-000	EA	CAP - STUD - .120 TO .130 DIAMETER
4	NOT USED		
5	134068-03-02B	EA	ANGLE - BAFFLE/TOP - E-COATED - P32TD
6	134068-02-02B	EA	ANGLE - BAFFLE/TOP - E-COATED - P34HD, P36LD, P36GD
	072877-03-000	EA	INSULATION - SOUND BARRIER- 1" X 36" X 57" - ADHESIVE BACK
	107721-07-000	FT	SEAL - ACCESS DOOR - .9" WIDE X 1.1" HIGH

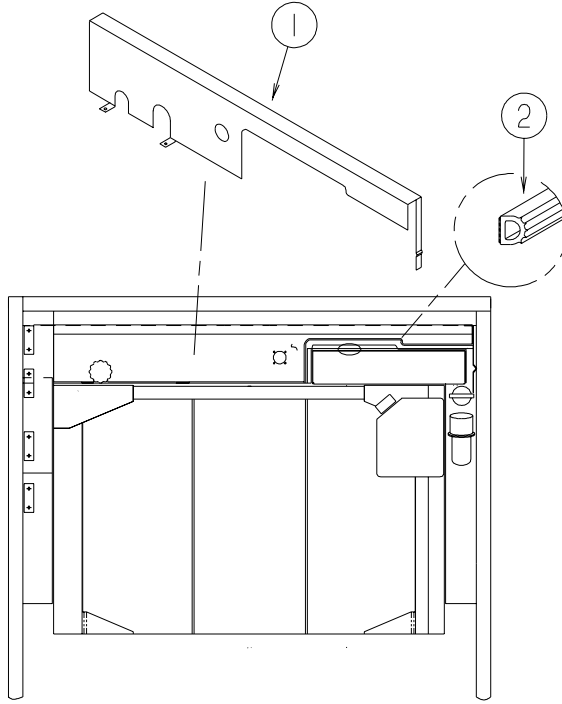
CHASSIS GROUP (CONTINUED)
INSULATION (CONTINUED)



P39QD, P39WD

KEY	PART NUMBER	U/M	DESCRIPTION
1	140564-02-02B	EA	PANEL/ACCESS - ENGINE COMPARTMENT - E-COATED
2	140351-02-02B	EA	PANEL - ACCESS/COMPARTMENT - E-COATED
3	106648-01-000	EA	CAP - STUD - .120 TO .130 DIAMETER
4	039623-01-000	EA	SEAL - MOTOR COVER - RUBBER BULB TYPE
5	140420-01-02B	EA	COVER - ENGINE - E-COATED
6	140399-01-02B	EA	COVER - ENGINE - E-COATED
	072877-03-000	EA	INSULATION - SOUND BARRIER- 1" X 36" X 57" - ADHESIVE BACK

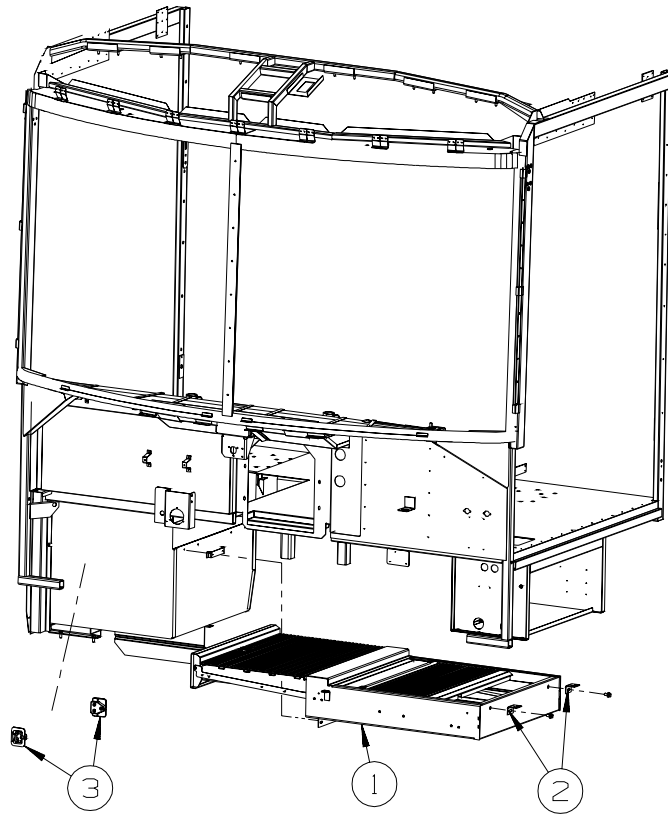
CHASSIS GROUP (CONTINUED)
INSULATION (CONTINUED)



P39QD, P39WD

KEY	PART NUMBER	U/M	DESCRIPTION
1	134068-02-02B	EA	ANGLE - BAFFLE/TOP - E-COATED
2	107721-07-000	FT	SEAL - ACCESS DOOR - .9" WIDE X 1.1" HIGH

CHASSIS GROUP (CONTINUED)
STEPWELL COVER



KEY	PART NUMBER	U/M	DESCRIPTION
1*	141691-01-01A	EA	STEP COVER - SLIDING
2	142274-01-02B	EA	BRACKET - STEP COVER - E-COATED
3	142499-01-01A	EA	BLOCK/SUPPORT (STEP COVER)

***COMPONENT PARTS LISTED LATER IN THIS GROUP**

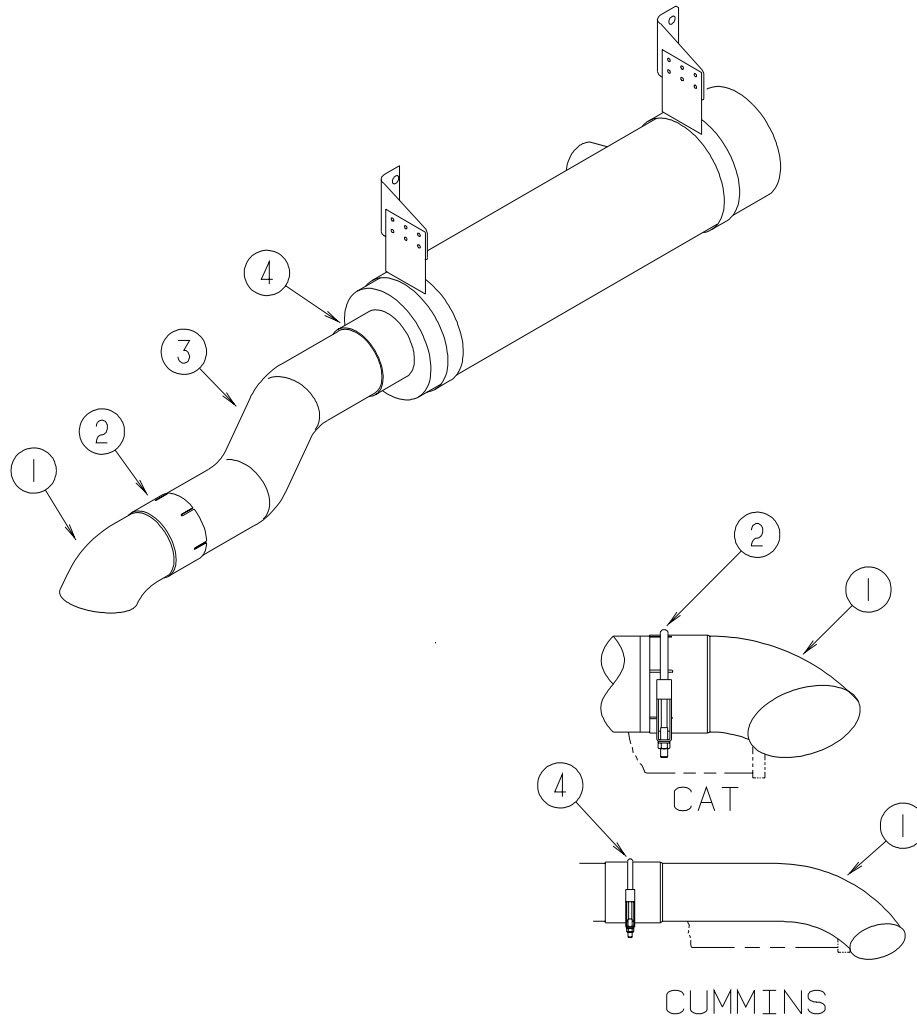
CHASSIS GROUP (CONTINUED)
COMPONENT PARTS FOR STEPWELL COVER

141691-01-01A

KEY	PART NUMBER	U/M	DESCRIPTION	VENDOR NO.
	141691-01-700	EA	CABLE - 36"	1218751
	141691-01-701	EA	CABLE - 63"	1218752
	141691-01-702	EA	BEARING/ROLLER	1912040
	141691-01-703	EA	LATCH - CABLE RELEASE	1912125
	141691-01-704	EA	SPRING - CABLE PRELOAD	1217507
	141691-01-705	EA	DRUM - CABLE TO MOTOR	1612535
	141691-01-706	EA	BUSHING - .625" X .813"	1614003
	141691-01-707	EA	WIRE HARNESS - PACKARD END	1809938
	141691-01-708	EA	MOTOR W/9 TOOTH PINION	1820122

CHASSIS GROUP (CONTINUED)

EXHAUST



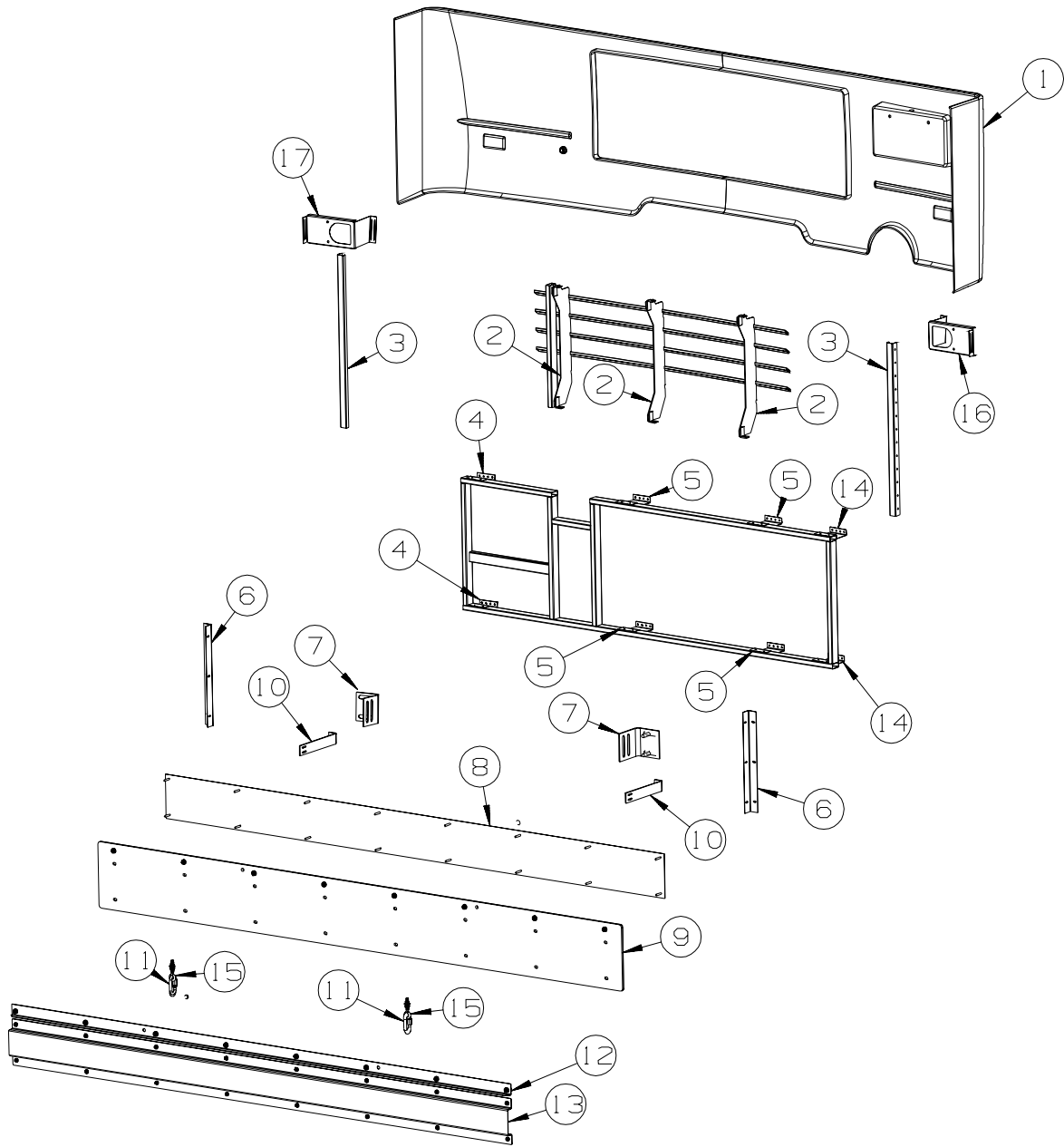
KEY	PART NUMBER	U/M	DESCRIPTION
1	116425-03-000	EA	EXTENSION - EXHAUST - CHROMED - 4"
2	NOT USED		
3	114869-09-000	EA	PIPE - EXHAUST - P32T
3	114869-06-000	EA	PIPE - EXHAUST
4	094918-05-000	EA	CLAMP - EXHAUST - 4 7/16" - GUILLOTINE STYLE

HITCH

KEY	PART NUMBER	U/M	DESCRIPTION
	134016-02-01A	EA	DRAWBAR - HITCH - CLASS 4
	134016-03-01A	EA	DRAWBAR/HITCH - CLASS 4 - TOW POWER CHASSIS

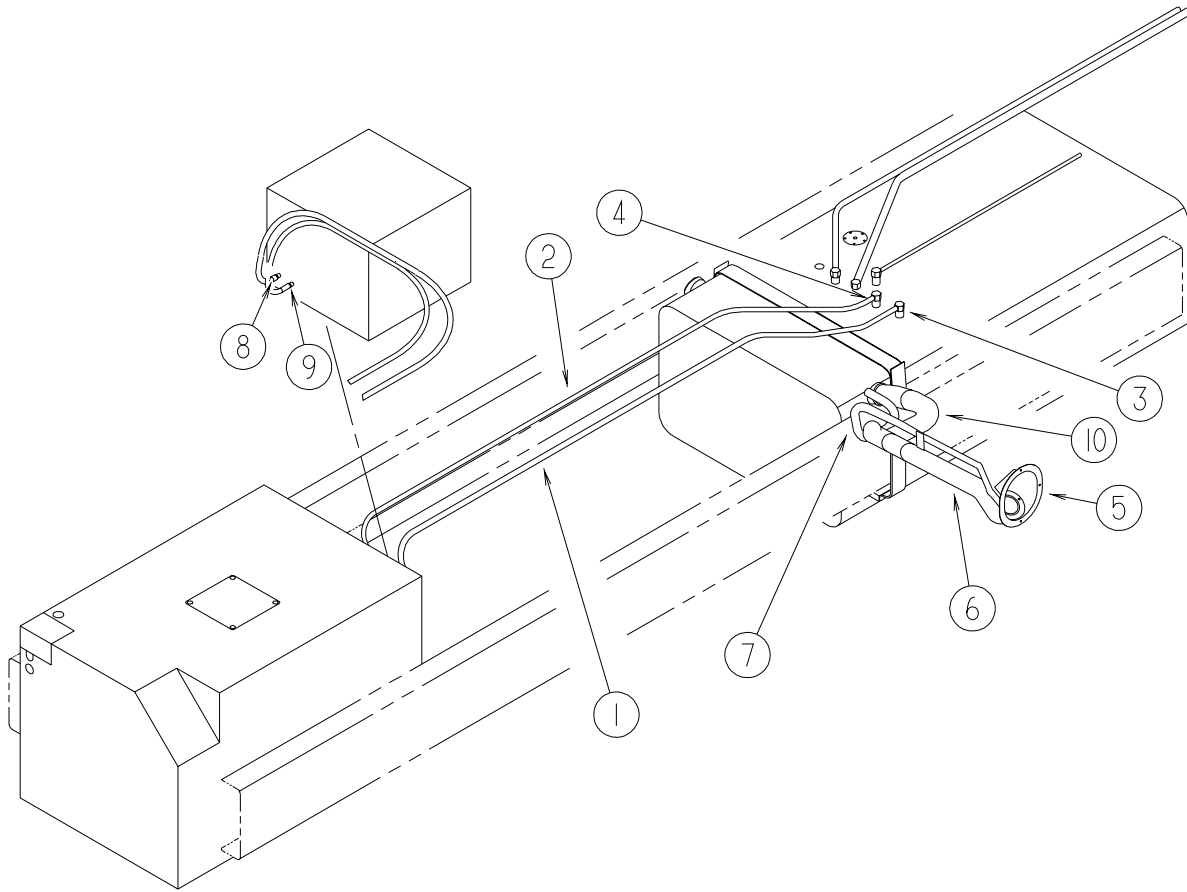
CHASSIS GROUP (CONTINUED)

REAR BUMPER



KEY	PART NUMBER	U/M	DESCRIPTION
1	131898-02-L76	EA	PANEL - BUMPER/REAR
2	132447-01-L76	EA	GRILL - REAR BUMPER
3	132071-01-02B	EA	BRACKET - BUMPER - FRONT/REAR - E-COATED
4	NOT AVAILABLE - CONTACT PART SALES		
5	NOT AVAILABLE - CONTACT PART SALES		
6	113041-03-02B	EA	ANGLE - BUMPER MOUNT - E-COATED
7	107524-03-000	EA	ANGLE - BUMPER - INNER/RIGHT & LEFT HAND
8	139238-03-01A	EA	PLATE - MUD FLAP - STAINLESS STEEL/BRUSHED
9	139635-01-01A	EA	MUD FLAP - FULL WIDTH
10	134007-01-02B	EA	BRACE - BUMPER - E-COATED
11	139818-01-01A	EA	LINK - QUICK - STAINLESS STEEL
12	139417-01-04B	EA	ANGLE - FORMED - MUDFLAP - BLACK
13	139416-01-04B	EA	STIFFENER - MUDFLAP - BLACK
14	NOT AVAILABLE - CONTACT PART SALES		
15	139820-02-01A	EA	BOLT - HANGER/EYE - 5/16" STAINLESS STEEL
16	NOT USED		
17	NOT USED		

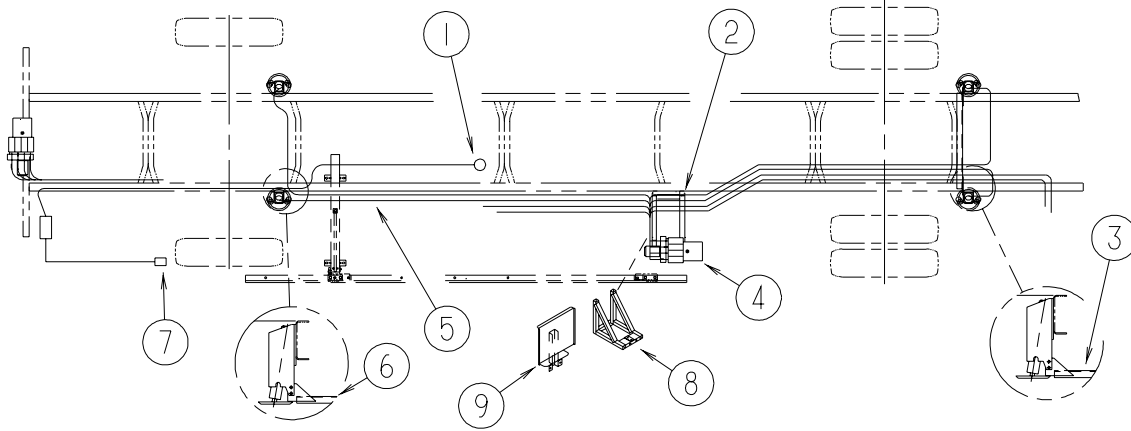
CHASSIS GROUP (CONTINUED)
FUEL OR FUEL FILL OR EMISSIONS



KEY	PART NUMBER	U/M	DESCRIPTION
1	024138-01-000	FT	HOSE - FUEL - 5/16" ID
2	128139-03-000	FT	HOSE - FUEL - LOW PERMEABILITY - 1/4" DIAMETER
3	114253-02-000	EA	ELBOW - 5/16 SINGLE BARB X 1/4 MPT
4	114253-01-000	EA	ELBOW - 1/4 SINGLE BARB X 1/8 MPT
4	068382-06-000	EA	BUSHING - BRASS - 3/8"MPT X 1/8"FPT
5	128299-01-01A	EA	SHROUD - FUEL FILL
6	132108-01-000	EA	NECK ASSEMBLY - FUEL FILL/DRIVER
7	066732-01-000	FT	HOSE - FUEL - .62"ID
8	114254-02-000	EA	ADAPTER - 5/16 SINGLE BARB X 1/8 MPT
9	114254-01-000	EA	ADAPTER - 1/4 BARB X 1/8 MPT
10	132405-01-000	EA	TUBE - FUEL INLET

CHASSIS GROUP (CONTINUED)

HYDRAULIC LEVELING



KEY	PART NUMBER	U/M	DESCRIPTION
1	117183-01-02B	EA	COVER - SENSOR - LEVELING
			FROM: 00-00-00 THRU: 12-22-02
1	144723-01-02B	EA	COVER - SENSOR - LEVELING
			FROM: 12-23-02 THRU: 99-99-99
2	133495-02-02B	EA	BRACKET - PUMP/LEVELING - E-COATED
3	114748-08-02B	EA	BRACKET - JACKS/REAR - E-COATED
4*	131306-27-000	EA	LEVELING SYSTEM - 2 S/O
5*	100536-45-000	EA	HOSE KIT - LEVELING JACKS
6	114748-02-02B	EA	CROSSMEMBER - REAR JACK MOUNTING
7	107889-04-000	EA	PANEL - CONTROL - 310 AIR DUMP
8			NO LONGER AVAILABLE - CONTACT PART SALES
9	140830-01-02B	EA	SHIELD - PUMP/LEVELING SYSTEM - E-COATED
	134092-02-000	EA	CHIME KIT - LEVELING SYSTEM - 310

***COMPONENT PARTS LISTED LATER IN THIS GROUP**

CHASSIS GROUP (CONTINUED)
COMPONENT PARTS FOR HYDRAULIC LEVELING

100536-45-000

KEY	PART NUMBER	U/M	DESCRIPTION	VENDOR NO.
	100536-36-702	EA	HOSE/HYDRAULIC - 1/4" X 408"	RAP4669/AP4669
	100536-42-701	EA	HOSE - HYDRAULIC - 175"	RAP90350
	100536-45-700	EA	HOSE/HYDRAULIC - 1/4" X 204"	AP4310
	100536-45-701	EA	HOSE/HYDRAULIC - 1/4" X 198"	AP6601

131306-27-000

KEY	PART NUMBER	U/M	DESCRIPTION	VENDOR NO.
	100532-01-713	EA	PUMP/MOTOR/TANK - MONARCH	RAP90014/AP2260

CHASSIS GROUP (CONTINUED)
WHEEL, TIRE, COVERS &/OR LINERS

KEY	PART NUMBER	U/M	DESCRIPTION
	129058-10-000	EA	COVER - NUT - 1.9"H X 2"BASE X 1.4" NUT
	129058-11-000	EA	COVER - NUT - 2.24"H X 2" BASE X 1.4" NUT (REAR WHEELS) FROM: 00-00-00 THRU: 02-19-02
	129058-14-000	EA	COVER - FRONT AXLE - 10 BOLT FRONT - W/LOGO FROM: 02-20-02 THRU: 99-99-99
	129058-15-000	EA	COVER - REAR AXLE - 10 BOLT REAR - W/LOGO FROM: 02-20-02 THRU: 99-99-99
	129058-16-000	EA	CAP - REAR - THREADED - W/LOGO FROM: 02-20-02 THRU: 99-99-99
	129058-17-000	EA	BRACKET - REAR - THREADED FROM: 02-20-02 THRU: 99-99-99
	134439-01-000	EA	WHEEL - ALUMINUM - 7.5" X 22.5"/10 BOLT - FRONT
	134439-02-000	EA	WHEEL - ALUMINUM - 7.5" X 22.5"/10 BOLT - REAR
	077030-07-000	EA	EXTENSION - VALVE STEM - 5.9" LONG
*	110435-17-000	EA	LINER - WHEEL - SET/4 - 22.5" - 10 BOLT FROM: 00-00-00 THRU: 11-24-02
	145580-01-000	EA	LINER - WHEEL(SET OF 4) - 22.5"/10 BOLT FROM: 11-25-02 THRU: 99-99-99
	080208-04-000	EA	LUG WRENCH - 1 3/16" - OSHKOSH/SPARTAN
	080208-05-000	EA	BAR - LEVERAGE - LUG WRENCH - .75"DIA. - OSHKOSH/SPARTAN

***COMPONENT PARTS LISTED LATER IN THIS GROUP**

CHASSIS GROUP (CONTINUED)
COMPONENT PARTS FOR WHEEL, TIRE, COVERS &/OR LINERS

110435-17-000

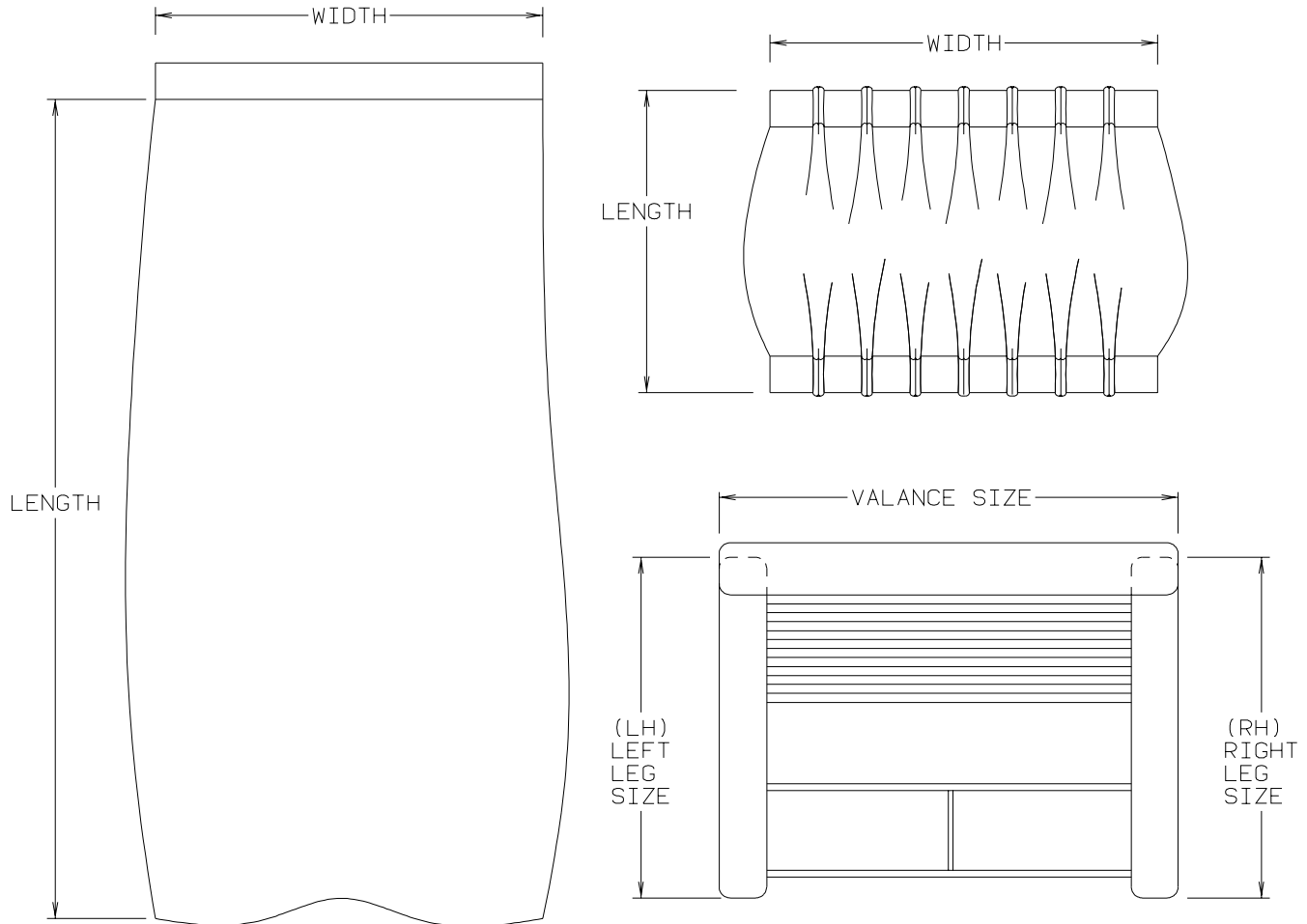
KEY	PART NUMBER	U/M	DESCRIPTION	VENDOR NO.
	110435-04-705	EA	DECAL-CTR HUB 2 3/4" DIAMO	2 3/4 DECAL DIAMOND
	110435-05-700	EA	CAP-CENTER, POP-OUT 4 1/2"	V22510-POC
	110435-05-710	EA	NUT-JAMB-RIGHT HAND THREAD	V22506-RJN
	110435-05-711	EA	COVER-LUG NUT	V22506-LNC
	110435-05-712	EA	TOOL INSTALLATION	V22506-TOL
	110435-17-700	EA	LINER - WHEEL - FRONT	V22515-FWC
	110435-17-701	EA	COVER - HUB - FRONT	V22510-FHC
	110435-17-702	EA	LINER - WHEEL - REAR	V22515-RWC
	110435-17-703	EA	COVER - HUB - REAR	V22510-RHC
	110435-17-704	EA	STUD EXTENDER - 22MM	V22582-STX
	110435-17-705	EA	COVER - HUB FRT/NEW W/O DECAL	V22515-FHC
	110435-17-706	EA	COVER - HUB REAR/NEW W/O DECAL	V22515-RHC
	110435-17-707	EA	TOOL/JAMB NUT - STUD EXTENDER	PN205-T0L
	110435-17-708	EA	STUD EXTENDER - TUBE STYLE	NH1422-TSX
	110435-17-709	EA	NUT/JAMB - W/O STUD EXTENDER	V19582-JNT

CURTAIN & CUSHION GROUP

NOTICE

IN ORDER TO ASSIST OUR PARTS SALES DEPT. IN PROVIDING INTERIOR SOFTWARE ITEMS, PLEASE INCLUDE THE SERIAL NUMBER AND THE COLOR CODE NUMBER FROM THE VEHICLE CERTIFICATION LABEL WHEN ORDERING. THIS LABEL IS LOCATED ON THE LEFT SIDEWALL AT THE END OF THE DASH (A-BODY), OR ON THE DRIVER'S DOOR LATCH PLATE (C-BODY).

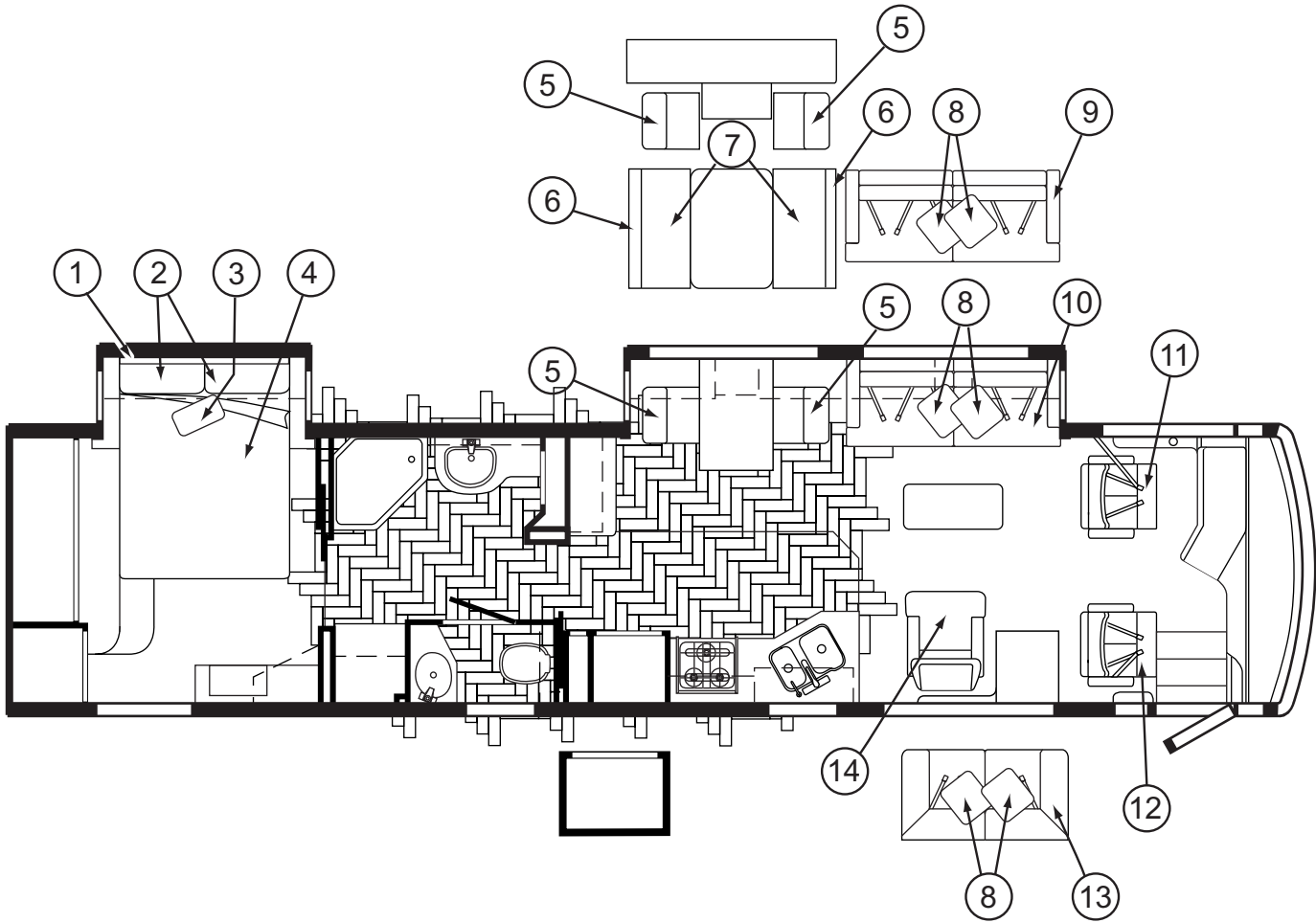
AN EXAMPLE OF A COLOR CODE NUMBER IS B07, WHICH DESIGNATES AN OVERALL COLOR SCHEME OF A PARTICULAR UNIT. THE COLOR LISTED AFTER THE ITEM DESCRIPTION ON THE MICROFICHE, INDICATES THE OVERALL UNIT COLOR. ORDER THE ITEM YOU DESIRE ACCORDING TO UNIT COLOR CODE. IF ALL COLORS USE THE SAME ITEM NO COLOR CODE WILL BE NOTED.



NOTE: USE THIS ILLUSTRATION WHEN DETERMINING LENGTH AND WIDTH MEASUREMENTS FOR CURTAINS. YOU WILL NOTE THE WIDTH MEASUREMENT IS TAKEN ON THE TOP OF THE CURTAIN WITH THE CURTAIN FULLY EXTENDED. THE LENGTH MEASUREMENT IS TAKEN FROM TOP TO BOTTOM. LEFT AND RIGHT WINDOW LEGS ARE DETERMINED WHEN FACING THE WINDOW.

CURTAIN & CUSHION GROUP (CONTINUED)

CUSHION LAYOUT



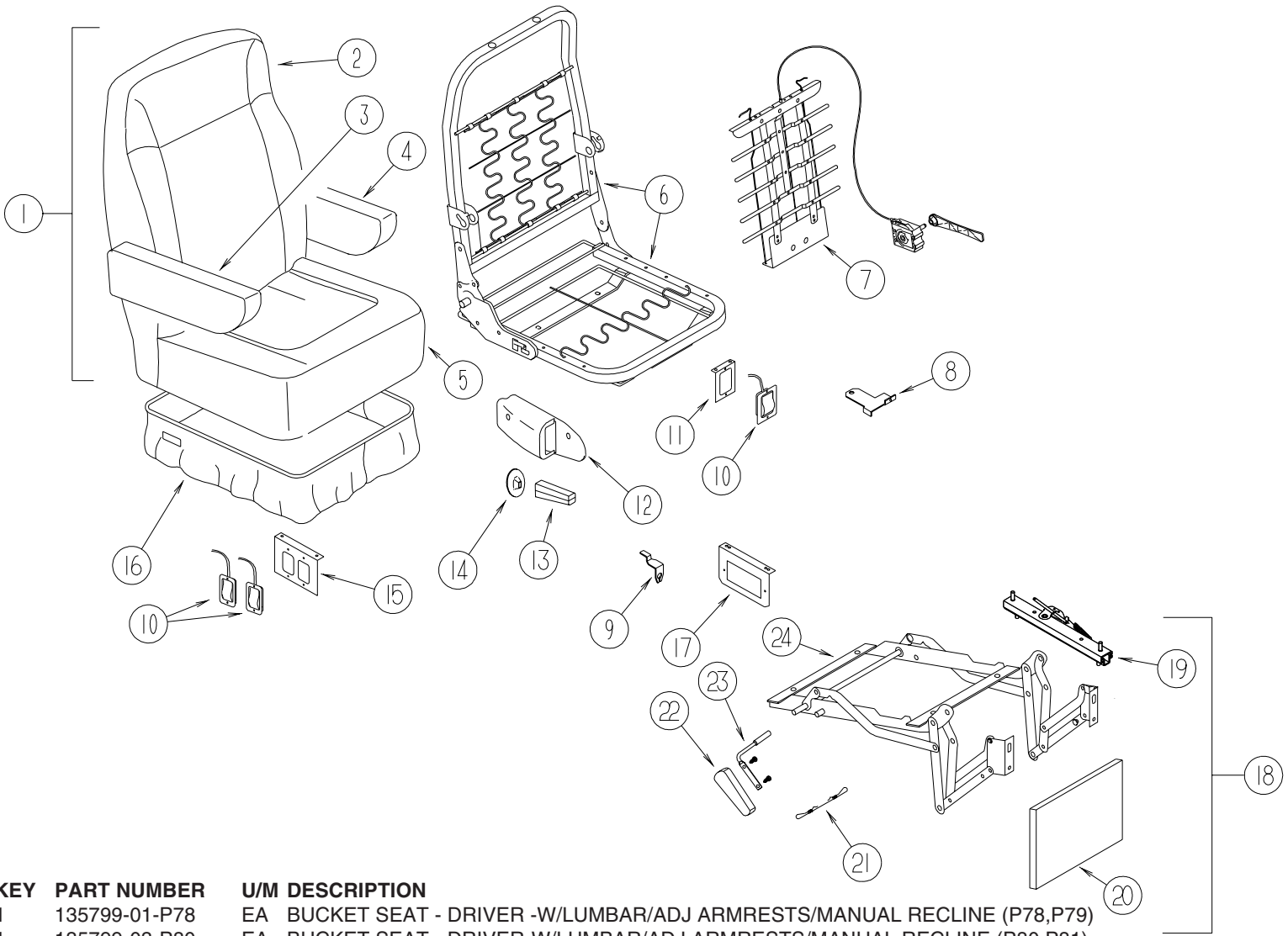
KEY	PART NUMBER	U/M	DESCRIPTION
1	136359-07-P78	EA	HEADBOARD - FABRIC COVERED - F/QUEEN BED (P78, P79)
1	136359-07-P80	EA	HEADBOARD - FABRIC COVERED - F/QUEEN BED (P80, P81)
1	136359-08-P82	EA	HEADBOARD - FABRIC COVERED - F/QUEEN BED (P82, P83)
1	136359-07-P94	EA	HEADBOARD - FABRIC COVERED - F/QUEEN BED (P94, P95)
2	104565-27-P78	EA	PILLOW SHAM (P78, P79)
2	104565-27-P80	EA	PILLOW SHAM (P80, P81)
2	104565-27-P82	EA	PILLOW SHAM (P82, P83)
2	104565-27-P94	EA	PILLOW SHAM (P94, P95)
3	132338-26-P78	EA	PILLOW - 14" X 20" - W/CENTER OVERLAY (P78, P79)
3	132338-26-P80	EA	PILLOW - 14" X 20" - W/CENTER OVERLAY (P80, P81)
3	132338-27-P82	EA	PILLOW - 14" X 20" - W/CENTER OVERLAY (P82, P83)
3	132338-26-P94	EA	PILLOW - 14" X 20" - W/CENTER OVERLAY (P94, P95)
4	132336-25-P78	EA	BEDSPREAD/CAP - 60" X 80" (P78, P79)
4	132336-25-P80	EA	BEDSPREAD/CAP - 60" X 80" (P80, P81)
4	132336-25-P82	EA	BEDSPREAD/CAP - 60" X 80" (P82, P83)
4	132336-25-P65	EA	BEDSPREAD/CAP - 60" X 80" (P94, P95)
4	123015-07-000	EA	MATTRESS - INNERSPRING - 60" X 79.5"
4	142411-02-000	EA	MATTRESS/AIR - 60" X 80" - SELECT COMFORT
4	142411-03-000	EA	AIR PUMP W/CONTROLS - F/SELECT COMFORT MATTRESS
5	134017-57-000	EA	CHAIR - DINETTE - ICE/PORTSMOUTH OAK (P78)
5	134017-58-000	EA	CHAIR - DINETTE - ICE/CHERRY (P79)
5	134017-59-000	EA	CHAIR - DINETTE - KHAKI/PORTSMOUTH OAK (P80)
5	134017-60-000	EA	CHAIR - DINETTE - KHAKI/CHERRY (P81)
5	134017-61-000	EA	CHAIR - DINETTE - KENYON HILLS/PORTSMOUTH OAK (P82)
5	134017-62-000	EA	CHAIR - DINETTE - KENYON HILLS/CHERRY (P83)
5	134017-63-000	EA	CHAIR - DINETTE - TAUPE/PORTSMOUTH OAK (P94)
5	134017-64-000	EA	CHAIR - DINETTE - TAUPE/CHERRY (P95)

CURTAIN & CUSHION GROUP (CONTINUED)
CUSHION LAYOUT (CONTINUED)

KEY	PART NUMBER	U/M	DESCRIPTION
5	135600-A5-000	EA	CHAIR - FOLDING - PEARL/PORTSMOUTH OAK (P78)
5	135600-D1-000	EA	CHAIR - FOLDING - PEARL/CHERRY (P79)
5	135600-A6-000	EA	CHAIR - FOLDING - KHAKI/PORTSMOUTH OAK (P80)
5	135600-A7-000	EA	CHAIR - FOLDING - KHAKI/CHERRY (P81)
5	135600-A8-000	EA	CHAIR - FOLDING - KENYON HILLS/PORTSMOUTH OAK (P82)
5	135600-A9-000	EA	CHAIR - FOLDING - KENYON HILLS/CHERRY (P83)
5	135600-D2-000	EA	CHAIR - FOLDING - TAUPE/PORTSMOUTH OAK (P94)
5	135600-D3-000	EA	CHAIR - FOLDING - TAUPE/CHERRY (P95)
6	142431-01-P78	EA	BACK - DINETTE - 13.5" X 40" (P78, P79)
6	142431-06-P80	EA	BACK - DINETTE - 13.5" X 40" (P80, P81)
6	142431-01-P82	EA	BACK - DINETTE - 13.5" X 40" (P82, P83)
6	142431-01-P94	EA	BACK - DINETTE - 13.5" X 40" (P94, P95)
	P42431-01-P78	EA	COVER/BACK - DINETTE (P78, P79)
	P42431-06-P80	EA	COVER/BACK - DINETTE (P80, P81)
	P42431-01-P82	EA	COVER/BACK - DINETTE (P82, P83)
	P42431-01-P94	EA	COVER/BACK - DINETTE (P94, P95)
	143730-01-000	EA	DINETTE PIPE CAP W/STRAP
7	142292-05-P78	EA	SEAT - DINETTE CUSHION (SPRUNG) - 23.5" X 38.5" (P78, P79)
7	142292-07-P80	EA	SEAT - DINETTE CUSHION (SPRUNG) - 23.5" X 38.5" (P80, P81)
7	142292-05-P82	EA	SEAT - DINETTE CUSHION (SPRUNG) - 23.5" X 38.5" (P82, P83)
7	142292-05-P65	EA	SEAT - DINETTE CUSHION (SPRUNG) - 23.5" X 38.5" (P94, P95)
	P42292-05-P78	EA	COVER/SEAT - DINETTE CUSHION (SPRUNG) - 23.5" X 38.5" (P78, P79)
	P42292-07-P80	EA	COVER/SEAT - DINETTE CUSHION (SPRUNG) - 23.5" X 38.5" (P80, P81)
	P42292-05-P82	EA	COVER/SEAT - DINETTE CUSHION (SPRUNG) - 23.5" X 38.5" (P82, P83)
	P42292-05-P65	EA	COVER/SEAT - DINETTE CUSHION (SPRUNG) - 23.5" X 38.5" (P94, P95)
	142366-01-000	EA	FRAME - SPRUNG - DINETTE SEAT
8	132319-40-P78	EA	PILLOW - 18" - W/CENTER BUTTON & BRAID (P78, P79)
8	132319-40-P80	EA	PILLOW - 18" - W/CENTER BUTTON & BRAID (P80, P81)
8	132319-40-P82	EA	PILLOW - 18" - W/CENTER BUTTON & BRAID (P82, P83)
8	132319-40-P65	EA	PILLOW - 18" - W/CENTER BUTTON & BRAID (P94, P95)
9	138647-12-P78	EA	SOFA/DUAL SLEEPER - RECLINER/POWERED - W/TRUNDLE - DUAL RESTEASY LEATHER FACED
10	138622-09-P78	EA	SOFA/SLEEPER - RECLINER/POWERED - W/TRUNDLE BED (P78, P79)
10	138622-09-P80	EA	SOFA/SLEEPER - RECLINER/POWERED - W/TRUNDLE BED (P80, P81)
10	138622-09-P82	EA	SOFA/SLEEPER - RECLINER/POWERED - W/TRUNDLE BED (P82, P83)
10	138622-09-P94	EA	SOFA/SLEEPER - RECLINER/POWERED - W/TRUNDLE BED (P94,P95)
10	138622-24-P78	EA	SOFA/SLEEPER - RECLINER/POWERED - W/TRUNDLE BED - RESTEASY LEATHER FACED
11	135799-01-P78	EA	BUCKET SEAT - DRIVER -W/LUMBAR/ADJ ARMRESTS/MANUAL RECLINE (P78,P79)
11	135799-03-P80	EA	BUCKET SEAT - DRIVER -W/LUMBAR/ADJ ARMRESTS/MANUAL RECLINE (P80,P81)
11	135799-01-P82	EA	BUCKET SEAT - DRIVER -W/LUMBAR/ADJ ARMRESTS/MANUAL RECLINE (P82,P83)
11	135799-14-P94	EA	BUCKET SEAT - DRIVER -W/LUMBAR/ADJ ARMRESTS/MANUAL RECLINE (P94,P95)
11	135799-09-P78	EA	BUCKET SEAT-DRIVER-W/LUMBAR/ADJUSTABLE ARMRESTS-LEATHER - LEATHER FACED SEATS
12	135799-02-P78	EA	BUCKET SEAT - PASSENGER - W/ADJ ARMRESTS/MANUAL RECLINE (P78,P79)
12	135799-04-P80	EA	BUCKET SEAT - PASSENGER - W/ADJ ARMRESTS/MANUAL RECLINE (P80,P81)
12	135799-02-P82	EA	BUCKET SEAT - PASSENGER - W/ADJ ARMRESTS/MANUAL RECLINE (P82,P83)
12	135799-15-P94	EA	BUCKET SEAT - PASSENGER - W/ADJ ARMRESTS/MANUAL RECLINE (P94,P95)
			FROM: 00-00-00 THRU: 09-29-02
12	135799-14-P94	EA	BUCKET SEAT - PASSENGER - W/ADJ ARMRESTS/MANUAL RECLINE (P94,P95)
			FROM: 09-30-02 THRU: 99-99-99
12	135799-10-P78	EA	BUCKET SEAT-PASSENGER-W/ADJUSTABLE ARMRESTS-LEATHER - LEATHER FACED SEATS
13	145563-11-P78	EA	LOVE SEAT - 48" (P78, P79)
13	145563-03-P80	EA	LOVE SEAT - 48" (P80, P81)
13	145563-03-P82	EA	LOVE SEAT - 48" (P82, P83)
13	145563-11-P94	EA	LOVE SEAT - 48" (P94, P95)
13	145563-13-P78	EA	LOVE SEAT - 48" - LEATHER - BANQUETTE - LEATHER FACED
14	135477-01-P78	EA	CHAIR - RECLINER W/FOOTREST (P78,P79) - LOUNGE CHAIR W/CABINET
14	135477-01-P80	EA	CHAIR - RECLINER W/FOOTREST (P80,P81) - LOUNGE CHAIR W/CABINET
14	135477-01-P82	EA	CHAIR - RECLINER W/FOOTREST (P82,P83) - LOUNGE CHAIR W/CABINET
14	135477-01-P65	EA	CHAIR - RECLINER W/FOOTREST (P94,P95) - LOUNGE CHAIR W/CABINET
14	135477-04-N74	EA	CHAIR - RECLINER W/FOOTREST - LEATHER RECLINER

CURTAIN & CUSHION GROUP (CONTINUED)

BUCKET SEATS



KEY	PART NUMBER	U/M	DESCRIPTION
1	135799-01-P78	EA	BUCKET SEAT - DRIVER -W/LUMBAR/ADJ ARMRESTS/MANUAL RECLINE (P78,P79)
1	135799-03-P80	EA	BUCKET SEAT - DRIVER-W/LUMBAR/ADJ ARMRESTS/MANUAL RECLINE (P80,P81)
1	135799-01-P82	EA	BUCKET SEAT - DRIVER -W/LUMBAR/ADJ ARMRESTS/MANUAL RECLINE (P82,P83)
1	135799-14-P94	EA	BUCKET SEAT - DRIVER -W/LUMBAR/ADJ ARMRESTS/MANUAL RECLINE (P94,P95)
1	135799-09-P78	EA	BUCKET SEAT-DRIVER-W/LUMBAR/ADJUSTABLE ARMRESTS-LEATHER - LEATHER FACED SEATS
1	135799-02-P78	EA	BUCKET SEAT - PASSENGER - W/ADJ ARMRESTS/MANUAL RECLINE (P78,P79)
1	135799-04-P80	EA	BUCKET SEAT - PASSENGER - W/ADJ ARMRESTS/MANUAL RECLINE (P80,P81)
1	135799-02-P82	EA	BUCKET SEAT - PASSENGER - W/ADJ ARMRESTS/MANUAL RECLINE (P82,P83)
12	135799-15-P94	EA	BUCKET SEAT - PASSENGER - W/ADJ ARMRESTS/MANUAL RECLINE (P94,P95) FROM: 00-00-00 THRU: 09-29-02
12	135799-14-P94	EA	BUCKET SEAT - PASSENGER - W/ADJ ARMRESTS/MANUAL RECLINE (P94,P95) FROM: 09-30-02 THRU: 99-99-99
1	135799-10-P78	EA	BUCKET SEAT-PASSENGER-W/ADJUSTABLE ARMRESTS-LEATHER - LEATHER FACED SEATS
2	M05962-C5-P78	EA	COVER - BACK (P78,P79)
2	M05962-C7-P80	EA	COVER - BACK (P80,P81)
2	M05962-C5-P82	EA	COVER - BACK (P82,P83)
2	M05962-G3-P94	EA	COVER - BACK (P94,P95)
2	M05962-D1-P78	EA	COVER - BACK - LEATHER FACED SEATS
3	129666-13-P78	EA	ARMREST - RIGHT HAND (P78,P79)
3	129666-15-P80	EA	ARMREST - RIGHT HAND (P80,P81)
3	129666-13-P82	EA	ARMREST - RIGHT HAND (P82,P83)
3	129666-05-P94	EA	ARMREST - RIGHT HAND (P94,P95)
3	129666-17-P83	EA	ARMREST - RIGHT HAND - LEATHER FACED SEATS
3	P29666-13-P78	EA	COVER - ARMREST - RIGHT HAND (P78,P79)
3	P29666-15-P80	EA	COVER - ARMREST - RIGHT HAND (P80,P81)
3	P29666-13-P82	EA	COVER - ARMREST - RIGHT HAND (P82,P83)
3	P29666-05-P94	EA	COVER - ARMREST - RIGHT HAND (P94,P95)
3	P29666-17-P83	EA	COVER - ARMREST - RIGHT HAND - LEATHER FACED SEATS

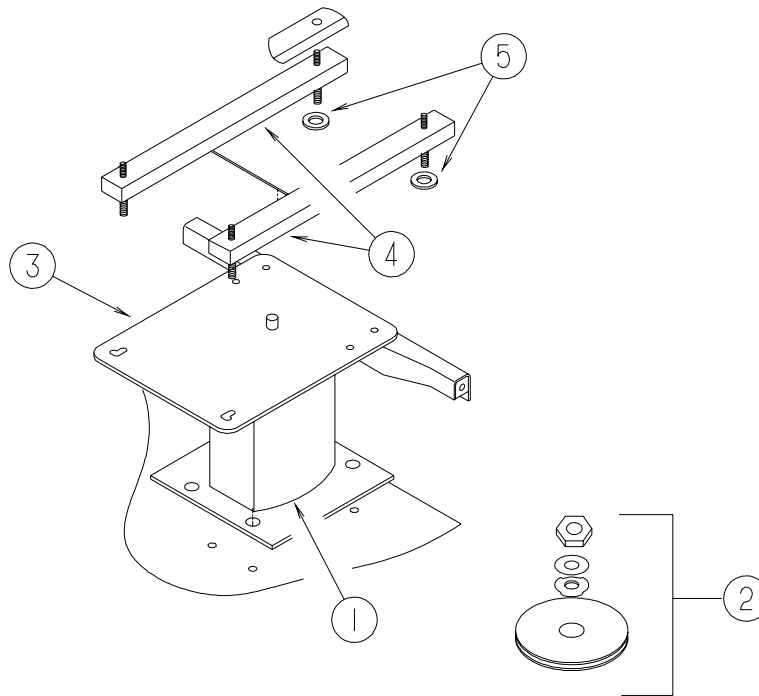
CURTAIN & CUSHION GROUP (CONTINUED)

BUCKET SEATS (CONTINUED)

KEY	PART NUMBER	U/M	DESCRIPTION
3	122622-04-000	EA	BRACKET - ARMREST/RIGHT HAND
3	122622-06-000	EA	KNOB - W/3/8" THREAD INSERT
3	130699-01-000	EA	ARMREST - MOLDED - RIGHT HAND W/O COVER
4	129666-14-P78	EA	ARMREST - LEFT HAND (P78,P79)
4	129666-16-P80	EA	ARMREST - LEFT HAND (P80,P81)
4	129666-14-P82	EA	ARMREST - LEFT HAND (P82,P83)
4	129666-06-P94	EA	ARMREST - LEFT HAND (P94,P95)
4	129666-18-P83	EA	ARMREST - LEFT HAND - LEATHER FACED SEATS
4	P29666-14-P78	EA	COVER - ARMREST - LEFT HAND (P78,P79)
4	P29666-16-P80	EA	COVER - ARMREST - LEFT HAND (P80,P81)
4	P29666-14-P82	EA	COVER - ARMREST - LEFT HAND (P82,P83)
4	P29666-06-P94	EA	COVER - ARMREST - LEFT HAND (P94,P95)
4	P29666-18-P83	EA	COVER - ARMREST - LEFT HAND - LEATHER FACED SEATS
4	122622-05-000	EA	BRACKET - ARMREST/LEFT HAND
4	122622-06-000	EA	KNOB - W/3/8" THREAD INSERT
4	130699-02-000	EA	ARMREST - MOLDED - LEFT HAND W/O COVER
5	M05962-C6-P78	EA	COVER - SEAT (P78,P79)
5	M05962-C8-P80	EA	COVER - SEAT (P80,P81)
5	M05962-C6-P82	EA	COVER - SEAT (P82,P83)
5	M05962-G4-P94	EA	COVER - SEAT (P94,P95)
5	M05962-D2-P78	EA	COVER - SEAT - LEATHER FACED SEATS
6	134532-01-000	EA	FRAME - SEAT/HIGH BACK
7*	122611-02-000	EA	LUMBAR - W/LEVER
8	117125-01-02B	EA	BRACKET - CABLE MOUNT - ADJUSTER W/LOCK
9	108049-02-000	EA	CLIP - CABLE/PEDESTAL
10	108049-04-000	EA	CABLE - W/MINI LEVER ACTION SWITCH - 28" SHEATH/30" CABLE
11	127159-01-02B	EA	BRACKET - SEAT RELEASE - SINGLE REMOTE
12	080730-09-000	EA	SHIELD - RECLINER HANDLE
13	080730-08-000	EA	HANDLE - RECLINER
14	080730-11-000	EA	SHIELD - RUBBER BOOT
15	127159-02-02B	EA	BRACKET - SEAT RELEASE - DUAL REMOTE
16	071126-82-P78	EA	SKIRT - 10.5" OPEN CORNER (STANDARD/6-WAY POWER) (P78,P79)
16	071126-75-P80	EA	SKIRT - 10.5" OPEN CORNER (STANDARD/6-WAY POWER) (P80,P81)
16	071126-82-P82	EA	SKIRT - 10.5" OPEN CORNER (STANDARD/6-WAY POWER) (P82,P83)
16	071126-68-P94	EA	SKIRT - 10.5" OPEN CORNER (STANDARD/6-WAY POWER) (P94,P95)
16	071126-77-P37	EA	SKIRT - 10.5" OPEN CORNER (STANDARD/6-WAY POWER) - LEATHER FACED SEATS
16	071126-83-P78	EA	SKIRT - 10.5" - W/FOOTREST (P78,P79) - PASSENGER
16	071126-76-P80	EA	SKIRT - 10.5" - W/FOOTREST (P80,P81) - PASSENGER
16	071126-83-P82	EA	SKIRT - 10.5" - W/FOOTREST (P82,P83) - PASSENGER
16	071126-74-P94	EA	SKIRT - 10.5" - W/FOOTREST (P94,P95) - PASSENGER
16	071126-79-N74	EA	SKIRT - 10.5" (FOOTREST) LEATHER - LEATHER FACED SEATS - PASSENGER
17	128699-01-02B	EA	BRACKET - SEAT SWITCH - E-COATED
18	131613-05-P78	EA	FOOTREST - BUCKET SEAT/PASSENGER (P78,P79)
18	131613-03-P80	EA	FOOTREST - BUCKET SEAT/PASSENGER (P80,P81)
18	131613-05-P82	EA	FOOTREST - BUCKET SEAT/PASSENGER (P82,P83)
18	131613-01-P94	EA	FOOTREST - BUCKET SEAT/PASSENGER (P94,P95)
18	131613-04-N74	EA	FOOTREST - BUCKET SEAT/PASSENGER - LEATHER FACED SEATS
19	131566-04-000	EA	SLIDE/SEAT - HEAVY DUTY LOCKING - 5"
	131566-05-000	EA	WASHER - SLIDE SPACER
	131566-07-000	EA	5" DOUBLE LOCKING SLIDE W/TAB
20	131613-99-000	EA	FOOTREST/WOOD - W/T-NUT
21	119952-07-000	EA	WIRE - LATCH RELEASE/ROTARY
22	131566-03-000	EA	WOOD HANDLE
23	131566-02-000	EA	ROD/LEVER - FOOT-REST EXTENSION
24	131566-01-000	EA	FOOTREST - MECHANICAL

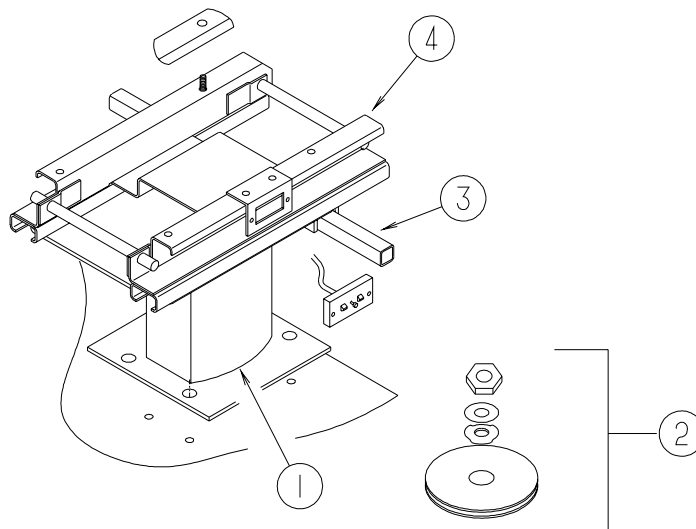
*COMPONENT PARTS LISTED LATER IN THIS GROUP

CURTAIN & CUSHION GROUP (CONTINUED)
BUCKET SEATS (CONTINUED)



NON-POWER

KEY	PART NUMBER	U/M	DESCRIPTION	
1	133408-01-000	EA	PEDESTAL - SEAT/DRIVER - 9 3/4"	
2	107921-06-000	EA	BEARING KIT - PEDESTAL	
3	133408-08-000	EA	TOP PLATE - W/BAR	
3	133408-19-000	EA	TOP PLATE - DRIVERS - W/ANCHOR	FROM: 00-00-00 THRU: 02-09-03
4	131566-04-000	EA	SLIDE/SEAT - HEAVY DUTY LOCKING - 5"	FROM: 02-10-03 THRU: 99-99-99
	119952-07-000	EA	WIRE - LATCH RELEASE/ROTARY	
5	NOT USED			

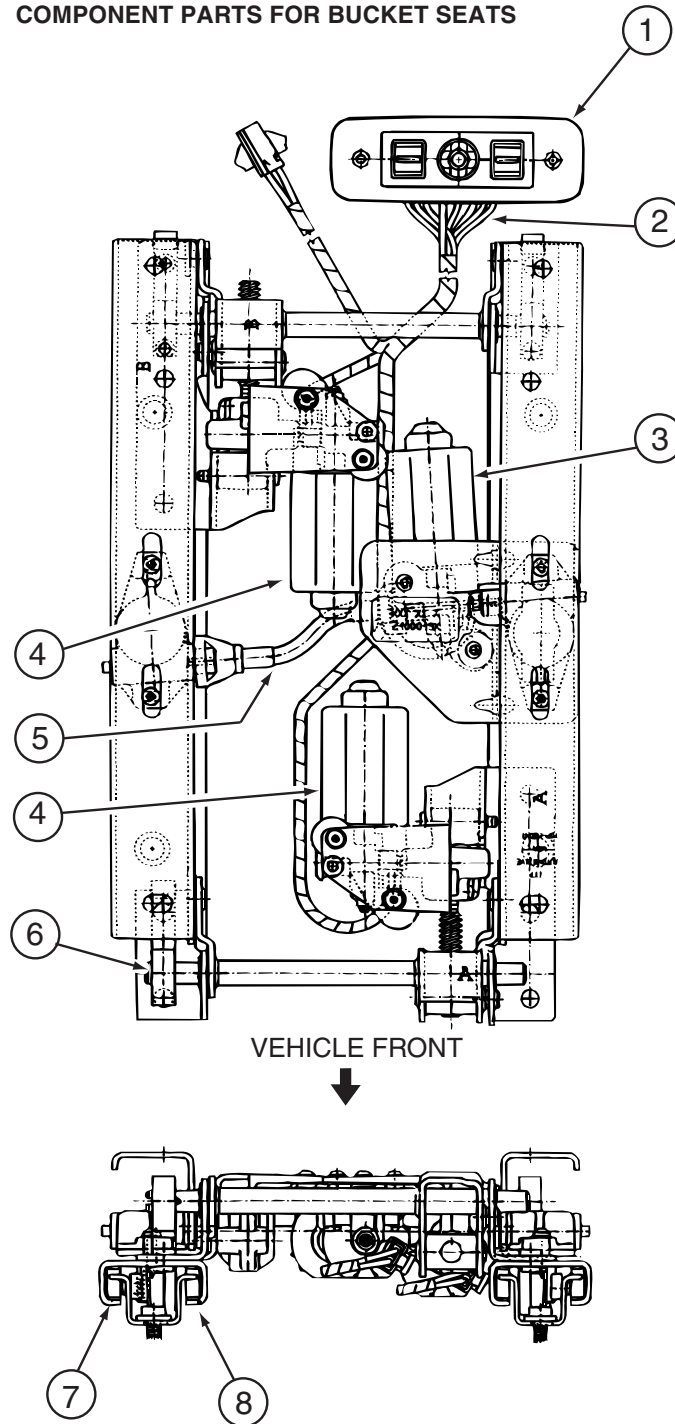


POWER

KEY	PART NUMBER	U/M	DESCRIPTION	
1	133408-05-000	EA	PEDESTAL - SEAT - 5.75"	
2	107921-06-000	EA	BEARING KIT - PEDESTAL	
3	133408-08-000	EA	TOP PLATE - W/BAR	
3	133408-19-000	EA	TOP PLATE - DRIVERS - W/ANCHOR	FROM: 00-00-00 THRU: 02-09-03
4*	081373-03-000	EA	SEAT - POWER 6 WAY	FROM: 02-10-03 THRU: 99-99-99

***COMPONENT PARTS LISTED LATER IN THIS GROUP**

CURTAIN & CUSHION GROUP (CONTINUED)
COMPONENT PARTS FOR BUCKET SEATS



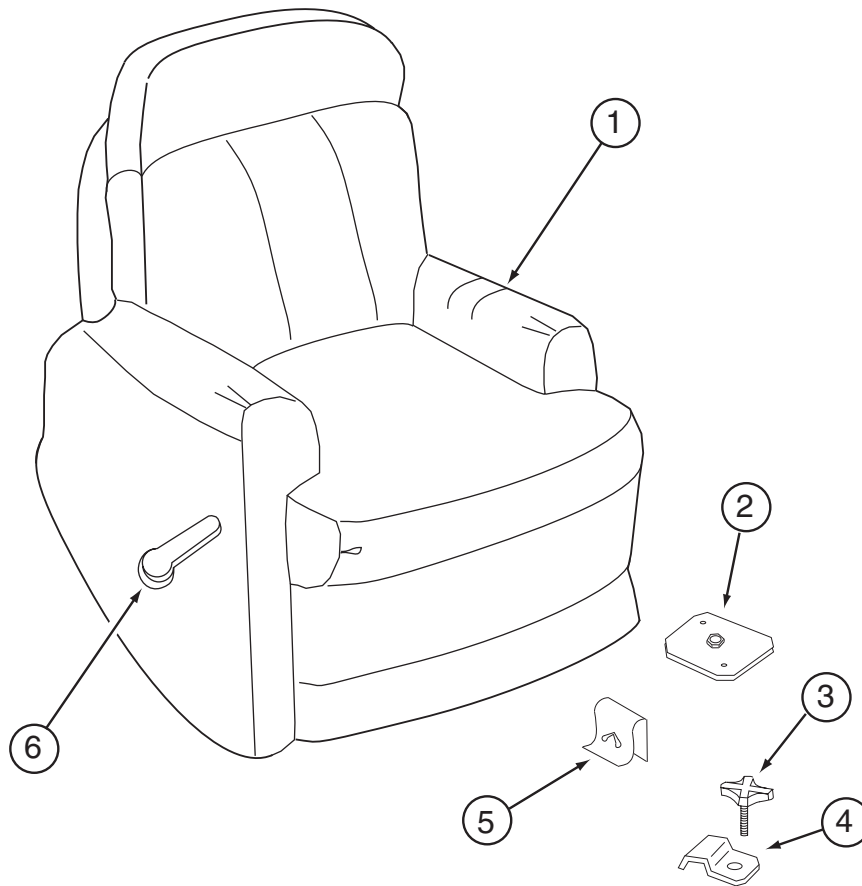
081373-03-000

KEY	PART NUMBER	U/M	DESCRIPTION	VENDOR NO.
1	081373-03-700	EA	SWITCH POWER	22543667 BLACK
2	081373-03-701	EA	WIRE HARNESS ASM., LT. SIDE	22138093
2	081373-03-702	EA	WIRE HARNESS ASM., RT. SIDE	22138094
3	081373-02-703	EA	MOTOR / HORIZONTAL	22128095
4	081373-02-704	EA	MOTOR PKG. ADJ. VERTICAL	22063238 & H-196
5	081373-03-704	EA	DRIVE CABLE	22143984
6	081373-03-705	EA	SPRING	22048978
7	081373-03-706	EA	SHOE GUIDE (WHITE)	22048993
8	081373-03-707	EA	SHOE GUIDE (BLACK)	22048994
	081373-03-700	EA	SWITCH POWER	22137945

122611-02-000

KEY	PART NUMBER	U/M	DESCRIPTION	VENDOR NO.
	122611-02-701	EA	LUMBAR - LEVER	412
	122611-02-702	EA	LUMBAR MECHANISM	24395-FLEXSTEEL

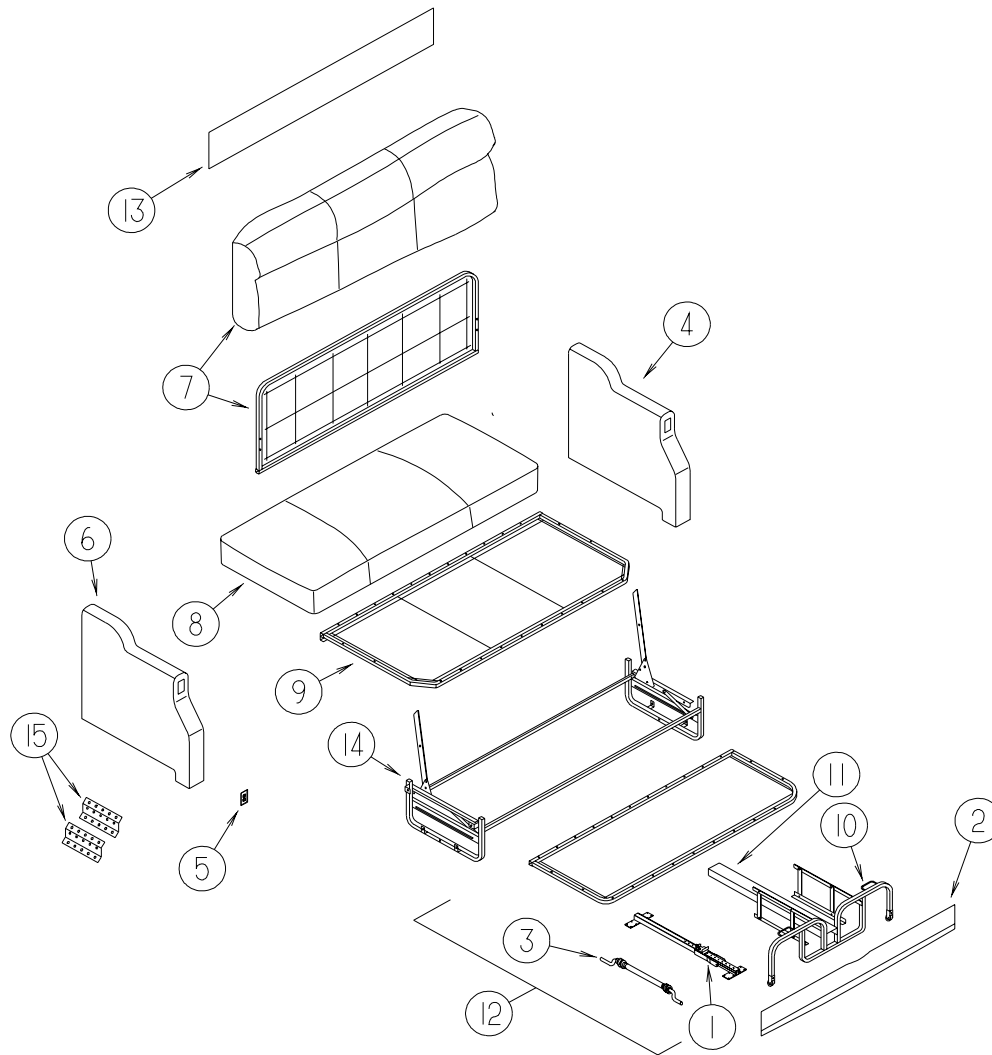
CURTAIN & CUSHION GROUP (CONTINUED)
LOUNGE CHAIR



KEY	PART NUMBER	U/M	DESCRIPTION
1	135477-01-P78	EA	CHAIR - RECLINER W/FOOTREST (P78,P79) - LOUNGE CHAIR W/CABINET
1	135477-01-P80	EA	CHAIR - RECLINER W/FOOTREST (P80,P81) - LOUNGE CHAIR W/CABINET
1	135477-01-P82	EA	CHAIR - RECLINER W/FOOTREST (P82,P83) - LOUNGE CHAIR W/CABINET
1	135477-01-P65	EA	CHAIR - RECLINER W/FOOTREST (P94,P95) - LOUNGE CHAIR W/CABINET
1	135477-04-N74	EA	CHAIR - RECLINER W/FOOTREST - LEATHER RECLINER
	P35477-01-P78	EA	COVER - RECLINER/SWIVEL/ROCKER - W/FOOTREST (P78,P79) - LOUNGE CHAIR W/CABINET
	P35477-01-P80	EA	COVER - RECLINER/SWIVEL/ROCKER - W/FOOTREST (P80,P81) - LOUNGE CHAIR W/CABINET
	P35477-01-P82	EA	COVER - RECLINER/SWIVEL/ROCKER - W/FOOTREST (P82,P83) - LOUNGE CHAIR W/CABINET
	P35477-01-P65	EA	COVER - RECLINER/SWIVEL/ROCKER - W/FOOTREST (P94,P95) - LOUNGE CHAIR W/CABINET
	P35477-04-N74	EA	COVER - RECLINER/SWIVEL/ROCKER - W/FOOTREST - LEATHER RECLINER
2	134128-02-02B	EA	PLATE ASM-W/HOLES,E-COAT
3	134194-01-01A	EA	KNOB - HOLD DOWN - RECLINER - BLACK
4	134057-01-11B	EA	BRACKET - RECLINER - FLAT BLACK
5	029134-01-000	EA	CLIP-FINISH-K2915-UPHOLSTERY
6	133126-11-000	EA	RECLINER - (PLASTIC HANDLE)

CURTAIN & CUSHION GROUP (CONTINUED)

SOFA



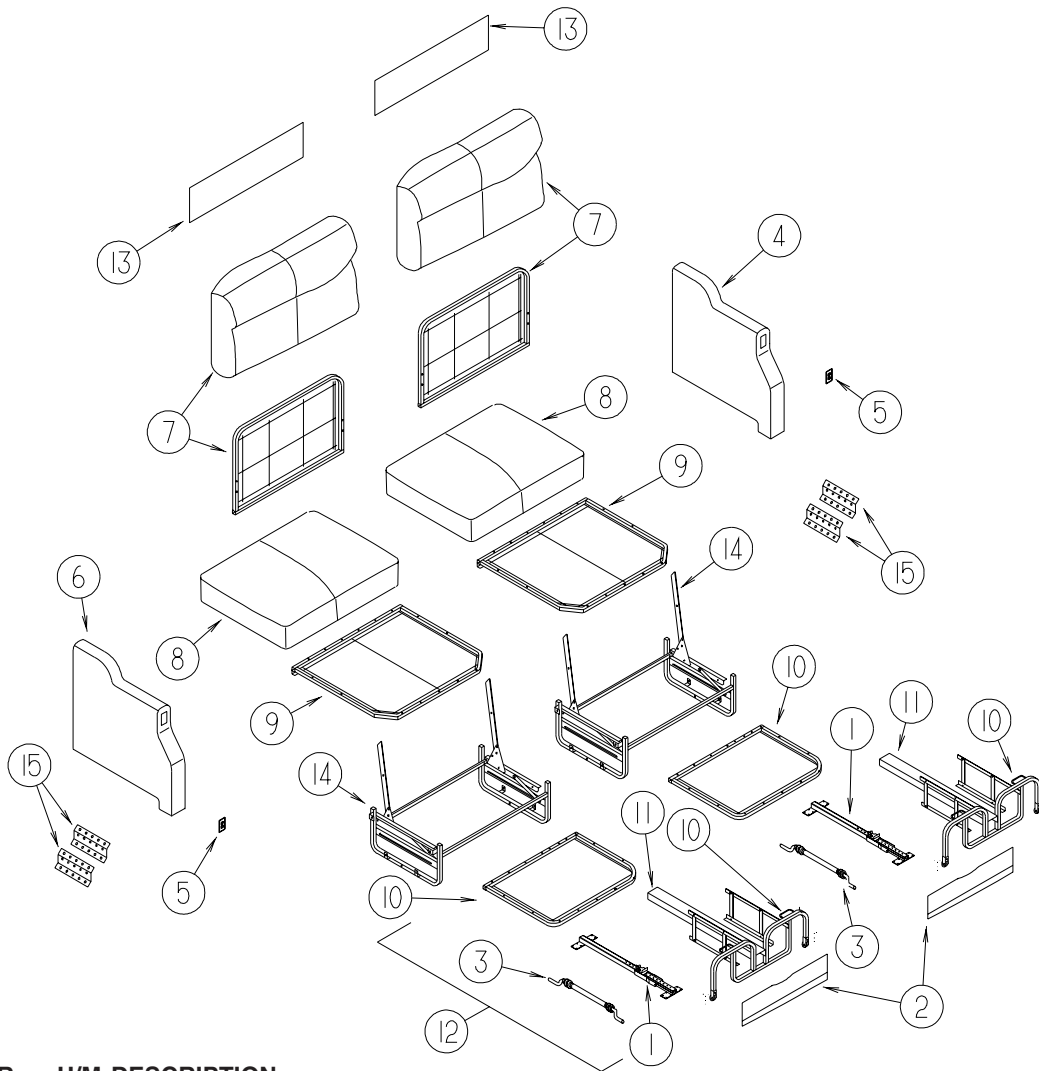
KEY	PART NUMBER	U/M	DESCRIPTION
	138622-09-P78	EA	SOFA/SLEEPER - RECLINER/POWERED - W/TRUNDLE BED (P78, P79)
	138622-09-P80	EA	SOFA/SLEEPER - RECLINER/POWERED - W/TRUNDLE BED (P80, P81)
	138622-09-P82	EA	SOFA/SLEEPER - RECLINER/POWERED - W/TRUNDLE BED (P82, P83)
	138622-09-P94	EA	SOFA/SLEEPER - RECLINER/POWERED - W/TRUNDLE BED (P94, P95)
	138622-24-P78	EA	SOFA/SLEEPER - RECLINER/POWERED - W/TRUNDLE BED RESTEASY LEATHER FACED
1*	136534-16-000	EA	SLIDE RAIL - W/LATCH MECHANISM/PLATES/STOP" F/30" FLAT
2	135824-07-P78	EA	PANEL/FRONT KICK - SOFA/SLEEPER - 59.5" - FABRIC COVERED (P78, P79)
2	135824-07-P80	EA	PANEL/FRONT KICK - SOFA/SLEEPER - 59.5" - FABRIC COVERED (P80, P81)
2	135824-07-P82	EA	PANEL/FRONT KICK - SOFA/SLEEPER - 59.5" - FABRIC COVERED (P82, P83)
2	135824-07-P65	EA	PANEL/FRONT KICK - SOFA/SLEEPER - 59.5" - FABRIC COVERED (P94, P95)
2	135824-09-N70	EA	PANEL/FRONT KICK - 59.5" - FABRIC COVERED - RESTEASY LEATHER FACED
	121906-01-02B	EA	BRACKET - KICKBOARD - E-COATED
3	136534-19-000	EA	CABLE ONLY - REMOTE - 34" W/Z-ENDS (F/LEVER HANDLE -30-)
4	138644-07-P78	EA	ARMREST - LEFT HAND (P78, P79)
4	138644-07-P80	EA	ARMREST - LEFT HAND (P80, P81)
4	138644-07-P82	EA	ARMREST - LEFT HAND (P82, P83)
4	138644-07-P94	EA	ARMREST - LEFT HAND (P94, P95)
4	138644-20-P78	EA	ARMREST - LEFT HAND - LEATHER - RESTEASY LEATHER FACED
	P38644-07-P78	EA	COVER/ARMREST - LEFT HAND (P78, P79)
	P38644-07-P80	EA	COVER/ARMREST - LEFT HAND (P80, P81)
	P38644-07-P82	EA	COVER/ARMREST - LEFT HAND (P82, P83)
	P38644-07-P94	EA	COVER/ARMREST - LEFT HAND (P94, P95)
	P38644-20-P78	EA	COVER/ARMREST - LEFT HAND - LEATHER - RESTEASY LEATHER FACED

CURTAIN & CUSHION GROUP (CONTINUED)
SOFA (CONTINUED)

KEY	PART NUMBER	U/M	DESCRIPTION
5	136118-01-000	EA	SWITCH - SOFA/RECLINER
6	138644-06-P78	EA	ARMREST - RIGHT HAND (P78, P79)
6	138644-06-P80	EA	ARMREST - RIGHT HAND (P80, P81)
6	138644-06-P82	EA	ARMREST - RIGHT HAND (P82, P83)
6	138644-06-P94	EA	ARMREST - RIGHT HAND (P94, P95)
6	138644-19-P78	EA	ARMREST - RIGHT HAND - LEATHER - RESTEASY LEATHER FACED
	P38644-06-P78	EA	COVER/ARMREST - RIGHT HAND (P78, P79)
	P38644-06-P80	EA	COVER/ARMREST - RIGHT HAND (P80, P81)
	P38644-06-P82	EA	COVER/ARMREST - RIGHT HAND (P82, P83)
	P38644-06-P94	EA	COVER/ARMREST - RIGHT HAND (P94, P95)
	P38644-19-P78	EA	COVER/ARMREST - RIGHT HAND - LEATHER - RESTEASY LEATHER FACED
7	138622-02-P78	EA	BACK - SOFA/SLEEPER - RECLINER/POWERED (P78, P79)
7	138622-02-P80	EA	BACK - SOFA/SLEEPER - RECLINER/POWERED (P80, P81)
7	138622-02-P82	EA	BACK - SOFA/SLEEPER - RECLINER/POWERED (P82, P83)
7	138622-02-P65	EA	BACK - SOFA/SLEEPER - RECLINER/POWERED (P94, P95)
7	138622-06-N74	EA	BACK - SOFA/SLEEPER - RECLINER/POWERED - RESTEASY LEATHER FACED
	P38622-02-P78	EA	COVER/BACK - SOFA/SLEEPER (P78, P79)
	P38622-02-P80	EA	COVER/BACK - SOFA/SLEEPER (P80, P81)
	P38622-02-P82	EA	COVER/BACK - SOFA/SLEEPER (P82, P83)
	P38622-02-P65	EA	COVER/BACK - SOFA/SLEEPER (P94, P95)
	P38622-06-N74	EA	COVER/BACK - SOFA/RECLINER/POWERED - RESTEASY LEATHER FACED
7	136534-18-000	EA	BACK - 16.5" X 60" - CL W/O STRAPS
8	138622-03-P78	EA	SEAT - SOFA/SLEEPER - RECLINER/POWERED (P78, P79)
8	138622-03-P80	EA	SEAT - SOFA/SLEEPER - RECLINER/POWERED (P80, P81)
8	138622-03-P82	EA	SEAT - SOFA/SLEEPER - RECLINER/POWERED (P82, P83)
8	138622-03-P65	EA	SEAT - SOFA/SLEEPER - RECLINER/POWERED (P94, P95)
8	138622-18-P78	EA	SEAT - SOFA/SLEEPER - RECLINER/POWERED - RESTEASY LEATHER FACED
	P38622-03-P78	EA	COVER/SEAT - SOFA/SLEEPER - RECLINER/POWERED (P78, P79)
	P38622-03-P80	EA	COVER/SEAT - SOFA/SLEEPER - RECLINER/POWERED (P80, P81)
	P38622-03-P82	EA	COVER/SEAT - SOFA/SLEEPER - RECLINER/POWERED (P82, P83)
	P38622-03-P65	EA	COVER/SEAT - SOFA/SLEEPER - RECLINER/POWERED (P94, P95)
	P38622-18-P78	EA	COVER/SEAT - SOFA/RECLINER/POWERED - RESTEASY LEATHER FACED
9	136534-04-000	EA	SEAT - 26.5" X 60" CL W/FLEXOLATOR
10	136534-17-000	EA	TRUNDLE FRAME - 17.5" X 55" - W/LINKAGE, LATCH & HANDLE
11	136534-31-000	EA	CAP - CABLE COVER
12	138622-04-P78	EA	TRUNDLE - SOFA/SLEEPER (P78, P79)
12	138622-04-P80	EA	TRUNDLE - SOFA/SLEEPER (P80, P81)
12	138622-04-P82	EA	TRUNDLE - SOFA/SLEEPER (P82, P83)
12	138622-04-P65	EA	TRUNDLE - SOFA/SLEEPER (P94, P95)
12	138622-08-N74	EA	TRUNDLE - SOFA/SLEEPER - LEATHER - RESTEASY LEATHER FACED
	P38622-04-P78	EA	COVER/TRUNDLE - SOFA/SLEEPER - RECLINER/POWERED (P78, P79)
	P38622-04-P80	EA	COVER/TRUNDLE - SOFA/SLEEPER - RECLINER/POWERED (P80, P81)
	P38622-04-P82	EA	COVER/TRUNDLE - SOFA/SLEEPER - RECLINER/POWERED (P82, P83)
	P38622-04-P65	EA	COVER/TRUNDLE - SOFA/SLEEPER - RECLINER/POWERED (P94, P95)
	P38622-08-N74	EA	COVER/TRUNDLE - SOFA/RECLINER/POWERED - RESTEASY LEATHER FACED
13	139716-01-P78	EA	SIGHT SHIELD - 58" - FULL BACK (P78, P79)
13	139716-01-P65	EA	SIGHT SHIELD - 58" - FULL BACK (P94, P95)
13	139716-01-P80	EA	SIGHT SHIELD - 58" - FULL BACK (P80, P81)
13	139716-01-P82	EA	SIGHT SHIELD - 58" - FULL BACK (P82, P83)
13	139716-02-N42	EA	SIGHT SHIELD - 58" - FULL BACK - RESTEASY LEATHER FACED
14*	136534-15-000	EA	BASE - 27.5" X 60" - POWERED CL - W/10.5" OVERHANG
	136534-33-000	EA	SPRING-7X1/2 W/HOOK ON ENDS
15	116104-04-02B	EA	BRACKET - ZEE W/HOLES - 3.2" - E-COATED

***COMPONENT PARTS LISTED LATER IN THIS GROUP**

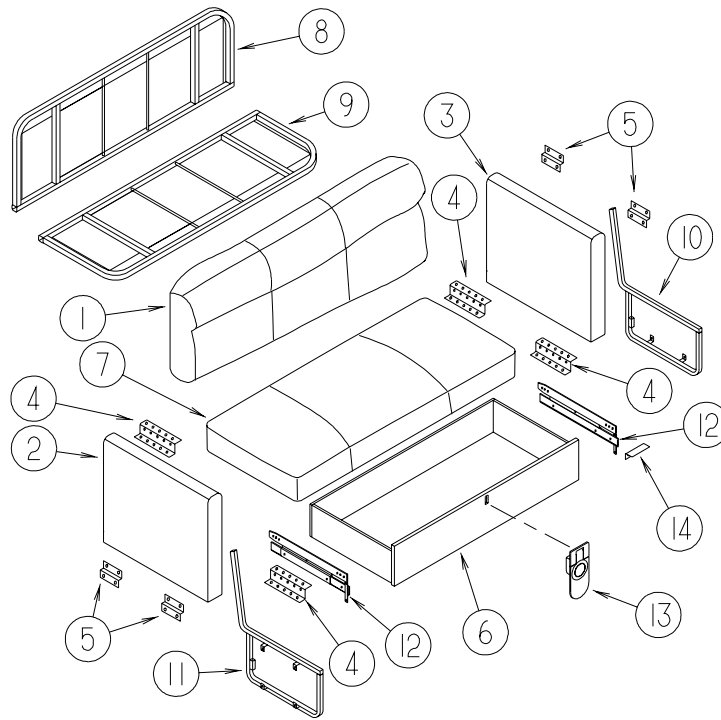
CURTAIN & CUSHION GROUP (CONTINUED)
SOFA (CONTINUED)



KEY	PART NUMBER	U/M	DESCRIPTION
	138647-12-P78	EA	SOFA/DUAL SLEEPER - RECLINER - W/TRUNDLE - DUAL RESTEASY LEATHER FACED
1*	136534-16-000	EA	SLIDE RAIL - W/LATCH MECHANISM/PLATES/STOP" F/30" FLAT
2	135824-11-P78	EA	PANEL/Front KICK - 7.4" X 30.2" - DUAL RESTEASY LEATHER FACED
	121906-01-02B	EA	BRACKET - KICKBOARD - E-COATED
3	136534-19-000	EA	CABLE ONLY - REMOTE - 34" W/Z-ENDS (F/LEVER HANDLE -30-)
4	138644-22-P78	EA	ARMREST - LEFT HAND - W/SWITCH - DUAL RESTEASY LEATHER FACED
	P38644-22-P78	EA	COVER/ARMREST - LEFT HAND - DUAL RESTEASY LEATHER FACED
5	136118-01-000	EA	SWITCH - SOFA/RECLINER
6	138644-21-P78	EA	ARMREST - RIGHT HAND - W/SWITCH - DUAL RESTEASY LEATHER FACED
	P38644-21-P78	EA	COVER/ARMREST - RIGHT HAND - DUAL RESTEASY LEATHER FACED
7	138647-02-N74	EA	BACK - SOFA/DUAL SLEEPER - RECLINER - DUAL RESTEASY LEATHER FACED
	P38647-02-N74	EA	COVER/BACK - SOFA/DUAL SLEEPER - RECLINER - DUAL RESTEASY LEATHER FACED
7	136534-25-000	EA	FRAME/BACK - DUAL REST EASY - ONE SIDE ONLY - DUAL RESTEASY LEATHER FACED
8	138647-09-P78	EA	SEAT - DUAL SOFA/SLEEPER - RECLINER/POWERED - DUAL RESTEASY LEATHER FACED
	P38647-09-P78	EA	COVER/SEAT - DUAL SOFA/SLEEPER - RECLINER/POWERED - DUAL RESTEASY LEATHER FACED
9	136534-26-000	EA	FRAME/SEAT - DUAL REST EASY - ONE SIDE ONLY - DUAL RESTEASY LEATHER FACED
10	136534-27-000	EA	FRAME - TRUNDEL BED - DUAL - DUAL RESTEASY LEATHER FACED
11	136534-31-000	EA	CAP - CABLE COVER
12	138647-04-N74	EA	TRUNDLE - DUAL SOFA/SLEEPER - DUAL RESTEASY LEATHER FACED
	P38647-04-N74	EA	COVER/TRUNDLE - DUAL SOFA/SLEEPER - DUAL RESTEASY LEATHER FACED
13	139716-03-N74	EA	SIGHT SHIELD - 28" - DUAL BACK - DUAL RESTEASY LEATHER FACED
13	139716-06-N74	EA	SIGHT SHIELD - 28" - DUAL BACK - DUAL RESTEASY LEATHER FACED
14*	136534-29-000	EA	BASE - FLAT - DUAL - DUAL RESTEASY LEATHER FACED
	136534-33-000	EA	SPRING-7X1/2 W/HOOK ON ENDS
14	136534-32-000	EA	BRACKET - DUAL BASE
15	116104-04-02B	EA	BRACKET - ZEE W/HOLES - 3.2" - E-COATED

*COMPONENT PARTS LISTED LATER IN THIS GROUP

CURTAIN & CUSHION GROUP (CONTINUED)
SOFA (CONTINUED)



KEY	PART NUMBER	U/M	DESCRIPTION
	145563-11-P78	EA	LOVE SEAT - 48" (P78, P79)
	145563-03-P80	EA	LOVE SEAT - 48" (P80, P81)
	145563-03-P82	EA	LOVE SEAT - 48" (P82, P83)
	145563-11-P94	EA	LOVE SEAT - 48" (P94, P95)
	145563-13-P78	EA	LOVE SEAT - 48" - LEATHER - BANQUETTE - LEATHER FACED
1	139819-02-P78	EA	BACK - LOVE SEAT - 48" (P78, P79)
1	139819-06-P80	EA	BACK - LOVE SEAT - 48" (P80, P81)
1	139819-06-P82	EA	BACK - LOVE SEAT - 48" (P82, P83)
1	139819-02-P94	EA	BACK - LOVE SEAT - 48" (P94, P95)
1	139819-04-N70	EA	BACK - LOVE SEAT - 48" - BANQUETTE - LEATHER FACED
	P39819-02-P78	EA	COVER/BACK - LOVE SEAT - 48" (P78, P79)
	P39819-06-P80	EA	COVER/BACK - LOVE SEAT - 48" (P80, P81)
	P39819-06-P82	EA	COVER/BACK - LOVE SEAT - 48" (P82, P83)
	P39819-02-P94	EA	COVER/BACK - LOVE SEAT - 48" (P94, P95)
	P39819-04-N70	EA	COVER/BACK - LOVE SEAT - 48" - BANQUETTE - LEATHER FACED
2	138998-01-P78	EA	ARMREST - RIGHT HAND (P78, P79)
2	138998-25-P80	EA	ARMREST - RIGHT HAND (P80, P81)
2	138998-25-P82	EA	ARMREST - RIGHT HAND (P82, P83)
2	138998-01-P94	EA	ARMREST - RIGHT HAND (P94, P95)
2	138998-03-N74	EA	ARMREST - RIGHT HAND - BANQUETTE - LEATHER FACED
3	138998-02-P78	EA	ARMREST - LEFT HAND (P78, P79)
3	138998-26-P80	EA	ARMREST - LEFT HAND (P80, P81)
3	138998-26-P82	EA	ARMREST - LEFT HAND (P82, P83)
3	138998-02-P94	EA	ARMREST - LEFT HAND (P94, P95)
3	138998-04-N74	EA	ARMREST - LEFT HAND - BANQUETTE - LEATHER FACED
4	101926-01-02A	EA	BRACKET - ZEE - 2" - BLACK - MOUNTS SOFA TO FLOOR
5	116104-04-02B	EA	BRACKET - ZEE W/HOLES - 3.2" - E-COATED - MOUNTS ARM TO FLOOR
6	134307-05-P78	EA	DRAWER - 48" - FABRIC COVERED (P78, P79)
6	134307-05-P80	EA	DRAWER - 48" - FABRIC COVERED (P80, P81)
6	134307-05-P82	EA	DRAWER - 48" - FABRIC COVERED (P82, P83)
6	134307-03-P94	EA	DRAWER - 48" - FABRIC COVERED (P94, P95)
6	134307-04-N70	EA	DRAWER - 48" - FABRIC COVERED - BANQUETTE - LEATHER FACED

CURTAIN & CUSHION GROUP (CONTINUED)
SOFA (CONTINUED)

KEY	PART NUMBER	U/M	DESCRIPTION
7	139819-01-P78	EA	SEAT - LOVE SEAT - 48" (P78, P79)
7	139819-05-P80	EA	SEAT - LOVE SEAT - 48" (P80, P81)
7	139819-05-P82	EA	SEAT - LOVE SEAT - 48" (P82, P83)
7	139819-01-P94	EA	SEAT - LOVE SEAT - 48" (P94, P95)
7	139819-03-N70	EA	SEAT - LOVE SEAT - 48" - BANQUETTE - LEATHER FACED
	P39819-01-P78	EA	COVER/SEAT - LOVE SEAT - 48" (P78, P79)
	P39819-05-P80	EA	COVER/SEAT - LOVE SEAT - 48" (P80, P81)
	P39819-05-P82	EA	COVER/SEAT - LOVE SEAT - 48" (P82, P83)
	P39819-01-P94	EA	COVER/SEAT - LOVE SEAT - 48" (P94, P95)
	P39819-03-N70	EA	COVER/SEAT - LOVE SEAT - 48" - BANQUETTE - LEATHER FACED
8	134306-02-000	EA	FRAME - BACK - 48"
9	134306-01-000	EA	FRAME - SEAT - 48"
10	134306-04-000	EA	LEG - LEFT W/DRAWER TRACK - 48"
11	134306-03-000	EA	LEG - RIGHT W/DRAWER TRACK - 48"
12	134576-01-000	EA	SLIDE/RAIL KIT - HEAVY DUTY (PAIR) - 22"
13	134511-01-000	EA	LATCH - BANQUETTE
14	128298-01-12B	EA	CATCH - F/LOCK - COMPARTMENT DOORS
	124656-96-000	EA	LOCK - CANADIAN

CURTAIN & CUSHION GROUP (CONTINUED)
COMPONENT PARTS FOR SOFA

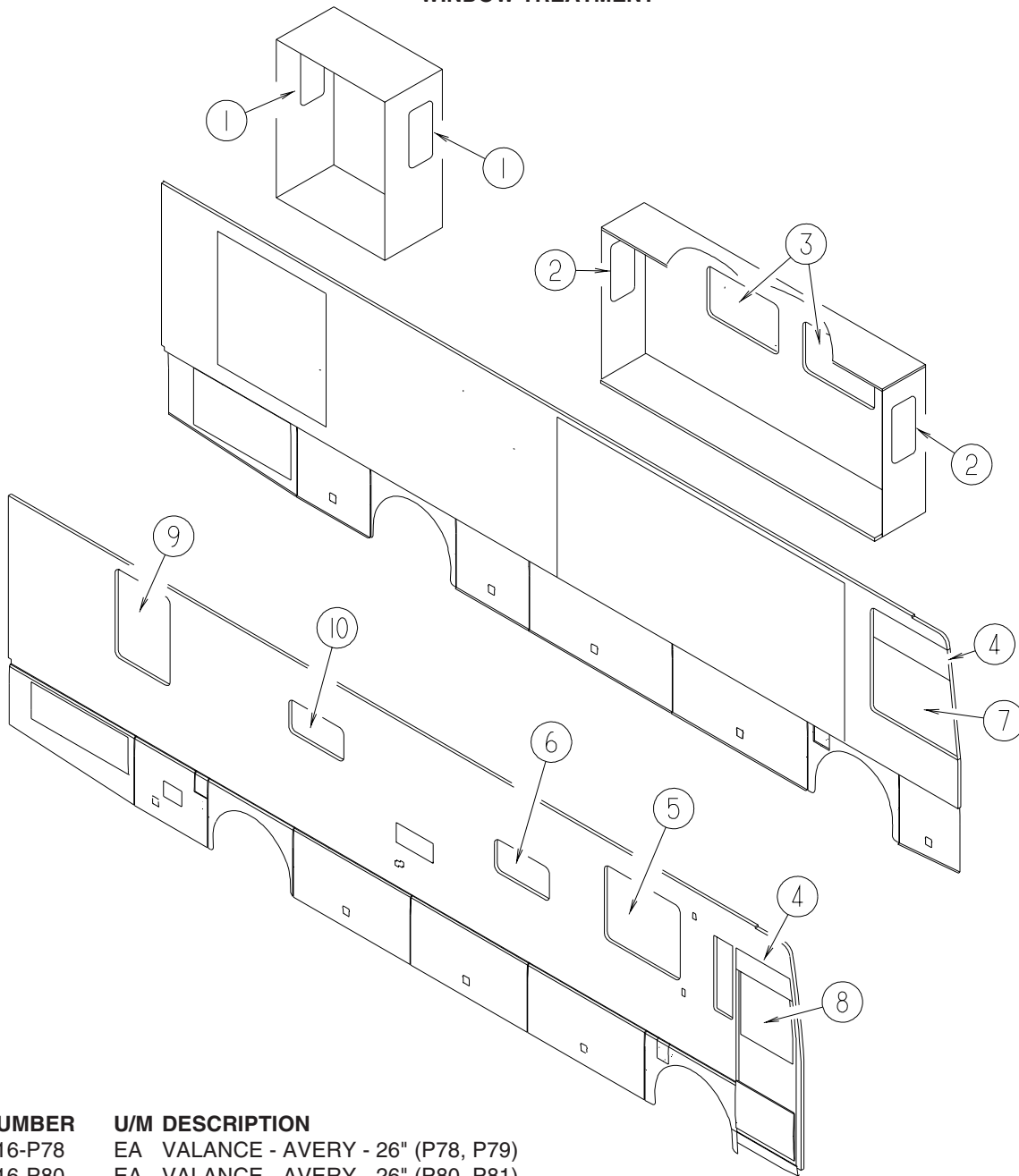
136534-15-000, 136534-29-000

KEY	PART NUMBER	U/M	DESCRIPTION	VENDOR NO.
	136534-02-700	EA	MOTOR	9PL-MO-W/T-1
	136534-02-701	EA	CABLE/DRV MTR-REST EASY SOFA	9PL-FCA27.75

136534-16-000

KEY	PART NUMBER	U/M	DESCRIPTION	VENDOR NO.
	136534-14-700	EA	SLIDE MECHANISM ASM W/LATCH	PTN-SLD-BUSH
	136534-14-701	EA	BUSHING/GUIDE - F/MECHANISM	9TN-SLD-GR-0

CURTAIN & CUSHION GROUP (CONTINUED)
WINDOW TREATMENT

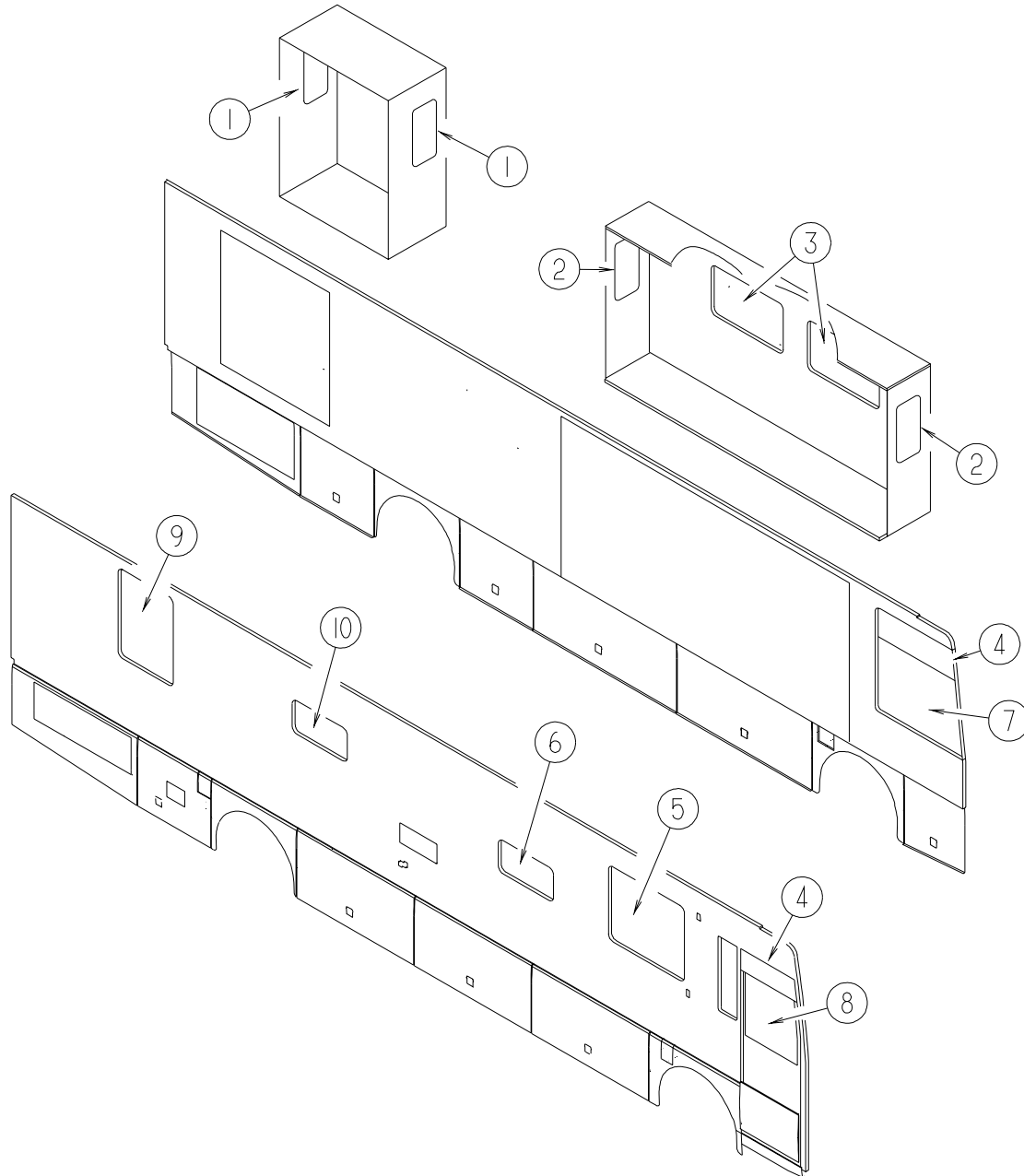


KEY	PART NUMBER	U/M	DESCRIPTION	
1	142635-16-P78	EA	VALANCE - AVERY - 26" (P78, P79)	
1	142635-16-P80	EA	VALANCE - AVERY - 26" (P80, P81)	
1	142635-16-P82	EA	VALANCE - AVERY - 26" (P82, P83)	
1	142635-16-P94	EA	VALANCE - AVERY - 26" (P94, P95)	
1	140789-07-N42	EA	BLIND - DAY/NIGHTER - 22.5" X 23" (P78, P79)	
1	140789-07-N44	EA	BLIND - DAY/NIGHTER - 22.5" X 23" (P80, P81, P82, P83, P94, P95)	
1	136988-59-P78	EA	LEG - RIGHT - 22" (P78, P79)	FROM: 00-00-00 THRU: 10-13-02
1	136988-73-P78	EA	LEG - RIGHT - 20" (P78, P79)	FROM: 10-14-02 THRU: 99-99-99
1	136988-59-P80	EA	LEG - RIGHT - 22" (P80, P81)	FROM: 00-00-00 THRU: 10-13-02
1	136988-73-P80	EA	LEG - RIGHT - 20" (P80, P81)	FROM: 10-14-02 THRU: 99-99-99
1	136988-59-P82	EA	LEG - RIGHT - 22" (P82, P83)	FROM: 00-00-00 THRU: 10-13-02
1	136988-73-P82	EA	LEG - RIGHT - 20" (P82, P83)	FROM: 10-14-02 THRU: 99-99-99
1	136988-59-P94	EA	LEG - RIGHT - 22" (P94, P95)	FROM: 00-00-00 THRU: 10-13-02
1	136988-73-P94	EA	LEG - RIGHT - 20" (P94, P95)	FROM: 10-14-02 THRU: 99-99-99

CURTAIN & CUSHION GROUP (CONTINUED)
WINDOW TREATMENT (CONTINUED)

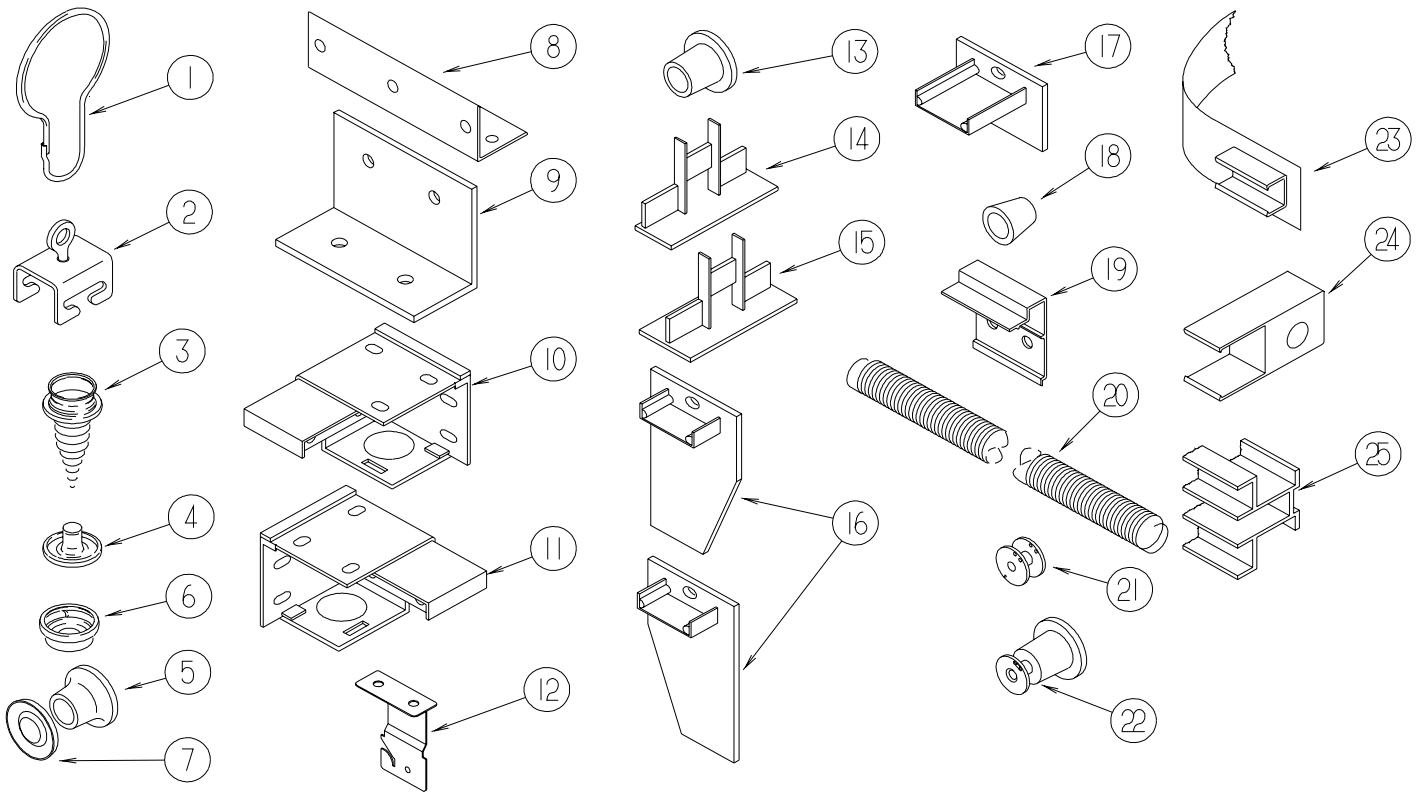
KEY	PART NUMBER	U/M	DESCRIPTION	
1	136988-60-P78	EA	LEG - LEFT - 22" (P78, P79)	
				FROM: 00-00-00 THRU: 10-13-02
1	136988-74-P78	EA	LEG - LEFT - 20" (P78, P79)	
				FROM: 10-14-02 THRU: 99-99-99
1	136988-60-P80	EA	LEG - LEFT - 22" (P80, P81)	
				FROM: 00-00-00 THRU: 10-13-02
1	136988-74-P80	EA	LEG - LEFT - 20" (P80, P81)	
				FROM: 10-14-02 THRU: 99-99-99
1	136988-60-P82	EA	LEG - LEFT - 22" (P82, P83)	
				FROM: 00-00-00 THRU: 10-13-02
1	136988-74-P82	EA	LEG - LEFT - 20" (P82, P83)	
				FROM: 10-14-02 THRU: 99-99-99
1	136988-60-P94	EA	LEG - LEFT - 22" (P94, P95)	
				FROM: 00-00-00 THRU: 10-13-02
1	136988-74-P94	EA	LEG - LEFT - 20" (P94, P95)	
				FROM: 10-14-02 THRU: 99-99-99
2	142635-28-P78	EA	VALANCE - AVERY - 26" (P78, P79)	
2	142635-28-P80	EA	VALANCE - AVERY - 26" (P80, P81)	
2	142635-21-P82	EA	VALANCE - AVERY - 26" (P82, P83)	
2	142635-10-P65	EA	VALANCE - AVERY - 26" (P94, P95)	
2	136988-21-P78	EA	LEG - RIGHT - 22" (P78, P79)	
2	136988-21-P80	EA	LEG - RIGHT - 22" (P80, P81)	
2	136988-33-P82	EA	LEG - RIGHT - 22" (P82, P83)	
2	136988-21-P65	EA	LEG - RIGHT - 22" (P94, P95)	
2	136988-22-P78	EA	LEG - LEFT - 22" (P78, P79)	
2	136988-22-P80	EA	LEG - LEFT - 22" (P80, P81)	
2	136988-34-P82	EA	LEG - LEFT - 22" (P82, P83)	
2	136988-22-P65	EA	LEG - LEFT - 22" (P94, P95)	
2	140789-07-N42	EA	BLIND - DAY/NIGHTER - 22.5" X 23" (P78, P79)	
2	140789-07-N44	EA	BLIND - DAY/NIGHTER - 22.5" X 23" (P80, P81, P82, P83, P94, P95)	
3	142635-01-P78	EA	LAMBREQUIN - AVERY - 61" X 25" (P78, P79)	
3	142635-01-P80	EA	LAMBREQUIN - AVERY - 61" X 25" (P80, P81)	
3	142635-04-P82	EA	LAMBREQUIN - AVERY - 61" X 25" (P82, P83)	
3	142635-08-P65	EA	LAMBREQUIN - AVERY - 61" X 25" (P94, P95)	
3	142635-22-P78	EA	LAMBREQUIN - AVERY - 23.5" (P78, P79)	DINETTE W/COMPUTER TABLE
3	142635-22-P80	EA	LAMBREQUIN - AVERY - 23.5" (P80, P81)	DINETTE W/COMPUTER TABLE
3	142635-23-P82	EA	LAMBREQUIN - AVERY - 23.5" (P82, P83)	DINETTE W/COMPUTER TABLE
3	142635-27-P94	EA	LAMBREQUIN - AVERY - 23.5" (P94, P95)	DINETTE W/COMPUTER TABLE
3	140789-08-N09	EA	BLIND - DAY/NIGHTER - 59" X 26.5" (P78, P79)	
3	140789-08-N44	EA	BLIND - DAY/NIGHTER - 59" X 26.5" (P80, P81, P82, P83, P94, P95)	
4	126841-03-000	EA	SHADE - PULL - CHARCOAL MESH - 40.3" X 60" - DRIVER	
4	126841-04-000	EA	SHADE - PULL - CHARCOAL MESH - 30.3" X 60" - PASSENGER	
5	142635-29-P78	EA	LAMBREQUIN - AVERY - 63" (P78, P79)	
5	142635-29-P80	EA	LAMBREQUIN - AVERY - 63" (P80, P81)	
5	142635-20-P82	EA	LAMBREQUIN - AVERY - 63" (P82, P83)	
5	142635-09-P65	EA	LAMBREQUIN - AVERY - 63" (P94, P95)	
5	140789-13-N52	EA	BLIND - DAY/NIGHTER - 61" X 42" (P78, P79)	
5	140789-13-N54	EA	BLIND - DAY/NIGHTER - 61" X 42" (P80, P81, P82, P83, P94, P95)	
6	121410-C4-P78	EA	VALANCE - MODERATE - 32" (P78, P79)	
6	121410-C4-P80	EA	VALANCE - MODERATE - 32" (P80, P81)	
6	121410-C5-P82	EA	VALANCE - MODERATE - 32" (P82, P83)	
6	121410-C4-P65	EA	VALANCE - MODERATE - 32" (P94, P95)	
6	111861-12-03A	EA	BLIND - MINI - 30.5" X 17.5" - BEIGE (P78, P79)	
6	111861-12-02A	EA	BLIND - MINI - 30.5" X 17.5" - WHITE (P80, P81, P82, P83, P94, P95)	
7	139479-01-01A	EA	CURTAIN - WRAPAROUND/PRIVACY/PLEATED - 45" X 112" - DRIVER	
8	139479-02-01A	EA	CURTAIN - WRAPAROUND/PRIVACY/PLEATED - 42" X 75"- PASS/FRT	
8	139479-03-01A	EA	CURTAIN - WRAPAROUND/PRIVACY/PLEATED - 45" X 75"-PASS/REAR	
9	142635-07-P78	EA	AVERY - 35" (P78, P79)	
9	142635-07-P80	EA	AVERY - 35" (P80, P81)	
9	142635-07-P82	EA	AVERY - 35" (P82, P83)	
9	142635-07-P94	EA	AVERY - 35" (P94, P95)	
9	140789-12-N70	EA	BLIND - DAY/NIGHTER - 32" X 46" (P78, P79)	
9	140789-12-N72	EA	BLIND - DAY/NIGHTER - 32" X 46" (P80, P81, P82, P83, P94, P95)	

CURTAIN & CUSHION GROUP (CONTINUED)
WINDOW TREATMENT (CONTINUED)



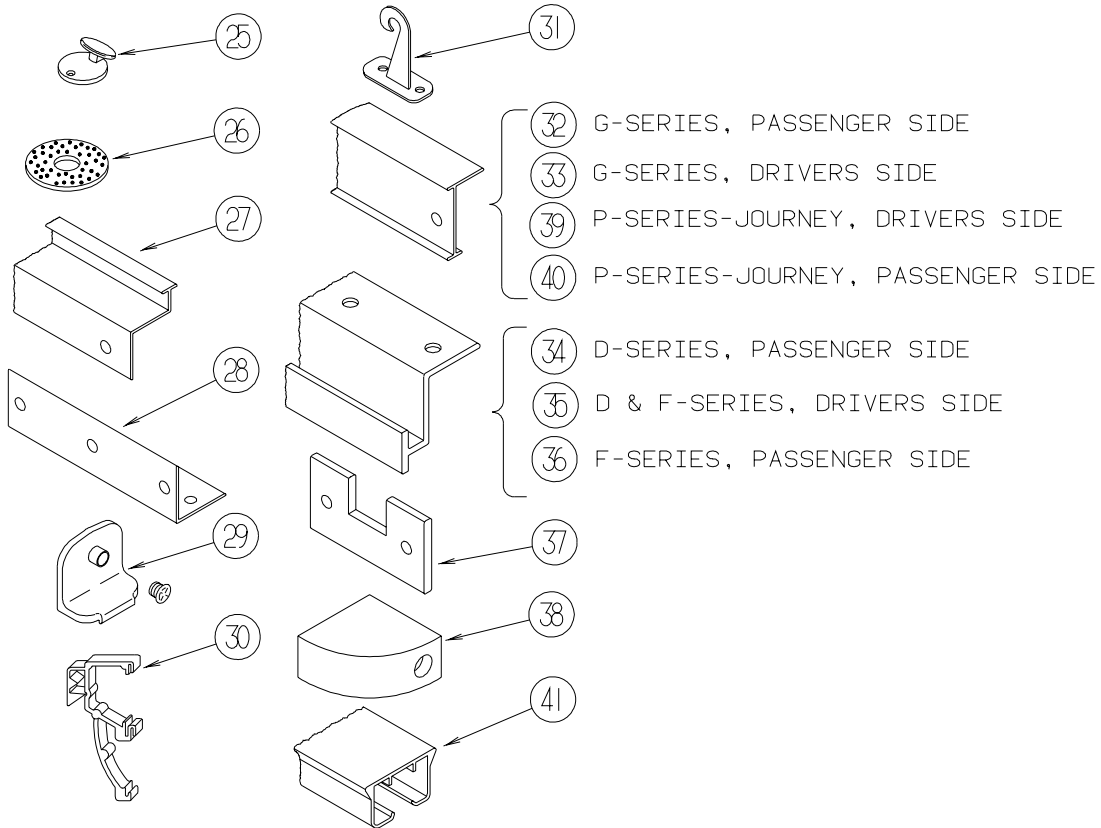
KEY	PART NUMBER	U/M	DESCRIPTION
9	136988-61-P78	EA	LEG - RIGHT - 42" (P78, P79)
9	136988-61-P80	EA	LEG - RIGHT - 42" (P80, P81)
9	136988-61-P82	EA	LEG - RIGHT - 42" (P82, P83)
9	136988-61-P94	EA	LEG - RIGHT - 42" (P94, P95)
9	136988-62-P78	EA	LEG - LEFT - 42" (P78, P79)
9	136988-62-P80	EA	LEG - LEFT - 42" (P80, P81)
9	136988-62-P82	EA	LEG - LEFT - 42" (P82, P83)
9	136988-62-P94	EA	LEG - LEFT - 42" (P94, P95)
10	121410-A2-P78	EA	VALANCE - MODERATE - 32" (P78, P79)
10	121410-A2-P80	EA	VALANCE - MODERATE - 32" (P80, P81)
10	121410-A2-P82	EA	VALANCE - MODERATE - 32" (P82, P83)
10	121410-A2-P94	EA	VALANCE - MODERATE - 32" (P94, P95)
10	111861-12-03A	EA	BLIND - MINI - 30.5" X 17.5" - BEIGE (P78, P79)
10	111861-12-02A	EA	BLIND - MINI - 30.5" X 17.5" - WHITE (P80, P81, P82, P83, P94, P95)

CURTAIN & CUSHION GROUP (CONTINUED) HARDWARE



KEY	PART NUMBER	U/M	DESCRIPTION
1	009136-02-000	EA	HANGER - RING - PIN TYPE - CURTAIN - BRASS
2	009702-01-000	EA	END STOP - CURTAIN CARRIER - L - ROD
3	029130-01-000	EA	SCREW - SNAP STUD - #8-16 X 3/8" LONG
3	029130-03-000	EA	SCREW - SNAP STUD - #8-16 X 1" LONG
4	029155-01-000	EA	CAP - SNAP - 5/32" OUTSIDE DIAMETER OF PIN
5	029156-01-000	EA	SOCKET - SNAP - 9/16" O.D.
6	046867-02-000	EA	WASHER - HANDY BUTTON #3
7	046867-03-000	EA	GROMMET - HANDY BUTTON #3
8	075943-10-000	EA	BRACE - VALANCE - 20" - OFF WHITE
9	083125-07-000	EA	BRACE - ANGLE/COUCH - 2.5" - OFF WHITE
9	083125-08-000	EA	BRACE - WINDOW MOUNT - .75" - OFF WHITE
10	083170-01-000	EA	BRACKET/BLIND - LEFT SIDE WHEN FACING WINDOW - CLEAR
11	083170-02-000	EA	BRACKET/BLIND - RIGHT SIDE WHEN FACING WINDOW - CLEAR
12	084434-01-000	EA	BRACKET - MOUNTING - ROLLER SHADE - 1 3/8"
13	094896-02-000	EA	GROMMET - CORD/PLEATED BLIND - NYLON - GRAY
14	094907-02-000	EA	END CAP - PLEATED BLIND/TOP - RH/LH - GRAY PLASTIC
15	094907-04-000	EA	END CAP - PLEATED BLIND/BOTTOM - RH/LH
16	094907-05-000	EA	END CAP - PLEATED BLIND/BOTTOM - PULL TYPE - PLASTIC
17	094907-06-000	EA	END CAP - PLEATED BLIND/TOP
18	097564-99-000	EA	HANDLE - KNOB - E-Z LIFT SHADE - COLORLESS
19	097565-01-000	EA	BRACKET - MOUNTING - PLEATED BLIND
20	097591-01-000	EA	SPRING - EXTENSION - PLEATED BLIND
21	097592-01-000	EA	SPOOL - CORD - ELEVATED BLIND HOLDUP - SMALL - CLEAR
22	097592-02-000	EA	SPOOL - CORD - ELEVATED BLIND HOLDUP - LARGE - CLEAR
	097593-02-000	FT	CORD - BLIND - PLEATED - GRAY
	097593-06-000	FT	CORD - BLIND - PLEATED - PEWTER
	097593-10-000	FT	CORD - BLIND - PLEATED - VANILLA
23	101031-01-000	YD	TAPE/GLIDE - 4.25" SPACING
24	101033-02-000	EA	END CAP - LOW PROFILE TRACK - CLEAR
25	101033-08-000	EA	TRACK/WALL - 75" - FRT BUNK WINDOW 300 SERIES (MINNIE/SPIRIT)
25	101033-09-000	EA	TRACK/WALL - 32" - SIDE BUNK WINDOW 200 SERIES/300 SERIES (VISTA/SUNSTAR /MINNIE/SPIRIT)

CURTAIN & CUSHION GROUP (CONTINUED)
HARDWARE (CONTINUED)



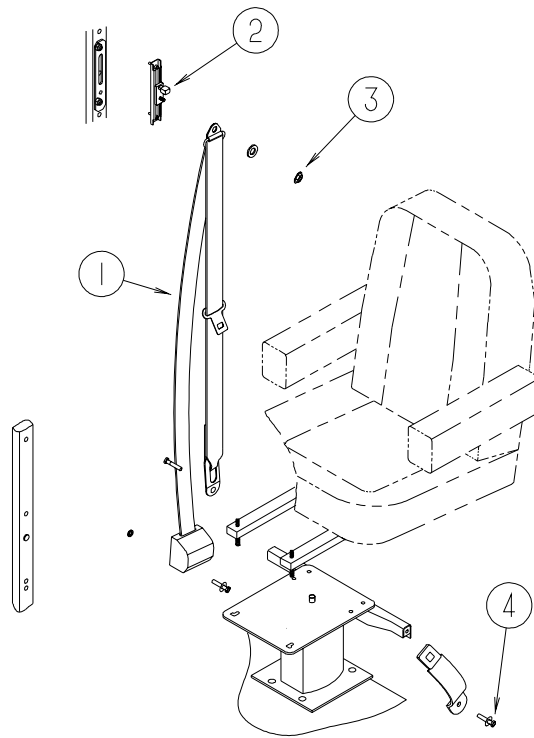
KEY	PART NUMBER	U/M	DESCRIPTION
25	102555-03-000	EA	CLEAT - BLIND CORD - MILKY WHITE - PLASTIC
26	103242-01-000	EA	VELCRO HOOK - BEIGE 7/8" ROUND W/CENTER HOLE
26	103242-02-000	EA	VELCRO HOOK - BLACK 7/8" ROUND W/CENTER HOLE
27	105450-14-01A	EA	TRACK - CURTAIN - 90" - OFF WHITE - FRONT BUNK PRIVACY 300 SERIES (MINNIE/SPIRITE)
27	105450-15-01A	EA	TRACK - CURTAIN - 82.3" - OFF WHITE - FRONT BUNK PRIVACY 200 SERIES (VISTA/SUNSTAR)
28	105648-01-02A	EA	BRACE - VALANCE - OFF/WHITE - 14"
29	106544-01-000	EA	PULL - SHADE/BRASS
	106544-01-001	EA	SCREW - SHADE/BRASS
30	109353-04-000	EA	CLIP - VALANCE SLAT MOUNTING - CLEAR PLASTIC
	109441-02-000	EA	SPACER/BACKET - BLIND HOLD DOWN
31	109441-03-000	EA	BRACKET/HOOK - BLIND HOLD DOWN - CLOUDY
32	126456-03-04A	EA	TRACK/WRAPAROUND - PASSENGER - GLACIER - G SERIES (ADVENTURER/SUNCRUISER)
33	126456-04-04A	EA	TRACK/WRAPAROUND - DRIVER - GLACIER - G SERIES (ADVENTURER/SUNCRUISER)
34	127254-03-05A	EA	TRACK/WRAPAROUND - PASSENGER - GLACIER - D SERIES (SIGHTSEER/SUNOVA)
35	127254-04-05A	EA	TRACK/WRAP - DRIVER - GLACIER - D SERIES/F SERIES (SIGHTSEER/SUNOVA/BRAVE/SUNRISE)
36	127254-14-03A	EA	TRACK/WRAPAROUND - PASSENGER - GLACIER - F SERIES (BRAVE/SUNRISE)
37	130549-01-01A	EA	STOP - CURTAIN TRACK
38	132504-01-N92	EA	BRACKET - SHADE
39	133235-01-04A	EA	TRACK - CURTAIN/LEFT HAND - GLACIER - P SERIES (JOURNEY)
40	133236-01-04A	EA	TRACK - CURTAIN/RIGHT HAND - GLACIER - P SERIES (JOURNEY)
41	138460-01-02A	EA	TRACK/CURTAIN - PASSENGER - WHITE - Q SERIES (ULTIMATE ADVANTAGE/ULTIMATE FREEDOM)
	138460-02-02A	EA	TRACK/CURTAIN - DRIVER - WHITE - Q SERIES (ULTIMATE ADVANTAGE/ULTIMATE FREEDOM)
41	138460-03-02A	EA	TRACK/CURTAIN - PASSENGER - WHITE - P SERIES (JOURNEY DL/HORIZON)
	138460-04-02A	EA	TRACK/CURTAIN - DRIVER - WHITE - P SERIES (JOURNEY DL/HORIZON)
41	138460-05-02A	EA	TRACK/CURTAIN - PASSENGER - WHITE - L SERIES (CHIEFTAIN/SUNFLYER)
	138460-06-02A	EA	TRACK/CURTAIN - DRIVER - WHITE - L SERIES (CHIEFTAIN/SUNFLYER)
	141634-01-000	EA	BOBBIN-PLEATED,ADJUSTABLE

FROM: 06-17-02 THRU: 99-99-99

CURTAIN & CUSHION GROUP (CONTINUED)

ACCESSORIES

KEY	PART NUMBER	U/M	DESCRIPTION
	056271-01-000	EA	SEAT BELT - 2" X 102" - BLACK
	127598-01-01A	EA	ADJUSTER - SEATBELT - D-LOOP
	118337-15-P78	EA	BUTTON - #60 - FABRIC COVERED (P78,P79)
	118337-15-P80	EA	BUTTON - #60 - FABRIC COVERED (P80,P81)
	118337-15-P82	EA	BUTTON - #60 - FABRIC COVERED (P82,P83)
	118337-15-P65	EA	BUTTON - #60 - FABRIC COVERED (P94,P95)
	118337-05-P78	EA	BUTTON - #60 - FABRIC COVERED (P78,P79)
	118337-05-P80	EA	BUTTON - #60 - FABRIC COVERED (P80,P81)
	118337-05-P82	EA	BUTTON - #60 - FABRIC COVERED (P82,P83)
	118337-05-P65	EA	BUTTON - #60 - FABRIC COVERED (P94,P95)
	118337-08-P78	EA	BUTTON - #60 - FABRIC COVERED (P78,P79)
	118337-08-P80	EA	BUTTON - #60 - FABRIC COVERED (P80,P81)
	118337-08-P82	EA <td BUTTON - #60 - FABRIC COVERED (P82,P83)	
	074494-02-000	EA	BUTTON - RETAINING PIVOT - #60
	074494-03-000	EA	BUTTON - SERRATED PIVOT - W/3/8 TACK
	074494-04-000	EA	BUTTON - JOINED/PIVOT - W 3/4 TACK
	129491-01-000	EA	CATCH - SNAP HOOK - 1"
	057534-03-000	EA	TIEBACK - CLEAR PLASTIC - 7.5"
	057534-08-000	EA	TIEBACK - CLEAR PLASTIC - 16"



KEY	PART NUMBER	U/M	DESCRIPTION
1*	091990-08-01A	EA	SEAT BELT - 3 POINT - .766" DIAMETER HOLE IN D-LOOP BRKT
2	127598-01-01A	EA	ADJUSTER - SEATBELT - D-LOOP
3	127598-02-000	EA	NUT - HEX FLANGE - M10 X 1.5 - CLASS 10
4	095076-02-000	EA	WASHER - FL - 7/16"ID X 2"OD X .06

*COMPONENT PARTS LISTED LATER IN THIS GROUP

CURTAIN & CUSHION GROUP (CONTINUED)
COMPONENT PARTS FOR ACCESSORIES

091990-08-01A

KEY	PART NUMBER	U/M	DESCRIPTION	VENDOR NO.
	091990-01-701	EA	EXTENDER 9" FOR A8408 3 PT	I-1331-02
	091990-01-703	EA	RECEIVER/FEMALE END-SEATBELT	I-1159-02
	091990-05-700	EA	SLEEVE/BUCKLE COVER-PLASTIC	209S-2
	091990-05-701	EA	CAP/COVER - BOLT HOLE COVER	209SC-02
	091990-05-702	EA	SLEEVE/RETRACTABLE COVER	309C-02

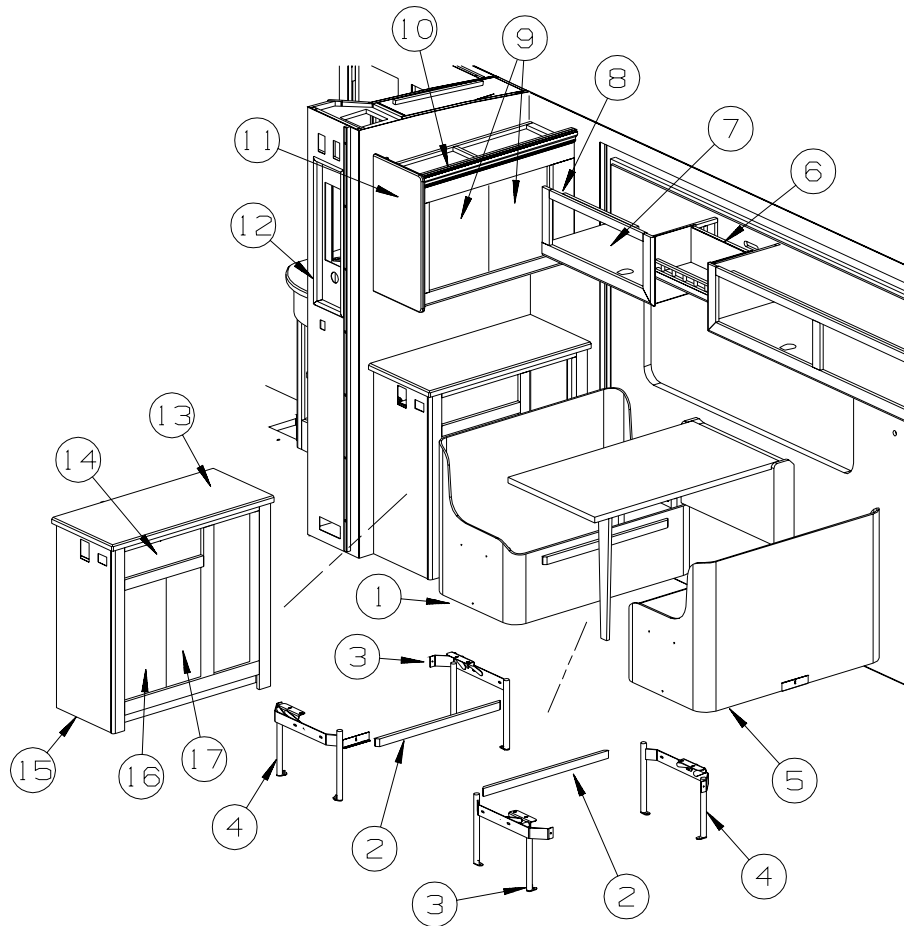
CURTAIN & CUSHION GROUP (CONTINUED)
FABRICS

FAMILY	P78/P79	P80/P81	P82/P83	P94/P95
JOURNEY DL	PALACE GATE	GARDEN PATH	VANDERBILT BLUE	GREEN LAWN
BUCKET	575 W/ADJ. ARMS	575 W/ADJ. ARMS	575 W/ADJ. ARMS	575 W/ADJ. ARMS
	DRIVER'S W/LUMBAR	DRIVER'S W/LUMBAR	DRIVER'S W/LUMBAR	DRIVER'S W/LUMBAR
	126883-D9-000	126883-N4-000	126883-N7-000	126883-M8-000
	*OPT.LEATH. DOESKIN 079680-50-000	*OPT.LEATH. DOESKIN 079680-50-000	*OPT.LEATH. DOESKIN 079680-50-000	*OPT.LEATH. DOESKIN 079680-50-000
DINETTE	725 PULL THRU	725 PULL THRU	725 PULL THRU	725 PULL THRU
	126883-N8-000	126883-S1-000	126883-N6-000	126883-R5-000
DINETTE WRAP	126883-D9-000/139056-11-000	126883-N4-000/139056-09-000	126883-N7-000/139056-09-000	126883-M8-000/139056-15-000
FULL W/TOE KICK				
DINETTE CHAIRS	FLEXSTEEL C155 CHAIRS	FLEXSTEEL C155 CHAIRS	FLEXSTEEL C155 CHAIRS	FLEXSTEEL C155 CHAIRS
REM FOLDING & COMPUTER CHAIRS	REM FC200 FOLDING	REM FC200 FOLDING	REM FC200 FOLDING	REM FC200 FOLDING
	126883-N8-000	126883-S1-000	126883-N7-000	126883-R6-000
SOFA	815 4WAY/685 COMFORT LG.	815 4WAY/685 COMFORT LG.	815 4WAY/685 COMFORT LG.	815 4WAY/685 COMFORT LG.
	126883-N8-000	126883-N4-000	126883-N6-000	126883-R5-000
	*OPT.LEATH. DOESKIN 079680-50-000	*OPT.LEATH. DOESKIN 079680-50-000	*OPT.LEATH. DOESKIN 079680-50-000	*OPT.LEATH. DOESKIN 079680-50-000
BANQUETTE	676 BANQ.W/815 BANQ.ARMS	676 BANQ.W/815 BANQ.ARMS	676 BANQ.W/815 BANQ.ARMS	676 BANQ.W/815 BANQ.ARMS
	126883-N8-000 (MAIN)	126883-S1-000 (ACCENT)	126883-N7-000 (ACCENT)	126883-R5-000 (MAIN)
	*OPT.LEATH. DOESKIN 079680-50-000	*OPT.LEATH. DOESKIN 079680-50-000	*OPT.LEATH. DOESKIN 079680-50-000	*OPT.LEATH. DOESKIN 079680-50-000
LOUNGE CHAIR	455 HOOP W/FOOTREST	455 HOOP W/FOOTREST	455 HOOP W/FOOTREST	455 HOOP W/FOOTREST
	126883-D9-000	126883-S1-000	126883-N7-000	126883-R6-000
	*OPT.LEATH. DOESKIN 079680-50-000	*OPT.LEATH. DOESKIN 079680-50-000	*OPT.LEATH. DOESKIN 079680-50-000	*OPT.LEATH. DOESKIN 079680-50-000
LOUNGE WINDOWS	AVERY LAMBREQUIN	AVERY LAMBREQUIN	AVERY LAMBREQUIN	AVERY LAMBREQUIN
	UNDERLAY 126883-N8-000	UNDERLAY 126883-N4-000	UNDERLAY 126883-N7-000	UNDERLAY 126883-R5-000
	CENTER V OVLY. 126883-D9-000	CENTER V OVLY. 126883-S1-000	CENTER V OVLY. 126883-N6-000	CENTER V OVLY. 126883-M8-000
	TOP V OVERLAY 126883-N8-000	TOP V OVERLAY 126883-N4-000	TOP V OVERLAY 126883-N7-000	TOP V OVERLAY 126883-R5-000
	BUTTONS 126883-D9-000	BUTTONS 126883-S1-000	BUTTONS 126883-N7-000	BUTTONS 126883-M8-000
GALLEY VALANCE	MODERATE	MODERATE	MODERATE	MODERATE
	126883-N8-000	126883-N4-000	126883-N7-000	126883-R5-000
LOUNGE PILLOWS	18" W/CENTER BUTTON & FRG.	18" W/CENTER BUTTON & FRG.	18" W/CENTER BUTTON & FRG.	18" W/CENTER BUTTON & FRG.
2 PER SOFA/BANQ.	126883-D9-000/139041-18-000	126883-S1-000/084415-F3-000	126883-N7-000/139041-20-000	126883-M8-000/084415-F3-000
FRONT WRAP	PURCHASED PLEATED	PURCHASED PLEATED	PURCHASED PLEATED	PURCHASED PLEATED
BEDSPREAD	BEDCAP W/.25" ACCENT WELT	BEDCAP W/.25" ACCENT WELT	BEDCAP W/.25" ACCENT WELT	BEDCAP W/.25" ACCENT WELT
6" CHANNEL QUILT	137813-48-000/137813-49-000	105745-W8-000/137813-60-000	137813-46-000/137813-47-000	137813-63-000/137813-64-000
BEDROOM WINDOWS	AVERY VALANCE	AVERY VALANCE	AVERY VALANCE	AVERY VALANCE
	UNDERLAY 137813-48-000	UNDERLAY 105745-W8-000	UNDERLAY 137813-46-000	UNDERLAY 137813-63-000
	CENTER V OVLY. 137813-49-000	CENTER V OVLY. 137813-60-000	CENTER V OVLY. 137813-47-000	CENTER V OVLY. 137813-64-000
	TOP V OVERLAY 137813-48-000	TOP V OVERLAY 105745-W8-000	TOP V OVERLAY 137813-46-000	TOP V OVERLAY 137813-63-000
	BUTTONS 137813-49-000	BUTTONS 137813-60-000	BUTTONS 137813-47-000	BUTTONS 137813-64-000
	FLUSH LEGS 137813-48-000	FLUSH LEGS 105745-W8-000	FLUSH LEGS 137813-46-000	FLUSH LEGS 137813-63-000

CURTAIN & CUSHION GROUP (CONTINUED)
FABRICS (CONTINUED)

FAMILY	P78/P79	P80/P81	P82/P83	P94/P95
JOURNEY DL	PALACE GATE	GARDEN PATH	VANDERBILT BLUE	GREEN LAWN
ASHWELL VAL.	137813-48-000 BODY	105745-W8-000 BODY	137813-46-000 BODY	136813-63-000 BODY
*WHEN NEEDED	137813-49-000 .25" WELT	137813-60-000 .25" WELT	137813-47-000 .25" WELT	137813-64-000 .25" WELT
SHAMS	DOUBLE FLANGED W/FRINGE	DOUBLE FLANGED W/FRINGE	DOUBLE FLANGED W/FRINGE	DOUBLE FLANGED W/FRINGE
	FRINGE AT INSIDE PILLOW LINE	FRINGE AT INSIDE PILLOW LINE	FRINGE AT INSIDE PILLOW LINE	FRINGE AT INSIDE PILLOW LINE
	137813-48-000/139041-18-000	105745-W8-000/084415-F3-000	137813-46-000/139041-20-000	137813-63-000/084415-F3-000
BEDRM. PILLOW 1 PER MATTRESS	14X20 W/OVLY. & CORD	14X20 W/OVLY. & CORD	14X20 W/OVLY. & CORD	14X20 W/OVLY. & CORD
	BODY 137813-49-000	BODY 137813-60-000	BODY 137813-46-000	BODY 137813-64-000
	OVERLAY 137813-48-000	OVERLAY 105745-W8-000	OVERLAY 137813-47-000	OVERLAY 137813-63-000
	OUTER EDGE CORD 139041-17-000	OUTER EDGE CORD 084415-F2-000	OUTER EDGE CORD 139041-19-000	OUTER EDGE CORD 084415-F2-000
HEADBOARD	BROOKWOOD W/BRAID	BROOKWOOD W/BRAID	BROOKWOOD W/BRAID	BROOKWOOD W/BRAID
	137813-48-000/139041-17-000	105745-W8-000/084415-F2-000	137813-46-000/139041-19-000	137813-63-000/084415-F2-000
	*NOTE - NON-GATH. TOP BAND	*NOTE - NON-GATH. TOP BAND	*NOTE - NON-GATH. TOP BAND	*NOTE - NON-GATH. TOP BAND
BEDRM.BED BOARD *WHEN NEEDED	137813-49-000	137813-60-000	137813-47-000	137813-64-000
HALLWAY *WHEN NEEDED	126883-N8-000	126883-N4-000	126883-N6-000	126883-R5-000
DAY-NITERS LGE. & BEDROOM	PUTTY/WHT. DECO	EGGSHELL/WHT. DECO	EGGSHELL/WHT. DECO	EGGSHELL/WHT. DECO
	094911-58-000/094911-50-000	094911-56-000/094911-50-000	094911-56-000/094911-50-000	094911-56-000/094911-50-000
GALLEY&BATH	C011 BEIGE (MICRO MINI)	386 SNO CAP (MICRO MINI)	386 SNO CAP (MICRO MINI)	386 SNO CAP (MICRO MINI)
OVHD. INSERTS LOUNGE&BEDRM.	LOUNGE 126883-D9-000	LOUNGE 126883-N4-000	LOUNGE 126883-N7-000	LOUNGE 126883-M8-000
	BEDROOM 137813-49-000	BEDROOM 137813-60-000	BEDROOM 137813-47-000	BEDROOM 137813-64-000
SUNVISORS	142380-03-01A POWER	142380-03-01A POWER	142380-03-01A POWER	142380-03-01A POWER
FLOOR MAT (DRIVER'S)	CARPET 139056-11-000	CARPET 139056-09-000	CARPET 139056-09-000	CARPET 139056-15-000
	TAPE 102695-12-000	TAPE 102695-12-000	TAPE 102695-12-000	TAPE 102695-28-000
BATH VALANCE	MODERATE W/BRAID	MODERATE W/BRAID	MODERATE W/BRAID	MODERATE W/BRAID
	137813-48-000/139041-17-000	105745-W8-000/084415-F2-000	137813-46-000/139041-19-000	137813-63-000/084415-F2-000
CEILING	113979-12-01A	113979-12-01A	113979-12-01A	113979-12-01A
CEILING SLIDEOUT	113979-13-01A/113979-14-01A	113979-13-01A/113979-14-01A	113979-13-01A/113979-14-01A	113979-13-01A/113080-14-01A

DINETTE GROUP CABINETS

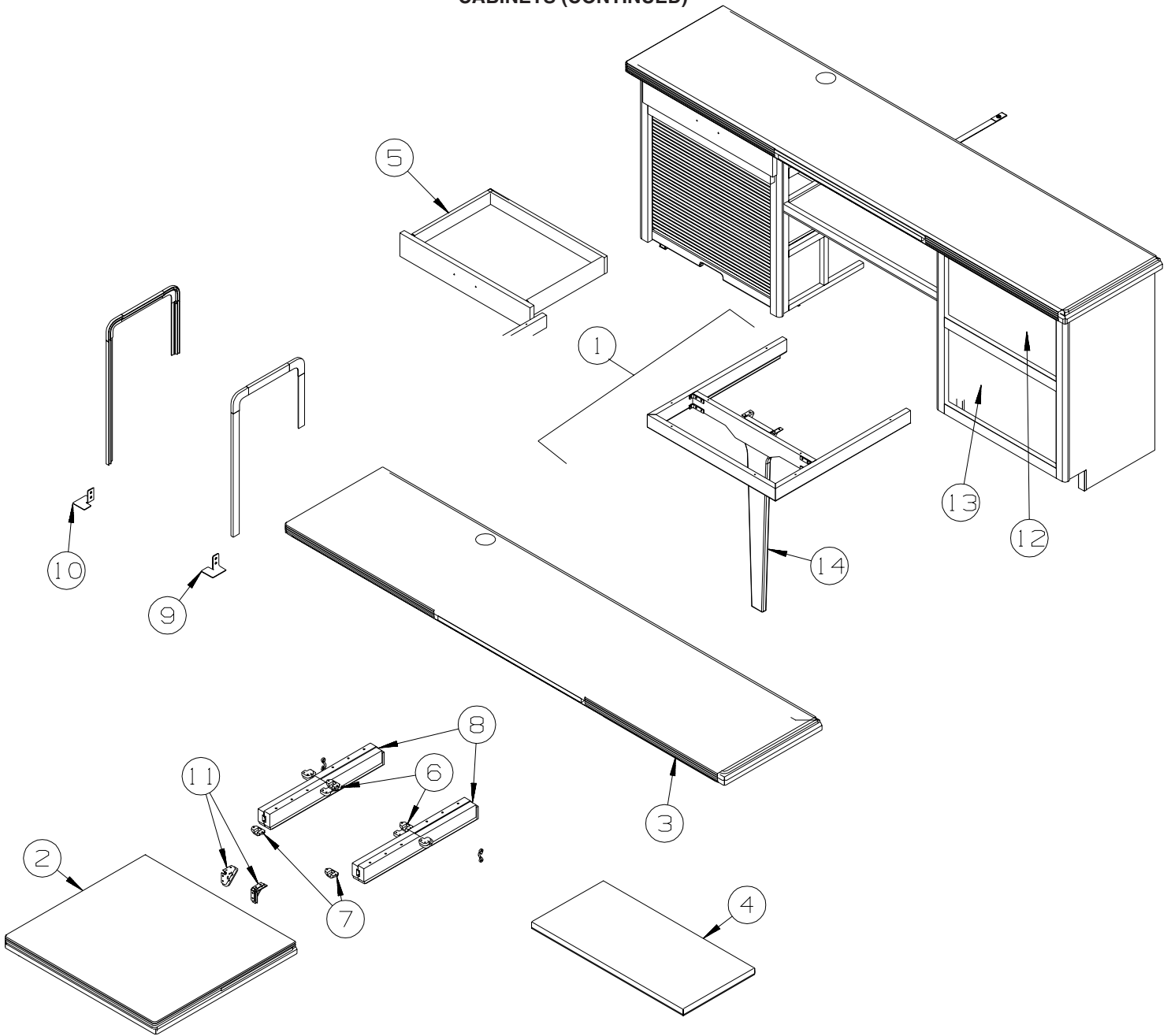


KEY	PART NUMBER	U/M	DESCRIPTION
1	141859-02-P78	EA	CABINET/BENCH - DINETTE - W/O DOORS/HARDWARE
1	141859-02-P79	EA	CABINET/BENCH - DINETTE - W/O DOORS/HARDWARE
1	141859-02-P80	EA	CABINET/BENCH - DINETTE - W/O DOORS/HARDWARE
1	141859-02-P81	EA	CABINET/BENCH - DINETTE - W/O DOORS/HARDWARE
1	141859-02-P82	EA	CABINET/BENCH - DINETTE - W/O DOORS/HARDWARE
1	141859-02-P83	EA	CABINET/BENCH - DINETTE - W/O DOORS/HARDWARE
1	141859-02-P94	EA	CABINET/BENCH - DINETTE - W/O DOORS/HARDWARE
1	141859-02-P95	EA	CABINET/BENCH - DINETTE - W/O DOORS/HARDWARE
2	081295-01-N70	EA	SUPPORT - BED/DINETTE - 28" LONG - PORTSMOUTH OAK
2	081295-01-M52	EA	SUPPORT - BED/DINETTE - 28" LONG - CONCERT CHERRY
3	142033-01-000	EA	BRACKET - DINETTE - RIGHT HAND
4	142033-02-000	EA	BRACKET - DINETTE - LEFT HAND
5	141859-01-P78	EA	CABINET/BENCH - DINETTE - W/O DOORS/HDW
5	141859-01-P79	EA	CABINET/BENCH - DINETTE - W/O DOORS/HDW
5	141859-01-P80	EA	CABINET/BENCH - DINETTE - W/O DOORS/HDW
5	141859-01-P81	EA	CABINET/BENCH - DINETTE - W/O DOORS/HDW
5	141859-01-P82	EA	CABINET/BENCH - DINETTE - W/O DOORS/HDW
5	141859-01-P83	EA	CABINET/BENCH - DINETTE - W/O DOORS/HDW
5	141859-01-P94	EA	CABINET/BENCH - DINETTE - W/O DOORS/HDW
5	141859-01-P95	EA	CABINET/BENCH - DINETTE - W/O DOORS/HDW
6	134918-01-M42	EA	CABINET - OVHD/COFFEE - W/O DOORS/HDW - PORTSMOUTH OAK FROM: 00-00-00 THRU: 08-22-02
6	136894-01-N42	EA	CABINET - OVHD/COFFEE - W/O DOORS/HDW - PORTSMOUTH OAK FROM: 08-23-02 THRU: 99-99-99
6	134918-01-M85	EA	CABINET - OVHD/COFFEE - W/O DOORS/HDW - CONCERT CHERRY FROM: 00-00-00 THRU: 08-22-02
6	136894-01-P46	EA	CABINET - OVHD/COFFEE - W/O DOORS/HDW - CONCERT CHERRY FROM: 08-23-02 THRU: 99-99-99
7	136709-46-P78	EA	DOOR - RAISED PANEL/OGEE EDGE - 10.8" X 27.9" - W/O HDW - PORTSMOUTH OAK
7	136709-46-P14	EA	DOOR - RAISED PANEL/OGEE EDGE - 10.8" X 27.9" - W/O HDW - CONCERT CHERRY

DINETTE GROUP (CONTINUED)
CABINETS (CONTINUED)

KEY	PART NUMBER	U/M	DESCRIPTION
8	134919-01-N42	EA	CABINET - OVHD/DINETTE - W/O DOORS/HDW - PORTSMOUTH OAK - W/O DELUXE SOUND SYS. FROM: 00-00-00 THRU: 08-22-02
8	140964-01-P45	EA	CABINET - OVHD/DINETTE - W/O DOORS/HDW - PORTSMOUTH OAK - W/O DELUXE SOUND SYS. FROM: 08-23-02 THRU: 99-99-99
8	134919-01-M85	EA	CABINET - OVHD/DINETTE - W/O DOORS/HDW - CONCERT CHERRY - W/O DELUXE SOUND SYS. FROM: 00-00-00 THRU: 08-22-02
8	140964-01-P46	EA	CABINET - OVHD/DINETTE - W/O DOORS/HDW - CONCERT CHERRY - W/O DELUXE SOUND SYS. FROM: 08-23-02 THRU: 99-99-99
8	134919-02-N42	EA	CABINET - OVHD/DINETTE - W/O DOORS/HDW - PORTSMOUTH OAK - DELUXE SOUND SYS. FROM: 00-00-00 THRU: 08-22-02
8	140964-02-P45	EA	CABINET - OVHD/DINETTE - W/O DOORS/HDW - PORTSMOUTH OAK - DELUXE SOUND SYS. FROM: 08-23-02 THRU: 99-99-99
8	134919-02-M85	EA	CABINET - OVHD/DINETTE - W/O DOORS/HDW - CONCERT CHERRY - DELUXE SOUND SYS. FROM: 00-00-00 THRU: 08-22-02
8	140964-02-P46	EA	CABINET - OVHD/DINETTE - W/O DOORS/HDW - CONCERT CHERRY - DELUXE SOUND SYS. FROM: 08-23-02 THRU: 99-99-99
9	131995-BV-N75	EA	DOOR - RAIL/SOLID PANEL - 14.3" X 17.9" - W/O HARDWARE - PORTSMOUTH OAK
9	131995-BV-N74	EA	DOOR - RAIL/SOLID PANEL - 14.3" X 17.9" - W/O HARDWARE - CONCERT CHERRY
10	140206-01-N75	EA	CABINET - OVERHEAD/DINETTE - W/O DOORS/HDW - PORTSMOUTH OAK
10	140206-01-N85	EA	CABINET - OVERHEAD/DINETTE - W/O DOORS/HDW - CONCERT CHERRY
11	P38119-24-N75	EA	END CAP - OVERHEAD CABINET - PORTSMOUTH OAK
11	P38119-24-N85	EA	END CAP - OVERHEAD CABINET - CONCERT CHERRY
12	137602-06-N75	EA	POCKET - MONITOR PANEL - PORTSMOUTH OAK - 1500 WATT INVERTER/CHARGER
12	137602-06-N74	EA	POCKET - MONITOR PANEL - CONCERT CHERRY - 1500 WATT INVERTER/CHARGER
12	137602-03-N75	EA	POCKET - MONITOR PANEL - PORTSMOUTH OAK - W/O INVERTER/CHARGER DC/AC
12	137602-03-N74	EA	POCKET - MONITOR PANEL - CONCERT CHERRY - W/O INVERTER/CHARGER DC/AC
13	137376-02-03A	EA	COUNTERTOP - 1/4" VENDURA - ALMONDINE
14	M09316-P5-N75	EA	DRAWER - OGEE EDGE - 16.6"W X 13.8"D - W/O SLIDE/HARDWARE - PORTSMOUTH OAK
14	M09316-P5-N74	EA	DRAWER - OGEE EDGE - 16.6"W X 13.8"D - W/O SLIDE/HARDWARE - CONCERT CHERRY
15	140184-01-N75	EA	CABINET - STORAGE/DINETTE - W/O DOORS/HDW - PORTSMOUTH OAK
15	140184-01-N85	EA	CABINET - STORAGE/DINETTE - W/O DOORS/HDW - CONCERT CHERRY
16	136709-08-P78	EA	DOOR - RAISED PANEL/OGEE EDGE - 9.2" X 21.8" - W/O HDW - PORTSMOUTH OAK
16	136709-08-P79	EA	DOOR - RAISED PANEL/OGEE EDGE - 9.2" X 21.8" - W/O HDW - CONCERT CHERRY
17	136709-09-P78	EA	DOOR - RAISED PANEL/OGEE EDGE - 9.2" X 21.8" - W/O HDW - PORTSMOUTH OAK
17	136709-09-P79	EA	DOOR - RAISED PANEL/OGEE EDGE - 9.2" X 21.8" - W/O HDW - CONCERT CHERRY

DINETTE GROUP (CONTINUED)
CABINETS (CONTINUED)

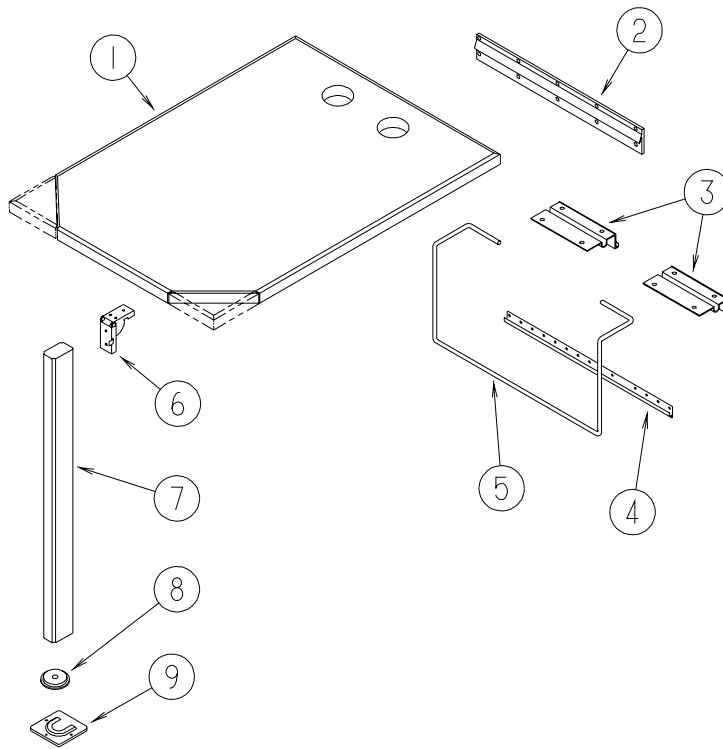


KEY	PART NUMBER	U/M	DESCRIPTION
	140305-02-N75	EA	CABINET - DINETTE/COMPUTER - W/O COUNTERTOPS/DRAWERS/HDW - PORTSMOUTH OAK FROM: 00-00-00 THRU: 08-25-02
	143782-01-P78	EA	CABINET - DINETTE/COMPUTER - W/O COUNTERTOP - PORTSMOUTH OAK FROM: 08-26-02 THRU: 99-99-99
	140305-02-N74	EA	CABINET - DINETTE/COMPUTER - W/O COUNTERTOPS/DRAWERS/HDW - CONCERT CHERRY FROM: 00-00-00 THRU: 08-25-02
	143782-01-P79	EA	CABINET - DINETTE/COMPUTER - W/O COUNTERTOP - CONCERT CHERRY FROM: 08-26-02 THRU: 99-99-99
1	140305-31-N75	EA	SUPPORT/FRAME - W/SLIDES/LEG - W/O TABLE TOP - PORTSMOUTH OAK FROM: 00-00-00 THRU: 08-25-02
1	143782-34-PA0	EA	SUPPORT/FRAME - W/LEG - W/O TOP - PORTSMOUTH OAK FROM: 08-26-02 THRU: 99-99-99
1	140305-31-N74	EA	SUPPORT/FRAME - W/SLIDES/LEG - W/O TABLE TOP - CONCERT CHERRY FROM: 00-00-00 THRU: 08-25-02
1	143782-34-PA1	EA	SUPPORT/FRAME - W/LEG - W/O TOP - CONCERT CHERRY FROM: 08-26-02 THRU: 99-99-99

DINETTE GROUP (CONTINUED)
CABINETS (CONTINUED)

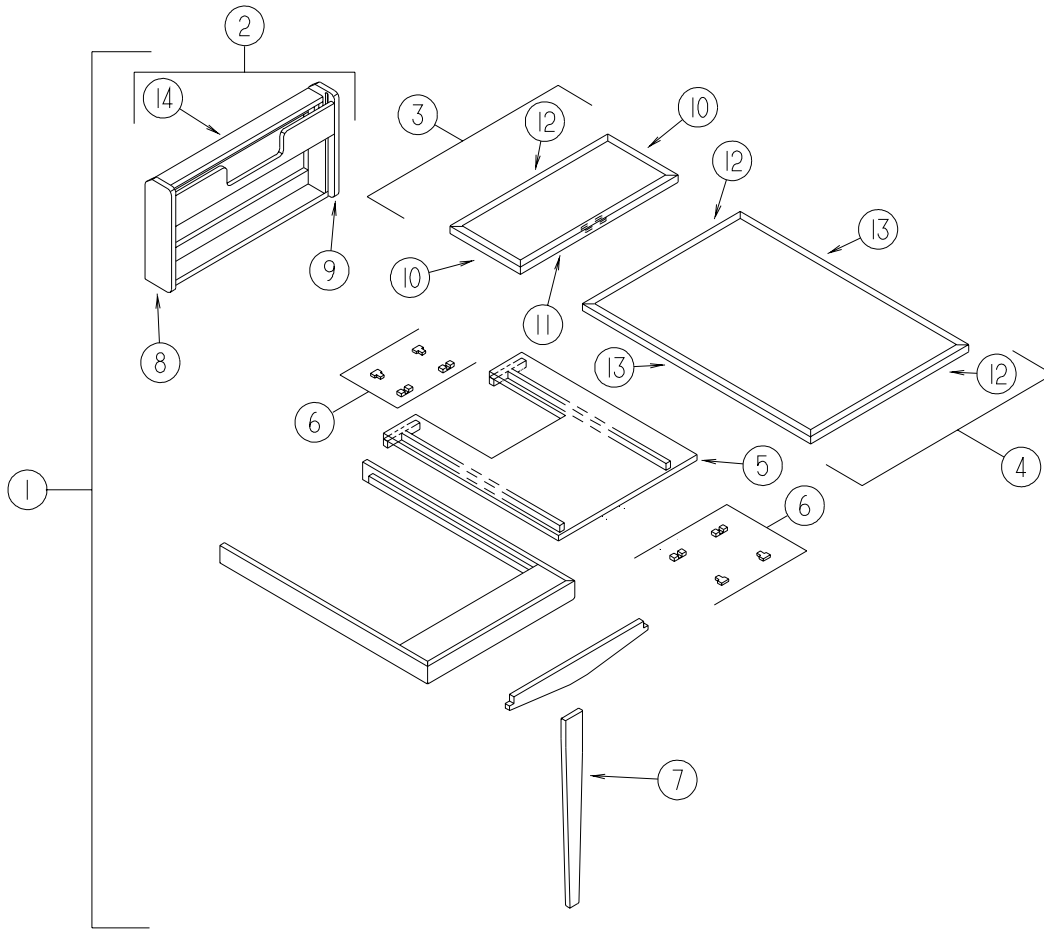
KEY	PART NUMBER	U/M	DESCRIPTION
2	133655-29-P54	EA	COUNTERTOP - LAMINATED - BEIGE PAMPAS - PORTSMOUTH OAK FROM: 00-00-00 THRU: 08-25-02
2	133655-84-P78	EA	COUNTERTOP - LAMINATED - EGGHELL/PORTSMOUTH OAK FROM: 08-26-02 THRU: 99-99-99
2	133655-29-N85	EA	COUNTERTOP - LAMINATED - BEIGE PAMPAS - CONCERT CHERRY FROM: 00-00-00 THRU: 08-25-02
2	133655-84-P79	EA	COUNTERTOP - LAMINATED - EGGHELL/CONCERT CHERRY FROM: 08-26-02 THRU: 99-99-99
3	133655-60-P54	EA	COUNTERTOP - LAMINATED - BEIGE PAMPAS - PORTSMOUTH OAK FROM: 00-00-00 THRU: 08-25-02
3	133655-82-P78	EA	COUNTERTOP - LAMINATED - EGGHELL/PORTSMOUTH OAK FROM: 08-26-02 THRU: 99-99-99
3	133655-60-N85	EA	COUNTERTOP - LAMINATED - BEIGE PAMPAS - CONCERT CHERRY FROM: 00-00-00 THRU: 08-25-02
3	133655-82-P79	EA	COUNTERTOP - LAMINATED - EGGHELL/CONCERT CHERRY FROM: 08-26-02 THRU: 99-99-99
4	133655-28-P54	EA	COUNTERTOP - LAMINATED - BEIGE PAMPAS - PORTSMOUTH OAK FROM: 00-00-00 THRU: 08-25-02
4	133655-83-P78	EA	COUNTERTOP - LAMINATED - EGGHELL/PORTSMOUTH OAK FROM: 08-26-02 THRU: 99-99-99
4	133655-28-N85	EA	COUNTERTOP - LAMINATED - BEIGE PAMPAS - CONCERT CHERRY FROM: 00-00-00 THRU: 08-25-02
4	133655-83-P79	EA	COUNTERTOP - LAMINATED - EGGHELL/CHERRY - CONCERT CHERRY FROM: 08-26-02 THRU: 99-99-99
5	P36353-03-P54	EA	DRAWER - KEYBOARD - W/SLIDES - PORTSMOUTH OAK
5	P36353-03-N85	EA	DRAWER - KEYBOARD - W/SLIDES - CONCERT CHERRY
6	009050-02-000	EA	LEVELER - TABLE TOP - MALE END W/4 SCREWS - PLASTIC
7	009050-03-000	EA	LEVELER - TABLE TOP - FEMALE END W/2 SCREWS - PLASTIC
8	110749-01-000	EA	SLIDE/EXTENSION - 19 3/4" TO 33 1/4"
9	139264-02-02B	EA	STOP - DOOR - TAMBOUR - E-COATED
10	139264-01-02B	EA	STOP - DOOR - TAMBOUR - E-COATED
11	102810-01-04A	EA	BRACE - TABLE LEG - BLACK
12	P34767-D4-P54	EA	DRAWER - PENCIL EDGE - 18.6"W X 13.8"D-W/O SLIDES/HARDWARE - PORTSMOUTH OAK FROM: 00-00-00 THRU: 08-25-02
12	134870-38-P84	EA	DRAWER - PENCIL EDGE - 19"W X 11.8"D - W/O SLIDES/HDW - PORTSMOUTH OAK FROM: 08-26-02 THRU: 99-99-99
12	P34767-D4-N85	EA	DRAWER - PENCIL EDGE - 18.6"W X 13.8"D-W/O SLIDES/HARDWARE - CONCERT CHERRY FROM: 00-00-00 THRU: 08-25-02
12	134870-38-P85	EA	DRAWER - PENCIL EDGE - 19"W X 11.8"D - W/O SLIDES/HDW - CONCERT CHERRY FROM: 08-26-02 THRU: 99-99-99
13	P34767-D5-P54	EA	DRAWER - PENCIL EDGE - 18.6"W X 13.8"D-W/O SLIDES/HARDWARE - PORTSMOUTH OAK FROM: 00-00-00 THRU: 08-25-02
13	134870-39-P84	EA	DRAWER - PENCIL EDGE - 19"W X 11.8"D - W/O SLIDES/HDW - PORTSMOUTH OAK FROM: 08-26-02 THRU: 99-99-99
13	P34767-D5-N85	EA	DRAWER - PENCIL EDGE - 18.6"W X 13.8"D-W/O SLIDES/HARDWARE - CONCERT CHERRY FROM: 00-00-00 THRU: 08-25-02
13	134870-39-P85	EA	DRAWER - PENCIL EDGE - 19"W X 11.8"D - W/O SLIDES/HDW - CONCERT CHERRY FROM: 08-26-02 THRU: 99-99-99
14	140305-35-N75	EA	TABLE LEG - F/DINETTE/COMPUTER TABLE - PORTSMOUTH OAK FROM: 00-00-00 THRU: 08-25-02
14	143782-39-PA0	EA	LEG - TABLE - PORTSMOUTH OAK FROM: 08-26-02 THRU: 99-99-99
14	140305-35-N74	EA	TABLE LEG - F/DINETTE/COMPUTER TABLE - SALEM CHERRY - CONCERT CHERRY FROM: 00-00-00 THRU: 08-25-02
14	143782-39-PA1	EA	LEG - TABLE - CONCERT CHERRY FROM: 08-26-02 THRU: 99-99-99

DINETTE GROUP (CONTINUED) TABLE



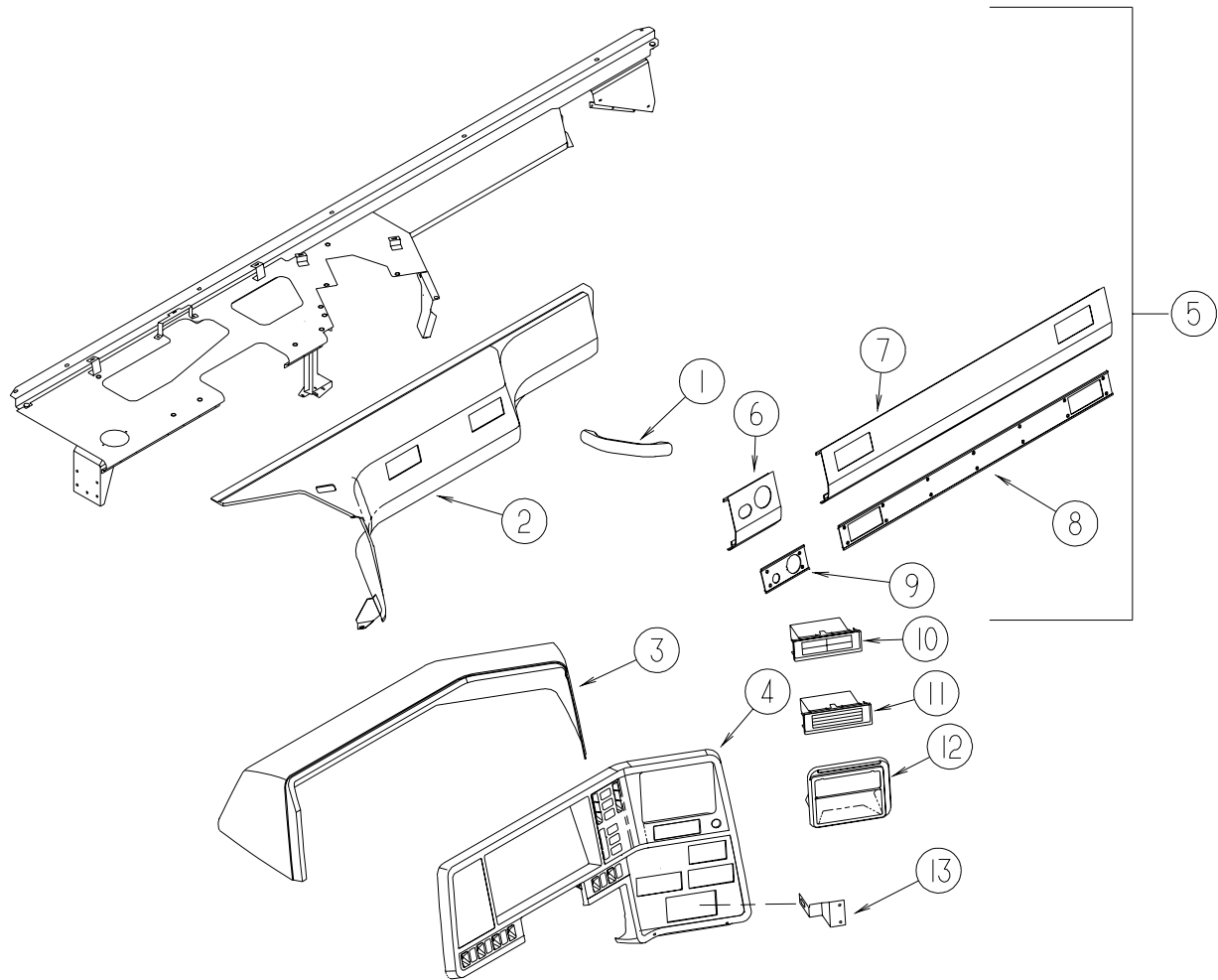
KEY	PART NUMBER	U/M	DESCRIPTION
1	143304-10-P73	EA	TABLE - DINETTE - 29.7" X 41.6"- W/HDW - WHITE TALC/PORTSMOUTH OAK (P78, P80, P94)
1	143304-10-P74	EA	TABLE - DINETTE - 29.7" X 41.6"- W/HDW - WHITE TALC - CONCERT CHERRY (P79, P81, P95)
1	143304-10-P82	EA	TABLE - DINETTE - 29.7" X 41.6"- W/HDW - GRAY TRANQUILITY - PORTSMOUTH OAK (P82)
1	143304-10-P83	EA	TABLE - DINETTE - 29.7" X 41.6"- W/HDW - GRAY TRANQUILITY - CONCERT CHERRY (P83)
2	053200-13-000	EA	SUPPORT - TABLE - 18.5"
			FROM: 00-00-00 THRU: 01-05-03
2	140921-02-01A	EA	SUPPORT - TABLE - 18.5" - OFF WHITE
			FROM: 01-06-03 THRU: 99-99-99
3	088410-02-000	EA	BRACKET - LIFT - TABLE MOUNTED - OFF WHITE
			FROM: 00-00-00 THRU: 01-05-03
3	140921-03-01A	EA	HANGER - TABLE - W/VINYL - OFF WHITE
			FROM: 01-06-03 THRU: 99-99-99
4	024281-15-000	EA	BRACKET/TABLE - LIFT ROD/LOWER WALL MOUNTED - 17.1"
5	024275-13-000	EA	ROD - TABLE LIFT - OFF/WHITE
6	093550-01-000	EA	BRACKET - HINGE - MOUNTS TO LEG & TABLE TOP - 1.7" X 2.6"
7	092707-04-10A	EA	LEG - TABLE - W/O HARDWARE - 27" - PORTSMOUTH OAK II - PORTSMOUTH OAK
7	092707-04-04A	EA	LEG - TABLE - W/O HARDWARE - 27" - CHERRY - CONCERT CHERRY
8	092593-01-05A	EA	CATCH - TABLE LEG - OFF/WHITE
			FROM: 00-00-00 THRU: 12-04-02
8	143798-02-01A	EA	CATCH - TABLE LEG - BRIGHT WHITE
			FROM: 12-05-02 THRU: 99-99-99
9	049493-12-000	EA	CATCH - TABLE LEG/FLOOR MOUNTED - OFF WHITE
			FROM: 00-00-00 THRU: 12-04-02
9	143798-01-01A	EA	CATCH - FLOOR TO TABLE LEG - BRIGHT WHITE
			FROM: 12-05-02 THRU: 99-99-99

DINETTE GROUP (CONTINUED)
TABLE (CONTINUED)



KEY	PART NUMBER	U/M	DESCRIPTION
1	133856-01-N42	EA	TABLE COMPLETE - LAMINATED - PORTSMOUTH OAK
1	133856-01-L52	EA	TABLE COMPLETE - LAMINATED - PLANK CHERRY - CONCERT CHERRY
2	133856-31-N42	EA	CABINET/WALL - W/O COUNTERTOP - F/PULLOUT TABLE - PORTSMOUTH OAK
2	133856-31-L52	EA	CABINET/WALL - W/O COUNTERTOP - F/PULLOUT TABLE - CONCERT CHERRY
3	133856-12-N42	EA	TABLE TOP - SMALL HINGED SECTION - LAMINATED PORTSMOUTH OAK
3	133856-12-L52	EA	TABLE TOP - SMALL HINGED SECTION - LAMINATED-PLANK CHERRY - CONCERT CHERRY
4	133856-11-N42	EA	TABLE TOP - LARGE SECTION - LAMINATED - PORTSMOUTH OAK
4	133856-11-L52	EA	TABLE TOP - LARGE SECTION - LAMINATED - PLANK CHERRY - CONCERT CHERRY
5	133856-17-N42	EA	SLIDE - TABLE TOP - PORTSMOUTH OAK
5	133856-17-L52	EA	SLIDE - TABLE TOP - CONCERT CHERRY
6	009050-02-000	EA	LEVELER - TABLE TOP - MALE END W/4 SCREWS - PLASTIC
6	009050-03-000	EA	LEVELER - TABLE TOP - FEMALE END W/2 SCREWS - PLASTIC
7	133856-28-N42	EA	LEG - F/TABLE - PORTSMOUTH OAK
7	133856-28-L52	EA	LEG - F/TABLE - CONCERT CHERRY
8	133856-27-N42	EA	END - LEFT HAND - F/TABLE CABINET - PORTSMOUTH OAK
8	133856-27-L52	EA	END - RIGHT HAND - F/TABLE CABINET - CONCERT CHERRY
9	133856-26-N42	EA	END - RIGHT HAND - F/TABLE CABINET - PORTSMOUTH OAK
9	133856-26-L52	EA	END - LEFT HAND - F/TABLE CABINET - CONCERT CHERRY
10	133856-15-N42	EA	TRIM - TABLE MOLDING - 12" - PORTSMOUTH OAK
10	133856-15-L52	EA	TRIM - TABLE MOLDING - 12" - CONCERT CHERRY
11	133856-16-N42	EA	TRIM - TABLE MOLDING - 23.8" - PORTSMOUTH OAK
11	133856-16-L52	EA	TRIM - TABLE MOLDING - 23.8" - CONCERT CHERRY
12	133856-14-N42	EA	TRIM - TABLE MOLDING - 23.8" - PORTSMOUTH OAK
12	133856-14-L52	EA	TRIM - TABLE MOLDING - 23.8" - CONCERT CHERRY
13	133856-13-N42	EA	TRIM - TABLE MOLDING - 41.2" - PORTSMOUTH OAK
13	133856-13-L52	EA	TRIM - TABLE MOLDING - 41.2" - CONCERT CHERRY
14	133856-23-N42	EA	COUNTERTOP - F/WALL CABINET - LAMINATED - PORTSMOUTH OAK
14	133856-23-L52	EA	COUNTERTOP - F/WALL CABINET - LAMINATED - PLANK CHERRY - CONCERT CHERRY

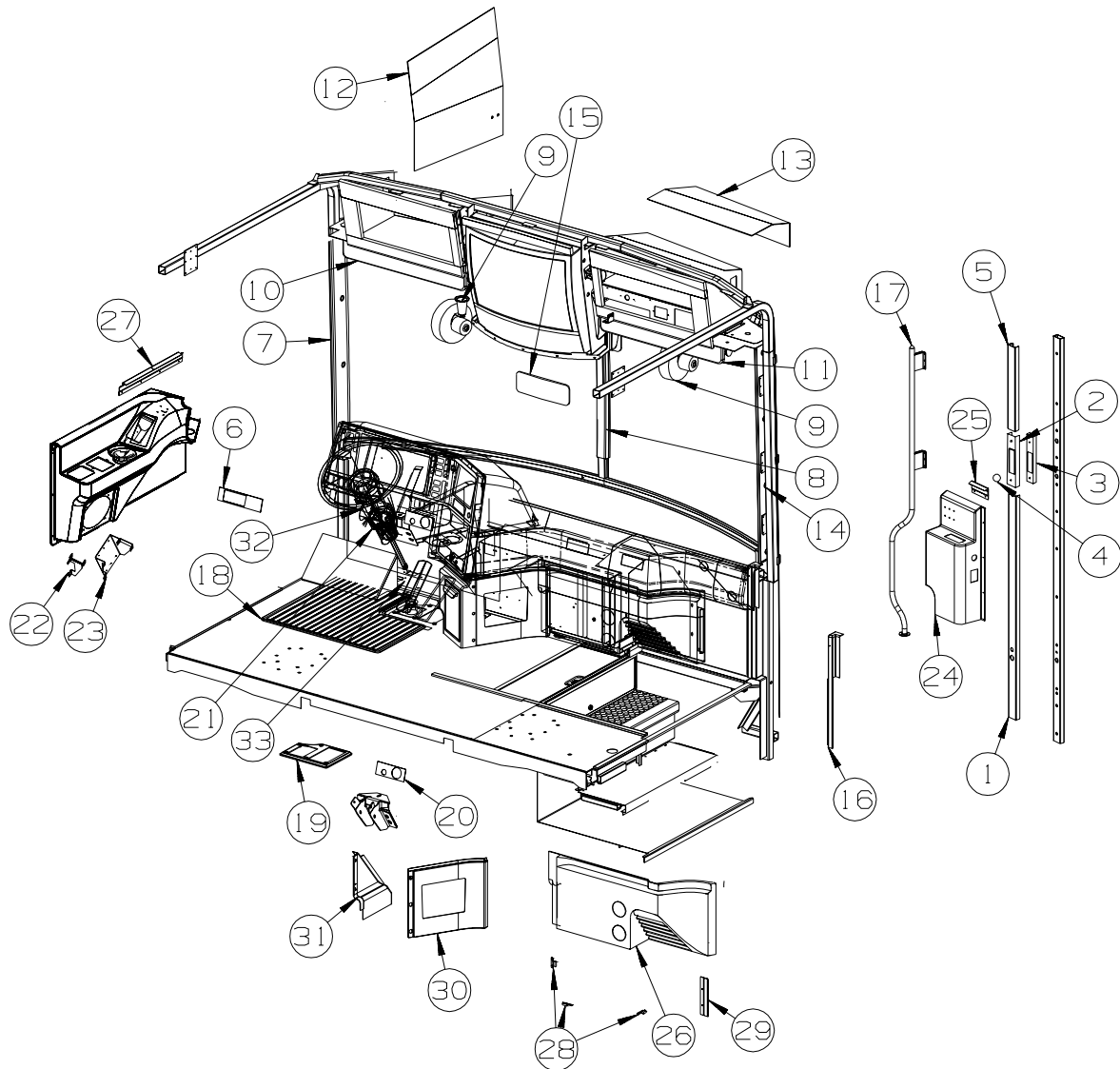
DRIVERS COMPARTMENT GROUP DASH



KEY	PART NUMBER	U/M	DESCRIPTION
1	123246-01-05A	EA	HANDLE - GRAB - GLACIER
2	122853-02-N74	EA	TRIM - DASH PANEL/RIGHT HAND - GLACIER
3	107263-03-N74	EA	POD - INSTRUMENT PANEL - GLACIER - REARVIEW MONITOR SYSTEM
3	107263-04-N70	EA	POD - INSTRUMENT PANEL - GLACIER - W/O REARVIEW MONITOR SYSTEM
4	107031-15-01A	EA	BEZEL - INSTRUMENT PANEL
5	P23278-01-000	EA	DASH - W/O VINYL
	106569-09-06A	EA	VINYL - LAMINATE - ALLANTE DOESKIN - 1/4" X 25" X 100"
	106569-10-06A	EA	VINYL - LAMINATE - ALLANTE DOESKIN - 1/4" X 25" X 20"
6	117991-06-01A	EA	EXTENSION - DASH - DRIVER/LOWER/RIGHT HAND
7	117991-05-01A	EA	EXTENSION - DASH - DRIVER/LOWER/LEFT HAND
8	118024-05-06A	EA	TRIM - DASH - DRIVER/LOWER/LEFT HAND - GLACIER
9	118024-06-06A	EA	TRIM - DASH - DRIVER/LOWER/RIGHT HAND - GLACIER
10	096776-02-000	EA	STORAGE BOX - CASSETTE - 4 TAPE HOLDER - W/O REARVIEW MONITOR SYSTEM
11	096776-03-000	EA	STORAGE BOX - CD'S - 4 DISC HOLDER - W/O REARVIEW MONITOR SYSTEM
12	111350-01-01A	EA	POCKET - INSTRUMENT PANEL - UPPER - BLACK - W/O REARVIEW MONITOR SYSTEM
13	138721-01-02B	EA	BRACKET/SUPPORT - RADIO - E-COATED

DRIVERS COMPARTMENT GROUP (CONTINUED)

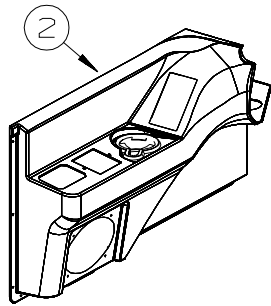
FRONT INTERIOR



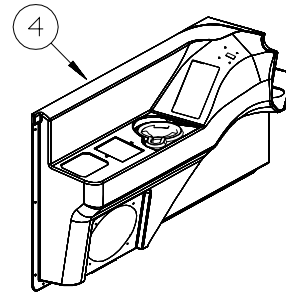
KEY	PART NUMBER	U/M	DESCRIPTION
1	024700-59-000	EA	COVER - ROLL BAR - SIDEWALL - 44.1" - OFF WHITE
2	140151-01-01A	EA	COVER - SEAT BELT - OFF WHITE
3	140151-03-01A	EA	COVER - SEAT BELT SLIDE - BLACK
4	140151-02-01A	EA	COVER - SCREW - OFF WHITE
5	024700-58-000	EA	COVER - ROLL BAR - SIDEWALL - 16.5" - OFF WHITE
6	118377-06-09A	EA	APPLIQUE - LOWER DASH - GM/OSH KOSH/SPARTAN - GLACIER
7	131792-01-04A	EA	TRIM - A-PILLAR - INTERIOR/DRIVER - GLACIER
8	118452-09-04A	EA	TRIM - WINDSHIELD/CENTER - GLACIER
9	122856-01-01A	EA	FAN-DEFROSTER-2 SPEED W/SWIVEL BASE/NON-OSCILLATING-CHROME
10	129004-02-05A	EA	TRIM - WINDSHIELD - INTERIOR/DRIVER TOP - GLACIER
11	129004-01-05A	EA	TRIM - WINDSHIELD - INTERIOR/PASSENGER TOP - GLACIER
12	132909-03-N70	EA	PANEL - VINYL COVERED
13	132909-01-N70	EA	PANEL - VINYL COVERED
14	131791-01-04A	EA	TRIM - A-PILLAR - INTERIOR/PASSENGER - GLACIER
15	134154-01-000	EA	MIRROR - CONVEX - 4" X 11.8"
16	129657-01-05A	EA	TRIM - A-PILLAR - INTERIOR/PASSENGER/LOWER - GLACIER
17	123577-01-01A	EA	HANDRAIL - ASSIST - ENTRY
18	105924-01-P78	EA	MAT/FLOOR - 18" X 27" (P78, P79)
18	105924-01-P82	EA	MAT/FLOOR - 18" X 27" (P80, P81, P82, P83)
18	105924-01-P65	EA	MAT/FLOOR - 18" X 27" (P94, P95)
19	116993-01-01A	EA	COVER - PEDALS - BLACK
20	118377-05-09A	EA	APPLIQUE - LOWER DASH - FREIGHTLINER - GLACIER
21	109832-03-03A	EA	COVER - STEERING COLUMN - BLACK

DRIVERS COMPARTMENT GROUP (CONTINUED)
FRONT INTERIOR (CONTINUED)

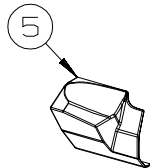
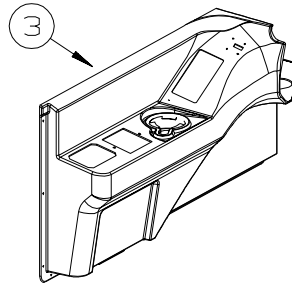
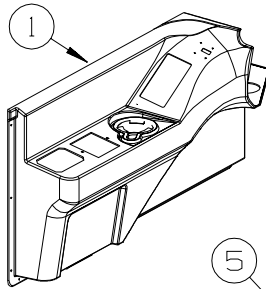
KEY	PART NUMBER	U/M	DESCRIPTION
22	NOT USED		
23	NOT USED		
24	142206-07-P78	EA	PANEL/TRIM - INNER/RIGHT HAND
	130463-03-02B	EA	ANGLE - TRIM/BACKWALL - E-COATED
24	142206-08-P78	EA	PANEL/TRIM - INNER/RIGHT HAND - ELECTRIC AWNING PACKAGE
	130463-03-02B	EA	ANGLE - TRIM/BACKWALL - E-COATED
25	130034-03-02B	EA	CLIP - TRIM - E-COATED
26	133037-01-04A	EA	PANEL - TRIM - HEATER/AC - RIGHT HAND - GLACIER
27	130034-04-02B	EA	CLIP - TRIM - E-COATED
28	073050-03-000	EA	MOUNTING CLIP - VALANCE PANEL
29	130034-02-02B	EA	CLIP - TRIM - E-COATED
30	133163-03-P75	EA	PANEL - BEVERAGE TRAY - RIGHT HAND - W/O TWO-WAY RADIOS
30	133163-04-P75	EA	PANEL - BEVERAGE TRAY/2 WAY RADIO - RIGHT HAND - TWO-WAY RADIOS
31	133164-02-P75	EA	PANEL - BEVERAGE TRAY - LEFT HAND
32	095933-07-000	EA	STOP/TILT - STEERING COLUMN
33	103498-09-000	EA	BOOT - STEERING COLUMN - W/1/2 CIRCLE



W/SURROUND SOUND



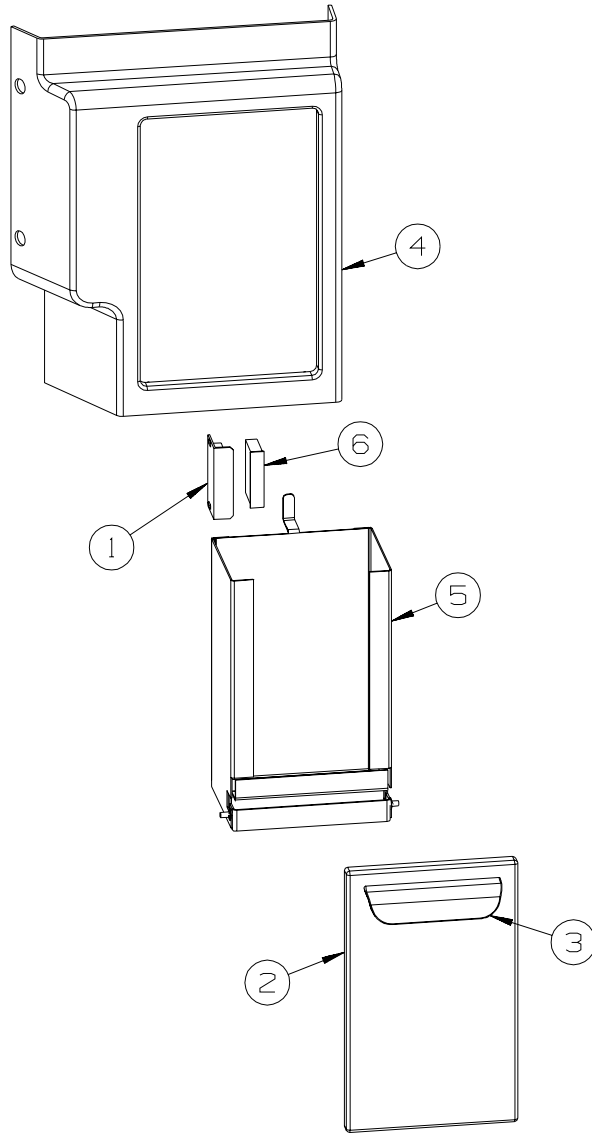
**W/SURROUND SOUND
& TRIP COMPUTER**



W/TRIP COMPUTER

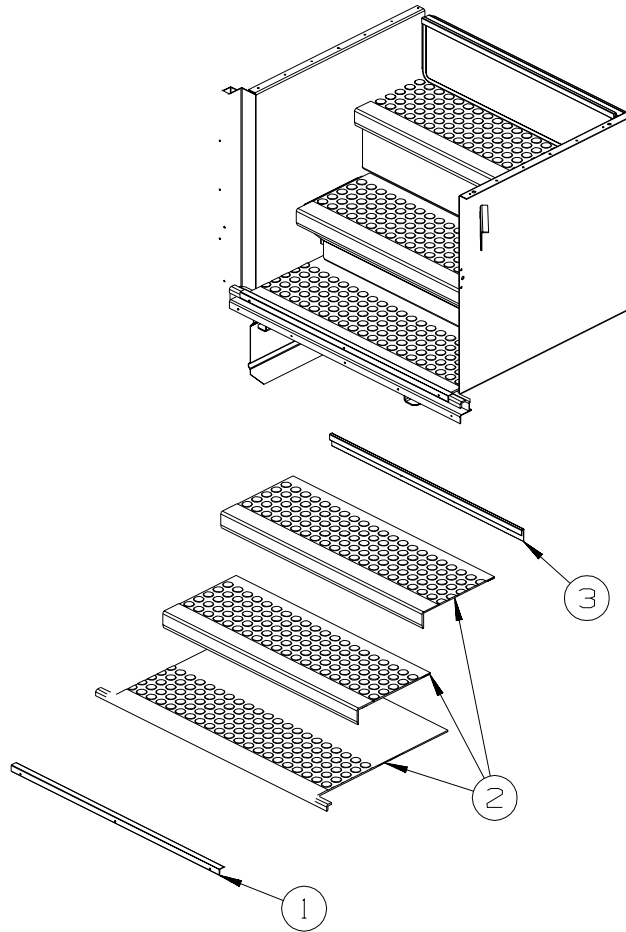
KEY	PART NUMBER	U/M	DESCRIPTION
1	140578-14-P78	EA	PANEL/TRIM - INNER/LEFT HAND
2	140578-16-P78	EA	PANEL/TRIM - INNER/LEFT HAND
3	140578-22-P78	EA	PANEL/TRIM - INNER/LEFT HAND
4	140578-24-P78	EA	PANEL/TRIM - INNER/LEFT HAND
5	140580-01-01A	EA	PANEL/TRIM - INSERT - LEFT HAND

DRIVERS COMPARTMENT GROUP (CONTINUED)
FRONT INTERIOR (CONTINUED)



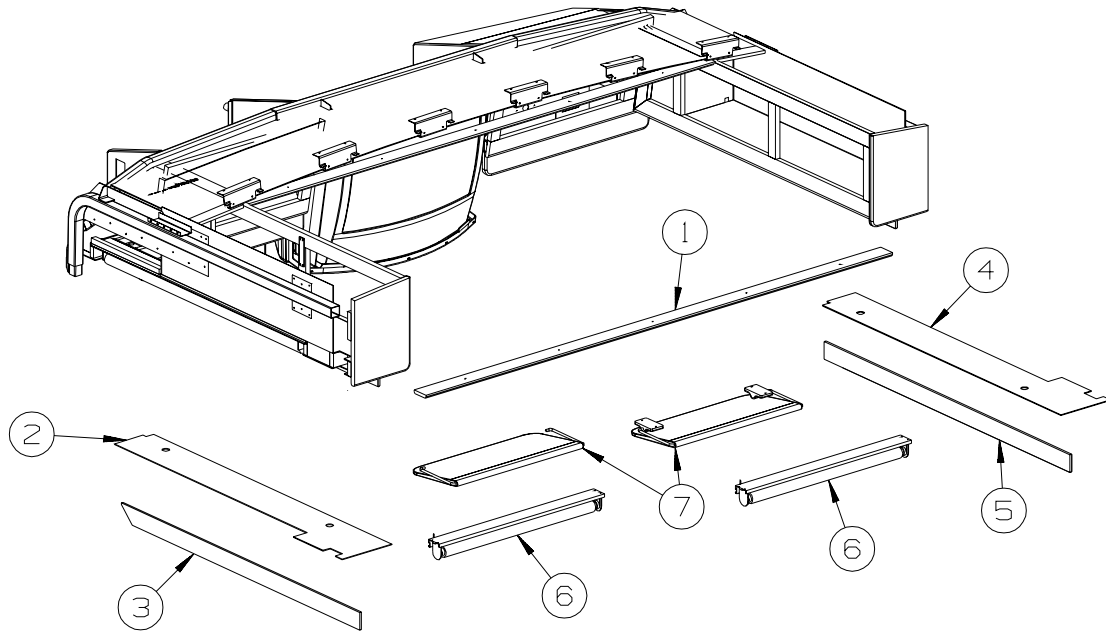
KEY	PART NUMBER	U/M	DESCRIPTION
1	137018-03-01A	EA	BRACKET - MOUNTING - 2"
2	142272-01-04A	EA	PANEL/DOOR - GLACIER
3	074762-01-000	EA	PULL - CABINET - 4.8" X .9" - BLACK PLASTIC
4	142273-01-04A	EA	PANEL - DASH - LOWER - GLACIER
5	142283-01-02B	EA	COMPARTMENT - GLOVE BOX - E-COATED
6	137018-01-01A	EA	CATCH - MAGNETIC - 1.6"

DRIVERS COMPARTMENT GROUP (CONTINUED)
FRONT INTERIOR (CONTINUED)



KEY	PART NUMBER	U/M	DESCRIPTION
1	136002-63-02A	EA	ANGLE - W/HOLES - BRIGHT WHITE
2	120231-01-02A	EA	FLOORING - RUBBER - 66.4" X 19.8"
3	136839-07-01A	EA	TRIM-J - CARPET EDGE/SLIDEOUT - 28.3" - BLACK

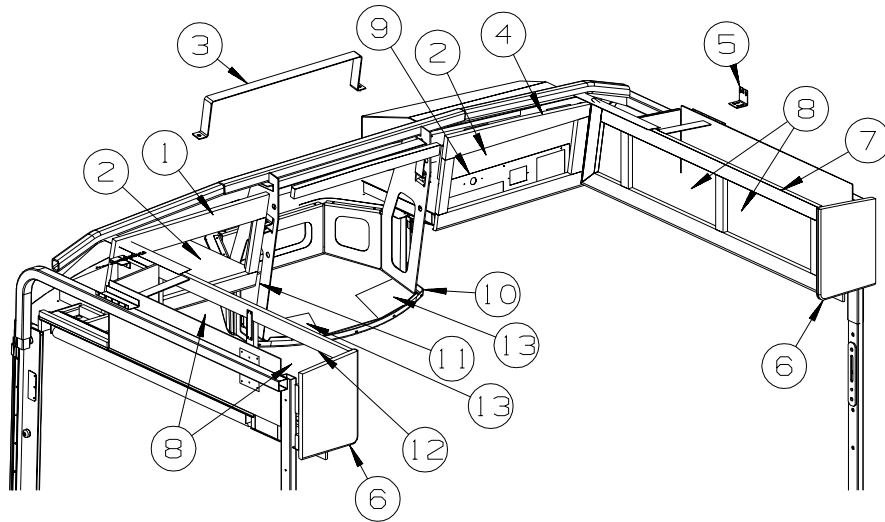
DRIVERS COMPARTMENT GROUP (CONTINUED)
FRONT INTERIOR (CONTINUED)



KEY	PART NUMBER	U/M	DESCRIPTION
1	133771-01-N75	EA	MOLDING - CAP - PORTSMOUTH OAK
1	133771-01-L85	EA	MOLDING - CAP - CONCERT CHERRY
2	133230-01-P75	EA	PANEL - OVERHEAD/PASSENGER - W/O HARDWARE - VINYL COVERED
3	132694-05-P78	EA	PANEL - OVERHEAD/FRONT/DRIVER/PASSENGER - VINYL COVERED
4	133230-02-P75	EA	PANEL - OVERHEAD/DRIVER - W/O HARDWARE - VINYL COVERED
5	132694-05-P78	EA	PANEL - OVERHEAD/FRONT/DRIVER/PASSENGER - VINYL COVERED
6	142380-03-01A	EA	SHADE - POWER - 27.8"
7	NOT USED		

DRIVERS COMPARTMENT GROUP (CONTINUED)

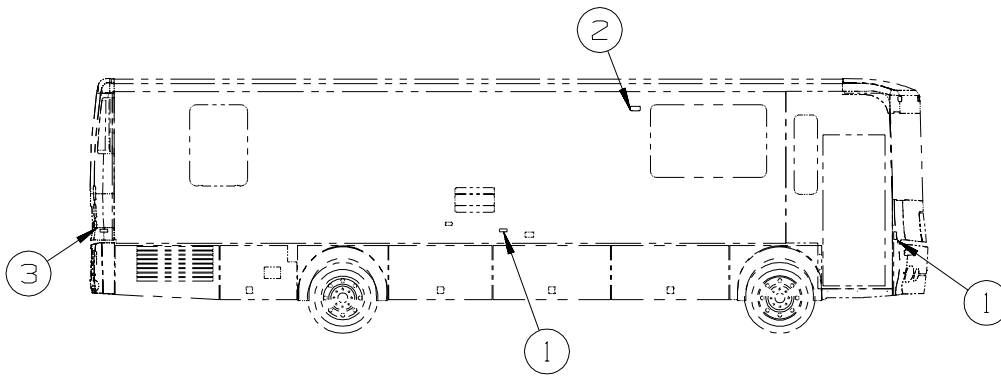
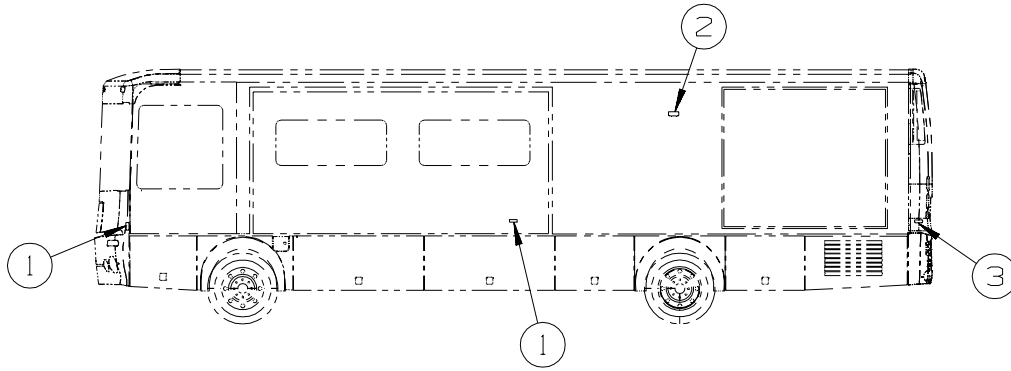
CABINETS



KEY	PART NUMBER	U/M	DESCRIPTION
1	132778-01-N75	EA	CABINET - OVERHEAD/FRONT/LEFT HAND - W/O DOORS/HARDWARE - PORTSMOUTH OAK
1	132778-01-M85	EA	CABINET - OVERHEAD/FRONT/LEFT HAND - W/O DOORS/HARDWARE - CONCERT CHERRY
2	131995-V4-N75	EA	DOOR - RAIL/SOLID PANEL - 9.2" X 21.8" - W/O HARDWARE - PORTSMOUTH OAK
2	131995-V4-M70	EA	DOOR - RAIL/SOLID PANEL - 9.2" X 21.8" - W/O HARDWARE - CONCERT CHERRY
2	100708-24-000	EA	DOOR/GLASS - TV CABINET - 6.5" X 19.1" - W/O HARDWARE
3	133790-02-02B	EA	STRAP - TIEDOWN/TV - E-COATED - 25.3"
4	132779-01-N75	EA	CABINET - OVERHEAD/FRONT/RIGHT HAND - W/O DOORS/HARDWARE - PORTSMOUTH OAK
4	132779-01-M85	EA	CABINET - OVERHEAD/FRONT/RIGHT HAND - W/O DOORS/HARDWARE - CONCERT CHERRY
5	140309-03-02B	EA	ANGLE - FURNACE DOOR - E-COATED
6	P38119-08-N75	EA	END CAP - OVERHEAD/CABINET - PORTSMOUTH OAK
6	P38119-08-N74	EA	END CAP - OVERHEAD/CABINET - CONCERT CHERRY
7	138377-01-P78	EA	CABINET - OVERHEAD/SIDE/FRONT/RIGHT HAND - W/O DOORS/HDW (P78) - W/O CD CHANGER
7	138377-01-N87	EA	CABINET - OVERHEAD/SIDE/FRONT/RIGHT HAND - W/O DOORS/HDW (P79) - W/O CD CHANGER
7	138377-01-P80	EA	CABINET - OVERHEAD/SIDE/FRONT/RIGHT HAND - W/O DOORS/HDW (P80) - W/O CD CHANGER
7	138377-01-P81	EA	CABINET - OVERHEAD/SIDE/FRONT/RIGHT HAND - W/O DOORS/HDW (P81) - W/O CD CHANGER
7	138377-01-P82	EA	CABINET - OVERHEAD/SIDE/FRONT/RIGHT HAND - W/O DOORS/HDW (P82) - W/O CD CHANGER
7	138377-01-P83	EA	CABINET - OVERHEAD/SIDE/FRONT/RIGHT HAND - W/O DOORS/HDW (P83) - W/O CD CHANGER
7	138377-01-P86	EA	CABINET - OVERHEAD/SIDE/FRONT/RIGHT HAND - W/O DOORS/HDW (P94) - W/O CD CHANGER
7	138377-01-P87	EA	CABINET - OVERHEAD/SIDE/FRONT/RIGHT HAND - W/O DOORS/HDW (P95) - W/O CD CHANGER
7	138377-02-P78	EA	CABINET - OVERHEAD/SIDE/FRONT/RIGHT HAND - W/O DOORS/HDW (P78) - CD CHANGER
7	138377-02-N87	EA	CABINET - OVERHEAD/SIDE/FRONT/RIGHT HAND - W/O DOORS/HDW (P79) - CD CHANGER
7	138377-02-P80	EA	CABINET - OVERHEAD/SIDE/FRONT/RIGHT HAND - W/O DOORS/HDW (P80) - CD CHANGER
7	138377-02-P81	EA	CABINET - OVERHEAD/SIDE/FRONT/RIGHT HAND - W/O DOORS/HDW (P81) - CD CHANGER
7	138377-02-P82	EA	CABINET - OVERHEAD/SIDE/FRONT/RIGHT HAND - W/O DOORS/HDW (P82) - CD CHANGER
7	138377-02-P83	EA	CABINET - OVERHEAD/SIDE/FRONT/RIGHT HAND - W/O DOORS/HDW (P83) - CD CHANGER
7	138377-02-P86	EA	CABINET - OVERHEAD/SIDE/FRONT/RIGHT HAND - W/O DOORS/HDW (P94) - CD CHANGER
7	138377-02-P87	EA	CABINET - OVERHEAD/SIDE/FRONT/RIGHT HAND - W/O DOORS/HDW (P95) - CD CHANGER
8	136709-22-P78	EA	DOOR - RAISED PANEL/OGEE EDGE - 10" X 19.1" - W/O HDW - PORTSMOUTH OAK
8	136709-22-P79	EA	DOOR - RAISED PANEL/OGEE EDGE - 10" X 19.1" - W/O HDW - CONCERT CHERRY
9	133026-04-P75	EA	PANEL - VINYL COVERED - W/NOTCH - 25" COLOR TV
9	133026-05-P75	EA	PANEL - VINYL COVERED - W/NOTCH - 300 WATT DC/AC INVERTER
10	133544-01-N75	EA	CABINET FACE - OVERHEAD/TV - PORTSMOUTH OAK
10	133544-01-L85	EA	CABINET FACE - OVERHEAD/TV - CONCERT CHERRY
	073050-03-000	EA	MOUNTING CLIP - VALANCE PANEL
11	133029-01-04A	EA	COVER - TV/OVERHEAD FRONT - GLACIER
12	138378-01-P78	EA	CABINET - OVERHEAD/SIDE/FRONT/LEFT HAND - W/O DOORS/HDW (P78)
12	138378-01-N87	EA	CABINET - OVERHEAD/SIDE/FRONT/LEFT HAND - W/O DOORS/HDW (P79)
12	138378-01-P80	EA	CABINET - OVERHEAD/SIDE/FRONT/LEFT HAND - W/O DOORS/HDW (P80)
12	138378-01-P81	EA	CABINET - OVERHEAD/SIDE/FRONT/LEFT HAND - W/O DOORS/HDW (P81)
12	138378-01-P82	EA	CABINET - OVERHEAD/SIDE/FRONT/LEFT HAND - W/O DOORS/HDW (P82)
12	138378-01-P83	EA	CABINET - OVERHEAD/SIDE/FRONT/LEFT HAND - W/O DOORS/HDW (P83)
12	138378-01-P86	EA	CABINET - OVERHEAD/SIDE/FRONT/LEFT HAND - W/O DOORS/HDW (P94)
12	138378-01-P87	EA	CABINET - OVERHEAD/SIDE/FRONT/LEFT HAND - W/O DOORS/HDW (P95)
13	140364-01-01A	EA	FOAM - PAD - .5" X 8" X 8"

ELECTRICAL GROUP

12V BODY WIRING

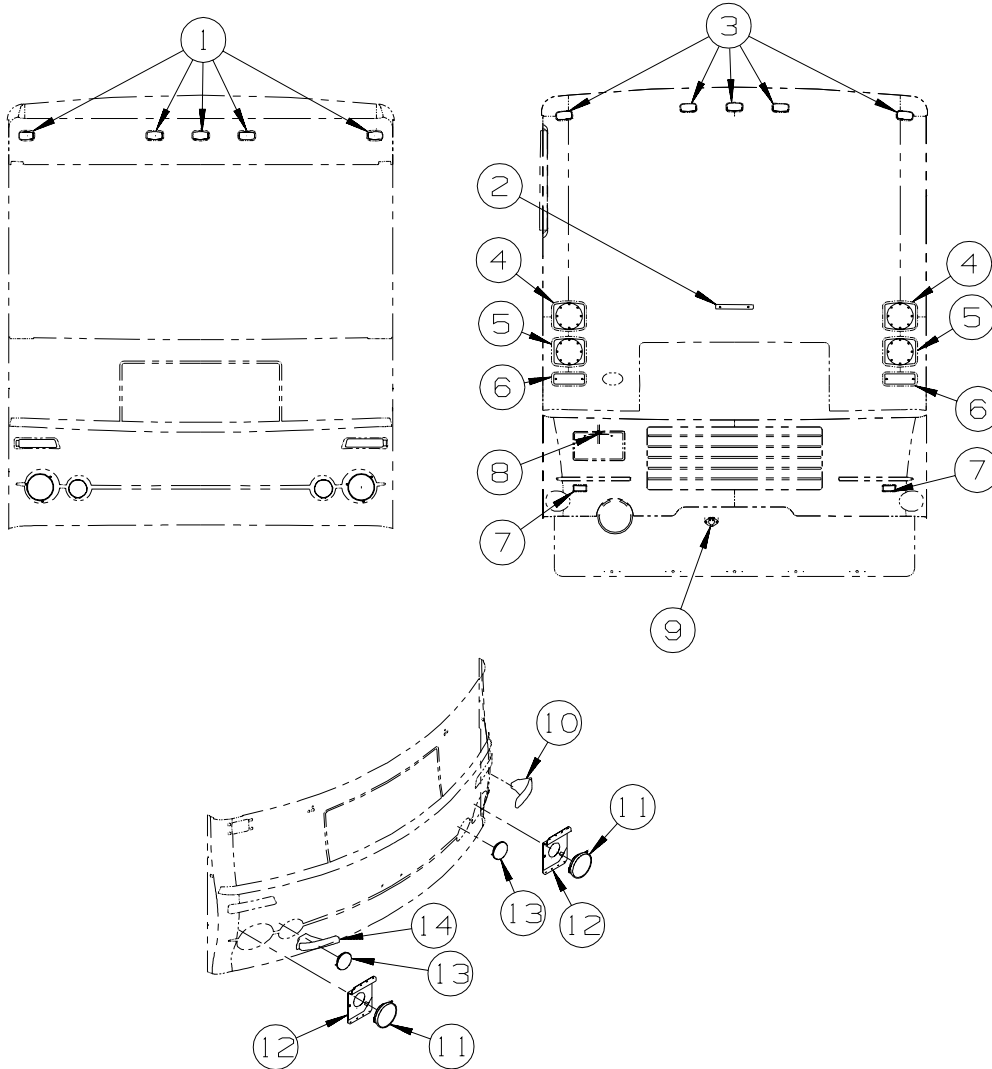


KEY	PART NUMBER	U/M	DESCRIPTION
1	111102-01-000	EA	BASE - MARKER LAMP
1	111102-02-000	EA	LENS - AMBER - MARKER LAMP
	036196-01-000	EA	BULB - 12V - #194 - .27 AMP - BAYONETTE
2*	008089-02-000	EA	LIGHT - PORCH - RECESSED - CANADIAN
2	008214-01-000	EA	BULB - 12 VOLT - #67 - .59 AMP
2	097917-01-08A	EA	LIGHT/PORCH - ENTRY DOOR
3	111102-01-000	EA	BASE - MARKER LAMP
3	111102-03-000	EA	LENS - RED - MARKER LAMP
	036196-01-000	EA	BULB - 12V - #194 - .27 AMP - BAYONETTE
	130672-01-01A	EA	SPOTLIGHT - POWER/REMOTE - WHITE

***COMPONENT PARTS LISTED LATER IN THIS GROUP**

ELECTRICAL GROUP (CONTINUED)

12V BODY WIRING (CONTINUED)



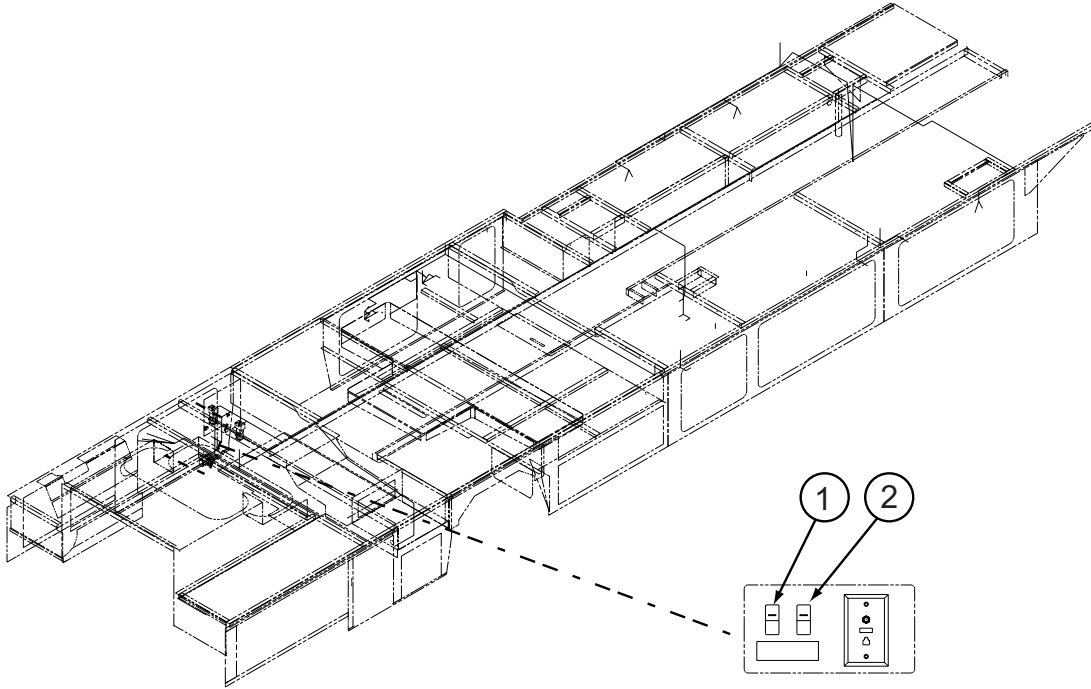
KEY	PART NUMBER	U/M	DESCRIPTION
1	133055-03-000	EA	BASE - F/CLEARANCE/MARKER - WHITE
1	133055-02-000	EA	LENS - AMBER - F/CLEARANCE/MARKER
	036196-01-000	EA	BULB - 12V - #194 - .27 AMP - BAYONETTE
	127536-02-000	EA	SOCKET - LIGHT - 194 WEDGE
2	136917-01-000	EA	LIGHT - BRAKE - CENTER MOUNT - OVAL
3	133055-03-000	EA	BASE - F/CLEARANCE/MARKER - WHITE
3	133055-01-000	EA	LENS - RED - F/CLEARANCE/MARKER
	036196-01-000	EA	BULB - 12V - #194 - .27 AMP - BAYONETTE
	106687-01-000	EA	SOCKET - LIGHT - 2-WIRE
4*	133054-03-000	EA	LIGHT - STOP/TURN/TAILLIGHT - RED
4	037934-01-000	EA	BULB - 12V - #1156 - 2.1 AMP - CLEAR GLASS
5*	133054-04-000	EA	LIGHT - TURN - AMBER
5	037934-01-000	EA	BULB - 12V - #1156 - 2.1 AMP - CLEAR GLASS
6	106688-01-000	EA	LIGHT - BACK-UP W/WHITE LENS (LENS/BACK PAN)
6	037934-01-000	EA	BULB - 12V - #1156 - 2.1 AMP - CLEAR GLASS
7	106646-02-000	EA	REFLECTOR - STICK ON - RED
8	087201-01-000	EA	LIGHT - HALF ROUND - 1" X 1.7" - PLASTIC - BLACK OR WHITE
9	113589-01-000	EA	CONNECTOR - PLUG - TRAILER
9	113589-02-000	EA	CONNECTOR - SOCKET - TRAILER
10	133069-02-000	EA	LENS - PARK/TURN W/O SOCKET - AMBER - DRIVER
10	037935-01-000	EA	BULB - 12V - #1157 OR #2057 - 2.1 AMP - CLEAR GLASS

ELECTRICAL GROUP (CONTINUED)

12V BODY WIRING (CONTINUED)

KEY	PART NUMBER	U/M	DESCRIPTION
11	135625-02-000	EA	HEADLAMP - HIGH/LOW - ROUND - 7" W/BUCKET/TRIM RING- BLACK
11	133069-03-000	EA	SOCKET - LAMP - 3 WIRE
11	049359-01-000	EA	SPRING - RETAINER - HEADLAMP - GM #496096
11	110750-01-000	EA	SCREW - HEADLAMP ADJUSTING
12	137765-01-04B	EA	PLATE - HEADLAMP - 7" ROUND - RIGHT HAND
13	133115-01-000	EA	LAMP/FOG - CLEAR/ROUND
14	133069-01-000	EA	LENS - PARK/TURN W/O SOCKET - AMBER - PASSENGER
14	037935-01-000	EA	BULB - 12V - #1157 OR #2057 - 2.1 AMP - CLEAR GLASS

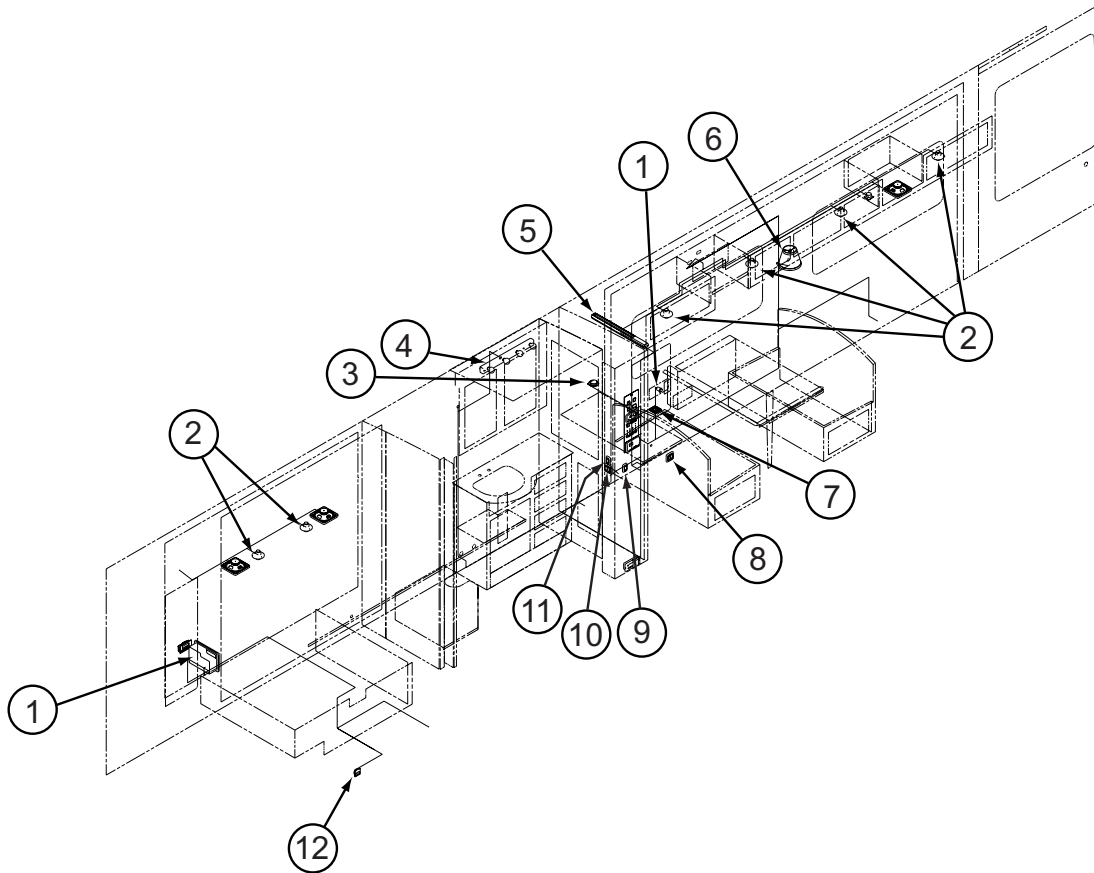
***COMPONENT PARTS LISTED LATER IN THIS GROUP**



KEY	PART NUMBER	U/M	DESCRIPTION
1	108357-01-000	EA	SWITCH - ROCKER - SPST - ON/OFF - 2 TERMINAL
1	108356-02-01A	EA	COVER/ACTUATOR SWITCH - 2 ROWS DIMPLES- CONTURA II - BLACK
1	108355-01-000	EA	HOUSING - SWITCH
2	108357-15-000	EA	SWITCH - ROCKER - DPDT - ON/NONE/ON - LIGHTED
2	108356-04-01A	EA	COVER/ACTUATOR SWITCH - 2 ROWS DIMPLES W/LENS-CONTURA-BLK
2	108355-01-000	EA	HOUSING - SWITCH

ELECTRICAL GROUP (CONTINUED)

12V BODY WIRING (CONTINUED)

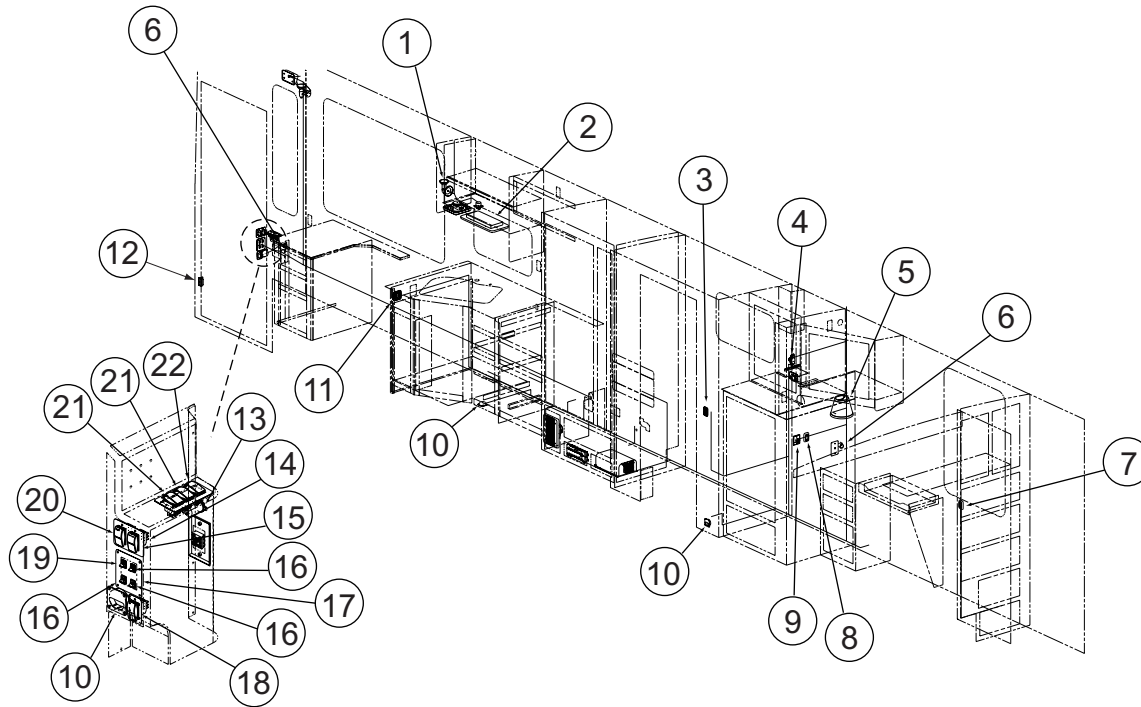


KEY	PART NUMBER	U/M	DESCRIPTION
1	132958-01-000	EA	RECEPTACLE - 12 VOLT - MOUNTING FLANGE - BLACK
2	132427-01-01A	EA	LIGHT - READING - SWIVEL/ROUND - BRASS
	123917-01-000	EA	BULB - 12V - HALOGEN SPOT
3*	123775-01-01A	EA	LIGHT - HALOGEN - ROUND
4	138116-02-01A	EA	LIGHT/MAKE UP - 4 BULB - CURVED - W/O BULB - BRASS
	123918-01-000	EA	BULB - 12V - MAKEUP WHITE
5	113371-02-000	EA	LIGHT-FLUORESCENT 24",STRIP
6	119258-43-01A	EA	LAMP - WALL - UL/CSA - BRASS
6	117805-02-000	EA	BULB - 12V - #921 - 1.4 AMPS
7	135740-01-02A	EA	SWITCH - ROCKER - SPST - ON/OFF - WHITE
7	135741-02-02A	EA	SWITCH - BASE - DOUBLE - WHITE
7	135742-02-02A	EA	BEZEL - SWITCH - DOUBLE - WHITE
8	135740-01-01A	EA	SWITCH - ROCKER - SPST - ON/OFF - BROWN - GALLEY
8	135740-02-01A	EA	SWITCH - ROCKER - SPDT - ON/ON - BROWN - LOUNGE
8	135741-02-01A	EA	SWITCH - BASE - DOUBLE - BROWN
8	135742-18-02A	EA	BEZEL - SWITCH - LOUNGE/GALLEY - BROWN
9	135740-02-02A	EA	SWITCH - ROCKER - SPDT - ON/ON - WHITE
9	135741-01-02A	EA	SWITCH - BASE - SINGLE - WHITE
9	135742-07-01A	EA	BEZEL - SWITCH - CEILING - WHITE
10	135740-01-02A	EA	SWITCH - ROCKER - SPST - ON/OFF - WHITE
10	135741-02-02A	EA	SWITCH - BASE - DOUBLE - WHITE
10	135742-20-01A	EA	BEZEL - SWITCH - SHOWER/MAKEUP - WHITE
11	135740-01-02A	EA	SWITCH - ROCKER - SPST - ON/OFF - WHITE
11	135741-01-02A	EA	SWITCH - BASE - SINGLE - WHITE
11	135742-12-01A	EA	BEZEL - SWITCH - FAN - WHITE
12*	108354-01-01A	EA	LIGHT - COURTESY

*COMPONENT PARTS LISTED LATER IN THIS GROUP

ELECTRICAL GROUP (CONTINUED)

12V BODY WIRING (CONTINUED)



KEY	PART NUMBER	U/M	DESCRIPTION
1	128786-01-01A	EA	LIGHT - READING/SWIVEL
			FROM: 00-00-00 THRU: 09-15-02
1	128786-02-01A	EA	LIGHT - READING/SWIVEL - W/O SWITCH - BRASS
			FROM: 09-16-02 THRU: 99-99-99
	123917-01-000	EA	BULB - 12V - HALOGEN SPOT
2*	091937-09-000	EA	LIGHT-FLOURESCENT-12V/16 WATT RECESSED - W/SWITCH
3	135740-01-02A	EA	SWITCH - ROCKER - SPST - ON/OFF - WHITE
3	135741-01-02A	EA	SWITCH - BASE - SINGLE - WHITE
3	135742-07-01A	EA	BEZEL - SWITCH - CEILING - WHITE
4	108357-06-000	EA	SWITCH - ROCKER - DPDT - MOM/OFF/MOM - 6 TERMINAL
4	108356-02-01A	EA	COVER/ACTUATOR SWITCH - 2 ROWS DIMPLES- CONTURA II - BLACK
4	108355-01-000	EA	HOUSING - SWITCH
5	119258-42-01A	EA	LAMP - WALL - UL/CSA - BRASS
5	119257-19-01A	EA	SHADE - LAMP
5	117805-02-000	EA	BULB - 12V - #921 - 1.4 AMPS
6	132958-01-000	EA	RECEPTACLE - 12 VOLT - MOUNTING FLANGE - BLACK
7	135740-01-02A	EA	SWITCH - ROCKER - SPST - ON/OFF - WHITE
7	135741-01-02A	EA	SWITCH - BASE - SINGLE - WHITE
7	135742-01-02A	EA	BEZEL - SWITCH - SINGLE - WHITE
8	135740-01-02A	EA	SWITCH - ROCKER - SPST - ON/OFF - WHITE
8	135741-01-02A	EA	SWITCH - BASE - SINGLE - WHITE
8	135742-06-01A	EA	BEZEL - SWITCH - AISLE - WHITE

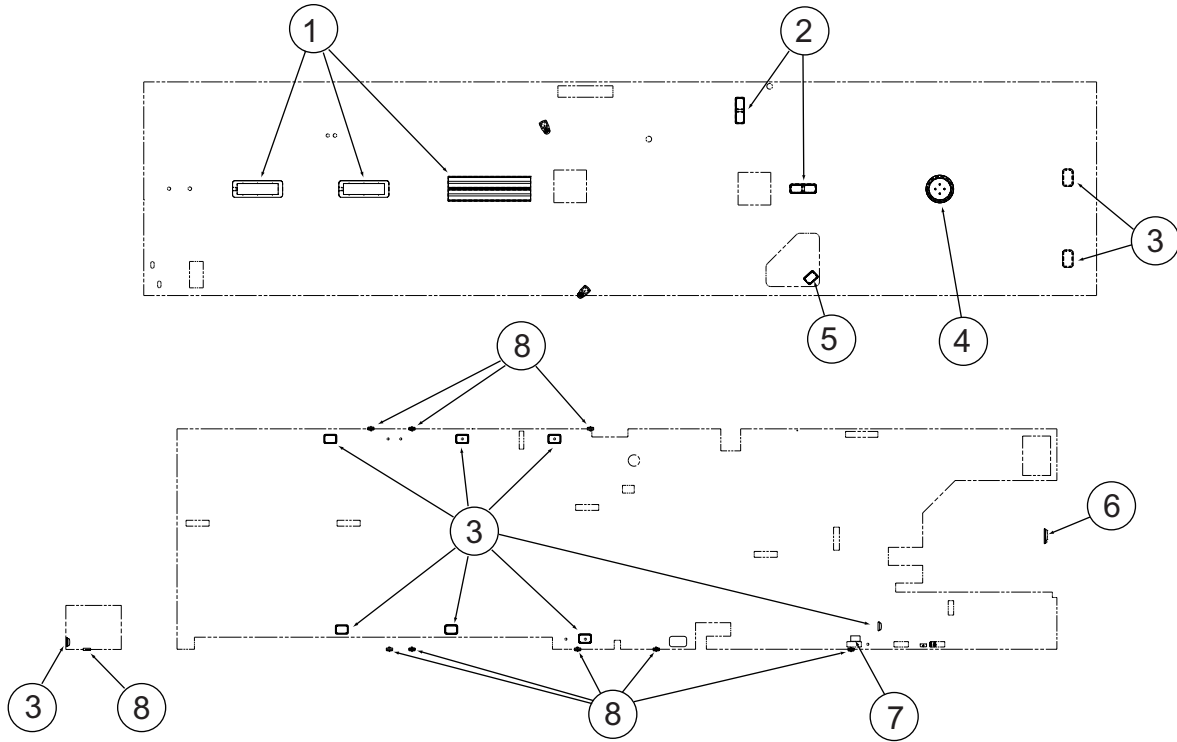
ELECTRICAL GROUP (CONTINUED)

12V BODY WIRING (CONTINUED)

KEY	PART NUMBER	U/M	DESCRIPTION
9	137889-01-000	EA	SWITCH - LIGHT DIMMER
10*	108354-01-01A	EA	LIGHT - COURTESY
11	135740-01-02A	EA	SWITCH - ROCKER - SPST - ON/OFF - WHITE - READING
11	135740-02-02A	EA	SWITCH - ROCKER - SPDT - ON/ON - WHITE - AISLE
11	135741-02-02A	EA	SWITCH - BASE - DOUBLE - WHITE
11	135742-21-02A	EA	BEZEL - SWITCH - AISLE/READING - BROWN
12	116995-02-000	EA	SWITCH/MAGNET - ELECTRIC STEP - BLACK/WHITE-CLOSED CIRCUIT
13	142487-01-02B	EA	PLATE - SWITCH - E-COATED
13	142475-01-01A	EA	APPLIQUE - SWITCH - PASSENGER
14	108357-06-000	EA	SWITCH - ROCKER - DPDT - MOM/OFF/MOM - 6 TERMINAL
14	108356-12-01A	EA	COVER/ACTUATOR SWITCH - 3 GROOVES
14	108355-01-000	EA	HOUSING - SWITCH
15	098351-22-01A	EA	PLATE/SWITCH - 2 GANG - POLISHED BRASS
16	132180-01-01A	EA	SWITCH - PADDLE - SPST - ON/OFF - BLACK
17	098351-08-01A	EA	PLATE/SWITCH - 4 GANG/BRASS-PORCH/CEILING/STEP/COMPT LAMPS
18	108357-07-000	EA	SWITCH - ROCKER - SPDT - MOM/OFF/MOM - 3 TERMINAL - W/POWER DR LOCKS W/REMOTE
18	108356-01-01A	EA	COVER/ACTUATOR SWITCH - 3 GROOVES - CONTURA III - BLACK - W/POWER DR LOCKS W/REMOTE
18	108355-01-000	EA	HOUSING - SWITCH - W/POWER DR LOCKS W/REMOTE
18	098351-24-01A	EA	PLATE - SWITCH - DOOR LOCK - W/POWER DR LOCKS W/REMOTE
19	132180-02-01A	EA	SWITCH - PADDLE - SPDT - ON/ON - BLACK
20	108357-08-000	EA	SWITCH - ROCKER - DPDT - 0N/NONE/ON - 6 TERMINAL
20	108356-13-01A	EA	COVER/ACTUATOR SWITCH - 3 GROOVES
20	108355-01-000	EA	HOUSING - SWITCH
21	108357-06-000	EA	SWITCH - ROCKER - DPDT - MOM/OFF/MOM - 6 TERMINAL
21	108356-01-01A	EA	COVER/ACTUATOR SWITCH - 3 GROOVES - CONTURA III - BLACK
21	108355-01-000	EA	HOUSING - SWITCH
22	108357-01-000	EA	SWITCH - ROCKER - SPST - ON/OFF - 2 TERMINAL
22	108356-01-01A	EA	COVER/ACTUATOR SWITCH - 3 GROOVES - CONTURA III - BLACK
22	108355-01-000	EA	HOUSING - SWITCH

***COMPONENT PARTS LISTED LATER IN THIS GROUP**

ELECTRICAL GROUP (CONTINUED)
12V BODY WIRING (CONTINUED)

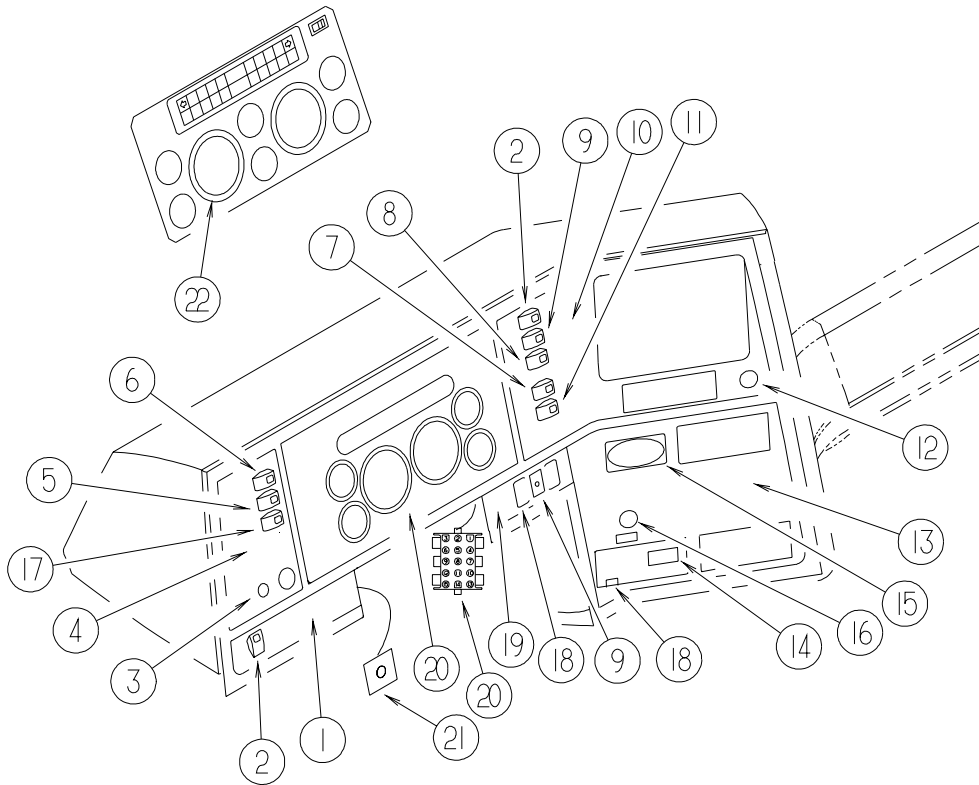


KEY	PART NUMBER	U/M	DESCRIPTION
1*	091937-08-000	EA	LIGHT-FLOURESCENT-12V/30 WATT RECESSED - W/O SWITCH
	091937-03-000	EA	BULB - FLUORESCENT LIGHT - 12 VOLT
2*	137417-06-01A	EA	LIGHT - DOME - DOUBLE - W/FROSTED LENS - W/O SWITCH-WHITE
3*	137417-03-01A	EA	LIGHT - DOME - SINGLE - W/FROSTED LENS - W/O SWITCH-WHITE
4*	093575-19-01A	EA	LIGHT - CEILING/ROUND - BRASS
	117805-02-000	EA	BULB - 12V - #921 - 1.4 AMPS
5*	121935-01-01A	EA	LIGHT - DOME - SHOWER
6*	137417-01-01A	EA	LIGHT - DOME - SINGLE - W/SWITCH/FROSTED LENS - WHITE
7*	086280-01-000	EA	LIGHT - SURFACE MOUNT - 12 VOLT
8	041250-01-000	EA	SWITCH - PUSH BUTTON/DOOR JAMB - METAL - CHROME

***COMPONENT PARTS LISTED LATER IN THIS GROUP**

ELECTRICAL GROUP (CONTINUED)

FRONT END WIRING



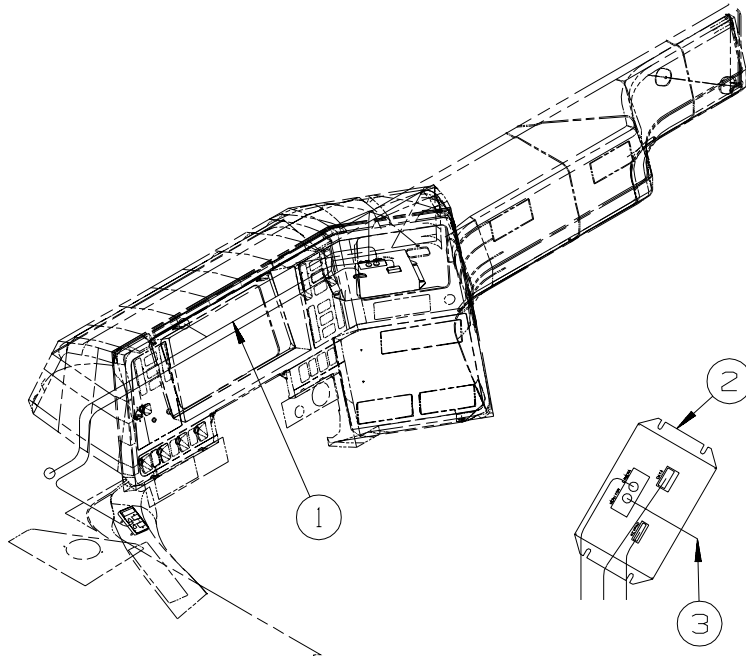
KEY	PART NUMBER	U/M	DESCRIPTION
1	104056-32-01A	EA	APPLIQUE - BEZEL - DRIVER/LOWER - BLACK VELVET
2	108357-08-000	EA	SWITCH - ROCKER DPDT - ON/NONE/ON - 6 TERMINAL - EXHAUST BRAKE - RADIO POWER
2	108356-01-01A	EA	COVER/ACTUATOR SWITCH - 3 GROOVES - CONTURA III - BLACK
2	108355-01-000	EA	HOUSING - SWITCH
3*	091206-04-000	EA	MODULE/WIPER CONTROL KIT - DYNAMIC PARK
4	104056-41-01A	EA	APPLIQUE - BEZEL - DRIVER SWEEP
5	108357-14-000	EA	SWITCH - ROCKER - SPST - W/LIGHT - ON/OFF - 4 TERMINAL - FOG LAMPS
5	108356-03-01A	EA	COVER/ACTUATOR SWITCH -3 GROOVES W/LIGHT-CONTRA III-BLACK
5	108355-01-000	EA	HOUSING - SWITCH
5	096241-03-000	EA	SWITCH - BLANK - BLACK
6	108357-09-000	EA	SWITCH - ROCKER SPDT - ON/NONE/MOM - 3 TERMINAL - AUXILIARY START
6	108356-01-01A	EA	COVER/ACTUATOR SWITCH - 3 GROOVES - CONTURA III - BLACK
6	108355-01-000	EA	HOUSING - SWITCH
7	108357-03-000	EA	SWITCH - ROCKER SPDT - ON/OFF/ON - 3 TERMINAL - AUXILIARY FANS
7	108356-01-01A	EA	COVER/ACTUATOR SWITCH - 3 GROOVES - CONTURA III - BLACK
7	108355-01-000	EA	HOUSING - SWITCH
7	096241-03-000	EA	SWITCH - BLANK - BLACK
8	108357-10-000	EA	SWITCH - ROCKER SPDT - W/LIGHT - MOM/NONE/MOM - 5 TERMINAL - GENERATOR
8	108356-03-01A	EA	COVER/ACTUATOR SWITCH -3 GROOVES W/LIGHT-CONTRA III-BLACK
8	108355-01-000	EA	HOUSING - SWITCH
9	108357-06-000	EA	SWITCH - ROCKER DPDT - MOM/OFF/MOM - 6 TERMINAL - BATTERY DISCONNECT - SLIDEOUT
9	108356-01-01A	EA	COVER/ACTUATOR SWITCH - 3 GROOVES - CONTURA III - BLACK
9	108355-01-000	EA	HOUSING - SWITCH
10	104056-40-01A	EA	APPLIQUE - BEZEL - PASSENGER/UPPER - 6-SWITCH
11	108357-01-000	EA	SWITCH - ROCKER SPST - ON/OFF - 2 TERMINAL - AIR HORN
11	108356-01-01A	EA	COVER/ACTUATOR SWITCH - 3 GROOVES - CONTURA III - BLACK
11	108355-01-000	EA	HOUSING - SWITCH
11	096241-03-000	EA	SWITCH - BLANK - BLACK
12	089294-01-000	EA	LIGHTER - CIGARETTE - W/SOCKET & WIRE
13	104056-52-01A	EA	APPLIQUE - BEZEL - LOWER/RIGHT WING
14	133535-01-000	EA	MODULE - TIMER 20 SECOND
15	136119-01-000	EA	COMPASS/THERMOMETER - ELECTRONIC

ELECTRICAL GROUP (CONTINUED)

FRONT END WIRING (CONTINUED)

KEY	PART NUMBER	U/M	DESCRIPTION
16	133534-02-000	EA	LIGHT - AMBER INDICATOR WITH 1/4" TERMINALS
17	108357-14-000	EA	SWITCH - ROCKER - SPST - W/LIGHT - ON/OFF - 4 TERMINAL - DOCKING LAMPS
17	108356-03-01A	EA	COVER/ACTUATOR SWITCH -3 GROOVES W/LIGHT-CONTRA III-BLACK
17	108355-01-000	EA	HOUSING - SWITCH
18	115539-01-000	EA	RELAY - RADIO/TV SPEAKER - SWITCH
19	104056-42-01A	EA	APPLIQUE - BEZEL - PASSENGER/LOWER - F/SLIDEOUT & JACKS
20	128074-02-000	EA	FILTER - NOISE - 12 VOLT DC W/PLUGS
21	134090-02-000	EA	MODULE - DAY TIME RUNNING LIGHT
22	133196-05-000	EA	SPEEDOMETER - FREIGHTLINER - KILOMETERS - CANADIAN
	077031-03-000	EA	FILM - WHITE - .75" X 1"
	103603-01-000	EA	BULB - 12 VOLT - #74 - .12A WEDGE - GE 22-25 USED IN DASH
	103608-01-000	EA	SOCKET - WEDGE BASE W/LEADS

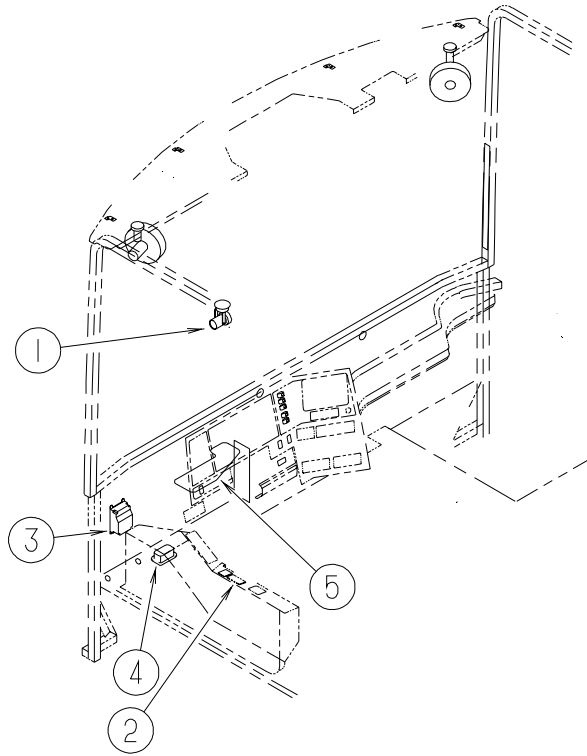
***COMPONENT PARTS LISTED LATER IN THIS GROUP**



KEY	PART NUMBER	U/M	DESCRIPTION
1	143591-02-000	EA	WIRE LOOM - COMPUTER TRIP/ENGINE MONITOR-TRIP TEK 02-04007
2*	143591-05-000	EA	COMPUTER - TRIP/ENGINE MONITOR - COLOR - TRIP TEK 2500-3
3	143591-04-000	EA	CABLE ASM-CAMERA COLOR INTER , TRIP TEK 02-04009

***COMPONENT PARTS LISTED LATER IN THIS GROUP**

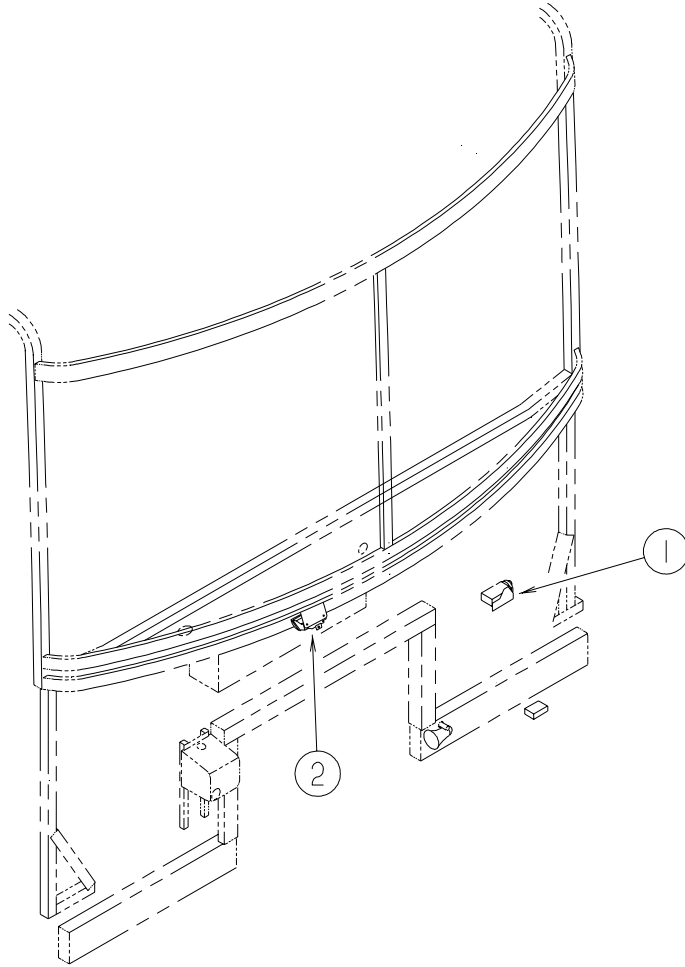
ELECTRICAL GROUP (CONTINUED)
FRONT END WIRING (CONTINUED)



KEY	PART NUMBER	U/M	DESCRIPTION
1	128786-01-01A	EA	LIGHT - READING/SWIVEL
	123917-01-000	EA	BULB - 12V - HALOGEN SPOT
2	118662-14-02B	EA	PLATE - SWITCH - WINDOW - E-COATED - REMOTE POWER DOOR LOCK
2	108357-07-000	EA	SWITCH - ROCKER - SPDT - MOM/OFF/MOM - 3 TERMINAL - REMOTE POWER DOOR LOCK
2	108356-01-01A	EA	COVER/ACTUATOR SWITCH - 3 GROOVES - CONTURA III - BLACK - REMOTE POWER DOOR LOCK
2	108355-01-000	EA	HOUSING - SWITCH - REMOTE POWER DOOR LOCK
2	096241-03-000	EA	SWITCH - BLANK - BLACK
2	143057-01-01A	EA	APPLIQUE/SWITCH - DRIVER - POWERED SUNVISORS
2	108357-06-000	EA	SWITCH - ROCKER - DPDT - MOM/OFF/MOM - 6 TERMINAL - POWERED SUNVISORS
2	108356-01-01A	EA	COVER/ACTUATOR SWITCH - 3 GROOVES - CONTURA III - BLACK - POWERED SUNVISORS
2	108355-01-000	EA	HOUSING - SWITCH - POWERED SUNVISORS
2	088246-01-000	EA	SWITCH/REMOTE MIRROR - W/2PIN & 6 PIN CONNECTORS/PIGTAIL - REMOTE MIRROR
2	108357-14-000	EA	SWITCH - ROCKER SPDT - W/LIGHT - ON/OFF - 4 TERMINAL - MIRROR HEATER
2	108356-03-01A	EA	COVER/ACTUATOR SWITCH - 3 GROOVES W/LIGHT-CONTRA III-BLACK - MIRROR HEATER
2	108355-01-000	EA	HOUSING - SWITCH - MIRROR HEATER
3*	091206-04-000	EA	MODULE KIT - WIPER CONTROL - DYNAMIC PARK
4	118571-03-000	EA	BRACKET - MOUNTING
4	118571-04-000	EA	GASKET
5	113452-01-000	FT	SEAL/TRIM - FRONT - VINYL W/WIRE CARRIER - .020"

*COMPONENT PARTS LISTED LATER IN THIS GROUP

ELECTRICAL GROUP (CONTINUED)
FRONT END WIRING (CONTINUED)



KEY	PART NUMBER	U/M	DESCRIPTION
1	114802-01-000	EA	PUMP - VACUUM - 12V
2*	137417-01-01A	EA	LIGHT - DOME - SINGLE - W/SWITCH/FROSTED LENS - WHITE

***COMPONENT PARTS LISTED LATER IN THIS GROUP**

ELECTRICAL GROUP (CONTINUED)
COMPONENT PARTS FOR LIGHTS & SWITCHES

			008089-02-000
KEY	PART NUMBER	U/M DESCRIPTION	VENDOR NO.
	008089-01-700	EA LENS/PORCH LIGHT RECESSED	DECO
			086280-01-000
KEY	PART NUMBER	U/M DESCRIPTION	VENDOR NO.
	086280-01-700	EA BULB,12V	ARP1089
			091206-04-000
KEY	PART NUMBER	U/M DESCRIPTION	VENDOR NO.
	091206-02-700	EA KNOB-INNER	66C-00019
	091206-02-701	EA KNOB-OUTER	66C-00020
	091206-04-700	EA SWITCH ASSEM. ONLY	250-6623
	102362-03-700	EA MODULE-WIPER CONT., DYNAMIC	66D-00093
			091937-08-000
KEY	PART NUMBER	U/M DESCRIPTION	VENDOR NO.
	091937-08-700	EA LENS - LIGHT - FLUORESCENT	D-766
			091937-09-000
KEY	PART NUMBER	U/M DESCRIPTION	VENDOR NO.
	091937-09-700	EA LENS - LIGHT - FLUORESCENT	D-762
			093575-19-01A
KEY	PART NUMBER	U/M DESCRIPTION	VENDOR NO.
	093575-19-700	EA GLOBE F/55-556X2 LIGHT	9088
			108354-01-01A
KEY	PART NUMBER	U/M DESCRIPTION	VENDOR NO.
	108354-01-700	EA BULB-COURTESY LIGHT	395-B
			121935-01-01A
KEY	PART NUMBER	U/M DESCRIPTION	VENDOR NO.
	121935-01-700	EA LENS ONLY	809511
			123775-01-01A
KEY	PART NUMBER	U/M DESCRIPTION	VENDOR NO.
	123775-01-700	EA BULB - 10 WATT - HALOGEN	71-JC10
	123775-01-701	EA BEZEL/LENS - RECESSED LIGHT	
			133054-03-000
KEY	PART NUMBER	U/M DESCRIPTION	VENDOR NO.
	133054-03-700	EA LENS	2011-0000-10
	133054-03-701	EA GASKET - LIGHT MOUNTING	2004-0000-00
	133054-03-702	EA GASKET - LENS	2003-0000-00
			133054-04-000
KEY	PART NUMBER	U/M DESCRIPTION	VENDOR NO.
	133054-03-701	EA GASKET - LIGHT MOUNTING	2004-0000-00
	133054-03-702	EA GASKET - LENS	2003-0000-00
	133054-04-700	EA LENS	2011-0000-20
			137417-01-01A
KEY	PART NUMBER	U/M DESCRIPTION	VENDOR NO.
	137417-01-700	EA LENS - SINGLE (FROSTED)	810868
			137417-03-01A
KEY	PART NUMBER	U/M DESCRIPTION	VENDOR NO.
	137417-01-700	EA LENS - SINGLE (FROSTED)	810868
			137417-06-01A
KEY	PART NUMBER	U/M DESCRIPTION	VENDOR NO.
	137417-06-700	EA LENS - DOUBLE WHITE	810867
			143591-05-000
KEY	PART NUMBER	U/M DESCRIPTION	VENDOR NO.
	143591-05-700	EA TOUCH PAD W/WIRE/CIRCUIT BRD	TRIP TEK #01-02002

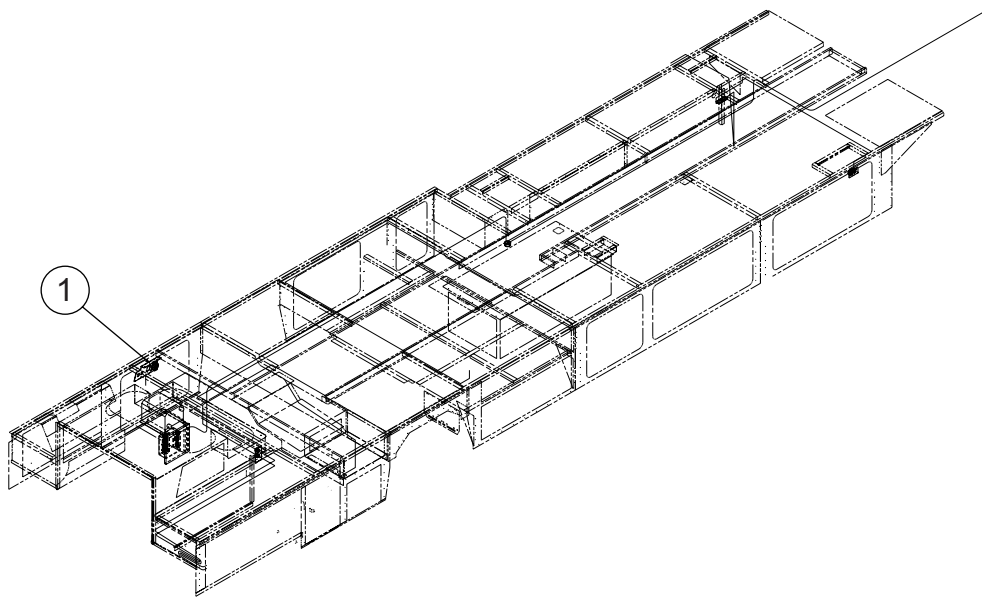
ELECTRICAL GROUP (CONTINUED)
CIRCUIT BREAKERS & FUSES

KEY	PART NUMBER	U/M	DESCRIPTION
	008233-01-000	EA	FUSE - 12 VOLT - 6 AMP
	008235-01-000	EA	FUSE - 15 AMP/12VOLT - AUTOMOTIVE
	008268-01-000	EA	CIRCUIT BREAKER W/MOUNT - 30A, 12V - FASCO 1711-3023
	033573-01-000	EA	CIRCUIT BREAKER W/MOUNT-20A, 12V - FASCO 1711-2026
	062901-02-000	EA	FUSE - 5 AMP - AUTOMOTIVE
	062901-04-000	EA	FUSE - 10 AMP - AUTOMOTIVE
	062901-05-000	EA	FUSE - 15 AMP - AUTOMOTIVE
	062901-06-000	EA	FUSE - 20 AMP - AUTOMOTIVE
	062901-07-000	EA	FUSE - 25 AMP - AUTOMOTIVE
	062901-08-000	EA	FUSE - 30 AMP - AUTOMOTIVE
	083209-01-000	EA	CIRCUIT BREAKER - 15 AMP - 120 VOLT - CANADIAN
	083209-02-000	EA	CIRCUIT BREAKER - 15/15 AMP - 120 VOLT
	083209-03-000	EA	CIRCUIT BREAKER - 15/20 AMP - 120 VOLT
	083209-04-000	EA	CIRCUIT BREAKER - 30 AMP - 120 VOLT
	083209-05-000	EA	CIRCUIT BREAKER - 20 AMP - 120 VOLT
	083209-06-000	EA	CIRCUIT BREAKER - 30/15 AMP - 120 VOLT
	083209-07-000	EA	CIRCUIT BREAKER - 20/20 AMP - 120 VOLT
	083209-10-000	EA	CIRCUIT BREAKER - 20/30 AMP - 120 VOLT
	083209-11-000	EA	CIRCUIT BREAKER - 20/15 AMP - 120 VOLT
	092786-03-000	EA	BUSS BAR - 6.9" LONG
	092786-06-000	EA	BUSS BAR
	093654-01-000	EA	CIRCUIT BREAKER - 6 AMP - 12 VOLT - PUSH BUTTON - WHITE
	093654-02-000	EA	CIRCUIT BREAKER - 15 AMP - 12 VOLT - PUSH BUTTON - WHITE
	093654-03-000	EA	CIRCUIT BREAKER - 20 AMP - 12 VOLT - PUSH BUTTON - WHITE
	093654-11-000	EA	COVER - RESET BUTTON
	093655-01-000	EA	CIRCUIT BREAKER - 25 AMP - 12 VOLT - PUSH BUTTON - WHITE
	093655-02-000	EA	CIRCUIT BREAKER - 30 AMP - 12 VOLT - PUSH BUTTON - WHITE
	093655-03-000	EA	CIRCUIT BREAKER - 40 AMP - 12 VOLT - PUSH BUTTON - WHITE
	097611-01-000	EA	CIRCUIT BREAKER - 10 AMP
	097611-03-000	EA	CIRCUIT BREAKER - 20 AMP
	097611-04-000	EA	CIRCUIT BREAKER - 25 AMP
	106656-01-000	EA	FUSE BLOCK - 4 CAVITY - AUTOFUSE
	108567-01-000	EA	CIRCUIT BREAKER - 40 AMP - 12 VOLT - TYPE II
	108669-01-000	EA	HOUSING - AUTO FUSE HOLDER
	111683-01-000	EA	FUSE - HOLDER - GLASS - 1/4" X 1 1/4"
	113482-01-000	EA	CIRCUIT BREAKER - 55 AMP - MANUAL
	113520-01-000	EA	BREAKER - CIRCUIT - 15AMP - SWITCHED
	115187-01-000	EA	FUSE - 300 AMP - NON-DELAY
	115187-02-000	EA	FUSE HOLDER - BUSS ANN/ANL BLOCK
	118531-05-02B	EA	PLATE - CIRCUIT BREAKER - E-COAT
	122811-01-000	EA	CIRCUIT BREAKER - 20/50/50/20
	125986-04-000	EA	FUSE - 10 AMP - AUTO - MINI BLADE
	125986-05-000	EA	FUSE - 15 AMP - AUTO - MINI BLADE
	134127-01-000	EA	CIRCUIT BREAKER - 10 AMP - MINI

CONVERTER, INVERTER, LOAD CENTERS

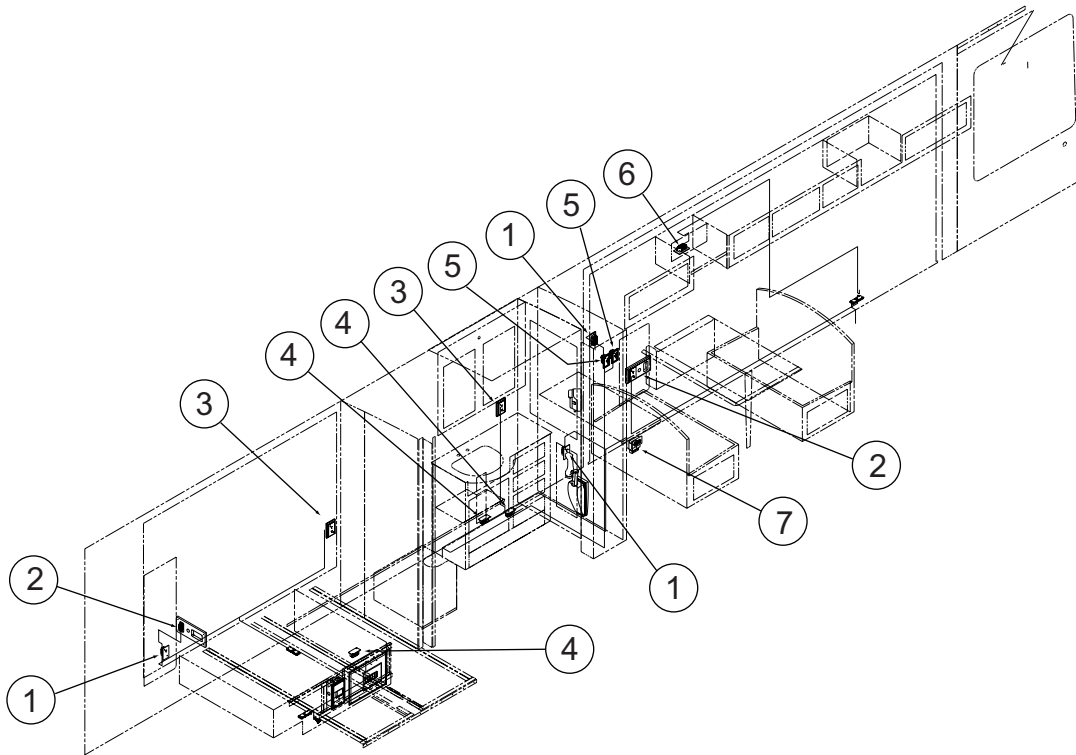
KEY	PART NUMBER	U/M	DESCRIPTION
	099048-04-000	EA	INVERTER - 300 WATT
	109677-01-000	EA	LOAD CENTER - 120 VOLT - 40 AMP
	113685-05-000	EA	REMOTE PANEL - INVERTER/CHARGER
	113685-06-000	EA	CABLE - MODULAR JACK - 50'
	113685-07-000	EA	INVERTER/CHARGER - 1500W AC
	123058-01-000	EA	CONVERTER - 55 AMP - ELECTRONIC - 4 1/8"H X 7"W X 12 3/8"L
	127002-05-000	EA	PANEL/MONITOR - ENERGY MANAGEMENT SYSTEMS CTRL - W/PLUG
	127002-07-000	EA	SENSOR - CURRENT
	127002-08-000	EA	MODULE - EMS CENTER - W/REMOTE SENSOR
	141258-01-000	EA	LOAD CENTER - 120/240 - 50 AMP
	141258-02-000	EA	LOAD CENTER - COVER

ELECTRICAL GROUP (CONTINUED)
110V WIRING



KEY	PART NUMBER	U/M DESCRIPTION
1	058708-05-000	EA RECEPTACLE - ELECTRIC - SINGLE - BROWN
1	058708-07-000	EA RECEPTACLE - SINGLE - WHITE

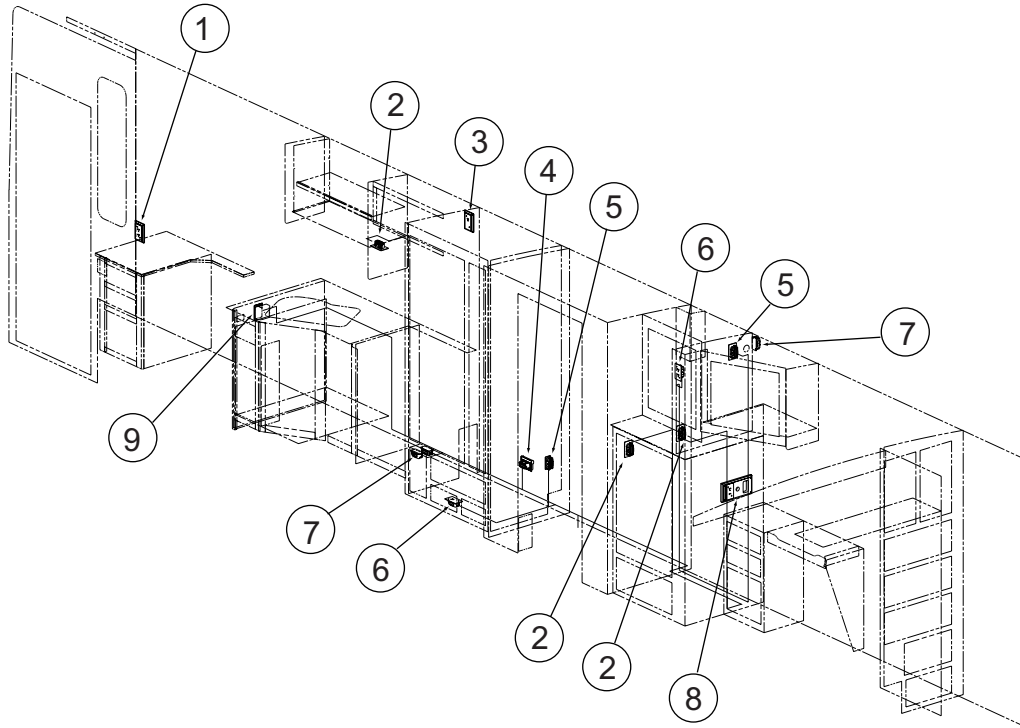
ELECTRICAL GROUP (CONTINUED)
110V WIRING (CONTINUED)



KEY	PART NUMBER	U/M	DESCRIPTION
1	058708-05-000	EA	RECEPTACLE - ELECTRIC - SINGLE - BROWN
1	058708-07-000	EA	RECEPTACLE - SINGLE - WHITE
2	058708-06-000	EA	RECEPTACLE - DUPLEX - WHITE
2	133713-06-08A	EA	SPACER/RECEPTACLE - PHONE - VINYL/PORTSMOUTH OAK - PORTSMOUTH OAK
2	133713-06-03A	EA	SPACER/RECEPTACLE - PHONE - VINYL/SALEM CHERRY - CONCERT CHERRY
3	058708-06-000	EA	RECEPTACLE - DUPLEX - WHITE
3	133713-01-20A	EA	SPACER/RECEPTACLE - WHITE VINYL
4	058707-02-000	EA	RECEPTACLE - BLANK - JUNCTION BOX
5	084420-01-000	EA	SWITCH - TOGGLE - 15 AMP - 120 VOLT - BROWN
			FROM: 00-00-00 THRU: 08-04-02
5	084420-04-000	EA	SWITCH - TOGGLE - 15AMP/120VOLT - IVORY
			FROM: 08-05-02 THRU: 99-99-99
6	058708-01-000	EA	RECEPTACLE - ELECTRIC - DOUBLE - BROWN
7	084076-02-000	EA	RECEPTACLE - GFI - 15 AMP/125 VOLT - BROWN - W/COVER

ELECTRICAL GROUP (CONTINUED)

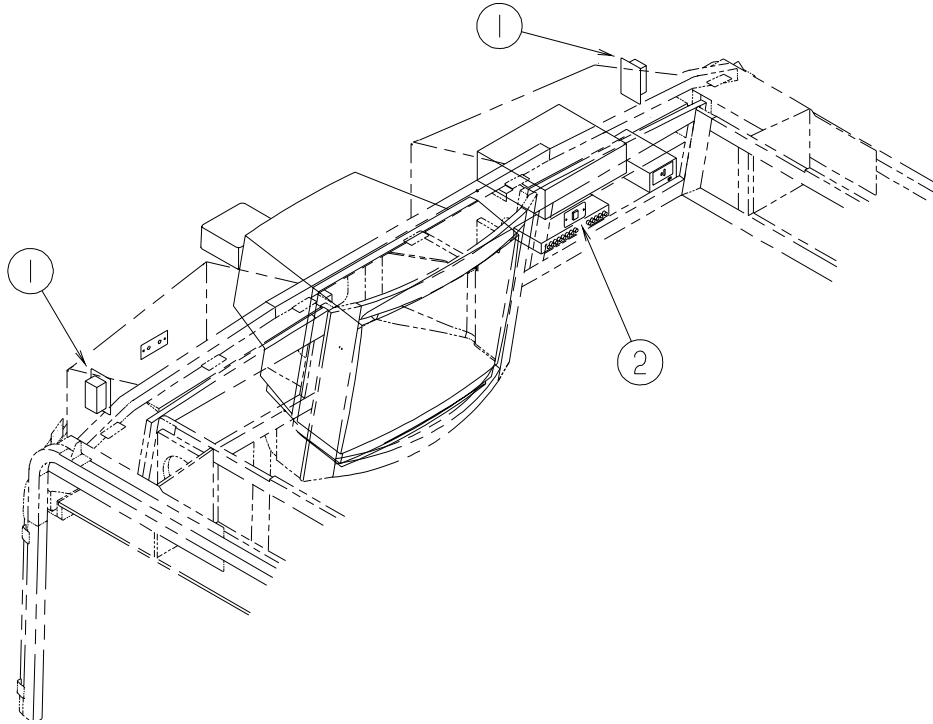
110V WIRING (CONTINUED)



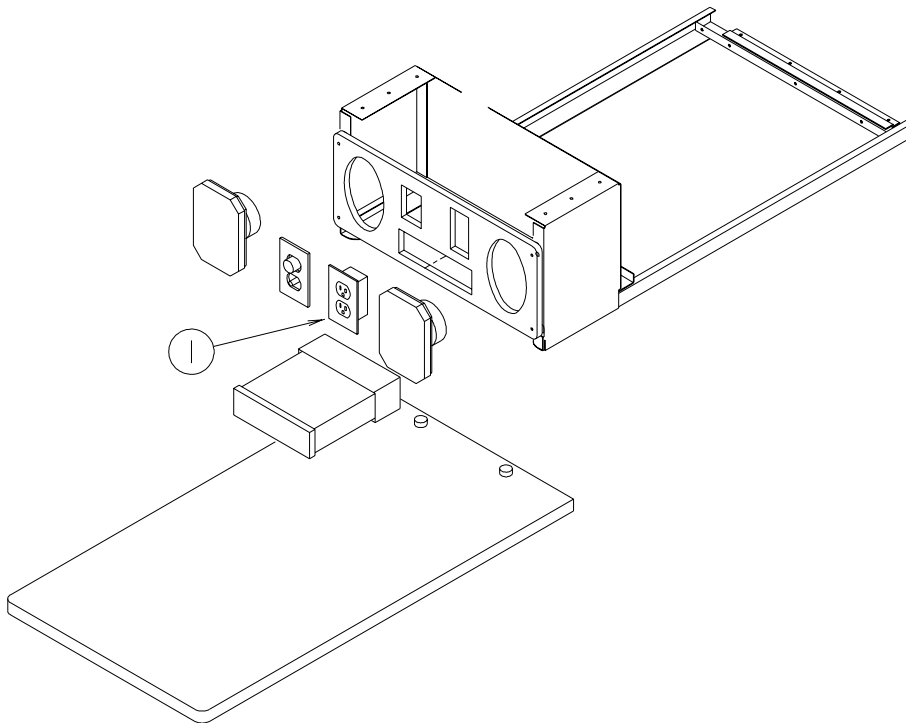
KEY	PART NUMBER	U/M	DESCRIPTION
1	058708-06-000	EA	RECEPTACLE - DUPLEX - WHITE
1	133713-01-20A	EA	SPACER/RECEPTACLE - WHITE VINYL
2	058708-01-000	EA	RECEPTACLE - ELECTRIC - DOUBLE - BROWN
3	058708-05-000	EA	RECEPTACLE - ELECTRIC - SINGLE - BROWN
3	058708-07-000	EA	RECEPTACLE - SINGLE - WHITE
3	133713-06-08A	EA	SPACER/RECEPTACLE - PHONE - VINYL/PORTSMOUTH OAK - PORTSMOUTH OAK
3	133713-06-03A	EA	SPACER/RECEPTACLE - PHONE - VINYL/SALEM CHERRY - CONCERT CHERRY
4	131826-01-01A	EA	RECEPTACLE - EXTERIOR - W/COVER/GASKET - WHITE
5	058707-01-000	EA	RECEPTACLE - ELECTRIC - SINGLE - BROWN
6	058708-05-000	EA	RECEPTACLE - ELECTRIC - SINGLE - BROWN
6	058708-07-000	EA	RECEPTACLE - SINGLE - WHITE
7	058707-02-000	EA	RECEPTACLE - BLANK - JUNCTION BOX
8	058708-06-000	EA	RECEPTACLE - DUPLEX - WHITE
8	133713-06-08A	EA	SPACER/RECEPTACLE - PHONE - VINYL/PORTSMOUTH OAK - PORTSMOUTH OAK
8	133713-06-03A	EA	SPACER/RECEPTACLE - PHONE - VINYL/SALEM CHERRY - CONCERT CHERRY
9	084076-02-000	EA	RECEPTACLE - GFI - 15 AMP/125 VOLT - BROWN - W/COVER

ELECTRICAL GROUP (CONTINUED)

ENTERTAINMENT WIRING



KEY	PART NUMBER	U/M	DESCRIPTION
1	058708-01-000	EA	RECEPTACLE - ELECTRIC - DOUBLE - BROWN
2	079364-04-000	EA	SWITCH - ON/OFF ROCKER - 2 TERMINAL - BLACK
2	098351-09-01A	EA	PLATE/SWITCH - 1 GANG - POLISHED BRASS - SPEAKER SELECT/TV



KEY	PART NUMBER	U/M	DESCRIPTION
1	058708-05-000	EA	RECEPTACLE - ELECTRIC - SINGLE - BROWN
2	058708-07-000	EA	RECEPTACLE - SINGLE - WHITE

ELECTRICAL GROUP (CONTINUED)

BOXES & CORDS

KEY	PART NUMBER	U/M	DESCRIPTION
	008054-01-000	EA	CORD - POWER - 10/3 WIRE - 30 AMP - 25'
	008289-01-000	EA	BOX - ELECTRIC/STEEL - 1/2" & 3/4" KNOCKOUTS - 4" X 4" FROM: 00-00-00 THRU: 10-13-02
	008294-01-000	EA	COVER - ELECTRIC BOX - BLANK/STEEL - 4" X 4" - GRAY FROM: 00-00-00 THRU: 10-13-02
	092492-17-000	EA	SEAL - ELECTRICAL BOX
	106071-05-000	EA	SWITCH - AUTOMATIC TRANSFER - 50/70 - MAGNETEK FROM: 00-00-00 THRU: 10-06-02
	106071-06-000	EA	SWITCH - AUTOMATIC TRANSFER FROM: 10-07-02 THRU: 99-99-99
	108934-02-000	EA	CORD - POWER - 50 AMP - 4-WIRE - 36'
	113029-06-02B	EA	PANEL - ELECTRICAL BOX FRONT - E-COATED
	110080-05-000	EA	SEAL - ELECTRICAL BOX
	115832-01-000	FT	CORD - HEAVY DUTY - 14-2W GROUND
	131679-01-000	EA	BOX-ELEC-WATERPROOF SEALED 4" X 4" W/4 3/4"OUTLETS-UL/CSA
	131680-01-000	EA	COVER - W/GASKET FOR WATERPROOF 4" X 4" BOX - UL/CSA
	133070-01-000	EA	BOX - ELECTRIC/PLASTIC - 3" X 2" X 2.8" - UL
	133070-02-000	EA	BOX - ELECTRIC/PLASTIC - 3" X 2" X 2.8" - CSA
	142209-03-02B	EA	DOOR - ELECTRICAL BOX - E-COATED

WIRE ASSEMBLIES

KEY	PART NUMBER	U/M	DESCRIPTION
	090986-02-000	EA	WIRE ASSEMBLY - ELECTRIC STEP
	093040-06-000	EA	WIRE ASSEMBLY-MONITOR-F/NON-PRE-WIRED AFTER MARKET INSTALL
	096449-02-000	EA	WIRE ASSEMBLY - WATER TANK TO MONITOR PANEL
	096450-05-000	EA	WIRE F/SENSORS - BLACK WATER - 23.6"
	096451-07-000	EA	WIRE F/SENSORS - GREY WATER - 3.9"
	103991-01-000	EA	WIRE ASM-CRT BKR,POWER
	108029-01-000	EA	WIRE ASSEMBLY - POWER DRIVER SEAT
	108029-04-000	EA	WIRE ASSEMBLY - POWER PASSENGER SEAT
	120233-05-000	EA	WIRE ASSEMBLY - 30" CONNECTS TO WALLPLATE DISPLAY FROM: 00-00-00 THRU: 04-08-02
	124843-07-000	EA	WIRE ASSEMBLY - SPEAKER ADAPTER
	124843-08-000	EA	WIRE ASSEMBLY - SPEAKER ADAPTER
	124882-08-000	EA	WIRE LOOM - AMPLIFIER - Q SURROUND
	125853-01-000	EA	WIRE LOOM - ENTERTAINMENT CENTER
	125853-04-000	EA	WIRE LOOM - ENTERTAINMENT CENTER
	129888-01-000	EA	WIRE LOOM - INSTRUMENT PANEL - AIR HORN
	133817-02-000	EA	WIRE ASSEMBLY - SPEAKER/ADAPTER - 117.9" LONG
	135131-01-000	EA	WIRE LOOM - THERMOSTAT
	135420-02-000	EA	WIRE LOOM - RADIO
	137135-03-000	EA	WIRE LOOM - DIGITAL ELEVATION SENSOR FROM: 04-09-02 THRU: 99-99-99
	137135-04-000	EA	WIRE HARNESS - POWER - DIGITAL ELEVATION SENSOR FROM: 04-09-02 THRU: 99-99-99
	139297-01-000	EA	RESISTOR - 10 OHM/10W CERAMIC
	139583-01-000	EA	WIRE LOOM - SOFA/DOUBLE REST EASY
	139583-02-000	EA	WIRE LOOM - SOFA/REAR SWITCH
	140195-01-000	EA	WIRE LOOM - RESISTOR/FAN
	142258-02-000	EA	WIRE LOOM - VIDEO SWITCH/POWER SUPPLY FROM: 04-09-02 THRU: 99-99-99
	143363-04-000	EA	WIRE - MONITOR - 12 VOLT COLOR - SONY VM-HRN7W

ELECTRICAL GROUP (CONTINUED)
CONNECTORS & CONDUIT

KEY	PART NUMBER	U/M	DESCRIPTION
	007956-01-000	EA	RECEPTACLE - HOUSING - 6 POSITION
	007956-05-000	EA	INSULATOR - SHRINK - 1/4" ID X 1 1/2"
	008058-01-000	EA	ADAPTER - POWER CORD - 30 AMP TO 15 AMP
	008311-01-000	EA	CONNECTOR - WIRE NUT - INSULATED - RED
	008312-01-000	EA	CONNECTOR - WIRE NUT - INSULATED - BLUE
	008313-01-000	EA	CONNECTOR - WIRE NUT - INSULATED - YELLOW
	008314-01-000	EA	CONNECTOR - WIRE NUT - INSULATED - GRAY
	008326-01-000	EA	TERMINAL - RING - 16/14 WIRE - 3/8" STUD
	008328-01-000	EA	TERMINAL - RING - 12/10 WIRE - #10 STUD FIT
	008331-01-000	EA	TERMINAL - RING - TONGUE - #4 WIRE - 3/8" STUD - COPPER
	008348-01-000	EA	TERMINAL - RING - 3/8" STUD 2 GA. WIRE
	008355-01-000	EA	CONNECTOR - CABLE CLAMPING - 3/4"
	008356-01-000	EA	CONNECTOR - PLASTIC - 3/8" AVG
	008356-02-000	EA	CONNECTOR - PLASTIC - 21/32
	035416-04-000	EA	TERMINAL - RING - #10 STUD FIT - INSULATED BARREL #16/14
	041953-01-000	FT	CONDUIT - CONVOLUTE SLIT - .5" ID - POLYETHYLENE
	041953-02-000	FT	CONDUIT - CONVOLUTE SLIT - .6" ID - POLYETHYLENE
	041953-03-000	FT	CONDUIT - CONVOLUTE SLIT - 1" ID (CLOTHES ROD COVER)
	041953-05-000	FT	CONDUIT - CONVOLUTE SOLID - .62" ID - POLYETHYLENE
	041953-06-000	FT	CONDUIT - CONVOLUTE SLIT - .4" ID - POLYETHYLENE
	041953-07-000	FT	CONDUIT - CONVOLUTE SLIT - .25" ID - POLYETHYLENE
	041953-08-000	FT	CONDUIT - CONVOLUTE SLIT - 1.5" ID - POLYETHYLENE
	041953-09-000	FT	CONDUIT - CONVOLUTE SLIT - .5" ID - NYLON
	041953-10-000	FT	CONDUIT - CONVOLUTE SLIT - .75" ID - NYLON
	041953-11-000	FT	CONDUIT - CONVOLUTE SLIT - 1.06" ID - NYLON
	041953-12-000	FT	CONDUIT - CONVOLUTE SOLID - 1.1" ID - NYLON
	041953-13-000	FT	CONDUIT - CONVOLUTE SLIT - 1.25
	041953-14-000	FT	CONDUIT - CONVOLUTE SLIT - 1.5
	047443-01-000	EA	TERMINAL - .250 RECEPTACLE FIT - INSULATED - 16/14 AWG
	047443-02-000	EA	TERMINAL - .250 RECEPTACLE FIT - INSULATED - 12/10 AWG
	058028-01-000	EA	CONNECTOR - ELECTRICAL PIGTAIL - NYLON - CLEAR
	062036-01-000	EA	TERMINAL - PACK - CON - 12/10 AWG
	074017-02-000	EA	HOUSING - 5 POSITION - RIGHT ANGLED
	077479-01-000	EA	BOOT - BATTERY TERMINAL - DOUBLE CABLE
	077479-02-000	EA	BOOT - BATTERY TERMINAL - SINGLE CABLE
	080015-02-000	EA	RECEPTACLE - FLAG - .185 - 16/14 GAUGE
	080015-03-000	EA	RECEPTACLE - FLAG - .250 - 14/16 GAUGE
	082109-01-000	EA	HOUSING - CONNECTOR - PACKARD
	082741-01-000	EA	CONNECTOR BODY - 2 CONNECTOR MALE
	087225-01-000	FT	SLEEVING - 1/2" - TYPE H
	087949-01-000	EA	BUSS BAR - 2 POSITION - .6" X 1.5"
	087949-02-000	EA	BUSS BAR - 3 POSITION - .6" X 2.4"
	087949-03-000	EA	BUSS BAR - 4 POSITION
	087949-05-000	EA	BUSS BAR - 7 POSITION
	088267-01-000	EA	TERMINAL - FEMALE - 1/4
	088473-01-000	EA	HOUSING - PIN - 12 CAVITY (3 ROWS OF 4)
	088473-02-000	EA	HOUSING - PIN - 15 CAVITY (3 ROWS OF 5)
	088473-03-000	EA	HOUSING - PIN - 9 CAVITY (3 ROWS OF 3)
	088473-04-000	EA	HOUSING - PIN - 8 CAVITY IN-LINE
	088473-06-000	EA	HOUSING - PIN - 6 CAVITY (2 ROWS OF 3)
	088473-08-000	EA	HOUSING - PIN - 4 CAVITY - IN-LINE
	088473-09-000	EA	HOUSING - PIN - 3 CAVITY - IN-LINE
	088473-10-000	EA	HOUSING - PIN - 2 CAVITY - IN LINE
	088474-01-000	EA	HOUSING - SOCKET - 12 CAVITY
	088474-02-000	EA	HOUSING - SOCKET - 15 CAVITY
	088474-03-000	EA	HOUSING - SOCKET - 9 CAVITY
	088474-06-000	EA	HOUSING - SOCKET - 6 CAVITY
	088474-07-000	EA	HOUSING - SOCKET - 5 CAVITY
	088474-08-000	EA	HOUSING - SOCKET - 4 CAVITY
	088474-09-000	EA	HOUSING - SOCKET - 3 CAVITY
	088474-10-000	EA	HOUSING - SOCKET - 2 CAVITY
	088475-01-000	EA	PIN - CONNECTOR - 14-20 AWG
	088475-02-000	EA	PIN - CONNECTOR - 10-12 AWG
	088476-01-000	EA	TERMINAL - ELECTRICAL

ELECTRICAL GROUP (CONTINUED)
CONNECTORS & CONDUIT (CONTINUED)

KEY	PART NUMBER	U/M	DESCRIPTION
	088476-02-000	EA	SOCKET - CONNECTOR - 12-10 GA - PRE-TIN
	098261-01-000	EA	SOCKET - CONNECTOR - WEATHERPACK - 12 AWG
	098261-02-000	EA	SOCKET - CONNECTOR - WEATHERPACK - 14-18 AWG
	098262-01-000	EA	SEAL - CONNECTOR - WEATHERPACK
	098262-05-000	EA	SEAL - CAVITY
	098262-06-000	EA	SEAL - CONNECTOR - M/P - 10 GAUGE
	098262-07-000	EA	SEAL - CONNECTOR - 12 AWG - 280 SER
	098263-01-000	EA	HOUSING - 3 PIN - WEATHER PACK
	098263-02-000	EA	HOUSING - 3 PIN - WEATHER PACK
	098264-01-000	EA	HOUSING - 2 PIN - WEATHER PACK - MALE W/FEMALE PINS
	098264-02-000	EA	HOUSING - 2 PIN - WEATHER PACK - FEMALE W/MALE PINS
	098265-02-000	EA	PIN - CONNECTOR - WEATHER PACK
	100690-01-000	EA	HOUSING - 5 POSITION - MALE - WEATHER PACK
	100690-02-000	EA	HOUSING - 5 POSITION - FEMALE - WEATHER PACK
	102777-02-000	EA	TERMINAL - RING - #6 STUD - 10 AWG
	104100-01-000	EA	HOUSING - 1 POSITION - 75 AMPS
	104100-03-000	EA	TERMINAL - 75 AMP
	106655-02-000	EA	TERMINAL - FUSE BLOCK - 10-12 AWG
	110178-01-000	EA	HOUSING - WIPER MOTOR
	112823-01-000	EA	SPLICE - REDUCER - 16-14 TO 18-22
	113072-01-000	EA	HOUSING - ELECTRICAL - TURN/TAIL LAMP
	113072-03-000	EA	HOUSING - ELECTRICAL - STOP/MARKER TAILLAMP
	113135-01-000	EA	TERMINAL - FEMALE - M/P - 14-16 - F/SEALED TERMINAL
	113306-01-000	EA	TERMINAL - FEMALE - M/P - 14-16 - F/NON-SEALED TERMINAL
	113306-02-000	EA	TERMINAL - FEMALE - M/P - 10-12 - 480
	113307-01-000	EA	TERMINAL - FEMALE - M/P - 16-20
	113308-01-000	EA	TERMINAL - FEMALE - M/P - 14-16 - 280
	113468-01-000	EA	HOUSING - 2 POSITION-FEMALE-USED ON WIPER/WASHER WIRE ASM
	113638-02-000	EA	CONNECTOR - ACTUATOR
	114667-01-000	FT	HOSE - 2" ID - FLEXIBLE
	115556-01-000	EA	HOUSING - 3 POSITION - FEMALE
	115556-02-000	EA	HOUSING - 2 POSITION - FEMALE/PARALLEL
	115931-02-000	EA	COVER - CONNECTOR - 50 AMP W/LOCKING RING
	115932-02-000	EA	CONNECTOR - FEMALE - 50 AMP/240 VOLT
	116811-01-000	EA	TERMINAL - .110 RECEPTACLE - 16-14 AWG
	118571-01-000	EA	CONNECTOR - 3-WAY - MALE/SEALED
	118571-02-000	EA	CONNECTOR - 3-WAY - FEMALE/SEALED
	118571-05-000	EA	LOCK - SECONDARY - FEMALE
	118571-06-000	EA	LOCK - SECONDARY - MALE
	118597-01-000	EA	TERMINAL - MALE - M/P - 480 - 14-16
	118599-01-000	EA	TERMINAL - MALE - M/P - 280 - 14-16
	118820-01-000	EA	INSULATOR - TERMINAL
	119223-01-000	EA	HOUSING - 6 POSITION - MALE - WEATHERPACK
	119248-02-000	EA	HOUSING - 7 POSITION - FEMALE
	125323-01-000	EA	HOUSING - 10 POSITION - MALE
	125323-02-000	EA	HOUSING - 8 POSITION - MALE
	125323-03-000	EA	LOCK - SECONDARY 8 POSITION
	125323-04-000	EA	LOCK - SECONDARY 10 POSITION
	125323-05-000	EA	HOUSING - 6 POSITION - MALE
	125323-06-000	EA	LOCK - SECONDARY 6 POSITION
	125324-01-000	EA	TERMINAL - MALE - METRI-PACK - 150
	125325-01-000	EA	SEAL - CAVITY
	126403-01-000	EA	CONNECTOR - 2 CIRCUIT
	126403-02-000	EA	CONNECTOR - 3 CIRCUIT
	129233-01-000	EA	HOUSING - 6 POSITION - MALE WEATHERPACK
	129233-02-000	EA	HOUSING - 2-POSITION/FEMALE - 280-SERIES
	129234-01-000	EA	HOUSING - 6-POSITION/FEMALE - 280-SERIES
	129234-02-000	EA	HOUSING - 6-POSITION/FEMALE - 280-SERIES
	129234-03-000	EA	LOCK - SECONDARY - 6-POSITION
	129235-01-000	EA	HOUSING - 2-POSITION/FEMALE - 630-SERIES
	129235-02-000	EA	LOCK - SECONDARY - 2-POSITION
	129236-01-000	EA	TERMINAL - FEMALE - M/P - 630 - 10-12
	131515-01-000	EA	HOUSING - PIN - 2 CAVITY/HIGH AMP

ELECTRICAL GROUP (CONTINUED)
CONNECTORS & CONDUIT (CONTINUED)

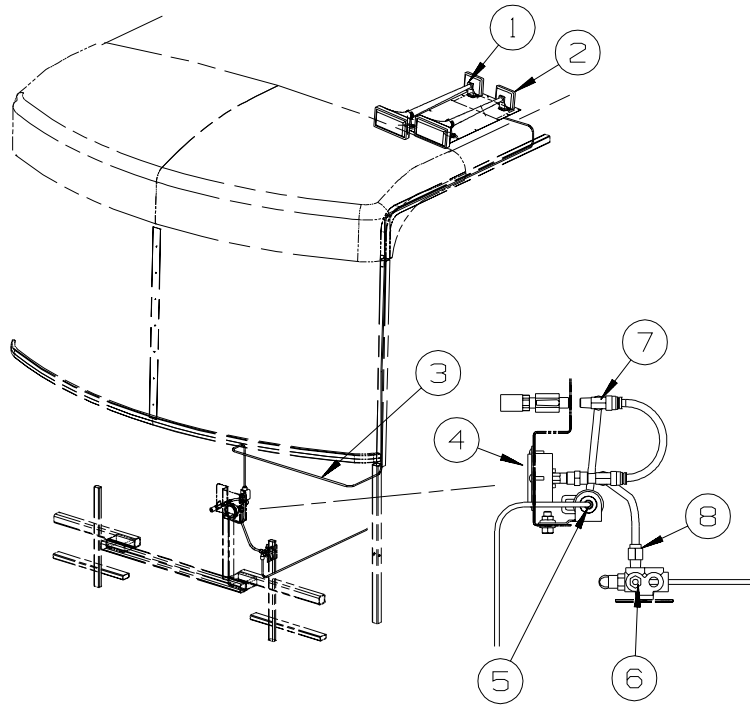
KEY	PART NUMBER	U/M	DESCRIPTION
	131515-02-000	EA	TERMINAL - FEMALE JR. POWER TIMER - F/HALOGEN FOG LIGHT
	131515-03-000	EA	SEAL - CAVITY - JR. POWER TIMER
	131681-01-000	EA	CONNECTOR - 3/4" SO CORD - UL/CS
	137207-01-000	EA	HOUSING - PIN - 2 CAVITY/HIGH AMP
	137208-01-000	EA	HOUSING - SOCKET - 2 CAVITY/HIGH AMP
	137209-01-000	EA	PIN - CONNECTOR - 10AWG/HIGH AMP
	137210-01-000	EA	SOCKET - CONNECTOR - 10 AWG/HIGH AMP
	138419-03-000	EA	SOCKET - LAMP - 3 WIRE
	142520-01-000	EA	TERMINAL - FEMALE - MINI FIT 16
	142522-01-000	EA	HOUSING - 4 PIN/MALE - MINI FIT
	142524-01-000	EA	HOUSING - 4 PIN/WEATHER PACK/FEMALE

BOOTS, SOLENOIDS, RELAYS & MISCELLANEOUS

KEY	PART NUMBER	U/M	DESCRIPTION
	008188-02-000	EA	SOLENOID - VENTED - HEAVY DUTY
	063910-01-000	EA	HOUSING - RELAY
	063912-02-000	EA	RELAY - CANISTER - SPDT
	086233-01-000	EA	STUD - ISOLATED - 3/8" X 7/8" LONG
	086273-01-000	EA	RELAY - BATTERY DISCONNECT
	138914-01-02B	EA	STRAP - BATTERY TIE DOWN - E-COATED

FROM: 00-00-00 THRU: 03-19-02

EXTERIOR BODY GROUP AIR HORN



KEY	PART NUMBER	U/M	DESCRIPTION
1*	077497-06-000	EA	HORN - AIR - CHROME - TWIN
2	125123-01-12B	EA	PLATE/MOUNT - AIR HORN - 25" X 13" - BRIGHT WHITE
3	071390-04-000	FT	TUBING - AIR BRAKE - 1/4" OD-BLK WEATHERHEAD(BRKS & HORN)
4	142609-01-000	EA	GAUGE - AIR - 2.5" MOUNTING FLANGE - 1/4" MPT
5	077497-11-000	EA	SOLENOID - HORN - REMOTE MOUNT
6	086241-01-000	EA	VALVE - AIR - 1/4 MPT X TIRE STEM
7	142570-01-000	EA	TEE - 3/8" T X 1/4" P
8	142571-01-000	EA	CONNECTOR - 3/8" T X 1/4" P

***COMPONENT PARTS LISTED LATER IN THIS GROUP**

EXTERIOR BODY GROUP (CONTINUED)
COMPONENT PARTS FOR AIR HORN

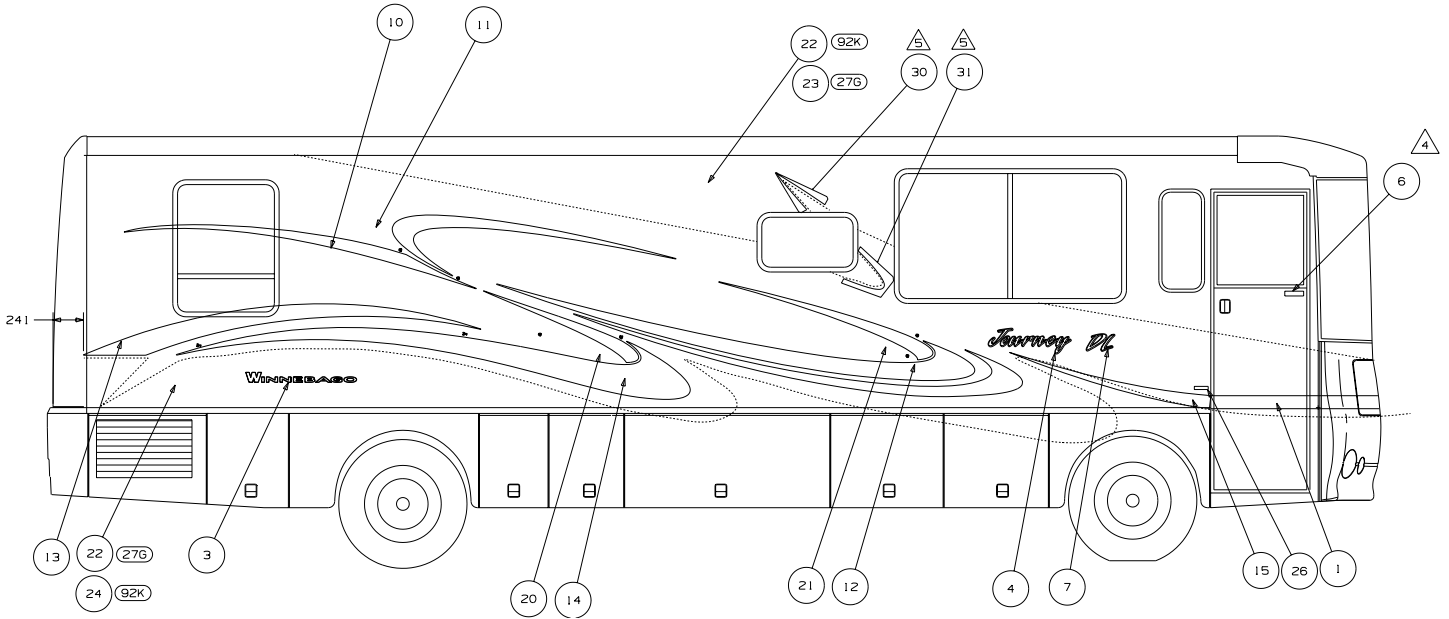
077497-06-000

KEY	PART NUMBER	U/M	DESCRIPTION	VENDOR NO.
	077497-01-701	EA	SWITCH - COMPRESSOR	13940-S
	077497-01-702	EA	SWITCH - TOGGLE - W/WIRE	12949-S

EXTERIOR BODY GROUP (CONTINUED)

GRAPHICS & PAINT

W/GRAPHICS PACKAGE

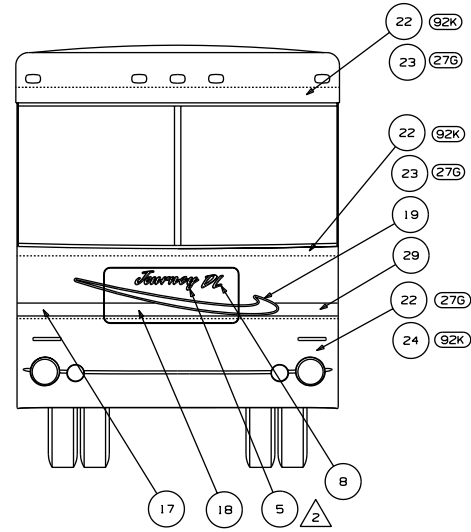
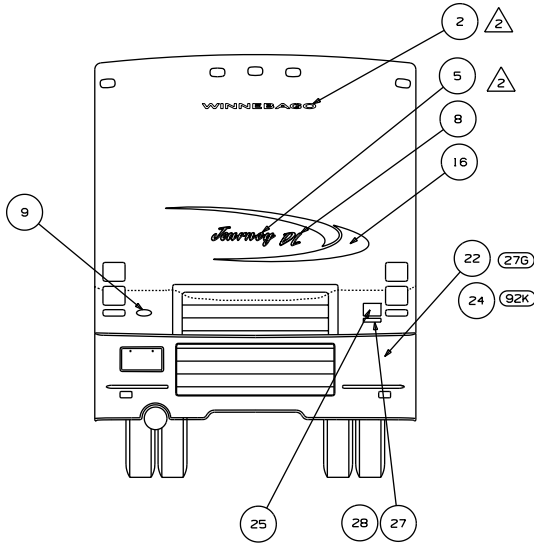


KEY	PART NUMBER	U/M	DESCRIPTION
1	093681-68-CHT (03A)	FT	FILM-101.6MM - DEEP STAR BLUE
2	120702-03-CHT (38A)	EA	DECAL - WINNEBAGO - SAND
3	120702-04-CHT (01A)	EA	DECAL - WINNEBAGO - BRT. WHITE/BLACK
4	131947-04-CHT (01A)	EA	DECAL - JOURNEY LG - BRT. WHITE/BLACK/GRAY
5	131947-05-CHT (01A)	EA	DECAL - JOURNEY,SML - BRT. WHITE/BLACK/GRAY
6	132664-01-CHT (01A)	EA	DECAL - WINNEBAGO,DOMED - GOLD CHROME/BLACK
7	135782-05-CHT (01A)	EA	DECAL -DL LG - BRT. WHITE/BLACK/GRAY
8	135782-06-CHT (01A)	EA	DECAL -DL,SML - BRT. WHITE/BLACK
9	137618-01-CHT (01A)	EA	DECAL -BEZEL,DOMED,GRILLE,LOGO - BLACK/GOLD
10	142081-01-CHT (01A)	EA	DECAL -SLASH,UPPER,RH - DEEP STAR BLUE
10	142081-02-CHT (01A)	EA	DECAL -SLASH,UPPER,LH - DEEP STAR BLUE
11	142082-01-CHT (01A)	EA	DECAL -SLASH,UPPER,FRT,RH - DEEP STAR BLUE
11	142082-02-CHT (01A)	EA	DECAL -SLASH,UPPER,FRT,LH - DEEP STAR BLUE
12	142083-01-CHT (01A)	EA	DECAL -SWEEP,FRT,LWR,RH - DEEP STAR BLUE/SAND/BAYBERRY
12	142083-02-CHT (01A)	EA	DECAL -SWEEP,FRT,LWR,LH - DEEP STAR BLUE/SAND/BAYBERRY
13	142085-01-CHT (01A)	EA	DECAL -SWEEP,RR,RH - BAYBERRY/SAND
13	142085-02-CHT (01A)	EA	DECAL -SWEEP,RR,LH - BAYBERRY/SAND
14	142086-01-CHT (01A)	EA	DECAL -SWEEP,MID,RH - BAYBERRY/SAND
14	142086-02-CHT (01A)	EA	DECAL -SWEEP,MID,LH - BAYBERRY/SAND
15	142087-01-CHT (01A)	EA	DECAL -SWEEP,STRIPE,RH - DEEP STAR BLUE
15	142087-02-CHT (01A)	EA	DECAL -SWEEP,STRIPE,LH - DEEP STAR BLUE
16	142088-01-CHT (01A)	EA	DECAL -SWEEP,BACKWALL - DEEP STAR BLUE/BAYBERRY/SAND
17	142089-01-CHT (01A)	EA	DECAL -CORNER,RH - DEEP STAR BLUE
18	142090-01-CHT (01A)	EA	DECAL -HOOD STRIPE - DEEP STAR BLUE
19	142091-01-CHT (01A)	EA	DECAL -SWEEP,HOOD - BRT. WHITE/BAYBERRY/SAND
20	142094-01-CHT (01A)	EA	DECAL -POINT,MID,RH - DEEP STAR BLUE/SAND/BAYBERRY
20	142094-02-CHT (01A)	EA	DECAL -POINT,MID,LH - DEEP STAR BLUE/SAND/BAYBERRY
21	142095-01-CHT (01A)	EA	DECAL -POINT,FRT,RH - DEEP STAR BLUE/SAND/BAYBERRY
21	142095-02-CHT (01A)	EA	DECAL -POINT,FRT,LH - DEEP STAR BLUE/SAND/BAYBERRY
22	141599-04-000	GL	PAINT - SAND MET - DUPONT 373-P7415
23	141599-06-000	GL	PAINT - MED.TITANIUM MET - DUPONT 373-P6236
24	141599-51-000	GL	PAINT - WINEBERRY MET - DUPONT 373-P7449
25	EA	PLATE-FREIGHTLINER,LG - CHASSIS SUPPLIED
26	EA	PLATE-FREIGHTLINER,SML - CHASSIS SUPPLIED
27	135089-02-CHT (01A)	EA	DECAL -DOMED,HORSEPOWER,330
28	135089-03-CHT (01A)	EA	DECAL -DOMED,HORSEPOWER,300
29	142089-02-CHT (01A)	EA	DECAL -CORNER,LH - DEEP STAR BLUE
30	143507-01-CHT (01A)	EA	DECAL -PAINT MASK, #1,RH
30	143507-02-CHT (01A)	EA	DECAL -PAINT MASK, #1,LH
31	143508-01-CHT (01A)	EA	DECAL -PAINT MASK, #2,RH
31	143508-02-CHT (01A)	EA	DECAL -PAINT MASK, #2,LH

EXTERIOR BODY GROUP (CONTINUED)

GRAPHICS & PAINT (CONTINUED)

W/GRAPHICS PACKAGE



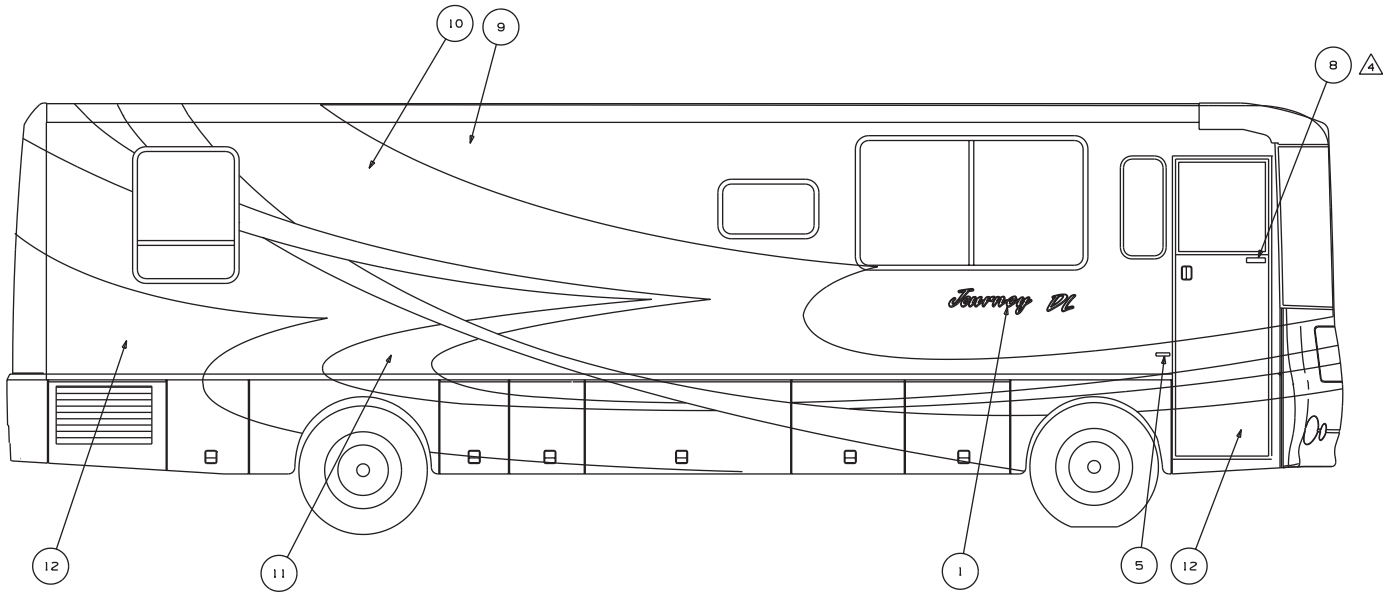
- (24E) (92K) (276)
- (24E) (276)
- (92K)
- (1FS) (1FR)
- (1FH) (1FO)
- (triangle)

KEY	PART NUMBER	U/M	DESCRIPTION
1	093681-68-CHT(03A)	FT	FILM-101.6MM - DEEP STAR BLUE
2	120702-03-CHT(38A)	EA	DECAL-WINNEBAGO - SAND
3	120702-04-CHT(01A)	EA	DECAL-WINNEBAGO - BRT.WHITE/BLACK
4	131947-04-CHT(01A)	EA	DECAL-JOURNEY LG - BRT. WHITE/BLACK/GRAY
5	131947-05-CHT(01A)	EA	DECAL-JOURNEY,SML - BRT.WHITE/BLACK/GRAY
6	132664-01-CHT(01A)	EA	DECAL-WINNEBAGO,DOMED - GOLD CHROME/BLACK
7	135782-05-CHT(01A)	EA	DECAL-DL LG - BRT.WHITE/BLACK/GRAY
8	135782-06-CHT(01A)	EA	DECAL-DL,SML - BRT.WHITE/BLACK
9	137618-01-CHT(01A)	EA	DECAL-BEZEL,DOMED,GRILLE,LOGO - BLACK/GOLD
10	142081-01-CHT(01A)	EA	DECAL-SLASH,UPPER,RH - DEEP STAR BLUE
10	142081-02-CHT(01A)	EA	DECAL-SLASH,UPPER,LH - DEEP STAR BLUE
11	142082-01-CHT(01A)	EA	DECAL-SLASH,UPPER,FRT,RH - DEEP STAR BLUE
11	142082-02-CHT(01A)	EA	DECAL-SLASH,UPPER,FRT,LH - DEEP STAR BLUE
12	142083-01-CHT(01A)	EA	DECAL-SWEEP,FRT,LWR,RH - DEEP STAR BLUE/SAND/BAYBERRY
12	142083-02-CHT(01A)	EA	DECAL-SWEEP,FRT,LWR,LH - DEEP STAR BLUE/SAND/BAYBERRY
13	142085-01-CHT(01A)	EA	DECAL-SWEEP,RR,RH - BAYBERRY/SAND
13	142085-02-CHT(01A)	EA	DECAL-SWEEP,RR,LH - BAYBERRY/SAND
14	142086-01-CHT(01A)	EA	DECAL-SWEEP,MID,RH - BAYBERRY/SAND
14	142086-02-CHT(01A)	EA	DECAL-SWEEP,MID,LH - BAYBERRY/SAND
15	142087-01-CHT(01A)	EA	DECAL-SWEEP,STRIPE,RH - DEEP STAR BLUE
15	142087-02-CHT(01A)	EA	DECAL-SWEEP,STRIPE,LH - DEEP STAR BLUE
16	142088-01-CHT(01A)	EA	DECAL-SWEEP,BACKWALL - DEEP STAR BLUE/BAYBERRY/SAND
17	142089-01-CHT(01A)	EA	DECAL-CORNER,RH - DEEP STAR BLUE
18	142090-01-CHT(01A)	EA	DECAL-HOOD STRIPE - DEEP STAR BLUE
19	142091-01-CHT(01A)	EA	DECAL-SWEEP,HOOD - BRT.WHITE/BAYBERRY/SAND
20	142094-01-CHT(01A)	EA	DECAL-POINT,MID,RH - DEEP STAR BLUE/SAND/BAYBERRY
20	142094-02-CHT(01A)	EA	DECAL-POINT,MID,LH - DEEP STAR BLUE/SAND/BAYBERRY
21	142095-01-CHT(01A)	EA	DECAL-POINT,FRT,RH - DEEP STAR BLUE/SAND/BAYBERRY
21	142095-02-CHT(01A)	EA	DECAL-POINT,FRT,LH - DEEP STAR BLUE/SAND/BAYBERRY
22	141599-04-000	GL	PAINT - SAND MET - DUPONT 373-P7415
23	141599-06-000	GL	PAINT - MED.TITANIUM MET - DUPONT 373-P6236
24	141599-51-000	GL	PAINT - WINEBERRY MET - DUPONT 373-P7449
25	-----	EA	PLATE-FREIGHTLINER,LG - CHASSIS SUPPLIED
26	-----	EA	PLATE-FREIGHTLINER,SML - CHASSIS SUPPLIED
27	135089-02-CHT(01A)	EA	DECAL-DOMED,HORSEPOWER,330
28	135089-03-CHT(01A)	EA	DECAL-DOMED,HORSEPOWER,300
29	142089-02-CHT(01A)	EA	DECAL-CORNER,LH - DEEP STAR BLUE
30	143507-01-CHT(01A)	EA	DECAL-PAINT MASK, #1,RH
30	143507-02-CHT(01A)	EA	DECAL-PAINT MASK, #1,LH
31	143508-01-CHT(01A)	EA	DECAL-PAINT MASK, #2,RH
31	143508-02-CHT(01A)	EA	DECAL-PAINT MASK, #2,LH

EXTERIOR BODY GROUP (CONTINUED)

GRAPHICS & PAINT (CONTINUED)

W/FULL BODY PAINT PACKAGE



(27A) KEY	PART NUMBER	U/M	DESCRIPTION MOCHA EXTERIOR
1	145330-01-CHT(01A)	EA	DECAL - JOURNEY DL, LARGE - CHROME/BLACK/UMBRA
2	145330-02-CHT(01A)	EA	DECAL - JOURNEY DL, SMALL - CHROME/BLACK/UMBRA
3	137618-01-CHT(01A)	EA	DECAL - BEZEL, DOMED, GRILLE, LOGO - BLACK/GOLD
4	EA	PLATE - FREIGHTLINER, LG - CHASSIS SUPPLIED
5	EA	PLATE - FREIGHTLINER, SML - CHASSIS SUPPLIED
6	135089-02-CHT(01A)	EA	DECAL - DOMED, HORSEPOWER, 300
7	135089-03-CHT(01A)	EA	DECAL - DOMED, HORSEPOWER, 300
8	132664-01-CHT(01A)	EA	DECAL - WINNEBAGO, DOMED - GOLD CHROME/BLACK
9	GL	PAINT - YM 293
10	GL	PAINT - LM 423
11	GL	PAINT - DM 077
12	GL	PAINT - MM 329
13	LT	PAINT - CLEAR COAT

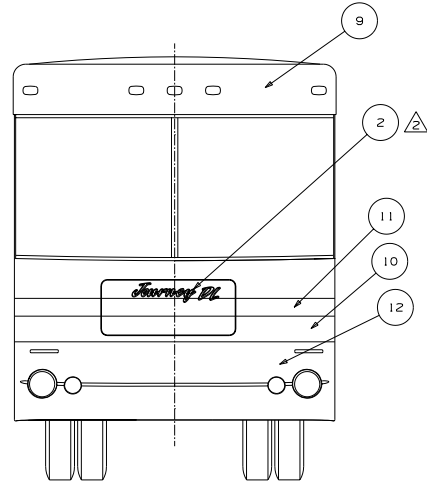
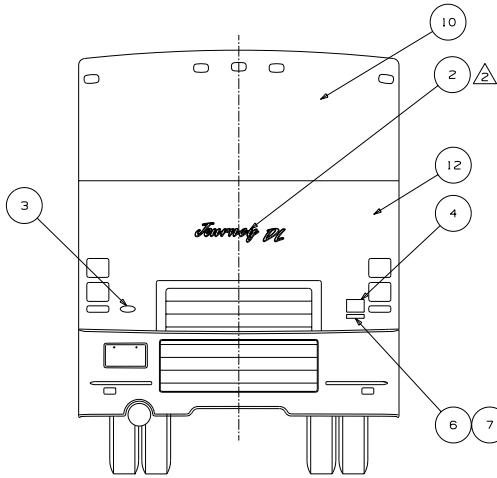
(92A) KEY	PART NUMBER	U/M	DESCRIPTION AUBURN EXTERIOR
1	145330-01-CHT(01A)	EA	DECAL - JOURNEY DL, LARGE - CHROME/BLACK/UMBRA
2	145330-02-CHT(01A)	EA	DECAL - JOURNEY DL, SMALL - CHROME/BLACK/UMBRA
3	137618-01-CHT(01A)	EA	DECAL - BEZEL, DOMED, GRILLE, LOGO - BLACK/GOLD
4	EA	PLATE - FREIGHTLINER, LG - CHASSIS SUPPLIED
5	EA	PLATE - FREIGHTLINER, SML - CHASSIS SUPPLIED
6	135089-02-CHT(01A)	EA	DECAL - DOMED, HORSEPOWER, 300
7	135089-03-CHT(01A)	EA	DECAL - DOMED, HORSEPOWER, 300
8	132664-01-CHT(01A)	EA	DECAL - WINNEBAGO, DOMED - GOLD CHROME/BLACK
9	GL	PAINT - MM 073
10	GL	PAINT - LM 423
11	GL	PAINT - RM 485
12	GL	PAINT - MM 092
13	LT	PAINT - CLEAR COAT

(24C) KEY	PART NUMBER	U/M	DESCRIPTION BLUE LAKE EXTERIOR
1	145330-01-CHT(01A)	EA	DECAL - JOURNEY DL, LARGE - CHROME/BLACK/UMBRA
2	145330-02-CHT(01A)	EA	DECAL - JOURNEY DL, SMALL - CHROME/BLACK/UMBRA
3	137618-01-CHT(01A)	EA	DECAL - BEZEL, DOMED, GRILLE, LOGO - BLACK/GOLD
4	EA	PLATE - FREIGHTLINER, LG - CHASSIS SUPPLIED
5	EA	PLATE - FREIGHTLINER, SML - CHASSIS SUPPLIED
6	135089-02-CHT(01A)	EA	DECAL - DOMED, HORSEPOWER, 300
7	135089-03-CHT(01A)	EA	DECAL - DOMED, HORSEPOWER, 300
8	132664-01-CHT(01A)	EA	DECAL - WINNEBAGO, DOMED - GOLD CHROME/BLACK
9	GL	PAINT - MM 411
10	GL	PAINT - BM 244
11	GL	PAINT - MM 251
12	GL	PAINT - MM 212
13	LT	PAINT - CLEAR COAT

EXTERIOR BODY GROUP (CONTINUED)

GRAPHICS & PAINT (CONTINUED)

W/FULL BODY PAINT PACKAGE



(27A) KEY	PART NUMBER	U/M	DESCRIPTION MOCHA EXTERIOR
1	145330-01-CHT(01A)	EA	DECAL - JOURNEY DL, LARGE - CHROME/BLACK/UMBRA
2	145330-02-CHT(01A)	EA	DECAL - JOURNEY DL, SMALL - CHROME/BLACK/UMBRA
3	137618-01-CHT(01A)	EA	DECAL - BEZEL, DOMED, GRILLE, LOGO - BLACK/GOLD
4	EA	PLATE - FREIGHTLINER, LG - CHASSIS SUPPLIED
5	EA	PLATE - FREIGHTLINER, SML - CHASSIS SUPPLIED
6	135089-02-CHT(01A)	EA	DECAL - DOMED, HORSEPOWER, 330
7	135089-03-CHT(01A)	EA	DECAL - DOMED, HORSEPOWER, 300
8	132664-01-CHT(01A)	EA	DECAL - WINNEBAGO, DOMED - GOLD CHROME/BLACK
9	GL	PAINT - YM 293
10	GL	PAINT - LM 423
11	GL	PAINT - DM 077
12	GL	PAINT - MM 329
13	LT	PAINT - CLEAR COAT

(92A) KEY	PART NUMBER	U/M	DESCRIPTION AUBURN EXTERIOR
1	145330-01-CHT(01A)	EA	DECAL - JOURNEY DL, LARGE - CHROME/BLACK/UMBRA
2	145330-02-CHT(01A)	EA	DECAL - JOURNEY DL, SMALL - CHROME/BLACK/UMBRA
3	137618-01-CHT(01A)	EA	DECAL - BEZEL, DOMED, GRILLE, LOGO - BLACK/GOLD
4	EA	PLATE - FREIGHTLINER, LG - CHASSIS SUPPLIED
5	EA	PLATE - FREIGHTLINER, SML - CHASSIS SUPPLIED
6	135089-02-CHT(01A)	EA	DECAL - DOMED, HORSEPOWER, 330
7	135089-03-CHT(01A)	EA	DECAL - DOMED, HORSEPOWER, 300
8	132664-01-CHT(01A)	EA	DECAL - WINNEBAGO, DOMED - GOLD CHROME/BLACK
9	GL	PAINT - MM 073
10	GL	PAINT - LM 423
11	GL	PAINT - FM 495
12	GL	PAINT - MM 092
13	LT	PAINT - CLEAR COAT

(24C) KEY	PART NUMBER	U/M	DESCRIPTION BLUE LAKE EXTERIOR
1	145330-01-CHT(01A)	EA	DECAL - JOURNEY DL, LARGE - CHROME/BLACK/UMBRA
2	145330-02-CHT(01A)	EA	DECAL - JOURNEY DL, SMALL - CHROME/BLACK/UMBRA
3	137618-01-CHT(01A)	EA	DECAL - BEZEL, DOMED, GRILLE, LOGO - BLACK/GOLD
4	EA	PLATE - FREIGHTLINER, LG - CHASSIS SUPPLIED
5	EA	PLATE - FREIGHTLINER, SML - CHASSIS SUPPLIED
6	135089-02-CHT(01A)	EA	DECAL - DOMED, HORSEPOWER, 330
7	135089-03-CHT(01A)	EA	DECAL - DOMED, HORSEPOWER, 300
8	132664-01-CHT(01A)	EA	DECAL - WINNEBAGO, DOMED - GOLD CHROME/BLACK
9	GL	PAINT - MM 411
10	GL	PAINT - BM 244
11	GL	PAINT - MM 251
12	GL	PAINT - MM 212
13	LT	PAINT - CLEAR COAT

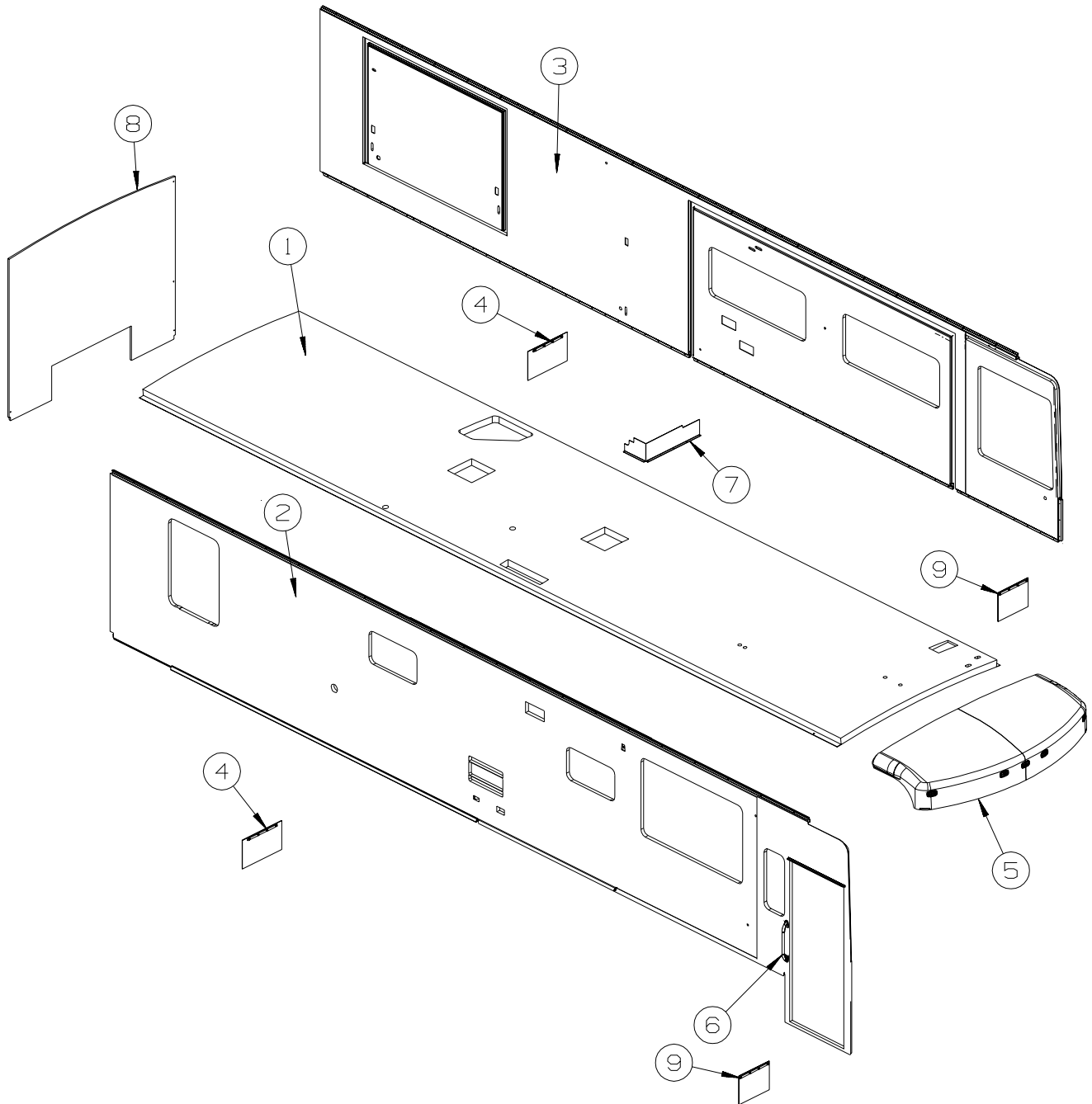
KEY	PART NUMBER	U/M	DESCRIPTION
	093681-39-01A	FT	FILM - 3.1" - MATTE BLACK

DUPONT COLOR CODES

SAND MET.	#W9846F
MED. TITANIUM MET. (UPPER)	#C9248
WINEBERRY MET. (VALANCE)	#F0640F
SAND MET. (VALANCE & UPPER)	#P7415

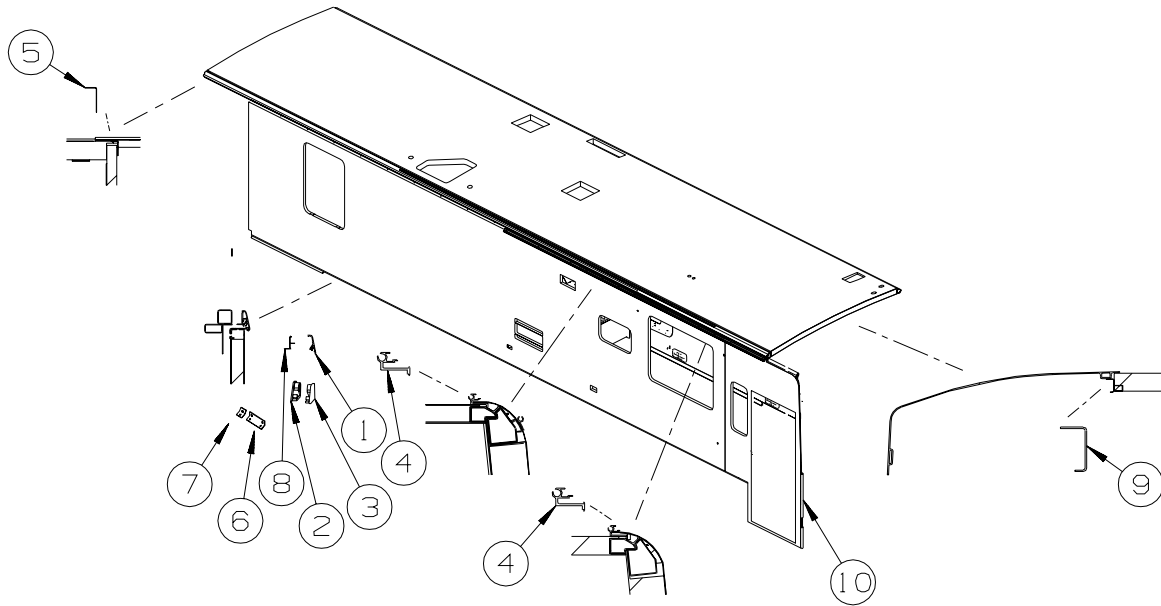
EXTERIOR BODY GROUP (CONTINUED)

PANELS & TRIMS



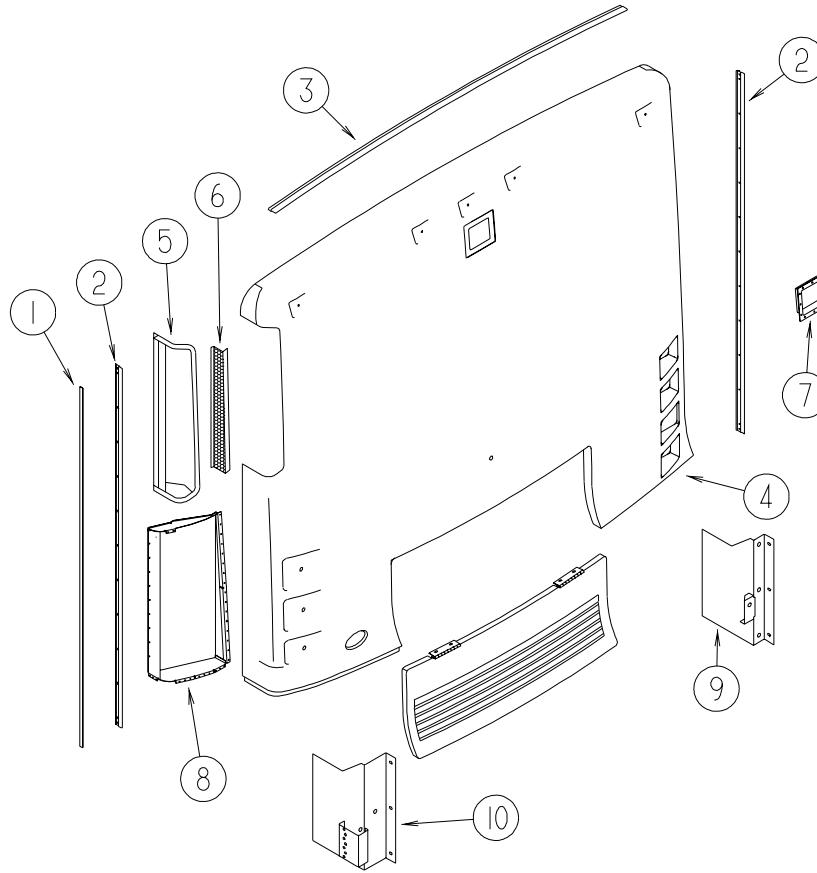
KEY	PART NUMBER	U/M	DESCRIPTION
1	142338-01-P78	EA	ROOF - W/O LIGHTS/VENTS - W/WIRING
2	143153-01-P78	EA	SIDEWALL - PASSENGER - W/O WINDOWS/TRIMS (P78, P79, P80, P81, P94, P95)
2	143153-01-P82	EA	SIDEWALL - PASSENGER - W/O WINDOWS/TRIMS (P82, P83)
3	142744-01-P78	EA	SIDEWALL - DRIVER - W/O WINDOWS/TRIMS (P78, P79, P80, P81, P94, P95)
3	142744-01-P82	EA	SIDEWALL - DRIVER - W/O WINDOWS/TRIMS (P82, P83)
4	017516-07-000	EA	MUD FLAP - 14"H X 23.5"W - BLACK RUBBER
	140922-01-02B	EA	PLATE - MUD FLAP - E-COATED
5	131635-02-L76	EA	CAP - ROOF - W/O LIGHTS/WIRING
6	132442-02-01A	EA	HANDLE - ASSIST - CLEAR W/CHROME ENDS
7	134811-01-02B	EA	PANEL - COVER - WATER SYSTEM - E-COATED
8	140342-01-N74	EA	BACKWALL - W/O WINDOW/TRIMS (P78, P79, P80, P81, P94, P95)
8	140342-01-P82	EA	BACKWALL - W/O WINDOW/TRIMS (P82, P83)
9	017516-01-000	EA	MUD FLAP - 14"H X 18"W - W/O MOUNTING HOLES - BLACK
	140922-01-02B	EA	PLATE - MUD FLAP - E-COATED
	105290-01-000	EA	INSULATION - AIR POCKET W/FOIL

EXTERIOR BODY GROUP (CONTINUED)
PANELS & TRIMS (CONTINUED)



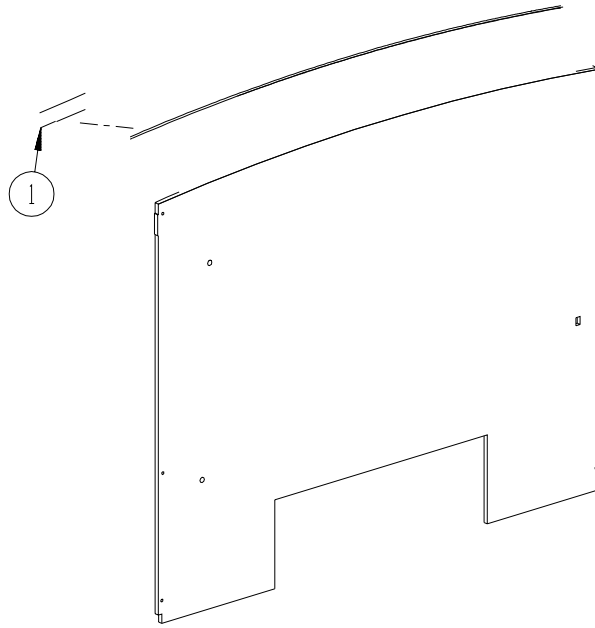
KEY	PART NUMBER	U/M	DESCRIPTION
1	123993-01-03A	EA	TRIM - COVER - 182" ALUMINUM - BRIGHT WHITE FROM: 00-00-00 THRU: 07-28-02
1	123993-01-02A	EA	TRIM - COVER - 182" ALUMINUM - BLACK FROM: 07-29-02 THRU: 99-99-99
2	126775-01-01A	EA	END CAP - VALANCE TRIM - RIGHT HAND FROM: 00-00-00 THRU: 01-01-03
2	126775-01-02A	EA	END CAP - VALANCE TRIM - RIGHT HAND - BLACK FROM: 01-02-03 THRU: 99-99-99
3	126775-02-01A	EA	END CAP - VALANCE TRIM - LEFT HAND FROM: 00-00-00 THRU: 01-01-03
3	126775-02-02A	EA	END CAP - VALANCE TRIM - LEFT HAND - BLACK FROM: 01-02-03 THRU: 99-99-99
4	131483-01-01A	EA	RAIL - AWNING - 192" - BRIGHT WHITE
5	132273-01-02B	EA	BRACKET - REAR TRIM - E-COATED
6	132597-01-02B	EA	ANGLE/SUPPORT/TRIM - 2" - E-COATED FROM: 00-00-00 THRU: 12-31-02
6	143143-02-01A	EA	ANGLE - SUPPORT/TRIM FROM: 01-01-03 THRU: 99-99-99
7	132597-02-02B	EA	ANGLE/SUPPORT/TRIM - .6" - E-COATED FROM: 00-00-00 THRU: 12-31-02
7	143143-01-01A	EA	ANGLE - SUPPORT/TRIM FROM: 01-01-03 THRU: 99-99-99
8	133376-01-01A	EA	TRIM - RETAINER - 144" - MILL
9	134774-01-02B	EA	BRACKET - CAB ATTACHMENT - E-COATED
10	093673-01-06A	FT	TRIM/MOLDING - 1.4" X 8' LONG - BRIGHT WHITE

EXTERIOR BODY GROUP (CONTINUED)
PANELS & TRIMS (CONTINUED)



KEY	PART NUMBER	U/M	DESCRIPTION
1	091985-01-07A	FT	INSERT - TRIM - BRIGHT WHITE - 1"
2	092041-05-01A	EA	TRIM - REAR - CAP TO SIDEWALL - BRIGHT WHITE
3	083805-23-000	EA	TRIM - ROOF CAP - 92.1" - BRIGHT WHITE
4	131897-04-M76	EA	PANEL - REAR CAP
5	131896-01-01A	EA	PANEL/AIR SCOOP - BRIGHT WHITE
6	129683-01-02A	EA	PANEL - AIR INTAKE - BLACK
7	P23280-01-01A	EA	SHROUD - CAMERA - INNER
8	132239-01-02B	EA	PANEL/AIR INTAKE - E-COATED
9	134572-01-02B	EA	SHIELD/SIDE - ENGINE - RIGHT HAND - E-COATED
10	132636-02-02B	EA	SHIELD/SIDE - ENGINE - LEFT HAND - E-COATED

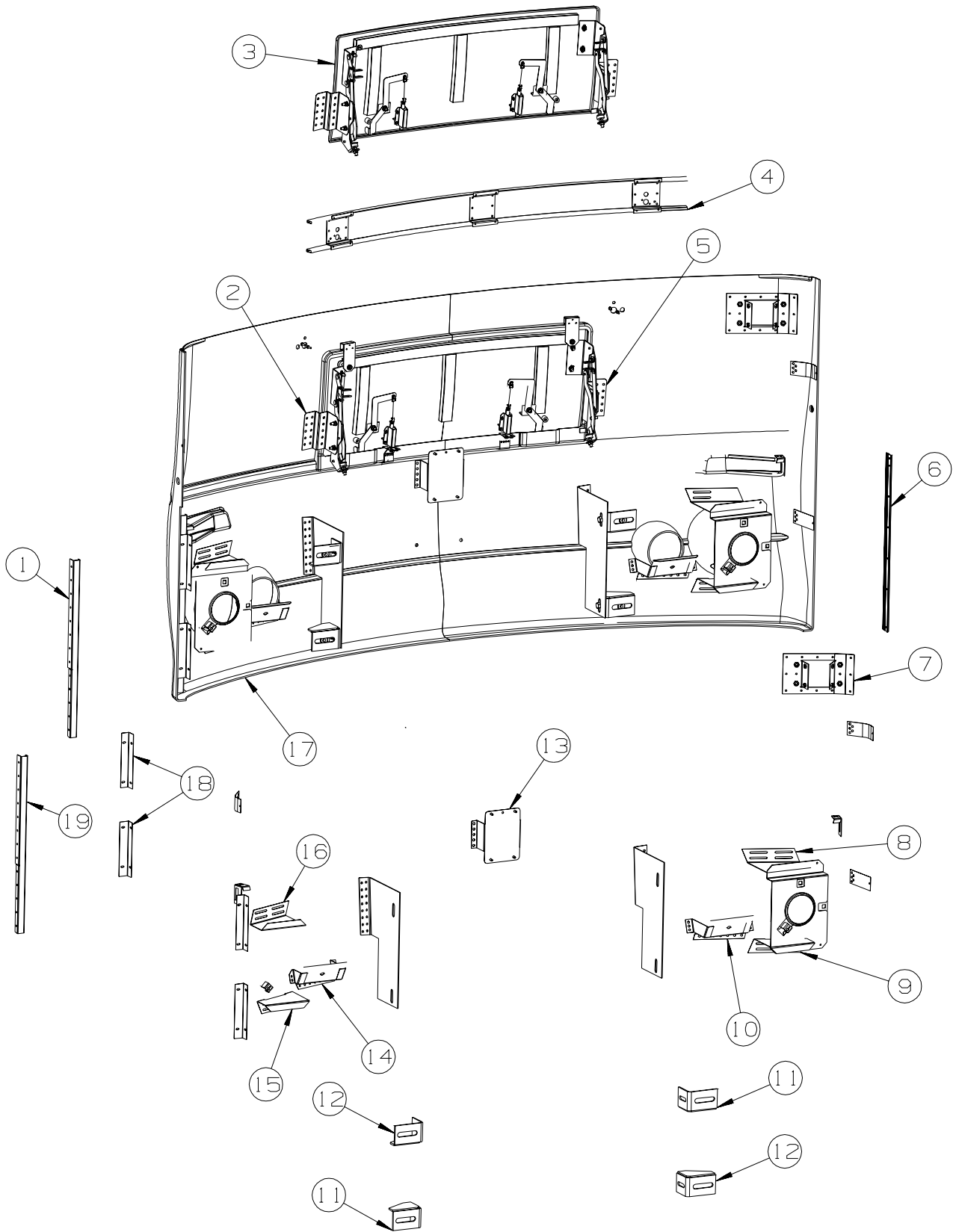
EXTERIOR BODY GROUP (CONTINUED)
PANELS & TRIMS (CONTINUED)



KEY	PART NUMBER	U/M DESCRIPTION
1	114248-02-01A	EA ANGLE - PLASTIC - 96.6"

EXTERIOR BODY GROUP (CONTINUED)

FRONT END

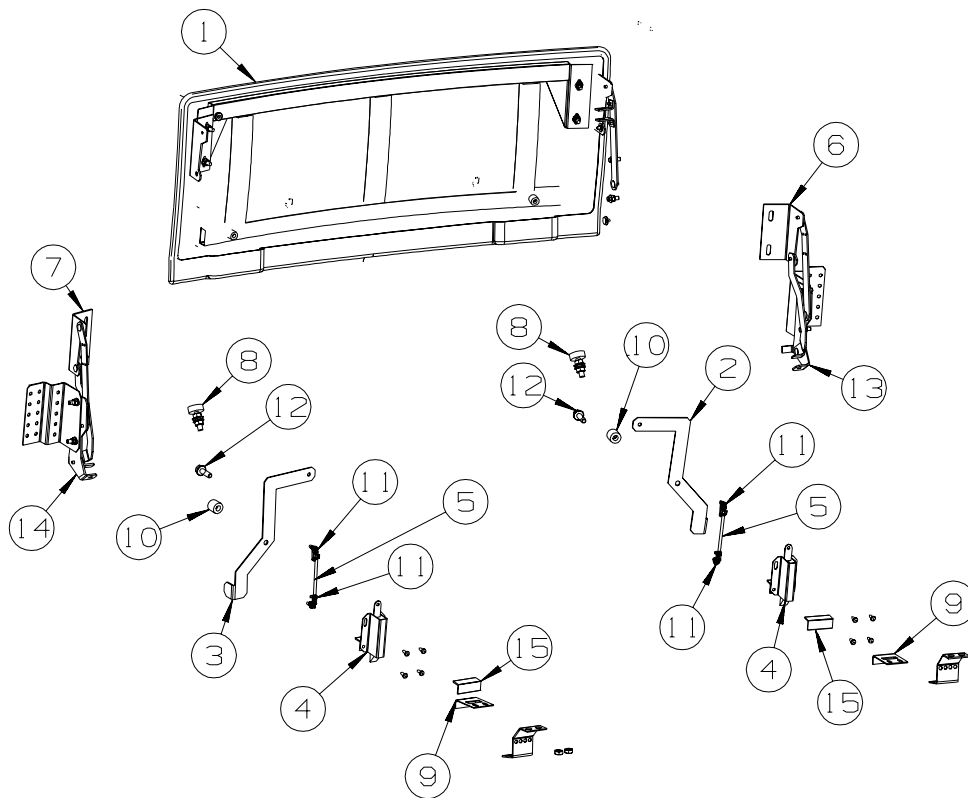


KEY	PART NUMBER	U/M	DESCRIPTION
1	092041-06-01A	EA	TRIM - REAR - CAP TO SIDEWALL - BRIGHT WHITE
1	091985-01-07A	FT	INSERT - TRIM - .65" WIDE - BRIGHT WHITE
2	137703-02-02B	EA	SUPPORT - HINGE - LEFT HAND - E-COATED
3	137771-01-M76	EA	HOOD - FRONT
4	130270-02-L76	EA	SUPPORT - WIPER
5	137703-01-02B	EA	SUPPORT - HINGE - RIGHT HAND - E-COATED

EXTERIOR BODY GROUP (CONTINUED)

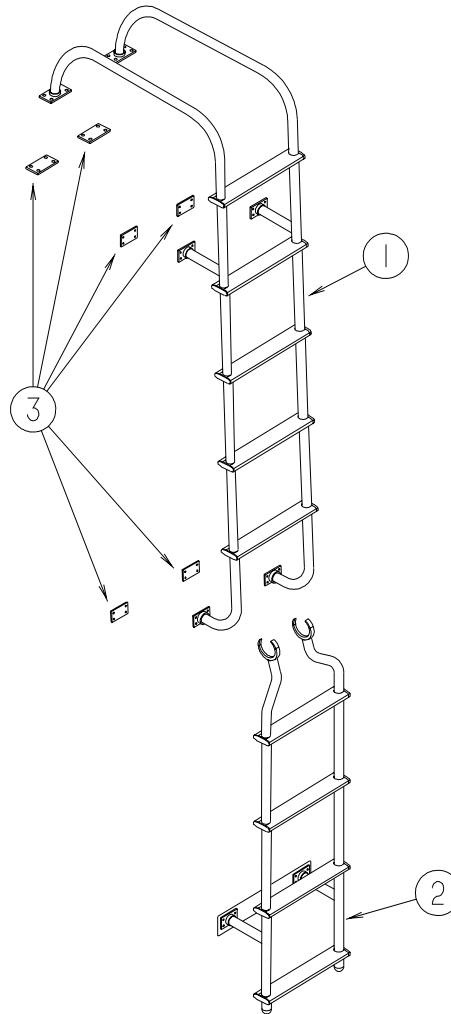
FRONT END (CONTINUED)

KEY	PART NUMBER	U/M	DESCRIPTION
6	092041-07-01A	EA	TRIM - REAR - CAP TO SIDEWALL - BRIGHT WHITE
6	091985-01-07A	FT	INSERT - TRIM - .65" WIDE - BRIGHT WHITE
7	120850-04-02B	EA	PLATE - SUPPORT/MIRROR - E-COATED
8	137700-01-02B	EA	BRACKET - HEADLAMP - UPPER/RIGHT HAND - E-COATED
9	137701-01-02B	EA	BRACKET - HEADLAMP - LOWER/RIGHT HAND - E-COATED
10	134058-01-02B	EA	BRACKET - FOG LAMP - RIGHT HAND - E-COATED
11	128455-03-02B	EA	BRACKET - BUMPER - RIGHT HAND UPPER/LEFT HAND LOWER
12	128455-04-02B	EA	BRACKET - BUMPER - LEFT HAND UPPER/RIGHT HAND LOWER
13	136446-02-02B	EA	BRACKET - WASHER TANK - E-COATED
14	134058-02-02B	EA	BRACKET - FOG LAMP - LEFT HAND - E-COATED
15	137701-02-02B	EA	BRACKET - HEADLAMP - LOWER/LEFT HAND - E-COATED
16	137700-02-02B	EA	BRACKET - HEADLAMP - UPPER/LEFT HAND - E-COATED
17	137774-02-M76	EA	PANEL - FRONT/LOWER
18	113041-10-02B	EA	ANGLE-MOUNT,E-COAT
19	132071-02-02B	EA	BRACKET - BUMPER - REAR - E-COATED



KEY	PART NUMBER	U/M	DESCRIPTION
1	137771-01-M76	EA	HOOD - FRONT
2	131545-01-02B	EA	LATCH-HANDLE,HOOD,RH,E-CT
3	131545-02-02B	EA	LATCH-HANDLE,HOOD,LH,E-CT
4	113908-01-000	EA	LATCH/PLUNGER - F/HOOD
5	131606-01-01A	EA	ROD - HOOD LATCH
6	137761-01-01A	EA	PLATE - HOOD - MOUNTING - RIGHT HAND
7	137761-02-01A	EA	PLATE - HOOD - MOUNTING - LEFT HAND
8	058786-01-000	EA	BOLT - HOOD ADJUSTMENT - 5/16"-18 X 1.5"-2"- W/BLACK PAD
9	134190-01-02B	EA	BRACKET - STRIKER/HOOD - E-COATED
10	120863-07-000	EA	BUMPER - RUBBER - .7" DIA X .7" THICK
11	102265-01-000	EA	CLIP - ROD END - 5/32" - BLACK PLASTIC
12	106730-10-000	EA	PLATE - STUD - F/HOOD
13	137072-03-01A	EA	HINGE - HOOD - RIGHT HAND - BLACK
14	137072-04-01A	EA	HINGE - HOOD - LEFT HAND - BLACK
15	134189-02-02B	EA	BRACKET - MOUNT/STRIKER - E-COATED

EXTERIOR BODY GROUP (CONTINUED)
LADDER



KEY	PART NUMBER	U/M	DESCRIPTION
1	132804-01-01A	EA	LADDER - UPPER - ANODIZED ALUMINUM
2	130163-04-01A	EA	LADDER ASSEMBLY - LOWER - ALUMINUM ANODIZED
3	129375-02-000	EA	SEAL - LADDER BRACKET

MIRRORS

KEY	PART NUMBER	U/M	DESCRIPTION
*	106015-19-01A	EA	MIRROR - EXTERIOR/REMOTE/HEAT - DRIVER
*	131431-06-01A	EA	MIRROR - EXTERIOR REMOTE/HEAT - PASSENGER
	108825-03-000	EA	GASKET - MIRROR
	133379-01-01A	EA	SCREW - MACHINE - 5/16-18 X 2.00 - TORX
	120850-04-02B	EA	PLATE - SUPPORT/MIRROR - E-COATED

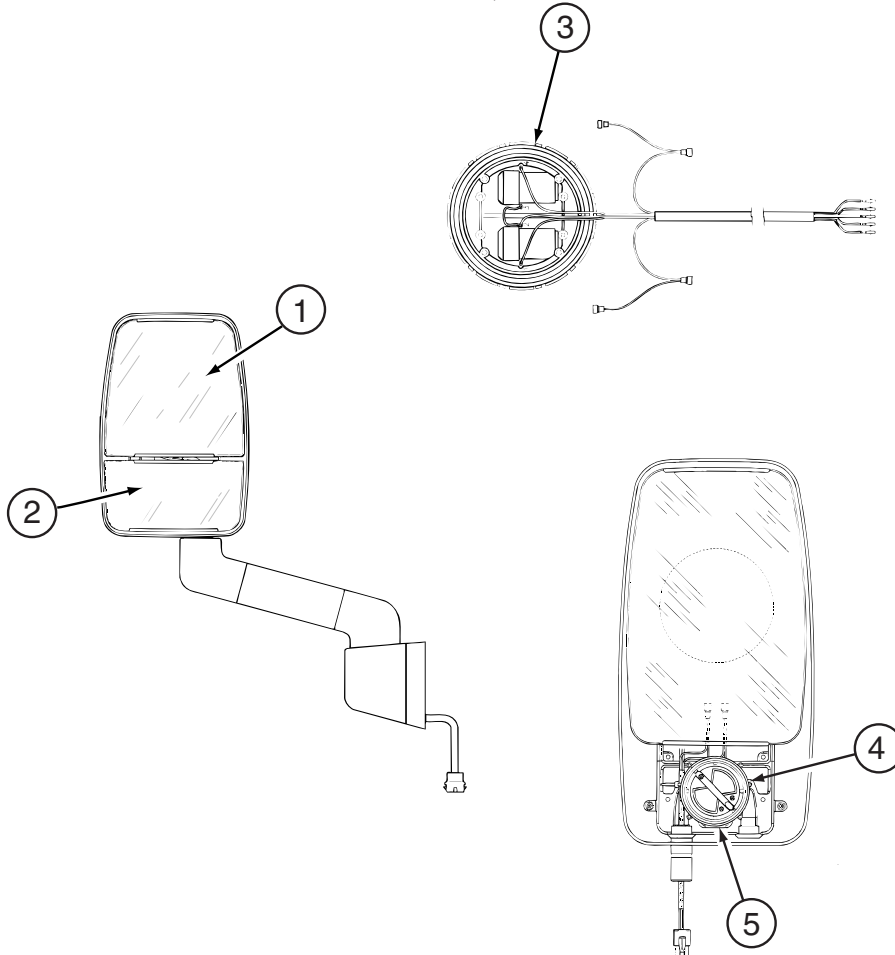
***COMPONENT PARTS LISTED LATER IN THIS GROUP**

EXTERIOR BODY GROUP (CONTINUED)

COMPONENT PARTS FOR MIRRORS

106015-18-01A, 106015-19-01A

KEY	PART NUMBER	U/M	DESCRIPTION	VENDOR NO.
	106015-12-702	EA	CAP/SCREW - (PKG OF 4) - BLK	748329 RND
	106015-16-700	EA	GLASS-FLAT W/HEAT ELEMENT	709450
	106015-18-700	EA	GLASS/CONVEX-KIT W/CLIP	709650
	106015-18-701	EA	ACTUATOR - CONVEX GLASS	7475410
	106015-18-702	EA	MOTOR - FLAT GLASS	747118
	106015-18-703	EA	CONVEX REBUILT KIT	709651
	106015-19-700	EA	VIBRATION KIT - MIRROR GLASS, VELVAC	709645



131431-06-01A & 02A

KEY	PART NUMBER	U/M	DESCRIPTION	VENDOR NO.
1	106015-16-700	EA	GLASS-FLAT W/HEAT ELEMENT	709450
2	106015-18-700	EA	GLASS - CONVEX/21"RADIUS	7021220
3	106015-18-702	EA	MOTOR - FLAT GLASS	7476730
5	106015-18-701	EA	ACTUATOR - CONVEX GLASS	7475410
	131431-01-702	EA	KIT(SCREW COVER)ROUND & OVAL	748345

CONTACT WINNEBAGO PART SALES FOR THIS COMPONENT

EXTERIOR BODY GROUP (CONTINUED)
STRUCTURAL COMPONENTS

KEY	PART NUMBER	U/M	DESCRIPTION
	002766-01-001	EA	ANGLE - EXTRUDED - 1" X 1 1/2" X 17'
	068716-01-001	EA	BRACE - 90 DEGREE - L-ANGLE - 16'
	089297-01-000	SF	PLYWOOD - LUAN - OVERLAY GRADE - 4' X 8'
	100619-01-000	BF	FOAM - EXPANDED POLYSTYRENE - 1.34" X 48" X 96"
	100619-02-000	BF	FOAM - EXPANDED POLYSTYRENE - 1.5" X 48" X 96"
	100619-05-000	BF	FOAM - EXPANDED POLYSTYRENE - .75" X 48" X 96"-1.5 DENSITY
	100619-13-000	BF	FOAM - EXPANDED POLYSTYRENE - .34" X 34.65" X 96"
	100619-16-000	BF	FOAM - EXPANDED POLYSTYRENE - .75" X 48" X 96"-2.0 DENSITY
	100619-27-000	BF	FOAM - EXPANDED POLYSTYRENE - 48" X 92.8" X 3"
	105077-08-000	EA	FOAM - PLUG - ROOF CAP
			FROM: 06-24-02 THRU: 99-99-99
	120107-01-000	EA	FOAM - ROOF COVE - 2.8" X 96" LONG
	120107-02-000	EA	FOAM - PLUG - ROOF TUBE - 2.2" X 2.9" X 1.8" LONG
	120107-03-000	EA	FOAM - PLUG - SIDEWALL TUBE - 1.2" X 2.1" X 1.8" LONG
	128782-07-01A	EA	FIBERGLASS SHEET - 79" X 456" - HIGH GLOSS - BRIGHT WHITE
	128782-08-01A	EA	FIBERGLASS SHEET - 22" X 68.3" - HIGH GLOSS - BRIGHT WHITE
	128782-09-01A	EA	FIBERGLASS SHEET - 31" X 68.2" - HIGH GLOSS - BRIGHT WHITE
			FROM: 05-01-02 THRU: 99-99-99
	128782-10-01A	EA	FIBERGLASS SHEET - 25" X 48" - HIGH GLOSS - BRIGHT WHITE

EXTERIOR BODY GROUP (CONTINUED)
AWNINGS

JOURNEY DL PATIO AWNINGS WITH GRAPHIC PKG.

SERIES	MODEL	GRAPHIC PKG. 24E,27G,92K	AWNING FABRIC	AWNING LENGTH	WEATHER WRAP	PART #	
						MANUAL	ELECTRIC
JORNEY DL	P32TD	BURGUNDY ROSE (DZ)	VINYL	18'	MTL/BRT WHT	113874-07-34A	143181-07-34A
	P34HD	BURGUNDY ROSE (DZ)	VINYL	18'	MTL/BRT WHT	113874-07-34A	143181-07-34A
	P36LD	BURGUNDY ROSE (DZ)	VINYL	20'	MTL/BRT WHT	113874-09-34A	143181-09-34A
	P36GD	BURGUNDY ROSE (DZ)	VINYL	20'	MTL/BRT WHT	113874-09-34A	143181-09-34A
	P39QD	BURGUNDY ROSE (DZ)	VINYL	20'	MTL/BRT WHT	113874-09-34A	143181-09-34A
	P39WD	BURGUNDY ROSE (DZ)	VINYL	20'	MTL/BRT WHT	113874-09-34A	143181-09-34A

KEY	PART NUMBER	U/M	DESCRIPTION
*	113874-01-02A	EA	HARDWARE KIT - AWNING - W/O STANDOFF BRACKET-BRIGHT WHITE
	143181-01-01A	EA	HARDWARE/AWNING - WEATHERPROOF - BRIGHT WHITE - ELECTRIC
	143181-02-01A	EA	HARDWARE/AWNING - ELECTRICAL KIT
	113874-11-01A	EA	SCREW/LAG - AWNING - 1/4" X 1" STAINLESS STEEL
	113874-12-01A	EA	SCREW/LAG - AWNING - 1/4" X 2 3/4" STAINLESS STEEL
	137054-01-02A	EA	BRACKET - AWNING - BRIGHT WHITE

*COMPONENT PARTS LISTED LATER IN THIS GROUP

JOURNEY DL PATIO AWNINGS WITH FULL BODY PAINT

MODEL	COLOR CODE	AWNING COLOR	HARDWARE COLOR	PATIO ROLLER	AWNING LENGTH	PATIO HARDWARE	ELECTRICAL KIT
P39WD	MOCHA 27A	TRUE BROWN	CHAMPAGNE	143181-09-26E	20'	143181-01-02A	143181-02-01A
P39QD	MOCHA 27A	TRUE BROWN	CHAMPAGNE	143181-09-26E	20'	143181-01-02A	143181-02-01A
P36LD	MOCHA 27A	TRUE BROWN	CHAMPAGNE	143181-09-26E	20'	143181-01-02A	143181-02-01A
P36GD	MOCHA 27A	TRUE BROWN	CHAMPAGNE	143181-09-26E	20'	143181-01-02A	143181-02-01A
P34HD	MOCHA 27A	TRUE BROWN	CHAMPAGNE	143181-07-26E	18'	143181-01-02A	143181-02-01A
P32TD	MOCHA 27A	TRUE BROWN	CHAMPAGNE	143181-07-26E	18'	143181-01-02A	143181-02-01A
P39WD	AUBURN 92A	BURGUNDY	CHAMPAGNE	143181-09-22E	20'	143181-01-02A	143181-02-01A
P39QD	AUBURN 92A	BURGUNDY	CHAMPAGNE	143181-09-22E	20'	143181-01-02A	143181-02-01A
P36LD	AUBURN 92A	BURGUNDY	CHAMPAGNE	143181-09-22E	20'	143181-01-02A	143181-02-01A
P36GD	AUBURN 92A	BURGUNDY	CHAMPAGNE	143181-09-22E	20'	143181-01-02A	143181-02-01A
P34HD	AUBURN 92A	BURGUNDY	CHAMPAGNE	143181-07-22E	18'	143181-01-02A	143181-02-01A
P32TD	AUBURN 92A	BURGUNDY	CHAMPAGNE	143181-07-22E	18'	143181-01-02A	143181-02-01A
P39WD	BLUE LAKE 24C	BLUE	SILVER	143181-09-52F	20'	143181-01-03A	143181-02-01A
P39QD	BLUE LAKE 24C	BLUE	SILVER	143181-09-52F	20'	143181-01-03A	143181-02-01A
P36LD	BLUE LAKE 24C	BLUE	SILVER	143181-09-52F	20'	143181-01-03A	143181-02-01A
P36GD	BLUE LAKE 24C	BLUE	SILVER	143181-09-52F	20'	143181-01-03A	143181-02-01A
P34HD	BLUE LAKE 24C	BLUE	SILVER	143181-07-52F	18'	143181-01-03A	143181-02-01A
P32TD	BLUE LAKE 24C	BLUE	SILVER	143181-07-52F	18'	143181-01-03A	143181-02-01A

KEY	PART NUMBER	U/M	DESCRIPTION
	113874-11-01A	EA	SCREW/LAG - AWNING - 1/4" X 1" STAINLESS STEEL

EXTERIOR BODY GROUP (CONTINUED)
AWNINGS (CONTINUED)

JOURNEY DL WINDOW AWINGS WITH GRAPHIC PKG.

JOURNEY DL	WHERE	SIZE	PART NUMBER
GRAPHIC PKG.			24E,27G,92K
			BURGUNDY ROSE
			w/ wht mtl wrap
P32TD	RT REAR	42" XL	142199-05-34A
	LT MID	42"	142199-04-34A
	LT FRONT	66"	142199-06-34A
P34HD	RT REAR	42" XL	142199-05-34A
	LT FRONT	108"	142199-07-34A
P36GD	RT REAR	42"XL	142199-05-34A
	LT MID	36"	142199-03-34A
	LT FRONT	144"	142199-08-34A
P36LD	RT REAR	42" XL	142199-05-34A
	LT MID	36"	142199-03-34A
	LT FRONT	108"	142199-07-34A
P39QD	RT REAR	42" XL	142199-05-34A
	LT FRONT	144"	142199-08-34A
P39WD	RT REAR	42" XL	142199-05-34A
	LT MID	36"	142199-03-34A
	LT FRONT	108"	142199-07-34A

JOURNEY DL WINDOW AWINGS WITH FULL BODY PAINT

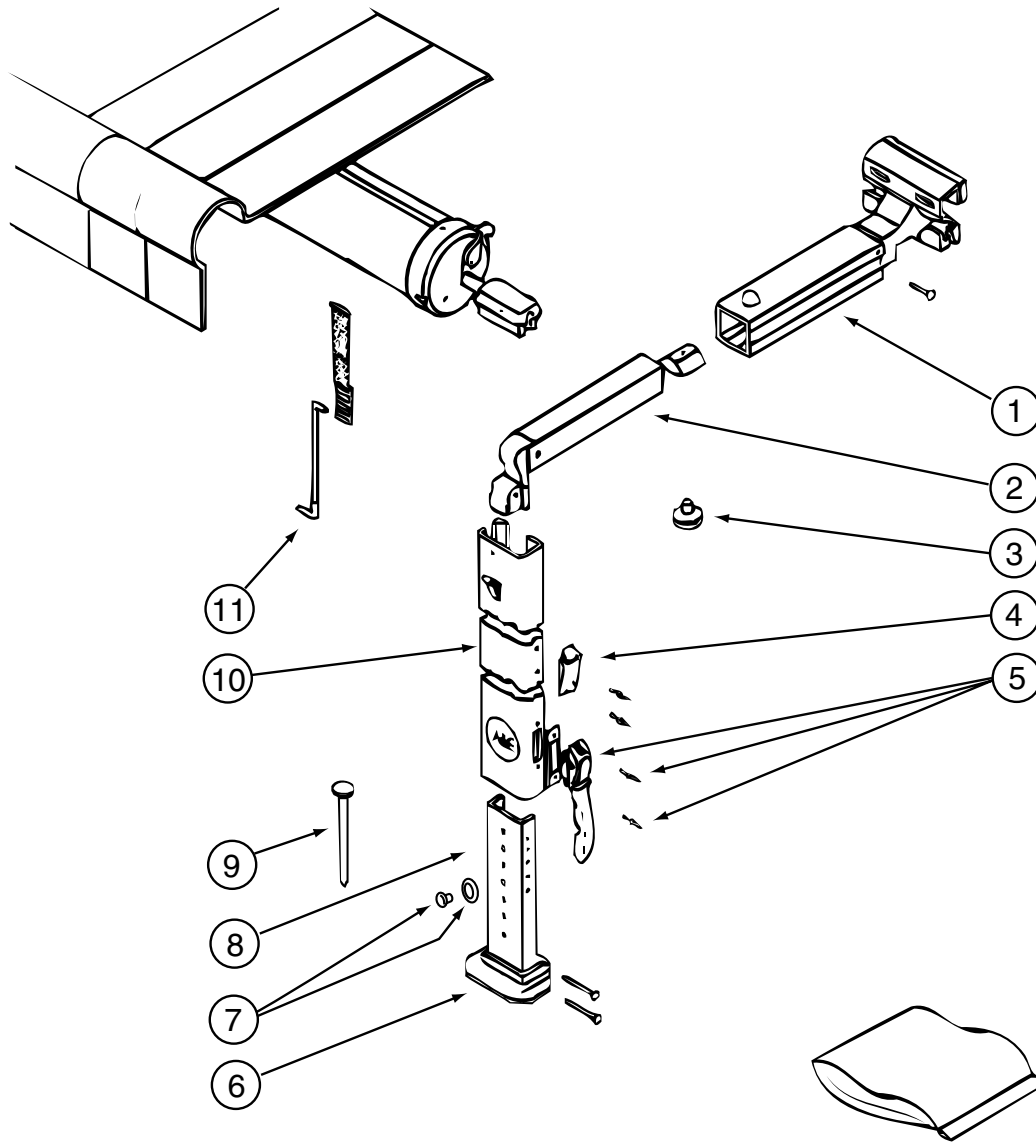
MODEL	COLOR CODE	AWNING COLOR	HARDWARE COLOR	WINDOW	WINDOW	WINDOW	WINDOW	WINDOW	WINDOW
				LT FRONT	LT FRONT	LT MID	LT MID	RT REAR	RT REAR
				ROLLER	HARDWARE	ROLLER	HARDWARE	ROLLER	HARDWARE
P39WD	MOCHA 27A	TRUE BROWN	CHAMPAGNE	142199-07-26E	142199-01-02A	142199-03-26E	142199-01-02A	142199-05-26E	142199-02-02A
P39QD	MOCHA 27A	TRUE BROWN	CHAMPAGNE	142199-08-26E	142199-01-02A	NA	NA	142199-05-26E	142199-02-02A
P36LD	MOCHA 27A	TRUE BROWN	CHAMPAGNE	142199-07-26E	142199-01-02A	142199-03-26E	142199-01-02A	142199-05-26E	142199-02-02A
P34HD	MOCHA 27A	TRUE BROWN	CHAMPAGNE	142199-07-26E	142199-01-02A	NA	NA	142199-05-26E	142199-02-02A
P32TD	MOCHA 27A	TRUE BROWN	CHAMPAGNE	142199-06-26E	142199-01-02A	142199-04-26E	142199-01-02A	142199-05-26E	142199-02-02A
P39WD	AUBURN 92A	BURGUNDY	CHAMPAGNE	142199-07-22E	142199-01-02A	142199-03-22E	142199-01-02A	142199-05-22E	142199-02-02A
P39QD	AUBURN 92A	BURGUNDY	CHAMPAGNE	142199-08-22E	142199-01-02A	NA	NA	142199-05-22E	142199-02-02A
P36LD	AUBURN 92A	BURGUNDY	CHAMPAGNE	142199-07-22E	142199-01-02A	142199-03-22E	142199-01-02A	142199-05-22E	142199-02-02A
P36GD	AUBURN 92A	BURGUNDY	CHAMPAGNE	142199-08-22E	142199-01-02A	142199-03-22E	142199-01-02A	142199-05-22E	142199-02-02A
P34HD	AUBURN 92A	BURGUNDY	CHAMPAGNE	142199-07-22E	142199-01-02A	NA	NA	142199-05-22E	142199-02-02A
P32TD	AUBURN 92A	BURGUNDY	CHAMPAGNE	142199-06-22E	142199-01-02A	142199-04-22E	142199-01-02A	142199-05-22E	142199-02-02A
P39WD	BLUE LAKE 24C	BLUE	SILVER	142199-07-52F	142199-01-03A	142199-03-52F	142199-01-03A	142199-05-52F	142199-02-03A
P39QD	BLUE LAKE 24C	BLUE	SILVER	142199-08-52F	142199-01-03A	NA	NA	142199-05-52F	142199-02-03A
P36LD	BLUE LAKE 24C	BLUE	SILVER	142199-07-52F	142199-01-03A	142199-03-52F	142199-01-03A	142199-05-52F	142199-02-03A
P36GD	BLUE LAKE 24C	BLUE	SILVER	142199-08-52F	142199-01-03A	142199-03-52F	142199-01-03A	142199-05-52F	142199-02-03A
P34HD	BLUE LAKE 24C	BLUE	SILVER	142199-07-52F	142199-01-03A	NA	NA	142199-05-52F	142199-02-03A
P32TD	BLUE LAKE 24C	BLUE	SILVER	142199-06-52F	142199-01-03A	142199-04-52F	142199-01-03A	142199-05-52F	142199-02-03A

EXTERIOR BODY GROUP (CONTINUED)
AWNINGS (CONTINUED)

MODEL	COLOR	JOURNEY DL ENTRY DOOR AWNINGS			
		AWNING COLOR	HARDWARE COLOR	DOOR ELECTRIC	DOOR MANUAL
	GRAPHIC PKG.				
ALL	24E,27G,92K	WHITE	BRIGHT WHITE	136767-02-01A	136767-01-01A
	PAINT PKG.				
ALL	MOCHA 27A	TRUE BROWN	CHAMPAGNE	136767-02-26E	NA
ALL	AUBURN 92A	BURGUNDY	CHAMPAGNE	136767-02-22E	NA
ALL	BLUE LAKE 24C	BLUE	SILVER	136767-02-52F	NA

KEY	PART NUMBER	U/M	DESCRIPTION
	137029-01-01A	EA	BRACKET - AWNING - BRIGHT WHITE
	136770-03-01A	EA	SPACER - AWNING - 2" - BRIGHT WHITE

EXTERIOR BODY GROUP (CONTINUED)
COMPONENT PARTS FOR AWNINGS

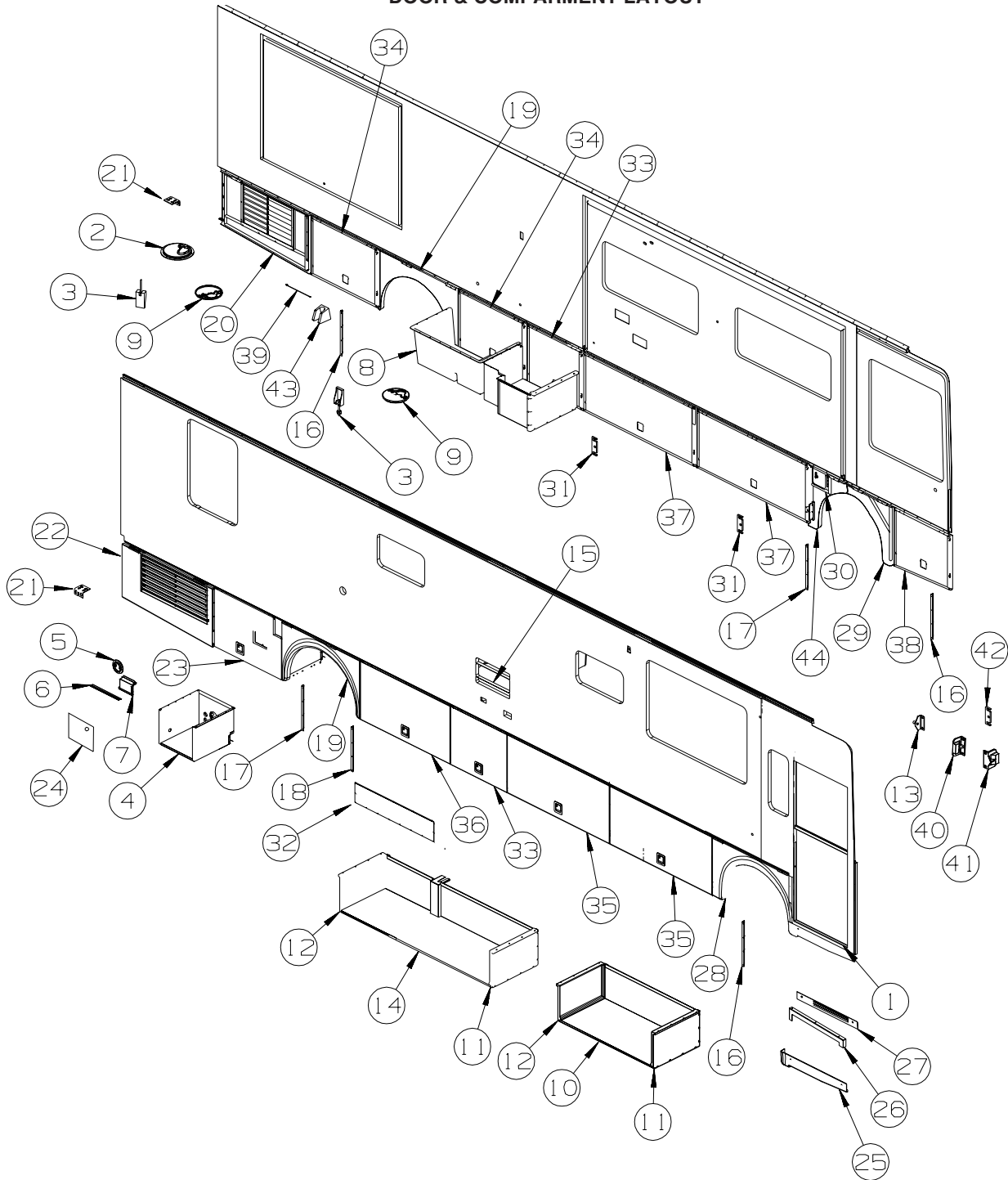


113874-01-02A

KEY	PART NUMBER	U/M	DESCRIPTION	VENDOR NO.
1	113874-01-714	EA	RAFTER - MAIN RH/LH BRT/WHT	830295.536F
2	113874-01-715	EA	RAFTER - SECONDARY BRT/WHT	830463.511F
3	113874-01-702	EA	KNOB - ADJUSTING	3105421.014
4	113874-01-706	EA	LOCK - TRAVEL	830587.001
5	113874-01-707	EA	HANDLE - LIFT W/RIVETS	830644
6	113874-01-712	EA	FOOT - PATIO	730366-001
7	113874-01-710	EA	PLUG-STOP KIT	830456
8	113874-01-717	EA	ARM - ADJUSTABLE BRT/WHT	830467.517/F
9	113874-01-709	EA	NAIL-SPIKE, 8"	113006
10	113874-01-716	EA	ARM - MAIN SUPPORT BRT/WHT	3104502.293/F
11	113874-01-703	EA	ROD-CENTER PULL W/ACCESSORY	830152.102

EXTERIOR DOORS & COMPARTMENTS GROUP

DOOR & COMPARTMENT LAYOUT



KEY	PART NUMBER	U/M	DESCRIPTION
1 *	094708-03-01A	EA	STEP - ELECTRIC - SINGLE - BLACK CONTROL BOX - KWIKEE
2	129015-01-K80	EA	PORT W/HATCH - F/ELECTRICAL/DRAIN
3	121175-02-01A	EA	LATCH - SWELL
4	132902-02-L76	EA	COMPARTMENT - LUGGAGE
5	092887-03-000	EA	HATCH/PLATE - 6.1" FLANGE/4.5" R.O. - BLACK
6	130034-08-02B	EA	CLIP - TRIM - E-COATED
7	140352-01-02B	EA	PANEL - CLOSEOUT - WATER HEATER - E-COATED
8	133341-01-L76	EA	COMPARTMENT COMPL-DRAINAGE
9	M08628-01-H17	EA	HATCH - W/FOAM INSERT - 3/4" X 11 1/2" DIA.- BLACK PLASTIC
10	135927-09-N70	EA	COMPARTMENT - LUGGAGE
11	126397-03-01A	EA	PANEL/COMPARTMENT END - RIGHT HAND
12	126397-04-01A	EA	PANEL/COMPARTMENT END - LEFT HAND
13	126263-02-02B	EA	BRACKET - GAS SPRING W/BALL STUD - E-COATED
14	140894-01-N84	EA	COMPARTMENT - LUGGAGE

FROM: 02-09-02 THRU: 99-99-99

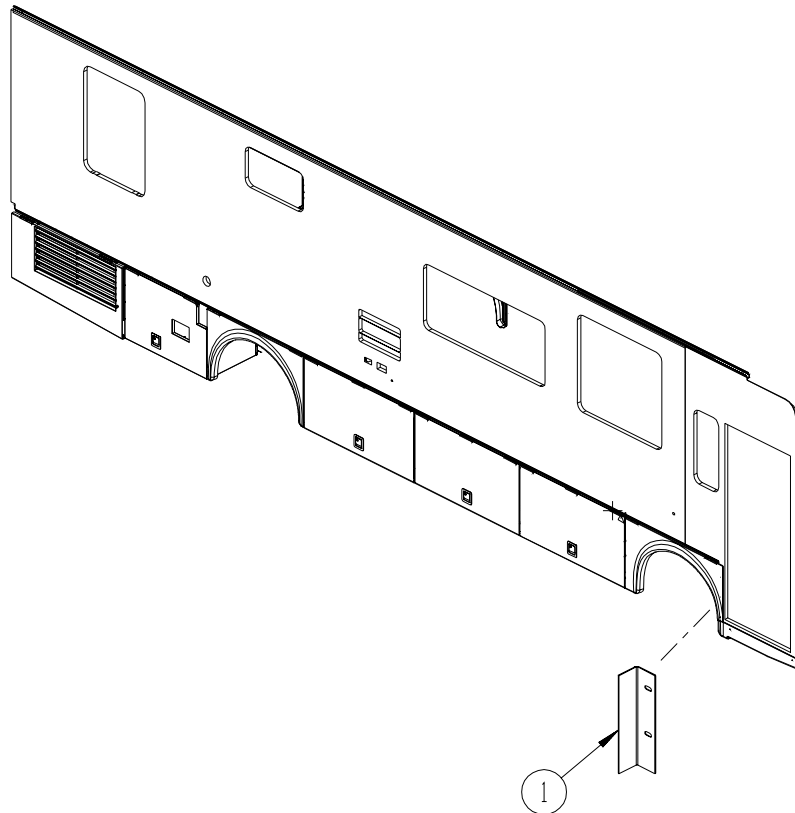
EXTERIOR DOORS & COMPARTMENTS GROUP (CONTINUED)
DOOR & COMPARTMENT LAYOUT (CONTINUED)

KEY	PART NUMBER	U/M	DESCRIPTION
15 *	084103-08-000	EA	DOOR - VENT - REFRIGERATOR - W/O JAMB - BRIGHT WHITE
	084104-08-000	EA	JAMB - VENT DOOR/REFRIGERATOR - BRIGHT WHITE
16	113904-11-02B	EA	ANGLE - ATTACHMENT/WHEEL LIP - 21.6" - E-COAT
17	113904-13-02B	EA	ANGLE - ATTACHMENT/WHEEL LIP - 15.7" - E-COAT
18	138789-01-02B	EA	ANGLE/MOUNT - WHEEL LIP - E-COATED
19	131922-06-N84	EA	PANEL/WHEEL LIP - REAR
	139793-03-01A	EA	HINGE - CENTER/VALANCE DOOR - W/O BALL STUD
20	132197-01-N84	EA	VALANCE/DOOR - DRVR W/GRILL-W/O HDW - 26" X 53.4" X 28.7"
	139793-03-01A	EA	HINGE - CENTER/VALANCE DOOR - W/O BALL STUD
21	109216-03-000	EA	ANGLE - FURNACE DOOR
			FROM: 00-00-00 THRU: 01-13-03
21	140309-03-02B	EA	ANGLE - FURNACE DOOR
			FROM: 01-14-03 THRU: 99-99-99
22	132198-03-N84	EA	PANEL/VALANCE - DEPARTURE/PASSENGER - W/O HARDWARE
23	140442-02-N70	EA	VALANCE/DOOR - W/O PADDLE LATCH - 40" X 28" W/NOTCH & VENT
	132873-05-000	EA	ROD - LATCH - 18.7" W/3/4" DOG LEG
	132873-06-000	EA	ROD - LATCH - 14.4" W/3/4" DOG LEG
	107796-31-000	EA	SPRING/GAS - 12" COMPRESSED/20" EXTENDED - 100 LB
24	115620-01-12B	EA	PLATE - BACKING - BRIGHT WHITE
25	131900-02-P75	EA	VALANCE/PANEL - ENTRY DOOR - PLASTIC - BLACK
26	134125-04-02B	EA	SUPPORT - DOOR/VALANCE - E-COATED
27	143362-02-02B	EA	CLIP - TRIM - E-COATED
28	131922-01-M70	EA	PANEL/WHEEL LIP - FRONT/PASSENGER - 48.1"
	139793-03-01A	EA	HINGE - CENTER/VALANCE DOOR - W/O BALL STUD
29	136040-01-M70	EA	PANEL/WHEEL LIP - DRIVER/Front WHEELWELL-FRONT
30	131905-05-N70	EA	PANEL/DOOR - FUEL FILL - BLACK
	138290-01-000	EA	CASE - W/CAM - W/O CYLINDER/KEY
	139793-03-01A	EA	HINGE - CENTER/VALANCE DOOR - W/O BALL STUD
31	120494-04-02B	EA	SHIM - STRIKER - LUGGAGE DOOR - .27 - E-COATED
32	133386-01-02B	EA	PANEL - CLOSEOUT - HOLDING TANK - E-COATED
33	140442-01-N70	EA	VALANCE/DOOR - W/O PADDLE LATCH - 34" X 28"
	132873-03-000	EA	ROD - LATCH - 10.9" W/DOG LEG
	132873-04-000	EA	ROD - LATCH - 12.7" W/3/4" DOG LEG
	107796-26-000	EA	SPRING/GAS - 12" COMPRESSED/20" EXTENDED - 90 LB.
34	140442-03-N70	EA	VALANCE/DOOR - W/O PADDLE LATCH - 41" X 28"
	132873-07-000	EA	ROD - LATCH - 16.2" W/3/4" DOG LEG
	132873-08-000	EA	ROD - LATCH - 16.2" W/3/4" DOG LEG
	107796-26-000	EA	SPRING/GAS - 12" COMPRESSED/20" EXTENDED - 90 LB.
35	140442-06-N70	EA	VALANCE/DOOR - W/O PADDLE LATCH - 61" X 28"
	132873-13-000	EA	ROD - LATCH - 32.4" W/3/4" DOG LEG
	132873-14-000	EA	ROD - LATCH - 26.4" W/3/4" DOG LEG
	107796-31-000	EA	SPRING/GAS - 12" COMPRESSED/20" EXTENDED - 100 LB
36	140442-05-N70	EA	VALANCE/DOOR - W/O PADDLE LATCH - 54" X 28"
	132873-11-000	EA	ROD - LATCH - 22.7" W/3/4" DOG LEG
	132873-12-000	EA	ROD - LATCH - 22.7" W/3/4" DOG LEG
	107796-31-000	EA	SPRING/GAS - 12" COMPRESSED/20" EXTENDED - 100 LB
37	140442-07-N52	EA	VALANCE/DOOR - W/O PADDLE LATCH - 67" X 28"
	132873-15-000	EA	ROD - LATCH - 27.8" W/3/4" DOG LEG
	132873-16-000	EA	ROD - LATCH - 29.6" W/3/4" DOG LEG
	107796-31-000	EA	SPRING/GAS - 12" COMPRESSED/20" EXTENDED - 100 LB
38	140442-08-N70	EA	VALANCE/DOOR - DRVR FRT W/O PADDLE LATCH - 28" X 34" X 26"
	132873-17-000	EA	ROD - LATCH - 11.3" W/3/4" DOG LEG
	132873-18-000	EA	ROD - LATCH - 13.1" W/3/4" DOG LEG
	107796-31-000	EA	SPRING/GAS - 12" COMPRESSED/20" EXTENDED - 100 LB
39	076767-14-000	EA	CABLE - STAINLESS STEEL - 14.9"
40	130053-01-01A	EA	STRIKER - LUGGAGE DOOR - FLUSH - BLACK
41	130053-02-01A	EA	STRIKER - LUGGAGE DOOR - OFF SET - BLACK
42	120494-03-02B	EA	SHIM - STRIKER - LUGGAGE DOOR - .20 - E-COATED
			FROM: 00-00-00 THRU: 01-05-03
42	143793-01-01A	EA	SHIM/STRIKER - LUGGAGE - 1.5" - BLACK
			FROM: 01-06-03 THRU: 99-99-99
43	131383-03-02A	EA	BRACKET - SHOWER HEAD - WHITE
44	136041-02-N70	EA	PANEL/WHEEL LIP - DRIVER/Front WHEELWELL-REAR

EXTERIOR DOORS & COMPARTMENTS GROUP (CONTINUED)
DOOR & COMPARTMENT LAYOUT (CONTINUED)

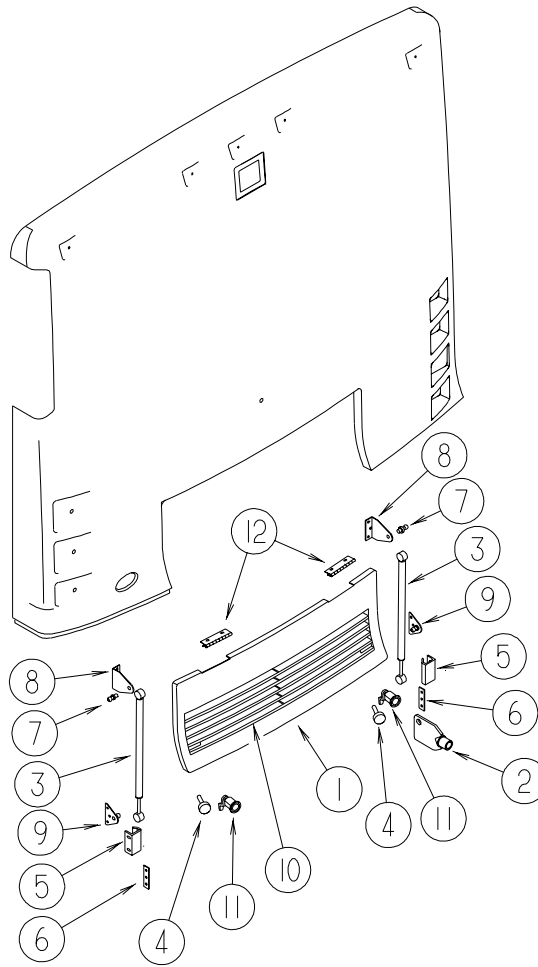
KEY	PART NUMBER	U/M	DESCRIPTION
	138292-01-000	EA	SEAL - LOCK CYLINDER
	132892-02-01A	FT	SEAL - BULB
	138289-01-000	EA	CYLINDER - LOCKING
	138289-02-000	EA	CYLINDER - LOCKING
	138289-03-000	EA	CYLINDER - LOCKING
	138289-04-000	EA	CYLINDER - LOCKING
	138289-05-000	EA	CYLINDER - LOCKING
	138289-06-000	EA	CYLINDER - LOCKING
	138289-07-000	EA	CYLINDER - LOCKING
	138289-08-000	EA	CYLINDER - LOCKING
	138289-09-000	EA	CYLINDER - LOCKING
	138289-10-000	EA	CYLINDER - LOCKING
	138289-10-000	EA	CYLINDER - LOCKING
	138288-01-000	EA	KEY - REVERSIBLE - #1151 - T/M 16169-02-3091
	138288-02-000	EA	KEY - REVERSIBLE - #1151 - T/M 16169-02-3091
	138288-03-000	EA	KEY - REVERSIBLE - #1151 - T/M 16169-02-3091
	138288-04-000	EA	KEY - REVERSIBLE - #1151 - T/M 16169-02-3091
	138288-05-000	EA	KEY - REVERSIBLE - #1151 - T/M 16169-02-3091
	138288-06-000	EA	KEY - REVERSIBLE - #1151 - T/M 16169-02-3091
	138288-07-000	EA	KEY - REVERSIBLE - #1151 - T/M 16169-02-3091
	138288-08-000	EA	KEY - REVERSIBLE - #1151 - T/M 16169-02-3091
	138288-09-000	EA	KEY - REVERSIBLE - #1151 - T/M 16169-02-3091
	138288-10-000	EA	KEY - REVERSIBLE - #1151 - T/M 16169-02-3091

***COMPONENT PARTS LISTED LATER IN THIS GROUP**



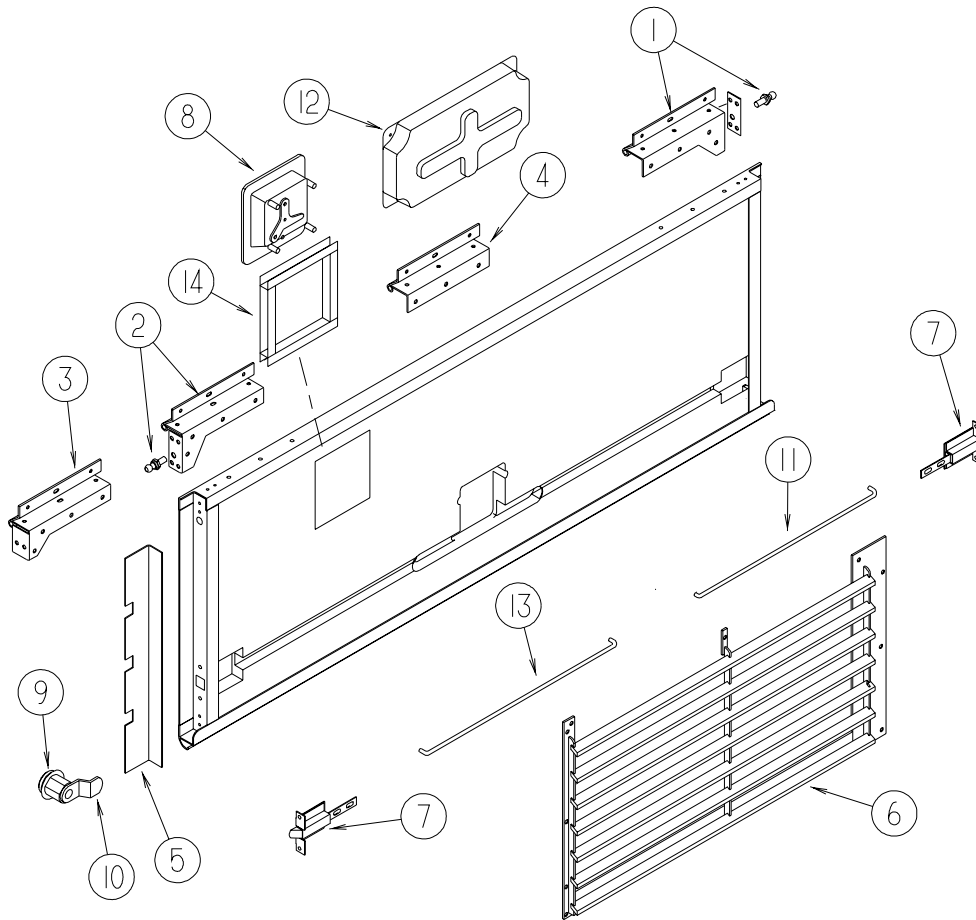
KEY	PART NUMBER	U/M	DESCRIPTION
1	113041-15-02B	EA	ANGLE - BUMPER MOUNT - E-COATED

EXTERIOR DOORS & COMPARTMENTS GROUP (CONTINUED)
DOOR & COMPARTMENT LAYOUT (CONTINUED)



KEY	PART NUMBER	U/M	DESCRIPTION
1	132182-01-L76	EA	DOOR - REAR ENGINE - W/O HARDWARE
2	102328-01-000	EA	KEY - BARREL - NICKEL PLATED
3	107796-23-000	EA	SPRING/GAS - 11.3" COMPRESSED/18.5" EXTENDED - 45 LB.
4	058786-01-000	EA	BOLT - HOOD ADJUSTMENT - 5/16"-18 X 1.5"-2"- W/BLACK PAD
5	107719-01-01A	EA	STRIKE - VALANCE DOOR
6	118931-01-02B	EA	SHIM - STRIKER - DOOR
7	NOT AVAILABLE -		CONTACT PART SALES
8	126263-10-02B	EA	BRACKET - GAS SPRING W/BALL STUD - E-COATED
9	126263-08-02B	EA	BRACKET - GAS SPRING W/CENTERED BALL STUD - E-COATED
10	132412-01-L76	EA	GRILLE/DOOR - TRUNK
11	102330-02-000	EA	LATCH - VISE ACTION/KEY OPERATED
12	102325-02-07A	EA	HINGE/TRUNK DOOR - 6" W/.6" OFF SET - BRIGHT WHITE

EXTERIOR DOORS & COMPARTMENTS GROUP (CONTINUED)
COMPARTMENT DOOR PIECE PARTS



KEY	PART NUMBER	U/M	DESCRIPTION
1	139793-01-01A	EA	HINGE - RIGHT HAND/VALANCE DOOR - W/BALLSTUD
2	139793-02-01A	EA	HINGE - LEFT HAND/VALANCE DOOR - W/BALLSTUD
3	139793-05-01A	EA	HINGE - LEFT HAND/VALANCE DOOR - W/O BALLSTUD
4	139793-03-01A	EA	HINGE - CENTER/VALANCE DOOR - W/O BALLSTUD
5	139207-01-02B	EA	PANEL - SUPPORT - A/C DOOR - E-COATED
6	113333-06-L76	EA	GRILLE/DOOR - A/C
7	121947-01-01A	EA	BOLT - SLIDE W/PLASTIC PLUNGER
8	138277-01-01A	EA	LATCH/PADDLE - COMPARTMENT DOOR - BLACK - KEY ONE
8	112949-02-04A	EA	LATCH - PADDLE NON-LOCKING - BRIGHT WHITE
9	110506-50-000	EA	CASE/CYLINDER - TWIST LATCH - W/O CAM - .65" - 596952
10	110506-76-000	EA	CAM - LOCK
11	132873-01-000	EA	ROD - LATCH (BLANK) - RIGHT HAND
12	137359-01-01A	EA	COVER - LATCH - WHITE
13	132873-02-000	EA	ROD - LATCH (BLANK) - LEFT HAND
14	133049-01-L76	EA	TRIM - COVER - WATER HEATER

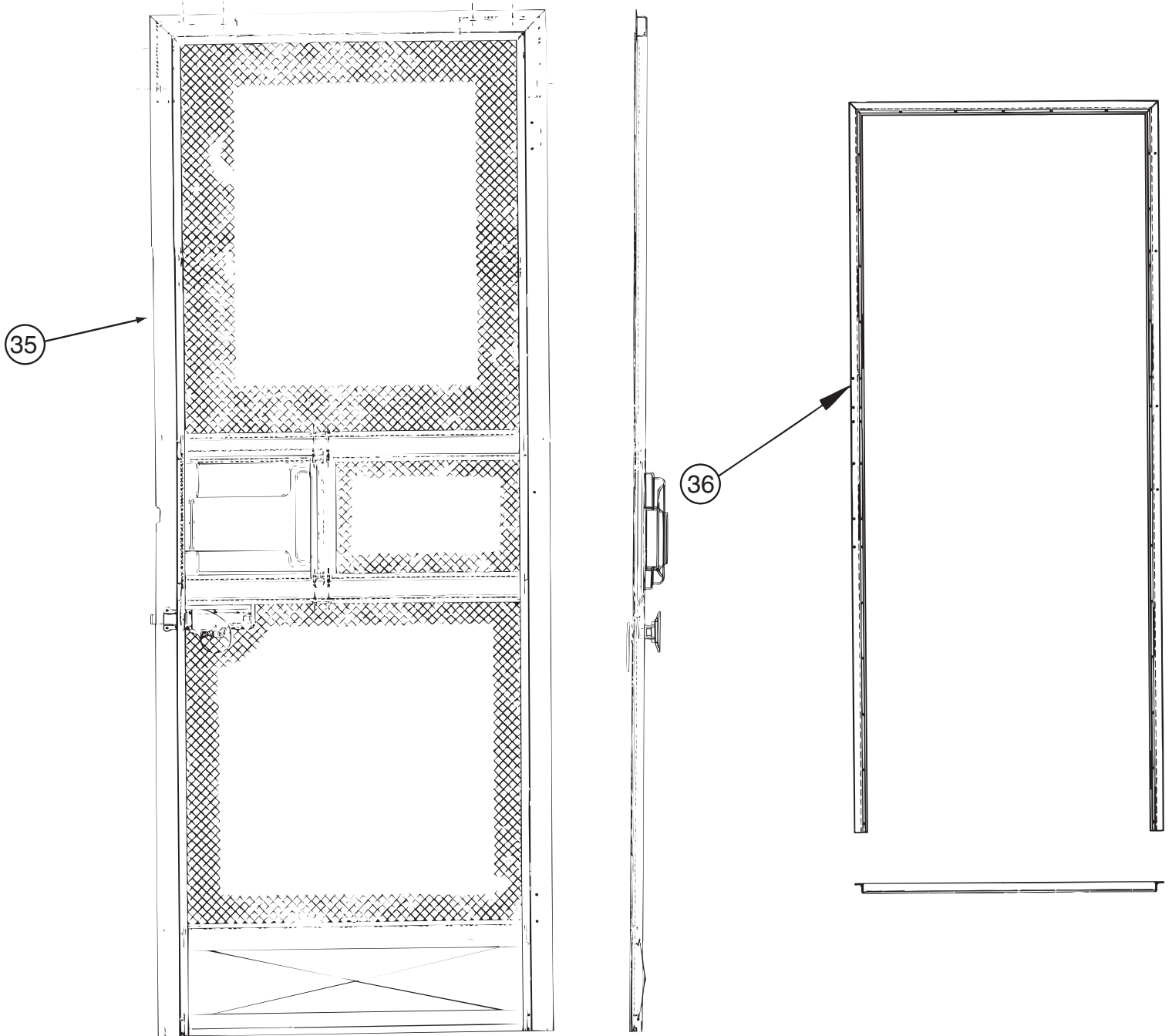
EXTERIOR DOORS & COMPARTMENTS GROUP (CONTINUED)

ENTRY

KEY	PART NUMBER	U/M	DESCRIPTION
*	128913-10-02A	EA	DOOR - ENTRY/FRONT - POWER LOCK - WHITE
*	128913-10-01A	EA	DOOR - ENTRY/FRONT - POWER LOCK - W/BLACK OUTER FRAME - FULL BODY PAINT FROM: 00-00-00 THRU: 04-06-03
	128913-12-01A	EA	DOOR - ENTRY/FRONT - POWER LOCK - BLACK - FULL BODY PAINT FROM: 04-07-03 THRU: 99-99-99
	134450-02-01A	EA	TAPE - ANTI SLIP - 1.25" X 29.9" - BLACK
	039715-01-000	EA	NUT-SERT - 1/4" DIAMETER - 20 THREADS
	138287-01-000	EA	CYLINDER/LOCK - ENTRY DOOR (MASTER)
	138287-02-000	EA	CYLINDER/LOCK - ENTRY DOOR (MASTER)
	138287-03-000	EA	CYLINDER/LOCK - ENTRY DOOR (MASTER)
	138287-04-000	EA	CYLINDER/LOCK - ENTRY DOOR (MASTER)
	138287-05-000	EA	CYLINDER/LOCK - ENTRY DOOR (MASTER)
	138287-06-000	EA	CYLINDER/LOCK - ENTRY DOOR (MASTER)
	138287-07-000	EA	CYLINDER/LOCK - ENTRY DOOR (MASTER)
	138287-08-000	EA	CYLINDER/LOCK - ENTRY DOOR (MASTER)
	138287-09-000	EA	CYLINDER/LOCK - ENTRY DOOR (MASTER)
	138287-10-000	EA	CYLINDER/LOCK - ENTRY DOOR (MASTER)
	138288-01-000	EA	KEY - REVERSIBLE - #1151 - T/M 16169-02-3091
	138288-02-000	EA	KEY - REVERSIBLE - #1152 - T/M 16169-02-3092
	138288-03-000	EA	KEY - REVERSIBLE - #1153 - T/M 16169-02-3093
	138288-04-000	EA	KEY - REVERSIBLE - #1154 - T/M 16169-02-3094
	138288-05-000	EA	KEY - REVERSIBLE - #1155 - T/M 16169-02-3095
	138288-06-000	EA	KEY - REVERSIBLE - #1156 - T/M 16169-02-3096
	138288-07-000	EA	KEY - REVERSIBLE - #1157 - T/M 16169-02-3097
	138288-08-000	EA	KEY - REVERSIBLE - #1158 - T/M 16169-02-3098
	138288-09-000	EA	KEY - REVERSIBLE - #1159 - T/M 16169-02-3099
	138288-10-000	EA	KEY - REVERSIBLE - #1150 - T/M 16169-02-3100

*COMPONENT PARTS LISTED LATER IN THIS GROUP

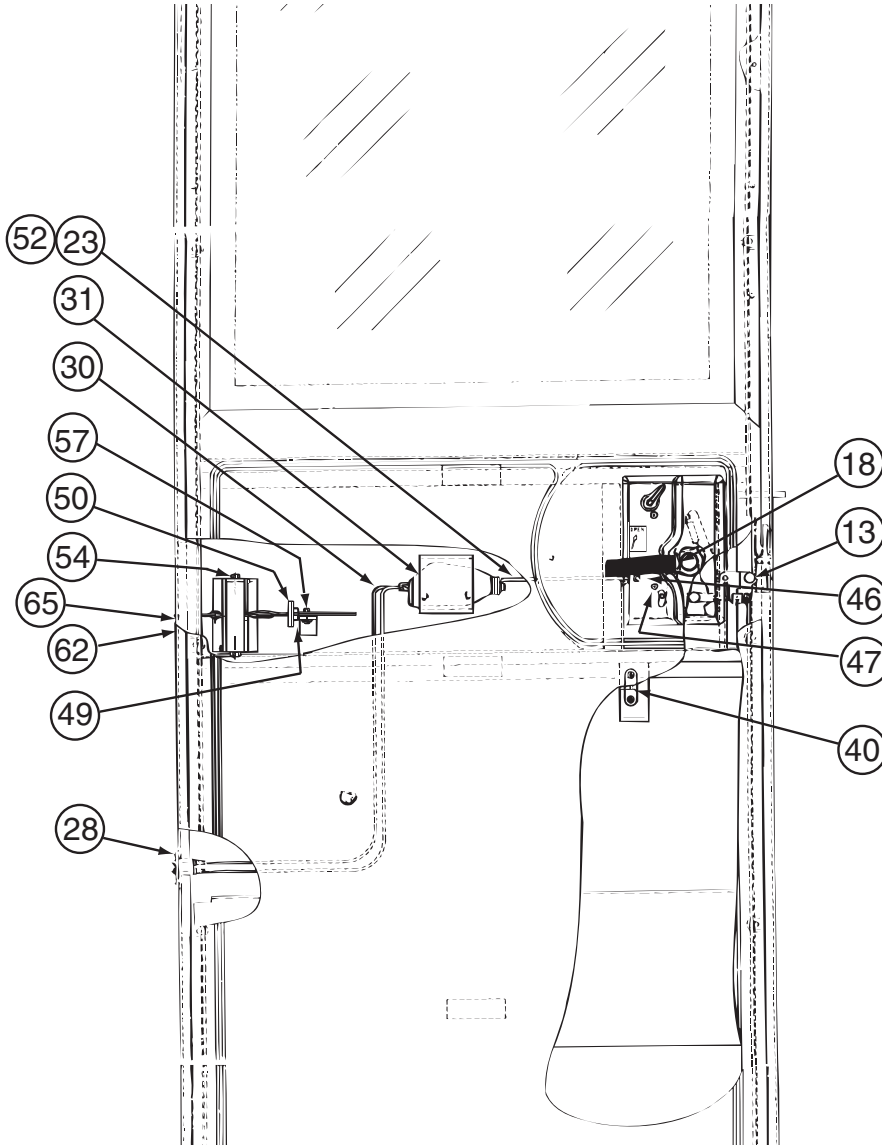
EXTERIOR DOORS & COMPARTMENTS GROUP (CONTINUED)
COMPONENT PARTS FOR ENTRY



				128913-10-02A
KEY	PART NUMBER	U/M	DESCRIPTION	VENDOR NO.
35*	128913-09-700	EA	SCREEN DOOR ASSEMBLY	490056
36	128913-10-700	EA	FRAME/CLAMP - WELD ASM BLACK	490195

*COMPONENT PARTS LISTED LATER IN THIS GROUP

EXTERIOR DOORS & COMPARTMENTS GROUP (CONTINUED)
COMPONENT PARTS FOR ENTRY (CONTINUED)

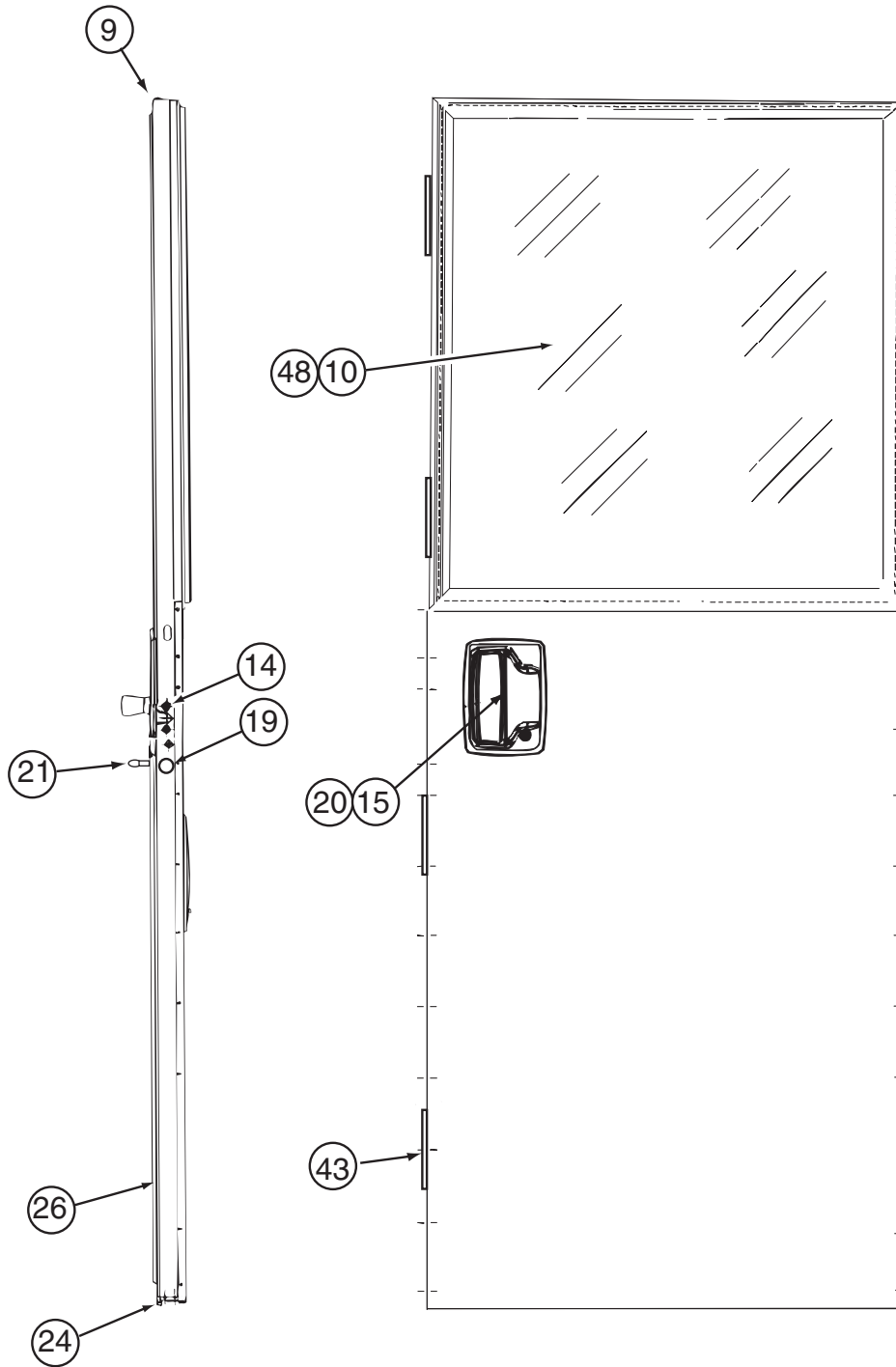


128913-10-02A (CONTINUED)

KEY	PART NUMBER	U/M	DESCRIPTION	VENDOR NO.
13	128913-04-706	EA	LATCH/ROTARY - W/LINKAGE RH	B248-041726/T/M179
18	128913-08-700	EA	HANDLE - INSIDE - REV.	248-041725
23	128913-04-704	EA	ROD/LOCK - (POWER)	17705-01
30	128913-01-712	EA	WIRE HARNESS-POWER DOOR LOCK	400-041935
31	106469-05-701	EA	ACTUATOR, F/ELECTRIC LOCK	410-041096
40	128913-01-710	EA	STRIKER - LATCH/SCREEN DOOR	130-041815
46	128913-02-711	EA	SLIDE BAR ASSEMBLY	V196-29
47	128913-01-746	EA	SCREW #8 X 3/4" OVAL HEAD	276-042030
49	128913-02-712	EA	PIN - COILED SPRING	248-042237
50	128913-02-713	EA	BUMPER STOP	V196-24
54	128913-01-733	EA	DOOR CHECK-SUB ASM ADJUST	V196-04
57	128913-01-705	EA	BOLT - SHOULDER - #10 X 1/4	268-042011
62	128913-02-714	EA	GUIDE BLOCK - DOOR CHECK	146-042045
65	128913-04-709	EA	PIN/CLEVIS-GROOVED W/E-RING	245-042260

CONTACT WINNEBAGO PARTS SALES FOR UNLISTED COMPONENTS

EXTERIOR DOORS & COMPARTMENTS GROUP (CONTINUED)
COMPONENT PARTS FOR ENTRY (CONTINUED)

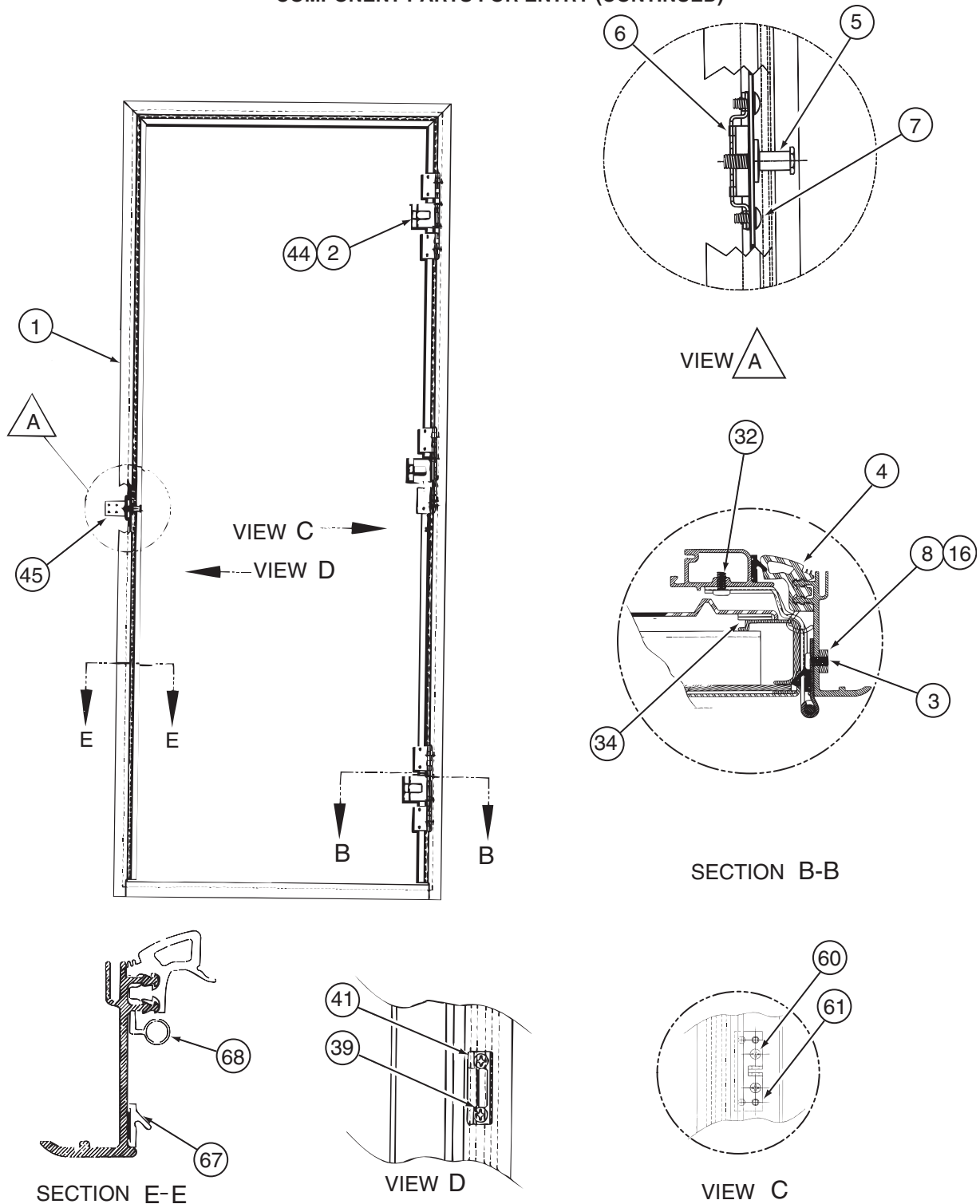


128913-10-02A (CONTINUED)

KEY	PART NUMBER	U/M	DESCRIPTION	VENDOR NO.
9	128913-04-708	EA	DOOR FRAME - SUB ASM - BLACK	V266-90
10	128913-04-707	EA	WINDOW-DUAL PANE	V231-85
14	128913-03-713	EA	BOLT-ROTARY LATCH-1/4"-20	81066-01
15	112782-18-01A	EA	LATCH - EXTERIOR - W/O LOCK CYLINDER W/ICON-REVERSIBLE KEY	
20	128913-04-705	EA	GASKET - OUTSIDE HANDLE	81480
21	112782-05-01A	EA	CAP - VINYL - RED	
24	128913-01-744	EA	SEAL/BULB-STICK ON/THRESHOLD	122-042230
26	128913-04-712	EA	PANEL - INNER PLASTIC	490057
48	128913-04-700	FT	TAPE/BUTYL - FOAM CORE	154-041549

CONTACT WINNEBAGO PARTS SALES FOR UNLISTED COMPONENTS

EXTERIOR DOORS & COMPARTMENTS GROUP (CONTINUED)
COMPONENT PARTS FOR ENTRY (CONTINUED)

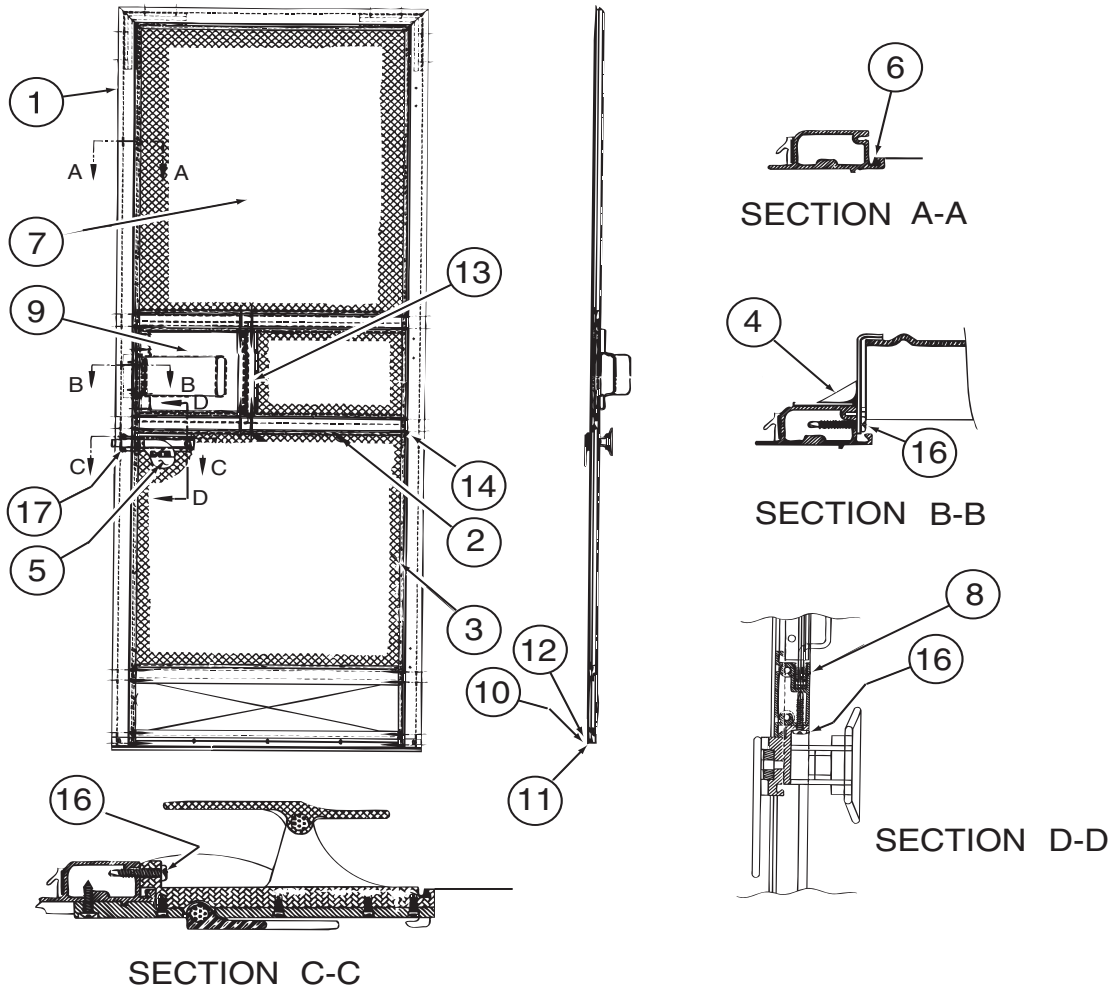


128913-10-02A (CONTINUED)

KEY	PART NUMBER	U/M	DESCRIPTION	VENDOR NO.
1	128913-10-702	EA	FRAME/OUTER ASM - WHITE	490198
2	128913-01-729	EA	HINGE	211-041740
4	128913-01-728	EA	SEAL - DOOR/CORNER- MITERED	122-041917
5	128913-01-727	EA	STRIKER - BOLT - LONG	11628-16
6	128913-01-726	EA	NUT ASSEMBLY-CAGED (STRIKER)	11920-16
41	128913-01-709	EA	STRIKER-SCREEN DR/FRAME MT	130-041824
44	128913-03-708	EA	SEAL/HINGE (3 PER DOOR)	124-042236
45	128913-02-700	EA	LATCH - BRACKET	210-042215
61	128913-01-704	EA	BRACKET - PIVOT/BRASS	370-042315
67	128913-01-732	FT	SEAL - LAZY T	122-041986

CONTACT WINNEBAGO PARTS SALES FOR UNLISTED COMPONENTS

EXTERIOR DOORS & COMPARTMENTS GROUP (CONTINUED)
COMPONENT PARTS FOR ENTRY (CONTINUED)



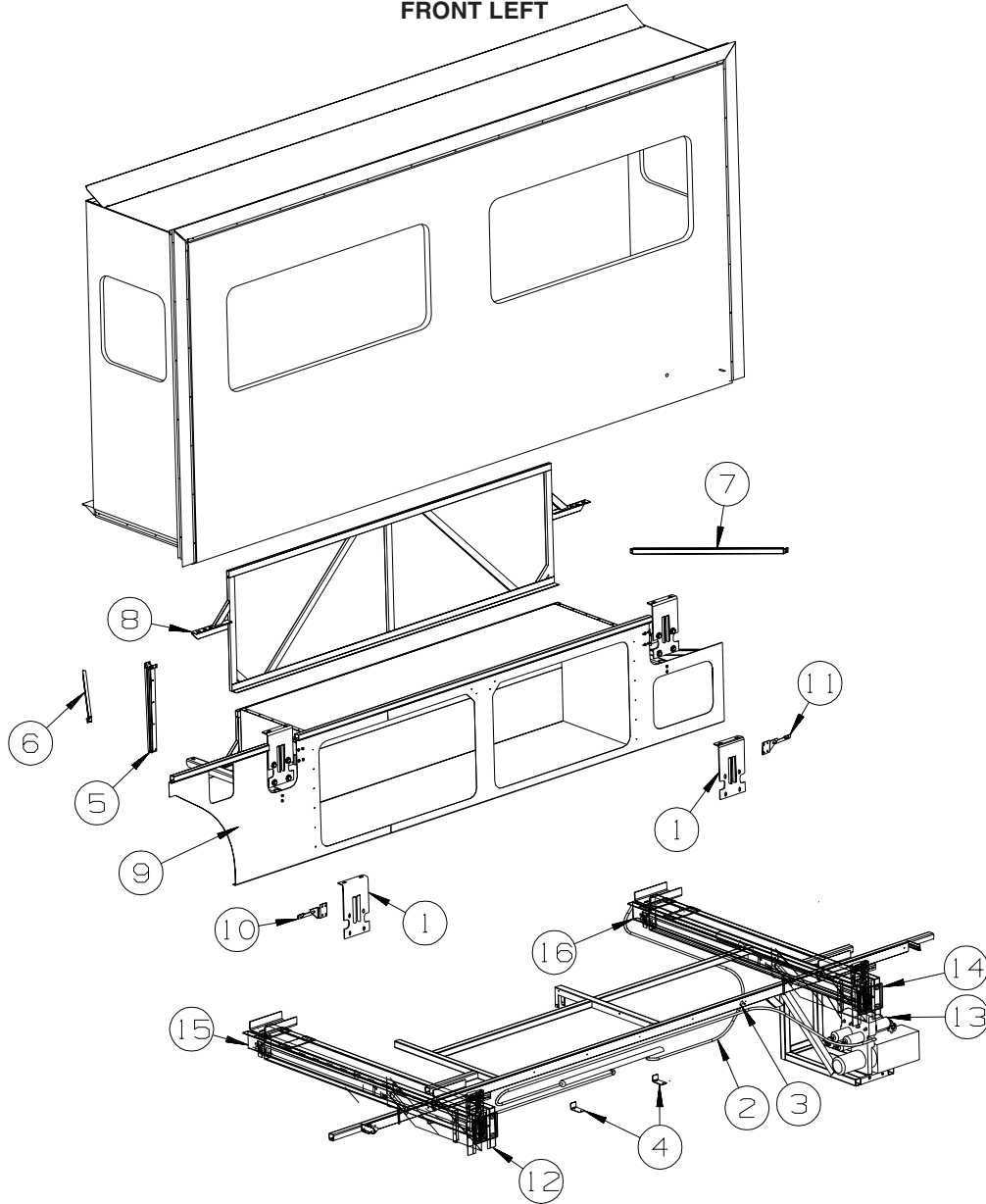
128913-10-01A, 128913-10-02A, 128913-11-01A (CONTINUED)

KEY	PART NUMBER	U/M	DESCRIPTION	VENDOR NO.
2	128913-09-704	EA	RAIL/MID SCREEN-GLACIER BEIG	490054
4	128913-09-703	EA	END CAP - GLACIER BEIGE	490061
5	128913-01-731	EA	LATCH - SCREEN DOOR	146-041950
6	128913-01-742	FT	SPLINE - SCREEN	132-041775
7	128913-01-741	EA	SCREEN ONLY - SCREENDOOR	110-041928
8	128913-01-740	FT	RUN CHANNEL-SCREEN DR SLIDER	170-041263
9	128913-09-702	EA	SLIDER/SCREENDOOR-GLACIER BE	490059
10	128913-09-701	EA	SWEEPER/SCREENDOOR- GLACIER	490052
11	128913-01-736	FT	WEATHERSTRIP-SCREEN DOOR	171-041284
13	128913-01-738	FT	WEATHERSTRIP - SLIDER	171-041285

CONTACT WINNEBAGO PARTS SALES FOR UNLISTED COMPONENTS

EXTERIOR SLIDEOUT GROUP

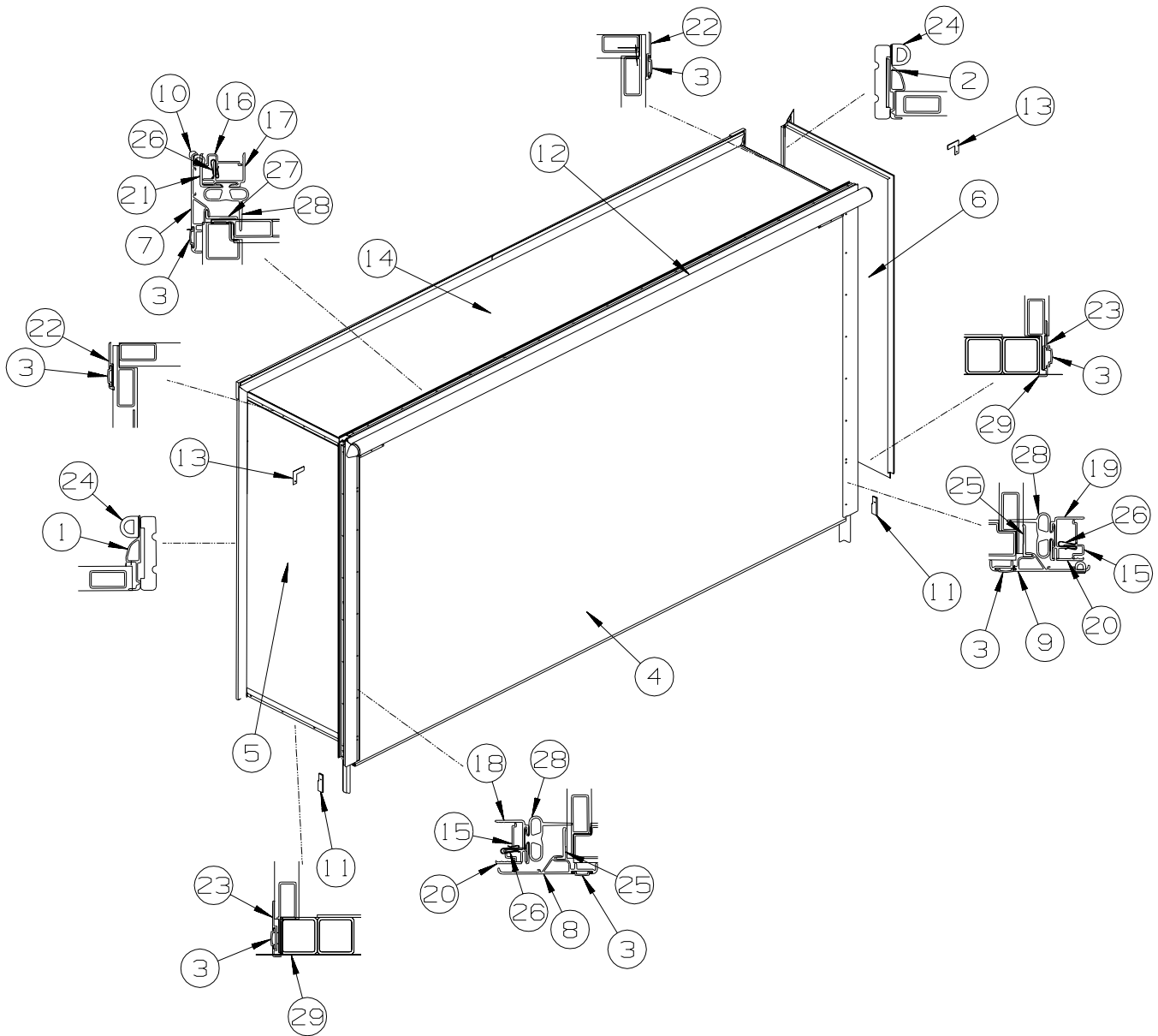
FRONT LEFT



KEY	PART NUMBER	U/M	DESCRIPTION
1	131529-01-02B	EA	BRACKET - MOUNTING - F/SLIDEOUT COMPARTMENT - C-COATED
2*	100536-44-000	EA	HOSE KIT - SLIDEOUT (2 HOSES)
3	123264-01-000	EA	TEE - UNION - 1/4" X 1/4" X 1/4"
4	122922-02-02B	EA	BRACKET/CYLINDER SUPPORT - E-COATED
5	126591-02-02B	EA	CARRIER - WIRE LOOM - F/SLIDEOUT ROOM
6	135788-01-02B	EA	SUPPORT - VALANCE PANEL - 30.5" - E-COATED
7	135788-02-02B	EA	SUPPORT - VALANCE PANEL - 33.5" - E-COATED
8	135792-01-M84	EA	SUPPORT - F/SLIDEOUT COMPARTMENT - 112.1"
9	139573-01-02B	EA	SEAL PLANE - F/SLIDEOUT - E-COATED
10	143183-01-02B	EA	BRACKET - SLIDEOUT COMPARTMENT - E-COATED
11	143183-02-02B	EA	BRACKET - SLIDEOUT COMPARTMENT - E-COATED
12	143376-01-000	EA	SLIDEOUT - HYDRAULIC - FLAT - 29"
			FROM: 00-00-00 THRU: 06-11-02
12*	143625-01-000	EA	SLIDEOUT-HYDRAULIC,FLAT,29"
			FROM: 06-12-02 THRU: 99-99-99
13*	143625-02-000	EA	SLIDEOUT-HYDRAULIC,FLAT,29"
			FROM: 06-12-02 THRU: 99-99-99
14*	143625-03-000	EA	SLIDEOUT-HYDRAULIC KIT
			FROM: 06-12-02 THRU: 99-99-99
15	136749-01-02B	EA	PANEL/COVER - ACCESS - E-COATED
16	136749-02-02B	EA	PANEL/COVER - ACCESS - E-COATED
	143738-01-000	EA	WRENCH - RATCHET - 13/16" X 7/8"

*COMPONENT PARTS LISTED LATER IN THIS GROUP

EXTERIOR SLIDEOUT GROUP (CONTINUED)
FRONT LEFT (CONTINUED)



KEY	PART NUMBER	U/M	DESCRIPTION
1	139624-18-01A	EA	TRIM/SEAL - INNER/RIGHT HAND - 71.3" - BRIGHT WHITE
2	139624-19-01A	EA	TRIM/SEAL - INNER/LEFT HAND - 71.3" - BRIGHT WHITE
	130262-02-000	EA	PROTECTOR - CORNER - .7" X .7" X 17.7"
3	105312-01-07A	FT	INSERT - FEATURE STRIP - VINYL - BRIGHT WHITE
4	142744-11-P78	EA	SLUG - SLIDEOUT (P78, P79, P80, P81, P94, P95)
4	142744-11-P82	EA	SLUG - SLIDEOUT (P82, P83)
5	141972-01-N71	EA	PANEL - SLIDEOUT - FRONT (P78, P79, P80, P81, P94, P95)
5	141972-01-N72	EA	PANEL - SLIDEOUT - FRONT (P82, P83)
6	141973-01-N71	EA	PANEL - SLIDEOUT - REAR (P78, P79, P80, P81, P94, P95)
6	141973-01-N72	EA	PANEL - SLIDEOUT - REAR (P82, P83)
7	139625-10-01A	EA	TRIM/SEAL - TOP/W/ MITERED ENDS - 160" - BRIGHT WHITE
7	139625-10-02A	EA	TRIM/SEAL - TOP/W/ MITERED ENDS - 160" - BLACK - FULL BODY PAINT
8	139625-16-01A	EA	TRIM/SEAL - LEFT HAND - 76.1" - BRIGHT WHITE
8	139625-16-02A	EA	TRIM/SEAL - LEFT HAND - 76.1" - BLACK - FULL BODY PAINT
9	139625-17-01A	EA	TRIM/SEAL - RIGHT HAND - 76.1" - BRIGHT WHITE
9	139625-17-02A	EA	TRIM/SEAL - RIGHT HAND - 76.1" - BLACK - FULL BODY PAINT
10	117058-01-01A	FT	TAPE - LOOP - 3/4" WIDE - ADHESIVE BACKED
11	126546-02-02A	EA	COVER - END/SIDEWALL SLIDEOUT - BRIGHT WHITE

EXTERIOR SLIDEOUT GROUP (CONTINUED)
FRONT LEFT (CONTINUED)

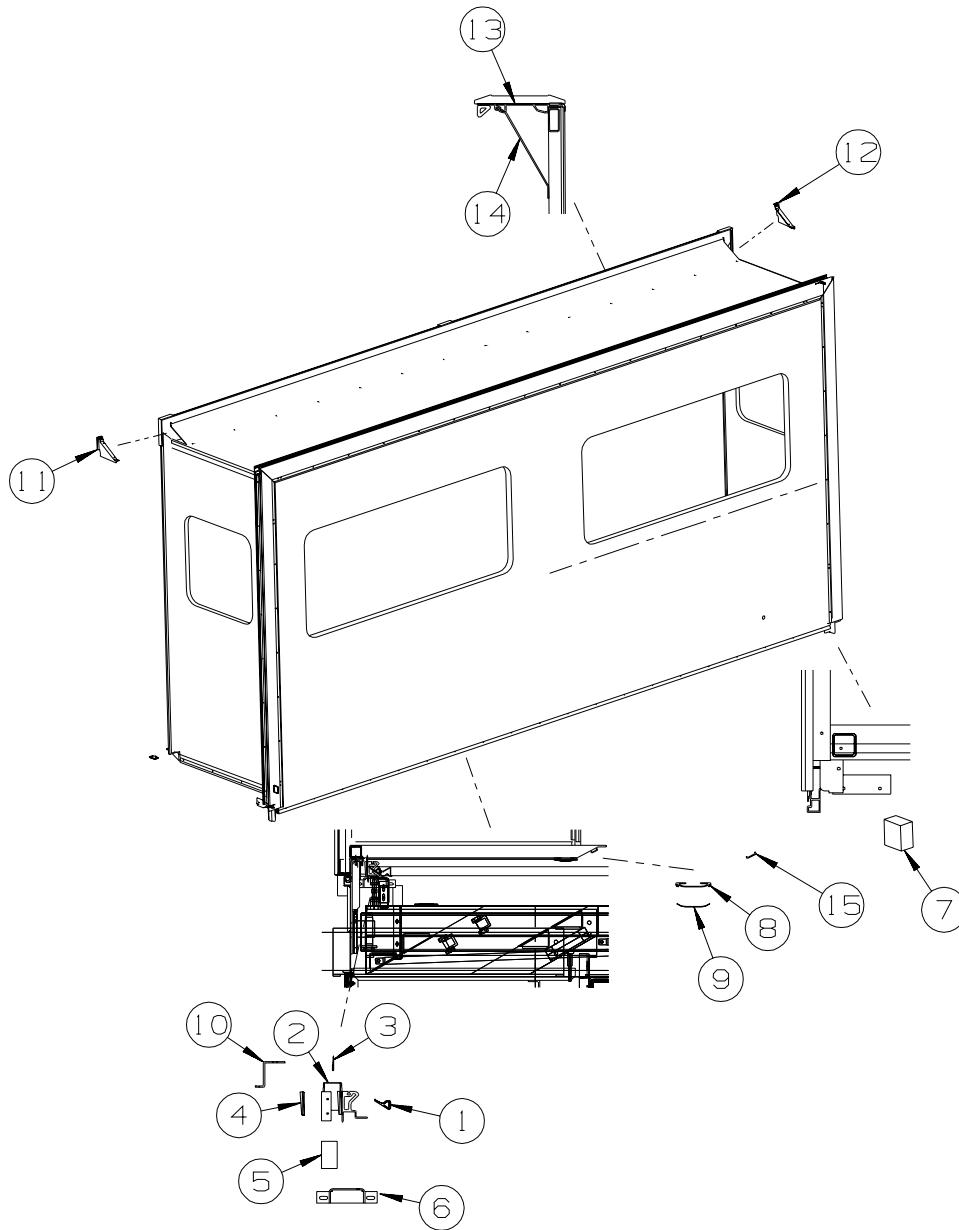
KEY	PART NUMBER	U/M	DESCRIPTION
12	122977-06-03A	EA	AWNING/SLIDEOUT W/COVER - 160.24" - WHITE
12			SLIDEOUT AWNINGS - W/FULL BODY PAINT
	137331-01-01A	EA	SLIDE - COVER - CENTER/BRIGHT WHITE
	137331-01-02A	EA	SLIDE - COVER - CENTER/BLACK - FULL BODY PAINT

JOURNEY DL SLIDEOUT AWNINGS WITH FULL BODY PAINT

MODEL	COLOR CODE	AWNING COLOR	HARDWARE COLOR	SLIDEROOM LT FRONT	SLIDEROOM LT REAR
P39WD	MOCHA 27A	TRUE BROWN	CHAMPAGNE	122977-06-04A	122977-19-04A
P39QD	MOCHA 27A	TRUE BROWN	CHAMPAGNE	122977-06-04A	122977-04-04A
P36LD	MOCHA 27A	TRUE BROWN	CHAMPAGNE	122977-06-04A	122977-18-04A
P36GD	MOCHA 27A	TRUE BROWN	CHAMPAGNE	122977-06-04A	122977-18-04A
P34HD	MOCHA 27A	TRUE BROWN	CHAMPAGNE	122977-07-04A	122977-18-04A
P32TD	MOCHA 27A	TRUE BROWN	CHAMPAGNE	122977-11-04A	122977-18-04A
P39WD	AUBURN 92A	BURGUNDY	CHAMPAGNE	122977-06-04A	122977-19-04A
P39QD	AUBURN 92A	BURGUNDY	CHAMPAGNE	122977-06-04A	122977-04-04A
P36LD	AUBURN 92A	BURGUNDY	CHAMPAGNE	122977-06-04A	122977-18-04A
P36GD	AUBURN 92A	BURGUNDY	CHAMPAGNE	122977-06-04A	122977-18-04A
P34HD	AUBURN 92A	BURGUNDY	CHAMPAGNE	122977-07-04A	122977-18-04A
P32TD	AUBURN 92A	BURGUNDY	CHAMPAGNE	122977-11-04A	122977-18-04A
P39WD	BLUE LAKE 24C	BLUE	SILVER	122977-06-05A	122977-19-05A
P39QD	BLUE LAKE 24C	BLUE	SILVER	122977-06-05A	122977-04-05A
P36LD	BLUE LAKE 24C	BLUE	SILVER	122977-06-05A	122977-18-05A
P36GD	BLUE LAKE 24C	BLUE	SILVER	122977-06-05A	122977-18-05A
P34HD	BLUE LAKE 24C	BLUE	SILVER	122977-07-05A	122977-18-05A
P32TD	BLUE LAKE 24C	BLUE	SILVER	122977-11-05A	122977-18-05A

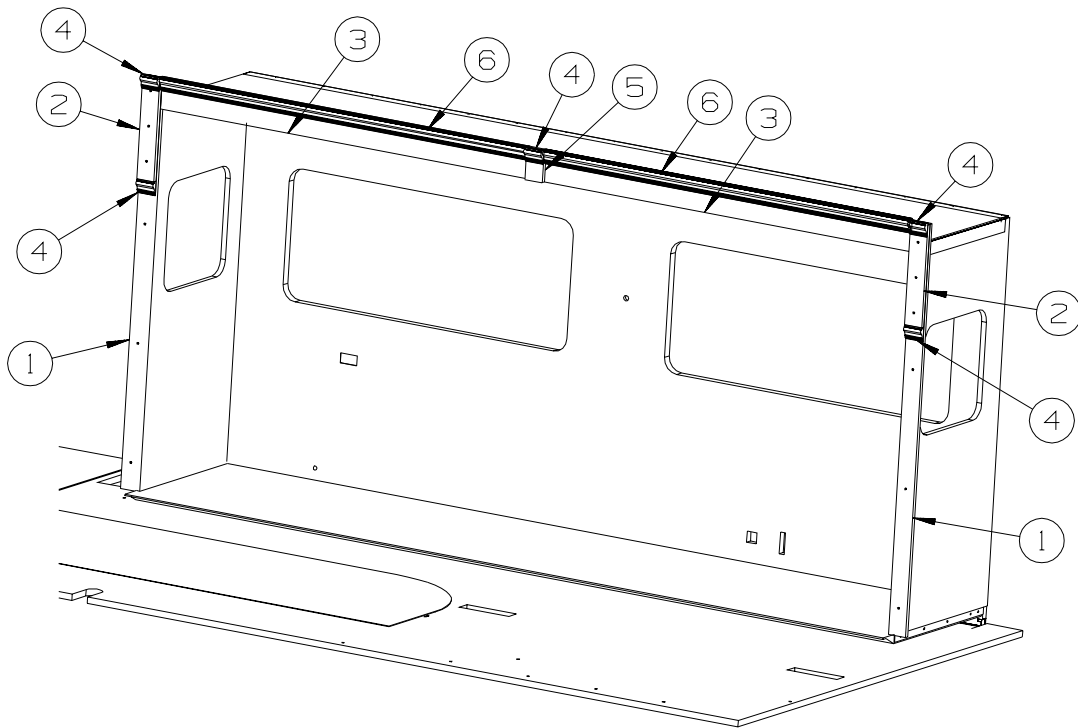
KEY	PART NUMBER	U/M	DESCRIPTION
13	116444-04-12B	EA	TRIM/KEY CORNER - SLIDEOUT - 3.1"X3.1" - BRT WHT
13	116444-04-02B	EA	TRIM/KEY CORNER - SLIDEOUT - 3.1"X3.1" - BLACK - FULL BODY PAINT
14	136039-01-M84	EA	ROOF - W/O WIRING - F/SLIDEOUT
15	142718-01-01A	EA	RETAINER - SIDEWALL/SLIDEOUT - 72.8" - MILL
16	142718-09-01A	EA	RETAINER - SIDEWALL/SLIDEOUT - 157.9"
17	142719-11-01A	EA	TRIM/SIDEWALL - TOP/SLIDEOUT - 159.5" - BRIGHT WHITE
18	142720-01-01A	EA	TRIM - SIDEWALL/SLIDEOUT - 74.8" - BRIGHT WHITE
19	142720-02-01A	EA	TRIM - SIDEWALL/SLIDEOUT - 74.8" - BRIGHT WHITE
20	136824-39-01A	EA	TRIM - SIDEWALL/SLIDEOUT - 74.8" - BRIGHT WHITE
20	136824-39-02A	EA	TRIM - SIDEWALL/SLIDEOUT - 74.8" - BLACK - FULL BODY PAINT
21	136824-11-01A	EA	TRIM - SIDEWALL/SLIDEOUT - 159.8" - BRIGHT WHITE
21	136824-11-02A	EA	TRIM - SIDEWALL/SLIDEOUT - 159.8" - BLACK - FULL BODY PAINT
22	138659-01-01A	EA	TRIM/FEATURE STRIP - 181.7" - BRIGHT WHITE
22	138659-01-02A	EA	TRIM/FEATURE STRIP - 181.7" - BLACK - FULL BODY PAINT
23	125051-03-01A	EA	TRIM - FEATURE STRIP/LOWER - 29.3" - BRIGHT WHITE
23	125051-03-02A	EA	TRIM - FEATURE STRIP/LOWER - 29.3" - BLACK - FULL BODY PAINT
24	112091-01-000	FT	SEAL/D - NEOPRENE - HEAT ACTIVE ADHESIVE - .9" FROM: 00-00-00 THRU: 01-14-03
24	146056-01-000	FT	SEAL - TRIANGLE - W/PSA FROM: 01-15-03 THRU: 99-99-99
25	133954-16-01A	EA	TRIM/SEAL - W/MITERED ENDS - 71.2" - BRIGHT WHITE
25	133954-16-02A	EA	TRIM/SEAL - W/MITERED ENDS - 71.2" - BLACK - FULL BODY PAINT
26	142549-01-000	EA	CLIP-S TYPE
27	133954-01-01A	EA	TRIM/SEAL - W/MITERED ENDS - 154.3" - BRIGHT WHITE
27	133954-01-02A	EA	TRIM/SEAL - W/MITERED ENDS - 154.3" - BLACK - FULL BODY PAINT
28	136978-01-01A	FT	SEAL - SLIDEOUT - BLACK
29	075673-05-000	FT	SEAL - PILE - ADHESIVE BACK - BLACK

EXTERIOR SLIDEOUT GROUP (CONTINUED)
FRONT LEFT (CONTINUED)

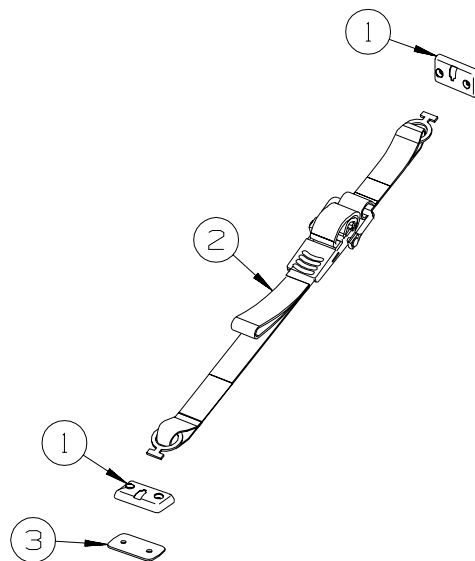


KEY	PART NUMBER	U/M	DESCRIPTION
1	131611-01-000	FT	SEAL - SLIDEOUT/LOWER
2	131659-03-M84	EA	TUBE/SUPPORT - SLIDEOUT - 153.6"
3	123012-01-000	FT	SEAL - SLIDEOUT - .09"/.13" THICK X 1.25" - W/ADHESIVE
4	137343-01-02B	EA	PLATE - W/HOLES - E-COATED
5	137408-02-000	EA	SEAL - BLOCK - F/SLIDEOUT - 1.4"
6	133233-01-02B	EA	BRACKET - SLIDEOUT - E-COATED
7	137408-01-000	EA	SEAL - BLOCK - F/SLIDEOUT - 2.2"
8	115325-01-02A	EA	RAIL - FLOOR/SLIDEOUT ROOM - BLACK
9	115661-01-000	FT	SHOE/GLIDE - SLIDEOUT ROOM - 1/16" X 3" - POLYETHYLENE
10	131520-08-01A	EA	EXTRUSION/ZEE - F/SLIDEOUT - 150.4"
11	131584-01-01A	EA	COVER - TRIM - SLIDEOUT - FRONT - BRIGHT WHITE
11	131584-01-02A	EA	COVER - TRIM - SLIDEOUT - FRONT - BLACK - FULL BODY PAINT
12	131584-02-01A	EA	COVER - TRIM - SLIDEOUT - REAR - BRIGHT WHITE
12	131584-02-02A	EA	COVER - TRIM - SLIDEOUT - REAR - BLACK - FULL BODY PAINT
13	141893-01-01A	EA	TRIM/SEAL - F/SLIDEOUT - BRIGHT WHITE
14	131579-01-01A	EA	TRIM/RETAINER - BRIGHT WHITE
14	131579-01-02A	EA	TRIM/RETAINER - BLACK - FULL BODY PAINT
15	131358-01-01A	EA	RETAINER - U-CHANNEL - 153.4" - BLACK

EXTERIOR SLIDEOUT GROUP (CONTINUED)
FRONT LEFT (CONTINUED)



KEY	PART NUMBER	U/M	DESCRIPTION
1	116951-16-N75	EA	MOLDING - TRIM - 5.5" X 74.3" - PORTSMOUTH OAK
1	116951-16-K37	EA	MOLDING - TRIM - 5.5" X 74.3" - CHERRY - CONCERT CHERRY
2	116951-09-N70	EA	MOLDING - TRIM - 5.5" X 18.5" - PORTSMOUTH OAK
2	116951-09-L52	EA	MOLDING - TRIM - 5.5" X 18.5" - CHERRY - CONCERT CHERRY
3	116951-17-N95	EA	MOLDING - TRIM - 3.5" X 76.3" - PORTSMOUTH OAK
3	116951-17-M94	EA	MOLDING - TRIM - 3.5" X 76.3" - CHERRY - CONCERT CHERRY
4	M09454-12-P78	EA	MOLDING/CROWN - PORTSMOUTH OAK
4	M09454-12-P79	EA	MOLDING/CROWN - CONCERT CHERRY
5	M09454-13-P78	EA	MOLDING - TRIM - PORTSMOUTH OAK
5	M09454-13-P79	EA	MOLDING - TRIM - CONCERT CHERRY
6	M09454-14-P78	EA	MOLDING/CROWN - PORTSMOUTH OAK
6	M09454-14-P79	EA	MOLDING/CROWN - CONCERT CHERRY



KEY	PART NUMBER	U/M	DESCRIPTION
1	135619-02-01A	EA	PLATE - TIEDOWN - SLIDEOUT ROOM
2	135619-01-01A	EA	STRAP - TIEDOWN - SLIDEOUT ROOM
3	135622-01-01B	EA	PLATE - TIEDOWN - SLIDEOUT ROOM

EXTERIOR SLIDEOUT GROUP (CONTINUED)
COMPONENT PARTS FOR FRONT SLIDEOUT

100536-44-000

KEY	PART NUMBER	U/M DESCRIPTION	VENDOR NO.
	100536-44-700	EA HOSE-HYDRAULIC - 1/8" X 172"	AP24649
	131360-01-701	EA HOSE-HYDRAULIC-1/4" X 125"	AP4906

143625-01-000

KEY	PART NUMBER	U/M DESCRIPTION	VENDOR NO.
	128599-06-703	EA HOSE/HYDRAULIC -1/8" X 72"	AP24635
	131360-01-700	EA CYLINDER - HYDRAULIC (RAM)	RAP90696/AP19256
	131360-01-703	EA HOSE-HYDRAULIC-3/16" X 42"	AP20533

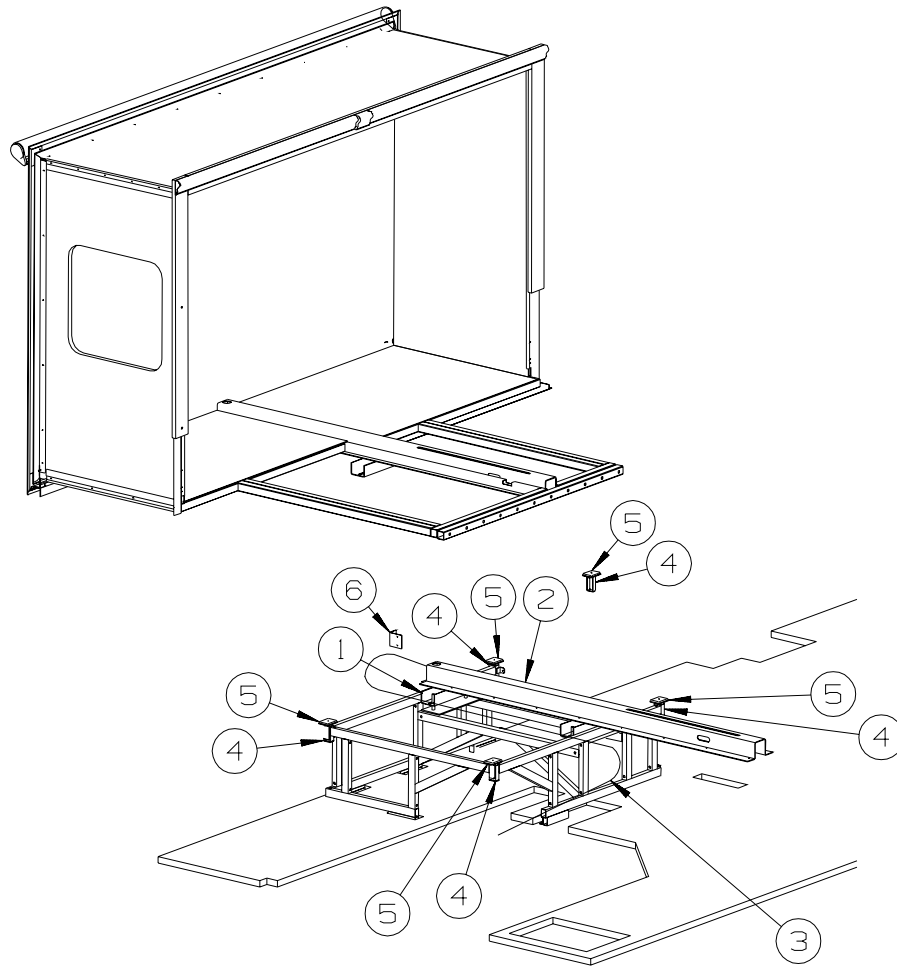
143625-02-000

KEY	PART NUMBER	U/M DESCRIPTION	VENDOR NO.
	128599-06-703	EA HOSE/HYDRAULIC -1/8" X 72"	AP24635
	131360-01-700	EA CYLINDER - HYDRAULIC (RAM)	RAP90696/AP19256
	131360-01-706	EA HOSE-HYDRAULIC - 1/8" X 42"	AP24631

143625-03-000

KEY	PART NUMBER	U/M DESCRIPTION	VENDOR NO.
	100536-44-700	EA HOSE-HYDRAULIC - 1/8" X 172"	AP24649
	131360-01-701	EA HOSE-HYDRAULIC-1/4" X 125"	AP4906
	132540-01-701	EA CYLINDER - SYNCRONIZING	RAP90690/AP17966

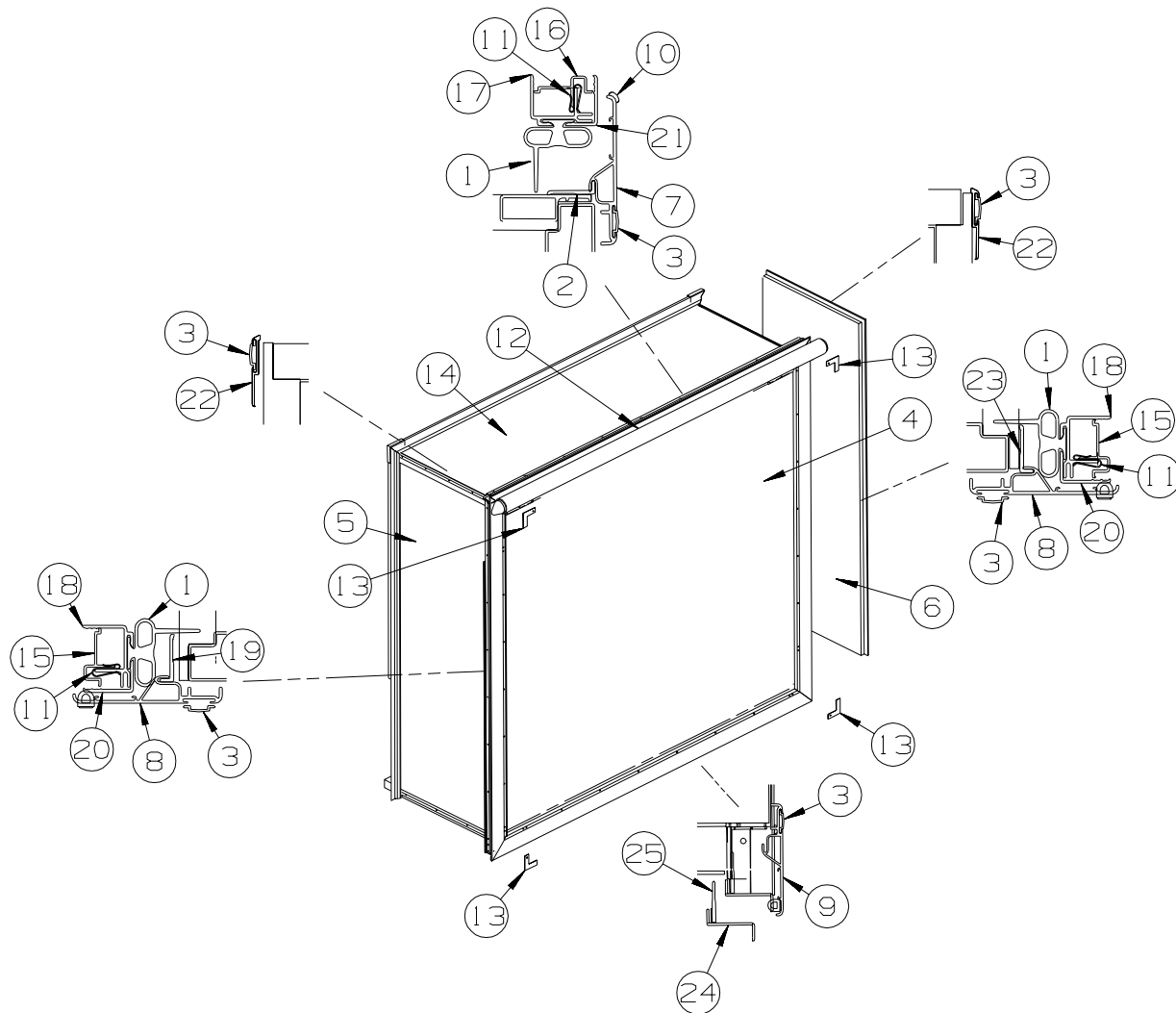
EXTERIOR SLIDEOUT GROUP (CONTINUED)
LEFT REAR



KEY	PART NUMBER	U/M	DESCRIPTION
1*	137390-01-000	EA	HYDRAULIC/BED - F/SLIDEOUT
2	137390-02-000	EA	CHANNEL - HYDRAULIC - F/SLIDEOUT
3*	100536-35-000	EA	HOSE KIT - F/SLIDEOUT
4	126313-02-02B	EA	SUPPORT - ROLLER - E-COATED
5	128599-03-000	EA	PAD - F/SLIDEOUT
6	142889-01-02B	EA	ANGLE/SUPPORT - SIDEWALL - E-COATED

***COMPONENT PARTS LISTED LATER IN THIS GROUP**

EXTERIOR SLIDEOUT GROUP (CONTINUED)
LEFT REAR (CONTINUED)



KEY	PART NUMBER	U/M	DESCRIPTION
1	136978-01-01A	FT	SEAL - SLIDEOUT - BLACK
2	133954-33-01A	EA	TRIM/SEAL - W/MITERED ENDS - 81.8" - BRIGHT WHITE
2	133954-33-02A	EA	TRIM/SEAL - W/MITERED ENDS - 81.8" - BLACK - FULL BODY PAINT
3	105312-01-07A	FT	INSERT - FEATURE STRIP - VINYL - BRIGHT WHITE
3	105312-01-13A	FT	INSERT - FEATURE STRIP - VINYL - BLACK - FULL BODY PAINT
4	142744-12-P78	EA	SLUG - SLIDEOUT (P78, P79, P80, P81, P94, P95)
4	142744-12-P82	EA	SLUG - SLIDEOUT (P82, P83)
5	140731-01-N86	EA	PANEL - REAR- REAR SLIDEOUT (P78, P79, P80, P81, P94, P95)
5	140731-01-N84	EA	PANEL - REAR- REAR SLIDEOUT (P82, P83)
6	140732-01-N86	EA	PANEL - FRONT - REAR SLIDEOUT (P78, P79, P80, P81, P94, P95)
6	140732-01-N84	EA	PANEL - FRONT - REAR SLIDEOUT (P82, P83)
7	139625-36-01A	EA	TRIM/SEAL - TOP/W/MITERED ENDS - 87.1" - BRIGHT WHITE
7	139625-36-02A	EA	TRIM/SEAL - TOP/W/MITERED ENDS - 87.1" - BLACK - FULL BODY PAINT
8	139625-26-01A	EA	TRIM/SEAL - TOP/W/MITERED ENDS - 63.3" - BRIGHT WHITE
8	139625-26-02A	EA	TRIM/SEAL - TOP/W/MITERED ENDS - 63.3" - BLACK - FULL BODY PAINT
9	142233-03-01A	EA	TRIM/SEAL - W/MITERED ENDS - 87.1" - BRIGHT WHITE
9	142233-03-02A	EA	TRIM/SEAL - W/MITERED ENDS - 87.1" - BLACK - FULL BODY PAINT
10	117058-01-01A	FT	TAPE - LOOP - 3/4" WIDE - ADHESIVE BACKED
11	142549-01-000	EA	CLIP-S TYPE

EXTERIOR SLIDEOUT GROUP (CONTINUED)
LEFT REAR (CONTINUED)

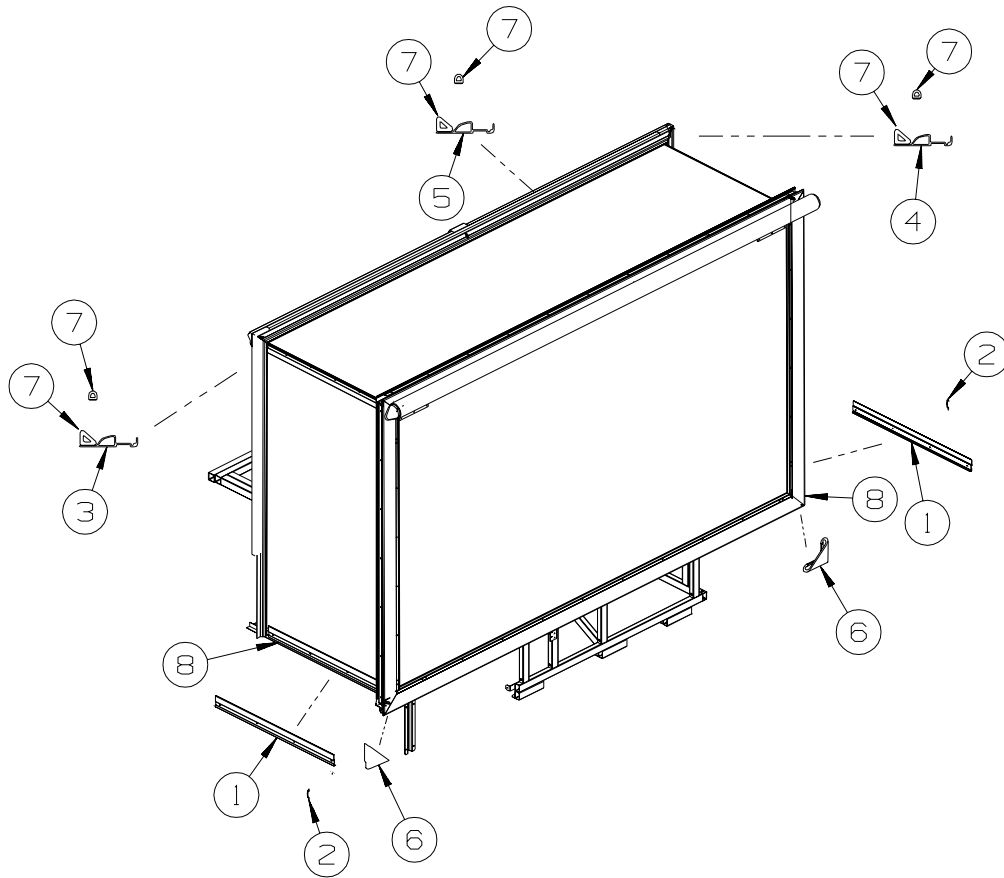
KEY	PART NUMBER	U/M	DESCRIPTION
12	122977-04-03A	EA	AWNING/SLIDEOUT W/COVER - 85.8" - WHITE - VINYL/VINYL WRAP
12			AWNING - SEE FOLLOWING AWNING CHART - FULL BODY PAINT
	137321-01-01A	EA	SPACER - SLIDE COVER - BRIGHT WHITE
	137321-01-02A	EA	SPACER - SLIDE COVER - BLACK - FULL BODY PAINT

JOURNEY DL SLIDEOUT AWNINGS WITH FULL BODY PAINT

MODEL	COLOR CODE	AWNING COLOR	HARDWARE COLOR	SLIDEROOM LT FRONT	SLIDEROOM LT REAR
P39WD	MOCHA 27A	TRUE BROWN	CHAMPAGNE	122977-06-04A	122977-19-04A
P39QD	MOCHA 27A	TRUE BROWN	CHAMPAGNE	122977-06-04A	122977-04-04A
P36LD	MOCHA 27A	TRUE BROWN	CHAMPAGNE	122977-06-04A	122977-18-04A
P36GD	MOCHA 27A	TRUE BROWN	CHAMPAGNE	122977-06-04A	122977-18-04A
P34HD	MOCHA 27A	TRUE BROWN	CHAMPAGNE	122977-07-04A	122977-18-04A
P32TD	MOCHA 27A	TRUE BROWN	CHAMPAGNE	122977-11-04A	122977-18-04A
P39WD	AUBURN 92A	BURGUNDY	CHAMPAGNE	122977-06-04A	122977-19-04A
P39QD	AUBURN 92A	BURGUNDY	CHAMPAGNE	122977-06-04A	122977-04-04A
P36LD	AUBURN 92A	BURGUNDY	CHAMPAGNE	122977-06-04A	122977-18-04A
P36GD	AUBURN 92A	BURGUNDY	CHAMPAGNE	122977-06-04A	122977-18-04A
P34HD	AUBURN 92A	BURGUNDY	CHAMPAGNE	122977-07-04A	122977-18-04A
P32TD	AUBURN 92A	BURGUNDY	CHAMPAGNE	122977-11-04A	122977-18-04A
P39WD	BLUE LAKE 24C	BLUE	SILVER	122977-06-05A	122977-19-05A
P39QD	BLUE LAKE 24C	BLUE	SILVER	122977-06-05A	122977-04-05A
P36LD	BLUE LAKE 24C	BLUE	SILVER	122977-06-05A	122977-18-05A
P36GD	BLUE LAKE 24C	BLUE	SILVER	122977-06-05A	122977-18-05A
P34HD	BLUE LAKE 24C	BLUE	SILVER	122977-07-05A	122977-18-05A
P32TD	BLUE LAKE 24C	BLUE	SILVER	122977-11-05A	122977-18-05A

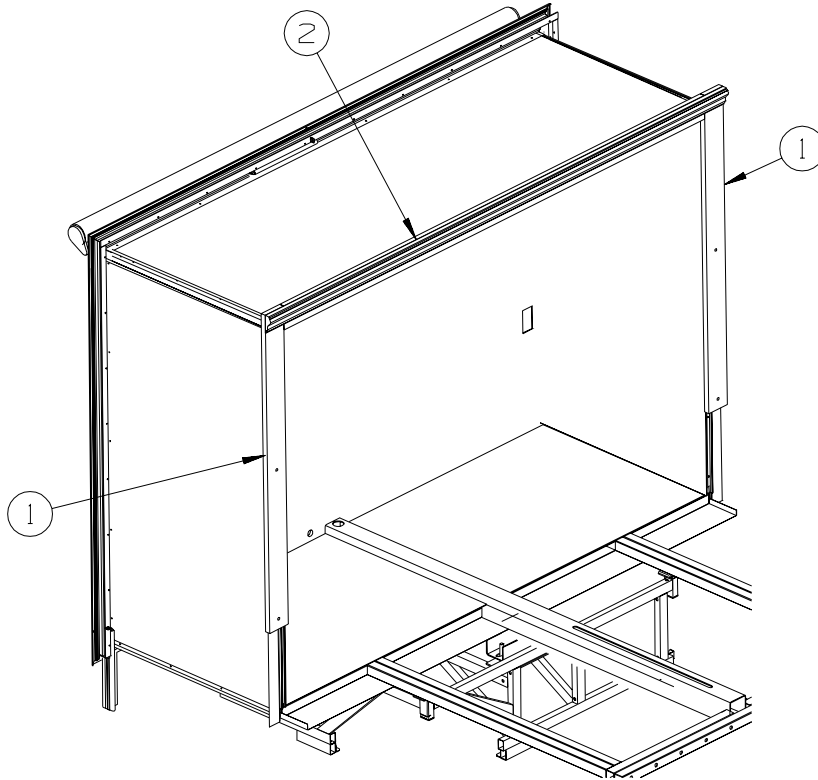
KEY	PART NUMBER	U/M	DESCRIPTION
13	116444-04-12B	EA	TRIM/KEY CORNER - SLIDEOUT - 3.1"X3.1" - BRT WHT
13	116444-04-02B	EA	TRIM/KEY CORNER - SLIDEOUT - 3.1"X3.1" - BLACK - FULL BODY PAINT
14	140336-01-N84	EA	ROOF - SLIDEOUT - W/O LIGHTS/VENTS - W/WIRING
15	142718-26-01A	EA	RETAINER - SIDEWALL/SLIDEOUT - 60.2"
16	142718-11-01A	EA	RETAINER - SIDEWALL/SLIDEOUT - 84.4"
17	142719-13-01A	EA	TRIM/SIDEWALL - TOP/SLIDEOUT - 86.6" - BRIGH WHITE
18	142720-13-01A	EA	TRIM - SIDEWALL/SLIDEOUT - 60.5" - BRIGHT WHITE
19	133954-34-01A	EA	TRIM/SEAL - W/MITERED ENDS - 56.7" - BRIGHT WHITE
19	133954-34-02A	EA	TRIM/SEAL - W/MITERED ENDS - 56.7" - BLACK - FULL BODY PAINT
20	136824-19-01A	EA	TRIM - SIDEWALL/SLIDEOUT - 60.6" - BRIGHT WHITE
20	136824-19-02A	EA	TRIM - SIDEWALL/SLIDEOUT - 60.6" - BLACK - FULL BODY PAINT
21	136824-20-01A	EA	TRIM - SIDEWALL/SLIDEOUT - 86.6" - BRIGHT WHITE
21	136824-20-02A	EA	TRIM - SIDEWALL/SLIDEOUT - 86.6" - BLACK - FULL BODY PAINT
22	138659-01-01A	EA	TRIM/FEATURE STRIP - 181.7" - BRIGHT WHITE
22	138659-01-02A	EA	TRIM/FEATURE STRIP - 181.7" - BLACK - FULL BODY PAINT
23	133954-31-01A	EA	TRIM/SEAL - W/MITERED ENDS - 56.7" - BRIGHT WHITE
23	133954-31-02A	EA	TRIM/SEAL - W/MITERED ENDS - 56.7" - BLACK - FULL BODY PAINT
24	141174-09-02A	EA	TRIM/ZEE - SIDEWALL - 86.8" - BRIGHT WHITE
24	141174-09-01A	EA	TRIM/ZEE - SIDEWALL - 86.8" - BLACK - FULL BODY PAINT
25	123012-01-000	FT	SEAL - SLIDEOUT - .09"/.13" THICK X 1.25" - W/ADHESIVE

EXTERIOR SLIDEOUT GROUP (CONTINUED)
LEFT REAR (CONTINUED)



KEY	PART NUMBER	U/M	DESCRIPTION
1	125051-03-01A	EA	TRIM - FEATURE STRIP/LOWER - 29.3" - BRIGHT WHITE
1	125051-03-02A	EA	TRIM - FEATURE STRIP/LOWER - 29.3" - BLACK - FULL BODY PAINT
2	105312-01-07A	FT	INSERT - FEATURE STRIP - VINYL - BRIGHT WHITE
2	105312-01-13A	FT	INSERT - FEATURE STRIP - VINYL - BLACK - FULL BODY PAINT
3	139624-20-01A	EA	TRIM/SEAL - INNER/RIGHT HAND W/NOTCH - 60.6" - BRIGHT WHITE
4	139624-21-01A	EA	TRIM/SEAL - INNER/LEFT HAND W/NOTCH - 60.6" - BRIGHT WHITE
5	139624-29-01A	EA	TRIM/SEAL - INNER/TOP - 85.5" - BRIGHT WHITE
6	135275-01-01A	EA	PROTECTOR - CORNER - SLIDEOUT - WHITE
7	112091-01-000	FT	SEAL/D - NEOPRENE - HEAT ACTIVE ADHESIVE - .9" FROM: 00-00-00 THRU: 01-14-03
7	146056-01-000	FT	SEAL - TRIANGLE - W/PSA FROM: 01-15-03 THRU: 99-99-99
8	075673-05-000	FT	SEAL - PILE - ADHESIVE BACK - BLACK

EXTERIOR SLIDEOUT GROUP (CONTINUED)
LEFT REAR (CONTINUED)



KEY	PART NUMBER	U/M	DESCRIPTION
1	116951-27-N75	EA	MOLDING - TRIM - 3.5" X 46.8" - PORTSMOUTH OAK
1	116951-27-N85	EA	MOLDING - TRIM - 3.5" X 46.8" - CONCERT CHERRY
2	116951-28-N75	EA	MOLDING - TRIM - 3.5" X 79.4" - PORTSMOUTH OAK
2	116951-28-N85	EA	MOLDING - TRIM - 3.5" X 79.4" - CONCERT CHERRY
2	M09438-68-N75	EA	MOLDING - CROWN - PORTSMOUTH OAK
2	M09438-68-N85	EA	MOLDING - CROWN - CONCERT CHERRY

EXTERIOR SLIDEOUT GROUP (CONTINUED)
COMPONENT PARTS FOR LEFT REAR SLIDEOUT

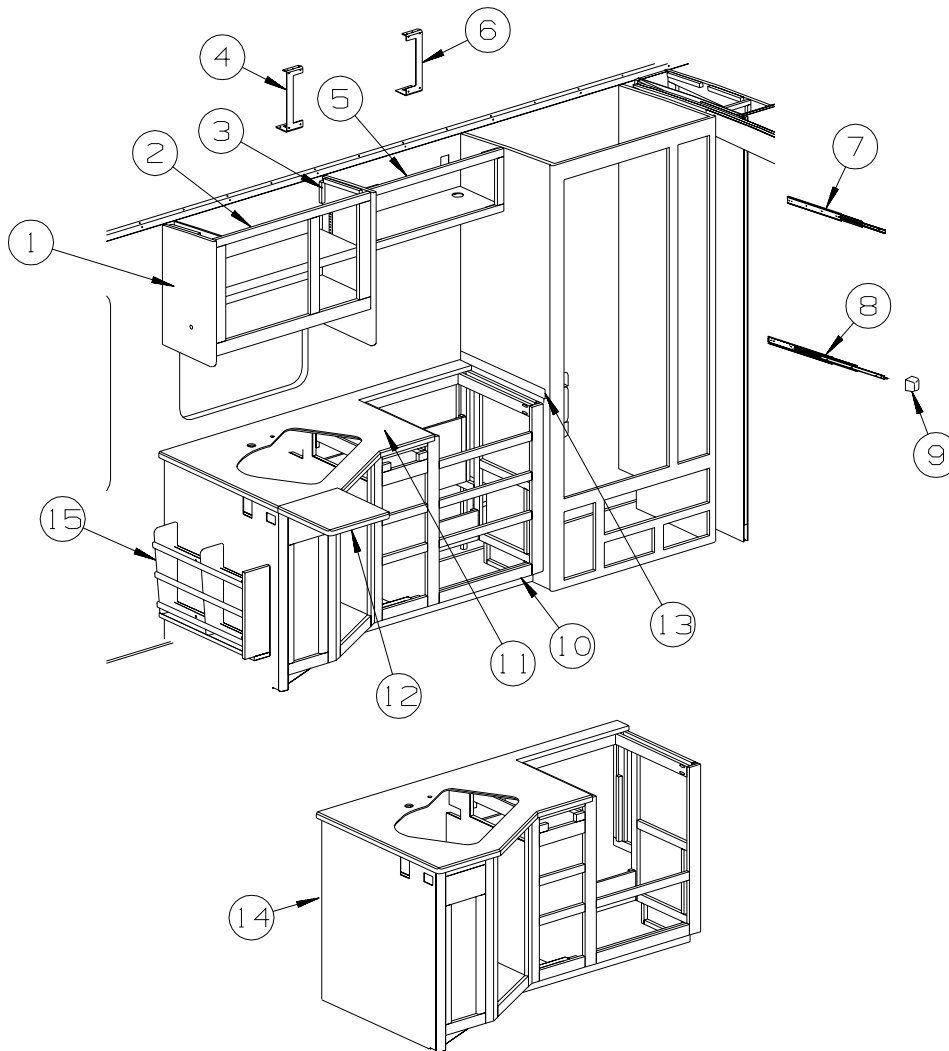
100536-35-000

KEY	PART NUMBER	U/M	DESCRIPTION	VENDOR NO.
	100536-14-702	EA	HOSE-HYDRAULIC-264"	RAP6216
	100536-35-700	EA	HOSE - HYDRAULIC 1/4" X 243"	AP5966
	100536-35-701	EA	HOSE - HYDRAULIC 1/4" X 252"	RAP90121

137390-01-000

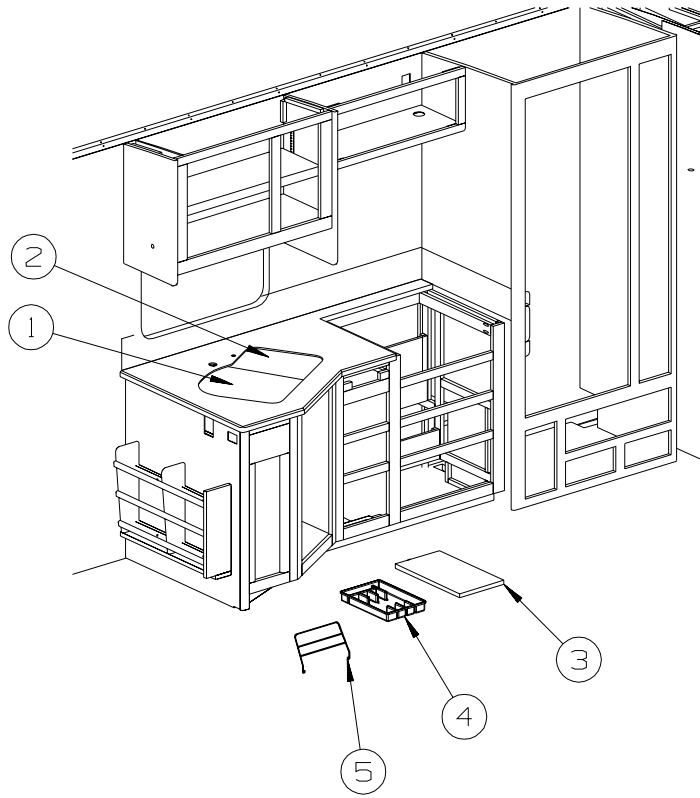
KEY	PART NUMBER	U/M	DESCRIPTION	VENDOR NO.
	128599-06-700	EA	HOSE/HYDRAULIC -1/8" X 72"	AP24635
	128599-06-701	EA	HOSE/HYDRAULIC - 1/8" X 84"	AP24636
	128599-06-703	EA	BEARING KIT - SLIDE-OUT TUBE	RAP90698
	128599-06-704	EA	BEARING PAD - SLIDE-OUT	P14811
	137390-01-700	EA	RAM/CYLINDER - SLIDEOUT ROOM	RAP90876/AP23425
	137390-01-701	EA	CYLINDER NUT KIT - SLIDEOUT	RAP90947
	137390-01-702	EA	SLOT COVER ASM. - RUBBER	AP26959

GALLEY GROUP CABINETS



KEY	PART NUMBER	U/M	DESCRIPTION
1	P38119-10-N70	EA	END CAP - OVERHEAD CABINET - PORTSMOUTH OAK
1	P38119-10-N74	EA	END CAP - OVERHEAD CABINET - CONCERT CHERRY
2	138768-01-N70	EA	CABINET - GALLEY/OVERHEAD - W/O DOORS/HDW - PORTSMOUTH OAK - W/SURROUND SOUND
2	138768-01-N85	EA	CABINET - GALLEY/OVERHEAD - W/O DOORS/HDW - CONCERT CHERRY - W/SURROUND SOUND
2	138768-02-N70	EA	CABINET - GALLEY/OVERHEAD - W/O DOORS/HDW - PORTSMOUTH OAK - W/O SURROUND SOUND
2	138768-02-N85	EA	CABINET - GALLEY/OVERHEAD - W/O DOORS/HDW - CONCERT CHERRY - W/O SURROUND SOUND
3	P38119-09-N70	EA	END CAP - OVERHEAD CABINET - PORTSMOUTH OAK
3	P38119-09-N74	EA	END CAP - OVERHEAD CABINET - CONCERT CHERRY
4	130736-03-02B	EA	BRACKET - MICROWAVE - E-COATED
5	141733-02-P45	EA	CABINET - OVERHEAD/MICROWAVE - W/O DRS/HDW - PORTSMOUTH OAK - W/CONVECTION OVEN
5	141733-02-P46	EA	CABINET - OVERHEAD/MICROWAVE - W/O DRS/HDW - CONCERT CHERRY - W/CONVECTION OVEN
5	141733-03-P78	EA	CABINET - OVERHEAD/MICROWAVE - W/O DRS/HDW - PORTSMOUTH OAK - W/SPEEDCOOK OVEN
5	141733-03-P79	EA	CABINET - OVERHEAD/MICROWAVE - W/O DRS/HDW - CONCERT CHERRY - W/SPEEDCOOK OVEN
6	130736-04-02B	EA	BRACKET - MICROWAVE - E-COATED
7	122360-02-000	EA	SLIDE - PANTRY - W/O LOCK - RIGHT/LEFT HAND
8	122360-03-000	EA	SLIDE - PANTRY - W/LOCK - RIGHT HAND (FACING PANEL)
9	123673-01-01A	EA	KNOB - PANTRY SLIDE
10	P41580-01-P75	EA	CABINET - GALLEY - W/O COUNTERTOP/DOORS/DRAWERS/HARDWARE - PORTSMOUTH OAK
10	P41580-01-P25	EA	CABINET - GALLEY - W/O COUNTERTOP/DOORS/DRAWERS/HARDWARE - CONCERT CHERRY
11	137475-08-02A	EA	COUNTERTOP - 1/4" VENDURA - ALMONDINE
12	141784-01-02A	EA	COUNTERTOP - EXTENSION - 1/4" VENDURA - ALMONDINE
13	130813-04-03A	EA	BACKSPLASH - COUNTERTOP - 1/2" VENDURA - ALMONDINE
14	P41580-02-P75	EA	CABINET - GALLEY - W/O COUNTERTOP/DOORS/DRAWERS/HARDWARE - PORTSMOUTH OAK
14	P41580-02-P25	EA	CABINET - GALLEY - W/O COUNTERTOP/DOORS/DRAWERS/HARDWARE - CONCERT CHERRY
15	140304-01-N70	EA	CABINET/MAGAZINE RACK - PORTSMOUTH OAK
15	140304-01-N85	EA	CABINET/MAGAZINE RACK - CONCERT CHERRY

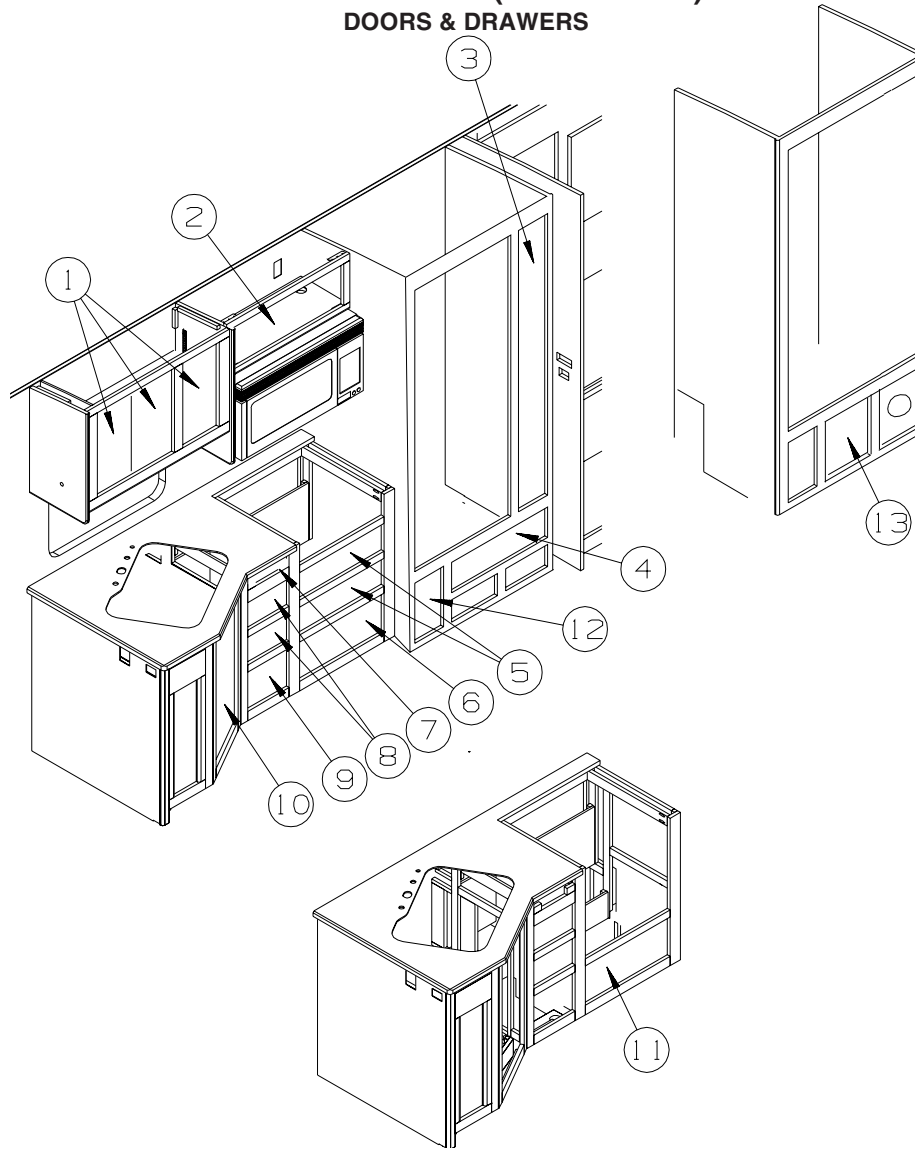
GALLEY GROUP (CONTINUED)
CABINETS (CONTINUED)



KEY	PART NUMBER	U/M	DESCRIPTION
1	137489-03-02A	EA	COVER - SINK/LARGE - VENDURA/ALMONDINE
2	137489-04-02A	EA	COVER - SINK/SMALL - VENDURA/ALMONDINE
3	102778-03-000	EA	BOARD - CUTTING - .7" X 10" X 17.7" - WOOD
4	100081-01-01A	EA	TRAY - SILVERWARE - 9" X 13.3" RUBBERMAID ALMOND PLASTIC
5	093605-02-01A	EA	RACK - TOWEL/WIRE - ALMOND

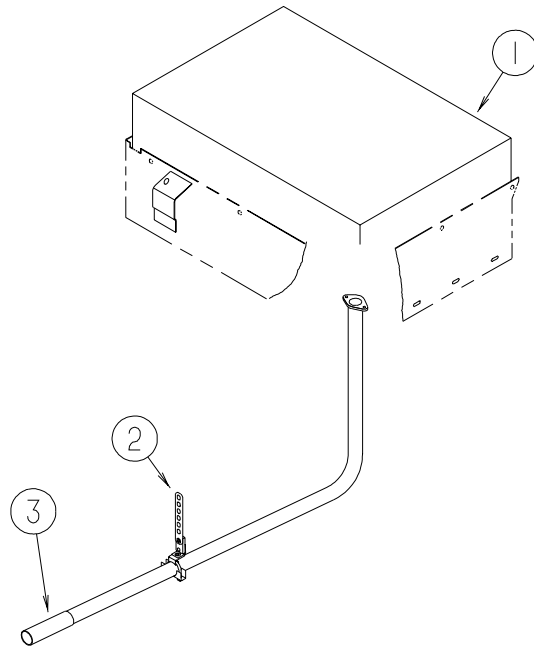
GALLEY GROUP (CONTINUED)

DOORS & DRAWERS



KEY	PART NUMBER	U/M	DESCRIPTION
1	136709-22-P78	EA	DOOR - RAISED PANEL/OGEE EDGE - 10" X 19.1" - W/O HDW - PORTSMOUTH OAK
1	136709-22-P79	EA	DOOR - RAISED PANEL/OGEE EDGE - 10" X 19.1" - W/O HDW - CONCERT CHERRY
2	136709-28-P78	EA	DOOR - RAISED PANEL/OGEE EDGE - 10" X 29.5" - W/O HDW - PORTSMOUTH OAK
2	136709-28-P79	EA	DOOR - RAISED PANEL/OGEE EDGE - 10" X 29.5" - W/O HDW - CONCERT CHERRY
3	131995-J3-N42	EA	DOOR - RAIL/SOLID PANEL - 8" X 60.7" - W/O HARDWARE - PORTSMOUTH OAK
3	131995-J3-L52	EA	DOOR - RAIL/SOLID PANEL - 8" X 60.7" - W/O HARDWARE - CONCERT CHERRY
4	M09316-F2-N75	EA	DRAWER - OGEE EDGE - 22.5"W X 17.7"D - W/O SLIDES/HARDWARE - PORTSMOUTH OAK
4	M09316-F2-M70	EA	DRAWER - OGEE EDGE - 22.5"W X 17.7"D - W/O SLIDES/HARDWARE - CONCERT CHERRY
5	133890-25-P75	EA	DRAWER - OGEE EDGE - 20.2"W X 19.7"D - W/O SLIDES/HARDWARE - PORTSMOUTH OAK
5	133890-25-P25	EA	DRAWER - OGEE EDGE - 20.2"W X 19.7"D - W/O SLIDES/HARDWARE - CONCERT CHERRY
6	133890-04-N42	EA	DRAWER - OGEE EDGE - 20.2"W X 15.7"D - W/O SLIDES/HARDWARE - PORTSMOUTH OAK
6	133890-04-L85	EA	DRAWER - OGEE EDGE - 20.2"W X 15.7"D - W/O SLIDES/HARDWARE - CONCERT CHERRY
7	132052-P6-P75	EA	FACE-DRAWER - PORTSMOUTH OAK
7	132052-P6-P25	EA	FACE-DRAWER - CONCERT CHERRY
8	133890-26-P75	EA	DRAWER - OGEE EDGE - 9.6"W X 19.7"D - W/O SLIDES/HARDWARE - PORTSMOUTH OAK
8	133890-26-P25	EA	DRAWER - OGEE EDGE - 9.6"W X 19.7"D - W/O SLIDES/HARDWARE - CONCERT CHERRY
9	133890-02-N42	EA	DRAWER - OGEE EDGE - 9.6"W X 15.7"D - W/O SLIDES/HARDWARE - PORTSMOUTH OAK
9	133890-02-M52	EA	DRAWER - OGEE EDGE - 9.6"W X 15.7"D - W/O SLIDES/HARDWARE - CONCERT CHERRY
10	136709-C5-P78	EA	DOOR - RAISED PANEL/OGEE EDGE - 15.5" X 29.5" - W/O HDW - PORTSMOUTH OAK
10	136709-C5-P79	EA	DOOR - RAISED PANEL/OGEE EDGE - 15.5" X 29.5" - W/O HDW - CONCERT CHERRY
11	133890-03-N42	EA	DRAWER - OGEE EDGE - 20.2"W X 15.7"D - W/O SLIDES/HARDWARE - PORTSMOUTH OAK
11	133890-03-L85	EA	DRAWER - OGEE EDGE - 20.2"W X 15.7"D - W/O SLIDES/HARDWARE - CONCERT CHERRY
12	131995-L7-N75	EA	DOOR - RAIL/SOLID PANEL - 12.6" X 6.1" - W/O HARDWARE - PORTSMOUTH OAK
12	131995-L7-N74	EA	DOOR - RAIL/SOLID PANEL - 12.6" X 6.1" - W/O HARDWARE - CONCERT CHERRY
13	131995-V5-N75	EA	DOOR - RAIL/SOLID PANEL - 9.2" X 10.2" - W/O HARDWARE - PORTSMOUTH OAK
13	131995-V5-M70	EA	DOOR - RAIL/SOLID PANEL - 9.2" X 10.2" - W/O HARDWARE - CONCERT CHERRY

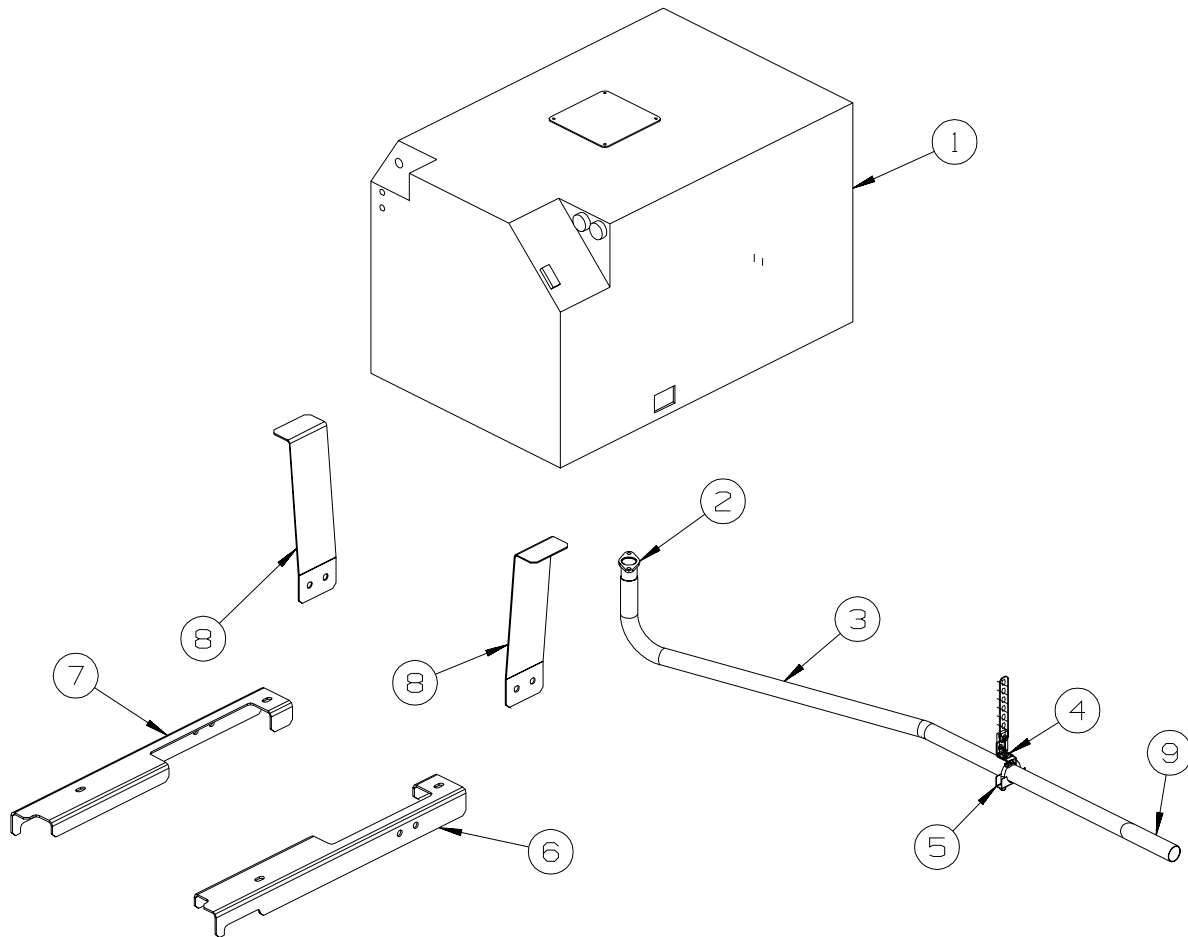
GENERATOR GROUP LPG



KEY	PART NUMBER	U/M	DESCRIPTION
1	135707-03-000	EA	GENERATOR - 6.5 - 30/30 - LIQUID LP - MARQUIS GOLD
2	007131-01-000	EA	HANGER - TAILPIPE - 6 SLOTS
	007125-03-000	EA	CLAMP - MUFFLER - 1.5" DIAMETER
3	138246-01-01A	EA	EXTENSION - TAILPIPE - 1.6" I.D.
4	137330-02-000	EA	PIPE - EXHAUST - GENERATOR/LP

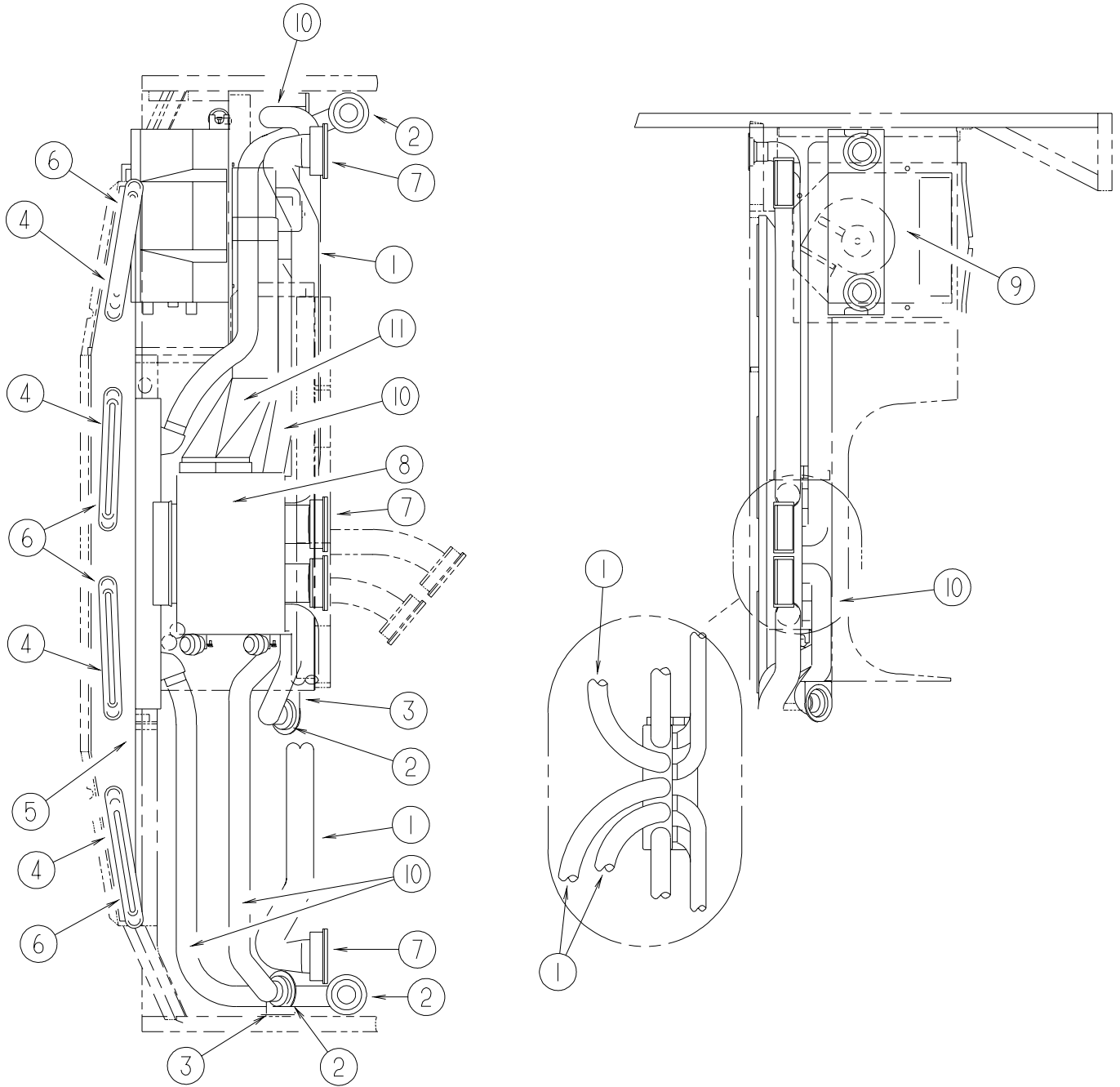
GENERATOR GROUP (CONTINUED)

DIESEL



KEY	PART NUMBER	U/M	DESCRIPTION
1	122425-01-000	EA	GENERATOR - DIESEL - 7.5
2	106235-01-000	EA	ADAPTOR - GENERATOR EXHAUST
3	137330-03-000	EA	PIPE - EXHAUST - GENERATOR/DIESEL
4	007131-01-000	EA	HANGER - TAILPIPE - 6 SLOTS
5	007125-03-000	EA	CLAMP - MUFFLER - 1.5" DIAMETER
6	137328-02-02B	EA	SUPPORT - GENERATOR - LH - E-COATED
7	137328-01-02B	EA	SUPPORT - GENERATOR - RH - E-COATED
8	137329-02-02B	EA	BRACKET - HANGAR/GENERATOR - E-COATED
9	138246-01-01A	EA	EXTENSION - TAILPIPE - 1.6"ID X 7.7"

HEATING & A/C GROUP AUTOMOTIVE

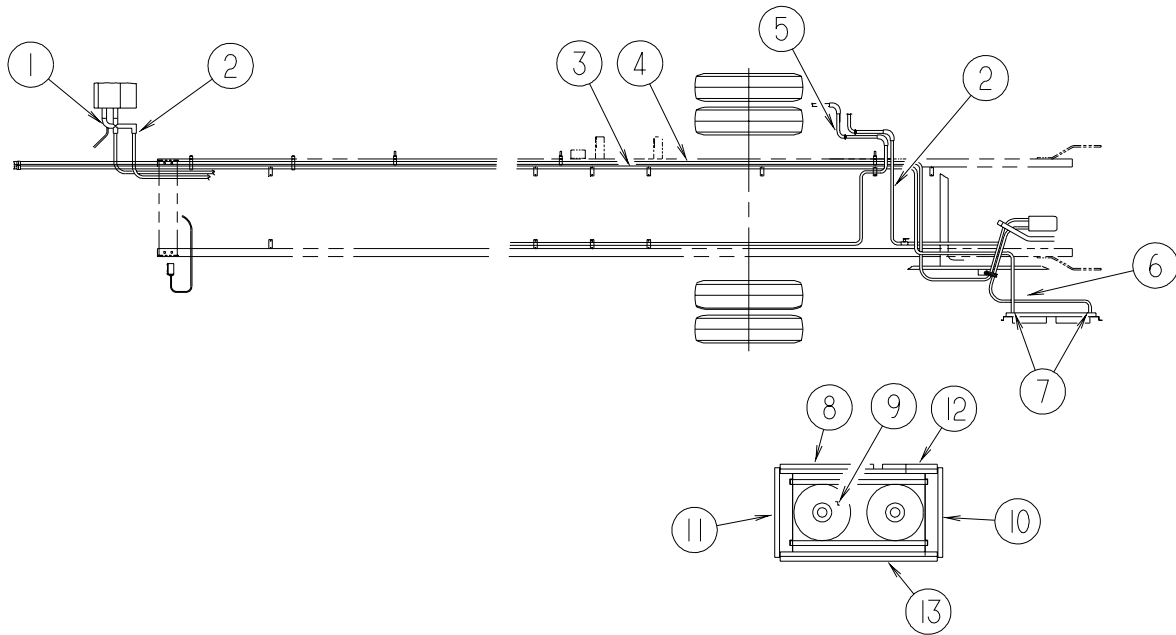


KEY	PART NUMBER	U/M	DESCRIPTION
1	007281-01-000	EA	HOSE - FLEXIBLE PVC - 2 1/2" ID X 50'
2	024990-05-000	EA	OUTLET - DEFROSTER - W/SWIVEL - 2" SLEEVE/4" OD - BLACK - 1 USED
2	024990-12-000	EA	OUTLET - DEFROSTER - W/SWIVEL - 2" SLEEVE/4" OD - GLACIER - 3 USED
3	NOT USED		
4	077075-01-000	EA	GASKET - INSTRUMENT PANEL/DEFROSTER PLENUM - .6" X 10.2"
5	103017-03-000	EA	PLENUM - DEFROSTER
6	135265-01-04A	EA	VENT - DEFROSTER - PLASTIC - GLACIER
7	135803-01-01A	EA	LOUVER - A/C - 2.5" X 5.2" - BLACK - 3 USED
7	135803-02-01A	EA	LOUVER - A/C - 2.5" - 5.7" - W/SCREW HOLES - BLACK - 2 USED
8*	103930-36-000	EA	CONTROL/PLENUM - ROTARY CONTROL HEAD
9	103930-55-000	EA	EVAPORATOR/HEATER - NONCHARGED - SINGLE OUTPUT
10	007076-01-000	EA	HOSE - FLEXIBLE PVC - 2" ID - INCREMENTS OF 50'
11	122822-01-01A	EA	PLENUM - TRANSITION
	103930-54-000	EA	MANUAL - OWNERS - HEATER/AC

***COMPONENT PARTS LISTED LATER IN THIS GROUP**

HEATING & A/C GROUP (CONTINUED)

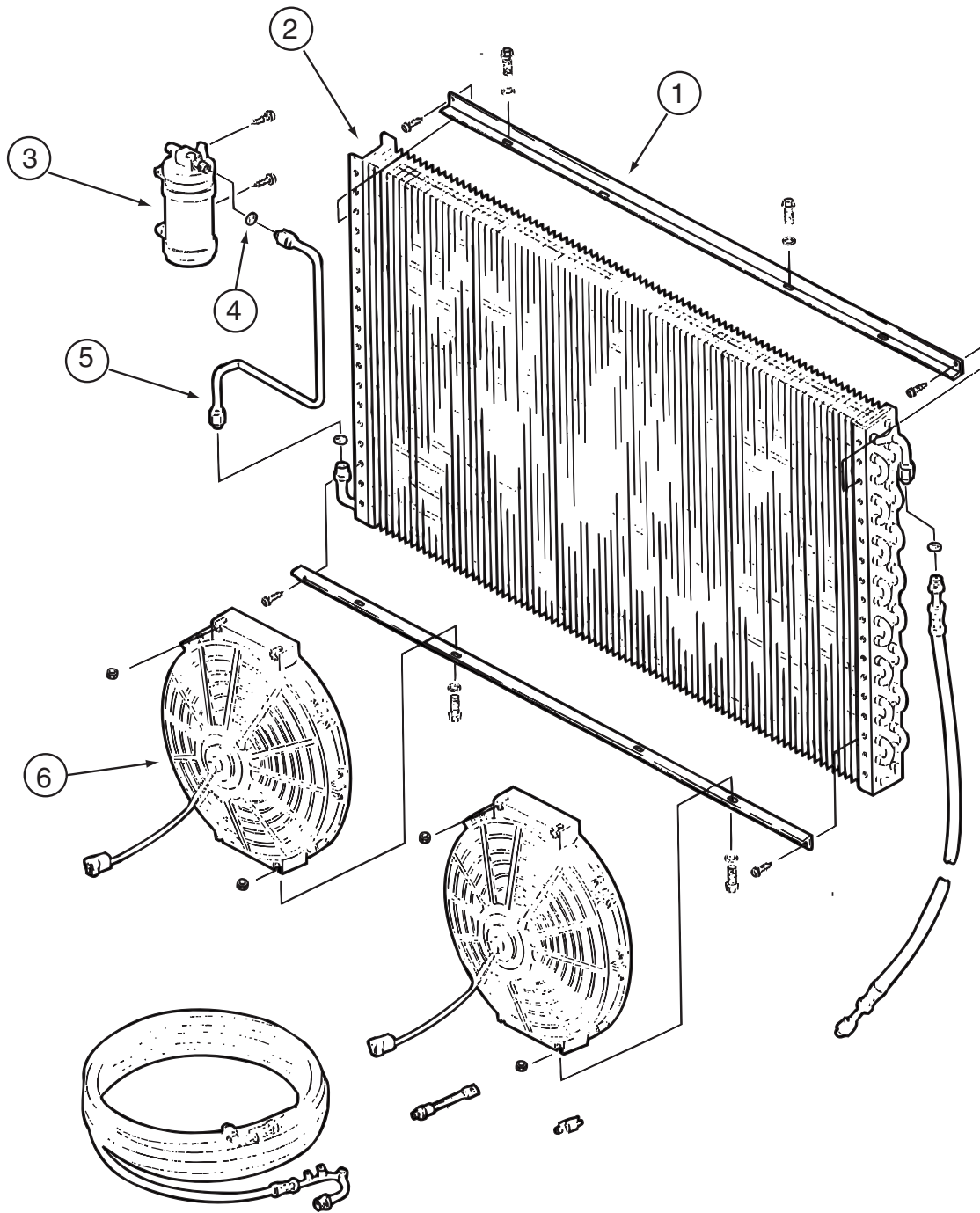
AUTOMOTIVE (CONTINUED)



KEY	PART NUMBER	U/M	DESCRIPTION
1	103930-24-000	EA	VALVE - WATER CONTROL - 4 PORT VACUUM CONTROLLED
2	007108-01-000	FT	HOSE - HEATER - 5/8" ID - HI-TEMP
3*	072342-18-000	EA	HOSE - #6 - CONDENSER/EVAPORATOR - 514"
4*	103930-41-000	EA	HOSE KIT - EVAPORATOR/COMPRESSOR #12 - 41.3'- STRAIGHT END
5	079059-01-000	EA	HOSE - 90 DEGREE - 5/8"ID X 4" X 36"
6*	072342-16-000	EA	HOSE - #8 - CONDENSER/COMPRESSOR - 5.2' LONG
7	072368-02-000	EA	TRIM - VINYL - EDGE - BLACK
8	113572-02-02B	EA	BRACKET - CONDENSER - E-COATED
9*	072342-15-000	EA	CONDENSER - W/FAN ON SIDE - NO HOSE
10	113574-02-02B	EA	BRACKET - CONDENSER/SIDE - LH - E-COAT
11	113574-01-02B	EA	BRACKET - CONDENSER/SIDE - RH - E-COAT
12	113572-03-02B	EA	BRACKET - CONDENSER - E-COATED
13	113572-01-02B	EA	BRACKET - CONDENSER - E-COATED

*COMPONENT PARTS LISTED LATER IN THIS GROUP

HEATING & A/C GROUP (CONTINUED)
COMPONENT PARTS FOR AUTOMOTIVE



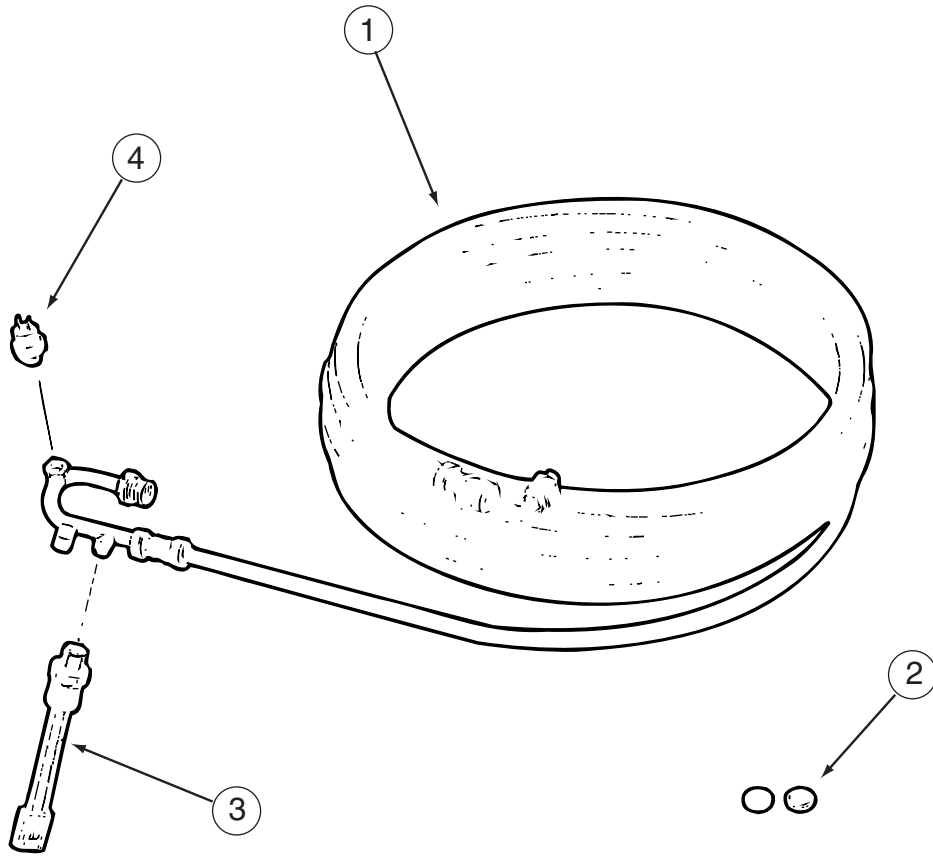
072342-15-000

KEY	PART NUMBER	U/M	DESCRIPTION	VENDOR NO.
1	072342-13-700	EA	BRACKET - CONDENSER FAN	070-0148
2	072342-12-700	EA	COIL-CONDENSER	040-0027
3	072342-12-703	EA	RECEIVER DRIER	054-0001
4	113245-01-711	EA	O'RING #6	045-0129
5	072342-13-703	EA	TUBE ASM. #6	052-0040
6	072342-08-703	EA	FAN BLADE/MOTOR & SHROUD 11"	062-0097

072342-17-000

KEY	PART NUMBER	U/M	DESCRIPTION	VENDOR NO.
	072342-12-701	EA	HOSE ASM #8 CONDENSER/COMP	085-0142
	113245-01-707	EA	O'RING #8	045-0126

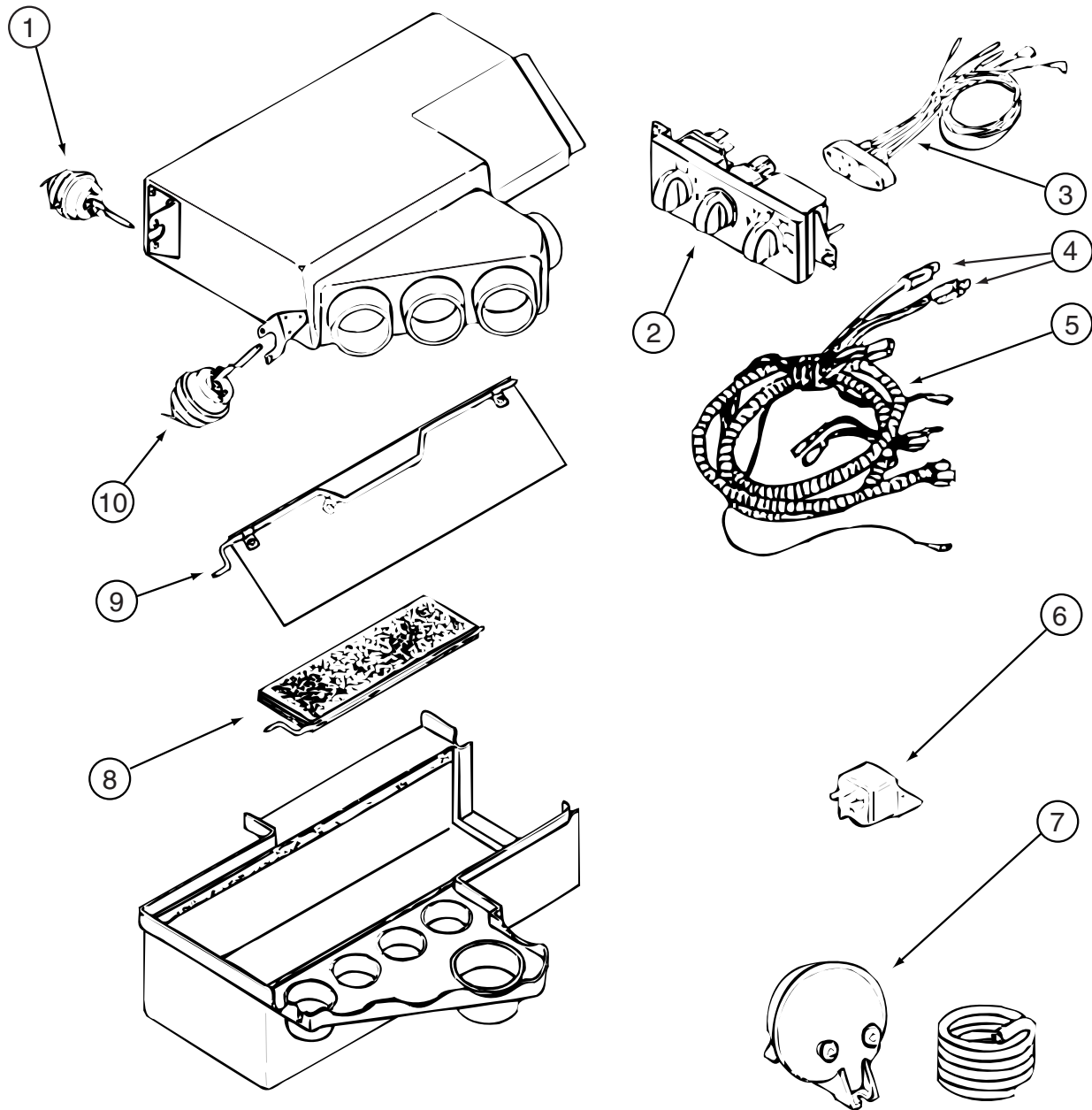
HEATING & A/C GROUP (CONTINUED)
COMPONENT PARTS FOR AUTOMOTIVE (CONTINUED)



072342-18-000

KEY	PART NUMBER	U/M	DESCRIPTION	VENDOR NO.
1	072342-13-702	EA	HOSE ASM. #6	085-0460
2	113245-01-711	EA	O'RING #6	045-0129
3	103930-01-716	EA	SWITCH - PRESSURE - FAN	032-0036
4	103930-12-708	EA	SWITCH-BINARY-HI/LOW CUTOUT	032-0048

HEATING & A/C GROUP (CONTINUED)
COMPONENT PARTS FOR AUTOMOTIVE (CONTINUED)



103930-36-000

KEY	PART NUMBER	U/M	DESCRIPTION	VENDOR NO.
	103930-36-000	EA	CONTROL/PLENUM - ROTARY CONTROL HEAD	
1	103930-33-701	EA	MOTOR - VACUUM, 3 STAGE	030-0105
2	103930-33-702	EA	CONTROL PANEL	083-0169
3	103930-33-703	EA	VACUUM HARNESS	036-0466
4	103930-33-705	EA	LIGHT BULBS	035-0030
5	103930-33-711	EA	WIRE HARNESS-W/BULBS(CAVITY)	036-0496
6	103930-02-707	EA	RELAY-BOSCH W/RESISTER	031-0001
7	103930-02-710	EA	CANISTER-VACUUM	054-0002
8	103930-36-701	EA	ROD - DOOR, AC	073-0062
9	103930-36-700	EA	ROD - DOOR, DEFROST	073-0061
10	103930-02-708	EA	MOTOR-VACUUM SERVO, A/C	030-0025
	103930-33-707	EA	SWITCH - BLOWER	032-00066
	103930-33-708	EA	SWITCH - POTENTIOMETER	032-0184
	103930-33-709	EA	SWITCH - VACUUM	032-0183
	103930-33-710	EA	DECAL F/CONTROL HEAD	058-0102
	103930-33-712	EA	KNOB - BLOWER	062-00539
	103930-33-713	EA	KNOB	062-0540
	103930-36-702	EA	PLENUM CASE - UPPER	060-0442
	103930-36-703	EA	PLENUM CASE - LOWER	060-0443
	103930-36-704	EA	SPRING	022-0119

HEATING & A/C GROUP (CONTINUED)
COMPONENT PARTS FOR AUTOMOTIVE (CONTINUED)

103930-41-000

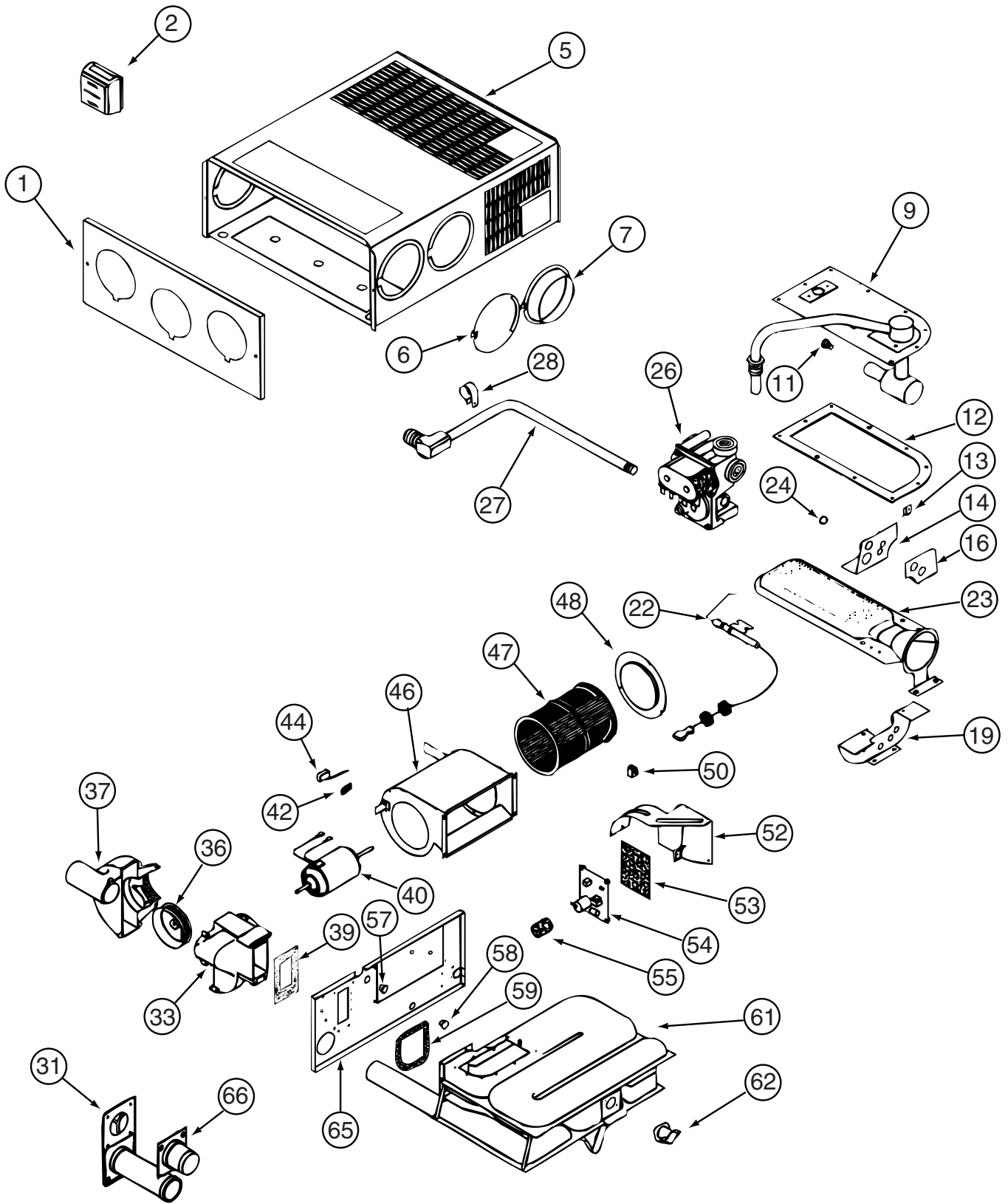
KEY	PART NUMBER	U/M	DESCRIPTION	VENDOR NO.
	103930-17-702	EA	O'RING #10	045-0127

HEATING & A/C GROUP (CONTINUED)
FURNACE

KEY	PART NUMBER	U/M	DESCRIPTION
	093614-11-01A	EA	GRILLE - AIR RETURN - 13.9" X 7.9" - BEIGE - P34HD
	093614-08-02A	EA	GRILLE - AIR RETURN - 9.8" X 13.9" - BEIGE
	098668-14-000	EA	GASKET - FIBERGLASS - .5" X 18" X 18"
	098668-15-000	EA	PLATE - FACE - SUBURBAN FURNACE
	098668-16-000	EA	VENT - INTAKE
	133322-01-02B	EA	PANEL - EXHAUST - FURNACE - E-COATED
	133323-01-01A	EA	SHROUD - FURNACE - BRIGHT WHITE
	137965-01-01A	EA	REGISTER - 2.25" X 10" - W/O DAMPER - ANTIQUE BRASS
	137965-02-01A	EA	REGISTER - 2.25" X 10" - W/DAMPER - ANTIQUE BRASS
	137965-06-01A	EA	REGISTER - 2.25" X 14" - W/O DAMPER - ANTIQUE BRASS
*	139980-04-000	EA	FURNACE - 40000 BTU - SF QUIET - SUBURBAN SF-42 2323J

***COMPONENT PARTS LISTED LATER IN THIS GROUP**

HEATING & A/C GROUP (CONTINUED)
COMPONENT PARTS FOR FURNACE



139980-04-000

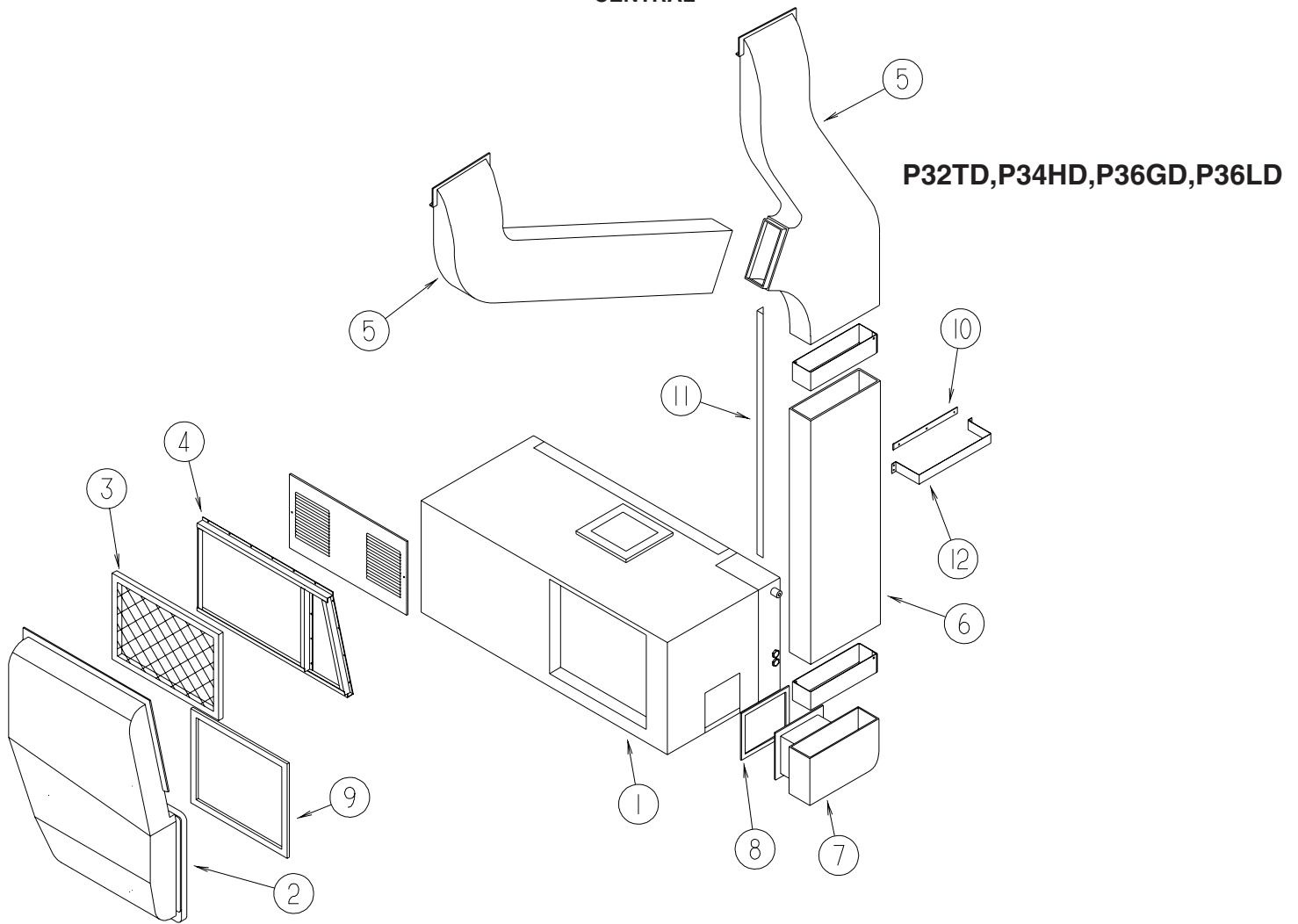
HEATING & A/C GROUP (CONTINUED)
COMPONENT PARTS FOR FURNACE (CONTINUED)

139980-04-000 (CONTNUED)

KEY	PART NUMBER	U/M	DESCRIPTION	VENDOR NO.
9	098668-20-700	EA	MANIFOLD ASM.	171517
11	139980-04-700	EA	ORFICE - MAIN BURNER	180242
12	098668-22-703	EA	GASKET - BURNER ACCESS COVER	070811
22	139980-01-701	EA	ELECTRODE	232286
23	098668-11-701	EA	BURNER ASSEMBLY,SF-42F	010799
26	098668-01-718	EA	VALVE-GAS SF S.N.974903079	161122
27	139980-01-702	EA	PIPE ASSEMBLY/GAS INLET	171574
31	098668-01-707	EA	TUBE ASSEMBLY, EXHAUST W/CAP	260231
33	139980-01-703	EA	COMBUSTION AIR HOUS FRT/HALF	390852
36	098668-22-702	EA	WHEEL-COMBUSTION AIR	350183
37	139980-01-704	EA	COMBUSTION AIR HOUS RR HALF	390848
39	139980-01-705	EA	GASKET/FIREWALL-COMB AIR	071084
40	139980-04-701	EA	MOTOR ASSEMBLY W/GASKET	232683
42	101990-01-714	EA	GASKET-MICROSWITCH	230877
44	098668-21-700	EA	SWITCH-MICRO-W/O FLAG 3 1/4"	232261
46	139980-04-702	EA	BLOWER ASSEMBLY/ROOM AIR	390740BK
47	098668-01-711	EA	WHEEL-BLOWER, ROOM AIR	350129
48	139980-01-709	EA	ORFICE RING	390696
50	139980-01-710	EA	SWITCH - ON/OFF	232351
52	139980-01-711	EA	PANEL ASSEMBLY-MODULE BD	101663
53	139980-01-712	EA	INSULATOR - MODULE BD	070807
54	098668-22-705	EA	MODULE BD W/RELAY TIME DELAY	520820
55	139980-01-713	EA	CAP/INSULATOR-MODULE BD	070973
57	139980-01-714	EA	BUSHING - UNIVERSAL	070362
58	139980-01-715	EA	BUSHING - STRAIN RELIEF	231809
59	098668-01-716	EA	GASKET-FIREWALL,CHAMBER SIDE	070808
61	139980-04-703	EA	CHAMBER ASSEMBLY FINAL	021150BK
62	098668-22-706	EA	SWITCH/LIMIT - 195 TRIP TEMP	232505
66	098668-01-713	EA	TUBE ASSEMBLY, INTAKE	051248

CONTACT WINNEBAGO PART SALES FOR UNLISTED COMPONENTS

HEATING & A/C GROUP (CONTINUED) CENTRAL

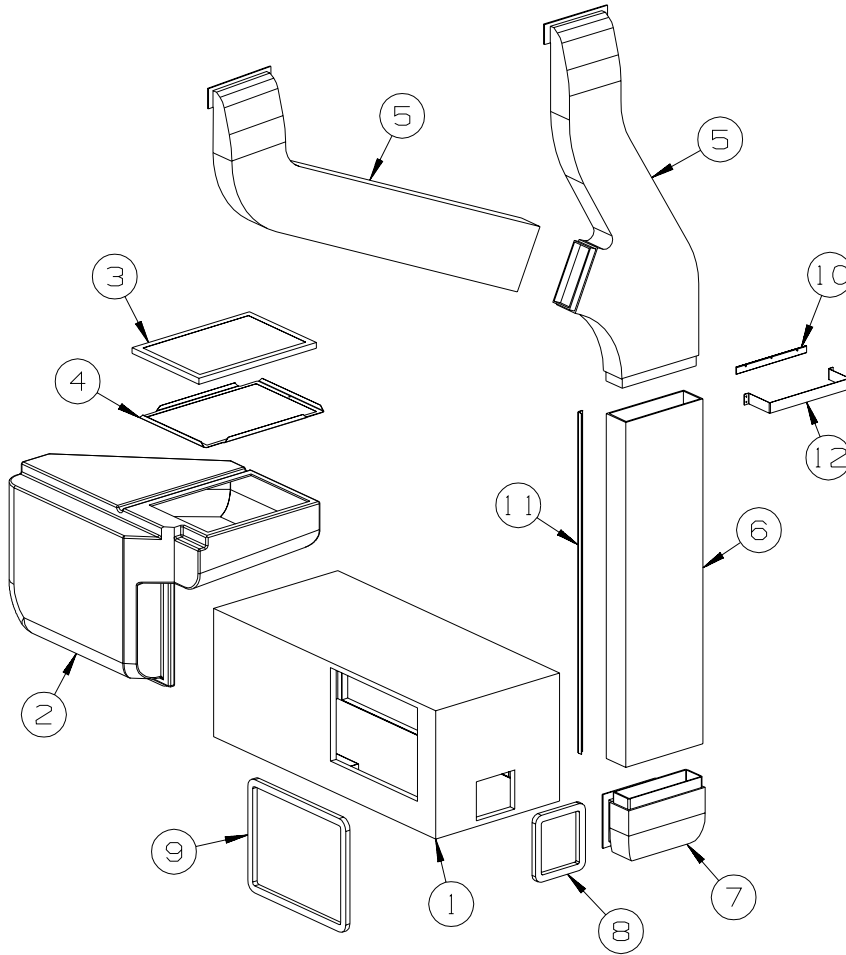


KEY	PART NUMBER	U/M	DESCRIPTION
1*	105620-11-000	EA	A/C CENTRAL PACKAGE - RIGHT HAND POWER SAVER/LARGE BLOWER
2	135036-01-000	EA	DUCT - CENTRAL AIR - RETURN
2	105290-01-000	EA	INSULATION - AIR POCKET W/FOIL
3	109050-02-000	EA	FILTER - FIBERGLASS - 1" X 14" X 20"
4	129604-01-KQ0	EA	FRAME - A/C FILTER
5	M09204-01-000	EA	DUCT/AC - UPPER RIGHT HAND & LEFT HAND
	128862-01-000	EA	DUCT/AIR - UPPER LEFT HAND
	128868-01-000	EA	DUCT/AIR - UPPER RIGHT HAND
5	105290-01-000	EA	INSULATION - AIR POCKET W/FOIL
6	117870-03-01A	EA	PLENUM - A/C
7	P28855-01-000	EA	DUCT/CENTRAL AIR - LOWER
7	105290-01-000	EA	INSULATION - AIR POCKET W/FOIL
8	134588-02-000	EA	GASKET - DUCT - 6.4" X 7.4" IS - 8.3" X 9.4" OS
9	134588-01-000	EA	GASKET - DUCT - 15.5" X 18.2" IS - 17.4" X 20.2" OS
10	115886-11-02A	EA	RETAINER - SIDEWALL - BRIGHT WHITE - 11.8"
11	130262-01-000	EA	PROTECTOR - CORNER SAVER - .7" X .7" X 48"
12	129047-01-02B	EA	STRAP/MOUNTING - AIR DUCT - E-COATED
	120134-01-02A	EA	REGISTER - W/DAMPER - 4" PIPE/7" O.D. FACE - WHITE
*	105620-15-000	EA	THERMOSTAT - FURNACE/HEAT PUMP

*COMPONENT PARTS LISTED LATER IN THIS GROUP

HEATING & A/C GROUP (CONTINUED)
CENTRAL (CONTINUED)

P39QD,P39WD

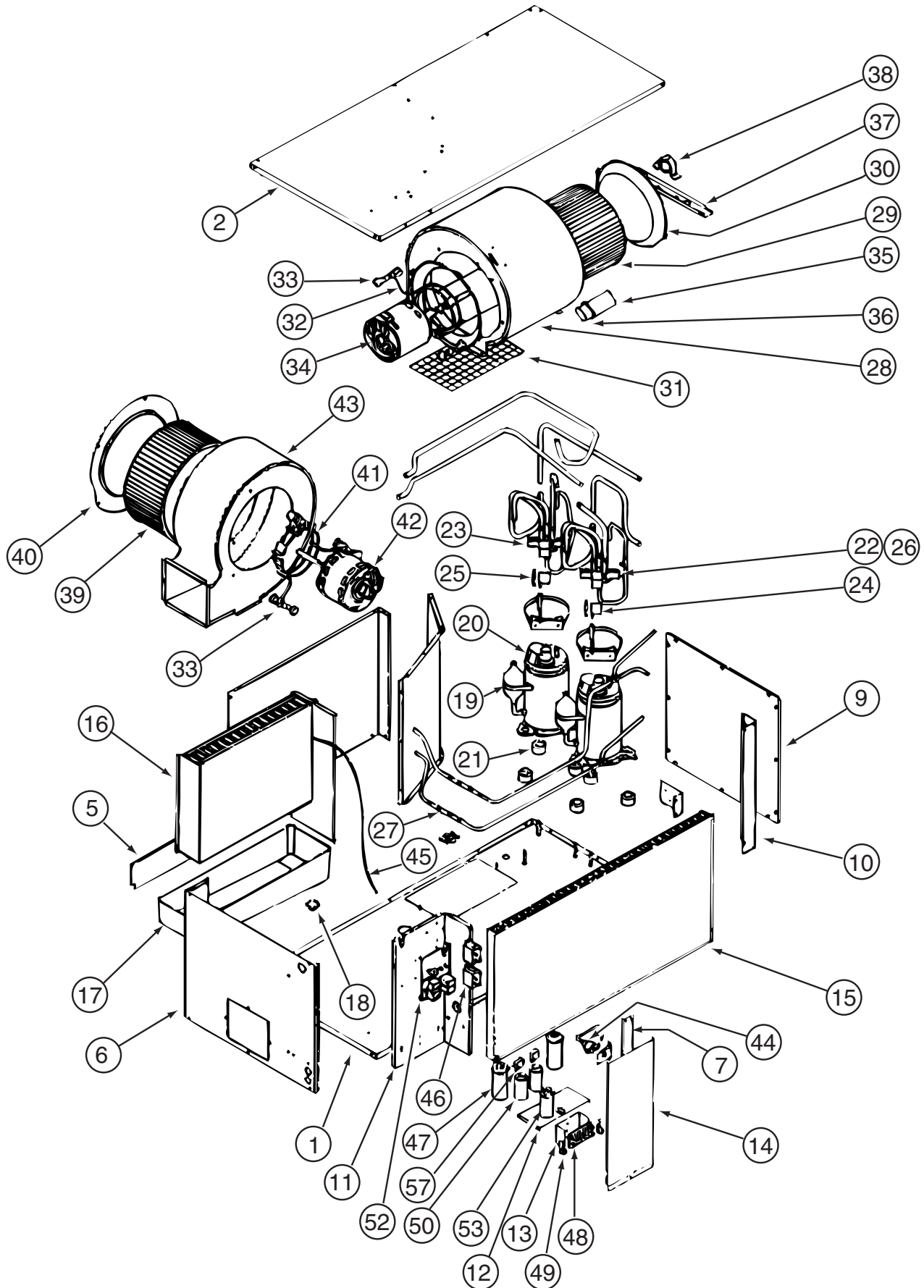


KEY	PART NUMBER	U/M DESCRIPTION
1*	105620-12-000	EA A/C - CONTROL PACK RIGHT HAND/HEAT PUMP - 12,000BTU COMP
2	140289-01-01A	EA DUCT - CENTRAL AIR RETURN
2	105290-01-000	EA INSULATION - AIR POCKET W/FOIL
3	109050-02-000	EA FILTER - FIBERGLASS - 1" X 14" X 20"
4	139757-01-02B	EA PANEL - TRAY - A/C FILTER - E-COATED
5	M09204-01-000	EA DUCT/AC - UPPER RIGHT HAND & LEFT HAND
	128862-01-000	EA DUCT/AIR - UPPER LEFT HAND
	128868-01-000	EA DUCT/AIR - UPPER RIGHT HAND
5	105290-01-000	EA INSULATION - AIR POCKET W/FOIL
6	117870-10-01A	EA PLENUM - A/C - 48.5"
7	P28855-01-000	EA DUCT/CENTRAL AIR - LOWER
7	105290-01-000	EA INSULATION - AIR POCKET W/FOIL
8	134588-02-000	EA GASKET - DUCT - 6.4" X 7.4" IS - 8.3" X 9.4" OS
9	134588-04-000	EA GASKET - DUCT - 13.9" X 18.2" IS - 15.9" X 20.2" OS
10	115886-11-02A	EA RETAINER - SIDEWALL - BRIGHT WHITE - 11.8"
11	130262-01-000	EA PROTECTOR - CORNER SAVER - .7" X .7" X 48"
12	129047-01-02B	EA STRAP/MOUNTING - AIR DUCT - E-COATED
	120134-01-02A	EA REGISTER - W/DAMPER - 4" PIPE/7" O.D. FACE - WHITE
*	105620-15-000	EA THERMOSTAT - FURNACE/HEAT PUMP

***COMPONENT PARTS LISTED LATER IN THIS GROUP**

HEATING & A/C GROUP (CONTINUED)

COMPONENT PARTS FOR CENTRAL



105620-12-000

HEATING & A/C GROUP (CONTINUED)
COMPONENT PARTS FOR CENTRAL (CONTINUED)

105620-12-000 (CONTINUED)

KEY	PART NUMBER	U/M	DESCRIPTION	VENDOR NO.
15	105620-12-701	EA	COIL - CONDENSER	1452-1621
16	105620-12-702	EA	COIL - EVAPORATOR	1452A1611
17	105620-10-709	EA	DRAIN PAN	6636-304
18	105620-12-703	EA	VALVE - DRAIN	6795-200
19	105620-12-704	EA	COMPRESSOR	1450-2149
21	105620-01-706	EA	MOUNTING PKG.,COMP., 3 PER	6759-3081
22	105620-12-706	EA	REVERSING VALVE ASSEMBLY #1	6535A533
23	105620-12-707	EA	REVERSING VALVE ASSEMBLY #2	6535-5321
24	105620-12-708	EA	COIL - SOLENOID	1460-1081
25	105620-12-709	EA	WIRE HARNESS-REVERSING VALVE	6536-111
26	105620-12-710	EA	VALVE - REVERSE ONLY	1454A350
27	105620-12-711	EA	RESTRICTOR - BY FLOW	1454-2521
28	105620-12-712	EA	BLOWER HOUSING/OUTSIDE AIR	6536-515
29	105620-01-713	EA	WHEEL-BLOWER/OUTSIDE AIR	1472-1011
30	105620-01-714	EA	VENTURI-BLOWER/OUTSIDE AIR	6795A150
32	105620-01-715	EA	MOUNT-BLOWER/OUTSIDE AIR	6795A3011
34	105620-10-721	EA	MOTOR/BLOWER-8 3/4" SHAFT	1468A3029
35	105620-01-718	EA	CAPACITOR-FAN, 12.5 MFD/370V	1499-5631
37	105620-12-713	EA	BRACKET/BEARING-O/S AIR BLWR	6536-514
38	105620-10-701	EA	BEARING/PILLOW BLOCK-O/S AIR	6536-3011
39	105620-12-714	EA	WHEEL - BLOWER/INSIDE AIR	1472-1121
40	105620-12-715	EA	BLOWER VENTURI/INSIDE AIR	6535A287
41	105620-01-723	EA	MOUNT-BLOWER MOTOR - 1/S AIR	6795-3021
42	105620-12-716	EA	BLOWER MTR/IN AIR/REVERSIBLE	1468-3219
43	105620-12-717	EA	BLOWER HOUSING/INSIDE AIR	6535A589
44	105620-12-718	EA	SWITCH ASSM. - HIGH PRESSURE	6535-5291
45	105620-12-719	EA	COIL SENSOR	7330A3231
46	105620-01-729	EA	RELAY-COMPRESSOR -4 TERMINAL	1460-1131
48	105620-01-738	EA	BOARD-TERMINAL, HIGH VOLTAGE	6795-315
51	105620-10-705	EA	PTCR (START DEVICE) - W/CAP.	8333A9021
52	105620-12-720	EA	KIT-CIRCUIT BD (6535-SERIES)	6535-3209
52	105620-12-721	EA	CIRCUIT BD(6535 A SERIES)	6535-3201
53	093763-01-704	EA	CAPACITOR-FAN	1499-5461
	105620-10-720	EA	FUSE/BUSS(8AMP/250V) 2 PKG	6535-3081

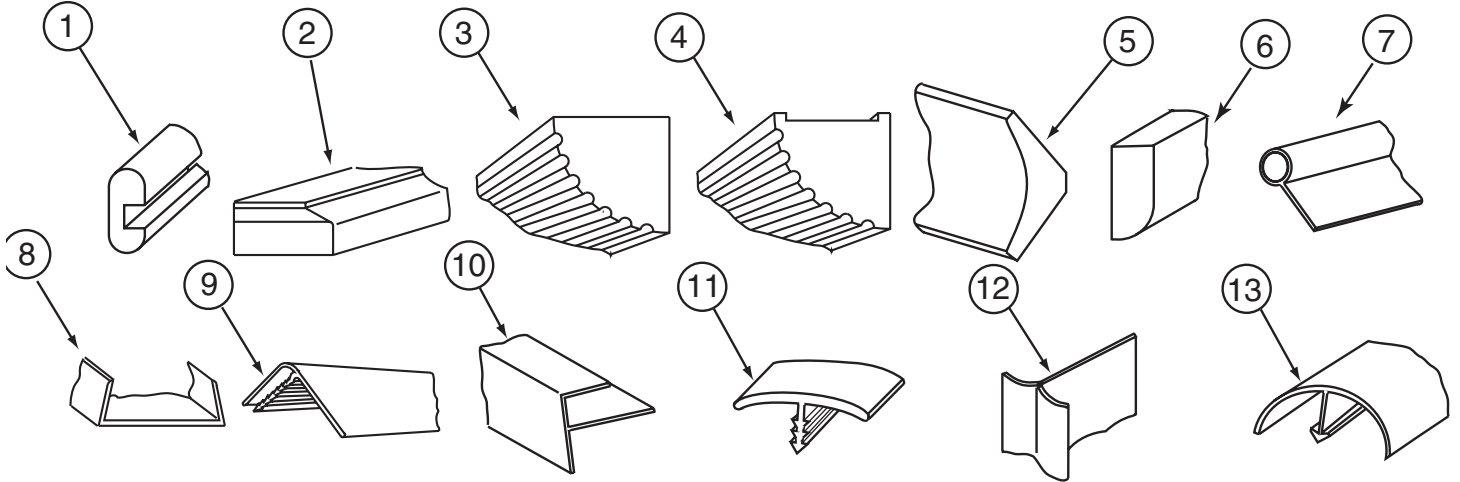
CONTACT WINNEBAGO PART SALES FOR UNLISTED COMPONENTS

105620-15-000

KEY	PART NUMBER	U/M	DESCRIPTION	VENDOR NO.
	105620-15-700	EA	FUSE/BUSS (2AMP/250V) 3 PER PK	8330-3343

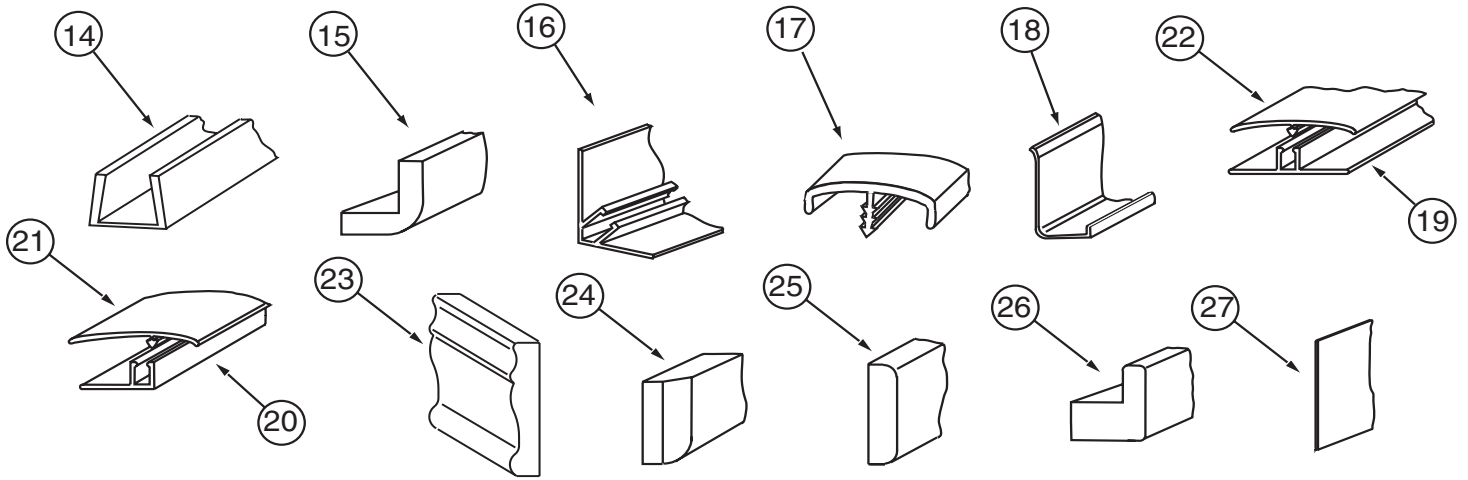
INTERIOR FINISH GROUP

**MOLDINGS & TRIMS
PORTSMOUTH OAK
CONCERT CHERRY**



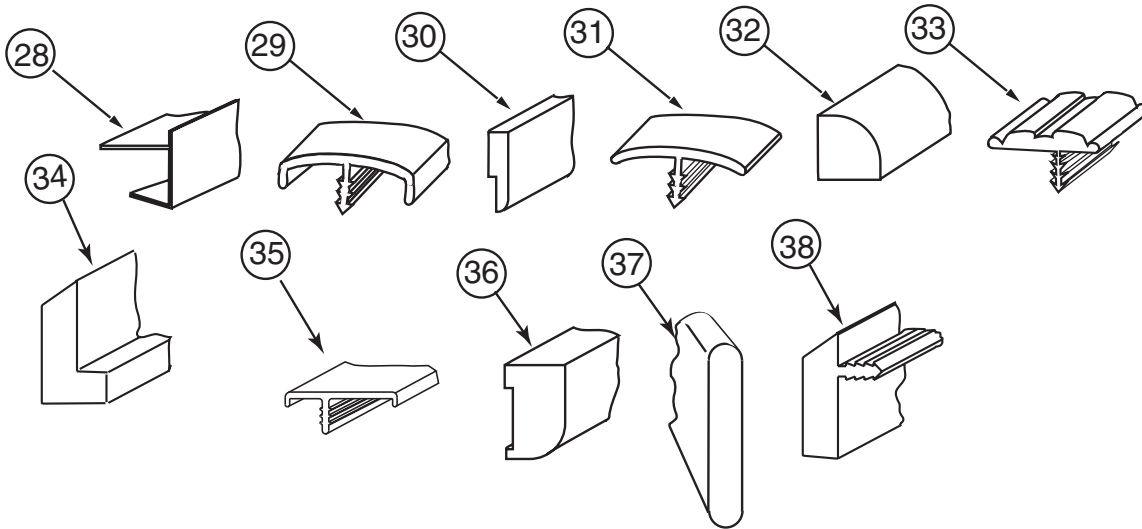
KEY	PART NUMBER	U/M	DESCRIPTION
1	M09412-62-N42	EA	MOLDING/SHELF EDGE - W/.4" NOTCH - PORTSMOUTH II - PORTSMOUTH OAK
1	M09412-62-M62	EA	MOLDING/SHELF EDGE - W/.4" NOTCH - WASHED MAPLE
1	M09412-62-M52	EA	MOLDING/SHELF EDGE - W/.4" NOTCH - CHERRY IV - CONCERT CHERRY
2	P34052-01-N75	EA	TRIM/TABLE - 29.7" - PORTSMOUTH OAK
2	P34052-01-M84	EA	TRIM/TABLE - 29.7" - WASHED MAPLE
2	P34052-01-M52	EA	TRIM/TABLE - 29.7" - SALEM CHERRY - CONCERT CHERRY
2	P34052-02-N47	EA	TRIM/TABLE - 24" - PORTSMOUTH OAK
2	P34052-02-M84	EA	TRIM/TABLE - 24" - WASHED MAPLE
2	P34052-02-M52	EA	TRIM/TABLE - 24" - SALEM CHERRY - CONCERT CHERRY
3	Y00070-22-438	EA	MOLDING/FLUTED - MAPLE - 96" - WASHED MAPLE
3	Y00070-32-438	EA	MOLDING/FLUTED - CHERRY - 96" - CONCERT CHERRY
3	Y00070-42-438	EA	MOLDING/FLUTED - OAK - 96" - PORTSMOUTH OAK
4	Y00071-22-438	EA	MOLDING/FLUTED - W/NOTCH - MAPLE - 96" - WASHED MAPLE
4	Y00071-32-438	EA	MOLDING/FLUTED - W/NOTCH - CHERRY - 96" - CONCERT CHERRY
4	Y00071-42-438	EA	MOLDING/FLUTED - W/NOTCH - OAK - 96" - PORTSMOUTH OAK
5	Y00074-22-438	EA	MOLDING/CROWN - VINYL WRAPPED - MAPLE - 96" - WASHED MAPLE
5	Y00074-62-438	EA	MOLDING/CROWN - VINYL WRAPPED - CONCERT CHERRY - 96" - CONCERT CHERRY
5	Y00074-72-438	EA	MOLDING/CROWN - VINYL WRAPPED - PORTSMOUTH OAK - 96" - PORTSMOUTH OAK
6	Y00086-22-438	EA	MOLDING - VINYL WRAP - 96" - WASHED MAPLE
6	Y00086-62-438	EA	MOLDING - VINYL WRAP - 96" - CONCERT CHERRY
6	Y00086-72-438	EA	MOLDING - VINYL WRAP - 96" - PORTSMOUTH OAK
7	009767-12-000	FT	WELTING - ANTIQUE WHITE
8	009778-25-000	FT	U-CHANNEL - 1" - BEIGE ILLUSION
8	009778-27-000	FT	U-CHANNEL - 1" - WASHED MAPLE
8	009778-30-000	FT	U-CHANNEL - 1" - VILLAGE OAK
8	009778-32-000	FT	U-CHANNEL - 1" - PORTSMOUTH OAK
8	009778-34-000	FT	U-CHANNEL - 1" - CONCERT CHERRY
9	009809-23-000	EA	MOLDING - CORNER - OUTSIDE - 1" X 84" - MODERN IVORY
9	009809-30-000	EA	MOLDING - CORNER - OUTSIDE - 1" X 84" - BEIGE ILLUSION
9	009809-32-000	EA	MOLDING - CORNER - OUTSIDE - 1" X 84" - PORTSMOUTH OAK
9	009809-33-000	EA	MOLDING - CORNER - OUTSIDE - 1" X 84" - CONCERT CHERRY
10	009812-24-000	EA	MOLDING - CORNER - 1/2" W/1/4"CHAN X 84" - IVORY PLASTIC
10	009812-31-000	EA	MOLDING - CORNER - 1/2" W/1/4"CHAN X 84" - BEIGE ILLUSION
10	009812-33-000	EA	MOLDING - CORNER - 1/2" W/1/4"CHAN X 84" - WASHED MAPLE
10	009812-34-000	EA	MOLDING - CORNER - 1/2" W/1/4"CHAN X 84" - VW LIGHT GRAY
10	009812-35-000	EA	MOLDING - CORNER - 1/2" W/1/4"CHAN X 84" - PORTSMOUTH OAK
10	009812-36-000	EA	MOLDING - CORNER - 1/2" W/1/4"CHAN X 84" - CONCERT CHERRY
11	009815-10-000	FT	MOLDING-T - W/EDGE LIP - 3/4" FACE - BEIGE ILLUSION
12	022992-11-000	FT	MOLDING - REVERSE COVE - T-SHAPED - IVORY
12	022992-14-000	FT	MOLDING - REVERSE COVE - T-SHAPED - BRIGHT WHITE
12	022992-15-000	FT	MOLDING - REVERSE COVE - T-SHAPED - VW GRAY
13	042357-25-000	EA	MOLDING - CORNER - RADIUS/PLASTIC - WASHED MAPLE

INTERIOR FINISH GROUP (CONTINUED)
MOLDINGS & TRIMS (CONTINUED)



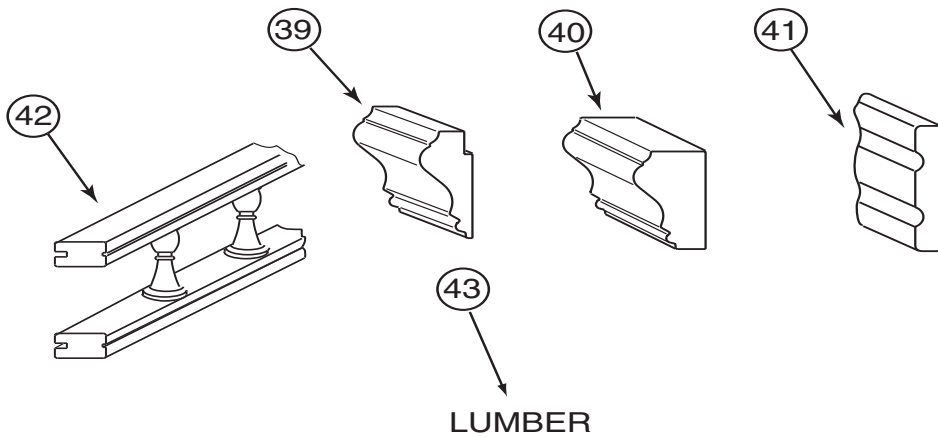
KEY	PART NUMBER	U/M	DESCRIPTION
14	070504-18-000	FT	U-CHANNEL - PLASTIC - .13" X 96" - IVORY
14	070504-35-000	FT	U-CHANNEL - PLASTIC - .13" X 72" - IVORY
14	070504-42-000	FT	U-CHANNEL - PLASTIC - .13" X 84" - BEIGE ILLUSION
14	070504-43-000	FT	U-CHANNEL - PLASTIC - .9" X 96" - BEIGE ILLUSION
14	070504-50-000	FT	U-CHANNEL - PLASTIC - .13" X 96" - WASHED MAPLE
14	070504-54-000	FT	U-CHANNEL - PLASTIC - .9" X 96" - VILLAGE OAK
14	070504-57-000	FT	U-CHANNEL - PLASTIC - .13" X 84" - PORTSMOUTH OAK
14	070504-58-000	FT	U-CHANNEL - PLASTIC - .9" X 84" - PORTSMOUTH OAK
14	070504-60-000	FT	U-CHANNEL - PLASTIC - .13" X 84" - CONCERT CHERRY
14	070504-61-000	FT	U-CHANNEL - PLASTIC - .9" X 84" - CONCERT CHERRY
15	080176-08-000	EA	CAP - CORNER - RADIUS MOLDING - PLASTIC - WASHED MAPLE
16	081521-02-007	EA	MOUNT - METAL MOLDING - F/RADIUS CORNER MOLDING - 151.5"
17	083620-09-000	FT	MOLDING-T - W/EDGE LIP - 7/8" FACE - MODERN IVORY
17	083620-15-000	FT	MOLDING-T - W/EDGE LIP - 7/8" FACE - BEIGE ILLUSION
17	083620-19-000	FT	MOLDING-T - W/EDGE LIP - 7/8" FACE - WASHED MAPLE
17	083620-20-000	FT	MOLDING-T - W/EDGE LIP - 7/8" FACE - PORTSMOUTH OAK
17	083620-21-000	FT	MOLDING-T - W/EDGE LIP - 7/8" FACE - CONCERT CHERRY
18	085746-04-000	FT	TRIM-J - CARPET 1.2" X .5" ANGLE - 10' LONG - OFF WHITE
19	086229-01-000	EA	RETAINER - BATTEN - .75" X 92.1" - ANY COLOR
20	086229-11-000	EA	RETAINER - OFFSET - 97"
21	086229-12-000	EA	BATTEN - 1.5" OFFSET X 96.8" - MODERN IVORY
21	086229-21-000	EA	BATTEN - 1.5" X 83.9" OFFSET - WHITE
22	086229-20-000	EA	BATTEN - 1" X 96" - BEIGE
23	100182-10-J70	EA	TRIM - CHAIR RAIL - 2.5" X 8' EACH - WOOD - WASHED MAPLE
23	100182-10-N47	EA	TRIM/RAIL - PORTSMOUTH OAK
23	100182-10-P85	EA	TRIM - CHAIR RAIL - 2.5" X 8' EACH - WOOD - CONCERT CHERRY
24	100659-30-N75	EA	MOLDING - TRIM - PORTSMOUTH OAK
24	100659-30-N74	EA	MOLDING - TRIM - CHERRY - CONCERT CHERRY
24	100659-30-M84	EA	MOLDING-TRIM, VINYL FLOOR - WASHED MAPLE
25	100818-01-08A	EA	MOLDING - VINYL WRAPPED - 1.6" X .4" X 84"-WASHED MAPLE
25	100818-01-12A	EA	MOLDING - VINYL WRAPPED - 1.6" X .4" X 84"-PORTSMOUTH OAK
25	100818-01-13A	EA	MOLDING - VINYL WRAPPED - 1.6" X .4" X 84" - CHERRY - CONCERT CHERRY
26	100819-01-08A	EA	MOLDING - VINYL WRAPPED-L-SHAPED-1.5"X1.5"X84"- WASHED MAPLE
26	100819-01-12A	EA	MOLDING - VINYL WRAPPED-L-SHAPED - 1.5" X 1.5" X 84" - OAK - PORTSMOUTH OAK
26	100819-01-13A	EA	MOLDING - VINYL WRAPPED-L-SHAPED-1.5"X1.5"X84" - CONCERT CHERRY
27	101957-01-06A	EA	EXTRUDED - PLASTIC - WASHED MAPLE

INTERIOR FINISH GROUP (CONTINUED)
MOLDINGS & TRIMS (CONTINUED)



KEY	PART NUMBER	U/M	DESCRIPTION
28	103186-01-07A	FT	MOLDING/PLASTIC - 3/8" U-CHANNEL-3/4"FACE - BEIGE ILLUS 8'
28	103186-01-08A	FT	MOLDING/PLASTIC - 3/8" U-CHANNEL-3/4"FACE-WASHED MAPLE 8' - WASHED MAPLE
28	103186-01-09A	FT	MOLDING/PLASTIC - 3/8" U-CHAN'L-3/4"FACE-PORTSMOUTH OAK 8' - PORTSMOUTH OAK
28	103186-01-10A	FT	MOLDING/PLASTIC-3/8" U-CHAN'L-3/4"FACE-CONCERT CHERRY 8' - CONCERT CHERRY
28	103186-02-07A	FT	MOLDING/PLASTIC-1" U-CHAN'L-1 3/8"FACE-BEIGE ILLUSION - 8'
28	103186-02-08A	FT	MOLDING/PLASTIC - 1" U-CHANNEL-1 3/8"FACE-WASHED MAPLE 8' - WASHED MAPLE
28	103186-02-09A	FT	MOLDING/PLASTIC - 1" U-CHAN'L-1 3/8"FACE-PORTSMOUTH OAK 8' - PORTSMOUTH OAK
28	103186-02-10A	FT	MOLDING/PLASTIC - 1" U-CHAN'L-1 3/8"FACE-CONCERT CHERRY 8' - CONCERT CHERRY
29	104676-02-06A	FT	MOLDING-T - W/EDGE LIP - 11/16" FACE - WASHED MAPLE
29	104676-02-08A	FT	MOLDING-T - W/EDGE LIP - 11/16" FACE - PORTSMOUTH OAK
29	104676-02-09A	FT	MOLDING-T - W/EDGE LIP - 11/16" FACE - CONCERT CHERRY
30	105004-01-08A	EA	MOLDING - VINYL WRAPPED - 1" X 96" - WASHED MAPLE
30	105004-01-12A	EA	MOLDING - VINYL WRAPPED 1" X 96" - PORTSMOUTH OAK
30	105004-01-13A	EA	MOLDING - VINYL WRAPPED 1" X 96" - CONCERT CHERRY
31	105709-02-000	FT	MOLDING-T - W/EDGE LIP - 3/4" FACE - BEIGE ILLUSION
32	109410-01-P25	EA	MOLDING - TRIM - 8' - BLACK CHERRY/CHERRY IV - CONCERT CHERRY
32	109410-01-N75	EA	MOLDING - TRIM - 8' - PORTSMOUTH OAK
32	109410-01-J70	EA	MOLDING - TRIM - 8' - WHITE MAPLE/WASHED MAPLE
33	109736-02-01A	FT	MOLDING-T/OFFSET - W/EDGE LIP - 1" FACE - NAT OAK/BRASS
34	111235-01-H56	EA	MOLDING - COUNTERTOP - 1.4" X 8' - WHITE MAPLE - UNSTAINED - WASHED MAPLE
34	111235-01-N42	EA	MOLDING - COUNTERTOP - 1.4" X 8' - OAK - UNSTAINED - PORTSMOUTH OAK
34	111235-01-P79	EA	MOLDING - COUNTERTOP - 1.4" X 8' - CONCERT CHERRY
35	119520-01-01A	FT	MOLDING-T/OFFSET - W/EDGE LIP - 1"FACE - OFF WHITE
35	119520-01-02A	FT	MOLDING-T/OFFSET - W/EDGE LIP - 1"FACE - CONCERT CHERRY
35	119520-01-03A	FT	MOLDING-T/OFFSET - W/EDGE LIP - 1"FACE - WASHED MAPLE
35	119520-01-04A	FT	MOLDING-T/OFFSET - W/EDGE LIP - 1"FACE - PORTSMOUTH OAK
35	119520-02-01A	FT	MOLDING-T/OFFSET - W/EDGE LIP - 1"FACE
36	126204-D2-134	EA	MOLDING - VINYL WRAPPED - .7" X 1.6" X 84" - WASHED MAPLE
36	126204-F2-134	EA	MOLDING - VINYL WRAPPED - .7" X 2.5" X 84" - WASHED MAPLE
36	137887-D2-134	EA	MOLDING - VINYL WRAPPED - .7" X 1.6" X 96" - CHERRY - CONCERT CHERRY
36	137887-F2-134	EA	MOLDING - VINYL WRAPPED - .7" X 2.5" X 84" - CHERRY - CONCERT CHERRY
36	137887-F2-743	EA	MOLDING - VINYL WRAPPED - .7" X 2.5" X 108" - CHERRY - CONCERT CHERRY
36	137895-D2-134	EA	MOLDING - VINYL WRAPPED - .7" X 1.6" X 84" - PORTSMOUTH OAK
36	137895-F2-134	EA	MOLDING - VINYL WRAPPED - .7" X 2.5" X 84" - PORTSMOUTH OAK
36	137895-F2-743	EA	MOLDING - VINYL WRAPPED - .7" X 2.5" X 108" - PORTSMOUTH OAK
37	127842-01-01A	FT	SEAL - SIGHT SHIELD - 2" BLACK
38	130247-01-05A	FT	MOLDING-T/OFF SET - 1.3" FACE - CONCERT CHERRY
38	130247-01-04A	FT	MOLDING-T/OFF SET - 1.3" FACE - PORTSMOUTH OAK
38	130247-01-02A	FT	MOLDING-T/OFF SET - 1.3" FACE - WASHED MAPLE

INTERIOR FINISH GROUP (CONTINUED)
MOLDINGS & TRIMS (CONTINUED)



KEY	PART NUMBER	U/M	DESCRIPTION
39	131923-02-04A	FT	MOLDING - PICTURE - OAK - PORTSMOUTH OAK
40	131923-03-03A	FT	MOLDING - CROWN - DIVIDER - WHITE MAPLE - WASHED MAPLE
40	131923-03-02A	FT	MOLDING - CROWN - DIVIDER - CHERRY - CONCERT CHERRY
41	134156-01-03A	EA	MOLDING - VINYL WRAP - .7" X 3.8" X 33.8" - WASHED MAPLE
41	134156-01-08A	EA	MOLDING - VINYL WRAP - .7" X 3.8" X 33.8" - PORTSMOUTH OAK
41	134156-03-03A	EA	MOLDING - VINYL WRAP - .7" X 3.4" X 28.3" - WASHED MAPLE
41	134156-03-07A	EA	MOLDING - VINYL WRAP - .7" X 3.4" X 28.3" - CONCERT CHERRY
41	134156-03-08A	EA	MOLDING - VINYL WRAP - .7" X 3.4" X 28.3" - PORTSMOUTH OAK
41	134156-05-07A	EA	MOLDING - VINYL WRAP - .7" X 3.8" X 34.4" - CONCERT CHERRY
42	137108-01-02A	EA	RAIL - DECORATIVE - SALEM CHERRY - CONCERT CHERRY
42	137108-01-03A	EA	RAIL - DECORATIVE - WASHED MAPLE
42	137108-01-07A	EA	RAIL - DECORATIVE - PORTSMOUTH OAK
43	126205-D2-438	EA	LUMBER - VINYL WRAPPED - .7" X 1.5" X 96" - WASHED MAPLE
43	126205-E2-438	EA	LUMBER - VINYL WRAPPED - .7" X 2" X 96" - WASHED MAPLE
43	126205-F2-438	EA	LUMBER - VINYL WRAPPED - .7" X 2.5" X 96" - WASHED MAPLE
43	126205-G2-438	EA	LUMBER - STAINED - .7" X 3" X 96" - WASHED MAPLE
43	126205-J2-438	EA	LUMBER - VINYL WRAPPED - .7" X 5.5" X 96" - WASHED MAPLE
43	126205-R2-438	EA	LUMBER - LUMBER - VINYL WRAPPED - .7" X 3" X 96" - WASHED MAPLE
43	137885-A2-438	EA	LUMBER - VINYL WRAPPED - .7" X .75" X 96" - CHERRY - CONCERT CHERRY
43	137885-D2-438	EA	LUMBER - VINYL WRAPPED - .7" X 1.5" X 96" - CHERRY - CONCERT CHERRY
43	137885-E2-438	EA	LUMBER - VINYL WRAPPED - .7" X 2" X 96" - CHERRY - CONCERT CHERRY
43	137885-F2-438	EA	LUMBER - VINYL WRAPPED - .7" X 2.5" X 96" - CHERRY - CONCERT CHERRY
43	137885-G2-438	EA	LUMBER - VINYL WRAPPED - .7" X 3" X 96" - CHERRY - CONCERT CHERRY
43	137885-J2-743	EA	LUMBER-018X140X2743 MM VYL - CONCERT CHERRY
43	137885-J2-438	EA	LUMBER - VINYL WRAPPED - .7" X 5.5" X 96" - CHERRY - CONCERT CHERRY
43	137885-R2-438	EA	LUMBER - VINYL WRAPPED - .7" X 3" X 96" - CHERRY - CONCERT CHERRY
43	137894-A2-438	EA	LUMBER - VINYL WRAPPED - .7" X .75 X 96" - PORTSMOUTH OAK
43	137894-D2-438	EA	LUMBER - VINYL WRAPPED - .7" X 1.5" X 96" - PORTSMOUTH OAK
43	137894-E2-438	EA	LUMBER - VINYL WRAPPED - .7" X 2" X 96" - PORTSMOUTH OAK
43	137894-F2-438	EA	LUMBER - VINYL WRAPPED - .7" X 2.5" X 96" - PORTSMOUTH OAK
43	137894-G2-438	EA	LUMBER - VINYL WRAPPED - .7" X 3" X 96" - PORTSMOUTH OAK
43	137894-H2-438	EA	LUMBER - VINYL WRAPPED - .7" X 3.5" X 96" - PORTSMOUTH OAK
43	137894-J2-438	EA	LUMBER - VINYL WRAPPED - .7" X 5.5" X 96" - PORTSMOUTH OAK
43	137894-J2-743	EA	LUMBER - VINYL WRAPPED - .7" X 5.5" X 108" -PORTSMOUTH OAK
43	137894-R2-438	EA	LUMBER - VINYL WRAPPED - .7" X 3" X 96" - PORTSMOUTH OAK
	141260-01-02A	FT	U-CHANNEL - 1" - GRADY BROWN
	141260-01-01A	FT	U-CHANNEL - 1" - VILLAGE OAK

INTERIOR FINISH GROUP (CONTINUED)
PANELING & LAMINATES

KEY	PART NUMBER	U/M	DESCRIPTION
	000885-A5-000	SF	PARTICLE BOARD - 3/8" X 4' X 8'- WHT PEB EMBOSSED-1 SIDED
	000885-96-000	SF	PARTICLE BOARD - 3/8" X 4' X 8' - SALEM CHERRY - 1 SIDED - CONCERT CHERRY
	000885-A1-000	SF	PARTICLE BOARD - 1/2" X 4' X 8' - SALEM CHERRY - 2 SIDED - CONCERT CHERRY
	000885-A3-000	SF	PARTICLE BOARD - 3/4" X 4' X 8' - SALEM CHERRY - 2 SIDED - CONCERT CHERRY
	000885-98-000	SF	PARTICLE BOARD - 3/8" X 4' X 8' - SALEM CHERRY - 2 SIDED - CONCERT CHERRY
	000885-92-000	SF	PARTICLE BOARD-3/8" X 4' X 8'-PORTSMOUTH OAK-VINYL 1 SIDED - PORTSMOUTH OAK
	000885-94-000	SF	PARTICLE BOARD - 1/2" X 4' X 8' - PORTSMOUTH OAK - 2-SIDED - PORTSMOUTH OAK
	000885-93-000	SF	PARTICLE BOARD - 3/8" X 4' X 8' - PORTSMOUTH OAK - 2-SIDED - PORTSMOUTH OAK
	000885-95-000	SF	PARTICLE BOARD - 3/4" X 4' X 8' - PORTSMOUTH OAK - 2-SIDED - PORTSMOUTH OAK
	074497-43-000	SF	PANELING - SALEM CHERRY - 4' X 8' - CONCERT CHERRY
	074497-42-000	SF	PANELING - PORTSMOUTH OAK - 4' X 8' - PORTSMOUTH OAK
	074498-40-000	SF	LAMINATE - PLASTIC - OFF WHITE - 4' X 8'
	074498-99-000	SF	LAMINATE - PLASTIC - EGGSHELL - 4' X 8' (P78,P79,P80,P81,P94,P95)
	074498-97-000	SF	LAMINATE - PLASTIC - GRAY TRANQUILITY - 4' X 8' (P82,P83)
	074498-96-000	SF	LAMINATE - PLASTIC - CHERRY - 4' X 8' - CONCERT CHERRY
	074498-95-000	SF	LAMINATE - PLASTIC - PORTSMOUTH OAK - 4' X 8' - PORTSMOUTH OAK
	076325-73-000	FT	MOLDING - EDGE BAND - .93" X .024" - OFF WHITE
	085284-G9-000	FT	BATT TAPE - ADHESIVE BACKED - DECORATIVE - ALABASTER (P78,P79,P80,P81,P94,P95)
	085284-H4-000	FT	BATT TAPE - ADHESIVE BACKED - DECORATIVE - STARLIGHT (P82,P83)
	085284-F9-000	FT	BATT TAPE - ADHESIVE BACKED - PEBBLE EMBOSSED
	088263-G9-000	EA	BATT STRIP - DECORATIVE - CORK/ALABASTER - 8' (P78,P79,P80,P81,P94,995)
	088263-H1-000	EA	BATT STRIP - DECORATIVE - STARLIGHT - 8' LONG (P82,P83)
	088263-G1-000	EA	BATT STRIP - DECORATIVE - PEBBLE EMBOSSED - 8' LONG
	088272-H9-000	SF	PANELING - PEBBLE EMBOSSED - WHITE - 4' X 7'
	088272-J9-000	SF	PANELING - ALABASTER - 4' X 7' (P78,P79,P80,P81,P94,P95)
	088272-K3-000	SF	PANELING - STARLIGHT - 4' X 7' (P82,P83)
	076773-16-000	SF	PANELING - 2 SIDED/SALEM CHERRY - 1/8" X 4' X 8' - CONCERT CHERRY
	076773-15-000	SF	PANELING - 2 SIDED/PORTSMOUTH OAK - 1/8" X 4' X 8' - PORTSMOUTH OAK
	126339-01-000	SF	BOARD - WHEAT - 60" X 72"
	132610-05-22A	FT	WALLPAPER - BORDER - 7" - SELF-ADHESIVE (P78,P79)
	132610-10-15A	FT	WALLPAPER - BORDER - 5 3/4" - SELF ADHESIVE (P80,P81)
	132610-02-07A	FT	WALLPAPER - BORDER - 6 3/4" - SELF-ADHESIVE (P82,P83)
	132610-05-21A	FT	WALLPAPER - BORDER - 7" - SELF-ADHESIVE (P94,P95)
	132610-05-23A	FT	WALLPAPER - BORDER - 7" - SELF-ADHESIVE (P94,P95) FROM: 00-00-00 THRU: 10-06-02
			FROM: 10-07-02 THRU: 99-99-99

INTERIOR FINISH GROUP (CONTINUED)
ACCESSORIES

KEY	PART NUMBER	U/M	DESCRIPTION
	072852-01-000	EA	DETECTOR - SMOKE - W/9 VOLT BATTERY - US
	072852-02-000	EA	DETECTOR - SMOKE - W/9 VOLT BATTERY - CANADIAN
	125136-02-000	EA	DETECTOR/CO - GAS MODEL - 9 VOLT
	094499-03-000	EA	EXTINGUISHER/FIRE - DRY - 10BC - W/GAUGE/BRACKET
*	094499-02-000	EA	EXTINGUISHER/FIRE - DRY - 10BC - W/GAUGE - CANADIAN
	094499-04-000	EA	STRAP - FIRE EXTINGUISHER MOUNTING - METAL
	131493-04-02A	EA	PICTURE - DECORATIVE - 16" X 10" - LA CHAMBRE II (P78,P79)
	131493-02-13A	EA	PICTURE - DECORATIVE - 13" X 15" - SANDCASTLE (P80,P81)
	131493-02-12A	EA	PICTURE - DECORATIVE - 13" X 15" - AFRICAN LILY (P82,P83)
	131493-02-14A	EA	PICTURE - DECORATIVE - 13" X 15" - WINTER WHITE (P94,P95)
	112515-05-01A	EA	PICTURE - DECORATIVE - 12" X 15" - PALM TREE
	131493-02-05A	EA	PICTURE - DECORATIVE - 13" X 15" - VIOLIN
	131494-03-01A	EA	MIRROR - BEVELED/GLASS - OCTAGON - 1" X 20" X 36"
	140374-57-000	EA	MIRROR - SAFETY GLASS - 34.7" X 57.9"
	140374-36-000	EA	MIRROR - SAFETY GLASS - 20.9" X 25.2"
	140374-37-000	EA	MIRROR - SAFETY GLASS - 10.3" X 18.2"
	140374-30-000	EA	MIRROR - SAFETY GLASS - 25.6" X 31.5"
	133485-01-03A	EA	MIRROR - BEVELED GLASS - W/VERTICAL GROOVE - 20" X 20.9"
	133485-02-03A	EA	MIRROR - BEVELED GLASS W/2 VERTICAL GROOVES - 44.9"X 20.9"
	133485-03-03A	EA	MIRROR - BEVELED GLASS-W/2 VERTICAL GROOVES - 30" X 20.9"
	113195-25-01A	EA	MIRROR - BEVELED SAFETY GLASS - 15.7" X 31.4"
	113195-17-01A	EA	MIRROR - BEVELED SAFETY GLASS - CLEAR - 16.6" X 26.2"
	093606-39-000	EA	MIRROR - BEVELED EDGE - 13" X 34"
	142631-01-03A	EA	FRAME - MIRROR - 29.5"H X 25.2"W - PORTSMOUTH OAK
	142631-01-01A	EA	FRAME - MIRROR - 29.5"H X 25.2"W - CONCERT CHERRY
	129779-03-N42	EA	FRAME - W/O MIRROR - 29.9"W X 35.9"H - PORTSMOUTH OAK
	129779-03-K37	EA	FRAME - W/O MIRROR - 29.9"W X 35.9"H - SALEM CHERRY - CONCERT CHERRY
	096764-02-000	FT	SLIPNOT - ANTISLIP - 1'WIDE (180' ROLLS) - WHITE
	091261-01-000	FT	SLIPNOT - ANTISLIP - 1' WIDE X 12' - BLACK
	118718-01-01A	EA	HOLDER/DRINK - COLLAPSIBLE MUG - BLACK PLASTIC
	133831-01-01A	EA	HOLDER - CUP W/THREE CENTERLINE RUBBER FINGERS

***COMPONENT PARTS LISTED LATER IN THIS GROUP**

INTERIOR FINISH GROUP (CONTINUED)
COMPONENT PARTS FOR ACCESSORIES

094499-02-000

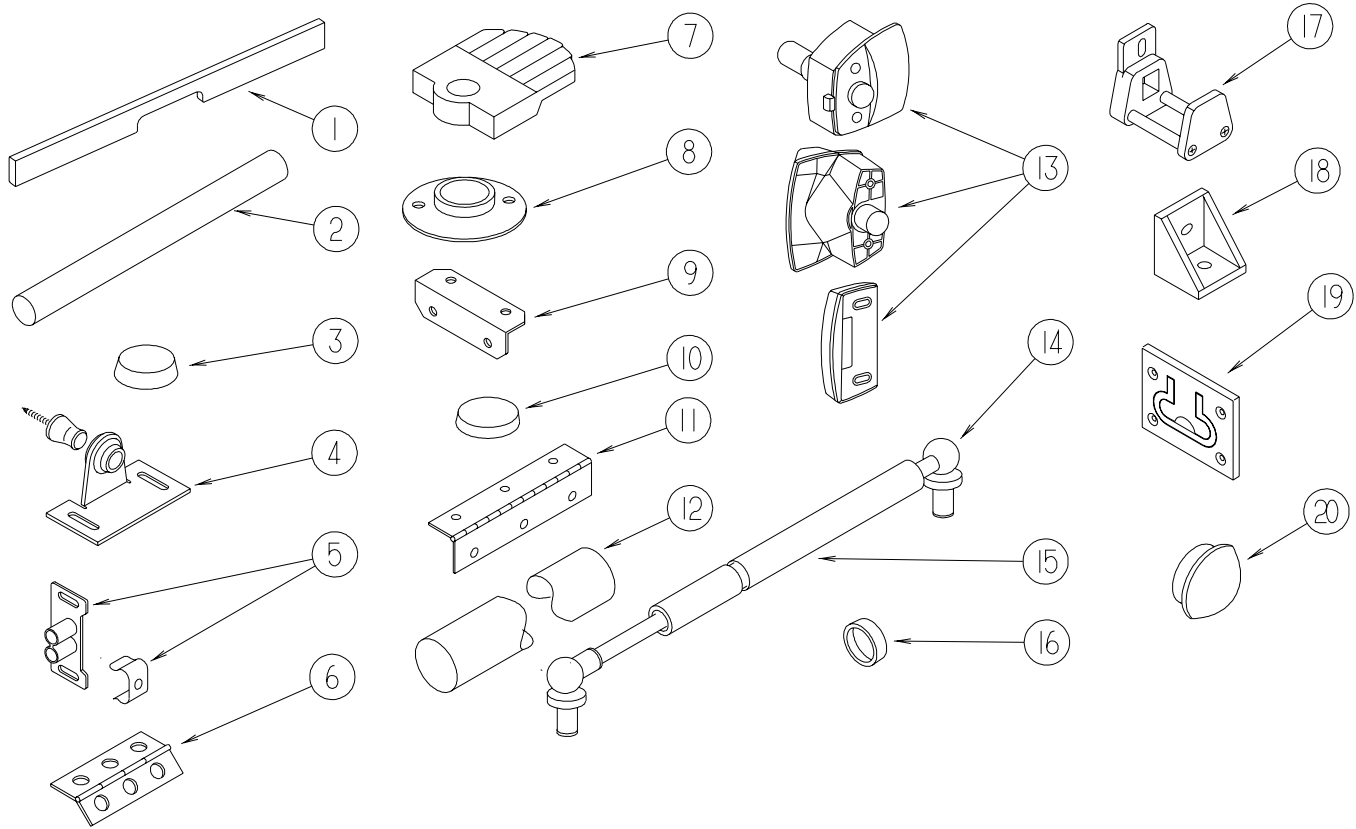
KEY	PART NUMBER	U/M	DESCRIPTION	VENDOR NO
	094499-01-700	EA	BRACKET MTG. W/PLAS. STRAP	294039

INTERIOR FINISH GROUP (CONTINUED)
FLOOR COVERINGS

KEY	PART NUMBER	U/M	DESCRIPTION
	093486-02-000	SY	CARPET - COMPARTMENT - 72" WIDE - LIGHT GRAY
	139056-11-000	SY	CARPET - MUSLIN - 4 SQUARE YARD INCREMENTS (P78,P79)
	139056-09-000	SY	CARPET - WHEAT - 4 SQUARE YARD INCREMENTS (P80,P81,P82,P83)
	139056-15-000	SY	CARPET - TARRAGON - 4 SQUARE YARD INCREMENTS (P94,P95)
	123994-07-01A	EA	TILE - FLOOR - CERAMIC - 6" X 12"
	123994-08-01A	EA	TILE - FLOOR - CERAMIC - 6" X 6"

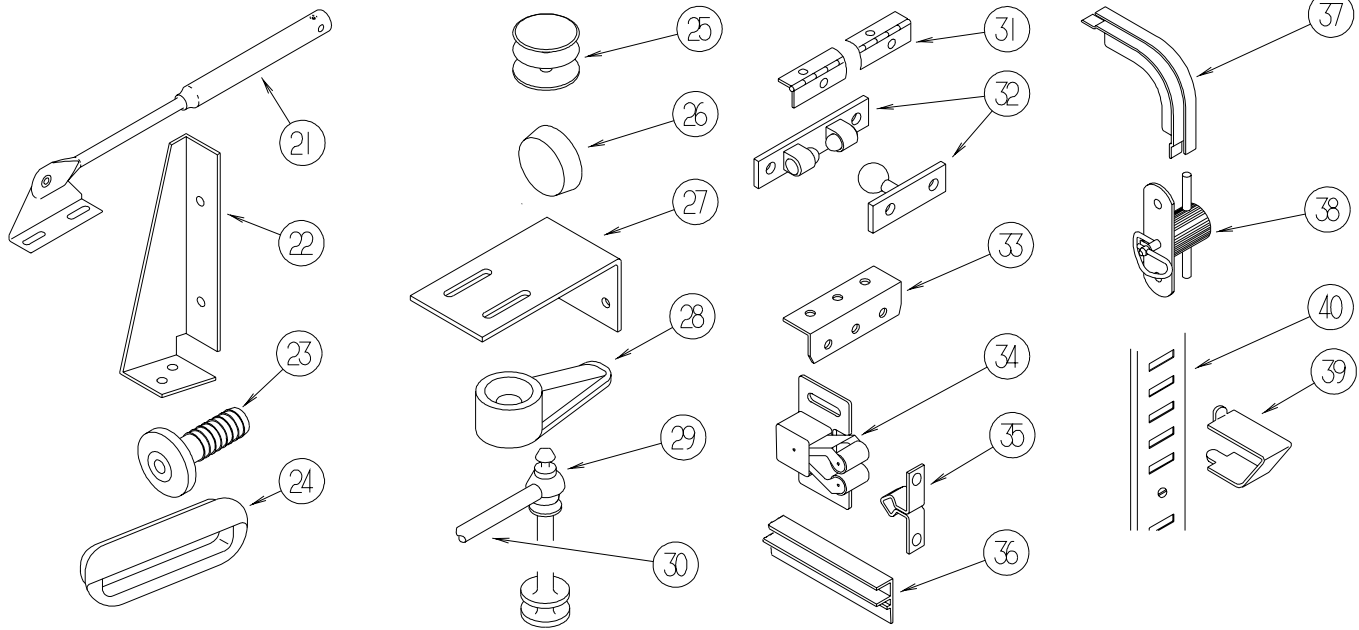
INTERIOR FINISH GROUP (CONTINUED)

HARDWARE



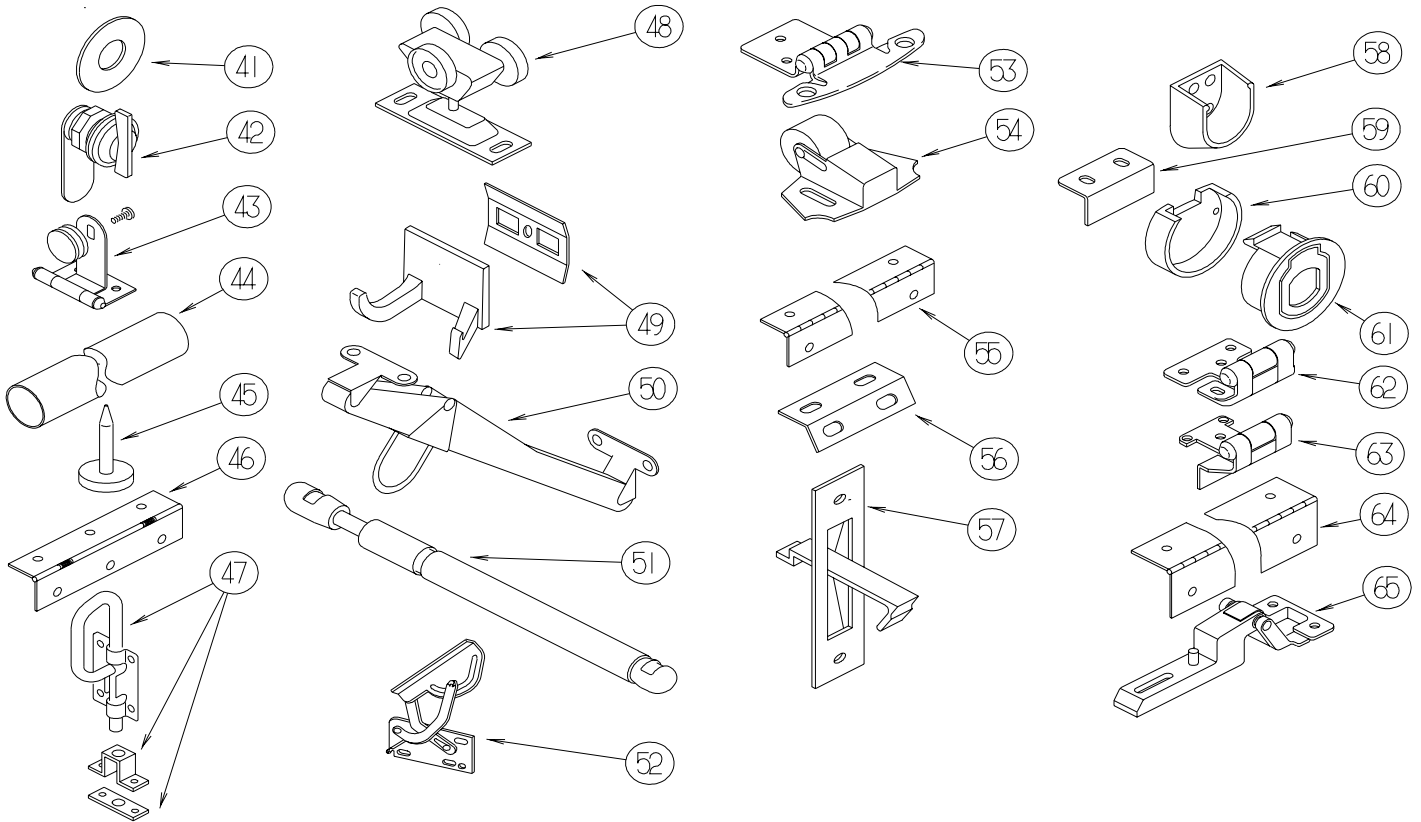
KEY	PART NUMBER	U/M	DESCRIPTION
1	P26866-12-N62	EA	HANDLE - DOOR/TAMBOUR - 14.7" - WASHED MAPLE
1	P26866-12-N63	EA	HANDLE - DOOR/TAMBOUR - 11.6" - CONCERT CHERRY
1	P26866-12-P69	EA	HANDLE - DOOR/TAMBOUR - 11.6" - PORTSMOUTH OAK
2	Y00136-21-218	EA	DOWEL - WOOD - 1" X 4"
3	004354-01-000	EA	BUMPER - RUBBER - .5" DIA - BROWN
4	009013-01-000	EA	CATCH - BULLDOG - MALE/FEMALE
5	009021-01-000	EA	CATCH - GRILLE - NYLON
5	009021-02-000	EA	STRIKE - SPRING STEEL - .68"
6	009059-01-000	EA	HINGE - DOOR - 2" X 1.4" - BRASS
6	009059-02-000	EA	HINGE - DOOR - 2" X 2.7" - BRASS
6	009059-03-000	EA	HINGE - BRASS - 1.75"
7	009089-01-000	EA	CLIP - MIRROR
8	009112-01-000	EA	FLANGE - PLASTIC - 1" CLOTHES ROD - OFF WHITE
9	016604-05-000	EA	BRACE - ANGLE - 2 1/2" - OFF WHITE METAL
9	016604-10-000	EA	BRACE - SEAT ANGLE - 2.5" - BLACK
9	016604-11-000	EA	BRACE - SEAT - ANGLE - 2.5" - CHESTNUT
10	023320-01-000	EA	PAD - FELT 3/8" DIAMETER
11	041389-25-000	EA	HINGE - PIANO - 1 1/2" X 55" - UNPAINTED
12	042438-02-000	EA	DOWEL - WOOD - 2" DIAMETER X 2'
12	042438-06-000	EA	DOWEL - WOOD - CLOTHES ROD - 1.5" X 26"
13	058335-03-000	EA	LATCH W/O LOCK - BATHROOM DOOR BLACK
14	057460-02-000	EA	BALL STUD - F/GAS SPRING .39" - 5/16"-18
15	057460-04-000	EA	SPRING/GAS - BALL STUD STYLE - 120 PI - "SPD6209"
16	057671-01-000	EA	COVER - SCREW - #8 - OFF WHITE
16	057671-15-000	EA	COVER - SCREW - #8 - BRIGHT WHITE
16	057671-16-000	EA	COVER - SCREW - #8 - SOFT WHITE
16	057671-17-000	EA	COVER - SCREW - VW LT GRAY - #8
17	064467-01-000	EA	GUIDE - POCKET - SLIDING DOOR - WALL MOUNTED
18	065740-01-000	EA	BRACE - CABINET/CORNER - PLASTIC
19	072871-01-000	EA	PULL - FLUSH - CHROME
20	074045-08-000	EA	PLUG - OAK - 3/8" DOWEL-1/2" HEAD - SALEM CHERRY - CONCERT CHERRY
20	074045-12-000	EA	PLUG - OAK - 3/8" DOWEL-1/2" HEAD - WASHED MAPLE
20	074045-13-000	EA	PLUG - OAK - 3/8" DOWEL-1/2" HEAD - PORTSMOUTH OAK

INTERIOR FINISH GROUP (CONTINUED)
HARDWARE (CONTINUED)



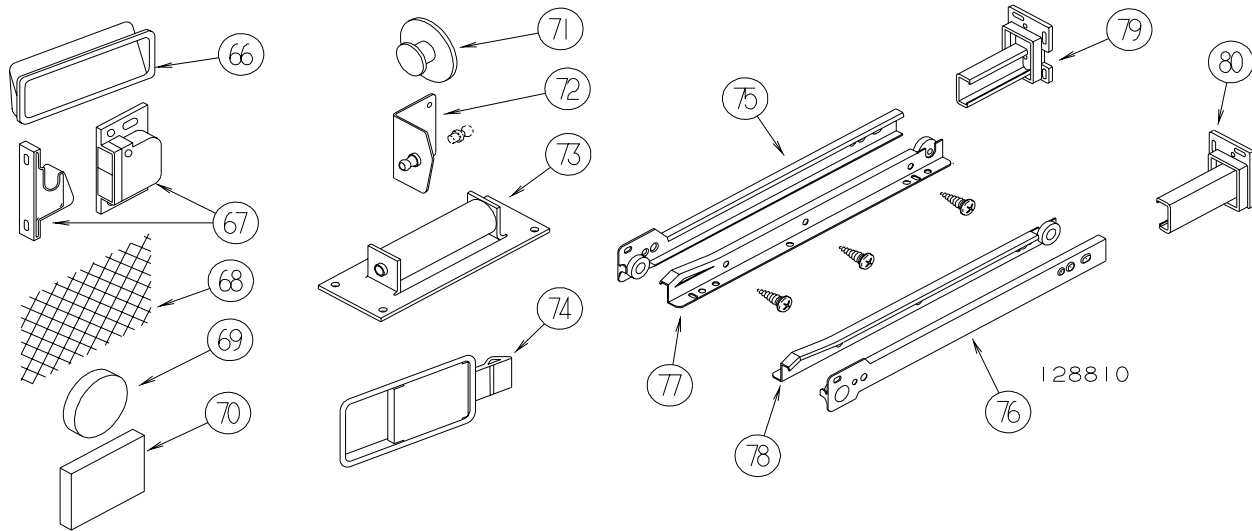
KEY	PART NUMBER	U/M	DESCRIPTION
21	074493-02-000	EA	SUPPORT - PISTON SPRING - CABINET DOOR - 26 LBS
21	074493-03-000	EA	SUPPORT - PISTON SPRING - CABINET DOOR - 12 LBS
21	074493-04-000	EA	SUPPORT - PISTON SPRING - CABINET DOOR - 32 LBS
22	076827-02-000	EA	BRACKET/LEG - 2.9" X 1.8" - TRIANGULAR - LEFT/E-COATED
23	079921-01-000	EA	ROLLER - NYLON - W/STEEL SHAFT - BARBED
24	080736-01-000	EA	PULL - RECESSED - 1.25" X 4" - OAK
25	081114-02-000	EA	CAP - INSERT - ROUND - 1" DIAMETER - WHITE PLASTIC
26	081914-01-000	EA	BUMPER - RUBBER - ROUND - 1/2" DIA. X 1/8" THICK
27	083125-07-000	EA	BRACE - ANGLE/COUCH - 2.5" - OFF WHITE
28	083204-03-000	EA	BUTTON - RETAINING MIRROR 5/16" TIP
29	084070-03-000	EA	POST - END - 2.4" - SHINY BRASS
30	084071-05-000	EA	ROD - BRASS - 15"
30	084071-19-000	EA	ROD - BRASS - 7.1"
30	084071-20-000	EA	ROD - BRASS - 9.8"
30	084071-23-000	EA	ROD - BRASS - 13.1"
30	084071-24-000	EA	ROD - BRASS - 3.8"
30	084071-28-000	EA	ROD - BRASS - 6"
30	084071-30-000	EA	ROD - BRASS - 11.6"
30	084071-31-000	EA	ROD - BRASS - 14.8"
30	084071-33-000	EA	ROD - BRASS - 20.4"
30	084071-34-000	EA	ROD - BRASS - 16.9"
31	084413-01-000	EA	HINGE - 1" X 72" - ALUMINUM - W/HOLES
32	084451-01-000	EA	CATCH & LATCH - 1.7" - BRASS
33	089025-01-000	EA	SUPPORT - SPRING TO BED - ANGLE 1.5" X 11.8"
34	093586-03-000	EA	CATCH - SPRING ROLLER - .377"
34	093586-06-000	EA	CATCH - SPRING ROLLER - .236"
35	093586-04-000	EA	STRIKE - SPRING STEEL - 1.14"
35	093586-05-000	EA	STRIKE - SPRING STEEL - .943"
36	093622-01-000	EA	TRACK - DOOR - TAMBOUR - PLASTIC - 8' LENGTHS
37	093623-01-000	EA	CORNER - TRACK - TAMBOUR DOOR
	097872-04-000	EA	DOWEL - WOOD - 1" DIAMETER X 1.38" LONG - UNFINISHED
38	098196-01-000	EA	LATCH - 1/4 TURN - T-BAR
39	098979-01-000	EA	CLIP - ADJUSTABLE SHELF
40	098980-01-000	EA	PILASTER - ADJUSTABLE SHELF - 18"
40	098980-02-000	EA	PILASTER - ADJUSTABLE SHELF - 12"
40	098980-03-000	EA	PILASTER - ADJUSTABLE SHELF - 9"
40	098980-04-000	EA	PILASTER - ADJUSTABLE SHELF - 48"
40	098980-05-000	EA	PILASTER - ADJUSTABLE SHELF - 15"
40	098980-06-000	EA	PILASTER - ADJUSTABLE SHELF - 24"

INTERIOR FINISH GROUP (CONTINUED)
HARDWARE (CONTINUED)



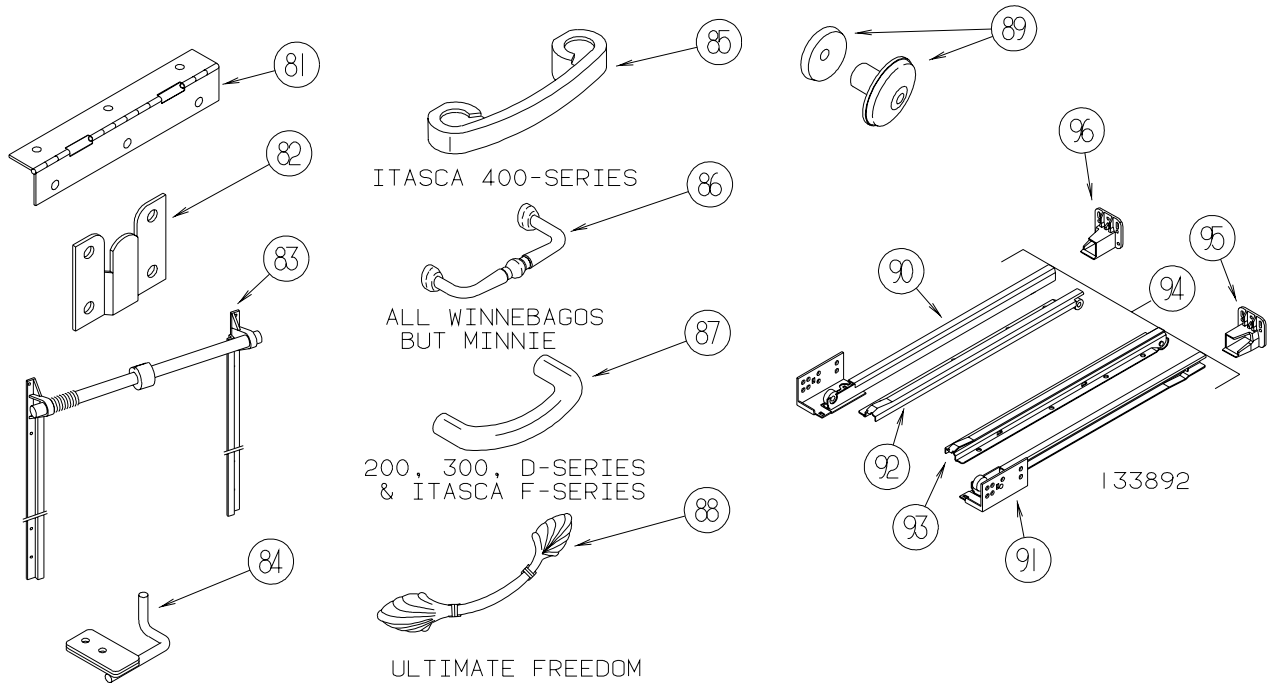
KEY	PART NUMBER	U/M	DESCRIPTION
41	100707-01-000	EA	SPACER - GLASS DOOR - .8" DIA - .3" HOLE - PLASTIC
42	100710-01-01A	EA	LOCK - GLASS DOOR/TWIST TYPE - BRASS
43	100711-01-01A	EA	HINGE - GLASS DOOR
44	102075-06-02A	EA	ROD - SHOWER CURTAIN - 1" OD X 33.5" - SOFT WHITE
44	102075-09-02A	EA	ROD - SHOWER CURTAIN - 3/4"OD X 29.5" - SOFT WHITE
44	102075-16-02A	EA	ROD - SHOWER CURTAIN - 3/4"OD X 34.2" - SOFT WHITE
44	102075-18-02A	EA	ROD - SHOWER CURTAIN - 1" OD X 38.9" - SOFT WHITE
44	102075-20-03A	EA	ROD - SHOWER CURTAIN - 48.8" - MILL
44	102075-21-03A	EA	ROD - SHOWER CURTAIN - 46.1"
45	102194-01-000	EA	GUIDE - PLASTIC - 1" (HEAD/PIN)
46	102920-01-01A	EA	HINGE - SPRING LOADED - BRASS
47	103256-01-000	EA	LATCH COMPLETE (SLIDE)
48	103874-01-000	EA	HANGER - SLIDING DOOR
49	104174-01-000	EA	HOOK - ROBE - DOUBLE
50	104181-01-01A	EA	SUPPORT - LEAF 5.3" EXTENDS TO 7.5" - SAFETY RING - METAL
51	107796-06-000	EA	SPRING/GAS - 12" COMPRESSED/20" EXTENDED - 120 LB.
51	107796-08-000	EA	SPRING/GAS - 11" COMPRESSED/17" EXTENDED - 60 LB
51	107796-15-000	EA	SPRING/GAS - 24" COMPRESSED/40" EXTENDED - 15 LB.
51	107796-16-000	EA	SPRING/GAS - 6.4" COMPRESSED/9.6" EXTENDED - 65 LB.
52	108126-01-000	EA	TRAY HINGE SET (QTY. 2 PER SET)
53	108138-01-000	EA	HINGE - CABINET DOOR - BURNISHED BRASS - Q SERIES (ULTIMATE FREEDOM) ONLY
53	108138-03-000	EA	HINGE - BRIGHT BRASS
54	109403-01-000	EA	CATCH - SINGLE ROLLER - SCREEN DOOR
55	110496-01-01A	EA	HINGE - BRASS
56	111866-01-02A	EA	BRACE - SEAT - ANGLE - OFF WHITE
57	113130-01-01A	EA	PULL - DOOR POCKET
58	113236-01-01A	EA	BRACKET - CLOTHES - ROD
59	113375-02-01A	EA	STRIKE - DOOR - CHROME
60	113375-05-01A	EA	LATCH - SLAM - BACK - .8" THICK
61	113375-06-01A	EA	LATCH - SLAM - FACE - .7" THICK
62	113676-01-01A	EA	HINGE - OVERLAY - VARIABLE - BURNISHED BRASS
63	113677-01-01A	EA	HINGE - SELF CLOSING
64	114278-02-000	EA	HINGE - CONTINUOUS - 3" WIDE
65	114443-01-01A	EA	HINGE - CABINET DOOR

INTERIOR FINISH GROUP (CONTINUED)
HARDWARE (CONTINUED)



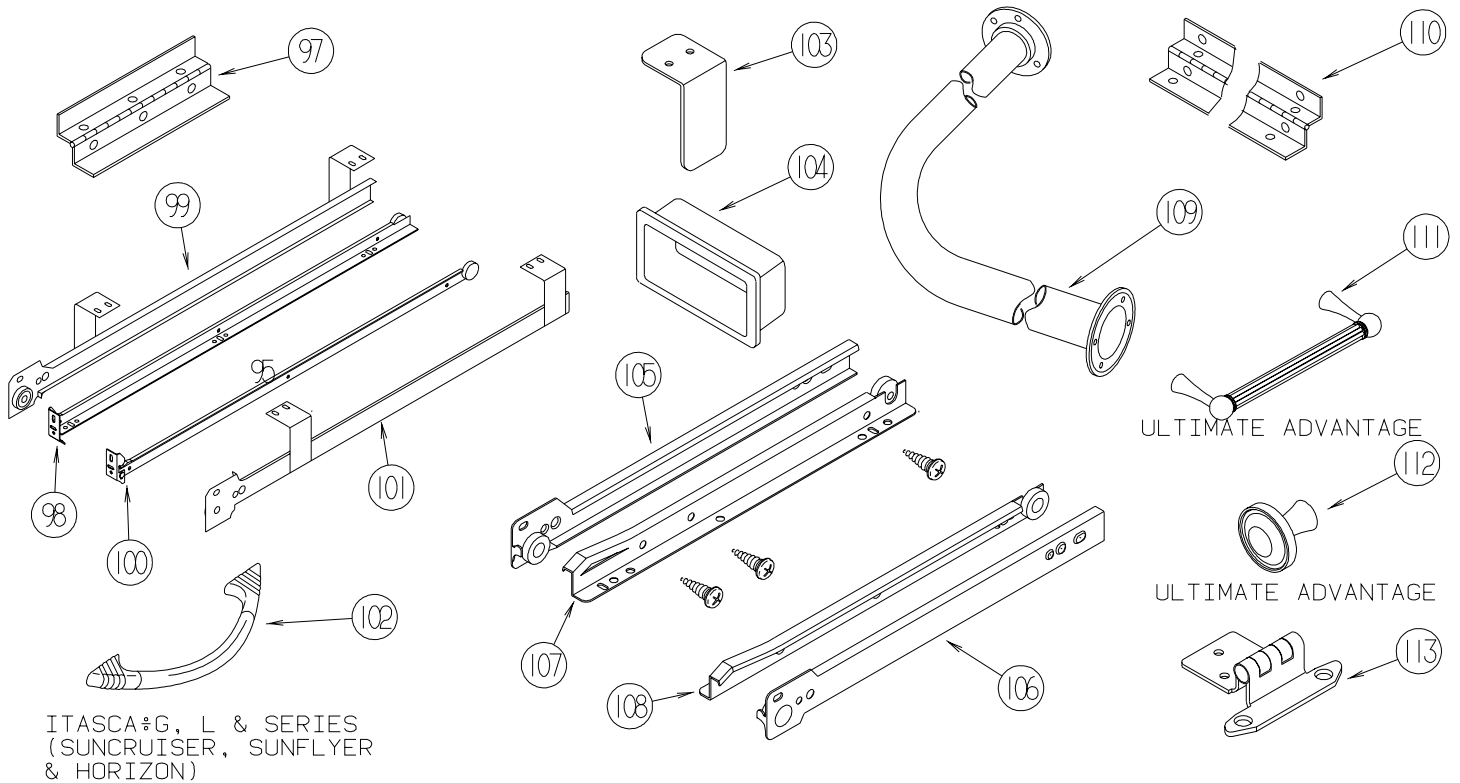
KEY	PART NUMBER	U/M	DESCRIPTION
66	115994-01-01A	EA	HANDLE - POCKET
67	117095-01-01A	EA	LATCH - DOOR - GRABBER W/KEEPER - PLASTIC - BLK-5 LB PULL
67	117095-02-01A	EA	LATCH - DOOR - GRABBER W/KEEPER - PLASTIC - BLK-10 LB PULL
68	118200-01-01A	SF	MESH - PLASTIC 1/2" - 48" X LENGTH = SF - BLACK
69	122717-01-01A	EA	PAD - NON SKID - 4" DIAMETER ROUND
70	122717-06-01A	FT	PAD - NON-SKID - PSA - 5"W
71	125221-01-01A	EA	PULL - MIRROR - W/ROUND HANDLE
72	126263-06-02B	EA	BRACKET - GAS SPRING W/INSIDE BALL STUD - E-COATED
72	126263-08-02B	EA	BRACKET - GAS SPRING W/CENTERED BALL STUD - E-COATED
73	126584-02-000	EA	ROLLER - FLAT
74	127349-01-01A	EA	LATCH - PADDLE
75	128810-01-01A	EA	SLIDE - DRAWER - 12" - LEFT CABINET
75	128810-05-01A	EA	SLIDE - DRAWER - 14" - LEFT CABINET
75	128810-09-01A	EA	SLIDE - DRAWER - 16" - LEFT CABINET
75	128810-13-01A	EA	SLIDE - DRAWER - 18" - LEFT CABINET
75	128810-17-01A	EA	SLIDE - DRAWER - 20" - LEFT CABINET
75	128810-21-01A	EA	SLIDE - DRAWER - 22" - LEFT CABINET
75	128810-25-01A	EA	SLIDE - DRAWER - 24" - LEFT CABINET
75	128810-29-01A	EA	SLIDE - DRAWER - 9" - LEFT CABINET
76	128810-02-01A	EA	SLIDE - DRAWER - 12" - RIGHT CABINET
76	128810-06-01A	EA	SLIDE - DRAWER - 14" - RIGHT CABINET
76	128810-10-01A	EA	SLIDE - DRAWER - 16" - RIGHT CABINET
76	128810-14-01A	EA	SLIDE - DRAWER - 18" - RIGHT CABINET
76	128810-18-01A	EA	SLIDE - DRAWER - 20" - RIGHT CABINET
76	128810-22-01A	EA	SLIDE - DRAWER - 22" - RIGHT CABINET
76	128810-26-01A	EA	SLIDE - DRAWER - 24" - RIGHT CABINET
76	128810-30-01A	EA	SLIDE - DRAWER - 9" - RIGHT CABINET
77	128810-03-01A	EA	SLIDE - DRAWER - 12" - LEFT DRAWER
77	128810-07-01A	EA	SLIDE - DRAWER - 14" - LEFT DRAWER
77	128810-11-01A	EA	SLIDE - DRAWER - 16" - LEFT DRAWER
77	128810-15-01A	EA	SLIDE - DRAWER - 18" - LEFT DRAWER
77	128810-19-01A	EA	SLIDE - DRAWER - 20" - LEFT DRAWER
77	128810-23-01A	EA	SLIDE - DRAWER - 22" - LEFT DRAWER
77	128810-27-01A	EA	SLIDE - DRAWER - 24" - LEFT DRAWER
77	128810-27-01A	EA	SLIDE - DRAWER - 24" - LEFT DRAWER
77	128810-31-01A	EA	SLIDE - DRAWER - 9" - LEFT DRAWER
78	128810-04-01A	EA	SLIDE - DRAWER - 12" - RIGHT DRAWER
78	128810-08-01A	EA	SLIDE - DRAWER - 14" - RIGHT DRAWER
78	128810-12-01A	EA	SLIDE - DRAWER - 16" - RIGHT DRAWER
78	128810-16-01A	EA	SLIDE - DRAWER - 18" - RIGHT DRAWER
78	128810-20-01A	EA	SLIDE - DRAWER - 20" - RIGHT DRAWER
78	128810-24-01A	EA	SLIDE - DRAWER - 22" - RIGHT DRAWER
78	128810-28-01A	EA	SLIDE - DRAWER - 24" - RIGHT DRAWER
78	128810-32-01A	EA	SLIDE - DRAWER - 9" - RIGHT DRAWER
79	128811-01-01A	EA	BACKSOCKET - ADJUSTABLE - LEFT
80	128811-02-01A	EA	BACKSOCKET - ADJUSTABLE - RIGHT

INTERIOR FINISH GROUP (CONTINUED) HARDWARE (CONTINUED)



KEY	PART NUMBER	U/M	DESCRIPTION
81	129753-01-01A	EA	HINGE - SPRING LOADED - 19" X 19" - BLACK
82	130120-01-01A	EA	BRACKET - MIRROR
83	130787-01-000	EA	TRACK - TAMBOUR DOOR/SPRING - 15.9"
83	130787-02-000	EA	TRACK - TAMBOUR DOOR/SPRING - 24"
83	130787-04-000	EA	TRACK - TAMBOUR DOOR - SPRING
84	130798-01-02B	EA	GUIDE - POCKET DOOR - E-COATED
85	131962-01-01A	EA	PULL - DOOR/DRAWER - POLISHED BRASS - ITASCA 400 SERIES (SUNDANCER)
86	131963-01-01A	EA	PULL - POLISHED BRASS - WINNEBAGO BRAVE/ADVENTURER/CHIEFTAIN/JOURNEY/MINNIE WINNIE
87	131964-01-01A	EA	PULL - POLISHED BRASS - RIALTA/WINNEBAGO MINNIE/VISTA, ITASCA SPIRIT/SUNOVA
88	131965-01-01A	EA	PULL - DOOR/DRAWER - 6.3" - BURNISHED BRASS - ULTIMATE FREEDOM
89	133313-01-02A	EA	PULL - DOOR/DRAWER - BRIGHT BRASS
89	133313-01-03A	EA	PULL - DOOR/DRAWER - CHROME/BRASS - ITASCA L & P SERIES (SUNFLYER & HORISON) ONLY
90	133892-01-01A	EA	SLIDE - DRAWER - 16" - LEFT CABINET
90	133892-06-01A	EA	SLIDE - DRAWER - 22" - LEFT CABINET
90	133892-10-01A	EA	SLIDE - DRAWER - 12" - LEFT CABINET
90	133892-14-01A	EA	SLIDE - DRAWER - 18" - LEFT CABINET
91	133892-02-01A	EA	SLIDE - DRAWER - 16" - RIGHT CABINET
91	133892-07-01A	EA	SLIDE - DRAWER - 22" - RIGHT CABINET
91	133892-11-01A	EA	SLIDE - DRAWER - 12" - RIGHT CABINET
91	133892-15-01A	EA	SLIDE - DRAWER - 18" - RIGHT CABINET
92	133892-03-01A	EA	SLIDE - DRAWER - 16" - LEFT DRAWER
92	133892-08-01A	EA	SLIDE - DRAWER - 22" - LEFT DRAWER
92	133892-12-01A	EA	SLIDE - DRAWER - 12" - LEFT DRAWER
92	133892-16-01A	EA	SLIDE - DRAWER - 18" - LEFT DRAWER
93	133892-04-01A	EA	SLIDE - DRAWER - 16" - RIGHT DRAWER
93	133892-09-01A	EA	SLIDE - DRAWER - 22" - RIGHT DRAWER
93	133892-13-01A	EA	SLIDE - DRAWER - 12" - RIGHT DRAWER
93	133892-17-01A	EA	SLIDE - DRAWER - 18" - RIGHT DRAWER
94	133892-05-01A	EA	SLIDE - DRAWER - 9" - FULL SET
95	133907-01-01A	EA	BACKSOCKET - RIGHT HAND
96	133907-02-01A	EA	BACKSOCKET - LEFT HAND

INTERIOR FINISH GROUP (CONTINUED)
HARDWARE (CONTINUED)



KEY	PART NUMBER	U/M	DESCRIPTION
97	135538-01-01A	EA	HINGE - PIANO - FULL WRAP - BRASS PLATED
97	135538-03-01A	EA	HINGE - PIANO - FULL WRAP - STOCKER BRASS
98	136944-01-01A	EA	SLIDE - DRAWER/RIGHT HAND - 13.8"
99	136944-02-01A	EA	SLIDE - CABINET/RIGHT HAND - 13.8"
100	136944-03-01A	EA	SLIDE - DRAWER/LEFT HAND - 13.8"
101	136944-04-01A	EA	SLIDE - CABINET/LEFT HAND - 13.8"
102	137446-01-01A	EA	PULL - CABINET - CHROME/BRASS - ITASCA G, L & P SERIES (SUNCRUISER/SUNFLYER/HORIZON)
103	138136-02-02B	EA	GUIDE - DOOR - E-COATED
104	139136-01-01A	EA	HANDLE - RECESSED - 2.9" X 1.3"/2.7" X 1" X .7" C/O- BRASS
104	139136-02-01A	EA	HANDLE - RECESSED - 2.9" X 1.3"/2.7" X 1" X .4" C/O- BRASS
105	139566-01-01A	EA	SLIDE - DRAWER - 37.5" - LEFT CABINET
105	139566-05-01A	EA	SLIDE - DRAWER - 32" - LEFT CABINET
106	139566-02-01A	EA	SLIDE - DRAWER - 37.5" - RIGHT CABINET
106	139566-06-01A	EA	SLIDE - DRAWER - 32" - RIGHT CABINET
107	139566-03-01A	EA	SLIDE - DRAWER - 37.5" - LEFT DRAWER
107	139566-07-01A	EA	SLIDE - DRAWER - 32" - LEFT DRAWER
108	139566-04-01A	EA	SLIDE - DRAWER - 37.5" - RIGHT DRAWER
108	139566-08-01A	EA	SLIDE - DRAWER - 32" - RIGHT DRAWER
109	140494-01-01A	EA	ROD - SHOWER
109	140494-01-02A	EA	ROD - SHOWER - SOFT WHITE
110	142276-01-01A	EA	HINGE - PIANO - FULL WRAP - BRASS
	142569-05-000	EA	SPRING - GAS - 39.9"/15 LB
FROM: 01-18-03 THRU: 99-99-99			
111	142909-01-01A	EA	PULL - CABINET - BRASS - ULTIMATE ADVANTAGE
112	142910-01-01A	EA	KNOB - CABINET - BRASS - ULTIMATE ADVANTAGE
113	143468-01-02A	EA	HINGE - SELF CLOSING - POLISHED BRASS

LABELS GROUP

SEWAGE

KEY PART NUMBER U/M DESCRIPTION
006187-01-000 EA LABEL - SEWAGE

WASTE WATER

KEY PART NUMBER U/M DESCRIPTION
006188-01-000 EA LABEL - WASTE WATER

WARNING

THIS SYSTEM IS DESIGNED FOR USE WITH PROPANE ONLY
DO NOT CONNECT NATURAL GAS TO THIS SYSTEM

BEFORE TURNING ON PROPANE:

- (A) BE CERTAIN APPLIANCES ARE CERTIFIED FOR PROPANE AND ARE EQUIPPED WITH CORRECT BURNING ORIFICES.
- (B) MAKE CERTAIN ALL PROPANE CONNECTIONS ARE TIGHT BY TESTING WITH SOAPY WATER. ALL APPLIANCE VALVES ARE TURNED OFF, AND ANY UNCONNECTED OUTLETS ARE CAPPED.

AFTER TURNING ON PROPANE:

- (A) LIGHT ALL PILOT LIGHTS
- (B) (B) ALL CONNECTIONS, INCLUDING THOSE AT THE APPLIANCES, REGULATORS AND CYLINDERS SHOULD BE LEAK-TESTED PERIODICALLY WITH SOAPY WATER BY THE OCCUPANT. NEVER USE A LIGHTED MATCH OR OTHER FLAME WHEN CHECKING FOR LEAKS.
- (C) DO NOT LEAVE SYSTEM TURNED ON OF CONTAINERS CONNECTED UNTIL THE SYSTEM HAS BEEN PROVEN TO BE FREE OF LEAKS.
- (D) COOKING APPLIANCES SHOULD NOT BE USED FOR SPACE HEATING.
- (E) WHEN THE CONTAINERS ARE DISCONNECTED THE PROPANE SUPPLY LINE SHOULD BE CAPPED OR PLUGGED.

AVERTISSEMENT

CETTE INSTALLATION EST CONÇUE POUR LE PROPANE SEULEMENT
NE PAS L'ALIMENTER EN GAZ NATUREL

AVANT LA MISE EN SERVICE:

- (A) S'ASSURER QUE LES APPAREILS SONT CERTIFIÉS POUR LE PROPANE ET MUNIS D'ORIFICES DE BRULEUR APPROPRIÉS.
- (B) VÉRIFIER L'ÉTANCHEITÉ DE TOUS LES RACCORDEMENTS AU PROPANE. LA PERMÉABILITÉ DE TOUS LES ROBINETS D'APPAREILS ET L'OBTURATION DE TOUTES LES SORTIES NON RACCORDEES.

APRÈS LA MISE EN SERVICE:

- (A) ALLUMER TOUTES LES VEILLEUSES.
- (B) L'OCCUPANT DOIT ÉPROUVER PÉRIODIQUEMENT L'ÉTANCHEITÉ DE TOUS LES RACCORDEMENTS Y COMPRIS CEUX AUX APPAREILS, AUX DÉTENDEURS ET AUX BOUTEILLES, EN Y APPLIQUANT DE L'EAU SAVONNEUSE NE JAMAIS SE SERVIR D'UNE ALLUMETTE OU AUTRE POUR LA DÉTECTION DES FUITES.
- (C) NE PAS LAISSER L'ALIMENTATION OUVERTE NI LES RÉCIPIENTS RACCORDES AVANT D'AVOIR COMPLÉTÉ L'ÉPREUVE D'ÉTANCHEITÉ AU PROPANE DE L'INSTALLATION.
- (D) LES APPAREILS DE CUISSON NE DOIVENT PAS ÊTRE UTILISÉS POUR LE CHAUFFAGE DES LOCAUX.
- (E) LORSQUE LES RÉCIPIENTS SONT DÉCONNECTÉS, L'ALIMENTATION DE PROPANE DOIT ÊTRE OBTURÉE OU SCELLÉE.

KEY PART NUMBER U/M DESCRIPTION
023769-01-000 EA LABEL - WARNING - LPG - CANADIAN

EXIT

KEY PART NUMBER U/M DESCRIPTION
039290-01-000 EA LABEL - WARNING - EXIT

LABELS GROUP (CONTINUED)



KEY PART NUMBER U/M DESCRIPTION
040944-01-000 EA LABEL - ENTRANCE DOOR - "OPEN"

CAUTION

THIS MOTOR HOME HAS BEEN DESIGNED, MANUFACTURED AND TESTED WITH CONCERN FOR THE PROTECTION OF IT'S OCCUPANTS. WE RECOMMEND YOU PERFORM THE FOLLOWING INSPECTIONS FOR YOUR SAFETY AND THE SAFETY OF YOUR PASSENGERS BEFORE STARTING YOUR VEHICLE.

1. LP GAS SYSTEM- TURN OFF AT TANK FOR TRAVELING. TEST FOR LEAKS UPON ARRIVAL AT DESTINATION. BEFORE LIGHTING PILOTS.
2. WHEELS- INSPECT FOR DAMAGE AND CHECK LUG NUTS FOR TIGHTNESS.
3. TIRES- INSPECT FOR WEAR AND DAMAGE AND CHECK FOR RECOMMENDED AIR PRESSURE.
4. LIGHTING- TEST FOR PROPER OPERATION OF ALL INTERIOR AND EXTERIOR LIGHTS INCLUDING DASH LIGHTS, HEADLIGHTS, TAIL LIGHTS, BRAKE LIGHTS, CLEARANCE LIGHTS AND TURN SIGNALS.
5. EXITS- INSPECT RELEASE MECHANISM ON EMERGENCY EXIT WINDOW. TEST BOTH LOCKS ON MAIN ENTRANCE DOOR FOR EASE OF OPERATION AND INSTRUCT PASSENGERS HOW TO USE BOTH MEANS OF EXIT.
6. SEAT BELTS- DIRECT PASSENGERS TO DESIGNATED SEATS AND REQUIRE USE OF SEAT BELTS.
7. APPLIANCES- TURN OFF AND LATCH OR LOCK DOORS WHERE PROVIDED.
8. LOOSE PARCELS- STORE SECURELY.
9. UTILITY SUPPLY LINES- DISCONNECT ALL ELECTRIC, SEWER AND WATER LINES AND SECURE PROPERLY.
10. ENTRANCE DOOR STEP- PLACE IN RETRACTED POSITION FOR TRAVELING.

READ YOUR MOTOR HOME AND CHASSIS OWNER'S
MANUAL FOR FURTHER PRECAUTIONS

KEY PART NUMBER U/M DESCRIPTION
056259-01-000 EA LABEL - SAFETY CHECK LIST

UNLEADED FUEL ONLY

KEY PART NUMBER U/M DESCRIPTION
062043-01-000 EA LABEL - FUEL - UNLEADED

WARNING DISCONNECT BATTERIES BEFORE
CONNECTING EXTERNAL CHARGING EQUIPMENT.

KEY PART NUMBER U/M DESCRIPTION
065748-01-000 EA LABEL - CAUTION - BATTERY CHARGING

AVERTISSEMENT : DEBRANCHER LES BATTERIES AVANT
DE BRANCHER TOUT EQUIPEMENT DE CHARGE EXTERIEUR.

KEY PART NUMBER U/M DESCRIPTION
065748-02-000 EA LABEL - WARNING - BATTERY/FRENCH - CANADIAN

DIESEL FUEL ONLY

KEY PART NUMBER U/M DESCRIPTION
068383-01-000 EA LABEL - DIESEL FUEL

VEHICLE EMISSION CONTROL INFORMATION
THIS VEHICLE CONFORMS TO U.S. EPA
REGULATIONS APPLICABLE TO XXXX MODEL
YEAR NEW VEHICLES.

072887-01-000-1 CATALYST

KEY PART NUMBER U/M DESCRIPTION
072887-14-000 EA LABEL - EPA - 2003 MODEL YEAR

LABELS GROUP (CONTINUED)

IF YOU SMELL GAS

1. EXTINGUISH ANY OPEN FLAME, PILOT LIGHTS AND ALL SMOKING MATERIALS.
2. DO NOT TOUCH ELECTRICAL SWITCHES.
3. SHUT OFF THE GAS SUPPLY AT THE TANK VALVE(S) OR GAS SUPPLY CONNECTION.
4. OPEN DOORS AND OTHER VENTILATING OPENINGS.
5. LEAVE THE AREA UNTIL ODOR CLEARS.
6. HAVE THE GAS SYSTEM CHECKED AND LEAKAGE SOURCE CORRECTED BEFORE USING AGAIN.

KEY PART NUMBER U/M DESCRIPTION
073998-01-000 EA LABEL - LPG ODOR WARNING

WARNING: TEST SMOKE DETECTOR
OPERATION AFTER VEHICLE HAS BEEN IN
STORAGE, BEFORE EACH TRIP AND AT
LEAST ONCE PER WEEK DURING USE.

KEY PART NUMBER U/M DESCRIPTION
077956-01-000 EA LABEL - WARNING - SMOKE DETECTOR

DO NOT FILL
LP-GAS CONTAINER(S)
TO MORE THAN 80%
OF CAPACITY.

KEY PART NUMBER U/M DESCRIPTION
079965-01-000 EA LABEL - LPG - 80% CAPACITY

WARNING
MUST BE STOWED
IN LATCHED POSITION
WHILE VEHICLE IS IN MOTION

KEY PART NUMBER U/M DESCRIPTION
079966-01-000 EA LABEL - WARNING - STOWED - MOTION

W
A
T
E
R
O
N
H
E
A
T
E
R
O
F
F

KEY PART NUMBER U/M DESCRIPTION
083588-01-000 EA LABEL - ON/OFF - WATER HEATER
083588-03-000 EA LABEL - ON/OFF - WATER HEATER

E
N
G
I
N
E
O
N
H
E
A
T
E
R
O
F
F

KEY PART NUMBER U/M DESCRIPTION
083588-02-000 EA LABEL - ON/OFF - ENGINE HEATER
083588-04-000 EA LABEL - ON/OFF - ENGINE HEATER

LABELS GROUP (CONTINUED)

CAUTION	TO HELP AVOID PERSONAL INJURY DURING REMOVAL OF FUEL FILLER CAP, SLOWLY LOOSEN CAP 1/2 TURN TO ALLOW ANY FUEL PRESSURE TO BE RELIEVED BEFORE TURNING CAP FURTHER.
FUEL SPRAY MAY CAUSE PERSONAL INJURY	STOP ADDING FUEL AFTER FIRST SHUTOFF BY AUTOMATIC NOZZLE WHEN TANK IS NEARLY FULL. DO NOT OVERFILL FUEL TANK. SEE OWNERS MANUAL FOR ADDITIONAL INFORMATION. PRINTED IN U.S.A. WLC PT NO 15611763

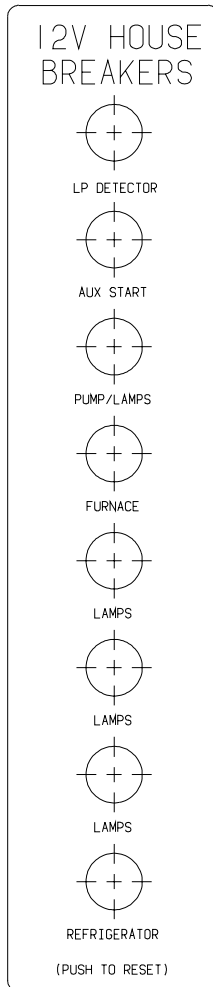
KEY PART NUMBER U/M DESCRIPTION
087207-05-000 EA LABEL - FUEL CAP REMOVAL



KEY PART NUMBER U/M DESCRIPTION
087236-01-000 EA LABEL - CABLE - INPUT

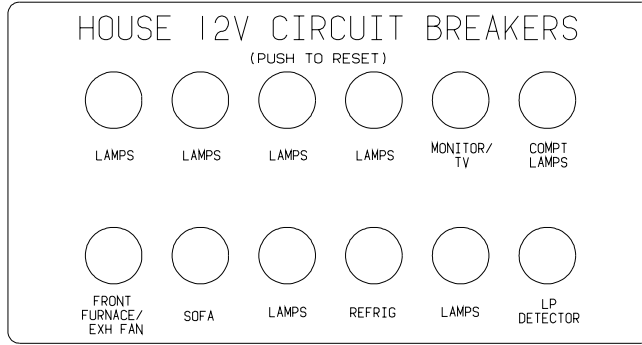


KEY PART NUMBER U/M DESCRIPTION
087236-02-000 EA LABEL - TV OUTLET

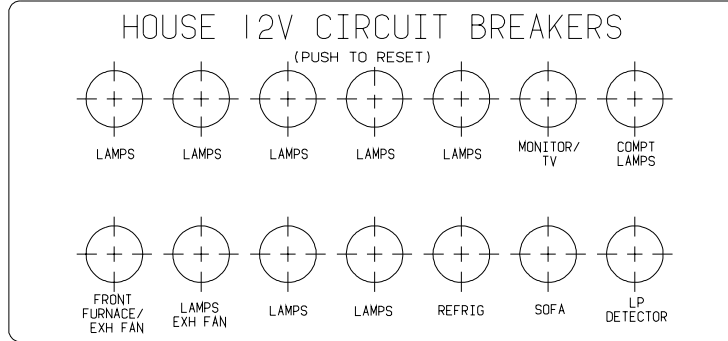


KEY PART NUMBER U/M DESCRIPTION
092547-08-000 EA LABEL - CIRCUIT BREAKER

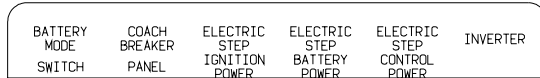
LABELS GROUP (CONTINUED)



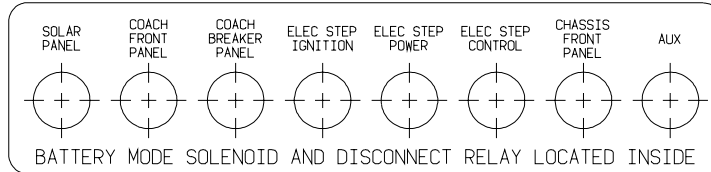
KEY PART NUMBER U/M DESCRIPTION
 092547-10-000 EA LABEL - CIRCUIT BREAKER



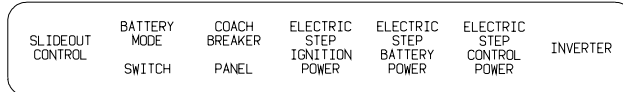
KEY PART NUMBER U/M DESCRIPTION
 092547-12-000 EA LABEL - CIRCUIT BREAKER



KEY PART NUMBER U/M DESCRIPTION
 093236-08-000 EA LABEL - CIRCUIT BREAKER

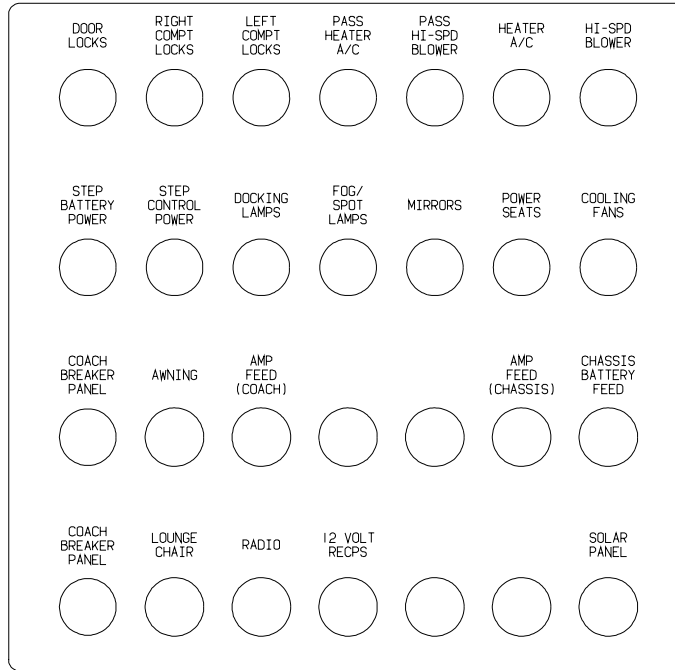


KEY PART NUMBER U/M DESCRIPTION
 093236-13-000 EA LABEL - CIRCUIT BREAKER

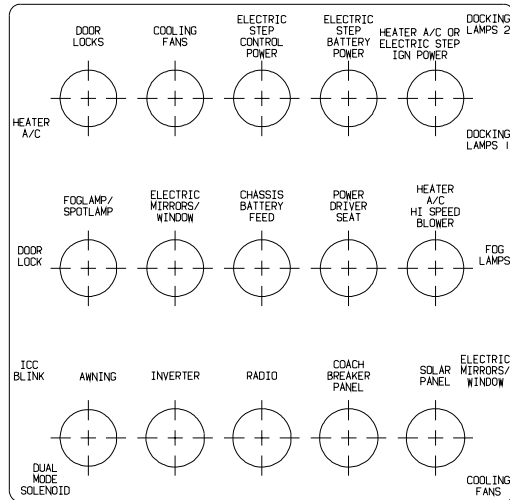


KEY PART NUMBER U/M DESCRIPTION
 093236-21-000 EA LABEL - CIRCUIT BREAKER

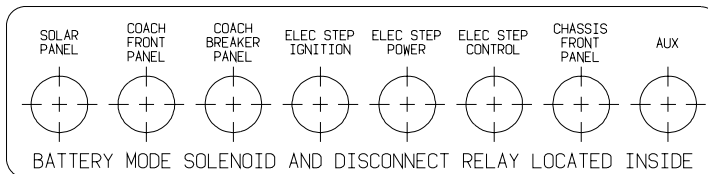
LABELS GROUP (CONTINUED)



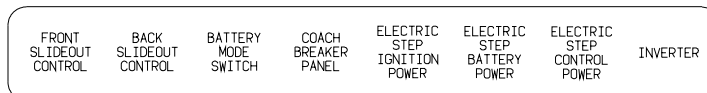
KEY PART NUMBER U/M DESCRIPTION
 093236-22-000 EA LABEL - CIRCUIT BREAKER



KEY PART NUMBER U/M DESCRIPTION
 093236-23-000 EA LABEL - CIRCUIT BREAKER - MAIN



KEY PART NUMBER U/M DESCRIPTION
 093236-24-000 EA LABEL - CIRCUIT BREAKER



KEY PART NUMBER U/M DESCRIPTION
 093236-28-000 EA LABEL - CIRCUIT BREAKER

LABELS GROUP (CONTINUED)

A / C C I R C U I T 1	M A I N	A / C C I R C U I T 2	R E F F R I G / C O N V	M I C R O W A V E	R E C P S 1	R E C P S 2	R E C P S 3	W A S H E R / D R Y E R	W A T E R H E A T E R	
-----------------------------	---------	-----------------------------	-------------------------	-------------------	----------------	----------------	----------------	-------------------------	--------------------------	--

KEY PART NUMBER 095721-31-000 **U/M DESCRIPTION**
EA LABEL - CONTROL CENTER - 30 AMP - US

A / C C I R C U I T 1	M A I N	M A I N	A / C C I R C U I T 2	R E F F R I G / C O N V	M I C R O W A V E	R E C P S 1	R E C P S 2	R E C P S 3	W A S H E R / D R Y E R	W A T E R H E A T E R
-----------------------------	---------	---------	-----------------------------	-------------------------	-------------------	----------------	----------------	----------------	-------------------------	--------------------------

KEY PART NUMBER 095721-33-000 **U/M DESCRIPTION**
EA LABEL - CONTROL CENTER - 50 AMP - US

A / C	M A I N	R E F F R I G / C O N V	M I C R O W A V E	R E C P S 1	R E C P S 2
-------	---------	-------------------------	-------------------	----------------	----------------

KEY PART NUMBER 095721-40-000 **U/M DESCRIPTION**
EA LABEL - CONTROL CENTER

AUTOMOTIVE AND COACH
CIRCUIT BREAKERS

KEY PART NUMBER 098379-01-000 **U/M DESCRIPTION**
EA LABEL - CIRCUIT BREAKER - FRONT BOX

CIRCUIT BREAKERS
AND AUTOMOTIVE
FUSE PANEL

KEY PART NUMBER 098379-03-000 **U/M DESCRIPTION**
EA LABEL - ELECTRICAL BOX - FRONT

BATTERY MODE
SOLENOID AND
RELAYS

KEY PART NUMBER 098379-04-000 **U/M DESCRIPTION**
EA LABEL - ELECTRICAL BOX - SIDE

LABELS GROUP (CONTINUED)

UNLEADED
FUEL ONLY

KEY PART NUMBER U/M DESCRIPTION
098641-01-000 EA LABEL - FUEL - UNLEADED - DASH

FOR AWNING INSTALLATION
CONTACT YOUR MOTORHOME
DEALERSHIP

KEY PART NUMBER U/M DESCRIPTION
099509-01-000 EA LABEL - AWNING INSTALLATION

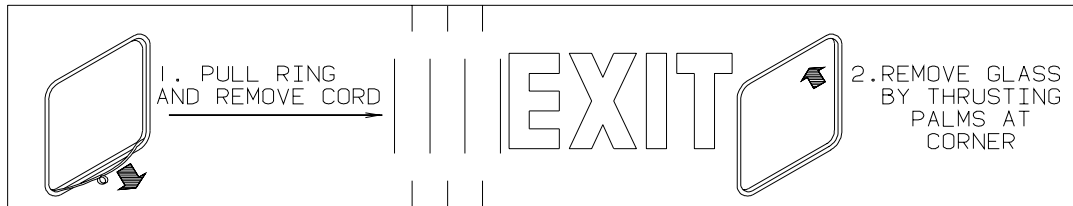
WARNING
THIS VEHICLE, LIKE OTHER
VEHICLES, MAY CONTAIN SMALL
AMOUNTS OF ONE OR MORE
SUBSTANCES WHICH ARE LISTED
BY THE STATE OF CALIFORNIA
FOR CAUSING CANCER OR
REPRODUCTIVE TOXICITY.

KEY PART NUMBER U/M DESCRIPTION
099689-01-000 EA LABEL - WARNING - CANCER/TOXICITY

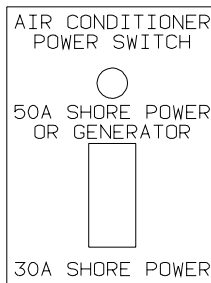
NOTE: TUNE ANTENNA
PER MANUFACTURER'S
DIRECTIONS. FAILURE TO
COMPLY COULD RESULT IN
DAMAGE TO CB.

CB POWER PROVISION
RED +12 V
BLACK GROUND
COAX ANTENNA
(SEE REVERSE ALSO)

KEY PART NUMBER U/M DESCRIPTION
104678-01-000 EA LABEL - CB PREP



KEY PART NUMBER U/M DESCRIPTION
107571-01-000 EA LABEL - EXIT/ESCAPE WINDOW

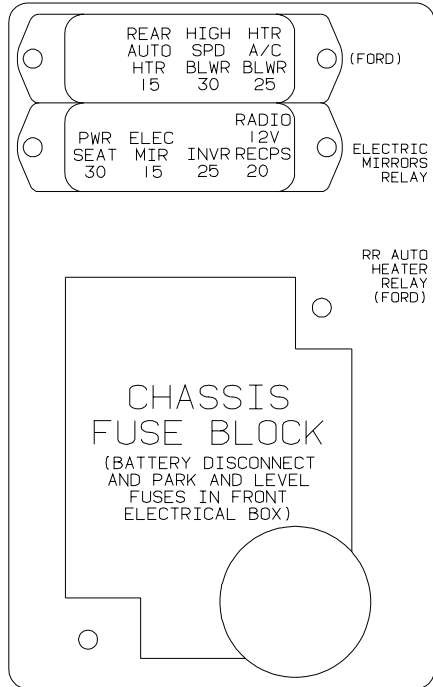


KEY PART NUMBER U/M DESCRIPTION
109051-02-000 EA LABEL - SWITCH - 50 AMP POWER

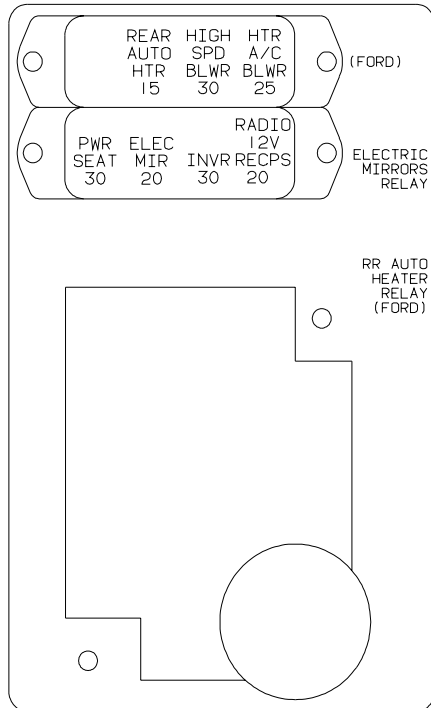
LABELS GROUP (CONTINUED)

DO NOT USE HITCH BEFORE
READING OWNERS MANUAL REGARDING
VEHICLE LOADING AND TOWING

KEY	PART NUMBER	U/M DESCRIPTION
	111104-01-000	EA LABEL - HITCH - READ MANUAL - WHITE
	111104-02-000	EA LABEL - HITCH - READ MANUAL - BLACK



KEY	PART NUMBER	U/M DESCRIPTION
	111537-08-000	EA LABEL - FUSES



KEY	PART NUMBER	U/M DESCRIPTION
	111537-09-000	EA LABEL - FUSES

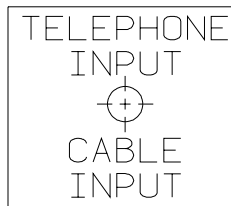
LABELS GROUP (CONTINUED)

WARNING: CONTAINS "CFC" A SUBSTANCE WHICH HARMS PUBLIC HEALTH AND ENVIRONMENT BY DESTROYING OZONE IN THE UPPER ATMOSPHERE.

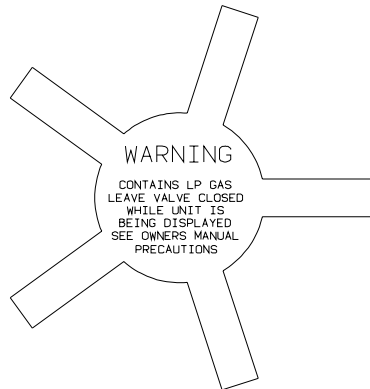
KEY	PART NUMBER	U/M DESCRIPTION
	111802-01-000	EA LABEL - CFC WARNING



KEY	PART NUMBER	U/M DESCRIPTION
	113402-01-000	EA LABEL - CAUTION - WATER HEATER EXHAUST



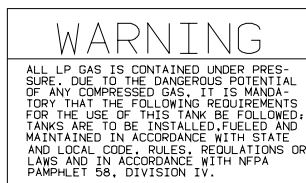
KEY	PART NUMBER	U/M DESCRIPTION
	114866-02-000	EA LABEL - PHONE & CABLE INPUT - WHITE/CLEAR BACKGROUND
	114866-03-000	EA LABEL - PHONE & CABLE INPUT - BLACK/CLEAR BACKGROUND



KEY	PART NUMBER	U/M DESCRIPTION
	115600-01-000	EA LABEL - WARNING LPG VALVE

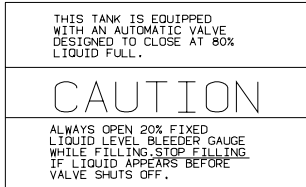
WARNING: REPLACE TIRE ONLY WITH ONE OF EXACTLY SAME TYPE AND RATING. DO NOT REPLACE WITH PASSENGER CAR TIRE. SEE OPERATOR'S MANUAL FOR MORE INFORMATION CALL WINNEBAGO OWNER RELATIONS AT 1-800-537-1885.

KEY	PART NUMBER	U/M DESCRIPTION
	115869-01-000	EA LABEL - WARNING - TIRE

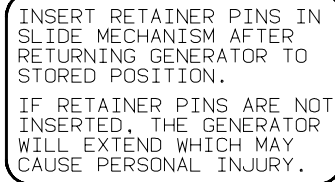


KEY	PART NUMBER	U/M DESCRIPTION
	116112-01-000	EA LABEL - CAUTION - LP

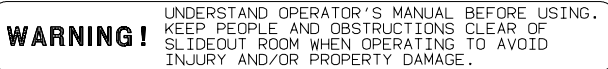
LABELS GROUP (CONTINUED)



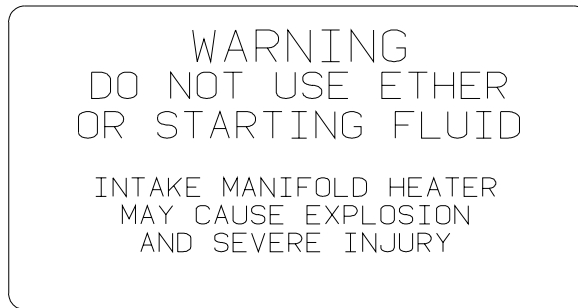
KEY PART NUMBER **U/M DESCRIPTION**
 116113-01-000 EA LABEL - CAUTION - LP



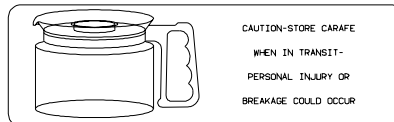
KEY PART NUMBER **U/M DESCRIPTION**
 116273-01-000 EA LABEL - WARNING - GENERATOR



KEY PART NUMBER **U/M DESCRIPTION**
 116549-01-000 EA LABEL - WARNING - SLIDEOUT



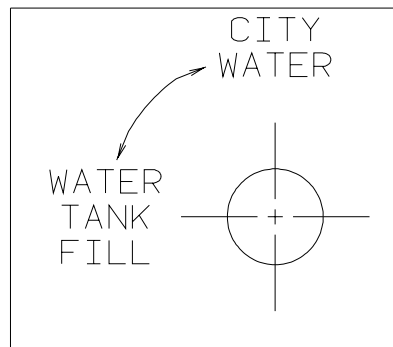
KEY PART NUMBER **U/M DESCRIPTION**
 116756-02-000 EA LABEL - WARNING - ETHER/STARTING



KEY PART NUMBER **U/M DESCRIPTION**
 116829-02-000 EA LABEL - COFFEEMAKER

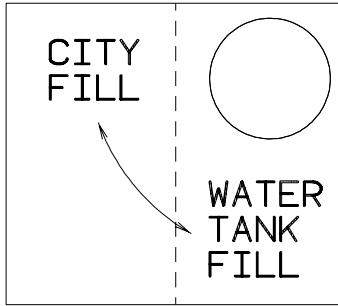


KEY PART NUMBER **U/M DESCRIPTION**
 117628-02-000 EA LABEL - SWITCH - WATER PUMP/LIGHTS-WHITE/CLEAR BACKGROUND

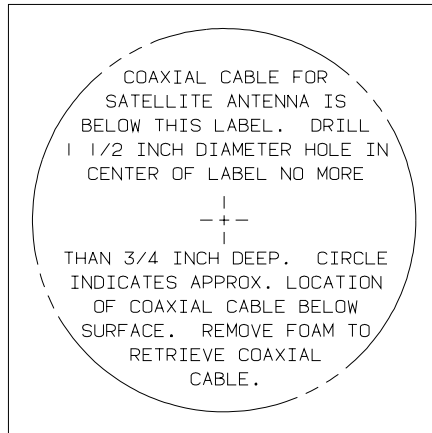


KEY PART NUMBER **U/M DESCRIPTION**
 117629-03-000 EA LABEL - WATER PUMP/FILL-BLK LETTERS/CLEAR BACKGROUND-.31"

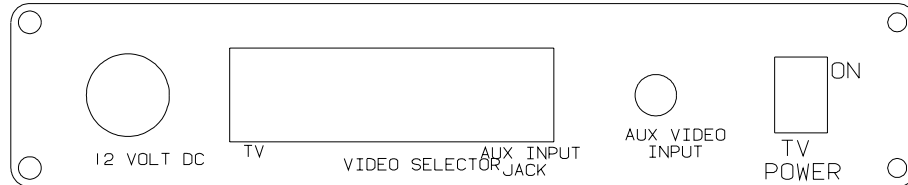
LABELS GROUP (CONTINUED)



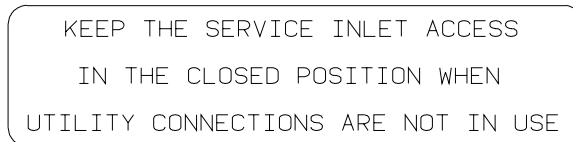
KEY PART NUMBER 117629-04-000
U/M DESCRIPTION EA LABEL - CITY WATER/TANK FILL



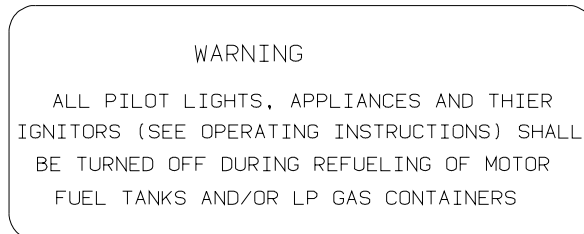
KEY PART NUMBER 120431-01-000
U/M DESCRIPTION EA LABEL - LOCATION - COAXIAL CABLE/SATELLITE ANTENNA



KEY PART NUMBER 120677-01-000
U/M DESCRIPTION EA LABEL - TV

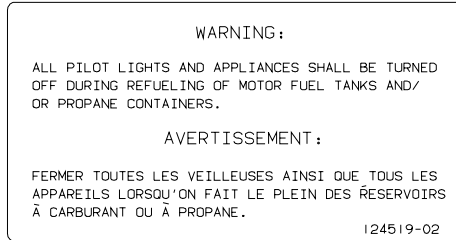


KEY PART NUMBER 123562-01-000
U/M DESCRIPTION EA LABEL - SERVICE/UTILITY ACCESS

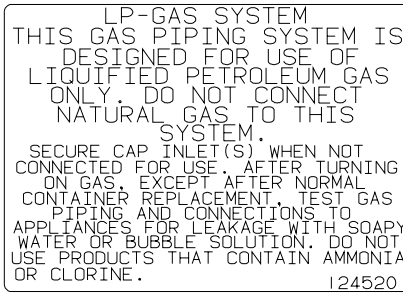


KEY PART NUMBER 124519-01-01A
 124519-01-02A
U/M DESCRIPTION EA LABEL - WARNING/REFUELING - BLACK ON CLEAR
 EA LABEL - WARNING/REFUELING - WHITE ON CLEAR

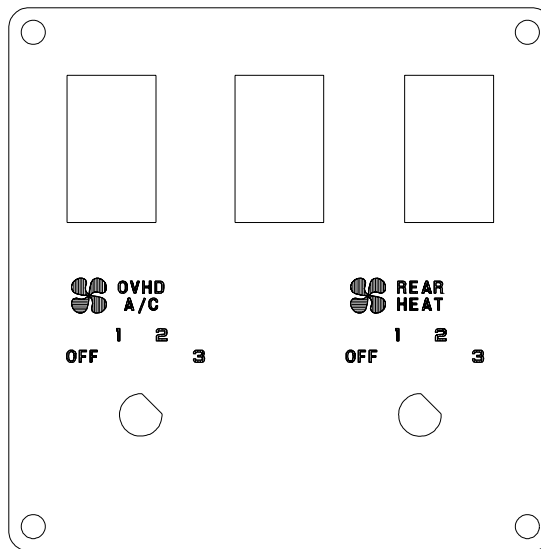
LABELS GROUP (CONTINUED)



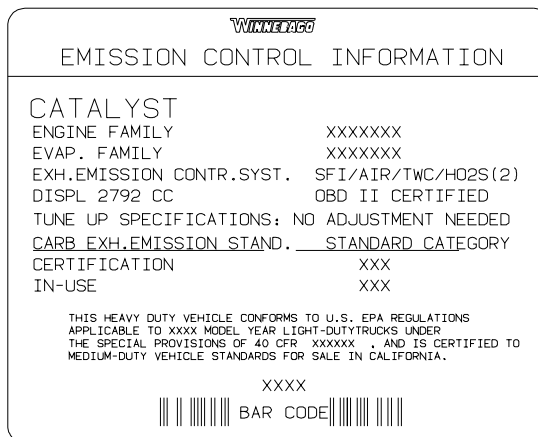
KEY	PART NUMBER	U/M DESCRIPTION
	124519-02-01A	EA LABEL - WARNING/REFUELING - BLACK ON CLEAR - CSA
	124519-02-02A	EA LABEL - WARNING/REFUELING - WHITE ON CLEAR - CSA



KEY	PART NUMBER	U/M DESCRIPTION
	124520-01-01A	EA LABEL - LP GAS ONLY - BLACK ON CLEAR
	124520-01-02A	EA LABEL - LP GAS ONLY - WHITE ON CLEAR



KEY	PART NUMBER	U/M DESCRIPTION
	124572-01-000	EA LABEL - SWITCHES



KEY	PART NUMBER	U/M DESCRIPTION
	124709-07-000	EA LABEL - EMISSION CONTROL - DUAL

LABELS GROUP (CONTINUED)

THIS CONNECTION IS FOR
(B) VOLT AC,60 HZ(CYCLES)
(A) AMPERE SUPPLY

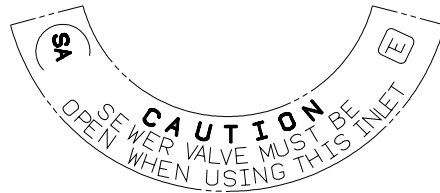
DO NOT CONNECT TO
HIGHER VOLTAGE

KEY	PART NUMBER	U/M	DESCRIPTION
	125306-01-01A	EA	LABEL - ELECTRICAL ENTRANCE - 110V 30 AMP - BLACK ON CLEAR
	125306-01-02A	EA	LABEL - ELECTRICAL ENTRANCE - 110V 30 AMP - WHITE ON CLEAR

THIS CONNECTION IS FOR
(B) VOLT AC,3-POLE,4 WIRE
60 HZ(CYCLES),(A) AMPERE SUPPLY

DO NOT CONNECT TO
HIGHER VOLTAGE

KEY	PART NUMBER	U/M	DESCRIPTION
	125306-04-01A	EA	LABEL-ELECTRICAL ENTRANCE-120/240V 50 AMP-BLACK ON CLEAR
	125306-04-02A	EA	LABEL - ELECTRICAL ENTRANCE-120/240V 50 AMP-WHITE ON CLEAR



KEY	PART NUMBER	U/M	DESCRIPTION
	125697-07-000	EA	LABEL - CAUTION - FLUSHING SYSTEM

REMOVE PRIMARY TIRE HANGER BEFORE USING
SPARE TIRE HOIST-SEE OWNERS MANUAL - PERSONAL
INJURY MAY RESULT IF NOT FOLLOWED

KEY	PART NUMBER	U/M	DESCRIPTION
	126024-01-000	EA	LABEL - TIRE HANGER REMOVAL

GRAY HOLDING TANK

KEY	PART NUMBER	U/M	DESCRIPTION
	126247-05-000	EA	LABEL - GRAY HOLDING TANK-BLACK LETTERS/CLEAR BACKGROUND

BLACK HOLDING TANK

KEY	PART NUMBER	U/M	DESCRIPTION
	126247-06-000	EA	LABEL - BLACK HOLDING TANK-BLACK LETTERS/CLEAR BACKGROUND

LABELS GROUP (CONTINUED)

EXTERIOR SHOWER

KEY PART NUMBER U/M DESCRIPTION
126248-03-000 EA LABEL - EXTERIOR SHOWER

CITY WATER FILL

KEY PART NUMBER U/M DESCRIPTION
126249-03-000 EA LABEL - CITY WATER FILL-BLK LETTERS/CLEAR BACKGROUND .31"

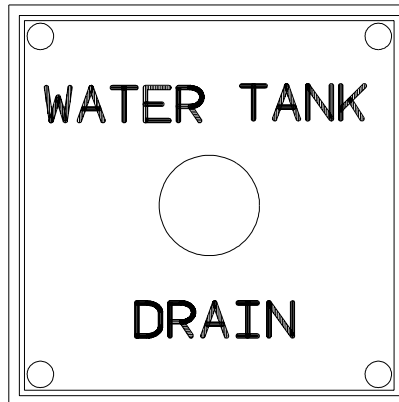


WARNING

○ **Children Can be KILLED or INJURED
by Passenger Air Bag**

The back seat is the safest place for children 12 and under.
Make sure all children use seat belts or child seats.

KEY PART NUMBER U/M DESCRIPTION
126612-01-000 EA LABEL - HANG TAG - AIR BAG - DASH



KEY PART NUMBER U/M DESCRIPTION
127170-01-000 EA LABEL - WATER TANK DRAIN

WARNING

ROOF SURFACE MAY BE SLIPPERY
ESPECIALLY WHERE MOISTURE IS PRESENT
SLIPPING MAY RESULT IN PERSONAL INJURY.

128218-01

KEY PART NUMBER U/M DESCRIPTION
128218-01-01A EA LABEL - WARNING - SLIPPERY ROOF

ENTRANCE DOOR PROP ROD

THIS ROD IS DESIGNED TO PROP THE
ENTRANCE DOOR OPEN WHEN THE PATIO
AWNING ARM IS ATTACHED TO THE
SIDEWALL AND THE AWNING IS EX-
TENDED.
HOOK ONE END OF ROD INTO LOOP ON
DOOR AND OTHER END INTO LOOP ON THE
SIDEWALL AS SHOWN.

(THIS LABEL TO BE REMOVED BY RETAIL OWNER ONLY)

KEY PART NUMBER U/M DESCRIPTION
128658-01-000 EA LABEL - PROP ROD - ENTRY DOOR

LABEL GROUP (CONTINUED)

WARNING
POTABLE WATER ONLY
SANITIZE, FLUSH, AND
DRAIN BEFORE USING.
SEE INSTRUCTION MANUAL

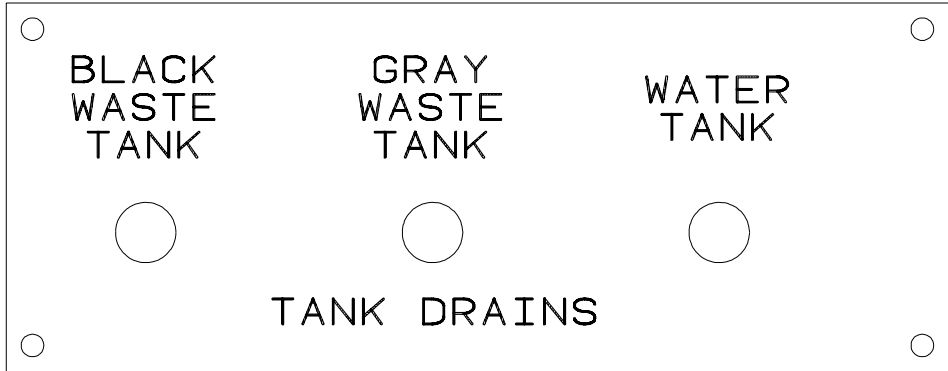
KEY PART NUMBER U/M DESCRIPTION
128725-01-01A EA LABEL - POTABLE WATER ONLY - BLACK ON CLEAR

TOW VEHICLE RATING MAY BE LESS THAN HITCH RATING.
MAXIMUM VERTICAL HITCH LOAD: 350 LBS
DO NOT EXCEED REAR AXLE RATING.
SEE OWNER'S MANUAL FOR ADDITIONAL INFORMATION.

KEY PART NUMBER U/M DESCRIPTION
129669-01-01A EA LABEL - HITCH/VEHICLE RATE - 350 - WHITE ON CLEAR
129669-01-02A EA LABEL - HITCH/VEHICLE RATE - 350 - BLACK ON CLEAR
129669-02-01A EA LABEL - HITCH/VEHICLE RATE - 500 - WHITE ON CLEAR
129669-02-02A EA LABEL - HITCH/VEHICLE RATE - 500 - BLACK ON CLEAR

TIRE ROTATION
SEE RIALTA OWNERS MANUAL
SECTION 9

KEY PART NUMBER U/M DESCRIPTION
129684-01-000 EA LABEL - TIRE ROTATION



KEY PART NUMBER U/M DESCRIPTION
130166-01-000 EA LABEL - DRAIN

H
O
S
E

S
T
O
R
A
G
E

KEY PART NUMBER U/M DESCRIPTION
130167-02-000 EA LABEL - HOSE STORAGE

LABELS GROUP (CONTINUED)

WASTE TANK FLUSH

KEY PART NUMBER U/M DESCRIPTION
130168-01-000 EA LABEL - WASTE TANK FLUSH

MONITOR WATER
PANEL LIGHT PUMP

KEY PART NUMBER U/M DESCRIPTION
130170-01-000 EA LABEL - SWITCH PANEL - BLK/CLEAR BACKGROUND-1.8"H X 5.9"L

LIGHTS WATER
PUMP

KEY PART NUMBER U/M DESCRIPTION
130170-02-000 EA LABEL - SWITCH PANEL-BLK/CLEAR BACKGROUND-1.4"H X 3.9"L

WATER
PUMP

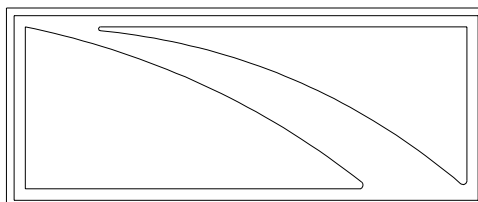
KEY PART NUMBER U/M DESCRIPTION
130170-03-000 EA LABEL - PANEL SWITCH

CAUTION:
OPEN A WINDOW OR VENT WHILE
OPERATING DRYER. IT IS DANGEROUS
TO CREATE A NEGATIVE AIR PRESSURE
INSIDE A VEHICLE CONTAINING
FUEL-BURNING APPLIANCES

KEY PART NUMBER U/M DESCRIPTION
130670-01-01A EA LABEL - CAUTION DRYER VENTING - BLACK ON CLEAR

PUSH TO
RELEASE
GENERATOR
SLIDE ASM

KEY PART NUMBER U/M DESCRIPTION
131779-01-01A EA LABEL - GENERATOR



KEY PART NUMBER U/M DESCRIPTION
132651-01-01A EA DECAL - MIRROR/GALLEY

LABELS GROUP (CONTINUED)



KEY PART NUMBER U/M DESCRIPTION
133423-01-01A EA LABEL - DRAIN



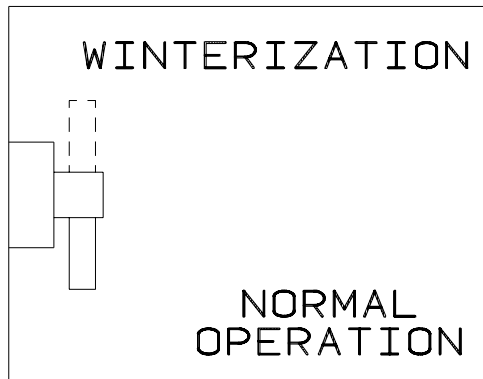
KEY PART NUMBER U/M DESCRIPTION
133424-01-01A EA LABEL - BYPASS - WATER HEATER



KEY PART NUMBER U/M DESCRIPTION
133424-02-01A EA LABEL - NORMAL OPERATION



KEY PART NUMBER U/M DESCRIPTION
133424-03-01A EA LABEL - WATER HEATER BYPASS - BLACK/CLEAR



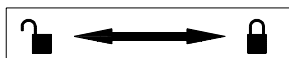
KEY PART NUMBER U/M DESCRIPTION
133425-01-01A EA LABEL - VALVE - WINTERIZATION



KEY PART NUMBER U/M DESCRIPTION
133533-01-01A EA LABEL - JACKS DOWN - CLEAR W/WHITE LETTERING

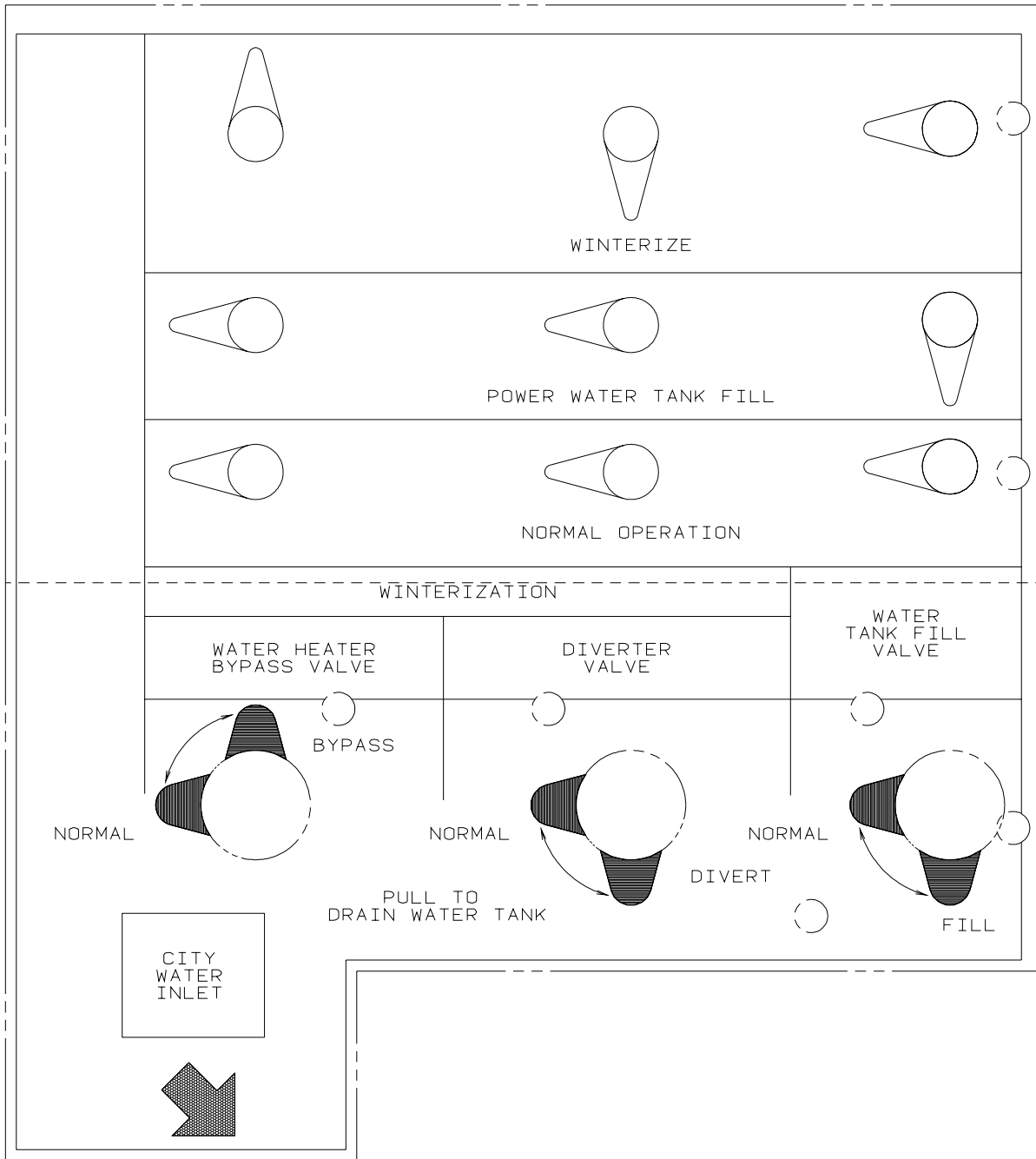


KEY PART NUMBER U/M DESCRIPTION
133533-02-01A EA LABEL - CHECK ANTENNA - CLEAR W/WHITE LETTERING



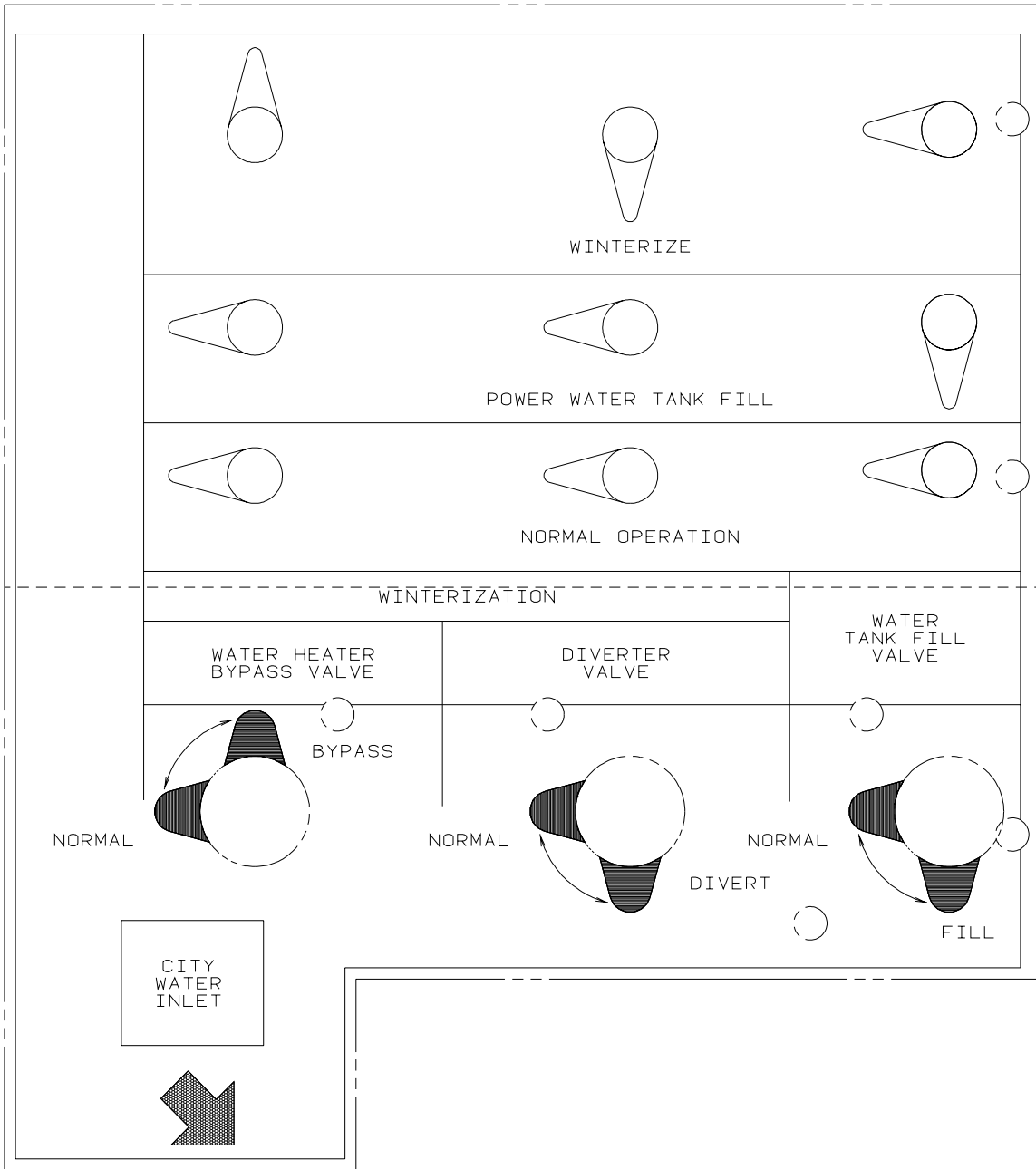
KEY PART NUMBER U/M DESCRIPTION
133533-03-01A EA LABEL - LOCK/UNLOCK - BLACK/WHITE

LABELS GROUP (CONTINUED)

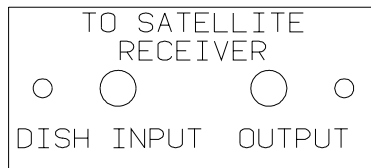


KEY	PART NUMBER	U/M	DESCRIPTION
	133629-01-01A	EA	LABEL - WATER CENTER

LABELS GROUP (CONTINUED)



KEY PART NUMBER U/M DESCRIPTION
 133629-02-01A EA LABEL - WATER CENTER - BLACK/CLEAR



KEY PART NUMBER U/M DESCRIPTION
 134250-01-01A EA LABEL - SATELLITE RECEIVER - BLACK/CLEAR

THIS CHAIR IS NOT INTENDED FOR OCCUPANCY WHEN VEHICLE IS IN MOTION AND MUST BE RETURNED TO STOWED POSITION

DTS ISICE SIEGE N/EST PAS DESTINE A ETRE OCCUPE LORSQUE LE VEHICULE EST IN MOVEMENT ET IL FAUT QUE LE RANGER

THIS CHAIR IS NOT INTENDED FOR OCCUPANCY WHEN VEHICLE IS IN MOTION AND MUST BE RETURNED TO STOWED POSITION

KEY PART NUMBER U/M DESCRIPTION
 134537-01-01A EA LABEL - OCCUPANCY - CHAIR - US

LABELS GROUP (CONTINUED)

THIS SEAT IS NOT INTENDED
FOR OCCUPANCY WHEN
VEHICLE IS IN MOTION

KEY PART NUMBER U/M DESCRIPTION
134538-01-01A EA LABEL - OCCUPANCY - NO SEAT BELT - BLACK ON CLEAR - US

DST ISICE SIEGE N/EST PAS THIS SEAT IS NOT INTENDED
DESTINE A ETRE OCCUPE LORSQUE FOR OCCUPANCY WHILE
LE VEHICULE EST IN MOVUUMENT VEHICLE IS IN MOTION

KEY PART NUMBER U/M DESCRIPTION
134538-02-01A EA LABEL - OCCUPANCY - NO SEAT BELT - BLACK ON CLEAR - CSA

WARNING

IT IS NOT SAFE TO USE COOKING
APPLICANCES FOR COMFORT HEATING

COOKING APPLICANCES NEED FRESH AIR FOR SAFE OPERATION
BEFORE OPERATION.

1. OPEN OVERHEAD VENT OR TURN ON EXHAUST FAN AND;
2. OPEN WINDOW.

KEY PART NUMBER U/M DESCRIPTION
134539-01-01A EA LABEL - WARNING - STOVE/HEATING - US - BLACK ON CLEAR

HOLDING TANK HEATER

TURN OFF WHEN NOT IN USE
SEE OPERATOR'S MANUAL

KEY PART NUMBER U/M DESCRIPTION
134563-01-01A EA LABEL - SWITCH - HEATER

THIS VEHICLE MAY INCLUDE MERCURY-CONTAINING DEVICES INSTALLED BY THE MANUFACTURER:

FLUORESCENT TUBES, RANGES WITH OVEN, HWH LEVEL SENSING UNIT.

REMOVE DEVICES BEFORE VEHICLE DISPOSAL UPON REMOVAL OF
DEVICES: PLEASE REUSE, RECYCLE, OR DISPOSE AS HAZARDOUS WASTE

135869-01A

KEY PART NUMBER U/M DESCRIPTION
135869-01-01A EA LABEL - MERCURY CONTENT - BLACK ON CLEAR
135869-01-02A EA LABEL - MERCURY CONTENT - WHITE ON CLEAR

LIQUID SOAP

KEY PART NUMBER U/M DESCRIPTION
136047-01-01A EA LABEL - LIQUID SOAP

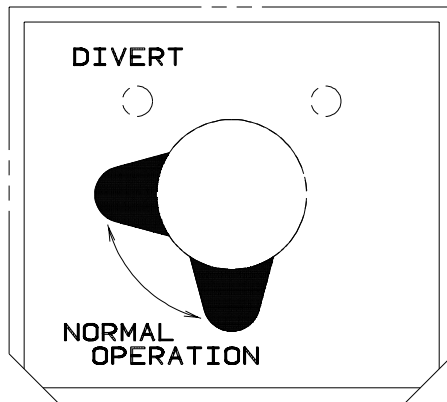
LABELS GROUP (CONTINUED)

DOOR LOCK	DOOR UNLOCK	RIGHT COMPT DOOR LOCK	RIGHT COMPT DOOR UNLOCK	LEFT COMPT DOOR LOCK	LEFT COMPT DOOR UNLOCK	AUX START SOLENOID	AMP SOURCE
POWER MIRRORS	HEATER BLOWER	PASS HEATER BLOWER	FOG LAMPS	DOCKING LAMPS	DOCKING LAMPS SWITCH TRIGGER	COOLING FANS	

KEY PART NUMBER U/M DESCRIPTION
 136161-01-01A EA LABEL - RELAY - MATTE BLACK/WHITE LETTERS



KEY PART NUMBER U/M DESCRIPTION
 136360-01-01A EA LABEL - AIR BAGS



KEY PART NUMBER U/M DESCRIPTION
 137997-01-01A EA LABEL - WINTERIZATION VALVE - BLACK/CLEAR



KEY PART NUMBER U/M DESCRIPTION
 140190-01-01A EA DECAL/LOGO - V6 (DOMED) - CYAN/MAGENTA/YELLOW/BLACK

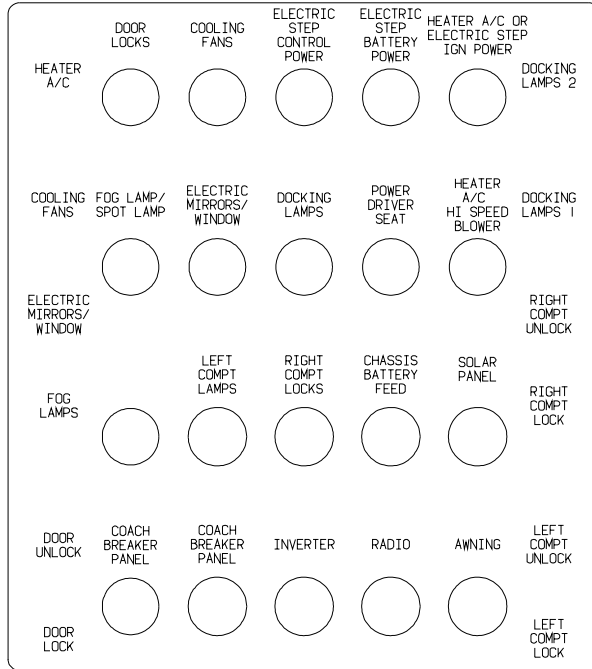


KEY PART NUMBER U/M DESCRIPTION
 141523-01-01A EA LABEL - WASHER/DRYER BRACKETS - BLACK/WHITE

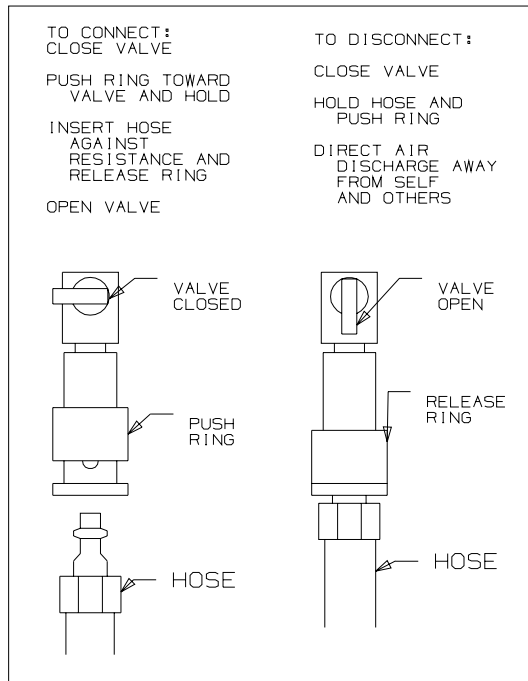
LABELS GROUP (CONTINUED)

INVERTER	SLIDEDOUT CONTROL	BATTERY MODE SWITCH	COACH BREAKER PANEL	ELECTRIC STEP IGNITION POWER	ELECTRIC STEP BATTERY POWER	ELECTRIC STEP CONTROL POWER	SOLAR PANEL
----------	-------------------	---------------------	---------------------	------------------------------	-----------------------------	-----------------------------	-------------

KEY PART NUMBER **U/M DESCRIPTION**
 093236-29-000 EA LABEL - CIRCUIT BREAKER

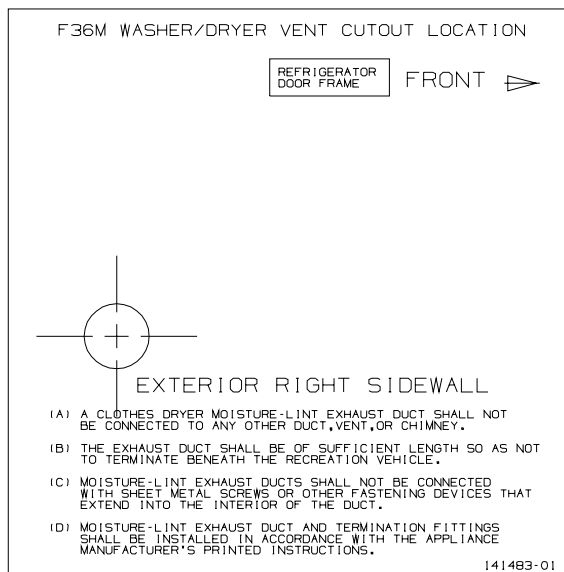


KEY PART NUMBER **U/M DESCRIPTION**
 093236-30-000 EA LABEL - CIRCUIT BREAKER



KEY PART NUMBER **U/M DESCRIPTION**
 142773-01-01A EA LABEL - CONNECT/COMPRESS AIR - WHITE LETTERING ON CLEAR

LABELS GROUP (CONTINUED)



KEY PART NUMBER **U/M DESCRIPTION**
 141483-01-01A EA LABEL - DRYER VENTING - BLACK/WHITE

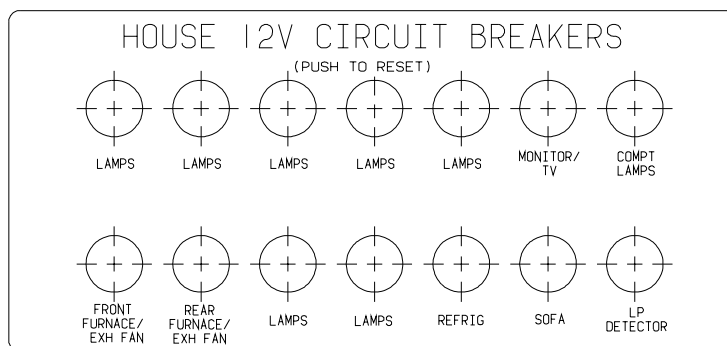
WARNING : COMPRESSED AIR CAN BE HAZARDOUS.

PROPER EYE PROTECTION MUST BE WORN WHEN CONNECTING, DISCONNECTING OR USING AIR HOSE.

CLOSE VALVE BEHIND CONNECTOR BEFORE CONNECTING OR DISCONNECTING AIR HOSE.

HOSE DISCONNECT WILL PRODUCE AIR DISCHARGE FROM HOSE. DIRECT AIR DISCHARGE AWAY FROM SELF AND OTHERS.

KEY PART NUMBER **U/M DESCRIPTION**
 142771-01-01A EA LABEL - WARNING/COMPRESSED AIR - WHITE LETTERING ON CLEAR



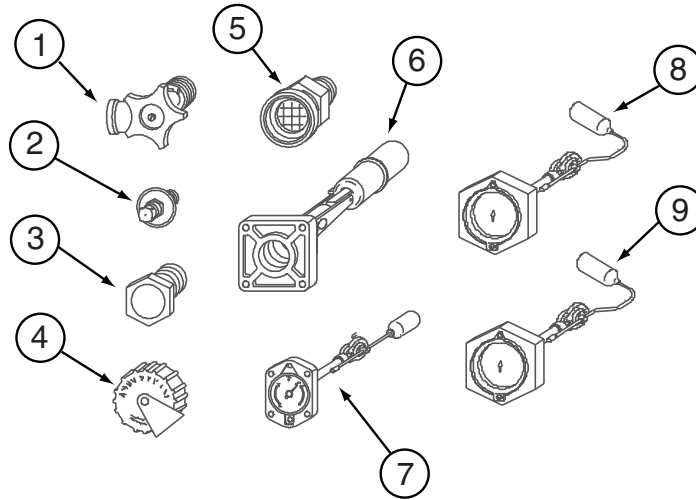
KEY PART NUMBER **U/M DESCRIPTION**
 092547-11-000 EA LABEL - CIRCUIT BREAKER

LP GROUP
LP SYSTEM

KEY	PART NUMBER	U/M	DESCRIPTION
	045703-03-000	EA	HOSE - LP - 3/8"ID X 18" - 3/8"MPT X 1/2"F SWIVEL - U.S.
	105658-01-000	EA	COMPARTMENT - LP REGULATOR
	106150-01-000	EA	REGULATOR - TWO STAGE-W/90 DEGREE ELBOW & 3/8" FPT OUTLET
	045703-12-000	EA	HOSE - LP - 3/8"ID X 18" - 3/8"MPT X 1/2"F SWIVEL - CANADA
	045703-15-000	EA	HOSE - LP - 3/8"ID X 142" - 1/2"F SWIVEL X 3/8"F SWIVEL
	045703-14-000	EA	HOSE - LP - 3/8"ID X 157.5" - 1/2"F SWIVEL X 1/2"F SWIVEL
	045703-13-000	EA	HOSE - LP - 3/8"ID X 120" - 3/8"F SWIVEL X 1/2"F SWIVEL US
	045703-09-000	EA	HOSE - LP - 3/8"ID X 24" - 3/8"ID F SWIVEL X 3/8"ID F SWIVEL
	045703-16-000	EA	HOSE - LP - 3/8ID X 109" - 1/2" F SWIV FLR X 3/8" M FLR
	010323-01-000	EA	ADAPTER - BRASS - 3/8"F X 1/2"MPT
	106846-01-000	EA	VALVE - RELIEF
	106871-01-000	EA	BUSHING - 1/2 X 1/4 - BLACK
	010377-02-000	EA	NUT - BRASS - 3/8" FLARE - FORGED
	010380-02-000	EA	NUT - BRASS - 1/2" FLARE - FORGED
	010251-02-000	EA	ELBOW - BRASS - 90 DEGREE - 3/8 F X 1/4 MPT
	010265-01-000	EA	ELBOW - BRASS - 90 DEGREE - 3/8"F X 1/2"FPT
	010515-03-000	EA	ELBOW - BLACK - 1/2 X 90 DEGREE STEEL
	033759-01-000	EA	ELBOW - 90 DEGREE - 3/8" F X 3/8" F
	010536-02-000	EA	TEE - STEEL - 1/2" - BLACK
*	088253-05-000	EA	TANK - LP - 130 LB - LIQUID DRAW
	040440-03-000	EA	TRANSMITTER - DIAL/SNAP-ON - 0-90 OHM 2 TERM(POWER/GROUND)
*	088253-06-000	EA	TANK - LP - 130 LB
	010329-01-000	EA	ADAPTER - BRASS - 1/2"F X 1/2"MPT
	103613-03-000	EA	DETECTOR - LP GAS - W/O SHUT-OFF VALVE

***COMPONENT PARTS LISTED LATER IN THIS GROUP**

LP GROUP (CONTINUED)
COMPONENT PARTS FOR LP SYSTEM



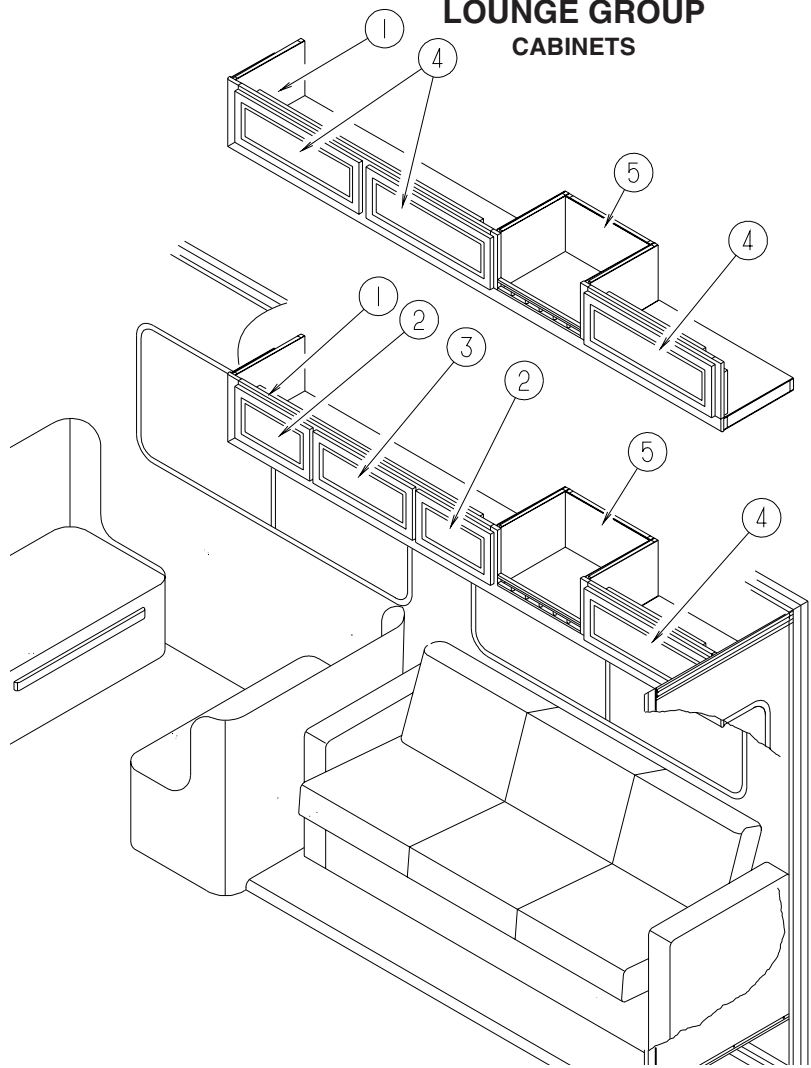
088253-05-000

KEY	PART NUMBER	U/M	DESCRIPTION	VENDOR NO.
1	040421-01-708	EA	HANDWHEEL-SERVICE VALVE	G-1015-A
1	040421-01-710	EA	VALVE-SERVICE, LIQUID	910145
1	040421-01-712	EA	VALVE,SERV. W/O VAPOR RELIEF	29000853
2	040421-01-700	EA	VALVE-LIQUID LEVEL, 20%	G-1013
3	040421-01-713	EA	VALVE-RELIEF 1" W/SPRING 7"	29000587
4	040421-01-702	EA	CAP-FILL VALVE, PLASTIC	G-1014-A
5	040421-01-701	EA	VALVE-FILL-SHORT, LP	7547B
6	040421-01-711	EA	VALVE-80% FILL W/AUTO STOP	LLL/TL3
7			NOT WHAT IS ILLUSTRATED HERE	
8			NOT WHAT IS ILLUSTRATED HERE	
9	088253-01-700	EA	FLOAT/BOLT ON-SCREW ON DIAL	SG16C0000071
9	088253-01-702	EA	FLOAT/SCREW IN-SNAP ON DIAL	SG16C0001442

088253-06-000

KEY	PART NUMBER	U/M	DESCRIPTION	VENDOR NO.
1	040421-01-708	EA	HANDWHEEL-SERVICE VALVE	G-1015-A
1	040421-01-712	EA	VALVE,SERV. W/O VAPOR RELIEF	29000853
2	040421-01-700	EA	VALVE-LIQUID LEVEL, 20%	G-1013
3	040421-01-713	EA	VALVE-RELIEF 1" W/SPRING 7"	29000587
4	040421-01-702	EA	CAP-FILL VALVE, PLASTIC	G-1014-A
5	040421-01-701	EA	VALVE-FILL-SHORT, LP	7547B
6	040421-01-711	EA	VALVE-80% FILL W/AUTO STOP	LLL/TL3
7			NOT WHAT IS ILLUSTRATED HERE	
8			NOT WHAT IS ILLUSTRATED HERE	
9	088253-01-700	EA	FLOAT/BOLT ON-SCREW ON DIAL	SG16C0000071
9	088253-01-702	EA	FLOAT/SCREW IN-SNAP ON DIAL	SG16C0001442

LOUNGE GROUP CABINETS

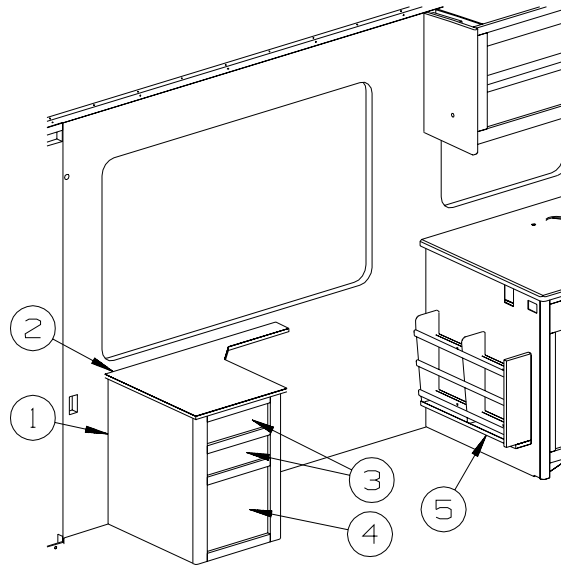


-----LATE MODEL

-----EARLY MODEL

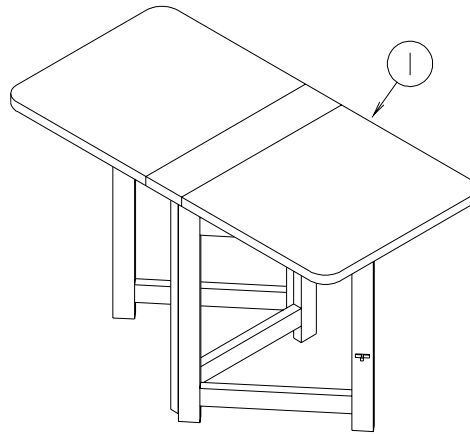
KEY	PART NUMBER	U/M	DESCRIPTION
1	134920-01-N42	EA	CABINET - OVHD/COUCH - W/O DOORS/HARDWARE - PORTSMOUTH OAK FROM: 00-00-00 THRU: 08-22-02
1	140968-01-P45	EA	CABINET - OVHD/COUCH - W/O DOORS/HARDWARE - PORTSMOUTH OAK FROM: 08-23-02 THRU: 99-99-99
1	134920-01-M85	EA	CABINET - OVHD/COUCH - W/O DOORS/HARDWARE - CONCERT CHERRY FROM: 00-00-00 THRU: 08-22-02
1	140968-01-P46	EA	CABINET - OVHD/COUCH - W/O DOORS/HARDWARE - CONCERT CHERRY FROM: 08-23-02 THRU: 99-99-99
1	134920-02-N42	EA	CABINET - OVHD/COUCH - W/O DOORS/HARDWARE - PORTSMOUTH OAK - DELUXE SOUND SYSTEM FROM: 00-00-00 THRU: 08-22-02
1	140968-02-P45	EA	CABINET - OVHD/COUCH - W/O DOORS/HARDWARE - PORTSMOUTH OAK - DELUXE SOUND SYSTEM FROM: 08-23-02 THRU: 99-99-99
1	134920-02-M85	EA	CABINET - OVHD/COUCH - W/O DOORS/HARDWARE - CONCERT CHERRY - DELUXE SOUND SYSTEM FROM: 00-00-00 THRU: 08-22-02
1	140968-02-P46	EA	CABINET - OVHD/COUCH - W/O DOORS/HARDWARE - CONCERT CHERRY - DELUXE SOUND SYSTEM FROM: 08-23-02 THRU: 99-99-99
2	136709-37-P78	EA	DOOR - RAISED PANEL/OGEE EDGE - 10.8" X 16.5" - W/O HDW - PORTSMOUTH OAK FROM: 00-00-00 THRU: 08-22-02
2	136709-37-P79	EA	DOOR - RAISED PANEL/OGEE EDGE - 10.8" X 16.5" - W/O HDW - CONCERT CHERRY FROM: 00-00-00 THRU: 08-22-02
3	136709-40-P78	EA	DOOR - RAISED PANEL/OGEE EDGE - 10.8" X 21.8" - W/O HDW - PORTSMOUTH OAK FROM: 00-00-00 THRU: 08-22-02
3	136709-40-P79	EA	DOOR - RAISED PANEL/OGEE EDGE - 10.8" X 21.8" - W/O HDW - CONCERT CHERRY FROM: 00-00-00 THRU: 08-22-02
4	136954-46-P13	EA	DOOR - RAISED PANEL/OGEE EDGE - 10.8" X 28" - W/O HDW - PORTSMOUTH OAK
4	136954-46-P25	EA	DOOR - RAISED PANEL/OGEE EDGE - 10.8" X 28" - W/O HDW - CONCERT CHERRY
5	058331-J9-000	EA	MIRROR - SAFETY GLASS - 10.3" X 18.2" FROM: 00-00-00 THRU: 06-02-02
5	140374-37-000	EA	MIRROR - SAFETY GLASS - 10.3" X 18.2" FROM: 06-03-02 THRU: 99-99-99

LOUNGE GROUP (CONTINUED)
CABINETS (CONTINUED)



KEY	PART NUMBER	U/M	DESCRIPTION
1	139401-01-N70	EA	CABINET - LOUNGE - W/O COUNTERTOP/DOORS/DRAWERS/HARDWARE - PORTSMOUTH OAK
1	139401-01-N85	EA	CABINET - LOUNGE - W/O COUNTERTOP/DOORS/DRAWERS/HARDWARE - CONCERT CHERRY
2	133655-46-N70	EA	COUNTERTOP - LAMINATED - PORTSMOUTH OAK/PORTSMOUTH OAK
2	133655-46-N74	EA	COUNTERTOP - LAMINATED - BROWN PLANK CHERRY/CHERRY IV - CONCERT CHERRY
3	M09316-S9-P75	EA	DRAWER - OGEE EDGE - 13.1"W X 19.7"D - W/O SLIDES/HARDWARE - PORTSMOUTH OAK
3	M09316-S9-P25	EA	DRAWER - OGEE EDGE - 13.1"W X 19.7"D - W/O SLIDES/HARDWARE - CONCERT CHERRY
4	133890-40-P75	EA	DRAWER - OGEE EDGE - 13.5"W X 17.7"D - W/O SLIDES/HARDWARE - PORTSMOUTH OAK
4	133890-40-P25	EA	DRAWER - OGEE EDGE - 13.5"W X 17.7"D - W/O SLIDES/HARDWARE - CONCERT CHERRY
5	140304-01-N70	EA	CABINET/MAGAZINE RACK - PORTSMOUTH OAK
5	140304-01-N85	EA	CABINET/MAGAZINE RACK - CONCERT CHERRY

LOUNGE GROUP (CONTINUED)
TABLES



KEY	PART NUMBER	U/M	DESCRIPTION
1	133604-01-L81	EA	TABLE/COFFEE - COMPLETE - PORTSMOUTH OAK
1	133604-01-L52	EA	TABLE/COFFEE - COMPLETE - CHERRY - CONCERT CHERRY
	134334-01-000	EA	BAG - COFFEE TABLE

SEALANTS & FASTENERS GROUP
SEALANTS & ADHESIVES

KEY	PART NUMBER	U/M	DESCRIPTION
	002707-02-000	FT	TAPE - SEALER - 5/16" X 1/2" - INCREMENTS OF 50 FT
	004001-02-000	EA	GUN - PLEXUS ADHESIVE - W/O NOZZLE
	004001-05-000	EA	ADHESIVE - SCOTCH-WELD - 3M DP100 - CLEAR - 50ML
	004011-01-000	EA	ADHESIVE-3M-4475 TUBE
	010405-02-000	EA	TAPE - THREAD SEALING - 3/8"
	034552-06-000	EA	SILICONE - TUBE - W/O NOZZLE - OFF WHITE
	034552-15-000	EA	SILICONE - TUBE - W/O NOZZLE - BRIGHT WHITE
	063642-01-000	FT	TAPE - ADHESIVE - .4" X 1.5" X 180'
	064075-07-000	FT	SEAL - BULB - W/WIRED U CHANNEL - .3" X .5" CHANNEL-BLACK
	067788-01-000	EA	ADHESIVE - SPRAY - 3M - 19.5 OZ AEROSOL CAN
	069640-01-000	FT	SEALER - RIBBON - 1/4" DIAMETER X 30' - BLACK OR GRAY
	069640-02-000	FT	SEALER - TAPE - .13" THICK X .5" WIDE X 60' - GRAY
	069640-03-000	FT	SEALER - TAPE - .13" THICK X .75" WIDE X 60' - BLACK
	069640-07-000	FT	SEALER - TAPE - .09" THICK X 2" WIDE X 45' - GRAY
	069640-09-000	FT	SEALER - TAPE - .03" THICK X 2.50"WIDE X 80' - GRAY
	069640-10-000	FT	SEALER - TAPE - .03" THICK X 1.50" WIDE X 90' - GRAY
	069640-11-000	FT	SEALER - TAPE - .19" THICK X .38" WIDE X 40' - BLACK
	069640-13-000	FT	SEALER - TAPE - .03" THICK X 2" WIDE X 45' - BLACK
	069640-14-000	FT	SEALER - TAPE - .06" THICK X 1" WIDE X 100' - GRAY
	069640-15-000	FT	SEALER - TAPE - .06" THICK X .38" WIDE X 100' - GRAY
	069640-17-000	FT	SEALER - TAPE - .03" THICK X 1" WIDE X 90' - GRAY
	069640-18-000	FT	SEALER - TAPE - .50" THICK X .13" WIDE X 60' - BRT WHITE
	069640-19-000	FT	SEALER - TAPE - .75" THICK X .13" WIDE X 60' - BRT WHITE
	069640-20-000	FT	SEALER - TAPE - .50" THICK X 1/8" WIDE X 60' - BLACK
	069640-21-000	FT	SEALER - TAPE - .50" THICK X 1/16" WIDE X 100'-BRIGHT WHT
	069640-23-000	FT	SEALER - TAPE - .06" THICK X 3/4" WIDE X 100' - BRT WHITE
	069640-27-000	FT	SEALER - TAPE - .06" THICK X 2.25" WIDE - BRIGHT WHITE
	069640-28-000	FT	SEALER - TAPE - .25" THICK X 1 7/8" WIDE X 90' - GRAY
	069640-30-000	FT	SEALER - TAPE - 3/8" X 1/32" - GRAY
	069640-31-000	FT	SEALER - TAPE - 25"THICK X 3/4"WIDE X 60' - BLACK
	072889-01-000	EA	SEALANT - URETHANE - BLACK - TUBE W/NOZZLE TIP
	076322-01-000	FT	TAPE-DOUBLE COATED/ADHESIVE BK-.03"THK X .8"W X 216'- WHT
	076322-02-000	FT	TAPE-DOUBLE COATED/ADHESIVE BK-.05"THK X 1"W X 108' - WHT
	076322-03-000	FT	TAPE-DOUBLE COATED/ADHESIVE BK-.05"THK X .5"W X 108' - WHT
	076322-04-000	FT	TAPE-DOUBLE COATED/ADHESIVE BK-.05"THK X .8"W X 108' - WHT
	076322-05-000	FT	TAPE-DOUBLE COATED/ADHESIVE BK-.05"THK X .8"W X 108' - WHT
	076322-11-000	FT	TAPE-DOUBLE COATED/ADHESIVE BK-.02"THK X 1"W X 216' - CLR
	086276-01-000	EA	TAPE - DOUBLE SIDED - 1/2" WIDE X 108' LONG (SOLD BY ROLL)
	088479-01-000	EA	TAPE - ALUMINUM - 3"
	090340-01-000	FT	SEAL - FOAM - CLOSED CELL - 1/4" X 1/2" X 50'
	090340-02-000	FT	SEAL - FOAM - CLOSED CELL - 3/8" X 1/2" X 50'
	091255-02-000	FT	SEAL - ADHESIVE BACKED/FOAM - 3/64" THICK X 3/16"W X 1000'
	091255-03-000	FT	SEAL - ADHESIVE BACKED/FOAM - 1/4" THICK X 1/4"W X 1000'
	094401-01-000	EA	SEALER - BODY SEAM - FLEXICLEAR
	094401-03-000	EA	SEALER - BODY SEAM - BLACK
	094401-04-000	EA	SEALER - BODY SEAM - CLEAR
	098408-01-000	FT	SEAL - SPONGE RUBBER - CLOSED CELL
	099069-01-000	FT	SEAL - RUBBER - CLOSED SPONGE - .5" WIDE X .12" THICK -BLK
	099418-01-000	FT	SEAL - D-SECTION/ADHESIVE BACK - .44" X .44"- BLK RUBBER
	099418-02-000	FT	SEAL - D SECTION - WHITE
	100128-02-000	FT	SEAL - FOAM/ADHESIVE BACK - .37" WIDE X .37" THICK
	104692-01-000	FT	SEAL - ADHESIVE BACKED FOAM - 3/4" THICK X 3/4" WIDE X 25'
	104692-03-000	FT	SEAL - ADHESIVE BACKED FOAM - 1" THICK X 1 3/16"WIDE X 15'
	107828-01-000	EA	SEALANT - SB - 190 EVERSEAL
	108716-01-000	EA	SILICONE - W/O NOZZLE - OFF WHITE - SELF LEVELING
	109506-12-000	EA	FILM/ABRASION-RESISTANT - TRANSPARENT - 1" DIA.
	110274-01-000	FT	TAPE - DOUBLE SIDED/FOAM - .45" X 1" X 216' - BLACK
	112481-02-000	EA	ADHESIVE - PLEXUS ETHACRYLATE - CARTRIDGE
	112864-01-000	FT	SEAL - FOAM/BUTYL COVERED - 3/8" X 35'
	112864-02-000	FT	FOAM - BUTYL COVERED 5/16" X 44'
	112864-03-000	FT	FOAM - BUTYL COVERED - 1/2" X 1/8" X 25'
	112864-04-000	FT	FOAM - BUTYL COVERED - 3/8" X 1/8"
	112901-02-000	EA	ADHESIVE - PLEXUS - MA330 - 50ML - GRAY
	112901-03-000	EA	ADHESIVE - PLEXUS - MA300 - 50ML - WHITE

SEALANTS & FASTENERS GROUP (CONTINUED)

SEALANTS & ADHESIVES (CONTINUED)

KEY	PART NUMBER	U/M	DESCRIPTION
	112902-01-000	EA	NOZZLE - ELEMENT - 3/8 X 24
	112902-02-000	EA	NOZZLE-BELL 3/8X24 - TAH 160-824
	112902-03-000	EA	MIXER NOZZLE - F/GUN #00400102000 - SCOTCH-WELD & PLEXUS
	112902-04-000	EA	NOZZLE - ELEMENT - 1/4" X 3.5"
	113366-01-000	EA	ADHESIVE - INSTANT - 1 OZ
	113452-02-000	FT	SEAL/TRIM - FRONT - VINYL W/WIRE CARRIER - .027"
	115933-01-000	FT	TAPE - 1/64" X 3/8" X 100'
	120074-02-03A	EA	SILICONE - TUBE - W/O NOZZLE - SMOKEY WHITE
	120074-02-02A	EA	SILICONE - TUBE - W/O NOZZLE - LOW ODOR - SOFT WHITE
	120534-01-01A	EA	TAPE - SCOTCH - 3M - 1/2" FINE LINE
	123244-01-000	FT	TAPE - DOUBLE SIDED/FOAM - 5/64" THICK X 3/4" WIDE X 108'
	123816-01-000	FT	TAPE - DOUBLE SIDED - 1" X 3/4" X 200'
	123816-02-000	FT	TAPE - DOUBLE SIDED - 1/2" X 1 1/3" X 200'
	123816-03-000	FT	TAPE - DOUBLE SIDED - 1/2" X 3/4" X 200'
	123816-04-000	FT	TAPE - DOUBLE SIDED - 6" X 750'
	126427-01-000	EA	ADHESIVE - ALL PURPOSE - ABS/PVC
	126427-02-000	EA	PRIMER - CLEANER - FLEX PIPING
	131264-01-08A	EA	SILICONE - TUBE - W/O NOZZLE - BUFF
	131264-01-02A	EA	SILICONE - TUBE - W/O NOZZLE - CLEAR
	131264-01-01A	EA	SILICONE - TUBE - W/O NOZZLE - BLACK
	131264-02-01A	EA	SILICONE - TUBE - W/O NOZZLE - VW GRAY - BATH ONLY
	131264-03-01A	EA	SILICONE - TUBE - W/O NOZZLE- SELF LEVELING - BRIGHT WHITE
	131264-04-01A	EA	SILICONE/SEALANT/ADHESIVE - FAST CURE F/GLASS/VINYL - B/W
	131384-01-000	EA	ADHESIVE - JETWELD
	134651-01-000	FT	SEAL - 1/2" X 3/4" PSA 1 SIDE
	900390-01-000	EA	NOZZLE - SILICONE TUBE - 2.5" LONG
	900390-03-000	EA	NOZZLE - SILICONE TUBE - 4.3" LONG

BOLTS, NUTS AND WASHERS

KEY	PART NUMBER	U/M	DESCRIPTION
	OMC04K-06-016	EA	BOLT - HEX - M06 X 1 X 016
	OMC05K-08-055	EA	BOLT - HEX - M08 X 1.25 X 2.2
	OMC13K-14-110	EA	BOLT - HEX
	OMC13K-14-070	EA	BOLT - HEX - M14 X 2 X 2 3/4
	OMC31K-08-020	EA	BOLT - HEX - SERRATED FLANGE - M8 X 020
	OMC32K-10-030	EA	BOLT - HEX - SERRATED FLANGE - M10 X 1 1/2
	OMD16K-10-000	EA	NUT - HEX PREV TORQUE M10 X 1 1/2 CLASS 8
	OMD39K-12-000	EA	NUT - HEX W/NYLON LOCK - M12 X 1 3/4
	OMD40K-14-000	EA	NUT - HEX W/NYLON LOCK - M14 X 2
	OMD54F-06-000	EA	NUT-HEX SER FLG M6X1,0 SS - DIN6923A2M6
	OME06K-14-280	EA	WASHER - FLAT - 14 ID X 28 OD
	000C12-04-40B	EA	BOLT - HEX - 1/4-20 X 2 1/2 - GRADE 5 ZINC
	000C12-04-08B	EA	BOLT - HEX - 1/4-20 X 1/2 - GRADE #5 - ZINC
	000C12-05-16B	EA	BOLT - HEX - 5/16-18 X 1 - GRADE #5 - ZINC
	000C12-06-24B	EA	BOLT - HEX - 3/8-16 X 1 1/2 - ZINC #5
	000C12-06-16B	EA	BOLT - HEX - 3/8-16 X 1 - GRADE #5 - ZINC
	000C12-06-128	EA	BOLT - HEX - 3/8 - 16 X 8 - ZINC 5
	000C12-06-44B	EA	BOLT - HEX - 3/8-16 X 2 3/4 - GRADE 5 - ZINC
	000C12-08-28B	EA	BOLT - HEX - 1/2-13 X 1 3/4 - GRADE #5 - ZINC
	000C12-08-24B	EA	BOLT - HEX - 1/2-13 X 1 1/2 - GRADE #5 - ZINC
	000C12-08-16B	EA	BOLT - HEX - 1/2-13 X 1 - GRADE #5 - ZINC
	000C12-10-24B	EA	BOLT - HEX - 5/8-11 X 1 1/2 - GRADE #5 - ZINC
	000C13-07-48B	EA	BOLT - HEX - 7/16-20 X 3 - GRADE #5 - ZINC
	000C13-07-40B	EA	BOLT - HEX - 7/16-20 X 2 1/2 - GRADE #5 - ZINC
	000C14-07-28B	EA	BOLT - HEX - 7/16-14 X 1 3/4 - GRADE #8 - ZINC
	000C14-10-32K	EA	BOLT - HEX - 5/8-11 X 2 - GRADE #8 - ZINC
	000C18-05-40A	EA	BOLT - ELEVATOR - 5/16-18 X 2 1/2 - PL
	000C18-06-48B	EA	BOLT - ELEVATOR - 3/8-16 X 3 - GRADE 5 - ZINC
	000C26-04-18B	EA	BOLT - HEX - SERRATED FLANGE - 1/4-20 X 1 1/8 - ZINC
	000C26-04-14B	EA	BOLT - HEX - SERRATED FLANGE - 1/4-20 X 7/8 - ZINC
	000C26-04-10B	EA	BOLT - HEX - SERRATED FLANGE - 1/4-20 X 5/8 - ZINC
	000C26-05-20B	EA	BOLT - HEX - SERRATED FLANGE - 5/16-18 X 1 1/4 - ZINC
	000C26-05-129	EA	BOLT - HEX - SERRATED FLANGE - 5/16-18 X 3/4
	000C26-05-12B	EA	BOLT - HEX - SERRATED FLANGE - 5/16-18 X 3/4 - ZINC

SEALANTS & FASTENERS GROUP (CONTINUED)
BOLTS, NUTS AND WASHERS (CONTINUED)

KEY	PART NUMBER	U/M	DESCRIPTION
	000C26-05-249	EA	BOLT - HEX - SERRATED FLANGE - 5/16-18 X 1 1/2
	000C26-06-28B	EA	BOLT - HEX - SERRATED FLANGE - 3/8-16 X 1 3/4 - ZINC
	000C26-06-20B	EA	BOLT - HEX - SERRATED FLANGE - 3/8-16 X 1 1/4 - ZINC
	000C26-06-12B	EA	BOLT - HEX - SERRATED FLANGE - 3/8-16 X 3/4 - ZINC
	000C26-06-40B	EA	BOLT - HEX - SERRATED FLANGE - 3/8-16 X 2 1/2 - ZINC
	000C26-08-24B	EA	BOLT - HEX - SERRATED FLANGE - 1/2-13 X 1 1/2 - ZINC
	000C27-04-40B	EA	BOLT - CARRIAGE - 1/4-20 X 2 1/2 - ZINC
	000C27-05-44I	EA	BOLT-CARR,5/16-18X2.75" - BLACK ZINC
	000C27-07-40B	EA	BOLT - CARRIAGE - 7/16-14 X 2 1/2 - GRADE #5
	000D16-07-00B	EA	NUT - HEX - 7/16-14 - ZINC
	000D24-10-00B	EA	NUT - HEX - SELF LOCKING - 10-32 ZINC
	000D28-10-00B	EA	NUT - HEX - W/NYLON LOCK - 10-32 ZINC
	000D29-04-00B	EA	NUT - HEX - SELF LOCKING - 1/4 X 20 - ZINC
	000D29-06-00B	EA	NUT - HEX - W/NYLON LOCK - 3/8-16 - ZINC
	000D29-09-00B	EA	NUT - HEX - SELF LOCKING - 9/16-12 - ZINC
	000D30-07-00B	EA	NUT - HEX LOCK - NYLON 7/16 X 20
	000D34-06-00B	EA	NUT - HEX - LOCKING - 3/8-16 GRADE C - ZINC
	000D39-04-00B	EA	NUT - HEX - LOCKING W/SERRATED FLANGE - 1/4-20 - ZINC
	000D39-05-00B	EA	NUT - HEX - LOCKING W/SERRATED FLANGE - 5/16-18 - ZINC
	000D39-06-00B	EA	NUT - HEX - LOCKING W/SERRATED FLANGE - 3/8-18 - ZINC
	000D39-06-00D	EA	NUT - HEX - LOCKING W/SERRATED FLANGE - 3/8"-16 BLACK
	000D39-07-00B	EA	NUT - HEX - LOCKING W/SERRATED FLANGE - 7/16-14 - ZINC
	000D44-04-00B	EA	NUT - HEX - LOCKING W/SERRATED FLANGE - 1/4-28 - ZINC
	000D44-07-00B	EA	NUT - HEX - LOCKING W/SERRATED FLANGE - 7/16-20 - ZINC
	000D44-08-00B	EA	NUT - HEX - LOCKING W/SERRATED FLANGE - 1/2-20 - ZINC
	000D46-04-00A	EA	NUT - HEX - WELD - 1/4-20 - PLAIN
	000D65-08-00B	EA	NUT - HEX - LOCKING W/SERRATED FLANGE - 8-32 - ZINC
	000D67-10-00B	EA	NUT - HEX - LOCK - 5/8-11 - ZINC
	000D73-08-00C	EA	NUT - HEX FLANGE - 1/2-13
	000D75-09-00B	EA	NUT - HEX LOCKING - 9/16-12 - ZINC
	000D76-06-00B	EA	NUT - HEX FLANGE - 3/8-16
	000E11-04-00F	EA	WASHER - LOCKING - 1/4 MED SPLIT - STAINLESS STEEL
	000E11-07-00B	EA	WASHER - LOCKING - 7/16 MED SPLIT - ZINC
	000E11-08-00B	EA	WASHER - LOCKING - 1/2 MED SPLIT - ZINC
	000E13-17-00B	EA	WASHER - FLAT - 3/8 AR - ZINC
	000E13-18-00B	EA	WASHER - FLAT - 3/8 WIDE - ZINC
	000E13-20-00B	EA	WASHER - FLAT - 7/16 WIDE - ZINC
	000E13-22-00B	EA	WASHER - FLAT - 1/2 WIDE - ZINC
	000E13-26-00B	EA	WASHER - FLAT - 5/8 WIDE - ZINC
	000E14-10-00B	EA	WASHER - LOCKING - #10 EXTERNAL TOOTH - ZINC
	000E16-10-00B	EA	WASHER - HARDENED - 5/8 - FLAT - ZINC
	000G45-05-16B	EA	BOLT - LAG - 5/16-9 X 1 - ZINC
	000G62-08-24B	EA	SCREW - SF/DR - 8-18 X 1 1/2 PFH
	002329-01-000	EA	WASHER-FLAT, 9/32" ID X 5/8" OD - NYLON
	005081-01-000	EA	NUT - SPEED - C-TYPE - #8 SCREW
	040921-03-000	EA	NUT - SPEED - U TYPE - #10
	040921-04-000	EA	NUT - SPEED - U TYPE - #8-.59" LENGTH X .44" WIDTH
	040921-05-000	EA	NUT - SPEED - U-TYPE - 8-.67" X .44" WIDE
	041322-01-000	EA	WASHER - FLANGE - 15/32 ID X 2 3/8 OD - F/SEAT BELT MTG
	044364-01-000	EA	NUT - SPEED - FLAT - RECTANGULAR - SELF LOCKING/ONE PIECE
	044364-02-000	EA	NUT - SPEED - FLAT - ROUND
	044533-01-000	EA	WASHER - PLASTIC - 1 3/8 OD - FOR BUTTONS
	046867-04-000	EA	GROMMET - #0
	046867-05-000	EA	WASHER - #0
	051387-06-000	EA	BOLT - CARRIAGE W/O HOLE - 5/16-18 X 9 1/2 - ZINC
	058716-02-000	EA	WASHER - FLAT NYLON
	058716-03-000	EA	WASHER - FLAT/NYLON - .500 X 1 1/4 X 060
	064081-03-000	EA	NUT - WING 3/8-16 - W/WELD NUT
	077071-01-000	EA	WASHER - FENDER - 3/16 ID X 1 OD
	084406-01-000	EA	NUT - CAPPED - CROSS RECESSED - BLACK - 1/4-20 THD
	087234-01-000	EA	NUT - JACK - 1/4 X 20 THD - MOLLY
	087718-01-000	EA	MONOBOLT - STEEL - 3/16 DIAMETER
	088787-12-000	EA	STUD - WELD - 1/4 - 20 X 1.0 LG - MN
	102333-02-01A	EA	BOLT - CARRIAGE - 1/4-20

SEALANTS & FASTENERS GROUP (CONTINUED)
BOLTS, NUTS AND WASHERS (CONTINUED)

KEY	PART NUMBER	U/M	DESCRIPTION
	102540-02-000	EA	SEAL - SCREW
	103020-02-000	EA	BOLT-U - #8-32 - GRADE 5 ZINC
	106166-01-000	EA	BOLT/COLLARED HANGER - 8-32 X 1
	106956-03-000	EA	BOLT - HEX TAP - 1/2-12NC X 3 - GRADE 5 - FULL THREAD/ZINC
	106956-08-000	EA	BOLT - HEX TAP - 1/2-13NC X 4 - GRADE 5 - FULL THREAD/ZINC
	107393-02-000	EA	BOLT - SHOULDER - 3/8" SOCKETHEAD
	107397-01-000	EA	WASHER - FENDER - 3/4 ID X 1 OD
	108067-03-000	EA	STUD - WELD - 1/4 - 20 X 1/2 CD
	109235-01-05A	FT	COVER - SCREW - BRIGHT WHITE
	109235-01-01A	FT	COVER - SCREW - MAT BLACK
	109917-03-000	EA	WASHER - 1" X .50"
	109917-04-000	EA	WASHER - 1" X .75"
	113985-02-000	EA	BOLT - FLANGE - M10-1 1/2 X 30CL 10.9
	114259-05-000	EA	BOLT - 7/16-20 X 1 1/4 W/WASHER
	128444-01-000	EA	WASHER - SPRING - CONICAL
	131377-01-000	EA	NUT-HEX HEAD W/WASHER-1/4-20 X 2" STEEL W/3/4" OD WASHER
	135092-01-01A	EA	BOLT - HEX - SERRATED FLANGE - 1/2-20 X 1 3/4-GRADE 5 ZINC
	135092-02-01A	EA	BOLT - HEX - SERRATED FLANGE - 1/2-20 X 2 1/2-GRADE 5 ZINC

SCREWS

KEY	PART NUMBER	U/M	DESCRIPTION
	0G1106-08-240	EA	SCREW - 6-20 X 1/2 PPH - VW LIGHT GRAY
	0G1108-12-240	EA	SCREW - 8-18 X 3/4 PPH - VW LIGHT GRAY
	0G1208-12-170	EA	SCREW - 8-18 X 3/4 POH - BRIGHT WHITE
	0G1306-08-130	EA	SCREW-6-20X1/2 PFH TAUPE
	0G1308-10-240	EA	SCREW - 8-18 X 5/8 PFH - VW LIGHT GRAY
	0G3804-22-180	EA	SCREW - MACHINE - 1/4-20 X 1 3/8 PFH - BLACK
	0G3908-08-160	EA	SCREW - SF/DR - 8-18 X 1/2 PPH - VW WHITE
	0G3908-08-240	EA	SCREW - SF/DR - 8-18 X 1/2 PPH - VW LIGHT GRAY
	0G3908-08-170	EA	SCREW - SF/DR - 8-18 X 1/2 PPH - BRIGHT WHITE
	0G3908-12-250	EA	SCREW - SF/DR - 8-18 X 3/4 PPH - DARK GRAY
	0G3908-12-240	EA	SCREW - SF/DR - 8-18 X .75 PPH - VW LIGHT GRAY
	0G3908-16-170	EA	SCREW - SF/DR - 8-18 X 1 PPH - BRIGHT WHITE
	0G3908-24-170	EA	SCREW - SF/DR - 8-18 X 1 1/2 PPH - BRIGHT WHITE
	0G3910-10-320	EA	SCREW - SF/DR - 10-16 X 5/8 PPH - GLACIER
	0G3910-10-240	EA	SCREW - SF/DR - 10-16 X 5/8 PPH - VW LIGHT GRAY
	0G3910-10-330	EA	SCREW - SF/DR - 20-16 X 5/8 PPH - PUTTY
	0G3910-12-320	EA	SCREW - SF/DR - 10-16 X .75 PPH - GLACIER
	0G3910-12-240	EA	SCREW - SF/DR - 10-16 X .75 PPH - VW LIGHT GRAY
	0G3910-12-170	EA	SCREW - SF/DR - 10-16 X 3/4 PPH - BRIGHT WHITE
	0G5508-12-270	EA	SCREW - SF/DR - 8-18 X 3/4 PWH - TITANIUM
	0G5508-12-260	EA	SCREW - SF/DR - 8-18 X 3/4 PWH - ALLANTE ANELOPE
	0G5508-12-240	EA	SCREW - SF/DR - 8-18 X 3/4 PWH - VW LIGHT GRAY
	0G5508-12-170	EA	SCREW - SF/DR - 8-18 X 3/4 PWH - BRIGHT WHITE
	0G5508-12-330	EA	SCREW - SF/DR - 8-18 X 3/4 PWH - PUTTY
	0G5508-12-320	EA	SCREW - SF/DR - 8-18 X 3/4 PWH - GLACIER
	0G5508-16-320	EA	SCREW - SF/DR - 8-18 X 1 PWH - GLACIER
	0G5508-16-250	EA	SCREW - SF/DR - 8-18 X 1 PWH - VW DARK GRAY
	0G6008-16-170	EA	SCREW - SF/DR - 8-18 X 1 POH - BRIGHT WHITE
	0G6710-08-240	EA	SCREW - 10-12 X 1/2 PPH TAUPE - VW LIGHT GRAY
	0G6710-08-170	EA	SCREW - 10-12 X 1/2 PPH - BRIGHT WHITE
	0G6710-08-130	EA	SCREW - 10-12 X 1/2 PPH - TAUPE
	0G6710-12-170	EA	SCREW - 10-12 X 3/4 PPH - BRIGHT WHITE
	0G6806-16-170	EA	SCREW - 6-18 X 1 POH - BRIGHT WHITE
	0G6810-24-280	EA	SCREW - 10-12 X 1 1/2 POH - SOFT WHITE
	000C20-04-16A	EA	SCREW - 1/4-20X 1 - FLAT SOCKET HEAD
	000C20-05-28F	EA	SCREW - 5/16-18 X 1 3/4 FLAT SOC - STAINLESS STEEL
	000C20-06-24T	EA	SCREW - 3/8-16 X 1 1/2 - FLAT SOCKET
	000G11-06-10J	EA	SCREW - 6-20 X 5/8 PPH - BRASS
	000G11-06-08B	EA	SCREW - 6-20 X 1/2 PPH - ZINC
	000G11-07-08B	EA	SCREW - 7-19 X 1/2 PPH - ZINC
	000G11-08-12B	EA	SCREW - 8-18 X 3/4 PPH - ZINC
	000G11-08-08T	EA	SCREW - 8-18 X 1/2 PPH - FLUOROCARBON COATING

SEALANTS & FASTENERS GROUP (CONTINUED)
SCREWS (CONTINUED)

KEY	PART NUMBER	U/M	DESCRIPTION
	000G11-08-06B	EA	SCREW - 8-18 X 3/8 PPH - ZINC
	000G11-08-20G	EA	SCREW - 8-18 X 1 1/4 - ANTIQUE BRASS
	000G11-08-20B	EA	SCREW - 8-18 X 1 1/4 PPH - ZINC
	000G11-08-16B	EA	SCREW - 8-18 X 1 PPH - ZINC
	000G11-08-12T	EA	SCREW - 8-18 X 3/4 PPH - BLACK MAGNESIUM
	000G11-08-12P	EA	SCREW - 8-18 X 3/4 PPH - DARK BROWN
	000G11-10-12D	EA	SCREW - 10-16 X 3/4 PPH - BLACK
	000G12-06-12J	EA	SCREW - 6-20 X .75 POH - BRASS
	000G12-06-08T	EA	SCREW - 6-20 X 1/2 POH - BLACK
	000G12-08-12S	EA	SCREW - 8-18 X 3/4 POH - OFF WHITE
	000G13-05-10B	EA	SCREW - 5-12 X 5/8 PFH - ZINC
	000G13-06-08B	EA	SCREW - 6-20 X 1/2 PFH - ZINC
	000G13-06-06I	EA	SCREW - 6-20 X 3/8 PFH - BLACK ZINC
	000G13-06-16J	EA	SCREW - 6-20 X 1 PFH - BRASS
	000G13-06-10J	EA	SCREW - 6-20 X 5/8 PFH - BRASS
	000G13-06-10G	EA	SCREW - 6-20 X 5/8 PFH - ANTIQUE BRASS
	000G13-06-08G	EA	SCREW - 6-20 X 1/2 PFH - ANTIQUE BRASS
	000G13-06-24J	EA	SCREW - 6-20 X 1 1/2 PFH - BRASS
	000G13-07-12B	EA	SCREW - 7-19 X 3/4 PFH - ZINC
	000G13-07-10H	EA	SCREW - 7-19 X 5/8 PFH - BLACK
	000G13-08-10B	EA	SCREW - 8-18 X 5/8 PFH - ZINC
	000G13-08-24B	EA	SCREW - 8-18 X 1 1/2 PFH - ZINC
	000G13-08-16B	EA	SCREW - 8-18 X 1 PFH - ZINC
	000G13-08-109	EA	SCREW - 8-18 X 5/8 PFH
	000G13-10-16I	EA	SCREW - 10-16 X 1 PFH - BLACK
	000G16-04-24B	EA	SCREW - MACHINE - 1/4-20 X 1 1/2 PPH
	000G18-08-22B	EA	SCREW - MACHINE - 8-32 X 1 3/8 PPH - ZINC
	000G18-08-16B	EA	SCREW - MACHINE - 8-32 X 1 PPH - ZINC
	000G18-08-12B	EA	SCREW - MACHINE - 8-32 X 3/4 PPH - ZINC
	000G18-08-24B	EA	SCREW - MACHINE - 8-32 X 1 1/2 PPH - ZINC
	000G19-10-12F	EA	SCREW - MACHINE - 10-32 X 3/4 PPH - STAINLESS STEEL
	000G19-10-10B	EA	SCREW - MACHINE - 10-32 X 5/8 - PPH - ZINC
	000G19-10-08B	EA	SCREW - MACHINE - 10-32 X 1/2 PPH - ZINC
	000G19-10-20B	EA	SCREW - MACHINE - 10-32 X 1 1/2 PPH - ZINC
	000G36-10-12T	EA	SCREW - 10-24X 3/4 PFH TYPE 23 - BLACK
	000G39-06-16T	EA	SCREW - SF/DR - 6-20 X 1 PPH - BLACK
	000G39-06-10T	EA	SCREW - SF/DR - 6-20 X 5/8 PPH - BLACK
	000G39-08-32B	EA	SCREW - SF/DR - 8-18 X 2 PPH - ZINC
	000G39-08-24T	EA	SCREW - SF/DR - 8-18 X 1 1/2 PPH - BLACK
	000G39-08-24S	EA	SCREW - SF/DR - 8-18 X 1 1/2 - OFF WHITE
	000G39-08-24B	EA	SCREW - SF/DR - 8-18 X 1 1/2 PPH - ZINC
	000G39-08-16T	EA	SCREW - SF/DR - 6-20 X 1 PPH - BLACK
	000G39-08-16B	EA	SCREW - SF/DR - 8-18 X 1 PPH - ZINC
	000G39-08-12B	EA	SCREW - SF/DR - 8-18 X 3/4 PPH - ZINC
	000G39-08-08T	EA	SCREW - SF/DR - 8-18 X 1/2 PPH - BLACK
	000G39-08-08S	EA	SCREW - SF/DR - 8-18 X 1/2 PPH - OFF WHITE
	000G39-08-08B	EA	SCREW - SF/DR - 8-18 X 1/2 PPH - ZINC
	000G39-08-06B	EA	SCREW - SF/DR - 8-18 X 3/8 PPH - ZINC
	000G39-10-08B	EA	SCREW - SF/DR - 10-16 X 1/2 PPH - ZINC
	000G39-10-48T	EA	SCREW - SF/DR - 10-16 X 3 PPH - BLACK
	000G39-10-48B	EA	SCREW - SF/DR - 10-16 X 3 - PPH - ZINC
	000G39-10-32B	EA	SCREW - SF/DR - 10-16 X 2 - PPH - ZINC
	000G39-10-20T	EA	SCREW - SF/DR - 10-16 X 1 1/4 PPH - BLACK
	000G39-10-20B	EA	SCREW - SF/DR - 10-16 X 1 1/4 PPH - ZINC
	000G39-10-169	EA	SCREW - SF/DR - 10-16 X 1 PPH - FLUOROCARBON SILVER
	000G39-10-129	EA	SCREW - SF/DR - 10-16 X 3/4 PPH - FLUOROCARBON SILVER
	000G39-10-12T	EA	SCREW - SF/DR - 10-16 X 3/4 - BLACK
	000G39-10-10T	EA	SCREW - SF/DR - 10-16 X 5/8 - BLACK
	000G39-10-10B	EA	SCREW - SF/DR - 10-16 X 5/8 - ZINC
	000G39-12-12E	EA	SCREW - SF/DR - 12-14 X 3/4 PPH - CHROME
	000G42-04-16B	EA	SCREW - SF/DR - 1/4-14 X 1 HWH - ZINC
	000G42-04-24B	EA	SCREW - SF/DR - 1/4-14 X 1 1/2 - ZINC
	000G46-08-24T	EA	SCREW - MACHINE - 8-32 X 1 1/2 PFH - BLACK
	000G50-04-08B	EA	SCREW - MACHINE - 1/4-20 X 1/2 PTH - ZINC

SEALANTS & FASTENERS GROUP (CONTINUED)
SCREWS (CONTINUED)

KEY	PART NUMBER	U/M	DESCRIPTION
	000G51-06-12B	EA	SCREW - 6-20 X 3/4 PTH - ZINC
	000G52-06-05B	EA	SCREW - MACHINE - 6-32 X 5/16 PTH ZINC
	000G52-08-18B	EA	SCREW - MACHINE - 8-32 X 1 1/8 PTH - ZINC
	000G54-04-14B	EA	SCREW - 1/4-20 X 7/8 PTH - TYPE 23 - ZINC PLATED
	000G55-08-16S	EA	SCREW - SF/DR - 8-18 X 1 PWH - WILLOW
	000G55-08-16T	EA	SCREW - SF/DR - 8-18 X 1 PWH - BLACK
	000G55-08-16S	EA	SCREW - SF/DR - 8-18 X 1.00 - PWH - OFF WHITE
	000G55-08-124	EA	SCREW - SF/DR - 8-18 X 3/4 PWH - ASH GRAY
	000G55-08-12M	EA	SCREW - SF/DR - 8-19 X .75 PWH - GRAY
	000G56-12-48B	EA	SCREW - WOOD - 12-11 X 3 POH - SPECIAL HARDENED
	000G57-14-72B	EA	SCREW-14-10-X4 1/2 PFH ZN GENERAL MOTORHOMES
	000G57-14-64B	EA	SCREW - 14-10 X 4 PFH ZINC
	000G60-08-22B	EA	SCREW - SF/DR - 8-18 X 1.38 POH - ZINC
	000G60-08-20F	EA	SCREW - SF/DR - 8-19X1.25 POH
	000G60-08-16E	EA	SCREW - SF/DR - 8-1 X 1 POH - CHROME
	000G60-10-20B	EA	SCREW - SF/DR - 10-16 X 1 1/4 POH - ZINC
	000G60-10-28T	EA	SCREW - SF/DR - 10-16 X 1 3/4 - BLACK
	000G60-10-209	EA	SCREW - SF/DR - 10-16 X 1 1/4 POH - SILVER STALGAARD
	000G67-08-32B	EA	SCREW - 8-15 X 2 PPH - ZINC
	000G67-10-24S	EA	SCREW - 10-12 X 1 1/2 PPH - OFF WHITE
	000G67-10-24B	EA	SCREW - 10-12 X 1 1/2 PPH - ZINC
	000G67-10-20D	EA	SCREW - 10-12 X 1 1/4 PPH - BLACK
	000G67-10-125	EA	SCREW - 10-12 X 3/4 PPH - WILLOW
	000G67-10-12S	EA	SCREW - 10-12 X 3/4 PPH - OFF WHITE
	000G67-10-12P	EA	SCREW - 10-12 X 3/4 PPH - DARK BROWN
	000G67-10-12B	EA	SCREW - 10-12 X 3/4 PPH - ZINC
	000G67-10-10T	EA	SCREW - 10-12 X 5/8 PPH - BLACK
	000G67-10-10S	EA	SCREW - 10-12 X 5/8 PPH - OFF WHITE
	000G67-10-10P	EA	SCREW - 10-12 X 5/8 PPH - DARK BROWN
	000G67-10-10B	EA	SCREW - 10-12 X 5/8 PPH - ZINC - TYPE A
	000G67-10-08B	EA	SCREW - 10-12 X 1/2 PPH - ZINC
	000G67-10-36T	EA	SCREW - 10-12 X 2 1/4 - PPH - BLACK
	000G68-06-12J	EA	SCREW - 6-18 X 3/4 POH - BRASS
	000G68-06-10J	EA	SCREW - 6-18 X 5/8 POH - BRASS
	000G68-06-10G	EA	SCREW - 6-18 X 5/8 POH - ANTIQUE BRASS
	029130-01-000	EA	SCREW - SNAP STUD - #8-16 X 5/8" LONG
	029130-03-000	EA	SCREW - SNAP STUD - #8-16 X 1" LONG
	049465-01-000	EA	SCREW - 10-16 PTH W/WASHER - DARK BROWN
	049465-03-000	EA	SCREW - 10-16 X 1 POH W/WASHER - OFF WHITE
	049465-04-000	EA	SCREW - 10-16 X 1 PTH W/WASHER - BEIGE
	049465-13-000	EA	SCREW-10+16X1 PTH W/WASHER - *ASH GRAY
	049465-17-000	EA	SCREW - 10-16 X 1 POH W/WASHER - BRIGHT WHITE
	049465-23-000	EA	SCREW - 10-16 X 1.5 POH W/WASHER - VW LIGHT GRAY
	054434-03-000	EA	SCREW - SF/DR - 10-16 X 2 - PWH - ZINC - W/O WINGS
	075908-01-000	EA	SCREW - MACHINE - 10-32 X .56 PTH - EXTERNAL TOOTH - ZINC
	076790-01-000	EA	SCREW - 6-20 X 1 1/4 PPH - BLACK
	076790-05-000	EA	SCREW - 6-20 X 1/2 PPH - BLACK - THREAD CUTTING/WOOD
	083554-01-000	EA	SCREW - DRYWALL - 8 X 1 1/4
	083554-04-000	EA	SCREW - DRYWALL - 8 X 2 1/2
	087721-01-000	EA	SCREW - FLAT HEAD - TAPPING - 1/4 X 1 1/4 LONG - ZINC
	090033-02-000	EA	SCREW - 1/4-20 X 5/8 - ROUND WASHER HEAD - OFF/WHITE
	097974-01-000	EA	SCREW - PARTICLE BOARD - 7-9 X 3/4 PPH
	101618-01-000	EA	SCREW - 1/4-20 X 3/4 HEX - TAPPING - STALGARD TYPE F
	110460-05-02A	EA	SCREW - MACHINE - 10-24 X 2 1/2 PFH - WHITE
	113563-01-01A	EA	SCREW - 8 X 5/8 LONG SHOULDER/WASHER HEAD
	117478-01-04A	EA	SCREW - 8-18 X 3/4 PPH W/WASHER - VW LIGHT GRAY
	118383-01-04A	EA	RETAINER/RECESSED - F/.22" SCREW - BRIGHT WHITE
	118383-01-05A	EA	RETAINER/RECESSED - F/.22" SCREW - VW LIGHT GRAY
	118383-01-09A	EA	RETAINER/RECESSED - F/.22" SCREW - GLACIER
	118383-02-09A	EA	RETAINER/RECESSED - F/.27" SCREW - GLACIER
	118383-02-05A	EA	RETAINER/RECESSED - F/.27" SCREW - VW LIGHT GRAY
	118383-03-09A	EA	RETAINER/RECESSED - F/.32" SCREW - GLACIER

SEALANTS & FASTENERS GROUP (CONTINUED)
SCREWS (CONTINUED)

KEY	PART NUMBER	U/M	DESCRIPTION
	118383-04-09A	EA	CAP - F/RECESSED RETAINER - GLACIER
	118383-04-05A	EA	CAP - F/RECESSED RETAINER - VW LIGHT GRAY
	118383-04-04A	EA	CAP - F/RECESSED RETAINER - BRIGHT WHITE
	126458-01-01A	EA	SCREW - 8-18 X 1/2 - PRWH - BLACK
	134126-01-01A	EA	SCREW/NAIL - HEX HEAD - 3/4"
	140040-01-000	EA	SCREW - 1/4-20 X 1 - BUTTON HEAD/SOCKET - W/LOCTITE

CLAMPS, CLIPS, GROMMETS, RIVETS & PLUGS

KEY	PART NUMBER	U/M	DESCRIPTION
	000F10-06-32B	EA	PIN - COTTER - 3/16" X 2" - ZINC
	000H14-06-06R	EA	RIVET-MANDREL BLIND,3/16 AL - CHERRY BSP-66
	000H14-06-03R	EA	RIVET - MANDREL BLIND - 3/16 ALUMINUM
	000H16-04-06R	EA	RIVET - POP ALUMINUM - 1/8 X .313 - .375
	000H16-06-10R	EA	RIVET - POP ALUMINUM - 3/16 X .501-.625
	007161-01-000	EA	CLAMP - HOSE - SPRING TYPE - 1/2"
	010495-01-000	EA	CLAMP - CABLE - 9/16"ID
	010495-02-000	EA	CLAMP - CABLE - 3/8"ID
	010495-04-000	EA	CLAMP - CABLE - 11/16" - WHITE
	010497-01-000	EA	CLAMP - CLOSED - 5/8"ID
	010497-03-000	EA	CLAMP - CLOSED - 1"ID - CUSHIONED
	010497-04-000	EA	CLAMP - CLOSED - 1 5/8"ID
	010497-05-000	EA	CLAMP - CLOSED - 1/2"ID
	010497-07-000	EA	CLAMP - CLOSED - 3/8"ID
	010497-10-000	EA	CLAMP - CLOSED
	010499-01-000	EA	CLAMP - CLOSED - 3/8"ID
	016188-03-000	EA	GROMMET - L/P LINE - 3/8"HOLE X 2 1/2"LONG - RUBBER
	016188-04-000	EA	GROMMET - L/P LINE - 1/2"HOLE X 2 1/2"LONG - RUBBER
	016188-05-000	EA	GROMMET - L/P LINE - 3/8"HOLE X 1 1/4"LONG - RUBBER
	016188-06-000	EA	GROMMET - L/P LINE - 3/8"HOLE X 3 1/4"LONG
	016188-07-000	EA	GROMMET - L/P LINE - 1/2"HOLE X 3 1/4"LONG
	023942-01-000	EA	GROMMET - RUBBER - 2" OD
	034141-02-000	EA	PLUG/NYLON - .38" - BLACK
	061420-04-000	EA	PLUG/PLASTIC - 1 1/4" DIAMETER
	061420-05-000	EA	PLUG/PLASTIC - 1 1/2" DIAMETER
	061420-08-000	EA	PLUG/PLASTIC - 2 1/2" DIAMETER
	061420-09-000	EA	PLUG/PLASTIC - 1.00" - DIAMETER
	061420-10-000	EA	PLUG/PLASTIC - 1 1/2" DIAMETER - BLACK
	061420-14-000	EA	PLUG/PLASTIC - .034" DIAMETER
	061420-15-000	EA	PLUG/PLASTIC - 2" DIAMETER - BLACK
	061420-16-000	EA	PLUG/PLASTIC - 2 1/8" DIAMETER
	062401-01-000	EA	CLAMP - HOSE - WORMGEAR - .25" - 1"
	062401-02-000	EA	CLAMP - HOSE - WORMGEAR - 1.56" - 2.5"
	062401-03-000	EA	CLAMP - HOSE - WORMGEAR - .22" - 1"
	062401-04-000	EA	CLAMP - HOSE - WORMGEAR - .69" - 1.25"
	062401-05-000	EA	CLAMP - HOSE - WORMGEAR - 2" - 3" ID
	062401-06-000	EA	CLAMP - HOSE - WORMGEAR - .22" - .62" ID
	062401-09-000	EA	CLAMP - HOSE - WORMGEAR - 2.8" - 3.75"
	062401-11-000	EA	CLAMP - HOSE - WORMGEAR - 3.50" - 4.50"
	062401-12-000	EA	CLAMP - HOSE - WORMGEAR - .79" X 1.26"
	071015-11-000	EA	GROMMET - RUBBER - 1"ID FITS .12 MATERIAL - BLACK
	071015-19-000	EA	GROMMET - RUBBER - .38 ID - FITS .06 MATERIAL - BLACK
	071015-26-000	EA	GROMMET - RUBBER - 1.5" ID X 2.1" OD W/.06" GROOVE-BLACK
	071015-30-000	EA	GROMMET - RUBBER - .31" ID X .81" OD W/.12" GROOVE-BLACK
	071015-39-000	EA	GROMMET - .75 ID FITS .06 MTL
	071015-41-000	EA	GROMMET - .125 ID FITS .188 MTL
	075148-02-000	EA	CLAMP - GROUNDING - BRONZE SCREWS
	077955-01-000	EA	CLIP/J - 3/8" - VINYL COATED
	080734-02-000	EA	CLIP - WIRE NYLON
	081211-03-000	EA	PLUG/PLASTIC - .50 DIAMETER - BLACK
	081211-04-000	EA	PLUG/PLASTIC - .46 DIAMETER - BLACK

SEALANTS & FASTENERS GROUP (CONTINUED)
CLAMPS, CLIPS, GROMMETS, RIVETS & PLUGS (CONTINUED)

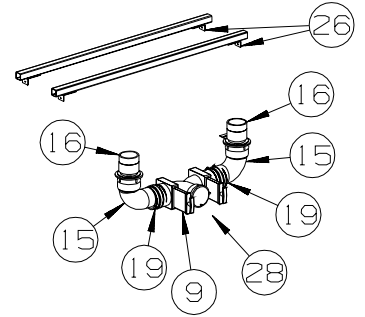
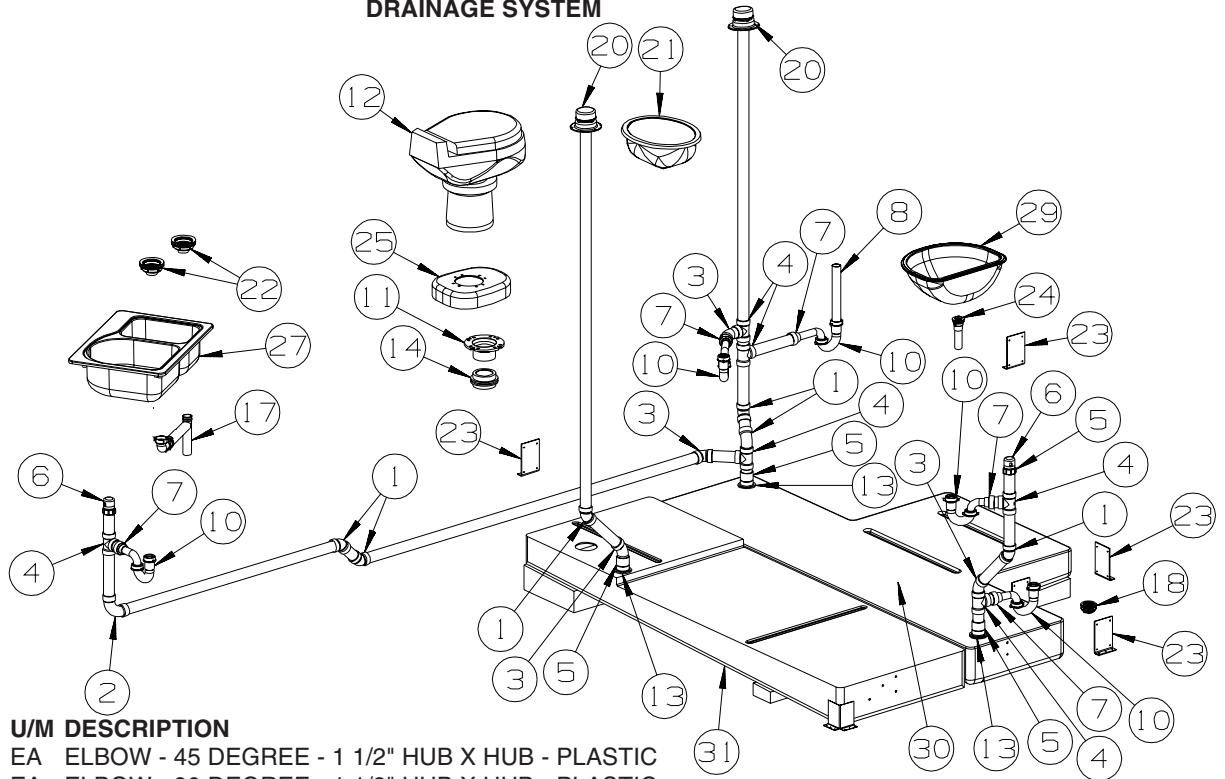
KEY	PART NUMBER	U/M	DESCRIPTION
	083609-01-000	EA	CLAMP - WIRE - DUAL - EQUAL DIAMETERS - 5/8"
	083610-01-000	EA	CLAMP - WIRE - DUAL - UNEQUAL DIAMETERS - 3/4" & 1 1/4"
	083610-02-000	EA	CLAMP - WIRE - DUAL - UNEQUAL DIAMETERS - 3/4" & 2"
	083610-03-000	EA	CLAMP - WIRE - DUAL - EQUAL DIAMETERS - 2"
	088756-01-000	EA	GROMMET - WEB - 1 1/8 " I.D.
	091952-01-000	EA	CLIP - GRIPPER - 1"
	091952-02-000	EA	CLIP - GRIPPER - 3/4"
	094362-02-000	EA	CLIP - XMAS TREE - BINDER HEAD - .9" LONG
	114208-04-000	EA	GROMMET - EDGE LINER - FITS 1"
	114208-05-000	EA	GROMMET - EDGE LINER - FITS 2"
	118626-01-02A	EA	RIVET - POP - ALUMINUM - 3/16 X .08 - .375
	118626-01-01A	EA	RIVET - POP - ALUMINUM - 3/16 X .08 - .375
	118626-02-01A	EA	RIVET - POP - ALUMINUM - 3/16 X .500 - .750
	137014-01-01A	EA	GROMMET - CABLE - ALMOND
	137014-01-02A	EA	GROMMET - CABLE - BROWN
	139118-01-01A	EA	GROMMET - PLASTIC/SCREW
	139118-02-01A	EA	GROMMET - SCREW - PLASTIC
	140171-02-000	EA	CLAMP - HOSE - STEPLESS EAR - .250

MISCELLANEOUS FASTENERS

KEY	PART NUMBER	U/M	DESCRIPTION
	008343-01-000	EA	TIE - WIRE - 6"
	008343-02-000	EA	TIE - WIRE - 14"
	008343-03-000	EA	TIE - WIRE - 7 1/2" - BLACK
	029094-04-000	YD	VELCRO TAPE - LOOP - 1" WIDE - BLACK
	029094-06-000	YD	VELCRO TAPE - LOOP - 2" WIDE - BLACK
	029096-03-000	YD	VELCRO TAPE - HOOK - 1" WIDE - BLACK
	029096-04-000	YD	VELCRO TAPE - HOOK - 1" WIDE - BLACK
	048394-02-000	YD	VELCRO TAPE - HOOK - ADHESIVE BACK - 3/4" WIDE - BEIGE
	085774-01-000	FT	FASTENER - DUAL LOCK - 1" WIDE - ADHESIVE BACK - BLACK
	085774-02-000	FT	FASTENER - DUAL HOOK - 1" WIDE - ADHESIVE BACK - BLACK
	085774-03-000	FT	FASTENER - DUAL LOCK - 1/2" WIDE - ADHESIVE BACK - BLACK
	085774-04-000	FT	FASTENER - DUAL HOOK - 1/2" WIDE - ADHESIVE BACK - BLACK
	088792-02-000	YD	VELCRO TAPE - LOOP - 3/4" - ADHESIVE BACK - BEIGE
	088792-04-000	YD	VELCRO TAPE - HOOK - 5/8" - NON-ADHESIVE BACK - WHITE
	088792-05-000	YD	VELCRO TAPE - LOOP - 5/8" - NON-ADHESIVE BACK - WHITE
	108046-02-000	EA	CABLE TIE - SCREW MOUNT 15"
	110943-02-000	FT	FELT STRIP - 3/8" - ADHESIVE BACK - WHITE
	113133-02-01A	EA	RIVET - POP - ALUMINUM - 3/16 X .252 - .504 - BLACK
	127960-01-01A	EA	RETAINER - 3/8" - STAINLESS STEEL

WATER & SEWAGE GROUP

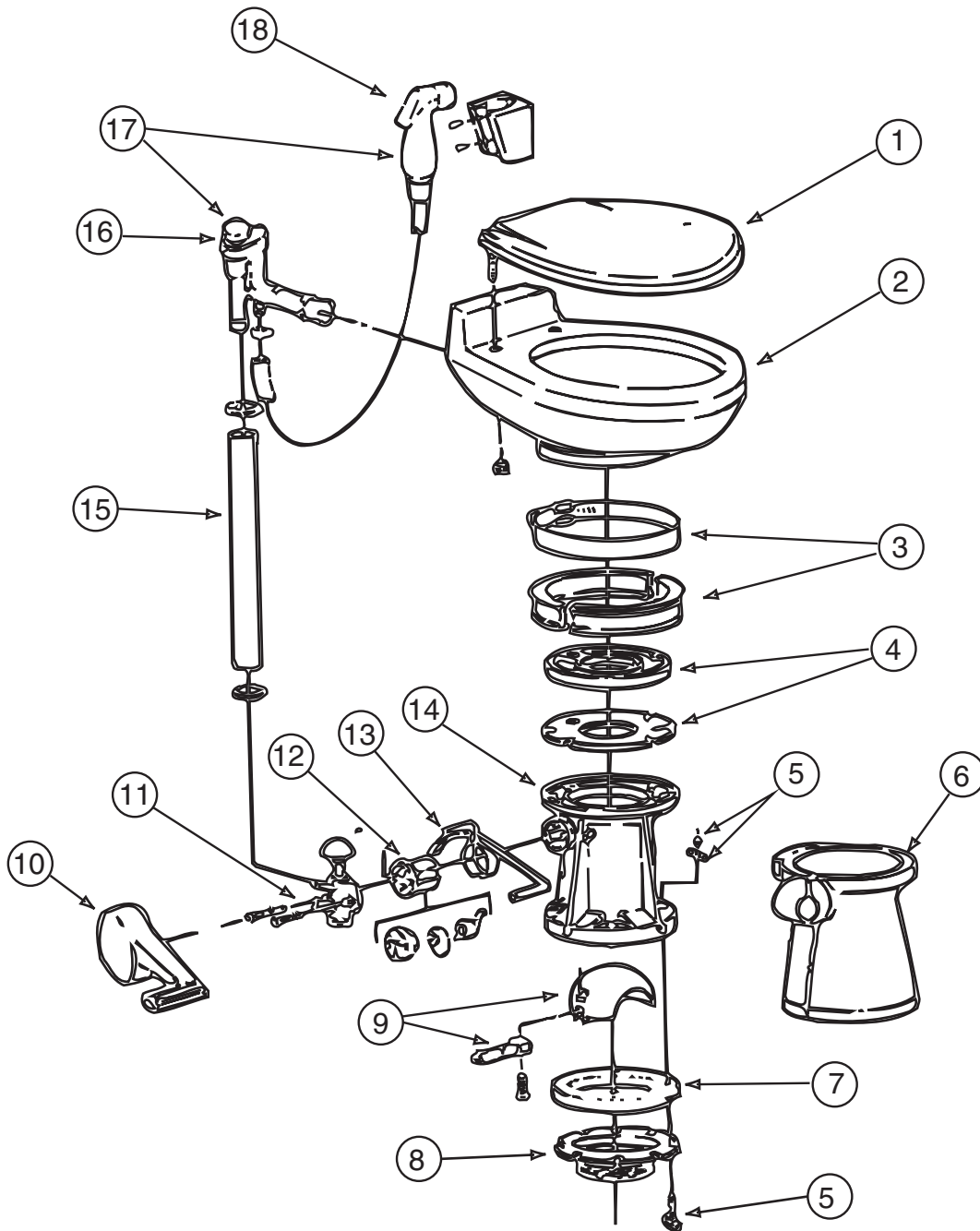
DRAINAGE SYSTEM



KEY	PART NUMBER	U/M	DESCRIPTION
1	010006-01-000	EA	ELBOW - 45 DEGREE - 1 1/2" HUB X HUB - PLASTIC
2	010008-01-000	EA	ELBOW - 90 DEGREE - 1 1/2" HUB X HUB - PLASTIC
3	010051-01-000	EA	ELBOW - 45 DEGREE - 1 1/2" SPIGOT X HUB - PLASTIC
4	010071-01-000	EA	TEE - SANITARY - 1 1/2" HUB X HUB X HUB - PLASTIC
5	010115-01-000	EA	COUPLING - 1 1/2" HUB X HUB - PLASTIC
6	079968-01-000	EA	VENT - MECHANICAL/TRAP ARM - ANTI-SIPHON-2" X 7.3" PLASTIC
7	109571-01-000	EA	ADAPTER - P-TRAP - 1 1/2" P X 1 1/4" MPT
8	126588-02-000	EA	ARM - WASTE - 1 1/2 X 20" - FEMALE
9	136143-01-000	EA	VALVE - DUAL - 3" X 3"
10	107538-01-000	EA	P-TRAP - PLASTIC - 1 1/4" W/EXTENSION ARM - USA
10	011071-01-000	EA	P-TRAP - PLASTIC - 1 1/2" - CSA - CANADIAN
11	116644-01-000	EA	FLANGE/CLOSET - 3" FEMALE - 4 BOLT
12*	136729-01-01A	EA	TOILET - CHINA - STANDARD W/SPRAYER - WHITE
13	061607-01-000	EA	GROMMET - HOLDING TANK - 1 1/2" NPS
14	061607-02-000	EA	GROMMET - HOLDING TANK - 3" NPS
15	010062-01-000	EA	ELBOW - ST PLASTIC - 3 90 SPGXH
16	010129-03-000	EA	NIPPLE - PLASTIC - 3" X 3" TOE
17	011091-02-000	EA	WASTE - CONTINUOUS - DOUBLE SINK
18	066440-01-000	EA	STRAINER - SHOWER DRAIN - W/RUBBER WASHER
	011069-06-000	EA	TAILPIECE - 1 1/2" X 1 1/4" X 2 1/2"
	127440-02-01A	EA	WASHER - RUBBER - 1.8" X .1"
	130403-01-000	EA	NUT - SLIP - W/WINGS 1 1/2"
19	078406-01-000	EA	COUPLER - RUBBER - W/CLAMPS - 3" X 3"
20	083558-06-000	EA	VENT - PLUMBING - ROOF PIPE COVERED - VW WHITE
21	089366-03-000	EA	SINK - OVAL - SOFT WHITE PLASTIC
22	092303-01-000	EA	STRAINER - W/BASKET - GALLEY SINK - 4" OD
	127440-02-01A	EA	WASHER - RUBBER - 1.8" X .1"
23	094756-01-01A	EA	BRACKET/ANGLE - W/HOLES
			FROM: 00-00-00 THRU: 10-29-02
23	094756-02-01A	EA	BRACKET - L - 6.1" LONG X 3.9" WIDE - STEEL
			FROM: 10-30-02 THRU: 99-99-99
24	106116-01-02A	EA	STRAINER/PLASTIC - STOPPER/TAILPIECE/GASKET & NUT-LAVATORY
	106116-02-01A	EA	GASKET - STRAINER
25	131786-03-01A	EA	SPACER - TOILET - ROUND - 10" DIAM. X 1.3" HIGH - SOFT WHT
26	132871-03-02B	EA	BRACKET/L ANGLE W/HOLES - 1.2" X 2.8" - E-COATED
27	134851-01-01A	EA	SINK - DOUBLE/GALLEY - LARGE/SMALL - 25" X 18" X 6.9"D-WHT
28	139513-01-000	EA	HOSE - SEWER - 3" X 10' - W/ADAPTER
29	142285-01-01A	EA	SINK - LAVATORY
30	132408-01-700	EA	TANK - HOLDING
31	140193-01-700	EA	TANK - HOLDING

*COMPONENT PARTS LISTED LATER IN THIS GROUP

WATER & SEWAGE GROUP (CONTINUED)
COMPONENTS PARTS FOR DRAWINGS

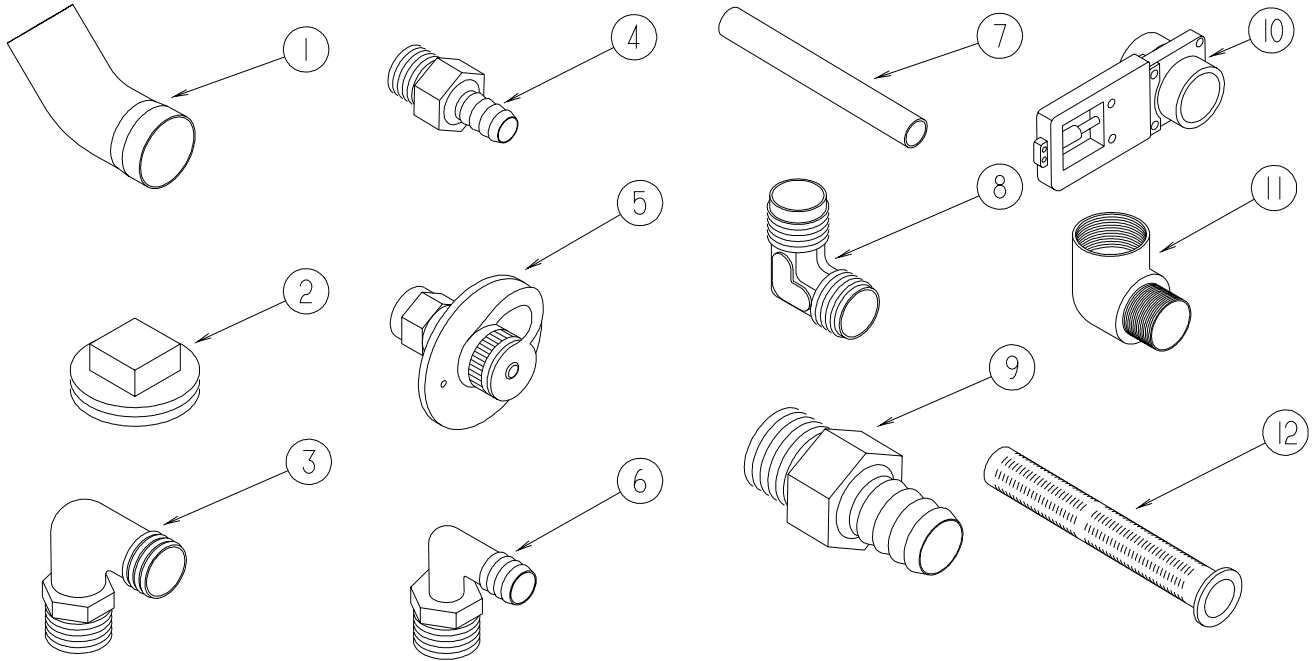


136729-01-01A

KEY	PART NUMBER	U/M	DESCRIPTION	VENDOR NO.
1	136729-01-700	EA	SEAT ASSEMBLY - WHITE	343829
2	136729-01-701	EA	BOWL/CHINA - WHITE	310739
3	085330-01-703	EA	RING & HALF CLAMPS, BONE	385310048
4	085330-01-704	EA	TEFLON & RUBBER SEAL KIT	385316140
5	085330-01-717	EA	HARDWARE KIT - BASE MOUNTING	310064
6	085330-09-704	EA	PEDESTAL COVER - WHITE	310111
7	085330-01-714	EA	SEAL-FLANGE, FLOOR	390343892
8	085330-01-716	EA	FLANGE-FLOOR, 3" MPT	345889
10	085330-09-702	EA	COVER/PEDAL KIT - WHITE	310114
11	085330-01-709	EA	VALVE-WATER	385314349
12	085330-01-707	EA	CARTRIDGE SPRING ASSEMBLY	381236096
13	085330-06-703	EA	LEVER-FLUSH	340873
14	085330-09-703	EA	BASE KIT - WHITE	310120
16	085330-06-701	EA	BREAKER-VACUUM/DIVERTER(900)	230335
18	085330-04-701	EA	HAND SPRAY W/HOSE(500 & 900)	340683

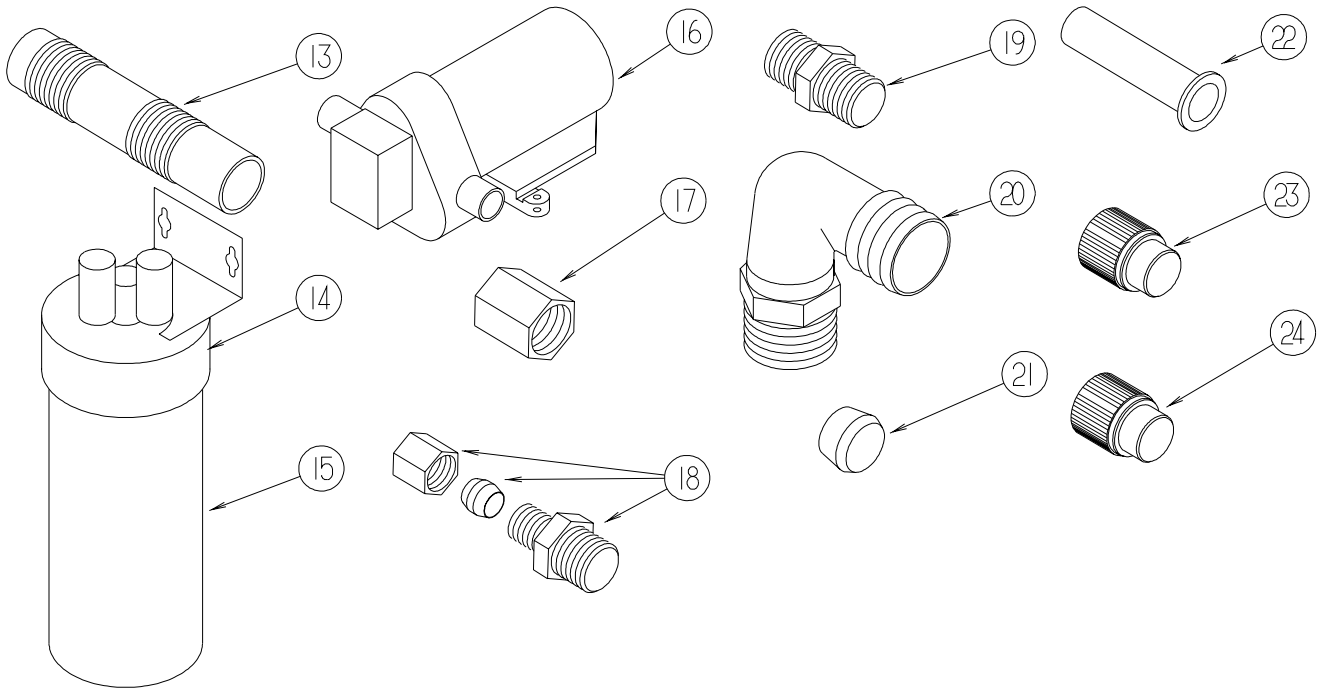
CONTACT WINNEBAGO PART SALES FOR UNLISTED COMPONENTS

WATER & SEWAGE GROUP (CONTINUED)
WATER SYSTEM



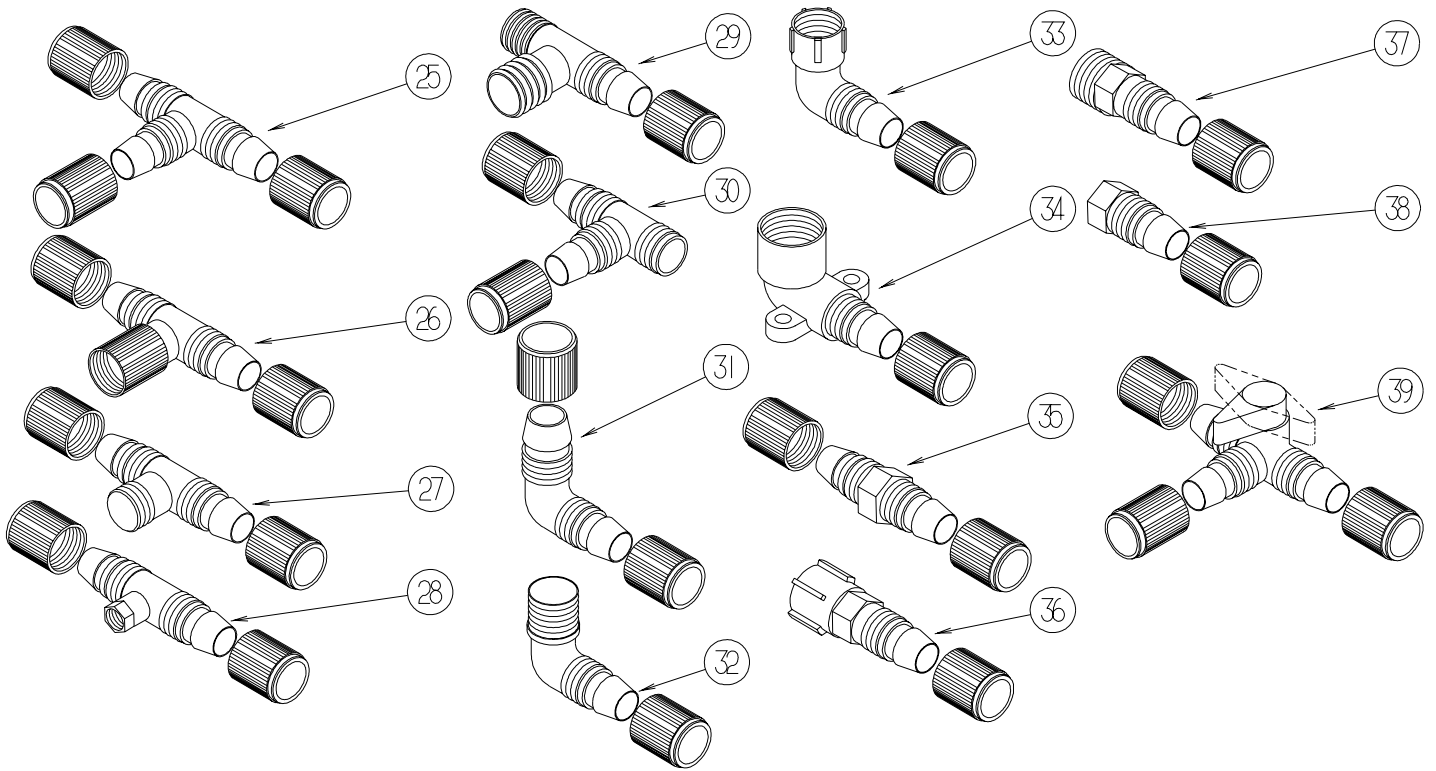
KEY	PART NUMBER	U/M	DESCRIPTION
1	010009-01-000	EA	ELBOW - 90 DEGREE - 1/4 BEND - 1 1/2" PLASTIC
2	010166-01-000	EA	PLUG/THREADED - 1 1/4"MPT - PLASTIC - BLACK - UL
3	010219-01-000	EA	ELBOW - 1 1/4 MPT X 1 1/4 BARB - WATER FILL - PLASTIC
4	010224-01-000	EA	ADAPTER - HOSE TO PIPE - 3/8 MPT X 3/8 BARB - PLASTIC
5	010230-06-000	EA	FILL - CITY WATER - W/CHECK VALVE - MPT - BRUSHED ALUM
6	035539-01-000	EA	ELBOW - 3/8 MPT X 3/8 BARB - PLASTIC
7	039800-04-000	FT	TUBING - POLYBUTYL - 1/4"OD
7	074462-02-000	FT	TUBING - VINYL - 3/8 ID X 20' - CLEAR
7	112176-01-000	FT	TUBING - VINYL - REINFORCED - 1/2" ID
7	124188-01-000	FT	TUBING - PEX - 1/2" ID X 20' - BLUE(COLD)
7	124188-02-000	FT	TUBING - PEX - 1/2" ID X 20' - RED(HOT)
8	039808-03-000	EA	ELBOW - 1/2" MPT X 1/2" MPT - PLASTIC
9	044927-01-000	EA	ADAPTER - HOSE TO PIPE-1 1/4 MPTX1 1/4 BARB-BLACK PLASTIC
10	062421-03-000	EA	VALVE/DUMP W/O HANDLE - 1 1/2" X 1 1/2" HUB
11	065318-02-000	EA	ELBOW - 90 DEGREE - 3/8" MPT TO 3/8" FPT
12	077954-02-000	EA	FILTER - WATER TANK - W/SCREEN IN TANK

WATER & SEWAGE GROUP (CONTINUED)
WATER SYSTEM (CONTINUED)



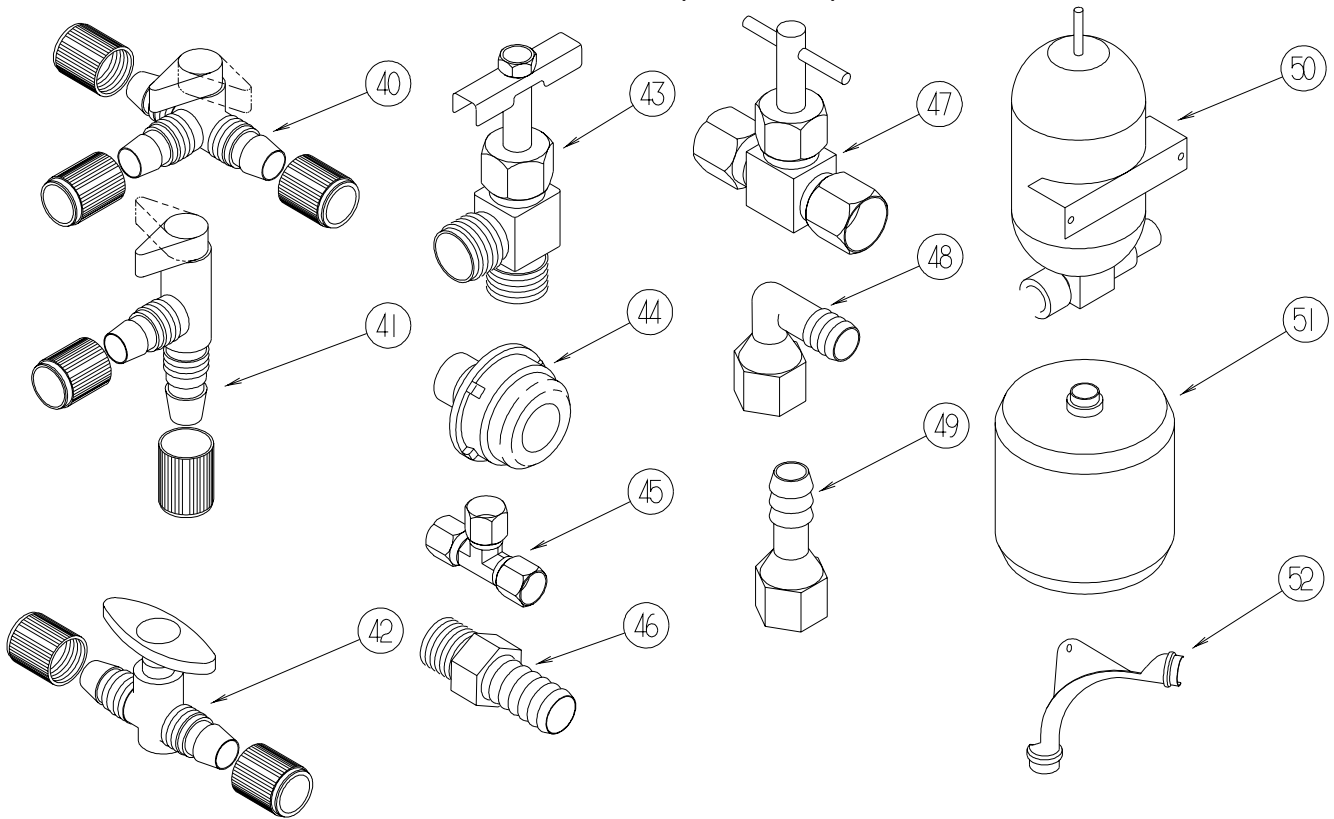
KEY	PART NUMBER	U/M	DESCRIPTION
13	079381-01-000	FT	TUBING - RIBBED FLEXIBLE - WATER FILL - 1.4" ID
14	087200-01-000	EA	FILTER-WATER PURIFICATION, EVERPURE QC2-AC
15	087200-02-000	EA	CARTRIDGE-WATER FILTER, AC - EVERPURE 9601-11
16*	098607-01-000	EA	PUMP - WATER - W/.5" MPT FITTING - FLOW 2.8 GPM
17	101814-01-000	EA	COUPLING - FEMALE - 1/2" X 1/2" FPT - GRAY
18	103798-01-000	EA	CONNECTOR - 1/4 OD X 3/8 MPT
19	110438-02-000	EA	VALVE - CHECK - BRASS - 1/2 MPT X 1/2 MPT
20	111223-02-000	EA	ELBOW - 1/2" MPT X 3/8" BARB - PLASTIC
20	111223-03-000	EA	ELBOW - 3/4" MPT X 1/2" BARB - PLASTIC
20	111223-04-000	EA	ELBOW - 1/2" MPT X 1/2" BARB - PLASTIC
21	111888-01-000	EA	FERRULE - PLASTIC - .250 ID X .375 OD
22	111888-02-000	EA	INSERT - BRASS - 1/4 COMP
23	113697-01-000	EA	CAP - 3/8"P
24	114427-01-000	EA	CAP - 1/2"P

WATER & SEWAGE GROUP (CONTINUED)
WATER SYSTEM (CONTINUED)



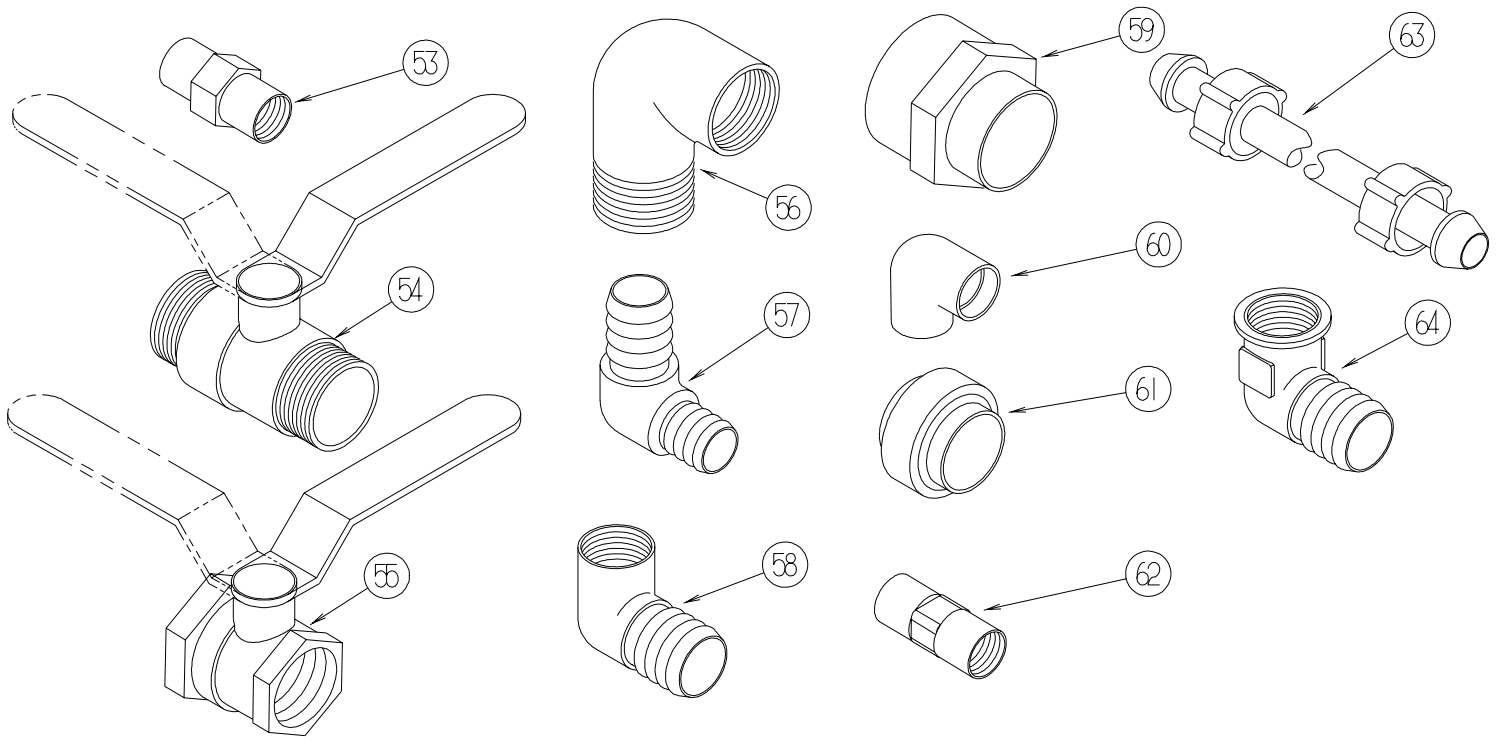
KEY	PART NUMBER	U/M	DESCRIPTION
25	114428-01-000	EA	TEE - 1/2"P X 1/2"P X 1/2"P
26	114428-02-000	EA	TEE - SWIVEL - 1/2"P X 1/2"P X 1/2"FPT
27	114428-03-000	EA	TEE - 1/2"P X 1/2"P X 1/2"MPT
28	114428-04-000	EA	TEE - 1/2"P X 1/2"P X 1/8"FPT
29	114428-06-000	EA	TEE - 1/2" P X 1/2" MPT X 1/2" MPT
30	114428-07-000	EA	TEE - 1/2" P X 1/2" MPT X 1/2" P
31	114429-01-000	EA	ELBOW - 1/2"P X 1/2"P
32	114429-02-000	EA	ELBOW - 1/2"P X 1/2"MPT
32	114429-04-000	EA	ELBOW - 1/2"P X 3/8"MPT
32	114429-05-000	EA	ELBOW - 1/2"P X 3/4"MPT
33	114429-03-000	EA	ELBOW - SWIVEL - 1/2"P X 1/2"FPT
33	114429-06-000	EA	ELBOW - SWIVEL - 1/2"P X 3/4"FPT
33	114429-08-000	EA	ELBOW - SWIVEL - 1/2"P X 1/2"FPT
34	114429-09-000	EA	ELBOW - 1/2"P X 1/2"FPT DROP EAR
35	114430-01-000	EA	ADAPTER - 1/2"P X 1/2"P
36	114430-02-000	EA	ADAPTER - SWIVEL - 1/2"P X 1/2"FPT
37	114430-03-000	EA	ADAPTER - 1/2"P X 1/2"MPT
38	114430-06-000	EA	ADAPTER - 1/2"P X 3/8"FPT
39	114431-01-000	EA	VALVE - 180 DEGREE/CENTER DRAIN - 1/2"P - THREE WAY

WATER & SEWAGE GROUP (CONTINUED)
WATER SYSTEM (CONTINUED)



KEY	PART NUMBER	U/M	DESCRIPTION
40	114431-02-000	EA	VALVE - WATER BYPASS - 1/2"P - THREE WAY (WATER HEATER)
41	114431-03-000	EA	VALVE - 90 DEGREE DRAIN - 1/2"P
42	114431-04-000	EA	VALVE - "INLINE SHUT-OFF" - 1/2"P
43	114431-05-000	EA	VALVE - NEEDLE - 1/8" MPT X 1/4" COMPRESSION (ICE MAKER)
44	114966-01-000	EA	FILTER - IN LINE - TWIST ON - 1/2"
45	118423-01-000	EA	FITTING - BRASS-TEE - 1/4C X 1/4C X 1/4C
46	118809-02-000	EA	ADAPTER - 1/2" MPT X 1/2" BARB - PLASTIC
47	120868-01-000	EA	VALVE - NEEDLE - 1/4" COMPRESSION X 1/4" COMPRESSION
48	123150-01-000	EA	ELBOW - 1/2 FPT X 1/2 BARB - SWIVEL
49	123152-01-000	EA	ADAPTER - 1/2 FPT X 1/2 BARB - SWIVEL
50	123243-01-000	EA	TANK - ACCUMULATOR - 24 OZ
51	123317-01-000	EA	TANK - ACCUMULATOR - 2 GALLON
52	124184-01-000	EA	SUPPORT - WATER LINE - BEND

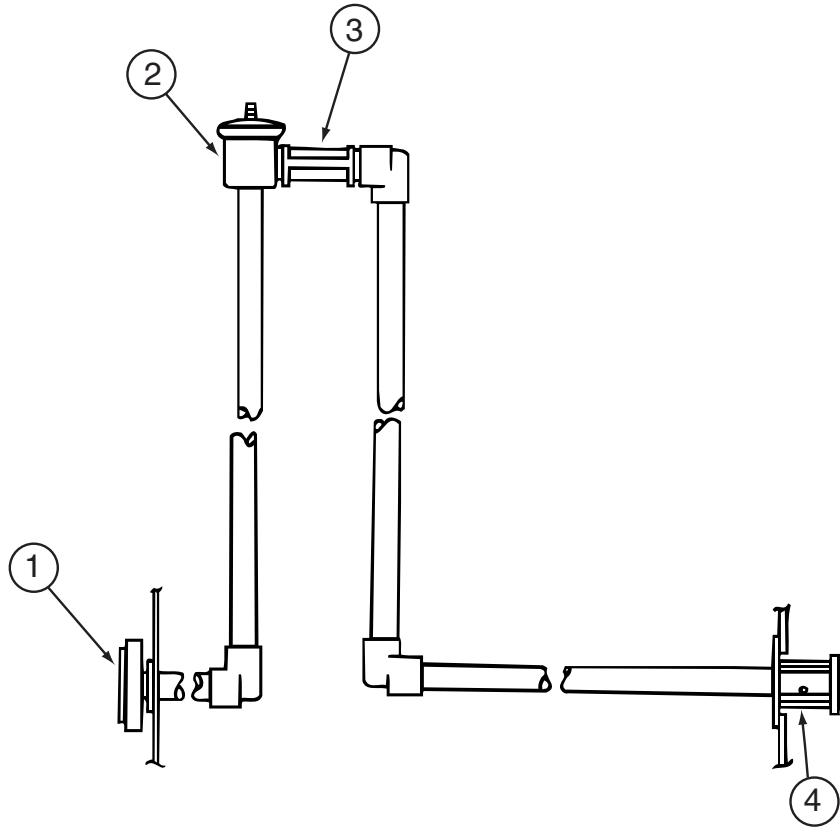
WATER & SEWAGE GROUP (CONTINUED)
WATER SYSTEM (CONTINUED)



KEY	PART NUMBER	U/M	DESCRIPTION
53	132148-01-000	EA	CONNECTOR - 1/2" X 1/2"MPT - BRASS
54	132483-01-000	EA	VALVE/BALL - 1" - THREADED ENDS
55	132483-02-000	EA	VALVE/BALL - 1/2" - BRASS - FPT
56	132484-01-000	EA	ELBOW - 90 DEGREE - 1MPT X 1FPT - PLASTIC
57	132781-01-000	EA	ELBOW - 1.3" BARB X 1.3" BARB - 90 DEGREE - PLASTIC
58	132782-01-000	EA	ELBOW - 1"FPT X 1.3" BARB - 90 DEGREE - PLASTIC
59	133835-01-000	EA	ADAPTER - REDUCING - 1 1/2" X 1 1/4"
60	133837-01-000	EA	ELBOW - 1 1/2" X 90 DEGREE - DOUBLE SLIP
61	133889-01-000	EA	UNION - 1 1/2 DOUBLE SLIP - PVC
62	135386-01-000	EA	NIPPLE - 1/2"
63	140821-01-000	EA	TUBE - WATER SUPPLY - 3/8" X 24"
63	140821-02-000	EA	TUBE - WATER SUPPLY - 3/8" X 30"
63	140821-03-000	EA	TUBE - WATER SUPPLY - 3/8" X 36"
63	140821-04-000	EA	TUBE - WATER SUPPLY - 3/8" X 48"
63	140821-05-000	EA	TUBE - WATER SUPPLY - 3/8" X 54"
63	140821-06-000	EA	TUBE - WATER SUPPLY - 3/8" X 60"
63	140821-07-000	EA	TUBE - WATER SUPPLY - 3/8" X 72"
64	142812-01-000	EA	ELBOW - BRASS - 1/2"MPT X 1/2"FPT

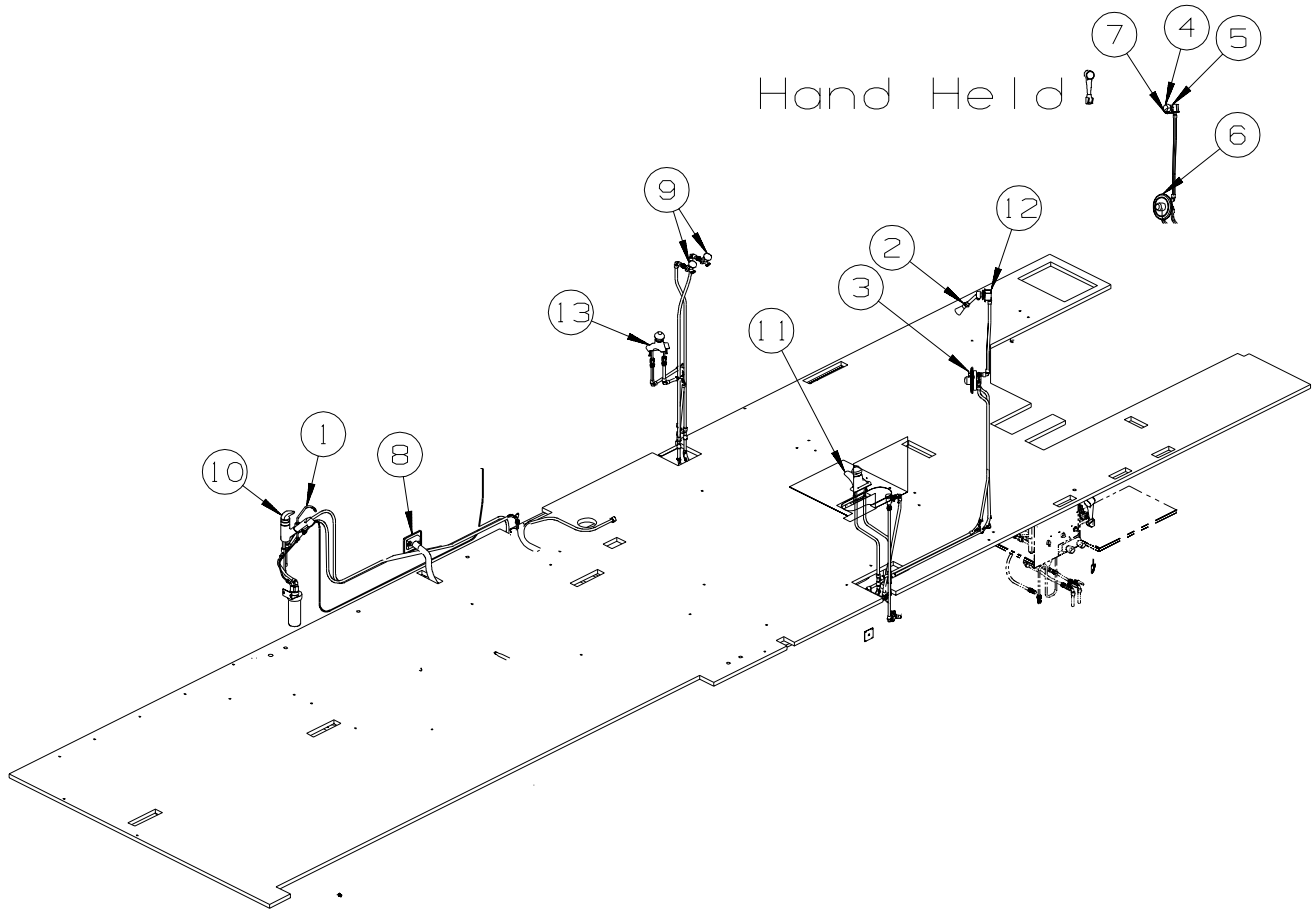
***COMPONENT PARTS LISTED LATER IN THIS GROUP**

WATER & SEWAGE GROUP (CONTINUED)
WATER SYSTEM (CONTINUED)



KEY	PART NUMBER	U/M	DESCRIPTION
1	125697-05-000	EA	INLET - WATER - FLUSHING SYSTEM
2	125697-04-000	EA	BREAKER - VACUUM - FLUSHING SYSTEM
3	125697-03-000	EA	CHECK VALVE - FLUSHING SYSTEM
4	125697-02-000	EA	NOZZLE - WELD-A-FLUSH
	125697-06-000	EA	INSTRUCTIONS - USER - FLUSHING SYSTEM

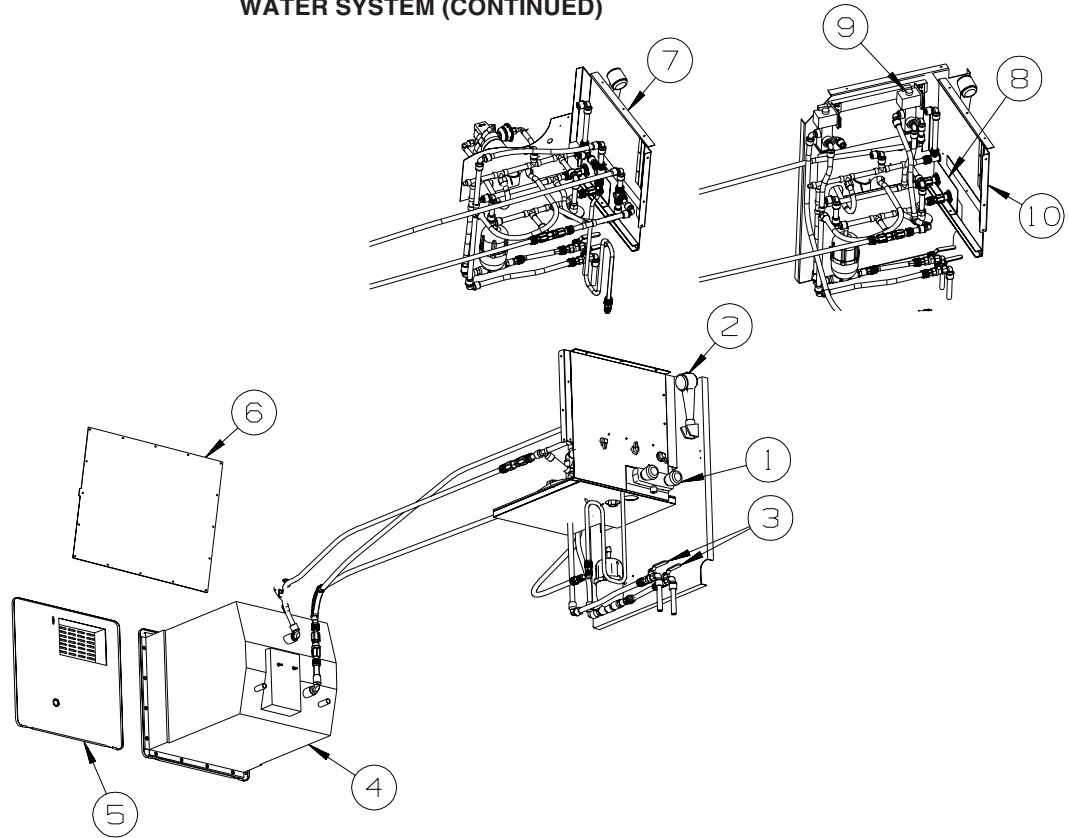
WATER & SEWAGE GROUP (CONTINUED)
WATER SYSTEM (CONTINUED)



KEY	PART NUMBER	U/M	DESCRIPTION
1	103635-01-000	EA	FAUCET - SINGLE CONTROL/DRINKING WATER
2	128974-01-01A	EA	VALVE - SHOWER HEAD/WATER SAVER (ON/OFF) - BRIGHT BRASS
3*	131340-01-01A	EA	FAUCET - W/SHOWER HEAD- SINGLE LEVER-W/O WATER SAVER-BRASS
4	129390-03-01A	EA	SHOWER HEAD - W/HOSE & BRACKET - BRASS
5	130041-01-02A	EA	SPACER/SHOWER HEAD - SOFT WHITE
6*	131340-02-01A	EA	FAUCET ONLY - W/O SHOWER HEAD/ARM EXTENSION - BRASS
7	135028-01-01A	EA	DROP ELL - F/SHOWER HOSE - BRASS - 1/2"
8	137169-01-01A	EA	WATER FILL/GRAVITY - W/DOOR - W/O LOCK - BRIGHT WHITE
	138290-03-000	EA	CASE - W/CAM - W/O CYLINDER/KEY
9	098419-01-000	EA	FAUCET - WASHER - 90 DEGREE
10*	123744-03-01A	EA	FAUCET - GALLEY/SINGLE CONTROL W/SPRAYER HEAD - CHROME
11*	128997-01-01A	EA	FAUCET - LAVATORY - SINGLE CONTROL - POLISHED BRASS
12	143101-01-01A	EA	BRACKET - SHOWER HEAD
13*	128997-01-01A	EA	FAUCET - LAVATORY - SINGLE CONTROL - POLISHED BRASS

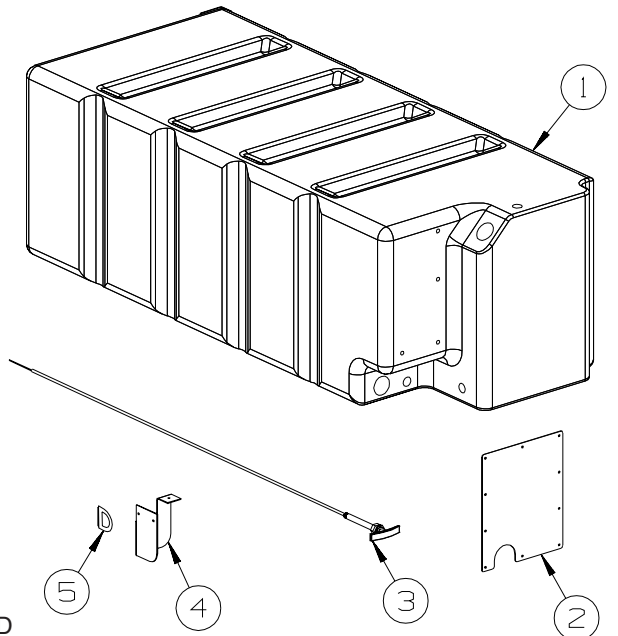
***COMPONENT PARTS LISTED LATER IN THIS GROUP**

WATER & SEWAGE GROUP (CONTINUED)
WATER SYSTEM (CONTINUED)



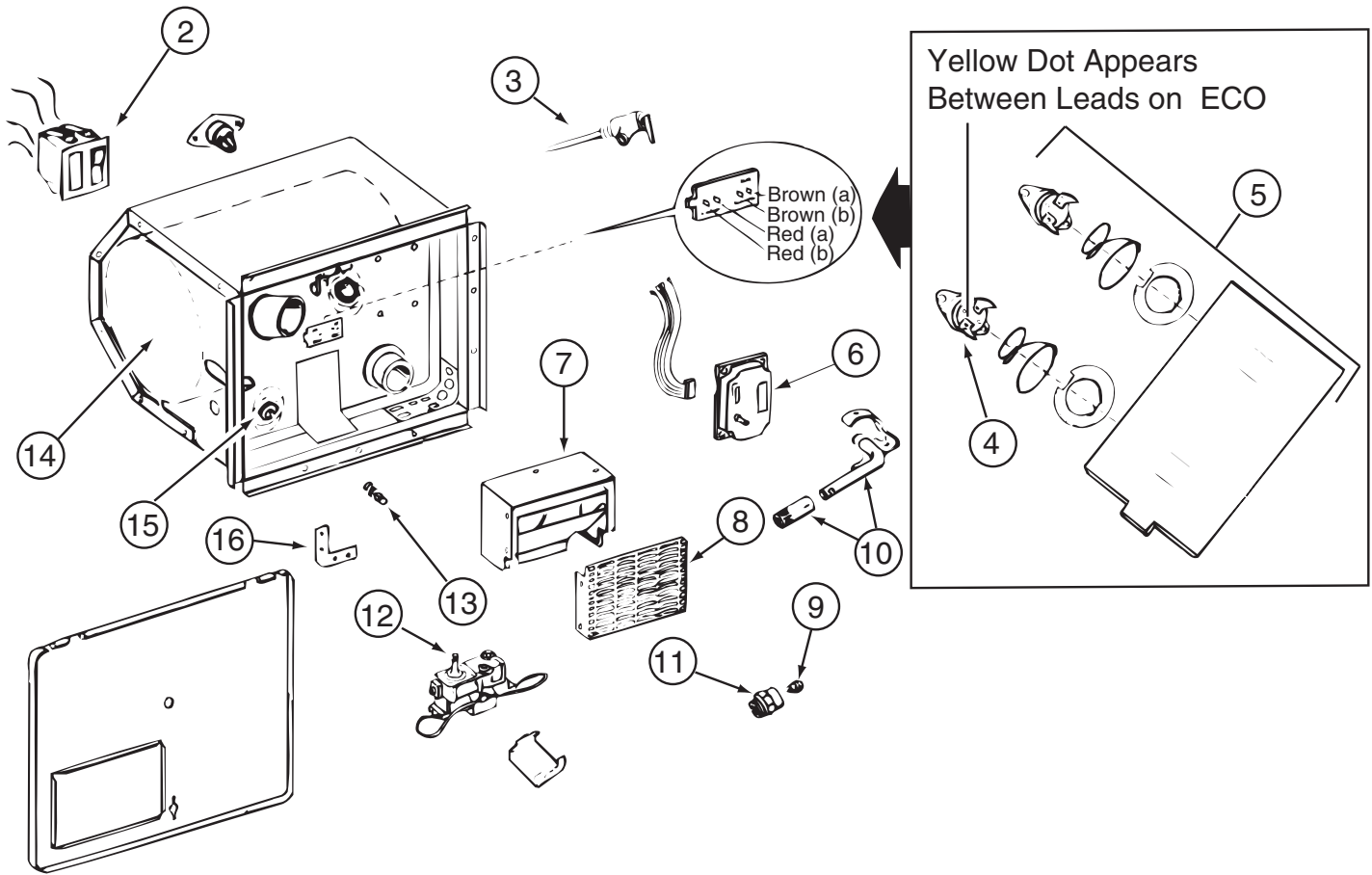
KEY	PART NUMBER	U/M	DESCRIPTION
1*	072541-06-000	EA	FAUCET - SHOWER/BRIGHT WHITE - .5" MPT W/1.9" INLET PIPES
2	131383-01-02A	EA	SHOWER HEAD - W/60" HOSE & BRACKET - WHITE - USA
2	131383-02-02A	EA	SHOWER HEAD - W/60" HOSE & BRACKET - CSA - WHITE - CANADIAN
3	132483-02-000	EA	VALVE/BALL - 1/2" FPT - BRASS
4*	051391-05-000	EA	WATER HEATER/MOTOR AID-GAS/ELECT IGN - GCH10A-9E - 10 GAL
5*	125420-01-02A	EA	DOOR - WATER HEATER - 10 GALLON - BRIGHT WHITE
5*	125420-01-03A	EA	DOOR - WATER HEATER - 10 GALLON - BLACK W/BLACK GRILLE
6	133224-01-02B	EA	PLATE - WATER HEATER - E-COATED
7	143023-01-12B	EA	PANEL - SERVICE CENTER - BRIGHT WHITE
8	143021-01-12B	EA	BRACKET - EXTERIOR SHOWER - BRIGHT WHITE
9*	118569-03-000	EA	WINTERIZATION SYSTEM - W/O TANK
10	143023-02-12B	EA	PANEL - SERVICE CENTER - BRIGHT WHITE

*COMPONENT PARTS LISTED LATER IN THIS GROUP



KEY	PART NUMBER	U/M	DESCRIPTION
1	132678-02-000	EA	TANK - WATER - 85 GALLON - W/FITTINGS
	042989-05-000	EA	FITTING - SPINWELD - 1/2" FPT - PLASTIC
	042989-03-000	EA	FITTING - SPINWELD - 1 1/4" NPT - PLASTIC
	049032-01-000	EA	PATCH - SPINWELD - 3/8" - PLASTIC
	132678-01-000	EA	TANK - WATER - 85 GALLON - W/O FITTINGS
2	133352-01-02B	EA	PANEL - ACCESS - WATER TANK - E-COATED
3	062421-05-000	EA	CABLE/ROD - F/DUMP VALVE - W/HANDLE - 48"
4	143994-01-12B	EA	BRACKET/MOUNTING - VALVE - BRIGHT WHITE
5	112091-01-000	FT	SEAL/D - NEOPRENE - HEAT ACTIVE ADHESIVE - .9" X .7"

WATER & SEWAGE GROUP (CONTINUED)
COMPONENT PARTS FOR WATER SYSTEM



051391-05-000

KEY	PART NUMBER	U/M	DESCRIPTION	VENDOR NO.
2	051393-01-701	EA	SWITCH - REMOTE - W/LIGHT	91959
3	051391-01-704	EA	VALVE-RELIEF, 1/2" FITTING	91604
4	051391-04-701	EA	THERMOSTAT 12V DC-120 PRESET	91470
5	051391-05-707	EA	THERMOSTAT & ECO - 110 VOLT	91873
6	051393-01-704	EA	BOARD-CIRCUIT	93865
7	051391-04-707	EA	KIT-EXHAUST, (FLUE & GASKET)	90960
8	051391-01-717	EA	GRILLE-WATER HEATER DOOR	92640
9	051391-05-701	EA	ORIFICE-MAIN BURNER	93914
10	051391-05-700	EA	BURNER-MAIN	93221
11	051391-03-700	EA	HOLDER-ORIFICE	91563
12	051393-01-726	EA	VALVE-SOLENOID, W/O BRACKET	93870
13	051391-01-715	EA	PLUG-DRAIN, 1 EA = 2 PER PKG	91857
14	051391-05-704	EA	TANK-INNER	93593
15	051391-05-706	EA	ELEMENT-HEATING 1500 WATT	91160 W/GASKET
16	111129-01-711	EA	BRACKET-CORNER, SET OF FOUR	91928
	051391-05-703	EA	HARDWARE KIT-DOOR	91858
	051391-05-705	EA	SWITCH - ON/OFF SWITCH - BOX	91182
	051393-01-721	EA	THERMOSTAT W/ECO, 140 FRT MT	91447
	051393-01-723	EA	SWITCH - THERMAL CUTOUT 2/PK	93866
	051393-01-725	EA	ELECTRODE-SGL SPADE CONNECT.	93868
	051393-01-730	EA	BRACKET - F/10 GAL SYSTEM	93862

CONTACT WINNEBAGO PARTS SALES FOR UNLISTED COMPONENTS

075241-04-000, 075241-05-000, 075241-06-000

KEY	PART NUMBER	U/M	DESCRIPTION	VENDOR NO.
	075240-05-700	EA	CARTRIDGE - WASHERLESS	9-P42

WATER & SEWAGE GROUP (CONTINUED)
COMPONENT PARTS FOR WATER SYSTEM (CONTINUED)

118569-03-000

KEY	PART NUMBER	U/M	DESCRIPTION	VENDOR NO
	118569-01-700	EA	VALVE/SOLENOID-ELECT CONTROL	NO VDR#
	118569-01-701	EA	SWITCH - ELECTRIC	EA1-31
	118569-01-702	EA	PLATE - SWITCH	ERUS-1
	118569-01-704	EA	PLUG - 3/4 MPT	NO VDR#
	118569-01-705	EA	PLUG - 1/2 MPT	NO VDR#
	118569-01-706	EA	SCREEN - WHITE	NO VDR#

123744-03-01A

KEY	PART NUMBER	U/M	DESCRIPTION	VENDOR NO.
	135027-01-700	EA	CLIP - RETAINER	883
	135027-01-705	EA	CARTRIDGE F/SGL LEVER FAUCET	1225

125420-01-02A, 125420-01-03A, 125420-04-03A

KEY	PART NUMBER	U/M	DESCRIPTION	VENDOR NO.
	051391-01-705	EA	FASTENER - CAMLOCK	92609

128997-01-01A

KEY	PART NUMBER	U/M	DESCRIPTION	VENDOR NO.
	119677-01-712	EA	AERATOR - SPOUT - BATHTUB	50-19PB
	131340-01-700	EA	BUTTON - HOT/COLD	N1201-16
	131340-01-701	EA	KNOB - CLEAR	N1201-9
	131340-02-700	EA	CARTRIDGE	6-1201-5-0WB

131340-01-01A

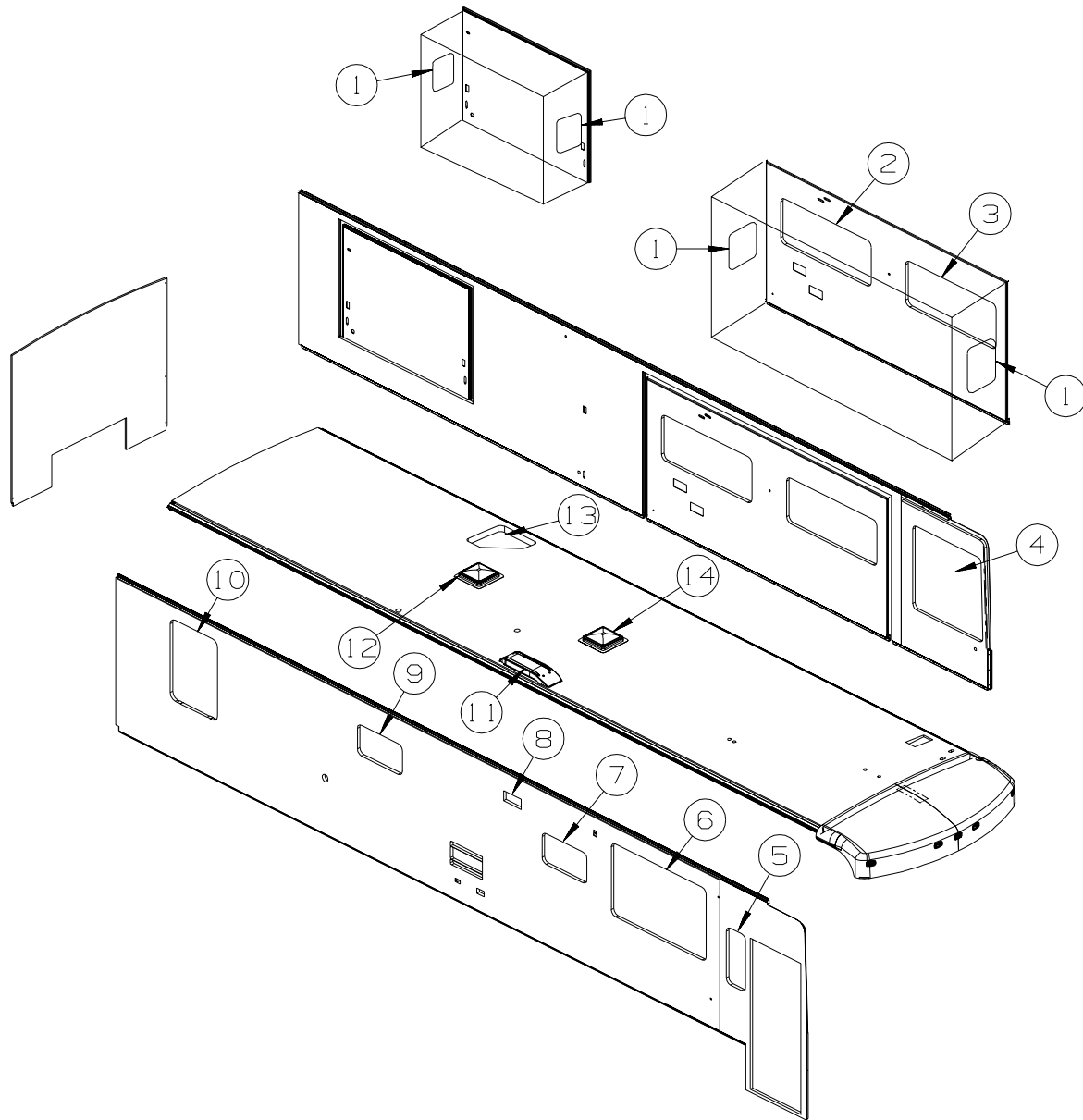
KEY	PART NUMBER	U/M	DESCRIPTION	VENDOR NO.
	119677-01-701	EA	SHOWER HEAD ONLY 1/2"	34PB
	131340-01-700	EA	BUTTON - HOT/COLD	N1201-16
	131340-01-701	EA	KNOB - CLEAR	N1201-9

131340-02-01A

KEY	PART NUMBER	U/M	DESCRIPTION	VENDOR NO.
	131340-02-700	EA	CARTRIDGE	6-1201-5-0

WINDOW & VENTS GROUP

WINDOW & VENT LAYOUT



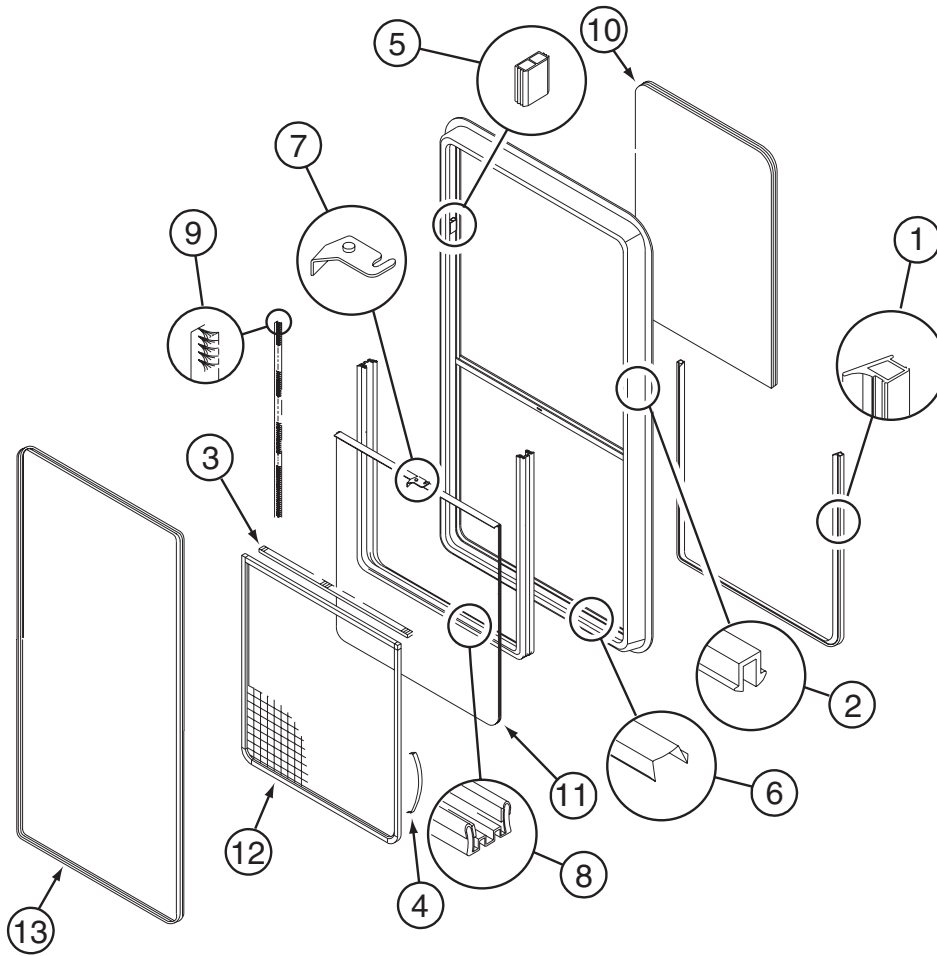
KEY	PART NUMBER	U/M	DESCRIPTION
1*	098644-13-01A	EA	WINDOW - VERTICAL SLIDER W/TRIM - 19.8" X 20.9"
1*	134004-03-01A	EA	WINDOW - VERT SLIDER/FLUSH O/S-THERMO - 21" X 19.8" - DUAL PANE
2*	098647-54-01A	EA	WINDOW - DRIVER HORIZONTAL SLIDER - 57.5"W X 23.6"H
2*	112795-81-01A	EA	WINDOW - DRVR HORIZ SLIDER/ESCAPE - THERMO - 23.8" X 57.7" - DUAL PANE
3*	098647-47-02A	EA	WINDOW - DRVR HORIZ SLIDER W/TRIM - TINTED - 57.4" X 23.6"
3*	112795-77-01A	EA	WINDOW - DRIVER HORIZONTAL SLIDER - THERMO - 57.4" X 23.6" - DUAL PANE
4*	106466-13-01A	EA	WINDOW - CAB/DRIVER W/RETAINER - 44.6"T X 44.7"H X 46"B
4*	106466-14-01A	EA	WINDOW - CAB/DRVR THERMO W/RETAINER-44.6"T X 44.7"H X 46"B - DUAL PANE
5*	112898-27-01A	EA	WINDOW - VERTICAL SLIDER - THERMO - 12" X 29.4" - BLACK - DUAL PANE
6*	098647-64-01A	EA	WINDOW - HORIZONTAL SLIDER W/RET - 37.9" X 60.4"
6*	112795-80-01A	EA	WINDOW - PASSENGER HORIZ SLIDER - THERMO - 37.9" X 60.4" - DUAL PANE
7*	098647-33-02A	EA	WINDOW - PASS HORIZ SLIDER W/TRIM - CLEAR - 28.5" X 15.7"
7*	112795-72-01A	EA	WINDOW - PASSENGER HORIZ SLIDER - THERMO - 28.5" X 15.7" - DUAL PANE
8	138983-01-01A	EA	VENT - MICROWAVE OUTER - BRIGHT WHITE
8	138983-03-01A	EA	COVER - VENT MICROWAVE OUTER - BRIGHT WHITE
9*	098647-33-02A	EA	WINDOW - PASS HORIZ SLIDER W/TRIM - CLEAR - 28.5" X 15.7"
9*	112795-72-01A	EA	WINDOW - PASSENGER HORIZ SLIDER - THERMO - 28.5" X 15.7" - DUAL PANE
10*	112463-06-01A	EA	WINDOW - TIPOUT/ESCAPE W/RETAINER - 42.2" X 30.1"
10*	129929-08-01A	EA	WINDOW - TIPOUT/THERMO/ESCAPE W/RETAINER - 42.2" X 30.2" - DUAL PANE
11	084073-04-000	EA	BASE/VENT - ROOF/REFRIGERATOR - BLACK - NORCOLD
11	084073-07-000	EA	CAP - ROOF/REFRIGERATOR VENT - 10" X 32" - BRIGHT WHITE

WINDOW & VENTS GROUP (CONTINUED)
WINDOWS & VENT LAYOUT (CONTINUED)

KEY	PART NUMBER	U/M	DESCRIPTION
12*	123780-10-01A	EA	FANTASTIC VENT-4"ROOF-W/FAN/PWR LIFT/DBL DOME-W/O THERM
	009440-01-000	EA	GEAR/ARM - LIFT - ROOF VENT COVER
13	122214-01-02A	EA	PANEL - SKYLITE - INNER - W/ANGLED CORNER - WHITE
13	138372-01-12B	EA	TRIM - CORNER - SKYLIGHT - BRIGHT WHITE
13	139411-01-01A	EA	PANEL/SKYLITE - OUTER - NEO ANGLE - WHITE
14*	123780-09-01A	EA	FANTASTIC VENT-4"ROOF- W/FAN/DBL DOME-W/O THERM/PWR LIFT
	009440-01-000	EA	GEAR/ARM - LIFT - ROOF VENT COVER

***COMPONENT PARTS LISTED LATER IN THIS GROUP**

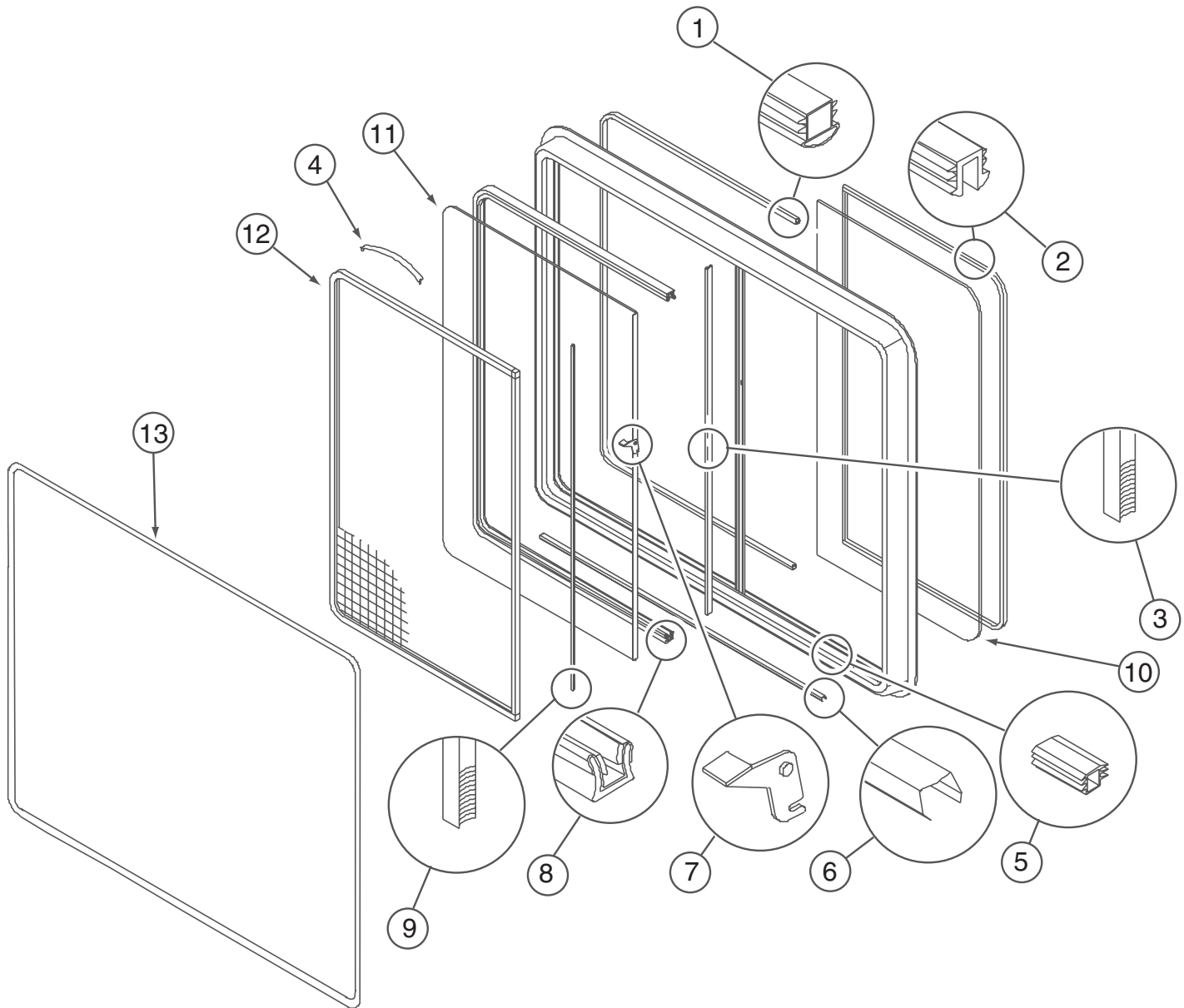
WINDOW & VENTS GROUP (CONTINUED)
COMPONENT PARTS FOR WINDOWS & VENT LAYOUT



098644-13-01A

KEY	PART NUMBER	U/M	DESCRIPTION	VENDOR NO.
1	098644-01-716	FT	PLUG - FILLER	132-014470
2	098644-01-705	FT	GLAZING - STRIP	132-010231
3	098644-01-706	FT	WEATHERSTRIP - GLASS	171-010668
4	098644-01-713	EA	CLIP - SCREEN - METAL	226-016966
4	125582-01-701	EA	CLIP - SCREEN - PLASTIC	130-005153
5	098644-01-719	EA	STOP - SLIDER GLASS	132-014203
6	098644-01-710	FT	TRACK - SCREEN SPACER 12'	132-017135
7	098644-01-700	EA	LATCH - REPAIR KIT (BLACK)	B801-CK
8	098644-01-708	FT	CHANNEL - RUN PIERCED	122-016543
9	098644-01-711	FT	WEATHERSTRIP - SCREEN BLACK	171-016965
10	098644-13-700	EA	GLASS - STATIONARY	106-028698
11	098644-13-701	EA	GLASS - SLIDING W/SASH/LATCH	H702-G9
12	098644-13-702	EA	SCREEN ASM - W/SEALS/CLIPS	410-028663
13	098644-13-703	EA	RETAINER - TRIM	H702-60
	098644-01-717	FT	SPLINE - SCREEN	132-004716

WINDOW & VENTS GROUP (CONTINUED)
COMPONENT PARTS FOR WINDOWS & VENT LAYOUT (CONTINUED)



098647-33-02A

KEY	PART NUMBER	U/M	DESCRIPTION	VENDOR NO.
1	098644-01-716	FT	PLUG - FILLER	132-014470
2	098644-01-705	FT	GLAZING - STRIP	132-010231
3	098644-01-706	FT	WEATHERSTRIP - GLASS	171-010668
4	098644-01-713	EA	CLIP - SCREEN - METAL	226-016966
4	125582-01-701	EA	CLIP - SCREEN - PLASTIC	130-0
5	098644-01-719	EA	STOP - SLIDER GLASS	132-014203
6	098644-01-710	FT	TRACK - SCREEN SPACER 12'	132-017135
7	098644-01-700	EA	LATCH - REPAIR KIT (BLACK)	B801-CK
8	098644-01-708	FT	CHANNEL - RUN PIERCED	122-016543
9	098644-01-711	FT	WEATHERSTRIP - SCREEN BLACK	171-016965
10	098647-33-702	EA	GLASS - STATIONARY	106-019297
11	098647-33-703	EA	GLASS-SLIDING W/SASH & LATCH	H425-G9
12	098647-33-704	EA	SCREEN ASM - W/SEALS & CLIPS	410-019134
13	098647-31-705	EA	RETAINER - TRIM	CH29-66
	098644-01-717	FT	SPLINE - SCREEN	132-004716

WINDOW & VENTS GROUP (CONTINUED)
COMPONENT PARTS FOR WINDOWS & VENT LAYOUT (CONTINUED)

098647-47-02A

KEY	PART NUMBER	U/M	DESCRIPTION	VENDOR NO.
1	098644-01-716	FT	PLUG - FILLER	132-014470
2	098644-01-705	FT	GLAZING - STRIP	132-010231
3	098644-01-706	FT	WEATHERSTRIP - GLASS	171-010668
4	098644-01-713	EA	CLIP - SCREEN - METAL	226-016966
4	125582-01-701	EA	CLIP - SCREEN - PLASTIC	130-0
5	098644-01-719	EA	STOP - SLIDER GLASS	132-014203
6	098644-01-710	FT	TRACK - SCREEN SPACER 12'	132-017135
7	098644-01-700	EA	LATCH - REPAIR KIT (BLACK)	B801-CK
8	098644-01-708	FT	CHANNEL - RUN PIERCED	122-016543
9	098644-01-711	FT	WEATHERSTRIP - SCREEN BLACK	171-016965
10	098647-47-700	EA	GLASS - STATIONARY	106-025224
11	098647-47-701	EA	GLASS-SLIDING W/SASH & LATCH	H493-G9
12	098647-47-702	EA	SCREEN ASM - W/SEALS & CLIPS	410-025226
13	098647-47-704	EA	RETAINER - TRIM	H493-66
	098644-01-717	FT	SPLINE - SCREEN	132-004716

098647-54-01A

KEY	PART NUMBER	U/M	DESCRIPTION	VENDOR NO.
1	098644-01-716	FT	PLUG - FILLER	132-014470
2	098644-01-705	FT	GLAZING - STRIP	132-010231
3	098644-01-706	FT	WEATHERSTRIP - GLASS	171-010668
4	098644-01-713	EA	CLIP - SCREEN - METAL	226-016966
4	125582-01-701	EA	CLIP - SCREEN - PLASTIC	130-0
5	098644-01-719	EA	STOP - SLIDER GLASS	132-014203
6	098644-01-710	FT	TRACK - SCREEN SPACER 12'	132-017135
7	098644-01-700	EA	LATCH - REPAIR KIT (BLACK)	B801-CK
8	098644-01-708	FT	CHANNEL - RUN PIERCED	122-016543
9	098644-01-711	FT	WEATHERSTRIP - SCREEN BLACK	171-016965
10	098647-47-700	EA	GLASS - STATIONARY	106-025224
11	098647-54-700	EA	GLASS-SLIDING W/SASH & LATCH	H666-G9
12	098647-47-702	EA	SCREEN ASM - W/SEALS & CLIPS	410-025226
13	098647-47-704	EA	RETAINER - TRIM	H493-66
	098644-01-717	FT	SPLINE - SCREEN	132-004716

098647-64-01A

KEY	PART NUMBER	U/M	DESCRIPTION	VENDOR NO.
1	098644-01-716	FT	PLUG - FILLER	132-014470
2	098644-01-705	FT	GLAZING - STRIP	132-010231
3	098644-01-706	FT	WEATHERSTRIP - GLASS	171-010668
4	098644-01-713	EA	CLIP - SCREEN - METAL	226-016966
4	125582-01-701	EA	CLIP - SCREEN - PLASTIC	130-0
5	098644-01-719	EA	STOP - SLIDER GLASS	132-014203
6	098644-01-710	FT	TRACK - SCREEN SPACER 12'	132-017135
7	098644-01-700	EA	LATCH - REPAIR KIT (BLACK)	B801-CK
8	098644-01-708	FT	CHANNEL - RUN PIERCED	122-016543
9	098644-01-711	FT	WEATHERSTRIP - SCREEN BLACK	171-016965
	098644-01-717	FT	SPLINE - SCREEN	132-004716

CONTACT WINNEBAGO PART SALES FOR UNLISTED COMPONENTS

WINDOW & VENTS GROUP (CONTINUED)
COMPONENT PARTS FOR WINDOWS & VENT LAYOUT (CONTINUED)

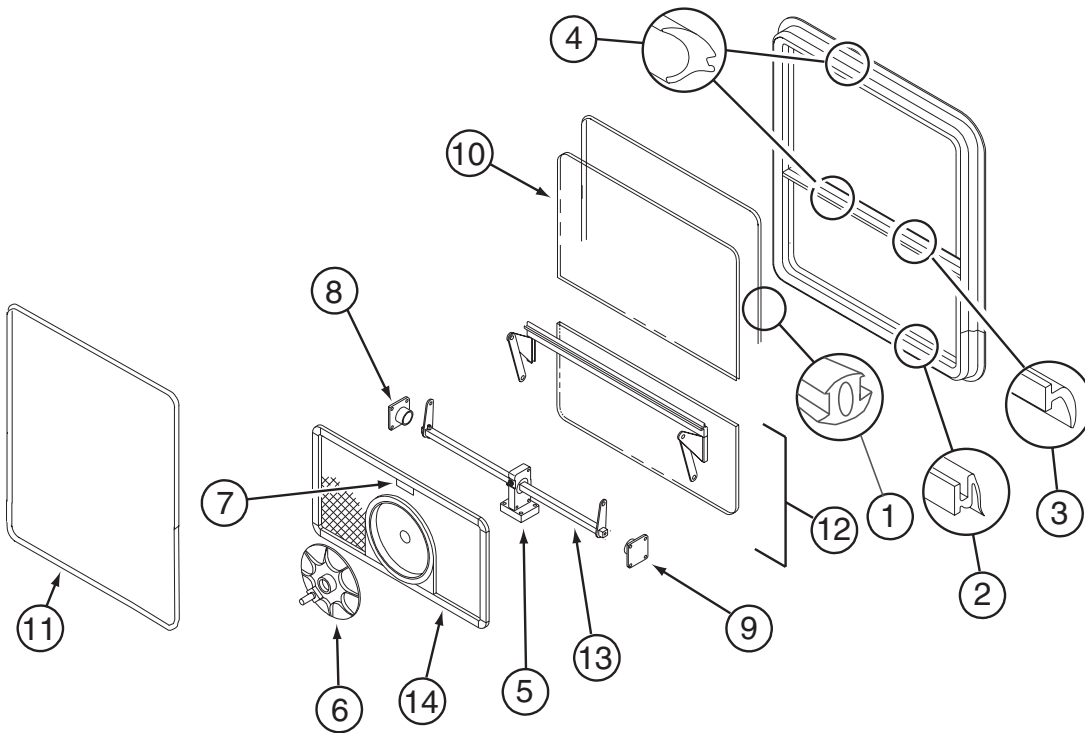
106466-13-01A

KEY	PART NUMBER	U/M	DESCRIPTION	VENDOR NO.
	098644-01-700	EA	LATCH - REPAIR KIT (BLACK)	B801-CK
	098644-01-705	FT	GLAZING - STRIP	132-010231
	098644-01-706	FT	WEATHERSTRIP - GLASS	171-010668
	098644-01-708	FT	CHANNEL - RUN PIERCED	122-016543
	098644-01-710	FT	TRACK - SCREEN SPACER 12'	132-017135
	098644-01-713	EA	CLIP - SCREEN - METAL	226-016966
	098644-01-716	FT	PLUG - FILLER	132-014470
	098644-01-717	FT	SPLINE - SCREEN	132-004716
	098644-01-719	EA	STOP - SLIDER GLASS	132-014203
	125582-01-701	EA	CLIP - SCREEN - PLASTIC	130-005153
	106466-13-700	EA	GLASS - STATIONERY - UPPER	106-027475
	106466-13-701	EA	GLASS - STATIONERY - LOWER	106-027476
	106466-13-702	EA	GLASS/SLIDING-W/SASH & LATCH	H567-A9L
	106466-13-703	EA	RETAINER - TRIM	H671-66L
	125582-01-708	EA	WEEPHOLE COVER - RIGHT HAND	130-026598
	125582-01-709	EA	WEEPHOLE COVER - LEFT HAND	130-026599
	125582-04-701	EA	SCREEN ASM - W/SEALS & CLIPS	410-026544

106466-14-01A

KEY	PART NUMBER	U/M	DESCRIPTION	VENDOR NO.
1	112795-01-704	FT	PLUG FILLER (DOUBLE GLAZED)	122-018737
2	112795-01-705	FT	VINYL - GLAZING	132-027331
3	098644-01-706	FT	WEATHERSTRIP - GLASS	171-010668
4	098644-01-713	EA	CLIP - SCREEN - METAL	226-016966
4	125582-01-701	EA	CLIP - SCREEN - PLASTIC	130-005153
5	112795-01-701	EA	SLIDE-STOP	132-019092
6	098644-01-710	FT	TRACK - SCREEN SPACER 12'	132-017135
7	112795-01-700	EA	LATCH ASM., BLK.,(BOLT ON)	DH287-CK
8	112795-01-703	IN	CHANNEL-RUN (INCHES)	122-027566
9	075673-05-000	FT	SEAL-PILE ADH BACK,BLK	AMESBURY
10	106466-14-701	EA	GLASS - STATIONERY - LOWER	390-027478
11	106466-14-702	EA	GLASS-SLIDING W/SASH & LATCH	DH567-A9L
12	125582-04-701	EA	SCREEN ASM - W/SEALS & CLIPS	410-026544
13	106466-13-703	EA	RETAINER - TRIM	H671-66L
14	106466-14-700	EA	GLASS - STATIONERY - UPPER	390-027477
	098644-01-717	FT	SPLINE - SCREEN	132-004716
	125582-01-708	EA	WEEPHOLE COVER - RIGHT HAND	130-026598
	125582-01-709	EA	WEEPHOLE COVER - LEFT HAND	130-026599

WINDOW & VENTS GROUP (CONTINUED)
COMPONENT PARTS FOR WINDOWS & VENT LAYOUT (CONTINUED)

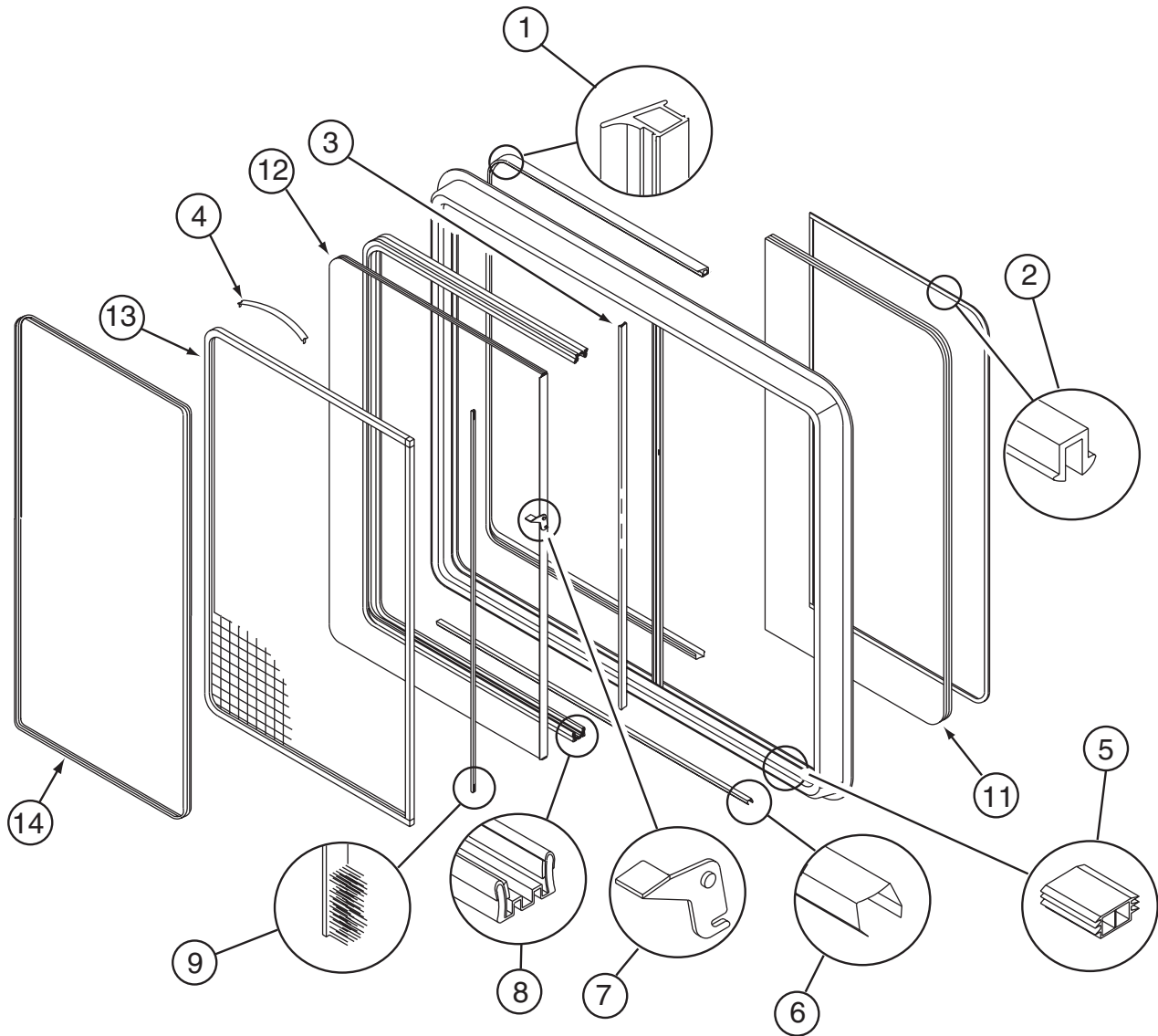


112463-06-01A

KEY	PART NUMBER	U/M	DESCRIPTION	VENDOR NO.
1	116976-01-702	FT	FILLER PLUG	132-016065
2	100322-01-701	FT	SEAL-VENT	122-016071
3	100322-01-702	EA	WEATHERSTRIP-HORIZ RAIL-148"	132-019631
4	100322-01-703	FT	VINYL-GLAZING, BUTYL	132-010723
5	100322-01-716	EA	SUPPORT-TORQUE BAR, CTR RAIL	130-015980
6	100322-01-718	EA	HANDLE-DIAL	410-016081
7	112519-01-706	EA	CLIP-SCREEN	CH21-50
8	113500-01-707	EA	SUPPORT - TORQUE BAR RH	130-015979
9	113500-01-708	EA	SUPPORT - TORQUE BAR LH	130-015978
10	112463-06-700	EA	GLASS - STATIONARY	106-018413
11	112463-06-701	EA	RETAINER - TRIM	CH65-59
13	112463-05-702	EA	OPERATOR & BAR ASSEMBLY	CH65-15
14	112463-05-701	EA	SCREEN ASM - W/SEALS & CLIPS	410-018441

CONTACT WINNEBAGO PART SALES FOR UNLISTED COMPONENTS

WINDOW & VENTS GROUP (CONTINUED)
COMPONENT PARTS FOR WINDOWS & VENT LAYOUT (CONTINUED)



112795-72-01A

KEY	PART NUMBER	U/M	DESCRIPTION	VENDOR NO.
1	112795-01-704	FT	PLUG FILLER (DOUBLE GLAZED)	122-018737
2	112795-01-705	FT	VINYL - GLAZING	132-025736
3	098644-01-706	FT	WEATHERSTRIP - GLASS	171-010668
4	098644-01-713	EA	CLIP - SCREEN - METAL	226-016966
4	125582-01-701	EA	CLIP - SCREEN - PLASTIC	130-005153
	098644-01-717	FT	SPLINE - SCREEN	132-004716
5	112795-01-701	EA	SLIDE-STOP	132-019092
6	098644-01-710	FT	TRACK - SCREEN SPACER 12'	132-017135
7	112795-01-700	EA	LATCH ASM., BLK.,(BOLT ON)	DH287-CK
8	112795-01-703	IN	CHANNEL-RUN (INCHES)	122-018736
9	098644-01-711	FT	WEATHERSTRIP - SCREEN BLACK	171-016965
11	112795-72-700	EA	GLASS - STATIONARY	390-028307
12	112795-72-701	EA	GLASS - SLIDING W/SASH LATCH	DC29-G8
13	098647-31-704	EA	SCREEN ASSY - W/SEAL & CLIPS	410-019128
14	098647-31-705	EA	RETAINER - TRIM	CH29-66

WINDOW & VENTS GROUP (CONTINUED)
COMPONENT PARTS FOR WINDOWS & VENT LAYOUT (CONTINUED)

112795-77-01A

KEY	PART NUMBER	U/M	DESCRIPTION	VENDOR NO.
1	112795-01-704	FT	PLUG FILLER (DOUBLE GLAZED)	122-018737
2	112795-01-705	FT	VINYL - GLAZING	132-025736
3	098644-01-706	FT	WEATHERSTRIP - GLASS	171-010668
4	098644-01-713	EA	CLIP - SCREEN - METAL	226-016966
4	125582-01-701	EA	CLIP - SCREEN - PLASTIC	130-005153
5	112795-01-701	EA	SLIDE-STOP	132-019092
6	098644-01-710	FT	TRACK - SCREEN SPACER 12'	132-017135
7	112795-01-700	EA	LATCH ASM., BLK.,(BOLT ON)	DH287-CK
8	112795-01-703	IN	CHANNEL-RUN (INCHES)	122-018736
9	098644-01-711	FT	WEATHERSTRIP - SCREEN BLACK	171-016965
11	112795-77-700	EA	GLASS - STATIONARY	390-28313
12	112795-77-701	EA	GLASS - SLIDING W/SASH LATCH	DH493-G8
13	098647-47-702	EA	SCREEN ASSY - W/SEAL & CLIPS	410-025226
14	098647-47-704	EA	RETAINER - TRIM	H493-66
	098644-01-717	FT	SPLINE - SCREEN	132-004716

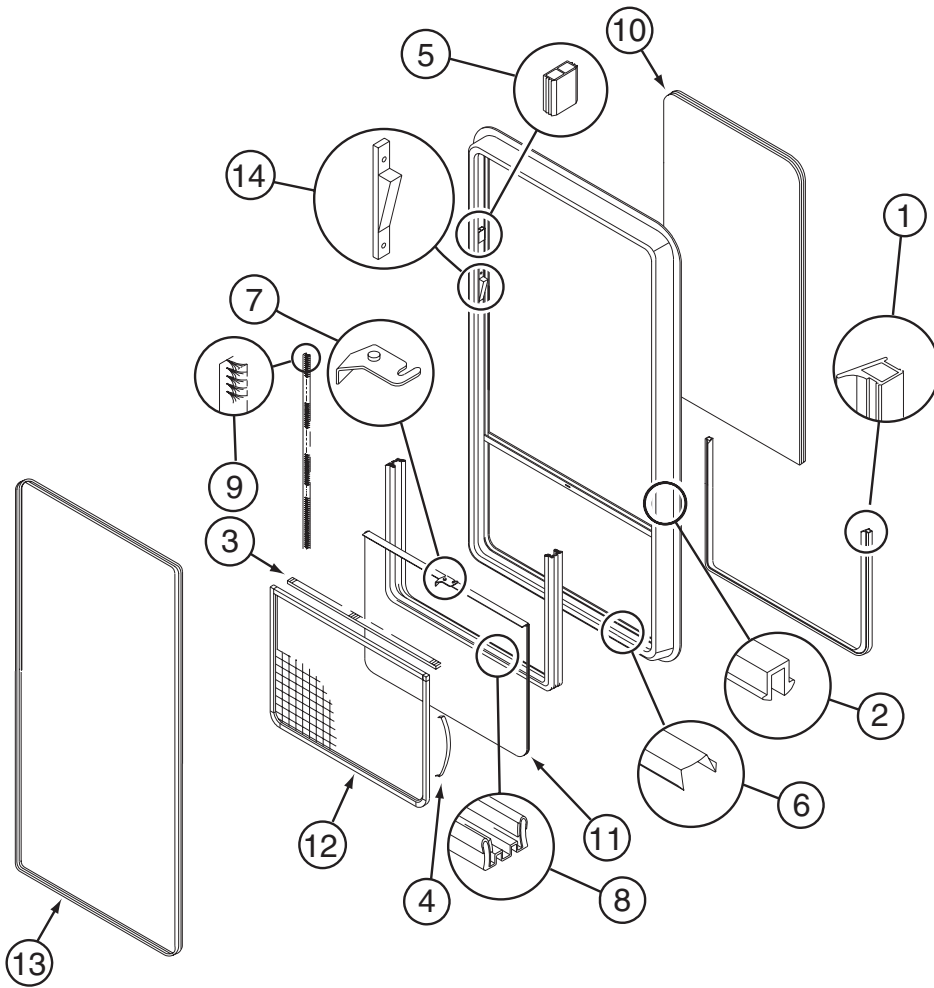
112795-80-01A

KEY	PART NUMBER	U/M	DESCRIPTION	VENDOR NO.
1	112795-01-704	FT	PLUG FILLER (DOUBLE GLAZED)	122-018737
2	112795-01-705	FT	VINYL - GLAZING	132-025736
3	098644-01-706	FT	WEATHERSTRIP - GLASS	171-010668
4	098644-01-713	EA	CLIP - SCREEN - METAL	226-016966
4	125582-01-701	EA	CLIP - SCREEN - PLASTIC	130-005153
	098644-01-717	FT	SPLINE - SCREEN	132-004716
5	112795-01-701	EA	SLIDE-STOP	132-019092
6	098644-01-710	FT	TRACK - SCREEN SPACER 12'	132-017135
7	112795-01-700	EA	LATCH ASM., BLK.,(BOLT ON)	DH287-CK
8	112795-01-703	IN	CHANNEL-RUN (INCHES)	122-018736
9	098644-01-711	FT	WEATHERSTRIP - SCREEN BLACK	171-016965
11	112795-80-700	EA	GLASS - STATIONARY	390-028379
12	112795-80-701	EA	GLASS - SLIDING W/SASH LATCH	DH442-G8
13	112795-80-702	EA	SCREEN ASSY - W/SEAL & CLIPS	410-019057
14	112795-64-700	EA	RETAINER - TRIM	H442-66

112795-81-01A

KEY	PART NUMBER	U/M	DESCRIPTION	VENDOR NO.
1	112795-01-704	FT	PLUG FILLER (DOUBLE GLAZED)	122-018737
2	112795-01-705	FT	VINYL - GLAZING	132-025736
3	098644-01-706	FT	WEATHERSTRIP - GLASS	171-010668
4	098644-01-713	EA	CLIP - SCREEN - METAL	226-016966
4	125582-01-701	EA	CLIP - SCREEN - PLASTIC	130-005153
	098644-01-717	FT	SPLINE - SCREEN	132-004716
5	112795-01-701	EA	SLIDE-STOP	132-019092
6	098644-01-710	FT	TRACK - SCREEN SPACER 12'	132-017135
7	112795-01-700	EA	LATCH ASM., BLK.,(BOLT ON)	DH287-CK
8	112795-01-703	IN	CHANNEL-RUN (INCHES)	122-018736
9	098644-01-711	FT	WEATHERSTRIP - SCREEN BLACK	171-016965
11	112795-77-700	EA	GLASS - STATIONARY	390-28313
12	112795-77-701	EA	GLASS - SLIDING W/SASH LATCH	DH493-G8
13	098647-47-702	EA	SCREEN ASSY - W/SEAL & CLIPS	410-025226
14	098647-47-704	EA	RETAINER - TRIM	H493-66

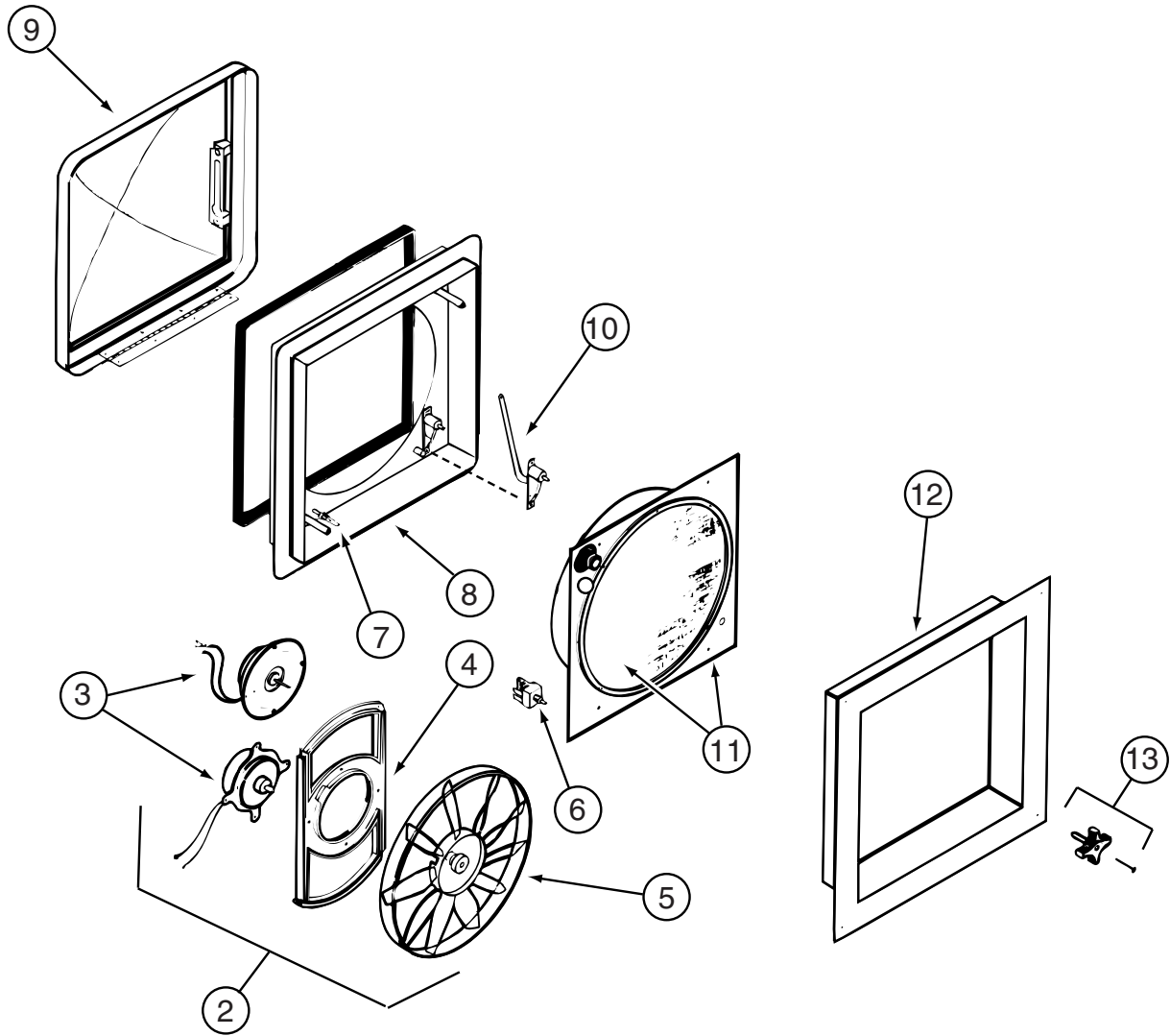
WINDOW & VENTS GROUP (CONTINUED)
COMPONENT PARTS FOR WINDOWS & VENT LAYOUT (CONTINUED)



112898-27-01A

KEY	PART NUMBER	U/M	DESCRIPTION	VENDOR NO.
1	112795-01-704	FT	PLUG FILLER (DOUBLE GLAZED)	122-018737
2	112795-01-705	FT	VINYL - GLAZING	132-027331
3	098644-01-706	FT	WEATHERSTRIP - GLASS	171-010668
4	098644-01-713	EA	CLIP - SCREEN - METAL	226-016966
4	125582-01-701	EA	CLIP - SCREEN - PLASTIC	130-005153
5	112795-01-701	EA	SLIDE-STOP	132-019092
6	098644-01-710	FT	TRACK - SCREEN SPACER 12'	132-017135
7	112795-01-700	EA	LATCH ASM., BLK.,(BOLT ON)	DH287-CK
8	112795-01-703	IN	CHANNEL-RUN (INCHES)	122-027566
9	075673-05-000	FT	SEAL-PILE ADH BACK,BLK	AMESBURY
10	112898-27-700	EA	GLASS - STATIONARY	390-029191
11	112898-27-701	EA	GLASS-SLIDING W/SASH & LATCH	DH755-G8
12	112898-27-702	EA	SCREEN ASM W/SEALS & CLIPS	410-029193
13	113733-13-701	EA	RETAINER - TRIM	H754-66
	098644-01-717	FT	SPLINE - SCREEN	132-004716

WINDOW & VENTS GROUP (CONTINUED)
COMPONENT PARTS FOR WINDOWS & VENT LAYOUT (CONTINUED)

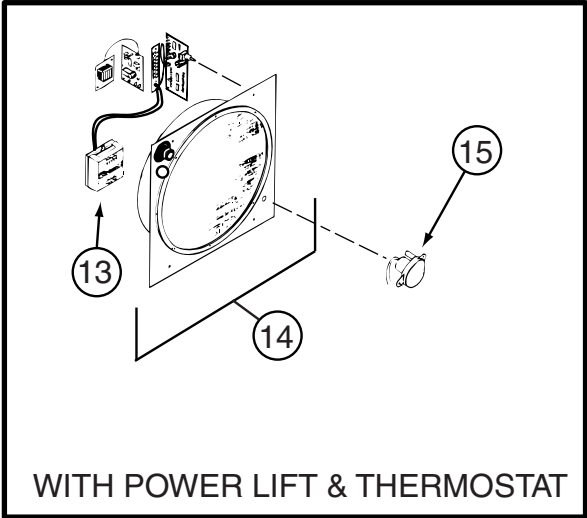
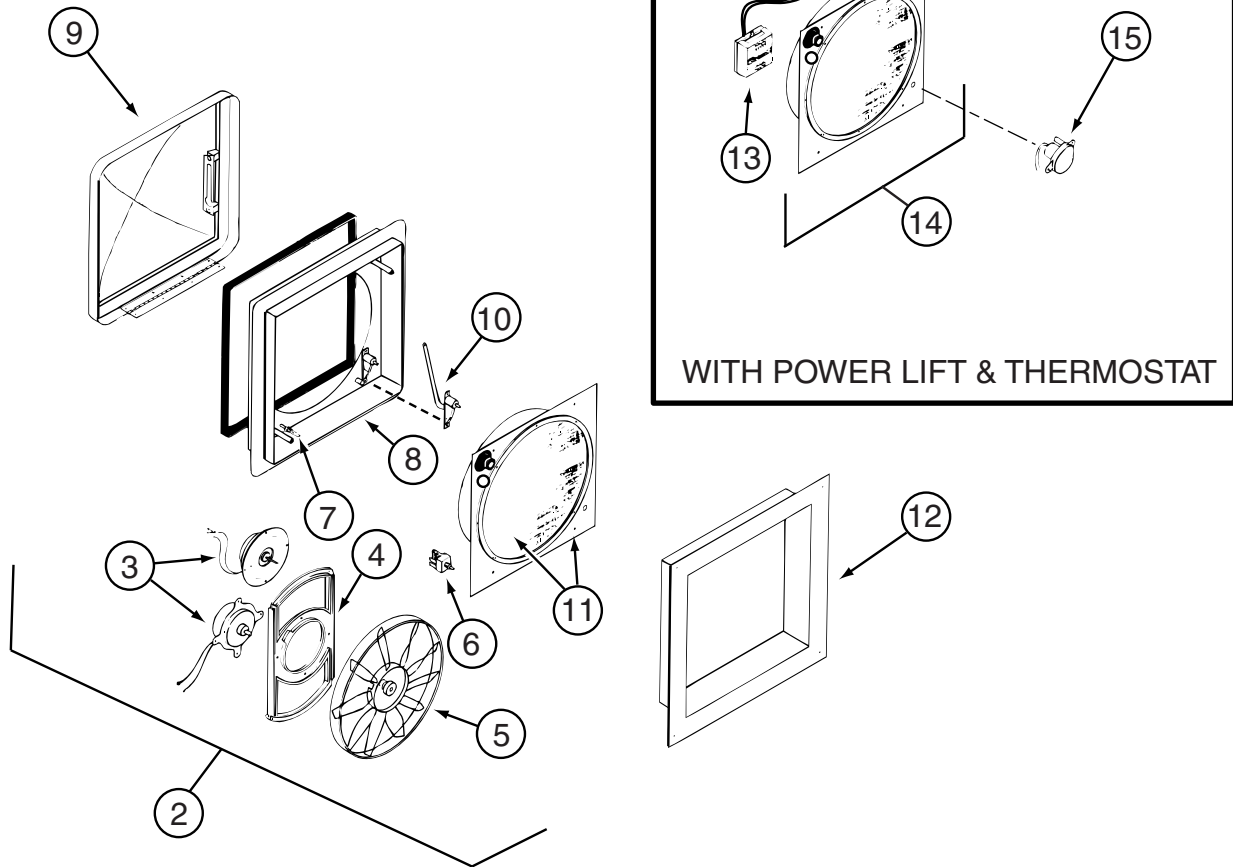


123780-09-01A

KEY	PART NUMBER	U/M	DESCRIPTION	VENDOR NO.
2	084079-11-700	EA	MOTOR & FAN BLADE W/BRACKET	K4017-09
3	084079-01-705	EA	MOTOR/EXT BRKT/FAN BLADE KIT	1080-00
5	084079-01-704	EA	BLADE-FAN	1138-00
6	084079-01-709	EA	SWITCH - MAIN - 3 SPEED	1031-05
7	084079-01-707	EA	SWITCH - SAFETY	1122-05
8	123780-05-700	EA	BASE/MAIN-BRT WHT W/GASKET	1010-81
9	123780-09-700	EA	DOME (DOUBLE)WHT TRANSPARENT	K2020-82
10	009440-01-000	EA	GEAR-ARM-ROOF VENT	705221K38
11	123780-03-701	EA	SCREEN ASM 78-100MM W/SWITCH	1030BT-81
12	123780-03-700	EA	GARNISH - INT. 3"-4" BRT/WHT	2040-81
13	084079-01-703	EA	KNOB-LIFT, W/EXT.	1140K-00
	123780-01-702	EA	SCREEN INSERT (SCREEN RING)	K1035-81

CONTACT WINNEBAGO PART SALES FOR UNLISTED COMPONENTS

WINDOW & VENTS GROUP (CONTINUED)
COMPONENT PARTS FOR WINDOWS & VENT LAYOUT (CONTINUED)

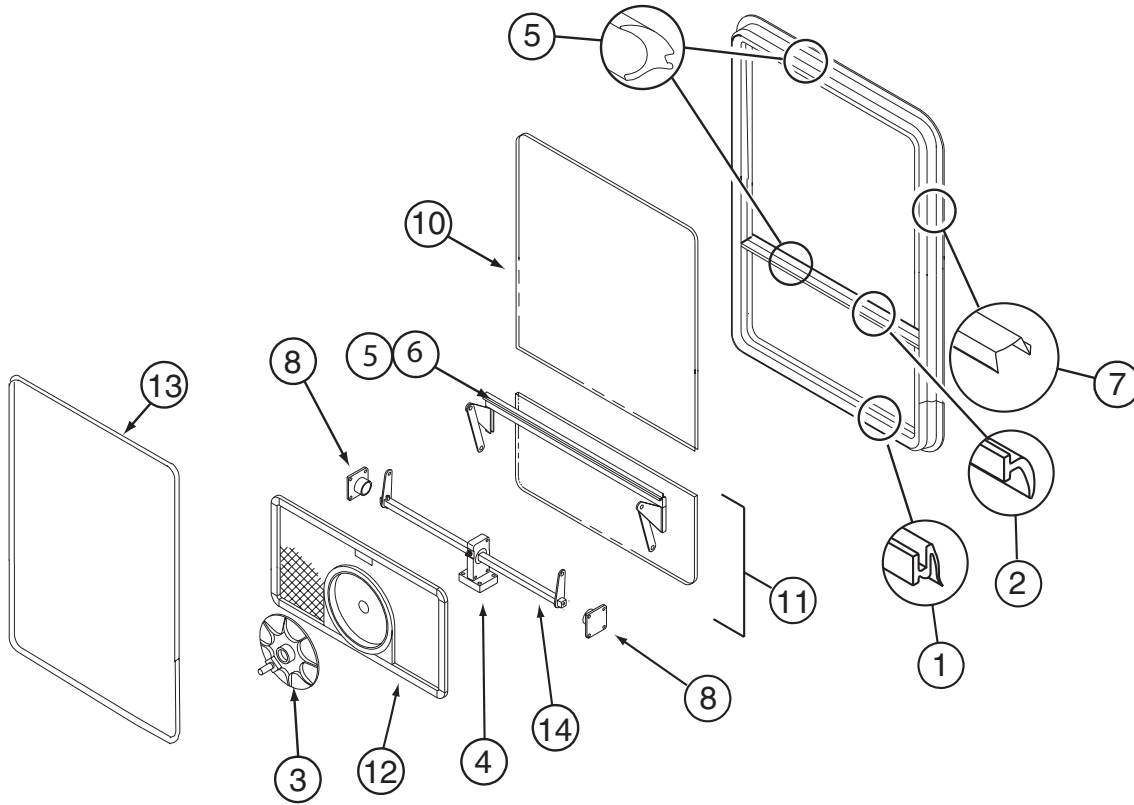


123780-10-01A

KEY	PART NUMBER	U/M	DESCRIPTION	VENDOR NO.
2	084079-11-700	EA	MOTOR & FAN BLADE W/BRACKET	K4017-09
3	084079-01-705	EA	MOTOR/EXT BRKT/FAN BLADE KIT	1080-00
5	084079-01-704	EA	BLADE-FAN	1138-00
6	084079-01-709	EA	SWITCH - MAIN - 3 SPEED	1031-05
7	084079-01-707	EA	SWITCH - SAFETY	1122-05
8	123780-05-700	EA	BASE/MAIN-BRT WHT W/GASKET	1010-81
9	123780-09-700	EA	DOME (DOUBLE)WHT TRANSPARENT	K2020-82
10	009440-01-000	EA	GEAR-ARM-ROOF VENT	705221K38
12	123780-03-700	EA	GARNISH - INT. 3"-4" BRT/WHT	2040-81
13	084079-01-710	EA	THERMOSTAT(WALL MT)ANY COLOR	9988-81
14	123780-05-701	EA	SCREEN INT W/ALL SWITCHES	KIT-81
15	084079-11-703	EA	MOTOR/AUTO LIFT OFF/WHT CAP	6050-80 OS
15	084079-11-705	EA	MOTOR - LIFT (BC MOTOR)	5050-40
15	084079-11-707	EA	MOTOR-AUTO LIFT-WHT CAP NS	6050-81 NS
15	123780-01-702	EA	SCREEN INSERT (SCREEN RING)	K1035-81

CONTACT WINNEBAGO PART SALES FOR UNLISTED COMPONENTS

WINDOW & VENTS GROUP (CONTINUED)
COMPONENT PARTS FOR WINDOWS & VENT LAYOUT (CONTINUED)

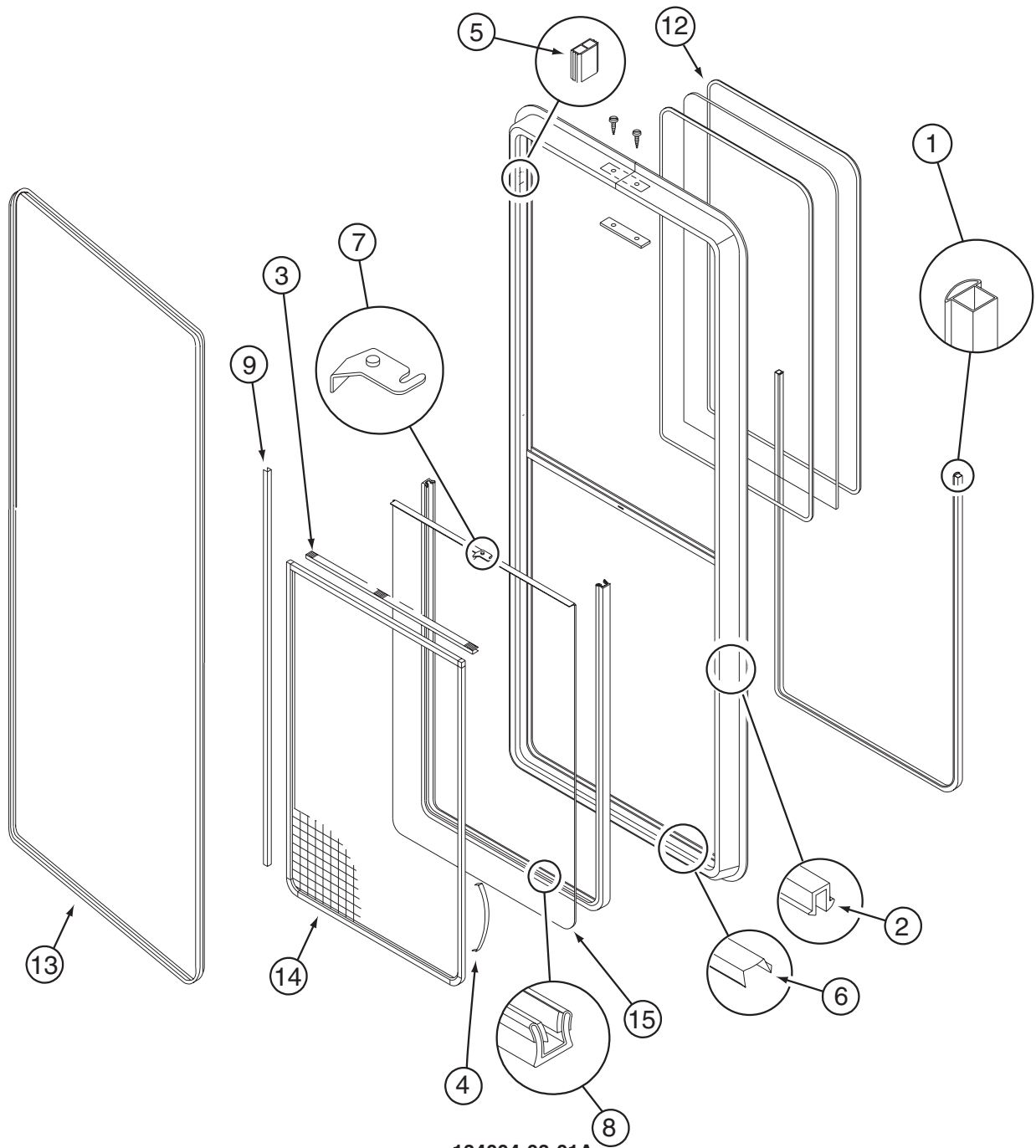


129929-08-01A

KEY	PART NUMBER	U/M	DESCRIPTION	VENDOR NO .
1	100322-01-701	FT	SEAL-VENT	122-016071
3	100322-01-718	EA	HANDLE-DIAL	410-016081
4	129929-01-710	EA	TORQUE-CTR SUPPORT (2 HOLE)	410-026806
5	129929-01-705	FT	GLAZING VINYL	132-026811
6	129929-01-707	FT	COVER/SCREW-FILLER STRIP	132-026808
8	129929-01-708	EA	SUPPORT - TORQUE BAR - RT/LT	130-026804
10	129929-08-700	EA	GLASS - STATIONARY	390-028303
11	129929-10-701	EA	VENT GLASS ASSEMBLY	DTH002-G8
12	129929-02-702	EA	SCREEN ASM - W/SEALS & CLIPS	410-026861
13	129929-02-707	EA	RETAINER - TRIM	CH10162
14	129929-02-704	EA	OPERATOR BAR ASSEMBLY	DTH002-15
	100322-01-717	FT	SEAL - VENT	122-016071
	129929-01-706	FT	SEAL - TOP F/CENTER EGRESS	132-026811
	129929-02-706	FT	SEAL - FOAM	140-027022

CONTACT WINNEBAGO PART SALES FOR UNLISTED COMPONENTS

WINDOW & VENTS GROUP (CONTINUED)
COMPONENT PARTS FOR WINDOWS & VENT LAYOUT (CONTINUED)

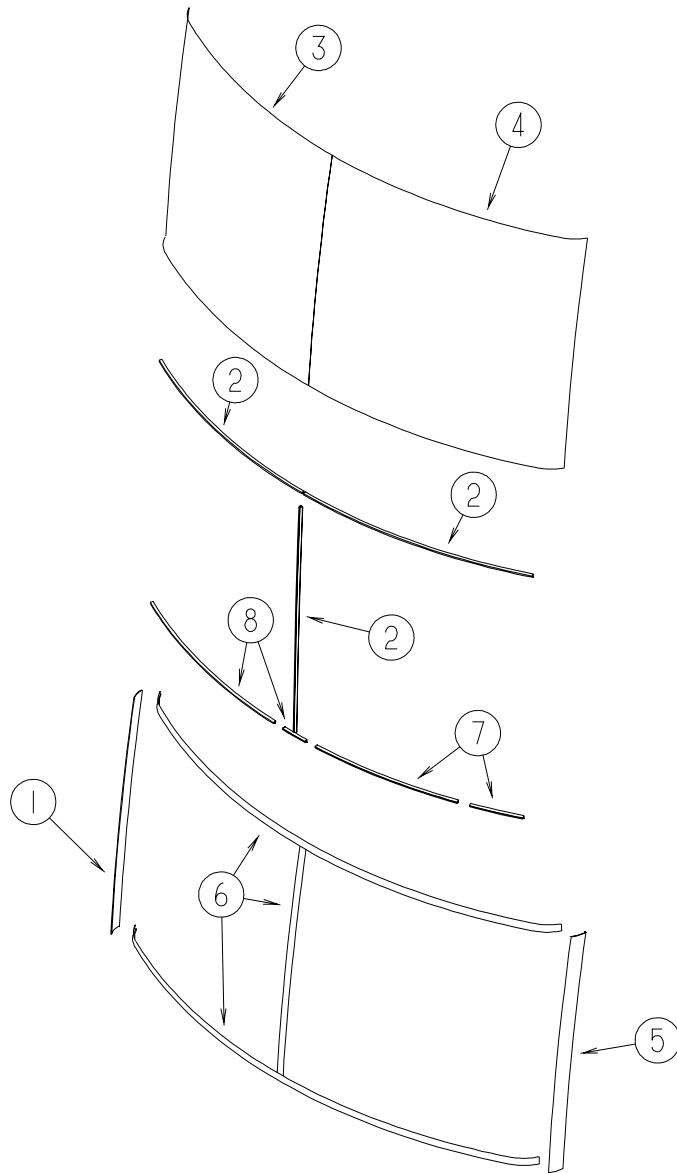


134004-03-01A

KEY	PART NUMBER	U/M	DESCRIPTION	VENDOR NO
1	112795-01-704	FT	PLUG FILLER (DOUBLE GLAZED)	122-018737
2	112795-01-705	FT	VINYL - GLAZING	132-027331
3	098644-01-706	FT	WEATHERSTRIP - GLASS	171-010668
4	098644-01-713	EA	CLIP - SCREEN - METAL	226-016966
4	125582-01-701	EA	CLIP - SCREEN - PLASTIC	130-005153
5	112795-01-701	EA	SLIDE-STOP	132-019092
6	098644-01-710	FT	TRACK - SCREEN SPACER 12'	132-017135
7	112795-01-700	EA	LATCH ASM., BLK.,(BOLT ON)	DH287-CK
8	112795-01-703	IN	CHANNEL-RUN (INCHES)	122-027566
9	075673-05-000	FT	SEAL-PILE ADH BACK,BLK	AMESBURY
12	134004-03-700	EA	GLASS - STATIONARY	390-028662
13	134004-03-702	EA	RETAINER - TRIM	H702-56
14	098644-13-702	EA	SCREEN ASM W/SEALS & CLIPS	410-028663
15	134004-03-701	EA	GLASS-SLIDING W/SASH & LATCH	DH702-G8
	098644-01-717	FT	SPLINE - SCREEN	132-004716
	112898-04-703	EA	VERTICAL LATCH (SASH KIT)	DH343-CK

WINDSHIELD & WIPER GROUP

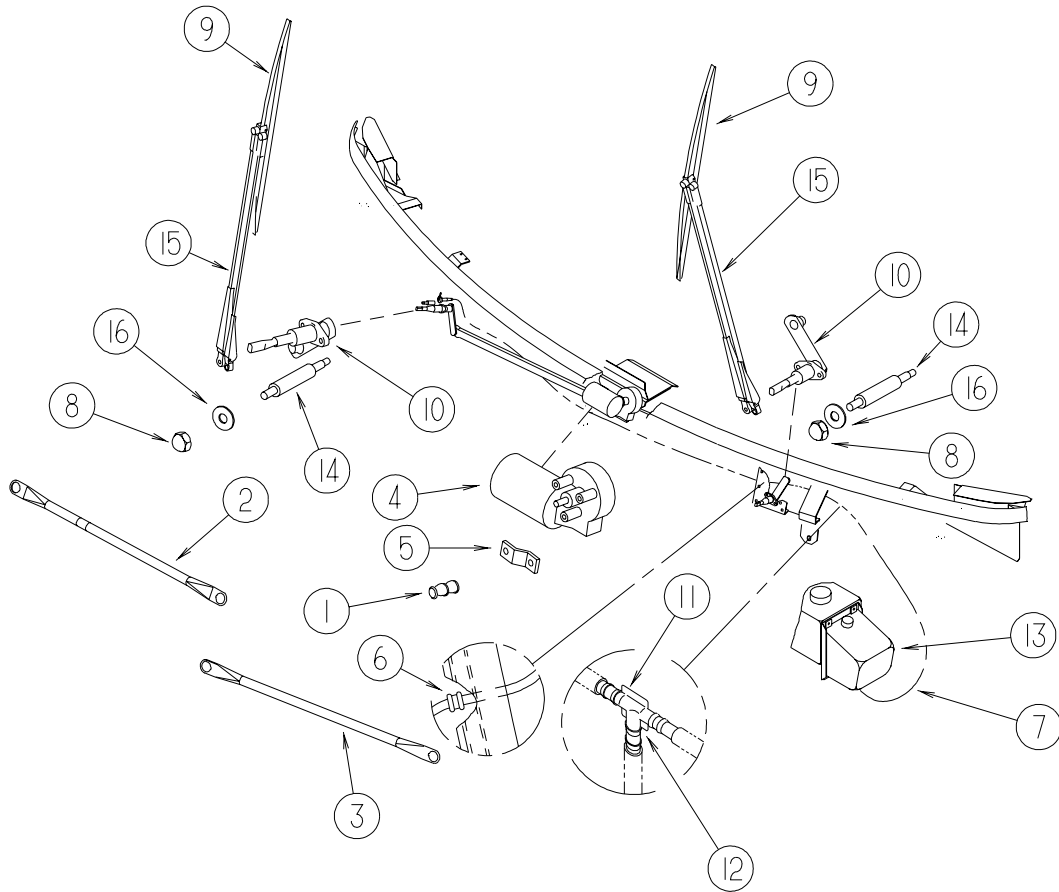
WINDSHIELD



KEY	PART NUMBER	U/M	DESCRIPTION
1	129497-05-03A	EA	TRIM - WINDSHIELD - PASSENGER A-PILLAR - BRIGHT WHITE FROM: 00-00-00 THRU: 07-28-02
1	129497-05-02A	EA	TRIM - PASSENGER A-PILLAR - BLACK FROM: 07-29-02 THRU: 99-99-99
2	127862-01-000	EA	CARRIER - REVEAL - WINDSHIELD - 47.2"
3	131244-01-000	EA	WINDSHIELD - PASSENGER - 52.5" X 44.4" (CURVED)
4	131244-02-000	EA	WINDSHIELD - DRIVER - 52.5" X 44.4" (CURVED)
5	129497-06-03A	EA	TRIM - WINDSHIELD - DRIVER A-PILLAR - BRIGHT WHITE FROM: 00-00-00 THRU: 07-28-02
5	129497-06-02A	EA	TRIM - DRIVER A-PILLAR - BLACK FROM: 07-29-02 THRU: 99-99-99
6	120533-01-000	FT	MOLDING - REVEAL - WINDSHIELD
7	117335-01-000	EA	CARRIER/REVEAL - 94.6" W/ADHESIVE BACKING
8	132375-02-000	EA	CARRIER - REVEAL/WINDSHIELD - 10
	081914-02-000	EA	BUMPER - RUBBER - ROUND - 5/16" DIA. X 13/64" THICK

WINDSHIELD & WIPER GROUP (CONTINUED)

WIPER



KEY	PART NUMBER	U/M	DESCRIPTION
1	067188-01-000	EA	STUD - CRANK - WIPER MOTOR
	117322-01-000	EA	SCREW - 1/4-28 UNFINISHED - 2A - TORX
2	117770-01-000	EA	LINK - CONNECTING - 24" - CLOSED GROMMET/OPEN GROMMET
3	117770-02-000	EA	LINK - CONNECTING - 24" - CLOSED GROMMET/CLOSED GROMMET
4	104346-05-000	EA	WIPER MOTOR - W/INTERNAL BREAKER - DYNAMIC PARK - FORD
5	104347-04-000	EA	ARM - DRIVE - WIPER MOTOR
6	061603-01-000	EA	GROMMET - SNAP - 3/16"ID - 3/8" HOLE - PLASTIC BLACK
7	045794-01-000	FT	HOSE - WASHER - WINDSHIELD - 5/32" ID - BLACK
8	077049-02-000	EA	NUT - ACORN - 10-32 BLACK/ANODIZED
9*	095964-01-000	EA	BLADE - WINDSHIELD WIPER - 24"
10*	096505-09-000	EA	SHAFT/PIVOT - WINDSHIELD WIPER
11	110605-01-000	EA	TEE - PLASTIC - BARBED - 1/8" X 1/8" X 3/16"
12	117765-03-000	EA	CONNECTOR - 5/32" - WINDSHIELD WASHER
13	117766-02-000	EA	RESERVOIR/PUMP - WINDSHIELD WASHER
14	117768-01-000	EA	SHAFT - ADAPTER - PANTOGRAPH ARM
15*	117769-01-000	EA	ARM - WIPER - PANTOGRAPH - 28"
16	110742-02-000	EA	GASKET - NEOPRENE - WIPER ADAPTER SHAFT - .5" ID X .9" OD

*COMPONENT PARTS LISTED LATER IN THIS GROUP

WINDSHIELD & WIPER GROUP (CONTINUED)
COMPONENT PARTS FOR WIPER

095964-01-000

KEY	PART NUMBER	U/M	DESCRIPTION	VENDOR NO.
	095964-01-700	EA	BLADE-REFILL 24" EA= 1 PAIR	12360

096505-09-000

KEY	PART NUMBER	U/M	DESCRIPTION	VENDOR NO.
	096505-02-700	EA	DRIVER-KNURLED,(HD) BRL .687	NT721017
	096505-02-701	EA	NUT-HEX (HD) W/.687 BARREL	NT721021
	096505-02-702	EA	CAP-RUBBER (HD) BARREL .687	CP721084
	096505-02-703	EA	NUT/ACORN - HD W/.687 BRL	51065-40-NT27WC

117769-01-000

KEY	PART NUMBER	U/M	DESCRIPTION	VENDOR NO.
	096931-01-700	FT	HOSE - WASHER - 1/8" ID	XTU-66-0001
	117769-01-700	EA	RETAINER CLIP - HOSE	