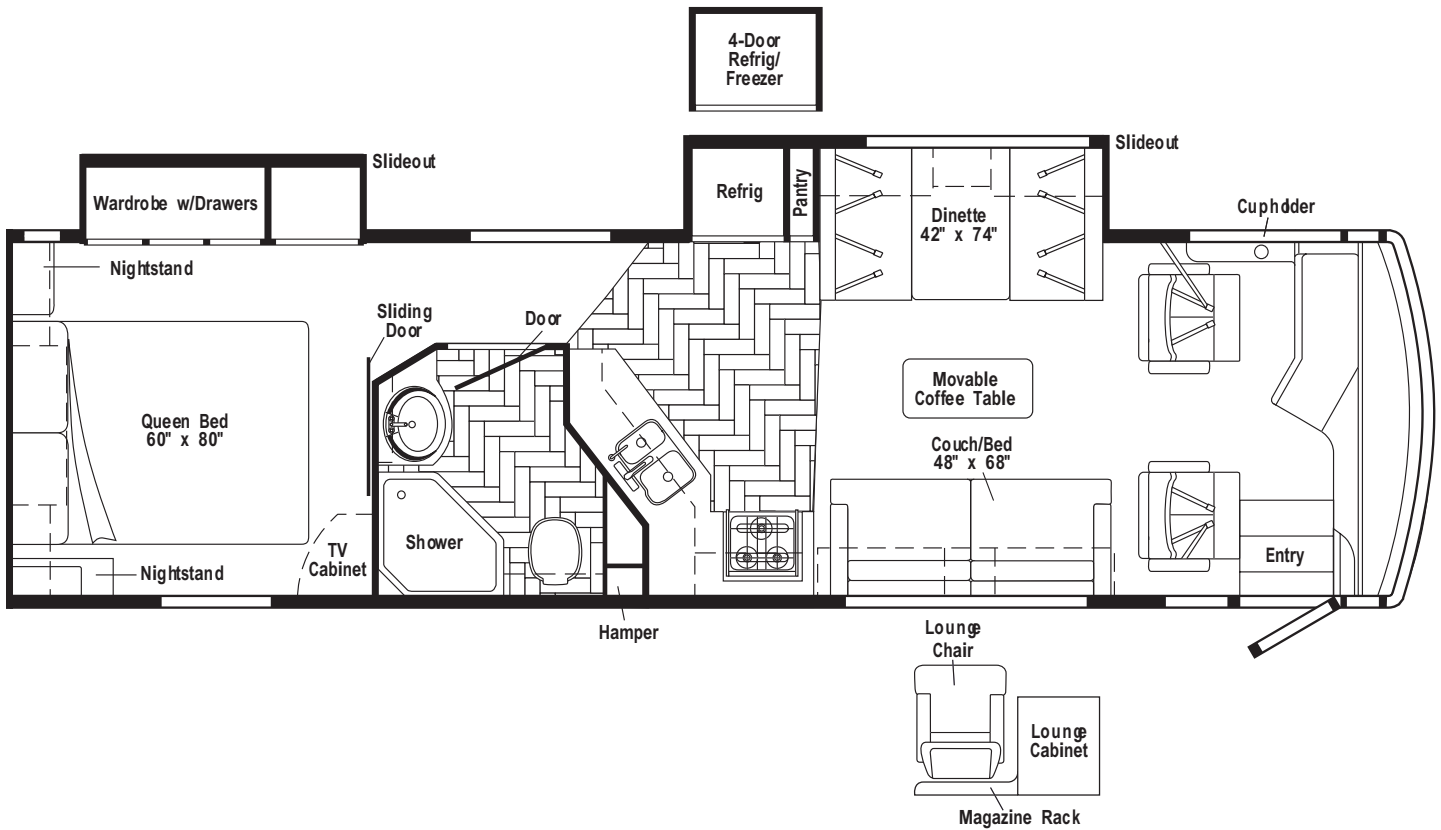


**2003**  
**JOURNEY DL**  
**WKP32TD**  
**P-SERIES**  
**PORTSMOUTH OAK**  
**P78 PALACE GATE - BEIGE**  
**P80 GARDEN PATH - GREEN**  
**P82 VANDERBILT BLUE - BLUE**  
**P94 GREEN LAWN - GREEN**  
**CONCERT CHERRY**  
**P79 PALACE GATE - BEIGE**  
**P81 GARDEN PATH - GREEN**  
**P83 VANDERBILT BLUE - BLUE**  
**P95 GREEN LAWN - GREEN**



**FLOORPLAN**

# CONTENTS

|   |           |
|---|-----------|
| <b>FLOORPLAN</b> .....                                    | <b>1</b>  |
| <b>ACCESSORIES GROUP</b> .....                            | <b>6</b>  |
| OPERATORS MANUAL .....                                    | 6         |
| <b>APPLIANCE GROUP</b> .....                              | <b>7</b>  |
| APPLIANCES .....  | 7         |
| COMPONENT PARTS FOR APPLIANCE .....                       | 13        |
| 115504-01-000 .....                                       | 14        |
| 120075-13-01A, 120075-14-01A, 120075-15-01A .....         | 14        |
| 125242-02-01A .....                                       | 20        |
| 126019-01-01A .....                                       | 28        |
| 126022-01-01A, 126022-02-01A, 126022-03-01A .....         | 28        |
| 133004-02-01A .....                                       | 29        |
| 135065-01-01A, 135065-01-02A, 135065-02-01A .....         | 30        |
| 135066-02-01A .....                                       | 32        |
| <b>AUDIO VIDEO GROUP</b> .....                            | <b>36</b> |
| RADIO SYSTEM .....  | 36        |
| REAR VIEW MONITOR .....                                   | 37        |
| TELEPHONE .....   | 37        |
| TV & VCR .....  | 38        |
| COMPONENT PARTS FOR TV & VCR .....                        | 39        |
| 076319-23-000 .....                                       | 39        |
| 076319-25-000 .....                                       | 39        |
| 124073-11-000 .....                                       | 40        |
| 124073-12-000 .....                                       | 40        |
| 124073-13-000 .....                                       | 40        |
| 126696-07-000 .....                                       | 40        |
| 126697-07-000 .....                                       | 40        |
| 130121-06-000 .....                                       | 40        |
| 133377-01-000 & 133377-02-000 .....                       | 40        |
| 137135-01-000 .....                                       | 41        |
| EXTERIOR ENTERTAINMENT .....                              | 42        |
| <b>BATH GROUP</b> .....                                   | <b>43</b> |
| CABINETS .....  | 43        |
| SHOWER .....  | 45        |
| COMPONENT PARTS FOR SHOWER DOOR .....                     | 46        |
| 139047-05-01A .....                                       | 46        |
| <b>BEDROOM GROUP</b> .....                                | <b>47</b> |
| QUEEN CABINETS .....                                      | 47        |
| TV & RADIO CABINETS .....                                 | 49        |
| <b>CHASSIS GROUP</b> .....                                | <b>50</b> |
| FRAME .....   | 50        |
| FRONT END .....   | 52        |
| AIR INTAKE .....  | 54        |
| INSULATION .....  | 55        |
| STEPWELL COVER .....                                      | 58        |
| COMPONENT PARTS FOR STEPWELL COVER .....                  | 59        |
| 141691-01-01A .....                                       | 59        |
| EXHAUST .....   | 60        |
| HITCH .....   | 60        |
| REAR BUMPER .....   | 61        |
| FUEL OR FUEL FILL OR EMISSIONS .....                      | 62        |
| HYDRAULIC LEVELING .....                                  | 63        |
| COMPONENT PARTS FOR HYDRAULIC LEVELING .....              | 64        |
| 100536-45-000 .....                                       | 64        |
| 131306-27-000 .....                                       | 64        |
| WHEEL, TIRE, COVERS &/OR LINERS .....                     | 65        |
| COMPONENT PARTS FOR WHEEL, TIRE, COVERS &/OR LINERS ..... | 66        |
| 110435-17-000 .....                                       | 66        |

# CONTENTS (CONTINUED)

|  |           |
|--|-----------|
| <b>CURTAIN &amp; CUSHION GROUP</b> .....       | <b>67</b> |
| NOTICE .....                                   | 67        |
| CUSHION LAYOUT .....                           | 68        |
| BUCKET SEATS .....                             | 70        |
| COMPONENT PARTS FOR BUCKET SEATS .....         | 73        |
| 081373-03-000 .....                            | 73        |
| 122611-02-000 .....                            | 73        |
| LOUNGE CHAIR .....                             | 74        |
| SOFA .....                                     | 75        |
| WINDOW TREATMENT .....                         | 77        |
| HARDWARE .....                                 | 79        |
| ACCESSORIES .....                              | 81        |
| COMPONENT PARTS FOR ACCESSORIES .....          | 82        |
| 091990-08-01A .....                            | 82        |
| FABRICS .....                                  | 83        |
| <b>DINETTE GROUP</b> .....                     | <b>85</b> |
| CABINETS .....                                 | 85        |
| TABLE .....                                    | 86        |
| <b>DRIVERS COMPARTMENT GROUP</b> .....         | <b>87</b> |
| DASH .....                                     | 87        |
| FRONT INTERIOR .....                           | 88        |
| CABINETS .....                                 | 93        |
| <b>ELECTRICAL GROUP</b> .....                  | <b>94</b> |
| 12V BODY WIRING .....                          | 94        |
| FRONT END WIRING .....                         | 101       |
| COMPONENT PARTS FOR LIGHTS & SWITCHES .....    | 105       |
| 008089-02-000 .....                            | 105       |
| 086280-01-000 .....                            | 105       |
| 087694-01-000 .....                            | 105       |
| 091206-04-000 .....                            | 105       |
| 091937-08-000 .....                            | 105       |
| 091937-09-000 .....                            | 105       |
| 093575-19-01A .....                            | 105       |
| 108354-01-01A .....                            | 105       |
| 121935-01-01A .....                            | 105       |
| 123775-01-01A .....                            | 105       |
| 133054-03-000 .....                            | 105       |
| 133054-04-000 .....                            | 105       |
| 137417-01-01A .....                            | 105       |
| 137417-03-01A .....                            | 105       |
| 139134-01-02A .....                            | 105       |
| 143591-05-000 .....                            | 106       |
| CIRCUIT BREAKERS & FUSES .....                 | 107       |
| CONVERTER, INVERTER, LOAD CENTERS .....        | 107       |
| 110V WIRING .....                              | 108       |
| ENTERTAINMENT WIRING .....                     | 111       |
| BOXES & CORDS .....                            | 112       |
| WIRE ASSEMBLIES .....                          | 112       |
| CONNECTORS & CONDUIT .....                     | 113       |
| BOOTS, SOLENOIDS, RELAYS & MISCELLANEOUS ..... | 115       |

## CONTENTS (CONTINUED)

|  |            |
|--|------------|
| <b>EXTERIOR BODY GROUP</b> .....                     | <b>116</b> |
| AIR HORN .....                                       | 116        |
| COMPONENT PARTS FOR AIR HORN .....                   | 117        |
| 077497-06-000 .....                                  | 117        |
| GRAPHICS & PAINT .....                               | 118        |
| PANELS & TRIMS .....                                 | 122        |
| FRONT END .....                                      | 125        |
| LADDER .....   | 127        |
| MIRRORS .....  | 127        |
| COMPONENT PARTS FOR MIRRORS .....                    | 128        |
| 106015-18-01A, 106015-19-01A .....                   | 128        |
| 131431-06-01A & 02A .....                            | 128        |
| STRUCTURAL COMPONENTS .....                          | 129        |
| AWNINGS .....  | 130        |
| COMPONENT PARTS FOR AWNINGS .....                    | 133        |
| 113874-01-02A .....                                  | 133        |
| <b>EXTERIOR DOORS &amp; COMPARTMENTS GROUP</b> ..... | <b>134</b> |
| DOOR & COMPARTMENT LAYOUT .....                      | 134        |
| COMPARTMENT DOOR PIECE PARTS .....                   | 138        |
| ENTRY .....  | 139        |
| COMPONENT PARTS FOR ENTRY .....                      | 140        |
| 128913-10-02A .....                                  | 140        |
| <b>EXTERIOR SLIDEOUT GROUP</b> .....                 | <b>145</b> |
| FRONT LEFT .....                                     | 145        |
| COMPONENT PARTS FOR FRONT SLIDEOUT .....             | 151        |
| 100536-49-000 .....                                  | 151        |
| 140121-01-000 .....                                  | 151        |
| LEFT REAR .....                                      | 152        |
| COMPONENT PARTS FOR LEFT REAR SLIDEOUT .....         | 156        |
| 100536-52-000 .....                                  | 156        |
| 139507-01-000 .....                                  | 156        |
| <b>GALLEY GROUP</b> .....                            | <b>157</b> |
| CABINETS .....                                       | 157        |
| DOORS & DRAWERS .....                                | 160        |
| <b>GENERATOR GROUP</b> .....                         | <b>162</b> |
| LPG .....  | 162        |
| DIESEL .....   | 163        |
| <b>HEATING &amp; A/C GROUP</b> .....                 | <b>164</b> |
| AUTOMOTIVE .....                                     | 164        |
| COMPONENT PARTS FOR AUTOMOTIVE .....                 | 166        |
| 072342-15-000 .....                                  | 166        |
| 072342-17-000 .....                                  | 166        |
| 072342-18-000 .....                                  | 167        |
| 103930-36-000 .....                                  | 168        |
| 103930-41-000 .....                                  | 169        |
| FURNACE .....  | 170        |
| COMPONENT PARTS FOR FURNACE .....                    | 171        |
| 139980-04-000 .....                                  | 171        |
| CENTRAL .....  | 173        |
| COMPONENT PARTS FOR CENTRAL .....                    | 175        |
| 105620-12-000 .....                                  | 175        |
| 105620-15-000 .....                                  | 176        |
| <b>INTERIOR FINISH GROUP</b> .....                   | <b>177</b> |
| MOLDINGS & TRIMS .....                               | 177        |
| PANELING & LAMINATES .....                           | 181        |
| ACCESSORIES .....                                    | 182        |
| COMPONENT PARTS FOR ACCESSORIES .....                | 183        |
| 094499-02-000 .....                                  | 183        |
| FLOOR COVERINGS .....                                | 184        |
| HARDWARE .....                                       | 185        |



## CONTENTS (CONTINUED)

|   |            |
|---|------------|
| <b>LABELS GROUP</b> .....                         | <b>191</b> |
| <b>LP GROUP</b> .....                             | <b>215</b> |
| LP SYSTEM .....                                   | 215        |
| COMPONENT PARTS FOR LP SYSTEM .....               | 216        |
| 088253-05-000 .....                               | 216        |
| 088253-06-000 .....                               | 216        |
| <b>LOUNGE GROUP</b> .....                         | <b>217</b> |
| CABINETS .....                                    | 217        |
| TABLES .....                                      | 218        |
| <b>SEALANTS &amp; FASTENERS GROUP</b> .....       | <b>219</b> |
| SEALANTS & ADHESIVES .....                        | 219        |
| BOLTS, NUTS AND WASHERS .....                     | 220        |
| SCREWS .....                                      | 222        |
| CLAMPS, CLIPS, GROMMETS, RIVETS & PLUGS .....     | 225        |
| MISCELLANEOUS FASTENERS .....                     | 226        |
| <b>WATER &amp; SEWAGE GROUP</b> .....             | <b>227</b> |
| DRAINAGE SYSTEM .....                             | 227        |
| COMPONENTS PARTS FOR DRAWINGS .....               | 229        |
| 136729-01-01A .....                               | 229        |
| WATER SYSTEM .....                                | 230        |
| COMPONENT PARTS FOR WATER SYSTEM .....            | 238        |
| 051391-05-000 .....                               | 238        |
| 075241-04-000, 075241-05-000, 075241-06-000 ..... | 238        |
| 118569-03-000 .....                               | 239        |
| 125420-01-02A, 125420-01-03A, 125420-04-03A ..... | 239        |
| 128997-01-01A .....                               | 239        |
| 131340-01-01A .....                               | 239        |
| 131340-02-01A .....                               | 239        |
| 141432-01-01A .....                               | 239        |
| <b>WINDOW &amp; VENTS GROUP</b> .....             | <b>240</b> |
| WINDOW & VENT LAYOUT .....                        | 240        |
| COMPONENT PARTS FOR WINDOWS & VENT LAYOUT .....   | 241        |
| 098647-23-02A .....                               | 241        |
| 098647-54-01A .....                               | 242        |
| 106466-13-01A .....                               | 243        |
| 106466-14-01A .....                               | 243        |
| 112463-03-02A .....                               | 244        |
| 112463-06-01A .....                               | 244        |
| 112795-69-01A .....                               | 245        |
| 112795-81-01A .....                               | 246        |
| 112898-27-01A .....                               | 247        |
| 113500-08-02A .....                               | 248        |
| 123780-09-01A .....                               | 249        |
| 123780-10-01A .....                               | 250        |
| 129929-08-01A .....                               | 251        |
| 129929-09-01A .....                               | 252        |
| 137867-04-01A .....                               | 253        |
| <b>WINDSHIELD &amp; WIPER GROUP</b> .....         | <b>254</b> |
| WINDSHIELD .....                                  | 254        |
| WIPER .....                                       | 255        |
| COMPONENT PARTS FOR WIPER .....                   | 256        |
| 095964-01-000 .....                               | 256        |
| 096505-09-000 .....                               | 256        |
| 117769-01-000 .....                               | 256        |

**ACCESSORIES GROUP**  
**OPERATORS MANUAL**

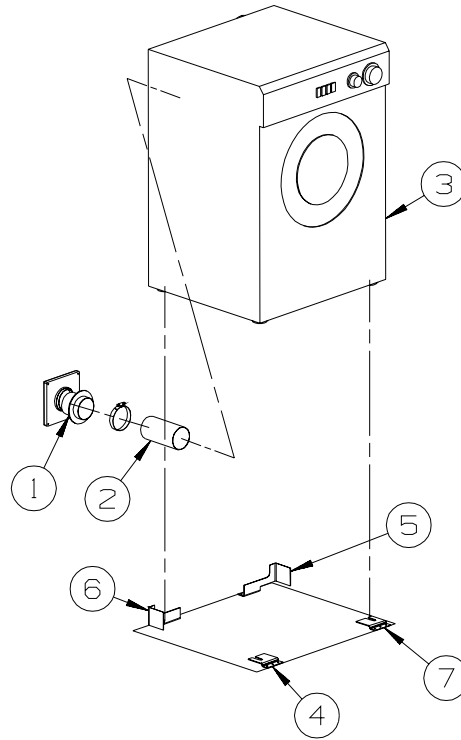
| <b>KEY</b> | <b>PART NUMBER</b> | <b>U/M</b> | <b>DESCRIPTION</b>  |
|------------|--------------------|------------|---|
|            | 129079-04-01A      | EA         | CASE - VINYL/BLK-EXPANDABLE ACCORDION SIDES-11"WX9"HX14"L |
|            | 132000-09-003      | EA         | MANUAL/OWNER - JOURNEY - 2003                             |
|            | 141548-01-000      | DW         | TOP LEVEL-P,2003  |

## APPLIANCE GROUP APPLIANCES

| KEY | PART NUMBER   | U/M | DESCRIPTION  |
|-----|---------------|-----|--|
|     | 135066-03-01A | EA  | RANGE - 3 BURNER W/OVEN - 22" - W/BLACK GLASS DOOR - RANGE W/OVEN U.S.       |
| *   | 135066-02-01A | EA  | RANGE - 3 BURNER W/OVEN - SEALED BURNERS - 22" - CSA - RANGE W/OVEN CANADIAN |
|     | 135065-03-01A | EA  | RANGE - 3 SEALED BURNERS/NEW STYLE KNOBS-GRATES - BLACK - RANGE TOP U.S.     |
| *   | 135065-02-01A | EA  | RANGE - 3 BURNER W/O OVEN - SEALED BURNERS - CSA - RANGE TOP CANADIAN        |
|     | 136382-08-04B | EA  | BRACKET - TIEDOWN - OVEN - BLACK - RANGE W/OVEN - P32TD                      |
|     | 137915-01-04B | EA  | BRACKET - TIEDOWN - BLACK - RANGE W/OVEN - P32TD                             |
|     | 136382-01-04B | EA  | BRACKET - TIEDOWN/OVEN - BLACK - FRONT - RANGE W/OVEN - P34HD, P36LD, P39WD  |
|     | 136382-02-04B | EA  | BRACKET - TIEDOWN/OVEN - BLACK - BACK - RANGE W/OVEN - P34HD, P36LD, P39WD   |
|     | 136382-05-04B | EA  | BRACKET - TIEDOWN/OVEN - BLACK - FRONT - RANGE W/OVEN - P36GD, P39QD         |
|     | 136382-06-04B | EA  | BRACKET - TIEDOWN/OVEN - BLACK - BACK - RANGE W/OVEN - P36GD, P39QD          |
|     | 139031-01-04B | EA  | BRACKET - TIEDOWN - STOVE - BLACK - RANGE TOP - P32TD                        |
|     | 137915-02-04B | EA  | BRACKET - TIEDOWN - BLACK - RANGE TOP - P32TD                                |
|     | 106936-21-04B | EA  | BRACKET - STOVE TIEDOWN/FRONT - BLACK - RANGE TOP - P34HD, P36LD, P39WD      |
|     | 106936-22-04B | EA  | BRACKET - STOVE TIEDOWN/REAR - BLACK - RANGE TOP - P34HD, P36LD, P39WD       |
|     | 106936-35-04B | EA  | BRACKET - STOVE TIEDOWN/FRONT - BLACK - RANGE TOP - P36GD, P39QD             |
|     | 106936-36-04B | EA  | BRACKET - STOVE TIEDOWN/REAR - BLACK - RANGE TOP - P36GD, P39QD              |
| *   | 126022-01-01A | EA  | COVER - RANGE/BI-FOLD - 16" & 22" - BLACK TEXTURED                           |
|     | 130816-01-03A | EA  | COUNTERTOP/STOVE LID - 1/4" VENDURA - ALMONDINE                              |
|     | 130816-02-03A | EA  | COUNTERTOP/STOVE LID - 1/4" VENDURA - ALMONDINE                              |
| *   | 126019-01-01A | EA  | COFFEEMAKER - OPTIMA - W/BRACKETS - BLACK & DECKER                           |
| *   | 115504-01-000 | EA  | PANEL - SOLAR 10 WATT - 12.2"W X 26.9"L X 1.2"H                              |
| *   | 133004-02-01A | EA  | PANEL - MONITOR - 2 TANK DIGITAL VOLT METER - SOLAR                          |
|     | 133068-01-000 | EA  | HAIR DRYER - 3 SPEED W/NIGHT LIGHT - WALL MOUNT                              |
|     | 133139-01-000 | EA  | VACUUM CLEANER - RECHARGEABLE DUST-BUSTER - BLACK & DECKER                   |
|     | 143733-01-000 | EA  | VACUUM CLEANER - RECHARGEABLE - EUREKA 79A                                   |
|     |               |     | FROM: 00-00-00 THRU: 10-06-02  |
|     | 144676-01-000 | EA  | VACUUM CLEANER - RECHARGEABLE - EUREKA 77A                                   |
|     |               |     | FROM: 10-07-02 THRU: 99-99-99  |
|     | 133140-01-000 | EA  | FLASHLIGHT - RECHARGEABLE - BLACK & DECKER                                   |
|     |               |     | FROM: 00-00-00 THRU: 07-24-02  |
|     | 143981-01-000 | EA  | FLASHLIGHT - RECHARGEABLE  |
|     |               |     | FROM: 07-25-02 THRU: 99-99-99  |
|     | 130818-02-01A | EA  | TRASH CONTAINER - 20 QUART ALMOND  |

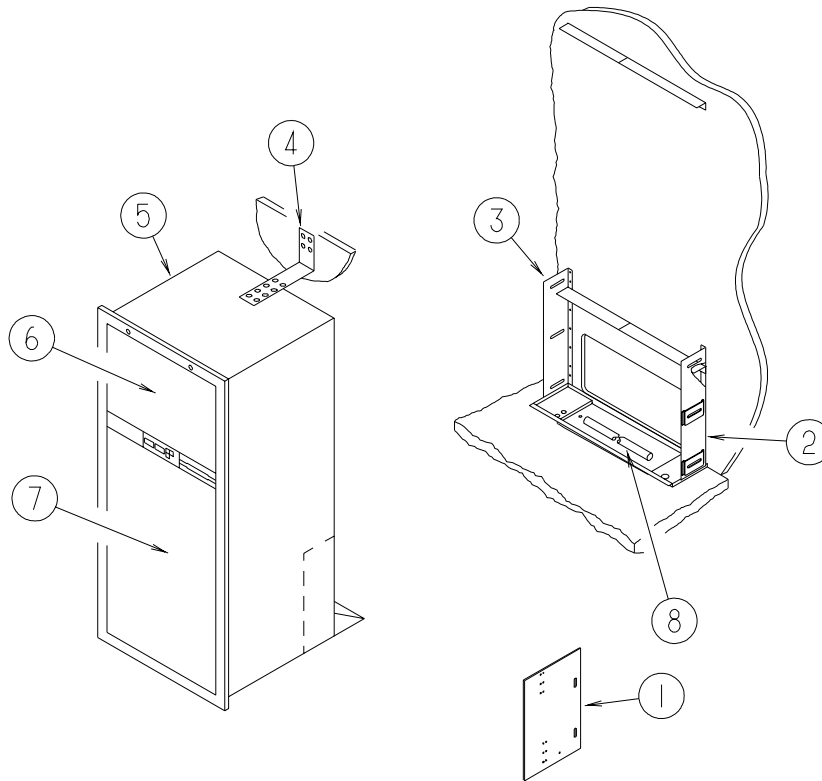
\*COMPONENT PARTS LISTED LATER IN THIS GROUP

**APPLIANCE GROUP (CONTINUED)**  
**APPLIANCES (CONTINUED)**



| KEY | PART NUMBER   | U/M | DESCRIPTION                                 |
|-----|---------------|-----|---|
| 1   | 111947-02-01A | EA  | VENT - DRYER - 3"                           |
| 2   | 116653-02-000 | FT  | DUCT - FLEXIBLE - 3' COMPRESSED/8' EXTENDED |
| 3   | 107753-03-01A | EA  | WASHER - DRYER - VENTED - UL/CSA - WHITE    |
|     |               |     | FROM: 00-00-00 THRU: 10-21-02               |
| 3   | 107753-04-01A | EA  | WASHER - DRYER - VENTED - UL/CSA - WHITE    |
|     |               |     | FROM: 10-22-02 THRU: 99-99-99               |
| 4   | 111913-01-01A | EA  | BRACKET - WASHER - TIE DOWN                 |
|     |               |     | FROM: 00-00-00 THRU: 11-24-02               |
| 4   | 111913-02-04B | EA  | BRACKET/WASHER - TIE DOWN - BLACK           |
|     |               |     | FROM: 11-25-02 THRU: 99-99-99               |
| 5   | 113795-01-02B | EA  | BRACKET - WASHER - E-COATED                 |
|     |               |     | FROM: 00-00-00 THRU: 02-09-03               |
| 5   | 113795-03-02B | EA  | BRACKET - WASHER - E-COATED                 |
|     |               |     | FROM: 02-10-03 THRU: 99-99-99               |
| 6   | 113795-02-02B | EA  | BRACKET - WASHER - E-COATED                 |
|     |               |     | FROM: 00-00-00 THRU: 02-09-03               |
| 6   | 113795-04-02B | EA  | BRACKET - WASHER - E-COATED                 |
|     |               |     | FROM: 02-10-03 THRU: 99-99-99               |
| 7   | 111913-01-01A | EA  | BRACKET - WASHER - TIE DOWN                 |
|     |               |     | FROM: 00-00-00 THRU: 11-24-02               |
| 7   | 111913-03-04B | EA  | BRACKET/WASHER - TIE DOWN - BLACK           |
|     |               |     | FROM: 11-25-02 THRU: 99-99-99               |

**APPLIANCE GROUP (CONTINUED)**  
**APPLIANCES (CONTINUED)**

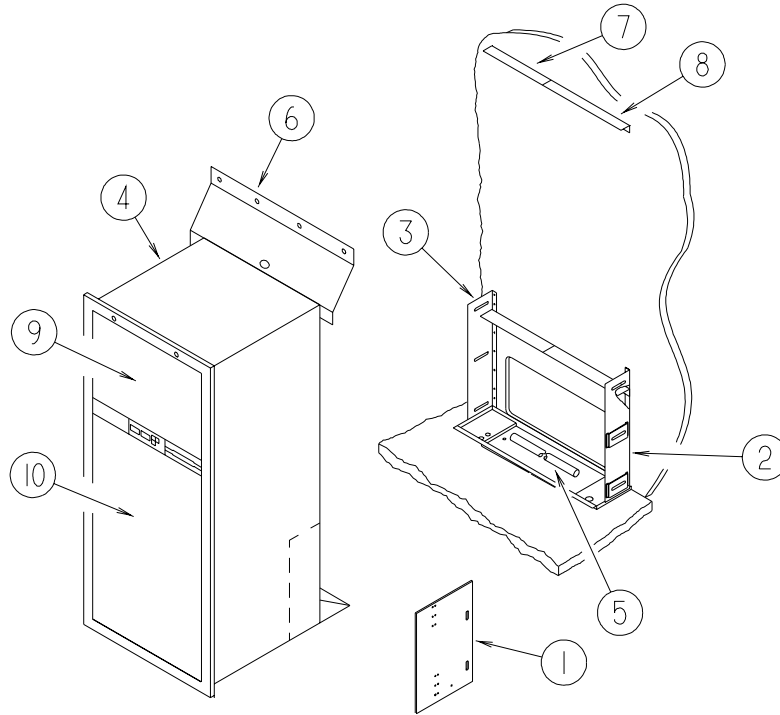


**P34HD, P36GD, P36LD  
P39QD, P39WD**

| KEY | PART NUMBER   | U/M | DESCRIPTION  |
|-----|---------------|-----|--|
| 1   | 065225-04-000 | EA  | PLATE - TIEDOWN/REFRIGERATOR                                     |
| 2   | 093646-01-000 | EA  | BRACKET - TIEDOWN/REFRIGERATOR - RIGHT HAND                      |
| 3   | 093646-02-000 | EA  | BRACKET - TIEDOWN/REFRIGERATOR - LEFT HAND                       |
| 4   | 093369-02-000 | EA  | STRAP - REFRIGERATOR   |
| 5*  | 120075-13-01A | EA  | REFRIGERATOR-LARGE DOUBLE DOOR/RH - 2-WAY -ICE MAKER-BLACK       |
| 6   | P34457-03-N47 | EA  | PANEL - INSERT RAISED MEMBRANE - 21.5" X 14.5" - PORTSMOUTHN OAK |
| 6   | P34457-03-L85 | EA  | PANEL - INSERT RAISED MEMBRANE - 21.5" X 14.5" - CONCERT CHERRY  |
| 7   | P34457-04-N47 | EA  | PANEL - INSERT RAISED MEMBRANE - 21.5" X 38.5" - PORTSMOUTHN OAK |
| 7   | P34457-04-L85 | EA  | PANEL - INSERT RAISED MEMBRANE - 21.5" X 38.5" - CONCERT CHERRY  |
| 8   | 112176-01-000 | FT  | TUBING - VINYL - REINFORCED - 1/2" ID                            |
|     | 090329-01-000 | FT  | SEAL/T - REFRIGERATOR CABINET                                    |
|     | 116751-02-01A | EA  | TRAY - REFRIGERATOR - BLACK                                      |
|     | 054450-01-000 | EA  | LEVEL - REFRIGERATOR   |

**\*COMPONENT PARTS LISTED LATER IN THIS GROUP**

**APPLIANCE GROUP (CONTINUED)**  
**APPLIANCES (CONTINUED)**

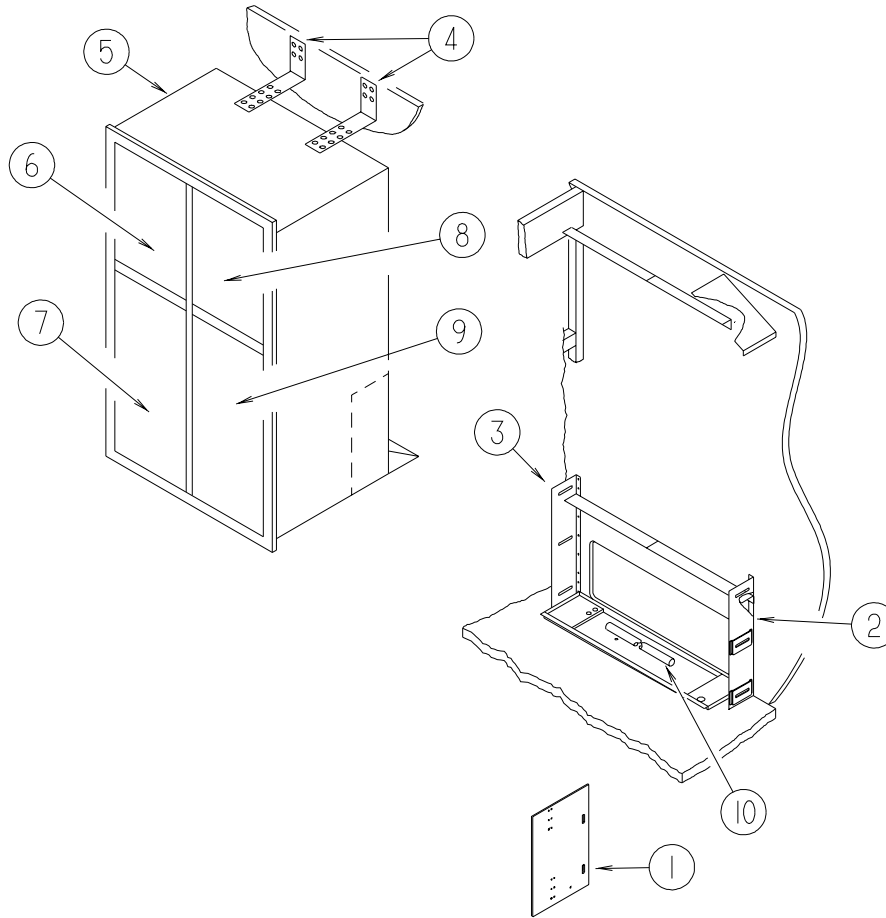


**P32TD**

| KEY | PART NUMBER   | U/M | DESCRIPTION  |
|-----|---------------|-----|--|
| 1   | 065225-04-000 | EA  | PLATE - TIEDOWN/REFRIGERATOR                                     |
| 2   | 093646-01-000 | EA  | BRACKET - TIEDOWN/REFRIGERATOR - RIGHT HAND                      |
| 3   | 093646-02-000 | EA  | BRACKET - TIEDOWN/REFRIGERATOR - LEFT HAND                       |
| 4*  | 120075-14-01A | EA  | REFRIGERATOR - LARGE DOUBLE/DOOR/RH- 2-WAY-ICE MAKER-BLACK       |
| 5   | 112176-01-000 | FT  | TUBING - VINYL - REINFORCED - 1/2" ID                            |
| 6   | 136966-01-02B | EA  | BAFFLE - REFRIGERATOR - E-COATED                                 |
| 7   | 143195-02-02B | EA  | BAFFLE - REFRIGERATOR - E-COATED                                 |
| 8   | 143195-01-02B | EA  | BAFFLE - REFRIGERATOR - E-COATED                                 |
| 9   | P34457-03-N47 | EA  | PANEL - INSERT RAISED MEMBRANE - 21.5" X 14.5" - PORTSMOUTHN OAK |
| 9   | P34457-03-L85 | EA  | PANEL - INSERT RAISED MEMBRANE - 21.5" X 14.5" - CONCERT CHERRY  |
| 10  | P34457-04-N47 | EA  | PANEL - INSERT RAISED MEMBRANE - 21.5" X 38.5" - PORTSMOUTHN OAK |
| 10  | P34457-04-L85 | EA  | PANEL - INSERT RAISED MEMBRANE - 21.5" X 38.5" - CONCERT CHERRY  |
|     | 090329-01-000 | FT  | SEAL/T - REFRIGERATOR CABINET                                    |
|     | 054450-01-000 | EA  | LEVEL - REFRIGERATOR   |
|     | 136907-01-01A | EA  | TRAY - REFRIGERATOR - BLACK                                      |

**\*COMPONENT PARTS LISTED LATER IN THIS GROUP**

**APPLIANCE GROUP (CONTINUED)**  
**APPLIANCES (CONTINUED)**

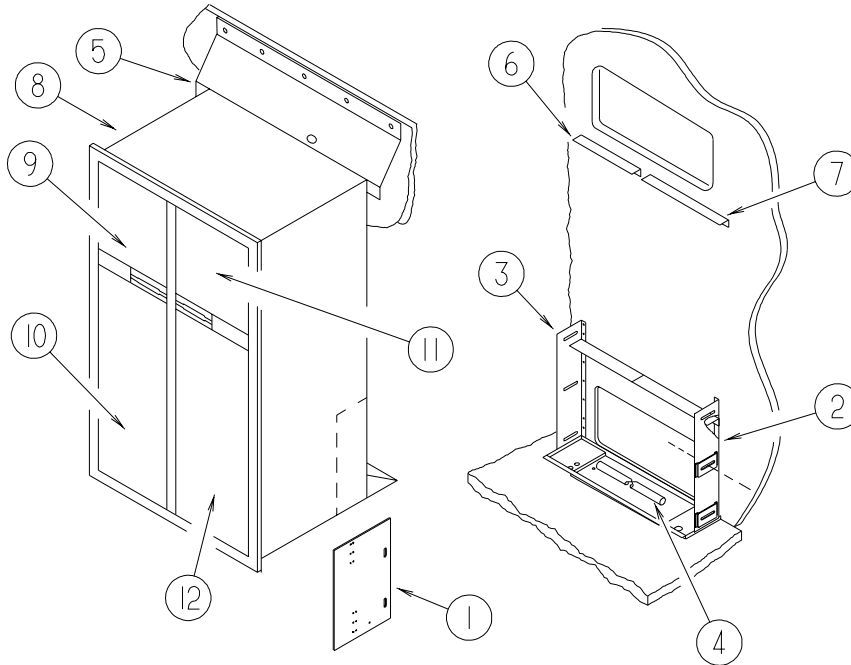


**P34HD, P36GD, P36LD  
P39QD, P39WD**

| KEY | PART NUMBER   | U/M | DESCRIPTION   |
|-----|---------------|-----|---|
| 1   | 065225-01-000 | EA  | PLATE - TIEDOWN/REFRIGERATOR                                    |
| 2   | 093646-01-000 | EA  | BRACKET - TIEDOWN/REFRIGERATOR - RIGHT HAND                     |
| 3   | 093646-02-000 | EA  | BRACKET - TIEDOWN/REFRIGERATOR - LEFT HAND                      |
| 4   | 093369-02-000 | EA  | STRAP - REFRIGERATOR  |
| 5*  | 125242-02-01A | EA  | REFRIGERATOR-4 DR-W/ICE MKR-W/CONTOURED HANDLE-NORCOLD1201      |
| 6   | P34457-01-N75 | EA  | PANEL - INSERT RAISED MEMBRANE - 16.1" X 18.3" - PORTSMOUTH OAK |
| 6   | P34457-01-LQ1 | EA  | PANEL - INSERT RAISED MEMBRANE - 16.1" X 18.3" - CONCERT CHERRY |
| 7   | P34457-02-N75 | EA  | PANEL - INSERT RAISED MEMBRANE - 16.1" X 41.1" - PORTSMOUTH OAK |
| 7   | P34457-02-LQ1 | EA  | PANEL - INSERT RAISED MEMBRANE - 16.1" X 41.1" - CONCERT CHERRY |
| 8   | P34457-01-N75 | EA  | PANEL - INSERT RAISED MEMBRANE - 16.1" X 18.3" - PORTSMOUTH OAK |
| 8   | P34457-01-LQ1 | EA  | PANEL - INSERT RAISED MEMBRANE - 16.1" X 18.3" - CONCERT CHERRY |
| 9   | P34457-02-N75 | EA  | PANEL - INSERT RAISED MEMBRANE - 16.1" X 41.1" - PORTSMOUTH OAK |
| 9   | P34457-02-LQ1 | EA  | PANEL - INSERT RAISED MEMBRANE - 16.1" X 41.1" - CONCERT CHERRY |
| 10  | 112176-01-000 | FT  | TUBING - VINYL - REINFORCED - 1/2" ID                           |
|     | 090329-01-000 | FT  | SEAL/T - REFRIGERATOR CABINET                                   |
|     | 054450-01-000 | EA  | LEVEL - REFRIGERATOR  |
|     | 118871-02-01A | EA  | TRAY/PAN - F/SIDE BY SIDE REFRIGERATOR - BLACK                  |

**\*COMPONENT PARTS LISTED LATER IN THIS GROUP**

**APPLIANCE GROUP (CONTINUED)**  
**APPLIANCES (CONTINUED)**



**P32TD**

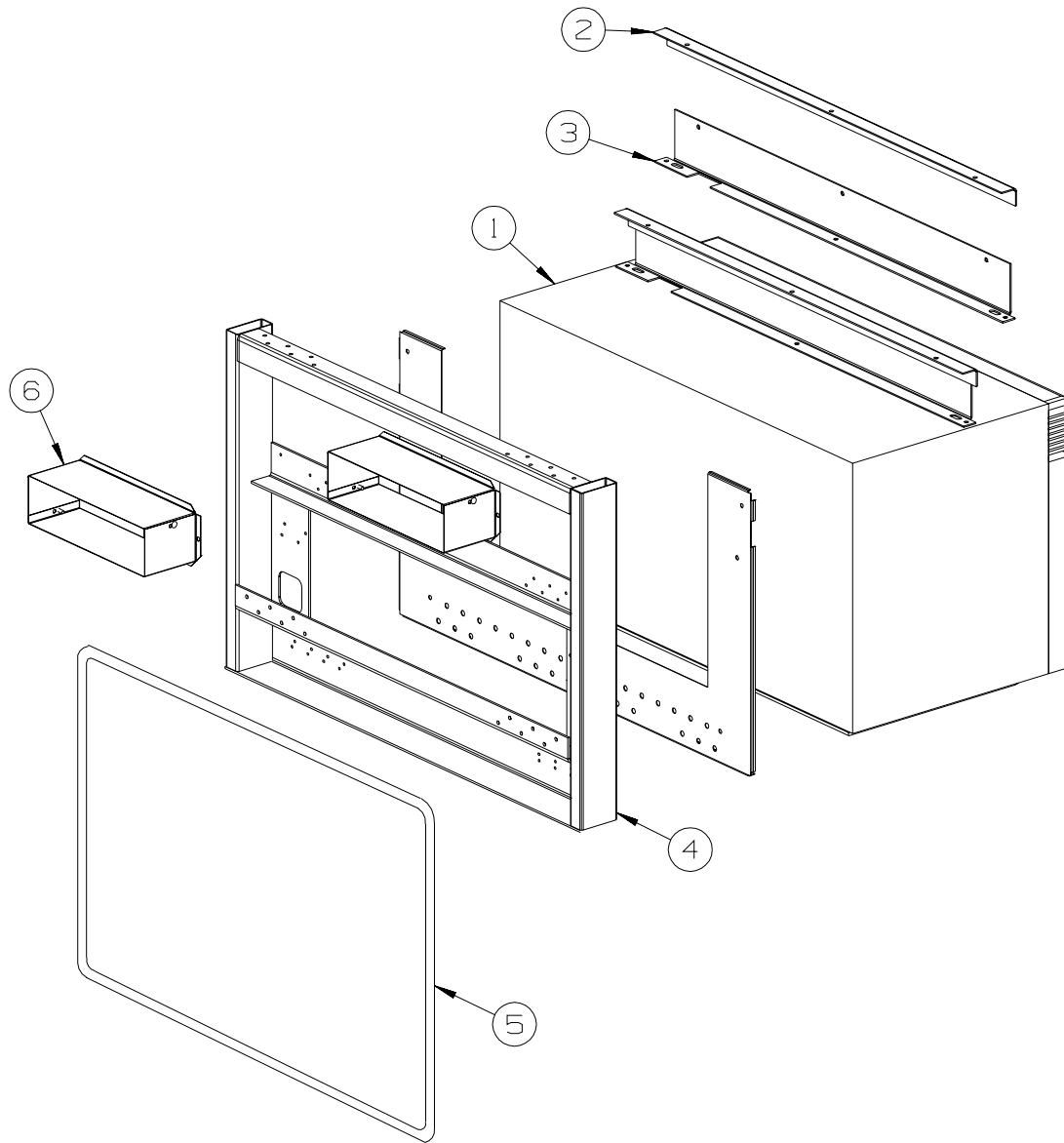
| KEY | PART NUMBER   | U/M | DESCRIPTION   |
|-----|---------------|-----|---|
| 1   | 065225-01-000 | EA  | PLATE - TIEDOWN/REFRIGERATOR                                    |
| 2   | 093646-01-000 | EA  | BRACKET - TIEDOWN/REFRIGERATOR - RIGHT HAND                     |
| 3   | 093646-02-000 | EA  | BRACKET - TIEDOWN/REFRIGERATOR - LEFT HAND                      |
| 4   | 112176-01-000 | FT  | TUBING - VINYL - REINFORCED - 1/2" ID                           |
| 5   | 136966-03-02B | EA  | BAFFLE - REFRIGERATOR - E-COATED                                |
| 6   | 143195-01-02B | EA  | BAFFLE - REFRIGERATOR - E-COATED                                |
| 7   | 143195-02-02B | EA  | BAFFLE - REFRIGERATOR - E-COATED                                |
| 8*  | 125242-02-01A | EA  | REFRIGERATOR-4 DR-W/ICE MKR-W/CONTOURED HANDLE-NORCOLD1201      |
| 9   | P34457-01-N75 | EA  | PANEL - INSERT RAISED MEMBRANE - 16.1" X 18.3" - PORTSMOUTH OAK |
| 9   | P34457-01-LQ1 | EA  | PANEL - INSERT RAISED MEMBRANE - 16.1" X 18.3" - CONCERT CHERRY |
| 10  | P34457-02-N75 | EA  | PANEL - INSERT RAISED MEMBRANE - 16.1" X 41.1" - PORTSMOUTH OAK |
| 10  | P34457-02-LQ1 | EA  | PANEL - INSERT RAISED MEMBRANE - 16.1" X 41.1" - CONCERT CHERRY |
| 11  | P34457-01-N75 | EA  | PANEL - INSERT RAISED MEMBRANE - 16.1" X 18.3" - PORTSMOUTH OAK |
| 11  | P34457-01-LQ1 | EA  | PANEL - INSERT RAISED MEMBRANE - 16.1" X 18.3" - CONCERT CHERRY |
| 12  | P34457-02-N75 | EA  | PANEL - INSERT RAISED MEMBRANE - 16.1" X 41.1" - PORTSMOUTH OAK |
| 12  | P34457-02-LQ1 | EA  | PANEL - INSERT RAISED MEMBRANE - 16.1" X 41.1" - CONCERT CHERRY |
|     | 090329-01-000 | FT  | SEAL/T - REFRIGERATOR CABINET                                   |
|     | 054450-01-000 | EA  | LEVEL - REFRIGERATOR  |
|     | 137495-01-01A | EA  | TRAY - REFRIGERATOR - BLACK                                     |

**\*COMPONENT PARTS LISTED LATER IN THIS GROUP**



## APPLIANCE GROUP (CONTINUED)

### COMPONENT PARTS FOR APPLIANCE



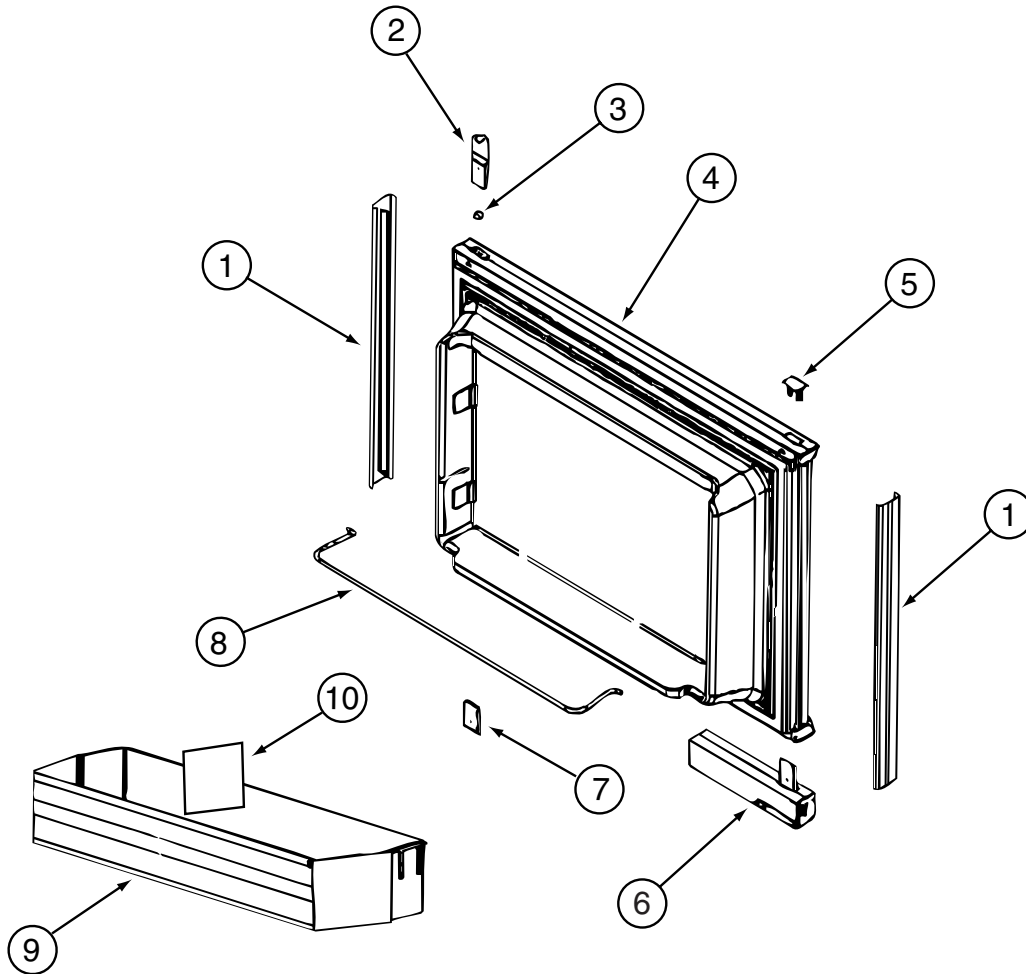
| KEY | PART NUMBER   | U/M | DESCRIPTION  |
|-----|---------------|-----|--|
| 1   | 119267-12-01A | EA  | OVEN - MICROWAVE/CONVECTION W/HOOD US - #R-1875 - CONVECTION, U.S.                                 |
| 1   | 119267-13-01A | EA  | OVEN - MICROWAVE/CONVECTION W/HOOD CSA - #R-1875A - CONVECTION, C.S.A.                             |
| 1   | 140147-02-01A | EA  | OVEN/MICROWAVE - 1.4 CUBIC FT - STAINLESS STEEL FACE - SPEEDCOOK                                   |
| 2   | 129836-02-02B | EA  | ANGLE - W/HOLES - .7" X 1" X 28.3" - E-COATED - LH   |
| 3   | 129836-05-02B | EA  | ANGLE - W/HOLES - E-COATED - P36LD,P39WD   |
| 3   | 129836-04-02B | EA  | ANGLE - W/HOLES - .7" X 2.2" X 28.3" - E-COATED- CONVECTION P34HD<br>FROM: 00-00-00 THRU: 09-15-02 |
| 3   | 129836-01-02B | EA  | ANGLE - W/HOLES - .7" X 1" X 28.3" - E-COATED - CONVECTION P34HD<br>FROM: 09-16-02 THRU: 99-99-99  |
| 3   | 129836-06-02B | EA  | ANGLE - W/HOLES - E-COATED - SPEEDCOOK P34HD   |
| 4   | 137824-02-02B | EA  | BRACKET - MICROWAVE - E-COATED - P36LD,P39WD   |
| 4   | 137824-03-02B | EA  | BRACKET - MICROWAVE - E-COATED - P34HD   |
| 5   | 093305-01-01A | FT  | TRIM - EDGE C-TYPE - WIRE CARRIER - .35" X .24" - VINYL - P34HD                                    |
| 6   | 140093-01-02B | EA  | DUCT - E-COATED - CONVECTION P36LD,P39WD   |
| 6   | 140093-03-02B | EA  | DUCT - E-COATED - CONVECTION P34HD   |
| 6   | 140093-04-02B | EA  | DUCT - E-COATED - SPEEDCOOK P36LD,P39WD  |
| 6   | 140093-05-02B | EA  | DUCT - E-COATED - SPEEDCOOK P34HD  |

\*COMPONENT PARTS LISTED LATER IN THIS GROUP

**APPLIANCE GROUP (CONTINUED)**  
**COMPONENTS PARTS FOR APPLIANCE (CONTINUED)**

115504-01-000

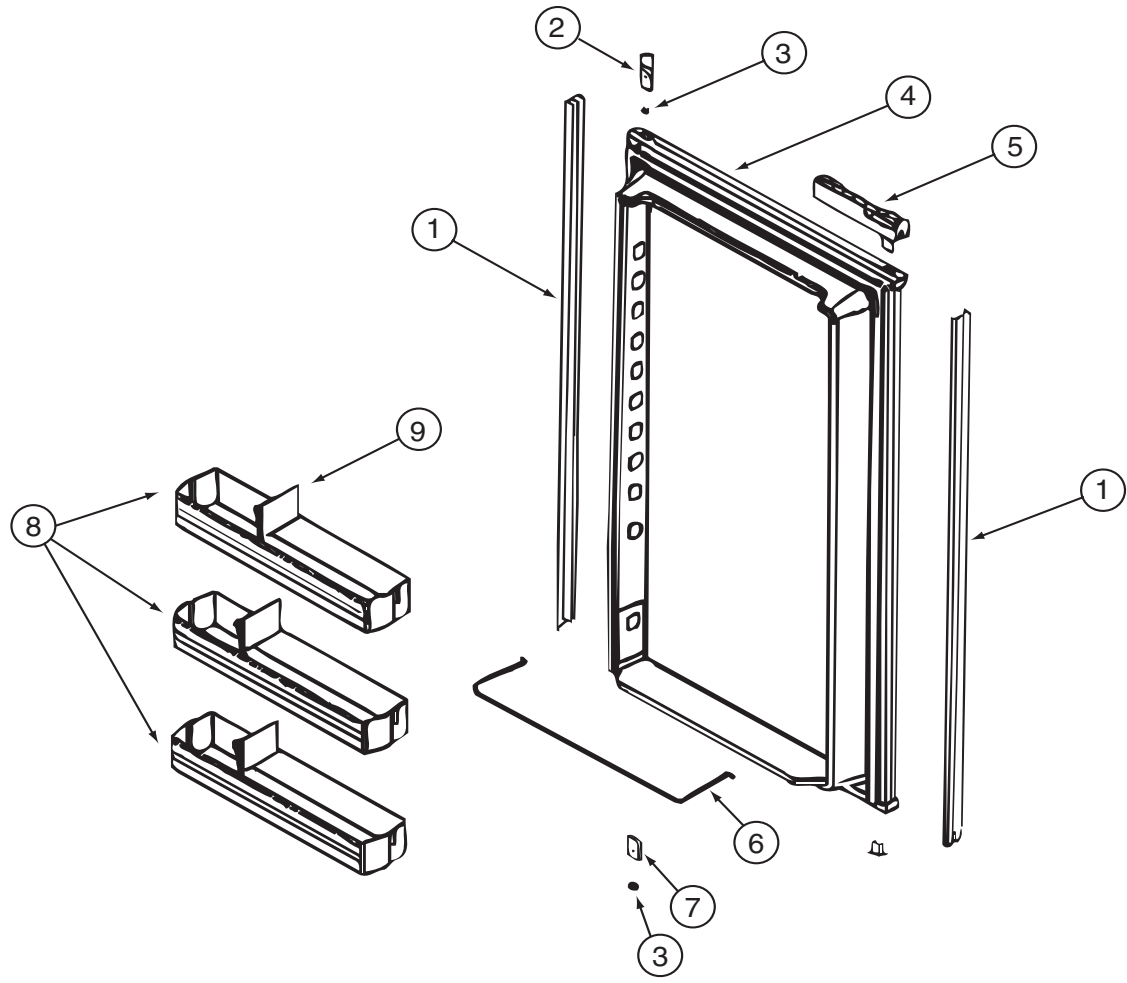
| KEY | PART NUMBER   | U/M | DESCRIPTION                 | VENDOR NO. |
|-----|---------------|-----|-----------------------------|------------|
|     | 115504-01-700 | EA  | PLUG & CABLE, 10 WATT PANEL | 600-016    |



120075-13-01A, 120075-14-01A, 120075-15-01A

| KEY | PART NUMBER   | U/M | DESCRIPTION                  | VENDOR NO.          |
|-----|---------------|-----|------------------------------|---------------------|
| 1   | 121568-03-700 | EA  | RETAINER - DOOR PANEL/BLACK  | 619558              |
| 2   | 120075-01-701 | EA  | HINGE-TOP RH/BOTTOM LH(DOOR) | 618511              |
| 3   | 121568-03-701 | EA  | BUSHING - HINGE PIN/GRAY     | 619671              |
| 4   | 121568-03-702 | EA  | DOOR LINER - W/TRIM/BLACK    | 619627 - SMALL DOOR |
| 5   | 120075-01-702 | EA  | CAP, (HINGE PLUG)            | 618160              |
| 6   | 120075-12-700 | EA  | HANDLE(CONTOUR)TOP LH/BTM RH | 621105              |
|     | 120075-12-702 | EA  | HANDLE/HOUSING-TOP-LH/BTM RH | 618159GEN           |
| 6   | 120075-12-701 | EA  | HANDLE(CONTOUR)TOP RH/BTM LH | 621104              |
|     | 120075-12-707 | EA  | LATCH                        | 619648              |
|     | 120075-12-709 | EA  | HANDLE/HOUSING-BTM LH/TOP RH | 618122GEN           |
| 6   | 121568-03-703 | EA  | HANDLE/FLUSH-TOP/RH-LWR/LH   | 619865              |
| 6   | 121568-03-708 | EA  | HANDLE/FLUSH-TOP/LH-LWR/RH   | 619866              |
| 7   | 120075-01-705 | EA  | HINGE-TOP LH/BOTTOM RH(DOOR) | 618510              |
| 8   | 121568-01-700 | EA  | RAIL - DOOR UPPER            | 618618              |
| 9   | 120075-07-700 | EA  | DOOR BIN - CLEAR             | 619006              |
| 10  | 120075-07-701 | EA  | DIVIDER/DOOR BIN CLEAR       | 619008              |
|     | 121568-03-704 | EA  | TRAVEL LATCH - GRAY          | 619647              |
|     | 121568-03-705 | EA  | STORAGE LATCH - GRAY         | 619648              |

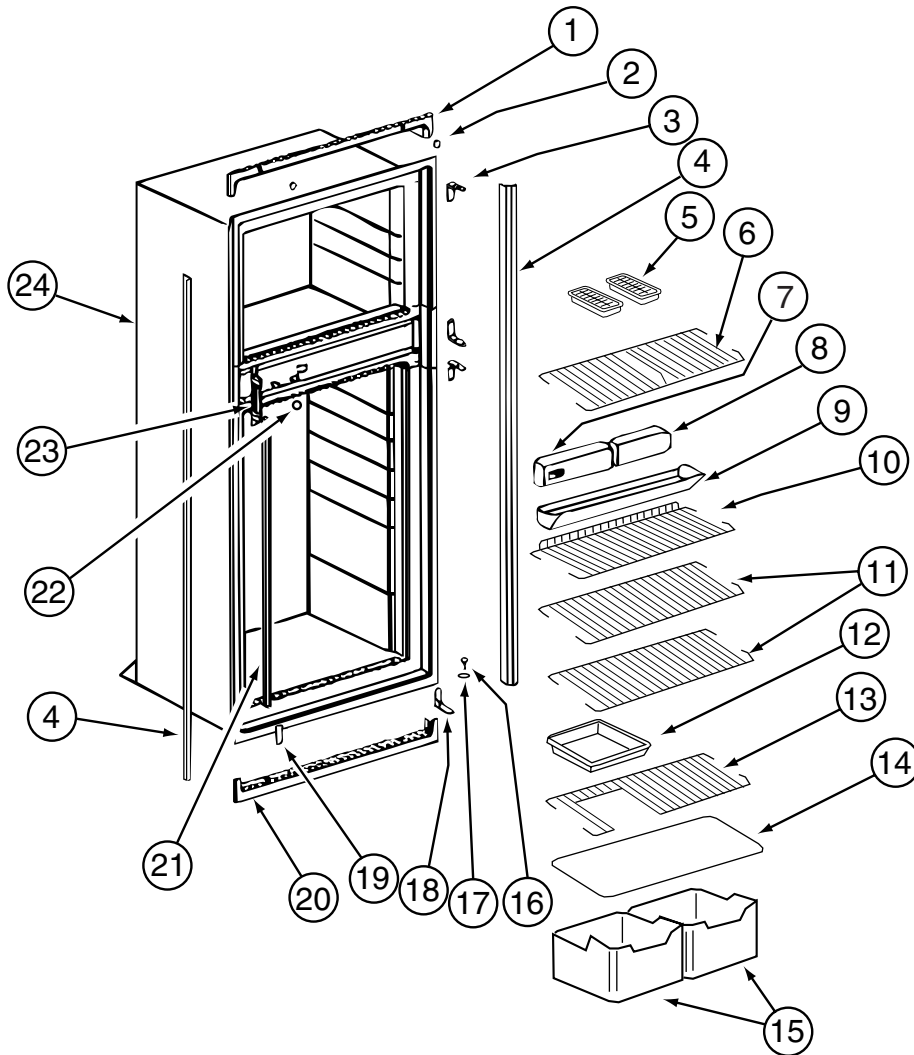
**APPLIANCE GROUP (CONTINUED)**  
**COMPONENTS PARTS FOR APPLIANCE (CONTINUED)**



**120075-13-01A, 120075-14-01A, 120075-15-01A (CONTINUED)**

| KEY | PART NUMBER   | U/M | DESCRIPTION                  | VENDOR NO.          |
|-----|---------------|-----|------------------------------|---------------------|
| 1   | 120075-07-702 | EA  | RETAINER - DOOR PANEL/BLACK  | 619560              |
| 2   | 120075-01-701 | EA  | HINGE-TOP RH/BOTTOM LH(DOOR) | 618511              |
| 3   | 121568-03-701 | EA  | BUSHING - HINGE PIN/GRAY     | 619671              |
| 4   | 120075-07-703 | EA  | DOOR LINER - BLACK           | 619631 - LARGE DOOR |
| 5   | 120075-12-700 | EA  | HANDLE(CONTOUR)TOP LH/BTM RH | 621105              |
|     | 120075-12-702 | EA  | HANDLE/HOUSING-TOP-LH/BTM RH | 618159GEN           |
| 5   | 120075-12-701 | EA  | HANDLE(CONTOUR)TOP RH/BTM LH | 621104              |
|     | 120075-12-707 | EA  | LATCH                        | 619648              |
|     | 120075-12-709 | EA  | HANDLE/HOUSING-BTM LH/TOP RH | 618122GEN           |
| 5   | 121568-03-703 | EA  | HANDLE/FLUSH-TOP/RH-LWR/LH   | 619865              |
| 5   | 121568-03-708 | EA  | HANDLE/FLUSH-TOP/LH-LWR/RH   | 619866              |
| 6   | 121568-01-704 | EA  | RAIL - DOOR LOWER            | 618578              |
| 7   | 120075-01-705 | EA  | HINGE-TOP LH/BOTTOM RH(DOOR) | 618510              |
| 8   | 120075-07-700 | EA  | DOOR BIN - CLEAR             | 619006              |
| 8   | 120075-07-704 | EA  | DOOR BIN - LARGE/CLEAR       | 619005              |
| 9   | 120075-07-701 | EA  | DIVIDER/DOOR BIN CLEAR       | 619008              |
|     | 121568-03-704 | EA  | TRAVEL LATCH - GRAY          | 619647              |
|     | 121568-03-705 | EA  | STORAGE LATCH - GRAY         | 619648              |

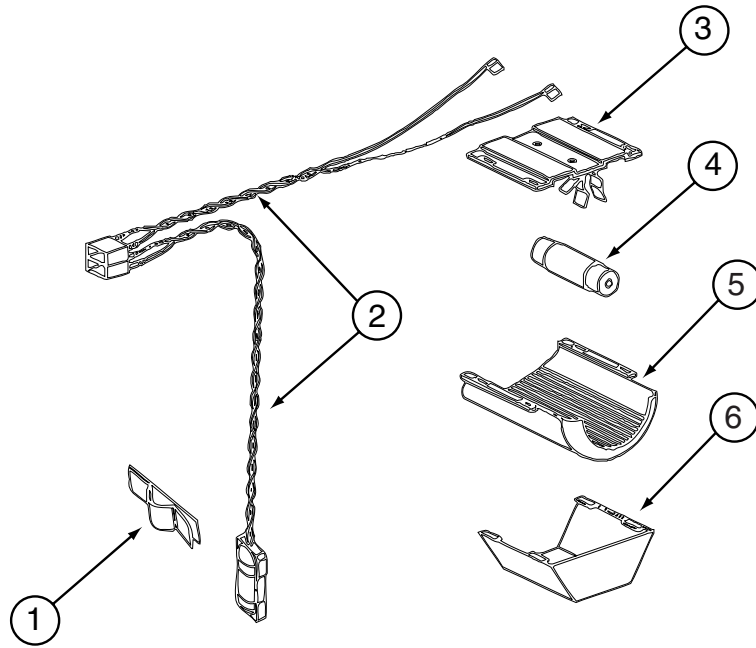
**APPLIANCE GROUP (CONTINUED)**  
**COMPONENTS PARTS FOR APPLIANCE (CONTINUED)**



**120075-13-01A, 120075-14-01A, 120075-15-01A (CONTINUED)**

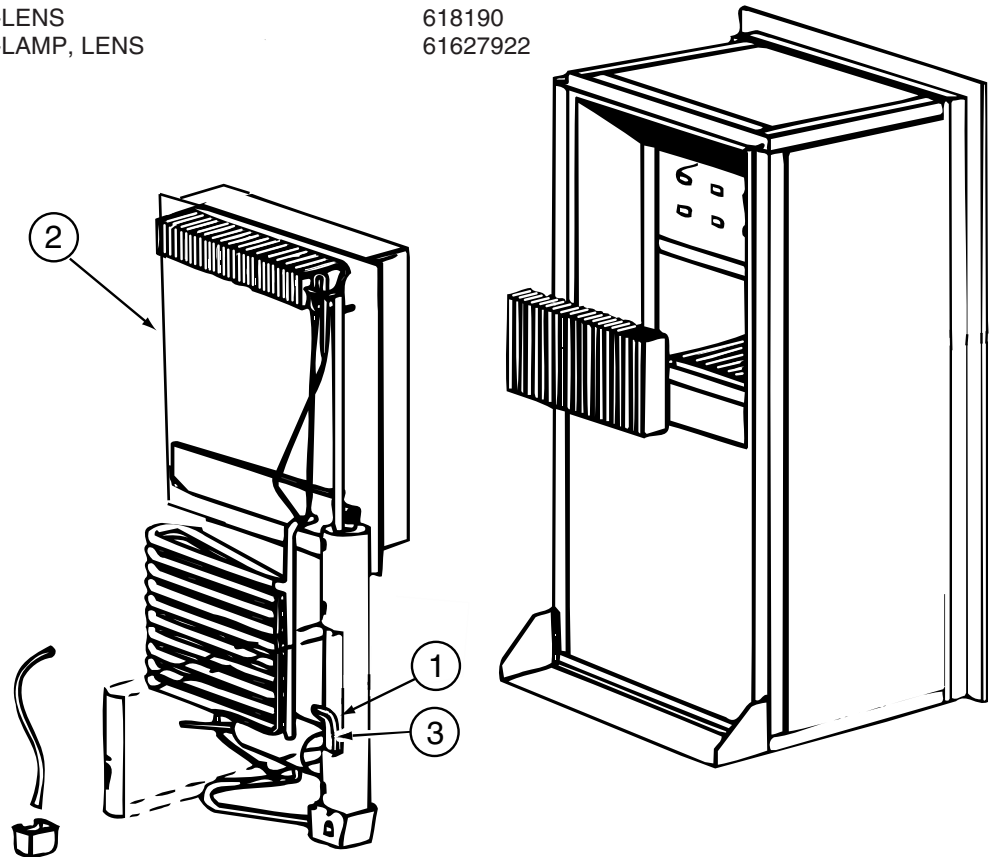
| KEY | PART NUMBER   | U/M | DESCRIPTION                  | VENDOR NO. |
|-----|---------------|-----|------------------------------|------------|
| 1   | 121568-03-709 | EA  | TRIM - TOP/BLACK             | 619687     |
| 2   | 120075-01-714 | EA  | PLUG-HOLE (BLACK)            | 618170     |
| 3   | 121568-03-710 | EA  | HINGE/CABINET-TOP/RH-LWR/LH  | 619335     |
| 4   | 120075-07-705 | EA  | TRIM - SIDE - BLACK          | 622296     |
| 5   | 104137-06-724 | EA  | ICE TRAY                     | 61630422   |
| 6   | 120075-07-706 | EA  | SHELF - WIRE/FREEZER         | 620249     |
| 7   | 120075-07-707 | EA  | CONTROL BOX - BLACK          | 619665     |
| 8   | 121568-03-713 | EA  | FRONT BOX/DECORATIVE-BLACK   | 619282     |
| 9   | 120075-01-720 | EA  | TRAY-DRIP                    | 618137     |
| 10  | 120075-01-722 | EA  | SHELF-WIRE, SHORT            | 620269     |
| 11  | 120075-01-723 | EA  | SHELF-WIRE                   | 620270     |
| 12  | 104137-06-718 | EA  | SHELF-TRAY, WHITE, W/CUTOUT  | 617756     |
| 13  | 120075-01-724 | EA  | SHELF-WIRE, W/CUTOUT         | 618177     |
| 14  | 120075-01-725 | EA  | COVER-CRISPER                | 618158     |
| 15  | 120075-07-708 | EA  | CRISPER/ICE BIN              | 619007     |
| 16  | 120075-01-727 | EA  | PIN-HINGE                    | 618145     |
| 17  | 121568-03-701 | EA  | BUSHING - HINGE PIN/GRAY     | 619671     |
| 18  | 121568-03-715 | EA  | HINGE/CABINET-TOP/LH-LWR/RH  | 619336     |
| 19  | 121568-03-716 | EA  | COVER - HINGE HOLES          | 619301     |
| 20  | 120075-01-729 | EA  | TRIM-BOTTOM PIECE            | 620958     |
| 21  | 120075-01-730 | EA  | RETAINER-SHELF(SER#926684 DN | 618181     |
| 22  | 121568-03-717 | EA  | HOLE PLUG - WHITE            | 619561     |
| 23  | 120075-01-732 | EA  | PLATE-STRIKE                 | 618167     |
| 24  | 120075-09-700 | EA  | CABINET - FOAMED             | 619660     |
|     | 120075-01-721 | EA  | LOUVER-DRIP TRAY             | 618176     |

**APPLIANCE GROUP (CONTINUED)**  
**COMPONENTS PARTS FOR APPLIANCE (CONTINUED)**



**120075-13-01A, 120075-14-01A, 120075-15-01A (CONTINUED)**

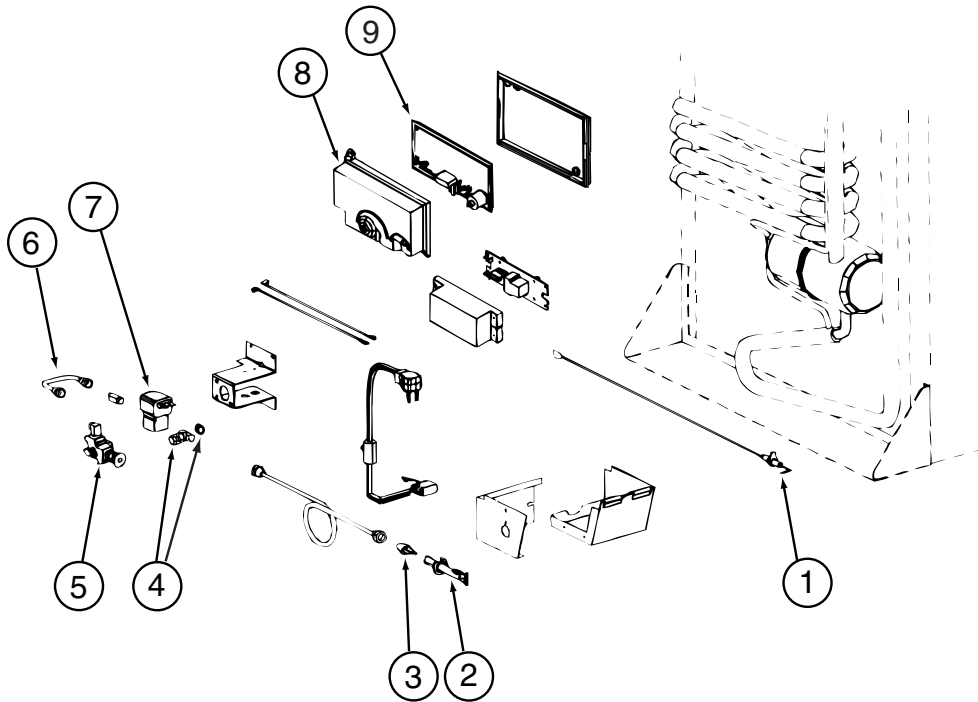
| KEY | PART NUMBER   | U/M | DESCRIPTION                  | VENDOR NO. |
|-----|---------------|-----|------------------------------|------------|
| 1   | 084880-01-760 | EA  | CLIP (THERMISTER)            | 61689122   |
| 2   | 120075-01-735 | EA  | THERMISTER W/LAMP & WIRE/ASM | 618548     |
| 3   | 084880-03-705 | EA  | BRACKET-LIGHT-INTERIOR       | 61629722   |
| 4   | 084880-03-706 | EA  | BULB-LAMP                    | 61628922   |
| 5   | 120075-01-734 | EA  | COVER-LENS                   | 618190     |
| 6   | 084880-03-707 | EA  | COVER-LAMP, LENS             | 61627922   |



**120075-13-01A, 120075-14-01A, 120075-15-01A (CONTINUED)**

| KEY | PART NUMBER   | U/M | DESCRIPTION                | VENDOR NO. |
|-----|---------------|-----|----------------------------|------------|
| 1   | 088248-01-710 | EA  | HEATER DC (HORIZONTAL)     | 61562822   |
| 2   | 120075-01-736 | EA  | COOLING UNIT, SERVICE PACK | 618542     |
| 3   | 088248-01-709 | EA  | HEATER-AC (HORIZONTAL)     | 61562722   |

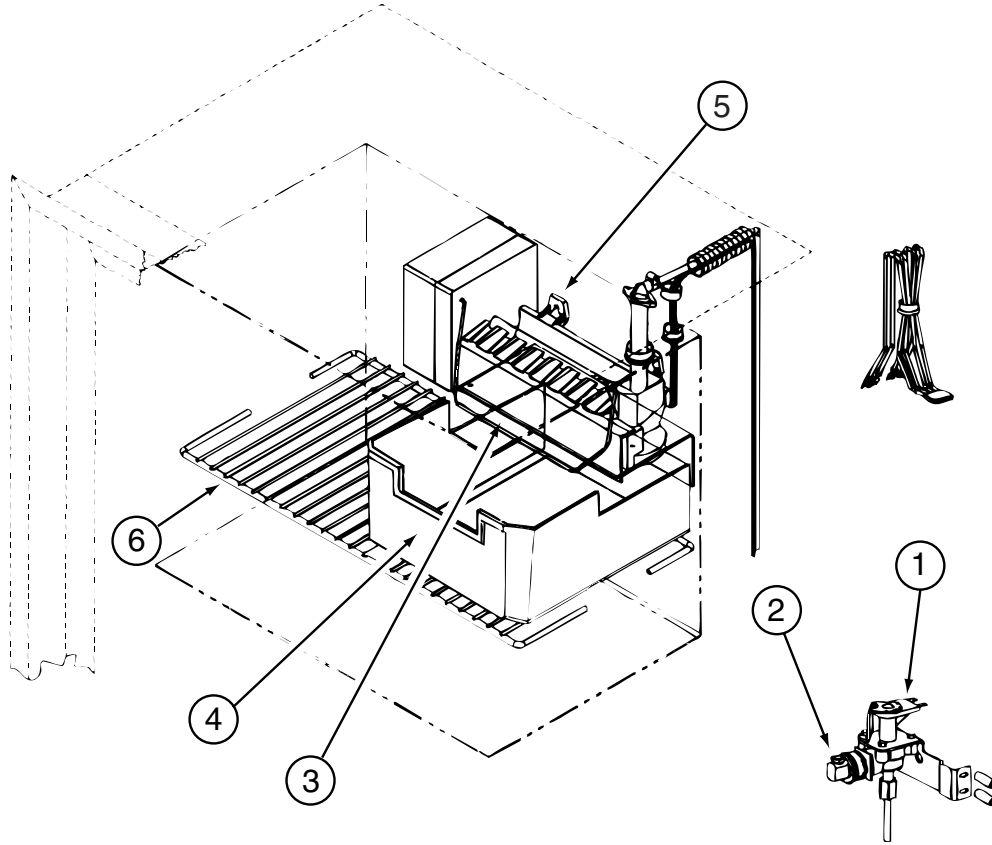
**APPLIANCE GROUP (CONTINUED)**  
**COMPONENTS PARTS FOR APPLIANCE (CONTINUED)**



**120075-13-01A, 120075-14-01A, 120075-15-01A (CONTINUED)**

| KEY | PART NUMBER   | U/M | DESCRIPTION                  | VENDOR NO.      |
|-----|---------------|-----|------------------------------|-----------------|
| 1   | 104137-06-715 | EA  | ELECTRODE-SPARK/SENSOR, SGL  | 61692222        |
| 2   | 104137-06-714 | EA  | BURNER ASSEMBLY, 5-SLOT      | 61705222        |
| 3   | 120075-01-737 | EA  | ORIFICE - JEWEL - .0155      | 618284          |
| 4   | 113737-01-702 | EA  | PLUG 1/8" F/PRESSURE TAP     | 61445322        |
| 4   | 113737-01-716 | EA  | TAP-PRESSURE                 | 61594422        |
| 5   | 104137-06-734 | EA  | VALVE-SHUT OFF/MAN-OLD STYLE | 61694922        |
| 6   | 113737-01-750 | EA  | TUBE-UNION                   | 61694622        |
| 7   | 084880-01-718 | EA  | VALVE-GAS, (ASCO)            | 621447          |
| 8   | 120075-01-738 | EA  | COVER-POWER BOARD            | 618185          |
| 9   | 120075-07-710 | EA  | POWER - BOARD - 2-WAY        | 619360 = 621269 |
|     | 104137-06-734 | EA  | VALVE-SHUT OFF/MAN-NEW STYLE | 618696          |
|     | 120075-01-744 | EA  | KIT - GAS VALVE/BURNER TUBE  | 620609          |

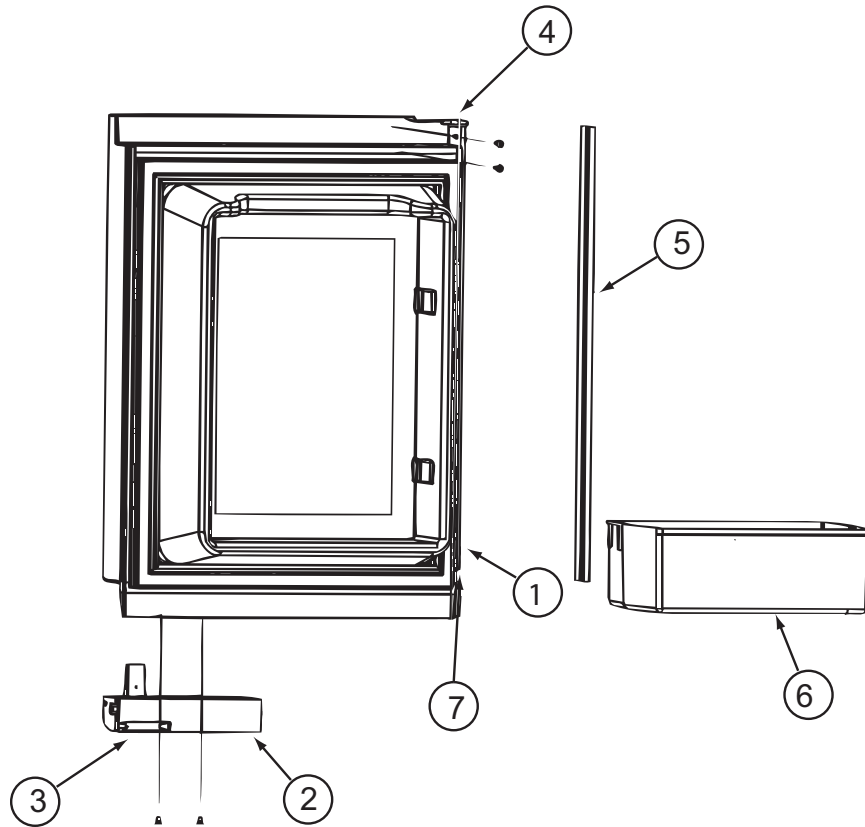
**APPLIANCE GROUP (CONTINUED)**  
**COMPONENTS PARTS FOR APPLIANCE (CONTINUED)**



**120075-13-01A, 120075-14-01A (CONTINUED)**

| KEY | PART NUMBER   | U/M | DESCRIPTION               | VENDOR NO. |
|-----|---------------|-----|---------------------------|------------|
| 1   | 120075-09-701 | EA  | WATER VALVE W/BRACKET     | 618253     |
| 2   | 120075-03-702 | EA  | NUT/COMPRESSION - FITTING | 61678722   |
| 3   | 120075-03-703 | EA  | ARM-SHUT OFF              | 61656922   |
| 4   | 120075-03-704 | EA  | BIN-ICE CUBE              | 618154     |
| 5   | 094039-07-706 | EA  | ICE MAKER W/O PLATES      | 61656522   |
| 6   | 120075-01-717 | EA  | SHELF-FREEZER, WIRE       | 618172     |
|     | 120075-09-702 | EA  | RELAY - 12 VOLT           | 620239     |

**APPLIANCE GROUP (CONTINUED)**  
**COMPONENTS PARTS FOR APPLIANCE (CONTINUED)**

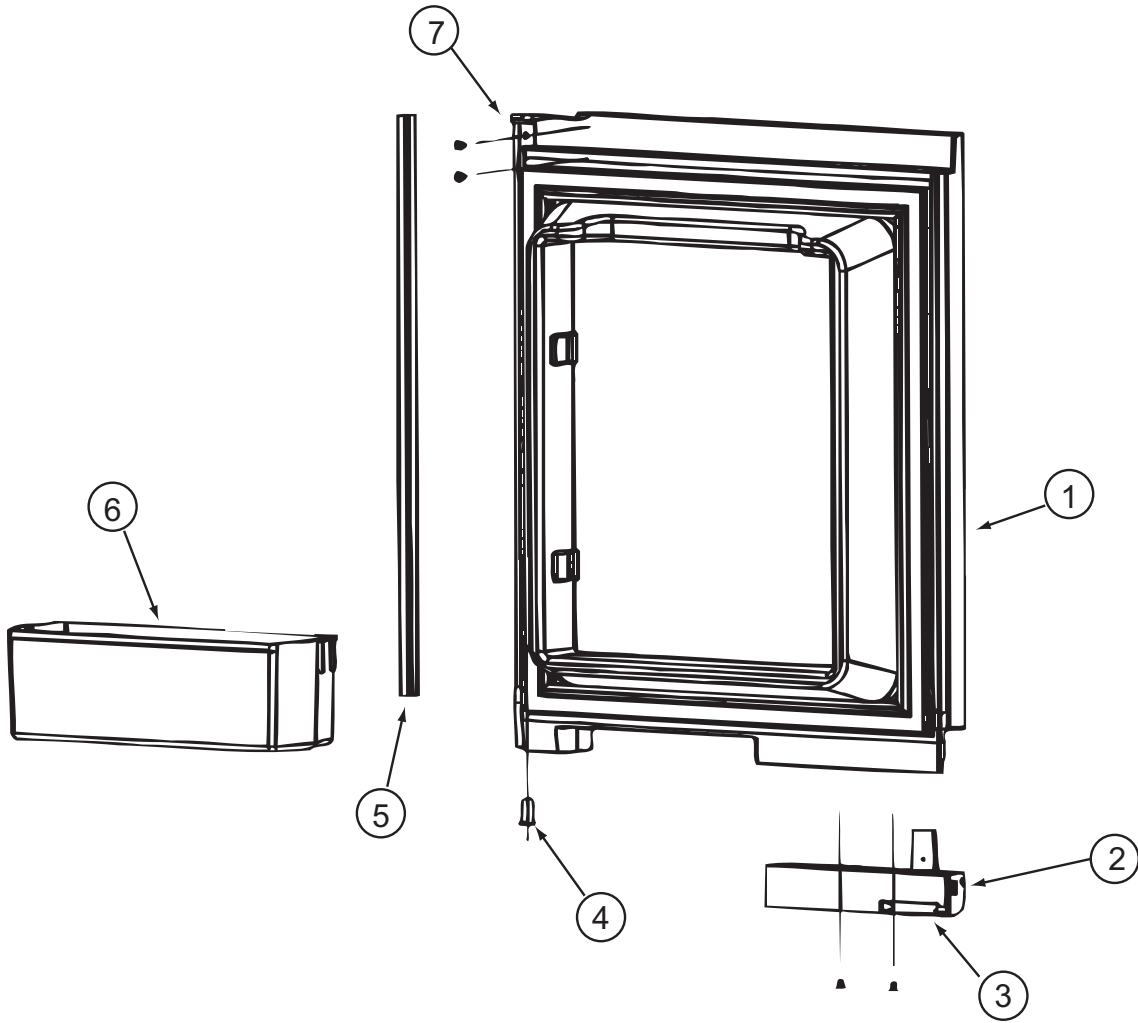


125242-02-01A

| KEY | PART NUMBER   | U/M | DESCRIPTION                  | VENDOR NO. |
|-----|---------------|-----|------------------------------|------------|
| 1   | 125242-01-762 | EA  | LINER/FOAMED-UPPER/LH-WHITE  | 619839     |
| 2   | 125242-02-700 | EA  | HANDLE(CONTOUR)TOP LH BTM RH | 621107     |
| 3   | 125242-02-722 | EA  | LATCH-STORAGE DR/BLK POINTED | 619374     |
| 4   | 125242-02-724 | EA  | HINGE - DOOR                 | 618792     |
| 5   | 125242-02-723 | EA  | RETAINER/PANEL-UPPER DOOR    | 621974     |
| 6   | 125242-01-711 | EA  | DOOR BIN                     | 618765     |
| 7   | 125242-01-704 | EA  | BUSHING-HINGE MIDDLE         | 618746     |
|     | 125242-02-725 | EA  | DOOR ASM/UPR LH/WHITE GASKET | 621148     |



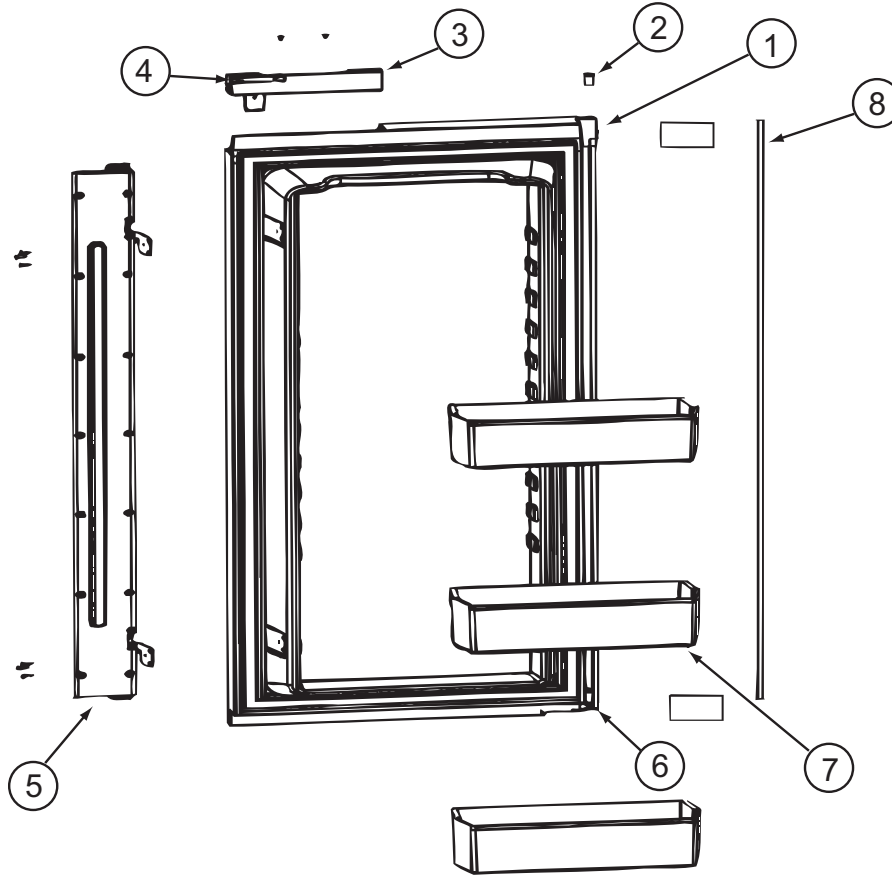
**APPLIANCE GROUP (CONTINUED)**  
**COMPONENTS PARTS FOR APPLIANCE (CONTINUED)**



**125242-02-01A (CONTINUED)**

| KEY | PART NUMBER   | U/M | DESCRIPTION                  | VENDOR NO. |
|-----|---------------|-----|------------------------------|------------|
| 1   | 125242-01-763 | EA  | LINER/FOAMED-UPPER/RH-WHITE  | 619840     |
| 2   | 125242-02-701 | EA  | HANDLE(CONTOUR)TOP RH LWR LH | 621106     |
| 3   | 125242-02-722 | EA  | LATCH-STORAGE DR/BLK POINTED | 619374     |
| 4   | 125242-01-704 | EA  | BUSHING-HINGE MIDDLE         | 618746     |
| 5   | 125242-02-723 | EA  | RETAINER/PANEL-UPPER DOOR    | 621974     |
| 6   | 125242-01-711 | EA  | DOOR BIN                     | 618765     |
| 7   | 125242-02-724 | EA  | HINGE - DOOR                 | 618792     |
|     | 125242-02-721 | EA  | DOOR ASM-UPR/RH/WHITE GASKET | 621149     |

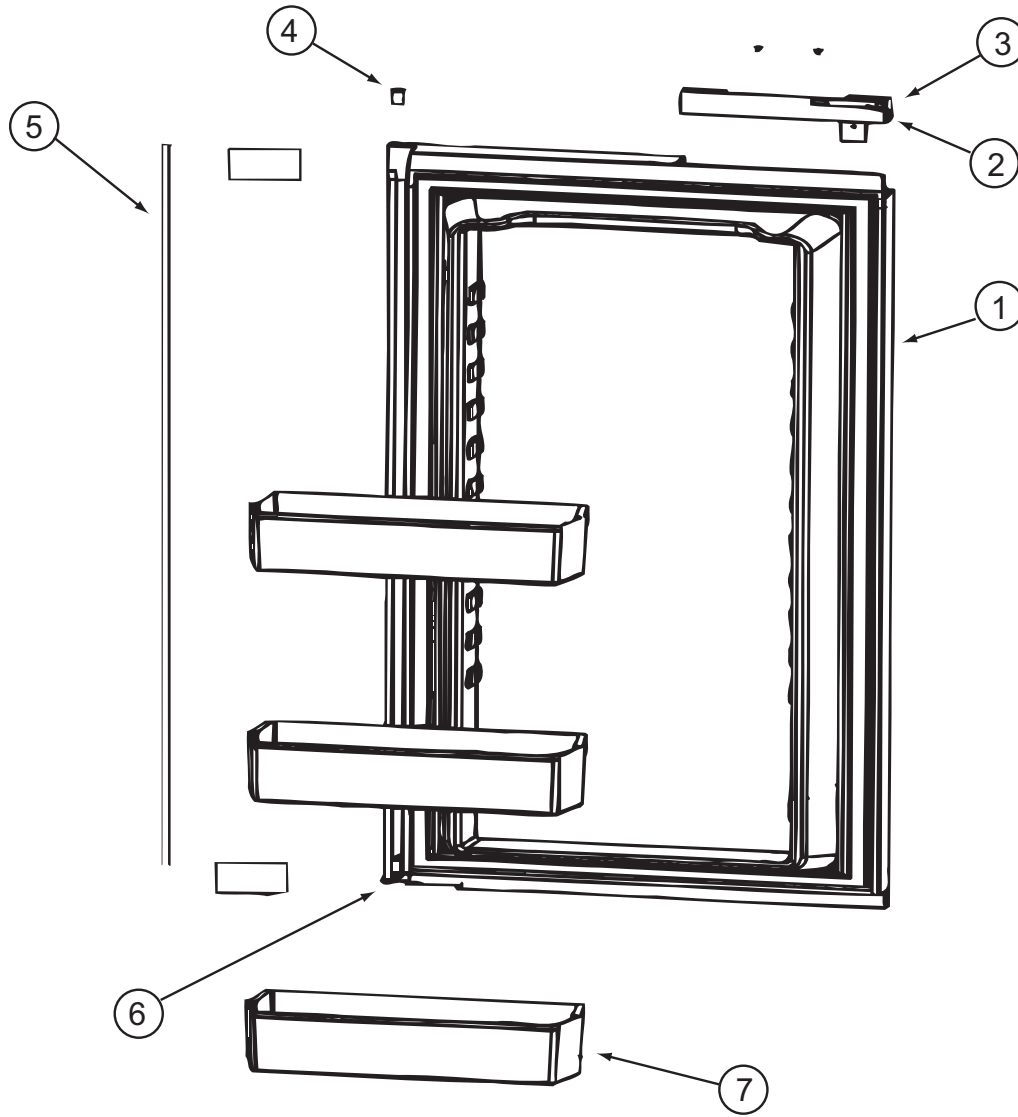
**APPLIANCE GROUP (CONTINUED)**  
**COMPONENTS PARTS FOR APPLIANCE (CONTINUED)**



**125242-02-01A (CONTINUED)**

| KEY | PART NUMBER   | U/M | DESCRIPTION                  | VENDOR NO. |
|-----|---------------|-----|------------------------------|------------|
| 1   | 125242-01-765 | EA  | LINER/FOAMED-LOWER-LH-WHITE  | 619837     |
| 2   | 125242-01-704 | EA  | BUSHING-HINGE MIDDLE         | 618746     |
| 3   | 125242-02-701 | EA  | HANDLE(CONTOUR)TOP RH LWR LH | 621106     |
| 4   | 125242-02-722 | EA  | LATCH-STORAGE DR/BLK POINTED | 619374     |
| 5   | 125242-02-727 | EA  | FLAPPER ASM DOUBLE POLE      | 619845     |
| 6   | 125242-02-724 | EA  | HINGE - DOOR                 | 618792     |
| 7   | 125242-01-711 | EA  | DOOR BIN                     | 618765     |
| 8   | 125242-02-728 | EA  | RETAINER/PANEL - LOWER       | 621973     |
|     | 125242-01-736 | EA  | CONTACT-PROBE PIN            | 618886     |
|     | 125242-02-726 | EA  | DOOR ASM-LWR LH/WHITE GASKET | 621150     |

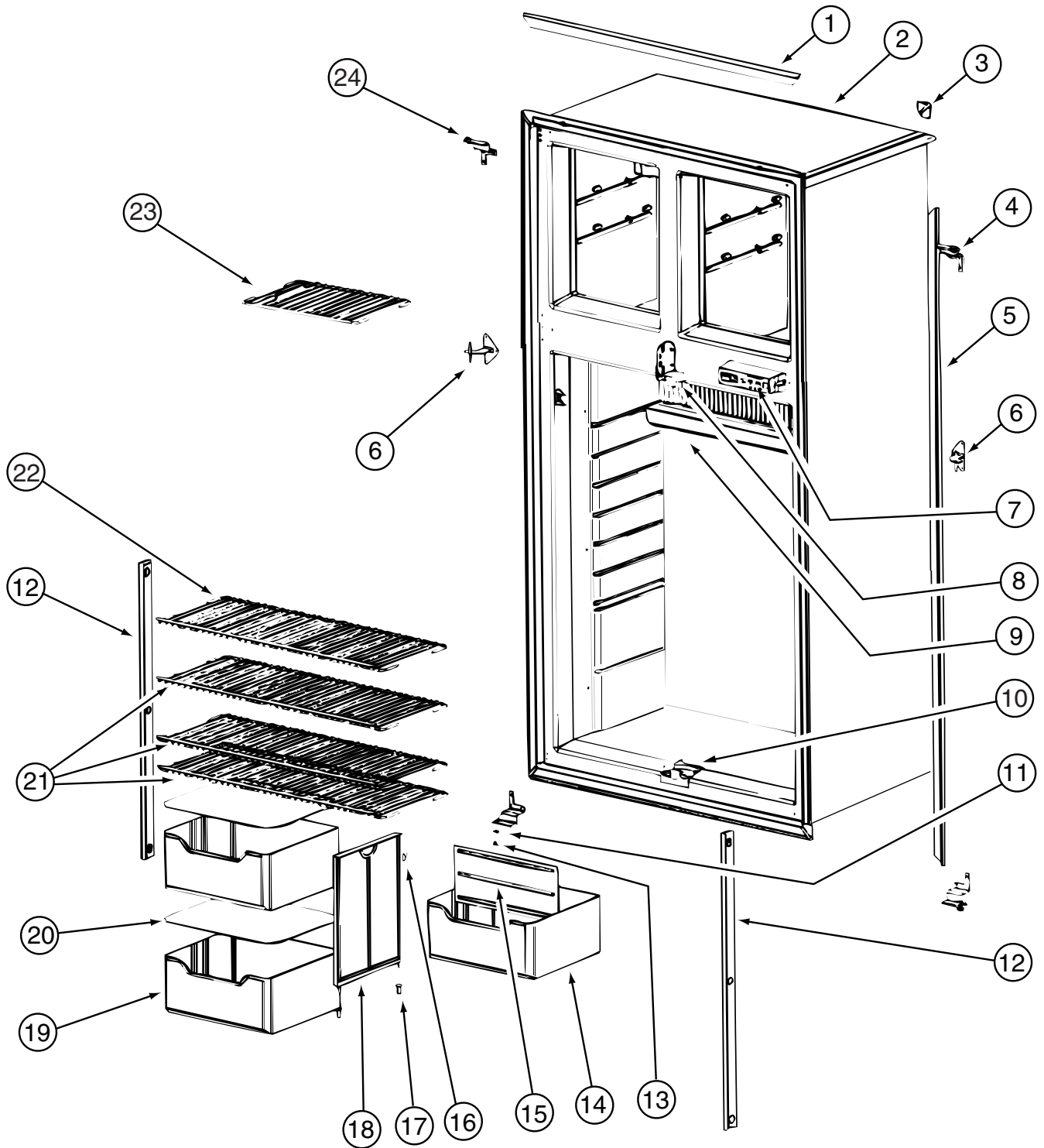
**APPLIANCE GROUP (CONTINUED)**  
**COMPONENTS PARTS FOR APPLIANCE (CONTINUED)**



**125242-02-01A (CONTINUED)**

| KEY | PART NUMBER   | U/M | DESCRIPTION                  | VENDOR NO. |
|-----|---------------|-----|------------------------------|------------|
| 1   | 125242-01-764 | EA  | LINER/FOAMED-LOWER/RH-WHITE  | 619838     |
| 2   | 125242-02-700 | EA  | HANDLE(CONTOUR)TOP LH BTM RH | 621107     |
| 3   | 125242-02-722 | EA  | LATCH-STORAGE DR/BLK POINTED | 619374     |
| 4   | 125242-01-704 | EA  | BUSHING-HINGE MIDDLE         | 618746     |
| 5   | 125242-02-728 | EA  | RETAINER/PANEL - LOWER       | 621973     |
| 6   | 125242-02-724 | EA  | HINGE - DOOR                 | 618792     |
| 7   | 125242-01-711 | EA  | DOOR BIN                     | 618765     |
|     | 125242-01-729 | EA  | FAN-EXTERNAL DC              | 618856     |
|     | 125242-02-716 | EA  | GUIDE ASM LWR(SER#540294 DN) | 620042     |
|     | 125242-02-717 | EA  | GUIDE ASM LWR(SER#540295 UP) | 620043     |

**APPLIANCE GROUP (CONTINUED)**  
**COMPONENTS PARTS FOR APPLIANCE (CONTINUED)**

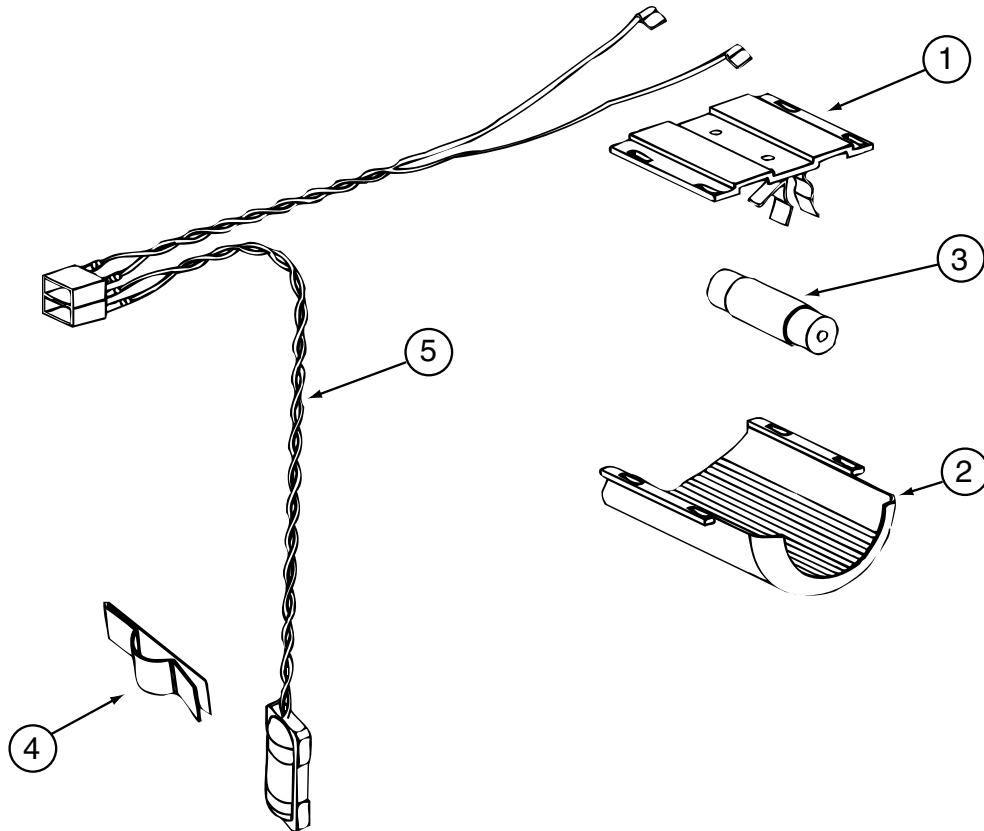


125242-02-01A (CONTINUED)

**APPLIANCE GROUP (CONTINUED)**  
**COMPONENTS PARTS FOR APPLIANCE (CONTINUED)**

**125242-02-01A (CONTINUED)**

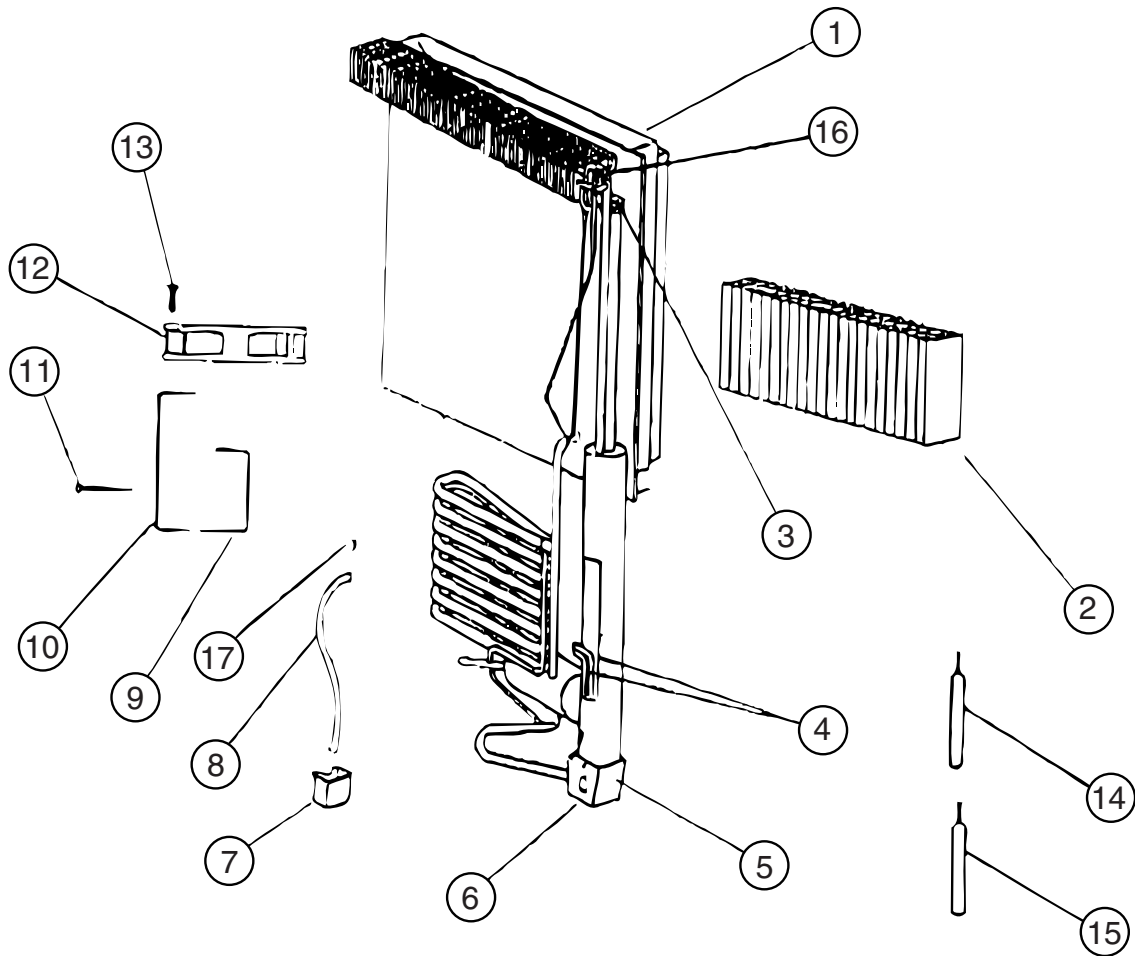
| KEY | PART NUMBER   | U/M | DESCRIPTION                    | VENDOR NO. |
|-----|---------------|-----|--------------------------------|------------|
| 1   | 125242-01-723 | EA  | TRIM-HORIZONTAL-FRT SNAP ON    | 618845     |
| 2   | 125242-01-748 | EA  | CABINET/FOAMED ASSEMBLY        | 618748     |
| 3   | 125242-01-722 | EA  | TRIM - CORNER                  | 618844     |
| 4   | 125242-01-715 | EA  | HINGE - TOP RH/BOTTOM LH       | 618798     |
| 5   | 125242-01-724 | EA  | RIM-LT/RT-FRT VERT SNAPON      | 618846     |
| 6   | 125242-01-713 | EA  | HINGE-MIDDLE (PAINTED)         | 618794     |
| 7   | 125242-02-704 | EA  | DISPLAY ASM (SER#832172) UP    | 621188     |
| 8   | 125242-01-751 | EA  | BLOCK - GUIDE - UPPER          | 618789     |
| 9   | 125242-01-712 | EA  | DRIP TRAY                      | 618774     |
| 10  | 125242-01-752 | EA  | BLOCK - GUIDE - LOWER          | 618788     |
| 11  | 120075-01-708 | EA  | BUSHING - DOOR HINGE           | 618144     |
| 12  | 120075-01-730 | EA  | RETAINER - SHELF(SER#926684 DN | 618181     |
| 13  | 120075-01-727 | EA  | PIN - HINGE                    | 618145     |
| 14  | 125242-01-734 | EA  | CRISPER/BOTTLE BIN             | 618878     |
| 15  | 125242-01-733 | EA  | DIVIDER - BOTTLE CRISPER       | 618877     |
| 16  | 125242-01-750 | EA  | CLIP                           | 61409622   |
| 17  | 113737-01-701 | EA  | BUSHING - HINGE                | 61742022   |
| 18  | 125242-01-749 | EA  | SUPPORT - WALL                 | 618840     |
| 19  | 125242-01-734 | EA  | CRISPER/BOTTLE BIN             | 618878     |
| 20  | 125242-01-706 | EA  | COVER - CRISPER                | 618757     |
| 21  | 125242-01-726 | EA  | SHELF - WIRE (LONG)            | 618848     |
| 22  | 125242-01-727 | EA  | SHELF - WIRE (SHORT)           | 618849     |
| 23  | 125242-01-725 | EA  | SHELF - FREEZER (WIRE)         | 618847     |
| 24  | 125242-01-714 | EA  | HINGE - TOP LH/BOTTOM RH       | 618796     |
|     | 125242-01-735 | EA  | SWITCH - DOOR LIGHT            | 618884     |



**125242-02-01A (CONTINUED)**

| KEY | PART NUMBER   | U/M | DESCRIPTION                  | VENDOR NO. |
|-----|---------------|-----|------------------------------|------------|
| 1   | 084880-03-705 | EA  | BRACKET - LIGHT - INTERIOR   | 61629722   |
| 2   | 120075-01-734 | EA  | COVER - LENS                 | 618190     |
| 3   | 084880-03-706 | EA  | BULB - LAMP                  | 61628922   |
| 4   | 084880-01-760 | EA  | CLIP (THERMISTER)            | 61689122   |
| 5   | 120075-01-735 | EA  | THERMISTER W/LAMP & WIRE/ASM | 618548     |

**APPLIANCE GROUP (CONTINUED)**  
**COMPONENTS PARTS FOR APPLIANCE (CONTINUED)**

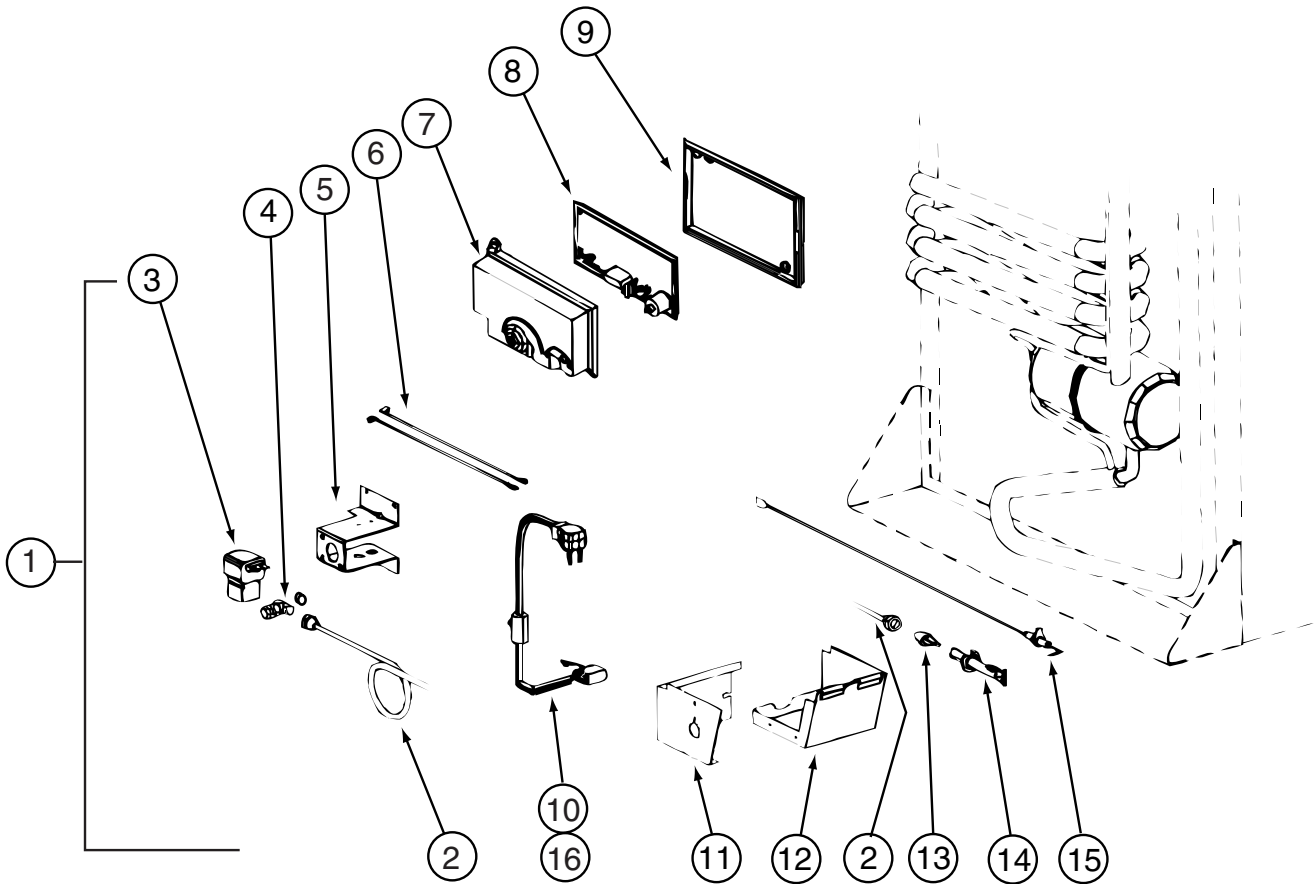


**125242-02-01A (CONTINUED)**

| KEY | PART NUMBER   | U/M | DESCRIPTION             | VENDOR NO. |
|-----|---------------|-----|-------------------------|------------|
| 1   | 125242-01-746 | EA  | COOLING UNIT - 1200     | 618964     |
| 4   | 125242-01-732 | EA  | HEATER AC - 225W/110VAC | 618872     |
| 5   | 125242-01-739 | EA  | BASE-BURNER BOX         | 618902     |
| 6   | 125242-01-740 | EA  | COVER-BURNER BOX        | 618910     |
| 9   | 125242-01-730 | EA  | BRACKET-DC FAN          | 618857     |
| 10  | 125242-01-741 | EA  | SUPPORT-DC FAN          | 618912     |
| 12  | 125242-01-729 | EA  | FAN-EXTERNAL DC         | 618856     |
| 16  | 113737-01-754 | EA  | THERMOSTAT (FAN 12V DC) | 618093     |

CONTACT WINNEBAGO PART SALES FOR UNLISTED COMPONENTS

**APPLIANCE GROUP (CONTINUED)**  
**COMPONENTS PARTS FOR APPLIANCE (CONTINUED)**

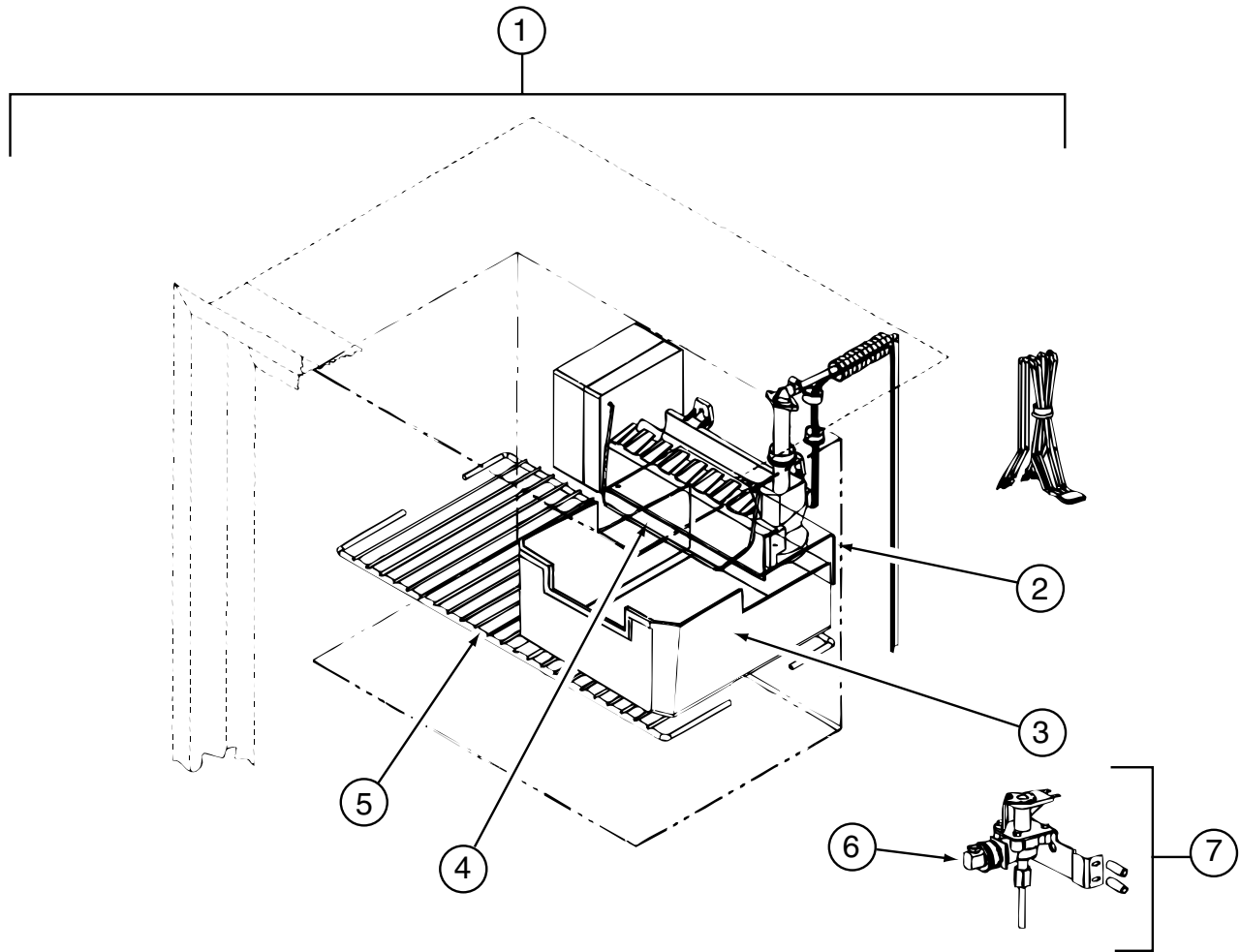


**125242-02-01A (CONTINUED)**

| KEY | PART NUMBER   | U/M | DESCRIPTION                 | VENDOR NO. |
|-----|---------------|-----|-----------------------------|------------|
| 1   | 125242-01-753 | EA  | KIT - GAS VALVE/BURNER TUBE | 620610     |
| 2   | 125242-01-744 | EA  | BURNER TUBE                 | 618937     |
| 4   | 113737-01-716 | EA  | TAP-PRESSURE                | 61594422   |
| 7   | 120075-01-738 | EA  | COVER-POWER BOARD           | 618185     |
| 8   | 125242-02-703 | EA  | POWER BOARD                 | 621271     |
| 9   | 120075-01-740 | EA  | COVER-BASE, POWER BOARD     | 618186     |
| 11  | 125242-01-739 | EA  | BASE-BURNER BOX             | 618902     |
| 12  | 125242-01-740 | EA  | COVER-BURNER BOX            | 618910     |
| 13  | 125242-01-717 | EA  | ORIFICE-JEWELED             | 618814     |
| 14  | 125242-01-743 | EA  | BURNER - 8 SLOT             | 618932     |
| 15  | 104137-06-715 | EA  | ELECTRODE-SPARK/SENSOR, SGL | 61692222   |

CONTACT WINNEBAGO PART SALES FOR UNLISTED COMPONENTS

**APPLIANCE GROUP (CONTINUED)**  
**COMPONENTS PARTS FOR APPLIANCE (CONTINUED)**



**125242-02-01A (CONTINUED)**

| KEY | PART NUMBER   | U/M | DESCRIPTION                    | VENDOR NO. |
|-----|---------------|-----|--------------------------------|------------|
| 1   | 094039-07-706 | EA  | ICE MAKER W/O PLATES           | 61656522   |
| 2   | 125242-01-737 | EA  | BRACKET - MOUNTING (ICE MAKER) | 618894     |
| 3   | 125242-01-716 | EA  | ICE BIN                        | 618803     |
| 4   | 120075-03-703 | EA  | ARM - SHUT OFF                 | 61656922   |
| 5   | 125242-01-725 | EA  | SHELF - FREEZER (WIRE)         | 618847     |
| 6   | 120075-03-702 | EA  | NUT/COMPRESSION - FITTING      | 61678722   |
| 7   | 120075-03-701 | EA  | VALVE - WATER - W/BRACKET      | 618523     |

**126019-01-01A**

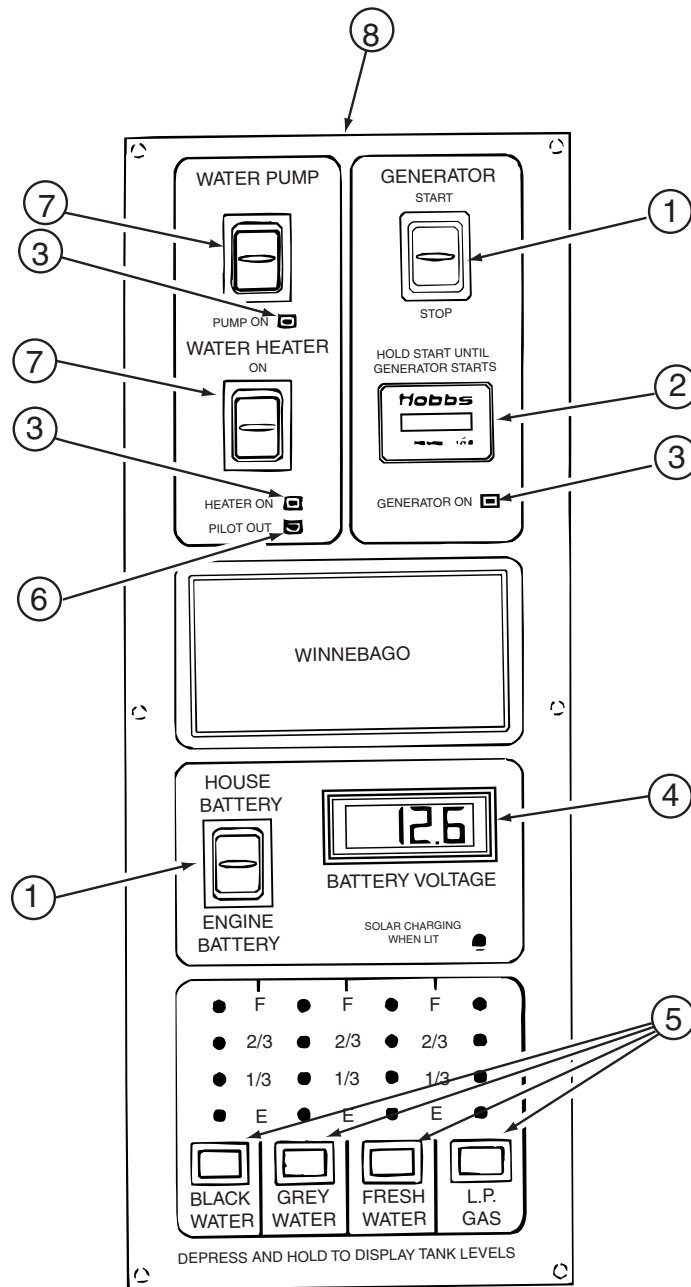
| KEY | PART NUMBER   | U/M | DESCRIPTION         | VENDOR NO. |
|-----|---------------|-----|---------------------|------------|
|     | 126019-01-700 | EA  | GLASS CARAFE        | 172547-00  |
|     | 126019-01-701 | EA  | RESERVOIR- WATER    | 172554     |
|     | 126019-01-702 | EA  | BASKET - FILTER     | 172553-00  |
|     | 126019-01-703 | EA  | HARDWARE - MOUNTING | 172174-00  |

**126022-01-01A, 126022-02-01A, 126022-03-01A**

| KEY | PART NUMBER   | U/M | DESCRIPTION                  | VENDOR NO.        |
|-----|---------------|-----|------------------------------|-------------------|
|     | 114030-01-707 | EA  | PLUG BUTTON BLACK            | 74002628          |
|     | 126022-01-700 | EA  | BUMPER - RANGE BIFOLD COVER  | MAGIC 8003P007-60 |
|     | 126022-01-701 | EA  | HINGE-RANGE BIFOLD COVER-22" | MAGIC 3418F067-34 |



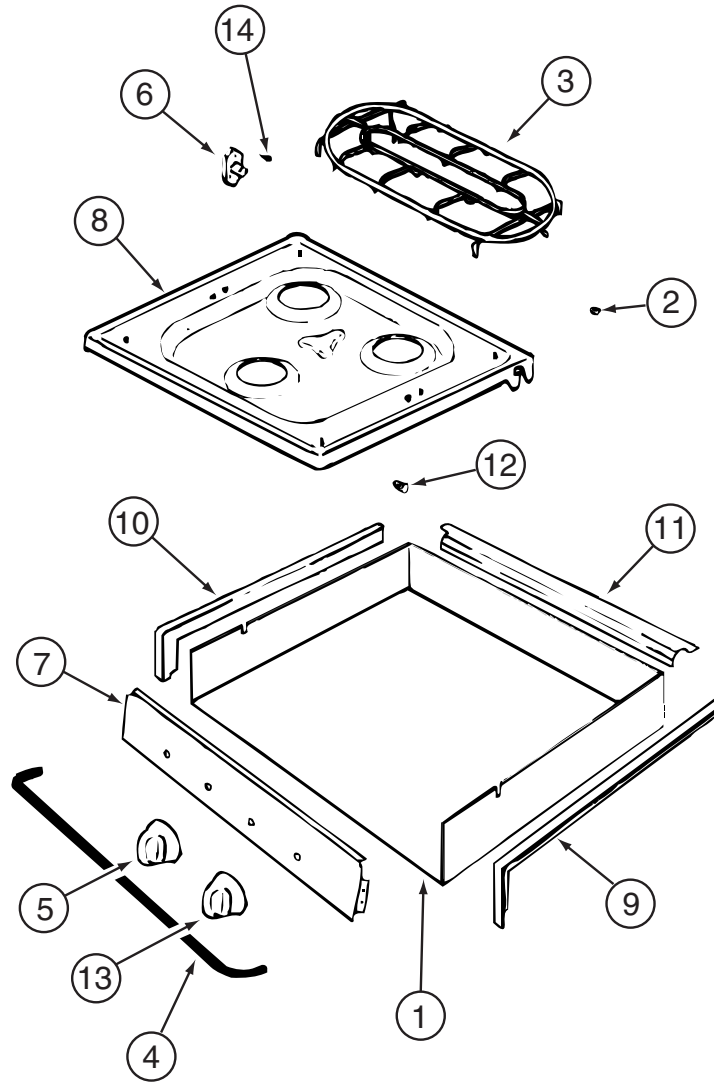
**APPLIANCE GROUP (CONTINUED)**  
**COMPONENTS PARTS FOR APPLIANCE (CONTINUED)**



**133004-02-01A**

| KEY | PART NUMBER   | U/M | DESCRIPTION                  | VENDOR NO. |
|-----|---------------|-----|------------------------------|------------|
| 1   | 133004-01-702 | EA  | SWITCH/DPDT MOM=ON-OFF-ON    | L1011-00   |
| 2   | 100258-10-701 | EA  | GAUGE-HR METER ONLY (LCD)    | L0775-00   |
| 3   | 133004-01-706 | EA  | L.E.D. GREEN-PANEL MOUNT     | L0785      |
| 4   | 133004-01-704 | EA  | METER/VOLT-DIGITAL - LCD     | L1008-00   |
| 5   | 133004-01-705 | EA  | SWITCH/MOM ON - PUSH BUTTON  | L0950-00   |
| 6   | 133004-01-703 | EA  | L.E.D. RED-PANEL MOUNT       | L1009-00   |
| 7   | 133004-01-701 | EA  | SWITCH/DPDT ON-ON/MAINTAINED | L1025-00   |
| 8   | 133004-02-701 | EA  | SCREENED - CHASSIS           | CC0547-00  |
|     | 133004-02-700 | EA  | BOARD - PC                   | L5113-03   |

**APPLIANCE GROUP (CONTINUED)**  
**COMPONENTS PARTS FOR APPLIANCE (CONTINUED)**

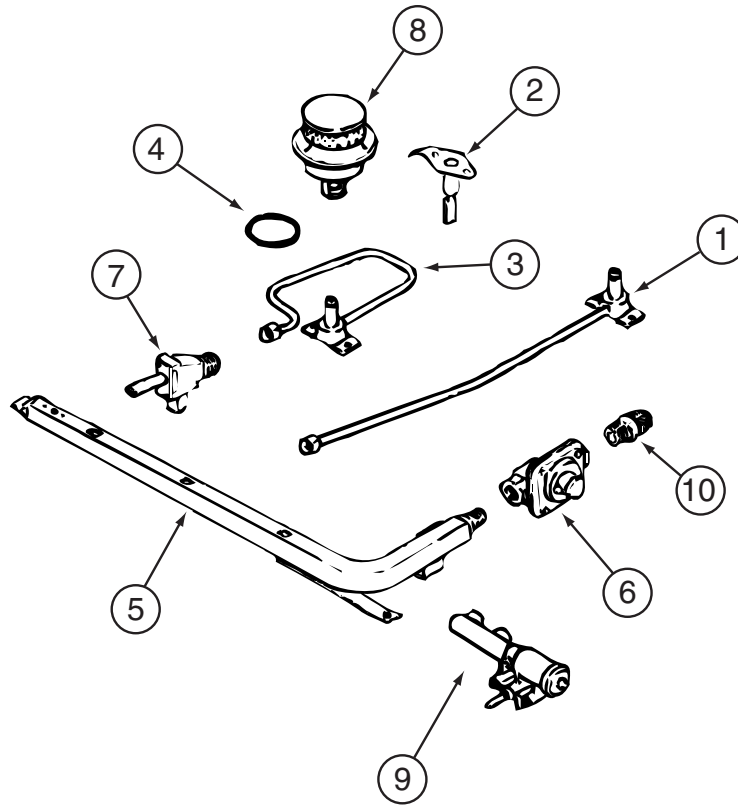


135065-01-01A, 135065-01-02A, 135065-02-01A

| KEY | PART NUMBER   | U/M | DESCRIPTION                 | VENDOR NO.   |
|-----|---------------|-----|-----------------------------|--------------|
| 2   | 102020-01-709 | EA  | BUMPER-GRATE                | 8007-P020-60 |
| 3   | 128728-01-700 | EA  | GRATE - BURNER              | 74003948     |
| 4   | 114030-02-700 | EA  | GUARD/FABRIC - TOWEL BAR    | 3609F006-70  |
| 5   | 112881-01-705 | EA  | KNOB-TOP BURNER             | 7733P072-60  |
| 5   | 112881-01-718 | EA  | KNOB - TOP BURNER HI-OUTPUT | 74001794     |
| 6   | 128728-01-703 | EA  | PIN/T-NUT F/HINGE           | 7103P109-60  |
| 7   | 135065-01-700 | EA  | PANEL/MANIFOLD              | 74003354     |
| 8   | 128728-01-705 | EA  | TOP - MAIN - BLACK          | 74003928     |
| 8   | 135066-01-700 | EA  | TOP - MAIN - BISQUE         | 74005332     |
| 9   | 114030-01-704 | EA  | TRIM - RIGHT/BLACK TEXTURED | 74002839     |
| 10  | 114030-01-705 | EA  | TRIM - LEFT/BLACK TEXTURED  | 74002840     |
| 11  | 114030-01-706 | EA  | TRIM - REAR/BLACK TEXTURED  | 74002841     |
| 12  | 102020-01-724 | EA  | BUMPER-MAIN TOP             | 8003P008-60  |
| 13  | 126023-01-720 | EA  | KNOB - IGNITER              | 74002414     |

CONTACT WINNEBAGO PART SALES FOR UNLISTED COMPONENTS

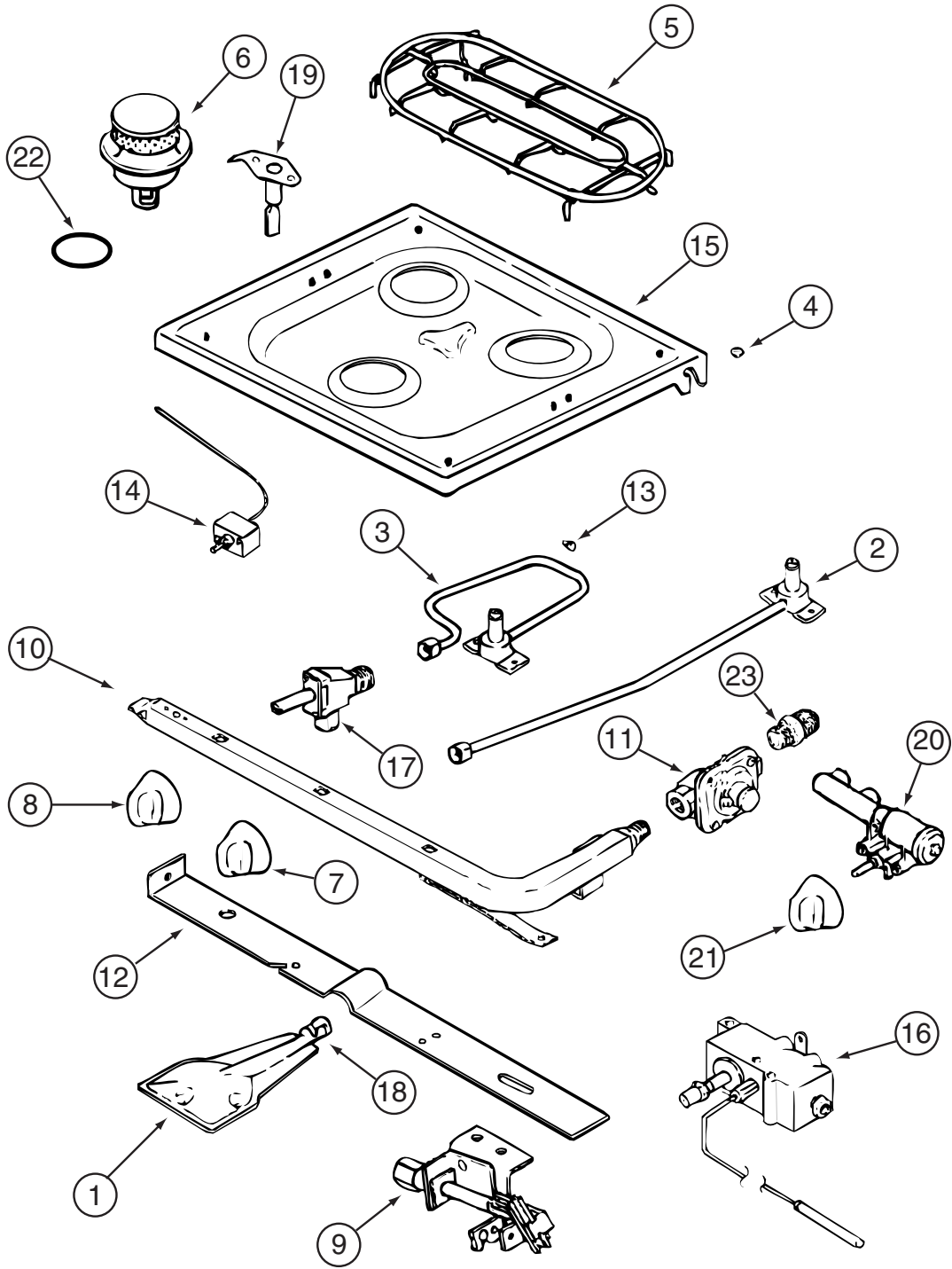
**APPLIANCE GROUP (CONTINUED)**  
**COMPONENTS PARTS FOR APPLIANCE (CONTINUED)**



**135065-01-01A, 135065-01-02A, 135065-02-01A (CONTINUED)**

| KEY | PART NUMBER   | U/M | DESCRIPTION                  | VENDOR NO. |
|-----|---------------|-----|------------------------------|------------|
| 1   | 128728-01-708 | EA  | FITTING W/ORFICE/TUBE - REAR | 74003931   |
| 2   | 135065-01-701 | EA  | IGNITOR/PORCELAIN-TOP BURNER | 74004053   |
| 3   | 128728-01-710 | EA  | FITTING W/ORFICE/TUBE - FRT  | 74003930   |
| 4   | 128728-01-711 | EA  | GASKET - BURNER              | 74002745   |
| 5   | 135065-01-702 | EA  | PIPE/MANIFOLD                | 74004642   |
| 6   | 126023-02-703 | EA  | REGULATOR - PRESSURE         | 74004235   |
| 7   | 135065-01-703 | EA  | VALVE/BURNER - REAR          | 74004643   |
| 7   | 135065-01-704 | EA  | VALVE/BURNER-FRT-HI          | 74004644   |
| 8   | 135065-01-705 | EA  | BURNER/SEALED ASSEMBLY       | 12001497   |
| 9   | 128728-01-716 | EA  | BURNER - IGNITOR             | 74003946   |
| 9   | 128728-01-717 | EA  | WIRES - IGNITOR              | 74003947   |

**APPLIANCE GROUP (CONTINUED)**  
**COMPONENTS PARTS FOR APPLIANCE (CONTINUED)**



135066-02-01A

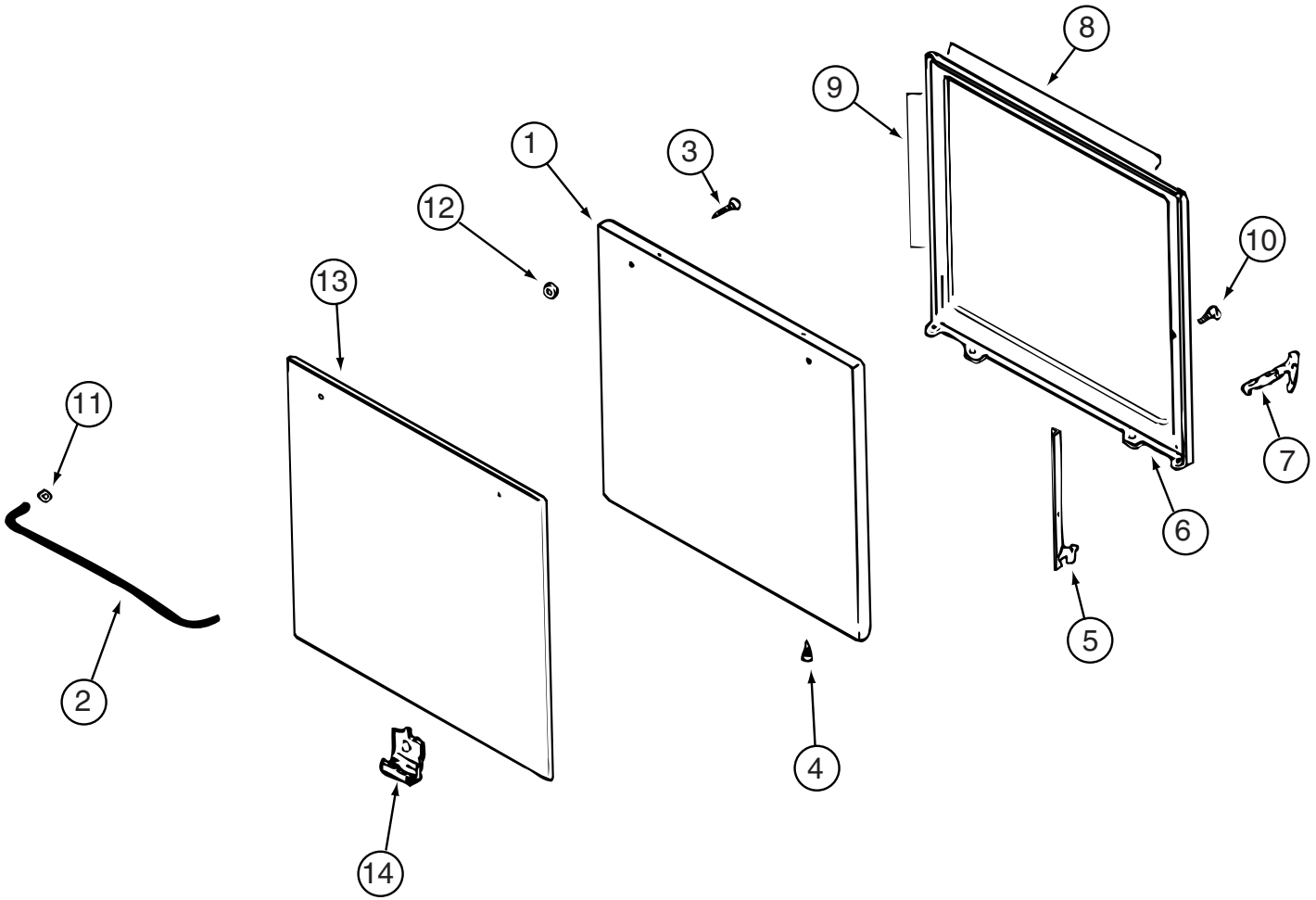
**APPLIANCE GROUP (CONTINUED)**  
**COMPONENTS PARTS FOR APPLIANCE (CONTINUED)**

**135066-02-01A (CONTINUED)**

| <b>KEY</b> | <b>PART NUMBER</b> | <b>U/M</b> | <b>DESCRIPTION</b>           | <b>VENDOR NO.</b> |
|------------|--------------------|------------|------------------------------|-------------------|
| 1          | 126023-01-717      | EA         | BURNER - OVEN                | 74003343          |
| 2          | 128728-01-708      | EA         | FITTING W/ORFICE/TUBE - REAR | 74003931          |
| 3          | 128728-01-710      | EA         | FITTING W/ORFICE/TUBE - FRT  | 74003930          |
| 4          | 102020-01-709      | EA         | BUMPER-GRATE                 | 8007-P020-60      |
| 5          | 128728-01-700      | EA         | GRATE - BURNER               | 74003948          |
| 6          | 135065-01-705      | EA         | BURNER/SEALED ASSEMBLY       | 12001497          |
| 7          | 112881-01-705      | EA         | KNOB-TOP BURNER              | 7733P072-60       |
| 7          | 112881-01-718      | EA         | KNOB - TOP BURNER HI-OUTPUT  | 74001794          |
| 8          | 135656-01-700      | EA         | KNOB/THERMOSTAT              | 74002529          |
| 9          | 126023-02-701      | EA         | PILOT - OVEN                 | 74004586          |
| 10         | 126023-02-702      | EA         | PIPE - MANIFOLD              | 74004360          |
| 11         | 135066-02-700      | EA         | REGULATOR - PRESSURE         | 74004236          |
| 13         | 102020-01-724      | EA         | BUMPER-MAIN TOP              | 8003P008-60       |
| 14         | 126023-01-734      | EA         | THERMOSTAT/OVEN SERIES #11   | 74006332          |
| 15         | 128728-01-705      | EA         | TOP - MAIN - BLACK           | 74003928          |
| 16         | 126023-02-704      | EA         | VALVE/OVEN - MERCURY         | 74004585          |
| 17         | 135065-01-703      | EA         | VALVE/BURNER - REAR          | 74004643          |
| 17         | 135065-01-704      | EA         | VALVE/BURNER-FRT-HI          | 74004644          |
| 18         | 135656-01-701      | EA         | MIXER/AIR                    | 3411F003-34       |
| 19         | 135065-01-701      | EA         | IGNITOR/PORCELAIN-TOP BURNER | 74004053          |
| 20         | 128728-01-716      | EA         | BURNER - IGNITOR             | 74003946          |
| 20         | 128728-01-717      | EA         | WIRES - IGNITOR              | 74003947          |
| 21         | 126023-01-720      | EA         | KNOB - IGNITER               | 74002414          |

CONTACT WINNEBAGO PART SALES FOR UNLISTED COMPONENTS

**APPLIANCE GROUP (CONTINUED)**  
**COMPONENTS PARTS FOR APPLIANCE (CONTINUED)**

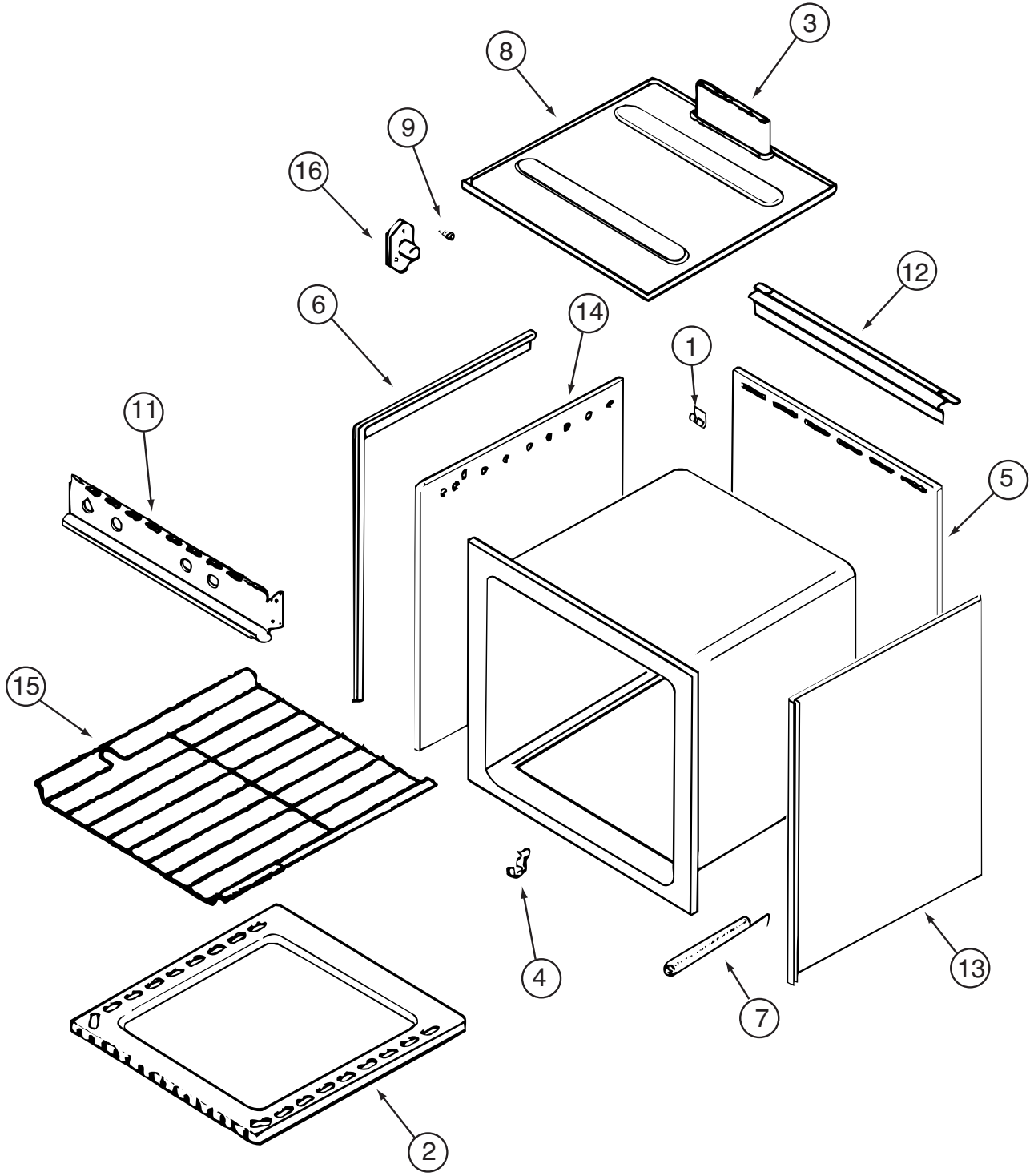


**135066-01-01A, 135066-01-02A, 135066-02-01A (CONTINUED)**

| KEY | PART NUMBER   | U/M | DESCRIPTION              | VENDOR NO.  |
|-----|---------------|-----|--------------------------|-------------|
| 1   | 126023-01-712 | EA  | PANEL - DOOR (BLACK)     | 74001190    |
| 2   | 102020-01-701 | EA  | HANDLE,DOOR              | 7701P092-60 |
| 8   | 126023-01-732 | EA  | SEAL/OVEN DR TOP         | 7212P014-60 |
| 9   | 126023-01-733 | EA  | SEAL/OVEN DR SIDES(2PCS) | 7212P038-60 |
| 13  | 102020-01-725 | EA  | GLASS OUTER              | 7902P266-60 |

CONTACT WINNEBAGO PART SALES FOR UNLISTED COMPONENTS

**APPLIANCE GROUP (CONTINUED)**  
**COMPONENTS PARTS FOR APPLIANCE (CONTINUED)**



**135066-01-01A, 135066-01-02A, 135066-02-01A (CONTINUED)**

| KEY | PART NUMBER   | U/M | DESCRIPTION         | VENDOR NO.  |
|-----|---------------|-----|---------------------|-------------|
| 1   | 112881-03-702 | EA  | CLIP - MAIN TOP     | 74003998    |
| 2   | 126023-01-731 | EA  | BOTTOM - OVEN       | 2205F016-19 |
| 3   | 126023-01-718 | EA  | FLUE BOX ASSEMBLY   | 4006W075-80 |
| 6   | 126023-01-713 | EA  | TRIM - SIDE (RIGHT) | 74002827    |
| 6   | 126023-01-714 | EA  | TRIM - SIDE (LEFT)  | 74002828    |
| 11  | 126023-01-729 | EA  | PANEL - MANIFOLD    | 74003351    |
| 15  | 126023-01-716 | EA  | RACK - OVEN         | 74003106    |

CONTACT WINNEBAGO PART SALES FOR UNLISTED COMPONENTS

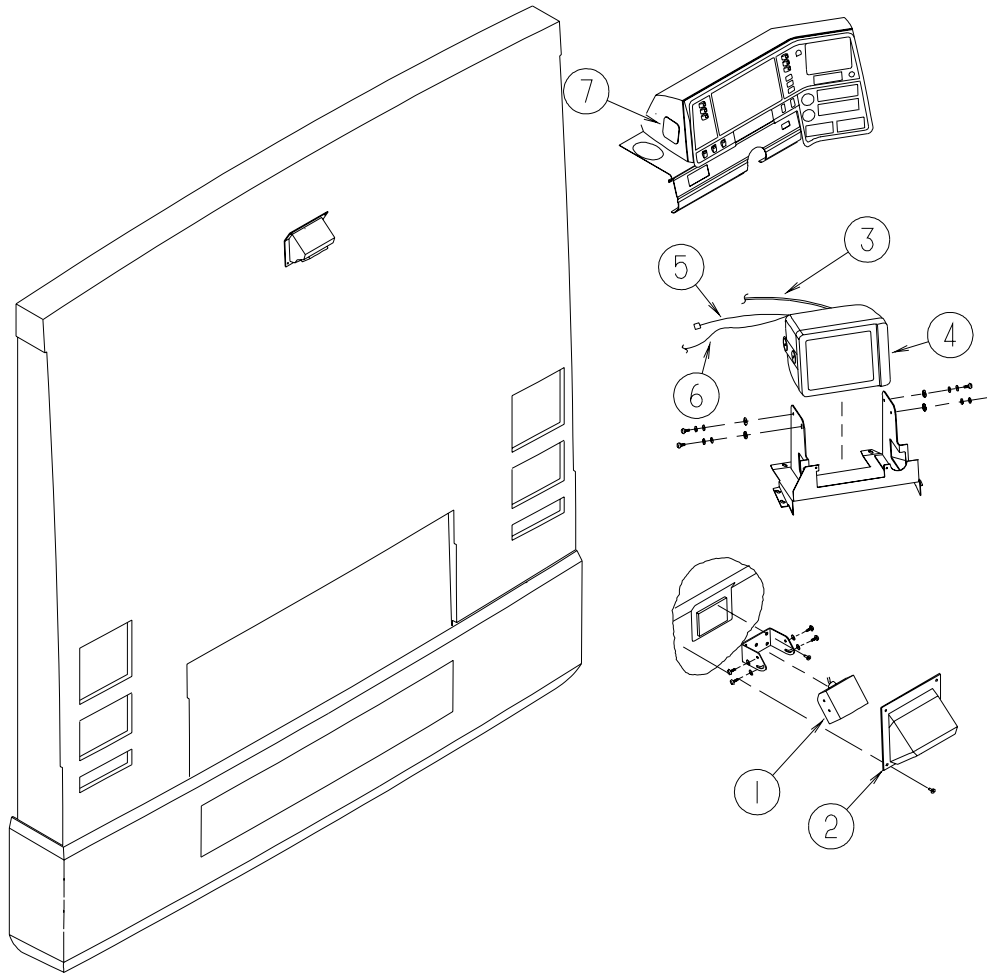
**AUDIO VIDEO GROUP**  
**RADIO SYSTEM**

| KEY | PART NUMBER   | U/M | DESCRIPTION   |
|-----|---------------|-----|---|
|     | 133307-01-000 | EA  | RADIO - WALL MOUNT - CASSETTE W/ALARM - AUDIOVOX AWM-820 - REAR STEREO                                    |
|     | 133307-02-000 | EA  | RADIO - WALL MOUNT - CD W/ALARM - AUDIOVOX AWN-930 - REAR STEREO W/CD                                     |
|     | 125322-02-000 | EA  | RADIO-AM/FM STEREO/CASSETTE-AUDIOVOX-MS-306-EXT ENT W/CASS - EXT. ENTERTAINMENT                           |
|     | 127517-10-000 | EA  | RADIO - AM/FM STEREO/CD PLAYER - CDX-L250 - EXT. ENTERTAINMENT W/CD<br>FROM: 00-00-00THRU: 02-10-02       |
|     | 127517-11-000 | EA  | RADIO - AM/FM STEREO/CD PLAYER - SONY CDX-L300 - EXT. ENTERTAINMENT W/CD<br>FROM: 02-11-02 THRU: 06-02-02 |
|     | 143509-01-000 | EA  | RADIO - AM/FM CD - W/REMOTE - JENSEN CD3010X-W - EXT. ENTERTAINMENT W/CD<br>FROM: 06-03-02 THRU: 99-99-99 |
|     | 135420-01-000 | EA  | RADIO - AM/FM CASSETTE/CD COMBO - M9900 - 7.2" X 3.3" R.O. - DASH   |
|     | 135420-07-000 | EA  | RADIO - MOUNTING KIT - A-BODY - DASH  |
|     | 141679-02-000 | EA  | RADIO/BATTERY KIT - TWO WAY (4 RADIOS/8 BATTERIES) - TWO WAY RADIO  |
|     | 141679-01-000 | EA  | CHARGING STATION ONLY - F/TWO WAY RADIO SYSTEM - TWO WAY RADIO  |
|     | 124881-02-000 | EA  | AMPLIFIER - AUDIO - MTS Q SURROUND - ORANGE LABEL (LATEST) - DELUXE SOUND                                 |
|     | 133089-01-000 | EA  | CONTROL - VOLUME - SPEAKER - W/O DELUXE SOUND   |
|     | 110469-01-000 | EA  | SPEAKER - 4" X 6" OVAL - COAXIAL - EXT. ENTERTAINMENT   |
|     | 124883-02-000 | EA  | SPEAKER - CUBE - W/BRACKET - DELUXE SOUND   |
|     | 124884-01-000 | EA  | SPEAKER - 6" X 9" - SUB-WOOFER - DELUXE SOUND   |
|     | 124883-03-000 | EA  | CUBE/SPEAKER - W/O CASE - DELUXE SOUND - P36GD ONLY   |
|     | 124883-04-000 | EA  | GRILLE/SPEAKER - F/CUBE - DELUXE SOUND - P36GD ONLY   |
|     | 094097-01-000 | EA  | SPEAKER - RADIO/TV - W/O GRILLE - 5.25" DIAMETER - W/O DELUXE SOUND                                       |
|     | 110470-01-01A | EA  | GRILLE - 4" X 6" OVAL SPEAKER - BLACK - EXT. ENTERTAINMENT  |
|     | 124885-01-000 | EA  | GRILLE - SPEAKER - 6" X 9" - SUB-WOOFER - DELUXE SOUND  |
|     | 089340-02-000 | EA  | GRILLE - SPEAKER - 6.5" SQUARE - W/O DELUXE SOUND   |
|     | 123256-01-000 | EA  | ANTENNA - CB - W/O CABLE - CB RADIO   |
|     | 123256-02-000 | EA  | CABLE - CB - COAX - CB RADIO  |
|     | 090944-01-000 | EA  | ANTENNA - RADIO - 16" RUBBER - W/72" LEAD WIRE<br>FROM: 00-00-00 THRU: 01-05-03                           |
|     | 090944-02-000 | EA  | ANTENNA - RADIO - 16" RUBBER - W/O LEAD WIRE<br>FROM: 01-06-03 THRU: 99-99-99                             |
|     | 090944-03-000 | EA  | CABLE - ANTENNA<br>FROM: 01-06-03 THRU: 99-99-99  |
|     | 108847-01-000 | EA  | BRACKET - ANTENNA GROUND  |
|     | 109889-04-000 | EA  | EXTENDER - ANTENNA SHAFT - 3.7"   |
|     | 077069-02-000 | EA  | CABLE/EXTENSION - RADIO ANTENNA - 96"<br>FROM: 00-00-00 THRU: 05-23-02                                    |
|     | 077069-03-000 | EA  | CABLE/EXTENSION - RADIO ANTENNA - 260"<br>FROM: 05-24-02 THRU: 99-99-99                                   |
|     | 102080-17-000 | EA  | CHANGER - COMPACT DISC - SONY CDX-555RF - CD CHANGER  |
|     | 102080-18-000 | EA  | CHANGER - CONTROL/FM MODULE & REMOTE - SONY CDX-555RF KIT - CD CHANGER                                    |



## AUDIO VIDEO GROUP (CONTINUED)

### REAR VIEW MONITOR



| KEY | PART NUMBER   | U/M | DESCRIPTION                                     |
|-----|---------------|-----|---|
| 1   | 143363-02-000 | EA  | CAMERA/REAR - COLOR - W/BRACKET - SONY VCB-MHD1 |
| 2   | 123281-01-01A | EA  | SHROUD - CAMERA/OUTER - BRIGHT WHITE            |
| 3   | 143363-03-000 | EA  | CABLE - MONITOR/CAMERA - COLOR - SONY VCB-MHC20 |
| 4   | 143363-01-000 | EA  | MONITOR/REAR - COLOR - W/BRACKET - SONY VCB-MH1 |
| 5   | 143545-01-000 | EA  | WIRE ASSEMBLY - REAR MONITOR                    |
| 6   | 114870-01-000 | EA  | PLUG - AUDIO W/LEADS - 48.5"                    |
| 7   | 093214-01-03A | EA  | GRILLE - SPEAKER - 4" - GLACIER                 |
| 7   | 098819-01-000 | EA  | SPEAKER - 4" - 2 WATT - 8 OHM                   |

### TELEPHONE

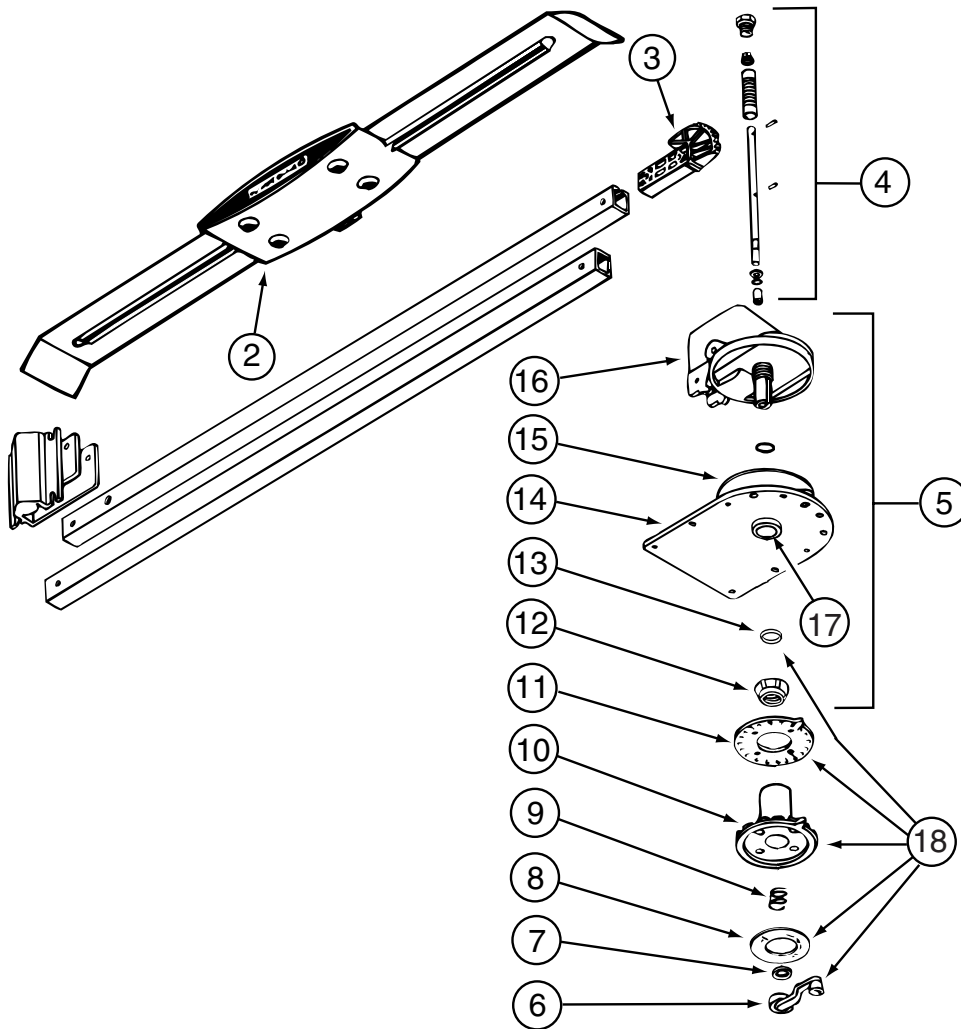
| KEY | PART NUMBER   | U/M | DESCRIPTION                           |
|-----|---------------|-----|---------------------------------------|
|     | 093253-01-02A | EA  | PLATE - WALL - TELEPHONE - BROWN      |
|     | 093253-01-03A | EA  | PLATE - WALL - TELEPHONE - WHITE      |
|     | 130686-01-01A | EA  | PLATE - WALL - TELEPHONE/COAX - WHITE |

**AUDIO VIDEO GROUP (CONTINUED)**  
TV & VCR

| KEY | PART NUMBER   | U/M | DESCRIPTION   |
|-----|---------------|-----|---|
|     | 146396-01-000 | EA  | DVD/VCR - COMBINATION PLAYER                                  |
|     | 136860-01-000 | EA  | CABLE - RCA - #3 MALE TO #12F MALE CONNECTOR - SURROUND SOUND |
|     | 123324-01-000 | EA  | FILTER - GROUND LOOP - SURROUND SOUND                         |
|     | 115540-01-000 | EA  | AMPLIFIER - TV SPEAKERS                                       |
|     | 086756-01-000 | EA  | SPLITTER - TV/2 WAY   |
|     | 142258-01-000 | EA  | SWITCH - VIDEO/ANTENNA POWER SUPPLY - VIDEO SELECTION SYSTEM  |
| *   | 126696-07-000 | EA  | TV - 19" COLOR - W/O 1/8" JACK - UL/CSA - GE 19GT243          |
| *   | 146299-01-000 | EA  | TV - 24" STEREO W/5 JACKS - SONY 24FS100                      |
|     | 082134-01-000 | EA  | ADAPTER - TV - CABLE TO CABLE                                 |
|     | 082136-01-000 | EA  | NUT - HEX JAM - 3/8-32  |
|     | 134006-01-03B | EA  | PLATE - COAXIAL CABLE/OFF WHITE                               |
|     | 076319-09-000 | EA  | WALLPLATE - CABLE RECEPTACLE - TV - SINGLE - BROWN            |
|     | 137135-03-000 | EA  | WIRE LOOM - DIGITAL ELEVATION SENSOR                          |
|     | 137135-04-000 | EA  | WIRE HARNESS - POWER - DIGITAL ELEVATION SENSOR               |
|     | 145171-01-000 | EA  | CONNECTOR - COAXIAL   |
| *   | 076319-23-000 | EA  | ANTENNA - TV ROOF MOUNT - 44.5" MAST                          |
| *   | 076319-25-000 | EA  | KIT - HARDWARE INTERIOR                                       |
| *   | 137135-02-000 | EA  | ANTENNA - SATELLITE DSS - W/SENSOR                            |
| *   | 141454-01-01A | EA  | ANTENNA - SATELLITE - AUTOMATIC                               |
|     | 144377-01-000 | EA  | ANTENNA - SATELLITE - IN MOTION                               |
|     | 120233-03-000 | EA  | CERTIFICATE - SATELLITE RECEIVER                              |

\*COMPONENT PARTS LISTED LATER IN THIS GROUP

**AUDIO VIDEO GROUP (CONTINUED)**  
**COMPONENT PARTS FOR TV & VCR**



**076319-23-000**

| KEY | PART NUMBER   | U/M | DESCRIPTION             | VENDOR NO. |
|-----|---------------|-----|-------------------------|------------|
| 2   | 076319-01-700 | EA  | HEAD-ANTENNA, AMPLIFIED | RVSA U/V   |
| 3   | 076319-01-701 | EA  | GEAR-ELEVATING, PLASTIC | 2200046    |
| 4   | 076319-01-702 | EA  | SHAFT ASM-ELEVATING     | RP-4000    |
| 5   | 076319-01-711 | EA  | BASE & LIFT ASM         | 2762802    |
| 7   | 076319-01-705 | EA  | GROMMET-NYLON, 7/8"ID   | 3200658    |
| 8   | 076319-01-708 | EA  | DECAL-CRANK             | 5413002    |
| 9   | 076319-01-707 | EA  | SPRING-HANDLE           | 2160822    |
| 11  | 076319-01-712 | EA  | PLATE - CEILING         | 3200608    |
| 12  | 076319-01-715 | EA  | NUT (GEAR HOUSING)      | 2200047    |
| 14  | 076319-01-713 | EA  | BASE-PLATE, STEEL       | 3100523    |
| 15  | 076319-01-703 | EA  | BEARING-NYLON, 5"OD     | 3200656    |
| 16  | 076319-01-714 | EA  | HOUSING, ROTATING GEAR  | 2200049    |
|     | 076319-01-716 | EA  | TUBING, ELEVATING       | RP-2900    |
| 17  | 076319-01-704 | EA  | BEARING-NYLON, 1.25"OD  | 3200657    |

CONTACT WINNEBAGO PART SALES FOR UNLISTED COMPONENT

**076319-25-000**

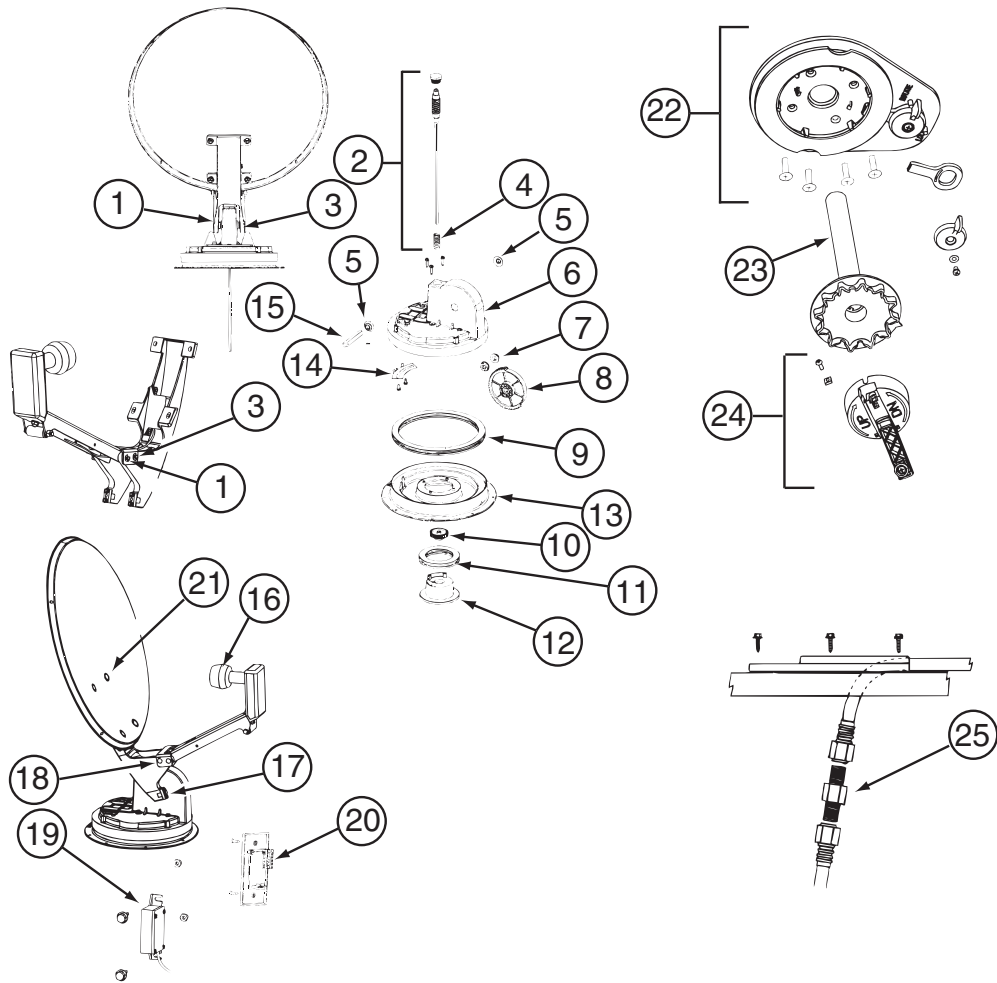
| KEY | PART NUMBER   | U/M | DESCRIPTION                  | VENDOR NO. |
|-----|---------------|-----|------------------------------|------------|
| 6   | 076319-01-706 | EA  | CRANK-W/SET SCREW UNIV/BEIGE | 2750897    |
| 6   | 120233-01-710 | EA  | HANDLE-CRANK W/SCREW - WHITE | RP-6795    |
| 8   | 076319-01-708 | EA  | DECAL-CRANK                  | 5413002    |
| 10  | 076319-25-700 | EA  | DIRECTIONAL HANDLE(WHITE)    | 3200612    |
| 11  | 076319-25-701 | EA  | PLATE - CEILING(WHITE)       | 3200609    |
| 13  | 120233-01-709 | EA  | WASHER-NYLON                 | RP-2658    |

CONTACT WINNEBAGO PART SALES FOR UNLISTED COMPONENTS

**AUDIO VIDEO GROUP (CONTINUED)**  
**COMPONENT PARTS FOR TV & VCR (CONTINUED)**

|            |                    |                        |  |                   |
|------------|--------------------|------------------------|--|-------------------|
|            |                    |                        | <b>124073-11-000</b>                     |                   |
| <b>KEY</b> | <b>PART NUMBER</b> | <b>U/M DESCRIPTION</b> |  | <b>VENDOR NO.</b> |
|            | 126697-04-700      | EA REMOTE              |  | 239040            |
|            |                    |                        | <b>124073-12-000</b>                     |                   |
| <b>KEY</b> | <b>PART NUMBER</b> | <b>U/M DESCRIPTION</b> |  | <b>VENDOR NO.</b> |
|            | 126697-04-700      | EA REMOTE              |  | 239040            |
|            |                    |                        | <b>124073-13-000</b>                     |                   |
| <b>KEY</b> | <b>PART NUMBER</b> | <b>U/M DESCRIPTION</b> |  | <b>VENDOR NO.</b> |
|            | 124073-13-700      | EA REMOTE              |  | 257450            |
|            |                    |                        | <b>126696-07-000</b>                     |                   |
| <b>KEY</b> | <b>PART NUMBER</b> | <b>U/M DESCRIPTION</b> |  | <b>VENDOR NO.</b> |
|            | 133377-01-700      | EA REMOTE              |  | 240961            |
|            |                    |                        | <b>126697-07-000</b>                     |                   |
| <b>KEY</b> | <b>PART NUMBER</b> | <b>U/M DESCRIPTION</b> |  | <b>VENDOR NO.</b> |
|            | 126697-07-700      | EA REMOTE              |  | 248687            |
|            |                    |                        | <b>130121-06-000</b>                     |                   |
| <b>KEY</b> | <b>PART NUMBER</b> | <b>U/M DESCRIPTION</b> |  | <b>VENDOR NO.</b> |
|            | 130121-05-700      | EA REMOTE              |  | 242524            |
|            |                    |                        | <b>133377-01-000 &amp; 133377-02-000</b> |                   |
| <b>KEY</b> | <b>PART NUMBER</b> | <b>U/M DESCRIPTION</b> |  | <b>VENDOR NO.</b> |
|            | 133377-01-700      | EA REMOTE              |  | 240961            |

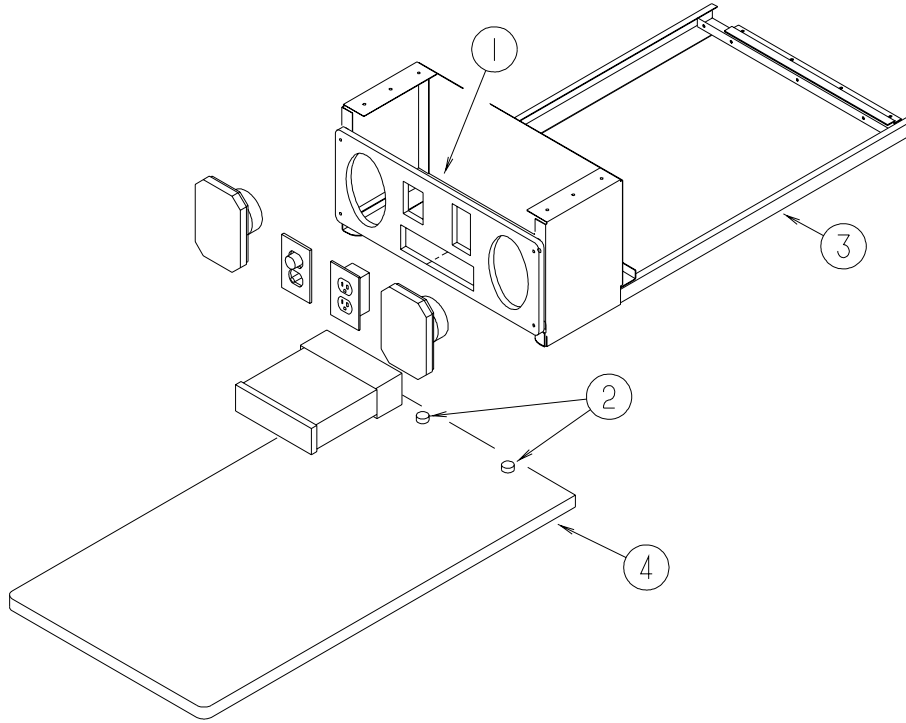
**AUDIO VIDEO GROUP (CONTINUED)**  
**COMPONENT PARTS FOR TV & VCR (CONTINUED)**



137135-01-000

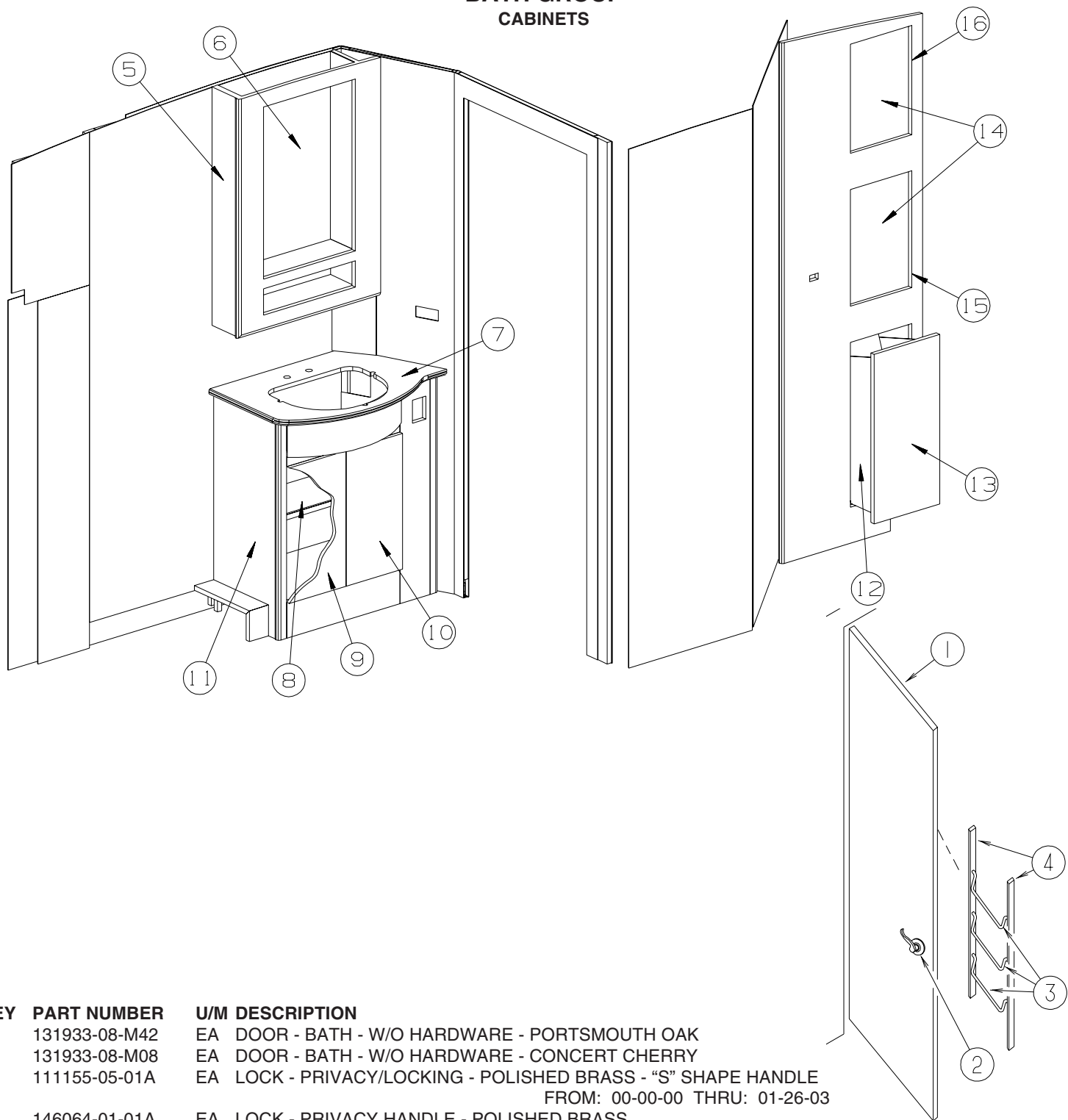
| KEY | PART NUMBER   | U/M | DESCRIPTION                  | VENDOR NO. |
|-----|---------------|-----|------------------------------|------------|
| 1   | 120233-01-714 | EA  | CLIP-E                       | 5160818    |
| 2   | 137135-01-703 | EA  | SHAFT-ELEVATING(SPRING/PLUG) | RP-4400    |
| 3   | 137135-01-704 | EA  | PIN - 1/4" X 3.25"           | 2160813    |
| 4   | 137135-01-705 | EA  | SPRING                       | 2160818    |
| 5   | 137135-01-707 | EA  | SEAL - PIVOT SHAFT           | 2200852    |
| 6   | 137135-01-708 | EA  | TURRET                       | 3100728    |
| 7   | 137135-01-709 | EA  | PIVOT BEARING                | 2200470    |
| 8   | 137135-01-711 | EA  | GEAR - ELEVATING             | 2200464    |
| 9   | 137135-01-712 | EA  | BEARING - OUTER              | 2590347    |
| 10  | 137135-01-714 | EA  | GEAR - ELEVATING SHAFT       | 2200465    |
| 11  | 137135-01-715 | EA  | BEARING - INNER              | 2590348    |
| 12  | 137135-01-716 | EA  | HUB                          | 3100731    |
| 13  | 137135-01-713 | EA  | TURRET BASE                  | 3100730    |
| 14  | 137135-01-710 | EA  | PLATE - ROTATE LIMIT         | 3720052    |
| 15  | 137135-01-706 | EA  | KIT-TURRET/SEAL/BEARING/GEAR | RP-RM30    |
| 16  | 120233-01-734 | EA  | LOW NOISE BLOCK FILTER (SGL) | LB10003    |
| 17  | 137135-01-722 | EA  | CLAMP                        | 2590343    |
| 18  | 137135-01-719 | EA  | BRACKET - PIVOT              | 2744945    |
| 19  | 137135-01-720 | EA  | DE-SENSOR UNIT W/43" CABLE   | 276342     |
| 20  | 137135-01-721 | EA  | WALL PLATE                   | 3200213    |
| 21  | 137135-01-717 | EA  | BOLT - FLAT HEAD             | 216032     |
| 22  | 120233-01-722 | EA  | PLATE ASSEMBLY (CEILING)     | 2762826    |
| 23  | 120233-01-704 | EA  | DIAL - DIRECTIONAL           | 3200364    |
| 24  | 120233-01-721 | EA  | CRANK HANDLE ASSEMBLY        | 2762825    |
| 25  | 137135-01-701 | EA  | CONNECTOR - F - MALE TO MALE | FS-8100    |
|     | 137135-01-700 | EA  | ROOF WEDGE W/GASKET          | RW-5000    |
|     | 137135-01-718 | EA  | REFLECTOR/WHITE - 46CM       | 2745282    |

**AUDIO VIDEO GROUP (CONTINUED)**  
**EXTERIOR ENTERTAINMENT**



| KEY | PART NUMBER   | U/M | DESCRIPTION   |
|-----|---------------|-----|---|
| 1   | 126123-01-K30 | EA  | PLATE - RADIO MOUNTING - WHITE LAMINATE               |
| 2   | 069726-02-000 | EA  | BUMPER - .88" OD X .40" THICK - BLACK                 |
| 3   | 126119-03-02B | EA  | FRAME/ENTERTAINMENT CENTER - 24.6" X 10.3" - E-COATED |
| 4   | 126125-01-K30 | EA  | TABLE - ENTERTAINMENT CENTER                          |

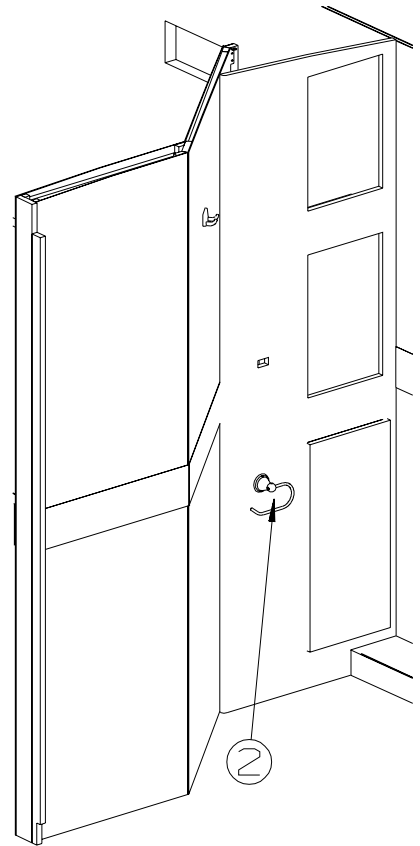
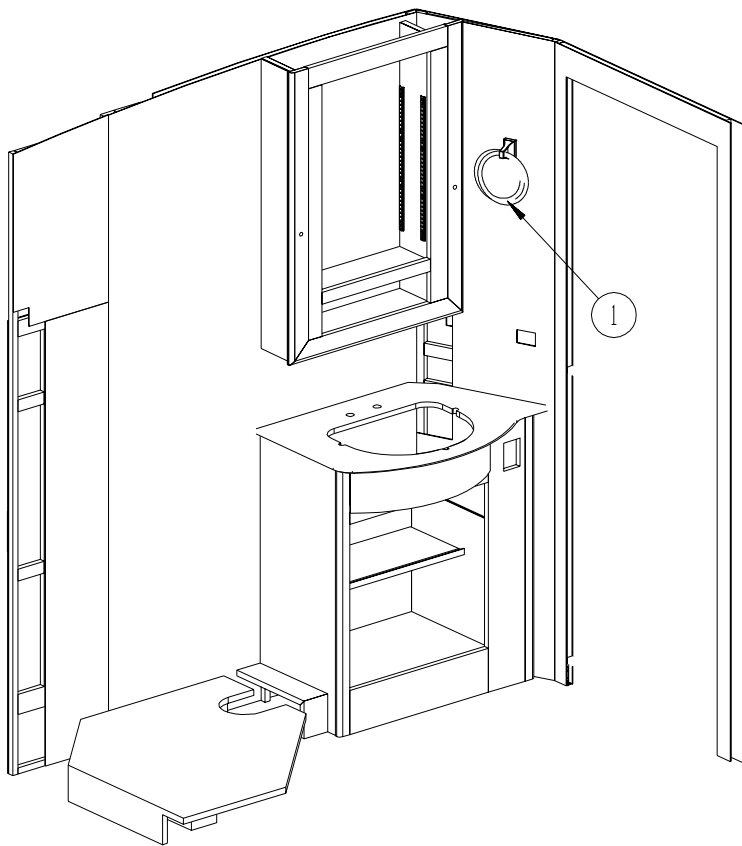
## BATH GROUP CABINETS



| KEY | PART NUMBER   | U/M | DESCRIPTION   |
|-----|---------------|-----|---|
| 1   | 131933-08-M42 | EA  | DOOR - BATH - W/O HARDWARE - PORTSMOUTH OAK   |
| 1   | 131933-08-M08 | EA  | DOOR - BATH - W/O HARDWARE - CONCERT CHERRY   |
| 2   | 111155-05-01A | EA  | LOCK - PRIVACY/LOCKING - POLISHED BRASS - "S" SHAPE HANDLE<br>FROM: 00-00-00 THRU: 01-26-03 |
| 2   | 146064-01-01A | EA  | LOCK - PRIVACY HANDLE - POLISHED BRASS<br>FROM: 01-27-03 THRU: 99-99-99                     |
| 3   | 100357-01-000 | EA  | ROD - F/TOWEL BAR - BRASS   |
| 4   | P34509-01-N01 | EA  | RAIL END - RH/LH - TOWEL RACK - PORTSMOUTH OAK - PORTSMOUTH OAK                             |
| 4   | P34509-01-P14 | EA  | RAIL END - RH/LH - TOWEL RACK - CHERRY - CONCERT CHERRY                                     |
| 5   | 136897-01-N71 | EA  | CABINET - OVERHEAD/MEDICINE - W/O DOORS/HARDWARE (P78, P80, P94)                            |
| 5   | 136897-01-N87 | EA  | CABINET - OVERHEAD/MEDICINE - W/O DOORS/HARDWARE (P79, P81, P95)                            |
| 5   | 136897-01-N72 | EA  | CABINET - OVERHEAD/MEDICINE - W/O DOORS/HARDWARE (P82)                                      |
| 5   | 136897-01-N85 | EA  | CABINET - OVERHEAD/MEDICINE - W/O DOORS/HARDWARE (P83)                                      |
| 6   | 115237-16-M42 | EA  | DOOR - MIRRORED/MEDICINE CABINET - W/O HARDWARE - PORTSMOUTH OAK                            |
| 6   | 115237-16-M85 | EA  | DOOR - MIRRORED/MEDICINE CABINET - W/O HARDWARE - CONCERT CHERRY                            |
|     | 076767-04-000 | EA  | CABLE - STAINLESS STEEL - 5.9"  |
|     | 093606-28-000 | EA  | MIRROR - BEVELED EDGE - 17.5" X 27.9"   |
|     | 137463-01-01A | EA  | LIFT - HOOK - SATIN BRASS   |

## BATH GROUP (CONTINUED) CABINETS (CONTINUED)

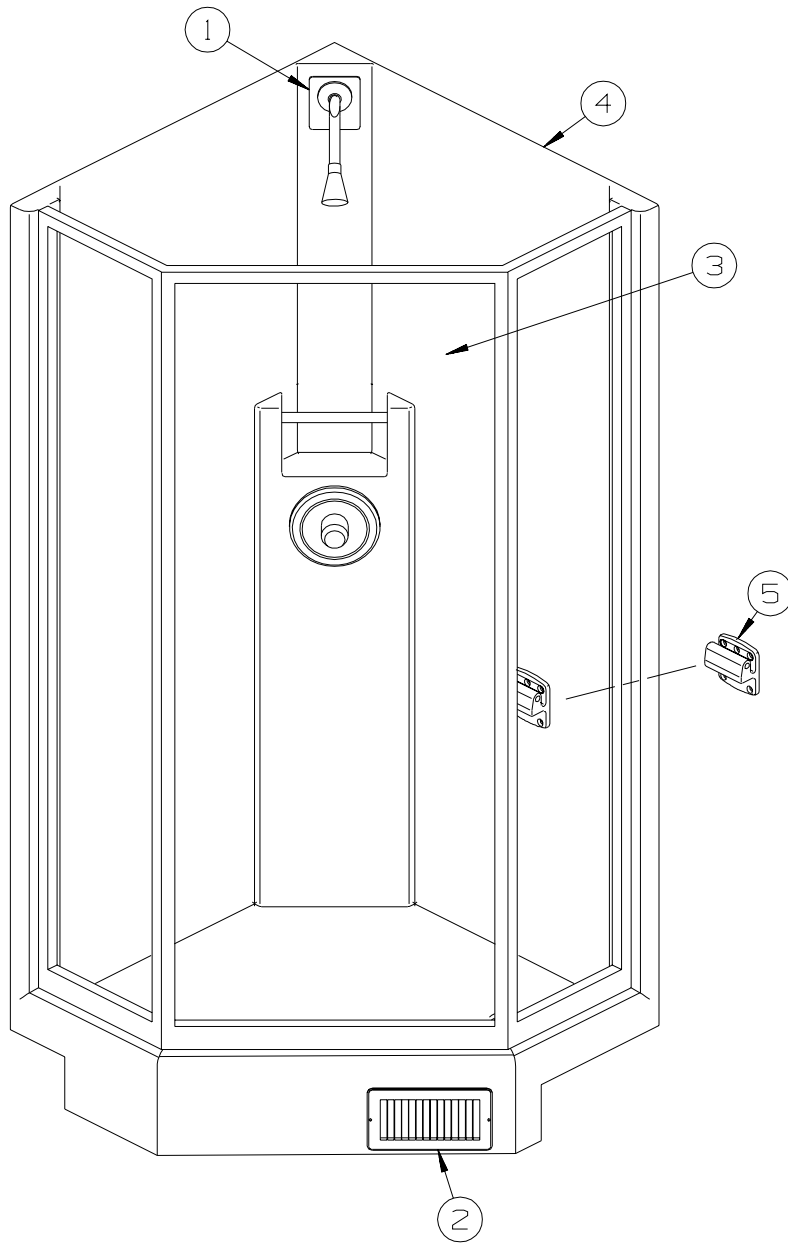
| KEY | PART NUMBER   | U/M | DESCRIPTION   |
|-----|---------------|-----|---|
| 7   | 137162-04-02A | EA  | COUNTERTOP - LAVATORY - 1/4" VENDURA - ALMONDINE                            |
| 8   | 136880-23-M76 | EA  | SHELF - W/PLASTIC EDGE MOLDING  |
| 9   | 136709-41-P78 | EA  | DOOR - RAISED PANEL/OGEE EDGE - 10.8" X 21.8" - W/O HDW - PORTSMOUTH OAK    |
| 9   | 136709-41-P79 | EA  | DOOR - RAISED PANEL/OGEE EDGE - 10.8" X 21.8" - W/O HDW - CONCERT CHERRY    |
| 10  | 136709-42-P78 | EA  | DOOR - RAISED PANEL/OGEE EDGE - 11.2" X 19.7" - W/O HDW - PORTSMOUTH OAK    |
| 10  | 136709-42-P79 | EA  | DOOR - RAISED PANEL/OGEE EDGE - 11.2" X 19.7" - W/O HDW - CONCERT CHERRY    |
| 11  | 136880-01-M76 | EA  | CABINET - LAVATORY - W/O COUNTERTOP/DOORS/DRAWERS/HARDWARE - PORTSMOUTH OAK |
| 11  | 136880-01-N85 | EA  | CABINET - LAVATORY - W/O COUNTERTOP/DOORS/DRAWERS/HARDWARE - CONCERT CHERRY |
| 12  | 137356-02-N75 | EA  | CABINET - HAMPER - W/DOOR - W/O HARDWARE - PORTSMOUTH OAK                   |
| 12  | 137356-02-P79 | EA  | CABINET - HAMPER - W/DOOR - W/O HARDWARE - CONCERT CHERRY                   |
| 13  | 131995-U6-N75 | EA  | DOOR - RAIL/SOLID PANEL - 25" X 12" - W/O HARDWARE - PORTSMOUTH OAK         |
| 13  | 131995-U6-P79 | EA  | DOOR - RAIL/SOLID PANEL - 25" X 12" - W/O HARDWARE - CONCERT CHERRY         |
| 14  | 136709-64-P78 | EA  | DOOR - RAISED PANEL/OGEE EDGE - 12" X 18.7" - W/O HDW - PORTSMOUTH OAK      |
| 14  | 136709-64-P79 | EA  | DOOR - RAISED PANEL/OGEE EDGE - 12" X 18.7" - W/O HDW - CONCERT CHERRY      |
| 15  | 131556-02-N70 | EA  | CABINET - STORAGE - W/O DOORS/HARDWARE - PORTSMOUTH OAK                     |
| 15  | 131556-02-N85 | EA  | CABINET - STORAGE - W/O DOORS/HARDWARE - CONCERT CHERRY                     |
| 16  | 131556-03-N70 | EA  | CABINET - STORAGE - W/O DOORS/HARDWARE - PORTSMOUTH OAK                     |
| 16  | 131556-03-N85 | EA  | CABINET - STORAGE - W/O DOORS/HARDWARE - CONCERT CHERRY                     |



| KEY | PART NUMBER   | U/M | DESCRIPTION            |
|-----|---------------|-----|------------------------|
| 1   | 132046-03-01A | EA  | RING - TOWEL - BRASS   |
| 2   | 140973-01-01A | EA  | HOLDER - PAPER - BRASS |



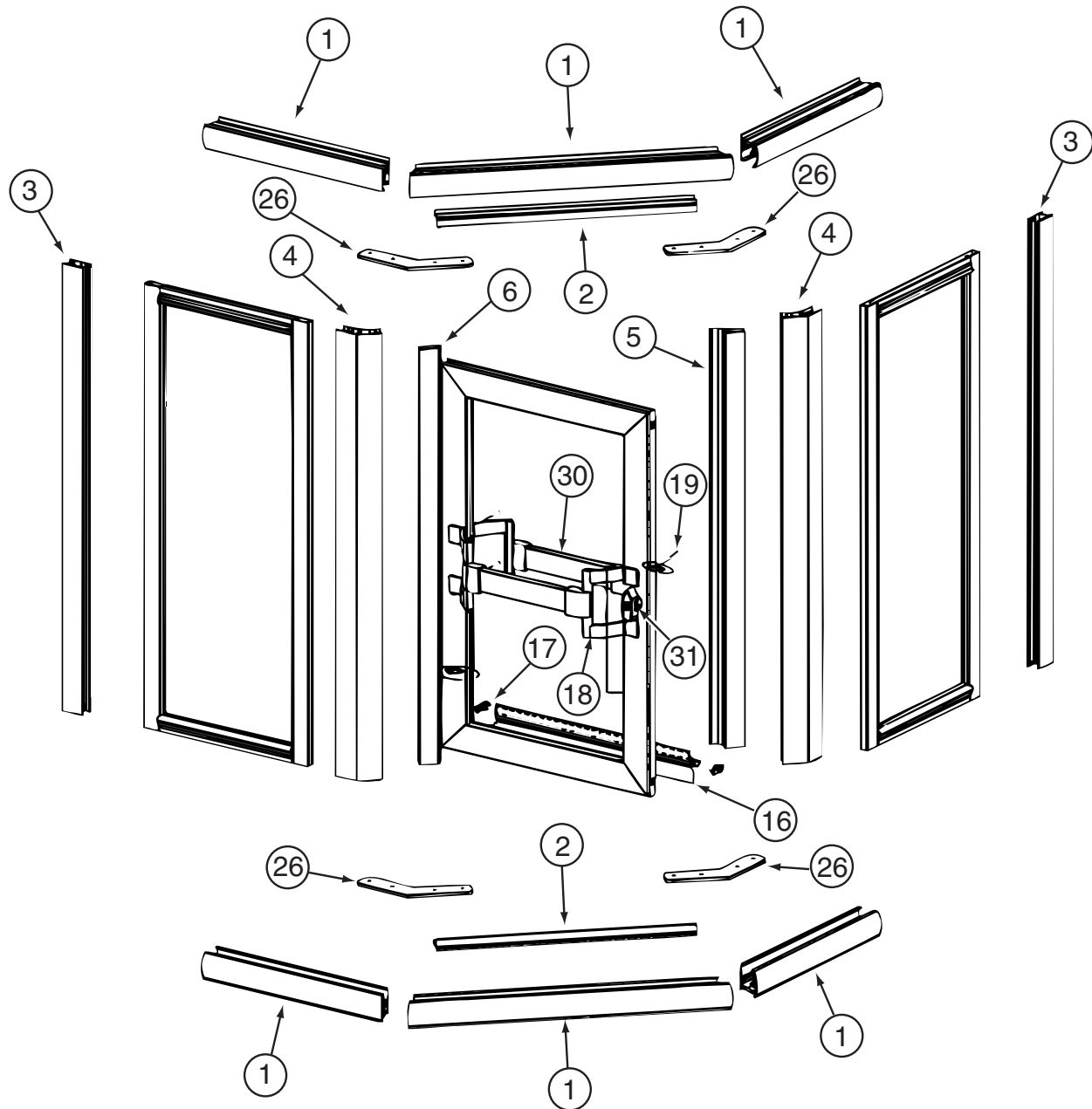
## BATH GROUP (CONTINUED) SHOWER



| KEY | PART NUMBER   | U/M | DESCRIPTION   |
|-----|---------------|-----|---|
| 1   | 143218-01-02A | EA  | PLATE/COVER - SHOWER HEAD - SOFT WHITE                    |
| 2   | 089326-02-000 | EA  | GRILLE - FLOOR - HEATING - 9.3" X 5.3" - SOFT WHITE       |
| 3*  | 139047-05-01A | EA  | DOOR - SHOWER - NEO ANGLE - 66.4" TALL - GOLD/AQUA        |
| 4   | 142017-01-01A | EA  | SHOWER - FIBERGLASS - SOFT WHITE                          |
| 5   | 135607-03-01A | EA  | SEAT - SHOWER/FOLDING(FOR REPLACMENT OR OPTION INST ONLY) |

**\*COMPONENT PARTS LISTED LATER IN THIS GROUP**

**BATH GROUP (CONTINUED)**  
**COMPONENT PARTS FOR SHOWER DOOR**

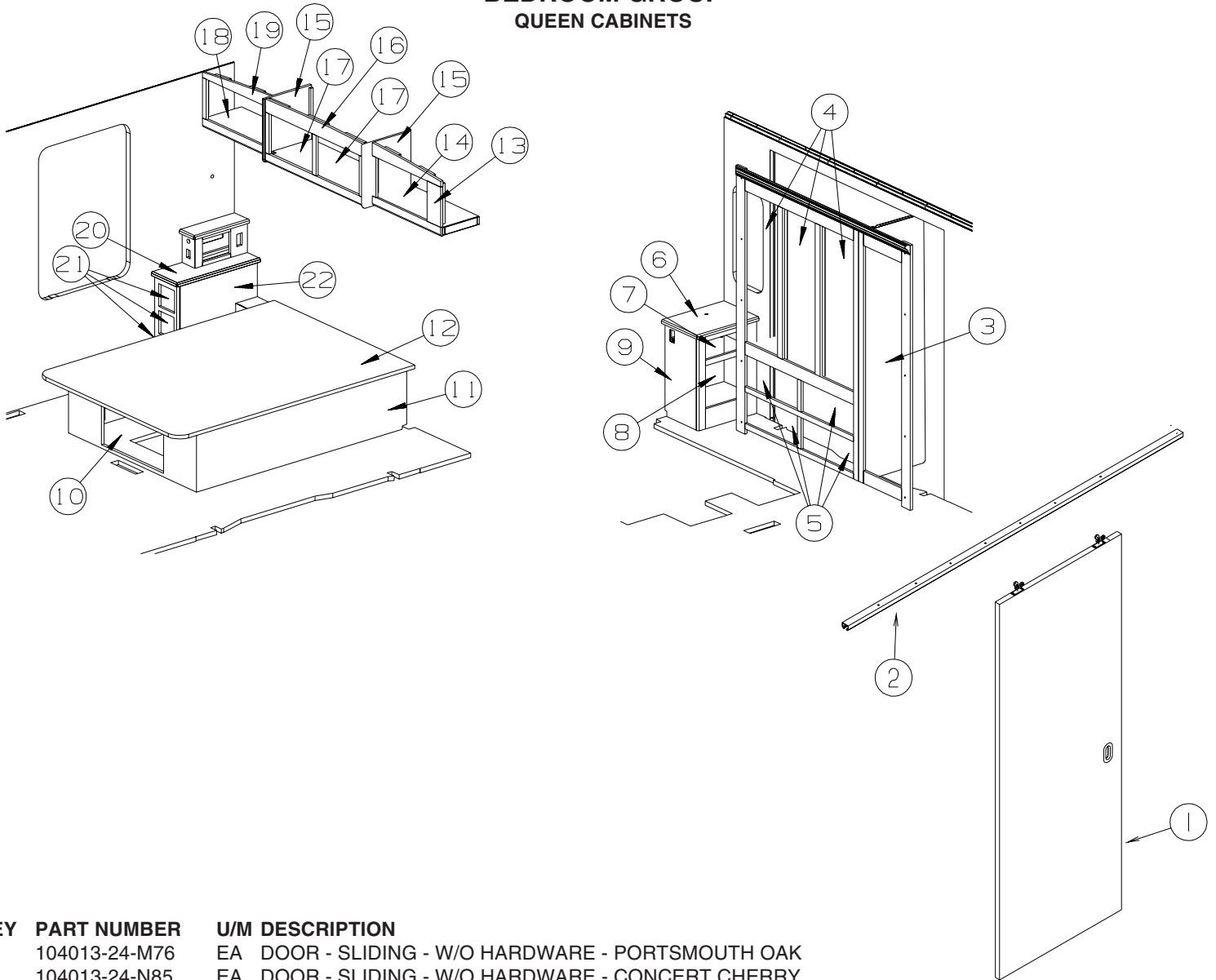


139047-05-01A

| KEY | PART NUMBER   | U/M | DESCRIPTION                  | VENDOR NO. |
|-----|---------------|-----|------------------------------|------------|
| 1   | 139047-01-700 | EA  | HEADER/SILL - 30" (PAIR)     | 900        |
| 2   | 139047-01-701 | EA  | DAM STRIP-TOP/BOTTOM-35.4"   | 901        |
| 3   | 139047-01-702 | EA  | JAMB - WALL - 65.9"          | 903        |
| 4   | 139047-01-703 | EA  | CORNER POST-45 DEGREE- 65.9" | 909        |
| 5   | 139047-01-704 | EA  | STRIKE - JAMB - 64.6"        | 926        |
| 6   | 139047-01-705 | EA  | HINGE/POST - DOOR - 64.5"    | 920        |
| 16  | 139047-01-710 | EA  | VINYL SWEEP                  | C176G      |
| 17  | 139047-01-711 | EA  | PLUG - DRIP CAP (SET)        | CP933      |
| 18  | 092574-01-701 | EA  | BRACKET/DOOR PULL/TOWEL BAR  | 8141G      |
| 19  | 092574-01-710 | EA  | SCREW-GOLD, FOR TOWEL BAR    | 83212G     |
| 26  | 139047-01-712 | E   | HEADER - CORNER BRACKET      | 313.45C    |
| 30  | 116814-01-700 | EA  | BAR-TOWEL 17 5/16"           | 68G        |
| 31  | 089318-01-707 | EA  | LATCH/CATCH - SAFETY - BLACK | 9730N      |
|     | 139047-01-706 | EA  | HINGE PINS                   | CP932      |
|     | 139047-01-707 | EA  | WASHERS - HINGE              | CP148TW    |
|     | 139047-01-708 | EA  | HINGE - SLEEVE - 61.5"       | C921B      |
|     | 139047-01-709 | EA  | STRIP - MAGNETIC- 55"        | 98-42      |
|     | 139047-01-713 | EA  | RAIL DRIP - 31.6"            | 927G       |

CONTACT WINNEBAGO PART SALES FOR UNLISTED COMPONENT

## BEDROOM GROUP QUEEN CABINETS



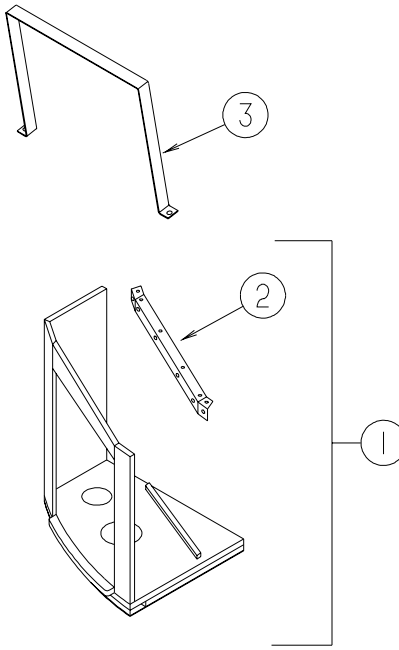
| KEY | PART NUMBER   | U/M | DESCRIPTION  |
|-----|---------------|-----|--|
| 1   | 104013-24-M76 | EA  | DOOR - SLIDING - W/O HARDWARE - PORTSMOUTH OAK                                     |
| 1   | 104013-24-N85 | EA  | DOOR - SLIDING - W/O HARDWARE - CONCERT CHERRY                                     |
| 2   | 137422-09-01A | EA  | TRACK/DOOR - OFF WHITE   |
| 3   | 132005-13-N01 | EA  | DOOR - MIRROR/MITERED CORNERS - 16.1" X 65.2" - W/O HDW - PORTSMOUTH OAK           |
| 3   | 132005-13-M08 | EA  | DOOR - MIRROR/MITERED CORNERS - 16.1" X 65.2" - W/O HDW - CONCERT CHERRY           |
|     | 076767-04-000 | EA  | CABLE - STAINLESS STEEL - 5.9"   |
|     | 140374-11-000 | EA  | MIRROR - SAFETY GLASS - 12.9" X 62"  |
| 4   | 136709-E2-P78 | EA  | DOOR - RAISED PANEL/OGEE EDGE - 14.3" X 45.4" - W/O HDW - PORTSMOUTH OAK           |
| 4   | 136709-E2-P79 | EA  | DOOR - RAISED PANEL/OGEE EDGE - 14.3" X 45.4" - W/O HDW - CONCERT CHERRY           |
| 5   | M09316-R0-P75 | EA  | DRAWER - OGEE EDGE - 20.2"W X 17.7"D - W/O SLIDES/HARDWARE - PORTSMOUTH OAK        |
| 5   | M09316-R0-P25 | EA  | DRAWER - OGEE EDGE - 20.2"W X 17.7"D - W/O SLIDES/HARDWARE - CONCERT CHERRY        |
| 6   | 133655-75-P78 | EA  | COUNTERTOP - LAMINATED - EGGSHELL/PORTSMOUTH OAK (P78, P80, P94)                   |
| 6   | 133655-75-P79 | EA  | COUNTERTOP - LAMINATED - EGGSHELL/CHERRY IV (P79, P81, P95)                        |
| 6   | 133655-75-P82 | EA  | COUNTERTOP - LAMINATED - GRAY TRANQUILITY/PORTSMOUTH OAK (P82)                     |
| 6   | 133655-75-P83 | EA  | COUNTERTOP - LAMINATED - GRAY TRANQUILITY/CHERRY (P83)                             |
| 7   | M09316-L4-N75 | EA  | DRAWER - OGEE EDGE - 12.3"W X 7.9"D - W/O SLIDES/HARDWARE - PORTSMOUTH OAK         |
| 7   | M09316-L4-N74 | EA  | DRAWER - OGEE EDGE - 12.3"W X 7.9"D - W/O SLIDES/HARDWARE - CONCERT CHERRY         |
| 8   | 136709-A0-P78 | EA  | DOOR - RAISED PANEL/OGEE EDGE - 14.3" X 14.3" - W/O HDW - PORTSMOUTH OAK           |
| 8   | 136709-A0-P79 | EA  | DOOR - RAISED PANEL/OGEE EDGE - 14.3" X 14.3" - W/O HDW - CONCERT CHERRY           |
| 9   | 141393-01-P75 | EA  | CABINET - NIGHTSTAND/LEFT HAND - W/O CTRTP/DOORS/DRWRS/HDW - PORTSMOUTH OAK        |
| 9   | 141393-01-P25 | EA  | CABINET - NIGHTSTAND/LEFT HAND - W/O CTRTP/DOORS/DRWRS/HDW - CONCERT CHERRY        |
| 10  | 136709-A9-P78 | EA  | DOOR - RAISED PANEL/OGEE EDGE - 14.3" X 26.7" - W/O HDW - PORTSMOUTH OAK           |
| 10  | 136709-A9-P79 | EA  | DOOR - RAISED PANEL/OGEE EDGE - 14.3" X 26.7" - W/O HDW - CONCERT CHERRY           |
| 11  | P37425-01-M76 | EA  | CABINET/BASE - W/O DOOR/DRWR/HDW-F/QUEEN BED-PORTSMOUTH OAK-W/O DC/AC INVTR/CHGR   |
| 11  | P37425-01-N85 | EA  | CABINET/BASE - W/O DOOR/DRWR/HDW-F/QUEEN BED-CONCERT CHERRY-W/O DC/AC INVTR/CHGR   |
| 11  | P37425-02-M76 | EA  | CABINET/BASE - W/O DOOR/DRAWER/HDW -F/QUEEN BED - PORTSMOUTH OAK-1.5 KW INVTR/CHGR |
| 11  | P37425-02-N85 | EA  | CABINET/BASE - W/O DOOR/DRAWER/HDW -F/QUEEN BED - CONCERT CHERRY-1.5 KW INVTR/CHGR |

**BEDROOM GROUP (CONTINUED)**  
**QUEEN CABINETS (CONTINUED)**

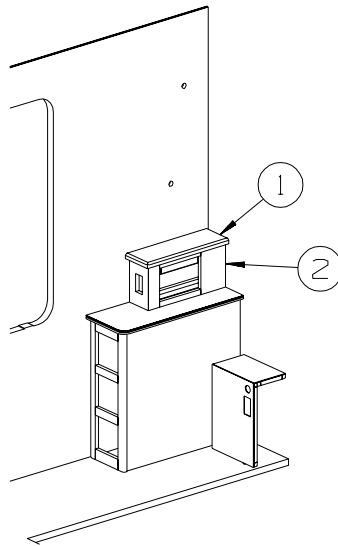
| <b>KEY</b> | <b>PART NUMBER</b> | <b>U/M</b> | <b>DESCRIPTION</b>  |
|------------|--------------------|------------|---|
| 12         | 137406-04-N52      | EA         | BEDBOARD - W/HINGE/T-MOLDING/SLIPNOT - FLIP-UP                                      |
| 13         | 141280-01-P78      | EA         | CABINET -OVERHEAD/REAR/LEFT HAND-W/O DRS/HDW-PORTSMOUTH OAK-W/O REAR STEREO SYS     |
| 13         | 141280-01-P79      | EA         | CABINET -OVERHEAD/REAR/LEFT HAND-W/O DRS/HDW-CONCERT CHERRY-W/O REAR STEREO SYS     |
| 13         | 141280-02-P78      | EA         | CABINET - OVERHEAD/REAR/LEFT HAND - W/O DRS/HDW - PORTSMOUTH OAK - REAR STEREO SYS  |
| 13         | 141280-02-P79      | EA         | CABINET - OVERHEAD/REAR/LEFT HAND - W/O DRS/HDW - CONCERT CHERRY - REAR STEREO SYS  |
| 14         | 136709-67-P78      | EA         | DOOR - RAISED PANEL/OGEE EDGE - 12" X 21.8" - PORTSMOUTH OAK                        |
| 14         | 136709-67-P14      | EA         | DOOR - RAISED PANEL/OGEE EDGE - 12" X 21.8" - CONCERT CHERRY                        |
| 15         | P38119-01-N75      | EA         | END CAP - OVERHEAD CABINET - PORTSMOUTH OAK   |
| 15         | P38119-01-N74      | EA         | END CAP - OVERHEAD CABINET - CONCERT CHERRY   |
| 16         | 141820-01-P78      | EA         | CABINET - OVERHEAD/REAR/CENTER - W/O DOORS/HARDWARE - PORTSMOUTH OAK                |
| 16         | 141820-01-P79      | EA         | CABINET - OVERHEAD/REAR/CENTER - W/O DOORS/HARDWARE - CONCERT CHERRY                |
| 17         | 136709-64-P78      | EA         | DOOR - RAISED PANEL/OGEE EDGE - 12" X 18.7" - W/O HDW - PORTSMOUTH OAK              |
| 17         | 136709-64-P79      | EA         | DOOR - RAISED PANEL/OGEE EDGE - 12" X 18.7" - W/O HDW - CONCERT CHERRY              |
| 18         | 136709-70-P78      | EA         | DOOR - RAISED PANEL/OGEE EDGE - 12" X 25.9" - W/O HDW - PORTSMOUTH OAK              |
| 18         | 136709-70-P14      | EA         | DOOR - RAISED PANEL/OGEE EDGE - 12" X 25.9" - W/O HDW - CONCERT CHERRY              |
| 19         | 141357-01-P78      | EA         | CABINET - OVHD/REAR/RIGHT HAND - W/O DRS/HDW - PORTSMOUTH OAK - W/O REAR STEREO SYS |
| 19         | 141357-01-P79      | EA         | CABINET - OVHD/REAR/RIGHT HAND - W/O DRS/HDW - CONCERT CHERRY - W/O REAR STEREO SYS |
| 19         | 141357-02-P78      | EA         | CABINET - OVERHEAD/REAR/RIGHT HAND - W/O DRS/HDW- PORTSMOUTH OAK - REAR STEREO SYS  |
| 19         | 141357-02-P79      | EA         | CABINET - OVERHEAD/REAR/RIGHT HAND - W/O DRS/HDW- CONCERT CHERRY - REAR STEREO SYS  |
| 20         | 133655-07-P78      | EA         | COUNTERTOP - LAMINATED - EGGSHELL/PORTSMOUTH OAK (P78, P80, P94)                    |
| 20         | 133655-07-P79      | EA         | COUNTERTOP - LAMINATED - EGGSHELL/CHERRY IV (P79, P81, P95)                         |
| 20         | 133655-07-P82      | EA         | COUNTERTOP - LAMINATED - GRAY TRANQUILITY/PORTSMOUTH OAK (P82)                      |
| 20         | 133655-07-P83      | EA         | COUNTERTOP - LAMINATED - GRAY TRANQUILITY/CHERRY IV (P83)                           |
| 21         | M09316-58-N21      | EA         | DRAWER - OGEE EDGE - 5.2"W X 19.6"D - W/O SLIDES/HARDWARE - PORTSMOUTH OAK          |
| 21         | M09316-58-L14      | EA         | DRAWER - OGEE EDGE - 5.2"W X 19.6"D - W/O SLIDES/HARDWARE - CONCERT CHERRY          |
| 22         | 134910-01-M95      | EA         | CABINET - NIGHTSTAND/RH - W/O COUNTERTOP/DOOR/DRAWER/HDW - PORTSMOUTH OAK           |
| 22         | 134910-01-M94      | EA         | CABINET - NIGHTSTAND/RH - W/O COUNTERTOP/DOOR/DRAWER/HDW - CONCERT CHERRY           |

## BEDROOM GROUP (CONTINUED)

### TV & RADIO CABINETS



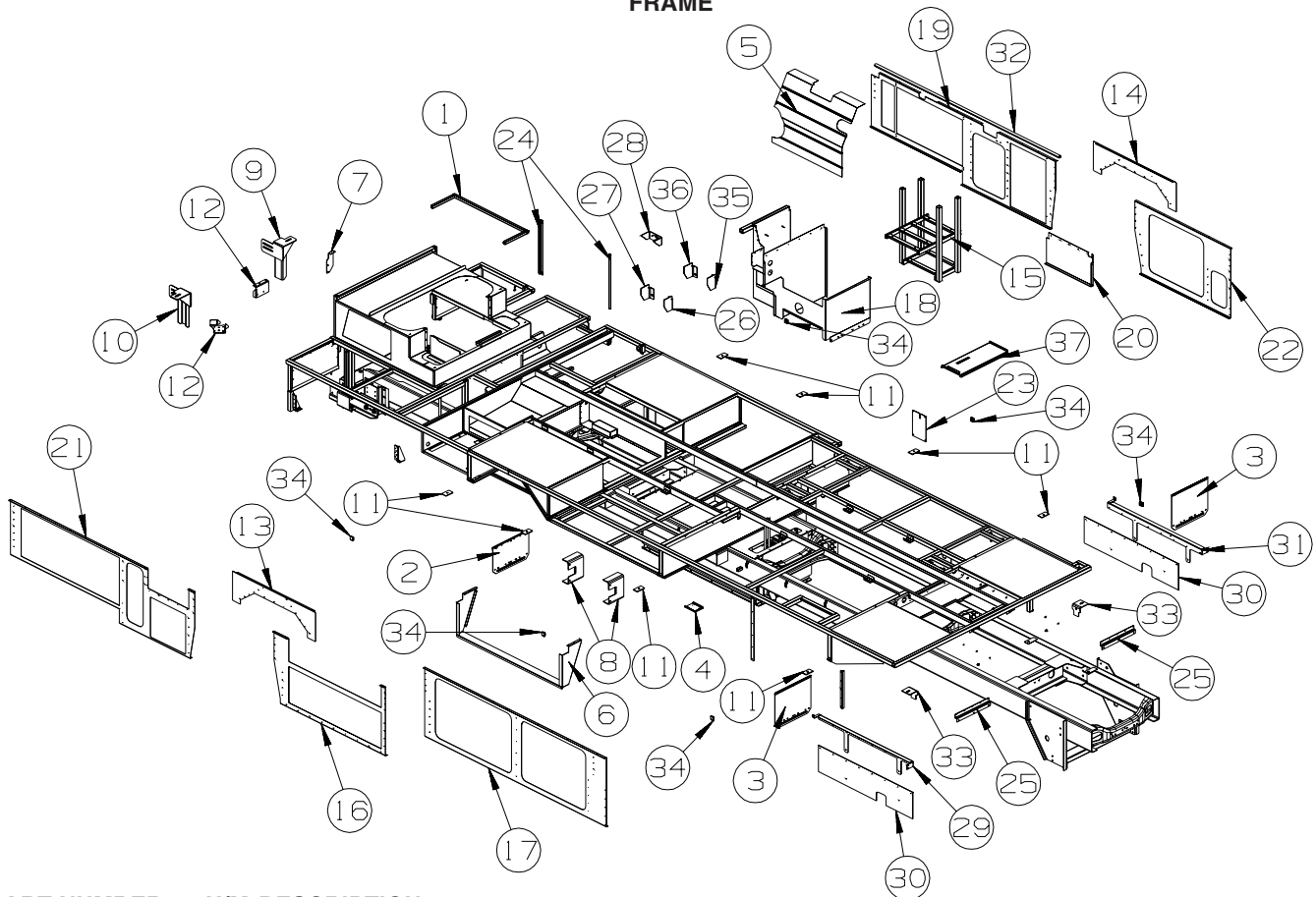
| KEY | PART NUMBER   | U/M | DESCRIPTION                                    |
|-----|---------------|-----|--|
| 1   | 135309-01-N75 | EA  | CABINET - OVERHEAD - F/19" TV - PORTSMOUTH OAK |
| 1   | 135309-01-M85 | EA  | CABINET - OVERHEAD - F/19" TV - CONCERT CHERRY |
| 2   | 136518-01-02B | EA  | BRACKET - TV FACE - E-COATED                   |
| 3   | 115466-28-02B | EA  | STRAP - TIEDOWN/TV - E-COATED                  |



| KEY | PART NUMBER   | U/M | DESCRIPTION  |
|-----|---------------|-----|--|
| 1   | 133655-67-P78 | EA  | COUNTERTOP - LAMINATED - EGGSHELL/PORTSMOUTH OAK (P78, P80, P94) |
| 1   | 133655-67-P79 | EA  | COUNTERTOP - LAMINATED - EGGSHELL/CHERRY IV (P79, P81, P95)      |
| 1   | 133655-67-P82 | EA  | COUNTERTOP - LAMINATED - GRAY TRANQUILITY/PORTSMOUTH OAK (P82)   |
| 1   | 133655-67-P83 | EA  | COUNTERTOP - LAMINATED - GRAY TRANQUILITY/CHERRY IV (P83)        |
| 2   | 140452-03-P78 | EA  | CABINET - F/RADIO - W/O HARDWARE - PORTSMOUTH OAK                |
| 2   | 140452-03-P79 | EA  | CABINET - F/RADIO - W/O HARDWARE - CONCERT CHERRY                |

# CHASSIS GROUP

## FRAME



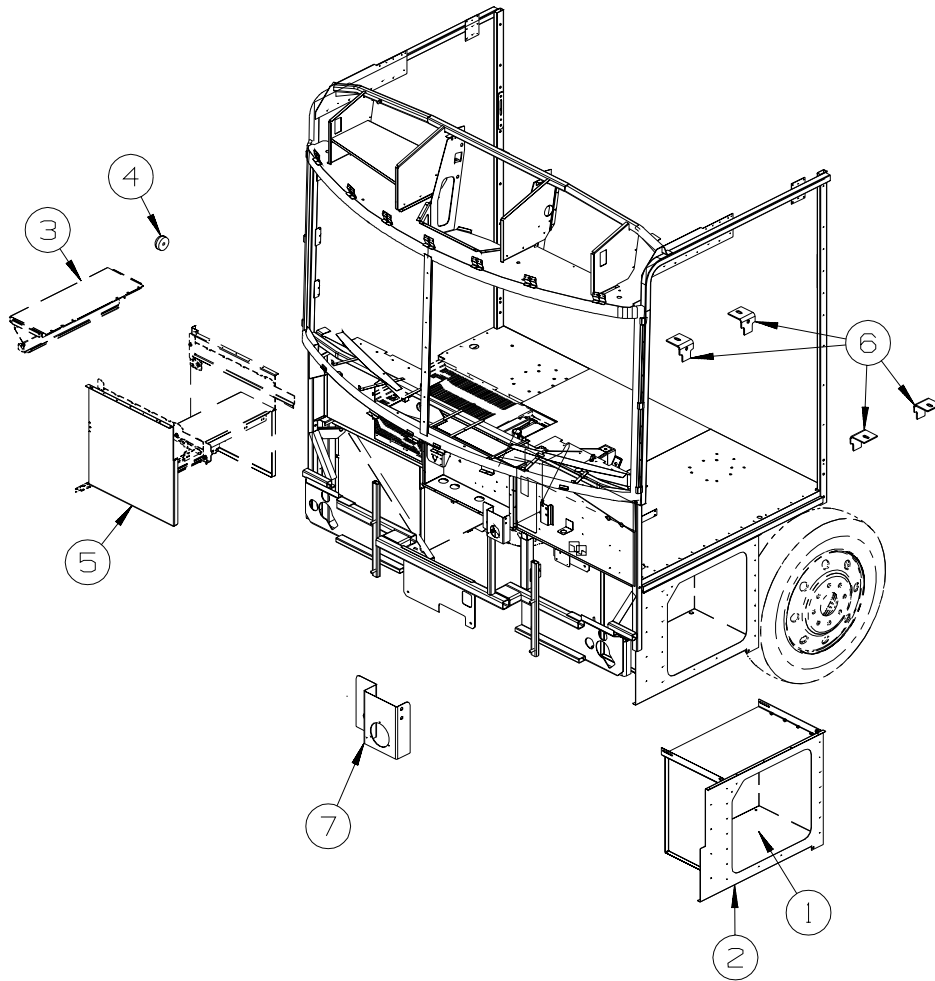
| KEY | PART NUMBER   | U/M | DESCRIPTION  |
|-----|---------------|-----|--|
| 1   | 134225-01-02B | EA  | SUPPORT - CONDENSOR SHIELD - E-COATED  |
| 2   | 136391-01-02B | EA  | GUARD/ROCK - STEEL - W/ANGLE - 18"W X 11"H - E-COATED  |
| 3   | 136391-02-02B | EA  | GUARD/ROCK - STEEL - W/ANGLE - 18"W X 15"H - E-COATED  |
| 4   | 138799-01-02B | EA  | SHIM - BODY - E-COATED   |
| 4   | 144724-01-02B | EA  | BRACKET - SENSOR/LEVELING - E-COATED<br>FROM: 00-00-00 THRU: 12-22-02<br>FROM: 12-23-02 THRU: 99-99-99           |
| 5   | 139420-02-02B | EA  | SHIELD - AC CONDENSOR - E-COATED   |
| 6   | 140166-01-02B | EA  | SUPPORT - SEAL PLANE - E-COATED  |
| 7   | 141728-01-02B | EA  | HANGER - EXHAUST - E-COATED  |
| 8   | 120867-01-02B | EA  | MOUNT - LP TANK - E-COAT   |
| 9   | 131328-03-02B | EA  | SUPPORT - REAR RISER - RIGHT HAND - E-COATED   |
| 10  | 131328-04-02B | EA  | SUPPORT - REAR RISER - LEFT HAND - E-COATED  |
| 11  | 135712-01-02B | EA  | PLATE - BODY MOUNT - E-COATED  |
| 12  | 137431-01-02B | EA  | BRACKET - FUEL FILTER - E-COATED   |
| 12  | 144402-01-02B | EA  | BRACKET - FUEL FILL/WATER SEPERATER - E-COATED<br>FROM: 00-00-00 THRU: 08-28-02<br>FROM: 00-00-00 THRU: 08-28-02 |
| 13  | 119750-04-02B | EA  | SEAL PLANE/WHEEL WELL - RIGHT HAND - E-COATED  |
| 14  | 119750-05-02B | EA  | SEAL PLANE/WHEEL WELL - LEFT HAND - E-COATED   |
| 15  | 132568-01-02B | EA  | SUPPORT - BATTERY TRAY - E-COATED  |
| 16  | 135642-01-02B | EA  | PLATE/SEAL - E-COATED  |
| 17  | 136830-02-02B | EA  | PLATE/SEAL - E-COATED  |
| 18  | 136868-03-02B | EA  | COMPARTMENT - POWER CORD - E-COATED  |
| 19  | 143587-01-02B | EA  | PLATE - SEAL - E-COATED  |
| 20  | 136889-02-02B | EA  | PANEL - CLOSEOUT - E-COATED  |
| 21  | 136895-01-02B | EA  | SEAL PLANE - E-COATED  |
| 22  | 137063-01-02B | EA  | PLATE/SEAL - E-COATED  |
| 23  | 137492-01-02B | EA  | PANEL/ACCESS - HOLDING TANK - E-COATED   |
| 24  | 137702-01-02B | EA  | ANGLE - SUPPORT - CONDENSOR - E-COATED   |
| 25  | 140273-01-02B | EA  | BRACE - ROCK GUARD - E-COATED<br>FROM: 08-26-02 THRU: 99-99-99   |
| 26  | 136910-03-02B | EA  | BRACKET - CYLINDER (RAM) - E-COATED  |
| 27  | 136910-04-02B | EA  | BRACKET - CYLINDER (RAM) - E-COATED  |

**CHASSIS GROUP (CONTINUED)**  
**FRAME (CONTINUED)**

| <b>KEY</b> | <b>PART NUMBER</b> | <b>U/M</b> | <b>DESCRIPTION</b>                             |
|------------|--------------------|------------|--|
| 28         | 139409-02-02B      | EA         | BRACKET - MOUNTING - CYLINDER - E-COATED       |
| 29         | 143916-01-02B      | EA         | BRACKET/SHIELD - SPLASH - E-COATED             |
| 30         | 143917-01-01A      | EA         | SHIELD/SPLASH - WHEELWELL                      |
| 31         | 143916-02-02B      | EA         | BRACKET/SHIELD - SPLASH - E-COATED             |
| 32         | 126516-01-01A      | FT         | TRIM - VINYL/EXTRUDED - 8'                     |
| 33         | 117154-04-02B      | EA         | MOUNT - FRAME RAIL/FLOOR                       |
| 34         | 119845-01-01A      | EA         | PLUG/PLASTIC - 1 1/2" SQUARE - BLACK           |
| 35         | 136910-01-02B      | EA         | BRACKET - CYLINDER/RAM - RIGHT HAND - E-COATED |
| 36         | 136910-02-02B      | EA         | BRACKET - CYLINDER/RAM - LEFT HAND - E-COATED  |
| 37         | 117804-06-02B      | EA         | PANEL - CLOSEOUT - HEAT DUCT - E-COATED        |

# CHASSIS GROUP (CONTINUED)

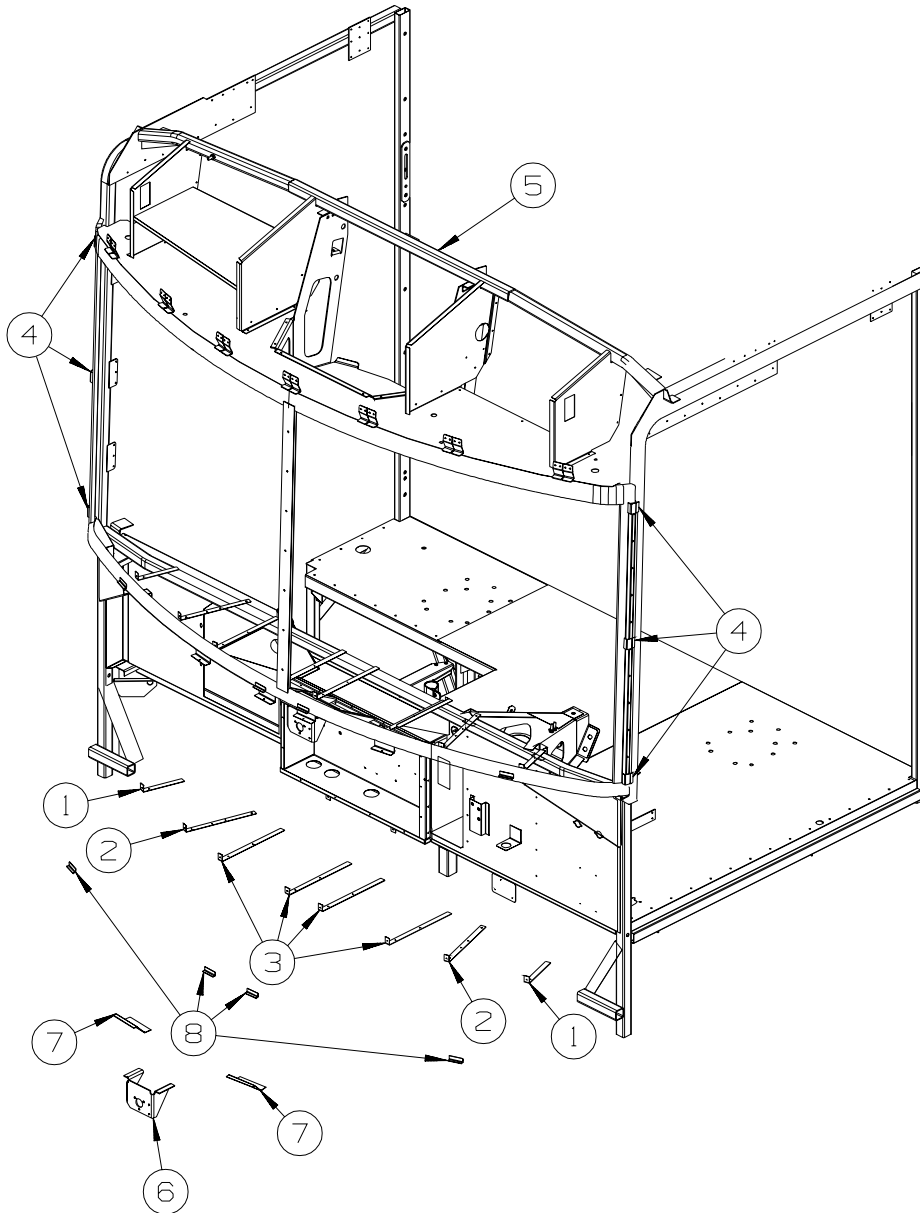
## FRONT END



| KEY | PART NUMBER   | U/M | DESCRIPTION                            |
|-----|---------------|-----|--|
| 1   | 123764-05-02B | EA  | COMPARTMENT/LUGGAGE - E-COATED         |
| 2   | 136332-01-02B | EA  | SEAL PLANE - FRONT - E-COAT            |
|     |               |     | FROM: 00-00-00 THRU: 12-08-02          |
| 2   | 136332-02-02B | EA  | PANEL/SEAL - FRONT - E-COATED          |
|     |               |     | FROM: 12-09-02 THRU: 99-99-99          |
| 3   | 131519-03-PC0 | EA  | STEP - FOLD UP - ENTRY DOOR            |
| 4   | 120863-08-000 | EA  | BUMPER - RUBBER - W/INSERT - .4" X .7" |
| 5   | 132987-03-02B | EA  | STEP - ENTRY DOOR - E-COATED           |
| 6   | 117154-04-02B | EA  | MOUNT - FRAME RAIL/FLOOR               |
| 7   | 142478-01-04B | EA  | BRACKET - GAUGE - AIR SOURCE - BLACK   |



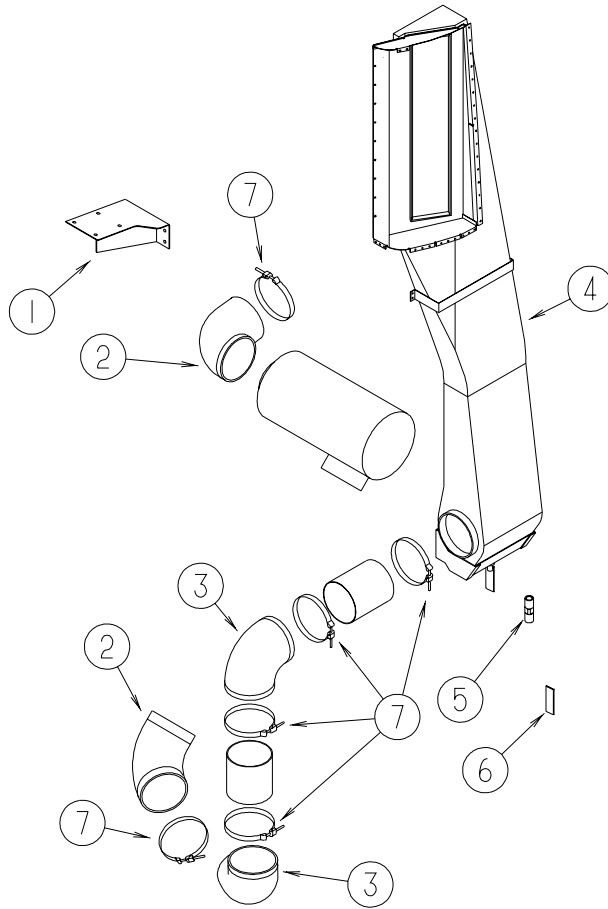
## CHASSIS GROUP (CONTINUED) FRONT END (CONTINUED)



| KEY | PART NUMBER   | U/M | DESCRIPTION                                       |
|-----|---------------|-----|---|
| 1   | 137047-06-01B | EA  | STRAP - DEFROSTER PLENUM                          |
| 2   | 137047-05-01B | EA  | STRAP - DEFROSTER PLENUM                          |
| 3   | 137047-04-01B | EA  | STRAP - DEFROSTER PLENUM                          |
| 4   | 120363-01-01B | EA  | BRACKET - WINDSHIELD                              |
| 5   | 132796-01-01B | EA  | SUPPORT - CABINET/TV - FRONT MIDDLE               |
| 6   | 134506-01-01B | EA  | BRACKET - WIPER MOTOR                             |
| 7   | 134202-01-01B | EA  | REINFORCEMENT - SUPPORT - LOWER WINDSHIELD/MIDDLE |
| 8   | 076364-57-000 | EA  | ANGLE - FORMED                                    |

## CHASSIS GROUP (CONTINUED)

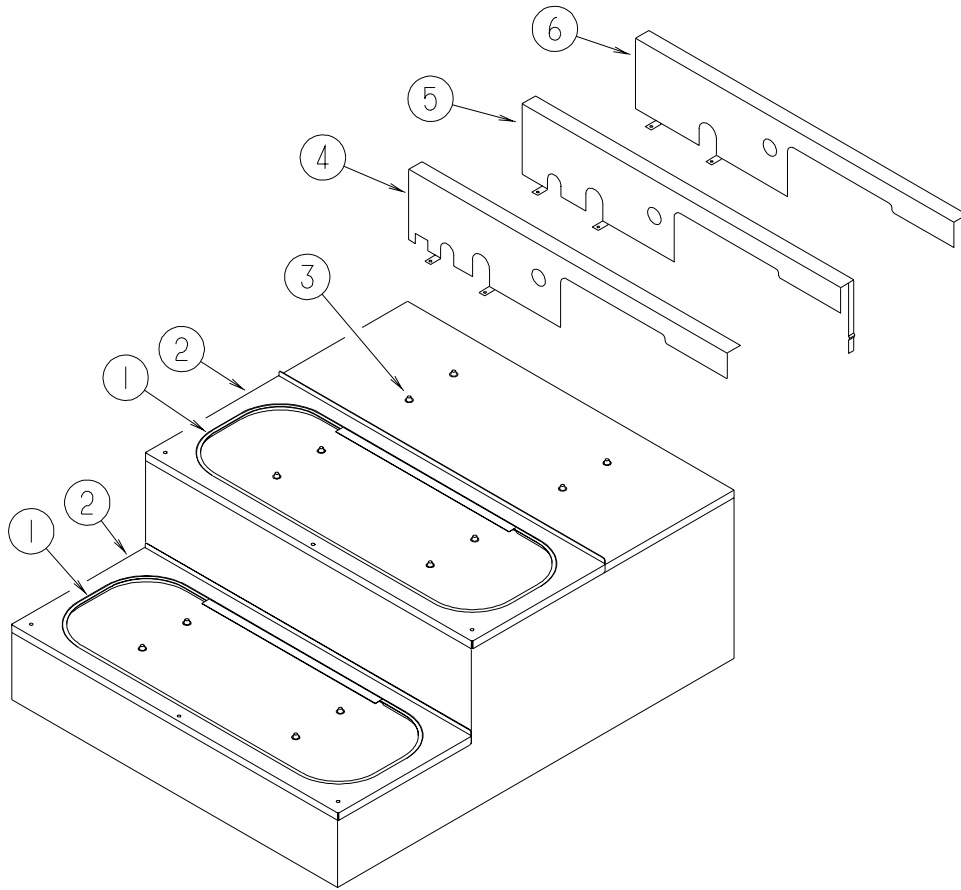
### AIR INTAKE



| KEY | PART NUMBER   | U/M | DESCRIPTION                                   |
|-----|---------------|-----|---|
| 1   | 136817-01-02B | EA  | BRACKET/AIR FILTER - E-COATED - P32T, P32TD   |
| 2   | 123362-03-000 | EA  | ELBOW - RUBBER - 68 DEGREE 6" ID              |
| 3   | 123362-02-000 | EA  | ELBOW - AIR INTAKE - RUBBER - 90 DEGREE 6" ID |
| 4   | 129514-02-01A | EA  | DUCT - INTAKE AIR - W/FITTING                 |
|     | 129514-01-01A | EA  | DUCT - INTAKE AIR                             |
| 5   | 135386-01-000 | EA  | NIPPLE - 1/2"                                 |
| 6   | 130377-01-000 | EA  | TUBE/DRAIN - KAZOO - 1 1/4" X 4"              |
| 7   | 125083-01-01A | EA  | CLAMP - T BOLT - 6"                           |

## CHASSIS GROUP (CONTINUED)

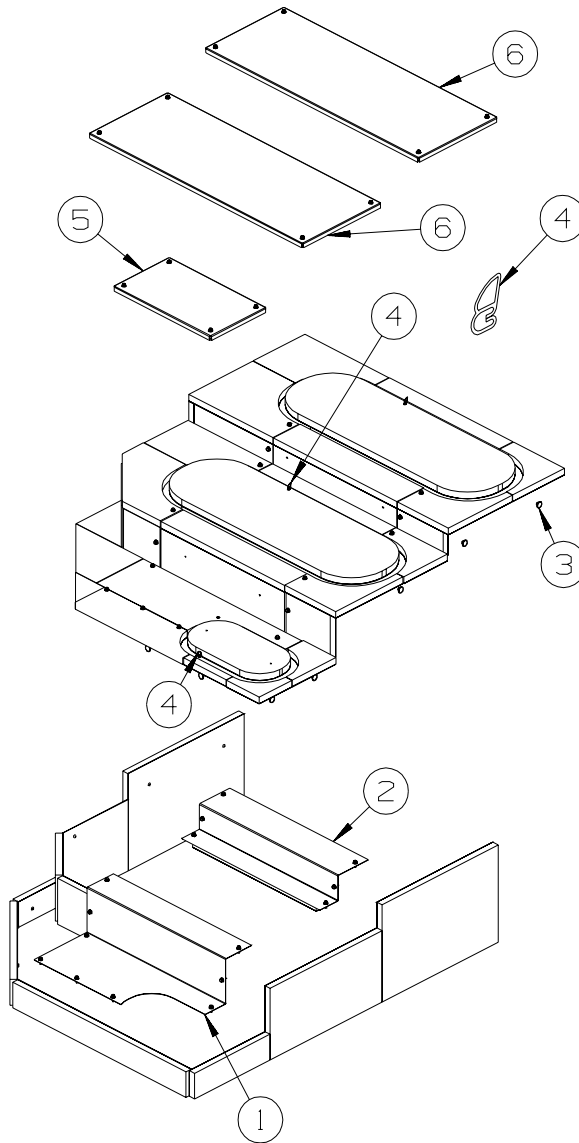
### INSULATION



**P32TD, P34HD, P36LD, P36GD**

| KEY | PART NUMBER   | U/M | DESCRIPTION  |
|-----|---------------|-----|--|
| 1   | 039623-01-000 | FT  | SEAL - MOTOR COVER - RUBBER BULB TYPE                      |
| 2   | 134340-01-02B | EA  | COVER - ENGINE - E-COATED                                  |
| 3   | 106648-01-000 | EA  | CAP - STUD - .120 TO .130 DIAMETER                         |
| 4   | NOT USED      |     |  |
| 5   | 134068-03-02B | EA  | ANGLE - BAFFLE/TOP - E-COATED - <b>P32TD</b>               |
| 6   | 134068-02-02B | EA  | ANGLE - BAFFLE/TOP - E-COATED - <b>P34HD, P36LD, P36GD</b> |
|     | 072877-03-000 | EA  | INSULATION - SOUND BARRIER- 1" X 36" X 57" - ADHESIVE BACK |
|     | 107721-07-000 | FT  | SEAL - ACCESS DOOR - .9" WIDE X 1.1" HIGH                  |

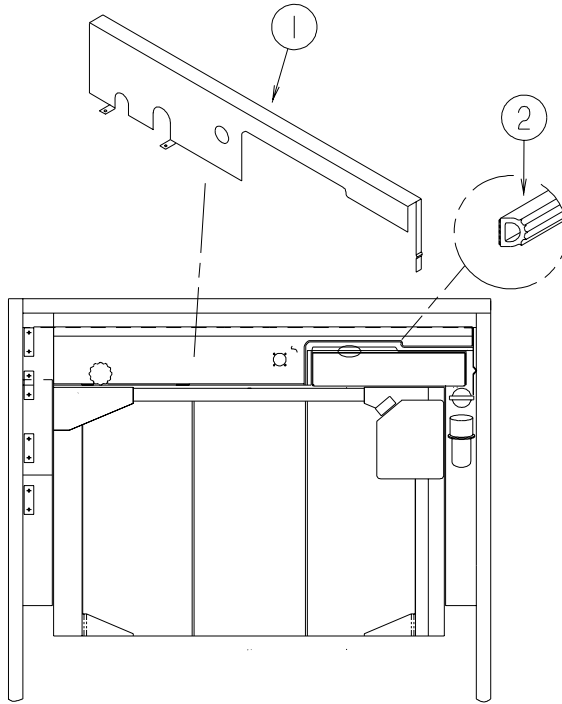
**CHASSIS GROUP (CONTINUED)**  
**INSULATION (CONTINUED)**



**P39QD, P39WD**

| KEY | PART NUMBER   | U/M | DESCRIPTION  |
|-----|---------------|-----|--|
| 1   | 140564-02-02B | EA  | PANEL/ACCESS - ENGINE COMPARTMENT - E-COATED               |
| 2   | 140351-02-02B | EA  | PANEL - ACCESS/COMPARTMENT - E-COATED                      |
| 3   | 106648-01-000 | EA  | CAP - STUD - .120 TO .130 DIAMETER                         |
| 4   | 039623-01-000 | EA  | SEAL - MOTOR COVER - RUBBER BULB TYPE                      |
| 5   | 140420-01-02B | EA  | COVER - ENGINE - E-COATED                                  |
| 6   | 140399-01-02B | EA  | COVER - ENGINE - E-COATED                                  |
|     | 072877-03-000 | EA  | INSULATION - SOUND BARRIER- 1" X 36" X 57" - ADHESIVE BACK |

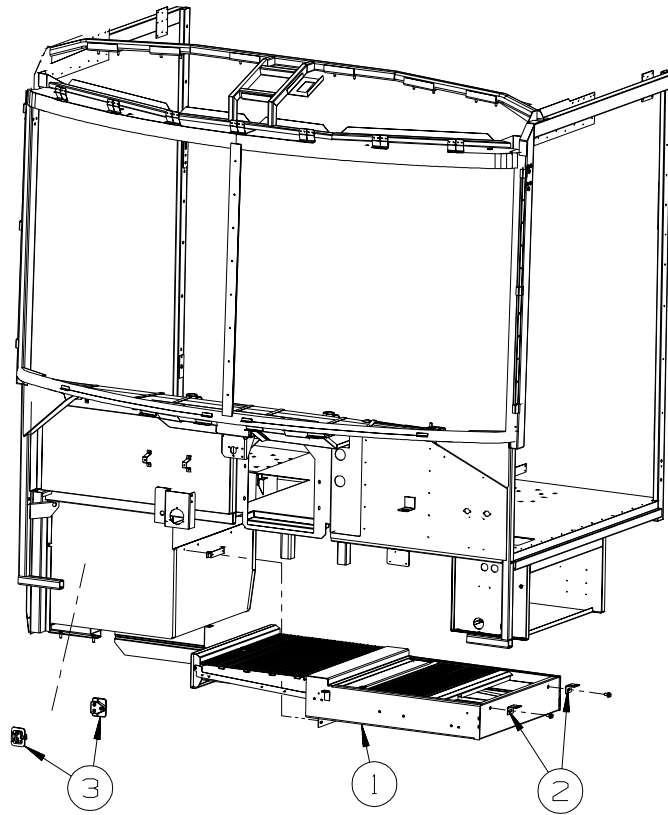
**CHASSIS GROUP (CONTINUED)**  
**INSULATION (CONTINUED)**



**P39QD, P39WD**

| <b>KEY</b> | <b>PART NUMBER</b> | <b>U/M</b> | <b>DESCRIPTION</b>                        |
|------------|--------------------|------------|---|
| 1          | 134068-02-02B      | EA         | ANGLE - BAFFLE/TOP - E-COATED             |
| 2          | 107721-07-000      | FT         | SEAL - ACCESS DOOR - .9" WIDE X 1.1" HIGH |

**CHASSIS GROUP (CONTINUED)**  
**STEPWELL COVER**



| KEY | PART NUMBER   | U/M | DESCRIPTION                     |
|-----|---------------|-----|---------------------------------|
| 1*  | 141691-01-01A | EA  | STEP COVER - SLIDING            |
| 2   | 142274-01-02B | EA  | BRACKET - STEP COVER - E-COATED |
| 3   | 142499-01-01A | EA  | BLOCK/SUPPORT (STEP COVER)      |

**\*COMPONENT PARTS LISTED LATER IN THIS GROUP**

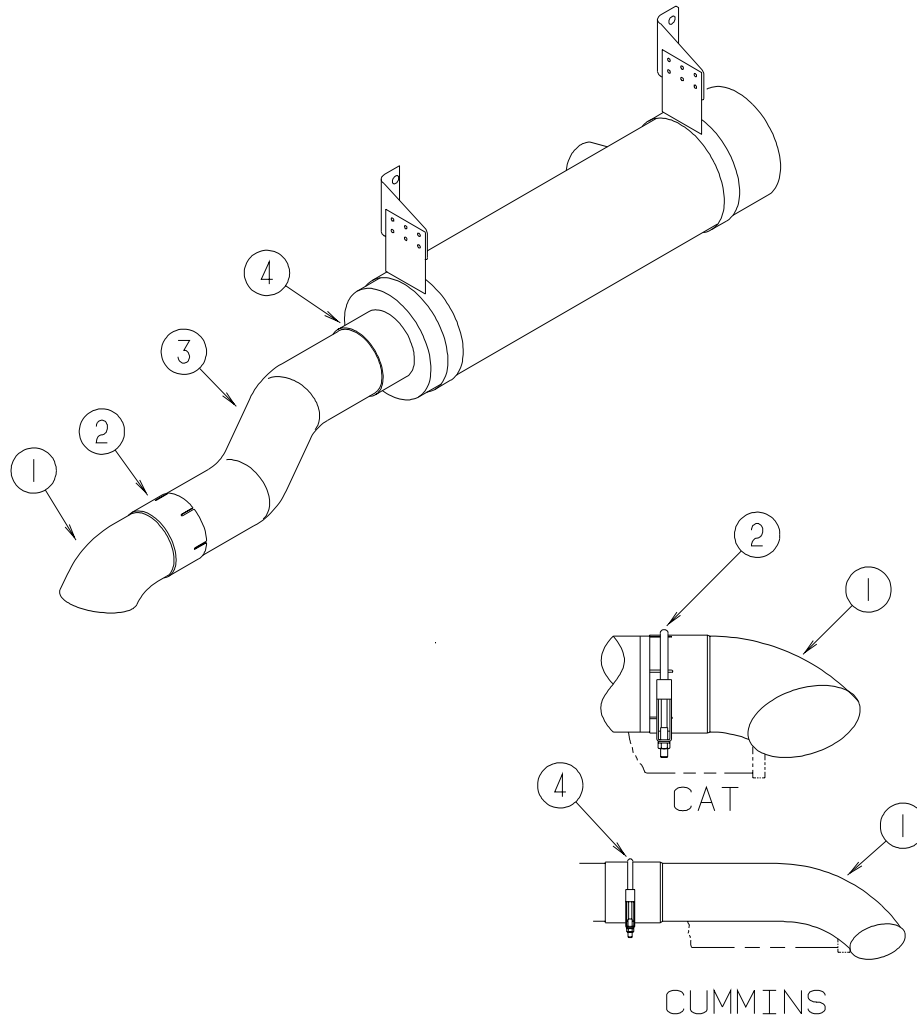
**CHASSIS GROUP (CONTINUED)**  
**COMPONENT PARTS FOR STEPWELL COVER**

141691-01-01A

| KEY | PART NUMBER   | U/M | DESCRIPTION                | VENDOR NO. |
|-----|---------------|-----|----------------------------|------------|
|     | 141691-01-700 | EA  | CABLE - 36"                | 1218751    |
|     | 141691-01-701 | EA  | CABLE - 63"                | 1218752    |
|     | 141691-01-702 | EA  | BEARING/ROLLER             | 1912040    |
|     | 141691-01-703 | EA  | LATCH - CABLE RELEASE      | 1912125    |
|     | 141691-01-704 | EA  | SPRING - CABLE PRELOAD     | 1217507    |
|     | 141691-01-705 | EA  | DRUM - CABLE TO MOTOR      | 1612535    |
|     | 141691-01-706 | EA  | BUSHING - .625" X .813"    | 1614003    |
|     | 141691-01-707 | EA  | WIRE HARNESS - PACKARD END | 1809938    |
|     | 141691-01-708 | EA  | MOTOR W/9 TOOTH PINION     | 1820122    |

## CHASSIS GROUP (CONTINUED)

### EXHAUST



| KEY | PART NUMBER   | U/M | DESCRIPTION                                  |
|-----|---------------|-----|--|
| 1   | 116425-03-000 | EA  | EXTENSION - EXHAUST - CHROMED - 4"           |
| 2   | NOT USED      |     |  |
| 3   | 114869-09-000 | EA  | PIPE - EXHAUST - P32T                        |
| 3   | 114869-06-000 | EA  | PIPE - EXHAUST                               |
| 4   | 094918-05-000 | EA  | CLAMP - EXHAUST - 4 7/16" - GUILLOTINE STYLE |

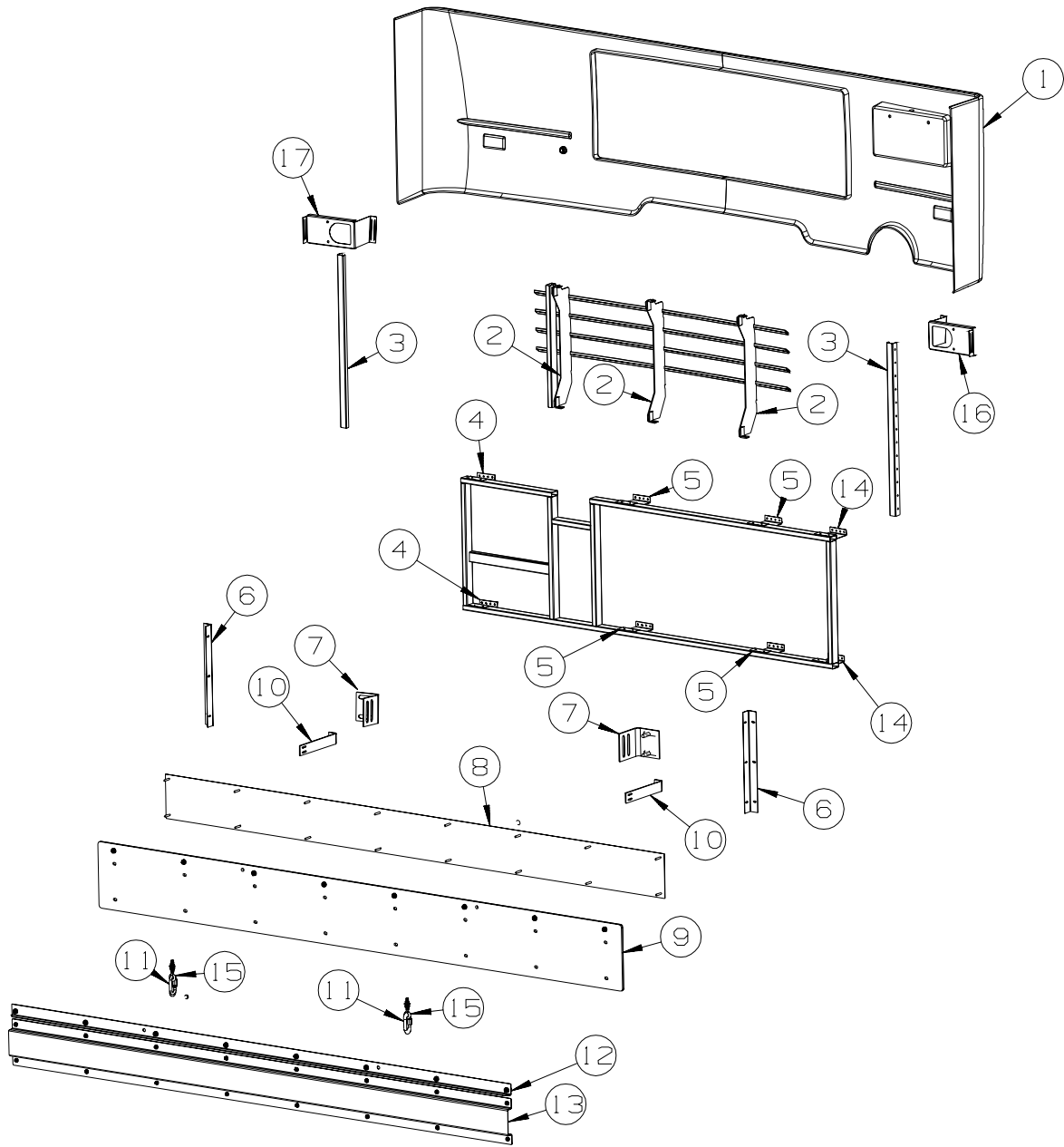
### HITCH

| KEY | PART NUMBER   | U/M | DESCRIPTION                                 |
|-----|---------------|-----|---|
|     | 134016-02-01A | EA  | DRAWBAR - HITCH - CLASS 4                   |
|     | 134016-03-01A | EA  | DRAWBAR/HITCH - CLASS 4 - TOW POWER CHASSIS |



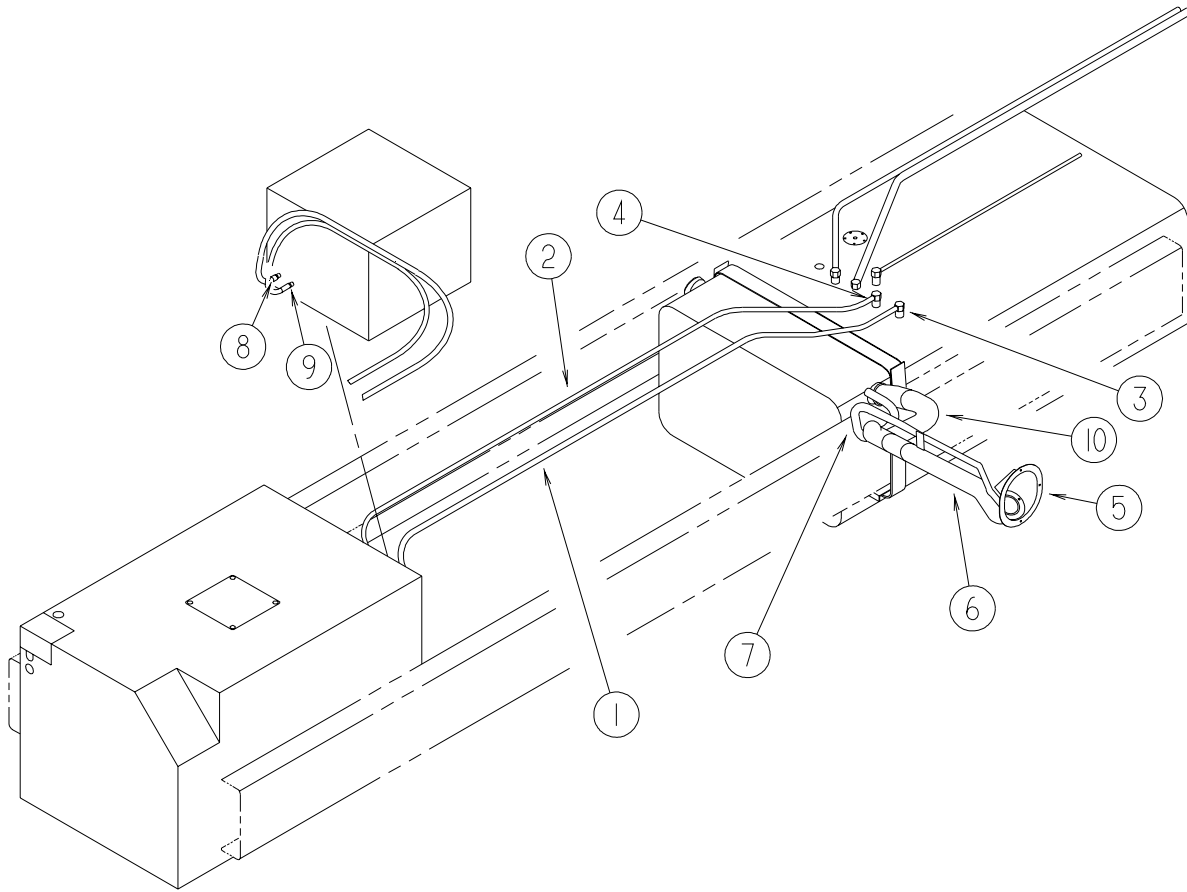
## CHASSIS GROUP (CONTINUED)

### REAR BUMPER



| KEY | PART NUMBER                        | U/M | DESCRIPTION                                |
|-----|------------------------------------|-----|--|
| 1   | 131898-02-L76                      | EA  | PANEL - BUMPER/REAR                        |
| 2   | 132447-01-L76                      | EA  | GRILL - REAR BUMPER                        |
| 3   | 132071-01-02B                      | EA  | BRACKET - BUMPER - FRONT/REAR - E-COATED   |
| 4   | NOT AVAILABLE - CONTACT PART SALES |     |  |
| 5   | NOT AVAILABLE - CONTACT PART SALES |     |  |
| 6   | 113041-03-02B                      | EA  | ANGLE - BUMPER MOUNT - E-COATED            |
| 7   | 107524-03-000                      | EA  | ANGLE - BUMPER - INNER/RIGHT & LEFT HAND   |
| 8   | 139238-03-01A                      | EA  | PLATE - MUD FLAP - STAINLESS STEEL/BRUSHED |
| 9   | 139635-01-01A                      | EA  | MUD FLAP - FULL WIDTH                      |
| 10  | 134007-01-02B                      | EA  | BRACE - BUMPER - E-COATED                  |
| 11  | 139818-01-01A                      | EA  | LINK - QUICK - STAINLESS STEEL             |
| 12  | 139417-01-04B                      | EA  | ANGLE - FORMED - MUDFLAP - BLACK           |
| 13  | 139416-01-04B                      | EA  | STIFFENER - MUDFLAP - BLACK                |
| 14  | NOT AVAILABLE - CONTACT PART SALES |     |  |
| 15  | 139820-02-01A                      | EA  | BOLT - HANGER/EYE - 5/16" STAINLESS STEEL  |
| 16  | NOT USED                           |     |  |
| 17  | NOT USED                           |     |  |

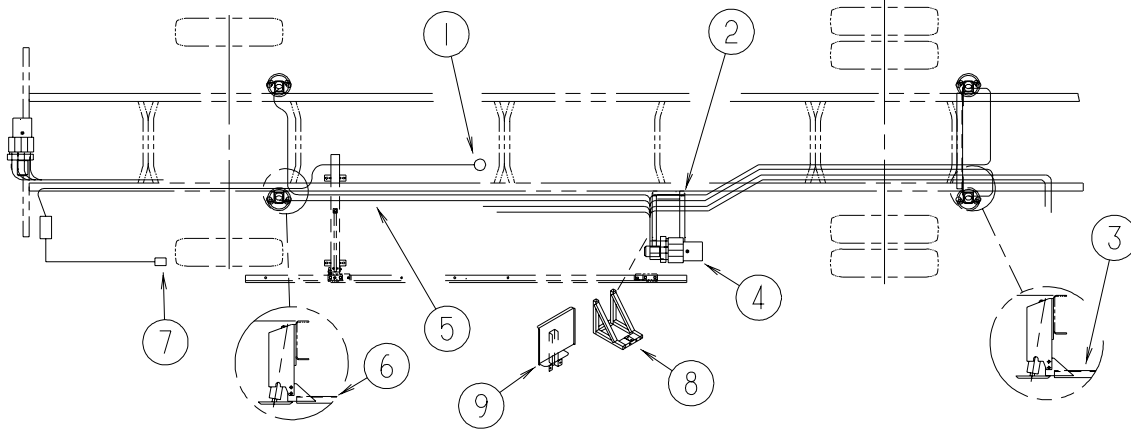
**CHASSIS GROUP (CONTINUED)**  
**FUEL OR FUEL FILL OR EMISSIONS**



| KEY | PART NUMBER   | U/M | DESCRIPTION                                    |
|-----|---------------|-----|--|
| 1   | 024138-01-000 | FT  | HOSE - FUEL - 5/16" ID                         |
| 2   | 128139-03-000 | FT  | HOSE - FUEL - LOW PERMEABILITY - 1/4" DIAMETER |
| 3   | 114253-02-000 | EA  | ELBOW - 5/16 SINGLE BARB X 1/4 MPT             |
| 4   | 114253-01-000 | EA  | ELBOW - 1/4 SINGLE BARB X 1/8 MPT              |
| 4   | 068382-06-000 | EA  | BUSHING - BRASS - 3/8"MPT X 1/8"FPT            |
| 5   | 128299-01-01A | EA  | SHROUD - FUEL FILL                             |
| 6   | 132108-01-000 | EA  | NECK ASSEMBLY - FUEL FILL/DRIVER               |
| 7   | 066732-01-000 | FT  | HOSE - FUEL - .62"ID                           |
| 8   | 114254-02-000 | EA  | ADAPTER - 5/16 SINGLE BARB X 1/8 MPT           |
| 9   | 114254-01-000 | EA  | ADAPTER - 1/4 BARB X 1/8 MPT                   |
| 10  | 132405-01-000 | EA  | TUBE - FUEL INLET                              |

## CHASSIS GROUP (CONTINUED)

### HYDRAULIC LEVELING



| KEY | PART NUMBER   | U/M | DESCRIPTION                              |                               |
|-----|---------------|-----|--|-------------------------------|
| 1   | 117183-01-02B | EA  | COVER - SENSOR - LEVELING                |                               |
|     |               |     |  | FROM: 00-00-00 THRU: 12-22-02 |
| 1   | 144723-01-02B | EA  | COVER - SENSOR - LEVELING                |                               |
|     |               |     |  | FROM: 12-23-02 THRU: 99-99-99 |
| 2   | 133495-02-02B | EA  | BRACKET - PUMP/LEVELING - E-COATED       |                               |
| 3   | 114748-08-02B | EA  | BRACKET - JACKS/REAR - E-COATED          |                               |
| 4*  | 131306-27-000 | EA  | LEVELING SYSTEM - 2 S/O                  |                               |
| 5*  | 100536-45-000 | EA  | HOSE KIT - LEVELING JACKS                |                               |
| 6   | 114748-02-02B | EA  | CROSSMEMBER - REAR JACK MOUNTING         |                               |
| 7   | 107889-04-000 | EA  | PANEL - CONTROL - 310 AIR DUMP           |                               |
| 8   |               |     | NO LONGER AVAILABLE - CONTACT PART SALES |                               |
| 9   | 140830-01-02B | EA  | SHIELD - PUMP/LEVELING SYSTEM - E-COATED |                               |
|     | 134092-02-000 | EA  | CHIME KIT - LEVELING SYSTEM - 310        |                               |

**\*COMPONENT PARTS LISTED LATER IN THIS GROUP**

**CHASSIS GROUP (CONTINUED)**  
**COMPONENT PARTS FOR HYDRAULIC LEVELING**

**100536-45-000**

| <b>KEY</b> | <b>PART NUMBER</b> | <b>U/M</b> | <b>DESCRIPTION</b>           | <b>VENDOR NO.</b> |
|------------|--------------------|------------|------------------------------|-------------------|
|            | 100536-36-702      | EA         | HOSE/HYDRAULIC - 1/4" X 408" | RAP4669/AP4669    |
|            | 100536-42-701      | EA         | HOSE - HYDRAULIC - 175"      | RAP90350          |
|            | 100536-45-700      | EA         | HOSE/HYDRAULIC - 1/4" X 204" | AP4310            |
|            | 100536-45-701      | EA         | HOSE/HYDRAULIC - 1/4" X 198" | AP6601            |

**131306-27-000**

| <b>KEY</b> | <b>PART NUMBER</b> | <b>U/M</b> | <b>DESCRIPTION</b>        | <b>VENDOR NO.</b> |
|------------|--------------------|------------|---------------------------|-------------------|
|            | 100532-01-713      | EA         | PUMP/MOTOR/TANK - MONARCH | RAP90014/AP2260   |

**CHASSIS GROUP (CONTINUED)**  
**WHEEL, TIRE, COVERS &/OR LINERS**

| <b>KEY</b> | <b>PART NUMBER</b> | <b>U/M</b> | <b>DESCRIPTION</b>   |
|------------|--------------------|------------|--|
|            | 129058-10-000      | EA         | COVER - NUT - 1.9"H X 2"BASE X 1.4" NUT  |
|            | 129058-11-000      | EA         | COVER - NUT - 2.24"H X 2" BASE X 1.4" NUT (REAR WHEELS)<br>FROM: 00-00-00 THRU: 02-19-02 |
|            | 129058-14-000      | EA         | COVER - FRONT AXLE - 10 BOLT FRONT - W/LOGO<br>FROM: 02-20-02 THRU: 99-99-99             |
|            | 129058-15-000      | EA         | COVER - REAR AXLE - 10 BOLT REAR - W/LOGO<br>FROM: 02-20-02 THRU: 99-99-99               |
|            | 129058-16-000      | EA         | CAP - REAR - THREADED - W/LOGO<br>FROM: 02-20-02 THRU: 99-99-99                          |
|            | 129058-17-000      | EA         | BRACKET - REAR - THREADED<br>FROM: 02-20-02 THRU: 99-99-99                               |
|            | 134439-01-000      | EA         | WHEEL - ALUMINUM - 7.5" X 22.5"/10 BOLT - FRONT  |
|            | 134439-02-000      | EA         | WHEEL - ALUMINUM - 7.5" X 22.5"/10 BOLT - REAR   |
|            | 077030-07-000      | EA         | EXTENSION - VALVE STEM - 5.9" LONG   |
| *          | 110435-17-000      | EA         | LINER - WHEEL - SET/4 - 22.5" - 10 BOLT<br>FROM: 00-00-00 THRU: 11-24-02                 |
|            | 145580-01-000      | EA         | LINER - WHEEL(SET OF 4) - 22.5"/10 BOLT<br>FROM: 11-25-02 THRU: 99-99-99                 |
|            | 080208-04-000      | EA         | LUG WRENCH - 1 3/16" - OSHKOSH/SPARTAN   |
|            | 080208-05-000      | EA         | BAR - LEVERAGE - LUG WRENCH - .75"DIA. - OSHKOSH/SPARTAN                                 |

**\*COMPONENT PARTS LISTED LATER IN THIS GROUP**

**CHASSIS GROUP (CONTINUED)**  
**COMPONENT PARTS FOR WHEEL, TIRE, COVERS &/OR LINERS**

110435-17-000

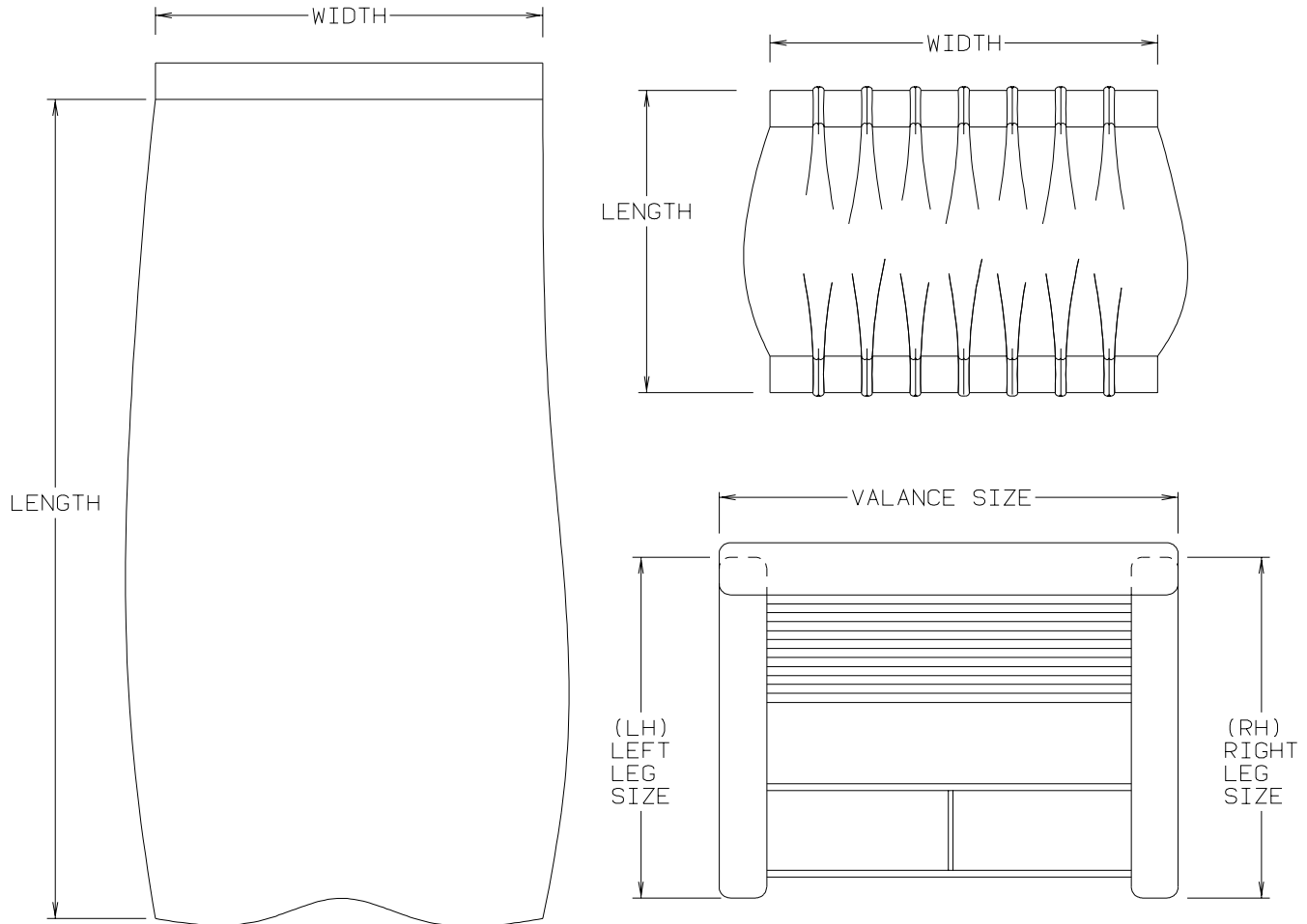
| KEY | PART NUMBER   | U/M | DESCRIPTION                    | VENDOR NO.          |
|-----|---------------|-----|--------------------------------|---------------------|
|     | 110435-04-705 | EA  | DECAL-CTR HUB 2 3/4" DIAMO     | 2 3/4 DECAL DIAMOND |
|     | 110435-05-700 | EA  | CAP-CENTER, POP-OUT 4 1/2"     | V22510-POC          |
|     | 110435-05-710 | EA  | NUT-JAMB-RIGHT HAND THREAD     | V22506-RJN          |
|     | 110435-05-711 | EA  | COVER-LUG NUT                  | V22506-LNC          |
|     | 110435-05-712 | EA  | TOOL INSTALLATION              | V22506-TOL          |
|     | 110435-17-700 | EA  | LINER - WHEEL - FRONT          | V22515-FWC          |
|     | 110435-17-701 | EA  | COVER - HUB - FRONT            | V22510-FHC          |
|     | 110435-17-702 | EA  | LINER - WHEEL - REAR           | V22515-RWC          |
|     | 110435-17-703 | EA  | COVER - HUB - REAR             | V22510-RHC          |
|     | 110435-17-704 | EA  | STUD EXTENDER - 22MM           | V22582-STX          |
|     | 110435-17-705 | EA  | COVER - HUB FRT/NEW W/O DECAL  | V22515-FHC          |
|     | 110435-17-706 | EA  | COVER - HUB REAR/NEW W/O DECAL | V22515-RHC          |
|     | 110435-17-707 | EA  | TOOL/JAMB NUT - STUD EXTENDER  | PN205-T0L           |
|     | 110435-17-708 | EA  | STUD EXTENDER - TUBE STYLE     | NH1422-TSX          |
|     | 110435-17-709 | EA  | NUT/JAMB - W/O STUD EXTENDER   | V19582-JNT          |

## CURTAIN & CUSHION GROUP

### NOTICE

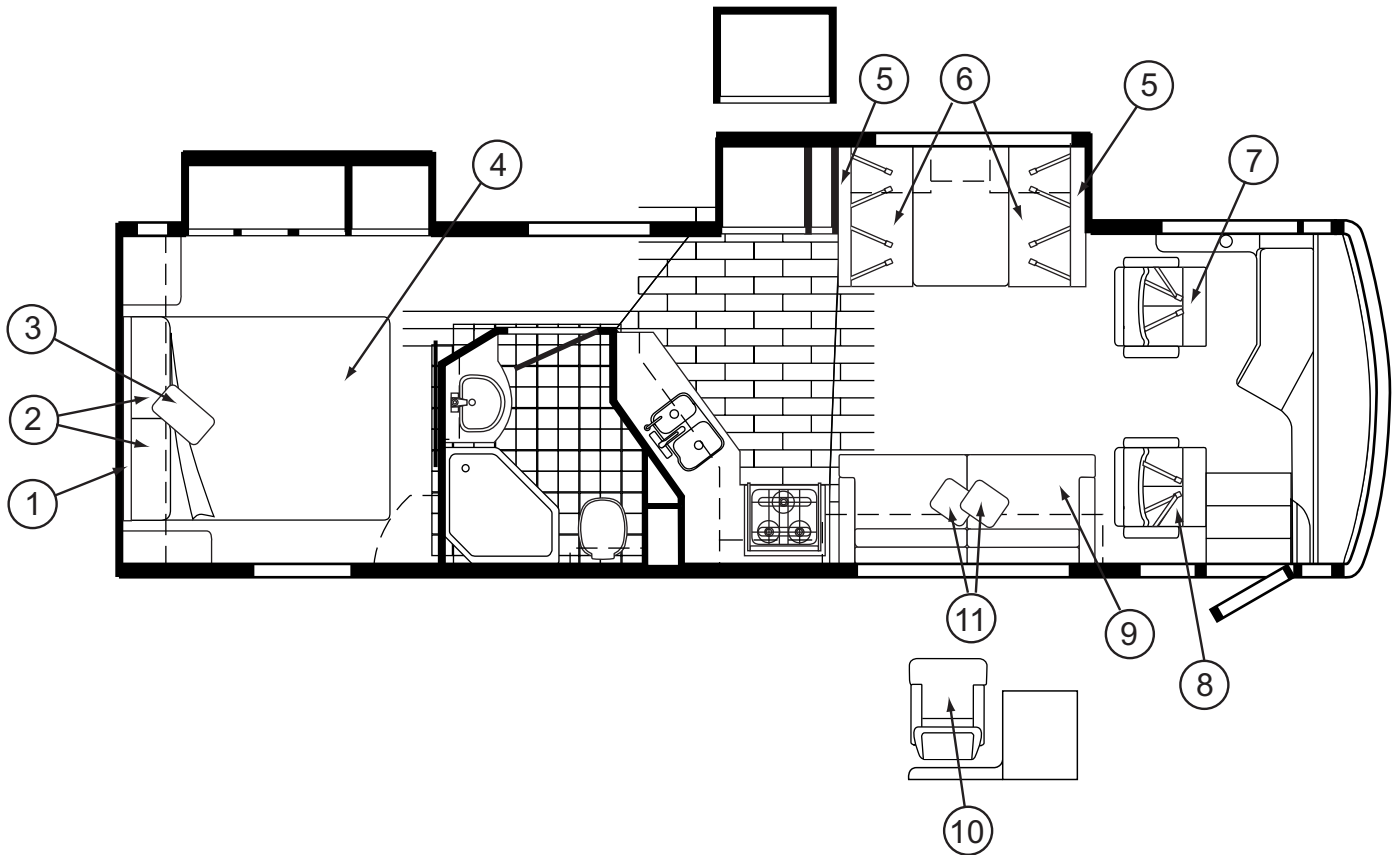
IN ORDER TO ASSIST OUR PARTS SALES DEPT. IN PROVIDING INTERIOR SOFTWARE ITEMS, PLEASE INCLUDE THE SERIAL NUMBER AND THE COLOR CODE NUMBER FROM THE VEHICLE CERTIFICATION LABEL WHEN ORDERING. THIS LABEL IS LOCATED ON THE LEFT SIDEWALL AT THE END OF THE DASH (A-BODY), OR ON THE DRIVER'S DOOR LATCH PLATE (C-BODY).

AN EXAMPLE OF A COLOR CODE NUMBER IS B07, WHICH DESIGNATES AN OVERALL COLOR SCHEME OF A PARTICULAR UNIT. THE COLOR LISTED AFTER THE ITEM DESCRIPTION ON THE MICROFICHE, INDICATES THE OVERALL UNIT COLOR. ORDER THE ITEM YOU DESIRE ACCORDING TO UNIT COLOR CODE. IF ALL COLORS USE THE SAME ITEM NO COLOR CODE WILL BE NOTED.



NOTE: USE THIS ILLUSTRATION WHEN DETERMINING LENGTH AND WIDTH MEASUREMENTS FOR CURTAINS. YOU WILL NOTE THE WIDTH MEASUREMENT IS TAKEN ON THE TOP OF THE CURTAIN WITH THE CURTAIN FULLY EXTENDED. THE LENGTH MEASUREMENT IS TAKEN FROM TOP TO BOTTOM. LEFT AND RIGHT WINDOW LEGS ARE DETERMINED WHEN FACING THE WINDOW.

**CURTAIN & CUSHION GROUP (CONTINUED)**  
**CUSHION LAYOUT**



| KEY | PART NUMBER   | U/M DESCRIPTION  |
|-----|---------------|--|
| 1   | 136359-05-P78 | EA HEADBOARD - FABRIC COVERED - F/QUEEN BED (P78, P79) |
| 1   | 136359-05-P80 | EA HEADBOARD - FABRIC COVERED - F/QUEEN BED (P80, P81) |
| 1   | 136359-06-P82 | EA HEADBOARD - FABRIC COVERED - F/QUEEN BED (P82, P83) |
| 1   | 136359-05-P94 | EA HEADBOARD - FABRIC COVERED - F/QUEEN BED (P94, P95) |
| 2   | 104565-27-P78 | EA PILLOW SHAM (P78, P79)                              |
| 2   | 104565-27-P80 | EA PILLOW SHAM (P80, P81)                              |
| 2   | 104565-27-P82 | EA PILLOW SHAM (P82, P83)                              |
| 2   | 104565-27-P94 | EA PILLOW SHAM (P94, P95)                              |
| 3   | 132338-26-P78 | EA PILLOW - 14" X 20" - W/CENTER OVERLAY (P78, P79)    |
| 3   | 132338-26-P80 | EA PILLOW - 14" X 20" - W/CENTER OVERLAY (P80, P81)    |
| 3   | 132338-27-P82 | EA PILLOW - 14" X 20" - W/CENTER OVERLAY (P82, P83)    |
| 3   | 132338-26-P94 | EA PILLOW - 14" X 20" - W/CENTER OVERLAY (P94, P95)    |
| 4   | 132336-25-P78 | EA BEDSPREAD/CAP - 60" X 80" (P78, P79)                |
| 4   | 132336-25-P80 | EA BEDSPREAD/CAP - 60" X 80" (P80, P81)                |
| 4   | 132336-25-P82 | EA BEDSPREAD/CAP - 60" X 80" (P82, P83)                |
| 4   | 132336-25-P65 | EA BEDSPREAD/CAP - 60" X 80" (P94, P95)                |
| 4   | 142411-02-000 | EA MATTRESS/AIR - 60" X 80" - SELECT COMFORT           |
| 4   | 142411-03-000 | EA AIR PUMP W/CONTROLS - F/SELECT COMFORT MATTRESS     |
| 5   | 142431-01-P78 | EA BACK - DINETTE - 13.5" X 40" (P78, P79)             |
| 5   | 142431-06-P80 | EA BACK - DINETTE - 13.5" X 40" (P80, P81)             |
| 5   | 142431-01-P82 | EA BACK - DINETTE - 13.5" X 40" (P82, P83)             |
| 5   | 142431-01-P94 | EA BACK - DINETTE - 13.5" X 40" (P94, P95)             |
|     | P42431-01-P78 | EA COVER/BACK - DINETTE - 13.5" X 40" (P78, P79)       |
|     | P42431-06-P80 | EA COVER/BACK - DINETTE - 13.5" X 40" (P80, P81)       |
|     | P42431-01-P82 | EA COVER/BACK - DINETTE - 13.5" X 40" (P82, P83)       |
|     | P42431-01-P94 | EA COVER/BACK - DINETTE - 13.5" X 40" (P94, P95)       |
|     | 143730-01-000 | EA DINETTE PIPE CAP W/STRAP                            |

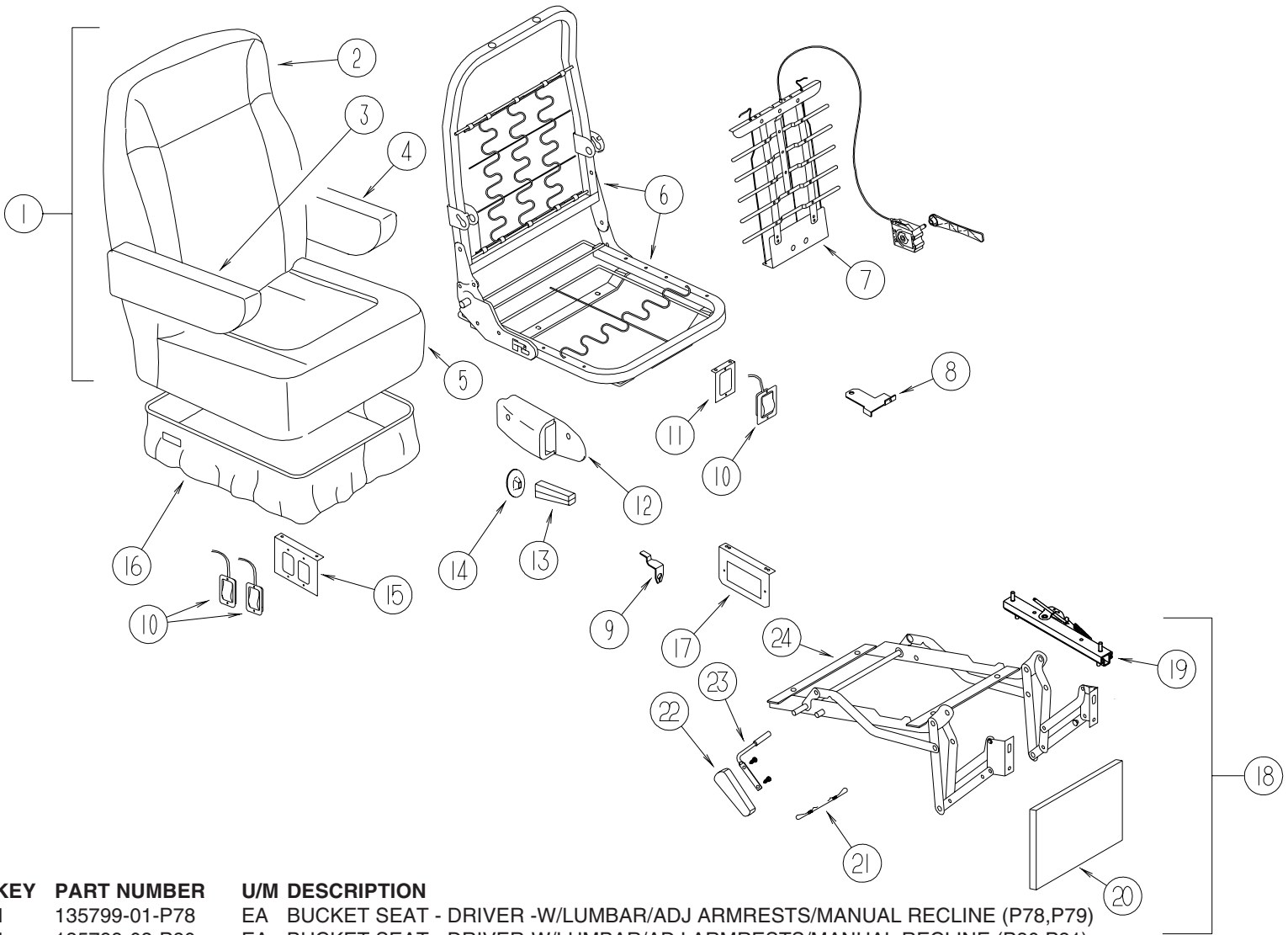


**CURTAIN & CUSHION GROUP (CONTINUED)**  
**CUSHION LAYOUT (CONTINUED)**

| KEY | PART NUMBER   | U/M | DESCRIPTION   |
|-----|---------------|-----|---|
| 6   | 142292-10-P78 | EA  | SEAT - DINETTE CUSHION (SPRUNG) - 23.5" X 38.5" (P78, P79)                    |
| 6   | 142292-10-P82 | EA  | SEAT - DINETTE CUSHION (SPRUNG) - 23.5" X 38.5" (P82, P83)                    |
| 6   | 142292-12-P80 | EA  | SEAT - DINETTE CUSHION (SPRUNG) - 23.5" X 38.5" (P80, P81)                    |
| 6   | 142292-10-P94 | EA  | SEAT - DINETTE CUSHION (SPRUNG) - 23.5" X 38.5" (P94, P95)                    |
|     | P42292-10-P78 | EA  | COVER/SEAT - DINETTE CUSHION - 23.5" X 38.5" (P78, P79)                       |
|     | P42292-12-P80 | EA  | COVER/SEAT - DINETTE CUSHION - 23.5" X 38.5" (P80, P81)                       |
|     | P42292-10-P82 | EA  | COVER/SEAT - DINETTE CUSHION - 23.5" X 38.5" (P82, P83)                       |
|     | P42292-10-P94 | EA  | COVER/SEAT - DINETTE CUSHION - 23.5" X 38.5" (P94, P95)                       |
|     | 142366-01-000 | EA  | FRAME - SPRUNG - DINETTE SEAT   |
| 7   | 135799-01-P78 | EA  | BUCKET SEAT - DRIVER -W/LUMBAR/ADJ ARMRESTS/MANUAL RECLINE (P78,P79)          |
| 7   | 135799-03-P80 | EA  | BUCKET SEAT - DRIVER -W/LUMBAR/ADJ ARMRESTS/MANUAL RECLINE (P80,P81)          |
| 7   | 135799-01-P82 | EA  | BUCKET SEAT - DRIVER -W/LUMBAR/ADJ ARMRESTS/MANUAL RECLINE (P82,P83)          |
| 7   | 135799-14-P94 | EA  | BUCKET SEAT - DRIVER -W/LUMBAR/ADJ ARMRESTS/MANUAL RECLINE (P94,P95)          |
| 7   | 135799-09-P78 | EA  | BUCKET SEAT-DRIVER-W/LUMBAR/ADJUSTABLE ARMRESTS-LEATHER - LEATHER FACED SEATS |
| 8   | 135799-02-P78 | EA  | BUCKET SEAT - PASSENGER - W/ADJ ARMRESTS/MANUAL RECLINE (P78,P79)             |
| 8   | 135799-04-P80 | EA  | BUCKET SEAT - PASSENGER - W/ADJ ARMRESTS/MANUAL RECLINE (P80,P81)             |
| 8   | 135799-02-P82 | EA  | BUCKET SEAT - PASSENGER - W/ADJ ARMRESTS/MANUAL RECLINE (P82,P83)             |
| 8   | 135799-15-P94 | EA  | BUCKET SEAT - PASSENGER - W/ADJ ARMRESTS/MANUAL RECLINE (P94,P95)             |
|     |               |     | FROM: 00-00-00 THRU: 09-29-02   |
| 8   | 135799-14-P94 | EA  | BUCKET SEAT - PASSENGER - W/ADJ ARMRESTS/MANUAL RECLINE (P94,P95)             |
|     |               |     | FROM: 09-30-02 THRU: 99-99-99   |
| 8   | 135799-10-P78 | EA  | BUCKET SEAT-PASSENGER-W/ADJUSTABLE ARMRESTS-LEATHER - LEATHER FACED SEATS     |
| 9   |               |     | SOFA - SEE SOFA AREA  |
| 10  | 135477-01-P78 | EA  | CHAIR - RECLINER W/FOOTREST (P78,P79) - LOUNGE CHAIR W/CABINET                |
| 10  | 135477-01-P80 | EA  | CHAIR - RECLINER W/FOOTREST (P80,P81) - LOUNGE CHAIR W/CABINET                |
| 10  | 135477-01-P82 | EA  | CHAIR - RECLINER W/FOOTREST (P82,P83) - LOUNGE CHAIR W/CABINET                |
| 10  | 135477-01-P65 | EA  | CHAIR - RECLINER W/FOOTREST (P94,P95) - LOUNGE CHAIR W/CABINET                |
| 10  | 135477-04-N74 | EA  | CHAIR - RECLINER W/FOOTREST - LEATHER RECLINER                                |
| 11  | 132319-40-P78 | EA  | PILLOW - 18" - W/CENTER BUTTON & BRAID (P78, P79)                             |
| 11  | 132319-40-P80 | EA  | PILLOW - 18" - W/CENTER BUTTON & BRAID (P80, P81)                             |
| 11  | 132319-40-P82 | EA  | PILLOW - 18" - W/CENTER BUTTON & BRAID (P82, P83)                             |
| 11  | 132319-40-P65 | EA  | PILLOW - 18" - W/CENTER BUTTON & BRAID (P94, P95)                             |

## CURTAIN & CUSHION GROUP (CONTINUED)

### BUCKET SEATS



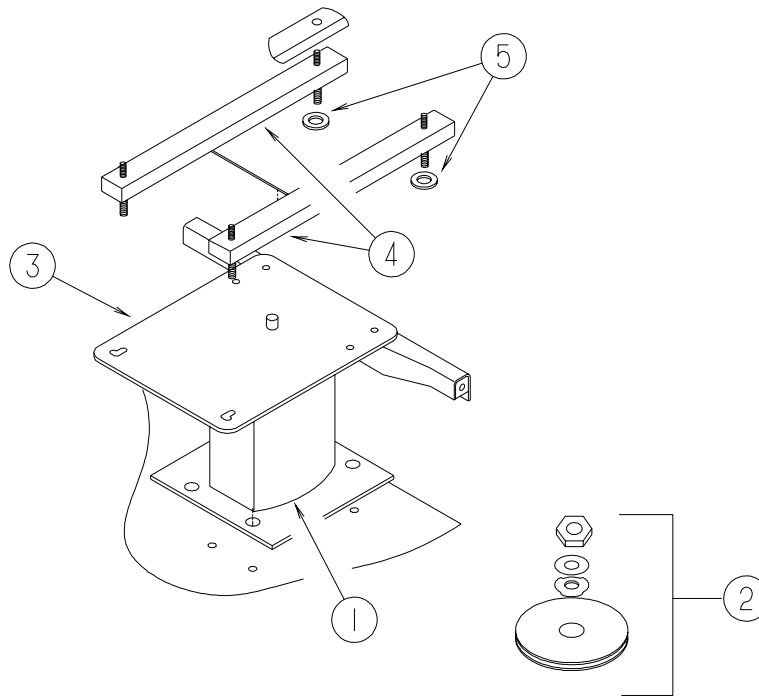
| KEY | PART NUMBER   | U/M | DESCRIPTION  |
|-----|---------------|-----|--|
| 1   | 135799-01-P78 | EA  | BUCKET SEAT - DRIVER -W/LUMBAR/ADJ ARMRESTS/MANUAL RECLINE (P78,P79)                               |
| 1   | 135799-03-P80 | EA  | BUCKET SEAT - DRIVER-W/LUMBAR/ADJ ARMRESTS/MANUAL RECLINE (P80,P81)                                |
| 1   | 135799-01-P82 | EA  | BUCKET SEAT - DRIVER -W/LUMBAR/ADJ ARMRESTS/MANUAL RECLINE (P82,P83)                               |
| 1   | 135799-14-P94 | EA  | BUCKET SEAT - DRIVER -W/LUMBAR/ADJ ARMRESTS/MANUAL RECLINE (P94,P95)                               |
| 1   | 135799-09-P78 | EA  | BUCKET SEAT-DRIVER-W/LUMBAR/ADJUSTABLE ARMRESTS-LEATHER - <b>LEATHER FACED SEATS</b>               |
| 1   | 135799-02-P78 | EA  | BUCKET SEAT - PASSENGER - W/ADJ ARMRESTS/MANUAL RECLINE (P78,P79)                                  |
| 1   | 135799-04-P80 | EA  | BUCKET SEAT - PASSENGER - W/ADJ ARMRESTS/MANUAL RECLINE (P80,P81)                                  |
| 1   | 135799-02-P82 | EA  | BUCKET SEAT - PASSENGER - W/ADJ ARMRESTS/MANUAL RECLINE (P82,P83)                                  |
| 12  | 135799-15-P94 | EA  | BUCKET SEAT - PASSENGER - W/ADJ ARMRESTS/MANUAL RECLINE (P94,P95)<br>FROM: 00-00-00 THRU: 09-29-02 |
| 12  | 135799-14-P94 | EA  | BUCKET SEAT - PASSENGER - W/ADJ ARMRESTS/MANUAL RECLINE (P94,P95)<br>FROM: 09-30-02 THRU: 99-99-99 |
| 1   | 135799-10-P78 | EA  | BUCKET SEAT-PASSENGER-W/ADJUSTABLE ARMRESTS-LEATHER - <b>LEATHER FACED SEATS</b>                   |
| 2   | M05962-C5-P78 | EA  | COVER - BACK (P78,P79)   |
| 2   | M05962-C7-P80 | EA  | COVER - BACK (P80,P81)   |
| 2   | M05962-C5-P82 | EA  | COVER - BACK (P82,P83)   |
| 2   | M05962-G3-P94 | EA  | COVER - BACK (P94,P95)   |
| 2   | M05962-D1-P78 | EA  | COVER - BACK - <b>LEATHER FACED SEATS</b>  |
| 3   | 129666-13-P78 | EA  | ARMREST - RIGHT HAND (P78,P79)   |
| 3   | 129666-15-P80 | EA  | ARMREST - RIGHT HAND (P80,P81)   |
| 3   | 129666-13-P82 | EA  | ARMREST - RIGHT HAND (P82,P83)   |
| 3   | 129666-05-P94 | EA  | ARMREST - RIGHT HAND (P94,P95)   |
| 3   | 129666-17-P83 | EA  | ARMREST - RIGHT HAND - <b>LEATHER FACED SEATS</b>  |
| 3   | P29666-13-P78 | EA  | COVER - ARMREST - RIGHT HAND (P78,P79)   |
| 3   | P29666-15-P80 | EA  | COVER - ARMREST - RIGHT HAND (P80,P81)   |
| 3   | P29666-13-P82 | EA  | COVER - ARMREST - RIGHT HAND (P82,P83)   |
| 3   | P29666-05-P94 | EA  | COVER - ARMREST - RIGHT HAND (P94,P95)   |
| 3   | P29666-17-P83 | EA  | COVER - ARMREST - RIGHT HAND - <b>LEATHER FACED SEATS</b>  |

**CURTAIN & CUSHION GROUP (CONTINUED)**  
**BUCKET SEATS (CONTINUED)**

| KEY | PART NUMBER   | U/M | DESCRIPTION  |
|-----|---------------|-----|--|
| 3   | 122622-04-000 | EA  | BRACKET - ARMREST/RIGHT HAND   |
| 3   | 122622-06-000 | EA  | KNOB - W/3/8" THREAD INSERT  |
| 3   | 130699-01-000 | EA  | ARMREST - MOLDED - RIGHT HAND W/O COVER                                |
| 4   | 129666-14-P78 | EA  | ARMREST - LEFT HAND (P78,P79)  |
| 4   | 129666-16-P80 | EA  | ARMREST - LEFT HAND (P80,P81)  |
| 4   | 129666-14-P82 | EA  | ARMREST - LEFT HAND (P82,P83)  |
| 4   | 129666-06-P94 | EA  | ARMREST - LEFT HAND (P94,P95)  |
| 4   | 129666-18-P83 | EA  | ARMREST - LEFT HAND - LEATHER FACED SEATS                              |
| 4   | P29666-14-P78 | EA  | COVER - ARMREST - LEFT HAND (P78,P79)                                  |
| 4   | P29666-16-P80 | EA  | COVER - ARMREST - LEFT HAND (P80,P81)                                  |
| 4   | P29666-14-P82 | EA  | COVER - ARMREST - LEFT HAND (P82,P83)                                  |
| 4   | P29666-06-P94 | EA  | COVER - ARMREST - LEFT HAND (P94,P95)                                  |
| 4   | P29666-18-P83 | EA  | COVER - ARMREST - LEFT HAND - LEATHER FACED SEATS                      |
| 4   | 122622-05-000 | EA  | BRACKET - ARMREST/LEFT HAND  |
| 4   | 122622-06-000 | EA  | KNOB - W/3/8" THREAD INSERT  |
| 4   | 130699-02-000 | EA  | ARMREST - MOLDED - LEFT HAND W/O COVER                                 |
| 5   | M05962-C6-P78 | EA  | COVER - SEAT (P78,P79)   |
| 5   | M05962-C8-P80 | EA  | COVER - SEAT (P80,P81)   |
| 5   | M05962-C6-P82 | EA  | COVER - SEAT (P82,P83)   |
| 5   | M05962-G4-P94 | EA  | COVER - SEAT (P94,P95)   |
| 5   | M05962-D2-P78 | EA  | COVER - SEAT - LEATHER FACED SEATS                                     |
| 6   | 134532-01-000 | EA  | FRAME - SEAT/HIGH BACK   |
| 7*  | 122611-02-000 | EA  | LUMBAR - W/LEVER   |
| 8   | 117125-01-02B | EA  | BRACKET - CABLE MOUNT - ADJUSTER W/LOCK                                |
| 9   | 108049-02-000 | EA  | CLIP - CABLE/PEDESTAL  |
| 10  | 108049-04-000 | EA  | CABLE - W/MINI LEVER ACTION SWITCH - 28" SHEATH/30" CABLE              |
| 11  | 127159-01-02B | EA  | BRACKET - SEAT RELEASE - SINGLE REMOTE                                 |
| 12  | 080730-09-000 | EA  | SHIELD - RECLINER HANDLE   |
| 13  | 080730-08-000 | EA  | HANDLE - RECLINER  |
| 14  | 080730-11-000 | EA  | SHIELD - RUBBER BOOT   |
| 15  | 127159-02-02B | EA  | BRACKET - SEAT RELEASE - DUAL REMOTE                                   |
| 16  | 071126-82-P78 | EA  | SKIRT - 10.5" OPEN CORNER (STANDARD/6-WAY POWER) (P78,P79)             |
| 16  | 071126-75-P80 | EA  | SKIRT - 10.5" OPEN CORNER (STANDARD/6-WAY POWER) (P80,P81)             |
| 16  | 071126-82-P82 | EA  | SKIRT - 10.5" OPEN CORNER (STANDARD/6-WAY POWER) (P82,P83)             |
| 16  | 071126-68-P94 | EA  | SKIRT - 10.5" OPEN CORNER (STANDARD/6-WAY POWER) (P94,P95)             |
| 16  | 071126-77-P37 | EA  | SKIRT - 10.5" OPEN CORNER (STANDARD/6-WAY POWER) - LEATHER FACED SEATS |
| 16  | 071126-83-P78 | EA  | SKIRT - 10.5" - W/FOOTREST (P78,P79) - PASSENGER                       |
| 16  | 071126-76-P80 | EA  | SKIRT - 10.5" - W/FOOTREST (P80,P81) - PASSENGER                       |
| 16  | 071126-83-P82 | EA  | SKIRT - 10.5" - W/FOOTREST (P82,P83) - PASSENGER                       |
| 16  | 071126-74-P94 | EA  | SKIRT - 10.5" - W/FOOTREST (P94,P95) - PASSENGER                       |
| 16  | 071126-79-N74 | EA  | SKIRT - 10.5" (FOOTREST) LEATHER - LEATHER FACED SEATS - PASSENGER     |
| 17  | 128699-01-02B | EA  | BRACKET - SEAT SWITCH - E-COATED                                       |
| 18  | 131613-05-P78 | EA  | FOOTREST - BUCKET SEAT/PASSENGER (P78,P79)                             |
| 18  | 131613-03-P80 | EA  | FOOTREST - BUCKET SEAT/PASSENGER (P80,P81)                             |
| 18  | 131613-05-P82 | EA  | FOOTREST - BUCKET SEAT/PASSENGER (P82,P83)                             |
| 18  | 131613-01-P94 | EA  | FOOTREST - BUCKET SEAT/PASSENGER (P94,P95)                             |
| 18  | 131613-04-N74 | EA  | FOOTREST - BUCKET SEAT/PASSENGER - LEATHER FACED SEATS                 |
| 19  | 131566-04-000 | EA  | SLIDE/SEAT - HEAVY DUTY LOCKING - 5"                                   |
|     | 131566-05-000 | EA  | WASHER - SLIDE SPACER  |
|     | 131566-07-000 | EA  | 5" DOUBLE LOCKING SLIDE W/TAB  |
| 20  | 131613-99-000 | EA  | FOOTREST/WOOD - W/T-NUT  |
| 21  | 119952-07-000 | EA  | WIRE - LATCH RELEASE/ROTARY  |
| 22  | 131566-03-000 | EA  | WOOD HANDLE  |
| 23  | 131566-02-000 | EA  | ROD/LEVER - FOOT-REST EXTENSION  |
| 24  | 131566-01-000 | EA  | FOOTREST - MECHANICAL  |

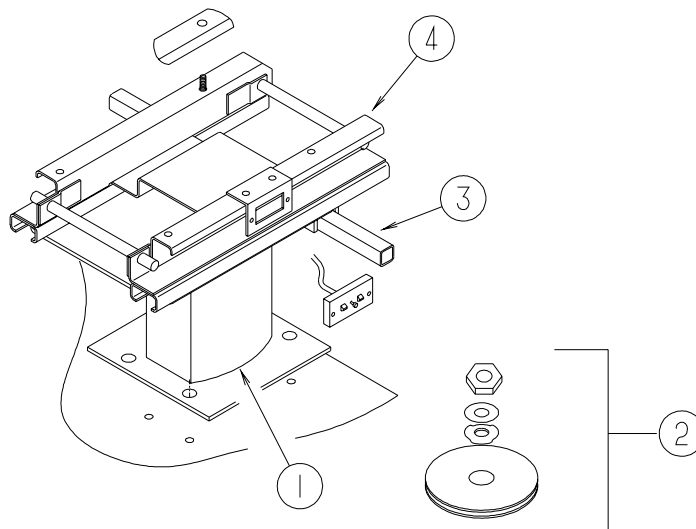
\*COMPONENT PARTS LISTED LATER IN THIS GROUP

**CURTAIN & CUSHION GROUP (CONTINUED)**  
**BUCKET SEATS (CONTINUED)**



**NON-POWER**

| KEY | PART NUMBER   | U/M | DESCRIPTION                          |                               |
|-----|---------------|-----|--------------------------------------|-------------------------------|
| 1   | 133408-01-000 | EA  | PEDESTAL - SEAT/DRIVER - 9 3/4"      |                               |
| 2   | 107921-06-000 | EA  | BEARING KIT - PEDESTAL               |                               |
| 3   | 133408-08-000 | EA  | TOP PLATE - W/BAR                    |                               |
| 3   | 133408-19-000 | EA  | TOP PLATE - DRIVERS - W/ANCHOR       | FROM: 00-00-00 THRU: 02-09-03 |
| 4   | 131566-04-000 | EA  | SLIDE/SEAT - HEAVY DUTY LOCKING - 5" | FROM: 02-10-03 THRU: 99-99-99 |
|     | 119952-07-000 | EA  | WIRE - LATCH RELEASE/ROTARY          |                               |
| 5   | NOT USED      |     |                                      |                               |

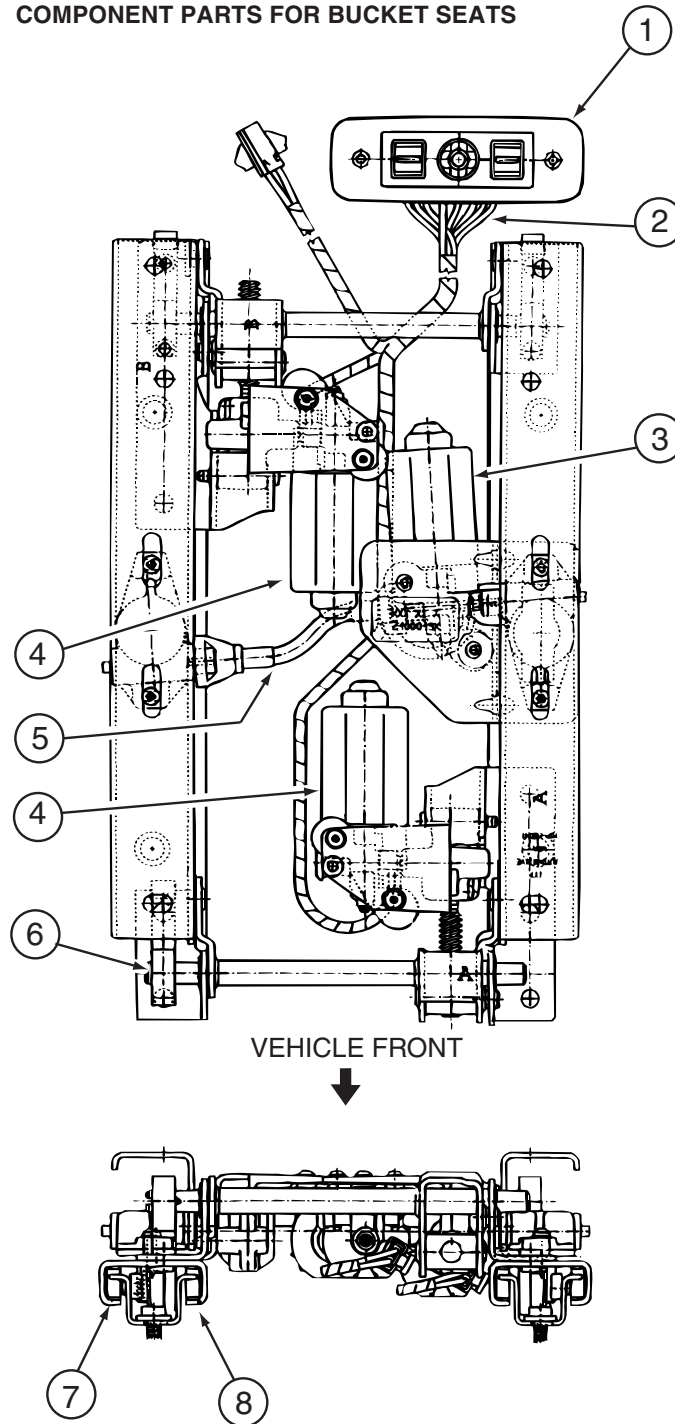


**POWER**

| KEY | PART NUMBER   | U/M | DESCRIPTION                    |                               |
|-----|---------------|-----|--------------------------------|-------------------------------|
| 1   | 133408-05-000 | EA  | PEDESTAL - SEAT - 5.75"        |                               |
| 2   | 107921-06-000 | EA  | BEARING KIT - PEDESTAL         |                               |
| 3   | 133408-08-000 | EA  | TOP PLATE - W/BAR              |                               |
| 3   | 133408-19-000 | EA  | TOP PLATE - DRIVERS - W/ANCHOR | FROM: 00-00-00 THRU: 02-09-03 |
| 4*  | 081373-03-000 | EA  | SEAT - POWER 6 WAY             | FROM: 02-10-03 THRU: 99-99-99 |

**\*COMPONENT PARTS LISTED LATER IN THIS GROUP**

**CURTAIN & CUSHION GROUP (CONTINUED)**  
**COMPONENT PARTS FOR BUCKET SEATS**



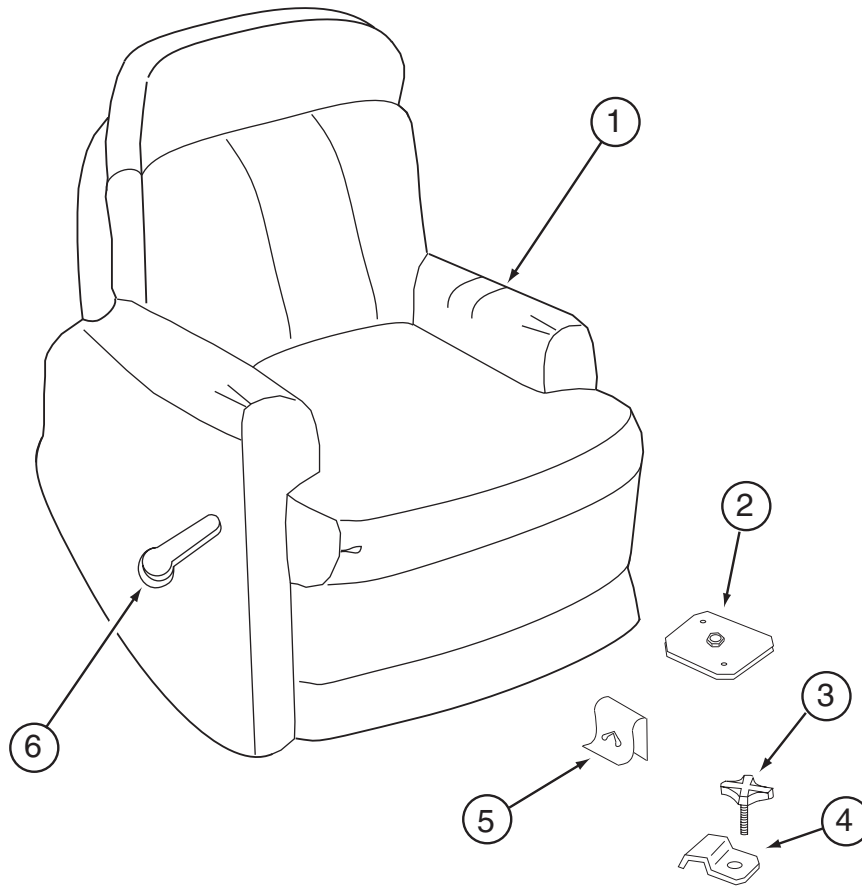
**081373-03-000**

| KEY | PART NUMBER   | U/M | DESCRIPTION                 | VENDOR NO.       |
|-----|---------------|-----|-----------------------------|------------------|
| 1   | 081373-03-700 | EA  | SWITCH POWER                | 22543667 BLACK   |
| 2   | 081373-03-701 | EA  | WIRE HARNESS ASM., LT. SIDE | 22138093         |
| 2   | 081373-03-702 | EA  | WIRE HARNESS ASM., RT. SIDE | 22138094         |
| 3   | 081373-02-703 | EA  | MOTOR / HORIZONTAL          | 22128095         |
| 4   | 081373-02-704 | EA  | MOTOR PKG. ADJ. VERTICAL    | 22063238 & H-196 |
| 5   | 081373-03-704 | EA  | DRIVE CABLE                 | 22143984         |
| 6   | 081373-03-705 | EA  | SPRING                      | 22048978         |
| 7   | 081373-03-706 | EA  | SHOE GUIDE (WHITE)          | 22048993         |
| 8   | 081373-03-707 | EA  | SHOE GUIDE (BLACK)          | 22048994         |
|     | 081373-03-700 | EA  | SWITCH POWER                | 22137945         |

**122611-02-000**

| KEY | PART NUMBER   | U/M | DESCRIPTION      | VENDOR NO.      |
|-----|---------------|-----|------------------|-----------------|
|     | 122611-02-701 | EA  | LUMBAR - LEVER   | 412             |
|     | 122611-02-702 | EA  | LUMBAR MECHANISM | 24395-FLEXSTEEL |

**CURTAIN & CUSHION GROUP (CONTINUED)**  
**LOUNGE CHAIR**

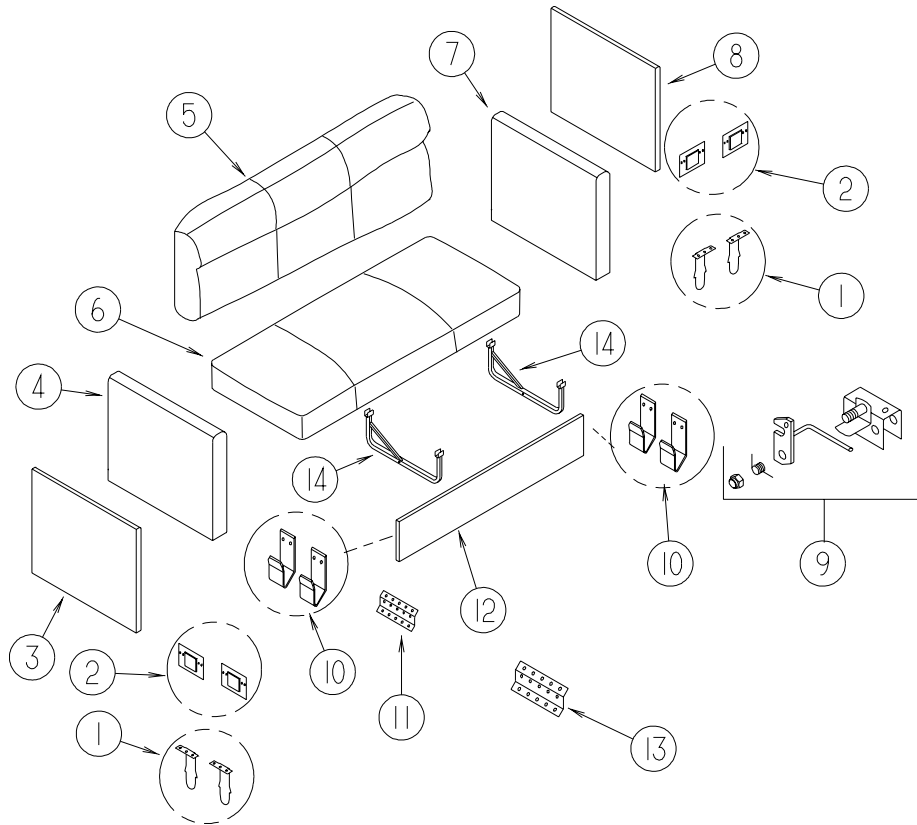


| KEY | PART NUMBER   | U/M | DESCRIPTION  |
|-----|---------------|-----|--|
| 1   | 135477-01-P78 | EA  | CHAIR - RECLINER W/FOOTREST (P78,P79) - LOUNGE CHAIR W/CABINET                 |
| 1   | 135477-01-P80 | EA  | CHAIR - RECLINER W/FOOTREST (P80,P81) - LOUNGE CHAIR W/CABINET                 |
| 1   | 135477-01-P82 | EA  | CHAIR - RECLINER W/FOOTREST (P82,P83) - LOUNGE CHAIR W/CABINET                 |
| 1   | 135477-01-P65 | EA  | CHAIR - RECLINER W/FOOTREST (P94,P95) - LOUNGE CHAIR W/CABINET                 |
| 1   | 135477-04-N74 | EA  | CHAIR - RECLINER W/FOOTREST - LEATHER RECLINER                                 |
|     | P35477-01-P78 | EA  | COVER - RECLINER/SWIVEL/ROCKER - W/FOOTREST (P78,P79) - LOUNGE CHAIR W/CABINET |
|     | P35477-01-P80 | EA  | COVER - RECLINER/SWIVEL/ROCKER - W/FOOTREST (P80,P81) - LOUNGE CHAIR W/CABINET |
|     | P35477-01-P82 | EA  | COVER - RECLINER/SWIVEL/ROCKER - W/FOOTREST (P82,P83) - LOUNGE CHAIR W/CABINET |
|     | P35477-01-P65 | EA  | COVER - RECLINER/SWIVEL/ROCKER - W/FOOTREST (P94,P95) - LOUNGE CHAIR W/CABINET |
|     | P35477-04-N74 | EA  | COVER - RECLINER/SWIVEL/ROCKER - W/FOOTREST - LEATHER RECLINER                 |
| 2   | 134128-02-02B | EA  | PLATE ASM-W/HOLES,E-COAT   |
| 3   | 134194-01-01A | EA  | KNOB - HOLD DOWN - RECLINER - BLACK  |
| 4   | 134057-01-11B | EA  | BRACKET - RECLINER - FLAT BLACK  |
| 5   | 029134-01-000 | EA  | CLIP-FINISH-K2915-UPHOLSTERY   |
| 6   | 133126-11-000 | EA  | RECLINER - (PLASTIC HANDLE)  |



## CURTAIN & CUSHION GROUP (CONTINUED)

### SOFA



| KEY | PART NUMBER   | U/M | DESCRIPTION  |
|-----|---------------|-----|--|
| 1   | 127335-09-000 | EA  | BRACKET - REMOVABLE ARMREST/CUSHION                                    |
| 2   | 127335-08-000 | EA  | BRACKET - REMOVABLE ARMREST/SOFA                                       |
| 3   | 134282-04-P78 | EA  | PANEL - RIGHT END/TALL - SOFA/BED - FABRIC COVERED (P78, P79)          |
| 3   | 134282-04-P80 | EA  | PANEL - RIGHT END/TALL - SOFA/BED - FABRIC COVERED (P80, P81)          |
| 3   | 134282-04-P82 | EA  | PANEL - RIGHT END/TALL - SOFA/BED - FABRIC COVERED (P82, P83)          |
| 3   | 134282-04-P94 | EA  | PANEL - RIGHT END/TALL - SOFA/BED - FABRIC COVERED (P94, P95)          |
| 3   | 134282-23-N70 | EA  | PANEL - RIGHT END/TALL - FABRIC COVERED - <b>COUCH - LEATHER FACED</b> |
| 4   | 130718-01-P78 | EA  | ARMREST - RIGHT HAND (P78, P79)  |
| 4   | 130718-01-P80 | EA  | ARMREST - RIGHT HAND (P80, P81)  |
| 4   | 130718-01-P82 | EA  | ARMREST - RIGHT HAND (P82, P83)  |
| 4   | 130718-01-P94 | EA  | ARMREST - RIGHT HAND (P94, P95)  |
| 4   | 130718-05-N70 | EA  | ARMREST - RIGHT HAND - <b>COUCH - LEATHER FACED</b>                    |
|     | P30718-01-P78 | EA  | COVER/ARMREST - RIGHT HAND (P78, P79)                                  |
|     | P30718-01-P80 | EA  | COVER/ARMREST - RIGHT HAND (P80, P81)                                  |
|     | P30718-01-P82 | EA  | COVER/ARMREST - RIGHT HAND (P82, P83)                                  |
|     | P30718-01-P94 | EA  | COVER/ARMREST - RIGHT HAND (P94, P95)                                  |
|     | P30718-05-N70 | EA  | COVER/ARMREST - RIGHT HAND - <b>COUCH - LEATHER FACED</b>              |
| 5   | 135138-12-P78 | EA  | BACK - SOFA/BED - 70" (P78, P79)                                       |
| 5   | 135138-12-P80 | EA  | BACK - SOFA/BED - 70" (P80, P81)                                       |
| 5   | 135138-12-P82 | EA  | BACK - SOFA/BED - 70" (P82, P83)                                       |
| 5   | 135138-12-P94 | EA  | BACK - SOFA/BED - 70" (P94, P95)                                       |
| 5   | 135138-14-N70 | EA  | BACK - SOFA/BED - 70" - <b>COUCH - LEATHER FACED</b>                   |
|     | P35138-12-P78 | EA  | COVER/BACK - SOFA/BED - 70" (P78, P79)                                 |
|     | P35138-12-P80 | EA  | COVER/BACK - SOFA/BED - 70" (P80, P81)                                 |
|     | P35138-12-P82 | EA  | COVER/BACK - SOFA/BED - 70" (P82, P83)                                 |
|     | P35138-12-P94 | EA  | COVER/BACK - SOFA/BED - 70" (P94, P95)                                 |
|     | P35138-14-N70 | EA  | COVER/BACK - SOFA/BED - 70" - <b>COUCH - LEATHER FACED</b>             |

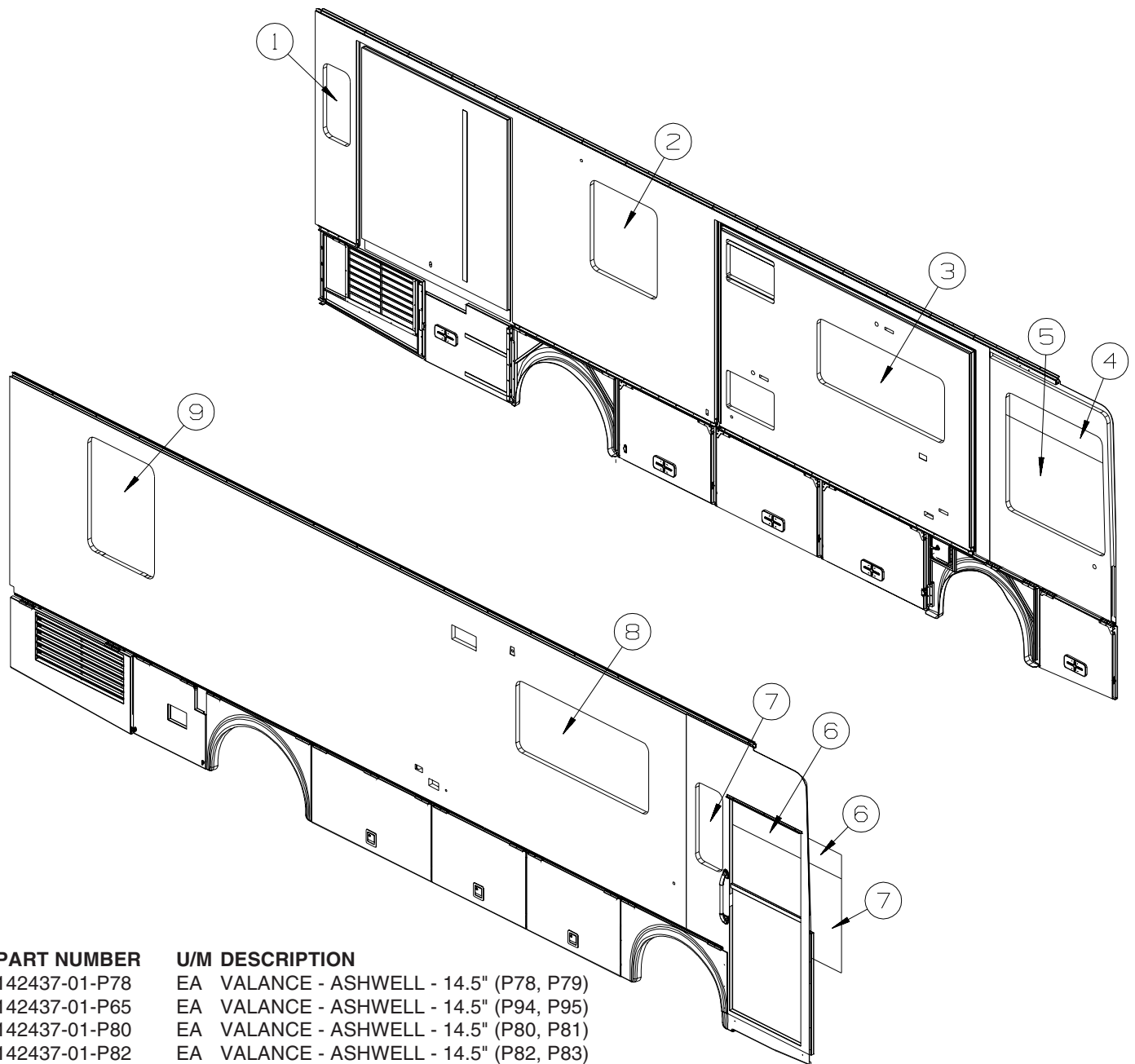
**CURTAIN & CUSHION GROUP (CONTINUED)**  
**SOFA (CONTINUED)**

| KEY | PART NUMBER   | U/M | DESCRIPTION   |
|-----|---------------|-----|---|
| 6   | 135138-11-P78 | EA  | SEAT - SOFA/BED - 70" (P78, P79)  |
| 6   | 135138-11-P80 | EA  | SEAT - SOFA/BED - 70" (P80, P81)  |
| 6   | 135138-11-P82 | EA  | SEAT - SOFA/BED - 70" (P82, P83)  |
| 6   | 135138-11-P94 | EA  | SEAT - SOFA/BED - 70" (P94, P95)  |
| 6   | 135138-13-N70 | EA  | SEAT - SOFA/BED - 70" - <b>COUCH - LEATHER FACED</b>                        |
|     | P35138-11-P78 | EA  | COVER/SEAT - SOFA/BED - 70" (P78, P79)                                      |
|     | P35138-11-P80 | EA  | COVER/SEAT - SOFA/BED - 70" (P80, P81)                                      |
|     | P35138-11-P82 | EA  | COVER/SEAT - SOFA/BED - 70" (P82, P83)                                      |
|     | P35138-11-P94 | EA  | COVER/SEAT - SOFA/BED - 70" (P94, P95)                                      |
|     | P35138-13-N70 | EA  | COVER/SEAT - SOFA/BED - <b>COUCH - LEATHER FACED</b>                        |
| 6   | 132870-03-000 | EA  | FRAME - 70" SOFA BASE - CUSTOM LOUNGE                                       |
| 7   | 130718-02-P78 | EA  | ARMREST - LEFT HAND (P78, P79)  |
| 7   | 130718-02-P80 | EA  | ARMREST - LEFT HAND (P80, P81)  |
| 7   | 130718-02-P82 | EA  | ARMREST - LEFT HAND (P82, P83)  |
| 7   | 130718-02-P94 | EA  | ARMREST - LEFT HAND (P94, P95)  |
| 7   | 130718-06-N70 | EA  | ARMREST - LEFT HAND - <b>COUCH - LEATHER FACED</b>                          |
|     | P30718-02-P78 | EA  | COVER/ARMREST - LEFT HAND (P78, P79)  |
|     | P30718-02-P80 | EA  | COVER/ARMREST - LEFT HAND (P80, P81)  |
|     | P30718-02-P82 | EA  | COVER/ARMREST - LEFT HAND (P82, P83)  |
|     | P30718-02-P94 | EA  | COVER - ARMREST/LEFT HAND (P94, P95)  |
|     | P30718-06-N70 | EA  | COVER - ARMREST/LEFT HAND - <b>COUCH - LEATHER FACED</b>                    |
| 8   | 134282-05-P78 | EA  | PANEL - LEFT END/TALL - SOFA BED - FABRIC COVERED (P78, P79)                |
| 8   | 134282-05-P80 | EA  | PANEL - LEFT END/TALL - SOFA BED - FABRIC COVERED (P80, P81)                |
| 8   | 134282-05-P82 | EA  | PANEL - LEFT END/TALL - SOFA BED - FABRIC COVERED (P82, P83)                |
| 8   | 134282-05-P94 | EA  | PANEL - LEFT END/TALL - SOFA/BED - FABRIC COVERED (P94, P95)                |
| 8   | 134282-24-N70 | EA  | PANEL - LEFT END/TALL - FABRIC COVERED - <b>COUCH - LEATHER FACED</b>       |
| 9   | 124656-96-000 | EA  | LOCK - CANADIAN   |
| 10  | 121906-01-02B | EA  | BRACKET - KICKBOARD - E-COATED  |
| 11  | 101926-01-02A | EA  | BRACKET - ZEE - 2" - BLACK  |
| 12  | 120992-18-P78 | EA  | PANEL/FRONT KICK - SOFA/BED - 70" - FABRIC COVERED (P78, P79)               |
| 12  | 120992-18-P80 | EA  | PANEL/FRONT KICK - SOFA/BED - 70" - FABRIC COVERED (P80, P81)               |
| 12  | 120992-18-P82 | EA  | PANEL/FRONT KICK - SOFA/BED - 70" - FABRIC COVERED (P82, P83)               |
| 12  | 120992-18-P65 | EA  | PANEL/FRONT KICK - SOFA/BED - 70" - FABRIC COVERED (P94, P95)               |
| 12  | 120992-31-N70 | EA  | PANEL/FRONT KICK - SOFA/BED - FABRIC COVERED - <b>COUCH - LEATHER FACED</b> |
| 13  | 116104-04-02B | EA  | BRACKET - ZEE W/HOLES - 3.2" - E-COATED                                     |
| 14  | 127335-12-000 | EA  | LEG - SOFA/BED - 10"  |



## CURTAIN & CUSHION GROUP (CONTINUED)

### WINDOW TREATMENT



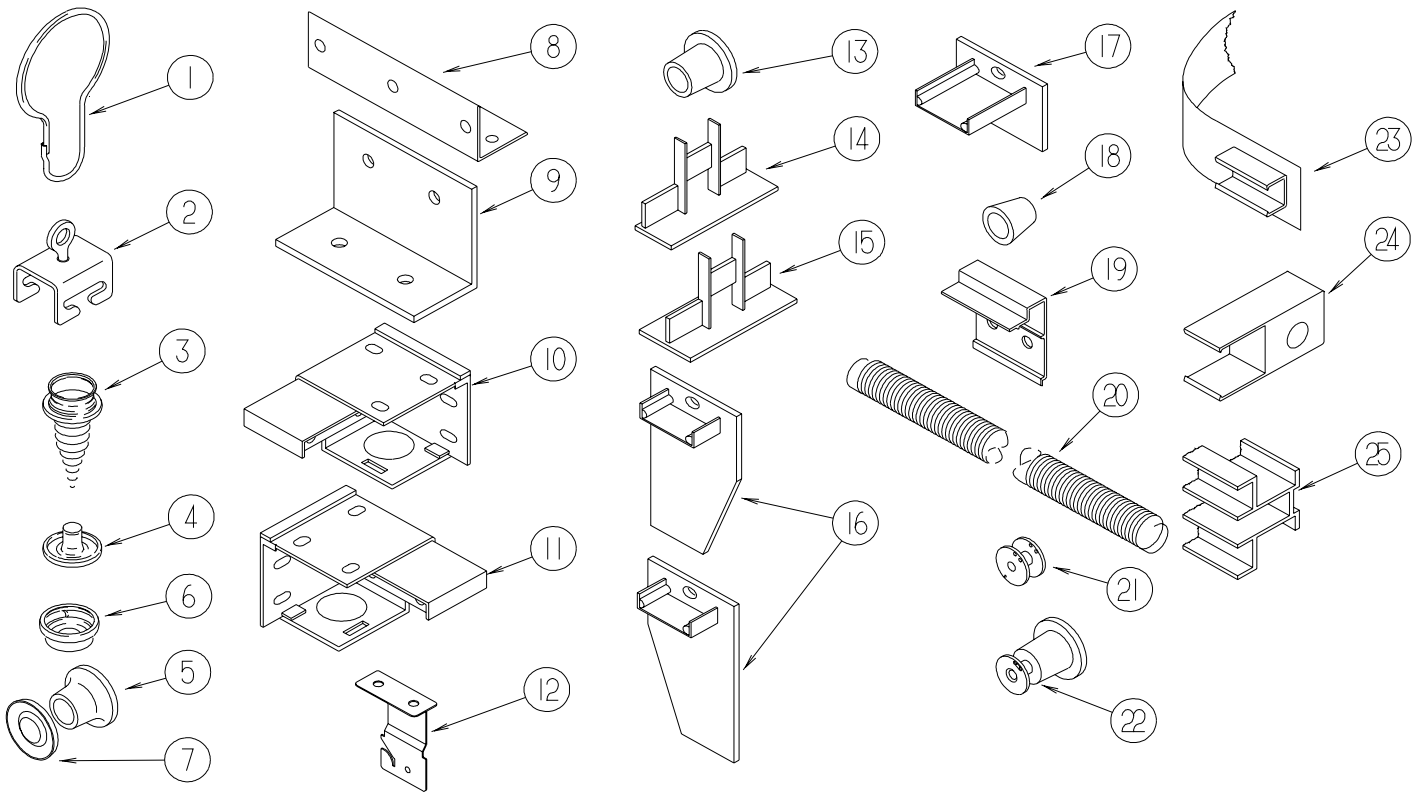
| KEY | PART NUMBER   | U/M | DESCRIPTION  |
|-----|---------------|-----|--|
| 1   | 142437-01-P78 | EA  | VALANCE - ASHWELL - 14.5" (P78, P79)   |
| 1   | 142437-01-P65 | EA  | VALANCE - ASHWELL - 14.5" (P94, P95)   |
| 1   | 142437-01-P80 | EA  | VALANCE - ASHWELL - 14.5" (P80, P81)   |
| 1   | 142437-01-P82 | EA  | VALANCE - ASHWELL - 14.5" (P82, P83)   |
| 1   | 140789-10-N66 | EA  | BLIND - DAY/NIGHTER - 13.5" X 28.5" (P78, P79)                                       |
| 1   | 140789-10-N54 | EA  | BLIND - DAY/NIGHTER - 13.5" X 28.5" (P80, P81, P82, P83, P94, P95)                   |
| 2   | 121410-A7-P78 | EA  | VALANCE - MODERATE - 56" (P78, P79)  |
| 2   | 121410-A7-P80 | EA  | VALANCE - MODERATE - 56" (P80, P81)  |
| 2   | 121410-A7-P82 | EA  | VALANCE - MODERATE - 56" (P82, P83)  |
| 2   | 121410-A7-P94 | EA  | VALANCE - MODERATE - 56" (P94, P95)  |
| 2   | 140789-15-P76 | EA  | BLIND - DAY/NIGHTER - 33" X 37" (P78, P79)   |
| 2   | 140789-15-N72 | EA  | BLIND - DAY/NIGHTER - 33" X 37" (P80, P81, P82, P83, P94, P95)                       |
| 2   | 137338-01-P78 | EA  | PANEL/DOOR INSERT - 8.1" X 33.6" - FABRIC COVERED (P78, P79)                         |
| 2   | 137338-01-P80 | EA  | PANEL/DOOR INSERT - 8.1" X 33.6" - FABRIC COVERED (P80, P81)                         |
| 2   | 137338-01-P82 | EA  | PANEL/DOOR INSERT - 8.1" X 33.6" - FABRIC COVERED (P82, P83)                         |
| 2   | 137338-01-P94 | EA  | PANEL/DOOR INSERT - 8.1" X 33.6" - FABRIC COVERED (P94, P95)                         |
| 2   | 134783-P2-N70 | EA  | DOOR/FRAME RAIL - 10.8" X 36.4"- W/O FABRIC PANEL/HARDWARE (P78, P80, P82, P94, P95) |
| 2   | 134783-P2-N85 | EA  | DOOR/FRAME RAIL - 10.8" X 36.4"- W/O FABRIC PANEL/HARDWARE (P79, P81, P83)           |
| 3   | 142635-01-P78 | EA  | LAMBREQUIN - AVERY - 61" X 25" (P78, P79)  |
| 3   | 142635-01-P80 | EA  | LAMBREQUIN - AVERY - 61" X 25" (P80, P81)  |
| 3   | 142635-04-P82 | EA  | LAMBREQUIN - AVERY - 61" X 25" (P82, P83)  |
| 3   | 142635-08-P65 | EA  | LAMBREQUIN - AVERY - 61" X 25" (P94, P95)  |
| 3   | 140789-08-N09 | EA  | BLIND - DAY/NIGHTER - 59" X 26.5" (P78, P79)   |
| 3   | 140789-08-N44 | EA  | BLIND - DAY/NIGHTER - 59" X 26.5" (P80, P81, P82, P83, P94, P95)                     |

**CURTAIN & CUSHION GROUP (CONTINUED)**  
**WINDOW TREATMENT (CONTINUED)**

| KEY | PART NUMBER   | U/M | DESCRIPTION  |
|-----|---------------|-----|--|
| 4   | 126841-03-000 | EA  | SHADE - PULL - CHARCOAL MESH - 40.3" X 60"                                 |
| 5   | 139479-01-01A | EA  | CURTAIN - WRAPAROUND/PRIVACY/PLEATED - 45" X 112" - DRIVER                 |
| 6   | 126841-04-000 | EA  | SHADE - PULL - CHARCOAL MESH - 30.3" X 60"                                 |
| 7   | 139479-02-01A | EA  | CURTAIN - WRAPAROUND/PRIVACY/PLEATED - 42" X 75"- PASS/FRT                 |
| 7   | 139479-03-01A | EA  | CURTAIN - WRAPAROUND/PRIVACY/PLEATED - 45" X 75"-PASS/REAR                 |
| 8   | 142635-30-P78 | EA  | LAMBREQUIN - AVERY - 63" (P78, P79)<br>FROM: 00-00-00 THRU: 11-03-02       |
| 8   | 142635-02-P78 | EA  | LAMBREQUIN - AVERY - 63" X 27" (P78, P79)<br>FROM: 11-04-02 THRU: 99-99-99 |
| 8   | 142635-02-P78 | EA  | LAMBREQUIN - AVERY - 63" X 27" (P78, P79) <b>W/LOUNGE CHAIR</b>            |
| 8   | 142635-30-P80 | EA  | LAMBREQUIN - AVERY - 63" (P80, P81)<br>FROM: 00-00-00 THRU: 11-03-02       |
| 8   | 142635-02-P80 | EA  | LAMBREQUIN - AVERY - 63" X 27" (P80, P81)<br>FROM: 11-04-02 THRU: 99-99-99 |
| 8   | 142635-02-P80 | EA  | LAMBREQUIN - AVERY - 63" X 27" (P80, P81) <b>W/LOUNGE CHAIR</b>            |
| 8   | 142635-31-P82 | EA  | LAMBREQUIN - AVERY - 63" (P82, P83)<br>FROM: 00-00-00 THRU: 11-03-02       |
| 8   | 142635-05-P82 | EA  | LAMBREQUIN - AVERY - 63" X 27" (P82, P83)<br>FROM: 11-04-02 THRU: 99-99-99 |
| 8   | 142635-05-P82 | EA  | LAMBREQUIN - AVERY - 63" X 27" (P82, P83) <b>W/LOUNGE CHAIR</b>            |
| 8   | 142635-32-P94 | EA  | LAMBREQUIN - AVERY - 63" (P94, P95)<br>FROM: 00-00-00 THRU: 11-03-02       |
| 8   | 142635-24-P94 | EA  | LAMBREQUIN - AVERY - 63" (P94, P95)<br>FROM: 11-04-02 THRU: 99-99-99       |
| 8   | 142635-24-P94 | EA  | LAMBREQUIN - AVERY - 63" (P94, P95) <b>W/LOUNGE CHAIR</b>                  |
| 8   | 140789-14-N09 | EA  | BLIND - DAY/NIGHTER - 61" X 28.5" (P78, P79)                               |
| 8   | 140789-14-N72 | EA  | BLIND - DAY/NIGHTER - 61" X 28.5" (P80, P81, P82, P83, P94, P95)           |
| 9   | 142635-07-P78 | EA  | VALANCE - AVERY - 35" (P78, P79)   |
| 9   | 142635-07-P80 | EA  | VALANCE - AVERY - 35" (P80, P81)   |
| 9   | 142635-07-P82 | EA  | VALANCE - AVERY - 35" (P82, P83)   |
| 9   | 142635-07-P94 | EA  | VALANCE - AVERY - 35" (P94, P95)   |
| 9   | 140789-12-N70 | EA  | BLIND - DAY/NIGHTER - 32" X 46" (P78, P79)                                 |
| 9   | 140789-12-N72 | EA  | BLIND - DAY/NIGHTER - 32" X 46" (P80, P81, P82, P83, P94, P95)             |
| 9   | 136988-61-P78 | EA  | LEG - RIGHT - 42" (P78, P79)   |
| 9   | 136988-61-P80 | EA  | LEG - RIGHT - 42" (P80, P81)   |
| 9   | 136988-61-P82 | EA  | LEG - RIGHT - 42" (P82, P83)   |
| 9   | 136988-61-P94 | EA  | LEG - RIGHT - 42" (P94, P95)   |
| 9   | 136988-62-P78 | EA  | LEG - LEFT - 42" (P78, P79)  |
| 9   | 136988-62-P80 | EA  | LEG - LEFT - 42" (P80, P81)  |
| 9   | 136988-62-P82 | EA  | LEG - LEFT - 42" (P82, P83)  |
| 9   | 136988-62-P94 | EA  | LEG - LEFT - 42" (P94, P95)  |

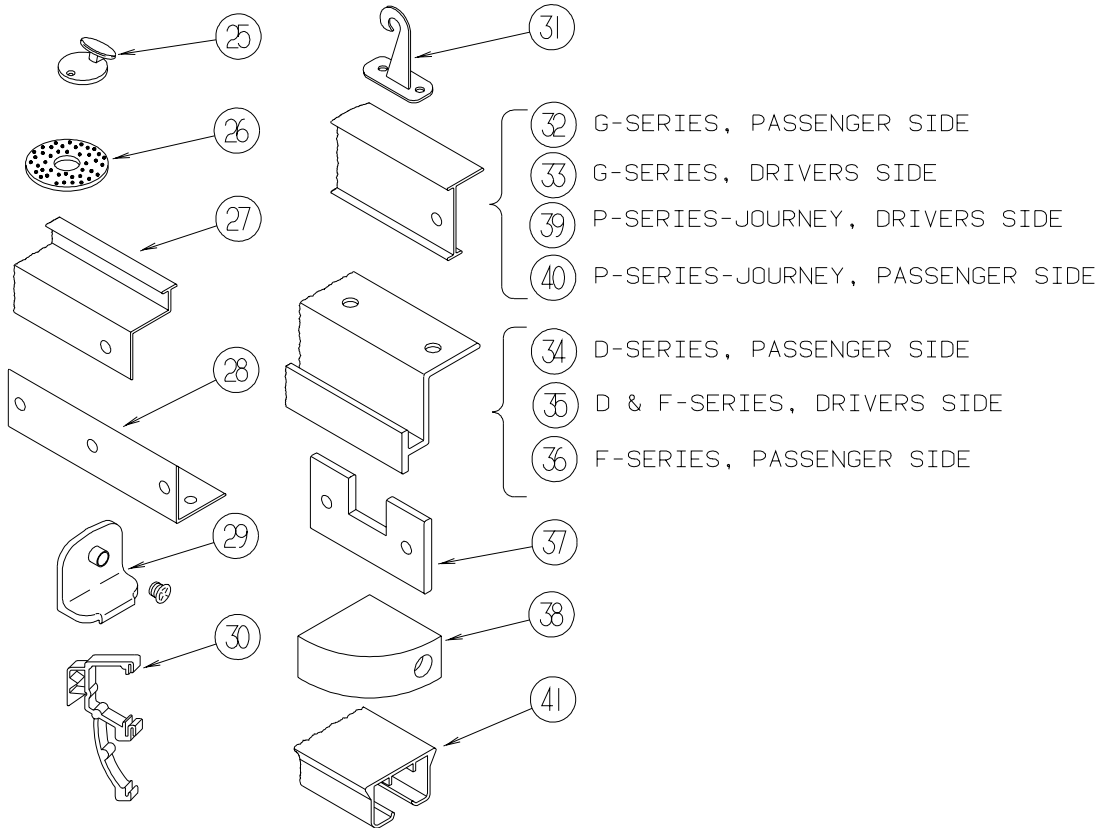
## CURTAIN & CUSHION GROUP (CONTINUED)

### HARDWARE



| KEY | PART NUMBER   | U/M | DESCRIPTION   |
|-----|---------------|-----|---|
| 1   | 009136-02-000 | EA  | HANGER - RING - PIN TYPE - CURTAIN - BRASS  |
| 2   | 009702-01-000 | EA  | END STOP - CURTAIN CARRIER - L - ROD  |
| 3   | 029130-01-000 | EA  | SCREW - SNAP STUD - #8-16 X 3/8" LONG   |
| 3   | 029130-03-000 | EA  | SCREW - SNAP STUD - #8-16 X 1" LONG   |
| 4   | 029155-01-000 | EA  | CAP - SNAP - 5/32" OUTSIDE DIAMETER OF PIN  |
| 5   | 029156-01-000 | EA  | SOCKET - SNAP - 9/16" O.D.  |
| 6   | 046867-02-000 | EA  | WASHER - HANDY BUTTON #3  |
| 7   | 046867-03-000 | EA  | GROMMET - HANDY BUTTON #3   |
| 8   | 075943-10-000 | EA  | BRACE - VALANCE - 20" - OFF WHITE   |
| 9   | 083125-07-000 | EA  | BRACE - ANGLE/COUCH - 2.5" - OFF WHITE  |
| 9   | 083125-08-000 | EA  | BRACE - WINDOW MOUNT - .75" - OFF WHITE   |
| 10  | 083170-01-000 | EA  | BRACKET/BLIND - LEFT SIDE WHEN FACING WINDOW - CLEAR  |
| 11  | 083170-02-000 | EA  | BRACKET/BLIND - RIGHT SIDE WHEN FACING WINDOW - CLEAR   |
| 12  | 084434-01-000 | EA  | BRACKET - MOUNTING - ROLLER SHADE - 1 3/8"  |
| 13  | 094896-02-000 | EA  | GROMMET - CORD/PLEATED BLIND - NYLON - GRAY   |
| 14  | 094907-02-000 | EA  | END CAP - PLEATED BLIND/TOP - RH/LH - GRAY PLASTIC  |
| 15  | 094907-04-000 | EA  | END CAP - PLEATED BLIND/BOTTOM - RH/LH  |
| 16  | 094907-05-000 | EA  | END CAP - PLEATED BLIND/BOTTOM - PULL TYPE - PLASTIC  |
| 17  | 094907-06-000 | EA  | END CAP - PLEATED BLIND/TOP   |
| 18  | 097564-99-000 | EA  | HANDLE - KNOB - E-Z LIFT SHADE - COLORLESS  |
| 19  | 097565-01-000 | EA  | BRACKET - MOUNTING - PLEATED BLIND  |
| 20  | 097591-01-000 | EA  | SPRING - EXTENSION - PLEATED BLIND  |
| 21  | 097592-01-000 | EA  | SPOOL - CORD - ELEVATED BLIND HOLDUP - SMALL - CLEAR  |
| 22  | 097592-02-000 | EA  | SPOOL - CORD - ELEVATED BLIND HOLDUP - LARGE - CLEAR  |
|     | 097593-02-000 | FT  | CORD - BLIND - PLEATED - GRAY   |
|     | 097593-06-000 | FT  | CORD - BLIND - PLEATED - PEWTER   |
|     | 097593-10-000 | FT  | CORD - BLIND - PLEATED - VANILLA  |
| 23  | 101031-01-000 | YD  | TAPE/GLIDE - 4.25" SPACING  |
| 24  | 101033-02-000 | EA  | END CAP - LOW PROFILE TRACK - CLEAR   |
| 25  | 101033-08-000 | EA  | TRACK/WALL - 75" - <b>FRT BUNK WINDOW 300 SERIES (MINNIE/SPIRIT)</b>                            |
| 25  | 101033-09-000 | EA  | TRACK/WALL - 32" - <b>SIDE BUNK WINDOW 200 SERIES/300 SERIES (VISTA/SUNSTAR /MINNIE/SPIRIT)</b> |

**CURTAIN & CUSHION GROUP (CONTINUED)**  
**HARDWARE (CONTINUED)**



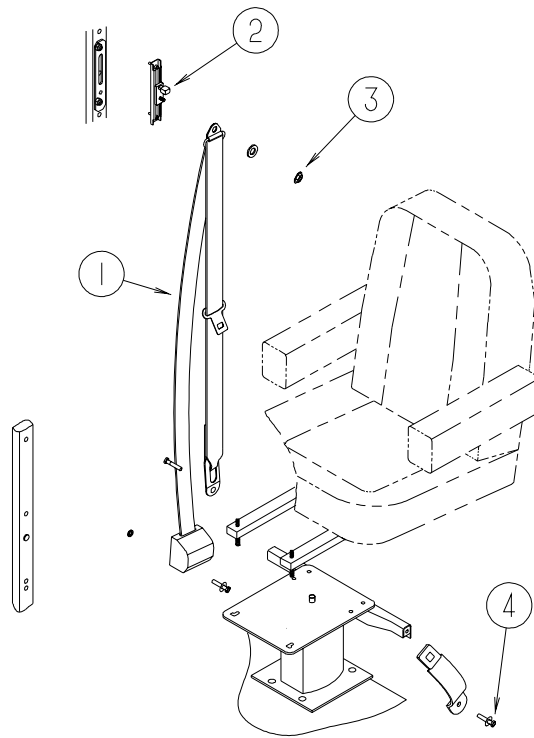
| KEY | PART NUMBER   | U/M | DESCRIPTION   |
|-----|---------------|-----|---|
| 25  | 102555-03-000 | EA  | CLEAT - BLIND CORD - MILKY WHITE - PLASTIC  |
| 26  | 103242-01-000 | EA  | VELCRO HOOK - BEIGE 7/8" ROUND W/CENTER HOLE  |
| 26  | 103242-02-000 | EA  | VELCRO HOOK - BLACK 7/8" ROUND W/CENTER HOLE  |
| 27  | 105450-14-01A | EA  | TRACK - CURTAIN - 90" - OFF WHITE - FRONT BUNK PRIVACY 300 SERIES (MINNIE/SPIRITE)  |
| 27  | 105450-15-01A | EA  | TRACK - CURTAIN - 82.3" - OFF WHITE - FRONT BUNK PRIVACY 200 SERIES (VISTA/SUNSTAR) |
| 28  | 105648-01-02A | EA  | BRACE - VALANCE - OFF/WHITE - 14"   |
| 29  | 106544-01-000 | EA  | PULL - SHADE/BRASS  |
|     | 106544-01-001 | EA  | SCREW - SHADE/BRASS   |
| 30  | 109353-04-000 | EA  | CLIP - VALANCE SLAT MOUNTING - CLEAR PLASTIC  |
|     | 109441-02-000 | EA  | SPACER/BACKET - BLIND HOLD DOWN   |
| 31  | 109441-03-000 | EA  | BRACKET/HOOK - BLIND HOLD DOWN - CLOUDY   |
| 32  | 126456-03-04A | EA  | TRACK/WRAPAROUND - PASSENGER - GLACIER - G SERIES (ADVENTURER/SUNCRUISER)           |
| 33  | 126456-04-04A | EA  | TRACK/WRAPAROUND - DRIVER - GLACIER - G SERIES (ADVENTURER/SUNCRUISER)              |
| 34  | 127254-03-05A | EA  | TRACK/WRAPAROUND - PASSENGER - GLACIER - D SERIES (SIGHTSEER/SUNOVA)                |
| 35  | 127254-04-05A | EA  | TRACK/WRAP - DRIVER - GLACIER - D SERIES/F SERIES (SIGHTSEER/SUNOVA/BRAVE/SUNRISE)  |
| 36  | 127254-14-03A | EA  | TRACK/WRAPAROUND - PASSENGER - GLACIER - F SERIES (BRAVE/SUNRISE)                   |
| 37  | 130549-01-01A | EA  | STOP - CURTAIN TRACK  |
| 38  | 132504-01-N92 | EA  | BRACKET - SHADE   |
| 39  | 133235-01-04A | EA  | TRACK - CURTAIN/LEFT HAND - GLACIER - P SERIES (JOURNEY)                            |
| 40  | 133236-01-04A | EA  | TRACK - CURTAIN/RIGHT HAND - GLACIER - P SERIES (JOURNEY)                           |
| 41  | 138460-01-02A | EA  | TRACK/CURTAIN - PASSENGER - WHITE - Q SERIES (ULTIMATE ADVANTAGE/ULTIMATE FREEDOM)  |
|     | 138460-02-02A | EA  | TRACK/CURTAIN - DRIVER - WHITE - Q SERIES (ULTIMATE ADVANTAGE/ULTIMATE FREEDOM)     |
| 41  | 138460-03-02A | EA  | TRACK/CURTAIN - PASSENGER - WHITE - P SERIES (JOURNEY DL/HORIZON)                   |
|     | 138460-04-02A | EA  | TRACK/CURTAIN - DRIVER - WHITE - P SERIES (JOURNEY DL/HORIZON)                      |
| 41  | 138460-05-02A | EA  | TRACK/CURTAIN - PASSENGER - WHITE - L SERIES (CHIEFTAIN/SUNFLYER)                   |
|     | 138460-06-02A | EA  | TRACK/CURTAIN - DRIVER - WHITE - L SERIES (CHIEFTAIN/SUNFLYER)                      |
|     | 141634-01-000 | EA  | BOBBIN-PLEATED,ADJUSTABLE   |

FROM: 06-17-02 THRU: 99-99-99

## CURTAIN & CUSHION GROUP (CONTINUED)

### ACCESSORIES

| KEY | PART NUMBER   | U/M  | DESCRIPTION                             |
|-----|---------------|--|---|
|     | 056271-01-000 | EA   | SEAT BELT - 2" X 102" - BLACK           |
|     | 127598-01-01A | EA   | ADJUSTER - SEATBELT - D-LOOP            |
|     | 118337-15-P78 | EA   | BUTTON - #60 - FABRIC COVERED (P78,P79) |
|     | 118337-15-P80 | EA   | BUTTON - #60 - FABRIC COVERED (P80,P81) |
|     | 118337-15-P82 | EA   | BUTTON - #60 - FABRIC COVERED (P82,P83) |
|     | 118337-15-P65 | EA   | BUTTON - #60 - FABRIC COVERED (P94,P95) |
|     | 118337-05-P78 | EA   | BUTTON - #60 - FABRIC COVERED (P78,P79) |
|     | 118337-05-P80 | EA   | BUTTON - #60 - FABRIC COVERED (P80,P81) |
|     | 118337-05-P82 | EA   | BUTTON - #60 - FABRIC COVERED (P82,P83) |
|     | 118337-05-P65 | EA   | BUTTON - #60 - FABRIC COVERED (P94,P95) |
|     | 118337-08-P78 | EA   | BUTTON - #60 - FABRIC COVERED (P78,P79) |
|     | 118337-08-P80 | EA   | BUTTON - #60 - FABRIC COVERED (P80,P81) |
|     | 118337-08-P82 | EA <td BUTTON - #60 - FABRIC COVERED (P82,P83) |   |
|     | 074494-02-000 | EA   | BUTTON - RETAINING PIVOT - #60          |
|     | 074494-03-000 | EA   | BUTTON - SERRATED PIVOT - W/3/8 TACK    |
|     | 074494-04-000 | EA   | BUTTON - JOINED/PIVOT - W 3/4 TACK      |
|     | 129491-01-000 | EA   | CATCH - SNAP HOOK - 1"                  |
|     | 057534-03-000 | EA   | TIEBACK - CLEAR PLASTIC - 7.5"          |
|     | 057534-08-000 | EA   | TIEBACK - CLEAR PLASTIC - 16"           |



| KEY | PART NUMBER   | U/M | DESCRIPTION  |
|-----|---------------|-----|--|
| 1*  | 091990-08-01A | EA  | SEAT BELT - 3 POINT - .766" DIAMETER HOLE IN D-LOOP BRKT |
| 2   | 127598-01-01A | EA  | ADJUSTER - SEATBELT - D-LOOP                             |
| 3   | 127598-02-000 | EA  | NUT - HEX FLANGE - M10 X 1.5 - CLASS 10                  |
| 4   | 095076-02-000 | EA  | WASHER - FL - 7/16"ID X 2"OD X .06                       |

**\*COMPONENT PARTS LISTED LATER IN THIS GROUP**

**CURTAIN & CUSHION GROUP (CONTINUED)**  
**COMPONENT PARTS FOR ACCESSORIES**

091990-08-01A

| <b>KEY</b> | <b>PART NUMBER</b> | <b>U/M</b> | <b>DESCRIPTION</b>           | <b>VENDOR NO.</b> |
|------------|--------------------|------------|------------------------------|-------------------|
|            | 091990-01-701      | EA         | EXTENDER 9" FOR A8408 3 PT   | I-1331-02         |
|            | 091990-01-703      | EA         | RECEIVER/FEMALE END-SEATBELT | I-1159-02         |
|            | 091990-05-700      | EA         | SLEEVE/BUCKLE COVER-PLASTIC  | 209S-2            |
|            | 091990-05-701      | EA         | CAP/COVER - BOLT HOLE COVER  | 209SC-02          |
|            | 091990-05-702      | EA         | SLEEVE/RETRACTABLE COVER     | 309C-02           |

**CURTAIN & CUSHION GROUP (CONTINUED)**  
**FABRICS**

| FAMILY                                   | P78/P79                           | P80/P81                           | P82/P83                           | P94/P95                           |
|--|-----------------------------------|-----------------------------------|-----------------------------------|-----------------------------------|
| <b>JOURNEY DL</b>                        | <b>PALACE GATE</b>                | <b>GARDEN PATH</b>                | <b>VANDERBILT BLUE</b>            | <b>GREEN LAWN</b>                 |
| <b>BUCKET</b>                            | 575 W/ADJ. ARMS                   | 575 W/ADJ. ARMS                   | 575 W/ADJ. ARMS                   | 575 W/ADJ. ARMS                   |
|  | DRIVER'S W/LUMBAR                 | DRIVER'S W/LUMBAR                 | DRIVER'S W/LUMBAR                 | DRIVER'S W/LUMBAR                 |
|  | 126883-D9-000                     | 126883-N4-000                     | 126883-N7-000                     | 126883-M8-000                     |
|  | *OPT.LEATH. DOESKIN 079680-50-000 | *OPT.LEATH. DOESKIN 079680-50-000 | *OPT.LEATH. DOESKIN 079680-50-000 | *OPT.LEATH. DOESKIN 079680-50-000 |
| <b>DINETTE</b>                           | 725 PULL THRU                     | 725 PULL THRU                     | 725 PULL THRU                     | 725 PULL THRU                     |
|  | 126883-N8-000                     | 126883-S1-000                     | 126883-N6-000                     | 126883-R5-000                     |
| <b>DINETTE WRAP</b>                      | 126883-D9-000/139056-11-000       | 126883-N4-000/139056-09-000       | 126883-N7-000/139056-09-000       | 126883-M8-000/139056-15-000       |
| <b>FULL W/TOE KICK</b>                   |                                   |                                   |                                   |                                   |
| <b>DINETTE CHAIRS</b>                    | FLEXSTEEL C155 CHAIRS             | FLEXSTEEL C155 CHAIRS             | FLEXSTEEL C155 CHAIRS             | FLEXSTEEL C155 CHAIRS             |
| <b>REM FOLDING &amp; COMPUTER CHAIRS</b> | REM FC200 FOLDING                 | REM FC200 FOLDING                 | REM FC200 FOLDING                 | REM FC200 FOLDING                 |
|  | 126883-N8-000                     | 126883-S1-000                     | 126883-N7-000                     | 126883-R6-000                     |
| <b>SOFA</b>                              | 815 4WAY/685 COMFORT LG.          | 815 4WAY/685 COMFORT LG.          | 815 4WAY/685 COMFORT LG.          | 815 4WAY/685 COMFORT LG.          |
|  | 126883-N8-000                     | 126883-N4-000                     | 126883-N6-000                     | 126883-R5-000                     |
|  | *OPT.LEATH. DOESKIN 079680-50-000 | *OPT.LEATH. DOESKIN 079680-50-000 | *OPT.LEATH. DOESKIN 079680-50-000 | *OPT.LEATH. DOESKIN 079680-50-000 |
| <b>BANQUETTE</b>                         | 676 BANQ.W/815 BANQ.ARMS          | 676 BANQ.W/815 BANQ.ARMS          | 676 BANQ.W/815 BANQ.ARMS          | 676 BANQ.W/815 BANQ.ARMS          |
|  | 126883-N8-000 (MAIN)              | 126883-S1-000 (ACCENT)            | 126883-N7-000 (ACCENT)            | 126883-R5-000 (MAIN)              |
|  | *OPT.LEATH. DOESKIN 079680-50-000 | *OPT.LEATH. DOESKIN 079680-50-000 | *OPT.LEATH. DOESKIN 079680-50-000 | *OPT.LEATH. DOESKIN 079680-50-000 |
| <b>LOUNGE CHAIR</b>                      | 455 HOOP W/FOOTREST               | 455 HOOP W/FOOTREST               | 455 HOOP W/FOOTREST               | 455 HOOP W/FOOTREST               |
|  | 126883-D9-000                     | 126883-S1-000                     | 126883-N7-000                     | 126883-R6-000                     |
|  | *OPT.LEATH. DOESKIN 079680-50-000 | *OPT.LEATH. DOESKIN 079680-50-000 | *OPT.LEATH. DOESKIN 079680-50-000 | *OPT.LEATH. DOESKIN 079680-50-000 |
| <b>LOUNGE WINDOWS</b>                    | AVERY LAMBREQUIN                  | AVERY LAMBREQUIN                  | AVERY LAMBREQUIN                  | AVERY LAMBREQUIN                  |
|  | UNDERLAY 126883-N8-000            | UNDERLAY 126883-N4-000            | UNDERLAY 126883-N7-000            | UNDERLAY 126883-R5-000            |
|  | CENTER V OVLY. 126883-D9-000      | CENTER V OVLY. 126883-S1-000      | CENTER V OVLY. 126883-N6-000      | CENTER V OVLY. 126883-M8-000      |
|  | TOP V OVERLAY 126883-N8-000       | TOP V OVERLAY 126883-N4-000       | TOP V OVERLAY 126883-N7-000       | TOP V OVERLAY 126883-R5-000       |
|  | BUTTONS 126883-D9-000             | BUTTONS 126883-S1-000             | BUTTONS 126883-N7-000             | BUTTONS 126883-M8-000             |
| <b>GALLEY VALANCE</b>                    | MODERATE                          | MODERATE                          | MODERATE                          | MODERATE                          |
|  | 126883-N8-000                     | 126883-N4-000                     | 126883-N7-000                     | 126883-R5-000                     |
| <b>LOUNGE PILLOWS</b>                    | 18" W/CENTER BUTTON & FRG.        | 18" W/CENTER BUTTON & FRG.        | 18" W/CENTER BUTTON & FRG.        | 18" W/CENTER BUTTON & FRG.        |
| <b>2 PER SOFA/BANQ.</b>                  | 126883-D9-000/139041-18-000       | 126883-S1-000/084415-F3-000       | 126883-N7-000/139041-20-000       | 126883-M8-000/084415-F3-000       |
| <b>FRONT WRAP</b>                        | PURCHASED PLEATED                 | PURCHASED PLEATED                 | PURCHASED PLEATED                 | PURCHASED PLEATED                 |
| <b>BEDSPREAD</b>                         | BEDCAP W/.25" ACCENT WELT         | BEDCAP W/.25" ACCENT WELT         | BEDCAP W/.25" ACCENT WELT         | BEDCAP W/.25" ACCENT WELT         |
| <b>6" CHANNEL QUILT</b>                  | 137813-48-000/137813-49-000       | 105745-W8-000/137813-60-000       | 137813-46-000/137813-47-000       | 137813-63-000/137813-64-000       |
| <b>BEDROOM WINDOWS</b>                   | AVERY VALANCE                     | AVERY VALANCE                     | AVERY VALANCE                     | AVERY VALANCE                     |
|  | UNDERLAY 137813-48-000            | UNDERLAY 105745-W8-000            | UNDERLAY 137813-46-000            | UNDERLAY 137813-63-000            |
|  | CENTER V OVLY. 137813-49-000      | CENTER V OVLY. 137813-60-000      | CENTER V OVLY. 137813-47-000      | CENTER V OVLY. 137813-64-000      |
|  | TOP V OVERLAY 137813-48-000       | TOP V OVERLAY 105745-W8-000       | TOP V OVERLAY 137813-46-000       | TOP V OVERLAY 137813-63-000       |
|  | BUTTONS 137813-49-000             | BUTTONS 137813-60-000             | BUTTONS 137813-47-000             | BUTTONS 137813-64-000             |
|  | FLUSH LEGS 137813-48-000          | FLUSH LEGS 105745-W8-000          | FLUSH LEGS 137813-46-000          | FLUSH LEGS 137813-63-000          |

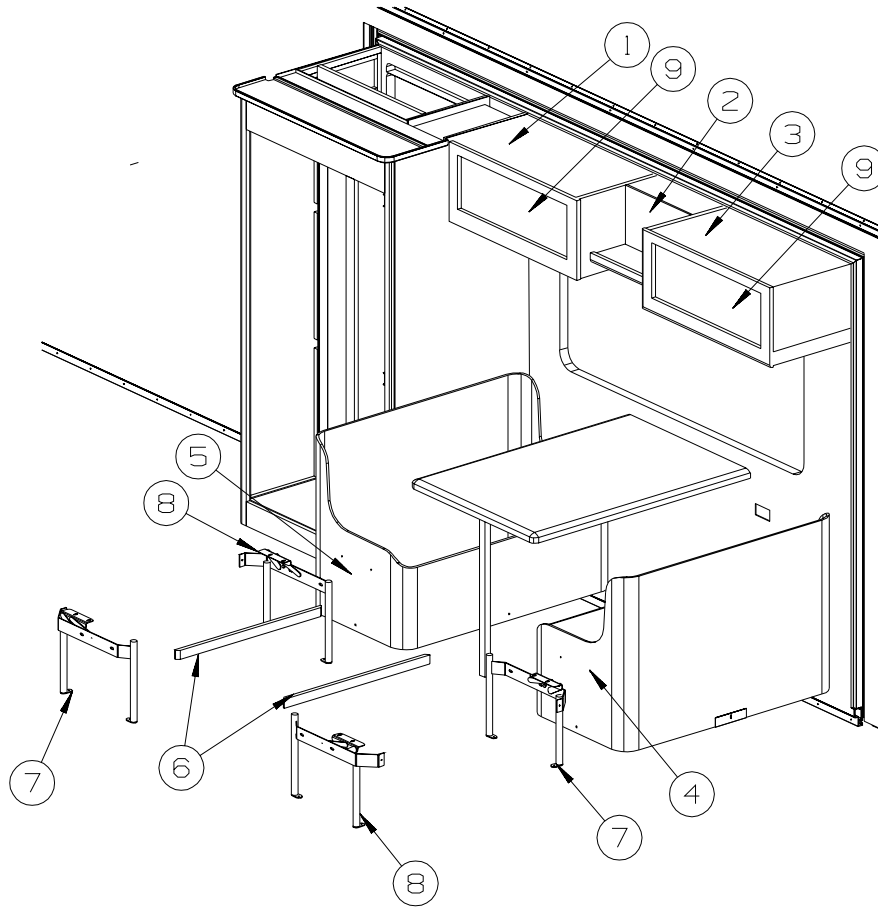


**CURTAIN & CUSHION GROUP (CONTINUED)**  
**FABRICS (CONTINUED)**

| <b>FAMILY</b>                              | <b>P78/P79</b>                    | <b>P80/P81</b>                    | <b>P82/P83</b>                    | <b>P94/P95</b>                    |
|--|-----------------------------------|-----------------------------------|-----------------------------------|-----------------------------------|
| <b>JOURNEY DL</b>                          | <b>PALACE GATE</b>                | <b>GARDEN PATH</b>                | <b>VANDERBILT BLUE</b>            | <b>GREEN LAWN</b>                 |
| <b>ASHWELL VAL.</b>                        | 137813-48-000 BODY                | 105745-W8-000 BODY                | 137813-46-000 BODY                | 136813-63-000 BODY                |
| <b>*WHEN NEEDED</b>                        | 137813-49-000 .25" WELT           | 137813-60-000 .25" WELT           | 137813-47-000 .25" WELT           | 137813-64-000 .25" WELT           |
| <b>SHAMS</b>                               | DOUBLE FLANGED W/FRINGE           | DOUBLE FLANGED W/FRINGE           | DOUBLE FLANGED W/FRINGE           | DOUBLE FLANGED W/FRINGE           |
|  | FRINGE AT INSIDE PILLOW LINE      | FRINGE AT INSIDE PILLOW LINE      | FRINGE AT INSIDE PILLOW LINE      | FRINGE AT INSIDE PILLOW LINE      |
|  | 137813-48-000/139041-18-000       | 105745-W8-000/084415-F3-000       | 137813-46-000/139041-20-000       | 137813-63-000/084415-F3-000       |
| <b>BEDRM. PILLOW<br/>1 PER MATTRESS</b>    | 14X20 W/OVLY. & CORD              | 14X20 W/OVLY. & CORD              | 14X20 W/OVLY. & CORD              | 14X20 W/OVLY. & CORD              |
|  | BODY 137813-49-000                | BODY 137813-60-000                | BODY 137813-46-000                | BODY 137813-64-000                |
|  | OVERLAY 137813-48-000             | OVERLAY 105745-W8-000             | OVERLAY 137813-47-000             | OVERLAY 137813-63-000             |
|  | OUTER EDGE CORD 139041-17-000     | OUTER EDGE CORD 084415-F2-000     | OUTER EDGE CORD 139041-19-000     | OUTER EDGE CORD 084415-F2-000     |
| <b>HEADBOARD</b>                           | BROOKWOOD W/BRAID                 | BROOKWOOD W/BRAID                 | BROOKWOOD W/BRAID                 | BROOKWOOD W/BRAID                 |
|  | 137813-48-000/139041-17-000       | 105745-W8-000/084415-F2-000       | 137813-46-000/139041-19-000       | 137813-63-000/084415-F2-000       |
|  | <b>*NOTE - NON-GATH. TOP BAND</b> | <b>*NOTE - NON-GATH. TOP BAND</b> | <b>*NOTE - NON-GATH. TOP BAND</b> | <b>*NOTE - NON-GATH. TOP BAND</b> |
| <b>BEDRM.BED BOARD<br/>*WHEN NEEDED</b>    | 137813-49-000                     | 137813-60-000                     | 137813-47-000                     | 137813-64-000                     |
| <b>HALLWAY<br/>*WHEN NEEDED</b>            | 126883-N8-000                     | 126883-N4-000                     | 126883-N6-000                     | 126883-R5-000                     |
| <b>DAY-NITERS<br/>LGE. &amp; BEDROOM</b>   | PUTTY/WHT. DECO                   | EGGSHELL/WHT. DECO                | EGGSHELL/WHT. DECO                | EGGSHELL/WHT. DECO                |
|  | 094911-58-000/094911-50-000       | 094911-56-000/094911-50-000       | 094911-56-000/094911-50-000       | 094911-56-000/094911-50-000       |
| <b>GALLEY&amp;BATH</b>                     | C011 BEIGE (MICRO MINI)           | 386 SNO CAP (MICRO MINI)          | 386 SNO CAP (MICRO MINI)          | 386 SNO CAP (MICRO MINI)          |
| <b>OVHD. INSERTS<br/>LOUNGE&amp;BEDRM.</b> | LOUNGE 126883-D9-000              | LOUNGE 126883-N4-000              | LOUNGE 126883-N7-000              | LOUNGE 126883-M8-000              |
|  | BEDROOM 137813-49-000             | BEDROOM 137813-60-000             | BEDROOM 137813-47-000             | BEDROOM 137813-64-000             |
| <b>SUNVISORS</b>                           | 142380-03-01A POWER               | 142380-03-01A POWER               | 142380-03-01A POWER               | 142380-03-01A POWER               |
| <b>FLOOR MAT<br/>(DRIVER'S)</b>            | CARPET 139056-11-000              | CARPET 139056-09-000              | CARPET 139056-09-000              | CARPET 139056-15-000              |
|  | TAPE 102695-12-000                | TAPE 102695-12-000                | TAPE 102695-12-000                | TAPE 102695-28-000                |
| <b>BATH VALANCE</b>                        | MODERATE W/BRAID                  | MODERATE W/BRAID                  | MODERATE W/BRAID                  | MODERATE W/BRAID                  |
|  | 137813-48-000/139041-17-000       | 105745-W8-000/084415-F2-000       | 137813-46-000/139041-19-000       | 137813-63-000/084415-F2-000       |
| <b>CEILING</b>                             | 113979-12-01A                     | 113979-12-01A                     | 113979-12-01A                     | 113979-12-01A                     |
| <b>CEILING SLIDEOUT</b>                    | 113979-13-01A/113979-14-01A       | 113979-13-01A/113979-14-01A       | 113979-13-01A/113979-14-01A       | 113979-13-01A/113080-14-01A       |

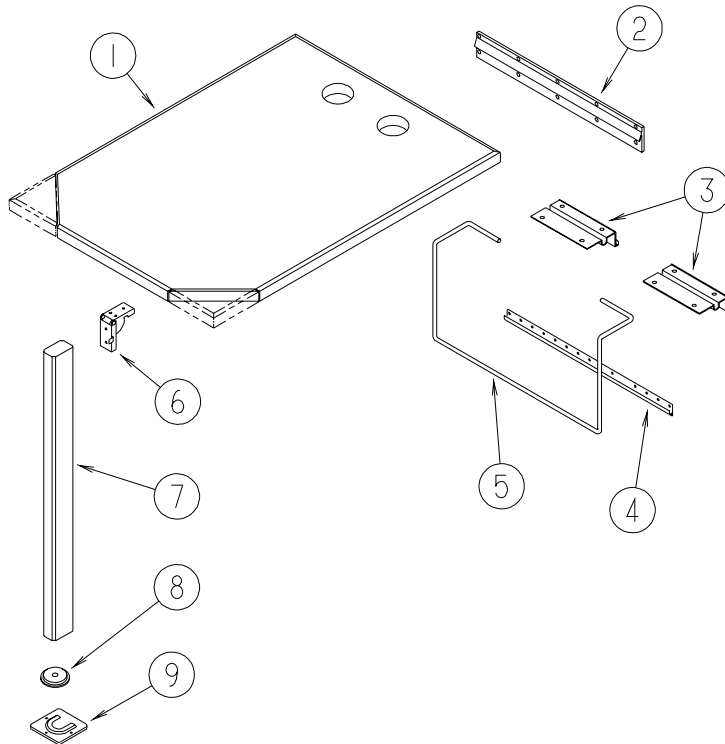


## DINETTE GROUP CABINETS



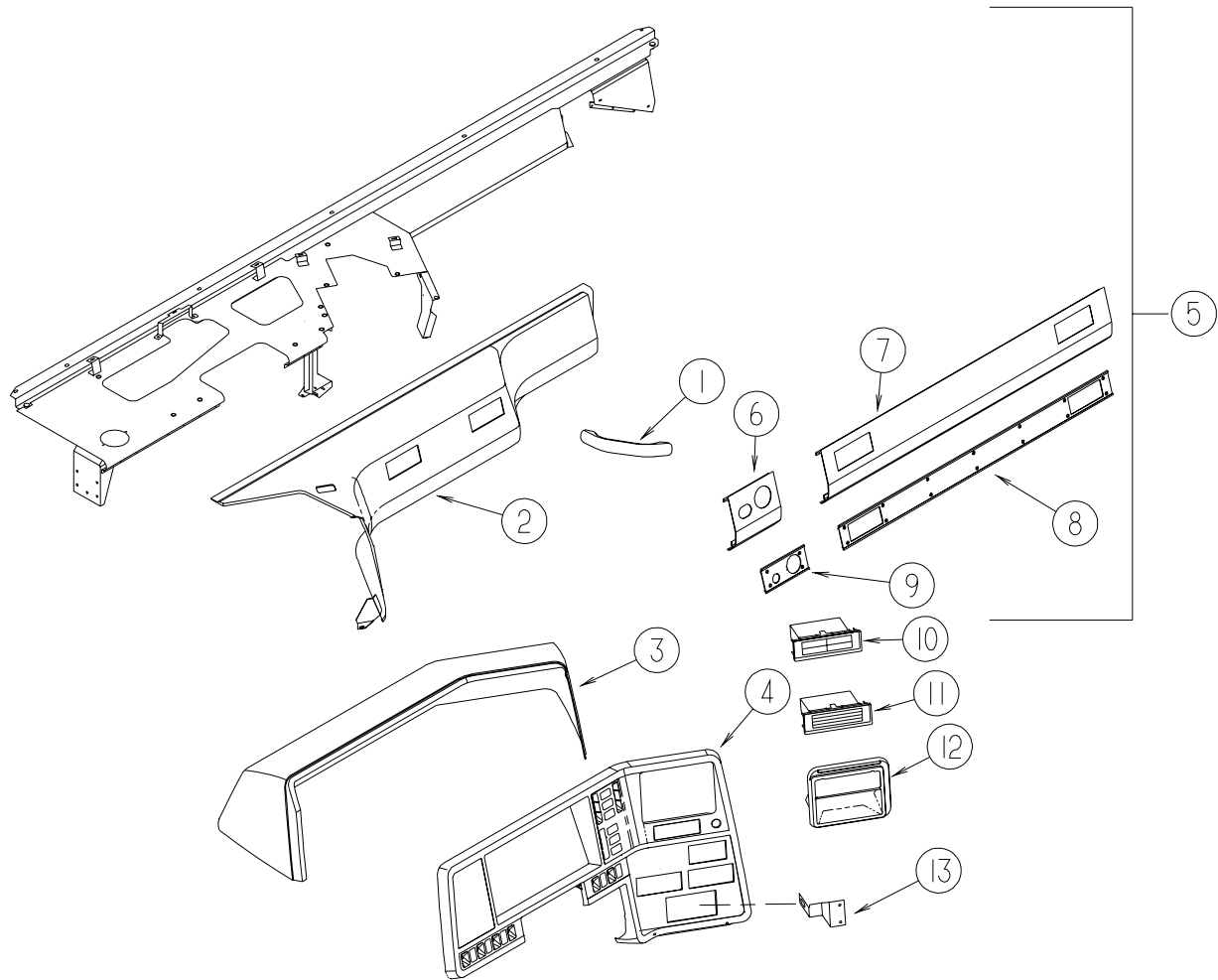
| KEY | PART NUMBER   | U/M | DESCRIPTION   |
|-----|---------------|-----|---|
| 1   | 143612-01-P78 | EA  | CABINET - OVHD/DINETTE - W/O DOORS/HARDWARE - PORTSMOUTH OAK - W/O DLX SOUND SYS. |
| 1   | 143612-01-P79 | EA  | CABINET - OVHD/DINETTE - W/O DOORS/HARDWARE - CONCERT CHERRY - W/O DLX SOUND SYS. |
| 1   | 143612-02-P78 | EA  | CABINET - OVHD/DINETTE - W/O DOORS/HARDWARE - PORTSMOUTH OAK - DELUXE SOUND SYS.  |
| 1   | 143612-02-P79 | EA  | CABINET - OVHD/DINETTE - W/O DOORS/HARDWARE - CONCERT CHERRY - DELUXE SOUND SYS.  |
| 2   | 143609-01-P78 | EA  | CABINET - OVERHEAD/COFFEE - W/O DOORS/HARDWARE - PORTSMOUTH OAK                   |
| 2   | 143609-01-P79 | EA  | CABINET - OVERHEAD/COFFEE - W/O DOORS/HARDWARE - CONCERT CHERRY                   |
| 3   | 136941-01-N70 | EA  | CABINET - OVERHEAD/DINETTE - W/O DOORS/HARDWARE - PORTSMOUTH OAK                  |
| 3   | 136941-01-N85 | EA  | CABINET - OVERHEAD/DINETTE - W/O DOORS/HARDWARE - CONCERT CHERRY                  |
| 4   | 141859-03-P78 | EA  | CABINET/BENCH - DINETTE - W/O DOORS/HARDWARE                                      |
| 4   | 141859-03-P79 | EA  | CABINET/BENCH - DINETTE - W/O DOORS/HARDWARE                                      |
| 4   | 141859-03-P80 | EA  | CABINET/BENCH - DINETTE - W/O DOORS/HARDWARE                                      |
| 4   | 141859-03-P81 | EA  | CABINET/BENCH - DINETTE - W/O DOORS/HARDWARE                                      |
| 4   | 141859-03-P82 | EA  | CABINET/BENCH - DINETTE - W/O DOORS/HARDWARE                                      |
| 4   | 141859-03-P83 | EA  | CABINET/BENCH - DINETTE - W/O DOORS/HARDWARE                                      |
| 4   | 141859-03-P94 | EA  | CABINET/BENCH - DINETTE - W/O DOORS/HARDWARE                                      |
| 4   | 141859-03-P95 | EA  | CABINET/BENCH - DINETTE - W/O DOORS/HARDWARE                                      |
| 5   | 141859-04-P78 | EA  | CABINET/BENCH - DINETTE - W/O DOORS/HARDWARE                                      |
| 5   | 141859-04-P79 | EA  | CABINET/BENCH - DINETTE - W/O DOORS/HARDWARE                                      |
| 5   | 141859-04-P80 | EA  | CABINET/BENCH - DINETTE - W/O DOORS/HARDWARE                                      |
| 5   | 141859-04-P81 | EA  | CABINET/BENCH - DINETTE - W/O DOORS/HARDWARE                                      |
| 5   | 141859-04-P82 | EA  | CABINET/BENCH - DINETTE - W/O DOORS/HARDWARE                                      |
| 5   | 141859-04-P83 | EA  | CABINET/BENCH - DINETTE - W/O DOORS/HARDWARE                                      |
| 5   | 141859-04-P94 | EA  | CABINET/BENCH - DINETTE - W/O DOORS/HARDWARE                                      |
| 5   | 141859-04-P95 | EA  | CABINET/BENCH - DINETTE - W/O DOORS/HARDWARE                                      |
| 6   | 081295-01-N70 | EA  | SUPPORT - BED/DINETTE - 28" LONG - PORTSMOUTH OAK                                 |
| 6   | 081295-01-M52 | EA  | SUPPORT - BED/DINETTE - 28" LONG - CONCERT CHERRY                                 |
| 7   | 142033-02-000 | EA  | BRACKET - DINETTE - LEFT HAND   |
| 8   | 142033-01-000 | EA  | BRACKET - DINETTE - RIGHT HAND  |
| 9   | 136954-46-P13 | EA  | DOOR - RAISED PANEL/OGEE EDGE - 10.8" X 28" - W/O HDW - PORTSMOUTH OAK            |
| 9   | 136954-46-P25 | EA  | DOOR - RAISED PANEL/OGEE EDGE - 10.8" X 28" - W/O HDW - CONCERT CHERRY            |

## DINETTE GROUP (CONTINUED) TABLE



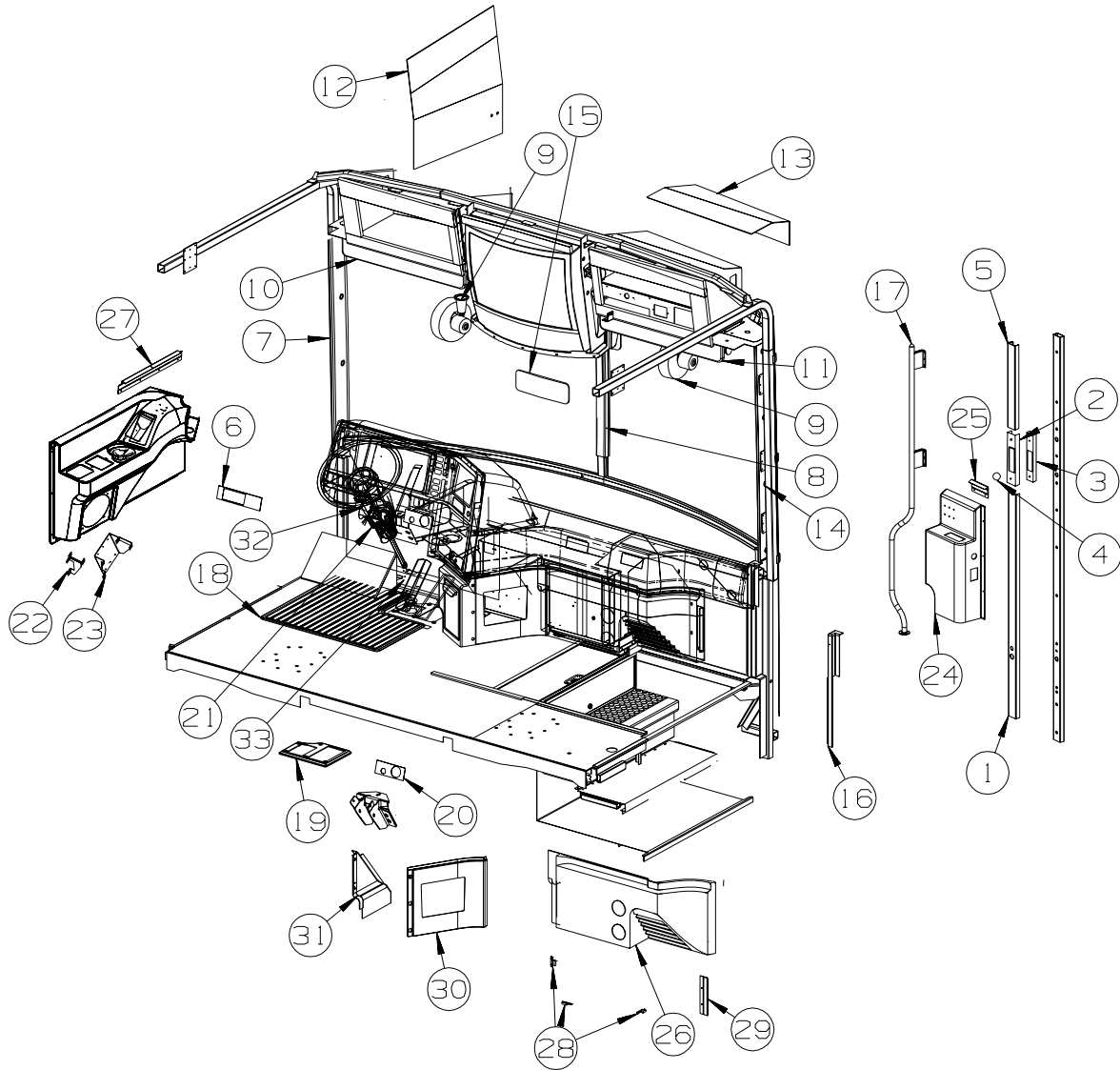
| KEY | PART NUMBER   | U/M | DESCRIPTION  |
|-----|---------------|-----|--|
| 1   | 143304-06-P78 | EA  | TABLE - DINETTE - 29.7" X 41.6" - EGGHELL/PORTSMOUTH OAK (P78, P80, P94)         |
| 1   | 143304-06-P79 | EA  | TABLE - DINETTE - 29.7" X 41.6" - EGGHELL/CHERRY /CONCERT CHERRY (P79, P81, P95) |
| 1   | 143304-06-P82 | EA  | TABLE - DINETTE - 29.7" X 41.6" - GRAY TRANQUILITY/PORTSMOUTH OAK (P82)          |
| 1   | 143304-06-P83 | EA  | TABLE - DINETTE - 29.7" X 41.6" - GRAY TRANQUILITY/CONCERT CHERRY (P83)          |
| 2   | 053200-13-000 | EA  | SUPPORT - TABLE - 18.5"<br>FROM: 00-00-00 THRU: 01-05-03                         |
| 2   | 140921-02-01A | EA  | SUPPORT - TABLE - 18.5" - OFF WHITE<br>FROM: 01-06-03 THRU: 99-99-99             |
| 3   | 088410-02-000 | EA  | BRACKET - LIFT - TABLE MOUNTED - OFF WHITE<br>FROM: 00-00-00 THRU: 01-05-03      |
| 3   | 140921-03-01A | EA  | HANGER - TABLE - W/VINYL - OFF WHITE<br>FROM: 01-06-03 THRU: 99-99-99            |
| 4   | 024281-15-000 | EA  | BRACKET/TABLE - LIFT ROD/LOWER WALL MOUNTED - 17.1"                              |
| 5   | 024275-13-000 | EA  | ROD - TABLE LIFT - OFF/WHITE   |
| 6   | 093550-01-000 | EA  | BRACKET - HINGE - MOUNTS TO LEG & TABLE TOP - 1.7" X 2.6"                        |
| 7   | 092707-04-10A | EA  | LEG - TABLE - W/O HARDWARE - 27" - PORTSMOUTH OAK II - PORTSMOUTH OAK            |
| 7   | 092707-04-04A | EA  | LEG - TABLE - W/O HARDWARE - 27" - CHERRY - CONCERT CHERRY                       |
| 8   | 092593-01-05A | EA  | CATCH - TABLE LEG - OFF/WHITE<br>FROM: 00-00-00 THRU: 12-04-02                   |
| 8   | 143798-02-01A | EA  | CATCH - TABLE LEG - BRIGHT WHITE<br>FROM: 12-05-02 THRU: 99-99-99                |
| 9   | 049493-12-000 | EA  | CATCH - TABLE LEG/FLOOR MOUNTED - OFF WHITE<br>FROM: 00-00-00 THRU: 12-04-02     |
| 9   | 143798-01-01A | EA  | CATCH - FLOOR TO TABLE LEG - BRIGHT WHITE<br>FROM: 12-05-02 THRU: 99-99-99       |

## DRIVERS COMPARTMENT GROUP DASH



| KEY | PART NUMBER   | U/M | DESCRIPTION   |
|-----|---------------|-----|---|
| 1   | 123246-01-05A | EA  | HANDLE - GRAB - GLACIER   |
| 2   | 122853-02-N74 | EA  | TRIM - DASH PANEL/RIGHT HAND - GLACIER                                  |
| 3   | 107263-03-N74 | EA  | POD - INSTRUMENT PANEL - GLACIER - REARVIEW MONITOR SYSTEM              |
| 3   | 107263-04-N70 | EA  | POD - INSTRUMENT PANEL - GLACIER - W/O REARVIEW MONITOR SYSTEM          |
| 4   | 107031-15-01A | EA  | BEZEL - INSTRUMENT PANEL  |
| 5   | P23278-01-000 | EA  | DASH - W/O VINYL  |
|     | 106569-09-06A | EA  | VINYL - LAMINATE - ALLANTE DOESKIN - 1/4" X 25" X 100"                  |
|     | 106569-10-06A | EA  | VINYL - LAMINATE - ALLANTE DOESKIN - 1/4" X 25" X 20"                   |
| 6   | 117991-06-01A | EA  | EXTENSION - DASH - DRIVER/LOWER/RIGHT HAND                              |
| 7   | 117991-05-01A | EA  | EXTENSION - DASH - DRIVER/LOWER/LEFT HAND                               |
| 8   | 118024-05-06A | EA  | TRIM - DASH - DRIVER/LOWER/LEFT HAND - GLACIER                          |
| 9   | 118024-06-06A | EA  | TRIM - DASH - DRIVER/LOWER/RIGHT HAND - GLACIER                         |
| 10  | 096776-02-000 | EA  | STORAGE BOX - CASSETTE - 4 TAPE HOLDER - W/O REARVIEW MONITOR SYSTEM    |
| 11  | 096776-03-000 | EA  | STORAGE BOX - CD'S - 4 DISC HOLDER - W/O REARVIEW MONITOR SYSTEM        |
| 12  | 111350-01-01A | EA  | POCKET - INSTRUMENT PANEL - UPPER - BLACK - W/O REARVIEW MONITOR SYSTEM |
| 13  | 138721-01-02B | EA  | BRACKET/SUPPORT - RADIO - E-COATED                                      |

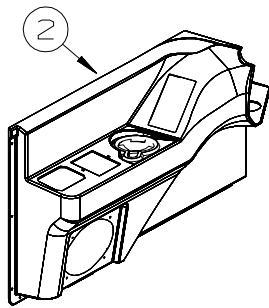
**DRIVERS COMPARTMENT GROUP (CONTINUED)**  
**FRONT INTERIOR**



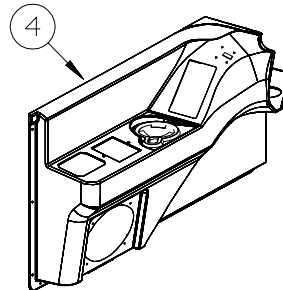
| KEY | PART NUMBER   | U/M | DESCRIPTION  |
|-----|---------------|-----|--|
| 1   | 024700-59-000 | EA  | COVER - ROLL BAR - SIDEWALL - 44.1" - OFF WHITE            |
| 2   | 140151-01-01A | EA  | COVER - SEAT BELT - OFF WHITE                              |
| 3   | 140151-03-01A | EA  | COVER - SEAT BELT SLIDE - BLACK                            |
| 4   | 140151-02-01A | EA  | COVER - SCREW - OFF WHITE                                  |
| 5   | 024700-58-000 | EA  | COVER - ROLL BAR - SIDEWALL - 16.5" - OFF WHITE            |
| 6   | 118377-06-09A | EA  | APPLIQUE - LOWER DASH - GM/OSH KOSH/SPARTAN - GLACIER      |
| 7   | 131792-01-04A | EA  | TRIM - A-PILLAR - INTERIOR/DRIVER - GLACIER                |
| 8   | 118452-09-04A | EA  | TRIM - WINDSHIELD/CENTER - GLACIER                         |
| 9   | 122856-01-01A | EA  | FAN-DEFROSTER-2 SPEED W/SWIVEL BASE/NON-OSCILLATING-CHROME |
| 10  | 129004-02-05A | EA  | TRIM - WINDSHIELD - INTERIOR/DRIVER TOP - GLACIER          |
| 11  | 129004-01-05A | EA  | TRIM - WINDSHIELD - INTERIOR/PASSENGER TOP - GLACIER       |
| 12  | 132909-03-N70 | EA  | PANEL - VINYL COVERED                                      |
| 13  | 132909-01-N70 | EA  | PANEL - VINYL COVERED                                      |
| 14  | 131791-01-04A | EA  | TRIM - A-PILLAR - INTERIOR/PASSENGER - GLACIER             |
| 15  | 134154-01-000 | EA  | MIRROR - CONVEX - 4" X 11.8"                               |
| 16  | 129657-01-05A | EA  | TRIM - A-PILLAR - INTERIOR/PASSENGER/LOWER - GLACIER       |
| 17  | 123577-01-01A | EA  | HANDRAIL - ASSIST - ENTRY                                  |
| 18  | 105924-01-P78 | EA  | MAT/FLOOR - 18" X 27" (P78, P79)                           |
| 18  | 105924-01-P82 | EA  | MAT/FLOOR - 18" X 27" (P80, P81, P82, P83)                 |
| 18  | 105924-01-P65 | EA  | MAT/FLOOR - 18" X 27" (P94, P95)                           |
| 19  | 116993-01-01A | EA  | COVER - PEDALS - BLACK                                     |
| 20  | 118377-05-09A | EA  | APPLIQUE - LOWER DASH - FREIGHTLINER - GLACIER             |
| 21  | 109832-03-03A | EA  | COVER - STEERING COLUMN - BLACK                            |

**DRIVERS COMPARTMENT GROUP (CONTINUED)**  
**FRONT INTERIOR (CONTINUED)**

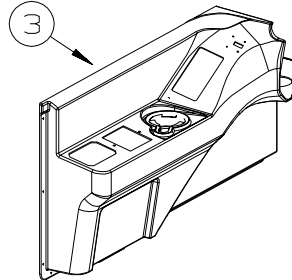
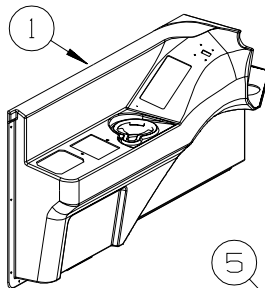
| KEY | PART NUMBER   | U/M | DESCRIPTION  |
|-----|---------------|-----|--|
| 22  | NOT USED      |     |  |
| 23  | NOT USED      |     |  |
| 24  | 142206-07-P78 | EA  | PANEL/TRIM - INNER/RIGHT HAND  |
|     | 130463-03-02B | EA  | ANGLE - TRIM/BACKWALL - E-COATED                                       |
| 24  | 142206-08-P78 | EA  | PANEL/TRIM - INNER/RIGHT HAND - <b>ELECTRIC AWNING PACKAGE</b>         |
|     | 130463-03-02B | EA  | ANGLE - TRIM/BACKWALL - E-COATED                                       |
| 25  | 130034-03-02B | EA  | CLIP - TRIM - E-COATED   |
| 26  | 133037-01-04A | EA  | PANEL - TRIM - HEATER/AC - RIGHT HAND - GLACIER                        |
| 27  | 130034-04-02B | EA  | CLIP - TRIM - E-COATED   |
| 28  | 073050-03-000 | EA  | MOUNTING CLIP - VALANCE PANEL  |
| 29  | 130034-02-02B | EA  | CLIP - TRIM - E-COATED   |
| 30  | 133163-03-P75 | EA  | PANEL - BEVERAGE TRAY - RIGHT HAND - <b>W/O TWO-WAY RADIOS</b>         |
| 30  | 133163-04-P75 | EA  | PANEL - BEVERAGE TRAY/2 WAY RADIO - RIGHT HAND - <b>TWO-WAY RADIOS</b> |
| 31  | 133164-02-P75 | EA  | PANEL - BEVERAGE TRAY - LEFT HAND                                      |
| 32  | 095933-07-000 | EA  | STOP/TILT - STEERING COLUMN  |
| 33  | 103498-09-000 | EA  | BOOT - STEERING COLUMN - W/1/2 CIRCLE                                  |



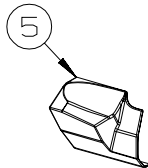
**W/SURROUND SOUND**



**W/SURROUND SOUND  
& TRIP COMPUTER**

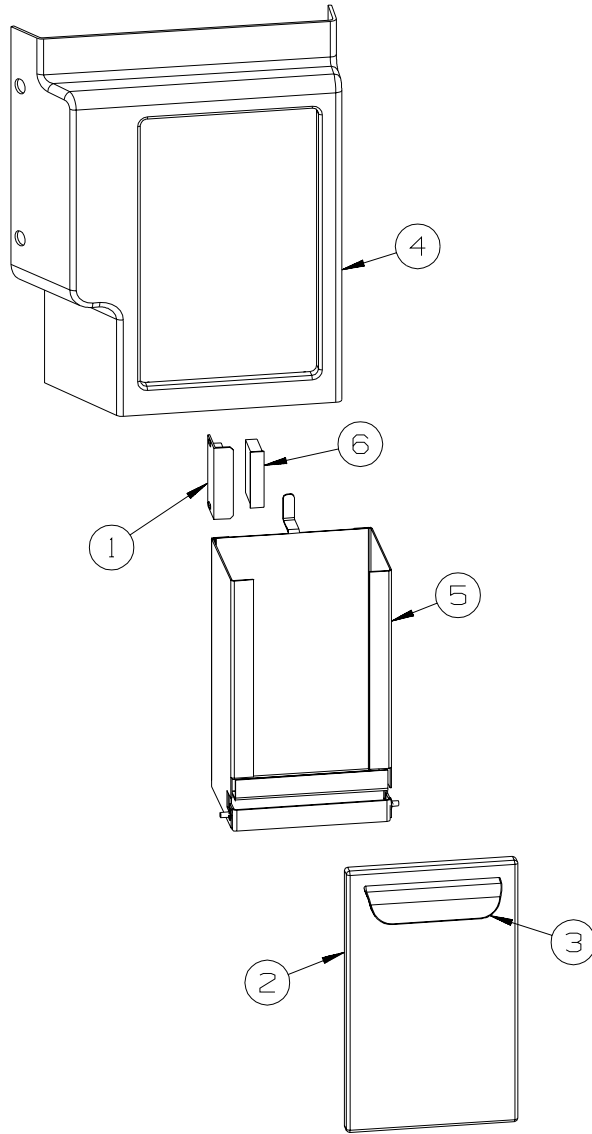


**W/TRIP COMPUTER**



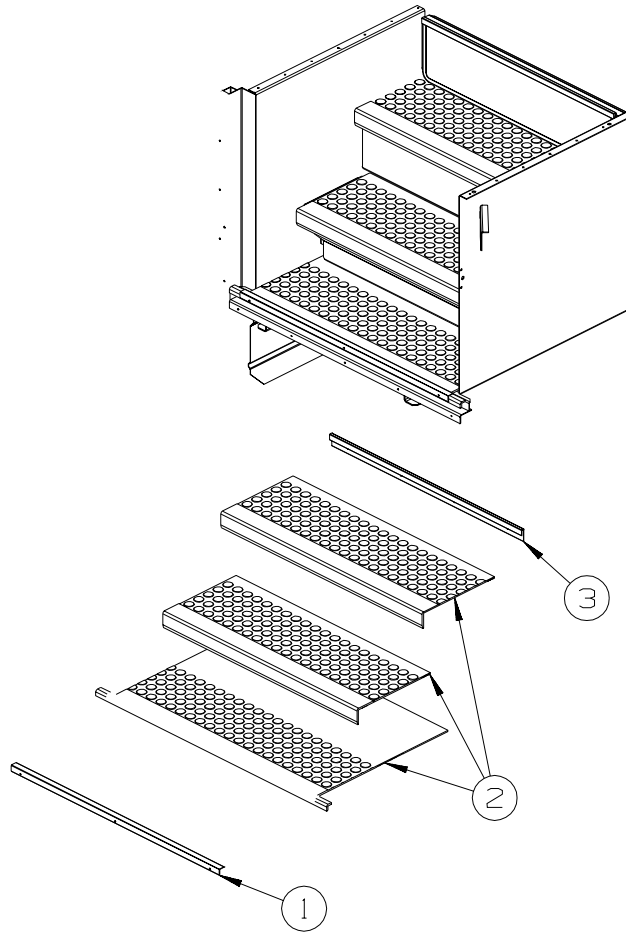
| KEY | PART NUMBER   | U/M | DESCRIPTION                     |
|-----|---------------|-----|---------------------------------|
| 1   | 140578-14-P78 | EA  | PANEL/TRIM - INNER/LEFT HAND    |
| 2   | 140578-16-P78 | EA  | PANEL/TRIM - INNER/LEFT HAND    |
| 3   | 140578-22-P78 | EA  | PANEL/TRIM - INNER/LEFT HAND    |
| 4   | 140578-24-P78 | EA  | PANEL/TRIM - INNER/LEFT HAND    |
| 5   | 140580-01-01A | EA  | PANEL/TRIM - INSERT - LEFT HAND |

**DRIVERS COMPARTMENT GROUP (CONTINUED)**  
**FRONT INTERIOR (CONTINUED)**



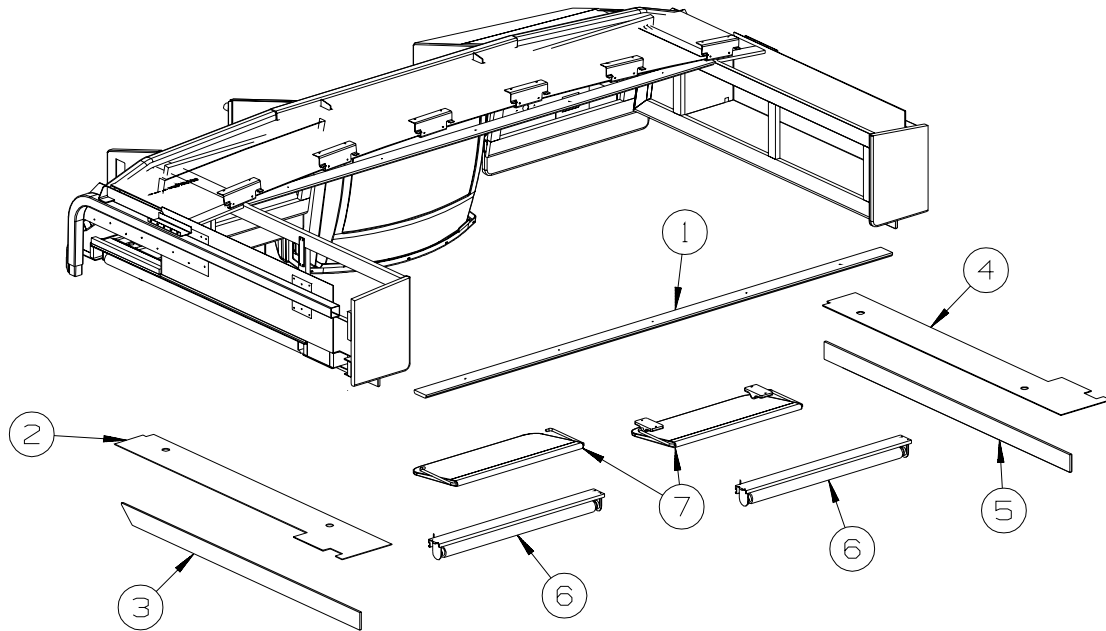
| KEY | PART NUMBER   | U/M | DESCRIPTION                                 |
|-----|---------------|-----|---|
| 1   | 137018-03-01A | EA  | BRACKET - MOUNTING - 2"                     |
| 2   | 142272-01-04A | EA  | PANEL/DOOR - GLACIER                        |
| 3   | 074762-01-000 | EA  | PULL - CABINET - 4.8" X .9" - BLACK PLASTIC |
| 4   | 142273-01-04A | EA  | PANEL - DASH - LOWER - GLACIER              |
| 5   | 142283-01-02B | EA  | COMPARTMENT - GLOVE BOX - E-COATED          |
| 6   | 137018-01-01A | EA  | CATCH - MAGNETIC - 1.6"                     |

**DRIVERS COMPARTMENT GROUP (CONTINUED)**  
**FRONT INTERIOR (CONTINUED)**



| <b>KEY</b> | <b>PART NUMBER</b> | <b>U/M</b> | <b>DESCRIPTION</b>                            |
|------------|--------------------|------------|---|
| 1          | 136002-63-02A      | EA         | ANGLE - W/HOLES - BRIGHT WHITE                |
| 2          | 120231-01-02A      | EA         | FLOORING - RUBBER - 66.4" X 19.8"             |
| 3          | 136839-07-01A      | EA         | TRIM-J - CARPET EDGE/SLIDEOUT - 28.3" - BLACK |

**DRIVERS COMPARTMENT GROUP (CONTINUED)**  
**FRONT INTERIOR (CONTINUED)**

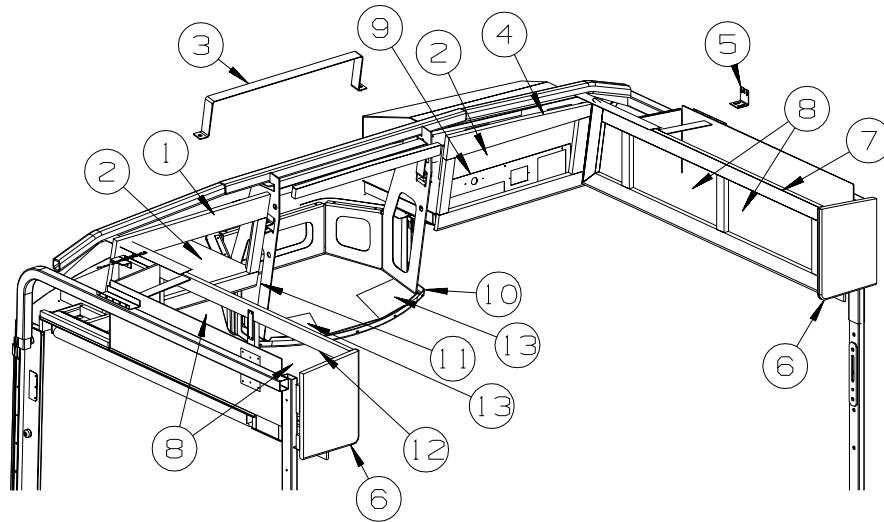


| KEY | PART NUMBER   | U/M | DESCRIPTION   |
|-----|---------------|-----|---|
| 1   | 133771-01-N75 | EA  | MOLDING - CAP - PORTSMOUTH OAK                            |
| 1   | 133771-01-L85 | EA  | MOLDING - CAP - CONCERT CHERRY                            |
| 2   | 133230-01-P75 | EA  | PANEL - OVERHEAD/PASSENGER - W/O HARDWARE - VINYL COVERED |
| 3   | 132694-05-P78 | EA  | PANEL - OVERHEAD/FRONT/DRIVER/PASSENGER - VINYL COVERED   |
| 4   | 133230-02-P75 | EA  | PANEL - OVERHEAD/DRIVER - W/O HARDWARE - VINYL COVERED    |
| 5   | 132694-05-P78 | EA  | PANEL - OVERHEAD/FRONT/DRIVER/PASSENGER - VINYL COVERED   |
| 6   | 142380-03-01A | EA  | SHADE - POWER - 27.8"                                     |
| 7   | NOT USED      |     |   |



## DRIVERS COMPARTMENT GROUP (CONTINUED)

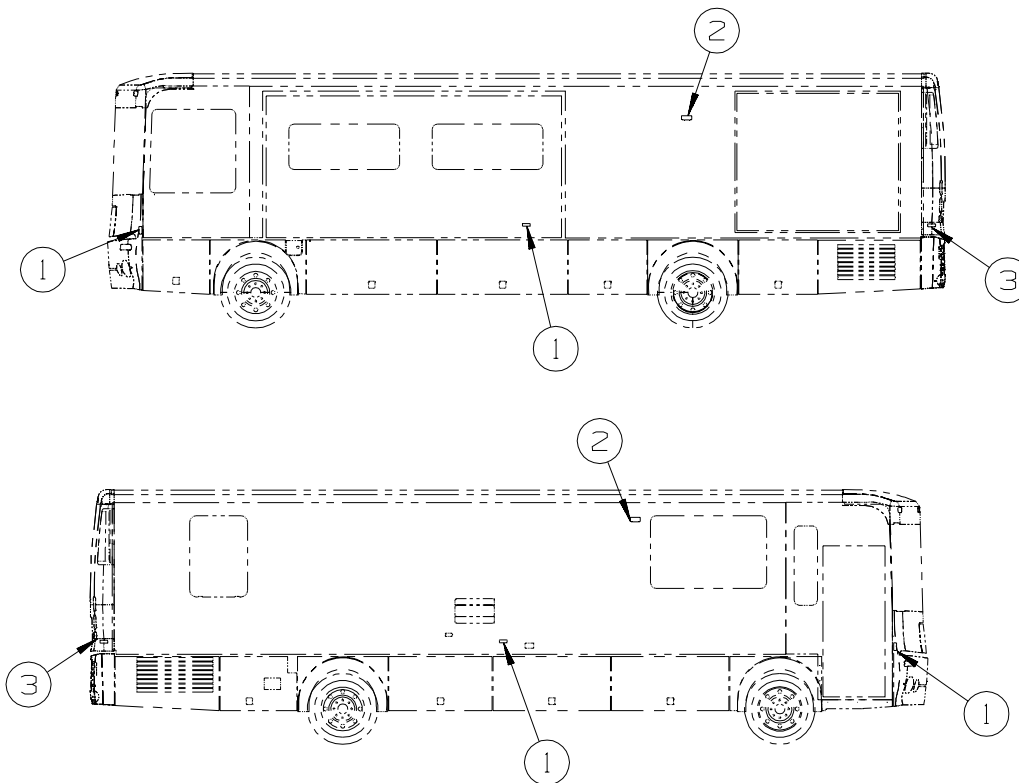
### CABINETS



| KEY | PART NUMBER   | U/M | DESCRIPTION   |
|-----|---------------|-----|---|
| 1   | 132778-01-N75 | EA  | CABINET - OVERHEAD/FRONT/LEFT HAND - W/O DOORS/HARDWARE - PORTSMOUTH OAK        |
| 1   | 132778-01-M85 | EA  | CABINET - OVERHEAD/FRONT/LEFT HAND - W/O DOORS/HARDWARE - CONCERT CHERRY        |
| 2   | 131995-V4-N75 | EA  | DOOR - RAIL/SOLID PANEL - 9.2" X 21.8" - W/O HARDWARE - PORTSMOUTH OAK          |
| 2   | 131995-V4-M70 | EA  | DOOR - RAIL/SOLID PANEL - 9.2" X 21.8" - W/O HARDWARE - CONCERT CHERRY          |
| 2   | 100708-24-000 | EA  | DOOR/GLASS - TV CABINET - 6.5" X 19.1" - W/O HARDWARE                           |
| 3   | 133790-02-02B | EA  | STRAP - TIEDOWN/TV - E-COATED - 25.3"   |
| 4   | 132779-01-N75 | EA  | CABINET - OVERHEAD/FRONT/RIGHT HAND - W/O DOORS/HARDWARE - PORTSMOUTH OAK       |
| 4   | 132779-01-M85 | EA  | CABINET - OVERHEAD/FRONT/RIGHT HAND - W/O DOORS/HARDWARE - CONCERT CHERRY       |
| 5   | 140309-03-02B | EA  | ANGLE - FURNACE DOOR - E-COATED   |
| 6   | P38119-08-N75 | EA  | END CAP - OVERHEAD/CABINET - PORTSMOUTH OAK                                     |
| 6   | P38119-08-N74 | EA  | END CAP - OVERHEAD/CABINET - CONCERT CHERRY                                     |
| 7   | 138377-01-P78 | EA  | CABINET - OVERHEAD/SIDE/FRONT/RIGHT HAND - W/O DOORS/HDW (P78) - W/O CD CHANGER |
| 7   | 138377-01-N87 | EA  | CABINET - OVERHEAD/SIDE/FRONT/RIGHT HAND - W/O DOORS/HDW (P79) - W/O CD CHANGER |
| 7   | 138377-01-P80 | EA  | CABINET - OVERHEAD/SIDE/FRONT/RIGHT HAND - W/O DOORS/HDW (P80) - W/O CD CHANGER |
| 7   | 138377-01-P81 | EA  | CABINET - OVERHEAD/SIDE/FRONT/RIGHT HAND - W/O DOORS/HDW (P81) - W/O CD CHANGER |
| 7   | 138377-01-P82 | EA  | CABINET - OVERHEAD/SIDE/FRONT/RIGHT HAND - W/O DOORS/HDW (P82) - W/O CD CHANGER |
| 7   | 138377-01-P83 | EA  | CABINET - OVERHEAD/SIDE/FRONT/RIGHT HAND - W/O DOORS/HDW (P83) - W/O CD CHANGER |
| 7   | 138377-01-P86 | EA  | CABINET - OVERHEAD/SIDE/FRONT/RIGHT HAND - W/O DOORS/HDW (P94) - W/O CD CHANGER |
| 7   | 138377-01-P87 | EA  | CABINET - OVERHEAD/SIDE/FRONT/RIGHT HAND - W/O DOORS/HDW (P95) - W/O CD CHANGER |
| 7   | 138377-02-P78 | EA  | CABINET - OVERHEAD/SIDE/FRONT/RIGHT HAND - W/O DOORS/HDW (P78) - CD CHANGER     |
| 7   | 138377-02-N87 | EA  | CABINET - OVERHEAD/SIDE/FRONT/RIGHT HAND - W/O DOORS/HDW (P79) - CD CHANGER     |
| 7   | 138377-02-P80 | EA  | CABINET - OVERHEAD/SIDE/FRONT/RIGHT HAND - W/O DOORS/HDW (P80) - CD CHANGER     |
| 7   | 138377-02-P81 | EA  | CABINET - OVERHEAD/SIDE/FRONT/RIGHT HAND - W/O DOORS/HDW (P81) - CD CHANGER     |
| 7   | 138377-02-P82 | EA  | CABINET - OVERHEAD/SIDE/FRONT/RIGHT HAND - W/O DOORS/HDW (P82) - CD CHANGER     |
| 7   | 138377-02-P83 | EA  | CABINET - OVERHEAD/SIDE/FRONT/RIGHT HAND - W/O DOORS/HDW (P83) - CD CHANGER     |
| 7   | 138377-02-P86 | EA  | CABINET - OVERHEAD/SIDE/FRONT/RIGHT HAND - W/O DOORS/HDW (P94) - CD CHANGER     |
| 7   | 138377-02-P87 | EA  | CABINET - OVERHEAD/SIDE/FRONT/RIGHT HAND - W/O DOORS/HDW (P95) - CD CHANGER     |
| 8   | 136709-22-P78 | EA  | DOOR - RAISED PANEL/OGEE EDGE - 10" X 19.1" - W/O HDW - PORTSMOUTH OAK          |
| 8   | 136709-22-P79 | EA  | DOOR - RAISED PANEL/OGEE EDGE - 10" X 19.1" - W/O HDW - CONCERT CHERRY          |
| 9   | 133026-04-P75 | EA  | PANEL - VINYL COVERED - W/NOTCH - 25" COLOR TV                                  |
| 9   | 133026-05-P75 | EA  | PANEL - VINYL COVERED - W/NOTCH - 300 WATT DC/AC INVERTER                       |
| 10  | 133544-01-N75 | EA  | CABINET FACE - OVERHEAD/TV - PORTSMOUTH OAK                                     |
| 10  | 133544-01-L85 | EA  | CABINET FACE - OVERHEAD/TV - CONCERT CHERRY                                     |
|     | 073050-03-000 | EA  | MOUNTING CLIP - VALANCE PANEL   |
| 11  | 133029-01-04A | EA  | COVER - TV/OVERHEAD FRONT - GLACIER   |
| 12  | 138378-01-P78 | EA  | CABINET - OVERHEAD/SIDE/FRONT/LEFT HAND - W/O DOORS/HDW (P78)                   |
| 12  | 138378-01-N87 | EA  | CABINET - OVERHEAD/SIDE/FRONT/LEFT HAND - W/O DOORS/HDW (P79)                   |
| 12  | 138378-01-P80 | EA  | CABINET - OVERHEAD/SIDE/FRONT/LEFT HAND - W/O DOORS/HDW (P80)                   |
| 12  | 138378-01-P81 | EA  | CABINET - OVERHEAD/SIDE/FRONT/LEFT HAND - W/O DOORS/HDW (P81)                   |
| 12  | 138378-01-P82 | EA  | CABINET - OVERHEAD/SIDE/FRONT/LEFT HAND - W/O DOORS/HDW (P82)                   |
| 12  | 138378-01-P83 | EA  | CABINET - OVERHEAD/SIDE/FRONT/LEFT HAND - W/O DOORS/HDW (P83)                   |
| 12  | 138378-01-P86 | EA  | CABINET - OVERHEAD/SIDE/FRONT/LEFT HAND - W/O DOORS/HDW (P94)                   |
| 12  | 138378-01-P87 | EA  | CABINET - OVERHEAD/SIDE/FRONT/LEFT HAND - W/O DOORS/HDW (P95)                   |
| 13  | 140364-01-01A | EA  | FOAM - PAD - .5" X 8" X 8"  |

# ELECTRICAL GROUP

## 12V BODY WIRING

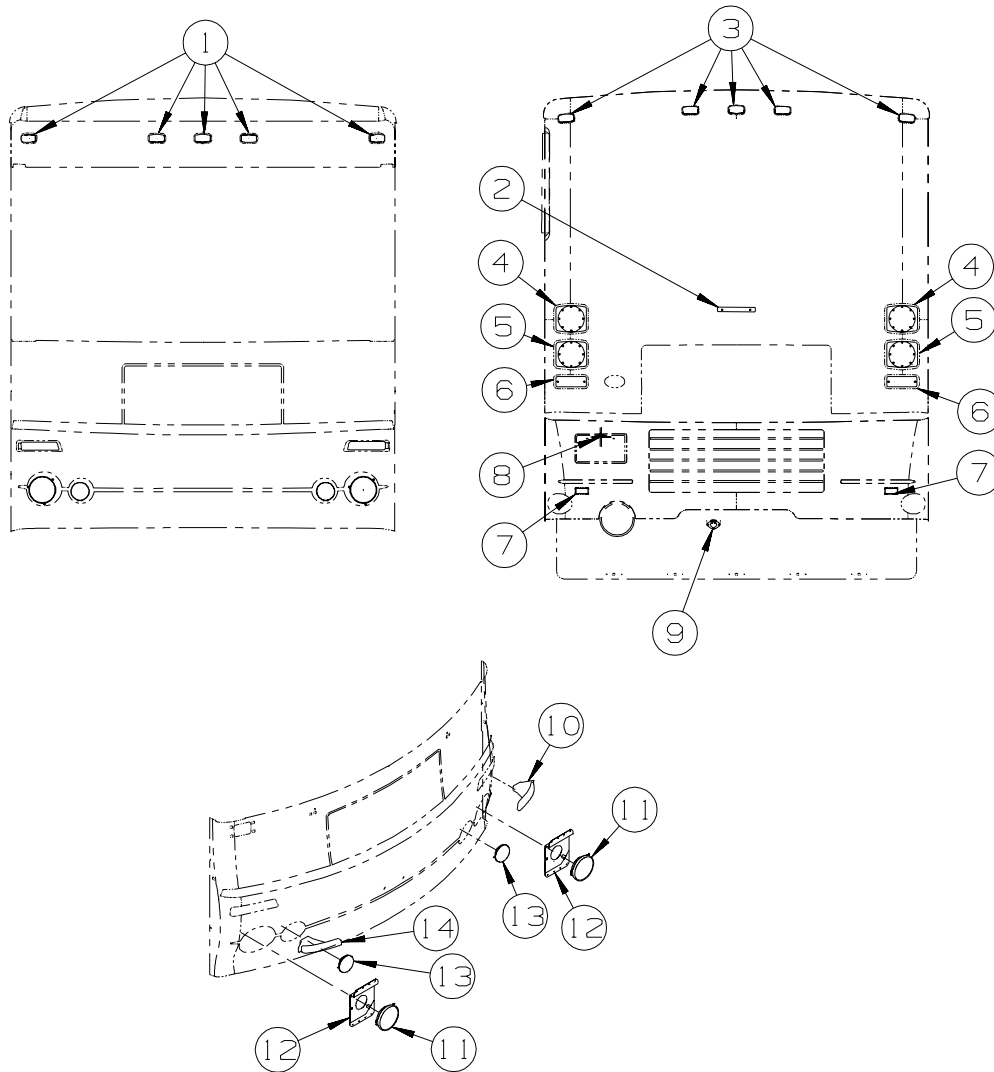


| KEY | PART NUMBER   | U/M | DESCRIPTION                             |
|-----|---------------|-----|---|
| 1   | 111102-01-000 | EA  | BASE - MARKER LAMP                      |
| 1   | 111102-02-000 | EA  | LENS - AMBER - MARKER LAMP              |
|     | 036196-01-000 | EA  | BULB - 12V - #194 - .27 AMP - BAYONETTE |
| 2*  | 008089-02-000 | EA  | LIGHT - PORCH - RECESSED - CANADIAN     |
| 2   | 008214-01-000 | EA  | BULB - 12 VOLT - #67 - .59 AMP          |
| 2   | 097917-01-08A | EA  | LIGHT/PORCH - ENTRY DOOR                |
| 3   | 111102-01-000 | EA  | BASE - MARKER LAMP                      |
| 3   | 111102-03-000 | EA  | LENS - RED - MARKER LAMP                |
|     | 036196-01-000 | EA  | BULB - 12V - #194 - .27 AMP - BAYONETTE |
|     | 130672-01-01A | EA  | SPOTLIGHT - POWER/REMOTE - WHITE        |

**\*COMPONENT PARTS LISTED LATER IN THIS GROUP**

## ELECTRICAL GROUP (CONTINUED)

### 12V BODY WIRING (CONTINUED)



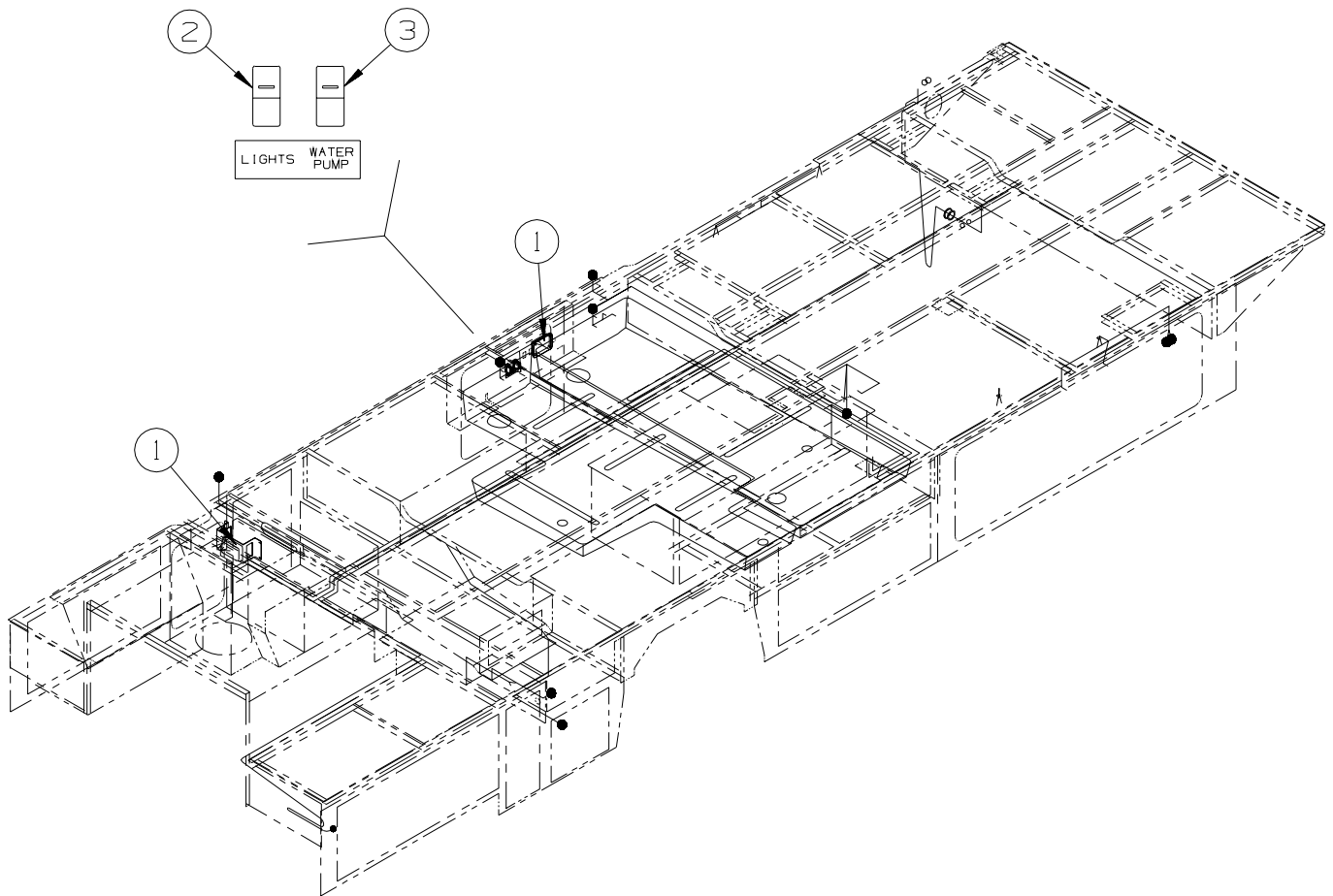
| KEY | PART NUMBER   | U/M | DESCRIPTION   |
|-----|---------------|-----|---|
| 1   | 133055-03-000 | EA  | BASE - F/CLEARANCE/MARKER - WHITE                         |
| 1   | 133055-02-000 | EA  | LENS - AMBER - F/CLEARANCE/MARKER                         |
|     | 036196-01-000 | EA  | BULB - 12V - #194 - .27 AMP - BAYONETTE                   |
|     | 127536-02-000 | EA  | SOCKET - LIGHT - 194 WEDGE                                |
| 2   | 136917-01-000 | EA  | LIGHT - BRAKE - CENTER MOUNT - OVAL                       |
| 3   | 133055-03-000 | EA  | BASE - F/CLEARANCE/MARKER - WHITE                         |
| 3   | 133055-01-000 | EA  | LENS - RED - F/CLEARANCE/MARKER                           |
|     | 036196-01-000 | EA  | BULB - 12V - #194 - .27 AMP - BAYONETTE                   |
|     | 106687-01-000 | EA  | SOCKET - LIGHT - 2-WIRE                                   |
| 4*  | 133054-03-000 | EA  | LIGHT - STOP/TURN/TAILLIGHT - RED                         |
| 4   | 037934-01-000 | EA  | BULB - 12V - #1156 - 2.1 AMP - CLEAR GLASS                |
| 5*  | 133054-04-000 | EA  | LIGHT - TURN - AMBER                                      |
| 5   | 037934-01-000 | EA  | BULB - 12V - #1156 - 2.1 AMP - CLEAR GLASS                |
| 6   | 106688-01-000 | EA  | LIGHT - BACK-UP W/WHITE LENS (LENS/BACK PAN)              |
| 6   | 037934-01-000 | EA  | BULB - 12V - #1156 - 2.1 AMP - CLEAR GLASS                |
| 7   | 106646-02-000 | EA  | REFLECTOR - STICK ON - RED                                |
| 8   | 087201-01-000 | EA  | LIGHT - HALF ROUND - 1" X 1.7" - PLASTIC - BLACK OR WHITE |
| 9   | 113589-01-000 | EA  | CONNECTOR - PLUG - TRAILER                                |
| 9   | 113589-02-000 | EA  | CONNECTOR - SOCKET - TRAILER                              |
| 10  | 133069-02-000 | EA  | LENS - PARK/TURN W/O SOCKET - AMBER - DRIVER              |
| 10  | 037935-01-000 | EA  | BULB - 12V - #1157 OR #2057 - 2.1 AMP - CLEAR GLASS       |

## ELECTRICAL GROUP (CONTINUED)

### 12V BODY WIRING (CONTINUED)

| KEY | PART NUMBER   | U/M | DESCRIPTION  |
|-----|---------------|-----|--|
| 11  | 135625-02-000 | EA  | HEADLAMP - HIGH/LOW - ROUND - 7" W/BUCKET/TRIM RING- BLACK |
| 11  | 133069-03-000 | EA  | SOCKET - LAMP - 3 WIRE                                     |
| 11  | 049359-01-000 | EA  | SPRING - RETAINER - HEADLAMP - GM #496096                  |
| 11  | 110750-01-000 | EA  | SCREW - HEADLAMP ADJUSTING                                 |
| 12  | 137765-01-04B | EA  | PLATE - HEADLAMP - 7" ROUND - RIGHT HAND                   |
| 13  | 133115-01-000 | EA  | LAMP/FOG - CLEAR/ROUND                                     |
| 14  | 133069-01-000 | EA  | LENS - PARK/TURN W/O SOCKET - AMBER - PASSENGER            |
| 14  | 037935-01-000 | EA  | BULB - 12V - #1157 OR #2057 - 2.1 AMP - CLEAR GLASS        |

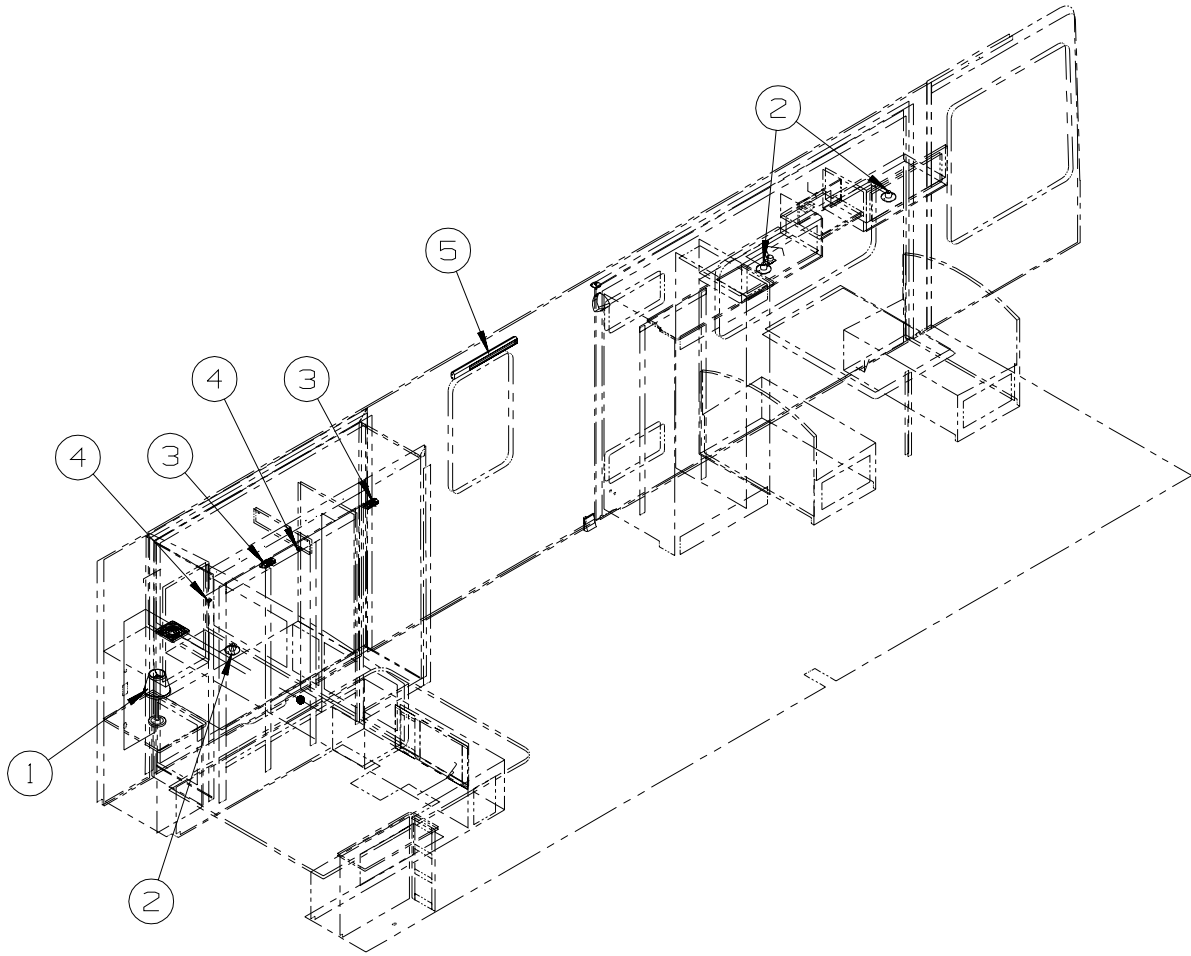
**\*COMPONENT PARTS LISTED LATER IN THIS GROUP**



| KEY | PART NUMBER   | U/M | DESCRIPTION  |
|-----|---------------|-----|--|
| 1*  | 137417-03-01A | EA  | LIGHT - DOME - SINGLE - W/FROSTED LENS - W/O SWITCH-WHITE  |
| 2   | 108357-01-000 | EA  | SWITCH - ROCKER - SPST - ON/OFF - 2 TERMINAL               |
| 2   | 108356-02-01A | EA  | COVER/ACTUATOR SWITCH - 2 ROWS DIMPLES- CONTURA II - BLACK |
| 2   | 108355-01-000 | EA  | HOUSING - SWITCH   |
| 3   | 108357-15-000 | EA  | SWITCH - ROCKER - DPDT - ON/NONE/ON - LIGHTED              |
| 3   | 108356-04-01A | EA  | COVER/ACTUATOR SWITCH - 2 ROWS DIMPLES W/LENS-CONTURA-BLK  |
| 3   | 108355-01-000 | EA  | HOUSING - SWITCH   |

**\*COMPONENT PARTS LISTED LATER IN THIS GROUP**

**ELECTRICAL GROUP (CONTINUED)**  
**12V BODY WIRING (CONTINUED)**

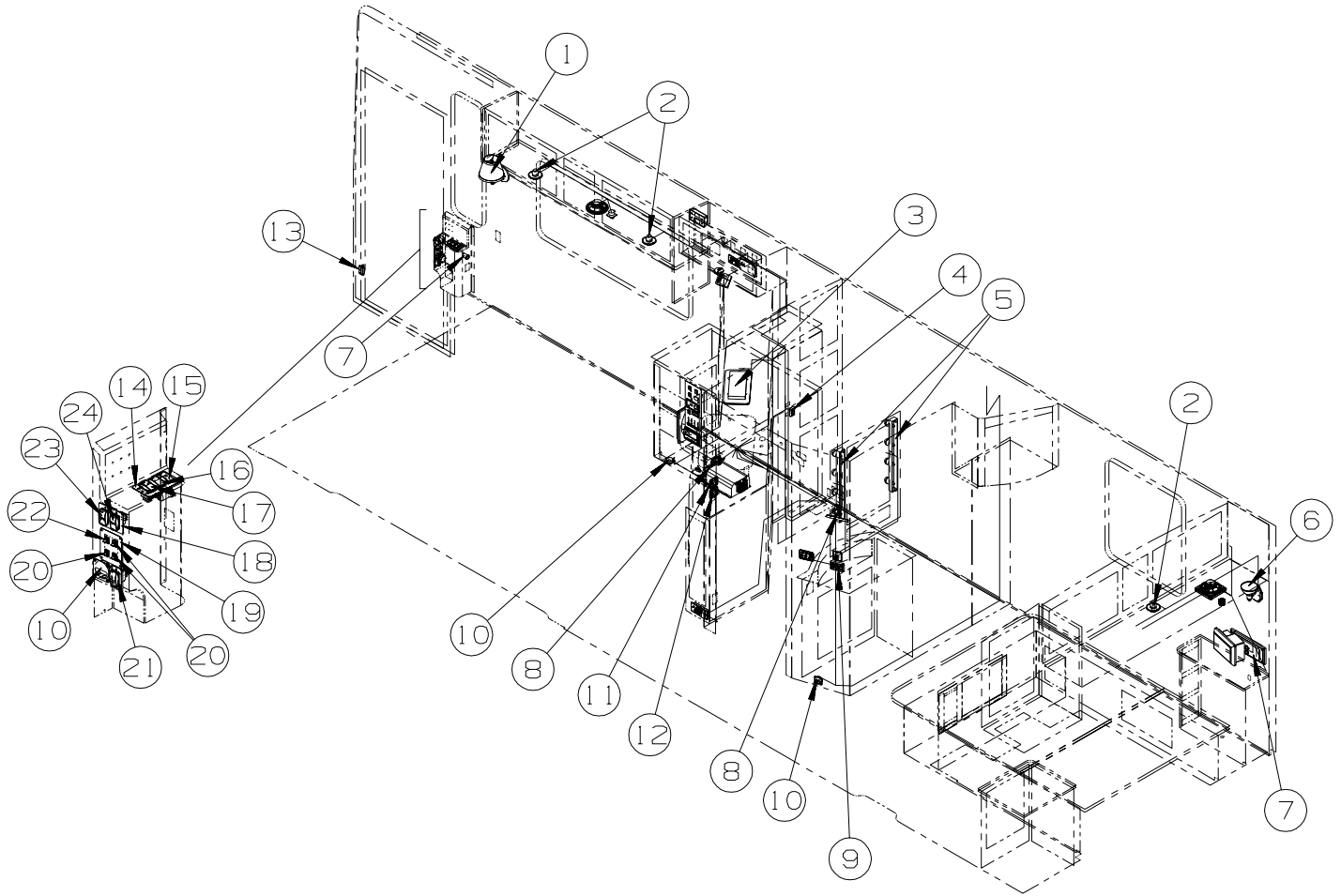


| KEY | PART NUMBER   | U/M | DESCRIPTION   |
|-----|---------------|-----|---|
| 1   | 142612-01-01A | EA  | LAMP - TABLE - UL/CSA - BRASS                           |
| 1   | 065201-09-000 | EA  | SHADE - LAMP - FABRIC/PARCHMENT - 4.1"T X 6.1"H X 7.1"B |
| 1   | 067479-01-000 | EA  | BULB - 12V - #1076 - 1.80 AMP                           |
| 2   | 132427-01-01A | EA  | LIGHT - READING - SWIVEL/ROUND - BRASS                  |
|     | 123917-01-000 | EA  | BULB - 12V - HALOGEN SPOT                               |
| 3*  | 087694-01-000 | EA  | LIGHT - WARDROBE/CLOSET - W/SWITCH                      |
| 4   | 056264-01-000 | EA  | SWITCH - LEAF ACTUATOR                                  |
| 5   | 113371-02-000 | EA  | LIGHT-FLUORESCENT 24",STRIP                             |

**\*COMPONENT PARTS LISTED LATER IN THIS GROUP**

## ELECTRICAL GROUP (CONTINUED)

### 12V BODY WIRING (CONTINUED)



| KEY | PART NUMBER   | U/M | DESCRIPTION  |
|-----|---------------|-----|--|
| 1   | 119258-43-01A | EA  | LAMP - WALL - UL/CSA - BRASS                               |
| 1   | 117805-02-000 | EA  | BULB - 12V - #921 - 1.4 AMPS                               |
| 2   | 132427-01-01A | EA  | LIGHT - READING - SWIVEL/ROUND - BRASS                     |
|     | 123917-01-000 | EA  | BULB - 12V - HALOGEN SPOT                                  |
| 3*  | 091937-09-000 | EA  | LIGHT-FLOURESCENT-12V/30 WATT RECESSED - W/SWITCH          |
| 4   | 135740-01-02A | EA  | SWITCH - ROCKER - SPST - ON/OFF - WHITE                    |
| 4   | 135741-01-02A | EA  | SWITCH - BASE - SINGLE - WHITE                             |
| 4   | 135742-12-01A | EA  | BEZEL - SWITCH - FAN - WHITE                               |
| 5   | 138116-02-01A | EA  | LIGHT/MAKE UP - 4 BULB - CURVED - W/O BULB - BRASS         |
|     | 123918-01-000 | EA  | BULB - 12V - MAKEUP WHITE                                  |
| 6   | 119258-42-01A | EA  | LAMP - WALL - UL/CSA - BRASS                               |
| 6   | 119257-19-01A | EA  | SHADE - LAMP   |
| 6   | 117805-02-000 | EA  | BULB - 12V - #921 - 1.4 AMPS                               |
| 7   | 132958-01-000 | EA  | RECEPTACLE - 12 VOLT - MOUNTING FLANGE - BLACK             |
| 8   | 108357-06-000 | EA  | SWITCH - ROCKER - DPDT - MOM/OFF/MOM - 6 TERMINAL          |
| 8   | 108356-02-01A | EA  | COVER/ACTUATOR SWITCH - 2 ROWS DIMPLES- CONTURA II - BLACK |
| 8   | 108355-01-000 | EA  | HOUSING - SWITCH   |
| 9   | 135740-01-02A | EA  | SWITCH - ROCKER - SPST - ON/OFF - WHITE - <b>CEILING</b>   |
| 9   | 135740-02-02A | EA  | SWITCH - ROCKER - SPDT - ON/ON - WHITE - <b>FAN/AISLE</b>  |
| 9   | 135741-03-02A | EA  | SWITCH - BASE - TRIPLE - WHITE                             |
| 9   | 135742-23-01A | EA  | BEZEL - SWITCH - CEILING/FAN/AISLE - WHITE                 |

**ELECTRICAL GROUP (CONTINUED)**  
**12V BODY WIRING (CONTINUED)**

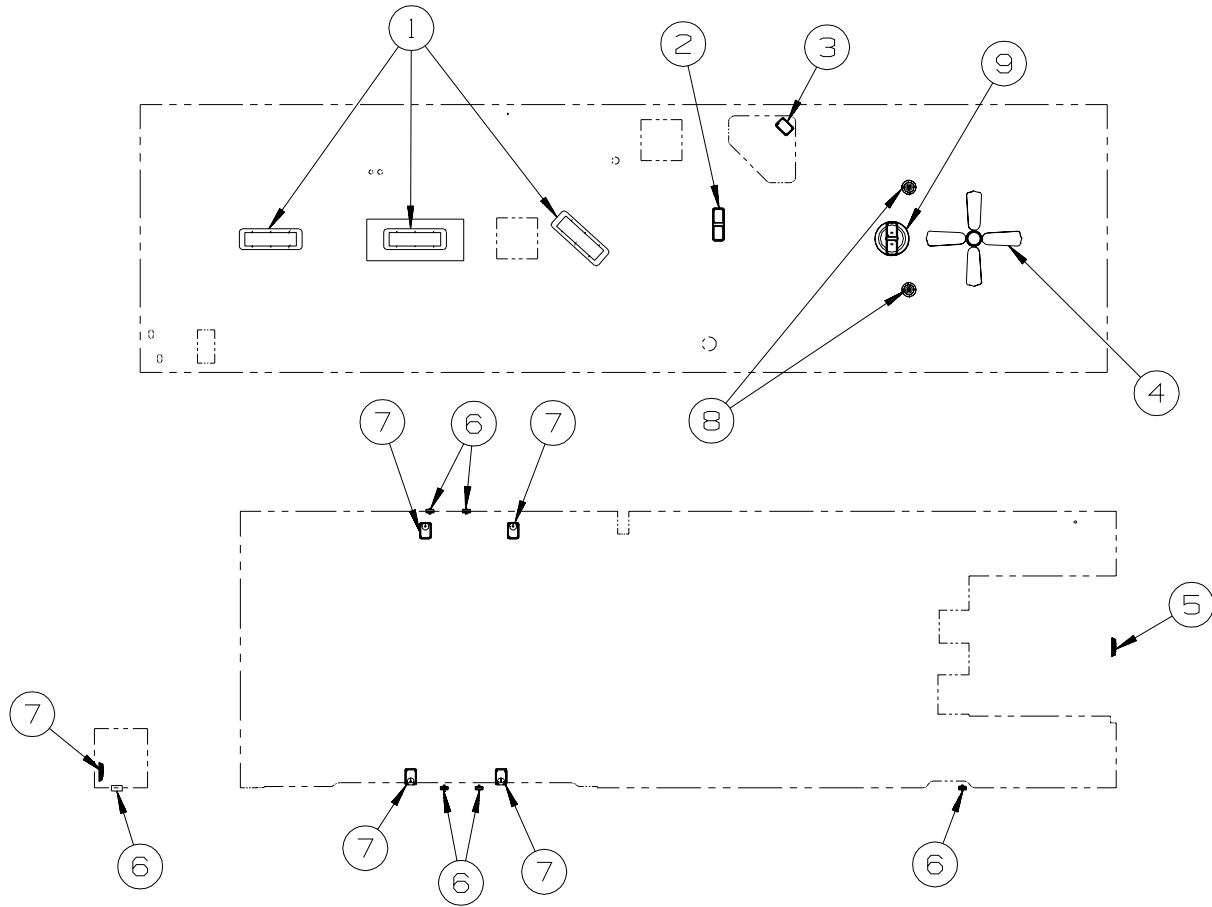
| KEY | PART NUMBER   | U/M | DESCRIPTION   |
|-----|---------------|-----|---|
| 10* | 108354-01-01A | EA  | LIGHT - COURTESY  |
| 11  | 135740-01-02A | EA  | SWITCH - ROCKER - SPST - ON/OFF - WHITE - GALLEY                                    |
| 11  | 135740-02-02A | EA  | SWITCH - ROCKER - SPDT - ON/ON - WHITE - LOUNGE                                     |
| 11  | 135741-02-02A | EA  | SWITCH - BASE - DOUBLE - WHITE  |
| 11  | 135742-18-01A | EA  | BEZEL - SWITCH - LOUNGE/GALLEY - WHITE  |
| 12  | 135740-01-02A | EA  | SWITCH - ROCKER - SPST - ON/OFF - WHITE - CEILING                                   |
| 12  | 135740-02-02A | EA  | SWITCH - ROCKER - SPDT - ON/ON - WHITE - AISLE                                      |
| 12  | 135741-02-02A | EA  | SWITCH - BASE - DOUBLE - WHITE  |
| 12  | 135742-13-01A | EA  | BEZEL - SWITCH - CEILING/AISLE - WHITE  |
| 13  | 116995-02-000 | EA  | SWITCH/MAGNET - ELECTRIC STEP - BLACK/WHITE-CLOSED CIRCUIT                          |
| 14  | 142487-01-02B | EA  | PLATE - SWITCH - E-COATED   |
| 14  | 142475-01-01A | EA  | APPLIQUE - SWITCH - PASSENGER   |
| 15  | 108357-01-000 | EA  | SWITCH - ROCKER - SPST - ON/OFF - 2 TERMINAL  |
| 15  | 108356-01-01A | EA  | COVER/ACTUATOR SWITCH - 3 GROOVES - CONTURA III - BLACK                             |
| 15  | 108355-01-000 | EA  | HOUSING - SWITCH  |
| 16  | 108357-06-000 | EA  | SWITCH - ROCKER - DPDT - MOM/OFF/MOM - 6 TERMINAL - W/POWERED SUNVISOR              |
| 16  | 108356-01-01A | EA  | COVER/ACTUATOR SWITCH - 3 GROOVES - CONTURA III - BLACK - W/POWERED SUNVISOR        |
| 16  | 108355-01-000 | EA  | HOUSING - SWITCH - W/POWERED SUNVISOR   |
| 16  | 096241-03-000 | EA  | SWITCH - BLANK - BLACK - W/MANUAL SUNVISOR  |
| 17  | 108357-06-000 | EA  | SWITCH - ROCKER - DPDT - MOM/OFF/MOM - 6 TERMINAL                                   |
| 17  | 108356-01-01A | EA  | COVER/ACTUATOR SWITCH - 3 GROOVES - CONTURA III - BLACK                             |
| 17  | 108355-01-000 | EA  | HOUSING - SWITCH  |
| 18  | 098351-22-01A | EA  | PLATE/SWITCH - 2 GANG - POLISHED BRASS  |
| 19  | 098351-08-01A | EA  | PLATE/SWITCH - 4 GANG/BRASS-PORCH/CEILING/STEP/COMPT LAMPS                          |
| 20  | 132180-01-01A | EA  | SWITCH - PADDLE - SPST - ON/OFF - BLACK   |
| 21  | 108357-07-000 | EA  | SWITCH - ROCKER - SPDT - MOM/OFF/MOM - 3 TERMINAL - W/POWER DR LOCKS W/REMOTE       |
| 21  | 108356-01-01A | EA  | COVER/ACTUATOR SWITCH - 3 GROOVES - CONTURA III - BLACK - W/POWER DR LOCKS W/REMOTE |
| 21  | 108355-01-000 | EA  | HOUSING - SWITCH - W/POWER DR LOCKS W/REMOTE  |
| 21  | 098351-24-01A | EA  | PLATE - SWITCH - DOOR LOCK - W/POWER DR LOCKS W/REMOTE                              |
| 22  | 132180-02-01A | EA  | SWITCH - PADDLE - SPDT - ON/ON - BLACK  |
| 23  | 108357-06-000 | EA  | SWITCH - ROCKER - DPDT - MOM/OFF/MOM - 6 TERMINAL                                   |
| 23  | 108356-12-01A | EA  | COVER/ACTUATOR SWITCH - 3 GROOVES   |
| 23  | 108355-01-000 | EA  | HOUSING - SWITCH  |
| 24  | 108357-08-000 | EA  | SWITCH - ROCKER - DPDT - 0N/NONE/ON - 6 TERMINAL                                    |
| 24  | 108356-13-01A | EA  | COVER/ACTUATOR SWITCH - 3 GROOVES   |
| 24  | 108355-01-000 | EA  | HOUSING - SWITCH  |

\*COMPONENT PARTS LISTED LATER IN THIS GROUP



## ELECTRICAL GROUP (CONTINUED)

### 12V BODY WIRING (CONTINUED)



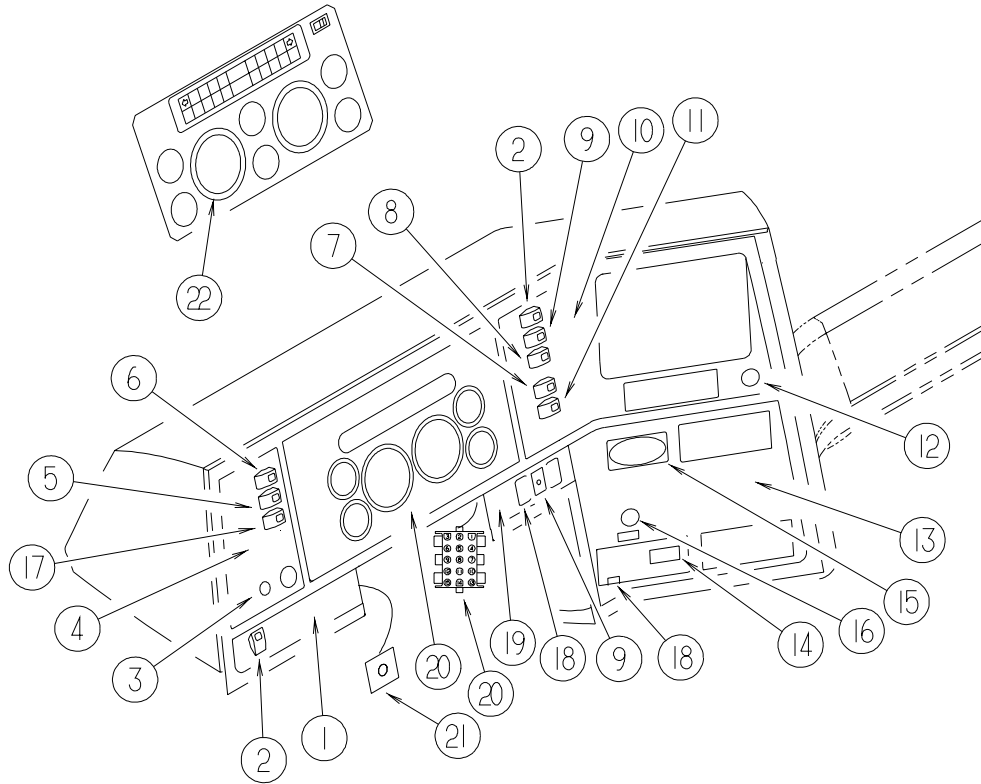
| KEY | PART NUMBER   | U/M | DESCRIPTION   |
|-----|---------------|-----|---|
| 1*  | 091937-08-000 | EA  | LIGHT-FLOURESCENT-12V/30 WATT RECESSED - W/O SWITCH       |
|     | 091937-03-000 | EA  | BULB - FLUORESCENT LIGHT - 12 VOLT                        |
| 2*  | 137417-06-01A | EA  | LIGHT - DOME - DOUBLE - W/FROSTED LENS - W/O SWITCH-WHITE |
| 3*  | 121935-01-01A | EA  | LIGHT - DOME - SHOWER                                     |
| 4*  | 139134-01-02A | EA  | FAN - CEILING - 35" - BRIGHT BRASS                        |
| 5*  | 137417-01-01A | EA  | LIGHT - DOME - SINGLE - W/SWITCH/FROSTED LENS - WHITE     |
| 6   | 041250-01-000 | EA  | SWITCH - PUSH BUTTON/DOOR JAMB - METAL - CHROME           |
| 7*  | 137417-03-01A | EA  | LIGHT - DOME - SINGLE - W/FROSTED LENS - W/O SWITCH-WHITE |
| 8   | 093575-27-01A | EA  | LIGHT - CEILING - ROUND - BRASS - UL/CSA                  |
| 9*  | 093575-19-01A | EA  | LIGHT - CEILING/ROUND - BRASS                             |
|     | 117806-01-000 | EA  | BULB - 12V - #912 - 1.0 AMP                               |

**\*COMPONENT PARTS LISTED LATER IN THIS GROUP**



## ELECTRICAL GROUP (CONTINUED)

### FRONT END WIRING



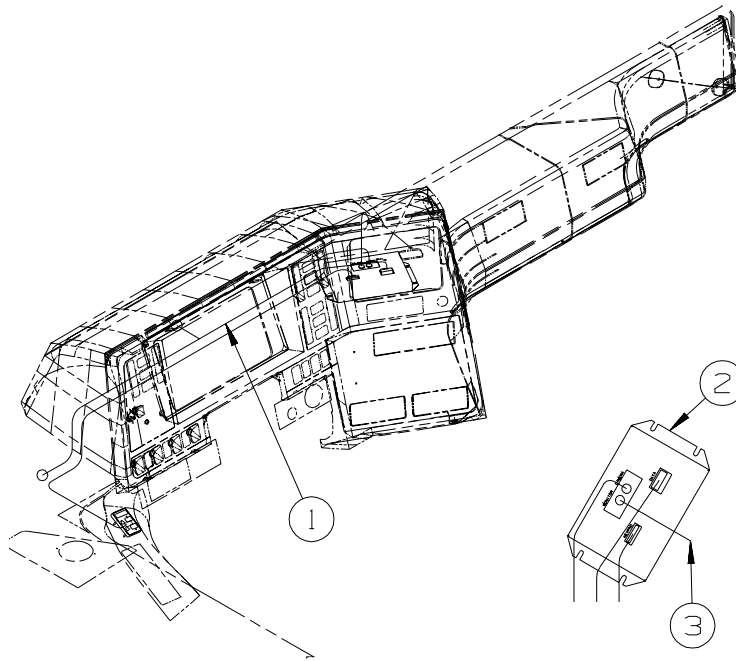
| KEY | PART NUMBER   | U/M | DESCRIPTION   |
|-----|---------------|-----|---|
| 1   | 104056-32-01A | EA  | APPLIQUE - BEZEL - DRIVER/LOWER - BLACK VELVET                                  |
| 2   | 108357-08-000 | EA  | SWITCH - ROCKER DPDT - ON/NONE/ON - 6 TERMINAL - EXHAUST BRAKE - RADIO POWER    |
| 2   | 108356-01-01A | EA  | COVER/ACTUATOR SWITCH - 3 GROOVES - CONTURA III - BLACK                         |
| 2   | 108355-01-000 | EA  | HOUSING - SWITCH  |
| 3*  | 091206-04-000 | EA  | MODULE/WIPER CONTROL KIT - DYNAMIC PARK   |
| 4   | 104056-41-01A | EA  | APPLIQUE - BEZEL - DRIVER SWEEP   |
| 5   | 108357-14-000 | EA  | SWITCH - ROCKER - SPST - W/LIGHT - ON/OFF - 4 TERMINAL - FOG LAMPS              |
| 5   | 108356-03-01A | EA  | COVER/ACTUATOR SWITCH -3 GROOVES W/LIGHT-CONTRA III-BLACK                       |
| 5   | 108355-01-000 | EA  | HOUSING - SWITCH  |
| 5   | 096241-03-000 | EA  | SWITCH - BLANK - BLACK  |
| 6   | 108357-09-000 | EA  | SWITCH - ROCKER SPDT - ON/NONE/MOM - 3 TERMINAL - AUXILIARY START               |
| 6   | 108356-01-01A | EA  | COVER/ACTUATOR SWITCH - 3 GROOVES - CONTURA III - BLACK                         |
| 6   | 108355-01-000 | EA  | HOUSING - SWITCH  |
| 7   | 108357-03-000 | EA  | SWITCH - ROCKER SPDT - ON/OFF/ON - 3 TERMINAL - AUXILIARY FANS                  |
| 7   | 108356-01-01A | EA  | COVER/ACTUATOR SWITCH - 3 GROOVES - CONTURA III - BLACK                         |
| 7   | 108355-01-000 | EA  | HOUSING - SWITCH  |
| 7   | 096241-03-000 | EA  | SWITCH - BLANK - BLACK  |
| 8   | 108357-10-000 | EA  | SWITCH - ROCKER SPDT - W/LIGHT - MOM/NONE/MOM - 5 TERMINAL - GENERATOR          |
| 8   | 108356-03-01A | EA  | COVER/ACTUATOR SWITCH -3 GROOVES W/LIGHT-CONTRA III-BLACK                       |
| 8   | 108355-01-000 | EA  | HOUSING - SWITCH  |
| 9   | 108357-06-000 | EA  | SWITCH - ROCKER DPDT - MOM/OFF/MOM - 6 TERMINAL - BATTERY DISCONNECT - SLIDEOUT |
| 9   | 108356-01-01A | EA  | COVER/ACTUATOR SWITCH - 3 GROOVES - CONTURA III - BLACK                         |
| 9   | 108355-01-000 | EA  | HOUSING - SWITCH  |
| 10  | 104056-40-01A | EA  | APPLIQUE - BEZEL - PASSENGER/UPPER - 6-SWITCH                                   |
| 11  | 108357-01-000 | EA  | SWITCH - ROCKER SPST - ON/OFF - 2 TERMINAL - AIR HORN                           |
| 11  | 108356-01-01A | EA  | COVER/ACTUATOR SWITCH - 3 GROOVES - CONTURA III - BLACK                         |
| 11  | 108355-01-000 | EA  | HOUSING - SWITCH  |
| 11  | 096241-03-000 | EA  | SWITCH - BLANK - BLACK  |
| 12  | 089294-01-000 | EA  | LIGHTER - CIGARETTE - W/SOCKET & WIRE   |
| 13  | 104056-52-01A | EA  | APPLIQUE - BEZEL - LOWER/RIGHT WING   |
| 14  | 133535-01-000 | EA  | MODULE - TIMER 20 SECOND  |
| 15  | 136119-01-000 | EA  | COMPASS/THERMOMETER - ELECTRONIC  |

## ELECTRICAL GROUP (CONTINUED)

### FRONT END WIRING (CONTINUED)

| KEY | PART NUMBER   | U/M | DESCRIPTION  |
|-----|---------------|-----|--|
| 16  | 133534-02-000 | EA  | LIGHT - AMBER INDICATOR WITH 1/4" TERMINALS                            |
| 17  | 108357-14-000 | EA  | SWITCH - ROCKER - SPST - W/LIGHT - ON/OFF - 4 TERMINAL - DOCKING LAMPS |
| 17  | 108356-03-01A | EA  | COVER/ACTUATOR SWITCH -3 GROOVES W/LIGHT-CONTRA III-BLACK              |
| 17  | 108355-01-000 | EA  | HOUSING - SWITCH   |
| 18  | 115539-01-000 | EA  | RELAY - RADIO/TV SPEAKER - SWITCH                                      |
| 19  | 104056-42-01A | EA  | APPLIQUE - BEZEL - PASSENGER/LOWER - F/SLIDEOUT & JACKS                |
| 20  | 128074-02-000 | EA  | FILTER - NOISE - 12 VOLT DC W/PLUGS                                    |
| 21  | 134090-02-000 | EA  | MODULE - DAY TIME RUNNING LIGHT  |
| 22  | 133196-05-000 | EA  | SPEEDOMETER - FREIGHTLINER - KILOMETERS - CANADIAN                     |
|     | 077031-03-000 | EA  | FILM - WHITE - .75" X 1"   |
|     | 103603-01-000 | EA  | BULB - 12 VOLT - #74 - .12A WEDGE - GE 22-25 USED IN DASH              |
|     | 103608-01-000 | EA  | SOCKET - WEDGE BASE W/LEADS  |

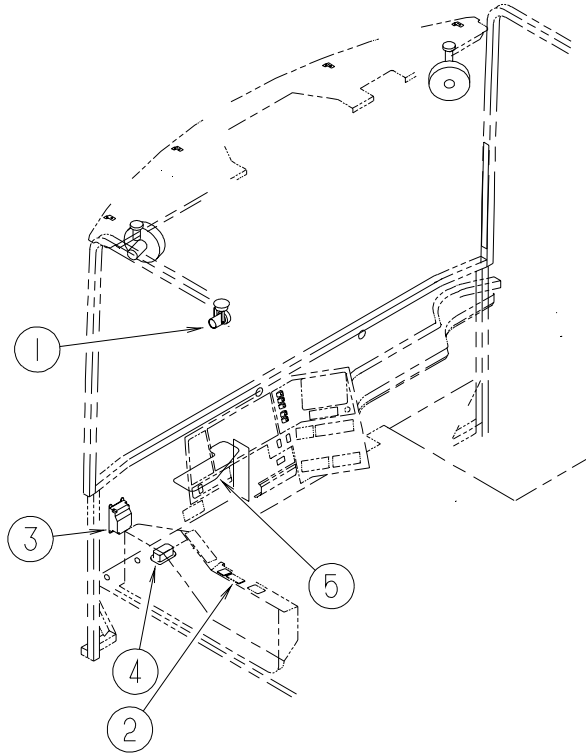
**\*COMPONENT PARTS LISTED LATER IN THIS GROUP**



| KEY | PART NUMBER   | U/M | DESCRIPTION  |
|-----|---------------|-----|--|
| 1   | 143591-02-000 | EA  | WIRE LOOM - COMPUTER TRIP/ENGINE MONITOR-TRIP TEK 02-04007 |
| 2*  | 143591-05-000 | EA  | COMPUTER - TRIP/ENGINE MONITOR - COLOR - TRIP TEK 2500-3   |
| 3   | 143591-04-000 | EA  | CABLE ASM-CAMERA COLOR INTER , TRIP TEK 02-04009           |

**\*COMPONENT PARTS LISTED LATER IN THIS GROUP**

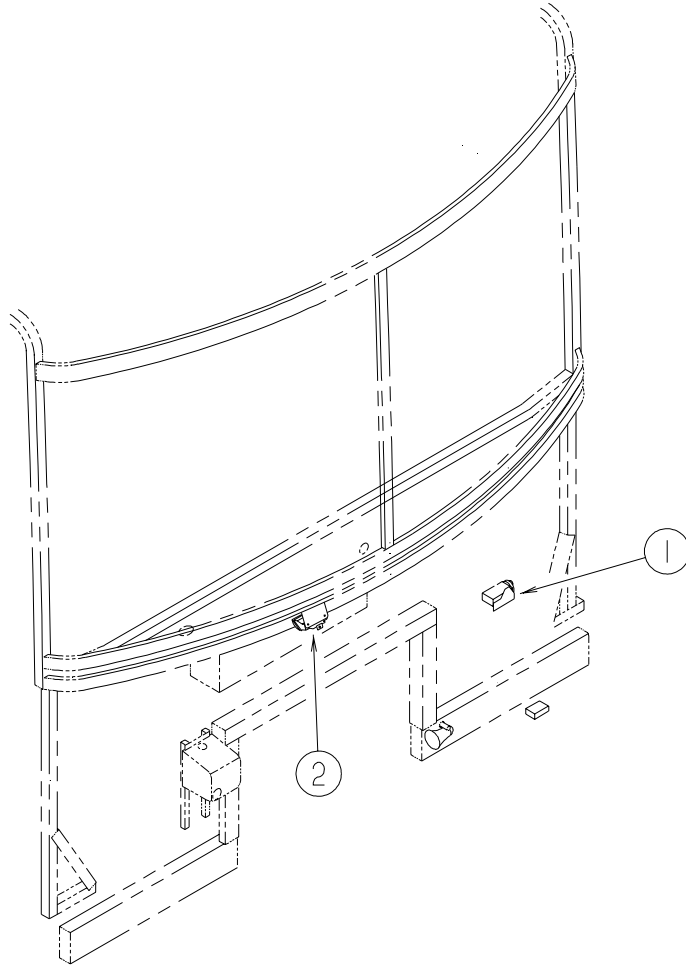
**ELECTRICAL GROUP (CONTINUED)**  
**FRONT END WIRING (CONTINUED)**



| KEY | PART NUMBER   | U/M | DESCRIPTION  |
|-----|---------------|-----|--|
| 1   | 128786-01-01A | EA  | LIGHT - READING/SWIVEL   |
|     | 123917-01-000 | EA  | BULB - 12V - HALOGEN SPOT  |
| 2   | 118662-14-02B | EA  | PLATE - SWITCH - WINDOW - E-COATED - REMOTE POWER DOOR LOCK                      |
| 2   | 108357-07-000 | EA  | SWITCH - ROCKER - SPDT - MOM/OFF/MOM - 3 TERMINAL - REMOTE POWER DOOR LOCK       |
| 2   | 108356-01-01A | EA  | COVER/ACTUATOR SWITCH - 3 GROOVES - CONTURA III - BLACK - REMOTE POWER DOOR LOCK |
| 2   | 108355-01-000 | EA  | HOUSING - SWITCH - REMOTE POWER DOOR LOCK  |
| 2   | 096241-03-000 | EA  | SWITCH - BLANK - BLACK   |
| 2   | 143057-01-01A | EA  | APPLIQUE/SWITCH - DRIVER - POWERED SUNVISORS                                     |
| 2   | 108357-06-000 | EA  | SWITCH - ROCKER - DPDT - MOM/OFF/MOM - 6 TERMINAL - POWERED SUNVISORS            |
| 2   | 108356-01-01A | EA  | COVER/ACTUATOR SWITCH - 3 GROOVES - CONTURA III - BLACK - POWERED SUNVISORS      |
| 2   | 108355-01-000 | EA  | HOUSING - SWITCH - POWERED SUNVISORS   |
| 2   | 088246-01-000 | EA  | SWITCH/REMOTE MIRROR - W/2PIN & 6 PIN CONNECTORS/PIGTAIL - REMOTE MIRROR         |
| 2   | 108357-14-000 | EA  | SWITCH - ROCKER SPDT - W/LIGHT - ON/OFF - 4 TERMINAL - MIRROR HEATER             |
| 2   | 108356-03-01A | EA  | COVER/ACTUATOR SWITCH -3 GROOVES W/LIGHT-CONTRA III-BLACK - MIRROR HEATER        |
| 2   | 108355-01-000 | EA  | HOUSING - SWITCH - MIRROR HEATER   |
| 3*  | 091206-04-000 | EA  | MODULE KIT - WIPER CONTROL - DYNAMIC PARK  |
| 4   | 118571-03-000 | EA  | BRACKET - MOUNTING   |
| 4   | 118571-04-000 | EA  | GASKET   |
| 5   | 113452-01-000 | FT  | SEAL/TRIM - FRONT - VINYL W/WIRE CARRIER - .020"                                 |

\*COMPONENT PARTS LISTED LATER IN THIS GROUP

**ELECTRICAL GROUP (CONTINUED)**  
**FRONT END WIRING (CONTINUED)**



| KEY | PART NUMBER   | U/M | DESCRIPTION   |
|-----|---------------|-----|---|
| 1   | 114802-01-000 | EA  | PUMP - VACUUM - 12V                                   |
| 2*  | 137417-01-01A | EA  | LIGHT - DOME - SINGLE - W/SWITCH/FROSTED LENS - WHITE |

**\*COMPONENT PARTS LISTED LATER IN THIS GROUP**

**ELECTRICAL GROUP (CONTINUED)**  
**COMPONENT PARTS FOR LIGHTS & SWITCHES**

|            |                    |            |                             |                   |
|------------|--------------------|------------|-----------------------------|-------------------|
|            |                    |            | <b>008089-02-000</b>        |                   |
| <b>KEY</b> | <b>PART NUMBER</b> | <b>U/M</b> | <b>DESCRIPTION</b>          | <b>VENDOR NO.</b> |
|            | 008089-01-700      | EA         | LENS/PORCH LIGHT RECESSED   | DECO              |
|            |                    |            | <b>086280-01-000</b>        |                   |
| <b>KEY</b> | <b>PART NUMBER</b> | <b>U/M</b> | <b>DESCRIPTION</b>          | <b>VENDOR NO.</b> |
|            | 086280-01-700      | EA         | BULB,12V                    | ARP1089           |
|            |                    |            | <b>087694-01-000</b>        |                   |
| <b>KEY</b> | <b>PART NUMBER</b> | <b>U/M</b> | <b>DESCRIPTION</b>          | <b>VENDOR NO.</b> |
|            | 087694-01-700      | EA         | BULB                        | GE561             |
|            |                    |            | <b>091206-04-000</b>        |                   |
| <b>KEY</b> | <b>PART NUMBER</b> | <b>U/M</b> | <b>DESCRIPTION</b>          | <b>VENDOR NO.</b> |
|            | 091206-02-700      | EA         | KNOB-INNER                  | 66C-00019         |
|            | 091206-02-701      | EA         | KNOB-OUTER                  | 66C-00020         |
|            | 091206-04-700      | EA         | SWITCH ASSEM. ONLY          | 250-6623          |
|            | 102362-03-700      | EA         | MODULE-WIPER CONT., DYNAMIC | 66D-00093         |
|            |                    |            | <b>091937-08-000</b>        |                   |
| <b>KEY</b> | <b>PART NUMBER</b> | <b>U/M</b> | <b>DESCRIPTION</b>          | <b>VENDOR NO.</b> |
|            | 091937-08-700      | EA         | LENS - LIGHT - FLUORESCENT  | D-766             |
|            |                    |            | <b>091937-09-000</b>        |                   |
| <b>KEY</b> | <b>PART NUMBER</b> | <b>U/M</b> | <b>DESCRIPTION</b>          | <b>VENDOR NO.</b> |
|            | 091937-09-700      | EA         | LENS - LIGHT - FLUORESCENT  | D-762             |
|            |                    |            | <b>093575-19-01A</b>        |                   |
| <b>KEY</b> | <b>PART NUMBER</b> | <b>U/M</b> | <b>DESCRIPTION</b>          | <b>VENDOR NO.</b> |
|            | 093575-19-700      | EA         | GLOBE F/55-556X2 LIGHT      | 9088              |
|            |                    |            | <b>108354-01-01A</b>        |                   |
| <b>KEY</b> | <b>PART NUMBER</b> | <b>U/M</b> | <b>DESCRIPTION</b>          | <b>VENDOR NO.</b> |
|            | 108354-01-700      | EA         | BULB-COURTESY LIGHT         | 395-B             |
|            |                    |            | <b>121935-01-01A</b>        |                   |
| <b>KEY</b> | <b>PART NUMBER</b> | <b>U/M</b> | <b>DESCRIPTION</b>          | <b>VENDOR NO.</b> |
|            | 121935-01-700      | EA         | LENS ONLY                   | 809511            |
|            |                    |            | <b>123775-01-01A</b>        |                   |
| <b>KEY</b> | <b>PART NUMBER</b> | <b>U/M</b> | <b>DESCRIPTION</b>          | <b>VENDOR NO.</b> |
|            | 123775-01-700      | EA         | BULB - 10 WATT - HALOGEN    | 71-JC10           |
|            | 123775-01-701      | EA         | BEZEL/LENS - RECESSED LIGHT |                   |
|            |                    |            | <b>133054-03-000</b>        |                   |
| <b>KEY</b> | <b>PART NUMBER</b> | <b>U/M</b> | <b>DESCRIPTION</b>          | <b>VENDOR NO.</b> |
|            | 133054-03-700      | EA         | LENS                        | 2011-0000-10      |
|            | 133054-03-701      | EA         | GASKET - LIGHT MOUNTING     | 2004-0000-00      |
|            | 133054-03-702      | EA         | GASKET - LENS               | 2003-0000-00      |
|            |                    |            | <b>133054-04-000</b>        |                   |
| <b>KEY</b> | <b>PART NUMBER</b> | <b>U/M</b> | <b>DESCRIPTION</b>          | <b>VENDOR NO.</b> |
|            | 133054-03-701      | EA         | GASKET - LIGHT MOUNTING     | 2004-0000-00      |
|            | 133054-03-702      | EA         | GASKET - LENS               | 2003-0000-00      |
|            | 133054-04-700      | EA         | LENS                        | 2011-0000-20      |
|            |                    |            | <b>137417-01-01A</b>        |                   |
| <b>KEY</b> | <b>PART NUMBER</b> | <b>U/M</b> | <b>DESCRIPTION</b>          | <b>VENDOR NO.</b> |
|            | 137417-01-700      | EA         | LENS - SINGLE (FROSTED)     | 810868            |
|            |                    |            | <b>137417-03-01A</b>        |                   |
| <b>KEY</b> | <b>PART NUMBER</b> | <b>U/M</b> | <b>DESCRIPTION</b>          | <b>VENDOR NO.</b> |
|            | 137417-01-700      | EA         | LENS - SINGLE (FROSTED)     | 810868            |
|            |                    |            | <b>139134-01-02A</b>        |                   |
| <b>KEY</b> | <b>PART NUMBER</b> | <b>U/M</b> | <b>DESCRIPTION</b>          | <b>VENDOR NO.</b> |
|            | 139134-01-711      | EA         | BLADES (36") WHITE MATT     | A70050-5W         |
|            | 139134-01-712      | EA         | MOTOR                       | A70050-1          |
|            | 139134-01-713      | EA         | HOLDER/BLADE                | A70050-4B         |
|            | 139134-01-714      | EA         | SWITCH/SLIDE-MOTOR HOUSING  | A70050-6          |
|            | 139134-01-715      | EA         | HOUSING/MOTOR               | A7005202B         |
|            | 139134-01-716      | EA         | SWITCH/WALL - ALMOND        | A70611            |

**ELECTRICAL GROUP (CONTINUED)**  
**COMPONENT PARTS FOR LIGHTS & SWITCHES (CONTINUED)**

143591-05-000

| <b>KEY</b> | <b>PART NUMBER</b> | <b>U/M</b> | <b>DESCRIPTION</b>           | <b>VENDOR NO.</b>  |
|------------|--------------------|------------|------------------------------|--------------------|
|            | 143591-05-700      | EA         | TOUCH PAD W/WIRE/CIRCUIT BRD | TRIP TEK #01-02002 |

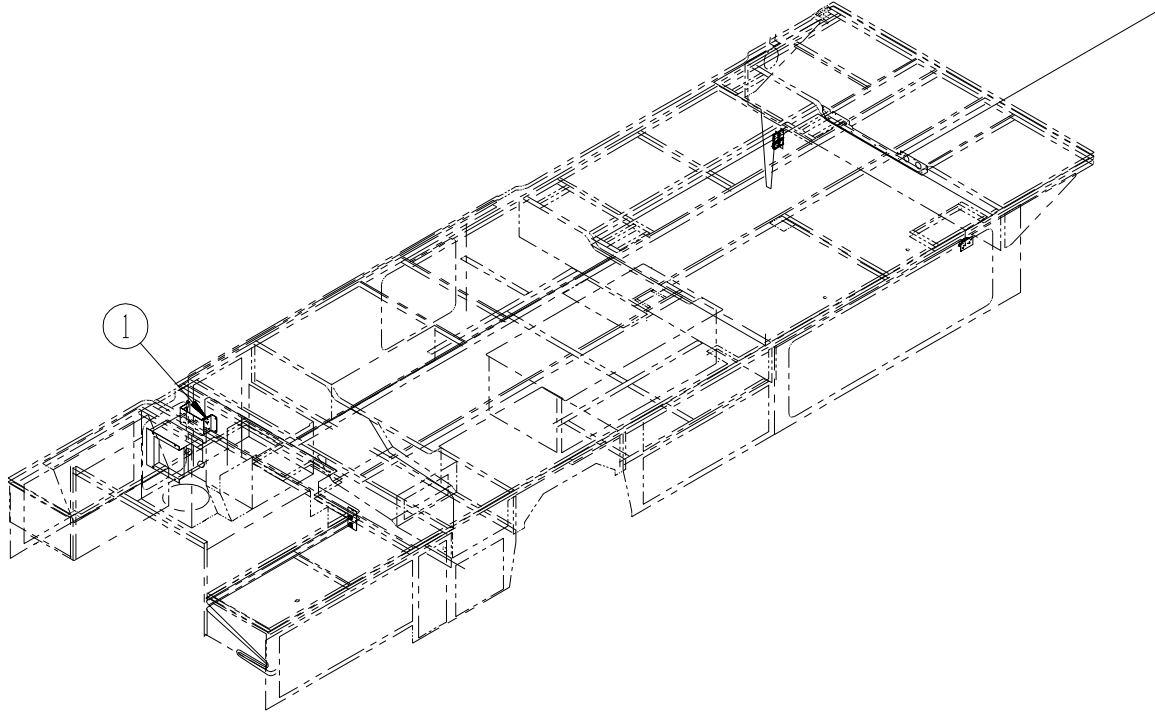
**ELECTRICAL GROUP (CONTINUED)**  
**CIRCUIT BREAKERS & FUSES**

| <b>KEY</b> | <b>PART NUMBER</b> | <b>U/M</b> | <b>DESCRIPTION</b>                                       |
|------------|--------------------|------------|--|
|            | 008233-01-000      | EA         | FUSE - 12 VOLT - 6 AMP                                   |
|            | 008235-01-000      | EA         | FUSE - 15 AMP/12VOLT - AUTOMOTIVE                        |
|            | 008268-01-000      | EA         | CIRCUIT BREAKER W/MOUNT - 30A, 12V - FASCO 1711-3023     |
|            | 033573-01-000      | EA         | CIRCUIT BREAKER W/MOUNT-20A, 12V - FASCO 1711-2026       |
|            | 062901-02-000      | EA         | FUSE - 5 AMP - AUTOMOTIVE                                |
|            | 062901-04-000      | EA         | FUSE - 10 AMP - AUTOMOTIVE                               |
|            | 062901-05-000      | EA         | FUSE - 15 AMP - AUTOMOTIVE                               |
|            | 062901-06-000      | EA         | FUSE - 20 AMP - AUTOMOTIVE                               |
|            | 062901-07-000      | EA         | FUSE - 25 AMP - AUTOMOTIVE                               |
|            | 062901-08-000      | EA         | FUSE - 30 AMP - AUTOMOTIVE                               |
|            | 083209-01-000      | EA         | CIRCUIT BREAKER - 15 AMP - 120 VOLT - CANADIAN           |
|            | 083209-02-000      | EA         | CIRCUIT BREAKER - 15/15 AMP - 120 VOLT                   |
|            | 083209-03-000      | EA         | CIRCUIT BREAKER - 15/20 AMP - 120 VOLT                   |
|            | 083209-04-000      | EA         | CIRCUIT BREAKER - 30 AMP - 120 VOLT                      |
|            | 083209-05-000      | EA         | CIRCUIT BREAKER - 20 AMP - 120 VOLT                      |
|            | 083209-06-000      | EA         | CIRCUIT BREAKER - 30/15 AMP - 120 VOLT                   |
|            | 083209-07-000      | EA         | CIRCUIT BREAKER - 20/20 AMP - 120 VOLT                   |
|            | 083209-10-000      | EA         | CIRCUIT BREAKER - 20/30 AMP - 120 VOLT                   |
|            | 083209-11-000      | EA         | CIRCUIT BREAKER - 20/15 AMP - 120 VOLT                   |
|            | 092786-03-000      | EA         | BUSS BAR - 6.9" LONG                                     |
|            | 092786-06-000      | EA         | BUSS BAR   |
|            | 093654-01-000      | EA         | CIRCUIT BREAKER - 6 AMP - 12 VOLT - PUSH BUTTON - WHITE  |
|            | 093654-02-000      | EA         | CIRCUIT BREAKER - 15 AMP - 12 VOLT - PUSH BUTTON - WHITE |
|            | 093654-03-000      | EA         | CIRCUIT BREAKER - 20 AMP - 12 VOLT - PUSH BUTTON - WHITE |
|            | 093654-11-000      | EA         | COVER - RESET BUTTON                                     |
|            | 093655-01-000      | EA         | CIRCUIT BREAKER - 25 AMP - 12 VOLT - PUSH BUTTON - WHITE |
|            | 093655-02-000      | EA         | CIRCUIT BREAKER - 30 AMP - 12 VOLT - PUSH BUTTON - WHITE |
|            | 093655-03-000      | EA         | CIRCUIT BREAKER - 40 AMP - 12 VOLT - PUSH BUTTON - WHITE |
|            | 097611-01-000      | EA         | CIRCUIT BREAKER - 10 AMP                                 |
|            | 097611-03-000      | EA         | CIRCUIT BREAKER - 20 AMP                                 |
|            | 097611-04-000      | EA         | CIRCUIT BREAKER - 25 AMP                                 |
|            | 106656-01-000      | EA         | FUSE BLOCK - 4 CAVITY - AUTOFUSE                         |
|            | 108567-01-000      | EA         | CIRCUIT BREAKER - 40 AMP - 12 VOLT - TYPE II             |
|            | 108669-01-000      | EA         | HOUSING - AUTO FUSE HOLDER                               |
|            | 111683-01-000      | EA         | FUSE - HOLDER - GLASS - 1/4" X 1 1/4"                    |
|            | 113482-01-000      | EA         | CIRCUIT BREAKER - 55 AMP - MANUAL                        |
|            | 113520-01-000      | EA         | BREAKER - CIRCUIT - 15AMP - SWITCHED                     |
|            | 115187-01-000      | EA         | FUSE - 300 AMP - NON-DELAY                               |
|            | 115187-02-000      | EA         | FUSE HOLDER - BUSS ANN/ANL BLOCK                         |
|            | 118531-05-02B      | EA         | PLATE - CIRCUIT BREAKER - E-COAT                         |
|            | 122811-01-000      | EA         | CIRCUIT BREAKER - 20/50/50/20                            |
|            | 125986-04-000      | EA         | FUSE - 10 AMP - AUTO - MINI BLADE                        |
|            | 125986-05-000      | EA         | FUSE - 15 AMP - AUTO - MINI BLADE                        |
|            | 134127-01-000      | EA         | CIRCUIT BREAKER - 10 AMP - MINI                          |

**CONVERTER, INVERTER, LOAD CENTERS**

| <b>KEY</b> | <b>PART NUMBER</b> | <b>U/M</b> | <b>DESCRIPTION</b>   |
|------------|--------------------|------------|--|
|            | 099048-04-000      | EA         | INVERTER - 300 WATT  |
|            | 109677-01-000      | EA         | LOAD CENTER - 120 VOLT - 40 AMP                            |
|            | 113685-05-000      | EA         | REMOTE PANEL - INVERTER/CHARGER                            |
|            | 113685-06-000      | EA         | CABLE - MODULAR JACK - 50'                                 |
|            | 113685-07-000      | EA         | INVERTER/CHARGER - 1500W AC                                |
|            | 123058-01-000      | EA         | CONVERTER - 55 AMP - ELECTRONIC - 4 1/8"H X 7"W X 12 3/8"L |
|            | 127002-05-000      | EA         | PANEL/MONITOR - ENERGY MANAGEMENT SYSTEMS CTRL - W/PLUG    |
|            | 127002-07-000      | EA         | SENSOR - CURRENT   |
|            | 127002-08-000      | EA         | MODULE - EMS CENTER - W/REMOTE SENSOR                      |
|            | 141258-01-000      | EA         | LOAD CENTER - 120/240 - 50 AMP                             |
|            | 141258-02-000      | EA         | LOAD CENTER - COVER  |

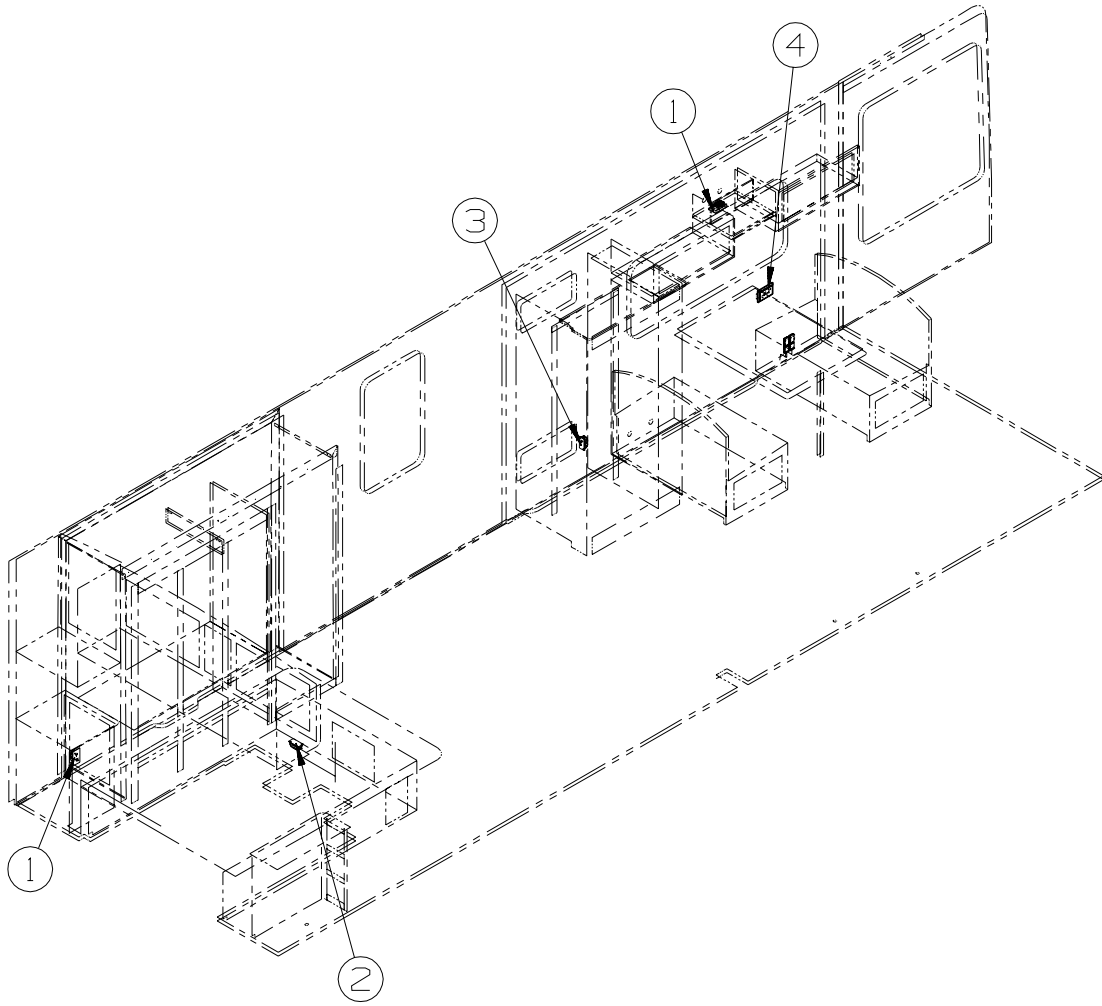
**ELECTRICAL GROUP (CONTINUED)**  
**110V WIRING**



| <b>KEY</b> | <b>PART NUMBER</b> | <b>U/M</b> | <b>DESCRIPTION</b>                     |
|------------|--------------------|------------|--|
| 1          | 058708-05-000      | EA         | RECEPTACLE - ELECTRIC - SINGLE - BROWN |
| 1          | 058708-07-000      | EA         | RECEPTACLE - SINGLE - WHITE            |

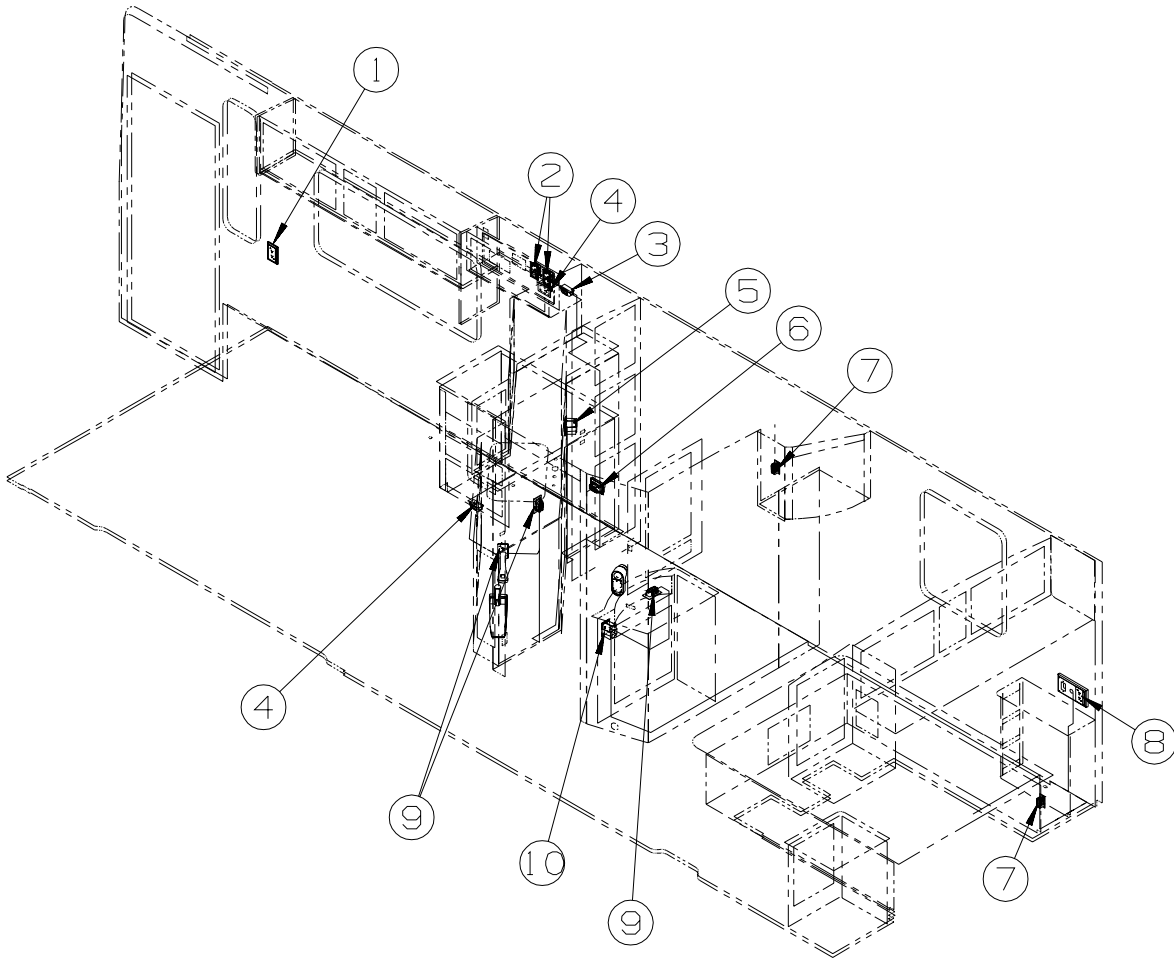


**ELECTRICAL GROUP (CONTINUED)**  
**110V WIRING (CONTINUED)**



| KEY | PART NUMBER   | U/M | DESCRIPTION                            |
|-----|---------------|-----|--|
| 1   | 058708-01-000 | EA  | RECEPTACLE - ELECTRIC - DOUBLE - BROWN |
| 2   | 058707-02-000 | EA  | RECEPTACLE - BLANK - JUNCTION BOX      |
| 3   | 058707-01-000 | EA  | RECEPTACLE - ELECTRIC - SINGLE - BROWN |
| 4   | 058708-06-000 | EA  | RECEPTACLE - DUPLEX - WHITE            |
| 4   | 133713-01-20A | EA  | SPACER/RECEPTACLE - WHITE VINYL        |

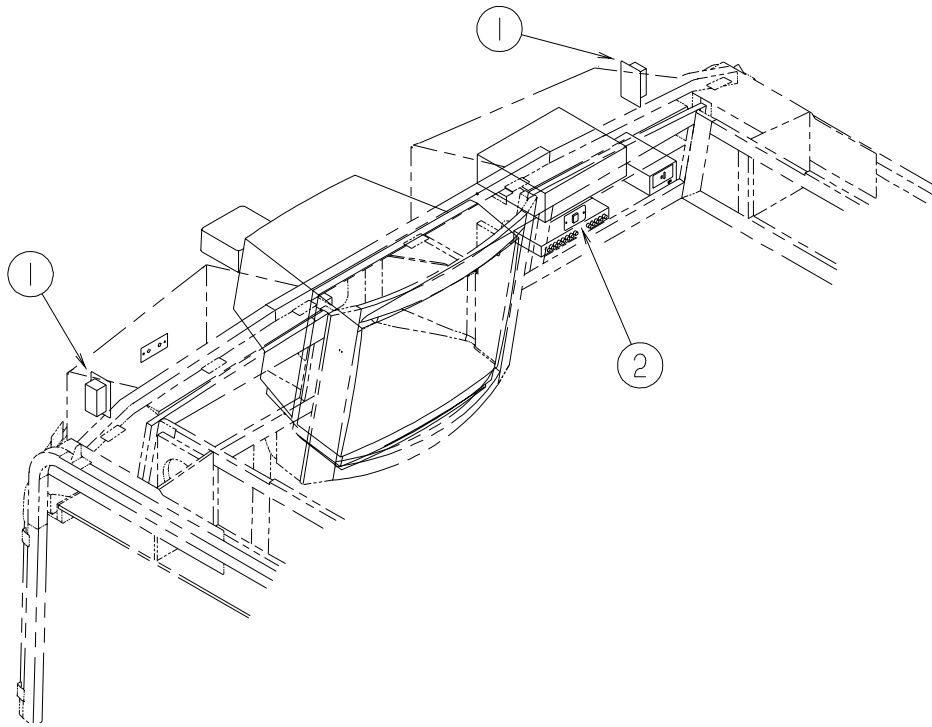
**ELECTRICAL GROUP (CONTINUED)**  
**110V WIRING (CONTINUED)**



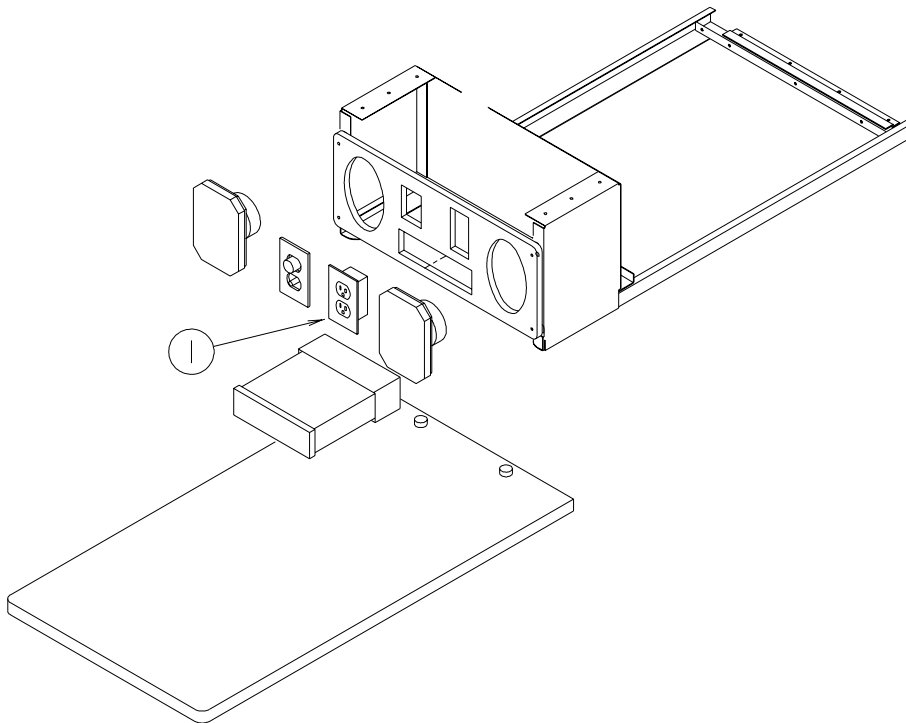
| KEY | PART NUMBER   | U/M | DESCRIPTION  |
|-----|---------------|-----|--|
| 1   | 058708-06-000 | EA  | RECEPTACLE - DUPLEX - WHITE                          |
| 1   | 133713-01-20A | EA  | SPACER/RECEPTACLE - WHITE VINYL                      |
| 2   | 084420-01-000 | EA  | SWITCH - TOGGLE - 15 AMP - 120 VOLT - BROWN          |
| 3   | 058707-02-000 | EA  | RECEPTACLE - BLANK - JUNCTION BOX                    |
| 4   | 058708-05-000 | EA  | RECEPTACLE - ELECTRIC - SINGLE - BROWN               |
| 4   | 058708-07-000 | EA  | RECEPTACLE - SINGLE - WHITE                          |
| 5   | 084076-05-000 | EA  | RECEPTACLE - GFI - 15 AMP/125 VOLT - WHITE           |
| 6   | 131826-01-01A | EA  | RECEPTACLE - EXTERIOR - W/COVER/GASKET - WHITE       |
| 7   | 058707-01-000 | EA  | RECEPTACLE - ELECTRIC - SINGLE - BROWN               |
| 8   | 058708-06-000 | EA  | RECEPTACLE - DUPLEX - WHITE                          |
| 8   | 133713-06-20A | EA  | SPACER/RECEPTACLE - PHONE - WHITE VINYL              |
| 8   | 133713-07-20A | EA  | SPACER/RECEPTACLE - PHONE/CLOCK - WHITE VINYL        |
| 9   | 058708-01-000 | EA  | RECEPTACLE - ELECTRIC - DOUBLE - BROWN               |
| 10  | 084076-02-000 | EA  | RECEPTACLE - GFI - 15 AMP/125 VOLT - BROWN - W/COVER |

## ELECTRICAL GROUP (CONTINUED)

### ENTERTAINMENT WIRING



| KEY | PART NUMBER   | U/M | DESCRIPTION  |
|-----|---------------|-----|--|
| 1   | 058708-01-000 | EA  | RECEPTACLE - ELECTRIC - DOUBLE - BROWN                     |
| 2   | 079364-04-000 | EA  | SWITCH - ON/OFF ROCKER - 2 TERMINAL - BLACK                |
| 2   | 098351-09-01A | EA  | PLATE/SWITCH - 1 GANG - POLISHED BRASS - SPEAKER SELECT/TV |



| KEY | PART NUMBER   | U/M | DESCRIPTION                            |
|-----|---------------|-----|--|
| 1   | 058708-05-000 | EA  | RECEPTACLE - ELECTRIC - SINGLE - BROWN |
| 2   | 058708-07-000 | EA  | RECEPTACLE - SINGLE - WHITE            |

## ELECTRICAL GROUP (CONTINUED)

### BOXES & CORDS

| KEY | PART NUMBER   | U/M | DESCRIPTION   |
|-----|---------------|-----|---|
|     | 008054-01-000 | EA  | CORD - POWER - 10/3 WIRE - 30 AMP - 25'   |
|     | 008289-01-000 | EA  | BOX - ELECTRIC/STEEL - 1/2" & 3/4" KNOCKOUTS - 4" X 4"<br>FROM: 00-00-00 THRU: 10-13-02 |
|     | 008294-01-000 | EA  | COVER - ELECTRIC BOX - BLANK/STEEL - 4" X 4" - GRAY<br>FROM: 00-00-00 THRU: 10-13-02    |
|     | 092492-17-000 | EA  | SEAL - ELECTRICAL BOX   |
|     | 106071-05-000 | EA  | SWITCH - AUTOMATIC TRANSFER - 50/70 - MAGNETEK<br>FROM: 00-00-00 THRU: 10-06-02         |
|     | 106071-06-000 | EA  | SWITCH - AUTOMATIC TRANSFER<br>FROM: 10-07-02 THRU: 99-99-99                            |
|     | 108934-02-000 | EA  | CORD - POWER - 50 AMP - 4-WIRE - 36'  |
|     | 113029-06-02B | EA  | PANEL - ELECTRICAL BOX FRONT - E-COATED   |
|     | 110080-05-000 | EA  | SEAL - ELECTRICAL BOX   |
|     | 115832-01-000 | FT  | CORD - HEAVY DUTY - 14-2W GROUND  |
|     | 131679-01-000 | EA  | BOX-ELEC-WATERPROOF SEALED 4" X 4" W/4 3/4"OUTLETS-UL/CSA                               |
|     | 131680-01-000 | EA  | COVER - W/GASKET FOR WATERPROOF 4" X 4" BOX - UL/CSA                                    |
|     | 133070-01-000 | EA  | BOX - ELECTRIC/PLASTIC - 3" X 2" X 2.8" - UL  |
|     | 133070-02-000 | EA  | BOX - ELECTRIC/PLASTIC - 3" X 2" X 2.8" - CSA   |
|     | 142209-03-02B | EA  | DOOR - ELECTRICAL BOX - E-COATED  |

### WIRE ASSEMBLIES

| KEY | PART NUMBER   | U/M | DESCRIPTION  |
|-----|---------------|-----|--|
|     | 090986-02-000 | EA  | WIRE ASSEMBLY - ELECTRIC STEP  |
|     | 093040-06-000 | EA  | WIRE ASSEMBLY-MONITOR-F/NON-PRE-WIRED AFTER MARKET INSTALL                         |
|     | 096449-02-000 | EA  | WIRE ASSEMBLY - WATER TANK TO MONITOR PANEL  |
|     | 096450-05-000 | EA  | WIRE F/SENSORS - BLACK WATER - 23.6"   |
|     | 096451-07-000 | EA  | WIRE F/SENSORS - GREY WATER - 3.9"   |
|     | 103991-01-000 | EA  | WIRE ASM-CRT BKR,POWER   |
|     | 108029-01-000 | EA  | WIRE ASSEMBLY - POWER DRIVER SEAT  |
|     | 108029-04-000 | EA  | WIRE ASSEMBLY - POWER PASSENGER SEAT   |
|     | 120233-05-000 | EA  | WIRE ASSEMBLY - 30" CONNECTS TO WALLPLATE DISPLAY<br>FROM: 00-00-00 THRU: 04-08-02 |
|     | 124843-07-000 | EA  | WIRE ASSEMBLY - SPEAKER ADAPTER  |
|     | 124843-08-000 | EA  | WIRE ASSEMBLY - SPEAKER ADAPTER  |
|     | 124882-08-000 | EA  | WIRE LOOM - AMPLIFIER - Q SURROUND   |
|     | 125853-01-000 | EA  | WIRE LOOM - ENTERTAINMENT CENTER   |
|     | 125853-04-000 | EA  | WIRE LOOM - ENTERTAINMENT CENTER   |
|     | 129888-01-000 | EA  | WIRE LOOM - INSTRUMENT PANEL - AIR HORN  |
|     | 133817-02-000 | EA  | WIRE ASSEMBLY - SPEAKER/ADAPTER - 117.9" LONG                                      |
|     | 135131-01-000 | EA  | WIRE LOOM - THERMOSTAT   |
|     | 135420-02-000 | EA  | WIRE LOOM - RADIO  |
|     | 137135-03-000 | EA  | WIRE LOOM - DIGITAL ELEVATION SENSOR<br>FROM: 04-09-02 THRU: 99-99-99              |
|     | 137135-04-000 | EA  | WIRE HARNESS - POWER - DIGITAL ELEVATION SENSOR<br>FROM: 04-09-02 THRU: 99-99-99   |
|     | 139297-01-000 | EA  | RESISTOR - 10 OHM/10W CERAMIC  |
|     | 139583-01-000 | EA  | WIRE LOOM - SOFA/DOUBLE REST EASY  |
|     | 139583-02-000 | EA  | WIRE LOOM - SOFA/REAR SWITCH   |
|     | 140195-01-000 | EA  | WIRE LOOM - RESISTOR/FAN   |
|     | 142258-02-000 | EA  | WIRE LOOM - VIDEO SWITCH/POWER SUPPLY<br>FROM: 04-09-02 THRU: 99-99-99             |
|     | 143363-04-000 | EA  | WIRE - MONITOR - 12 VOLT COLOR - SONY VM-HRN7W                                     |

**ELECTRICAL GROUP (CONTINUED)**  
**CONNECTORS & CONDUIT**

| KEY | PART NUMBER   | U/M | DESCRIPTION  |
|-----|---------------|-----|--|
|     | 007956-01-000 | EA  | RECEPTACLE - HOUSING - 6 POSITION                        |
|     | 007956-05-000 | EA  | INSULATOR - SHRINK - 1/4" ID X 1 1/2"                    |
|     | 008058-01-000 | EA  | ADAPTER - POWER CORD - 30 AMP TO 15 AMP                  |
|     | 008311-01-000 | EA  | CONNECTOR - WIRE NUT - INSULATED - RED                   |
|     | 008312-01-000 | EA  | CONNECTOR - WIRE NUT - INSULATED - BLUE                  |
|     | 008313-01-000 | EA  | CONNECTOR - WIRE NUT - INSULATED - YELLOW                |
|     | 008314-01-000 | EA  | CONNECTOR - WIRE NUT - INSULATED - GRAY                  |
|     | 008326-01-000 | EA  | TERMINAL - RING - 16/14 WIRE - 3/8" STUD                 |
|     | 008328-01-000 | EA  | TERMINAL - RING - 12/10 WIRE - #10 STUD FIT              |
|     | 008331-01-000 | EA  | TERMINAL - RING - TONGUE - #4 WIRE - 3/8" STUD - COPPER  |
|     | 008348-01-000 | EA  | TERMINAL - RING - 3/8" STUD 2 GA. WIRE                   |
|     | 008355-01-000 | EA  | CONNECTOR - CABLE CLAMPING - 3/4"                        |
|     | 008356-01-000 | EA  | CONNECTOR - PLASTIC - 3/8" AVG                           |
|     | 008356-02-000 | EA  | CONNECTOR - PLASTIC - 21/32                              |
|     | 035416-04-000 | EA  | TERMINAL - RING - #10 STUD FIT - INSULATED BARREL #16/14 |
|     | 041953-01-000 | FT  | CONDUIT - CONVOLUTE SLIT - .5" ID - POLYETHYLENE         |
|     | 041953-02-000 | FT  | CONDUIT - CONVOLUTE SLIT - .6" ID - POLYETHYLENE         |
|     | 041953-03-000 | FT  | CONDUIT - CONVOLUTE SLIT - 1" ID (CLOTHES ROD COVER)     |
|     | 041953-05-000 | FT  | CONDUIT - CONVOLUTE SOLID - .62" ID - POLYETHYLENE       |
|     | 041953-06-000 | FT  | CONDUIT - CONVOLUTE SLIT - .4" ID - POLYETHYLENE         |
|     | 041953-07-000 | FT  | CONDUIT - CONVOLUTE SLIT - .25" ID - POLYETHYLENE        |
|     | 041953-08-000 | FT  | CONDUIT - CONVOLUTE SLIT - 1.5" ID - POLYETHYLENE        |
|     | 041953-09-000 | FT  | CONDUIT - CONVOLUTE SLIT - .5" ID - NYLON                |
|     | 041953-10-000 | FT  | CONDUIT - CONVOLUTE SLIT - .75" ID - NYLON               |
|     | 041953-11-000 | FT  | CONDUIT - CONVOLUTE SLIT - 1.06" ID - NYLON              |
|     | 041953-12-000 | FT  | CONDUIT - CONVOLUTE SOLID - 1.1" ID - NYLON              |
|     | 041953-13-000 | FT  | CONDUIT - CONVOLUTE SLIT - 1.25                          |
|     | 041953-14-000 | FT  | CONDUIT - CONVOLUTE SLIT - 1.5                           |
|     | 047443-01-000 | EA  | TERMINAL - .250 RECEPTACLE FIT - INSULATED - 16/14 AWG   |
|     | 047443-02-000 | EA  | TERMINAL - .250 RECEPTACLE FIT - INSULATED - 12/10 AWG   |
|     | 058028-01-000 | EA  | CONNECTOR - ELECTRICAL PIGTAIL - NYLON - CLEAR           |
|     | 062036-01-000 | EA  | TERMINAL - PACK - CON - 12/10 AWG                        |
|     | 074017-02-000 | EA  | HOUSING - 5 POSITION - RIGHT ANGLED                      |
|     | 077479-01-000 | EA  | BOOT - BATTERY TERMINAL - DOUBLE CABLE                   |
|     | 077479-02-000 | EA  | BOOT - BATTERY TERMINAL - SINGLE CABLE                   |
|     | 080015-02-000 | EA  | RECEPTACLE - FLAG - .185 - 16/14 GAUGE                   |
|     | 080015-03-000 | EA  | RECEPTACLE - FLAG - .250 - 14/16 GAUGE                   |
|     | 082109-01-000 | EA  | HOUSING - CONNECTOR - PACKARD                            |
|     | 082741-01-000 | EA  | CONNECTOR BODY - 2 CONNECTOR MALE                        |
|     | 087225-01-000 | FT  | SLEEVING - 1/2" - TYPE H                                 |
|     | 087949-01-000 | EA  | BUSS BAR - 2 POSITION - .6" X 1.5"                       |
|     | 087949-02-000 | EA  | BUSS BAR - 3 POSITION - .6" X 2.4"                       |
|     | 087949-03-000 | EA  | BUSS BAR - 4 POSITION                                    |
|     | 087949-05-000 | EA  | BUSS BAR - 7 POSITION                                    |
|     | 088267-01-000 | EA  | TERMINAL - FEMALE - 1/4                                  |
|     | 088473-01-000 | EA  | HOUSING - PIN - 12 CAVITY (3 ROWS OF 4)                  |
|     | 088473-02-000 | EA  | HOUSING - PIN - 15 CAVITY (3 ROWS OF 5)                  |
|     | 088473-03-000 | EA  | HOUSING - PIN - 9 CAVITY (3 ROWS OF 3)                   |
|     | 088473-04-000 | EA  | HOUSING - PIN - 8 CAVITY IN-LINE                         |
|     | 088473-06-000 | EA  | HOUSING - PIN - 6 CAVITY (2 ROWS OF 3)                   |
|     | 088473-08-000 | EA  | HOUSING - PIN - 4 CAVITY - IN-LINE                       |
|     | 088473-09-000 | EA  | HOUSING - PIN - 3 CAVITY - IN-LINE                       |
|     | 088473-10-000 | EA  | HOUSING - PIN - 2 CAVITY - IN LINE                       |
|     | 088474-01-000 | EA  | HOUSING - SOCKET - 12 CAVITY                             |
|     | 088474-02-000 | EA  | HOUSING - SOCKET - 15 CAVITY                             |
|     | 088474-03-000 | EA  | HOUSING - SOCKET - 9 CAVITY                              |
|     | 088474-06-000 | EA  | HOUSING - SOCKET - 6 CAVITY                              |
|     | 088474-07-000 | EA  | HOUSING - SOCKET - 5 CAVITY                              |
|     | 088474-08-000 | EA  | HOUSING - SOCKET - 4 CAVITY                              |
|     | 088474-09-000 | EA  | HOUSING - SOCKET - 3 CAVITY                              |
|     | 088474-10-000 | EA  | HOUSING - SOCKET - 2 CAVITY                              |
|     | 088475-01-000 | EA  | PIN - CONNECTOR - 14-20 AWG                              |
|     | 088475-02-000 | EA  | PIN - CONNECTOR - 10-12 AWG                              |
|     | 088476-01-000 | EA  | TERMINAL - ELECTRICAL                                    |

**ELECTRICAL GROUP (CONTINUED)**  
**CONNECTORS & CONDUIT (CONTINUED)**

| KEY | PART NUMBER   | U/M | DESCRIPTION   |
|-----|---------------|-----|---|
|     | 088476-02-000 | EA  | SOCKET - CONNECTOR - 12-10 GA - PRE-TIN                   |
|     | 098261-01-000 | EA  | SOCKET - CONNECTOR - WEATHERPACK - 12 AWG                 |
|     | 098261-02-000 | EA  | SOCKET - CONNECTOR - WEATHERPACK - 14-18 AWG              |
|     | 098262-01-000 | EA  | SEAL - CONNECTOR - WEATHERPACK                            |
|     | 098262-05-000 | EA  | SEAL - CAVITY   |
|     | 098262-06-000 | EA  | SEAL - CONNECTOR - M/P - 10 GAUGE                         |
|     | 098262-07-000 | EA  | SEAL - CONNECTOR - 12 AWG - 280 SER                       |
|     | 098263-01-000 | EA  | HOUSING - 3 PIN - WEATHER PACK                            |
|     | 098263-02-000 | EA  | HOUSING - 3 PIN - WEATHER PACK                            |
|     | 098264-01-000 | EA  | HOUSING - 2 PIN - WEATHER PACK - MALE W/FEMALE PINS       |
|     | 098264-02-000 | EA  | HOUSING - 2 PIN - WEATHER PACK - FEMALE W/MALE PINS       |
|     | 098265-02-000 | EA  | PIN - CONNECTOR - WEATHER PACK                            |
|     | 100690-01-000 | EA  | HOUSING - 5 POSITION - MALE - WEATHER PACK                |
|     | 100690-02-000 | EA  | HOUSING - 5 POSITION - FEMALE - WEATHER PACK              |
|     | 102777-02-000 | EA  | TERMINAL - RING - #6 STUD - 10 AWG                        |
|     | 104100-01-000 | EA  | HOUSING - 1 POSITION - 75 AMPS                            |
|     | 104100-03-000 | EA  | TERMINAL - 75 AMP   |
|     | 106655-02-000 | EA  | TERMINAL - FUSE BLOCK - 10-12 AWG                         |
|     | 110178-01-000 | EA  | HOUSING - WIPER MOTOR                                     |
|     | 112823-01-000 | EA  | SPLICE - REDUCER - 16-14 TO 18-22                         |
|     | 113072-01-000 | EA  | HOUSING - ELECTRICAL - TURN/TAIL LAMP                     |
|     | 113072-03-000 | EA  | HOUSING - ELECTRICAL - STOP/MARKER TAILLAMP               |
|     | 113135-01-000 | EA  | TERMINAL - FEMALE - M/P - 14-16 - F/SEALED TERMINAL       |
|     | 113306-01-000 | EA  | TERMINAL - FEMALE - M/P - 14-16 - F/NON-SEALED TERMINAL   |
|     | 113306-02-000 | EA  | TERMINAL - FEMALE - M/P - 10-12 - 480                     |
|     | 113307-01-000 | EA  | TERMINAL - FEMALE - M/P - 16-20                           |
|     | 113308-01-000 | EA  | TERMINAL - FEMALE - M/P - 14-16 - 280                     |
|     | 113468-01-000 | EA  | HOUSING - 2 POSITION-FEMALE-USED ON WIPER/WASHER WIRE ASM |
|     | 113638-02-000 | EA  | CONNECTOR - ACTUATOR                                      |
|     | 114667-01-000 | FT  | HOSE - 2" ID - FLEXIBLE                                   |
|     | 115556-01-000 | EA  | HOUSING - 3 POSITION - FEMALE                             |
|     | 115556-02-000 | EA  | HOUSING - 2 POSITION - FEMALE/PARALLEL                    |
|     | 115931-02-000 | EA  | COVER - CONNECTOR - 50 AMP W/LOCKING RING                 |
|     | 115932-02-000 | EA  | CONNECTOR - FEMALE - 50 AMP/240 VOLT                      |
|     | 116811-01-000 | EA  | TERMINAL - .110 RECEPTACLE - 16-14 AWG                    |
|     | 118571-01-000 | EA  | CONNECTOR - 3-WAY - MALE/SEALED                           |
|     | 118571-02-000 | EA  | CONNECTOR - 3-WAY - FEMALE/SEALED                         |
|     | 118571-05-000 | EA  | LOCK - SECONDARY - FEMALE                                 |
|     | 118571-06-000 | EA  | LOCK - SECONDARY - MALE                                   |
|     | 118597-01-000 | EA  | TERMINAL - MALE - M/P - 480 - 14-16                       |
|     | 118599-01-000 | EA  | TERMINAL - MALE - M/P - 280 - 14-16                       |
|     | 118820-01-000 | EA  | INSULATOR - TERMINAL                                      |
|     | 119223-01-000 | EA  | HOUSING - 6 POSITION - MALE - WEATHERPACK                 |
|     | 119248-02-000 | EA  | HOUSING - 7 POSITION - FEMALE                             |
|     | 125323-01-000 | EA  | HOUSING - 10 POSITION - MALE                              |
|     | 125323-02-000 | EA  | HOUSING - 8 POSITION - MALE                               |
|     | 125323-03-000 | EA  | LOCK - SECONDARY 8 POSITION                               |
|     | 125323-04-000 | EA  | LOCK - SECONDARY 10 POSITION                              |
|     | 125323-05-000 | EA  | HOUSING - 6 POSITION - MALE                               |
|     | 125323-06-000 | EA  | LOCK - SECONDARY 6 POSITION                               |
|     | 125324-01-000 | EA  | TERMINAL - MALE - METRI-PACK - 150                        |
|     | 125325-01-000 | EA  | SEAL - CAVITY   |
|     | 126403-01-000 | EA  | CONNECTOR - 2 CIRCUIT                                     |
|     | 126403-02-000 | EA  | CONNECTOR - 3 CIRCUIT                                     |
|     | 129233-01-000 | EA  | HOUSING - 6 POSITION - MALE WEATHERPACK                   |
|     | 129233-02-000 | EA  | HOUSING - 2-POSITION/FEMALE - 280-SERIES                  |
|     | 129234-01-000 | EA  | HOUSING - 6-POSITION/FEMALE - 280-SERIES                  |
|     | 129234-02-000 | EA  | HOUSING - 6-POSITION/FEMALE - 280-SERIES                  |
|     | 129234-03-000 | EA  | LOCK - SECONDARY - 6-POSITION                             |
|     | 129235-01-000 | EA  | HOUSING - 2-POSITION/FEMALE - 630-SERIES                  |
|     | 129235-02-000 | EA  | LOCK - SECONDARY - 2-POSITION                             |
|     | 129236-01-000 | EA  | TERMINAL - FEMALE - M/P - 630 - 10-12                     |
|     | 131515-01-000 | EA  | HOUSING - PIN - 2 CAVITY/HIGH AMP                         |

**ELECTRICAL GROUP (CONTINUED)**  
**CONNECTORS & CONDUIT (CONTINUED)**

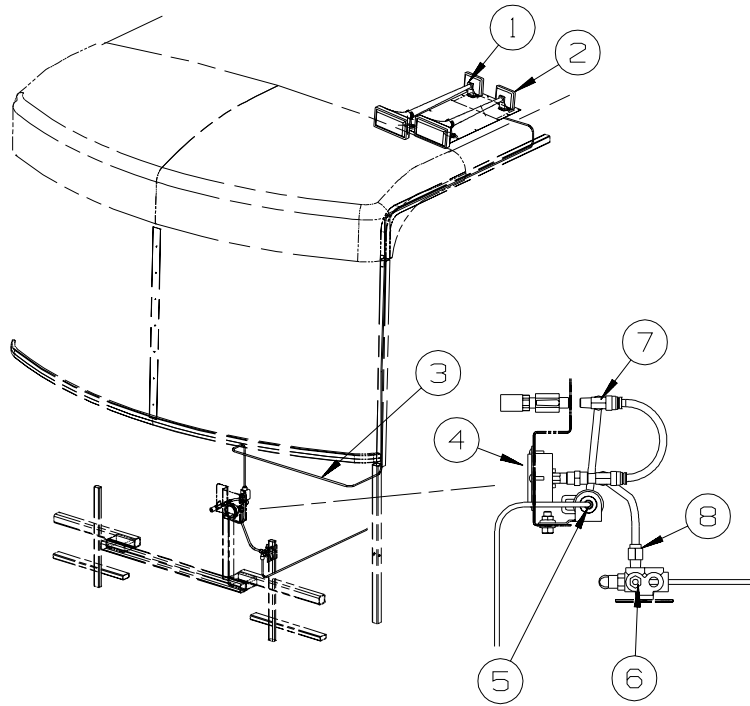
| <b>KEY</b> | <b>PART NUMBER</b> | <b>U/M</b> | <b>DESCRIPTION</b>                                      |
|------------|--------------------|------------|---|
|            | 131515-02-000      | EA         | TERMINAL - FEMALE JR. POWER TIMER - F/HALOGEN FOG LIGHT |
|            | 131515-03-000      | EA         | SEAL - CAVITY - JR. POWER TIMER                         |
|            | 131681-01-000      | EA         | CONNECTOR - 3/4" SO CORD - UL/CS                        |
|            | 137207-01-000      | EA         | HOUSING - PIN - 2 CAVITY/HIGH AMP                       |
|            | 137208-01-000      | EA         | HOUSING - SOCKET - 2 CAVITY/HIGH AMP                    |
|            | 137209-01-000      | EA         | PIN - CONNECTOR - 10AWG/HIGH AMP                        |
|            | 137210-01-000      | EA         | SOCKET - CONNECTOR - 10 AWG/HIGH AMP                    |
|            | 138419-03-000      | EA         | SOCKET - LAMP - 3 WIRE                                  |
|            | 142520-01-000      | EA         | TERMINAL - FEMALE - MINI FIT 16                         |
|            | 142522-01-000      | EA         | HOUSING - 4 PIN/MALE - MINI FIT                         |
|            | 142524-01-000      | EA         | HOUSING - 4 PIN/WEATHER PACK/FEMALE                     |

**BOOTS, SOLENOIDS, RELAYS & MISCELLANEOUS**

| <b>KEY</b> | <b>PART NUMBER</b> | <b>U/M</b> | <b>DESCRIPTION</b>                  |
|------------|--------------------|------------|-------------------------------------|
|            | 008188-02-000      | EA         | SOLENOID - VENTED - HEAVY DUTY      |
|            | 063910-01-000      | EA         | HOUSING - RELAY                     |
|            | 063912-02-000      | EA         | RELAY - CANISTER - SPDT             |
|            | 086233-01-000      | EA         | STUD - ISOLATED - 3/8" X 7/8" LONG  |
|            | 086273-01-000      | EA         | RELAY - BATTERY DISCONNECT          |
|            | 138914-01-02B      | EA         | STRAP - BATTERY TIE DOWN - E-COATED |

FROM: 00-00-00 THRU: 03-19-02

## EXTERIOR BODY GROUP AIR HORN



| KEY | PART NUMBER   | U/M | DESCRIPTION   |
|-----|---------------|-----|---|
| 1*  | 077497-06-000 | EA  | HORN - AIR - CHROME - TWIN                                |
| 2   | 125123-01-12B | EA  | PLATE/MOUNT - AIR HORN - 25" X 13" - BRIGHT WHITE         |
| 3   | 071390-04-000 | FT  | TUBING - AIR BRAKE - 1/4" OD-BLK WEATHERHEAD(BRKS & HORN) |
| 4   | 142609-01-000 | EA  | GAUGE - AIR - 2.5" MOUNTING FLANGE - 1/4" MPT             |
| 5   | 077497-11-000 | EA  | SOLENOID - HORN - REMOTE MOUNT                            |
| 6   | 086241-01-000 | EA  | VALVE - AIR - 1/4 MPT X TIRE STEM                         |
| 7   | 142570-01-000 | EA  | TEE - 3/8"T X 1/4"P                                       |
| 8   | 142571-01-000 | EA  | CONNECTOR - 3/8"T X 1/4"P                                 |

**\*COMPONENT PARTS LISTED LATER IN THIS GROUP**



**EXTERIOR BODY GROUP (CONTINUED)**  
**COMPONENT PARTS FOR AIR HORN**

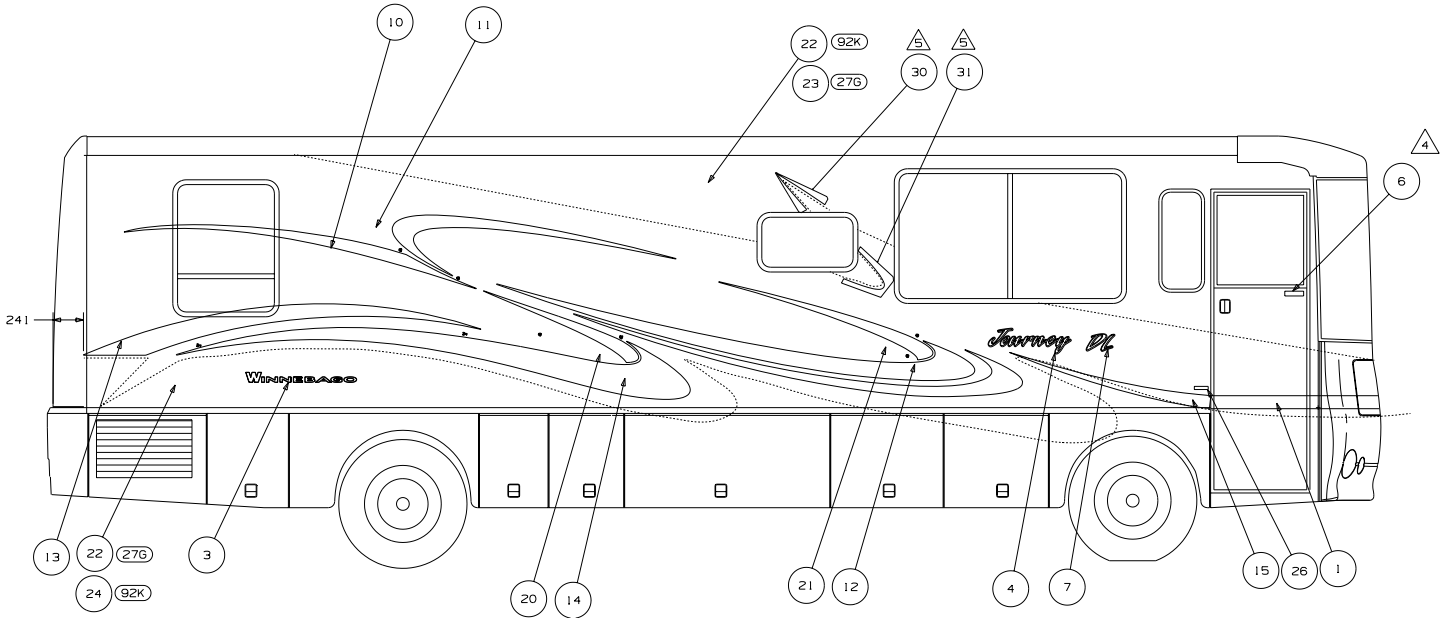
077497-06-000

| <b>KEY</b> | <b>PART NUMBER</b> | <b>U/M</b> | <b>DESCRIPTION</b>       | <b>VENDOR NO.</b> |
|------------|--------------------|------------|--------------------------|-------------------|
|            | 077497-01-701      | EA         | SWITCH - COMPRESSOR      | 13940-S           |
|            | 077497-01-702      | EA         | SWITCH - TOGGLE - W/WIRE | 12949-S           |

# EXTERIOR BODY GROUP (CONTINUED)

## GRAPHICS & PAINT

### W/GRAPHICS PACKAGE



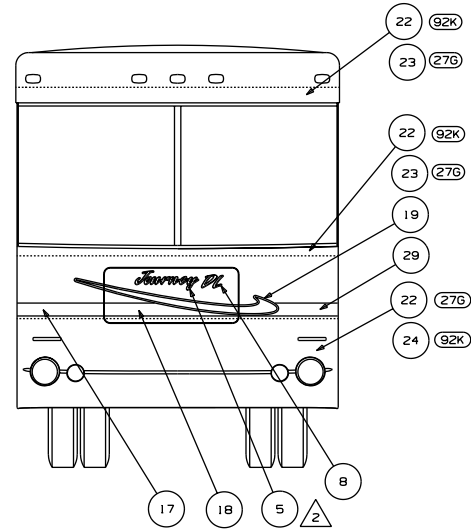
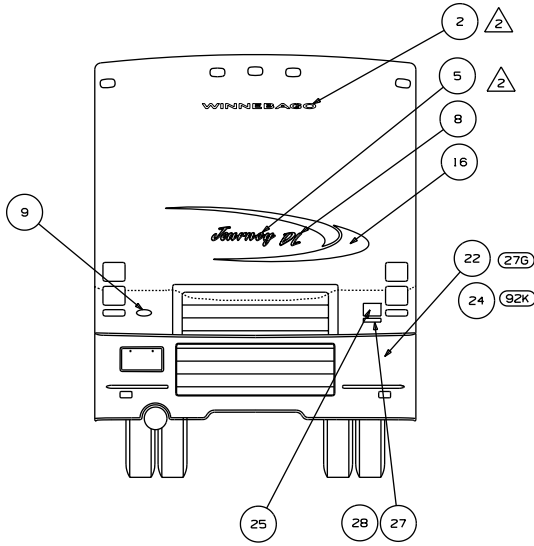
| KEY | PART NUMBER         | U/M | DESCRIPTION   |
|-----|---------------------|-----|---|
| 1   | 093681-68-CHT (03A) | FT  | FILM-101.6MM - DEEP STAR BLUE                           |
| 2   | 120702-03-CHT (38A) | EA  | DECAL - WINNEBAGO - SAND                                |
| 3   | 120702-04-CHT (01A) | EA  | DECAL - WINNEBAGO - BRT. WHITE/BLACK                    |
| 4   | 131947-04-CHT (01A) | EA  | DECAL - JOURNEY LG - BRT. WHITE/BLACK/GRAY              |
| 5   | 131947-05-CHT (01A) | EA  | DECAL - JOURNEY,SML - BRT. WHITE/BLACK/GRAY             |
| 6   | 132664-01-CHT (01A) | EA  | DECAL - WINNEBAGO,DOMED - GOLD CHROME/BLACK             |
| 7   | 135782-05-CHT (01A) | EA  | DECAL - DL LG - BRT. WHITE/BLACK/GRAY                   |
| 8   | 135782-06-CHT (01A) | EA  | DECAL - DL,SML - BRT. WHITE/BLACK                       |
| 9   | 137618-01-CHT (01A) | EA  | DECAL - BEZEL,DOMED,GRILLE,LOGO - BLACK/GOLD            |
| 10  | 142081-01-CHT (01A) | EA  | DECAL - SLASH,UPPER,RH - DEEP STAR BLUE                 |
| 10  | 142081-02-CHT (01A) | EA  | DECAL - SLASH,UPPER,LH - DEEP STAR BLUE                 |
| 11  | 142082-01-CHT (01A) | EA  | DECAL - SLASH,UPPER,FRT,RH - DEEP STAR BLUE             |
| 11  | 142082-02-CHT (01A) | EA  | DECAL - SLASH,UPPER,FRT,LH - DEEP STAR BLUE             |
| 12  | 142083-01-CHT (01A) | EA  | DECAL - SWEEP,FRT,LWR,RH - DEEP STAR BLUE/SAND/BAYBERRY |
| 12  | 142083-02-CHT (01A) | EA  | DECAL - SWEEP,FRT,LWR,LH - DEEP STAR BLUE/SAND/BAYBERRY |
| 13  | 142085-01-CHT (01A) | EA  | DECAL - SWEEP,RR,RH - BAYBERRY/SAND                     |
| 13  | 142085-02-CHT (01A) | EA  | DECAL - SWEEP,RR,LH - BAYBERRY/SAND                     |
| 14  | 142086-01-CHT (01A) | EA  | DECAL - SWEEP,MID,RH - BAYBERRY/SAND                    |
| 14  | 142086-02-CHT (01A) | EA  | DECAL - SWEEP,MID,LH - BAYBERRY/SAND                    |
| 15  | 142087-01-CHT (01A) | EA  | DECAL - SWEEP,STRIPE,RH - DEEP STAR BLUE                |
| 15  | 142087-02-CHT (01A) | EA  | DECAL - SWEEP,STRIPE,LH - DEEP STAR BLUE                |
| 16  | 142088-01-CHT (01A) | EA  | DECAL - SWEEP,BACKWALL - DEEP STAR BLUE/BAYBERRY/SAND   |
| 17  | 142089-01-CHT (01A) | EA  | DECAL - CORNER,RH - DEEP STAR BLUE                      |
| 18  | 142090-01-CHT (01A) | EA  | DECAL - HOOD STRIPE - DEEP STAR BLUE                    |
| 19  | 142091-01-CHT (01A) | EA  | DECAL - SWEEP,HOOD - BRT. WHITE/BAYBERRY/SAND           |
| 20  | 142094-01-CHT (01A) | EA  | DECAL - POINT,MID,RH - DEEP STAR BLUE/SAND/BAYBERRY     |
| 20  | 142094-02-CHT (01A) | EA  | DECAL - POINT,MID,LH - DEEP STAR BLUE/SAND/BAYBERRY     |
| 21  | 142095-01-CHT (01A) | EA  | DECAL - POINT,FRT,RH - DEEP STAR BLUE/SAND/BAYBERRY     |
| 21  | 142095-02-CHT (01A) | EA  | DECAL - POINT,FRT,LH - DEEP STAR BLUE/SAND/BAYBERRY     |
| 22  | 141599-04-000       | GL  | PAINT - SAND MET - DUPONT 373-P7415                     |
| 23  | 141599-06-000       | GL  | PAINT - MED.TITANIUM MET - DUPONT 373-P6236             |
| 24  | 141599-51-000       | GL  | PAINT - WINEBERRY MET - DUPONT 373-P7449                |
| 25  | .....               | EA  | PLATE-FREIGHTLINER,LG - CHASSIS SUPPLIED                |
| 26  | .....               | EA  | PLATE-FREIGHTLINER,SML - CHASSIS SUPPLIED               |
| 27  | 135089-02-CHT (01A) | EA  | DECAL - DOMED,HORSEPOWER,330                            |
| 28  | 135089-03-CHT (01A) | EA  | DECAL - DOMED,HORSEPOWER,300                            |
| 29  | 142089-02-CHT (01A) | EA  | DECAL - CORNER,LH - DEEP STAR BLUE                      |
| 30  | 143507-01-CHT (01A) | EA  | DECAL - PAINT MASK, #1,RH                               |
| 30  | 143507-02-CHT (01A) | EA  | DECAL - PAINT MASK, #1,LH                               |
| 31  | 143508-01-CHT (01A) | EA  | DECAL - PAINT MASK, #2,RH                               |
| 31  | 143508-02-CHT (01A) | EA  | DECAL - PAINT MASK, #2,LH                               |

(24E) (92K) (27G)  
 (24E) (27G)  
 (92K)  
 (1FS) (1FR)  
 (1FH) (1FO)

# EXTERIOR BODY GROUP (CONTINUED)

## GRAPHICS & PAINT (CONTINUED)

### W/GRAPHICS PACKAGE



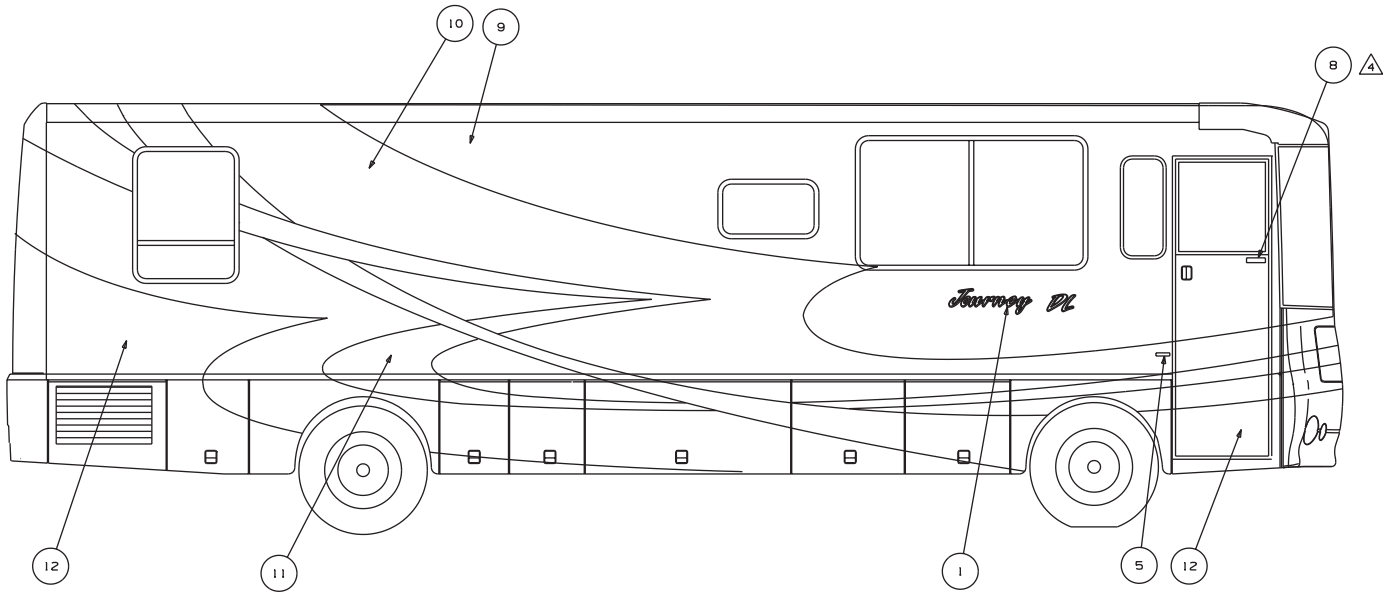
| KEY | PART NUMBER        | U/M | DESCRIPTION   |
|-----|--------------------|-----|---|
| 1   | 093681-68-CHT(03A) | FT  | FILM-101.6MM - DEEP STAR BLUE                         |
| 2   | 120702-03-CHT(38A) | EA  | DECAL-WINNEBAGO - SAND                                |
| 3   | 120702-04-CHT(01A) | EA  | DECAL-WINNEBAGO - BRT.WHITE/BLACK                     |
| 4   | 131947-04-CHT(01A) | EA  | DECAL-JOURNEY LG - BRT. WHITE/BLACK/GRAY              |
| 5   | 131947-05-CHT(01A) | EA  | DECAL-JOURNEY,SML - BRT.WHITE/BLACK/GRAY              |
| 6   | 132664-01-CHT(01A) | EA  | DECAL-WINNEBAGO,DOMED - GOLD CHROME/BLACK             |
| 7   | 135782-05-CHT(01A) | EA  | DECAL-DL LG - BRT.WHITE/BLACK/GRAY                    |
| 8   | 135782-06-CHT(01A) | EA  | DECAL-DL,SML - BRT.WHITE/BLACK                        |
| 9   | 137618-01-CHT(01A) | EA  | DECAL-BEZEL,DOMED,GRILLE,LOGO - BLACK/GOLD            |
| 10  | 142081-01-CHT(01A) | EA  | DECAL-SLASH,UPPER,RH - DEEP STAR BLUE                 |
| 10  | 142081-02-CHT(01A) | EA  | DECAL-SLASH,UPPER,LH - DEEP STAR BLUE                 |
| 11  | 142082-01-CHT(01A) | EA  | DECAL-SLASH,UPPER,FRT,RH - DEEP STAR BLUE             |
| 11  | 142082-02-CHT(01A) | EA  | DECAL-SLASH,UPPER,FRT,LH - DEEP STAR BLUE             |
| 12  | 142083-01-CHT(01A) | EA  | DECAL-SWEEP,FRT,LWR,RH - DEEP STAR BLUE/SAND/BAYBERRY |
| 12  | 142083-02-CHT(01A) | EA  | DECAL-SWEEP,FRT,LWR,LH - DEEP STAR BLUE/SAND/BAYBERRY |
| 13  | 142085-01-CHT(01A) | EA  | DECAL-SWEEP,RR,RH - BAYBERRY/SAND                     |
| 13  | 142085-02-CHT(01A) | EA  | DECAL-SWEEP,RR,LH - BAYBERRY/SAND                     |
| 14  | 142086-01-CHT(01A) | EA  | DECAL-SWEEP,MID,RH - BAYBERRY/SAND                    |
| 14  | 142086-02-CHT(01A) | EA  | DECAL-SWEEP,MID,LH - BAYBERRY/SAND                    |
| 15  | 142087-01-CHT(01A) | EA  | DECAL-SWEEP,STRIPE,RH - DEEP STAR BLUE                |
| 15  | 142087-02-CHT(01A) | EA  | DECAL-SWEEP,STRIPE,LH - DEEP STAR BLUE                |
| 16  | 142088-01-CHT(01A) | EA  | DECAL-SWEEP,BACKWALL - DEEP STAR BLUE/BAYBERRY/SAND   |
| 17  | 142089-01-CHT(01A) | EA  | DECAL-CORNER,RH - DEEP STAR BLUE                      |
| 18  | 142090-01-CHT(01A) | EA  | DECAL-HOOD STRIPE - DEEP STAR BLUE                    |
| 19  | 142091-01-CHT(01A) | EA  | DECAL-SWEEP,HOOD - BRT.WHITE/BAYBERRY/SAND            |
| 20  | 142094-01-CHT(01A) | EA  | DECAL-POINT,MID,RH - DEEP STAR BLUE/SAND/BAYBERRY     |
| 20  | 142094-02-CHT(01A) | EA  | DECAL-POINT,MID,LH - DEEP STAR BLUE/SAND/BAYBERRY     |
| 21  | 142095-01-CHT(01A) | EA  | DECAL-POINT,FRT,RH - DEEP STAR BLUE/SAND/BAYBERRY     |
| 21  | 142095-02-CHT(01A) | EA  | DECAL-POINT,FRT,LH - DEEP STAR BLUE/SAND/BAYBERRY     |
| 22  | 141599-04-000      | GL  | PAINT - SAND MET - DUPONT 373-P7415                   |
| 23  | 141599-06-000      | GL  | PAINT - MED.TITANIUM MET - DUPONT 373-P6236           |
| 24  | 141599-51-000      | GL  | PAINT - WINEBERRY MET - DUPONT 373-P7449              |
| 25  | -----              | EA  | PLATE-FREIGHTLINER,LG - CHASSIS SUPPLIED              |
| 26  | -----              | EA  | PLATE-FREIGHTLINER,SML - CHASSIS SUPPLIED             |
| 27  | 135089-02-CHT(01A) | EA  | DECAL-DOMED,HORSEPOWER,330                            |
| 27  | 135089-03-CHT(01A) | EA  | DECAL-DOMED,HORSEPOWER,300                            |
| 29  | 142089-02-CHT(01A) | EA  | DECAL-CORNER,LH - DEEP STAR BLUE                      |
| 30  | 143507-01-CHT(01A) | EA  | DECAL-PAINT MASK, #1,RH                               |
| 30  | 143507-02-CHT(01A) | EA  | DECAL-PAINT MASK, #1,LH                               |
| 31  | 143508-01-CHT(01A) | EA  | DECAL-PAINT MASK, #2,RH                               |
| 31  | 143508-02-CHT(01A) | EA  | DECAL-PAINT MASK, #2,LH                               |

KEY PART NUMBER U/M DESCRIPTION  
 093681-39-01A FT FILM - 3.1" - MATTE BLACK

# EXTERIOR BODY GROUP (CONTINUED)

## GRAPHICS & PAINT (CONTINUED)

### W/FULL BODY PAINT PACKAGE



| (27A) KEY | PART NUMBER        | U/M | DESCRIPTION MOCHA EXTERIOR                      |
|-----------|--------------------|-----|---|
| 1         | 145330-01-CHT(01A) | EA  | DECAL - JOURNEY DL, LARGE - CHROME/BLACK/UMBRA  |
| 2         | 145330-02-CHT(01A) | EA  | DECAL - JOURNEY DL, SMALL - CHROME/BLACK/UMBRA  |
| 3         | 137618-01-CHT(01A) | EA  | DECAL - BEZEL, DOMED, GRILLE, LOGO - BLACK/GOLD |
| 4         | .....              | EA  | PLATE - FREIGHTLINER, LG - CHASSIS SUPPLIED     |
| 5         | .....              | EA  | PLATE - FREIGHTLINER, SML - CHASSIS SUPPLIED    |
| 6         | 135089-02-CHT(01A) | EA  | DECAL - DOMED, HORSEPOWER, 300                  |
| 7         | 135089-03-CHT(01A) | EA  | DECAL - DOMED, HORSEPOWER, 300                  |
| 8         | 132664-01-CHT(01A) | EA  | DECAL - WINNEBAGO, DOMED - GOLD CHROME/BLACK    |
| 9         | .....              | GL  | PAINT - YM 293                                  |
| 10        | .....              | GL  | PAINT - LM 423                                  |
| 11        | .....              | GL  | PAINT - DM 077                                  |
| 12        | .....              | GL  | PAINT - MM 329                                  |
| 13        | .....              | LT  | PAINT - CLEAR COAT                              |

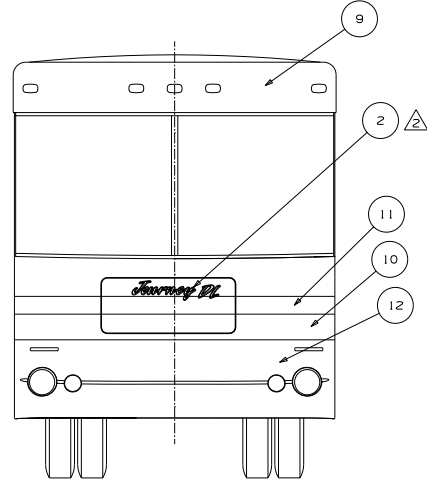
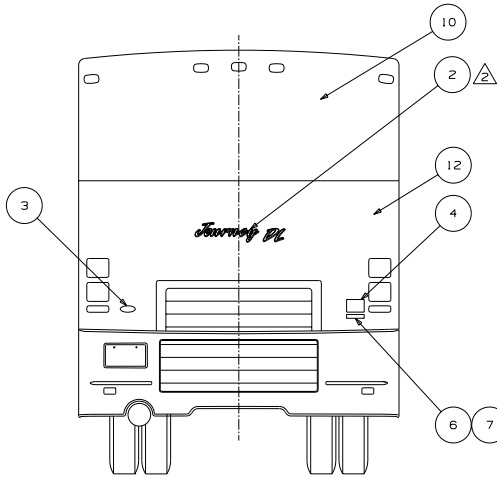
| (92A) KEY | PART NUMBER        | U/M | DESCRIPTION AUBURN EXTERIOR                     |
|-----------|--------------------|-----|---|
| 1         | 145330-01-CHT(01A) | EA  | DECAL - JOURNEY DL, LARGE - CHROME/BLACK/UMBRA  |
| 2         | 145330-02-CHT(01A) | EA  | DECAL - JOURNEY DL, SMALL - CHROME/BLACK/UMBRA  |
| 3         | 137618-01-CHT(01A) | EA  | DECAL - BEZEL, DOMED, GRILLE, LOGO - BLACK/GOLD |
| 4         | .....              | EA  | PLATE - FREIGHTLINER, LG - CHASSIS SUPPLIED     |
| 5         | .....              | EA  | PLATE - FREIGHTLINER, SML - CHASSIS SUPPLIED    |
| 6         | 135089-02-CHT(01A) | EA  | DECAL - DOMED, HORSEPOWER, 300                  |
| 7         | 135089-03-CHT(01A) | EA  | DECAL - DOMED, HORSEPOWER, 300                  |
| 8         | 132664-01-CHT(01A) | EA  | DECAL - WINNEBAGO, DOMED - GOLD CHROME/BLACK    |
| 9         | .....              | GL  | PAINT - MM 073                                  |
| 10        | .....              | GL  | PAINT - LM 423                                  |
| 11        | .....              | GL  | PAINT - RM 485                                  |
| 12        | .....              | GL  | PAINT - MM 092                                  |
| 13        | .....              | LT  | PAINT - CLEAR COAT                              |

| (24C) KEY | PART NUMBER        | U/M | DESCRIPTION BLUE LAKE EXTERIOR                  |
|-----------|--------------------|-----|---|
| 1         | 145330-01-CHT(01A) | EA  | DECAL - JOURNEY DL, LARGE - CHROME/BLACK/UMBRA  |
| 2         | 145330-02-CHT(01A) | EA  | DECAL - JOURNEY DL, SMALL - CHROME/BLACK/UMBRA  |
| 3         | 137618-01-CHT(01A) | EA  | DECAL - BEZEL, DOMED, GRILLE, LOGO - BLACK/GOLD |
| 4         | .....              | EA  | PLATE - FREIGHTLINER, LG - CHASSIS SUPPLIED     |
| 5         | .....              | EA  | PLATE - FREIGHTLINER, SML - CHASSIS SUPPLIED    |
| 6         | 135089-02-CHT(01A) | EA  | DECAL - DOMED, HORSEPOWER, 300                  |
| 7         | 135089-03-CHT(01A) | EA  | DECAL - DOMED, HORSEPOWER, 300                  |
| 8         | 132664-01-CHT(01A) | EA  | DECAL - WINNEBAGO, DOMED - GOLD CHROME/BLACK    |
| 9         | .....              | GL  | PAINT - MM 411                                  |
| 10        | .....              | GL  | PAINT - BM 244                                  |
| 11        | .....              | GL  | PAINT - MM 251                                  |
| 12        | .....              | GL  | PAINT - MM 212                                  |
| 13        | .....              | LT  | PAINT - CLEAR COAT                              |

# EXTERIOR BODY GROUP (CONTINUED)

## GRAPHICS & PAINT (CONTINUED)

### W/FULL BODY PAINT PACKAGE



| (27A) KEY | PART NUMBER        | U/M | DESCRIPTION MOCHA EXTERIOR                    |
|-----------|--------------------|-----|---|
| 1         | 145330-01-CHT(01A) | EA  | DECAL - JOURNEY DL,LARGE - CHROME/BLACK/UMBRA |
| 2         | 145330-02-CHT(01A) | EA  | DECAL - JOURNEY DL,SMALL - CHROME/BLACK/UMBRA |
| 3         | 137618-01-CHT(01A) | EA  | DECAL - BEZEL,DOMED,GRILLE,LOGO - BLACK/GOLD  |
| 4         | .....              | EA  | PLATE-FREIGHTLINER,LG - CHASSIS SUPPLIED      |
| 5         | .....              | EA  | PLATE-FREIGHTLINER,SML - CHASSIS SUPPLIED     |
| 6         | 135089-02-CHT(01A) | EA  | DECAL - DOMED,HORSEPOWER,330                  |
| 7         | 135089-03-CHT(01A) | EA  | DECAL - DOMED,HORSEPOWER,300                  |
| 8         | 132664-01-CHT(01A) | EA  | DECAL - WINNEBAGO,DOMED - GOLD CHROME/BLACK   |
| 9         | .....              | GL  | PAINT - YM 293                                |
| 10        | .....              | GL  | PAINT - LM 423                                |
| 11        | .....              | GL  | PAINT - DM 077                                |
| 12        | .....              | GL  | PAINT - MM 329                                |
| 13        | .....              | LT  | PAINT - CLEAR COAT                            |

| (92A) KEY | PART NUMBER        | U/M | DESCRIPTION AUBURN EXTERIOR                   |
|-----------|--------------------|-----|---|
| 1         | 145330-01-CHT(01A) | EA  | DECAL - JOURNEY DL,LARGE - CHROME/BLACK/UMBRA |
| 2         | 145330-02-CHT(01A) | EA  | DECAL - JOURNEY DL,SMALL - CHROME/BLACK/UMBRA |
| 3         | 137618-01-CHT(01A) | EA  | DECAL - BEZEL,DOMED,GRILLE,LOGO - BLACK/GOLD  |
| 4         | .....              | EA  | PLATE-FREIGHTLINER,LG - CHASSIS SUPPLIED      |
| 5         | .....              | EA  | PLATE-FREIGHTLINER,SML - CHASSIS SUPPLIED     |
| 6         | 135089-02-CHT(01A) | EA  | DECAL - DOMED,HORSEPOWER,330                  |
| 7         | 135089-03-CHT(01A) | EA  | DECAL - DOMED,HORSEPOWER,300                  |
| 8         | 132664-01-CHT(01A) | EA  | DECAL - WINNEBAGO,DOMED - GOLD CHROME/BLACK   |
| 9         | .....              | GL  | PAINT - MM 073                                |
| 10        | .....              | GL  | PAINT - LM 423                                |
| 11        | .....              | GL  | PAINT - FM 495                                |
| 12        | .....              | GL  | PAINT - MM 092                                |
| 13        | .....              | LT  | PAINT - CLEAR COAT                            |

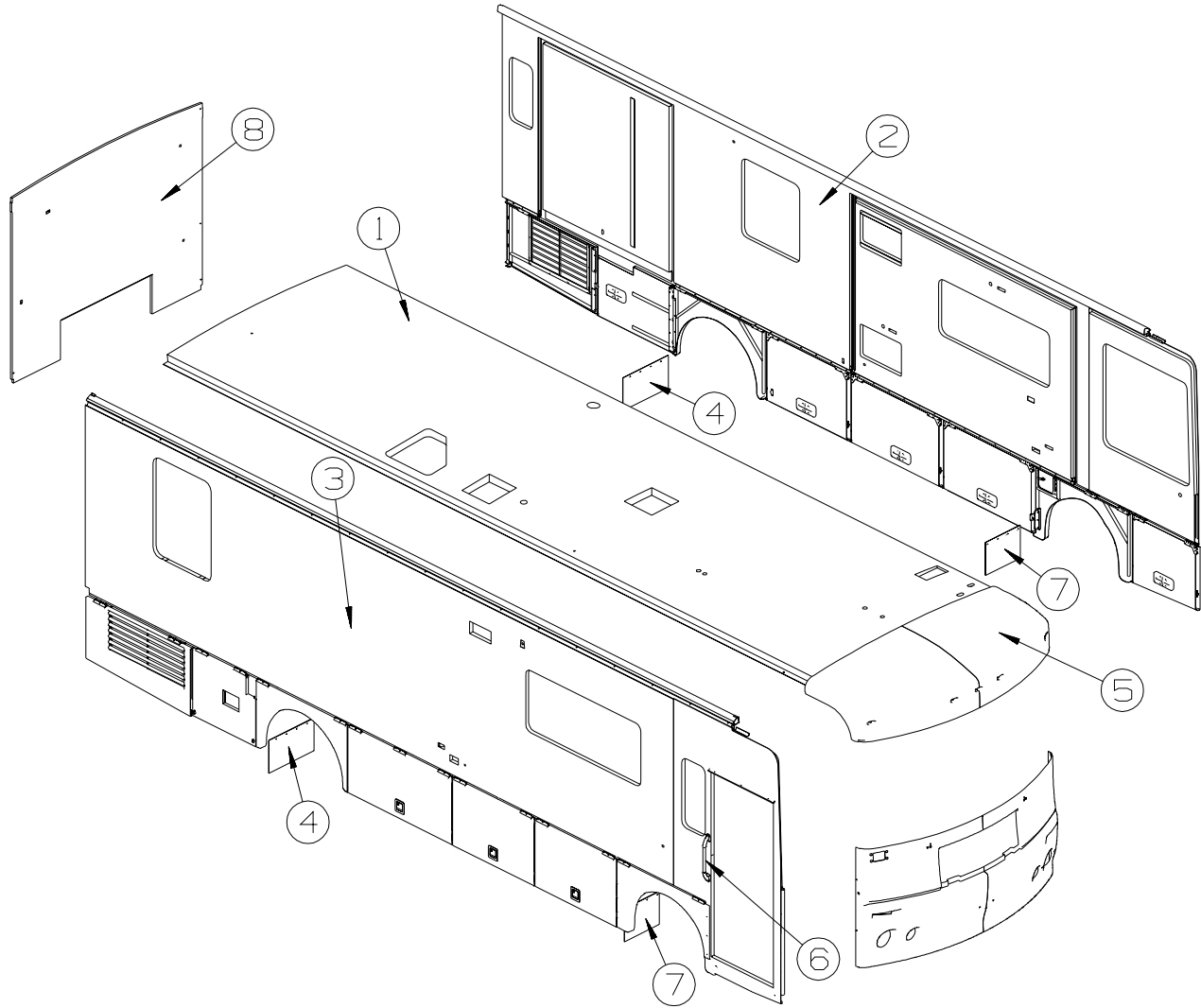
| (24C) KEY | PART NUMBER        | U/M | DESCRIPTION BLUE LAKE EXTERIOR                |
|-----------|--------------------|-----|---|
| 1         | 145330-01-CHT(01A) | EA  | DECAL - JOURNEY DL,LARGE - CHROME/BLACK/UMBRA |
| 2         | 145330-02-CHT(01A) | EA  | DECAL - JOURNEY DL,SMALL - CHROME/BLACK/UMBRA |
| 3         | 137618-01-CHT(01A) | EA  | DECAL - BEZEL,DOMED,GRILLE,LOGO - BLACK/GOLD  |
| 4         | .....              | EA  | PLATE-FREIGHTLINER,LG - CHASSIS SUPPLIED      |
| 5         | .....              | EA  | PLATE-FREIGHTLINER,SML - CHASSIS SUPPLIED     |
| 6         | 135089-02-CHT(01A) | EA  | DECAL - DOMED,HORSEPOWER,330                  |
| 7         | 135089-03-CHT(01A) | EA  | DECAL - DOMED,HORSEPOWER,300                  |
| 8         | 132664-01-CHT(01A) | EA  | DECAL - WINNEBAGO,DOMED - GOLD CHROME/BLACK   |
| 9         | .....              | GL  | PAINT - MM 411                                |
| 10        | .....              | GL  | PAINT - BM 244                                |
| 11        | .....              | GL  | PAINT - MM 251                                |
| 12        | .....              | GL  | PAINT - MM 212                                |
| 13        | .....              | LT  | PAINT - CLEAR COAT                            |

#### DUPONT COLOR CODES

|                             |         |
|-----------------------------|---------|
| SAND MET.                   | #W9846F |
| MED. TITANIUM MET.(UPPER)   | #C9248  |
| WINEBERRY MET. (VALANCE)    | #F0640F |
| SAND MET. (VALANCE & UPPER) | #P7415  |

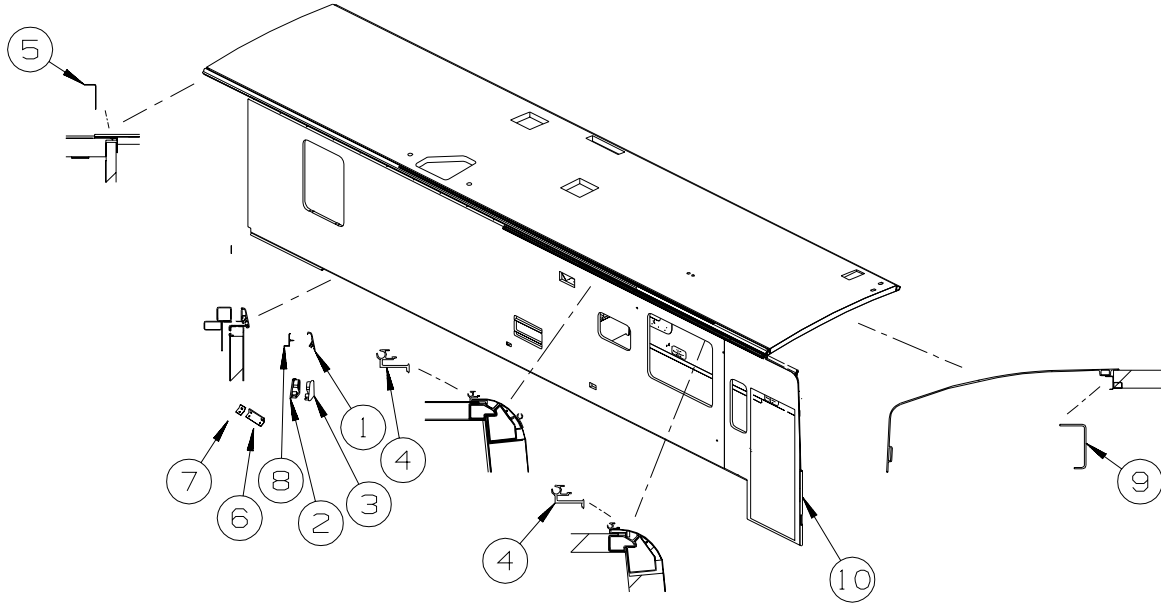
## EXTERIOR BODY GROUP (CONTINUED)

### PANELS & TRIMS



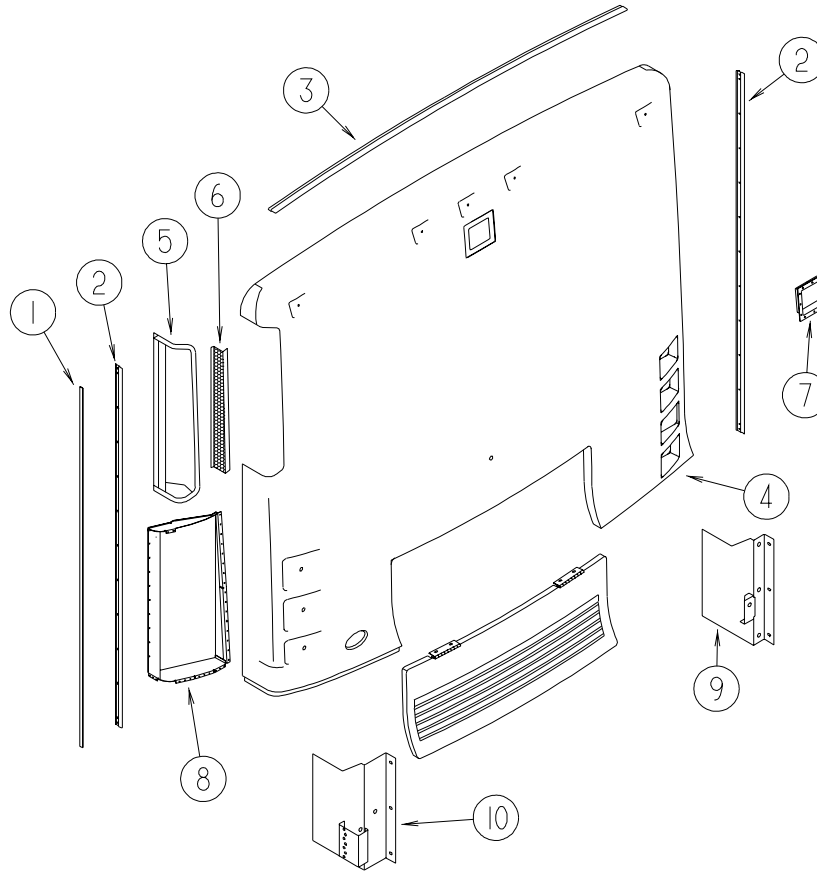
| KEY | PART NUMBER   | U/M | DESCRIPTION  |
|-----|---------------|-----|--|
| 1   | 143500-03-P78 | EA  | ROOF - W/O LIGHTS/VENTS - W/WIRING                                     |
| 2   | 143499-01-P76 | EA  | SIDEWALL - DRIVER - W/O WINDOWS/TRIMS(P78, P79, P80, P81, P94, P95)    |
| 2   | 143499-01-P77 | EA  | SIDEWALL - DRIVER - W/O WINDOWS/TRIMS(P82, P83)                        |
| 3   | 143498-02-P78 | EA  | SIDEWALL - PASSENGER - W/O WINDOWS/TRIMS(P78, P79, P80, P81, P94, P95) |
| 3   | 143498-02-P82 | EA  | SIDEWALL - PASSENGER - W/O WINDOWS/TRIMS(P82, P83)                     |
| 4   | 017516-07-000 | EA  | MUD FLAP - 14"H X 23.5"W - BLACK                                       |
|     | 140922-01-02B | EA  | PLATE - MUD FLAP - E-COATED  |
| 5   | 131635-02-L76 | EA  | CAP - ROOF - W/O LIGHTS/WIRING   |
| 6   | 132442-02-01A | EA  | HANDLE - ASSIST - CLEAR W/CHROME ENDS                                  |
| 7   | 017516-01-000 | EA  | MUD FLAP - 14"H X 18"W - W/O MOUNTING HOLES - BLACK                    |
|     | 140922-01-02B | EA  | PLATE - MUD FLAP - E-COATED  |
| 8   | 143058-01-P76 | EA  | BACKWALL - W/O WINDOW/TRIMS(P78, P79, P80, P81, P94, P95)              |
| 8   | 143058-01-P77 | EA  | BACKWALL - W/O WINDOW/TRIMSS(P82, P83)                                 |

**EXTERIOR BODY GROUP (CONTINUED)**  
**PANELS & TRIMS (CONTINUED)**



| KEY | PART NUMBER   | U/M | DESCRIPTION  |
|-----|---------------|-----|--|
| 1   | 123993-01-03A | EA  | TRIM - COVER - 182" ALUMINUM - BRIGHT WHITE<br>FROM: 00-00-00 THRU: 07-28-02 |
| 1   | 123993-01-02A | EA  | TRIM - COVER - 182" ALUMINUM - BLACK<br>FROM: 07-29-02 THRU: 99-99-99        |
| 2   | 126775-01-01A | EA  | END CAP - VALANCE TRIM - RIGHT HAND<br>FROM: 00-00-00 THRU: 01-01-03         |
| 2   | 126775-01-02A | EA  | END CAP - VALANCE TRIM - RIGHT HAND - BLACK<br>FROM: 01-02-03 THRU: 99-99-99 |
| 3   | 126775-02-01A | EA  | END CAP - VALANCE TRIM - LEFT HAND<br>FROM: 00-00-00 THRU: 01-01-03          |
| 3   | 126775-02-02A | EA  | END CAP - VALANCE TRIM - LEFT HAND - BLACK<br>FROM: 01-02-03 THRU: 99-99-99  |
| 4   | 131483-01-01A | EA  | RAIL - AWNING - 192" - BRIGHT WHITE  |
| 5   | 132273-01-02B | EA  | BRACKET - REAR TRIM - E-COATED   |
| 6   | 132597-01-02B | EA  | ANGLE/SUPPORT/TRIM - 2" - E-COATED<br>FROM: 00-00-00 THRU: 12-31-02          |
| 6   | 143143-02-01A | EA  | ANGLE - SUPPORT/TRIM<br>FROM: 01-01-03 THRU: 99-99-99                        |
| 7   | 132597-02-02B | EA  | ANGLE/SUPPORT/TRIM - .6" - E-COATED<br>FROM: 00-00-00 THRU: 12-31-02         |
| 7   | 143143-01-01A | EA  | ANGLE - SUPPORT/TRIM<br>FROM: 01-01-03 THRU: 99-99-99                        |
| 8   | 133376-01-01A | EA  | TRIM - RETAINER - 144" - MILL  |
| 9   | 134774-01-02B | EA  | BRACKET - CAB ATTACHMENT - E-COATED  |
| 10  | 093673-01-06A | FT  | TRIM/MOLDING - 1.4" X 8' LONG - BRIGHT WHITE                                 |

**EXTERIOR BODY GROUP (CONTINUED)**  
**PANELS & TRIMS (CONTINUED)**

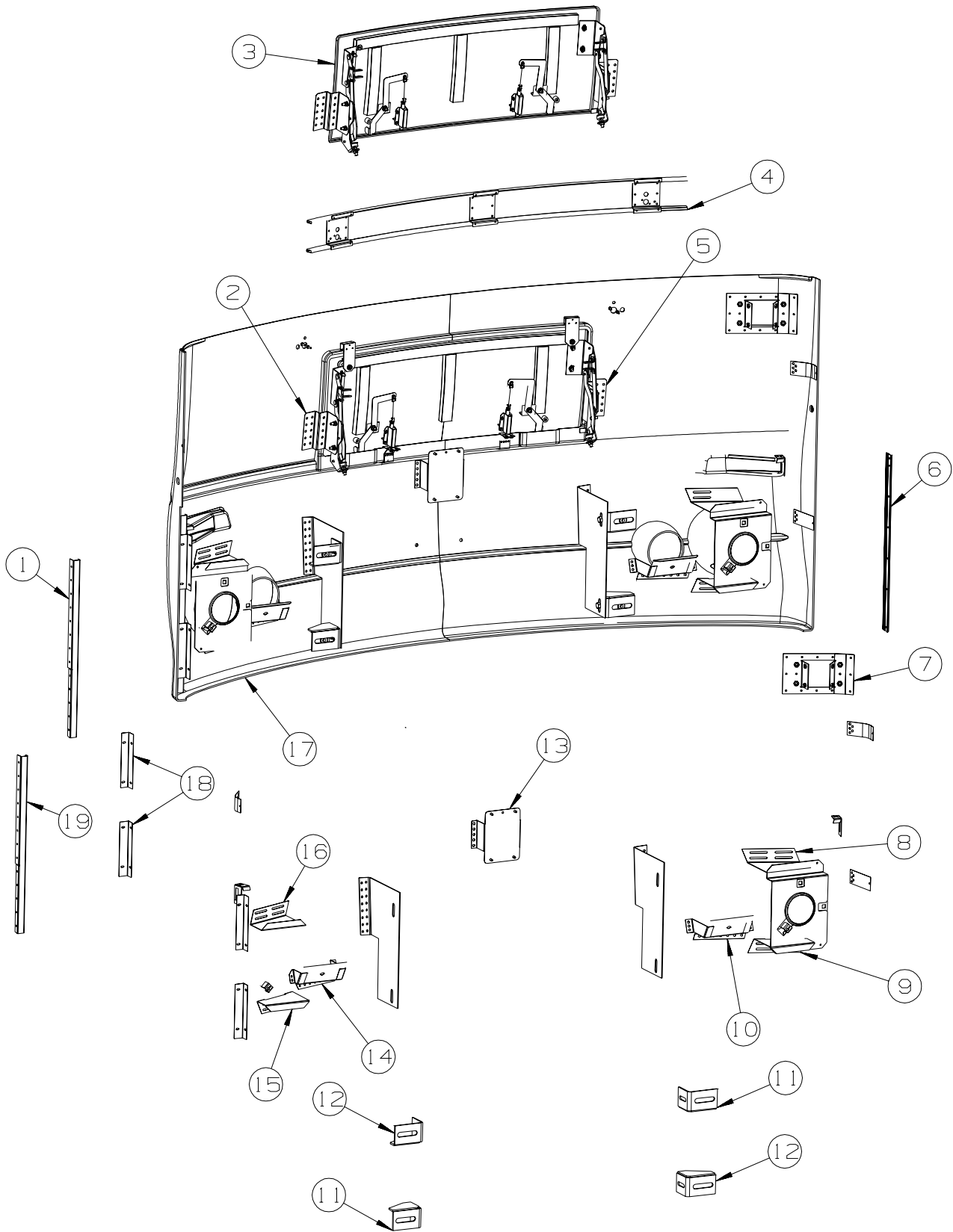


| KEY | PART NUMBER   | U/M | DESCRIPTION                                  |
|-----|---------------|-----|--|
| 1   | 091985-01-07A | FT  | INSERT - TRIM - BRIGHT WHITE - 1"            |
| 2   | 092041-05-01A | EA  | TRIM - REAR - CAP TO SIDEWALL - BRIGHT WHITE |
| 3   | 083805-23-000 | EA  | TRIM - ROOF CAP - 92.1" - BRIGHT WHITE       |
| 4   | 131897-04-M76 | EA  | PANEL - REAR CAP                             |
| 5   | 131896-01-01A | EA  | PANEL/AIR SCOOP - BRIGHT WHITE               |
| 6   | 129683-01-02A | EA  | PANEL - AIR INTAKE - BLACK                   |
| 7   | P23280-01-01A | EA  | SHROUD - CAMERA - INNER                      |
| 8   | 132239-01-02B | EA  | PANEL/AIR INTAKE - E-COATED                  |
| 9   | 134572-01-02B | EA  | SHIELD/SIDE - ENGINE - RIGHT HAND - E-COATED |
| 10  | 132636-02-02B | EA  | SHIELD/SIDE - ENGINE - LEFT HAND - E-COATED  |



# EXTERIOR BODY GROUP (CONTINUED)

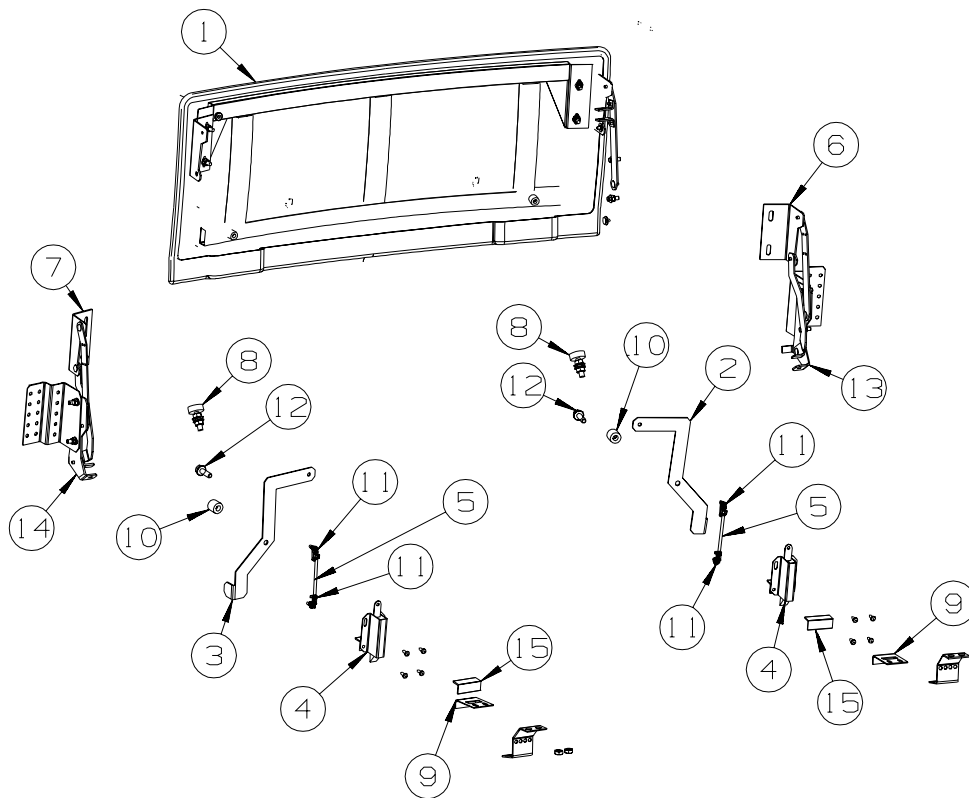
## FRONT END



| KEY | PART NUMBER   | U/M | DESCRIPTION                                  |
|-----|---------------|-----|--|
| 1   | 092041-06-01A | EA  | TRIM - REAR - CAP TO SIDEWALL - BRIGHT WHITE |
| 1   | 091985-01-07A | FT  | INSERT - TRIM - .65" WIDE - BRIGHT WHITE     |
| 2   | 137703-02-02B | EA  | SUPPORT - HINGE - LEFT HAND - E-COATED       |
| 3   | 137771-01-M76 | EA  | HOOD - FRONT                                 |
| 4   | 130270-02-L76 | EA  | SUPPORT - WIPER                              |
| 5   | 137703-01-02B | EA  | SUPPORT - HINGE - RIGHT HAND - E-COATED      |

## EXTERIOR BODY GROUP (CONTINUED) FRONT END (CONTINUED)

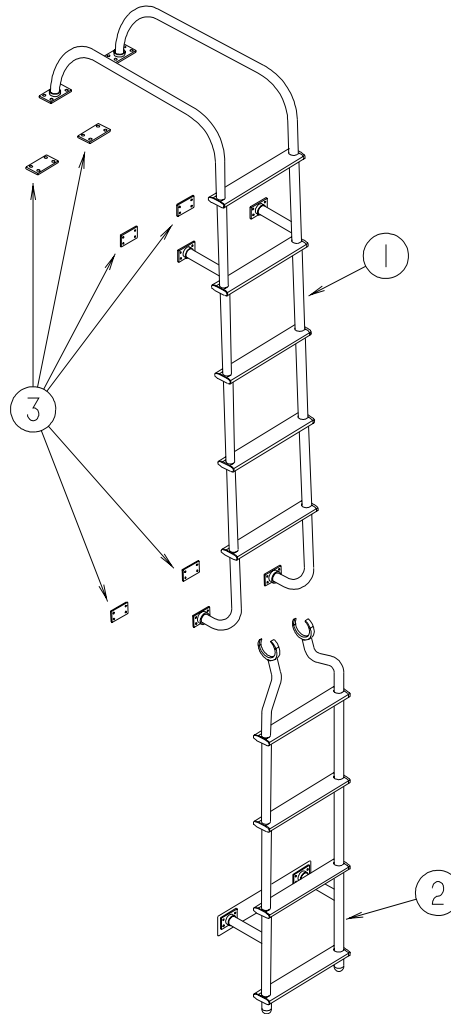
| KEY | PART NUMBER   | U/M | DESCRIPTION   |
|-----|---------------|-----|---|
| 6   | 092041-07-01A | EA  | TRIM - REAR - CAP TO SIDEWALL - BRIGHT WHITE        |
| 6   | 091985-01-07A | FT  | INSERT - TRIM - .65" WIDE - BRIGHT WHITE            |
| 7   | 120850-04-02B | EA  | PLATE - SUPPORT/MIRROR - E-COATED                   |
| 8   | 137700-01-02B | EA  | BRACKET - HEADLAMP - UPPER/RIGHT HAND - E-COATED    |
| 9   | 137701-01-02B | EA  | BRACKET - HEADLAMP - LOWER/RIGHT HAND - E-COATED    |
| 10  | 134058-01-02B | EA  | BRACKET - FOG LAMP - RIGHT HAND - E-COATED          |
| 11  | 128455-03-02B | EA  | BRACKET - BUMPER - RIGHT HAND UPPER/LEFT HAND LOWER |
| 12  | 128455-04-02B | EA  | BRACKET - BUMPER - LEFT HAND UPPER/RIGHT HAND LOWER |
| 13  | 136446-02-02B | EA  | BRACKET - WASHER TANK - E-COATED                    |
| 14  | 134058-02-02B | EA  | BRACKET - FOG LAMP - LEFT HAND - E-COATED           |
| 15  | 137701-02-02B | EA  | BRACKET - HEADLAMP - LOWER/LEFT HAND - E-COATED     |
| 16  | 137700-02-02B | EA  | BRACKET - HEADLAMP - UPPER/LEFT HAND - E-COATED     |
| 17  | 137774-02-M76 | EA  | PANEL - FRONT/LOWER                                 |
| 18  | 113041-10-02B | EA  | ANGLE-MOUNT,E-COAT                                  |
| 19  | 132071-02-02B | EA  | BRACKET - BUMPER - REAR - E-COATED                  |



| KEY | PART NUMBER   | U/M | DESCRIPTION  |
|-----|---------------|-----|--|
| 1   | 137771-01-M76 | EA  | HOOD - FRONT   |
| 2   | 131545-01-02B | EA  | LATCH-HANDLE,HOOD,RH,E-CT                                |
| 3   | 131545-02-02B | EA  | LATCH-HANDLE,HOOD,LH,E-CT                                |
| 4   | 113908-01-000 | EA  | LATCH/PLUNGER - F/HOOD                                   |
| 5   | 131606-01-01A | EA  | ROD - HOOD LATCH   |
| 6   | 137761-01-01A | EA  | PLATE - HOOD - MOUNTING - RIGHT HAND                     |
| 7   | 137761-02-01A | EA  | PLATE - HOOD - MOUNTING - LEFT HAND                      |
| 8   | 058786-01-000 | EA  | BOLT - HOOD ADJUSTMENT - 5/16"-18 X 1.5"-2"- W/BLACK PAD |
| 9   | 134190-01-02B | EA  | BRACKET - STRIKER/HOOD - E-COATED                        |
| 10  | 120863-07-000 | EA  | BUMPER - RUBBER - .7" DIA X .7" THICK                    |
| 11  | 102265-01-000 | EA  | CLIP - ROD END - 5/32" - BLACK PLASTIC                   |
| 12  | 106730-10-000 | EA  | PLATE - STUD - F/HOOD                                    |
| 13  | 137072-03-01A | EA  | HINGE - HOOD - RIGHT HAND - BLACK                        |
| 14  | 137072-04-01A | EA  | HINGE - HOOD - LEFT HAND - BLACK                         |
| 15  | 134189-02-02B | EA  | BRACKET - MOUNT/STRIKER - E-COATED                       |

## EXTERIOR BODY GROUP (CONTINUED)

### LADDER



| KEY | PART NUMBER   | U/M | DESCRIPTION                                 |
|-----|---------------|-----|---|
| 1   | 132804-01-01A | EA  | LADDER - UPPER - ANODIZED ALUMINUM          |
| 2   | 130163-04-01A | EA  | LADDER ASSEMBLY - LOWER - ALUMINUM ANODIZED |
| 3   | 129375-02-000 | EA  | SEAL - LADDER BRACKET                       |

### MIRRORS

| KEY | PART NUMBER   | U/M | DESCRIPTION                               |
|-----|---------------|-----|---|
| *   | 106015-19-01A | EA  | MIRROR - EXTERIOR/REMOTE/HEAT - DRIVER    |
| *   | 131431-06-01A | EA  | MIRROR - EXTERIOR REMOTE/HEAT - PASSENGER |
|     | 108825-03-000 | EA  | GASKET - MIRROR                           |
|     | 133379-01-01A | EA  | SCREW - MACHINE - 5/16-18 X 2.00 - TORX   |
|     | 120850-04-02B | EA  | PLATE - SUPPORT/MIRROR - E-COATED         |

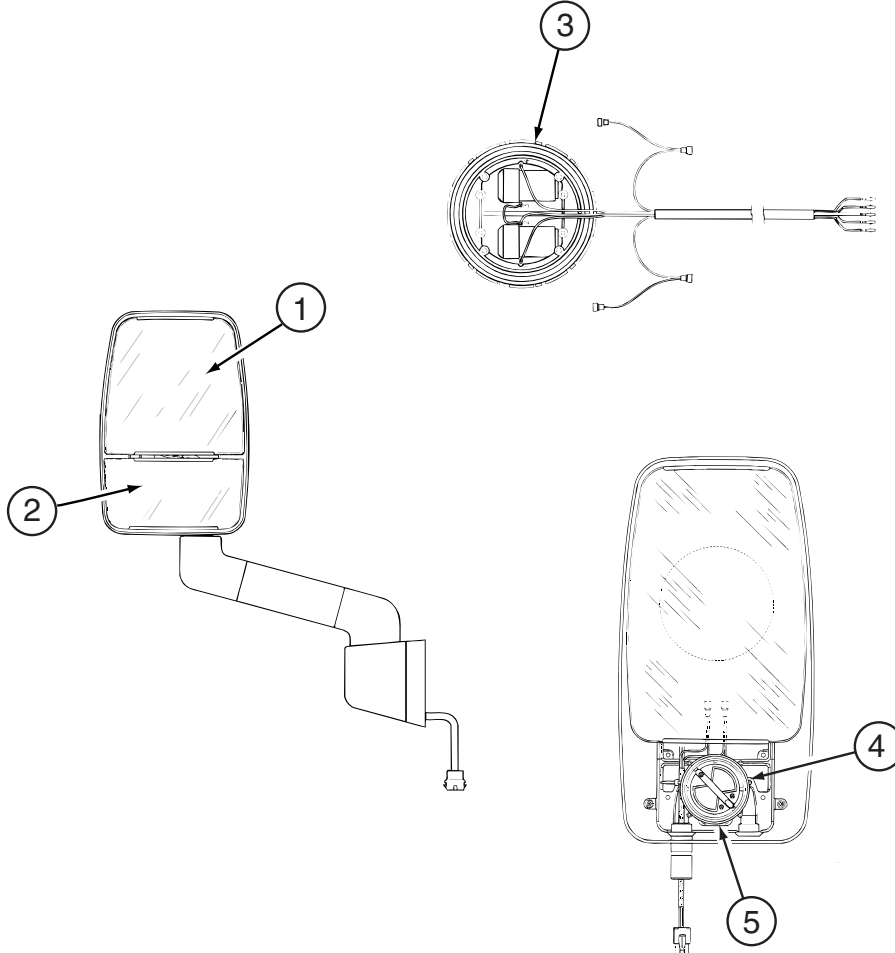
**\*COMPONENT PARTS LISTED LATER IN THIS GROUP**

## EXTERIOR BODY GROUP (CONTINUED)

### COMPONENT PARTS FOR MIRRORS

106015-18-01A, 106015-19-01A

| KEY | PART NUMBER   | U/M | DESCRIPTION                          | VENDOR NO. |
|-----|---------------|-----|--------------------------------------|------------|
|     | 106015-12-702 | EA  | CAP/SCREW - (PKG OF 4) - BLK         | 748329 RND |
|     | 106015-16-700 | EA  | GLASS-FLAT W/HEAT ELEMENT            | 709450     |
|     | 106015-18-700 | EA  | GLASS/CONVEX-KIT W/CLIP              | 709650     |
|     | 106015-18-701 | EA  | ACTUATOR - CONVEX GLASS              | 7475410    |
|     | 106015-18-702 | EA  | MOTOR - FLAT GLASS                   | 747118     |
|     | 106015-18-703 | EA  | CONVEX REBUILT KIT                   | 709651     |
|     | 106015-19-700 | EA  | VIBRATION KIT - MIRROR GLASS, VELVAC | 709645     |



131431-06-01A & 02A

| KEY | PART NUMBER   | U/M | DESCRIPTION                  | VENDOR NO. |
|-----|---------------|-----|------------------------------|------------|
| 1   | 106015-16-700 | EA  | GLASS-FLAT W/HEAT ELEMENT    | 709450     |
| 2   | 106015-18-700 | EA  | GLASS - CONVEX/21"RADIUS     | 7021220    |
| 3   | 106015-18-702 | EA  | MOTOR - FLAT GLASS           | 7476730    |
| 5   | 106015-18-701 | EA  | ACTUATOR - CONVEX GLASS      | 7475410    |
|     | 131431-01-702 | EA  | KIT(SCREW COVER)ROUND & OVAL | 748345     |

CONTACT WINNEBAGO PART SALES FOR THIS COMPONENT

**EXTERIOR BODY GROUP (CONTINUED)**  
**STRUCTURAL COMPONENTS**

| KEY | PART NUMBER   | U/M | DESCRIPTION  |
|-----|---------------|-----|--|
|     | 002766-01-001 | EA  | ANGLE - EXTRUDED - 1" X 1 1/2" X 17'                       |
|     | 068716-01-001 | EA  | BRACE - 90 DEGREE - L-ANGLE - 16'                          |
|     | 089297-01-000 | SF  | PLYWOOD - LUAN - OVERLAY GRADE - 4' X 8'                   |
|     | 100619-01-000 | BF  | FOAM - EXPANDED POLYSTYRENE - 1.34" X 48" X 96"            |
|     | 100619-02-000 | BF  | FOAM - EXPANDED POLYSTYRENE - 1.5" X 48" X 96"             |
|     | 100619-05-000 | BF  | FOAM - EXPANDED POLYSTYRENE - .75" X 48" X 96"-1.5 DENSITY |
|     | 100619-13-000 | BF  | FOAM - EXPANDED POLYSTYRENE - .34" X 34.65" X 96"          |
|     | 100619-16-000 | BF  | FOAM - EXPANDED POLYSTYRENE - .75" X 48" X 96"-2.0 DENSITY |
|     | 100619-27-000 | BF  | FOAM - EXPANDED POLYSTYRENE - 48" X 92.8" X 3"             |
|     | 105077-08-000 | EA  | FOAM - PLUG - ROOF CAP                                     |
|     |               |     | FROM: 06-24-02 THRU: 99-99-99                              |
|     | 120107-01-000 | EA  | FOAM - ROOF COVE - 2.8" X 96" LONG                         |
|     | 120107-02-000 | EA  | FOAM - PLUG - ROOF TUBE - 2.2" X 2.9" X 1.8" LONG          |
|     | 120107-03-000 | EA  | FOAM - PLUG - SIDEWALL TUBE - 1.2" X 2.1" X 1.8" LONG      |
|     | 128782-07-01A | EA  | FIBERGLASS SHEET - 79" X 456" - HIGH GLOSS - BRIGHT WHITE  |
|     | 128782-08-01A | EA  | FIBERGLASS SHEET - 22" X 68.3" - HIGH GLOSS - BRIGHT WHITE |
|     | 128782-09-01A | EA  | FIBERGLASS SHEET - 31" X 68.2" - HIGH GLOSS - BRIGHT WHITE |
|     |               |     | FROM: 05-01-02 THRU: 99-99-99                              |
|     | 128782-10-01A | EA  | FIBERGLASS SHEET - 25" X 48" - HIGH GLOSS - BRIGHT WHITE   |

**EXTERIOR BODY GROUP (CONTINUED)**  
**AWNINGS**

**JOURNEY DL PATIO AWNINGS WITH GRAPHIC PKG.**

| SERIES    | MODEL | GRAPHIC PKG.<br>24E,27G,92K | AWNING | AWNING | WEATHER     | PART #        | PART #        |
|-----------|-------|-----------------------------|--------|--------|-------------|---------------|---------------|
|           |       |                             | FABRIC | LENGTH | WRAP        | MANUAL        | ELECTRIC      |
| JORNEY DL | P32TD | BURGUNDY ROSE (DZ)          | VINYL  | 18'    | MTL/BRT WHT | 113874-07-34A | 143181-07-34A |
|           | P34HD | BURGUNDY ROSE (DZ)          | VINYL  | 18'    | MTL/BRT WHT | 113874-07-34A | 143181-07-34A |
|           | P36LD | BURGUNDY ROSE (DZ)          | VINYL  | 20'    | MTL/BRT WHT | 113874-09-34A | 143181-09-34A |
|           | P36GD | BURGUNDY ROSE (DZ)          | VINYL  | 20'    | MTL/BRT WHT | 113874-09-34A | 143181-09-34A |
|           | P39QD | BURGUNDY ROSE (DZ)          | VINYL  | 20'    | MTL/BRT WHT | 113874-09-34A | 143181-09-34A |
|           | P39WD | BURGUNDY ROSE (DZ)          | VINYL  | 20'    | MTL/BRT WHT | 113874-09-34A | 143181-09-34A |

| KEY | PART NUMBER   | U/M | DESCRIPTION   |
|-----|---------------|-----|---|
| *   | 113874-01-02A | EA  | HARDWARE KIT - AWNING - W/O STANDOFF BRACKET-BRIGHT WHITE       |
|     | 143181-01-01A | EA  | HARDWARE/AWNING - WEATHERPROOF - BRIGHT WHITE - <b>ELECTRIC</b> |
|     | 143181-02-01A | EA  | HARDWARE/AWNING - ELECTRICAL KIT                                |
|     | 113874-11-01A | EA  | SCREW/LAG - AWNING - 1/4" X 1" STAINLESS STEEL                  |
|     | 113874-12-01A | EA  | SCREW/LAG - AWNING - 1/4" X 2 3/4" STAINLESS STEEL              |
|     | 137054-01-02A | EA  | BRACKET - AWNING - BRIGHT WHITE                                 |

\*COMPONENT PARTS LISTED LATER IN THIS GROUP

**JOURNEY DL PATIO AWNINGS WITH FULL BODY PAINT**

| MODEL | COLOR CODE           | AWNING COLOR | HARDWARE COLOR | PATIO ROLLER  | AWNING LENGTH | PATIO HARDWARE | ELECTRICAL KIT |
|-------|----------------------|--------------|----------------|---------------|---------------|----------------|----------------|
| P39WD | MOCHA <b>27A</b>     | TRUE BROWN   | CHAMPAGNE      | 143181-09-26E | 20'           | 143181-01-02A  | 143181-02-01A  |
| P39QD | MOCHA <b>27A</b>     | TRUE BROWN   | CHAMPAGNE      | 143181-09-26E | 20'           | 143181-01-02A  | 143181-02-01A  |
| P36LD | MOCHA <b>27A</b>     | TRUE BROWN   | CHAMPAGNE      | 143181-09-26E | 20'           | 143181-01-02A  | 143181-02-01A  |
| P36GD | MOCHA <b>27A</b>     | TRUE BROWN   | CHAMPAGNE      | 143181-09-26E | 20'           | 143181-01-02A  | 143181-02-01A  |
| P34HD | MOCHA <b>27A</b>     | TRUE BROWN   | CHAMPAGNE      | 143181-07-26E | 18'           | 143181-01-02A  | 143181-02-01A  |
| P32TD | MOCHA <b>27A</b>     | TRUE BROWN   | CHAMPAGNE      | 143181-07-26E | 18'           | 143181-01-02A  | 143181-02-01A  |
| P39WD | AUBURN <b>92A</b>    | BURGUNDY     | CHAMPAGNE      | 143181-09-22E | 20'           | 143181-01-02A  | 143181-02-01A  |
| P39QD | AUBURN <b>92A</b>    | BURGUNDY     | CHAMPAGNE      | 143181-09-22E | 20'           | 143181-01-02A  | 143181-02-01A  |
| P36LD | AUBURN <b>92A</b>    | BURGUNDY     | CHAMPAGNE      | 143181-09-22E | 20'           | 143181-01-02A  | 143181-02-01A  |
| P36GD | AUBURN <b>92A</b>    | BURGUNDY     | CHAMPAGNE      | 143181-09-22E | 20'           | 143181-01-02A  | 143181-02-01A  |
| P34HD | AUBURN <b>92A</b>    | BURGUNDY     | CHAMPAGNE      | 143181-07-22E | 18'           | 143181-01-02A  | 143181-02-01A  |
| P32TD | AUBURN <b>92A</b>    | BURGUNDY     | CHAMPAGNE      | 143181-07-22E | 18'           | 143181-01-02A  | 143181-02-01A  |
| P39WD | BLUE LAKE <b>24C</b> | BLUE         | SILVER         | 143181-09-52F | 20'           | 143181-01-03A  | 143181-02-01A  |
| P39QD | BLUE LAKE <b>24C</b> | BLUE         | SILVER         | 143181-09-52F | 20'           | 143181-01-03A  | 143181-02-01A  |
| P36LD | BLUE LAKE <b>24C</b> | BLUE         | SILVER         | 143181-09-52F | 20'           | 143181-01-03A  | 143181-02-01A  |
| P36GD | BLUE LAKE <b>24C</b> | BLUE         | SILVER         | 143181-09-52F | 20'           | 143181-01-03A  | 143181-02-01A  |
| P34HD | BLUE LAKE <b>24C</b> | BLUE         | SILVER         | 143181-07-52F | 18'           | 143181-01-03A  | 143181-02-01A  |
| P32TD | BLUE LAKE <b>24C</b> | BLUE         | SILVER         | 143181-07-52F | 18'           | 143181-01-03A  | 143181-02-01A  |

| KEY | PART NUMBER   | U/M | DESCRIPTION                                    |
|-----|---------------|-----|--|
|     | 113874-11-01A | EA  | SCREW/LAG - AWNING - 1/4" X 1" STAINLESS STEEL |

**EXTERIOR BODY GROUP (CONTINUED)**  
**AWNINGS (CONTINUED)**

**JOURNEY DL WINDOW AWINGS WITH GRAPHIC PKG.**

| <b>JOURNEY DL</b>   | <b>WHERE</b> | <b>SIZE</b> | <b>PART NUMBER</b>     |
|---------------------|--------------|-------------|------------------------|
| <b>GRAPHIC PKG.</b> |              |             | <b>24E,27G,92K</b>     |
|                     |              |             | <b>BURGUNDY ROSE</b>   |
|                     |              |             | <b>w/ wht mtl wrap</b> |
| P32TD               | RT REAR      | 42" XL      | 142199-05-34A          |
|                     | LT MID       | 42"         | 142199-04-34A          |
|                     | LT FRONT     | 66"         | 142199-06-34A          |
| P34HD               | RT REAR      | 42" XL      | 142199-05-34A          |
|                     | LT FRONT     | 108"        | 142199-07-34A          |
| P36GD               | RT REAR      | 42"XL       | 142199-05-34A          |
|                     | LT MID       | 36"         | 142199-03-34A          |
|                     | LT FRONT     | 144"        | 142199-08-34A          |
| P36LD               | RT REAR      | 42" XL      | 142199-05-34A          |
|                     | LT MID       | 36"         | 142199-03-34A          |
|                     | LT FRONT     | 108"        | 142199-07-34A          |
| P39QD               | RT REAR      | 42" XL      | 142199-05-34A          |
|                     | LT FRONT     | 144"        | 142199-08-34A          |
| P39WD               | RT REAR      | 42" XL      | 142199-05-34A          |
|                     | LT MID       | 36"         | 142199-03-34A          |
|                     | LT FRONT     | 108"        | 142199-07-34A          |

**JOURNEY DL WINDOW AWINGS WITH FULL BODY PAINT**

| <b>MODEL</b> | <b>COLOR CODE</b>    | <b>AWNING COLOR</b> | <b>HARDWARE COLOR</b> | <b>WINDOW</b>   | <b>WINDOW</b>   | <b>WINDOW</b> | <b>WINDOW</b>   | <b>WINDOW</b>  | <b>WINDOW</b>   |
|--------------|----------------------|---------------------|-----------------------|-----------------|-----------------|---------------|-----------------|----------------|-----------------|
|              |                      |                     |                       | <b>LT FRONT</b> | <b>LT FRONT</b> | <b>LT MID</b> | <b>LT MID</b>   | <b>RT REAR</b> | <b>RT REAR</b>  |
|              |                      |                     |                       | <b>ROLLER</b>   | <b>HARDWARE</b> | <b>ROLLER</b> | <b>HARDWARE</b> | <b>ROLLER</b>  | <b>HARDWARE</b> |
| P39WD        | MOCHA <b>27A</b>     | TRUE BROWN          | CHAMPAGNE             | 142199-07-26E   | 142199-01-02A   | 142199-03-26E | 142199-01-02A   | 142199-05-26E  | 142199-02-02A   |
| P39QD        | MOCHA <b>27A</b>     | TRUE BROWN          | CHAMPAGNE             | 142199-08-26E   | 142199-01-02A   | NA            | NA              | 142199-05-26E  | 142199-02-02A   |
| P36LD        | MOCHA <b>27A</b>     | TRUE BROWN          | CHAMPAGNE             | 142199-07-26E   | 142199-01-02A   | 142199-03-26E | 142199-01-02A   | 142199-05-26E  | 142199-02-02A   |
| P34HD        | MOCHA <b>27A</b>     | TRUE BROWN          | CHAMPAGNE             | 142199-07-26E   | 142199-01-02A   | NA            | NA              | 142199-05-26E  | 142199-02-02A   |
| P32TD        | MOCHA <b>27A</b>     | TRUE BROWN          | CHAMPAGNE             | 142199-06-26E   | 142199-01-02A   | 142199-04-26E | 142199-01-02A   | 142199-05-26E  | 142199-02-02A   |
| P39WD        | AUBURN <b>92A</b>    | BURGUNDY            | CHAMPAGNE             | 142199-07-22E   | 142199-01-02A   | 142199-03-22E | 142199-01-02A   | 142199-05-22E  | 142199-02-02A   |
| P39QD        | AUBURN <b>92A</b>    | BURGUNDY            | CHAMPAGNE             | 142199-08-22E   | 142199-01-02A   | NA            | NA              | 142199-05-22E  | 142199-02-02A   |
| P36LD        | AUBURN <b>92A</b>    | BURGUNDY            | CHAMPAGNE             | 142199-07-22E   | 142199-01-02A   | 142199-03-22E | 142199-01-02A   | 142199-05-22E  | 142199-02-02A   |
| P36GD        | AUBURN <b>92A</b>    | BURGUNDY            | CHAMPAGNE             | 142199-08-22E   | 142199-01-02A   | 142199-03-22E | 142199-01-02A   | 142199-05-22E  | 142199-02-02A   |
| P34HD        | AUBURN <b>92A</b>    | BURGUNDY            | CHAMPAGNE             | 142199-07-22E   | 142199-01-02A   | NA            | NA              | 142199-05-22E  | 142199-02-02A   |
| P32TD        | AUBURN <b>92A</b>    | BURGUNDY            | CHAMPAGNE             | 142199-06-22E   | 142199-01-02A   | 142199-04-22E | 142199-01-02A   | 142199-05-22E  | 142199-02-02A   |
| P39WD        | BLUE LAKE <b>24C</b> | BLUE                | SILVER                | 142199-07-52F   | 142199-01-03A   | 142199-03-52F | 142199-01-03A   | 142199-05-52F  | 142199-02-03A   |
| P39QD        | BLUE LAKE <b>24C</b> | BLUE                | SILVER                | 142199-08-52F   | 142199-01-03A   | NA            | NA              | 142199-05-52F  | 142199-02-03A   |
| P36LD        | BLUE LAKE <b>24C</b> | BLUE                | SILVER                | 142199-07-52F   | 142199-01-03A   | 142199-03-52F | 142199-01-03A   | 142199-05-52F  | 142199-02-03A   |
| P36GD        | BLUE LAKE <b>24C</b> | BLUE                | SILVER                | 142199-08-52F   | 142199-01-03A   | 142199-03-52F | 142199-01-03A   | 142199-05-52F  | 142199-02-03A   |
| P34HD        | BLUE LAKE <b>24C</b> | BLUE                | SILVER                | 142199-07-52F   | 142199-01-03A   | NA            | NA              | 142199-05-52F  | 142199-02-03A   |
| P32TD        | BLUE LAKE <b>24C</b> | BLUE                | SILVER                | 142199-06-52F   | 142199-01-03A   | 142199-04-52F | 142199-01-03A   | 142199-05-52F  | 142199-02-03A   |

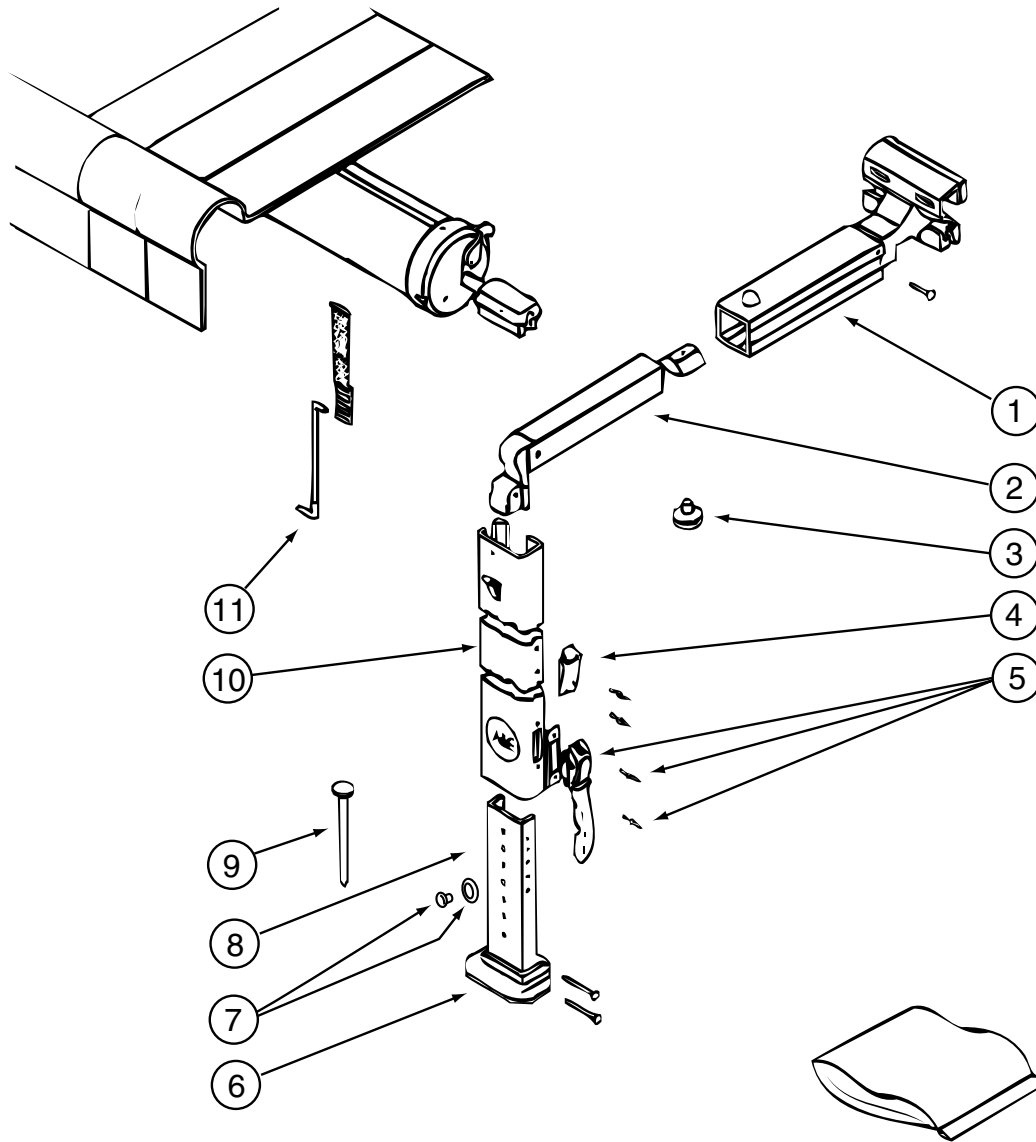
**EXTERIOR BODY GROUP (CONTINUED)**  
**AWNINGS (CONTINUED)**

| MODEL | COLOR  | JOURNEY DL ENTRY DOOR AWNINGS |                   |                  |                |
|-------|--|-------------------------------|-------------------|------------------|----------------|
|       |  | AWNING<br>COLOR               | HARDWARE<br>COLOR | DOOR<br>ELECTRIC | DOOR<br>MANUAL |
| ALL   | <b>GRAPHIC PKG.<br/>24E,27G,92K<br/>PAINT PKG.</b> | WHITE                         | BRIGHT WHITE      | 136767-02-01A    | 136767-01-01A  |
| ALL   | MOCHA <b>27A</b>                                   | TRUE BROWN                    | CHAMPAGNE         | 136767-02-26E    | NA             |
| ALL   | AUBURN <b>92A</b>                                  | BURGUNDY                      | CHAMPAGNE         | 136767-02-22E    | NA             |
| ALL   | BLUE LAKE <b>24C</b>                               | BLUE                          | SILVER            | 136767-02-52F    | NA             |

| KEY | PART NUMBER   | U/M DESCRIPTION                        |
|-----|---------------|--|
|     | 137029-01-01A | EA BRACKET - AWNING - BRIGHT WHITE     |
|     | 136770-03-01A | EA SPACER - AWNING - 2" - BRIGHT WHITE |



**EXTERIOR BODY GROUP (CONTINUED)**  
**COMPONENT PARTS FOR AWNINGS**

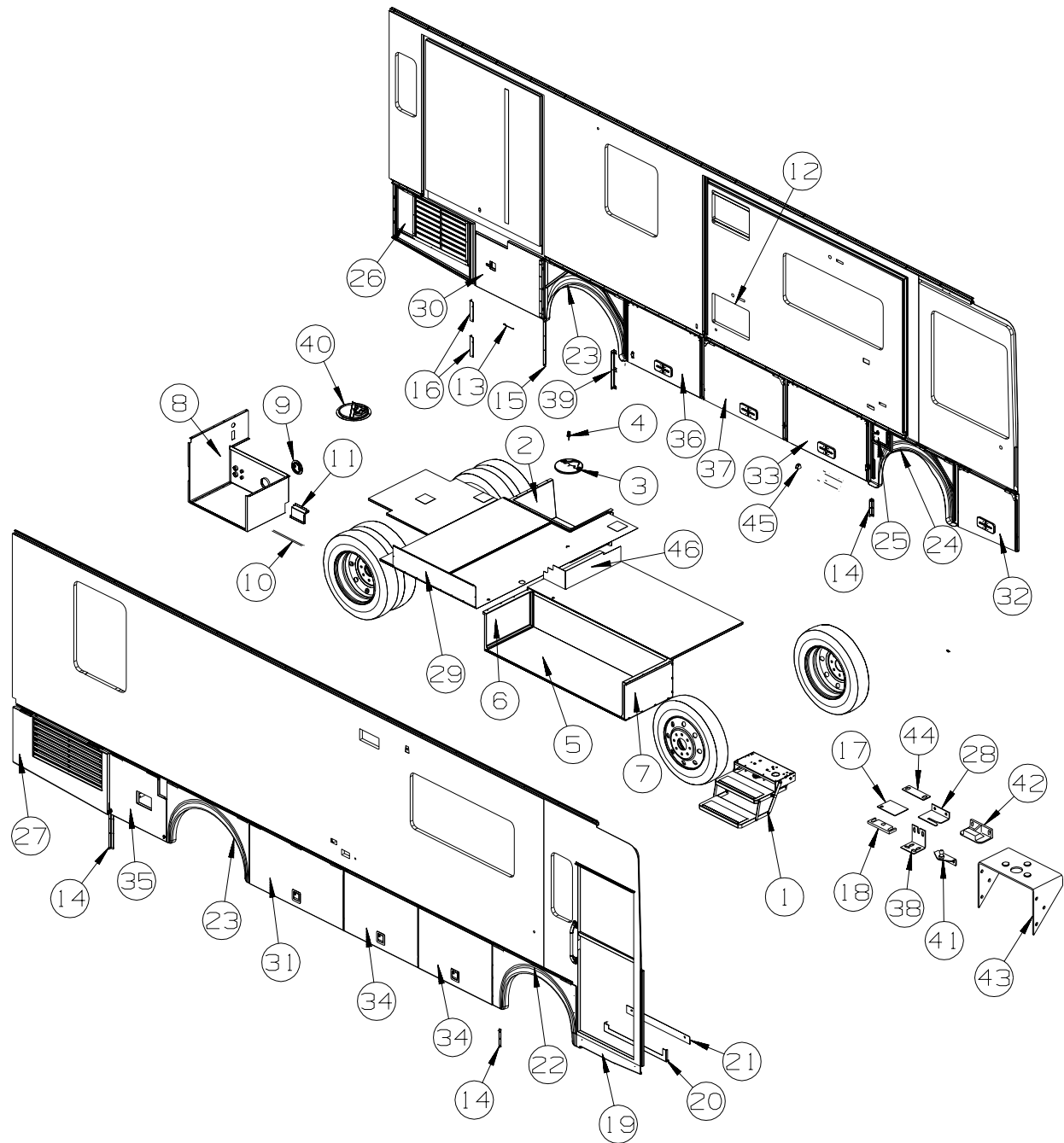


113874-01-02A

| KEY | PART NUMBER   | U/M | DESCRIPTION                 | VENDOR NO.    |
|-----|---------------|-----|-----------------------------|---------------|
| 1   | 113874-01-714 | EA  | RAFTER - MAIN RH/LH BRT/WHT | 830295.536F   |
| 2   | 113874-01-715 | EA  | RAFTER - SECONDARY BRT/WHT  | 830463.511F   |
| 3   | 113874-01-702 | EA  | KNOB - ADJUSTING            | 3105421.014   |
| 4   | 113874-01-706 | EA  | LOCK - TRAVEL               | 830587.001    |
| 5   | 113874-01-707 | EA  | HANDLE - LIFT W/RIVETS      | 830644        |
| 6   | 113874-01-712 | EA  | FOOT - PATIO                | 730366-001    |
| 7   | 113874-01-710 | EA  | PLUG-STOP KIT               | 830456        |
| 8   | 113874-01-717 | EA  | ARM - ADJUSTABLE BRT/WHT    | 830467.517/F  |
| 9   | 113874-01-709 | EA  | NAIL-SPIKE, 8"              | 113006        |
| 10  | 113874-01-716 | EA  | ARM - MAIN SUPPORT BRT/WHT  | 3104502.293/F |
| 11  | 113874-01-703 | EA  | ROD-CENTER PULL W/ACCESSORY | 830152.102    |

# EXTERIOR DOORS & COMPARTMENTS GROUP

## DOOR & COMPARTMENT LAYOUT



| KEY | PART NUMBER   | U/M | DESCRIPTION  |
|-----|---------------|-----|--|
| 1*  | 094708-03-01A | EA  | STEP - ELECTRIC - SINGLE - BLACK CONTROL BOX - KWIKEE      |
| 2   | 133341-02-L76 | EA  | COMPARTMENT - DRAINAGE                                     |
| 3   | M08628-01-H17 | EA  | HATCH - W/FOAM INSERT - 3/4" X 11 1/2" DIA.- BLACK PLASTIC |
| 4   | 121175-02-01A | EA  | LATCH - SWELL  |
| 5   | 135927-10-N70 | EA  | COMPARTMENT - LUGGAGE                                      |
| 6   | 126397-03-01A | EA  | PANEL/COMPARTMENT END - RIGHT HAND                         |
| 7   | 126397-04-01A | EA  | PANEL/COMPARTMENT END - LEFT HAND                          |
| 8   | 136958-01-M76 | EA  | COMPARTMENT - WATER  |
| 9   | 092887-03-000 | EA  | HATCH/PLATE - 6.1" FLANGE/4.5" R.O. - BLACK                |
| 10  | 130034-08-02B | EA  | CLIP - TRIM - E-COATED                                     |
| 11  | 140352-01-02B | EA  | PANEL - CLOSEOUT - WATER HEATER - E-COATED                 |
| 12  | 137395-01-01A | EA  | DOOR - REFRIGERATOR VENT - 21.6" X 13.9" - BRIGHT WHITE    |
| 13  | 076767-11-000 | EA  | CABLE - STAINLESS STEEL - 5.9"                             |
| 14  | 113904-11-02B | EA  | ANGLE - ATTACHMENT/WHEEL LIP - 21.6" - E-COAT              |
| 15  | 113904-13-02B | EA  | ANGLE - ATTACHMENT/WHEEL LIP - 15.7" - E-COAT              |
| 16  | 113904-15-02B | EA  | ANGLE - ATTACHMENT/WHEEL LIP - 9.4" - E-COAT               |
| 17  | 115620-01-12B | EA  | PLATE - BACKING - BRIGHT WHITE                             |

FROM: 02-16-02 THRU: 99-99-99

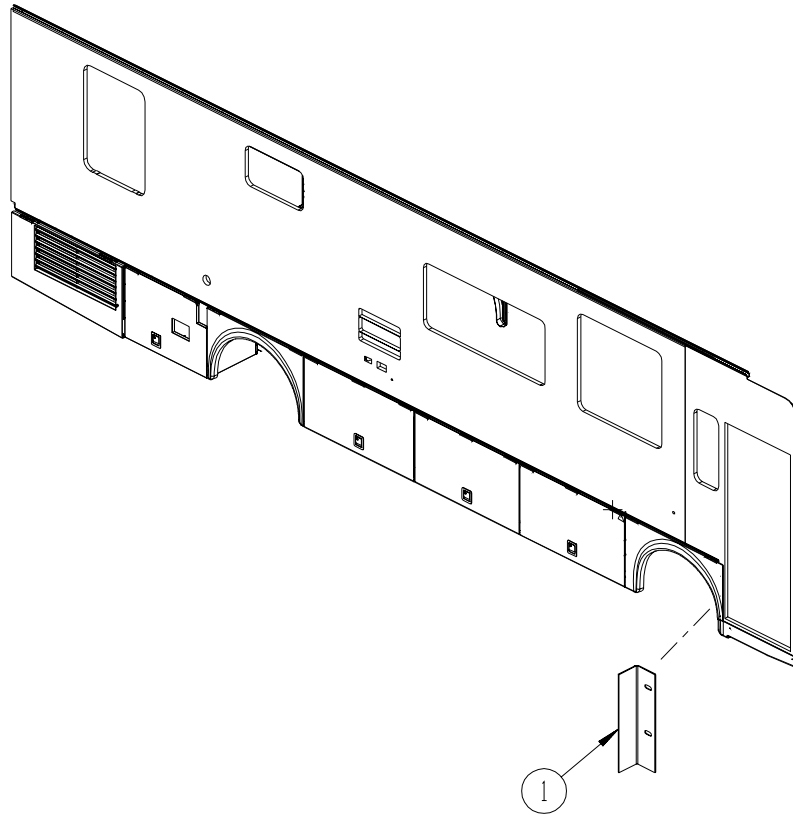
**EXTERIOR DOORS & COMPARTMENTS GROUP (CONTINUED)**  
**DOOR & COMPARTMENT LAYOUT (CONTINUED)**

| KEY | PART NUMBER   | U/M DESCRIPTION   |
|-----|---------------|---|
| 18  | 120494-04-02B | EA SHIM - STRIKER - LUGGAGE DOOR - .27 - E-COATED             |
| 19  | 131900-02-P75 | EA VALANCE/PANEL - ENTRY DOOR - PLASTIC - BLACK               |
| 20  | 134125-04-02B | EA SUPPORT - DOOR/VALANCE - E-COATED                          |
| 21  | 143362-02-02B | EA CLIP - TRIM - E-COATED                                     |
| 22  | 131922-01-M70 | EA PANEL/WHEEL LIP - FRONT/PASSENGER - 48.1"                  |
| 23  | 131922-03-L76 | EA PANEL/WHEEL LIP - REAR - 47.2"                             |
| 24  | 131922-04-N70 | EA PANEL/WHEEL LIP - FRONT/DRIVER - 49" - BLACK               |
| 25  | 131905-05-N70 | EA PANEL/DOOR - FUEL FILL - BLACK                             |
| 26  | 132197-03-M76 | EA VALANCE/DOOR - DRVR W/GRILLE W/O HDW-25.7" X 47.2" X 28.4" |
| 27  | 132198-01-L76 | EA VALANCE/DOOR - PASSENGER W/GRILLE - 27.8" X 52.6" X 25.2"  |
| 28  | 132585-02-02B | EA BRACKET - CATCH - VALANCE DOOR - E-COATED                  |
| 29  | 133386-01-02B | EA PANEL - CLOSEOUT - HOLDING TANK - E-COATED                 |
| 30  | 138269-14-N70 | EA VALANCE/DOOR - W/O LATCH/HINGE - 39.8" X 28.3"             |
| 31  | 140442-05-N70 | EA VALANCE/DOOR - W/O PADDLE LATCH - 54" X 28"                |
|     | 132873-11-000 | EA ROD - LATCH - 22.7" W/3/4" DOG LEG                         |
|     | 132873-12-000 | EA ROD - LATCH - 22.7" W/3/4" DOG LEG                         |
|     | 107796-31-000 | EA SPRING/GAS - 12" COMPRESSED/20" EXTENDED - 100 LB          |
| 32  | 140442-08-N70 | EA VALANCE/DOOR - DRVR FRT W/O PADDLE LATCH - 28" X 34" X 26" |
|     | 132873-17-000 | EA ROD - LATCH - 11.3" W/3/4" DOG LEG                         |
|     | 132873-18-000 | EA ROD - LATCH - 13.1" W/3/4" DOG LEG                         |
|     | 107796-23-000 | EA SPRING/GAS - 11.3" COMPRESSED/18.5" EXTENDED - 45 LB.      |
| 33  | 140442-10-N52 | EA VALANCE/DOOR - W/O PADDLE LATCH - 47" X 28"                |
|     | 132873-78-000 | EA ROD - LATCH - 17.7" W/3/4" DOG LEG                         |
|     | 132873-79-000 | EA ROD - LATCH - 19.5" W/3/4" DOG LEG                         |
|     | 107796-31-000 | EA SPRING/GAS - 12" COMPRESSED/20" EXTENDED - 100 LB          |
| 34  | 140442-11-N70 | EA VALANCE/DOOR - W/O PADDLE LATCH - 42" X 28"                |
|     | 132873-71-000 | EA ROD - LATCH - 15.1" W/3/4" DOG LEG                         |
|     | 132873-72-000 | EA ROD - LATCH - 16.9" W/3/4" DOG LEG                         |
|     | 107796-31-000 | EA SPRING/GAS - 12" COMPRESSED/20" EXTENDED - 100 LB          |
| 35  | 140442-12-N70 | EA VALANCE/DOOR - W/O PADDLE LATCH - 32" X 28" W/NOTCH & VENT |
|     | 107796-31-000 | EA SPRING/GAS - 12" COMPRESSED/20" EXTENDED - 100 LB          |
| 36  | 140442-13-N70 | EA VALANCE/DOOR - W/O PADDLE LATCH - 43" X 28"                |
|     | 132873-70-000 | EA ROD - LATCH - 17.5" W/3/4" DOG LEG                         |
|     | 132873-77-000 | EA ROD - LATCH - 15.7" W/3/4" DOG LEG                         |
|     | 107796-26-000 | EA SPRING/GAS - 12" COMPRESSED/20" EXTENDED - 90 LB.          |
| 37  | 140442-15-N70 | EA VALANCE/DOOR - W/O PADDLE LATCH - 47" X 28"                |
|     | 132873-11-000 | EA ROD - LATCH - 22.7" W/3/4" DOG LEG                         |
|     | 132873-90-000 | EA ROD - LATCH - 16.4" W/3/4" DOG LEG                         |
|     | 107796-31-000 | EA SPRING/GAS - 12" COMPRESSED/20" EXTENDED - 100 LB          |
| 38  | 109216-03-000 | EA ANGLE - FURNACE DOOR                                       |
| 39  | 138789-01-02B | EA ANGLE/MOUNT - WHEEL LIP - E-COATED                         |
|     |               | FROM: 11-18-02 THRU: 99-99-99                                 |
| 40  | 129015-01-K80 | EA PORT W/HATCH - F/ELECTRICAL/DRAIN                          |
| 41  | 126263-02-02B | EA GAS SPRING W/BALL STUD - E-COATED                          |
| 42  | 130053-01-01A | EA STRIKER - LUGGAGE DOOR - FLUSH - BLACK                     |
| 43  | 130053-02-01A | EA STRIKER - LUGGAGE DOOR - OFF SET - BLACK                   |
| 44  | 120494-03-02B | EA SHIM - STRIKER - LUGGAGE DOOR - .20 - E-COATED             |
|     |               | FROM: 00-00-00 THRU: 01-05-03                                 |
| 44  | 143793-01-01A | EA SHIM/STRIKER - LUGGAGE - 1.5" - BLACK                      |
|     |               | FROM: 01-06-03 THRU: 99-99-99                                 |
| 45  | 131383-03-02A | EA BRACKET - SHOWER HEAD - WHITE                              |
| 46  | 134811-01-02B | EA PANEL - COVER - WATER SYSTEM - E-COATED                    |

**EXTERIOR DOORS & COMPARTMENTS GROUP (CONTINUED)**  
**DOOR & COMPARTMENT LAYOUT (CONTINUED)**

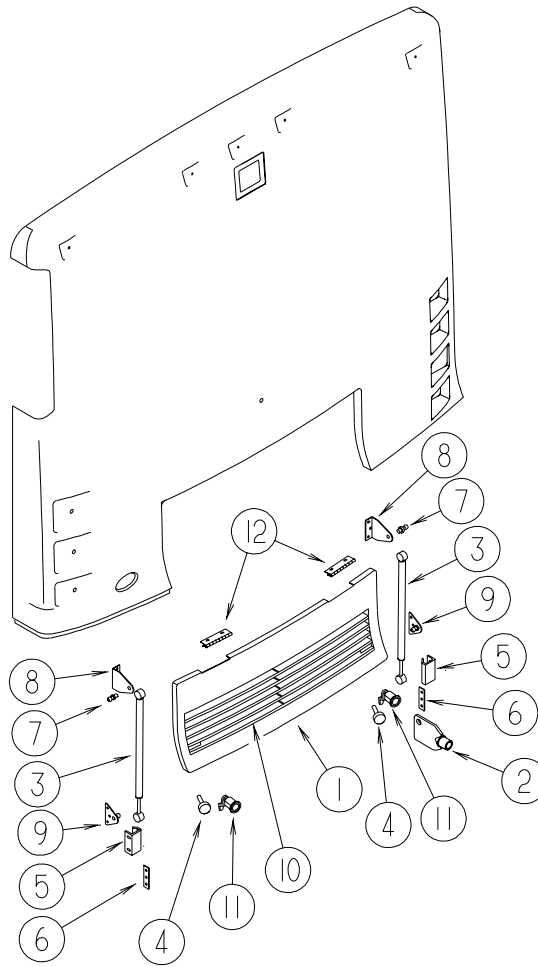
| KEY | PART NUMBER   | U/M | DESCRIPTION                                  |
|-----|---------------|-----|--|
|     | 132892-02-01A | FT  | SEAL - BULB                                  |
|     | 138292-01-000 | EA  | SEAL - LOCK CYLINDER                         |
|     | 138289-01-000 | EA  | CYLINDER - LOCKING                           |
|     | 138289-02-000 | EA  | CYLINDER - LOCKING                           |
|     | 138289-03-000 | EA  | CYLINDER - LOCKING                           |
|     | 138289-04-000 | EA  | CYLINDER - LOCKING                           |
|     | 138289-05-000 | EA  | CYLINDER - LOCKING                           |
|     | 138289-06-000 | EA  | CYLINDER - LOCKING                           |
|     | 138289-07-000 | EA  | CYLINDER - LOCKING                           |
|     | 138289-08-000 | EA  | CYLINDER - LOCKING                           |
|     | 138289-09-000 | EA  | CYLINDER - LOCKING                           |
|     | 138289-10-000 | EA  | CYLINDER - LOCKING                           |
|     | 138288-01-000 | EA  | KEY - REVERSIBLE - #1151 - T/M 16169-02-3091 |
|     | 138288-02-000 | EA  | KEY - REVERSIBLE - #1151 - T/M 16169-02-3091 |
|     | 138288-03-000 | EA  | KEY - REVERSIBLE - #1151 - T/M 16169-02-3091 |
|     | 138288-04-000 | EA  | KEY - REVERSIBLE - #1151 - T/M 16169-02-3091 |
|     | 138288-05-000 | EA  | KEY - REVERSIBLE - #1151 - T/M 16169-02-3091 |
|     | 138288-06-000 | EA  | KEY - REVERSIBLE - #1151 - T/M 16169-02-3091 |
|     | 138288-07-000 | EA  | KEY - REVERSIBLE - #1151 - T/M 16169-02-3091 |
|     | 138288-08-000 | EA  | KEY - REVERSIBLE - #1151 - T/M 16169-02-3091 |
|     | 138288-09-000 | EA  | KEY - REVERSIBLE - #1151 - T/M 16169-02-3091 |
|     | 138288-10-000 | EA  | KEY - REVERSIBLE - #1151 - T/M 16169-02-3091 |

**\*COMPONENT PARTS LISTED LATER IN THIS GROUP**



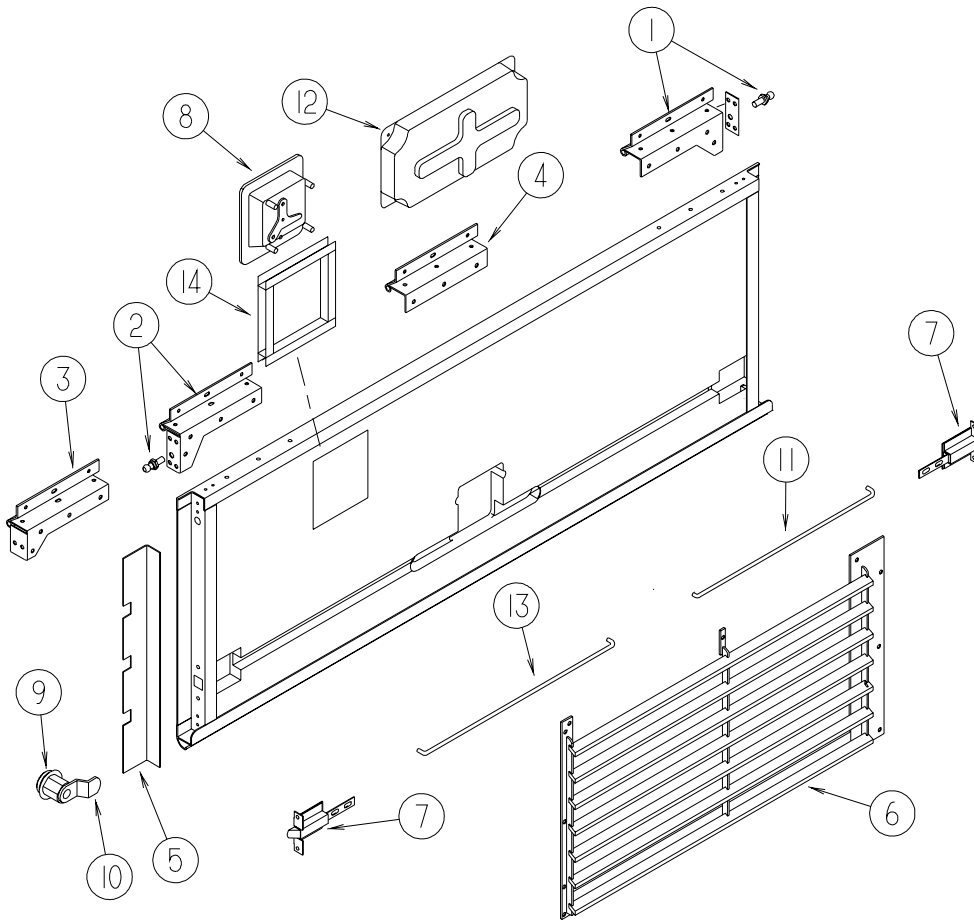
| KEY | PART NUMBER   | U/M | DESCRIPTION                     |
|-----|---------------|-----|---------------------------------|
| 1   | 113041-15-02B | EA  | ANGLE - BUMPER MOUNT - E-COATED |

**EXTERIOR DOORS & COMPARTMENTS GROUP (CONTINUED)**  
**DOOR & COMPARTMENT LAYOUT (CONTINUED)**



| KEY | PART NUMBER                        | U/M | DESCRIPTION  |
|-----|------------------------------------|-----|--|
| 1   | 132182-01-L76                      | EA  | DOOR - REAR ENGINE - W/O HARDWARE                        |
| 2   | 102328-01-000                      | EA  | KEY - BARREL - NICKEL PLATED                             |
| 3   | 107796-23-000                      | EA  | SPRING/GAS - 11.3" COMPRESSED/18.5" EXTENDED - 45 LB.    |
| 4   | 058786-01-000                      | EA  | BOLT - HOOD ADJUSTMENT - 5/16"-18 X 1.5"-2"- W/BLACK PAD |
| 5   | 107719-01-01A                      | EA  | STRIKE - VALANCE DOOR                                    |
| 6   | 118931-01-02B                      | EA  | SHIM - STRIKER - DOOR                                    |
| 7   | NOT AVAILABLE - CONTACT PART SALES |     |  |
| 8   | 126263-10-02B                      | EA  | BRACKET - GAS SPRING W/BALL STUD - E-COATED              |
| 9   | 126263-08-02B                      | EA  | BRACKET - GAS SPRING W/CENTERED BALL STUD - E-COATED     |
| 10  | 132412-01-L76                      | EA  | GRILLE/DOOR - TRUNK                                      |
| 11  | 102330-02-000                      | EA  | LATCH - VISE ACTION/KEY OPERATED                         |
| 12  | 102325-02-07A                      | EA  | HINGE/TRUNK DOOR - 6" W/.6" OFF SET - BRIGHT WHITE       |

**EXTERIOR DOORS & COMPARTMENTS GROUP (CONTINUED)**  
**COMPARTMENT DOOR PIECE PARTS**



| KEY | PART NUMBER   | U/M | DESCRIPTION   |
|-----|---------------|-----|---|
| 1   | 139793-01-01A | EA  | HINGE - RIGHT HAND/VALANCE DOOR - W/BALLSTUD          |
| 2   | 139793-02-01A | EA  | HINGE - LEFT HAND/VALANCE DOOR - W/BALLSTUD           |
| 3   | 139793-05-01A | EA  | HINGE - LEFT HAND/VALANCE DOOR - W/O BALLSTUD         |
| 4   | 139793-03-01A | EA  | HINGE - CENTER/VALANCE DOOR - W/O BALLSTUD            |
| 5   | 139207-01-02B | EA  | PANEL - SUPPORT - A/C DOOR - E-COATED                 |
| 6   | 113333-06-L76 | EA  | GRILLE/DOOR - A/C                                     |
| 7   | 121947-01-01A | EA  | BOLT - SLIDE W/PLASTIC PLUNGER                        |
| 8   | 138277-01-01A | EA  | LATCH/PADDLE - COMPARTMENT DOOR - BLACK - KEY ONE     |
| 8   | 112949-02-04A | EA  | LATCH - PADDLE NON-LOCKING - BRIGHT WHITE             |
| 9   | 110506-50-000 | EA  | CASE/CYLINDER - TWIST LATCH - W/O CAM - .65" - 596952 |
| 10  | 110506-76-000 | EA  | CAM - LOCK  |
| 11  | 132873-01-000 | EA  | ROD - LATCH (BLANK) - RIGHT HAND                      |
| 12  | 137359-01-01A | EA  | COVER - LATCH - WHITE                                 |
| 13  | 132873-02-000 | EA  | ROD - LATCH (BLANK) - LEFT HAND                       |
| 14  | 133049-01-L76 | EA  | TRIM - COVER - WATER HEATER                           |

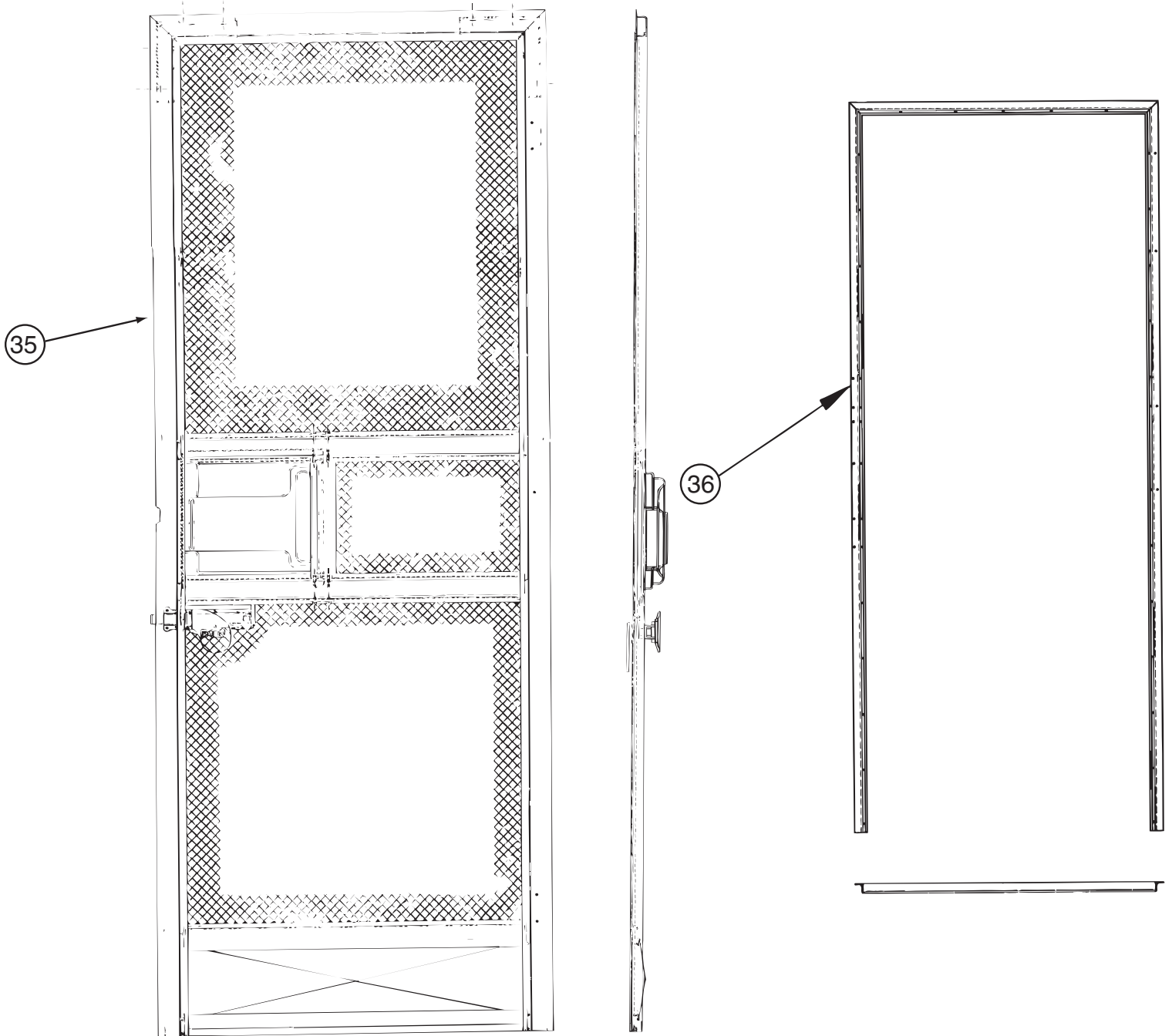
## EXTERIOR DOORS & COMPARTMENTS GROUP (CONTINUED)

### ENTRY

| KEY | PART NUMBER   | U/M | DESCRIPTION   |
|-----|---------------|-----|---|
| *   | 128913-10-02A | EA  | DOOR - ENTRY/FRONT - POWER LOCK - WHITE   |
| *   | 128913-10-01A | EA  | DOOR - ENTRY/FRONT - POWER LOCK - W/BLACK OUTER FRAME - <b>FULL BODY PAINT</b><br>FROM: 00-00-00 THRU: 04-06-03 |
|     | 128913-12-01A | EA  | DOOR - ENTRY/FRONT - POWER LOCK - BLACK - <b>FULL BODY PAINT</b><br>FROM: 04-07-03 THRU: 99-99-99               |
|     | 134450-02-01A | EA  | TAPE - ANTI SLIP - 1.25" X 29.9" - BLACK  |
|     | 039715-01-000 | EA  | NUT-SERT - 1/4" DIAMETER - 20 THREADS   |
|     | 138287-01-000 | EA  | CYLINDER/LOCK - ENTRY DOOR (MASTER)   |
|     | 138287-02-000 | EA  | CYLINDER/LOCK - ENTRY DOOR (MASTER)   |
|     | 138287-03-000 | EA  | CYLINDER/LOCK - ENTRY DOOR (MASTER)   |
|     | 138287-04-000 | EA  | CYLINDER/LOCK - ENTRY DOOR (MASTER)   |
|     | 138287-05-000 | EA  | CYLINDER/LOCK - ENTRY DOOR (MASTER)   |
|     | 138287-06-000 | EA  | CYLINDER/LOCK - ENTRY DOOR (MASTER)   |
|     | 138287-07-000 | EA  | CYLINDER/LOCK - ENTRY DOOR (MASTER)   |
|     | 138287-08-000 | EA  | CYLINDER/LOCK - ENTRY DOOR (MASTER)   |
|     | 138287-09-000 | EA  | CYLINDER/LOCK - ENTRY DOOR (MASTER)   |
|     | 138287-10-000 | EA  | CYLINDER/LOCK - ENTRY DOOR (MASTER)   |
|     | 138288-01-000 | EA  | KEY - REVERSIBLE - #1151 - T/M 16169-02-3091  |
|     | 138288-02-000 | EA  | KEY - REVERSIBLE - #1152 - T/M 16169-02-3092  |
|     | 138288-03-000 | EA  | KEY - REVERSIBLE - #1153 - T/M 16169-02-3093  |
|     | 138288-04-000 | EA  | KEY - REVERSIBLE - #1154 - T/M 16169-02-3094  |
|     | 138288-05-000 | EA  | KEY - REVERSIBLE - #1155 - T/M 16169-02-3095  |
|     | 138288-06-000 | EA  | KEY - REVERSIBLE - #1156 - T/M 16169-02-3096  |
|     | 138288-07-000 | EA  | KEY - REVERSIBLE - #1157 - T/M 16169-02-3097  |
|     | 138288-08-000 | EA  | KEY - REVERSIBLE - #1158 - T/M 16169-02-3098  |
|     | 138288-09-000 | EA  | KEY - REVERSIBLE - #1159 - T/M 16169-02-3099  |
|     | 138288-10-000 | EA  | KEY - REVERSIBLE - #1150 - T/M 16169-02-3100  |

\*COMPONENT PARTS LISTED LATER IN THIS GROUP

**EXTERIOR DOORS & COMPARTMENTS GROUP (CONTINUED)**  
**COMPONENT PARTS FOR ENTRY**

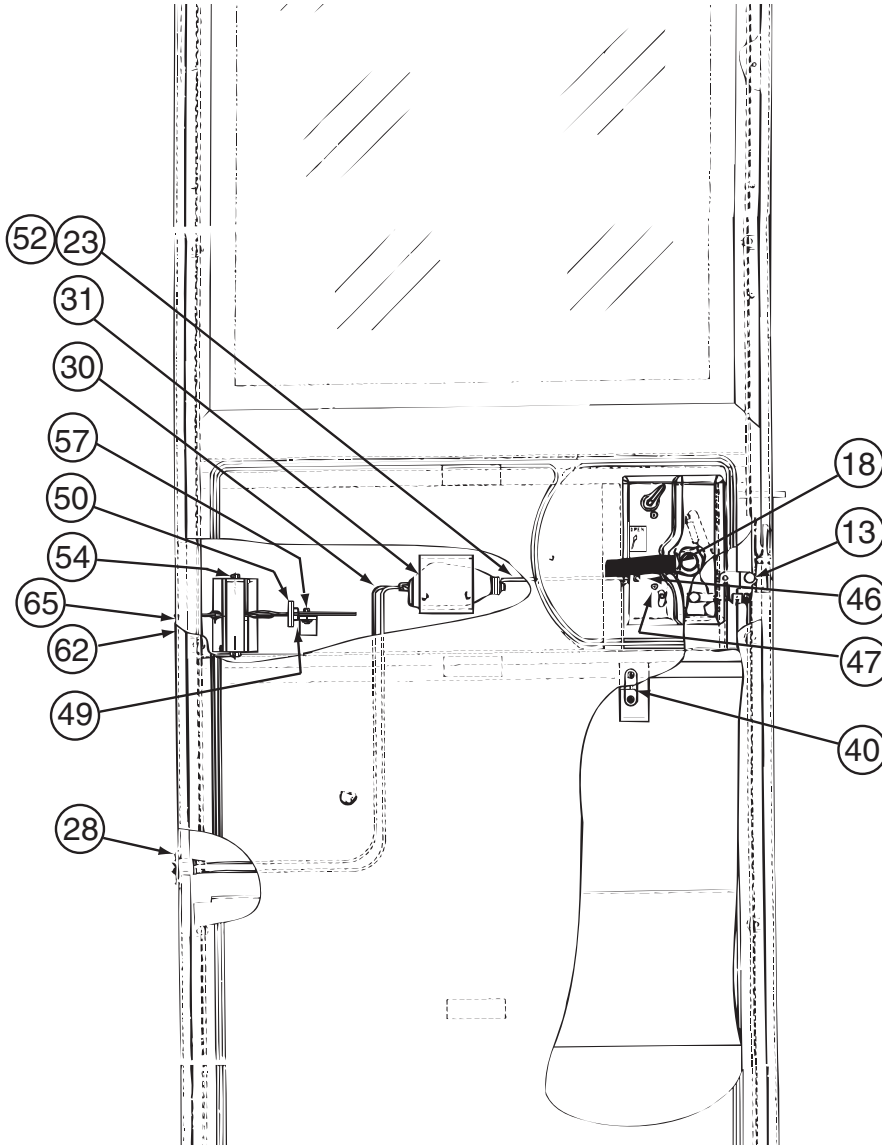


|            |                    |            |                              | <b>128913-10-02A</b> |                   |
|------------|--------------------|------------|------------------------------|----------------------|-------------------|
| <b>KEY</b> | <b>PART NUMBER</b> | <b>U/M</b> | <b>DESCRIPTION</b>           |                      | <b>VENDOR NO.</b> |
| 35*        | 128913-09-700      | EA         | SCREEN DOOR ASSEMBLY         |                      | 490056            |
| 36         | 128913-10-700      | EA         | FRAME/CLAMP - WELD ASM BLACK |                      | 490195            |

**\*COMPONENT PARTS LISTED LATER IN THIS GROUP**



**EXTERIOR DOORS & COMPARTMENTS GROUP (CONTINUED)**  
**COMPONENT PARTS FOR ENTRY (CONTINUED)**

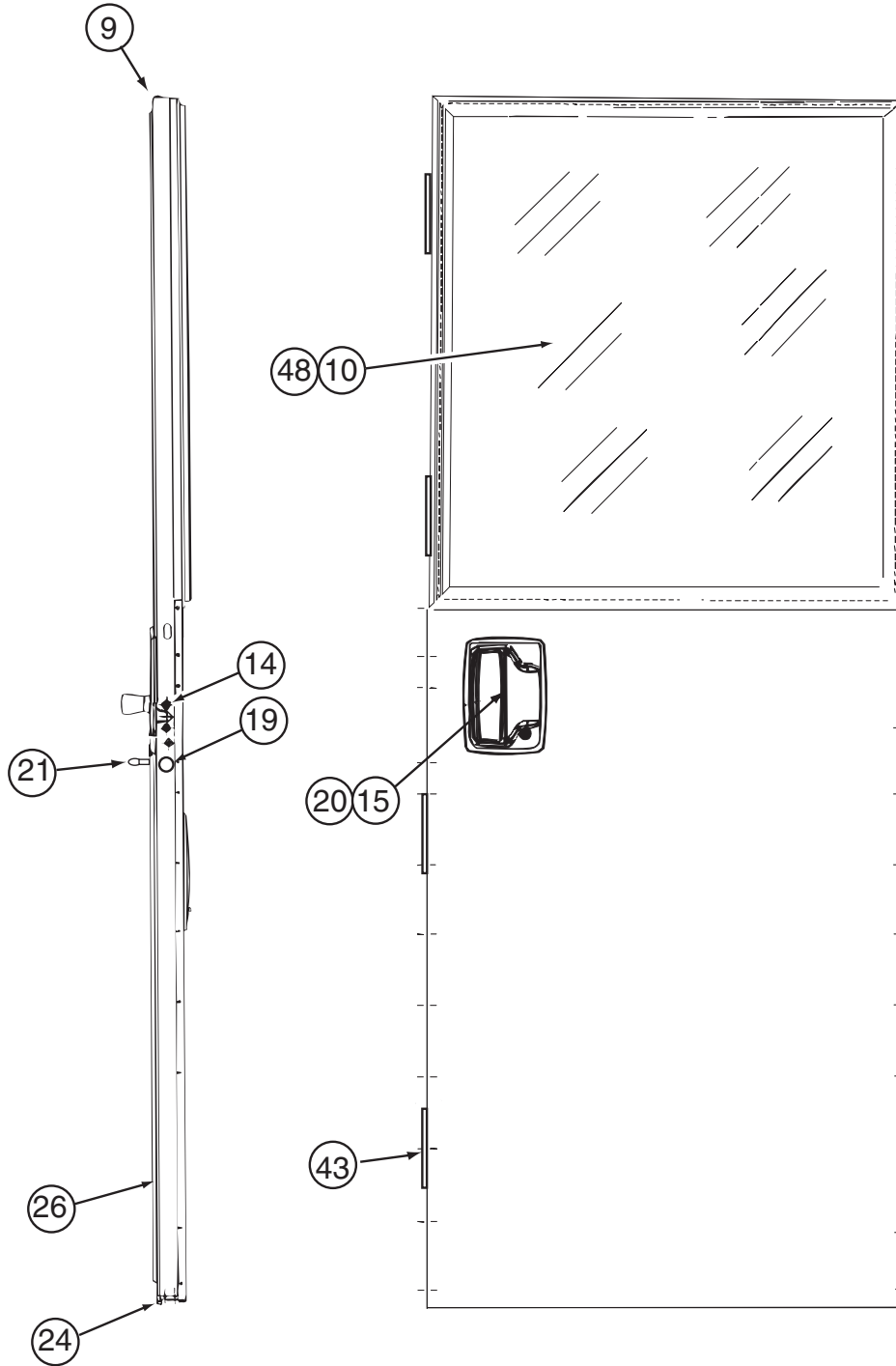


**128913-10-02A (CONTINUED)**

| KEY | PART NUMBER   | U/M | DESCRIPTION                  | VENDOR NO.         |
|-----|---------------|-----|------------------------------|--------------------|
| 13  | 128913-04-706 | EA  | LATCH/ROTARY - W/LINKAGE RH  | B248-041726/T/M179 |
| 18  | 128913-08-700 | EA  | HANDLE - INSIDE - REV.       | 248-041725         |
| 23  | 128913-04-704 | EA  | ROD/LOCK - (POWER)           | 17705-01           |
| 30  | 128913-01-712 | EA  | WIRE HARNESS-POWER DOOR LOCK | 400-041935         |
| 31  | 106469-05-701 | EA  | ACTUATOR, F/ELECTRIC LOCK    | 410-041096         |
| 40  | 128913-01-710 | EA  | STRIKER - LATCH/SCREEN DOOR  | 130-041815         |
| 46  | 128913-02-711 | EA  | SLIDE BAR ASSEMBLY           | V196-29            |
| 47  | 128913-01-746 | EA  | SCREW #8 X 3/4" OVAL HEAD    | 276-042030         |
| 49  | 128913-02-712 | EA  | PIN - COILED SPRING          | 248-042237         |
| 50  | 128913-02-713 | EA  | BUMPER STOP                  | V196-24            |
| 54  | 128913-01-733 | EA  | DOOR CHECK-SUB ASM ADJUST    | V196-04            |
| 57  | 128913-01-705 | EA  | BOLT - SHOULDER - #10 X 1/4  | 268-042011         |
| 62  | 128913-02-714 | EA  | GUIDE BLOCK - DOOR CHECK     | 146-042045         |
| 65  | 128913-04-709 | EA  | PIN/CLEVIS-GROOVED W/E-RING  | 245-042260         |

CONTACT WINNEBAGO PARTS SALES FOR UNLISTED COMPONENTS

**EXTERIOR DOORS & COMPARTMENTS GROUP (CONTINUED)**  
**COMPONENT PARTS FOR ENTRY (CONTINUED)**

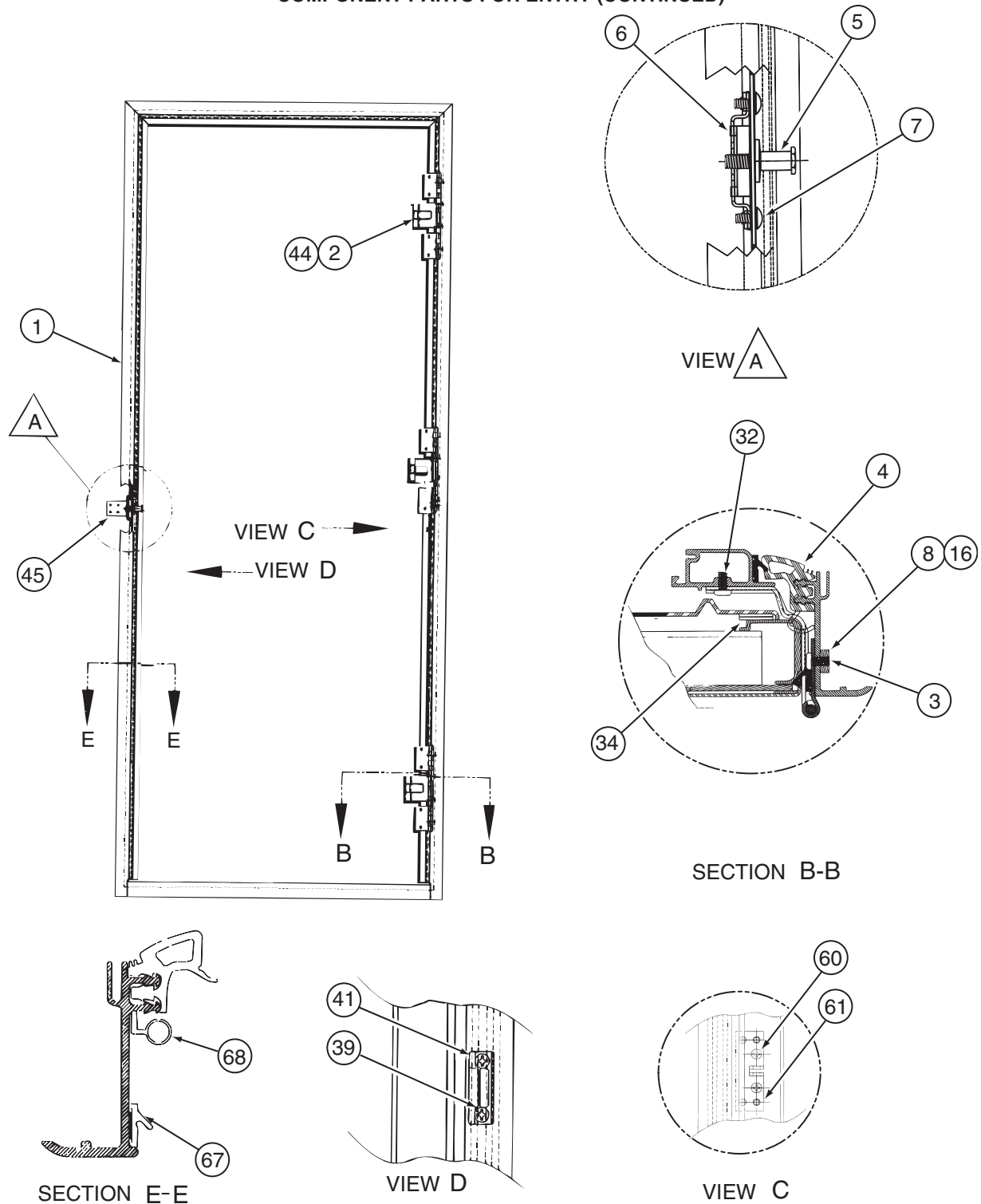


**128913-10-02A (CONTINUED)**

| KEY | PART NUMBER   | U/M | DESCRIPTION  | VENDOR NO. |
|-----|---------------|-----|--|------------|
| 9   | 128913-04-708 | EA  | DOOR FRAME - SUB ASM - BLACK                               | V266-90    |
| 10  | 128913-04-707 | EA  | WINDOW-DUAL PANE   | V231-85    |
| 14  | 128913-03-713 | EA  | BOLT-ROTARY LATCH-1/4"-20                                  | 81066-01   |
| 15  | 112782-18-01A | EA  | LATCH - EXTERIOR - W/O LOCK CYLINDER W/ICON-REVERSIBLE KEY |            |
| 20  | 128913-04-705 | EA  | GASKET - OUTSIDE HANDLE                                    | 81480      |
| 21  | 112782-05-01A | EA  | CAP - VINYL - RED  |            |
| 24  | 128913-01-744 | EA  | SEAL/BULB-STICK ON/THRESHOLD                               | 122-042230 |
| 26  | 128913-04-712 | EA  | PANEL - INNER PLASTIC                                      | 490057     |
| 48  | 128913-04-700 | FT  | TAPE/BUTYL - FOAM CORE                                     | 154-041549 |

CONTACT WINNEBAGO PARTS SALES FOR UNLISTED COMPONENTS

**EXTERIOR DOORS & COMPARTMENTS GROUP (CONTINUED)**  
**COMPONENT PARTS FOR ENTRY (CONTINUED)**

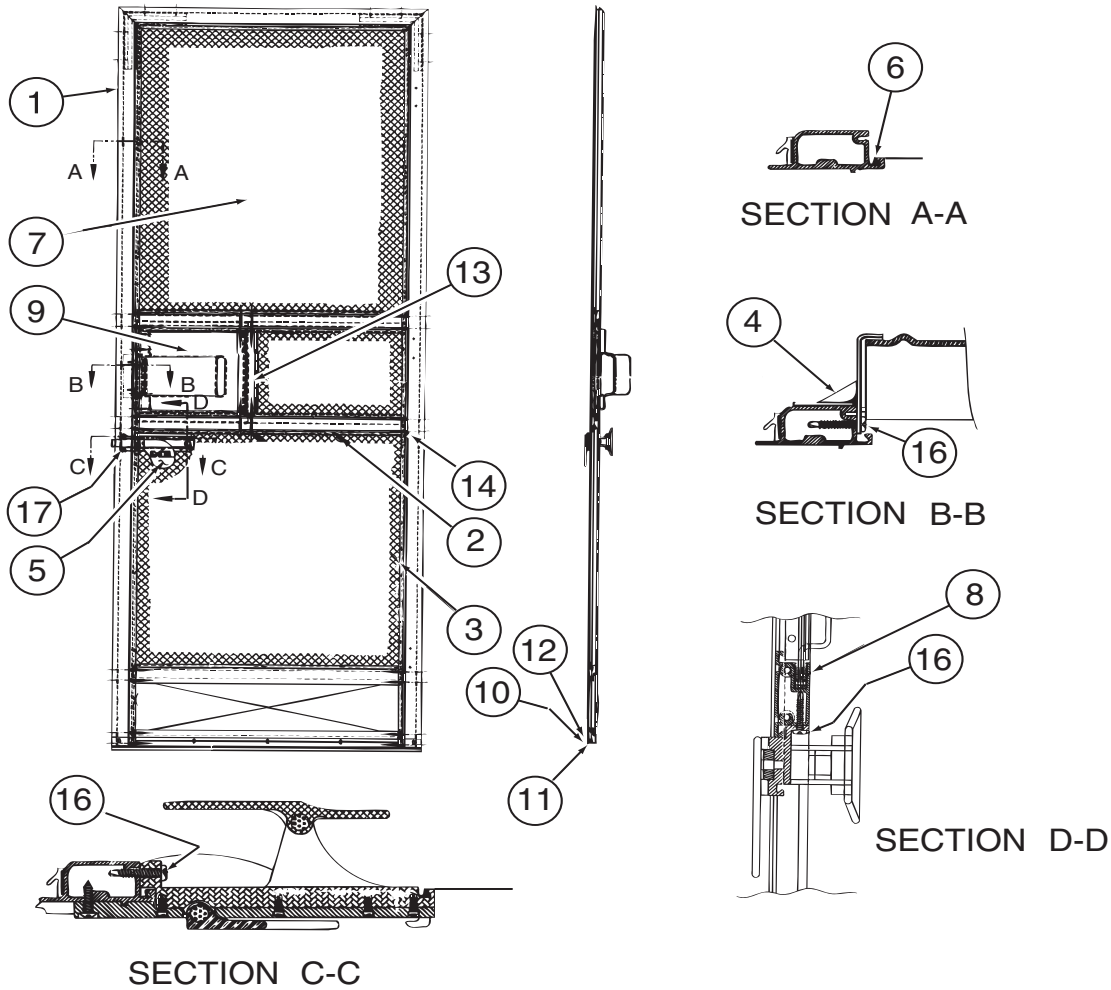


**128913-10-02A (CONTINUED)**

| KEY | PART NUMBER   | U/M | DESCRIPTION                  | VENDOR NO. |
|-----|---------------|-----|------------------------------|------------|
| 1   | 128913-10-702 | EA  | FRAME/OUTER ASM - WHITE      | 490198     |
| 2   | 128913-01-729 | EA  | HINGE                        | 211-041740 |
| 4   | 128913-01-728 | EA  | SEAL - DOOR/CORNER- MITERED  | 122-041917 |
| 5   | 128913-01-727 | EA  | STRIKER - BOLT - LONG        | 11628-16   |
| 6   | 128913-01-726 | EA  | NUT ASSEMBLY-CAGED (STRIKER) | 11920-16   |
| 41  | 128913-01-709 | EA  | STRIKER-SCREEN DR/FRAME MT   | 130-041824 |
| 44  | 128913-03-708 | EA  | SEAL/HINGE (3 PER DOOR)      | 124-042236 |
| 45  | 128913-02-700 | EA  | LATCH - BRACKET              | 210-042215 |
| 61  | 128913-01-704 | EA  | BRACKET - PIVOT/BRASS        | 370-042315 |
| 67  | 128913-01-732 | FT  | SEAL - LAZY T                | 122-041986 |

CONTACT WINNEBAGO PARTS SALES FOR UNLISTED COMPONENTS

**EXTERIOR DOORS & COMPARTMENTS GROUP (CONTINUED)**  
**COMPONENT PARTS FOR ENTRY (CONTINUED)**



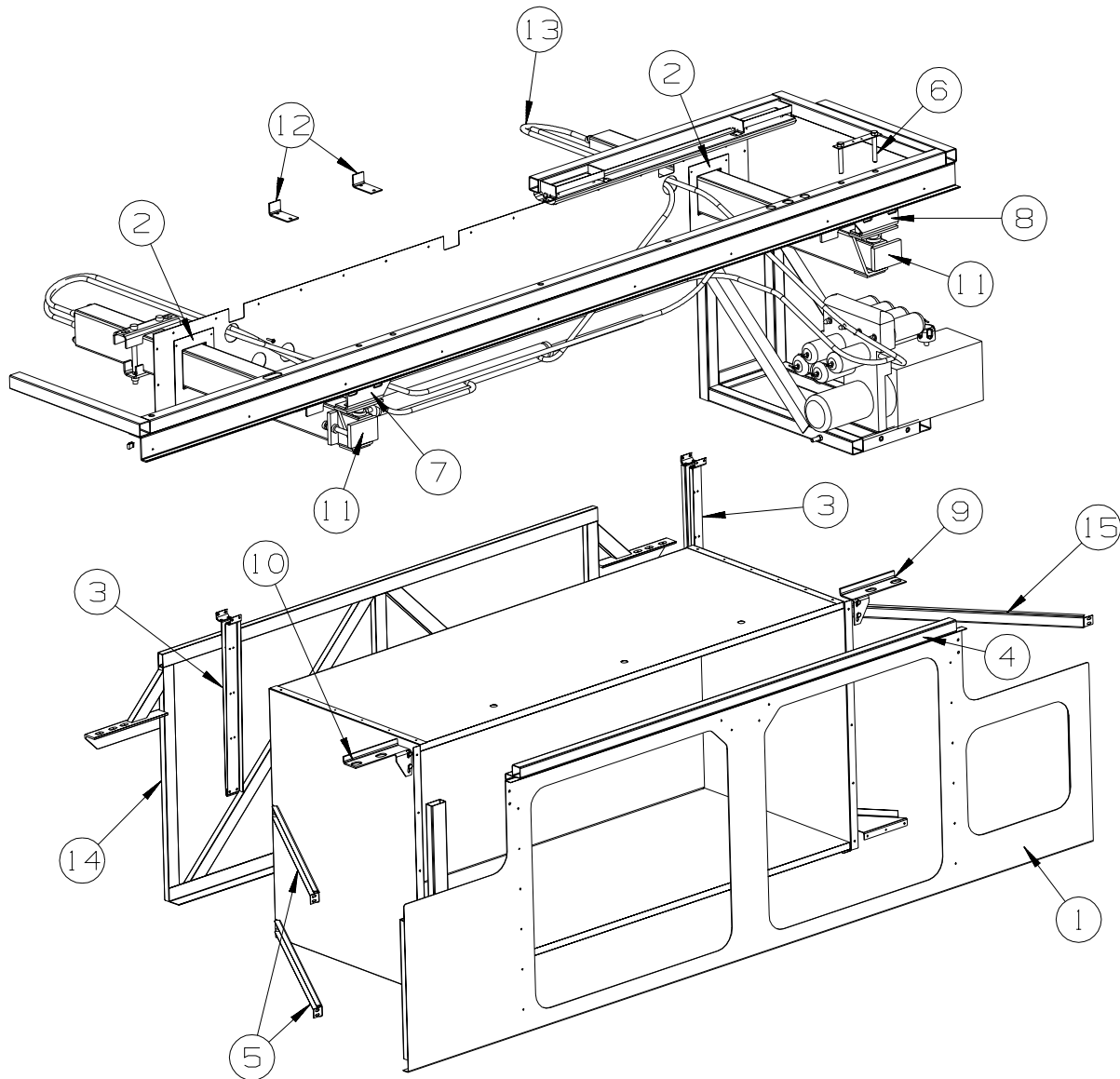
**128913-10-01A, 128913-10-02A, 128913-11-01A (CONTINUED)**

| KEY | PART NUMBER   | U/M | DESCRIPTION                  | VENDOR NO. |
|-----|---------------|-----|------------------------------|------------|
| 2   | 128913-09-704 | EA  | RAIL/MID SCREEN-GLACIER BEIG | 490054     |
| 4   | 128913-09-703 | EA  | END CAP - GLACIER BEIGE      | 490061     |
| 5   | 128913-01-731 | EA  | LATCH - SCREEN DOOR          | 146-041950 |
| 6   | 128913-01-742 | FT  | SPLINE - SCREEN              | 132-041775 |
| 7   | 128913-01-741 | EA  | SCREEN ONLY - SCREENDOOR     | 110-041928 |
| 8   | 128913-01-740 | FT  | RUN CHANNEL-SCREEN DR SLIDER | 170-041263 |
| 9   | 128913-09-702 | EA  | SLIDER/SCREENDOOR-GLACIER BE | 490059     |
| 10  | 128913-09-701 | EA  | SWEEPER/SCREENDOOR- GLACIER  | 490052     |
| 11  | 128913-01-736 | FT  | WEATHERSTRIP-SCREEN DOOR     | 171-041284 |
| 13  | 128913-01-738 | FT  | WEATHERSTRIP - SLIDER        | 171-041285 |

CONTACT WINNEBAGO PARTS SALES FOR UNLISTED COMPONENTS

# EXTERIOR SLIDEOUT GROUP

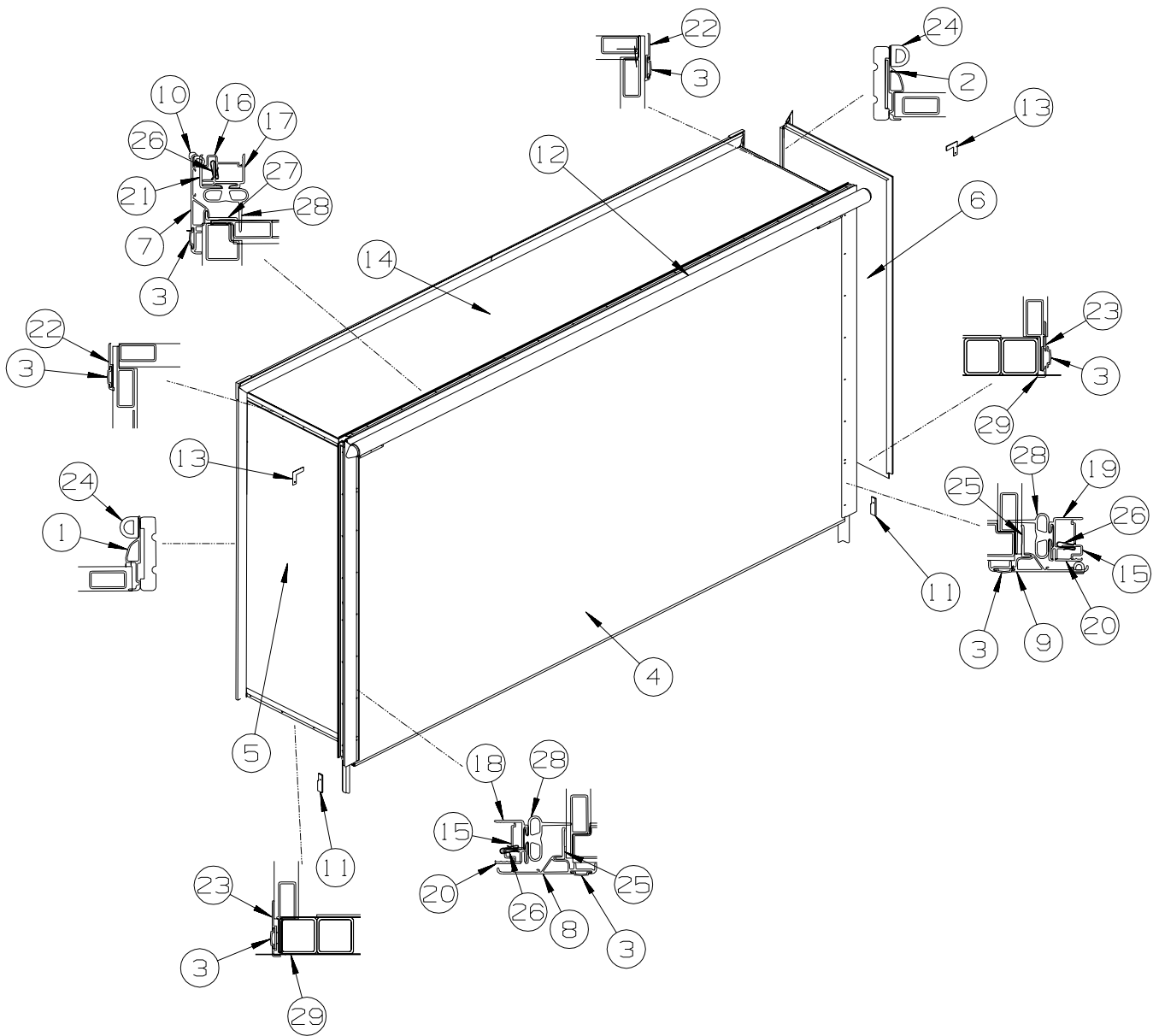
FRONT LEFT



| KEY | PART NUMBER   | U/M | DESCRIPTION  |
|-----|---------------|-----|--|
| 1   | 126516-01-01A | EA  | TRIM - VINYL/EXTRUDED - 8'                           |
| 2   | 125828-03-02B | EA  | FILLER/STEEL - SLIDEOUT - E-COATED                   |
| 3   | 126591-02-02B | EA  | CARRIER - WIRE LOOM - F/SLIDEOUT ROOM                |
| 4   | 137015-01-02B | EA  | SEAL PLANE - SLIDEOUT - E-COATED                     |
| 5   | 126497-09-02B | EA  | SUPPORT - VALANCE - E-COATED                         |
| 6   | 136995-05-02B | EA  | PLATE - E-COATED                                     |
| 7   | 127030-01-02B | EA  | BRACKET - INNER FRONT/SLIDEOUT - E-COATED            |
| 8   | 127030-02-02B | EA  | BRACKET - INNER REAR/MOUNT - E-COATED                |
| 9   | 125888-01-02B | EA  | BRACKET/SLIDEOUT COMPARTMENT - RIGHT HAND - E-COATED |
|     |               |     | FROM: 00-00-00 THRU: 10-27-02                        |
| 9   | 125888-05-02B | EA  | BRACKET/SLIDEOUT COMPARTMENT - RIGHT HAND - E-COATED |
|     |               |     | FROM: 10-28-02 THRU: 99-99-99                        |
| 10  | 125888-02-02B | EA  | BRACKET/SLIDEOUT COMPARTMENT - LEFT HAND - E-COATED  |
|     |               |     | FROM: 00-00-00 THRU: 10-27-02                        |
| 10  | 125888-06-02B | EA  | BRACKET/SLIDEOUT COMPARTMENT - LEFT HAND - E-COATED  |
|     |               |     | FROM: 10-28-02 THRU: 99-99-99                        |
| 11* | 140121-01-000 | EA  | SLIDEOUT - HYDRAULIC - 20"                           |
| 12  | 122922-02-02B | EA  | BRACKET/CYLINDER SUPPORT - E-COATED                  |
| 13* | 100536-49-000 | EA  | HOSE KIT - F/SLIDEOUT - F/PUMP TO S/O ROOM CYLINDER  |
| 14  | 135792-02-M76 | EA  | SUPPORT - F/SLIDEOUT COMPARTMENT - 80.7"             |
| 15  | 135788-01-02B | EA  | SUPPORT - VALANCE PANEL - 30.5" - E-COATED           |

\*COMPONENT PARTS LISTED LATER IN THIS GROUP

**EXTERIOR SLIDEOUT GROUP (CONTINUED)**  
**FRONT LEFT (CONTINUED)**



| KEY | PART NUMBER   | U/M | DESCRIPTION  |
|-----|---------------|-----|--|
| 1   | 139624-01-01A | EA  | TRIM/SEAL - INNER/RIGHT HAND - 73.4" - BRIGHT WHITE                    |
| 2   | 139624-02-01A | EA  | TRIM/SEAL - INNER/LEFT HAND - 73.4" - BRIGHT WHITE                     |
| 3   | 105312-01-07A | FT  | INSERT - FEATURE STRIP - VINYL - BRIGHT WHITE                          |
| 3   | 105312-01-13A | FT  | INSERT - FEATURE STRIP - VINYL - <b>W/FULL BODY PAINT</b>              |
| 4   | 143499-11-P76 | EA  | SLUG - SLIDEOUT (P78, P79, P80, P81, P94, P95)                         |
| 4   | 143499-11-P77 | EA  | SLUG - SLIDEOUT (P82, P83)   |
| 5   | 134728-02-M76 | EA  | PANEL - SLIDEOUT - FRONT (P78, P79, P80, P81, P94, P95)                |
| 5   | 134728-02-N84 | EA  | PANEL - SLIDEOUT - FRONT (P82, P83)                                    |
| 6   | 134729-02-M76 | EA  | PANEL - SLIDEOUT - REAR (P78, P79, P80, P81, P94, P95)                 |
| 6   | 134729-02-N84 | EA  | PANEL - SLIDEOUT - REAR (P82, P83)                                     |
| 7   | 139625-04-01A | EA  | TRIM/SEAL - TOP/W/MITERED ENDS - 119.5" - BRIGHT WHITE                 |
| 7   | 139625-04-02A | EA  | TRIM/SEAL - TOP/W/MITERED ENDS - 160" - BLACK - <b>FULL BODY PAINT</b> |
| 8   | 139625-01-01A | EA  | TRIM/SEAL - LEFT HAND - 76.4" - BRIGHT WHITE                           |
| 8   | 139625-01-02A | EA  | TRIM/SEAL - LEFT HAND - 76.4" - BLACK - <b>FULL BODY PAINT</b>         |
| 9   | 139625-02-01A | EA  | TRIM/SEAL - RIGHT HAND - 76.4" - BRIGHT WHITE                          |
| 9   | 139625-02-02A | EA  | TRIM/SEAL - RIGHT HAND - 76.4" - BLACK - <b>FULL BODY PAINT</b>        |
| 10  | 117058-01-01A | FT  | TAPE - LOOP - 3/4" WIDE - ADHESIVE BACKED                              |
| 11  | 126546-01-02A | EA  | COVER - END/SIDEWALL SLIDEOUT - BRIGHT WHITE                           |

**EXTERIOR SLIDEOUT GROUP (CONTINUED)**  
**FRONT LEFT (CONTINUED)**

| KEY | PART NUMBER   | U/M | DESCRIPTION   |
|-----|---------------|-----|---|
| 12  | 122977-11-03A | EA  | AWNING/SLIDEOUT W/COVER - 120" - WHITE - VINYL/VINYL WRAP |
| 12  |               |     | SLIDEOUT AWNINGS - <b>W/FULL BODY PAINT</b>               |

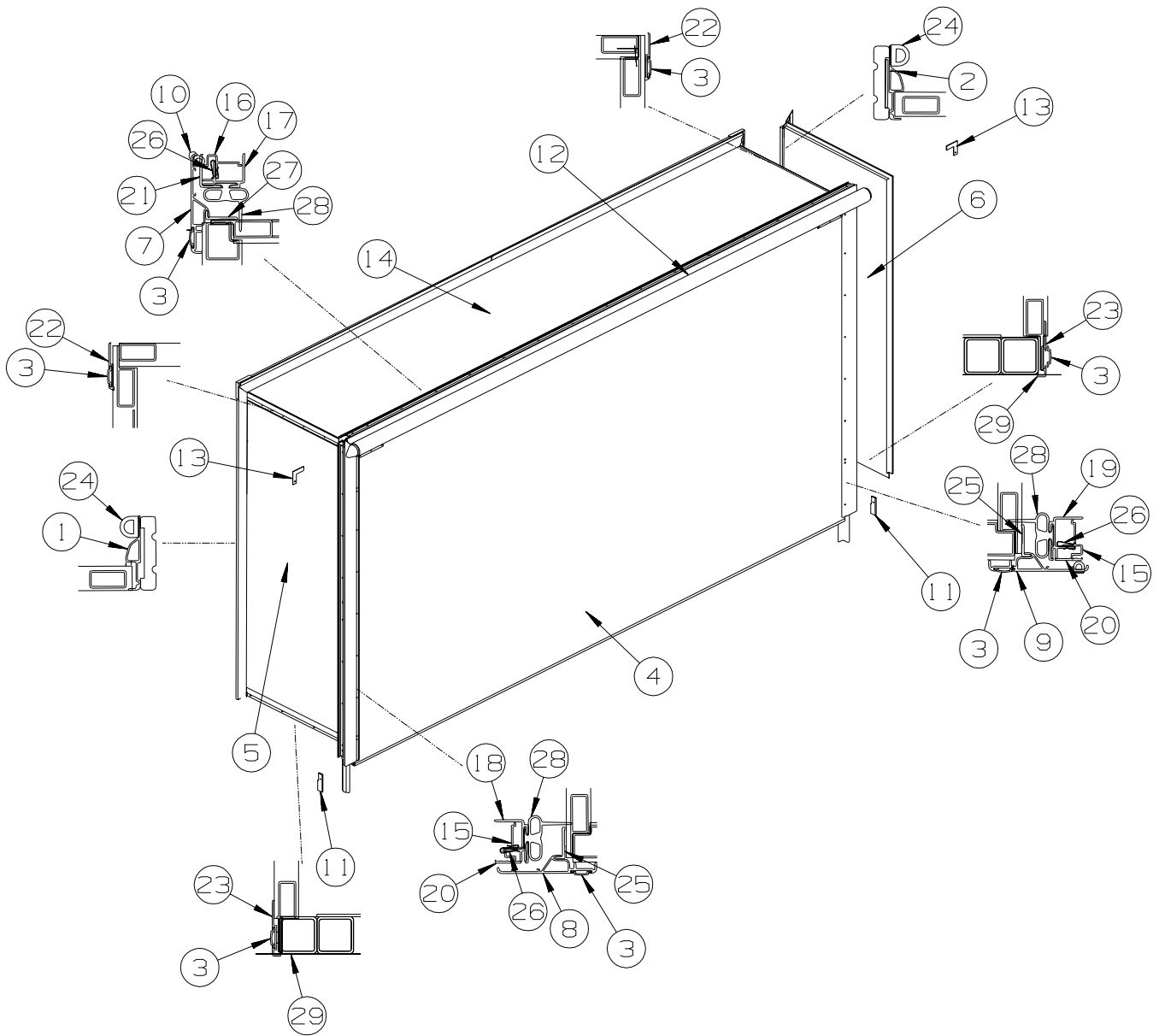
**JOURNEY DL SLIDEOUT AWNINGS WITH FULL BODY PAINT**

| MODEL | COLOR CODE           | AWNING COLOR | HARDWARE COLOR | SLIDEROOM LT FRONT | SLIDEROOM LT REAR |
|-------|----------------------|--------------|----------------|--------------------|-------------------|
| P39WD | MOCHA <b>27A</b>     | TRUE BROWN   | CHAMPAGNE      | 122977-06-04A      | 122977-19-04A     |
| P39QD | MOCHA <b>27A</b>     | TRUE BROWN   | CHAMPAGNE      | 122977-06-04A      | 122977-04-04A     |
| P36LD | MOCHA <b>27A</b>     | TRUE BROWN   | CHAMPAGNE      | 122977-06-04A      | 122977-18-04A     |
| P36GD | MOCHA <b>27A</b>     | TRUE BROWN   | CHAMPAGNE      | 122977-06-04A      | 122977-18-04A     |
| P34HD | MOCHA <b>27A</b>     | TRUE BROWN   | CHAMPAGNE      | 122977-07-04A      | 122977-18-04A     |
| P32TD | MOCHA <b>27A</b>     | TRUE BROWN   | CHAMPAGNE      | 122977-11-04A      | 122977-18-04A     |
| P39WD | AUBURN <b>92A</b>    | BURGUNDY     | CHAMPAGNE      | 122977-06-04A      | 122977-19-04A     |
| P39QD | AUBURN <b>92A</b>    | BURGUNDY     | CHAMPAGNE      | 122977-06-04A      | 122977-04-04A     |
| P36LD | AUBURN <b>92A</b>    | BURGUNDY     | CHAMPAGNE      | 122977-06-04A      | 122977-18-04A     |
| P36GD | AUBURN <b>92A</b>    | BURGUNDY     | CHAMPAGNE      | 122977-06-04A      | 122977-18-04A     |
| P34HD | AUBURN <b>92A</b>    | BURGUNDY     | CHAMPAGNE      | 122977-07-04A      | 122977-18-04A     |
| P32TD | AUBURN <b>92A</b>    | BURGUNDY     | CHAMPAGNE      | 122977-11-04A      | 122977-18-04A     |
| P39WD | BLUE LAKE <b>24C</b> | BLUE         | SILVER         | 122977-06-05A      | 122977-19-05A     |
| P39QD | BLUE LAKE <b>24C</b> | BLUE         | SILVER         | 122977-06-05A      | 122977-04-05A     |
| P36LD | BLUE LAKE <b>24C</b> | BLUE         | SILVER         | 122977-06-05A      | 122977-18-05A     |
| P36GD | BLUE LAKE <b>24C</b> | BLUE         | SILVER         | 122977-06-05A      | 122977-18-05A     |
| P34HD | BLUE LAKE <b>24C</b> | BLUE         | SILVER         | 122977-07-05A      | 122977-18-05A     |
| P32TD | BLUE LAKE <b>24C</b> | BLUE         | SILVER         | 122977-11-05A      | 122977-18-05A     |

| KEY | PART NUMBER   | U/M | DESCRIPTION   |
|-----|---------------|-----|---|
| 13  | 116444-04-12B | EA  | TRIM/KEY CORNER - SLIDEOUT - 3.1"X3.1" - BRT WHT                        |
| 13  | 116444-04-02B | EA  | TRIM/KEY CORNER - SLIDEOUT - 3.1"X3.1" - BLACK - <b>FULL BODY PAINT</b> |
| 14  | 136559-01-M76 | EA  | ROOF - W/O LIGHTS/VENTS - W/WIRING - F/SLIDEOUT                         |
| 15  | 142718-01-01A | EA  | RETAINER - SIDEWALL/SLIDEOUT - 72.8" - MILL                             |
| 16  | 142718-12-01A | EA  | RETAINER - SIDEWALL/SLIDEOUT - 117.3"                                   |
| 17  | 142719-02-01A | EA  | TRIM/SIDEWALL - TOP/SLIDEOUT - 118.9" - BRIGHT WHITE                    |
| 18  | 142720-01-01A | EA  | TRIM - SIDEWALL/SLIDEOUT - 74.8" - BRIGHT WHITE                         |
| 18  | 142720-08-01A | EA  | TRIM - SIDEWALL/SLIDEOUT - 74.4" - BRIGHT WHITE                         |
| 19  | 142720-02-01A | EA  | TRIM - SIDEWALL/SLIDEOUT - 74.8" - BRIGHT WHITE                         |
| 19  | 142720-06-01A | EA  | TRIM - SIDEWALL/SLIDEOUT - 74.4" - BRIGHT WHITE                         |
| 20  | 136824-01-01A | EA  | TRIM - SIDEWALL/SLIDEOUT - 74.9" - BRIGHT WHITE                         |
| 20  | 136824-38-01A | EA  | TRIM - SIDEWALL/SLIDEOUT - 74.6" - BRIGHT WHITE                         |
| 20  | 136824-01-02A | EA  | TRIM - SIDEWALL/SLIDEOUT - 74.9" - BLACK - <b>FULL BODY PAINT</b>       |
| 20  | 136824-38-02A | EA  | TRIM - SIDEWALL/SLIDEOUT - 74.6" - BLACK - <b>FULL BODY PAINT</b>       |
| 21  | 136824-15-01A | EA  | TRIM - SIDEWALL/SLIDEOUT - 118.9" - BRIGHT WHITE                        |
| 21  | 136824-15-02A | EA  | TRIM - SIDEWALL/SLIDEOUT - 118.9" - BLACK - <b>FULL BODY PAINT</b>      |
| 22  | 138659-01-01A | EA  | TRIM/FEATURE STRIP - 181.7" - BRIGHT WHITE                              |
| 22  | 138659-01-02A | EA  | TRIM/FEATURE STRIP - 181.7" - BLACK - <b>FULL BODY PAINT</b>            |
| 23  | 125051-01-01A | EA  | TRIM - FEATURE STRIP/LOWER - 20.2" - BRIGHT WHITE                       |
| 23  | 125051-01-02A | EA  | TRIM - FEATURE STRIP/LOWER - 20.2" - SABLE - <b>FULL BODY PAINT</b>     |
| 24  | 112091-01-000 | FT  | SEAL/D - NEOPRENE - HEAT ACTIVE ADHESIVE - .9"                          |
| 24  | 146056-01-000 | FT  | SEAL - TRIANGLE - W/PSA   |
| 25  | 133954-09-01A | EA  | TRIM/SEAL - W/MITERED ENDS - 71.6" - BRIGHT WHITE                       |
| 25  | 133954-09-02A | EA  | TRIM/SEAL - W/MITERED ENDS - 71.6" - BLACK - <b>FULL BODY PAINT</b>     |



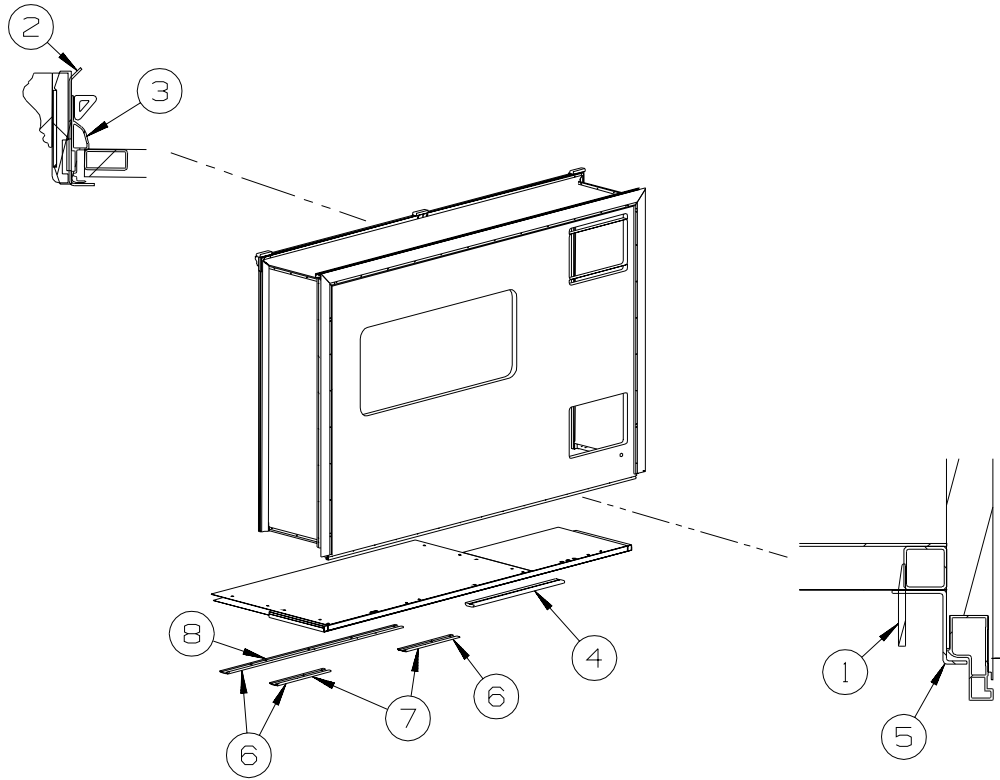
**EXTERIOR SLIDEOUT GROUP (CONTINUED)**  
**FRONT LEFT (CONTINUED)**



| KEY | PART NUMBER   | U/M | DESCRIPTION  |
|-----|---------------|-----|--|
| 26  | 142549-01-000 | EA  | CLIP-S TYPE  |
| 27  | 133954-21-01A | EA  | TRIM/SEAL - W/MITERED ENDS - 113.4" - BRIGHT WHITE                   |
| 27  | 133954-21-02A | EA  | TRIM/SEAL - W/MITERED ENDS - 113.4" - BLACK - <b>FULL BODY PAINT</b> |
| 28  | 136978-01-01A | FT  | SEAL - SLIDEOUT - BLACK  |
| 29  | 075673-05-000 | FT  | SEAL - PILE - ADHESIVE BACK - BLACK                                  |

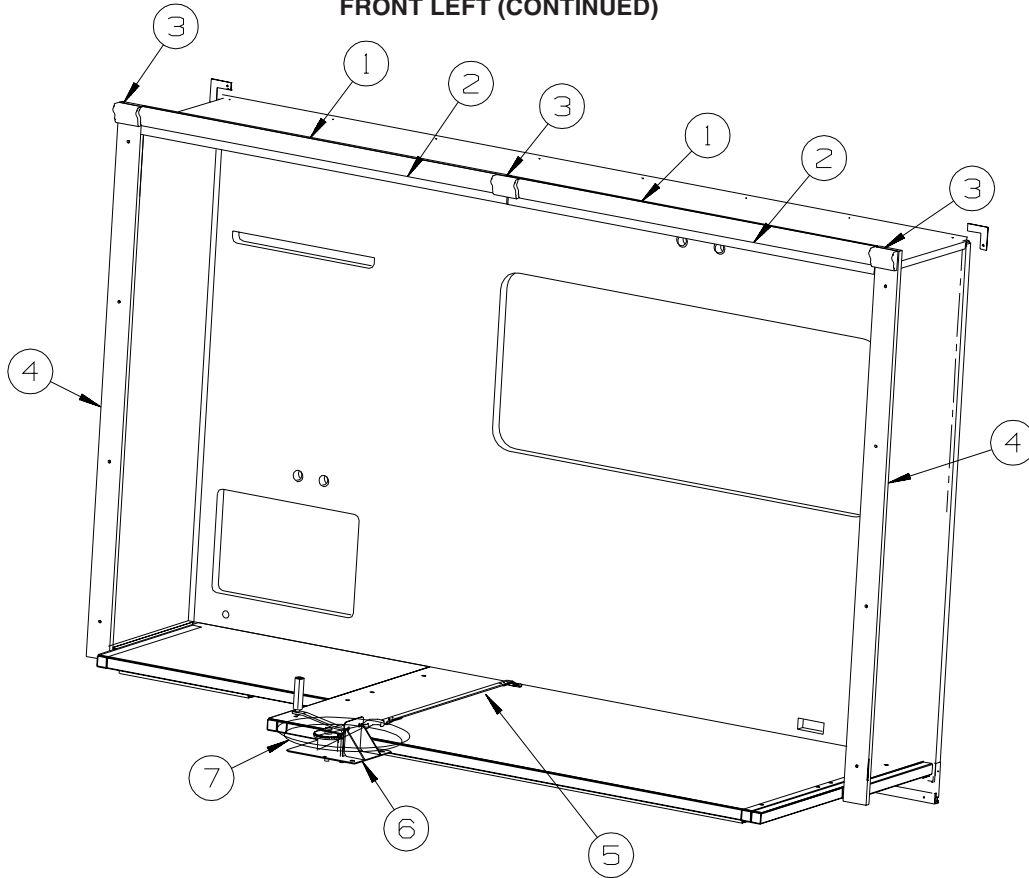


**EXTERIOR SLIDEOUT GROUP (CONTINUED)**  
**FRONT LEFT (CONTINUED)**

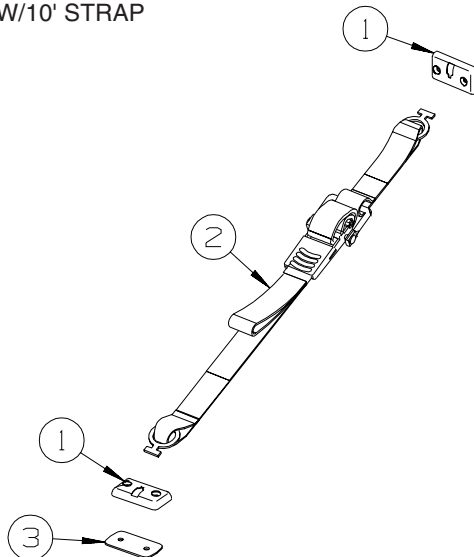


| KEY | PART NUMBER   | U/M | DESCRIPTION  |
|-----|---------------|-----|--|
| 1   | 115075-03-000 | FT  | SEAL - WIPE - .25" X 2.9"                              |
| 2   | 125466-07-02A | EA  | SUPPORT - ROOF/INTERIOR - BRIGHT WHITE                 |
| 3   | 139624-03-01A | EA  | TRIM/SEAL - INNER/TOP - 117.7" - BRIGHT WHITE          |
| 4   | 134756-07-P78 | EA  | RAMP - FABRIC COVERED - F/SLIDEOUT - 33.5"             |
| 5   | 128621-15-01A | EA  | BRACKET/ZEE - SLIDEOUT - 113.1" - MILL                 |
| 6   | 115661-01-000 | FT  | SHOE/GLIDE - SLIDEOUT ROOM - 1/16" X 3" - POLYETHYLENE |
| 7   | 115325-06-02A | EA  | RAIL - FLOOR/SLIDEOUT ROOM - BLACK - 19.6" LONG        |
| 8   | 115325-03-02A | EA  | RAIL - FLOOR/SLIDEOUT ROOM - BLACK - 64.5" LONG        |

**EXTERIOR SLIDEOUT GROUP (CONTINUED)**  
**FRONT LEFT (CONTINUED)**



| KEY | PART NUMBER   | U/M | DESCRIPTION   |
|-----|---------------|-----|---|
| 1   | 116967-18-N75 | EA  | TRIM - CENTER - WOOD - PORTSMOUTH OAK                   |
| 1   | 116967-18-N85 | EA  | TRIM - CENTER - WOOD - CONCERT CHERRY                   |
| 2   | 125547-60-N75 | EA  | MOLDING/CROWN - OAK/PORTSMOUTH OAK                      |
| 2   | 125547-60-N85 | EA  | MOLDING/CROWN - CHERRY/CHERRY IV - CONCERT CHERRY       |
| 3   | 125547-55-N75 | EA  | MOLDING - CROWN - DIVIDER - PORTSMOUTH - PORTSMOUTH OAK |
| 3   | 125547-55-L85 | EA  | MOLDING - CROWN - DIVIDER - CHERRY IV - CONCERT CHERRY  |
| 4   | 116951-16-N75 | EA  | MOLDING - TRIM - 3.5" X 74.3" - PORTSMOUTH OAK          |
| 4   | 116951-16-K37 | EA  | MOLDING - TRIM - 3.5" X 74.3" - CHERRY - CONCERT CHERRY |
| 5   | 116101-02-F31 | EA  | STRAP - WINCH - 34" CENTER BRACKET/STRAP END            |
| 6   | 116082-03-02B | EA  | BRACKET - WINCH   |
|     | 069726-02-000 | EA  | BUMPER - .88" OD X .40" THICK - BLACK                   |
| 7   | 115767-02-000 | EA  | WINCH - SLIDEOUT W/10' STRAP                            |



| KEY | PART NUMBER   | U/M | DESCRIPTION                     |
|-----|---------------|-----|---------------------------------|
| 1   | 135619-02-01A | EA  | PLATE - TIEDOWN - SLIDEOUT ROOM |
| 2   | 135619-01-01A | EA  | STRAP - TIEDOWN - SLIDEOUT ROOM |
| 3   | 135622-01-01B | EA  | PLATE - TIEDOWN - SLIDEOUT ROOM |

**EXTERIOR SLIDEOUT GROUP (CONTINUED)**  
**COMPONENT PARTS FOR FRONT SLIDEOUT**

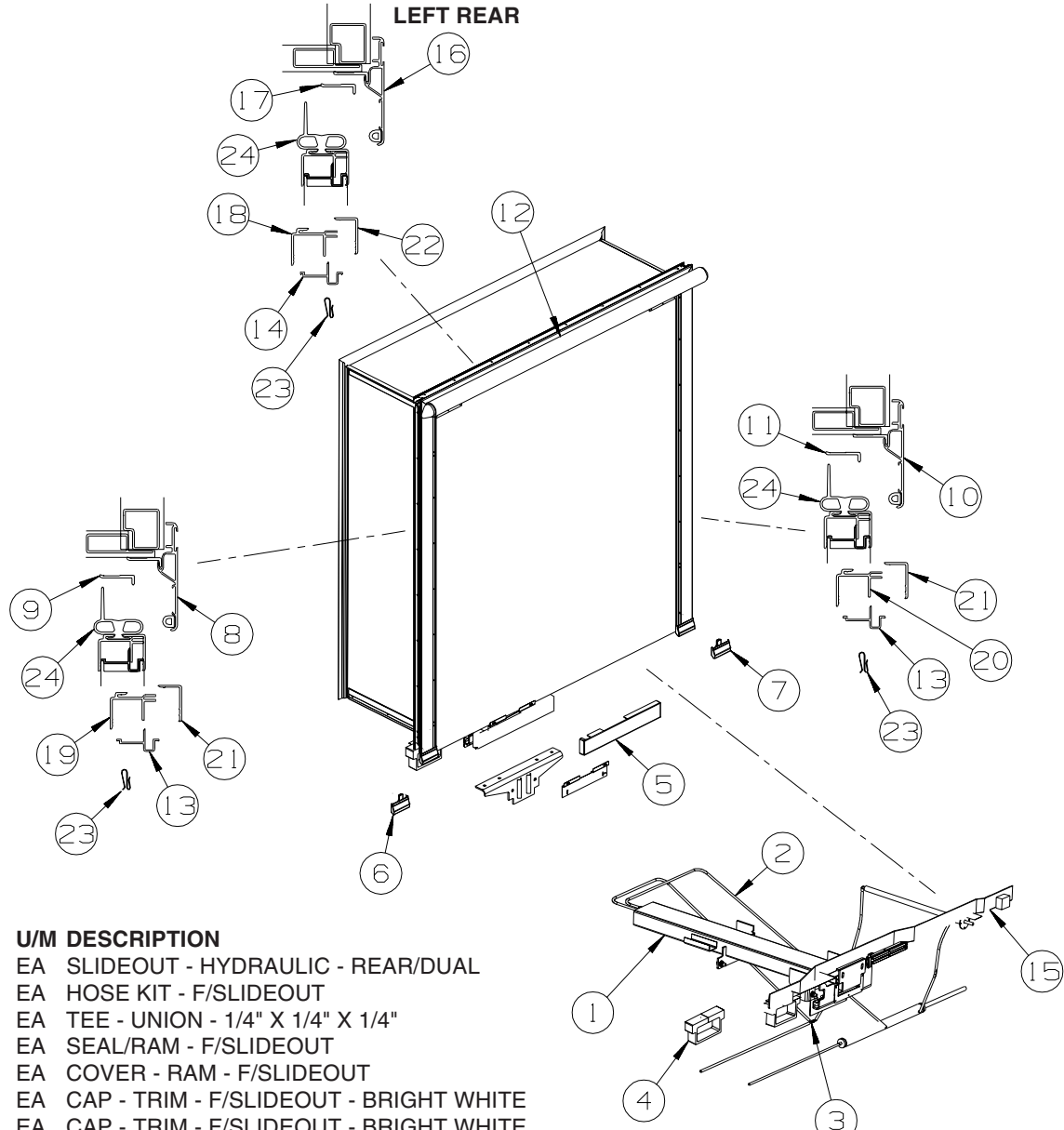
**100536-49-000**

| <b>KEY</b> | <b>PART NUMBER</b> | <b>U/M</b> | <b>DESCRIPTION</b>          | <b>VENDOR NO.</b> |
|------------|--------------------|------------|-----------------------------|-------------------|
|            | 100536-10-700      | EA         | HOSE-HYDRAULIC - 1/4" X 60" | RAP1412/AP1412    |
|            | 115767-01-705      | EA         | HOSE-HYDRAULIC - 1/4" X 84" | RAP4073/AP4073    |

**140121-01-000**

| <b>KEY</b> | <b>PART NUMBER</b> | <b>U/M</b> | <b>DESCRIPTION</b>           | <b>VENDOR NO.</b> |
|------------|--------------------|------------|------------------------------|-------------------|
|            | 125687-01-700      | EA         | CYLINDER/RAM - 21" STROKE    | RAP90512          |
|            | 125687-01-702      | EA         | CYLINDER - SYNCHRONIZING     | RAP90471          |
|            | 125687-01-704      | EA         | BOLT - SLIDE ROOM ADJUSTER   | RAP90864/P13685   |
|            | 137196-01-700      | EA         | HOSE-HYDRAULIC - HP X 120"   | AP24642           |
|            | 137196-01-701      | EA         | HOSE-HYDRAULIC - 1/2" X 116" | AP5384            |

## EXTERIOR SLIDEOUT GROUP (CONTINUED)



| KEY | PART NUMBER   | U/M | DESCRIPTION  |
|-----|---------------|-----|--|
| 1*  | 139507-01-000 | EA  | SLIDEOUT - HYDRAULIC - REAR/DUAL                                       |
| 2*  | 100536-52-000 | EA  | HOSE KIT - F/SLIDEOUT  |
| 3   | 123264-01-000 | EA  | TEE - UNION - 1/4" X 1/4" X 1/4"                                       |
| 4   | 140664-01-01A | EA  | SEAL/RAM - F/SLIDEOUT  |
| 5   | 137125-02-M76 | EA  | COVER - RAM - F/SLIDEOUT   |
| 6   | 139182-01-01A | EA  | CAP - TRIM - F/SLIDEOUT - BRIGHT WHITE                                 |
| 7   | 139182-02-01A | EA  | CAP - TRIM - F/SLIDEOUT - BRIGHT WHITE                                 |
| 8   | 139625-01-01A | EA  | TRIM/SEAL - LEFT HAND - 76.4" - BRIGHT WHITE - W/GRAPHICS PACKAGE      |
| 8   | 139625-01-02A | EA  | TRIM/SEAL - LEFT HAND - 76.4" - BLACK - W/FULL BODY PAINT              |
|     | 105312-01-07A | FT  | INSERT - FEATURE STRIP - VINYL - BRIGHT WHITE - W/GRAPHICS PACKAGE     |
|     | 105312-01-13A | FT  | INSERT - FEATURE STRIP - VINYL - W/FULL BODY PAINT                     |
| 9   | 133954-24-01A | EA  | TRIM/SEAL - W/MITERED END - 70.4" - BRIGHT WHITE - W/GRAPHICS PACKAGE  |
|     |               |     | FROM: 00-00-00 THRU: 03-16-03  |
| 9   | 133954-48-01A | EA  | TRIM/SEAL - W/MITERED ENDS - 71.7" - BRIGHT WHITE - W/GRAPHICS PACKAGE |
|     |               |     | FROM: 03-17-03 THRU: 99-99-99  |
| 9   | 133954-24-02A | EA  | TRIM/SEAL - W/MITERED ENDS - 69.3" - BLACK - W/FULL BODY PAINT         |
|     |               |     | FROM: 00-00-00 THRU: 03-16-03  |
| 9   | 133954-48-02A | EA  | TRIM/SEAL - W/MITERED ENDS - 71.7" - BLACK - W/GRAPHICS PACKAGE        |
|     |               |     | FROM: 03-17-03 THRU: 99-99-99  |
| 10  | 139625-02-01A | EA  | TRIM/SEAL - RIGHT HAND - 76.4" - BRIGHT WHITE - W/GRAPHICS PACKAGE     |
| 10  | 139625-02-02A | EA  | TRIM/SEAL - RIGHT HAND - 76.4" - BLACK - W/FULL BODY PAINT             |
|     | 105312-01-07A | FT  | INSERT - FEATURE STRIP - VINYL - BRIGHT WHITE - W/GRAPHICS PACKAGE     |
|     | 105312-01-13A | FT  | INSERT - FEATURE STRIP - VINYL - W/FULL BODY PAINT                     |
| 11  | 133954-25-01A | EA  | TRIM/SEAL - W/MITERED END - 70.4" - BRIGHT WHITE - W/GRAPHICS PACKAGE  |
|     |               |     | FROM: 00-00-00 THRU: 03-16-03  |
| 11  | 133954-48-01A | EA  | TRIM/SEAL - W/MITERED ENDS - 71.7" - BRIGHT WHITE - W/GRAPHICS PACKAGE |
|     |               |     | FROM: 03-17-03 THRU: 99-99-99  |
| 11  | 133954-25-02A | EA  | TRIM/SEAL - W/MITERED ENDS - 69.3" - BLACK - W/FULL BODY PAINT         |
|     |               |     | FROM: 00-00-00 THRU: 03-16-03  |
| 11  | 133954-48-02A | EA  | TRIM/SEAL - W/MITERED ENDS - 71.7" - BLACK - W/GRAPHICS PACKAGE        |
|     |               |     | FROM: 03-17-03 THRU: 99-99-99  |

\*COMPONENT PARTS LISTED LATER IN THIS GROUP

**EXTERIOR SLIDEOUT GROUP (CONTINUED)**  
**LEFT REAR (CONTINUED)**

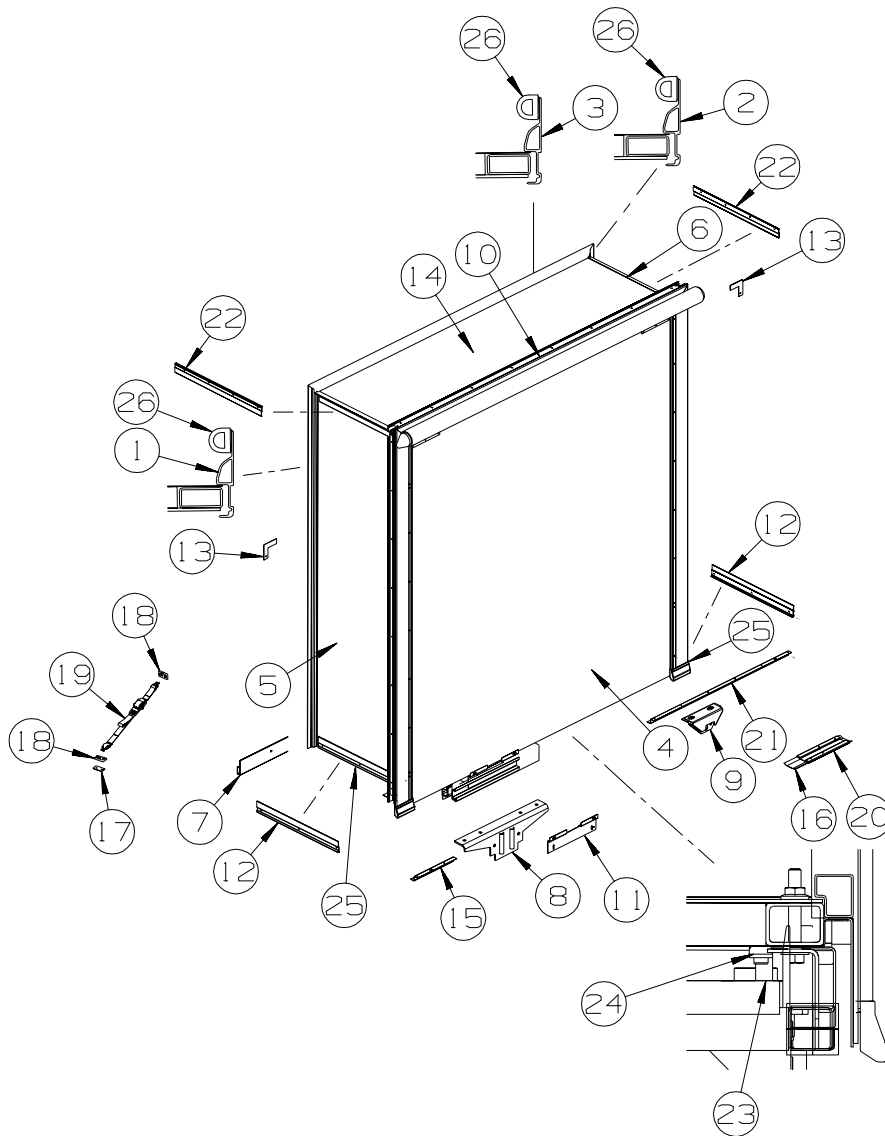
| KEY | PART NUMBER   | U/M | DESCRIPTION   |
|-----|---------------|-----|---|
| 12  | 122977-18-03A | EA  | AWNING/SLIDEOUT W/COVER - 71.7" - WHITE -VINYL/VINYL WRAP - <b>W/GRAPHICS PACKAGE</b> |
| 12  |               |     | SLIDEOUT AWNINGS - <b>W/FULL BODY PAINT</b>   |

**JOURNEY DL SLIDEOUT AWNINGS WITH FULL BODY PAINT**

| MODEL | COLOR CODE           | AWNING COLOR | HARDWARE COLOR | SLIDEROOM LT FRONT | SLIDEROOM LT REAR |
|-------|----------------------|--------------|----------------|--------------------|-------------------|
| P39WD | MOCHA <b>27A</b>     | TRUE BROWN   | CHAMPAGNE      | 122977-06-04A      | 122977-19-04A     |
| P39QD | MOCHA <b>27A</b>     | TRUE BROWN   | CHAMPAGNE      | 122977-06-04A      | 122977-04-04A     |
| P36LD | MOCHA <b>27A</b>     | TRUE BROWN   | CHAMPAGNE      | 122977-06-04A      | 122977-18-04A     |
| P36GD | MOCHA <b>27A</b>     | TRUE BROWN   | CHAMPAGNE      | 122977-06-04A      | 122977-18-04A     |
| P34HD | MOCHA <b>27A</b>     | TRUE BROWN   | CHAMPAGNE      | 122977-07-04A      | 122977-18-04A     |
| P32TD | MOCHA <b>27A</b>     | TRUE BROWN   | CHAMPAGNE      | 122977-11-04A      | 122977-18-04A     |
| P39WD | AUBURN <b>92A</b>    | BURGUNDY     | CHAMPAGNE      | 122977-06-04A      | 122977-19-04A     |
| P39QD | AUBURN <b>92A</b>    | BURGUNDY     | CHAMPAGNE      | 122977-06-04A      | 122977-04-04A     |
| P36LD | AUBURN <b>92A</b>    | BURGUNDY     | CHAMPAGNE      | 122977-06-04A      | 122977-18-04A     |
| P36GD | AUBURN <b>92A</b>    | BURGUNDY     | CHAMPAGNE      | 122977-06-04A      | 122977-18-04A     |
| P34HD | AUBURN <b>92A</b>    | BURGUNDY     | CHAMPAGNE      | 122977-07-04A      | 122977-18-04A     |
| P32TD | AUBURN <b>92A</b>    | BURGUNDY     | CHAMPAGNE      | 122977-11-04A      | 122977-18-04A     |
| P39WD | BLUE LAKE <b>24C</b> | BLUE         | SILVER         | 122977-06-05A      | 122977-19-05A     |
| P39QD | BLUE LAKE <b>24C</b> | BLUE         | SILVER         | 122977-06-05A      | 122977-04-05A     |
| P36LD | BLUE LAKE <b>24C</b> | BLUE         | SILVER         | 122977-06-05A      | 122977-18-05A     |
| P36GD | BLUE LAKE <b>24C</b> | BLUE         | SILVER         | 122977-06-05A      | 122977-18-05A     |
| P34HD | BLUE LAKE <b>24C</b> | BLUE         | SILVER         | 122977-07-05A      | 122977-18-05A     |
| P32TD | BLUE LAKE <b>24C</b> | BLUE         | SILVER         | 122977-11-05A      | 122977-18-05A     |

| KEY | PART NUMBER   | U/M | DESCRIPTION   |
|-----|---------------|-----|---|
| 13  | 142718-01-01A | EA  | RETAINER - SIDEWALL/SLIDEOUT - 72.8" - MILL                                       |
| 14  | 142718-21-01A | EA  | RETAINER - SIDEWALL/SLIDEOUT - 69.5"  |
| 15  | 115075-03-000 | FT  | SEAL - WIPE - .25" X 2.9"   |
| 16  | 139625-09-01A | EA  | TRIM/SEAL - TOP/W/MITERED ENDS - 71.8" - BRIGHT WHITE - <b>W/GRAPHICS PACKAGE</b> |
| 16  | 139625-09-02A | EA  | TRIM/SEAL - TOP/W/MITERED ENDS - 71.8" - BLACK - <b>W/FULL BODY PAINT</b>         |
|     | 105312-01-07A | FT  | INSERT - FEATURE STRIP - VINYL - BRIGHT WHITE - <b>W/GRAPHICS PACKAGE</b>         |
|     | 105312-01-13A | FT  | INSERT - FEATURE STRIP - VINYL - <b>W/FULL BODY PAINT</b>                         |
| 17  | 133954-20-01A | EA  | TRIM/SEAL - W/MITERED ENDS - 68.2" - BRIGHT WHITE                                 |
| 18  | 142719-07-01A | EA  | TRIM/SIDEWALL - TOP/SLIDEOUT - 71.3" - BRIGHT WHITE                               |
| 19  | 142720-01-01A | EA  | TRIM - SIDEWALL/SLIDEOUT - 74.8" - BRIGHT WHITE                                   |
|     |               |     | FROM: 00-00-00 THRU: 10-27-02   |
| 19  | 142720-08-01A | EA  | TRIM - SIDEWALL/SLIDEOUT - 74.4" - BRIGHT WHITE                                   |
|     |               |     | FROM: 10-28-02 THRU: 99-99-99   |
| 20  | 142720-02-01A | EA  | TRIM - SIDEWALL/SLIDEOUT - 74.8" - BRIGHT WHITE                                   |
|     |               |     | FROM: 00-00-00 THRU: 10-27-02   |
| 20  | 142720-06-01A | EA  | TRIM - SIDEWALL/SLIDEOUT - 74.4" - BRIGHT WHITE                                   |
|     |               |     | FROM: 10-28-02 THRU: 99-99-99   |
| 21  | 136824-01-01A | EA  | TRIM - SIDEWALL/SLIDEOUT - 74.9" - BRIGHT WHITE - <b>W/GRAPHICS PACKAGE</b>       |
|     |               |     | FROM: 00-00-00 THRU: 10-27-02   |
| 21  | 136824-01-02A | EA  | TRIM - SIDEWALL/SLIDEOUT - 74.9" - BLACK - <b>W/FULL BODY PAINT</b>               |
|     |               |     | FROM: 00-00-00 THRU: 10-27-02   |
| 21  | 136824-38-01A | EA  | TRIM - SIDEWALL/SLIDEOUT - 74.6" - BRIGHT WHITE - <b>W/GRAPHICS PACKAGE</b>       |
|     |               |     | FROM: 10-28-02 THRU: 99-99-99   |
| 21  | 136824-38-02A | EA  | TRIM - SIDEWALL/SLIDEOUT - 74.6" - BLACK - <b>W/FULL BODY PAINT</b>               |
|     |               |     | FROM: 10-28-02 THRU: 99-99-99   |
| 22  | 136824-12-01A | EA  | TRIM - SIDEWALL/SLIDEOUT - 71.5" - BRIGHT WHITE - <b>W/GRAPHICS PACKAGE</b>       |
| 22  | 136824-12-02A | EA  | TRIM - SIDEWALL/SLIDEOUT - 71.4" - BRIGHT WHITE - <b>W/FULL BODY PAINT</b>        |
| 23  | 142549-01-000 | EA  | CLIP-S TYPE   |
| 24  | 136978-01-01A | FT  | SEAL - SLIDEOUT - BLACK   |

**EXTERIOR SLIDEOUT GROUP (CONTINUED)**  
**LEFT REAR (CONTINUED)**



| KEY | PART NUMBER   | U/M | DESCRIPTION   |
|-----|---------------|-----|---|
| 1   | 139624-01-01A | EA  | TRIM/SEAL - INNER/RIGHT HAND - 73.4" - BRIGHT WHITE                           |
| 2   | 139624-02-01A | EA  | TRIM/SEAL - INNER/LEFT HAND - 73.4" - BRIGHT WHITE                            |
| 3   | 139624-08-01A | EA  | TRIM/SEAL - INNER/TOP - 70.1" - BRIGHT WHITE                                  |
| 4   | 143499-12-P76 | EA  | SLUG - SLIDEOUT (P78,P79,P80,P81,P94,P95)                                     |
| 4   | 143499-12-P77 | EA  | SLUG - SLIDEOUT (P82,P83)   |
| 5   | 134728-02-M76 | EA  | PANEL - SLIDEOUT - FRONT (P78,P79,P80,P81,P94,P95)                            |
| 5   | 134728-02-N84 | EA  | PANEL - SLIDEOUT - FRONT (P82,P83)  |
| 6   | 134729-02-M76 | EA  | PANEL - SLIDEOUT - REAR (P78,P79,P80,P81,P94,P95)                             |
| 6   | 134729-02-N84 | EA  | PANEL - SLIDEOUT - REAR (P82,P83)   |
| 7   | 136839-06-01A | EA  | TRIM-J - CARPET EDGE/SLIDEOUT - 62.7" - BLACK                                 |
| 8   | 136963-01-02B | EA  | BRACKET - SLIDEOUT - E-COATED   |
| 9   | 139407-02-02B | EA  | BRACKET/MOUNT - F/SLIDEOUT - E-COATED   |
| 10  | 117058-01-01A | FT  | TAPE - LOOP - 3/4" WIDE - ADHESIVE BACKED                                     |
| 11  | 137112-02-02B | EA  | BRACKET - COVER - SLIDEOUT - E-COATED   |
| 12  | 125051-01-01A | EA  | TRIM - FEATURE STRIP/LOWER - 20.2" - BRIGHT WHITE - <b>W/GRAPHICS PACKAGE</b> |
| 12  | 125051-01-03A | EA  | TRIM - FEATURE STRIP/LOWER - 20.2" - BLACK - <b>W/FULL BODY PAINT</b>         |
|     | 105312-01-07A | FT  | INSERT - FEATURE STRIP - VINYL - BRIGHT WHITE - <b>W/GRAPHICS PACKAGE</b>     |
|     | 105312-01-13A | FT  | INSERT - FEATURE STRIP - VINYL - <b>W/FULL BODY PAINT</b>                     |
| 13  | 116444-04-12B | EA  | TRIM/KEY CORNER - SLIDEOUT - 3.1"X3.1" - BRT WHT - <b>W/GRAPHICS PACKAGE</b>  |
| 13  | 116444-04-04B | EA  | TRIM/KEY CORNER - SLIDEOUT - 3.1"X3.1" - BLACK - <b>W/FULL BODY PAINT</b>     |
| 14  | 141228-01-P75 | EA  | ROOF - W/O LIGHTS/VENTS - W/WIRING - F/SLIDEOUT                               |
| 15  | 136968-02-02B | EA  | ZEE - F/SLIDEOUT - 9.6" - E-COATED  |
| 16  | 115661-01-000 | FT  | SHOE/GLIDE - SLIDEOUT ROOM - 1/16" X 3" - POLYETHYLENE                        |

**EXTERIOR SLIDEOUT GROUP (CONTINUED)**  
**LEFT REAR (CONTINUED)**

| KEY | PART NUMBER   | U/M | DESCRIPTION   |
|-----|---------------|-----|---|
| 17  | 135622-01-01B | EA  | PLATE - TIEDOWN - SLIDEOUT ROOM<br>FROM: 00-00-00 THRU: 06-30-02                |
| 18  | 135619-02-01A | EA  | PLATE - TIEDOWN - SLIDEOUT ROOM<br>FROM: 00-00-00 THRU: 06-30-02                |
| 19  | 135619-01-01A | EA  | STRAP - TIEDOWN - SLIDEOUT ROOM<br>FROM: 00-00-00 THRU: 06-30-02                |
| 20  | 115325-16-01A | EA  | RAIL - FLOOR/SLIDEOUT ROOM - BLACK  |
| 21  | 136968-01-02B | EA  | ZEE - F/SLIDEOUT - E-COATED   |
| 22  | 138659-01-01A | EA  | TRIM/FEATURE STRIP - 181.7" - BRIGHT WHITE - <b>W/GRAPHICS PACKAGE</b>          |
| 22  | 138659-01-02A | EA  | TRIM/FEATURE STRIP - 181.7" - BLACK - <b>W/FULL BODY PAINT</b>                  |
|     | 105312-01-07A | FT  | INSERT - FEATURE STRIP - VINYL - BRIGHT WHITE - <b>W/GRAPHICS PACKAGE</b>       |
|     | 105312-01-13A | FT  | INSERT - FEATURE STRIP - VINYL - <b>W/FULL BODY PAINT</b>                       |
| 23  | 126313-09-02B | EA  | SUPPORT - ROLLER - E-COATED   |
| 24  | 134855-01-000 | EA  | BEARING PAD - NARROW  |
| 25  | 075673-05-000 | FT  | SEAL - PILE - ADHESIVE BACK - BLACK   |
| 26  | 112091-01-000 | FT  | SEAL/D - NEOPRENE - HEAT ACTIVE ADHESIVE - .9"<br>FROM: 00-00-00 THRU: 01-12-03 |
| 26  | 146056-01-000 | FT  | SEAL - TRIANGLE - W/PSA<br>FROM: 01-13-03 THRU: 99-99-99                        |

**EXTERIOR SLIDEOUT GROUP (CONTINUED)**  
**COMPONENT PARTS FOR LEFT REAR SLIDEOUT**

**100536-52-000**

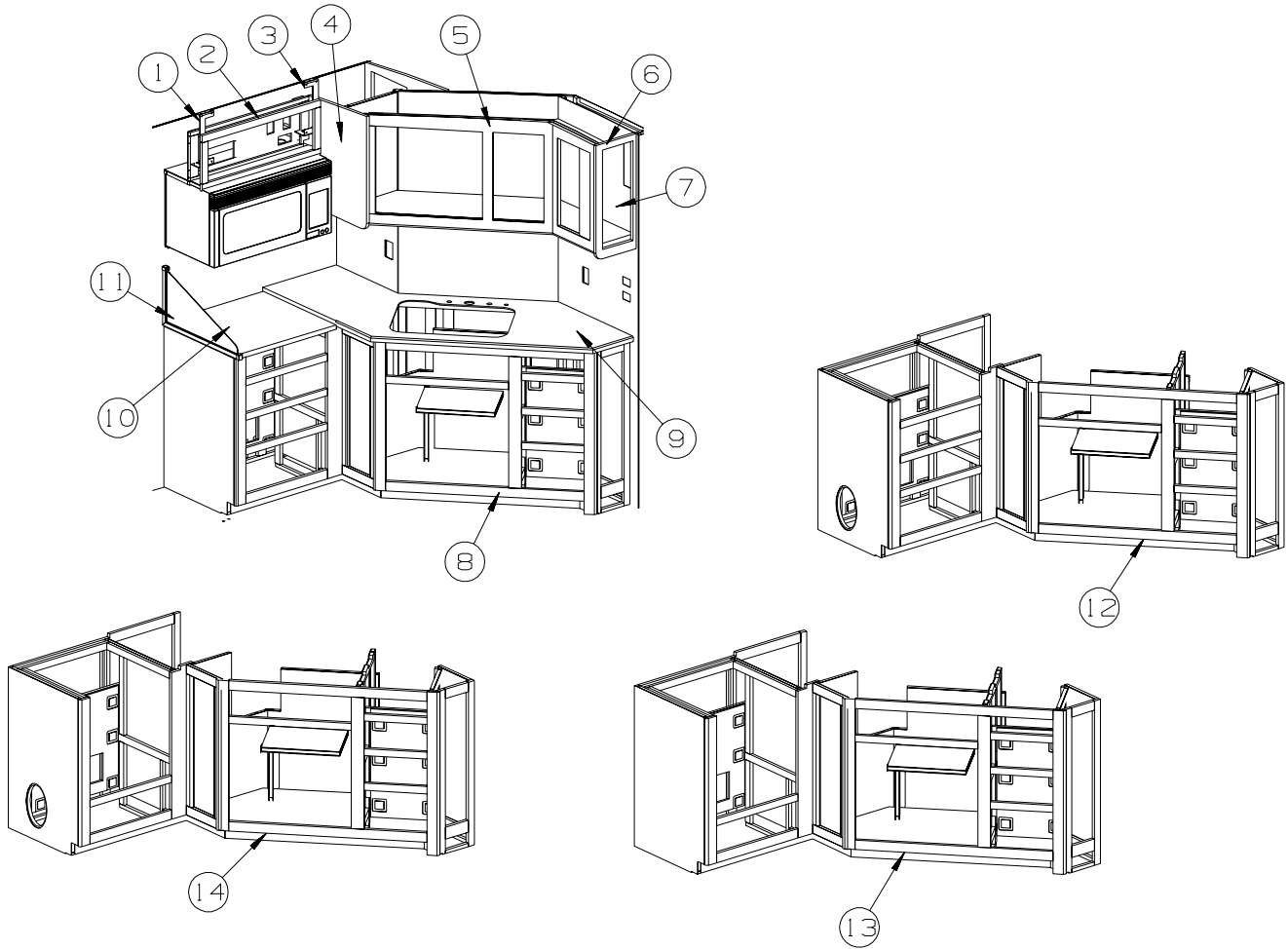
| <b>KEY</b> | <b>PART NUMBER</b> | <b>U/M</b> | <b>DESCRIPTION</b>           | <b>VENDOR NO.</b> |
|------------|--------------------|------------|------------------------------|-------------------|
|            | 100536-52-700      | EA         | HOSE-HYDRAULIC - 1/4" X 207" | RAP90119/AP11212  |
|            | 100536-52-701      | EA         | HOSE-HYDRAULIC 1/4" X 228"   | AP5924            |

**139507-01-000**

| <b>KEY</b> | <b>PART NUMBER</b> | <b>U/M</b> | <b>DESCRIPTION</b>           | <b>VENDOR NO.</b> |
|------------|--------------------|------------|------------------------------|-------------------|
|            | 139507-01-700      | EA         | CYLINDER - SYNCRONIZING      | RAP90879/AP24825  |
|            | 139507-01-701      | EA         | HOSE - HYDRAULIC 1/8" X 102" | AP23738           |
|            | 139507-01-702      | EA         | CYLINDER - ASSIST            | RAP90878/AP25743  |
|            | 139507-01-703      | EA         | CYLINDER/RAM - MAIN          | RAP90877/AP23286  |

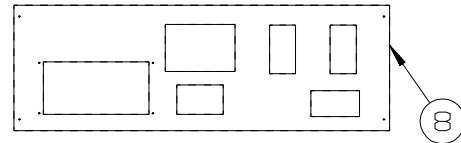
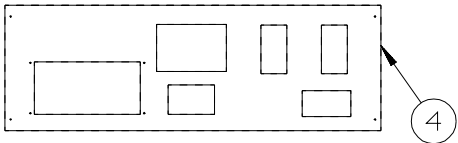
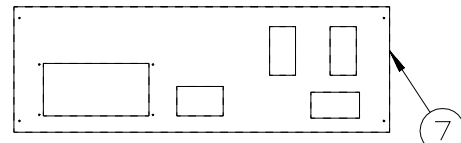
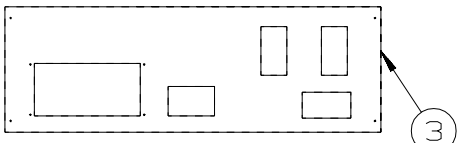
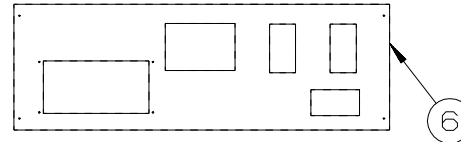
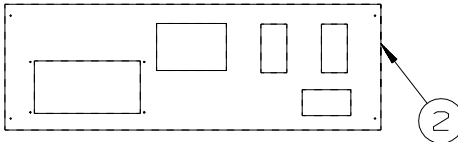
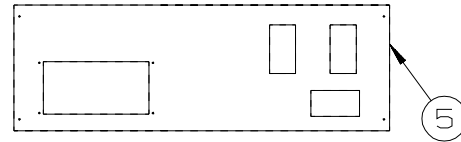
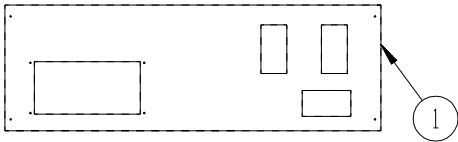
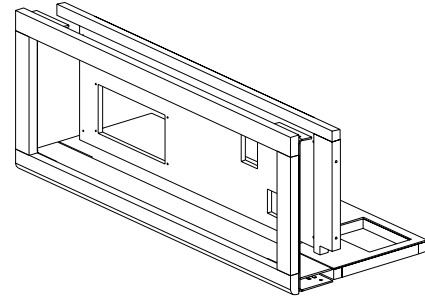
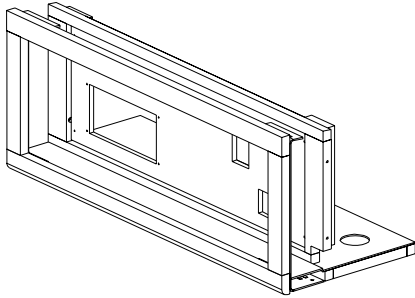


# GALLEY GROUP CABINETS



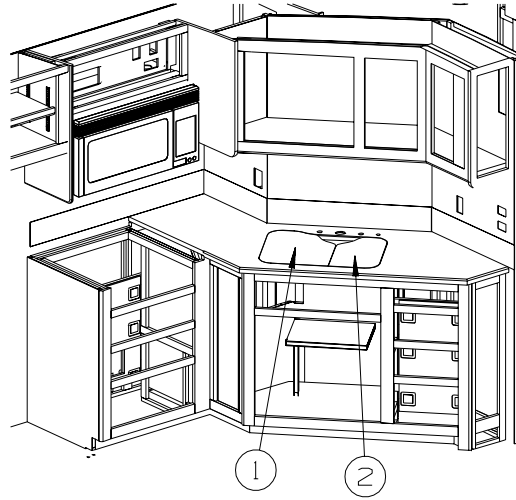
| KEY | PART NUMBER   | U/M | DESCRIPTION   |
|-----|---------------|-----|---|
| 1   | 130736-03-02B | EA  | BRACKET - MICROWAVE - E-COATED  |
| 2   |               | EA  | CABINETS ON NEXT PAGE   |
| 3   | 130736-04-02B | EA  | BRACKET - MICROWAVE - E-COATED  |
| 4   | P38119-13-N70 | EA  | END CAP - OVERHEAD CABINET - PORTSMOUTH OAK                               |
| 4   | P38119-13-N85 | EA  | END CAP - OVERHEAD CABINET - CONCERT CHERRY                               |
| 5   | 136873-02-N70 | EA  | CABINET - OVERHEAD - GALLEY - W/O DOORS/HARDWARE - PORTSMOUTH OAK         |
| 5   | 136873-02-N85 | EA  | CABINET - OVERHEAD - GALLEY - W/O DOORS/HARDWARE - CONCERT CHERRY         |
| 6   | P38119-12-N70 | EA  | END CAP - OVERHEAD/CABINET - PORTSMOUTH OAK                               |
| 6   | P38119-12-N85 | EA  | END CAP - OVERHEAD/CABINET - CONCERT CHERRY                               |
| 7   | 137602-52-N53 | EA  | POCKET - MONITOR PANEL - PORTSMOUTH OAK                                   |
| 7   | 137602-52-N52 | EA  | POCKET - MONITOR PANEL - CONCERT CHERRY                                   |
| 8   | 136838-01-N70 | EA  | CABINET - GALLEY - W/O COUNTERTOP/DOORS/DRAWERS/HARDWARE - PORTSMOUTH OAK |
| 8   | 136838-01-N85 | EA  | CABINET - GALLEY - W/O COUNTERTOP/DOORS/DRAWERS/HARDWARE - CONCERT CHERRY |
| 9   | 137258-03-02A | EA  | COUNTERTOP - VENDURA - ALMONDINE  |
| 10  | 137376-01-03A | EA  | COUNTERTOP - 1/4" VENDURA - ALMONDINE                                     |
| 10  | 137444-01-02B | EA  | SPACER - COUNTERTOP - GALLEY - E-COATED                                   |
| 11  | 126875-02-N70 | EA  | FRAME ONLY - F/SPLASHGUARD - PORTSMOUTH OAK                               |
| 11  | 126875-02-K13 | EA  | FRAME ONLY - F/SPLASHGUARD - CONCERT CHERRY                               |
| 11  | 127117-02-01A | EA  | GLASS - STATIONARY - SPLASHGUARD  |
| 12  | 136838-02-N70 | EA  | CABINET - GALLEY - W/O COUNTERTOP/DOORS/DRAWERS/HARDWARE - PORTSMOUTH OAK |
| 12  | 136838-02-N85 | EA  | CABINET - GALLEY - W/O COUNTERTOP/DOORS/DRAWERS/HARDWARE - CONCERT CHERRY |
| 13  | 136838-03-N70 | EA  | CABINET - GALLEY - W/O COUNTERTOP/DOORS/DRAWERS/HARDWARE - PORTSMOUTH OAK |
| 13  | 136838-03-N85 | EA  | CABINET - GALLEY - W/O COUNTERTOP/DOORS/DRAWERS/HARDWARE - CONCERT CHERRY |
| 14  | 136838-04-N70 | EA  | CABINET - GALLEY - W/O COUNTERTOP/DOORS/DRAWERS/HARDWARE - PORTSMOUTH OAK |
| 14  | 136838-04-N85 | EA  | CABINET - GALLEY - W/O COUNTERTOP/DOORS/DRAWERS/HARDWARE - CONCERT CHERRY |

## GALLEY GROUP (CONTINUED) CABINETS (CONTINUED)

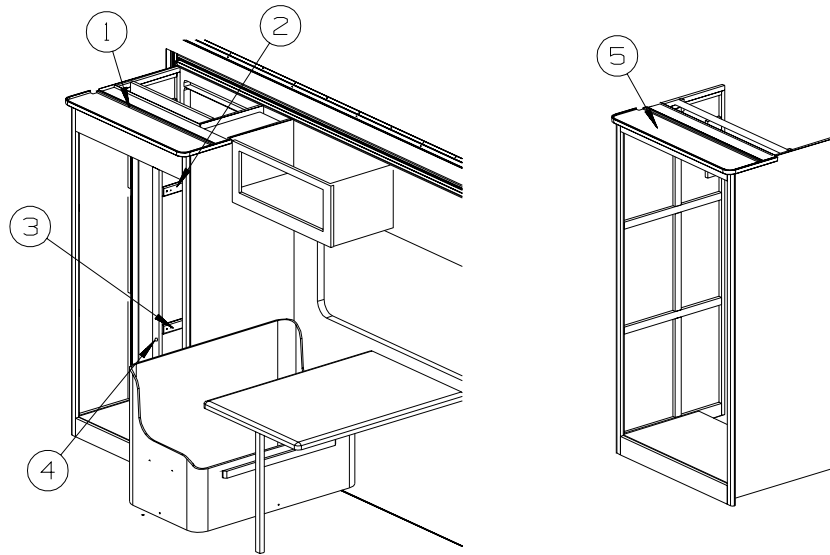


| KEY | PART NUMBER   | U/M | DESCRIPTION  |
|-----|---------------|-----|--|
| 1   | 143239-01-P75 | EA  | CABINET - OVHD/MICROWAVE - W/O DRS/HDWR - PORTSMOUTH OAK                               |
| 1   | 143239-01-P25 | EA  | CABINET - OVHD/MICROWAVE - W/O DRS/HDWR- CONCERT CHERRY                                |
| 2   | 143239-02-P75 | EA  | CABINET - OVHD/MICROWAVE - W/O DRS/HDWR - PORTSMOUTH OAK- <b>INVERTER/CHARGER</b>      |
| 2   | 143239-02-P25 | EA  | CABINET - OVHD/MICROWAVE - W/O DRS/HDWR - CONCERT CHERRY- <b>INVERTER/CHARGER</b>      |
| 3   | 143239-03-P78 | EA  | CABINET - MICROWAVE - W/O DRS/HDWR- PORTSMOUTH OAK - <b>WINTERIZING KIT</b>            |
| 3   | 143239-03-P79 | EA  | CABINET - MICROWAVE - W/O DRS/HDWR- CONCERT CHERRY - <b>WINTERIZING KIT</b>            |
| 4   | 143239-04-P78 | EA  | CABINET - W/O DRS/HDWR- PORTSMOUTH OAK - <b>INVERTER/CHARGER, WINTERIZING KIT</b>      |
| 4   | 143239-04-P79 | EA  | CABINET - W/O DRS/HDWR- CONCERT CHERRY - <b>INVERTER/CHARGER, WINTERIZING KIT</b>      |
| 5   | 143239-05-P78 | EA  | CABINET - OVHD/MICROWAVE - W/O DRS/HDWR- PORTSMOUTH OAK- <b>SPEEDCOOK MICROWAVE</b>    |
| 5   | 143239-05-P79 | EA  | CABINET - OVHD/MICROWAVE - W/O DRS/HDWR- CONCERT CHERRY- <b>SPEEDCOOK MICROWAVE</b>    |
| 6   | 143239-06-P78 | EA  | CABINET - MICROWAVE - W/O DRS/HDWR- PORTSMOUTH OAK- <b>SPEEDCOOK, INVERTER/CHARGER</b> |
| 6   | 143239-06-P79 | EA  | CABINET - MICROWAVE - W/O DRS/HDWR- CONCERT CHERRY- <b>SPEEDCOOK, INVERTER/CHARGER</b> |
| 7   | 143239-07-P78 | EA  | CABINET - MICROWAVE - W/O DRS/HDWR- PORTSMOUTH OAK- <b>SPEEDCOOK, WINTERIZING KIT</b>  |
| 7   | 143239-07-P79 | EA  | CABINET - MICROWAVE - W/O DRS/HDWR- CONCERT CHERRY- <b>SPEEDCOOK, WINTERIZING KIT</b>  |
| 8   | 143239-08-P78 | EA  | CABINET - PORTSMOUTH OAK- <b>SPEEDCOOK, INVERTER/CHARGER, WINTERIZING KIT</b>          |
| 8   | 143239-08-P79 | EA  | CABINET - CONCERT CHERRY- <b>SPEEDCOOK, INVERTER/CHARGER, WINTERIZING KIT</b>          |

**GALLEY GROUP (CONTINUED)**  
**CABINETS (CONTINUED)**



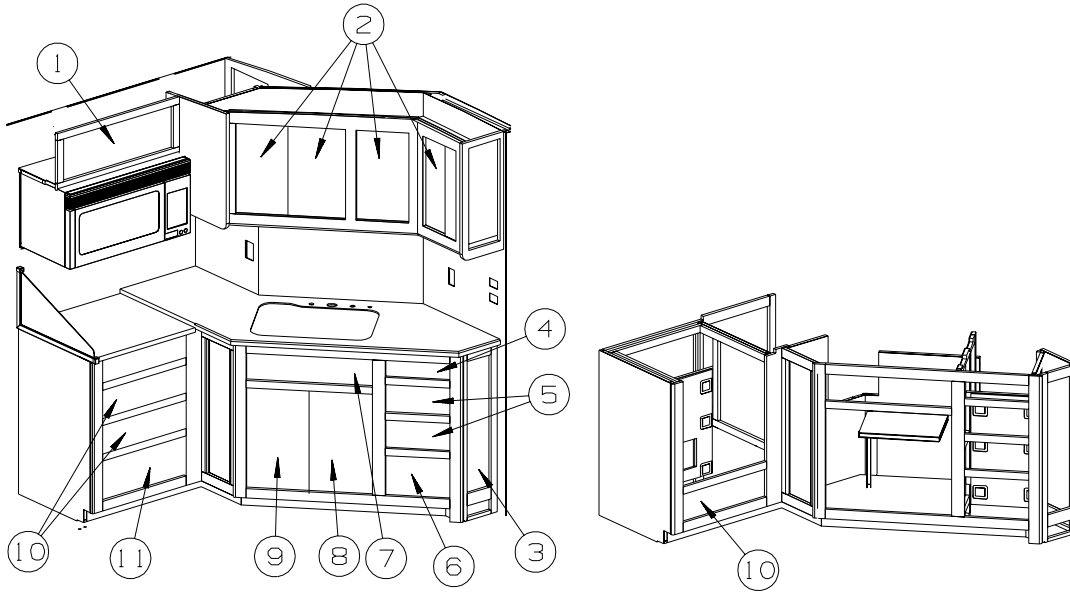
| KEY | PART NUMBER   | U/M | DESCRIPTION                            |
|-----|---------------|-----|--|
| 1   | 137489-03-02A | EA  | COVER - SINK/LARGE - VENDURA/ALMONDINE |
| 2   | 137489-04-02A | EA  | COVER - SINK/SMALL - VENDURA/ALMONDINE |



| KEY | PART NUMBER   | U/M | DESCRIPTION   |
|-----|---------------|-----|---|
| 1   | 136762-22-M07 | EA  | SHELF - W/T-MOLDING - PORTSMOUTH OAK                |
| 1   | 136762-22-M08 | EA  | SHELF - W/T-MOLDING - CONCERT CHERRY                |
| 2   | 122360-02-000 | EA  | SLIDE - PANTRY - W/O LOCK - RIGHT/LEFT HAND         |
| 3   | 122360-03-000 | EA  | SLIDE - PANTRY - W/LOCK - RIGHT HAND (FACING PANEL) |
| 4   | 123673-01-01A | EA  | KNOB - PANTRY SLIDE                                 |
| 5   | 136997-17-M76 | EA  | SHELF - W/EDGE MOLDING - PORTSMOUTH OAK             |
| 5   | 136997-17-N85 | EA  | SHELF - W/EDGE MOLDING - CONCERT CHERRY             |

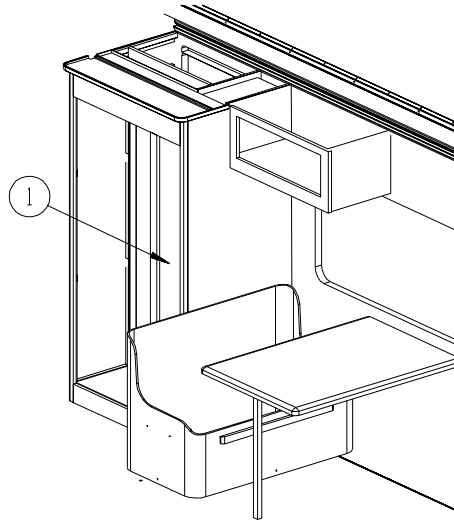
## GALLEY GROUP (CONTINUED)

### DOORS & DRAWERS



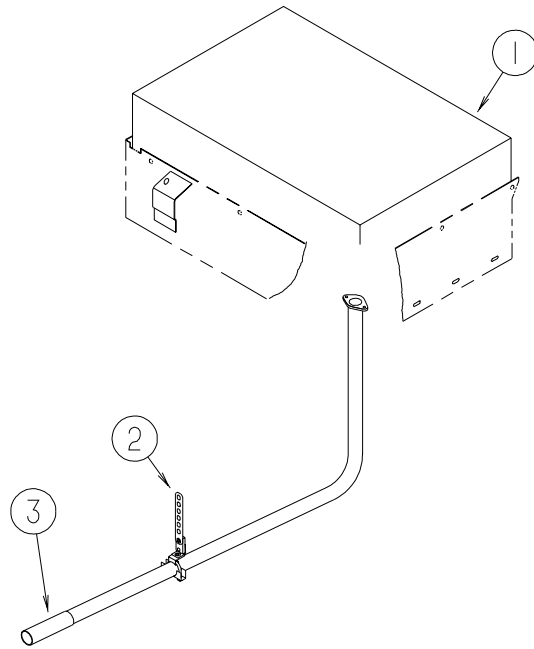
| KEY | PART NUMBER   | U/M | DESCRIPTION   |
|-----|---------------|-----|---|
| 1   | 136709-46-P78 | EA  | DOOR - RAISED PANEL/OGEE EDGE - 10.8" X 27.9" - W/O HDW - PORTSMOUTH OAK    |
| 1   | 136709-46-P14 | EA  | DOOR - RAISED PANEL/OGEE EDGE - 10.8" X 27.9" - W/O HDW - CONCERT CHERRY    |
| 2   | 136709-52-P78 | EA  | DOOR - RAISED PANEL/OGEE EDGE - 11.2" X 19.7" - W/O HDW - PORTSMOUTH OAK    |
| 2   | 136709-52-P79 | EA  | DOOR - RAISED PANEL/OGEE EDGE - 11.2" X 19.7" - W/O HDW - CONCERT CHERRY    |
| 3   | 131995-AE-N70 | EA  | DOOR - RAIL/SOLID PANEL - 10.8" X 30.6" - W/O HARDWARE - PORTSMOUTH OAK     |
| 3   | 131995-AE-N74 | EA  | DOOR - RAIL/SOLID PANEL - 10.8" X 30.6" - W/O HARDWARE - CONCERT CHERRY     |
| 4   | 132052-H0-05W | EA  | FACE/DRAWER (DUMMY) - 4.7" X 13.8" - PORTSMOUTH OAK                         |
| 4   | 132052-H0-03W | EA  | FACE/DRAWER (DUMMY) - 4.7" X 13.8" - CHERRY IV - CONCERT CHERRY             |
| 5   | 133890-12-N70 | EA  | DRAWER - OGEE EDGE - 11.9"W X 9.8"D - W/O SLIDES/HARDWARE - PORTSMOUTH OAK  |
| 5   | 133890-12-N74 | EA  | DRAWER - OGEE EDGE - 11.9"W X 9.8"D - W/O SLIDES/HARDWARE - CONCERT CHERRY  |
| 6   | 133890-13-N70 | EA  | DRAWER - OGEE EDGE - 11.9"W X 9.8"D - W/O SLIDES/HARDWARE - PORTSMOUTH OAK  |
| 6   | 133890-13-N74 | EA  | DRAWER - OGEE EDGE - 11.9"W X 9.8"D - W/O SLIDES/HARDWARE - CONCERT CHERRY  |
| 7   | 110941-26-N70 | EA  | DRAWER - TIPOUT - W/HIDDEN TRAY - PORTSMOUTH OAK                            |
| 7   | 110941-26-N74 | EA  | DRAWER - TIPOUT - W/HIDDEN TRAY - CONCERT CHERRY                            |
|     | 108127-01-01A | EA  | CAP - TRAY  |
|     | 108128-01-01A | EA  | TRAY - HIDDEN   |
| 8   | 136709-87-P78 | EA  | DOOR - RAISED PANEL/OGEE EDGE - 12.8" X 21.8" - W/O HDW - PORTSMOUTH OAK    |
| 8   | 136709-87-P79 | EA  | DOOR - RAISED PANEL/OGEE EDGE - 12.8" X 21.8" - W/O HDW - CONCERT CHERRY    |
| 9   | 136709-86-P78 | EA  | DOOR - RAISED PANEL/OGEE EDGE - 12.8" X 21.8" - W/O HDW - PORTSMOUTH OAK    |
| 9   | 136709-86-P79 | EA  | DOOR - RAISED PANEL/OGEE EDGE - 12.8" X 21.8" - W/O HDW - CONCERT CHERRY    |
| 10  | 133890-03-N42 | EA  | DRAWER - OGEE EDGE - 20.2"W X 15.7"D - W/O SLIDES/HARDWARE - PORTSMOUTH OAK |
| 10  | 133890-03-L85 | EA  | DRAWER - OGEE EDGE - 20.2"W X 15.7"D - W/O SLIDES/HARDWARE - CONCERT CHERRY |
| 11  | 133890-04-N42 | EA  | DRAWER - OGEE EDGE - 20.2"W X 15.7"D - W/O SLIDES/HARDWARE - PORTSMOUTH OAK |
| 11  | 133890-04-L85 | EA  | DRAWER - OGEE EDGE - 20.2"W X 15.7"D - W/O SLIDES/HARDWARE - CONCERT CHERRY |

**GALLEY GROUP (CONTINUED)**  
**DOORS & DRAWERS (CONTINUED)**



| <b>KEY</b> | <b>PART NUMBER</b> | <b>U/M</b> | <b>DESCRIPTION</b>   |
|------------|--------------------|------------|--|
| 1          | 131995-J3-N42      | EA         | DOOR - RAIL/SOLID PANEL - 8" X 60.7" - W/O HARDWARE - PORTSMOUTH OAK |
| 1          | 131995-J3-L52      | EA         | DOOR - RAIL/SOLID PANEL - 8" X 60.7" - W/O HARDWARE - CONCERT CHERRY |

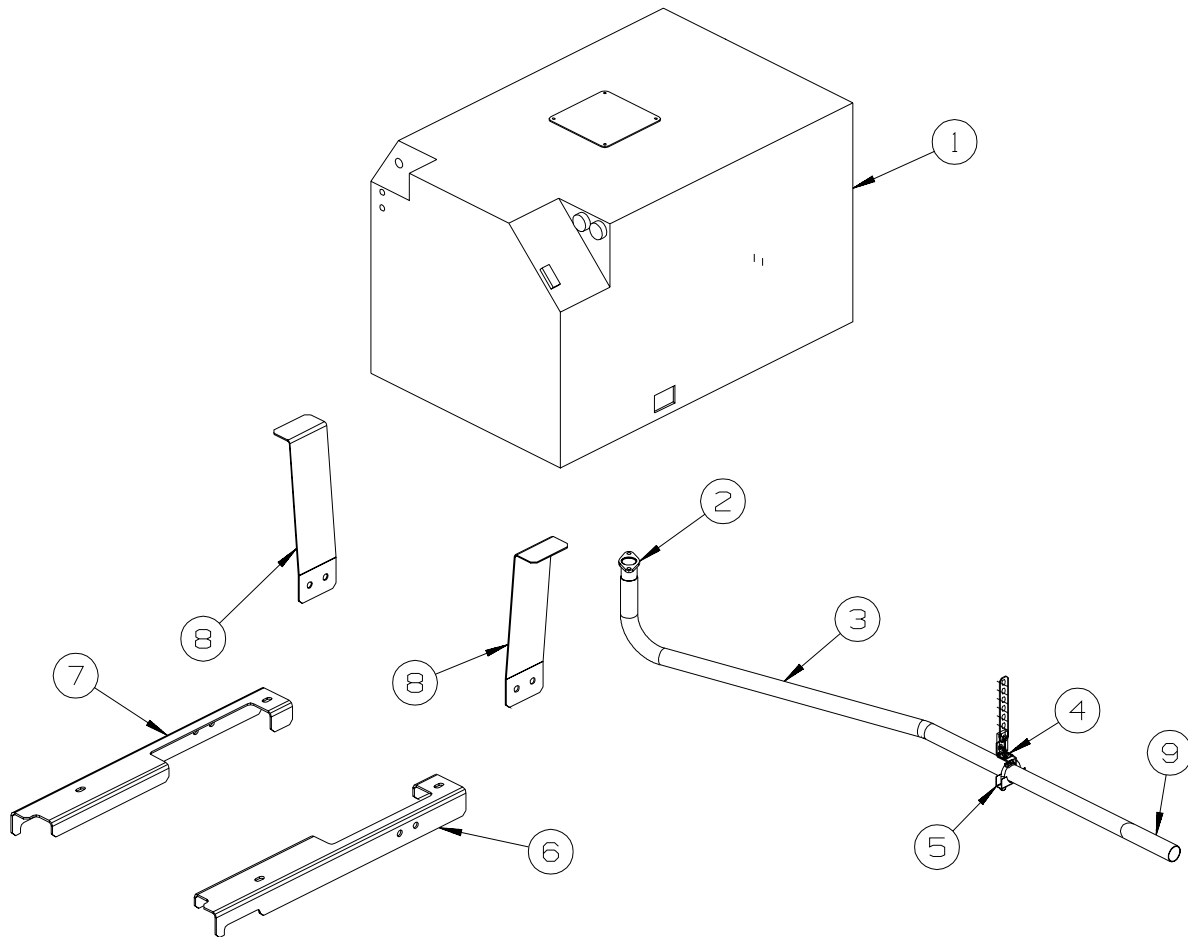
# GENERATOR GROUP LPG



| KEY | PART NUMBER   | U/M | DESCRIPTION  |
|-----|---------------|-----|--|
| 1   | 135707-03-000 | EA  | GENERATOR - 6.5 - 30/30 - LIQUID LP - MARQUIS GOLD |
| 2   | 007131-01-000 | EA  | HANGER - TAILPIPE - 6 SLOTS                        |
|     | 007125-03-000 | EA  | CLAMP - MUFFLER - 1.5" DIAMETER                    |
| 3   | 138246-01-01A | EA  | EXTENSION - TAILPIPE - 1.6" I.D.                   |
| 4   | 137330-02-000 | EA  | PIPE - EXHAUST - GENERATOR/LP                      |

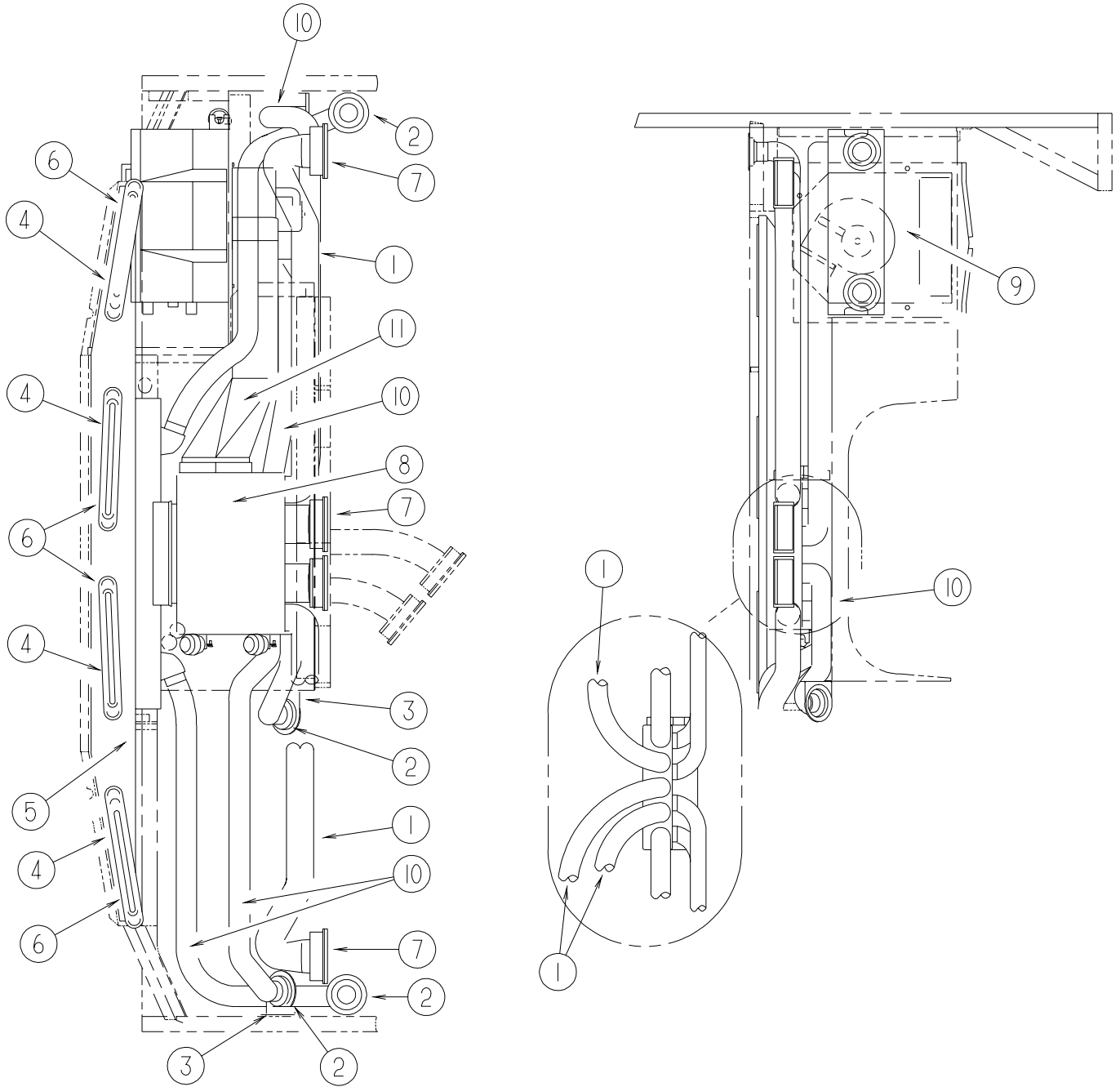
# GENERATOR GROUP (CONTINUED)

## DIESEL



| KEY | PART NUMBER   | U/M | DESCRIPTION                           |
|-----|---------------|-----|---------------------------------------|
| 1   | 122425-01-000 | EA  | GENERATOR - DIESEL - 7.5              |
| 2   | 106235-01-000 | EA  | ADAPTOR - GENERATOR EXHAUST           |
| 3   | 137330-03-000 | EA  | PIPE - EXHAUST - GENERATOR/DIESEL     |
| 4   | 007131-01-000 | EA  | HANGER - TAILPIPE - 6 SLOTS           |
| 5   | 007125-03-000 | EA  | CLAMP - MUFFLER - 1.5" DIAMETER       |
| 6   | 137328-02-02B | EA  | SUPPORT - GENERATOR - LH - E-COATED   |
| 7   | 137328-01-02B | EA  | SUPPORT - GENERATOR - RH - E-COATED   |
| 8   | 137329-02-02B | EA  | BRACKET - HANGAR/GENERATOR - E-COATED |
| 9   | 138246-01-01A | EA  | EXTENSION - TAILPIPE - 1.6"ID X 7.7"  |

# HEATING & A/C GROUP AUTOMOTIVE



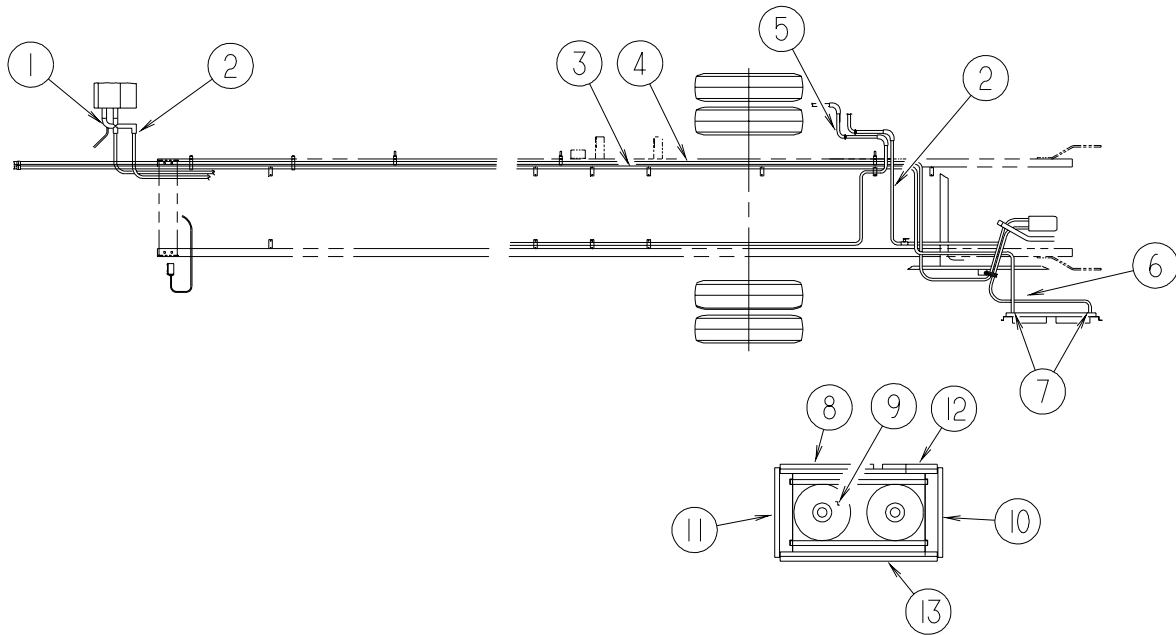
| KEY | PART NUMBER   | U/M | DESCRIPTION   |
|-----|---------------|-----|---|
| 1   | 007281-01-000 | EA  | HOSE - FLEXIBLE PVC - 2 1/2" ID X 50'                                     |
| 2   | 024990-05-000 | EA  | OUTLET - DEFROSTER - W/SWIVEL - 2" SLEEVE/4" OD - BLACK - <b>1 USED</b>   |
| 2   | 024990-12-000 | EA  | OUTLET - DEFROSTER - W/SWIVEL - 2" SLEEVE/4" OD - GLACIER - <b>3 USED</b> |
| 3   | NOT USED      |     |   |
| 4   | 077075-01-000 | EA  | GASKET - INSTRUMENT PANEL/DEFROSTER PLENUM - .6" X 10.2"                  |
| 5   | 103017-03-000 | EA  | PLENUM - DEFROSTER  |
| 6   | 135265-01-04A | EA  | VENT - DEFROSTER - PLASTIC - GLACIER                                      |
| 7   | 135803-01-01A | EA  | LOUVER - A/C - 2.5" X 5.2" - BLACK - <b>3 USED</b>                        |
| 7   | 135803-02-01A | EA  | LOUVER - A/C - 2.5" - 5.7" - W/SCREW HOLES - BLACK - <b>2 USED</b>        |
| 8*  | 103930-36-000 | EA  | CONTROL/PLENUM - ROTARY CONTROL HEAD                                      |
| 9   | 103930-55-000 | EA  | EVAPORATOR/HEATER - NONCHARGED - SINGLE OUTPUT                            |
| 10  | 007076-01-000 | EA  | HOSE - FLEXIBLE PVC - 2" ID - INCREMENTS OF 50'                           |
| 11  | 122822-01-01A | EA  | PLENUM - TRANSITION   |
|     | 103930-54-000 | EA  | MANUAL - OWNERS - HEATER/AC   |

**\*COMPONENT PARTS LISTED LATER IN THIS GROUP**



## HEATING & A/C GROUP (CONTINUED)

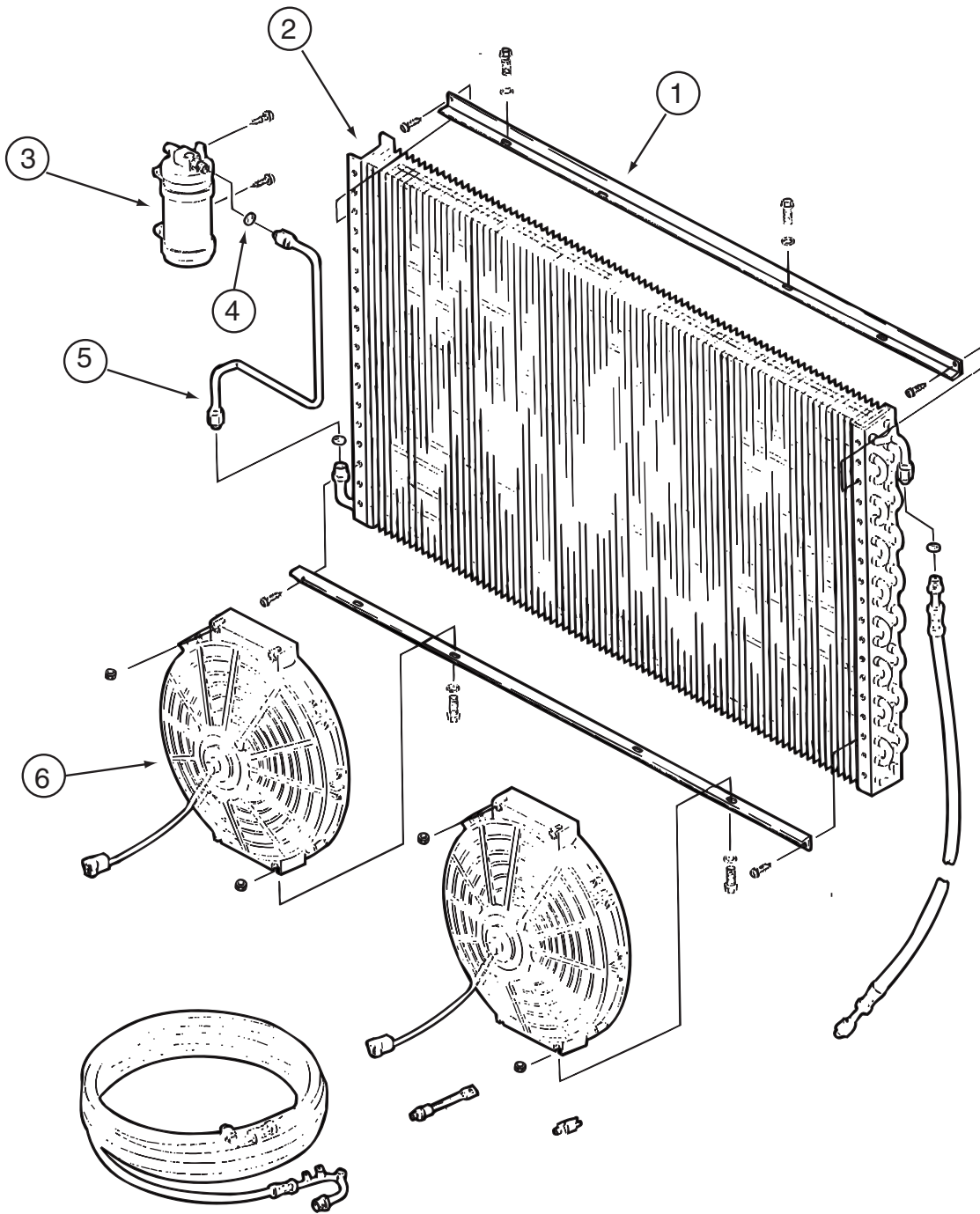
### AUTOMOTIVE (CONTINUED)



| KEY | PART NUMBER   | U/M | DESCRIPTION  |
|-----|---------------|-----|--|
| 1   | 103930-24-000 | EA  | VALVE - WATER CONTROL - 4 PORT VACUUM CONTROLLED           |
| 2   | 007108-01-000 | FT  | HOSE - HEATER - 5/8" ID - HI-TEMP                          |
| 3*  | 072342-18-000 | EA  | HOSE - #6 - CONDENSER/EVAPORATOR - 514"                    |
| 4*  | 103930-41-000 | EA  | HOSE KIT - EVAPORATOR/COMPRESSOR #12 - 41.3'- STRAIGHT END |
| 5   | 079059-01-000 | EA  | HOSE - 90 DEGREE - 5/8"ID X 4" X 36"                       |
| 6*  | 072342-16-000 | EA  | HOSE - #8 - CONDENSER/COMPRESSOR - 5.2' LONG               |
| 7   | 072368-02-000 | EA  | TRIM - VINYL - EDGE - BLACK                                |
| 8   | 113572-02-02B | EA  | BRACKET - CONDENSER - E-COATED                             |
| 9*  | 072342-15-000 | EA  | CONDENSER - W/FAN ON SIDE - NO HOSE                        |
| 10  | 113574-02-02B | EA  | BRACKET - CONDENSER/SIDE - LH - E-COAT                     |
| 11  | 113574-01-02B | EA  | BRACKET - CONDENSER/SIDE - RH - E-COAT                     |
| 12  | 113572-03-02B | EA  | BRACKET - CONDENSER - E-COATED                             |
| 13  | 113572-01-02B | EA  | BRACKET - CONDENSER - E-COATED                             |

\*COMPONENT PARTS LISTED LATER IN THIS GROUP

**HEATING & A/C GROUP (CONTINUED)**  
**COMPONENT PARTS FOR AUTOMOTIVE**



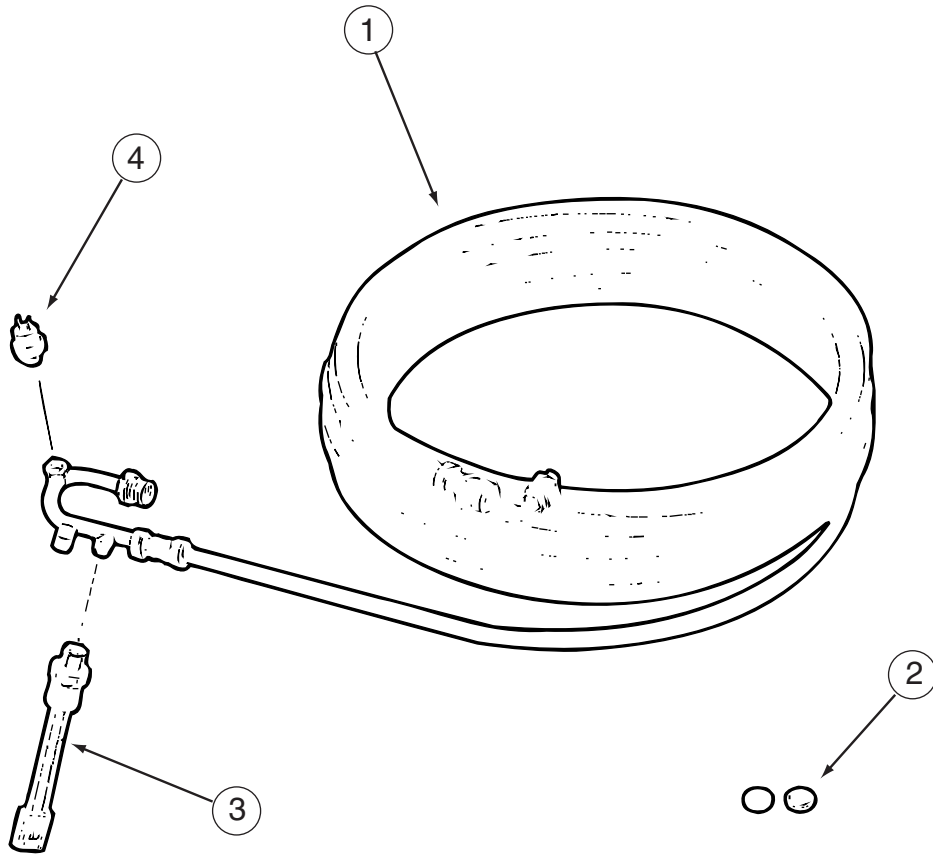
**072342-15-000**

| KEY | PART NUMBER   | U/M | DESCRIPTION                  | VENDOR NO. |
|-----|---------------|-----|------------------------------|------------|
| 1   | 072342-13-700 | EA  | BRACKET - CONDENSER FAN      | 070-0148   |
| 2   | 072342-12-700 | EA  | COIL-CONDENSER               | 040-0027   |
| 3   | 072342-12-703 | EA  | RECEIVER DRIER               | 054-0001   |
| 4   | 113245-01-711 | EA  | O'RING #6                    | 045-0129   |
| 5   | 072342-13-703 | EA  | TUBE ASM. #6                 | 052-0040   |
| 6   | 072342-08-703 | EA  | FAN BLADE/MOTOR & SHROUD 11" | 062-0097   |

**072342-17-000**

| KEY | PART NUMBER   | U/M | DESCRIPTION                | VENDOR NO. |
|-----|---------------|-----|----------------------------|------------|
|     | 072342-12-701 | EA  | HOSE ASM #8 CONDENSER/COMP | 085-0142   |
|     | 113245-01-707 | EA  | O'RING #8                  | 045-0126   |

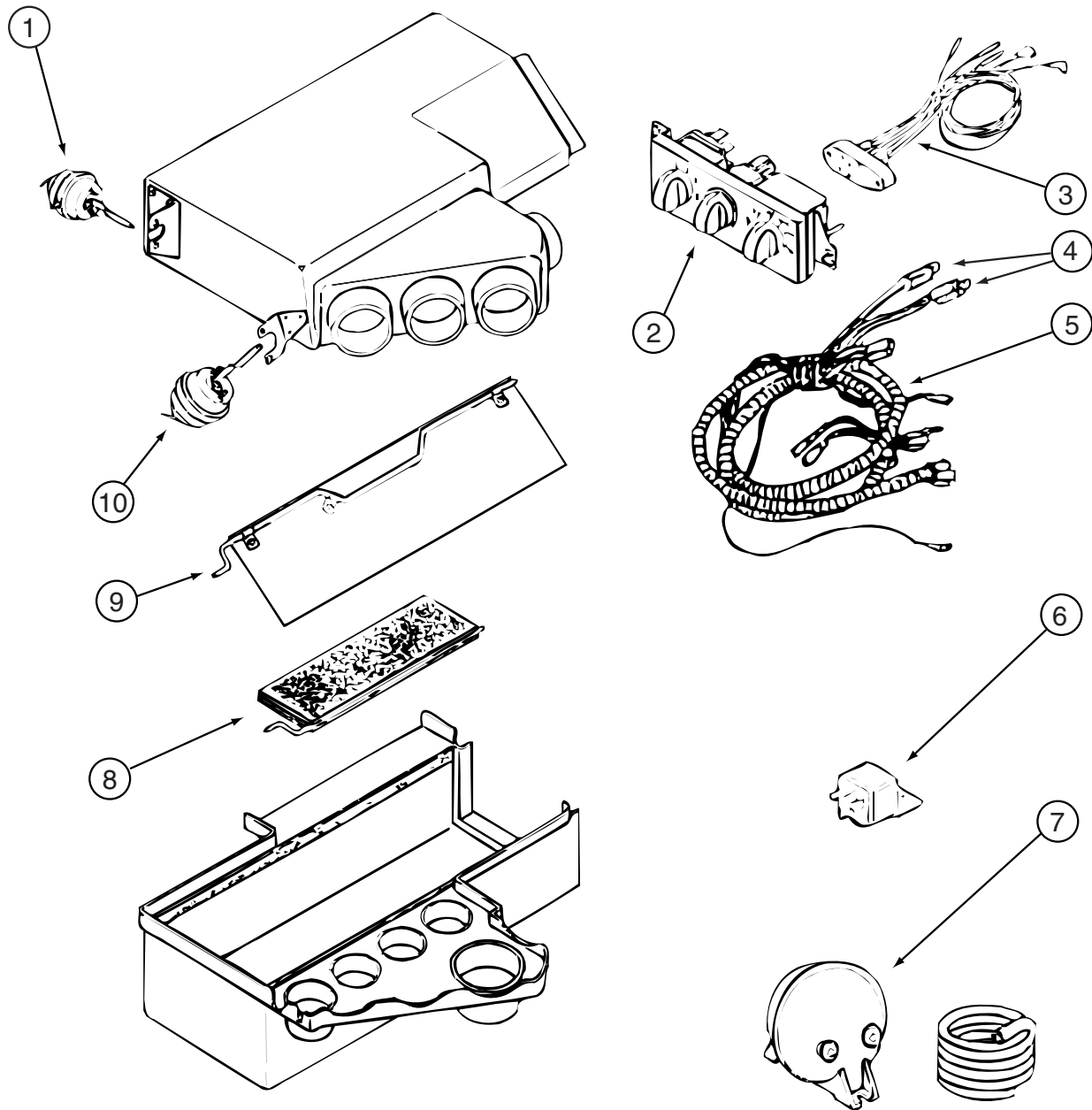
**HEATING & A/C GROUP (CONTINUED)**  
**COMPONENT PARTS FOR AUTOMOTIVE (CONTINUED)**



072342-18-000

| KEY | PART NUMBER   | U/M | DESCRIPTION                 | VENDOR NO. |
|-----|---------------|-----|-----------------------------|------------|
| 1   | 072342-13-702 | EA  | HOSE ASM. #6                | 085-0460   |
| 2   | 113245-01-711 | EA  | O'RING #6                   | 045-0129   |
| 3   | 103930-01-716 | EA  | SWITCH - PRESSURE - FAN     | 032-0036   |
| 4   | 103930-12-708 | EA  | SWITCH-BINARY-HI/LOW CUTOUT | 032-0048   |

**HEATING & A/C GROUP (CONTINUED)**  
**COMPONENT PARTS FOR AUTOMOTIVE (CONTINUED)**



103930-36-000

| KEY | PART NUMBER   | U/M | DESCRIPTION                          | VENDOR NO. |
|-----|---------------|-----|--------------------------------------|------------|
|     | 103930-36-000 | EA  | CONTROL/PLENUM - ROTARY CONTROL HEAD |            |
| 1   | 103930-33-701 | EA  | MOTOR - VACUUM, 3 STAGE              | 030-0105   |
| 2   | 103930-33-702 | EA  | CONTROL PANEL                        | 083-0169   |
| 3   | 103930-33-703 | EA  | VACUUM HARNESS                       | 036-0466   |
| 4   | 103930-33-705 | EA  | LIGHT BULBS                          | 035-0030   |
| 5   | 103930-33-711 | EA  | WIRE HARNESS-W/BULBS(CAVITY)         | 036-0496   |
| 6   | 103930-02-707 | EA  | RELAY-BOSCH W/RESISTER               | 031-0001   |
| 7   | 103930-02-710 | EA  | CANISTER-VACUUM                      | 054-0002   |
| 8   | 103930-36-701 | EA  | ROD - DOOR, AC                       | 073-0062   |
| 9   | 103930-36-700 | EA  | ROD - DOOR, DEFROST                  | 073-0061   |
| 10  | 103930-02-708 | EA  | MOTOR-VACUUM SERVO, A/C              | 030-0025   |
|     | 103930-33-707 | EA  | SWITCH - BLOWER                      | 032-00066  |
|     | 103930-33-708 | EA  | SWITCH - POTENTIOMETER               | 032-0184   |
|     | 103930-33-709 | EA  | SWITCH - VACUUM                      | 032-0183   |
|     | 103930-33-710 | EA  | DECAL F/CONTROL HEAD                 | 058-0102   |
|     | 103930-33-712 | EA  | KNOB - BLOWER                        | 062-00539  |
|     | 103930-33-713 | EA  | KNOB                                 | 062-0540   |
|     | 103930-36-702 | EA  | PLENUM CASE - UPPER                  | 060-0442   |
|     | 103930-36-703 | EA  | PLENUM CASE - LOWER                  | 060-0443   |
|     | 103930-36-704 | EA  | SPRING                               | 022-0119   |

**HEATING & A/C GROUP (CONTINUED)**  
**COMPONENT PARTS FOR AUTOMOTIVE (CONTINUED)**

103930-41-000

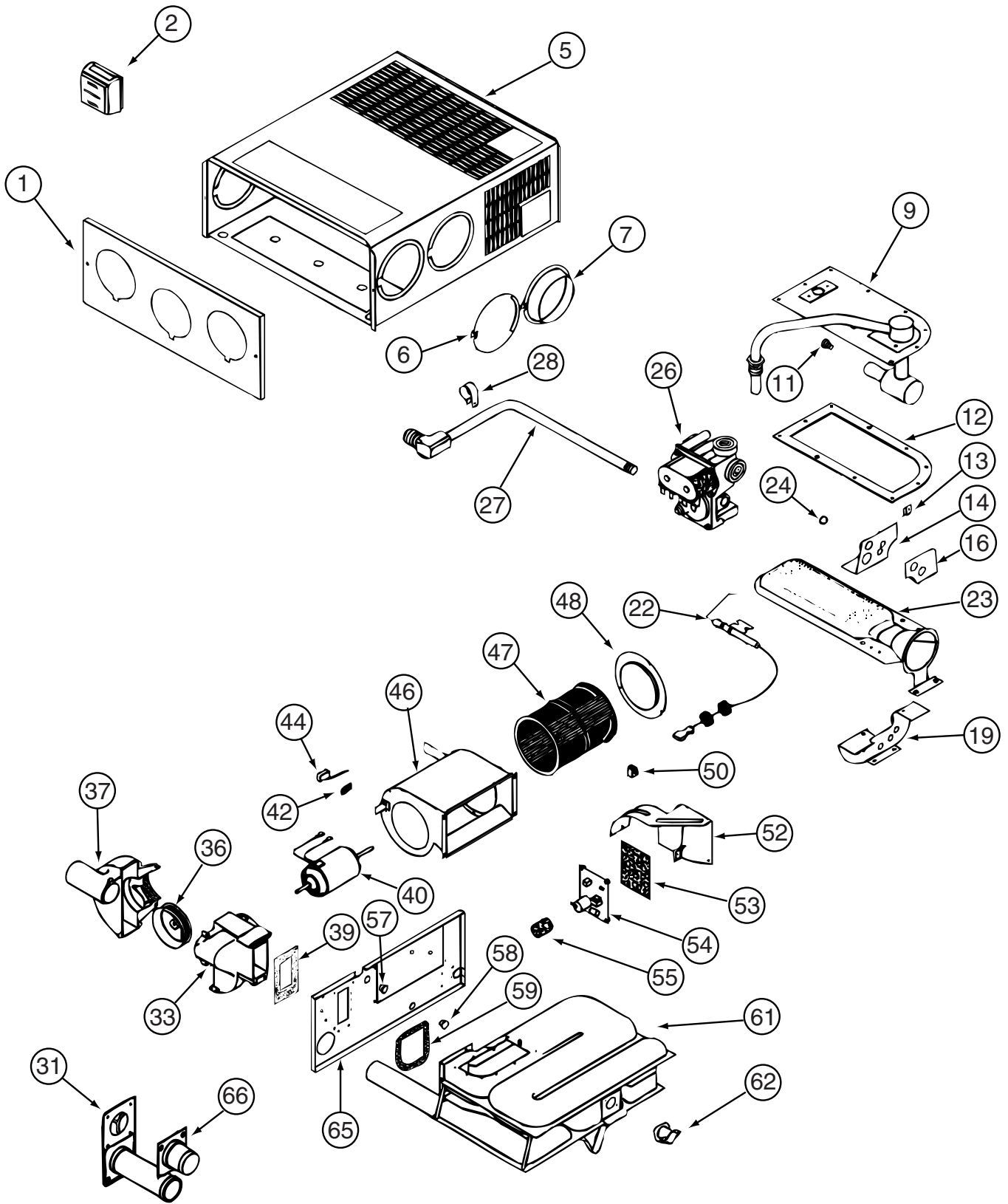
| <b>KEY</b> | <b>PART NUMBER</b> | <b>U/M</b> | <b>DESCRIPTION</b> | <b>VENDOR NO.</b> |
|------------|--------------------|------------|--------------------|-------------------|
|            | 103930-17-702      | EA         | O'RING #10         | 045-0127          |

**HEATING & A/C GROUP (CONTINUED)**  
**FURNACE**

| <b>KEY</b> | <b>PART NUMBER</b> | <b>U/M</b> | <b>DESCRIPTION</b>                                    |
|------------|--------------------|------------|---|
|            | 093614-11-01A      | EA         | GRILLE - AIR RETURN - 13.9" X 7.9" - BEIGE - P34HD    |
|            | 093614-08-02A      | EA         | GRILLE - AIR RETURN - 9.8" X 13.9" - BEIGE            |
|            | 098668-14-000      | EA         | GASKET - FIBERGLASS - .5" X 18" X 18"                 |
|            | 098668-15-000      | EA         | PLATE - FACE - SUBURBAN FURNACE                       |
|            | 098668-16-000      | EA         | VENT - INTAKE   |
|            | 133322-01-02B      | EA         | PANEL - EXHAUST - FURNACE - E-COATED                  |
|            | 133323-01-01A      | EA         | SHROUD - FURNACE - BRIGHT WHITE                       |
|            | 137965-01-01A      | EA         | REGISTER - 2.25" X 10" - W/O DAMPER - ANTIQUE BRASS   |
|            | 137965-02-01A      | EA         | REGISTER - 2.25" X 10" - W/DAMPER - ANTIQUE BRASS     |
|            | 137965-06-01A      | EA         | REGISTER - 2.25" X 14" - W/O DAMPER - ANTIQUE BRASS   |
| *          | 139980-04-000      | EA         | FURNACE - 40000 BTU - SF QUIET - SUBURBAN SF-42 2323J |

**\*COMPONENT PARTS LISTED LATER IN THIS GROUP**

**HEATING & A/C GROUP (CONTINUED)**  
**COMPONENT PARTS FOR FURNACE**



139980-04-000

**HEATING & A/C GROUP (CONTINUED)**  
**COMPONENT PARTS FOR FURNACE (CONTINUED)**

139980-04-000 (CONTNUED)

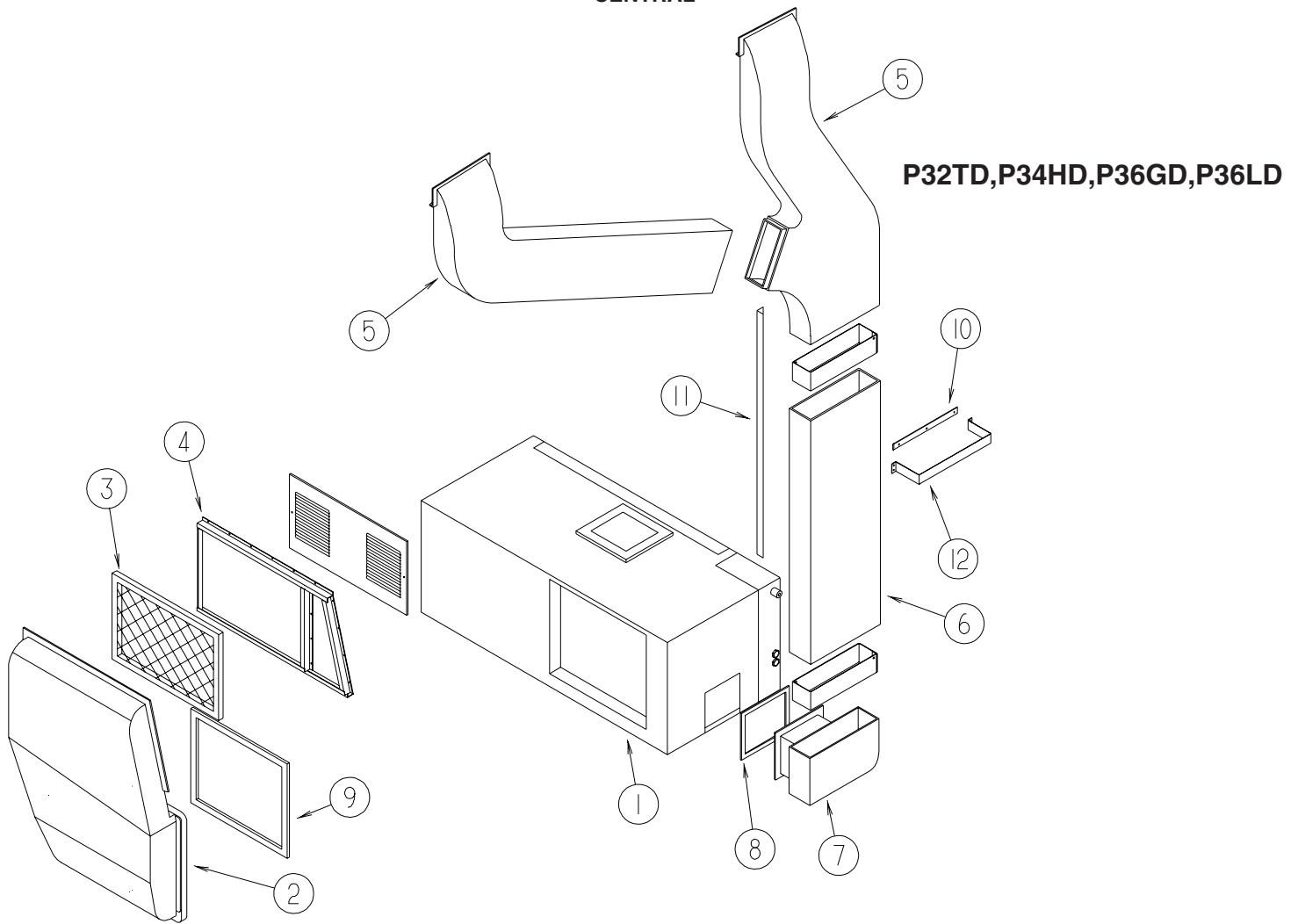
| KEY | PART NUMBER   | U/M | DESCRIPTION                  | VENDOR NO. |
|-----|---------------|-----|------------------------------|------------|
| 9   | 098668-20-700 | EA  | MANIFOLD ASM.                | 171517     |
| 11  | 139980-04-700 | EA  | ORFICE - MAIN BURNER         | 180242     |
| 12  | 098668-22-703 | EA  | GASKET - BURNER ACCESS COVER | 070811     |
| 22  | 139980-01-701 | EA  | ELECTRODE                    | 232286     |
| 23  | 098668-11-701 | EA  | BURNER ASSEMBLY,SF-42F       | 010799     |
| 26  | 098668-01-718 | EA  | VALVE-GAS SF S.N.974903079   | 161122     |
| 27  | 139980-01-702 | EA  | PIPE ASSEMBLY/GAS INLET      | 171574     |
| 31  | 098668-01-707 | EA  | TUBE ASSEMBLY, EXHAUST W/CAP | 260231     |
| 33  | 139980-01-703 | EA  | COMBUSTION AIR HOUS FRT/HALF | 390852     |
| 36  | 098668-22-702 | EA  | WHEEL-COMBUSTION AIR         | 350183     |
| 37  | 139980-01-704 | EA  | COMBUSTION AIR HOUS RR HALF  | 390848     |
| 39  | 139980-01-705 | EA  | GASKET/FIREWALL-COMB AIR     | 071084     |
| 40  | 139980-04-701 | EA  | MOTOR ASSEMBLY W/GASKET      | 232683     |
| 42  | 101990-01-714 | EA  | GASKET-MICROSWITCH           | 230877     |
| 44  | 098668-21-700 | EA  | SWITCH-MICRO-W/O FLAG 3 1/4" | 232261     |
| 46  | 139980-04-702 | EA  | BLOWER ASSEMBLY/ROOM AIR     | 390740BK   |
| 47  | 098668-01-711 | EA  | WHEEL-BLOWER, ROOM AIR       | 350129     |
| 48  | 139980-01-709 | EA  | ORFICE RING                  | 390696     |
| 50  | 139980-01-710 | EA  | SWITCH - ON/OFF              | 232351     |
| 52  | 139980-01-711 | EA  | PANEL ASSEMBLY-MODULE BD     | 101663     |
| 53  | 139980-01-712 | EA  | INSULATOR - MODULE BD        | 070807     |
| 54  | 098668-22-705 | EA  | MODULE BD W/RELAY TIME DELAY | 520820     |
| 55  | 139980-01-713 | EA  | CAP/INSULATOR-MODULE BD      | 070973     |
| 57  | 139980-01-714 | EA  | BUSHING - UNIVERSAL          | 070362     |
| 58  | 139980-01-715 | EA  | BUSHING - STRAIN RELIEF      | 231809     |
| 59  | 098668-01-716 | EA  | GASKET-FIREWALL,CHAMBER SIDE | 070808     |
| 61  | 139980-04-703 | EA  | CHAMBER ASSEMBLY FINAL       | 021150BK   |
| 62  | 098668-22-706 | EA  | SWITCH/LIMIT - 195 TRIP TEMP | 232505     |
| 66  | 098668-01-713 | EA  | TUBE ASSEMBLY, INTAKE        | 051248     |

CONTACT WINNEBAGO PART SALES FOR UNLISTED COMPONENTS



## HEATING & A/C GROUP (CONTINUED)

### CENTRAL

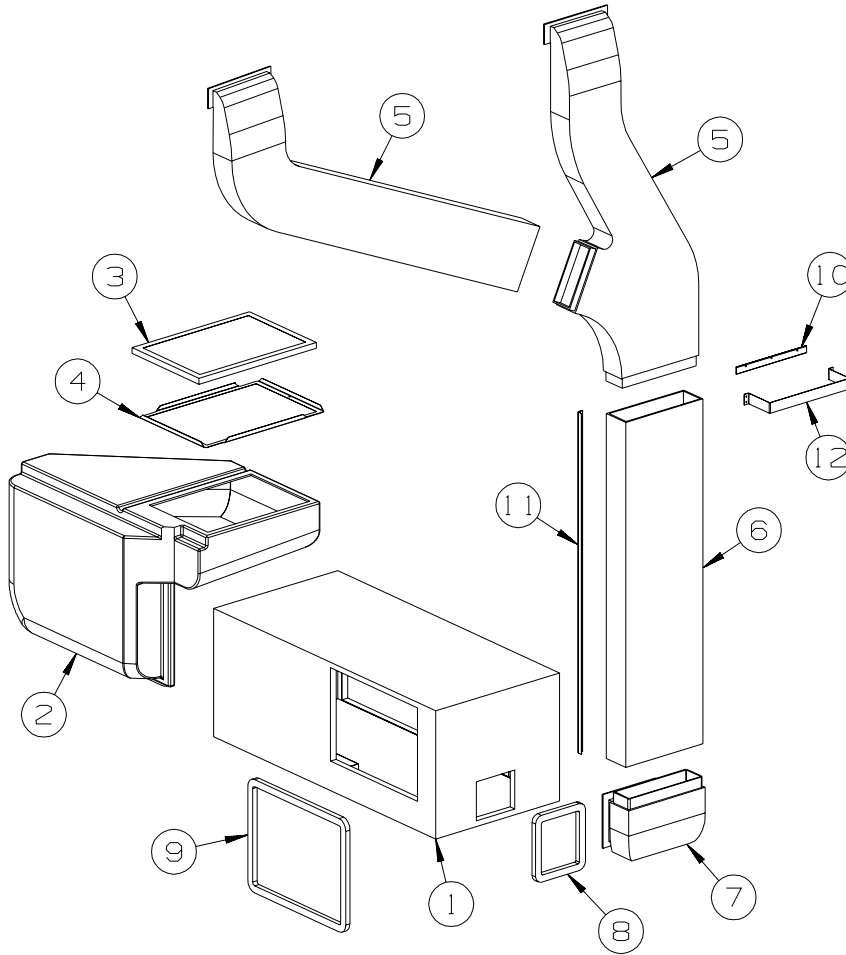


| KEY | PART NUMBER   | U/M | DESCRIPTION   |
|-----|---------------|-----|---|
| 1*  | 105620-11-000 | EA  | A/C CENTRAL PACKAGE - RIGHT HAND POWER SAVER/LARGE BLOWER |
| 2   | 135036-01-000 | EA  | DUCT - CENTRAL AIR - RETURN                               |
| 2   | 105290-01-000 | EA  | INSULATION - AIR POCKET W/FOIL                            |
| 3   | 109050-02-000 | EA  | FILTER - FIBERGLASS - 1" X 14" X 20"                      |
| 4   | 129604-01-KQ0 | EA  | FRAME - A/C FILTER  |
| 5   | M09204-01-000 | EA  | DUCT/AC - UPPER RIGHT HAND & LEFT HAND                    |
|     | 128862-01-000 | EA  | DUCT/AIR - UPPER LEFT HAND                                |
|     | 128868-01-000 | EA  | DUCT/AIR - UPPER RIGHT HAND                               |
| 5   | 105290-01-000 | EA  | INSULATION - AIR POCKET W/FOIL                            |
| 6   | 117870-03-01A | EA  | PLENUM - A/C  |
| 7   | P28855-01-000 | EA  | DUCT/CENTRAL AIR - LOWER                                  |
| 7   | 105290-01-000 | EA  | INSULATION - AIR POCKET W/FOIL                            |
| 8   | 134588-02-000 | EA  | GASKET - DUCT - 6.4" X 7.4" IS - 8.3" X 9.4" OS           |
| 9   | 134588-01-000 | EA  | GASKET - DUCT - 15.5" X 18.2" IS - 17.4" X 20.2" OS       |
| 10  | 115886-11-02A | EA  | RETAINER - SIDEWALL - BRIGHT WHITE - 11.8"                |
| 11  | 130262-01-000 | EA  | PROTECTOR - CORNER SAVER - .7" X .7" X 48"                |
| 12  | 129047-01-02B | EA  | STRAP/MOUNTING - AIR DUCT - E-COATED                      |
|     | 120134-01-02A | EA  | REGISTER - W/DAMPER - 4" PIPE/7" O.D. FACE - WHITE        |
| *   | 105620-15-000 | EA  | THERMOSTAT - FURNACE/HEAT PUMP                            |

\*COMPONENT PARTS LISTED LATER IN THIS GROUP

**HEATING & A/C GROUP (CONTINUED)**  
**CENTRAL (CONTINUED)**

**P39QD,P39WD**

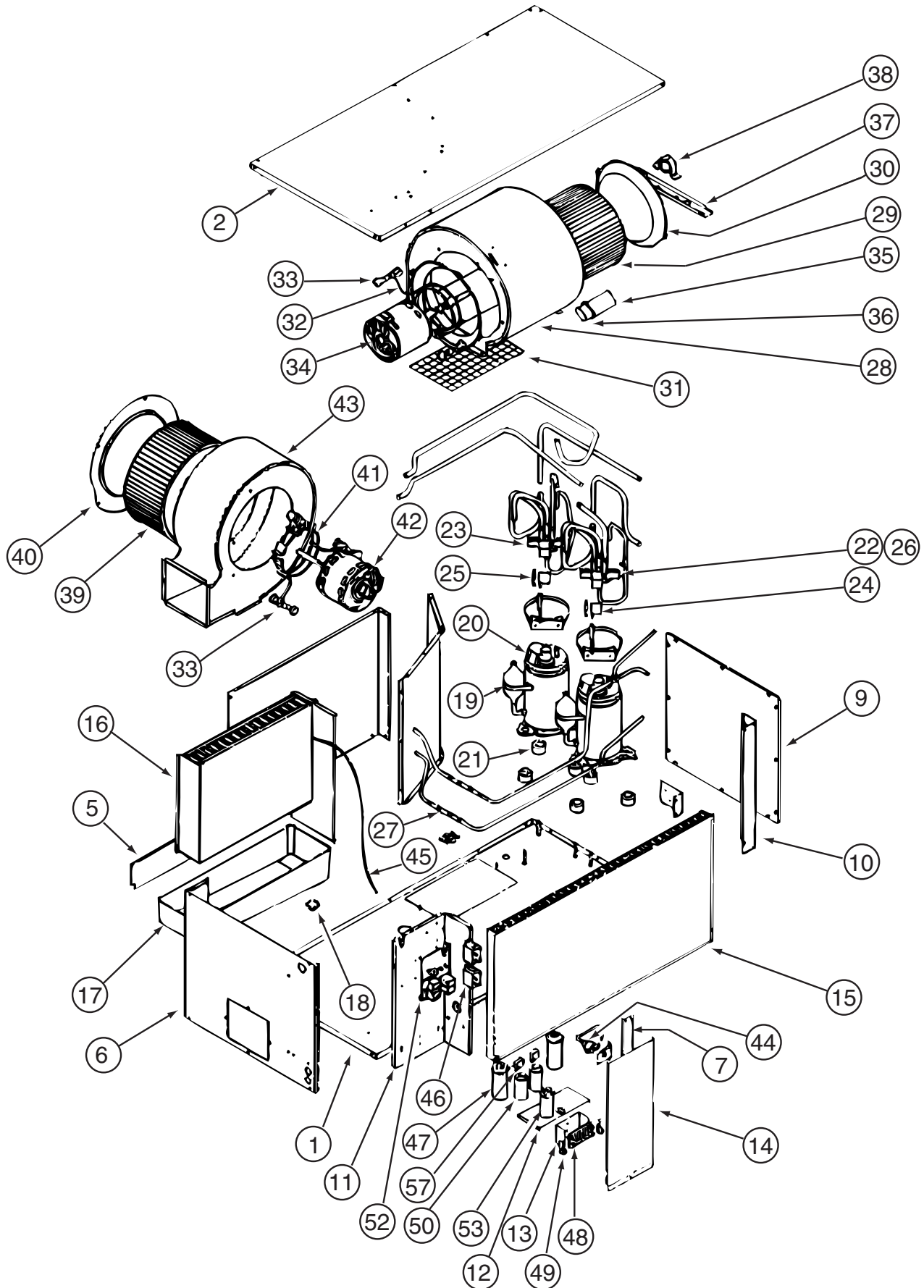


| KEY | PART NUMBER   | U/M | DESCRIPTION  |
|-----|---------------|-----|--|
| 1*  | 105620-12-000 | EA  | A/C - CONTROL PACK RIGHT HAND/HEAT PUMP - 12,000BTU COMP |
| 2   | 140289-01-01A | EA  | DUCT - CENTRAL AIR RETURN                                |
| 2   | 105290-01-000 | EA  | INSULATION - AIR POCKET W/FOIL                           |
| 3   | 109050-02-000 | EA  | FILTER - FIBERGLASS - 1" X 14" X 20"                     |
| 4   | 139757-01-02B | EA  | PANEL - TRAY - A/C FILTER - E-COATED                     |
| 5   | M09204-01-000 | EA  | DUCT/AC - UPPER RIGHT HAND & LEFT HAND                   |
|     | 128862-01-000 | EA  | DUCT/AIR - UPPER LEFT HAND                               |
|     | 128868-01-000 | EA  | DUCT/AIR - UPPER RIGHT HAND                              |
| 5   | 105290-01-000 | EA  | INSULATION - AIR POCKET W/FOIL                           |
| 6   | 117870-10-01A | EA  | PLENUM - A/C - 48.5"                                     |
| 7   | P28855-01-000 | EA  | DUCT/CENTRAL AIR - LOWER                                 |
| 7   | 105290-01-000 | EA  | INSULATION - AIR POCKET W/FOIL                           |
| 8   | 134588-02-000 | EA  | GASKET - DUCT - 6.4" X 7.4" IS - 8.3" X 9.4" OS          |
| 9   | 134588-04-000 | EA  | GASKET - DUCT - 13.9" X 18.2" IS - 15.9" X 20.2" OS      |
| 10  | 115886-11-02A | EA  | RETAINER - SIDEWALL - BRIGHT WHITE - 11.8"               |
| 11  | 130262-01-000 | EA  | PROTECTOR - CORNER SAVER - .7" X .7" X 48"               |
| 12  | 129047-01-02B | EA  | STRAP/MOUNTING - AIR DUCT - E-COATED                     |
|     | 120134-01-02A | EA  | REGISTER - W/DAMPER - 4" PIPE/7" O.D. FACE - WHITE       |
| *   | 105620-15-000 | EA  | THERMOSTAT - FURNACE/HEAT PUMP                           |

**\*COMPONENT PARTS LISTED LATER IN THIS GROUP**

# HEATING & A/C GROUP (CONTINUED)

## COMPONENT PARTS FOR CENTRAL



105620-12-000

**HEATING & A/C GROUP (CONTINUED)**  
**COMPONENT PARTS FOR CENTRAL (CONTINUED)**

**105620-12-000 (CONTINUED)**

| <b>KEY</b> | <b>PART NUMBER</b> | <b>U/M</b> | <b>DESCRIPTION</b>           | <b>VENDOR NO.</b> |
|------------|--------------------|------------|------------------------------|-------------------|
| 15         | 105620-12-701      | EA         | COIL - CONDENSER             | 1452-1621         |
| 16         | 105620-12-702      | EA         | COIL - EVAPORATOR            | 1452A1611         |
| 17         | 105620-10-709      | EA         | DRAIN PAN                    | 6636-304          |
| 18         | 105620-12-703      | EA         | VALVE - DRAIN                | 6795-200          |
| 19         | 105620-12-704      | EA         | COMPRESSOR                   | 1450-2149         |
| 21         | 105620-01-706      | EA         | MOUNTING PKG.,COMP., 3 PER   | 6759-3081         |
| 22         | 105620-12-706      | EA         | REVERSING VALVE ASSEMBLY #1  | 6535A533          |
| 23         | 105620-12-707      | EA         | REVERSING VALVE ASSEMBLY #2  | 6535-5321         |
| 24         | 105620-12-708      | EA         | COIL - SOLENOID              | 1460-1081         |
| 25         | 105620-12-709      | EA         | WIRE HARNESS-REVERSING VALVE | 6536-111          |
| 26         | 105620-12-710      | EA         | VALVE - REVERSE ONLY         | 1454A350          |
| 27         | 105620-12-711      | EA         | RESTRICTOR - BY FLOW         | 1454-2521         |
| 28         | 105620-12-712      | EA         | BLOWER HOUSING/OUTSIDE AIR   | 6536-515          |
| 29         | 105620-01-713      | EA         | WHEEL-BLOWER/OUTSIDE AIR     | 1472-1011         |
| 30         | 105620-01-714      | EA         | VENTURI-BLOWER/OUTSIDE AIR   | 6795A150          |
| 32         | 105620-01-715      | EA         | MOUNT-BLOWER/OUTSIDE AIR     | 6795A3011         |
| 34         | 105620-10-721      | EA         | MOTOR/BLOWER-8 3/4" SHAFT    | 1468A3029         |
| 35         | 105620-01-718      | EA         | CAPACITOR-FAN, 12.5 MFD/370V | 1499-5631         |
| 37         | 105620-12-713      | EA         | BRACKET/BEARING-O/S AIR BLWR | 6536-514          |
| 38         | 105620-10-701      | EA         | BEARING/PILLOW BLOCK-O/S AIR | 6536-3011         |
| 39         | 105620-12-714      | EA         | WHEEL - BLOWER/INSIDE AIR    | 1472-1121         |
| 40         | 105620-12-715      | EA         | BLOWER VENTURI/INSIDE AIR    | 6535A287          |
| 41         | 105620-01-723      | EA         | MOUNT-BLOWER MOTOR - I/S AIR | 6795-3021         |
| 42         | 105620-12-716      | EA         | BLOWER MTR/IN AIR/REVERSIBLE | 1468-3219         |
| 43         | 105620-12-717      | EA         | BLOWER HOUSING/INSIDE AIR    | 6535A589          |
| 44         | 105620-12-718      | EA         | SWITCH ASSM. - HIGH PRESSURE | 6535-5291         |
| 45         | 105620-12-719      | EA         | COIL SENSOR                  | 7330A3231         |
| 46         | 105620-01-729      | EA         | RELAY-COMPRESSOR -4 TERMINAL | 1460-1131         |
| 48         | 105620-01-738      | EA         | BOARD-TERMINAL, HIGH VOLTAGE | 6795-315          |
| 51         | 105620-10-705      | EA         | PTCR (START DEVICE) - W/CAP. | 8333A9021         |
| 52         | 105620-12-720      | EA         | KIT-CIRCUIT BD (6535-SERIES) | 6535-3209         |
| 52         | 105620-12-721      | EA         | CIRCUIT BD(6535 A SERIES)    | 6535-3201         |
| 53         | 093763-01-704      | EA         | CAPACITOR-FAN                | 1499-5461         |
|            | 105620-10-720      | EA         | FUSE/BUSS(8AMP/250V) 2 PKG   | 6535-3081         |

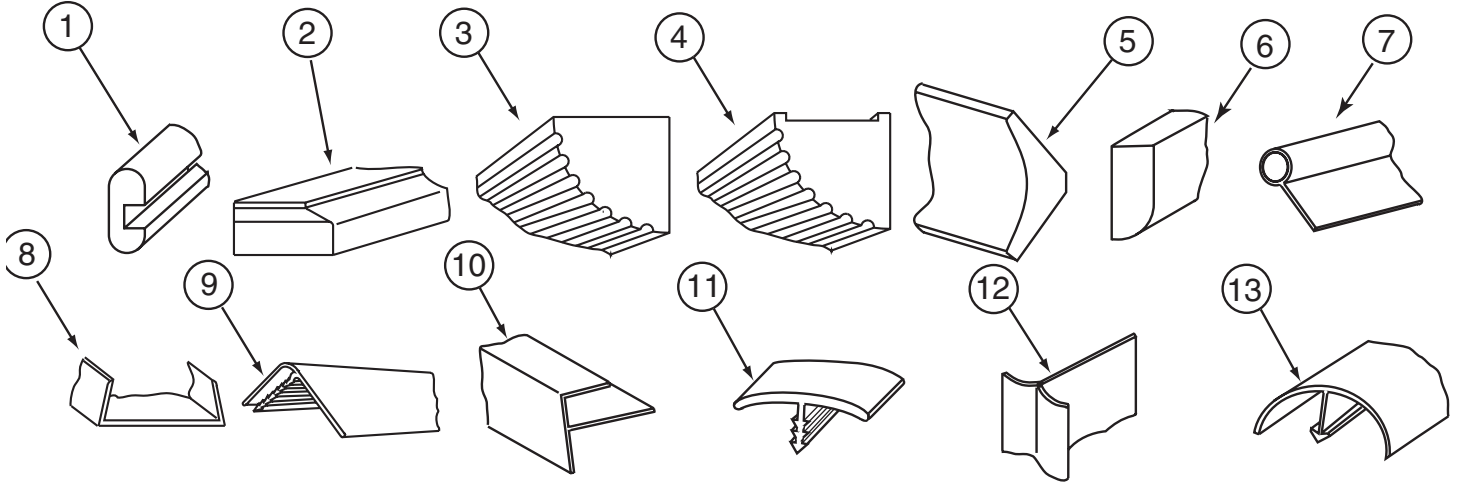
CONTACT WINNEBAGO PART SALES FOR UNLISTED COMPONENTS

**105620-15-000**

| <b>KEY</b> | <b>PART NUMBER</b> | <b>U/M</b> | <b>DESCRIPTION</b>             | <b>VENDOR NO.</b> |
|------------|--------------------|------------|--------------------------------|-------------------|
|            | 105620-15-700      | EA         | FUSE/BUSS (2AMP/250V) 3 PER PK | 8330-3343         |

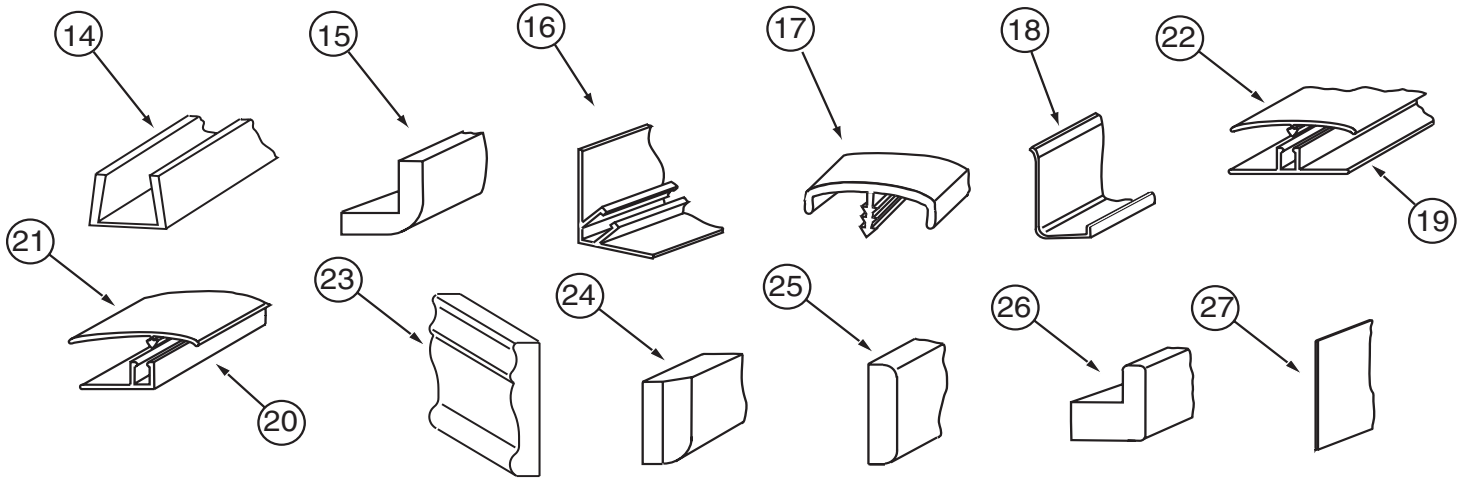
# INTERIOR FINISH GROUP

MOLDINGS & TRIMS  
 PORTSMOUTH OAK  
 CONCERT CHERRY



| KEY | PART NUMBER   | U/M | DESCRIPTION   |
|-----|---------------|-----|---|
| 1   | M09412-62-N42 | EA  | MOLDING/SHELF EDGE - W/.4" NOTCH - PORTSMOUTH II - PORTSMOUTH OAK     |
| 1   | M09412-62-M62 | EA  | MOLDING/SHELF EDGE - W/.4" NOTCH - WASHED MAPLE                       |
| 1   | M09412-62-M52 | EA  | MOLDING/SHELF EDGE - W/.4" NOTCH - CHERRY IV - CONCERT CHERRY         |
| 2   | P34052-01-N75 | EA  | TRIM/TABLE - 29.7" - PORTSMOUTH OAK                                   |
| 2   | P34052-01-M84 | EA  | TRIM/TABLE - 29.7" - WASHED MAPLE                                     |
| 2   | P34052-01-M52 | EA  | TRIM/TABLE - 29.7" - SALEM CHERRY - CONCERT CHERRY                    |
| 2   | P34052-02-N47 | EA  | TRIM/TABLE - 24" - PORTSMOUTH OAK                                     |
| 2   | P34052-02-M84 | EA  | TRIM/TABLE - 24" - WASHED MAPLE                                       |
| 2   | P34052-02-M52 | EA  | TRIM/TABLE - 24" - SALEM CHERRY - CONCERT CHERRY                      |
| 3   | Y00070-22-438 | EA  | MOLDING/FLUTED - MAPLE - 96" - WASHED MAPLE                           |
| 3   | Y00070-32-438 | EA  | MOLDING/FLUTED - CHERRY - 96" - CONCERT CHERRY                        |
| 3   | Y00070-42-438 | EA  | MOLDING/FLUTED - OAK - 96" - PORTSMOUTH OAK                           |
| 4   | Y00071-22-438 | EA  | MOLDING/FLUTED - W/NOTCH - MAPLE - 96" - WASHED MAPLE                 |
| 4   | Y00071-32-438 | EA  | MOLDING/FLUTED - W/NOTCH - CHERRY - 96" - CONCERT CHERRY              |
| 4   | Y00071-42-438 | EA  | MOLDING/FLUTED - W/NOTCH - OAK - 96" - PORTSMOUTH OAK                 |
| 5   | Y00074-22-438 | EA  | MOLDING/CROWN - VINYL WRAPPED - MAPLE - 96" - WASHED MAPLE            |
| 5   | Y00074-62-438 | EA  | MOLDING/CROWN - VINYL WRAPPED - CONCERT CHERRY - 96" - CONCERT CHERRY |
| 5   | Y00074-72-438 | EA  | MOLDING/CROWN - VINYL WRAPPED - PORTSMOUTH OAK - 96" - PORTSMOUTH OAK |
| 6   | Y00086-22-438 | EA  | MOLDING - VINYL WRAP - 96" - WASHED MAPLE                             |
| 6   | Y00086-62-438 | EA  | MOLDING - VINYL WRAP - 96" - CONCERT CHERRY                           |
| 6   | Y00086-72-438 | EA  | MOLDING - VINYL WRAP - 96" - PORTSMOUTH OAK                           |
| 7   | 009767-12-000 | FT  | WELTING - ANTIQUE WHITE   |
| 8   | 009778-25-000 | FT  | U-CHANNEL - 1" - BEIGE ILLUSION                                       |
| 8   | 009778-27-000 | FT  | U-CHANNEL - 1" - WASHED MAPLE   |
| 8   | 009778-30-000 | FT  | U-CHANNEL - 1" - VILLAGE OAK  |
| 8   | 009778-32-000 | FT  | U-CHANNEL - 1" - PORTSMOUTH OAK                                       |
| 8   | 009778-34-000 | FT  | U-CHANNEL - 1" - CONCERT CHERRY                                       |
| 9   | 009809-23-000 | EA  | MOLDING - CORNER - OUTSIDE - 1" X 84" - MODERN IVORY                  |
| 9   | 009809-30-000 | EA  | MOLDING - CORNER - OUTSIDE - 1" X 84" - BEIGE ILLUSION                |
| 9   | 009809-32-000 | EA  | MOLDING - CORNER - OUTSIDE - 1" X 84" - PORTSMOUTH OAK                |
| 9   | 009809-33-000 | EA  | MOLDING - CORNER - OUTSIDE - 1" X 84" - CONCERT CHERRY                |
| 10  | 009812-24-000 | EA  | MOLDING - CORNER - 1/2" W/1/4"CHAN X 84" - IVORY PLASTIC              |
| 10  | 009812-31-000 | EA  | MOLDING - CORNER - 1/2" W/1/4"CHAN X 84" - BEIGE ILLUSION             |
| 10  | 009812-33-000 | EA  | MOLDING - CORNER - 1/2" W/1/4"CHAN X 84" - WASHED MAPLE               |
| 10  | 009812-34-000 | EA  | MOLDING - CORNER - 1/2" W/1/4"CHAN X 84" - VW LIGHT GRAY              |
| 10  | 009812-35-000 | EA  | MOLDING - CORNER - 1/2" W/1/4"CHAN X 84" - PORTSMOUTH OAK             |
| 10  | 009812-36-000 | EA  | MOLDING - CORNER - 1/2" W/1/4"CHAN X 84" - CONCERT CHERRY             |
| 11  | 009815-10-000 | FT  | MOLDING-T - W/EDGE LIP - 3/4" FACE - BEIGE ILLUSION                   |
| 12  | 022992-11-000 | FT  | MOLDING - REVERSE COVE - T-SHAPED - IVORY                             |
| 12  | 022992-14-000 | FT  | MOLDING - REVERSE COVE - T-SHAPED - BRIGHT WHITE                      |
| 12  | 022992-15-000 | FT  | MOLDING - REVERSE COVE - T-SHAPED - VW GRAY                           |
| 13  | 042357-25-000 | EA  | MOLDING - CORNER - RADIUS/PLASTIC - WASHED MAPLE                      |

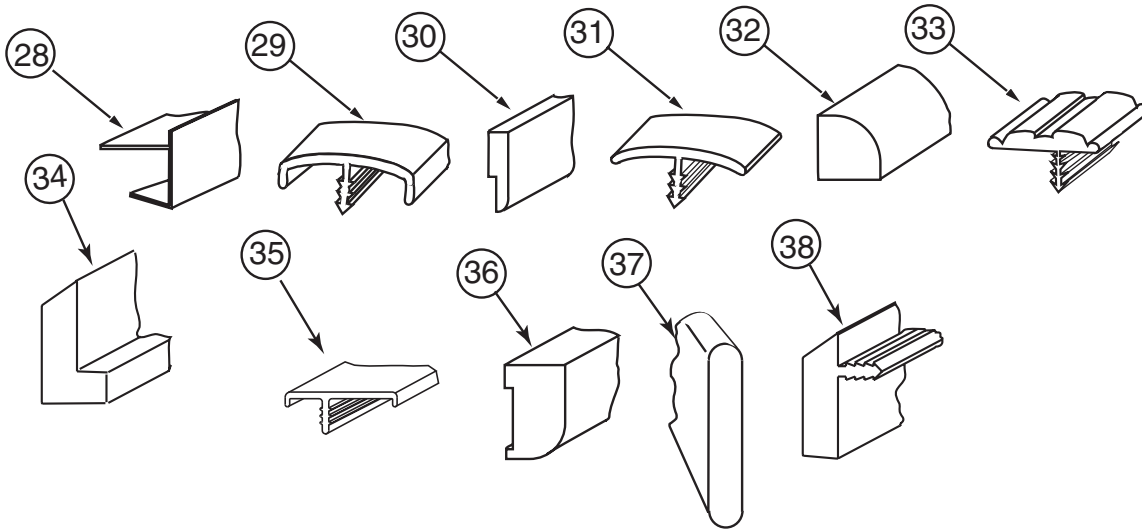
**INTERIOR FINISH GROUP (CONTINUED)**  
**MOLDINGS & TRIMS (CONTINUED)**



| KEY | PART NUMBER   | U/M | DESCRIPTION   |
|-----|---------------|-----|---|
| 14  | 070504-18-000 | FT  | U-CHANNEL - PLASTIC - .13" X 96" - IVORY                                    |
| 14  | 070504-35-000 | FT  | U-CHANNEL - PLASTIC - .13" X 72" - IVORY                                    |
| 14  | 070504-42-000 | FT  | U-CHANNEL - PLASTIC - .13" X 84" - BEIGE ILLUSION                           |
| 14  | 070504-43-000 | FT  | U-CHANNEL - PLASTIC - .9" X 96" - BEIGE ILLUSION                            |
| 14  | 070504-50-000 | FT  | U-CHANNEL - PLASTIC - .13" X 96" - WASHED MAPLE                             |
| 14  | 070504-54-000 | FT  | U-CHANNEL - PLASTIC - .9" X 96" - VILLAGE OAK                               |
| 14  | 070504-57-000 | FT  | U-CHANNEL - PLASTIC - .13" X 84" - PORTSMOUTH OAK                           |
| 14  | 070504-58-000 | FT  | U-CHANNEL - PLASTIC - .9" X 84" - PORTSMOUTH OAK                            |
| 14  | 070504-60-000 | FT  | U-CHANNEL - PLASTIC - .13" X 84" - CONCERT CHERRY                           |
| 14  | 070504-61-000 | FT  | U-CHANNEL - PLASTIC - .9" X 84" - CONCERT CHERRY                            |
| 15  | 080176-08-000 | EA  | CAP - CORNER - RADIUS MOLDING - PLASTIC - WASHED MAPLE                      |
| 16  | 081521-02-007 | EA  | MOUNT - METAL MOLDING - F/RADIUS CORNER MOLDING - 151.5"                    |
| 17  | 083620-09-000 | FT  | MOLDING-T - W/EDGE LIP - 7/8" FACE - MODERN IVORY                           |
| 17  | 083620-15-000 | FT  | MOLDING-T - W/EDGE LIP - 7/8" FACE - BEIGE ILLUSION                         |
| 17  | 083620-19-000 | FT  | MOLDING-T - W/EDGE LIP - 7/8" FACE - WASHED MAPLE                           |
| 17  | 083620-20-000 | FT  | MOLDING-T - W/EDGE LIP - 7/8" FACE - PORTSMOUTH OAK                         |
| 17  | 083620-21-000 | FT  | MOLDING-T - W/EDGE LIP - 7/8" FACE - CONCERT CHERRY                         |
| 18  | 085746-04-000 | FT  | TRIM-J - CARPET 1.2" X .5" ANGLE - 10' LONG - OFF WHITE                     |
| 19  | 086229-01-000 | EA  | RETAINER - BATTEN - .75" X 92.1" - ANY COLOR                                |
| 20  | 086229-11-000 | EA  | RETAINER - OFFSET - 97"   |
| 21  | 086229-12-000 | EA  | BATTEN - 1.5" OFFSET X 96.8" - MODERN IVORY                                 |
| 21  | 086229-21-000 | EA  | BATTEN - 1.5" X 83.9" OFFSET - WHITE  |
| 22  | 086229-20-000 | EA  | BATTEN - 1" X 96" - BEIGE   |
| 23  | 100182-10-J70 | EA  | TRIM - CHAIR RAIL - 2.5" X 8' EACH - WOOD - WASHED MAPLE                    |
| 23  | 100182-10-N47 | EA  | TRIM/RAIL - PORTSMOUTH OAK  |
| 23  | 100182-10-P85 | EA  | TRIM - CHAIR RAIL - 2.5" X 8' EACH - WOOD - CONCERT CHERRY                  |
| 24  | 100659-30-N75 | EA  | MOLDING - TRIM - PORTSMOUTH OAK   |
| 24  | 100659-30-N74 | EA  | MOLDING - TRIM - CHERRY - CONCERT CHERRY                                    |
| 24  | 100659-30-M84 | EA  | MOLDING-TRIM,VINYL FLOOR - WASHED MAPLE                                     |
| 25  | 100818-01-08A | EA  | MOLDING - VINYL WRAPPED - 1.6" X .4" X 84"-WASHED MAPLE                     |
| 25  | 100818-01-12A | EA  | MOLDING - VINYL WRAPPED - 1.6" X .4" X 84"-PORTSMOUTH OAK                   |
| 25  | 100818-01-13A | EA  | MOLDING - VINYL WRAPPED - 1.6" X .4" X 84" - CHERRY - CONCERT CHERRY        |
| 26  | 100819-01-08A | EA  | MOLDING - VINYL WRAPPED-L-SHAPED-1.5"X1.5"X84"- WASHED MAPLE                |
| 26  | 100819-01-12A | EA  | MOLDING - VINYL WRAPPED-L-SHAPED - 1.5" X 1.5" X 84" - OAK - PORTSMOUTH OAK |
| 26  | 100819-01-13A | EA  | MOLDING - VINYL WRAPPED-L-SHAPED-1.5"X1.5"X84" - CONCERT CHERRY             |
| 27  | 101957-01-06A | EA  | EXTRUDED - PLASTIC - WASHED MAPLE   |

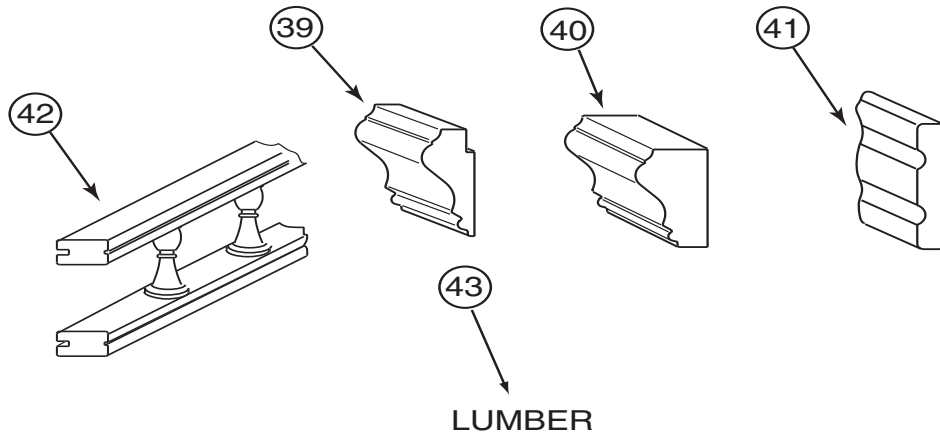


**INTERIOR FINISH GROUP (CONTINUED)**  
**MOLDINGS & TRIMS (CONTINUED)**



| KEY | PART NUMBER   | U/M | DESCRIPTION   |
|-----|---------------|-----|---|
| 28  | 103186-01-07A | FT  | MOLDING/PLASTIC - 3/8" U-CHANNEL-3/4"FACE - BEIGE ILLUS 8'                  |
| 28  | 103186-01-08A | FT  | MOLDING/PLASTIC - 3/8" U-CHANNEL-3/4"FACE-WASHED MAPLE 8' - WASHED MAPLE    |
| 28  | 103186-01-09A | FT  | MOLDING/PLASTIC - 3/8" U-CHAN'L-3/4"FACE-PORTSMOUTH OAK 8' - PORTSMOUTH OAK |
| 28  | 103186-01-10A | FT  | MOLDING/PLASTIC-3/8" U-CHAN'L-3/4"FACE-CONCERT CHERRY 8' - CONCERT CHERRY   |
| 28  | 103186-02-07A | FT  | MOLDING/PLASTIC-1" U-CHAN'L-1 3/8"FACE-BEIGE ILLUSION - 8'                  |
| 28  | 103186-02-08A | FT  | MOLDING/PLASTIC - 1" U-CHANNEL-1 3/8"FACE-WASHED MAPLE 8' - WASHED MAPLE    |
| 28  | 103186-02-09A | FT  | MOLDING/PLASTIC - 1" U-CHAN'L-1 3/8"FACE-PORTSMOUTH OAK 8' - PORTSMOUTH OAK |
| 28  | 103186-02-10A | FT  | MOLDING/PLASTIC - 1" U-CHAN'L-1 3/8"FACE-CONCERT CHERRY 8' - CONCERT CHERRY |
| 29  | 104676-02-06A | FT  | MOLDING-T - W/EDGE LIP - 11/16" FACE - WASHED MAPLE                         |
| 29  | 104676-02-08A | FT  | MOLDING-T - W/EDGE LIP - 11/16" FACE - PORTSMOUTH OAK                       |
| 29  | 104676-02-09A | FT  | MOLDING-T - W/EDGE LIP - 11/16" FACE - CONCERT CHERRY                       |
| 30  | 105004-01-08A | EA  | MOLDING - VINYL WRAPPED - 1" X 96" - WASHED MAPLE                           |
| 30  | 105004-01-12A | EA  | MOLDING - VINYL WRAPPED 1" X 96" - PORTSMOUTH OAK                           |
| 30  | 105004-01-13A | EA  | MOLDING - VINYL WRAPPED 1" X 96" - CONCERT CHERRY                           |
| 31  | 105709-02-000 | FT  | MOLDING-T - W/EDGE LIP - 3/4" FACE - BEIGE ILLUSION                         |
| 32  | 109410-01-P25 | EA  | MOLDING - TRIM - 8' - BLACK CHERRY/CHERRY IV - CONCERT CHERRY               |
| 32  | 109410-01-N75 | EA  | MOLDING - TRIM - 8' - PORTSMOUTH OAK  |
| 32  | 109410-01-J70 | EA  | MOLDING - TRIM - 8' - WHITE MAPLE/WASHED MAPLE                              |
| 33  | 109736-02-01A | FT  | MOLDING-T/OFFSET - W/EDGE LIP - 1" FACE - NAT OAK/BRASS                     |
| 34  | 111235-01-H56 | EA  | MOLDING - COUNTERTOP - 1.4" X 8' - WHITE MAPLE - UNSTAINED - WASHED MAPLE   |
| 34  | 111235-01-N42 | EA  | MOLDING - COUNTERTOP - 1.4" X 8' - OAK - UNSTAINED - PORTSMOUTH OAK         |
| 34  | 111235-01-P79 | EA  | MOLDING - COUNTERTOP - 1.4" X 8' - CONCERT CHERRY                           |
| 35  | 119520-01-01A | FT  | MOLDING-T/OFFSET - W/EDGE LIP - 1"FACE - OFF WHITE                          |
| 35  | 119520-01-02A | FT  | MOLDING-T/OFFSET - W/EDGE LIP - 1"FACE - CONCERT CHERRY                     |
| 35  | 119520-01-03A | FT  | MOLDING-T/OFFSET - W/EDGE LIP - 1"FACE - WASHED MAPLE                       |
| 35  | 119520-01-04A | FT  | MOLDING-T/OFFSET - W/EDGE LIP - 1"FACE - PORTSMOUTH OAK                     |
| 35  | 119520-02-01A | FT  | MOLDING-T/OFFSET - W/EDGE LIP - 1"FACE                                      |
| 36  | 126204-D2-134 | EA  | MOLDING - VINYL WRAPPED - .7" X 1.6" X 84" - WASHED MAPLE                   |
| 36  | 126204-F2-134 | EA  | MOLDING - VINYL WRAPPED - .7" X 2.5" X 84" - WASHED MAPLE                   |
| 36  | 137887-D2-134 | EA  | MOLDING - VINYL WRAPPED - .7" X 1.6" X 96" - CHERRY - CONCERT CHERRY        |
| 36  | 137887-F2-134 | EA  | MOLDING - VINYL WRAPPED - .7" X 2.5" X 84" - CHERRY - CONCERT CHERRY        |
| 36  | 137887-F2-743 | EA  | MOLDING - VINYL WRAPPED - .7" X 2.5" X 108" - CHERRY - CONCERT CHERRY       |
| 36  | 137895-D2-134 | EA  | MOLDING - VINYL WRAPPED - .7" X 1.6" X 84" - PORTSMOUTH OAK                 |
| 36  | 137895-F2-134 | EA  | MOLDING - VINYL WRAPPED - .7" X 2.5" X 84" - PORTSMOUTH OAK                 |
| 36  | 137895-F2-743 | EA  | MOLDING - VINYL WRAPPED - .7" X 2.5" X 108" - PORTSMOUTH OAK                |
| 37  | 127842-01-01A | FT  | SEAL - SIGHT SHIELD - 2" BLACK  |
| 38  | 130247-01-05A | FT  | MOLDING-T/OFF SET - 1.3" FACE - CONCERT CHERRY                              |
| 38  | 130247-01-04A | FT  | MOLDING-T/OFF SET - 1.3" FACE - PORTSMOUTH OAK                              |
| 38  | 130247-01-02A | FT  | MOLDING-T/OFF SET - 1.3" FACE - WASHED MAPLE                                |

**INTERIOR FINISH GROUP (CONTINUED)**  
**MOLDINGS & TRIMS (CONTINUED)**



| KEY | PART NUMBER   | U/M | DESCRIPTION   |
|-----|---------------|-----|---|
| 39  | 131923-02-04A | FT  | MOLDING - PICTURE - OAK - PORTSMOUTH OAK                            |
| 40  | 131923-03-03A | FT  | MOLDING - CROWN - DIVIDER - WHITE MAPLE - WASHED MAPLE              |
| 40  | 131923-03-02A | FT  | MOLDING - CROWN - DIVIDER - CHERRY - CONCERT CHERRY                 |
| 41  | 134156-01-03A | EA  | MOLDING - VINYL WRAP - .7" X 3.8" X 33.8" - WASHED MAPLE            |
| 41  | 134156-01-08A | EA  | MOLDING - VINYL WRAP - .7" X 3.8" X 33.8" - PORTSMOUTH OAK          |
| 41  | 134156-03-03A | EA  | MOLDING - VINYL WRAP - .7" X 3.4" X 28.3" - WASHED MAPLE            |
| 41  | 134156-03-07A | EA  | MOLDING - VINYL WRAP - .7" X 3.4" X 28.3" - CONCERT CHERRY          |
| 41  | 134156-03-08A | EA  | MOLDING - VINYL WRAP - .7" X 3.4" X 28.3" - PORTSMOUTH OAK          |
| 41  | 134156-05-07A | EA  | MOLDING - VINYL WRAP - .7" X 3.8" X 34.4" - CONCERT CHERRY          |
| 42  | 137108-01-02A | EA  | RAIL - DECORATIVE - SALEM CHERRY - CONCERT CHERRY                   |
| 42  | 137108-01-03A | EA  | RAIL - DECORATIVE - WASHED MAPLE                                    |
| 42  | 137108-01-07A | EA  | RAIL - DECORATIVE - PORTSMOUTH OAK                                  |
| 43  | 126205-D2-438 | EA  | LUMBER - VINYL WRAPPED - .7" X 1.5" X 96" - WASHED MAPLE            |
| 43  | 126205-E2-438 | EA  | LUMBER - VINYL WRAPPED - .7" X 2" X 96" - WASHED MAPLE              |
| 43  | 126205-F2-438 | EA  | LUMBER - VINYL WRAPPED - .7" X 2.5" X 96" - WASHED MAPLE            |
| 43  | 126205-G2-438 | EA  | LUMBER - STAINED - .7" X 3" X 96" - WASHED MAPLE                    |
| 43  | 126205-J2-438 | EA  | LUMBER - VINYL WRAPPED - .7" X 5.5" X 96" - WASHED MAPLE            |
| 43  | 126205-R2-438 | EA  | LUMBER - LUMBER - VINYL WRAPPED - .7" X 3" X 96" - WASHED MAPLE     |
| 43  | 137885-A2-438 | EA  | LUMBER - VINYL WRAPPED - .7" X .75" X 96" - CHERRY - CONCERT CHERRY |
| 43  | 137885-D2-438 | EA  | LUMBER - VINYL WRAPPED - .7" X 1.5" X 96" - CHERRY - CONCERT CHERRY |
| 43  | 137885-E2-438 | EA  | LUMBER - VINYL WRAPPED - .7" X 2" X 96" - CHERRY - CONCERT CHERRY   |
| 43  | 137885-F2-438 | EA  | LUMBER - VINYL WRAPPED - .7" X 2.5" X 96" - CHERRY - CONCERT CHERRY |
| 43  | 137885-G2-438 | EA  | LUMBER - VINYL WRAPPED - .7" X 3" X 96" - CHERRY - CONCERT CHERRY   |
| 43  | 137885-J2-743 | EA  | LUMBER-018X140X2743 MM VYL - CONCERT CHERRY                         |
| 43  | 137885-J2-438 | EA  | LUMBER - VINYL WRAPPED - .7" X 5.5" X 96" - CHERRY - CONCERT CHERRY |
| 43  | 137885-R2-438 | EA  | LUMBER - VINYL WRAPPED - .7" X 3" X 96" - CHERRY - CONCERT CHERRY   |
| 43  | 137894-A2-438 | EA  | LUMBER - VINYL WRAPPED - .7" X .75 X 96" - PORTSMOUTH OAK           |
| 43  | 137894-D2-438 | EA  | LUMBER - VINYL WRAPPED - .7" X 1.5" X 96" - PORTSMOUTH OAK          |
| 43  | 137894-E2-438 | EA  | LUMBER - VINYL WRAPPED - .7" X 2" X 96" - PORTSMOUTH OAK            |
| 43  | 137894-F2-438 | EA  | LUMBER - VINYL WRAPPED - .7" X 2.5" X 96" - PORTSMOUTH OAK          |
| 43  | 137894-G2-438 | EA  | LUMBER - VINYL WRAPPED - .7" X 3" X 96" - PORTSMOUTH OAK            |
| 43  | 137894-H2-438 | EA  | LUMBER - VINYL WRAPPED - .7" X 3.5" X 96" - PORTSMOUTH OAK          |
| 43  | 137894-J2-438 | EA  | LUMBER - VINYL WRAPPED - .7" X 5.5" X 96" - PORTSMOUTH OAK          |
| 43  | 137894-J2-743 | EA  | LUMBER - VINYL WRAPPED - .7" X 5.5" X 108" -PORTSMOUTH OAK          |
| 43  | 137894-R2-438 | EA  | LUMBER - VINYL WRAPPED - .7" X 3" X 96" - PORTSMOUTH OAK            |
|     | 141260-01-02A | FT  | U-CHANNEL - 1" - GRADY BROWN  |
|     | 141260-01-01A | FT  | U-CHANNEL - 1" - VILLAGE OAK  |



**INTERIOR FINISH GROUP (CONTINUED)**  
**PANELING & LAMINATES**

| <b>KEY</b> | <b>PART NUMBER</b> | <b>U/M</b> | <b>DESCRIPTION</b>   |
|------------|--------------------|------------|--|
|            | 000885-A5-000      | SF         | PARTICLE BOARD - 3/8" X 4' X 8'- WHT PEB EMBOSSED-1 SIDED                      |
|            | 000885-96-000      | SF         | PARTICLE BOARD - 3/8" X 4' X 8' - SALEM CHERRY - 1 SIDED - CONCERT CHERRY      |
|            | 000885-A1-000      | SF         | PARTICLE BOARD - 1/2" X 4' X 8' - SALEM CHERRY - 2 SIDED - CONCERT CHERRY      |
|            | 000885-A3-000      | SF         | PARTICLE BOARD - 3/4" X 4' X 8' - SALEM CHERRY - 2 SIDED - CONCERT CHERRY      |
|            | 000885-98-000      | SF         | PARTICLE BOARD - 3/8" X 4' X 8' - SALEM CHERRY - 2 SIDED - CONCERT CHERRY      |
|            | 000885-92-000      | SF         | PARTICLE BOARD-3/8" X 4' X 8'-PORTSMOUTH OAK-VINYL 1 SIDED - PORTSMOUTH OAK    |
|            | 000885-94-000      | SF         | PARTICLE BOARD - 1/2" X 4' X 8' - PORTSMOUTH OAK - 2-SIDED - PORTSMOUTH OAK    |
|            | 000885-93-000      | SF         | PARTICLE BOARD - 3/8" X 4' X 8' - PORTSMOUTH OAK - 2-SIDED - PORTSMOUTH OAK    |
|            | 000885-95-000      | SF         | PARTICLE BOARD - 3/4" X 4' X 8' - PORTSMOUTH OAK - 2-SIDED - PORTSMOUTH OAK    |
|            | 074497-43-000      | SF         | PANELING - SALEM CHERRY - 4' X 8' - CONCERT CHERRY                             |
|            | 074497-42-000      | SF         | PANELING - PORTSMOUTH OAK - 4' X 8' - PORTSMOUTH OAK                           |
|            | 074498-40-000      | SF         | LAMINATE - PLASTIC - OFF WHITE - 4' X 8'                                       |
|            | 074498-99-000      | SF         | LAMINATE - PLASTIC - EGGSHELL - 4' X 8' (P78,P79,P80,P81,P94,P95)              |
|            | 074498-97-000      | SF         | LAMINATE - PLASTIC - GRAY TRANQUILITY - 4' X 8' (P82,P83)                      |
|            | 074498-96-000      | SF         | LAMINATE - PLASTIC - CHERRY - 4' X 8' - CONCERT CHERRY                         |
|            | 074498-95-000      | SF         | LAMINATE - PLASTIC - PORTSMOUTH OAK - 4' X 8' - PORTSMOUTH OAK                 |
|            | 076325-73-000      | FT         | MOLDING - EDGE BAND - .93" X .024" - OFF WHITE                                 |
|            | 085284-G9-000      | FT         | BATT TAPE - ADHESIVE BACKED - DECORATIVE - ALABASTER (P78,P79,P80,P81,P94,P95) |
|            | 085284-H4-000      | FT         | BATT TAPE - ADHESIVE BACKED - DECORATIVE - STARLIGHT (P82,P83)                 |
|            | 085284-F9-000      | FT         | BATT TAPE - ADHESIVE BACKED - PEBBLE EMBOSSED                                  |
|            | 088263-G9-000      | EA         | BATT STRIP - DECORATIVE - CORK/ALABASTER - 8' (P78,P79,P80,P81,P94,995)        |
|            | 088263-H1-000      | EA         | BATT STRIP - DECORATIVE - STARLIGHT - 8' LONG (P82,P83)                        |
|            | 088263-G1-000      | EA         | BATT STRIP - DECORATIVE - PEBBLE EMBOSSED - 8' LONG                            |
|            | 088272-H9-000      | SF         | PANELING - PEBBLE EMBOSSED - WHITE - 4' X 7'                                   |
|            | 088272-J9-000      | SF         | PANELING - ALABASTER - 4' X 7' (P78,P79,P80,P81,P94,P95)                       |
|            | 088272-K3-000      | SF         | PANELING - STARLIGHT - 4' X 7' (P82,P83)                                       |
|            | 076773-16-000      | SF         | PANELING - 2 SIDED/SALEM CHERRY - 1/8" X 4' X 8' - CONCERT CHERRY              |
|            | 076773-15-000      | SF         | PANELING - 2 SIDED/PORTSMOUTH OAK - 1/8" X 4' X 8' - PORTSMOUTH OAK            |
|            | 126339-01-000      | SF         | BOARD - WHEAT - 60" X 72"  |
|            | 132610-05-22A      | FT         | WALLPAPER - BORDER - 7" - SELF-ADHESIVE (P78,P79)                              |
|            | 132610-10-15A      | FT         | WALLPAPER - BORDER - 5 3/4" - SELF ADHESIVE (P80,P81)                          |
|            | 132610-02-07A      | FT         | WALLPAPER - BORDER - 6 3/4" - SELF-ADHESIVE (P82,P83)                          |
|            | 132610-05-21A      | FT         | WALLPAPER - BORDER - 7" - SELF-ADHESIVE (P94,P95)                              |
|            |                    |            | FROM: 00-00-00 THRU: 10-06-02  |
|            | 132610-05-23A      | FT         | WALLPAPER - BORDER - 7" - SELF-ADHESIVE (P94,P95)                              |
|            |                    |            | FROM: 10-07-02 THRU: 99-99-99  |

**INTERIOR FINISH GROUP (CONTINUED)**  
**ACCESSORIES**

| <b>KEY</b> | <b>PART NUMBER</b> | <b>U/M</b> | <b>DESCRIPTION</b>   |
|------------|--------------------|------------|--|
|            | 072852-01-000      | EA         | DETECTOR - SMOKE - W/9 VOLT BATTERY - US                             |
|            | 072852-02-000      | EA         | DETECTOR - SMOKE - W/9 VOLT BATTERY - CANADIAN                       |
|            | 125136-02-000      | EA         | DETECTOR/CO - GAS MODEL - 9 VOLT                                     |
|            | 094499-03-000      | EA         | EXTINGUISHER/FIRE - DRY - 10BC - W/GAUGE/BRACKET                     |
| *          | 094499-02-000      | EA         | EXTINGUISHER/FIRE - DRY - 10BC - W/GAUGE - CANADIAN                  |
|            | 094499-04-000      | EA         | STRAP - FIRE EXTINGUISHER MOUNTING - METAL                           |
|            | 131493-04-02A      | EA         | PICTURE - DECORATIVE - 16" X 10" - LA CHAMBRE II (P78,P79)           |
|            | 131493-02-13A      | EA         | PICTURE - DECORATIVE - 13" X 15" - SANDCASTLE (P80,P81)              |
|            | 131493-02-12A      | EA         | PICTURE - DECORATIVE - 13" X 15" - AFRICAN LILY (P82,P83)            |
|            | 131493-02-14A      | EA         | PICTURE - DECORATIVE - 13" X 15" - WINTER WHITE (P94,P95)            |
|            | 112515-05-01A      | EA         | PICTURE - DECORATIVE - 12" X 15" - PALM TREE                         |
|            | 131493-02-05A      | EA         | PICTURE - DECORATIVE - 13" X 15" - VIOLIN                            |
|            | 131494-03-01A      | EA         | MIRROR - BEVELED/GLASS - OCTAGON - 1" X 20" X 36"                    |
|            | 140374-57-000      | EA         | MIRROR - SAFETY GLASS - 34.7" X 57.9"                                |
|            | 140374-36-000      | EA         | MIRROR - SAFETY GLASS - 20.9" X 25.2"                                |
|            | 140374-37-000      | EA         | MIRROR - SAFETY GLASS - 10.3" X 18.2"                                |
|            | 140374-30-000      | EA         | MIRROR - SAFETY GLASS - 25.6" X 31.5"                                |
|            | 133485-01-03A      | EA         | MIRROR - BEVELED GLASS - W/VERTICAL GROOVE - 20" X 20.9"             |
|            | 133485-02-03A      | EA         | MIRROR - BEVELED GLASS W/2 VERTICAL GROOVES - 44.9"X 20.9"           |
|            | 133485-03-03A      | EA         | MIRROR - BEVELED GLASS-W/2 VERTICAL GROOVES - 30" X 20.9"            |
|            | 113195-25-01A      | EA         | MIRROR - BEVELED SAFETY GLASS - 15.7" X 31.4"                        |
|            | 113195-17-01A      | EA         | MIRROR - BEVELED SAFETY GLASS - CLEAR - 16.6" X 26.2"                |
|            | 093606-39-000      | EA         | MIRROR - BEVELED EDGE - 13" X 34"                                    |
|            | 142631-01-03A      | EA         | FRAME - MIRROR - 29.5"H X 25.2"W - PORTSMOUTH OAK                    |
|            | 142631-01-01A      | EA         | FRAME - MIRROR - 29.5"H X 25.2"W - CONCERT CHERRY                    |
|            | 129779-03-N42      | EA         | FRAME - W/O MIRROR - 29.9"W X 35.9"H - PORTSMOUTH OAK                |
|            | 129779-03-K37      | EA         | FRAME - W/O MIRROR - 29.9"W X 35.9"H - SALEM CHERRY - CONCERT CHERRY |
|            | 096764-02-000      | FT         | SLIPNOT - ANTISLIP - 1'WIDE (180' ROLLS) - WHITE                     |
|            | 091261-01-000      | FT         | SLIPNOT - ANTISLIP - 1' WIDE X 12' - BLACK                           |
|            | 118718-01-01A      | EA         | HOLDER/DRINK - COLLAPSIBLE MUG - BLACK PLASTIC                       |
|            | 133831-01-01A      | EA         | HOLDER - CUP W/THREE CENTERLINE RUBBER FINGERS                       |

**\*COMPONENT PARTS LISTED LATER IN THIS GROUP**

**INTERIOR FINISH GROUP (CONTINUED)**  
**COMPONENT PARTS FOR ACCESSORIES**

094499-02-000

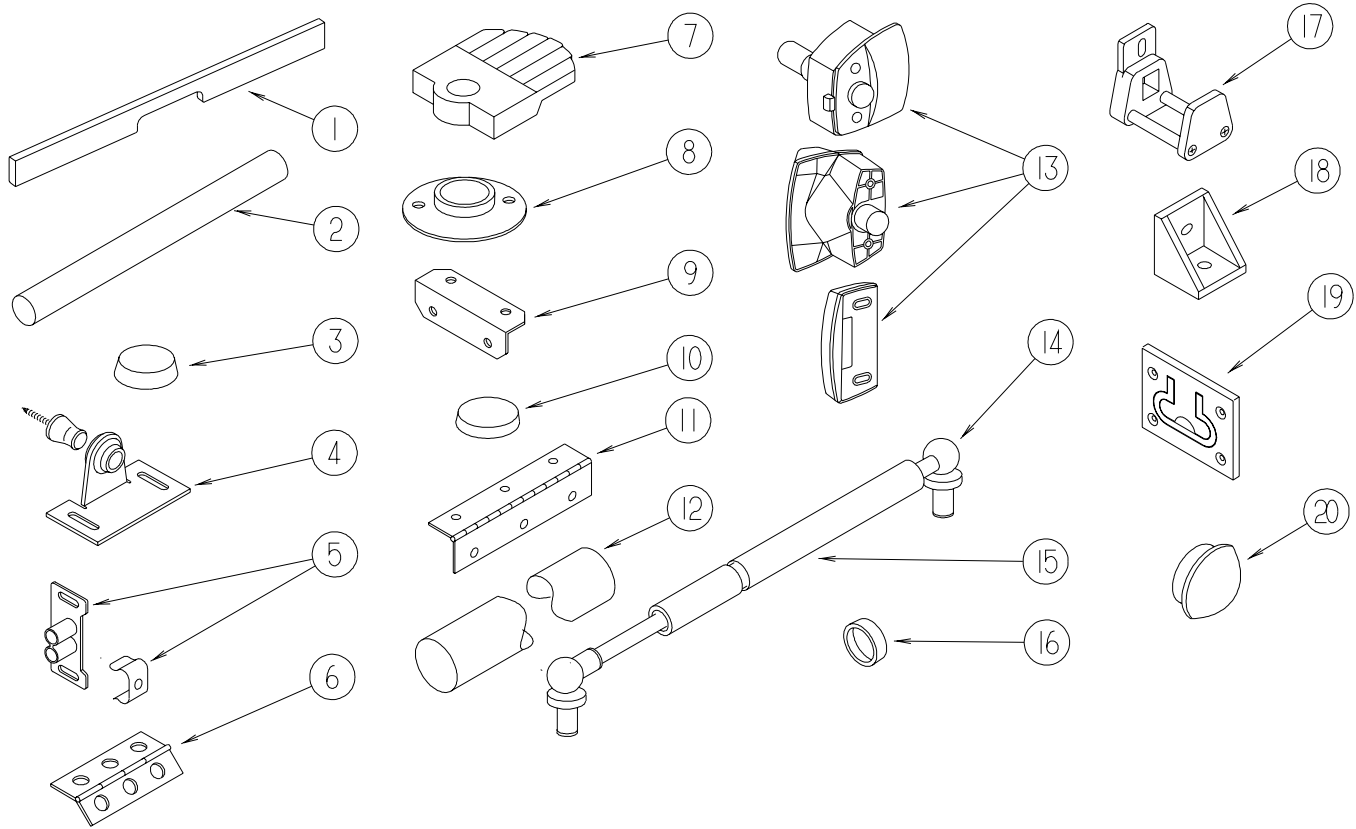
| <b>KEY</b> | <b>PART NUMBER</b> | <b>U/M</b> | <b>DESCRIPTION</b>         | <b>VENDOR NO</b> |
|------------|--------------------|------------|----------------------------|------------------|
|            | 094499-01-700      | EA         | BRACKET MTG. W/PLAS. STRAP | 294039           |

**INTERIOR FINISH GROUP (CONTINUED)**  
**FLOOR COVERINGS**

| <b>KEY</b> | <b>PART NUMBER</b> | <b>U/M</b> | <b>DESCRIPTION</b>  |
|------------|--------------------|------------|---|
|            | 093486-02-000      | SY         | CARPET - COMPARTMENT - 72" WIDE - LIGHT GRAY                |
|            | 139056-11-000      | SY         | CARPET - MUSLIN - 4 SQUARE YARD INCREMENTS (P78,P79)        |
|            | 139056-09-000      | SY         | CARPET - WHEAT - 4 SQUARE YARD INCREMENTS (P80,P81,P82,P83) |
|            | 139056-15-000      | SY         | CARPET - TARRAGON - 4 SQUARE YARD INCREMENTS (P94,P95)      |
|            | 123994-07-01A      | EA         | TILE - FLOOR - CERAMIC - 6" X 12"                           |
|            | 123994-08-01A      | EA         | TILE - FLOOR - CERAMIC - 6" X 6"                            |

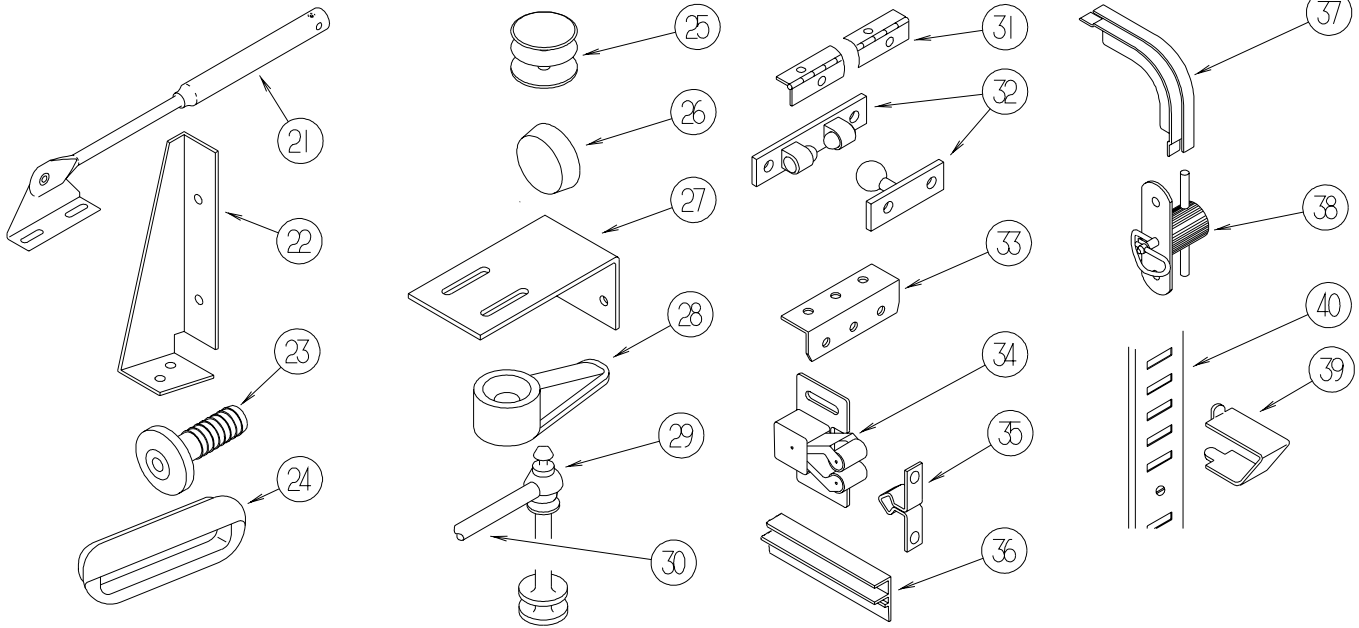
## INTERIOR FINISH GROUP (CONTINUED)

### HARDWARE



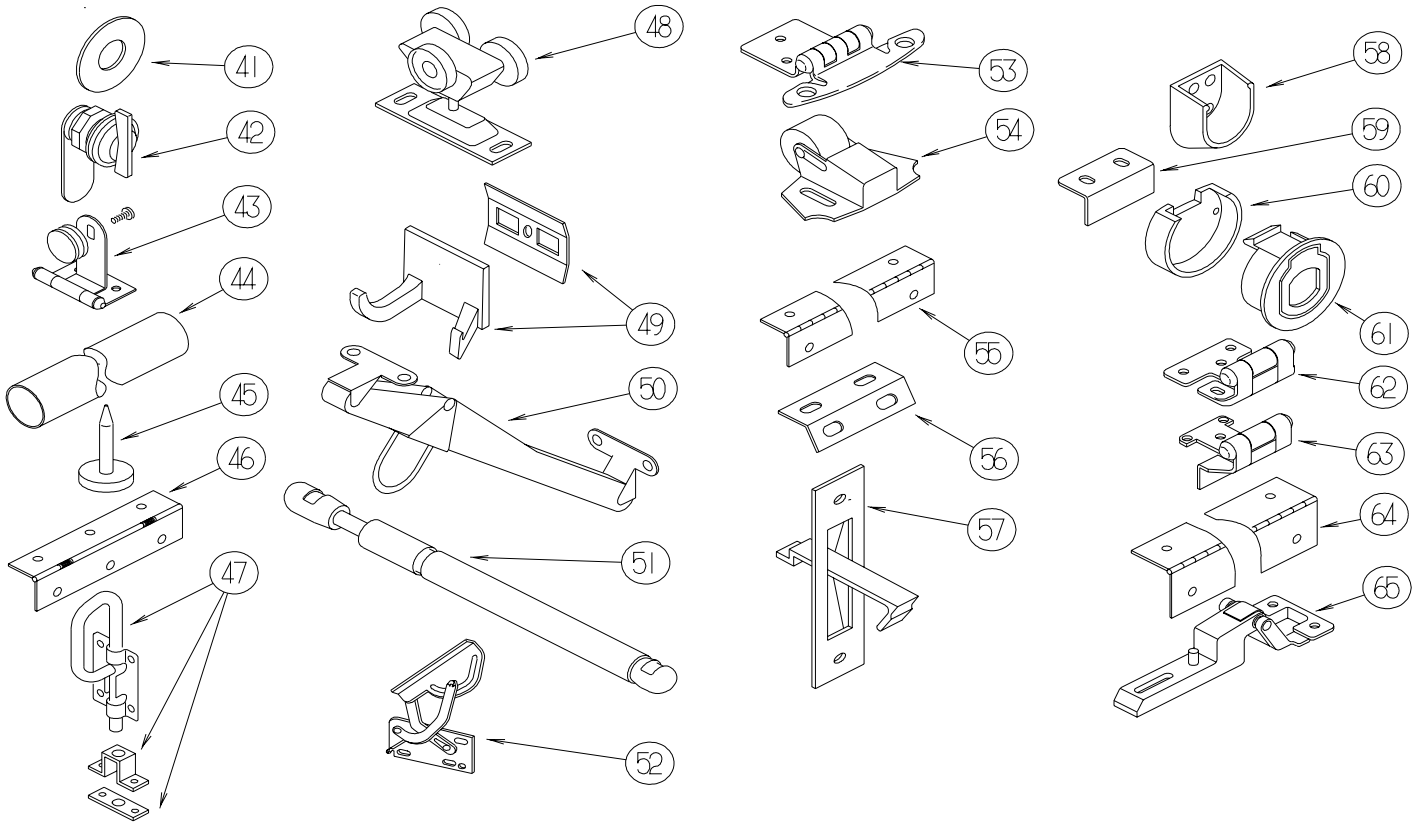
| KEY | PART NUMBER   | U/M | DESCRIPTION   |
|-----|---------------|-----|---|
| 1   | P26866-12-N62 | EA  | HANDLE - DOOR/TAMBOUR - 14.7" - WASHED MAPLE                      |
| 1   | P26866-12-N63 | EA  | HANDLE - DOOR/TAMBOUR - 11.6" - CONCERT CHERRY                    |
| 1   | P26866-12-P69 | EA  | HANDLE - DOOR/TAMBOUR - 11.6" - PORTSMOUTH OAK                    |
| 2   | Y00136-21-218 | EA  | DOWEL - WOOD - 1" X 4'  |
| 3   | 004354-01-000 | EA  | BUMPER - RUBBER - .5" DIA - BROWN                                 |
| 4   | 009013-01-000 | EA  | CATCH - BULLDOG - MALE/FEMALE                                     |
| 5   | 009021-01-000 | EA  | CATCH - GRILLE - NYLON  |
| 5   | 009021-02-000 | EA  | STRIKE - SPRING STEEL - .68"                                      |
| 6   | 009059-01-000 | EA  | HINGE - DOOR - 2" X 1.4" - BRASS                                  |
| 6   | 009059-02-000 | EA  | HINGE - DOOR - 2" X 2.7" - BRASS                                  |
| 6   | 009059-03-000 | EA  | HINGE - BRASS - 1.75"   |
| 7   | 009089-01-000 | EA  | CLIP - MIRROR   |
| 8   | 009112-01-000 | EA  | FLANGE - PLASTIC - 1" CLOTHES ROD - OFF WHITE                     |
| 9   | 016604-05-000 | EA  | BRACE - ANGLE - 2 1/2" - OFF WHITE METAL                          |
| 9   | 016604-10-000 | EA  | BRACE - SEAT ANGLE - 2.5" - BLACK                                 |
| 9   | 016604-11-000 | EA  | BRACE - SEAT - ANGLE - 2.5" - CHESTNUT                            |
| 10  | 023320-01-000 | EA  | PAD - FELT 3/8" DIAMETER  |
| 11  | 041389-25-000 | EA  | HINGE - PIANO - 1 1/2" X 55" - UNPAINTED                          |
| 12  | 042438-02-000 | EA  | DOWEL - WOOD - 2" DIAMETER X 2'                                   |
| 12  | 042438-06-000 | EA  | DOWEL - WOOD - CLOTHES ROD - 1.5" X 26"                           |
| 13  | 058335-03-000 | EA  | LATCH W/O LOCK - BATHROOM DOOR BLACK                              |
| 14  | 057460-02-000 | EA  | BALL STUD - F/GAS SPRING .39" - 5/16"-18                          |
| 15  | 057460-04-000 | EA  | SPRING/GAS - BALL STUD STYLE - 120 PI - "SPD6209"                 |
| 16  | 057671-01-000 | EA  | COVER - SCREW - #8 - OFF WHITE                                    |
| 16  | 057671-15-000 | EA  | COVER - SCREW - #8 - BRIGHT WHITE                                 |
| 16  | 057671-16-000 | EA  | COVER - SCREW - #8 - SOFT WHITE                                   |
| 16  | 057671-17-000 | EA  | COVER - SCREW - VW LT GRAY - #8                                   |
| 17  | 064467-01-000 | EA  | GUIDE - POCKET - SLIDING DOOR - WALL MOUNTED                      |
| 18  | 065740-01-000 | EA  | BRACE - CABINET/CORNER - PLASTIC                                  |
| 19  | 072871-01-000 | EA  | PULL - FLUSH - CHROME   |
| 20  | 074045-08-000 | EA  | PLUG - OAK - 3/8" DOWEL-1/2" HEAD - SALEM CHERRY - CONCERT CHERRY |
| 20  | 074045-12-000 | EA  | PLUG - OAK - 3/8" DOWEL-1/2" HEAD - WASHED MAPLE                  |
| 20  | 074045-13-000 | EA  | PLUG - OAK - 3/8" DOWEL-1/2" HEAD - PORTSMOUTH OAK                |

**INTERIOR FINISH GROUP (CONTINUED)**  
**HARDWARE (CONTINUED)**



| KEY | PART NUMBER   | U/M | DESCRIPTION  |
|-----|---------------|-----|--|
| 21  | 074493-02-000 | EA  | SUPPORT - PISTON SPRING - CABINET DOOR - 26 LBS        |
| 21  | 074493-03-000 | EA  | SUPPORT - PISTON SPRING - CABINET DOOR - 12 LBS        |
| 21  | 074493-04-000 | EA  | SUPPORT - PISTON SPRING - CABINET DOOR - 32 LBS        |
| 22  | 076827-02-000 | EA  | BRACKET/LEG - 2.9" X 1.8" - TRIANGULAR - LEFT/E-COATED |
| 23  | 079921-01-000 | EA  | ROLLER - NYLON - W/STEEL SHAFT - BARBED                |
| 24  | 080736-01-000 | EA  | PULL - RECESSED - 1.25" X 4" - OAK                     |
| 25  | 081114-02-000 | EA  | CAP - INSERT - ROUND - 1" DIAMETER - WHITE PLASTIC     |
| 26  | 081914-01-000 | EA  | BUMPER - RUBBER - ROUND - 1/2" DIA. X 1/8" THICK       |
| 27  | 083125-07-000 | EA  | BRACE - ANGLE/COUCH - 2.5" - OFF WHITE                 |
| 28  | 083204-03-000 | EA  | BUTTON - RETAINING MIRROR 5/16" TIP                    |
| 29  | 084070-03-000 | EA  | POST - END - 2.4" - SHINY BRASS                        |
| 30  | 084071-05-000 | EA  | ROD - BRASS - 15"                                      |
| 30  | 084071-19-000 | EA  | ROD - BRASS - 7.1"                                     |
| 30  | 084071-20-000 | EA  | ROD - BRASS - 9.8"                                     |
| 30  | 084071-23-000 | EA  | ROD - BRASS - 13.1"                                    |
| 30  | 084071-24-000 | EA  | ROD - BRASS - 3.8"                                     |
| 30  | 084071-28-000 | EA  | ROD - BRASS - 6"                                       |
| 30  | 084071-30-000 | EA  | ROD - BRASS - 11.6"                                    |
| 30  | 084071-31-000 | EA  | ROD - BRASS - 14.8"                                    |
| 30  | 084071-33-000 | EA  | ROD - BRASS - 20.4"                                    |
| 30  | 084071-34-000 | EA  | ROD - BRASS - 16.9"                                    |
| 31  | 084413-01-000 | EA  | HINGE - 1" X 72" - ALUMINUM - W/HOLES                  |
| 32  | 084451-01-000 | EA  | CATCH & LATCH - 1.7" - BRASS                           |
| 33  | 089025-01-000 | EA  | SUPPORT - SPRING TO BED - ANGLE 1.5" X 11.8"           |
| 34  | 093586-03-000 | EA  | CATCH - SPRING ROLLER - .377"                          |
| 34  | 093586-06-000 | EA  | CATCH - SPRING ROLLER - .236"                          |
| 35  | 093586-04-000 | EA  | STRIKE - SPRING STEEL - 1.14"                          |
| 35  | 093586-05-000 | EA  | STRIKE - SPRING STEEL - .943"                          |
| 36  | 093622-01-000 | EA  | TRACK - DOOR - TAMBOUR - PLASTIC - 8' LENGTHS          |
| 37  | 093623-01-000 | EA  | CORNER - TRACK - TAMBOUR DOOR                          |
|     | 097872-04-000 | EA  | DOWEL - WOOD - 1" DIAMETER X 1.38" LONG - UNFINISHED   |
| 38  | 098196-01-000 | EA  | LATCH - 1/4 TURN - T-BAR                               |
| 39  | 098979-01-000 | EA  | CLIP - ADJUSTABLE SHELF                                |
| 40  | 098980-01-000 | EA  | PILASTER - ADJUSTABLE SHELF - 18"                      |
| 40  | 098980-02-000 | EA  | PILASTER - ADJUSTABLE SHELF - 12"                      |
| 40  | 098980-03-000 | EA  | PILASTER - ADJUSTABLE SHELF - 9"                       |
| 40  | 098980-04-000 | EA  | PILASTER - ADJUSTABLE SHELF - 48"                      |
| 40  | 098980-05-000 | EA  | PILASTER - ADJUSTABLE SHELF - 15"                      |
| 40  | 098980-06-000 | EA  | PILASTER - ADJUSTABLE SHELF - 24"                      |

## INTERIOR FINISH GROUP (CONTINUED) HARDWARE (CONTINUED)

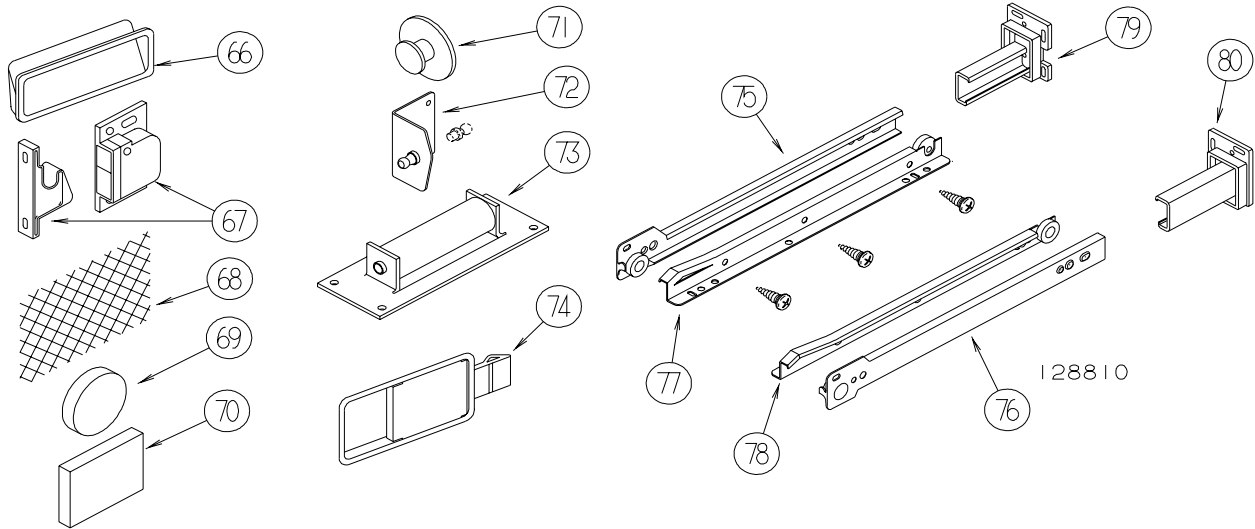


| KEY | PART NUMBER   | U/M | DESCRIPTION   |
|-----|---------------|-----|---|
| 41  | 100707-01-000 | EA  | SPACER - GLASS DOOR - .8" DIA - .3" HOLE - PLASTIC                        |
| 42  | 100710-01-01A | EA  | LOCK - GLASS DOOR/TWIST TYPE - BRASS                                      |
| 43  | 100711-01-01A | EA  | HINGE - GLASS DOOR  |
| 44  | 102075-06-02A | EA  | ROD - SHOWER CURTAIN - 1" OD X 33.5" - SOFT WHITE                         |
| 44  | 102075-09-02A | EA  | ROD - SHOWER CURTAIN - 3/4"OD X 29.5" - SOFT WHITE                        |
| 44  | 102075-16-02A | EA  | ROD - SHOWER CURTAIN - 3/4"OD X 34.2" - SOFT WHITE                        |
| 44  | 102075-18-02A | EA  | ROD - SHOWER CURTAIN - 1" OD X 38.9" - SOFT WHITE                         |
| 44  | 102075-20-03A | EA  | ROD - SHOWER CURTAIN - 48.8" - MILL                                       |
| 44  | 102075-21-03A | EA  | ROD - SHOWER CURTAIN - 46.1"  |
| 45  | 102194-01-000 | EA  | GUIDE - PLASTIC - 1" (HEAD/PIN)   |
| 46  | 102920-01-01A | EA  | HINGE - SPRING LOADED - BRASS   |
| 47  | 103256-01-000 | EA  | LATCH COMPLETE (SLIDE)  |
| 48  | 103874-01-000 | EA  | HANGER - SLIDING DOOR   |
| 49  | 104174-01-000 | EA  | HOOK - ROBE - DOUBLE  |
| 50  | 104181-01-01A | EA  | SUPPORT - LEAF 5.3" EXTENDS TO 7.5" - SAFETY RING - METAL                 |
| 51  | 107796-06-000 | EA  | SPRING/GAS - 12" COMPRESSED/20" EXTENDED - 120 LB.                        |
| 51  | 107796-08-000 | EA  | SPRING/GAS - 11" COMPRESSED/17" EXTENDED - 60 LB.                         |
| 51  | 107796-15-000 | EA  | SPRING/GAS - 24" COMPRESSED/40" EXTENDED - 15 LB.                         |
| 51  | 107796-16-000 | EA  | SPRING/GAS - 6.4" COMPRESSED/9.6" EXTENDED - 65 LB.                       |
| 52  | 108126-01-000 | EA  | TRAY HINGE SET (QTY. 2 PER SET)   |
| 53  | 108138-01-000 | EA  | HINGE - CABINET DOOR - BURNISHED BRASS - Q SERIES (ULTIMATE FREEDOM) ONLY |
| 53  | 108138-03-000 | EA  | HINGE - BRIGHT BRASS  |
| 54  | 109403-01-000 | EA  | CATCH - SINGLE ROLLER - SCREEN DOOR                                       |
| 55  | 110496-01-01A | EA  | HINGE - BRASS   |
| 56  | 111866-01-02A | EA  | BRACE - SEAT - ANGLE - OFF WHITE  |
| 57  | 113130-01-01A | EA  | PULL - DOOR POCKET  |
| 58  | 113236-01-01A | EA  | BRACKET - CLOTHES - ROD   |
| 59  | 113375-02-01A | EA  | STRIKE - DOOR - CHROME  |
| 60  | 113375-05-01A | EA  | LATCH - SLAM - BACK - .8" THICK   |
| 61  | 113375-06-01A | EA  | LATCH - SLAM - FACE - .7" THICK   |
| 62  | 113676-01-01A | EA  | HINGE - OVERLAY - VARIABLE - BURNISHED BRASS                              |
| 63  | 113677-01-01A | EA  | HINGE - SELF CLOSING  |
| 64  | 114278-02-000 | EA  | HINGE - CONTINUOUS - 3" WIDE  |
| 65  | 114443-01-01A | EA  | HINGE - CABINET DOOR  |



# INTERIOR FINISH GROUP (CONTINUED)

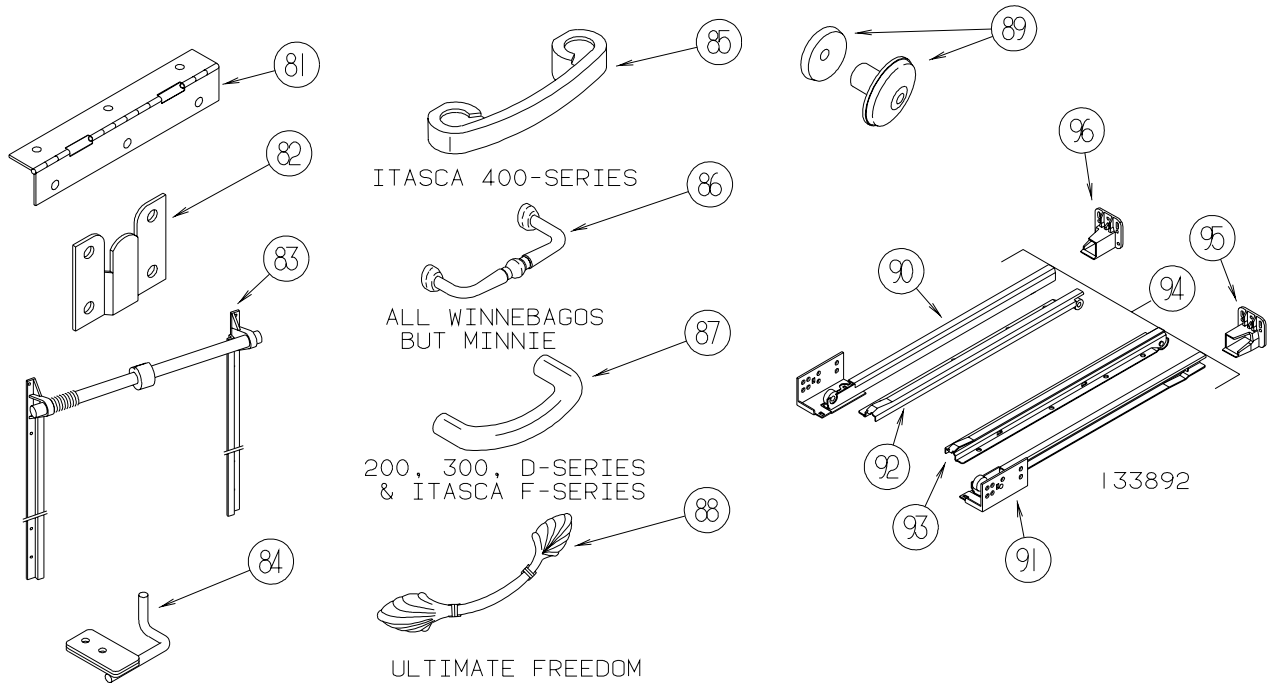
## HARDWARE (CONTINUED)



| KEY | PART NUMBER   | U/M | DESCRIPTION  |
|-----|---------------|-----|--|
| 66  | 115994-01-01A | EA  | HANDLE - POCKET  |
| 67  | 117095-01-01A | EA  | LATCH - DOOR - GRABBER W/KEEPER - PLASTIC - BLK-5 LB PULL  |
| 67  | 117095-02-01A | EA  | LATCH - DOOR - GRABBER W/KEEPER - PLASTIC - BLK-10 LB PULL |
| 68  | 118200-01-01A | SF  | MESH - PLASTIC 1/2" - 48" X LENGTH = SF - BLACK            |
| 69  | 122717-01-01A | EA  | PAD - NON SKID - 4" DIAMETER ROUND                         |
| 70  | 122717-06-01A | FT  | PAD - NON-SKID - PSA - 5"W                                 |
| 71  | 125221-01-01A | EA  | PULL - MIRROR - W/ROUND HANDLE                             |
| 72  | 126263-06-02B | EA  | BRACKET - GAS SPRING W/INSIDE BALL STUD - E-COATED         |
| 72  | 126263-08-02B | EA  | BRACKET - GAS SPRING W/CENTERED BALL STUD - E-COATED       |
| 73  | 126584-02-000 | EA  | ROLLER - FLAT  |
| 74  | 127349-01-01A | EA  | LATCH - PADDLE   |
| 75  | 128810-01-01A | EA  | SLIDE - DRAWER - 12" - LEFT CABINET                        |
| 75  | 128810-05-01A | EA  | SLIDE - DRAWER - 14" - LEFT CABINET                        |
| 75  | 128810-09-01A | EA  | SLIDE - DRAWER - 16" - LEFT CABINET                        |
| 75  | 128810-13-01A | EA  | SLIDE - DRAWER - 18" - LEFT CABINET                        |
| 75  | 128810-17-01A | EA  | SLIDE - DRAWER - 20" - LEFT CABINET                        |
| 75  | 128810-21-01A | EA  | SLIDE - DRAWER - 22" - LEFT CABINET                        |
| 75  | 128810-25-01A | EA  | SLIDE - DRAWER - 24" - LEFT CABINET                        |
| 75  | 128810-29-01A | EA  | SLIDE - DRAWER - 9" - LEFT CABINET                         |
| 76  | 128810-02-01A | EA  | SLIDE - DRAWER - 12" - RIGHT CABINET                       |
| 76  | 128810-06-01A | EA  | SLIDE - DRAWER - 14" - RIGHT CABINET                       |
| 76  | 128810-10-01A | EA  | SLIDE - DRAWER - 16" - RIGHT CABINET                       |
| 76  | 128810-14-01A | EA  | SLIDE - DRAWER - 18" - RIGHT CABINET                       |
| 76  | 128810-18-01A | EA  | SLIDE - DRAWER - 20" - RIGHT CABINET                       |
| 76  | 128810-22-01A | EA  | SLIDE - DRAWER - 22" - RIGHT CABINET                       |
| 76  | 128810-26-01A | EA  | SLIDE - DRAWER - 24" - RIGHT CABINET                       |
| 76  | 128810-30-01A | EA  | SLIDE - DRAWER - 9" - RIGHT CABINET                        |
| 77  | 128810-03-01A | EA  | SLIDE - DRAWER - 12" - LEFT DRAWER                         |
| 77  | 128810-07-01A | EA  | SLIDE - DRAWER - 14" - LEFT DRAWER                         |
| 77  | 128810-11-01A | EA  | SLIDE - DRAWER - 16" - LEFT DRAWER                         |
| 77  | 128810-15-01A | EA  | SLIDE - DRAWER - 18" - LEFT DRAWER                         |
| 77  | 128810-19-01A | EA  | SLIDE - DRAWER - 20" - LEFT DRAWER                         |
| 77  | 128810-23-01A | EA  | SLIDE - DRAWER - 22" - LEFT DRAWER                         |
| 77  | 128810-27-01A | EA  | SLIDE - DRAWER - 24" - LEFT DRAWER                         |
| 77  | 128810-27-01A | EA  | SLIDE - DRAWER - 24" - LEFT DRAWER                         |
| 77  | 128810-31-01A | EA  | SLIDE - DRAWER - 9" - LEFT DRAWER                          |
| 78  | 128810-04-01A | EA  | SLIDE - DRAWER - 12" - RIGHT DRAWER                        |
| 78  | 128810-08-01A | EA  | SLIDE - DRAWER - 14" - RIGHT DRAWER                        |
| 78  | 128810-12-01A | EA  | SLIDE - DRAWER - 16" - RIGHT DRAWER                        |
| 78  | 128810-16-01A | EA  | SLIDE - DRAWER - 18" - RIGHT DRAWER                        |
| 78  | 128810-20-01A | EA  | SLIDE - DRAWER - 20" - RIGHT DRAWER                        |
| 78  | 128810-24-01A | EA  | SLIDE - DRAWER - 22" - RIGHT DRAWER                        |
| 78  | 128810-28-01A | EA  | SLIDE - DRAWER - 24" - RIGHT DRAWER                        |
| 78  | 128810-32-01A | EA  | SLIDE - DRAWER - 9" - RIGHT DRAWER                         |
| 79  | 128811-01-01A | EA  | BACKSOCKET - ADJUSTABLE - LEFT                             |
| 80  | 128811-02-01A | EA  | BACKSOCKET - ADJUSTABLE - RIGHT                            |

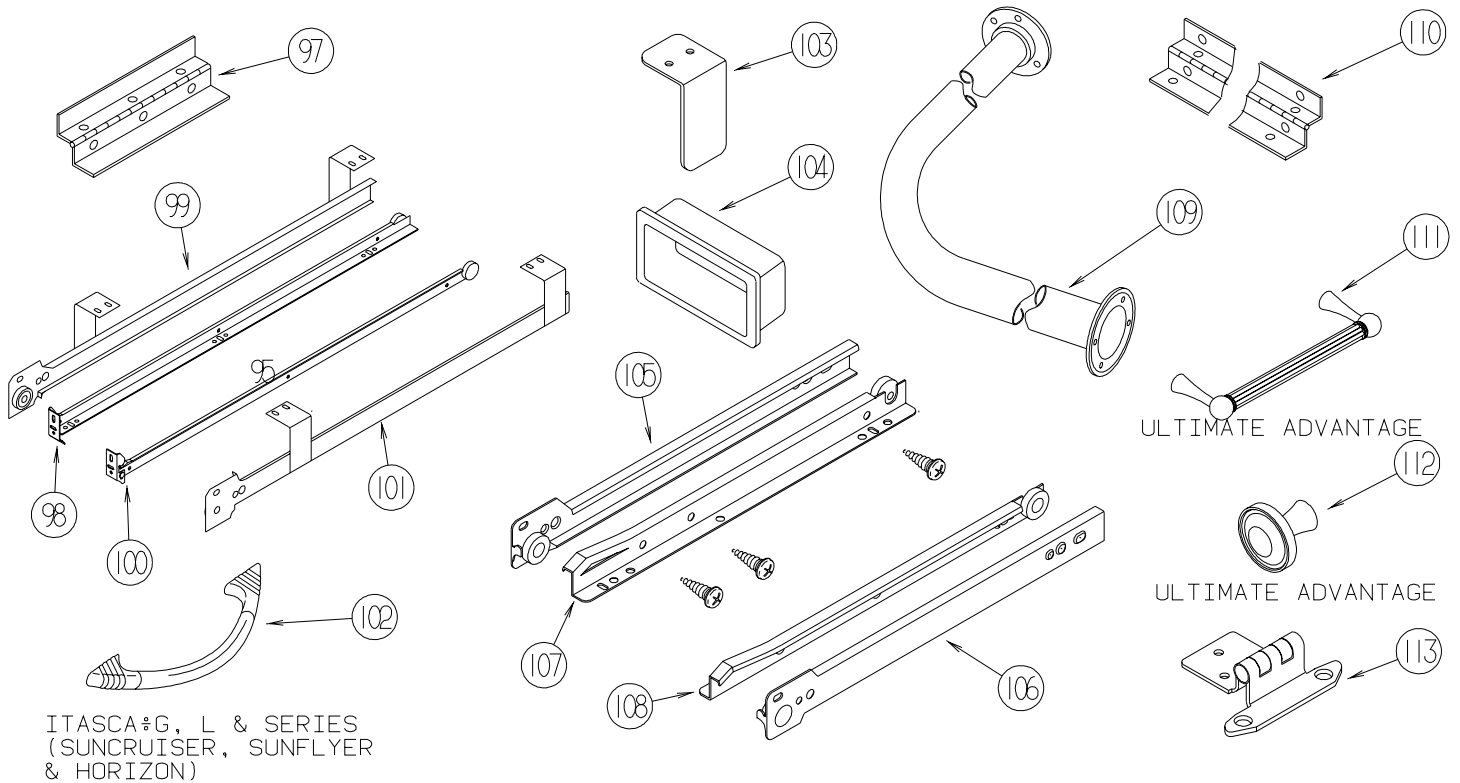


## INTERIOR FINISH GROUP (CONTINUED) HARDWARE (CONTINUED)



| KEY | PART NUMBER   | U/M | DESCRIPTION  |
|-----|---------------|-----|--|
| 81  | 129753-01-01A | EA  | HINGE - SPRING LOADED - 19" X 19" - BLACK  |
| 82  | 130120-01-01A | EA  | BRACKET - MIRROR   |
| 83  | 130787-01-000 | EA  | TRACK - TAMBOUR DOOR/SPRING - 15.9"  |
| 83  | 130787-02-000 | EA  | TRACK - TAMBOUR DOOR/SPRING - 24"  |
| 83  | 130787-04-000 | EA  | TRACK - TAMBOUR DOOR - SPRING  |
| 84  | 130798-01-02B | EA  | GUIDE - POCKET DOOR - E-COATED   |
| 85  | 131962-01-01A | EA  | PULL - DOOR/DRAWER - POLISHED BRASS - <b>ITASCA 400 SERIES (SUNDANCER)</b>                       |
| 86  | 131963-01-01A | EA  | PULL - POLISHED BRASS - <b>WINNEBAGO BRAVE/ADVENTURER/CHIEFTAIN/JOURNEY/MINNIE WINNIE</b>        |
| 87  | 131964-01-01A | EA  | PULL - POLISHED BRASS - <b>RIALTA/WINNEBAGO MINNIE/VISTA, ITASCA SPIRIT/SUNOVA</b>               |
| 88  | 131965-01-01A | EA  | PULL - DOOR/DRAWER - 6.3" - BURNISHED BRASS - <b>ULTIMATE FREEDOM</b>                            |
| 89  | 133313-01-02A | EA  | PULL - DOOR/DRAWER - BRIGHT BRASS  |
| 89  | 133313-01-03A | EA  | PULL - DOOR/DRAWER - CHROME/BRASS - <b>ITASCA L &amp; P SERIES (SUNFLYER &amp; HORISON) ONLY</b> |
| 90  | 133892-01-01A | EA  | SLIDE - DRAWER - 16" - LEFT CABINET  |
| 90  | 133892-06-01A | EA  | SLIDE - DRAWER - 22" - LEFT CABINET  |
| 90  | 133892-10-01A | EA  | SLIDE - DRAWER - 12" - LEFT CABINET  |
| 90  | 133892-14-01A | EA  | SLIDE - DRAWER - 18" - LEFT CABINET  |
| 91  | 133892-02-01A | EA  | SLIDE - DRAWER - 16" - RIGHT CABINET   |
| 91  | 133892-07-01A | EA  | SLIDE - DRAWER - 22" - RIGHT CABINET   |
| 91  | 133892-11-01A | EA  | SLIDE - DRAWER - 12" - RIGHT CABINET   |
| 91  | 133892-15-01A | EA  | SLIDE - DRAWER - 18" - RIGHT CABINET   |
| 92  | 133892-03-01A | EA  | SLIDE - DRAWER - 16" - LEFT DRAWER   |
| 92  | 133892-08-01A | EA  | SLIDE - DRAWER - 22" - LEFT DRAWER   |
| 92  | 133892-12-01A | EA  | SLIDE - DRAWER - 12" - LEFT DRAWER   |
| 92  | 133892-16-01A | EA  | SLIDE - DRAWER - 18" - LEFT DRAWER   |
| 93  | 133892-04-01A | EA  | SLIDE - DRAWER - 16" - RIGHT DRAWER  |
| 93  | 133892-09-01A | EA  | SLIDE - DRAWER - 22" - RIGHT DRAWER  |
| 93  | 133892-13-01A | EA  | SLIDE - DRAWER - 12" - RIGHT DRAWER  |
| 93  | 133892-17-01A | EA  | SLIDE - DRAWER - 18" - RIGHT DRAWER  |
| 94  | 133892-05-01A | EA  | SLIDE - DRAWER - 9" - FULL SET   |
| 95  | 133907-01-01A | EA  | BACKSOCKET - RIGHT HAND  |
| 96  | 133907-02-01A | EA  | BACKSOCKET - LEFT HAND   |

## INTERIOR FINISH GROUP (CONTINUED) HARDWARE (CONTINUED)



| KEY                           | PART NUMBER   | U/M | DESCRIPTION   |
|-------------------------------|---------------|-----|---|
| 97                            | 135538-01-01A | EA  | HINGE - PIANO - FULL WRAP - BRASS PLATED  |
| 97                            | 135538-03-01A | EA  | HINGE - PIANO - FULL WRAP - STOCKER BRASS   |
| 98                            | 136944-01-01A | EA  | SLIDE - DRAWER/RIGHT HAND - 13.8"   |
| 99                            | 136944-02-01A | EA  | SLIDE - CABINET/RIGHT HAND - 13.8"  |
| 100                           | 136944-03-01A | EA  | SLIDE - DRAWER/LEFT HAND - 13.8"  |
| 101                           | 136944-04-01A | EA  | SLIDE - CABINET/LEFT HAND - 13.8"   |
| 102                           | 137446-01-01A | EA  | PULL - CABINET - CHROME/BRASS - <b>ITASCA G, L &amp; P SERIES (SUNCRUISER/SUNFLYER/HORIZON)</b> |
| 103                           | 138136-02-02B | EA  | GUIDE - DOOR - E-COATED   |
| 104                           | 139136-01-01A | EA  | HANDLE - RECESSED - 2.9" X 1.3"/2.7" X 1" X .7" C/O- BRASS                                      |
| 104                           | 139136-02-01A | EA  | HANDLE - RECESSED - 2.9" X 1.3"/2.7" X 1" X .4" C/O- BRASS                                      |
| 105                           | 139566-01-01A | EA  | SLIDE - DRAWER - 37.5" - LEFT CABINET   |
| 105                           | 139566-05-01A | EA  | SLIDE - DRAWER - 32" - LEFT CABINET   |
| 106                           | 139566-02-01A | EA  | SLIDE - DRAWER - 37.5" - RIGHT CABINET  |
| 106                           | 139566-06-01A | EA  | SLIDE - DRAWER - 32" - RIGHT CABINET  |
| 107                           | 139566-03-01A | EA  | SLIDE - DRAWER - 37.5" - LEFT DRAWER  |
| 107                           | 139566-07-01A | EA  | SLIDE - DRAWER - 32" - LEFT DRAWER  |
| 108                           | 139566-04-01A | EA  | SLIDE - DRAWER - 37.5" - RIGHT DRAWER   |
| 108                           | 139566-08-01A | EA  | SLIDE - DRAWER - 32" - RIGHT DRAWER   |
| 109                           | 140494-01-01A | EA  | ROD - SHOWER  |
| 109                           | 140494-01-02A | EA  | ROD - SHOWER - SOFT WHITE   |
| 110                           | 142276-01-01A | EA  | HINGE - PIANO - FULL WRAP - BRASS   |
|                               | 142569-05-000 | EA  | SPRING - GAS - 39.9"/15 LB  |
| FROM: 01-18-03 THRU: 99-99-99 |               |     |   |
| 111                           | 142909-01-01A | EA  | PULL - CABINET - BRASS - <b>ULTIMATE ADVANTAGE</b>  |
| 112                           | 142910-01-01A | EA  | KNOB - CABINET - BRASS - <b>ULTIMATE ADVANTAGE</b>  |
| 113                           | 143468-01-02A | EA  | HINGE - SELF CLOSING - POLISHED BRASS   |

## LABELS GROUP

SEWAGE

**KEY PART NUMBER U/M DESCRIPTION**  
006187-01-000 EA LABEL - SEWAGE

WASTE WATER

**KEY PART NUMBER U/M DESCRIPTION**  
006188-01-000 EA LABEL - WASTE WATER

### WARNING

THIS SYSTEM IS DESIGNED FOR USE WITH PROPANE ONLY  
DO NOT CONNECT NATURAL GAS TO THIS SYSTEM

BEFORE TURNING ON PROPANE:

- (A) BE CERTAIN APPLIANCES ARE CERTIFIED FOR PROPANE AND ARE EQUIPPED WITH CORRECT BURNING ORIFICES.
- (B) MAKE CERTAIN ALL PROPANE CONNECTIONS ARE TIGHT BY TESTING WITH SOAPY WATER. ALL APPLIANCE VALVES ARE TURNED OFF, AND ANY UNCONNECTED OUTLETS ARE CAPPED.

AFTER TURNING ON PROPANE:

- (A) LIGHT ALL PILOT LIGHTS
- (B) (B) ALL CONNECTIONS, INCLUDING THOSE AT THE APPLIANCES, REGULATORS AND CYLINDERS SHOULD BE LEAK-TESTED PERIODICALLY WITH SOAPY WATER BY THE OCCUPANT. NEVER USE A LIGHTED MATCH OR OTHER FLAME WHEN CHECKING FOR LEAKS.
- (C) DO NOT LEAVE SYSTEM TURNED ON OF CONTAINERS CONNECTED UNTIL THE SYSTEM HAS BEEN PROVEN TO BE FREE OF LEAKS.
- (D) COOKING APPLIANCES SHOULD NOT BE USED FOR SPACE HEATING.
- (E) WHEN THE CONTAINERS ARE DISCONNECTED THE PROPANE SUPPLY LINE SHOULD BE CAPPED OR PLUGGED.

### AVERTISSEMENT

CETTE INSTALLATION EST CONÇUE POUR LE PROPANE SEULEMENT  
NE PAS L'ALIMENTER EN GAZ NATUREL

AVANT LA MISE EN SERVICE:

- (A) S'ASSURER QUE LES APPAREILS SONT CERTIFIÉS POUR LE PROPANE ET MUNIS D'ORIFICES DE BRULEUR APPROPRIÉS.
- (B) VÉRIFIER L'ÉTANCHEITÉ DE TOUS LES RACCORDEMENTS AU PROPANE. LA PERMÉABILITÉ DE TOUS LES ROBINETS D'APPAREILS ET L'OBTURATION DE TOUTES LES SORTIES NON RACCORDEES.

APRÈS LA MISE EN SERVICE:

- (A) ALLUMER TOUTES LES VEILLEUSES.
- (B) L'OCCUPANT DOIT ÉPROUVER PÉRIODIQUEMENT L'ÉTANCHEITÉ DE TOUS LES RACCORDEMENTS Y COMPRIS CEUX AUX APPAREILS, AUX DÉTENDEURS ET AUX BOUTEILLES, EN Y APPLIQUANT DE L'EAU SAVONNEUSE NE JAMAIS SE SERVIR D'UNE ALLUMETTE OU AUTRE POUR LA DÉTECTION DES FUITES.
- (C) NE PAS LAISSER L'ALIMENTATION OUVERTE NI LES RÉCIPIENTS RACCORDES AVANT D'AVOIR COMPLÉTÉ L'ÉPREUVE D'ÉTANCHEITÉ AU PROPANE DE L'INSTALLATION.
- (D) LES APPAREILS DE CUISSON NE DOIVENT PAS ÊTRE UTILISÉS POUR LE CHAUFFAGE DES LOCAUX.
- (E) LORSQUE LES RÉCIPIENTS SONT DÉCONNECTÉS, L'ALIMENTATION DE PROPANE DOIT ÊTRE OBTURÉE OU SCELLÉE.

**KEY PART NUMBER U/M DESCRIPTION**  
023769-01-000 EA LABEL - WARNING - LPG - CANADIAN

EXIT

**KEY PART NUMBER U/M DESCRIPTION**  
039290-01-000 EA LABEL - WARNING - EXIT

## LABELS GROUP (CONTINUED)



**KEY PART NUMBER U/M DESCRIPTION**  
040944-01-000 EA LABEL - ENTRANCE DOOR - "OPEN"

### CAUTION

THIS MOTOR HOME HAS BEEN DESIGNED, MANUFACTURED AND TESTED WITH CONCERN FOR THE PROTECTION OF IT'S OCCUPANTS. WE RECOMMEND YOU PERFORM THE FOLLOWING INSPECTIONS FOR YOUR SAFETY AND THE SAFETY OF YOUR PASSENGERS BEFORE STARTING YOUR VEHICLE.

1. LP GAS SYSTEM- TURN OFF AT TANK FOR TRAVELING. TEST FOR LEAKS UPON ARRIVAL AT DESTINATION. BEFORE LIGHTING PILOTS.
2. WHEELS- INSPECT FOR DAMAGE AND CHECK LUG NUTS FOR TIGHTNESS.
3. TIRES- INSPECT FOR WEAR AND DAMAGE AND CHECK FOR RECOMMENDED AIR PRESSURE.
4. LIGHTING- TEST FOR PROPER OPERATION OF ALL INTERIOR AND EXTERIOR LIGHTS INCLUDING DASH LIGHTS, HEADLIGHTS, TAIL LIGHTS, BRAKE LIGHTS, CLEARANCE LIGHTS AND TURN SIGNALS.
5. EXITS- INSPECT RELEASE MECHANISM ON EMERGENCY EXIT WINDOW. TEST BOTH LOCKS ON MAIN ENTRANCE DOOR FOR EASE OF OPERATION AND INSTRUCT PASSENGERS HOW TO USE BOTH MEANS OF EXIT.
6. SEAT BELTS- DIRECT PASSENGERS TO DESIGNATED SEATS AND REQUIRE USE OF SEAT BELTS.
7. APPLIANCES- TURN OFF AND LATCH OR LOCK DOORS WHERE PROVIDED.
8. LOOSE PARCELS- STORE SECURELY.
9. UTILITY SUPPLY LINES- DISCONNECT ALL ELECTRIC, SEWER AND WATER LINES AND SECURE PROPERLY.
10. ENTRANCE DOOR STEP- PLACE IN RETRACTED POSITION FOR TRAVELING.

READ YOUR MOTOR HOME AND CHASSIS OWNER'S  
MANUAL FOR FURTHER PRECAUTIONS

**KEY PART NUMBER U/M DESCRIPTION**  
056259-01-000 EA LABEL - SAFETY CHECK LIST

UNLEADED FUEL ONLY

**KEY PART NUMBER U/M DESCRIPTION**  
062043-01-000 EA LABEL - FUEL - UNLEADED

**WARNING** DISCONNECT BATTERIES BEFORE  
CONNECTING EXTERNAL CHARGING EQUIPMENT.

**KEY PART NUMBER U/M DESCRIPTION**  
065748-01-000 EA LABEL - CAUTION - BATTERY CHARGING

AVERTISSEMENT : DEBRANCHER LES BATTERIES AVANT  
DE BRANCHER TOUT EQUIPEMENT DE CHARGE EXTERIEUR.

**KEY PART NUMBER U/M DESCRIPTION**  
065748-02-000 EA LABEL - WARNING - BATTERY/FRENCH - CANADIAN

DIESEL FUEL ONLY

**KEY PART NUMBER U/M DESCRIPTION**  
068383-01-000 EA LABEL - DIESEL FUEL

VEHICLE EMISSION CONTROL INFORMATION  
THIS VEHICLE CONFORMS TO U.S. EPA  
REGULATIONS APPLICABLE TO XXXX MODEL  
YEAR NEW VEHICLES.

072887-01-000-1 CATALYST

**KEY PART NUMBER U/M DESCRIPTION**  
072887-14-000 EA LABEL - EPA - 2003 MODEL YEAR

## LABELS GROUP (CONTINUED)

IF YOU SMELL GAS

1. EXTINGUISH ANY OPEN FLAME, PILOT LIGHTS AND ALL SMOKING MATERIALS.
2. DO NOT TOUCH ELECTRICAL SWITCHES.
3. SHUT OFF THE GAS SUPPLY AT THE TANK VALVE(S) OR GAS SUPPLY CONNECTION.
4. OPEN DOORS AND OTHER VENTILATING OPENINGS.
5. LEAVE THE AREA UNTIL ODOR CLEARS.
6. HAVE THE GAS SYSTEM CHECKED AND LEAKAGE SOURCE CORRECTED BEFORE USING AGAIN.

**KEY PART NUMBER U/M DESCRIPTION**  
 073998-01-000 EA LABEL - LPG ODOR WARNING

WARNING: TEST SMOKE DETECTOR  
 OPERATION AFTER VEHICLE HAS BEEN IN  
 STORAGE, BEFORE EACH TRIP AND AT  
 LEAST ONCE PER WEEK DURING USE.

**KEY PART NUMBER U/M DESCRIPTION**  
 077956-01-000 EA LABEL - WARNING - SMOKE DETECTOR

DO NOT FILL  
 LP-GAS CONTAINER(S)  
 TO MORE THAN 80%  
 OF CAPACITY.

**KEY PART NUMBER U/M DESCRIPTION**  
 079965-01-000 EA LABEL - LPG - 80% CAPACITY

WARNING  
 MUST BE STOWED  
 IN LATCHED POSITION  
 WHILE VEHICLE IS IN MOTION

**KEY PART NUMBER U/M DESCRIPTION**  
 079966-01-000 EA LABEL - WARNING - STOWED - MOTION

W  
A  
T  
E  
R  
O  
N  
|  
H  
E  
A  
T  
E  
R  
O  
F  
F

**KEY PART NUMBER U/M DESCRIPTION**  
 083588-01-000 EA LABEL - ON/OFF - WATER HEATER  
 083588-03-000 EA LABEL - ON/OFF - WATER HEATER

E  
N  
G  
I  
N  
E  
O  
N  
|  
H  
E  
A  
T  
E  
R  
O  
F  
F

**KEY PART NUMBER U/M DESCRIPTION**  
 083588-02-000 EA LABEL - ON/OFF - ENGINE HEATER  
 083588-04-000 EA LABEL - ON/OFF - ENGINE HEATER

## LABELS GROUP (CONTINUED)

|   |   |
|---|---|
| CAUTION                                       | TO HELP AVOID PERSONAL INJURY DURING REMOVAL OF FUEL FILLER CAP, SLOWLY LOOSEN CAP 1/2 TURN TO ALLOW ANY FUEL PRESSURE TO BE RELIEVED BEFORE TURNING CAP FURTHER.   |
| FUEL SPRAY<br>MAY CAUSE<br>PERSONAL<br>INJURY | STOP ADDING FUEL AFTER FIRST SHUTOFF BY AUTOMATIC NOZZLE WHEN TANK IS NEARLY FULL. DO NOT OVERFILL FUEL TANK.<br><br>SEE OWNERS MANUAL FOR ADDITIONAL INFORMATION.<br><br>PRINTED IN U.S.A. <span style="float: right;">WLC PT NO 15611763</span> |

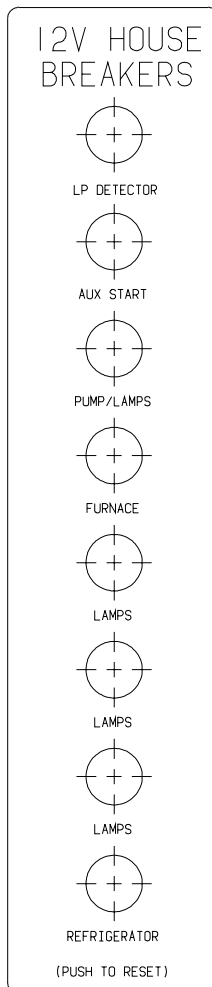
**KEY PART NUMBER U/M DESCRIPTION**  
087207-05-000 EA LABEL - FUEL CAP REMOVAL



**KEY PART NUMBER U/M DESCRIPTION**  
087236-01-000 EA LABEL - CABLE - INPUT

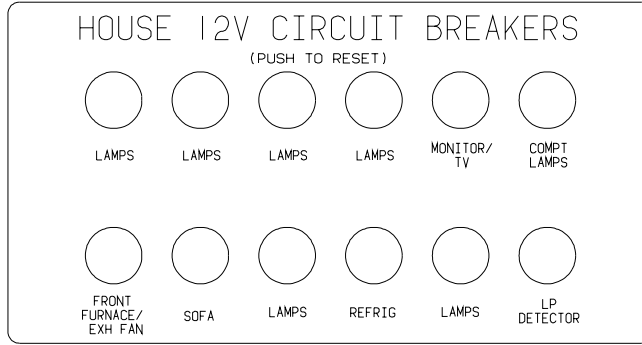


**KEY PART NUMBER U/M DESCRIPTION**  
087236-02-000 EA LABEL - TV OUTLET

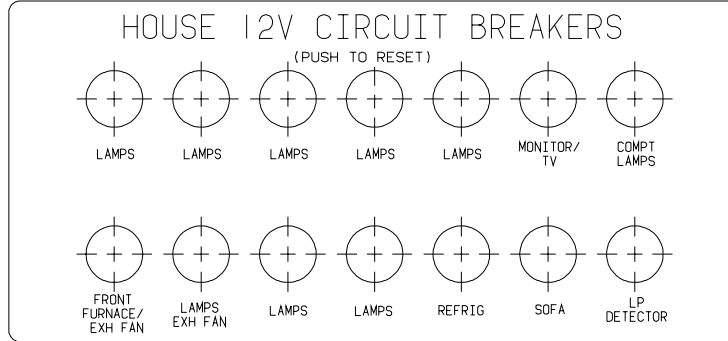


**KEY PART NUMBER U/M DESCRIPTION**  
092547-08-000 EA LABEL - CIRCUIT BREAKER

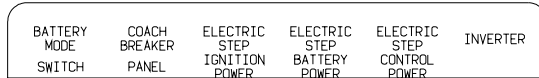
## LABELS GROUP (CONTINUED)



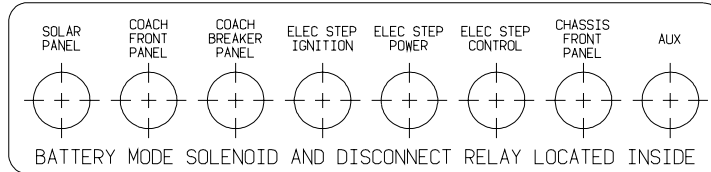
**KEY PART NUMBER U/M DESCRIPTION**  
 092547-10-000 EA LABEL - CIRCUIT BREAKER



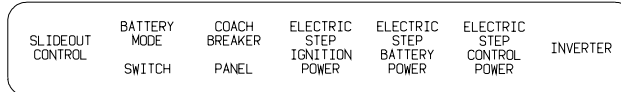
**KEY PART NUMBER U/M DESCRIPTION**  
 092547-12-000 EA LABEL - CIRCUIT BREAKER



**KEY PART NUMBER U/M DESCRIPTION**  
 093236-08-000 EA LABEL - CIRCUIT BREAKER

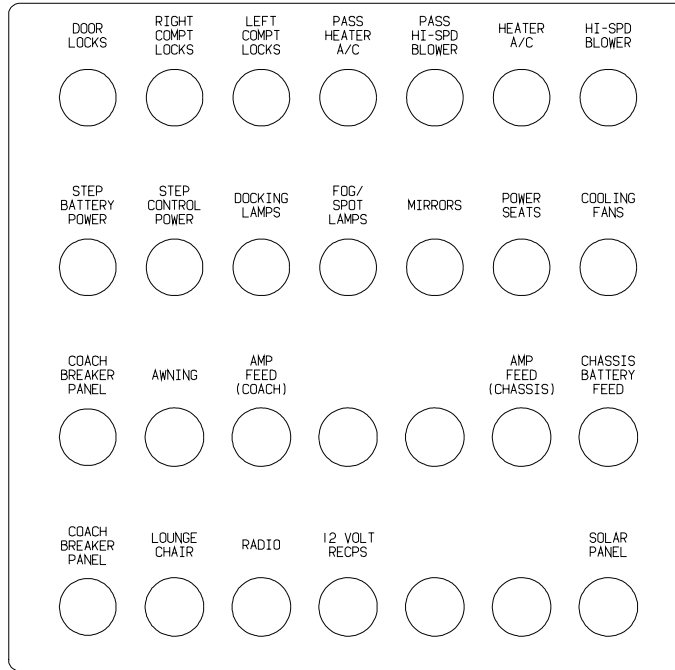


**KEY PART NUMBER U/M DESCRIPTION**  
 093236-13-000 EA LABEL - CIRCUIT BREAKER

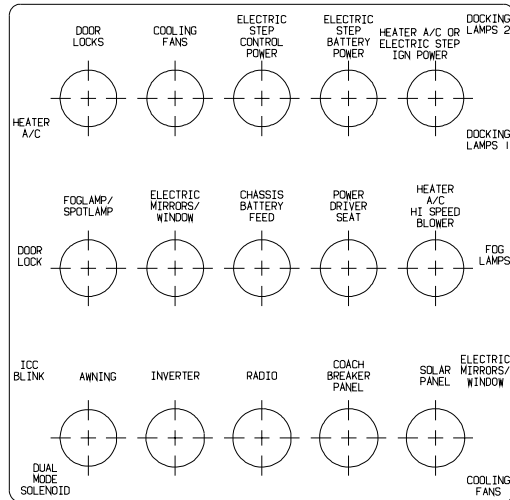


**KEY PART NUMBER U/M DESCRIPTION**  
 093236-21-000 EA LABEL - CIRCUIT BREAKER

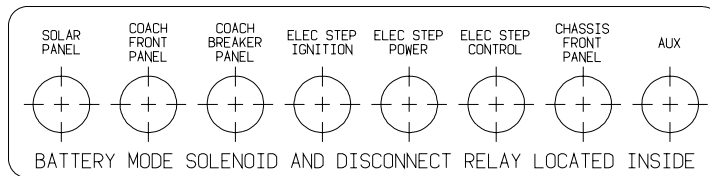
## LABELS GROUP (CONTINUED)



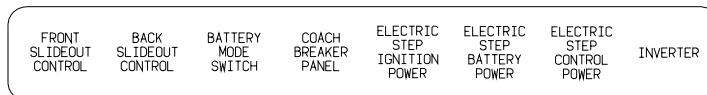
**KEY PART NUMBER U/M DESCRIPTION**  
 093236-22-000 EA LABEL - CIRCUIT BREAKER



**KEY PART NUMBER U/M DESCRIPTION**  
 093236-23-000 EA LABEL - CIRCUIT BREAKER - MAIN



**KEY PART NUMBER U/M DESCRIPTION**  
 093236-24-000 EA LABEL - CIRCUIT BREAKER



**KEY PART NUMBER U/M DESCRIPTION**  
 093236-28-000 EA LABEL - CIRCUIT BREAKER



## LABELS GROUP (CONTINUED)

|                             |         |                             |                         |                   |                |                |                |                         |                          |  |
|-----------------------------|---------|-----------------------------|-------------------------|-------------------|----------------|----------------|----------------|-------------------------|--------------------------|--|
| A / C<br>C I R C U I T<br>1 | M A I N | A / C<br>C I R C U I T<br>2 | R E F F R I G / C O N V | M I C R O W A V E | R E C P S<br>1 | R E C P S<br>2 | R E C P S<br>3 | W A S H E R / D R Y E R | W A T E R<br>H E A T E R |  |
|-----------------------------|---------|-----------------------------|-------------------------|-------------------|----------------|----------------|----------------|-------------------------|--------------------------|--|

**KEY PART NUMBER** 095721-31-000 **U/M DESCRIPTION**  
EA LABEL - CONTROL CENTER - 30 AMP - US

|                             |         |         |                             |                         |                   |                |                |                |                         |                          |
|-----------------------------|---------|---------|-----------------------------|-------------------------|-------------------|----------------|----------------|----------------|-------------------------|--------------------------|
| A / C<br>C I R C U I T<br>1 | M A I N | M A I N | A / C<br>C I R C U I T<br>2 | R E F F R I G / C O N V | M I C R O W A V E | R E C P S<br>1 | R E C P S<br>2 | R E C P S<br>3 | W A S H E R / D R Y E R | W A T E R<br>H E A T E R |
|-----------------------------|---------|---------|-----------------------------|-------------------------|-------------------|----------------|----------------|----------------|-------------------------|--------------------------|

**KEY PART NUMBER** 095721-33-000 **U/M DESCRIPTION**  
EA LABEL - CONTROL CENTER - 50 AMP - US

|       |         |                         |                   |                |                |
|-------|---------|-------------------------|-------------------|----------------|----------------|
| A / C | M A I N | R E F F R I G / C O N V | M I C R O W A V E | R E C P S<br>1 | R E C P S<br>2 |
|-------|---------|-------------------------|-------------------|----------------|----------------|

**KEY PART NUMBER** 095721-40-000 **U/M DESCRIPTION**  
EA LABEL - CONTROL CENTER

AUTOMOTIVE AND COACH  
CIRCUIT BREAKERS

**KEY PART NUMBER** 098379-01-000 **U/M DESCRIPTION**  
EA LABEL - CIRCUIT BREAKER - FRONT BOX

CIRCUIT BREAKERS  
AND AUTOMOTIVE  
FUSE PANEL

**KEY PART NUMBER** 098379-03-000 **U/M DESCRIPTION**  
EA LABEL - ELECTRICAL BOX - FRONT

BATTERY MODE  
SOLENOID AND  
RELAYS

**KEY PART NUMBER** 098379-04-000 **U/M DESCRIPTION**  
EA LABEL - ELECTRICAL BOX - SIDE

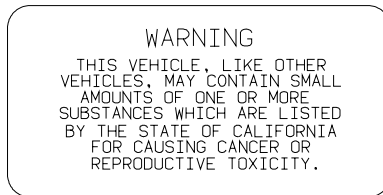
## LABELS GROUP (CONTINUED)



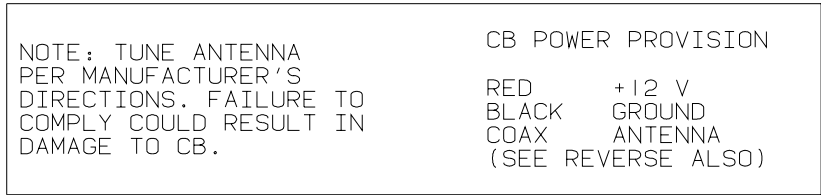
**KEY PART NUMBER U/M DESCRIPTION**  
098641-01-000 EA LABEL - FUEL - UNLEADED - DASH



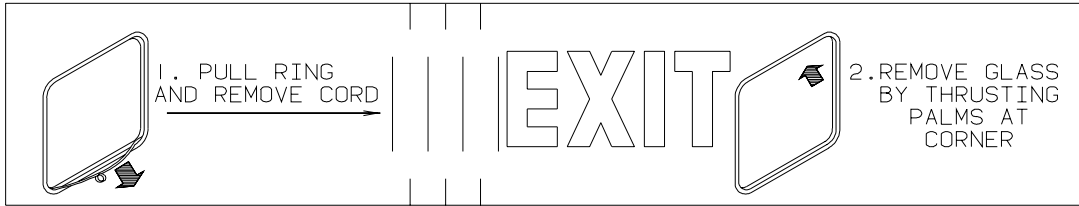
**KEY PART NUMBER U/M DESCRIPTION**  
099509-01-000 EA LABEL - AWNING INSTALLATION



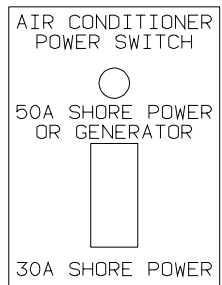
**KEY PART NUMBER U/M DESCRIPTION**  
099689-01-000 EA LABEL - WARNING - CANCER/TOXICITY



**KEY PART NUMBER U/M DESCRIPTION**  
104678-01-000 EA LABEL - CB PREP



**KEY PART NUMBER U/M DESCRIPTION**  
107571-01-000 EA LABEL - EXIT/ESCAPE WINDOW

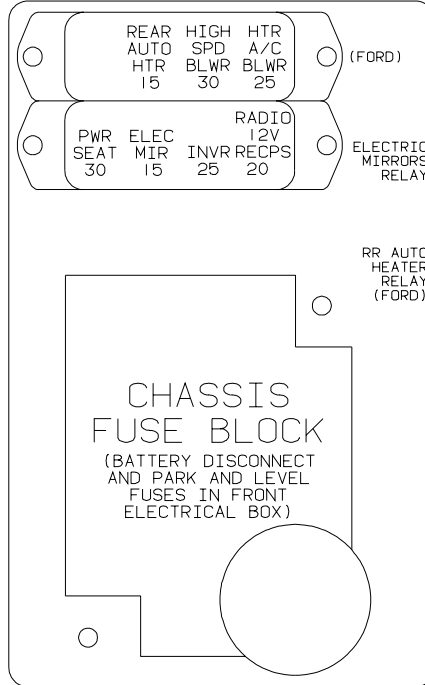


**KEY PART NUMBER U/M DESCRIPTION**  
109051-02-000 EA LABEL - SWITCH - 50 AMP POWER

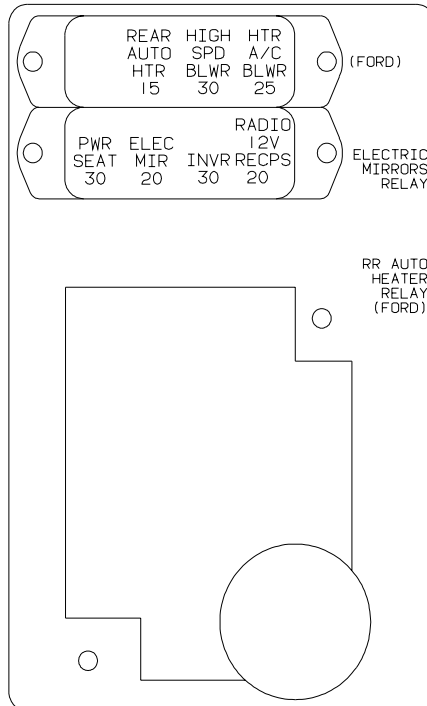
## LABELS GROUP (CONTINUED)

DO NOT USE HITCH BEFORE  
READING OWNERS MANUAL REGARDING  
VEHICLE LOADING AND TOWING

| KEY | PART NUMBER   | U/M DESCRIPTION                        |
|-----|---------------|--|
|     | 111104-01-000 | EA LABEL - HITCH - READ MANUAL - WHITE |
|     | 111104-02-000 | EA LABEL - HITCH - READ MANUAL - BLACK |



| KEY | PART NUMBER   | U/M DESCRIPTION  |
|-----|---------------|------------------|
|     | 111537-08-000 | EA LABEL - FUSES |

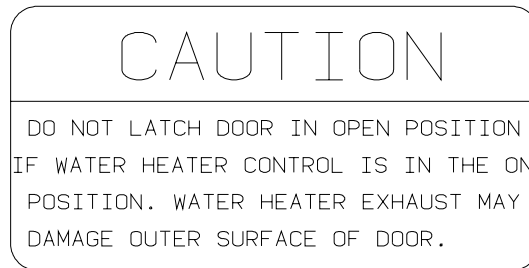


| KEY | PART NUMBER   | U/M DESCRIPTION  |
|-----|---------------|------------------|
|     | 111537-09-000 | EA LABEL - FUSES |

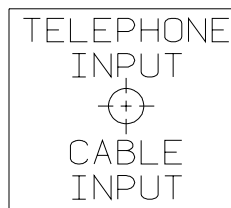
## LABELS GROUP (CONTINUED)

WARNING: CONTAINS "CFC" A SUBSTANCE WHICH HARMS PUBLIC HEALTH AND ENVIRONMENT BY DESTROYING OZONE IN THE UPPER ATMOSPHERE.

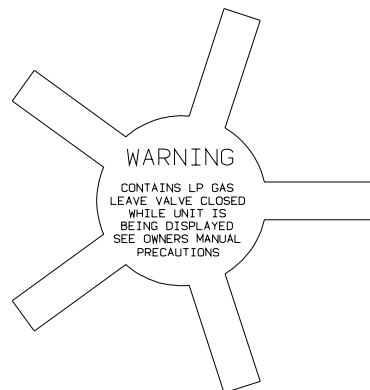
| KEY | PART NUMBER   | U/M DESCRIPTION        |
|-----|---------------|------------------------|
|     | 111802-01-000 | EA LABEL - CFC WARNING |



| KEY | PART NUMBER   | U/M DESCRIPTION                           |
|-----|---------------|---|
|     | 113402-01-000 | EA LABEL - CAUTION - WATER HEATER EXHAUST |



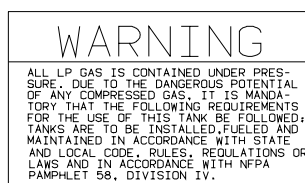
| KEY | PART NUMBER   | U/M DESCRIPTION   |
|-----|---------------|---|
|     | 114866-02-000 | EA LABEL - PHONE & CABLE INPUT - WHITE/CLEAR BACKGROUND |
|     | 114866-03-000 | EA LABEL - PHONE & CABLE INPUT - BLACK/CLEAR BACKGROUND |



| KEY | PART NUMBER   | U/M DESCRIPTION              |
|-----|---------------|------------------------------|
|     | 115600-01-000 | EA LABEL - WARNING LPG VALVE |

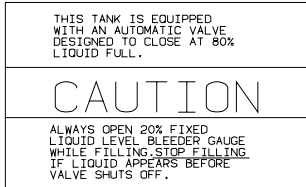
WARNING: REPLACE TIRE ONLY WITH ONE OF EXACTLY SAME TYPE AND RATING. DO NOT REPLACE WITH PASSENGER CAR TIRE. SEE OPERATOR'S MANUAL FOR MORE INFORMATION CALL WINNEBAGO OWNER RELATIONS AT 1-800-537-1885.

| KEY | PART NUMBER   | U/M DESCRIPTION           |
|-----|---------------|---------------------------|
|     | 115869-01-000 | EA LABEL - WARNING - TIRE |

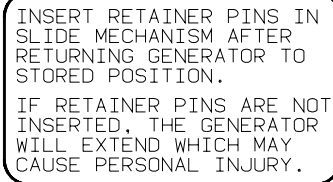


| KEY | PART NUMBER   | U/M DESCRIPTION         |
|-----|---------------|-------------------------|
|     | 116112-01-000 | EA LABEL - CAUTION - LP |

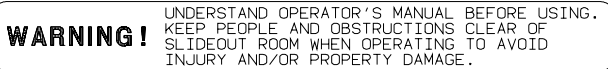
## LABELS GROUP (CONTINUED)



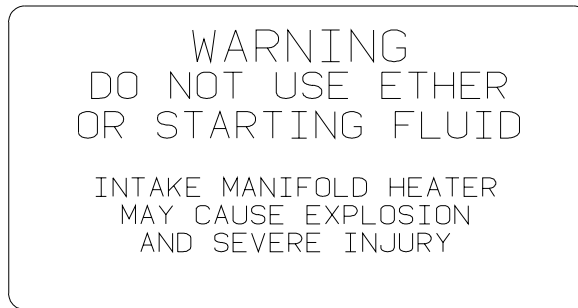
**KEY PART NUMBER**      **U/M DESCRIPTION**  
 116113-01-000      EA LABEL - CAUTION - LP



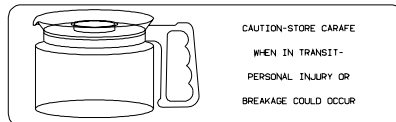
**KEY PART NUMBER**      **U/M DESCRIPTION**  
 116273-01-000      EA LABEL - WARNING - GENERATOR



**KEY PART NUMBER**      **U/M DESCRIPTION**  
 116549-01-000      EA LABEL - WARNING - SLIDEOUT



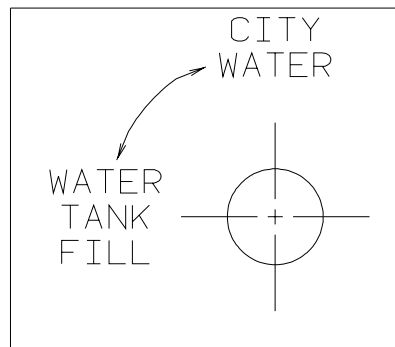
**KEY PART NUMBER**      **U/M DESCRIPTION**  
 116756-02-000      EA LABEL - WARNING - ETHER/STARTING



**KEY PART NUMBER**      **U/M DESCRIPTION**  
 116829-02-000      EA LABEL - COFFEEMAKER

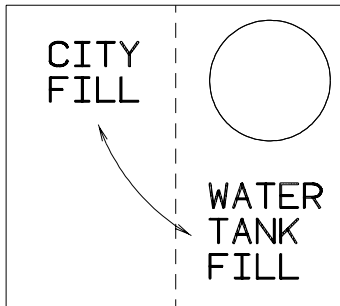


**KEY PART NUMBER**      **U/M DESCRIPTION**  
 117628-02-000      EA LABEL - SWITCH - WATER PUMP/LIGHTS-WHITE/CLEAR BACKGROUND

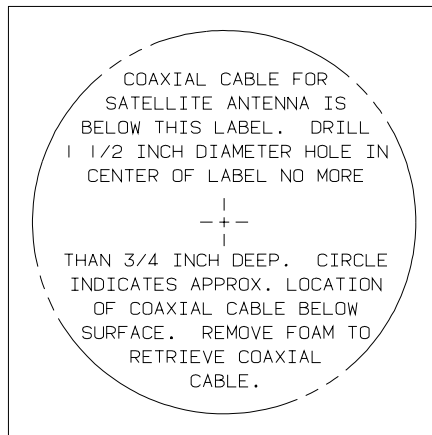


**KEY PART NUMBER**      **U/M DESCRIPTION**  
 117629-03-000      EA LABEL - WATER PUMP/FILL-BLK LETTERS/CLEAR BACKGROUND-.31"

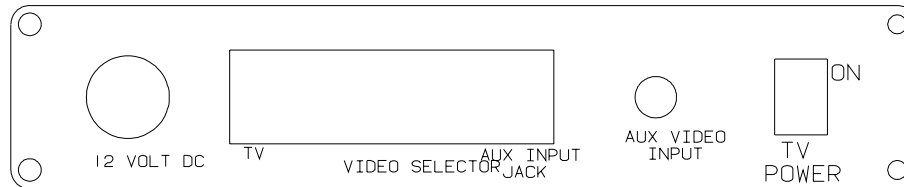
## LABELS GROUP (CONTINUED)



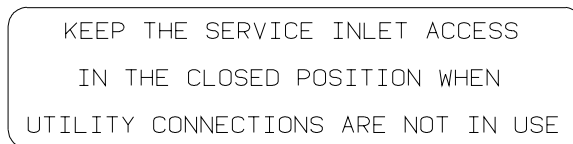
**KEY PART NUMBER** 117629-04-000  
**U/M DESCRIPTION** EA LABEL - CITY WATER/TANK FILL



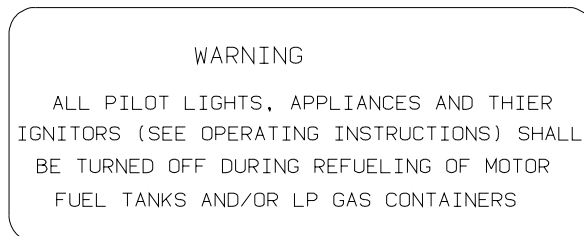
**KEY PART NUMBER** 120431-01-000  
**U/M DESCRIPTION** EA LABEL - LOCATION - COAXIAL CABLE/SATELLITE ANTENNA



**KEY PART NUMBER** 120677-01-000  
**U/M DESCRIPTION** EA LABEL - TV

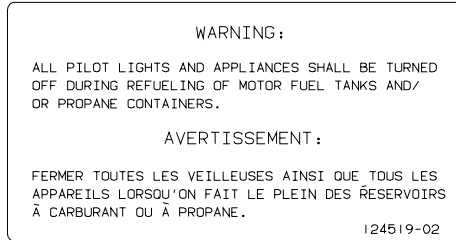


**KEY PART NUMBER** 123562-01-000  
**U/M DESCRIPTION** EA LABEL - SERVICE/UTILITY ACCESS

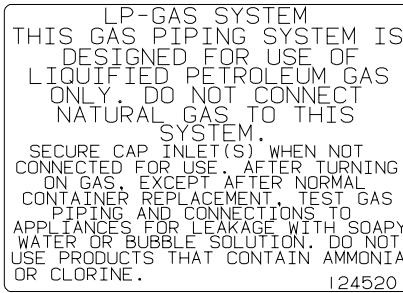


**KEY PART NUMBER** 124519-01-01A  
 124519-01-02A  
**U/M DESCRIPTION** EA LABEL - WARNING/REFUELING - BLACK ON CLEAR  
 EA LABEL - WARNING/REFUELING - WHITE ON CLEAR

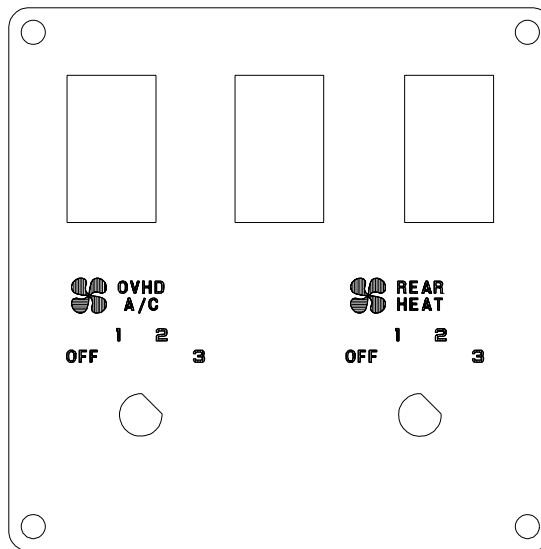
## LABELS GROUP (CONTINUED)



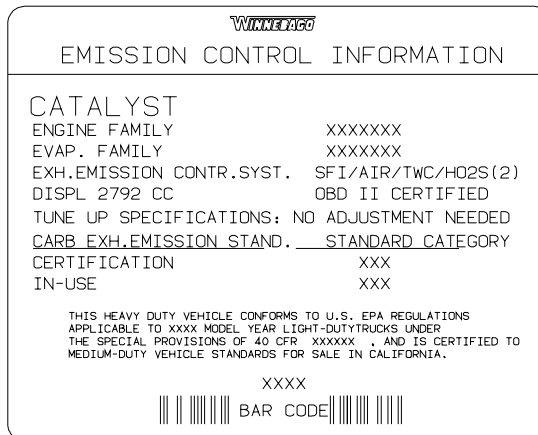
| KEY | PART NUMBER   | U/M DESCRIPTION                                     |
|-----|---------------|---|
|     | 124519-02-01A | EA LABEL - WARNING/REFUELING - BLACK ON CLEAR - CSA |
|     | 124519-02-02A | EA LABEL - WARNING/REFUELING - WHITE ON CLEAR - CSA |



| KEY | PART NUMBER   | U/M DESCRIPTION                         |
|-----|---------------|---|
|     | 124520-01-01A | EA LABEL - LP GAS ONLY - BLACK ON CLEAR |
|     | 124520-01-02A | EA LABEL - LP GAS ONLY - WHITE ON CLEAR |



| KEY | PART NUMBER   | U/M DESCRIPTION     |
|-----|---------------|---------------------|
|     | 124572-01-000 | EA LABEL - SWITCHES |



| KEY | PART NUMBER   | U/M DESCRIPTION                    |
|-----|---------------|------------------------------------|
|     | 124709-07-000 | EA LABEL - EMISSION CONTROL - DUAL |

## LABELS GROUP (CONTINUED)

THIS CONNECTION IS FOR  
(B) VOLT AC,60 HZ(CYCLES)  
(A) AMPERE SUPPLY

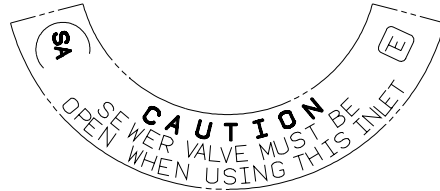
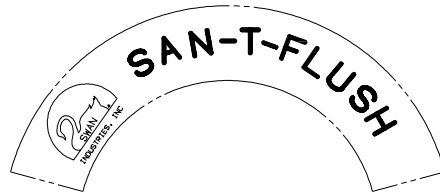
DO NOT CONNECT TO  
HIGHER VOLTAGE

| KEY | PART NUMBER   | U/M | DESCRIPTION  |
|-----|---------------|-----|--|
|     | 125306-01-01A | EA  | LABEL - ELECTRICAL ENTRANCE - 110V 30 AMP - BLACK ON CLEAR |
|     | 125306-01-02A | EA  | LABEL - ELECTRICAL ENTRANCE - 110V 30 AMP - WHITE ON CLEAR |

THIS CONNECTION IS FOR  
(B) VOLT AC,3-POLE,4 WIRE  
60 HZ(CYCLES),(A) AMPERE SUPPLY

DO NOT CONNECT TO  
HIGHER VOLTAGE

| KEY | PART NUMBER   | U/M | DESCRIPTION  |
|-----|---------------|-----|--|
|     | 125306-04-01A | EA  | LABEL-ELECTRICAL ENTRANCE-120/240V 50 AMP-BLACK ON CLEAR   |
|     | 125306-04-02A | EA  | LABEL - ELECTRICAL ENTRANCE-120/240V 50 AMP-WHITE ON CLEAR |



| KEY | PART NUMBER   | U/M | DESCRIPTION                       |
|-----|---------------|-----|-----------------------------------|
|     | 125697-07-000 | EA  | LABEL - CAUTION - FLUSHING SYSTEM |

REMOVE PRIMARY TIRE HANGER BEFORE USING  
SPARE TIRE HOIST-SEE OWNERS MANUAL - PERSONAL  
INJURY MAY RESULT IF NOT FOLLOWED

| KEY | PART NUMBER   | U/M | DESCRIPTION                 |
|-----|---------------|-----|-----------------------------|
|     | 126024-01-000 | EA  | LABEL - TIRE HANGER REMOVAL |

GRAY HOLDING TANK

| KEY | PART NUMBER   | U/M | DESCRIPTION  |
|-----|---------------|-----|--|
|     | 126247-05-000 | EA  | LABEL - GRAY HOLDING TANK-BLACK LETTERS/CLEAR BACKGROUND |

BLACK HOLDING TANK

| KEY | PART NUMBER   | U/M | DESCRIPTION   |
|-----|---------------|-----|---|
|     | 126247-06-000 | EA  | LABEL - BLACK HOLDING TANK-BLACK LETTERS/CLEAR BACKGROUND |



**LABELS GROUP (CONTINUED)**

EXTERIOR SHOWER

**KEY PART NUMBER U/M DESCRIPTION**  
126248-03-000 EA LABEL - EXTERIOR SHOWER

CITY WATER FILL

**KEY PART NUMBER U/M DESCRIPTION**  
126249-03-000 EA LABEL - CITY WATER FILL-BLK LETTERS/CLEAR BACKGROUND .31"

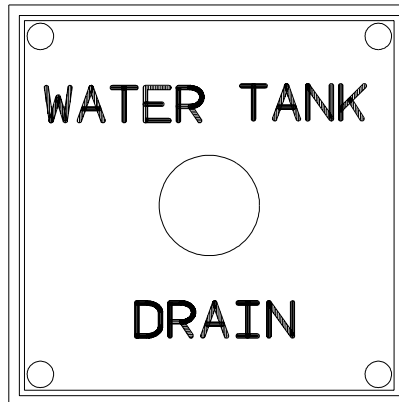


**WARNING**

○ **Children Can be KILLED or INJURED  
by Passenger Air Bag**

The back seat is the safest place for children 12 and under.  
Make sure all children use seat belts or child seats.

**KEY PART NUMBER U/M DESCRIPTION**  
126612-01-000 EA LABEL - HANG TAG - AIR BAG - DASH



**KEY PART NUMBER U/M DESCRIPTION**  
127170-01-000 EA LABEL - WATER TANK DRAIN

**WARNING**

ROOF SURFACE MAY BE SLIPPERY  
ESPECIALLY WHERE MOISTURE IS PRESENT  
SLIPPING MAY RESULT IN PERSONAL INJURY.

128218-01

**KEY PART NUMBER U/M DESCRIPTION**  
128218-01-01A EA LABEL - WARNING - SLIPPERY ROOF

ENTRANCE DOOR PROP ROD

THIS ROD IS DESIGNED TO PROP THE  
ENTRANCE DOOR OPEN WHEN THE PATIO  
AWNING ARM IS ATTACHED TO THE  
SIDEWALL AND THE AWNING IS EX-  
TENDED.  
HOOK ONE END OF ROD INTO LOOP ON  
DOOR AND OTHER END INTO LOOP ON THE  
SIDEWALL AS SHOWN.

(THIS LABEL TO BE REMOVED BY RETAIL OWNER ONLY)

**KEY PART NUMBER U/M DESCRIPTION**  
128658-01-000 EA LABEL - PROP ROD - ENTRY DOOR

**LABEL GROUP (CONTINUED)**

**WARNING**  
POTABLE WATER ONLY  
SANITIZE, FLUSH, AND  
DRAIN BEFORE USING.  
SEE INSTRUCTION MANUAL

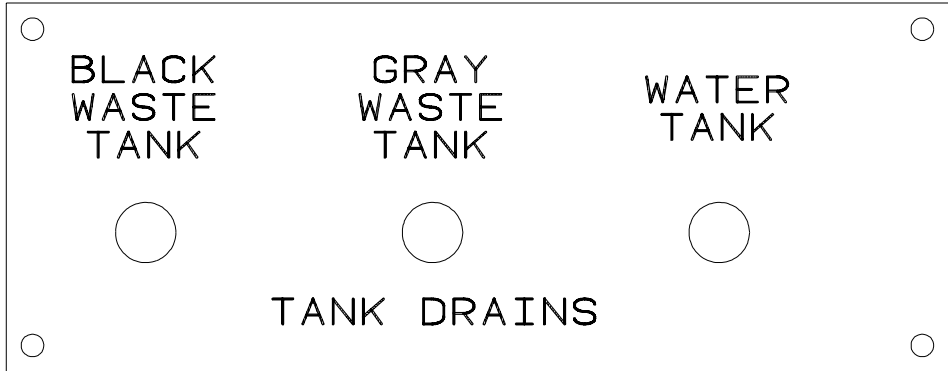
**KEY PART NUMBER U/M DESCRIPTION**  
128725-01-01A EA LABEL - POTABLE WATER ONLY - BLACK ON CLEAR

TOW VEHICLE RATING MAY BE LESS THAN HITCH RATING.  
MAXIMUM VERTICAL HITCH LOAD: 350 LBS  
DO NOT EXCEED REAR AXLE RATING.  
SEE OWNER'S MANUAL FOR ADDITIONAL INFORMATION.

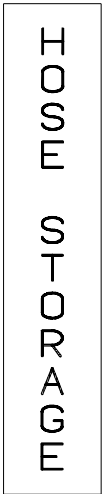
**KEY PART NUMBER U/M DESCRIPTION**  
129669-01-01A EA LABEL - HITCH/VEHICLE RATE - 350 - WHITE ON CLEAR  
129669-01-02A EA LABEL - HITCH/VEHICLE RATE - 350 - BLACK ON CLEAR  
129669-02-01A EA LABEL - HITCH/VEHICLE RATE - 500 - WHITE ON CLEAR  
129669-02-02A EA LABEL - HITCH/VEHICLE RATE - 500 - BLACK ON CLEAR

TIRE ROTATION  
SEE RIALTA OWNERS MANUAL  
SECTION 9

**KEY PART NUMBER U/M DESCRIPTION**  
129684-01-000 EA LABEL - TIRE ROTATION



**KEY PART NUMBER U/M DESCRIPTION**  
130166-01-000 EA LABEL - DRAIN



**KEY PART NUMBER U/M DESCRIPTION**  
130167-02-000 EA LABEL - HOSE STORAGE

**LABELS GROUP (CONTINUED)**

WASTE TANK FLUSH

**KEY PART NUMBER U/M DESCRIPTION**  
130168-01-000 EA LABEL - WASTE TANK FLUSH

MONITOR WATER  
PANEL LIGHT PUMP

**KEY PART NUMBER U/M DESCRIPTION**  
130170-01-000 EA LABEL - SWITCH PANEL - BLK/CLEAR BACKGROUND-1.8"H X 5.9"L

LIGHTS WATER  
PUMP

**KEY PART NUMBER U/M DESCRIPTION**  
130170-02-000 EA LABEL - SWITCH PANEL-BLK/CLEAR BACKGROUND-1.4"H X 3.9"L

WATER  
PUMP

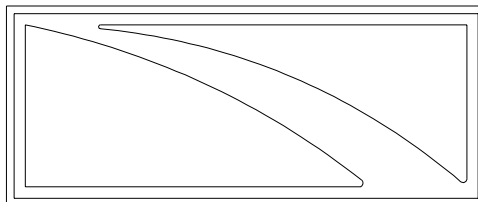
**KEY PART NUMBER U/M DESCRIPTION**  
130170-03-000 EA LABEL - PANEL SWITCH

CAUTION:  
OPEN A WINDOW OR VENT WHILE  
OPERATING DRYER. IT IS DANGEROUS  
TO CREATE A NEGATIVE AIR PRESSURE  
INSIDE A VEHICLE CONTAINING  
FUEL-BURNING APPLIANCES

**KEY PART NUMBER U/M DESCRIPTION**  
130670-01-01A EA LABEL - CAUTION DRYER VENTING - BLACK ON CLEAR

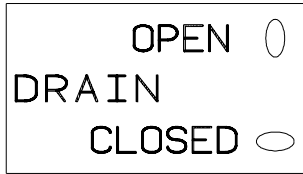
PUSH TO  
RELEASE  
GENERATOR  
SLIDE ASM

**KEY PART NUMBER U/M DESCRIPTION**  
131779-01-01A EA LABEL - GENERATOR



**KEY PART NUMBER U/M DESCRIPTION**  
132651-01-01A EA DECAL - MIRROR/GALLEY

**LABELS GROUP (CONTINUED)**



**KEY PART NUMBER U/M DESCRIPTION**  
 133423-01-01A EA LABEL - DRAIN



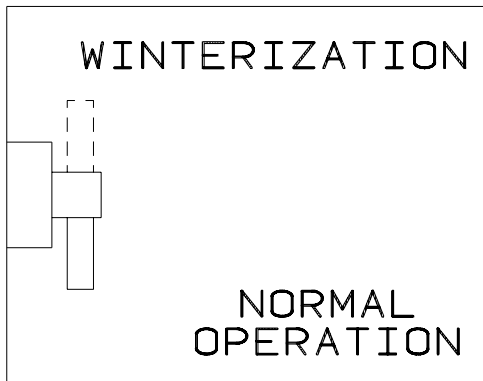
**KEY PART NUMBER U/M DESCRIPTION**  
 133424-01-01A EA LABEL - BYPASS - WATER HEATER



**KEY PART NUMBER U/M DESCRIPTION**  
 133424-02-01A EA LABEL - NORMAL OPERATION



**KEY PART NUMBER U/M DESCRIPTION**  
 133424-03-01A EA LABEL - WATER HEATER BYPASS - BLACK/CLEAR



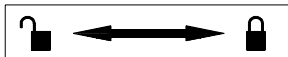
**KEY PART NUMBER U/M DESCRIPTION**  
 133425-01-01A EA LABEL - VALVE - WINTERIZATION



**KEY PART NUMBER U/M DESCRIPTION**  
 133533-01-01A EA LABEL - JACKS DOWN - CLEAR W/WHITE LETTERING

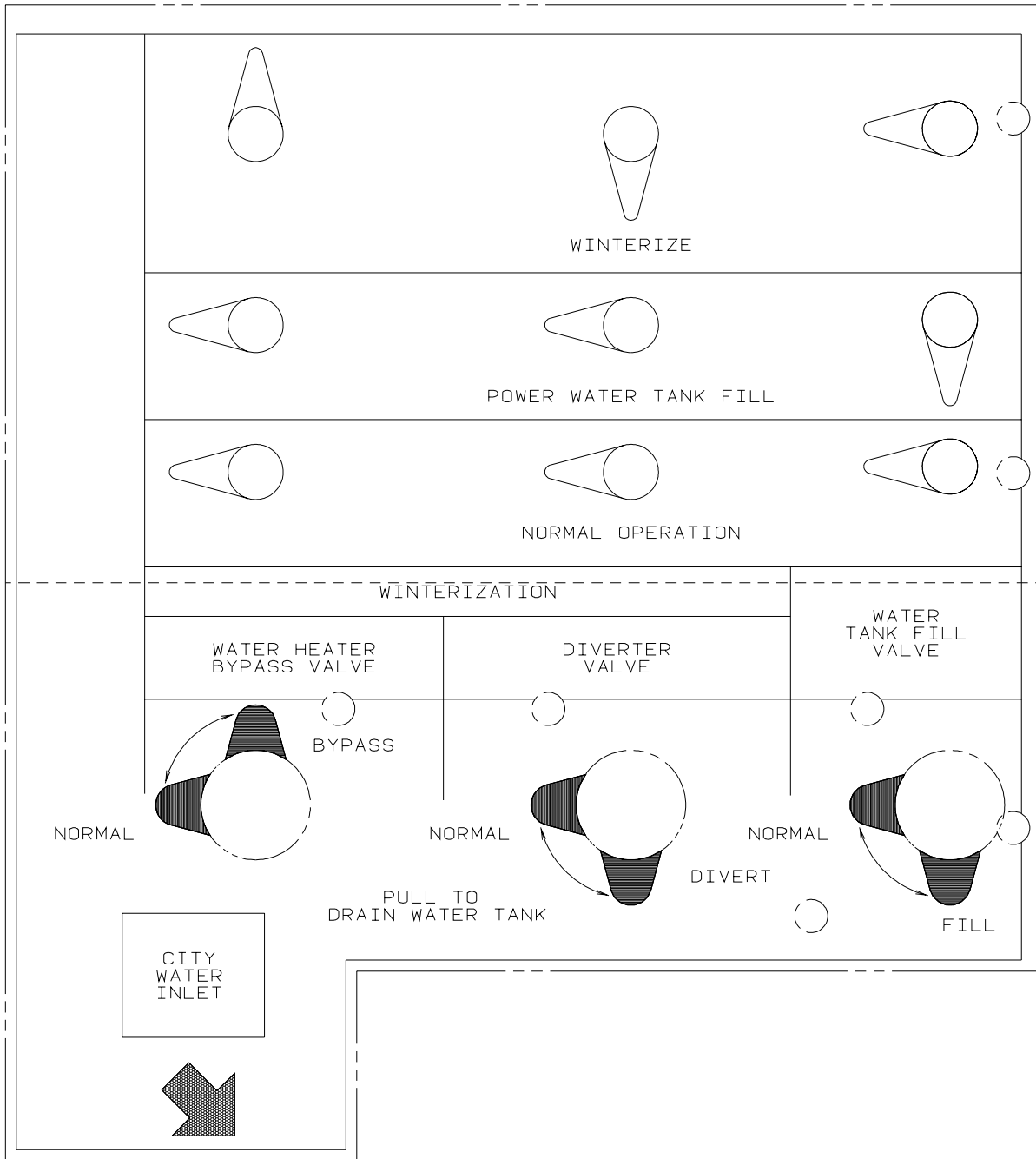


**KEY PART NUMBER U/M DESCRIPTION**  
 133533-02-01A EA LABEL - CHECK ANTENNA - CLEAR W/WHITE LETTERING



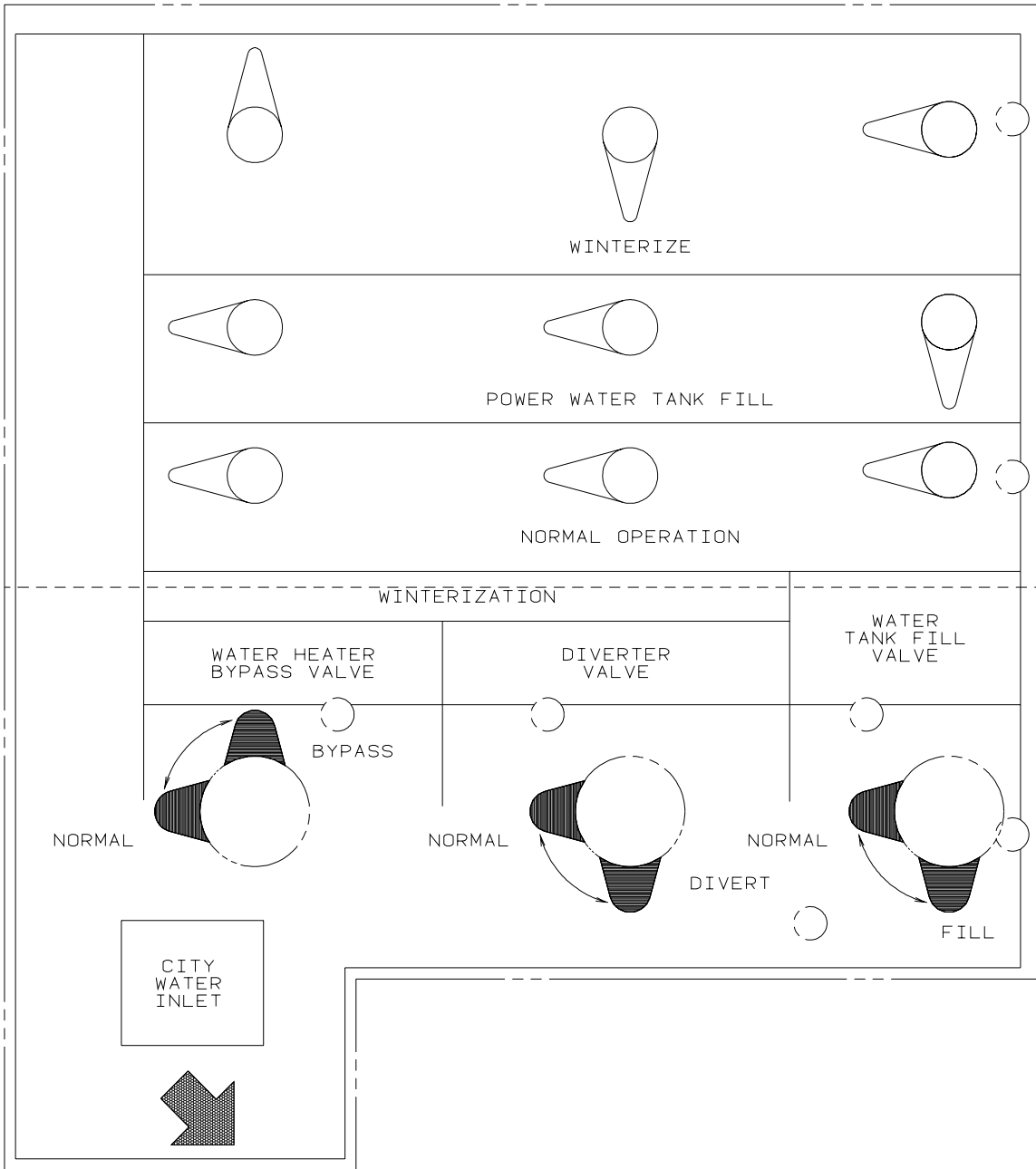
**KEY PART NUMBER U/M DESCRIPTION**  
 133533-03-01A EA LABEL - LOCK/UNLOCK - BLACK/WHITE

# LABELS GROUP (CONTINUED)

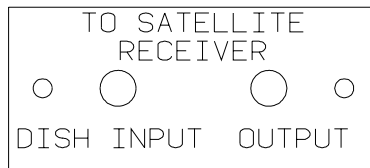


| KEY | PART NUMBER   | U/M | DESCRIPTION          |
|-----|---------------|-----|----------------------|
|     | 133629-01-01A | EA  | LABEL - WATER CENTER |

## LABELS GROUP (CONTINUED)



**KEY PART NUMBER U/M DESCRIPTION**  
 133629-02-01A EA LABEL - WATER CENTER - BLACK/CLEAR



**KEY PART NUMBER U/M DESCRIPTION**  
 134250-01-01A EA LABEL - SATELLITE RECEIVER - BLACK/CLEAR

THIS CHAIR IS NOT INTENDED FOR OCCUPANCY WHEN VEHICLE IS IN MOTION AND MUST BE RETURNED TO STOWED POSITION

DTS ISICE SIEGE N/EST PAS DESTINE A ETRE OCCUPE LORSQUE LE VEHICULE EST IN MOVEMENT ET IL FAUT QUE LE RANGER

THIS CHAIR IS NOT INTENDED FOR OCCUPANCY WHEN VEHICLE IS IN MOTION AND MUST BE RETURNED TO STOWED POSITION

**KEY PART NUMBER U/M DESCRIPTION**  
 134537-01-01A EA LABEL - OCCUPANCY - CHAIR - US

## LABELS GROUP (CONTINUED)

THIS SEAT IS NOT INTENDED  
FOR OCCUPANCY WHEN  
VEHICLE IS IN MOTION

**KEY PART NUMBER U/M DESCRIPTION**  
134538-01-01A EA LABEL - OCCUPANCY - NO SEAT BELT - BLACK ON CLEAR - US

DST ISICE SIEGE N/EST PAS THIS SEAT IS NOT INTENDED  
DESTINE A ETRE OCCUPE LORSQUE FOR OCCUPANCY WHILE  
LE VEHICULE EST IN MOVUUMENT VEHICLE IS IN MOTION

**KEY PART NUMBER U/M DESCRIPTION**  
134538-02-01A EA LABEL - OCCUPANCY - NO SEAT BELT - BLACK ON CLEAR - CSA

### WARNING

IT IS NOT SAFE TO USE COOKING  
APPLICANCES FOR COMFORT HEATING

COOKING APPLICANCES NEED FRESH AIR FOR SAFE OPERATION  
BEFORE OPERATION.

1. OPEN OVERHEAD VENT OR TURN ON EXHAUST FAN AND;
2. OPEN WINDOW.

**KEY PART NUMBER U/M DESCRIPTION**  
134539-01-01A EA LABEL - WARNING - STOVE/HEATING - US - BLACK ON CLEAR

### HOLDING TANK HEATER

TURN OFF WHEN NOT IN USE  
SEE OPERATOR'S MANUAL

**KEY PART NUMBER U/M DESCRIPTION**  
134563-01-01A EA LABEL - SWITCH - HEATER

THIS VEHICLE MAY INCLUDE MERCURY-CONTAINING DEVICES INSTALLED BY THE MANUFACTURER:

FLUORESCENT TUBES, RANGES WITH OVEN, HWH LEVEL SENSING UNIT.

REMOVE DEVICES BEFORE VEHICLE DISPOSAL UPON REMOVAL OF  
DEVICES: PLEASE REUSE, RECYCLE, OR DISPOSE AS HAZARDOUS WASTE

135869-01A

**KEY PART NUMBER U/M DESCRIPTION**  
135869-01-01A EA LABEL - MERCURY CONTENT - BLACK ON CLEAR  
135869-01-02A EA LABEL - MERCURY CONTENT - WHITE ON CLEAR

### LIQUID SOAP

**KEY PART NUMBER U/M DESCRIPTION**  
136047-01-01A EA LABEL - LIQUID SOAP

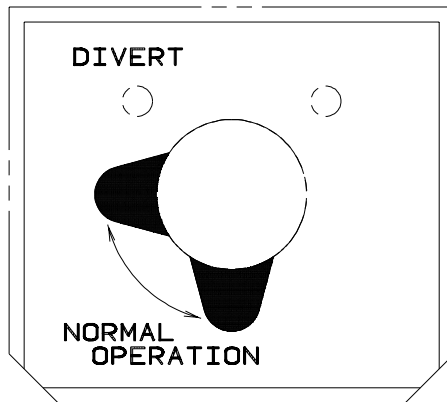
## LABELS GROUP (CONTINUED)

|                  |                  |                                |                                  |                               |                                       |                          |               |
|------------------|------------------|--------------------------------|----------------------------------|-------------------------------|---------------------------------------|--------------------------|---------------|
| DOOR<br>LOCK     | DOOR<br>UNLOCK   | RIGHT<br>COMPT<br>DOOR<br>LOCK | RIGHT<br>COMPT<br>DOOR<br>UNLOCK | LEFT<br>COMPT<br>DOOR<br>LOCK | LEFT<br>COMPT<br>DOOR<br>UNLOCK       | AUX<br>START<br>SOLENOID | AMP<br>SOURCE |
| POWER<br>MIRRORS | HEATER<br>BLOWER | PASS<br>HEATER<br>BLOWER       | FOG<br>LAMPS                     | DOCKING<br>LAMPS              | DOCKING<br>LAMPS<br>SWITCH<br>TRIGGER | COOLING<br>FANS          |               |

**KEY PART NUMBER U/M DESCRIPTION**  
 136161-01-01A EA LABEL - RELAY - MATTE BLACK/WHITE LETTERS



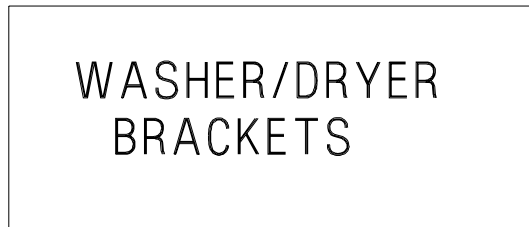
**KEY PART NUMBER U/M DESCRIPTION**  
 136360-01-01A EA LABEL - AIR BAGS



**KEY PART NUMBER U/M DESCRIPTION**  
 137997-01-01A EA LABEL - WINTERIZATION VALVE - BLACK/CLEAR



**KEY PART NUMBER U/M DESCRIPTION**  
 140190-01-01A EA DECAL/LOGO - V6 (DOMED) - CYAN/MAGENTA/YELLOW/BLACK



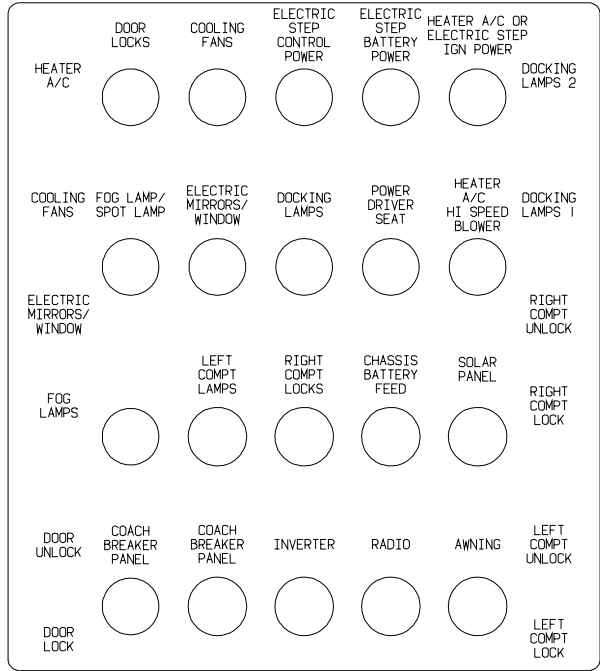
**KEY PART NUMBER U/M DESCRIPTION**  
 141523-01-01A EA LABEL - WASHER/DRYER BRACKETS - BLACK/WHITE



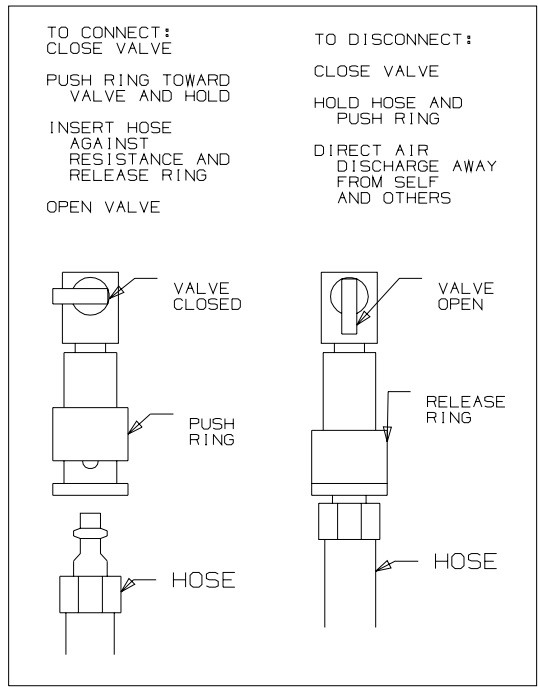
## LABELS GROUP (CONTINUED)

|          |                   |                     |                     |                              |                             |                             |             |
|----------|-------------------|---------------------|---------------------|------------------------------|-----------------------------|-----------------------------|-------------|
| INVERTER | SLIDEDOUT CONTROL | BATTERY MODE SWITCH | COACH BREAKER PANEL | ELECTRIC STEP IGNITION POWER | ELECTRIC STEP BATTERY POWER | ELECTRIC STEP CONTROL POWER | SOLAR PANEL |
|----------|-------------------|---------------------|---------------------|------------------------------|-----------------------------|-----------------------------|-------------|

**KEY PART NUMBER**      **U/M DESCRIPTION**  
 093236-29-000      EA LABEL - CIRCUIT BREAKER

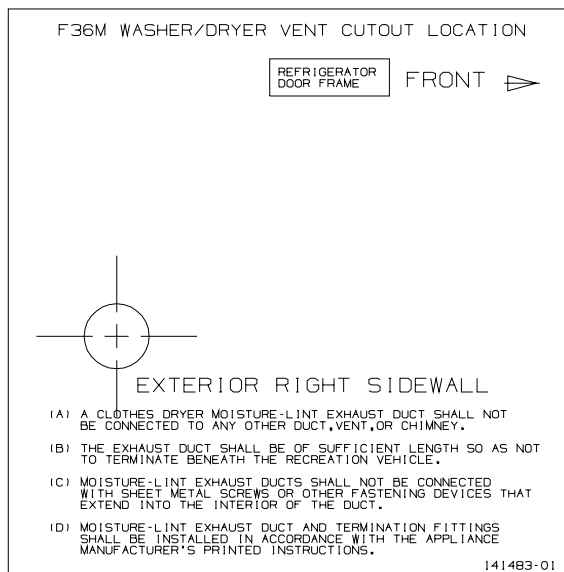


**KEY PART NUMBER**      **U/M DESCRIPTION**  
 093236-30-000      EA LABEL - CIRCUIT BREAKER

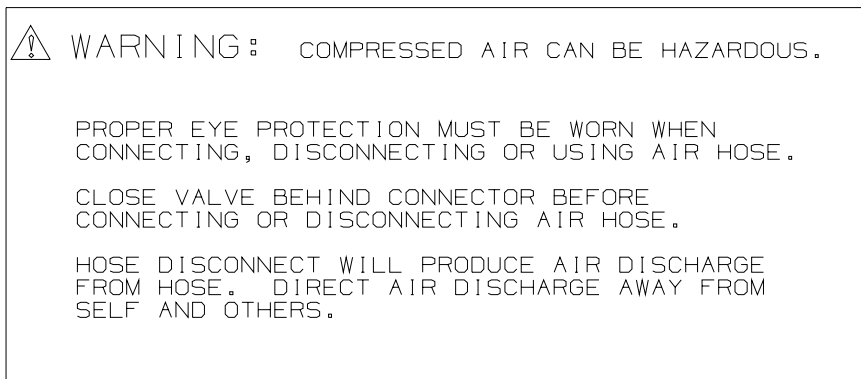


**KEY PART NUMBER**      **U/M DESCRIPTION**  
 142773-01-01A      EA LABEL - CONNECT/COMPRESS AIR - WHITE LETTERING ON CLEAR

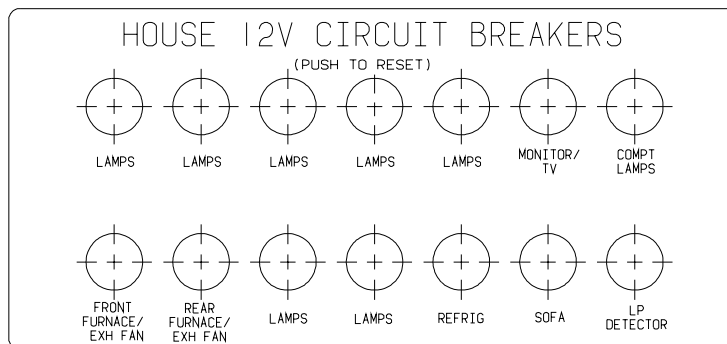
## LABELS GROUP (CONTINUED)



**KEY PART NUMBER**      **U/M DESCRIPTION**  
 141483-01-01A      EA LABEL - DRYER VENTING - BLACK/WHITE



**KEY PART NUMBER**      **U/M DESCRIPTION**  
 142771-01-01A      EA LABEL - WARNING/COMPRESSED AIR - WHITE LETTERING ON CLEAR



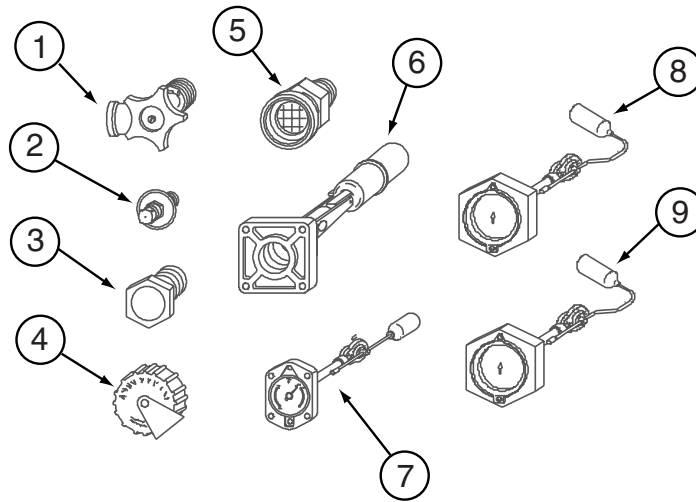
**KEY PART NUMBER**      **U/M DESCRIPTION**  
 092547-11-000      EA LABEL - CIRCUIT BREAKER

**LP GROUP**  
**LP SYSTEM**

| <b>KEY</b> | <b>PART NUMBER</b> | <b>U/M</b> | <b>DESCRIPTION</b>   |
|------------|--------------------|------------|--|
|            | 045703-03-000      | EA         | HOSE - LP - 3/8"ID X 18" - 3/8"MPT X 1/2"F SWIVEL - U.S.     |
|            | 105658-01-000      | EA         | COMPARTMENT - LP REGULATOR                                   |
|            | 106150-01-000      | EA         | REGULATOR - TWO STAGE-W/90 DEGREE ELBOW & 3/8" FPT OUTLET    |
|            | 045703-12-000      | EA         | HOSE - LP - 3/8"ID X 18" - 3/8"MPT X 1/2"F SWIVEL - CANADA   |
|            | 045703-15-000      | EA         | HOSE - LP - 3/8"ID X 142" - 1/2"F SWIVEL X 3/8"F SWIVEL      |
|            | 045703-14-000      | EA         | HOSE - LP - 3/8"ID X 157.5" - 1/2"F SWIVEL X 1/2"F SWIVEL    |
|            | 045703-13-000      | EA         | HOSE - LP - 3/8"ID X 120" - 3/8"F SWIVEL X 1/2"F SWIVEL US   |
|            | 045703-09-000      | EA         | HOSE - LP - 3/8"ID X 24" - 3/8"ID F SWIVEL X 3/8"ID F SWIVEL |
|            | 045703-16-000      | EA         | HOSE - LP - 3/8ID X 109" - 1/2" F SWIV FLR X 3/8" M FLR      |
|            | 010323-01-000      | EA         | ADAPTER - BRASS - 3/8"F X 1/2"MPT                            |
|            | 106846-01-000      | EA         | VALVE - RELIEF   |
|            | 106871-01-000      | EA         | BUSHING - 1/2 X 1/4 - BLACK                                  |
|            | 010377-02-000      | EA         | NUT - BRASS - 3/8" FLARE - FORGED                            |
|            | 010380-02-000      | EA         | NUT - BRASS - 1/2" FLARE - FORGED                            |
|            | 010251-02-000      | EA         | ELBOW - BRASS - 90 DEGREE - 3/8 F X 1/4 MPT                  |
|            | 010265-01-000      | EA         | ELBOW - BRASS - 90 DEGREE - 3/8"F X 1/2"FPT                  |
|            | 010515-03-000      | EA         | ELBOW - BLACK - 1/2 X 90 DEGREE STEEL                        |
|            | 033759-01-000      | EA         | ELBOW - 90 DEGREE - 3/8" F X 3/8" F                          |
|            | 010536-02-000      | EA         | TEE - STEEL - 1/2" - BLACK                                   |
| *          | 088253-05-000      | EA         | TANK - LP - 130 LB - LIQUID DRAW                             |
|            | 040440-03-000      | EA         | TRANSMITTER - DIAL/SNAP-ON - 0-90 OHM 2 TERM(POWER/GROUND)   |
| *          | 088253-06-000      | EA         | TANK - LP - 130 LB   |
|            | 010329-01-000      | EA         | ADAPTER - BRASS - 1/2"F X 1/2"MPT                            |
|            | 103613-03-000      | EA         | DETECTOR - LP GAS - W/O SHUT-OFF VALVE                       |

**\*COMPONENT PARTS LISTED LATER IN THIS GROUP**

**LP GROUP (CONTINUED)**  
**COMPONENT PARTS FOR LP SYSTEM**



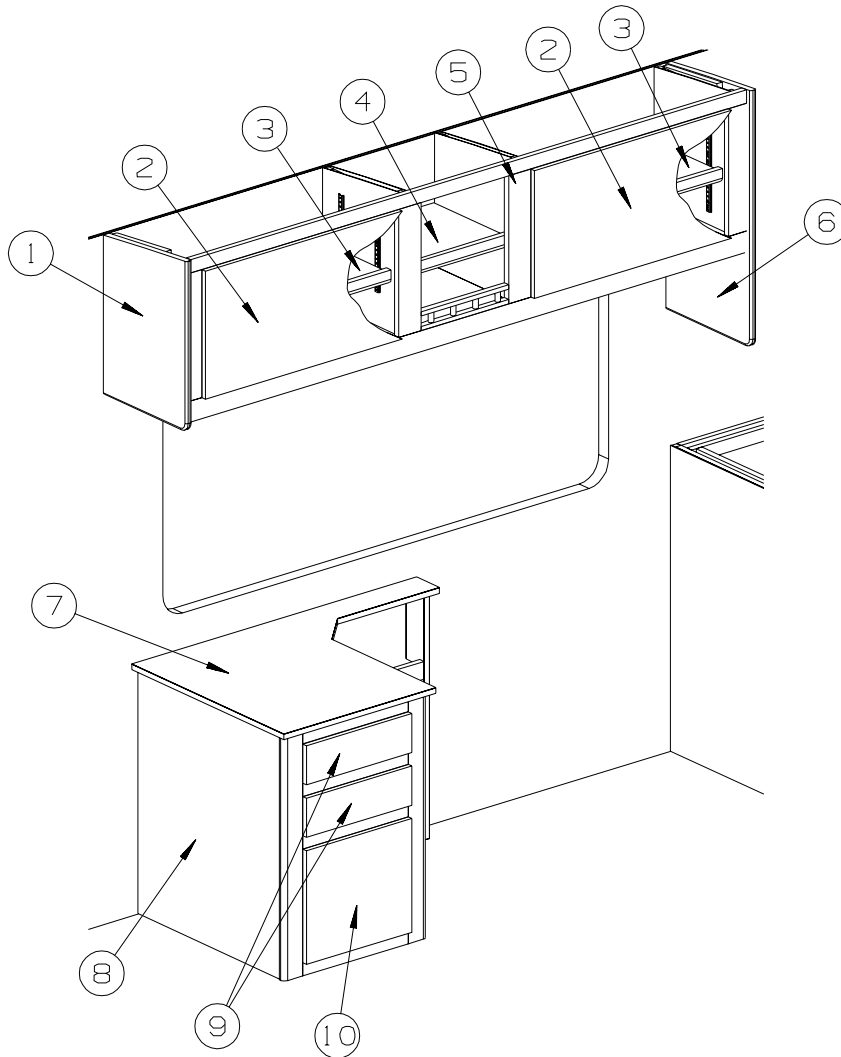
**088253-05-000**

| KEY | PART NUMBER   | U/M | DESCRIPTION                  | VENDOR NO.   |
|-----|---------------|-----|------------------------------|--------------|
| 1   | 040421-01-708 | EA  | HANDWHEEL-SERVICE VALVE      | G-1015-A     |
| 1   | 040421-01-710 | EA  | VALVE-SERVICE, LIQUID        | 910145       |
| 1   | 040421-01-712 | EA  | VALVE,SERV. W/O VAPOR RELIEF | 29000853     |
| 2   | 040421-01-700 | EA  | VALVE-LIQUID LEVEL, 20%      | G-1013       |
| 3   | 040421-01-713 | EA  | VALVE-RELIEF 1" W/SPRING 7"  | 29000587     |
| 4   | 040421-01-702 | EA  | CAP-FILL VALVE, PLASTIC      | G-1014-A     |
| 5   | 040421-01-701 | EA  | VALVE-FILL-SHORT, LP         | 7547B        |
| 6   | 040421-01-711 | EA  | VALVE-80% FILL W/AUTO STOP   | LLL/TL3      |
| 7   |               |     | NOT WHAT IS ILLUSTRATED HERE |              |
| 8   |               |     | NOT WHAT IS ILLUSTRATED HERE |              |
| 9   | 088253-01-700 | EA  | FLOAT/BOLT ON-SCREW ON DIAL  | SG16C0000071 |
| 9   | 088253-01-702 | EA  | FLOAT/SCREW IN-SNAP ON DIAL  | SG16C0001442 |

**088253-06-000**

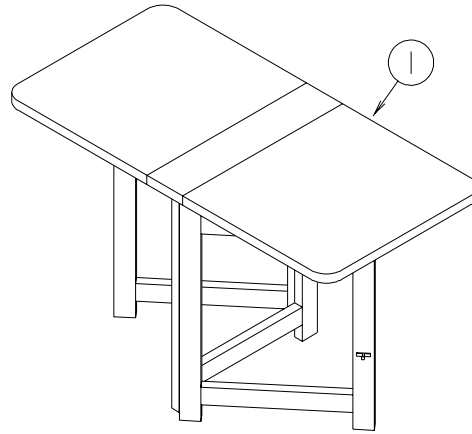
| KEY | PART NUMBER   | U/M | DESCRIPTION                  | VENDOR NO.   |
|-----|---------------|-----|------------------------------|--------------|
| 1   | 040421-01-708 | EA  | HANDWHEEL-SERVICE VALVE      | G-1015-A     |
| 1   | 040421-01-712 | EA  | VALVE,SERV. W/O VAPOR RELIEF | 29000853     |
| 2   | 040421-01-700 | EA  | VALVE-LIQUID LEVEL, 20%      | G-1013       |
| 3   | 040421-01-713 | EA  | VALVE-RELIEF 1" W/SPRING 7"  | 29000587     |
| 4   | 040421-01-702 | EA  | CAP-FILL VALVE, PLASTIC      | G-1014-A     |
| 5   | 040421-01-701 | EA  | VALVE-FILL-SHORT, LP         | 7547B        |
| 6   | 040421-01-711 | EA  | VALVE-80% FILL W/AUTO STOP   | LLL/TL3      |
| 7   |               |     | NOT WHAT IS ILLUSTRATED HERE |              |
| 8   |               |     | NOT WHAT IS ILLUSTRATED HERE |              |
| 9   | 088253-01-700 | EA  | FLOAT/BOLT ON-SCREW ON DIAL  | SG16C0000071 |
| 9   | 088253-01-702 | EA  | FLOAT/SCREW IN-SNAP ON DIAL  | SG16C0001442 |

## LOUNGE GROUP CABINETS



| KEY | PART NUMBER   | U/M | DESCRIPTION  |
|-----|---------------|-----|--|
| 1   | P38119-11-N70 | EA  | END CAP - OVERHEAD CABINET - PORTSMOUTH OAK  |
| 1   | P38119-11-N85 | EA  | END CAP - OVERHEAD CABINET - CONCERT CHERRY  |
| 2   | 136954-D3-P75 | EA  | DOOR - RAISED PANEL/OGEE EDGE - 15.7" X 28" - W/O HDW - PORTSMOUTH OAK             |
| 2   | 136954-D3-P25 | EA  | DOOR - RAISED PANEL/OGEE EDGE - 15.7" X 28" - W/O HDW - CONCERT CHERRY             |
| 3   | 136859-21-N70 | EA  | SHELF - W/EDGE MOLDING - PORTSMOUTH OAK  |
| 3   | 136859-21-N85 | EA  | SHELF - W/EDGE MOLDING - CONCERT CHERRY  |
| 4   | 136859-23-N70 | EA  | SHELF - W/EDGE MOLDING - PORTSMOUTH OAK  |
| 4   | 136859-23-N85 | EA  | SHELF - W/EDGE MOLDING - CONCERT CHERRY  |
| 5   | 136859-03-N70 | EA  | CABINET - OVHD/FRONT/RH - W/O DOORS/HARDWARE - PORTSMOUTH OAK - W/O DLX SOUND SYS. |
| 5   | 136859-03-N85 | EA  | CABINET - OVHD/FRONT/RH - W/O DOORS/HARDWARE - CONCERT CHERRY - W/O DLX SOUND SYS. |
| 5   | 136859-04-N70 | EA  | CABINET - OVHD/FRONT/RH - W/O DOORS/HARDWARE - PORTSMOUTH OAK - DELUXE SOUND SYS.  |
| 5   | 136859-04-N85 | EA  | CABINET - OVHD/FRONT/RH - W/O DOORS/HARDWARE - CONCERT CHERRY - DELUXE SOUND SYS.  |
| 6   | P38119-14-N70 | EA  | END CAP - OVERHEAD CABINET - PORTSMOUTH OAK  |
| 6   | P38119-14-N85 | EA  | END CAP - OVERHEAD CABINET - CONCERT CHERRY  |
| 7   | 133655-46-N70 | EA  | COUNTERTOP - LAMINATED - PORTSMOUTH OAK/PORTSMOUTH OAK                             |
| 7   | 133655-46-N74 | EA  | COUNTERTOP - LAMINATED - BROWN PLANK CHERRY - CONCERT CHERRY                       |
| 8   | 139401-01-N70 | EA  | CABINET - LOUNGE - W/O COUNTERTOP/DOORS/DRAWERS - PORTSMOUTH OAK                   |
| 8   | 139401-01-N85 | EA  | CABINET - LOUNGE - W/O COUNTERTOP/DOORS/DRAWERS - CONCERT CHERRY                   |
| 9   | M09316-S9-P75 | EA  | DRAWER - OGEE EDGE - 13.1"W X 19.7"D - W/O SLIDES/HARDWARE - PORTSMOUTH OAK        |
| 9   | M09316-S9-P25 | EA  | DRAWER - OGEE EDGE - 13.1"W X 19.7"D - W/O SLIDES/HARDWARE - CONCERT CHERRY        |
| 10  | 133890-40-P75 | EA  | DRAWER - OGEE EDGE - 13.5"W X 17.7"D - W/O SLIDES/HARDWARE - PORTSMOUTH OAK        |
| 10  | 133890-40-P25 | EA  | DRAWER - OGEE EDGE - 13.5"W X 17.7"D - W/O SLIDES/HARDWARE - CONCERT CHERRY        |

**LOUNGE GROUP (CONTINUED)**  
**TABLES**



| <b>KEY</b> | <b>PART NUMBER</b> | <b>U/M</b> | <b>DESCRIPTION</b>                                |
|------------|--------------------|------------|---|
| 1          | 133604-01-L81      | EA         | TABLE/COFFEE - COMPLETE - PORTSMOUTH OAK          |
| 1          | 133604-01-L52      | EA         | TABLE/COFFEE - COMPLETE - CHERRY - CONCERT CHERRY |
|            | 134334-01-000      | EA         | BAG - COFFEE TABLE                                |

**SEALANTS & FASTENERS GROUP**  
**SEALANTS & ADHESIVES**

| KEY | PART NUMBER   | U/M | DESCRIPTION  |
|-----|---------------|-----|--|
|     | 002707-02-000 | FT  | TAPE - SEALER - 5/16" X 1/2" - INCREMENTS OF 50 FT         |
|     | 004001-02-000 | EA  | GUN - PLEXUS ADHESIVE - W/O NOZZLE                         |
|     | 004001-05-000 | EA  | ADHESIVE - SCOTCH-WELD - 3M DP100 - CLEAR - 50ML           |
|     | 004011-01-000 | EA  | ADHESIVE-3M-4475 TUBE                                      |
|     | 010405-02-000 | EA  | TAPE - THREAD SEALING - 3/8"                               |
|     | 034552-06-000 | EA  | SILICONE - TUBE - W/O NOZZLE - OFF WHITE                   |
|     | 034552-15-000 | EA  | SILICONE - TUBE - W/O NOZZLE - BRIGHT WHITE                |
|     | 063642-01-000 | FT  | TAPE - ADHESIVE - .4" X 1.5" X 180'                        |
|     | 064075-07-000 | FT  | SEAL - BULB - W/WIRED U CHANNEL - .3" X .5" CHANNEL-BLACK  |
|     | 067788-01-000 | EA  | ADHESIVE - SPRAY - 3M - 19.5 OZ AEROSOL CAN                |
|     | 069640-01-000 | FT  | SEALER - RIBBON - 1/4" DIAMETER X 30' - BLACK OR GRAY      |
|     | 069640-02-000 | FT  | SEALER - TAPE - .13" THICK X .5" WIDE X 60' - GRAY         |
|     | 069640-03-000 | FT  | SEALER - TAPE - .13" THICK X .75" WIDE X 60' - BLACK       |
|     | 069640-07-000 | FT  | SEALER - TAPE - .09" THICK X 2" WIDE X 45' - GRAY          |
|     | 069640-09-000 | FT  | SEALER - TAPE - .03" THICK X 2.50"WIDE X 80' - GRAY        |
|     | 069640-10-000 | FT  | SEALER - TAPE - .03" THICK X 1.50" WIDE X 90' - GRAY       |
|     | 069640-11-000 | FT  | SEALER - TAPE - .19" THICK X .38" WIDE X 40' - BLACK       |
|     | 069640-13-000 | FT  | SEALER - TAPE - .03" THICK X 2" WIDE X 45' - BLACK         |
|     | 069640-14-000 | FT  | SEALER - TAPE - .06" THICK X 1" WIDE X 100' - GRAY         |
|     | 069640-15-000 | FT  | SEALER - TAPE - .06" THICK X .38" WIDE X 100' - GRAY       |
|     | 069640-17-000 | FT  | SEALER - TAPE - .03" THICK X 1" WIDE X 90' - GRAY          |
|     | 069640-18-000 | FT  | SEALER - TAPE - .50" THICK X .13" WIDE X 60' - BRT WHITE   |
|     | 069640-19-000 | FT  | SEALER - TAPE - .75" THICK X .13" WIDE X 60' - BRT WHITE   |
|     | 069640-20-000 | FT  | SEALER - TAPE - .50" THICK X 1/8" WIDE X 60' - BLACK       |
|     | 069640-21-000 | FT  | SEALER - TAPE - .50" THICK X 1/16" WIDE X 100'-BRIGHT WHT  |
|     | 069640-23-000 | FT  | SEALER - TAPE - .06" THICK X 3/4" WIDE X 100' - BRT WHITE  |
|     | 069640-27-000 | FT  | SEALER - TAPE - .06" THICK X 2.25" WIDE - BRIGHT WHITE     |
|     | 069640-28-000 | FT  | SEALER - TAPE - .25" THICK X 1 7/8" WIDE X 90' - GRAY      |
|     | 069640-30-000 | FT  | SEALER - TAPE - 3/8" X 1/32" - GRAY                        |
|     | 069640-31-000 | FT  | SEALER - TAPE - 25"THICK X 3/4"WIDE X 60' - BLACK          |
|     | 072889-01-000 | EA  | SEALANT - URETHANE - BLACK - TUBE W/NOZZLE TIP             |
|     | 076322-01-000 | FT  | TAPE-DOUBLE COATED/ADHESIVE BK-.03"THK X .8"W X 216'- WHT  |
|     | 076322-02-000 | FT  | TAPE-DOUBLE COATED/ADHESIVE BK-.05"THK X 1"W X 108' - WHT  |
|     | 076322-03-000 | FT  | TAPE-DOUBLE COATED/ADHESIVE BK-.05"THK X .5"W X 108' - WHT |
|     | 076322-04-000 | FT  | TAPE-DOUBLE COATED/ADHESIVE BK-.05"THK X .8"W X 108' - WHT |
|     | 076322-05-000 | FT  | TAPE-DOUBLE COATED/ADHESIVE BK-.05"THK X .8"W X 108' - WHT |
|     | 076322-11-000 | FT  | TAPE-DOUBLE COATED/ADHESIVE BK-.02"THK X 1"W X 216' - CLR  |
|     | 086276-01-000 | EA  | TAPE - DOUBLE SIDED - 1/2" WIDE X 108' LONG (SOLD BY ROLL) |
|     | 088479-01-000 | EA  | TAPE - ALUMINUM - 3"                                       |
|     | 090340-01-000 | FT  | SEAL - FOAM - CLOSED CELL - 1/4" X 1/2" X 50'              |
|     | 090340-02-000 | FT  | SEAL - FOAM - CLOSED CELL - 3/8" X 1/2" X 50'              |
|     | 091255-02-000 | FT  | SEAL - ADHESIVE BACKED/FOAM - 3/64" THICK X 3/16"W X 1000' |
|     | 091255-03-000 | FT  | SEAL - ADHESIVE BACKED/FOAM - 1/4" THICK X 1/4"W X 1000'   |
|     | 094401-01-000 | EA  | SEALER - BODY SEAM - FLEXICLEAR                            |
|     | 094401-03-000 | EA  | SEALER - BODY SEAM - BLACK                                 |
|     | 094401-04-000 | EA  | SEALER - BODY SEAM - CLEAR                                 |
|     | 098408-01-000 | FT  | SEAL - SPONGE RUBBER - CLOSED CELL                         |
|     | 099069-01-000 | FT  | SEAL - RUBBER - CLOSED SPONGE - .5" WIDE X .12" THICK -BLK |
|     | 099418-01-000 | FT  | SEAL - D-SECTION/ADHESIVE BACK - .44" X .44"- BLK RUBBER   |
|     | 099418-02-000 | FT  | SEAL - D SECTION - WHITE                                   |
|     | 100128-02-000 | FT  | SEAL - FOAM/ADHESIVE BACK - .37" WIDE X .37" THICK         |
|     | 104692-01-000 | FT  | SEAL - ADHESIVE BACKED FOAM - 3/4" THICK X 3/4" WIDE X 25' |
|     | 104692-03-000 | FT  | SEAL - ADHESIVE BACKED FOAM - 1" THICK X 1 3/16"WIDE X 15' |
|     | 107828-01-000 | EA  | SEALANT - SB - 190 EVERSEAL                                |
|     | 108716-01-000 | EA  | SILICONE - W/O NOZZLE - OFF WHITE - SELF LEVELING          |
|     | 109506-12-000 | EA  | FILM/ABRASION-RESISTANT - TRANSPARENT - 1" DIA.            |
|     | 110274-01-000 | FT  | TAPE - DOUBLE SIDED/FOAM - .45" X 1" X 216' - BLACK        |
|     | 112481-02-000 | EA  | ADHESIVE - PLEXUS ETHACRYLATE - CARTRIDGE                  |
|     | 112864-01-000 | FT  | SEAL - FOAM/BUTYL COVERED - 3/8" X 35'                     |
|     | 112864-02-000 | FT  | FOAM - BUTYL COVERED 5/16" X 44'                           |
|     | 112864-03-000 | FT  | FOAM - BUTYL COVERED - 1/2" X 1/8" X 25'                   |
|     | 112864-04-000 | FT  | FOAM - BUTYL COVERED - 3/8" X 1/8"                         |
|     | 112901-02-000 | EA  | ADHESIVE - PLEXUS - MA330 - 50ML - GRAY                    |
|     | 112901-03-000 | EA  | ADHESIVE - PLEXUS - MA300 - 50ML - WHITE                   |

## SEALANTS & FASTENERS GROUP (CONTINUED)

### SEALANTS & ADHESIVES (CONTINUED)

| KEY | PART NUMBER   | U/M | DESCRIPTION  |
|-----|---------------|-----|--|
|     | 112902-01-000 | EA  | NOZZLE - ELEMENT - 3/8 X 24                                |
|     | 112902-02-000 | EA  | NOZZLE-BELL 3/8X24 - TAH 160-824                           |
|     | 112902-03-000 | EA  | MIXER NOZZLE - F/GUN #00400102000 - SCOTCH-WELD & PLEXUS   |
|     | 112902-04-000 | EA  | NOZZLE - ELEMENT - 1/4" X 3.5"                             |
|     | 113366-01-000 | EA  | ADHESIVE - INSTANT - 1 OZ                                  |
|     | 113452-02-000 | FT  | SEAL/TRIM - FRONT - VINYL W/WIRE CARRIER - .027"           |
|     | 115933-01-000 | FT  | TAPE - 1/64" X 3/8" X 100'                                 |
|     | 120074-02-03A | EA  | SILICONE - TUBE - W/O NOZZLE - SMOKEY WHITE                |
|     | 120074-02-02A | EA  | SILICONE - TUBE - W/O NOZZLE - LOW ODOR - SOFT WHITE       |
|     | 120534-01-01A | EA  | TAPE - SCOTCH - 3M - 1/2" FINE LINE                        |
|     | 123244-01-000 | FT  | TAPE - DOUBLE SIDED/FOAM - 5/64" THICK X 3/4" WIDE X 108'  |
|     | 123816-01-000 | FT  | TAPE - DOUBLE SIDED - 1" X 3/4" X 200'                     |
|     | 123816-02-000 | FT  | TAPE - DOUBLE SIDED - 1/2" X 1 1/3" X 200'                 |
|     | 123816-03-000 | FT  | TAPE - DOUBLE SIDED - 1/2" X 3/4" X 200'                   |
|     | 123816-04-000 | FT  | TAPE - DOUBLE SIDED - 6" X 750'                            |
|     | 126427-01-000 | EA  | ADHESIVE - ALL PURPOSE - ABS/PVC                           |
|     | 126427-02-000 | EA  | PRIMER - CLEANER - FLEX PIPING                             |
|     | 131264-01-08A | EA  | SILICONE - TUBE - W/O NOZZLE - BUFF                        |
|     | 131264-01-02A | EA  | SILICONE - TUBE - W/O NOZZLE - CLEAR                       |
|     | 131264-01-01A | EA  | SILICONE - TUBE - W/O NOZZLE - BLACK                       |
|     | 131264-02-01A | EA  | SILICONE - TUBE - W/O NOZZLE - VW GRAY - BATH ONLY         |
|     | 131264-03-01A | EA  | SILICONE - TUBE - W/O NOZZLE- SELF LEVELING - BRIGHT WHITE |
|     | 131264-04-01A | EA  | SILICONE/SEALANT/ADHESIVE - FAST CURE F/GLASS/VINYL - B/W  |
|     | 131384-01-000 | EA  | ADHESIVE - JETWELD   |
|     | 134651-01-000 | FT  | SEAL - 1/2" X 3/4" PSA 1 SIDE                              |
|     | 900390-01-000 | EA  | NOZZLE - SILICONE TUBE - 2.5" LONG                         |
|     | 900390-03-000 | EA  | NOZZLE - SILICONE TUBE - 4.3" LONG                         |

### BOLTS, NUTS AND WASHERS

| KEY | PART NUMBER   | U/M | DESCRIPTION   |
|-----|---------------|-----|---|
|     | OMC04K-06-016 | EA  | BOLT - HEX - M06 X 1 X 016                            |
|     | OMC05K-08-055 | EA  | BOLT - HEX - M08 X 1.25 X 2.2                         |
|     | OMC13K-14-110 | EA  | BOLT - HEX  |
|     | OMC13K-14-070 | EA  | BOLT - HEX - M14 X 2 X 2 3/4                          |
|     | OMC31K-08-020 | EA  | BOLT - HEX - SERRATED FLANGE - M8 X 020               |
|     | OMC32K-10-030 | EA  | BOLT - HEX - SERRATED FLANGE - M10 X 1 1/2            |
|     | OMD16K-10-000 | EA  | NUT - HEX PREV TORQUE M10 X 1 1/2 CLASS 8             |
|     | OMD39K-12-000 | EA  | NUT - HEX W/NYLON LOCK - M12 X 1 3/4                  |
|     | OMD40K-14-000 | EA  | NUT - HEX W/NYLON LOCK - M14 X 2                      |
|     | OMD54F-06-000 | EA  | NUT-HEX SER FLG M6X1,0 SS - DIN6923A2M6               |
|     | OME06K-14-280 | EA  | WASHER - FLAT - 14 ID X 28 OD                         |
|     | 000C12-04-40B | EA  | BOLT - HEX - 1/4-20 X 2 1/2 - GRADE 5 ZINC            |
|     | 000C12-04-08B | EA  | BOLT - HEX - 1/4-20 X 1/2 - GRADE #5 - ZINC           |
|     | 000C12-05-16B | EA  | BOLT - HEX - 5/16-18 X 1 - GRADE #5 - ZINC            |
|     | 000C12-06-24B | EA  | BOLT - HEX - 3/8-16 X 1 1/2 - ZINC #5                 |
|     | 000C12-06-16B | EA  | BOLT - HEX - 3/8-16 X 1 - GRADE #5 - ZINC             |
|     | 000C12-06-128 | EA  | BOLT - HEX - 3/8 - 16 X 8 - ZINC 5                    |
|     | 000C12-06-44B | EA  | BOLT - HEX - 3/8-16 X 2 3/4 - GRADE 5 - ZINC          |
|     | 000C12-08-28B | EA  | BOLT - HEX - 1/2-13 X 1 3/4 - GRADE #5 - ZINC         |
|     | 000C12-08-24B | EA  | BOLT - HEX - 1/2-13 X 1 1/2 - GRADE #5 - ZINC         |
|     | 000C12-08-16B | EA  | BOLT - HEX - 1/2-13 X 1 - GRADE #5 - ZINC             |
|     | 000C12-10-24B | EA  | BOLT - HEX - 5/8-11 X 1 1/2 - GRADE #5 - ZINC         |
|     | 000C13-07-48B | EA  | BOLT - HEX - 7/16-20 X 3 - GRADE #5 - ZINC            |
|     | 000C13-07-40B | EA  | BOLT - HEX - 7/16-20 X 2 1/2 - GRADE #5 - ZINC        |
|     | 000C14-07-28B | EA  | BOLT - HEX - 7/16-14 X 1 3/4 - GRADE #8 - ZINC        |
|     | 000C14-10-32K | EA  | BOLT - HEX - 5/8-11 X 2 - GRADE #8 - ZINC             |
|     | 000C18-05-40A | EA  | BOLT - ELEVATOR - 5/16-18 X 2 1/2 - PL                |
|     | 000C18-06-48B | EA  | BOLT - ELEVATOR - 3/8-16 X 3 - GRADE 5 - ZINC         |
|     | 000C26-04-18B | EA  | BOLT - HEX - SERRATED FLANGE - 1/4-20 X 1 1/8 - ZINC  |
|     | 000C26-04-14B | EA  | BOLT - HEX - SERRATED FLANGE - 1/4-20 X 7/8 - ZINC    |
|     | 000C26-04-10B | EA  | BOLT - HEX - SERRATED FLANGE - 1/4-20 X 5/8 - ZINC    |
|     | 000C26-05-20B | EA  | BOLT - HEX - SERRATED FLANGE - 5/16-18 X 1 1/4 - ZINC |
|     | 000C26-05-129 | EA  | BOLT - HEX - SERRATED FLANGE - 5/16-18 X 3/4          |
|     | 000C26-05-12B | EA  | BOLT - HEX - SERRATED FLANGE - 5/16-18 X 3/4 - ZINC   |



**SEALANTS & FASTENERS GROUP (CONTINUED)**  
**BOLTS, NUTS AND WASHERS (CONTINUED)**

| <b>KEY</b> | <b>PART NUMBER</b> | <b>U/M</b> | <b>DESCRIPTION</b>  |
|------------|--------------------|------------|---|
|            | 000C26-05-249      | EA         | BOLT - HEX - SERRATED FLANGE - 5/16-18 X 1 1/2            |
|            | 000C26-06-28B      | EA         | BOLT - HEX - SERRATED FLANGE - 3/8-16 X 1 3/4 - ZINC      |
|            | 000C26-06-20B      | EA         | BOLT - HEX - SERRATED FLANGE - 3/8-16 X 1 1/4 - ZINC      |
|            | 000C26-06-12B      | EA         | BOLT - HEX - SERRATED FLANGE - 3/8-16 X 3/4 - ZINC        |
|            | 000C26-06-40B      | EA         | BOLT - HEX - SERRATED FLANGE - 3/8-16 X 2 1/2 - ZINC      |
|            | 000C26-08-24B      | EA         | BOLT - HEX - SERRATED FLANGE - 1/2-13 X 1 1/2 - ZINC      |
|            | 000C27-04-40B      | EA         | BOLT - CARRIAGE - 1/4-20 X 2 1/2 - ZINC                   |
|            | 000C27-05-44I      | EA         | BOLT-CARR,5/16-18X2.75" - BLACK ZINC                      |
|            | 000C27-07-40B      | EA         | BOLT - CARRIAGE - 7/16-14 X 2 1/2 - GRADE #5              |
|            | 000D16-07-00B      | EA         | NUT - HEX - 7/16-14 - ZINC                                |
|            | 000D24-10-00B      | EA         | NUT - HEX - SELF LOCKING - 10-32 ZINC                     |
|            | 000D28-10-00B      | EA         | NUT - HEX - W/NYLON LOCK - 10-32 ZINC                     |
|            | 000D29-04-00B      | EA         | NUT - HEX - SELF LOCKING - 1/4 X 20 - ZINC                |
|            | 000D29-06-00B      | EA         | NUT - HEX - W/NYLON LOCK - 3/8-16 - ZINC                  |
|            | 000D29-09-00B      | EA         | NUT - HEX - SELF LOCKING - 9/16-12 - ZINC                 |
|            | 000D30-07-00B      | EA         | NUT - HEX LOCK - NYLON 7/16 X 20                          |
|            | 000D34-06-00B      | EA         | NUT - HEX - LOCKING - 3/8-16 GRADE C - ZINC               |
|            | 000D39-04-00B      | EA         | NUT - HEX - LOCKING W/SERRATED FLANGE - 1/4-20 - ZINC     |
|            | 000D39-05-00B      | EA         | NUT - HEX - LOCKING W/SERRATED FLANGE - 5/16-18 - ZINC    |
|            | 000D39-06-00B      | EA         | NUT - HEX - LOCKING W/SERRATED FLANGE - 3/8-18 - ZINC     |
|            | 000D39-06-00D      | EA         | NUT - HEX - LOCKING W/SERRATED FLANGE - 3/8"-16 BLACK     |
|            | 000D39-07-00B      | EA         | NUT - HEX - LOCKING W/SERRATED FLANGE - 7/16-14 - ZINC    |
|            | 000D44-04-00B      | EA         | NUT - HEX - LOCKING W/SERRATED FLANGE - 1/4-28 - ZINC     |
|            | 000D44-07-00B      | EA         | NUT - HEX - LOCKING W/SERRATED FLANGE - 7/16-20 - ZINC    |
|            | 000D44-08-00B      | EA         | NUT - HEX - LOCKING W/SERRATED FLANGE - 1/2-20 - ZINC     |
|            | 000D46-04-00A      | EA         | NUT - HEX - WELD - 1/4-20 - PLAIN                         |
|            | 000D65-08-00B      | EA         | NUT - HEX - LOCKING W/SERRATED FLANGE - 8-32 - ZINC       |
|            | 000D67-10-00B      | EA         | NUT - HEX - LOCK - 5/8-11 - ZINC                          |
|            | 000D73-08-00C      | EA         | NUT - HEX FLANGE - 1/2-13                                 |
|            | 000D75-09-00B      | EA         | NUT - HEX LOCKING - 9/16-12 - ZINC                        |
|            | 000D76-06-00B      | EA         | NUT - HEX FLANGE - 3/8-16                                 |
|            | 000E11-04-00F      | EA         | WASHER - LOCKING - 1/4 MED SPLIT - STAINLESS STEEL        |
|            | 000E11-07-00B      | EA         | WASHER - LOCKING - 7/16 MED SPLIT - ZINC                  |
|            | 000E11-08-00B      | EA         | WASHER - LOCKING - 1/2 MED SPLIT - ZINC                   |
|            | 000E13-17-00B      | EA         | WASHER - FLAT - 3/8 AR - ZINC                             |
|            | 000E13-18-00B      | EA         | WASHER - FLAT - 3/8 WIDE - ZINC                           |
|            | 000E13-20-00B      | EA         | WASHER - FLAT - 7/16 WIDE - ZINC                          |
|            | 000E13-22-00B      | EA         | WASHER - FLAT - 1/2 WIDE - ZINC                           |
|            | 000E13-26-00B      | EA         | WASHER - FLAT - 5/8 WIDE - ZINC                           |
|            | 000E14-10-00B      | EA         | WASHER - LOCKING - #10 EXTERNAL TOOTH - ZINC              |
|            | 000E16-10-00B      | EA         | WASHER - HARDENED - 5/8 - FLAT - ZINC                     |
|            | 000G45-05-16B      | EA         | BOLT - LAG - 5/16-9 X 1 - ZINC                            |
|            | 000G62-08-24B      | EA         | SCREW - SF/DR - 8-18 X 1 1/2 PFH                          |
|            | 002329-01-000      | EA         | WASHER-FLAT, 9/32" ID X 5/8" OD - NYLON                   |
|            | 005081-01-000      | EA         | NUT - SPEED - C-TYPE - #8 SCREW                           |
|            | 040921-03-000      | EA         | NUT - SPEED - U TYPE - #10                                |
|            | 040921-04-000      | EA         | NUT - SPEED - U TYPE - #8-.59" LENGTH X .44" WIDTH        |
|            | 040921-05-000      | EA         | NUT - SPEED - U-TYPE - 8-.67" X .44" WIDE                 |
|            | 041322-01-000      | EA         | WASHER - FLANGE - 15/32 ID X 2 3/8 OD - F/SEAT BELT MTG   |
|            | 044364-01-000      | EA         | NUT - SPEED - FLAT - RECTANGULAR - SELF LOCKING/ONE PIECE |
|            | 044364-02-000      | EA         | NUT - SPEED - FLAT - ROUND                                |
|            | 044533-01-000      | EA         | WASHER - PLASTIC - 1 3/8 OD - FOR BUTTONS                 |
|            | 046867-04-000      | EA         | GROMMET - #0  |
|            | 046867-05-000      | EA         | WASHER - #0   |
|            | 051387-06-000      | EA         | BOLT - CARRIAGE W/O HOLE - 5/16-18 X 9 1/2 - ZINC         |
|            | 058716-02-000      | EA         | WASHER - FLAT NYLON                                       |
|            | 058716-03-000      | EA         | WASHER - FLAT/NYLON - .500 X 1 1/4 X .060                 |
|            | 064081-03-000      | EA         | NUT - WING 3/8-16 - W/WELD NUT                            |
|            | 077071-01-000      | EA         | WASHER - FENDER - 3/16 ID X 1 OD                          |
|            | 084406-01-000      | EA         | NUT - CAPPED - CROSS RECESSED - BLACK - 1/4-20 THD        |
|            | 087234-01-000      | EA         | NUT - JACK - 1/4 X 20 THD - MOLLY                         |
|            | 087718-01-000      | EA         | MONOBOLT - STEEL - 3/16 DIAMETER                          |
|            | 088787-12-000      | EA         | STUD - WELD - 1/4 - 20 X 1.0 LG - MN                      |
|            | 102333-02-01A      | EA         | BOLT - CARRIAGE - 1/4-20                                  |

**SEALANTS & FASTENERS GROUP (CONTINUED)**  
**BOLTS, NUTS AND WASHERS (CONTINUED)**

| KEY | PART NUMBER   | U/M | DESCRIPTION  |
|-----|---------------|-----|--|
|     | 102540-02-000 | EA  | SEAL - SCREW   |
|     | 103020-02-000 | EA  | BOLT-U - #8-32 - GRADE 5 ZINC                              |
|     | 106166-01-000 | EA  | BOLT/COLLARED HANGER - 8-32 X 1                            |
|     | 106956-03-000 | EA  | BOLT - HEX TAP - 1/2-12NC X 3 - GRADE 5 - FULL THREAD/ZINC |
|     | 106956-08-000 | EA  | BOLT - HEX TAP - 1/2-13NC X 4 - GRADE 5 - FULL THREAD/ZINC |
|     | 107393-02-000 | EA  | BOLT - SHOULDER - 3/8" SOCKETHEAD                          |
|     | 107397-01-000 | EA  | WASHER - FENDER - 3/4 ID X 1 OD                            |
|     | 108067-03-000 | EA  | STUD - WELD - 1/4 - 20 X 1/2 CD                            |
|     | 109235-01-05A | FT  | COVER - SCREW - BRIGHT WHITE                               |
|     | 109235-01-01A | FT  | COVER - SCREW - MAT BLACK                                  |
|     | 109917-03-000 | EA  | WASHER - 1" X .50"   |
|     | 109917-04-000 | EA  | WASHER - 1" X .75"   |
|     | 113985-02-000 | EA  | BOLT - FLANGE - M10-1 1/2 X 30CL 10.9                      |
|     | 114259-05-000 | EA  | BOLT - 7/16-20 X 1 1/4 W/WASHER                            |
|     | 128444-01-000 | EA  | WASHER - SPRING - CONICAL                                  |
|     | 131377-01-000 | EA  | NUT-HEX HEAD W/WASHER-1/4-20 X 2" STEEL W/3/4" OD WASHER   |
|     | 135092-01-01A | EA  | BOLT - HEX - SERRATED FLANGE - 1/2-20 X 1 3/4-GRADE 5 ZINC |
|     | 135092-02-01A | EA  | BOLT - HEX - SERRATED FLANGE - 1/2-20 X 2 1/2-GRADE 5 ZINC |

**SCREWS**

| KEY | PART NUMBER   | U/M | DESCRIPTION  |
|-----|---------------|-----|--|
|     | 0G1106-08-240 | EA  | SCREW - 6-20 X 1/2 PPH - VW LIGHT GRAY             |
|     | 0G1108-12-240 | EA  | SCREW - 8-18 X 3/4 PPH - VW LIGHT GRAY             |
|     | 0G1208-12-170 | EA  | SCREW - 8-18 X 3/4 POH - BRIGHT WHITE              |
|     | 0G1306-08-130 | EA  | SCREW-6-20X1/2 PFH TAUPE                           |
|     | 0G1308-10-240 | EA  | SCREW - 8-18 X 5/8 PFH - VW LIGHT GRAY             |
|     | 0G3804-22-180 | EA  | SCREW - MACHINE - 1/4-20 X 1 3/8 PFH - BLACK       |
|     | 0G3908-08-160 | EA  | SCREW - SF/DR - 8-18 X 1/2 PPH - VW WHITE          |
|     | 0G3908-08-240 | EA  | SCREW - SF/DR - 8-18 X 1/2 PPH - VW LIGHT GRAY     |
|     | 0G3908-08-170 | EA  | SCREW - SF/DR - 8-18 X 1/2 PPH - BRIGHT WHITE      |
|     | 0G3908-12-250 | EA  | SCREW - SF/DR - 8-18 X 3/4 PPH - DARK GRAY         |
|     | 0G3908-12-240 | EA  | SCREW - SF/DR - 8-18 X .75 PPH - VW LIGHT GRAY     |
|     | 0G3908-16-170 | EA  | SCREW - SF/DR - 8-18 X 1 PPH - BRIGHT WHITE        |
|     | 0G3908-24-170 | EA  | SCREW - SF/DR - 8-18 X 1 1/2 PPH - BRIGHT WHITE    |
|     | 0G3910-10-320 | EA  | SCREW - SF/DR - 10-16 X 5/8 PPH - GLACIER          |
|     | 0G3910-10-240 | EA  | SCREW - SF/DR - 10-16 X 5/8 PPH - VW LIGHT GRAY    |
|     | 0G3910-10-330 | EA  | SCREW - SF/DR - 20-16 X 5/8 PPH - PUTTY            |
|     | 0G3910-12-320 | EA  | SCREW - SF/DR - 10-16 X .75 PPH - GLACIER          |
|     | 0G3910-12-240 | EA  | SCREW - SF/DR - 10-16 X .75 PPH - VW LIGHT GRAY    |
|     | 0G3910-12-170 | EA  | SCREW - SF/DR - 10-16 X 3/4 PPH - BRIGHT WHITE     |
|     | 0G5508-12-270 | EA  | SCREW - SF/DR - 8-18 X 3/4 PWH - TITANIUM          |
|     | 0G5508-12-260 | EA  | SCREW - SF/DR - 8-18 X 3/4 PWH - ALLANTE ANTELOPE  |
|     | 0G5508-12-240 | EA  | SCREW - SF/DR - 8-18 X 3/4 PWH - VW LIGHT GRAY     |
|     | 0G5508-12-170 | EA  | SCREW - SF/DR - 8-18 X 3/4 PWH - BRIGHT WHITE      |
|     | 0G5508-12-330 | EA  | SCREW - SF/DR - 8-18 X 3/4 PWH - PUTTY             |
|     | 0G5508-12-320 | EA  | SCREW - SF/DR - 8-18 X 3/4 PWH - GLACIER           |
|     | 0G5508-16-320 | EA  | SCREW - SF/DR - 8-18 X 1 PWH - GLACIER             |
|     | 0G5508-16-250 | EA  | SCREW - SF/DR - 8-18 X 1 PWH - VW DARK GRAY        |
|     | 0G6008-16-170 | EA  | SCREW - SF/DR - 8-18 X 1 POH - BRIGHT WHITE        |
|     | 0G6710-08-240 | EA  | SCREW - 10-12 X 1/2 PPH TAUPE - VW LIGHT GRAY      |
|     | 0G6710-08-170 | EA  | SCREW - 10-12 X 1/2 PPH - BRIGHT WHITE             |
|     | 0G6710-08-130 | EA  | SCREW - 10-12 X 1/2 PPH - TAUPE                    |
|     | 0G6710-12-170 | EA  | SCREW - 10-12 X 3/4 PPH - BRIGHT WHITE             |
|     | 0G6806-16-170 | EA  | SCREW - 6-18 X 1 POH - BRIGHT WHITE                |
|     | 0G6810-24-280 | EA  | SCREW - 10-12 X 1 1/2 POH - SOFT WHITE             |
|     | 000C20-04-16A | EA  | SCREW - 1/4-20X 1 - FLAT SOCKET HEAD               |
|     | 000C20-05-28F | EA  | SCREW - 5/16-18 X 1 3/4 FLAT SOC - STAINLESS STEEL |
|     | 000C20-06-24T | EA  | SCREW - 3/8-16 X 1 1/2 - FLAT SOCKET               |
|     | 000G11-06-10J | EA  | SCREW - 6-20 X 5/8 PPH - BRASS                     |
|     | 000G11-06-08B | EA  | SCREW - 6-20 X 1/2 PPH - ZINC                      |
|     | 000G11-07-08B | EA  | SCREW - 7-19 X 1/2 PPH - ZINC                      |
|     | 000G11-08-12B | EA  | SCREW - 8-18 X 3/4 PPH - ZINC                      |
|     | 000G11-08-08T | EA  | SCREW - 8-18 X 1/2 PPH - FLUOROCARBON COATING      |

**SEALANTS & FASTENERS GROUP (CONTINUED)**  
**SCREWS (CONTINUED)**

| <b>KEY</b> | <b>PART NUMBER</b> | <b>U/M</b> | <b>DESCRIPTION</b>                                    |
|------------|--------------------|------------|---|
|            | 000G11-08-06B      | EA         | SCREW - 8-18 X 3/8 PPH - ZINC                         |
|            | 000G11-08-20G      | EA         | SCREW - 8-18 X 1 1/4 - ANTIQUE BRASS                  |
|            | 000G11-08-20B      | EA         | SCREW - 8-18 X 1 1/4 PPH - ZINC                       |
|            | 000G11-08-16B      | EA         | SCREW - 8-18 X 1 PPH - ZINC                           |
|            | 000G11-08-12T      | EA         | SCREW - 8-18 X 3/4 PPH - BLACK MAGNESIUM              |
|            | 000G11-08-12P      | EA         | SCREW - 8-18 X 3/4 PPH - DARK BROWN                   |
|            | 000G11-10-12D      | EA         | SCREW - 10-16 X 3/4 PPH - BLACK                       |
|            | 000G12-06-12J      | EA         | SCREW - 6-20 X .75 POH - BRASS                        |
|            | 000G12-06-08T      | EA         | SCREW - 6-20 X 1/2 POH - BLACK                        |
|            | 000G12-08-12S      | EA         | SCREW - 8-18 X 3/4 POH - OFF WHITE                    |
|            | 000G13-05-10B      | EA         | SCREW - 5-12 X 5/8 PFH - ZINC                         |
|            | 000G13-06-08B      | EA         | SCREW - 6-20 X 1/2 PFH - ZINC                         |
|            | 000G13-06-06I      | EA         | SCREW - 6-20 X 3/8 PFH - BLACK ZINC                   |
|            | 000G13-06-16J      | EA         | SCREW - 6-20 X 1 PFH - BRASS                          |
|            | 000G13-06-10J      | EA         | SCREW - 6-20 X 5/8 PFH - BRASS                        |
|            | 000G13-06-10G      | EA         | SCREW - 6-20 X 5/8 PFH - ANTIQUE BRASS                |
|            | 000G13-06-08G      | EA         | SCREW - 6-20 X 1/2 PFH - ANTIQUE BRASS                |
|            | 000G13-06-24J      | EA         | SCREW - 6-20 X 1 1/2 PFH - BRASS                      |
|            | 000G13-07-12B      | EA         | SCREW - 7-19 X 3/4 PFH - ZINC                         |
|            | 000G13-07-10H      | EA         | SCREW - 7-19 X 5/8 PFH - BLACK                        |
|            | 000G13-08-10B      | EA         | SCREW - 8-18 X 5/8 PFH - ZINC                         |
|            | 000G13-08-24B      | EA         | SCREW - 8-18 X 1 1/2 PFH - ZINC                       |
|            | 000G13-08-16B      | EA         | SCREW - 8-18 X 1 PFH - ZINC                           |
|            | 000G13-08-109      | EA         | SCREW - 8-18 X 5/8 PFH                                |
|            | 000G13-10-16I      | EA         | SCREW - 10-16 X 1 PFH - BLACK                         |
|            | 000G16-04-24B      | EA         | SCREW - MACHINE - 1/4-20 X 1 1/2 PPH                  |
|            | 000G18-08-22B      | EA         | SCREW - MACHINE - 8-32 X 1 3/8 PPH - ZINC             |
|            | 000G18-08-16B      | EA         | SCREW - MACHINE - 8-32 X 1 PPH - ZINC                 |
|            | 000G18-08-12B      | EA         | SCREW - MACHINE - 8-32 X 3/4 PPH - ZINC               |
|            | 000G18-08-24B      | EA         | SCREW - MACHINE - 8-32 X 1 1/2 PPH - ZINC             |
|            | 000G19-10-12F      | EA         | SCREW - MACHINE - 10-32 X 3/4 PPH - STAINLESS STEEL   |
|            | 000G19-10-10B      | EA         | SCREW - MACHINE - 10-32 X 5/8 - PPH - ZINC            |
|            | 000G19-10-08B      | EA         | SCREW - MACHINE - 10-32 X 1/2 PPH - ZINC              |
|            | 000G19-10-20B      | EA         | SCREW - MACHINE - 10-32 X 1 1/2 PPH - ZINC            |
|            | 000G36-10-12T      | EA         | SCREW - 10-24X 3/4 PFH TYPE 23 - BLACK                |
|            | 000G39-06-16T      | EA         | SCREW - SF/DR - 6-20 X 1 PPH - BLACK                  |
|            | 000G39-06-10T      | EA         | SCREW - SF/DR - 6-20 X 5/8 PPH - BLACK                |
|            | 000G39-08-32B      | EA         | SCREW - SF/DR - 8-18 X 2 PPH - ZINC                   |
|            | 000G39-08-24T      | EA         | SCREW - SF/DR - 8-18 X 1 1/2 PPH - BLACK              |
|            | 000G39-08-24S      | EA         | SCREW - SF/DR - 8-18 X 1 1/2 - OFF WHITE              |
|            | 000G39-08-24B      | EA         | SCREW - SF/DR - 8-18 X 1 1/2 PPH - ZINC               |
|            | 000G39-08-16T      | EA         | SCREW - SF/DR - 6-20 X 1 PPH - BLACK                  |
|            | 000G39-08-16B      | EA         | SCREW - SF/DR - 8-18 X 1 PPH - ZINC                   |
|            | 000G39-08-12B      | EA         | SCREW - SF/DR - 8-18 X 3/4 PPH - ZINC                 |
|            | 000G39-08-08T      | EA         | SCREW - SF/DR - 8-18 X 1/2 PPH - BLACK                |
|            | 000G39-08-08S      | EA         | SCREW - SF/DR - 8-18 X 1/2 PPH - OFF WHITE            |
|            | 000G39-08-08B      | EA         | SCREW - SF/DR - 8-18 X 1/2 PPH - ZINC                 |
|            | 000G39-08-06B      | EA         | SCREW - SF/DR - 8-18 X 3/8 PPH - ZINC                 |
|            | 000G39-10-08B      | EA         | SCREW - SF/DR - 10-16 X 1/2 PPH - ZINC                |
|            | 000G39-10-48T      | EA         | SCREW - SF/DR - 10-16 X 3 PPH - BLACK                 |
|            | 000G39-10-48B      | EA         | SCREW - SF/DR - 10-16 X 3 - PPH - ZINC                |
|            | 000G39-10-32B      | EA         | SCREW - SF/DR - 10-16 X 2 - PPH - ZINC                |
|            | 000G39-10-20T      | EA         | SCREW - SF/DR - 10-16 X 1 1/4 PPH - BLACK             |
|            | 000G39-10-20B      | EA         | SCREW - SF/DR - 10-16 X 1 1/4 PPH - ZINC              |
|            | 000G39-10-169      | EA         | SCREW - SF/DR - 10-16 X 1 PPH - FLUOROCARBON SILVER   |
|            | 000G39-10-129      | EA         | SCREW - SF/DR - 10-16 X 3/4 PPH - FLUOROCARBON SILVER |
|            | 000G39-10-12T      | EA         | SCREW - SF/DR - 10-16 X 3/4 - BLACK                   |
|            | 000G39-10-10T      | EA         | SCREW - SF/DR - 10-16 X 5/8 - BLACK                   |
|            | 000G39-10-10B      | EA         | SCREW - SF/DR - 10-16 X 5/8 - ZINC                    |
|            | 000G39-12-12E      | EA         | SCREW - SF/DR - 12-14 X 3/4 PPH - CHROME              |
|            | 000G42-04-16B      | EA         | SCREW - SF/DR - 1/4-14 X 1 HWH - ZINC                 |
|            | 000G42-04-24B      | EA         | SCREW - SF/DR - 1/4-14 X 1 1/2 - ZINC                 |
|            | 000G46-08-24T      | EA         | SCREW - MACHINE - 8-32 X 1 1/2 PFH - BLACK            |
|            | 000G50-04-08B      | EA         | SCREW - MACHINE - 1/4-20 X 1/2 PTH - ZINC             |

**SEALANTS & FASTENERS GROUP (CONTINUED)**  
**SCREWS (CONTINUED)**

| KEY | PART NUMBER   | U/M | DESCRIPTION   |
|-----|---------------|-----|---|
|     | 000G51-06-12B | EA  | SCREW - 6-20 X 3/4 PTH - ZINC                             |
|     | 000G52-06-05B | EA  | SCREW - MACHINE - 6-32 X 5/16 PTH ZINC                    |
|     | 000G52-08-18B | EA  | SCREW - MACHINE - 8-32 X 1 1/8 PTH - ZINC                 |
|     | 000G54-04-14B | EA  | SCREW - 1/4-20 X 7/8 PTH - TYPE 23 - ZINC PLATED          |
|     | 000G55-08-16S | EA  | SCREW - SF/DR - 8-18 X 1 PWH - WILLOW                     |
|     | 000G55-08-16T | EA  | SCREW - SF/DR - 8-18 X 1 PWH - BLACK                      |
|     | 000G55-08-16S | EA  | SCREW - SF/DR - 8-18 X 1.00 - PWH - OFF WHITE             |
|     | 000G55-08-124 | EA  | SCREW - SF/DR - 8-18 X 3/4 PWH - ASH GRAY                 |
|     | 000G55-08-12M | EA  | SCREW - SF/DR - 8-19 X .75 PWH - GRAY                     |
|     | 000G56-12-48B | EA  | SCREW - WOOD - 12-11 X 3 POH - SPECIAL HARDENED           |
|     | 000G57-14-72B | EA  | SCREW-14-10-X4 1/2 PFH ZN           GENERAL MOTORHOMES    |
|     | 000G57-14-64B | EA  | SCREW - 14-10 X 4 PFH ZINC                                |
|     | 000G60-08-22B | EA  | SCREW - SF/DR - 8-18 X 1.38 POH - ZINC                    |
|     | 000G60-08-20F | EA  | SCREW - SF/DR - 8-19X1.25 POH                             |
|     | 000G60-08-16E | EA  | SCREW - SF/DR - 8-1 X 1 POH - CHROME                      |
|     | 000G60-10-20B | EA  | SCREW - SF/DR - 10-16 X 1 1/4 POH - ZINC                  |
|     | 000G60-10-28T | EA  | SCREW - SF/DR - 10-16 X 1 3/4 - BLACK                     |
|     | 000G60-10-209 | EA  | SCREW - SF/DR - 10-16 X 1 1/4 POH - SILVER STALGAARD      |
|     | 000G67-08-32B | EA  | SCREW - 8-15 X 2 PPH - ZINC                               |
|     | 000G67-10-24S | EA  | SCREW - 10-12 X 1 1/2 PPH - OFF WHITE                     |
|     | 000G67-10-24B | EA  | SCREW - 10-12 X 1 1/2 PPH - ZINC                          |
|     | 000G67-10-20D | EA  | SCREW - 10-12 X 1 1/4 PPH - BLACK                         |
|     | 000G67-10-125 | EA  | SCREW - 10-12 X 3/4 PPH - WILLOW                          |
|     | 000G67-10-12S | EA  | SCREW - 10-12 X 3/4 PPH - OFF WHITE                       |
|     | 000G67-10-12P | EA  | SCREW - 10-12 X 3/4 PPH - DARK BROWN                      |
|     | 000G67-10-12B | EA  | SCREW - 10-12 X 3/4 PPH - ZINC                            |
|     | 000G67-10-10T | EA  | SCREW - 10-12 X 5/8 PPH - BLACK                           |
|     | 000G67-10-10S | EA  | SCREW - 10-12 X 5/8 PPH - OFF WHITE                       |
|     | 000G67-10-10P | EA  | SCREW - 10-12 X 5/8 PPH - DARK BROWN                      |
|     | 000G67-10-10B | EA  | SCREW - 10-12 X 5/8 PPH - ZINC - TYPE A                   |
|     | 000G67-10-08B | EA  | SCREW - 10-12 X 1/2 PPH - ZINC                            |
|     | 000G67-10-36T | EA  | SCREW - 10-12 X 2 1/4 - PPH - BLACK                       |
|     | 000G68-06-12J | EA  | SCREW - 6-18 X 3/4 POH - BRASS                            |
|     | 000G68-06-10J | EA  | SCREW - 6-18 X 5/8 POH - BRASS                            |
|     | 000G68-06-10G | EA  | SCREW - 6-18 X 5/8 POH - ANTIQUE BRASS                    |
|     | 029130-01-000 | EA  | SCREW - SNAP STUD - #8-16 X 5/8" LONG                     |
|     | 029130-03-000 | EA  | SCREW - SNAP STUD - #8-16 X 1" LONG                       |
|     | 049465-01-000 | EA  | SCREW - 10-16 PTH W/WASHER - DARK BROWN                   |
|     | 049465-03-000 | EA  | SCREW - 10-16 X 1 POH W/WASHER - OFF WHITE                |
|     | 049465-04-000 | EA  | SCREW - 10-16 X 1 PTH W/WASHER - BEIGE                    |
|     | 049465-13-000 | EA  | SCREW-10+16X1 PTH W/WASHER - *ASH GRAY                    |
|     | 049465-17-000 | EA  | SCREW - 10-16 X 1 POH W/WASHER - BRIGHT WHITE             |
|     | 049465-23-000 | EA  | SCREW - 10-16 X 1.5 POH W/WASHER - VW LIGHT GRAY          |
|     | 054434-03-000 | EA  | SCREW - SF/DR - 10-16 X 2 - PWH - ZINC - W/O WINGS        |
|     | 075908-01-000 | EA  | SCREW - MACHINE - 10-32 X .56 PTH - EXTERNAL TOOTH - ZINC |
|     | 076790-01-000 | EA  | SCREW - 6-20 X 1 1/4 PPH - BLACK                          |
|     | 076790-05-000 | EA  | SCREW - 6-20 X 1/2 PPH - BLACK - THREAD CUTTING/WOOD      |
|     | 083554-01-000 | EA  | SCREW - DRYWALL - 8 X 1 1/4                               |
|     | 083554-04-000 | EA  | SCREW - DRYWALL - 8 X 2 1/2                               |
|     | 087721-01-000 | EA  | SCREW - FLAT HEAD - TAPPING - 1/4 X 1 1/4 LONG - ZINC     |
|     | 090033-02-000 | EA  | SCREW - 1/4-20 X 5/8 - ROUND WASHER HEAD - OFF/WHITE      |
|     | 097974-01-000 | EA  | SCREW - PARTICLE BOARD - 7-9 X 3/4 PPH                    |
|     | 101618-01-000 | EA  | SCREW - 1/4-20 X 3/4 HEX - TAPPING - STALGARD TYPE F      |
|     | 110460-05-02A | EA  | SCREW - MACHINE - 10-24 X 2 1/2 PFH - WHITE               |
|     | 113563-01-01A | EA  | SCREW - 8 X 5/8 LONG SHOULDER/WASHER HEAD                 |
|     | 117478-01-04A | EA  | SCREW - 8-18 X 3/4 PPH W/WASHER - VW LIGHT GRAY           |
|     | 118383-01-04A | EA  | RETAINER/RECESSED - F/.22" SCREW - BRIGHT WHITE           |
|     | 118383-01-05A | EA  | RETAINER/RECESSED - F/.22" SCREW - VW LIGHT GRAY          |
|     | 118383-01-09A | EA  | RETAINER/RECESSED - F/.22" SCREW - GLACIER                |
|     | 118383-02-09A | EA  | RETAINER/RECESSED - F/.27" SCREW - GLACIER                |
|     | 118383-02-05A | EA  | RETAINER/RECESSED - F/.27" SCREW - VW LIGHT GRAY          |
|     | 118383-03-09A | EA  | RETAINER/RECESSED - F/.32" SCREW - GLACIER                |



**SEALANTS & FASTENERS GROUP (CONTINUED)**  
**SCREWS (CONTINUED)**

| KEY | PART NUMBER   | U/M | DESCRIPTION   |
|-----|---------------|-----|---|
|     | 118383-04-09A | EA  | CAP - F/RECESSED RETAINER - GLACIER                 |
|     | 118383-04-05A | EA  | CAP - F/RECESSED RETAINER - VW LIGHT GRAY           |
|     | 118383-04-04A | EA  | CAP - F/RECESSED RETAINER - BRIGHT WHITE            |
|     | 126458-01-01A | EA  | SCREW - 8-18 X 1/2 - PRWH - BLACK                   |
|     | 134126-01-01A | EA  | SCREW/NAIL - HEX HEAD - 3/4"                        |
|     | 140040-01-000 | EA  | SCREW - 1/4-20 X 1 - BUTTON HEAD/SOCKET - W/LOCTITE |

**CLAMPS, CLIPS, GROMMETS, RIVETS & PLUGS**

| KEY | PART NUMBER   | U/M | DESCRIPTION  |
|-----|---------------|-----|--|
|     | 000F10-06-32B | EA  | PIN - COTTER - 3/16" X 2" - ZINC                         |
|     | 000H14-06-06R | EA  | RIVET-MANDREL BLIND,3/16 AL - CHERRY BSP-66              |
|     | 000H14-06-03R | EA  | RIVET - MANDREL BLIND - 3/16 ALUMINUM                    |
|     | 000H16-04-06R | EA  | RIVET - POP ALUMINUM - 1/8 X .313 - .375                 |
|     | 000H16-06-10R | EA  | RIVET - POP ALUMINUM - 3/16 X .501-.625                  |
|     | 007161-01-000 | EA  | CLAMP - HOSE - SPRING TYPE - 1/2"                        |
|     | 010495-01-000 | EA  | CLAMP - CABLE - 9/16"ID                                  |
|     | 010495-02-000 | EA  | CLAMP - CABLE - 3/8"ID                                   |
|     | 010495-04-000 | EA  | CLAMP - CABLE - 11/16" - WHITE                           |
|     | 010497-01-000 | EA  | CLAMP - CLOSED - 5/8"ID                                  |
|     | 010497-03-000 | EA  | CLAMP - CLOSED - 1"ID - CUSHIONED                        |
|     | 010497-04-000 | EA  | CLAMP - CLOSED - 1 5/8"ID                                |
|     | 010497-05-000 | EA  | CLAMP - CLOSED - 1/2"ID                                  |
|     | 010497-07-000 | EA  | CLAMP - CLOSED - 3/8"ID                                  |
|     | 010497-10-000 | EA  | CLAMP - CLOSED   |
|     | 010499-01-000 | EA  | CLAMP - CLOSED - 3/8"ID                                  |
|     | 016188-03-000 | EA  | GROMMET - L/P LINE - 3/8"HOLE X 2 1/2"LONG - RUBBER      |
|     | 016188-04-000 | EA  | GROMMET - L/P LINE - 1/2"HOLE X 2 1/2"LONG - RUBBER      |
|     | 016188-05-000 | EA  | GROMMET - L/P LINE - 3/8"HOLE X 1 1/4"LONG - RUBBER      |
|     | 016188-06-000 | EA  | GROMMET - L/P LINE - 3/8"HOLE X 3 1/4"LONG               |
|     | 016188-07-000 | EA  | GROMMET - L/P LINE - 1/2"HOLE X 3 1/4"LONG               |
|     | 023942-01-000 | EA  | GROMMET - RUBBER - 2" OD                                 |
|     | 034141-02-000 | EA  | PLUG/NYLON - .38" - BLACK                                |
|     | 061420-04-000 | EA  | PLUG/PLASTIC - 1 1/4" DIAMETER                           |
|     | 061420-05-000 | EA  | PLUG/PLASTIC - 1 1/2" DIAMETER                           |
|     | 061420-08-000 | EA  | PLUG/PLASTIC - 2 1/2" DIAMETER                           |
|     | 061420-09-000 | EA  | PLUG/PLASTIC - 1.00" - DIAMETER                          |
|     | 061420-10-000 | EA  | PLUG/PLASTIC - 1 1/2" DIAMETER - BLACK                   |
|     | 061420-14-000 | EA  | PLUG/PLASTIC - .034" DIAMETER                            |
|     | 061420-15-000 | EA  | PLUG/PLASTIC - 2" DIAMETER - BLACK                       |
|     | 061420-16-000 | EA  | PLUG/PLASTIC - 2 1/8" DIAMETER                           |
|     | 062401-01-000 | EA  | CLAMP - HOSE - WORMGEAR - .25" - 1"                      |
|     | 062401-02-000 | EA  | CLAMP - HOSE - WORMGEAR - 1.56" - 2.5"                   |
|     | 062401-03-000 | EA  | CLAMP - HOSE - WORMGEAR - .22" - 1"                      |
|     | 062401-04-000 | EA  | CLAMP - HOSE - WORMGEAR - .69" - 1.25"                   |
|     | 062401-05-000 | EA  | CLAMP - HOSE - WORMGEAR - 2" - 3" ID                     |
|     | 062401-06-000 | EA  | CLAMP - HOSE - WORMGEAR - .22" - .62" ID                 |
|     | 062401-09-000 | EA  | CLAMP - HOSE - WORMGEAR - 2.8" - 3.75"                   |
|     | 062401-11-000 | EA  | CLAMP - HOSE - WORMGEAR - 3.50" - 4.50"                  |
|     | 062401-12-000 | EA  | CLAMP - HOSE - WORMGEAR - .79" X 1.26"                   |
|     | 071015-11-000 | EA  | GROMMET - RUBBER - 1"ID FITS .12 MATERIAL - BLACK        |
|     | 071015-19-000 | EA  | GROMMET - RUBBER - .38 ID - FITS .06 MATERIAL - BLACK    |
|     | 071015-26-000 | EA  | GROMMET - RUBBER - 1.5" ID X 2.1" OD W/.06" GROOVE-BLACK |
|     | 071015-30-000 | EA  | GROMMET - RUBBER - .31" ID X .81" OD W/.12" GROOVE-BLACK |
|     | 071015-39-000 | EA  | GROMMET - .75 ID FITS .06 MTL                            |
|     | 071015-41-000 | EA  | GROMMET - .125 ID FITS .188 MTL                          |
|     | 075148-02-000 | EA  | CLAMP - GROUNDING - BRONZE SCREWS                        |
|     | 077955-01-000 | EA  | CLIP/J - 3/8" - VINYL COATED                             |
|     | 080734-02-000 | EA  | CLIP - WIRE NYLON  |
|     | 081211-03-000 | EA  | PLUG/PLASTIC - .50 DIAMETER - BLACK                      |
|     | 081211-04-000 | EA  | PLUG/PLASTIC - .46 DIAMETER - BLACK                      |

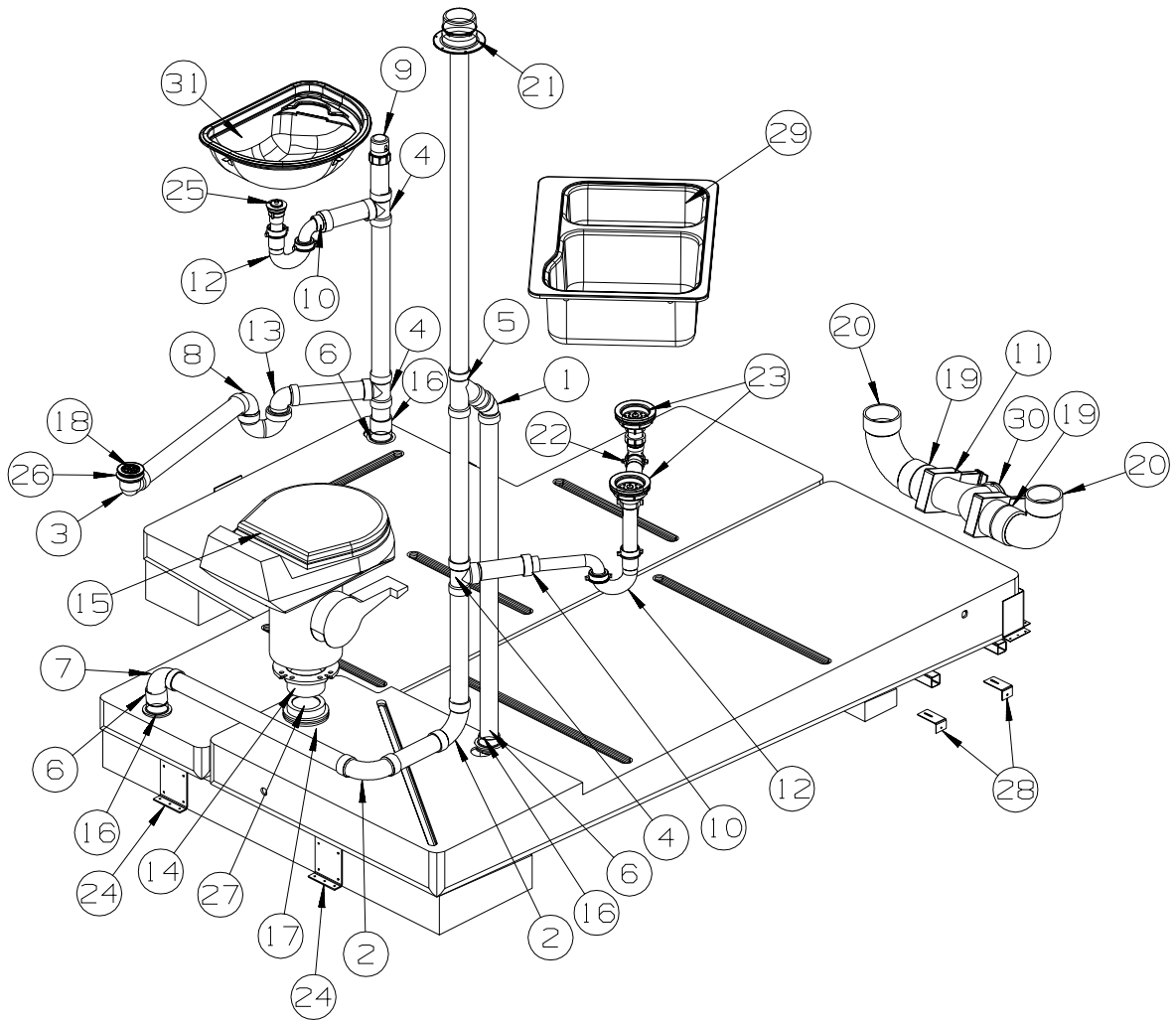
**SEALANTS & FASTENERS GROUP (CONTINUED)**  
**CLAMPS, CLIPS, GROMMETS, RIVETS & PLUGS (CONTINUED)**

| KEY | PART NUMBER   | U/M | DESCRIPTION   |
|-----|---------------|-----|---|
|     | 083609-01-000 | EA  | CLAMP - WIRE - DUAL - EQUAL DIAMETERS - 5/8"            |
|     | 083610-01-000 | EA  | CLAMP - WIRE - DUAL - UNEQUAL DIAMETERS - 3/4" & 1 1/4" |
|     | 083610-02-000 | EA  | CLAMP - WIRE - DUAL - UNEQUAL DIAMETERS - 3/4" & 2"     |
|     | 083610-03-000 | EA  | CLAMP - WIRE - DUAL - EQUAL DIAMETERS - 2"              |
|     | 088756-01-000 | EA  | GROMMET - WEB - 1 1/8 " I.D.                            |
|     | 091952-01-000 | EA  | CLIP - GRIPPER - 1"                                     |
|     | 091952-02-000 | EA  | CLIP - GRIPPER - 3/4"                                   |
|     | 094362-02-000 | EA  | CLIP - XMAS TREE - BINDER HEAD - .9" LONG               |
|     | 114208-04-000 | EA  | GROMMET - EDGE LINER - FITS 1"                          |
|     | 114208-05-000 | EA  | GROMMET - EDGE LINER - FITS 2"                          |
|     | 118626-01-02A | EA  | RIVET - POP - ALUMINUM - 3/16 X .08 - .375              |
|     | 118626-01-01A | EA  | RIVET - POP - ALUMINUM - 3/16 X .08 - .375              |
|     | 118626-02-01A | EA  | RIVET - POP - ALUMINUM - 3/16 X .500 - .750             |
|     | 137014-01-01A | EA  | GROMMET - CABLE - ALMOND                                |
|     | 137014-01-02A | EA  | GROMMET - CABLE - BROWN                                 |
|     | 139118-01-01A | EA  | GROMMET - PLASTIC/SCREW                                 |
|     | 139118-02-01A | EA  | GROMMET - SCREW - PLASTIC                               |
|     | 140171-02-000 | EA  | CLAMP - HOSE - STEPLESS EAR - .250                      |

**MISCELLANEOUS FASTENERS**

| KEY | PART NUMBER   | U/M | DESCRIPTION  |
|-----|---------------|-----|--|
|     | 008343-01-000 | EA  | TIE - WIRE - 6"  |
|     | 008343-02-000 | EA  | TIE - WIRE - 14"   |
|     | 008343-03-000 | EA  | TIE - WIRE - 7 1/2" - BLACK                              |
|     | 029094-04-000 | YD  | VELCRO TAPE - LOOP - 1" WIDE - BLACK                     |
|     | 029094-06-000 | YD  | VELCRO TAPE - LOOP - 2" WIDE - BLACK                     |
|     | 029096-03-000 | YD  | VELCRO TAPE - HOOK - 1" WIDE - BLACK                     |
|     | 029096-04-000 | YD  | VELCRO TAPE - HOOK - 1" WIDE - BLACK                     |
|     | 048394-02-000 | YD  | VELCRO TAPE - HOOK - ADHESIVE BACK - 3/4" WIDE - BEIGE   |
|     | 085774-01-000 | FT  | FASTENER - DUAL LOCK - 1" WIDE - ADHESIVE BACK - BLACK   |
|     | 085774-02-000 | FT  | FASTENER - DUAL HOOK - 1" WIDE - ADHESIVE BACK - BLACK   |
|     | 085774-03-000 | FT  | FASTENER - DUAL LOCK - 1/2" WIDE - ADHESIVE BACK - BLACK |
|     | 085774-04-000 | FT  | FASTENER - DUAL HOOK - 1/2" WIDE - ADHESIVE BACK - BLACK |
|     | 088792-02-000 | YD  | VELCRO TAPE - LOOP - 3/4" - ADHESIVE BACK - BEIGE        |
|     | 088792-04-000 | YD  | VELCRO TAPE - HOOK - 5/8" - NON-ADHESIVE BACK - WHITE    |
|     | 088792-05-000 | YD  | VELCRO TAPE - LOOP - 5/8" - NON-ADHESIVE BACK - WHITE    |
|     | 108046-02-000 | EA  | CABLE TIE - SCREW MOUNT 15"                              |
|     | 110943-02-000 | FT  | FELT STRIP - 3/8" - ADHESIVE BACK - WHITE                |
|     | 113133-02-01A | EA  | RIVET - POP - ALUMINUM - 3/16 X .252 - .504 - BLACK      |
|     | 127960-01-01A | EA  | RETAINER - 3/8" - STAINLESS STEEL                        |

## WATER & SEWAGE GROUP DRAINAGE SYSTEM



| KEY | PART NUMBER   | U/M | DESCRIPTION  |
|-----|---------------|-----|--|
| 1   | 010006-01-000 | EA  | ELBOW - 45 DEGREE - 1 1/2" HUB X HUB - PLASTIC             |
| 2   | 010008-01-000 | EA  | ELBOW - 90 DEGREE - 1 1/2" HUB X HUB - PLASTIC             |
| 3   | 010051-01-000 | EA  | ELBOW - 45 DEGREE - 1 1/2" SPIGOT X HUB - PLASTIC          |
| 4   | 010071-01-000 | EA  | TEE - SANITARY - 1 1/2" HUB X HUB X HUB - PLASTIC          |
| 5   | 010073-01-000 | EA  | WYE - 45 DEGREE - 1 1/2" HUB X HUB X HUB - PLASTIC         |
| 6   | 010115-01-000 | EA  | COUPLING - 1 1/2" HUB X HUB - PLASTIC                      |
| 7   | 033761-01-000 | EA  | ELBOW - 90 DEGREE - TURN - 1 1/2" HUB X 1 1/2" SPIGOT      |
| 8   | 037763-01-000 | EA  | P-TRAP - PLASTIC - 1 1/2 HXH W/UNION                       |
| 9   | 079968-01-000 | EA  | VENT - MECHANICAL/TRAP ARM - ANTI-SIPHON-2" X 7.3" PLASTIC |
| 10  | 109571-01-000 | EA  | ADAPTER - P-TRAP - 1 1/2"P X 1 1/4"MPT                     |
| 11  | 136143-01-000 | EA  | VALVE - DUAL - 3" X 3"                                     |
| 12  | 107538-01-000 | EA  | P-TRAP - PLASTIC - 1 1/4" W/EXTENSION ARM - USA            |
| 12  | 011071-01-000 | EA  | P-TRAP - PLASTIC - 1 1/2" - CSA - CANADIAN                 |
| 13  | 010009-01-000 | EA  | ELBOW - 90 DEGREE - 1/4 BEND - 1 1/2" PLASTIC              |
| 14  | 116644-01-000 | EA  | FLANGE/CLOSET - 3" FEMALE - 4 BOLT                         |
| 15* | 136729-01-01A | EA  | TOILET - CHINA - STANDARD W/SPRAYER - WHITE                |
| 16  | 061607-01-000 | EA  | GROMMET - HOLDING TANK - 1 1/2" NPS                        |
| 17  | 061607-02-000 | EA  | GROMMET - HOLDING TANK - 3" NPS                            |
| 18  | 066440-01-000 | EA  | STRAINER - SHOWER DRAIN - W/RUBBER WASHER                  |
|     | 127440-02-01A | EA  | WASHER - RUBBER - 1.8" X .1"                               |
|     | 130403-01-000 | EA  | NUT - SLIP - W/WINGS 1 1/2"                                |
|     | 132376-01-01A | EA  | GASKET - FOAM - 1 1/2" - TUB STRAINER                      |
| 19  | 010062-01-000 | EA  | ELBOW - ST PLASTIC - 3 90 SPGXH                            |
| 20  | 010129-03-000 | EA  | NIPPLE - PLASTIC - 3" X 3" TOE                             |
| 21  | 083558-06-000 | EA  | VENT - PLUMBING - ROOF PIPE COVERED - VW WHITE             |
| 22  | 011091-02-000 | EA  | WASTE - CONTINUOUS - DOUBLE SINK                           |
| 23  | 092303-01-000 | EA  | STRAINER - W/BASKET - GALLEY SINK - 4" OD                  |
|     | 127440-02-01A | EA  | WASHER - RUBBER - 1.8" X .1"                               |

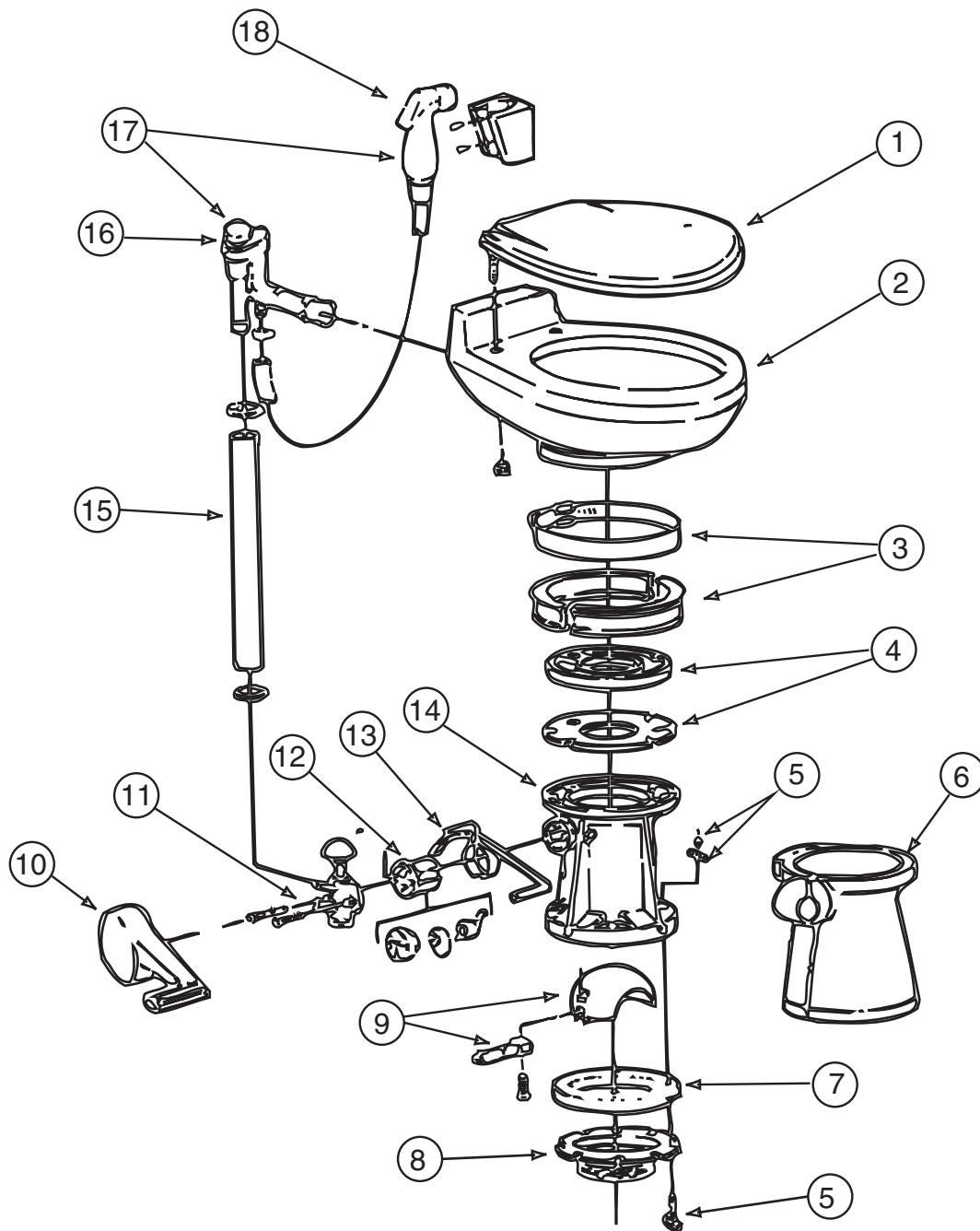
**WATER & SEWAGE GROUP (CONTINUED)**  
**DRAINAGE SYSTEM (CONTINUED)**

| KEY | PART NUMBER   | U/M | DESCRIPTION  |
|-----|---------------|-----|--|
| 24  | 094756-01-01A | EA  | BRACKET/ANGLE - W/HOLES<br>FROM: 00-00-00 THRU: 10-29-02                     |
| 24  | 094756-02-01A | EA  | BRACKET - L - 6.1" LONG X 3.9" WIDE - STEEL<br>FROM: 10-30-02 THRU: 99-99-99 |
| 25  | 106116-01-02A | EA  | STRAINER/PLASTIC - STOPPER/TAILPIECE/GASKET & NUT-LAVATORY                   |
|     | 106116-02-01A | EA  | GASKET - STRAINER  |
| 26  | 131486-01-000 | EA  | ELBOW - DRAIN - 1 1/2 LOW PROFILE - TUB DRAIN                                |
| 27  | 131786-03-01A | EA  | SPACER - TOILET - ROUND - 10" DIAM. X 1.3" HIGH - SOFT WHT                   |
| 28  | 132871-03-02B | EA  | BRACKET/L ANGLE W/HOLES - 1.2" X 2.8" - E-COATED                             |
| 29  | 134851-01-01A | EA  | SINK - DOUBLE/GALLEY - LARGE/SMALL - 25" X 18" X 6.9"D-WHT                   |
| 30  | 139513-01-000 | EA  | HOSE - SEWER - 3" X 10' - W/ADAPTER  |
| 31  | 142285-01-01A | EA  | SINK - LAVATORY  |

**\*COMPONENT PARTS LISTED LATER IN THIS GROUP**



**WATER & SEWAGE GROUP (CONTINUED)**  
**COMPONENTS PARTS FOR DRAWINGS**

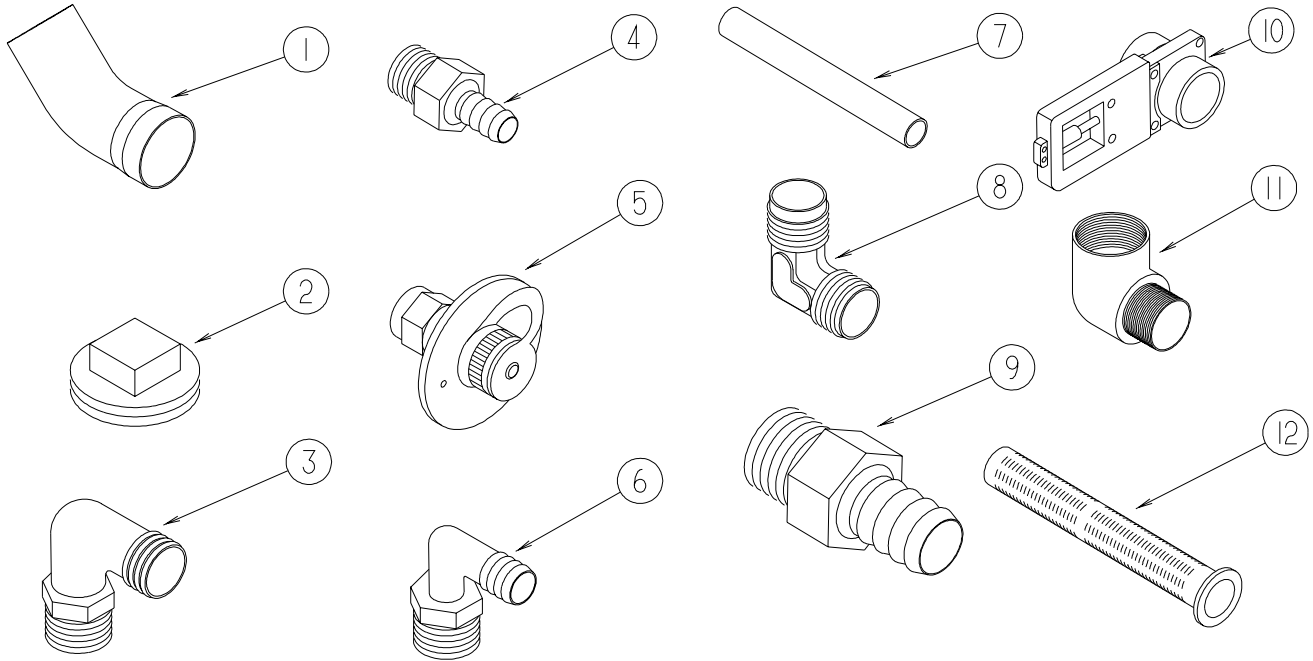


136729-01-01A

| KEY | PART NUMBER   | U/M | DESCRIPTION                  | VENDOR NO. |
|-----|---------------|-----|------------------------------|------------|
| 1   | 136729-01-700 | EA  | SEAT ASSEMBLY - WHITE        | 343829     |
| 2   | 136729-01-701 | EA  | BOWL/CHINA - WHITE           | 310739     |
| 3   | 085330-01-703 | EA  | RING & HALF CLAMPS, BONE     | 385310048  |
| 4   | 085330-01-704 | EA  | TEFLON & RUBBER SEAL KIT     | 385316140  |
| 5   | 085330-01-717 | EA  | HARDWARE KIT - BASE MOUNTING | 310064     |
| 6   | 085330-09-704 | EA  | PEDESTAL COVER - WHITE       | 310111     |
| 7   | 085330-01-714 | EA  | SEAL-FLANGE, FLOOR           | 390343892  |
| 8   | 085330-01-716 | EA  | FLANGE-FLOOR, 3" MPT         | 345889     |
| 10  | 085330-09-702 | EA  | COVER/PEDAL KIT - WHITE      | 310114     |
| 11  | 085330-01-709 | EA  | VALVE-WATER                  | 385314349  |
| 12  | 085330-01-707 | EA  | CARTRIDGE SPRING ASSEMBLY    | 381236096  |
| 13  | 085330-06-703 | EA  | LEVER-FLUSH                  | 340873     |
| 14  | 085330-09-703 | EA  | BASE KIT - WHITE             | 310120     |
| 16  | 085330-06-701 | EA  | BREAKER-VACUUM/DIVERTER(900) | 230335     |
| 18  | 085330-04-701 | EA  | HAND SPRAY W/HOSE(500 & 900) | 340683     |

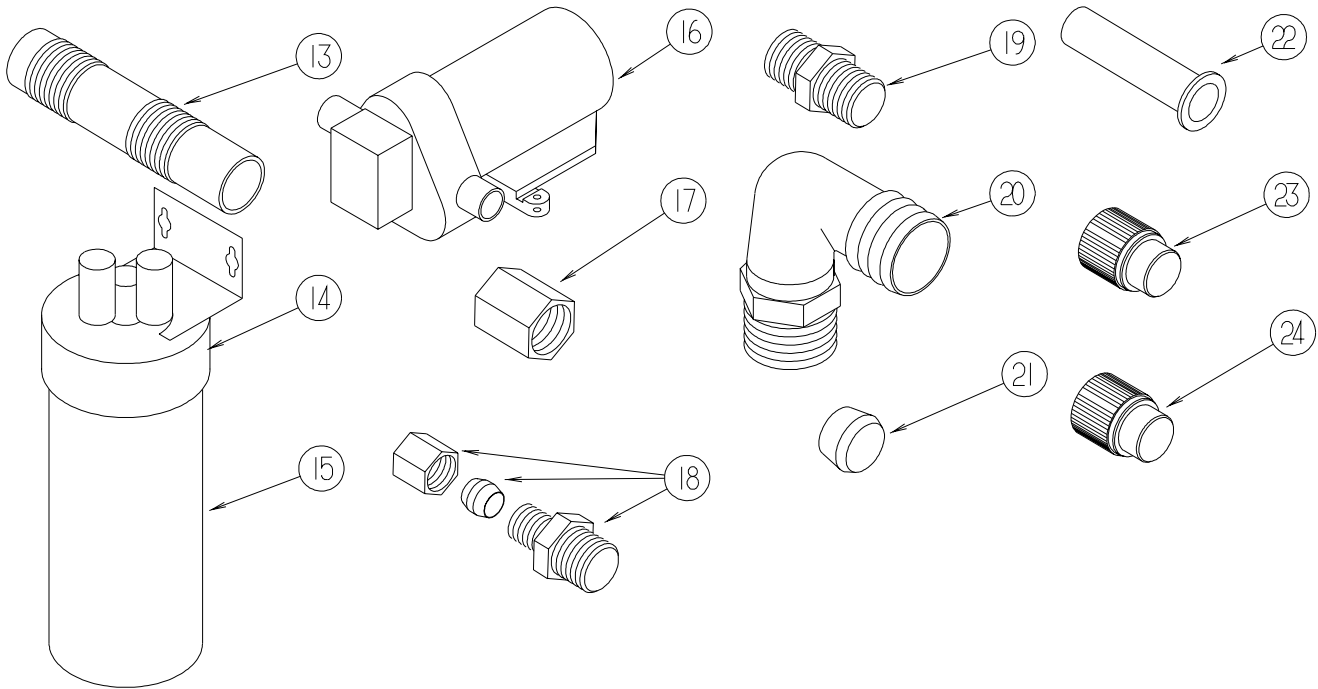
CONTACT WINNEBAGO PART SALES FOR UNLISTED COMPONENTS

**WATER & SEWAGE GROUP (CONTINUED)**  
**WATER SYSTEM**



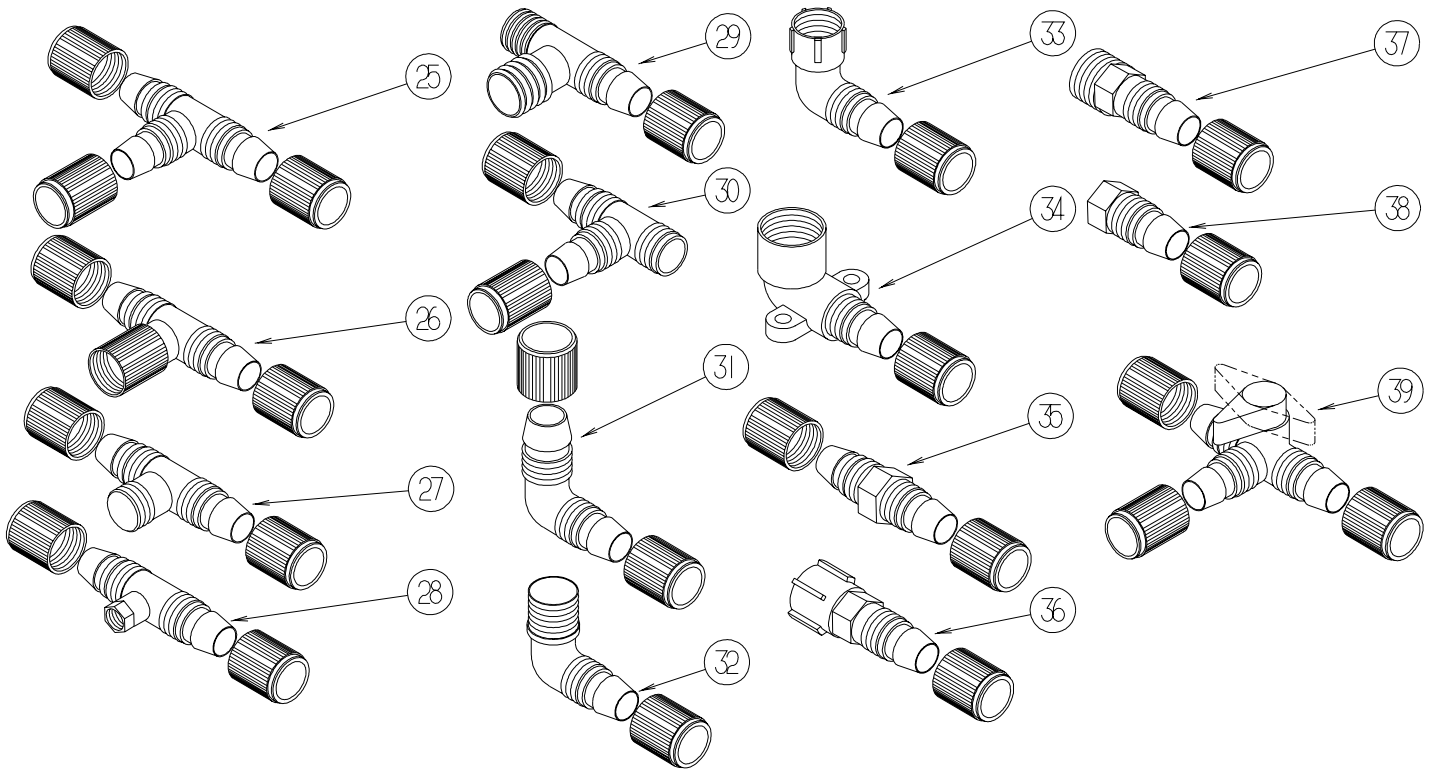
| KEY | PART NUMBER   | U/M | DESCRIPTION   |
|-----|---------------|-----|---|
| 1   | 010009-01-000 | EA  | ELBOW - 90 DEGREE - 1/4 BEND - 1 1/2" PLASTIC             |
| 2   | 010166-01-000 | EA  | PLUG/THREADED - 1 1/4"MPT - PLASTIC - BLACK - UL          |
| 3   | 010219-01-000 | EA  | ELBOW - 1 1/4 MPT X 1 1/4 BARB - WATER FILL - PLASTIC     |
| 4   | 010224-01-000 | EA  | ADAPTER - HOSE TO PIPE - 3/8 MPT X 3/8 BARB - PLASTIC     |
| 5   | 010230-06-000 | EA  | FILL - CITY WATER - W/CHECK VALVE - MPT - BRUSHED ALUM    |
| 6   | 035539-01-000 | EA  | ELBOW - 3/8 MPT X 3/8 BARB - PLASTIC                      |
| 7   | 039800-04-000 | FT  | TUBING - POLYBUTYL - 1/4"OD                               |
| 7   | 074462-02-000 | FT  | TUBING - VINYL - 3/8 ID X 20' - CLEAR                     |
| 7   | 112176-01-000 | FT  | TUBING - VINYL - REINFORCED - 1/2" ID                     |
| 7   | 124188-01-000 | FT  | TUBING - PEX - 1/2" ID X 20' - BLUE(COLD)                 |
| 7   | 124188-02-000 | FT  | TUBING - PEX - 1/2" ID X 20' - RED(HOT)                   |
| 8   | 039808-03-000 | EA  | ELBOW - 1/2" MPT X 1/2" MPT - PLASTIC                     |
| 9   | 044927-01-000 | EA  | ADAPTER - HOSE TO PIPE-1 1/4 MPTX1 1/4 BARB-BLACK PLASTIC |
| 10  | 062421-03-000 | EA  | VALVE/DUMP W/O HANDLE - 1 1/2" X 1 1/2" HUB               |
| 11  | 065318-02-000 | EA  | ELBOW - 90 DEGREE - 3/8" MPT TO 3/8" FPT                  |
| 12  | 077954-02-000 | EA  | FILTER - WATER TANK - W/SCREEN IN TANK                    |

**WATER & SEWAGE GROUP (CONTINUED)**  
**WATER SYSTEM (CONTINUED)**



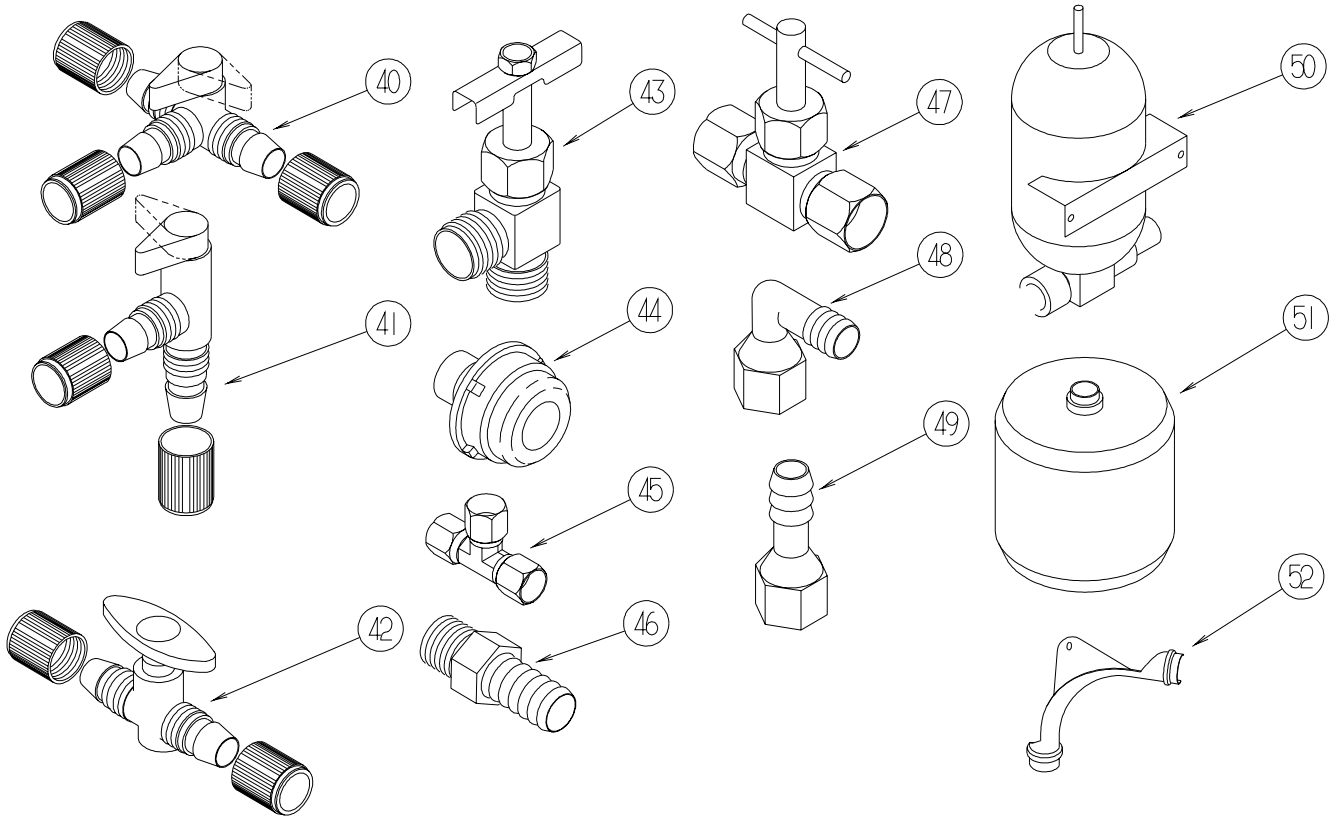
| KEY | PART NUMBER   | U/M | DESCRIPTION                                     |
|-----|---------------|-----|---|
| 13  | 079381-01-000 | FT  | TUBING - RIBBED FLEXIBLE - WATER FILL - 1.4" ID |
| 14  | 087200-01-000 | EA  | FILTER-WATER PURIFICATION, EVERPURE QC2-AC      |
| 15  | 087200-02-000 | EA  | CARTRIDGE-WATER FILTER, AC - EVERPURE 9601-11   |
| 16* | 098607-01-000 | EA  | PUMP - WATER - W/.5" MPT FITTING - FLOW 2.8 GPM |
| 17  | 101814-01-000 | EA  | COUPLING - FEMALE - 1/2" X 1/2" FPT - GRAY      |
| 18  | 103798-01-000 | EA  | CONNECTOR - 1/4 OD X 3/8 MPT                    |
| 19  | 110438-02-000 | EA  | VALVE - CHECK - BRASS - 1/2 MPT X 1/2 MPT       |
| 20  | 111223-02-000 | EA  | ELBOW - 1/2" MPT X 3/8" BARB - PLASTIC          |
| 20  | 111223-03-000 | EA  | ELBOW - 3/4" MPT X 1/2" BARB - PLASTIC          |
| 20  | 111223-04-000 | EA  | ELBOW - 1/2" MPT X 1/2" BARB - PLASTIC          |
| 21  | 111888-01-000 | EA  | FERRULE - PLASTIC - .250 ID X .375 OD           |
| 22  | 111888-02-000 | EA  | INSERT - BRASS - 1/4 COMP                       |
| 23  | 113697-01-000 | EA  | CAP - 3/8"P                                     |
| 24  | 114427-01-000 | EA  | CAP - 1/2"P                                     |

**WATER & SEWAGE GROUP (CONTINUED)**  
**WATER SYSTEM (CONTINUED)**



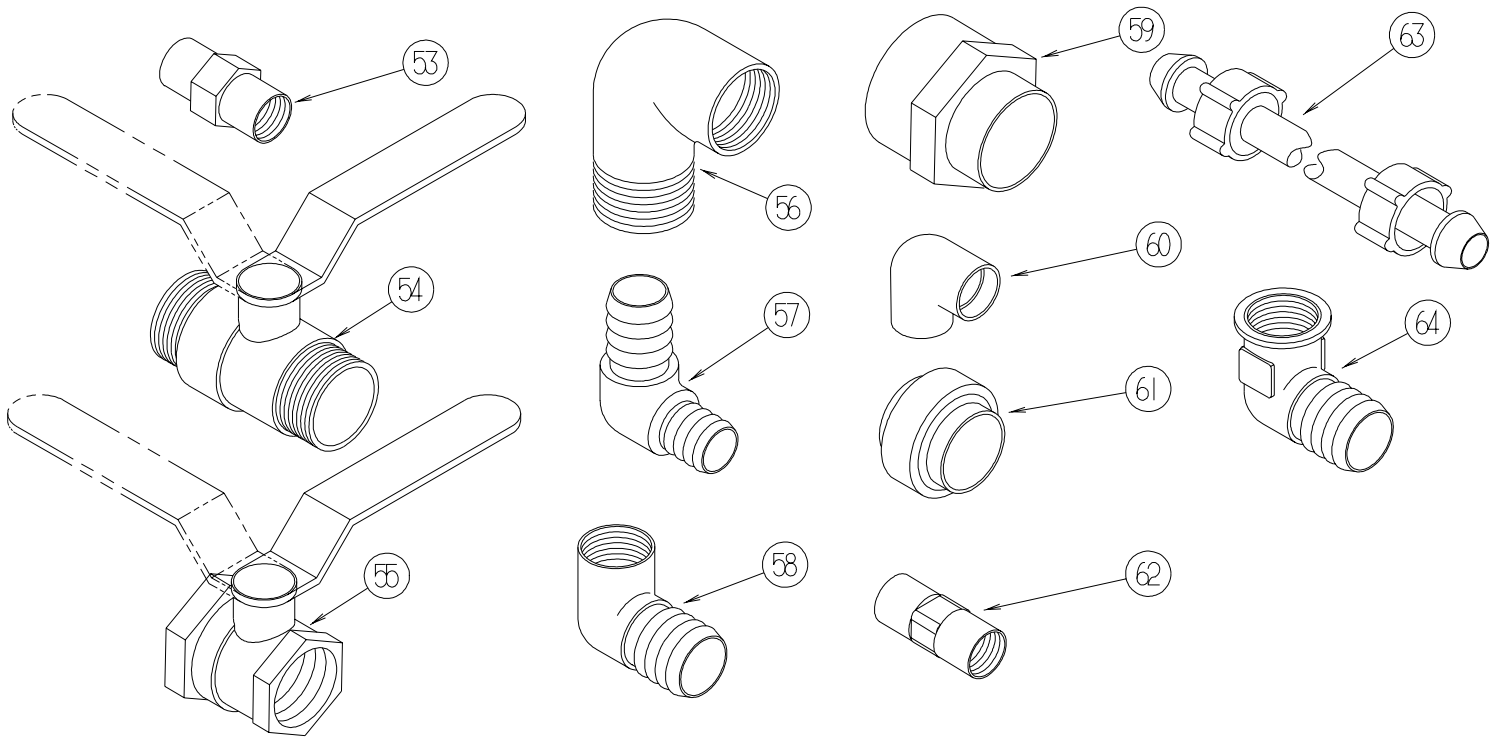
| KEY | PART NUMBER   | U/M | DESCRIPTION   |
|-----|---------------|-----|---|
| 25  | 114428-01-000 | EA  | TEE - 1/2"P X 1/2"P X 1/2"P                         |
| 26  | 114428-02-000 | EA  | TEE - SWIVEL - 1/2"P X 1/2"P X 1/2"FPT              |
| 27  | 114428-03-000 | EA  | TEE - 1/2"P X 1/2"P X 1/2"MPT                       |
| 28  | 114428-04-000 | EA  | TEE - 1/2"P X 1/2"P X 1/8"FPT                       |
| 29  | 114428-06-000 | EA  | TEE - 1/2" P X 1/2" MPT X 1/2" MPT                  |
| 30  | 114428-07-000 | EA  | TEE - 1/2" P X 1/2" MPT X 1/2" P                    |
| 31  | 114429-01-000 | EA  | ELBOW - 1/2"P X 1/2"P                               |
| 32  | 114429-02-000 | EA  | ELBOW - 1/2"P X 1/2"MPT                             |
| 32  | 114429-04-000 | EA  | ELBOW - 1/2"P X 3/8"MPT                             |
| 32  | 114429-05-000 | EA  | ELBOW - 1/2"P X 3/4"MPT                             |
| 33  | 114429-03-000 | EA  | ELBOW - SWIVEL - 1/2"P X 1/2"FPT                    |
| 33  | 114429-06-000 | EA  | ELBOW - SWIVEL - 1/2"P X 3/4"FPT                    |
| 33  | 114429-08-000 | EA  | ELBOW - SWIVEL - 1/2"P X 1/2"FPT                    |
| 34  | 114429-09-000 | EA  | ELBOW - 1/2"P X 1/2"FPT DROP EAR                    |
| 35  | 114430-01-000 | EA  | ADAPTER - 1/2"P X 1/2"P                             |
| 36  | 114430-02-000 | EA  | ADAPTER - SWIVEL - 1/2"P X 1/2"FPT                  |
| 37  | 114430-03-000 | EA  | ADAPTER - 1/2"P X 1/2"MPT                           |
| 38  | 114430-06-000 | EA  | ADAPTER - 1/2"P X 3/8"FPT                           |
| 39  | 114431-01-000 | EA  | VALVE - 180 DEGREE/CENTER DRAIN - 1/2"P - THREE WAY |

**WATER & SEWAGE GROUP (CONTINUED)**  
**WATER SYSTEM (CONTINUED)**



| KEY | PART NUMBER   | U/M | DESCRIPTION  |
|-----|---------------|-----|--|
| 40  | 114431-02-000 | EA  | VALVE - WATER BYPASS - 1/2"P - THREE WAY (WATER HEATER)  |
| 41  | 114431-03-000 | EA  | VALVE - 90 DEGREE DRAIN - 1/2"P                          |
| 42  | 114431-04-000 | EA  | VALVE - "INLINE SHUT-OFF" - 1/2"P                        |
| 43  | 114431-05-000 | EA  | VALVE - NEEDLE - 1/8" MPT X 1/4" COMPRESSION (ICE MAKER) |
| 44  | 114966-01-000 | EA  | FILTER - IN LINE - TWIST ON - 1/2"                       |
| 45  | 118423-01-000 | EA  | FITTING - BRASS-TEE - 1/4C X 1/4C X 1/4C                 |
| 46  | 118809-02-000 | EA  | ADAPTER - 1/2" MPT X 1/2" BARB - PLASTIC                 |
| 47  | 120868-01-000 | EA  | VALVE - NEEDLE - 1/4" COMPRESSION X 1/4" COMPRESSION     |
| 48  | 123150-01-000 | EA  | ELBOW - 1/2 FPT X 1/2 BARB - SWIVEL                      |
| 49  | 123152-01-000 | EA  | ADAPTER - 1/2 FPT X 1/2 BARB - SWIVEL                    |
| 50  | 123243-01-000 | EA  | TANK - ACCUMULATOR - 24 OZ                               |
| 51  | 123317-01-000 | EA  | TANK - ACCUMULATOR - 2 GALLON                            |
| 52  | 124184-01-000 | EA  | SUPPORT - WATER LINE - BEND                              |

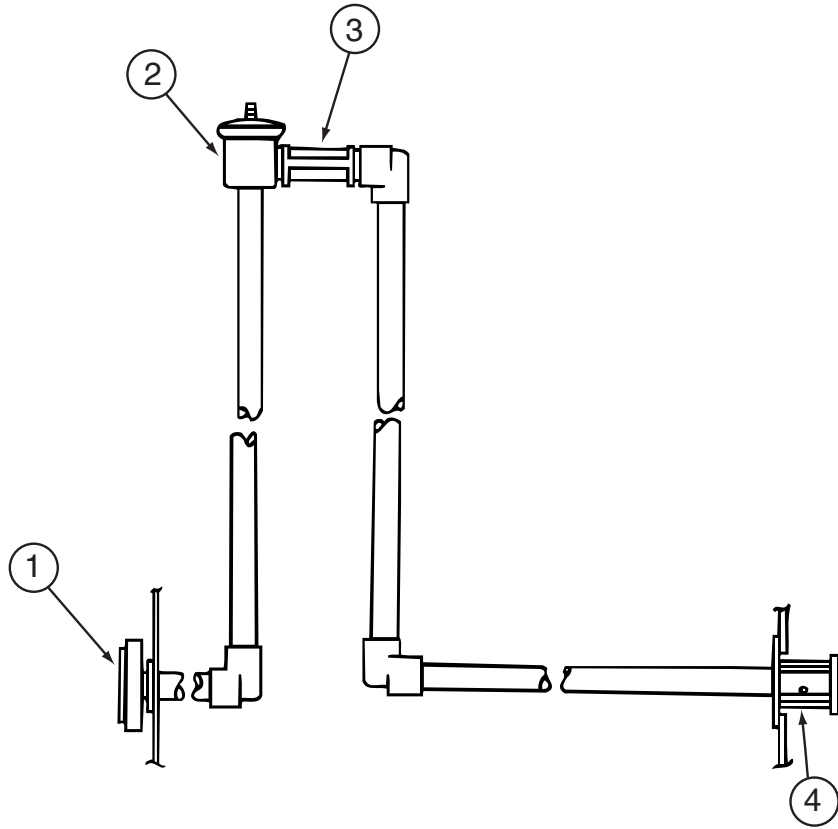
**WATER & SEWAGE GROUP (CONTINUED)**  
**WATER SYSTEM (CONTINUED)**



| KEY | PART NUMBER   | U/M | DESCRIPTION   |
|-----|---------------|-----|---|
| 53  | 132148-01-000 | EA  | CONNECTOR - 1/2" X 1/2"MPT - BRASS                  |
| 54  | 132483-01-000 | EA  | VALVE/BALL - 1" - THREADED ENDS                     |
| 55  | 132483-02-000 | EA  | VALVE/BALL - 1/2" - BRASS - FPT                     |
| 56  | 132484-01-000 | EA  | ELBOW - 90 DEGREE - 1MPT X 1FPT - PLASTIC           |
| 57  | 132781-01-000 | EA  | ELBOW - 1.3" BARB X 1.3" BARB - 90 DEGREE - PLASTIC |
| 58  | 132782-01-000 | EA  | ELBOW - 1"FPT X 1.3" BARB - 90 DEGREE - PLASTIC     |
| 59  | 133835-01-000 | EA  | ADAPTER - REDUCING - 1 1/2" X 1 1/4"                |
| 60  | 133837-01-000 | EA  | ELBOW - 1 1/2" X 90 DEGREE - DOUBLE SLIP            |
| 61  | 133889-01-000 | EA  | UNION - 1 1/2 DOUBLE SLIP - PVC                     |
| 62  | 135386-01-000 | EA  | NIPPLE - 1/2"                                       |
| 63  | 140821-01-000 | EA  | TUBE - WATER SUPPLY - 3/8" X 24"                    |
| 63  | 140821-02-000 | EA  | TUBE - WATER SUPPLY - 3/8" X 30"                    |
| 63  | 140821-03-000 | EA  | TUBE - WATER SUPPLY - 3/8" X 36"                    |
| 63  | 140821-04-000 | EA  | TUBE - WATER SUPPLY - 3/8" X 48"                    |
| 63  | 140821-05-000 | EA  | TUBE - WATER SUPPLY - 3/8" X 54"                    |
| 63  | 140821-06-000 | EA  | TUBE - WATER SUPPLY - 3/8" X 60"                    |
| 63  | 140821-07-000 | EA  | TUBE - WATER SUPPLY - 3/8" X 72"                    |
| 64  | 142812-01-000 | EA  | ELBOW - BRASS - 1/2"MPT X 1/2"FPT                   |

**\*COMPONENT PARTS LISTED LATER IN THIS GROUP**

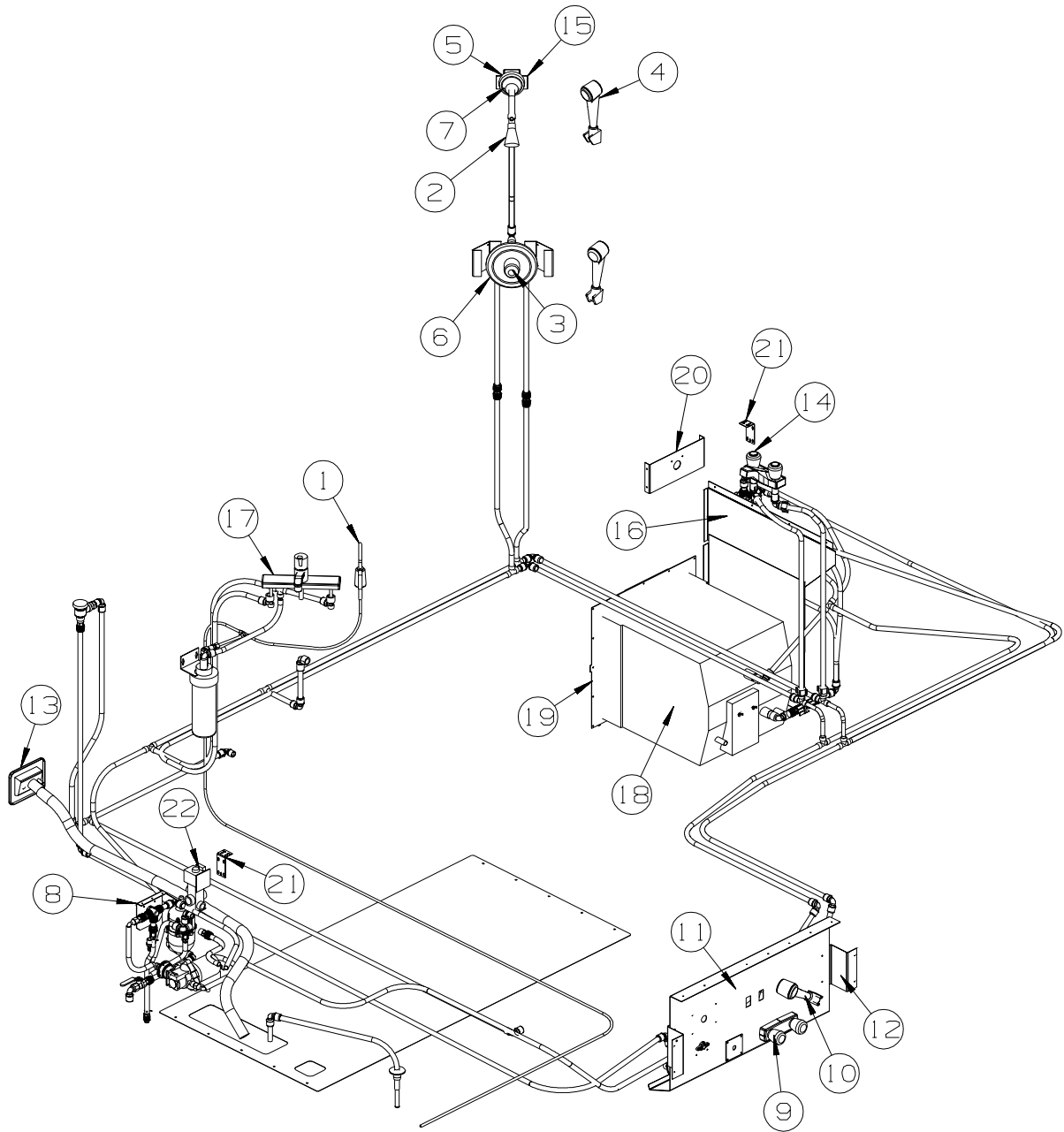
**WATER & SEWAGE GROUP (CONTINUED)**  
**WATER SYSTEM (CONTINUED)**



| KEY | PART NUMBER   | U/M | DESCRIPTION                           |
|-----|---------------|-----|---------------------------------------|
| 1   | 125697-05-000 | EA  | INLET - WATER - FLUSHING SYSTEM       |
| 2   | 125697-04-000 | EA  | BREAKER - VACUUM - FLUSHING SYSTEM    |
| 3   | 125697-03-000 | EA  | CHECK VALVE - FLUSHING SYSTEM         |
| 4   | 125697-02-000 | EA  | NOZZLE - WELD-A-FLUSH                 |
|     | 125697-06-000 | EA  | INSTRUCTIONS - USER - FLUSHING SYSTEM |

## WATER & SEWAGE GROUP (CONTINUED)

### WATER SYSTEM (CONTINUED)



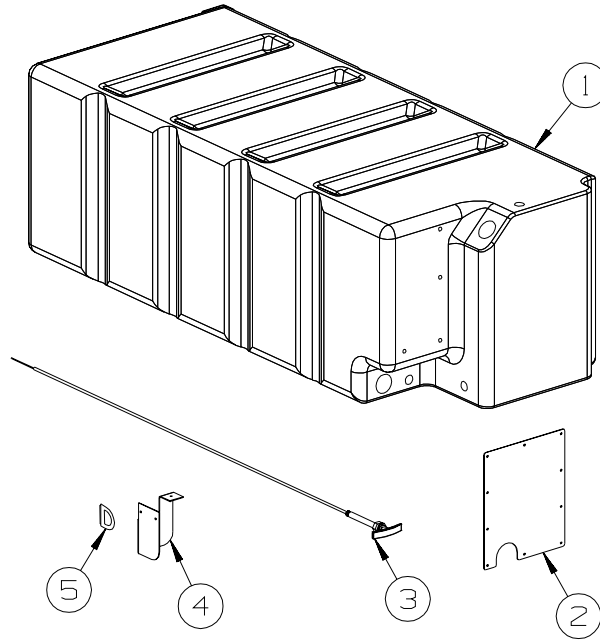
| KEY | PART NUMBER   | U/M | DESCRIPTION  |
|-----|---------------|-----|--|
| 1   | 103635-01-000 | EA  | FAUCET - SINGLE CONTROL/DRINKING WATER                             |
| 2   | 128974-01-01A | EA  | VALVE - SHOWER HEAD/WATER SAVER (ON/OFF) - BRIGHT BRASS            |
| 3*  | 131340-01-01A | EA  | FAUCET - W/SHOWER HEAD- SINGLE LEVER-W/O WATER SAVER-BRASS         |
| 4   | 129390-03-01A | EA  | SHOWER HEAD - W/HOSE & BRACKET - BRASS                             |
| 5   | 130041-01-02A | EA  | SPACER/SHOWER HEAD - SOFT WHITE                                    |
| 6*  | 131340-02-01A | EA  | FAUCET ONLY - W/O SHOWER HEAD/ARM EXTENSION - BRASS                |
| 7   | 135028-01-01A | EA  | DROP ELL - F/SHOWER HOSE - BRASS - 1/2"                            |
| 8   | 137410-01-12B | EA  | BRACKET - VALVE - WINTERIZATION - BRIGHT WHITE                     |
| 9*  | 072541-06-000 | EA  | FAUCET - SHOWER/BRIGHT WHITE - .5" MPT W/1.9" INLET PIPES          |
| 10  | 131383-01-02A | EA  | SHOWER HEAD - W/60" HOSE & BRACKET - WHITE - <b>USA</b>            |
| 10  | 131383-02-02A | EA  | SHOWER HEAD - W/60" HOSE & BRACKET - CSA - WHITE - <b>CANADIAN</b> |
| 11  | 137005-01-12B | EA  | PANEL/SERVICE CENTER - F/EXTERIOR WASH STATION - BRT WHT           |
| 12  | 137389-01-02B | EA  | BRACKET - WATER CENTER - E-COATED                                  |
| 13  | 137169-01-01A | EA  | WATER FILL/GRAVITY - W/DOOR - W/O LOCK - BRIGHT WHITE              |
|     | 138290-03-000 | EA  | CASE - W/CAM - W/O CYLINDER/KEY                                    |
| 14* | 128997-01-01A | EA  | FAUCET - LAVATORY - SINGLE CONTROL - POLISHED BRASS                |
| 15  | 143101-01-01A | EA  | BRACKET - SHOWER HEAD  |
| 16  | 137204-01-02B | EA  | PANEL - CLOSEOUT/WATER - E-COATED                                  |
| 17* | 123744-03-01A | EA  | FAUCET - GALLEY/SINGLE CONTROL W/SPRAYER HEAD - CHROME             |



**WATER & SEWAGE GROUP (CONTINUED)**  
**WATER SYSTEM (CONTINUED)**

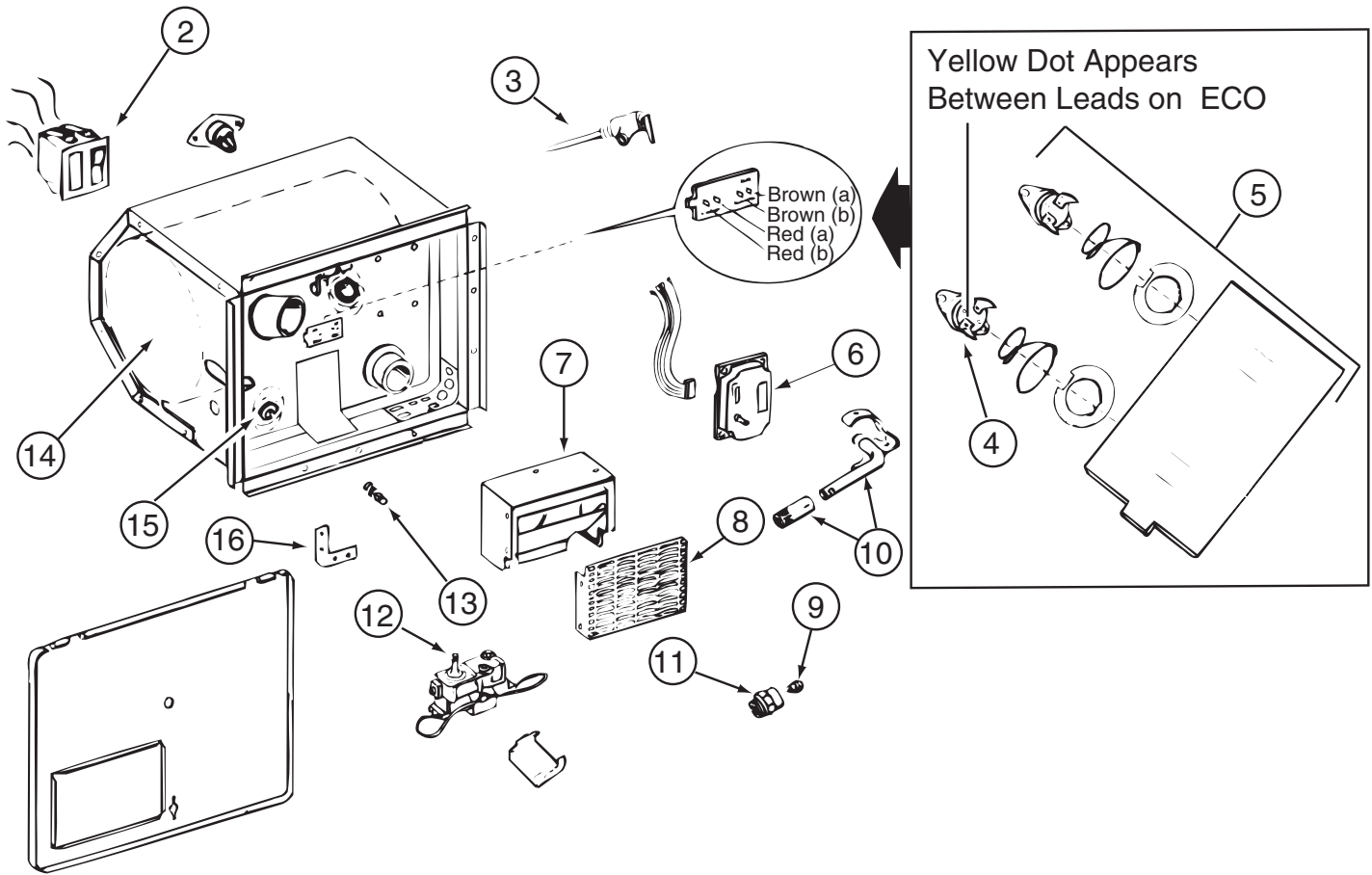
| KEY | PART NUMBER   | U/M | DESCRIPTION   |
|-----|---------------|-----|---|
| 18* | 051391-05-000 | EA  | WATER HEATER/MOTOR AID-GAS/ELECT IGN - GCH10A-9E - 10 GAL |
| 18* | 125420-01-02A | EA  | DOOR - WATER HEATER - 10 GALLON - BRIGHT WHITE            |
| 18* | 125420-01-03A | EA  | DOOR - WATER HEATER - 10 GALLON - BLACK W/BLACK GRILLE    |
| 19  | 133224-01-02B | EA  | PLATE - WATER HEATER - E-COATED                           |
| 20  | 137415-01-12B | EA  | BRACKET - VALVE - BYPASS - HEATER - BRIGHT WHITE          |
| 21  | 140309-05-02B | EA  | ANGLE - FURNACE DOOR - E-COATED                           |
| 22* | 118569-03-000 | EA  | WINTERIZATION SYSTEM - W/O TANK                           |

**\*COMPONENT PARTS LISTED LATER IN THIS GROUP**



| KEY | PART NUMBER   | U/M | DESCRIPTION  |
|-----|---------------|-----|--|
| 1   | 132678-02-000 | EA  | TANK - WATER - 85 GALLON - W/FITTINGS                |
|     | 042989-05-000 | EA  | FITTING - SPINWELD - 1/2" FPT - PLASTIC              |
|     | 042989-03-000 | EA  | FITTING - SPINWELD - 1 1/4" NPT - PLASTIC            |
|     | 049032-01-000 | EA  | PATCH - SPINWELD - 3/8" - PLASTIC                    |
|     | 132678-01-000 | EA  | TANK - WATER - 85 GALLON - W/O FITTINGS              |
| 2   | 133352-01-02B | EA  | PANEL - ACCESS - WATER TANK - E-COATED               |
| 3   | 062421-05-000 | EA  | CABLE/ROD - F/DUMP VALVE - W/HANDLE - 48"            |
| 4   | 143994-01-12B | EA  | BRACKET/MOUNTING - VALVE - BRIGHT WHITE              |
| 5   | 112091-01-000 | FT  | SEAL/D - NEOPRENE - HEAT ACTIVE ADHESIVE - .9" X .7" |

**WATER & SEWAGE GROUP (CONTINUED)**  
**COMPONENT PARTS FOR WATER SYSTEM**



051391-05-000

| KEY | PART NUMBER   | U/M | DESCRIPTION                  | VENDOR NO.     |
|-----|---------------|-----|------------------------------|----------------|
| 2   | 051393-01-701 | EA  | SWITCH - REMOTE - W/LIGHT    | 91959          |
| 3   | 051391-01-704 | EA  | VALVE-RELIEF, 1/2" FITTING   | 91604          |
| 4   | 051391-04-701 | EA  | THERMOSTAT 12V DC-120 PRESET | 91470          |
| 5   | 051391-05-707 | EA  | THERMOSTAT & ECO - 110 VOLT  | 91873          |
| 6   | 051393-01-704 | EA  | BOARD-CIRCUIT                | 93865          |
| 7   | 051391-04-707 | EA  | KIT-EXHAUST, (FLUE & GASKET) | 90960          |
| 8   | 051391-01-717 | EA  | GRILLE-WATER HEATER DOOR     | 92640          |
| 9   | 051391-05-701 | EA  | ORIFICE-MAIN BURNER          | 93914          |
| 10  | 051391-05-700 | EA  | BURNER-MAIN                  | 93221          |
| 11  | 051391-03-700 | EA  | HOLDER-ORIFICE               | 91563          |
| 12  | 051393-01-726 | EA  | VALVE-SOLENOID, W/O BRACKET  | 93870          |
| 13  | 051391-01-715 | EA  | PLUG-DRAIN, 1 EA = 2 PER PKG | 91857          |
| 14  | 051391-05-704 | EA  | TANK-INNER                   | 93593          |
| 15  | 051391-05-706 | EA  | ELEMENT-HEATING 1500 WATT    | 91160 W/GASKET |
| 16  | 111129-01-711 | EA  | BRACKET-CORNER, SET OF FOUR  | 91928          |
|     | 051391-05-703 | EA  | HARDWARE KIT-DOOR            | 91858          |
|     | 051391-05-705 | EA  | SWITCH - ON/OFF SWITCH - BOX | 91182          |
|     | 051393-01-721 | EA  | THERMOSTAT W/ECO, 140 FRT MT | 91447          |
|     | 051393-01-723 | EA  | SWITCH - THERMAL CUTOUT 2/PK | 93866          |
|     | 051393-01-725 | EA  | ELECTRODE-SGL SPADE CONNECT. | 93868          |
|     | 051393-01-730 | EA  | BRACKET - F/10 GAL SYSTEM    | 93862          |

CONTACT WINNEBAGO PARTS SALES FOR UNLISTED COMPONENTS

075241-04-000, 075241-05-000, 075241-06-000

| KEY | PART NUMBER   | U/M | DESCRIPTION            | VENDOR NO. |
|-----|---------------|-----|------------------------|------------|
|     | 075240-05-700 | EA  | CARTRIDGE - WASHERLESS | 9-P42      |

**WATER & SEWAGE GROUP (CONTINUED)**  
**COMPONENT PARTS FOR WATER SYSTEM (CONTINUED)**

**118569-03-000**

| <b>KEY</b> | <b>PART NUMBER</b> | <b>U/M</b> | <b>DESCRIPTION</b>           | <b>VENDOR NO</b> |
|------------|--------------------|------------|------------------------------|------------------|
|            | 118569-01-700      | EA         | VALVE/SOLENOID-ELECT CONTROL | NO VDR#          |
|            | 118569-01-701      | EA         | SWITCH - ELECTRIC            | EA1-31           |
|            | 118569-01-702      | EA         | PLATE - SWITCH               | ERUS-1           |
|            | 118569-01-704      | EA         | PLUG - 3/4 MPT               | NO VDR#          |
|            | 118569-01-705      | EA         | PLUG - 1/2 MPT               | NO VDR#          |
|            | 118569-01-706      | EA         | SCREEN - WHITE               | NO VDR#          |

**125420-01-02A, 125420-01-03A, 125420-04-03A**

| <b>KEY</b> | <b>PART NUMBER</b> | <b>U/M</b> | <b>DESCRIPTION</b> | <b>VENDOR NO.</b> |
|------------|--------------------|------------|--------------------|-------------------|
|            | 051391-01-705      | EA         | FASTENER - CAMLOCK | 92609             |

**128997-01-01A**

| <b>KEY</b> | <b>PART NUMBER</b> | <b>U/M</b> | <b>DESCRIPTION</b>        | <b>VENDOR NO.</b> |
|------------|--------------------|------------|---------------------------|-------------------|
|            | 119677-01-712      | EA         | AERATOR - SPOUT - BATHTUB | 50-19PB           |
|            | 131340-01-700      | EA         | BUTTON - HOT/COLD         | N1201-16          |
|            | 131340-01-701      | EA         | KNOB - CLEAR              | N1201-9           |
|            | 131340-02-700      | EA         | CARTRIDGE                 | 6-1201-5-0WB      |

**131340-01-01A**

| <b>KEY</b> | <b>PART NUMBER</b> | <b>U/M</b> | <b>DESCRIPTION</b>    | <b>VENDOR NO.</b> |
|------------|--------------------|------------|-----------------------|-------------------|
|            | 119677-01-701      | EA         | SHOWER HEAD ONLY 1/2" | 34PB              |
|            | 131340-01-700      | EA         | BUTTON - HOT/COLD     | N1201-16          |
|            | 131340-01-701      | EA         | KNOB - CLEAR          | N1201-9           |

**131340-02-01A**

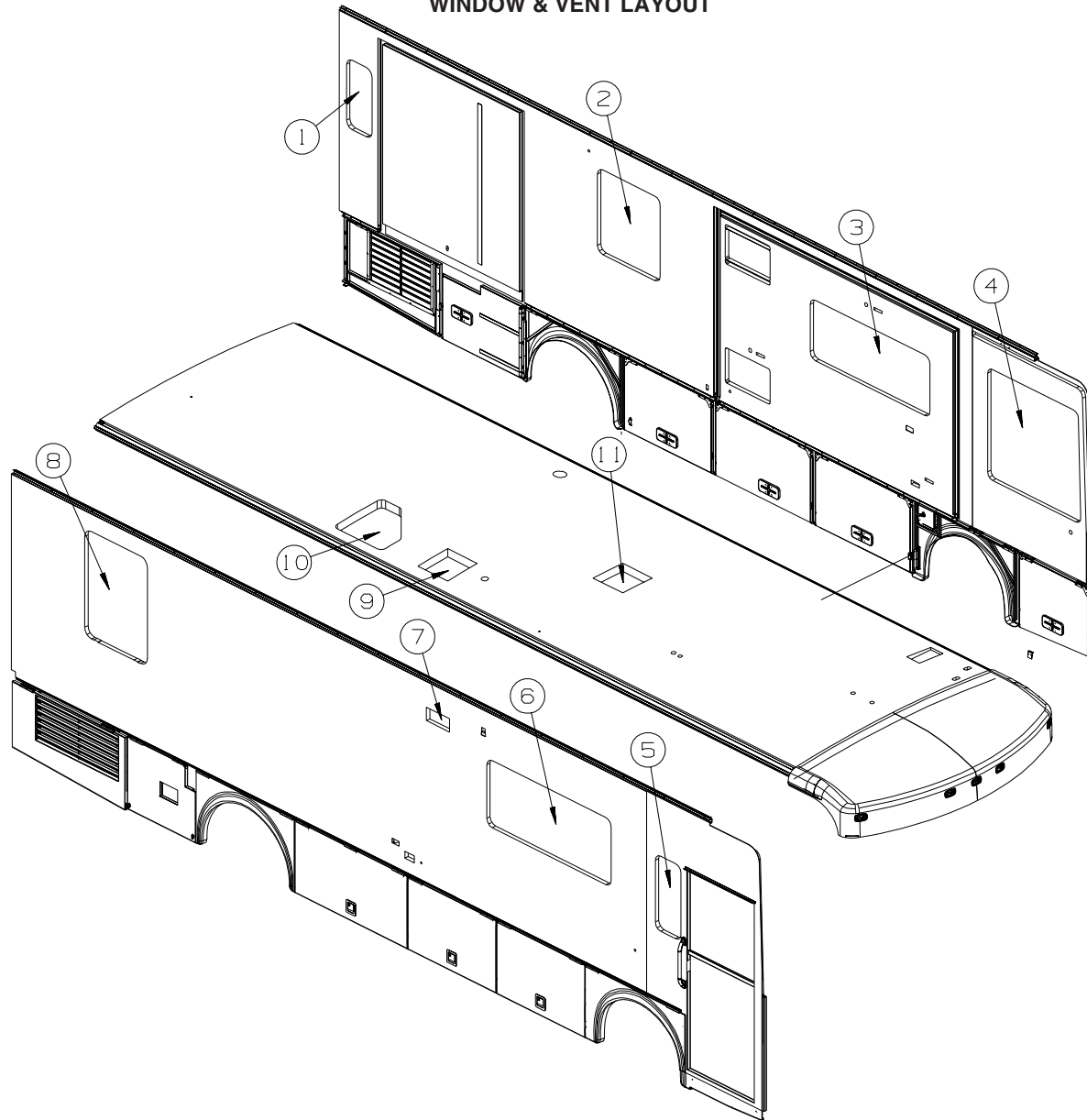
| <b>KEY</b> | <b>PART NUMBER</b> | <b>U/M</b> | <b>DESCRIPTION</b> | <b>VENDOR NO.</b> |
|------------|--------------------|------------|--------------------|-------------------|
|            | 131340-02-700      | EA         | CARTRIDGE          | 6-1201-5-0        |

**141432-01-01A**

| <b>KEY</b> | <b>PART NUMBER</b> | <b>U/M</b> | <b>DESCRIPTION</b>            | <b>VENDOR NO.</b> |
|------------|--------------------|------------|-------------------------------|-------------------|
|            | 135027-01-705      | EA         | CARTRIDGE F/SGL LEVER FAUCET, | 1225              |

## WINDOW & VENTS GROUP

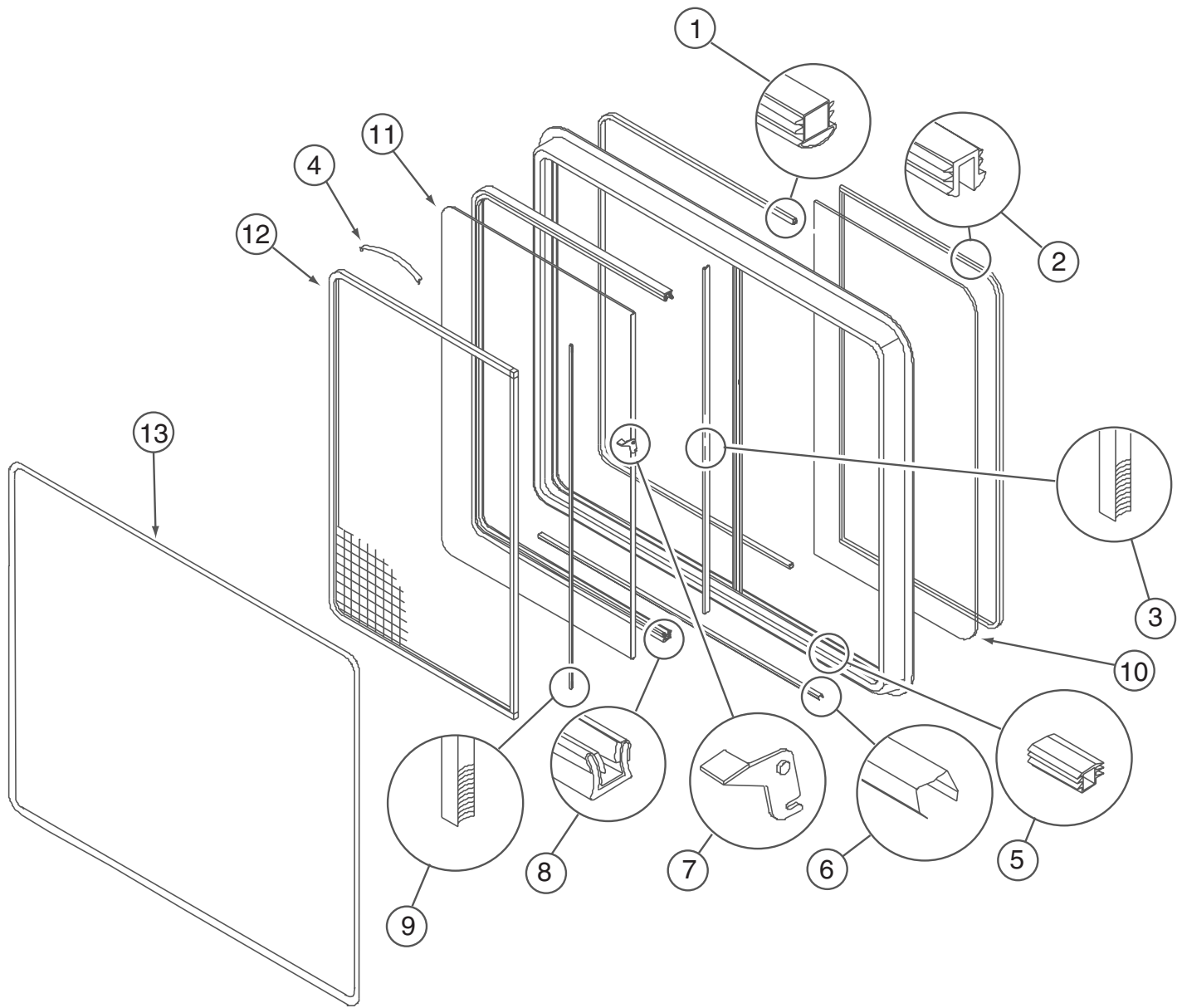
### WINDOW & VENT LAYOUT



| KEY | PART NUMBER   | U/M | DESCRIPTION   |
|-----|---------------|-----|---|
| 1*  | 113500-08-02A | EA  | WINDOW - DOUBLE TIPOUT ESCAPE - TINTED - 27.2" X 12.3"                        |
| 1*  | 137867-04-01A | EA  | WINDOW - DOUBLE TIPOUT - THERMO - 12.3" X 27.2" - <b>DUAL PANE</b>            |
| 2*  | 112463-03-02A | EA  | WINDOW - TIPOUT W/RETAINER - 33.3" X 30.2"                                    |
| 2*  | 129929-09-01A | EA  | WINDOW - TIPOUT/THERMO W/RETAINER - 30" X 33" - <b>DUAL PANE</b>              |
| 3*  | 098647-54-01A | EA  | WINDOW - DRIVER HORIZONTAL SLIDER - 57.5"W X 23.6"H                           |
| 3*  | 112795-81-01A | EA  | WINDOW - DRVR HORIZ SLIDER/ESCAPE - THERMO - 23.8" X 57.7" - <b>DUAL PANE</b> |
| 4*  | 106466-13-01A | EA  | WINDOW - CAB/DRIVER W/RETAINER - 44.6"T X 44.7"H X 46"B                       |
| 4*  | 106466-14-01A | EA  | WINDOW - CAB/DRVR THERMO W/RETAINER-44.6"T X 44.7"H X 46"B - <b>DUAL PANE</b> |
| 5*  | 112898-27-01A | EA  | WINDOW - VERTICAL SLIDER W/TRIM - THERMO - 12" X 29.4" - <b>DUAL PANE</b>     |
| 6*  | 098647-23-02A | EA  | WINDOW - PASS HORIZ SLIDER TINTED W/RETAINER-26.1" X 59.7"                    |
| 6*  | 112795-69-01A | EA  | WINDOW - PASSENGER HORIZ SLIDER - THERMO - 26.3" X 60" - <b>DUAL PANE</b>     |
| 7   | 138983-01-01A | EA  | VENT - MICROWAVE OUTER - BRIGHT WHITE   |
| 7   | 138983-03-01A | EA  | COVER - VENT MICROWAVE OUTER - BRIGHT WHITE                                   |
| 8*  | 112463-06-01A | EA  | WINDOW - TIPOUT/ESCAPE W/RETAINER - 42.2" X 30.1"                             |
| 8*  | 129929-08-01A | EA  | WINDOW - TIPOUT/THERMO/ESCAPE W/RETAINER - 42.2" X 30.2" - <b>DUAL PANE</b>   |
| 9*  | 123780-10-01A | EA  | FANTASTIC VENT-4"ROOF-W/FAN/PWR LIFT/DBL DOME-W/O THERM                       |
|     | 009440-01-000 | EA  | GEAR/ARM - LIFT - ROOF VENT COVER   |
| 10  | 122214-01-02A | EA  | PANEL - SKYLITE - INNER - W/ANGLED CORNER - WHITE                             |
| 10  | 138372-01-12B | EA  | TRIM - CORNER - SKYLIGHT - BRIGHT WHITE                                       |
| 10  | 139411-01-01A | EA  | PANEL/SKYLITE - OUTER - NEO ANGLE - WHITE                                     |
| 11* | 123780-09-01A | EA  | FANTASTIC VENT-4"ROOF- W/FAN/DBL DOME-W/O THERM/PWR LIFT                      |
|     | 009440-01-000 | EA  | GEAR/ARM - LIFT - ROOF VENT COVER   |

\*COMPONENT PARTS LISTED LATER IN THIS GROUP

**WINDOW & VENTS GROUP (CONTINUED)**  
**COMPONENT PARTS FOR WINDOWS & VENT LAYOUT**



**098647-23-02A**

| KEY | PART NUMBER   | U/M | DESCRIPTION                  | VENDOR NO. |
|-----|---------------|-----|------------------------------|------------|
| 1   | 098644-01-716 | FT  | PLUG - FILLER                | 132-014470 |
| 2   | 098644-01-705 | FT  | GLAZING - STRIP              | 132-010231 |
| 3   | 098644-01-706 | FT  | WEATHERSTRIP - GLASS         | 171-010668 |
| 4   | 098644-01-713 | EA  | CLIP - SCREEN - METAL        | 226-016966 |
| 4   | 125582-01-701 | EA  | CLIP - SCREEN - PLASTIC      | 130-005153 |
| 5   | 098644-01-719 | EA  | STOP - SLIDER GLASS          | 132-014203 |
| 6   | 098644-01-710 | FT  | TRACK - SCREEN SPACER 12'    | 132-017135 |
| 7   | 098644-01-700 | EA  | LATCH - REPAIR KIT (BLACK)   | B801-CK    |
| 8   | 098644-01-708 | FT  | CHANNEL - RUN PIERCED        | 122-016543 |
| 9   | 098644-01-711 | FT  | WEATHERSTRIP - SCREEN BLACK  | 171-016965 |
| 10  | 098647-23-703 | EA  | GLASS - STATIONARY           | 106-017622 |
| 11  | 098647-23-700 | EA  | GLASS SLIDING W/SASH & LATCH | H287-G9    |
| 12  | 098647-23-704 | EA  | SCREEN ASM - W/SEALS & CLIPS | 410-019066 |
| 13  | 098647-22-701 | EA  | RETAINER - TRIM              | H287-67    |
|     | 098644-01-717 | FT  | SPLINE - SCREEN              | 132-004716 |

**WINDOW & VENTS GROUP (CONTINUED)**  
**COMPONENT PARTS FOR WINDOWS & VENT LAYOUT (CONTINUED)**

098647-54-01A

| <b>KEY</b> | <b>PART NUMBER</b> | <b>U/M</b> | <b>DESCRIPTION</b>           | <b>VENDOR NO.</b> |
|------------|--------------------|------------|------------------------------|-------------------|
| 1          | 098644-01-716      | FT         | PLUG - FILLER                | 132-014470        |
| 2          | 098644-01-705      | FT         | GLAZING - STRIP              | 132-010231        |
| 3          | 098644-01-706      | FT         | WEATHERSTRIP - GLASS         | 171-010668        |
| 4          | 098644-01-713      | EA         | CLIP - SCREEN - METAL        | 226-016966        |
| 4          | 125582-01-701      | EA         | CLIP - SCREEN - PLASTIC      | 130-0             |
| 5          | 098644-01-719      | EA         | STOP - SLIDER GLASS          | 132-014203        |
| 6          | 098644-01-710      | FT         | TRACK - SCREEN SPACER 12'    | 132-017135        |
| 7          | 098644-01-700      | EA         | LATCH - REPAIR KIT (BLACK)   | B801-CK           |
| 8          | 098644-01-708      | FT         | CHANNEL - RUN PIERCED        | 122-016543        |
| 9          | 098644-01-711      | FT         | WEATHERSTRIP - SCREEN BLACK  | 171-016965        |
| 10         | 098647-47-700      | EA         | GLASS - STATIONARY           | 106-025224        |
| 11         | 098647-54-700      | EA         | GLASS-SLIDING W/SASH & LATCH | H666-G9           |
| 12         | 098647-47-702      | EA         | SCREEN ASM - W/SEALS & CLIPS | 410-025226        |
| 13         | 098647-47-704      | EA         | RETAINER - TRIM              | H493-66           |
|            | 098644-01-717      | FT         | SPLINE - SCREEN              | 132-004716        |

**WINDOW & VENTS GROUP (CONTINUED)**  
**COMPONENT PARTS FOR WINDOWS & VENT LAYOUT (CONTINUED)**

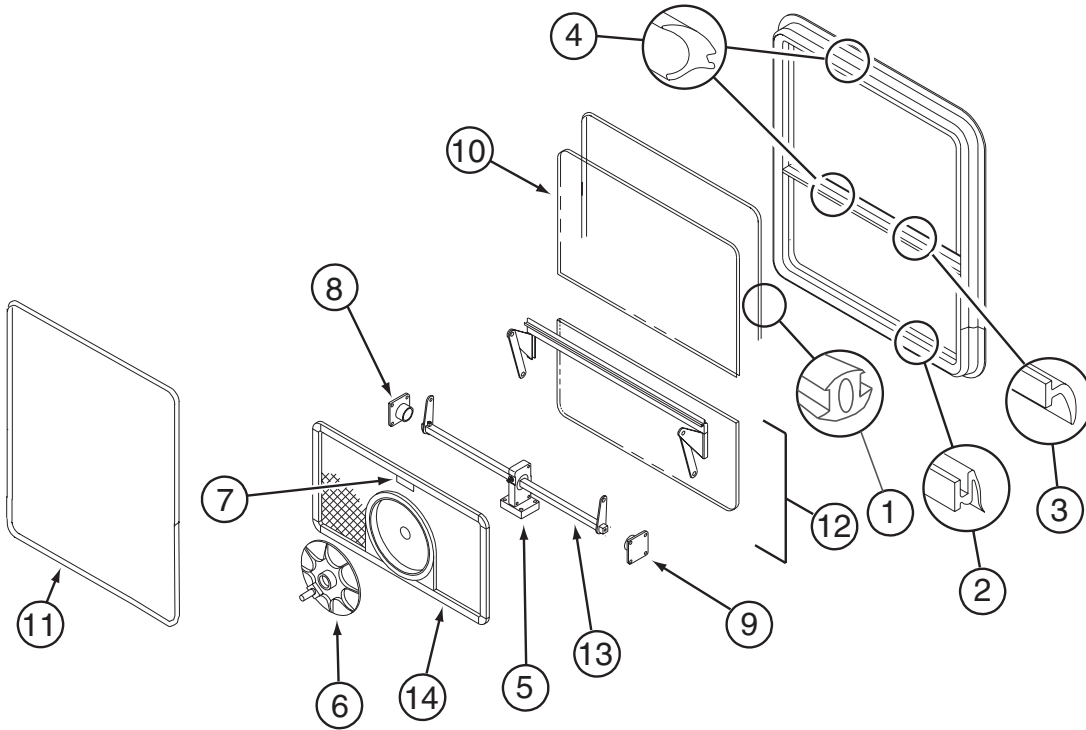
**106466-13-01A**

| <b>KEY</b> | <b>PART NUMBER</b> | <b>U/M</b> | <b>DESCRIPTION</b>           | <b>VENDOR NO.</b> |
|------------|--------------------|------------|------------------------------|-------------------|
|            | 098644-01-700      | EA         | LATCH - REPAIR KIT (BLACK)   | B801-CK           |
|            | 098644-01-705      | FT         | GLAZING - STRIP              | 132-010231        |
|            | 098644-01-706      | FT         | WEATHERSTRIP - GLASS         | 171-010668        |
|            | 098644-01-708      | FT         | CHANNEL - RUN PIERCED        | 122-016543        |
|            | 098644-01-710      | FT         | TRACK - SCREEN SPACER 12'    | 132-017135        |
|            | 098644-01-713      | EA         | CLIP - SCREEN - METAL        | 226-016966        |
|            | 098644-01-716      | FT         | PLUG - FILLER                | 132-014470        |
|            | 098644-01-717      | FT         | SPLINE - SCREEN              | 132-004716        |
|            | 098644-01-719      | EA         | STOP - SLIDER GLASS          | 132-014203        |
|            | 125582-01-701      | EA         | CLIP - SCREEN - PLASTIC      | 130-005153        |
|            | 106466-13-700      | EA         | GLASS - STATIONERY - UPPER   | 106-027475        |
|            | 106466-13-701      | EA         | GLASS - STATIONERY - LOWER   | 106-027476        |
|            | 106466-13-702      | EA         | GLASS/SLIDING-W/SASH & LATCH | H567-A9L          |
|            | 106466-13-703      | EA         | RETAINER - TRIM              | H671-66L          |
|            | 125582-01-708      | EA         | WEEPHOLE COVER - RIGHT HAND  | 130-026598        |
|            | 125582-01-709      | EA         | WEEPHOLE COVER - LEFT HAND   | 130-026599        |
|            | 125582-04-701      | EA         | SCREEN ASM - W/SEALS & CLIPS | 410-026544        |

**106466-14-01A**

| <b>KEY</b> | <b>PART NUMBER</b> | <b>U/M</b> | <b>DESCRIPTION</b>           | <b>VENDOR NO.</b> |
|------------|--------------------|------------|------------------------------|-------------------|
| 1          | 112795-01-704      | FT         | PLUG FILLER (DOUBLE GLAZED)  | 122-018737        |
| 2          | 112795-01-705      | FT         | VINYL - GLAZING              | 132-027331        |
| 3          | 098644-01-706      | FT         | WEATHERSTRIP - GLASS         | 171-010668        |
| 4          | 098644-01-713      | EA         | CLIP - SCREEN - METAL        | 226-016966        |
| 4          | 125582-01-701      | EA         | CLIP - SCREEN - PLASTIC      | 130-005153        |
| 5          | 112795-01-701      | EA         | SLIDE-STOP                   | 132-019092        |
| 6          | 098644-01-710      | FT         | TRACK - SCREEN SPACER 12'    | 132-017135        |
| 7          | 112795-01-700      | EA         | LATCH ASM., BLK.,(BOLT ON)   | DH287-CK          |
| 8          | 112795-01-703      | IN         | CHANNEL-RUN (INCHES)         | 122-027566        |
| 9          | 075673-05-000      | FT         | SEAL-PILE ADH BACK,BLK       | AMESBURY          |
| 10         | 106466-14-701      | EA         | GLASS - STATIONERY - LOWER   | 390-027478        |
| 11         | 106466-14-702      | EA         | GLASS-SLIDING W/SASH & LATCH | DH567-A9L         |
| 12         | 125582-04-701      | EA         | SCREEN ASM - W/SEALS & CLIPS | 410-026544        |
| 13         | 106466-13-703      | EA         | RETAINER - TRIM              | H671-66L          |
| 14         | 106466-14-700      | EA         | GLASS - STATIONERY - UPPER   | 390-027477        |
|            | 098644-01-717      | FT         | SPLINE - SCREEN              | 132-004716        |
|            | 125582-01-708      | EA         | WEEPHOLE COVER - RIGHT HAND  | 130-026598        |
|            | 125582-01-709      | EA         | WEEPHOLE COVER - LEFT HAND   | 130-026599        |

**WINDOW & VENTS GROUP (CONTINUED)**  
**COMPONENT PARTS FOR WINDOWS & VENT LAYOUT (CONTINUED)**



**112463-03-02A**

| KEY | PART NUMBER   | U/M | DESCRIPTION                  | VENDOR NO. |
|-----|---------------|-----|------------------------------|------------|
| 1   | 116976-01-702 | FT  | FILLER PLUG                  | 132-016065 |
| 2   | 100322-01-701 | FT  | SEAL-VENT                    | 122-016071 |
| 3   | 100322-01-702 | EA  | WEATHERSTRIP-HORIZ RAIL-148" | 132-019631 |
| 4   | 100322-01-703 | FT  | VINYL-GLAZING, BUTYL         | 132-010723 |
| 5   | 100322-01-716 | EA  | SUPPORT-TORQUE BAR, CTR RAIL | 130-015980 |
| 6   | 100322-01-718 | EA  | HANDLE-DIAL                  | 410-016081 |
| 7   | 112519-01-706 | EA  | CLIP-SCREEN                  | CH21-50    |
| 8   | 113500-01-707 | EA  | SUPPORT - TORQUE BAR RH      | 130-015979 |
| 9   | 113500-01-708 | EA  | SUPPORT - TORQUE BAR LH      | 130-015978 |
| 10  | 112463-03-701 | EA  | GLASS - STATIONARY           | 106-025377 |
| 11  | 112463-03-704 | EA  | RETAINER - TRIM              | CB100-59   |
| 12  | 112463-03-700 | EA  | VENT ASSEMBLY                | CH100-G9   |
| 13  | 113500-05-703 | EA  | OPERATOR & BAR ASSEMBLY      | CH10-15    |
| 14  | 112463-03-703 | EA  | SCREEN ASM - W/SEALS & CLIPS | 410-018439 |
|     | 100322-01-717 | EA  | E-RING                       | 245-015975 |

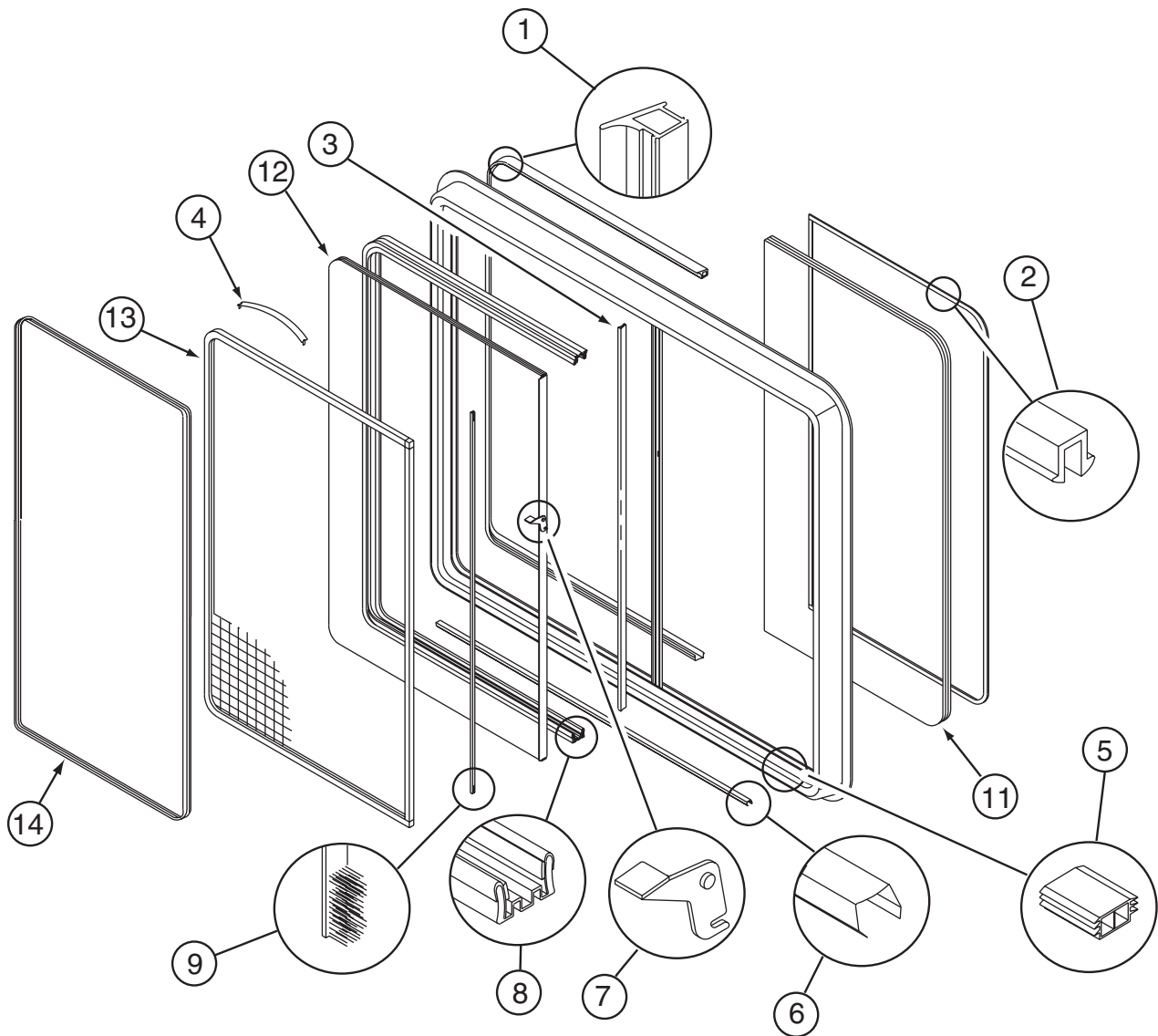
**112463-06-01A**

| KEY | PART NUMBER   | U/M | DESCRIPTION                  | VENDOR NO. |
|-----|---------------|-----|------------------------------|------------|
| 1   | 116976-01-702 | FT  | FILLER PLUG                  | 132-016065 |
| 2   | 100322-01-701 | FT  | SEAL-VENT                    | 122-016071 |
| 3   | 100322-01-702 | EA  | WEATHERSTRIP-HORIZ RAIL-148" | 132-019631 |
| 4   | 100322-01-703 | FT  | VINYL-GLAZING, BUTYL         | 132-010723 |
| 5   | 100322-01-716 | EA  | SUPPORT-TORQUE BAR, CTR RAIL | 130-015980 |
| 6   | 100322-01-718 | EA  | HANDLE-DIAL                  | 410-016081 |
| 7   | 112519-01-706 | EA  | CLIP-SCREEN                  | CH21-50    |
| 8   | 113500-01-707 | EA  | SUPPORT - TORQUE BAR RH      | 130-015979 |
| 9   | 113500-01-708 | EA  | SUPPORT - TORQUE BAR LH      | 130-015978 |
| 10  | 112463-06-700 | EA  | GLASS - STATIONARY           | 106-018413 |
| 11  | 112463-06-701 | EA  | RETAINER - TRIM              | CH65-59    |
| 13  | 112463-05-702 | EA  | OPERATOR & BAR ASSEMBLY      | CH65-15    |
| 14  | 112463-05-701 | EA  | SCREEN ASM - W/SEALS & CLIPS | 410-018441 |

CONTACT WINNEBAGO PART SALES FOR UNLISTED COMPONENTS



**WINDOW & VENTS GROUP (CONTINUED)**  
**COMPONENT PARTS FOR WINDOWS & VENT LAYOUT (CONTINUED)**



**112795-69-01A**

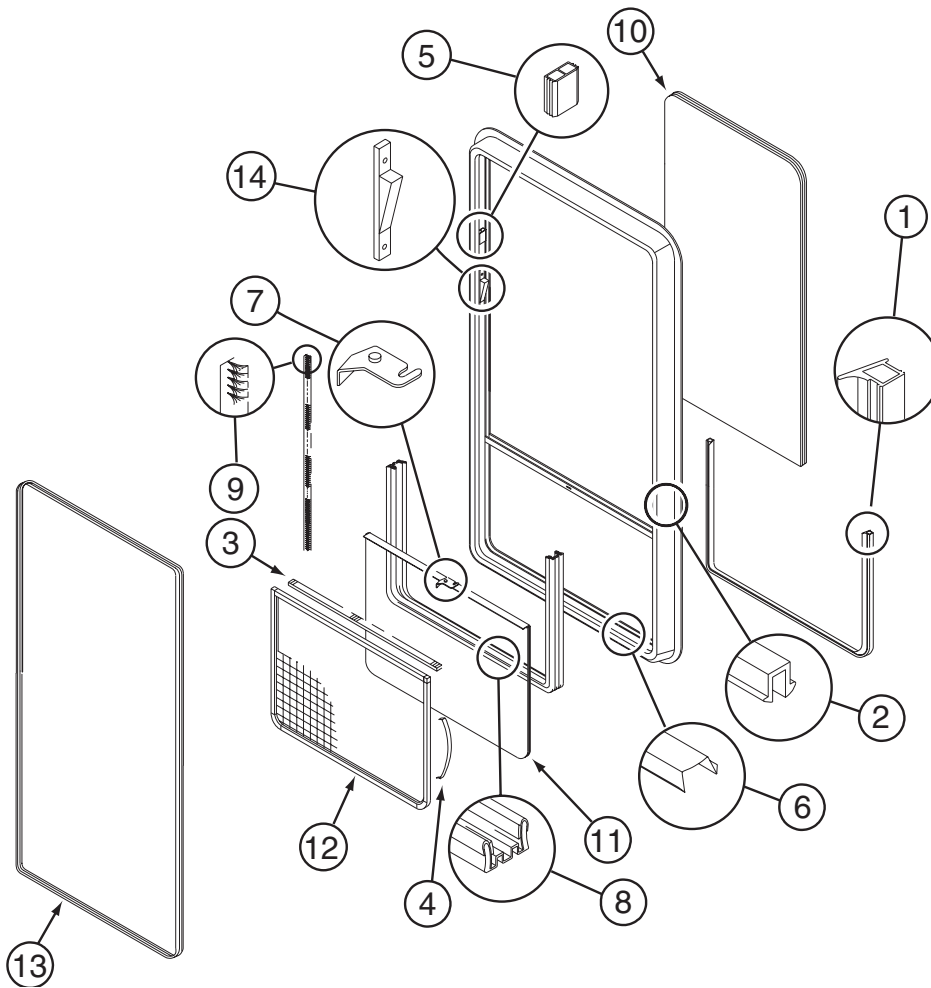
| KEY | PART NUMBER   | U/M | DESCRIPTION                  | VENDOR NO. |
|-----|---------------|-----|------------------------------|------------|
| 1   | 112795-01-704 | FT  | PLUG FILLER (DOUBLE GLAZED)  | 122-018737 |
| 2   | 112795-01-705 | FT  | VINYL - GLAZING              | 132-025736 |
| 3   | 098644-01-706 | FT  | WEATHERSTRIP - GLASS         | 171-010668 |
| 4   | 098644-01-713 | EA  | CLIP - SCREEN - METAL        | 226-016966 |
| 4   | 125582-01-701 | EA  | CLIP - SCREEN - PLASTIC      | 130-005153 |
|     | 098644-01-717 | FT  | SPLINE - SCREEN              | 132-004716 |
| 5   | 112795-01-701 | EA  | SLIDE-STOP                   | 132-019092 |
| 6   | 098644-01-710 | FT  | TRACK - SCREEN SPACER 12'    | 132-017135 |
| 7   | 112795-01-700 | EA  | LATCH ASM., BLK.,(BOLT ON)   | DH287-CK   |
| 8   | 112795-01-703 | IN  | CHANNEL-RUN (INCHES)         | 122-018736 |
| 9   | 098644-01-711 | FT  | WEATHERSTRIP - SCREEN BLACK  | 171-016965 |
| 11  | 112795-68-700 | EA  | GLASS - STATIONARY           | 390-028353 |
| 12  | 112795-68-701 | EA  | GLASS - SLIDING W/SASH LATCH | 390-028353 |
| 13  | 098647-23-704 | EA  | SCREEN ASSY - W/SEAL & CLIPS | 410-019066 |
| 14  | 098647-27-704 | EA  | RETAINER - TRIM              | H287-66    |

**WINDOW & VENTS GROUP (CONTINUED)**  
**COMPONENT PARTS FOR WINDOWS & VENT LAYOUT (CONTINUED)**

112795-81-01A

| KEY | PART NUMBER   | U/M | DESCRIPTION                  | VENDOR NO. |
|-----|---------------|-----|------------------------------|------------|
| 1   | 112795-01-704 | FT  | PLUG FILLER (DOUBLE GLAZED)  | 122-018737 |
| 2   | 112795-01-705 | FT  | VINYL - GLAZING              | 132-025736 |
| 3   | 098644-01-706 | FT  | WEATHERSTRIP - GLASS         | 171-010668 |
| 4   | 098644-01-713 | EA  | CLIP - SCREEN - METAL        | 226-016966 |
| 4   | 125582-01-701 | EA  | CLIP - SCREEN - PLASTIC      | 130-005153 |
|     | 098644-01-717 | FT  | SPLINE - SCREEN              | 132-004716 |
| 5   | 112795-01-701 | EA  | SLIDE-STOP                   | 132-019092 |
| 6   | 098644-01-710 | FT  | TRACK - SCREEN SPACER 12'    | 132-017135 |
| 7   | 112795-01-700 | EA  | LATCH ASM., BLK.,(BOLT ON)   | DH287-CK   |
| 8   | 112795-01-703 | IN  | CHANNEL-RUN (INCHES)         | 122-018736 |
| 9   | 098644-01-711 | FT  | WEATHERSTRIP - SCREEN BLACK  | 171-016965 |
| 11  | 112795-77-700 | EA  | GLASS - STATIONARY           | 390-28313  |
| 12  | 112795-77-701 | EA  | GLASS - SLIDING W/SASH LATCH | DH493-G8   |
| 13  | 098647-47-702 | EA  | SCREEN ASSY - W/SEAL & CLIPS | 410-025226 |
| 14  | 098647-47-704 | EA  | RETAINER - TRIM              | H493-66    |

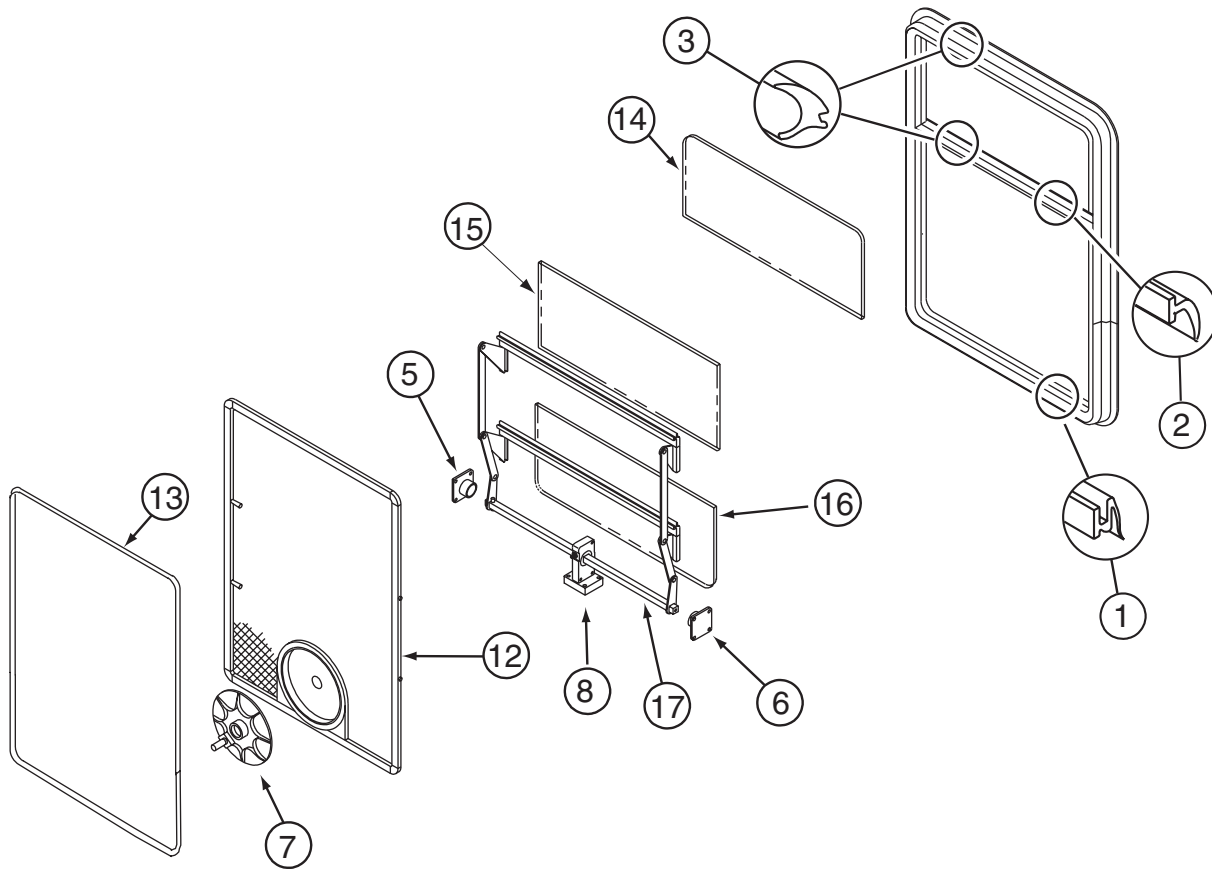
**WINDOW & VENTS GROUP (CONTINUED)**  
**COMPONENT PARTS FOR WINDOWS & VENT LAYOUT (CONTINUED)**



112898-27-01A

| KEY | PART NUMBER   | U/M | DESCRIPTION                  | VENDOR NO. |
|-----|---------------|-----|------------------------------|------------|
| 1   | 112795-01-704 | FT  | PLUG FILLER (DOUBLE GLAZED)  | 122-018737 |
| 2   | 112795-01-705 | FT  | VINYL - GLAZING              | 132-027331 |
| 3   | 098644-01-706 | FT  | WEATHERSTRIP - GLASS         | 171-010668 |
| 4   | 098644-01-713 | EA  | CLIP - SCREEN - METAL        | 226-016966 |
| 4   | 125582-01-701 | EA  | CLIP - SCREEN - PLASTIC      | 130-005153 |
| 5   | 112795-01-701 | EA  | SLIDE-STOP                   | 132-019092 |
| 6   | 098644-01-710 | FT  | TRACK - SCREEN SPACER 12'    | 132-017135 |
| 7   | 112795-01-700 | EA  | LATCH ASM., BLK.,(BOLT ON)   | DH287-CK   |
| 8   | 112795-01-703 | IN  | CHANNEL-RUN (INCHES)         | 122-027566 |
| 9   | 075673-05-000 | FT  | SEAL-PILE ADH BACK,BLK       | AMESBURY   |
| 10  | 112898-27-700 | EA  | GLASS - STATIONARY           | 390-029191 |
| 11  | 112898-27-701 | EA  | GLASS-SLIDING W/SASH & LATCH | DH755-G8   |
| 12  | 112898-27-702 | EA  | SCREEN ASM W/SEALS & CLIPS   | 410-029193 |
| 13  | 113733-13-701 | EA  | RETAINER - TRIM              | H754-66    |
|     | 098644-01-717 | FT  | SPLINE - SCREEN              | 132-004716 |

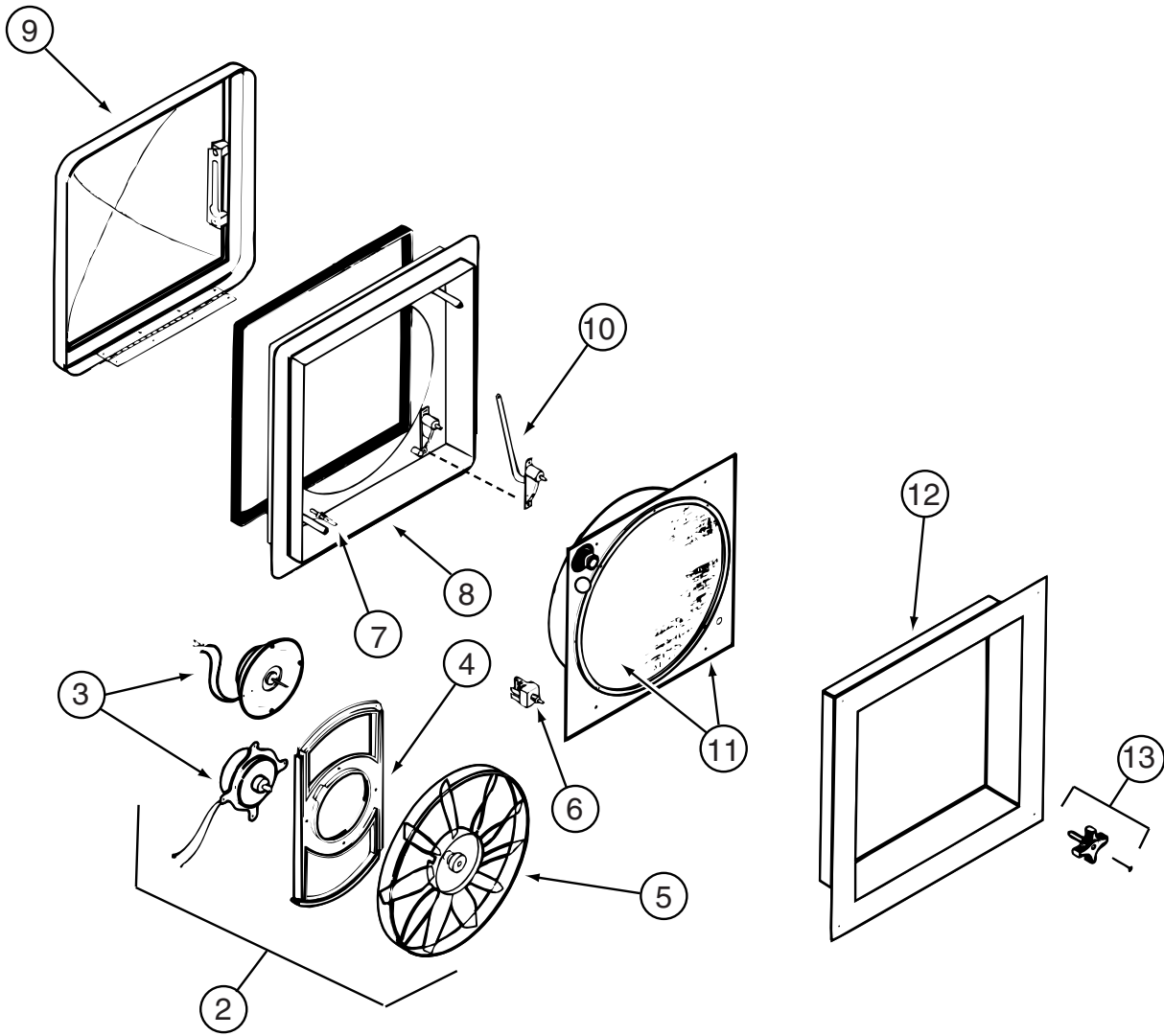
**WINDOW & VENTS GROUP (CONTINUED)**  
**COMPONENT PARTS FOR WINDOWS & VENT LAYOUT (CONTINUED)**



113500-08-02A

| KEY | PART NUMBER   | U/M | DESCRIPTION                  | VENDOR NO. |
|-----|---------------|-----|------------------------------|------------|
| 1   | 116976-01-702 | FT  | FILLER PLUG                  | 132-016065 |
| 2   | 100322-01-701 | FT  | SEAL-VENT                    | 122-016071 |
| 3   | 100322-01-702 | EA  | WEATHERSTRIP-HORIZ RAIL-148" | 132-019631 |
|     | 100322-01-703 | FT  | VINYL-GLAZING, BUTYL         | 132-010723 |
| 5   | 100322-01-714 | EA  | SUPPORT-TORQUE BAR, LH       | 130-015978 |
| 6   | 100322-01-715 | EA  | SUPPORT-TORQUE BAR, RH       | 130-015979 |
| 7   | 100322-01-718 | EA  | HANDLE-DIAL                  | 410-016081 |
| 8   | 112519-01-702 | EA  | TORQUE-CTR SUPPORT (4 HOLE)  | 410-016123 |
| 12  | 113500-08-704 | EA  | SCREEN - W/SEAL & CLIPS      | 410-029099 |
| 13  | 113500-08-705 | EA  | RETAINER - TRIM              | H298-59    |
| 14  | 113500-08-700 | EA  | GLASS - STATIONARY           | 106-029307 |
| 15  | 113500-08-701 | EA  | GLASS - UPPER VENT ASSEMBLY  | CH115-G7   |
| 16  | 113500-08-702 | EA  | GLASS - LOWER VENT ASSEMBLY  | CH115-G9   |
| 17  | 113500-08-703 | EA  | OPERATOR BAR ASSEMBLY        | CH115-15   |
|     | 100322-01-717 | EA  | E-RING                       | 245-015975 |
|     | 112463-02-706 | FT  | SEAL - FOAM RUBBER           | 140-014727 |

**WINDOW & VENTS GROUP (CONTINUED)**  
**COMPONENT PARTS FOR WINDOWS & VENT LAYOUT (CONTINUED)**

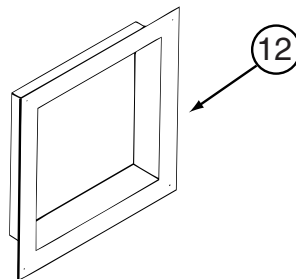
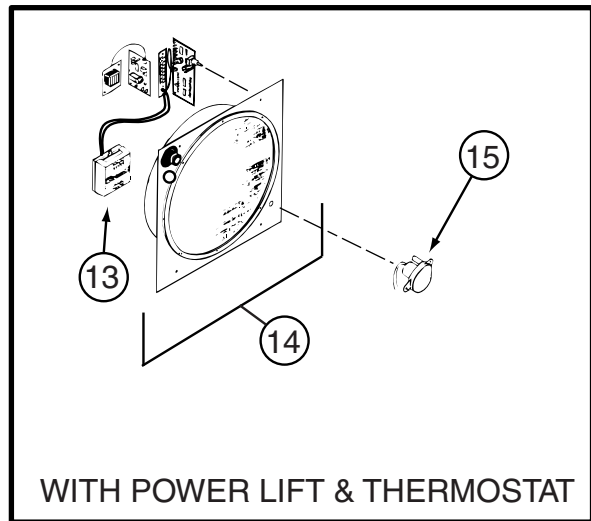
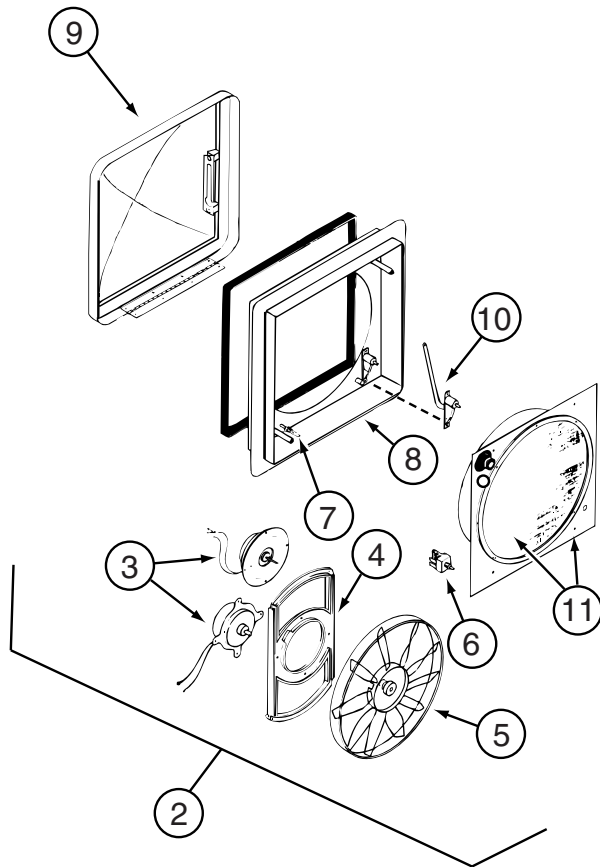


**123780-09-01A**

| <b>KEY</b> | <b>PART NUMBER</b> | <b>U/M</b> | <b>DESCRIPTION</b>           | <b>VENDOR NO.</b> |
|------------|--------------------|------------|------------------------------|-------------------|
| 2          | 084079-11-700      | EA         | MOTOR & FAN BLADE W/BRACKET  | K4017-09          |
| 3          | 084079-01-705      | EA         | MOTOR/EXT BRKT/FAN BLADE KIT | 1080-00           |
| 5          | 084079-01-704      | EA         | BLADE-FAN                    | 1138-00           |
| 6          | 084079-01-709      | EA         | SWITCH - MAIN - 3 SPEED      | 1031-05           |
| 7          | 084079-01-707      | EA         | SWITCH - SAFETY              | 1122-05           |
| 8          | 123780-05-700      | EA         | BASE/MAIN-BRT WHT W/GASKET   | 1010-81           |
| 9          | 123780-09-700      | EA         | DOME (DOUBLE)WHT TRANSPARENT | K2020-82          |
| 10         | 009440-01-000      | EA         | GEAR-ARM-ROOF VENT           | 705221K38         |
| 11         | 123780-03-701      | EA         | SCREEN ASM 78-100MM W/SWITCH | 1030BT-81         |
| 12         | 123780-03-700      | EA         | GARNISH - INT. 3"-4" BRT/WHT | 2040-81           |
| 13         | 084079-01-703      | EA         | KNOB-LIFT, W/EXT.            | 1140K-00          |
|            | 123780-01-702      | EA         | SCREEN INSERT (SCREEN RING)  | K1035-81          |

CONTACT WINNEBAGO PART SALES FOR UNLISTED COMPONENTS

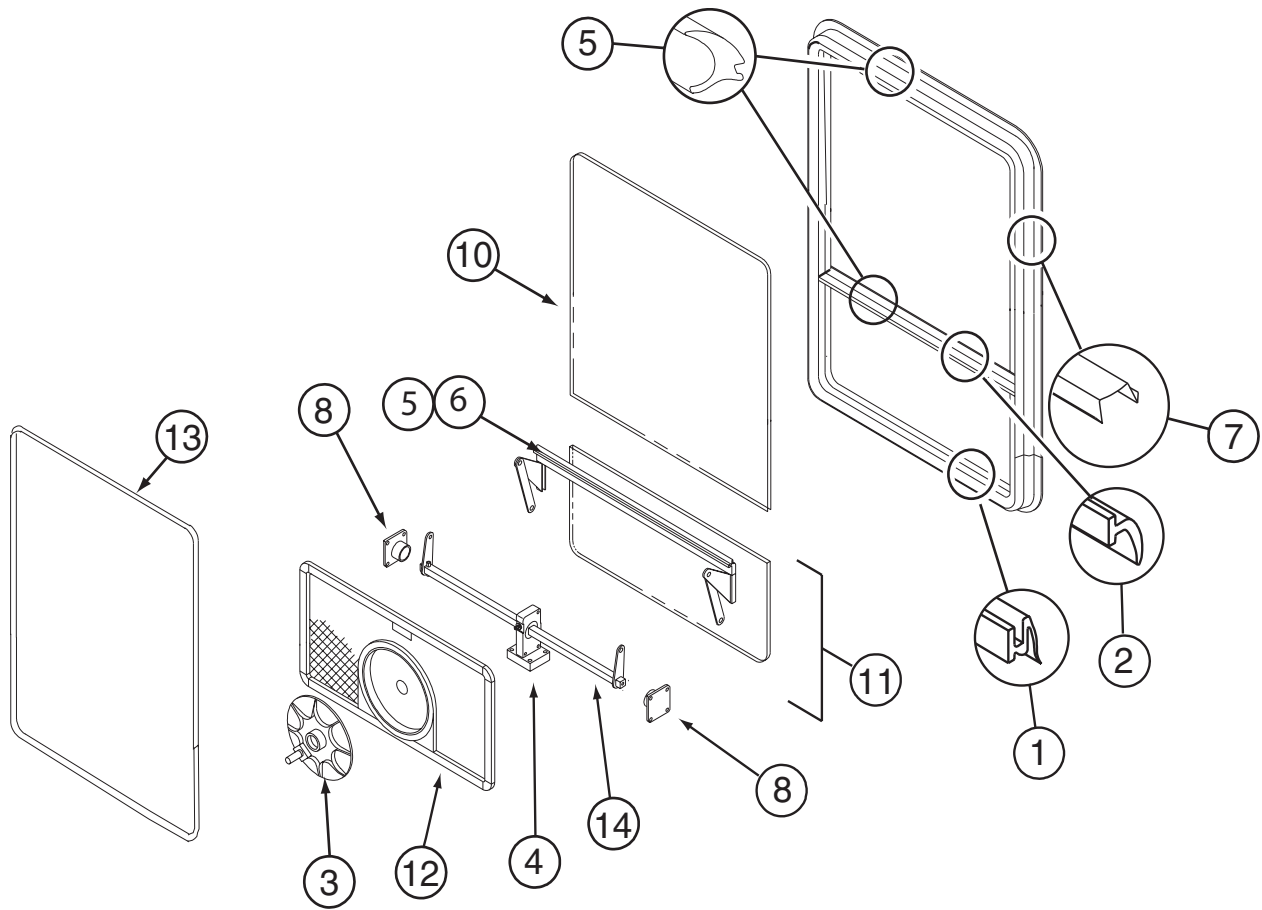
**WINDOW & VENTS GROUP (CONTINUED)**  
**COMPONENT PARTS FOR WINDOWS & VENT LAYOUT (CONTINUED)**



| KEY | PART NUMBER   | U/M | DESCRIPTION                   | VENDOR NO. |
|-----|---------------|-----|-------------------------------|------------|
| 2   | 084079-11-700 | EA  | MOTOR & FAN BLADE W/BRACKET   | K4017-09   |
| 3   | 084079-01-705 | EA  | MOTOR/EXT BRKT/FAN BLADE KIT  | 1080-00    |
| 5   | 084079-01-704 | EA  | BLADE-FAN                     | 1138-00    |
| 6   | 084079-01-709 | EA  | SWITCH - MAIN - 3 SPEED       | 1031-05    |
| 7   | 084079-01-707 | EA  | SWITCH - SAFETY               | 1122-05    |
| 8   | 123780-05-700 | EA  | BASE/MAIN-BRT WHT W/GASKET    | 1010-81    |
| 9   | 123780-09-700 | EA  | DOMES (DOUBLE)WHT TRANSPARENT | K2020-82   |
| 10  | 009440-01-000 | EA  | GEAR-ARM-ROOF VENT            | 705221K38  |
| 12  | 123780-03-700 | EA  | GARNISH - INT. 3"-4" BRT/WHT  | 2040-81    |
| 13  | 084079-01-710 | EA  | THERMOSTAT(WALL MT)ANY COLOR  | 9988-81    |
| 14  | 123780-05-701 | EA  | SCREEN INT W/ALL SWITCHES     | KIT-81     |
| 15  | 084079-11-703 | EA  | MOTOR/AUTO LIFT OFF/WHT CAP   | 6050-80 OS |
| 15  | 084079-11-705 | EA  | MOTOR - LIFT (BC MOTOR)       | 5050-40    |
| 15  | 084079-11-707 | EA  | MOTOR-AUTO LIFT-WHT CAP NS    | 6050-81 NS |
|     | 123780-01-702 | EA  | SCREEN INSERT (SCREEN RING)   | K1035-81   |

CONTACT WINNEBAGO PART SALES FOR UNLISTED COMPONENTS

**WINDOW & VENTS GROUP (CONTINUED)**  
**COMPONENT PARTS FOR WINDOWS & VENT LAYOUT (CONTINUED)**



**129929-08-01A**

| KEY | PART NUMBER   | U/M | DESCRIPTION                  | VENDOR NO . |
|-----|---------------|-----|------------------------------|-------------|
| 1   | 100322-01-701 | FT  | SEAL-VENT                    | 122-016071  |
| 3   | 100322-01-718 | EA  | HANDLE-DIAL                  | 410-016081  |
| 4   | 129929-01-710 | EA  | TORQUE-CTR SUPPORT (2 HOLE)  | 410-026806  |
| 5   | 129929-01-705 | FT  | GLAZING VINYL                | 132-026811  |
| 6   | 129929-01-707 | FT  | COVER/SCREW-FILLER STRIP     | 132-026808  |
| 8   | 129929-01-708 | EA  | SUPPORT - TORQUE BAR - RT/LT | 130-026804  |
| 10  | 129929-08-700 | EA  | GLASS - STATIONARY           | 390-028303  |
| 11  | 129929-10-701 | EA  | VENT GLASS ASSEMBLY          | DTH002-G8   |
| 12  | 129929-02-702 | EA  | SCREEN ASM - W/SEALS & CLIPS | 410-026861  |
| 13  | 129929-02-707 | EA  | RETAINER - TRIM              | CH10162     |
| 14  | 129929-02-704 | EA  | OPERATOR BAR ASSEMBLY        | DTH002-15   |
|     | 100322-01-717 | FT  | SEAL - VENT                  | 122-016071  |
|     | 129929-01-706 | FT  | SEAL - TOP F/CENTER EGRESS   | 132-026811  |
|     | 129929-02-706 | FT  | SEAL - FOAM                  | 140-027022  |

CONTACT WINNEBAGO PART SALES FOR UNLISTED COMPONENTS

**WINDOW & VENTS GROUP (CONTINUED)**  
**COMPONENT PARTS FOR WINDOWS & VENT LAYOUT (CONTINUED)**

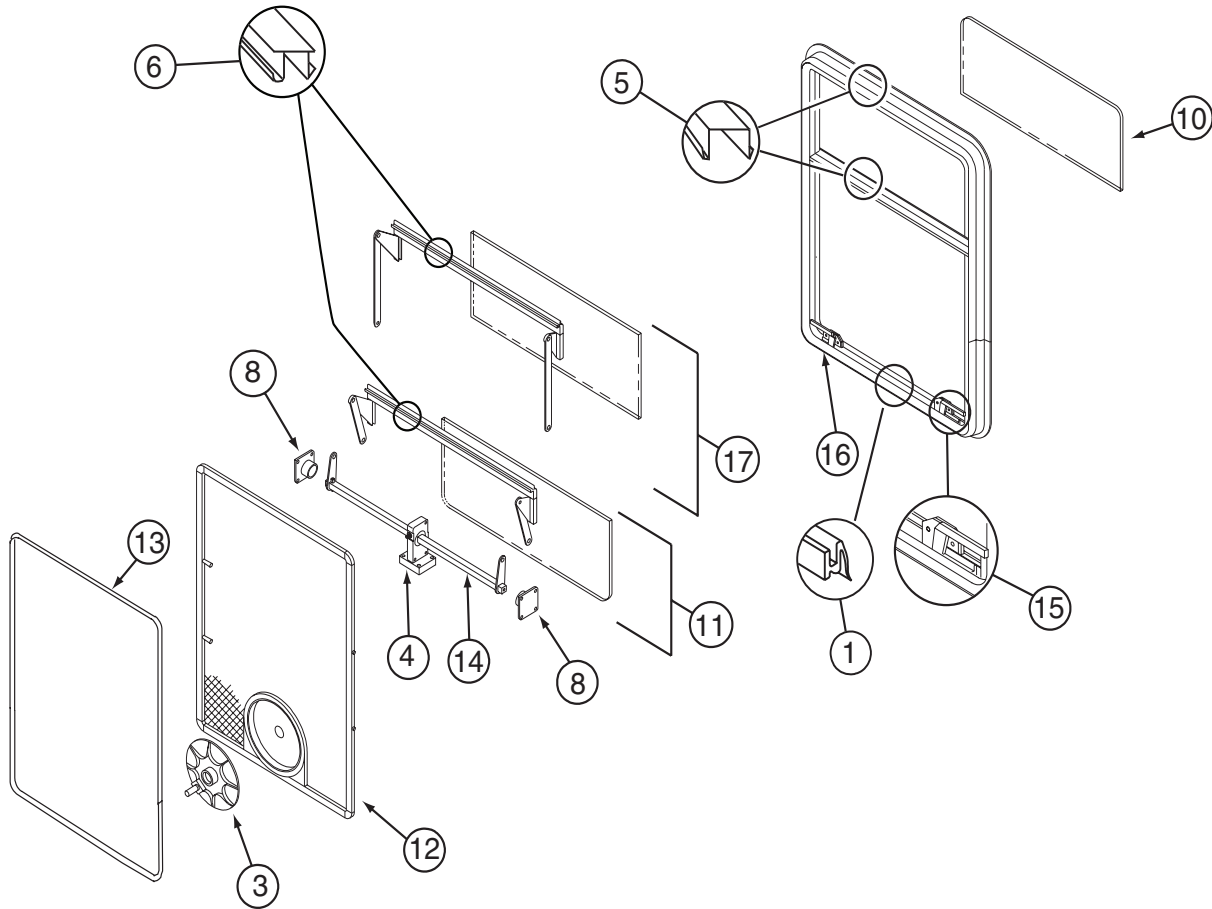
129929-09-01A

| KEY | PART NUMBER   | U/M | DESCRIPTION                  | VENDOR NO . |
|-----|---------------|-----|------------------------------|-------------|
| 1   | 100322-01-701 | FT  | SEAL-VENT                    | 122-016071  |
| 3   | 100322-01-718 | EA  | HANDLE-DIAL                  | 410-016081  |
| 4   | 129929-01-710 | EA  | TORQUE-CTR SUPPORT (2 HOLE)  | 410-026806  |
| 5   | 129929-01-705 | FT  | GLAZING VINYL                | 132-026811  |
| 6   | 129929-01-707 | FT  | COVER/SCREW-FILLER STRIP     | 132-026808  |
| 8   | 129929-01-708 | EA  | SUPPORT - TORQUE BAR - RT/LT | 130-026804  |
| 10  | 129929-09-700 | EA  | GLASS - STATIONARY           | 390-028298  |
| 11  | 129929-09-701 | EA  | VENT GLASS ASSEMBLY          | DTH001-G8   |
| 12  | 129929-01-702 | EA  | SCREEN ASM - W/SEALS & CLIPS | 410-026858  |
| 13  | 129920-01-709 | EA  | RETAINER - TRIM              | CH10062     |
| 14  | 129929-01-704 | EA  | OPERATOR BAR ASSEMBLY        | DTH001-15   |
|     | 100322-01-717 | FT  | SEAL - VENT                  | 122-016071  |
|     | 129929-01-706 | FT  | SEAL - TOP F/CENTER EGRESS   | 132-026811  |
|     | 129929-02-706 | FT  | SEAL - FOAM                  | 140-027022  |

CONTACT WINNEBAGO PART SALES FOR UNLISTED COMPONENTS



**WINDOW & VENTS GROUP (CONTINUED)**  
**COMPONENT PARTS FOR WINDOWS & VENT LAYOUT (CONTINUED)**



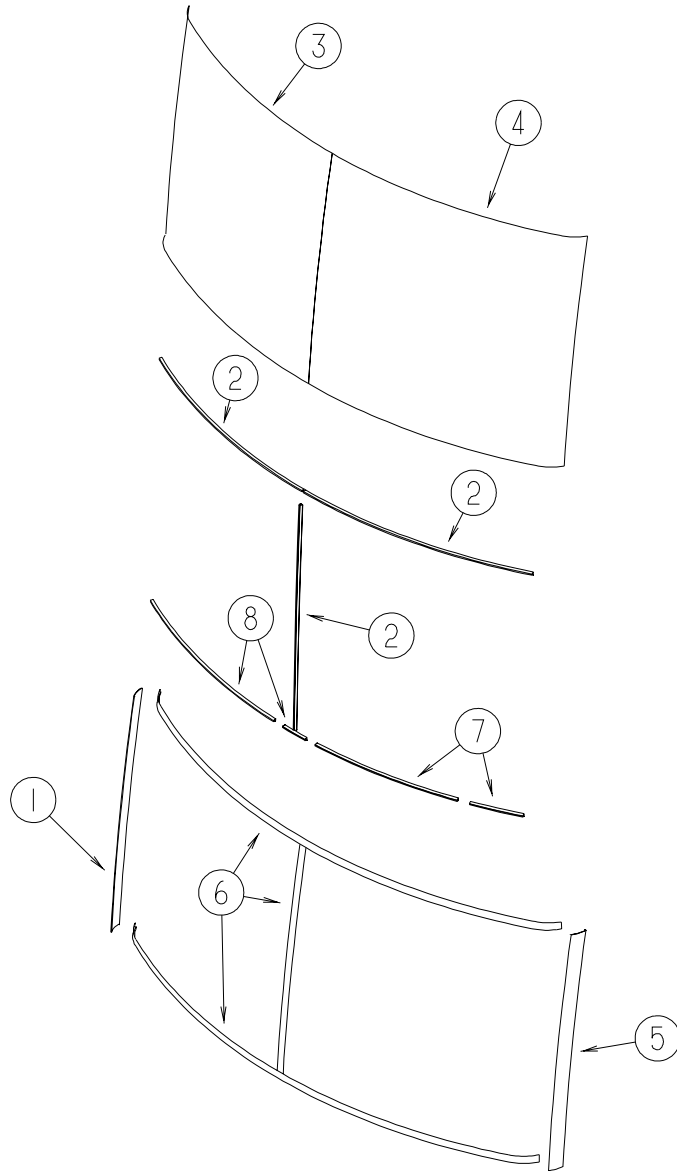
**137867-04-01A**

| KEY | PART NUMBER   | U/M | DESCRIPTION                  | VENDOR NO. |
|-----|---------------|-----|------------------------------|------------|
| 1   | 100322-01-701 | FT  | SEAL-VENT                    | 122-016071 |
| 3   | 100322-01-718 | EA  | HANDLE-DIAL                  | 410-016081 |
| 4   | 129929-01-710 | EA  | TORQUE-CTR SUPPORT (2 HOLE)  | 410-026806 |
| 5   | 129929-01-705 | FT  | GLAZING VINYL                | 132-026811 |
| 6   | 129929-01-707 | FT  | COVER/SCREW-FILLER STRIP     | 132-026808 |
| 8   | 129929-01-708 | EA  | SUPPORT - TORQUE BAR - RT/LT | 130-026804 |
| 10  | 137867-04-700 | EA  | GLASS - STATIONARY (DBL GLZ) | 390-029416 |
| 10  | 137867-04-704 | EA  | RETAINER - TRIM              | H298-62    |
| 11  | 137867-04-701 | EA  | VENT ASSEMBLY LWR (DBL GLZ)  | DTH025-G8  |
| 12  | 137867-04-703 | EA  | SCREEN ASSEMBLY W/SEAL/CLIPS | 410-029417 |
| 13  | 137867-03-703 | EA  | RETAINER - TRIM              | DTH023-62  |
| 14  | 137867-03-704 | EA  | OPERATOR BAR ASSEMBLY        | DTH025-15  |
| 15  | NOT USED      |     |                              |            |
| 16  | NOT USED      |     |                              |            |
| 17  | 137867-04-702 | EA  | VENT ASSEMBLY UPR (DBL GLZ)  | DTH025-G6  |
|     | 100322-01-717 | EA  | E-RING                       | 245-015975 |
|     | 129929-01-706 | IN  | SEAL - TOP F/CENTER EGRESS   | 132-026811 |
|     | 129929-02-706 | FT  | SEAL - FOAM                  | 140-027022 |

CONTACT WINNEBAGO PART SALES FOR UNLISTED COMPONENTS

# WINDSHIELD & WIPER GROUP

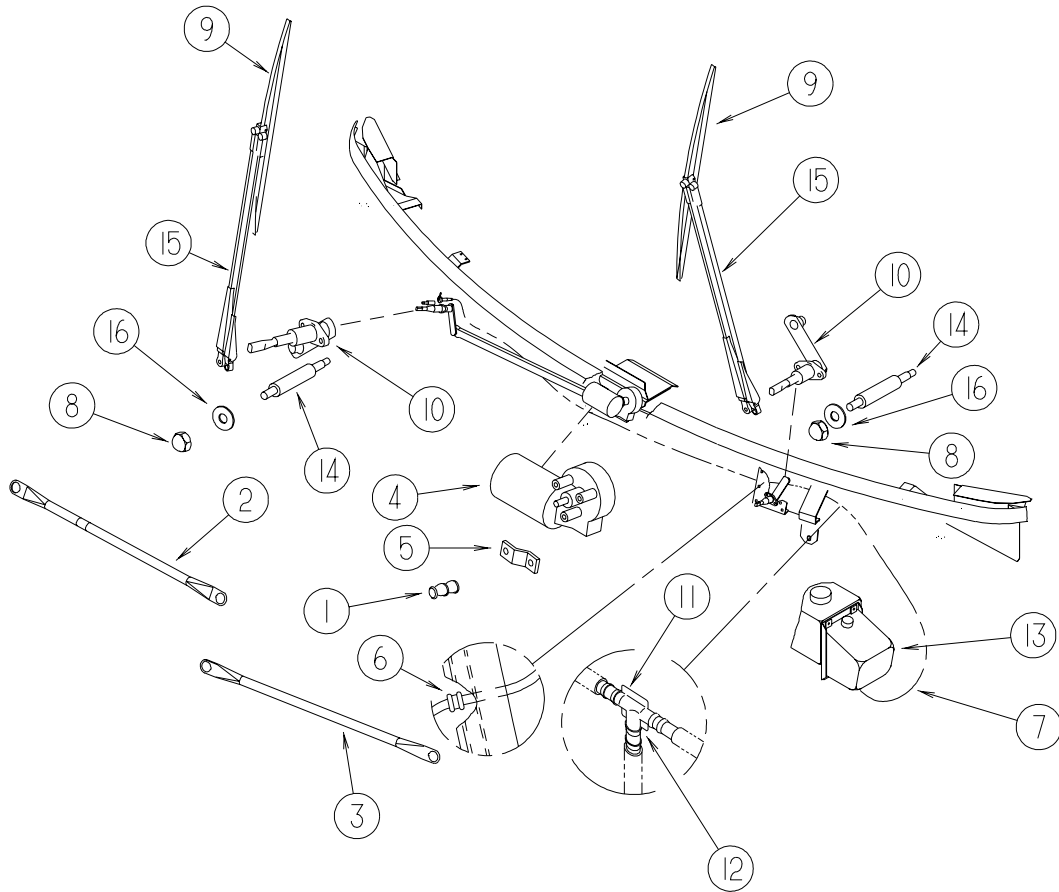
## WINDSHIELD



| KEY | PART NUMBER   | U/M | DESCRIPTION  |
|-----|---------------|-----|--|
| 1   | 129497-05-03A | EA  | TRIM - WINDSHIELD - PASSENGER A-PILLAR - BRIGHT WHITE<br>FROM: 00-00-00 THRU: 07-28-02 |
| 1   | 129497-05-02A | EA  | TRIM - PASSENGER A-PILLAR - BLACK<br>FROM: 07-29-02 THRU: 99-99-99                     |
| 2   | 127862-01-000 | EA  | CARRIER - REVEAL - WINDSHIELD - 47.2"  |
| 3   | 131244-01-000 | EA  | WINDSHIELD - PASSENGER - 52.5" X 44.4" (CURVED)  |
| 4   | 131244-02-000 | EA  | WINDSHIELD - DRIVER - 52.5" X 44.4" (CURVED)   |
| 5   | 129497-06-03A | EA  | TRIM - WINDSHIELD - DRIVER A-PILLAR - BRIGHT WHITE<br>FROM: 00-00-00 THRU: 07-28-02    |
| 5   | 129497-06-02A | EA  | TRIM - DRIVER A-PILLAR - BLACK<br>FROM: 07-29-02 THRU: 99-99-99                        |
| 6   | 120533-01-000 | FT  | MOLDING - REVEAL - WINDSHIELD  |
| 7   | 117335-01-000 | EA  | CARRIER/REVEAL - 94.6" W/ADHESIVE BACKING  |
| 8   | 132375-02-000 | EA  | CARRIER - REVEAL/WINDSHIELD - 10   |
|     | 081914-02-000 | EA  | BUMPER - RUBBER - ROUND - 5/16" DIA. X 13/64" THICK                                    |

# WINDSHIELD & WIPER GROUP (CONTINUED)

## WIPER



| KEY | PART NUMBER   | U/M | DESCRIPTION   |
|-----|---------------|-----|---|
| 1   | 067188-01-000 | EA  | STUD - CRANK - WIPER MOTOR                                |
|     | 117322-01-000 | EA  | SCREW - 1/4-28 UNFINISHED - 2A - TORX                     |
| 2   | 117770-01-000 | EA  | LINK - CONNECTING - 24" - CLOSED GROMMET/OPEN GROMMET     |
| 3   | 117770-02-000 | EA  | LINK - CONNECTING - 24" - CLOSED GROMMET/CLOSED GROMMET   |
| 4   | 104346-05-000 | EA  | WIPER MOTOR - W/INTERNAL BREAKER - DYNAMIC PARK - FORD    |
| 5   | 104347-04-000 | EA  | ARM - DRIVE - WIPER MOTOR                                 |
| 6   | 061603-01-000 | EA  | GROMMET - SNAP - 3/16"ID - 3/8" HOLE - PLASTIC BLACK      |
| 7   | 045794-01-000 | FT  | HOSE - WASHER - WINDSHIELD - 5/32" ID - BLACK             |
| 8   | 077049-02-000 | EA  | NUT - ACORN - 10-32 BLACK/ANODIZED                        |
| 9*  | 095964-01-000 | EA  | BLADE - WINDSHIELD WIPER - 24"                            |
| 10* | 096505-09-000 | EA  | SHAFT/PIVOT - WINDSHIELD WIPER                            |
| 11  | 110605-01-000 | EA  | TEE - PLASTIC - BARBED - 1/8" X 1/8" X 3/16"              |
| 12  | 117765-03-000 | EA  | CONNECTOR - 5/32" - WINDSHIELD WASHER                     |
| 13  | 117766-02-000 | EA  | RESERVOIR/PUMP - WINDSHIELD WASHER                        |
| 14  | 117768-01-000 | EA  | SHAFT - ADAPTER - PANTOGRAPH ARM                          |
| 15* | 117769-01-000 | EA  | ARM - WIPER - PANTOGRAPH - 28"                            |
| 16  | 110742-02-000 | EA  | GASKET - NEOPRENE - WIPER ADAPTER SHAFT - .5" ID X .9" OD |

\*COMPONENT PARTS LISTED LATER IN THIS GROUP

**WINDSHIELD & WIPER GROUP (CONTINUED)**  
**COMPONENT PARTS FOR WIPER**

**095964-01-000**

| <b>KEY</b> | <b>PART NUMBER</b> | <b>U/M</b> | <b>DESCRIPTION</b>          | <b>VENDOR NO.</b> |
|------------|--------------------|------------|-----------------------------|-------------------|
|            | 095964-01-700      | EA         | BLADE-REFILL 24" EA= 1 PAIR | 12360             |

**096505-09-000**

| <b>KEY</b> | <b>PART NUMBER</b> | <b>U/M</b> | <b>DESCRIPTION</b>           | <b>VENDOR NO.</b> |
|------------|--------------------|------------|------------------------------|-------------------|
|            | 096505-02-700      | EA         | DRIVER-KNURLED,(HD) BRL .687 | NT721017          |
|            | 096505-02-701      | EA         | NUT-HEX (HD) W/.687 BARREL   | NT721021          |
|            | 096505-02-702      | EA         | CAP-RUBBER (HD) BARREL .687  | CP721084          |
|            | 096505-02-703      | EA         | NUT/ACORN - HD W/.687 BRL    | 51065-40-NT27WC   |

**117769-01-000**

| <b>KEY</b> | <b>PART NUMBER</b> | <b>U/M</b> | <b>DESCRIPTION</b>      | <b>VENDOR NO.</b> |
|------------|--------------------|------------|-------------------------|-------------------|
|            | 096931-01-700      | FT         | HOSE - WASHER - 1/8" ID | XTU-66-0001       |
|            | 117769-01-700      | EA         | RETAINER CLIP - HOSE    |                   |