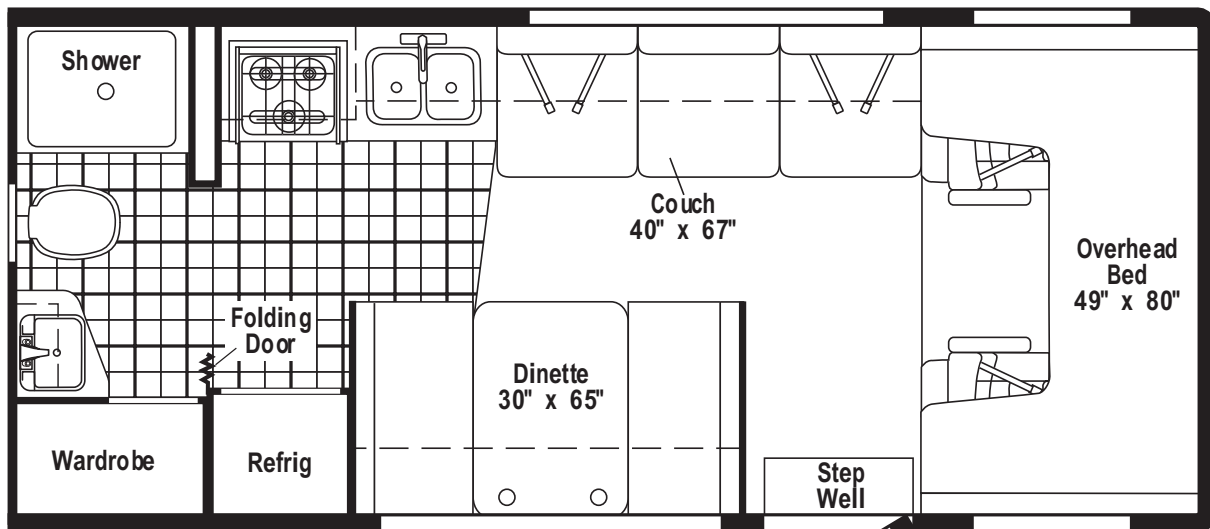


**2003
SUNSTAR
IV221B
200 SERIES
PORTSMOUTH OAK
P04 GREENGAGE - GREEN
P05 BAYWATER - BLUE
P06 WOODBINE BEIGE - BEIGE**



FLOORPLAN

CONTENTS

FLOORPLAN	1
ACCESSORIES GROUP	5
OPERATORS MANUAL	5
APPLIANCE GROUP	6
APPLIANCES	6
COMPONENT PARTS FOR APPLIANCE	7
112881-02-03A	7
134940-01-01A	10
134940-02-01A	11
136354-01-01A, 136354-02-01A	12
138809-01-01A	13
AUDIO VIDEO GROUP	20
RADIO SYSTEM	20
COMPONENT PARTS FOR RADIO SYSTEM	21
127517-12-000	21
TV & VCR	22
COMPONENT PARTS FOR TV & VCR	23
076319-24-000	23
076319-25-000	23
BATH GROUP	24
CABINETS	24
COMPONENT PARTS FOR CABINETS	26
131595-01-01A	26
CHASSIS GROUP	27
FRAME	27
EXHAUST	28
HITCH	29
REAR BUMPER	29
EMISSIONS SYSTEM	30
SPARE TIRE	31
SUSPENSION	32
COMPONENT PARTS FOR SUSPENSION	33
100293-03-000	33
112033-02-000	33
WHEEL, TIRE, COVERS &/OR LINERS	34
COMPONENT PARTS FOR WHEEL, TIRE, COVERS &/OR LINERS	35
134261-02-01A	35
134261-03-01A	35
PARK BRAKE	36
BRAKELINE	37
CURTAIN & CUSHION GROUP	38
NOTICE	38
CUSHION LAYOUT	39
BUCKETSEAT	41
SOFA	43
WINDOW TREATMENT	44
HARDWARE	46
ACCESSORIES	48
FABRICS	49
DINETTE GROUP	50
CABINETS	50
TABLE	51
DRIVERS COMPARTMENT GROUP	52
FRONT INTERIOR	52

CONTENTS (CONTINUED)

ELECTRICAL GROUP	53
12V BODY WIRING	53
COMPONENT PARTS FOR LIGHTS & SWITCHES	56
097917-01-06A	56
115632-02-01A	56
115632-03-01A	56
115632-04-01A	56
121935-01-01A	56
137417-01-01A	56
137417-02-01A	56
137417-05-01A	56
137417-06-01A	56
CIRCUIT BREAKERS & FUSES	57
CONVERTER, INVERTER, LOAD CENTERS	57
110V WIRING	58
BOXES & CORDS	60
WIRE ASSEMBLIES	60
CONNECTORS & CONDUIT	61
BOOTS, SOLENOIDS, RELAYS & MISCELLANEOUS	63
EXTERIOR BODY GROUP	64
GRAPHICS & PAINT	64
PANELS & TRIMS	66
MIRRORS	68
STRUCTURAL COMPONENTS	69
EXTERIOR DOORS & COMPARTMENTS GROUP	70
DOOR & COMPARTMENT LAYOUT	70
COMPARTMENT DOOR PIECE PARTS	72
COMPONENT PARTS FOR COMPARTMENT DOOR PIECE PARTS	76
110506-A1-000, 110506-A2-000, 110506-26-000, 110506-27-000	76
ENTRY	77
SCREEN	79
LATCH - ENTRY	80
GALLEY GROUP	81
CABINETS	81
DOORS & DRAWERS	82
GENERATOR GROUP	83
GAS	83
HEATING & A/C GROUP	84
FURNACE	84
COMPONENT PARTS FOR FURNACE	85
075697-04-000	85
ROOF	87
COMPONENT PARTS FOR ROOF	88
093306-01-03A	88
093307-03-000	89
131183-03-01A	90
131183-04-01A	91
131186-02-02A	92
INTERIOR FINISH GROUP	93
MOLDINGS & TRIMS	93
PANELING & LAMINATES	97
ACCESSORIES	97
FLOOR COVERINGS	97
HARDWARE	98

CONTENTS (CONTINUED)

LABELS GROUP	104
LP GROUP	128
LP SYSTEM	128
COMPONENT PARTS FOR LP SYSTEM	129
140000-01-000	129
LOUNGE GROUP	130
CABINETS	130
SEALANTS & FASTENERS GROUP	131
SEALANTS & ADHESIVES	131
BOLTS, NUTS AND WASHERS	132
SCREWS	134
CLAMPS, CLIPS, GROMMETS, RIVETS & PLUGS	137
MISCELLANEOUS FASTENERS	138
WATER & SEWAGE GROUP	139
DRAINAGE SYSTEM	139
COMPONENT PARTS FOR DRAINAGE SYSTEM	141
062415-01-000	141
096927-01-02A	141
131932-02-02A	142
WATER SYSTEM	143
COMPONENT PARTS FOR WATER SYSTEM	150
051391-03-000	150
075240-05-000	151
075241-04-000, 075241-05-000 & 075241-06-000	151
098607-01-000	151
104114-05-01A	151
WINDOW & VENTS GROUP	152
WINDOW & VENT LAYOUT	152
COMPONENT PARTS FOR WINDOWS & VENT LAYOUT	153
098647-49-02A	153
098647-65-01A	154
098647-67-01A	154
098647-68-01A	154
122882-01-01A	155
122882-02-01A, 122882-03-01A	155

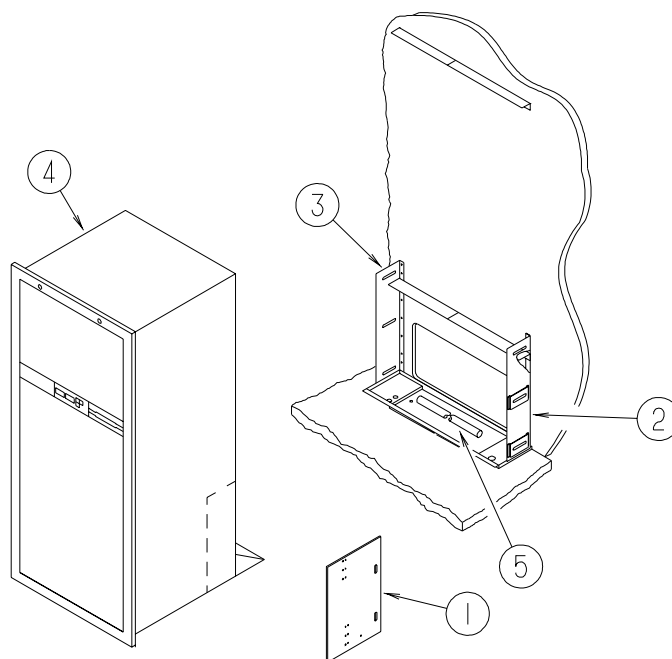
ACCESSORIES GROUP
OPERATORS MANUAL

KEY	PART NUMBER	U/M	DESCRIPTION
	129079-01-01A	EA	CASE - VINYL/BLACK-EXPANDABLE ACCORDION SIDES-7"WX9"HX14"L
	132000-21-003	EA	MANUAL/OWNER - SUNSTAR - 2003
	141137-01-000	DW	TOP LEVEL-H,2003

APPLIANCE GROUP APPLIANCES

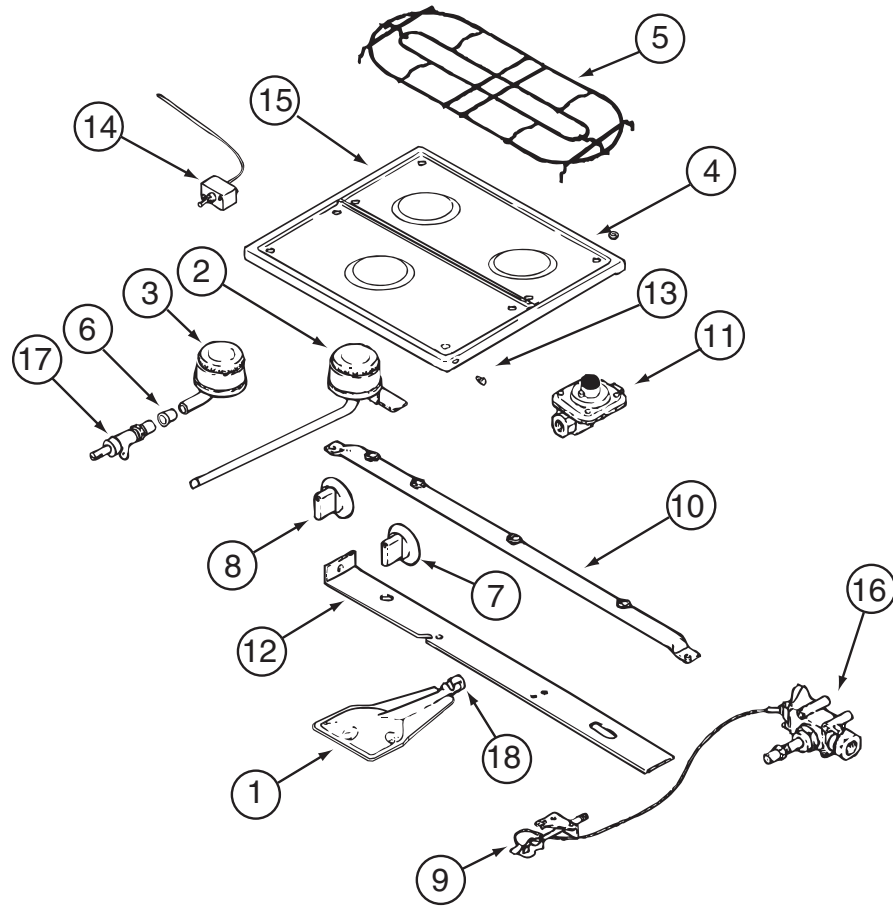
KEY	PART NUMBER	U/M	DESCRIPTION
*	112881-02-03A	EA	RANGE - 16" - 3 BURNER - FRONT HI-OUTPUT BRNR - BLK TOP/DR - RANGE 3-BURNER W/OVEN FROM: 00-00-00 THRU: 06-17-02
	112881-04-01A	EA	RANGE - 16"/3 BURNER/NEW STYLE KNOBS-GRATES-HANDLES BLK DR - RANGE 3-BURNER W/OVEN FROM: 06-18-02 THRU: 99-99-99
	114030-04-01A	EA	RANGE - 3 BURNER TOP/NEW STYLE KNOBS/GRATES - BLK - RANGE TOP 3-BURNER
	140176-09-02B	EA	BRACKET/TIEDOWN - STOVE - E-COATED - RANGE 3-BURNER W/OVEN
	140176-10-02B	EA	BRACKET/TIEDOWN - STOVE - E-COATED - RANGE 3-BURNER W/OVEN
	142139-11-02B	EA	BRACKET/TIEDOWN - STOVE - E-COATED - RANGE TOP 3-BURNER
	142139-12-02B	EA	BRACKET/TIEDOWN - STOVE - E-COATED - RANGE TOP 3-BURNER
*	136354-01-01A	EA	HOOD - RANGE - W/LITE/FAN - US/VENTED - TEXTURED BLK
	128527-06-000	EA	OVEN - MICROWAVE W/TRIM KIT- 1 CU.FT.- NON CONVECTION FROM: 00-00-00 THRU: 08-11-02
	128527-08-000	EA	OVEN-MICROWAVE-1.0 CUBIC FT/NON CONVECTION-SAMSUNG MR1032B FROM: 08-12-02 THRU: 99-99-99
	094750-10-000	EA	BRACKET - MICROWAVE - 89 DEGREE
*	134940-01-01A	EA	PANEL - MONITOR - 2 TANK - W/GENERATOR SWITCH/HOUR METER - GENERATOR
*	134940-02-01A	EA	PANEL - MONITOR - 2 TANK - W/O GENERATOR SWITCH/HOUR METER - W/O GENERATOR

***COMPONENT PARTS LISTED LATER IN THIS GROUP**



KEY	PART NUMBER	U/M	DESCRIPTION
1	065225-03-000	EA	PLATE - TIEDOWN/REFRIGERATOR
2	093646-01-000	EA	BRACKET - TIEDOWN/REFRIGERATOR - RIGHT HAND
3	093646-02-000	EA	BRACKET - TIEDOWN/REFRIGERATOR - LEFT HAND
4*	138809-01-01A	EA	REFRIGERATOR - SINGLE DOOR - TOP CONTROL
5	112176-01-000	FT	TUBING - VINYL - REINFORCED - 1/2" ID
	116751-02-01A	EA	TRAY - REFRIGERATOR - BLACK
	054450-01-000	EA	LEVEL - REFRIGERATOR
	090329-01-000	FT	SEAL/T - REFRIGERATOR CABINET

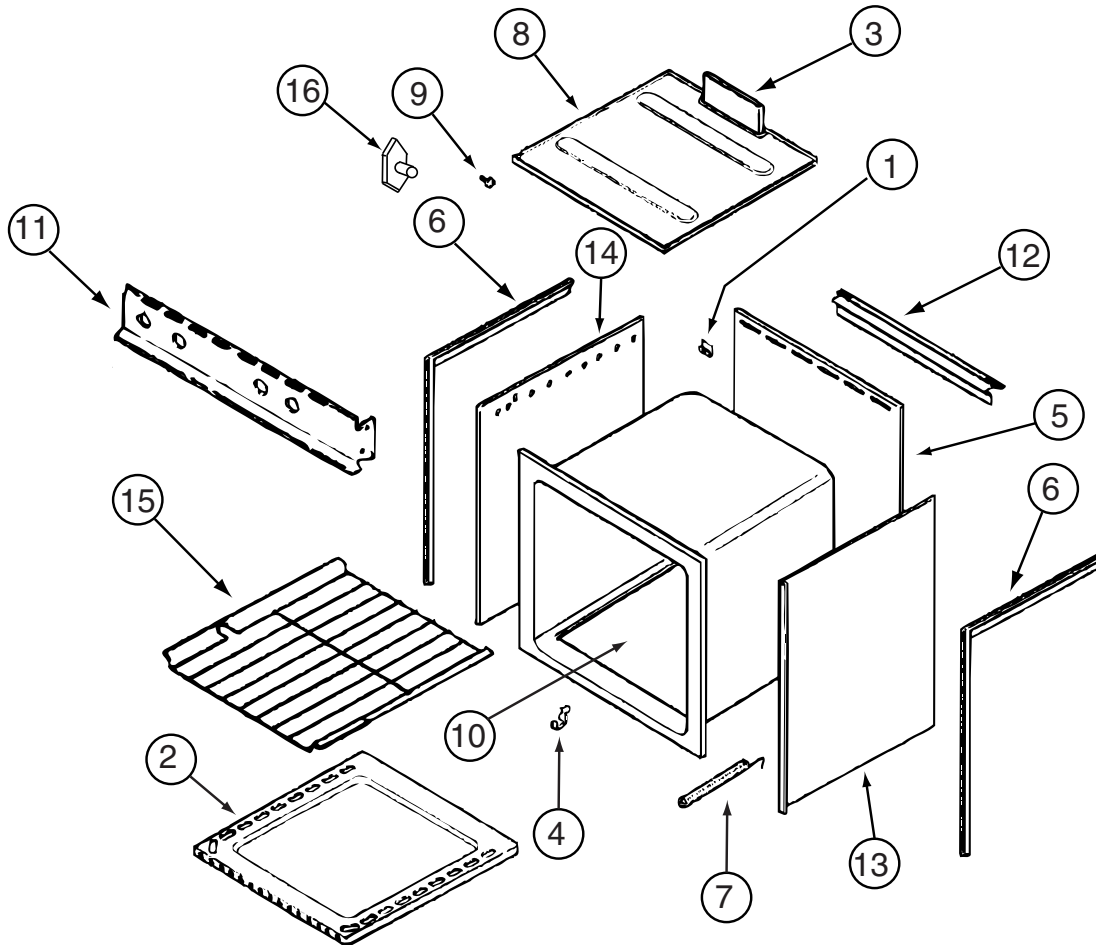
APPLIANCE GROUP (CONTINUED)
COMPONENT PARTS FOR APPLIANCE



112881-02-03A

KEY	PART NUMBER	U/M	DESCRIPTION	VENDOR NO.
1	126023-01-717	EA	BURNER - OVEN	74003343
2	112881-01-717	EA	BURNER, TOP REAR	7505P181-60
3	112881-02-703	EA	BURNER - FRONT HIGH OUTPUT	7505P142-60
4	102020-01-709	EA	BUMPER-GRATE	8007-P020-60
5	126023-01-730	EA	GRATE - TOP	74003358
6	098507-02-701	EA	INSERT-BURNER, SLOTTED VENT	7214P015-60
7	112881-01-718	EA	KNOB - TOP BURNER HI-OUTPUT	74001794
7	112881-01-705	EA	KNOB-TOP BURNER	7733P072-60
8	126023-02-700	EA	KNOB - THERMOSTAT - SERIES 11	74004359
8	126023-01-704	EA	KNOB - THERMOSTAT - SERIES 10	7731P109-60
9	126023-02-701	EA	PILOT - OVEN - SERIES 11	74004586
9	102020-01-714	EA	PILOT-OVEN - SERIES 10	968-143
10	126023-02-702	EA	PIPE - MANIFOLD - SERIES 11	74004360
10	126023-01-705	EA	PIPE - MANIFOLD - SERIES 10	7513P161-60
11	126023-02-703	EA	REGULATOR - PRESSURE - SERIES 11	74004235
11	128728-01-712	EA	FITTING HALF UNION - SERIES 11	7507P083-60
11	102022-01-708	EA	REGULATOR, 1/4 & 1/2 OUT - SERIES 10	7510P04160/12001285
13	102020-01-724	EA	BUMPER-MAIN TOP	8003P008-60
14	126023-01-734	EA	THERMOSTAT OVEN - SERIES 11	74004361
14	112881-01-722	EA	THERMOSTAT SER. - SERIES 10	7515P029-60K
15	126023-01-728	EA	TOP - MAIN (BLACK)	74003323
16	126023-02-704	EA	VALVE/OVEN - MERCURY - SERIES 11	74004585
16	112881-02-700	EA	VALVE - OVEN - SERIES 10	7501P056-60
17	126023-02-705	EA	VALVE -BURNER - REAR - SERIES 11	74004362
17	126023-02-706	EA	VALVE - BURNER -FRONT - SERIES 11	74004363
17	126023-01-709	EA	VALVE - BURNER (REAR) - SERIES 10	74003348
17	126023-01-710	EA	VALVE - BURNER (FRONT) - SERIES 10	74003349
18	135656-01-701	EA	MIXER/AIR	3411F003-34
	128728-01-712	EA	FITTING - HALF UNION	7507P083-60

APPLIANCE GROUP (CONTINUED)
COMPONENT PARTS FOR APPLIANCE (CONTINUED)

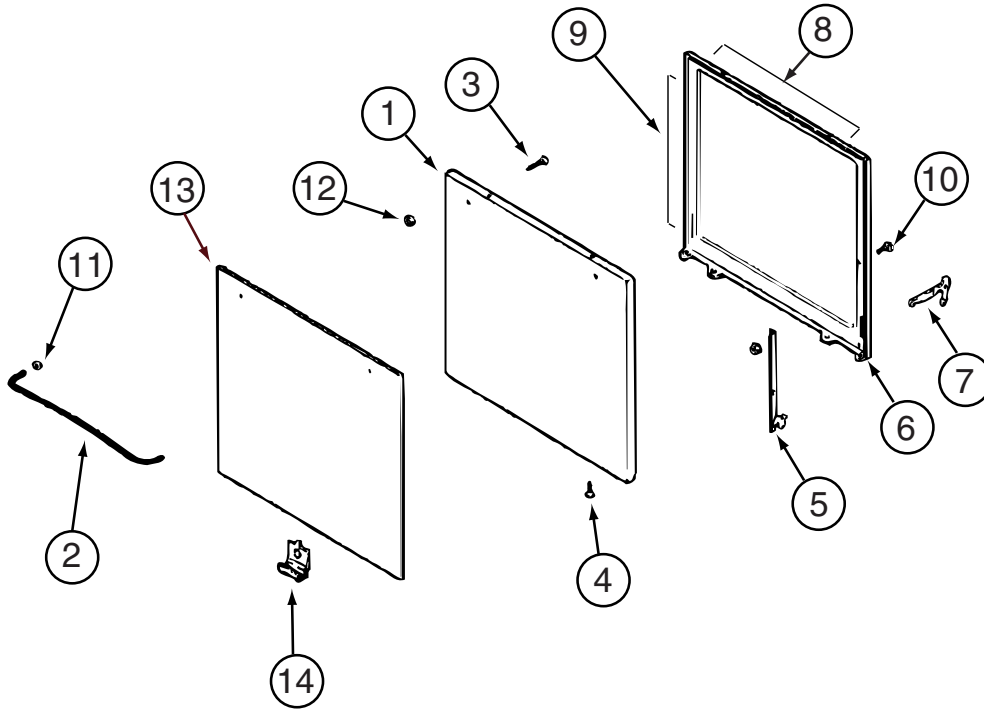


112881-02-03A (CONTINUED)

KEY	PART NUMBER	U/M	DESCRIPTION	VENDOR NO.
1	112881-02-701	EA	CLIP - MAIN TOP (REAR)	7112P071-60
2	126023-01-731	EA	BOTTOM - OVEN	2205F016-19
3	126023-01-718	EA	FLUE BOX ASSEMBLY	4006W075-80
6	112881-01-720	EA	TRIM-FLAT RH BLACK TEXTURED	4002812
6	112881-01-719	EA	TRIM-FLAT LH BLACK TEXTURED	74002813
7	112881-02-704	EA	SPRING-OVEN DOOR F/1641 MOD	7803P052-60
7	112881-02-702	EA	SPRING - OVEN DOOR	7803P051-60
11	126023-01-715	EA	PANEL - MANIFOLD	74003350
12	112881-01-721	EA	DEFLECTOR FLUE BLACK TEXTURE	74002809
15	126023-01-716	EA	RACK - OVEN	74003106
16	128728-01-703	EA	T-NUT - F/HINGE	7103P109-60
	112881-03-702	EA	CLIP - MAIN TOP	74003998

CONTACT WINNEBAGO PART SALES FOR UNLISTED COMPONENTS

APPLIANCE GROUP (CONTINUED)
COMPONENT PARTS FOR APPLIANCE (CONTINUED)

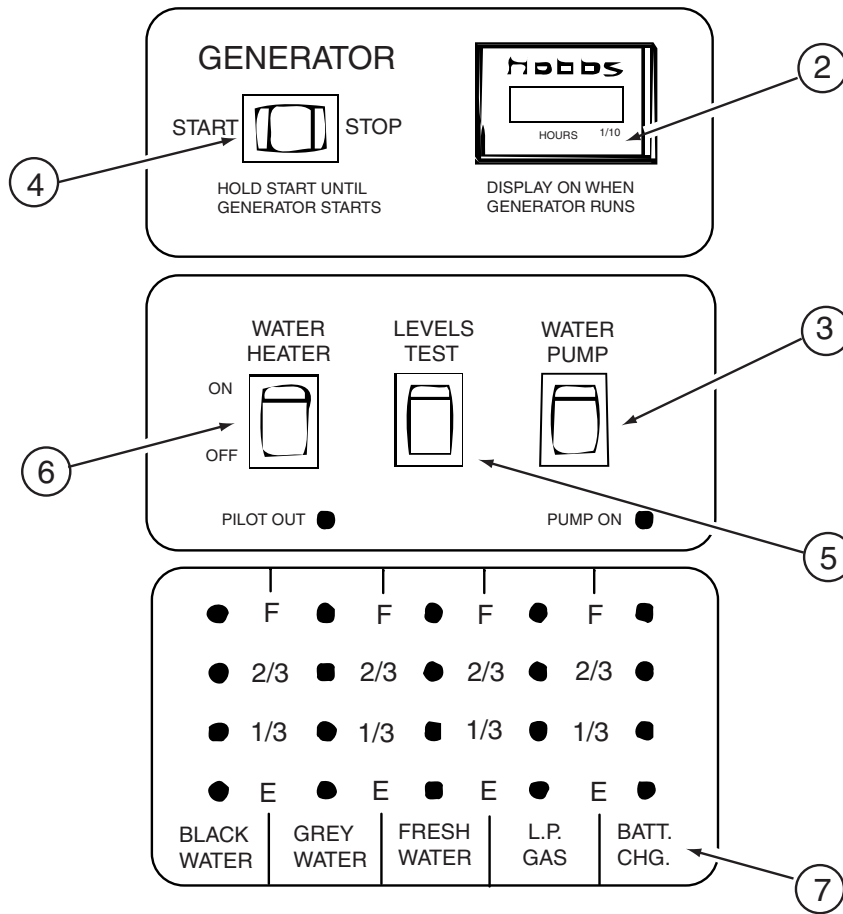


112881-02-03A (CONTINUED)

KEY	PART NUMBER	U/M	DESCRIPTION	VENDOR NO.
1	112881-02-705	EA	DOOR/OVEN-TEXT/BLK-F/WINDOW	74001273
1	112881-01-713	EA	DOOR/OVEN-TEXT/BLK NO WINDOW	2401F126-70
2	102020-01-701	EA	HANDLE,DOOR	7701P092-60
8	126023-01-732	EA	SEAL/OVEN DR TOP	7212P014-60
9	126023-01-733	EA	SEAL/OVEN DR SIDES(2PCS)	7212P038-60
13	102022-01-704	EA	GLASS-OUTER	7902P261-60

CONTACT WINNEBAGO PART SALES FOR UNLISTED COMPONENTS

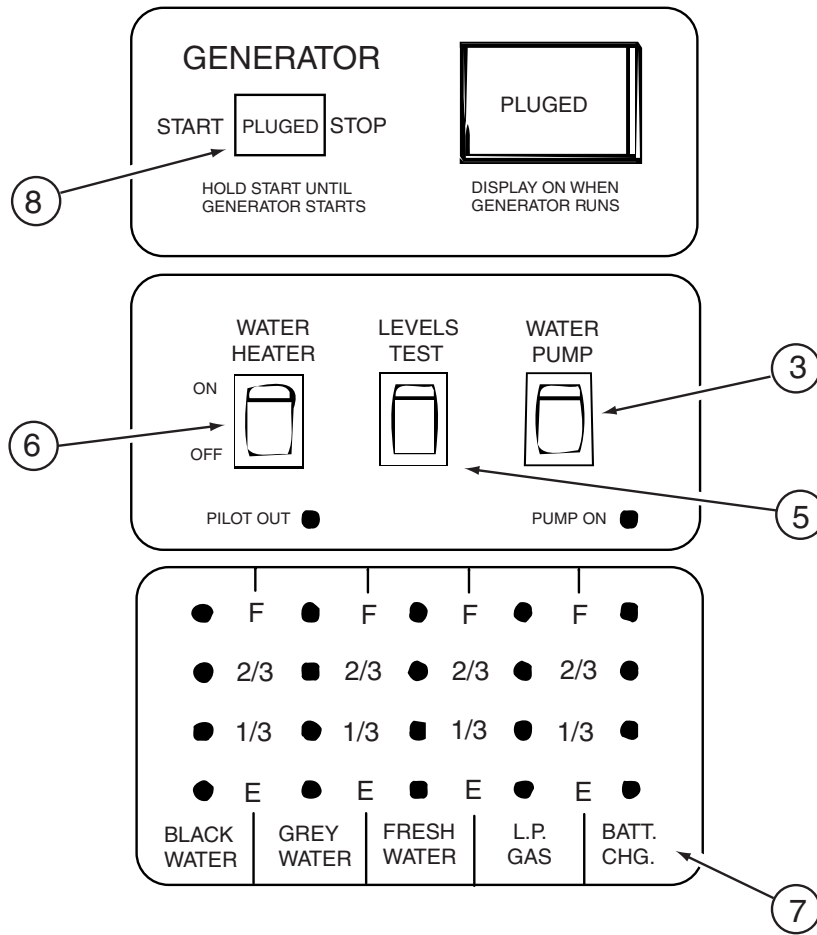
APPLIANCE GROUP (CONTINUED)
COMPONENT PARTS FOR APPLIANCE (CONTINUED)



134940-01-01A

KEY	PART NUMBER	U/M	DESCRIPTION	VENDOR NO.
	134940-01-700	EA	BOARD - PC	L5118-01
2	100258-10-701	EA	GAUGE-HR METER ONLY (LCD)	L0775-00
3	096983-01-703	EA	SWITCH - ON/ON	L0115-00
4	096983-01-702	EA	SWITCH - MOM/OFF/MOM/3 TERM	L0112-00
5	096983-01-701	EA	SWITCH - SPST/MOM 2 TERMINAL	L0111-00
6	134940-01-701	EA	SWITCH-SPST/ON-OFF/BLK W/LGT	L0109
7	134940-01-702	EA	CHASSIS - SILKSCREENED	CC0558-00
	100258-10-702	EA	HOUR METER(CLIP ON)SW & WIRE	L4441-00

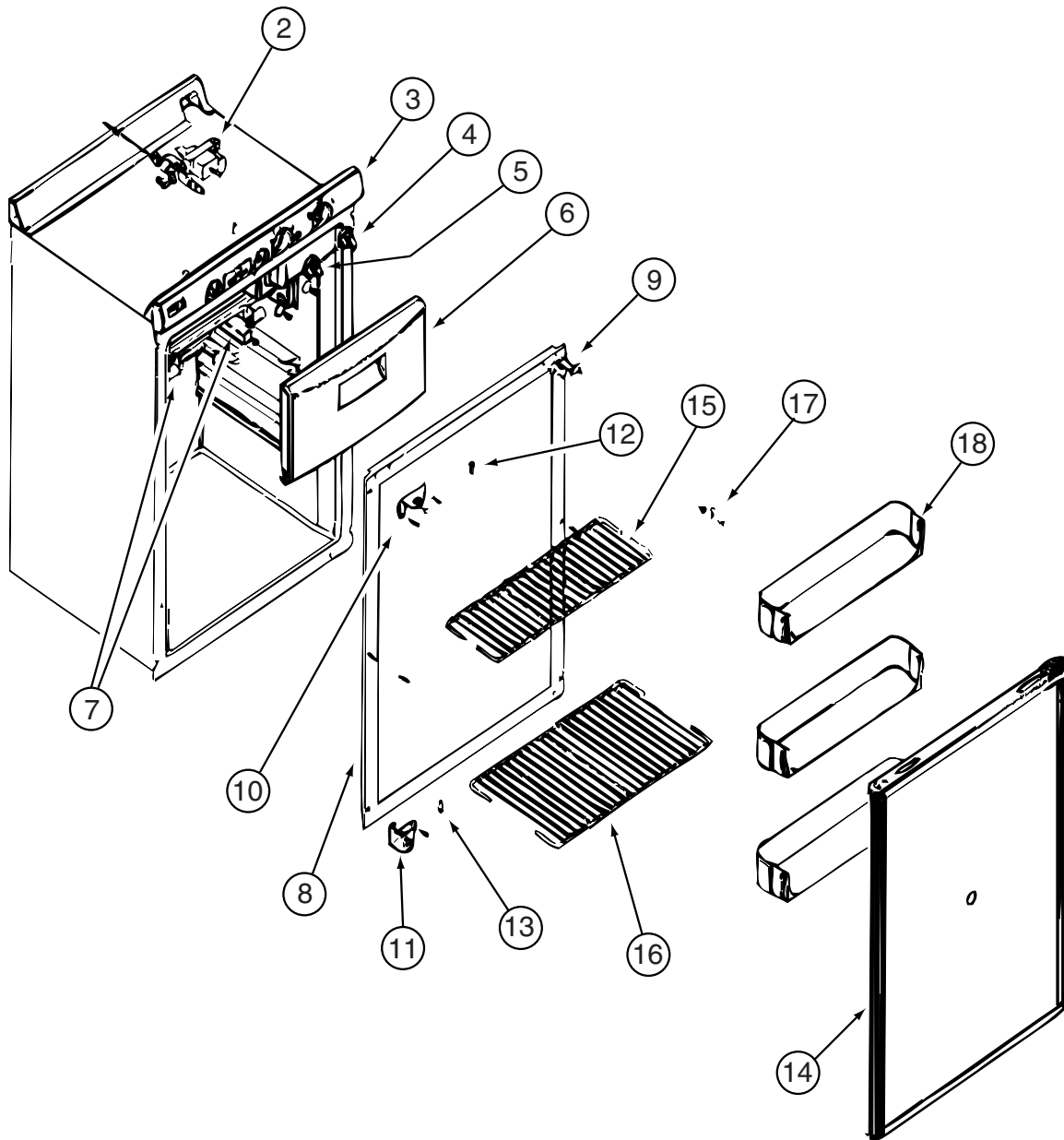
APPLIANCE GROUP (CONTINUED)
COMPONENT PARTS FOR APPLIANCE (CONTINUED)



134940-02-01A

KEY	PART NUMBER	U/M	DESCRIPTION	VENDOR NO.
	134940-01-700	EA	BOARD - PC	L5118-01
3	096983-01-703	EA	SWITCH - ON/ON	L0115-00
5	096983-01-701	EA	SWITCH - SPST/MOM 2 TERMINAL	L0111-00
6	134940-01-701	EA	SWITCH-SPST/ON-OFF/BLK W/LGT	L0109
7	134940-01-702	EA	CHASSIS - SILKSCREENED	CC0558-00
8	134940-02-700	EA	SWITCH - DUMMY	L0118

APPLIANCE GROUP (CONTINUED)
COMPONENT PARTS FOR APPLIANCE (CONTINUED)

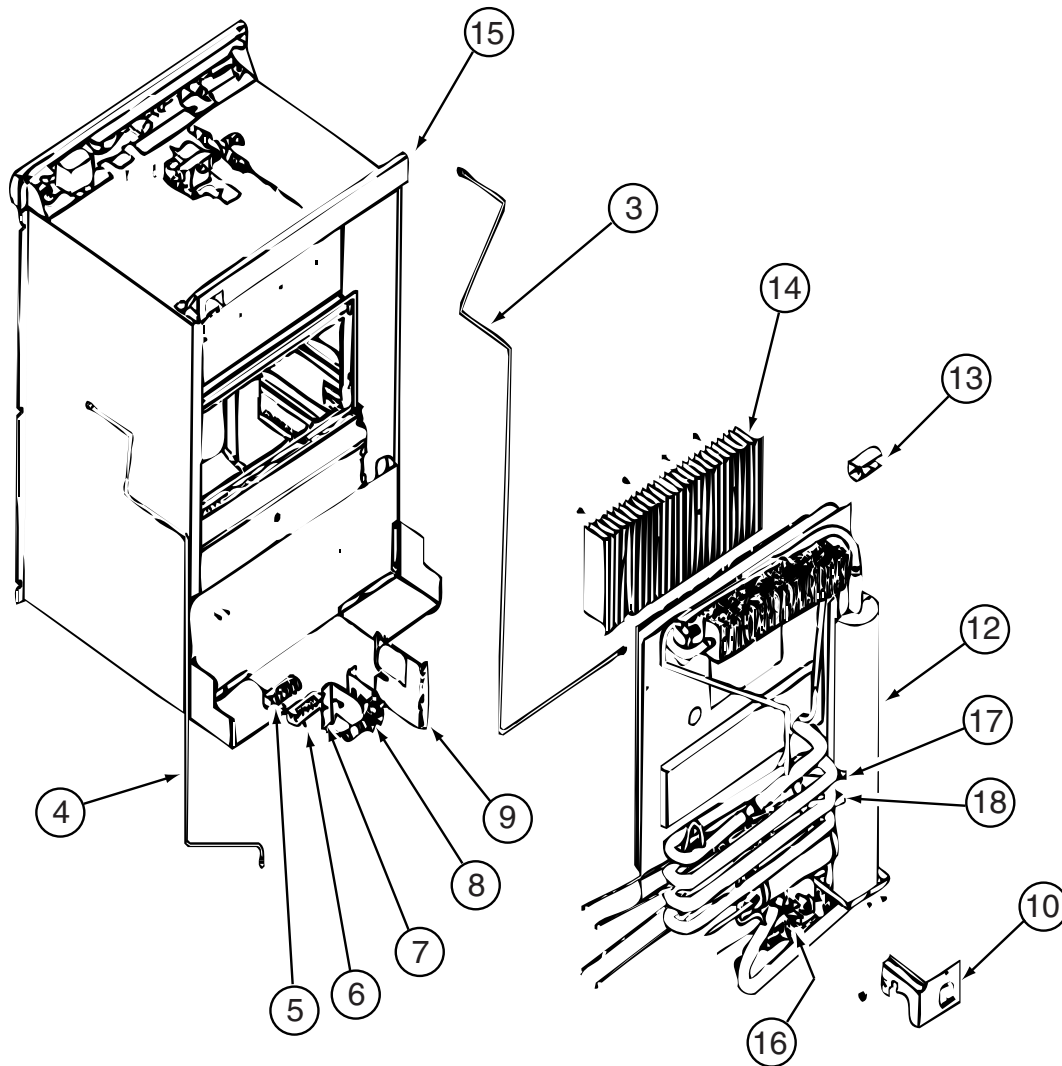


138809-01-01A

KEY	PART NUMBER	U/M	DESCRIPTION	VENDOR NO.
2	138809-01-700	EA	GAS CONTROL	620198
3	138809-01-701	EA	CONTROL PANEL ASSY	620159
4	131147-01-703	EA	KNOB - SELECTOR	619070
6	131147-01-705	EA	FREEZER DOOR	619117
7	131147-01-706	EA	SRPING HOLDER ASSEMBLY - RH	619041
7	131147-01-707	EA	SPRING HOLDER ASSEMBLY - LH	691042
9	131147-01-708	EA	DOOR LATCH	619103
10	138809-01-702	EA	HINGE - UPPER LH/LOWER RH	620188
11	138809-01-703	EA	HINGE - TOP RH/LOWER LH	621087
12	113737-01-708	EA	PIN-HINGE, TOP	61114600
13	113737-01-710	EA	PIN-HINGE, BOTTOM	61550722
14	138809-01-704	EA	DOOR ASSY	620164
15	138809-01-705	EA	SHELF-WIRE/TOP/SHORT	620156
16	138809-01-706	EA	SHELF-WIRE/LOWER/FLIPPER	620178
17	125242-01-750	EA	CLIP	61409622
18	138809-01-707	EA	BIN-DOOR SHELF	620157
	138809-01-708	EA	DRIP TRAY - INSIDE	620433
	138809-01-709	EA	BREAKER-BOTTOMTRIM SEAL	621426
	104137-06-724	EA	ICE TRAY	61630422

PLEASE CONTACT PART SALES FOR ALL UNLISTED COMPONENTS

APPLIANCE GROUP (CONTINUED)
COMPONENT PARTS FOR APPLIANCE (CONTINUED)

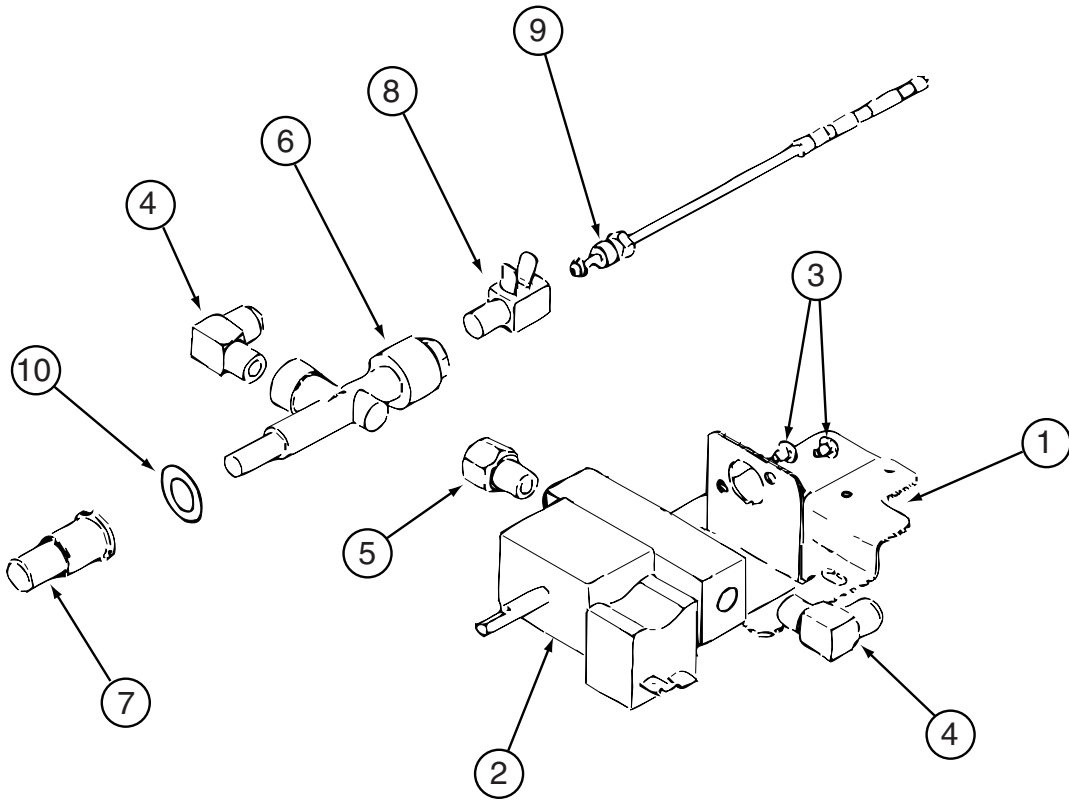


138809-01-01A (CONTINUED)

KEY	PART NUMBER	U/M	DESCRIPTION	VENDOR NO.
3	138809-01-710	EA	BURNER TUBE	620223
4	138809-01-711	EA	INLET TUBE-GAS	620225
5	131147-01-718	EA	TERMINAL BLOCK	619173
8	138809-01-712	EA	VALVE-MANUAL/SHUT OFF	61692322
12	138809-01-713	EA	COOLING UNIT	621462
17	138809-01-714	EA	HEATER-DC/EG3	620884
18	064473-03-701	EA	HEATER-AC, HORIZONTAL BURNER	61562522
	113737-01-705	EA	CLIP-FIN	61728722
	113737-01-720	EA	FUSE 3 AMP (32V OR LESS)	61654622
	138809-01-715	EA	SHROUD-UPPER CONTROL AREA	620881

PLEASE CONTACT PART SALES FOR ALL UNLISTED COMPONENTS

APPLIANCE GROUP (CONTINUED)
COMPONENT PARTS FOR APPLIANCE (CONTINUED)

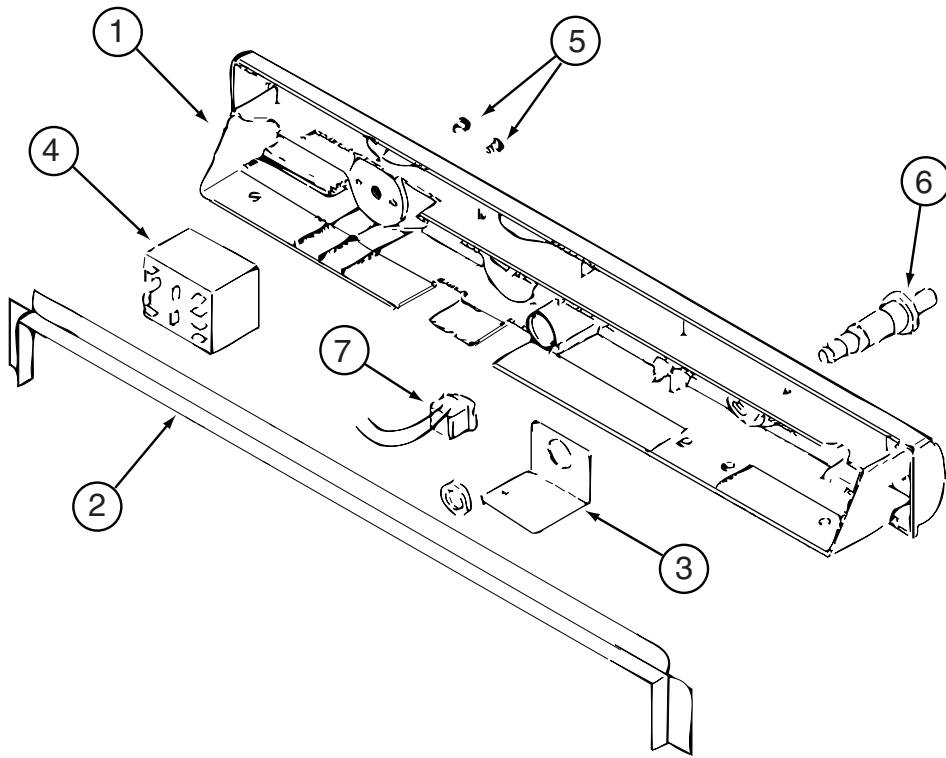


138809-01-01A (CONTINUED)

KEY	PART NUMBER	U/M	DESCRIPTION	VENDOR NO.
2	138809-01-717	EA	GAS CONTROL	621298
4	131147-01-725	EA	ELBOW - BRASS/90 DEG - 2 PC	61621622
6	113737-01-730	EA	VAVLVE - SAFETY IGNITION	617965
8	113737-01-709	EA	INTERRUPTER	61750522
9	138809-01-719	EA	THERMOCOUPLE	620424
	138809-01-718	EA	TAB ADAPTER-INTERRUPTER	619073

PLEASE CONTACT PART SALES FOR ALL UNLISTED COMPONENTS

APPLIANCE GROUP (CONTINUED)
COMPONENT PARTS FOR APPLIANCE (CONTINUED)

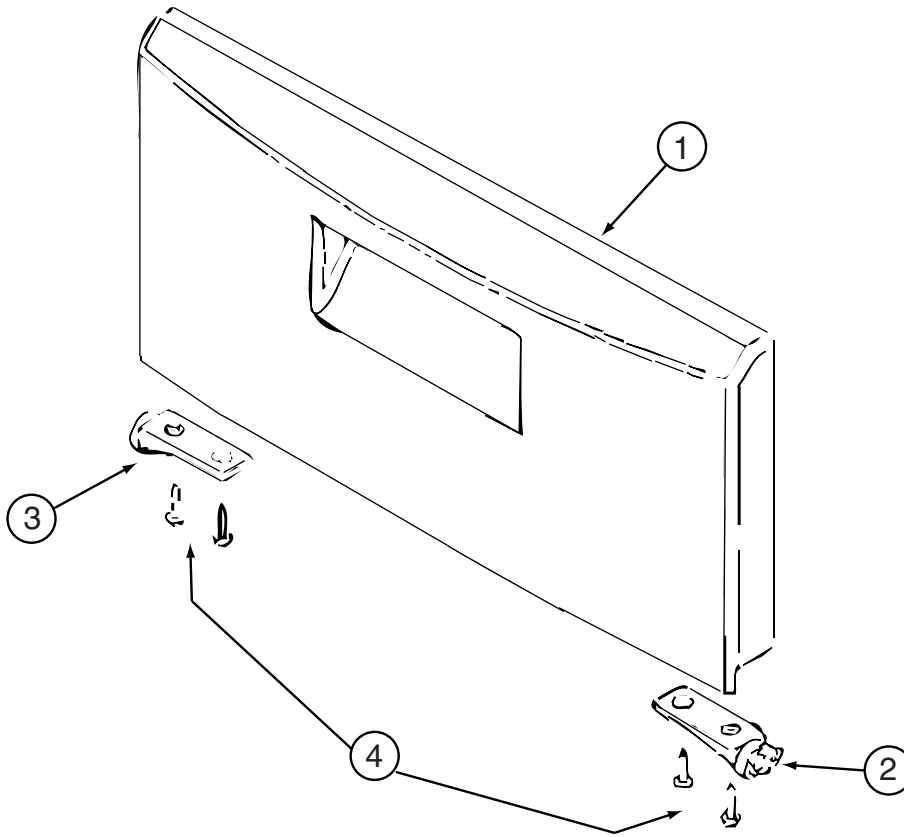


138809-01-01A (CONTINUED)

KEY	PART NUMBER	U/M DESCRIPTION	VENDOR NO.
1	138809-01-720	EA CONTROLPANEL	620205
4	138809-01-721	EA SWITCH-SELECTOR	620863
6	113737-01-709	EA SPARK IGNITOR	61645622
7	131147-01-734	EA FLAME METER	61481322

PLEASE CONTACT PART SALES FOR ALL UNLISTED COMPONENTS

APPLIANCE GROUP (CONTINUED)
COMPONENT PARTS FOR APPLIANCE (CONTINUED)

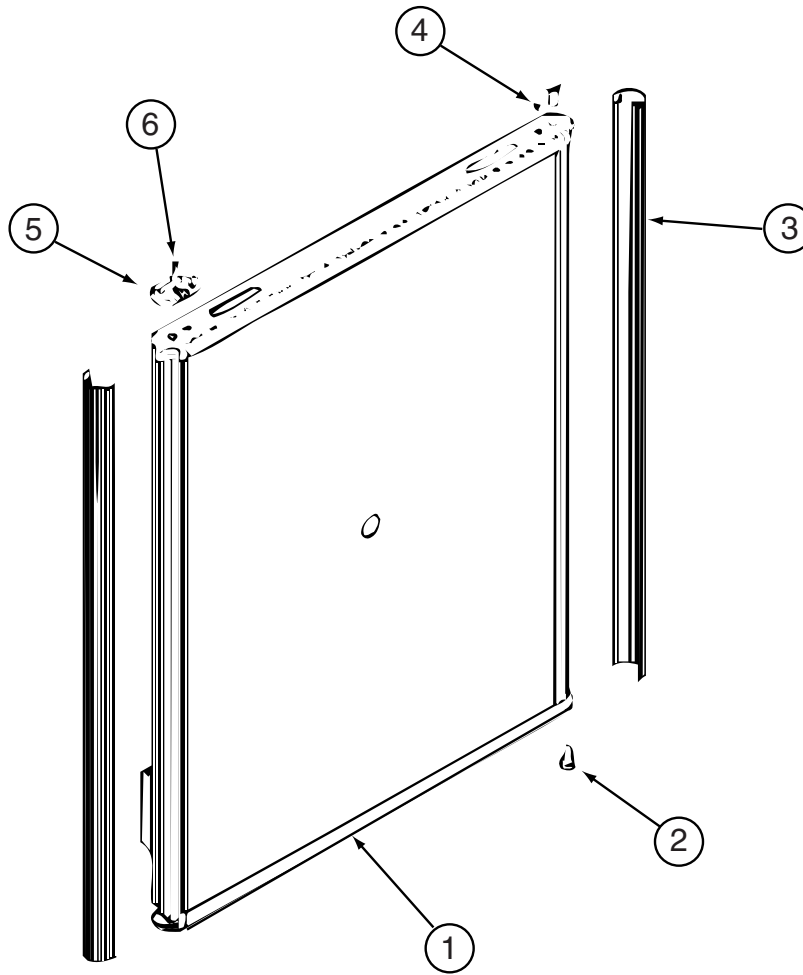


138809-01-01A (CONTINUED)

KEY	PART NUMBER	U/M DESCRIPTION	VENDOR NO.
1	131147-01-705	EA FREEZER DOOR	619117
2	131147-01-735	EA HINGE/FREEZER DOOR - RH	61632930
3	131147-01-736	EA HINGE/FREEZER DOOR - LH	61633030

PLEASE CONTACT PART SALES FOR ALL UNLISTED COMPONENTS

APPLIANCE GROUP (CONTINUED)
COMPONENT PARTS FOR APPLIANCE (CONTINUED)

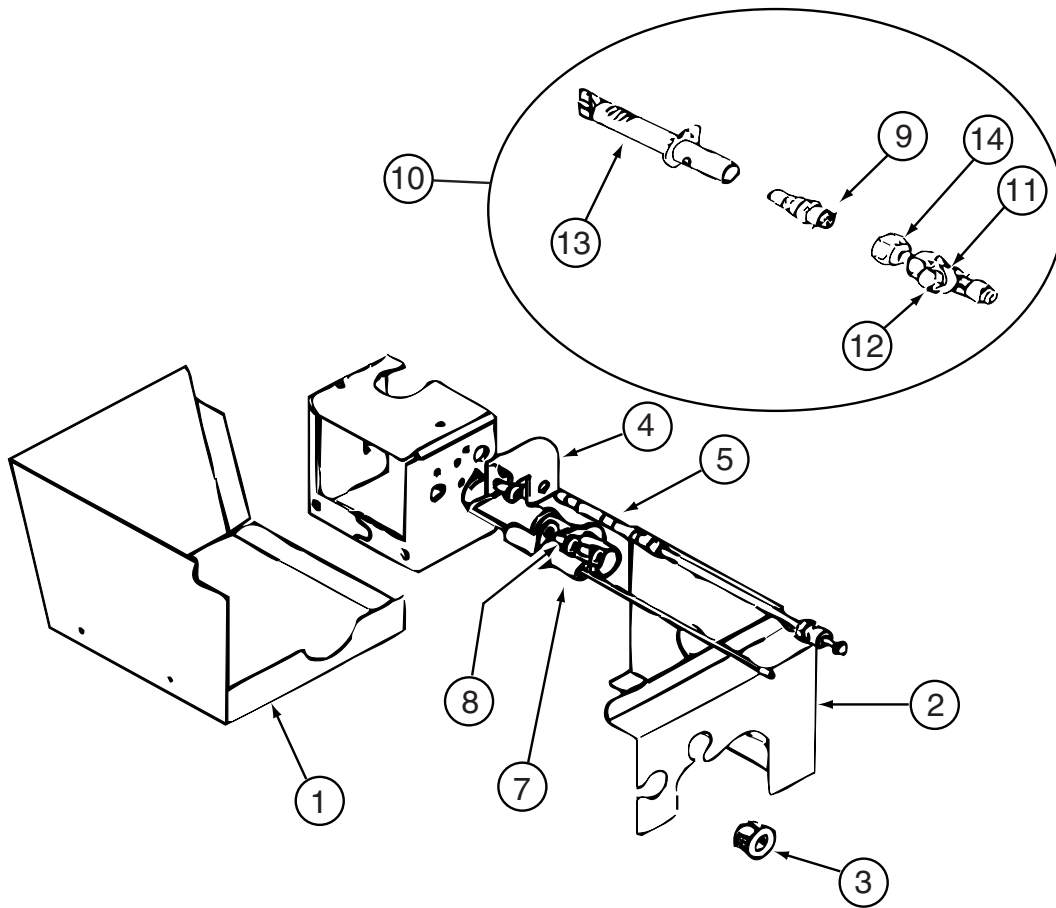


138809-01-01A (CONTINUED)

KEY	PART NUMBER	U/M DESCRIPTION	VENDOR NO.
2	131147-01-705	EA BUSHING-HINGE	61742022
5	131147-01-744	EA LATCH PLATE	619104
	138809-01-722	EA DOOR ASSEMBLY	620164

PLEASE CONTACT PART SALES FOR ALL UNLISTED COMPONENTS

APPLIANCE GROUP (CONTINUED)
COMPONENT PARTS FOR APPLIANCE (CONTINUED)



138809-01-01A (CONTINUED)

KEY	PART NUMBER	U/M	DESCRIPTION	VENDOR NO.
5	138809-01-719	EA	THERMOCOUPLE	620424
7	138809-01-723	EA	ELECTRODE-SPARK IGNITON	620227
10	138809-01-724	EA	BURNER/ORFICE DAPTER KIT	621955
11	138809-01-725	EA	PRESSURE TAP S#84 UP	621054
12	113737-01-702	EA	PLUG 1/8" F/PRESSURE TAP	61445322
13	104137-06-714	EA	BURNER ASSEMBLY, 5-SLOT	61705222

PLEASE CONTACT PART SALES FOR ALL UNLISTED COMPONENTS

AUDIO VIDEO GROUP

RADIO SYSTEM

KEY	PART NUMBER	U/M	DESCRIPTION
	094097-01-000	EA	SPEAKER - RADIO/TV - W/O GRILLE - 5.25" DIAMETER
	114365-02-000	EA	ADAPTER - RADIO - POWER/SPEAKERS
	114366-01-000	EA	ADAPTER - RADIO - ANTENNA
*	127517-12-000	EA	RADIO - AM/FM/CD - REMOTE CONTROL - SONY CDX-CA400

***COMPONENT PARTS LISTED LATER IN THIS GROUP**

AUDIO VIDEO GROUP (CONTINUED)
COMPONENT PARTS FOR RADIO SYSTEM

127517-12-000

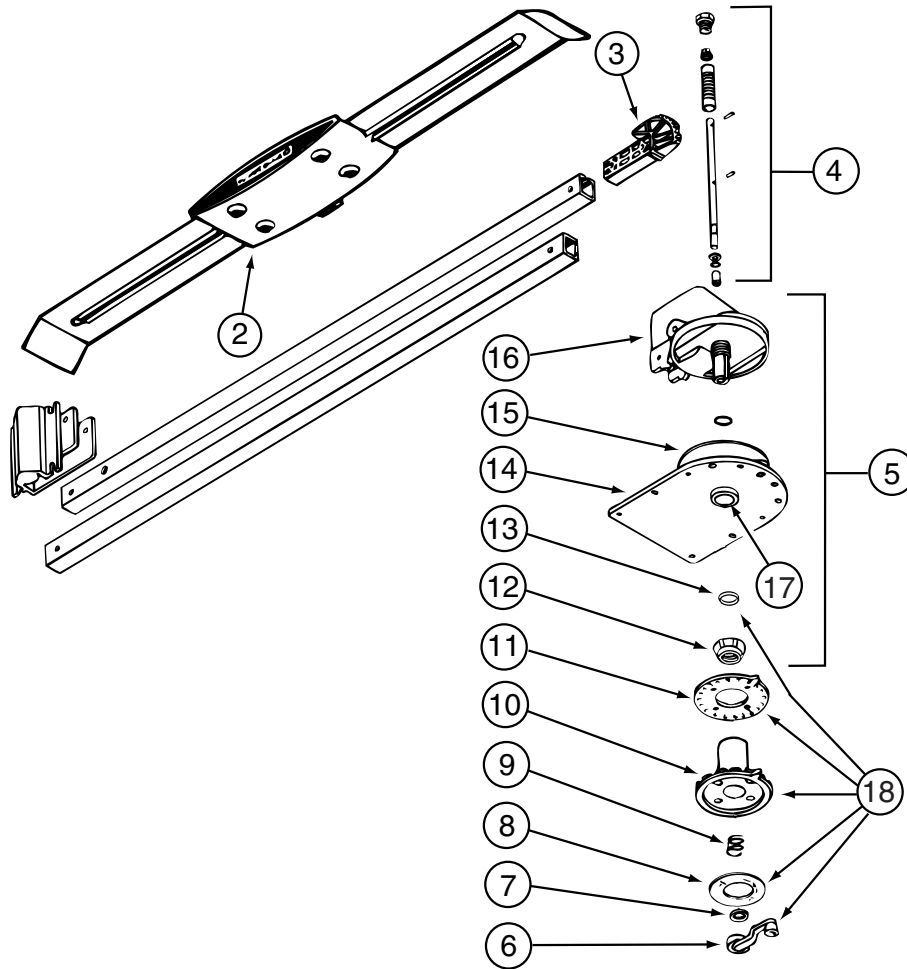
KEY	PART NUMBER	U/M	DESCRIPTION	VENDOR NO.
	127517-12-700	EA	REMOTE	RMX114

AUDIO VIDEO GROUP (CONTINUED)
TV & VCR

KEY	PART NUMBER	U/M	DESCRIPTION
	076319-06-000	EA	ADAPTER - CABLE ROOF PLATE
*	076319-24-000	EA	ANTENNA - TV ROOF MOUNT - 25.5" MAST
*	076319-25-000	EA	KIT - HARDWARE INTERIOR
	076319-03-000	FT	CABLE - COAXIAL - 75 OHM
	076319-12-000	EA	CONNECTOR - COAXIAL - ONE PIECE
	086777-02-000	EA	WALLPLATE - TV CABLE - W/ANTENNA SWITCH - BLACK

***COMPONENT PARTS LISTED LATER IN THIS GROUP**

AUDIO VIDEO GROUP (CONTINUED)
COMPONENT PARTS FOR TV & VCR



076319-24-000

KEY	PART NUMBER	U/M	DESCRIPTION	VENDOR NO.
2	076319-01-700	EA	HEAD-ANTENNA, AMPLIFIED	RVSA U/V
3	076319-01-701	EA	GEAR-ELEVATING, PLASTIC	2200046
4	076319-01-702	EA	SHAFT ASM-ELEVATING	RP-4000
5	076319-01-711	EA	BASE & LIFT ASM	2762802
7	076319-01-705	EA	GROMMET-NYLON, 7/8"ID	3200658
8	076319-01-708	EA	DECAL-CRANK	5413002
9	076319-01-707	EA	SPRING-HANDLE	2160822
10	076319-25-700	EA	DIRECTIONAL HANDLE(WHITE)	3200612
11	076319-01-712	EA	PLATE - CEILING	3200608
11	076319-01-709	EA	PLATE-CEILING (IVORY)	3200621
12	076319-01-715	EA	NUT (GEAR HOUSING)	2200047
13	076319-01-704	EA	BEARING-NYLON, 1.25"OD	3200657
14	076319-01-713	EA	PLATE-BASE, STEEL	3100523
15	076319-01-703	EA	BEARING-NYLON, 5" OD	3200656
16	076319-01-714	EA	HOUSING, ROTATING GEAR	2200049
	076319-01-716	EA	TUBING, ELEVATING	RP-2900

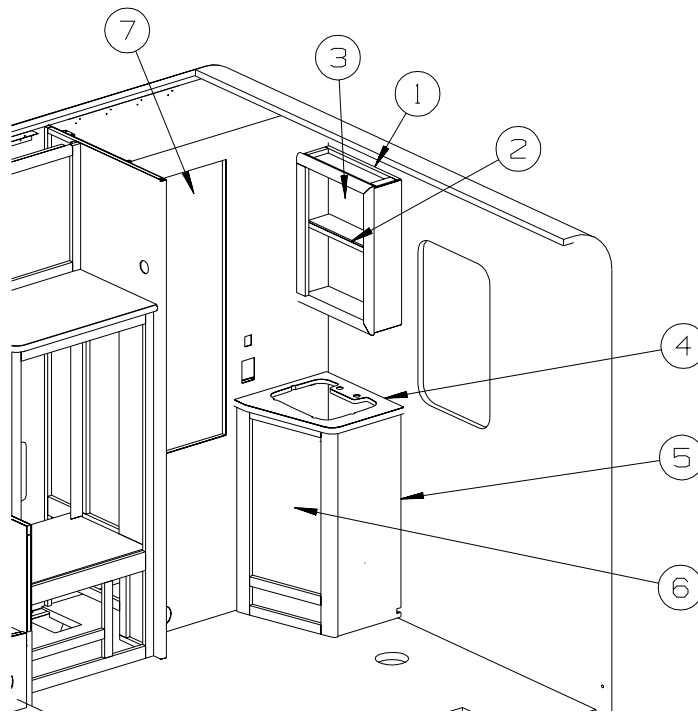
CONTACT WINNEBAGO PART SALES FOR UNLISTED COMPONENTS

076319-25-000

KEY	PART NUMBER	U/M	DESCRIPTION	VENDOR NO.
6	076319-01-706	EA	CRANK-W/SET SCREW UNIV/BEIGE	2750897
6	120233-01-710	EA	HANDLE-CRANK W/SCREW - WHITE	RP-6795
8	076319-01-708	EA	DECAL-CRANK	5413002
10	076319-25-700	EA	DIRECTIONAL HANDLE(WHITE)	3200612
11	076319-25-701	EA	PLATE - CEILING(WHITE)	3200609
13	120233-01-709	EA	WASHER-NYLON	RP-2658

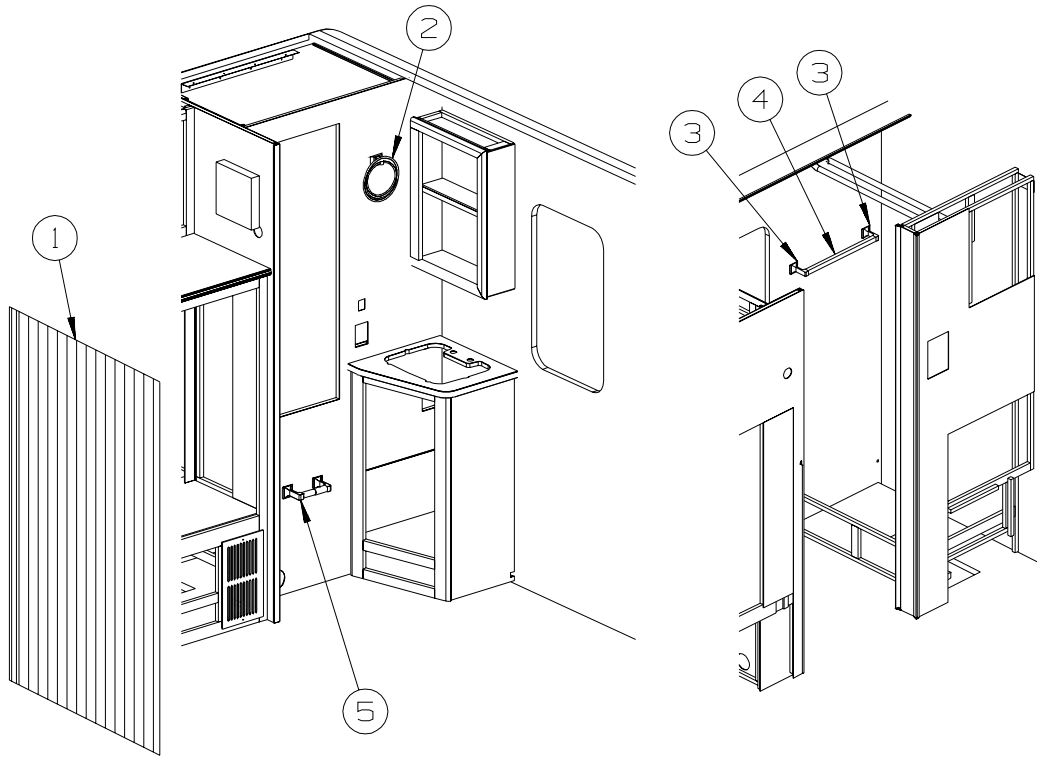
CONTACT WINNEBAGO PART SALES FOR UNLISTED COMPONENTS

BATH GROUP CABINETS



KEY	PART NUMBER	U/M	DESCRIPTION
1	139785-01-P01	EA	CABINET - MEDICINE - W/O DOORS/HARDWARE
2	139785-18-N33	EA	SHELF - W/PLASTIC EDGE MOLDING
3	134786-13-N27	EA	DOOR - MIRROR/MITERED CORNERS-14.9" X 21.8"- W/O HARDWARE
	076767-01-000	EA	CABLE - STAINLESS STEEL - 5.9"
4	133654-15-P01	EA	COUNTERTOP - LAMINATED - EGGSHELL (P04)
4	133654-15-N33	EA	COUNTERTOP - LAMINATED - GRAY TRANQUILITY/NATURAL OAK (P05)
4	133654-15-N35	EA	COUNTERTOP - LAMINATED - WHITE TALC/NATURAL OAK (P06)
5	139104-01-N33	EA	CABINET - LAVATORY - W/O COUNTERTOP/DOORS/DRAWERS/HARDWARE
6	136919-B0-P04	EA	DOOR - FLAT/PENCIL EDGE - 14.3" X 26.7" - W/O HARDWARE
7	136919-C7-P04	EA	DOOR - FLAT/PENCIL EDGE - 15.5" X 45.4" - W/O HARDWARE
	M02630-22-K04	EA	SHOWER PAN - W/SPRING LOADED DRAIN PLUNGER
	084481-30-000	EA	CURTAIN - SHOWER - 67" X 32"

BATH GROUP (CONTINUED)
CABINETS (CONTINUED)



KEY	PART NUMBER	U/M	DESCRIPTION
1*	131595-01-01A	EA	DOOR - FOLDING-36.9" X 74.9"-W/4 CEILING MOUNTED BRACKETS
2	132046-02-01A	EA	RING - TOWEL - BRASS
3	075453-03-000	EA	BRACKET - TOWEL BAR - BRASS - 2 PER PACK
4	075453-04-000	EA	ROD - F/TOWEL BAR - 18" BRASS - W/O END BRACKETS
5	075452-02-000	EA	HOLDER - TOILET TISSUE - BRASS

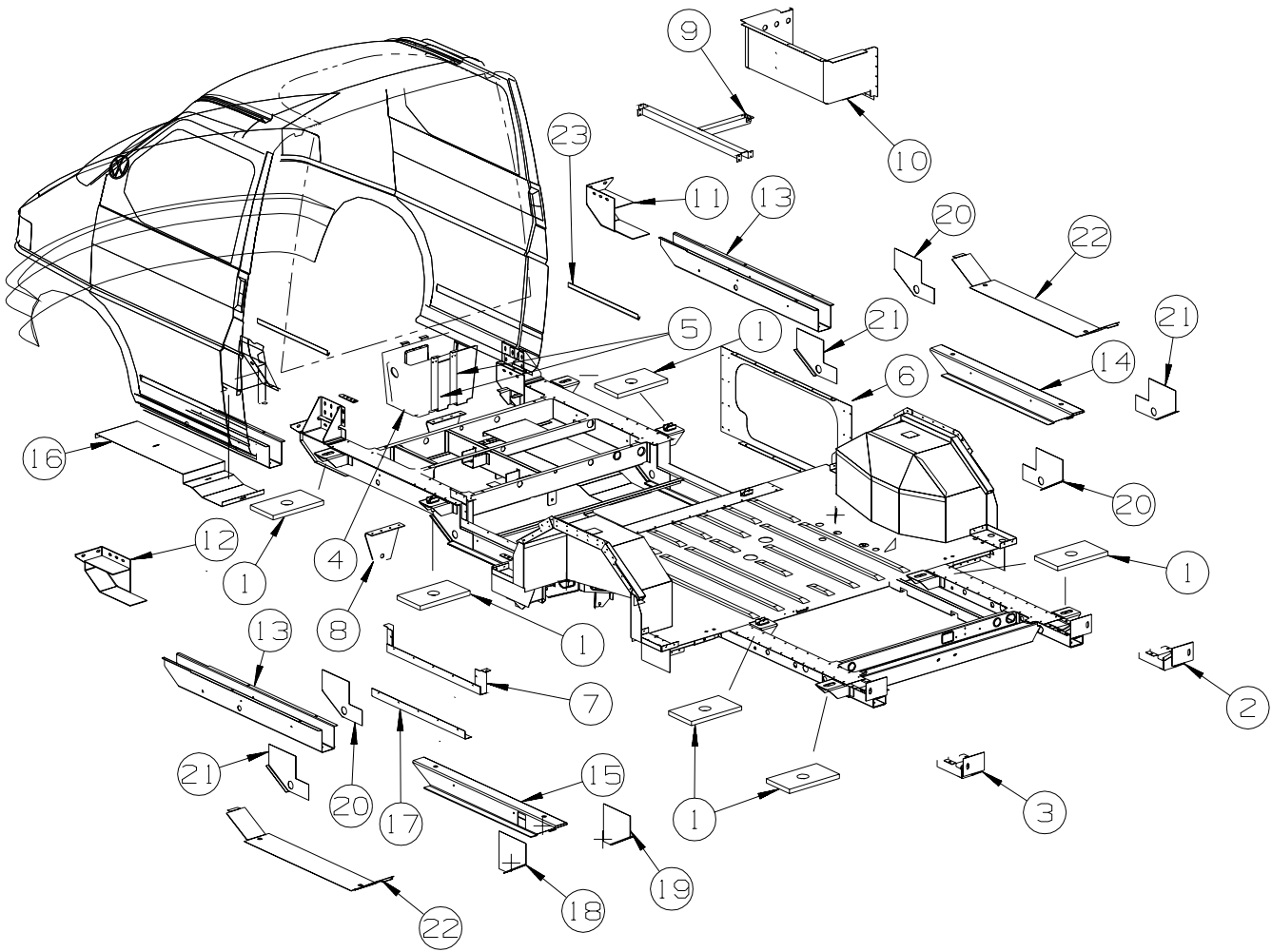
***COMPONENT PARTS LISTED LATER IN THIS GROUP**

BATH GROUP (CONTINUED)
COMPONENT PARTS FOR CABINETS

131595-01-01A

KEY	PART NUMBER	U/M	DESCRIPTION	VENDOR NO.
	117431-01-707	EA	CATCH/PIN - PLASTIC	
	131595-01-700	EA	END STOP ONLY	
	131595-01-701	EA	BRACKET/MOUNTING	908956
	131595-01-702	EA	TRACK/STRAIGHT - 37"	

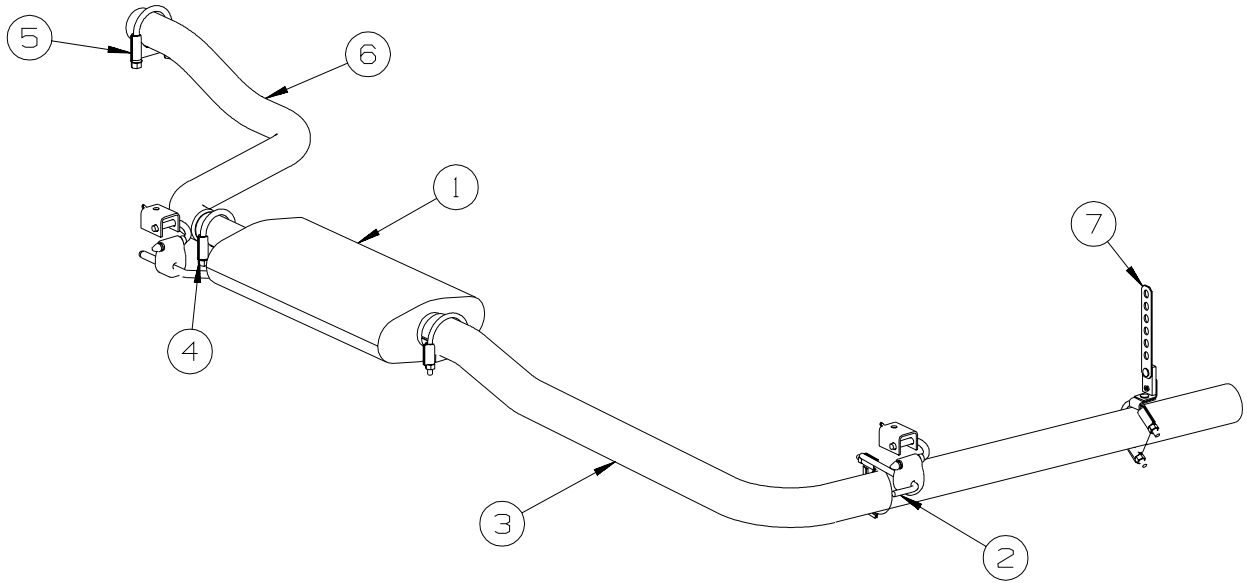
CHASSIS GROUP FRAME



KEY PART NUMBER U/M DESCRIPTION

1	NO LONGER AVAILABLE- CONTACT PART SALES	
2	139098-02-02B	EA BRACKET - BUMPER - E-COATED
		FROM: 00-00-00 THRU: 09-24-02
3	139098-01-02B	EA BRACKET - BUMPER - E-COATED
		FROM: 00-00-00 THRU: 09-24-02
4	111394-01-000	EA BOX - BATTERY - SINGLE
5	139186-01-02B	EA STRAP - BATTERY - E-COATED
6	141641-01-02B	EA PANEL/SEAL PLATE - E-COATED
7	139740-01-02B	EA ANGLE - FLOOR - LOWER - E-COATED
8	139844-01-02B	EA BRACKET - PARK BRAKE - E-COATED
9	139600-01-02B	EA SUPPORT - STEP - E-COATED
10	139520-01-02B	EA BOX - STEP - ENTRY - E-COATED
11	117866-01-01B	EA BRACKET-FRAME,FLOOR,MILL
12	117866-02-01B	EA BRACKET-FRAME,FLOOR,MILL
13	117865-03-01B	EA RAIL ASM-FRAME,FRONT,RH,MILL
14	126977-02-01B	EA RAIL-FRAME,LOWER,MILL
15	126977-01-01B	EA RAIL-FRAME,LOWER,MILL
16	140285-01-01B	EA SHIELD - HEAT - E-COATED
17	139738-01-02B	EA ANGLE - FLOOR - LOWER - E-COATED
18	126976-01-01B	EA GUSSET - FRAME/LOWER
19	126976-02-01B	EA GUSSET - FRAME/LOWER
20	136003-01-01B	EA GUSSET - FRAME/LOWER
21	136003-02-01B	EA GUSSET - FRAME/LOWER
22	139105-01-01B	EA CAP - RAIL/LOWER
23	140685-01-02B	EA ANGLE/SUPPORT - E - COATED

CHASSIS GROUP (CONTINUED)
EXHAUST

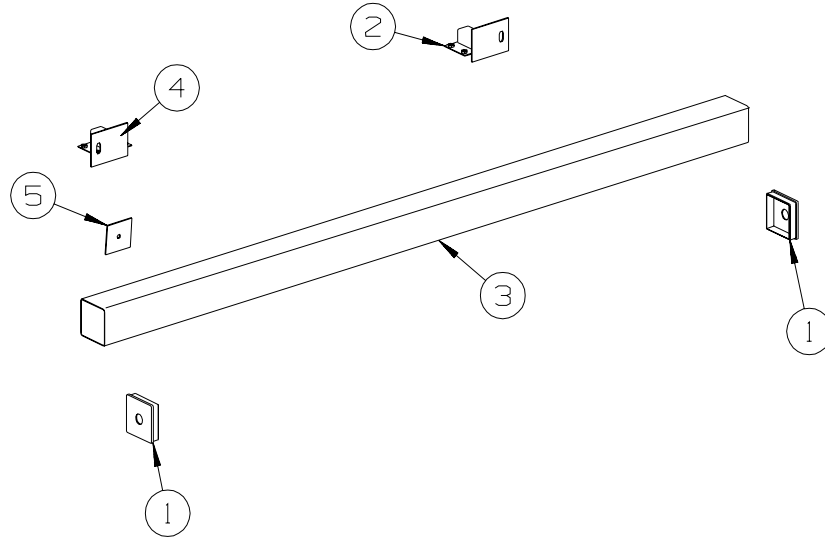


KEY	PART NUMBER	U/M	DESCRIPTION
1	121261-02-000	EA	MUFFLER - FRONT
2	122392-10-02B	EA	HANGER - TAILPIPE/FRONT - E-COATED
3	140291-01-000	EA	PIPE - EXHAUST
4	082716-01-000	EA	CLAMP - EXHAUST - 2"
5	082716-02-000	EA	CLAMP - EXHAUST - 2.24"
6	113098-02-000	EA	PIPE - EXHAUST/FRONT
7	007131-01-000	EA	HANGER - TAILPIPE - 6 SLOTS

CHASSIS GROUP (CONTINUED)

HITCH

KEY	PART NUMBER	U/M	DESCRIPTION
	130339-06-000	EA	HITCH RECEIVER - BOLT ON CLASS I FROM: 00-00-00 THRU: 09-24-02
	130339-10-000	EA	HITCH RECEIVER - BOLT ON CLASS I FROM: 09-25-02 THRU: 99-99-99

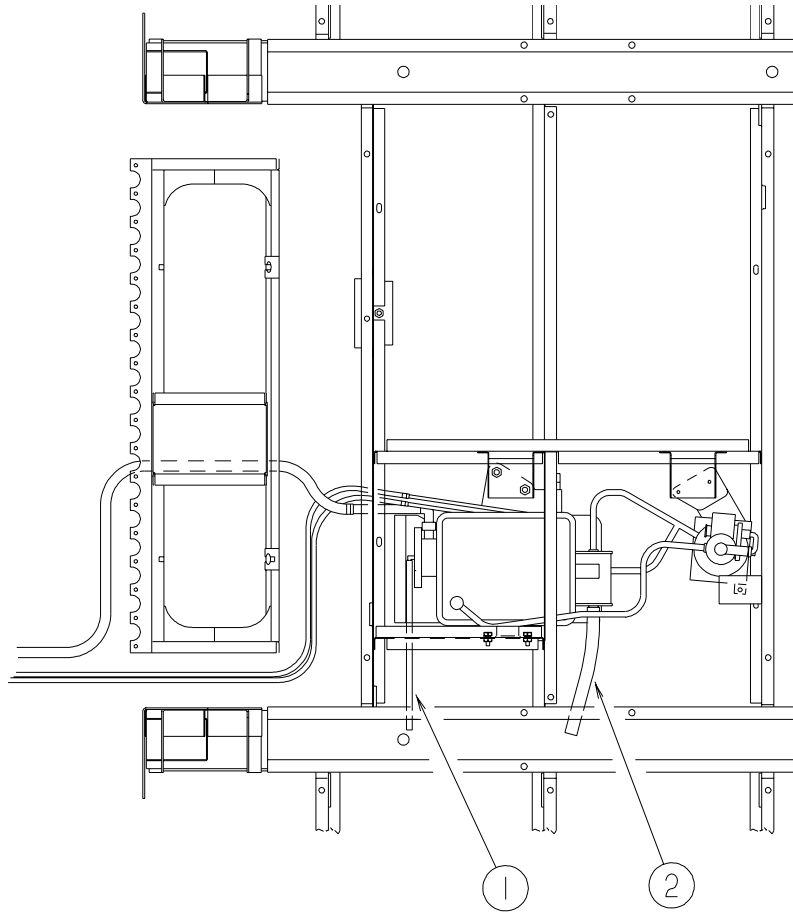


REAR BUMPER

KEY	PART NUMBER	U/M	DESCRIPTION
1	039779-01-000	EA	CAP - BUMPER - RUBBER - 4" X 4" - BLACK
2	139098-02-02B	EA	BRACKET - BUMPER - E-COATED FROM: 00-00-00 THRU: 09-24-02
2	143920-02-02B	EA	BRACKET/BUMPER MOUNTING - DRIVER REAR - E-COATED FROM: 09-25-02 THRU: 99-99-99
3	103422-06-01A	EA	BUMPER - REAR - SQUARE ALUMINUM - 87.3" - BRIGHT WHITE
4	139098-01-02B	EA	BRACKET - BUMPER - E-COATED FROM: 00-00-00 THRU: 09-24-02
4	143920-01-02B	EA	BRACKET/BUMPER MOUNTING - PASSENGER REAR - E-COATED FROM: 09-25-02 THRU: 99-99-99
5	140371-01-02B	EA	PLATE/WASHER - BUMPER - 3.3"SQ - E-COATED

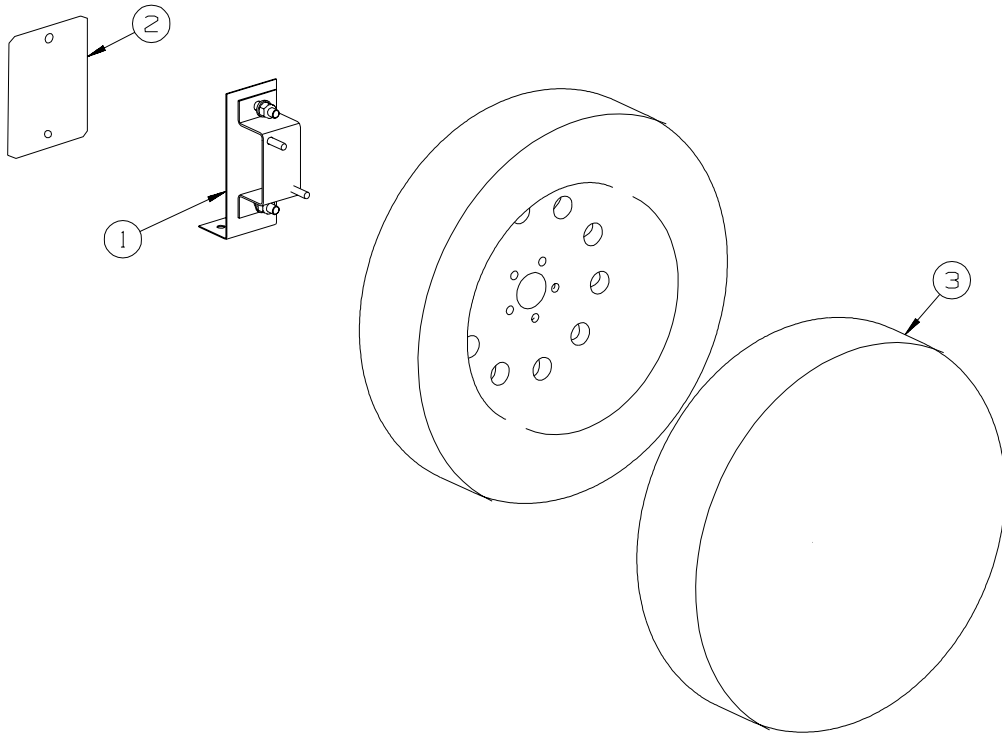
CHASSIS GROUP (CONTINUED)

EMISSIONS SYSTEM



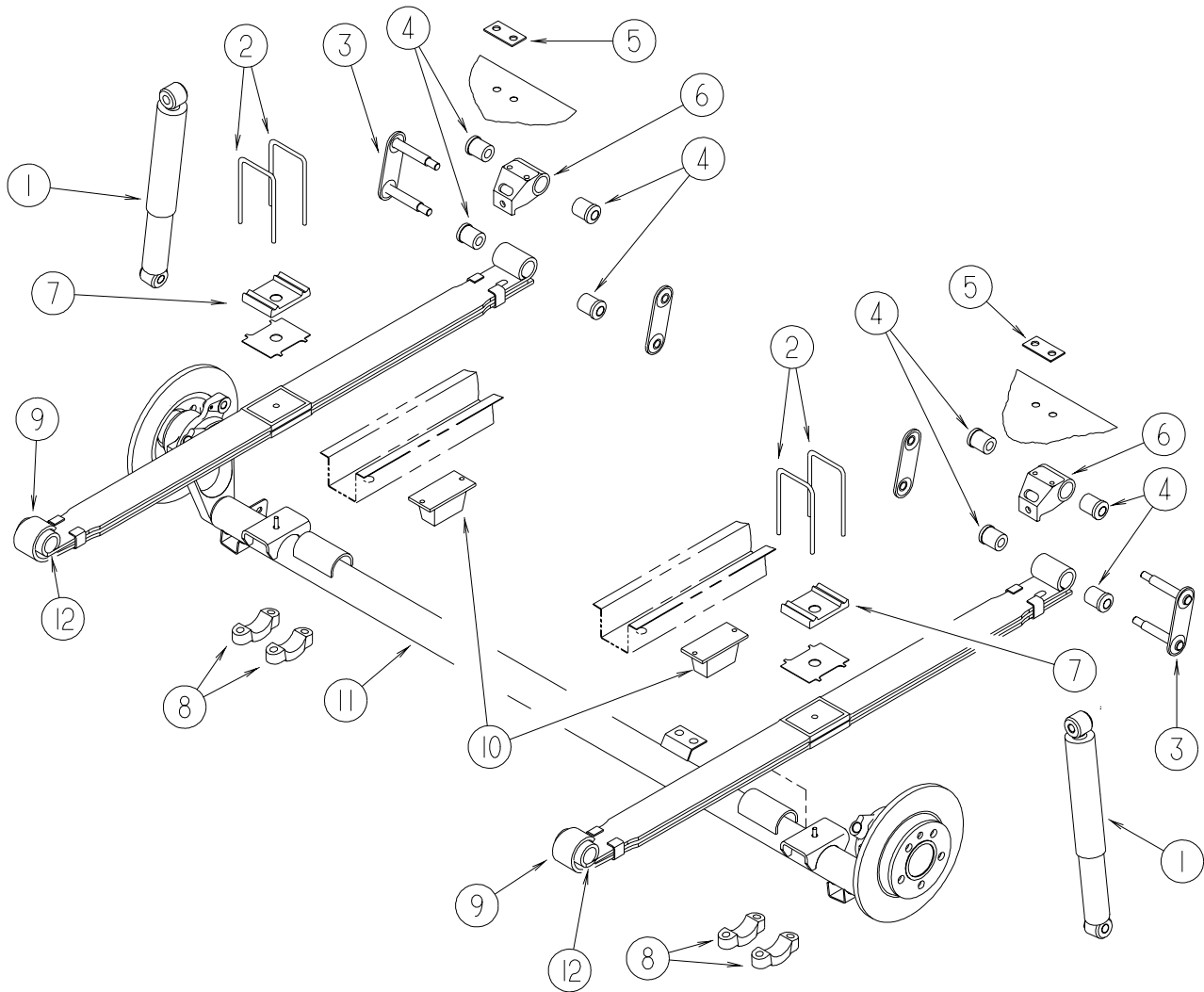
KEY	PART NUMBER	U/M	DESCRIPTION
1	045794-01-000	FT	HOSE - WASHER - WINDSHIELD - 5/32" ID - BLACK
2	007108-01-000	FT	HOSE - HEATER - 5/8" ID - HI-TEMP

CHASSIS GROUP (CONTINUED)
SPARE TIRE



KEY	PART NUMBER	U/M	DESCRIPTION
1	105209-10-02B	EA	BRACKET/SUPPORT - SPARE TIRE - E-COATED
2	105208-01-000	EA	PLATE - SPARE TIRE
3	073322-10-P01	EA	COVER - TIRE - 26"
	073322-50-000	EA	COVER - UNIVERSAL LINER

CHASSIS GROUP (CONTINUED) SUSPENSION



KEY	PART NUMBER	U/M	DESCRIPTION
1*	112033-02-000	EA	SHOCK ABSORBER - REAR VW H-BODY - NEW DESIGN
2	112410-01-000	EA	BOLT-U - REAR SPRING
3	112560-01-000	EA	SHACKLE - SPRING - REAR
4	112503-01-000	EA	BUSHING - SPRING - REAR
5	071231-01-000	EA	PLATE - FLOOR DOUBLER
6	112415-01-000	EA	SUPPORT - SHACKLE - REAR
7	112414-01-000	EA	PLATE - SPRING CLAMP
8	112413-01-000	EA	BRACKET - U BOLT - REAR SUSPENSION
9	134195-01-000	EA	SPRING - REAR LEAF W/O BUSHINGS
10	113876-01-000	EA	PAD - JOUNCE - REAR SPRING
11	120493-01-01A	EA	AXLE - REAR - DISC BRAKE
12	116712-01-000	EA	BUSHING - SPRING - FRONT
*	100293-03-000	EA	AIR SPRING KIT - W/O WARNING LIGHT SYSTEM - RIALTA
	136662-02-000	EA	BOLT/LUG - CHROME F/RIALTA W/ALUMINUM WHEEL(#L54W OPTION) - STYLIZED ALUMINUM

*COMPONENT PARTS LISTED LATER IN THIS GROUP

CHASSIS GROUP (CONTINUED)
COMPONENT PARTS FOR SUSPENSION

100293-03-000

KEY	PART NUMBER	U/M	DESCRIPTION	VENDOR NO.
	100293-03-700	EA	BAG - PRECHARGED KIT LT. VW	RK-W2L
	100293-03-701	EA	BAG - PRECHARGED KIT RT. VW	RK-W2R
	100293-03-702	EA	VALVE - AIR FILL	T9-AFV

112033-02-000

KEY	PART NUMBER	U/M	DESCRIPTION	VENDOR NO.
	112033-02-700	EA	SHOCK ABSORBER RR(PAIRS ONLY)	

CHASSIS GROUP (CONTINUED)
WHEEL, TIRE, COVERS &/OR LINERS

KEY	PART NUMBER	U/M	DESCRIPTION
	051377-03-000	EA	VALVE STEM
	136663-01-000	EA	VALVE STEM - USED W/16" WHEELS
	077030-08-000	EA	CAP - VALVE STEM - W/SHROUD - CHROME - STYLIZED ALUMINUM WHEELS
	077030-04-000	EA	EXTENSION - VALVE STEM - .75"
	077030-02-000	EA	EXTENSION - VALVE STEM - 1.25" - PLASTIC - STYLIZED ALUMINUM WHEELS
	137603-01-000	EA	TIRE - 195/65 R16 C 104/102R (FRONT TIRE)
	137603-02-000	EA	TIRE - 215/65 R16 C 109/107R (REAR TIRE)
*	134261-02-01A	EA	COVER/WHEEL - 16" - SET OF 4
			FROM: 00-00-00 THRU: 04-30-02
*	134261-03-01A	EA	COVER/WHEEL - 16" - SET OF 4 - KAPER II - F/RIALTA
			FROM: 05-01-02 THRU: 99-99-99
	137604-01-000	EA	WHEEL - ALUMINUM - 16" X 6" - CHROME/CAST - STYLIZED ALUMINUM WHEELS
	137604-02-000	EA	WHEEL - ALUMINUM - 16" X 6" - PLAIN/ROUGH - SPARE TIRE - STYLIZED ALUMINUM WHEELS
	136662-02-000	EA	BOLT/LUG - CHROME F/RIALTA W/ALUMINUM WHEEL - STYLIZED ALUMINUM WHEELS
	137604-04-000	EA	CAP/CENTER - ALUMINUM WHEEL - RIALTA - PLAIN BLACK - STYLIZED ALUMINUM WHEELS
	114387-02-000	EA	HANDLE - JACK - SCREW - 1 PIECE
	114387-03-000	EA	JACK - SCREW - 4000 LB
	139963-02-02B	EA	BRACKET - SPARE TIRE - E-COATED
	139963-04-02B	EA	BRACKET - SPARE TIRE - E-COATED - STYLIZED ALUMINUM WHEELS/DELUXE FEATURE PACKAGE
	116209-01-000	EA	WRENCH - LUG - .75"

***COMPONENT PARTS LISTED LATER IN THIS GROUP**

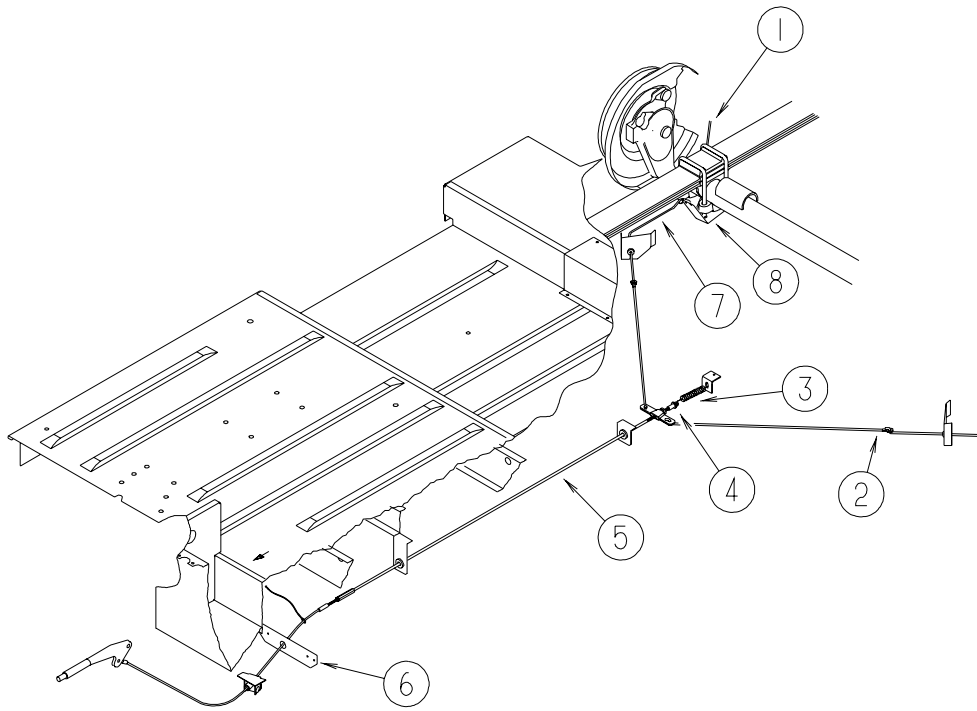
CHASSIS GROUP (CONTINUED)
COMPONENT PARTS FOR WHEEL, TIRE, COVERS &/OR LINERS

		134261-02-01A		
KEY	PART NUMBER	U/M	DESCRIPTION	VENDOR NO
	134261-02-700	EA	COVER/WHEEL- 16"	

		134261-03-01A		
KEY	PART NUMBER	U/M	DESCRIPTION	VENDOR NO
	134261-03-701	EA	COVER WHEEL (1 EA=1 ONLY)	

CHASSIS GROUP (CONTINUED)

PARK BRAKE

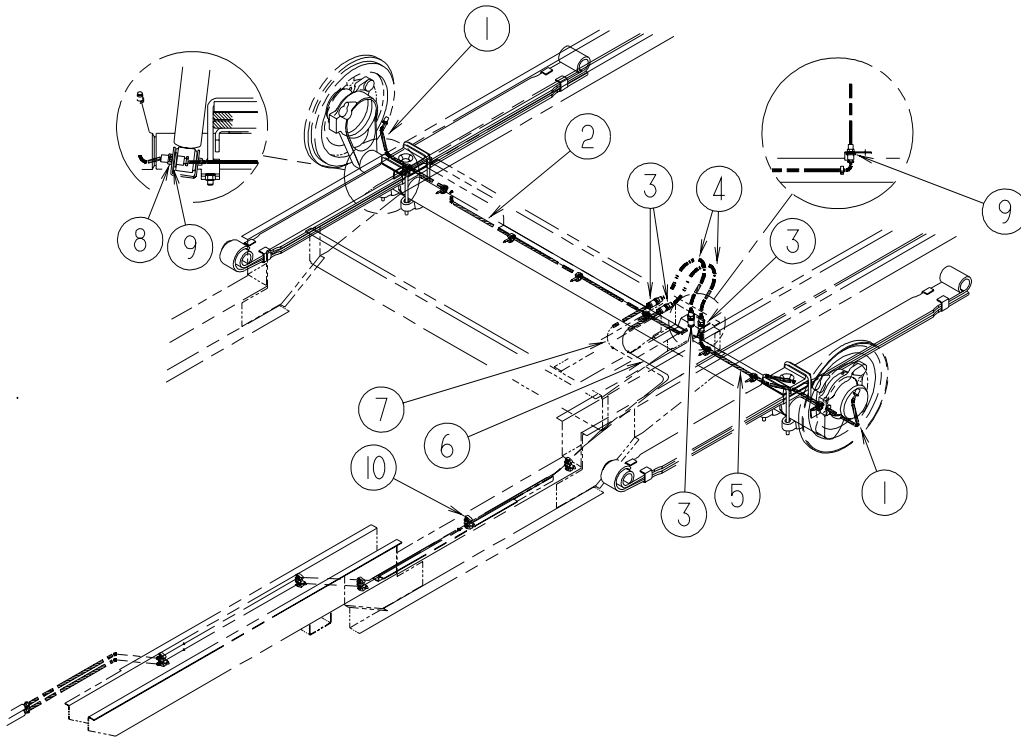


KEY	PART NUMBER	U/M	DESCRIPTION
1	123961-01-000	EA	CLIP - CABLE - PARK BRAKE
2	123956-01-000	EA	ROD - CONNECTING - PARK BRAKE
3	124053-01-000	EA	SPRING - PARK BRAKE
4	123960-01-000	EA	SPRING - RETAINER - PARK BRAKE
5	120406-02-02B	EA	ROD - THREADED - PARK BRAKE
6	119693-01-02B	EA	BRACKET - PARK BRAKE - E-COATED
7	121406-01-01A	EA	BUSHING - THREADED - 2 PIECE NYLON
7	123954-01-000	EA	CABLE - REAR PARK BRAKE W/DISC BRAKES
8	130075-01-02B	EA	BRACKET - PARK BRAKE CABLE/LEFT HAND - E-COATED
8	130075-02-02B	EA	BRACKET - PARK BRAKE CABLE/RIGHT HAND - E-COATED

FROM: 00-00-00 THRU: 10-08-02

CHASSIS GROUP (CONTINUED)

BRAKELINE



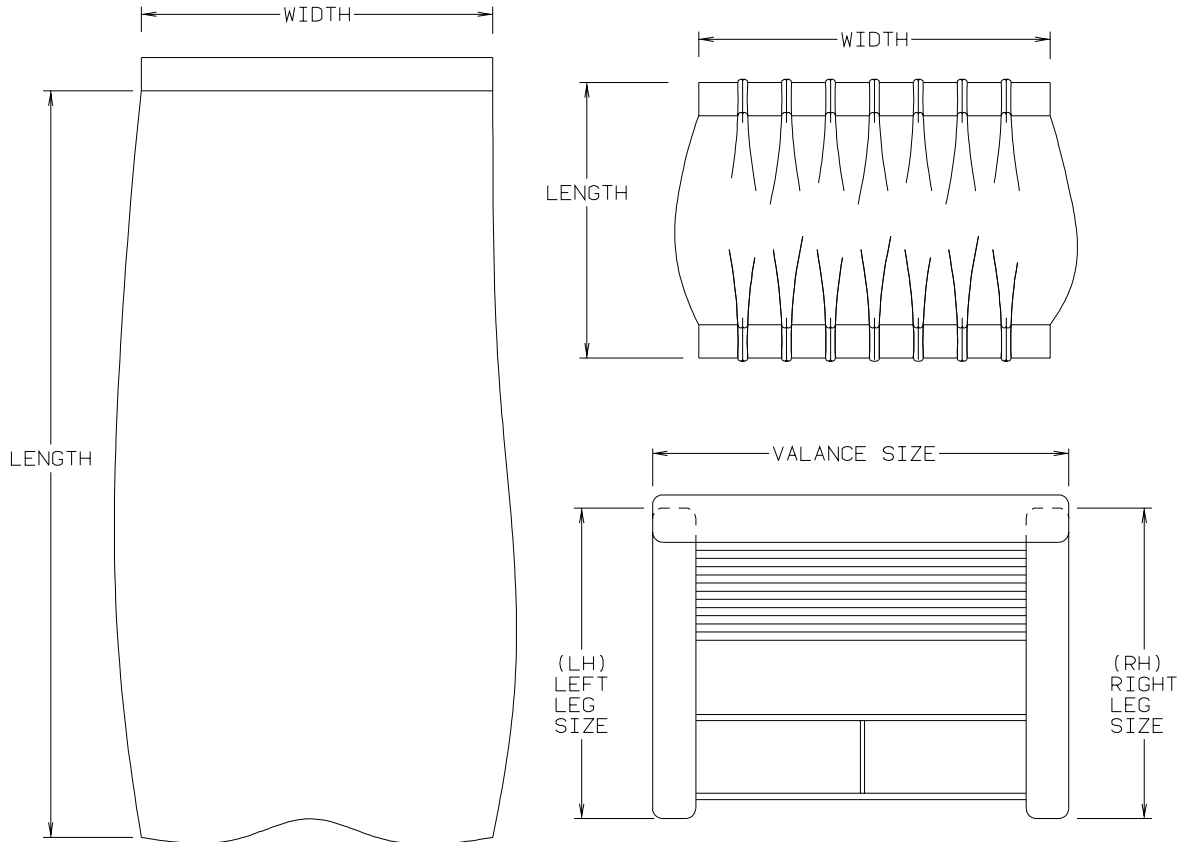
KEY	PART NUMBER	U/M	DESCRIPTION
1	125522-01-000	EA	HOSE ASM - BRAKE LINE
2	121592-01-000	EA	REAR RH BRAKE LINE FOR VW H-BODY WITH REAR DISC BRAKES
3	112638-02-000	EA	CLIP - SPRING - BRAKE HOSE
4	112638-01-000	EA	HOSE - BRAKE LINE/REAR
5	121592-02-000	EA	REAR LH BRAKE LINE FOR THE VW H-BODY WITH REAR DISC BRAKES
6	112640-05-000	EA	BRAKE LINE/FRONT
7	112640-06-000	EA	BRAKE LINE/FRONT
8	125486-01-02B	EA	BRACKET-RETAINING, BRAKE LINE
9	125523-01-000	EA	CLIP - RETAINER
10	088258-02-000	EA	CLIP - RETAINING - FUEL LINE SINGLE - 17 USED

CURTAIN & CUSHION GROUP

NOTICE

IN ORDER TO ASSIST OUR PARTS SALES DEPT. IN PROVIDING INTERIOR SOFTWARE ITEMS, PLEASE INCLUDE THE SERIAL NUMBER AND THE COLOR CODE NUMBER FROM THE VEHICLE CERTIFICATION LABEL WHEN ORDERING. THIS LABEL IS LOCATED ON THE LEFT SIDEWALL AT THE END OF THE DASH (A-BODY), OR ON THE DRIVER'S DOOR LATCH PLATE (C-BODY).

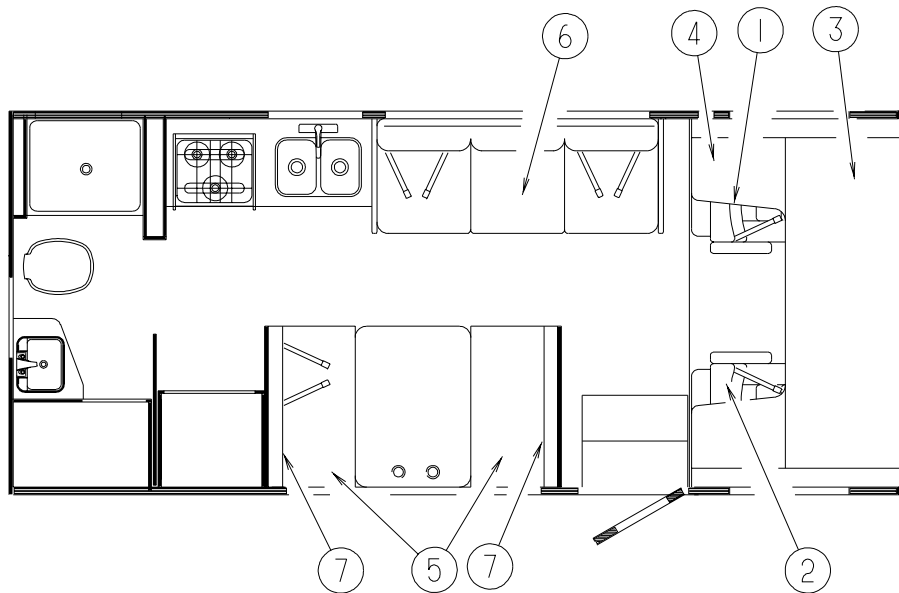
AN EXAMPLE OF A COLOR CODE NUMBER IS B07, WHICH DESIGNATES AN OVERALL COLOR SCHEME OF A PARTICULAR UNIT. THE COLOR LISTED AFTER THE ITEM DESCRIPTION ON THE MICROFICHE, INDICATES THE OVERALL UNIT COLOR. ORDER THE ITEM YOU DESIRE ACCORDING TO UNIT COLOR CODE. IF ALL COLORS USE THE SAME ITEM NO COLOR CODE WILL BE NOTED.



NOTE: USE THIS ILLUSTRATION WHEN DETERMINING LENGTH AND WIDTH MEASUREMENTS FOR CURTAINS. YOU WILL NOTE THE WIDTH MEASUREMENT IS TAKEN ON THE TOP OF THE CURTAIN WITH THE CURTAIN FULLY EXTENDED. THE LENGTH MEASUREMENT IS TAKEN FROM TOP TO BOTTOM. LEFT AND RIGHT WINDOW LEGS ARE DETERMINED WHEN FACING THE WINDOW.

CURTAIN & CUSHION GROUP (CONTINUED)

CUSHION LAYOUT

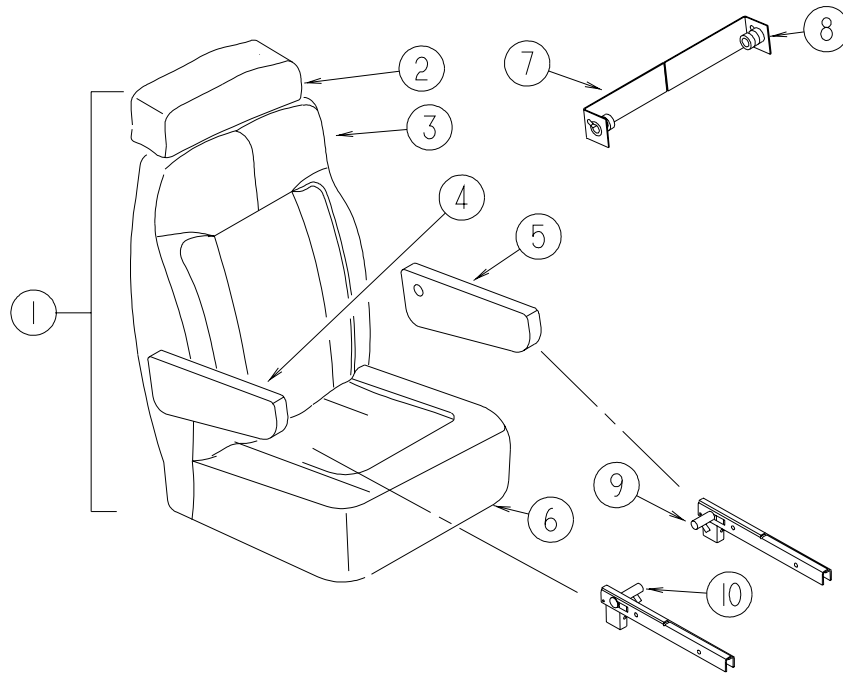


KEY	PART NUMBER	U/M	DESCRIPTION
1	140223-01-P04	EA	SEAT-VW,CHASSIS SUPPLIED,DR. (P04) FROM: 00-00-00 THRU: 08-04-02
1	140223-03-P04	EA	SEAT-VW,CHASSIS SUPPLIED,DR. (P04) FROM: 08-05-02 THRU: 99-99-99
1	140223-01-N28	EA	SEAT-VW,CHASSIS SUPPLIED,DR. (P05) FROM: 00-00-00 THRU: 08-04-02
1	140223-03-P05	EA	SEAT-VW,CHASSIS SUPPLIED,DR. (P05) FROM: 08-05-02 THRU: 99-99-99
1	140223-01-P06	EA	SEAT-VW,CHASSIS SUPPLIED,DR. (P06) FROM: 00-00-00 THRU: 08-04-02
1	140223-03-P06	EA	SEAT-VW,CHASSIS SUPPLIED,DR. (P06) FROM: 08-05-02 THRU: 99-99-99
2	140223-02-P04	EA	SEAT-VW,CHASSIS SUPPLIED,PAS (P04) FROM: 00-00-00 THRU: 08-04-02
2	140223-04-P04	EA	SEAT-VW,CHASSIS SUPPLIED,PAS (P04) FROM: 08-05-02 THRU: 99-99-99
2	140223-02-N28	EA	SEAT-VW,CHASSIS SUPPLIED,PAS (P05) FROM: 00-00-00 THRU: 08-04-02
2	140223-04-P05	EA	SEAT-VW,CHASSIS SUPPLIED,PAS (P05) FROM: 08-05-02 THRU: 99-99-99
2	140223-02-P06	EA	SEAT-VW,CHASSIS SUPPLIED,PAS (P06) FROM: 00-00-00 THRU: 08-04-02
2	140223-04-P06	EA	SEAT-VW,CHASSIS SUPPLIED,PAS (P06) FROM: 08-05-02 THRU: 99-99-99
3	105573-15-P04	EA	CUSHION - OVERHEAD/FRONT - 26" X 80" X 5"
3	105573-15-P05	EA	CUSHION - OVERHEAD/FRONT - 26" X 80" X 5"
3	105573-15-P06	EA	CUSHION - OVERHEAD/FRONT - 26" X 80" X 5"
	P05573-15-P04	EA	COVER - OVERHEAD/FRONT - 26" X 80" X 5"
	P05573-15-P05	EA	COVER - OVERHEAD/FRONT - 26" X 80" X 5"
	P05573-15-P06	EA	COVER - OVERHEAD/FRONT - 26" X 80" X 5"
4	105573-10-P04	EA	CUSHION - OVERHEAD BUNK/REAR - 27" X 23" X 80" X 5" (P04)
4	105573-10-L08	EA	CUSHION - OVERHEAD BUNK/REAR - 27" X 23" X 80" X 5" (P05)
4	105573-10-P06	EA	CUSHION - OVERHEAD BUNK/REAR - 27" X 23" X 80" X 5" (P06)
	P05573-10-P04	EA	COVER - CUSHION/OVERHEAD BUNK/REAR - 27" X 23" X 80" X 5" (P04)
	P05573-10-L08	EA	COVER - CUSHION/OVERHEAD BUNK/REAR - 27" X 23" X 80" X 5" (P05)
	P05573-10-P06	EA	COVER - CUSHION/OVERHEAD BUNK/REAR - 27" X 23" X 80" X 5" (P06)

CURTAIN & CUSHION GROUP (CONTINUED)
CUSHION LAYOUT (CONTINUED)

KEY	PART NUMBER	U/M	DESCRIPTION
5	105603-13-P04	EA	CUSHION - SEAT - 21" X 30" X 5" (P04)
5	105603-12-P05	EA	CUSHION - SEAT - 21" X 30" X 5" (P05)
5	105603-13-P06	EA	CUSHION - SEAT - 21" X 30" X 5" (P06)
	P05603-13-P04	EA	COVER - SEAT - 21" X 30" X 5" (P04)
	P05603-12-P05	EA	COVER/SEAT - DINETTE - 21" X 30" X 5" (P05)
	P05603-13-P06	EA	COVER - SEAT - 21" X 30" X 5" (P06)
6			SOFA - SEE SOFA AREA
7	111897-24-P04	EA	CUSHION - BACK - 13.5" X 30" X 5" (P04)
7	111897-28-P05	EA	CUSHION - BACK - 12" X 30" X 5" (P05)
7	111897-24-P06	EA	CUSHION - BACK - 13.5" X 30" X 5" (P06)
	P11897-24-P04	EA	COVER - BACK - 13.5" X 30" X 5" (P04)
	P11897-28-P05	EA	COVER - BACK - 12" X 30" X 5" (P05)
	P11897-24-P06	EA	COVER - BACK - 13.5" X 30" X 5" (P06)

CURTAIN & CUSHION GROUP (CONTINUED) BUCKETSEAT



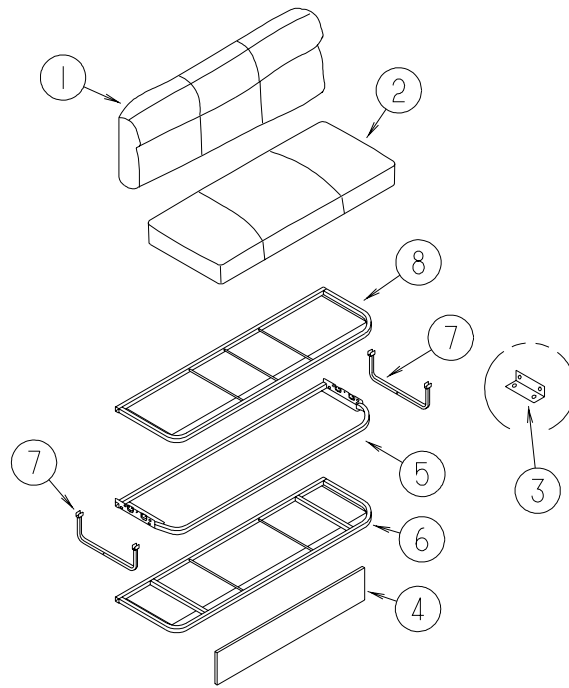
KEY	PART NUMBER	U/M	DESCRIPTION
1	140223-01-P04	EA	SEAT-VW,CHASSIS SUPPLIED,DR. (P04) FROM: 00-00-00 THRU: 08-04-02
1	140223-03-P04	EA	SEAT-VW,CHASSIS SUPPLIED,DR. (P04) FROM: 08-05-02 THRU: 99-99-99
1	140223-01-N28	EA	SEAT-VW,CHASSIS SUPPLIED,DR. (P05) FROM: 00-00-00 THRU: 08-04-02
1	140223-03-P05	EA	SEAT-VW,CHASSIS SUPPLIED,DR. (P05) FROM: 08-05-02 THRU: 99-99-99
1	140223-01-P06	EA	SEAT-VW,CHASSIS SUPPLIED,DR. (P06) FROM: 00-00-00 THRU: 08-04-02
1	140223-03-P06	EA	SEAT-VW,CHASSIS SUPPLIED,DR. (P06) FROM: 08-05-02 THRU: 99-99-99
1	140223-02-P04	EA	SEAT-VW,CHASSIS SUPPLIED,PAS (P04) FROM: 00-00-00 THRU: 08-04-02
1	140223-04-P04	EA	SEAT-VW,CHASSIS SUPPLIED,PAS (P04) FROM: 08-05-02 THRU: 99-99-99
1	140223-02-N28	EA	SEAT-VW,CHASSIS SUPPLIED,PAS (P05) FROM: 00-00-00 THRU: 08-04-02
1	140223-04-P05	EA	SEAT-VW,CHASSIS SUPPLIED,PAS (P05) FROM: 08-05-02 THRU: 99-99-99
1	140223-02-P06	EA	SEAT-VW,CHASSIS SUPPLIED,PAS (P06) FROM: 00-00-00 THRU: 08-04-02
1	140223-04-P06	EA	SEAT-VW,CHASSIS SUPPLIED,PAS (P06) FROM: 08-05-02 THRU: 99-99-99

CURTAIN & CUSHION GROUP (CONTINUED)
BUCKETSEAT (CONTINUED)

KEY	PART NUMBER	U/M	DESCRIPTION
2	P14514-03-P04	EA	COVER/HEADREST (P04)
2	P14514-03-N28	EA	COVER/HEADREST (P05)
2	P14514-03-P06	EA	COVER/HEADREST (P06)
3	M05962-F7-P04	EA	COVER/BACK (P04)
3	M05962-F7-N28	EA	COVER/BACK (P05)
3	M05962-F7-P06	EA	COVER/BACK (P06)
4	128826-11-P04	EA	ARMREST - RIGHT HAND
4	128826-11-P05	EA	ARMREST - RIGHT HAND
4	128826-11-P06	EA	ARMREST - RIGHT HAND
	P28826-11-P04	EA	COVER - ARMREST/RIGHT HAND
	P28826-11-P05	EA	COVER - ARMREST/RIGHT HAND
	P28826-11-P06	EA	COVER - ARMREST/RIGHT HAND
5	128826-12-P04	EA	ARMREST - LEFT HAND
5	128826-12-P05	EA	ARMREST - LEFT HAND
5	128826-12-P06	EA	ARMREST - LEFT HAND
	P28826-12-P04	EA	COVER - ARMREST/LEFT HAND
	P28826-12-P05	EA	COVER - ARMREST/LEFT HAND
	P28826-12-P06	EA	COVER - ARMREST/LEFT HAND
6	M05962-F8-P04	EA	COVER/SEAT (P04)
6	M05962-F8-N28	EA	COVER/SEAT (P05)
6	M05962-F8-P06	EA	COVER/SEAT (P06)
7	128181-01-01B	EA	BRACKET - ARMREST/RIGHT HAND
8	128181-02-01B	EA	BRACKET - ARMREST/LEFT HAND
9	130188-02-000	EA	BRACKET - ARMREST/LEFT HAND - W/FOAM
10	130188-01-000	EA	BRACKET - ARMREST/RIGHT HAND - W/FOAM

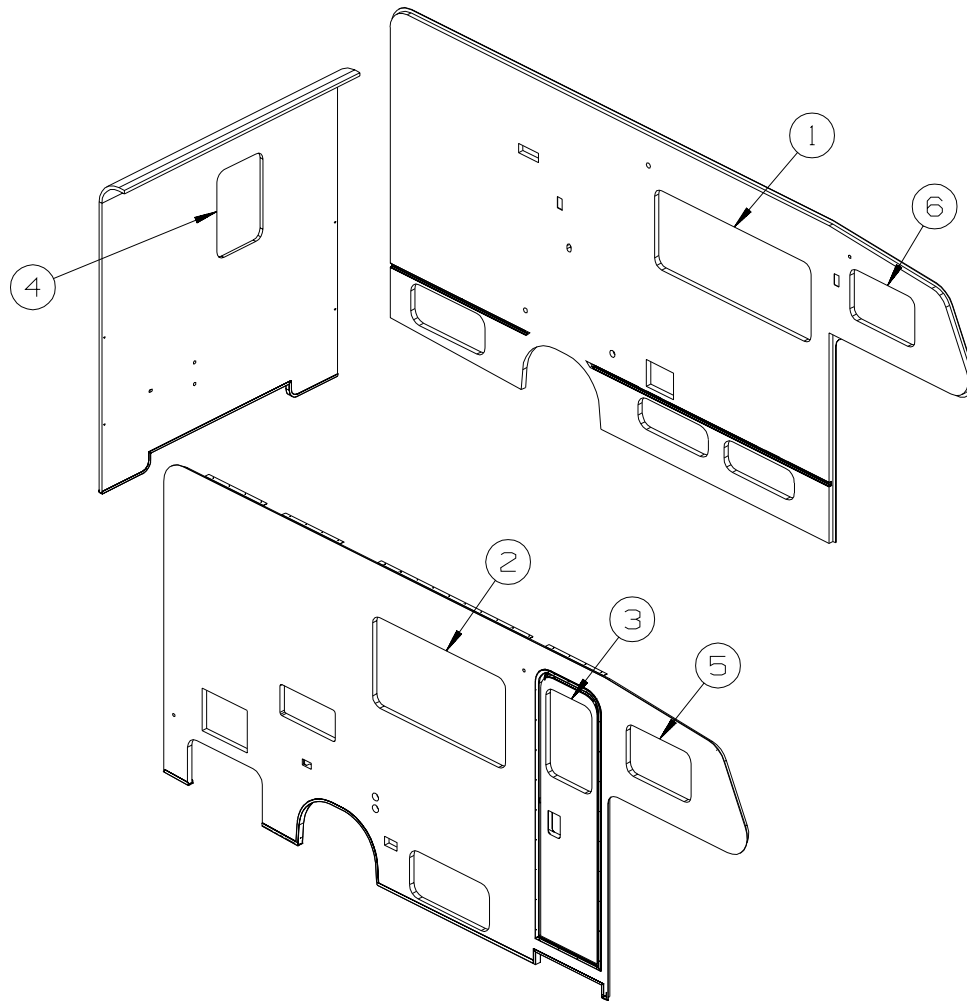
CURTAIN & CUSHION GROUP (CONTINUED)

SOFA



KEY	PART NUMBER	U/M	DESCRIPTION
1	141077-01-P04	EA	BACK - SOFA/BED - 66.5" (P04)
1	141077-01-N28	EA	BACK - SOFA/BED - 66.5" (P05)
1	141077-01-P06	EA	BACK - SOFA/BED - 66.5" (P06)
	P41077-01-P04	EA	COVER - BACK - SOFA/BED - 66.5" (P04)
	P41077-01-N28	EA	COVER - BACK - SOFA/BED - 66.5" (P05)
	P41077-01-P06	EA	COVER - BACK - SOFA/BED - 66.5" (P06)
2	141077-02-P04	EA	SEAT - SOFA/BED - 66.5" (P04)
2	141077-02-N28	EA	SEAT - SOFA/BED - 66.5" (P05)
2	141077-02-P06	EA	SEAT - SOFA/BED - 66.5" (P06)
	P41077-02-P04	EA	COVER - SEAT - SOFA/BED - 66.5" (P04)
	P41077-02-N28	EA	COVER - SEAT - SOFA/BED - 66.5" (P05)
	P41077-02-P06	EA	COVER - SEAT - SOFA/BED - 66.5" (P06)
3	083125-08-000	EA	BRACE - WINDOW MOUNT - .75" - OFF WHITE
4	M08107-33-P04	EA	PANEL/DOOR/FRONT KICK - SOFA BED - FABRIC COVERED (P04)
4	M08107-33-N28	EA	PANEL/DOOR/FRONT KICK - SOFA BED - FABRIC COVERED (P05)
4	M08107-33-P06	EA	PANEL/DOOR/FRONT KICK - SOFA BED - FABRIC COVERED (P06)
5	101085-03-000	EA	FRAME - BASE - SOFA/BED - 66.5"
6	101085-09-000	EA	FRAME - BACK - SOFA/BED - 66.5" X 16"
7	114763-08-000	EA	FRAME - FORWARD FACING LEGS
8	101085-01-000	EA	FRAME - SEAT - SOFA/BED - 66.5"

CURTAIN & CUSHION GROUP (CONTINUED)
WINDOW TREATMENT



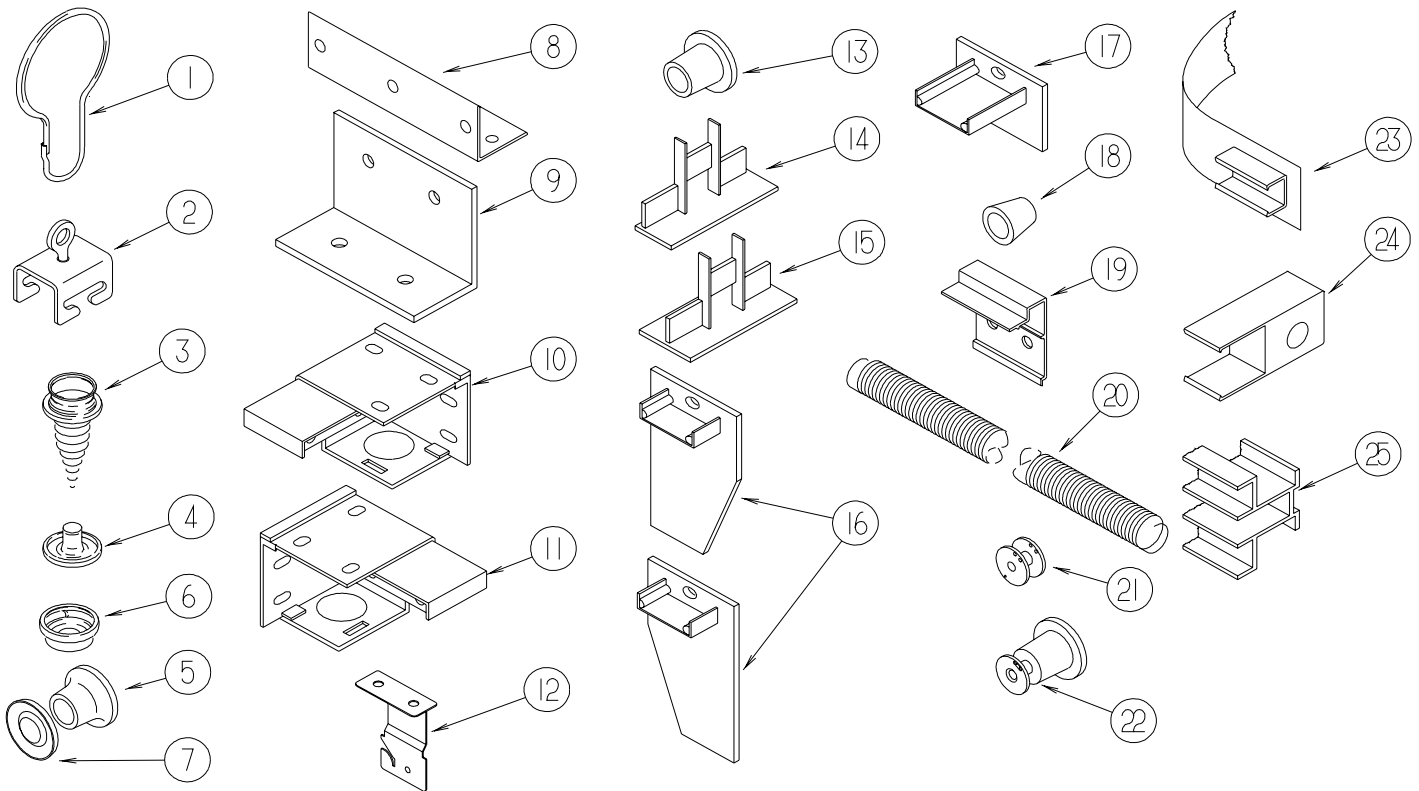
KEY	PART NUMBER	U/M	DESCRIPTION
1	138097-03-P10	EA	VALANCE - CUFFED - 62.5" (P04)
1	138097-03-N39	EA	VALANCE - CUFFED - 62.5" (P05)
1	138097-03-P12	EA	VALANCE - CUFFED - 62.5" (P06)
1	109802-27-L02	EA	BLIND - PLEATED - 59" X 26.5"
1	136988-39-P04	EA	LEG - RIGHT - 26" - FABRIC COVERED (P04)
1	136988-39-N28	EA	LEG - RIGHT - 26" - FABRIC COVERED (P05)
1	136988-39-P06	EA	LEG - RIGHT - 26" - FABRIC COVERED (P06)
1	136988-40-P04	EA	LEG - LEFT - 26" (P04)
1	136988-40-N28	EA	LEG - LEFT - 26" (P05)
1	136988-40-P06	EA	LEG - LEFT - 26" (P06)
2	138097-09-P04	EA	VALANCE - CUFFED - 54" (P04)
2	138097-09-N05	EA	VALANCE - CUFFED - 54" (P05)
2	138097-09-P06	EA	VALANCE - CUFFED - 54" (P06)
2	109802-65-P01	EA	BLIND - PLEATED - 51" X 30"
2	136988-49-P04	EA	LEG - RIGHT - 28" - FABRIC COVERED (P04)
2	136988-49-N28	EA	LEG - RIGHT - 28" - FABRIC COVERED (P05)
2	136988-49-P06	EA	LEG - RIGHT - 28" - FABRIC COVERED (P06)
2	136988-50-P04	EA	LEG - LEFT - 28" - FABRIC COVERED (P04)
2	136988-50-N28	EA	LEG - LEFT - 28" - FABRIC COVERED (P05)
2	136988-50-P06	EA	LEG - LEFT - 28" - FABRIC COVERED (P06)
3	138097-10-P04	EA	VALANCE - CUFFED - 25" (P04)
3	138097-10-P05	EA	VALANCE - CUFFED - 25" (P05)
3	138097-10-P06	EA	VALANCE - CUFFED - 25" (P06)
3	084755-99-N33	EA	SHADE - PULL - 23.25"
4	121410-B6-P04	EA	VALANCE - MODERATE - 20" (P04)
4	121410-B6-P05	EA	VALANCE - MODERATE - 20" (P05)
4	121410-B6-P06	EA	VALANCE - MODERATE - 20" (P06)
4	109041-69-01A	EA	BLIND - MINI - 19" X 30"

CURTAIN & CUSHION GROUP (CONTINUED)
WINDOW TREATMENT (CONTINUED)

KEY	PART NUMBER	U/M	DESCRIPTION
5	101668-39-P10	EA	CURTAIN - RIGHT HAND - 35" X 50" (P04)
5	101668-39-N05	EA	CURTAIN - RIGHT HAND - 35" X 50" (P05)
5	101668-39-P12	EA	CURTAIN - RIGHT HAND - 35" X 50" (P06)
6	101668-40-P10	EA	CURTAIN - LEFT HAND - 35" X 50" (P04)
6	101668-40-N05	EA	CURTAIN - LEFT HAND - 35" X 50" (P05)
6	101668-40-P12	EA	CURTAIN - LEFT HAND - 35" X 50" (P06)
	073260-23-P10	EA	TIEBACK - 3" X 18" (P04)
	073260-23-N05	EA	TIEBACK - 3" X 18" (P05)
	073260-23-P12	EA	TIEBACK - 3" X 18" (P06)
	076892-27-P04	EA	CURTAIN - CAB PRIVACY - 40" X 60" (P04)
	076892-27-N28	EA	CURTAIN - CAB PRIVACY - 40" X 60" (P05)
	076892-27-P06	EA	CURTAIN - CAB PRIVACY - 40" X 60" (P06)
	101034-65-P04	EA	CURTAIN - 19" X 35" (P04)
	101034-65-P05	EA	CURTAIN - 19" X 35" (P05)
	101034-65-P06	EA	CURTAIN - 19" X 35" (P06)

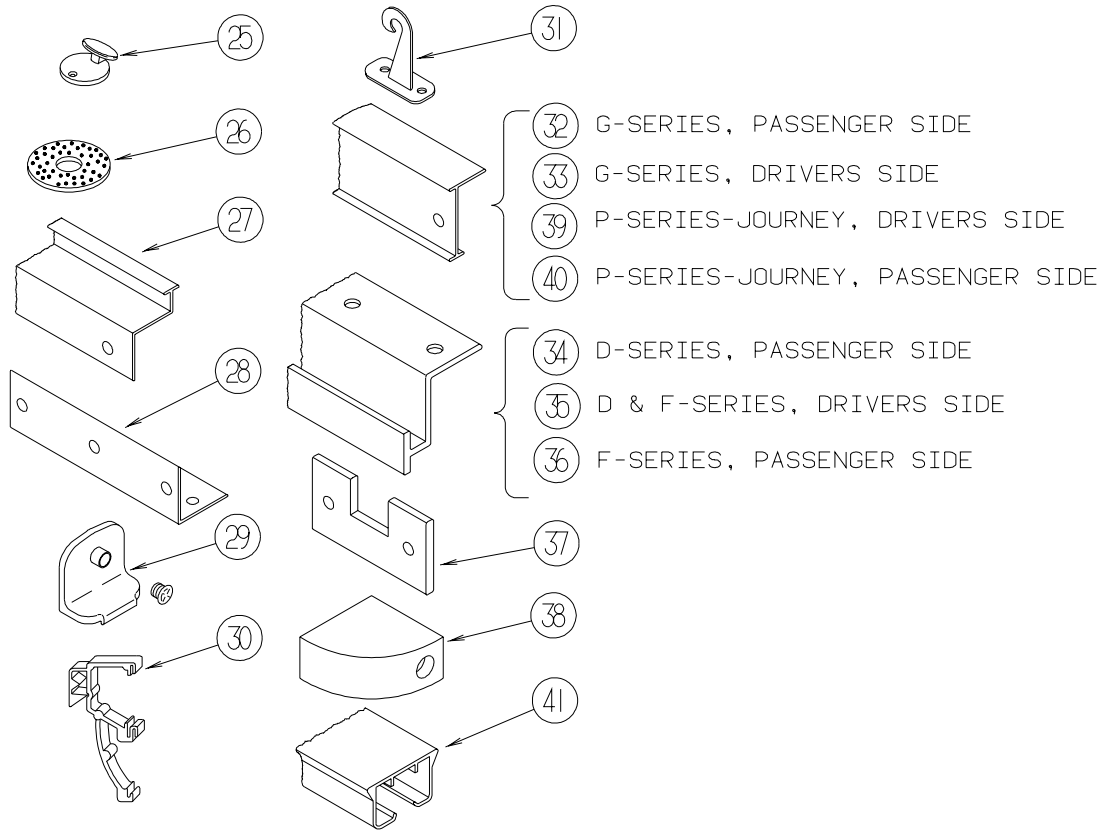
CURTAIN & CUSHION GROUP (CONTINUED)

HARDWARE



KEY	PART NUMBER	U/M	DESCRIPTION
1	009136-02-000	EA	HANGER - RING - PIN TYPE - CURTAIN - BRASS
2	009702-01-000	EA	END STOP - CURTAIN CARRIER - L - ROD
3	029130-01-000	EA	SCREW - SNAP STUD - #8-16 X 3/8" LONG
3	029130-03-000	EA	SCREW - SNAP STUD - #8-16 X 1" LONG
4	029155-01-000	EA	CAP - SNAP - 5/32" OUTSIDE DIAMETER OF PIN
5	029156-01-000	EA	SOCKET - SNAP - 9/16" O.D.
6	046867-02-000	EA	WASHER - HANDY BUTTON #3
7	046867-03-000	EA	GROMMET - HANDY BUTTON #3
8	075943-10-000	EA	BRACE - VALANCE - 20" - OFF WHITE
9	083125-07-000	EA	BRACE - ANGLE/COUCH - 2.5" - OFF WHITE
9	083125-08-000	EA	BRACE - WINDOW MOUNT - .75" - OFF WHITE
10	083170-01-000	EA	BRACKET/BLIND - LEFT SIDE WHEN FACING WINDOW - CLEAR
11	083170-02-000	EA	BRACKET/BLIND - RIGHT SIDE WHEN FACING WINDOW - CLEAR
12	084434-01-000	EA	BRACKET - MOUNTING - ROLLER SHADE - 1 3/8"
13	094896-02-000	EA	GROMMET - CORD/PLEATED BLIND - NYLON - GRAY
14	094907-02-000	EA	END CAP - PLEATED BLIND/TOP - RH/LH - GRAY PLASTIC
15	094907-04-000	EA	END CAP - PLEATED BLIND/BOTTOM - RH/LH
16	094907-05-000	EA	END CAP - PLEATED BLIND/BOTTOM - PULL TYPE - PLASTIC
17	094907-06-000	EA	END CAP - PLEATED BLIND/TOP
18	097564-99-000	EA	HANDLE - KNOB - E-Z LIFT SHADE - COLORLESS
19	097565-01-000	EA	BRACKET - MOUNTING - PLEATED BLIND
20	097591-01-000	EA	SPRING - EXTENSION - PLEATED BLIND
21	097592-01-000	EA	SPOOL - CORD - ELEVATED BLIND HOLDUP - SMALL - CLEAR
22	097592-02-000	EA	SPOOL - CORD - ELEVATED BLIND HOLDUP - LARGE - CLEAR
	097593-02-000	FT	CORD - BLIND - PLEATED - GRAY
	097593-06-000	FT	CORD - BLIND - PLEATED - PEWTER
	097593-10-000	FT	CORD - BLIND - PLEATED - VANILLA
23	101031-01-000	YD	TAPE/GLIDE - 4.25" SPACING
24	101033-02-000	EA	END CAP - LOW PROFILE TRACK - CLEAR
25	101033-08-000	EA	TRACK/WALL - 75" - FRT BUNK WINDOW 300 SERIES (MINNIE/SPIRIT)
25	101033-09-000	EA	TRACK/WALL - 32" - SIDE BUNK WINDOW 200 SERIES/300 SERIES (VISTA/SUNSTAR /MINNIE/SPIRIT)

CURTAIN & CUSHION GROUP (CONTINUED)
HARDWARE (CONTINUED)



KEY	PART NUMBER	U/M	DESCRIPTION
25	102555-03-000	EA	CLEAT - BLIND CORD - MILKY WHITE - PLASTIC
26	103242-01-000	EA	VELCRO HOOK - BEIGE 7/8" ROUND W/CENTER HOLE
26	103242-02-000	EA	VELCRO HOOK - BLACK 7/8" ROUND W/CENTER HOLE
27	105450-14-01A	EA	TRACK - CURTAIN - 90" - OFF WHITE - FRONT BUNK PRIVACY 300 SERIES (MINNIE/SPIRITE)
27	105450-15-01A	EA	TRACK - CURTAIN - 82.3" - OFF WHITE - FRONT BUNK PRIVACY 200 SERIES (VISTA/SUNSTAR)
28	105648-01-02A	EA	BRACE - VALANCE - OFF/WHITE - 14"
29	106544-01-000	EA	PULL - SHADE/BRASS
	106544-01-001	EA	SCREW - SHADE/BRASS
30	109353-04-000	EA	CLIP - VALANCE SLAT MOUNTING - CLEAR PLASTIC
	109441-02-000	EA	SPACER/BRAKET - BLIND HOLD DOWN
31	109441-03-000	EA	BRACKET/HOOK - BLIND HOLD DOWN - CLOUDY
32	126456-03-04A	EA	TRACK/WRAPAROUND - PASSENGER - GLACIER - G SERIES (ADVENTURER/SUNCRUISER)
33	126456-04-04A	EA	TRACK/WRAPAROUND - DRIVER - GLACIER - G SERIES (ADVENTURER/SUNCRUISER)
34	127254-03-05A	EA	TRACK/WRAPAROUND - PASSENGER - GLACIER - D SERIES (SIGHTSEER/SUNOVA)
35	127254-04-05A	EA	TRACK/WRAP - DRIVER - GLACIER - D SERIES/F SERIES (SIGHTSEER/SUNOVA/BRAVE/SUNRISE)
36	127254-14-03A	EA	TRACK/WRAPAROUND - PASSENGER - GLACIER - F SERIES (BRAVE/SUNRISE)
37	130549-01-01A	EA	STOP - CURTAIN TRACK
38	132504-01-N92	EA	BRACKET - SHADE
39	133235-01-04A	EA	TRACK - CURTAIN/LEFT HAND - GLACIER - P SERIES (JOURNEY)
40	133236-01-04A	EA	TRACK - CURTAIN/RIGHT HAND - GLACIER - P SERIES (JOURNEY)
41	138460-01-02A	EA	TRACK/CURTAIN - PASSENGER - WHITE - Q SERIES (ULTIMATE ADVANTAGE/ULTIMATE FREEDOM)
	138460-02-02A	EA	TRACK/CURTAIN - DRIVER - WHITE - Q SERIES (ULTIMATE ADVANTAGE/ULTIMATE FREEDOM)
41	138460-03-02A	EA	TRACK/CURTAIN - PASSENGER - WHITE - P SERIES (JOURNEY DL/HORIZON)
	138460-04-02A	EA	TRACK/CURTAIN - DRIVER - WHITE - P SERIES (JOURNEY DL/HORIZON)
41	138460-05-02A	EA	TRACK/CURTAIN - PASSENGER - WHITE - L SERIES (CHIEFTAIN/SUNFLYER)
	138460-06-02A	EA	TRACK/CURTAIN - DRIVER - WHITE - L SERIES (CHIEFTAIN/SUNFLYER)
	141634-01-000	EA	BOBBIN-PLEATED,ADJUSTABLE

FROM: 06-17-02 THRU: 99-99-99

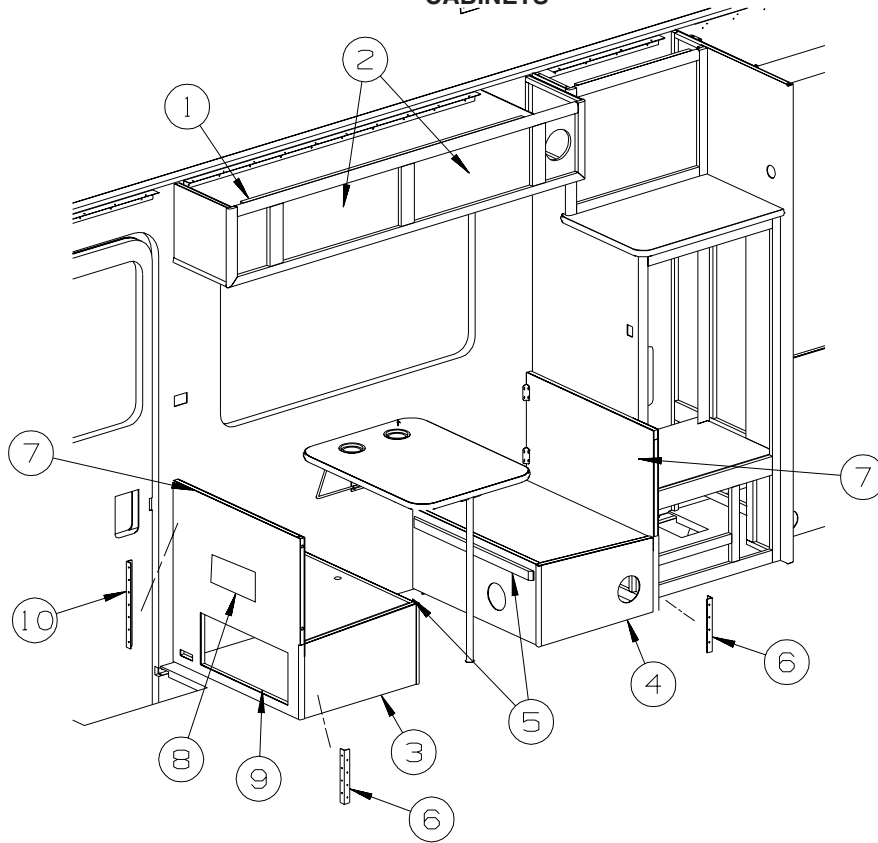
CURTAIN & CUSHION GROUP (CONTINUED)
ACCESSORIES

KEY	PART NUMBER	U/M	DESCRIPTION
	118337-01-P10	EA	BUTTON - #60 - FABRIC COVERED (P04)
	118337-01-N05	EA	BUTTON - #60 - FABRIC COVERED (P05)
	118337-01-P12	EA	BUTTON - #60 - FABRIC COVERED (P06)
	074494-02-000	EA	BUTTON - RETAINING PIVOT - #60
	074494-03-000	EA	BUTTON - SERRATED PIVOT - W/3/8 TACK
	057534-03-000	EA	TIEBACK - CLEAR PLASTIC - 7.5"
	007021-01-000	EA	SEAT BELT - 2" X 90" - BLACK
	089275-01-000	FT	STRIP - 3/4" X 96" - CLEAR POLYETHYLENE
	143107-01-01A	EA	BOLT - SHOULDER - M12 X 1.5 X 35

CURTAIN & CUSHION GROUP (CONTINUED)
FABRICS

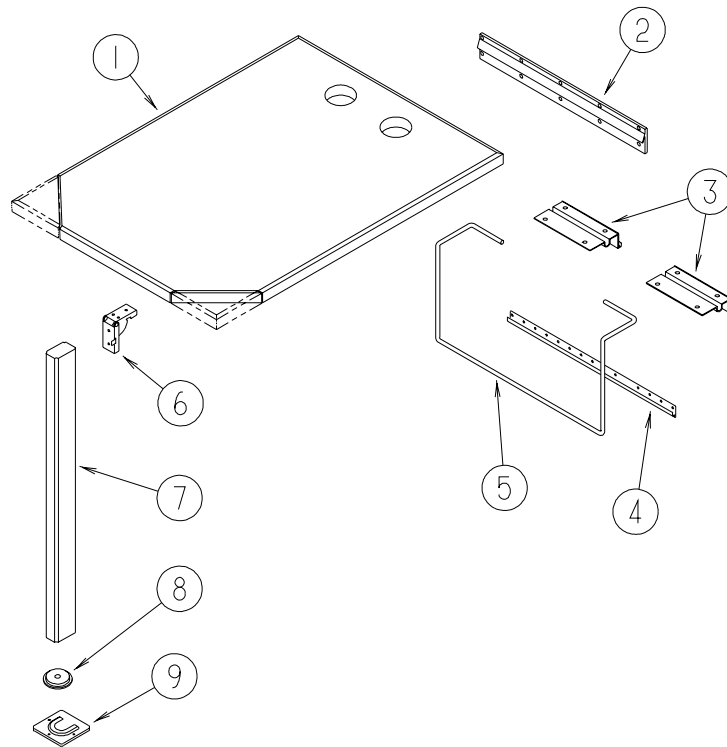
FAMILY	P04 GREENGAGE	P05 BAYWATER	P06 WOODBINE BEIGE
SUNSTAR (VW)			
BUCKET	CHASSIS SUPPLIED	CHASSIS SUPPLIED	CHASSIS SUPPLIED
*CHASSIS SUPPLIED	126883-L7-000	126883-42-000	126883-L9-000
DINETTE	CLUB SQ. BACK	CLUB SQ. BACK	CLUB SQ. BACK
	126883-L6-000	126883-F0-000	126883-L8-000
DINETTE PADS	126883-L7-000	126883-42-000	126883-L9-000
SOFA	600 JACK KNIFE	600 JACK KNIFE	600 JACK KNIFE
	126883-L6-000	126883-E8-000	126883-L8-000
OVERHEAD BUNK	126883-L7-000	126883-42-000	126883-L9-000
LOUNGE	CUFFED VALANCE	CUFFED VALANCE	CUFFED VALANCE
WINDOWS	126883-L7-000/126883-L6-000	126883-42-000/126883-E8-000	126883-L9-000/126883-L8-000
	UNDERLAY/OVERLAY	UNDERLAY/OVERLAY	UNDERLAY/OVERLAY
	BUTTONS 126883-L7-000	BUTTONS 126883-42-000	BUTTONS 126883-L9-000
	FLUSH LEGS 126883-L7-000	FLUSH LEGS 126883-42-000	FLUSH LEGS 126883-L9-000
BATH VALANCE	MODERATE	MODERATE	MODERATE
	126883-L7-000	126883-42-000	126883-L9-000
BATH & GALLEY	386 SNO CAP	386 SNO CAP	386 SNO CAP
MINI BLIND			
OVHD. INSERTS	126883-L7-000	126883-42--000	126883-L9-000
FRONT WRAP&PRIV.	105745-Y0-000	105745-Y3-000	137813-29-000
OVHD. BUNK CURT.	105745-Y0-000	105745-Y3-000	137813-29-000
SHOWER CURTAIN	075244-10-000	075244-10-000	075244-10-000
CAB CARPET	CARPET 096060-G9-000	CARPET 139056-06-000	CARPET 096060-H1-000
	TAPE 102695-20-000	TAPE 102695-24-000	TAPE 102695-14-000
PLEATEDS	COTTON	COTTON	COTTON
	094911-53-000	094911-53-000	094911-53-000
TIRE COVER	142523-01-000	142523-01-000	142523-01-000
MAP POCKET (1)	126883-L7-000	126883-42--000	126883-L9-000
DRAPERY LINING	54" - IVORY	54" - IVORY	54" - IVORY
	087272-03-000	087272-03-000	087272-03-000
EXPANDED VINYL	MADRID - OFF WHITE - 54"	MADRID - OFF WHITE - 54"	MADRID - OFF WHITE - 54"
	103907-01-01A	103907-01-01A	103907-01-01A
BEDSPREAD	COFFEE BEAN	STARLIGHT	STRAW
	105745-Y0-000	105745-Y3-000	137813-29-000

DINETTE GROUP CABINETS



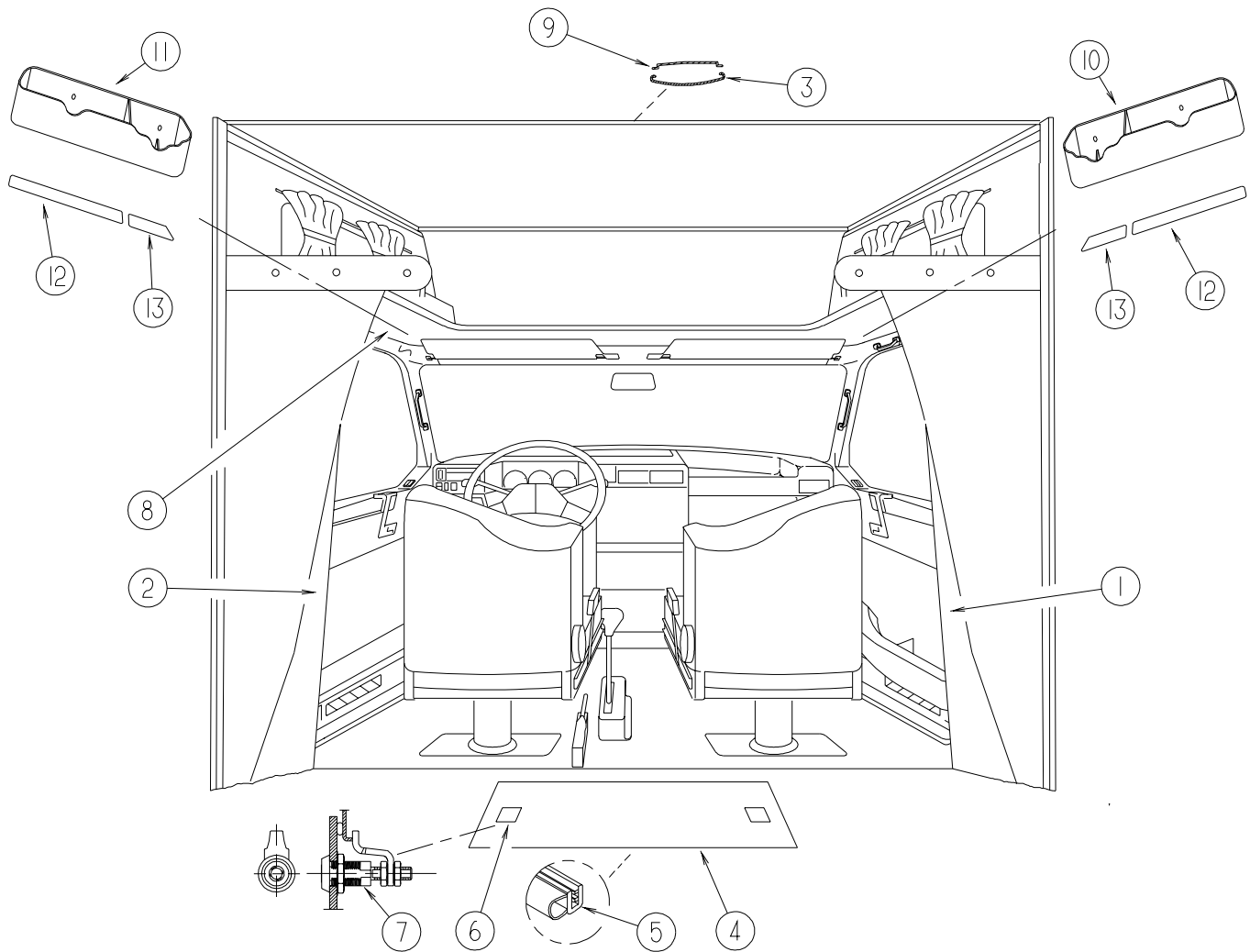
KEY	PART NUMBER	U/M	DESCRIPTION
1	139783-01-P04	EA	CABINET - OVERHEAD/DINETTE - W/O DOORS/HARDWARE (P04)
1	139783-01-P05	EA	CABINET - OVERHEAD/DINETTE - W/O DOORS/HARDWARE (P05)
1	139783-01-P06	EA	CABINET - OVERHEAD/DINETTE - W/O DOORS/HARDWARE (P06)
2	136919-43-P04	EA	DOOR - FLAT/PENCIL EDGE - 10.8" X 23.8" - W/O HARDWARE
3	P39788-02-N33	EA	CABINET - DINETTE/LEFT HAND - W/O DOORS/HARDWARE
4	P39788-01-N33	EA	CABINET - DINETTE/RIGHT HAND - W/O DOORS/HARDWARE
5	081295-01-N70	EA	SUPPORT - BED/DINETTE - 28" LONG
6	122021-01-02A	EA	ANGLE - W/HOLES - 8.6" LONG - OFF WHITE
7	104787-31-P04	EA	PAD - DINETTE - 30" (P04)
7	104787-31-N28	EA	PAD - DINETTE - 30" (P05)
7	104787-31-P06	EA	PAD - DINETTE - 30" (P06)
8	086120-01-P04	EA	PAD - MAP POCKET - 12" X 16" (P04)
8	086120-01-N28	EA	PAD - MAP POCKET - 12" X 16" (P05)
8	086120-01-P35	EA	PAD - MAP POCKET - 12" X 16" (P06)
9	134783-U1-P04	EA	DOOR - RAIL/SOLID PANEL - 9.2" X 21.8" - W/O HARDWARE
10	122021-02-02A	EA	ANGLE - W/HOLES - 13.7" LONG - OFF WHITE

DINETTE GROUP (CONTINUED) TABLE



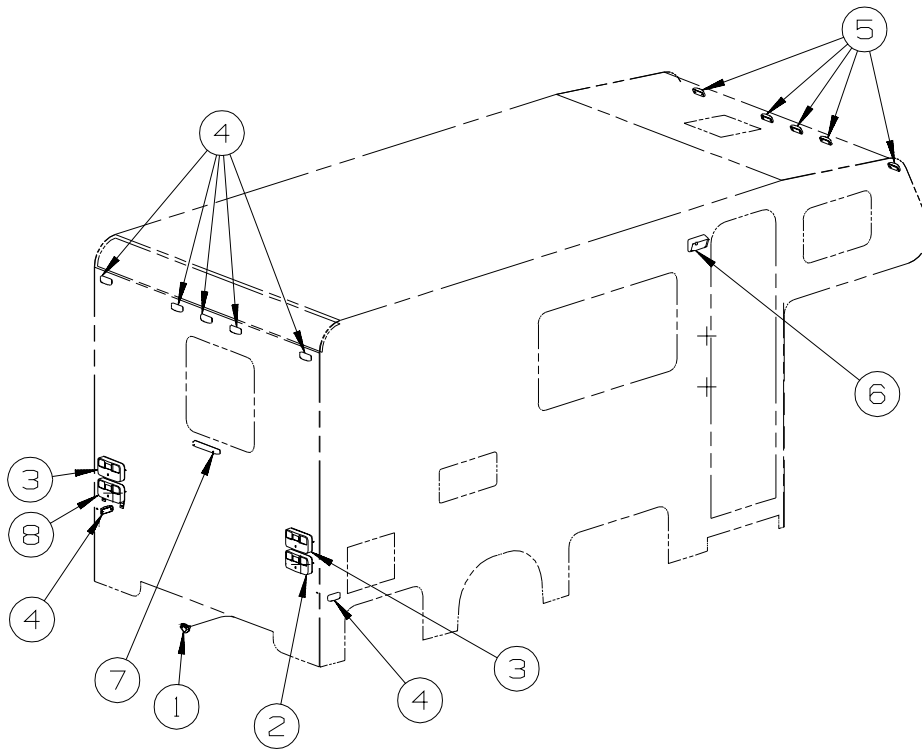
KEY	PART NUMBER	U/M	DESCRIPTION
1	132034-19-P01	EA	TABLE TOP ONLY - 22.4" X 28.9" (P04)
1	132034-19-N33	EA	TABLE TOP ONLY - 22.4" X 28.9" (P05)
1	132034-19-N35	EA	TABLE TOP ONLY - 22.4" X 28.9" (P06)
2	053200-16-000	EA	SUPPORT - TABLE - 14.5" - OFF WHITE
			FROM: 00-00-00 THRU: 01-05-03
2	140921-01-01A	EA	SUPPORT - TABLE - 14.5" - OFF WHITE
			FROM: 01-06-03 THRU: 99-99-99
3	088410-02-000	EA	BRACKET - LIFT - TABLE MOUNTED - OFF WHITE
			FROM: 00-00-00 THRU: 01-05-03
3	140921-03-01A	EA	HANGER - TABLE - W/VINYL - OFF WHITE
			FROM: 01-06-03 THRU: 99-99-99
4	024281-17-000	EA	BRACKET - TABLE - LIFT - 135.5" - OFF WHITE
5	024275-15-000	EA	ROD - TABLE LIFT - OFF WHITE
6	093550-01-000	EA	BRACKET - HINGE - MOUNTS TO LEG & TABLE TOP - 1.7" X 2.6"
7	092707-04-10A	EA	LEG - TABLE - W/O HARDWARE - 27" - PORTSMOUTH OAK II
8	143798-02-01A	EA	CATCH - TABLE LEG - BRIGHT WHITE
9	049493-12-000	EA	CATCH - TABLE LEG/FLOOR MOUNTED - OFF WHITE

DRIVERS COMPARTMENT GROUP FRONT INTERIOR



KEY	PART NUMBER	U/M	DESCRIPTION
1	139660-01-01A	EA	PANEL/TRANSITION - INNER - RIGHT HAND - VW LIGHT GRAY FROM: 00-00-00 THRU: 07-31-02
1	142833-01-01A	EA	PANEL/TRANSITION - INNER - VW/LT GRAY FROM: 08-01-02 THRU: 99-99-99
2	139660-02-01A	EA	PANEL/TRANSITION - INNER - LEFT HAND - VW LIGHT GRAY FROM: 00-00-00 THRU: 07-31-02
2	142833-02-01A	EA	PANEL/TRANSITION - INNER - VW/LT GRAY FROM: 08-01-02 THRU: 99-99-99
3	082111-02-000	EA	COVER - ROOF BREAK - OFF WHITE/PLASTIC - 96"
4	139985-01-02B	EA	PANEL/COMPARTMENT - BATTERY TOP - E-COATED
5	064075-07-000	FT	SEAL - BULB - W/WIRED U CHANNEL - .3" X .5" CHANNEL-BLACK
6	097111-02-04A	EA	POCKET - LOCK - REAR DOOR - BLACK
7	102328-01-000	EA	KEY - BARREL - NICKEL PLATED
	102330-01-000	EA	LATCH - VISE ACTION/KEY OPERATED
8	139472-01-01A	EA	HEADLINER - MOLDED - PEARL GRAY
9	131666-03-01A	EA	TRIM - FRONT ROOF SECTION
10	142892-01-01A	EA	BIN - ACCESSORY - VW LIGHT GREY FROM: 08-01-02 THRU: 99-99-99
11	142892-02-01A	EA	BIN - ACCESSORY - LIGHT GREY FROM: 08-01-02 THRU: 99-99-99
12	143059-01-01A	EA	PAD/FELT - GREY FROM: 08-01-02 THRU: 99-99-99
13	143059-02-01A	EA	PAD/FELT - GREY FROM: 08-01-02 THRU: 99-99-99

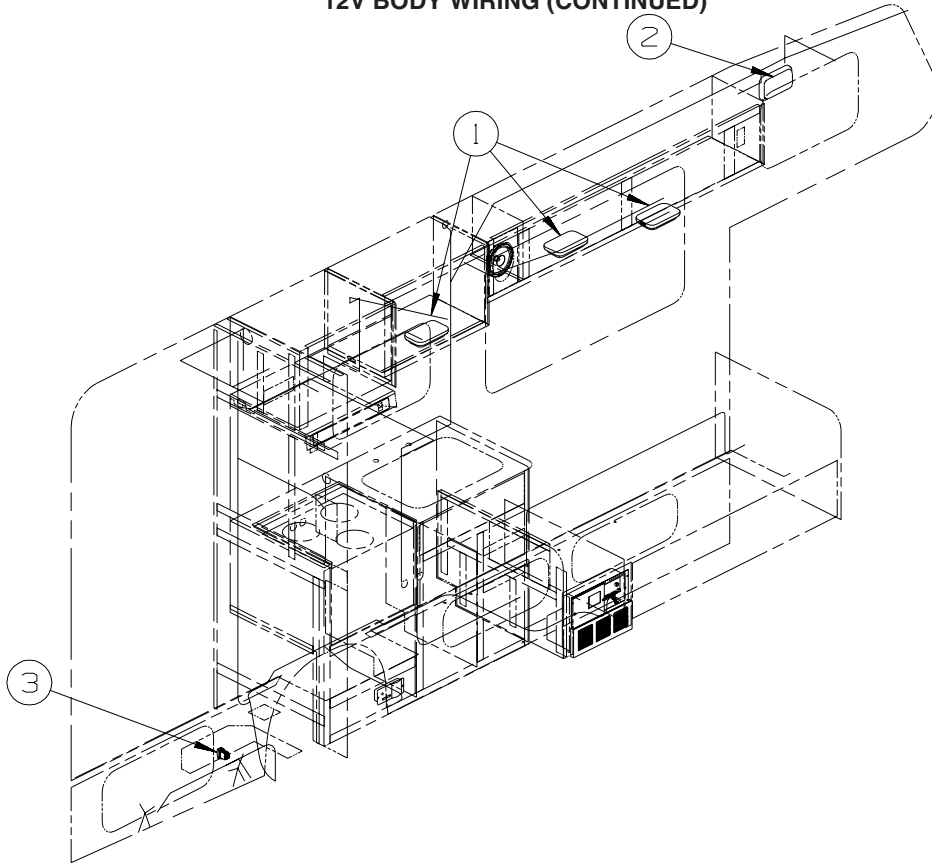
ELECTRICAL GROUP 12V BODY WIRING



KEY	PART NUMBER	U/M	DESCRIPTION
1	113589-02-000	EA	CONNECTOR - SOCKET - TRAILER
1	113589-01-000	EA	CONNECTOR - PLUG - TRAILER
2*	115632-03-01A	EA	LIGHT - STOP/TAIL/BACKUP
3*	115632-02-01A	EA	LIGHT - TURN - AMBER
4	111102-01-000	EA	BASE - MARKER LAMP
4	111102-03-000	EA	LENS - RED - MARKER LAMP
	036196-01-000	EA	BULB - 12V - #194 - .27 AMP - BAYONETTE
5	111102-01-000	EA	BASE - MARKER LAMP
5	111102-02-000	EA	LENS - AMBER - MARKER LAMP
	036196-01-000	EA	BULB - 12V - #194 - .27 AMP - BAYONETTE
6*	097917-01-06A	EA	LIGHT - PORCH - BRIGHT WHITE
	008215-01-000	EA	BULB - 12 VOLT - #1003 - .94 AMP
7	136916-01-000	EA	LIGHT - CENTER BRAKE - L.E.D.
	036196-01-000	EA	BULB - 12V - #194 - .27 AMP - BAYONETTE
8*	115632-04-02A	EA	LIGHT - STOP/TAIL/BACKUP/LICENSE PLATE - BLACK

***COMPONENT PARTS LISTED LATER IN THIS GROUP**

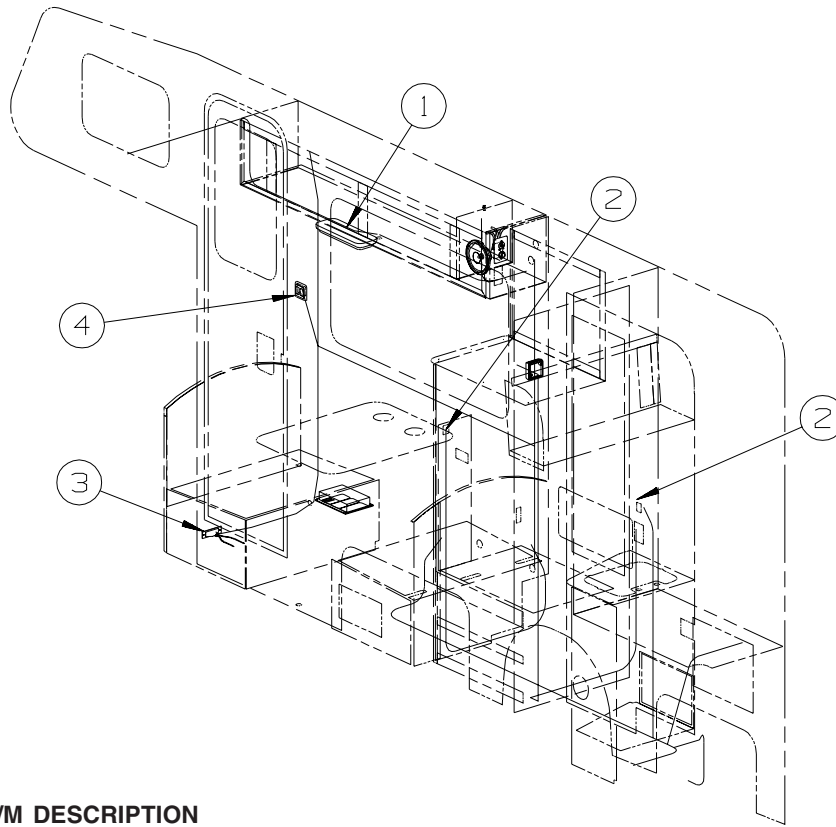
ELECTRICAL GROUP (CONTINUED)
12V BODY WIRING (CONTINUED)



KEY	PART NUMBER	U/M	DESCRIPTION
1*	137417-02-01A	EA	LIGHT - DOME - SINGLE - W/SWITCH/OPTIC LENS - WHITE
2	137417-04-01A	EA	LIGHT - DOME - DOUBLE - W/SWITCH/FROSTED LENS - WHITE FROM: 00-00-00 THRU: 05-31-02
2*	137417-01-01A	EA	LIGHT - DOME - SINGLE - W/SWITCH/FROSTED LENS - WHITE FROM: 06-01-02 THRU: 99-99-99
3	108357-15-000	EA	SWITCH - ROCKER - DPDT - ON/NONE/ON - WATER PUMP
3	108356-04-01A	EA	COVER/ACTUATOR SWITCH - 2 ROWS DIMPLES W/LENS-CONTURA-BLK
3	108355-01-000	EA	HOUSING - SWITCH

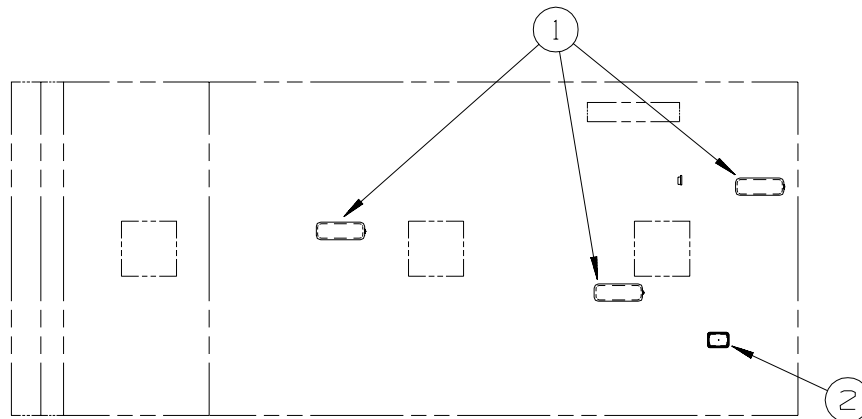
***COMPONENT PARTS LISTED LATER IN THIS GROUP**

ELECTRICAL GROUP (CONTINUED)
12V BODY WIRING (CONTINUED)



KEY	PART NUMBER	U/M	DESCRIPTION
1*	137417-05-01A	EA	LIGHT - DOME - DOUBLE - W/SWITCH/OPTIC LENS - WHITE
2	135740-01-02A	EA	SWITCH - ROCKER - SPST - ON/OFF - WHITE
2	135741-01-02A	EA	SWITCH - BASE - SINGLE - WHITE
2	135742-07-01A	EA	BEZEL - SWITCH - CEILING - WHITE
3	061424-01-000	EA	LIGHT - AISLE - 12 VOLT - RECTANGULAR
4	135740-01-02A	EA	SWITCH - ROCKER - SPST - ON/OFF - WHITE
4	135741-01-02A	EA	SWITCH - BASE - SINGLE - WHITE
4	135742-19-01A	EA	BEZEL - SWITCH - CEILING/PORCH - WHITE

***COMPONENT PARTS LISTED LATER IN THIS GROUP**



KEY	PART NUMBER	U/M	DESCRIPTION
1*	137417-06-01A	EA	LIGHT - DOME - DOUBLE - W/FROSTED LENS - W/O SWITCH-WHITE
2*	121935-01-01A	EA	LIGHT - DOME - SHOWER

***COMPONENT PARTS LISTED LATER IN THIS GROUP**

ELECTRICAL GROUP (CONTINUED)
COMPONENT PARTS FOR LIGHTS & SWITCHES

097917-01-06A

KEY	PART NUMBER	U/M	DESCRIPTION	VENDOR NO.
	097917-01-700	EA	LENS-LIGHT, CLEAR	30-78-021

115632-02-01A

KEY	PART NUMBER	U/M	DESCRIPTION	VENDOR NO.
	115632-02-700	EA	LENS-AMBER-(TURN)	3092-135

115632-03-01A

KEY	PART NUMBER	U/M	DESCRIPTION	VENDOR NO.
	115632-03-700	EA	LENS - RED-(STOP/TAIL/BACK)	3092-704

115632-04-01A

KEY	PART NUMBER	U/M	DESCRIPTION	VENDOR NO.
	115632-04-700	EA	LENS - RED-(STOP/TAIL/BACK)	3072-713

121935-01-01A

KEY	PART NUMBER	U/M	DESCRIPTION	VENDOR NO.
	121935-01-700	EA	LENS ONLY	809511

137417-01-01A

KEY	PART NUMBER	U/M	DESCRIPTION	VENDOR NO.
	137417-01-700	EA	LENS - SINGLE (FROSTED)	810868

137417-02-01A

KEY	PART NUMBER	U/M	DESCRIPTION	VENDOR NO.
	137417-02-700	EA	LENS - SINGLE OPTIC	810844

137417-05-01A

KEY	PART NUMBER	U/M	DESCRIPTION	VENDOR NO.
	137417-05-700	EA	LENS - DOUBLE OPTIC	810845

137417-06-01A

KEY	PART NUMBER	U/M	DESCRIPTION	VENDOR NO.
	137417-06-700	EA	LENS - DOUBLE WHITE	810867

ELECTRICAL GROUP (CONTINUED)
CIRCUIT BREAKERS & FUSES

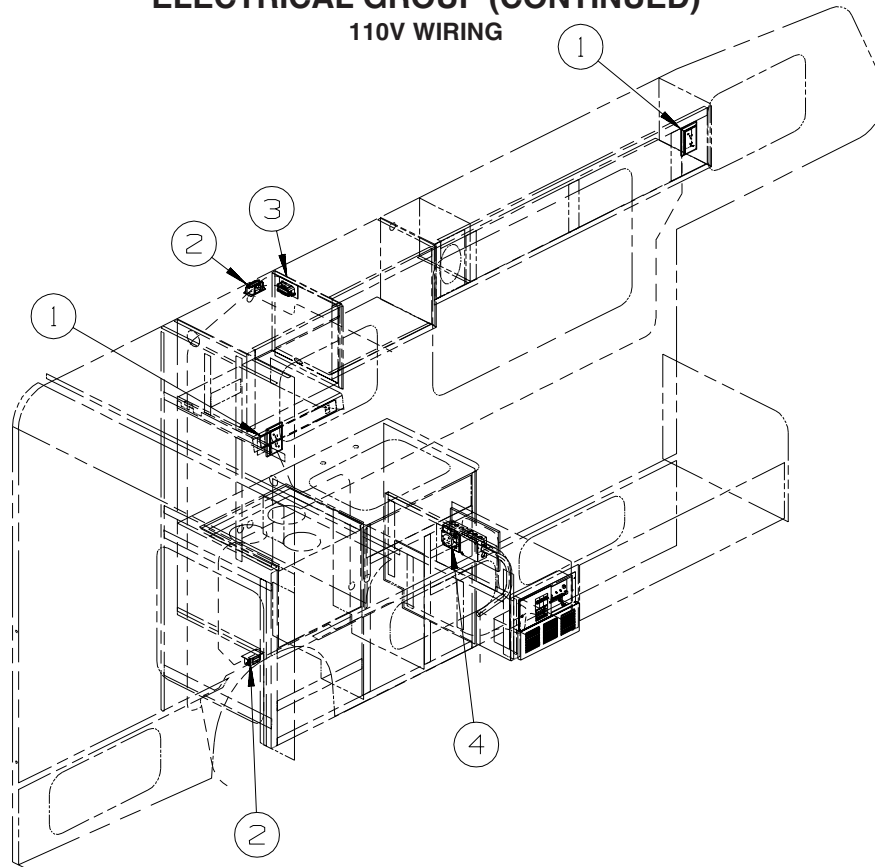
KEY	PART NUMBER	U/M	DESCRIPTION
	008233-01-000	EA	FUSE - 12 VOLT - 6 AMP
	008235-01-000	EA	FUSE - 15 AMP/12VOLT - AUTOMOTIVE
	008268-01-000	EA	CIRCUIT BREAKER W/MOUNT - 30A, 12V - FASCO 1711-3023
	033573-01-000	EA	CIRCUIT BREAKER W/MOUNT-20A, 12V - FASCO 1711-2026
	062901-02-000	EA	FUSE - 5 AMP - AUTOMOTIVE
	062901-04-000	EA	FUSE - 10 AMP - AUTOMOTIVE
	062901-05-000	EA	FUSE - 15 AMP - AUTOMOTIVE
	062901-06-000	EA	FUSE - 20 AMP - AUTOMOTIVE
	062901-07-000	EA	FUSE - 25 AMP - AUTOMOTIVE
	062901-08-000	EA	FUSE - 30 AMP - AUTOMOTIVE
	083209-01-000	EA	CIRCUIT BREAKER - 15 AMP - 120 VOLT - CANADIAN
	083209-02-000	EA	CIRCUIT BREAKER - 15/15 AMP - 120 VOLT
	083209-03-000	EA	CIRCUIT BREAKER - 15/20 AMP - 120 VOLT
	083209-04-000	EA	CIRCUIT BREAKER - 30 AMP - 120 VOLT
	083209-05-000	EA	CIRCUIT BREAKER - 20 AMP - 120 VOLT
	083209-06-000	EA	CIRCUIT BREAKER - 30/15 AMP - 120 VOLT
	083209-07-000	EA	CIRCUIT BREAKER - 20/20 AMP - 120 VOLT
	083209-10-000	EA	CIRCUIT BREAKER - 20/30 AMP - 120 VOLT
	083209-11-000	EA	CIRCUIT BREAKER - 20/15 AMP - 120 VOLT
	092786-03-000	EA	BUSS BAR - 6.9" LONG
	092786-06-000	EA	BUSS BAR
	093654-01-000	EA	CIRCUIT BREAKER - 6 AMP - 12 VOLT - PUSH BUTTON - WHITE
	093654-02-000	EA	CIRCUIT BREAKER - 15 AMP - 12 VOLT - PUSH BUTTON - WHITE
	093654-03-000	EA	CIRCUIT BREAKER - 20 AMP - 12 VOLT - PUSH BUTTON - WHITE
	093654-11-000	EA	COVER - RESET BUTTON
	093655-01-000	EA	CIRCUIT BREAKER - 25 AMP - 12 VOLT - PUSH BUTTON - WHITE
	093655-02-000	EA	CIRCUIT BREAKER - 30 AMP - 12 VOLT - PUSH BUTTON - WHITE
	093655-03-000	EA	CIRCUIT BREAKER - 40 AMP - 12 VOLT - PUSH BUTTON - WHITE
	097611-01-000	EA	CIRCUIT BREAKER - 10 AMP
	097611-03-000	EA	CIRCUIT BREAKER - 20 AMP
	097611-04-000	EA	CIRCUIT BREAKER - 25 AMP
	106656-01-000	EA	FUSE BLOCK - 4 CAVITY - AUTOFUSE
	108567-01-000	EA	CIRCUIT BREAKER - 40 AMP - 12 VOLT - TYPE II
	108669-01-000	EA	HOUSING - AUTO FUSE HOLDER
	111683-01-000	EA	FUSE - HOLDER - GLASS - 1/4" X 1 1/4"
	113482-01-000	EA	CIRCUIT BREAKER - 55 AMP - MANUAL
	113520-01-000	EA	BREAKER - CIRCUIT - 15AMP - SWITCHED
	115187-01-000	EA	FUSE - 300 AMP - NON-DELAY
	115187-02-000	EA	FUSE HOLDER - BUSS ANN/ANL BLOCK
	118531-05-02B	EA	PLATE - CIRCUIT BREAKER - E-COAT
	122811-01-000	EA	CIRCUIT BREAKER - 20/50/50/20
	125986-04-000	EA	FUSE - 10 AMP - AUTO - MINI BLADE
	125986-05-000	EA	FUSE - 15 AMP - AUTO - MINI BLADE
	134127-01-000	EA	CIRCUIT BREAKER - 10 AMP - MINI

CONVERTER, INVERTER, LOAD CENTERS

KEY	PART NUMBER	U/M	DESCRIPTION
	083208-06-000	EA	CONTROL CENTER - 45 AMP/120V/12V - W/O BREAKERS/ELECTRONIC

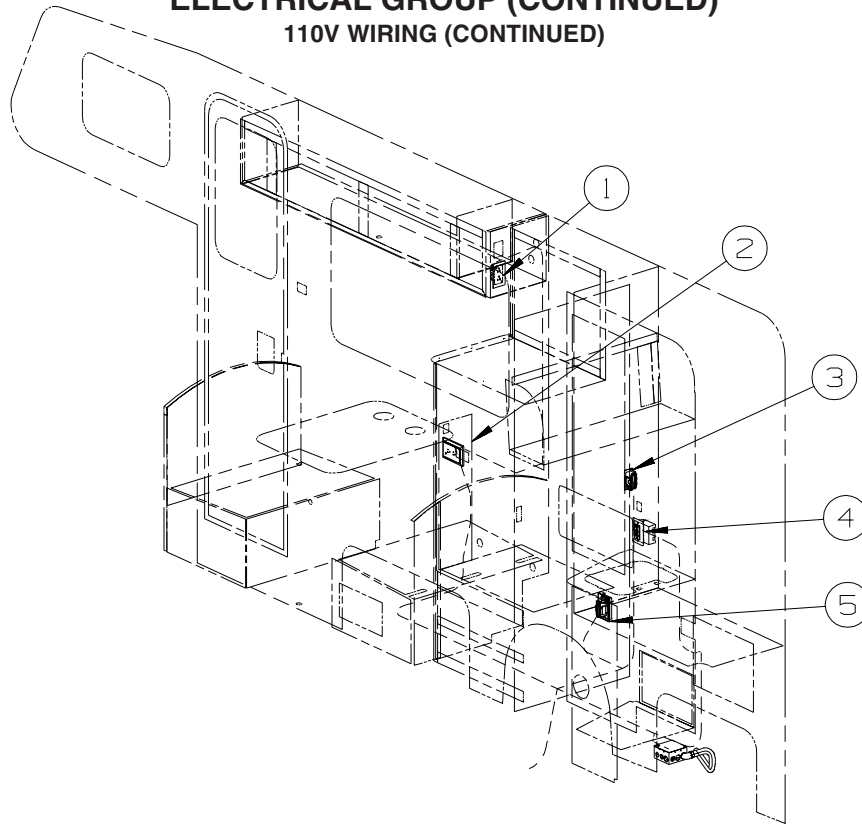
ELECTRICAL GROUP (CONTINUED)

110V WIRING



KEY	PART NUMBER	U/M	DESCRIPTION
1	058708-06-000	EA	RECEPTACLE - DUPLEX - WHITE
1	133713-01-20A	EA	SPACER/RECEPTACLE - WHITE VINYL
2	058707-02-000	EA	RECEPTACLE - BLANK - JUNCTION BOX
3	058708-05-000	EA	RECEPTACLE - ELECTRIC - SINGLE - BROWN
3	058708-07-000	EA	RECEPTACLE - SINGLE - WHITE
4	024924-02-000	EA	RECEPTACLE - POWER CORD - W/PARTIAL PLATE

ELECTRICAL GROUP (CONTINUED)
110V WIRING (CONTINUED)



KEY	PART NUMBER	U/M	DESCRIPTION
1	058708-01-000	EA	RECEPTACLE - ELECTRIC - DOUBLE - BROWN
2	058708-06-000	EA	RECEPTACLE - DUPLEX - WHITE
2	133713-01-20A	EA	SPACER/RECEPTACLE - WHITE VINYL
3	058707-01-000	EA	RECEPTACLE - ELECTRIC - SINGLE - BROWN
4	084076-05-000	EA	RECEPTACLE - GFI - 15 AMP/125 VOLT - WHITE
5	131826-01-01A	EA	RECEPTACLE - EXTERIOR - W/COVER/GASKET - WHITE

ELECTRICAL GROUP (CONTINUED)
BOXES & CORDS

KEY	PART NUMBER	U/M	DESCRIPTION
	008054-01-000	EA	CORD - POWER - 10/3 WIRE - 30 AMP - 25'
	008289-01-000	EA	BOX - ELECTRIC/STEEL - 4" X 4" - 1/2" & 3/4" KNOCKOUTS
	008294-01-000	EA	COVER - ELECTRIC BOX - BLANK/STEEL - 4" X 4" - GRAY
	069238-01-000	EA	COVER - ELECTRICAL BOX - W/HOLE - 4" X 4" - GRAY
	084993-01-000	EA	STRAP - BATTERY - 43.2" LONG
	091910-02-000	EA	BOX - ELECTRIC - 2.2" X 3.5" X 1.8" - PLASTIC

WIRE ASSEMBLIES

KEY	PART NUMBER	U/M	DESCRIPTION
	096449-01-000	EA	WIRE ASSEMBLY - WATER TANK TO MONITOR PANEL
	096450-02-000	EA	WIRE F/SENSORS - BLACK WATER - 59"
	096451-06-000	EA	WIRE F/SENSORS - GREY WATER - 23.6"

ELECTRICAL GROUP (CONTINUED)
CONNECTORS & CONDUIT

KEY	PART NUMBER	U/M	DESCRIPTION
	007956-01-000	EA	RECEPTACLE - HOUSING - 6 POSITION
	007956-05-000	EA	INSULATOR - SHRINK - 1/4" ID X 1 1/2"
	008058-01-000	EA	ADAPTER - POWER CORD - 30 AMP TO 15 AMP
	008311-01-000	EA	CONNECTOR - WIRE NUT - INSULATED - RED
	008312-01-000	EA	CONNECTOR - WIRE NUT - INSULATED - BLUE
	008313-01-000	EA	CONNECTOR - WIRE NUT - INSULATED - YELLOW
	008314-01-000	EA	CONNECTOR - WIRE NUT - INSULATED - GRAY
	008326-01-000	EA	TERMINAL - RING - 16/14 WIRE - 3/8" STUD
	008328-01-000	EA	TERMINAL - RING - 12/10 WIRE - #10 STUD FIT
	008331-01-000	EA	TERMINAL - RING - TONGUE - #4 WIRE - 3/8" STUD - COPPER
	008348-01-000	EA	TERMINAL - RING - 3/8" STUD 2 GA. WIRE
	008355-01-000	EA	CONNECTOR - CABLE CLAMPING - 3/4"
	008356-01-000	EA	CONNECTOR - PLASTIC - 3/8" AVG
	008356-02-000	EA	CONNECTOR - PLASTIC - 21/32
	035416-04-000	EA	TERMINAL - RING - #10 STUD FIT - INSULATED BARREL #16/14
	041953-01-000	FT	CONDUIT - CONVOLUTE SLIT - .5" ID - POLYETHYLENE
	041953-02-000	FT	CONDUIT - CONVOLUTE SLIT - .6" ID - POLYETHYLENE
	041953-03-000	FT	CONDUIT - CONVOLUTE SLIT - 1" ID (CLOTHES ROD COVER)
	041953-05-000	FT	CONDUIT - CONVOLUTE SOLID - .62" ID - POLYETHYLENE
	041953-06-000	FT	CONDUIT - CONVOLUTE SLIT - .4" ID - POLYETHYLENE
	041953-07-000	FT	CONDUIT - CONVOLUTE SLIT - .25" ID - POLYETHYLENE
	041953-08-000	FT	CONDUIT - CONVOLUTE SLIT - 1.5" ID - POLYETHYLENE
	041953-09-000	FT	CONDUIT - CONVOLUTE SLIT - .5" ID - NYLON
	041953-10-000	FT	CONDUIT - CONVOLUTE SLIT - .75" ID - NYLON
	041953-11-000	FT	CONDUIT - CONVOLUTE SLIT - 1.06" ID - NYLON
	041953-12-000	FT	CONDUIT - CONVOLUTE SOLID - 1.1" ID - NYLON
	041953-13-000	FT	CONDUIT - CONVOLUTE SLIT - 1.25
	041953-14-000	FT	CONDUIT - CONVOLUTE SLIT - 1.5
	047443-01-000	EA	TERMINAL - .250 RECEPTACLE FIT - INSULATED - 16/14 AWG
	047443-02-000	EA	TERMINAL - .250 RECEPTACLE FIT - INSULATED - 12/10 AWG
	058028-01-000	EA	CONNECTOR - ELECTRICAL PIGTAIL - NYLON - CLEAR
	062036-01-000	EA	TERMINAL - PACK - CON - 12/10 AWG
	074017-02-000	EA	HOUSING - 5 POSITION - RIGHT ANGLED
	077479-01-000	EA	BOOT - BATTERY TERMINAL - DOUBLE CABLE
	077479-02-000	EA	BOOT - BATTERY TERMINAL - SINGLE CABLE
	080015-02-000	EA	RECEPTACLE - FLAG - .185 - 16/14 GAUGE
	080015-03-000	EA	RECEPTACLE - FLAG - .250 - 14/16 GAUGE
	082109-01-000	EA	HOUSING - CONNECTOR - PACKARD
	082741-01-000	EA	CONNECTOR BODY - 2 CONNECTOR MALE
	087225-01-000	FT	SLEEVING - 1/2" - TYPE H
	087949-01-000	EA	BUSS BAR - 2 POSITION - .6" X 1.5"
	087949-02-000	EA	BUSS BAR - 3 POSITION - .6" X 2.4"
	087949-03-000	EA	BUSS BAR - 4 POSITION
	087949-05-000	EA	BUSS BAR - 7 POSITION
	088267-01-000	EA	TERMINAL - FEMALE - 1/4
	088473-01-000	EA	HOUSING - PIN - 12 CAVITY (3 ROWS OF 4)
	088473-02-000	EA	HOUSING - PIN - 15 CAVITY (3 ROWS OF 5)
	088473-03-000	EA	HOUSING - PIN - 9 CAVITY (3 ROWS OF 3)
	088473-04-000	EA	HOUSING - PIN - 8 CAVITY IN-LINE
	088473-06-000	EA	HOUSING - PIN - 6 CAVITY (2 ROWS OF 3)
	088473-08-000	EA	HOUSING - PIN - 4 CAVITY - IN-LINE
	088473-09-000	EA	HOUSING - PIN - 3 CAVITY - IN-LINE
	088473-10-000	EA	HOUSING - PIN - 2 CAVITY - IN LINE
	088474-01-000	EA	HOUSING - SOCKET - 12 CAVITY
	088474-02-000	EA	HOUSING - SOCKET - 15 CAVITY
	088474-03-000	EA	HOUSING - SOCKET - 9 CAVITY
	088474-06-000	EA	HOUSING - SOCKET - 6 CAVITY
	088474-07-000	EA	HOUSING - SOCKET - 5 CAVITY
	088474-08-000	EA	HOUSING - SOCKET - 4 CAVITY
	088474-09-000	EA	HOUSING - SOCKET - 3 CAVITY
	088474-10-000	EA	HOUSING - SOCKET - 2 CAVITY
	088475-01-000	EA	PIN - CONNECTOR - 14-20 AWG
	088475-02-000	EA	PIN - CONNECTOR - 10-12 AWG
	088476-01-000	EA	TERMINAL - ELECTRICAL

ELECTRICAL GROUP (CONTINUED)
CONNECTORS & CONDUIT (CONTINUED)

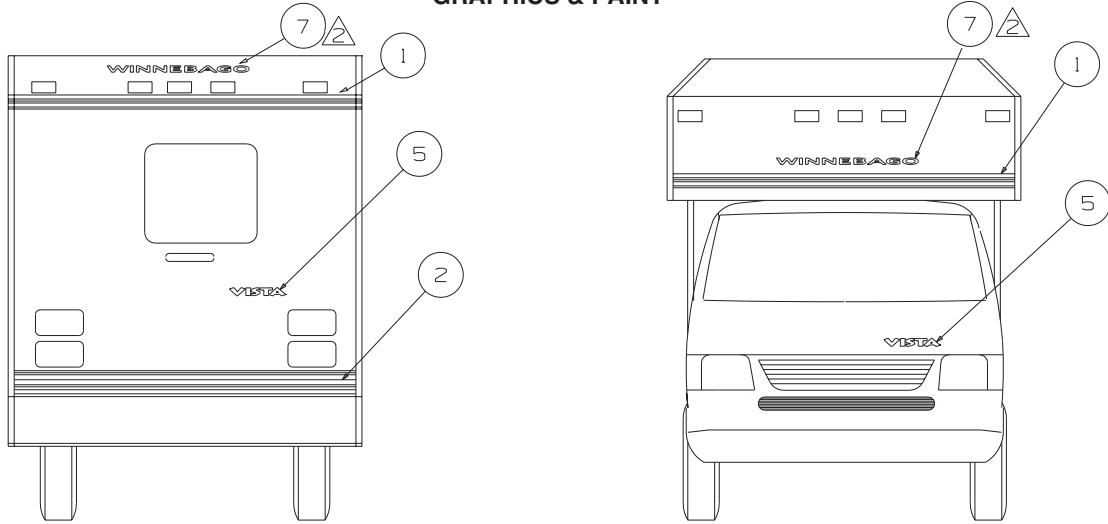
KEY	PART NUMBER	U/M	DESCRIPTION
	088476-02-000	EA	SOCKET - CONNECTOR - 12-10 GA - PRE-TIN
	098261-01-000	EA	SOCKET - CONNECTOR - WEATHERPACK - 12 AWG
	098261-02-000	EA	SOCKET - CONNECTOR - WEATHERPACK - 14-18 AWG
	098262-01-000	EA	SEAL - CONNECTOR - WEATHERPACK
	098262-05-000	EA	SEAL - CAVITY
	098262-06-000	EA	SEAL - CONNECTOR - M/P - 10 GAUGE
	098262-07-000	EA	SEAL - CONNECTOR - 12 AWG - 280 SER
	098263-01-000	EA	HOUSING - 3 PIN - WEATHER PACK
	098263-02-000	EA	HOUSING - 3 PIN - WEATHER PACK
	098264-01-000	EA	HOUSING - 2 PIN - WEATHER PACK - MALE W/FEMALE PINS
	098264-02-000	EA	HOUSING - 2 PIN - WEATHER PACK - FEMALE W/MALE PINS
	098265-02-000	EA	PIN - CONNECTOR - WEATHER PACK
	100690-01-000	EA	HOUSING - 5 POSITION - MALE - WEATHER PACK
	100690-02-000	EA	HOUSING - 5 POSITION - FEMALE - WEATHER PACK
	102777-02-000	EA	TERMINAL - RING - #6 STUD - 10 AWG
	104100-01-000	EA	HOUSING - 1 POSITION - 75 AMPS
	104100-03-000	EA	TERMINAL - 75 AMP
	106655-02-000	EA	TERMINAL - FUSE BLOCK - 10-12 AWG
	110178-01-000	EA	HOUSING - WIPER MOTOR
	112823-01-000	EA	SPLICE - REDUCER - 16-14 TO 18-22
	113072-01-000	EA	HOUSING - ELECTRICAL - TURN/TAIL LAMP
	113072-03-000	EA	HOUSING - ELECTRICAL - STOP/MARKER TAILLAMP
	113135-01-000	EA	TERMINAL - FEMALE - M/P - 14-16 - F/SEALED TERMINAL
	113306-01-000	EA	TERMINAL - FEMALE - M/P - 14-16 - F/NON-SEALED TERMINAL
	113306-02-000	EA	TERMINAL - FEMALE - M/P - 10-12 - 480
	113307-01-000	EA	TERMINAL - FEMALE - M/P - 16-20
	113308-01-000	EA	TERMINAL - FEMALE - M/P - 14-16 - 280
	113468-01-000	EA	HOUSING - 2 POSITION-FEMALE-USED ON WIPER/WASHER WIRE ASM
	113638-02-000	EA	CONNECTOR - ACTUATOR
	114667-01-000	FT	HOSE - 2" ID - FLEXIBLE
	115556-01-000	EA	HOUSING - 3 POSITION - FEMALE
	115556-02-000	EA	HOUSING - 2 POSITION - FEMALE/PARALLEL
	115931-02-000	EA	COVER - CONNECTOR - 50 AMP W/LOCKING RING
	115932-02-000	EA	CONNECTOR - FEMALE - 50 AMP/240 VOLT
	116811-01-000	EA	TERMINAL - .110 RECEPTACLE - 16-14 AWG
	118571-01-000	EA	CONNECTOR - 3-WAY - MALE/SEALED
	118571-02-000	EA	CONNECTOR - 3-WAY - FEMALE/SEALED
	118571-05-000	EA	LOCK - SECONDARY - FEMALE
	118571-06-000	EA	LOCK - SECONDARY - MALE
	118597-01-000	EA	TERMINAL - MALE - M/P - 480 - 14-16
	118599-01-000	EA	TERMINAL - MALE - M/P - 280 - 14-16
	118820-01-000	EA	INSULATOR - TERMINAL
	119223-01-000	EA	HOUSING - 6 POSITION - MALE - WEATHERPACK
	119248-02-000	EA	HOUSING - 7 POSITION - FEMALE
	125323-01-000	EA	HOUSING - 10 POSITION - MALE
	125323-02-000	EA	HOUSING - 8 POSITION - MALE
	125323-03-000	EA	LOCK - SECONDARY 8 POSITION
	125323-04-000	EA	LOCK - SECONDARY 10 POSITION
	125323-05-000	EA	HOUSING - 6 POSITION - MALE
	125323-06-000	EA	LOCK - SECONDARY 6 POSITION
	125324-01-000	EA	TERMINAL - MALE - METRI-PACK - 150
	125325-01-000	EA	SEAL - CAVITY
	126403-01-000	EA	CONNECTOR - 2 CIRCUIT
	126403-02-000	EA	CONNECTOR - 3 CIRCUIT
	129233-01-000	EA	HOUSING - 6 POSITION - MALE WEATHERPACK
	129233-02-000	EA	HOUSING - 2-POSITION/FEMALE - 280-SERIES
	129234-01-000	EA	HOUSING - 6-POSITION/FEMALE - 280-SERIES
	129234-02-000	EA	HOUSING - 6-POSITION/FEMALE - 280-SERIES
	129234-03-000	EA	LOCK - SECONDARY - 6-POSITION
	129235-01-000	EA	HOUSING - 2-POSITION/FEMALE - 630-SERIES
	129235-02-000	EA	LOCK - SECONDARY - 2-POSITION
	129236-01-000	EA	TERMINAL - FEMALE - M/P - 630 - 10-12
	131515-01-000	EA	HOUSING - PIN - 2 CAVITY/HIGH AMP

ELECTRICAL GROUP (CONTINUED)

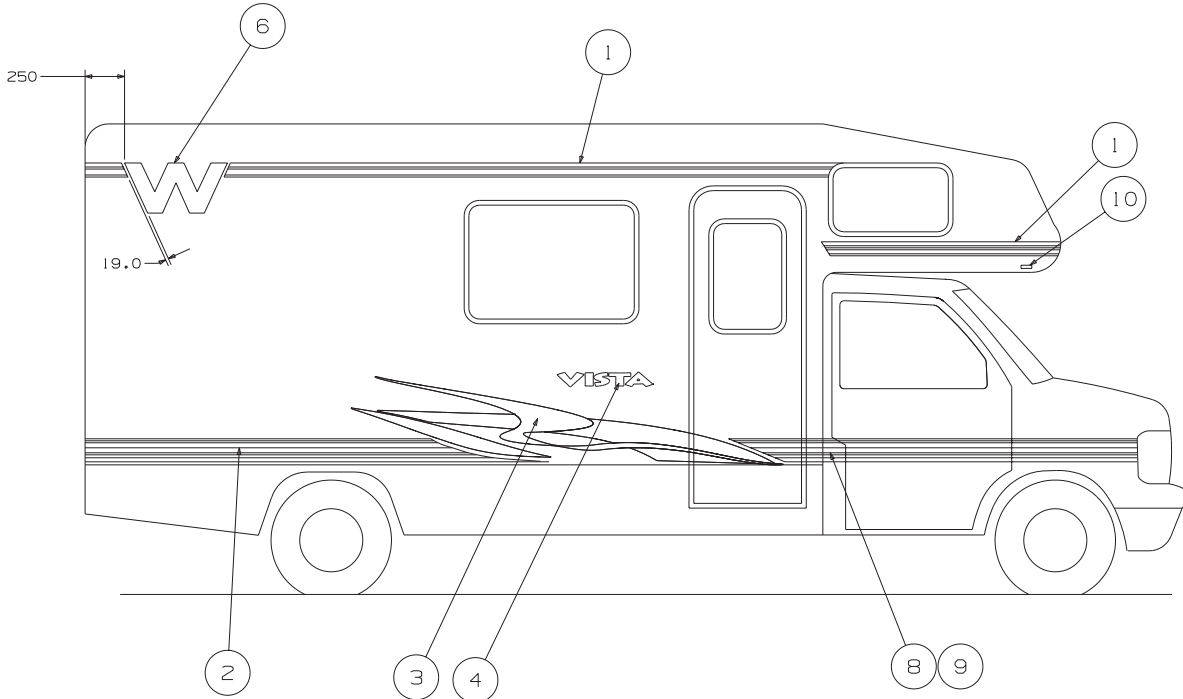
BOOTS, SOLENOIDS, RELAYS & MISCELLANEOUS

KEY	PART NUMBER	U/M	DESCRIPTION
	008188-01-000	EA	SOLENOID - 3 POST - BATTERY CHANGE OVER
	086233-01-000	EA	STUD - ISOLATED - 3/8" X 7/8" LONG

EXTERIOR BODY GROUP GRAPHICS & PAINT



KEY	PART NO.	U/M	DESCRIPTION
1	94443-71-CHT(02A)	FT	MULTISTRIPE-88.9MM - SHALE BLUE/SHADOW BLUE/FLINTSTONE
2	137498-01-CHT(02A)	FT	MULTISTRIPE OVERLAY-146.1MM - SHALE BLUE/FLINTSTONE/WIN GREEN/SHADOW BLUE
3	137499-01-CHT(02A)	EA	DECAL-MAIN GRAPHIC, RH - SHALE BLUE/SHADOW BLUE/FLINTSTONE/WIN GREEN
3	137499-02-CHT(02A)	EA	DECAL-MAIN GRAPHIC, LH - SHALE BLUE/SHADOW BLUE/FLINTSTONE/WIN GREEN
4	140086-01-CHT(02A)	EA	DECAL-VISTA,LG - SHALE BLUE
5	140086-02-CHT(02A)	EA	DECAL-VISTA,SML - SHALE BLUE
6	120700-10-CHT(02A)	EA	DECAL-W - FLINTSTONE
7	120702-03-CHT(34A)	EA	DECAL-WINNEBAGO - SHALE BLUE
8	140275-01-CHT(02A)	EA	DECAL-WINGWALL,RH - SHALE BLUE/FLINTSTONE/WIN GREEN/SHADOW BLUE
8	140275-02-CHT(02A)	EA	DECAL-WINGWALL,LH - SHALE BLUE/FLINTSTONE/WIN GREEN/SHADOW BLUE
9	140276-01-CHT(02A)	EA	DECAL-CAB CORNER,RR,RH - SHALE BLUE/FLINTSTONE/WIN GREEN/SHADOW BLUE
9	140276-02-CHT(02A)	EA	DECAL-CAB CORNER,RR,LH - SHALE BLUE/FLINTSTONE/WIN GREEN/SHADOW BLUE
10	132664-01-CHT(01A)	EA	DECAL-DOMED,WINNEBAGO - CHROME/BLACK



3. GRAPHICS WILL BE DELETED ON REFRIGERATOR VENT.

CENTERED ON UNIT

1. APPLY PROTECTOR 116424-01-000 TO WATER HEATER DOOR LATCH.

NOTES:

					221 B
					222 HD
					222 OD
					222 FD
					UNIT

EXTERIOR BODY GROUP (CONTINUED)
GRAPHICS & PAINT (CONTINUED)

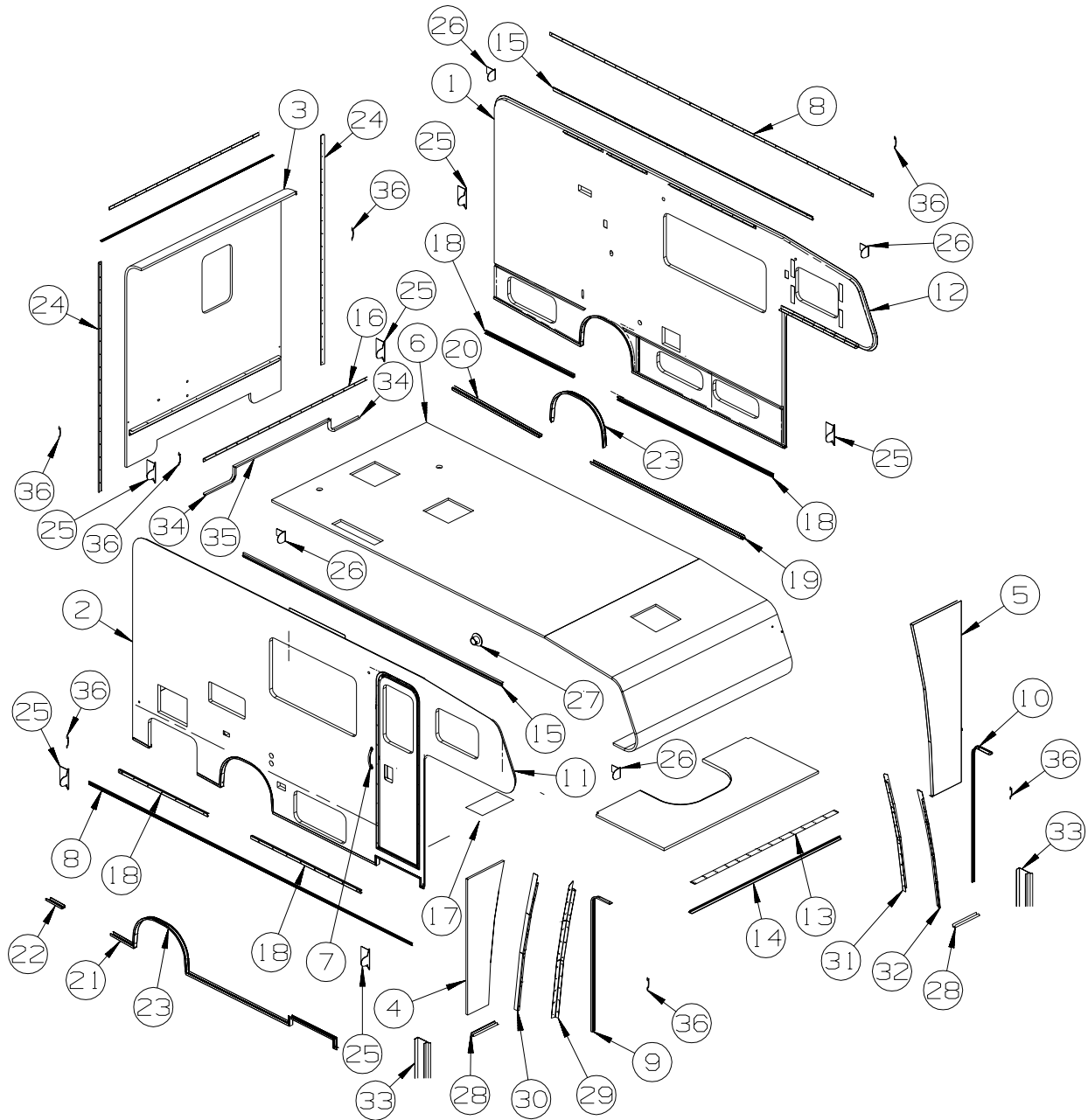
KEY	PART NUMBER	U/M	DESCRIPTION
	072882-01-000	GL	PAINT - LOW BAKE, OFF WHITE - REF:72897-01

DUPONT COLOR CODES

FLINTSTONE MET.	#DM440
WIN.GREEN MET.	#GM198
SHALE BLUE MET.	#F7044
SHADOW BLUE MET.	#K9468

EXTERIOR BODY GROUP (CONTINUED)

PANELS & TRIMS



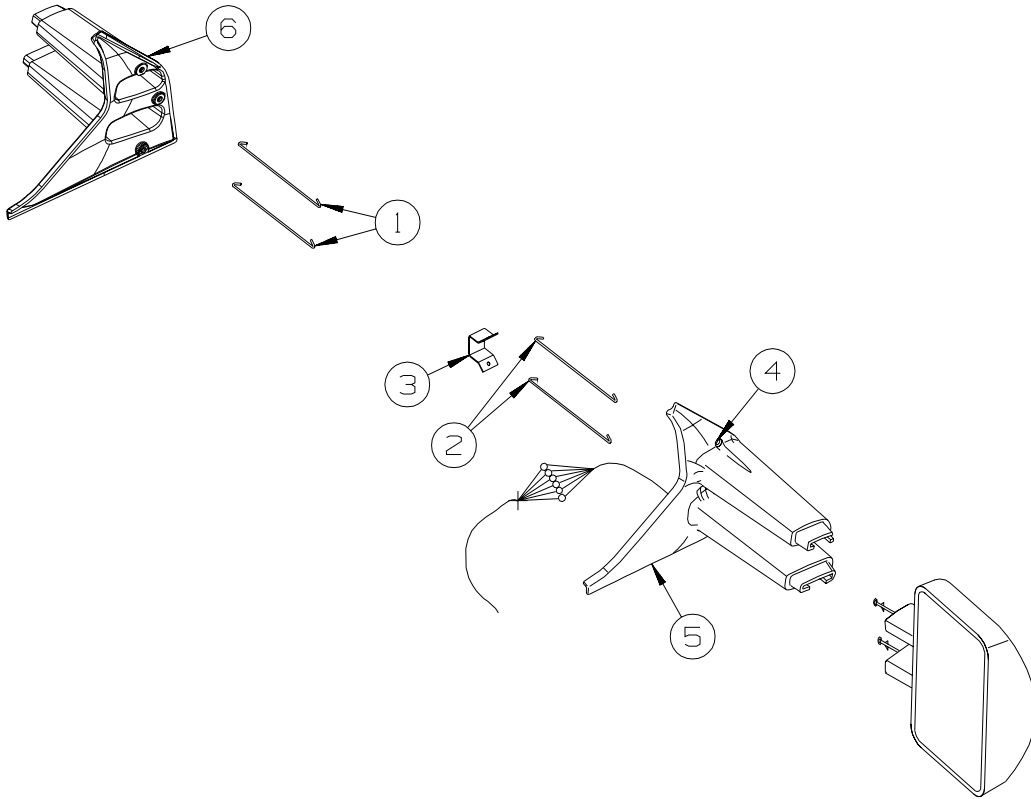
KEY	PART NUMBER	U/M	DESCRIPTION
1	P39630-01-P01	EA	SIDEWALL - DRIVER - W/O WINDOWS/TRIMS(P04)
1	P39630-01-P02	EA	SIDEWALL - DRIVER - W/O WINDOWS/TRIMS(P05)
1	P39630-01-P03	EA	SIDEWALL - DRIVER - W/O WINDOWS/TRIMS(P06)
2	P39631-01-P01	EA	SIDEWALL - PASSENGER - W/O WINDOWS/TRIMS(P04)
2	P39631-01-P02	EA	SIDEWALL - PASSENGER - W/O WINDOWS/TRIMS(P05)
2	P39631-01-P03	EA	SIDEWALL - PASSENGER - W/O WINDOWS/TRIMS(P06)
3	139815-01-P01	EA	BACKWALL - W/O WINDOWS/TRIMS(P04)
3	139815-01-P02	EA	BACKWALL - W/O WINDOWS/TRIMS(P05)
3	139815-01-P03	EA	BACKWALL - W/O WINDOWS/TRIMS(P06)
4	139632-01-P01	EA	WINGWALL - PASSENGER(P04)
4	139632-01-P02	EA	WINGWALL - PASSENGER(P05)
4	139632-01-P03	EA	WINGWALL - PASSENGER(P06)
5	139632-02-P01	EA	WINGWALL - DRIVER(P04)
5	139632-02-P02	EA	WINGWALL - DRIVER(P05)
5	139632-02-P03	EA	WINGWALL - DRIVER(P06)

EXTERIOR BODY GROUP (CONTINUED)
PANELS & TRIMS (CONTINUED)

KEY	PART NUMBER	U/M	DESCRIPTION
6	139816-01-P01	EA	ROOF - W/O LIGHTS/VENTS - W/WIRING
7	009126-03-000	EA	HANDLE - ASSIST - BLACK TEXTURED
8	108688-01-07A	EA	STRIP - FEATURE - W/O INSERT/END CAPS - 15' - VW WHITE
9	104479-11-01A	EA	TRIM - WINGWALL - PASS SIDE - VERTICAL - 62.3" VW/WHITE
10	104479-12-01A	EA	TRIM - WINGWALL - DRVR SIDE - VERTICAL - 62.3" VW/WHITE
11	136826-11-01A	EA	TRIM - CONTOUR
12	136826-12-01A	EA	TRIM - CONTOUR
13	100085-06-01A	EA	TRIM/STRAP - SLEEPERBOARD - VW WHITE - 84.2"
14	100086-05-01A	EA	TRIM - SLEEPERBOARD/ROOF/LOWER - VW WHITE - 83.8"
15	140155-01-01A	EA	RAIL - AWNING - VW WHITE
16	108688-07-07A	EA	STRIP - FEATURE - W/O INSERT/END CAPS
17	140051-01-02B	EA	PANEL - SEAL - BATTERY COMPARTMENT - E-COATED
18	139251-51-001	EA	EXTRUSION - SIDEWALL/LOWER - 191.7"
19	108039-42-01A	EA	TRIM - SIDEWALL - 85.2" - BRIGHT WHITE
20	108039-43-01A	EA	TRIM - SIDEWALL - 48.6" - BRIGHT WHITE
21	108039-40-01A	EA	TRIM - SIDEWALL - 12.6" - BRIGHT WHITE
22	108039-41-01A	EA	TRIM - SIDEWALL - 9" - BRIGHT WHITE
23	140373-01-01A	EA	TRIM - WHEELWELL - REAR - VW WHITE
24	096854-12-01A	EA	TRIM - CONTOUR - 100.6" - VW/WHITE
25	108651-01-01A	EA	END CAP - FEATURE STRIP
26	108651-02-01A	EA	END CAP - FEATURE STRIP
27	137050-01-01A	EA	PLUG - CAP - PUSH-IN
28	103335-08-03A	EA	TRIM - BACKWALL/LOWER - 11" - VW WHITE
29	139647-02-08B	EA	BRACKET - WINGWALL - VW WHITE
30	140119-02-08B	EA	BRACKET - WINGWALL/INNER - VW WHITE
31	139647-01-08B	EA	BRACKET - WINGWALL - VW WHITE
32	140119-01-08B	EA	BRACKET - WINGWALL/INNER - VW WHITE
33	140627-01-01A	EA	U-CHANNEL - W/REVERSE COVE
34	103334-05-03A	EA	TRIM - BACKWALL/LOWER - DRIVER/PASSENGER - VW WHITE
			FROM: 00-00-00 THRU: 09-24-02
34	103334-07-03A	EA	TRIM - BACKWALL/LOWER - 17.1" - VW WHITE
			FROM: 09-25-02 THRU: 99-99-99
35	103335-07-03A	EA	TRIM - BACKWALL/LOWER - VW WHITE
			FROM: 00-00-00 THRU: 09-24-02
35	103335-10-03A	EA	TRIM - BACKWALL/LOWER - 54" - VW WHITE
			FROM: 09-25-02 THRU: 99-99-99
36	105312-01-12A	FT	INSERT - FEATURE STRIP - VINYL - VW WHITE

EXTERIOR BODY GROUP (CONTINUED)

MIRRORS



KEY	PART NUMBER	U/M	DESCRIPTION
1	115752-04-01A	EA	ROD/MIRROR HOOK - 5.8"
2	115752-04-01A	EA	ROD/MIRROR HOOK - 5.8"
2	115752-05-01A	EA	ROD/MIRROR HOOK - 6.8"
3	115334-01-02B	EA	BRACKET - F/MIRROR ROD - E-COATED
3	115334-02-02B	EA	HOOK/BRACKET - MIRROR - E-COATED
4	127984-01-01A	EA	SCREW - EXTERIOR MIRROR - VW WHITE
5	114494-05-02A	EA	BRACKET - MIRROR - PASSENGER - VW WHITE
5	143191-01-02A	EA	BRACKET - MIRROR - PASSENGER - VW WHITE
	143191-01-01A	EA	BRACKET - MIRROR - PASSENGER - MILL
6	114494-06-02A	EA	BRACKET - MIRROR - DRIVER - VW WHITE
6	143191-02-02A	EA	BRACKET - MIRROR - DRIVER - VW WHITE
	143191-02-01A	EA	BRACKET - MIRROR - DRIVER - MILL

FROM: 00-00-00 THRU: 06-26-02

FROM: 06-27-02 THRU: 99-99-99

FROM: 00-00-00 THRU: 08-18-02

FROM: 08-19-02 THRU: 99-99-99

FROM: 00-00-00 THRU: 06-26-02

FROM: 06-27-02 THRU: 99-99-99

FROM: 06-27-02 THRU: 99-99-99

FROM: 00-00-00 THRU: 06-26-02

FROM: 06-27-02 THRU: 99-99-99

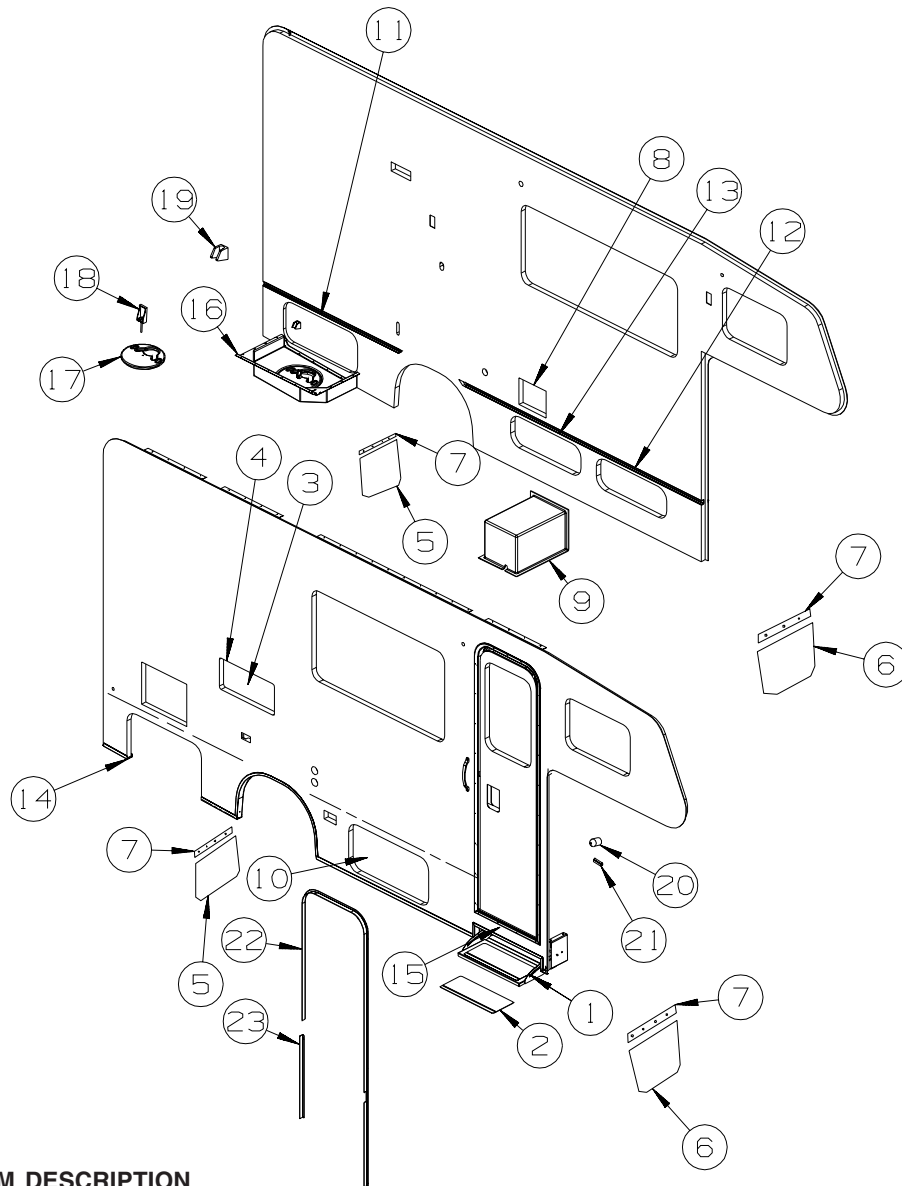
FROM: 06-27-02 THRU: 99-99-99

EXTERIOR BODY GROUP (CONTINUED)
STRUCTURAL COMPONENTS

KEY	PART NUMBER	U/M	DESCRIPTION
	002726-01-001	EA	GARNISH - U-CHANNEL - 1.38" X 19' - SERRATED
	089297-01-000	SF	PLYWOOD - LUAN - OVERLAY GRADE - 4' X 8'
	100619-01-000	BF	FOAM - EXPANDED POLYSTYRENE - 1.34" X 48" X 96"
	100619-02-000	BF	FOAM - EXPANDED POLYSTYRENE - 1.5" X 48" X 96"
	100619-04-000	BF	FOAM - EXPANDED POLYSTYRENE - .5" X 48" X 96"
	100619-05-000	BF	FOAM - EXPANDED POLYSTYRENE - .75" X 48" X 96"-1.5 DENSITY
	100619-16-000	BF	FOAM - EXPANDED POLYSTYRENE - .75" X 48" X 96"-2.0 DENSITY
	108535-08-01A	EA	FIBERGLASS SHEET - 90" X 96" - ROOF - VW WHITE
	135926-07-02A	EA	FIBERGLASS - SHEET - 97.5" X 219.5" - SIDEWALL/VW WHITE
	135926-08-02A	EA	FIBERGLASS - SHEET - 87" X 104" - BACKWALL/VW WHITE
	135926-09-02A	EA	FIBERGLASS - SHEET - 35.8" X 87" - VW WHITE
	135926-10-02A	EA	FIBERGLASS - SHEET - 23.5" X 62.9"- VW WHITE
	135926-11-01A	EA	FIBERGLASS - SHEET - 18.6" X 87.1"-BACKWALL/ROOF - BRT WHT
	135926-11-02A	EA	FIBERGLASS - SHEET - 18.6" X 86.9" - BACKWALL - VW WHITE
	135926-12-02A	EA	FIBERGLASS - SHEET - 12.6" X 86.9" - VW WHITE
	135926-16-02A	EA	FIBERGLASS - SHEET - 14.8" X 87.1" - BACKWALL - VW WHITE

EXTERIOR DOORS & COMPARTMENTS GROUP

DOOR & COMPARTMENT LAYOUT

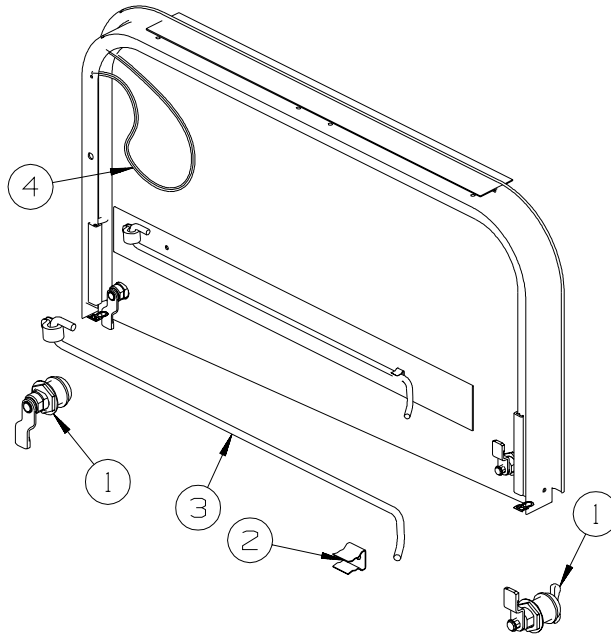


KEY	PART NUMBER	U/M	DESCRIPTION
1	139748-01-04B	EA	STEP/PULLOUT - W/BRACKETS - BLACK
2	102569-05-000	EA	MAT - ANTI SLIP
3	084103-10-000	EA	DOOR - VENT/REFRIGERATOR - W/O JAMB - VW WHITE
4	084104-10-000	EA	JAMB - VENT DOOR/REFRIGERATOR - VW WHITE
5	073905-01-000	EA	MUD FLAP - REAR - 10.1" X 9.3"
6	073905-03-000	EA	MUD FLAP - FRONT - 12.2" X 7.9"
7	073913-01-000	EA	RETAINER - MUDFLAP - METAL
8	088794-08-000	EA	DOOR - POWER CORD W/HATCH - VW WHITE
8	142894-01-02A	EA	DOOR/POWER CORD - W/HATCH - W/O LOCK - VW WHITE FROM: 00-00-00 THRU: 12-08-02 FROM: 12-09-02 THRU: 99-99-99
9	102979-07-000	EA	BOX - POWER CORD
10	126946-14-N33	EA	DOOR/STORAGE - W/O HARDWARE - 29.2" X 14" FROM: 00-00-00 THRU: 09-15-02
10	126946-31-P01	EA	DOOR/STORAGE - W/O HARDWARE FROM: 09-16-02 THRU: 99-99-99
11	126946-28-N33	EA	DOOR/STORAGE - W/O HARDWARE - 26.3" X 11.9" FROM: 00-00-00 THRU: 09-15-02
11	126946-32-P01	EA	DOOR/STORAGE - W/O HARDWARE FROM: 09-16-02 THRU: 99-99-99
12	126946-29-N33	EA	DOOR/STORAGE - W/O HARDWARE - 25.7" X 8.9" FROM: 00-00-00 THRU: 09-15-02
12	126946-33-P01	EA	DOOR/STORAGE - W/O HARDWARE FROM: 09-16-02 THRU: 99-99-99

EXTERIOR DOORS & COMPARTMENTS GROUP (CONTINUED)
DOOR & COMPARTMENT LAYOUT (CONTINUED)

KEY	PART NUMBER	U/M	DESCRIPTION
13	126946-30-N33	EA	DOOR/STORAGE - W/O HARDWARE - 25.7" X 8.9"
14	127278-05-N33	EA	VALANCE/DOOR - PASS W/O HARDWARE - 15.5" X 26.9" X 14.4" FROM: 00-00-00 THRU: 09-15-02
14	127278-07-P01	EA	VALANCE/DOOR - PASS W/O HARDWARE - 15.4" X 27.2" X 14.1" FROM: 09-16-02 THRU: 99-99-99
15	133114-05-01A	EA	TREAD - STEP/RUBBER - TAUPE (P01, P03)
15	133114-05-03A	EA	TREAD - STEP/RUBBER - GRAY (P02)
16	139649-01-N33	EA	COMPARTMENT - DRAINAGE
17	M08628-01-H17	EA	HATCH - W/FOAM INSERT - 3/4" X 11 1/2" DIA.- BLACK PLASTIC
18	121175-02-01A	EA	LATCH - SWELL
19	131383-03-02A	EA	BRACKET - SHOWER HEAD - WHITE
20	117046-02-000	EA	BUMPER - RUBBER/ROUND END - 1.5"
21	102768-01-000	EA	HOLDER - COMPARTMENT/ENTRY DOOR - METAL - MILL FINISH
22	139100-05-01A	EA	GARNISH/RADIUS - ENTRY DOOR - VW WHITE
23	139101-02-02A	EA	GARNISH/STRAIGHT - ENTRY DOOR - VW WHITE

EXTERIOR DOORS & COMPARTMENTS GROUP (CONTINUED)
COMPARTMENT DOOR PIECE PARTS



KEY	PART NUMBER	U/M	DESCRIPTION	
1 *	110506-27-000	EA	LOCK - TWIST - 1.6"	
	110506-55-000	EA	CASE/CYLINDER - TWIST LOCK - W/O CAM - 1.25" - 597312AA1	
	110506-66-000	EA	CAM - LATCHING - DOG LEG - 1.5" LONG	
	107997-51-003	EA	SPACER - DOOR LOCK .79" DEEP	
				FROM: 00-00-00 THRU: 01-19-03
	144734-01-000	EA	SPACER - LOCK	
				FROM: 01-20-03 THRU: 99-99-99

LOCK ASSEMBLY USED UP TO: 09-15-02

1*	110506-26-000	EA	LOCK - KEYED - 1.6"
	110506-54-000	EA	CASE/CYLINDER - LOCKING - W/O CAM/KEY - 1.25" - 703170
	110506-54-001	EA	CASE/CYLINDER - LOCKING - W/O CAM/KEY - 1.25" - 703171
	110506-54-002	EA	CASE/CYLINDER - LOCKING - W/O CAM/KEY - 1.25" - 703172
	110506-54-003	EA	CASE/CYLINDER - LOCKING - W/O CAM/KEY - 1.25" - 703173
	110506-54-004	EA	CASE/CYLINDER - LOCKING - W/O CAM/KEY - 1.25" - 703174
	110506-54-005	EA	CASE/CYLINDER - LOCKING - W/O CAM/KEY - 1.25" - 703175
	110506-54-006	EA	CASE/CYLINDER - LOCKING - W/O CAM/KEY - 1.25" - 703176
	110506-54-007	EA	CASE/CYLINDER - LOCKING - W/O CAM/KEY - 1.25" - 703177
	110506-54-008	EA	CASE/CYLINDER - LOCKING - W/O CAM/KEY - 1.25" - 703178
	110506-66-000	EA	CAM - LATCHING - DOG LEG - 1.5" LONG

LOCK ASSEMBLY USED FROM: 09-16-02 TO 01-19-03

1	138637-02-000	EA	LOCK ASM. - KEYED - 1.3" CASE (CYLINDER/CAM/HDWR PKG)
	138637-50-000	EA	CASE/CYLINDER - LOCKING - W/O CAM/KEY - 1.3"
	138637-50-001	EA	CASE/CYLINDER - LOCKING - W/O CAM/KEY - 1.3"
	138637-50-002	EA	CASE/CYLINDER - LOCKING - W/O CAM/KEY - 1.3"
	138637-50-003	EA	CASE/CYLINDER - LOCKING - W/O CAM/KEY - 1.3"
	138637-50-004	EA	CASE/CYLINDER - LOCKING - W/O CAM/KEY - 1.3"
	138637-50-005	EA	CASE/CYLINDER - LOCKING - W/O CAM/KEY - 1.3"
	138637-50-006	EA	CASE/CYLINDER - LOCKING - W/O CAM/KEY - 1.3"
	138637-50-007	EA	CASE/CYLINDER - LOCKING - W/O CAM/KEY - 1.3"
	138637-50-008	EA	CASE/CYLINDER - LOCKING - W/O CAM/KEY - 1.3"
	138637-50-009	EA	CASE/CYLINDER - LOCKING - W/O CAM/KEY - 1.3"
	138637-61-000	EA	CAM - LATCHING - DOG LEG - 1 15/32" LONG

EXTERIOR DOORS & COMPARTMENTS GROUP (CONTINUED)
COMPARTMENT DOOR PIECE PARTS (CONTINUED)

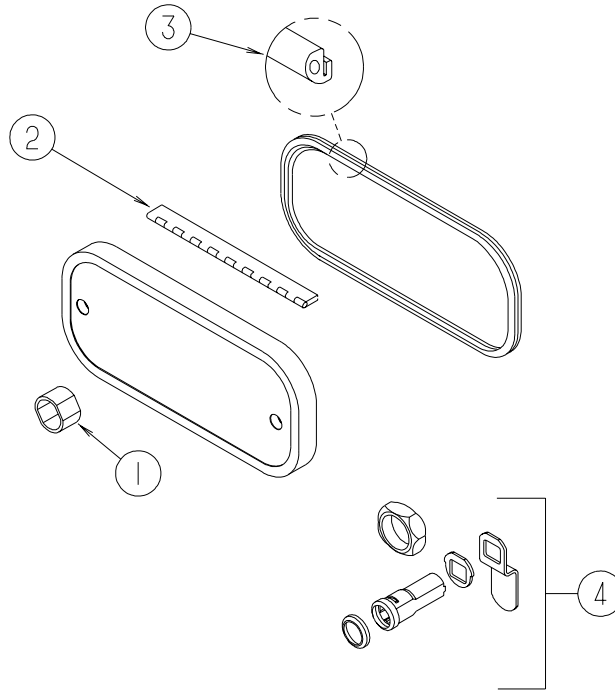
KEY PART NUMBER U/M DESCRIPTION

LOCK ASSEMBLY USED FROM: 01-20-03 TO 99-99-99

1	138637-04-000	EA	LOCK ASM. - KEYED - 1.5" CASE (CYLINDER/CAM/HDWR PKG)
	138637-53-000	EA	CASE/CYLINDER - LOCKING - W/O CAM/KEY - 1.5"
	138637-53-001	EA	CASE/CYLINDER - LOCKING - W/O CAM/KEY - 1.5"
	138637-53-002	EA	CASE/CYLINDER - LOCKING - W/O CAM/KEY - 1.5"
	138637-53-003	EA	CASE/CYLINDER - LOCKING - W/O CAM/KEY - 1.5"
	138637-53-004	EA	CASE/CYLINDER - LOCKING - W/O CAM/KEY - 1.5"
	138637-53-005	EA	CASE/CYLINDER - LOCKING - W/O CAM/KEY - 1.5"
	138637-53-006	EA	CASE/CYLINDER - LOCKING - W/O CAM/KEY - 1.5"
	138637-53-007	EA	CASE/CYLINDER - LOCKING - W/O CAM/KEY - 1.5"
	138637-53-008	EA	CASE/CYLINDER - LOCKING - W/O CAM/KEY - 1.5"
	138637-53-009	EA	CASE/CYLINDER - LOCKING - W/O CAM/KEY - 1.5"
	138637-63-000	EA	CAM - LATCHING
2	089329-02-000	EA	CLIP - SPRING
3	101667-05-000	EA	PROP ROD - 17.53"
	121577-05-01A	EA	PLATE - W/HOLE - BRIGHT WHITE
4	076767-04-000	EA	CABLE - STAINLESS STEEL - 5.9"
	081801-AG-000	EA	HINGE - ALUMINUM - VW WHITE

***COMPONENT PARTS LISTED LATER IN THIS GROUP**

EXTERIOR DOORS & COMPARTMENTS GROUP (CONTINUED)
COMPARTMENT DOOR PIECE PARTS (CONTINUED)



KEY	PART NUMBER	U/M	DESCRIPTION	
1	107997-51-001	EA	SPACER - DOOR LOCK - .6" DEEP	FROM: 00-00-00 THRU: 01-19-03
1	144734-01-000	EA	SPACER - LOCK	FROM: 01-20-03 THRU: 99-99-99
2	081801-AG-000	EA	HINGE - ALUMINUM - VW WHITE	
3	106850-02-000	FT	SEAL-E - SPONGE RUBBER - .43" X .75"	
4*	110506-27-000	EA	LOCK - TWIST - 1.6"	
	110506-55-000	EA	CASE/CYLINDER - TWIST LOCK - W/O CAM - 1.25" - 597312AA1	
	110506-66-000	EA	CAM - LATCHING - DOG LEG - 1.5" LONG	
LOCK ASSEMBLY USED UP TO: 09-15-02				
4*	110506-26-000	EA	LOCK - KEYED - 1.6"	
	110506-54-000	EA	CASE/CYLINDER - LOCKING - W/O CAM/KEY - 1.25" - 703170	
	110506-54-001	EA	CASE/CYLINDER - LOCKING - W/O CAM/KEY - 1.25" - 703171	
	110506-54-002	EA	CASE/CYLINDER - LOCKING - W/O CAM/KEY - 1.25" - 703172	
	110506-54-003	EA	CASE/CYLINDER - LOCKING - W/O CAM/KEY - 1.25" - 703173	
	110506-54-004	EA	CASE/CYLINDER - LOCKING - W/O CAM/KEY - 1.25" - 703174	
	110506-54-005	EA	CASE/CYLINDER - LOCKING - W/O CAM/KEY - 1.25" - 703175	
	110506-54-006	EA	CASE/CYLINDER - LOCKING - W/O CAM/KEY - 1.25" - 703176	
	110506-54-007	EA	CASE/CYLINDER - LOCKING - W/O CAM/KEY - 1.25" - 703177	
	110506-54-008	EA	CASE/CYLINDER - LOCKING - W/O CAM/KEY - 1.25" - 703178	
	110506-54-009	EA	CASE/CYLINDER - LOCKING - W/O CAM/KEY - 1.25" - 703179	
	110506-66-000	EA	CAM - LATCHING - DOG LEGGED 1.5" LONG	
LOCK ASSEMBLY USED FROM: 09-16-02 TO 01-19-03				
4	138637-02-000	EA	LOCK ASM. - KEYED - 1.3" CASE (CYLINDER/CAM/HDWR PKG)	
	138637-50-000	EA	CASE/CYLINDER - LOCKING - W/O CAM/KEY - 1.3"	
	138637-50-001	EA	CASE/CYLINDER - LOCKING - W/O CAM/KEY - 1.3"	
	138637-50-002	EA	CASE/CYLINDER - LOCKING - W/O CAM/KEY - 1.3"	
	138637-50-003	EA	CASE/CYLINDER - LOCKING - W/O CAM/KEY - 1.3"	
	138637-50-004	EA	CASE/CYLINDER - LOCKING - W/O CAM/KEY - 1.3"	
	138637-50-005	EA	CASE/CYLINDER - LOCKING - W/O CAM/KEY - 1.3"	
	138637-50-006	EA	CASE/CYLINDER - LOCKING - W/O CAM/KEY - 1.3"	
	138637-50-007	EA	CASE/CYLINDER - LOCKING - W/O CAM/KEY - 1.3"	
	138637-50-008	EA	CASE/CYLINDER - LOCKING - W/O CAM/KEY - 1.3"	
	138637-50-009	EA	CASE/CYLINDER - LOCKING - W/O CAM/KEY - 1.3"	
	138637-61-000	EA	CAM - LATCHING - DOG LEG - 1 15/32" LONG	

EXTERIOR DOORS & COMPARTMENTS GROUP (CONTINUED)
COMPARTMENT DOOR PIECE PARTS (CONTINUED)

KEY PART NUMBER U/M DESCRIPTION

LOCK ASSEMBLY USED FROM: 01-20-03 TO 99-99-99

4	138637-04-000	EA	LOCK ASM. - KEYED - 1.5" CASE (CYLINDER/CAM/HDWR PKG)
	138637-53-000	EA	CASE/CYLINDER - LOCKING - W/O CAM/KEY - 1.5"
	138637-53-001	EA	CASE/CYLINDER - LOCKING - W/O CAM/KEY - 1.5"
	138637-53-002	EA	CASE/CYLINDER - LOCKING - W/O CAM/KEY - 1.5"
	138637-53-003	EA	CASE/CYLINDER - LOCKING - W/O CAM/KEY - 1.5"
	138637-53-004	EA	CASE/CYLINDER - LOCKING - W/O CAM/KEY - 1.5"
	138637-53-005	EA	CASE/CYLINDER - LOCKING - W/O CAM/KEY - 1.5"
	138637-53-006	EA	CASE/CYLINDER - LOCKING - W/O CAM/KEY - 1.5"
	138637-53-007	EA	CASE/CYLINDER - LOCKING - W/O CAM/KEY - 1.5"
	138637-53-008	EA	CASE/CYLINDER - LOCKING - W/O CAM/KEY - 1.5"
	138637-53-009	EA	CASE/CYLINDER - LOCKING - W/O CAM/KEY - 1.5"
	138637-63-000	EA	CAM - LATCHING - DOG LEG - 1.5" LONG

***COMPONENT PARTS LISTED LATER IN THIS GROUP**

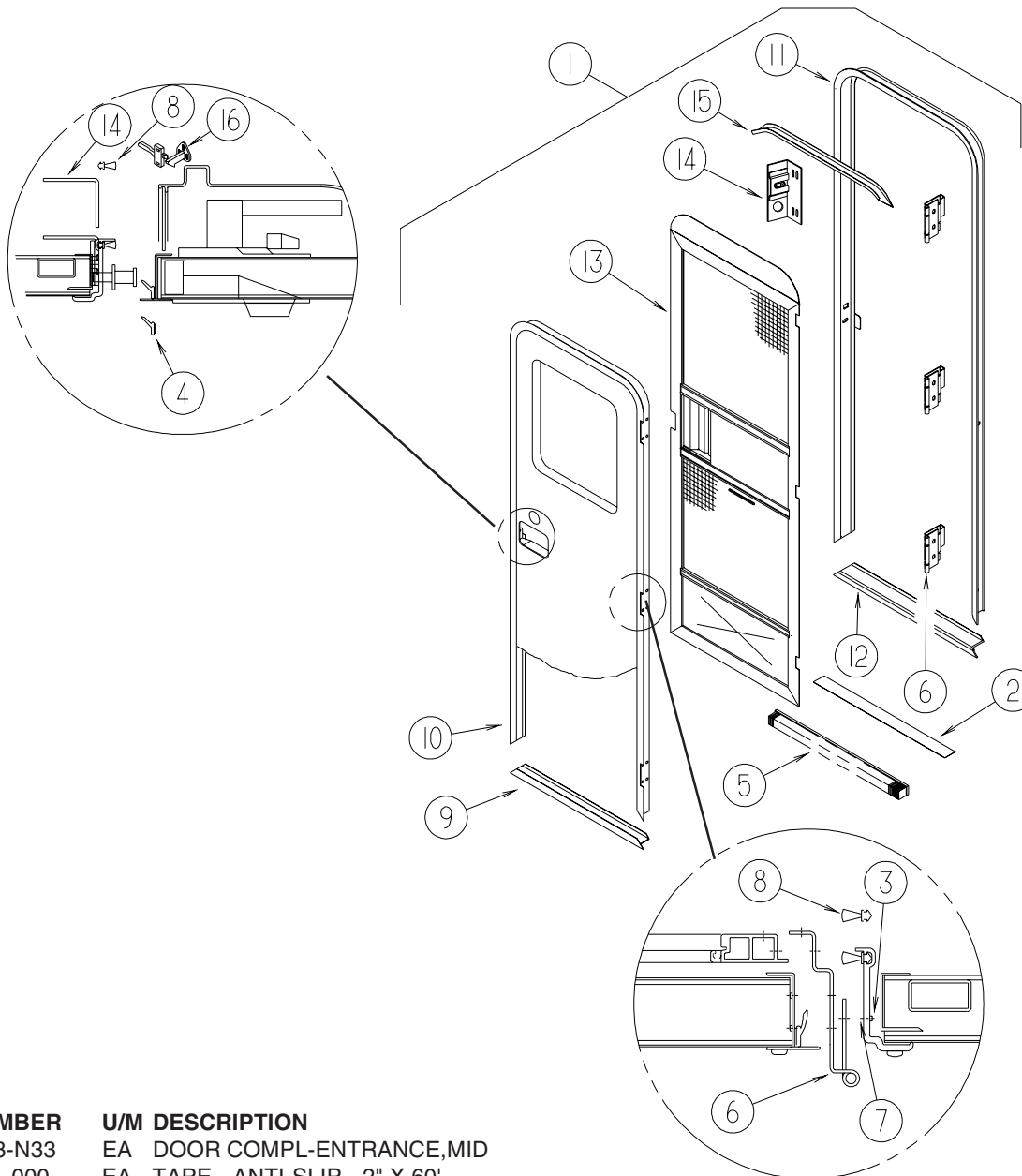
EXTERIOR DOORS & COMPARTMENTS GROUP (CONTINUED)
COMPONENT PARTS FOR COMPARTMENT DOOR PIECE PARTS

110506-A1-000, 110506-A2-000, 110506-26-000, 110506-27-000

KEY	PART NUMBER	U/M	DESCRIPTION	VENDOR NO .
	110506-40-700	EA	HARDWARE PACKAGE-CYLINDER/CASE	596950AAL

EXTERIOR DOORS & COMPARTMENTS GROUP (CONTINUED)

ENTRY

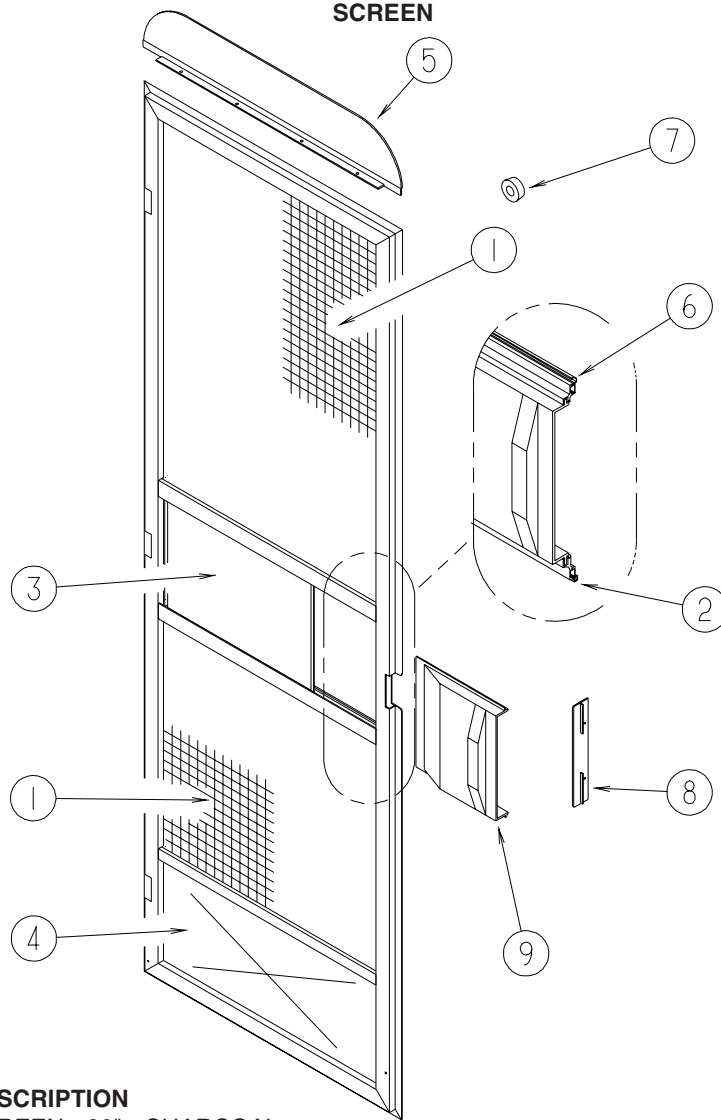


KEY	PART NUMBER	U/M	DESCRIPTION
1	P32206-13-N33	EA	DOOR COMPL-ENTRANCE,MID
2	038327-01-000	EA	TAPE - ANTI-SLIP - 2" X 60'
3	039715-01-000	EA	NUT-SERT - 1/4" DIAMETER - 20 THREADS
4	075671-04-000	FT	SEAL - SPONGE - LAZY T - W/ADHESIVE STRIP - .5" WIDE
5	075673-05-000	FT	SEAL - PILE - ADHESIVE BACK - BLACK
6	106719-01-07A	EA	HINGE - ENTRY DOOR - VW WHITE
7	116111-02-01A	EA	SCREW - TAPTITE - 1/4-20 X 3/8 PPH - ZINC
8	118929-01-01A	FT	SEAL - PILE - PUSH ON
9	121893-02-03A	EA	FRAME - ENTRY DOOR - VW/WHITE
10	121894-24-01A	EA	FRAME - ENTRY DOOR - VW WHITE
11	121898-19-01A	EA	JAMB - ENTRY DOOR - VW WHITE
12	051049-04-000	EA	JAMB/DOOR - BOTTOM - UNPAINTED
13	132208-05-N33	EA	DOOR - SCREEN - W/O HARDWARE
14	137401-01-03B	EA	BRACKET - DOOR ANGLE - OFF WHITE
15	044582-53-000	EA	CAP - DRIP - JAMB MOUNTED - VW WHITE
			FROM: 00-00-00 THRU: 08-04-02
15	139054-11-01A	EA	CAP - DRIP - JAMB MOUNTED - VW WHITE
			FROM: 08-05-02 THRU: 99-99-99
16	132915-01-01A	EA	LATCH - SCREEN DOOR - BLACK

EXTERIOR DOORS & COMPARTMENTS GROUP (CONTINUED)
ENTRY (CONTINUED)

KEY	PART NUMBER	U/M	DESCRIPTION
	138287-01-000	EA	CYLINDER/LOCK - ENTRY DOOR (MASTER)
	138287-02-000	EA	CYLINDER/LOCK - ENTRY DOOR (MASTER)
	138287-03-000	EA	CYLINDER/LOCK - ENTRY DOOR (MASTER)
	138287-04-000	EA	CYLINDER/LOCK - ENTRY DOOR (MASTER)
	138287-05-000	EA	CYLINDER/LOCK - ENTRY DOOR (MASTER)
	138287-06-000	EA	CYLINDER/LOCK - ENTRY DOOR (MASTER)
	138287-07-000	EA	CYLINDER/LOCK - ENTRY DOOR (MASTER)
	138287-08-000	EA	CYLINDER/LOCK - ENTRY DOOR (MASTER)
	138287-09-000	EA	CYLINDER/LOCK - ENTRY DOOR (MASTER)
	138287-10-000	EA	CYLINDER/LOCK - ENTRY DOOR (MASTER)
	138288-01-000	EA	KEY - REVERSIBLE - #1151 - T/M 16169-02-3091
	138288-02-000	EA	KEY - REVERSIBLE - #1152 - T/M 16169-02-3092
	138288-03-000	EA	KEY - REVERSIBLE - #1153 - T/M 16169-02-3093
	138288-04-000	EA	KEY - REVERSIBLE - #1154 - T/M 16169-02-3094
	138288-05-000	EA	KEY - REVERSIBLE - #1155 - T/M 16169-02-3095
	138288-06-000	EA	KEY - REVERSIBLE - #1156 - T/M 16169-02-3096
	138288-07-000	EA	KEY - REVERSIBLE - #1157 - T/M 16169-02-3097
	138288-08-000	EA	KEY - REVERSIBLE - #1158 - T/M 16169-02-3098
	138288-09-000	EA	KEY - REVERSIBLE - #1159 - T/M 16169-02-3099
	138288-10-000	EA	KEY - REVERSIBLE - #1150 - T/M 16169-02-3100

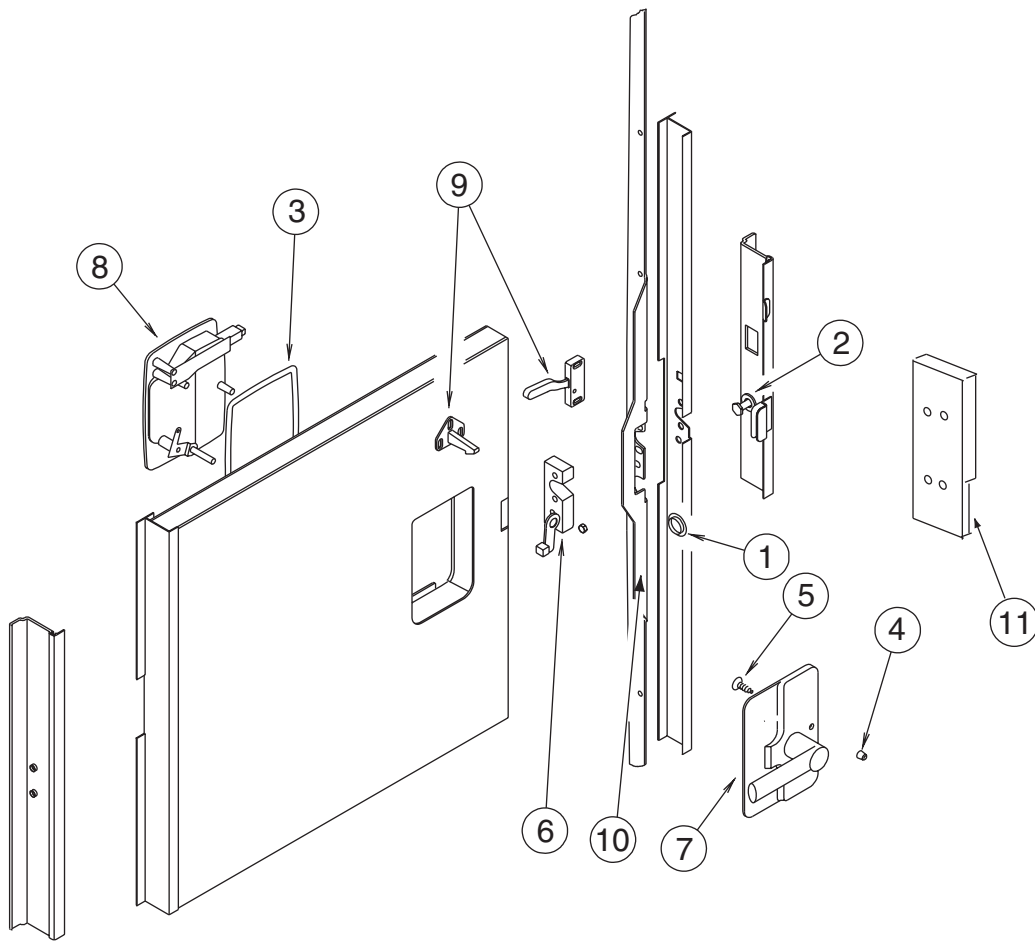
EXTERIOR DOORS & COMPARTMENTS GROUP (CONTINUED)



KEY	PART NUMBER	U/M	DESCRIPTION
1	002293-02-000	SF	SCREEN - 26" - CHARCOAL
2	002294-01-000	FT	SPLINE - SCREENING - .13" X .14"
3	016454-22-000	EA	INSERT - SCREEN DOOR - CENTER
4	078552-05-000	EA	INSERT - SCREEN DOOR - LOWER - UNPAINTED
5	078595-02-000	EA	PLATE - SCREEN DOOR
6	078777-08-000	FT	CHANNEL - SLIDER
7	120863-06-000	EA	BUMPER - RUBBER/RADIUS TOP - 3/4" X 3/8"
8	132081-01-01A	EA	STRIKE - SLIDER - SCREEN DOOR - BRIGHT WHITE
9	132082-01-01A	EA	SLIDER - SCREEN DOOR - BRIGHT WHITE

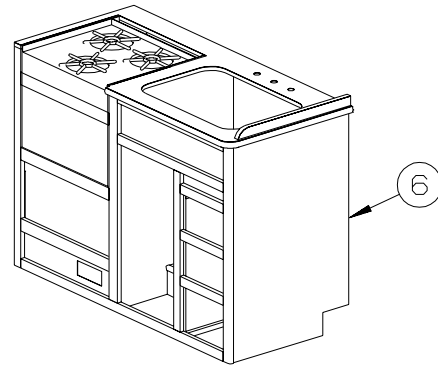
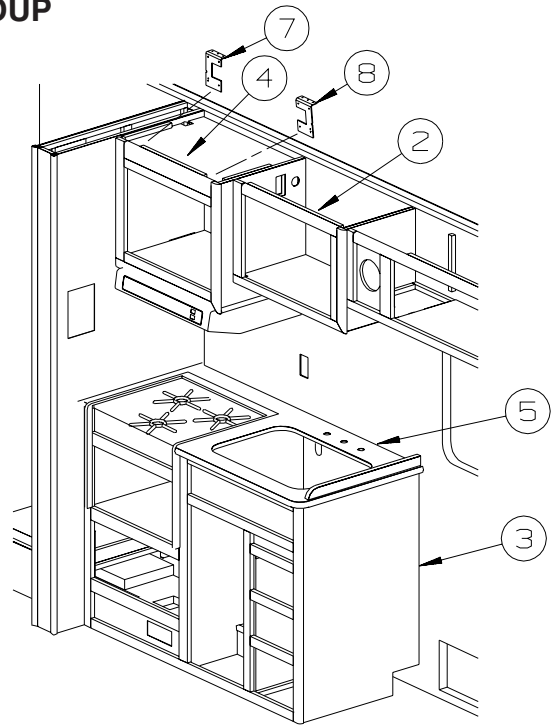
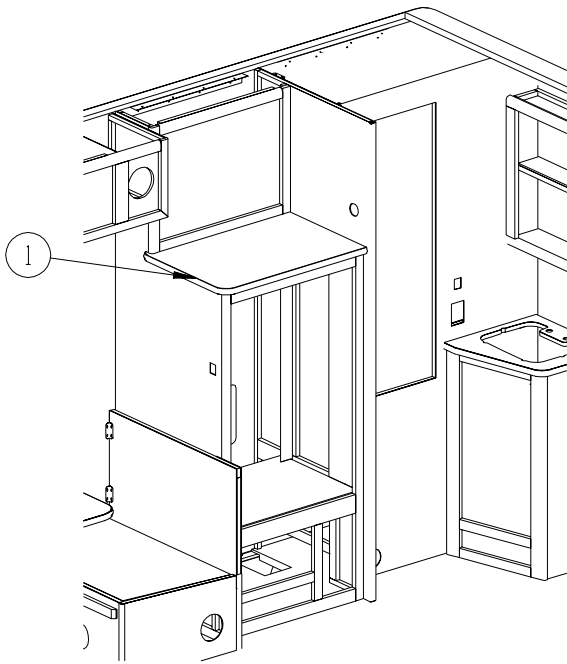
EXTERIOR DOORS & COMPARTMENTS GROUP (CONTINUED)

LATCH - ENTRY



KEY	PART NUMBER	U/M	DESCRIPTION
1	061420-14-000	EA	PLUG/PLASTIC - .034" DIAMETER
2	092927-14-000	EA	STRIKER - ROUND - JAMB MOUNTED
3	112782-04-01A	EA	GASKET
4	112782-05-01A	EA	CAP - VINYL - RED
5	112782-08-01A	EA	SCREW - MOUNTING/PLATE - ZINC
6	112782-15-01A	EA	LATCH - SINGLE ROTOR
7	112782-16-01A	EA	LATCH - INTERIOR PLATE
8	112782-18-01A	EA	LATCH - EXTERIOR - W/O LOCK CYLINDER W/ICON-REVERSIBLE KEY
9	132915-01-01A	EA	LATCH - SCREEN DOOR
10	132207-01-02B	EA	STIFFENER/DOOR - FORMED - E-COATED
	072893-04-000	EA	NUTSERT - 10-32
11	139102-01-01A	EA	COVER - BRACKET - STRIKE - BRIGHT WHITE

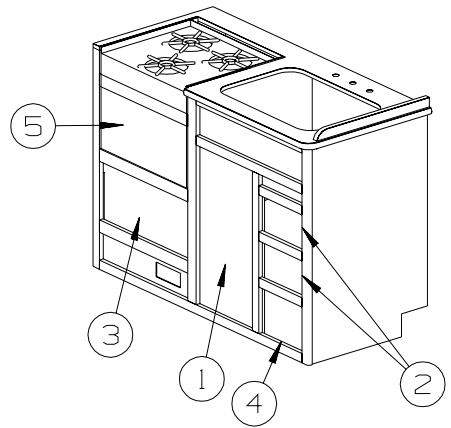
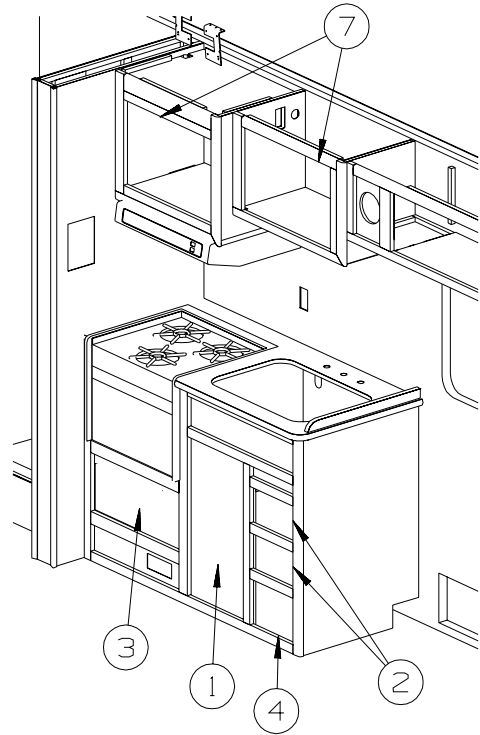
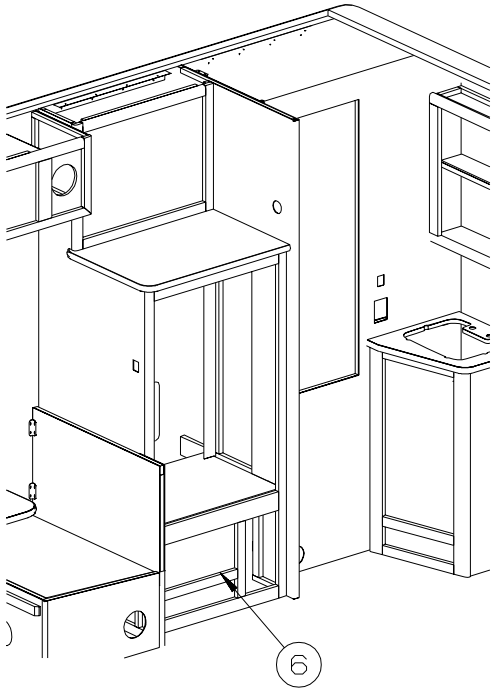
GALLEY GROUP CABINETS



KEY	PART NUMBER	U/M	DESCRIPTION
1	133655-42-P01	EA	COUNTERTOP - LAMINATED - EGGSHELL (P04)
1	133655-42-N33	EA	COUNTERTOP - LAMINATED - GRAY TRANQUILITY/NATURAL OAK (P05)
1	133655-42-N35	EA	COUNTERTOP - LAMINATED - WHITE TALC/NATURAL OAK (P06)
2	139786-01-N33	EA	CABINET - OVERHEAD/GALLEY - W/O DOORS/HARDWARE
3	138930-01-N33	EA	CABINET - GALLEY - W/O COUNTERTOP/DOORS/DRAWERS/HARDWARE - W/RANGE TOP
4	139074-02-N33	EA	CABINET - MICROWAVE - W/O DOORS/HARDWARE - W/O MICROWAVE
4	139074-01-P01	EA	CABINET - MICROWAVE - W/O DOORS/HARDWARE - W/MICROWAVE
5	133653-13-P01	EA	COUNTERTOP - LAMINATED - EGGSHELL (P04)
5	133653-13-N33	EA	COUNTERTOP - LAMINATED - GRAY TRANQUILITY/NATURAL OAK (P05)
5	133653-13-N35	EA	COUNTERTOP - LAMINATED - WHITE TALC/NATURAL OAK (P06)
6	138930-02-N33	EA	CABINET - GALLEY - W/O COUNTERTOP/DOORS/DRAWERS/HARDWARE - W/OVEN
7	098916-35-02B	EA	BRACE - MICROWAVE - LEFT HAND - E-COATED
8	098916-36-02B	EA	BRACE - MICROWAVE - LEFT HAND - E-COATED

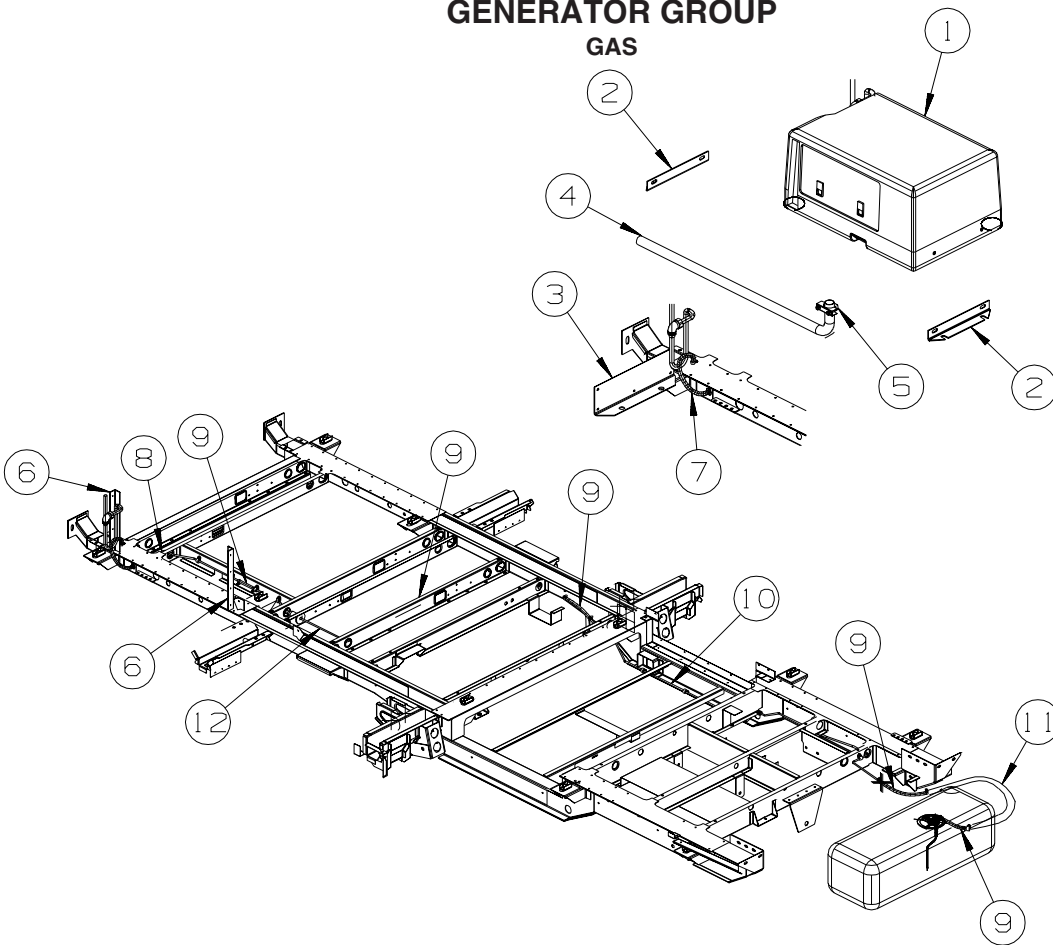
GALLEY GROUP (CONTINUED)

DOORS & DRAWERS



KEY	PART NUMBER	U/M	DESCRIPTION
1	136919-B0-P04	EA	DOOR - FLAT/PENCIL EDGE - 14.3" X 26.7" - W/O HARDWARE
2	P34767-F1-N27	EA	DRAWER - PENCIL EDGE - 9.2"W X 15.7"D-W/O SLIDES/HARDWARE
3	P34767-F3-N27	EA	DRAWER - PENCIL EDGE - 19.8"W X 15.7"D-W/O SLIDES/HARDWARE
4	P34767-F2-N27	EA	DRAWER - PENCIL EDGE - 9.2"W X 15.7"D-W/O SLIDES/HARDWARE
5	134783-N8-N27	EA	DOOR - RAIL/SOLID PANEL - 21.8" X 11.4" - W/O HARDWARE
6	P34767-F7-P04	EA	DRAWER - PENCIL EDGE - 14.7"W X 17.7"D-W/O SLIDES/HARDWARE
7	136919-B8-P04	EA	DOOR - FLAT/PENCIL EDGE - 14.9" X 21.8" - W/O HARDWARE

GENERATOR GROUP



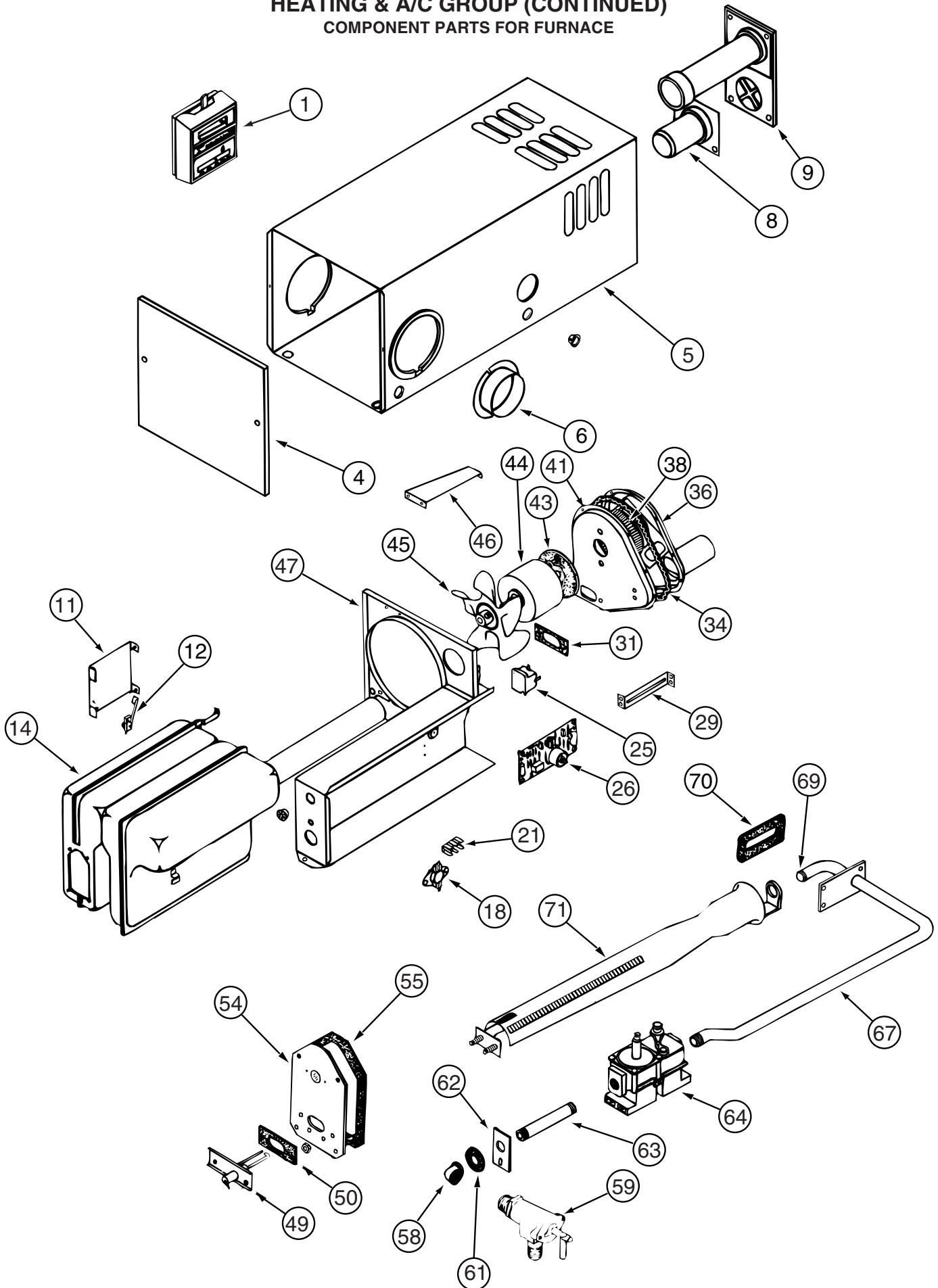
KEY	PART NUMBER	U/M	DESCRIPTION
1	139841-01-000	EA	GENERATOR-2.8 - MICROLITE - ONAN KV-FA/26100
2	139866-01-02B	EA	ANGLE/SUPPORT - GENERATOR - E-COATED
3	139858-02-02B	EA	BRACKET - GENERATOR - E-COATED
	139858-01-01B	EA	BRACKET - GENERATOR
4	105958-24-000	EA	PIPE - EXHAUST - GENERATOR
5	007125-04-000	EA	CLAMP - MUFFLER - 1.12" DIAMETER
6	007131-01-000	EA	HANGER - TAILPIPE - 6 SLOTS
	007125-03-000	EA	CLAMP - MUFFLER - 1.5" DIAMETER
7	128139-03-000	EA	HOSE - FUEL - LOW PERMEABILITY - 1/4" DIAMETER
8	139669-03-000	EA	FUEL LINE - GENERATOR/REAR
9	128139-01-000	EA	HOSE - FUEL - LOW PERMEABILITY
10	139669-01-000	EA	FUEL LINE - GENERATOR/FRONT
11	113378-01-000	EA	FUEL LINE - GENERATOR - FRONT
12	139669-02-000	EA	FUEL LINE - GENERATOR/MIDDLE

HEATING & A/C GROUP
FURNACE

KEY	PART NUMBER	U/M	DESCRIPTION
*	075697-04-000	EA	FURNACE-DUCTED, FORCED AIR
	115764-01-01A	EA	THERMOSTAT - FURNACE
	093614-11-01A	EA	GRILLE - AIR RETURN - 13.9" X 7.9" - BEIGE
	089367-01-000	EA	TEE - 4" OD - 7" LONG - METAL
	089367-02-000	EA	TEE - 4" X 2" X 4"
	118761-01-000	EA	REDUCER - 4"-2" - GALVANIZED
	024990-08-000	EA	OUTLET - DEFROSTER - W/O SWIVEL - 2" SLEEVE/4" OD - WHITE
	009200-01-000	EA	TAPE - FURNACE - 1 1/2"

***COMPONENT PARTS LISTED LATER IN THIS GROUP**

HEATING & A/C GROUP (CONTINUED)
COMPONENT PARTS FOR FURNACE



075697-04-000

HEATING & A/C GROUP (CONTINUED)
COMPONENT PARTS FOR FURNACE (CONTINUED)

075697-04-000 (CONTINUED)

KEY	PART NUMBER	U/M	DESCRIPTION	VENDOR NO.
4	075697-05-700	EA	CABINET-FRONT	100960
6	075696-02-703	EA	COLLAR-DUCT	50715
8	075696-02-736	EA	TUBE-INTAKE ASSEMBLY	50906
9	075697-01-701	EA	VENT CAP & EXHAUST ASM 20SE	260098
12	075697-05-701	EA	MICROSWITCH ASSEMBLY	230933
18	075697-04-700	EA	SWITCH - LIMIT	230621
25	074466-01-702	EA	RELAY, TIME DELAY	230625
26	098668-01-712	EA	BOARD-MODULE	520741
38	074035-01-706	EA	WHEEL, COMBUSTION AIR	350082
44	075697-04-701	EA	MOTOR	230634
49	075697-01-708	EA	ELECTRODE-DBL PROBE PRIOR 92	231258
50	092300-01-704	EA	GASKET-ELECTRODE	70163
54	075697-04-704	EA	DOOR-BURNER ACCESS	30621
55	069634-01-732	EA	GASKET, BURNER ACCESS DOOR	70398
61	075696-02-721	EA	GASKET-GAS INLET PIPE	70432
64	069634-01-729	EA	VALVE-GAS-JOHNSON	161078
69	074035-01-709	EA	ORFICE	180231
70	075697-01-709	EA	GASKET-MANIFOLD	70449

CONTACT WINNEBAGO PART SALES FOR UNLISTED COMPONENTS

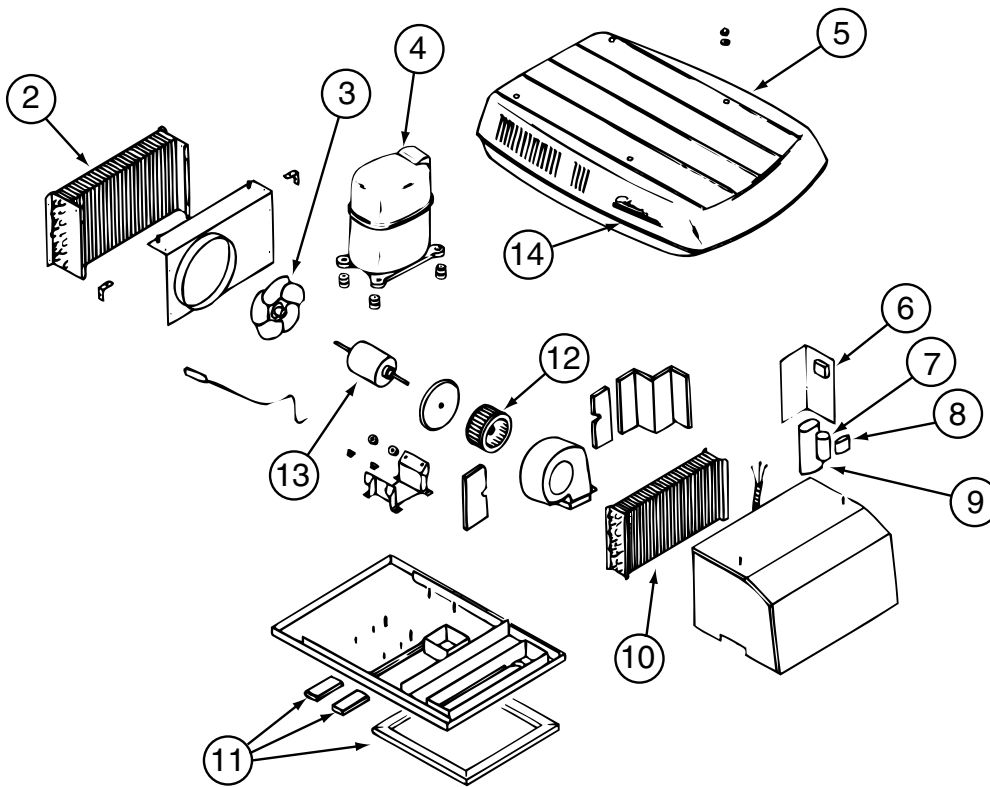
HEATING & A/C GROUP (CONTINUED)
ROOF

KEY	PART NUMBER	U/M	DESCRIPTION
*	093306-01-03A	EA	A/C - ROOF - 7100 BTU - POLAR WHITE - 6727-731
*	131186-02-02A	EA	A/C-ROOF-MACH 1 POWER SAVER-11,000 BTU - POLAR WHITE - DLX FEATURE PKG
*	093307-03-000	EA	CEILING ASSEMBLY - COOL ONLY - WHITE
	093307-04-000	EA	CEILING ASSEMBLY - A/C - COOL/HEAT - WHITE - AC HEAT STRIP
*	131183-03-01A	EA	CEILING ASSEMBLY - A/C - COOL - WHITE - DELUXE FEATURE PACKAGE
*	131183-04-01A	EA	CEILING ASSEMBLY - A/C - COOL/HEAT - WHITE - DELUXE FEATURE PACKAGE/AC HEAT STRIP
	102289-01-000	EA	SPRING - SCREW - ROOF A/C GASKET

***COMPONENT PARTS LISTED LATER IN THIS GROUP**

HEATING & A/C GROUP (CONTINUED)

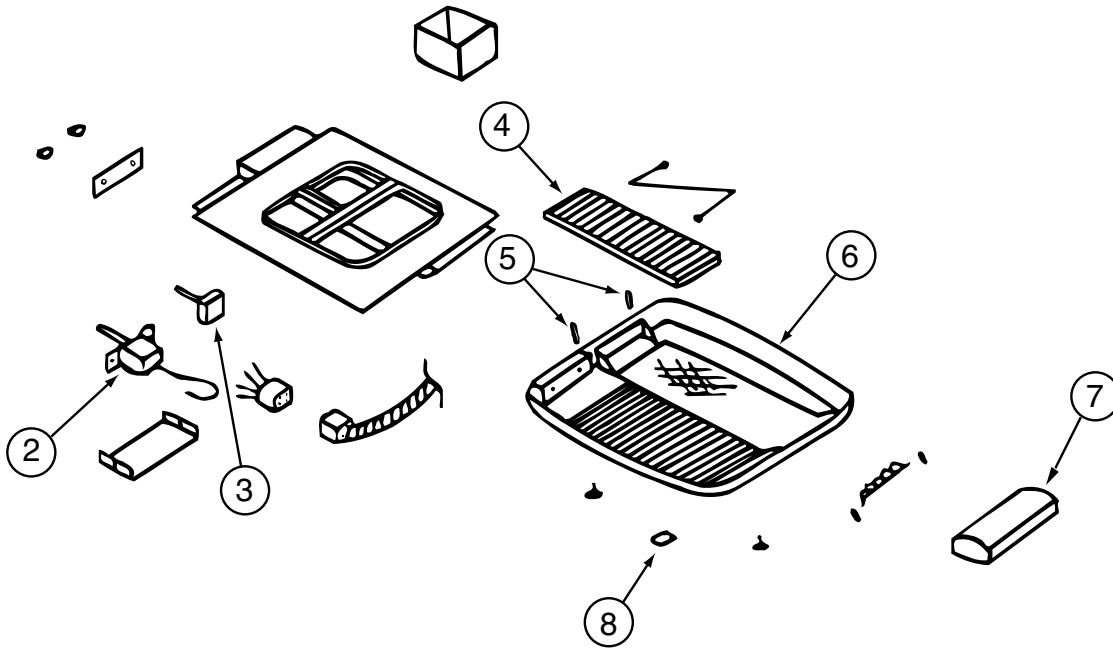
COMPONENT PARTS FOR ROOF



093306-01-03A

KEY	PART NUMBER	U/M	DESCRIPTION	VENDOR NO.
2	093306-01-711	EA	COIL-CONDENSER	1452-0701
3	093306-01-703	EA	FAN-4 BLADE. 9" DIAMETER	6707-3321
4	093306-01-717	EA	COMPRESSOR-PANASONIC	1450-2019
5	093306-01-723	EA	SHROUD - (POLAR WHITE)	6727-5711
6	093306-01-721	EA	RELAY-START	1497-5051
7	093306-01-720	EA	CAPACITOR-START, 21-25 MFD33	1497-3351
8	093306-01-719	EA	OVERLOAD	1450A0011
9	093306-01-718	EA	CAPACITOR-FAN, 5MFD 370 V	1499-5421
9	108889-01-707	EA	CAPACITOR-RUN,COMP-25MFD/370	1499-5661
10	093306-01-713	EA	COIL-EVAPORATOR	1452-0601
11	037648-01-714	EA	GASKET PACKAGE	8332-3301
12	093306-01-706	EA	WHEEL-BLOWER,6 5/16X2 7/8	6707-3281
13	093306-01-705	EA	MOTOR(115V1.6A60H2-RPM	6727-3119
14	093306-01-701	EA	DECAL PACKAGE, LEFT & RIGHT	6798B3591

HEATING & A/C GROUP (CONTINUED)
COMPONENT PARTS FOR ROOF (CONTINUED)

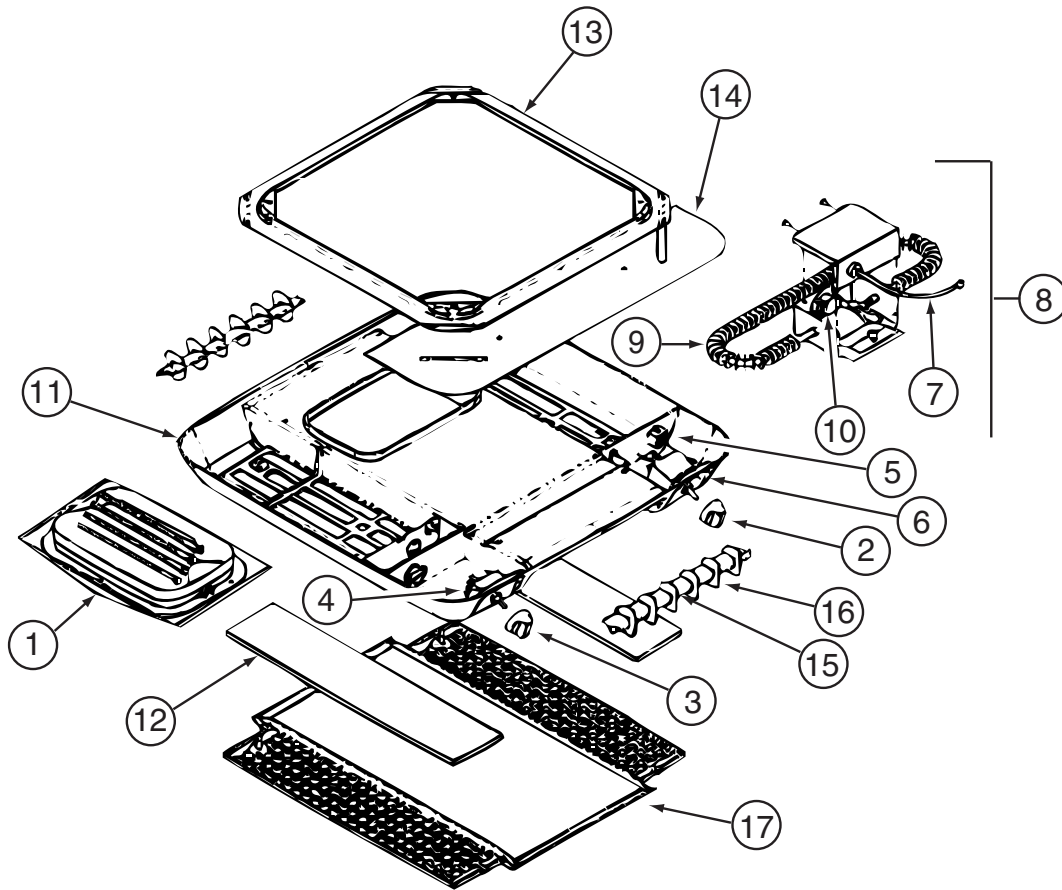


093307-03-000

KEY	PART NUMBER	U/M	DESCRIPTION	VENDOR NO.
2	076303-01-710	EA	THERMOSTAT	6733-3411
4	093766-02-702	EA	FILTER-PKG OF 2-5 X14.5 X1/8	6703-3303
5	076303-01-701	EA	KNOB-CONTROL	6733A3241
6	093307-03-700	EA	SHROUD - CEILING - WHITE	6727-3521
	091227-01-700	EA	WASHER PKG., PLASTIC	6250-3241 6703A3341

CONTACT WINNEBAGO PART SALES FOR UNLISTED COMPONENTS

HEATING & A/C GROUP (CONTINUED)
COMPONENT PARTS FOR ROOF (CONTINUED)

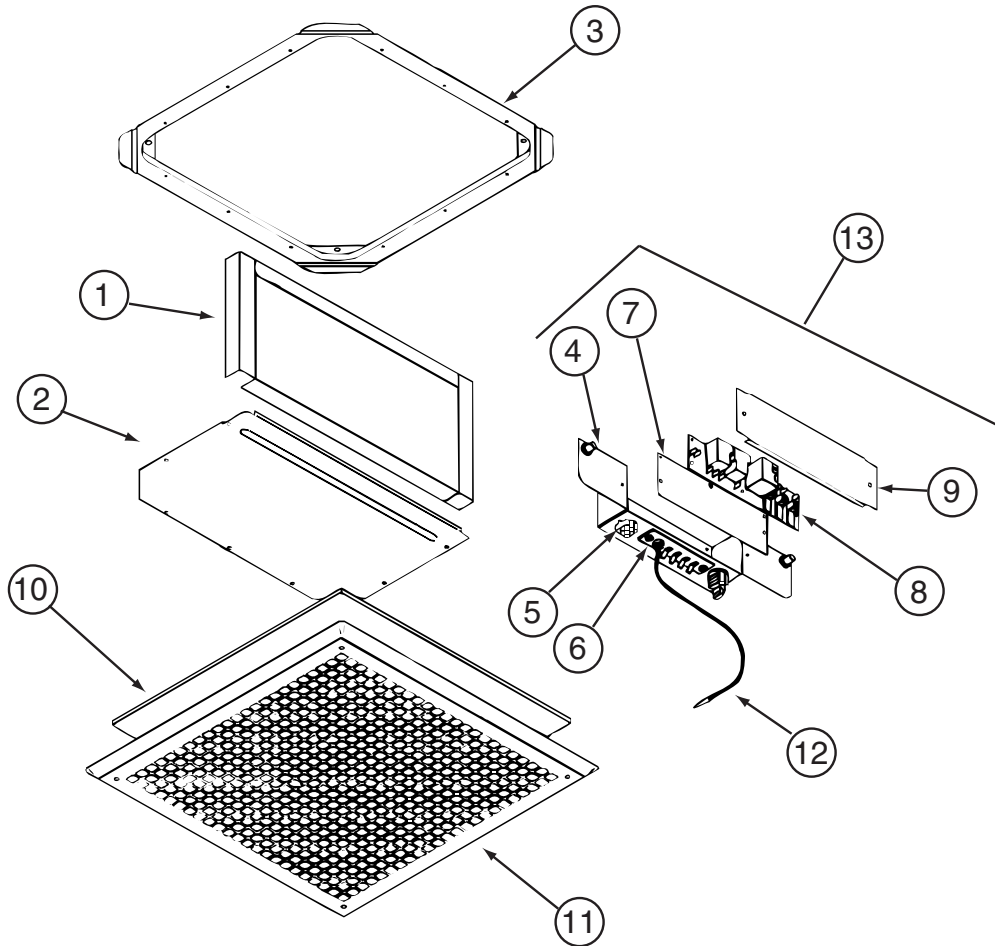


131183-03-01A

KEY	PART NUMBER	U/M	DESCRIPTION	VENDOR NO.
2	131183-03-700	EA	KNOB-THERMOSTAT/COOL ONLY	9330-3131
3	131183-03-701	EA	KNOB-SELECT SW/COOL ONLY	9330-3111
4	131183-04-702	EA	SWITCH-SELECT	9330-3251
5	131183-04-703	EA	PLUG ASSEMBLY	9330-345
6	131183-03-702	EA	THERMOSTAT-COOL ONLY	9330-3401
11	131183-03-703	EA	SHROUD/CEILING - WHITE	9330-3551
12	131183-04-709	EA	FILTER PKG - 2/PKG	9330-3151
15	131183-03-704	EA	VANE - WHITE	9330-30
16	131183-03-705	EA	LOUVER -WHITE	9330-309
17	131183-03-706	EA	GRILLE - WHITE	9330-305
	131183-04-710	EA	SMALL PARTS PACKAGE	9330-5991

CONTACT WINNEBAGO PART SALES FOR UNLISTED COMPONENTS

HEATING & A/C GROUP (CONTINUED)
COMPONENT PARTS FOR ROOF (CONTINUED)



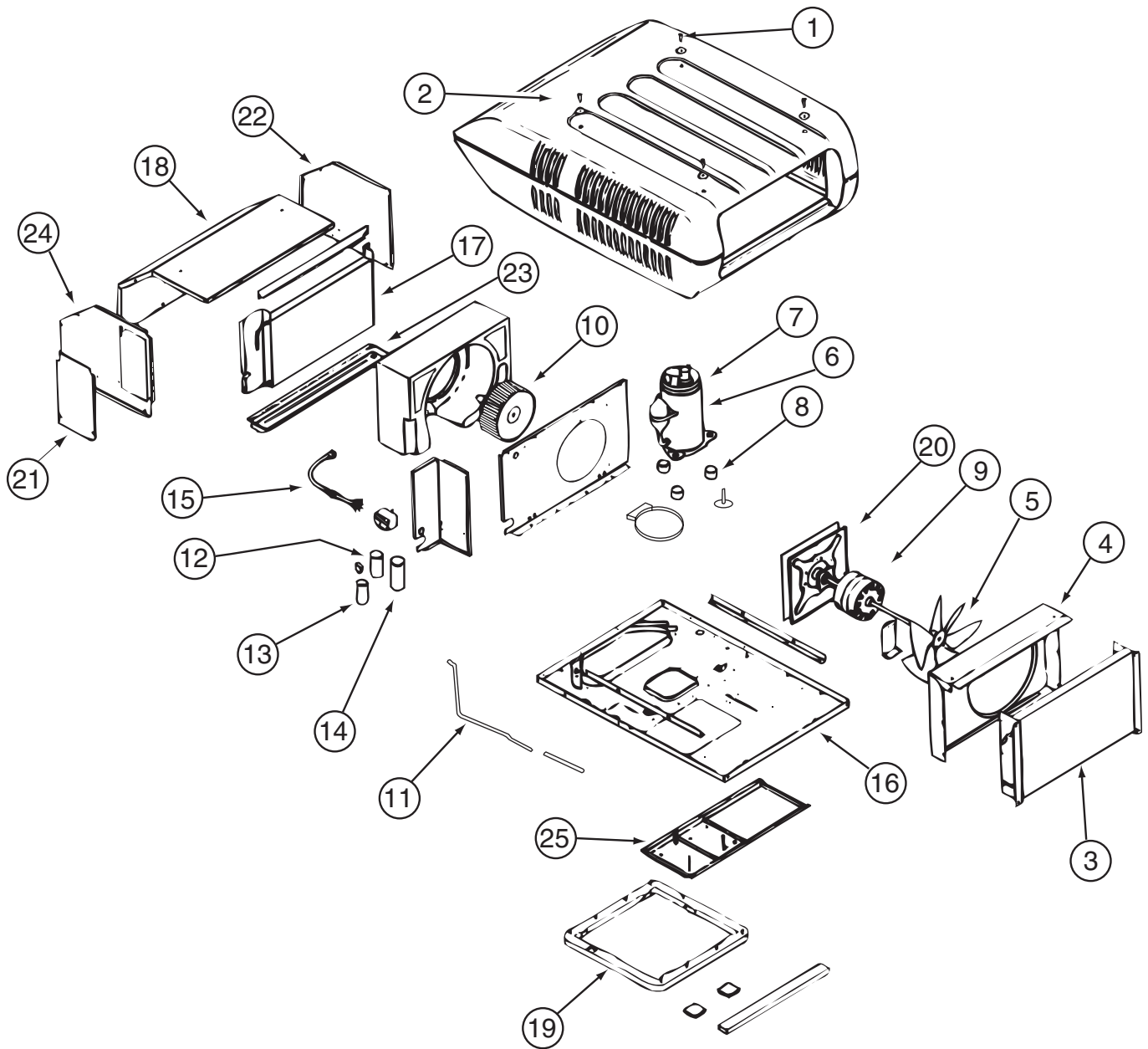
131183-04-01A

KEY	PART NUMBER	U/M	DESCRIPTION	VENDOR NO.
2	131183-04-700	EA	KNOB-THERMOSTAT/HEAT-COOL	7330A3131
3	131183-04-701	EA	KNOB-SELECT SW/HEAT-COOL	9330-3121
4	131183-04-702	EA	SWITCH-SELECT	9330-3251
5	131183-04-703	EA	PLUG ASSEMBLY	9330-345
6	131183-04-704	EA	THERMOSTAT - HEAT/COOL	9330-3411
7	131183-04-705	EA	WIRING HARNES/HEATER ASM	9233-515
8	131183-04-706	EA	HEAT STRIP ASSEMBLY	9330-4551
9	131183-04-707	EA	HEAT ELEMENT	9233-3551
10	131183-04-708	EA	SWITCH-LIMIT	1460-5031
11	131183-03-703	EA	SHROUD/CEILING - WHITE	9330-3551
12	131183-04-709	EA	FILTER PKG - 2/PKG	9330-3151
15	131183-03-704	EA	VANE - WHITE	9330-30
16	131183-03-705	EA	LOUVER -WHITE	9330-309
17	131183-03-706	EA	GRILLE - WHITE	9330-305
	131183-04-710	EA	SMALL PARTS PACKAGE	9330-5991

CONTACT WINNEBAGO PART SALES FOR UNLISTED COMPONENTS

HEATING & A/C GROUP (CONTINUED)

COMPONENT PARTS FOR ROOF (CONTINUED)

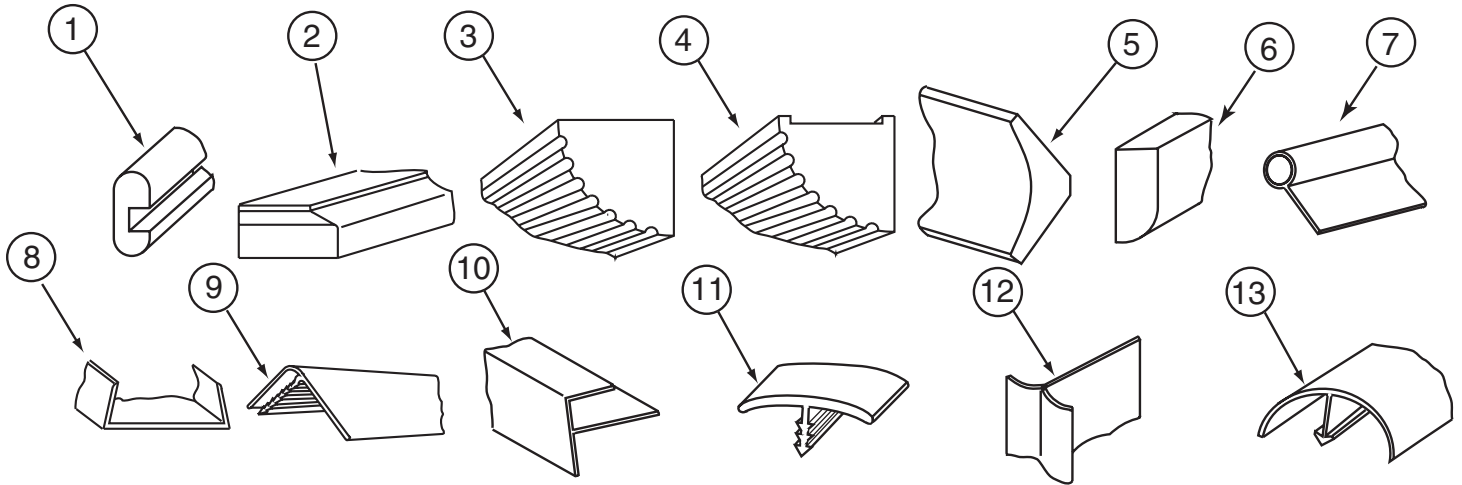


131186-02-02A

KEY	PART NUMBER	U/M	DESCRIPTION	VENDOR NO.
2	131185-02-700	EA	SHROUD - COLONEL WHITE	8333-4161
3	115219-01-700	EA	COIL-CONDENSER	1452A1321
5	093763-01-712	EA	BLADE-FAN-CONDENSER	6733-3221
6	126859-01-700	EA	COMPRESSOR RK124AT-001-A4Y	1450-2109
7	126859-01-701	EA	OVERLOAD PROTECTORMRA# 4761	1450-0061
8	105620-01-706	EA	MOUNTING PKG.,COMP., 3 PER	6759-3081
9	131186-01-700	EA	MOTOR - 115V, 60 HURTZ	1468-3109
10	131185-01-702	EA	BLOWER WHEEL PACKAGE	1472-1091
12	126859-01-703	EA	CAPACITOR - RUN	1499-5671
13	093763-01-704	EA	CAPACITOR-FAN	1499-5461
14	105620-10-704	EA	START COMPACITOR	1497-0861
15	105620-10-705	EA	PTCR (START DEVICE) - W/CAP.	8333A9021
18	131186-01-701	EA	EVAPORATOR COIL	1452-1521
20	037648-01-714	EA	GASKET PACKAGE	8332-3301
21	131185-01-704	EA	MOTOR MOUNT & SEAL KIT	8333-5151
	093306-01-701	EA	DECAL PACKAGE, LEFT & RIGHT	6798B3591
	108889-01-710	EA	PAD-FILLER, CONDENSER SEAL	6759B3971

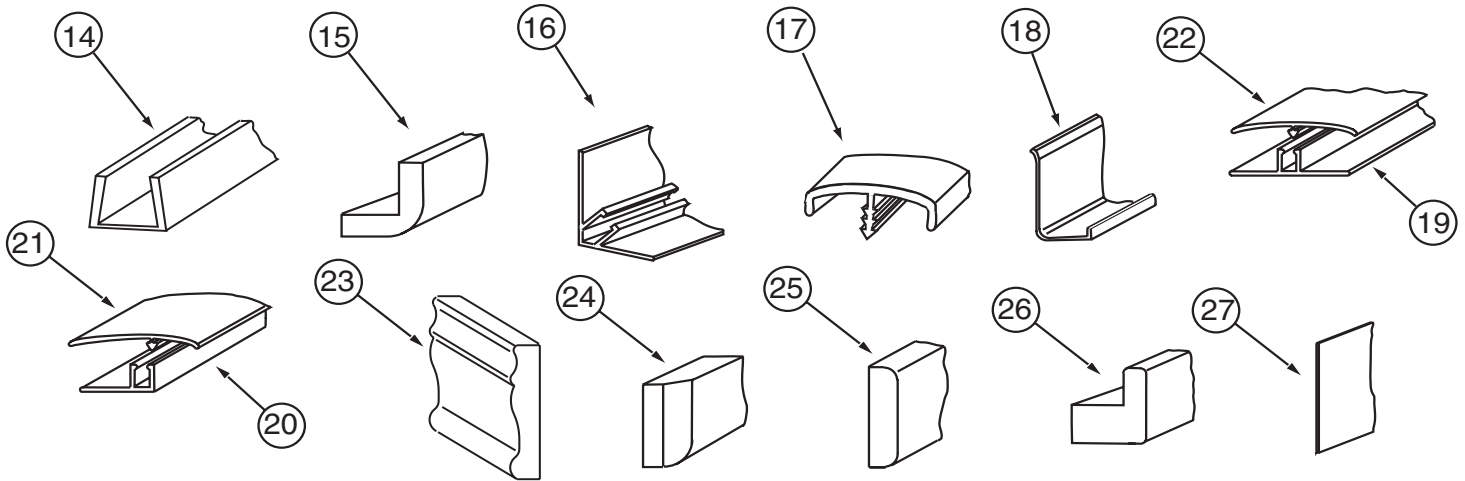
CONTACT WINNEBAGO PART SALES FOR UNLISTED COMPONENT

INTERIOR FINISH GROUP MOLDINGS & TRIMS



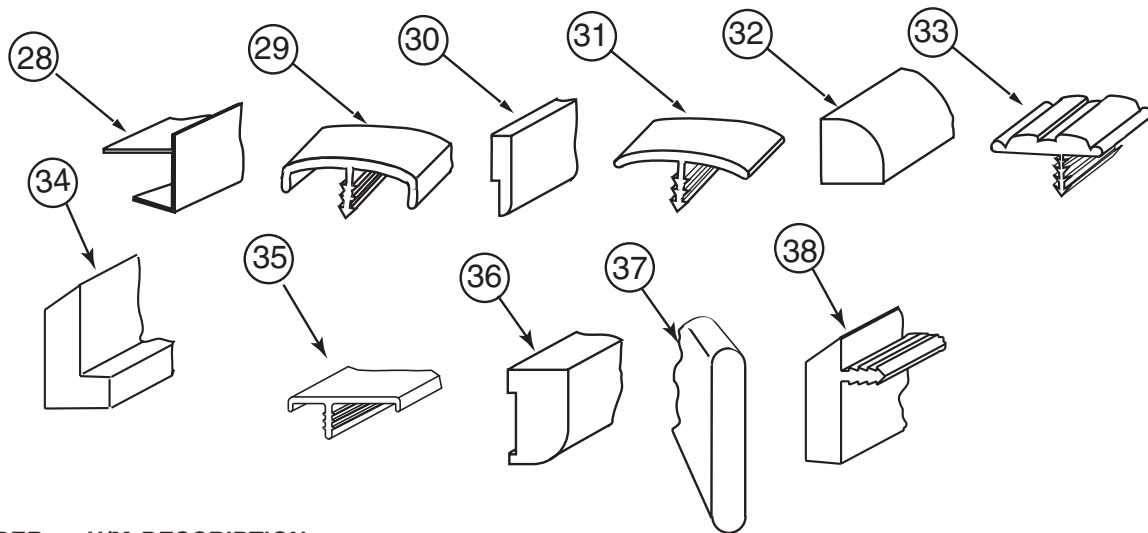
KEY	PART NUMBER	U/M	DESCRIPTION
1	M09412-62-N42	EA	MOLDING/SHELF EDGE - W/.4" NOTCH - PORTSMOUTH II - PORTSMOUTH OAK
1	M09412-62-M62	EA	MOLDING/SHELF EDGE - W/.4" NOTCH - WASHED MAPLE
1	M09412-62-M52	EA	MOLDING/SHELF EDGE - W/.4" NOTCH - CHERRY IV - CONCERT CHERRY
2	P34052-01-N75	EA	TRIM/TABLE - 29.7" - PORTSMOUTH OAK
2	P34052-01-M84	EA	TRIM/TABLE - 29.7" - WASHED MAPLE
2	P34052-01-M52	EA	TRIM/TABLE - 29.7" - SALEM CHERRY - CONCERT CHERRY
2	P34052-02-N47	EA	TRIM/TABLE - 24" - PORTSMOUTH OAK
2	P34052-02-M84	EA	TRIM/TABLE - 24" - WASHED MAPLE
2	P34052-02-M52	EA	TRIM/TABLE - 24" - SALEM CHERRY - CONCERT CHERRY
3	Y00070-22-438	EA	MOLDING/FLUTED - MAPLE - 96" - WASHED MAPLE
3	Y00070-32-438	EA	MOLDING/FLUTED - CHERRY - 96" - CONCERT CHERRY
3	Y00070-42-438	EA	MOLDING/FLUTED - OAK - 96" - PORTSMOUTH OAK
4	Y00071-22-438	EA	MOLDING/FLUTED - W/NOTCH - MAPLE - 96" - WASHED MAPLE
4	Y00071-32-438	EA	MOLDING/FLUTED - W/NOTCH - CHERRY - 96" - CONCERT CHERRY
4	Y00071-42-438	EA	MOLDING/FLUTED - W/NOTCH - OAK - 96" - PORTSMOUTH OAK
5	Y00074-22-438	EA	MOLDING/CROWN - VINYL WRAPPED - MAPLE - 96" - WASHED MAPLE
5	Y00074-62-438	EA	MOLDING/CROWN - VINYL WRAPPED - CONCERT CHERRY - 96" - CONCERT CHERRY
5	Y00074-72-438	EA	MOLDING/CROWN - VINYL WRAPPED - PORTSMOUTH OAK - 96" - PORTSMOUTH OAK
6	Y00086-22-438	EA	MOLDING - VINYL WRAP - 96" - WASHED MAPLE
6	Y00086-62-438	EA	MOLDING - VINYL WRAP - 96" - CONCERT CHERRY
6	Y00086-72-438	EA	MOLDING - VINYL WRAP - 96" - PORTSMOUTH OAK
7	009767-12-000	FT	WELTING - ANTIQUE WHITE
8	009778-25-000	FT	U-CHANNEL - 1" - BEIGE ILLUSION
8	009778-27-000	FT	U-CHANNEL - 1" - WASHED MAPLE
8	009778-30-000	FT	U-CHANNEL - 1" - VILLAGE OAK
8	009778-32-000	FT	U-CHANNEL - 1" - PORTSMOUTH OAK
8	009778-34-000	FT	U-CHANNEL - 1" - CONCERT CHERRY
9	009809-23-000	EA	MOLDING - CORNER - OUTSIDE - 1" X 84" - MODERN IVORY
9	009809-30-000	EA	MOLDING - CORNER - OUTSIDE - 1" X 84" - BEIGE ILLUSION
9	009809-32-000	EA	MOLDING - CORNER - OUTSIDE - 1" X 84" - PORTSMOUTH OAK
9	009809-33-000	EA	MOLDING - CORNER - OUTSIDE - 1" X 84" - CONCERT CHERRY
10	009812-24-000	EA	MOLDING - CORNER - 1/2" W/1/4"CHAN X 84" - IVORY PLASTIC
10	009812-31-000	EA	MOLDING - CORNER - 1/2" W/1/4"CHAN X 84" - BEIGE ILLUSION
10	009812-33-000	EA	MOLDING - CORNER - 1/2" W/1/4"CHAN X 84" - WASHED MAPLE
10	009812-34-000	EA	MOLDING - CORNER - 1/2" W/1/4"CHAN X 84" - VW LIGHT GRAY
10	009812-35-000	EA	MOLDING - CORNER - 1/2" W/1/4"CHAN X 84" - PORTSMOUTH OAK
10	009812-36-000	EA	MOLDING - CORNER - 1/2" W/1/4"CHAN X 84" - CONCERT CHERRY
11	009815-10-000	FT	MOLDING-T - W/EDGE LIP - 3/4" FACE - BEIGE ILLUSION
12	022992-11-000	FT	MOLDING - REVERSE COVE - T-SHAPED - IVORY
12	022992-14-000	FT	MOLDING - REVERSE COVE - T-SHAPED - BRIGHT WHITE
12	022992-15-000	FT	MOLDING - REVERSE COVE - T-SHAPED - VW GRAY
13	042357-25-000	EA	MOLDING - CORNER - RADIUS/PLASTIC - WASHED MAPLE

INTERIOR FINISH GROUP (CONTINUED)
MOLDINGS & TRIMS (CONTINUED)



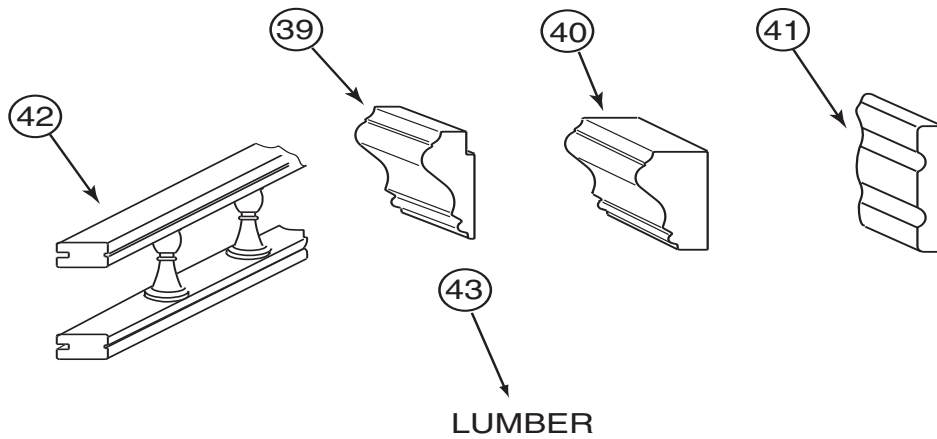
KEY	PART NUMBER	U/M	DESCRIPTION
14	070504-18-000	FT	U-CHANNEL - PLASTIC - .13" X 96" - IVORY
14	070504-35-000	FT	U-CHANNEL - PLASTIC - .13" X 72" - IVORY
14	070504-42-000	FT	U-CHANNEL - PLASTIC - .13" X 84" - BEIGE ILLUSION
14	070504-43-000	FT	U-CHANNEL - PLASTIC - .9" X 96" - BEIGE ILLUSION
14	070504-50-000	FT	U-CHANNEL - PLASTIC - .13" X 96" - WASHED MAPLE
14	070504-54-000	FT	U-CHANNEL - PLASTIC - .9" X 96" - VILLAGE OAK
14	070504-57-000	FT	U-CHANNEL - PLASTIC - .13" X 84" - PORTSMOUTH OAK
14	070504-58-000	FT	U-CHANNEL - PLASTIC - .9" X 84" - PORTSMOUTH OAK
14	070504-60-000	FT	U-CHANNEL - PLASTIC - .13" X 84" - CONCERT CHERRY
14	070504-61-000	FT	U-CHANNEL - PLASTIC - .9" X 84" - CONCERT CHERRY
15	080176-08-000	EA	CAP - CORNER - RADIUS MOLDING - PLASTIC - WASHED MAPLE
16	081521-02-007	EA	MOUNT - METAL MOLDING - F/RADIUS CORNER MOLDING - 151.5"
17	083620-09-000	FT	MOLDING-T - W/EDGE LIP - 7/8" FACE - MODERN IVORY
17	083620-15-000	FT	MOLDING-T - W/EDGE LIP - 7/8" FACE - BEIGE ILLUSION
17	083620-19-000	FT	MOLDING-T - W/EDGE LIP - 7/8" FACE - WASHED MAPLE
17	083620-20-000	FT	MOLDING-T - W/EDGE LIP - 7/8" FACE - PORTSMOUTH OAK
17	083620-21-000	FT	MOLDING-T - W/EDGE LIP - 7/8" FACE - CONCERT CHERRY
18	085746-04-000	FT	TRIM-J - CARPET 1.2" X .5" ANGLE - 10' LONG - OFF WHITE
19	086229-01-000	EA	RETAINER - BATTEN - .75" X 92.1" - ANY COLOR
20	086229-11-000	EA	RETAINER - OFFSET - 97"
21	086229-12-000	EA	BATTEN - 1.5" OFFSET X 96.8" - MODERN IVORY
21	086229-21-000	EA	BATTEN - 1.5" X 83.9" OFFSET - WHITE
22	086229-20-000	EA	BATTEN - 1" X 96" - BEIGE
23	100182-10-J70	EA	TRIM - CHAIR RAIL - 2.5" X 8' EACH - WOOD - WASHED MAPLE
23	100182-10-N47	EA	TRIM/RAIL - PORTSMOUTH OAK
23	100182-10-P85	EA	TRIM - CHAIR RAIL - 2.5" X 8' EACH - WOOD - CONCERT CHERRY
24	100659-30-N75	EA	MOLDING - TRIM - PORTSMOUTH OAK
24	100659-30-N74	EA	MOLDING - TRIM - CHERRY - CONCERT CHERRY
24	100659-30-M84	EA	MOLDING-TRIM,VINYL FLOOR - WASHED MAPLE
25	100818-01-08A	EA	MOLDING - VINYL WRAPPED - 1.6" X .4" X 84"-WASHED MAPLE
25	100818-01-12A	EA	MOLDING - VINYL WRAPPED - 1.6" X .4" X 84"-PORTSMOUTH OAK
25	100818-01-13A	EA	MOLDING - VINYL WRAPPED - 1.6" X .4" X 84" - CHERRY - CONCERT CHERRY
26	100819-01-08A	EA	MOLDING - VINYL WRAPPED-L-SHAPED-1.5"X1.5"X84"- WASHED MAPLE
26	100819-01-12A	EA	MOLDING - VINYL WRAPPED-L-SHAPED - 1.5" X 1.5" X 84" - OAK - PORTSMOUTH OAK
26	100819-01-13A	EA	MOLDING - VINYL WRAPPED-L-SHAPED-1.5"X1.5"X84" - CONCERT CHERRY
27	101957-01-06A	EA	EXTRUDED - PLASTIC - WASHED MAPLE

INTERIOR FINISH GROUP (CONTINUED)
MOLDINGS & TRIMS (CONTINUED)



KEY	PART NUMBER	U/M	DESCRIPTION
28	103186-01-07A	FT	MOLDING/PLASTIC - 3/8" U-CHANNEL-3/4"FACE - BEIGE ILLUS 8'
28	103186-01-08A	FT	MOLDING/PLASTIC - 3/8" U-CHANNEL-3/4"FACE-WASHED MAPLE 8' - WASHED MAPLE
28	103186-01-09A	FT	MOLDING/PLASTIC - 3/8" U-CHAN'L-3/4"FACE-PORTSMOUTH OAK 8' - PORTSMOUTH OAK
28	103186-01-10A	FT	MOLDING/PLASTIC-3/8" U-CHAN'L-3/4"FACE-CONCERT CHERRY 8' - CONCERT CHERRY
28	103186-02-07A	FT	MOLDING/PLASTIC-1" U-CHAN'L-1 3/8"FACE-BEIGE ILLUSION - 8'
28	103186-02-08A	FT	MOLDING/PLASTIC - 1" U-CHANNEL-1 3/8"FACE-WASHED MAPLE 8' - WASHED MAPLE
28	103186-02-09A	FT	MOLDING/PLASTIC - 1" U-CHAN'L-1 3/8"FACE-PORTSMOUTH OAK 8' - PORTSMOUTH OAK
28	103186-02-10A	FT	MOLDING/PLASTIC - 1" U-CHAN'L-1 3/8"FACE-CONCERT CHERRY 8' - CONCERT CHERRY
29	104676-02-06A	FT	MOLDING-T - W/EDGE LIP - 11/16" FACE - WASHED MAPLE
29	104676-02-08A	FT	MOLDING-T - W/EDGE LIP - 11/16" FACE - PORTSMOUTH OAK
29	104676-02-09A	FT	MOLDING-T - W/EDGE LIP - 11/16" FACE - CONCERT CHERRY
30	105004-01-08A	EA	MOLDING - VINYL WRAPPED - 1" X 96" - WASHED MAPLE
30	105004-01-12A	EA	MOLDING - VINYL WRAPPED 1" X 96" - PORTSMOUTH OAK
30	105004-01-13A	EA	MOLDING - VINYL WRAPPED 1" X 96" - CONCERT CHERRY
31	105709-02-000	FT	MOLDING-T - W/EDGE LIP - 3/4" FACE - BEIGE ILLUSION
32	109410-01-P25	EA	MOLDING - TRIM - 8' - BLACK CHERRY/CHERRY IV - CONCERT CHERRY
32	109410-01-N75	EA	MOLDING - TRIM - 8' - PORTSMOUTH OAK
32	109410-01-J70	EA	MOLDING - TRIM - 8' - WHITE MAPLE/WASHED MAPLE
33	109736-02-01A	FT	MOLDING-T/OFFSET - W/EDGE LIP - 1" FACE - NAT OAK/BRASS
34	111235-01-H56	EA	MOLDING - COUNTERTOP - 1.4" X 8' - WHITE MAPLE - UNSTAINED - WASHED MAPLE
34	111235-01-N42	EA	MOLDING - COUNTERTOP - 1.4" X 8' - OAK - UNSTAINED - PORTSMOUTH OAK
34	111235-01-P79	EA	MOLDING - COUNTERTOP - 1.4" X 8' - CONCERT CHERRY
35	119520-01-01A	FT	MOLDING-T/OFFSET - W/EDGE LIP - 1"FACE - OFF WHITE
35	119520-01-02A	FT	MOLDING-T/OFFSET - W/EDGE LIP - 1"FACE - CONCERT CHERRY
35	119520-01-03A	FT	MOLDING-T/OFFSET - W/EDGE LIP - 1"FACE - WASHED MAPLE
35	119520-01-04A	FT	MOLDING-T/OFFSET - W/EDGE LIP - 1"FACE - PORTSMOUTH OAK
35	119520-02-01A	FT	MOLDING-T/OFFSET - W/EDGE LIP - 1"FACE
36	126204-D2-134	EA	MOLDING - VINYL WRAPPED - .7" X 1.6" X 84" - WASHED MAPLE
36	126204-F2-134	EA	MOLDING - VINYL WRAPPED - .7" X 2.5" X 84" - WASHED MAPLE
36	137887-D2-134	EA	MOLDING - VINYL WRAPPED - .7" X 1.6" X 96" - CHERRY - CONCERT CHERRY
36	137887-F2-134	EA	MOLDING - VINYL WRAPPED - .7" X 2.5" X 84" - CHERRY - CONCERT CHERRY
36	137887-F2-743	EA	MOLDING - VINYL WRAPPED - .7" X 2.5" X 108" - CHERRY - CONCERT CHERRY
36	137895-D2-134	EA	MOLDING - VINYL WRAPPED - .7" X 1.6" X 84" - PORTSMOUTH OAK
36	137895-F2-134	EA	MOLDING - VINYL WRAPPED - .7" X 2.5" X 84" - PORTSMOUTH OAK
36	137895-F2-743	EA	MOLDING - VINYL WRAPPED - .7" X 2.5" X 108" - PORTSMOUTH OAK
37	127842-01-01A	FT	SEAL - SIGHT SHIELD - 2" BLACK
38	130247-01-05A	FT	MOLDING-T/OFF SET - 1.3" FACE - CONCERT CHERRY
38	130247-01-04A	FT	MOLDING-T/OFF SET - 1.3" FACE - PORTSMOUTH OAK
38	130247-01-02A	FT	MOLDING-T/OFF SET - 1.3" FACE - WASHED MAPLE

INTERIOR FINISH GROUP (CONTINUED)
MOLDINGS & TRIMS (CONTINUED)



KEY	PART NUMBER	U/M	DESCRIPTION
39	131923-02-04A	FT	MOLDING - PICTURE - OAK - PORTSMOUTH OAK
40	131923-03-03A	FT	MOLDING - CROWN - DIVIDER - WHITE MAPLE - WASHED MAPLE
40	131923-03-02A	FT	MOLDING - CROWN - DIVIDER - CHERRY - CONCERT CHERRY
41	134156-01-03A	EA	MOLDING - VINYL WRAP - .7" X 3.8" X 33.8" - WASHED MAPLE
41	134156-01-08A	EA	MOLDING - VINYL WRAP - .7" X 3.8" X 33.8" - PORTSMOUTH OAK
41	134156-03-03A	EA	MOLDING - VINYL WRAP - .7" X 3.4" X 28.3" - WASHED MAPLE
41	134156-03-07A	EA	MOLDING - VINYL WRAP - .7" X 3.4" X 28.3" - CONCERT CHERRY
41	134156-03-08A	EA	MOLDING - VINYL WRAP - .7" X 3.4" X 28.3" - PORTSMOUTH OAK
41	134156-05-07A	EA	MOLDING - VINYL WRAP - .7" X 3.8" X 34.4" - CONCERT CHERRY
42	137108-01-02A	EA	RAIL - DECORATIVE - SALEM CHERRY - CONCERT CHERRY
42	137108-01-03A	EA	RAIL - DECORATIVE - WASHED MAPLE
42	137108-01-07A	EA	RAIL - DECORATIVE - PORTSMOUTH OAK
43	126205-D2-438	EA	LUMBER - VINYL WRAPPED - .7" X 1.5" X 96" - WASHED MAPLE
43	126205-E2-438	EA	LUMBER - VINYL WRAPPED - .7" X 2" X 96" - WASHED MAPLE
43	126205-F2-438	EA	LUMBER - VINYL WRAPPED - .7" X 2.5" X 96" - WASHED MAPLE
43	126205-G2-438	EA	LUMBER - STAINED - .7" X 3" X 96" - WASHED MAPLE
43	126205-J2-438	EA	LUMBER - VINYL WRAPPED - .7" X 5.5" X 96" - WASHED MAPLE
43	126205-R2-438	EA	LUMBER - LUMBER - VINYL WRAPPED - .7" X 3" X 96" - WASHED MAPLE
43	137885-A2-438	EA	LUMBER - VINYL WRAPPED - .7" X .75" X 96" - CHERRY - CONCERT CHERRY
43	137885-D2-438	EA	LUMBER - VINYL WRAPPED - .7" X 1.5" X 96" - CHERRY - CONCERT CHERRY
43	137885-E2-438	EA	LUMBER - VINYL WRAPPED - .7" X 2" X 96" - CHERRY - CONCERT CHERRY
43	137885-F2-438	EA	LUMBER - VINYL WRAPPED - .7" X 2.5" X 96" - CHERRY - CONCERT CHERRY
43	137885-G2-438	EA	LUMBER - VINYL WRAPPED - .7" X 3" X 96" - CHERRY - CONCERT CHERRY
43	137885-J2-743	EA	LUMBER-018X140X2743 MM VYL - CONCERT CHERRY
43	137885-J2-438	EA	LUMBER - VINYL WRAPPED - .7" X 5.5" X 96" - CHERRY - CONCERT CHERRY
43	137885-R2-438	EA	LUMBER - VINYL WRAPPED - .7" X 3" X 96" - CHERRY - CONCERT CHERRY
43	137894-A2-438	EA	LUMBER - VINYL WRAPPED - .7" X .75" X 96" - PORTSMOUTH OAK
43	137894-D2-438	EA	LUMBER - VINYL WRAPPED - .7" X 1.5" X 96" - PORTSMOUTH OAK
43	137894-E2-438	EA	LUMBER - VINYL WRAPPED - .7" X 2" X 96" - PORTSMOUTH OAK
43	137894-F2-438	EA	LUMBER - VINYL WRAPPED - .7" X 2.5" X 96" - PORTSMOUTH OAK
43	137894-G2-438	EA	LUMBER - VINYL WRAPPED - .7" X 3" X 96" - PORTSMOUTH OAK
43	137894-H2-438	EA	LUMBER - VINYL WRAPPED - .7" X 3.5" X 96" - PORTSMOUTH OAK
43	137894-J2-438	EA	LUMBER - VINYL WRAPPED - .7" X 5.5" X 96" - PORTSMOUTH OAK
43	137894-J2-743	EA	LUMBER - VINYL WRAPPED - .7" X 5.5" X 108" -PORTSMOUTH OAK
43	137894-R2-438	EA	LUMBER - VINYL WRAPPED - .7" X 3" X 96" - PORTSMOUTH OAK
	141260-01-02A	FT	U-CHANNEL - 1" - GRADY BROWN
	141260-01-01A	FT	U-CHANNEL - 1" - VILLAGE OAK

INTERIOR FINISH GROUP (CONTINUED)
PANELING & LAMINATES

KEY	PART NUMBER	U/M	DESCRIPTION
	085284-H6-000	FT	BATT TAPE - ADHESIVE BACKED - DECORATIVE - MULTI (P04)
	085284-H4-000	FT	BATT TAPE - ADHESIVE BACKED - DECORATIVE - STARLIGHT (P05)
	085284-G9-000	FT	BATT TAPE - ADHESIVE BACKED - DECORATIVE - ALABASTER (P06)
	085284-H9-000	FT	BATT TAPE - ADHESIVE BACKED - PEBBLE EMBOSSED
	085284-H7-000	FT	BATT TAPE - ADHESIVE BACKED - SCULPTURES
	085284-G8-000	FT	BATT TAPE - ADHESIVE BACKED - PORTSMOUTH OAK
	088263-H2-000	EA	BATT STRIP - DECORATIVE - MULTI - 8' LONG (P04)
	088263-H1-000	EA	BATT STRIP - DECORATIVE - STARLIGHT - 8' LONG (P05)
	088263-G9-000	EA	BATT STRIP - DECORATIVE - CORK/ALABASTER - 8' (P06)
	132610-10-09A	FT	WALLPAPER - BORDER - 5 3/4" - SELF ADHESIVE (P04)
	132610-06-07A	FT	WALLPAPER - BORDER - 5 1/4" - SELF-ADHESIVE (P05)
	132610-10-10A	FT	WALLPAPER - BORDER - 5 3/4" - SELF ADHESIVE (P06)
	076325-39-000	FT	MOLDING - EDGE BAND - 1 5/16" X .030" - ALMOND
	076325-40-000	FT	MOLDING - EDGE BAND - .93" X .024" - ALMOND
	074498-99-000	SF	LAMINATE - PLASTIC - EGGSHELL - 4' X 8' (P04)
	074498-97-000	SF	LAMINATE - PLASTIC - GRAY TRANQUILITY - 4' X 8' (P05)
	074498-84-000	SF	LAMINATE - PLASTIC - WHITE TALC - 4' X 8' (P06)
	000885-92-000	SF	PARTICLE BOARD-3/8" X 4' X 8'-PORTSMOUTH OAK-VINYL 1 SIDED
	000885-93-000	SF	PARTICLE BOARD - 3/8" X 4' X 8' - PORTSMOUTH OAK - 2-SIDED
	000885-A5-000	SF	PARTICLE BOARD - 3/8" X 4' X 8'- WHT PEB EMBOSSED-1 SIDED
	074497-42-000	SF	PANELING - PORTSMOUTH OAK - 4' X 8'
	074497-45-000	SF	PANELING - CEILING - SCULPTURES - 4' X 7.2'
	076773-15-000	SF	PANELING - 2 SIDED/PORTSMOUTH OAK - 1/8" X 4' X 8'
	088272-K4-000	SF	PANELING - MULTI - 4' X 7' (P04)
	088272-K3-000	SF	PANELING - STARLIGHT - 4' X 7' (P05)
	088272-J9-000	SF	PANELING - ALABASTER - 4' X 7' (P06)
	088272-H9-000	SF	PANELING - PEBBLE EMBOSSED - WHITE - 4' X 7'
	126339-01-000	SF	BOARD - WHEAT - 60" X 72"

ACCESSORIES

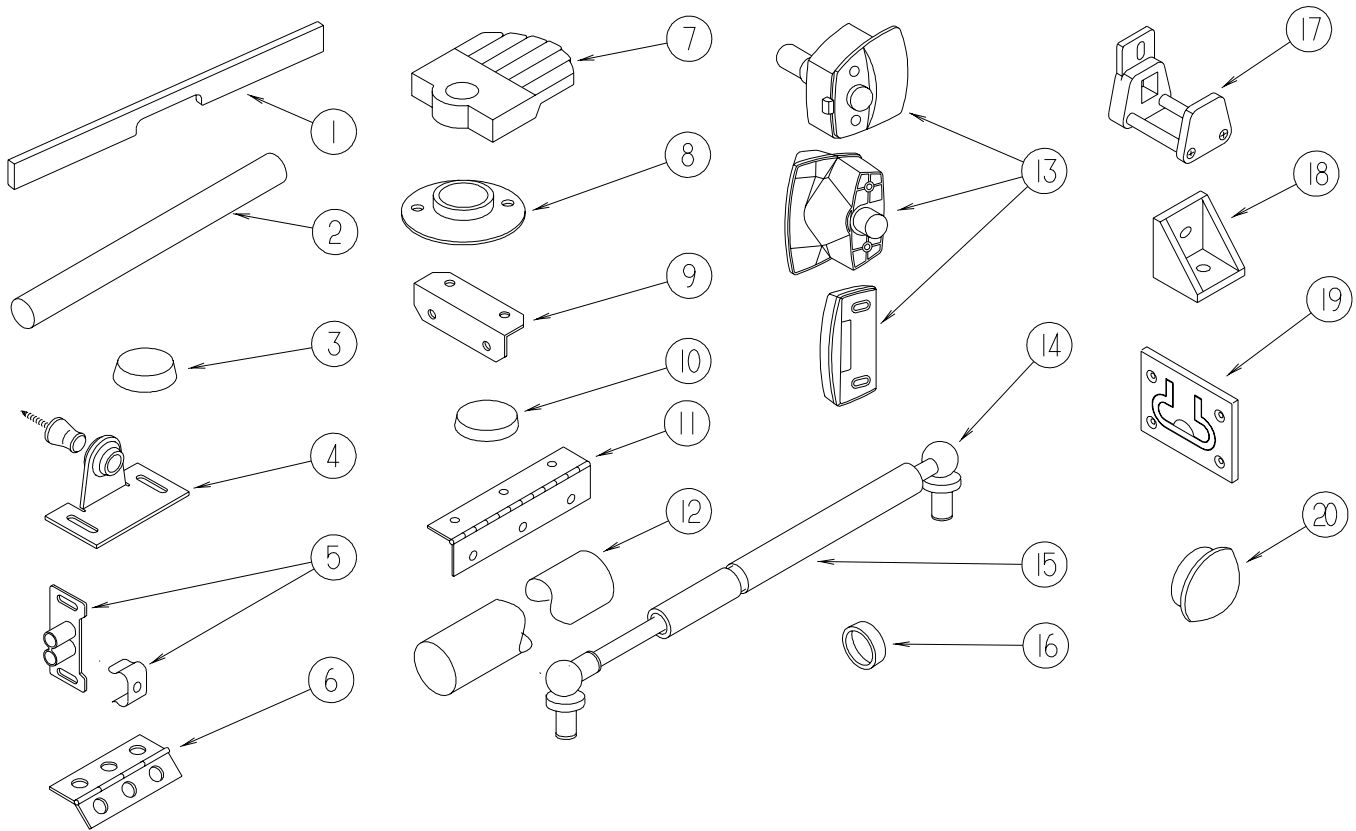
KEY	PART NUMBER	U/M	DESCRIPTION
	064781-06-000	EA	HOLDER/CUP - TWO STEP - OFF WHITE
	091261-01-000	FT	SLIPNOT - ANTISLIP - 1' WIDE X 12' - BLACK
	053552-02-K01	EA	HANDLE - ASSIST - INTERIOR/ENTRY DOOR - VINYL/OFF WHITE
	000C16-07-16B	EA	BOLT - CARRIAGE - ASSIST HANDLE - 7/16-14 X 1
	000D20-07-00B	EA	NUT - ACORN - ASSIST HANDLE - 7/16 - 14
	072852-01-000	EA	DETECTOR - SMOKE - W/9 VOLT BATTERY - US
	125136-02-000	EA	DETECTOR/CO - GAS MODEL - 9 VOLT
	094499-03-000	EA	EXTINGUISHER/FIRE - DRY - 10BC - W/GAUGE/BRACKET
	094499-04-000	EA	STRAP - FIRE EXTINGUISHER MOUNTING - METAL
	142368-01-01A	EA	CLOCK - 8" ROUND - BRASS

FLOOR COVERINGS

KEY	PART NUMBER	U/M	DESCRIPTION
	042720-29-000	SY	VINYL - FLOOR COVERING - 7.5' WIDE - DIAMOND
	093486-02-000	SY	CARPET - COMPARTMENT - 72" WIDE - LIGHT GRAY
	096060-G9-000	SY	CARPET - LAUREL - INCREMENTS OF 4 SQ YARDS (P04)
	139056-06-000	SY	CARPET - CRYSTAL LAKE - 4 SQUARE YARD INCREMENTS (P05)
	096060-H1-000	SY	CARPET - TAPIOCA - INCREMENTS OF 4 SQ YARDS (P06)
	117477-02-P01	EA	CARPET - RIALTA CAB - MADE W/#096060G9000 CARPET ONLY (P04)
	117477-02-P02	EA	CARPET - RIALTA CAB - MADE W/#13905606000 CARPET ONLY (P05)
	117477-02-N35	EA	CARPET - RIALTA CAB - MADE W/#096060H1000 CARPET ONLY (P06)

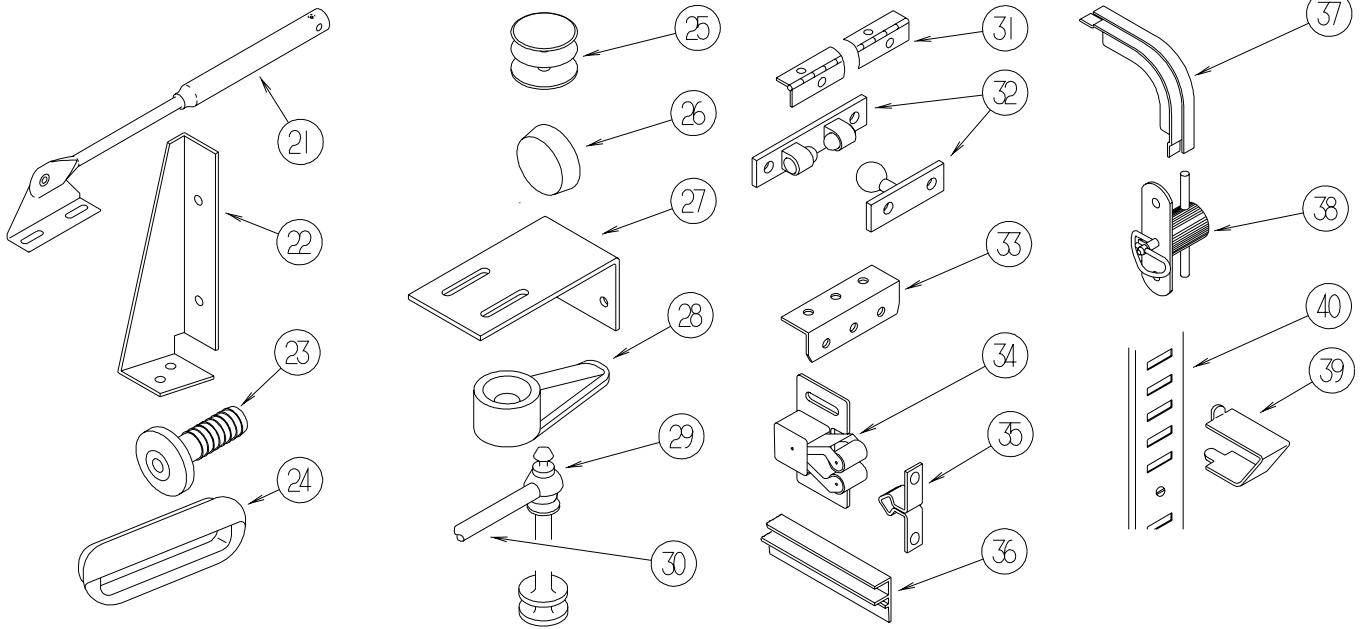
INTERIOR FINISH GROUP (CONTINUED)

HARDWARE



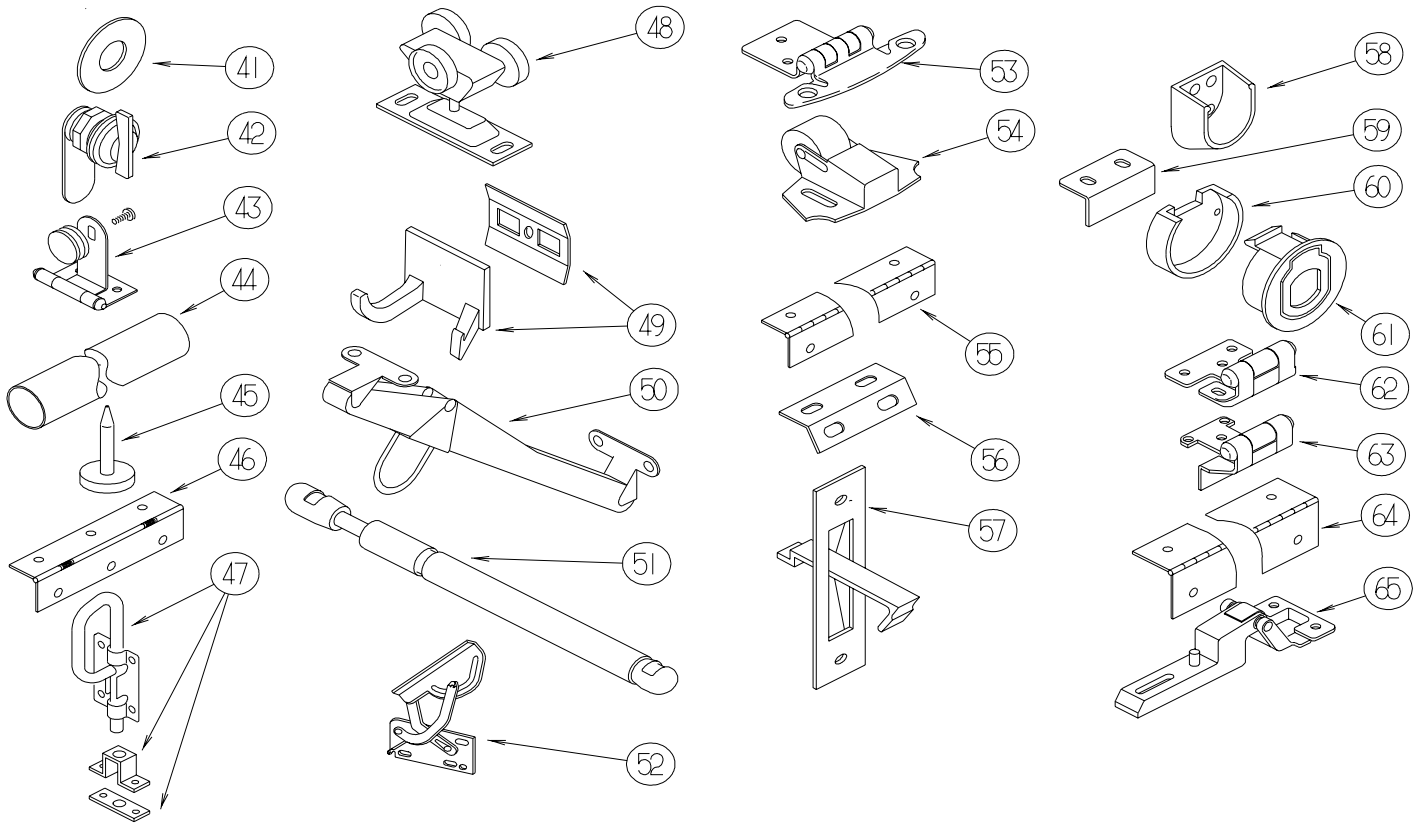
KEY	PART NUMBER	U/M	DESCRIPTION
1	P26866-12-N62	EA	HANDLE - DOOR/TAMBOUR - 14.7" - WASHED MAPLE
1	P26866-12-N63	EA	HANDLE - DOOR/TAMBOUR - 11.6" - CONCERT CHERRY
1	P26866-12-P69	EA	HANDLE - DOOR/TAMBOUR - 11.6" - PORTSMOUTH OAK
2	Y00136-21-218	EA	DOWEL - WOOD - 1" X 4'
3	004354-01-000	EA	BUMPER - RUBBER - .5" DIA - BROWN
4	009013-01-000	EA	CATCH - BULLDOG - MALE/FEMALE
5	009021-01-000	EA	CATCH - GRILLE - NYLON
5	009021-02-000	EA	STRIKE - SPRING STEEL - .68"
6	009059-01-000	EA	HINGE - DOOR - 2" X 1.4" - BRASS
6	009059-02-000	EA	HINGE - DOOR - 2" X 2.7" - BRASS
6	009059-03-000	EA	HINGE - BRASS - 1.75"
7	009089-01-000	EA	CLIP - MIRROR
8	009112-01-000	EA	FLANGE - PLASTIC - 1" CLOTHES ROD - OFF WHITE
9	016604-05-000	EA	BRACE - ANGLE - 2 1/2" - OFF WHITE METAL
9	016604-10-000	EA	BRACE - SEAT ANGLE - 2.5" - BLACK
9	016604-11-000	EA	BRACE - SEAT - ANGLE - 2.5" - CHESTNUT
10	023320-01-000	EA	PAD - FELT 3/8" DIAMETER
11	041389-25-000	EA	HINGE - PIANO - 1 1/2" X 55" - UNPAINTED
12	042438-02-000	EA	DOWEL - WOOD - 2" DIAMETER X 2'
12	042438-06-000	EA	DOWEL - WOOD - CLOTHES ROD - 1.5" X 26"
13	058335-03-000	EA	LATCH W/O LOCK - BATHROOM DOOR BLACK
14	057460-02-000	EA	BALL STUD - F/GAS SPRING .39" - 5/16"-18
15	057460-04-000	EA	SPRING/GAS - BALL STUD STYLE - 120 PI - "SPD6209"
16	057671-01-000	EA	COVER - SCREW - #8 - OFF WHITE
16	057671-15-000	EA	COVER - SCREW - #8 - BRIGHT WHITE
16	057671-16-000	EA	COVER - SCREW - #8 - SOFT WHITE
16	057671-17-000	EA	COVER - SCREW - VW LT GRAY - #8
17	064467-01-000	EA	GUIDE - POCKET - SLIDING DOOR - WALL MOUNTED
18	065740-01-000	EA	BRACE - CABINET/CORNER - PLASTIC
19	072871-01-000	EA	PULL - FLUSH - CHROME
20	074045-08-000	EA	PLUG - OAK - 3/8" DOWEL-1/2" HEAD - SALEM CHERRY - CONCERT CHERRY
20	074045-12-000	EA	PLUG - OAK - 3/8" DOWEL-1/2" HEAD - WASHED MAPLE
20	074045-13-000	EA	PLUG - OAK - 3/8" DOWEL-1/2" HEAD - PORTSMOUTH OAK

INTERIOR FINISH GROUP (CONTINUED)
HARDWARE (CONTINUED)



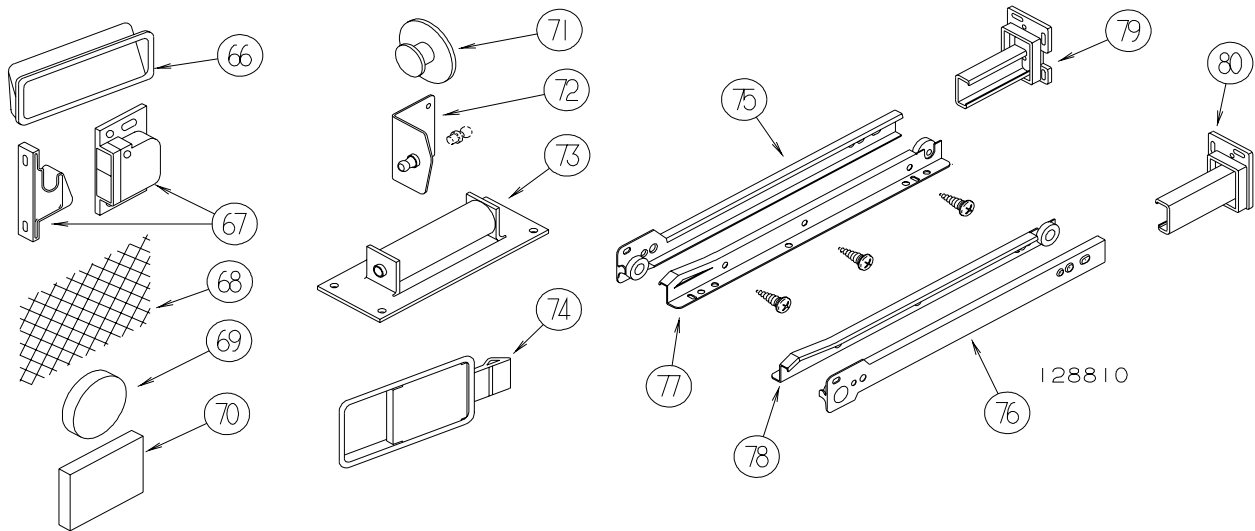
KEY	PART NUMBER	U/M	DESCRIPTION
21	074493-02-000	EA	SUPPORT - PISTON SPRING - CABINET DOOR - 26 LBS
21	074493-03-000	EA	SUPPORT - PISTON SPRING - CABINET DOOR - 12 LBS
21	074493-04-000	EA	SUPPORT - PISTON SPRING - CABINET DOOR - 32 LBS
22	076827-02-000	EA	BRACKET/LEG - 2.9" X 1.8" - TRIANGULAR - LEFT/E-COATED
23	079921-01-000	EA	ROLLER - NYLON - W/STEEL SHAFT - BARBED
24	080736-01-000	EA	PULL - RECESSED - 1.25" X 4" - OAK
25	081114-02-000	EA	CAP - INSERT - ROUND - 1" DIAMETER - WHITE PLASTIC
26	081914-01-000	EA	BUMPER - RUBBER - ROUND - 1/2" DIA. X 1/8" THICK
27	083125-07-000	EA	BRACE - ANGLE/COUCH - 2.5" - OFF WHITE
28	083204-03-000	EA	BUTTON - RETAINING MIRROR 5/16" TIP
29	084070-03-000	EA	POST - END - 2.4" - SHINY BRASS
30	084071-05-000	EA	ROD - BRASS - 15"
30	084071-19-000	EA	ROD - BRASS - 7.1"
30	084071-20-000	EA	ROD - BRASS - 9.8"
30	084071-23-000	EA	ROD - BRASS - 13.1"
30	084071-24-000	EA	ROD - BRASS - 3.8"
30	084071-28-000	EA	ROD - BRASS - 6"
30	084071-30-000	EA	ROD - BRASS - 11.6"
30	084071-31-000	EA	ROD - BRASS - 14.8"
30	084071-33-000	EA	ROD - BRASS - 20.4"
30	084071-34-000	EA	ROD - BRASS - 16.9"
31	084413-01-000	EA	HINGE - 1" X 72" - ALUMINUM - W/HOLES
32	084451-01-000	EA	CATCH & LATCH - 1.7" - BRASS
33	089025-01-000	EA	SUPPORT - SPRING TO BED - ANGLE 1.5" X 11.8"
34	093586-03-000	EA	CATCH - SPRING ROLLER - .377"
34	093586-06-000	EA	CATCH - SPRING ROLLER - .236"
35	093586-04-000	EA	STRIKE - SPRING STEEL - 1.14"
35	093586-05-000	EA	STRIKE - SPRING STEEL - .943"
36	093622-01-000	EA	TRACK - DOOR - TAMBOUR - PLASTIC - 8' LENGTHS
37	093623-01-000	EA	CORNER - TRACK - TAMBOUR DOOR
	097872-04-000	EA	DOWEL - WOOD - 1" DIAMETER X 1.38" LONG - UNFINISHED
38	098196-01-000	EA	LATCH - 1/4 TURN - T-BAR
39	098979-01-000	EA	CLIP - ADJUSTABLE SHELF
40	098980-01-000	EA	PILASTER - ADJUSTABLE SHELF - 18"
40	098980-02-000	EA	PILASTER - ADJUSTABLE SHELF - 12"
40	098980-03-000	EA	PILASTER - ADJUSTABLE SHELF - 9"
40	098980-04-000	EA	PILASTER - ADJUSTABLE SHELF - 48"
40	098980-05-000	EA	PILASTER - ADJUSTABLE SHELF - 15"
40	098980-06-000	EA	PILASTER - ADJUSTABLE SHELF - 24"

INTERIOR FINISH GROUP (CONTINUED)
HARDWARE (CONTINUED)



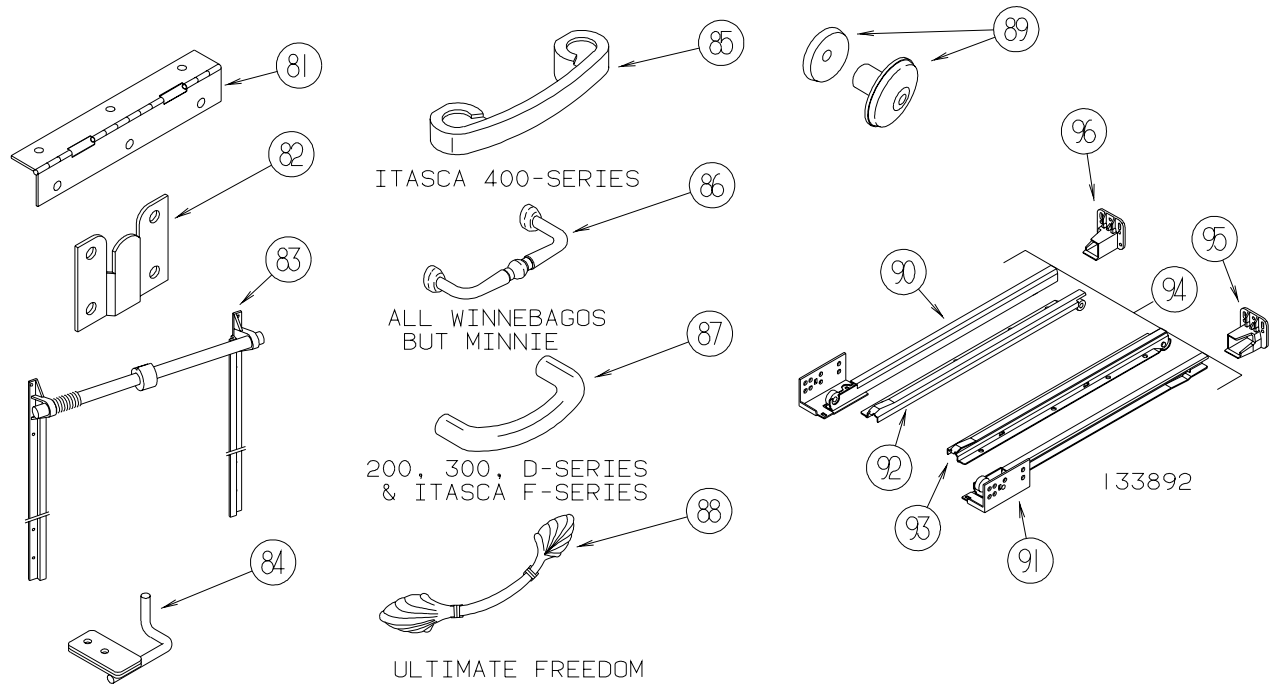
KEY	PART NUMBER	U/M	DESCRIPTION
41	100707-01-000	EA	SPACER - GLASS DOOR - .8" DIA - .3" HOLE - PLASTIC
42	100710-01-01A	EA	LOCK - GLASS DOOR/TWIST TYPE - BRASS
43	100711-01-01A	EA	HINGE - GLASS DOOR
44	102075-06-02A	EA	ROD - SHOWER CURTAIN - 1" OD X 33.5" - SOFT WHITE
44	102075-09-02A	EA	ROD - SHOWER CURTAIN - 3/4"OD X 29.5" - SOFT WHITE
44	102075-16-02A	EA	ROD - SHOWER CURTAIN - 3/4"OD X 34.2" - SOFT WHITE
44	102075-18-02A	EA	ROD - SHOWER CURTAIN - 1" OD X 38.9" - SOFT WHITE
44	102075-20-03A	EA	ROD - SHOWER CURTAIN - 48.8" - MILL
44	102075-21-03A	EA	ROD - SHOWER CURTAIN - 46.1"
45	102194-01-000	EA	GUIDE - PLASTIC - 1" (HEAD/PIN)
46	102920-01-01A	EA	HINGE - SPRING LOADED - BRASS
47	103256-01-000	EA	LATCH COMPLETE (SLIDE)
48	103874-01-000	EA	HANGER - SLIDING DOOR
49	104174-01-000	EA	HOOK - ROBE - DOUBLE
50	104181-01-01A	EA	SUPPORT - LEAF 5.3" EXTENDS TO 7.5" - SAFETY RING - METAL
51	107796-06-000	EA	SPRING/GAS - 12" COMPRESSED/20" EXTENDED - 120 LB.
51	107796-08-000	EA	SPRING/GAS - 11" COMPRESSED/17" EXTENDED - 60 LB.
51	107796-15-000	EA	SPRING/GAS - 24" COMPRESSED/40" EXTENDED - 15 LB.
51	107796-16-000	EA	SPRING/GAS - 6.4" COMPRESSED/9.6" EXTENDED - 65 LB.
52	108126-01-000	EA	TRAY HINGE SET (QTY. 2 PER SET)
53	108138-01-000	EA	HINGE - CABINET DOOR - BURNISHED BRASS - Q SERIES (ULTIMATE FREEDOM) ONLY
53	108138-03-000	EA	HINGE - BRIGHT BRASS
54	109403-01-000	EA	CATCH - SINGLE ROLLER - SCREEN DOOR
55	110496-01-01A	EA	HINGE - BRASS
56	111866-01-02A	EA	BRACE - SEAT - ANGLE - OFF WHITE
57	113130-01-01A	EA	PULL - DOOR POCKET
58	113236-01-01A	EA	BRACKET - CLOTHES - ROD
59	113375-02-01A	EA	STRIKE - DOOR - CHROME
60	113375-05-01A	EA	LATCH - SLAM - BACK - .8" THICK
61	113375-06-01A	EA	LATCH - SLAM - FACE - .7" THICK
62	113676-01-01A	EA	HINGE - OVERLAY - VARIABLE - BURNISHED BRASS
63	113677-01-01A	EA	HINGE - SELF CLOSING
64	114278-02-000	EA	HINGE - CONTINUOUS - 3" WIDE
65	114443-01-01A	EA	HINGE - CABINET DOOR

INTERIOR FINISH GROUP (CONTINUED)
HARDWARE (CONTINUED)



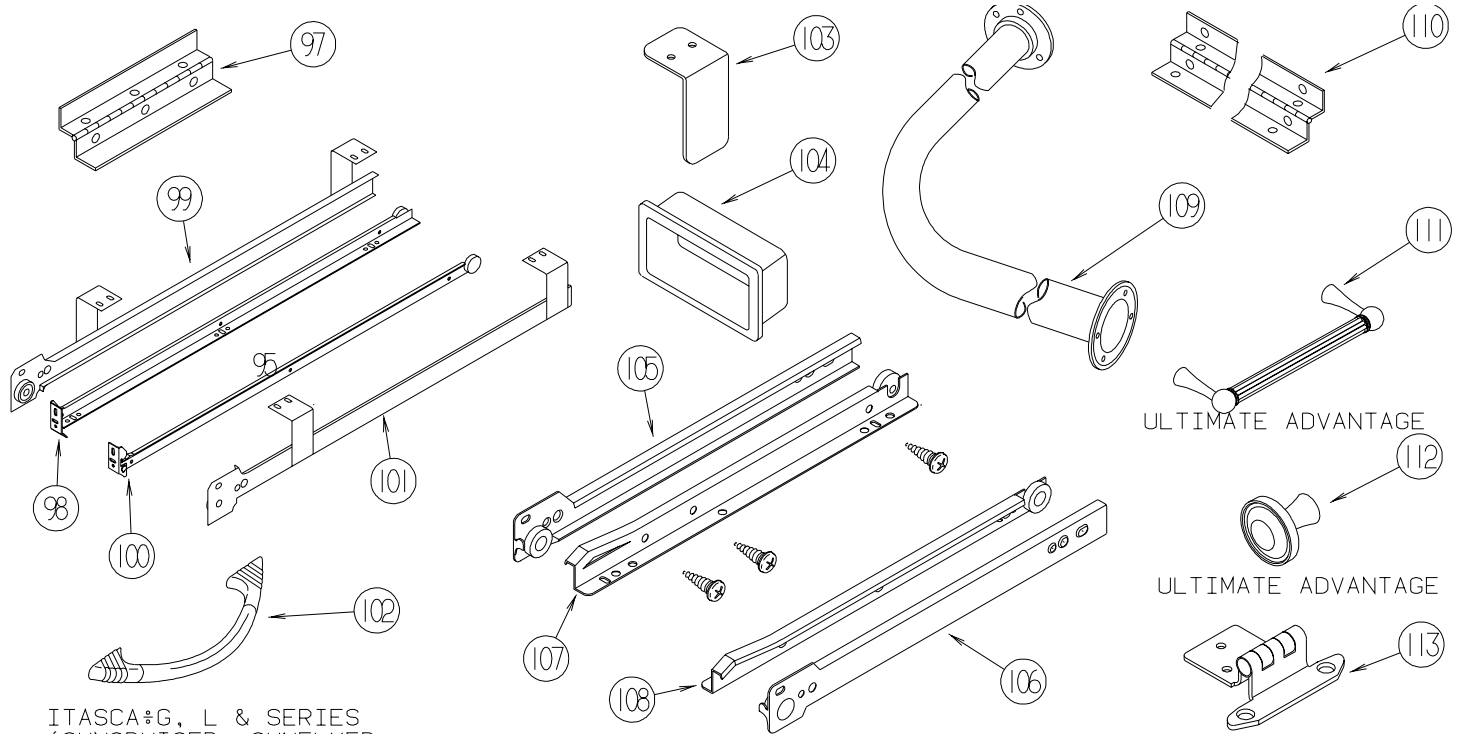
KEY	PART NUMBER	U/M	DESCRIPTION
66	115994-01-01A	EA	HANDLE - POCKET
67	117095-01-01A	EA	LATCH - DOOR - GRABBER W/KEEPER - PLASTIC - BLK-5 LB PULL
67	117095-02-01A	EA	LATCH - DOOR - GRABBER W/KEEPER - PLASTIC - BLK-10 LB PULL
68	118200-01-01A	SF	MESH - PLASTIC 1/2" - 48" X LENGTH = SF - BLACK
69	122717-01-01A	EA	PAD - NON SKID - 4" DIAMETER ROUND
70	122717-06-01A	FT	PAD - NON-SKID - PSA - 5"W
71	125221-01-01A	EA	PULL - MIRROR - W/ROUND HANDLE
72	126263-06-02B	EA	BRACKET - GAS SPRING W/INSIDE BALL STUD - E-COATED
72	126263-08-02B	EA	BRACKET - GAS SPRING W/CENTERED BALL STUD - E-COATED
73	126584-02-000	EA	ROLLER - FLAT
74	127349-01-01A	EA	LATCH - PADDLE
75	128810-01-01A	EA	SLIDE - DRAWER - 12" - LEFT CABINET
75	128810-05-01A	EA	SLIDE - DRAWER - 14" - LEFT CABINET
75	128810-09-01A	EA	SLIDE - DRAWER - 16" - LEFT CABINET
75	128810-13-01A	EA	SLIDE - DRAWER - 18" - LEFT CABINET
75	128810-17-01A	EA	SLIDE - DRAWER - 20" - LEFT CABINET
75	128810-21-01A	EA	SLIDE - DRAWER - 22" - LEFT CABINET
75	128810-25-01A	EA	SLIDE - DRAWER - 24" - LEFT CABINET
75	128810-29-01A	EA	SLIDE - DRAWER - 9" - LEFT CABINET
76	128810-02-01A	EA	SLIDE - DRAWER - 12" - RIGHT CABINET
76	128810-06-01A	EA	SLIDE - DRAWER - 14" - RIGHT CABINET
76	128810-10-01A	EA	SLIDE - DRAWER - 16" - RIGHT CABINET
76	128810-14-01A	EA	SLIDE - DRAWER - 18" - RIGHT CABINET
76	128810-18-01A	EA	SLIDE - DRAWER - 20" - RIGHT CABINET
76	128810-22-01A	EA	SLIDE - DRAWER - 22" - RIGHT CABINET
76	128810-26-01A	EA	SLIDE - DRAWER - 24" - RIGHT CABINET
76	128810-30-01A	EA	SLIDE - DRAWER - 9" - RIGHT CABINET
77	128810-03-01A	EA	SLIDE - DRAWER - 12" - LEFT DRAWER
77	128810-07-01A	EA	SLIDE - DRAWER - 14" - LEFT DRAWER
77	128810-11-01A	EA	SLIDE - DRAWER - 16" - LEFT DRAWER
77	128810-15-01A	EA	SLIDE - DRAWER - 18" - LEFT DRAWER
77	128810-19-01A	EA	SLIDE - DRAWER - 20" - LEFT DRAWER
77	128810-23-01A	EA	SLIDE - DRAWER - 22" - LEFT DRAWER
77	128810-27-01A	EA	SLIDE - DRAWER - 24" - LEFT DRAWER
77	128810-27-01A	EA	SLIDE - DRAWER - 24" - LEFT DRAWER
77	128810-31-01A	EA	SLIDE - DRAWER - 9" - LEFT DRAWER
78	128810-04-01A	EA	SLIDE - DRAWER - 12" - RIGHT DRAWER
78	128810-08-01A	EA	SLIDE - DRAWER - 14" - RIGHT DRAWER
78	128810-12-01A	EA	SLIDE - DRAWER - 16" - RIGHT DRAWER
78	128810-16-01A	EA	SLIDE - DRAWER - 18" - RIGHT DRAWER
78	128810-20-01A	EA	SLIDE - DRAWER - 20" - RIGHT DRAWER
78	128810-24-01A	EA	SLIDE - DRAWER - 22" - RIGHT DRAWER
78	128810-28-01A	EA	SLIDE - DRAWER - 24" - RIGHT DRAWER
78	128810-32-01A	EA	SLIDE - DRAWER - 9" - RIGHT DRAWER
79	128811-01-01A	EA	BACKSOCKET - ADJUSTABLE - LEFT
80	128811-02-01A	EA	BACKSOCKET - ADJUSTABLE - RIGHT

INTERIOR FINISH GROUP (CONTINUED) HARDWARE (CONTINUED)



KEY	PART NUMBER	U/M	DESCRIPTION
81	129753-01-01A	EA	HINGE - SPRING LOADED - 19" X 19" - BLACK
82	130120-01-01A	EA	BRACKET - MIRROR
83	130787-01-000	EA	TRACK - TAMBOUR DOOR/SPRING - 15.9"
83	130787-02-000	EA	TRACK - TAMBOUR DOOR/SPRING - 24"
83	130787-04-000	EA	TRACK - TAMBOUR DOOR - SPRING
84	130798-01-02B	EA	GUIDE - POCKET DOOR - E-COATED
85	131962-01-01A	EA	PULL - DOOR/DRAWER - POLISHED BRASS - ITASCA 400 SERIES (SUNDANCER)
86	131963-01-01A	EA	PULL - POLISHED BRASS - WINNEBAGO BRAVE/ADVENTURER/CHIEFTAIN/JOURNEY/MINNIE WINNIE
87	131964-01-01A	EA	PULL - POLISHED BRASS - RIALTA/WINNEBAGO MINNIE/VISTA, ITASCA SPIRIT/SUNOVA
88	131965-01-01A	EA	PULL - DOOR/DRAWER - 6.3" - BURNISHED BRASS - ULTIMATE FREEDOM
89	133313-01-02A	EA	PULL - DOOR/DRAWER - BRIGHT BRASS
89	133313-01-03A	EA	PULL - DOOR/DRAWER - CHROME/BRASS - ITASCA L & P SERIES (SUNFLYER & HORISON) ONLY
90	133892-01-01A	EA	SLIDE - DRAWER - 16" - LEFT CABINET
90	133892-06-01A	EA	SLIDE - DRAWER - 22" - LEFT CABINET
90	133892-10-01A	EA	SLIDE - DRAWER - 12" - LEFT CABINET
90	133892-14-01A	EA	SLIDE - DRAWER - 18" - LEFT CABINET
91	133892-02-01A	EA	SLIDE - DRAWER - 16" - RIGHT CABINET
91	133892-07-01A	EA	SLIDE - DRAWER - 22" - RIGHT CABINET
91	133892-11-01A	EA	SLIDE - DRAWER - 12" - RIGHT CABINET
91	133892-15-01A	EA	SLIDE - DRAWER - 18" - RIGHT CABINET
92	133892-03-01A	EA	SLIDE - DRAWER - 16" - LEFT DRAWER
92	133892-08-01A	EA	SLIDE - DRAWER - 22" - LEFT DRAWER
92	133892-12-01A	EA	SLIDE - DRAWER - 12" - LEFT DRAWER
92	133892-16-01A	EA	SLIDE - DRAWER - 18" - LEFT DRAWER
93	133892-04-01A	EA	SLIDE - DRAWER - 16" - RIGHT DRAWER
93	133892-09-01A	EA	SLIDE - DRAWER - 22" - RIGHT DRAWER
93	133892-13-01A	EA	SLIDE - DRAWER - 12" - RIGHT DRAWER
93	133892-17-01A	EA	SLIDE - DRAWER - 18" - RIGHT DRAWER
94	133892-05-01A	EA	SLIDE - DRAWER - 9" - FULL SET
95	133907-01-01A	EA	BACKSOCKET - RIGHT HAND
96	133907-02-01A	EA	BACKSOCKET - LEFT HAND

INTERIOR FINISH GROUP (CONTINUED)
HARDWARE (CONTINUED)



ITASCA®G, L & SERIES
(SUNCRUISER, SUNFLYER
& HORIZON)

KEY	PART NUMBER	U/M	DESCRIPTION
97	135538-01-01A	EA	HINGE - PIANO - FULL WRAP - BRASS PLATED
97	135538-03-01A	EA	HINGE - PIANO - FULL WRAP - STOCKER BRASS
98	136944-01-01A	EA	SLIDE - DRAWER/RIGHT HAND - 13.8"
99	136944-02-01A	EA	SLIDE - CABINET/RIGHT HAND - 13.8"
100	136944-03-01A	EA	SLIDE - DRAWER/LEFT HAND - 13.8"
101	136944-04-01A	EA	SLIDE - CABINET/LEFT HAND - 13.8"
102	137446-01-01A	EA	PULL - CABINET - CHROME/BRASS - ITASCA G, L & P SERIES (SUNCRUISER/SUNFLYER/HORIZON)
103	138136-02-02B	EA	GUIDE - DOOR - E-COATED
104	139136-01-01A	EA	HANDLE - RECESSED - 2.9" X 1.3"/2.7" X 1" X .7" C/O- BRASS
104	139136-02-01A	EA	HANDLE - RECESSED - 2.9" X 1.3"/2.7" X 1" X .4" C/O- BRASS
105	139566-01-01A	EA	SLIDE - DRAWER - 37.5" - LEFT CABINET
105	139566-05-01A	EA	SLIDE - DRAWER - 32" - LEFT CABINET
106	139566-02-01A	EA	SLIDE - DRAWER - 37.5" - RIGHT CABINET
106	139566-06-01A	EA	SLIDE - DRAWER - 32" - RIGHT CABINET
107	139566-03-01A	EA	SLIDE - DRAWER - 37.5" - LEFT DRAWER
107	139566-07-01A	EA	SLIDE - DRAWER - 32" - LEFT DRAWER
108	139566-04-01A	EA	SLIDE - DRAWER - 37.5" - RIGHT DRAWER
108	139566-08-01A	EA	SLIDE - DRAWER - 32" - RIGHT DRAWER
109	140494-01-01A	EA	ROD - SHOWER
109	140494-01-02A	EA	ROD - SHOWER - SOFT WHITE
110	142276-01-01A	EA	HINGE - PIANO - FULL WRAP - BRASS
	142569-05-000	EA	SPRING - GAS - 39.9"/15 LB
FROM: 01-18-03 THRU: 99-99-99			
111	142909-01-01A	EA	PULL - CABINET - BRASS - ULTIMATE ADVANTAGE
112	142910-01-01A	EA	KNOB - CABINET - BRASS - ULTIMATE ADVANTAGE
113	143468-01-02A	EA	HINGE - SELF CLOSING - POLISHED BRASS

LABELS GROUP

SEWAGE

KEY PART NUMBER U/M DESCRIPTION
006187-01-000 EA LABEL - SEWAGE

WASTE WATER

KEY PART NUMBER U/M DESCRIPTION
006188-01-000 EA LABEL - WASTE WATER

WARNING

THIS SYSTEM IS DESIGNED FOR USE WITH PROPANE ONLY
DO NOT CONNECT NATURAL GAS TO THIS SYSTEM

BEFORE TURNING ON PROPANE:

- (A) BE CERTAIN APPLIANCES ARE CERTIFIED FOR PROPANE AND ARE EQUIPPED WITH CORRECT BURNING ORIFICES.
- (B) MAKE CERTAIN ALL PROPANE CONNECTIONS ARE TIGHT BY TESTING WITH SOAPY WATER. ALL APPLIANCE VALVES ARE TURNED OFF, AND ANY UNCONNECTED OUTLETS ARE CAPPED.

AFTER TURNING ON PROPANE:

- (A) LIGHT ALL PILOT LIGHTS
- (B) (B) ALL CONNECTIONS, INCLUDING THOSE AT THE APPLIANCES, REGULATORS AND CYLINDERS SHOULD BE LEAK-TESTED PERIODICALLY WITH SOAPY WATER BY THE OCCUPANT. NEVER USE A LIGHTED MATCH OR OTHER FLAME WHEN CHECKING FOR LEAKS.
- (C) DO NOT LEAVE SYSTEM TURNED ON OF CONTAINERS CONNECTED UNTIL THE SYSTEM HAS BEEN PROVEN TO BE FREE OF LEAKS.
- (D) COOKING APPLIANCES SHOULD NOT BE USED FOR SPACE HEATING.
- (E) WHEN THE CONTAINERS ARE DISCONNECTED THE PROPANE SUPPLY LINE SHOULD BE CAPPED OR PLUGGED.

AVERTISSEMENT

CETTE INSTALLATION EST CONÇUE POUR LE PROPANE SEULEMENT
NE PAS L'ALIMENTER EN GAZ NATUREL

AVANT LA MISE EN SERVICE:

- (A) S'ASSURER QUE LES APPAREILS SONT CERTIFIÉS POUR LE PROPANE ET MUNIS D'ORIFICES DE BRULEUR APPROPRIÉS.
- (B) VÉRIFIER L'ÉTANCHEITÉ DE TOUS LES RACCORDEMENTS AU PROPANE. LA PERMÉTURE DE TOUS LES ROBINETS D'APPAREILS ET L'OBTURATION DE TOUTES LES SORTIES NON RACCORDEES.

APRES LA MISE EN SERVICE:

- (A) ALLUMER TOUTES LES VEILLEUSES.
- (B) L'OCCUPANT DOIT ÉPROUVER PÉRIODIQUEMENT L'ÉTANCHEITÉ DE TOUS LES RACCORDEMENTS Y COMPRIS CEUX AUX APPAREILS, AUX DÉTENDEURS ET AUX BOUTEILLES, EN Y APPLIQUANT DE L'EAU SAVONNEUSE NE JAMAIS SE SERVIR D'UNE ALLUMETTE OU AUTRE POUR LA DÉTECTION DES FUITES.
- (C) NE PAS LAISSER L'ALIMENTATION OUVERTE NI LES RÉCIPIENTS RACCORDES AVANT D'AVOIR COMPLÉTÉ L'ÉPREUVE D'ÉTANCHEITÉ AU PROPANE DE L'INSTALLATION.
- (D) LES APPAREILS DE CUISSON NE DOIVENT PAS ÊTRE UTILISÉS POUR LE CHAUFFAGE DES LOCAUX.
- (E) LORSQUE LES RÉCIPIENTS SONT DÉCONNECTÉS, L'ALIMENTATION DE PROPANE DOIT ÊTRE OBTURÉE OU SCELLÉE.

KEY PART NUMBER U/M DESCRIPTION
023769-01-000 EA LABEL - WARNING - LPG - CANADIAN

EXIT

KEY PART NUMBER U/M DESCRIPTION
039290-01-000 EA LABEL - WARNING - EXIT

LABELS GROUP (CONTINUED)



KEY PART NUMBER U/M DESCRIPTION
040944-01-000 EA LABEL - ENTRANCE DOOR - "OPEN"

CAUTION

THIS MOTOR HOME HAS BEEN DESIGNED, MANUFACTURED AND TESTED WITH CONCERN FOR THE PROTECTION OF IT'S OCCUPANTS. WE RECOMMEND YOU PERFORM THE FOLLOWING INSPECTIONS FOR YOUR SAFETY AND THE SAFETY OF YOUR PASSENGERS BEFORE STARTING YOUR VEHICLE.

1. LP GAS SYSTEM- TURN OFF AT TANK FOR TRAVELING. TEST FOR LEAKS UPON ARRIVAL AT DESTINATION. BEFORE LIGHTING PILOTS.
2. WHEELS- INSPECT FOR DAMAGE AND CHECK LUG NUTS FOR TIGHTNESS.
3. TIRES- INSPECT FOR WEAR AND DAMAGE AND CHECK FOR RECOMMENDED AIR PRESSURE.
4. LIGHTING- TEST FOR PROPER OPERATION OF ALL INTERIOR AND EXTERIOR LIGHTS INCLUDING DASH LIGHTS, HEADLIGHTS, TAIL LIGHTS, BRAKE LIGHTS, CLEARANCE LIGHTS AND TURN SIGNALS.
5. EXITS- INSPECT RELEASE MECHANISM ON EMERGENCY EXIT WINDOW. TEST BOTH LOCKS ON MAIN ENTRANCE DOOR FOR EASE OF OPERATION AND INSTRUCT PASSENGERS HOW TO USE BOTH MEANS OF EXIT.
6. SEAT BELTS- DIRECT PASSENGERS TO DESIGNATED SEATS AND REQUIRE USE OF SEAT BELTS.
7. APPLIANCES- TURN OFF AND LATCH OR LOCK DOORS WHERE PROVIDED.
8. LOOSE PARCELS- STORE SECURELY.
9. UTILITY SUPPLY LINES- DISCONNECT ALL ELECTRIC, SEWER AND WATER LINES AND SECURE PROPERLY.
10. ENTRANCE DOOR STEP- PLACE IN RETRACTED POSITION FOR TRAVELING.

READ YOUR MOTOR HOME AND CHASSIS OWNER'S
MANUAL FOR FURTHER PRECAUTIONS

KEY PART NUMBER U/M DESCRIPTION
056259-01-000 EA LABEL - SAFETY CHECK LIST

UNLEADED FUEL ONLY

KEY PART NUMBER U/M DESCRIPTION
062043-01-000 EA LABEL - FUEL - UNLEADED

WARNING DISCONNECT BATTERIES BEFORE
CONNECTING EXTERNAL CHARGING EQUIPMENT.

KEY PART NUMBER U/M DESCRIPTION
065748-01-000 EA LABEL - CAUTION - BATTERY CHARGING

AVERTISSEMENT : DEBRANCHER LES BATTERIES AVANT
DE BRANCHER TOUT EQUIPEMENT DE CHARGE EXTERIEUR.

KEY PART NUMBER U/M DESCRIPTION
065748-02-000 EA LABEL - WARNING - BATTERY/FRENCH - CANADIAN

DIESEL FUEL ONLY

KEY PART NUMBER U/M DESCRIPTION
068383-01-000 EA LABEL - DIESEL FUEL

VEHICLE EMISSION CONTROL INFORMATION
THIS VEHICLE CONFORMS TO U.S. EPA
REGULATIONS APPLICABLE TO XXXX MODEL
YEAR NEW VEHICLES.

072887-01-000-7 CATALYST

KEY PART NUMBER U/M DESCRIPTION
072887-14-000 EA LABEL - EPA - 2003 MODEL YEAR

LABELS GROUP (CONTINUED)

IF YOU SMELL GAS

1. EXTINGUISH ANY OPEN FLAME, PILOT LIGHTS AND ALL SMOKING MATERIALS.
2. DO NOT TOUCH ELECTRICAL SWITCHES.
3. SHUT OFF THE GAS SUPPLY AT THE TANK VALVE(S) OR GAS SUPPLY CONNECTION.
4. OPEN DOORS AND OTHER VENTILATING OPENINGS.
5. LEAVE THE AREA UNTIL ODOR CLEARS.
6. HAVE THE GAS SYSTEM CHECKED AND LEAKAGE SOURCE CORRECTED BEFORE USING AGAIN.

KEY PART NUMBER U/M DESCRIPTION
073998-01-000 EA LABEL - LPG ODOR WARNING

WARNING: TEST SMOKE DETECTOR OPERATION AFTER VEHICLE HAS BEEN IN STORAGE, BEFORE EACH TRIP AND AT LEAST ONCE PER WEEK DURING USE.

KEY PART NUMBER U/M DESCRIPTION
077956-01-000 EA LABEL - WARNING - SMOKE DETECTOR

DO NOT FILL LP-GAS CONTAINER(S) TO MORE THAN 80% OF CAPACITY.

KEY PART NUMBER U/M DESCRIPTION
079965-01-000 EA LABEL - LPG - 80% CAPACITY

WARNING
MUST BE STOWED IN LATCHED POSITION WHILE VEHICLE IS IN MOTION

KEY PART NUMBER U/M DESCRIPTION
079966-01-000 EA LABEL - WARNING - STOWED - MOTION

W
A
T
E
R
O
N
H
E
A
T
E
R
O
F
F

KEY PART NUMBER U/M DESCRIPTION
083588-01-000 EA LABEL - ON/OFF - WATER HEATER
083588-03-000 EA LABEL - ON/OFF - WATER HEATER

E
N
G
I
N
E
O
N
H
E
A
T
E
R
O
F
F

KEY PART NUMBER U/M DESCRIPTION
083588-02-000 EA LABEL - ON/OFF - ENGINE HEATER
083588-04-000 EA LABEL - ON/OFF - ENGINE HEATER

LABELS GROUP (CONTINUED)

CAUTION	TO HELP AVOID PERSONAL INJURY DURING REMOVAL OF FUEL FILLER CAP, SLOWLY LOOSEN CAP 1/2 TURN TO ALLOW ANY FUEL PRESSURE TO BE RELIEVED BEFORE TURNING CAP FURTHER.
FUEL SPRAY MAY CAUSE PERSONAL INJURY	STOP ADDING FUEL AFTER FIRST SHUTOFF BY AUTOMATIC NOZZLE WHEN TANK IS NEARLY FULL. DO NOT OVERFILL FUEL TANK. SEE OWNERS MANUAL FOR ADDITIONAL INFORMATION. PRINTED IN U.S.A. WLC PT NO 15611763

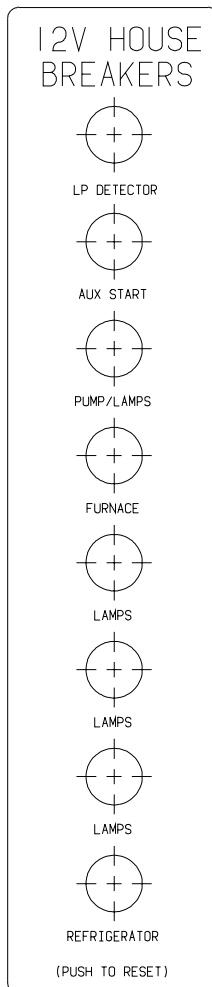
KEY PART NUMBER U/M DESCRIPTION
087207-05-000 EA LABEL - FUEL CAP REMOVAL



KEY PART NUMBER U/M DESCRIPTION
087236-01-000 EA LABEL - CABLE - INPUT

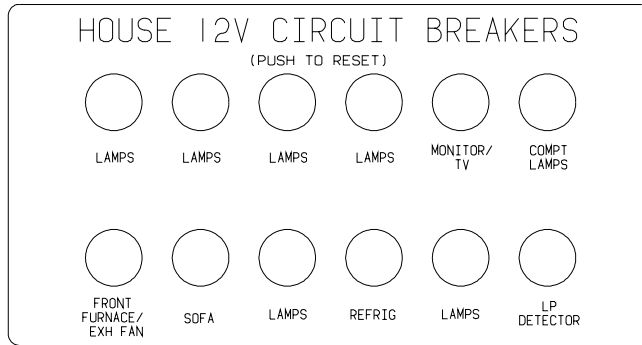


KEY PART NUMBER U/M DESCRIPTION
087236-02-000 EA LABEL - TV OUTLET

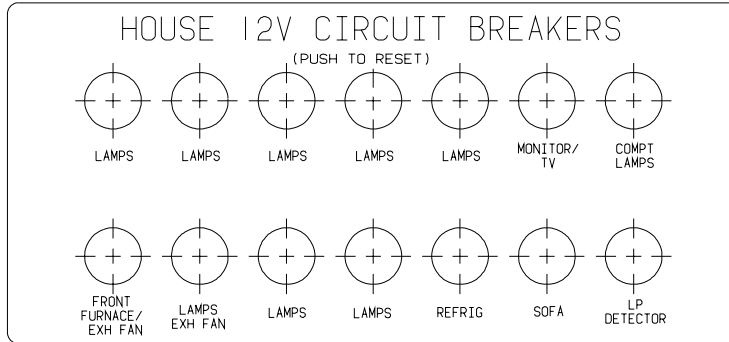


KEY PART NUMBER U/M DESCRIPTION
092547-08-000 EA LABEL - CIRCUIT BREAKER

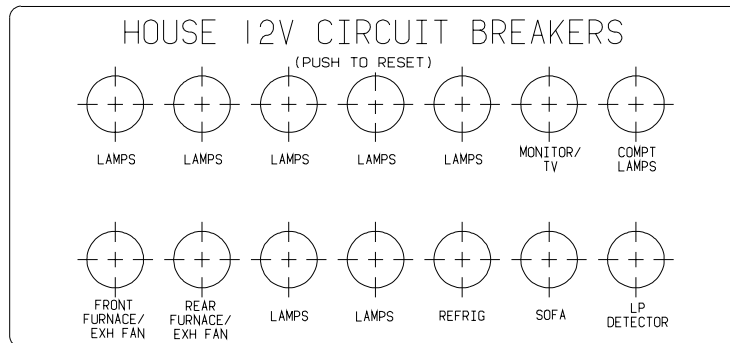
LABELS GROUP (CONTINUED)



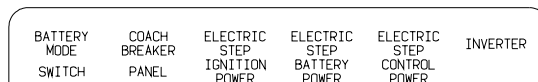
KEY PART NUMBER U/M DESCRIPTION
 092547-10-000 EA LABEL - CIRCUIT BREAKER



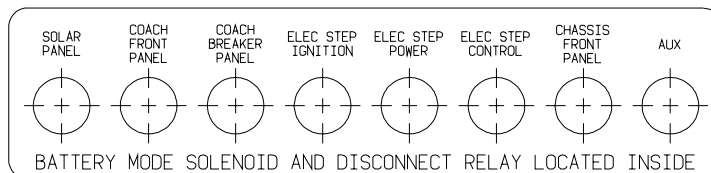
KEY PART NUMBER U/M DESCRIPTION
 092547-11-000 EA LABEL - CIRCUIT BREAKER



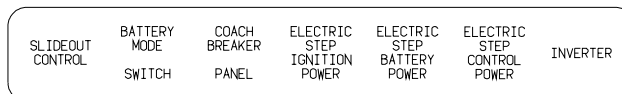
KEY PART NUMBER U/M DESCRIPTION
 092547-12-000 EA LABEL - CIRCUIT BREAKER



KEY PART NUMBER U/M DESCRIPTION
 093236-08-000 EA LABEL - CIRCUIT BREAKER

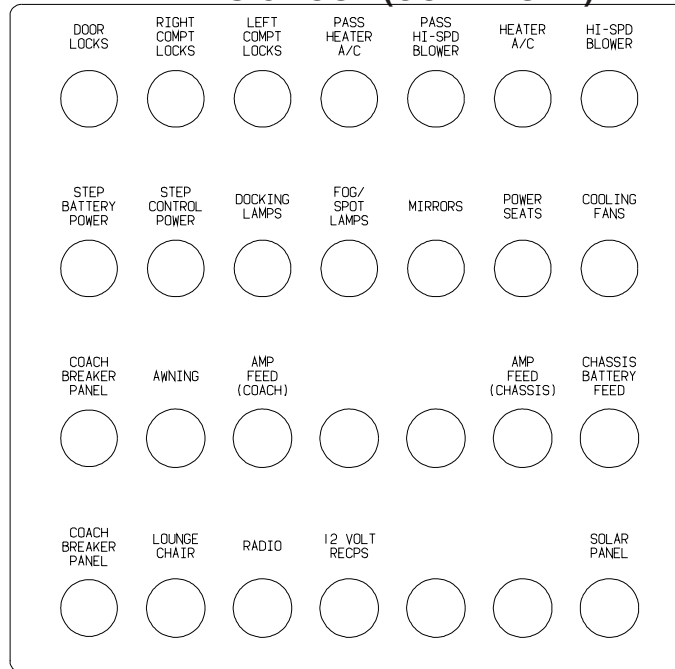


KEY PART NUMBER U/M DESCRIPTION
 093236-13-000 EA LABEL - CIRCUIT BREAKER

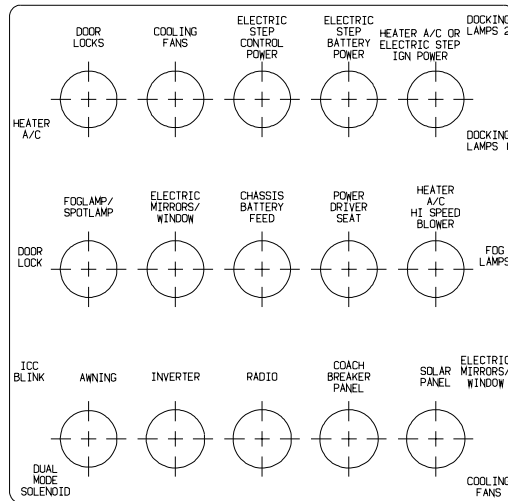


KEY PART NUMBER U/M DESCRIPTION
 093236-21-000 EA LABEL - CIRCUIT BREAKER

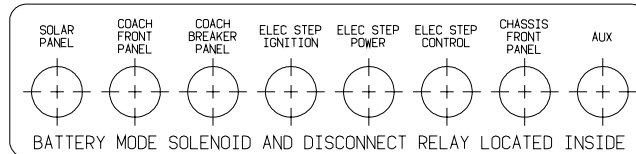
LABELS GROUP (CONTINUED)



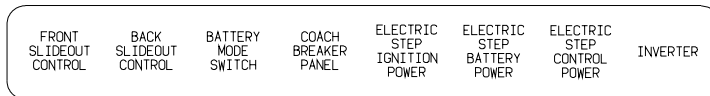
KEY PART NUMBER U/M DESCRIPTION
 093236-22-000 EA LABEL - CIRCUIT BREAKER



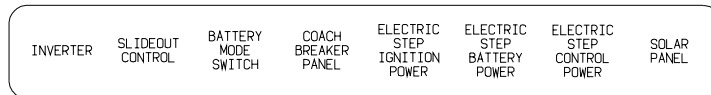
KEY PART NUMBER U/M DESCRIPTION
 093236-23-000 EA LABEL - CIRCUIT BREAKER - MAIN



KEY PART NUMBER U/M DESCRIPTION
 093236-24-000 EA LABEL - CIRCUIT BREAKER

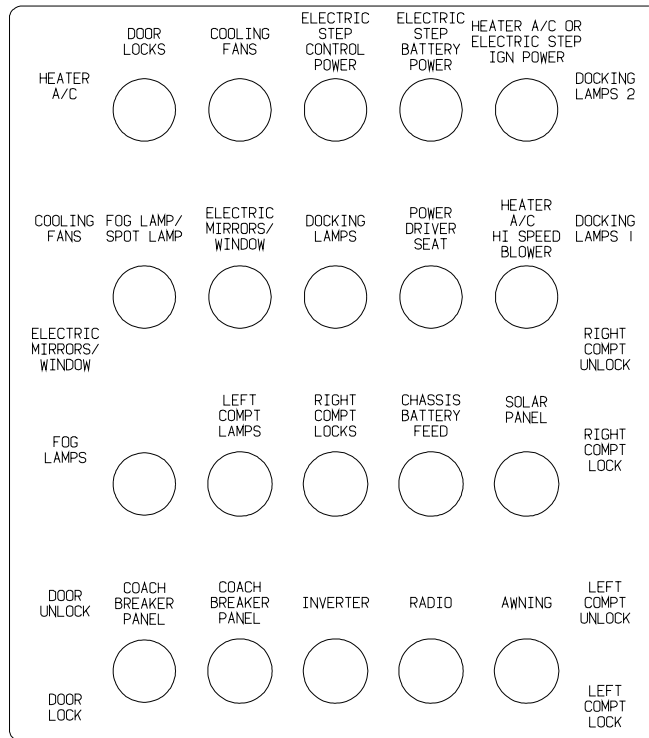


KEY PART NUMBER U/M DESCRIPTION
 093236-28-000 EA LABEL - CIRCUIT BREAKER

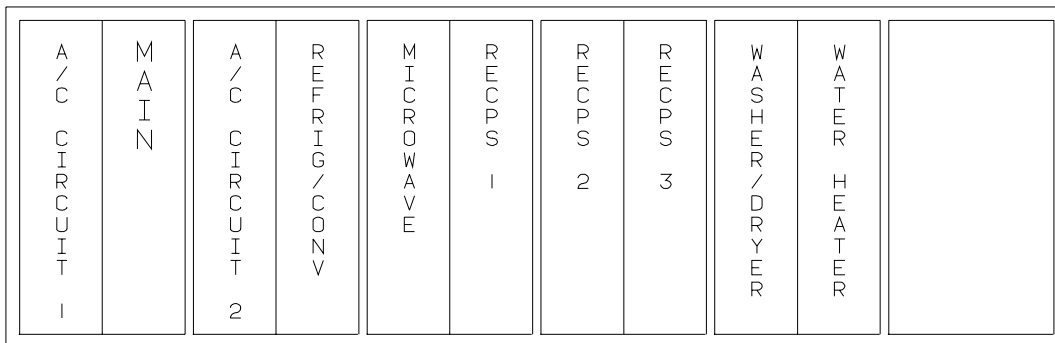


KEY PART NUMBER U/M DESCRIPTION
 093236-29-000 EA LABEL - CIRCUIT BREAKER

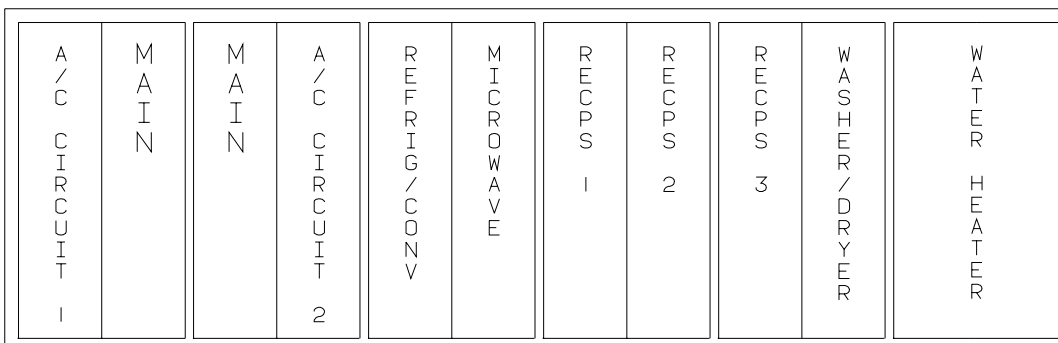
LABELS GROUP (CONTINUED)



KEY PART NUMBER U/M DESCRIPTION
 093236-30-000 EA LABEL - CIRCUIT BREAKER

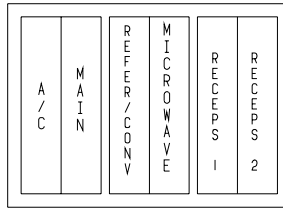


KEY PART NUMBER U/M DESCRIPTION
 095721-31-000 EA LABEL - CONTROL CENTER - 30 AMP - US



KEY PART NUMBER U/M DESCRIPTION
 095721-33-000 EA LABEL - CONTROL CENTER - 50 AMP - US

LABELS GROUP (CONTINUED)



KEY PART NUMBER U/M DESCRIPTION
095721-40-000 EA LABEL - CONTROL CENTER

AUTOMOTIVE AND COACH
CIRCUIT BREAKERS

KEY PART NUMBER U/M DESCRIPTION
098379-01-000 EA LABEL - CIRCUIT BREAKER - FRONT BOX

CIRCUIT BREAKERS
AND AUTOMOTIVE
FUSE PANEL

KEY PART NUMBER U/M DESCRIPTION
098379-03-000 EA LABEL - ELECTRICAL BOX - FRONT

BATTERY MODE
SOLENOID AND
RELAYS

KEY PART NUMBER U/M DESCRIPTION
098379-04-000 EA LABEL - ELECTRICAL BOX - SIDE

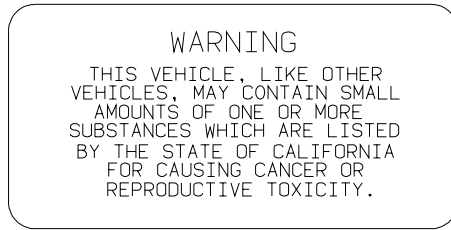
UNLEADED
FUEL ONLY

KEY PART NUMBER U/M DESCRIPTION
098641-01-000 EA LABEL - FUEL - UNLEADED - DASH

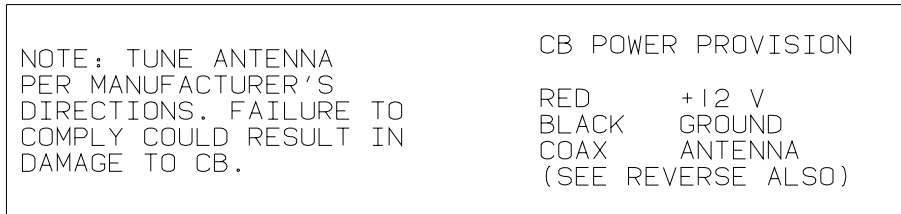
FOR AWNING INSTALLATION
CONTACT YOUR MOTORHOME
DEALERSHIP

KEY PART NUMBER U/M DESCRIPTION
099509-01-000 EA LABEL - AWNING INSTALLATION

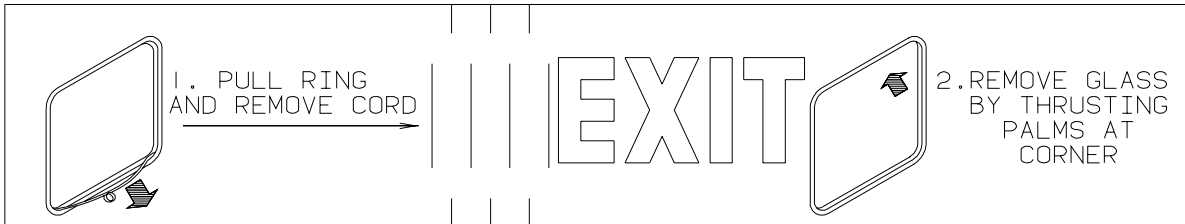
LABELS GROUP (CONTINUED)



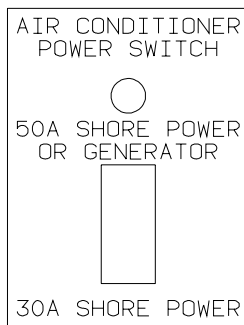
KEY	PART NUMBER	U/M DESCRIPTION
	099689-01-000	EA LABEL - WARNING - CANCER/TOXICITY



KEY	PART NUMBER	U/M DESCRIPTION
	104678-01-000	EA LABEL - CB PREP



KEY	PART NUMBER	U/M DESCRIPTION
	107571-01-000	EA LABEL - EXIT/ESCAPE WINDOW

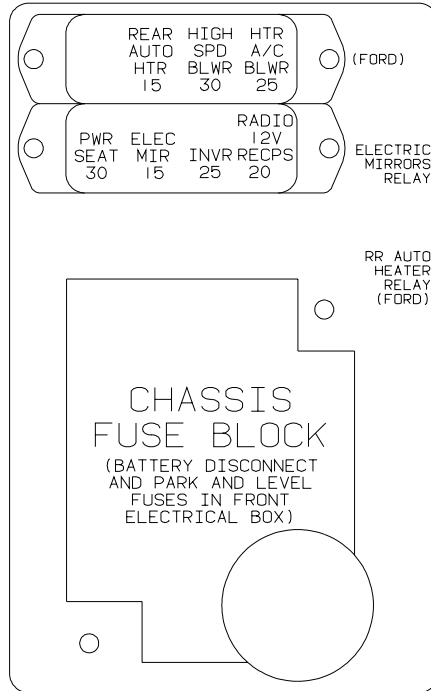


KEY	PART NUMBER	U/M DESCRIPTION
	109051-02-000	EA LABEL - SWITCH - 50 AMP POWER

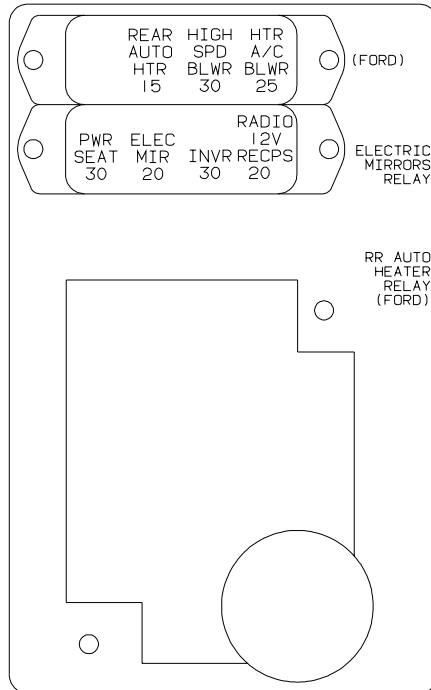
LABELS GROUP (CONTINUED)

DO NOT USE HITCH BEFORE
READING OWNERS MANUAL REGARDING
VEHICLE LOADING AND TOWING

KEY	PART NUMBER	U/M DESCRIPTION
	111104-01-000	EA LABEL - HITCH - READ MANUAL - WHITE
	111104-02-000	EA LABEL - HITCH - READ MANUAL - BLACK



KEY	PART NUMBER	U/M DESCRIPTION
	111537-08-000	EA LABEL - FUSES

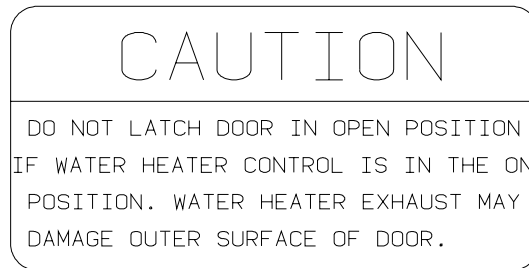


KEY	PART NUMBER	U/M DESCRIPTION
	111537-09-000	EA LABEL - FUSES

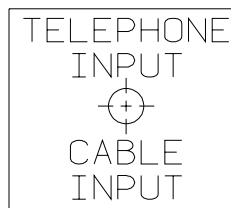
LABELS GROUP (CONTINUED)

WARNING: CONTAINS "CFC" A SUBSTANCE WHICH HARMS PUBLIC HEALTH AND ENVIRONMENT BY DESTROYING OZONE IN THE UPPER ATMOSPHERE.

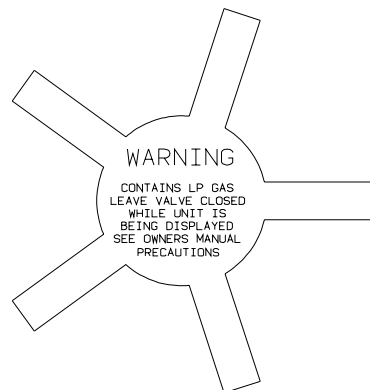
KEY	PART NUMBER	U/M DESCRIPTION
	111802-01-000	EA LABEL - CFC WARNING



KEY	PART NUMBER	U/M DESCRIPTION
	113402-01-000	EA LABEL - CAUTION - WATER HEATER EXHAUST



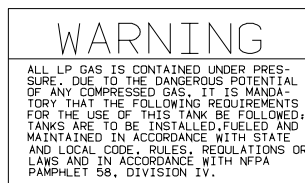
KEY	PART NUMBER	U/M DESCRIPTION
	114866-02-000	EA LABEL - PHONE & CABLE INPUT - WHITE/CLEAR BACKGROUND
	114866-03-000	EA LABEL - PHONE & CABLE INPUT - BLACK/CLEAR BACKGROUND



KEY	PART NUMBER	U/M DESCRIPTION
	115600-01-000	EA LABEL - WARNING LPG VALVE

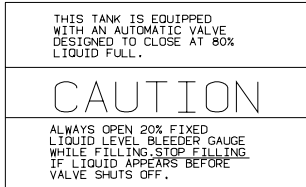
WARNING: REPLACE TIRE ONLY WITH ONE OF EXACTLY SAME TYPE AND RATING. DO NOT REPLACE WITH PASSENGER CAR TIRE. SEE OPERATOR'S MANUAL FOR MORE INFORMATION CALL WINNEBAGO OWNER RELATIONS AT 1-800-537-1885.

KEY	PART NUMBER	U/M DESCRIPTION
	115869-01-000	EA LABEL - WARNING - TIRE

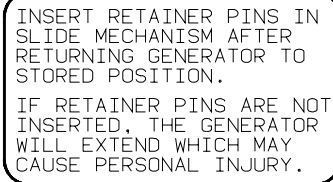


KEY	PART NUMBER	U/M DESCRIPTION
	116112-01-000	EA LABEL - CAUTION - LP

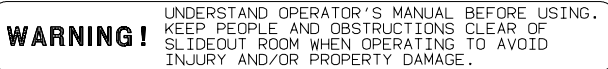
LABELS GROUP (CONTINUED)



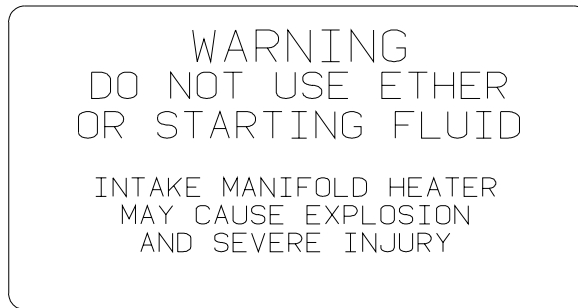
KEY PART NUMBER **U/M DESCRIPTION**
 116113-01-000 EA LABEL - CAUTION - LP



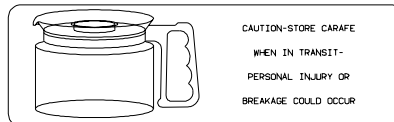
KEY PART NUMBER **U/M DESCRIPTION**
 116273-01-000 EA LABEL - WARNING - GENERATOR



KEY PART NUMBER **U/M DESCRIPTION**
 116549-01-000 EA LABEL - WARNING - SLIDEOUT



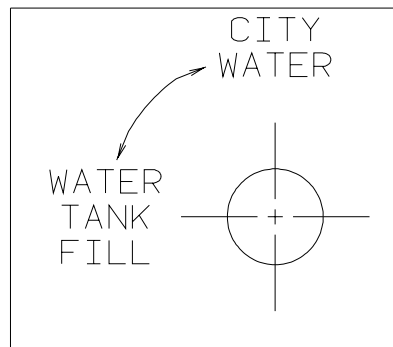
KEY PART NUMBER **U/M DESCRIPTION**
 116756-02-000 EA LABEL - WARNING - ETHER/STARTING



KEY PART NUMBER **U/M DESCRIPTION**
 116829-02-000 EA LABEL - COFFEEMAKER

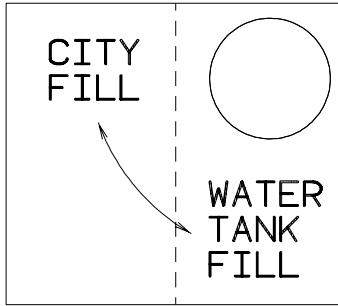


KEY PART NUMBER **U/M DESCRIPTION**
 117628-02-000 EA LABEL - SWITCH - WATER PUMP/LIGHTS-WHITE/CLEAR BACKGROUND

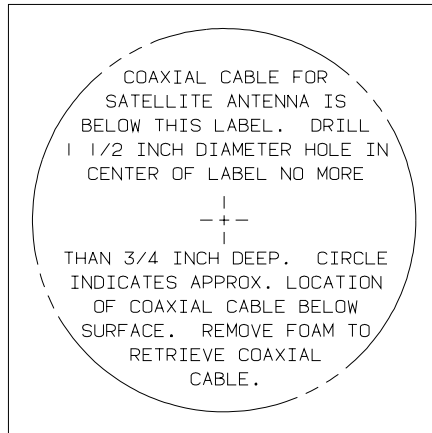


KEY PART NUMBER **U/M DESCRIPTION**
 117629-03-000 EA LABEL - WATER PUMP/FILL-BLK LETTERS/CLEAR BACKGROUND-.31"

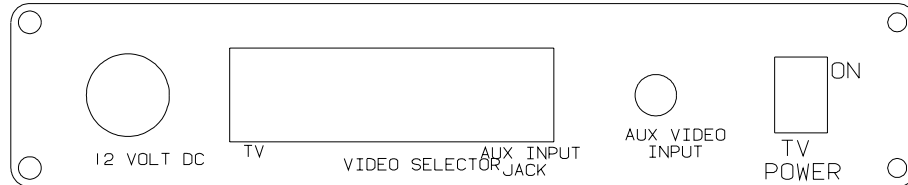
LABELS GROUP (CONTINUED)



KEY PART NUMBER 117629-04-000
U/M DESCRIPTION EA LABEL - CITY WATER/TANK FILL



KEY PART NUMBER 120431-01-000
U/M DESCRIPTION EA LABEL - LOCATION - COAXIAL CABLE/SATELLITE ANTENNA



KEY PART NUMBER 120677-01-000
U/M DESCRIPTION EA LABEL - TV

KEEP THE SERVICE INLET ACCESS
 IN THE CLOSED POSITION WHEN
 UTILITY CONNECTIONS ARE NOT IN USE

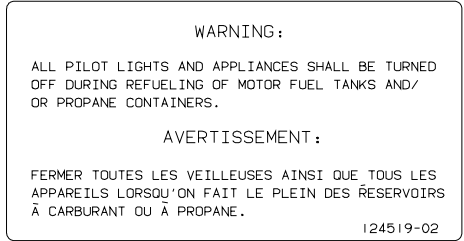
KEY PART NUMBER 123562-01-000
U/M DESCRIPTION EA LABEL - SERVICE/UTILITY ACCESS

WARNING

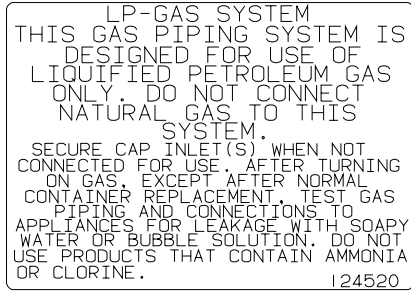
ALL PILOT LIGHTS, APPLIANCES AND THEIR
 IGNITORS (SEE OPERATING INSTRUCTIONS) SHALL
 BE TURNED OFF DURING REFUELING OF MOTOR
 FUEL TANKS AND/OR LP GAS CONTAINERS

KEY PART NUMBER 124519-01-01A
 124519-01-02A
U/M DESCRIPTION EA LABEL - WARNING/REFUELING - BLACK ON CLEAR
 EA LABEL - WARNING/REFUELING - WHITE ON CLEAR

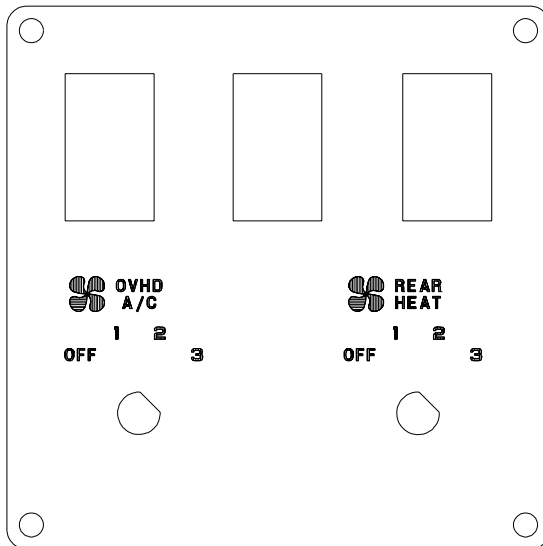
LABELS GROUP (CONTINUED)



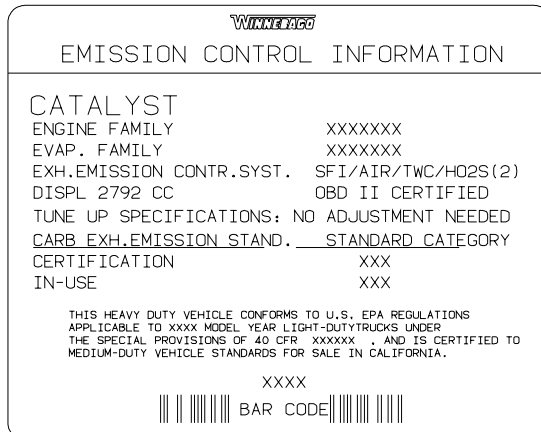
KEY	PART NUMBER	U/M	DESCRIPTION
	124519-02-01A	EA	LABEL - WARNING/REFUELING - BLACK ON CLEAR - CSA
	124519-02-02A	EA	LABEL - WARNING/REFUELING - WHITE ON CLEAR - CSA



KEY	PART NUMBER	U/M	DESCRIPTION
	124520-01-01A	EA	LABEL - LP GAS ONLY - BLACK ON CLEAR
	124520-01-02A	EA	LABEL - LP GAS ONLY - WHITE ON CLEAR



KEY	PART NUMBER	U/M	DESCRIPTION
	124572-01-000	EA	LABEL - SWITCHES



KEY	PART NUMBER	U/M	DESCRIPTION
	124709-07-000	EA	LABEL - EMISSION CONTROL - DUAL

LABELS GROUP (CONTINUED)

THIS CONNECTION IS FOR
(B) VOLT AC,60 HZ(CYCLES)
(A) AMPERE SUPPLY

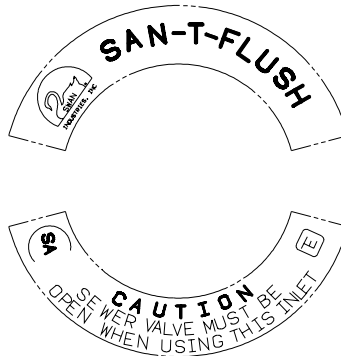
DO NOT CONNECT TO
HIGHER VOLTAGE

KEY	PART NUMBER	U/M	DESCRIPTION
	125306-01-01A	EA	LABEL - ELECTRICAL ENTRANCE - 110V 30 AMP - BLACK ON CLEAR
	125306-01-02A	EA	LABEL - ELECTRICAL ENTRANCE - 110V 30 AMP - WHITE ON CLEAR

THIS CONNECTION IS FOR
(B) VOLT AC,3-POLE,4 WIRE
60 HZ(CYCLES),(A) AMPERE SUPPLY

DO NOT CONNECT TO
HIGHER VOLTAGE

KEY	PART NUMBER	U/M	DESCRIPTION
	125306-04-01A	EA	LABEL-ELECTRICAL ENTRANCE-120/240V 50 AMP-BLACK ON CLEAR
	125306-04-02A	EA	LABEL - ELECTRICAL ENTRANCE-120/240V 50 AMP-WHITE ON CLEAR



KEY	PART NUMBER	U/M	DESCRIPTION
	125697-07-000	EA	LABEL - CAUTION - FLUSHING SYSTEM

REMOVE PRIMARY TIRE HANGER BEFORE USING
SPARE TIRE HOIST-SEE OWNERS MANUAL- PERSONAL
INJURY MAY RESULT IF NOT FOLLOWED

KEY	PART NUMBER	U/M	DESCRIPTION
	126024-01-000	EA	LABEL - TIRE HANGER REMOVAL

GRAY HOLDING TANK

KEY	PART NUMBER	U/M	DESCRIPTION
	126247-05-000	EA	LABEL - GRAY HOLDING TANK-BLACK LETTERS/CLEAR BACKGROUND

BLACK HOLDING TANK

KEY	PART NUMBER	U/M	DESCRIPTION
	126247-06-000	EA	LABEL - BLACK HOLDING TANK-BLACK LETTERS/CLEAR BACKGROUND

LABELS GROUP (CONTINUED)

EXTERIOR SHOWER

KEY PART NUMBER U/M DESCRIPTION
126248-03-000 EA LABEL - EXTERIOR SHOWER

CITY WATER FILL

KEY PART NUMBER U/M DESCRIPTION
126249-03-000 EA LABEL - CITY WATER FILL-BLK LETTERS/CLEAR BACKGROUND .31"

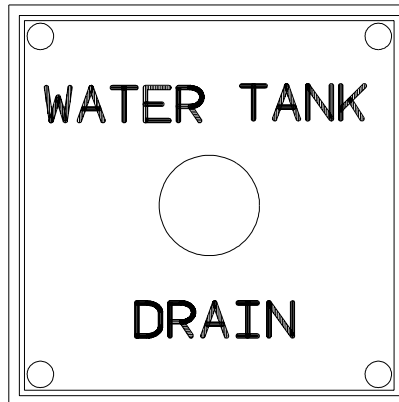


WARNING

○ **Children Can be KILLED or INJURED
by Passenger Air Bag**

The back seat is the safest place for children 12 and under.
Make sure all children use seat belts or child seats.

KEY PART NUMBER U/M DESCRIPTION
126612-01-000 EA LABEL - HANG TAG - AIR BAG - DASH



KEY PART NUMBER U/M DESCRIPTION
127170-01-000 EA LABEL - WATER TANK DRAIN

WARNING

ROOF SURFACE MAY BE SLIPPERY
ESPECIALLY WHERE MOISTURE IS PRESENT
SLIPPING MAY RESULT IN PERSONAL INJURY.

128218-01

KEY PART NUMBER U/M DESCRIPTION
128218-01-01A EA LABEL - WARNING - SLIPPERY ROOF

ENTRANCE DOOR PROP ROD

THIS ROD IS DESIGNED TO PROP THE
ENTRANCE DOOR OPEN WHEN THE PATIO
AWNING ARM IS ATTACHED TO THE
SIDEWALL AND THE AWNING IS EX-
TENDED.
HOOK ONE END OF ROD INTO LOOP ON
DOOR AND OTHER END INTO LOOP ON THE
SIDEWALL AS SHOWN.

(THIS LABEL TO BE REMOVED BY RETAIL OWNER ONLY)

KEY PART NUMBER U/M DESCRIPTION
128658-01-000 EA LABEL - PROP ROD - ENTRY DOOR

LABEL GROUP (CONTINUED)

WARNING

POTABLE WATER ONLY
SANITIZE, FLUSH, AND
DRAIN BEFORE USING.
SEE INSTRUCTION MANUAL

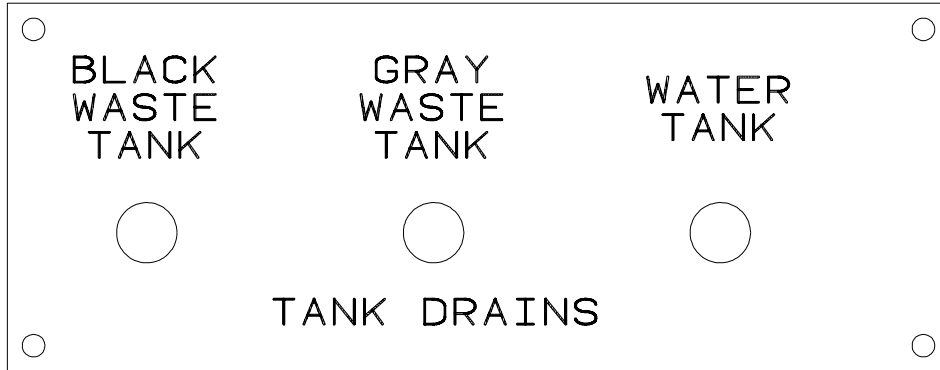
KEY PART NUMBER U/M DESCRIPTION
128725-01-01A EA LABEL - POTABLE WATER ONLY - BLACK ON CLEAR

TOW VEHICLE RATING MAY BE LESS THAN HITCH RATING.
MAXIMUM VERTICAL HITCH LOAD: 350 LBS
DO NOT EXCEED REAR AXLE RATING.
SEE OWNER'S MANUAL FOR ADDITIONAL INFORMATION.

KEY PART NUMBER U/M DESCRIPTION
129669-01-01A EA LABEL - HITCH/VEHICLE RATE - 350 - WHITE ON CLEAR
129669-01-02A EA LABEL - HITCH/VEHICLE RATE - 350 - BLACK ON CLEAR
129669-02-01A EA LABEL - HITCH/VEHICLE RATE - 500 - WHITE ON CLEAR
129669-02-02A EA LABEL - HITCH/VEHICLE RATE - 500 - BLACK ON CLEAR

TIRE ROTATION
SEE RIALTA OWNERS MANUAL
SECTION 9

KEY PART NUMBER U/M DESCRIPTION
129684-01-000 EA LABEL - TIRE ROTATION



KEY PART NUMBER U/M DESCRIPTION
130166-01-000 EA LABEL - DRAIN

H
O
S
E

S
T
O
R
A
G
E

KEY PART NUMBER U/M DESCRIPTION
130167-02-000 EA LABEL - HOSE STORAGE

LABELS GROUP (CONTINUED)

WASTE TANK FLUSH

KEY PART NUMBER U/M DESCRIPTION
130168-01-000 EA LABEL - WASTE TANK FLUSH

MONITOR WATER
PANEL LIGHT PUMP

KEY PART NUMBER U/M DESCRIPTION
130170-01-000 EA LABEL - SWITCH PANEL - BLK/CLEAR BACKGROUND-1.8"H X 5.9"L

LIGHTS WATER
PUMP

KEY PART NUMBER U/M DESCRIPTION
130170-02-000 EA LABEL - SWITCH PANEL-BLK/CLEAR BACKGROUND-1.4"H X 3.9"L

WATER
PUMP

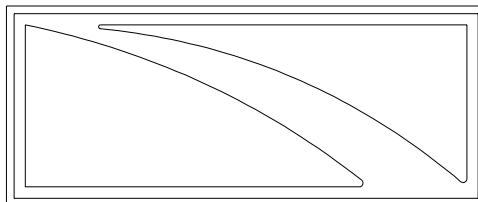
KEY PART NUMBER U/M DESCRIPTION
130170-03-000 EA LABEL - PANEL SWITCH

CAUTION:
OPEN A WINDOW OR VENT WHILE
OPERATING DRYER. IT IS DANGEROUS
TO CREATE A NEGATIVE AIR PRESSURE
INSIDE A VEHICLE CONTAINING
FUEL-BURNING APPLIANCES

KEY PART NUMBER U/M DESCRIPTION
130670-01-01A EA LABEL - CAUTION DRYER VENTING - BLACK ON CLEAR

PUSH TO
RELEASE
GENERATOR
SLIDE ASM

KEY PART NUMBER U/M DESCRIPTION
131779-01-01A EA LABEL - GENERATOR



KEY PART NUMBER U/M DESCRIPTION
132651-01-01A EA DECAL - MIRROR/GALLEY

LABELS GROUP (CONTINUED)



KEY PART NUMBER U/M DESCRIPTION
 133423-01-01A EA LABEL - DRAIN



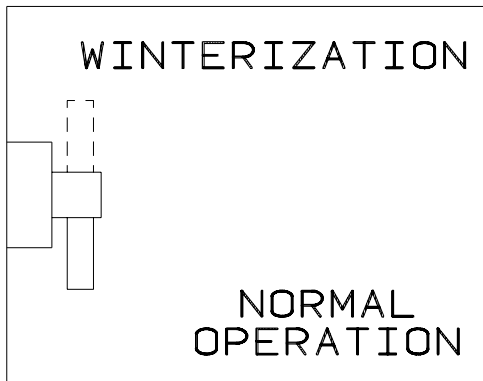
KEY PART NUMBER U/M DESCRIPTION
 133424-01-01A EA LABEL - BYPASS - WATER HEATER



KEY PART NUMBER U/M DESCRIPTION
 133424-02-01A EA LABEL - NORMAL OPERATION



KEY PART NUMBER U/M DESCRIPTION
 133424-03-01A EA LABEL - WATER HEATER BYPASS - BLACK/CLEAR



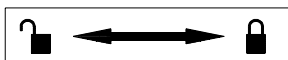
KEY PART NUMBER U/M DESCRIPTION
 133425-01-01A EA LABEL - VALVE - WINTERIZATION



KEY PART NUMBER U/M DESCRIPTION
 133533-01-01A EA LABEL - JACKS DOWN - CLEAR W/WHITE LETTERING

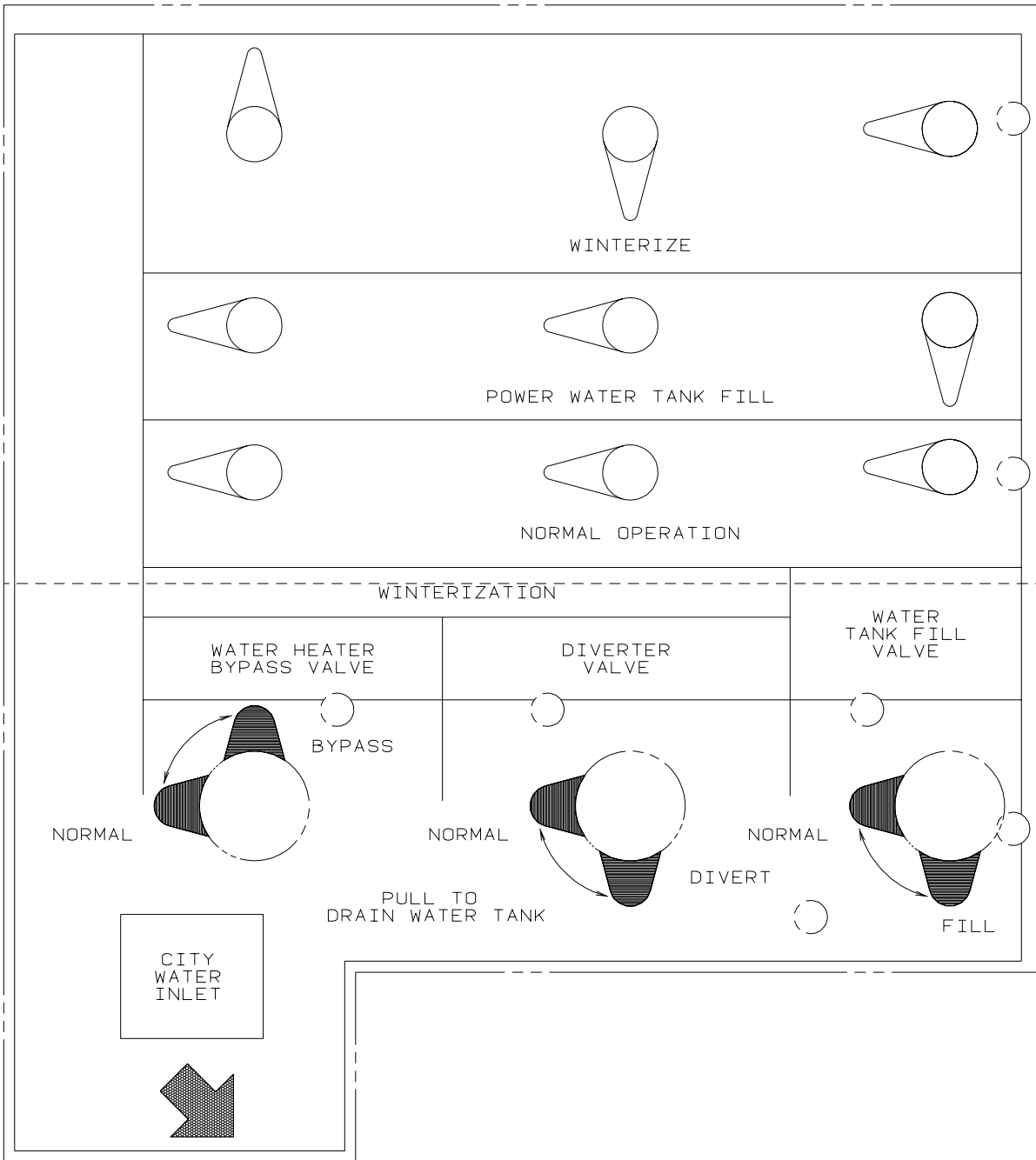


KEY PART NUMBER U/M DESCRIPTION
 133533-02-01A EA LABEL - CHECK ANTENNA - CLEAR W/WHITE LETTERING



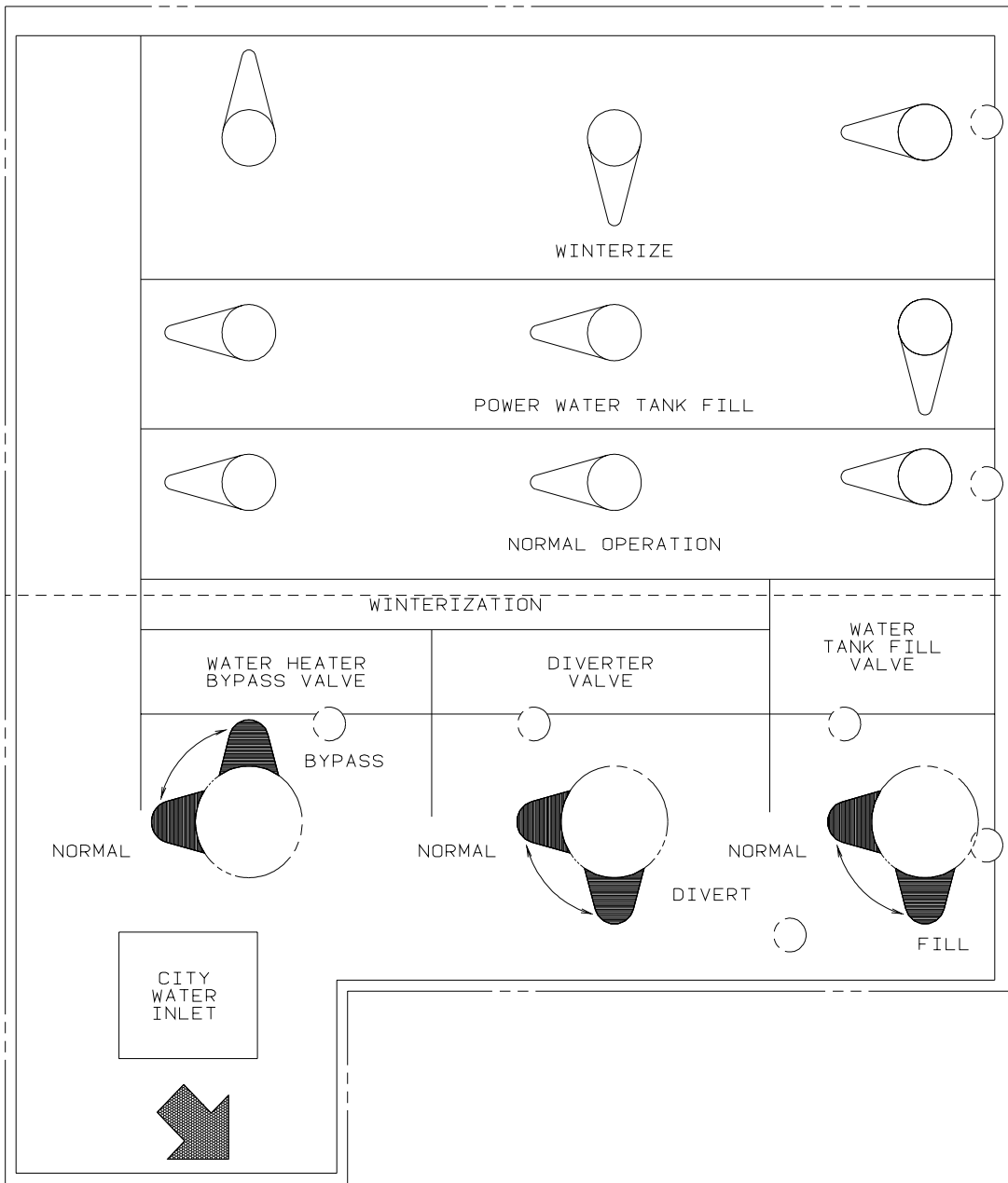
KEY PART NUMBER U/M DESCRIPTION
 133533-03-01A EA LABEL - LOCK/UNLOCK - BLACK/WHITE

LABELS GROUP (CONTINUED)

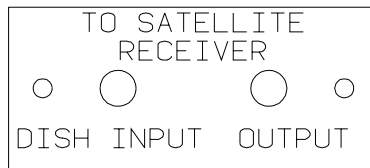


KEY	PART NUMBER	U/M	DESCRIPTION
	133629-01-01A	EA	LABEL - WATER CENTER

LABELS GROUP (CONTINUED)



KEY PART NUMBER U/M DESCRIPTION
 133629-02-01A EA LABEL - WATER CENTER - BLACK/CLEAR



KEY PART NUMBER U/M DESCRIPTION
 134250-01-01A EA LABEL - SATELLITE RECEIVER - BLACK/CLEAR

THIS CHAIR IS NOT INTENDED FOR OCCUPANCY WHEN VEHICLE IS IN MOTION AND MUST BE RETURNED TO STOWED POSITION

DTS ISICE SIEGE N/EST PAS DESTINE A ETRE OCCUPE LORSQUE LE VEHICULE EST IN MOVEMENT ET IL FAUT QUE LE RANGER

THIS CHAIR IS NOT INTENDED FOR OCCUPANCY WHEN VEHICLE IS IN MOTION AND MUST BE RETURNED TO STOWED POSITION

KEY PART NUMBER U/M DESCRIPTION
 134537-01-01A EA LABEL - OCCUPANCY - CHAIR - US

LABELS GROUP (CONTINUED)

THIS SEAT IS NOT INTENDED
FOR OCCUPANCY WHEN
VEHICLE IS IN MOTION

KEY PART NUMBER U/M DESCRIPTION
134538-01-01A EA LABEL - OCCUPANCY - NO SEAT BELT - BLACK ON CLEAR - US

DST ISICE SIEGE N/EST PAS THIS SEAT IS NOT INTENDED
DESTINE A ETRE OCCUPE LORSQUE FOR OCCUPANCY WHILE
LE VEHICULE EST IN MOVUEMENT VEHICLE IS IN MOTION

KEY PART NUMBER U/M DESCRIPTION
134538-02-01A EA LABEL - OCCUPANCY - NO SEAT BELT - BLACK ON CLEAR - CSA

WARNING

IT IS NOT SAFE TO USE COOKING
APPLICANCES FOR COMFORT HEATING

COOKING APPLICANCES NEED FRESH AIR FOR SAFE OPERATION
BEFORE OPERATION.

1. OPEN OVERHEAD VENT OR TURN ON EXHAUST FAN AND;
2. OPEN WINDOW.

KEY PART NUMBER U/M DESCRIPTION
134539-01-01A EA LABEL - WARNING - STOVE/HEATING - US - BLACK ON CLEAR

HOLDING TANK HEATER

TURN OFF WHEN NOT IN USE
SEE OPERATOR'S MANUAL

KEY PART NUMBER U/M DESCRIPTION
134563-01-01A EA LABEL - SWITCH - HEATER

THIS VEHICLE MAY INCLUDE MERCURY-CONTAINING DEVICES INSTALLED BY THE MANUFACTURER:

FLUORESCENT TUBES, RANGES WITH OVEN, HWH LEVEL SENSING UNIT.

REMOVE DEVICES BEFORE VEHICLE DISPOSAL UPON REMOVAL OF
DEVICES: PLEASE REUSE, RECYCLE, OR DISPOSE AS HAZARDOUS WASTE

135869-01A

KEY PART NUMBER U/M DESCRIPTION
135869-01-01A EA LABEL - MERCURY CONTENT - BLACK ON CLEAR
135869-01-02A EA LABEL - MERCURY CONTENT - WHITE ON CLEAR

LIQUID SOAP

KEY PART NUMBER U/M DESCRIPTION
136047-01-01A EA LABEL - LIQUID SOAP

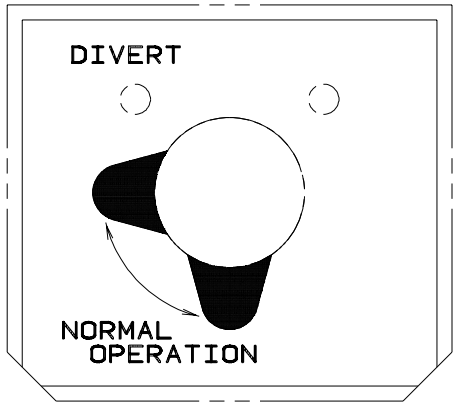
LABELS GROUP (CONTINUED)

DOOR LOCK	DOOR UNLOCK	RIGHT COMPT DOOR LOCK	RIGHT COMPT DOOR UNLOCK	LEFT COMPT DOOR LOCK	LEFT COMPT DOOR UNLOCK	AUX START SOLENOID	AMP SOURCE
POWER MIRRORS	HEATER BLOWER	PASS HEATER BLOWER	FOG LAMPS	DOCKING LAMPS	DOCKING LAMPS SWITCH TRIGGER	COOLING FANS	

KEY PART NUMBER U/M DESCRIPTION
 136161-01-01A EA LABEL - RELAY - MATTE BLACK/WHITE LETTERS



KEY PART NUMBER U/M DESCRIPTION
 136360-01-01A EA LABEL - AIR BAGS



KEY PART NUMBER U/M DESCRIPTION
 137997-01-01A EA LABEL - WINTERIZATION VALVE - BLACK/CLEAR

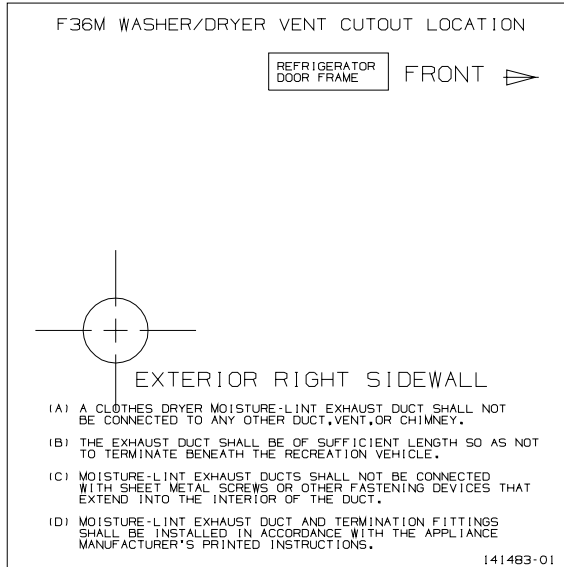


KEY PART NUMBER U/M DESCRIPTION
 140190-01-01A EA DECAL/LOGO - V6 (DOMED) - CYAN/MAGENTA/YELLOW/BLACK



KEY PART NUMBER U/M DESCRIPTION
 141523-01-01A EA LABEL - WASHER/DRYER BRACKETS - BLACK/WHITE

LABELS GROUP (CONTINUED)



KEY PART NUMBER 141483-01-01A **U/M DESCRIPTION**
EA LABEL - DRYER VENTING - BLACK/WHITE

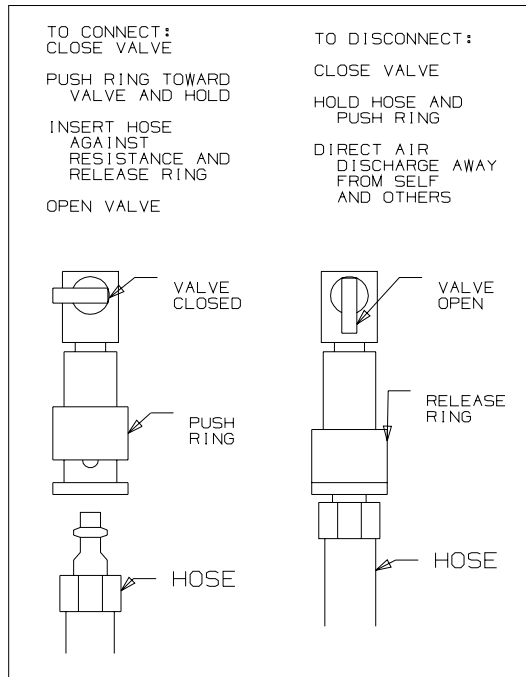
WARNING: COMPRESSED AIR CAN BE HAZARDOUS.

PROPER EYE PROTECTION MUST BE WORN WHEN CONNECTING, DISCONNECTING OR USING AIR HOSE.

CLOSE VALVE BEHIND CONNECTOR BEFORE CONNECTING OR DISCONNECTING AIR HOSE.

HOSE DISCONNECT WILL PRODUCE AIR DISCHARGE FROM HOSE. DIRECT AIR DISCHARGE AWAY FROM SELF AND OTHERS.

KEY PART NUMBER 142771-01-01A **U/M DESCRIPTION**
EA LABEL - WARNING/COMPRESSED AIR - WHITE LETTERING ON CLEAR



KEY PART NUMBER 142773-01-01A **U/M DESCRIPTION**
EA LABEL - CONNECT/COMPRESS AIR - WHITE LETTERING ON CLEAR

LP GROUP
LP SYSTEM

KEY	PART NUMBER	U/M	DESCRIPTION
	010281-01-000	EA	TEE - BRASS - 3/8 F
	010377-02-000	EA	NUT - BRASS - 3/8" FLARE - FORGED
	010323-01-000	EA	ADAPTER - BRASS - 3/8"F X 1/2"MPT
	045703-03-000	EA	HOSE - LP - 3/8"ID X 18" - 3/8"MPT X 1/2"F SWIVEL - U.S.
	106150-01-000	EA	REGULATOR - TWO STAGE-W/90 DEGREE ELBOW & 3/8" FPT OUTLET
	040440-03-000	EA	TRANSMITTER - DIAL/SNAP-ON - 0-90 OHM 2 TERM(POWER/GROUND)
*	140000-01-000	EA	TANK - LP - TOP MOUNT - 28 LB- 10" DIAMETER X 23" LONG
	103613-03-000	EA	DETECTOR - LP GAS - W/O SHUT-OFF VALVE

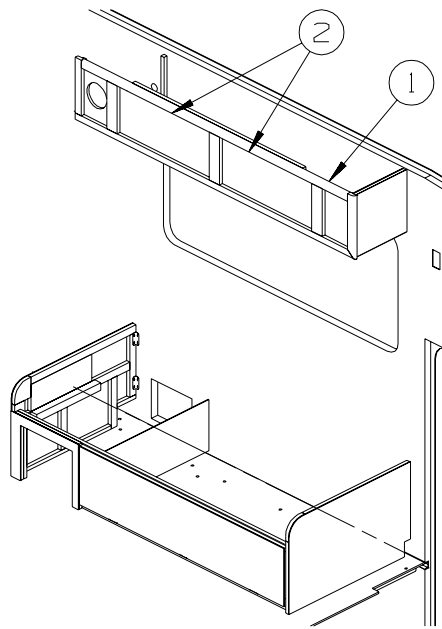
***COMPONENT PARTS LISTED LATER IN THIS GROUP**

LP GROUP (CONTINUED)
COMPONENT PARTS FOR LP SYSTEM

140000-01-000

KEY	PART NUMBER	U/M	DESCRIPTION	VENDOR NO.
	140000-01-700	EA	SENDING UNIT (SIGHT GAUGE) 10C	G12942
	140000-01-701	EA	VALVE 80% FILL W/AUTO STOP	V21236
	140000-01-702	EA	VAVLE (OUTAGE)	V21199
	140000-01-703	EA	VAVLE - VAPOR RELEIF	V21202
	140000-01-704	EA	VAVLE - RELIEF (SHERWOOD)	V21201

LOUNGE GROUP CABINETS



KEY	PART NUMBER	U/M	DESCRIPTION
1	139784-01-P04	EA	CABINET - OVERHEAD/COUCH - W/O DOORS/HARDWARE
1	139784-01-P05	EA	CABINET - OVERHEAD/COUCH - W/O DOORS/HARDWARE
1	139784-01-P06	EA	CABINET - OVERHEAD/COUCH - W/O DOORS/HARDWARE
2	136919-43-P04	EA	DOOR - FLAT/PENCIL EDGE - 10.8" X 23.8" - W/O HARDWARE

SEALANTS & FASTENERS GROUP
SEALANTS & ADHESIVES

KEY	PART NUMBER	U/M	DESCRIPTION
	002707-02-000	FT	TAPE - SEALER - 5/16" X 1/2" - INCREMENTS OF 50 FT
	004001-02-000	EA	GUN - PLEXUS ADHESIVE - W/O NOZZLE
	004001-05-000	EA	ADHESIVE - SCOTCH-WELD - 3M DP100 - CLEAR - 50ML
	004011-01-000	EA	ADHESIVE-3M-4475 TUBE
	010405-02-000	EA	TAPE - THREAD SEALING - 3/8"
	034552-06-000	EA	SILICONE - TUBE - W/O NOZZLE - OFF WHITE
	034552-15-000	EA	SILICONE - TUBE - W/O NOZZLE - BRIGHT WHITE
	063642-01-000	FT	TAPE - ADHESIVE - .4" X 1.5" X 180'
	064075-07-000	FT	SEAL - BULB - W/WIRED U CHANNEL - .3" X .5" CHANNEL-BLACK
	067788-01-000	EA	ADHESIVE - SPRAY - 3M - 19.5 OZ AEROSOL CAN
	069640-01-000	FT	SEALER - RIBBON - 1/4" DIAMETER X 30' - BLACK OR GRAY
	069640-02-000	FT	SEALER - TAPE - .13" THICK X .5" WIDE X 60' - GRAY
	069640-03-000	FT	SEALER - TAPE - .13" THICK X .75" WIDE X 60' - BLACK
	069640-07-000	FT	SEALER - TAPE - .09" THICK X 2" WIDE X 45' - GRAY
	069640-09-000	FT	SEALER - TAPE - .03" THICK X 2.50"WIDE X 80' - GRAY
	069640-10-000	FT	SEALER - TAPE - .03" THICK X 1.50" WIDE X 90' - GRAY
	069640-11-000	FT	SEALER - TAPE - .19" THICK X .38" WIDE X 40' - BLACK
	069640-13-000	FT	SEALER - TAPE - .03" THICK X 2" WIDE X 45' - BLACK
	069640-14-000	FT	SEALER - TAPE - .06" THICK X 1" WIDE X 100' - GRAY
	069640-15-000	FT	SEALER - TAPE - .06" THICK X .38" WIDE X 100' - GRAY
	069640-17-000	FT	SEALER - TAPE - .03" THICK X 1" WIDE X 90' - GRAY
	069640-18-000	FT	SEALER - TAPE - .50" THICK X .13" WIDE X 60' - BRT WHITE
	069640-19-000	FT	SEALER - TAPE - .75" THICK X .13" WIDE X 60' - BRT WHITE
	069640-20-000	FT	SEALER - TAPE - .50" THICK X 1/8" WIDE X 60' - BLACK
	069640-21-000	FT	SEALER - TAPE - .50" THICK X 1/16" WIDE X 100'-BRIGHT WHT
	069640-23-000	FT	SEALER - TAPE - .06" THICK X 3/4" WIDE X 100' - BRT WHITE
	069640-27-000	FT	SEALER - TAPE - .06" THICK X 2.25" WIDE - BRIGHT WHITE
	069640-28-000	FT	SEALER - TAPE - .25" THICK X 1 7/8" WIDE X 90' - GRAY
	069640-30-000	FT	SEALER - TAPE - 3/8" X 1/32" - GRAY
	069640-31-000	FT	SEALER - TAPE - 25"THICK X 3/4"WIDE X 60' - BLACK
	072889-01-000	EA	SEALANT - URETHANE - BLACK - TUBE W/NOZZLE TIP
	076322-01-000	FT	TAPE-DOUBLE COATED/ADHESIVE BK-.03"THK X .8"W X 216'- WHT
	076322-02-000	FT	TAPE-DOUBLE COATED/ADHESIVE BK-.05"THK X 1"W X 108' - WHT
	076322-03-000	FT	TAPE-DOUBLE COATED/ADHESIVE BK-.05"THK X .5"W X 108' - WHT
	076322-04-000	FT	TAPE-DOUBLE COATED/ADHESIVE BK-.05"THK X .8"W X 108' - WHT
	076322-05-000	FT	TAPE-DOUBLE COATED/ADHESIVE BK-.05"THK X .8"W X 108' - WHT
	076322-11-000	FT	TAPE-DOUBLE COATED/ADHESIVE BK-.02"THK X 1"W X 216' - CLR
	086276-01-000	EA	TAPE - DOUBLE SIDED - 1/2" WIDE X 108' LONG (SOLD BY ROLL)
	088479-01-000	EA	TAPE - ALUMINUM - 3"
	090340-01-000	FT	SEAL - FOAM - CLOSED CELL - 1/4" X 1/2" X 50'
	090340-02-000	FT	SEAL - FOAM - CLOSED CELL - 3/8" X 1/2" X 50'
	091255-02-000	FT	SEAL - ADHESIVE BACKED/FOAM - 3/64" THICK X 3/16"W X 1000'
	091255-03-000	FT	SEAL - ADHESIVE BACKED/FOAM - 1/4" THICK X 1/4"W X 1000'
	094401-01-000	EA	SEALER - BODY SEAM - FLEXICLEAR
	094401-03-000	EA	SEALER - BODY SEAM - BLACK
	094401-04-000	EA	SEALER - BODY SEAM - CLEAR
	098408-01-000	FT	SEAL - SPONGE RUBBER - CLOSED CELL
	099069-01-000	FT	SEAL - RUBBER - CLOSED SPONGE - .5" WIDE X .12" THICK -BLK
	099418-01-000	FT	SEAL - D-SECTION/ADHESIVE BACK - .44" X .44"- BLK RUBBER
	099418-02-000	FT	SEAL - D SECTION - WHITE
	100128-02-000	FT	SEAL - FOAM/ADHESIVE BACK - .37" WIDE X .37" THICK
	104692-01-000	FT	SEAL - ADHESIVE BACKED FOAM - 3/4" THICK X 3/4" WIDE X 25'
	104692-03-000	FT	SEAL - ADHESIVE BACKED FOAM - 1" THICK X 1 3/16"WIDE X 15'
	107828-01-000	EA	SEALANT - SB - 190 EVERSEAL
	108716-01-000	EA	SILICONE - W/O NOZZLE - OFF WHITE - SELF LEVELING
	109506-12-000	EA	FILM/ABRASION-RESISTANT - TRANSPARENT - 1" DIA.
	110274-01-000	FT	TAPE - DOUBLE SIDED/FOAM - .45" X 1" X 216' - BLACK
	112481-02-000	EA	ADHESIVE - PLEXUS ETHACRYLATE - CARTRIDGE
	112864-01-000	FT	SEAL - FOAM/BUTYL COVERED - 3/8" X 35'
	112864-02-000	FT	FOAM - BUTYL COVERED 5/16" X 44'
	112864-03-000	FT	FOAM - BUTYL COVERED - 1/2" X 1/8" X 25'
	112864-04-000	FT	FOAM - BUTYL COVERED - 3/8" X 1/8"
	112901-02-000	EA	ADHESIVE - PLEXUS - MA330 - 50ML - GRAY
	112901-03-000	EA	ADHESIVE - PLEXUS - MA300 - 50ML - WHITE

SEALANTS & FASTENERS GROUP (CONTINUED)

SEALANTS & ADHESIVES (CONTINUED)

KEY	PART NUMBER	U/M	DESCRIPTION
	112902-01-000	EA	NOZZLE - ELEMENT - 3/8 X 24
	112902-02-000	EA	NOZZLE-BELL 3/8X24 - TAH 160-824
	112902-03-000	EA	MIXER NOZZLE - F/GUN #00400102000 - SCOTCH-WELD & PLEXUS
	112902-04-000	EA	NOZZLE - ELEMENT - 1/4" X 3.5"
	113366-01-000	EA	ADHESIVE - INSTANT - 1 OZ
	113452-02-000	FT	SEAL/TRIM - FRONT - VINYL W/WIRE CARRIER - .027"
	115933-01-000	FT	TAPE - 1/64" X 3/8" X 100'
	120074-02-03A	EA	SILICONE - TUBE - W/O NOZZLE - SMOKEY WHITE
	120074-02-02A	EA	SILICONE - TUBE - W/O NOZZLE - LOW ODOR - SOFT WHITE
	120534-01-01A	EA	TAPE - SCOTCH - 3M - 1/2" FINE LINE
	123244-01-000	FT	TAPE - DOUBLE SIDED/FOAM - 5/64" THICK X 3/4" WIDE X 108'
	123816-01-000	FT	TAPE - DOUBLE SIDED - 1" X 3/4" X 200'
	123816-02-000	FT	TAPE - DOUBLE SIDED - 1/2" X 1 1/3" X 200'
	123816-03-000	FT	TAPE - DOUBLE SIDED - 1/2" X 3/4" X 200'
	123816-04-000	FT	TAPE - DOUBLE SIDED - 6" X 750'
	126427-01-000	EA	ADHESIVE - ALL PURPOSE - ABS/PVC
	126427-02-000	EA	PRIMER - CLEANER - FLEX PIPING
	131264-01-08A	EA	SILICONE - TUBE - W/O NOZZLE - BUFF
	131264-01-02A	EA	SILICONE - TUBE - W/O NOZZLE - CLEAR
	131264-01-01A	EA	SILICONE - TUBE - W/O NOZZLE - BLACK
	131264-02-01A	EA	SILICONE - TUBE - W/O NOZZLE - VW GRAY - BATH ONLY
	131264-03-01A	EA	SILICONE - TUBE - W/O NOZZLE- SELF LEVELING - BRIGHT WHITE
	131264-04-01A	EA	SILICONE/SEALANT/ADHESIVE - FAST CURE F/GLASS/VINYL - B/W
	131384-01-000	EA	ADHESIVE - JETWELD
	134651-01-000	FT	SEAL - 1/2" X 3/4" PSA 1 SIDE
	900390-01-000	EA	NOZZLE - SILICONE TUBE - 2.5" LONG
	900390-03-000	EA	NOZZLE - SILICONE TUBE - 4.3" LONG

BOLTS, NUTS AND WASHERS

KEY	PART NUMBER	U/M	DESCRIPTION
	OMC04K-06-016	EA	BOLT - HEX - M06 X 1 X 016
	OMC05K-08-055	EA	BOLT - HEX - M08 X 1.25 X 2.2
	OMC13K-14-110	EA	BOLT - HEX
	OMC13K-14-070	EA	BOLT - HEX - M14 X 2 X 2 3/4
	OMC31K-08-020	EA	BOLT - HEX - SERRATED FLANGE - M8 X 020
	OMC32K-10-030	EA	BOLT - HEX - SERRATED FLANGE - M10 X 1 1/2
	OMD16K-10-000	EA	NUT - HEX PREV TORQUE M10 X 1 1/2 CLASS 8
	OMD39K-12-000	EA	NUT - HEX W/NYLON LOCK - M12 X 1 3/4
	OMD40K-14-000	EA	NUT - HEX W/NYLON LOCK - M14 X 2
	OMD54F-06-000	EA	NUT-HEX SER FLG M6X1,0 SS - DIN6923A2M6
	OME06K-14-280	EA	WASHER - FLAT - 14 ID X 28 OD
	000C12-04-40B	EA	BOLT - HEX - 1/4-20 X 2 1/2 - GRADE 5 ZINC
	000C12-04-08B	EA	BOLT - HEX - 1/4-20 X 1/2 - GRADE #5 - ZINC
	000C12-05-16B	EA	BOLT - HEX - 5/16-18 X 1 - GRADE #5 - ZINC
	000C12-06-24B	EA	BOLT - HEX - 3/8-16 X 1 1/2 - ZINC #5
	000C12-06-16B	EA	BOLT - HEX - 3/8-16 X 1 - GRADE #5 - ZINC
	000C12-06-128	EA	BOLT - HEX - 3/8 - 16 X 8 - ZINC 5
	000C12-06-44B	EA	BOLT - HEX - 3/8-16 X 2 3/4 - GRADE 5 - ZINC
	000C12-08-28B	EA	BOLT - HEX - 1/2-13 X 1 3/4 - GRADE #5 - ZINC
	000C12-08-24B	EA	BOLT - HEX - 1/2-13 X 1 1/2 - GRADE #5 - ZINC
	000C12-08-16B	EA	BOLT - HEX - 1/2-13 X 1 - GRADE #5 - ZINC
	000C12-10-24B	EA	BOLT - HEX - 5/8-11 X 1 1/2 - GRADE #5 - ZINC
	000C13-07-48B	EA	BOLT - HEX - 7/16-20 X 3 - GRADE #5 - ZINC
	000C13-07-40B	EA	BOLT - HEX - 7/16-20 X 2 1/2 - GRADE #5 - ZINC
	000C14-07-28B	EA	BOLT - HEX - 7/16-14 X 1 3/4 - GRADE #8 - ZINC
	000C14-10-32K	EA	BOLT - HEX - 5/8-11 X 2 - GRADE #8 - ZINC
	000C18-05-40A	EA	BOLT - ELEVATOR - 5/16-18 X 2 1/2 - PL
	000C18-06-48B	EA	BOLT - ELEVATOR - 3/8-16 X 3 - GRADE 5 - ZINC
	000C26-04-18B	EA	BOLT - HEX - SERRATED FLANGE - 1/4-20 X 1 1/8 - ZINC
	000C26-04-14B	EA	BOLT - HEX - SERRATED FLANGE - 1/4-20 X 7/8 - ZINC
	000C26-04-10B	EA	BOLT - HEX - SERRATED FLANGE - 1/4-20 X 5/8 - ZINC
	000C26-05-20B	EA	BOLT - HEX - SERRATED FLANGE - 5/16-18 X 1 1/4 - ZINC
	000C26-05-129	EA	BOLT - HEX - SERRATED FLANGE - 5/16-18 X 3/4
	000C26-05-12B	EA	BOLT - HEX - SERRATED FLANGE - 5/16-18 X 3/4 - ZINC

SEALANTS & FASTENERS GROUP (CONTINUED)
BOLTS, NUTS AND WASHERS (CONTINUED)

KEY	PART NUMBER	U/M	DESCRIPTION
	000C26-05-249	EA	BOLT - HEX - SERRATED FLANGE - 5/16-18 X 1 1/2
	000C26-06-28B	EA	BOLT - HEX - SERRATED FLANGE - 3/8-16 X 1 3/4 - ZINC
	000C26-06-20B	EA	BOLT - HEX - SERRATED FLANGE - 3/8-16 X 1 1/4 - ZINC
	000C26-06-12B	EA	BOLT - HEX - SERRATED FLANGE - 3/8-16 X 3/4 - ZINC
	000C26-06-40B	EA	BOLT - HEX - SERRATED FLANGE - 3/8-16 X 2 1/2 - ZINC
	000C26-08-24B	EA	BOLT - HEX - SERRATED FLANGE - 1/2-13 X 1 1/2 - ZINC
	000C27-04-40B	EA	BOLT - CARRIAGE - 1/4-20 X 2 1/2 - ZINC
	000C27-05-44I	EA	BOLT-CARR,5/16-18X2.75" - BLACK ZINC
	000C27-07-40B	EA	BOLT - CARRIAGE - 7/16-14 X 2 1/2 - GRADE #5
	000D16-07-00B	EA	NUT - HEX - 7/16-14 - ZINC
	000D24-10-00B	EA	NUT - HEX - SELF LOCKING - 10-32 ZINC
	000D28-10-00B	EA	NUT - HEX - W/NYLON LOCK - 10-32 ZINC
	000D29-04-00B	EA	NUT - HEX - SELF LOCKING - 1/4 X 20 - ZINC
	000D29-06-00B	EA	NUT - HEX - W/NYLON LOCK - 3/8-16 - ZINC
	000D29-09-00B	EA	NUT - HEX - SELF LOCKING - 9/16-12 - ZINC
	000D30-07-00B	EA	NUT - HEX LOCK - NYLON 7/16 X 20
	000D34-06-00B	EA	NUT - HEX - LOCKING - 3/8-16 GRADE C - ZINC
	000D39-04-00B	EA	NUT - HEX - LOCKING W/SERRATED FLANGE - 1/4-20 - ZINC
	000D39-05-00B	EA	NUT - HEX - LOCKING W/SERRATED FLANGE - 5/16-18 - ZINC
	000D39-06-00B	EA	NUT - HEX - LOCKING W/SERRATED FLANGE - 3/8-18 - ZINC
	000D39-06-00D	EA	NUT - HEX - LOCKING W/SERRATED FLANGE - 3/8"-16 BLACK
	000D39-07-00B	EA	NUT - HEX - LOCKING W/SERRATED FLANGE - 7/16-14 - ZINC
	000D44-04-00B	EA	NUT - HEX - LOCKING W/SERRATED FLANGE - 1/4-28 - ZINC
	000D44-07-00B	EA	NUT - HEX - LOCKING W/SERRATED FLANGE - 7/16-20 - ZINC
	000D44-08-00B	EA	NUT - HEX - LOCKING W/SERRATED FLANGE - 1/2-20 - ZINC
	000D46-04-00A	EA	NUT - HEX - WELD - 1/4-20 - PLAIN
	000D65-08-00B	EA	NUT - HEX - LOCKING W/SERRATED FLANGE - 8-32 - ZINC
	000D67-10-00B	EA	NUT - HEX - LOCK - 5/8-11 - ZINC
	000D73-08-00C	EA	NUT - HEX FLANGE - 1/2-13
	000D75-09-00B	EA	NUT - HEX LOCKING - 9/16-12 - ZINC
	000D76-06-00B	EA	NUT - HEX FLANGE - 3/8-16
	000E11-04-00F	EA	WASHER - LOCKING - 1/4 MED SPLIT - STAINLESS STEEL
	000E11-07-00B	EA	WASHER - LOCKING - 7/16 MED SPLIT - ZINC
	000E11-08-00B	EA	WASHER - LOCKING - 1/2 MED SPLIT - ZINC
	000E13-17-00B	EA	WASHER - FLAT - 3/8 AR - ZINC
	000E13-18-00B	EA	WASHER - FLAT - 3/8 WIDE - ZINC
	000E13-20-00B	EA	WASHER - FLAT - 7/16 WIDE - ZINC
	000E13-22-00B	EA	WASHER - FLAT - 1/2 WIDE - ZINC
	000E13-26-00B	EA	WASHER - FLAT - 5/8 WIDE - ZINC
	000E14-10-00B	EA	WASHER - LOCKING - #10 EXTERNAL TOOTH - ZINC
	000E16-10-00B	EA	WASHER - HARDENED - 5/8 - FLAT - ZINC
	000G45-05-16B	EA	BOLT - LAG - 5/16-9 X 1 - ZINC
	000G62-08-24B	EA	SCREW - SF/DR - 8-18 X 1 1/2 PFH
	002329-01-000	EA	WASHER-FLAT, 9/32" ID X 5/8" OD - NYLON
	005081-01-000	EA	NUT - SPEED - C-TYPE - #8 SCREW
	040921-03-000	EA	NUT - SPEED - U TYPE - #10
	040921-04-000	EA	NUT - SPEED - U TYPE - #8-.59" LENGTH X .44" WIDTH
	040921-05-000	EA	NUT - SPEED - U-TYPE - 8-.67" X .44" WIDE
	041322-01-000	EA	WASHER - FLANGE - 15/32 ID X 2 3/8 OD - F/SEAT BELT MTG
	044364-01-000	EA	NUT - SPEED - FLAT - RECTANGULAR - SELF LOCKING/ONE PIECE
	044364-02-000	EA	NUT - SPEED - FLAT - ROUND
	044533-01-000	EA	WASHER - PLASTIC - 1 3/8 OD - FOR BUTTONS
	046867-04-000	EA	GROMMET - #0
	046867-05-000	EA	WASHER - #0
	051387-06-000	EA	BOLT - CARRIAGE W/O HOLE - 5/16-18 X 9 1/2 - ZINC
	058716-02-000	EA	WASHER - FLAT NYLON
	058716-03-000	EA	WASHER - FLAT/NYLON - .500 X 1 1/4 X 060
	064081-03-000	EA	NUT - WING 3/8-16 - W/WELD NUT
	077071-01-000	EA	WASHER - FENDER - 3/16 ID X 1 OD
	084406-01-000	EA	NUT - CAPPED - CROSS RECESSED - BLACK - 1/4-20 THD
	087234-01-000	EA	NUT - JACK - 1/4 X 20 THD - MOLLY
	087718-01-000	EA	MONOBOLT - STEEL - 3/16 DIAMETER
	088787-12-000	EA	STUD - WELD - 1/4 - 20 X 1.0 LG - MN
	102333-02-01A	EA	BOLT - CARRIAGE - 1/4-20

SEALANTS & FASTENERS GROUP (CONTINUED)
BOLTS, NUTS AND WASHERS (CONTINUED)

KEY	PART NUMBER	U/M	DESCRIPTION
	102540-02-000	EA	SEAL - SCREW
	103020-02-000	EA	BOLT-U - #8-32 - GRADE 5 ZINC
	106166-01-000	EA	BOLT/COLLARED HANGER - 8-32 X 1
	106956-03-000	EA	BOLT - HEX TAP - 1/2-12NC X 3 - GRADE 5 - FULL THREAD/ZINC
	106956-08-000	EA	BOLT - HEX TAP - 1/2-13NC X 4 - GRADE 5 - FULL THREAD/ZINC
	107393-02-000	EA	BOLT - SHOULDER - 3/8" SOCKETHEAD
	107397-01-000	EA	WASHER - FENDER - 3/4 ID X 1 OD
	108067-03-000	EA	STUD - WELD - 1/4 - 20 X 1/2 CD
	109235-01-05A	FT	COVER - SCREW - BRIGHT WHITE
	109235-01-01A	FT	COVER - SCREW - MAT BLACK
	109917-03-000	EA	WASHER - 1" X .50"
	109917-04-000	EA	WASHER - 1" X .75"
	113985-02-000	EA	BOLT - FLANGE - M10-1 1/2 X 30CL 10.9
	114259-05-000	EA	BOLT - 7/16-20 X 1 1/4 W/WASHER
	128444-01-000	EA	WASHER - SPRING - CONICAL
	131377-01-000	EA	NUT-HEX HEAD W/WASHER-1/4-20 X 2" STEEL W/3/4" OD WASHER
	135092-01-01A	EA	BOLT - HEX - SERRATED FLANGE - 1/2-20 X 1 3/4-GRADE 5 ZINC
	135092-02-01A	EA	BOLT - HEX - SERRATED FLANGE - 1/2-20 X 2 1/2-GRADE 5 ZINC

SCREWS

KEY	PART NUMBER	U/M	DESCRIPTION
	0G1106-08-240	EA	SCREW - 6-20 X 1/2 PPH - VW LIGHT GRAY
	0G1108-12-240	EA	SCREW - 8-18 X 3/4 PPH - VW LIGHT GRAY
	0G1208-12-170	EA	SCREW - 8-18 X 3/4 POH - BRIGHT WHITE
	0G1306-08-130	EA	SCREW-6-20X1/2 PFH TAUPE
	0G1308-10-240	EA	SCREW - 8-18 X 5/8 PFH - VW LIGHT GRAY
	0G3804-22-180	EA	SCREW - MACHINE - 1/4-20 X 1 3/8 PFH - BLACK
	0G3908-08-160	EA	SCREW - SF/DR - 8-18 X 1/2 PPH - VW WHITE
	0G3908-08-240	EA	SCREW - SF/DR - 8-18 X 1/2 PPH - VW LIGHT GRAY
	0G3908-08-170	EA	SCREW - SF/DR - 8-18 X 1/2 PPH - BRIGHT WHITE
	0G3908-12-250	EA	SCREW - SF/DR - 8-18 X 3/4 PPH - DARK GRAY
	0G3908-12-240	EA	SCREW - SF/DR - 8-18 X .75 PPH - VW LIGHT GRAY
	0G3908-16-170	EA	SCREW - SF/DR - 8-18 X 1 PPH - BRIGHT WHITE
	0G3908-24-170	EA	SCREW - SF/DR - 8-18 X 1 1/2 PPH - BRIGHT WHITE
	0G3910-10-320	EA	SCREW - SF/DR - 10-16 X 5/8 PPH - GLACIER
	0G3910-10-240	EA	SCREW - SF/DR - 10-16 X 5/8 PPH - VW LIGHT GRAY
	0G3910-10-330	EA	SCREW - SF/DR - 20-16 X 5/8 PPH - PUTTY
	0G3910-12-320	EA	SCREW - SF/DR - 10-16 X .75 PPH - GLACIER
	0G3910-12-240	EA	SCREW - SF/DR - 10-16 X .75 PPH - VW LIGHT GRAY
	0G3910-12-170	EA	SCREW - SF/DR - 10-16 X 3/4 PPH - BRIGHT WHITE
	0G5508-12-270	EA	SCREW - SF/DR - 8-18 X 3/4 PWH - TITANIUM
	0G5508-12-260	EA	SCREW - SF/DR - 8-18 X 3/4 PWH - ALLANTE ANTELOPE
	0G5508-12-240	EA	SCREW - SF/DR - 8-18 X 3/4 PWH - VW LIGHT GRAY
	0G5508-12-170	EA	SCREW - SF/DR - 8-18 X 3/4 PWH - BRIGHT WHITE
	0G5508-12-330	EA	SCREW - SF/DR - 8-18 X 3/4 PWH - PUTTY
	0G5508-12-320	EA	SCREW - SF/DR - 8-18 X 3/4 PWH - GLACIER
	0G5508-16-320	EA	SCREW - SF/DR - 8-18 X 1 PWH - GLACIER
	0G5508-16-250	EA	SCREW - SF/DR - 8-18 X 1 PWH - VW DARK GRAY
	0G6008-16-170	EA	SCREW - SF/DR - 8-18 X 1 POH - BRIGHT WHITE
	0G6710-08-240	EA	SCREW - 10-12 X 1/2 PPH TAUPE - VW LIGHT GRAY
	0G6710-08-170	EA	SCREW - 10-12 X 1/2 PPH - BRIGHT WHITE
	0G6710-08-130	EA	SCREW - 10-12 X 1/2 PPH - TAUPE
	0G6710-12-170	EA	SCREW - 10-12 X 3/4 PPH - BRIGHT WHITE
	0G6806-16-170	EA	SCREW - 6-18 X 1 POH - BRIGHT WHITE
	0G6810-24-280	EA	SCREW - 10-12 X 1 1/2 POH - SOFT WHITE
	000C20-04-16A	EA	SCREW - 1/4-20X 1 - FLAT SOCKET HEAD
	000C20-05-28F	EA	SCREW - 5/16-18 X 1 3/4 FLAT SOC - STAINLESS STEEL
	000C20-06-24T	EA	SCREW - 3/8-16 X 1 1/2 - FLAT SOCKET
	000G11-06-10J	EA	SCREW - 6-20 X 5/8 PPH - BRASS
	000G11-06-08B	EA	SCREW - 6-20 X 1/2 PPH - ZINC
	000G11-07-08B	EA	SCREW - 7-19 X 1/2 PPH - ZINC
	000G11-08-12B	EA	SCREW - 8-18 X 3/4 PPH - ZINC
	000G11-08-08T	EA	SCREW - 8-18 X 1/2 PPH - FLUOROCARBON COATING

SEALANTS & FASTENERS GROUP (CONTINUED)
SCREWS (CONTINUED)

KEY	PART NUMBER	U/M	DESCRIPTION
	000G11-08-06B	EA	SCREW - 8-18 X 3/8 PPH - ZINC
	000G11-08-20G	EA	SCREW - 8-18 X 1 1/4 - ANTIQUE BRASS
	000G11-08-20B	EA	SCREW - 8-18 X 1 1/4 PPH - ZINC
	000G11-08-16B	EA	SCREW - 8-18 X 1 PPH - ZINC
	000G11-08-12T	EA	SCREW - 8-18 X 3/4 PPH - BLACK MAGNESIUM
	000G11-08-12P	EA	SCREW - 8-18 X 3/4 PPH - DARK BROWN
	000G11-10-12D	EA	SCREW - 10-16 X 3/4 PPH - BLACK
	000G12-06-12J	EA	SCREW - 6-20 X .75 POH - BRASS
	000G12-06-08T	EA	SCREW - 6-20 X 1/2 POH - BLACK
	000G12-08-12S	EA	SCREW - 8-18 X 3/4 POH - OFF WHITE
	000G13-05-10B	EA	SCREW - 5-12 X 5/8 PFH - ZINC
	000G13-06-08B	EA	SCREW - 6-20 X 1/2 PFH - ZINC
	000G13-06-06I	EA	SCREW - 6-20 X 3/8 PFH - BLACK ZINC
	000G13-06-16J	EA	SCREW - 6-20 X 1 PFH - BRASS
	000G13-06-10J	EA	SCREW - 6-20 X 5/8 PFH - BRASS
	000G13-06-10G	EA	SCREW - 6-20 X 5/8 PFH - ANTIQUE BRASS
	000G13-06-08G	EA	SCREW - 6-20 X 1/2 PFH - ANTIQUE BRASS
	000G13-06-24J	EA	SCREW - 6-20 X 1 1/2 PFH - BRASS
	000G13-07-12B	EA	SCREW - 7-19 X 3/4 PFH - ZINC
	000G13-07-10H	EA	SCREW - 7-19 X 5/8 PFH - BLACK
	000G13-08-10B	EA	SCREW - 8-18 X 5/8 PFH - ZINC
	000G13-08-24B	EA	SCREW - 8-18 X 1 1/2 PFH - ZINC
	000G13-08-16B	EA	SCREW - 8-18 X 1 PFH - ZINC
	000G13-08-109	EA	SCREW - 8-18 X 5/8 PFH
	000G13-10-16I	EA	SCREW - 10-16 X 1 PFH - BLACK
	000G16-04-24B	EA	SCREW - MACHINE - 1/4-20 X 1 1/2 PPH
	000G18-08-22B	EA	SCREW - MACHINE - 8-32 X 1 3/8 PPH - ZINC
	000G18-08-16B	EA	SCREW - MACHINE - 8-32 X 1 PPH - ZINC
	000G18-08-12B	EA	SCREW - MACHINE - 8-32 X 3/4 PPH - ZINC
	000G18-08-24B	EA	SCREW - MACHINE - 8-32 X 1 1/2 PPH - ZINC
	000G19-10-12F	EA	SCREW - MACHINE - 10-32 X 3/4 PPH - STAINLESS STEEL
	000G19-10-10B	EA	SCREW - MACHINE - 10-32 X 5/8 - PPH - ZINC
	000G19-10-08B	EA	SCREW - MACHINE - 10-32 X 1/2 PPH - ZINC
	000G19-10-20B	EA	SCREW - MACHINE - 10-32 X 1 1/2 PPH - ZINC
	000G36-10-12T	EA	SCREW - 10-24X 3/4 PFH TYPE 23 - BLACK
	000G39-06-16T	EA	SCREW - SF/DR - 6-20 X 1 PPH - BLACK
	000G39-06-10T	EA	SCREW - SF/DR - 6-20 X 5/8 PPH - BLACK
	000G39-08-32B	EA	SCREW - SF/DR - 8-18 X 2 PPH - ZINC
	000G39-08-24T	EA	SCREW - SF/DR - 8-18 X 1 1/2 PPH - BLACK
	000G39-08-24S	EA	SCREW - SF/DR - 8-18 X 1 1/2 - OFF WHITE
	000G39-08-24B	EA	SCREW - SF/DR - 8-18 X 1 1/2 PPH - ZINC
	000G39-08-16T	EA	SCREW - SF/DR - 6-20 X 1 PPH - BLACK
	000G39-08-16B	EA	SCREW - SF/DR - 8-18 X 1 PPH - ZINC
	000G39-08-12B	EA	SCREW - SF/DR - 8-18 X 3/4 PPH - ZINC
	000G39-08-08T	EA	SCREW - SF/DR - 8-18 X 1/2 PPH - BLACK
	000G39-08-08S	EA	SCREW - SF/DR - 8-18 X 1/2 PPH - OFF WHITE
	000G39-08-08B	EA	SCREW - SF/DR - 8-18 X 1/2 PPH - ZINC
	000G39-08-06B	EA	SCREW - SF/DR - 8-18 X 3/8 PPH - ZINC
	000G39-10-08B	EA	SCREW - SF/DR - 10-16 X 1/2 PPH - ZINC
	000G39-10-48T	EA	SCREW - SF/DR - 10-16 X 3 PPH - BLACK
	000G39-10-48B	EA	SCREW - SF/DR - 10-16 X 3 - PPH - ZINC
	000G39-10-32B	EA	SCREW - SF/DR - 10-16 X 2 - PPH - ZINC
	000G39-10-20T	EA	SCREW - SF/DR - 10-16 X 1 1/4 PPH - BLACK
	000G39-10-20B	EA	SCREW - SF/DR - 10-16 X 1 1/4 PPH - ZINC
	000G39-10-169	EA	SCREW - SF/DR - 10-16 X 1 PPH - FLUOROCARBON SILVER
	000G39-10-129	EA	SCREW - SF/DR - 10-16 X 3/4 PPH - FLUOROCARBON SILVER
	000G39-10-12T	EA	SCREW - SF/DR - 10-16 X 3/4 - BLACK
	000G39-10-10T	EA	SCREW - SF/DR - 10-16 X 5/8 - BLACK
	000G39-10-10B	EA	SCREW - SF/DR - 10-16 X 5/8 - ZINC
	000G39-12-12E	EA	SCREW - SF/DR - 12-14 X 3/4 PPH - CHROME
	000G42-04-16B	EA	SCREW - SF/DR - 1/4-14 X 1 HWH - ZINC
	000G42-04-24B	EA	SCREW - SF/DR - 1/4-14 X 1 1/2 - ZINC
	000G46-08-24T	EA	SCREW - MACHINE - 8-32 X 1 1/2 PFH - BLACK
	000G50-04-08B	EA	SCREW - MACHINE - 1/4-20 X 1/2 PTH - ZINC

SEALANTS & FASTENERS GROUP (CONTINUED)
SCREWS (CONTINUED)

KEY	PART NUMBER	U/M	DESCRIPTION
	000G51-06-12B	EA	SCREW - 6-20 X 3/4 PTH - ZINC
	000G52-06-05B	EA	SCREW - MACHINE - 6-32 X 5/16 PTH ZINC
	000G52-08-18B	EA	SCREW - MACHINE - 8-32 X 1 1/8 PTH - ZINC
	000G54-04-14B	EA	SCREW - 1/4-20 X 7/8 PTH - TYPE 23 - ZINC PLATED
	000G55-08-16S	EA	SCREW - SF/DR - 8-18 X 1 PWH - WILLOW
	000G55-08-16T	EA	SCREW - SF/DR - 8-18 X 1 PWH - BLACK
	000G55-08-16S	EA	SCREW - SF/DR - 8-18 X 1.00 - PWH - OFF WHITE
	000G55-08-124	EA	SCREW - SF/DR - 8-18 X 3/4 PWH - ASH GRAY
	000G55-08-12M	EA	SCREW - SF/DR - 8-19 X .75 PWH - GRAY
	000G56-12-48B	EA	SCREW - WOOD - 12-11 X 3 POH - SPECIAL HARDENED
	000G57-14-72B	EA	SCREW-14-10-X4 1/2 PFH ZN GENERAL MOTORHOMES
	000G57-14-64B	EA	SCREW - 14-10 X 4 PFH ZINC
	000G60-08-22B	EA	SCREW - SF/DR - 8-18 X 1.38 POH - ZINC
	000G60-08-20F	EA	SCREW - SF/DR - 8-19X1.25 POH
	000G60-08-16E	EA	SCREW - SF/DR - 8-1 X 1 POH - CHROME
	000G60-10-20B	EA	SCREW - SF/DR - 10-16 X 1 1/4 POH - ZINC
	000G60-10-28T	EA	SCREW - SF/DR - 10-16 X 1 3/4 - BLACK
	000G60-10-209	EA	SCREW - SF/DR - 10-16 X 1 1/4 POH - SILVER STALGAARD
	000G67-08-32B	EA	SCREW - 8-15 X 2 PPH - ZINC
	000G67-10-24S	EA	SCREW - 10-12 X 1 1/2 PPH - OFF WHITE
	000G67-10-24B	EA	SCREW - 10-12 X 1 1/2 PPH - ZINC
	000G67-10-20D	EA	SCREW - 10-12 X 1 1/4 PPH - BLACK
	000G67-10-125	EA	SCREW - 10-12 X 3/4 PPH - WILLOW
	000G67-10-12S	EA	SCREW - 10-12 X 3/4 PPH - OFF WHITE
	000G67-10-12P	EA	SCREW - 10-12 X 3/4 PPH - DARK BROWN
	000G67-10-12B	EA	SCREW - 10-12 X 3/4 PPH - ZINC
	000G67-10-10T	EA	SCREW - 10-12 X 5/8 PPH - BLACK
	000G67-10-10S	EA	SCREW - 10-12 X 5/8 PPH - OFF WHITE
	000G67-10-10P	EA	SCREW - 10-12 X 5/8 PPH - DARK BROWN
	000G67-10-10B	EA	SCREW - 10-12 X 5/8 PPH - ZINC - TYPE A
	000G67-10-08B	EA	SCREW - 10-12 X 1/2 PPH - ZINC
	000G67-10-36T	EA	SCREW - 10-12 X 2 1/4 - PPH - BLACK
	000G68-06-12J	EA	SCREW - 6-18 X 3/4 POH - BRASS
	000G68-06-10J	EA	SCREW - 6-18 X 5/8 POH - BRASS
	000G68-06-10G	EA	SCREW - 6-18 X 5/8 POH - ANTIQUE BRASS
	029130-01-000	EA	SCREW - SNAP STUD - #8-16 X 5/8" LONG
	029130-03-000	EA	SCREW - SNAP STUD - #8-16 X 1" LONG
	049465-01-000	EA	SCREW - 10-16 PTH W/WASHER - DARK BROWN
	049465-03-000	EA	SCREW - 10-16 X 1 POH W/WASHER - OFF WHITE
	049465-04-000	EA	SCREW - 10-16 X 1 PTH W/WASHER - BEIGE
	049465-13-000	EA	SCREW-10+16X1 PTH W/WASHER - *ASH GRAY
	049465-17-000	EA	SCREW - 10-16 X 1 POH W/WASHER - BRIGHT WHITE
	049465-23-000	EA	SCREW - 10-16 X 1.5 POH W/WASHER - VW LIGHT GRAY
	054434-03-000	EA	SCREW - SF/DR - 10-16 X 2 - PWH - ZINC - W/O WINGS
	075908-01-000	EA	SCREW - MACHINE - 10-32 X .56 PTH - EXTERNAL TOOTH - ZINC
	076790-01-000	EA	SCREW - 6-20 X 1 1/4 PPH - BLACK
	076790-05-000	EA	SCREW - 6-20 X 1/2 PPH - BLACK - THREAD CUTTING/WOOD
	083554-01-000	EA	SCREW - DRYWALL - 8 X 1 1/4
	083554-04-000	EA	SCREW - DRYWALL - 8 X 2 1/2
	087721-01-000	EA	SCREW - FLAT HEAD - TAPPING - 1/4 X 1 1/4 LONG - ZINC
	090033-02-000	EA	SCREW - 1/4-20 X 5/8 - ROUND WASHER HEAD - OFF/WHITE
	097974-01-000	EA	SCREW - PARTICLE BOARD - 7-9 X 3/4 PPH
	101618-01-000	EA	SCREW - 1/4-20 X 3/4 HEX - TAPPING - STALGARD TYPE F
	110460-05-02A	EA	SCREW - MACHINE - 10-24 X 2 1/2 PFH - WHITE
	113563-01-01A	EA	SCREW - 8 X 5/8 LONG SHOULDER/WASHER HEAD
	117478-01-04A	EA	SCREW - 8-18 X 3/4 PPH W/WASHER - VW LIGHT GRAY
	118383-01-04A	EA	RETAINER/RECESSED - F/.22" SCREW - BRIGHT WHITE
	118383-01-05A	EA	RETAINER/RECESSED - F/.22" SCREW - VW LIGHT GRAY
	118383-01-09A	EA	RETAINER/RECESSED - F/.22" SCREW - GLACIER
	118383-02-09A	EA	RETAINER/RECESSED - F/.27" SCREW - GLACIER
	118383-02-05A	EA	RETAINER/RECESSED - F/.27" SCREW - VW LIGHT GRAY
	118383-03-09A	EA	RETAINER/RECESSED - F/.32" SCREW - GLACIER

SEALANTS & FASTENERS GROUP (CONTINUED)
SCREWS (CONTINUED)

KEY	PART NUMBER	U/M	DESCRIPTION
	118383-04-09A	EA	CAP - F/RECESSED RETAINER - GLACIER
	118383-04-05A	EA	CAP - F/RECESSED RETAINER - VW LIGHT GRAY
	118383-04-04A	EA	CAP - F/RECESSED RETAINER - BRIGHT WHITE
	126458-01-01A	EA	SCREW - 8-18 X 1/2 - PRWH - BLACK
	134126-01-01A	EA	SCREW/NAIL - HEX HEAD - 3/4"
	140040-01-000	EA	SCREW - 1/4-20 X 1 - BUTTON HEAD/SOCKET - W/LOCTITE

CLAMPS, CLIPS, GROMMETS, RIVETS & PLUGS

KEY	PART NUMBER	U/M	DESCRIPTION
	000F10-06-32B	EA	PIN - COTTER - 3/16" X 2" - ZINC
	000H14-06-06R	EA	RIVET-MANDREL BLIND,3/16 AL - CHERRY BSP-66
	000H14-06-03R	EA	RIVET - MANDREL BLIND - 3/16 ALUMINUM
	000H16-04-06R	EA	RIVET - POP ALUMINUM - 1/8 X .313 - .375
	000H16-06-10R	EA	RIVET - POP ALUMINUM - 3/16 X .501-.625
	007161-01-000	EA	CLAMP - HOSE - SPRING TYPE - 1/2"
	010495-01-000	EA	CLAMP - CABLE - 9/16"ID
	010495-02-000	EA	CLAMP - CABLE - 3/8"ID
	010495-04-000	EA	CLAMP - CABLE - 11/16" - WHITE
	010497-01-000	EA	CLAMP - CLOSED - 5/8"ID
	010497-03-000	EA	CLAMP - CLOSED - 1"ID - CUSHIONED
	010497-04-000	EA	CLAMP - CLOSED - 1 5/8"ID
	010497-05-000	EA	CLAMP - CLOSED - 1/2"ID
	010497-07-000	EA	CLAMP - CLOSED - 3/8"ID
	010497-10-000	EA	CLAMP - CLOSED
	010499-01-000	EA	CLAMP - CLOSED - 3/8"ID
	016188-03-000	EA	GROMMET - L/P LINE - 3/8"HOLE X 2 1/2"LONG - RUBBER
	016188-04-000	EA	GROMMET - L/P LINE - 1/2"HOLE X 2 1/2"LONG - RUBBER
	016188-05-000	EA	GROMMET - L/P LINE - 3/8"HOLE X 1 1/4"LONG - RUBBER
	016188-06-000	EA	GROMMET - L/P LINE - 3/8"HOLE X 3 1/4"LONG
	016188-07-000	EA	GROMMET - L/P LINE - 1/2"HOLE X 3 1/4"LONG
	023942-01-000	EA	GROMMET - RUBBER - 2" OD
	034141-02-000	EA	PLUG/NYLON - .38" - BLACK
	061420-04-000	EA	PLUG/PLASTIC - 1 1/4" DIAMETER
	061420-05-000	EA	PLUG/PLASTIC - 1 1/2" DIAMETER
	061420-08-000	EA	PLUG/PLASTIC - 2 1/2" DIAMETER
	061420-09-000	EA	PLUG/PLASTIC - 1.00" - DIAMETER
	061420-10-000	EA	PLUG/PLASTIC - 1 1/2" DIAMETER - BLACK
	061420-14-000	EA	PLUG/PLASTIC - .034" DIAMETER
	061420-15-000	EA	PLUG/PLASTIC - 2" DIAMETER - BLACK
	061420-16-000	EA	PLUG/PLASTIC - 2 1/8" DIAMETER
	062401-01-000	EA	CLAMP - HOSE - WORMGEAR - .25" - 1"
	062401-02-000	EA	CLAMP - HOSE - WORMGEAR - 1.56" - 2.5"
	062401-03-000	EA	CLAMP - HOSE - WORMGEAR - .22" - 1"
	062401-04-000	EA	CLAMP - HOSE - WORMGEAR - .69" - 1.25"
	062401-05-000	EA	CLAMP - HOSE - WORMGEAR - 2" - 3" ID
	062401-06-000	EA	CLAMP - HOSE - WORMGEAR - .22" - .62" ID
	062401-09-000	EA	CLAMP - HOSE - WORMGEAR - 2.8" - 3.75"
	062401-11-000	EA	CLAMP - HOSE - WORMGEAR - 3.50" - 4.50"
	062401-12-000	EA	CLAMP - HOSE - WORMGEAR - .79" X 1.26"
	071015-11-000	EA	GROMMET - RUBBER - 1"ID FITS .12 MATERIAL - BLACK
	071015-19-000	EA	GROMMET - RUBBER - .38 ID - FITS .06 MATERIAL - BLACK
	071015-26-000	EA	GROMMET - RUBBER - 1.5" ID X 2.1" OD W/.06" GROOVE-BLACK
	071015-30-000	EA	GROMMET - RUBBER - .31" ID X .81" OD W/.12" GROOVE-BLACK
	071015-39-000	EA	GROMMET - .75 ID FITS .06 MTL
	071015-41-000	EA	GROMMET - .125 ID FITS .188 MTL
	075148-02-000	EA	CLAMP - GROUNDING - BRONZE SCREWS
	077955-01-000	EA	CLIP/J - 3/8" - VINYL COATED
	080734-02-000	EA	CLIP - WIRE NYLON
	081211-03-000	EA	PLUG/PLASTIC - .50 DIAMETER - BLACK
	081211-04-000	EA	PLUG/PLASTIC - .46 DIAMETER - BLACK

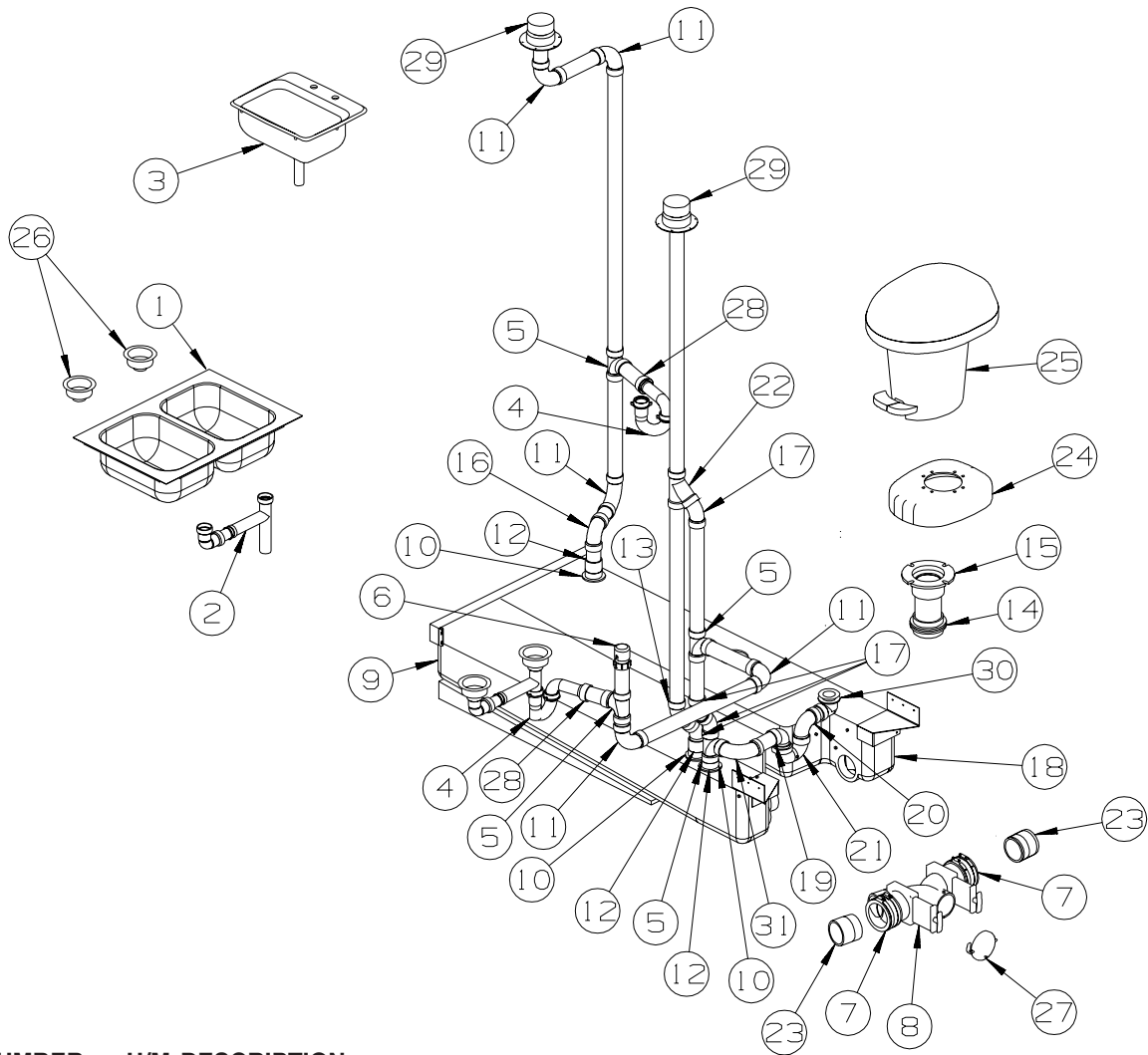
SEALANTS & FASTENERS GROUP (CONTINUED)
CLAMPS, CLIPS, GROMMETS, RIVETS & PLUGS (CONTINUED)

KEY	PART NUMBER	U/M	DESCRIPTION
	083609-01-000	EA	CLAMP - WIRE - DUAL - EQUAL DIAMETERS - 5/8"
	083610-01-000	EA	CLAMP - WIRE - DUAL - UNEQUAL DIAMETERS - 3/4" & 1 1/4"
	083610-02-000	EA	CLAMP - WIRE - DUAL - UNEQUAL DIAMETERS - 3/4" & 2"
	083610-03-000	EA	CLAMP - WIRE - DUAL - EQUAL DIAMETERS - 2"
	088756-01-000	EA	GROMMET - WEB - 1 1/8 " I.D.
	091952-01-000	EA	CLIP - GRIPPER - 1"
	091952-02-000	EA	CLIP - GRIPPER - 3/4"
	094362-02-000	EA	CLIP - XMAS TREE - BINDER HEAD - .9" LONG
	114208-04-000	EA	GROMMET - EDGE LINER - FITS 1"
	114208-05-000	EA	GROMMET - EDGE LINER - FITS 2"
	118626-01-02A	EA	RIVET - POP - ALUMINUM - 3/16 X .08 - .375
	118626-01-01A	EA	RIVET - POP - ALUMINUM - 3/16 X .08 - .375
	118626-02-01A	EA	RIVET - POP - ALUMINUM - 3/16 X .500 - .750
	137014-01-01A	EA	GROMMET - CABLE - ALMOND
	137014-01-02A	EA	GROMMET - CABLE - BROWN
	139118-01-01A	EA	GROMMET - PLASTIC/SCREW
	139118-02-01A	EA	GROMMET - SCREW - PLASTIC
	140171-02-000	EA	CLAMP - HOSE - STEPLESS EAR - .250

MISCELLANEOUS FASTENERS

KEY	PART NUMBER	U/M	DESCRIPTION
	008343-01-000	EA	TIE - WIRE - 6"
	008343-02-000	EA	TIE - WIRE - 14"
	008343-03-000	EA	TIE - WIRE - 7 1/2" - BLACK
	029094-04-000	YD	VELCRO TAPE - LOOP - 1" WIDE - BLACK
	029094-06-000	YD	VELCRO TAPE - LOOP - 2" WIDE - BLACK
	029096-03-000	YD	VELCRO TAPE - HOOK - 1" WIDE - BLACK
	029096-04-000	YD	VELCRO TAPE - HOOK - 1" WIDE - BLACK
	048394-02-000	YD	VELCRO TAPE - HOOK - ADHESIVE BACK - 3/4" WIDE - BEIGE
	085774-01-000	FT	FASTENER - DUAL LOCK - 1" WIDE - ADHESIVE BACK - BLACK
	085774-02-000	FT	FASTENER - DUAL HOOK - 1" WIDE - ADHESIVE BACK - BLACK
	085774-03-000	FT	FASTENER - DUAL LOCK - 1/2" WIDE - ADHESIVE BACK - BLACK
	085774-04-000	FT	FASTENER - DUAL HOOK - 1/2" WIDE - ADHESIVE BACK - BLACK
	088792-02-000	YD	VELCRO TAPE - LOOP - 3/4" - ADHESIVE BACK - BEIGE
	088792-04-000	YD	VELCRO TAPE - HOOK - 5/8" - NON-ADHESIVE BACK - WHITE
	088792-05-000	YD	VELCRO TAPE - LOOP - 5/8" - NON-ADHESIVE BACK - WHITE
	108046-02-000	EA	CABLE TIE - SCREW MOUNT 15"
	110943-02-000	FT	FELT STRIP - 3/8" - ADHESIVE BACK - WHITE
	113133-02-01A	EA	RIVET - POP - ALUMINUM - 3/16 X .252 - .504 - BLACK
	127960-01-01A	EA	RETAINER - 3/8" - STAINLESS STEEL

WATER & SEWAGE GROUP DRAINAGE SYSTEM



KEY	PART NUMBER	U/M	DESCRIPTION
1	104113-01-000	EA	SINK/STAINLESS STEEL/DOUBLE 17.2" X 25.2" X 5.9" CNTR DROP
2	011091-02-000	EA	WASTE - CONTINUOUS - DOUBLE SINK
3*	096927-01-02A	EA	SINK - LAVATORY - RECTANGLE - SOFT WHITE
4	107538-01-000	EA	P-TRAP - PLASTIC - 1 1/4" W/EXTENSION ARM
5	010071-01-000	EA	TEE - SANITARY - 1 1/2" HUB X HUB X HUB - PLASTIC
6	079968-01-000	EA	VENT - MECHANICAL/TRAP ARM - ANTI-SIPHON-2" X 7.3" PLASTIC
7	078406-01-000	EA	COUPLER - RUBBER - W/CLAMPS - 3" X 3"
8	136143-01-000	EA	VALVE - DUAL - 3" X 3"
9	139259-01-01A	EA	TANK - HOLDING - W/O FITTINGS
10	061607-01-000	EA	GROMMET - HOLDING TANK - 1 1/2" NPS
11	010008-01-000	EA	ELBOW - 90 DEGREE - 1 1/2" HUB X HUB - PLASTIC
12	010115-01-000	EA	COUPLING - 1 1/2" HUB X HUB - PLASTIC
13	010006-01-000	EA	ELBOW - 45 DEGREE - 1 1/2" HUB X HUB - PLASTIC
14	061607-02-000	EA	GROMMET - HOLDING TANK - 3" NPS
15	116644-01-000	EA	FLANGE/CLOSET - 4 BOLT X 3" FEMALE
16	034250-01-000	EA	ELBOW - 90 DEGREE - LONG TURN - 1 1/2" HUB X HUB - ABS
17	010051-01-000	EA	ELBOW - 45 DEGREE - 1 1/2" SPIGOT X HUB - PLASTIC
18	139258-01-01A	EA	TANK - HOLDING - W/O FITTINGS
19	131486-01-000	EA	ELBOW - DRAIN - 1 1/2" LOW PROFILE - TUB DRAIN
20	010009-01-000	EA	ELBOW - 90 DEGREE - 1/4 BEND - 1 1/2" PLASTIC
21	037763-01-000	EA	P-TRAP - PLASTIC - 1 1/2" HXH W/UNION
22	010073-01-000	EA	WYE - 45 DEGREE - 1 1/2" HUB X HUB X HUB - PLASTIC
23	010129-03-000	EA	NIPPLE - PLASTIC - 3" X 3" TOE
24	131786-02-01A	EA	SPACER - TOILET - OVAL - 13.5" LONG X 2.8" HIGH - SOFT WHT
25*	131932-02-02A	EA	TOILET - AQUA MAGIC 4 - HIGH - FOOT FLUSH - WHITE
26	092303-01-000	EA	STRAINER - W/BASKET - GALLEY SINK - 4" OD
27*	062415-01-000	EA	CAP - SEWER - 3" DIAMETER
28	109571-01-000	EA	ADAPTER - P-TRAP - 1 1/2" P X 1 1/4" MPT

WATER & SEWAGE GROUP (CONTINUED)
DRAINAGE SYSTEM (CONTINUED)

KEY	PART NUMBER	U/M	DESCRIPTION
29	083558-06-000	EA	VENT - ROOF PLUMBING PIPE - COVERED
30	132150-01-01A	EA	STRAINER - SHOWER DRAIN
	132376-01-01A	EA	GASKET - FOAM - 1 1/2" - TUB STRAINER
			FROM: 00-00-00 THRU: 05-12-02
			FROM: 00-00-00 THRU: 05-12-02
30	066440-01-000	EA	STRAINER - SHOWER DRAIN - W/RUBBER WASHER
			FROM: 05-13-02 THRU: 99-99-99
31	033761-01-000	EA	ELBOW - 90 DEGREE - TURN - 1 1/2" HUB X 1 1/2" SPIGOT
	139513-01-000	EA	HOSE - SEWER - 3" X 10' - W/ADAPTER

***COMPONENT PARTS LISTED LATER IN THIS GROUP**

WATER & SEWAGE GROUP (CONTINUED)
COMPONENT PARTS FOR DRAINAGE SYSTEM

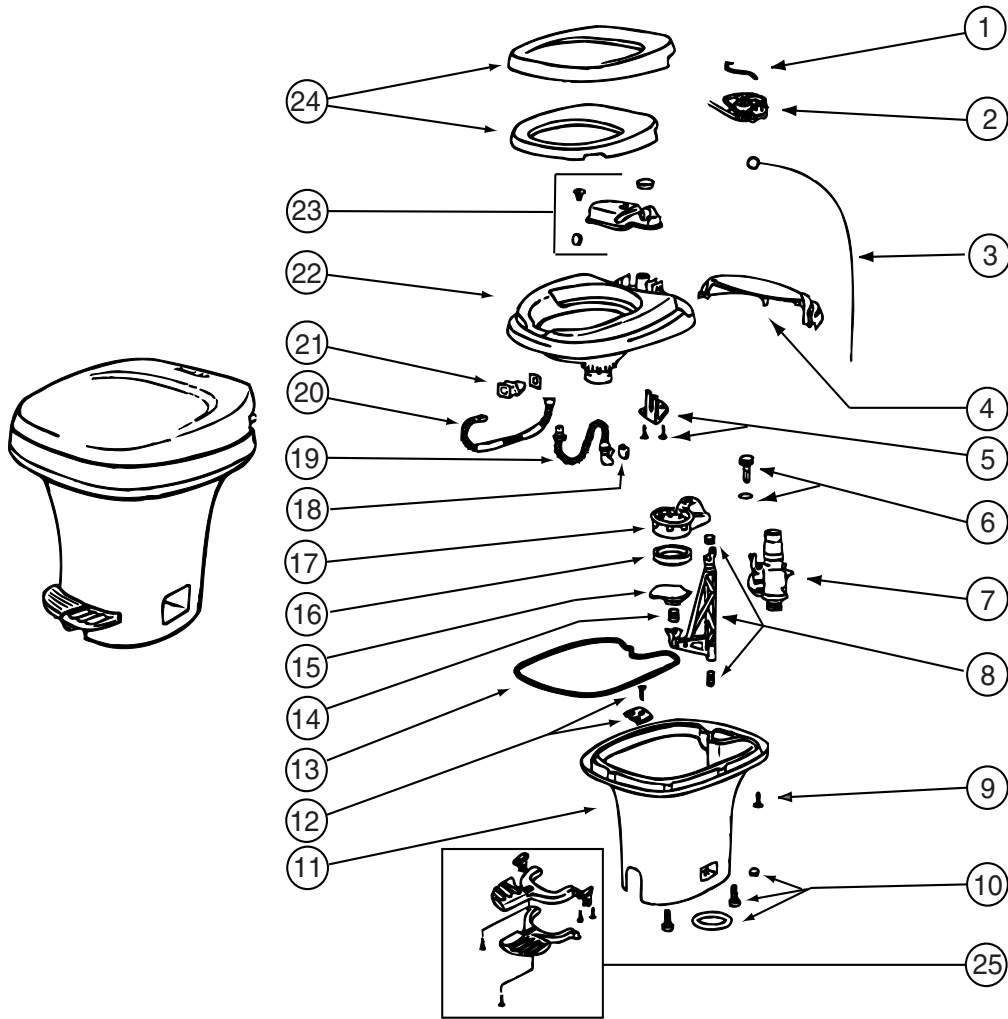
062415-01-000

KEY	PART NUMBER	U/M	DESCRIPTION	VENDOR NO.
	062415-01-700	EA	STRING-SEWER CAP	V#SV7 STRAP

096927-01-02A

KEY	PART NUMBER	U/M	DESCRIPTION	VENDOR NO.
	096927-01-700	EA	SINK STOPPER	M9801
	096927-01-701	EA	TAILPIECE-DRAIN-LAVATORY	M9802

WATER & SEWAGE GROUP (CONTINUED)
COMPONENT PARTS FOR DRAINAGE SYSTEM (CONTINUED)

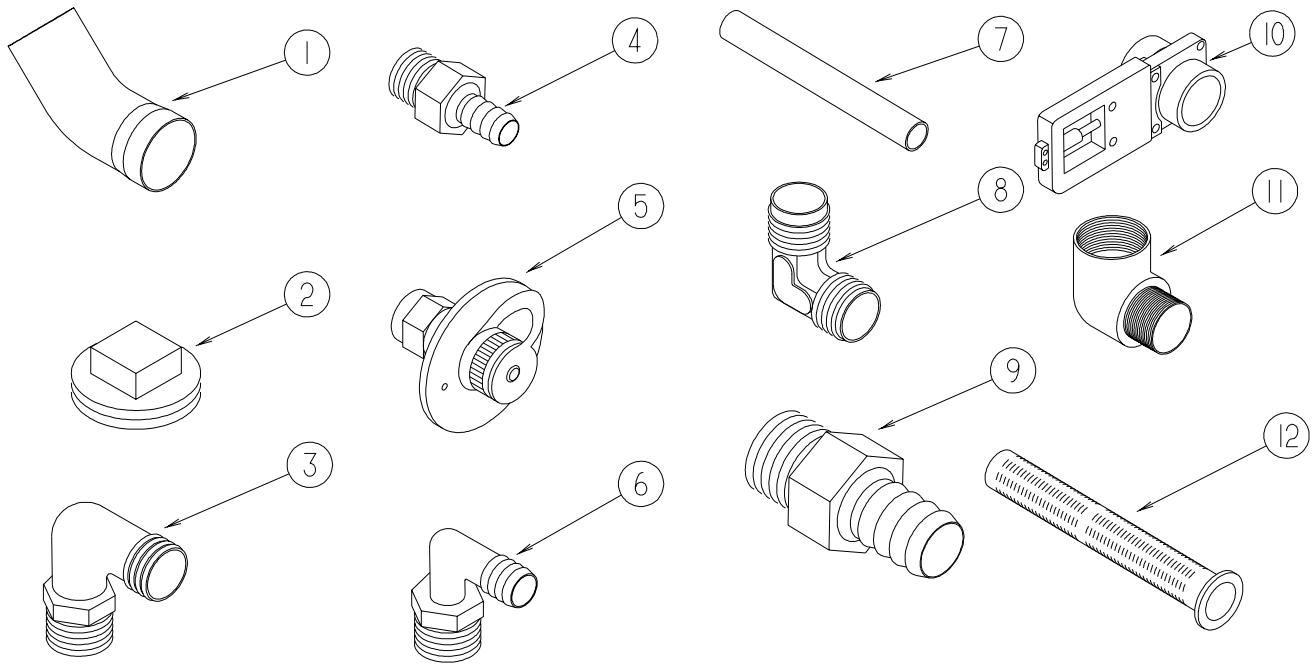


131932-02-02A

KEY	PART NUMBER	U/M	DESCRIPTION	VENDOR NO.
2	063740-02-703	EA	KIT-LEVER/WIRE ASSM FOOT FL	24571
4	131932-02-701	EA	COVER -MECHANISM- WHITE	2086562
7	063740-01-714	EA	VALVE ASM (VALVE-BALL SEAL)	13168
10	063740-01-706	EA	BOLT PACKAGE-FLOOR FLANGE	12524 THETFORD
15	063740-01-721	EA	BLADE ONLY	1248262
16	063740-01-722	EA	SEAL - BLADE	12481
23	063740-02-701	EA	RESERVOIR (TANK ASM.)	24630
24	131932-01-701	EA	SEAT/COVER ASSMBLY - WHITE	2464162
25	131932-02-702	EA	PEDAL PACKAGE(WHITE)	2082162

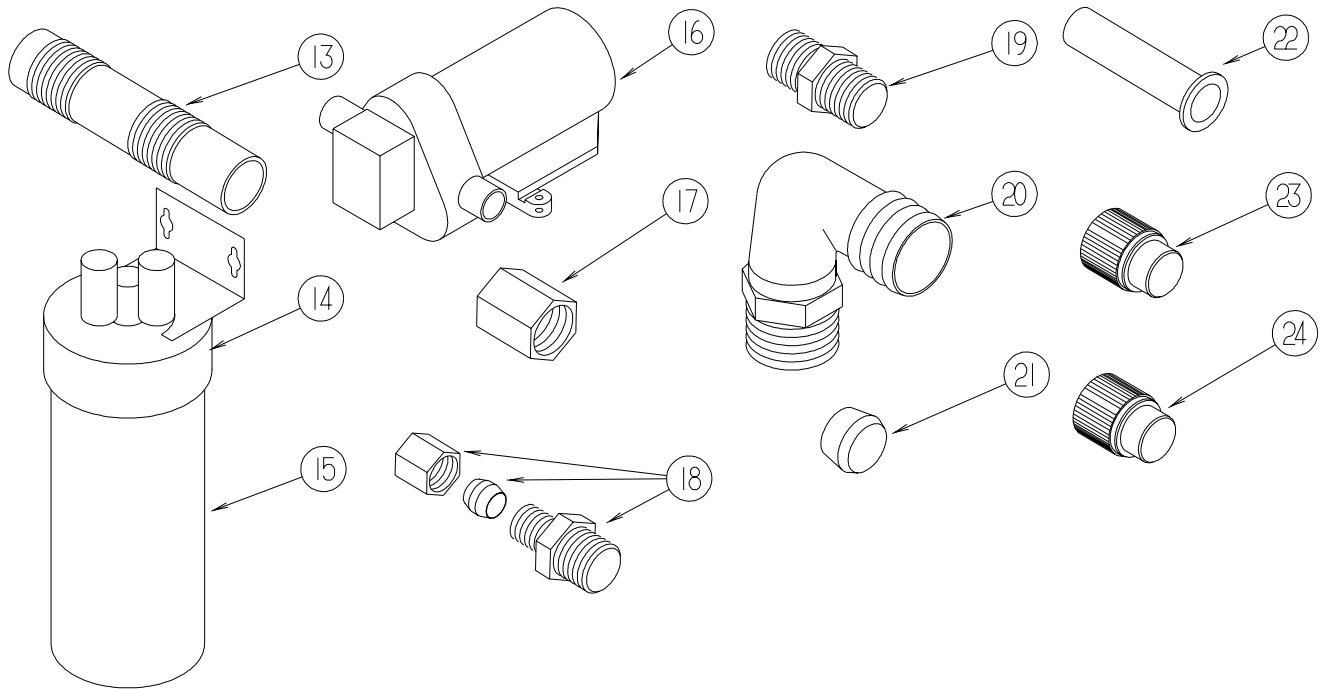
CONTACT WINNEBAGO PART SALES FOR UNLISTED COMPONENT

WATER & SEWAGE GROUP (CONTINUED)
WATER SYSTEM



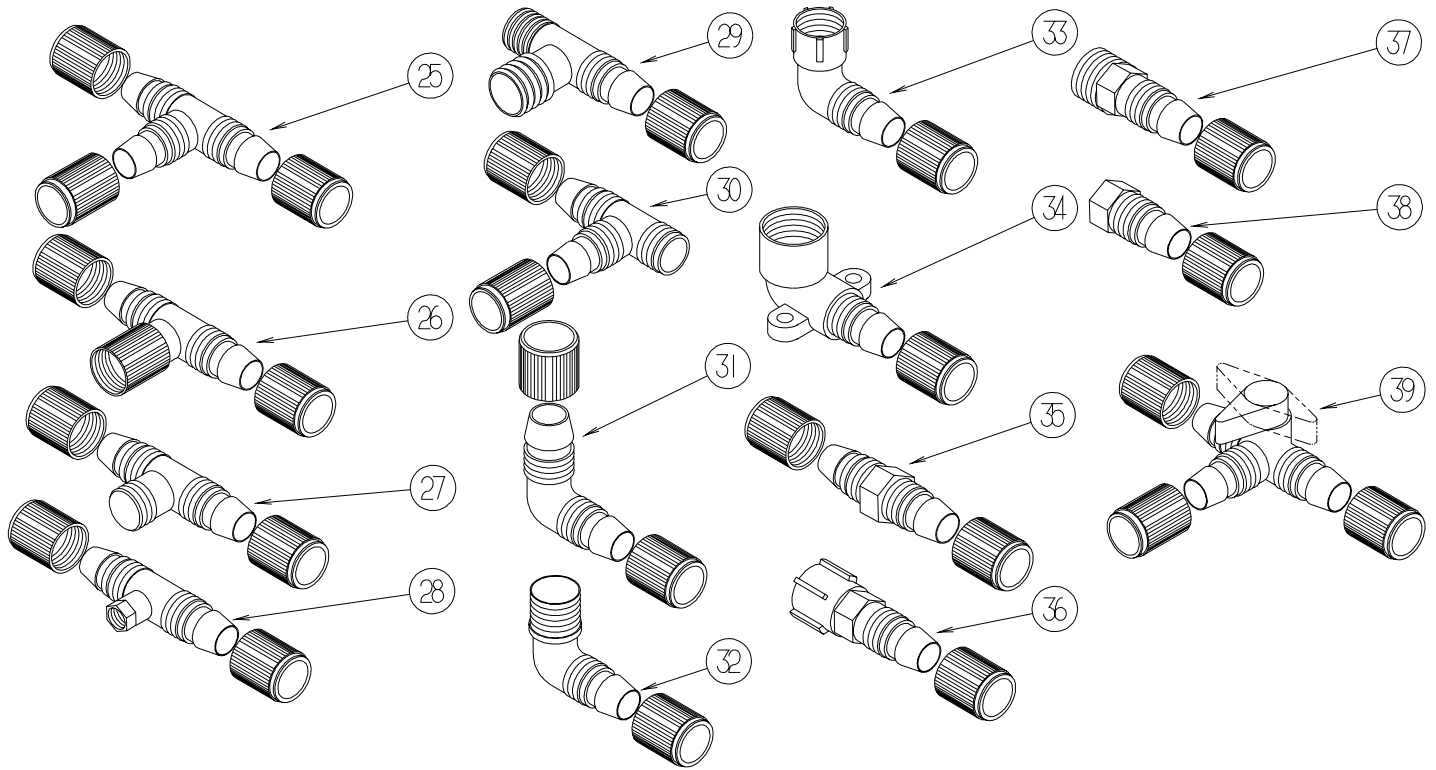
KEY	PART NUMBER	U/M	DESCRIPTION
1	010009-01-000	EA	ELBOW - 90 DEGREE - 1/4 BEND - 1 1/2" PLASTIC
2	010166-01-000	EA	PLUG/THREADED - 1 1/4"MPT - PLASTIC - BLACK - UL
3	010219-01-000	EA	ELBOW - 1 1/4 MPT X 1 1/4 BARB - WATER FILL - PLASTIC
4	010224-01-000	EA	ADAPTER - HOSE TO PIPE - 3/8 MPT X 3/8 BARB - PLASTIC
5	010230-06-000	EA	FILL - CITY WATER - W/CHECK VALVE - MPT - BRUSHED ALUM
6	035539-01-000	EA	ELBOW - 3/8 MPT X 3/8 BARB - PLASTIC
7	039800-04-000	FT	TUBING - POLYBUTYL - 1/4"OD
7	074462-02-000	FT	TUBING - VINYL - 3/8 ID X 20' - CLEAR
7	112176-01-000	FT	TUBING - VINYL - REINFORCED - 1/2" ID
7	124188-01-000	FT	TUBING - PEX - 1/2" ID X 20' - BLUE(COLD)
7	124188-02-000	FT	TUBING - PEX - 1/2" ID X 20' - RED(HOT)
8	039808-03-000	EA	ELBOW - 1/2" MPT X 1/2" MPT - PLASTIC
9	044927-01-000	EA	ADAPTER - HOSE TO PIPE-1 1/4 MPTX1 1/4 BARB-BLACK PLASTIC
10	062421-03-000	EA	VALVE/DUMP W/O HANDLE - 1 1/2" X 1 1/2" HUB
11	065318-02-000	EA	ELBOW - 90 DEGREE - 3/8" MPT TO 3/8" FPT
12	077954-02-000	EA	FILTER - WATER TANK - W/SCREEN IN TANK

WATER & SEWAGE GROUP (CONTINUED)
WATER SYSTEM (CONTINUED)



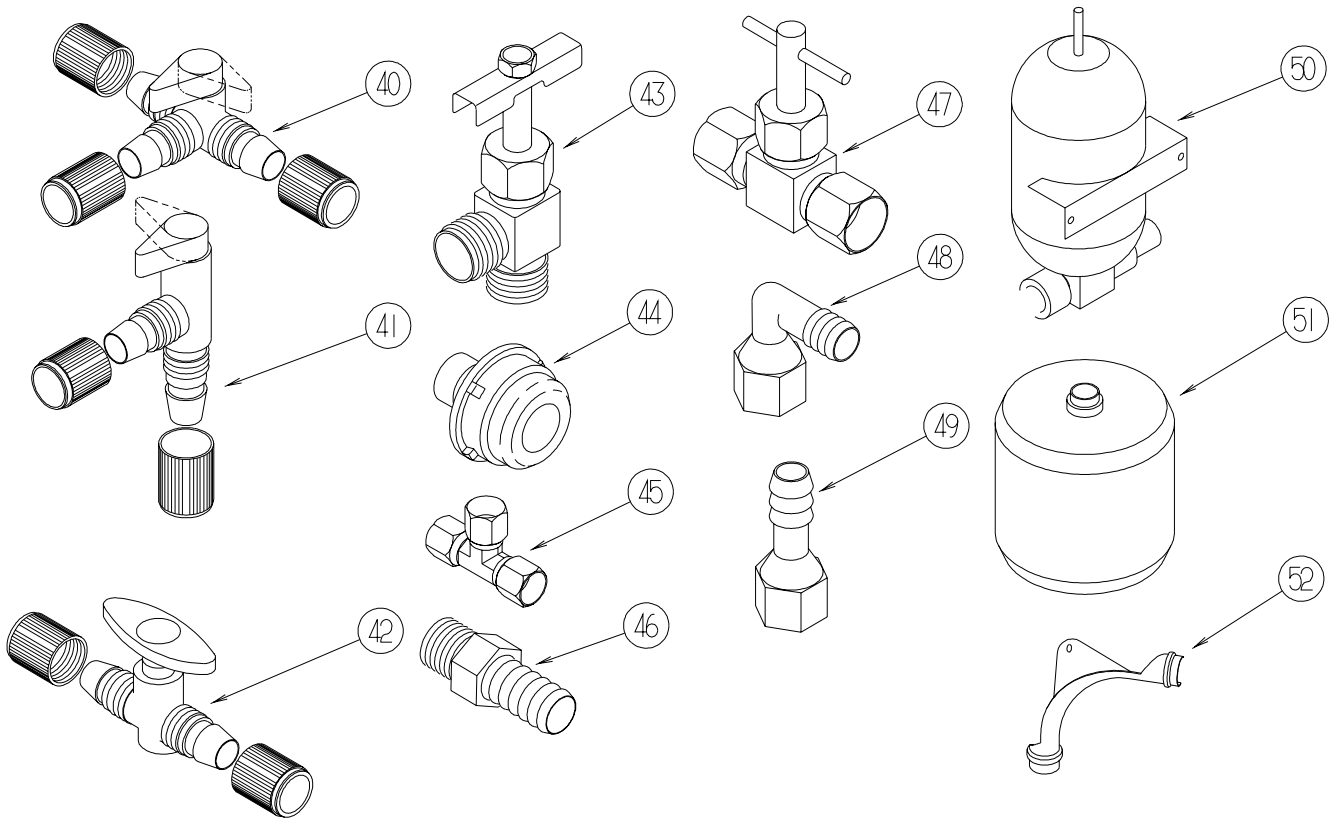
KEY	PART NUMBER	U/M	DESCRIPTION
13	079381-01-000	FT	TUBING - RIBBED FLEXIBLE - WATER FILL - 1.4" ID
14	087200-01-000	EA	FILTER-WATER PURIFICATION, EVERPURE QC2-AC
15	087200-02-000	EA	CARTRIDGE-WATER FILTER, AC - EVERPURE 9601-11
16*	098607-01-000	EA	PUMP - WATER - W/.5" MPT FITTING - FLOW 2.8 GPM
17	101814-01-000	EA	COUPLING - FEMALE - 1/2" X 1/2" FPT - GRAY
18	103798-01-000	EA	CONNECTOR - 1/4 OD X 3/8 MPT
19	110438-02-000	EA	VALVE - CHECK - BRASS - 1/2 MPT X 1/2 MPT
20	111223-02-000	EA	ELBOW - 1/2" MPT X 3/8" BARB - PLASTIC
20	111223-03-000	EA	ELBOW - 3/4" MPT X 1/2" BARB - PLASTIC
20	111223-04-000	EA	ELBOW - 1/2" MPT X 1/2" BARB - PLASTIC
21	111888-01-000	EA	FERRULE - PLASTIC - .250 ID X .375 OD
22	111888-02-000	EA	INSERT - BRASS - 1/4 COMP
23	113697-01-000	EA	CAP - 3/8"P
24	114427-01-000	EA	CAP - 1/2"P

WATER & SEWAGE GROUP (CONTINUED)
WATER SYSTEM (CONTINUED)



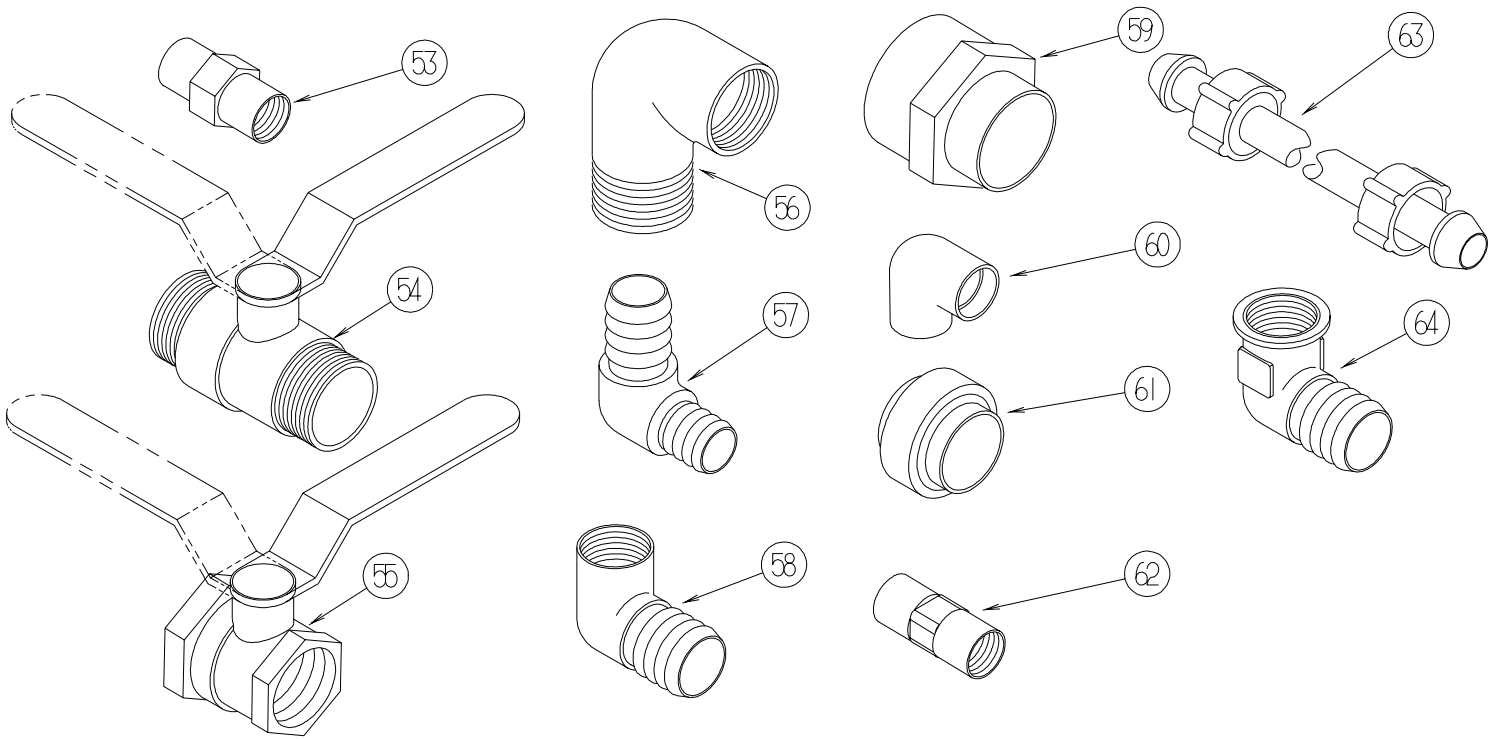
KEY	PART NUMBER	U/M	DESCRIPTION
25	114428-01-000	EA	TEE - 1/2"P X 1/2"P X 1/2"P
26	114428-02-000	EA	TEE - SWIVEL - 1/2"P X 1/2"P X 1/2"FPT
27	114428-03-000	EA	TEE - 1/2"P X 1/2"P X 1/2"MPT
28	114428-04-000	EA	TEE - 1/2"P X 1/2"P X 1/8"FPT
29	114428-06-000	EA	TEE - 1/2" P X 1/2" MPT X 1/2" MPT
30	114428-07-000	EA	TEE - 1/2" P X 1/2" MPT X 1/2" P
31	114429-01-000	EA	ELBOW - 1/2"P X 1/2"P
32	114429-02-000	EA	ELBOW - 1/2"P X 1/2"MPT
32	114429-04-000	EA	ELBOW - 1/2"P X 3/8"MPT
32	114429-05-000	EA	ELBOW - 1/2"P X 3/4"MPT
33	114429-03-000	EA	ELBOW - SWIVEL - 1/2"P X 1/2"FPT
33	114429-06-000	EA	ELBOW - SWIVEL - 1/2"P X 3/4"FPT
33	114429-08-000	EA	ELBOW - SWIVEL - 1/2"P X 1/2"FPT
34	114429-09-000	EA	ELBOW - 1/2"P X 1/2"FPT DROP EAR
35	114430-01-000	EA	ADAPTER - 1/2"P X 1/2"P
36	114430-02-000	EA	ADAPTER - SWIVEL - 1/2"P X 1/2"FPT
37	114430-03-000	EA	ADAPTER - 1/2"P X 1/2"MPT
38	114430-06-000	EA	ADAPTER - 1/2"P X 3/8"FPT
39	114431-01-000	EA	VALVE - 180 DEGREE/CENTER DRAIN - 1/2"P - THREE WAY

WATER & SEWAGE GROUP (CONTINUED)
WATER SYSTEM (CONTINUED)



KEY	PART NUMBER	U/M	DESCRIPTION
40	114431-02-000	EA	VALVE - WATER BYPASS - 1/2"P - THREE WAY (WATER HEATER)
41	114431-03-000	EA	VALVE - 90 DEGREE DRAIN - 1/2"P
42	114431-04-000	EA	VALVE - "INLINE SHUT-OFF" - 1/2"P
43	114431-05-000	EA	VALVE - NEEDLE - 1/8" MPT X 1/4" COMPRESSION (ICE MAKER)
44	114966-01-000	EA	FILTER - IN LINE - TWIST ON - 1/2"
45	118423-01-000	EA	FITTING - BRASS-TEE - 1/4C X 1/4C X 1/4C
46	118809-02-000	EA	ADAPTER - 1/2" MPT X 1/2" BARB - PLASTIC
47	120868-01-000	EA	VALVE - NEEDLE - 1/4" COMPRESSION X 1/4" COMPRESSION
48	123150-01-000	EA	ELBOW - 1/2 FPT X 1/2 BARB - SWIVEL
49	123152-01-000	EA	ADAPTER - 1/2 FPT X 1/2 BARB - SWIVEL
50	123243-01-000	EA	TANK - ACCUMULATOR - 24 OZ
51	123317-01-000	EA	TANK - ACCUMULATOR - 2 GALLON
52	124184-01-000	EA	SUPPORT - WATER LINE - BEND

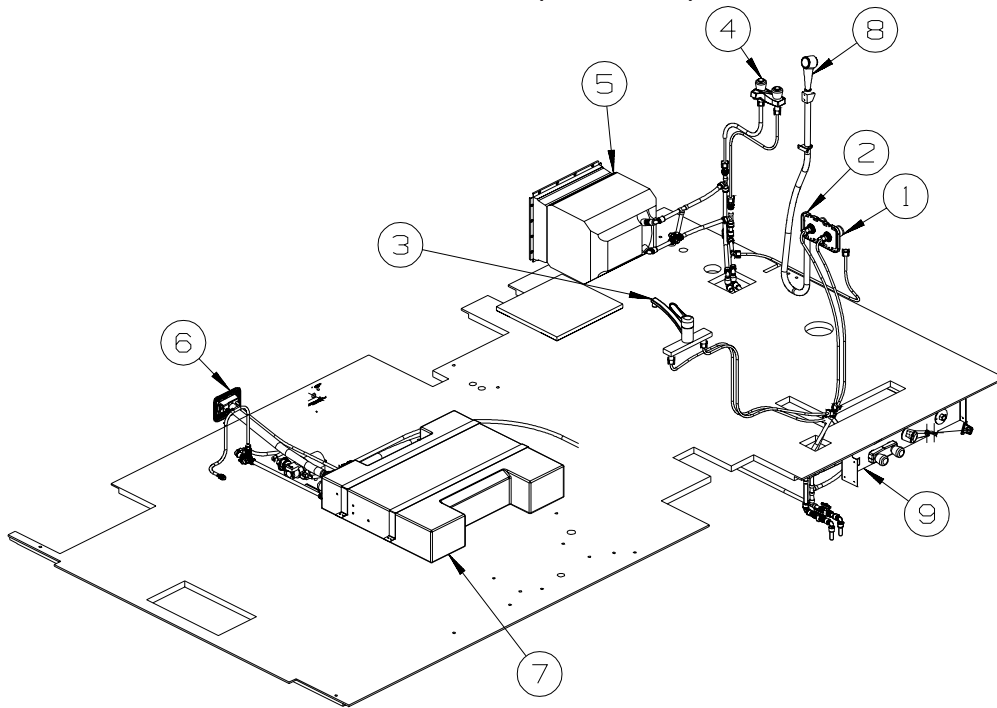
WATER & SEWAGE GROUP (CONTINUED)
WATER SYSTEM (CONTINUED)



KEY	PART NUMBER	U/M	DESCRIPTION
53	132148-01-000	EA	CONNECTOR - 1/2" X 1/2"MPT - BRASS
54	132483-01-000	EA	VALVE/BALL - 1" - THREADED ENDS
55	132483-02-000	EA	VALVE/BALL - 1/2" - BRASS - FPT
56	132484-01-000	EA	ELBOW - 90 DEGREE - 1MPT X 1FPT - PLASTIC
57	132781-01-000	EA	ELBOW - 1.3" BARB X 1.3" BARB - 90 DEGREE - PLASTIC
58	132782-01-000	EA	ELBOW - 1"FPT X 1.3" BARB - 90 DEGREE - PLASTIC
59	133835-01-000	EA	ADAPTER - REDUCING - 1 1/2" X 1 1/4"
60	133837-01-000	EA	ELBOW - 1 1/2" X 90 DEGREE - DOUBLE SLIP
61	133889-01-000	EA	UNION - 1 1/2" DOUBLE SLIP - PVC
62	135386-01-000	EA	NIPPLE - 1/2"
63	140821-01-000	EA	TUBE - WATER SUPPLY - 3/8" X 24"
63	140821-02-000	EA	TUBE - WATER SUPPLY - 3/8" X 30"
63	140821-03-000	EA	TUBE - WATER SUPPLY - 3/8" X 36"
63	140821-04-000	EA	TUBE - WATER SUPPLY - 3/8" X 48"
63	140821-05-000	EA	TUBE - WATER SUPPLY - 3/8" X 54"
63	140821-06-000	EA	TUBE - WATER SUPPLY - 3/8" X 60"
63	140821-07-000	EA	TUBE - WATER SUPPLY - 3/8" X 72"
64	142812-01-000	EA	ELBOW - BRASS - 1/2"MPT X 1/2"FPT

***COMPONENT PARTS LISTED LATER IN THIS GROUP**

WATER & SEWAGE GROUP (CONTINUED)
WATER SYSTEM (CONTINUED)



KEY	PART NUMBER	U/M	DESCRIPTION
1*	075241-06-000	EA	FAUCET - SHOWER/BRIGHT WHITE - 5.5" MPT W?1.9" INLET PIPES
2	075606-03-000	EA	PANEL - FAUCET SHOWER - SOFT WHITE
3*	104114-05-01A	EA	FAUCET - GALLEY - SINGLE CONTROL - CHROME
4*	075240-05-000	EA	FAUCET - LAVATORY/BRASS
5*	051391-03-000	EA	WATER HEATER G6A - 8E ELECTRONIC IGNITION
5	052009-08-000	EA	DOOR - WATER HEATER - VW WHITE
6	137169-01-02A	EA	WATER FILL/GRAVITY - W/DOOR - W/O LOCK - VW WHITE
	137169-02-01A	EA	ADAPTER/LOCK - (WASHER) F/GRAVITY WATERFILL

LOCK ASM USED UP TO 09-15-02

110506-A3-000	EA	LOCK - KEYED
110506-52-000	EA	CASE/CYLINDER - LOCKING - W/O CAM/KEY - .65" - 702370
110506-52-001	EA	CASE/CYLINDER - LOCKING - W/O CAM/KEY - .65" - 702371
110506-52-002	EA	CASE/CYLINDER - LOCKING - W/O CAM/KEY - .65" - 702372
110506-52-003	EA	CASE/CYLINDER - LOCKING - W/O CAM/KEY - .65" - 702373
110506-52-004	EA	CASE/CYLINDER - LOCKING - W/O CAM/KEY - .65" - 702374
110506-52-005	EA	CASE/CYLINDER - LOCKING - W/O CAM/KEY - .65" - 702375
110506-52-006	EA	CASE/CYLINDER - LOCKING - W/O CAM/KEY - .65" - 702376
110506-52-007	EA	CASE/CYLINDER - LOCKING - W/O CAM/KEY - .65" - 702377
110506-52-008	EA	CASE/CYLINDER - LOCKING - W/O CAM/KEY - .65" - 702378
110506-52-009	EA	CASE/CYLINDER - LOCKING - W/O CAM/KEY - .65" - 702379
110506-77-000	EA	CAM - LOCK
110506-59-000	EA	KEY SET
110506-59-001	EA	KEY SET
110506-59-002	EA	KEY SET
110506-59-003	EA	KEY SET
110506-59-004	EA	KEY SET
110506-59-005	EA	KEY SET
110506-59-006	EA	KEY SET
110506-59-007	EA	KEY SET
110506-59-008	EA	KEY SET
110506-59-009	EA	KEY SET

WATER & SEWAGE GROUP (CONTINUED)
WATER SYSTEM (CONTINUED)

KEY PART NUMBER U/M DESCRIPTION

LOCK ASM USED FROM 09-15-02 THRU 01-19-03

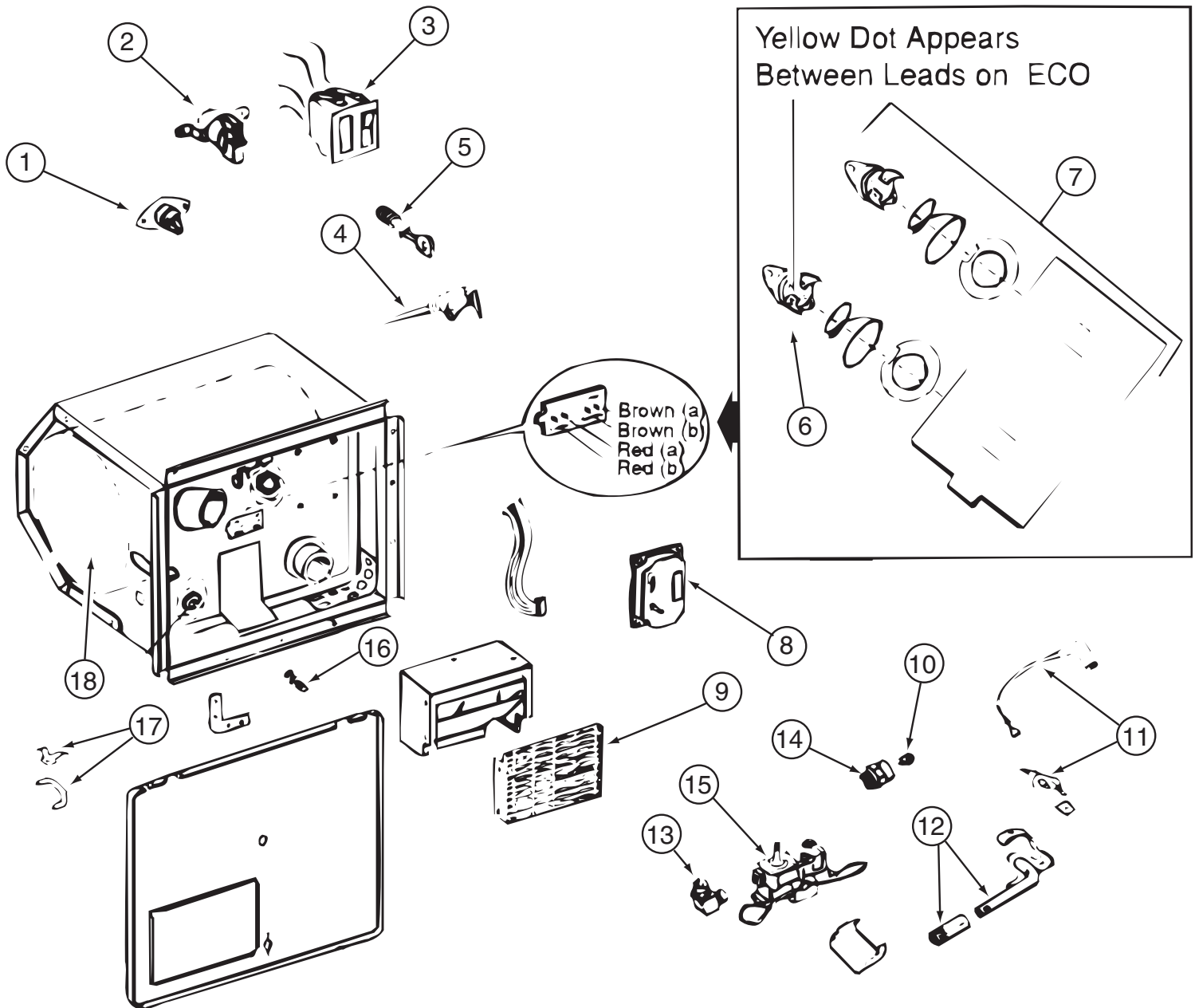
138289-01-000	EA	CYLINDER - LOCKING
138289-02-000	EA	CYLINDER - LOCKING
138289-03-000	EA	CYLINDER - LOCKING
138289-04-000	EA	CYLINDER - LOCKING
138289-05-000	EA	CYLINDER - LOCKING
138289-06-000	EA	CYLINDER - LOCKING
138289-07-000	EA	CYLINDER - LOCKING
138289-08-000	EA	CYLINDER - LOCKING
138289-09-000	EA	CYLINDER - LOCKING
138289-10-000	EA	CYLINDER - LOCKING
138290-03-000	EA	CASE - W/CAM - W/O CYLINDER/KEY
138288-01-000	EA	KEY - REVERSIBLE
138288-02-000	EA	KEY - REVERSIBLE
138288-03-000	EA	KEY - REVERSIBLE
138288-04-000	EA	KEY - REVERSIBLE
138288-05-000	EA	KEY - REVERSIBLE
138288-06-000	EA	KEY - REVERSIBLE
138288-07-000	EA	KEY - REVERSIBLE
138288-08-000	EA	KEY - REVERSIBLE
138288-09-000	EA	KEY - REVERSIBLE
138288-10-000	EA	KEY - REVERSIBLE

LOCK ASM USED FROM 01-20-03 THRU 99-99-99

138637-03-000	EA	LOCK ASM. - KEYED - .9" CASE (CYLINDER/CAM/HDWR PKG)
138637-52-000	EA	CASE/CYLINDER - LOCKING - W/O CAM/KEY - .9"
138637-52-001	EA	CASE/CYLINDER - LOCKING - W/O CAM/KEY - .9"
138637-52-002	EA	CASE/CYLINDER - LOCKING - W/O CAM/KEY - .9"
138637-52-003	EA	CASE/CYLINDER - LOCKING - W/O CAM/KEY - .9"
138637-52-004	EA	CASE/CYLINDER - LOCKING - W/O CAM/KEY - .9"
138637-52-005	EA	CASE/CYLINDER - LOCKING - W/O CAM/KEY - .9"
138637-52-006	EA	CASE/CYLINDER - LOCKING - W/O CAM/KEY - .9"
138637-52-007	EA	CASE/CYLINDER - LOCKING - W/O CAM/KEY - .9"
138637-52-008	EA	CASE/CYLINDER - LOCKING - W/O CAM/KEY - .9"
138637-52-009	EA	CASE/CYLINDER - LOCKING - W/O CAM/KEY - .9"
138637-62-000	EA	CAM - LATCHING - DOG LEG - 1" LONG
138637-51-000	EA	KEY SET
138637-51-001	EA	KEY SET
138637-51-002	EA	KEY SET
138637-51-003	EA	KEY SET
138637-51-004	EA	KEY SET
138637-51-005	EA	KEY SET
138637-51-006	EA	KEY SET
138637-51-007	EA	KEY SET
138637-51-008	EA	KEY SET
138637-51-009	EA	KEY SET

***COMPONENT PARTS LISTED LATER IN THIS GROUP**

WATER & SEWAGE GROUP (CONTINUED)
COMPONENT PARTS FOR WATER SYSTEM



051391-03-000

KEY	PART NUMBER	U/M	DESCRIPTION	VENDOR NO.
3	051393-01-701	EA	SWITCH - REMOTE - W/LIGHT	91959
4	051391-01-704	EA	VALVE-RELIEF, 1/2" FITTING	91604
5	051391-01-705	EA	FASTENER-CAMLOCK	92609
6	051391-04-701	EA	THERMOSTAT 12V DC-120 PRESET	91470
7	051393-01-721	EA	THERMOSTAT W/ECO, 140 FRT MT	91447
9	051391-04-707	EA	KIT-EXHAUST, (FLUE & GASKET)	90960
10	051391-01-710	EA	ORIFICE-MAIN BURNER	92742
12	051391-04-703	EA	BURNER-MAIN/ELECTRONIC	91638
13	051391-01-714	EA	FITTING-ELBOW 45,3/8F X 3/8	MPT 1044
14	051391-03-700	EA	HOLDER-ORIFICE	91563
16	051391-01-715	EA	PLUG-DRAIN, 1 EA = 2 PER PKG	91857
17	051391-01-700	EA	HINGE KIT, (PIN & CLIP)	92568&92559
18	051391-04-706	EA	TANK-INNER,G6A-4E&6E FRT. MT	91641
	051391-01-717	EA	GRILLE-WATER HEATER DOOR	92640
	051393-01-723	EA	SWITCH - THERMAL CUTOUT 2/PK	93866
	051393-01-724	EA	BOARD-CIRCUIT,SPADE TERMINAL	93865
	051393-01-725	EA	ELECTRODE-SGL SPADE CONNECT.	93868
	051393-01-726	EA	VALVE-SOLENOID, W/O BRACKET	93870
	111129-01-711	EA	BRACKET-CORNER, SET OF FOUR	91928

CONTACT WINNEBAGO PARTS SALES FOR UNLISTED COMPONENTS

WATER & SEWAGE GROUP (CONTINUED)
COMPONENT PARTS FOR WATER SYSTEM (CONTINUED)

075240-05-000

KEY	PART NUMBER	U/M	DESCRIPTION	VENDOR NO.
	075240-05-700	EA	CARTRIDGE - WASHERLESS	9-P42

075241-04-000, 075241-05-000, 075241-06-000

KEY	PART NUMBER	U/M	DESCRIPTION	VENDOR NO.
	075240-05-700	EA	CARTRIDGE - WASHERLESS	9-P42

098607-01-000

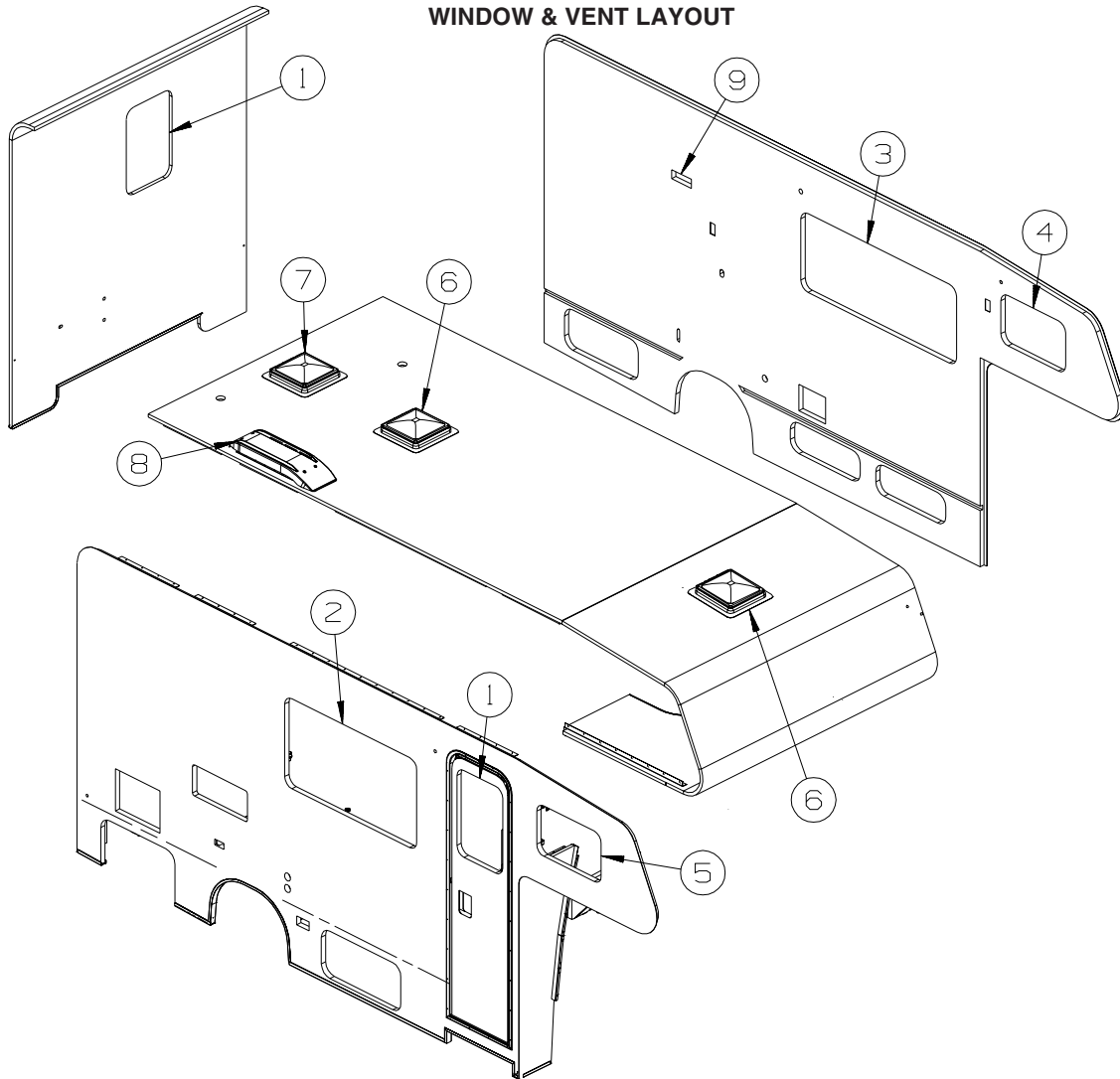
KEY	PART NUMBER	U/M	DESCRIPTION	VENDOR NO.
	098607-01-702	EA	DIAPHRAGM/DRIVE ASSEMBLY KIT	94-238-04
	098607-01-703	EA	VALVE KIT	94-232-00
	098607-01-705	EA	VALVE-CHECK, KIT	94-237-00
	098607-01-706	EA	HOUSING, W/SWITCH ONLY	94-231-20
	098607-01-707	EA	MOTOR W/BASEPLATE	11-148-04

104114-05-01A

KEY	PART NUMBER	U/M	DESCRIPTION	VENDOR NO.
	104114-05-700	EA	CARTRIDGE- REPAIR KIT	6-N1201-5-0WB

WINDOW & VENTS GROUP

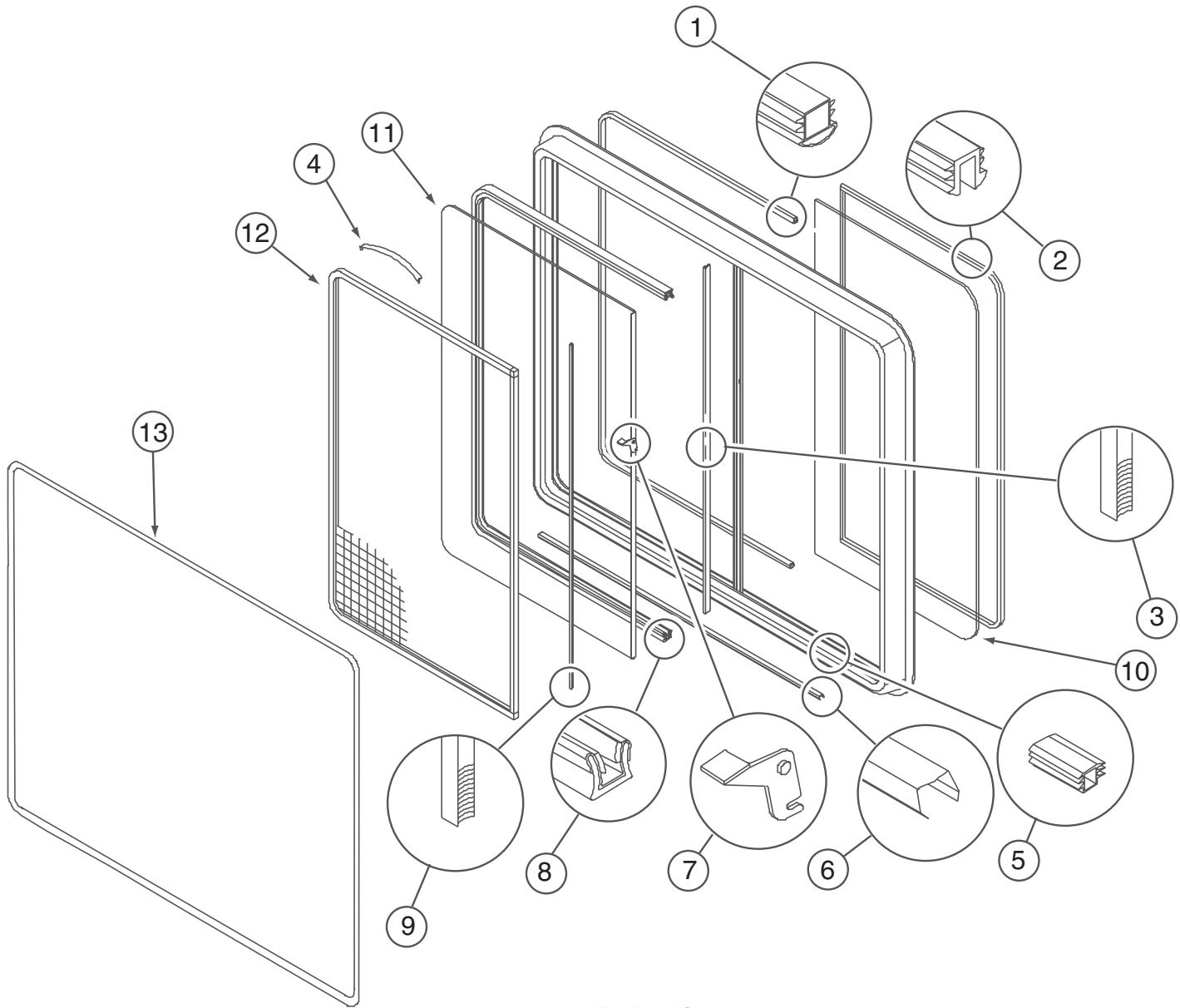
WINDOW & VENT LAYOUT



KEY	PART NUMBER	U/M	DESCRIPTION
1	117053-04-FB1	EA	WINDOW - PICTURE - CLEAR - 17" X 26.4" - W/O RETAINER
	002181-27-000	EA	GLASS - PICTURE WINDOW - 25.8"W X 16.4"H - CLEAR
	087561-01-000	FT	SEAL - GLASS - EXTERIOR - .5" WIDE - VINYL BLACK
1	117054-02-03A	EA	RETAINER - TRIM - BLACK
2*	098647-65-01A	EA	WINDOW - PASSENGER HORIZONTAL SLIDER W/RET - 27.2" X 49"
3*	098647-68-01A	EA	WINDOW - DRIVER HORIZONTAL SLIDER W/RET - 23.8" X 57.7"
4*	098647-67-01A	EA	WINDOW - DRIVER HORIZONTAL SLIDER W/RET - 15.3" X 24"
5*	098647-49-02A	EA	WINDOW - PASSENGER HORIZONTAL SLIDER W/RET - 15.7" X 23.7"
6*	122882-01-01A	EA	VENT - ROOF - NONPOWERED - W/O INSIDE GARNISH
	009440-01-000	EA	GEAR/ARM - LIFT - ROOF VENT COVER
	122882-06-01A	EA	GARNISH - ROOF VENT - 1" TO 2.5"
7*	122882-02-01A	EA	VENT - ROOF - W/FAN - W/O INSIDE GARNISH - UL
	009440-01-000	EA	GEAR/ARM - LIFT - ROOF VENT COVER
	048648-01-000	EA	MOTOR - ROOF VENT - 1/8 SHAFT - 12VOLT
	048649-01-000	EA	FAN BLADE - ROOF VENT - 6 BLADES - 6"
	122882-06-01A	EA	GARNISH - ROOF VENT - 1" TO 2.5"
8	084073-04-000	EA	BASE/VENT - ROOF/REFRIGERATOR - BLACK - NORCOLD
8	084073-07-000	EA	CAP - ROOF/REFRIGERATOR VENT - 10" X 32" - BRIGHT WHITE
9	084878-09-000	EA	VENT - EXHAUST/RANGE HOOD - OFF WHITE
9	084616-08-000	EA	SHROUD/VENT - RANGE HOOD - VW WHITE

***COMPONENT PARTS LISTED LATER IN THIS GROUP**

WINDOW & VENTS GROUP (CONTINUED)
COMPONENT PARTS FOR WINDOWS & VENT LAYOUT



098647-49-02A

KEY	PART NUMBER	U/M	DESCRIPTION	VENDOR NO.
1	098644-01-716	FT	PLUG - FILLER	132-014470
2	098644-01-705	FT	GLAZING - STRIP	132-010231
3	098644-01-706	FT	WEATHERSTRIP - GLASS	171-010668
4	098644-01-713	EA	CLIP - SCREEN - METAL	226-016966
4	125582-01-701	EA	CLIP - SCREEN - PLASTIC	130-0
5	098644-01-719	EA	STOP - SLIDER GLASS	132-014203
6	098644-01-710	FT	TRACK - SCREEN SPACER 12'	132-017135
7	098644-01-700	EA	LATCH - REPAIR KIT (BLACK)	B801-CK
8	098644-01-708	FT	CHANNEL - RUN PIERCED	122-016543
9	098644-01-711	FT	WEATHERSTRIP - SCREEN BLACK	171-016965
10	098647-49-700	EA	GLASS - STATIONARY	096-012066
11	098647-49-701	EA	GLASS-SLIDING W/SASH & LATCH	B969-G8
12	112795-56-702	EA	SCREEN ASM - W/SEALS & CLIPS	410-019414
13	098647-49-702	EA	RETAINER - TRIM	H969-66
	098644-01-717	FT	SPLINE - SCREEN	132-004716

CONTACT WINNEBAGO PART SALES FOR UNLISTED COMPONENTS

WINDOW & VENTS GROUP (CONTINUED)
COMPONENT PARTS FOR WINDOWS & VENT LAYOUT (CONTINUED)

098647-65-01A

KEY	PART NUMBER	U/M	DESCRIPTION	VENDOR NO.
1	098644-01-716	FT	PLUG - FILLER	132-014470
2	098644-01-705	FT	GLAZING - STRIP	132-010231
3	098644-01-706	FT	WEATHERSTRIP - GLASS	171-010668
4	098644-01-713	EA	CLIP - SCREEN - METAL	226-016966
4	125582-01-701	EA	CLIP - SCREEN - PLASTIC	130-0
5	098644-01-719	EA	STOP - SLIDER GLASS	132-014203
6	098644-01-710	FT	TRACK - SCREEN SPACER 12'	132-017135
7	098644-01-700	EA	LATCH - REPAIR KIT (BLACK)	B801-CK
8	098644-01-708	FT	CHANNEL - RUN PIERCED	122-016543
9	098644-01-711	FT	WEATHERSTRIP - SCREEN BLACK	171-016965
10	098647-65-700	EA	GLASS - STATIONARY	096-012066
11	098647-65-701	EA	GLASS-SLIDING W/SASH & LATCH	B969-G8
12	098647-11-704	EA	SCREEN ASM - W/SEALS & CLIPS	410-019414
13	098647-65-702	EA	RETAINER - TRIM	H969-66
	098644-01-717	FT	SPLINE - SCREEN	132-004716

CONTACT WINNEBAGO PART SALES FOR UNLISTED COMPONENTS

098647-67-01A

KEY	PART NUMBER	U/M	DESCRIPTION	VENDOR NO.
1	098644-01-716	FT	PLUG - FILLER	132-014470
2	098644-01-705	FT	GLAZING - STRIP	132-010231
3	098644-01-706	FT	WEATHERSTRIP - GLASS	171-010668
4	098644-01-713	EA	CLIP - SCREEN - METAL	226-016966
4	125582-01-701	EA	CLIP - SCREEN - PLASTIC	130-0
5	098644-01-719	EA	STOP - SLIDER GLASS	132-014203
6	098644-01-710	FT	TRACK - SCREEN SPACER 12'	132-017135
7	098644-01-700	EA	LATCH - REPAIR KIT (BLACK)	B801-CK
8	098644-01-708	FT	CHANNEL - RUN PIERCED	122-016543
9	098644-01-711	FT	WEATHERSTRIP - SCREEN BLACK	171-016965
10	098647-49-700	EA	GLASS - STATIONARY	096-012066
11	098647-67-700	EA	GLASS-SLIDING W/SASH & LATCH	B969-G8
12	112795-56-702	EA	SCREEN ASM - W/SEALS & CLIPS	410-019414
13	112795-56-704	EA	RETAINER - TRIM	H969-66
	098644-01-717	FT	SPLINE - SCREEN	132-004716

CONTACT WINNEBAGO PART SALES FOR UNLISTED COMPONENTS

098647-68-01A

KEY	PART NUMBER	U/M	DESCRIPTION	VENDOR NO.
1	098644-01-716	FT	PLUG - FILLER	132-014470
2	098644-01-705	FT	GLAZING - STRIP	132-010231
3	098644-01-706	FT	WEATHERSTRIP - GLASS	171-010668
4	098644-01-713	EA	CLIP - SCREEN - METAL	226-016966
4	125582-01-701	EA	CLIP - SCREEN - PLASTIC	130-0
5	098644-01-719	EA	STOP - SLIDER GLASS	132-014203
6	098644-01-710	FT	TRACK - SCREEN SPACER 12'	132-017135
7	098644-01-700	EA	LATCH - REPAIR KIT (BLACK)	B801-CK
8	098644-01-708	FT	CHANNEL - RUN PIERCED	122-016543
9	098644-01-711	FT	WEATHERSTRIP - SCREEN BLACK	171-016965
10	098647-68-701	EA	GLASS - STATIONARY	096-029585
11	098647-68-700	EA	GLASS-SLIDING W/SASH & LATCH	
12	098647-47-702	EA	SCREEN ASM - W/SEALS & CLIPS	410-025226
13	098647-47-704	EA	RETAINER - TRIM	H493-66
	098644-01-717	FT	SPLINE - SCREEN	132-004716

WINDOW & VENTS GROUP (CONTINUED)
COMPONENT PARTS FOR WINDOWS & VENT LAYOUT (CONTINUED)

122882-01-01A

KEY	PART NUMBER	U/M	DESCRIPTION	VENDOR NO.
	009440-01-000	EA	GEAR-ARM-ROOF VENT	705221K38
	064470-01-700	EA	COVER - VENT - W/O SLIDE BAR	J7291
	064470-01-701	EA	SLIDE BAR - VENT LID	JRP1291B
	122882-01-701	EA	SCREEN	JRP-1124-B
	122882-01-702	EA	HANDLE - CRANK - WHITE	JRP1031B

122882-02-01A, 122882-03-01A

KEY	PART NUMBER	U/M	DESCRIPTION	VENDOR NO.
	064470-01-700	EA	COVER - VENT - W/O SLIDE BAR	J7291
	009440-01-000	EA	GEAR-ARM-ROOF VENT	705221K38
	048648-01-000	EA	MOTOR-12V NONVENTED 1/8 SFT	
	048649-01-000	EA	FAN-PLAS-6 IN 6 BLADED	
	122882-01-701	EA	SCREEN	JRP-1124-B
	122882-01-702	EA	HANDLE - CRANK - WHITE	JRP1031B
	064470-01-701	EA	SLIDE BAR - VENT LID	JRP1291B
	110051-03-700	EA	SWITCH-BLACK/PUSH BUTTON	27-0164