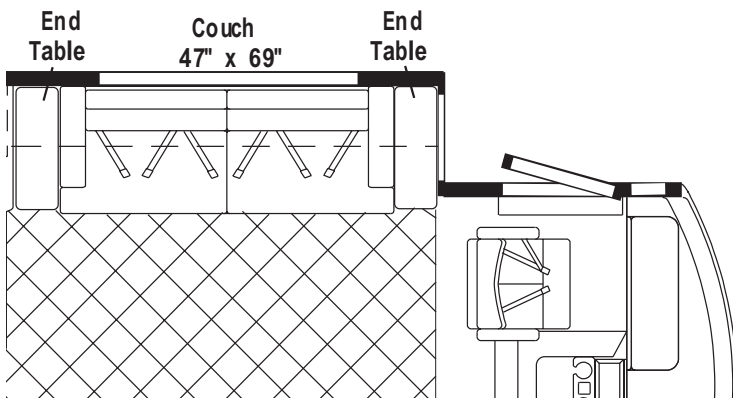


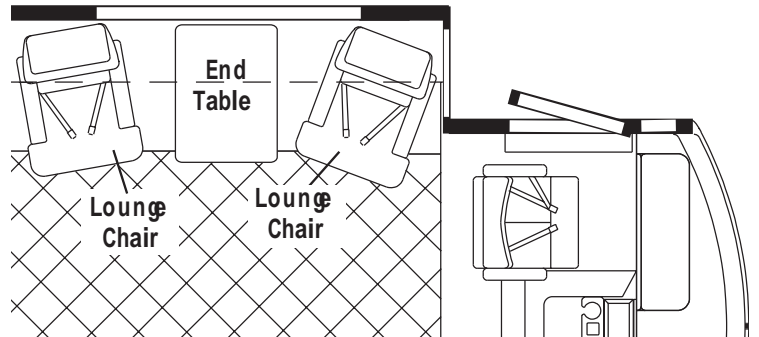
**2003
SUNFLYER
IPL39T
L-SERIES**

- PORTSMOUTH OAK
P69 SIENNA - BEIGE
P71 CORNUCOPIA - AUT. RED
P73 SILVER BROCADE - GRAY
CONCERT CHERRY
P70 SIENNA - BEIGE
P72 CORNUCOPIA - AUT. RED
P74 SILVER BROCADE - GRAY
WASHED MAPLE
P51 SIENNA - BEIGE
P52 CORNUCOPIA - AUT. RED
P53 SILVER BROCADE - GRAY**

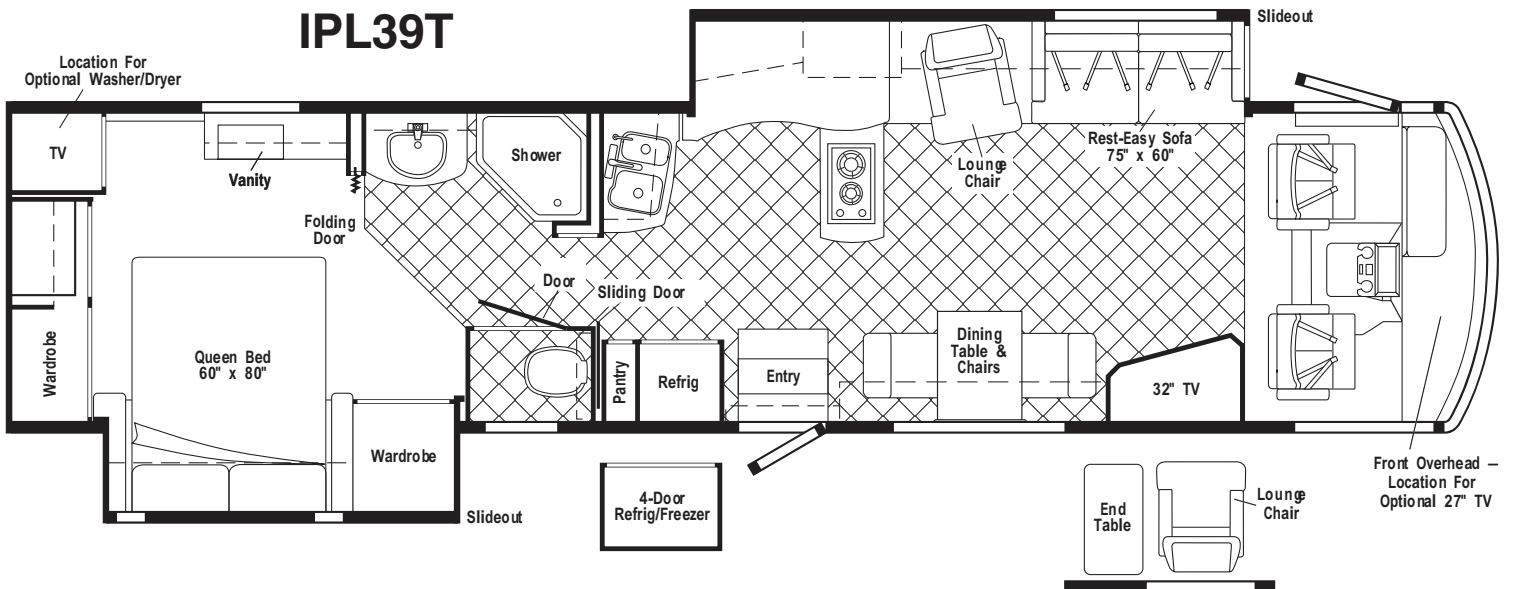
IPL39C



IPL39L



IPL39T



FLOORPLAN

CONTENTS

FLOORPLAN	1
ACCESSORIES GROUP	6
OPERATORS MANUAL	6
APPLIANCE GROUP	7
APPLIANCES	7
COMPONENT PARTS FOR APPLIANCES	14
108186-02-000	14
108186-03-000	14
115504-01-000	14
120075-13-01A, 120075-14-01A, 120075-15-01A	15
125242-02-01A	22
129561-01-01A	31
133004-02-01A	32
AUDIO VIDEO GROUP	33
RADIO SYSTEM	33
COMPONENT PARTS FOR RADIO SYSTEM	34
143509-01-000	34
REAR VIEW MONITOR	35
COMPONENT PARTS FOR REAR VIEW MONITOR	36
093040-10-000	36
TELEPHONE	37
TV & VCR	37
COMPONENT PARTS FOR TV & VCR	38
076319-23-000	38
076319-25-000	38
124075-06-000	39
136764-02-000	39
137135-02-000	40
140061-01-000, 140061-02-000, 140061-03-000	41
141454-01-01A	41
EXTERIOR ENTERTAINMENT	42
BATH GROUP	43
CABINETS	43
SHOWER	47
COMPONENT PARTS FOR SHOWER DOOR	48
139047-01-01A, 139047-01-02A, 139047-02-01A, 139047-02-02A, 139047-03-01A, 139047-03-02A, 139047-04-02A, 139047-04-03A	48
BEDROOM GROUP	49
CABINETS	49
TV & RADIO CABINETS	53
CHASSIS GROUP	54
FRAME	54
COMPONENT PARTS FOR FRAME	56
132643-01-01A, 132643-06-01A, 132643-07-01A, 132643-09-01A	56
FRONT END	57
DRIVETRAIN	58
EXHAUST	59
FUEL	60
HYDRAULIC LEVELING	61
COMPONENT PARTS FOR HYDRAULIC LEVELING	62
100536-48-000	62
131306-30-000	62
WHEEL, TIRE, COVERS &/OR LINERS	63
BRAKELINE	63

CONTENTS (CONTINUED)

CURTAIN & CUSHION GROUP	64
NOTICE	64
CUSHION LAYOUT	65
BUCKET SEATS	67
COMPONENT PARTS FOR BUCKET SEATS	69
081373-03-000	69
LOUNGE CHAIR	70
SOFA	72
COMPONENT PARTS FOR SOFA	75
136534-15-000, 136534-29-000	75
136534-16-000	75
WINDOW TREATMENT	76
HARDWARE	78
ACCESSORIES	80
COMPONENT PARTS FOR ACCESSORIES	81
091990-08-01A	81
FABRICS	82
DINETTE GROUP	84
CABINETS	84
TABLE	85
DRIVERS COMPARTMENT GROUP	86
DASH	86
MOTOR COVER	88
BEVERAGE TRAY	89
FRONT INTERIOR	90
CABINETS	92
ELECTRICAL GROUP	94
12V BODY WIRING	94
FRONT END WIRING	100
COMPONENT PARTS FOR LIGHTS & SWITCHES	103
008089-02-000	103
086280-01-000	103
087694-01-000	103
091937-08-000	103
091937-09-000	103
093575-19-01A	103
097917-01-06A	103
102756-02-000	103
121935-01-01A	103
123775-01-01A	103
136119-01-000	103
137417-01-01A	103
137417-03-01A	103
137417-06-01A	103
137424-01-000	103
CIRCUIT BREAKERS & FUSES	104
CONVERTER, INVERTER, LOAD CENTERS	104
110V WIRING	105
DRIVERS DOOR WIRING	107
COMPONENT PARTS FOR DRIVERS DOOR WIRING	108
108354-01-01A	108
ENTERTAINMENT WIRING	109
BOXES & CORDS	110
WIRE ASSEMBLIES	111
CONNECTORS & CONDUIT	112
BOOTS, SOLENOIDS, RELAYS & MISCELLANEOUS	114

CONTENTS (CONTINUED)

EXTERIOR BODY GROUP	115
AIR HORN	115
COMPONENT PARTS FOR AIR HORN	116
077497-03-000	116
077497-06-000	116
077497-10-000	116
GRAPHICS & PAINT	117
PANELS & TRIMS	119
FRONT END	123
LADDER	126
MIRRORS	126
COMPONENT PARTS FOR MIRRORS	127
106015-18-01A, 106015-19-01A	127
STRUCTURAL COMPONENTS	128
AWNINGS	128
COMPONENT PARTS FOR AWNINGS	129
113874-01-02A	129
EXTERIOR DOORS & COMPARTMENT GROUP	130
DOOR & COMPARTMENT LAYOUT	130
COMPONENT PARTS FOR DOOR & COMPARTMENT LAYOUT	134
084103-08-000	134
094707-03-01A	135
COMPARTMENT DOOR PIECE PARTS	136
DRIVERS	138
COMPONENT PARTS FOR DRIVERS	139
125581-10-01A	139
ENTRY	141
SCREEN	142
LATCH - ENTRY	143
EXTERIOR SLIDEOUT GROUP	144
FRONT LEFT	144
COMPONENT PARTS FOR FRONT LEFT SLIDEOUT	148
100536-42-000	148
143376-01-000	148
143625-01-000	148
143625-02-000	148
143625-03-000	148
REAR RIGHT	149
COMPONENT PARTS FOR REAR RIGHT SLIDEOUT	153
137390-01-000	153
GALLEY GROUP	154
CABINETS	154
DOORS & DRAWERS	157
GENERATOR GROUP	159
GAS	159
HEATING & A/C GROUP	160
AUTOMOTIVE	160
COMPONENT PARTS FOR AUTOMOTIVE	162
103930-46-000	162
103930-47-000	162
103930-55-000	162
FURNACE	163
COMPONENT PARTS FOR FURNACE	164
139980-04-000	164
REAR HEATER	166
COMPONENT PARTS FOR REAR HEATER	167
129205-01-000	167
CENTRAL	168
COMPONENT PARTS FOR CENTRAL	169
105620-12-000	169
105620-15-000	170

CONTENTS (CONTINUED)

INTERIOR FINISH GROUP	171
MOLDINGS & TRIMS	171
PANELING & LAMINATES	175
ACCESSORIES	176
COMPONENT PARTS FOR ACCESSORIES	177
094499-02-000	177
FLOOR COVERINGS	178
HARDWARE	179
LABELS GROUP	185
LP GROUP	210
LP SYSTEM	210
COMPONENT PARTS FOR LP SYSTEM	211
088253-03-000	211
088253-10-000	211
LOUNGE GROUP	212
CABINETS	212
SEALANTS & FASTENERS GROUP	214
SEALANTS & ADHESIVES	214
BOLTS, NUTS AND WASHERS	215
SCREWS	217
CLAMPS, CLIPS, GROMMETS, RIVETS & PLUGS	220
MISCELLANEOUS FASTENERS	221
WATER & SEWAGE GROUP	222
DRAINAGE SYSTEM	222
COMPONENT PARTS FOR DRAINAGE SYSTEM	224
132389-01-01A	224
WATER SYSTEM	225
COMPONENT PARTS FOR WATER SYSTEM	232
051391-05-000	232
075241-04-000, 075241-05-000, 075241-06-000	232
098607-01-000	232
118569-03-000	233
123744-03-01A	233
125420-01-02A, 125420-01-03A, 125420-04-03A	233
129390-03-01A	233
131340-01-01A	233
131340-02-01A	233
141490-01-01A	233
144596-01-01A	233
WINDOW & VENTS GROUP	234
WINDOW & VENT LAYOUT	234
COMPONENT PARTS FOR WINDOW & VENT LAYOUT	235
112795-77-01A	235
112898-26-01A	236
113733-04-01A, 113733-10-01A, 113733-11-01A	236
123780-09-01A	237
129929-10-01A	238
134004-03-01A	239
137867-04-01A	240
139500-01-01A	241
139501-01-01A	242
139502-01-01A	243
WINDSHIELD & WIPER GROUP	244
WINDSHIELD	244
WIPER	245
COMPONENT PARTS FOR WIPER	246
095964-01-000	246
096505-09-000	246
117769-01-000	246

ACCESSORIES GROUP
OPERATORS MANUAL

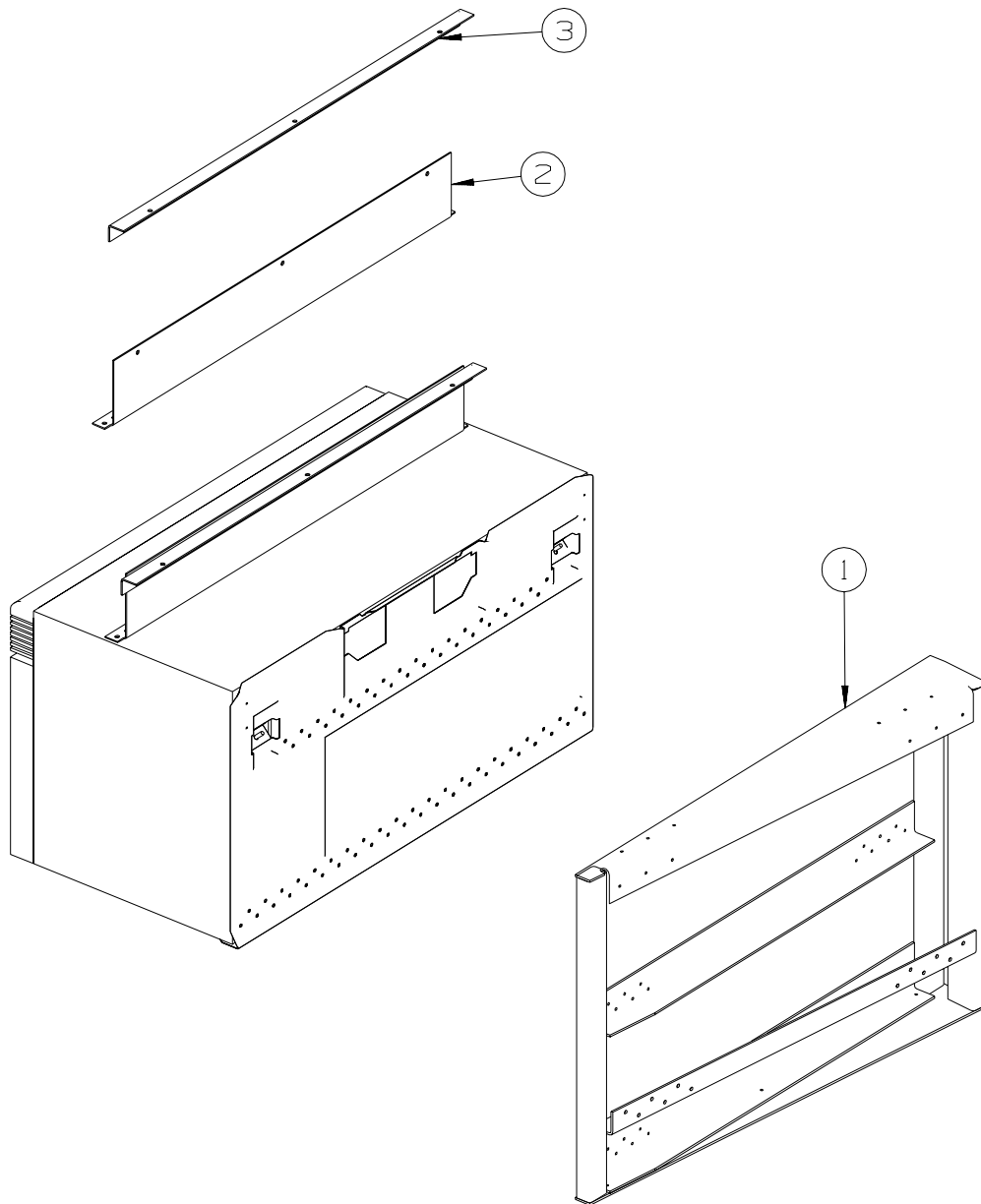
KEY	PART NUMBER	U/M	DESCRIPTION
	129079-04-01A	EA	CASE - VINYL/BLK-EXPANDABLE ACCORDION SIDES-11"WX9"HX14"L
	132000-16-003	EA	MANUAL/OWNER - SUNFLYER - 2003
	142243-01-000	DW	TOP LEVEL - L-SERIES - 2003

APPLIANCE GROUP APPLIANCES

KEY	PART NUMBER	U/M	DESCRIPTION
	107752-04-01A	EA	DISHWASHER - 18" - BLACK
*	108186-02-000	EA	TOOL SET - VACUUM - W/O POWER BRUSH W/30' HOSE
*	108186-03-000	EA	VACUUM CLEANER - BUILT IN
	133139-01-000	EA	VACUUM CLEANER - RECHARGEABLE DUST-BUSTER - BLACK & DECKER
	143733-01-000	EA	VACUUM CLEANER - RECHARGEABLE - EUREKA 79A FROM: 00-00-00 THRU: 10-06-02
	144676-01-000	EA	VACUUM CLEANER - RECHARGEABLE - EUREKA 77A FROM: 10-07-02 THRU: 99-99-99
	108186-05-000	EA	BAG/CANVAS - CADDY W/POCKETS
	108186-06-000	EA	RACK - VACUUM HOSE/CADDY
	108187-01-000	EA	PIPE - 2" X 8' - VACUUM SYSTEM - PVC
	108187-02-000	EA	ELBOW - 90 DEGREE STREET PVC - VACUUM SYSTEM
	108187-08-000	EA	ELBOW - 45 DEGREE - 2"
	108187-04-000	EA	COUPLING - STOP - MALE
	108187-06-000	EA	INLET - REDUCER
	108187-10-000	EA	TEE - 90 DEGREE - TY 2"
*	115504-01-000	EA	PANEL - SOLAR 10 WATT - 12.2"W X 26.9"L X 1.2"H
*	129561-01-01A	EA	PANEL/MONITOR - READ OUT ONLY - HOLDING/WATER TANK
*	133004-02-01A	EA	PANEL - MONITOR - 2 TANK DIGITAL VOLT METER - SOLAR
	119267-05-000	EA	FILTER - HOOD - CHARCOAL - SHARP #RK220 FROM: 00-00-00 THRU: 07-24-02
	119267-05-000	EA	FILTER - HOOD - CHARCOAL - SHARP #RK220 - CANADIAN FROM: 00-00-00 THRU: 08-05-02
	119267-12-01A	EA	OVEN - MICROWAVE/CONVECTION W/HOOD US - #R-1875 - CONVECTION MICROWAVE
	119267-13-01A	EA	OVEN - MICROWAVE/CONVECTION W/HOOD CSA - #R-1875A- CONVECTION MICROWAVE, CANADIAN
	140147-02-01A	EA	OVEN/MICROWAVE - 1.4 CUBIC FT - STAINLESS STEEL FACE - SPEEDCOOK MICROWAVE
	130818-01-01A	EA	TRASH CONTAINER - W/SLIDE-OUT - L39
	130818-02-01A	EA	TRASH CONTAINER - 20 QUART ALMOND - L36W
	133068-01-000	EA	HAIR DRYER - 3 SPEED W/NIGHT LIGHT - WALL MOUNT
	133140-01-000	EA	FLASHLIGHT - RECHARGEABLE - BLACK & DECKER FROM: 00-00-00 THRU: 07-24-02
	143981-01-000	EA	FLASHLIGHT - RECHARGEABLE FROM: 07-25-02 THRU: 99-99-99
	133200-02-01A	EA	RANGE TOP - 2 BURNER W/BLACK GLASS TOP/12V IGNITOR
	138584-01-01A	EA	COFFEE MAKER/CARAFE - BLACK - NO TIMER - KRUPS

***COMPONENT PARTS LISTED LATER IN THIS GROUP**

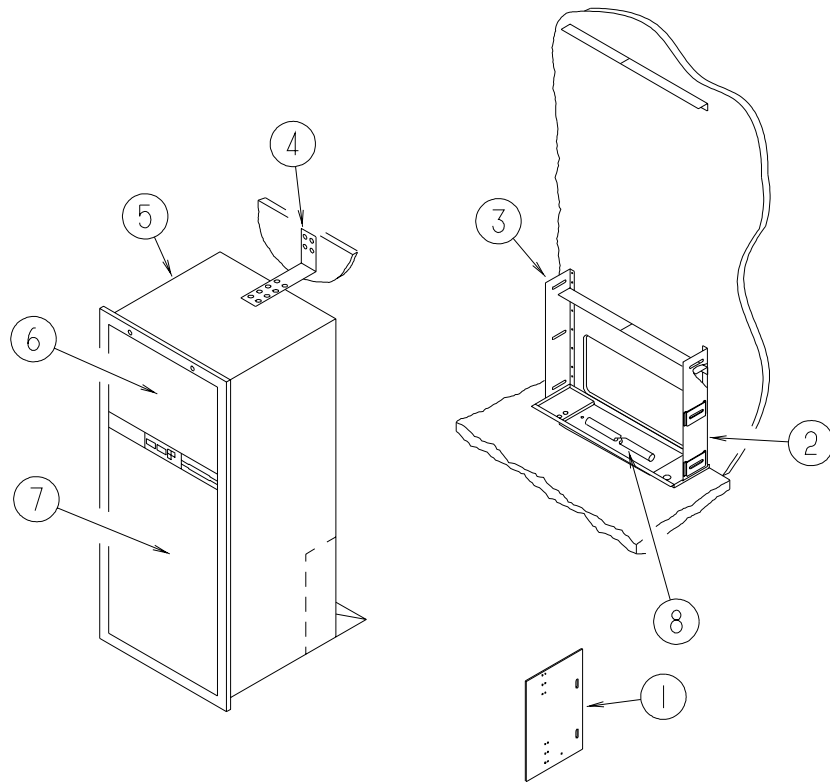
APPLIANCE GROUP (CONTINUED)
APPLIANCES (CONTINUED)



L39

KEY	PART NUMBER	U/M	DESCRIPTION
1	139201-01-02B	EA	BRACKET - MICROWAVE - E-COATED
2	129836-03-02B	EA	ANGLE - W/HOLES - 3.3" X 2.9" X 28.3" - E-COATED - CONVECTION MICROWAVE
2	129836-03-02B	EA	ANGLE - W/HOLES - 3.3" X 2.9" X 28.3" - E-COATED - SPEEDCOOK MICROWAVE
			FROM: 00-00-00 THRU: 05-31-02
2	129836-05-02B	EA	ANGLE - W/HOLES - E-COATED - SPEEDCOOK MICROWAVE
			FROM: 06-01-02 THRU: 99-99-99
3	129836-02-02B	EA	ANGLE - W/HOLES - .7" X 1" X 28.3" - E-COATED

APPLIANCE GROUP (CONTINUED)
APPLIANCES (CONTINUED)

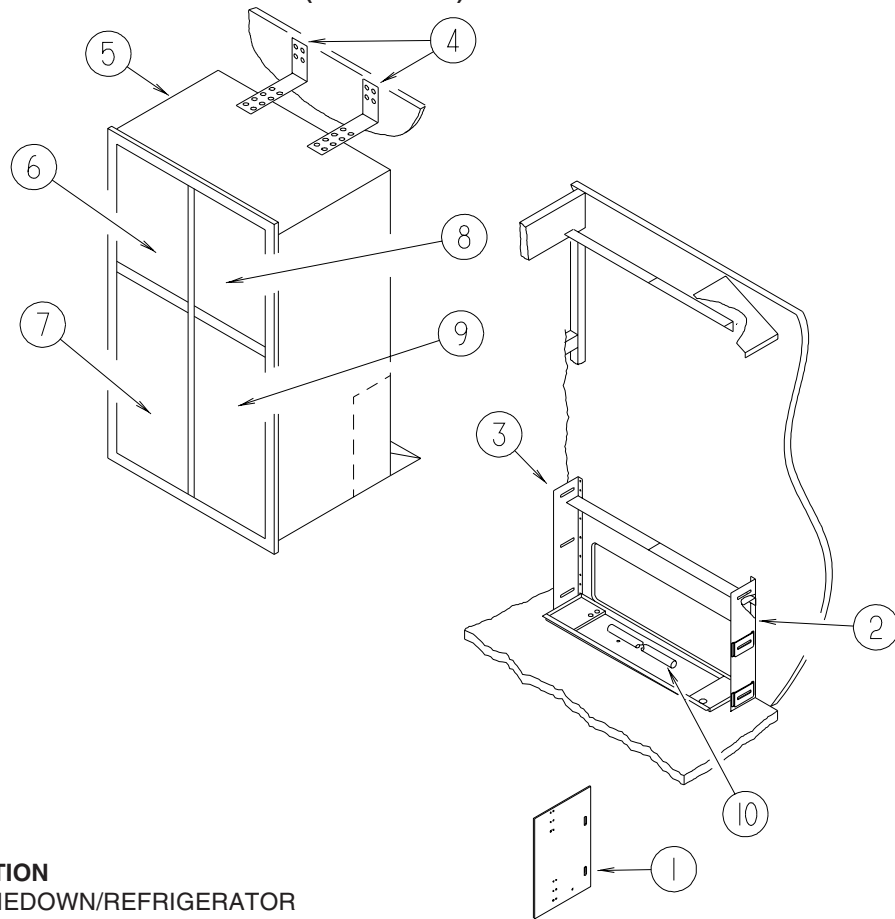


KEY	PART NUMBER	U/M	DESCRIPTION
1	065225-04-000	EA	PLATE - TIEDOWN/REFRIGERATOR
2	093646-01-000	EA	BRACKET - TIEDOWN/REFRIGERATOR - RIGHT HAND
3	093646-02-000	EA	BRACKET - TIEDOWN/REFRIGERATOR - LEFT HAND
4	093369-02-000	EA	STRAP - REFRIGERATOR
5*	120075-13-01A	EA	REFRIGERATOR-LARGE DOUBLE DOOR/RH - 2-WAY -ICE MAKER-BLACK
6	140113-01-P69	EA	PANEL/INSERT - REFRIGERATOR - 22.2" X 15.5" - PORTSMOUTH OAK
6	140113-01-N63	EA	PANEL/INSERT - REFRIGERATOR - 22.2" X 15.5" - CONCERT CHERRY
6	140113-01-N62	EA	PANEL/INSERT - REFRIGERATOR - 22.2" X 15.5" - WASHED MAPLE
7	140113-02-P69	EA	PANEL/INSERT - REFRIGERATOR - 22.2" X 39.5" - PORTSMOUTH OAK
7	140113-02-N63	EA	PANEL/INSERT - REFRIGERATOR - 22.2" X 39.5" - CONCERT CHERRY
7	140113-02-N62	EA	PANEL/INSERT - REFRIGERATOR - 22.2" X 39.5" - WASHED MAPLE
8	112176-01-000	FT	TUBING - VINYL - REINFORCED - 1/2" ID
	116751-01-01A	EA	TRAY - REFRIGERATOR
	090329-01-000	FT	SEAL/T - REFRIGERATOR CABINET
	054450-01-000	EA	LEVEL - REFRIGERATOR

***COMPONENT PARTS LISTED LATER IN THIS GROUP**

APPLIANCE GROUP (CONTINUED)

APPLIANCES (CONTINUED)



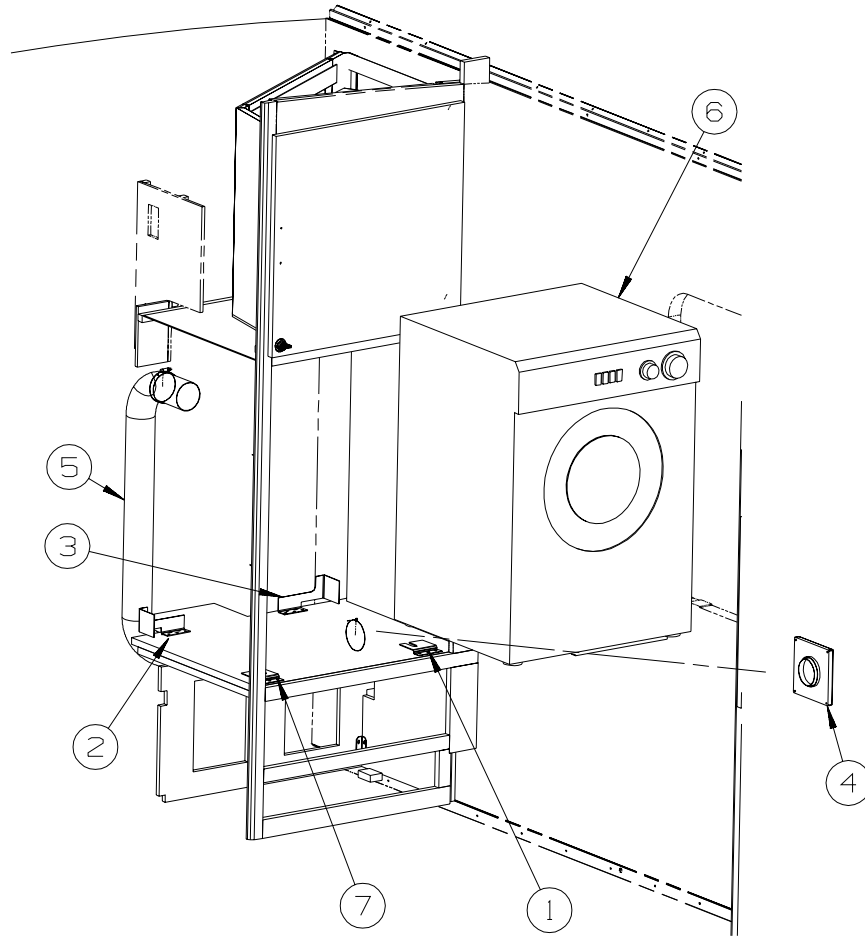
KEY	PART NUMBER	U/M	DESCRIPTION
1	065225-01-000	EA	PLATE - TIEDOWN/REFRIGERATOR
2	093646-01-000	EA	BRACKET - TIEDOWN/REFRIGERATOR - RIGHT HAND
3	093646-02-000	EA	BRACKET - TIEDOWN/REFRIGERATOR - LEFT HAND
4	093369-02-000	EA	STRAP - REFRIGERATOR
5*	125242-02-01A	EA	REFRIGERATOR-4 DR-W/ICE MKR-W/CONTOURED HANDLE-NORCOLD1201
6	140113-03-P69	EA	PANEL/INSERT - REFRIGERATOR - 16.5" X 19.3" - PORTSMOUTH OAK - L39
6	140113-03-P69	EA	PANEL/INSERT - REFRIGERATOR - 16.5" X 19.3" - PORTSMOUTH OAK - L36W
			FROM: 00-00-00 THRU: 08-31-02
6	P34457-01-N75	EA	PANEL - INSERT RAISED MEMBRANE - 16.1" X 18.3" - PORTSMOUTH OAK - L36W
			FROM: 09-01-02 THRU: 99-99-99
6	140113-03-N63	EA	PANEL/INSERT - REFRIGERATOR - 16.5" X 19.3" - CONCERT CHERRY - L39
6	140113-03-N63	EA	PANEL/INSERT - REFRIGERATOR - 16.5" X 19.3" - CONCERT CHERRY - L36W
			FROM: 00-00-00 THRU: 08-31-02
6	P34457-01-LQ1	EA	PANEL - INSERT RAISED MEMBRANE - 16.1" X 18.3" - CONCERT CHERRY - L36W
			FROM: 09-01-02 THRU: 99-99-99
6	140113-03-N62	EA	PANEL/INSERT - REFRIGERATOR - 16.5" X 19.3" - WASHED MAPLE - L39
6	140113-03-N62	EA	PANEL/INSERT - REFRIGERATOR - 16.5" X 19.3" - WASHED MAPLE - L36W
			FROM: 00-00-00 THRU: 08-31-02
6	P34457-01-L94	EA	PANEL - INSERT RAISED MEMBRANE - 16.1" X 18.3" - WASHED MAPLE - L36W
			FROM: 09-01-02 THRU: 99-99-99
7	140113-05-P69	EA	PANEL/INSERT - REFRIGERATOR - 16.5" X 42.1" - PORTSMOUTH OAK - L39
7	140113-05-P69	EA	PANEL/INSERT - REFRIGERATOR - 16.5" X 42.1" - PORTSMOUTH OAK - L36W
			FROM: 00-00-00 THRU: 08-31-02
7	P34457-02-N75	EA	PANEL - INSERT RAISED MEMBRANE - 16.1" X 41.1" - PORTSMOUTH OAK - L36W
			FROM: 09-01-02 THRU: 99-99-99
7	140113-05-N63	EA	PANEL/INSERT - REFRIGERATOR - 16.5" X 42.1" - CONCERT CHERRY - L39
7	140113-05-N63	EA	PANEL/INSERT - REFRIGERATOR - 16.5" X 42.1" - CONCERT CHERRY - L36W
			FROM: 00-00-00 THRU: 08-31-02
7	P34457-02-LQ1	EA	PANEL - INSERT RAISED MEMBRANE - 16.1" X 41.1" - CONCERT CHERRY - L36W
			FROM: 09-01-02 THRU: 99-99-99
7	140113-05-N62	EA	PANEL/INSERT - REFRIGERATOR - 16.5" X 42.1" - WASHED MAPLE - L39
7	140113-05-N62	EA	PANEL/INSERT - REFRIGERATOR - 16.5" X 42.1" - WASHED MAPLE - L36W
			FROM: 00-00-00 THRU: 08-31-02
7	P34457-02-L94	EA	PANEL - INSERT RAISED MEMBRANE - 16.1" X 41.1" - WASHED MAPLE - L36W
			FROM: 09-01-02 THRU: 99-99-99

APPLIANCE GROUP (CONTINUED)
APPLIANCES (CONTINUED)

KEY	PART NUMBER	U/M	DESCRIPTION
8	140113-04-P69	EA	PANEL/INSERT - REFRIGERATOR - 16.5" X 19.3" - PORTSMOUTH OAK - L39
8	140113-04-P69	EA	PANEL/INSERT - REFRIGERATOR - 16.5" X 19.3" - PORTSMOUTH OAK - L36W FROM: 00-00-00 THRU: 08-31-02
8	P34457-01-N75	EA	PANEL - INSERT RAISED MEMBRANE - 16.1" X 18.3" - PORTSMOUTH OAK - L36W FROM: 09-01-02 THRU: 99-99-99
8	140113-04-N63	EA	PANEL/INSERT - REFRIGERATOR - 16.5" X 19.3" - CONCERT CHERRY - L39
8	140113-04-N63	EA	PANEL/INSERT - REFRIGERATOR - 16.5" X 19.3" - CONCERT CHERRY - L36W FROM: 00-00-00 THRU: 08-31-02
8	P34457-01-LQ1	EA	PANEL - INSERT RAISED MEMBRANE - 16.1" X 18.3" - CONCERT CHERRY - L36W FROM: 09-01-02 THRU: 99-99-99
8	140113-04-N62	EA	PANEL/INSERT - REFRIGERATOR - 16.5" X 19.3" - WASHED MAPLE - L39
8	140113-04-N62	EA	PANEL/INSERT - REFRIGERATOR - 16.5" X 19.3" - WASHED MAPLE - L36W FROM: 00-00-00 THRU: 08-31-02
8	P34457-01-L94	EA	PANEL - INSERT RAISED MEMBRANE - 16.1" X 18.3" - WASHED MAPLE - L36W FROM: 09-01-02 THRU: 99-99-99
9	140113-06-P69	EA	PANEL/INSERT - REFRIGERATOR - 16.5" X 42.1" - PORTSMOUTH OAK - L39
9	140113-06-P69	EA	PANEL/INSERT - REFRIGERATOR - 16.5" X 42.1" - PORTSMOUTH OAK - L36W FROM: 00-00-00 THRU: 08-31-02
9	P34457-02-N75	EA	PANEL - INSERT RAISED MEMBRANE - 16.1" X 41.1" - PORTSMOUTH OAK - L36W FROM: 09-01-02 THRU: 99-99-99
9	140113-06-N63	EA	PANEL/INSERT - REFRIGERATOR - 16.5" X 42.1" - CONCERT CHERRY - L39
9	140113-06-N63	EA	PANEL/INSERT - REFRIGERATOR - 16.5" X 42.1" - CONCERT CHERRY - L36W FROM: 00-00-00 THRU: 08-31-02
9	P34457-02-LQ1	EA	PANEL - INSERT RAISED MEMBRANE - 16.1" X 41.1" - CONCERT CHERRY - L36W FROM: 09-01-02 THRU: 99-99-99
9	140113-06-N62	EA	PANEL/INSERT - REFRIGERATOR - 16.5" X 42.1" - WASHED MAPLE - L39
9	140113-06-N62	EA	PANEL/INSERT - REFRIGERATOR - 16.5" X 42.1" - WASHED MAPLE - L36W FROM: 00-00-00 THRU: 08-31-02
9	P34457-02-L94	EA	PANEL - INSERT RAISED MEMBRANE - 16.1" X 41.1" - WASHED MAPLE - L36W FROM: 09-01-02 THRU: 99-99-99
10	112176-01-000	FT	TUBING - VINYL - REINFORCED - 1/2" ID
	090329-01-000	FT	SEAL/T - REFRIGERATOR CABINET
	054450-01-000	EA	LEVEL - REFRIGERATOR
	118871-02-01A	EA	TRAY/PAN - F/SIDE BY SIDE REFRIGERATOR - BLACK - L36W
	137495-02-01A	EA	TRAY/PAN - F/SIDE BY SIDE REFRIGERATOR - BLACK - L39

***COMPONENT PARTS LISTED LATER IN THIS GROUP**

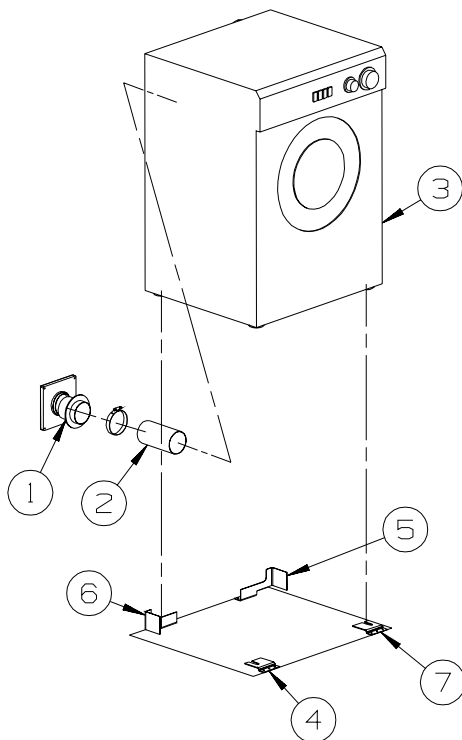
APPLIANCE GROUP (CONTINUED)
APPLIANCES (CONTINUED)



L39

KEY	PART NUMBER	U/M	DESCRIPTION
1	111913-01-01A	EA	BRACKET - WASHER - TIE DOWN FROM: 00-00-00 THRU: 11-10-02
1	111913-02-04B	EA	BRACKET/WASHER - TIE DOWN - BLACK FROM: 11-11-02 THRU: 99-99-99
2	113795-03-02B	EA	BRACKET - WASHER - E-COATED
3	113795-04-02B	EA	BRACKET - WASHER - E-COATED
4	111947-02-01A	EA	VENT - DRYER - 3"
5	116653-02-000	FT	DUCT - FLEXIBLE - 3' COMPRESSED/8' EXTENDED
6	107753-03-01A	EA	WASHER - DRYER - VENTED - UL/CSA - WHITE FROM: 00-00-00 THRU: 10-21-02
6	107753-04-01A	EA	WASHER - DRYER - VENTED - UL/CSA - WHITE FROM: 10-22-02 THRU: 99-99-99
7	111913-01-01A	EA	BRACKET - WASHER - TIE DOWN FROM: 00-00-00 THRU: 11-10-02
7	111913-03-04B	EA	BRACKET/WASHER - TIE DOWN - BLACK FROM: 11-11-02 THRU: 99-99-99

APPLIANCE GROUP (CONTINUED)
APPLIANCES (CONTINUED)



L36W

KEY	PART NUMBER	U/M	DESCRIPTION
1	111947-02-01A	EA	VENT - DRYER - 3"
2	116653-02-000	FT	DUCT - FLEXIBLE - 3' COMPRESSED/8' EXTENDED
3	107753-03-01A	EA	WASHER - DRYER - VENTED - UL/CSA - WHITE
			FROM: 00-00-00 THRU: 10-21-02
3	107753-04-01A	EA	WASHER - DRYER - VENTED - UL/CSA - WHITE
			FROM: 10-22-02 THRU: 99-99-99
4	111913-01-01A	EA	BRACKET - WASHER - TIE DOWN
			FROM: 00-00-00 THRU: 11-10-02
4	111913-02-04B	EA	BRACKET/WASHER - TIE DOWN - BLACK
			FROM: 11-11-02 THRU: 99-99-99
5	113795-03-02B	EA	BRACKET - WASHER - E-COATED
6	113795-04-02B	EA	BRACKET - WASHER - E-COATED
7	111913-01-01A	EA	BRACKET - WASHER - TIE DOWN
			FROM: 00-00-00 THRU: 11-10-02
7	111913-03-04B	EA	BRACKET/WASHER - TIE DOWN - BLACK
			FROM: 11-11-02 THRU: 99-99-99

APPLIANCE GROUP (CONTINUED)
COMPONENT PARTS FOR APPLIANCES

108186-02-000

KEY	PART NUMBER	U/M	DESCRIPTION	VENDOR NO.
	092304-02-702	EA	TOOL-RUG	4982
	092304-02-707	EA	TOOL-UPHOLSTERY	7029
	092304-02-708	EA	WAND-PLASTIC	4978
	092304-02-709	EA	HOSE ASM., 30' COMPLETE	4988-30-G

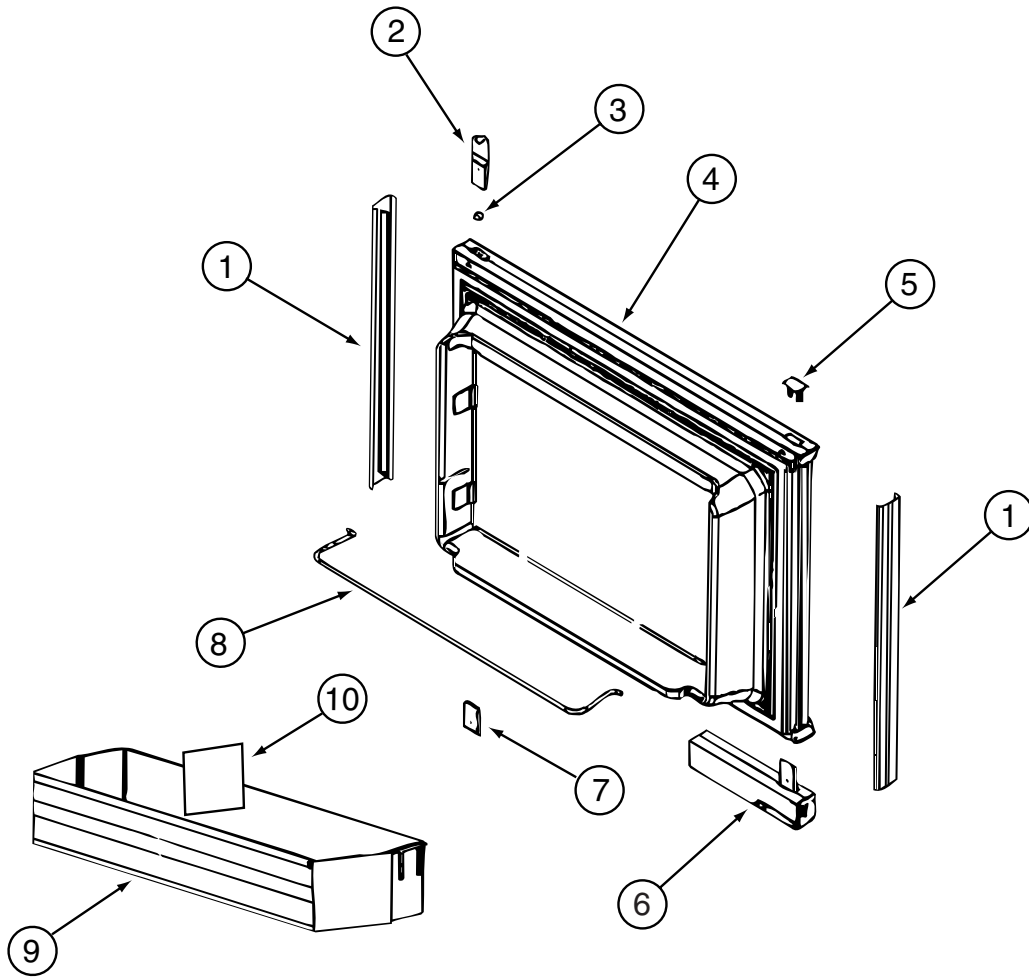
108186-03-000

KEY	PART NUMBER	U/M	DESCRIPTION	VENDOR NO.
	092304-02-700	EA	BRUSH-POWER, VACUUM (RUGRAT)	6970
	092304-02-702	EA	TOOL-RUG	4982
	092304-02-707	EA	TOOL-UPHOLSTERY	7029
	092304-02-708	EA	WAND-PLASTIC	4978
	092304-02-709	EA	HOSE ASM., 30' COMPLETE	4988-30-G
	092304-02-710	EA	SECONDARY FILTER	4929
	108186-03-700	EA	PAPER BAG - 3-PKG	7767
	108186-03-701	EA	MOTOR F/RV2000	7756
	108186-03-702	EA	REDUCER	5531
	108186-03-703	EA	VALVE - INLET - WHITE	4935
	108186-03-704	EA	BRUSH - TURBINE (HAND HELD)	7834-B

115504-01-000

KEY	PART NUMBER	U/M	DESCRIPTION	VENDOR NO.
	115504-01-700	EA	PLUG & CABLE, 10 WATT PANEL	600-016

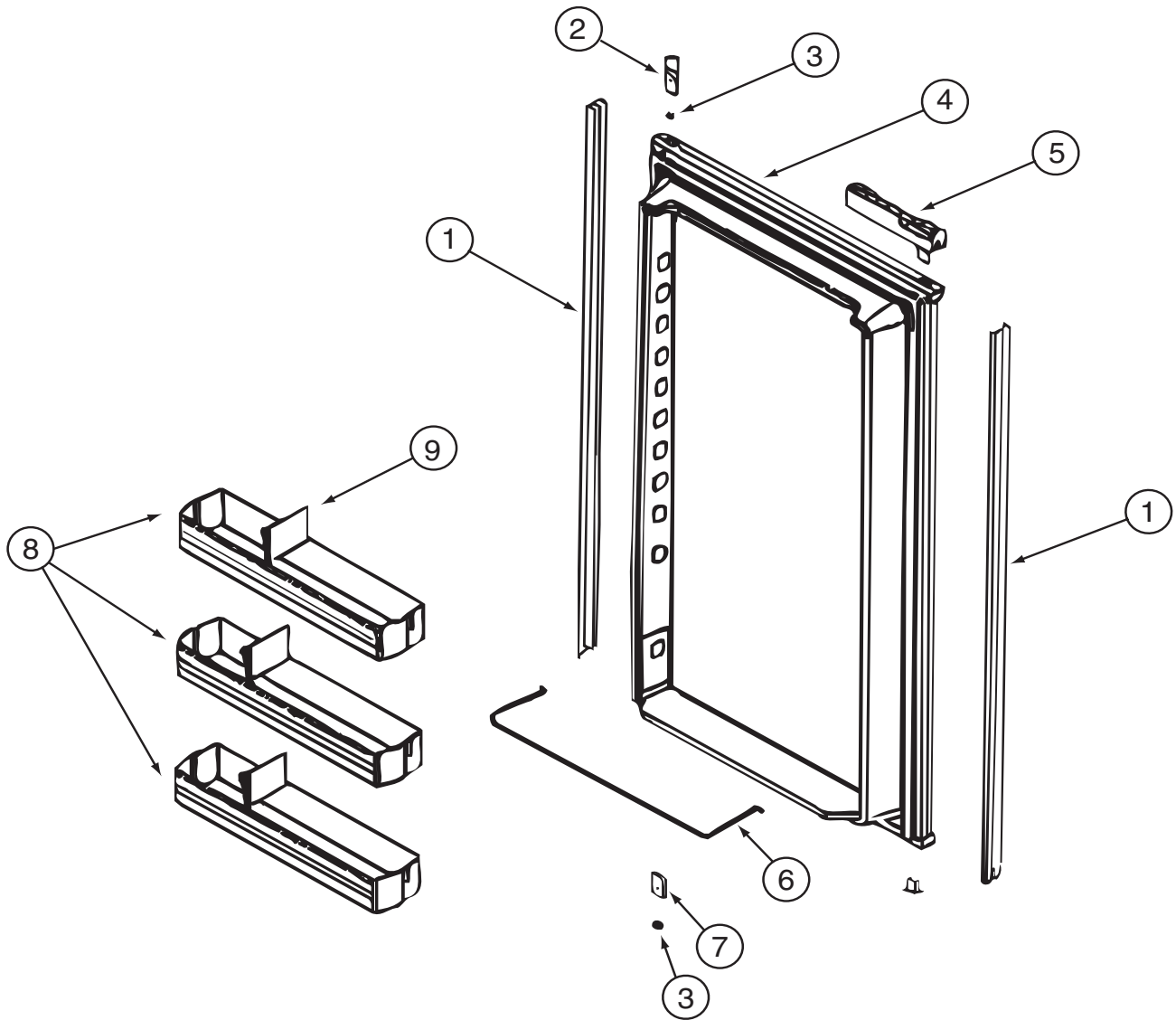
APPLIANCE GROUP (CONTINUED)
COMPONENT PARTS FOR APPLIANCES (CONTINUED)



120075-13-01A, 120075-14-01A, 120075-15-01A

KEY	PART NUMBER	U/M	DESCRIPTION	VENDOR NO.
1	121568-03-700	EA	RETAINER - DOOR PANEL/BLACK	619558
2	120075-01-701	EA	HINGE-TOP RH/BOTTOM LH(DOOR)	618511
3	121568-03-701	EA	BUSHING - HINGE PIN/GRAY	619671
4	121568-03-702	EA	DOOR LINER - W/TRIM/BLACK	619627 - SMALL DOOR
5	120075-01-702	EA	CAP, (HINGE PLUG)	618160
6	120075-12-700	EA	HANDLE(CONTOUR)TOP LH/BTM RH	621105
	120075-12-702	EA	HANDLE/HOUSING-TOP-LH/BTM RH	618159GEN
6	120075-12-701	EA	HANDLE(CONTOUR)TOP RH/BTM LH	621104
	120075-12-707	EA	LATCH	619648
	120075-12-709	EA	HANDLE/HOUSING-BTM LH/TOP RH	618122GEN
6	121568-03-703	EA	HANDLE/FLUSH-TOP/RH-LWR/LH	619865
6	121568-03-708	EA	HANDLE/FLUSH-TOP/LH-LWR/RH	619866
7	120075-01-705	EA	HINGE-TOP LH/BOTTOM RH(DOOR)	618510
8	121568-01-700	EA	RAIL - DOOR UPPER	618618
9	120075-07-700	EA	DOOR BIN - CLEAR	619006
10	120075-07-701	EA	DIVIDER/DOOR BIN CLEAR	619008
	121568-03-704	EA	TRAVEL LATCH - GRAY	619647
	121568-03-705	EA	STORAGE LATCH - GRAY	619648

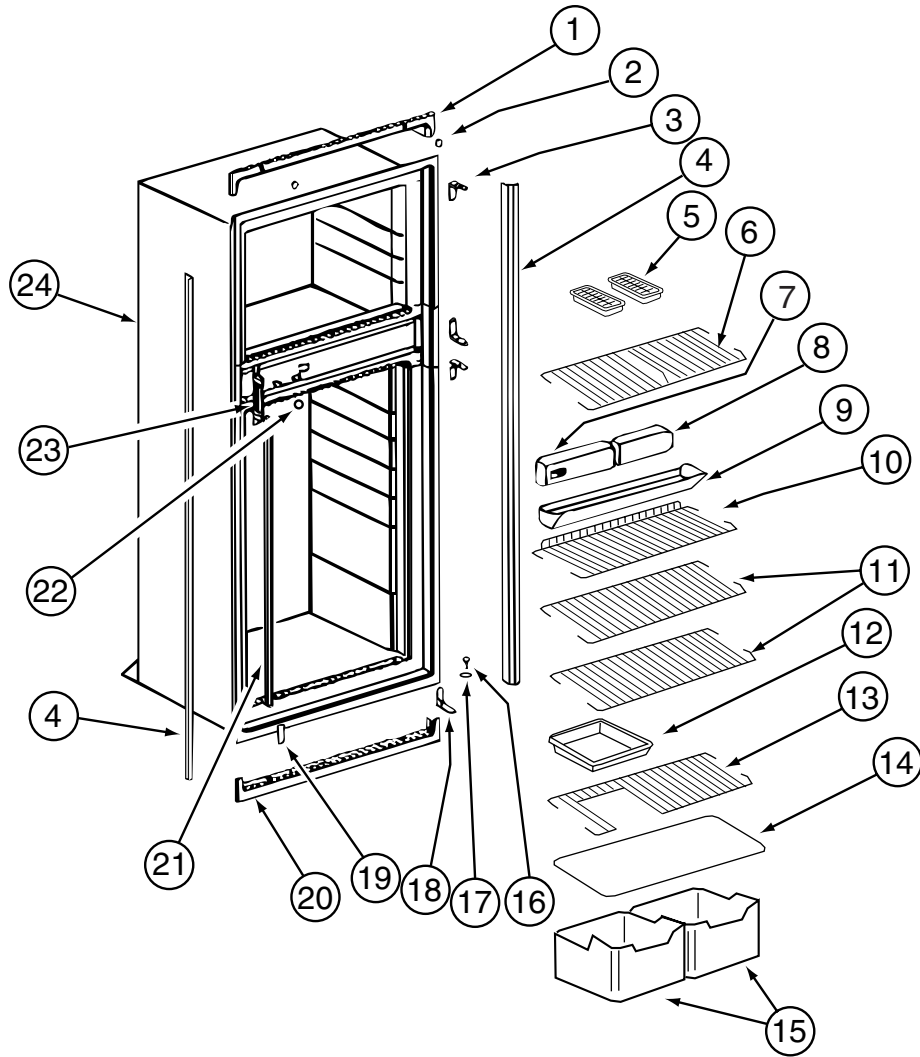
APPLIANCE GROUP (CONTINUED)
COMPONENT PARTS FOR APPLIANCES (CONTINUED)



120075-13-01A, 120075-14-01A, 120075-15-01A (CONTINUED)

KEY	PART NUMBER	U/M	DESCRIPTION	VENDOR NO.
1	120075-07-702	EA	RETAINER - DOOR PANEL/BLACK	619560
2	120075-01-701	EA	HINGE-TOP RH/BOTTOM LH(DOOR)	618511
3	121568-03-701	EA	BUSHING - HINGE PIN/GRAY	619671
4	120075-07-703	EA	DOOR LINER - BLACK	619631 - LARGE DOOR
5	120075-12-700	EA	HANDLE(CONTOUR)TOP LH/BTM RH	621105
	120075-12-702	EA	HANDLE/HOUSING-TOP-LH/BTM RH	618159GEN
5	120075-12-701	EA	HANDLE(CONTOUR)TOP RH/BTM LH	621104
	120075-12-707	EA	LATCH	619648
	120075-12-709	EA	HANDLE/HOUSING-BTM LH/TOP RH	618122GEN
5	121568-03-703	EA	HANDLE/FLUSH-TOP/RH-LWR/LH	619865
5	121568-03-708	EA	HANDLE/FLUSH-TOP/LH-LWR/RH	619866
6	121568-01-704	EA	RAIL - DOOR LOWER	618578
7	120075-01-705	EA	HINGE-TOP LH/BOTTOM RH(DOOR)	618510
8	120075-07-700	EA	DOOR BIN - CLEAR	619006
8	120075-07-704	EA	DOOR BIN - LARGE/CLEAR	619005
9	120075-07-701	EA	DIVIDER/DOOR BIN CLEAR	619008
	121568-03-704	EA	TRAVEL LATCH - GRAY	619647
	121568-03-705	EA	STORAGE LATCH - GRAY	619648

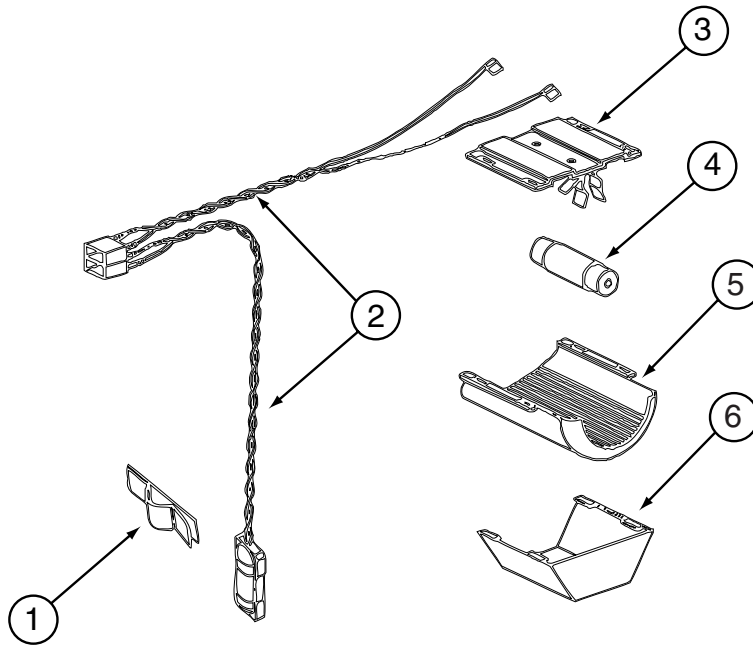
APPLIANCE GROUP (CONTINUED)
COMPONENT PARTS FOR APPLIANCES (CONTINUED)



120075-13-01A, 120075-14-01A, 120075-15-01A (CONTINUED)

KEY	PART NUMBER	U/M	DESCRIPTION	VENDOR NO.
1	121568-03-709	EA	TRIM - TOP/BLACK	619687
2	120075-01-714	EA	PLUG-HOLE (BLACK)	618170
3	121568-03-710	EA	HINGE/CABINET-TOP/RH-LWR/LH	619335
4	120075-07-705	EA	TRIM - SIDE - BLACK	622296
5	104137-06-724	EA	ICE TRAY	61630422
6	120075-07-706	EA	SHELF - WIRE/FREEZER	620249
7	120075-07-707	EA	CONTROL BOX - BLACK	619665
8	121568-03-713	EA	FRONT BOX/DECORATIVE-BLACK	619282
9	120075-01-720	EA	TRAY-DRIP	618137
10	120075-01-722	EA	SHELF-WIRE, SHORT	620269
11	120075-01-723	EA	SHELF-WIRE	620270
12	104137-06-718	EA	SHELF-TRAY, WHITE, W/CUTOUT	617756
13	120075-01-724	EA	SHELF-WIRE, W/CUTOUT	618177
14	120075-01-725	EA	COVER-CRISPER	618158
15	120075-07-708	EA	CRISPER/ICE BIN	619007
16	120075-01-727	EA	PIN-HINGE	618145
17	121568-03-701	EA	BUSHING - HINGE PIN/GRAY	619671
18	121568-03-715	EA	HINGE/CABINET-TOP/LH-LWR/RH	619336
19	121568-03-716	EA	COVER - HINGE HOLES	619301
20	120075-01-729	EA	TRIM-BOTTOM PIECE	620958
21	120075-01-730	EA	RETAINER-SHELF(SER#926684 DN	618181
22	121568-03-717	EA	HOLE PLUG - WHITE	619561
23	120075-01-732	EA	PLATE-STRIKE	618167
24	120075-09-700	EA	CABINET - FOAMED	619660
	120075-01-721	EA	LOUVER-DRIP TRAY	618176

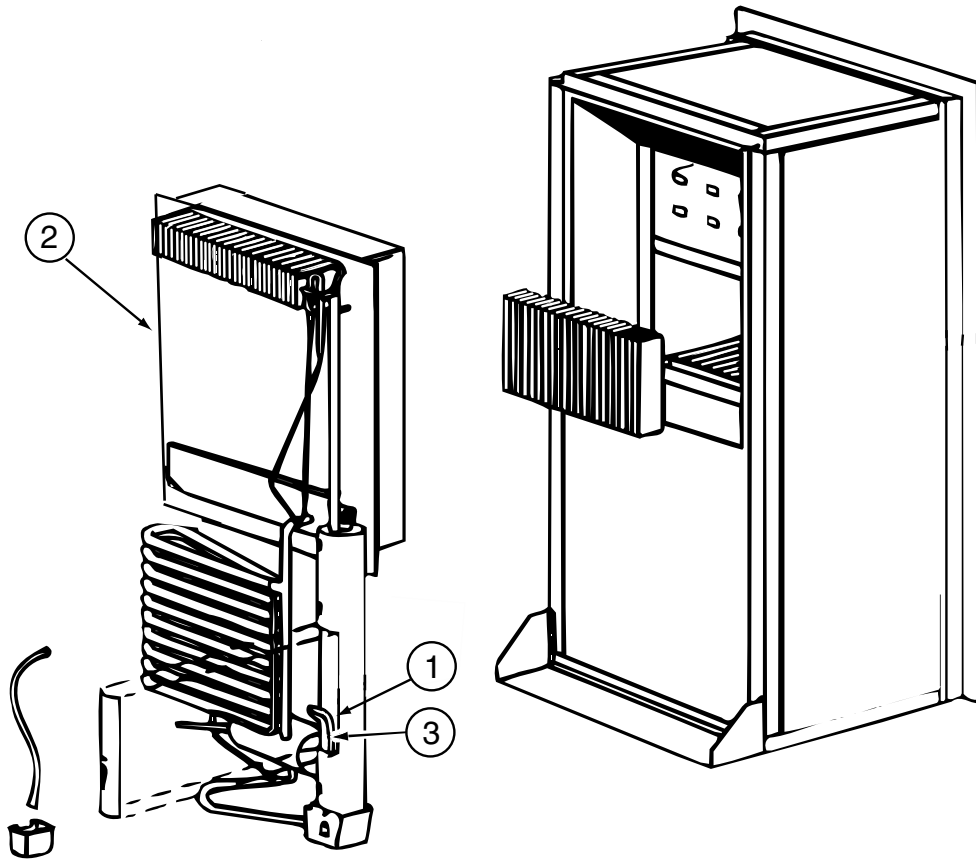
APPLIANCE GROUP (CONTINUED)
COMPONENT PARTS FOR APPLIANCES (CONTINUED)



120075-13-01A, 120075-14-01A, 120075-15-01A (CONTINUED)

KEY	PART NUMBER	U/M	DESCRIPTION	VENDOR NO.
1	084880-01-760	EA	CLIP (THERMISTER)	61689122
2	120075-01-735	EA	THERMISTER W/LAMP & WIRE/ASM	618548
3	084880-03-705	EA	BRACKET-LIGHT-INTERIOR	61629722
4	084880-03-706	EA	BULB-LAMP	61628922
5	120075-01-734	EA	COVER-LENS	618190
6	084880-03-707	EA	COVER-LAMP, LENS	61627922

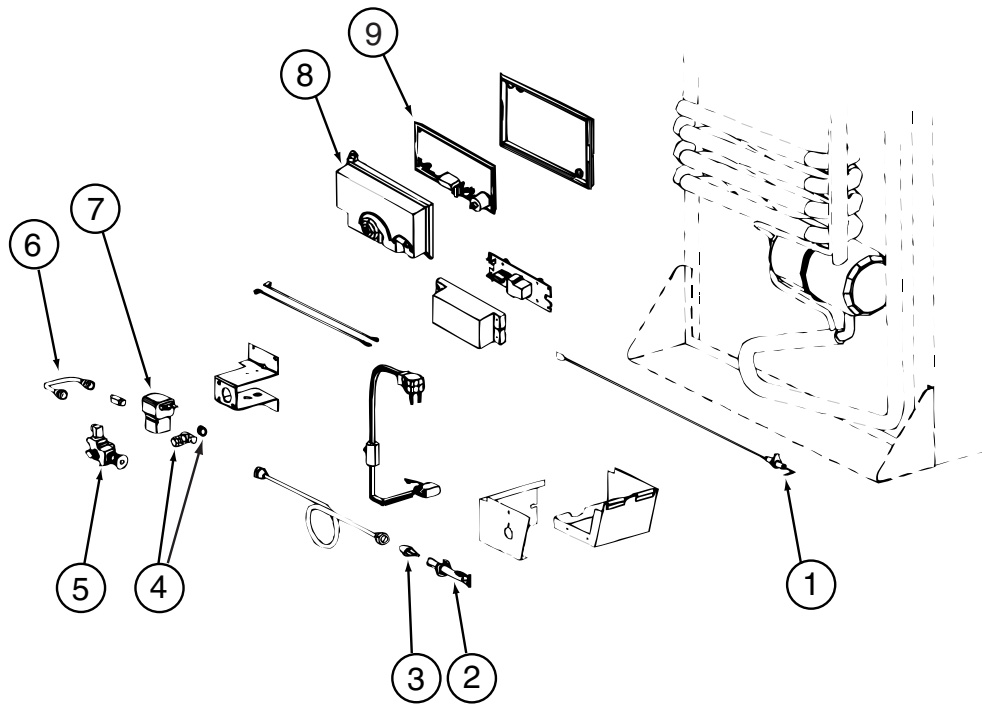
APPLIANCE GROUP (CONTINUED)
COMPONENT PARTS FOR APPLIANCES (CONTINUED)



120075-13-01A, 120075-14-01A, 120075-15-01A (CONTINUED)

KEY	PART NUMBER	U/M	DESCRIPTION	VENDOR NO.
1	088248-01-710	EA	HEATER DC (HORIZONTAL)	61562822
2	120075-01-736	EA	COOLING UNIT, SERVICE PACK	618542
3	088248-01-709	EA	HEATER-AC (HORIZONTAL)	61562722

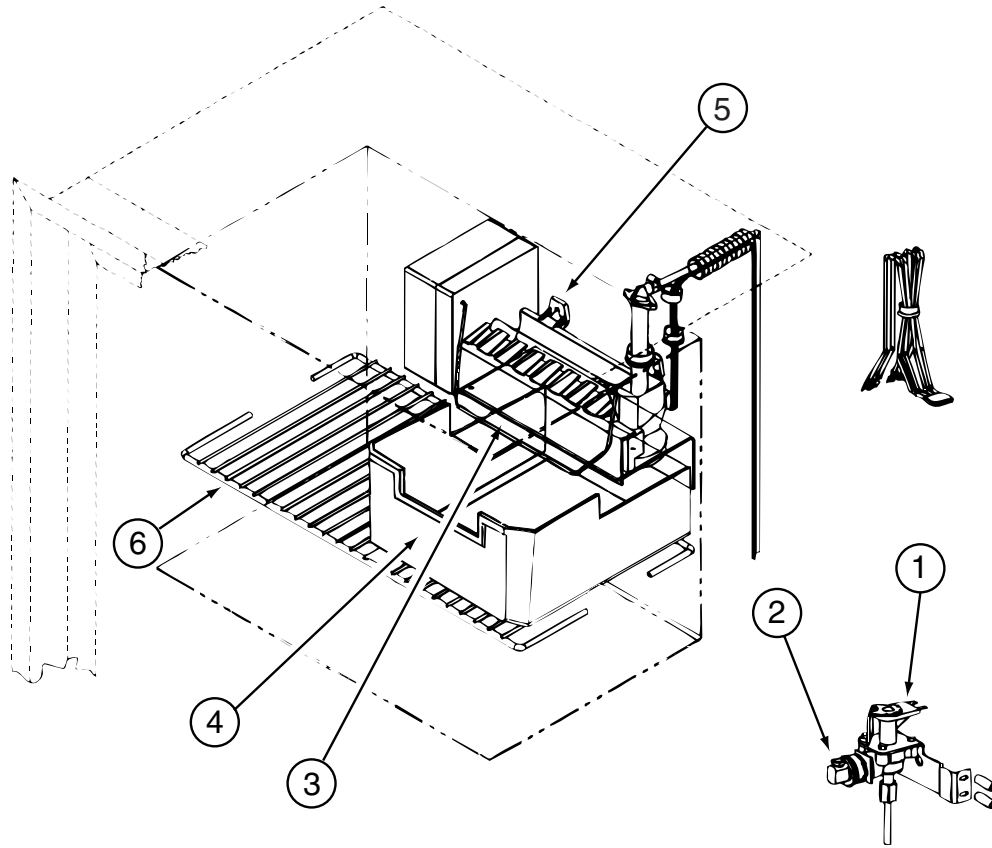
APPLIANCE GROUP (CONTINUED)
COMPONENT PARTS FOR APPLIANCES (CONTINUED)



120075-13-01A, 120075-14-01A, 120075-15-01A (CONTINUED)

KEY	PART NUMBER	U/M	DESCRIPTION	VENDOR NO.
1	104137-06-715	EA	ELECTRODE-SPARK/SENSOR, SGL	61692222
2	104137-06-714	EA	BURNER ASSEMBLY, 5-SLOT	61705222
3	120075-01-737	EA	ORIFICE - JEWEL - .0155	618284
4	113737-01-702	EA	PLUG 1/8" F/PRESSURE TAP	61445322
4	113737-01-716	EA	TAP-PRESSURE	61594422
5	104137-06-734	EA	VALVE-SHUT OFF/MAN-OLD STYLE	61694922
6	113737-01-750	EA	TUBE-UNION	61694622
7	084880-01-718	EA	VALVE-GAS, (ASCO)	621447
8	120075-01-738	EA	COVER-POWER BOARD	618185
9	120075-07-710	EA	POWER - BOARD - 2-WAY	619360 = 621269
	104137-06-734	EA	VALVE-SHUT OFF/MAN-NEW STYLE	618696
	120075-01-744	EA	KIT - GAS VALVE/BURNER TUBE	620609

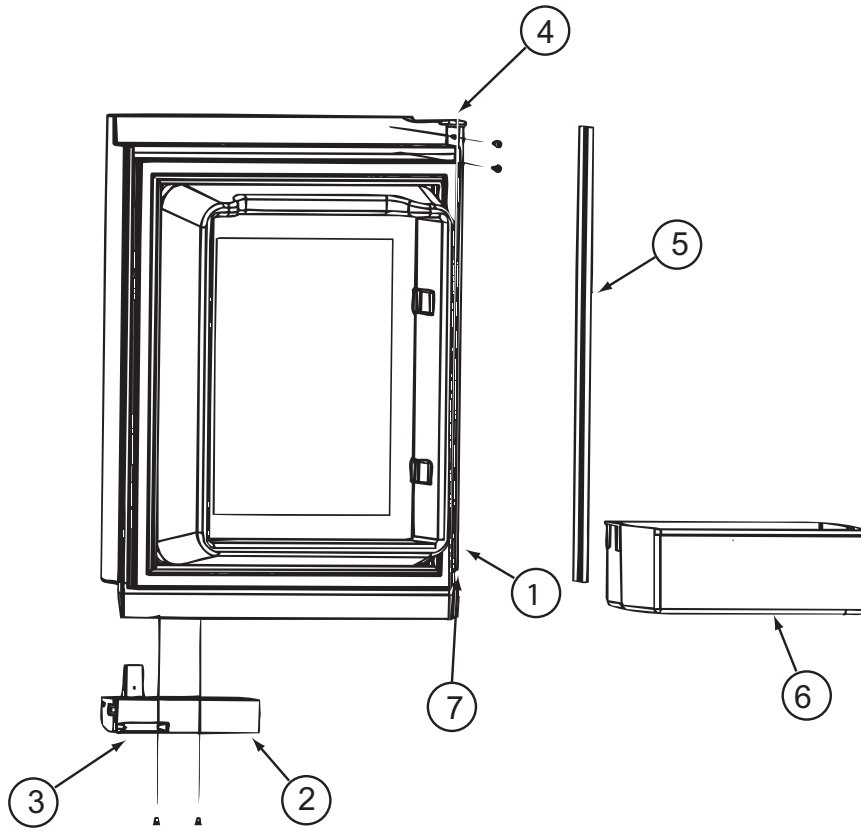
APPLIANCE GROUP (CONTINUED)
COMPONENT PARTS FOR APPLIANCES (CONTINUED)



120075-13-01A, 120075-14-01A (CONTINUED)

KEY	PART NUMBER	U/M	DESCRIPTION	VENDOR NO.
1	120075-09-701	EA	WATER VALVE W/BRACKET	618253
2	120075-03-702	EA	NUT/COMPRESSION - FITTING	61678722
3	120075-03-703	EA	ARM-SHUT OFF	61656922
4	120075-03-704	EA	BIN-ICE CUBE	618154
5	094039-07-706	EA	ICE MAKER W/O PLATES	61656522
6	120075-01-717	EA	SHELF-FREEZER, WIRE	618172
	120075-09-702	EA	RELAY - 12 VOLT	620239

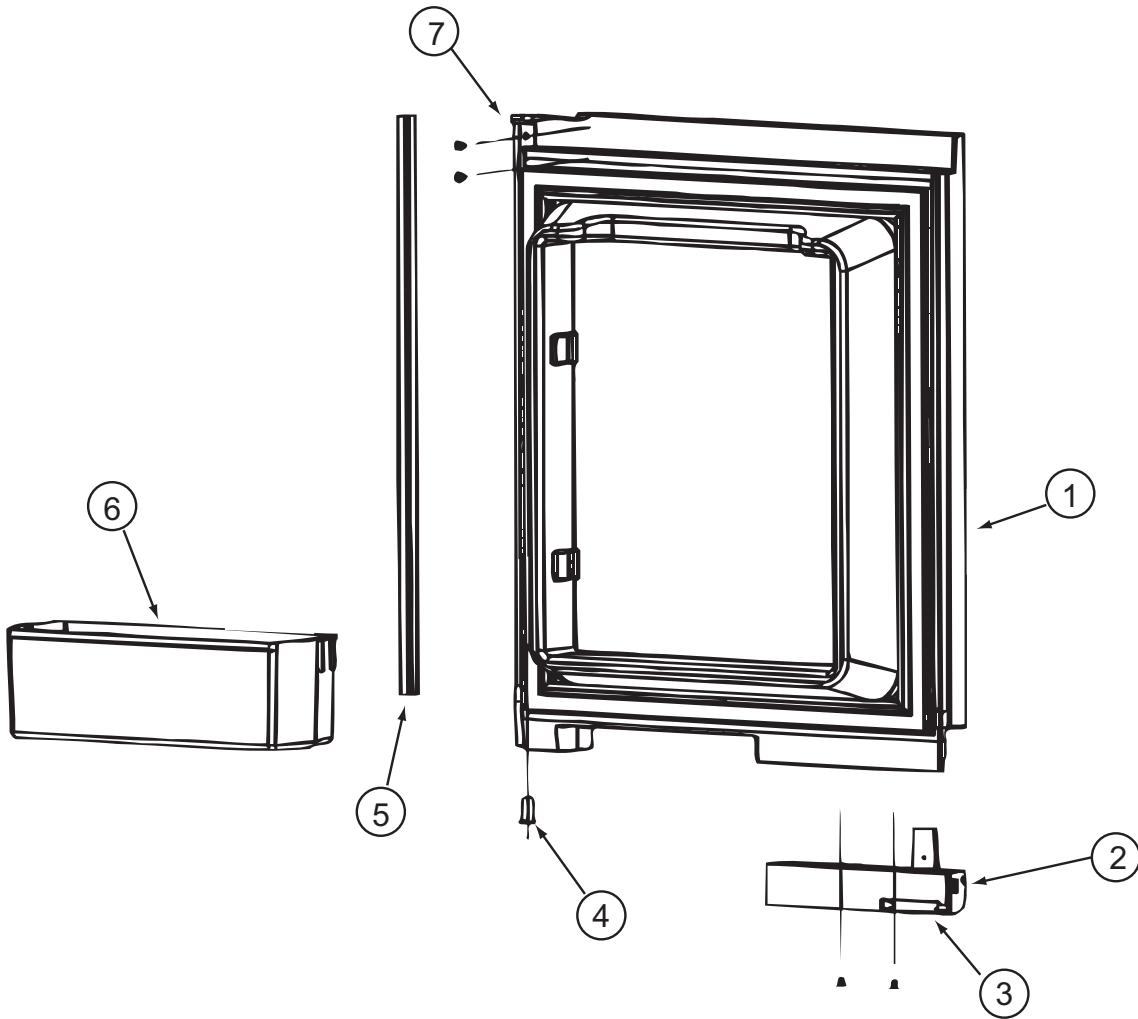
APPLIANCE GROUP (CONTINUED)
COMPONENT PARTS FOR APPLIANCES (CONTINUED)



125242-02-01A

KEY	PART NUMBER	U/M	DESCRIPTION	VENDOR NO.
1	125242-01-762	EA	LINER/FOAMED-UPPER/LH-WHITE	619839
2	125242-02-700	EA	HANDLE(CONTOUR)TOP LH BTM RH	621107
3	125242-02-722	EA	LATCH-STORAGE DR/BLK POINTED	619374
4	125242-02-724	EA	HINGE - DOOR	618792
5	125242-02-723	EA	RETAINER/PANEL-UPPER DOOR	621974
6	125242-01-711	EA	DOOR BIN	618765
7	125242-01-704	EA	BUSHING-HINGE MIDDLE	618746
	125242-02-725	EA	DOOR ASM/UPR LH/WHITE GASKET	621148

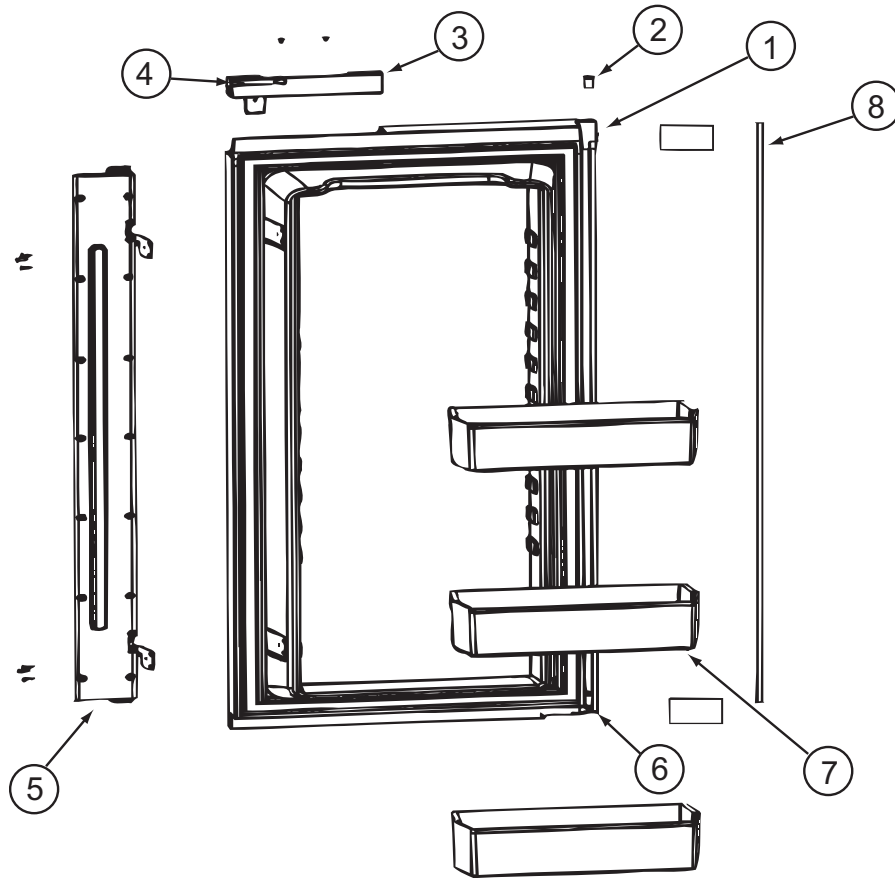
APPLIANCE GROUP (CONTINUED)
COMPONENT PARTS FOR APPLIANCES (CONTINUED)



125242-02-01A (CONTINUED)

KEY	PART NUMBER	U/M	DESCRIPTION	VENDOR NO.
1	125242-01-763	EA	LINER/FOAMED-UPPER/RH-WHITE	619840
2	125242-02-701	EA	HANDLE(CONTOUR)TOP RH LWR LH	621106
3	125242-02-722	EA	LATCH-STORAGE DR/BLK POINTED	619374
4	125242-01-704	EA	BUSHING-HINGE MIDDLE	618746
5	125242-02-723	EA	RETAINER/PANEL-UPPER DOOR	621974
6	125242-01-711	EA	DOOR BIN	618765
7	125242-02-724	EA	HINGE - DOOR	618792
	125242-02-721	EA	DOOR ASM-UPR/RH/WHITE GASKET	621149

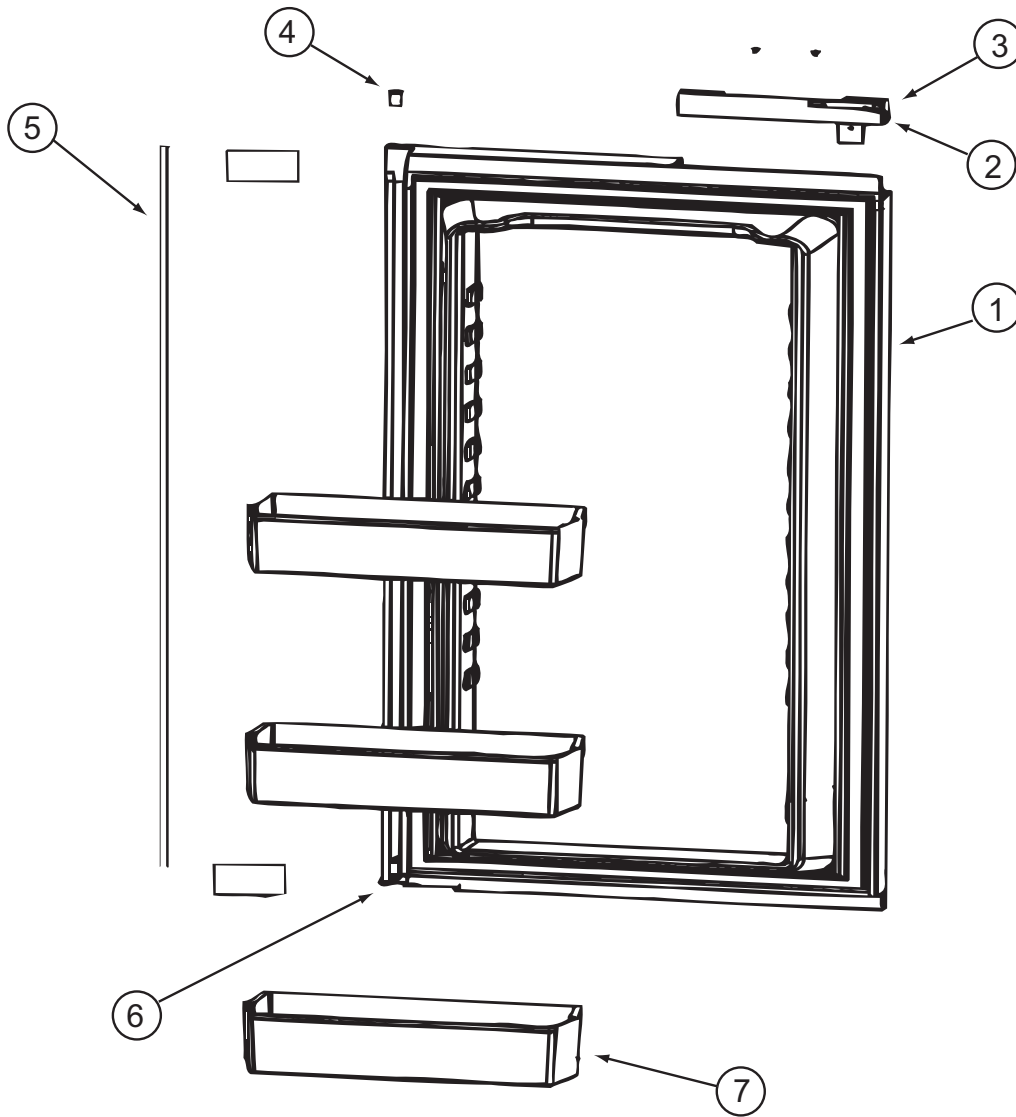
APPLIANCE GROUP (CONTINUED)
COMPONENT PARTS FOR APPLIANCES (CONTINUED)



125242-02-01A (CONTINUED)

KEY	PART NUMBER	U/M	DESCRIPTION	VENDOR NO.
1	125242-01-765	EA	LINER/FOAMED-LOWER-LH-WHITE	619837
2	125242-01-704	EA	BUSHING-HINGE MIDDLE	618746
3	125242-02-701	EA	HANDLE(CONTOUR)TOP RH LWR LH	621106
4	125242-02-722	EA	LATCH-STORAGE DR/BLK POINTED	619374
5	125242-02-727	EA	FLAPPER ASM DOUBLE POLE	619845
6	125242-02-724	EA	HINGE - DOOR	618792
7	125242-01-711	EA	DOOR BIN	618765
8	125242-02-728	EA	RETAINER/PANEL - LOWER	621973
	125242-01-736	EA	CONTACT-PROBE PIN	618886
	125242-02-726	EA	DOOR ASM-LWR LH/WHITE GASKET	621150

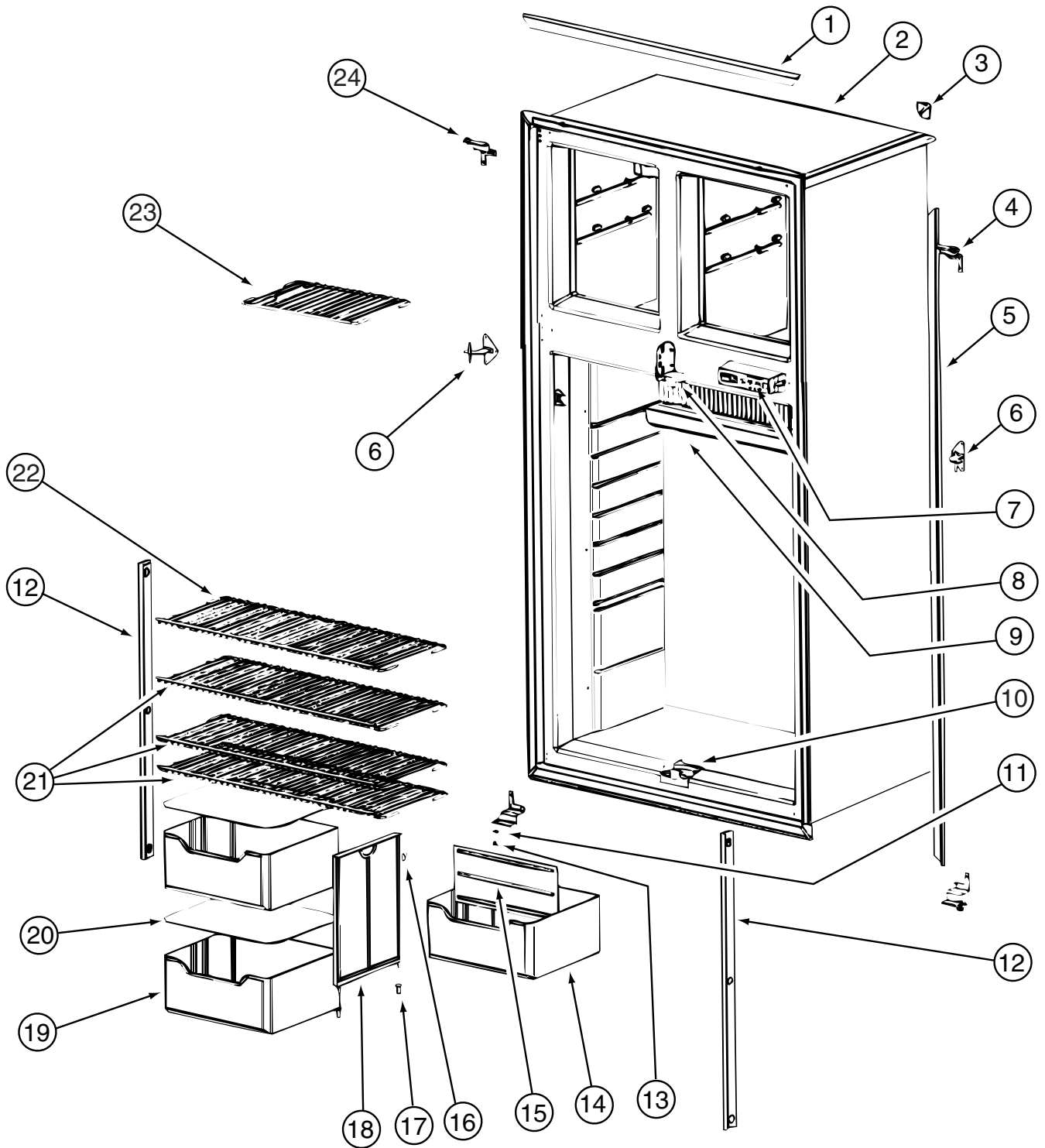
APPLIANCE GROUP (CONTINUED)
COMPONENT PARTS FOR APPLIANCES (CONTINUED)



125242-02-01A (CONTINUED)

KEY	PART NUMBER	U/M	DESCRIPTION	VENDOR NO.
1	125242-01-764	EA	LINER/FOAMED-LOWER/RH-WHITE	619838
2	125242-02-700	EA	HANDLE(CONTOUR)TOP LH BTM RH	621107
3	125242-02-722	EA	LATCH-STORAGE DR/BLK POINTED	619374
4	125242-01-704	EA	BUSHING-HINGE MIDDLE	618746
5	125242-02-728	EA	RETAINER/PANEL - LOWER	621973
6	125242-02-724	EA	HINGE - DOOR	618792
7	125242-01-711	EA	DOOR BIN	618765
	125242-01-729	EA	FAN-EXTERNAL DC	618856
	125242-02-716	EA	GUIDE ASM LWR(SER#540294 DN)	620042
	125242-02-717	EA	GUIDE ASM LWR(SER#540295 UP)	620043

APPLIANCE GROUP (CONTINUED)
COMPONENT PARTS FOR APPLIANCES (CONTINUED)



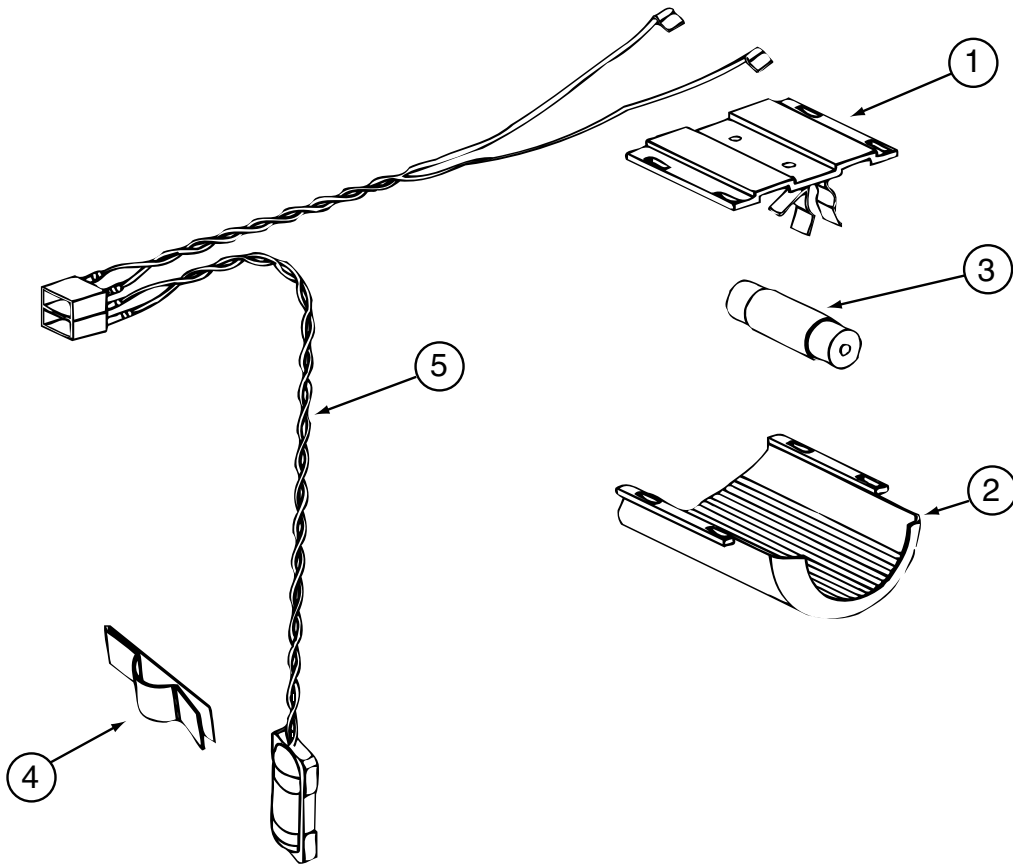
125242-02-01A (CONTINUED)

APPLIANCE GROUP (CONTINUED)
COMPONENT PARTS FOR APPLIANCES (CONTINUED)

125242-02-01A (CONTINUED)

KEY	PART NUMBER	U/M	DESCRIPTION	VENDOR NO.
1	125242-01-723	EA	TRIM-HORIZONTAL-FRT SNAP ON	618845
2	125242-01-748	EA	CABINET/FOAMED ASSEMBLY	618748
3	125242-01-722	EA	TRIM - CORNER	618844
4	125242-01-715	EA	HINGE - TOP RH/BOTTOM LH	618798
5	125242-01-724	EA	RIM-LT/RT-FRT VERT SNAPON	618846
6	125242-01-713	EA	HINGE-MIDDLE (PAINTED)	618794
7	125242-02-704	EA	DISPLAY ASM (SER#832172) UP	621188
8	125242-01-751	EA	BLOCK - GUIDE - UPPER	618789
9	125242-01-712	EA	DRIP TRAY	618774
10	125242-01-752	EA	BLOCK - GUIDE - LOWER	618788
11	120075-01-708	EA	BUSHING - DOOR HINGE	618144
12	120075-01-730	EA	RETAINER - SHELF(SER#926684 DN	618181
13	120075-01-727	EA	PIN - HINGE	618145
14	125242-01-734	EA	CRISPER/BOTTLE BIN	618878
15	125242-01-733	EA	DIVIDER - BOTTLE CRISPER	618877
16	125242-01-750	EA	CLIP	61409622
17	113737-01-701	EA	BUSHING - HINGE	61742022
18	125242-01-749	EA	SUPPORT - WALL	618840
19	125242-01-734	EA	CRISPER/BOTTLE BIN	618878
20	125242-01-706	EA	COVER - CRISPER	618757
21	125242-01-726	EA	SHELF - WIRE (LONG)	618848
22	125242-01-727	EA	SHELF - WIRE (SHORT)	618849
23	125242-01-725	EA	SHELF - FREEZER (WIRE)	618847
24	125242-01-714	EA	HINGE - TOP LH/BOTTOM RH	618796
	125242-01-735	EA	SWITCH - DOOR LIGHT	618884

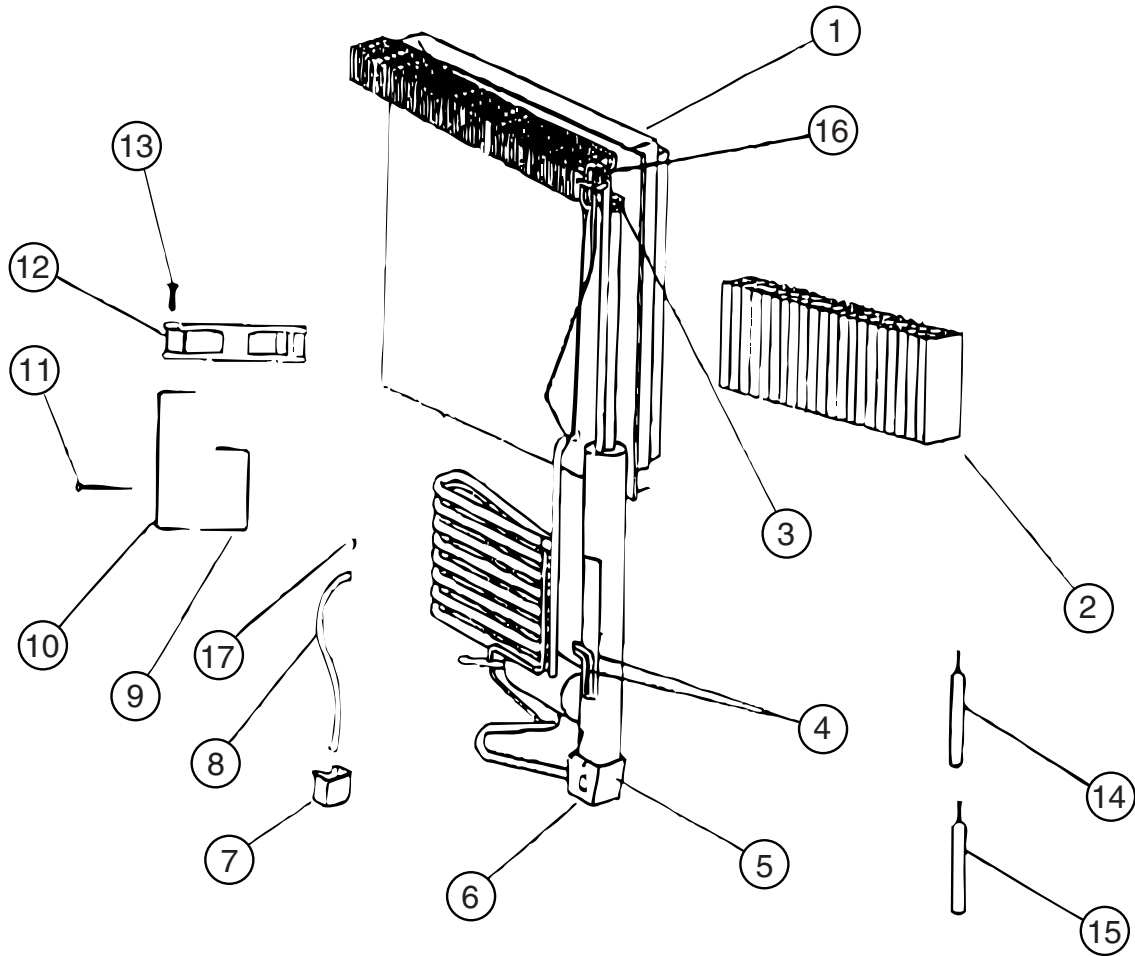
APPLIANCE GROUP (CONTINUED)
COMPONENT PARTS FOR APPLIANCES (CONTINUED)



125242-02-01A (CONTINUED)

KEY	PART NUMBER	U/M	DESCRIPTION	VENDOR NO.
1	084880-03-705	EA	BRACKET - LIGHT - INTERIOR	61629722
2	120075-01-734	EA	COVER - LENS	618190
3	084880-03-706	EA	BULB - LAMP	61628922
4	084880-01-760	EA	CLIP (THERMISTER)	61689122
5	120075-01-735	EA	THERMISTER W/LAMP & WIRE/ASM	618548

APPLIANCE GROUP (CONTINUED)
COMPONENT PARTS FOR APPLIANCES (CONTINUED)

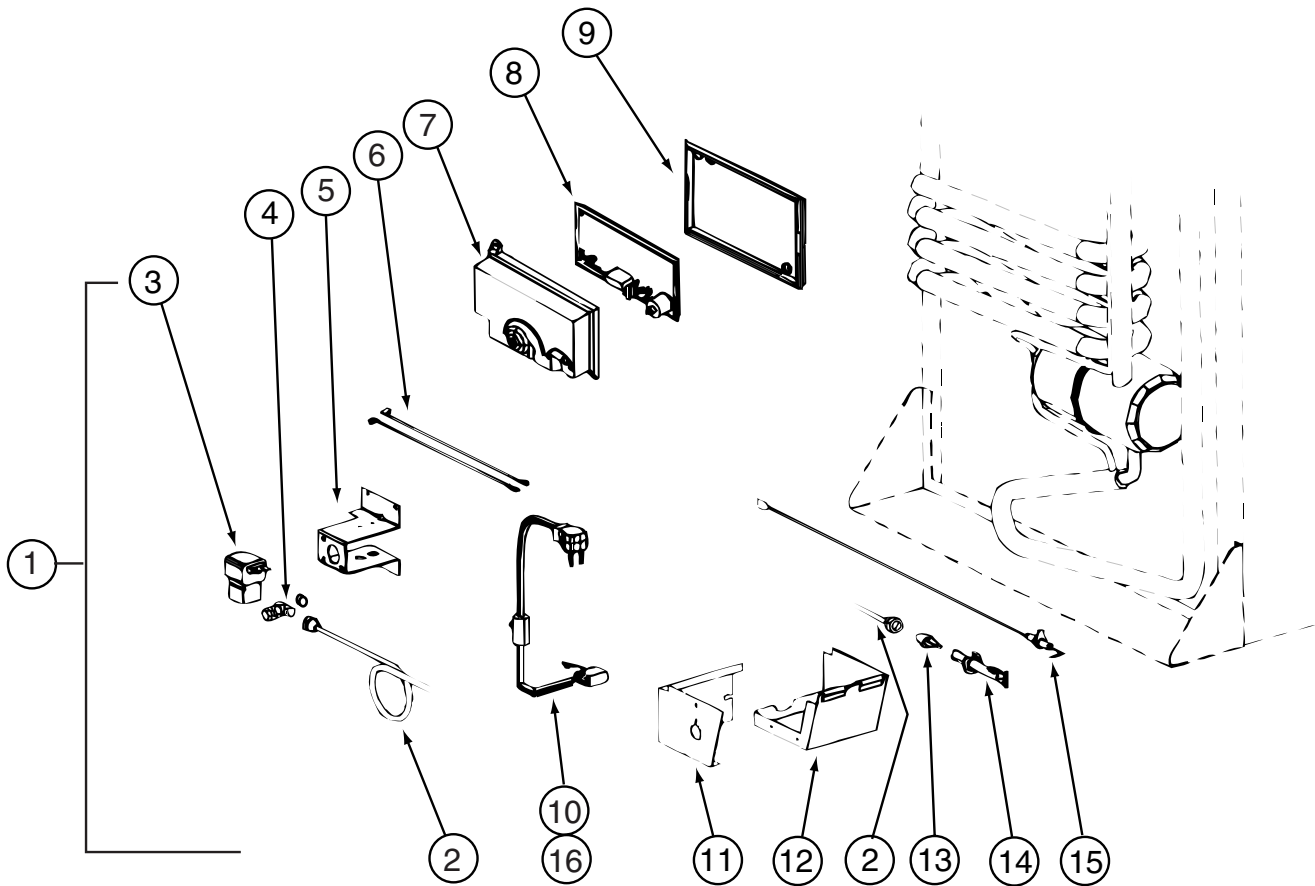


125242-02-01A (CONTINUED)

KEY	PART NUMBER	U/M	DESCRIPTION	VENDOR NO.
1	125242-01-746	EA	COOLING UNIT - 1200	618964
4	125242-01-732	EA	HEATER AC - 225W/110VAC	618872
5	125242-01-739	EA	BASE-BURNER BOX	618902
6	125242-01-740	EA	COVER-BURNER BOX	618910
9	125242-01-730	EA	BRACKET-DC FAN	618857
10	125242-01-741	EA	SUPPORT-DC FAN	618912
12	125242-01-729	EA	FAN-EXTERNAL DC	618856
16	113737-01-754	EA	THERMOSTAT (FAN 12V DC)	618093

CONTACT WINNEBAGO PART SALES FOR UNLISTED COMPONENTS

APPLIANCE GROUP (CONTINUED)
COMPONENT PARTS FOR APPLIANCES (CONTINUED)

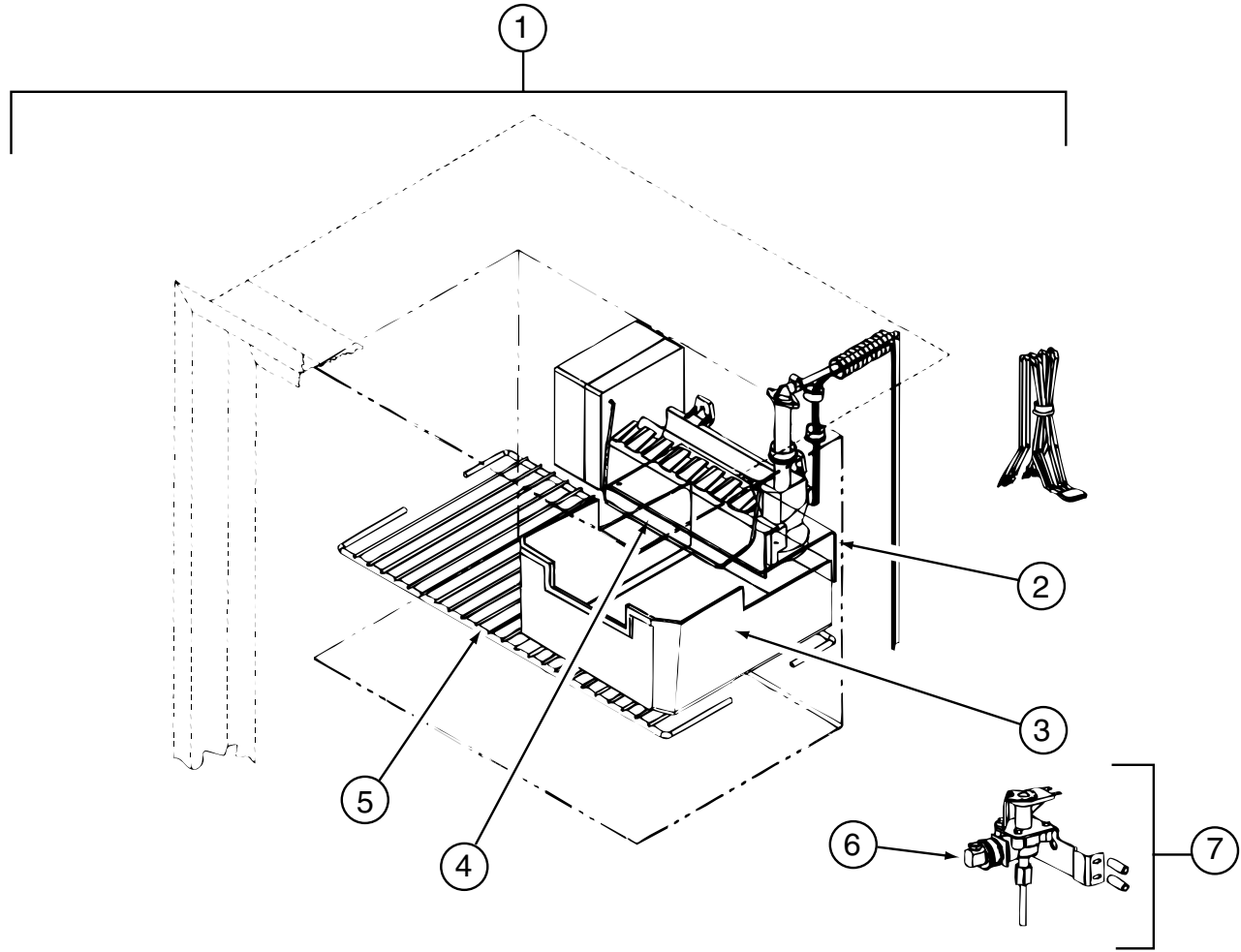


125242-02-01A (CONTINUED)

KEY	PART NUMBER	U/M	DESCRIPTION	VENDOR NO.
1	125242-01-753	EA	KIT - GAS VALVE/BURNER TUBE	620610
2	125242-01-744	EA	BURNER TUBE	618937
4	113737-01-716	EA	TAP-PRESSURE	61594422
7	120075-01-738	EA	COVER-POWER BOARD	618185
8	125242-02-703	EA	POWER BOARD	621271
9	120075-01-740	EA	COVER-BASE, POWER BOARD	618186
11	125242-01-739	EA	BASE-BURNER BOX	618902
12	125242-01-740	EA	COVER-BURNER BOX	618910
13	125242-01-717	EA	ORIFICE-JEWELED	618814
14	125242-01-743	EA	BURNER - 8 SLOT	618932
15	104137-06-715	EA	ELECTRODE-SPARK/SENSOR, SGL	61692222

CONTACT WINNEBAGO PART SALES FOR UNLISTED COMPONENTS

APPLIANCE GROUP (CONTINUED)
COMPONENT PARTS FOR APPLIANCES (CONTINUED)



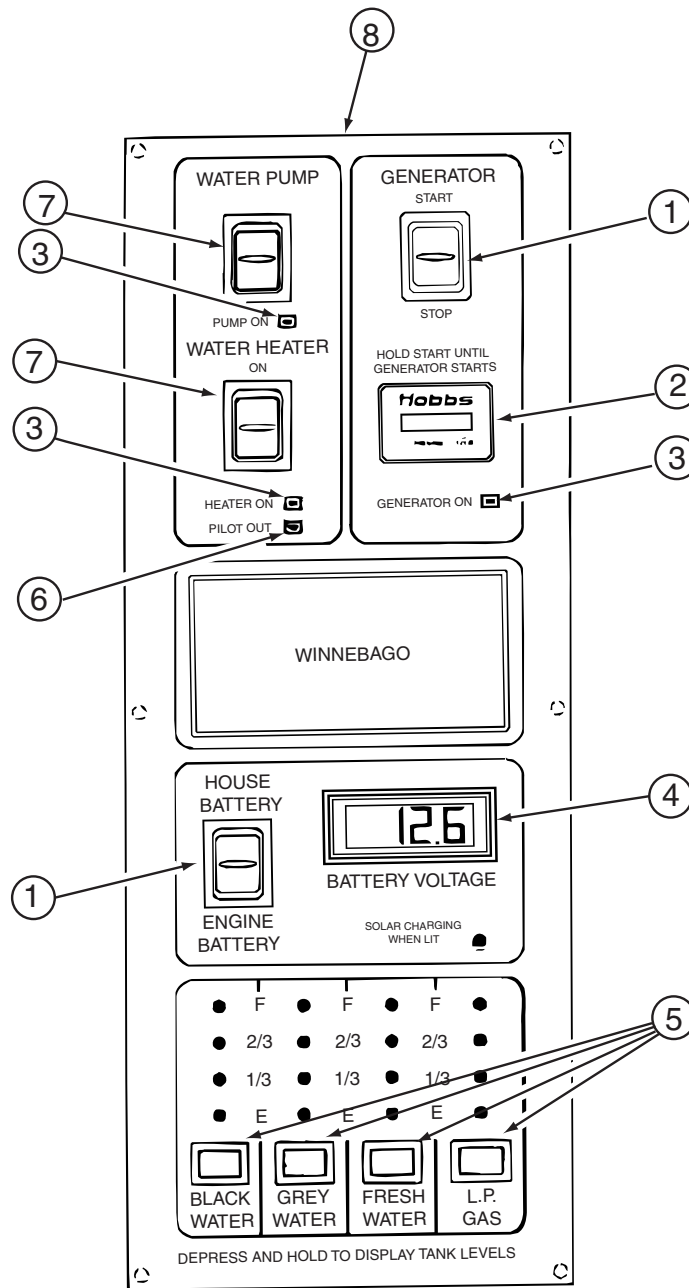
125242-02-01A (CONTINUED)

KEY	PART NUMBER	U/M	DESCRIPTION	VENDOR NO.
1	094039-07-706	EA	ICE MAKER W/O PLATES	61656522
2	125242-01-737	EA	BRACKET - MOUNTING (ICE MAKER)	618894
3	125242-01-716	EA	ICE BIN	618803
4	120075-03-703	EA	ARM - SHUT OFF	61656922
5	125242-01-725	EA	SHELF - FREEZER (WIRE)	618847
6	120075-03-702	EA	NUT/COMPRESSION - FITTING	61678722
7	120075-03-701	EA	VALVE - WATER - W/BRACKET	618523

129561-01-01A

KEY	PART NUMBER	U/M	DESCRIPTION	VENDOR NO.
	129561-01-700	EA	PC BOARD	L5097-09
	129561-01-701	EA	CHASSIS SCREENED	C00399
	129561-01-702	EA	LABEL	L0451-0
	129561-01-703	EA	HARNESS	L7694-00

APPLIANCE GROUP (CONTINUED)
COMPONENT PARTS FOR APPLIANCES (CONTINUED)



133004-02-01A

KEY	PART NUMBER	U/M	DESCRIPTION	VENDOR NO.
1	133004-01-702	EA	SWITCH/DPDT MOM=ON-OFF-ON	L1011-00
2	100258-10-701	EA	GAUGE-HR METER ONLY (LCD)	L0775-00
3	133004-01-706	EA	L.E.D. GREEN-PANEL MOUNT	L0785
4	133004-01-704	EA	METER/VOLT-DIGITAL - LCD	L1008-00
5	133004-01-705	EA	SWITCH/MOM ON - PUSH BUTTON	L0950-00
6	133004-01-703	EA	L.E.D. RED-PANEL MOUNT	L1009-00
7	133004-01-701	EA	SWITCH/DPDT ON-ON/MAINTAINED	L1025-00
8	133004-02-701	EA	SCREENED - CHASSIS	CC0547-00
	133004-02-700	EA	BOARD - PC	L5113-03

AUDIO VIDEO GROUP RADIO SYSTEM

KEY	PART NUMBER	U/M	DESCRIPTION
	077069-02-000	EA	CABLE/EXTENSION - RADIO ANTENNA - 96"
	077069-03-000	EA	CABLE/EXTENSION - RADIO ANTENNA - 260"
	123256-02-000	EA	CABLE - CB - COAX
	089340-02-000	EA	GRILLE - SPEAKER - 6.5" SQUARE - REAR STEREO SYSTEM
	110470-01-01A	EA	GRILLE - 4" X 6" OVAL SPEAKER - BLACK - EXT ENTERTAINMENT CTR
	124885-01-000	EA	GRILLE - SPEAKER - 6" X 9" - SUB-WOOFER - SURROUND SOUND SYSTEM
	090944-01-000	EA	ANTENNA - RADIO - 16" RUBBER - W/72" LEAD WIRE FROM: 00-00-00 THRU: 01-05-03
	090944-02-000	EA	ANTENNA - RADIO - 16" RUBBER - W/O LEAD WIRE FROM: 01-06-03 THRU: 99-99-99
	090944-03-000	EA	CABLE - ANTENNA FROM: 01-06-03 THRU: 99-99-99
	123256-01-000	EA	ANTENNA - CB - W/O CABLE
	094097-01-000	EA	SPEAKER - RADIO/TV - W/O GRILLE - 5.25" DIAMETER - REAR STEREO SYSTEM
	110469-01-000	EA	SPEAKER - 4" X 6" OVAL - COAXIAL - EXT ENTERTAINMENT CTR
	124883-02-000	EA	SPEAKER - CUBE - W/BRACKET - SURROUND SOUND SYSTEM
	124883-03-000	EA	SPEAKER - CUBE - W/O CASE - SURROUND SOUND SYSTEM, L36W
	124883-04-000	EA	SPEAKER - GRILLE - F/CUBE - SURROUND SOUND SYSTEM, L36W
	124884-01-000	EA	SPEAKER - 6" X 9" - SUB-WOOFER - SURROUND SOUND SYSTEM
	102080-17-000	EA	CHANGER - COMPACT DISC - SONY CDX-555RF
	102080-18-000	EA	CHANGER - CONTROL/FM MODULE & REMOTE - SONY CDX-555RF KIT
	108847-01-000	EA	BRACKET - ANTENNA GROUND
	115916-01-01B	EA	BRACKET - ANTENNA MOUNT
	109889-04-000	EA	EXTENDER - ANTENNA SHAFT - 3.7"
	124881-02-000	EA	AMPLIFIER - AUDIO - MTS Q SURROUND - ORANGE LABEL (LATEST) - SURROUND SOUND SYSTEM
	125322-02-000	EA	RADIO-AM/FM STEREO/CASSETTE-AUDIOVOX-MS-306-EXT ENT W/CASS - EXT ENTERTAINMENT CTR
	127517-11-000	EA	RADIO - AM/FM STEREO/CD PLAYER - SONY CDX-L300 - EXT ENTERTAINMENT CTR W/CD FROM: 00-00-00 THRU: 06-02-02
*	143509-01-000	EA	RADIO - AM/FM CD - W/REMOTE - JENSEN CD3010X-W - EXT ENTERTAINMENT CTR W/CD FROM: 06-03-02 THRU: 99-99-99
	133307-01-000	EA	RADIO - WALL MOUNT - CASSETTE W/ALARM - AUDIOVOX AWM-820-REAR STEREO SYSTEM W/CASS
	133307-02-000	EA	RADIO - WALL MOUNT - CD W/ALARM - AUDIOVOX AWM-930 - REAR STEREO SYSTEM W/CD
	135420-01-000	EA	RADIO - AM/FM CASSETTE/CD COMBO - M9900 - 7.2" X 3.3" R.O. - DASH, RADIO-AM/FM CASS/CD
	135420-07-000	EA	RADIO - MOUNTING KIT - A-BODY - DASH, RADIO-AM/FM CASS/CD
	141679-02-000	EA	RADIO/BATTERY KIT - TWO WAY (4 RADIOS/8 BATTERIES)
	141679-01-000	EA	CHARGING STATION ONLY - F/TWO WAY RADIO SYSTEM

*COMPONENT PARTS LISTED LATER IN THIS GROUP

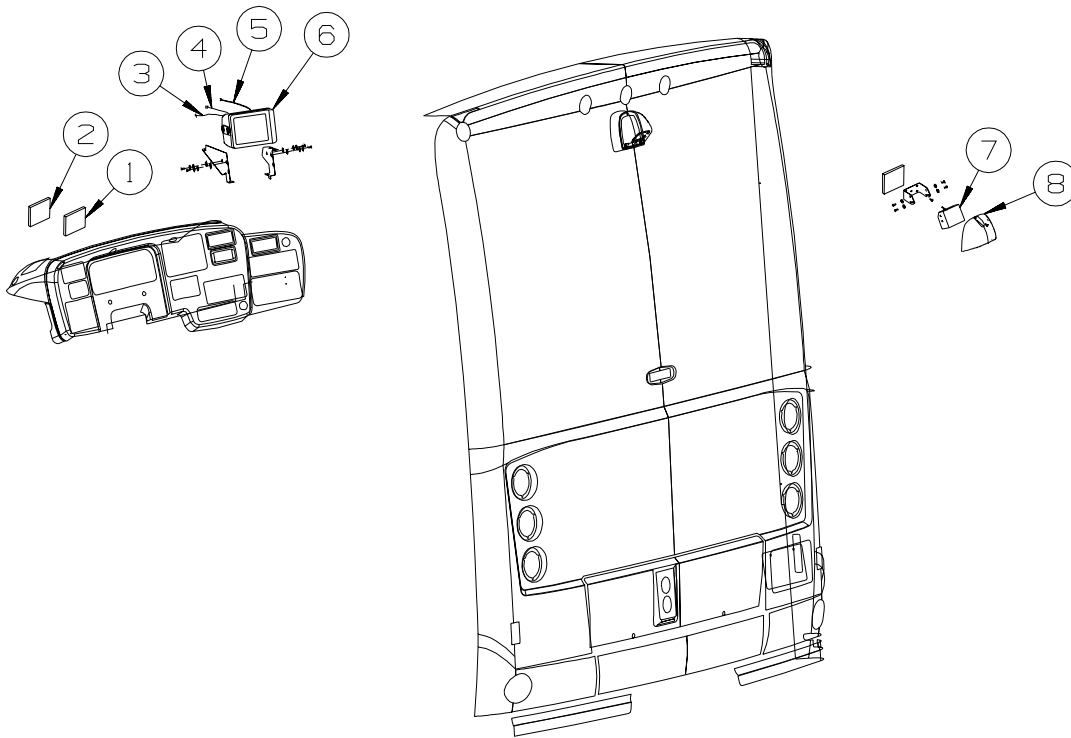
AUDIO VIDEO GROUP (CONTINUED)
COMPONENT PARTS FOR RADIO SYSTEM

143509-01-000

KEY	PART NUMBER	U/M	DESCRIPTION	VENDOR NO.
	143509-01-700	EA	REMOTE - RADIO	VG70A0

AUDIO VIDEO GROUP (CONTINUED)

REAR VIEW MONITOR



KEY	PART NUMBER	U/M	DESCRIPTION
1	093214-01-03A	EA	GRILLE - SPEAKER - 4" - GLACIER
2	098819-01-000	EA	SPEAKER - 4" - 2 WATT - 8 OHM
3	114870-01-000	EA	PLUG - AUDIO W/LEADS - 48.5"
4	096717-04-000	EA	WIRE ASSEMBLY - REAR MONITOR - UPPER
4	143545-01-000	EA	WIRE ASSEMBLY - REAR MONITOR - UPPER FROM: 00-00-00 THRU: 05-23-02
5	093041-01-000	EA	CABLE - MONITOR/CAMERA - INTERNAL USE - 65.6' FROM: 00-00-00 THRU: 05-23-02
5	143363-03-000	EA	CABLE - MONITOR/CAMERA - COLOR - SONY VCB-MHC20 FROM: 05-24-02 THRU: 99-99-99
6*	093040-10-000	EA	MONITOR - 7" REAR VIEW - W/BRACKET - SONY FROM: 00-00-00 THRU: 05-23-02
6	143363-01-000	EA	MONITOR/REAR - COLOR - W/BRACKET - SONY VCB-MH1 FROM: 05-24-02 THRU: 99-99-99
7	093040-09-000	EA	CAMERA - REAR VIEW - W/BRACKET - SONY FROM: 00-00-00 THRU: 05-23-02
7	143363-02-000	EA	CAMERA/REAR - COLOR - W/BRACKET - SONY VCB-MHD1 FROM: 05-24-02 THRU: 99-99-99
8	137919-01-01A	EA	SHROUD - CAMERA - OUTER - BRIGHT WHITE

*COMPONENT PARTS LISTED LATER IN THIS GROUP

AUDIO VIDEO GROUP (CONTINUED)
COMPONENT PARTS FOR REAR VIEW MONITOR

093040-10-000

KEY	PART NUMBER	U/M	DESCRIPTION	VENDOR NO.
	093040-10-700	EA	LENS-MONITOR, REAR VIEW F/7"	3-708-537-01

AUDIO VIDEO GROUP (CONTINUED)

TELEPHONE

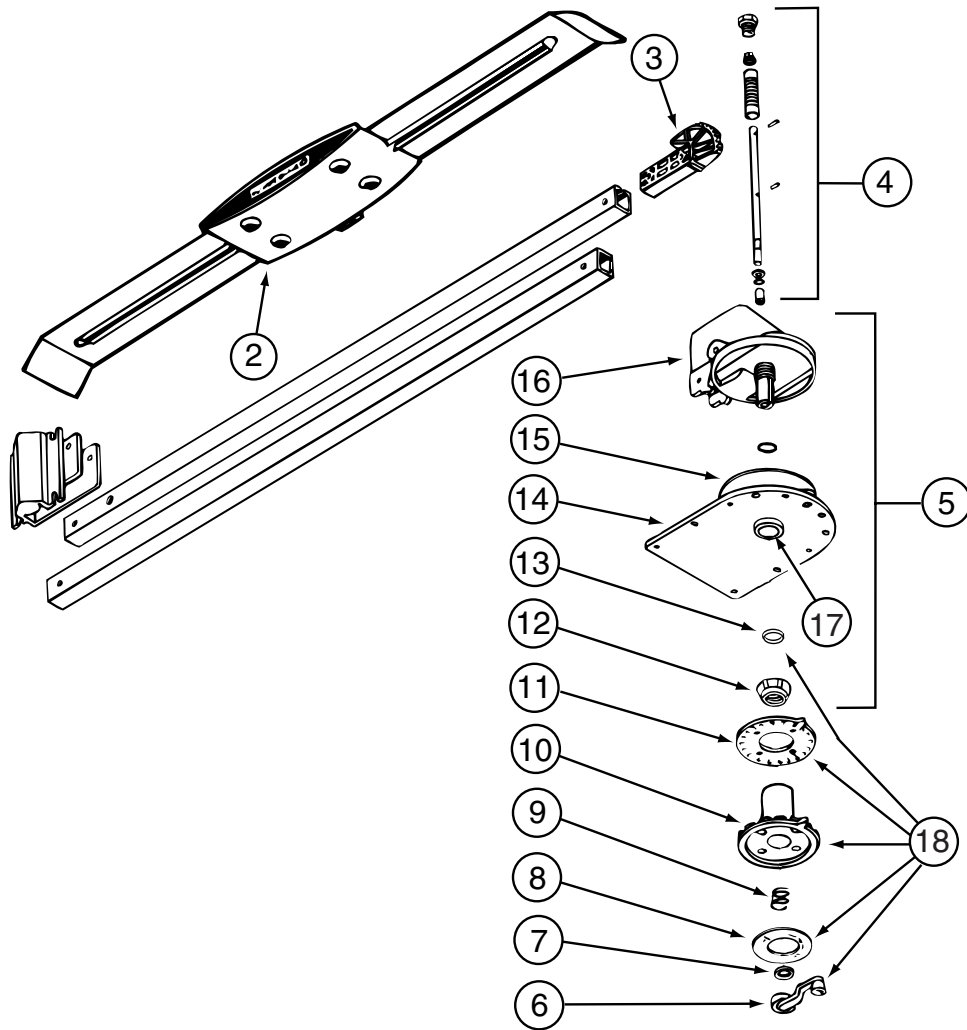
KEY	PART NUMBER	U/M	DESCRIPTION
	093253-01-03A	EA	PLATE - WALL - TELEPHONE - WHITE
	130686-01-01A	EA	PLATE - WALL - TELEPHONE/COAX - WHITE

TV & VCR

KEY	PART NUMBER	U/M	DESCRIPTION
	069726-02-000	EA	BUMPER - .88" OD X .40" THICK - BLACK
	076319-03-000	FT	CABLE - COAXIAL - 75 OHM
	117420-03-000	EA	CABLE - RCA - MALE - MALE - 20 FOOT - INTERIOR ENTERTAINMENT CENTER
	136860-01-000	EA	CABLE - RCA - #3 MALE TO #12F MALE CONNECTOR - DVD & INTERIOR ENTERTAINMENT CENTER
	145210-01-000	EA	CABLE-COAXIAL 1000' RG-6
	076319-09-000	EA	WALLPLATE - CABLE RECEPTACLE - TV - SINGLE - BROWN
	086777-06-000	EA	WALLPLATE - TV CABLE - ANTENNA BOOSTER/1 OUTPUT - BLACK
	076319-12-000	EA	CONNECTOR - COAXIAL - ONE PIECE
	145171-01-000	EA	CONNECTOR - COAXIAL
*	076319-23-000	EA	ANTENNA - TV ROOF MOUNT - 44.5" MAST
*	137135-02-000	EA	ANTENNA - SATELLITE DSS - W/SENSOR
*	141454-01-01A	EA	ANTENNA - SATELLITE - AUTOMATIC
*	076319-25-000	EA	KIT - HARDWARE INTERIOR
	082134-01-000	EA	ADAPTER - TV - CABLE TO CABLE
	082136-01-000	EA	NUT - HEX JAM - 3/8-32
	086756-01-000	EA	SPLITTER - TV/2 WAY
	120233-03-000	EA	CERTIFICATE - SATELLITE RECEIVER
	123324-01-000	EA	FILTER - GROUND LOOP - INTERIOR ENTERTAINMENT CENTER
	124073-11-000	EA	VCR-VHS/HI-FI STEREO - SILVER CASE - RCA VR651HF FROM: 00-00-00 THRU: 05-16-02
	124073-12-000	EA	VCR-VHS/HI-FI STEREO - SILVER CASE - RCA VR637HF FROM: 05-17-02 THRU: 99-99-99
*	124075-06-000	EA	TV - 19" - 1/8 JACK - UL/CSA - RCA F19424M - 19" TV W/REMOTE
	136162-01-000	EA	TV - 27" STEREO W/5 JACKS - RCA F27648 - 27" COLOR STEREO TV W/REMOTE FROM: 00-00-00 THRU: 04-22-02
	136162-02-000	EA	TV - 27" STEREO W/5 JACKS - RCA F27689 - 27" COLOR STEREO TV W/REMOTE FROM: 04-23-02 THRU: 99-99-99
*	140061-02-000	EA	TV - 32" - COLOR/STEREO W/5 JACKS - RCA F32649 - INTERIOR ENTERTAINMENT CENTER FROM: 00-00-00 THRU: 10-09-02
*	140061-03-000	EA	TV - 32" - COLOR/STEREO W/5 JACKS - RCA F32444 - INTERIOR ENTERTAINMENT CENTER FROM: 10-10-02 THRU: 99-99-99
	134006-01-03B	EA	PLATE - COAXIAL CABLE/OFF WHITE
*	136764-02-000	EA	DVD PLAYER - RCA RC524OP FROM: 00-00-00 THRU: 07-21-02
	136764-03-000	EA	DVD PLAYER - RCA DRC220N FROM: 07-22-02 THRU: 99-99-99
	137135-03-000	EA	WIRE LOOM - DIGITAL ELEVATION SENSOR FROM: 04-09-02 THRU: 99-99-99
	137135-04-000	EA	WIRE HARNESS - POWER - DIGITAL ELEVATION SENSOR
	142258-01-000	EA	SWITCH - VIDEO/ANTENNA POWER SUPPLY

*COMPONENT PARTS LISTED LATER IN THIS GROUP

AUDIO VIDEO GROUP (CONTINUED)
COMPONENT PARTS FOR TV & VCR



076319-23-000

KEY	PART NUMBER	U/M	DESCRIPTION	VENDOR NO.
2	076319-01-700	EA	HEAD-ANTENNA, AMPLIFIED	RVSA U/V
3	076319-01-701	EA	GEAR-ELEVATING, PLASTIC	2200046
4	076319-01-702	EA	SHAFT ASM-ELEVATING	RP-4000
5	076319-01-711	EA	BASE & LIFT ASM	2762802
7	076319-01-705	EA	GROMMET-NYLON, 7/8"ID	3200658
8	076319-01-708	EA	DECAL-CRANK	5413002
9	076319-01-707	EA	SPRING-HANDLE	2160822
11	076319-01-712	EA	PLATE - CEILING	3200608
12	076319-01-715	EA	NUT (GEAR HOUSING)	2200047
14	076319-01-713	EA	BASE-PLATE, STEEL	3100523
15	076319-01-703	EA	BEARING-NYLON, 5"OD	3200656
16	076319-01-714	EA	HOUSING, ROTATING GEAR	2200049
	076319-01-716	EA	TUBING, ELEVATING	RP-2900
17	076319-01-704	EA	BEARING-NYLON, 1.25"OD	3200657
			CONTACT WINNEBAGO PART SALES FOR UNLISTED COMPONENT	

076319-25-000

KEY	PART NUMBER	U/M	DESCRIPTION	VENDOR NO.
6	076319-01-706	EA	CRANK-W/SET SCREW UNIV/BEIGE	2750897
6	120233-01-710	EA	HANDLE-CRANK W/SCREW - WHITE	RP-6795
8	076319-01-708	EA	DECAL-CRANK	5413002
10	076319-25-700	EA	DIRECTIONAL HANDLE(WHITE)	3200612
11	076319-25-701	EA	PLATE - CEILING(WHITE)	3200609
13	120233-01-709	EA	WASHER-NYLON	RP-2658
			CONTACT WINNEBAGO PART SALES FOR UNLISTED COMPONENTS	

AUDIO VIDEO GROUP (CONTINUED)
COMPONENT PARTS FOR TV & VCR (CONTINUED)

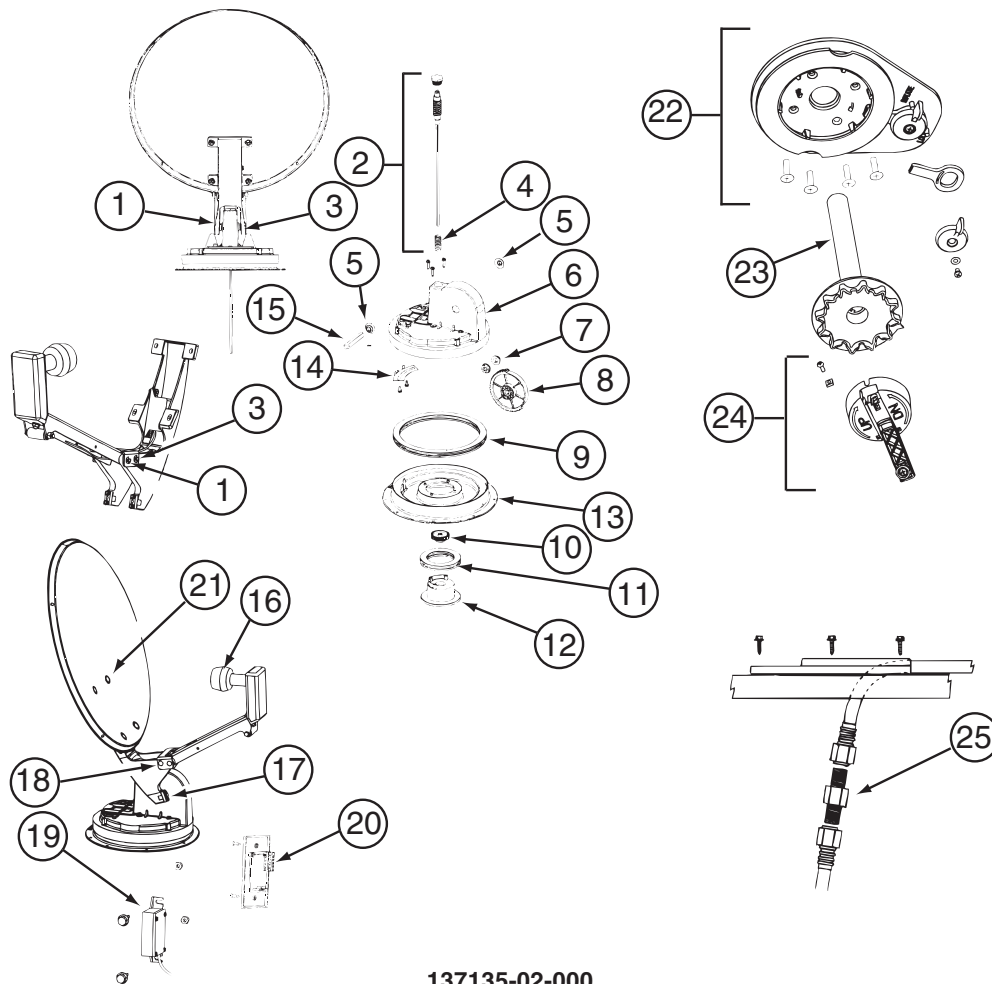
124075-06-000

KEY	PART NUMBER	U/M	DESCRIPTION	VENDOR NO.
	124075-05-700	EA	REMOTE	242778

136764-02-000

KEY	PART NUMBER	U/M	DESCRIPTION	VENDOR NO.
	136764-02-700	EA	REMOTE	255875

AUDIO VIDEO GROUP (CONTINUED)
COMPONENT PARTS FOR TV & VCR (CONTINUED)



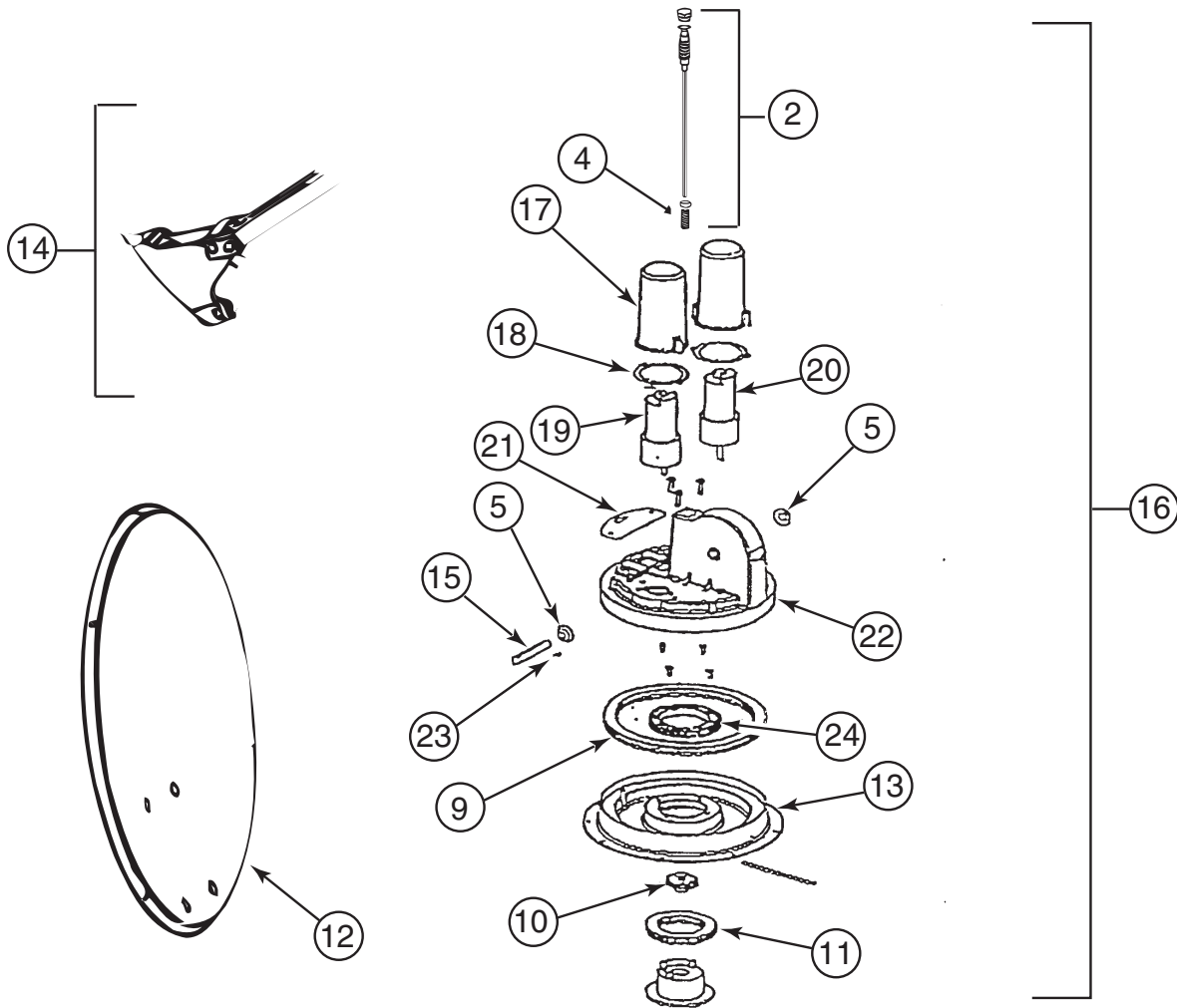
137135-02-000

KEY	PART NUMBER	U/M	DESCRIPTION	VENDOR NO.
1	120233-01-714	EA	CLIP-E	5160818
2	137135-01-703	EA	KIT ELEV - SHAFT/GEAR/SPRING	RP-4400
3	137135-01-704	EA	PIN - 1/4" X 3.25"	2160813
5	137135-01-707	EA	SEAL - PIVOT SHAFT	2200852
6	137135-01-708	EA	TURRET	3100728
7	137135-01-709	EA	PIVOT BEARING	2200470
8	137135-01-711	EA	GEAR - ELEVATING	2200464
9	137135-01-712	EA	BEARING - OUTER	2590347
10	137135-01-714	EA	GEAR - ELEVATING SHAFT	2200465
11	137135-01-715	EA	BEARING - INNER	2590348
12	137135-01-716	EA	HUB	3100731
13	137135-01-713	EA	TURRET BASE	3100730
14	137135-01-710	EA	PLATE - ROTATE LIMIT	3720052
16	137135-02-703	EA	LOW NOISE BLOCK FILTER	LB-6000 - DUAL
17	137135-01-722	EA	CLAMP	2590343
18	137135-01-719	EA	BRACKET - PIVOT	2744945
19	137135-01-720	EA	DE-SENSOR UNIT W/43" CABLE	DM4000
20	137135-02-701	EA	BOX - SURFACE MOUNT	SM-100
21	137135-01-717	EA	BOLT - FLAT HEAD	2160362
22	120233-01-737	EA	PLATE/INT-W/DIRECTIONAL HDLE	RK-CEIL
23	120233-01-704	EA	DIAL/DIRECTIONAL 4"W/SPRING	3200364
24	120233-01-738	EA	HDW PKG-HANDLE/SPRING/WASHER	RK-HAND
25	137135-01-701	EA	CONNECTOR - F - MALE TO MALE	FS-8100
	137135-01-700	EA	ROOF WEDGE W/GASKET	RW-5000
	137135-01-706	EA	KIT-TURRET/SEAL/BEARING/GEAR	RP-RM30
	137135-01-718	EA	REFLECTOR/WHITE-46CM W/HDWE	RP-35RM
	137135-02-700	EA	DE-SENSOR	2780090
	137135-02-704	EA	KIT-UPDATE DIRECTIONAL HDL	RP-RMDH

AUDIO VIDEO GROUP (CONTINUED)
COMPONENT PARTS FOR TV & VCR (CONTINUED)

140061-01-000, 140061-02-000, 140061-03-000

KEY	PART NUMBER	U/M	DESCRIPTION	VENDOR NO.
	130121-05-700	EA	REMOTE	242524

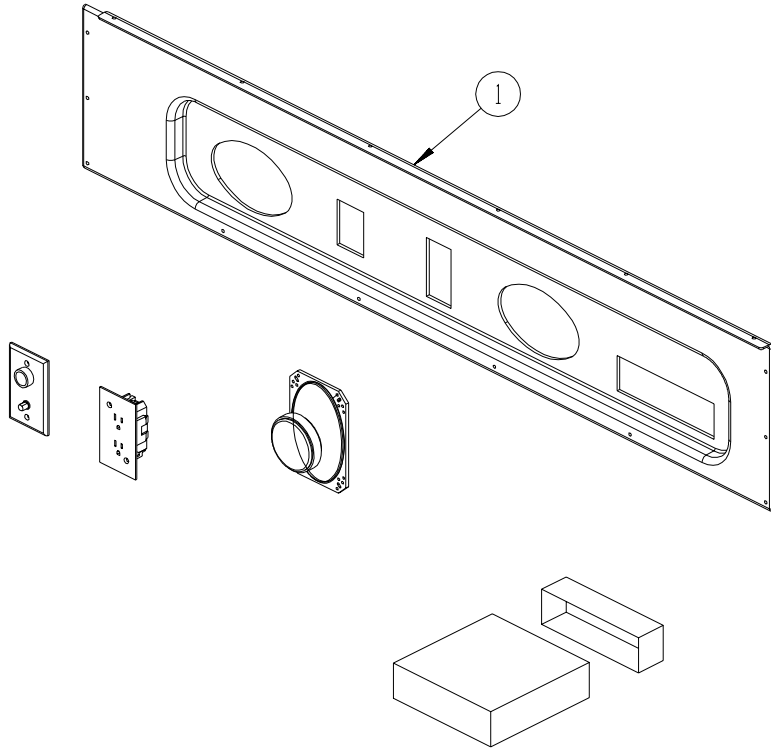


141454-01-01A

KEY	PART NUMBER	U/M	DESCRIPTION	VENDOR NO.
2	141454-01-700	EA	KIT ELEV-SHAFT/GEARS/SPRING	RP-RM20
5	137135-01-707	EA	SEAL - PIVOT SHAFT	2200852
9	137135-01-712	EA	BEARING - OUTER	2590347
10	137135-01-714	EA	GEAR - ELEVATING SHAFT	2200465
11	137135-01-715	EA	BEARING - INNER	2590348
12	137135-01-718	EA	REFLECTOR/WHITE-46CM W/HDWE	RP-35RM
13	137135-01-713	EA	TURRET BASE	3100730
14	137135-01-723	EA	SUPPORT/FRAME-BACKUP-W/HDWE	RP-RM00
15	137135-01-706	EA	KIT-TURRET/SEAL/BEARING/GEAR	RP-RM30
16	141454-01-704	EA	KIT LIFT ASSEMBLY COMPLETE	RP-RM05
17	141454-01-705	EA	HOUSING - MOTOR	3200260
18	141454-01-706	EA	GASKET - MOTOR HOUSING	2240054
19	141454-01-707	EA	MOTOR - AZIMUTH	2665039
20	141454-01-708	EA	MOTOR - ELEVATION	2665038
21	141454-01-709	EA	GASKET	2240056
22	141454-01-710	EA	TURRET	3100729
23	141454-01-711	EA	ROLL PIN	2160842
24	141454-01-712	EA	GEAR - ROTATE	2200469
	141454-01-701	EA	KIT - GEAR/MOTOR-GEAR/ROTATE	RP-RM25
	141454-01-702	EA	HOUSING/ELECTRONICS - UPPER	RP-RM10
	141454-01-703	EA	HOUSING/ELECTRONICS - LOWER	RP-RM15
	141454-01-713	EA	PANEL/FRT-W/DIGITAL READOUT	2764586

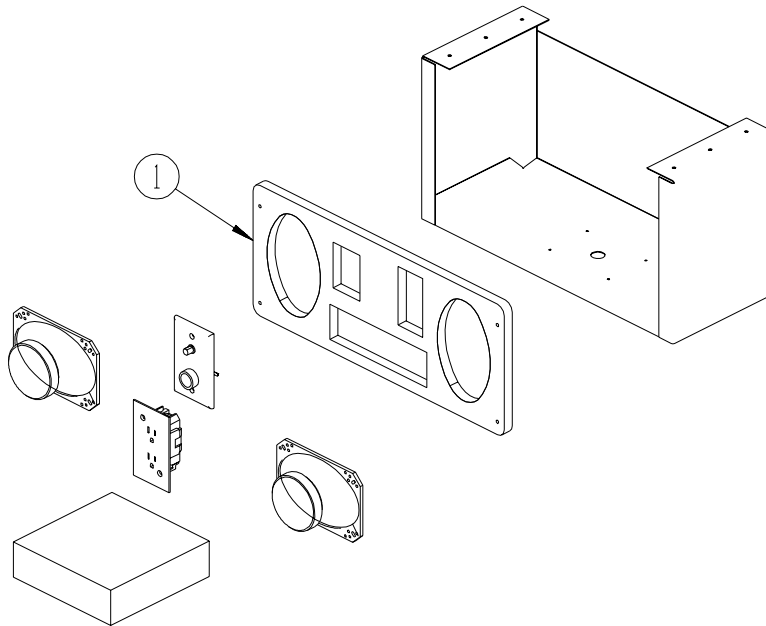
CONTACT WINNEBAGO PART SALES FOR UNLISTED COMPONENT

AUDIO VIDEO GROUP (CONTINUED)
EXTERIOR ENTERTAINMENT



L39

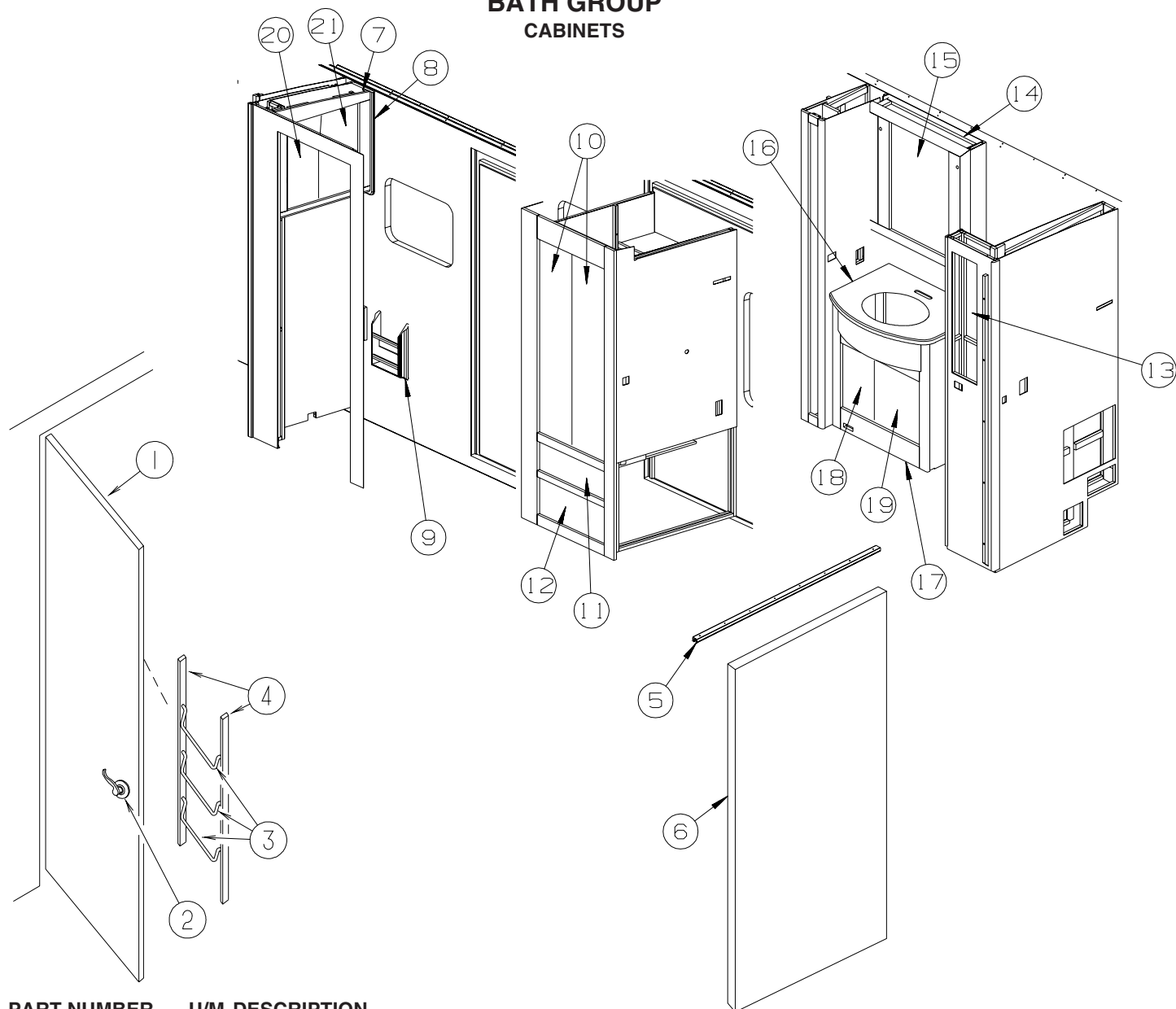
KEY	PART NUMBER	U/M DESCRIPTION
1	139958-01-01A	EA PANEL - ENTERTAINMENT CENTER - BRIGHT WHITE FROM: 00-00-00 THRU: 01-02-03
1	139958-02-01A	EA PANEL - ENTERTAINMENT CENTER - BLACK FROM: 01-03-03 THRU: 99-99-99



L36W

KEY	PART NUMBER	U/M DESCRIPTION
1	126123-04-L52	EA PLATE - RADIO MOUNTING

BATH GROUP CABINETS

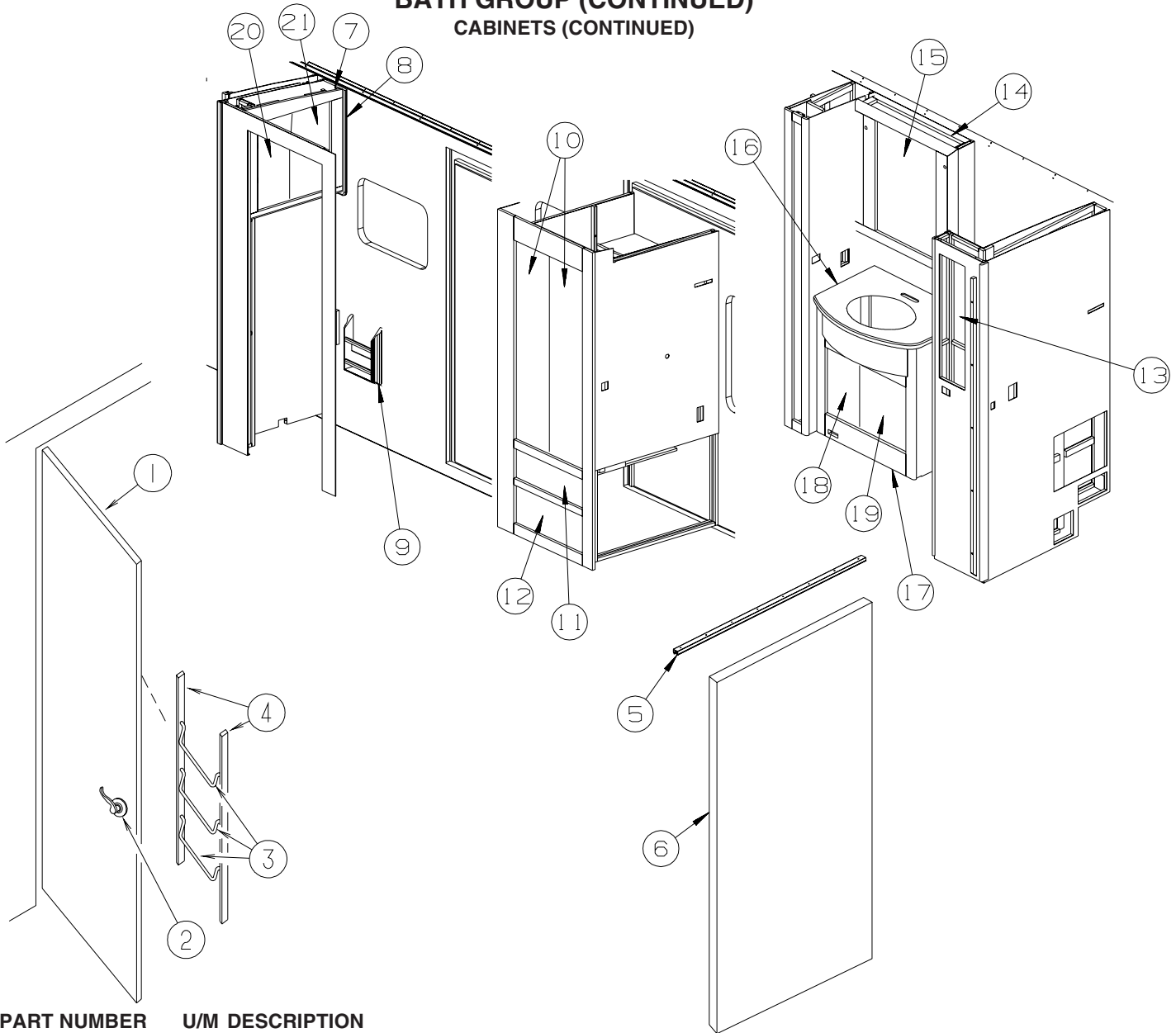


KEY	PART NUMBER	U/M	DESCRIPTION
1	131933-06-M22	EA	DOOR/BATH - W/O HARDWARE - PORTSMOUTH OAK
1	131933-06-N63	EA	DOOR/BATH - W/O HARDWARE - CONCERT CHERRY
1	131933-06-N62	EA	DOOR/BATH - W/O HARDWARE - WASHED MAPLE
2	111155-05-01A	EA	LOCK - PRIVACY/LOCKING - POLISHED BRASS - "S" SHAPE HANDLE FROM: 00-00-00 THRU: 01-26-03
2	146064-01-01A	EA	LOCK - PRIVACY HANDLE - POLISHED BRASS FROM: 01-27-03 THRU: 99-99-99
3	100357-01-000	EA	ROD - F/TOWEL BAR - BRASS
4	P34509-01-N01	EA	RAIL END - RH/LH - TOWEL RACK - PORTSMOUTH OAK - PORTSMOUTH OAK
4	P34509-01-P14	EA	RAIL END - RH/LH - TOWEL RACK - CHERRY - CONCERT CHERRY
4	P34509-01-N15	EA	RAIL END - RH/LH - TOWEL RACK - WASHED MAPLE - WASHED MAPLE
5	137422-13-01A	EA	TRACK - DOOR - OFF WHITE
6	104013-05-L81	EA	DOOR - SLIDING - W/O HARDWARE - PORTSMOUTH OAK
6	104013-05-M85	EA	DOOR - SLIDING - W/O HARDWARE - CONCERT CHERRY
6	104013-05-M84	EA	DOOR - SLIDING - W/O HARDWARE - WASHED MAPLE
7	139556-01-N53	EA	CABINET - OVERHEAD/BATH - W/O DOORS/HARDWARE - PORTSMOUTH OAK
7	139556-01-N52	EA	CABINET - OVERHEAD/BATH - W/O DOORS/HARDWARE - CONCERT CHERRY
7	139556-01-P51	EA	CABINET - OVERHEAD/BATH - W/O DOORS/HARDWARE - WASHED MAPLE
8	P38119-21-N53	EA	END CAP - OVERHEAD/CABINET - PORTSMOUTH OAK
8	P38119-21-N52	EA	END CAP - OVERHEAD CABINET - CONCERT CHERRY
8	P38119-21-N62	EA	END CAP - OVERHEAD CABINET - WASHED MAPLE
9	139812-01-N33	EA	CABINET/MAGAZINE RACK - W/O HARDWARE - PORTSMOUTH OAK
9	139812-01-N52	EA	CABINET/MAGAZINE RACK - W/O HARDWARE - CONCERT CHERRY
9	139812-01-N62	EA	CABINET/MAGAZINE RACK - W/O HARDWARE - WASHED MAPLE

BATH GROUP (CONTINUED)
CABINETS (CONTINUED)

KEY	PART NUMBER	U/M	DESCRIPTION
10	134786-03-N04	EA	DOOR - MIRROR/MITERED CORNERS- 12" X 48" - W/O HARDWARE - PORTSMOUTH OAK
10	134786-03-M16	EA	DOOR - MIRROR/MITERED CORNERS- 12" X 48" - W/O HARDWARE - CONCERT CHERRY
10	134786-03-M15	EA	DOOR - MIRROR/MITERED CORNERS- 12" X 48" - W/O HARDWARE - WASHED MAPLE
	076767-04-000	EA	CABLE - STAINLESS STEEL - 5.9"
	140374-09-000	EA	MIRROR - SAFETY GLASS - 8.7" X 44.7"
11	P34767-E8-P54	EA	DRAWER - PENCIL EDGE - 22.5"W X 23.6"D-W/O SLIDES/HARDWARE - PORTSMOUTH OAK
11	P34767-E8-N63	EA	DRAWER - PENCIL EDGE - 22.5"W X 23.6"D-W/O SLIDES/HARDWARE - CONCERT CHERRY
11	P34767-E8-N62	EA	DRAWER - PENCIL EDGE - 22.5"W X 23.6"D-W/O SLIDES/HARDWARE - WASHED MAPLE
12	P34767-E9-P54	EA	DRAWER - PENCIL EDGE - 22.5"W X 23.6"D-W/O SLIDES/HARDWARE - PORTSMOUTH OAK
12	P34767-E9-N63	EA	DRAWER - PENCIL EDGE - 22.5"W X 23.6"D-W/O SLIDES/HARDWARE - CONCERT CHERRY
12	P34767-E9-N62	EA	DRAWER - PENCIL EDGE - 22.5"W X 23.6"D-W/O SLIDES/HARDWARE - WASHED MAPLE
13	137602-08-N53	EA	POCKET - MONITOR PANEL - PORTSMOUTH OAK
13	137602-08-N52	EA	POCKET - MONITOR PANEL - CONCERT CHERRY
13	137602-08-P51	EA	POCKET - MONITOR PANEL - WASHED MAPLE
14	139444-01-N53	EA	CABINET - OVERHEAD/MEDICINE - W/O DOORS/HARDWARE - PORTSMOUTH OAK
14	139444-01-N52	EA	CABINET - OVERHEAD/MEDICINE - W/O DOORS/HARDWARE - CONCERT CHERRY
14	139444-01-N62	EA	CABINET - OVERHEAD/MEDICINE - W/O DOORS/HARDWARE - WASHED MAPLE
15	115237-01-M22	EA	DOOR - MIRRORED/MEDICINE CABINET - 19.7" X 29.5" - W/O HDW - PORTSMOUTH OAK
15	115237-01-N52	EA	DOOR - MIRRORED/MEDICINE CABINET - 19.7" X 29.5" - W/O HDW - CONCERT CHERRY
15	115237-01-N62	EA	DOOR - MIRRORED/MEDICINE CABINET - 19.7" X 29.5" - W/O HDW - WASHED MAPLE
	076767-04-000	EA	CABLE - STAINLESS STEEL - 5.9"
	093606-18-000	EA	MIRROR - BEVELED EDGE - 19.7" X 29.5"
	137463-01-01A	EA	LIFT - HOOK - SATIN BRASS
16	140624-01-01A	EA	COUNTERTOP - 1/4" VENDURA - ALMONDINE
			FROM: 00-00-00 THRU: 06-09-02
16	140624-03-01A	EA	COUNTERTOP - 1/4" VENDURA - ALMONDINE
			FROM: 06-10-02 THRU: 99-99-99
17	139334-01-P63	EA	CABINET - LAVATORY - W/O COUNTERTOP/DOORS/DRAWERS/HARDWARE (P69)
			FROM: 00-00-00 THRU: 06-09-02
17	143478-01-P63	EA	CABINET - LAVATORY - W/O COUNTERTOP/DOORS/DRAWERS/HARDWARE (P69)
			FROM: 06-10-02 THRU: 99-99-99
17	139334-01-P64	EA	CABINET - LAVATORY - W/O COUNTERTOP/DOORS/DRAWERS/HARDWARE (P70)
			FROM: 00-00-00 THRU: 06-09-02
17	143478-01-P64	EA	CABINET - LAVATORY - W/O COUNTERTOP/DOORS/DRAWERS/HARDWARE (P70)
			FROM: 06-10-02 THRU: 99-99-99
17	139334-01-P65	EA	CABINET - LAVATORY - W/O COUNTERTOP/DOORS/DRAWERS/HARDWARE (P71)
			FROM: 00-00-00 THRU: 06-09-02
17	143478-01-P65	EA	CABINET - LAVATORY - W/O COUNTERTOP/DOORS/DRAWERS/HARDWARE (P71)
			FROM: 06-10-02 THRU: 99-99-99
17	139334-01-P66	EA	CABINET - LAVATORY - W/O COUNTERTOP/DOORS/DRAWERS/HARDWARE (P72)
			FROM: 00-00-00 THRU: 06-09-02
17	143478-01-P66	EA	CABINET - LAVATORY - W/O COUNTERTOP/DOORS/DRAWERS/HARDWARE (P72)
			FROM: 06-10-02 THRU: 99-99-99
17	139334-01-N57	EA	CABINET - LAVATORY - W/O COUNTERTOP/DOORS/DRAWERS/HARDWARE (P73)
			FROM: 00-00-00 THRU: 06-09-02
17	143478-01-P67	EA	CABINET - LAVATORY - W/O COUNTERTOP/DOORS/DRAWERS/HARDWARE (P73)
			FROM: 06-10-02 THRU: 99-99-99
17	139334-01-N56	EA	CABINET - LAVATORY - W/O COUNTERTOP/DOORS/DRAWERS/HARDWARE (P74)
			FROM: 00-00-00 THRU: 06-09-02
17	143478-01-P68	EA	CABINET - LAVATORY - W/O COUNTERTOP/DOORS/DRAWERS/HARDWARE (P74)
			FROM: 06-10-02 THRU: 99-99-99
17	139334-01-P51	EA	CABINET - LAVATORY - W/O COUNTERTOP/DOORS/DRAWERS/HARDWARE (P51)
			FROM: 00-00-00 THRU: 06-09-02
17	143478-01-P51	EA	CABINET - LAVATORY - W/O COUNTERTOP/DOORS/DRAWERS/HARDWARE (P51)
			FROM: 06-10-02 THRU: 99-99-99
17	139334-01-P52	EA	CABINET - LAVATORY - W/O COUNTERTOP/DOORS/DRAWERS/HARDWARE (P52)
			FROM: 00-00-00 THRU: 06-09-02
17	143478-01-P52	EA	CABINET - LAVATORY - W/O COUNTERTOP/DOORS/DRAWERS/HARDWARE (P52)
			FROM: 06-10-02 THRU: 99-99-99
17	139334-01-N66	EA	CABINET - LAVATORY - W/O COUNTERTOP/DOORS/DRAWERS/HARDWARE (P53)
			FROM: 00-00-00 THRU: 06-09-02
17	143478-01-P53	EA	CABINET - LAVATORY - W/O COUNTERTOP/DOORS/DRAWERS/HARDWARE (P53)
			FROM: 06-10-02 THRU: 99-99-99

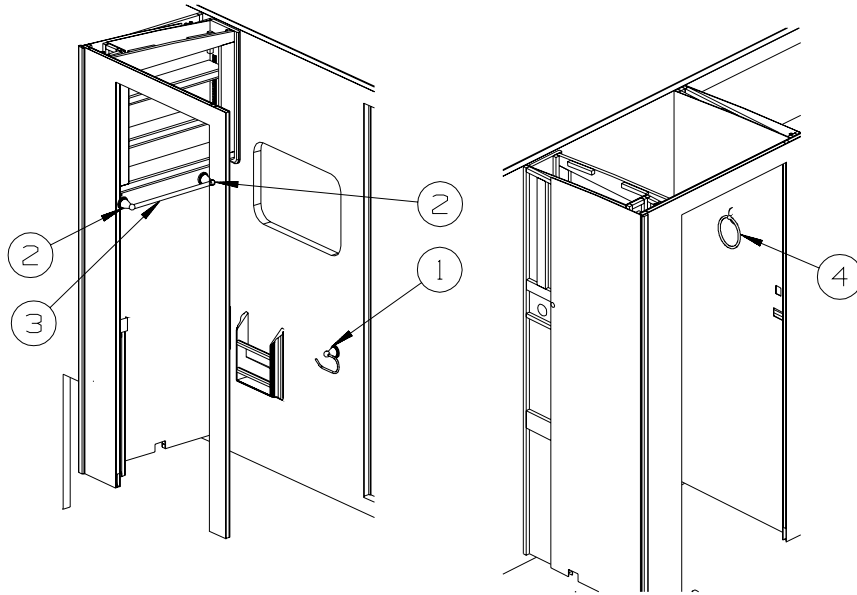
BATH GROUP (CONTINUED)
CABINETS (CONTINUED)



KEY	PART NUMBER	U/M	DESCRIPTION
18	134783-P7-P69	EA	DOOR - RAIL/SOLID PANEL - 13.4" X 21.8" - W/O HARDWARE - PORTSMOUTH OAK FROM: 00-00-00 THRU: 06-23-02
18	136710-83-P69	EA	DOOR - RAISED PANEL/PENCIL EDGE - 12.8" X 17.7" - W/O HDW - PORTSMOUTH OAK FROM: 06-24-02 THRU: 99-99-99
18	134783-P7-N63	EA	DOOR - RAIL/SOLID PANEL - 13.4" X 21.8" - W/O HARDWARE - CONCERT CHERRY FROM: 00-00-00 THRU: 06-23-02
18	136710-83-P70	EA	DOOR - RAISED PANEL/PENCIL EDGE - 12.8" X 17.7" - W/O HDW - CONCERT CHERRY FROM: 06-24-02 THRU: 99-99-99
18	134783-P7-N62	EA	DOOR - RAIL/SOLID PANEL - 13.4" X 21.8" - W/O HARDWARE - WASHED MAPLE FROM: 00-00-00 THRU: 06-23-02
18	136710-83-P51	EA	DOOR - RAISED PANEL/PENCIL EDGE - 12.8" X 17.7" - W/O HDW - WASHED MAPLE FROM: 06-24-02 THRU: 99-99-99
19	134783-P9-P69	EA	DOOR - RAIL/SOLID PANEL - 13.4" X 21.8" - W/O HARDWARE - PORTSMOUTH OAK FROM: 00-00-00 THRU: 06-23-02
19	136710-84-P69	EA	DOOR - RAISED PANEL/PENCIL EDGE - 12.8" X 17.7" - W/O HDW - PORTSMOUTH OAK FROM: 06-24-02 THRU: 99-99-99
19	134783-P9-N63	EA	DOOR - RAIL/SOLID PANEL - 13.4" X 21.8" - W/O HARDWARE - CONCERT CHERRY FROM: 00-00-00 THRU: 06-23-02
19	136710-84-P70	EA	DOOR - RAISED PANEL/PENCIL EDGE - 12.8" X 17.7" - W/O HDW - CONCERT CHERRY FROM: 06-24-02 THRU: 99-99-99
19	134783-P9-N62	EA	DOOR - RAIL/SOLID PANEL - 13.4" X 21.8" - W/O HARDWARE - WASHED MAPLE FROM: 00-00-00 THRU: 06-23-02
19	136710-84-P51	EA	DOOR - RAISED PANEL/PENCIL EDGE - 12.8" X 17.7" - W/O HDW - WASHED MAPLE FROM: 06-24-02 THRU: 99-99-99

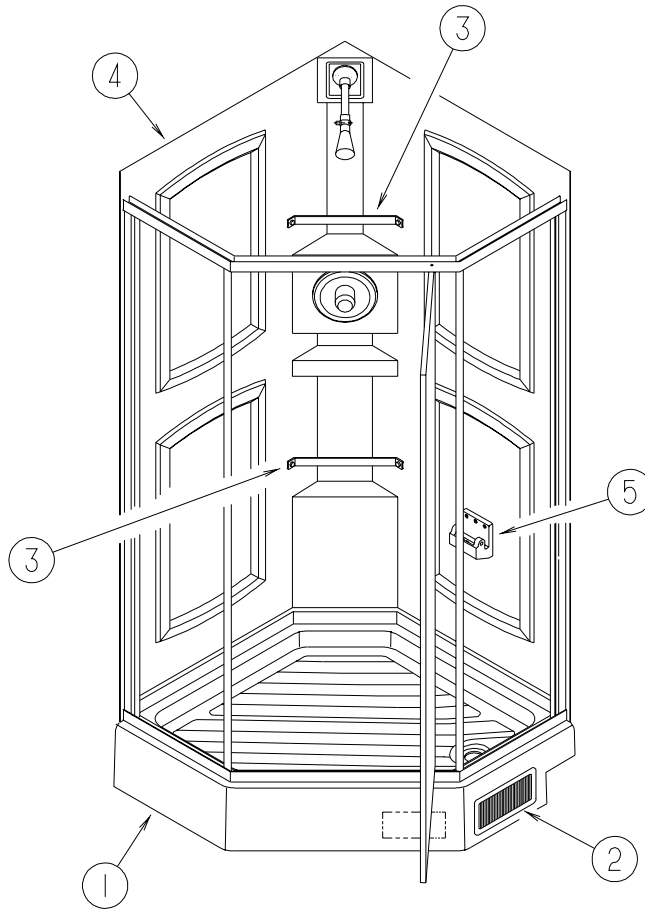
BATH GROUP (CONTINUED) CABINETS (CONTINUED)

KEY	PART NUMBER	U/M	DESCRIPTION
20	135238-45-P69	EA	DOOR - RAIL/ARCHED TOP - 10.8" X 21.8" - W/O HARDWARE - PORTSMOUTH OAK
20	135238-45-N63	EA	DOOR - RAIL/ARCHED TOP - 10.8" X 21.8" - W/O HARDWARE - CONCERT CHERRY
20	135238-45-N62	EA	DOOR - RAIL/ARCHED TOP - 10.8" X 21.8" - W/O HARDWARE - WASHED MAPLE
21	135238-44-P69	EA	DOOR - RAIL/ARCHED TOP - 10.8" X 21.8" - W/O HARDWARE - PORTSMOUTH OAK
21	135238-44-N63	EA	DOOR - RAIL/ARCHED TOP - 10.8" X 21.8" - W/O HARDWARE - CONCERT CHERRY
21	135238-44-N62	EA	DOOR - RAIL/ARCHED TOP - 10.8" X 21.8" - W/O HARDWARE - WASHED MAPLE



KEY	PART NUMBER	U/M	DESCRIPTION
1	132533-02-01A	EA	HOLDER - PAPER - BRASS & CHROME
2	135008-02-01A	EA	POST - TOWEL BAR - 5/8" POST = PAIR
3	135008-01-01A	EA	BAR - TOWEL - 18" X 5/8" - CHROME
4	135009-01-01A	EA	RING - TOWEL - CHROME & BRASS

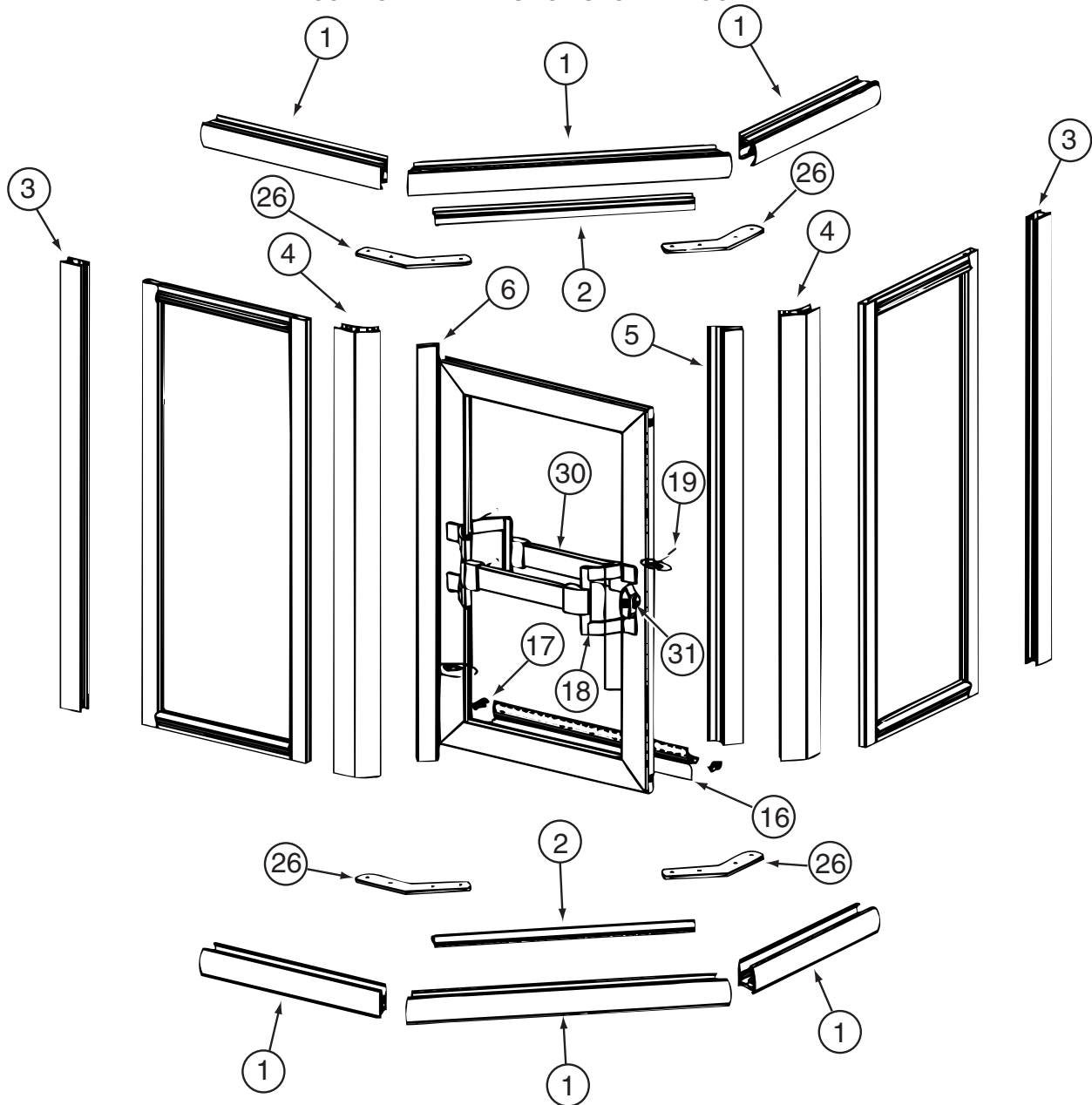
BATH GROUP (CONTINUED) SHOWER



KEY	PART NUMBER	U/M	DESCRIPTION
1	M02630-58-N30	EA	SHOWER PAN - W/STRAINER - L36W
1	M02630-68-N52	EA	SHOWER PAN - W/STRAINER - L39
2	089326-02-000	EA	GRILLE - FLOOR - HEATING - 9.3" X 5.3" - SOFT WHITE
3	113714-02-02A	EA	RETAINER - SHELF/SHOWER - SOFT WHITE
4	131311-01-01A	EA	ENCLOSURE - SHOWER - SIDES/BACK - 1 PIECE
5	135607-03-01A	EA	SEAT - SHOWER/FOLDING(FOR REPLACEMENT OR OPTION INST ONLY)
*	139047-03-01A	EA	DOOR - SHOWER - NEO ANGLE - GOLD/AQUA - 66.4" TALL

***COMPONENT PARTS LISTED LATER IN THIS GROUP**

BATH GROUP (CONTINUED)
COMPONENT PARTS FOR SHOWER DOOR

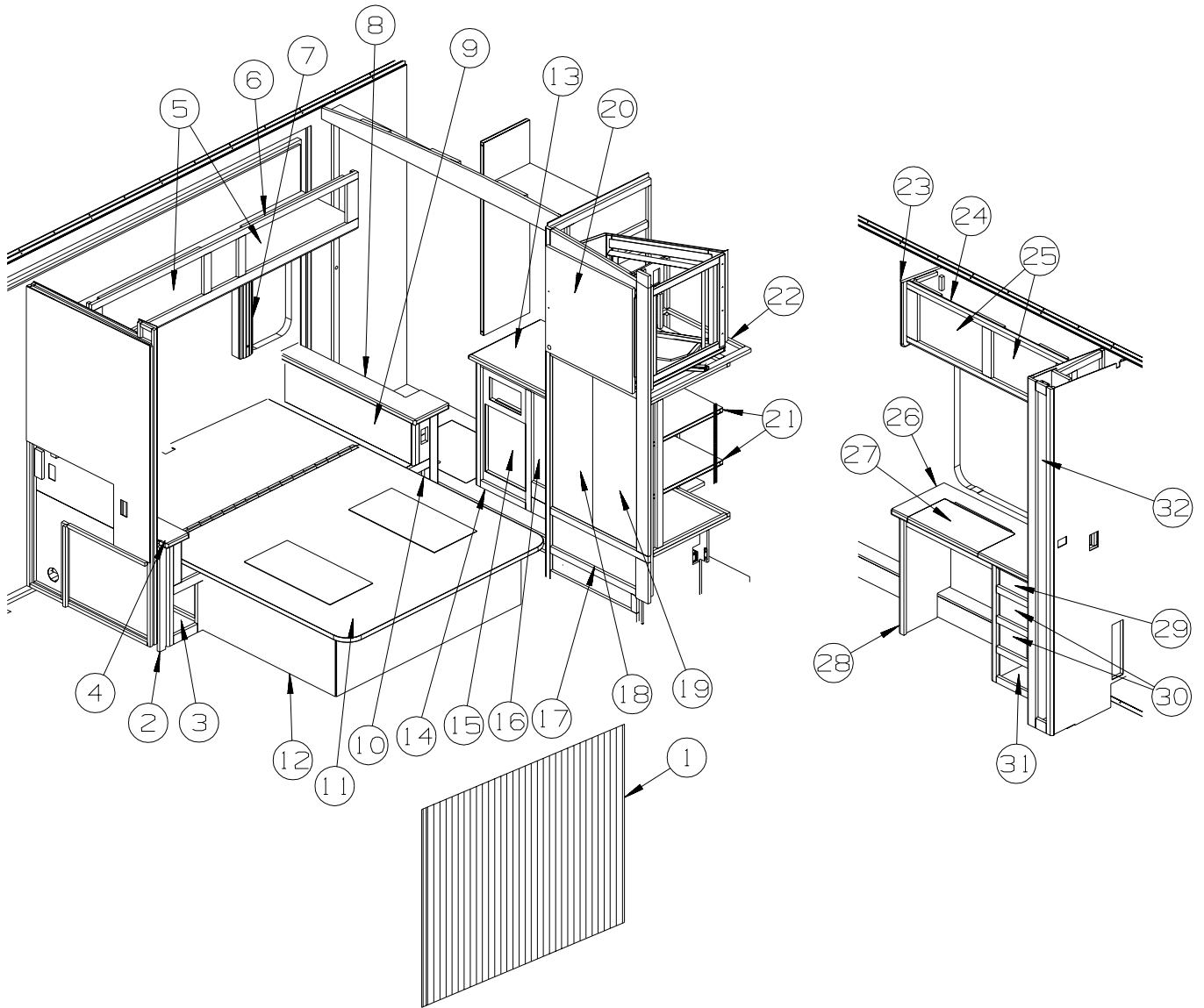


139047-01-01A, 139047-01-02A, 139047-02-01A, 139047-02-02A, 139047-03-01A, 139047-03-02A, 139047-04-02A, 139047-04-03A

KEY	PART NUMBER	U/M	DESCRIPTION	VENDOR NO.
1	139047-01-700	EA	HEADER/SILL - 30" (PAIR)	900
2	139047-01-701	EA	DAM STRIP-TOP/BOTTOM-35.4"	901
3	139047-01-702	EA	JAMB - WALL - 65.9"	903
4	139047-01-703	EA	CORNER POST-45 DEGREE- 65.9"	909
5	139047-01-704	EA	STRIKE - JAMB - 64.6"	926
6	139047-01-705	EA	HINGE/POST - DOOR - 64.5"	920
16	139047-01-710	EA	VINYL SWEEP	C176G
17	139047-01-711	EA	PLUG - DRIP CAP (SET)	CP933
18	092574-01-701	EA	BRACKET-DOOR PULL/TOWEL BAR	8141G
19	092574-01-710	EA	SCREW-GOLD, FOR TOWEL BAR	83212G
26	139047-01-712	EA	HEADER - CORNER BRACKET	313.45C
30	116814-01-700	EA	BAR-TOWEL 17 5/16"	68G
31	089318-01-707	EA	LATCH/CATCH - SAFETY - BLACK	9730N
	139047-01-706	EA	HINGE PINS	CP932
	139047-01-707	EA	WASHERS - HINGE	CP148TW
	139047-01-708	EA	HINGE - SLEEVE - 61.5"	C921B
	139047-01-709	EA	STRIP - MAGNETIC- 55"	98-42
	139047-01-713	EA	RAIL DRIP - 31.6"	927G

CONTACT WINNEBAGO PART SALES FOR UNLISTED COMPONENT

BEDROOM GROUP CABINETS

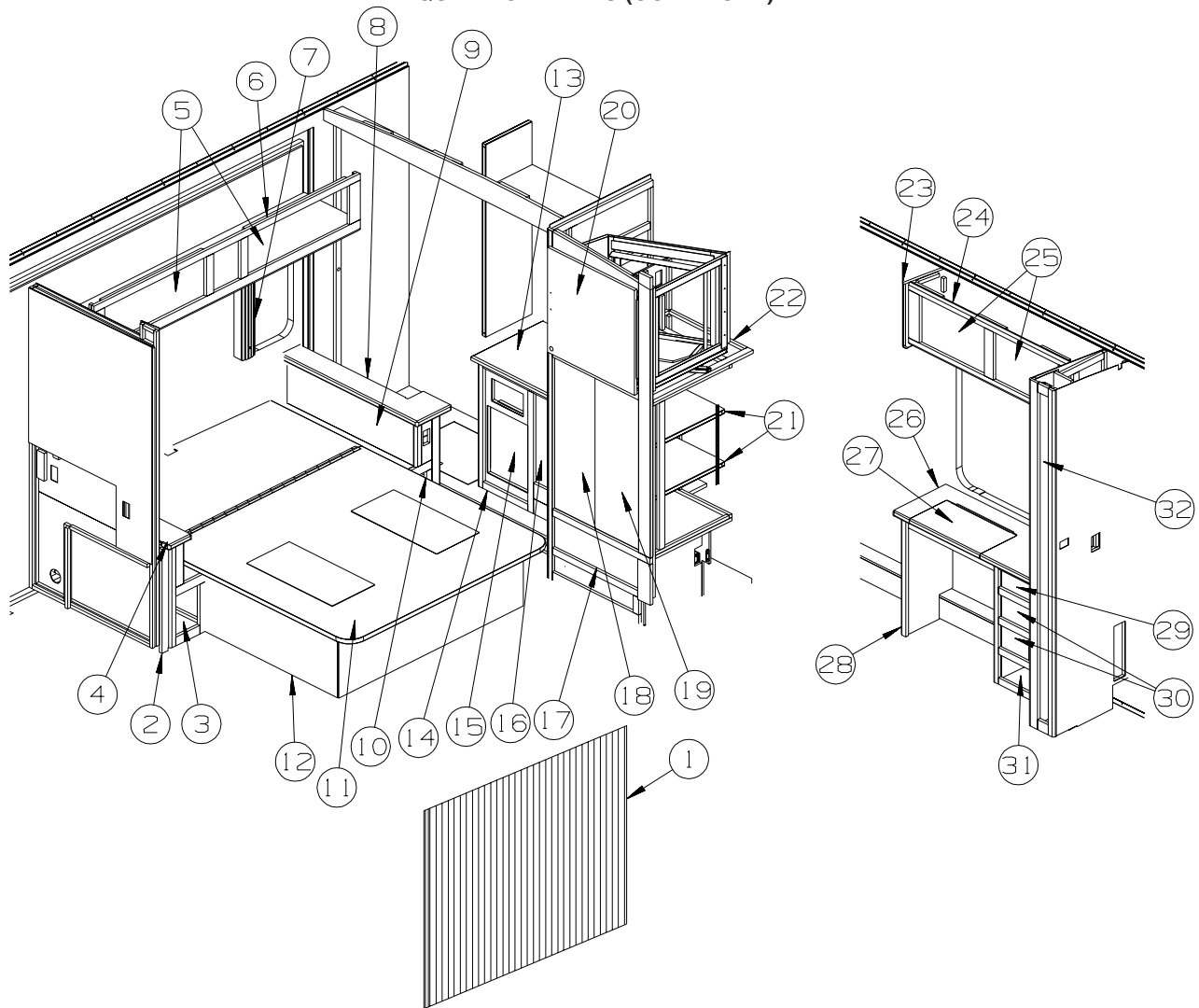


KEY	PART NUMBER	U/M	DESCRIPTION
1	131595-05-01A	EA	DOOR - FOLDING - W/TRACK - 78.6" X 73.9"
2	136885-05-N53	EA	CABINET - NIGHTSTAND/LH - W/O COUNTERTOP/DOOR/DRAWER/HDW - PORTSMOUTH OAK
2	136885-05-N52	EA	CABINET - NIGHTSTAND/LH - W/O COUNTERTOP/DOOR/DRAWER/HDW - CONCERT CHERRY
2	136885-05-N62	EA	CABINET - NIGHTSTAND/LH - W/O COUNTERTOP/DOOR/DRAWER/HDW - WASHED MAPLE
3	P34767-F0-P54	EA	DRAWER - PENCIL EDGE - 5.6" X 23.6" - W/O SLIDES/HARDWARE - PORTSMOUTH OAK
3	P34767-F0-N63	EA	DRAWER - PENCIL EDGE - 5.6" X 23.6" - W/O SLIDES/HARDWARE - CONCERT CHERRY
3	P34767-F0-N62	EA	DRAWER - PENCIL EDGE - 5.6" X 23.6" - W/O SLIDES/HARDWARE - WASHED MAPLE
4	140623-02-01A	EA	COUNTERTOP - 1/4" VENDURA - ALMONDINE
5	135238-32-P69	EA	DOOR - RAIL/ARCHED TOP - 10" X 29.5" - W/O HARDWARE - PORTSMOUTH OAK
5	135238-32-P70	EA	DOOR - RAIL/ARCHED TOP - 10" X 29.5" - W/O HARDWARE - CONCERT CHERRY
5	135238-32-N84	EA	DOOR - RAIL/ARCHED TOP - 10" X 29.5" - W/O HARDWARE - WASHED MAPLE

BEDROOM GROUP (CONTINUED)
QUEEN CABINETS (CONTINUED)

KEY	PART NUMBER	U/M	DESCRIPTION
6	139326-01-P69	EA	CABINET - OVERHEAD/REAR/RIGHT HAND - W/O DOORS/HARDWARE (P69) - REAR STEREO SYSTEM
6	139326-01-N63	EA	CABINET - OVERHEAD/REAR/RIGHT HAND - W/O DOORS/HARDWARE (P70) - REAR STEREO SYSTEM
6	139326-01-P71	EA	CABINET - OVERHEAD/REAR/RIGHT HAND - W/O DOORS/HARDWARE (P71) - REAR STEREO SYSTEM
6	139326-01-P72	EA	CABINET - OVERHEAD/REAR/RIGHT HAND - W/O DOORS/HARDWARE (P72) - REAR STEREO SYSTEM
6	139326-01-N57	EA	CABINET - OVERHEAD/REAR/RIGHT HAND - W/O DOORS/HARDWARE (P73) - REAR STEREO SYSTEM
6	139326-01-N56	EA	CABINET - OVERHEAD/REAR/RIGHT HAND - W/O DOORS/HARDWARE (P74) - REAR STEREO SYSTEM
6	139326-01-N62	EA	CABINET - OVERHEAD/REAR/RIGHT HAND - W/O DOORS/HARDWARE (P51) - REAR STEREO SYSTEM
6	139326-01-P52	EA	CABINET - OVERHEAD/REAR/RIGHT HAND - W/O DOORS/HARDWARE (P52) - REAR STEREO SYSTEM
6	139326-01-P53	EA	CABINET - OVERHEAD/REAR/RIGHT HAND - W/O DOORS/HARDWARE (P53) - REAR STEREO SYSTEM
6	139326-02-P69	EA	CABINET - OVERHEAD/REAR/RIGHT HAND - W/O DOORS/HARDWARE (P69) - W/O REAR STEREO SYS
6	139326-02-P70	EA	CABINET - OVERHEAD/REAR/RIGHT HAND - W/O DOORS/HARDWARE (P70) - W/O REAR STEREO SYS
6	139326-02-P71	EA	CABINET - OVERHEAD/REAR/RIGHT HAND - W/O DOORS/HARDWARE (P71) - W/O REAR STEREO SYS
6	139326-02-P72	EA	CABINET - OVERHEAD/REAR/RIGHT HAND - W/O DOORS/HARDWARE (P72) - W/O REAR STEREO SYS
6	139326-02-P73	EA	CABINET - OVERHEAD/REAR/RIGHT HAND - W/O DOORS/HARDWARE (P73) - W/O REAR STEREO SYS
6	139326-02-P74	EA	CABINET - OVERHEAD/REAR/RIGHT HAND - W/O DOORS/HARDWARE (P74) - W/O REAR STEREO SYS
6	139326-02-N62	EA	CABINET - OVERHEAD/REAR/RIGHT HAND - W/O DOORS/HARDWARE (P51) - W/O REAR STEREO SYS
6	139326-02-P52	EA	CABINET - OVERHEAD/REAR/RIGHT HAND - W/O DOORS/HARDWARE (P52) - W/O REAR STEREO SYS
6	139326-02-P53	EA	CABINET - OVERHEAD/REAR/RIGHT HAND - W/O DOORS/HARDWARE (P53) - W/O REAR STEREO SYS
7	139873-01-N53	EA	VALANCE - PORTSMOUTH OAK
7	139873-01-N52	EA	VALANCE - CONCERT CHERRY
7	139873-01-N62	EA	VALANCE - WASHED MAPLE
8	140623-01-01A	EA	COUNTERTOP - 1/4" VENDURA - ALMONDINE
9	136885-06-N53	EA	CABINET - NIGHTSTAND/RH - W/O COUNTERTOP/DOOR/DRAWER/HDW - PORTSMOUTH OAK
9	136885-06-N52	EA	CABINET - NIGHTSTAND/RH - W/O COUNTERTOP/DOOR/DRAWER/HDW - CONCERT CHERRY
9	136885-06-N62	EA	CABINET - NIGHTSTAND/RH - W/O COUNTERTOP/DOOR/DRAWER/HDW - WASHED MAPLE
10	P34767-C1-N47	EA	DRAWER - PENCIL EDGE - 7.6"W X 23.6"D-W/O SLIDES/HARDWARE - PORTSMOUTH OAK
10	P34767-C1-N63	EA	DRAWER - PENCIL EDGE - 7.6"W X 23.6"D-W/O SLIDES/HARDWARE - CONCERT CHERRY
10	P34767-C1-N62	EA	DRAWER - PENCIL EDGE - 7.6"W X 23.6"D-W/O SLIDES/HARDWARE - WASHED MAPLE
11	137406-04-N52	EA	BEDBOARD - W/HINGE/T-MOLDING/SLIPNOT - FLIP-UP
12	139019-01-N53	EA	CABINET/BASE - W/O DOOR/HARDWARE - F/QUEEN BED - PORTSMOUTH OAK
12	139019-01-N52	EA	CABINET/BASE - W/O DOOR/HARDWARE - F/QUEEN BED - CONCERT CHERRY
12	139019-01-N62	EA	CABINET/BASE - W/O DOOR/HARDWARE - F/QUEEN BED - WASHED MAPLE
13	133655-45-N53	EA	COUNTERTOP - LAMINATED - WHITE TALC (P69, P71)
13	133655-45-N52	EA	COUNTERTOP - LAMINATED - WHITE TALC (P70, P72)
13	133655-45-P65	EA	COUNTERTOP - LAMINATED - EGGSHELL (P73)
13	133655-45-P66	EA	COUNTERTOP - LAMINATED - EGGSHELL (P74)
13	133655-45-N62	EA	COUNTERTOP - LAMINATED - WHITE TALC (P51, P52)
13	133655-45-P53	EA	COUNTERTOP - LAMINATED (P53)
14	137892-01-N53	EA	CABINET/HAMPER - W/O DOORS/HARDWARE - PORTSMOUTH OAK
14	137892-01-N52	EA	CABINET/HAMPER - W/O DOORS/HARDWARE - CONCERT CHERRY
14	137892-01-N62	EA	CABINET/HAMPER - W/O DOORS/HARDWARE - WASHED MAPLE
15	134783-R4-P69	EA	DOOR - RAIL/SOLID PANEL - 13.6" X 27.1" - W/O HARDWARE - PORTSMOUTH OAK
15	134783-R4-N63	EA	DOOR - RAIL/SOLID PANEL - 13.6" X 27.1" - W/O HARDWARE - CONCERT CHERRY
15	134783-R4-N62	EA	DOOR - RAIL/SOLID PANEL - 13.6" X 27.1" - W/O HARDWARE - WASHED MAPLE
16	134783-T6-P69	EA	DOOR - RAIL/SOLID PANEL - 12.8" X 21.8" - W/O HARDWARE - PORTSMOUTH OAK
16	134783-T6-N63	EA	DOOR - RAIL/SOLID PANEL - 12.8" X 21.8" - W/O HARDWARE - CONCERT CHERRY
16	134783-T6-N62	EA	DOOR - RAIL/SOLID PANEL - 12.8" X 21.8" - W/O HARDWARE - WASHED MAPLE
17	P34767-E6-P69	EA	DRAWER - PENCIL EDGE - 22.9"W X 21.6"D-W/O SLIDES/HARDWARE - PORTSMOUTH OAK
17	P34767-E6-P70	EA	DRAWER - PENCIL EDGE - 22.9"W X 21.6"D-W/O SLIDES/HARDWARE - CONCERT CHERRY
17	P34767-E6-N62	EA	DRAWER - PENCIL EDGE - 22.9"W X 21.6"D-W/O SLIDES/HARDWARE - WASHED MAPLE
18	134847-07-P69	EA	DOOR - LH LOUVERED/ACCESS - 12" X 36" - W/O HARDWARE - PORTSMOUTH OAK
18	134847-07-N63	EA	DOOR - LH LOUVERED/ACCESS - 12" X 36" - W/O HARDWARE - CONCERT CHERRY
18	134847-07-N62	EA	DOOR - LH LOUVERED/ACCESS - 12" X 36" - W/O HARDWARE - WASHED MAPLE
19	134847-05-P69	EA	DOOR - RH LOUVERED/ACCESS - 12" X 36" - W/O HARDWARE - PORTSMOUTH OAK
19	134847-05-N63	EA	DOOR - RH LOUVERED/ACCESS - 12" X 36" - W/O HARDWARE - CONCERT CHERRY
19	134847-05-N62	EA	DOOR - RH LOUVERED/ACCESS - 12" X 36" - W/O HARDWARE - WASHED MAPLE
20	134783-53-P69	EA	DOOR - RAIL/SOLID PANEL - 10" X 19.1" - W/O HARDWARE - PORTSMOUTH OAK
20	134783-53-N63	EA	DOOR - RAIL/SOLID PANEL - 10" X 19.1" - W/O HARDWARE - CONCERT CHERRY
20	134783-53-N62	EA	DOOR - RAIL/SOLID PANEL - 10" X 19.1" - W/O HARDWARE - WASHED MAPLE
21	137783-29-N53	EA	SHELF - W/PLASTIC EDGE MOLDING - PORTSMOUTH OAK - WASHER/DRYER PREP
21	137783-29-N52	EA	SHELF - W/PLASTIC EDGE MOLDING - CONCERT CHERRY - WASHER/DRYER PREP
21	137783-29-N62	EA	SHELF - W/PLASTIC EDGE MOLDING - WASHED MAPLE - WASHER/DRYER PREP

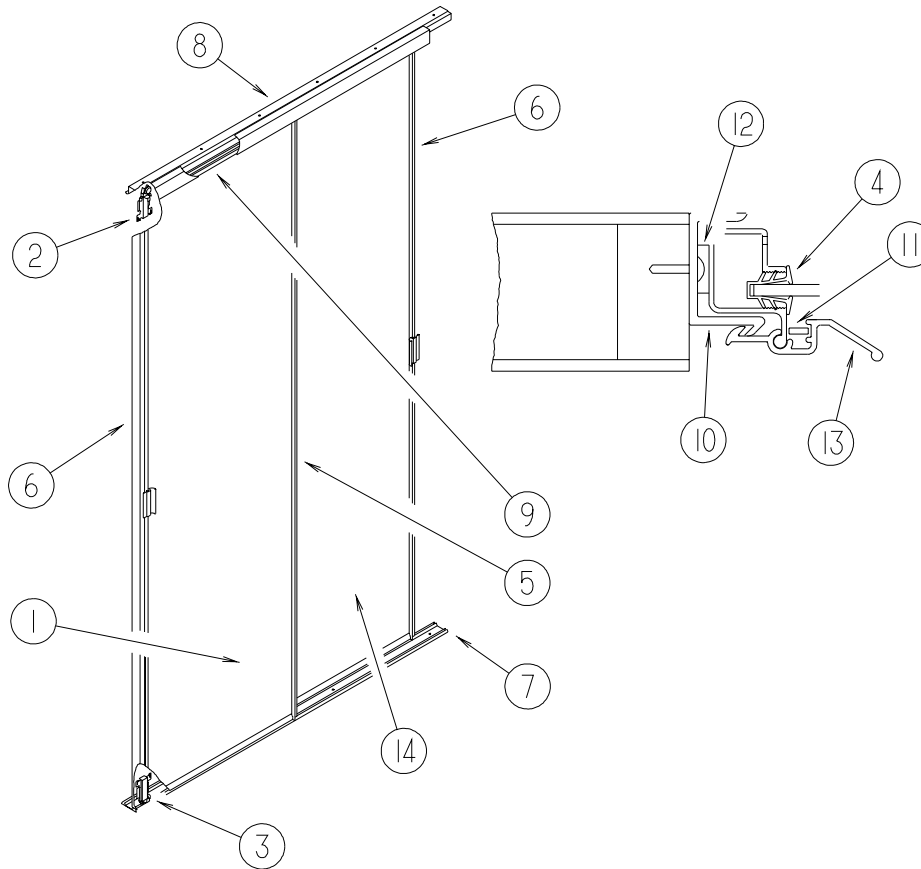
BEDROOM GROUP (CONTINUED)
QUEEN CABINETS (CONTINUED)



KEY	PART NUMBER	U/M	DESCRIPTION
			FROM: 00-00-00 THRU: 03-19-03
22	113797-02-01A	EA	STRIP - BLACK PLASTIC W/SELF ADHESIVE-.25" X .75" X 6.45"
23	P38119-20-N53	EA	END CAP - OVERHEAD CABINET - PORTSMOUTH OAK
23	P38119-20-N52	EA	END CAP - OVERHEAD CABINET - CONCERT CHERRY
23	P38119-20-N62	EA	END CAP - OVERHEAD CABINET - WASHED MAPLE
24	139528-01-N53	EA	CABINET - OVERHEAD/VANITY - W/O DOORS/HARDWARE - PORTSMOUTH OK
24	139528-01-N52	EA	CABINET - OVERHEAD/VANITY - W/O DOORS/HARDWARE - CONCERT CHERRY
24	139528-01-N62	EA	CABINET - OVERHEAD/VANITY - W/O DOORS/HARDWARE - WASHED MAPLE
25	135238-52-P69	EA	DOOR - RAIL/ARCHED TOP - 12" X 18.7" - W/O HARDWARE - PORTSMOUTH OAK
25	135238-52-P70	EA	DOOR - RAIL/ARCHED TOP - 12" X 18.7" - W/O HARDWARE - CONCERT CHERRY
25	135238-52-N84	EA	DOOR - RAIL/ARCHED TOP - 12" X 18.7" - W/O HARDWARE - WASHED MAPLE
26	140623-03-01A	EA	COUNTERTOP - 1/4" VENDURA - ALMONDINE
27	140623-04-01A	EA	COUNTERTOP - 1/4" VENDURA - ALMONDINE
28	139478-01-N53	EA	CABINET - VANITY - W/O COUNTERTOP/DRAWER/HARDWARE - PORTSMOUTH OAK
28	139478-01-N52	EA	CABINET - VANITY - W/O COUNTERTOP/DRAWER/HARDWARE - CONCERT CHERRY
28	139478-01-N62	EA	CABINET - VANITY - W/O COUNTERTOP/DRAWER/HARDWARE - WASHED MAPLE
	093606-44-000	EA	MIRROR - BEVELED - 8" X 16.5"
	140374-35-000	EA	MIRROR - SAFETY GLASS - 9" X 14.9"
			FROM: 03-20-03 THRU: 99-99-99
	076767-01-000	EA	CABLE - STAINLESS STEEL - 12"
29	P34767-E7-P69	EA	DRAWER - PENCIL EDGE - 13.5"W X 11.8"D-W/O SLIDES/HARDWARE - PORTSMOUTH OAK
29	P34767-E7-N63	EA	DRAWER - PENCIL EDGE - 13.5"W X 11.8"D-W/O SLIDES/HARDWARE - CONCERT CHERRY
29	P34767-E7-N62	EA	DRAWER - PENCIL EDGE - 13.5"W X 11.8"D-W/O SLIDES/HARDWARE - WASHED MAPLE
30	P34767-47-N47	EA	DRAWER - PENCIL EDGE - 13.4"W X 11.8"D-W/O SLIDES/HARDWARE - PORTSMOUTH OAK
30	P34767-47-N63	EA	DRAWER - PENCIL EDGE - 13.4"W X 11.8"D-W/O SLIDES/HARDWARE - CONCERT CHERRY
30	P34767-47-N62	EA	DRAWER - PENCIL EDGE - 13.4"W X 11.8"D-W/O SLIDES/HARDWARE - WASHED MAPLE

BEDROOM GROUP (CONTINUED)
QUEEN CABINETS (CONTINUED)

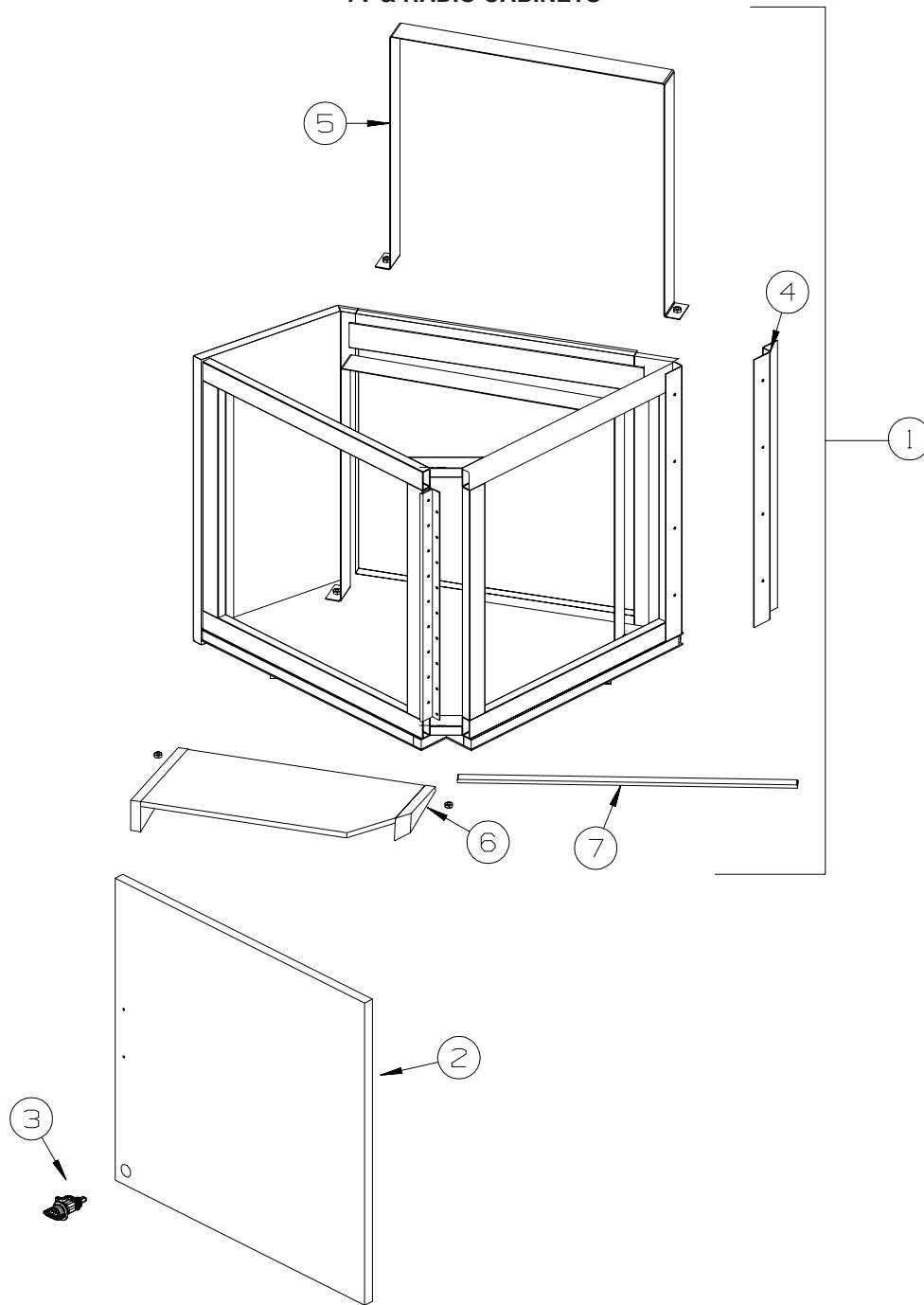
KEY	PART NUMBER	U/M	DESCRIPTION
31	P34768-L2-P69	EA	FACE/DRAWER - BLANK - 6.1" X 15.7" - W/O HARDWARE - PORTSMOUTH OAK
31	P34768-L2-N63	EA	FACE/DRAWER - BLANK - 6.1" X 15.7" - W/O HARDWARE - CONCERT CHERRY
31	P34768-L2-N62	EA	FACE/DRAWER - BLANK - 6.1" X 15.7" - W/O HARDWARE - WASHED MAPLE
32	P40284-01-N95	EA	DOOR/COVER FOLDING ACCESS - PENCIL EDGE - W/O HARDWARE - PORTSMOUTH OAK
32	P40284-01-N63	EA	DOOR/COVER FOLDING ACCESS - PENCIL EDGE - W/O HARDWARE - CONCERT CHERRY
32	P40284-01-N62	EA	DOOR/COVER FOLDING ACCESS - PENCIL EDGE - W/O HARDWARE - WASHED MAPLE



KEY	PART NUMBER	U/M	DESCRIPTION
1	136681-18-N52	EA	DOOR - MIRRORED/WARDROBE - LH - W/HANGERS/GUIDES/LATCH
	058331-L9-000	EA	MIRROR - SAFETY GLASS - 34.7" X 68.7"
2	107390-02-000	EA	CORNER HANGER (DOUBLE ROLLER W/BRACKET) (SOLD AS 1 EACH)
3	107391-01-000	EA	GUIDE - BOTTOM - BY-PASS (4 USED PER DOOR)
4	111575-01-01A	FT	CHANNEL - GLAZING - SWING DOOR
5	114104-19-01A	EA	STILE - DOOR - SLIDING - 69.4" - TERRATONE
6	114104-20-01A	EA	STILE - DOOR - SLIDING - 69.4" - TERRATONE
7	114105-18-01A	EA	TRACK - SLIDING DOOR - LOWER - 67.2" - TERRATONE
8	114106-18-01A	EA	TRACK - SLIDING DOOR - UPPER - 67.2" - TERRATONE
9	114107-03-01A	EA	RAIL - DOOR/SLIDING - UPPER/LOWER - 34.1" - TERRATONE
10	115538-09-01A	EA	JAMB - DOOR - WARDROBE/MIRRORED - 70.4" - BLACK
11	115541-01-000	EA	SPRING - DOOR - SLIDING
12	123655-01-000	FT	SEAL - CLOSED CELL/FOAM
13	132038-01-01A	EA	LATCH - DOOR/WARDROBE - TERRATONE
14	136680-18-N52	EA	DOOR - MIRRORED/WARDROBE - RH - W/HANGERS/GUIDES/LATCH
	058331-L9-000	EA	MIRROR - SAFETY GLASS - 34.7" X 68.7"

BEDROOM GROUP (CONTINUED)

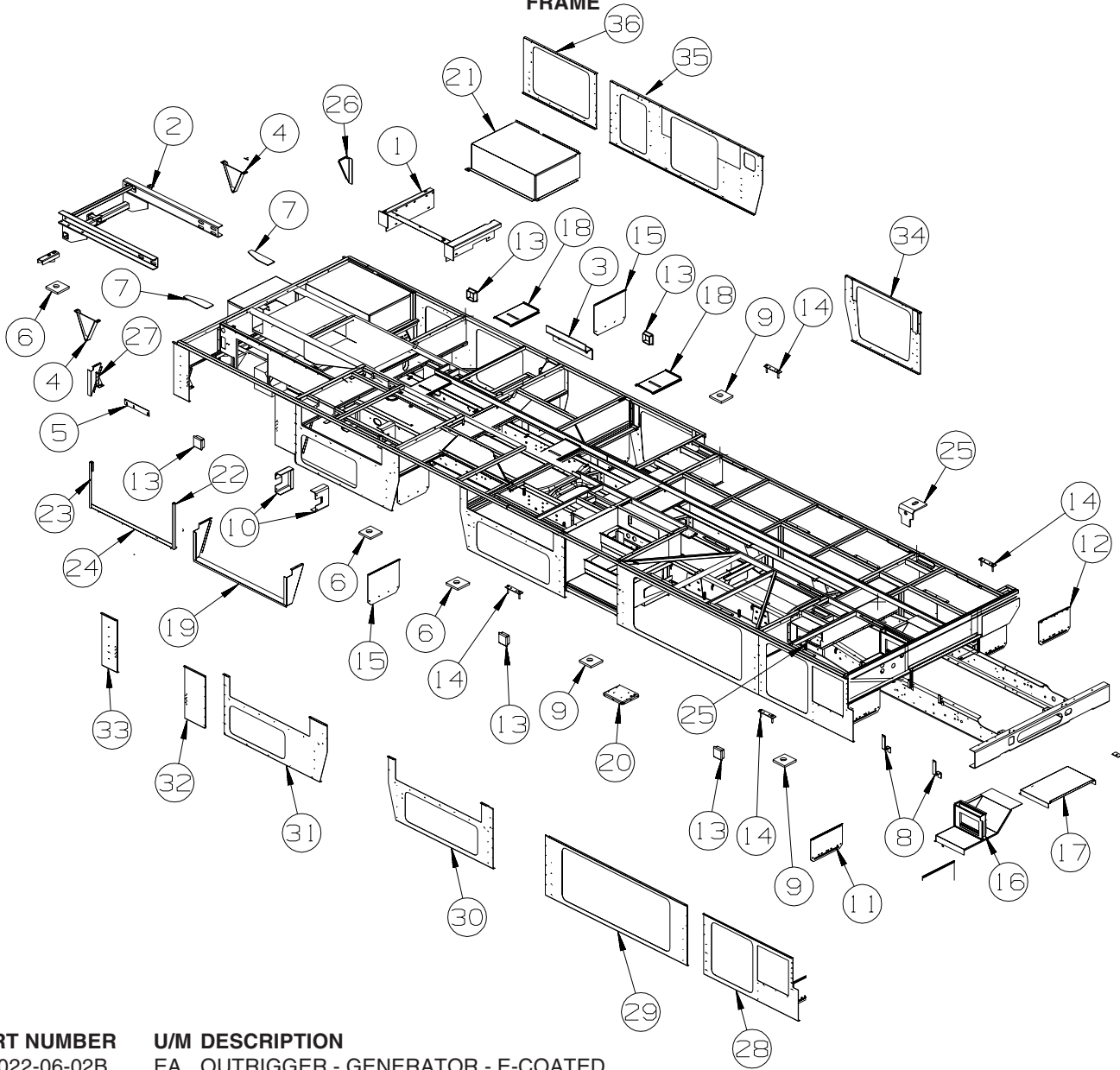
TV & RADIO CABINETS



KEY	PART NUMBER	U/M	DESCRIPTION
1	139683-02-P69	EA	CABINET - OVERHEAD/TV/SWINGOUT - W/O DOORS/HARDWARE - PORTSMOUTH OAK
1	139683-02-N63	EA	CABINET - OVERHEAD/TV/SWINGOUT - W/O DOORS/HARDWARE - CONCERT CHERRY
1	139683-02-N62	EA	CABINET - OVERHEAD/TV/SWINGOUT - W/O DOORS/HARDWARE - WASHED MAPLE
2	139683-21-P69	EA	DOOR - 24.3" X 24" - W/LATCH/PULL - PORTSMOUTH OAK
2	139683-21-N63	EA	DOOR - 24.3" X 24" - W/LATCH/PULL - CONCERT CHERRY
2	139683-21-N62	EA	DOOR - 24.3" X 24" - W/LATCH/PULL - WASHED MAPLE
3	135231-01-01A	EA	LATCH - COMPRESSION - BLACK
4	116104-08-02B	EA	BRACKET - ZEE W/HOLES - E-COATED
5	115466-26-02B	EA	STRAP - TIEDOWN/TV - E-COATED
6	133023-05-N53	EA	WEDGE - TV SHELF - PORTSMOUTH OAK
6	133023-05-N52	EA	WEDGE - TV SHELF - CONCERT CHERRY
6	133023-05-N62	EA	WEDGE - TV SHELF - WASHED MAPLE
7	113797-07-01A	EA	STRIP - RECTANGULAR - .2" X 23.4"
	144050-02-02B	EA	ANGLE/SUPPORT - TV - E-COATED

CHASSIS GROUP

FRAME



KEY	PART NUMBER	U/M	DESCRIPTION
1	133022-06-02B	EA	OUTRIGGER - GENERATOR - E-COATED
	104803-01-000	EA	ANGLE - FORMED W/SLOTS
2*	132643-07-01A	EA	HITCH/TIRE CARRIER - EXTENSION RAIL(REAR CLIP) - 54"
3	140232-01-02B	EA	BRACKET - FUEL PUMP/GENERATOR - E-COATED
4	140441-03-02B	EA	PLATE - SKID - E-COATED
5	136538-01-02B	EA	SHIM - HITCH - E-COATED
6	135712-02-02B	EA	PLATE - BODY MOUNT - E-COATED
7	133095-01-02B	EA	PLATE - CLIP - E-COATED
8	117287-01-02B	EA	BRACKET - MOUNTING/CABLE - E-COAT
9	135712-01-02B	EA	PLATE - BODY MOUNT - E-COATED
10	120867-01-02B	EA	MOUNT - LP TANK - E-COAT
11	136389-01-02B	EA	GUARD/ROCK - STEEL - W/BEND - 18"W X 10.9"H - E-COATED
			FROM: 00-00-00 THRU: 08-09-02
11	136391-01-02B	EA	GUARD/ROCK - STEEL - W/ANGLE - 18"W X 11"H - E-COATED
			FROM: 08-10-02 THRU: 99-99-99
12	136391-05-02B	EA	GUARD/ROCK - E-COATED
			FROM: 00-00-00 THRU: 05-19-02
12	136391-01-02B	EA	GUARD/ROCK - STEEL - W/ANGLE - 18"W X 11"H - E-COATED
			FROM: 05-20-02 THRU: 99-99-99
13	119845-01-01A	EA	PLUG/PLASTIC - 1 1/2" SQUARE - BLACK
14	134460-01-02B	EA	PLATE - MOUNTING - E-COATED
15	134191-02-02B	EA	GUARD/ROCK - STEEL - W/BEND - 18" X 15" - E-COATED
16	138369-01-02B	EA	COMPARTMENT - AUTO HEATER - E-COATED
17	133203-02-02B	EA	COVER - TRANSMISSION - E-COATED

CHASSIS GROUP (CONTINUED)
FRAME (CONTINUED)

KEY	PART NUMBER	U/M	DESCRIPTION
18	117804-05-02B	EA	PANEL - CLOSEOUT - HEAT DUCT - E - COATED
19	140166-01-02B	EA	SUPPORT - SEAL PLANE - E-COATED
20	138799-01-02B	EA	SHIM - BODY - E-COATED
20	144724-01-02B	EA	BRACKET - SENSOR/LEVELING - E-COATED FROM: 00-00-00 THRU: 12-23-02 FROM: 12-24-02 THRU: 99-99-99
21	140930-01-02B	EA	COMPARTMENT - GENERATOR - E-COAT
22	133833-01-02B	EA	HANGER - A/C - E-COATED
23	133833-02-02B	EA	HANGER - A/C - E-COATED
24	129328-02-02B	EA	HANGER - A/C - COACH
25	117154-04-02B	EA	MOUNT - FRAME RAIL/FLOOR
26	123440-09-02B	EA	SUPPORT - PANEL - E-COATED
27	123440-10-02B	EA	SUPPORT/VALANCE PANEL - E-COATED -
28	138793-01-02B	EA	PANEL - SEAL - E-COATED
29	138793-02-02B	EA	PANEL - SEAL - E-COATED
30	138793-03-02B	EA	PANEL - SEAL - E-COATED
31	138793-04-02B	EA	PANEL - SEAL - E-COATED
32	138793-05-02B	EA	PANEL - SEAL - E-COATED
33	138793-06-02B	EA	PANEL - SEAL - E-COATED
34	138792-03-02B	EA	PANEL - SEAL - E-COATED
35	138792-04-02B	EA	PANEL - SEAL - E-COATED
36	138792-05-02B	EA	PANEL - SEAL - E-COATED

***COMPONENT PARTS LISTED LATER IN THIS GROUP**

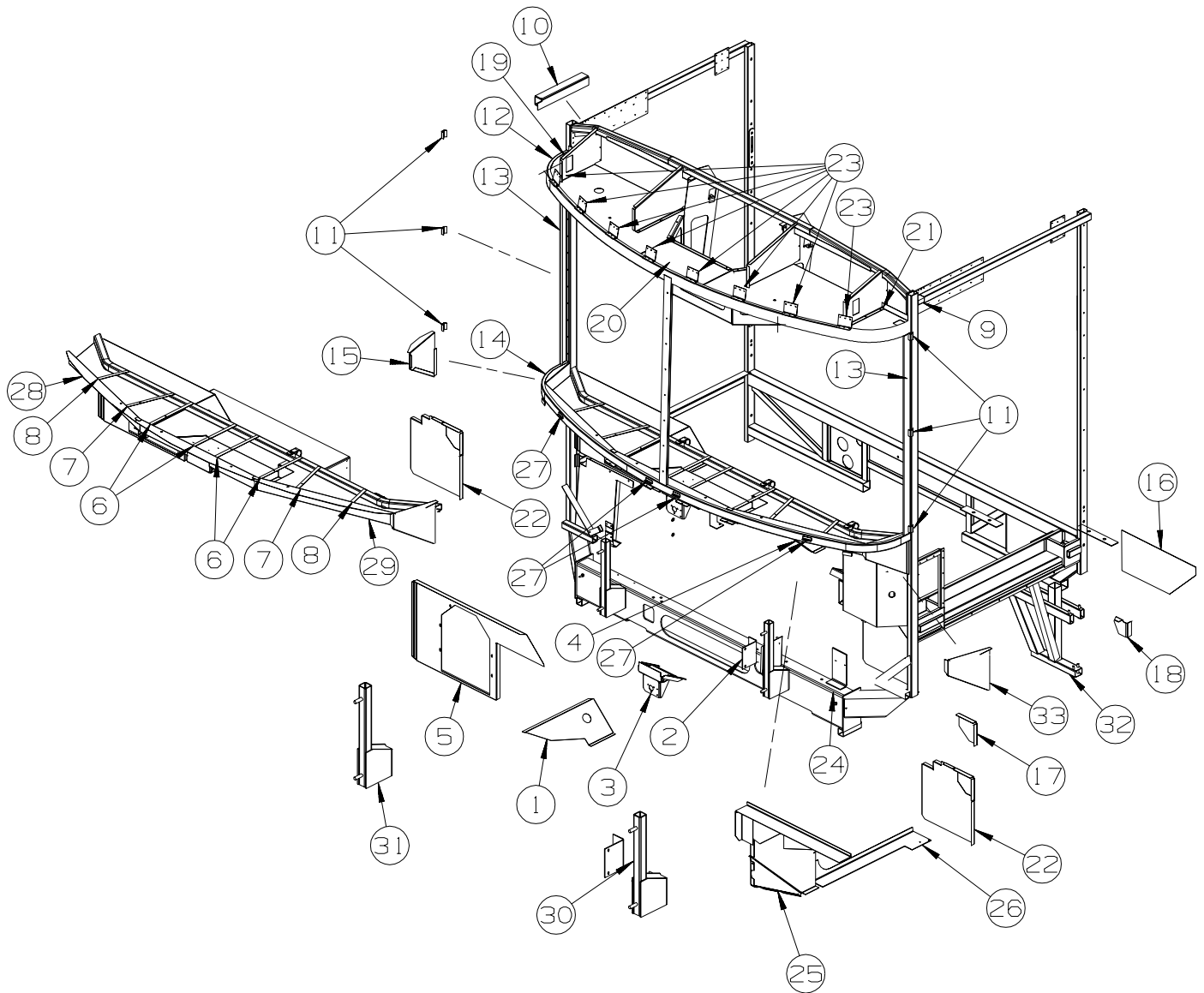
CHASSIS GROUP (CONTINUED)
COMPONENT PARTS FOR FRAME

132643-01-01A, 132643-06-01A, 132643-07-01A, 132643-09-01A

KEY	PART NUMBER	U/M	DESCRIPTION	VENDOR NO.
	132643-01-700	EA	HITCH/RECEIVER WELDED ASM.	72430-47
	132643-01-701	EA	TIRE CARRIER COMPLETE	56610-47
	132643-01-702	EA	RETAINER KIT/SPARE TIRE	55290-47

CHASSIS GROUP (CONTINUED)

FRONT END



KEY	PART NUMBER	U/M	DESCRIPTION
1	136670-01-01B	EA	PANEL/SUPPORT - PLENUM - RIGHT
2	140413-01-02B	EA	BRACKET - AIR TANK - E-COATED
3	134506-01-01B	EA	BRACKET - WIPER MOTOR
4	137028-01-01B	EA	PANEL/FILLER - PLENUM
5	136591-01-01B	EA	PANEL/SUPPORT - HEATER/A/C
6	137047-01-01B	EA	STRAP - DEFROSTER PLENUM
7	137047-02-01B	EA	STRAP - DEFROSTER PLENUM
8	137047-03-01B	EA	STRAP - DEFROSTER PLENUM
9	136975-02-01B	EA	ANGLE - REINFORCEMENT
10	136975-01-01B	EA	ANGLE - REINFORCEMENT
11	120363-03-01B	EA	BRACKET - WINDSHIELD
12	136687-01-01B	EA	SUPPORT/WINDSHIELD - UPPER
13	136974-01-01B	EA	FRAME - WINDSHIELD
14	136686-01-01B	EA	SUPPORT/WINDSHIELD - LOWER
15	136806-01-01B	EA	PANEL/PLENUM END - RIGHT HAND
16	137496-01-01B	EA	PANEL - SPLASH GUARD
17	137027-01-01B	EA	PANEL/END - DRIVER STEP
18	137026-01-01B	EA	PANEL/END - DRIVER STEP
19	137514-01-01B	EA	HEADER/WINDSHIELD - PASSENGER - 27" COLOR STEREO TV
19	139735-01-01B	EA	HEADER/WINDSHIELD - PASSENGER - W/O FRONT TV, L39
20	137515-01-01B	EA	HEADER/WINDSHIELD - CENTER - 27" COLOR STEREO TV
20	139737-01-01B	EA	HEADER/WINDSHIELD - CENTER - W/O FRONT TV, L39
21	137514-02-01B	EA	HEADER/WINDSHIELD - DRIVER - 27" COLOR STEREO TV
21	139735-02-01B	EA	HEADER/WINDSHIELD - DRIVER - W/O FRONT TV, L39

CHASSIS GROUP (CONTINUED)
FRONT END (CONTINUED)

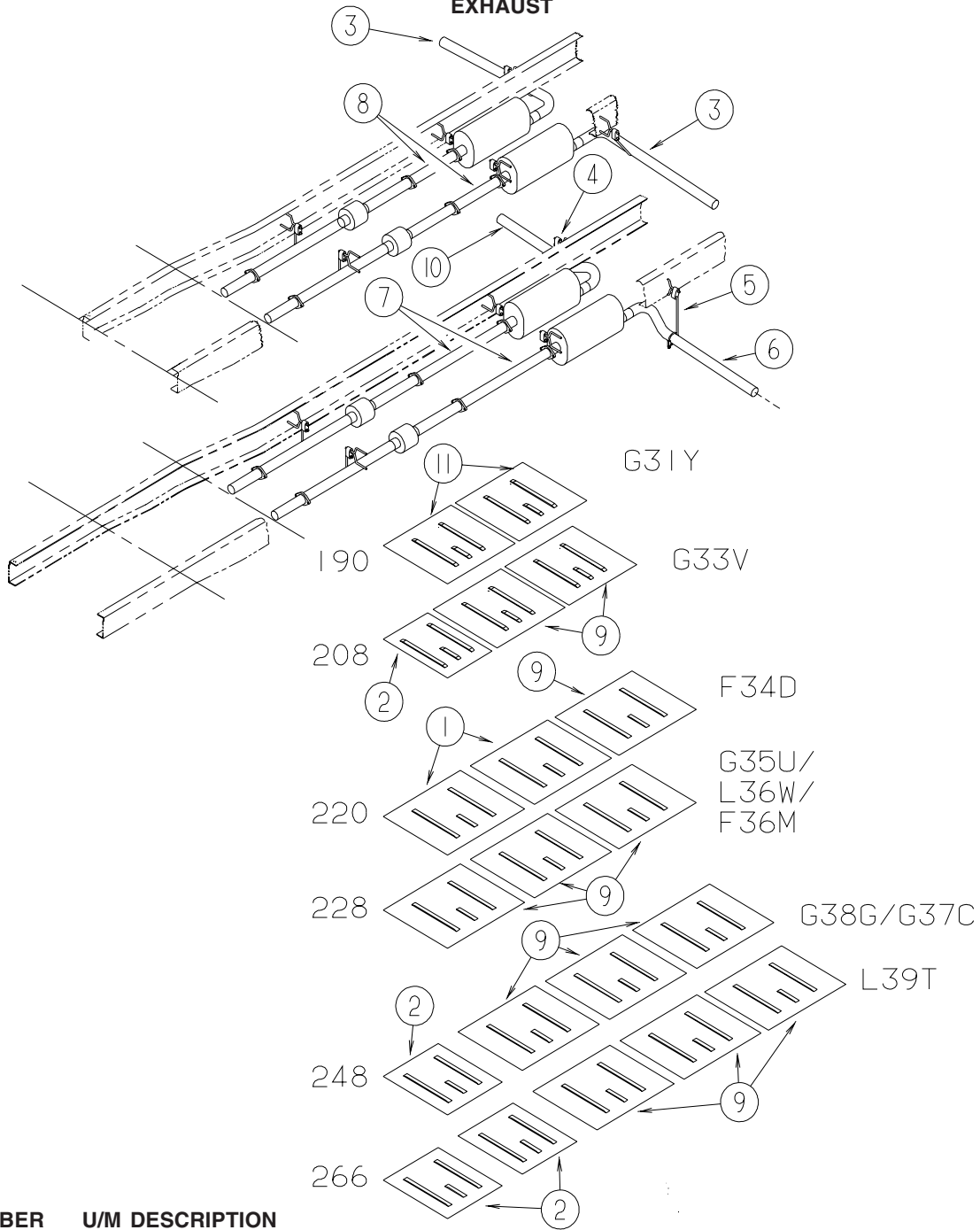
KEY	PART NUMBER	U/M	DESCRIPTION
22	137062-01-01B	EA	SHIELD/SPLASH - HEADLIGHT
23	139575-01-01B	EA	BRACKET/ROOF CAP - FRONT
24	140428-01-02B	EA	BRACKET - MOUNTING - COMPRESSOR - E-COATED
25	137306-01-02B	EA	FILLER/BRACKET - LEFT HAND - E-COATED
26	137041-01-02B	EA	ANGLE/FILLER - MOTOR COVER - E-COATED
27	076364-57-000	EA	ANGLE - FORMED
28	136805-01-01B	EA	PANEL/PLENUM - RIGHT HAND
29	136805-02-01B	EA	PANEL/PLENUM - LEFT HAND
30	134807-08-02B	EA	SUPPORT - FRONT - E-COATED
31	134807-01-02B	EA	SUPPORT - FRONT - E-COATED
32	138340-01-02B	EA	SUPPORT/STEP - DRIVER - E-COATED
33	136806-02-01B	EA	PANEL/PLENUM END - LEFT HAND

DRIVETRAIN

KEY	PART NUMBER	U/M	DESCRIPTION
	128528-03-000	EA	BOLT - U-JOINT - 3/8-24 X 3/4 - 228" TO 266" STRETCH, L39
	128528-04-000	EA	STRAP - BEARING - 1480 JOINT - 228" TO 266" STRETCH, L39
	138616-11-02B	EA	BRACKET/BEARING MOUNT - MID-RR/266" WHEEL BASE - E-COATED
	140691-05-000	EA	DRIVESHAFT - BALANCED - 4 SECTION - 228" TO 266" STRETCH, L39

CHASSIS GROUP (CONTINUED)

EXHAUST

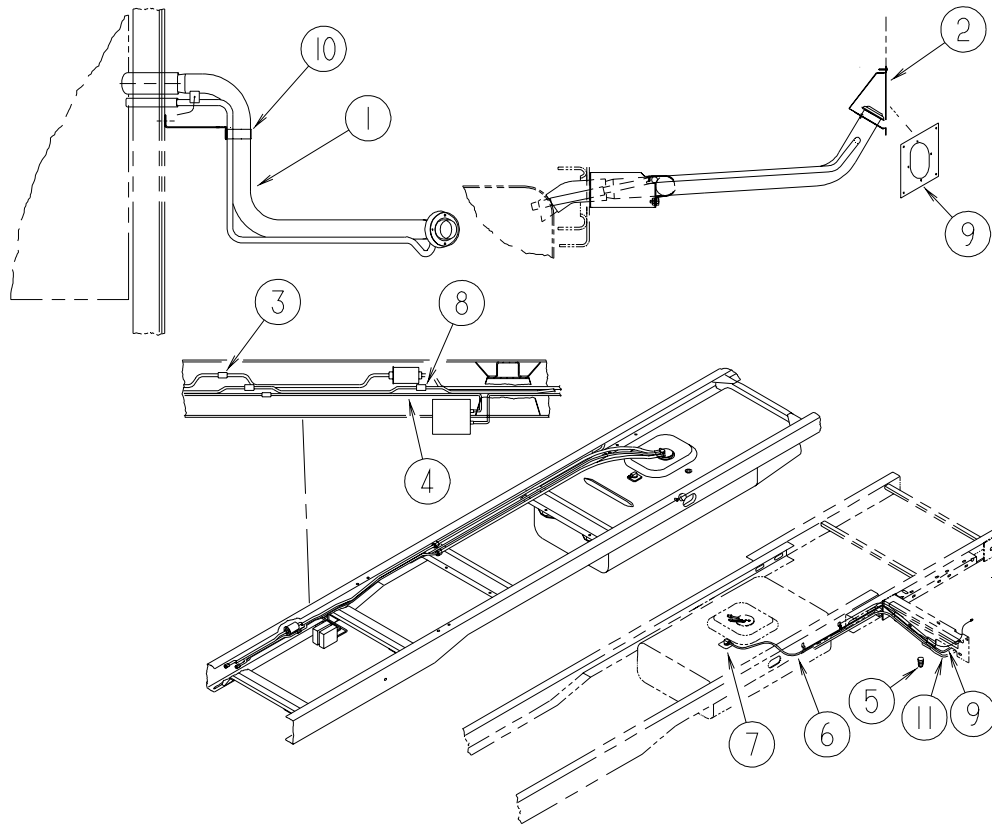


KEY PART NUMBER U/M DESCRIPTION

1	NOT USED	
2	101544-01-000	EA SHIELD - HEAT/EXHAUST - 19.7" X 29.1" - E-COATED - L39 FROM: 00-00-00 THRU: 11-01-02
2	143712-01-02B	EA SHIELD/HEAT - EXHAUST - E-COATED - L39 FROM: 11-02-02 THRU: 99-99-99
3	098762-05-000	EA EXTENSION - EXHAUST - STRAIGHT - 3" O.D X 7.9" LONG - SST
	094918-01-000	EA CLAMP - EXHAUST - 3" - GUILLOTINE STYLE
4	NOT USED - CHASSIS SUPPLIED	
5	NOT USED - CHASSIS SUPPLIED	
6	NOT USED	
7	NOT USED	
8	137652-02-000	EA PIPE - EXHAUST - W/FLANGES - 228" TO 266" STRETCH, L39
9	101544-06-000	EA SHIELD - HEAT/EXHAUST - 33.9" X 29.1" - E-COATED FROM: 00-00-00 THRU: 11-01-02
9	143712-05-02B	EA SHIELD/HEAT - EXHAUST - E-COATED FROM: 11-02-02 THRU: 99-99-99
10	NOT USED	
11	NOT USED	

CHASSIS GROUP (CONTINUED)

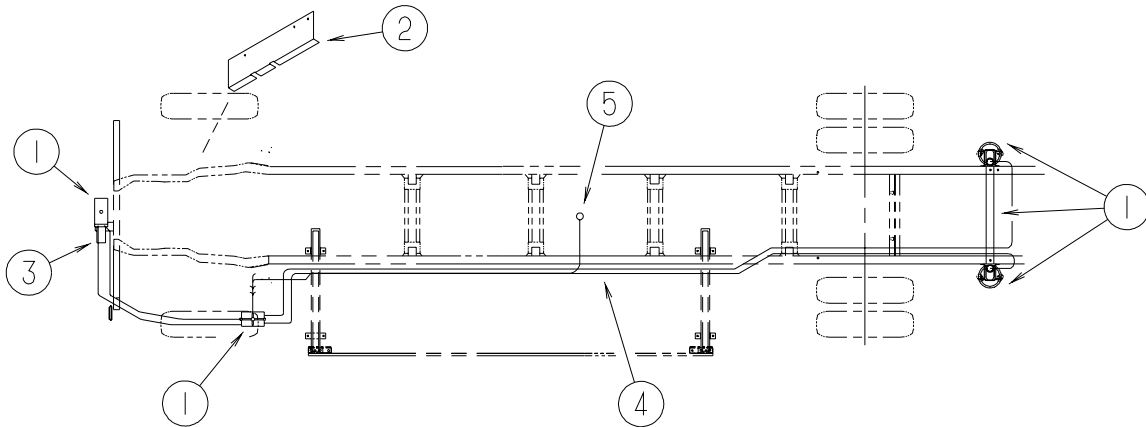
FUEL



KEY	PART NUMBER	U/M	DESCRIPTION
1	136300-03-000	EA	NECK - FUEL FILL
2	NOT USED - CHASSIS SUPPLIED		
3	098779-02-000	EA	COUPLER - FUEL LINE - 1.2" LONG X 16MM THREAD - 228" TO 266" STRETCH, L39
4	127392-04-000	EA	HOSE - VAPOR/EMISSION - 5/16" X 62.5" W/ENDS - WORKHORSE - 228" TO 266" STRETCH, L39
5	084884-01-000	EA	PLUG - BRASS - 3/8"
6	128139-03-000	FT	HOSE - FUEL - LOW PERMEABILITY - 1/4" DIAMETER
7	068382-06-000	EA	BUSHING - BRASS - 3/8"MPT X 1/8"FPT
7	114254-01-000	EA	ADAPTER - 1/4 BARB X 1/8 MPT
8	098779-01-000	EA	COUPLER - FUEL LINE - 1.2" LONG X 14MM THREAD - 228" TO 266" STRETCH, L39
9	139138-01-02B	EA	PLATE - FUEL FILL - E-COATED
10	140728-01-02B	EA	BRACKET - FUEL FILL - E-COATED
11	140303-01-000	FT	HOSE - FUEL - .312 INSIDE DIAMETER

CHASSIS GROUP (CONTINUED)

HYDRAULIC LEVELING



KEY	PART NUMBER	U/M	DESCRIPTION
1*	131306-30-000	EA	LEVELING SYSTEM - 310 - 2 SLIDEOUT
2	132999-02-02B	EA	SHIELD - HEAT - E-COATED
3	129550-05-02B	EA	BRACKET - PUMP - E-COATED
4	100536-50-000	EA	HOSE KIT - LEVELING JACKS - L39
4*	100536-48-000	EA	HOSE KIT - LEVELING JACKS - L36W
5	117183-01-02B	EA	COVER - SENSOR - LEVELING
5	144723-01-02B	EA	COVER - SENSOR - LEVELING

FROM: 00-00-00 THRU: 12-22-02

FROM: 12-23-02 THRU: 99-99-99

*COMPONENT PARTS LISTED LATER IN THIS GROUP

CHASSIS GROUP (CONTINUED)
COMPONENT PARTS FOR HYDRAULIC LEVELING

100536-48-000

KEY	PART NUMBER	U/M	DESCRIPTION	VENDOR NO.
	100536-31-700	EA	HOSE - HYDRAULIC - 360"	RAP4163
	100536-31-701	EA	HOSE - HYDRAULIC - 96"	RAP5352
	100536-39-700	EA	HOSE - HYDRAULIC - 384"	RAP4164
	100536-48-700	EA	HOSE - 146"	RAP2443

131306-30-000

KEY	PART NUMBER	U/M	DESCRIPTION	VENDOR NO.
	100532-01-713	EA	PUMP/MOTOR/TANK - MONARCH	RAP90014/AP2260 & AP21255
	100532-03-715	EA	CAP-BREATHER W/DIPSTICK	RAP7876
	100532-03-717	EA	VALVE-PRESS., RETURN SHUTTLE	RAP7964
	100532-03-719	EA	TUBE ASM. (SHORT SHUTTLE)	RAP8088
	100532-03-721	EA	VALVE-CHECK KIT (SGL)	RAP7944
	100532-03-722	EA	O-RING KIT/MANIFOLD	R7430
	100532-03-723	EA	O-RING/SEAL KIT	RAP9171
	100532-09-704	EA	VALVE-PRESSURE SOLENOID(LARGE)	RAP0642
	100532-12-706	EA	SWITCH - WARNING/MAGNETIC	RAP1008
	100532-12-707	EA	SPRING KIT (PAIR)	R3847
	100532-31-701	EA	CHECK VALVE & KIT	RAP10021
	100532-31-702	EA	O-RING/SEAL KIT - MANIFOLD	RAP90127
	100532-32-703	EA	BUZZER - JACK WARNING	RAP90403
	100532-32-704	EA	CHIME - JACK WARNING	RAP90681/AP19812
	100532-53-700	EA	CYLINDER ASM. - 9K	RAP90491/AP15891
	131306-02-701	EA	FOOT - 9K JACK	RAP8464/AP17525
	131306-09-700	EA	VELOCITY VALVE ASM.W/4 VALVE	RAP90280
	131306-09-701	EA	VELOCITY VALVE - SINGLE	RAP90279/AP11578
	131306-11-701	EA	CONTROL BOX - 310 SYSTEM	RAP90019/AP10086
	131306-11-704	EA	PRESSURE SWITCH - 50 PSI	RAP2082
	131306-12-700	EA	TOUCH PANEL - 310	RAP90056/AP10215
	131306-12-702	EA	VALVE-PRESSURE SOLENOID (SMALL)	RAP90729/AP24604
	131306-22-700	EA	CABLE/CONTROL - 5'- 310 SYST	RAP90048/AP10524
	131306-26-700	EA	MANIFOLD ASM. - 2 ROOM	RAP90870/AP20550
	131306-29-700	EA	JACK/REAR - 9K W/SWITCHES	RAP90851/AP22657
	131306-29-701	EA	JACK/FRONT - 9K W/SWITCHES	RAP90852/AP22802
	131306-30-700	EA	SENSING UNIT BI-AXIS - 27'	RAP90313/AP13043

CHASSIS GROUP (CONTINUED)

WHEEL, TIRE, COVERS &/OR LINERS

KEY	PART NUMBER	U/M	DESCRIPTION
	080208-04-000	EA	LUG WRENCH - 1 3/16" - OSHKOSH/SPARTAN
	080208-05-000	EA	BAR - LEVERAGE - LUG WRENCH - .75"DIA. - OSHKOSH/SPARTAN

BRAKELINE

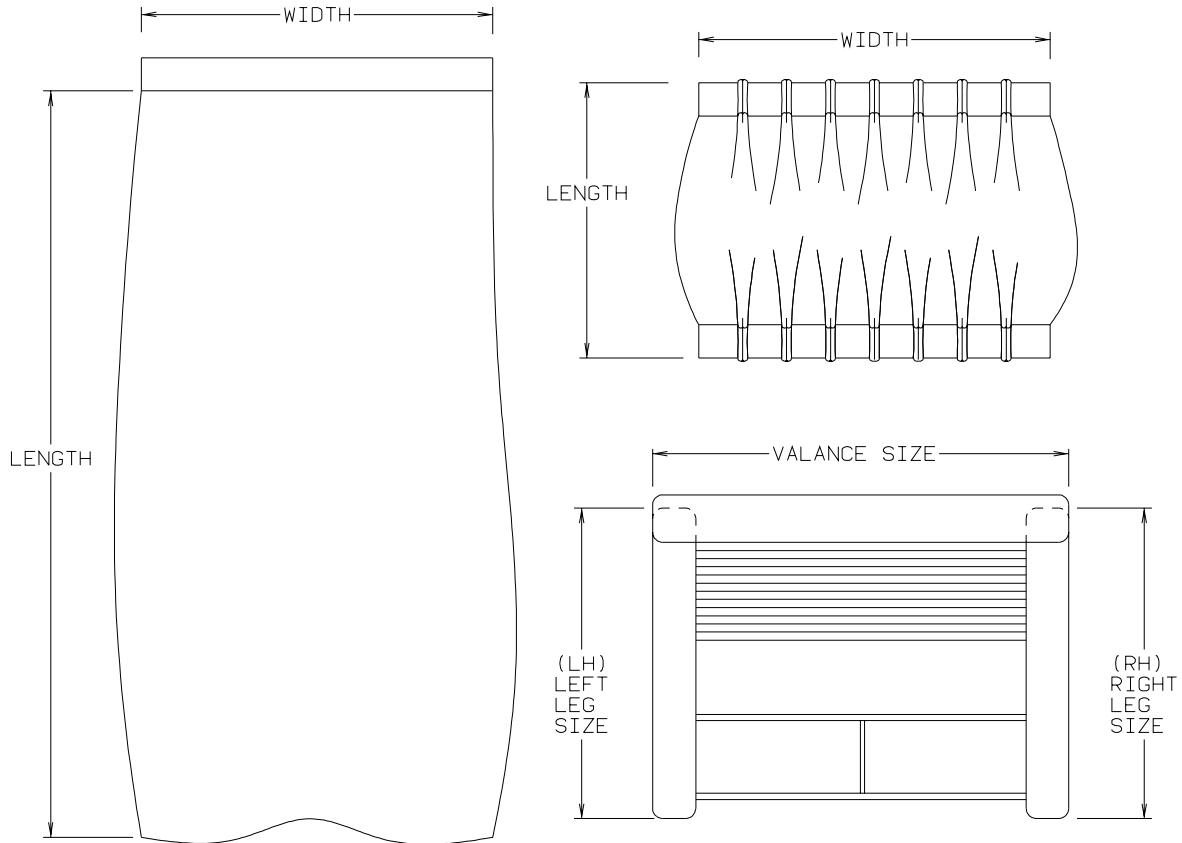
KEY	PART NUMBER	U/M	DESCRIPTION
	075466-01-000	EA	UNION - INVERTED FLAIR - 1/4" - 228" TO 266" STRETCH, L39

CURTAIN & CUSHION GROUP

NOTICE

IN ORDER TO ASSIST OUR PARTS SALES DEPARTMENT IN PROVIDING INTERIOR SOFTWARE ITEMS, PLEASE INCLUDE THE SERIAL NUMBER AND THE COLOR CODE NUMBER FROM THE VEHICLE CERTIFICATION LABEL WHEN ORDERING. THIS LABEL IS LOCATED ON THE LEFT SIDEWALL AT THE END OF THE DASH (A-BODY), OR ON THE DRIVER'S DOOR LATCH PLATE (C-BODY).

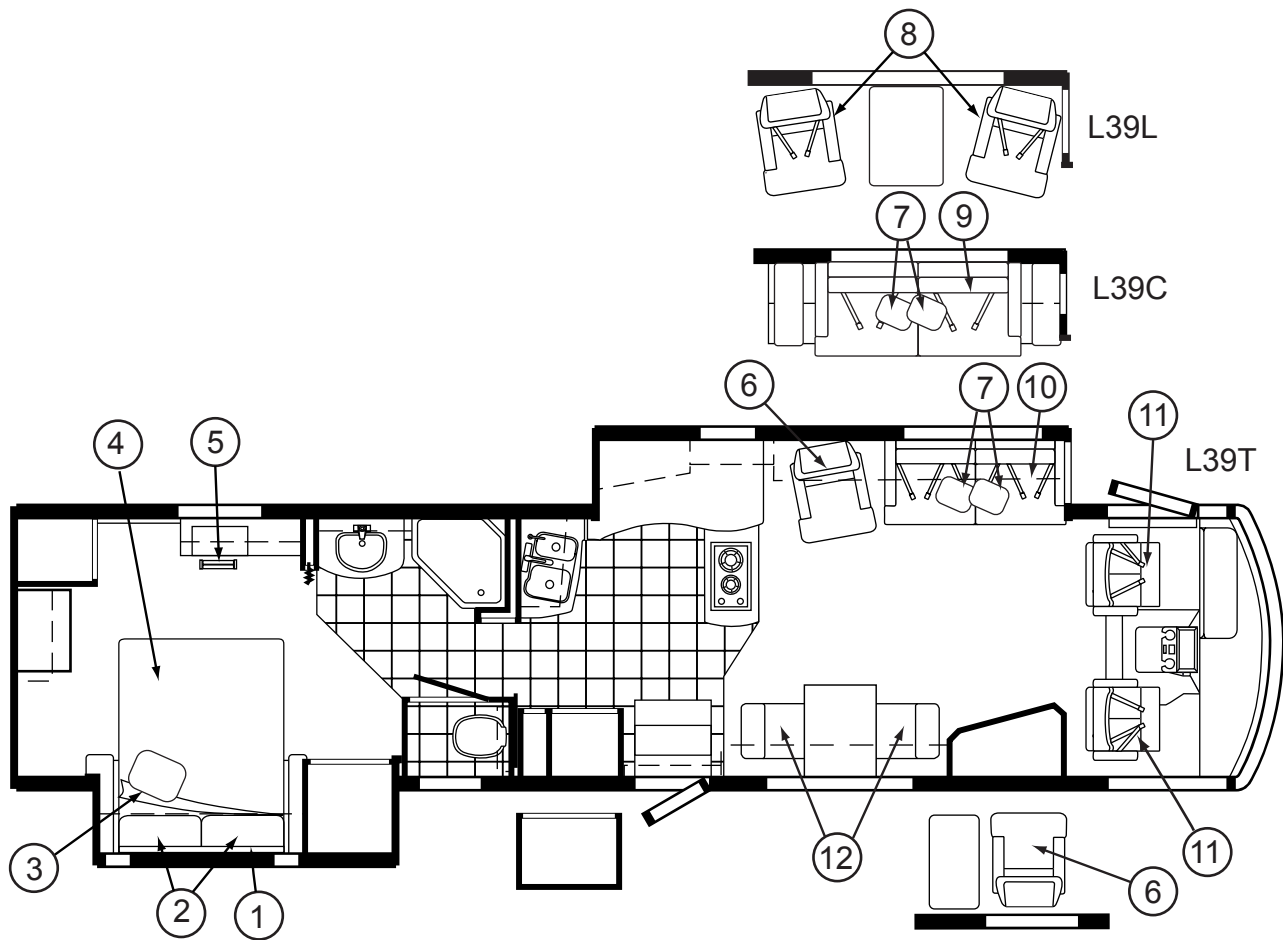
AN EXAMPLE OF A COLOR CODE NUMBER IS B07, WHICH DESIGNATES AN OVERALL COLOR SCHEME OF A PARTICULAR UNIT. THE COLOR LISTED AFTER THE ITEM DESCRIPTION ON THE MICROFICHE, INDICATES THE OVERALL UNIT COLOR. ORDER THE ITEM YOU DESIRE ACCORDING TO UNIT COLOR CODE. IF ALL COLORS USE THE SAME ITEM NO COLOR CODE WILL BE NOTED.



NOTE: USE THIS ILLUSTRATION WHEN DETERMINING LENGTH AND WIDTH MEASUREMENTS FOR CURTAINS. YOU WILL NOTE THE WIDTH MEASUREMENT IS TAKEN ON THE TOP OF THE CURTAIN WITH THE CURTAIN FULLY EXTENDED. THE LENGTH MEASUREMENT IS TAKEN FROM TOP TO BOTTOM. LEFT AND RIGHT WINDOW LEGS ARE DETERMINED WHEN FACING THE WINDOW.

CURTAIN & CUSHION GROUP (CONTINUED)

CUSHION LAYOUT

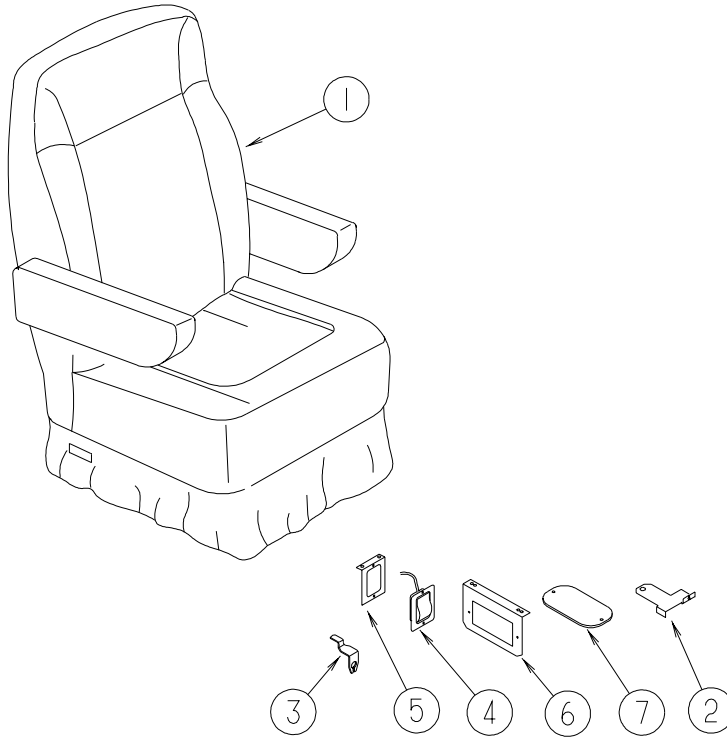


KEY	PART NUMBER	U/M	DESCRIPTION
1	140127-02-P69	EA	HEADBOARD - FABRIC COVERED - F/QUEEN BED (P69, P70, P51)
1	140127-02-N64	EA	HEADBOARD - FABRIC COVERED - F/QUEEN BED (P71, P72, P52)
1	140127-02-P73	EA	HEADBOARD - FABRIC COVERED - F/QUEEN BED (P73, P74, P53)
2	111863-19-N62	EA	PILLOW SHAM (P69, P70, P51)
2	111863-20-N64	EA	PILLOW SHAM (P71, P72, P52)
2	111863-21-P73	EA	PILLOW SHAM (P73, P74, P53)
3	139680-01-N62	EA	PILLOW - 13" X 20" - W/BOXING & OVERLAY (P69, P70, P51)
3	139680-05-N64	EA	PILLOW - 13" X 20" - W/OVERLAY (P71, P72, P52)
3	139680-01-P73	EA	PILLOW - 13" X 20" - W/BOXING & OVERLAY (P73, P74, P53)
4	132336-17-N62	EA	BEDSPREAD/CAP - 60" X 80" (P69, P70, P51)
4	132336-03-P71	EA	BEDSPREAD/CAP - 60" X 80" (P71, P72, P52)
4	132336-17-P73	EA	BEDSPREAD/CAP - 60" X 80" (P73, P74, P53)
4	142411-02-000	EA	MATTRESS/AIR - 60" X 80" - SELECT COMFORT
4	142411-03-000	EA	AIR PUMP W/CONTROLS - F/SELECT COMFORT MATTRESS
5	135600-D8-000	EA	CHAIR - FOLDING - BEAR CREEK/PORTSMOUTH OAK (P69)
5	135600-69-000	EA	CHAIR - FOLDING - BEAR CREEK/CHERRY (P70)
5	135600-68-000	EA	CHAIR - FOLDING - BEAR CREEK/MAPLE (P51)
5	135600-D9-000	EA	CHAIR - FOLDING - FRENCH BEIGE/PORTSMOUTH OAK (P71)
5	135600-71-000	EA	CHAIR - FOLDING - FRENCH BEIGE/CHERRY (P72)
5	135600-70-000	EA	CHAIR - FOLDING - FRENCH BEIGE/MAPLE (P52)
5	135600-48-000	EA	CHAIR - FOLDING - SILVER/PORTSMOUTH OAK (P73)
5	135600-47-000	EA	CHAIR - FOLDING - SILVER/CHERRY (P74)
5	135600-D7-000	EA	CHAIR - FOLDING - SILVER/WASHED MAPLE (P53)
6	142958-01-P69	EA	CHAIR - RECLINER/GLIDER - W/SWIVEL BASE/FOOTREST (P69, P70, P51)
6	142958-01-P71	EA	CHAIR - RECLINER/GLIDER - W/SWIVEL BASE/FOOTREST (P71, P72, P52)
6	142958-01-P73	EA	CHAIR - RECLINER/GLIDER - W/SWIVEL BASE/FOOTREST (P73, P74, P53)
6	142958-02-P84	EA	CHAIR - RECLINER/GLIDER - W/SWIVEL BASE/FOOTREST - ULTRALEATHER
7	132319-52-P69	EA	PILLOW - 18" - W/OVERLAY (P69, P70, P51)
7	132319-52-P71	EA	PILLOW - 18" - W/OVERLAY (P71, P72, P52)
7	132319-52-P73	EA	PILLOW - 18" - W/OVERLAY (P73, P74, P53)

CURTAIN & CUSHION GROUP (CONTINUED)
CUSHION LAYOUT (CONTINUED)

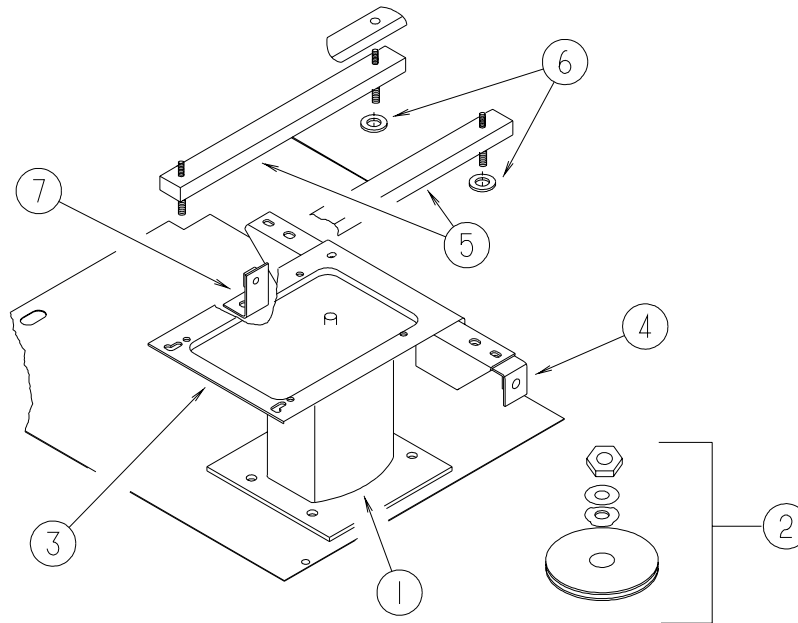
KEY	PART NUMBER	U/M	DESCRIPTION
8	142958-03-P69	EA	CHAIR - RECLINER/GLIDER - W/SWIVEL BASE/FOOTREST (P69, P70, P51)
8	142958-03-P71	EA	CHAIR - RECLINER/GLIDER - W/SWIVEL BASE/FOOTREST (P71, P72, P52)
8	142958-03-P73	EA	CHAIR - RECLINER/GLIDER - W/SWIVEL BASE/FOOTREST (P73, P74, P53)
8	142958-04-P69	EA	CHAIR - RECLINER/GLIDER - W/SWIVEL BASE/FOOTREST - ULTRALEATHER
9		EA	SOFA - SEE SOFA AREA
10	138095-13-P69	EA	SOFA/SLEEPER - RECLINER/POWERED - W/TRUNDLE BED (P69, P70, P51)
10	138095-13-P71	EA	SOFA/SLEEPER - RECLINER/POWERED - W/TRUNDLE BED (P71, P72, P52)
10	138095-13-P73	EA	SOFA/SLEEPER - RECLINER/POWERED - W/TRUNDLE BED (P73, P74, P53)
10	138095-14-P69	EA	SOFA/SLEEPER - RECLINER/POWERED - W/TRUNDLE BED - ULTRALEATHER RESTEASY
11	143459-01-000	EA	BUCKET SEAT - W/LUMBAR/SKIRT/ARMRESTS-ANTIQUE PEARL L THER
12	132571-46-000	EA	CHAIR - DINETTE - BEAR CREEK/PORTSMOUTH OAK (P69)
12	132571-27-000	EA	CHAIR - DINETTE - BEAR CREEK/CHERRY (P70)
12	132571-26-000	EA	CHAIR - DINETTE - BEAR CREEK/WASHED MAPLE (P51)
12	132571-47-000	EA	CHAIR - DINETTE - FRENCH BEIGE/PORTSMOUTH OAK (P71)
12	132571-29-000	EA	CHAIR - DINETTE - FRENCH BEIGE/CHERRY (P72)
12	132571-28-000	EA	CHAIR - DINETTE - FRENCH BEIGE/WASHED MAPLE (P52)
12	132571-48-000	EA	CHAIR - DINETTE - SILVER/PORTSMOUTH OAK (P73)
12	132571-49-000	EA	CHAIR - DINETTE - SILVER/BLACK CHERRY (P74)
12	132571-50-000	EA	CHAIR - DINETTE - SILVER/WASHED MAPLE (P53)

CURTAIN & CUSHION GROUP (CONTINUED)
BUCKET SEATS



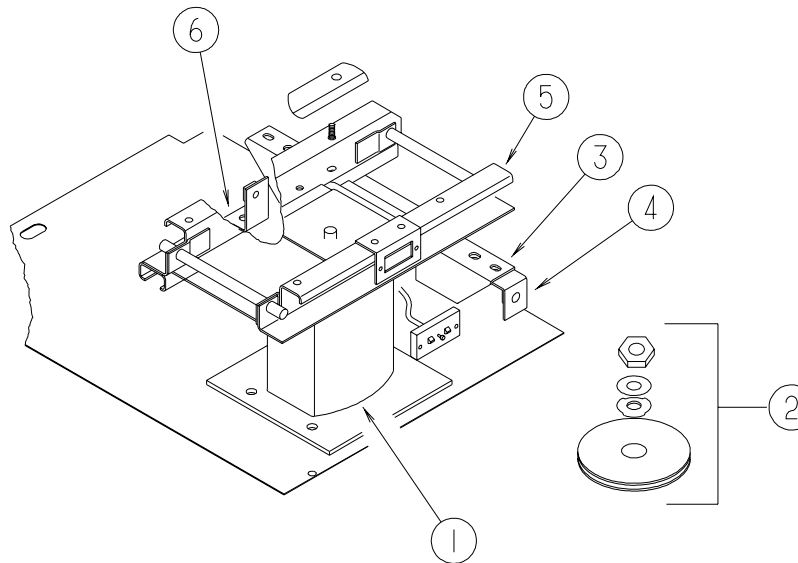
KEY	PART NUMBER	U/M	DESCRIPTION
1	143459-01-000	EA	BUCKET SEAT - W/LUMBAR/SKIRT/ARMRESTS-ANTIQUE PEARL L THER
2	117125-01-02B	EA	BRACKET - CABLE MOUNT - ADJUSTER W/LOCK - MANUAL DRIVER/PASSENGER
3	108049-02-000	EA	CLIP - CABLE/PEDESTAL - MANUAL DRIVER/PASSENGER
4	108049-04-000	EA	CABLE - W/MINI LEVER ACTION SWITCH - 28" SHEATH/30" CABLE - MANUAL DRIVER/PASSENGER
5	NOT USED		
6	128699-01-02B	EA	BRACKET - SEAT SWITCH - E-COATED - POWER DRIVER
7	133232-01-01A	EA	COVER - SEAT - ADJUSTMENT - POWER DRIVER

CURTAIN & CUSHION GROUP (CONTINUED)
BUCKET SEATS (CONTINUED)



**MANUAL
DRIVER/PASSENGER**

KEY	PART NUMBER	U/M	DESCRIPTION
1	133408-01-000	EA	PEDESTAL - SEAT - DRIVER/PASSENGER - 9 3/4"
2	107921-06-000	EA	BEARING KIT - PEDESTAL
3	133408-02-000	EA	TOP PLATE - SINGLE SIDE BELT
			FROM: 00-00-00 THRU: 02-09-03
3	133408-20-000	EA	TOP PLATE - PASSENGER - W/ANCHOR
			FROM: 02-10-03 THRU: 99-99-99
4	133408-03-000	EA	BRACKET - ANCHOR/PEDESTAL
5	NOT USED		
6	NOT USED		
7	133408-04-000	EA	BRACKET - ANCHOR/FLOOR

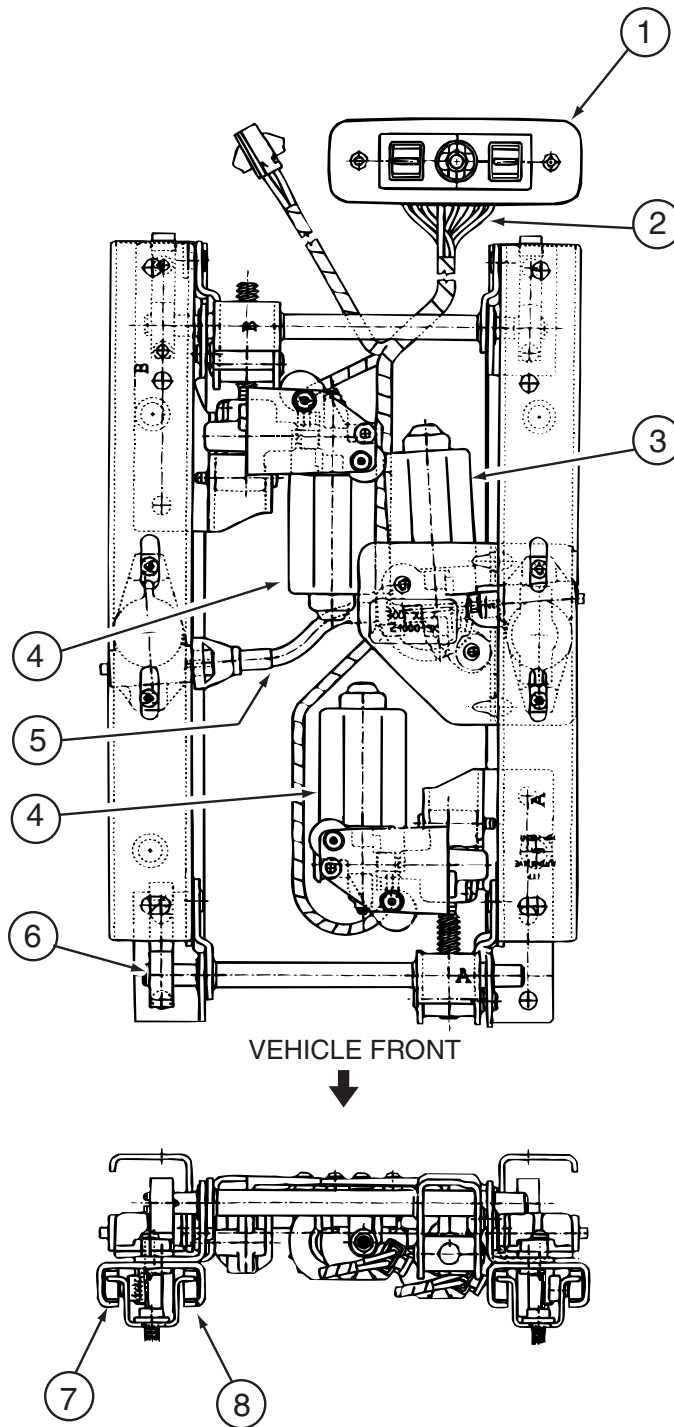


POWER DRIVER

KEY	PART NUMBER	U/M	DESCRIPTION
1	133408-05-000	EA	PEDESTAL - SEAT - 5.75"
2	107921-06-000	EA	BEARING KIT - PEDESTAL
3	133408-02-000	EA	TOP PLATE - SINGLE SIDE BELT
			FROM: 00-00-00 THRU: 02-09-03
3	133408-20-000	EA	TOP PLATE - PASSENGER - W/ANCHOR
			FROM: 02-10-03 THRU: 99-99-99
4	133408-03-000	EA	BRACKET - ANCHOR/PEDESTAL
5*	081373-03-000	EA	SEAT - POWER 6 WAY
6	133408-04-000	EA	BRACKET - ANCHOR/FLOOR

***COMPONENT PARTS LISTED LATER IN THIS GROUP**

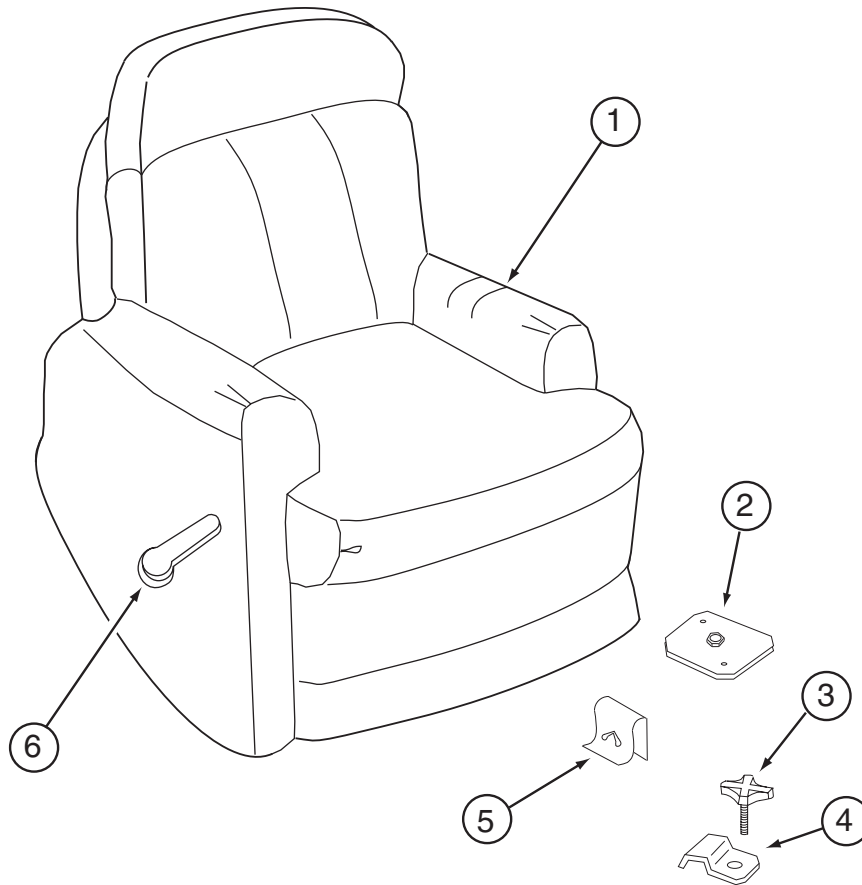
CURTAIN & CUSHION GROUP (CONTINUED)
COMPONENT PARTS FOR BUCKET SEATS



081373-03-000

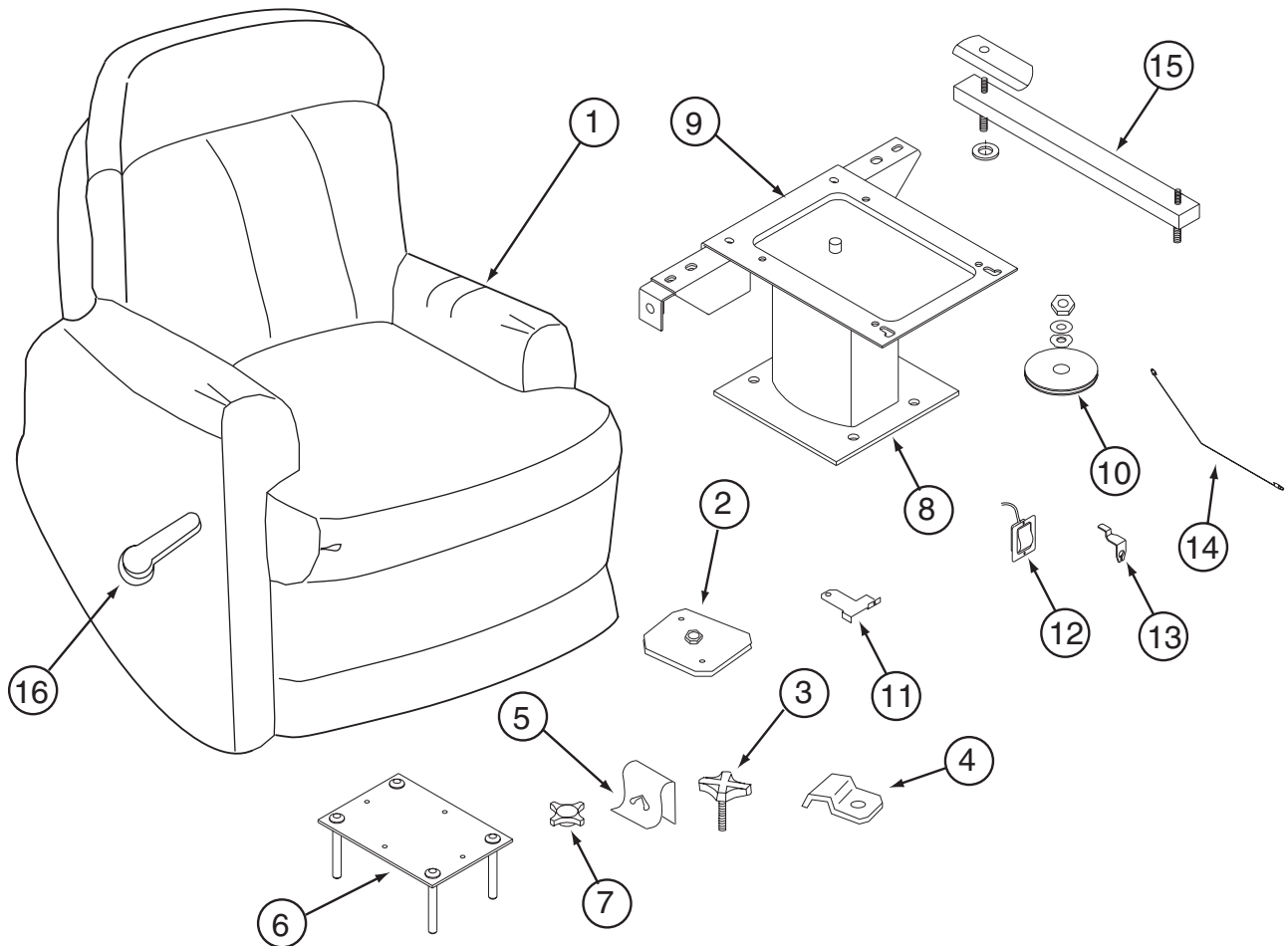
KEY	PART NUMBER	U/M	DESCRIPTION	VENDOR NO.
1	081373-03-700	EA	SWITCH POWER	22543667 BLACK
2	081373-03-701	EA	WIRE HARNESS ASM., LT. SIDE	22138093
2	081373-03-702	EA	WIRE HARNESS ASM., RT. SIDE	22138094
3	081373-02-703	EA	MOTOR / HORIZONTAL	22128095
4	081373-02-704	EA	MOTOR PKG. ADJ. VERTICAL	22063238 & H-196
5	081373-03-704	EA	DRIVE CABLE	22143984
6	081373-03-705	EA	SPRING	22048978
7	081373-03-706	EA	SHOE GUIDE (WHITE)	22048993
8	081373-03-707	EA	SHOE GUIDE (BLACK)	22048994
	081373-03-700	EA	SWITCH POWER	22137945

CURTAIN & CUSHION GROUP (CONTINUED)
LOUNGE CHAIR



KEY	PART NUMBER	U/M	DESCRIPTION
1	142958-01-P69	EA	CHAIR - RECLINER/GLIDER - W/SWIVEL BASE/FOOTREST (P69, P70,P51)
1	142958-01-P71	EA	CHAIR - RECLINER/GLIDER - W/SWIVEL BASE/FOOTREST (P71, P72, P52)
1	142958-01-P73	EA	CHAIR - RECLINER/GLIDER - W/SWIVEL BASE/FOOTREST (P73, P74, P53)
1	142958-02-P84	EA	CHAIR - RECLINER/GLIDER - W/SWIVEL BASE/FOOTREST - CHAIR W/HOOP - ULTRALEATHER
	P42958-01-P69	EA	COVER/CHAIR - RECLINER - W/FOOTREST (P69, P70, P51)
	P42958-01-P71	EA	COVER/CHAIR - RECLINER - W/FOOTREST (P71, P72, P52)
	P42958-01-P73	EA	COVER/CHAIR - RECLINER - W/FOOTREST (P73, P74, P53)
	P42958-02-P84	EA	COVER/CHAIR - RECLINER - W/FOOTREST - CHAIR W/HOOP - ULTRALEATHER
2	134128-02-02B	EA	PLATE - W/HOLES - E-COATED
3	134194-01-01A	EA	KNOB - HOLD DOWN/RECLINER - BLACK
4	134057-01-11B	EA	BRACKET - RECLINER - FLAT BLACK
5	029134-01-000	EA	CLIP-FINISH-K2915-UPHOLSTERY
6	133126-11-000	EA	RECLINER - (PLASTIC HANDLE)

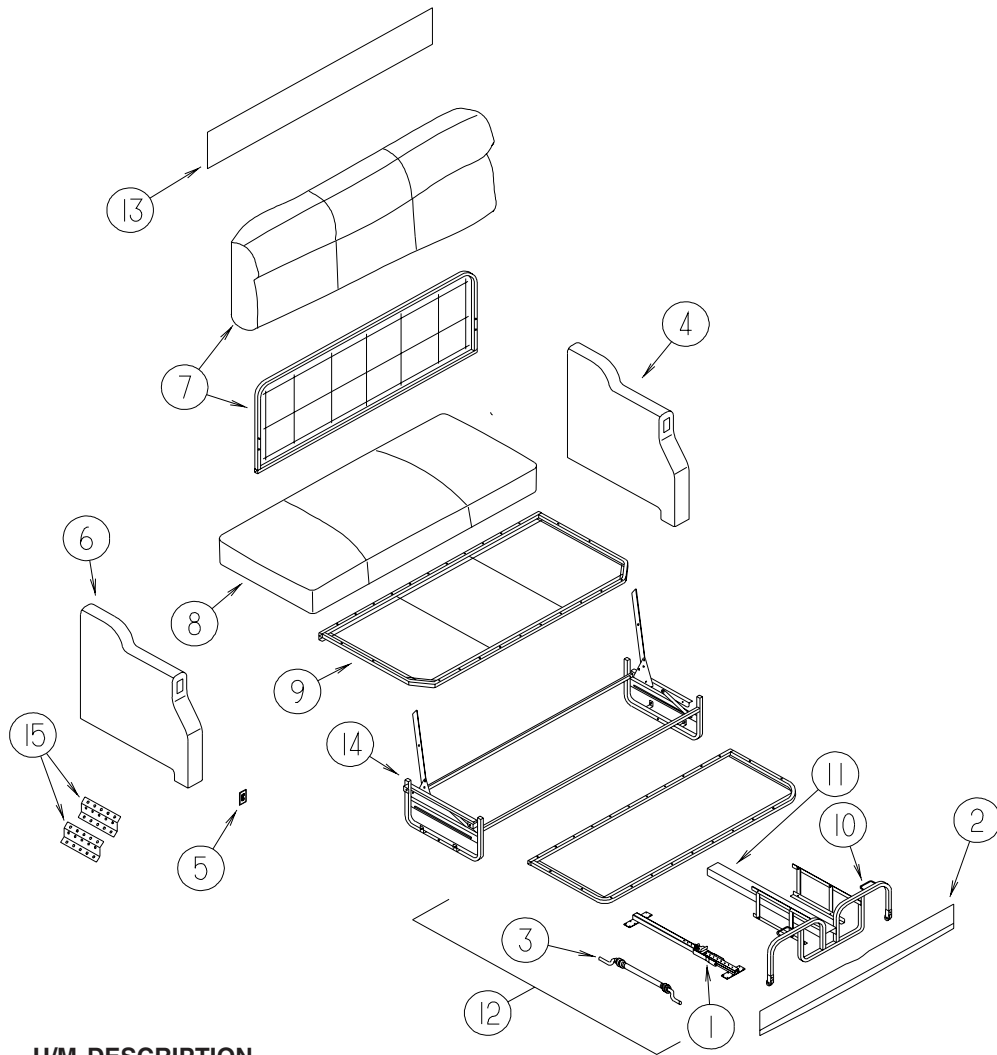
CURTAIN & CUSHION GROUP (CONTINUED)
LOUNGE CHAIR (CONTINUED)



KEY	PART NUMBER	U/M	DESCRIPTION
1	142958-03-P69	EA	CHAIR - RECLINER/GLIDER - W/SWIVEL BASE/FOOTREST (P69, P70, P51)
1	142958-03-P71	EA	CHAIR - RECLINER/GLIDER - W/SWIVEL BASE/FOOTREST (P71, P72, P52)
1	142958-03-P73	EA	CHAIR - RECLINER/GLIDER - W/SWIVEL BASE/FOOTREST (P73, P74, P53)
1	142958-04-P69	EA	CHAIR - RECLINER/GLIDER - W/SWIVEL BASE/FOOTREST - ULTRALEATHER
	P42958-03-P69	EA	COVER/CHAIR - RECLINER - W/FOOTREST (P69, P70, P51)
	P42958-03-P71	EA	COVER/CHAIR - RECLINER - W/FOOTREST (P71, P72, P52)
	P42958-03-P73	EA	COVER/CHAIR - RECLINER - W/FOOTREST (P73, P74, P53)
	P42958-04-P69	EA	COVER/CHAIR - RECLINER - W/FOOTREST - LEATHER - ULTRALEATHER
2	134128-02-02B	EA	PLATE - W/HOLES - E-COATED
3	134194-01-01A	EA	KNOB - HOLD DOWN/RECLINER - BLACK
4	134057-01-11B	EA	BRACKET - RECLINER - FLAT BLACK
5	029134-01-000	EA	CLIP-FINISH-K2915-UPHOLSTERY
6	140560-02-02B	EA	PLATE - PEDESTAL SEAT - E-COATED
7	140334-01-01A	EA	KNOB - HOLD DOWN - RECLINER
8	133408-09-000	EA	PEDESTAL/SEAT - 4.5"
9	133408-07-000	EA	TOP PLATE - W/O BAR
10	107921-06-000	EA	BEARING KIT - PEDESTAL
11	117125-01-02B	EA	BRACKET - CABLE MOUNT - ADJUSTER W/LOCK
12	108049-04-000	EA	CABLE - W/MINI LEVER ACTION SWITCH - 28" SHEATH/30" CABLE
13	108049-02-000	EA	CLIP - CABLE/PEDESTAL
14	119952-07-000	EA	WIRE - LATCH RELEASE/ROTARY
15	131566-04-000	EA	SLIDE/SEAT - HEAVY DUTY LOCKING - 5"
16	133126-11-000	EA	RECLINER - (PLASTIC HANDLE)

CURTAIN & CUSHION GROUP (CONTINUED)

SOFA



KEY	PART NUMBER	U/M	DESCRIPTION
	138095-13-P69	EA	SOFA/SLEEPER - RECLINER/POWERED - W/TRUNDLE BED (P69, P70, P51)
	138095-13-P71	EA	SOFA/SLEEPER - RECLINER/POWERED - W/TRUNDLE BED (P71, P72, P52)
	138095-13-P73	EA	SOFA/SLEEPER - RECLINER/POWERED - W/TRUNDLE BED (P73, P74, P53)
	138095-14-P69	EA	SOFA/SLEEPER - RECLINER/POWERED - W/TRUNDLE BED - RESTEASY ULTRALEATHER
1*	136534-16-000	EA	SLIDE RAIL - W/LATCH MECHANISM/PLATES/STOP" F/30" FLAT
2	135824-07-N62	EA	PANEL/FRONT KICK - SOFA/SLEEPER - 59.5" - FABRIC COVERED (P69, P70, P51)
2	135824-07-N56	EA	PANEL/FRONT KICK - SOFA/SLEEPER - 59.5" - FABRIC COVERED (P71, P72, P52)
2	135824-07-N64	EA	PANEL/FRONT KICK - SOFA/SLEEPER - 59.5" - FABRIC COVERED (P73, P74, P53)
2	135824-09-N84	EA	PANEL/FRONT KICK - SOFA/SLEEPER - 59.5" - FABRIC COVERED - RESTEASY ULTRALEATHER
	121906-01-02B	EA	BRACKET - KICKBOARD - E-COATED
3	136534-19-000	EA	CABLE ONLY - REMOTE - 34" W/Z-ENDS (F/LEVER HANDLE -30-)
4	135823-12-N62	EA	ARMREST - LEFT HAND (P69, P70, P51)
4	135823-12-N56	EA	ARMREST - LEFT HAND (P71, P72, P52)
4	135823-12-N64	EA	ARMREST - LEFT HAND (P73, P74, P53)
4	135823-16-N62	EA	ARMREST - LEFT HAND - RESTEASY ULTRALEATHER
	P35823-12-N62	EA	COVER/ARMREST - LEFT HAND (P69, P70, P51)
	P35823-12-N56	EA	COVER/ARMREST - LEFT HAND (P71, P72, P52)
	P35823-12-N64	EA	COVER/ARMREST - LEFT HAND (P73, P74, P53)
	P35823-16-N62	EA	COVER/ARMREST - LEFT HAND - RESTEASY ULTRALEATHER
5	136118-01-000	EA	SWITCH - SOFA/RECLINER
6	135823-11-N62	EA	ARMREST - RIGHT HAND (P69, P70, P51)
6	135823-11-N56	EA	ARMREST - RIGHT HAND (P71, P72, P52)
6	135823-11-N64	EA	ARMREST - RIGHT HAND (P73, P74, P53)
6	135823-15-N62	EA	ARMREST - RIGHT HAND - RESTEASY ULTRALEATHER
	P35823-11-N62	EA	COVER/ARMREST - RIGHT HAND (P69, P70, P51)
	P35823-11-N56	EA	COVER/ARMREST - RIGHT HAND (P71, P72, P52)
	P35823-11-N64	EA	COVER/ARMREST - RIGHT HAND (P73, P74, P53)
	P35823-15-N62	EA	COVER/ARMREST - RIGHT HAND - RESTEASY ULTRALEATHER

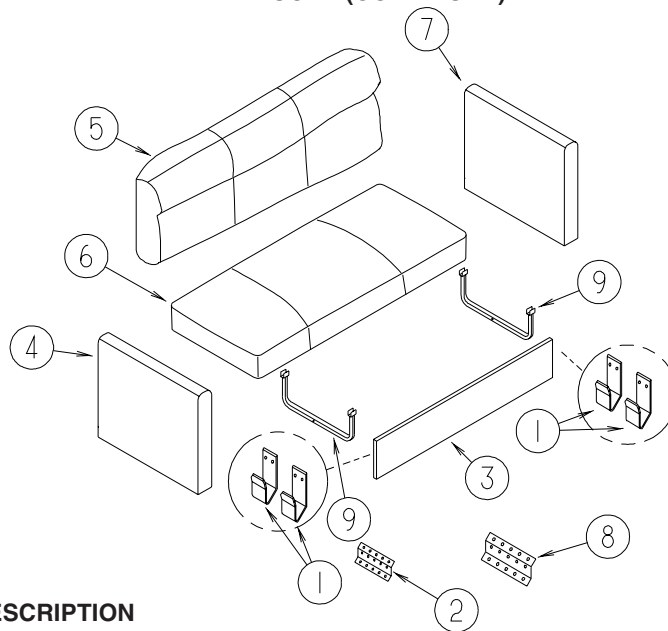
CURTAIN & CUSHION GROUP (CONTINUED)
SOFA (CONTINUED)

KEY	PART NUMBER	U/M	DESCRIPTION
7	138095-02-P69	EA	BACK - SOFA/SLEEPER - RECLINER/POWERED (P69, P70, P51)
7	138095-02-P71	EA	BACK - SOFA/SLEEPER - RECLINER/POWERED (P71, P72, P52)
7	138095-02-P71	EA	BACK - SOFA/SLEEPER - RECLINER/POWERED (P73, P74, P53)
7	138095-06-P84	EA	BACK - SOFA/SLEEPER - RECLINER/POWERED - RESTEASY ULTRALEATHER
	P38095-02-N62	EA	COVER/BACK - SOFA/SLEEPER - RECLINER/POWERED (P69, P70, P51)
	P38095-02-N64	EA	COVER/BACK - SOFA/SLEEPER - RECLINER/POWERED (P71, P72, P52)
	P38095-02-P73	EA	COVER/BACK - SOFA/SLEEPER - RECLINER/POWERED (P73, P74, P53)
	P38095-06-M62	EA	COVER/BACK - SOFA/SLEEPER - RECLINER/POWERED - RESTEASY ULTRALEATHER
7	136534-20-000	EA	BACK - FRAME - BEVERAGE TRAY
	136534-21-000	EA	FRAME - BEVERAGE TRAY
	136534-22-000	EA	HINGE - RIGHT
	136534-23-000	EA	HINGE - LEFT
	139758-01-01A	EA	TRAY-BEVERAGE
8	138095-03-N62	EA	SEAT - SOFA/SLEEPER - RECLINER/POWERED (P69, P70, P51)
8	138095-03-N64	EA	SEAT - SOFA/SLEEPER - RECLINER/POWERED (P71, P72, P52)
8	138095-03-P73	EA	SEAT - SOFA/SLEEPER - RECLINER/POWERED (P73, P74, P53)
8	138095-07-M62	EA	SEAT - SOFA/SLEEPER - RECLINER/POWERED - RESTEASY ULTRALEATHER
	P38095-03-N62	EA	COVER/SEAT - SOFA/SLEEPER - RECLINER/POWERED (P69, P70, P51)
	P38095-03-N64	EA	COVER/SEAT - SOFA/SLEEPER - RECLINER/POWERED (P71, P72, P52)
	P38095-03-P73	EA	COVER/SEAT - SOFA/SLEEPER - RECLINER/POWERED (P73, P74, P53)
	P38095-07-M62	EA	COVER/SEAT - SOFA/SLEEPER - RECLINER/POWERED - RESTEASY ULTRALEATHER
9	136534-04-000	EA	SEAT - 26.5" X 60" CL W/FLEXOLATOR
10	136534-17-000	EA	TRUNDLE FRAME - 17.5" X 55" - W/LINKAGE, LATCH & HANDLE
11	136534-31-000	EA	CAP - CABLE COVER
12	138095-04-N62	EA	TRUNDLE - SOFA/SLEEPER (P69, P70, P51)
12	138095-04-N64	EA	TRUNDLE - SOFA/SLEEPER (P71, P72, P52)
12	138095-04-P73	EA	TRUNDLE - SOFA/SLEEPER (P73, P74, P53)
12	138095-08-M62	EA	TRUNDLE - SOFA/SLEEPER - RESTEASY ULTRALEATHER
	P38095-04-N62	EA	COVER/TRUNDLE - SOFA/SLEEPER (P69, P70, P51)
	P38095-04-N64	EA	COVER/TRUNDLE - SOFA/SLEEPER (P71, P72, P52)
	P38095-04-P73	EA	COVER/TRUNDLE - SOFA/SLEEPER (P73, P74, P53)
	P38095-08-M62	EA	COVER/TRUNDLE - SOFA/SLEEPER - RESTEASY ULTRALEATHER
13	139716-04-N62	EA	SIGHT SHIELD - 58" - FULL BACK - W/BEVERAGE TRAY (P69, P70, P51)
13	139716-04-N64	EA	SIGHT SHIELD - 58" - FULL BACK - W/BEVERAGE TRAY (P71, P72, P52)
13	139716-04-P73	EA	SIGHT SHIELD - 58" - FULL BACK - W/BEVERAGE TRAY (P73, P74, P53)
13	139716-05-N47	EA	SIGHT SHIELD - 58" - FULL BACK - W/BEVERAGE TRAY - RESTEASY ULTRALEATHER
14*	136534-15-000	EA	BASE - 27.5" X 60" - POWERED CL - W/10.5" OVERHANG
	136534-33-000	EA	SPRING-7X1/2 W/HOOK ON ENDS
15	101926-01-02A	EA	BRACKET - ZEE - 2" - BLACK

***COMPONENT PARTS LISTED LATER IN THIS GROUP**

CURTAIN & CUSHION GROUP (CONTINUED)

SOFA (CONTINUED)



KEY	PART NUMBER	U/M	DESCRIPTION
1	121906-01-02B	EA	BRACKET - KICKBOARD - E-COATED
2	116104-04-02B	EA	BRACKET - ZEE W/HOLES - 3.2" - E-COATED - MOUNTS ARM TO FLOOR
3	120992-18-P69	EA	PANEL/FRONT KICK - SOFA/BED - 70" - FABRIC COVERED (P69, P70, P51)
3	120992-18-N79	EA	PANEL/FRONT KICK - SOFA/BED - 70" - FABRIC COVERED (P71, P72, P52)
3	120992-18-P71	EA	PANEL/FRONT KICK - SOFA/BED - 70" - FABRIC COVERED (P73, P74, P53)
3	120992-19-P69	EA	PANEL/FRONT KICK - SOFA/BED - 70" - ULTRALEATHER COUCH
4	136286-07-P69	EA	ARMREST - RIGHT HAND (P69, P70, P51)
4	136286-07-N56	EA	ARMREST - RIGHT HAND (P71, P72, P52)
4	136286-07-P71	EA	ARMREST - RIGHT HAND (P73, P74, P53)
4	136286-11-P69	EA	ARMREST - RIGHT HAND - ULTRALEATHER COUCH
	P36286-07-P69	EA	COVER/ARMREST - RIGHT HAND (P69, P70, P51)
	P36286-07-N56	EA	COVER/ARMREST - RIGHT HAND (P71, P72, P52)
	P36286-07-P71	EA	COVER/ARMREST - RIGHT HAND (P73, P74, P53)
	P36286-11-P69	EA	COVER/ARMREST - RIGHT HAND - ULTRALEATHER COUCH
	135963-05-000	EA	SOFA - W/RIGHT ARM - W/SLOPE
5	136278-02-P69	EA	BACK - SOFA/BED - 70" (P69, P70, P51)
5	136278-02-N79	EA	BACK - SOFA/BED - 70" (P71, P72, P52)
5	136278-02-P71	EA	BACK - SOFA/BED - 70" (P73, P74, P53)
5	136278-08-P69	EA	BACK - SOFA/BED - ULTRALEATHER COUCH
	P36278-02-P69	EA	COVER - BACK - SOFA/BED - 70" (P69, P70, P51)
	P36278-02-N79	EA	COVER - BACK - SOFA/BED - 70" (P71, P72, P52)
	P36278-02-P71	EA	COVER - BACK - SOFA/BED - 70" (P73, P74, P53)
	P36278-08-P69	EA	COVER - BACK - SOFA/BED - 70" - ULTRALEATHER COUCH
6	136278-01-P69	EA	SEAT - SOFA/BED - 70" (P69, P70, P51)
6	136278-01-N79	EA	SEAT - SOFA/BED - 70" (P71, P72, P52)
6	136278-01-P71	EA	SEAT - SOFA/BED - 70" (P73, P74, P53)
6	136278-07-P69	EA	SEAT - SOFA/BED - 70" (P69, P70, P51)
	P36278-01-P69	EA	COVER - SEAT - SOFA/BED - 70" (P69, P70, P51)
	P36278-01-N79	EA	COVER - SEAT - SOFA/BED - 70" (P71, P72, P52)
	P36278-01-P71	EA	COVER - SEAT - SOFA/BED - 70" (P73, P74, P53)
	P36278-07-P69	EA	COVER - SEAT - SOFA/BED - 70" (P69, P70, P51)
	132870-03-000	EA	FRAME - 70" SOFA BASE - CUSTOM LOUNGE
7	136286-08-P69	EA	ARMREST - LEFT HAND (P69, P70, P51)
7	136286-08-N56	EA	ARMREST - LEFT HAND (P71, P72, P52)
7	136286-08-P71	EA	ARMREST - LEFT HAND (P73, P74, P53)
7	136286-12-P69	EA	ARMREST - LEFT HAND - ULTRALEATHER COUCH
	P36286-08-P69	EA	COVER/ARMREST - LEFT HAND (P69, P70, P51)
	P36286-08-N56	EA	COVER/ARMREST - LEFT HAND (P71, P72, P52)
	P36286-08-P71	EA	COVER/ARMREST - LEFT HAND (P73, P74, P53)
	P36286-12-P69	EA	COVER/ARMREST - LEFT HAND - ULTRALEATHER COUCH
	135963-06-000	EA	SOFA - W/LEFT ARM - W/SLOPE
8	101926-01-02A	EA	BRACKET - ZEE - 2" - BLACK
9	127335-12-000	EA	LEG - SOFA/BED - 10"
	124656-96-000	EA	LOCK - CANADIAN

CURTAIN & CUSHION GROUP (CONTINUED)
COMPONENT PARTS FOR SOFA

136534-15-000, 136534-29-000

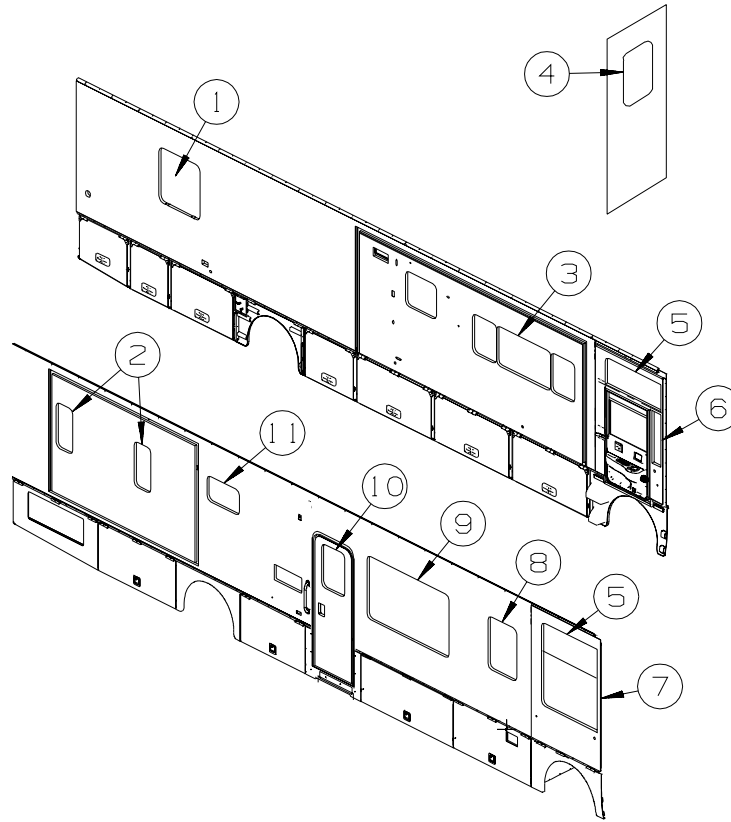
KEY	PART NUMBER	U/M	DESCRIPTION	VENDOR NO.
	136534-02-700	EA	MOTOR	9PL-MO-W/T-1
	136534-02-701	EA	CABLE/DRV MTR-REST EASY SOFA	9PL-FCA27.75

136534-16-000

KEY	PART NUMBER	U/M	DESCRIPTION	VENDOR NO.
	136534-14-700	EA	SLIDE MECHANISM ASM W/LATCH	PTN-SLD-BUSH
	136534-14-701	EA	BUSHING/GUIDE - F/MECHANISM	9TN-SLD-GR-0

CURTAIN & CUSHION GROUP (CONTINUED)

WINDOW TREATMENT

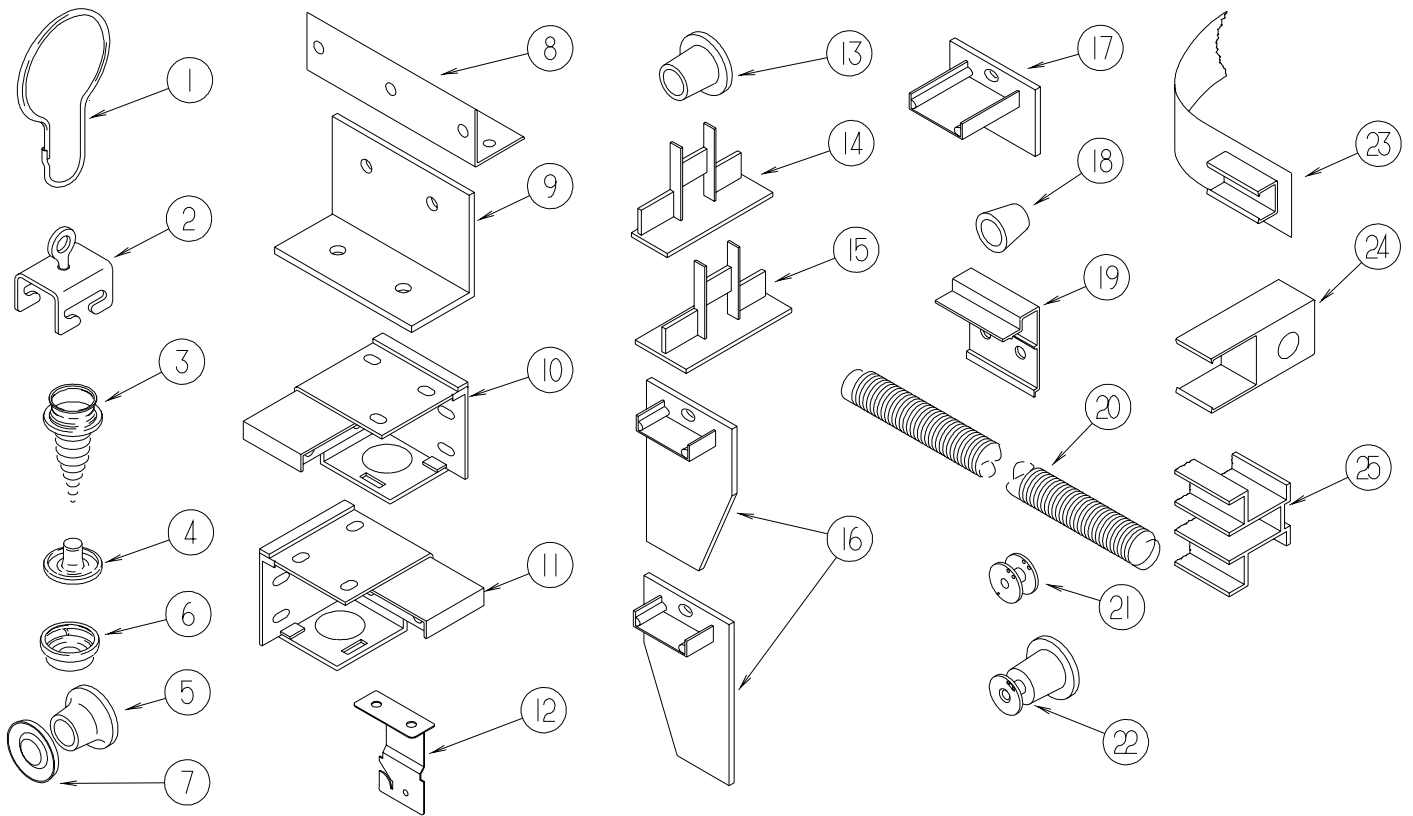


KEY	PART NUMBER	U/M	DESCRIPTION
1	136058-18-P69	EA	VALANCE - VINEYARD - 35.5" (P69, P70, P51)
1	136058-19-P71	EA	VALANCE - VINEYARD - 35.5" (P71, P72, P52)
1	136058-08-P73	EA	VALANCE - VINEYARD - 35.5" (P73, P74, P53)
1	140789-11-N54	EA	BLIND - DAY/NIGHTER - 32" X 34" (P69, P70, P71, P72, P51, P52)
1	140789-11-N52	EA	BLIND - DAY/NIGHTER - 32" X 34" (P73, P74, P53)
2	142437-06-N62	EA	VALANCE - ASHWELL - 7" X 14.5" (P69, P70, P51)
2	142437-03-N64	EA	VALANCE - ASHWELL - 14.5" (P71, P72, P52)
2	142437-01-P73	EA	VALANCE - ASHWELL - 14.5" (P73, P74, P53)
2	140789-10-N54	EA	BLIND - DAY/NIGHTER - 13.5" X 28.5" (P69, P70, P71, P72, P51, P52)
2	140789-10-N66	EA	BLIND - DAY/NIGHTER - 13.5" X 28.5" (P71, P72, P52)
2	136988-87-P69	EA	LEG - RIGHT - 32" - FABRIC COVERED (P69, P70, P51)
2	136988-89-P71	EA	LEG - RIGHT - 32" - FABRIC COVERED (P71, P72, P52)
2	136988-47-P73	EA	LEG - RIGHT - 32" - FABRIC COVERED (P73, P74, P53)
2	136988-88-P69	EA	LEG - LEFT - 32" - FABRIC COVERED (P69, P70, P51)
2	136988-90-P71	EA	LEG - LEFT - 32" - FABRIC COVERED (P71, P72, P52)
2	136988-48-P73	EA	LEG - LEFT - 32" - FABRIC COVERED (P73, P74, P53)
3	136054-01-N62	EA	LAMBREQUIN - WHITTINGTON - 61" (P69, P70, P51)
3	136054-01-N64	EA	LAMBREQUIN - WHITTINGTON - 61" (P71, P72, P52)
3	136054-01-P73	EA	LAMBREQUIN - WHITTINGTON - 61" (P73, P74, P53)
3	140789-08-N44	EA	BLIND - DAY/NIGHTER - 59" X 26.5" (P69, P70, P71, P72, P51, P52)
3	140789-08-N09	EA	BLIND - DAY/NIGHTER - 59" X 26.5" (P73, P74, P53)
4	136054-15-N62	EA	VALANCE - WHITTINGTON - 26" (P69, P70, P51)
4	136054-15-N64	EA	VALANCE - WHITTINGTON - 26" (P71, P72, P52)
4	136054-15-P73	EA	VALANCE - WHITTINGTON - 26" (P73, P74, P53)
4	140789-07-N44	EA	BLIND - DAY/NIGHTER - 22.5" X 23" (P69, P70, P71, P72, P51, P52)
4	140789-07-N42	EA	BLIND - DAY/NIGHTER - 22.5" X 23" (P73, P74, P53)
4	136988-21-N62	EA	LEG - RIGHT - 22" (P69, P70, P51)
4	136988-21-N56	EA	LEG - RIGHT - 22" (P73, P74, P53)
4	136988-21-N64	EA	LEG - RIGHT - 22" (P71, P72, P52)
4	136988-22-N62	EA	LEG - LEFT - 22" (P69, P70, P51)
4	136988-22-N56	EA	LEG - LEFT - 22" (P73, P74, P53)
4	136988-22-N64	EA	LEG - LEFT - 22" (P71, P72, P52)
5	126841-03-000	EA	SHADE - PULL - CHARCOAL MESH - 40.3" X 60"

CURTAIN & CUSHION GROUP (CONTINUED)
WINDOW TREATMENT (CONTINUED)

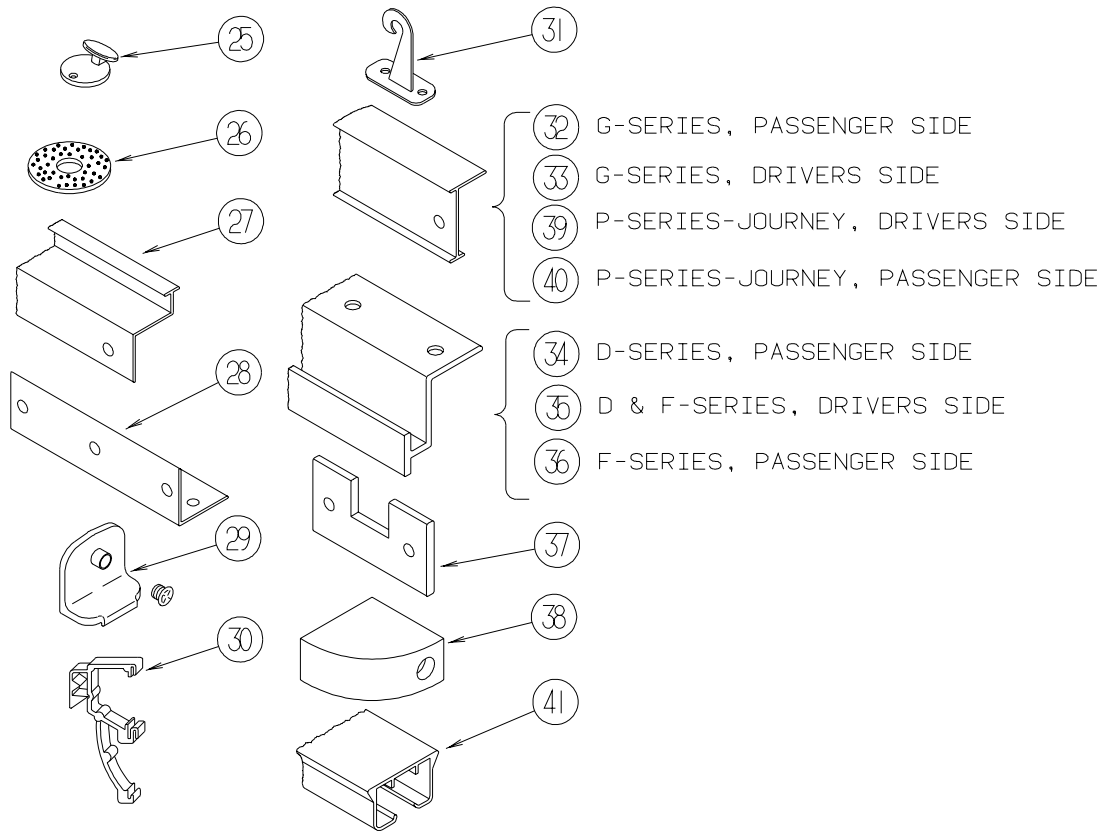
KEY	PART NUMBER	U/M	DESCRIPTION
6	139479-07-01A	EA	CURTAIN - WRAPAROUND/PRIVACY/PLEATED-50.25" X 150"-DRIVER
7	139479-08-01A	EA	CURTAIN - WRAPAROUND/PRIVACY/PLEATED-50.25" X 150" - PASS
8	136054-15-N62	EA	VALANCE - WHITTINGTON - 26" (P69, P70, P51)
8	136054-15-N64	EA	VALANCE - WHITTINGTON - 26" (P71, P72, P52)
8	136054-15-P73	EA	VALANCE - WHITTINGTON - 26" (P73, P74, P53)
8	140789-05-N54	EA	BLIND - DAY/NIGHTER - 22" X 34" (P69, P70, P71, P72, P51, P52)
8	140789-05-N52	EA	BLIND - DAY/NIGHTER - 22" X 34" (P73, P74, P53)
8	136988-B4-P69	EA	LEG - RIGHT - 35" (P69, P70, P51)
8	136988-B4-P71	EA	LEG - RIGHT - 35" (P71, P72, P52)
8	136988-B4-P73	EA	LEG - RIGHT - 35" (P73, P74, P53)
8	136988-B5-P69	EA	LEG - LEFT - 35" (P69, P70, P51)
8	136988-B5-P71	EA	LEG - LEFT - 35" (P71, P72, P52)
8	136988-B5-P73	EA	LEG - LEFT - 35" (P73, P74, P53)
9	136054-10-N62	EA	LAMBREQUIN - WHITTINGTON - 63" (P69, P70, P51)
9	136054-10-N64	EA	LAMBREQUIN - WHITTINGTON - 63" (P71, P72, P52)
9	136054-10-P73	EA	LAMBREQUIN - WHITTINGTON - 63" X 41" (P73, P74, P53)
9	140789-13-N54	EA	BLIND - DAY/NIGHTER - 61" X 42" (P69, P70, P71, P72, P51, P52)
9	140789-13-N52	EA	BLIND - DAY/NIGHTER - 61" X 42" (P73, P74, P53)
10	084755-57-P37	EA	SHADE - PULL - 27.25"
11	121410-C7-P69	EA	VALANCE - MODERATE - 27" (P69, P70, P51)
11	121410-C7-P71	EA	VALANCE - MODERATE - 27" (P71, P72, P52)
11	121410-C7-P73	EA	VALANCE - MODERATE - 27" (P73, P74, P53)
11	111861-15-02A	EA	BLIND - MINI - 25" X 16" (P69, P70, P71, P72, P51, P52)
11	111861-15-01A	EA	BLIND - MINI - 25" X 17" - BEIGE (P73, P74, P53)

CURTAIN & CUSHION GROUP (CONTINUED) HARDWARE



KEY	PART NUMBER	U/M	DESCRIPTION
1	009136-02-000	EA	HANGER - RING - PIN TYPE - CURTAIN - BRASS
2	009702-01-000	EA	END STOP - CURTAIN CARRIER - L - ROD
3	029130-01-000	EA	SCREW - SNAP STUD - #8-16 X 3/8" LONG
3	029130-03-000	EA	SCREW - SNAP STUD - #8-16 X 1" LONG
4	029155-01-000	EA	CAP - SNAP - 5/32" OUTSIDE DIAMETER OF PIN
5	029156-01-000	EA	SOCKET - SNAP - 9/16" O.D.
6	046867-02-000	EA	WASHER - HANDY BUTTON #3
7	046867-03-000	EA	GROMMET - HANDY BUTTON #3
8	075943-10-000	EA	BRACE - VALANCE - 20" - OFF WHITE
9	083125-07-000	EA	BRACE - ANGLE/COUCH - 2.5" - OFF WHITE
9	083125-08-000	EA	BRACE - WINDOW MOUNT - .75" - OFF WHITE
10	083170-01-000	EA	BRACKET/BLIND - LEFT SIDE WHEN FACING WINDOW - CLEAR
11	083170-02-000	EA	BRACKET/BLIND - RIGHT SIDE WHEN FACING WINDOW - CLEAR
12	084434-01-000	EA	BRACKET - MOUNTING - ROLLER SHADE - 1 3/8"
13	094896-02-000	EA	GROMMET - CORD/PLEATED BLIND - NYLON - GRAY
14	094907-02-000	EA	END CAP - PLEATED BLIND/TOP - RH/LH - GRAY PLASTIC
15	094907-04-000	EA	END CAP - PLEATED BLIND/BOTTOM - RH/LH
16	094907-05-000	EA	END CAP - PLEATED BLIND/BOTTOM - PULL TYPE - PLASTIC
17	094907-06-000	EA	END CAP - PLEATED BLIND/TOP
18	097564-99-000	EA	HANDLE - KNOB - E-Z LIFT SHADE - COLORLESS
19	097565-01-000	EA	BRACKET - MOUNTING - PLEATED BLIND
20	097591-01-000	EA	SPRING - EXTENSION - PLEATED BLIND
21	097592-01-000	EA	SPOOL - CORD - ELEVATED BLIND HOLDUP - SMALL - CLEAR
22	097592-02-000	EA	SPOOL - CORD - ELEVATED BLIND HOLDUP - LARGE - CLEAR
	097593-02-000	FT	CORD - BLIND - PLEATED - GRAY
	097593-06-000	FT	CORD - BLIND - PLEATED - PEWTER
	097593-10-000	FT	CORD - BLIND - PLEATED - VANILLA
23	101031-01-000	YD	TAPE/GLIDE - 4.25" SPACING
24	101033-02-000	EA	END CAP - LOW PROFILE TRACK - CLEAR
25	101033-08-000	EA	TRACK/WALL - 75" - FRT BUNK WINDOW 300 SERIES (MINNIE/SPIRIT)
25	101033-09-000	EA	TRACK/WALL - 32" - SIDE BUNK WINDOW 200 SERIES/300 SERIES (VISTA/SUNSTAR /MINNIE/SPIRIT)

CURTAIN & CUSHION GROUP (CONTINUED) HARDWARE (CONTINUED)



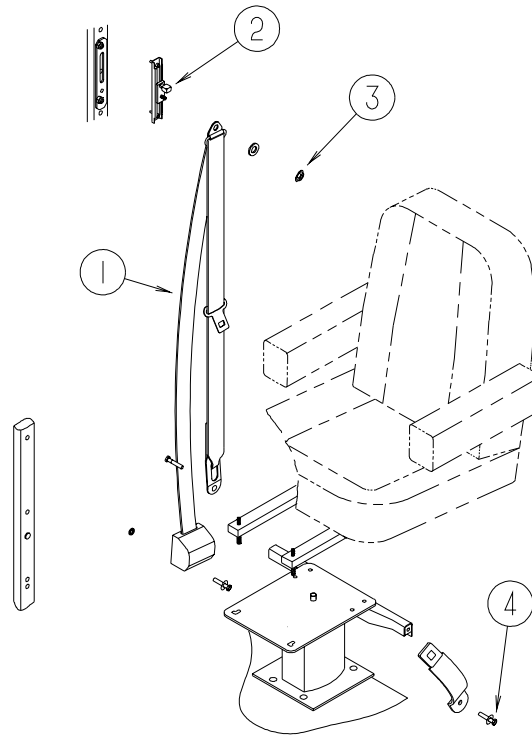
KEY	PART NUMBER	U/M	DESCRIPTION
25	102555-03-000	EA	CLEAT - BLIND CORD - MILKY WHITE - PLASTIC
26	103242-01-000	EA	VELCRO HOOK - BEIGE 7/8" ROUND W/CENTER HOLE
26	103242-02-000	EA	VELCRO HOOK - BLACK 7/8" ROUND W/CENTER HOLE
27	105450-14-01A	EA	TRACK - CURTAIN - 90" - OFF WHITE - FRONT BUNK PRIVACY 300 SERIES (MINNIE/SPIRITE)
27	105450-15-01A	EA	TRACK - CURTAIN - 82.3" - OFF WHITE - FRONT BUNK PRIVACY 200 SERIES (VISTA/SUNSTAR)
28	105648-01-02A	EA	BRACE - VALANCE - OFF/WHITE - 14"
29	106544-01-000	EA	PULL - SHADE/BRASS
	106544-01-001	EA	SCREW - SHADE/BRASS
30	109353-04-000	EA	CLIP - VALANCE SLAT MOUNTING - CLEAR PLASTIC
	109441-02-000	EA	SPACER/BRACKET - BLIND HOLD DOWN
31	109441-03-000	EA	BRACKET/HOOK - BLIND HOLD DOWN - CLOUDY
32	126456-03-04A	EA	TRACK/WRAPAROUND - PASSENGER - GLACIER - G SERIES (ADVENTURER/SUNCRUISER)
33	126456-04-04A	EA	TRACK/WRAPAROUND - DRIVER - GLACIER - G SERIES (ADVENTURER/SUNCRUISER)
34	127254-03-05A	EA	TRACK/WRAPAROUND - PASSENGER - GLACIER - D SERIES (SIGHTSEER/SUNOVA)
35	127254-04-05A	EA	TRACK/WRAP - DRIVER - GLACIER - D SERIES/F SERIES (SIGHTSEER/SUNOVA/BRAVE/SUNRISE)
36	127254-14-03A	EA	TRACK/WRAPAROUND - PASSENGER - GLACIER - F SERIES (BRAVE/SUNRISE)
37	130549-01-01A	EA	STOP - CURTAIN TRACK
38	132504-01-N92	EA	BRACKET - SHADE
39	133235-01-04A	EA	TRACK - CURTAIN/LEFT HAND - GLACIER - P SERIES (JOURNEY)
40	133236-01-04A	EA	TRACK - CURTAIN/RIGHT HAND - GLACIER - P SERIES (JOURNEY)
41	138460-01-02A	EA	TRACK/CURTAIN - PASSENGER - WHITE - Q SERIES (ULTIMATE ADVANTAGE/ULTIMATE FREEDOM)
	138460-02-02A	EA	TRACK/CURTAIN - DRIVER - WHITE - Q SERIES (ULTIMATE ADVANTAGE/ULTIMATE FREEDOM)
41	138460-03-02A	EA	TRACK/CURTAIN - PASSENGER - WHITE - P SERIES (JOURNEY DL/HORIZON)
	138460-04-02A	EA	TRACK/CURTAIN - DRIVER - WHITE - P SERIES (JOURNEY DL/HORIZON)
41	138460-05-02A	EA	TRACK/CURTAIN - PASSENGER - WHITE - L SERIES (CHIEFTAIN/SUNFLYER)
	138460-06-02A	EA	TRACK/CURTAIN - DRIVER - WHITE - L SERIES (CHIEFTAIN/SUNFLYER)
	141634-01-000	EA	BOBBIN-PLEATED,ADJUSTABLE

FROM: 06-17-02 THRU: 99-99-99

CURTAIN & CUSHION GROUP (CONTINUED)

ACCESSORIES

KEY	PART NUMBER	U/M	DESCRIPTION
	007021-01-000	EA	SEAT BELT - 2" X 90" - BLACK
	056271-01-000	EA	SEAT BELT - 2" X 102" - BLACK
	057534-03-000	EA	TIEBACK - CLEAR PLASTIC - 7.5" - L36W
	070578-02-J22	EA	BUTTON - #30 - VINYL - L39
	070578-02-N30	EA	BUTTON - SCREW - STUD - #30 VINYL - L36W
	099717-04-000	EA	STRAP - W/21.2" FEMALE STRAP AND 27.1" MALE STRAP - L36W
	129491-01-000	EA	CATCH - SNAP HOOK - 1"



KEY	PART NUMBER	U/M	DESCRIPTION
1*	091990-08-01A	EA	SEAT BELT - 3 POINT - .766" DIAMETER HOLE IN D-LOOP BRKT
2	127598-01-01A	EA	ADJUSTER - SEATBELT - D-LOOP
3	127598-02-000	EA	NUT - HEX FLANGE - M10 X 1.5 - CLASS 10
4	095076-02-000	EA	WASHER - FL - 7/16"ID X 2"OD X .06

*COMPONENT PARTS LISTED LATER IN THIS GROUP

CURTAIN & CUSHION GROUP (CONTINUED)
COMPONENT PARTS FOR ACCESSORIES

091990-08-01A

KEY	PART NUMBER	U/M	DESCRIPTION	VENDOR NO.
	091990-01-701	EA	EXTENDER 9" FOR A8408 3 PT	I-1331-02
	091990-01-703	EA	RECEIVER/FEMALE END-SEATBELT	I-1159-02
	091990-05-700	EA	SLEEVE/BUCKLE COVER-PLASTIC	209S-2
	091990-05-701	EA	CAP/COVER - BOLT HOLE COVER	209SC-02
	091990-05-702	EA	SLEEVE/RETRACTABLE COVER	309C-02

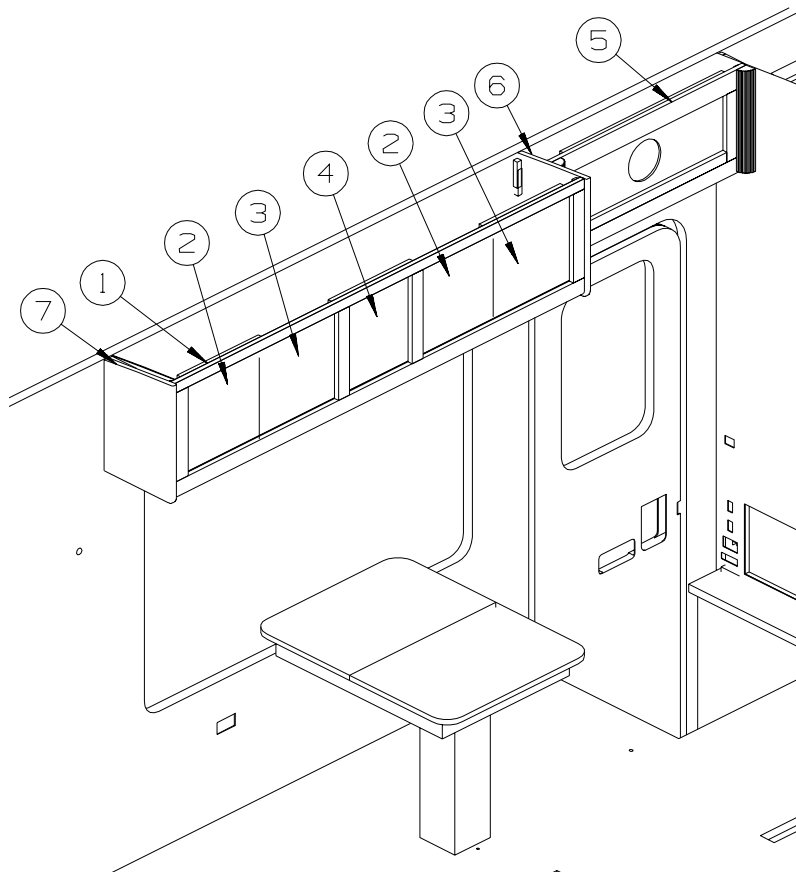
CURTAIN & CUSHION GROUP (CONTINUED)
FABRICS

FAMILY SUNFLYERS	P69/P70/P51 SIENNA	P71/P72/P52 CORNUCOPIA	P73/P74/P53 SILVER BROCADE
BUCKET	FLEXSTEEL 581 W/ADJ. ARMS & LUMBAR 126883-P3-000	FLEXSTEEL 581 W/ADJ. ARMS & LUMBAR 126883-P3-000	FLEXSTEEL 581 W/ADJ. ARMS & LUMBAR 126883-P3-000
	ULTRA ANT. PEARL 079680-36-000	ULTRA ANT. PEARL 079680-36-000	ULTRA ANT. PEARL 079680-36-000
	ANTIQUE PEARL	ANTIQUE PEARL	ANTIQUE PEARL
DINETTE	730 TEAR DROP SPRUNG 126883-G6-000	730 TEAR DROP SPRUNG 126883-G4-000	730 TEAR DROP SPRUNG 126883-G2-000
DINETTE WRAP FULL W/TOE KICK	126883-G6-000/139056-11-000	126883-G4-000/139056-15-000	126883-G2-000/096060-J7-000
DINETTE CHAIRS REM FOLDING	FLEX. C5703 & REM FC200 FOLD. 126883-G7-000	FLEX. C5703 & REM FC200 FOLD. 126883-G5-000	FLEX. C5703 & REM FC200 FOLD. 126883-G3-000
SOFA	805 4WAY/685 COMFORT LG. 126883-G6-000	815 4WAY/685 COMFORT LG. 126883-G4-000	815 4WAY/685 COMFORT LG. 126883-G2-000
	*OPTIONAL ULTRA 079680-36-000 ANTIQUE PEARL	*OPTIONAL ULTRA 079680-36-000 ANTIQUE PEARL	*OPTIONAL ULTRA 079680-36-000 ANTIQUE PEARL
LOUNGE CHAIR	470 HOOP W/FOOTREST 126883-G7-000	470 HOOP W/FOOTREST 126883-G5-000	470 HOOP W/FOOTREST 126883-G3-000
LOUNGE WINDOWS	WHITTINGTON LAMBREQUIN 126883-G7-000/126883-G6-000	WHITTINGTON LAMBREQUIN 126883-G5-000/126883-G4-000	WHITTINGTON LAMBREQUIN 126883-G3-000/126883-G2-000
	UNDERLAY/OVERLAY CORD 084415-D8-000	UNDERLAY/OVERLAY CORD 084415-A4-000	UNDERLAY/OVERLAY CORD 084415-F9-000
LOUNGE PILLOWS 2 PER SOFA	18" W/FRINGE & OVLY. BODY&WELT 126883-G7-000	18" W/FRINGE & OVLY. BODY&WELT 126883-G5-000	18" W/FRINGE & OVLY. BODY&WELT 126883-G3-000
	OVERLAY 126883-G6-000 CORD 084415-D8-000	OVERLAY 126883-G4-000 CORD 084415-A4-000	OVERLAY 126883-G2-000 CORD 084415-F9-000
*L39 AREA RUG	137430-01-000	137430-02-000	137430-03-000
BEDROOM WINDOWS	VINEYARD VALANCE 105745-V7-000	VINEYARD VALANCE 105745-W8-000	VINEYARD VALANCE 105745-V4-000
	UNDERLAY & 1.5" BANDS 126883-G6-000/084415-D8-000	UNDERLAY & 1.5" BANDS 105745-Y4-000/084415-A4-000	UNDERLAY & 1.5" BANDS 105745-V3-000/084415-F9-000
	OVERLAY & CORD FLUSH LEGS 105745-V7-000	OVERLAY & CORD FLUSH LEGS 105745-W8-000	OVERLAY & CORD FLUSH LEGS 150745-V4-000

CURTAIN & CUSHION GROUP (CONTINUED)
FABRICS (CONTINUED)

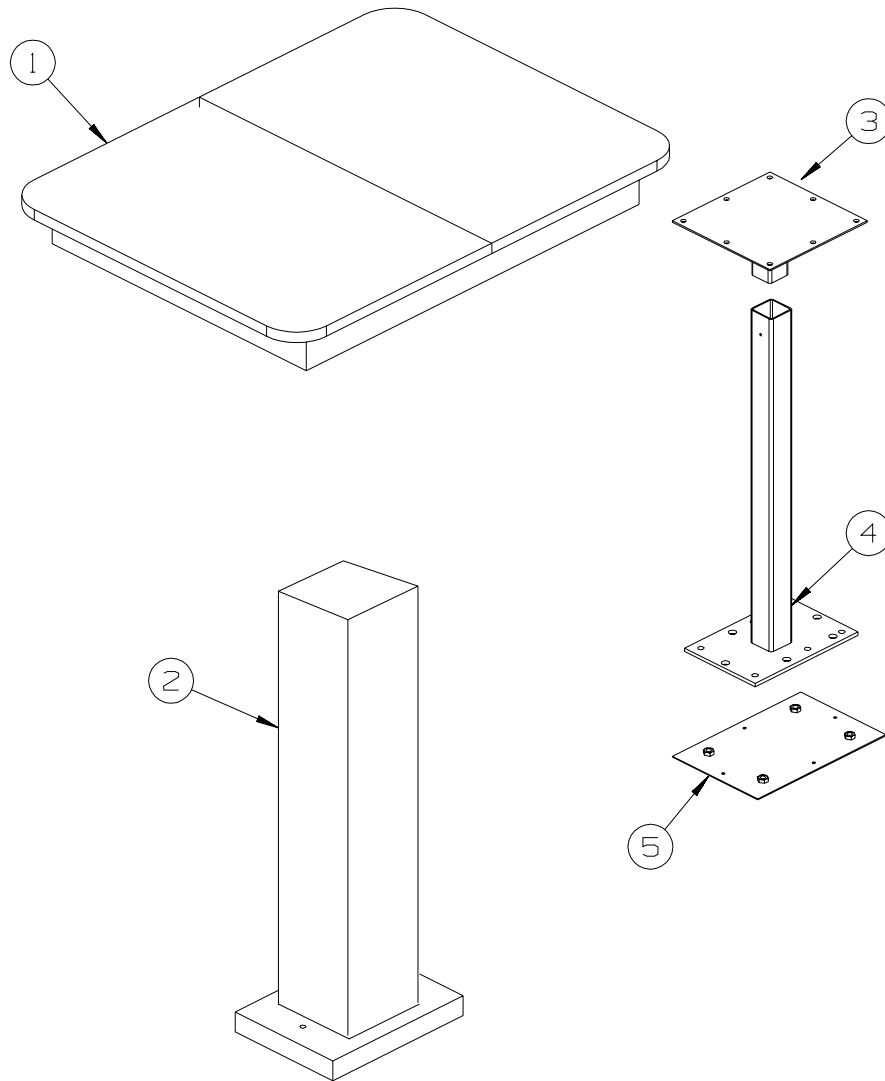
FAMILY SUNFLYERS	P69/P70/P51 SIENNA	P71/P72/P52 CORNUCOPIA	P73/P74/P53 SILVER BROCADE
ASHWELL VAL. *WHEN NEEDED	126883-G6-000 BODY	105745-Y4-000 BODY	105745-V3-000 BODY
	105745-V7-000 .25" WELT	105745-W8-000 .25" WELT	105745-V4-000 .25" WELT
BEDSPREAD DIAMOND QUILT	BEDCAP W/.5" NON-GATH.	BEDCAP W/BRAID	BEDCAP W/.5" NON-GATH.
	ACCENT WELT	105745-V6-000/084415-A4-000	ACCENT WELT
	105745-V7-000/126883-G6-000		105745-V3-000/105745-V4-000
SHAMS	.5" SELF WELT	.5" ACCENT WELT	.5" ACCENT/ SELF WELT
	126883-G6-000	105745-Y4-000/105745-Y5-000	105745-V5-000
BEDRM. PILLOW 2 PER MATTRESS	RECTANGULAR W/1" BOXING & 2" BAND TRIM, WELT & TASSELS BODY 105745-V7-000	RECTANGULAR W/1" BOXING & 2" BAND TRIM, WELT & TASSELS WELT & BAND 105745-Y5-000	RECTANGULAR W/1" BOXING & 2" BAND TRIM, WELT & TASSELS BODY 105745-V3-000
	WELT,BAND,BOXING 126883-G6-000	BACK & BOXING 105745-W8-000	WELT,BAND,BOXING 105745-V4-000
	TASSELS 139727-05-000	FRONT 105745-Y4-000	TASSELS 139727-02-000
		TASSELS 139727-04-000	
HEADBOARD	CUSTOM CRAFT W/CORD	CUSTOM CRAFT W/CORD	CUSTOM CRAFT W/CORD
	105745-V7-000/126883-G6-000	105745-V6-000/105745-W8-000	105745-V3-000/105745-V4-000
	CORD 084415-D8-000	CORD 084415-A4-000	CORD 084415-F9-000
DAY-NITERS LGE. & BEDROOM	EGGSHELL/WHT. DECO	EGGSHELL/WHT. DECO	PUTTY/WHT. DECO
	094911-56-000/094911-50-000	094911-56-000/094911-50-000	094911-58-000/094911-50-000
BATH VALANCE	MODERATE W/CORD	MODERATE W/CORD	MODERATE W/CORD
	105745-V7-000/084415-D8-000	105745-V6-000/084415-A4-000	105745-V3-000084415-F9-000
GALLEY&BATH	386 SNO CAP (MICRO MINI)	386 SNO CAP (MICRO MINI)	C011 BEIGE
OVHD. INSERTS LOUNGE&BEDRM.	LOUNGE 126883-G7-000	LOUNGE 126883-G5-000	LOUNGE 126883-G3-000
	BEDROOM 126883-G6-000	BEDROOM 105745-W8-000	BEDROOM 105745-V4-000
FRONT WRAP	PURCHASED PLEATED	PURCHASED PLEATED	PURCHASED PLEATED
	PULL CORD STYLE OFF WHITE	PULL CORD STYLE OFF WHITE	PULL CORD STYLE OFF WHITE
SUNVISORS	142380-02-01A POWER W/79H	142380-02-01A POWER W/79H	142380-02-01A POWER W/79H
	142380-01-01A POWER W/42E	142380-01-01A POWER W/42E	142380-01-01A POWER W/42E
FLOOR MATS	139056-11-000 CARPET	139056-15-000 CARPET	096060-J7-000 CARPET
	102695-12-000 TAPE	102695-28-000 TAPE	102695-18-000 TAPE
CEILING MAT.	113979-12-01A	113979-12-01A	113979-12-01A
VINYL	ALLANTE DOESKIN 079680-50-000	ALLANTE DOESKIN 079680-50-000	ALLANTE DOESKIN 079680-50-000

DINETTE GROUP CABINETS



KEY	PART NUMBER	U/M	DESCRIPTION
1	139638-01-N53	EA	CABINET - OVERHEAD/RH - W/O DOORS/HDWE - PORTSMOUTH OAK - W/O ENTERTAINMENT CTR
1	139638-01-N52	EA	CABINET - OVERHEAD/RH - W/O DOORS/HDWE - CONCERT CHERRY - W/O ENTERTAINMENT CTR
1	139638-01-N62	EA	CABINET - OVERHEAD/RH - W/O DOORS/HDWE - WASHED MAPLE - W/O ENTERTAINMENT CTR
1	139687-01-N53	EA	CABINET - OVERHEAD/RH - W/O DOORS/HDWE - PORTSMOUTH OAK - W/O ENTERTAINMENT CTR
1	139687-01-N52	EA	CABINET - OVERHEAD/RH - W/O DOORS/HDWE - CONCERT CHERRY - W/O ENTERTAINMENT CTR
1	139687-01-N62	EA	CABINET - OVERHEAD/RH - W/O DOORS/HDWE - WASHED MAPLE - W/O ENTERTAINMENT CTR
2	135238-39-P69	EA	DOOR - RAIL/ARCHED TOP - 14.3" X 14.3" - W/O HARDWARE - PORTSMOUTH OAK
2	135238-39-N63	EA	DOOR - RAIL/ARCHED TOP - 14.3" X 14.3" - W/O HARDWARE - CONCERT CHERRY
2	135238-39-N62	EA	DOOR - RAIL/ARCHED TOP - 14.3" X 14.3" - W/O HARDWARE - WASHED MAPLE
3	135238-40-P69	EA	DOOR - RAIL/ARCHED TOP - 14.3" X 14.3" - W/O HARDWARE - PORTSMOUTH OAK
3	135238-40-N63	EA	DOOR - RAIL/ARCHED TOP - 14.3" X 14.3" - W/O HARDWARE - CONCERT CHERRY
3	135238-40-N62	EA	DOOR - RAIL/ARCHED TOP - 14.3" X 14.3" - W/O HARDWARE - WASHED MAPLE
4	135238-25-P69	EA	DOOR - RAIL/ARCHED TOP - 12.3" X 14.3" - W/O HARDWARE - PORTSMOUTH OAK
4	135238-25-N85	EA	DOOR - RAIL/ARCHED TOP - 12.3" X 14.3" - W/O HARDWARE - CONCERT CHERRY
4	135238-25-N84	EA	DOOR - RAIL/ARCHED TOP - 12.3" X 14.3" - W/O HARDWARE - WASHED MAPLE
5	139634-01-P69	EA	CABINET - OVERHEAD/ENTRY DOOR - W/O DOORS/HARDWARE (P69)
5	139634-01-N63	EA	CABINET - OVERHEAD/ENTRY DOOR - W/O DOORS/HARDWARE (P70)
5	139634-01-P71	EA	CABINET - OVERHEAD/ENTRY DOOR - W/O DOORS/HARDWARE (P71)
5	139634-01-N65	EA	CABINET - OVERHEAD/ENTRY DOOR - W/O DOORS/HARDWARE (P72)
5	139634-01-P73	EA	CABINET - OVERHEAD/ENTRY DOOR - W/O DOORS/HARDWARE (P73)
5	139634-01-N56	EA	CABINET - OVERHEAD/ENTRY DOOR - W/O DOORS/HARDWARE (P74)
5	139634-01-N62	EA	CABINET - OVERHEAD/ENTRY DOOR - W/O DOORS/HARDWARE (P51)
5	139634-01-N64	EA	CABINET - OVERHEAD/ENTRY DOOR - W/O DOORS/HARDWARE (P52)
5	139634-01-P53	EA	CABINET - OVERHEAD/ENTRY DOOR - W/O DOORS/HARDWARE (P53)
6	139687-19-N53	EA	END CAP - OVERHEAD CABINET - PORTSMOUTH OAK - W/O ENTERTAINMENT CTR
6	139687-19-N52	EA	END CAP - OVERHEAD CABINET - CONCERT CHERRY - W/O ENTERTAINMENT CTR
6	139687-19-N62	EA	END CAP - OVERHEAD CABINET - WASHED MAPLE - W/O ENTERTAINMENT CTR
7	139687-18-N53	EA	END CAP - OVERHEAD CABINET - PORTSMOUTH OAK - W/O ENTERTAINMENT CTR
7	139687-18-N52	EA	END CAP - OVERHEAD CABINET - CONCERT CHERRY - W/O ENTERTAINMENT CTR
7	139687-18-N62	EA	END CAP - OVERHEAD CABINET - WASHED MAPLE - W/O ENTERTAINMENT CTR

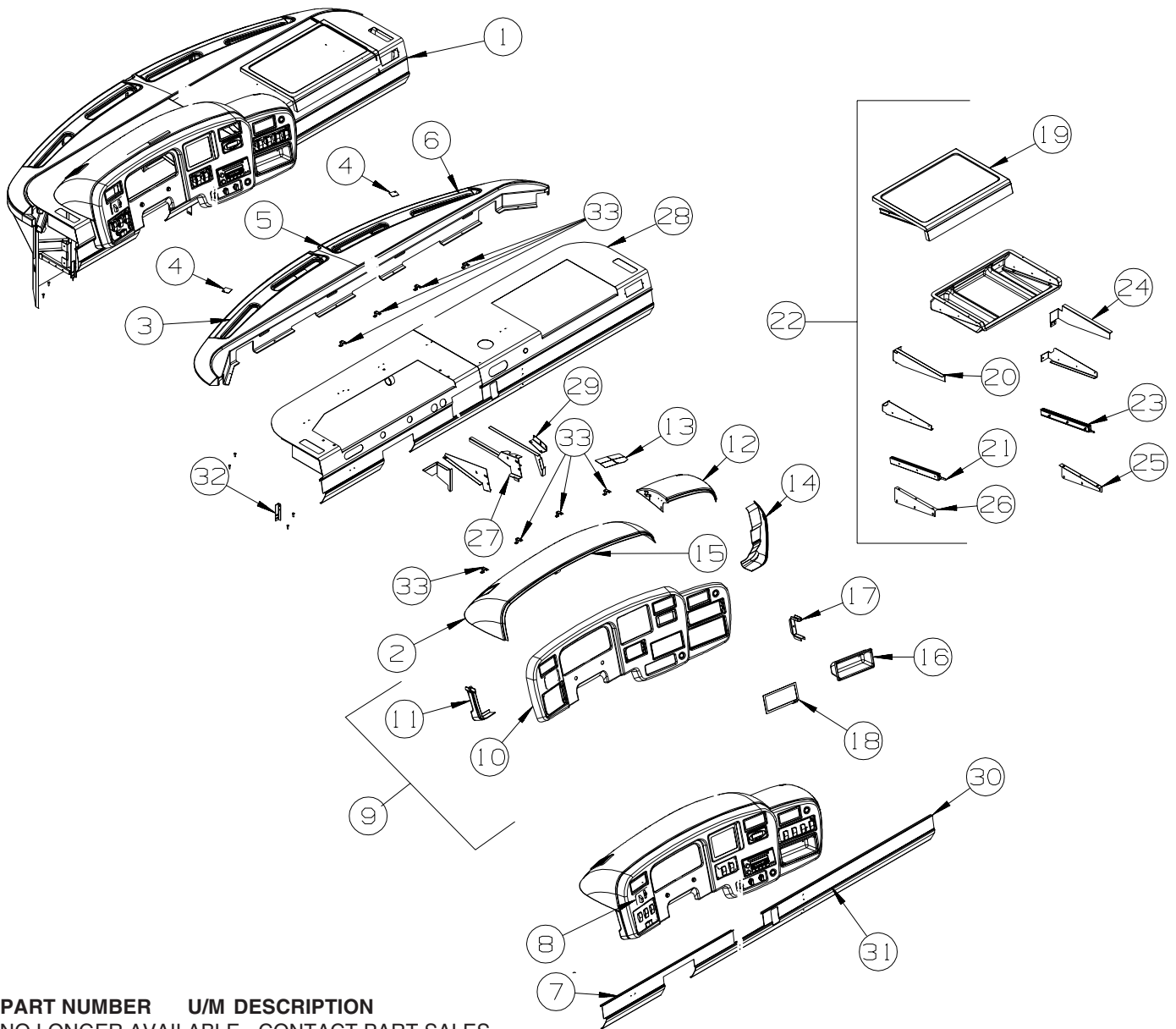
DINETTE GROUP (CONTINUED) TABLE



KEY	PART NUMBER	U/M	DESCRIPTION
1	139294-01-04A	EA	TABLE - DINETTE - FREE STANDING - OAK - PORTSMOUTH OAK
1	139294-01-03A	EA	TABLE - DINETTE - FREE STANDING - CHERRY - CONCERT CHERRY
1	139294-01-02A	EA	TABLE - DINETTE - FREE STANDING - WASHED MAPLE
2	139294-02-04A	EA	TABLE BASE - DINETTE - OAK - PORTSMOUTH OAK
2	139294-02-03A	EA	TABLE BASE - DINETTE - CHERRY - CONCERT CHERRY
2	139294-02-02A	EA	TABLE BASE - DINETTE - WASHED MAPLE
3	139466-01-02B	EA	SUPPORT - TABLE - UPPER - E-COATED
4	139459-01-02B	EA	SUPPORT/TABLE - DINETTE - E-COATED
5	139469-02-02B	EA	PLATE/BASE - TABLE - DINETTE - E-COATED
5	141071-02-02B	EA	PLATE/BASE - TABLE - DINETTE - E-COATED - L36W

DRIVERS COMPARTMENT GROUP

DASH



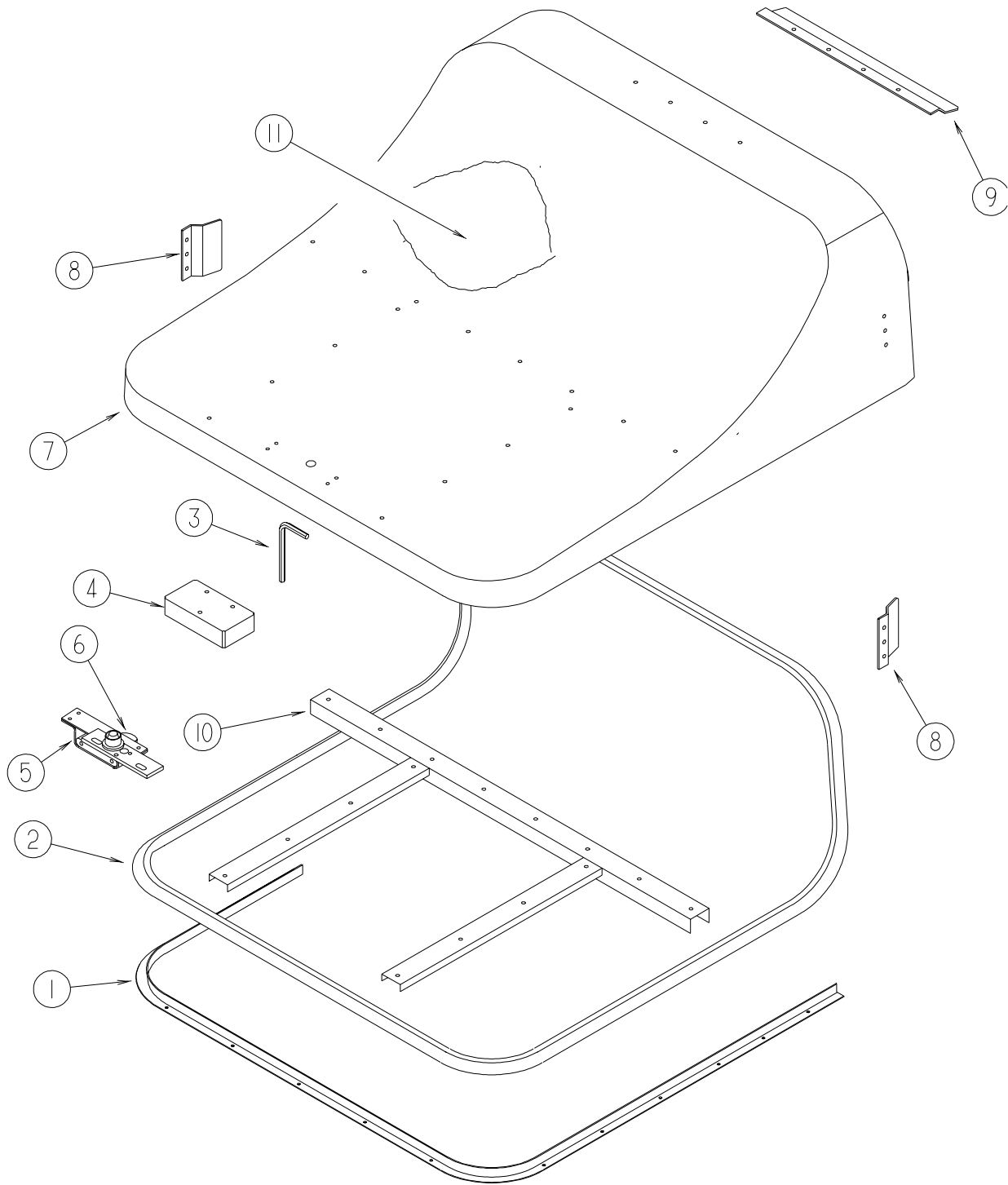
KEY PART NUMBER U/M DESCRIPTION

1	NO LONGER AVAILABLE - CONTACT PART SALES	
2	138396-01-01A	EA POD-INSTRUMENT PANEL GLACIER
		FROM: 00-00-00 THRU: 05-24-02
2	138396-02-01A	EA POD - INSTRUMENT PANEL - GLACIER
		FROM: 05-25-02 THRU: 99-99-99
3	139299-02-03A	EA SHROUD - DEFROST VENT - LEFT HAND - GLACIER
4	138964-01-02B	EA PLATE - STUD - E-COATED
5	138392-02-N52	EA PANEL - DASH - FRONT
6	139299-01-03A	EA SHROUD - DEFROST VENT - RIGHT HAND - GLACIER
7	140070-02-01A	EA APPLIQUE - LOWER DASH - PUTTY (P69, P70, P71, P72, P51, P52)
7	140070-02-02A	EA APPLIQUE - LOWER DASH - TITANIUM (P73, P74, P53)
8	133849-01-02B	EA MOUNT - HEADLAMP SWITCH - E-COATED
8	134088-01-01A	EA APPLIQUE - SWITCH - HEADLAMP - BLACK
9	139426-01-N52	EA BEZEL - INSTRUMENT PANEL (P69, P70, P71, P72, P51, P52)
		FROM: 00-00-00 THRU: 09-05-02
9	139426-01-N56	EA BEZEL - INSTRUMENT PANEL (P73, P74, P53)
		FROM: 00-00-00 THRU: 09-05-02
9	143315-01-P63	EA BEZEL - INSTRUMENT PANEL (P69, P70, P71, P72, P51, P52)
		FROM: 09-06-02 THRU: 99-99-99
9	143315-01-P67	EA BEZEL - INSTRUMENT PANEL (P73, P74, P53)
		FROM: 09-06-02 THRU: 99-99-99
10	138395-01-01A	EA BEZEL - INSTRUMENT PANEL - PUTTY (P69, P70, P71, P72, P51, P52)
10	138395-01-02A	EA BEZEL - INSTRUMENT PANEL - TITANIUM (P73, P74, P53)

DRIVERS COMPARTMENT GROUP (CONTINUED)
DASH (CONTINUED)

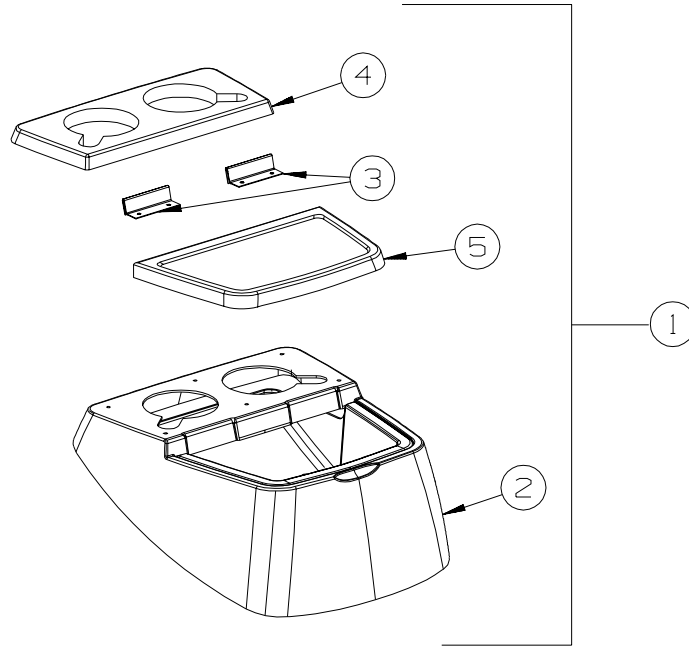
KEY	PART NUMBER	U/M	DESCRIPTION
11	138399-01-03A	EA	POD - INSTRUMENT PANEL - LOWER/DRIVER - GLACIER
12	139542-01-N52	EA	POD - INSTRUMENT PANEL - PASSENGER
	138397-01-01A	EA	POD - INSTRUMENT PANEL - PASSENGER - GLACIER
13	140568-01-02B	EA	REINFORCEMENT - POD - GPS - E-COATED
14	138398-01-01A	EA	POD - INSTRUMENT PANEL - LOWER/PASSENGER - GLACIER
15	110530-01-000	FT	SEAL - SPONGE - .31" X .62"
16	139250-01-02A	EA	POCKET/STORAGE - INSTRUMENT PANEL - PUTTY (P69, P70, P71, P72, P51, P52)
16	139250-01-03A	EA	POCKET/STORAGE - INSTRUMENT PANEL - TITANIUM (P73, P74, P53)
17	139253-01-02B	EA	RETAINER - STORAGE POCKET - E-COATED
18	139434-01-02B	EA	BRACKET - BEZEL/RADIO - E-COATED
19	135122-02-N52	EA	TABLE TOP - PULLOUT/WORKSTATION - W/WORKSTATION
	106569-09-06A	EA	VINYL - LAMINATE - ALLANTE DOESKIN - 1/4" X 25" X 100" - W/WORKSTATION
20	135228-02-02B	EA	ANGLE - SLIDE - TRAY/LEFT HAND - E-COATED - W/WORKSTATION
21	135314-02-01A	EA	SLIDE - DASH WORK STATION - LEFT HAND - W/WORKSTATION
22	135298-02-N52	EA	TABLE COMPLETE - WORKSTATION - W/WORKSTATION
23	135314-01-01A	EA	SLIDE - DASH WORK STATION - RIGHT HAND - W/WORKSTATION
24	135228-01-02B	EA	ANGLE - SLIDE - TRAY/RIGHT HAND - E-COATED - W/WORKSTATION
25	135132-03-02B	EA	ANGLE-SLIDE,RH,E-CT - W/WORKSTATION
26	135132-04-02B	EA	ANGLE-SLIDE,LH,E-CT - W/WORKSTATION
27	139376-01-02B	EA	REINFORCEMENT - DASH - E-COATED
			FROM: 00-00-00 THRU: 09-05-02
27	143316-01-02B	EA	REINFORCEMENT - DASH - E-COATED
			FROM: 09-06-02 THRU: 99-99-99
28	138391-01-02B	EA	DASH - E-COATED - W/WORKSTATION
			FROM: 00-00-00 THRU: 09-05-02
28	143340-01-02B	EA	DASH - E-COATED - W/WORKSTATION
			FROM: 09-06-02 THRU: 99-99-99
28	138391-02-02B	EA	DASH - E-COATED - W/O WORKSTATION
			FROM: 00-00-00 THRU: 09-05-02
28	143340-02-02B	EA	DASH - E-COATED - W/O WORKSTATION
			FROM: 09-06-02 THRU: 99-99-99
	106569-13-02A	EA	VINYL - LAMINATE - ALLANTE DOESKIN - 1/4" X 26.5" X 104"
29	139425-01-02B	EA	ANGLE/SUPPORT - INSTRUMENT PANEL POD - RIGHT HAND/E-COATED
30	139339-01-01A	EA	TRIM - DASH - LOWER - GLACIER
31	140070-01-01A	EA	APPLIQUE - LOWER DASH - PUTTY (P69, P70, P71, P72, P51, P52)
31	140070-01-02A	EA	APPLIQUE - LOWER DASH - TITANIUM (P73, P74, P53)
32	128692-02-02B	EA	ANGLE - FORMED - DASH SUPPORT - E-COATED
33	073050-04-000	EA	CLIP/MOUNTING - VALANCE PANEL

DRIVERS COMPARTMENT GROUP (CONTINUED)
MOTOR COVER



KEY	PART NUMBER	U/M	DESCRIPTION
1	137332-01-01A	EA	TRIM - MOTOR COVER
2	039623-01-000	FT	SEAL - MOTOR COVER - RUBBER BULB TYPE
3	116833-01-02B	EA	WRENCH - HEX MOTOR COVER - E-COATED
4	137305-02-02B	EA	BRACKET - STRIKE SUPPORT - E-COATED
5	116581-01-000	EA	LATCH - W/O STRIKE - MOTOR COVER
6	115850-01-02B	EA	RETAINER - LATCH - MOTOR COVER - RIGHT HAND - E-COATED
7	137096-01-01A	EA	COVER - MOTOR - W/O CARPET
8	115855-04-02B	EA	RETAINER - MOTOR COVER - E-COATD
9	115855-03-02B	EA	RETAINER - MOTOR COVER/TOP - E-COATED
10	130127-02-02B	EA	SUPPORT - MOTOR COVER - E-COATED
11	134497-01-000	SF	FOIL/ALUMINUM - REINFORCED

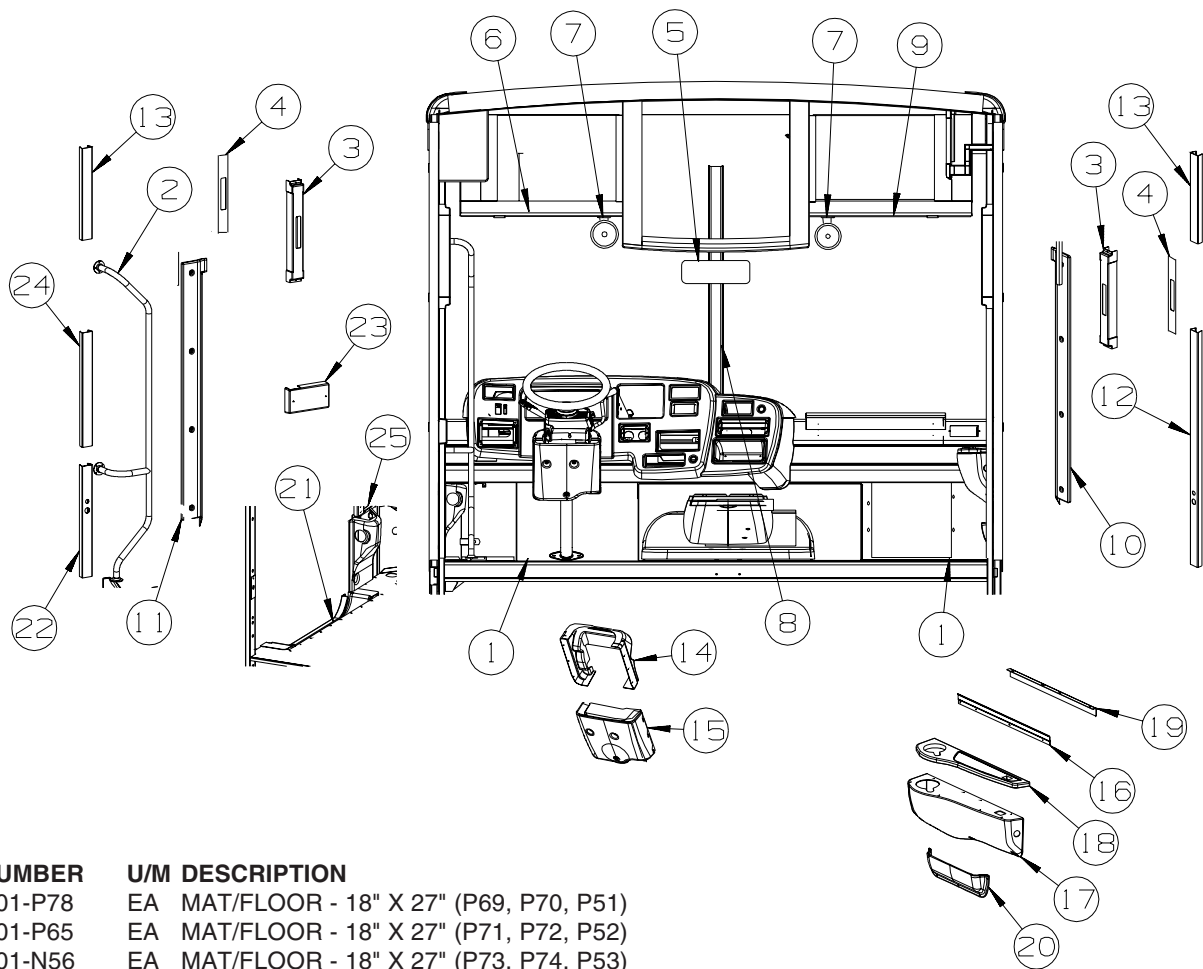
DRIVERS COMPARTMENT GROUP (CONTINUED)
BEVERAGE TRAY



KEY	PART NUMBER	U/M	DESCRIPTION
1	139275-01-N52	EA	TRAY - BEVERAGE
2	139268-01-01A	EA	TRAY - BEVERAGE - GLACIER
3	139279-01-04B	EA	HINGE - BLACK
4	139296-01-01A	EA	LID - BEVERAGE TRAY - OYSTER GRAY
5	139285-01-01A	EA	LID/DOOR - OYSTER GRAY

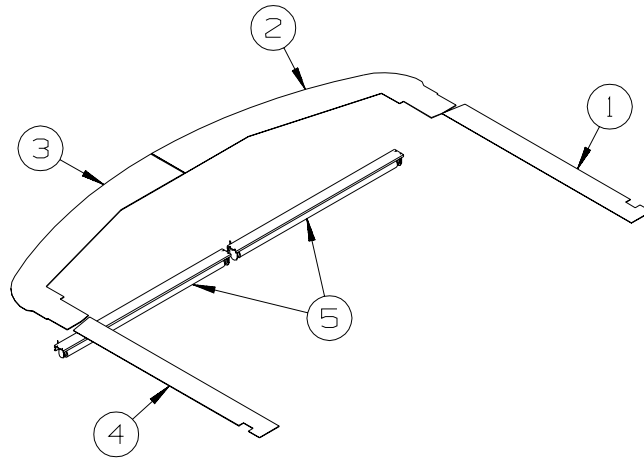
DRIVERS COMPARTMENT GROUP (CONTINUED)

FRONT INTERIOR



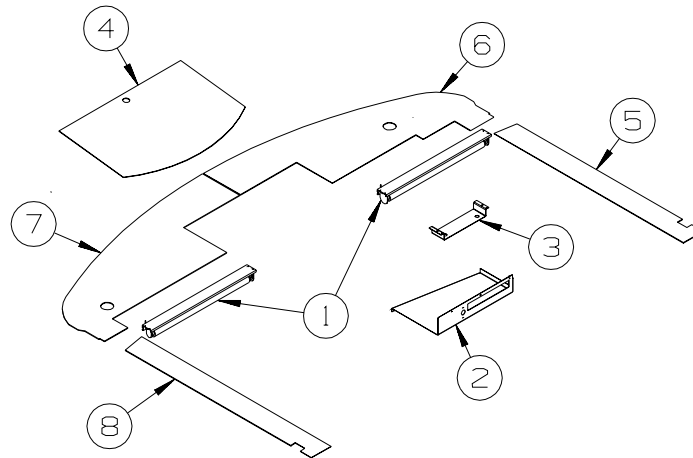
KEY	PART NUMBER	U/M	DESCRIPTION
1	105924-01-P78	EA	MAT/FLOOR - 18" X 27" (P69, P70, P51)
1	105924-01-P65	EA	MAT/FLOOR - 18" X 27" (P71, P72, P52)
1	105924-01-N56	EA	MAT/FLOOR - 18" X 27" (P73, P74, P53)
2	131058-04-02A	EA	HAND RAIL - INTERIOR CAB DOOR - BLACK
3	140151-01-01A	EA	COVER - SEAT BELT - OFF WHITE
3	140151-02-01A	EA	COVER - SCREW - OFF WHITE
4	140151-03-01A	EA	COVER - SEAT BELT SLIDE - BLACK
5	134154-01-000	EA	MIRROR - CONVEX - 4" X 11.8"
6	138641-02-01A	EA	TRIM - WINDSHIELD - INTERIOR/TOP/DRIVER - GLACIER
7	122856-01-01A	EA	FAN-DEFROSTER-2 SPEED W/SWIVEL BASE/NON-OSCILLATING-CHROME
8	138708-01-01A	EA	TRIM - WINDSHIELD/CENTER
9	138641-01-01A	EA	TRIM - WINDSHIELD - INTERIOR/TOP/PASSENGER - GLACIER
10	138684-01-01A	EA	TRIM - A PILLAR - INTERIOR/PASSENGER - GLACIER
11	138684-02-01A	EA	TRIM - A PILLAR - INTERIOR/DRIVER - GLACIER
12	024700-59-000	EA	COVER - ROLL BAR - SIDEWALL - 44.1" - OFF WHITE
13	024700-58-000	EA	COVER - ROLL BAR - SIDEWALL - 16.5" - OFF WHITE
14	139493-01-01A	EA	COVER - STEERING COLUMN - UPPER - PUTTY (P69, P70, P71, P72, P51, P52)
14	139493-01-02A	EA	COVER - STEERING COLUMN - UPPER - TITANIUM (P73, P74, P53)
15	139494-01-01A	EA	COVER - STEERING COLUMN - LOWER - PUTTY (P69, P70, P71, P72, P51, P52)
15	139494-01-02A	EA	COVER - STEERING COLUMN - LOWER - TITANIUM (P73, P74, P53)
15	139555-01-02B	EA	MOUNT - STEERING COVER - E-COATED
16	106105-03-000	EA	CLIP - MOUNTING - UNIVERSAL
17	139548-02-01A	EA	PANEL - DOOR/CAB - INNER/RIGHT HAND - GLACIER
18	139512-03-01A	EA	PANEL/TRIM - DOOR/PASSENGER - OYSTER GRAY
19	132595-01-02B	EA	BRACKET - BEVERAGE TRAY HOLDER
20	139405-02-01A	EA	POCKET/MAP - DOOR/PASSENGER - GLACIER
21	131849-01-01A	EA	TRIM - DRIVER STEP - GLACIER
	P31835-01-05A	EA	TRIM - STEP - DRIVER - GLACIER
	102569-02-000	EA	MAT - ANTI SLIP - LOWER
22	024700-67-000	EA	COVER - SIDEWALL ROLL BAR - 20.1" - OFF WHITE
23	141072-01-01A	EA	COVER - BRACKET/LATCH - OFF WHITE
23	140151-02-01A	EA	COVER - SCREW - OFF WHITE
24	024700-66-000	EA	COVER - SIDEWALL ROLL BAR - 20.6" - OFF WHITE
25	132296-02-04A	EA	PANEL/TRIM - DASH/CAB DOOR - GLACIER
	132296-01-04A	EA	PANEL/TRIM - DASH/CAB DOOR - LOW MOUNT MIRRORS - GLACIER

DRIVERS COMPARTMENT GROUP (CONTINUED)
FRONT INTERIOR (CONTINUED)



W/O TV

KEY	PART NUMBER	U/M	DESCRIPTION
1	139750-01-P63	EA	PANEL - OVERHEAD - VINYL COVERED - RIGHT HAND
2	139751-01-P63	EA	PANEL - OVERHEAD - VINYL COVERED - FRONT
3	139751-02-P63	EA	PANEL - OVERHEAD - VINYL COVERED - FRONT
4	139750-02-P63	EA	PANEL - OVERHEAD - VINYL COVERED - LEFT HAND
5	142380-02-01A	EA	SHADE - POWER - 41.2"

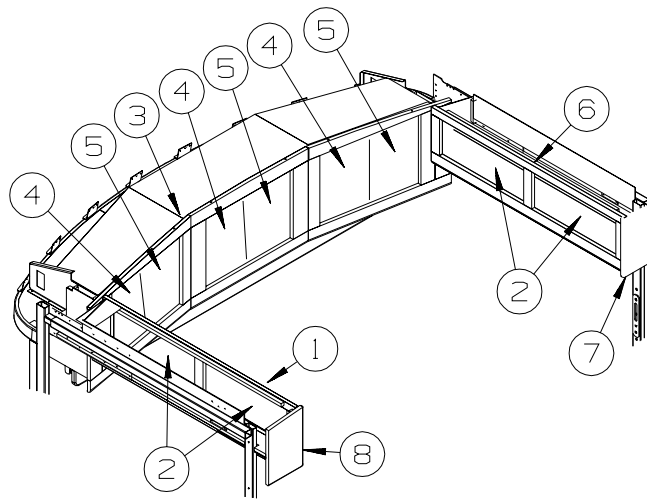


W/TV

KEY	PART NUMBER	U/M	DESCRIPTION
1	142380-01-01A	EA	SHADE - POWER - 25.7"
2	140095-02-P63	EA	PANEL - VINYL COVERED
3	118847-03-02B	EA	MOUNT - SWITCH BOX - E-COATED
4	140109-01-P63	EA	COVER - OVERHEAD/TV BOTTOM - VINYL COVERED
5	139752-01-P63	EA	PANEL - OVERHEAD - VINYL COVERED - RIGHT HAND
6	139753-01-P63	EA	PANEL - OVERHEAD/FRONT - VINYL COVERED - RIGHT HAND
7	139753-02-P63	EA	PANEL - OVERHEAD/FRONT - VINYL COVERED - LEFT HAND
8	139752-02-P63	EA	PANEL - OVERHEAD - VINYL COVERED - LEFT HAND

DRIVERS COMPARTMENT GROUP (CONTINUED)

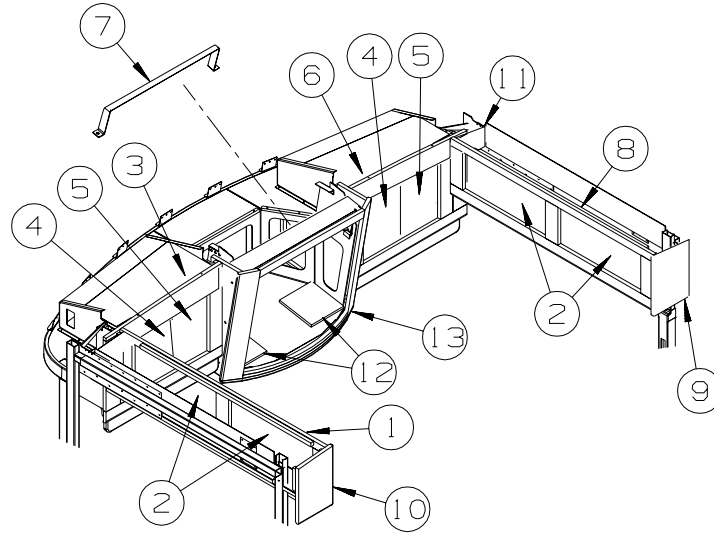
CABINETS



W/O TV

KEY	PART NUMBER	U/M	DESCRIPTION
1	139582-01-N53	EA	CABINET - OVERHEAD/SIDE/FRONT/LEFT HAND - W/O DOORS/HDW - PORTSMOUTH OAK
1	139582-01-N52	EA	CABINET - OVERHEAD/SIDE/FRONT/LEFT HAND - W/O DOORS/HDW - CONCERT CHERRY
1	139582-01-N62	EA	CABINET - OVERHEAD/SIDE/FRONT/LEFT HAND - W/O DOORS/HDW - WASHED MAPLE
2	135238-21-P84	EA	DOOR - RAIL/ARCHED TOP - 9.2" X 21.8" - W/O HARDWARE - PORTSMOUTH OAK
2	135238-21-N85	EA	DOOR - RAIL/ARCHED TOP - 9.2" X 21.8" - W/O HARDWARE - CONCERT CHERRY
2	135238-21-N84	EA	DOOR - RAIL/ARCHED TOP - 9.2" X 21.8" - W/O HARDWARE - WASHED MAPLE
3	142365-01-P63	EA	CABINET - OVERHEAD/FRONT - W/O DOORS/HARDWARE - PORTSMOUTH OAK
3	142365-01-P64	EA	CABINET - OVERHEAD/FRONT - W/O DOORS/HARDWARE - CONCERT CHERRY
3	142365-01-P51	EA	CABINET - OVERHEAD/FRONT - W/O DOORS/HARDWARE - WASHED MAPLE
4	135238-85-P69	EA	DOOR - RAIL/ARCHED TOP - 11.4" X 16.1" - W/O HARDWARE - PORTSMOUTH OAK
4	135238-85-N63	EA	DOOR - RAIL/ARCHED TOP - 11.4" X 16.1" - W/O HARDWARE - CONCERT CHERRY
4	135238-85-P51	EA	DOOR - RAIL/ARCHED TOP - 11.4" X 16.1" - W/O HARDWARE - WASHED MAPLE
5	135238-84-P69	EA	DOOR - RAIL/ARCHED TOP - 11.4" X 16.1" - W/O HARDWARE - PORTSMOUTH OAK
5	135238-84-N63	EA	DOOR - RAIL/ARCHED TOP - 11.4" X 16.1" - W/O HARDWARE - CONCERT CHERRY
5	135238-84-P51	EA	DOOR - RAIL/ARCHED TOP - 11.4" X 16.1" - W/O HARDWARE - WASHED MAPLE
6	139581-01-N53	EA	CABINET - OVERHEAD/SIDE/FRONT/RIGHT HAND - W/O DOORS/HDW - PORTSMOUTH OAK
6	139581-01-N52	EA	CABINET - OVERHEAD/SIDE/FRONT/RIGHT HAND - W/O DOORS/HDW - CONCERT CHERRY
6	139581-01-N51	EA	CABINET - OVERHEAD/SIDE/FRONT/RIGHT HAND - W/O DOORS/HDW - WASHED MAPLE
7	139581-26-N53	EA	END CAP - OVERHEAD CABINET - PORTSMOUTH OAK
7	139581-26-N52	EA	END CAP - OVERHEAD CABINET - CONCERT CHERRY
7	139581-26-N62	EA	END CAP - OVERHEAD CABINET - WASHED MAPLE
8	139582-26-N53	EA	END CAP - OVERHEAD CABINET - PORTSMOUTH OAK
8	139582-26-N52	EA	END CAP - OVERHEAD CABINET - CONCERT CHERRY
8	139582-26-N62	EA	END CAP - OVERHEAD CABINET - WASHED MAPLE

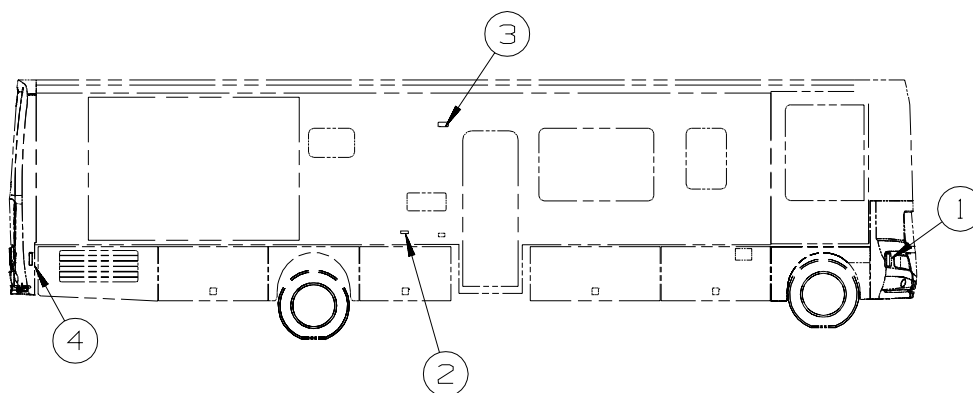
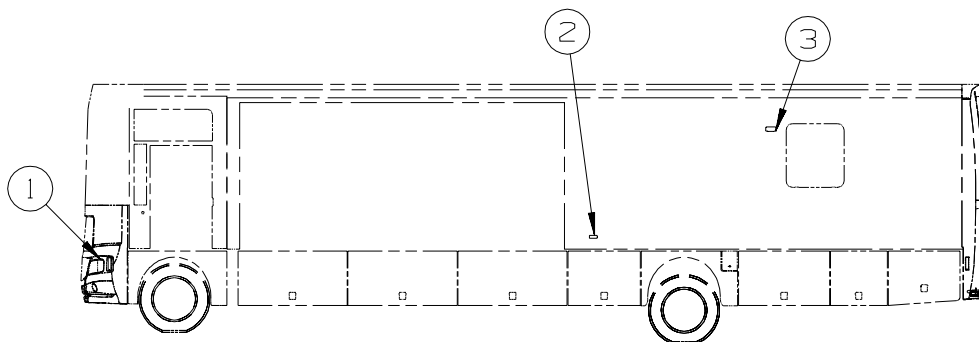
DRIVERS COMPARTMENT GROUP (CONTINUED)
CABINETS (CONTINUED)



W/TV

KEY	PART NUMBER	U/M	DESCRIPTION
1	139577-01-N53	EA	CABINET - OVERHEAD/SIDE/FRONT/LEFT HAND - W/O DOORS/HDW - PORTSMOUTH OAK
1	139577-01-N52	EA	CABINET - OVERHEAD/SIDE/FRONT/LEFT HAND - W/O DOORS/HDW - CONCERT CHERRY
1	139577-01-N62	EA	CABINET - OVERHEAD/SIDE/FRONT/LEFT HAND - W/O DOORS/HDW - WASHED MAPLE
2	135238-21-P84	EA	DOOR - RAIL/ARCHED TOP - 9.2" X 21.8" - W/O HARDWARE - PORTSMOUTH OAK
2	135238-21-N85	EA	DOOR - RAIL/ARCHED TOP - 9.2" X 21.8" - W/O HARDWARE - CONCERT CHERRY
2	135238-21-N84	EA	DOOR - RAIL/ARCHED TOP - 9.2" X 21.8" - W/O HARDWARE - WASHED MAPLE
3	142363-01-P63	EA	CABINET - OVERHEAD/FRONT/LEFT HAND - W/O DOORS/HARDWARE - PORTSMOUTH OAK
3	142363-01-P64	EA	CABINET - OVERHEAD/FRONT/LEFT HAND - W/O DOORS/HARDWARE - CONCERT CHERRY
3	142363-01-P51	EA	CABINET - OVERHEAD/FRONT/LEFT HAND - W/O DOORS/HARDWARE - WASHED MAPLE
4	135238-99-P69	EA	DOOR - RAIL/ARCHED TOP - 10.8" X 16.5" - W/O HARDWARE - PORTSMOUTH OAK
4	135238-99-N63	EA	DOOR - RAIL/ARCHED TOP - 10.8" X 16.5" - W/O HARDWARE - CONCERT CHERRY
4	135238-99-N62	EA	DOOR - RAIL/ARCHED TOP - 10.8" X 16.5" - W/O HARDWARE - WASHED MAPLE
5	135238-98-P69	EA	DOOR - RAIL/ARCHED TOP - 10.8" X 16.5" - W/O HARDWARE - PORTSMOUTH OAK
5	135238-98-N63	EA	DOOR - RAIL/ARCHED TOP - 10.8" X 16.5" - W/O HARDWARE - CONCERT CHERRY
5	135238-98-N62	EA	DOOR - RAIL/ARCHED TOP - 10.8" X 16.5" - W/O HARDWARE - WASHED MAPLE
6	142364-01-P63	EA	CABINET - OVERHEAD/FRONT/RIGHT HAND - W/O DOORS/HARDWARE - PORTSMOUTH OAK
6	142364-01-P64	EA	CABINET - OVERHEAD/FRONT/RIGHT HAND - W/O DOORS/HARDWARE - CONCERT CHERRY
6	142364-01-P51	EA	CABINET - OVERHEAD/FRONT/RIGHT HAND - W/O DOORS/HARDWARE - WASHED MAPLE
7	133790-14-02B	EA	STRAP - TIEDOWN/TV - E-COATED
8	139576-01-N53	EA	CABINET - OVERHEAD/SIDE/FRONT/RIGHT HAND - W/O DOORS/HDW - PORTSMOUTH OAK
8	139576-01-N52	EA	CABINET - OVERHEAD/SIDE/FRONT/RIGHT HAND - W/O DOORS/HDW - CONCERT CHERRY
8	139576-01-N62	EA	CABINET - OVERHEAD/SIDE/FRONT/RIGHT HAND - W/O DOORS/HDW - WASHED MAPLE
9	139576-21-N53	EA	END CAP - OVERHEAD CABINET - RIGHT HAND - PORTSMOUTH OAK
9	139576-21-N52	EA	END CAP - OVERHEAD CABINET - RIGHT HAND - CONCERT CHERRY
9	139576-21-N62	EA	END CAP - OVERHEAD CABINET - RIGHT HAND - WASHED MAPLE
10	139577-21-N53	EA	END CAP - OVERHEAD CABINET - PORTSMOUTH OAK
10	139577-21-N52	EA	END CAP - OVERHEAD CABINET - CONCERT CHERRY
10	139577-21-N62	EA	END CAP - OVERHEAD CABINET - WASHED MAPLE
11	139576-20-N53	EA	END CAP - OVERHEAD CABINET - LEFT HAND - PORTSMOUTH OAK
11	139576-20-N52	EA	END CAP - OVERHEAD CABINET - LEFT HAND - CONCERT CHERRY
11	139576-20-N62	EA	END CAP - OVERHEAD CABINET - LEFT HAND - WASHED MAPLE
12	140364-01-01A	EA	FOAM - PAD - .5" X 8" X 8"
13	133544-05-N53	EA	CABINET - OVERHEAD/TV FACE - W/O HARDWARE - PORTSMOUTH OAK
13	133544-05-N52	EA	CABINET - OVERHEAD/TV FACE - W/O HARDWARE - CONCERT CHERRY
13	133544-05-P51	EA	CABINET - OVERHEAD/TV FACE - W/O HARDWARE - WASHED MAPLE

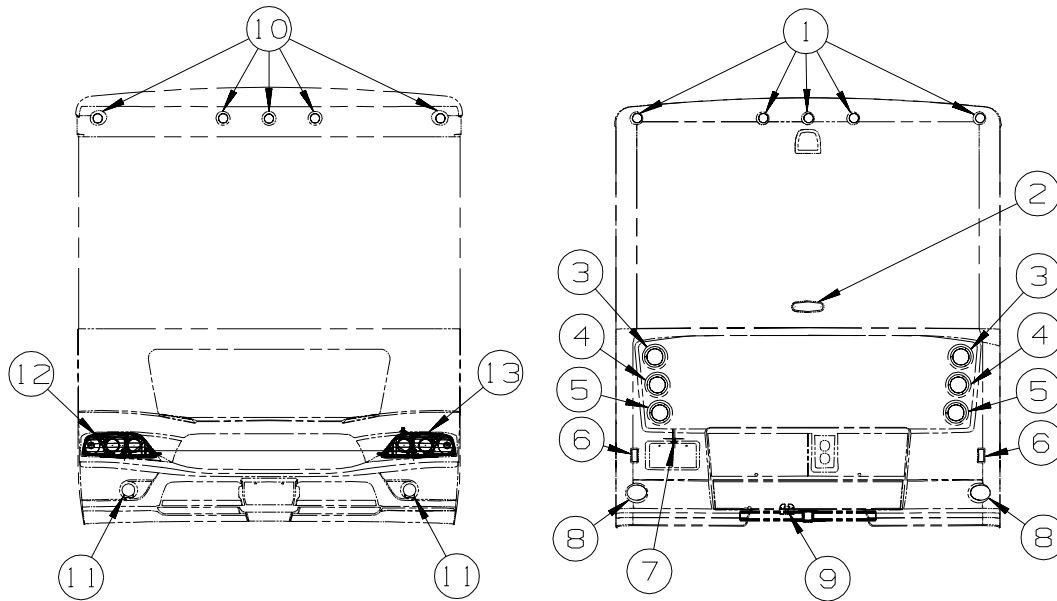
ELECTRICAL GROUP 12V BODY WIRING



KEY	PART NUMBER	U/M	DESCRIPTION
1	117826-02-000	EA	LAMP/SIDE MARKER ASSEMBLY - AMBER
1	117826-03-000	EA	GASKET/SIDE MARKER LIGHT
1	036196-01-000	EA	BULB - 12V - #194 - .27 AMP - BAYONETTE
1	067789-02-000	EA	SOCKET - LAMP
2	111102-01-000	EA	BASE - MARKER LAMP
2	111102-02-000	EA	LENS - AMBER - MARKER LAMP
	036196-01-000	EA	BULB - 12V - #194 - .27 AMP - BAYONETTE
3*	097917-01-06A	EA	LIGHT - PORCH - BRIGHT WHITE
	008215-01-000	EA	BULB - 12 VOLT - #1003 - .94 AMP
3*	008089-02-000	EA	LIGHT/PORCH - RECESSED - CANADIAN - CANADIAN
	008214-01-000	EA	BULB - 12 VOLT - #67 - .59 AMP - CANADIAN
4	117826-01-000	EA	LAMP/SIDE MARKER ASSEMBLY - RED
4	036196-01-000	EA	BULB - 12V - #194 - .27 AMP - BAYONETTE
4	117826-03-000	EA	GASKET/SIDE MARKER LIGHT
4	067789-02-000	EA	SOCKET - LAMP
	130672-01-01A	EA	SPOTLIGHT - POWER/REMOTE - WHITE

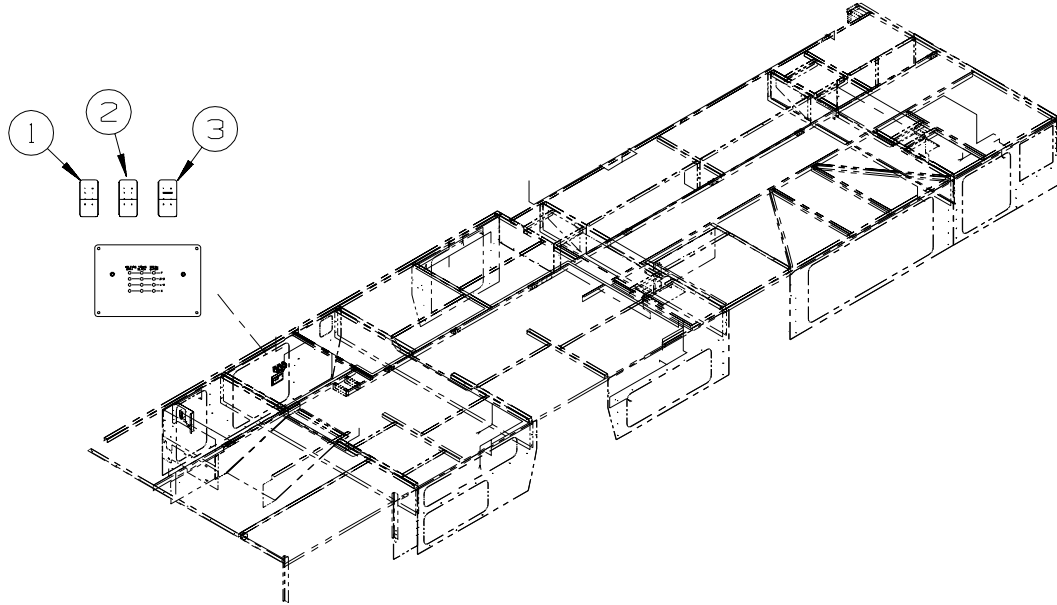
***COMPONENT PARTS LISTED LATER IN THIS GROUP**

ELECTRICAL GROUP (CONTINUED)
12V BODY WIRING (CONTINUED)



KEY	PART NUMBER	U/M	DESCRIPTION
1	138996-02-000	EA	LAMP - CLEARANCE - RED
1	138996-03-000	EA	BRACKET - CLEARANCE LIGHT
1	138996-04-000	EA	CONNECTOR - LAMP
2	136917-01-000	EA	LIGHT - BRAKE - CENTER MOUNT - OVAL
3	138441-01-000	EA	LAMP - BRAKE/TAIL/TURN - 4 1/2" ROUND
3	138441-04-000	EA	CONNECTOR - LAMP - 3 CIRCUIT
4	138441-05-000	EA	LAMP - TURN - AMBER
4	138441-03-000	EA	CONNECTOR - LAMP - 2 CIRCUIT
5	138441-02-000	EA	LAMP - BACKUP - 4 1/2" ROUND
5	138441-03-000	EA	CONNECTOR - LAMP - 2 CIRCUIT
6	138997-01-000	EA	REFLECTOR - RED/BLACK
7	087201-01-000	EA	LIGHT - HALF ROUND - 1" X 1.7" - PLASTIC - BLACK OR WHITE
8	139001-01-000	EA	LIGHT ONLY (DOCKING)
8	117806-01-000	EA	BULB - 12V - #912 - 1.0 AMP
8	139001-02-000	EA	SOCKET ONLY - F/DOCKING LAMP
9	113589-01-000	EA	CONNECTOR - PLUG - TRAILER
9	113589-02-000	EA	CONNECTOR - SOCKET - TRAILER
10	138996-01-000	EA	LAMP - CLEARANCE - AMBER
10	138996-03-000	EA	BRACKET - CLEARANCE LIGHT
10	138996-04-000	EA	CONNECTOR - LAMP
11	138910-01-000	EA	LAMP - FOG - CLEAR/ROUND
11	139686-01-02B	EA	ANGLE - MOUNT - FOG/LAMP - E-COATED
12	139508-01-000	EA	HEADLAMP - RIGHT HAND - W/HALOGEN BULB
12	139291-01-02B	EA	BRACKET - HEADLAMP - "Z" - E-COATED
13	139508-02-000	EA	HEADLAMP - LEFT HAND - W/HALOGEN BULB
13	139291-01-02B	EA	BRACKET - HEADLAMP - "Z" - E-COATED

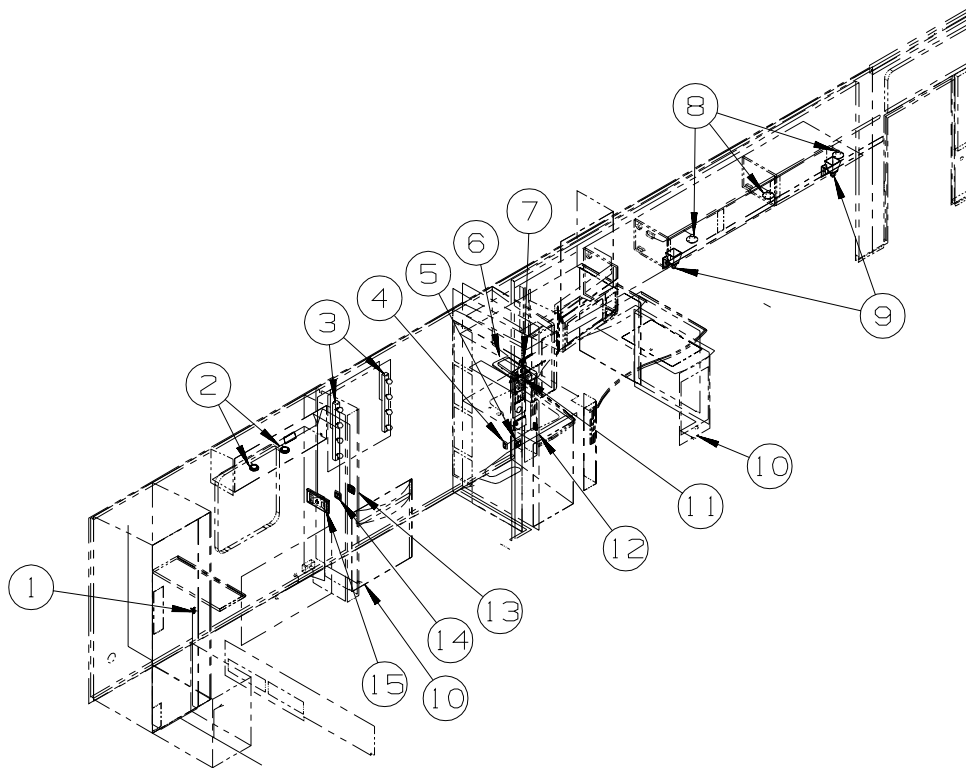
ELECTRICAL GROUP (CONTINUED)
12V BODY WIRING (CONTINUED)



KEY	PART NUMBER	U/M	DESCRIPTION
1	108357-01-000	EA	SWITCH - ROCKER - SPST - ON/OFF - 2 TERMINAL
1	108356-02-01A	EA	COVER/ACTUATOR SWITCH - 2 ROWS DIMPLES- CONTURA II - BLACK
1	108355-01-000	EA	HOUSING - SWITCH
2	108357-09-000	EA	SWITCH - ROCKER - SPDT - ON/NONE/MOM - 3 TERMINAL
2	108356-02-01A	EA	COVER/ACTUATOR SWITCH - 2 ROWS DIMPLES- CONTURA II - BLACK
2	108355-01-000	EA	HOUSING - SWITCH
3	108357-15-000	EA	SWITCH - ROCKER - DPDT - ON/NONE/ON - LIGHTED
3	108356-04-01A	EA	COVER/ACTUATOR SWITCH - 2 ROWS DIMPLES W/LENS-CONTURA-BLK
3	108355-01-000	EA	HOUSING - SWITCH

ELECTRICAL GROUP (CONTINUED)

12V BODY WIRING (CONTINUED)

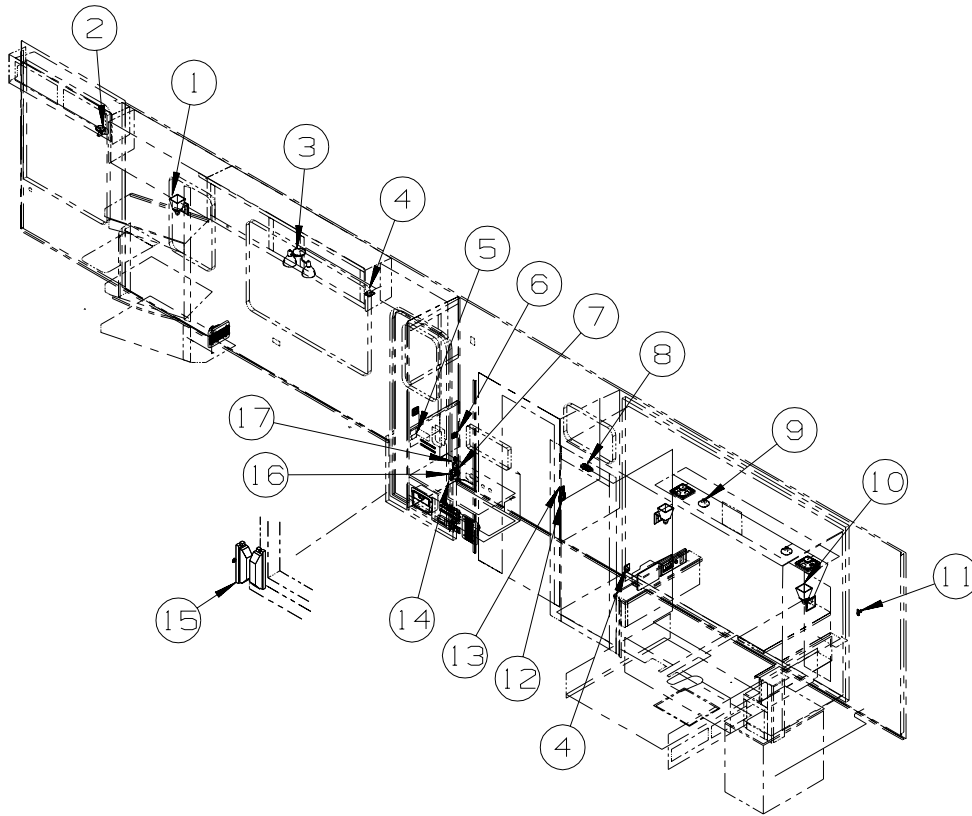


KEY	PART NUMBER	U/M	DESCRIPTION
1	041250-01-000	EA	SWITCH - PUSH BUTTON/DOOR JAMB - METAL - CHROME
2*	123775-01-01A	EA	LIGHT - HALOGEN - ROUND
2	123775-02-01A	EA	COLLAR - F/SURFACE MOUNT
3	138116-02-01A	EA	LIGHT/MAKE UP - 4 BULB - CURVED - W/O BULB - BRASS
	123918-01-000	EA	BULB - 12V - MAKEUP WHITE
4	135740-01-02A	EA	SWITCH - ROCKER - SPST - ON/OFF - WHITE
4	135741-01-02A	EA	SWITCH - BASE - SINGLE - WHITE
4	135742-12-01A	EA	BEZEL - SWITCH - FAN - WHITE
5	135740-01-02A	EA	SWITCH - ROCKER - SPST - ON/OFF - WHITE - CEILING
5	135740-02-02A	EA	SWITCH - ROCKER - SPDT - ON/ON - WHITE - AISLE
5	135741-02-02A	EA	SWITCH - BASE - DOUBLE - WHITE
5	135742-13-02A	EA	BEZEL - SWITCH - CEILING/AISLE - BROWN
6*	091937-09-000	EA	LIGHT-FLOURESCENT-12V/16 WATT RECESSED - W/SWITCH
7	081994-10-000	EA	PLATE/SWITCH - SLIDEOUT
7	108357-06-000	EA	SWITCH - ROCKER - DPDT - MOM/OFF/MOM - 6 TERMINAL
7	108356-02-01A	EA	COVER/ACTUATOR SWITCH - 2 ROWS DIMPLES- CONTURA II - BLACK
7	108355-01-000	EA	HOUSING - SWITCH
8	132427-01-01A	EA	LIGHT - READING - SWIVEL/ROUND - BRASS
8	123917-01-000	EA	BULB - 12V - HALOGEN SPOT
9	119258-35-01A	EA	LAMP - WALL - BRASS - UL/CSA
	117805-01-000	EA	BULB - 12V - # 921F - 1.4 AMPS
10	061424-01-000	EA	LIGHT - AISLE - 12 VOLT - RECTANGULAR
11	135740-01-02A	EA	SWITCH - ROCKER - SPST - ON/OFF - WHITE
12	135740-01-02A	EA	SWITCH - ROCKER - SPST - ON/OFF - WHITE
12	135741-01-02A	EA	SWITCH - BASE - SINGLE - WHITE
12	135742-07-02A	EA	BEZEL - SWITCH - CEILING - BROWN
13	135740-01-02A	EA	SWITCH - ROCKER - SPST - ON/OFF - WHITE
13	135741-02-02A	EA	SWITCH - BASE - DOUBLE - WHITE
13	135742-20-01A	EA	BEZEL - SWITCH - SHOWER/MAKEUP - WHITE
14	135740-01-02A	EA	SWITCH - ROCKER - SPST - ON/OFF - WHITE - READING
14	135740-02-02A	EA	SWITCH - ROCKER - SPDT - ON/ON - WHITE - AISLE
14	135741-02-02A	EA	SWITCH - BASE - DOUBLE - WHITE
14	135742-21-02A	EA	BEZEL - SWITCH - AISLE/READING - BROWN
15	132958-01-000	EA	RECEPTACLE - 12 VOLT - MOUNTING FLANGE - BLACK

*COMPONENT PARTS LISTED LATER IN THIS GROUP

ELECTRICAL GROUP (CONTINUED)

12V BODY WIRING (CONTINUED)



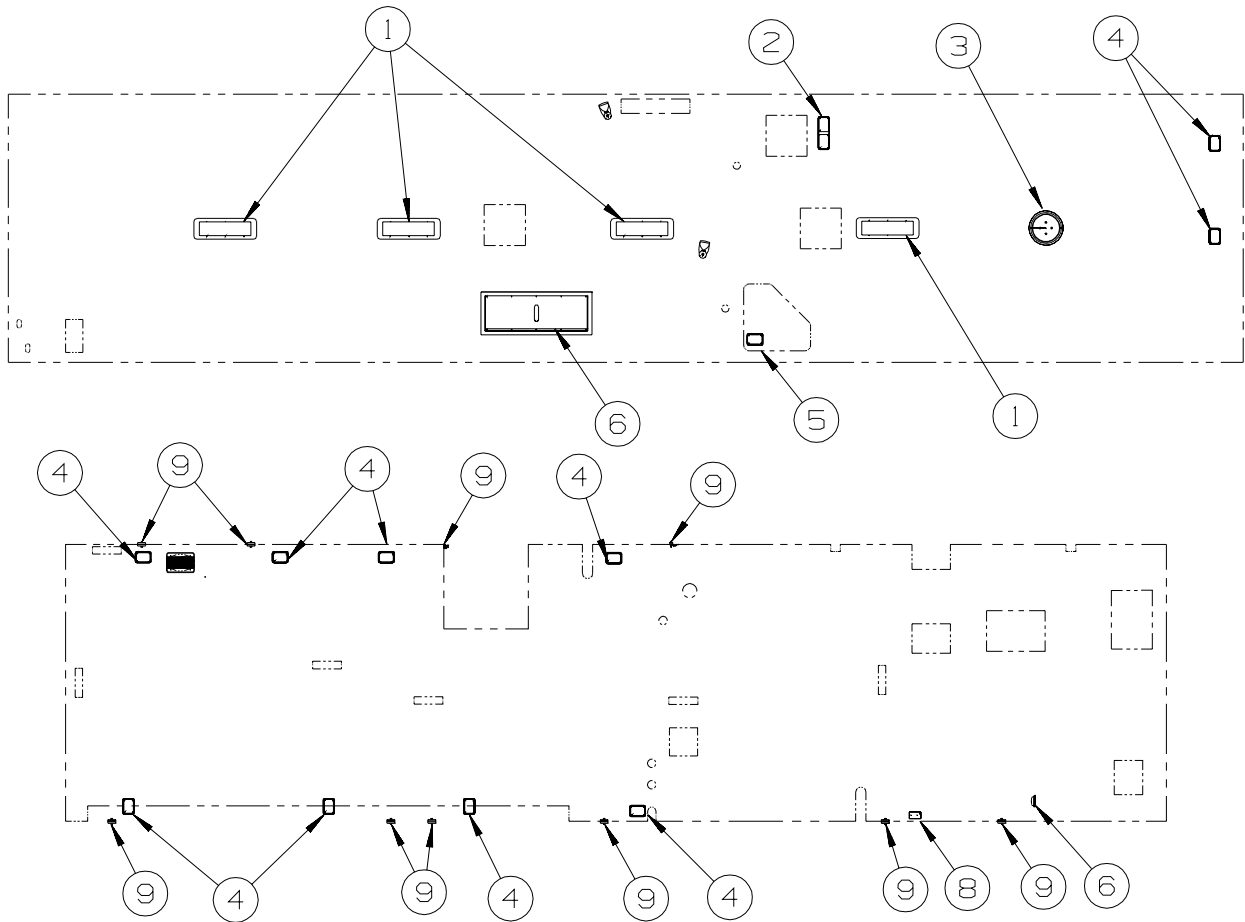
KEY	PART NUMBER	U/M	DESCRIPTION
1	119258-35-01A	EA	LAMP - WALL - BRASS - UL/CSA
	117805-01-000	EA	BULB - 12V - # 921F - 1.4 AMPS
2	128786-01-01A	EA	LIGHT - READING/SWIVEL
	123917-01-000	EA	BULB - 12V - HALOGEN SPOT
3	093575-23-01A	EA	LIGHT - CEILING/DOUBLE - BRASS - UL/CSA
	117805-01-000	EA	BULB - 12V - # 921F - 1.4 AMPS
4	137889-01-000	EA	SWITCH - LIGHT DIMMER
5	135740-01-02A	EA	SWITCH - ROCKER - SPST - ON/OFF - WHITE
5	135741-01-02A	EA	SWITCH - BASE - SINGLE - WHITE
5	135742-19-02A	EA	BEZEL - SWITCH - PORCH/CEILING - BROWN
6	135740-01-02A	EA	SWITCH - ROCKER - SPST - ON/OFF - WHITE
6	135741-01-02A	EA	SWITCH - BASE - SINGLE - WHITE
6	135742-11-02A	EA	BEZEL - SWITCH - STEP - BROWN
7	108357-06-000	EA	SWITCH - ROCKER - DPDT - MOM/OFF/MOM - 6 TERMINAL - BATTERY DISCONNECT
7	108356-11-01A	EA	COVER/ACTUATOR SWITCH - 3 GROOVES - AUX BATT - BLACK
7	108355-01-000	EA	HOUSING - SWITCH
7	108357-01-000	EA	SWITCH - ROCKER - SPST - ON/OFF - 2 TERMINAL - COMPARTMENT LIGHTS
7	108356-14-01A	EA	COVER/ACTUATOR SWITCH - 3 GROOVES
7	108355-01-000	EA	HOUSING - SWITCH
7	098351-22-01A	EA	PLATE/SWITCH - 2 GANG - POLISHED BRASS
8*	087694-01-000	EA	LIGHT - WARDROBE/CLOSET - W/SWITCH
9	132427-01-01A	EA	LIGHT - READING - SWIVEL/ROUND - BRASS
9	123917-01-000	EA	BULB - 12V - HALOGEN SPOT
10	119258-37-01A	EA	LAMP - WALL - BRASS - W/O SHADE - UL/CSA
10	119257-18-01A	EA	SHADE - LAMP - PARCHMENT
	067479-01-000	EA	BULB - 12V - #1076 - 1.80 AMP
11	041250-01-000	EA	SWITCH - PUSH BUTTON/DOOR JAMB - METAL - CHROME
12	135740-01-02A	EA	SWITCH - ROCKER - SPST - ON/OFF - WHITE - FAN
12	135740-03-02A	EA	SWITCH - ROCKER - DPDT - MOM/OFF/MOM - WHITE - FAN UP & DOWN
12	138253-01-01A	EA	SWITCH - BLANK - WHITE
12	135741-02-02A	EA	SWITCH - BASE - DOUBLE - WHITE
12	135742-17-01A	EA	BEZEL - SWITCH - UP/DOWN FAN - WHITE

ELECTRICAL GROUP (CONTINUED)

12V BODY WIRING (CONTINUED)

KEY	PART NUMBER	U/M	DESCRIPTION
13	135740-01-02A	EA	SWITCH - ROCKER - SPST - ON/OFF - WHITE
13	135741-01-02A	EA	SWITCH - BASE - SINGLE - WHITE
13	135742-07-01A	EA	BEZEL - SWITCH - CEILING - WHITE
14	061424-01-000	EA	LIGHT - AISLE - 12 VOLT - RECTANGULAR
15	116995-02-000	EA	SWITCH/MAGNET - ELECTRIC STEP - BLACK/WHITE-CLOSED CIRCUIT
16	108357-07-000	EA	SWITCH - ROCKER - SPDT - MOM/OFF/MOM - 3 TERMINAL - AWNING
16	108356-12-01A	EA	COVER/ACTUATOR SWITCH - 3 GROOVES
16	108355-01-000	EA	HOUSING - SWITCH
16	096241-03-000	EA	SWITCH - BLANK - BLACK - W/O AWNING
16	098351-07-01A	EA	PLATE/SWITCH - 1 GANG - POLISHED BRASS - GENERATOR
17	093132-02-000	EA	SWITCH - ROCKER/POWER DOOR LOCK - 5 TERM - (KEY/ARROW)
17	094086-01-01A	EA	PLATE - SWITCH - SINGLE GANG - 1.8" X 3" - BLACK PLASTIC

***COMPONENT PARTS LISTED LATER IN THIS GROUP**

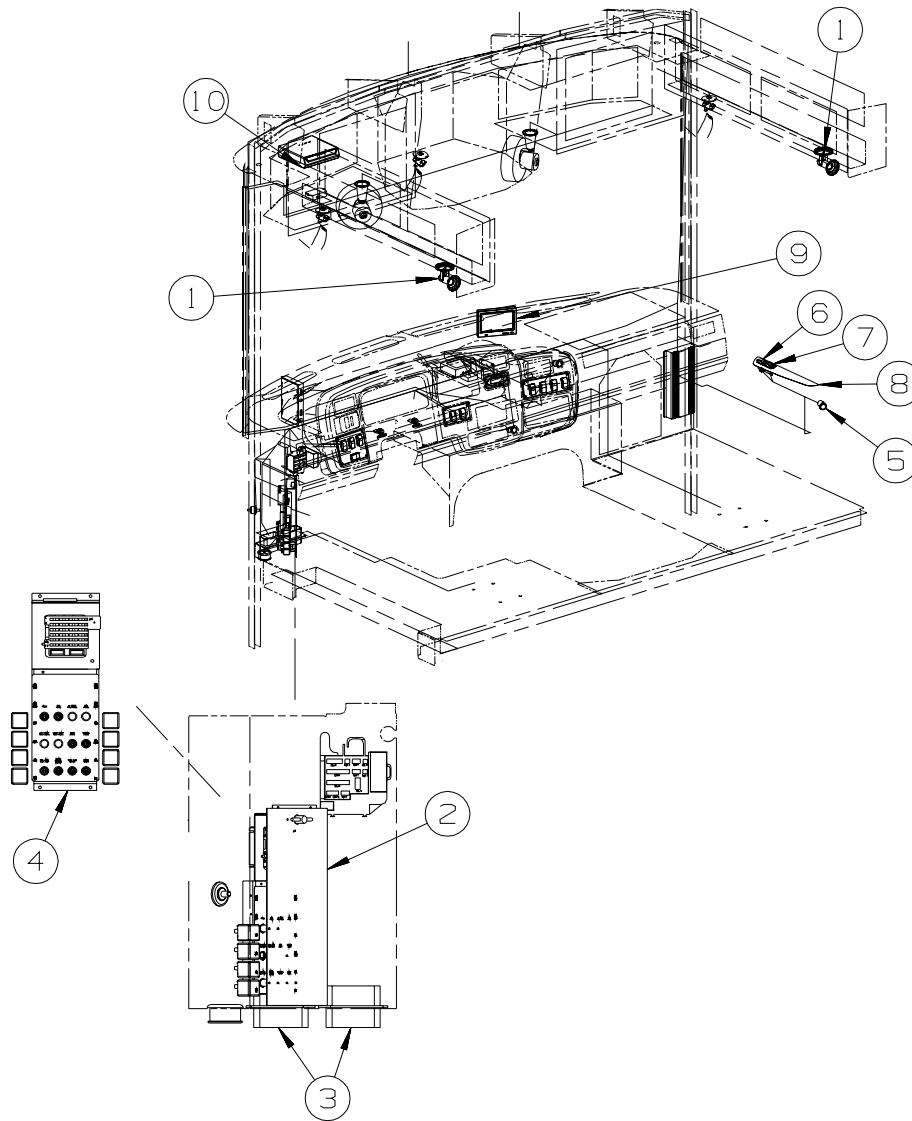


KEY	PART NUMBER	U/M	DESCRIPTION
1*	091937-08-000	EA	LIGHT-FLUORESCENT-12V/30 WATT RECESSED - W/O SWITCH
	091937-03-000	EA	BULB - FLUORESCENT LIGHT - 12 VOLT
2*	137417-06-01A	EA	LIGHT - DOME - DOUBLE - W/FROSTED LENS - W/O SWITCH-WHITE
3*	093575-19-01A	EA	LIGHT - CEILING/ROUND - BRASS
	117805-01-000	EA	BULB - 12V - # 921F - 1.4 AMPS
4*	137417-03-01A	EA	LIGHT - DOME - SINGLE - W/FROSTED LENS - W/O SWITCH-WHITE
5*	121935-01-01A	EA	LIGHT - DOME - SHOWER
6	133416-02-000	EA	LIGHT - FLUORESCENT W/O LENS - 36" - 1 BULB
7*	137417-01-01A	EA	LIGHT - DOME - SINGLE - W/SWITCH/FROSTED LENS - WHITE
8*	086280-01-000	EA	LIGHT - SURFACE MOUNT - 12 VOLT
9	041250-01-000	EA	SWITCH - PUSH BUTTON/DOOR JAMB - METAL - CHROME
9	138494-01-02B	EA	BRACKET - SWITCH/LIGHT - E-COATED

***COMPONENT PARTS LISTED LATER IN THIS GROUP**

ELECTRICAL GROUP (CONTINUED)

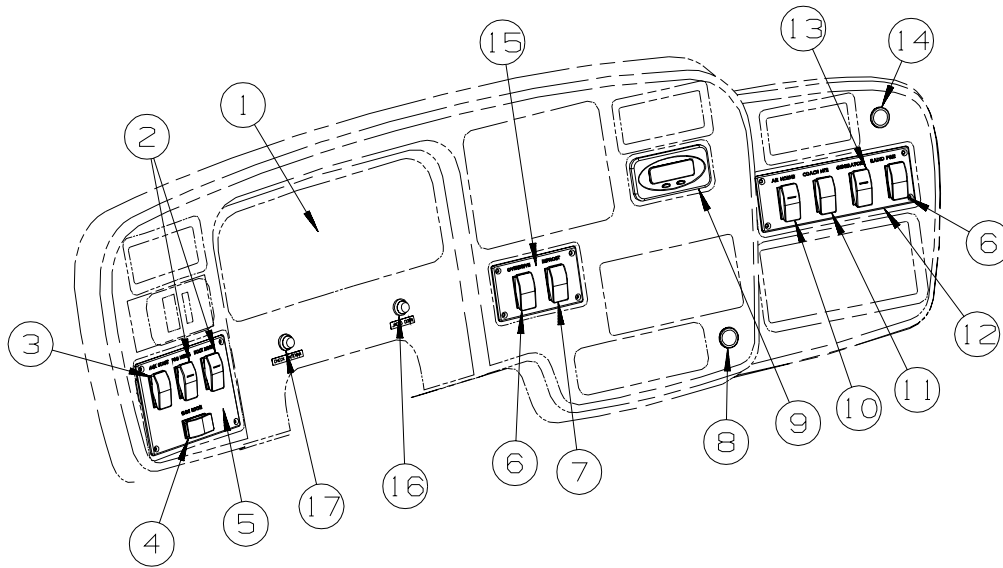
FRONT END WIRING



KEY	PART NUMBER	U/M	DESCRIPTION
1	128786-01-01A	EA	LIGHT - READING/SWIVEL
			FROM: 00-00-00 THRU: 09-15-02
1	128786-02-01A	EA	LIGHT - READING/SWIVEL - W/O SWITCH - BRASS
			FROM: 09-16-02 THRU: 99-99-99
1	123917-01-000	EA	BULB - 12V - HALOGEN SPOT
2	118905-04-02B	EA	DOOR - ELECTRICAL - E-COATED
3	118571-03-000	EA	BRACKET - MOUNTING
3	118571-04-000	EA	GASKET
4	118425-02-02B	EA	BRACKET - CIRCUIT BREAKER - E-COATED
5	132958-01-000	EA	RECEPTACLE - 12 VOLT - MOUNTING FLANGE - BLACK
6	108357-06-000	EA	SWITCH - ROCKER - DPDT - MOM/OFF/MOM - 6 TERMINAL
6	108356-01-01A	EA	COVER/ACTUATOR SWITCH - 3 GROOVES - CONTURA III - BLACK
7	108357-01-000	EA	SWITCH - ROCKER - SPST - ON/OFF - 2 TERMINAL
7	108356-01-01A	EA	COVER/ACTUATOR SWITCH - 3 GROOVES - CONTURA III - BLACK
8	139497-03-04B	EA	PLATE - SWITCHES - PASSENGER - BLACK
8	142464-02-01A	EA	APPLIQUE - SWITCH - PASSENGER
9	137424-02-000	EA	MONITOR/LCD - COLOR - 6.5" - W/INTERFACE BOX & HARNESS
			FROM: 00-00-00 THRU: 06-06-02
9	137424-03-000	EA	MONITOR/LCD - COLOR
			FROM: 06-07-02 THRU: 99-99-99
	137424-04-000	EA	BRACKET - MONITOR
			FROM: 10-28-02 THRU: 99-99-99
10*	137424-01-000	EA	GPS-NAVIGATION SYS-W/DVD DIVIT/MAPS/GPS ANT & WIRE HARNESS
	007093-01-000	EA	SIGNAL FLASHER

*COMPONENT PARTS LISTED LATER IN THIS GROUP

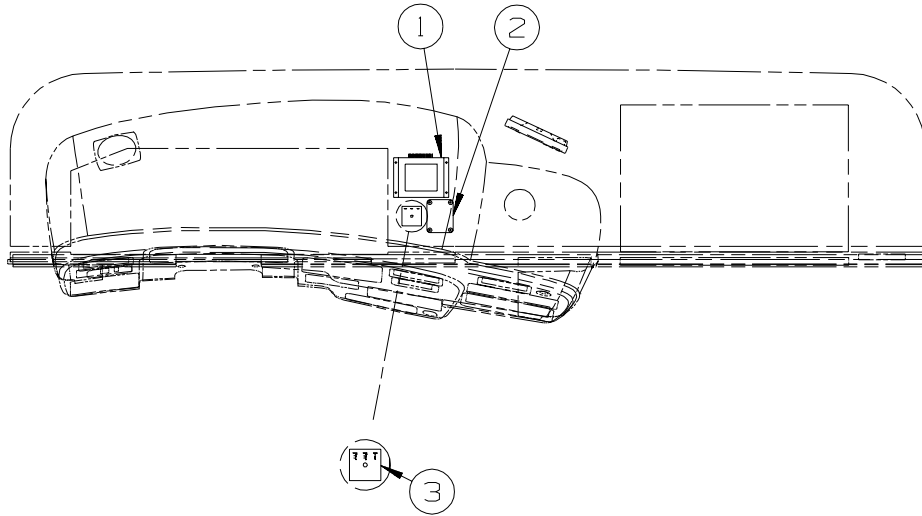
ELECTRICAL GROUP (CONTINUED)
FRONT END WIRING (CONTINUED)



KEY	PART NUMBER	U/M	DESCRIPTION
1	127244-12-000	EA	CLUSTER - INSTRUMENT PANEL - K/M - GAS - CANADIAN FROM: 00-00-00 THRU: 08-21-02
1	144218-02-000	EA	CLUSTER - INSTRUMENT PANEL - MILES/KILOMETERS - CANADIAN FROM: 08-22-02 THRU: 99-99-99
2	108357-14-000	EA	SWITCH - ROCKER - SPST - W/LIGHT - ON/OFF - 4 TERMINAL
2	108356-03-01A	EA	COVER/ACTUATOR SWITCH -3 GROOVES W/LIGHT-CONTRA III-BLACK
2	108355-01-000	EA	HOUSING - SWITCH
3	108357-09-000	EA	SWITCH - ROCKER - SPDT - ON/NONE/MOM - 3 TERMINAL
3	108356-01-01A	EA	COVER/ACTUATOR SWITCH - 3 GROOVES - CONTURA III - BLACK
3	108355-01-000	EA	HOUSING - SWITCH
4	108357-06-000	EA	SWITCH - ROCKER - DPDT - MOM/OFF/MOM - 6 TERMINAL
4	108356-01-01A	EA	COVER/ACTUATOR SWITCH - 3 GROOVES - CONTURA III - BLACK
4	108355-01-000	EA	HOUSING - SWITCH
5	139046-02-01A	EA	PANEL/SWITCH - INSTRUMENT PANEL - MATT BLACK (ILLUMINATED)
6	108357-08-000	EA	SWITCH - ROCKER - DPDT - ON/NONE/ON - 6 TERMINAL
6	108356-01-01A	EA	COVER/ACTUATOR SWITCH - 3 GROOVES - CONTURA III - BLACK
6	108355-01-000	EA	HOUSING - SWITCH
7	108357-03-000	EA	SWITCH - ROCKER - SPDT - ON/OFF/ON - 3 TERMINAL
7	108356-01-01A	EA	COVER/ACTUATOR SWITCH - 3 GROOVES - CONTURA III - BLACK
7	108355-01-000	EA	HOUSING - SWITCH
8	089294-01-000	EA	LIGHTER - CIGARETTE - W/SOCKET & WIRE
9*	136119-01-000	EA	COMPASS/THERMOMETER - ELECTRONIC
10	108357-15-000	EA	SWITCH - ROCKER - DPDT - ON/NONE/ON - LIGHTED - CHROME AIR HORNS
10	108356-03-01A	EA	COVER/ACTUATOR SWITCH -3 GROOVES W/LIGHT-CONTRA III-BLACK - CHROME AIR HORNS
10	096241-03-000	EA	SWITCH - BLANK - BLACK - W/O CHROME AIR HORNS
10	108355-01-000	EA	HOUSING - SWITCH
11	108357-03-000	EA	SWITCH - ROCKER - SPDT - ON/OFF/ON - 3 TERMINAL - HOME COMFORT PLUS PACKAGE
11	108356-01-01A	EA	COVER/ACTUATOR SWITCH - 3 GROOVES - CONTURA III - BLACK - HOME COMFORT PLUS PACKAGE
11	096241-03-000	EA	SWITCH - BLANK - BLACK - W/O HOME COMFORT PLUS PACKAGE
11	108355-01-000	EA	HOUSING - SWITCH
12	139046-01-01A	EA	PANEL/SWITCH - INSTRUMENT PANEL - MATT BLACK (ILLUMINATED)
13	108357-10-000	EA	SWITCH - ROCKER - SPDT - W/LIGHT - MOM/NONE/MOM-5 TERMINAL
13	108356-03-01A	EA	COVER/ACTUATOR SWITCH -3 GROOVES W/LIGHT-CONTRA III-BLACK
13	108355-01-000	EA	HOUSING - SWITCH
14	111414-01-000	EA	RECEPTACLE/SOCKET - 12 VOLT
15	139046-03-01A	EA	PANEL/SWITCH - INSTRUMENT PANEL - MATT BLACK (ILLUMINATED)
16	133534-01-000	EA	LIGHT - RED INDICATOR WITH 1/4" TERMINALS
17	133534-02-000	EA	LIGHT - AMBER INDICATOR WITH 1/4" TERMINALS

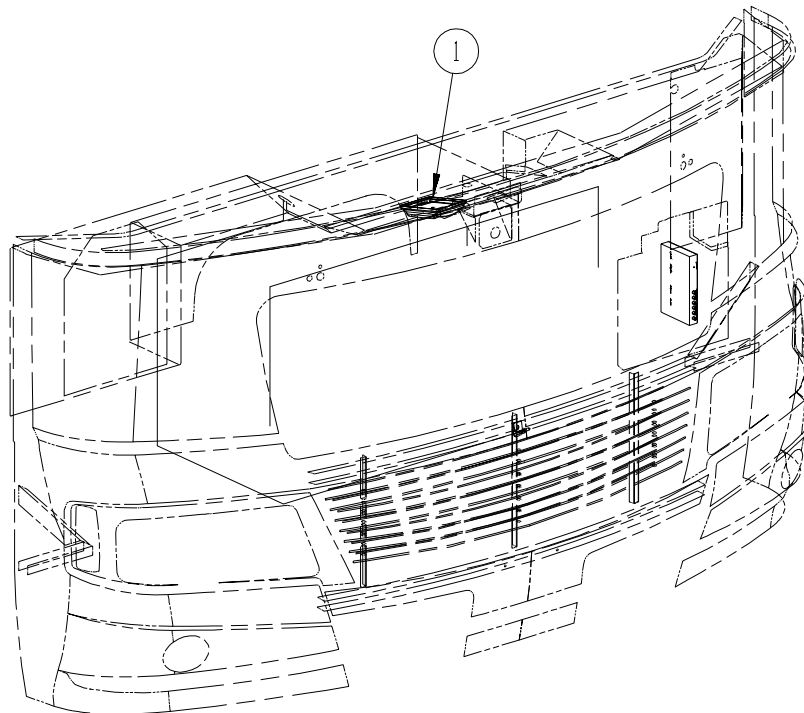
*COMPONENT PARTS LISTED LATER IN THIS GROUP

ELECTRICAL GROUP (CONTINUED)
FRONT END WIRING (CONTINUED)



KEY	PART NUMBER	U/M	DESCRIPTION
1*	102756-02-000	EA	REMOTE KEYLESS ENTRY SYSTEM
2	128074-02-000	EA	FILTER - NOISE - 12 VOLT DC W/PLUGS
3	133535-01-000	EA	MODULE - TIMER 20 SECOND - WARNING LIGHT - TS61120P

***COMPONENT PARTS LISTED LATER IN THIS GROUP**



KEY	PART NUMBER	U/M	DESCRIPTION
1*	137417-01-01A	EA	LIGHT - DOME - SINGLE - W/SWITCH/FROSTED LENS - WHITE

***COMPONENT PARTS LISTED LATER IN THIS GROUP**

ELECTRICAL GROUP (CONTINUED)
COMPONENT PARTS FOR LIGHTS & SWITCHES

KEY	PART NUMBER	U/M DESCRIPTION	008089-02-000	VENDOR NO.
	008089-01-700	EA LENS/PORCH LIGHT RECESSED		DECO
			086280-01-000	
KEY	PART NUMBER	U/M DESCRIPTION		VENDOR NO.
	086280-01-700	EA BULB,12V		ARP1089
			087694-01-000	
KEY	PART NUMBER	U/M DESCRIPTION		VENDOR NO.
	087694-01-700	EA BULB		GE561
			091937-08-000	
KEY	PART NUMBER	U/M DESCRIPTION		VENDOR NO.
	091937-08-700	EA LENS - LIGHT - FLUORESCENT		D-766
			091937-09-000	
KEY	PART NUMBER	U/M DESCRIPTION		VENDOR NO.
	091937-09-700	EA LENS - LIGHT - FLUORESCENT		D-762
			093575-19-01A	
KEY	PART NUMBER	U/M DESCRIPTION		VENDOR NO.
	093575-19-700	EA GLOBE F/55-556X2 LIGHT		9088
			097917-01-06A	
KEY	PART NUMBER	U/M DESCRIPTION		VENDOR NO.
	097917-01-700	EA LENS-LIGHT, CLEAR		30-78-021
			102756-02-000	
KEY	PART NUMBER	U/M DESCRIPTION		VENDOR NO.
	102756-01-704	EA HARNESS-MAIN		203-6638
	102756-02-700	EA REMOTE(TRANSMITTER) KEYLESS		412-1112
	102756-02-701	EA BOARD-MODULE, NEW SYSTEM		202-3153
	102756-02-702	EA BATTERY - 12 VOLT		402-1002
	102756-03-702	EA RELAY- 30AMP - SPDT		463-1000
			121935-01-01A	
KEY	PART NUMBER	U/M DESCRIPTION		VENDOR NO.
	121935-01-700	EA LENS ONLY		809511
			123775-01-01A	
KEY	PART NUMBER	U/M DESCRIPTION		VENDOR NO
	123775-01-700	EA BULB - 10 WATT - HALOGEN		71-JC10
	123775-01-701	EA BEZEL/LENS - RECESSED LIGHT		
			136119-01-000	
KEY	PART NUMBER	U/M DESCRIPTION		VENDOR NO.
	136119-01-700	EA COMPASS SENSOR (BLACK BOX)		AP-SUB-005
	136119-01-701	EA PROBE/TEMPERATURE SENSOR(V1)		AP-SUB-004A
	136119-01-702	EA DISPLAY MODULE-LED (V1)		AP-SUB-004B
	136119-01-703	EA HARNESS - COMPASS POWER		AP-HRN-175
	136119-01-704	EA HARNESS - COMPASS ENGINE		AP-HRN-176
	136119-01-705	EA HRNSS-COMP.TEMP SENSOR V1		AP-HRN-177
	136119-01-706	EA PROBE/TEMPERATURE SENSOR (V2)		AP-SUB-006
	136119-01-707	EA DISPLAY MODULE - VISUAL (V2)		AP-SUB-007
	136119-01-708	EA HARNESS/COMP. COMP/THERM(V2)		AP-HRN-239 W/PACKRD
			137417-01-01A	
KEY	PART NUMBER	U/M DESCRIPTION		VENDOR NO.
	137417-01-700	EA LENS - SINGLE (FROSTED)		810868
			137417-03-01A	
KEY	PART NUMBER	U/M DESCRIPTION		VENDOR NO.
	137417-01-700	EA LENS - SINGLE (FROSTED)		810868
			137417-06-01A	
KEY	PART NUMBER	U/M DESCRIPTION		VENDOR NO.
	137417-06-700	EA LENS - DOUBLE WHITE		810867
			137424-01-000	
KEY	PART NUMBER	U/M DESCRIPTION		VENDOR NO.
	137424-01-700	EA DISC - SETUP - DVD		NVD-A131

ELECTRICAL GROUP (CONTINUED)
CIRCUIT BREAKERS & FUSES

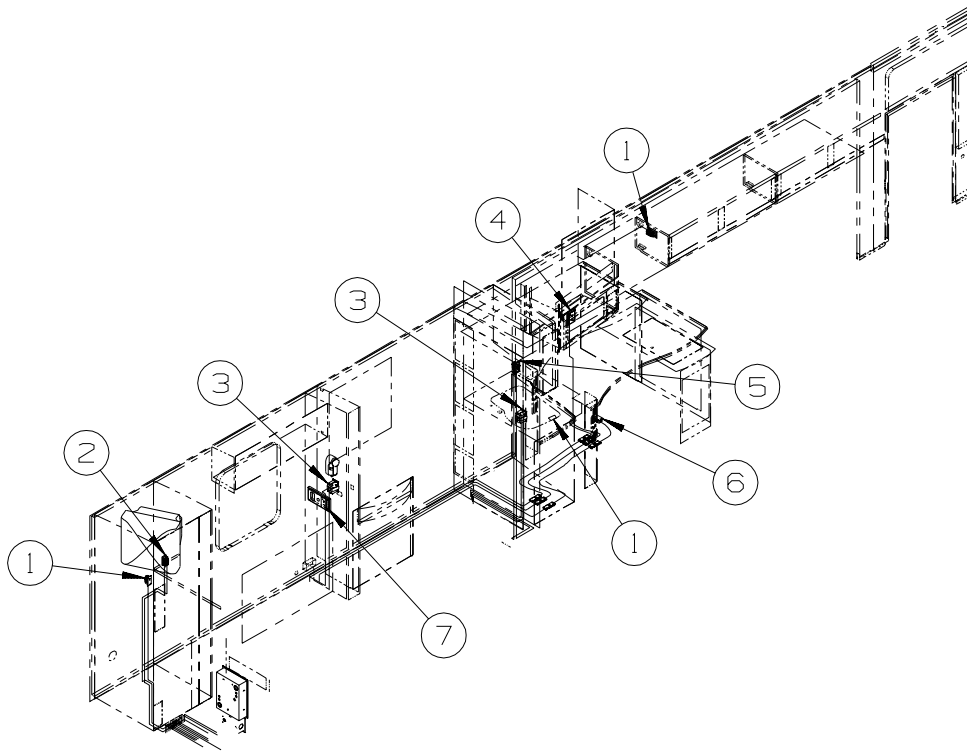
KEY	PART NUMBER	U/M	DESCRIPTION
	008233-01-000	EA	FUSE - 12 VOLT - 6 AMP
	008235-01-000	EA	FUSE - 15 AMP/12VOLT - AUTOMOTIVE
	008268-01-000	EA	CIRCUIT BREAKER W/MOUNT - 30A, 12V - FASCO 1711-3023
	033573-01-000	EA	CIRCUIT BREAKER W/MOUNT-20A, 12V - FASCO 1711-2026
	062901-02-000	EA	FUSE - 5 AMP - AUTOMOTIVE
	062901-04-000	EA	FUSE - 10 AMP - AUTOMOTIVE
	062901-05-000	EA	FUSE - 15 AMP - AUTOMOTIVE
	062901-06-000	EA	FUSE - 20 AMP - AUTOMOTIVE
	062901-07-000	EA	FUSE - 25 AMP - AUTOMOTIVE
	062901-08-000	EA	FUSE - 30 AMP - AUTOMOTIVE
	083209-01-000	EA	CIRCUIT BREAKER - 15 AMP - 120 VOLT - CANADIAN
	083209-02-000	EA	CIRCUIT BREAKER - 15/15 AMP - 120 VOLT
	083209-03-000	EA	CIRCUIT BREAKER - 15/20 AMP - 120 VOLT
	083209-04-000	EA	CIRCUIT BREAKER - 30 AMP - 120 VOLT
	083209-05-000	EA	CIRCUIT BREAKER - 20 AMP - 120 VOLT
	083209-06-000	EA	CIRCUIT BREAKER - 30/15 AMP - 120 VOLT
	083209-07-000	EA	CIRCUIT BREAKER - 20/20 AMP - 120 VOLT
	083209-10-000	EA	CIRCUIT BREAKER - 20/30 AMP - 120 VOLT
	083209-11-000	EA	CIRCUIT BREAKER - 20/15 AMP - 120 VOLT
	092786-03-000	EA	BUSS BAR - 6.9" LONG
	092786-06-000	EA	BUSS BAR
	093654-01-000	EA	CIRCUIT BREAKER - 6 AMP - 12 VOLT - PUSH BUTTON - WHITE
	093654-02-000	EA	CIRCUIT BREAKER - 15 AMP - 12 VOLT - PUSH BUTTON - WHITE
	093654-03-000	EA	CIRCUIT BREAKER - 20 AMP - 12 VOLT - PUSH BUTTON - WHITE
	093654-11-000	EA	COVER - RESET BUTTON
	093655-01-000	EA	CIRCUIT BREAKER - 25 AMP - 12 VOLT - PUSH BUTTON - WHITE
	093655-02-000	EA	CIRCUIT BREAKER - 30 AMP - 12 VOLT - PUSH BUTTON - WHITE
	093655-03-000	EA	CIRCUIT BREAKER - 40 AMP - 12 VOLT - PUSH BUTTON - WHITE
	097611-01-000	EA	CIRCUIT BREAKER - 10 AMP
	097611-03-000	EA	CIRCUIT BREAKER - 20 AMP
	097611-04-000	EA	CIRCUIT BREAKER - 25 AMP
	106656-01-000	EA	FUSE BLOCK - 4 CAVITY - AUTOFUSE
	108567-01-000	EA	CIRCUIT BREAKER - 40 AMP - 12 VOLT - TYPE II
	108669-01-000	EA	HOUSING - AUTO FUSE HOLDER
	111683-01-000	EA	FUSE - HOLDER - GLASS - 1/4" X 1 1/4"
	113482-01-000	EA	CIRCUIT BREAKER - 55 AMP - MANUAL
	113520-01-000	EA	BREAKER - CIRCUIT - 15AMP - SWITCHED
	115187-01-000	EA	FUSE - 300 AMP - NON-DELAY
	115187-02-000	EA	FUSE HOLDER - BUSS ANN/ANL BLOCK
	118531-05-02B	EA	PLATE - CIRCUIT BREAKER - E-COAT
	122811-01-000	EA	CIRCUIT BREAKER - 20/50/50/20
	125986-04-000	EA	FUSE - 10 AMP - AUTO - MINI BLADE
	125986-05-000	EA	FUSE - 15 AMP - AUTO - MINI BLADE
	134127-01-000	EA	CIRCUIT BREAKER - 10 AMP - MINI

CONVERTER, INVERTER, LOAD CENTERS

KEY	PART NUMBER	U/M	DESCRIPTION
	109677-01-000	EA	LOAD CENTER - 120 VOLT - 40 AMP
	141258-01-000	EA	LOAD CENTER - 120/240 - 50 AMP
	141258-02-000	EA	LOAD CENTER - COVER
	113685-01-000	EA	INVERTER - CHARGER - 2000W AC
	113685-05-000	EA	REMOTE PANEL - INVERTER/CHARGER
	113685-06-000	EA	CABLE - MODULAR JACK - 50'
	127002-05-000	EA	PANEL/MONITOR - ENERGY MANAGEMENT SYSTEMS CTRL - W/PLUG
	127002-07-000	EA	SENSOR - CURRENT
	127002-08-000	EA	MODULE - EMS CENTER - W/REMOTE SENSOR

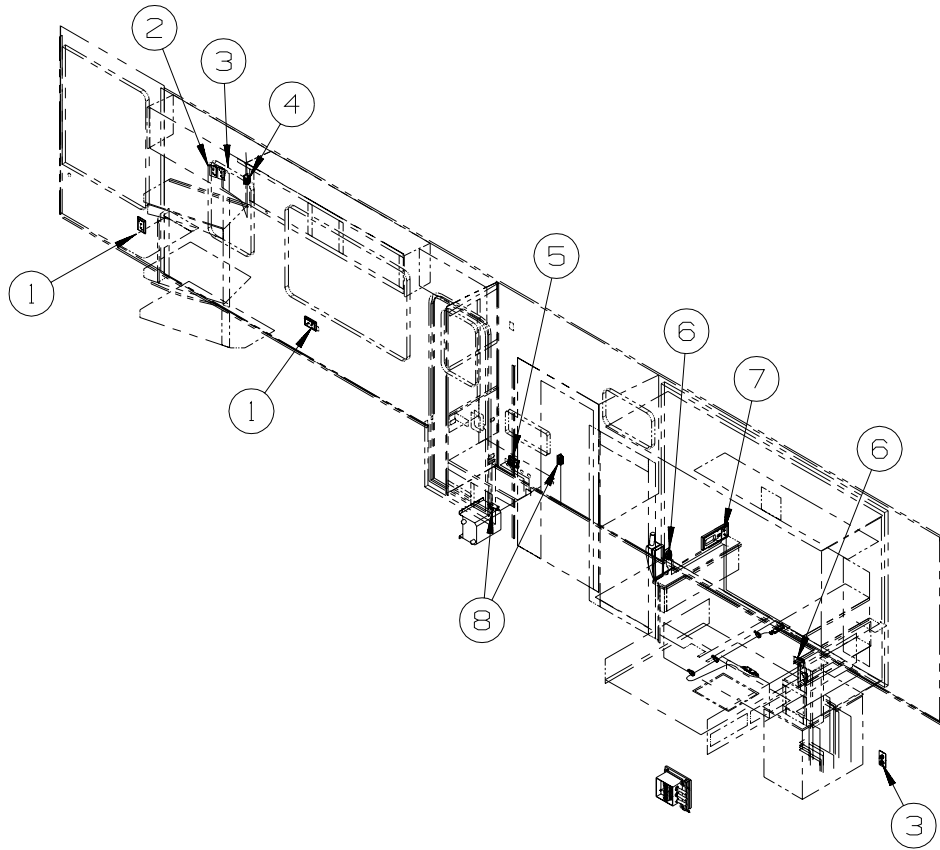
ELECTRICAL GROUP (CONTINUED)

110V WIRING



KEY	PART NUMBER	U/M	DESCRIPTION
1	058708-05-000	EA	RECEPTACLE - ELECTRIC - SINGLE - BROWN
1	058708-07-000	EA	RECEPTACLE - SINGLE - WHITE
2	058707-01-000	EA	RECEPTACLE - ELECTRIC - SINGLE - BROWN
3	084076-05-000	EA	RECEPTACLE - GFI - 15 AMP/125 VOLT - WHITE
4	058708-06-000	EA	RECEPTACLE - DUPLEX - WHITE
4	133713-01-20A	EA	SPACER/RECEPTACLE - WHITE VINYL
5	084420-01-000	EA	SWITCH - TOGGLE - 15 AMP - 120 VOLT - BROWN
6	058707-02-000	EA	RECEPTACLE - BLANK - JUNCTION BOX
7	058708-06-000	EA	RECEPTACLE - DUPLEX - WHITE
7	133713-06-20A	EA	SPACER/RECEPTACLE - PHONE - WHITE VINYL

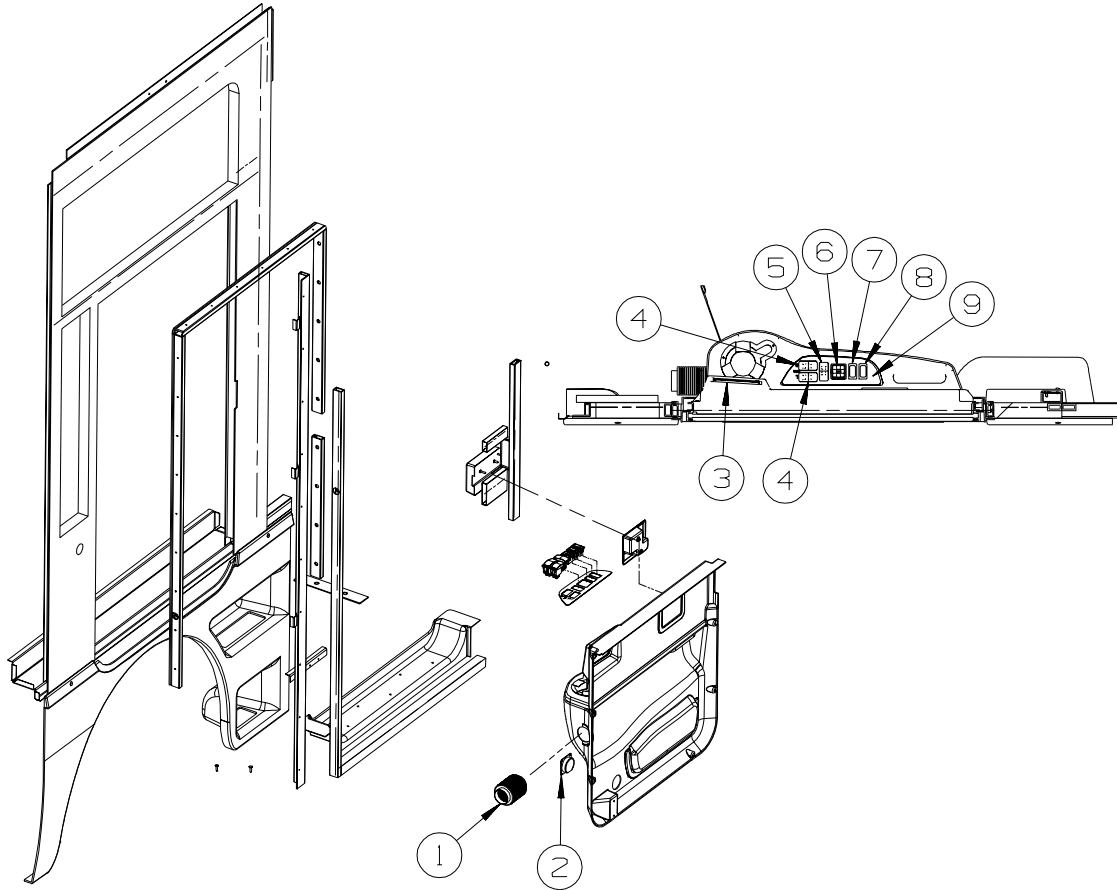
ELECTRICAL GROUP (CONTINUED)
110V WIRING (CONTINUED)



KEY	PART NUMBER	U/M	DESCRIPTION
1	058708-06-000	EA	RECEPTACLE - DUPLEX - WHITE
1	133713-01-20A	EA	SPACER/RECEPTACLE - WHITE VINYL
2	058708-06-000	EA	RECEPTACLE - DUPLEX - WHITE
3	058708-01-000	EA	RECEPTACLE - ELECTRIC - DOUBLE - BROWN
4	058707-02-000	EA	RECEPTACLE - BLANK - JUNCTION BOX
5	131826-01-01A	EA	RECEPTACLE - EXTERIOR - W/COVER/GASKET - WHITE
6	058708-05-000	EA	RECEPTACLE - ELECTRIC - SINGLE - BROWN
6	058708-07-000	EA	RECEPTACLE - SINGLE - WHITE
7	058708-06-000	EA	RECEPTACLE - DUPLEX - WHITE
7	133713-04-20A	EA	SPACER/RECEPTACLE - WHITE VINYL - REAR STEREO W/CD OR CASSETTE
7	133713-03-20A	EA	SPACER/RECEPTACLE - CLOCK - WHITE VINYL - W/O REAR STEREO
8	058707-01-000	EA	RECEPTACLE - ELECTRIC - SINGLE - BROWN

ELECTRICAL GROUP (CONTINUED)

DRIVERS DOOR WIRING



KEY	PART NUMBER	U/M	DESCRIPTION
1	117802-01-000	EA	GROMMET - CONVOLUTED - 2"
2*	108354-01-01A	EA	LIGHT - COURTESY
3	107889-05-000	EA	PANEL - CONTROL - 310 W/HARNESS
4	108357-06-000	EA	SWITCH - ROCKER - DPDT - MOM/OFF/MOM - 6 TERMINAL
4	108356-01-01A	EA	COVER/ACTUATOR SWITCH - 3 GROOVES - CONTURA III - BLACK
4	108355-01-000	EA	HOUSING - SWITCH
5	108357-14-000	EA	SWITCH - ROCKER - SPST - W/LIGHT - ON/OFF - 4 TERMINAL
5	108356-01-01A	EA	COVER/ACTUATOR SWITCH - 3 GROOVES - CONTURA III - BLACK
5	108355-01-000	EA	HOUSING - SWITCH
6	088246-01-000	EA	SWITCH/REMOTE MIRROR - W/2PIN & 6 PIN CONNECTORS/PIGTAIL
7	093132-01-000	EA	SWITCH - ROCKER/POWER WINDOWS - 5 TERM - (ARROWS)
8	093132-02-000	EA	SWITCH - ROCKER/POWER DOOR LOCK - 5 TERM - (KEY/ARROW)
9	139497-02-04B	EA	PLATE - SWITCHES - DRIVER DOOR - BLACK
9	142464-01-01A	EA	APPLIQUE - SWITCH - DRIVER

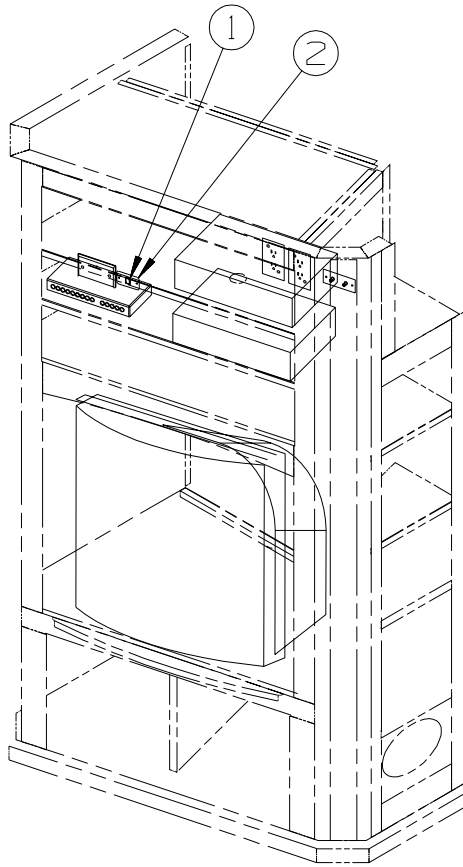
*COMPONENT PARTS LISTED LATER IN THIS GROUP

ELECTRICAL GROUP (CONTINUED)
COMPONENT PARTS FOR DRIVERS DOOR WIRING

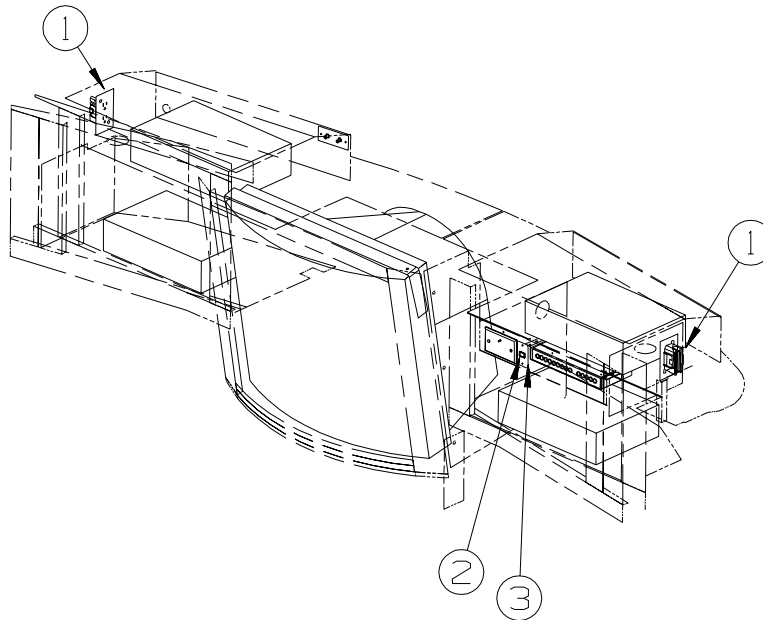
108354-01-01A

KEY	PART NUMBER	U/M	DESCRIPTION	VENDOR NO.
	108354-01-700	EA	BULB-COURTESY LIGHT	395-B

ELECTRICAL GROUP (CONTINUED)
ENTERTAINMENT WIRING

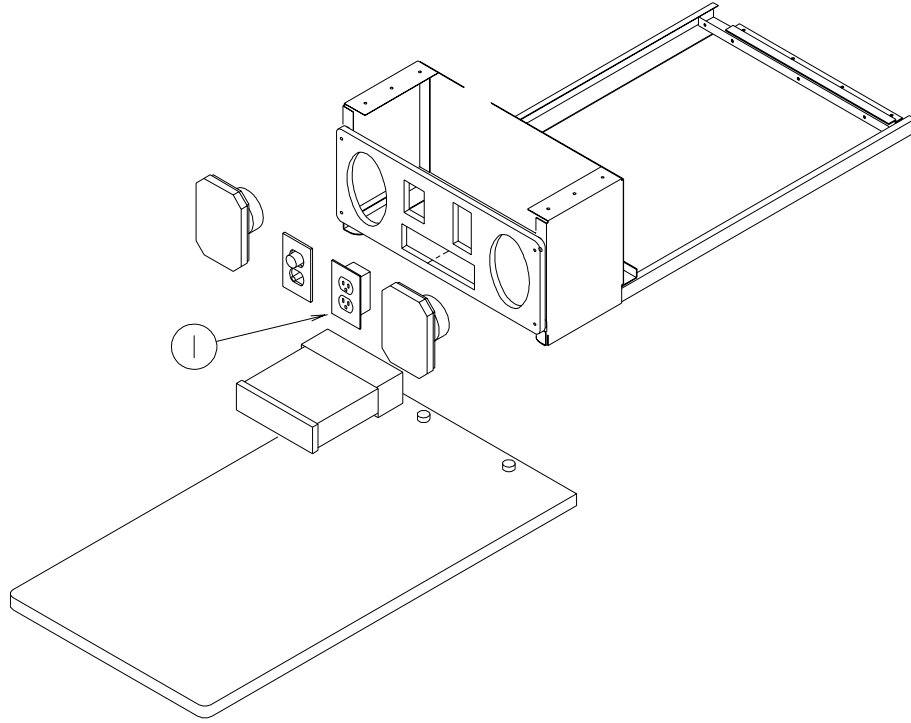


KEY	PART NUMBER	U/M	DESCRIPTION
1	079364-04-000	EA	SWITCH - ON/OFF ROCKER - 2 TERMINAL - BLACK - SURROUND SOUND SYSTEM
2	098351-08-01A	EA	PLATE/SWITCH - 4 GANG/BRASS-PORCH/CEILING/STEP/COMPT LAMPS-SURROUND SOUND SYSTEM



KEY	PART NUMBER	U/M	DESCRIPTION
1	058708-01-000	EA	RECEPTACLE - ELECTRIC - DOUBLE - BROWN
2	079364-04-000	EA	SWITCH - ON/OFF ROCKER - 2 TERMINAL - BLACK
3	098351-16-01A	EA	PLATE/SWITCH - 1 GANG W/LABEL

ELECTRICAL GROUP (CONTINUED)
ENTERTAINMENT WIRING (CONTINUED)



KEY	PART NUMBER	U/M	DESCRIPTION
1	058708-02-000	EA	RECEPTACLE - ELECTRIC - DOUBLE - IVORY

BOXES & CORDS

KEY	PART NUMBER	U/M	DESCRIPTION
	008289-01-000	EA	BOX - ELECTRIC/STEEL - 4" X 4" - 1/2" & 3/4" KNOCKOUTS FROM: 00-00-00 THRU: 10-13-02
	091910-01-000	EA	BOX - ELECTRIC - 3.8" X 3.5" X 1.8" - PLASTIC
	091910-02-000	EA	BOX - ELECTRIC - 2.2" X 3.5" X 1.8" - PLASTIC
	133070-01-000	EA	BOX - ELECTRIC/PLASTIC - 3" X 2" X 2.8" - UL
	133070-02-000	EA	BOX - ELECTRIC/PLASTIC - 3" X 2" X 2.8" - CSA
	008294-01-000	EA	COVER - ELECTRIC BOX - BLANK/STEEL - 4" X 4" - GRAY FROM: 00-00-00 THRU: 10-13-02
	131680-01-000	EA	COVER - W/GASKET FOR WATERPROOF 4" X 4" BOX - UL/CSA
	092492-11-000	EA	SEAL - ELECTRIC BOX - 7" X 18.4"
	092492-15-000	EA	SEAL - ELECTRIC FUSE BOX
	106071-05-000	EA	SWITCH - AUTOMATIC TRANSFER - 50/70 - MAGNETEK FROM: 00-00-00 THRU: 10-06-02
	106071-06-000	EA	SWITCH - AUTOMATIC TRANSFER FROM: 10-07-02 THRU: 99-99-99
	108934-02-000	EA	CORD - POWER - 50 AMP - 4-WIRE - 36'
	109172-01-000	EA	CORD - POWER - 13 AMP - 3-WIRE - 4'
	115832-01-000	FT	CORD - HEAVY DUTY - 14-2W GROUND

ELECTRICAL GROUP (CONTINUED)

WIRE ASSEMBLIES

KEY	PART NUMBER	U/M	DESCRIPTION
	093040-06-000	EA	WIRE ASSEMBLY-MONITOR-F/NON-PRE-WIRED AFTER MARKET INSTALL - L39
	097618-01-000	EA	WIRE ASSEMBLY - MONITOR PANEL- W/3 WIRES & ORANGE RESISTOR
	108029-01-000	EA	WIRE ASSEMBLY - POWER DRIVER SEAT
	120233-05-000	EA	WIRE ASSEMBLY - 30" CONNECTS TO WALLPLATE DISPLAY
	124125-02-000	EA	WIRE - ELECTRICAL BOX
	124882-09-000	EA	WIRE LOOM - AMPLIFIER - Q SURROUND
	125853-01-000	EA	WIRE LOOM - ENTERTAINMENT CENTER - L36W
	125853-04-000	EA	WIRE LOOM - ENTERTAINMENT CENTER - L36W
	125853-06-000	EA	WIRE LOOM - ENTERTAINMENT CENTER - L39
	125853-07-000	EA	WIRE LOOM - ENTERTAINMENT CENTER - L39
	127002-03-000	EA	WIRE ASSEMBLY - ENERGY MANAGEMENT SYSTEM - L39
	129436-07-000	EA	WIRE ASSAMBLY - INSTRUMENT PANEL/POWER MIRROR
	129560-01-000	EA	WIRE LOOM - 2 MONITOR PANEL
	135131-01-000	EA	WIRE LOOM - THERMOSTAT
	135420-02-000	EA	WIRE LOOM - RADIO
	137626-02-000	EA	WIRE - OVERDRIVE SWITCH
	139583-01-000	EA	WIRE LOOM - SOFA/DOUBLE REST EASY - L36W
	139583-02-000	EA	WIRE LOOM - SOFA/REAR SWITCH - L36W
	140167-01-000	EA	WIRE LOOM - GPS ADAPTER
	141454-02-000	EA	WIRE LOOM - SATELLITE - AUTOMATIC
	142258-02-000	EA	WIRE LOOM - VIDEO SWITCH/POWER SUPPLY

ELECTRICAL GROUP (CONTINUED)
CONNECTORS & CONDUIT

KEY	PART NUMBER	U/M	DESCRIPTION
	007956-01-000	EA	RECEPTACLE - HOUSING - 6 POSITION
	007956-05-000	EA	INSULATOR - SHRINK - 1/4" ID X 1 1/2"
	008058-01-000	EA	ADAPTER - POWER CORD - 30 AMP TO 15 AMP
	008311-01-000	EA	CONNECTOR - WIRE NUT - INSULATED - RED
	008312-01-000	EA	CONNECTOR - WIRE NUT - INSULATED - BLUE
	008313-01-000	EA	CONNECTOR - WIRE NUT - INSULATED - YELLOW
	008314-01-000	EA	CONNECTOR - WIRE NUT - INSULATED - GRAY
	008326-01-000	EA	TERMINAL - RING - 16/14 WIRE - 3/8" STUD
	008328-01-000	EA	TERMINAL - RING - 12/10 WIRE - #10 STUD FIT
	008331-01-000	EA	TERMINAL - RING - TONGUE - #4 WIRE - 3/8" STUD - COPPER
	008348-01-000	EA	TERMINAL - RING - 3/8" STUD 2 GA. WIRE
	008355-01-000	EA	CONNECTOR - CABLE CLAMPING - 3/4"
	008356-01-000	EA	CONNECTOR - PLASTIC - 3/8" AVG
	008356-02-000	EA	CONNECTOR - PLASTIC - 21/32
	035416-04-000	EA	TERMINAL - RING - #10 STUD FIT - INSULATED BARREL #16/14
	041953-01-000	FT	CONDUIT - CONVOLUTE SLIT - .5" ID - POLYETHYLENE
	041953-02-000	FT	CONDUIT - CONVOLUTE SLIT - .6" ID - POLYETHYLENE
	041953-03-000	FT	CONDUIT - CONVOLUTE SLIT - 1" ID (CLOTHES ROD COVER)
	041953-05-000	FT	CONDUIT - CONVOLUTE SOLID - .62" ID - POLYETHYLENE
	041953-06-000	FT	CONDUIT - CONVOLUTE SLIT - .4" ID - POLYETHYLENE
	041953-07-000	FT	CONDUIT - CONVOLUTE SLIT - .25" ID - POLYETHYLENE
	041953-08-000	FT	CONDUIT - CONVOLUTE SLIT - 1.5" ID - POLYETHYLENE
	041953-09-000	FT	CONDUIT - CONVOLUTE SLIT - .5" ID - NYLON
	041953-10-000	FT	CONDUIT - CONVOLUTE SLIT - .75" ID - NYLON
	041953-11-000	FT	CONDUIT - CONVOLUTE SLIT - 1.06" ID - NYLON
	041953-12-000	FT	CONDUIT - CONVOLUTE SOLID - 1.1" ID - NYLON
	041953-13-000	FT	CONDUIT - CONVOLUTE SLIT - 1.25
	041953-14-000	FT	CONDUIT - CONVOLUTE SLIT - 1.5
	047443-01-000	EA	TERMINAL - .250 RECEPTACLE FIT - INSULATED - 16/14 AWG
	047443-02-000	EA	TERMINAL - .250 RECEPTACLE FIT - INSULATED - 12/10 AWG
	058028-01-000	EA	CONNECTOR - ELECTRICAL PIGTAIL - NYLON - CLEAR
	062036-01-000	EA	TERMINAL - PACK - CON - 12/10 AWG
	074017-02-000	EA	HOUSING - 5 POSITION - RIGHT ANGLED
	077479-01-000	EA	BOOT - BATTERY TERMINAL - DOUBLE CABLE
	077479-02-000	EA	BOOT - BATTERY TERMINAL - SINGLE CABLE
	080015-02-000	EA	RECEPTACLE - FLAG - .185 - 16/14 GAUGE
	080015-03-000	EA	RECEPTACLE - FLAG - .250 - 14/16 GAUGE
	082109-01-000	EA	HOUSING - CONNECTOR - PACKARD
	082741-01-000	EA	CONNECTOR BODY - 2 CONNECTOR MALE
	087225-01-000	FT	SLEEVING - 1/2" - TYPE H
	087949-01-000	EA	BUSS BAR - 2 POSITION - .6" X 1.5"
	087949-02-000	EA	BUSS BAR - 3 POSITION - .6" X 2.4"
	087949-03-000	EA	BUSS BAR - 4 POSITION
	087949-05-000	EA	BUSS BAR - 7 POSITION
	088267-01-000	EA	TERMINAL - FEMALE - 1/4
	088473-01-000	EA	HOUSING - PIN - 12 CAVITY (3 ROWS OF 4)
	088473-02-000	EA	HOUSING - PIN - 15 CAVITY (3 ROWS OF 5)
	088473-03-000	EA	HOUSING - PIN - 9 CAVITY (3 ROWS OF 3)
	088473-04-000	EA	HOUSING - PIN - 8 CAVITY IN-LINE
	088473-06-000	EA	HOUSING - PIN - 6 CAVITY (2 ROWS OF 3)
	088473-08-000	EA	HOUSING - PIN - 4 CAVITY - IN-LINE
	088473-09-000	EA	HOUSING - PIN - 3 CAVITY - IN-LINE
	088473-10-000	EA	HOUSING - PIN - 2 CAVITY - IN LINE
	088474-01-000	EA	HOUSING - SOCKET - 12 CAVITY
	088474-02-000	EA	HOUSING - SOCKET - 15 CAVITY
	088474-03-000	EA	HOUSING - SOCKET - 9 CAVITY
	088474-06-000	EA	HOUSING - SOCKET - 6 CAVITY
	088474-07-000	EA	HOUSING - SOCKET - 5 CAVITY
	088474-08-000	EA	HOUSING - SOCKET - 4 CAVITY
	088474-09-000	EA	HOUSING - SOCKET - 3 CAVITY
	088474-10-000	EA	HOUSING - SOCKET - 2 CAVITY
	088475-01-000	EA	PIN - CONNECTOR - 14-20 AWG
	088475-02-000	EA	PIN - CONNECTOR - 10-12 AWG
	088476-01-000	EA	TERMINAL - ELECTRICAL

ELECTRICAL GROUP (CONTINUED)
CONNECTORS & CONDUIT (CONTINUED)

KEY	PART NUMBER	U/M	DESCRIPTION
	088476-02-000	EA	SOCKET - CONNECTOR - 12-10 GA - PRE-TIN
	098261-01-000	EA	SOCKET - CONNECTOR - WEATHERPACK - 12 AWG
	098261-02-000	EA	SOCKET - CONNECTOR - WEATHERPACK - 14-18 AWG
	098262-01-000	EA	SEAL - CONNECTOR - WEATHERPACK
	098262-05-000	EA	SEAL - CAVITY
	098262-06-000	EA	SEAL - CONNECTOR - M/P - 10 GAUGE
	098262-07-000	EA	SEAL - CONNECTOR - 12 AWG - 280 SER
	098263-01-000	EA	HOUSING - 3 PIN - WEATHER PACK
	098263-02-000	EA	HOUSING - 3 PIN - WEATHER PACK
	098264-01-000	EA	HOUSING - 2 PIN - WEATHER PACK - MALE W/FEMALE PINS
	098264-02-000	EA	HOUSING - 2 PIN - WEATHER PACK - FEMALE W/MALE PINS
	098265-02-000	EA	PIN - CONNECTOR - WEATHER PACK
	100690-01-000	EA	HOUSING - 5 POSITION - MALE - WEATHER PACK
	100690-02-000	EA	HOUSING - 5 POSITION - FEMALE - WEATHER PACK
	102777-02-000	EA	TERMINAL - RING - #6 STUD - 10 AWG
	104100-01-000	EA	HOUSING - 1 POSITION - 75 AMPS
	104100-03-000	EA	TERMINAL - 75 AMP
	106655-02-000	EA	TERMINAL - FUSE BLOCK - 10-12 AWG
	110178-01-000	EA	HOUSING - WIPER MOTOR
	112823-01-000	EA	SPLICE - REDUCER - 16-14 TO 18-22
	113072-01-000	EA	HOUSING - ELECTRICAL - TURN/TAIL LAMP
	113072-03-000	EA	HOUSING - ELECTRICAL - STOP/MARKER TAILLAMP
	113135-01-000	EA	TERMINAL - FEMALE - M/P - 14-16 - F/SEALED TERMINAL
	113306-01-000	EA	TERMINAL - FEMALE - M/P - 14-16 - F/NON-SEALED TERMINAL
	113306-02-000	EA	TERMINAL - FEMALE - M/P - 10-12 - 480
	113307-01-000	EA	TERMINAL - FEMALE - M/P - 16-20
	113308-01-000	EA	TERMINAL - FEMALE - M/P - 14-16 - 280
	113468-01-000	EA	HOUSING - 2 POSITION-FEMALE-USED ON WIPER/WASHER WIRE ASM
	113638-02-000	EA	CONNECTOR - ACTUATOR
	114667-01-000	FT	HOSE - 2" ID - FLEXIBLE
	115556-01-000	EA	HOUSING - 3 POSITION - FEMALE
	115556-02-000	EA	HOUSING - 2 POSITION - FEMALE/PARALLEL
	115931-02-000	EA	COVER - CONNECTOR - 50 AMP W/LOCKING RING
	115932-02-000	EA	CONNECTOR - FEMALE - 50 AMP/240 VOLT
	116811-01-000	EA	TERMINAL - .110 RECEPTACLE - 16-14 AWG
	118571-01-000	EA	CONNECTOR - 3-WAY - MALE/SEALED
	118571-02-000	EA	CONNECTOR - 3-WAY - FEMALE/SEALED
	118571-05-000	EA	LOCK - SECONDARY - FEMALE
	118571-06-000	EA	LOCK - SECONDARY - MALE
	118597-01-000	EA	TERMINAL - MALE - M/P - 480 - 14-16
	118599-01-000	EA	TERMINAL - MALE - M/P - 280 - 14-16
	118820-01-000	EA	INSULATOR - TERMINAL
	119223-01-000	EA	HOUSING - 6 POSITION - MALE - WEATHERPACK
	119248-02-000	EA	HOUSING - 7 POSITION - FEMALE
	125323-01-000	EA	HOUSING - 10 POSITION - MALE
	125323-02-000	EA	HOUSING - 8 POSITION - MALE
	125323-03-000	EA	LOCK - SECONDARY 8 POSITION
	125323-04-000	EA	LOCK - SECONDARY 10 POSITION
	125323-05-000	EA	HOUSING - 6 POSITION - MALE
	125323-06-000	EA	LOCK - SECONDARY 6 POSITION
	125324-01-000	EA	TERMINAL - MALE - METRI-PACK - 150
	125325-01-000	EA	SEAL - CAVITY
	126403-01-000	EA	CONNECTOR - 2 CIRCUIT
	126403-02-000	EA	CONNECTOR - 3 CIRCUIT
	129233-01-000	EA	HOUSING - 6 POSITION - MALE WEATHERPACK
	129233-02-000	EA	HOUSING - 2-POSITION/FEMALE - 280-SERIES
	129234-01-000	EA	HOUSING - 6-POSITION/FEMALE - 280-SERIES
	129234-02-000	EA	HOUSING - 6-POSITION/FEMALE - 280-SERIES
	129234-03-000	EA	LOCK - SECONDARY - 6-POSITION
	129235-01-000	EA	HOUSING - 2-POSITION/FEMALE - 630-SERIES
	129235-02-000	EA	LOCK - SECONDARY - 2-POSITION
	129236-01-000	EA	TERMINAL - FEMALE - M/P - 630 - 10-12
	131515-01-000	EA	HOUSING - PIN - 2 CAVITY/HIGH AMP

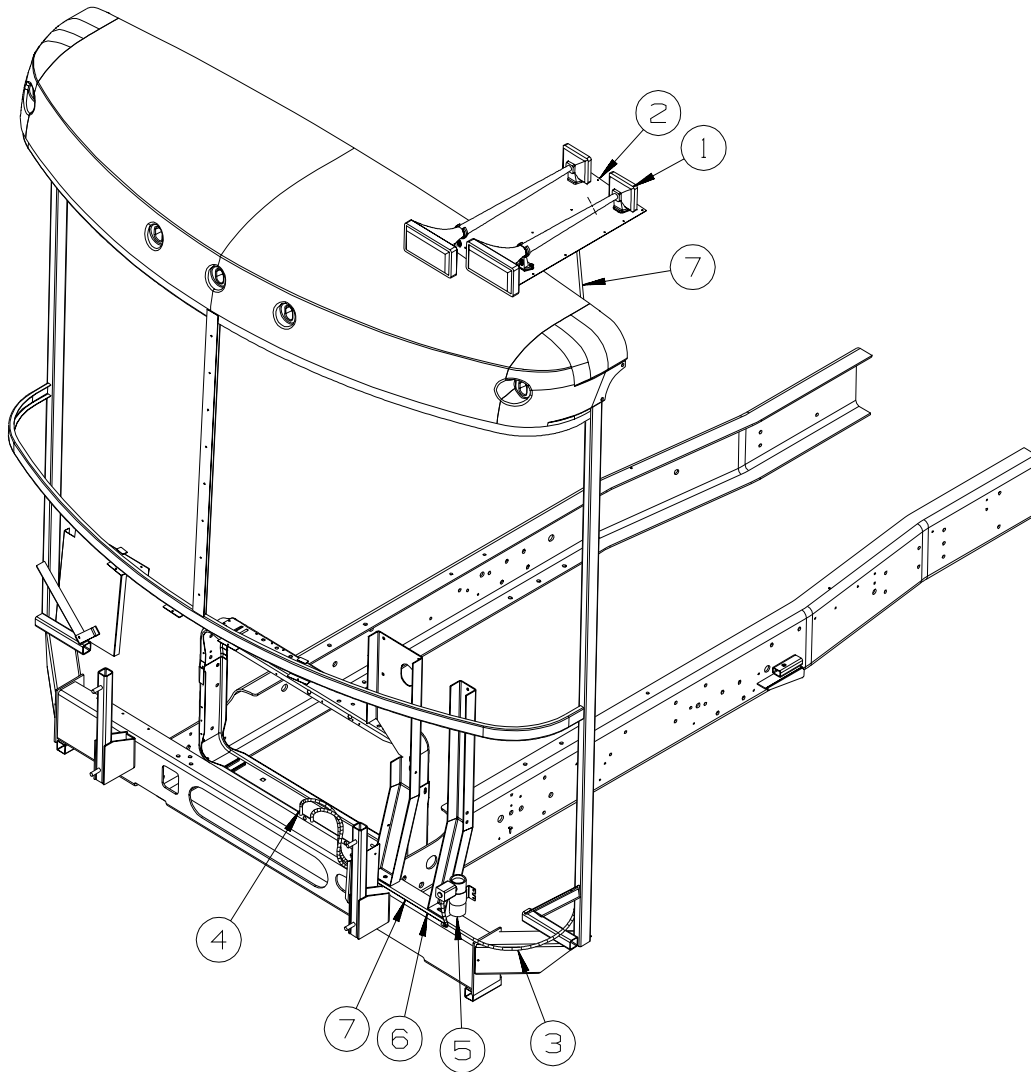
ELECTRICAL GROUP (CONTINUED)
CONNECTORS & CONDUIT (CONTINUED)

KEY	PART NUMBER	U/M	DESCRIPTION
	131515-02-000	EA	TERMINAL - FEMALE JR. POWER TIMER - F/HALOGEN FOG LIGHT
	131515-03-000	EA	SEAL - CAVITY - JR. POWER TIMER
	131681-01-000	EA	CONNECTOR - 3/4" SO CORD - UL/CS
	137207-01-000	EA	HOUSING - PIN - 2 CAVITY/HIGH AMP
	137208-01-000	EA	HOUSING - SOCKET - 2 CAVITY/HIGH AMP
	137209-01-000	EA	PIN - CONNECTOR - 10AWG/HIGH AMP
	137210-01-000	EA	SOCKET - CONNECTOR - 10 AWG/HIGH AMP
	138419-03-000	EA	SOCKET - LAMP - 3 WIRE
	142520-01-000	EA	TERMINAL - FEMALE - MINI FIT 16
	142522-01-000	EA	HOUSING - 4 PIN/MALE - MINI FIT
	142524-01-000	EA	HOUSING - 4 PIN/WEATHER PACK/FEMALE

BOOTS, SOLENOIDS, RELAYS & MISCELLANEOUS

KEY	PART NUMBER	U/M	DESCRIPTION
	008188-01-000	EA	SOLENOID - 3 POST - BATTERY CHANGE OVER
	063910-01-000	EA	HOUSING - RELAY
	063912-02-000	EA	RELAY - CANISTER - SPDT
	065450-05-000	EA	TIEDOWN - BATTERY - 8.4" TUBE
	065451-05-000	EA	BRACKET/TIEDOWN - BATTERY - 7.7" FROM BRKT TO BRKT
	086233-01-000	EA	STUD - ISOLATED - 3/8" X 7/8" LONG
	086273-01-000	EA	RELAY - BATTERY DISCONNECT

EXTERIOR BODY GROUP AIR HORN



KEY	PART NUMBER	U/M	DESCRIPTION
1*	077497-06-000	EA	HORN - AIR - CHROME - TWIN
2	125123-01-12B	EA	PLATE/MOUNT - AIR HORN - 25" X 13" - BRIGHT WHITE
3	077497-02-000	EA	HOSE - AUXILIARY AIR HORN
4*	077497-03-000	EA	FITTING KIT - HOSE/HOSE FITTING/AIR GAUGE - F/AUX HORN
5*	077497-10-000	EA	COMPRESSOR/TANK - SOLENOID KIT
6	131280-01-000	EA	WIRE ASSEMBLY - AIR HORN
7	071390-04-000	FT	TUBING - AIR BRAKE - 1/4" OD-BLK WEATHERHEAD(BRKS & HORN)

***COMPONENT PARTS LISTED LATER IN THIS GROUP**

EXTERIOR BODY GROUP (CONTINUED)
COMPONENT PARTS FOR AIR HORN

077497-03-000

KEY	PART NUMBER	U/M	DESCRIPTION	VENDOR NO.
	077497-01-710	EA	GAUGE-AIR PRESSURE	14212S

077497-06-000

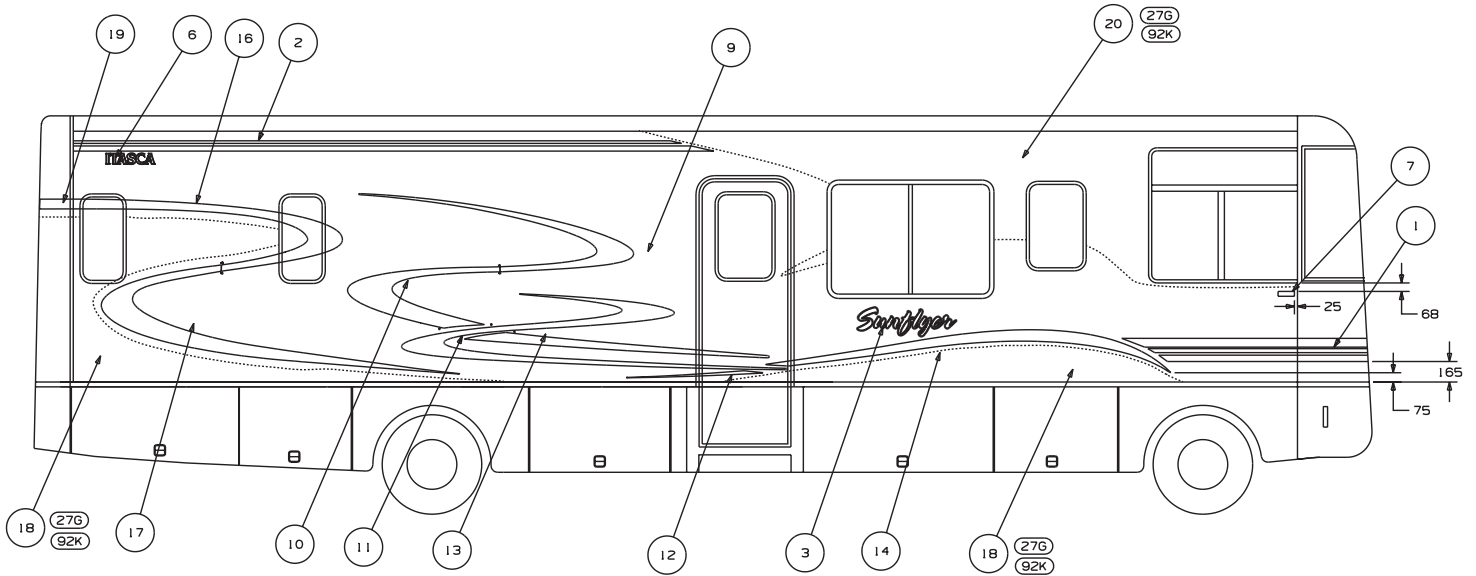
KEY	PART NUMBER	U/M	DESCRIPTION	VENDOR NO.
	077497-01-701	EA	SWITCH - COMPRESSOR	13940-S
	077497-01-702	EA	SWITCH - TOGGLE - W/WIRE	12949-S

077497-10-000

KEY	PART NUMBER	U/M	DESCRIPTION	VENDOR NO.
	077497-01-700	EA	SOLENOID-AIR TANK	550B
	077497-01-703	EA	TANK-AIR	751-N
	077497-01-709	EA	PLUNGER & SPRING F/SOLENOID	H136215
	077497-10-700	EA	COMPRESSOR/DIRECT DRIVE	85OEC

EXTERIOR BODY GROUP (CONTINUED)

GRAPHICS & PAINT



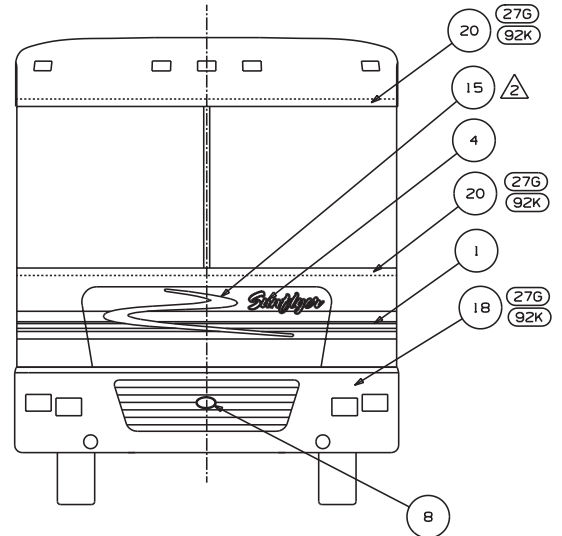
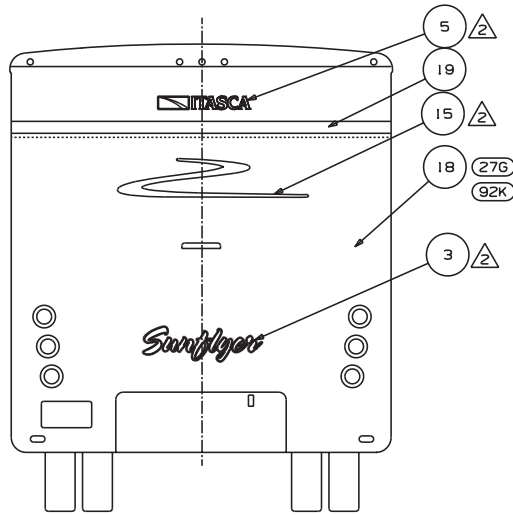
3. CONTINUE MULTISTRIPES ONTO SLIDEOUT WINGWALLS.

△ CENTERED ON UNIT.

1. APPLY PROTECTOR 116424-01 TO WATER HEATER DOOR.

NOTES:

		L39Y
		L36W
		UNITS



KEY	PART NUMBER	U/M	DESCRIPTION
1	094443-74-CHT (02A)	FT	MULTISTRIPES-185.7MM - HUNTER GREEN/CRYSTAL GREEN/MED.TITANIUM
2	105781-88-CHT (02A)	FT	MULTISTRIPES-82.6MM - HUNTER GREEN/MED.TITANIUM
3	120712-01-CHT (06A)	EA	DECAL-SUNFLYER,LG - HUNTER GREEN/CRYSTAL GREEN/DK.JADE STAR/BRT.WHITE
4	120712-02-CHT (06A)	EA	DECAL-SUNFLYER,SML - HUNTER GREEN/CRYSTAL GREEN/DK.JADE STAR/BRT.WHITE
5	124806-01-CHT (22A)	EA	DECAL-ITASCA W/ICON - DK.JADE STAR/BRT.WHITE
6	124811-01-CHT (23A)	EA	DECAL-ITASCA - DK.JADE STAR/BRT.WHITE
7	132664-01-CHT (01A)	EA	DECAL-WINNEBAGO DOMED - GOLD CHROME/BLACK
8	137618-02-CHT (01A)	EA	DECAL-BEZEL,DOMED GRILLE LOGO - BLACK/CHROME
9	139392-01-CHT (02A)	EA	DECAL-S CURVE,UPPER,RH - HUNTER GREEN/BLACK/WHITE
9	139392-02-CHT (02A)	EA	DECAL-S CURVE,UPPER,LH - HUNTER GREEN/BLACK/WHITE
10	139393-01-CHT (02A)	EA	DECAL-S CURVE,MID,RH - HUNTER GREEN/BLACK/WHITE
10	139393-02-CHT (02A)	EA	DECAL-S CURVE,MID,LH - HUNTER GREEN/BLACK/WHITE
11	139394-01-CHT (02A)	EA	DECAL-S CURVE,LWR,RH - MED.TITANIUM/BLACK/WHITE
11	139394-02-CHT (02A)	EA	DECAL-S CURVE,LWR,LH - MED.TITANIUM/BLACK/WHITE
12	139395-01-CHT (01A)	EA	DECAL-SWEEP,TIP,RH - DK.JADE STAR
12	139395-02-CHT (01A)	EA	DECAL-SWEEP,TIP,LH - DK.JADE STAR
13	139396-01-CHT (02A)	EA	DECAL-TAIL,RH - HUNTER GREEN/BLACK/WHITE
13	139396-02-CHT (02A)	EA	DECAL-TAIL,LH - HUNTER GREEN/BLACK/WHITE
14	139397-01-CHT (01A)	EA	DECAL-SWEEP,FRT,RH - DK.JADE STAR
14	139397-02-CHT (01A)	EA	DECAL-SWEEP,FRT,LH - DK.JADE STAR
15	139400-01-CHT (02A)	EA	DECAL-S CURVE,SML - BRT.WHITE/HUNTER GREEN/BLACK/WHITE
16	141929-01-CHT (01A)	EA	DECAL-SWEEP,RR,UPPER,RH - DK.JADE STAR
16	141929-02-CHT (01A)	EA	DECAL-SWEEP,RR,UPPER,LH - DK.JADE STAR
17	141931-01-CHT (01A)	EA	DECAL-SWEEP,RR,LWR,RH - DK.JADE STAR
17	141931-02-CHT (01A)	EA	DECAL-SWEEP,RR,LWR,LH - DK.JADE STAR
276 92K	141599-04-000	GL	PAINT LOWER: SAND MET - DUPONT #W9846F
276 92K	141599-06-000	GL	PAINT LOWER: MED TITANIUM MET - DUPONT #C9248
276 92K	093681-43-CHT (02A)	FT	FILM-79.4MM - DK JADE STAR
276 92K	141599-06-000	GL	PAINT UPPER: MED TITANIUM MET - DUPONT #C9248
276 92K	141599-04-000	GL	PAINT UPPER: SAND MET - DUPONT #W9846F

EXTERIOR BODY GROUP (CONTINUED)

GRAPHICS & PAINT (CONTINUED)

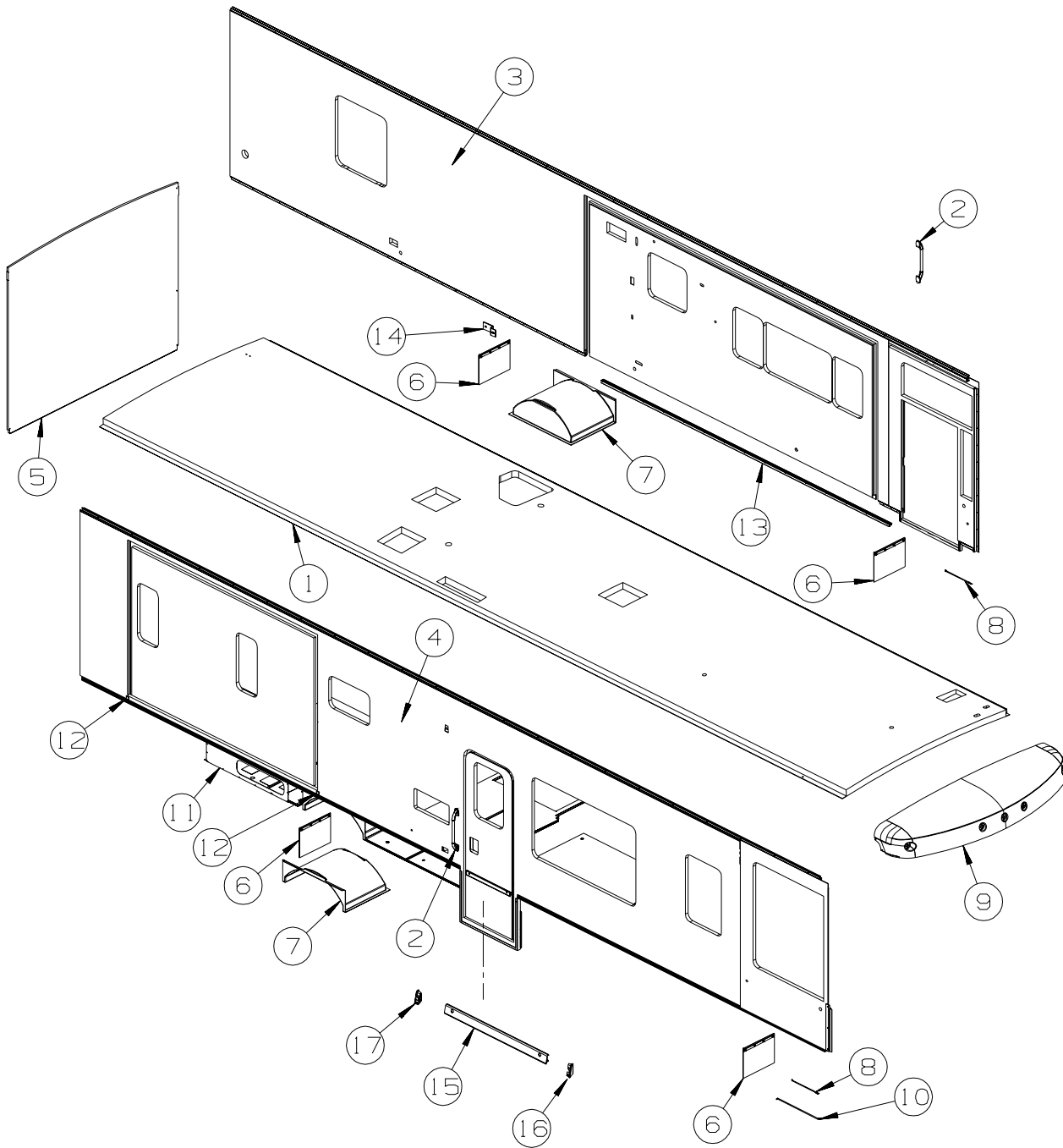
KEY	PART NUMBER	U/M	DESCRIPTION
	041561-03-000	EA	PAINT/SPRAY - 12 OZ. NET - OFF WHITE
	093681-40-01A	FT	FILM - 2" - FLAT BLACK

DUPONT COLOR CODES

DK. JADE STAR MET.	#B8203
MED. TITANIUM MET.	#C9248
HUNTER GREEN MET.	#GM219
SAND MET. (VALANCE/UPPER)	#P7415
MED. TITANIUM MET. (VALANCE/UPPER)	#P6236

EXTERIOR BODY GROUP (CONTINUED)

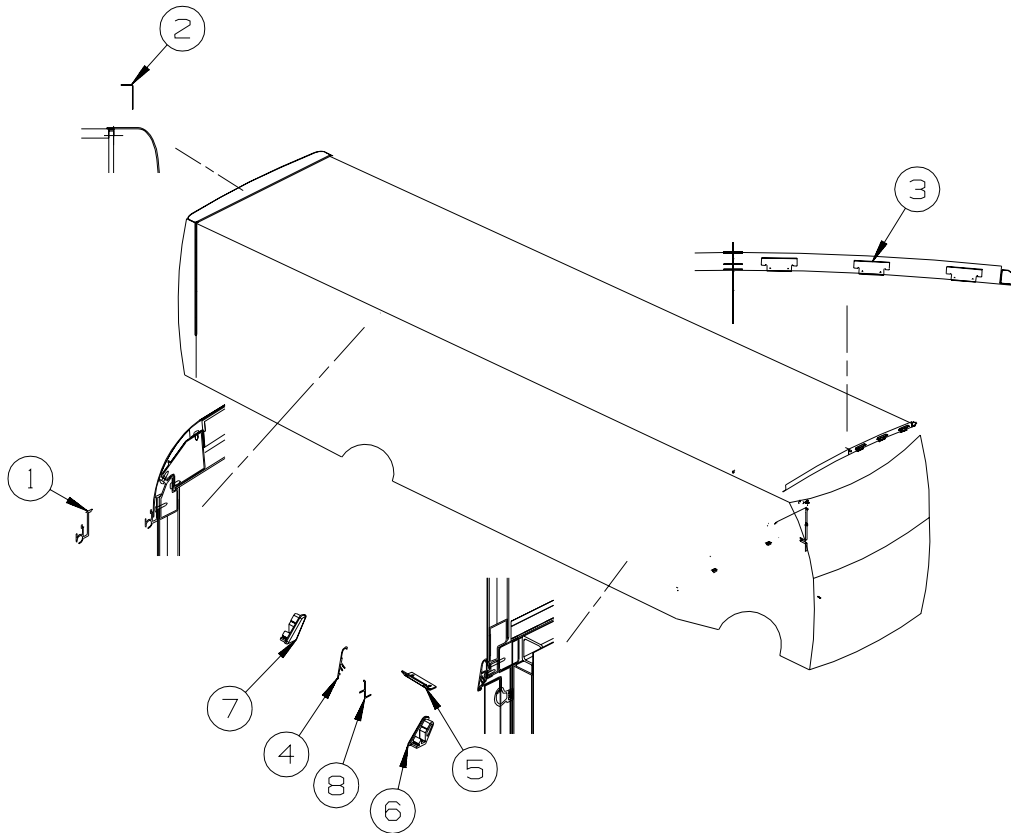
PANELS & TRIMS



KEY	PART NUMBER	U/M	DESCRIPTION
1	138539-01-N52	EA	ROOF - W/O VENTS - W/WIRING
2	132442-03-01A	EA	HANDLE - ASSIST - W/ITASCA LOGO - CHROME ENDS
3	142275-02-P51	EA	SIDEWALL - DRIVER - W/O WINDOWS/TRIMS(P51, P52)
3	142275-02-P53	EA	SIDEWALL - DRIVER - W/O WINDOWS/TRIMS(P53)
3	142275-02-P69	EA	SIDEWALL - DRIVER - W/O WINDOWS/TRIMS(P69, P71)
3	142275-02-P70	EA	SIDEWALL - DRIVER - W/O WINDOWS/TRIMS(P70, P72)
3	142275-02-P73	EA	SIDEWALL - DRIVER - W/O WINDOWS/TRIMS(P73)
3	142275-02-P74	EA	SIDEWALL - DRIVER - W/O WINDOWS/TRIMS(P74)
4	142299-01-P63	EA	SIDEWALL - PASSENGER - W/O WINDOWS/TRIMS(P51, P52, P69, P70, P71, P72)
4	142299-01-P67	EA	SIDEWALL - PASSENGER - W/O WINDOWS/TRIMS(P53, P73, P74)
5	138541-03-P70	EA	BACKWALL - W/O WINDOWS/TRIMS(P51, P52, P69, P70, P71, P72)
5	138541-03-P73	EA	BACKWALL - W/O WINDOWS/TRIMS(P53, P73, P74)
6	017516-01-000	EA	MUD FLAP - 14"H X 18"W - W/O MOUNTING HOLES - BLACK

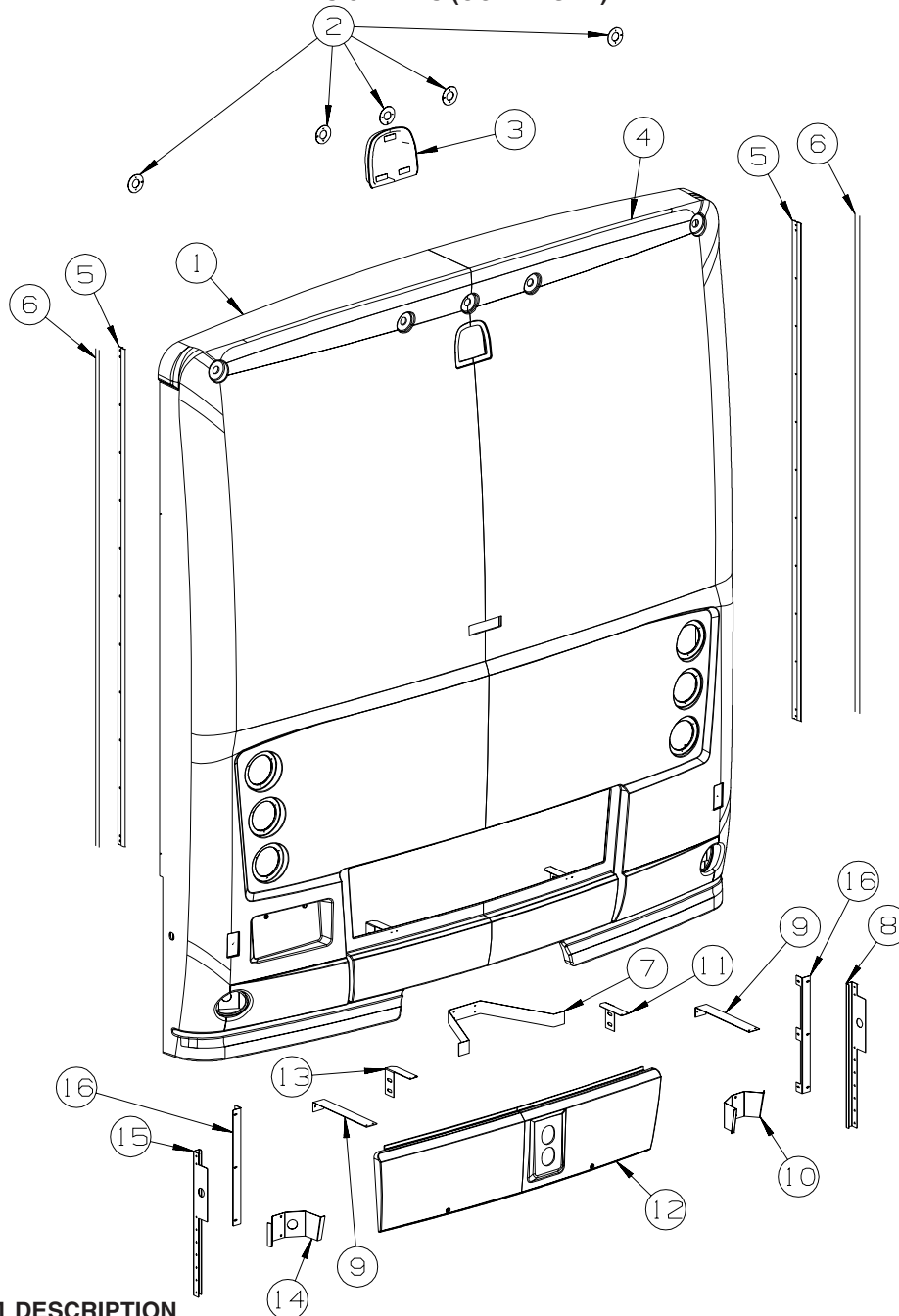
EXTERIOR BODY GROUP (CONTINUED) PANELS & TRIMS (CONTINUED)

KEY	PART NUMBER	U/M	DESCRIPTION
7	131365-01-000	EA	WHEELWELL - PLASTIC
8	107865-10-000	EA	ROD - SUPPORT - VALANCE PANEL - 15.1"
9	138180-02-N52	EA	CAP - ROOF - W/O LIGHTS/VENTS - W/WIRING
10	107865-21-000	EA	ROD - SUPPORT - VALANCE PANEL - 23.3"
11	138793-08-02B	EA	PANEL - SEAL - E-COATED
12	093673-01-06A	FT	TRIM/MOLDING - 1.4" X 8' LONG - BRIGHT WHITE
13	138874-03-02A	EA	TRIM - FLOOR - FLAT - BRIGHT WHITE
	143219-01-01A	EA	SEAL - CORNER - F/REAR SLIDEOUT
			FROM: 03-30-03 THRU: 99-99-99
	143219-02-01A	EA	SEAL - CORNER - F/REAR SLIDEOUT
			FROM: 03-30-03 THRU: 99-99-99
14	123512-04-02B	EA	BRACKET/VALANCE DOOR - E-COATED
15	133045-01-01A	EA	TRIM - W/HOLES - 25.3" - BRIGHT WHITE
16	126775-01-01A	EA	END CAP - VALANCE TRIM - RIGHT HAND
17	126775-02-01A	EA	END CAP - VALANCE TRIM - LEFT HAND



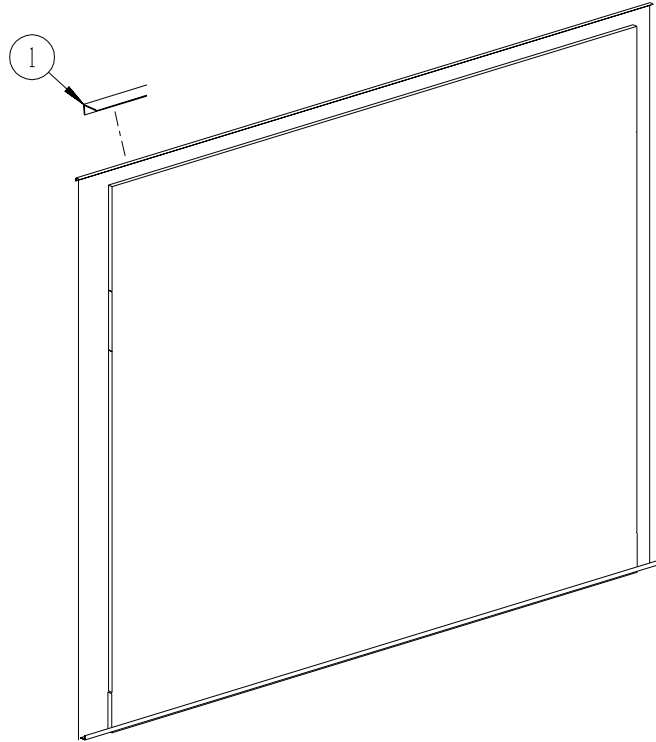
KEY	PART NUMBER	U/M	DESCRIPTION
1	131483-01-01A	EA	RAIL - AWNING - 192" - BRIGHT WHITE
2	132273-01-02B	EA	BRACKET - REAR TRIM - E-COATED
3	134774-01-02B	EA	BRACKET - CAB ATTACHMENT - E-COATED
4	123993-01-03A	EA	TRIM - COVER - 182" ALUMINUM - BRIGHT WHITE
			FROM: 00-00-00 THRU: 07-17-02
4	123993-01-02A	EA	TRIM - COVER - 182" ALUMINUM - BLACK
			FROM: 07-18-02 THRU: 99-99-99
5	132597-01-02B	EA	ANGLE/SUPPORT/TRIM - E-COATED
			FROM: 00-00-00 THRU: 01-31-03
5	143143-02-01A	EA	ANGLE - SUPPORT/TRIM
			FROM: 02-01-03 THRU: 99-99-99
6	126775-01-01A	EA	END CAP - VALANCE TRIM - RIGHT HAND
7	126775-02-01A	EA	END CAP - VALANCE TRIM - LEFT HAND
8	133376-01-01A	EA	TRIM - RETAINER - 144" - MILL

EXTERIOR BODY GROUP (CONTINUED)
PANELS & TRIMS (CONTINUED)



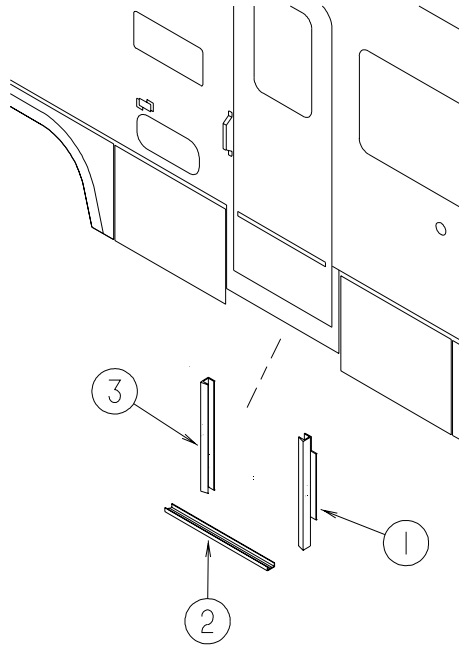
KEY	PART NUMBER	U/M	DESCRIPTION
1	083805-23-000	EA	TRIM - ROOF CAP - 92.1" - BRIGHT WHITE
2	138423-01-12B	EA	PLATE/BACKING - LITE - BRIGHT WHITE
3	138227-01-01A	EA	SHROUD - CAMERA - INNER - BLACK
4	139128-01-N52	EA	PANEL - REAR CAP - W/BACKUP CAMERA SHROUD - BRIGHT WHITE
5	092041-05-01A	EA	TRIM - BACKWALL/SIDEWALL - 77.6" - BRIGHT WHITE
6	091985-01-07A	EA	INSERT - TRIM - .65" WIDE - BRIGHT WHITE
7	140337-01-02B	EA	BRACKET - REAR CAP - E-COAT
8	138467-02-02B	EA	BRACKET/SUPPORT - BUMPER - LEFT - E-COATED
9	140340-01-02B	EA	ANGLE - REAR CAP - E-COATED
10	138453-02-02B	EA	BRACKET - BACKUP LITE - LEFT HAND - E-COATED
11	140339-01-02B	EA	BRACE - REAR CAP - RIGHT HAND - E-COAT
12	137920-01-01A	EA	PANEL/DOOR - REAR CAP
13	140339-02-02B	EA	BRACE - REAR CAP - LEFT HAND - E-COAT
			FROM: 00-00-00 THRU: 10-04-02
13	140339-01-02B	EA	BRACE - REAR CAP - RIGHT HAND - E-COAT
			FROM: 10-05-02 THRU: 99-99-99
14	138453-01-02B	EA	BRACKET - BACKUP LITE - RIGHT HAND - E-COATED
15	138467-01-02B	EA	BRACKET/SUPPORT - BUMPER - RIGHT - E-COATED
16	138789-01-02B	EA	ANGLE/MOUNT - WHEEL LIP - E-COATED

EXTERIOR BODY GROUP (CONTINUED)
PANELS & TRIMS (CONTINUED)



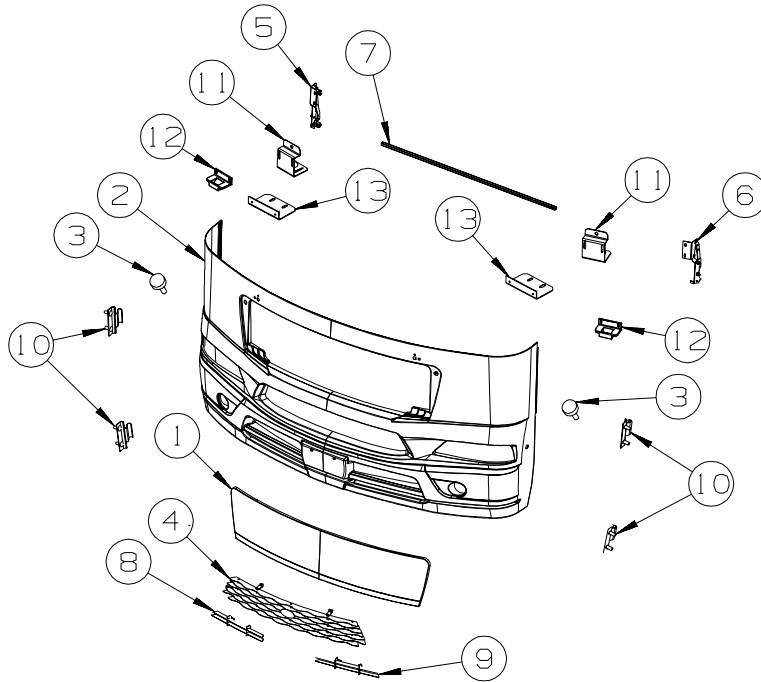
BACKWALL

KEY	PART NUMBER	U/M	DESCRIPTION
1	114248-02-01A	EA	ANGLE - PLASTIC - 96.6"



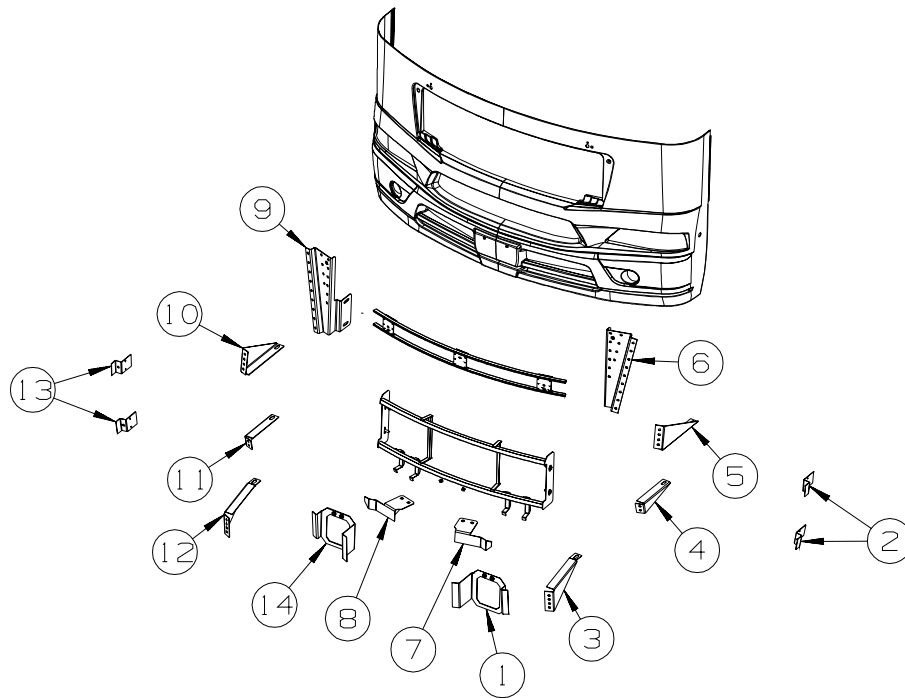
KEY	PART NUMBER	U/M	DESCRIPTION
1	139718-02-01A	EA	TRIM - SIDEWALL/DRIVER - NOTCHED - 24.5" - BRIGHT WHITE
2	137599-01-01A	EA	TRIM - NOTCHED - SIDEWALL - 33.2" - BLACK
3	139718-01-01A	EA	TRIM - SIDEWALL/PASSENGER - NOTCHED - 24.5"- BRIGHT WHITE

EXTERIOR BODY GROUP (CONTINUED)
FRONT END



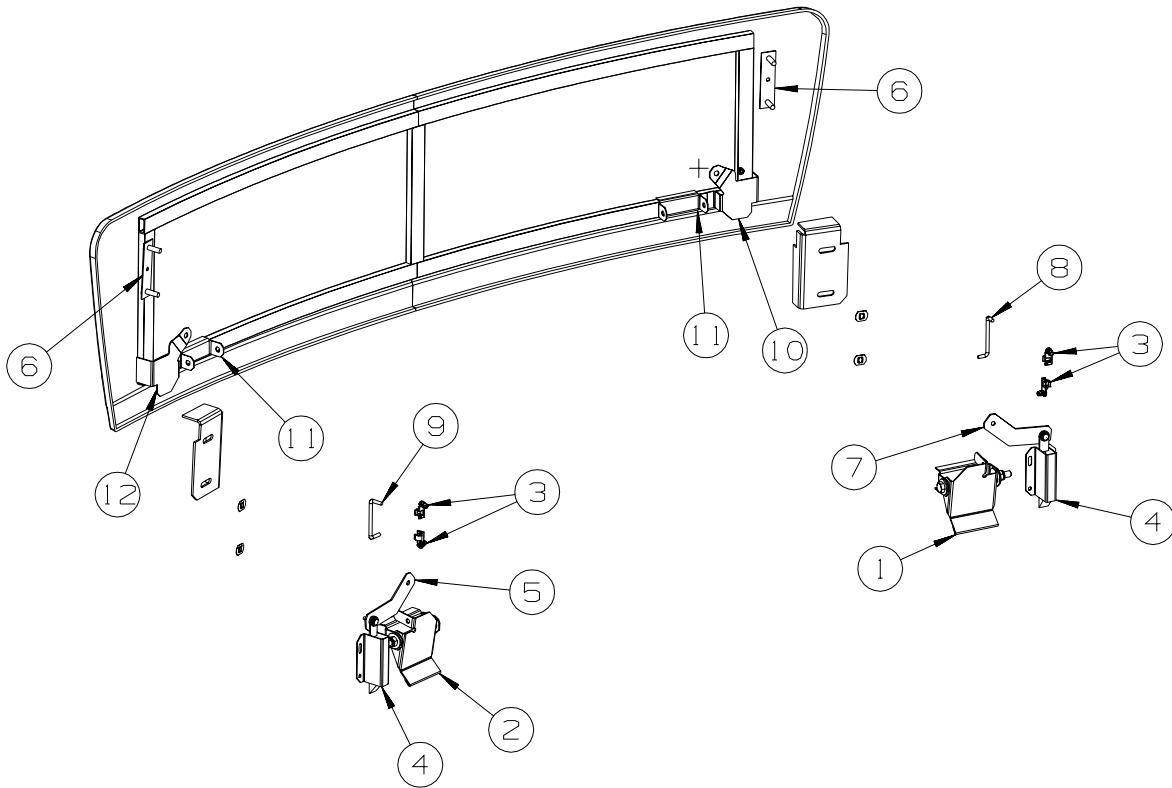
KEY	PART NUMBER	U/M	DESCRIPTION
1	139164-01-N52	EA	HOOD - FRONT
2	138353-04-N62	EA	PANEL - FRONT/LOWER
3	058786-01-000	EA	BOLT - HOOD ADJUSTMENT - 5/16"-18 X 1.5"-2"- W/BLACK PAD
4	139908-01-11B	EA	GRILLE - FRONT/UPPER - FLAT BLACK
5	137072-04-01A	EA	HINGE - HOOD - LEFT HAND - BLACK
6	137072-03-01A	EA	HINGE - HOOD - RIGHT HAND - BLACK
7	137300-03-02B	EA	TUBE/TIMING - HOOD - E-COATED
8	139947-01-11B	EA	GRILLE - FRONT/LOWER - FLAT BLACK
9	139947-02-11B	EA	GRILLE - FRONT/LOWER - FLAT BLACK
10	073050-04-000	EA	CLIP/MOUNTING - VALANCE PANEL
11	140324-02-02B	EA	BRACKET - HOOD - STRIKER - E-COATED
12	130053-02-01A	EA	STRIKER - LUGGAGE DOOR - OFF SET - BLACK
13	137939-02-02B	EA	BRACKET/MOUNT - SIGNAL/LAMP - E-COATED
	140447-01-01A	EA	TRIM - GRILLE PANEL/SIDEWALL - 22" - BRIGHT WHITE

EXTERIOR BODY GROUP (CONTINUED)
FRONT END (CONTINUED)



KEY	PART NUMBER	U/M	DESCRIPTION
1	139967-04-02B	EA	SUPPORT - FOG LAMP - LEFT HAND - E-COATED
2	142030-02-04B	EA	SUPPORT - WHEEL LIP/FRONT - LEFT HAND - E-COATED
3	139289-02-02B	EA	BRACKET - HEADLAMP - OUTER/LEFT HAND - E-COATED
4	139290-02-02B	EA	BRACKET - HEADLAMP - INNER/LEFT HAND - E-COATED
5	139288-02-02B	EA	BRACKET - HEADLAMP - UPPER/LEFT HAND - E-COATED
6	139713-04-02B	EA	SUPPORT - HINGE/LEFT HAND - E-COATED
7	139970-04-02B	EA	BRACKET - STRIKER - LEFT HAND - E-COATED
8	139970-03-02B	EA	BRACKET - STRIKER - RIGHT HAND - E-COATED
9	139713-03-02B	EA	SUPPORT - HINGE/RIGHT HAND - E-COATED
10	139288-01-02B	EA	BRACKET - HEADLAMP - UPPER/RIGHT HAND - E-COATED
11	139290-01-02B	EA	BRACKET - HEADLAMP - INNER/RIGHT HAND - E-COATED
12	139289-01-02B	EA	BRACKET - HEADLAMP - OUTER/RIGHT HAND - E-COATED
13	142030-01-04B	EA	SUPPORT - WHEEL LIP/FRONT - RIGHT HAND - E-COATED
14	139967-03-02B	EA	SUPPORT - FOG LAMP - RIGHT HAND - E-COATED

EXTERIOR BODY GROUP (CONTINUED)
FRONT END (CONTINUED)



KEY	PART NUMBER	U/M	DESCRIPTION
1	134415-01-02B	EA	LATCH/HOOD - PULL - RIGHT HAND - E-COATED
2	134415-02-02B	EA	LATCH/HOOD - PULL - LEFT HAND - E-COATED
3	102265-01-000	EA	CLIP - ROD END - 5/32" - BLACK PLASTIC
4	113908-01-000	EA	LATCH/PLUNGER - F/HOOD
5	134418-06-02B	EA	PIVOT - LATCH/HOOD - E-COATED - RIGHT HAND
6	106730-10-000	EA	PLATE - STUD - F/HOOD
7	134418-07-02B	EA	PIVOT - LATCH/HOOD - E-COATED - LEFT HAND
8	134416-01-01A	EA	ROD/HOOD LATCH - STAINLESS STEEL - RIGHT HAND
9	134416-02-01A	EA	ROD/HOOD LATCH - STAINLESS STEEL - LEFT HAND
10	139162-01-02B	EA	BRACKET - LATCH - SPRING - RIGHT HAND
11	139160-01-01A	EA	BRACKET - LATCH - PADDLE
12	139162-02-02B	EA	BRACKET - LATCH - SPRING - LEFT HAND

EXTERIOR BODY GROUP (CONTINUED)

LADDER

KEY	PART NUMBER	U/M	DESCRIPTION
	129375-02-000	EA	SEAL - LADDER BRACKET
	130163-08-01A	EA	LADDER EXTENSION/LOWER - 35.6" - 3 STEP - BRUSHED ALUMINUM
	137927-01-01A	EA	LADDER - BRUSHED ALUMINUM

MIRRORS

KEY	PART NUMBER	U/M	DESCRIPTION
*	106015-18-01A	EA	MIRROR - EXTERIOR/REMOTE/HEAT - PASSENGER
*	106015-19-01A	EA	MIRROR - EXTERIOR/REMOTE/HEAT - DRIVER

***COMPONENT PARTS LISTED LATER IN THIS GROUP**

EXTERIOR BODY GROUP (CONTINUED)
COMPONENT PARTS FOR MIRRORS

106015-18-01A, 106015-19-01A

KEY	PART NUMBER	U/M	DESCRIPTION	VENDOR NO.
	106015-12-702	EA	CAP/SCREW - (PKG OF 4) - BLK	748329 RND
	106015-16-700	EA	GLASS-FLAT W/HEAT ELEMENT	709450
	106015-18-700	EA	GLASS/CONVEX-KIT W/CLIP	709650
	106015-18-701	EA	ACTUATOR - CONVEX GLASS	7475410
	106015-18-702	EA	MOTOR - FLAT GLASS	747118
	106015-18-703	EA	CONVEX REBUILT KIT	709651
	106015-19-700	EA	VIBRATION KIT - MIRROR GLASS, VELVAC	709645

EXTERIOR BODY GROUP (CONTINUED)
STRUCTURAL COMPONENTS

KEY	PART NUMBER	U/M	DESCRIPTION
	002766-01-001	EA	ANGLE - EXTRUDED - 1" X 1 1/2" X 17'
	077517-62-000	EA	FIBERGLASS SHEET - 48" X 96" - BRIGHT WHITE
	108535-05-03A	SF	FIBERGLASS SHEET - 108" X 500' ROLL - BRIGHT WHITE
	128782-07-01A	EA	FIBERGLASS SHEET - 79" X 456" - HIGH GLOSS - BRIGHT WHITE
	128782-09-01A	EA	FIBERGLASS SHEET - 31" X 68.2" - HIGH GLOSS - BRIGHT WHITE
			FROM: 05-01-02 THRU: 99-99-99
	089297-01-000	SF	PLYWOOD - LUAN - OVERLAY GRADE - 4' X 8'
	100619-01-000	BF	FOAM - EXPANDED POLYSTYRENE - 1.34" X 48" X 96"
	100619-02-000	BF	FOAM - EXPANDED POLYSTYRENE - 1.5" X 48" X 96"
	100619-05-000	BF	FOAM - EXPANDED POLYSTYRENE - .75" X 48" X 96"-1.5 DENSITY
	100619-13-000	BF	FOAM - EXPANDED POLYSTYRENE - .34" X 34.65" X 96"
	100619-16-000	BF	FOAM - EXPANDED POLYSTYRENE - .75" X 48" X 96"-2.0 DENSITY
	100619-27-000	BF	FOAM - EXPANDED POLYSTYRENE - 48" X 92.8" X 3"
	105077-10-000	EA	FOAM - PLUG - ROOF CAP
			FROM: 07-10-02 THRU: 99-99-99
	120107-01-000	EA	FOAM - ROOF COVE - 2.8" X 96" LONG

AWNINGS

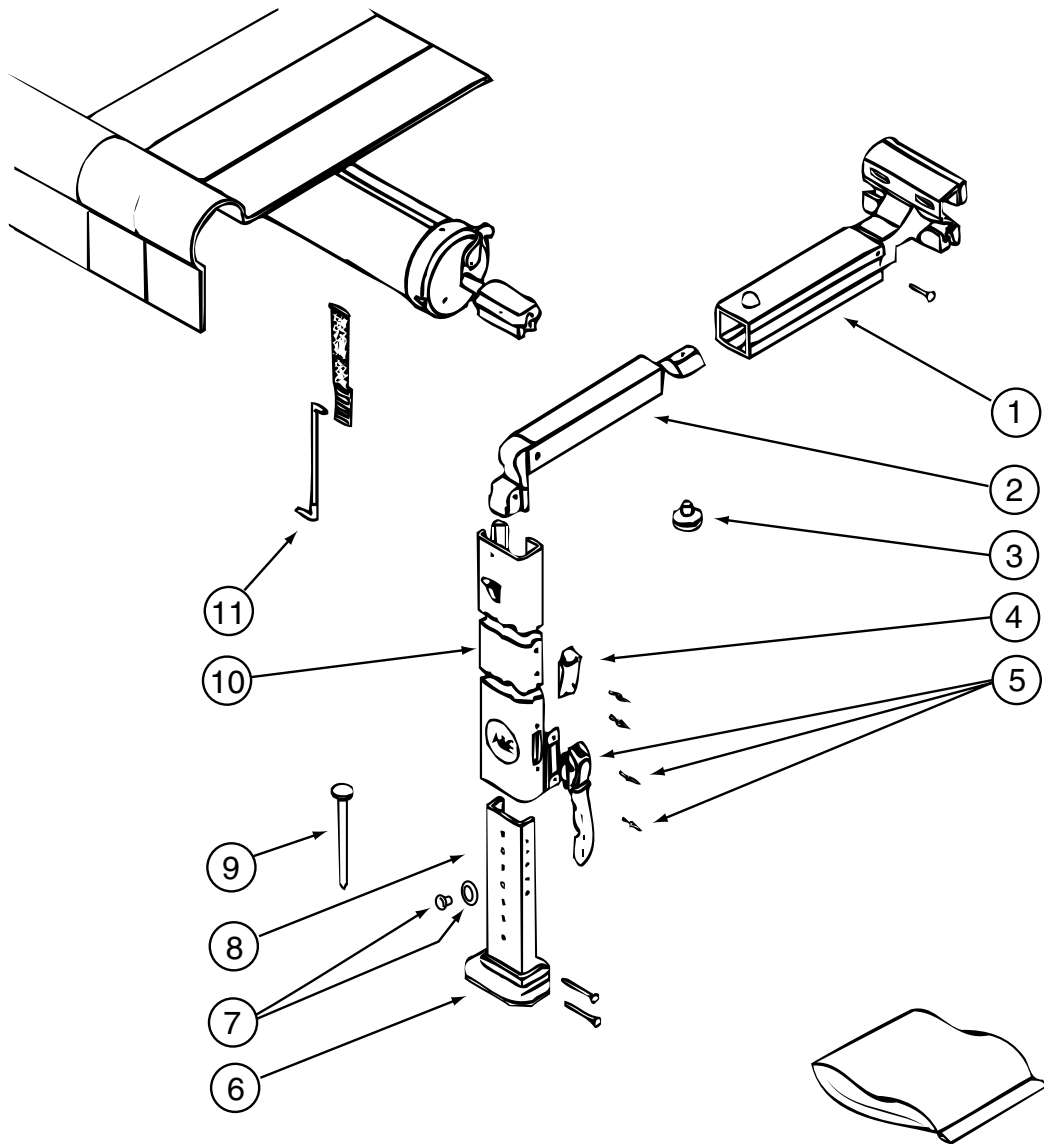
PATIO AWNINGS

SERIES	MODEL	COLOR	AWNING	AWNING	WEATHER	PART #	PART #
		DESIGNATIO	FABRIC	LENGTH	WRAP	MANUAL	ELECTRIC
SUNFLYER	L36W	NE GREEN	VINYL	19'	MTL/BRT WHT	113874-08-28A	143181-08-28A
	L39T	NE GREEN	VINYL	18'	MTL/BRT WHT		143181-07-28A
	L39T	NE GREEN	VINYL	19'	MTL/BRT WHT	113874-08-28A	

KEY	PART NUMBER	U/M	DESCRIPTION
*	113874-01-02A	EA	HARDWARE KIT - AWNING - W/O STANDOFF BRACKET-BRIGHT WHITE
	143181-01-01A	EA	HARDWARE/AWNING - WEATHERPROOF - BRIGHT WHITE - ELECTRIC
	113874-11-01A	EA	SCREW/LAG - AWNING - 1/4" X 1" STAINLESS STEEL
	113874-12-01A	EA	SCREW/LAG - AWNING - 1/4" X 2 3/4" STAINLESS STEEL
	127647-01-01A	EA	ROD/AWNING GUARD - ENTRY DOOR - 17.8" LONG - L36W
	137054-01-02A	EA	BRACKET - AWNING - BRIGHT WHITE
	143181-02-01A	EA	HARDWARE/AWNING - ELECTRICAL KIT - ELECTRIC

***COMPONENT PARTS LISTED LATER IN THIS GROUP**

EXTERIOR BODY GROUP (CONTINUED)
COMPONENT PARTS FOR AWNINGS

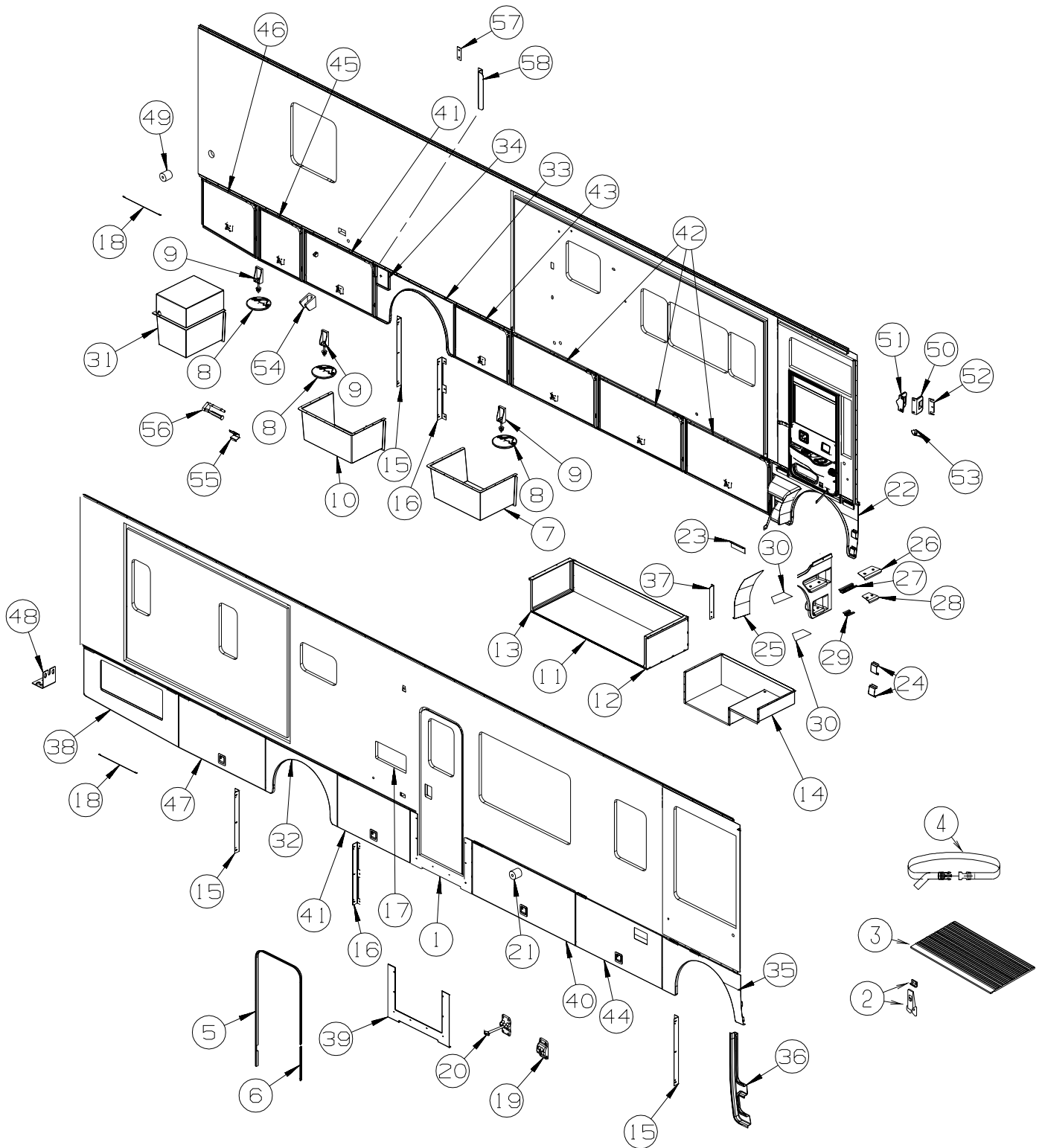


113874-01-02A

KEY	PART NUMBER	U/M	DESCRIPTION	VENDOR NO.
1	113874-01-714	EA	RAFTER - MAIN RH/LH BRT/WHT	830295.536F
2	113874-01-715	EA	RAFTER - SECONDARY BRT/WHT	830463.511F
3	113874-01-702	EA	KNOB - ADJUSTING	3105421.014
4	113874-01-706	EA	LOCK - TRAVEL	830587.001
5	113874-01-707	EA	HANDLE - LIFT W/RIVETS	830644
6	113874-01-712	EA	FOOT - PATIO	730366-001
7	113874-01-710	EA	PLUG-STOP KIT	830456
8	113874-01-717	EA	ARM - ADJUSTABLE BRT/WHT	830467.517/F
9	113874-01-709	EA	NAIL-SPIKE, 8"	113006
10	113874-01-716	EA	ARM - MAIN SUPPORT BRT/WHT	3104502.293/F
11	113874-01-703	EA	ROD-CENTER PULL W/ACCESSORY	830152.102

EXTERIOR DOORS & COMPARTMENT GROUP

DOOR & COMPARTMENT LAYOUT

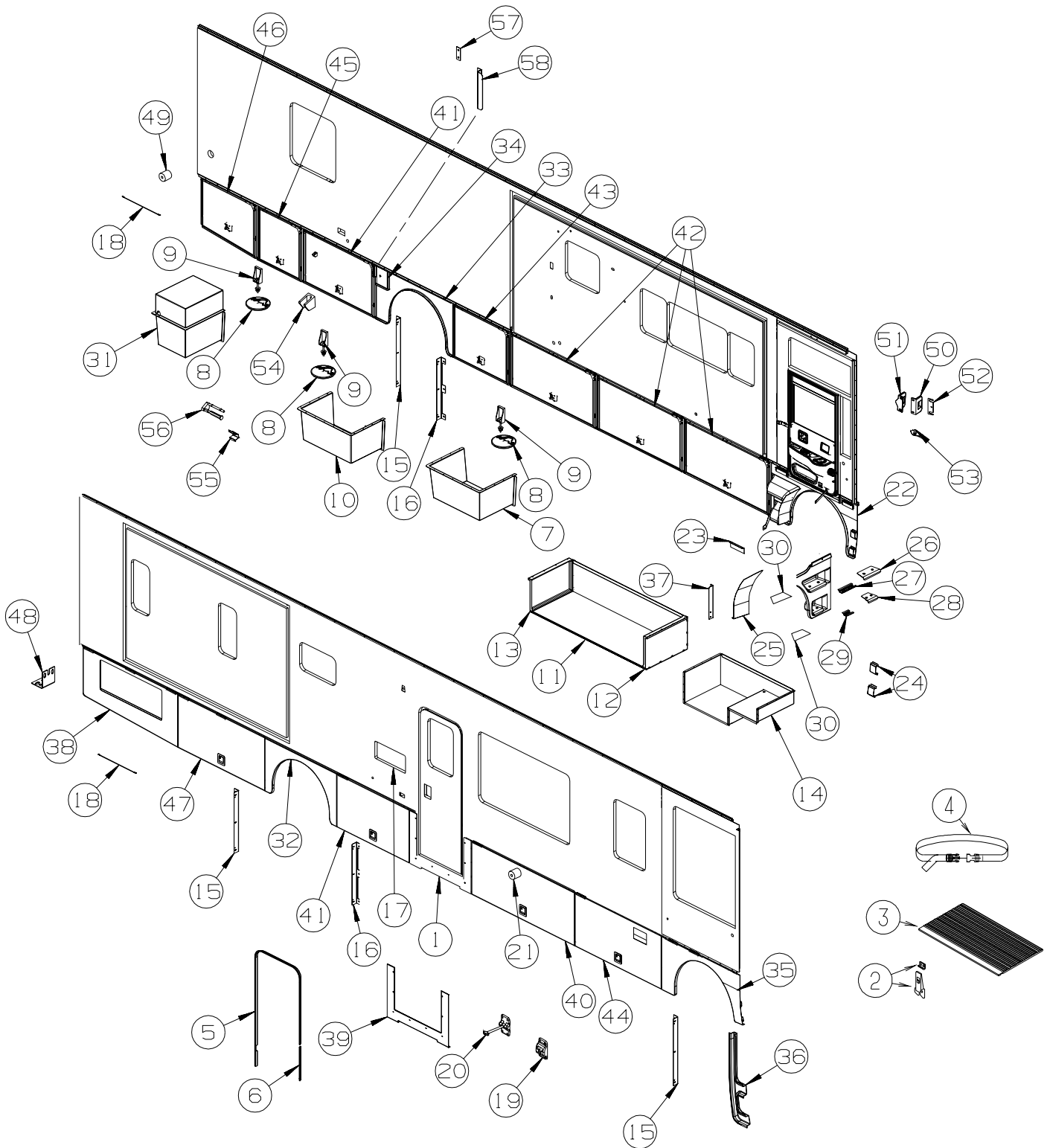


KEY	PART NUMBER	U/M	DESCRIPTION
1*	094707-03-01A	EA	STEP - ELECTRIC DOUBLE - W/BLACK CONTROL BOX - KWIKEE
2	116975-01-01A	EA	LATCH - W/O STRIKE - BLACK - NEW STYLE
3	133114-01-01A	EA	TREAD - STEP/RUBBER - 29.3" - TAUPE
4	099856-11-000	EA	STRAP - TIEDOWN - 7.9"
5	139100-01-01A	EA	GARNISH/RADIUS - ENTRY DOOR - BRIGHT WHITE
6	139101-01-01A	EA	GARNISH/STRAIGHT - 36.31" - W/NOTCH - BRIGHT WHITE
7	133341-02-L76	EA	COMPARTMENT - DRAINAGE
8	M08628-01-H17	EA	HATCH - W/FOAM INSERT - 3/4" X 11 1/2" DIA.- BLACK PLASTIC
9	121175-02-01A	EA	LATCH - SWELL
10	133341-03-N52	EA	COMPARTMENT - DRAINAGE

EXTERIOR DOORS & COMPARTMENT GROUP (CONTINUED)
DOOR & COMPARTMENT LAYOUT (CONTINUED)

KEY	PART NUMBER	U/M	DESCRIPTION
11	135927-05-N52	EA	COMPARTMENT ASM-LUGGAGE
12	126397-03-01A	EA	PANEL/COMPARTMENT END - RIGHT HAND
13	126397-04-01A	EA	PANEL/COMPARTMENT END - LEFT HAND
14	138459-01-N52	EA	COMPARTMENT - LUGGAGE
15	138789-01-02B	EA	ANGLE/MOUNT - WHEEL LIP - E-COATED
16	138789-02-02B	EA	ANGLE/MOUNT - WHEEL LIP - E-COATED
17*	084103-08-000	EA	DOOR - VENT - REFRIGERATOR - W/O JAMB - BRIGHT WHITE
	084104-08-000	EA	JAMB - VENT DOOR/REFRIGERATOR - BRIGHT WHITE
18	076767-14-000	EA	CABLE - STAINLESS STEEL - 14.9"
19	104099-01-04A	EA	CATCH - DOOR HOLDER - STRIKE - 3.9" - BRIGHT WHITE
20	104099-02-04A	EA	CATCH/RETAINER - DOOR HOLDER - BRIGHT WHITE
21	120863-01-000	EA	BUMPER - RUBBER - 1 1/4" X 1 1/4"
22	137434-02-N52	EA	PANEL/WHEEL LIP - FRONT/DRIVER
			FROM: 00-00-00 THRU: 03-14-03
22	146509-01-P63	EA	PANEL/WHEEL LIP
			FROM: 03-15-03 THRU: 99-99-99
23	139003-02-02B	EA	BRACKET - REAR/WHEEL LIP - E-COATED
24	139085-01-02B	EA	BRACKET - WHEEL LIP/FRONT - E-COATED
25	140870-01-02B	EA	SHIELD - WHEEL LIP - E-COATED
26	138141-01-04B	EA	TREAD/STEP - DRIVER
27	138143-02-02B	EA	SUPPORT/STEP - DRIVER - E-COATED
28	138141-02-04B	EA	TREAD/STEP - DRIVER
29	138143-04-02B	EA	SUPPORT/STEP - DRIVER - E-COATED
30	038327-01-000	EA	TAPE - ANTI-SLIP - 2" X 60'
31	138596-01-N52	EA	COMPARTMENT - POWER CORD
32	138839-01-N52	EA	PANEL - WHEEL LIP - PASSENGER - REAR/RH
33	138878-01-N52	EA	PANEL/WHEEL LIP - REAR/DRIVER
34	142459-01-N52	EA	PANEL ASM-DOOR,FUEL FILL
	138290-01-000	EA	CASE - W/CAM - W/O CYLINDER/KEY
35	138912-01-N52	EA	PANEL/WHEEL LIP - FRONT/PASSENGER
36	138990-01-01A	EA	SUPPORT - WHEEL LIP/FRONT/RIGHT HAND - BRIGHT WHITE
37	139081-01-02B	EA	ANGLE - VALANCE - E-COATED
			FROM: 00-00-00 THRU: 03-14-03
38	139132-01-N52	EA	VALANCE/PANEL - PASS - A/C - W/GRILL - 28.7" X 62.6" X 26"
	105290-01-000	SF	INSULATION - AIR POCKET W/FOIL
39	139771-01-N52	EA	PANEL/VALANCE - HORSESHOE
40	140442-07-N52	EA	VALANCE/DOOR - W/O PADDLE LATCH - 67" X 28"
	107796-31-000	EA	SPRING/GAS - 12" COMPRESSED/20" EXTENDED - 100 LB
	132873-02-000	EA	ROD - LATCH (BLANK) - LEFT HAND
	132873-15-000	EA	ROD - LATCH - 27.8" W/3/4" DOG LEG
	132873-16-000	EA	ROD - LATCH - 29.6" W/3/4" DOG LEG
	132892-02-01A	FT	SEAL - BULB
41	140442-10-N52	EA	VALANCE/DOOR - W/O PADDLE LATCH - 47" X 28"
	107796-31-000	EA	SPRING/GAS - 12" COMPRESSED/20" EXTENDED - 100 LB
	132873-78-000	EA	ROD - LATCH - 17.7" W/3/4" DOG LEG
	132873-79-000	EA	ROD - LATCH - 19.5" W/3/4" DOG LEG
	132892-02-01A	FT	SEAL - BULB
	146556-01-000	FT	SEAL-D SECTION W/LEG, LTI, LT5036 - EXTERIOR ENTERTAINMENT CENTER
	134985-01-01A	EA	TABLE-FOLDING - 16"W X 32"L X 26 1/2"H - CHROME LEGS - LOCATED IN PASS.SIDE COMPARTMENT
42	140442-17-N52	EA	VALANCE/DOOR - W/O PADDLE LATCH - 57" X 28"
	107796-31-000	EA	SPRING/GAS - 12" COMPRESSED/20" EXTENDED - 100 LB
	132873-81-000	EA	ROD - LATCH - 22.4" W/3/4" DOG LEG
	132873-82-000	EA	ROD - LATCH - 24.3" W/3/4" DOG LEG
	132892-02-01A	FT	SEAL - BULB
43	140442-18-N52	EA	VALANCE/DOOR - W/O PADDLE LATCH - 37" X 28"
	107796-26-000	EA	SPRING/GAS - 12" COMPRESSED/20" EXTENDED - 90 LB.
	132873-56-000	EA	ROD - LATCH - 12.9" W/3/4" DOG LEG
	132873-57-000	EA	ROD - LATCH - 14.6" W/3/4" DOG LEG
	132892-02-01A	FT	SEAL - BULB
44	140442-19-N52	EA	VALANCE/DOOR - W/O PADDLE LATCH - 57" X 28" W/VENT
	132873-81-000	EA	ROD - LATCH - 22.4" W/3/4" DOG LEG
	132873-82-000	EA	ROD - LATCH - 24.3" W/3/4" DOG LEG
	132892-02-01A	FT	SEAL - BULB

EXTERIOR DOORS & COMPARTMENT GROUP (CONTINUED)
DOOR & COMPARTMENT LAYOUT (CONTINUED)



KEY	PART NUMBER	U/M	DESCRIPTION
45	140442-20-N52	EA	VALANCE/DOOR - W/O PADDLE LATCH - 29" X 28"
	107796-26-000	EA	SPRING/GAS - 12" COMPRESSED/20" EXTENDED - 90 LB.
	132873-03-000	EA	ROD - LATCH - 10.9" W/DOG LEG
	132873-22-000	EA	ROD - LATCH - 8.7" W/3/4" DOG LEG
	132892-02-01A	FT	SEAL - BULB
46	140442-21-N52	EA	VALANCE/DOOR - DRIVER W/O PADDLE LATCH - 28" X 37" X 25"
	132873-27-000	EA	ROD - LATCH - 12.5" W/3/4" DOG LEG
	132873-28-000	EA	ROD - LATCH - 14.4" W/3/4" DOG LEG
	132892-02-01A	FT	SEAL - BULB

EXTERIOR DOORS & COMPARTMENT GROUP (CONTINUED)
DOOR & COMPARTMENT LAYOUT (CONTINUED)

KEY	PART NUMBER	U/M	DESCRIPTION
47	140442-23-N52	EA	VALANCE/DOOR - W/O PADDLE LATCH - 57" X 28"
	107796-31-000	EA	SPRING/GAS - 12" COMPRESSED/20" EXTENDED - 100 LB
	121947-01-01A	EA	BOLT - SLIDE W/PLASTIC PLUNGER
	132873-81-000	EA	ROD - LATCH - 22.4" W/3/4" DOG LEG
	132873-82-000	EA	ROD - LATCH - 24.3" W/3/4" DOG LEG
	132892-02-01A	FT	SEAL - BULB
48	109216-03-000	EA	ANGLE - FURNACE DOOR
			FROM: 00-00-00 THRU: 01-13-03
48	140309-03-02B	EA	ANGLE - FURNACE DOOR
			FROM: 01-14-03 THRU: 99-99-99
49	117047-01-000	EA	BUMPER - RUBBER - WASHER INSERT
	105290-01-000	SF	INSULATION - AIR POCKET W/FOIL
50	130053-01-01A	EA	STRIKER - LUGGAGE DOOR - FLUSH - BLACK
51	130053-02-01A	EA	STRIKER - LUGGAGE DOOR - OFF SET - BLACK
52	120494-03-02B	EA	SHIM - STRIKER - LUGGAGE DOOR - .20 - E-COATED
53	126263-02-02B	EA	BRACKET - GAS SPRING W/BALL STUD - E-COATED
54	131383-03-02A	EA	BRACKET - SHOWER HEAD - WHITE
55	135890-01-12B	EA	HOLDER - BOTTLE - SOAP - BRIGHT WHITE
56	129041-01-01A	EA	HOLDER-PAPER TOWEL
57	142495-01-02B	EA	SPACER - DOOR CATCH - E-COATED
58	142490-01-02B	EA	CATCH - FUEL DOOR - E-COATED
	132892-02-01A	FT	SEAL - BULB
	138292-01-000	EA	SEAL - LOCK CYLINDER
	138289-01-000	EA	CYLINDER - LOCKING
	138289-02-000	EA	CYLINDER - LOCKING
	138289-03-000	EA	CYLINDER - LOCKING
	138289-04-000	EA	CYLINDER - LOCKING
	138289-05-000	EA	CYLINDER - LOCKING
	138289-06-000	EA	CYLINDER - LOCKING
	138289-07-000	EA	CYLINDER - LOCKING
	138289-08-000	EA	CYLINDER - LOCKING
	138289-09-000	EA	CYLINDER - LOCKING
	138289-10-000	EA	CYLINDER - LOCKING
	138288-01-000	EA	KEY - REVERSIBLE - #1151 - T/M 16169-02-3091
	138288-02-000	EA	KEY - REVERSIBLE - #1152 - T/M 16169-02-3092
	138288-03-000	EA	KEY - REVERSIBLE - #1153 - T/M 16169-02-3093
	138288-04-000	EA	KEY - REVERSIBLE - #1154 - T/M 16169-02-3094
	138288-05-000	EA	KEY - REVERSIBLE - #1155 - T/M 16169-02-3095
	138288-06-000	EA	KEY - REVERSIBLE - #1156 - T/M 16169-02-3096
	138288-07-000	EA	KEY - REVERSIBLE - #1157 - T/M 16169-02-3097
	138288-08-000	EA	KEY - REVERSIBLE - #1158 - T/M 16169-02-3098
	138288-09-000	EA	KEY - REVERSIBLE - #1159 - T/M 16169-02-3099
	138288-10-000	EA	KEY - REVERSIBLE - #1150 - T/M 16169-02-3100

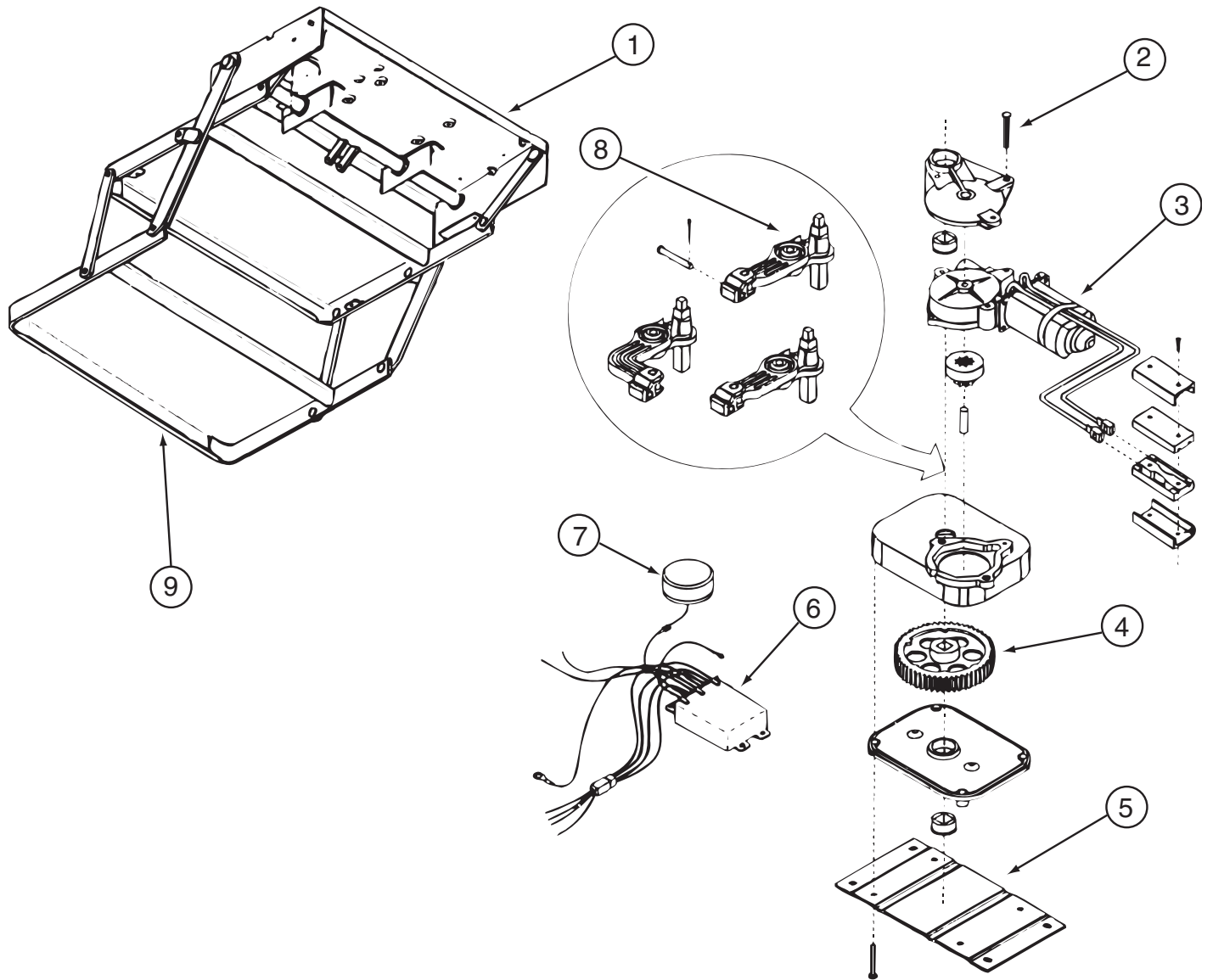
***COMPONENT PARTS LISTED LATER IN THIS GROUP**

EXTERIOR DOORS & COMPARTMENT GROUP (CONTINUED)
COMPONENT PARTS FOR DOOR & COMPARTMENT LAYOUT

084103-08-000

KEY	PART NUMBER	U/M	DESCRIPTION	VENDOR NO.
	084104-01-700	EA	LOCK-MALE, FASTENER	201-721-010
	084104-01-701	EA	LOCK-FEMALE, FASTENER	201-802-010

EXTERIOR DOORS & COMPARTMENT GROUP (CONTINUED)
COMPONENT PARTS FOR DOOR & COMPARTMENT LAYOUT (CONTINUED)

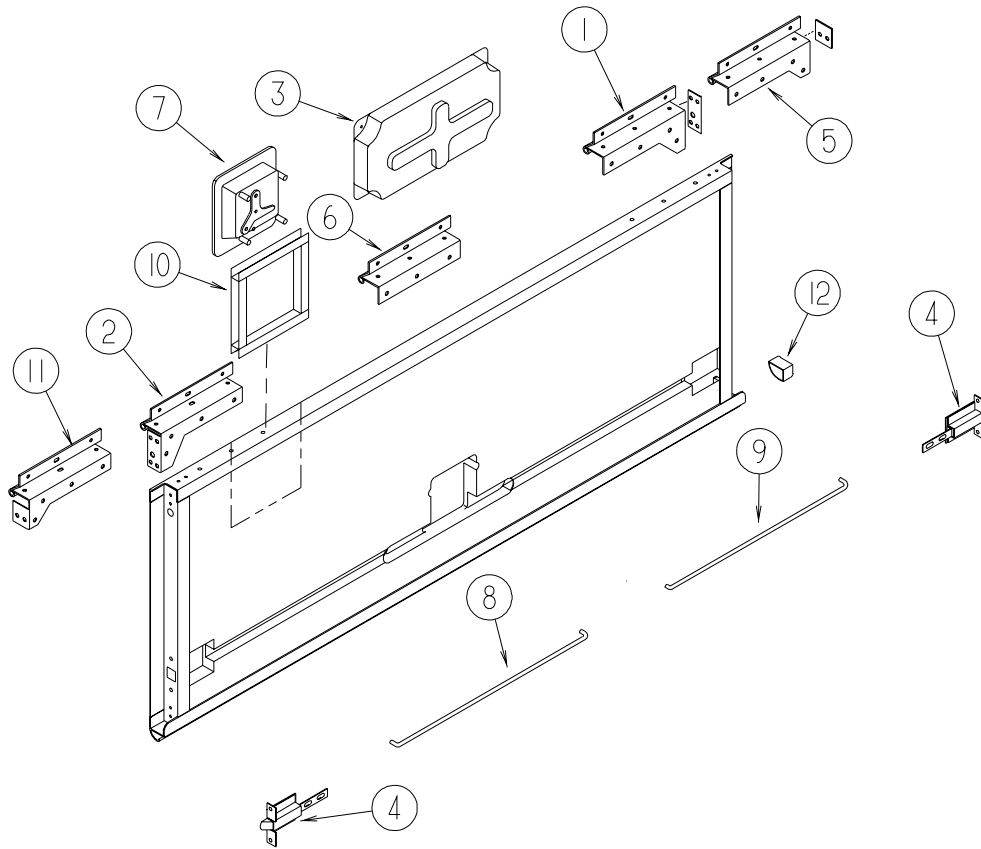


094707-03-01A

KEY	PART NUMBER	U/M	DESCRIPTION	VENDOR NO.
1	094707-01-702	EA	FRAME W/DBL STEP,3200 SERIES	908032
2	094707-02-703	EA	BEARING & PINS	909530
3	094707-02-700	EA	MOTOR - "UT" ASM W/BRGS/PIN	909520
4	094707-02-702	EA	GEAR KIT(GEAR-BEARING-PINS)	909525
5	094707-02-704	EA	CONNECTOR-MOTOR ASM.W/PLATES	909537
6	094707-03-700	EA	KIT CONTROL/SWITCH-RETROFIT	909506005
7	088746-01-705	EA	LIGHT-UNDER STEP	9004
8	094707-02-701	EA	LINKAGE ASM. W/BEARINGS-PINS	909534
	094707-02-706	EA	GEAR BOX ASM. W/O MOTOR	9524
	094707-02-708	EA	TREAD - NON-SKID - YELLOW	909331
	094707-03-701	EA	PLUG - 4-WAY - PACKARD	909306

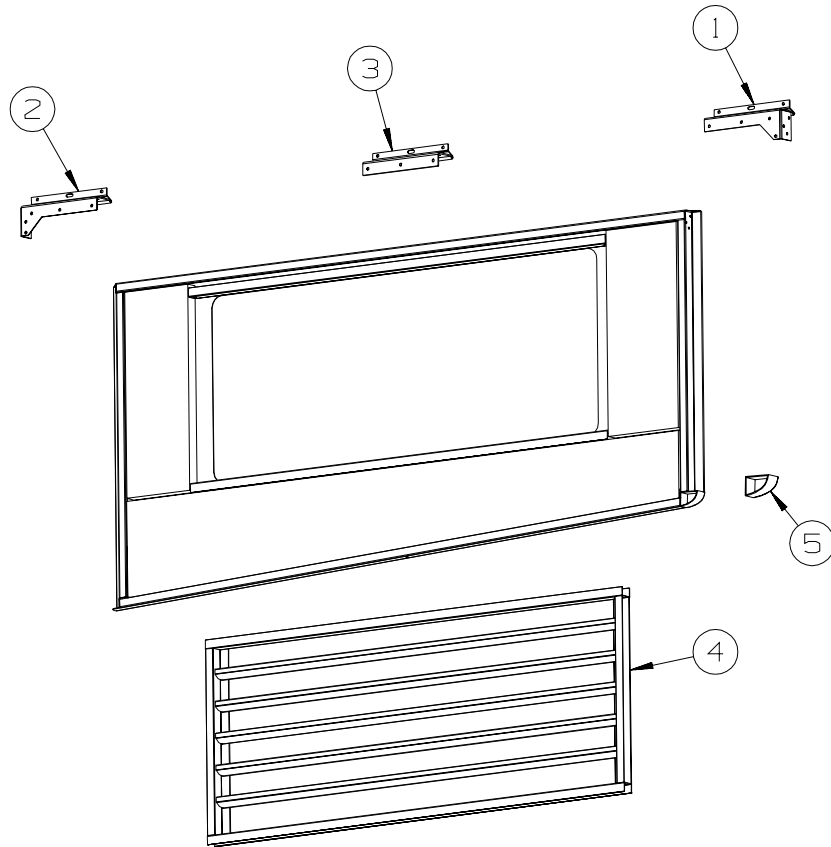
CONTACT WINNEBAGO PART SALES FOR UNLISTED COMPONENTS

EXTERIOR DOORS & COMPARTMENT GROUP (CONTINUED)
COMPARTMENT DOOR PIECE PARTS



KEY	PART NUMBER	U/M	DESCRIPTION
1	139793-02-01A	EA	HINGE - LEFT HAND/VALANCE DOOR - W/BALLSTUD
2	139793-01-01A	EA	HINGE - RIGHT HAND/VALANCE DOOR - W/BALLSTUD
3	137359-01-01A	EA	COVER - LATCH - WHITE
4	121947-01-01A	EA	BOLT - SLIDE W/PLASTIC PLUNGER
5	139793-05-01A	EA	HINGE - LEFT HAND/VALANCE DOOR - W/O BALLSTUD
6	139793-03-01A	EA	HINGE - CENTER/VALANCE DOOR - W/O BALLSTUD
7	138277-01-01A	EA	LATCH/PADDLE - COMPARTMENT DOOR - BLACK - KEY ONE
7	112949-02-04A	EA	LATCH - PADDLE NON-LOCKING - BRIGHT WHITE
8	132873-02-000	EA	ROD - LATCH (BLANK) - LEFT HAND
9	132873-01-000	EA	ROD - LATCH (BLANK) - RIGHT HAND
10	133049-02-L76	EA	TRIM - COVER/WATER HEATER
11	139793-04-01A	EA	HINGE - RIGHT HAND/VALANCE DOOR - W/O BALLSTUD
12	138643-02-01A	EA	CORNER-VAL DOOR,REAR,LH,BLK

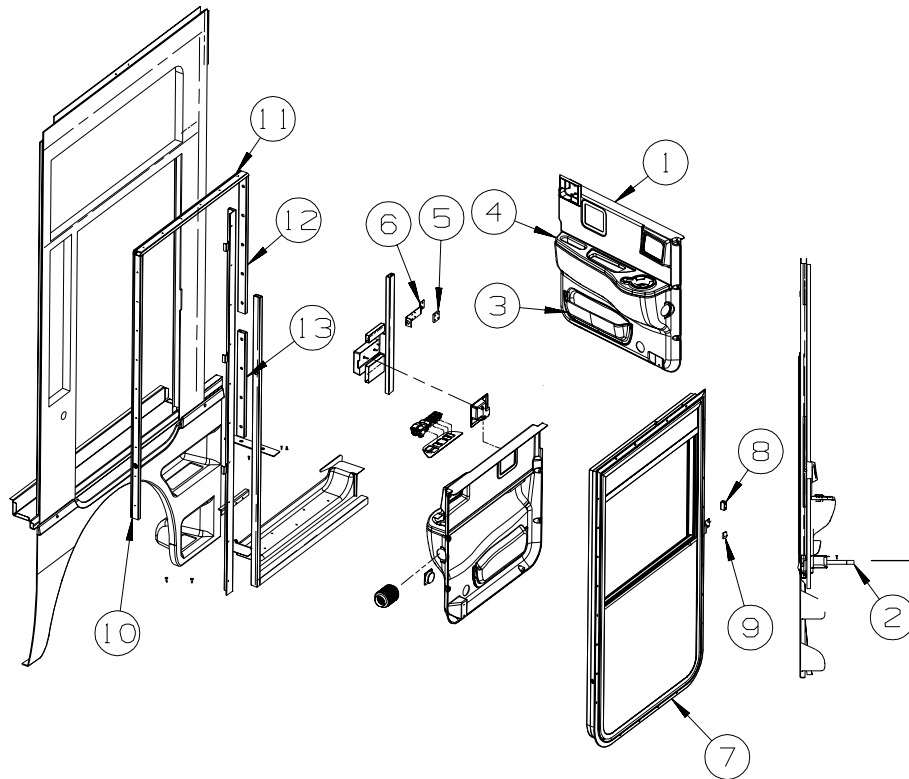
EXTERIOR DOORS & COMPARTMENT GROUP (CONTINUED)
COMPARTMENT DOOR PIECE PARTS (CONTINUED)



KEY	PART NUMBER	U/M	DESCRIPTION
1	131790-01-01A	EA	HINGE - SINGLE/PIVOT
2	131790-02-01A	EA	HINGE - SINGLE/PIVOT
3	131790-03-01A	EA	HINGE - SINGLE/PIVOT
4	113333-10-M42	EA	GRILL/DOOR - A/C
5	138643-01-01A	EA	CORNER-VAL DOOR,REAR,RH,BLK

EXTERIOR DOORS & COMPARTMENT GROUP (CONTINUED)

DRIVERS

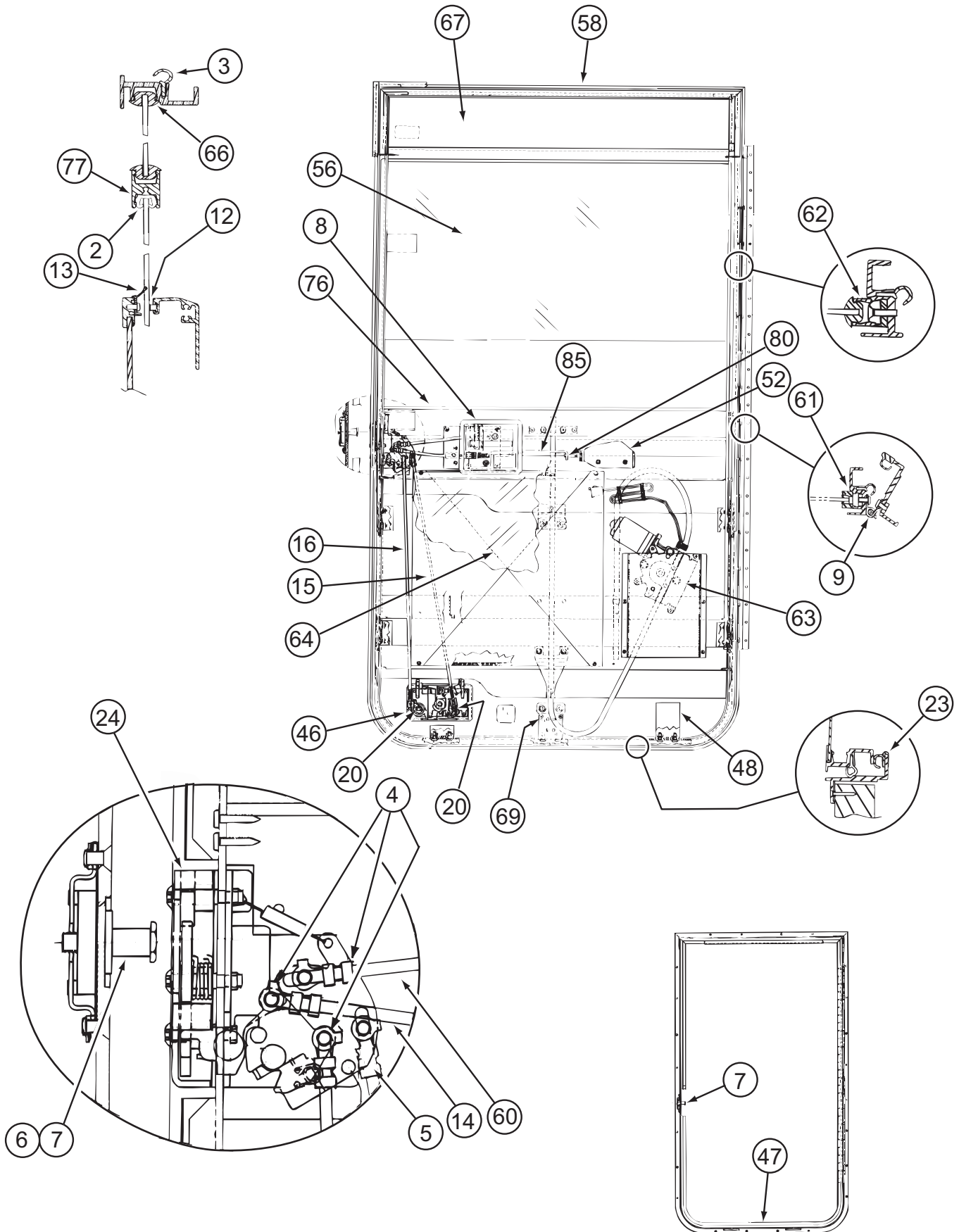


KEY	PART NUMBER	U/M	DESCRIPTION
1	139385-01-01A	EA	PANEL/DOOR - CAB/INNER/LEFT HAND - GLACIER
2	109378-01-000	EA	STRAP - CHECK - DRIVER DOOR - 12.8"
3	139405-02-01A	EA	POCKET/MAP - DOOR/PASSENGER - GLACIER
	139405-01-01A	EA	POCKET/MAP - DOOR/DRIVER - GLACIER
4	139512-01-01A	EA	PANEL/TRIM - DOOR/DRIVER - PUTTY
5	126534-01-02B	EA	SPACER - STRIKE - DRIVER DOOR - E-COATED
6	126506-01-02B	EA	BRACKET - STRIKE - DRIVER DOOR - E-COATED
7*	125581-10-01A	EA	DOOR - DRIVER - POWER WINDOW/LOCK
8	128131-01-01A	EA	SPACER/SWITCH - DOME - BLACK
9	109235-01-05A	FT	COVER - SCREW - BRIGHT WHITE
10	125725-07-01A	EA	FRAME - DRIVER DOOR - 53.3" - BLACK
11	125725-01-01A	EA	FRAME - DRIVER DOOR - 33.5" - BLACK
12	125725-03-01A	EA	FRAME - DRIVER DOOR - 27.8" - BLACK
13	125725-08-01A	EA	FRAME - DRIVER DOOR - 21.4" - BLACK
	138288-01-000	EA	KEY - REVERSIBLE - #1151 - T/M 16169-02-3091
	138288-02-000	EA	KEY - REVERSIBLE - #1152 - T/M 16169-02-3092
	138288-03-000	EA	KEY - REVERSIBLE - #1153 - T/M 16169-02-3093
	138288-04-000	EA	KEY - REVERSIBLE - #1154 - T/M 16169-02-3094
	138288-05-000	EA	KEY - REVERSIBLE - #1155 - T/M 16169-02-3095
	138288-06-000	EA	KEY - REVERSIBLE - #1156 - T/M 16169-02-3096
	138288-07-000	EA	KEY - REVERSIBLE - #1157 - T/M 16169-02-3097
	138288-08-000	EA	KEY - REVERSIBLE - #1158 - T/M 16169-02-3098
	138288-09-000	EA	KEY - REVERSIBLE - #1159 - T/M 16169-02-3099
	138288-10-000	EA	KEY - REVERSIBLE - #1150 - T/M 16169-02-3100
	138289-01-000	EA	CYLINDER - LOCKING
	138289-02-000	EA	CYLINDER - LOCKING
	138289-03-000	EA	CYLINDER - LOCKING
	138289-04-000	EA	CYLINDER - LOCKING
	138289-05-000	EA	CYLINDER - LOCKING
	138289-06-000	EA	CYLINDER - LOCKING
	138289-07-000	EA	CYLINDER - LOCKING
	138289-08-000	EA	CYLINDER - LOCKING
	138289-09-000	EA	CYLINDER - LOCKING
	138289-10-000	EA	CYLINDER - LOCKING
	138292-01-000	EA	SEAL - LOCK CYLINDER

*COMPONENT PARTS LISTED LATER IN THIS GROUP

EXTERIOR DOORS & COMPARTMENT GROUP (CONTINUED)

COMPONENT PARTS FOR DRIVERS



125581-10-01A

EXTERIOR DOORS & COMPARTMENT GROUP (CONTINUED)
COMPONENT PARTS FOR DRIVERS (CONTINUED)

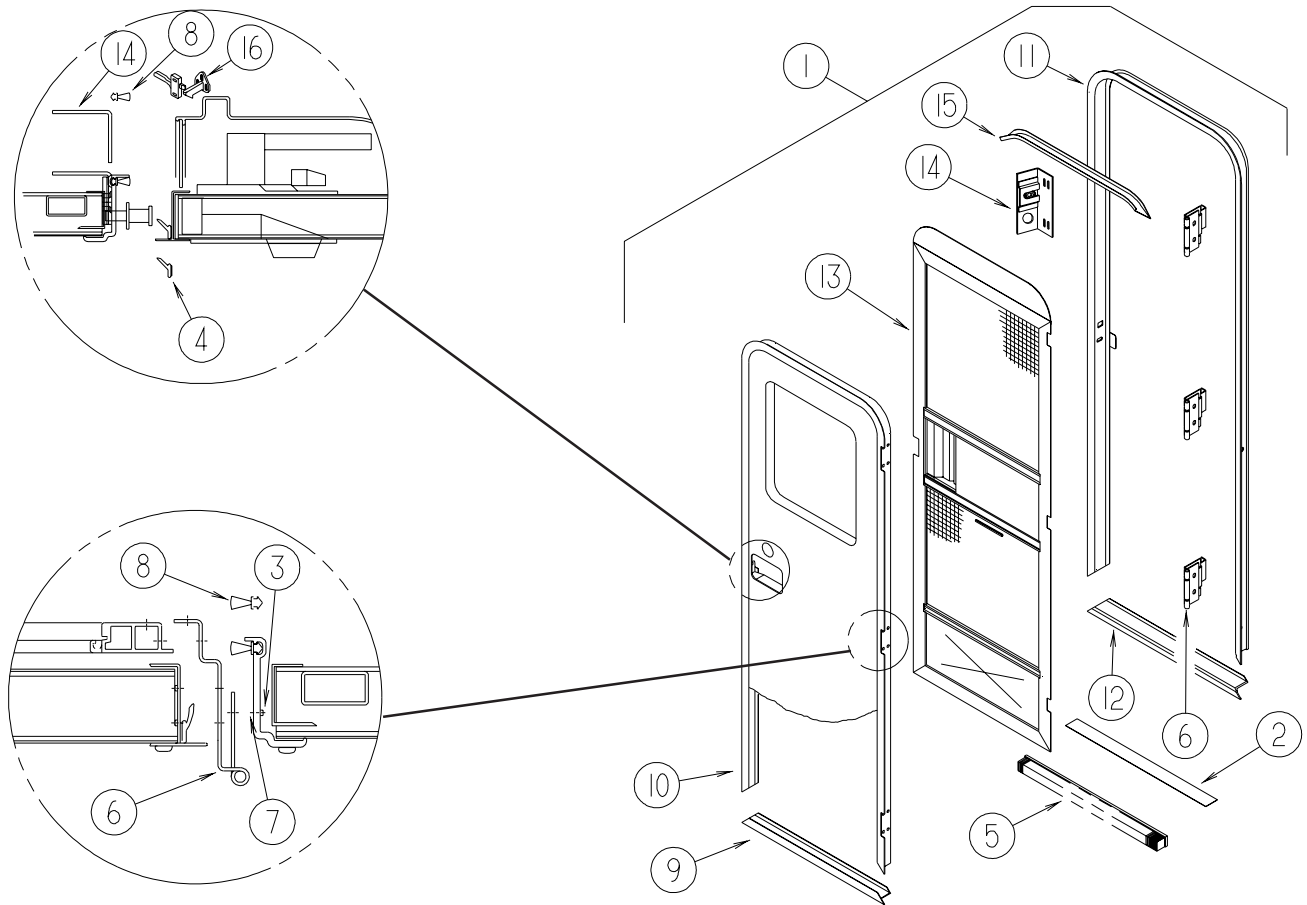
125581-10-01A (CONTINUED)

KEY	PART NUMBER	U/M	DESCRIPTION	VENDOR NO.
2	106469-01-705	FT	CHANNEL-RUN, SLIDING	122-010850
3	106469-01-702	EA	SEAL-DOOR FRAME (DOOR)EA=1	122-040984
4	106469-04-714	EA	ROD-CLIP, RH	80801
5	106469-04-713	EA	ROD-CLIP, LH	80802
6	106469-04-704	EA	NUT ASSEMBLY-CAGED W/STRIKER	11920-16
7	106469-04-703	EA	BOLT-STRIKER, W/WASHER	10335-16
8	106469-04-712	EA	HANDLE/DOOR-INNER W/HARDWARE	11297-01
9	106469-05-702	EA	HINGE - 42"	211-041194
12	106469-01-709	FT	WEATHERSTRIP FUZZY	171-040630
13	125581-03-703	EA	WEATHERSTRIP - BELTING	132-041069
14	106469-04-711	EA	ROD-LOCK, HORIZONTAL	15508-01
15	125581-04-700	EA	ROD - LATCH/VERTICAL ADJUST.	203-041767
16	125581-04-701	EA	ROD - LOCK/VERTICAL ADJUST.	203-041768
20	128913-01-707	EA	NUT - HEX/NYLOCK - 1/4 - 20	233-062447
23	106469-01-723	EA	SEAL-BULB ASM. (DOOR JAMB)	171-040985
24	106469-05-706	EA	LATCH-ROTARY, W/LINKAGE	16512-01
46	125581-09-700	EA	PADDLE-W/O LOCK RH (REV KEY)	17191-02
46	125581-09-701	EA	LATCH/LOCK-DRVR DR (REV KEY)	PARTS DEPT
46	125581-09-702	EA	LATCH/LOCK-DRVR DR (REV KEY)	PARTS DEPT
46	125581-09-703	EA	LATCH/LOCK-DRVR DR (REV KEY)	PARTS DEPT
46	125581-09-704	EA	LATCH/LOCK-DRVR DR (REV KEY)	PARTS DEPT
46	125581-09-705	EA	LATCH/LOCK-DRVR DR (REV KEY)	PARTS DEPT
46	125581-09-706	EA	LATCH/LOCK-DRVR DR (REV KEY)	PARTS DEPT
46	125581-09-707	EA	LATCH/LOCK-DRVR DR (REV KEY)	PARTS DEPT
46	125581-09-708	EA	LATCH/LOCK-DRVR DR (REV KEY)	PARTS DEPT
46	125581-09-709	EA	LATCH/LOCK-DRVR DR (REV KEY)	PARTS DEPT
46	125581-09-710	EA	LATCH/LOCK-DRVR DR (REV KEY)	PARTS DEPT
47	125581-04-703	EA	FRAME - MOUNTING - BLACK	V180-35L
48	125581-07-703	EA	BRACKET-ALUMINUM "L"(INSIDE)	N135-55
56	125581-08-703	EA	GLASS-ROLL-UP	106-042081
58	125581-08-702	EA	FRAME/DOOR - SUB ASSY-BLACK	V220-98L
60	106469-04-705	EA	ROD-LATCH, HORIZONTAL	203-041139
61	125581-08-701	EA	GLASS-STATIONERY/4.95"X29.5"	106-042082
62	125581-08-700	EA	CHANNEL/VERT STA GLASS-BLACK	V220-61
63	125581-03-702	EA	REGULATOR-ELECTRIC-SPEC RH	410-040966
64	125581-06-700	EA	PANEL/INTERIOR	V164-97
66	125581-04-710	FT	VINYL - GLAZING	132-041484
67	125581-07-701	EA	GLASS-STATIONERY/4.95"X29.5"	106-042082
69	125581-04-711	EA	CHANNEL-GLASS - LIFT BRKT	N135-66
74	125581-07-704	EA	BRACKET - STRAP/JAMB & DOOR	248-080394
76	125581-03-701	EA	SILL - INNER - BLACK	V123-68L
77	125581-03-700	EA	MULLION RAIL- BLACK	V123-84
	125581-07-705	EA	BRACKET (L) F/SEAL PROTECT	490201
	125581-10-700	EA	ROD - LOCKING - POWER	203-041141
	125581-10-701	EA	CLIP - CABLE	130-042047
	125581-10-702	EA	LOCK(ACTUATOR) - ELECTRIC	410-041096

CONTACT WINNEBAGO PART SALES FOR UNLISTED COMPONENT

EXTERIOR DOORS & COMPARTMENT GROUP (CONTINUED)

ENTRY

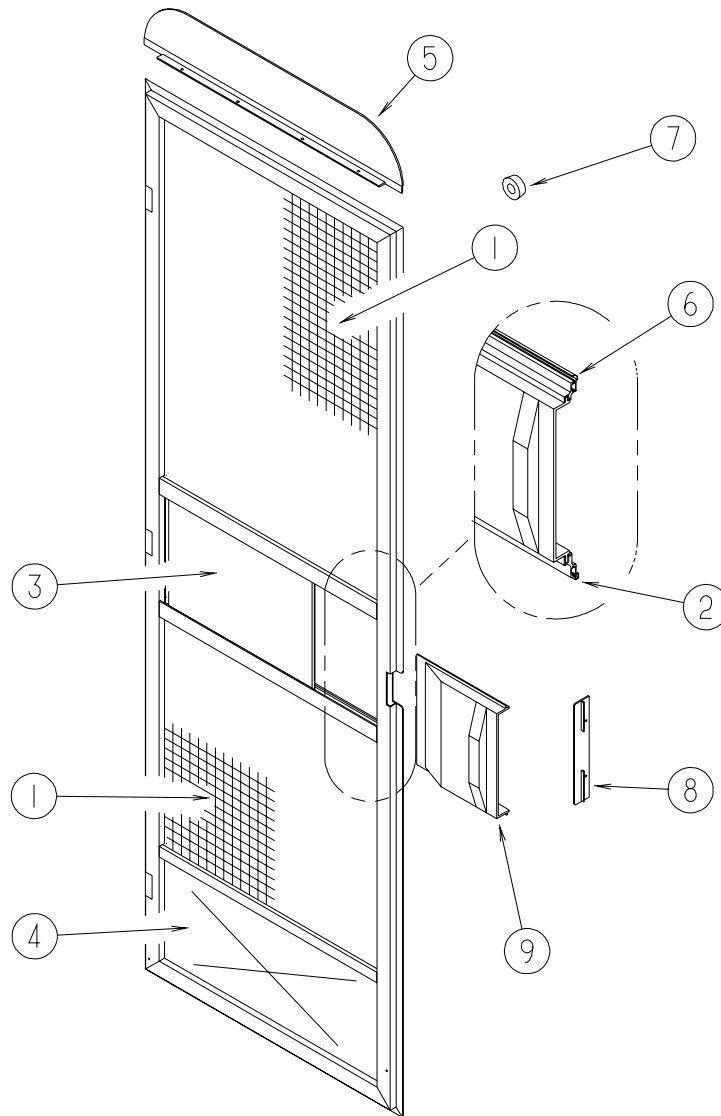


KEY	PART NUMBER	U/M	DESCRIPTION
1	P32206-07-N52	EA	DOOR - ENTRY W/SCREEN DOOR - W/O WINDOW/LATCH (P69, P70, P71, P72, P51, P52)
1	P32206-07-N56	EA	DOOR - ENTRY W/SCREEN DOOR - W/O WINDOW/LATCH (P73, P74, P53)
2	038327-01-000	FT	TAPE - ANTI-SLIP - 2" X 60'
3	039715-01-000	EA	NUT-SERT - 1/4" DIAMETER - 20 THREADS
4	075671-04-000	FT	SEAL - SPONGE - LAZY T - W/ADHESIVE STRIP - .5" WIDE
5	075673-05-000	FT	SEAL - PILE - ADHESIVE BACK - BLACK
6	106719-01-05A	EA	HINGE - ENTRY DOOR - BRIGHT WHITE
7	116111-02-01A	EA	SCREW - TAPTITE - 1/4-20 X 3/8 PPH 0 ZINC
8	118929-01-01A	FT	SEAL - PILE - PUSH ON
9	121893-03-02A	EA	FRAME - ENTRY DOOR/LOWER - BRIGHT WHITE
10	121894-22-01A	EA	FRAME - ENTRY DOOR
11	121898-17-01A	EA	JAMB - ENTRY DOOR - BRIGHT WHITE
12	051049-05-000	EA	JAMB/DOOR - LOWER - ENTRY DOOR
13	132208-02-L32	EA	DOOR - SCREEN - W/O HARDWARE
14	137401-01-03B	EA	BRACKET - DOOR ANGLE - OFF WHITE
15	044582-50-000	EA	CAP - DRIP - JAMB MITERED - BRIGHT WHITE
			FROM: 00-00-00 THRU: 08-04-02
15	139054-19-01A	EA	CAP - DRIP - JAMB MOUNTED - BRIGHT WHITE
			FROM: 08-05-02 THRU: 99-99-99
16	132915-01-01A	EA	LATCH - SCREEN DOOR - BLACK
	138287-01-000	EA	CYLINDER/LOCK - ENTRY DOOR (MASTER)
	138287-02-000	EA	CYLINDER/LOCK - ENTRY DOOR (MASTER)
	138287-03-000	EA	CYLINDER/LOCK - ENTRY DOOR (MASTER)
	138287-04-000	EA	CYLINDER/LOCK - ENTRY DOOR (MASTER)
	138287-05-000	EA	CYLINDER/LOCK - ENTRY DOOR (MASTER)
	138287-06-000	EA	CYLINDER/LOCK - ENTRY DOOR (MASTER)
	138287-07-000	EA	CYLINDER/LOCK - ENTRY DOOR (MASTER)
	138287-08-000	EA	CYLINDER/LOCK - ENTRY DOOR (MASTER)
	138287-09-000	EA	CYLINDER/LOCK - ENTRY DOOR (MASTER)
	138287-10-000	EA	CYLINDER/LOCK - ENTRY DOOR (MASTER)

EXTERIOR DOORS & COMPARTMENT GROUP (CONTINUED)
ENTRY (CONTINUED)

KEY	PART NUMBER	U/M	DESCRIPTION
	138288-01-000	EA	KEY - REVERSIBLE - #1151 - T/M 16169-02-3091
	138288-02-000	EA	KEY - REVERSIBLE - #1152 - T/M 16169-02-3092
	138288-03-000	EA	KEY - REVERSIBLE - #1153 - T/M 16169-02-3093
	138288-04-000	EA	KEY - REVERSIBLE - #1154 - T/M 16169-02-3094
	138288-05-000	EA	KEY - REVERSIBLE - #1155 - T/M 16169-02-3095
	138288-06-000	EA	KEY - REVERSIBLE - #1156 - T/M 16169-02-3096
	138288-07-000	EA	KEY - REVERSIBLE - #1157 - T/M 16169-02-3097
	138288-08-000	EA	KEY - REVERSIBLE - #1158 - T/M 16169-02-3098
	138288-09-000	EA	KEY - REVERSIBLE - #1159 - T/M 16169-02-3099
	138288-10-000	EA	KEY - REVERSIBLE - #1150 - T/M 16169-02-3100
	138292-01-000	EA	SEAL - LOCK CYLINDER

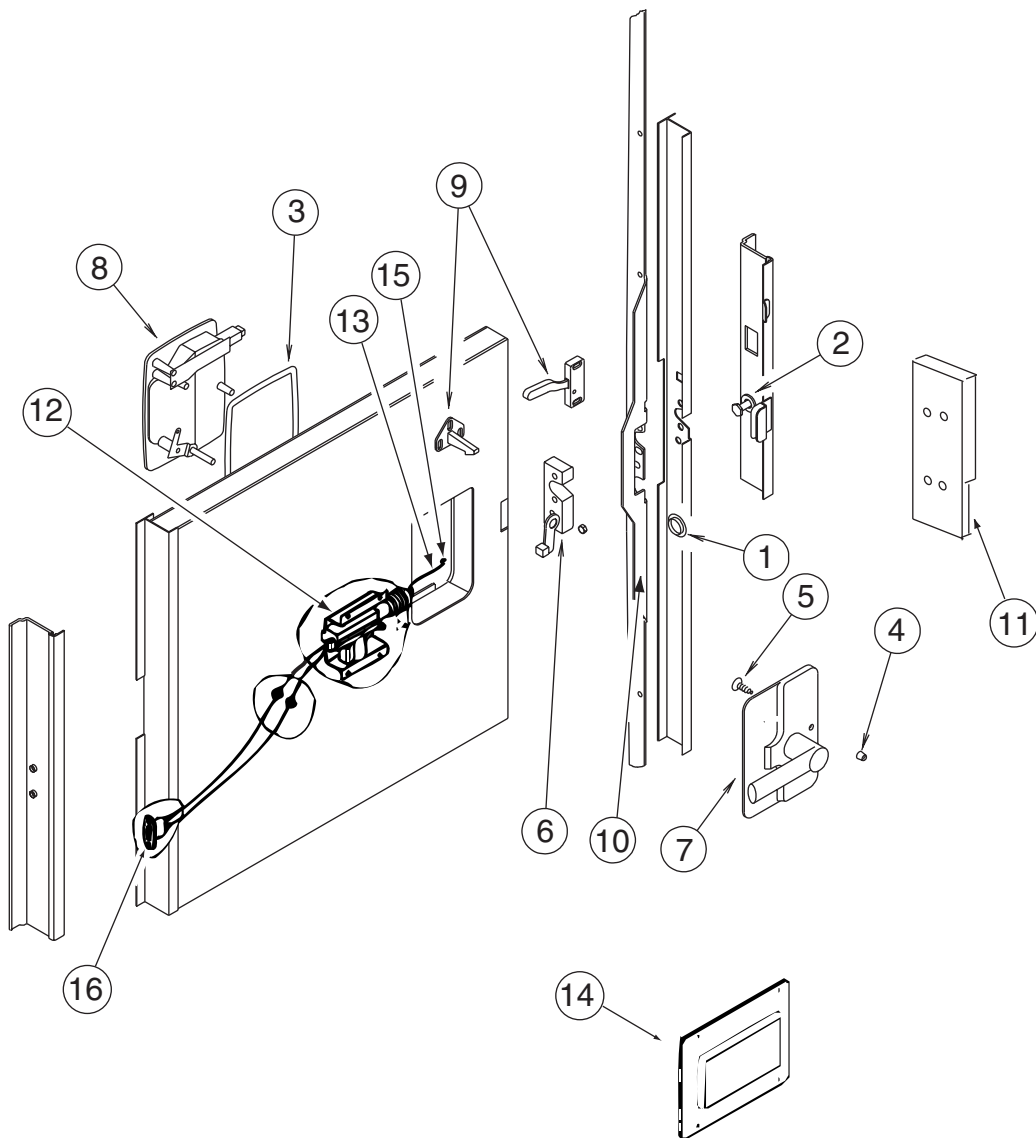
SCREEN



KEY	PART NUMBER	U/M	DESCRIPTION
1	002293-02-000	SF	SCREEN - 26" - CHARCOAL
2	002294-01-000	FT	SPLINE - SCREENING - .13" X .14"
3	016454-18-000	EA	INSERT - SCREEN DOOR - CENTER
4	078552-09-000	EA	INSERT - SCREEN DOOR - LOWER
5	078595-03-000	EA	PLATE - SCREEN DOOR
6	078777-08-000	FT	CHANNEL - SLIDER
7	120863-06-000	EA	BUMPER - RUBBER/RADIUS TOP - 3/4" X 3/8"
8	132081-01-01A	EA	STRIKE - SLIDER - SCREEN DOOR - BRIGHT WHITE
9	132082-01-01A	EA	SLIDER - SCREEN DOOR - BRIGHT WHITE

EXTERIOR DOORS & COMPARTMENT GROUP (CONTINUED)

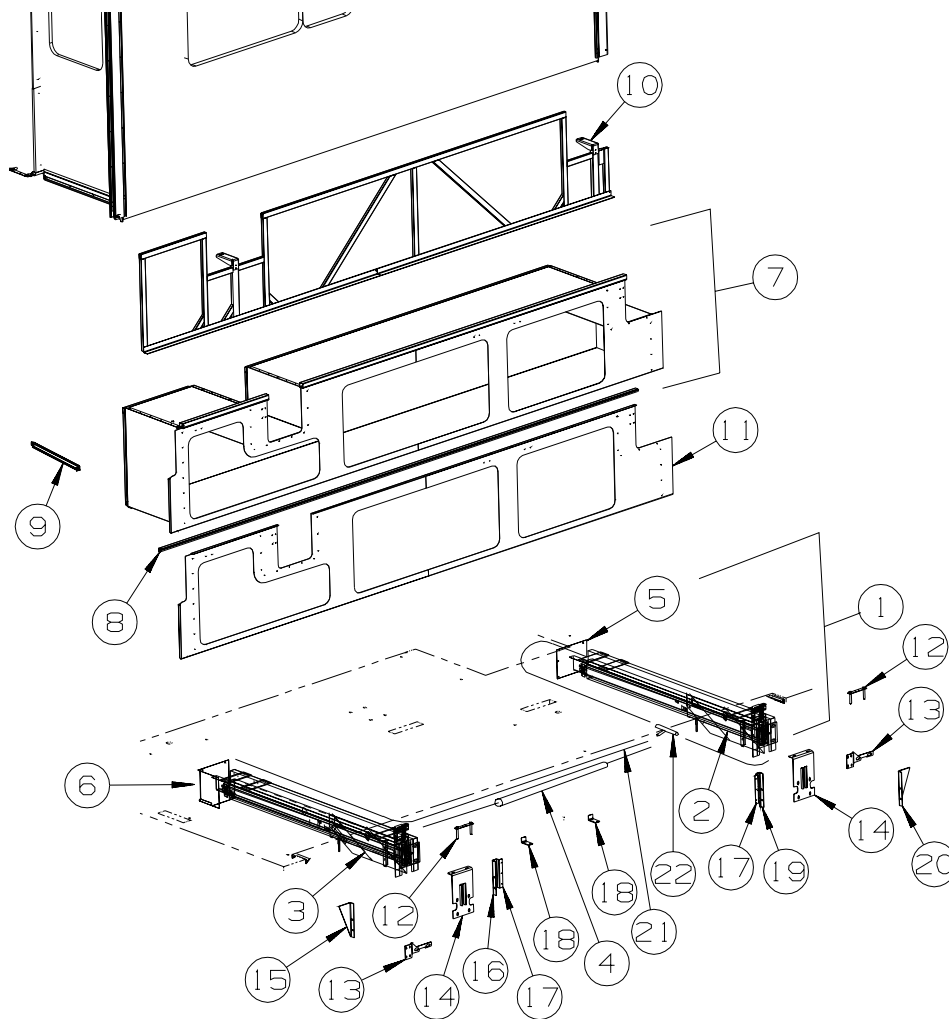
LATCH - ENTRY



KEY	PART NUMBER	U/M	DESCRIPTION
1	061420-14-000	EA	PLUG/PLASTIC - .034" DIAMETER
2	092927-14-000	EA	STRIKER - ROUND - JAMB MOUNTED
3	112782-04-01A	EA	GASKET
4	112782-05-01A	EA	CAP - VINYL - RED
5	112782-08-01A	EA	SCREW - MOUNTING/PLATE - ZINC
6	112782-15-01A	EA	LATCH - SINGLE ROTOR
7	112782-16-01A	EA	LATCH - INTERIOR PLATE
8	112782-18-01A	EA	LATCH - EXTERIOR - W/O LOCK CYLINDER W/ICON-REVERSIBLE KEY
9	132915-01-01A	EA	LATCH - SCREEN DOOR
10	132207-01-02B	EA	STIFFENER/DOOR - FORMED - E-COATED
	072893-04-000	EA	NUTSERT - 10-32
11	139102-01-01A	EA	COVER - BRACKET - STRIKE - BRIGHT WHITE
12	113650-02-02B	EA	BRACKET - ACTUATOR - ELECTRIC - E-COATED
	138898-01-000	EA	ACTUATOR/LOCK - ELECTRIC
13	113651-01-01A	EA	ROD - CONTROL - MOTOR/LOCK
14	113960-01-01A	EA	COVER - ACTUATOR - POWER LOCK
15	114209-01-01A	EA	PUSHNUT - CAP - 1/8" - WHITE
16	138897-01-000	EA	CONTACT/PIN - 2 POSITION

EXTERIOR SLIDEOUT GROUP

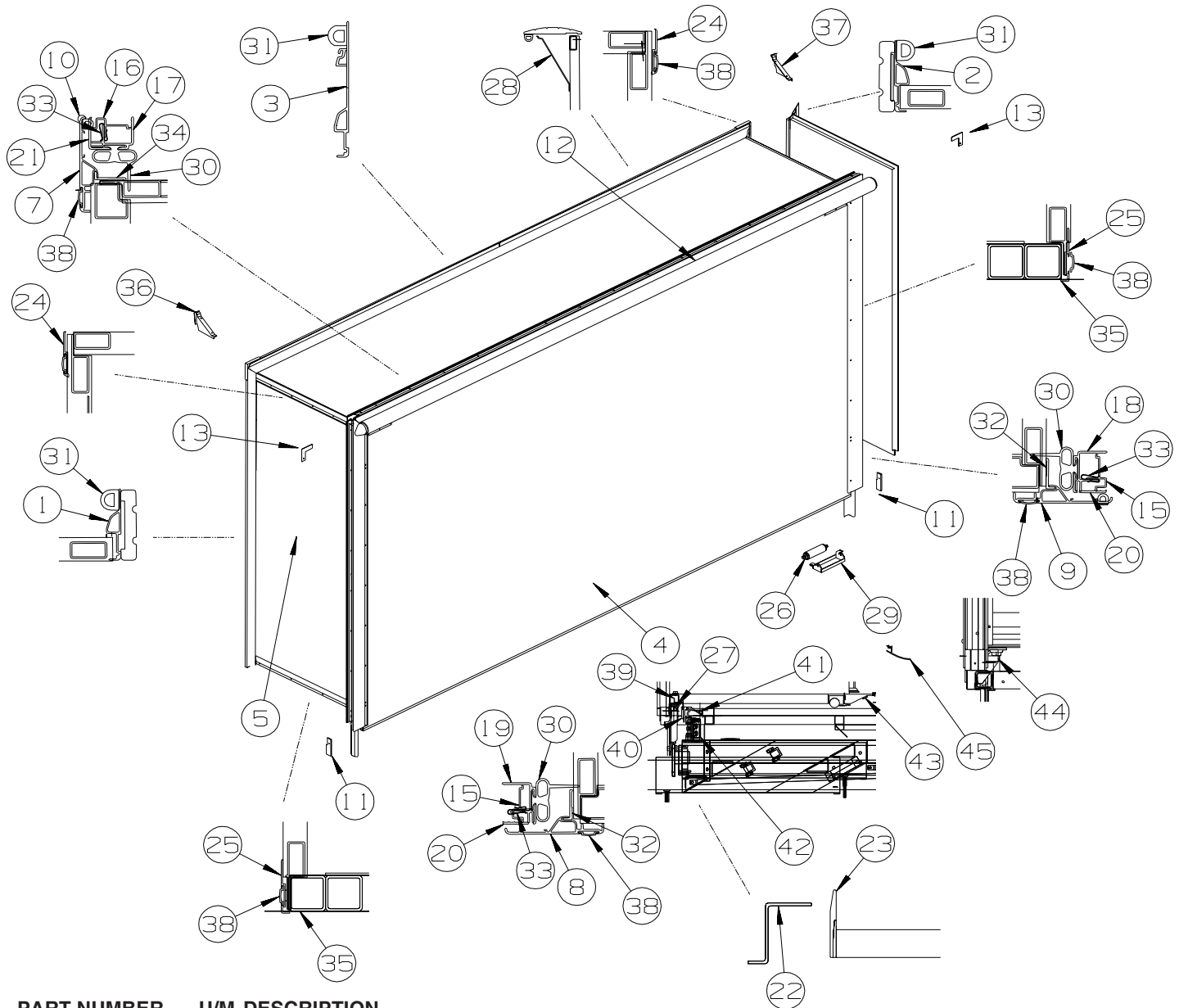
FRONT LEFT



KEY	PART NUMBER	U/M	DESCRIPTION
1*	143376-01-000	EA	SLIDEOUT - HYDRAULIC - FLAT - 29" FROM: 00-00-00 THRU: 06-11-02
2*	143625-01-000	EA	SLIDEOUT-HYDRAULIC,FLAT,29" - HWH AP27504 FROM: 06-12-02 THRU: 99-99-99
3*	143625-02-000	EA	SLIDEOUT-HYDRAULIC,FLAT,29" - HWH AP27505 FROM: 06-12-02 THRU: 99-99-99
4*	143625-03-000	EA	SLIDEOUT-HYDRAULIC KIT - HWH AP28241 FROM: 06-12-02 THRU: 99-99-99
	143738-01-000	EA	WRENCH - RATCHET - 13/16" X 7/8" FROM: 07-15-02 THRU: 99-99-99
5	139920-01-02B	EA	PANEL/END - COMPARTMENT - E-COAT
6	136749-03-02B	EA	PANEL/COVER - ACCESS - E-COATED
7	138824-01-N52	EA	COMPARTMENT - F/SLIDEOUT
8	126516-01-01A	FT	TRIM - VINYL/EXTRUDED - 8'
9	135788-05-02B	EA	SUPPORT - VALANCE - E-COATED
10	138813-01-02B	EA	SUPPORT - F/SLIDEOUT - E-COATED
11	138826-01-02B	EA	SEAL PLANE - F/SLIDEOUT - E-COATED
12	136995-05-02B	EA	PLATE - E-COATED
13	143183-02-02B	EA	BRACKET - SLIDEOUT COMPARTMENT - E-COATED
14	131529-01-02B	EA	BRACKET - MOUNTING - F/SLIDEOUT COMPARTMENT - C-COATED
15	131531-02-02B	EA	GUSSET - SLIDEOUT - E-COATED
16	131531-07-02B	EA	GUSSET - SLIDEOUT - E-COATED
17	116104-06-02B	EA	BRACKET/SLIDEOUT COMPARTMENT - LEFT HAND - E-COATED
18	122922-02-02B	EA	BRACKET/CYLINDER SUPPORT - E-COATED
19	131531-04-02B	EA	GUSSET - SLIDEOUT - E-COATED
20	131531-01-02B	EA	GUSSET - SLIDEOUT - E-COATED
21*	100536-42-000	EA	HOSE KIT - PUMP TO SLIDE-OUT VALVE
22	123264-01-000	EA	TEE - UNION - 1/4" X 1/4" X 1/4"

*COMPONENT PARTS LISTED LATER IN THIS GROUP

EXTERIOR SLIDEOUT GROUP (CONTINUED)
FRONT LEFT (CONTINUED)

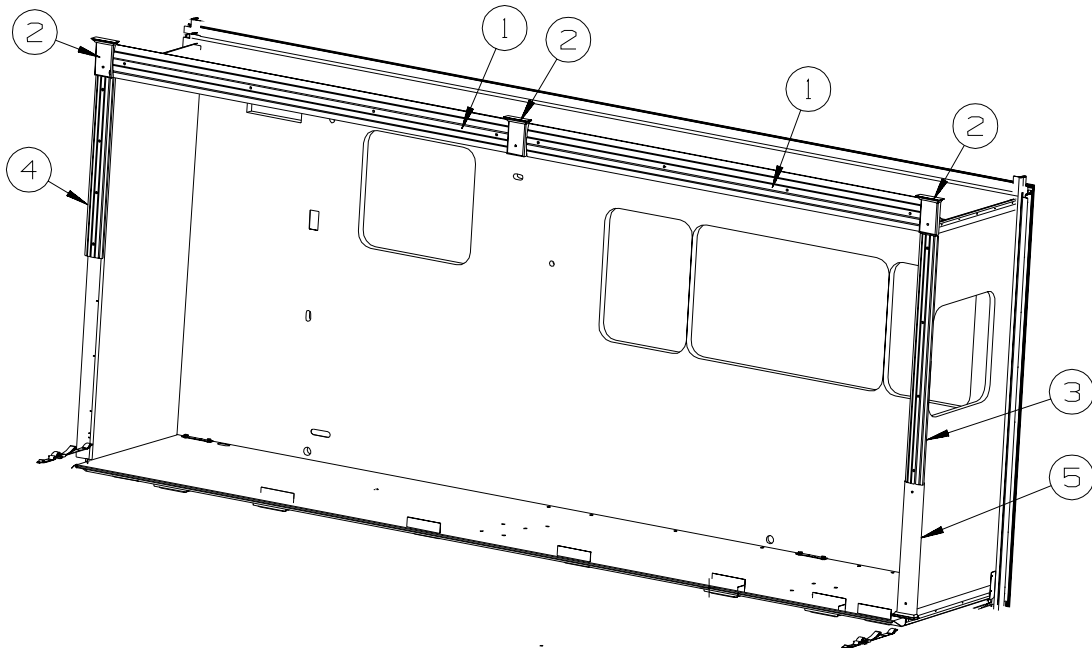


KEY	PART NUMBER	U/M	DESCRIPTION
1	139624-18-01A	EA	TRIM/SEAL - INNER/RIGHT HAND - 71.3" - BRIGHT WHITE
2	139624-19-01A	EA	TRIM/SEAL - INNER/LEFT HAND - 73.4" - BRIGHT WHITE
3	141893-03-01A	EA	TRIM/SEAL - F/SLIDEOUT - BRIGHT WHITE
4	142275-11-P63	EA	SLUG - SLIDEOUT (P69,P70,P71,P72,P51,P52)
4	142275-11-P67	EA	SLUG - SLIDEOUT (P73,P74,P53)
5	141972-01-N71	EA	PANEL - SLIDEOUT/FRONT - W/O WINDOWS/TRIMS (P69,P70,P71,P72,P51,P52)
5	141972-01-N70	EA	PANEL - SLIDEOUT/FRONT - W/O WINDOWS/TRIMS (P73,P74,P53)
6	141973-01-P63	EA	PANEL - SLIDEOUT/REAR - W/O WINDOWS/TRIMS (P69,P70,P71,P72,P51,P52)
6	141973-01-P67	EA	PANEL - SLIDEOUT/REAR - W/O WINDOWS/TRIMS (P73,P74,P53)
7	139625-27-01A	EA	TRIM/SEAL - TOP/W/MITERED ENDS - 171.7" - BRIGHT WHITE
8	139625-16-01A	EA	TRIM/SEAL - LEFT HAND - 76.1" - BRIGHT WHITE
9	139625-17-01A	EA	TRIM/SEAL - RIGHT HAND - 76.1" - BRIGHT WHITE
10	117058-01-01A	FT	TAPE - LOOP - 3/4" WIDE - ADHESIVE BACKED
11	126546-02-02A	EA	COVER - END/SIDEWALL SLIDEOUT - BRIGHT WHITE
11	126546-01-02A	EA	COVER - END/SIDEWALL SLIDEOUT - BRIGHT WHITE FROM: 00-00-00 THRU: 03-30-03
11	126546-01-02A	EA	COVER - END/SIDEWALL SLIDEOUT - BRIGHT WHITE FROM: 03-31-03 THRU: 99-99-99
12	122977-09-03A	EA	AWNING/SLIDEOUT W/COVER - 172" - WHITE - VINYL/VINYL WRAP
13	116444-04-12B	EA	TRIM/KEY CORNER - SLIDEOUT - 3.1"X3.1" - BRT WHT
14	138723-01-N52	EA	ROOF - F/SLIDEOUT - W/O LIGHTS/VENTS
15	142718-01-01A	EA	RETAINER - SIDEWALL/SLIDEOUT - 72.8" - MILL
16	142718-15-01A	EA	RETAINER - SIDEWALL/SLIDEOUT - 169.5"

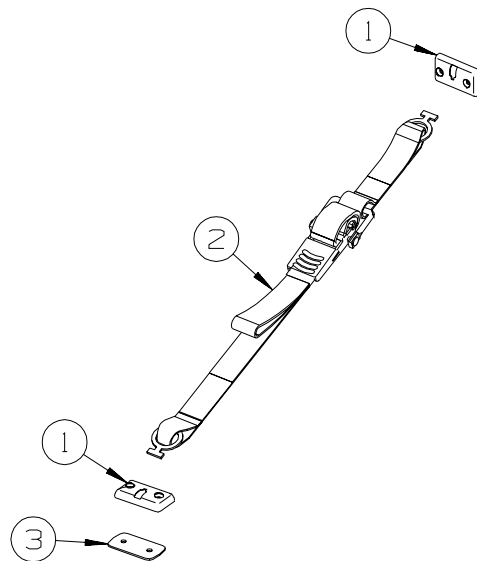
EXTERIOR SLIDEOUT GROUP (CONTINUED)
FRONT LEFT (CONTINUED)

KEY	PART NUMBER	U/M	DESCRIPTION
17	142719-12-01A	EA	TRIM/SIDEWALL - TOP/SLIDEOUT - 171.2" - BRIGHT WHITE
18	142720-02-01A	EA	TRIM - SIDEWALL/SLIDEOUT - 74.8" - BRIGHT WHITE
19	142720-01-01A	EA	TRIM - SIDEWALL/SLIDEOUT - 74.8" - BRIGHT WHITE
20	136824-01-01A	EA	TRIM - SIDEWALL/SLIDEOUT - 74.9" - BRIGHT WHITE
			FROM: 00-00-00 THRU: 10-20-02
20	136824-39-01A	EA	TRIM - SIDEWALL/SLIDEOUT - 74.8" - BRIGHT WHITE
			FROM: 10-21-02 THRU: 99-99-99
21	136824-22-01A	EA	TRIM - SIDEWALL/SLIDEOUT - 171.2" - BRIGHT WHITE
22	131520-09-01A	EA	EXTRUSION/ZEE - F/SLIDEOUT - 165.6"
23	123012-01-000	FT	SEAL - SLIDEOUT - .09"/.13" THICK X 1.25" - W/ADHESIVE
24	138659-01-01A	EA	TRIM/FEATURE STRIP - 181.7" - BRIGHT WHITE
25	125051-03-01A	EA	TRIM - FEATURE STRIP/LOWER - 29.3" - BRIGHT WHITE
26	127033-02-01A	EA	ROLLER - GUIDE
27	137408-02-000	EA	SEAL - BLOCK - F/SLIDEOUT - 1.4"
28	131579-03-01A	EA	TRIM - RETAINER - BRIGHT WHITE
29	140928-01-02B	EA	BRACKET - ROLLER - E-COATED
30	136978-01-01A	FT	SEAL - SLIDEOUT - BLACK
31	112091-01-000	FT	SEAL/D - NEOPRENE - HEAT ACTIVE ADHESIVE - .9"
			FROM: 00-00-00 THRU: 01-12-03
31	146056-01-000	FT	SEAL - TRIANGLE - W/PSA
			FROM: 01-13-03 THRU: 99-99-99
32	133954-16-01A	EA	TRIM/SEAL - W/MITERED ENDS - 71.2" - BRIGHT WHITE
33	142549-01-000	EA	CLIP-S TYPE
34	133954-15-01A	EA	TRIM/SEAL - W/MITERED ENDS - 166.5" - BRIGHT WHITE
35	075673-05-000	FT	SEAL - PILE - ADHESIVE BACK - BLACK
36	131584-01-01A	EA	COVER - TRIM - SLIDEOUT - FRONT - BRIGHT WHITE
37	131584-02-01A	EA	COVER - TRIM - SLIDEOUT - REAR - BRIGHT WHITE
38	105312-01-07A	FT	INSERT - FEATURE STRIP - VINYL - BRIGHT WHITE
39	123012-02-000	FT	SEAL - SLIDEOUT - .09"/.13" THICK X 1.25" - W/ADHESIVE
40	137343-03-02B	EA	STRAP - W/HOLES - E-COATED
41	131611-01-000	FT	SEAL - SLIDEOUT/LOWER
42	133233-01-02B	EA	BRACKET - SLIDEOUT - E-COATED
43	131358-04-01A	EA	RETAINER - U-CHANNEL - 107.7" - BLACK
44	137408-01-000	EA	SEAL - BLOCK - F/SLIDEOUT - 2.2"
45	139850-01-02A	EA	EXTRUDED VINYL - F/SLIDEOUT FLOOR - 169.3" LONG - BLACK

EXTERIOR SLIDEOUT GROUP (CONTINUED)
FRONT LEFT (CONTINUED)



KEY	PART NUMBER	U/M	DESCRIPTION
1	P39129-05-N53	EA	MOLDING - FLUTED/CARVED - 80,4" - PORTSMOUTH OAK
1	P39129-05-N52	EA	MOLDING - FLUTED/CARVED - 80,4" - CHERRY IV - CONCERT CHERRY
1	P39129-05-N62	EA	MOLDING - FLUTED/CARVED - 80,4" - WASHED MAPLE
2	141303-01-N53	EA	MOLDING - CROWN/BLOCK - PORTSMOUTH OAK
2	141303-01-N52	EA	MOLDING - CROWN/BLOCK - CONCERT CHERRY
2	141303-01-N62	EA	MOLDING - CROWN/BLOCK - WASHED MAPLE
3	P39129-01-N53	EA	MOLDING - FLUTED/CARVED - 44.7" - PORTSMOUTH OAK
3	P39129-01-N52	EA	MOLDING - FLUTED/CARVED - 44.7" - CHERRY IV - CONCERT CHERRY
3	P39129-01-N62	EA	MOLDING - FLUTED/CARVED - 44.7" - WASHED MAPLE
4	P39129-06-N53	EA	MOLDING - FLUTED/CARVED - 32.3" - PORTSMOUTH OAK
4	P39129-06-N52	EA	MOLDING - FLUTED/CARVED - 32.3" - CHERRY IV - CONCERT CHERRY
4	P39129-06-N62	EA	MOLDING - FLUTED/CARVED - 32.3" - WASHED MAPLE
5	141303-02-N53	EA	MOLDING - CROWN/BLOCK - PORTSMOUTH OAK
5	141303-02-N52	EA	MOLDING - CROWN/BLOCK - CONCERT CHERRY
5	141303-02-N62	EA	MOLDING - CROWN/BLOCK - WASHED MAPLE



KEY	PART NUMBER	U/M	DESCRIPTION
1	135619-02-01A	EA	PLATE - TIEDOWN - SLIDEOUT ROOM
2	135619-01-01A	EA	STRAP - TIEDOWN - SLIDEOUT ROOM
3	NOT USED		

EXTERIOR SLIDEOUT GROUP (CONTINUED)
COMPONENT PARTS FOR FRONT LEFT SLIDEOUT

100536-42-000

KEY	PART NUMBER	U/M	DESCRIPTION	VENDOR NO.
	100536-42-700	EA	HOSE/HYDRAULIC - 180" - PRESS	RAP90120/AP5965
	100536-42-701	EA	HOSE/HYDRAULIC - 175" - RETURN	RAP90350/AP7358

143376-01-000

KEY	PART NUMBER	U/M	DESCRIPTION	VENDOR NO.
	100536-44-700	EA	HOSE-HYDRAULIC - 1/8" X 172"	AP24649
	128599-06-703	EA	BEARING KIT - SLIDE-OUT TUBE	RAP90698
	131360-01-700	EA	CYLINDER - HYDRAULIC (RAM)	RAP90696/AP19256
	131360-01-701	EA	HOSE-HYDRAULIC-1/4" X 125"	AP4906
	131360-01-706	EA	HOSE-HYDRAULIC - 1/8" X 42"	AP24631
	132540-01-701	EA	CYLINDER - SYNCRONIZING	RAP90690/AP17966

143625-01-000

KEY	PART NUMBER	U/M	DESCRIPTION	VENDOR NO.
	128599-06-703	EA	HOSE/HYDRAULIC -1/8" X 72"	AP24635
	131360-01-700	EA	CYLINDER - HYDRAULIC (RAM)	RAP90696/AP19256
	131360-01-703	EA	HOSE-HYDRAULIC-3/16" X 42"	AP20533

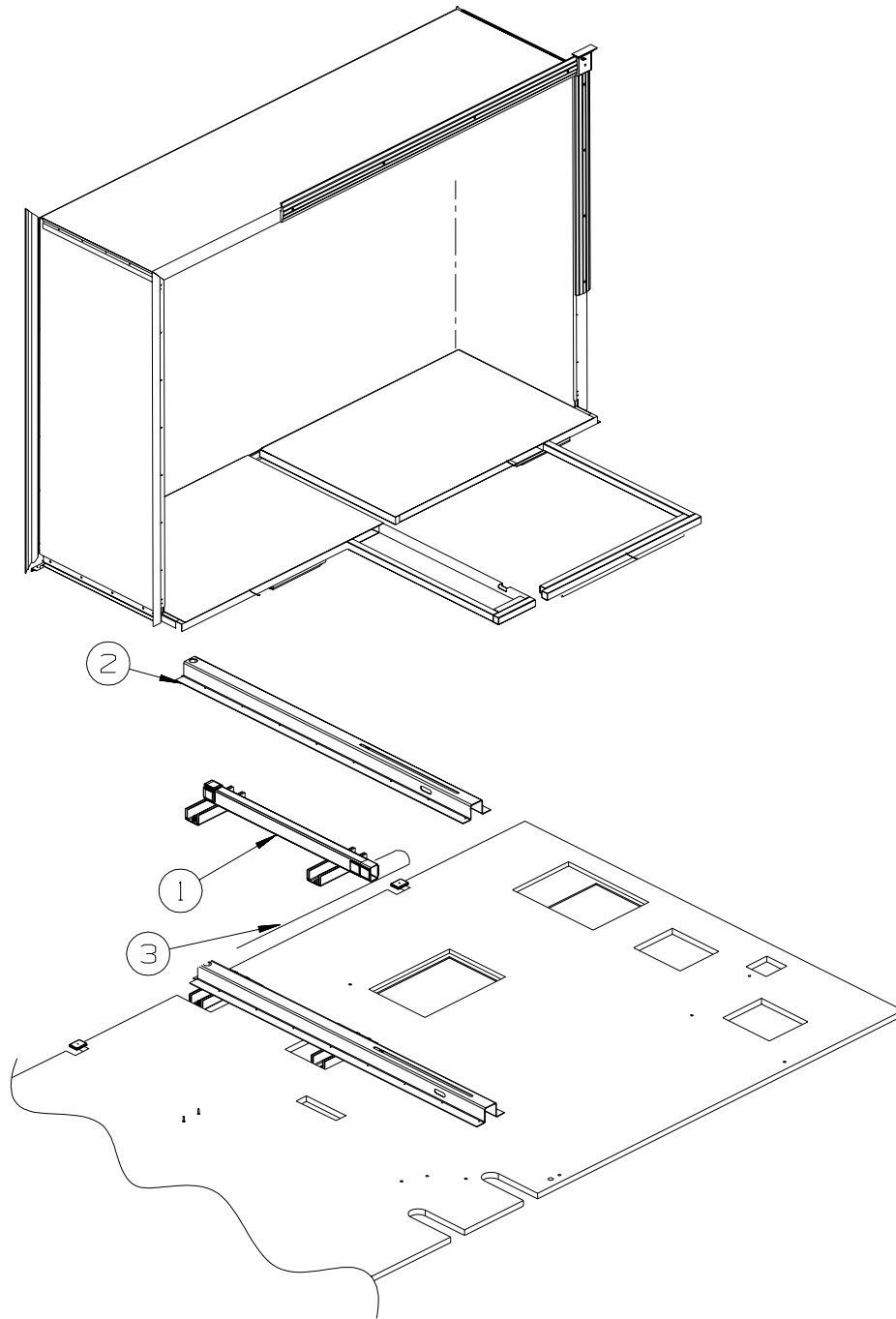
143625-02-000

KEY	PART NUMBER	U/M	DESCRIPTION	VENDOR NO.
	128599-06-703	EA	HOSE/HYDRAULIC -1/8" X 72"	AP24635
	131360-01-700	EA	CYLINDER - HYDRAULIC (RAM)	RAP90696/AP19256
	131360-01-706	EA	HOSE-HYDRAULIC - 1/8" X 42"	AP24631

143625-03-000

KEY	PART NUMBER	U/M	DESCRIPTION	VENDOR NO.
	100536-44-700	EA	HOSE-HYDRAULIC - 1/8" X 172"	AP24649
	131360-01-701	EA	HOSE-HYDRAULIC-1/4" X 125"	AP4906
	132540-01-701	EA	CYLINDER - SYNCRONIZING	RAP90690/AP17966

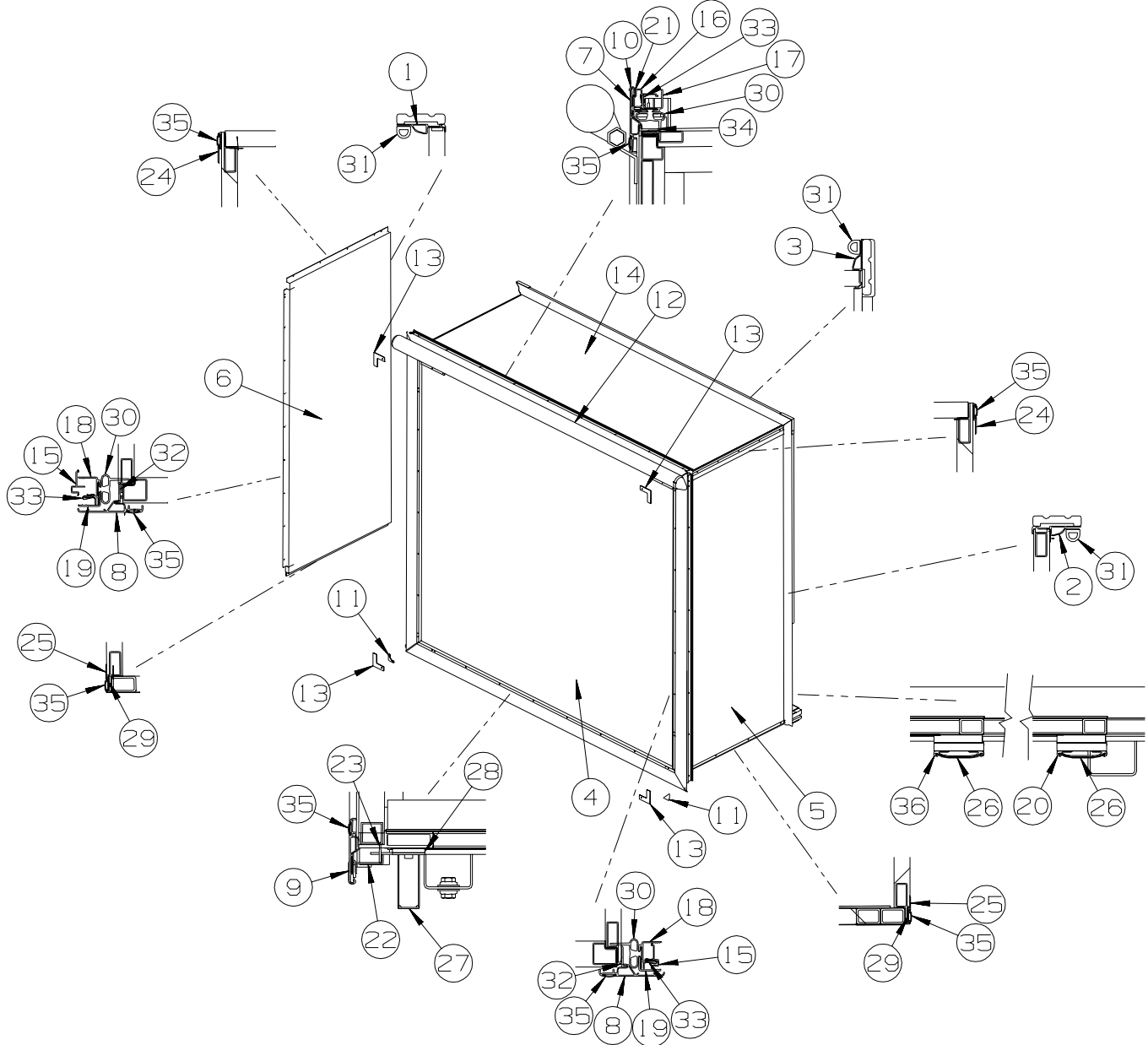
EXTERIOR SLIDEOUT GROUP (CONTINUED)
REAR RIGHT



KEY	PART NUMBER	U/M	DESCRIPTION
1*	137390-01-000	EA	HYDRAULIC/BED - F/SLIDEOUT
2	137390-02-000	EA	CHANNEL - HYDRAULIC - F/SLIDEOUT
3	100536-51-000	EA	HOSE KIT - F/SLIDEOUT

***COMPONENT PARTS LISTED LATER IN THIS GROUP**

EXTERIOR SLIDEOUT GROUP (CONTINUED)
REAR RIGHT (CONTINUED)

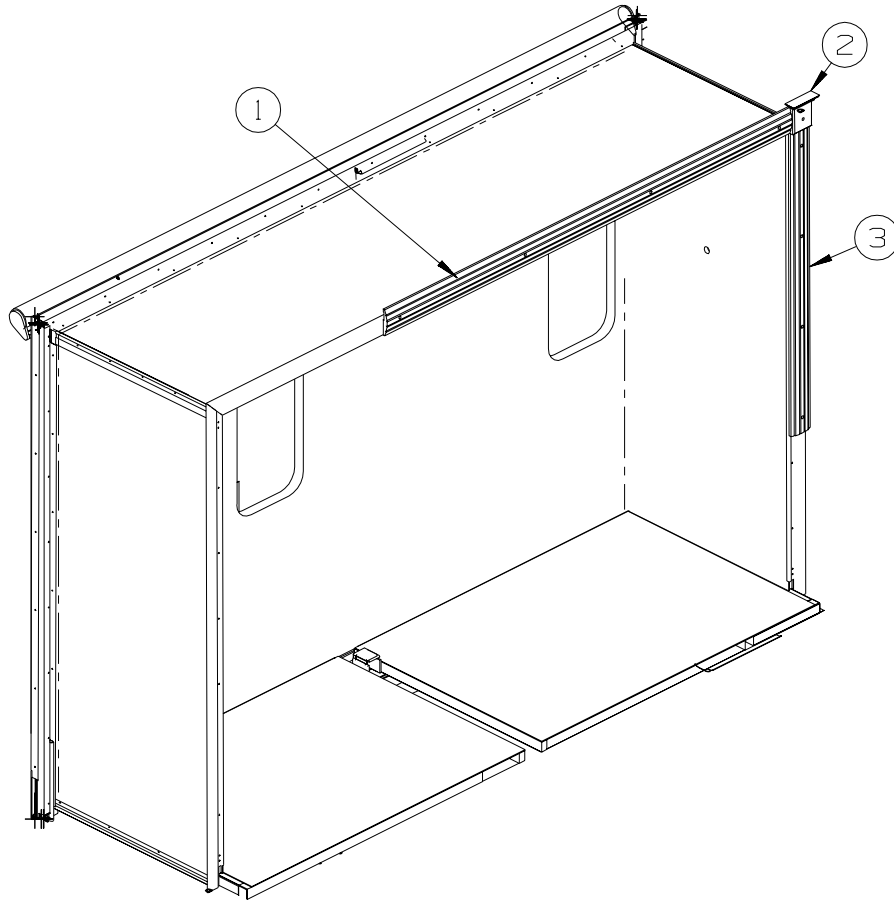


KEY	PART NUMBER	U/M	DESCRIPTION
1	139624-15-01A	EA	TRIM/SEAL - INNER/RIGHT HAND - 72.9" - BRIGHT WHITE
2	139624-16-01A	EA	TRIM/SEAL - INNER/LEFT HAND - 72.9" - BRIGHT WHITE
3	139624-17-01A	EA	TRIM/SEAL - INNER/TOP - 110.2" - BRIGHT WHITE
4	142299-11-P63	EA	SLUG - SLIDEOUT (P69,P70,P71,P72,P51,P52)
4	142299-11-P67	EA	SLUG - SLIDEOUT (P73,P74,P53)
5	141404-01-P45	EA	PANEL/REAR - F/REAR SLIDEOUT (P69,P70,P71,P72,P51,P52)
5	141404-01-P67	EA	PANEL/REAR - F/REAR SLIDEOUT (P73,P74,P53)
6	141405-01-P45	EA	PANEL/FRONT - F/REAR SLIDEOUT(P69,P70,P71,P72,P51,P52)
6	141405-01-P67	EA	PANEL/FRONT - F/REAR SLIDEOUT (P73,P74,P53)
7	139625-15-01A	EA	TRIM/SEAL - TOP/W/MITERED ENDS - 111.8" - BRIGHT WHITE
8	139625-11-01A	EA	TRIM/SEAL - TOP/W/MITERED ENDS - 75.6" - BRIGHT WHITE
9	142233-02-01A	EA	TRIM/SEAL - W/MITERED ENDS - 111.8" - BRIGHT WHITE
10	117058-01-01A	FT	TAPE - LOOP - 3/4" WIDE - ADHESIVE BACKED
11	135275-01-01A	EA	PROTECTOR - CORNER - SLIDEOUT - WHITE
12	122977-17-03A	EA	AWNING/SLIDEOUT W/COVER - 112" - WHITE - VINYL/VINYL WRAP
13	116444-04-12B	EA	TRIM/KEY CORNER - SLIDEOUT - 3.1"X3.1" - BRT WHT
14	139298-01-N52	EA	ROOF - F/SLIDEOUT
15	142718-01-01A	EA	RETAINER - SIDEWALL/SLIDEOUT - 72.8" - MILL
16	142718-13-01A	EA	RETAINER - SIDEWALL/SLIDEOUT - 109.1"
17	142719-10-01A	EA	TRIM/SIDEWALL - TOP/SLIDEOUT - 111.3" - BRIGHT WHITE
18	142720-11-01A	EA	TRIM - SIDEWALL/SLIDEOUT - 72.9" - BRIGHT WHITE

EXTERIOR SLIDEOUT GROUP (CONTINUED)
REAR RIGHT (CONTINUED)

KEY	PART NUMBER	U/M	DESCRIPTION
19	136824-16-01A	EA	TRIM - SIDEWALL/SLIDEOUT - 72.7" - BRIGHT WHITE
20	115325-08-01A	EA	RAIL - FLOOR/SLIDEOUT ROOM - BLACK
21	136824-17-01A	EA	TRIM - SIDEWALL/SLIDEOUT - 111.5" - BRIGHT WHITE
22	124303-05-02A	EA	TRIM - SIDEWALL - Z - 109.5" - BRIGHT WHITE
			FROM: 00-00-00 THRU: 05-16-02
22	141174-02-02A	EA	TRIM/ZEE - SIDEWALL - 111.5" - BRIGHT WHITE
			FROM: 05-17-02 THRU: 99-99-99
	141173-51-001	EA	TRIM/ZEE - SIDEWALL - 16'
			FROM: 05-17-02 THRU: 99-99-99
23	123012-01-000	FT	SEAL - SLIDEOUT - .09"/.13" THICK X 1.25" - W/ADHESIVE
24	138659-01-01A	EA	TRIM/FEATURE STRIP - 181.7" - BRIGHT WHITE
25	141435-01-01A	EA	TRIM - FEATURE - LOWER - 29.2" - BRIGHT WHITE
			FROM: 00-00-00 THRU: 01-12-03
25	141435-03-01A	EA	TRIM - FEATURE - LOWER - BRIGHT WHITE
			FROM: 01-13-03 THRU: 99-99-99
	141434-51-001	EA	TRIM - FLOOR/SIDEWALL - 16'
26	115661-01-000	FT	SHOE/GLIDE - SLIDEOUT ROOM - 1/16" X 3" - POLYETHYLENE
27	126313-10-02B	EA	SUPPORT - ROLLER - E-COATED
	142881-03-01B	EA	CHANNEL/GUIDE - F/SLIDEOUT - MILL
28	128599-03-000	EA	PAD - F/SLIDEOUT
29	075673-05-000	FT	SEAL - PILE - ADHESIVE BACK - BLACK
30	136978-01-01A	FT	SEAL - SLIDEOUT - BLACK
31	112091-01-000	FT	SEAL/D - NEOPRENE - HEAT ACTIVE ADHESIVE - .9"
32	133954-37-01A	EA	TRIM/SEAL - 37.3" - BRIGHT WHITE
			FROM: 00-00-00 THRU: 01-12-03
32	133954-46-01A	EA	TRIM/SEAL - W/MITERED ENDS - 68.8" - BRIGHT WHITE
			FROM: 01-13-03 THRU: 99-99-99
33	142549-01-000	EA	CLIP-S TYPE
34	133954-30-01A	EA	TRIM/SEAL - W/MITERED END - 106.6" - BRIGHT WHITE
35	105312-01-07A	FT	INSERT - FEATURE STRIP - VINYL - BRIGHT WHITE
36	115325-11-01A	EA	RAIL - FLOOR/SLIDEOUT ROOM - BLACK

EXTERIOR SLIDEOUT GROUP (CONTINUED)
REAR RIGHT (CONTINUED)



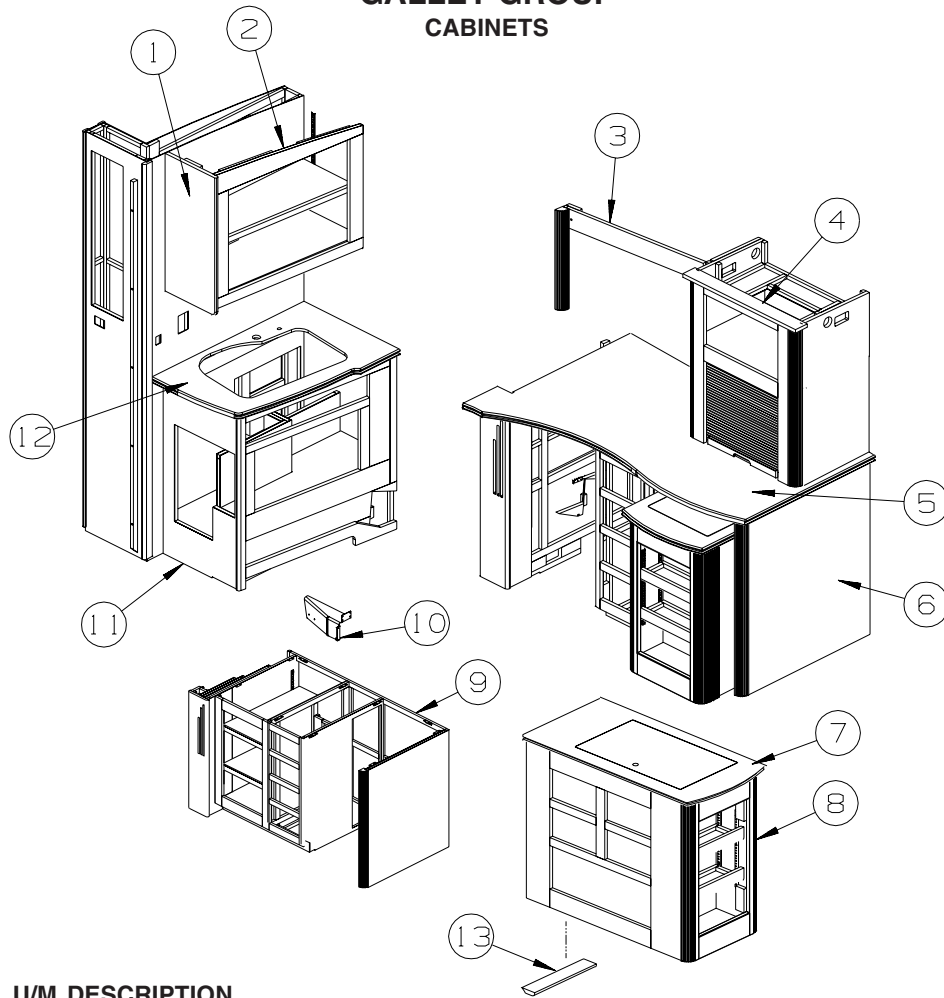
KEY	PART NUMBER	U/M	DESCRIPTION
1	P39129-07-N53	EA	MOLDING - FLUTED/CARVED - 74.6" - PORTSMOUTH OAK
1	P39129-07-N52	EA	MOLDING - FLUTED/CARVED - 74.6" - CHERRY IV - CONCERT CHERRY
1	P39129-07-N62	EA	MOLDING - FLUTED/CARVED - 74.6" - WASHED MAPLE
2	141303-03-N53	EA	MOLDING - CROWN/BLOCK - PORTSMOUTH OAK
2	141303-03-N52	EA	MOLDING - CROWN/BLOCK - CONCERT CHERRY
2	141303-03-N62	EA	MOLDING - CROWN/BLOCK - WASHED MAPLE
3	P39129-08-N53	EA	MOLDING - FLUTED/CARVED - 45.5" - PORTSMOUTH OAK
3	P39129-08-N52	EA	MOLDING - FLUTED/CARVED - 45.5" - CHERRY IV - CONCERT CHERRY
3	P39129-08-N62	EA	MOLDING - FLUTED/CARVED - 45.5" - WASHED MAPLE

EXTERIOR SLIDEOUT GROUP (CONTINUED)
COMPONENT PARTS FOR REAR RIGHT SLIDEOUT

137390-01-000

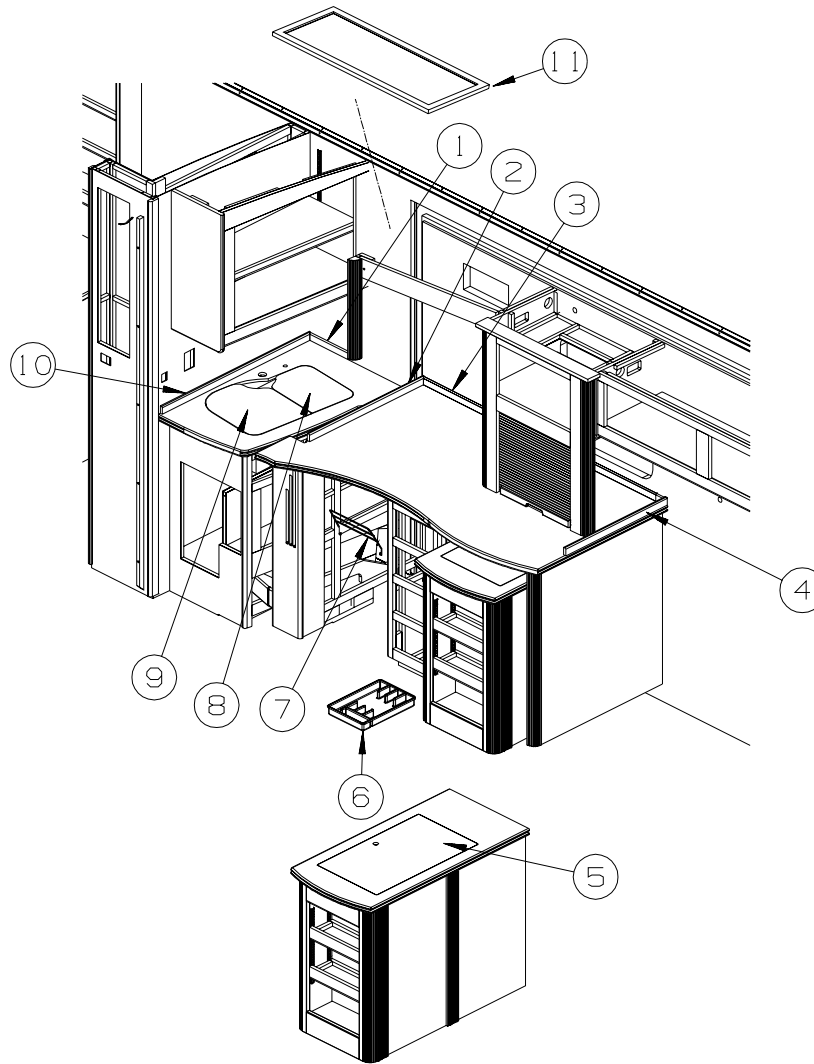
KEY	PART NUMBER	U/M	DESCRIPTION	VENDOR NO.
	128599-06-700	EA	HOSE/HYDRAULIC -1/8" X 72"	AP24635
	128599-06-701	EA	HOSE/HYDRAULIC - 1/8" X 84"	AP24636
	128599-06-703	EA	BEARING KIT - SLIDE-OUT TUBE	RAP90698
	128599-06-704	EA	BEARING PAD - SLIDE-OUT	P14811
	137390-01-700	EA	RAM/CYLINDER - SLIDEOUT ROOM	RAP90876/AP23425
	137390-01-701	EA	CYLINDER NUT KIT - SLIDEOUT	RAP90947
	137390-01-702	EA	SLOT COVER ASM. - RUBBER	AP26959

GALLEY GROUP CABINETS



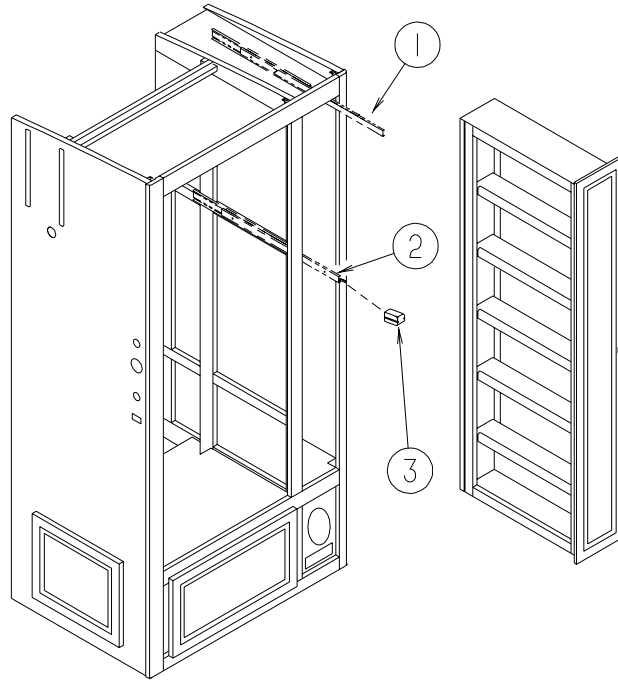
KEY	PART NUMBER	U/M	DESCRIPTION
1	P38119-18-N53	EA	END CAP - OVERHEAD/CABINET - PORTSMOUTH OAK
1	P38119-18-N52	EA	END CAP - OVERHEAD CABINET - CONCERT CHERRY
1	P38119-18-N62	EA	END CAP - OVERHEAD CABINET - WASHED MAPLE
2	139263-01-N53	EA	CABINET - OVERHEAD/GALLEY - W/O DOORS/HARDWARE - PORTSMOUTH OAK
2	139263-01-N52	EA	CABINET - OVERHEAD/GALLEY - W/O DOORS/HARDWARE - CONCERT CHERRY
2	139263-01-N62	EA	CABINET - OVERHEAD/GALLEY - W/O DOORS/HARDWARE - WASHED MAPLE
3	139197-01-N53	EA	CABINET - MICROWAVE - W/O DOORS/HARDWARE - PORTSMOUTH OAK
3	139197-01-N52	EA	CABINET - MICROWAVE - W/O DOORS/HARDWARE - CONCERT CHERRY
3	139197-01-N62	EA	CABINET - MICROWAVE - W/O DOORS/HARDWARE - WASHED MAPLE
3	139197-02-P63	EA	CABINET - MICROWAVE-W/O DRS/HARDWARE-PORTSMOUTH OAK - MICROWAVE/SPEEDCOOK OVEN
3	139197-02-P64	EA	CABINET - MICROWAVE-W/O DRS/HARDWARE-CONCERT CHERRY - MICROWAVE/SPEEDCOOK OVEN
3	139197-02-P51	EA	CABINET - MICROWAVE - W/O DRS/HARDWARE - WASHED MAPLE - MICROWAVE/SPEEDCOOK OVEN
4	P39756-01-P69	EA	CABINET - STORAGE/APPLIANCE - W/TAMBOUR DOOR - PORTSMOUTH OAK
4	P39756-01-N63	EA	CABINET - STORAGE/APPLIANCE - W/TAMBOUR DOOR - CONCERT CHERRY
4	P39756-01-N62	EA	CABINET - STORAGE/APPLIANCE - W/TAMBOUR DOOR - WASHED MAPLE
5	138775-01-01A	EA	COUNTERTOP - 1/2" CORIAN - MAGNA SAVANNAH
6	138284-01-N53	EA	CABINET - GALLEY - W/O COUNTERTOP/DOORS/DRAWERS/HARDWARE - PORTSMOUTH OAK
6	138284-01-N52	EA	CABINET - GALLEY - W/O COUNTERTOP/DOORS/DRAWERS/HARDWARE - CONCERT CHERRY
6	138284-01-N62	EA	CABINET - GALLEY - W/O COUNTERTOP/DOORS/DRAWERS/HARDWARE - WASHED MAPLE
7	138775-02-01A	EA	COUNTERTOP - 1/2" CORIAN - MAGNA SAVANNAH
8	138029-01-N53	EA	CABINET - GALLEY - W/O CTRTP/DOORS/DRAWERS/HDW - F/RANGE - PORTSMOUTH OAK
8	138029-01-N52	EA	CABINET - GALLEY - W/O CTRTP/DOORS/DRAWERS/HDW - F/RANGE - CONCERT CHERRY
8	138029-01-N62	EA	CABINET - GALLEY - W/O CTRTP/DOORS/DRAWERS/HDW - F/RANGE - WASHED MAPLE
9	138284-02-N53	EA	CABINET - GALLEY - W/O COUNTERTOP/DOORS/DRAWERS/HARDWARE - PORTSMOUTH OAK
9	138284-02-N52	EA	CABINET - GALLEY - W/O COUNTERTOP/DOORS/DRAWERS/HARDWARE - CONCERT CHERRY
9	138284-02-N62	EA	CABINET - GALLEY - W/O COUNTERTOP/DOORS/DRAWERS/HARDWARE - WASHED MAPLE
10	138709-01-02B	EA	BRACKET - COVER - PLUMBING - E-COATED
11	138609-01-N53	EA	CABINET - GALLEY - W/O CTRTP/DRS/DRAWERS/HARDWARE - F/SINK - PORTSMOUTH OAK
11	138609-01-N52	EA	CABINET - GALLEY - W/O CTRTP/DRS/DRAWERS/HARDWARE - F/SINK - CONCERT CHERRY
11	138609-01-N62	EA	CABINET - GALLEY - W/O CTRTP/DRS/DRAWERS/HARDWARE - F/SINK - WASHED MAPLE
12	138775-03-01A	EA	COUNTERTOP - 1/2" CORIAN - MAGNA SAVANNAH
13	134756-05-N52	EA	RAMP - FABRIC COVERED - F/SLIDEOUT - 15.7"

GALLEY GROUP (CONTINUED)
CABINETS (CONTINUED)



KEY	PART NUMBER	U/M	DESCRIPTION
1	139855-02-02A	EA	BACKSPLASH - COUNTERTOP - CORIAN - MAGNA SAVANNA
2	139855-03-02A	EA	BACKSPLASH - COUNTERTOP - CORIAN - MAGNA SAVANNA
3	139855-05-02A	EA	BACKSPLASH - COUNTERTOP - CORIAN - MAGNA SAVANNA
4	139855-06-02A	EA	BACKSPLASH - COUNTERTOP - CORIAN - MAGNA SAVANNA
5	120445-02-01A	EA	COUNTERTOP - STOVE LID - CORIAN
6	100081-01-01A	EA	TRAY - SILVERWARE - 9" X 13.3" RUBBERMAID ALMOND PLASTIC
7	093605-02-01A	EA	RACK - TOWEL/WIRE - ALMOND
8	107044-09-01A	EA	COVER - RECESSED SINK - CORIAN
9	107044-10-01A	EA	COVER - RECESSED SINK - CORIAN
10	139855-01-02A	EA	BACKSPLASH - COUNTERTOP - CORIAN - MAGNA SAVANNA
11	133312-01-01A	EA	LENS - CLEAR DIFFUSER - 23.7" X 47.8"

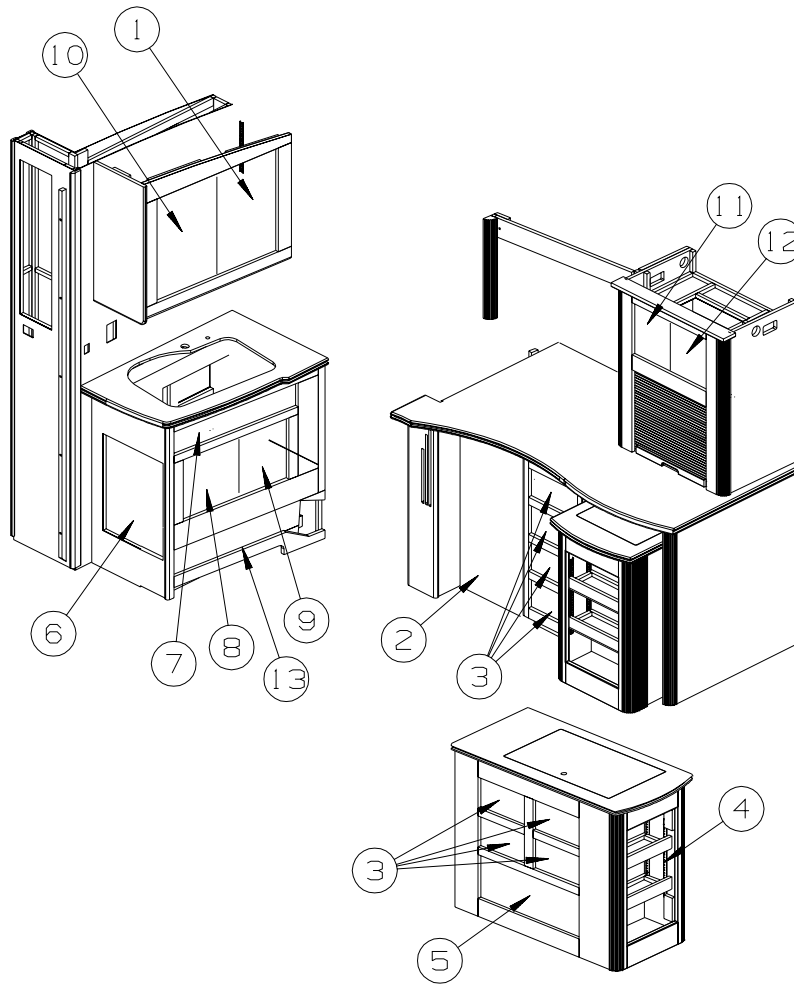
GALLEY GROUP (CONTINUED)
CABINETS (CONTINUED)



KEY	PART NUMBER	U/M	DESCRIPTION
1	122360-02-000	EA	SLIDE - PANTRY - W/O LOCK - RIGHT/LEFT HAND
2	122360-03-000	EA	SLIDE - PANTRY - W/LOCK - RIGHT HAND (FACING PANEL)
3	123673-01-01A	EA	KNOB - PANTRY SLIDE

GALLEY GROUP (CONTINUED)

DOORS & DRAWERS

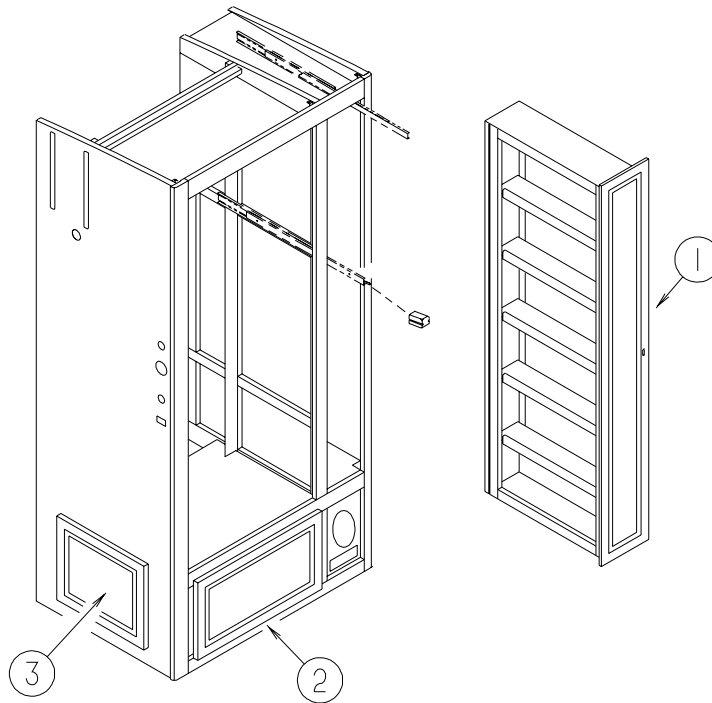


KEY	PART NUMBER	U/M	DESCRIPTION
1	135238-79-P69	EA	DOOR - RAIL/ARCHED TOP - 14.3" X 21.8" - W/O HARDWARE - PORTSMOUTH OAK
1	135238-79-N63	EA	DOOR - RAIL/ARCHED TOP - 14.3" X 21.8" - W/O HARDWARE - CONCERT CHERRY
1	135238-79-N62	EA	DOOR - RAIL/ARCHED TOP - 14.3" X 21.8" - W/O HARDWARE - WASHED MAPLE
	140030-02-01A	EA	PANEL/INSERT - LEADED GLASS/ARCHED - 11.6" X 19.1"
	076767-04-000	EA	CABLE - STAINLESS STEEL - 5.9"
2	134783-L1-P69	EA	DOOR - RAIL/SOLID PANEL - 15.7" X 27.9" - W/O HARDWARE - PORTSMOUTH OAK
2	134783-L1-N63	EA	DOOR - RAIL/SOLID PANEL - 15.7" X 27.9" - W/O HARDWARE - CONCERT CHERRY
2	134783-L1-N62	EA	DOOR - RAIL/SOLID PANEL - 15.7" X 27.9" - W/O HARDWARE - WASHED MAPLE
3	134870-16-P69	EA	DRAWER - PENCIL EDGE - 10.4"W X 15.7"D - W/O SLIDES/HDW - PORTSMOUTH OAK
3	134870-16-N63	EA	DRAWER - PENCIL EDGE - 10.4"W X 15.7"D - W/O SLIDES/HDW - CONCERT CHERRY
3	134870-16-N62	EA	DRAWER - PENCIL EDGE - 10.4"W X 15.7"D - W/O SLIDES/HDW - WASHED MAPLE
4	134783-R9-P69	EA	DOOR - RAIL/SOLID PANEL - 12.8" X 21.8" - W/O HARDWARE - PORTSMOUTH OAK
4	134783-R9-P70	EA	DOOR - RAIL/SOLID PANEL - 12.8" X 21.8" - W/O HARDWARE - CONCERT CHERRY
4	134783-R9-N62	EA	DOOR - RAIL/SOLID PANEL - 12.8" X 21.8" - W/O HARDWARE - WASHED MAPLE
5	134870-17-P69	EA	DRAWER - PENCIL EDGE - 23.3"W X 15.7"D - W/O SLIDES/HDW - PORTSMOUTH OAK
5	134870-17-N63	EA	DRAWER - PENCIL EDGE - 23.3"W X 15.7"D - W/O SLIDES/HDW - CONCERT CHERRY
5	134870-17-N62	EA	DRAWER - PENCIL EDGE - 23.3"W X 15.7"D - W/O SLIDES/HDW - WASHED MAPLE
6	134783-C1-P69	EA	DOOR - RAIL/SOLID PANEL - 15.7" X 20.4" - W/O HARDWARE - PORTSMOUTH OAK
6	134783-C1-N63	EA	DOOR - RAIL/SOLID PANEL - 15.7" X 20.4" - W/O HARDWARE - CONCERT CHERRY
6	134783-C1-N62	EA	DOOR - RAIL/SOLID PANEL - 15.7" X 20.4" - W/O HARDWARE - WASHED MAPLE
7	134842-08-P69	EA	DRAWER - TIPOUT - W/HIDDEN TRAY - PORTSMOUTH OAK
7	134842-08-N63	EA	DRAWER - TIPOUT - W/HIDDEN TRAY - CONCERT CHERRY
7	134842-08-N62	EA	DRAWER - TIPOUT - W/HIDDEN TRAY - WASHED MAPLE
	108127-01-01A	EA	CAP - TRAY
	108128-01-01A	EA	TRAY - HIDDEN
8	134783-V0-P69	EA	DOOR - RAIL/SOLID PANEL - 12.4" X 14.3" - W/O HARDWARE - PORTSMOUTH OAK
8	134783-V0-N63	EA	DOOR - RAIL/SOLID PANEL - 12.4" X 14.3" - W/O HARDWARE - CONCERT CHERRY
8	134783-V0-N62	EA	DOOR - RAIL/SOLID PANEL - 12.4" X 14.3" - W/O HARDWARE - WASHED MAPLE

GALLEY GROUP (CONTINUED)

DOORS & DRAWERS (CONTINUED)

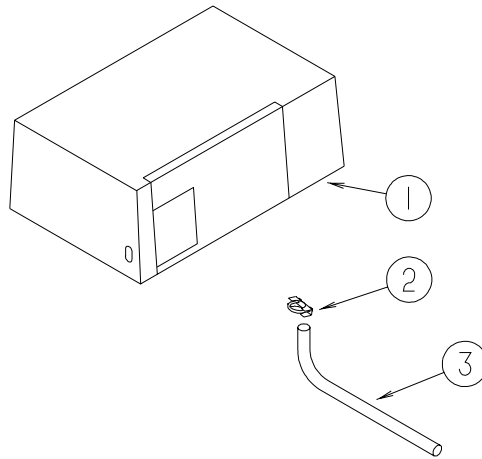
KEY	PART NUMBER	U/M	DESCRIPTION
9	134783-V2-P69	EA	DOOR - RAIL/SOLID PANEL - 12.4" X 14.3" - W/O HARDWARE - PORTSMOUTH OAK
9	134783-V2-N63	EA	DOOR - RAIL/SOLID PANEL - 12.4" X 14.3" - W/O HARDWARE - CONCERT CHERRY
9	134783-V2-N62	EA	DOOR - RAIL/SOLID PANEL - 12.4" X 14.3" - W/O HARDWARE - WASHED MAPLE
10	135238-78-P69	EA	DOOR - RAIL/ARCHED TOP - 14.3" X 21.8" - W/O HARDWARE - PORTSMOUTH OAK
10	135238-78-N63	EA	DOOR - RAIL/ARCHED TOP - 14.3" X 21.8" - W/O HARDWARE - CONCERT CHERRY
10	135238-78-N62	EA	DOOR - RAIL/ARCHED TOP - 14.3" X 21.8" - W/O HARDWARE - WASHED MAPLE
11	135238-81-P69	EA	DOOR - RAIL/ARCHED TOP - 9.8" X 12" - W/O HARDWARE - PORTSMOUTH OAK
11	135238-81-N63	EA	DOOR - RAIL/ARCHED TOP - 9.8" X 12" - W/O HARDWARE - CONCERT CHERRY
11	135238-81-N62	EA	DOOR - RAIL/ARCHED TOP - 9.8" X 12" - W/O HARDWARE - WASHED MAPLE
12	135238-80-P69	EA	DOOR - RAIL/ARCHED TOP - 9.8" X 12" - W/O HARDWARE - PORTSMOUTH OAK
12	135238-80-N63	EA	DOOR - RAIL/ARCHED TOP - 9.8" X 12" - W/O HARDWARE - CONCERT CHERRY
12	135238-80-N62	EA	DOOR - RAIL/ARCHED TOP - 9.8" X 12" - W/O HARDWARE - WASHED MAPLE
13	138609-29-N53	EA	DOOR - HINGED - PORTSMOUTH OAK
13	138609-29-N52	EA	DOOR - HINGED - CONCERT CHERRY
13	138609-29-N62	EA	DOOR - HINGED - WASHED MAPLE



KEY	PART NUMBER	U/M	DESCRIPTION
1	134783-86-P84	EA	DOOR - RAIL/SOLID PANEL - 8.1" X 60.7" - W/O HARDWARE - PORTSMOUTH OAK
1	134783-86-N85	EA	DOOR - RAIL/SOLID PANEL - 8.1" X 60.7" - W/O HARDWARE - CONCERT CHERRY
1	134783-86-N84	EA	DOOR - RAIL/SOLID PANEL - 8.1" X 60.7" - W/O HARDWARE - WASHED MAPLE
2	134783-89-P69	EA	DOOR - RAIL/SOLID PANEL - 12.6" X 6.1" - W/O HARDWARE - PORTSMOUTH OAK
2	134783-89-P70	EA	DOOR - RAIL/SOLID PANEL - 12.6" X 6.1" - W/O HARDWARE - CONCERT CHERRY
2	134783-89-P51	EA	DOOR - RAIL/SOLID PANEL - 12.6" X 6.1" - W/O HARDWARE - WASHED MAPLE
3	134783-T4-P69	EA	DOOR - RAIL/SOLID PANEL - 14.3" X 12.4" - W/O HARDWARE - PORTSMOUTH OAK
3	134783-T4-N63	EA	DOOR - RAIL/SOLID PANEL - 14.3" X 12.4" - W/O HARDWARE - CONCERT CHERRY
3	134783-T4-N62	EA	DOOR - RAIL/SOLID PANEL - 14.3" X 12.4" - W/O HARDWARE - WASHED MAPLE
3	134847-11-P69	EA	DOOR-RH LOUVERED ACCESS-14.3" X 12.4"-W/O HDW-PORTSMOUTH OAK - CENTRAL VACUUM SYS FROM: 00-00-00 THRU: 05-31-02
3	134847-14-P69	EA	DOOR-LH LOUVERED/ACCESS-14.3" X 12.4"-W/O HDW-PORTSMOUTH OAK - CENTRAL VACUUM SYS FROM: 06-01-02 THRU: 99-99-99
3	134847-11-P70	EA	DOOR-RH LOUVERED ACCESS-14.3" X 12.4"-W/O HDW- CONCERT CHERRY - CENTRAL VACUUM SYS FROM: 00-00-00 THRU: 05-31-02
3	134847-14-P70	EA	DOOR-LH LOUVERED/ACCESS-14.3" X 12.4"-W/O HDW - CONCERT CHERRY - CENTRAL VACUUM SYS FROM: 06-01-02 THRU: 99-99-99
3	134847-11-P51	EA	DOOR-RH LOUVERED ACCESS-14.3" X 12.4"-W/O HDW - WASHED MAPLE - CENTRAL VACUUM SYS FROM: 00-00-00 THRU: 05-31-02
3	134847-14-P51	EA	DOOR-LH LOUVERED/ACCESS-14.3" X 12.4"-W/O HDW - WASHED MAPLE - CENTRAL VACUUM SYS FROM: 06-01-02 THRU: 99-99-99

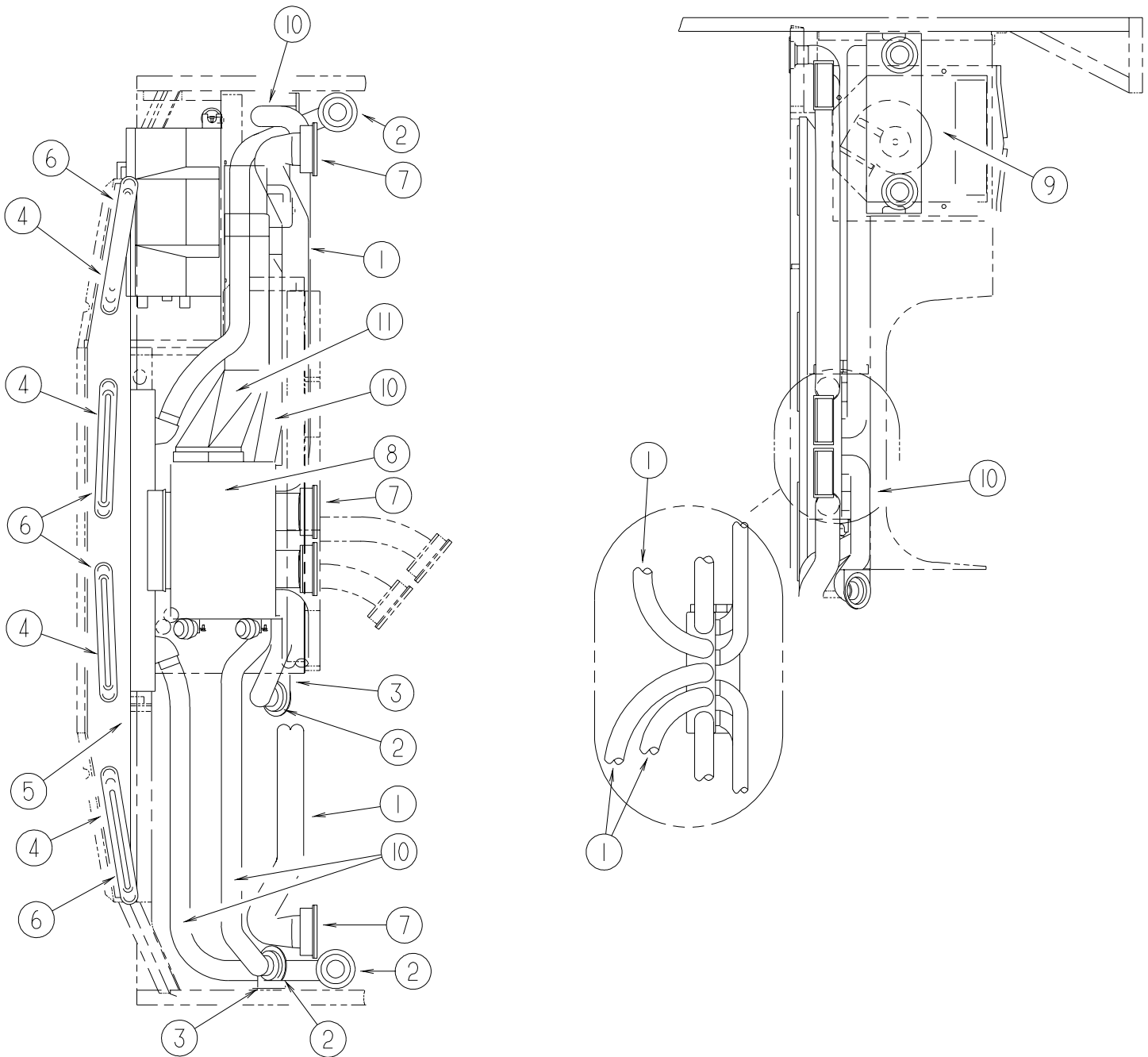
GENERATOR GROUP

GAS



KEY	PART NUMBER	U/M	DESCRIPTION
1	135707-01-000	EA	GENERATOR - 7.9 - 30/30 - GAS - MARQUIS GOLD - L39
1	135707-02-000	EA	GENERATOR - 7.9 - 30/20 - GAS - MARQUIS GOLD - L36W
1	135707-09-000	EA	GENERATOR - 7.0 - 30/30 - GAS - MARQUIS PLATINUM
2	007125-03-000	EA	CLAMP - MUFFLER - 1.5" DIAMETER
3	105958-15-000	EA	PIPE - GENERATOR EXHAUST - 1.5" OD X 9.8" X 24"

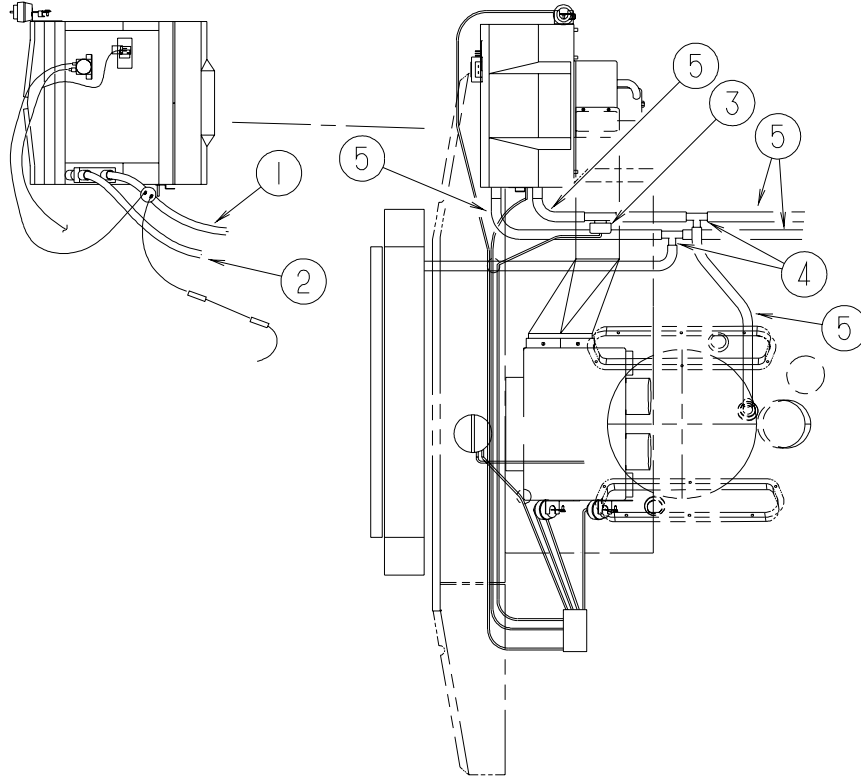
HEATING & A/C GROUP AUTOMOTIVE



KEY	PART NUMBER	U/M	DESCRIPTION
1	007281-01-000	EA	HOSE - FLEXIBLE PVC - 2 1/2" ID X 50'
2	024990-05-000	EA	OUTLET - DEFROSTER - W/SWIVEL - 2" SLEEVE/4" OD - BLACK - 2 USED
2	131175-01-01A	EA	LOUVER ASSEMBLY - RECTANGULAR - BLACK - 2 USED
3	136157-03-02B	EA	BRACKET - HEATER - E-COATED - 2 USED
4	077075-01-000	EA	GASKET - INSTRUMENT PANEL/DEFROSTER PLENUM - .6" X 10.2"
5	103017-03-000	EA	PLENUM - DEFROSTER
6	135265-01-04A	EA	VENT - DEFROSTER - PLASTIC - GLACIER
7	135803-01-01A	EA	LOUVER - A/C - 2.5" X 5.2" - BLACK - 3 USED
7	135803-02-01A	EA	LOUVER - A/C - 2.5" - 5.7" - W/SCREW HOLES - BLACK - 1 USED
8	103930-53-000	EA	CONTROL/PLENUM - LARGE ROTARY
9*	103930-55-000	EA	EVAPORATOR/HEATER - NONCHARGED - SINGLE OUTPUT
10	007076-01-000	EA	HOSE - FLEXIBLE PVC - 2" ID - INCREMENTS OF 50'
11	139598-01-01A	EA	PLENUM - TRANSITION
	103930-54-000	EA	MANUAL - OWNERS - HEATER/AC

HEATING & A/C GROUP (CONTINUED)

AUTOMOTIVE (CONTINUED)



KEY	PART NUMBER	U/M	DESCRIPTION
1*	103930-47-000	EA	HOSE - EXPANSION VALVE-EVAPORATOR/DRIER
2*	103930-46-000	EA	HOSE - EXPANSION BLOCK (EVAPORATOR) TO COMPRESSOR
3	103930-23-000	EA	VALVE/WATER - 2 PORT/VACUUM CONTROLLED - "NEW DESIGN"
4	076776-01-000	EA	TEE - BEADED - 5/8" X 5/8" X 5/8"
5	007108-01-000	FT	HOSE - HEATER - 5/8" ID - HI-TEMP

***COMPONENT PARTS LISTED LATER IN THIS GROUP**

HEATING & A/C GROUP (CONTINUED)
COMPONENT PARTS FOR AUTOMOTIVE

103930-46-000

KEY	PART NUMBER	U/M	DESCRIPTION	VENDOR NO
	103930-17-702	EA	O'RING #10	045-0127
	103930-29-701	EA	O'RING F/LOW PRESSURE SWITCH	045-0483
	103930-46-700	EA	HOSE - #10 EVAP/COMP - 4.3'	085-0486

103930-47-000

KEY	PART NUMBER	U/M	DESCRIPTION	VENDOR NO
	103930-47-700	EA	HOSE - #6-EVAP/DRIER - 2.2'	085-0485
	113245-01-710	EA	O'RING, #12	045-0128

103930-55-000

KEY	PART NUMBER	U/M	DESCRIPTION	VENDOR NO
	103930-01-710	EA	RESISTOR-FUSED, A/C 4 TERM	035-0006
	103930-01-711	EA	THERMOSTAT	033-0003
	103930-01-717	EA	WHEEL-BLOWER, CLOCKWISE	062-0010
	103930-20-700	EA	VALVE-EXPANSION-BLOCK, 2 TON	034-0032
	103930-55-700	EA	CORE EVAPORATOR	041-00168
	103930-55-701	EA	CASE - FRONT	062-00658
	103930-55-702	EA	CASE - REAR	062-00657
	103930-55-703	EA	MOTOR/BLOWER	030-0137

HEATING & A/C GROUP (CONTINUED)

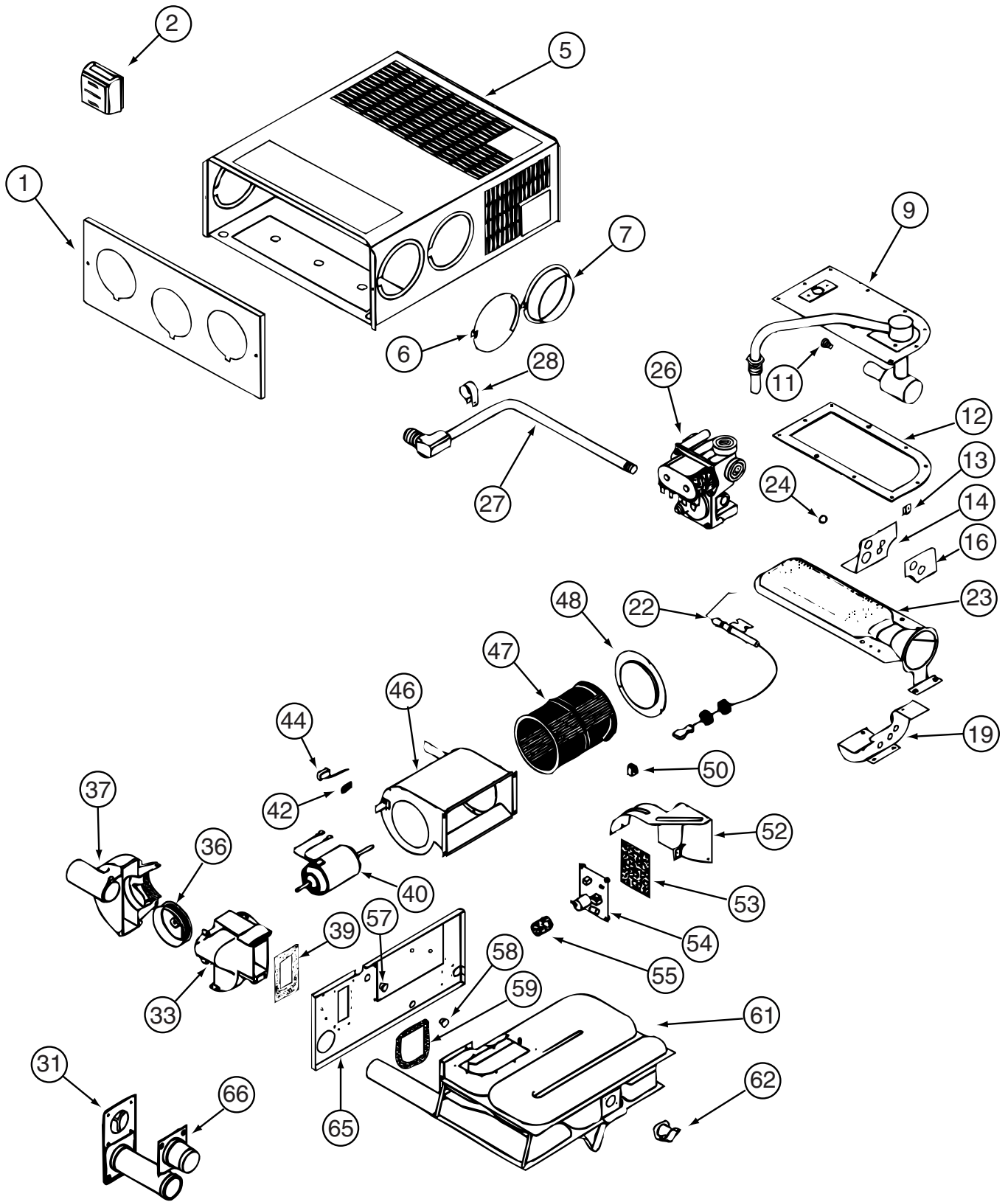
FURNACE

KEY	PART NUMBER	U/M	DESCRIPTION
	093614-13-02A	EA	GRILLE - AIR RETURN - 15.9" X 11.9" - BEIGE - L36W
	098668-14-000	EA	GASKET - FIBERGLASS - .5" X 18" X 18"
	141337-01-01A	EA	GASKET - FURNACE
	098668-15-000	EA	PLATE - FACE - SUBURBAN FURNACE
	126693-04-02B	EA	PANEL - EXHAUST/FURNACE - E-COATED
	126693-05-02B	EA	PANEL - EXHAUST/FURNACE - E-COATED
	137965-01-01A	EA	REGISTER - 2.25" X 10" - W/O DAMPER - ANTIQUE BRASS
	137965-02-01A	EA	REGISTER - 2.25" X 10" - W/DAMPER - ANTIQUE BRASS
*	139980-04-000	EA	FURNACE - 40000 BTU - SF QUIET - SUBURBAN SF-42 2323J
	139980-05-000	EA	VENT - INTAKE
	139980-06-000	EA	VENT CAP

*COMPONENT PARTS LISTED LATER IN THIS GROUP

HEATING & A/C GROUP (CONTINUED)

COMPONENT PARTS FOR FURNACE



139980-04-000

HEATING & A/C GROUP (CONTINUED)
COMPONENT PARTS FOR FURNACE (CONTINUED)

139980-04-000 (CONTNUED)

KEY	PART NUMBER	U/M	DESCRIPTION	VENDOR NO.
9	098668-20-700	EA	MANIFOLD ASM.	171517
11	139980-04-700	EA	ORFICE - MAIN BURNER	180242
12	098668-22-703	EA	GASKET - BURNER ACCESS COVER	070811
22	139980-01-701	EA	ELECTRODE	232286
23	098668-11-701	EA	BURNER ASSEMBLY,SF-42F	010799
26	098668-01-718	EA	VALVE-GAS SF S.N.974903079	161122
27	139980-01-702	EA	PIPE ASSEMBLY/GAS INLET	171574
31	098668-01-707	EA	TUBE ASSEMBLY, EXHAUST W/CAP	260231
33	139980-01-703	EA	COMBUSTION AIR HOUS FRT/HALF	390852
36	098668-22-702	EA	WHEEL-COMBUSTION AIR	350183
37	139980-01-704	EA	COMBUSTION AIR HOUS RR HALF	390848
39	139980-01-705	EA	GASKET/FIREWALL-COMB AIR	071084
40	139980-04-701	EA	MOTOR ASSEMBLY W/GASKET	232683
42	101990-01-714	EA	GASKET-MICROSWITCH	230877
44	098668-21-700	EA	SWITCH-MICRO-W/O FLAG 3 1/4"	232261
46	139980-04-702	EA	BLOWER ASSEMBLY/ROOM AIR	390740BK
47	098668-01-711	EA	WHEEL-BLOWER, ROOM AIR	350129
48	139980-01-709	EA	ORFICE RING	390696
50	139980-01-710	EA	SWITCH - ON/OFF	232351
52	139980-01-711	EA	PANEL ASSEMBLY-MODULE BD	101663
53	139980-01-712	EA	INSULATOR - MODULE BD	070807
54	098668-22-705	EA	MODULE BD W/RELAY TIME DELAY	520820
55	139980-01-713	EA	CAP/INSULATOR-MODULE BD	070973
57	139980-01-714	EA	BUSHING - UNIVERSAL	070362
58	139980-01-715	EA	BUSHING - STRAIN RELIEF	231809
59	098668-01-716	EA	GASKET-FIREWALL,CHAMBER SIDE	070808
61	139980-04-703	EA	CHAMBER ASSEMBLY FINAL	021150BK
62	098668-22-706	EA	SWITCH/LIMIT - 195 TRIP TEMP	232505
66	098668-01-713	EA	TUBE ASSEMBLY, INTAKE	051248

CONTACT WINNEBAGO PART SALES FOR UNLISTED COMPONENTS

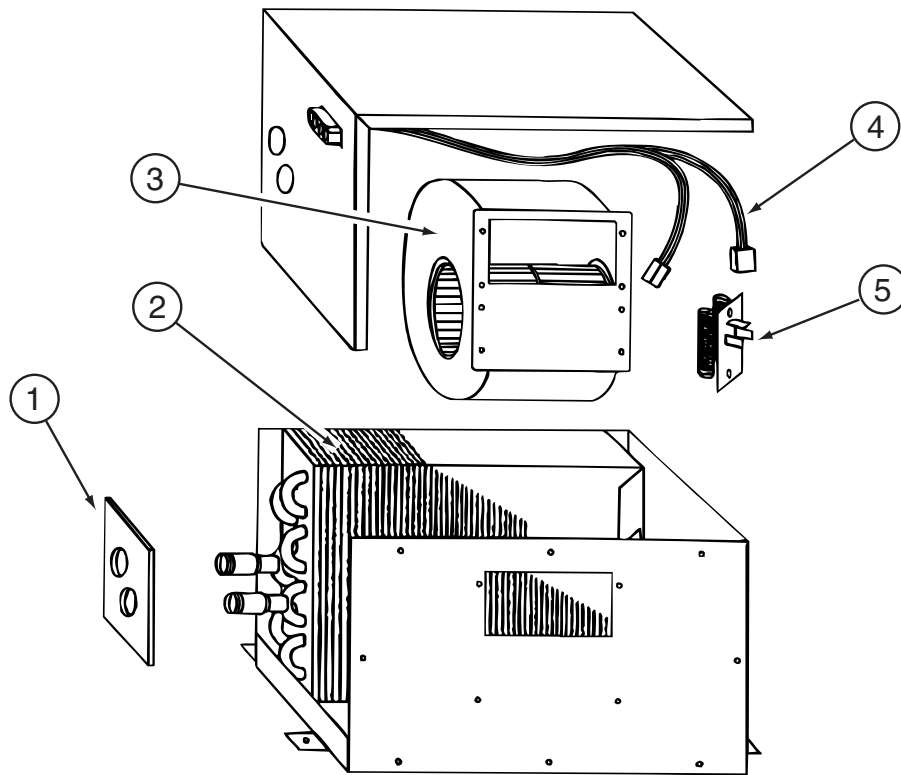
HEATING & A/C GROUP (CONTINUED)

REAR HEATER

KEY	PART NUMBER	U/M	DESCRIPTION
	007108-01-000	FT	HOSE - HEATER - 5/8" ID - HI-TEMP
	079059-13-000	EA	HOSE - 90 DEGREE - .61" ID X 4" X 48" - L36W
*	129205-01-000	EA	HEATER - REAR

*COMPONENT PARTS LISTED LATER IN THIS GROUP

HEATING & A/C GROUP (CONTINUED)
COMPONENT PARTS FOR REAR HEATER

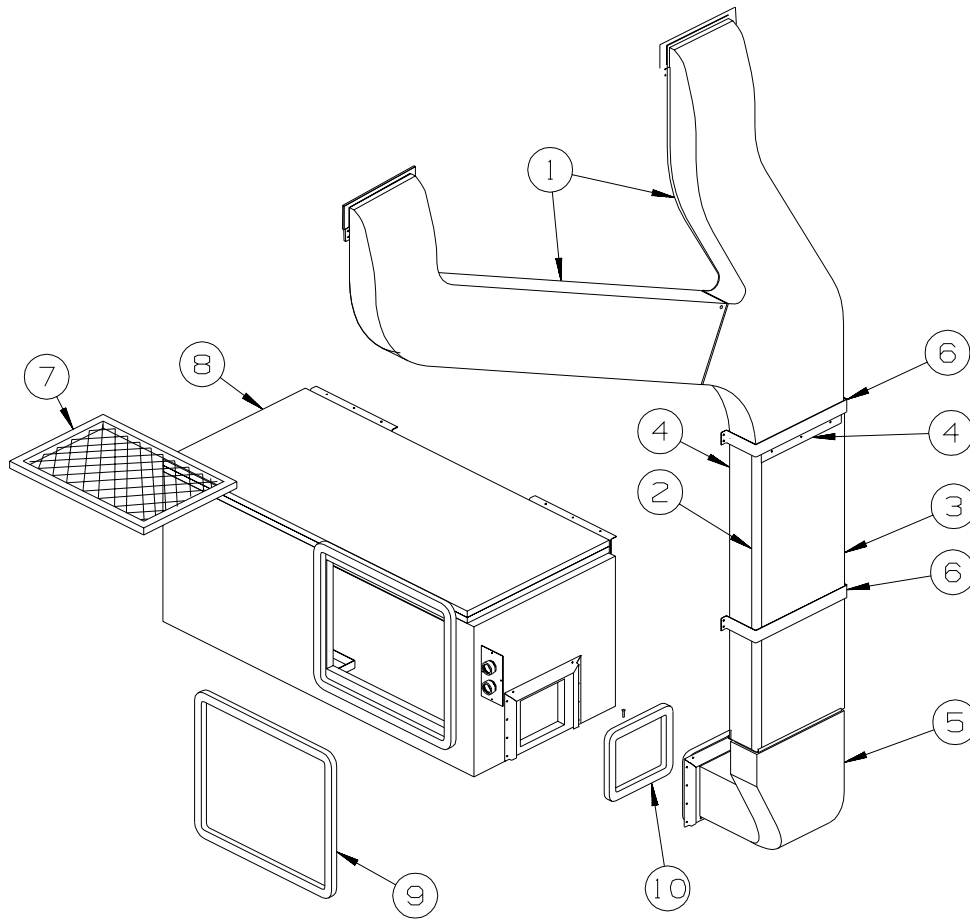


129205-01-000

KEY	PART NUMBER	U/M	DESCRIPTION	VENDOR NO.
1	129205-01-700	EA	SEAL - CORE TUBE	HV218421
2	129205-01-701	EA	CORE - HEATER	HV218426
3	129205-01-702	EA	BLOWER ASSEMBLY	HV218419
4	129205-01-703	EA	WIRE HARNESS	HV218420
5	129205-01-704	EA	RESISTOR	HV218125

HEATING & A/C GROUP (CONTINUED)

CENTRAL

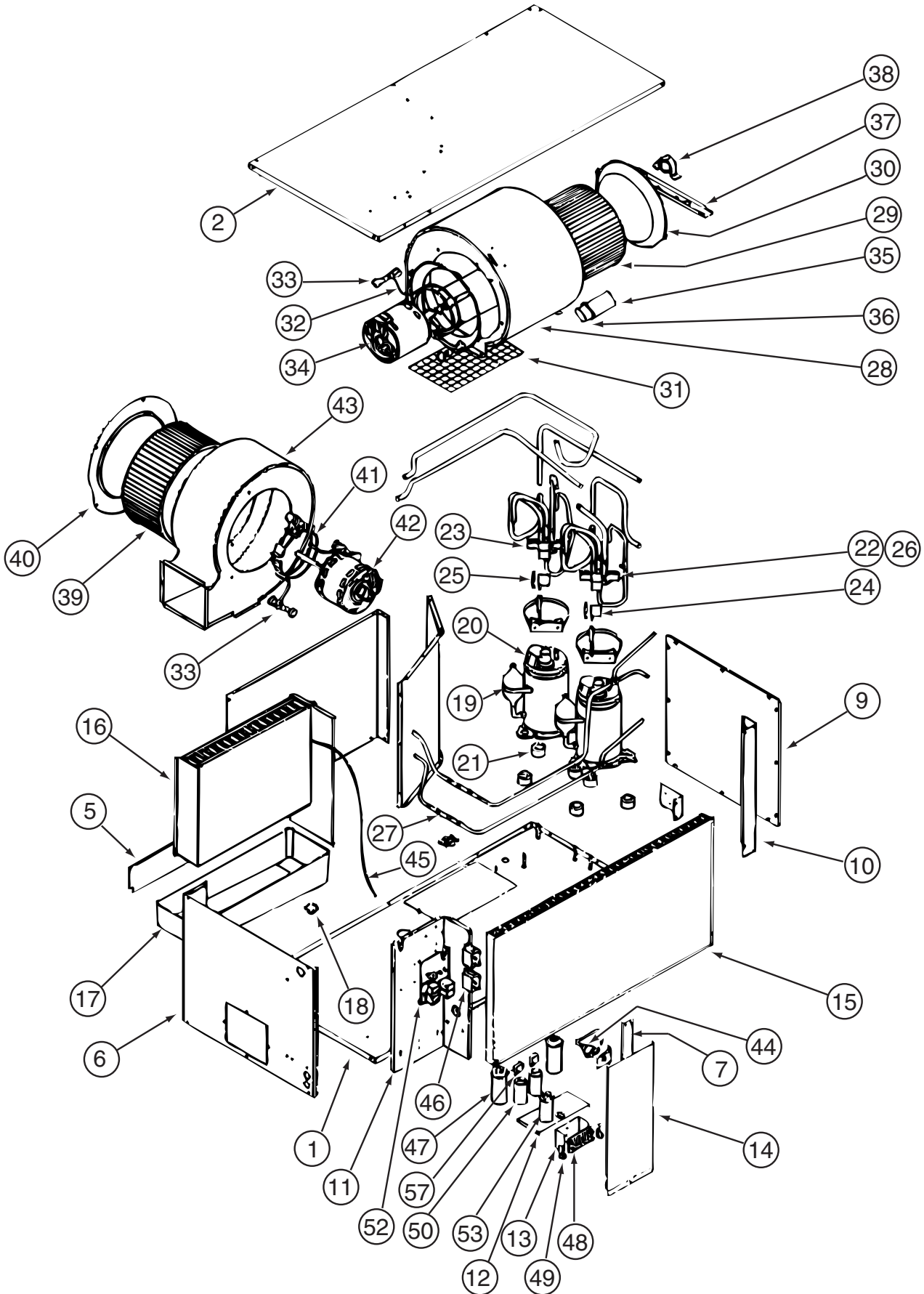


KEY	PART NUMBER	U/M	DESCRIPTION
1	M09204-01-000	EA	DUCT/AC - UPPER RIGHT HAND & LEFT HAND
	128862-01-000	EA	DUCT/AIR - UPPER LEFT HAND
	128868-01-000	EA	DUCT/AIR - UPPER RIGHT HAND
	105290-01-000	SF	INSULATION - AIR POCKET W/FOIL
2	130262-01-000	EA	PROTECTOR - CORNER SAVER - .7" X .7" X 48"
3	117870-09-01A	EA	PLENUM - A/C
4	115886-11-02A	EA	RETAINER - SIDEWALL - BRIGHT WHITE - 11.8"
5	138842-01-01A	EA	DUCT - CENTRAL AIR/FORCED - LOWER
	105290-01-000	SF	INSULATION - AIR POCKET W/FOIL
6	129047-01-02B	EA	STRAP/MOUNTING - AIR DUCT - E-COATED
7	109050-02-000	EA	FILTER/FURNACE-AC - FIBERGLASS - 1" X 14" X 20"
8*	105620-12-000	EA	A/C - CENTRAL - RIGHT HAND/HEAT PUMP - 12,000 BTU COMP
9	134588-01-000	EA	GASKET - DUCT - 15.5" X 18.2" IS - 17.4" X 20.2" OS
10	134588-02-000	EA	GASKET - DUCT - 6.4" X 7.4" IS - 8.3" X 9.4" OS
*	105620-15-000	EA	THERMOSTAT - FURNACE/HEAT PUMP-A/C
	120134-01-02A	EA	REGISTER - W/DAMPER - 4" PIPE/7" O.D. FACE - WHITE

***COMPONENT PARTS LISTED LATER IN THIS GROUP**

HEATING & A/C GROUP (CONTINUED)

COMPONENT PARTS FOR CENTRAL



105620-12-000

HEATING & A/C GROUP (CONTINUED)
COMPONENT PARTS FOR CENTRAL A/C SYSTEM (CONTINUED)

105620-12-000 (CONTINUED)

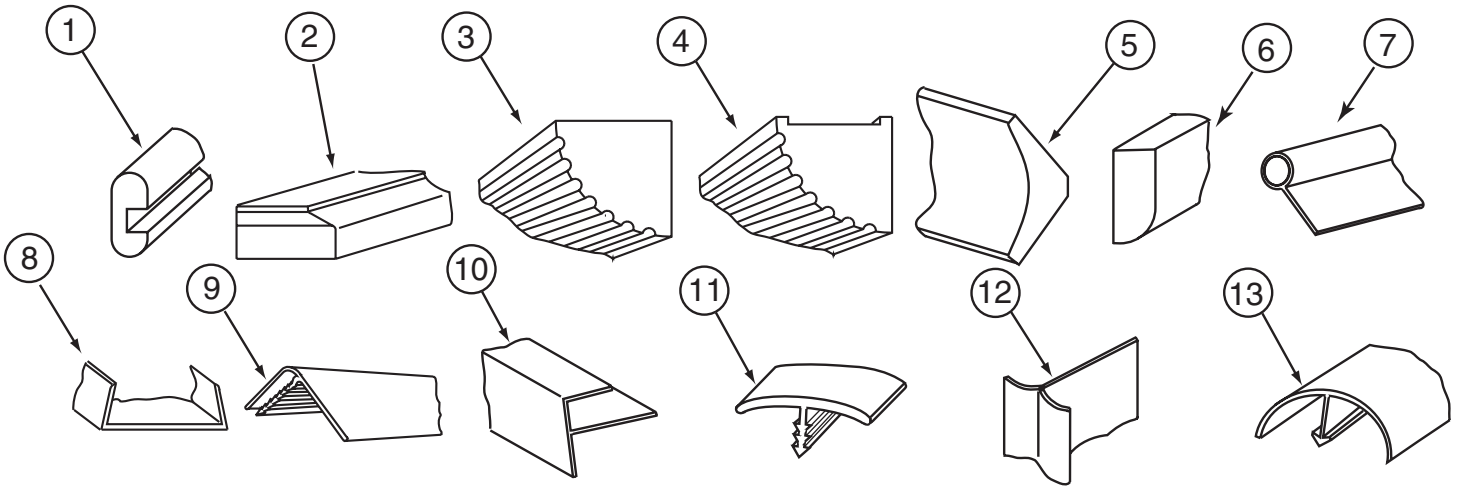
KEY	PART NUMBER	U/M	DESCRIPTION	VENDOR NO.
15	105620-12-701	EA	COIL - CONDENSER	1452-1621
16	105620-12-702	EA	COIL - EVAPORATOR	1452A1611
17	105620-10-709	EA	DRAIN PAN	6636-304
18	105620-12-703	EA	VALVE - DRAIN	6795-200
19	105620-12-704	EA	COMPRESSOR	1450-2149
21	105620-01-706	EA	MOUNTING PKG.,COMP., 3 PER	6759-3081
22	105620-12-706	EA	REVERSING VALVE ASSEMBLY #1	6535A533
23	105620-12-707	EA	REVERSING VALVE ASSEMBLY #2	6535-5321
24	105620-12-708	EA	COIL - SOLENOID	1460-1081
25	105620-12-709	EA	WIRE HARNESS-REVERSING VALVE	6536-111
26	105620-12-710	EA	VALVE - REVERSE ONLY	1454A350
27	105620-12-711	EA	RESTRICTOR - BY FLOW	1454-2521
28	105620-12-712	EA	BLOWER HOUSING/OUTSIDE AIR	6536-515
29	105620-01-713	EA	WHEEL-BLOWER/OUTSIDE AIR	1472-1011
30	105620-01-714	EA	VENTURI-BLOWER/OUTSIDE AIR	6795A150
32	105620-01-715	EA	MOUNT-BLOWER/OUTSIDE AIR	6795A3011
34	105620-10-721	EA	MOTOR/BLOWER-8 3/4" SHAFT	1468A3029
35	105620-01-718	EA	CAPACITOR-FAN, 12.5 MFD/370V	1499-5631
37	105620-12-713	EA	BRACKET/BEARING-O/S AIR BLWR	6536-514
38	105620-10-701	EA	BEARING/PILLOW BLOCK-O/S AIR	6536-3011
39	105620-12-714	EA	WHEEL - BLOWER/INSIDE AIR	1472-1121
40	105620-12-715	EA	BLOWER VENTURI/INSIDE AIR	6535A287
41	105620-01-723	EA	MOUNT-BLOWER MOTOR - I/S AIR	6795-3021
42	105620-12-716	EA	BLOWER MTR/IN AIR/REVERSIBLE	1468-3219
43	105620-12-717	EA	BLOWER HOUSING/INSIDE AIR	6535A589
44	105620-12-718	EA	SWITCH ASSM. - HIGH PRESSURE	6535-5291
45	105620-12-719	EA	COIL SENSOR	7330A3231
46	105620-01-729	EA	RELAY-COMPRESSOR -4 TERMINAL	1460-1131
48	105620-01-738	EA	BOARD-TERMINAL, HIGH VOLTAGE	6795-315
51	105620-10-705	EA	PTCR (START DEVICE) - W/CAP.	8333A9021
52	105620-12-720	EA	KIT-CIRCUIT BD (6535-SERIES)	6535-3209
52	105620-12-721	EA	CIRCUIT BD(6535 A SERIES)	6535-3201
53	093763-01-704	EA	CAPACITOR-FAN	1499-5461
	105620-10-720	EA	FUSE/BUSS(8AMP/250V) 2 PKG	6535-3081
			CONTACT WINNEBAGO PART SALES FOR UNLISTED COMPONENTS	

105620-15-000

KEY	PART NUMBER	U/M	DESCRIPTION	VENDOR NO.
	105620-15-700	EA	FUSE/BUSS (2AMP/250V) 3 PER PK	8330-3343

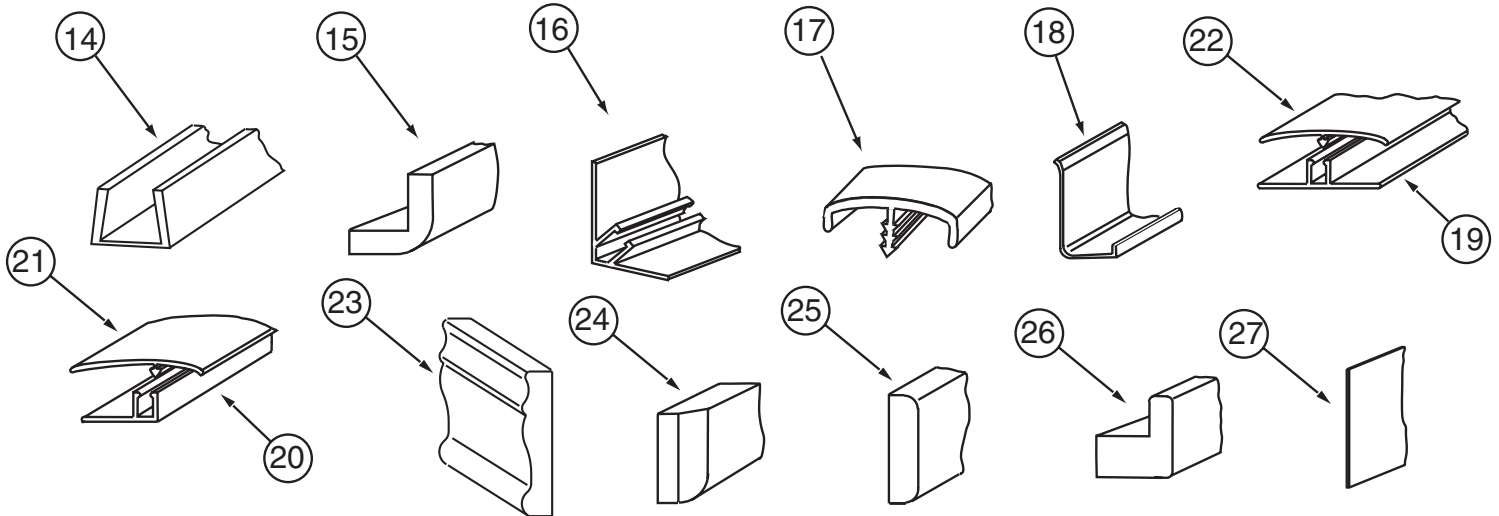
INTERIOR FINISH GROUP

**MOLDINGS & TRIMS
PORTSMOUTH OAK
CONCERT CHERRY
WASHED MAPLE**



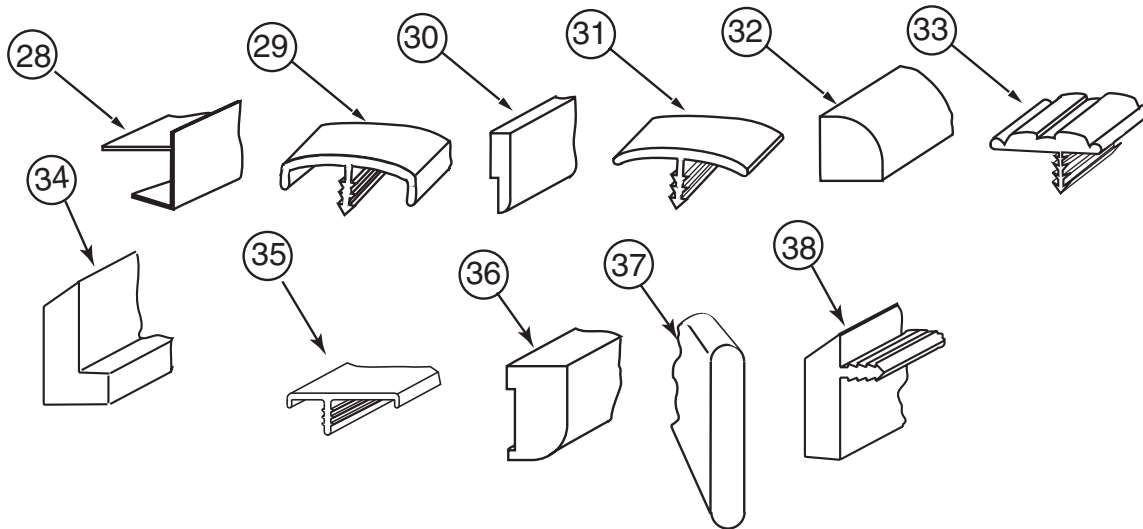
KEY	PART NUMBER	U/M	DESCRIPTION
1	M09412-62-N42	EA	MOLDING/SHELF EDGE - W/.4" NOTCH - PORTSMOUTH II - PORTSMOUTH OAK
1	M09412-62-M62	EA	MOLDING/SHELF EDGE - W/.4" NOTCH - WASHED MAPLE
1	M09412-62-M52	EA	MOLDING/SHELF EDGE - W/.4" NOTCH - CHERRY IV - CONCERT CHERRY
2	P34052-01-N75	EA	TRIM/TABLE - 29.7" - PORTSMOUTH OAK
2	P34052-01-M84	EA	TRIM/TABLE - 29.7" - WASHED MAPLE
2	P34052-01-M52	EA	TRIM/TABLE - 29.7" - SALEM CHERRY - CONCERT CHERRY
2	P34052-02-N47	EA	TRIM/TABLE - 24" - PORTSMOUTH OAK
2	P34052-02-M84	EA	TRIM/TABLE - 24" - WASHED MAPLE
2	P34052-02-M52	EA	TRIM/TABLE - 24" - SALEM CHERRY - CONCERT CHERRY
3	Y00070-22-438	EA	MOLDING/FLUTED - MAPLE - 96" - WASHED MAPLE
3	Y00070-32-438	EA	MOLDING/FLUTED - CHERRY - 96" - CONCERT CHERRY
3	Y00070-42-438	EA	MOLDING/FLUTED - OAK - 96" - PORTSMOUTH OAK
4	Y00071-22-438	EA	MOLDING/FLUTED - W/NOTCH - MAPLE - 96" - WASHED MAPLE
4	Y00071-32-438	EA	MOLDING/FLUTED - W/NOTCH - CHERRY - 96" - CONCERT CHERRY
4	Y00071-42-438	EA	MOLDING/FLUTED - W/NOTCH - OAK - 96" - PORTSMOUTH OAK
5	Y00074-22-438	EA	MOLDING/CROWN - VINYL WRAPPED - MAPLE - 96" - WASHED MAPLE
5	Y00074-62-438	EA	MOLDING/CROWN - VINYL WRAPPED - CONCERT CHERRY - 96" - CONCERT CHERRY
5	Y00074-72-438	EA	MOLDING/CROWN - VINYL WRAPPED - PORTSMOUTH OAK - 96" - PORTSMOUTH OAK
6	Y00086-22-438	EA	MOLDING - VINYL WRAP - 96" - WASHED MAPLE
6	Y00086-62-438	EA	MOLDING - VINYL WRAP - 96" - CONCERT CHERRY
6	Y00086-72-438	EA	MOLDING - VINYL WRAP - 96" - PORTSMOUTH OAK
7	009767-12-000	FT	WELTING - ANTIQUE WHITE
8	009778-25-000	FT	U-CHANNEL - 1" - BEIGE ILLUSION
8	009778-27-000	FT	U-CHANNEL - 1" - WASHED MAPLE
8	009778-30-000	FT	U-CHANNEL - 1" - VILLAGE OAK
8	009778-32-000	FT	U-CHANNEL - 1" - PORTSMOUTH OAK
8	009778-34-000	FT	U-CHANNEL - 1" - CONCERT CHERRY
9	009809-23-000	EA	MOLDING - CORNER - OUTSIDE - 1" X 84" - MODERN IVORY
9	009809-30-000	EA	MOLDING - CORNER - OUTSIDE - 1" X 84" - BEIGE ILLUSION
9	009809-32-000	EA	MOLDING - CORNER - OUTSIDE - 1" X 84" - PORTSMOUTH OAK
9	009809-33-000	EA	MOLDING - CORNER - OUTSIDE - 1" X 84" - CONCERT CHERRY
10	009812-24-000	EA	MOLDING - CORNER - 1/2" W/1/4"CHAN X 84" - IVORY PLASTIC
10	009812-31-000	EA	MOLDING - CORNER - 1/2" W/1/4"CHAN X 84" - BEIGE ILLUSION
10	009812-33-000	EA	MOLDING - CORNER - 1/2" W/1/4"CHAN X 84" - WASHED MAPLE
10	009812-34-000	EA	MOLDING - CORNER - 1/2" W/1/4"CHAN X 84" - VW LIGHT GRAY
10	009812-35-000	EA	MOLDING - CORNER - 1/2" W/1/4"CHAN X 84" - PORTSMOUTH OAK
10	009812-36-000	EA	MOLDING - CORNER - 1/2" W/1/4"CHAN X 84" - CONCERT CHERRY
11	009815-10-000	FT	MOLDING-T - W/EDGE LIP - 3/4" FACE - BEIGE ILLUSION
12	022992-11-000	FT	MOLDING - REVERSE COVE - T-SHAPED - IVORY
12	022992-14-000	FT	MOLDING - REVERSE COVE - T-SHAPED - BRIGHT WHITE
12	022992-15-000	FT	MOLDING - REVERSE COVE - T-SHAPED - VW GRAY
13	042357-25-000	EA	MOLDING - CORNER - RADIUS/PLASTIC - WASHED MAPLE

INTERIOR FINISH GROUP (CONTINUED)
MOLDINGS & TRIMS (CONTINUED)



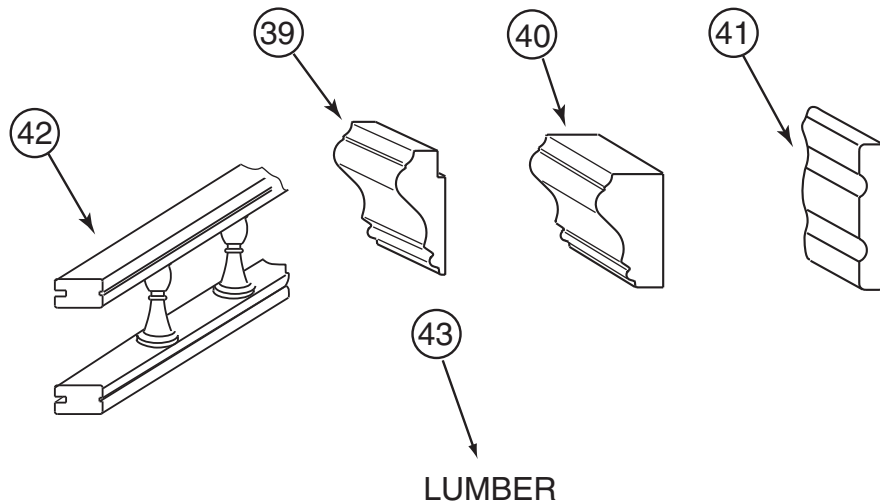
KEY	PART NUMBER	U/M	DESCRIPTION
14	070504-18-000	FT	U-CHANNEL - PLASTIC - .13" X 96" - IVORY
14	070504-35-000	FT	U-CHANNEL - PLASTIC - .13" X 72" - IVORY
14	070504-42-000	FT	U-CHANNEL - PLASTIC - .13" X 84" - BEIGE ILLUSION
14	070504-43-000	FT	U-CHANNEL - PLASTIC - .9" X 96" - BEIGE ILLUSION
14	070504-50-000	FT	U-CHANNEL - PLASTIC - .13" X 96" - WASHED MAPLE
14	070504-54-000	FT	U-CHANNEL - PLASTIC - .9" X 96" - VILLAGE OAK
14	070504-57-000	FT	U-CHANNEL - PLASTIC - .13" X 84" - PORTSMOUTH OAK
14	070504-58-000	FT	U-CHANNEL - PLASTIC - .9" X 84" - PORTSMOUTH OAK
14	070504-60-000	FT	U-CHANNEL - PLASTIC - .13" X 84" - CONCERT CHERRY
14	070504-61-000	FT	U-CHANNEL - PLASTIC - .9" X 84" - CONCERT CHERRY
15	080176-08-000	EA	CAP - CORNER - RADIUS MOLDING - PLASTIC - WASHED MAPLE
16	081521-02-007	EA	MOUNT - METAL MOLDING - F/RADIUS CORNER MOLDING - 151.5"
17	083620-09-000	FT	MOLDING-T - W/EDGE LIP - 7/8" FACE - MODERN IVORY
17	083620-15-000	FT	MOLDING-T - W/EDGE LIP - 7/8" FACE - BEIGE ILLUSION
17	083620-19-000	FT	MOLDING-T - W/EDGE LIP - 7/8" FACE - WASHED MAPLE
17	083620-20-000	FT	MOLDING-T - W/EDGE LIP - 7/8" FACE - PORTSMOUTH OAK
17	083620-21-000	FT	MOLDING-T - W/EDGE LIP - 7/8" FACE - CONCERT CHERRY
18	085746-04-000	FT	TRIM-J - CARPET 1.2" X .5" ANGLE - 10' LONG - OFF WHITE
19	086229-01-000	EA	RETAINER - BATTEN - .75" X 92.1" - ANY COLOR
20	086229-11-000	EA	RETAINER - OFFSET - 97"
21	086229-12-000	EA	BATTEN - 1.5" OFFSET X 96.8" - MODERN IVORY
21	086229-21-000	EA	BATTEN - 1.5" X 83.9" OFFSET - WHITE
22	086229-20-000	EA	BATTEN - 1" X 96" - BEIGE
23	100182-10-J70	EA	TRIM - CHAIR RAIL - 2.5" X 8' EACH - WOOD - WASHED MAPLE
23	100182-10-N47	EA	TRIM/RAIL - PORTSMOUTH OAK
23	100182-10-P85	EA	TRIM - CHAIR RAIL - 2.5" X 8' EACH - WOOD - CONCERT CHERRY
24	100659-30-N75	EA	MOLDING - TRIM - PORTSMOUTH OAK
24	100659-30-N74	EA	MOLDING - TRIM - CHERRY - CONCERT CHERRY
24	100659-30-M84	EA	MOLDING-TRIM,VINYL FLOOR - WASHED MAPLE
25	100818-01-08A	EA	MOLDING - VINYL WRAPPED - 1.6" X .4" X 84"-WASHED MAPLE
25	100818-01-12A	EA	MOLDING - VINYL WRAPPED - 1.6" X .4" X 84"-PORTSMOUTH OAK
25	100818-01-13A	EA	MOLDING - VINYL WRAPPED - 1.6" X .4" X 84" - CHERRY - CONCERT CHERRY
26	100819-01-08A	EA	MOLDING - VINYL WRAPPED-L-SHAPED-1.5"X1.5"X84"- WASHED MAPLE
26	100819-01-12A	EA	MOLDING - VINYL WRAPPED-L-SHAPED - 1.5" X 1.5" X 84" - OAK - PORTSMOUTH OAK
26	100819-01-13A	EA	MOLDING - VINYL WRAPPED-L-SHAPED-1.5"X1.5"X84" - CONCERT CHERRY
27	101957-01-06A	EA	EXTRUDED - PLASTIC - WASHED MAPLE

INTERIOR FINISH GROUP (CONTINUED)
MOLDINGS & TRIMS (CONTINUED)



KEY	PART NUMBER	U/M	DESCRIPTION
28	103186-01-07A	FT	MOLDING/PLASTIC - 3/8" U-CHANNEL-3/4"FACE - BEIGE ILLUS 8'
28	103186-01-08A	FT	MOLDING/PLASTIC - 3/8" U-CHANNEL-3/4"FACE-WASHED MAPLE 8' - WASHED MAPLE
28	103186-01-09A	FT	MOLDING/PLASTIC - 3/8" U-CHAN'L-3/4"FACE-PORTSMOUTH OAK 8' - PORTSMOUTH OAK
28	103186-01-10A	FT	MOLDING/PLASTIC-3/8" U-CHAN'L-3/4"FACE-CONCERT CHERRY 8' - CONCERT CHERRY
28	103186-02-07A	FT	MOLDING/PLASTIC-1" U-CHAN'L-1 3/8"FACE-BEIGE ILLUSION - 8'
28	103186-02-08A	FT	MOLDING/PLASTIC - 1" U-CHANNEL-1 3/8"FACE-WASHED MAPLE 8' - WASHED MAPLE
28	103186-02-09A	FT	MOLDING/PLASTIC - 1" U-CHAN'L-1 3/8"FACE-PORTSMOUTH OAK 8' - PORTSMOUTH OAK
28	103186-02-10A	FT	MOLDING/PLASTIC - 1" U-CHAN'L-1 3/8"FACE-CONCERT CHERRY 8' - CONCERT CHERRY
29	104676-02-06A	FT	MOLDING-T - W/EDGE LIP - 11/16" FACE - WASHED MAPLE
29	104676-02-08A	FT	MOLDING-T - W/EDGE LIP - 11/16" FACE - PORTSMOUTH OAK
29	104676-02-09A	FT	MOLDING-T - W/EDGE LIP - 11/16" FACE - CONCERT CHERRY
30	105004-01-08A	EA	MOLDING - VINYL WRAPPED - 1" X 96" - WASHED MAPLE
30	105004-01-12A	EA	MOLDING - VINYL WRAPPED 1" X 96" - PORTSMOUTH OAK
30	105004-01-13A	EA	MOLDING - VINYL WRAPPED 1" X 96" - CONCERT CHERRY
31	105709-02-000	FT	MOLDING-T - W/EDGE LIP - 3/4" FACE - BEIGE ILLUSION
32	109410-01-P25	EA	MOLDING - TRIM - 8' - BLACK CHERRY/CHERRY IV - CONCERT CHERRY
32	109410-01-N75	EA	MOLDING - TRIM - 8' - PORTSMOUTH OAK
32	109410-01-J70	EA	MOLDING - TRIM - 8' - WHITE MAPLE/WASHED MAPLE
33	109736-02-01A	FT	MOLDING-T/OFFSET - W/EDGE LIP - 1" FACE - NAT OAK/BRASS
34	111235-01-H56	EA	MOLDING - COUNTERTOP - 1.4" X 8' - WHITE MAPLE - UNSTAINED - WASHED MAPLE
34	111235-01-N42	EA	MOLDING - COUNTERTOP - 1.4" X 8' - OAK - UNSTAINED - PORTSMOUTH OAK
34	111235-01-P79	EA	MOLDING - COUNTERTOP - 1.4" X 8' - CONCERT CHERRY
35	119520-01-01A	FT	MOLDING-T/OFFSET - W/EDGE LIP - 1"FACE - OFF WHITE
35	119520-01-02A	FT	MOLDING-T/OFFSET - W/EDGE LIP - 1"FACE - CONCERT CHERRY
35	119520-01-03A	FT	MOLDING-T/OFFSET - W/EDGE LIP - 1"FACE - WASHED MAPLE
35	119520-01-04A	FT	MOLDING-T/OFFSET - W/EDGE LIP - 1"FACE - PORTSMOUTH OAK
35	119520-02-01A	FT	MOLDING-T/OFFSET - W/EDGE LIP - 1"FACE
36	126204-D2-134	EA	MOLDING - VINYL WRAPPED - .7" X 1.6" X 84" - WASHED MAPLE
36	126204-F2-134	EA	MOLDING - VINYL WRAPPED - .7" X 2.5" X 84" - WASHED MAPLE
36	137887-D2-134	EA	MOLDING - VINYL WRAPPED - .7" X 1.6" X 96" - CHERRY - CONCERT CHERRY
36	137887-F2-134	EA	MOLDING - VINYL WRAPPED - .7" X 2.5" X 84" - CHERRY - CONCERT CHERRY
36	137887-F2-743	EA	MOLDING - VINYL WRAPPED - .7" X 2.5" X 108" - CHERRY - CONCERT CHERRY
36	137895-D2-134	EA	MOLDING - VINYL WRAPPED - .7" X 1.6" X 84" - PORTSMOUTH OAK
36	137895-F2-134	EA	MOLDING - VINYL WRAPPED - .7" X 2.5" X 84" - PORTSMOUTH OAK
36	137895-F2-743	EA	MOLDING - VINYL WRAPPED - .7" X 2.5" X 108" - PORTSMOUTH OAK
37	127842-01-01A	FT	SEAL - SIGHT SHIELD - 2" BLACK
38	130247-01-05A	FT	MOLDING-T/OFF SET - 1.3" FACE - CONCERT CHERRY
38	130247-01-04A	FT	MOLDING-T/OFF SET - 1.3" FACE - PORTSMOUTH OAK
38	130247-01-02A	FT	MOLDING-T/OFF SET - 1.3" FACE - WASHED MAPLE

INTERIOR FINISH GROUP (CONTINUED)
MOLDINGS & TRIMS (CONTINUED)



KEY	PART NUMBER	U/M	DESCRIPTION
39	131923-02-04A	FT	MOLDING - PICTURE - OAK - PORTSMOUTH OAK
40	131923-03-03A	FT	MOLDING - CROWN - DIVIDER - WHITE MAPLE - WASHED MAPLE
40	131923-03-02A	FT	MOLDING - CROWN - DIVIDER - CHERRY - CONCERT CHERRY
41	134156-01-03A	EA	MOLDING - VINYL WRAP - .7" X 3.8" X 33.8" - WASHED MAPLE
41	134156-01-08A	EA	MOLDING - VINYL WRAP - .7" X 3.8" X 33.8" - PORTSMOUTH OAK
41	134156-03-03A	EA	MOLDING - VINYL WRAP - .7" X 3.4" X 28.3" - WASHED MAPLE
41	134156-03-07A	EA	MOLDING - VINYL WRAP - .7" X 3.4" X 28.3" - CONCERT CHERRY
41	134156-03-08A	EA	MOLDING - VINYL WRAP - .7" X 3.4" X 28.3" - PORTSMOUTH OAK
41	134156-05-07A	EA	MOLDING - VINYL WRAP - .7" X 3.8" X 34.4" - CONCERT CHERRY
42	137108-01-02A	EA	RAIL - DECORATIVE - SALEM CHERRY - CONCERT CHERRY
42	137108-01-03A	EA	RAIL - DECORATIVE - WASHED MAPLE
42	137108-01-07A	EA	RAIL - DECORATIVE - PORTSMOUTH OAK
43	126205-D2-438	EA	LUMBER - VINYL WRAPPED - .7" X 1.5" X 96" - WASHED MAPLE
43	126205-E2-438	EA	LUMBER - VINYL WRAPPED - .7" X 2" X 96" - WASHED MAPLE
43	126205-F2-438	EA	LUMBER - VINYL WRAPPED - .7" X 2.5" X 96" - WASHED MAPLE
43	126205-G2-438	EA	LUMBER - STAINED - .7" X 3" X 96" - WASHED MAPLE
43	126205-J2-438	EA	LUMBER - VINYL WRAPPED - .7" X 5.5" X 96" - WASHED MAPLE
43	126205-R2-438	EA	LUMBER - LUMBER - VINYL WRAPPED - .7" X 3" X 96" - WASHED MAPLE
43	137885-A2-438	EA	LUMBER - VINYL WRAPPED - .7" X .75" X 96" - CHERRY - CONCERT CHERRY
43	137885-D2-438	EA	LUMBER - VINYL WRAPPED - .7" X 1.5" X 96" - CHERRY - CONCERT CHERRY
43	137885-E2-438	EA	LUMBER - VINYL WRAPPED - .7" X 2" X 96" - CHERRY - CONCERT CHERRY
43	137885-F2-438	EA	LUMBER - VINYL WRAPPED - .7" X 2.5" X 96" - CHERRY - CONCERT CHERRY
43	137885-G2-438	EA	LUMBER - VINYL WRAPPED - .7" X 3" X 96" - CHERRY - CONCERT CHERRY
43	137885-J2-743	EA	LUMBER-018X140X2743 MM VYL - CONCERT CHERRY
43	137885-J2-438	EA	LUMBER - VINYL WRAPPED - .7" X 5.5" X 96" - CHERRY - CONCERT CHERRY
43	137885-R2-438	EA	LUMBER - VINYL WRAPPED - .7" X 3" X 96" - CHERRY - CONCERT CHERRY
43	137894-A2-438	EA	LUMBER - VINYL WRAPPED - .7" X .75" X 96" - PORTSMOUTH OAK
43	137894-D2-438	EA	LUMBER - VINYL WRAPPED - .7" X 1.5" X 96" - PORTSMOUTH OAK
43	137894-E2-438	EA	LUMBER - VINYL WRAPPED - .7" X 2" X 96" - PORTSMOUTH OAK
43	137894-F2-438	EA	LUMBER - VINYL WRAPPED - .7" X 2.5" X 96" - PORTSMOUTH OAK
43	137894-G2-438	EA	LUMBER - VINYL WRAPPED - .7" X 3" X 96" - PORTSMOUTH OAK
43	137894-H2-438	EA	LUMBER - VINYL WRAPPED - .7" X 3.5" X 96" - PORTSMOUTH OAK
43	137894-J2-438	EA	LUMBER - VINYL WRAPPED - .7" X 5.5" X 96" - PORTSMOUTH OAK
43	137894-J2-743	EA	LUMBER - VINYL WRAPPED - .7" X 5.5" X 108" -PORTSMOUTH OAK
43	137894-R2-438	EA	LUMBER - VINYL WRAPPED - .7" X 3" X 96" - PORTSMOUTH OAK
	141260-01-02A	FT	U-CHANNEL - 1" - GRADY BROWN
	141260-01-01A	FT	U-CHANNEL - 1" - VILLAGE OAK

INTERIOR FINISH GROUP (CONTINUED)
PANELING & LAMINATES

KEY	PART NUMBER	U/M	DESCRIPTION
	000885-A1-000	SF	PARTICLE BOARD - 1/2" X 4' X 8' - SALEM CHERRY - 2 SIDED - CONCERT CHERRY
	000885-A3-000	SF	PARTICLE BOARD - 3/4" X 4' X 8' - SALEM CHERRY - 2 SIDED - CONCERT CHERRY
	000885-A5-000	SF	PARTICLE BOARD - 3/8" X 4' X 8'- WHT PEB EMBOSSED-1 SIDED
	000885-88-000	SF	PART BD-3/8X48X96 WASHED MAP, 1 SIDED - WASHED MAPLE
	000885-89-000	SF	PARTICLE BOARD - 3/8" X 4' X 8' - WASHED MAPLE - 2-SIDED - WASHED MAPLE
	000885-90-000	SF	PARTICLE BOARD - 1/2" X 4' X 8' - WASHED MAPLE - 2-SIDED - WASHED MAPLE
	000885-91-000	SF	PARTICLE BOARD - 3/4" X 4' X 8' - WASHED MAPLE - 2-SIDED - WASHED MAPLE
	000885-92-000	SF	PARTICLE BOARD-3/8" X 4' X 8'-PORTSMOUTH OAK-VINYL 1 SIDED - PORTSMOUTH OAK
	000885-93-000	SF	PARTICLE BOARD - 3/8" X 4' X 8' - PORTSMOUTH OAK - 2-SIDED - PORTSMOUTH OAK
	000885-94-000	SF	PARTICLE BOARD - 1/2" X 4' X 8' - PORTSMOUTH OAK - 2-SIDED - PORTSMOUTH OAK
	000885-95-000	SF	PARTICLE BOARD - 3/4" X 4' X 8' - PORTSMOUTH OAK - 2-SIDED - PORTSMOUTH OAK
	000885-96-000	SF	PART BD-PAPER,CONCERT CHERRY, 3/8X48X96 1 SIDE - CONCERT CHERRY
	000885-98-000	SF	PARTICLE BOARD - 3/8" X 4' X 8' - SALEM CHERRY - 2 SIDED - CONCERT CHERRY
	057882-04-000	SF	TAMBOUR - 48" X 96" SHEET - UNFINISHED - PORTSMOUTH OAK
	057882-06-000	SF	TAMBOUR/ROLL UP - 4' X 8' - CONCERT CHERRY
	057882-05-000	SF	TAMBOUR - 48" X 96" SHEET - UNFINISHED - WASHED MAPLE
	074497-39-000	SF	PANELING - PORTSMOUTH OAK - 4' X 8' - WASHED MAPLE
	074497-42-000	SF	PANELING - PORTSMOUTH OAK - 4' X 8' - PORTSMOUTH OAK
	074497-43-000	SF	PANELING - SALEM CHERRY - 4' X 8' - CONCERT CHERRY
	076773-14-000	SF	PANELING - 2 SIDED/WASHED MAPLE - 1/8" X 4' X 8' - WASHED MAPLE
	076773-15-000	SF	PANELING - 2 SIDED/PORTSMOUTH OAK - 1/8" X 4' X 8' - PORTSMOUTH OAK
	076773-16-000	SF	PANELING - 2 SIDED/SALEM CHERRY - 1/8" X 4' X 8' - CONCERT CHERRY
	079666-03-000	SF	PANELING - CLOSET - CEDAR - 4' X 7'
	088272-H9-000	SF	PANELING - PEBBLE EMBOSSED - WHITE - 4' X 7'
	088272-J9-000	SF	PANELING - ALABASTER - 4' X 7' (P69, P70, P71, P72, P51, P52)
	088272-K1-000	SF	PANELING - GRAY - 4' X 7' (P73, P74, P53)
	074498-82-000	SF	LAMINATE - PLASTIC - WASHED MAPLE - 4' X 8' - WASHED MAPLE
	074498-84-000	SF	LAMINATE - PLASTIC - WHITE TALC - 4' X 8' (P69, P70, P71, P72, P51, P52)
	074498-95-000	SF	LAMINATE - PLASTIC - PORTSMOUTH OAK - 4' X 8' - PORTSMOUTH OAK
	074498-96-000	SF	LAMINATE - PLASTIC - CHERRY - 4' X 8' - CONCERT CHERRY
	074498-99-000	SF	LAMINATE - PLASTIC - EGGSHELL - 4' X 8' (P73, P74, P53)
	085284-F7-000	FT	TAPE/STRIP - TRUE GRIP - 1 1/2" WIDE - ADHESIVE BACKED
	085284-G9-000	FT	BATT TAPE - ADHESIVE BACKED - DECORATIVE - ALABASTER (P69, P70, P71, P72, P51, P52)
	085284-H1-000	FT	BATT TAPE - ADHESIVE BACKED - DECORATIVE - GRAY (P73, P74, P53)
	088263-G9-000	EA	BATT STRIP - DECORATIVE - CORK/ALABASTER - 8' (P69, P70, P71, P72, P51, P52)
	088263-H0-000	EA	BATT STRIP - DECORATIVE - VILLA/GRAY - 8' LONG (P73, P74, P53)
	132610-06-04A	FT	WALLPAPER - BORDER - 5 1/4" (P69, P70, P51)
	132610-05-17A	FT	WALLPAPER - BORDER - 7" - SELF-ADHESIVE (P71, P72, P52)
	132610-05-12A	FT	WALLPAPER - BORDER - 7" - SELF-ADHESIVE (P73, P74, P53)

INTERIOR FINISH GROUP (CONTINUED)
ACCESSORIES

KEY	PART NUMBER	U/M	DESCRIPTION
	072852-01-000	EA	DETECTOR - SMOKE - W/9 VOLT BATTERY - US - USA
	072852-02-000	EA	DETECTOR - SMOKE - W/9 VOLT BATTERY - CANADIAN - CANADIAN
	125136-02-000	EA	DETECTOR/CO - GAS MODEL - 9 VOLT
	088742-16-000	EA	MIRROR - BEVELED/SAFETY GLASS - 14.4" X 18.5"
	093606-28-000	EA	MIRROR - BEVELED EDGE - 17.5" X 27.9"
	093606-43-000	EA	MIRROR - BEVELED EDGE - 7.4" X 12.8"
	140374-10-000	EA	MIRROR - SAFETY GLASS - 7.9" X 16.4"
	140374-55-000	EA	MIRROR - SAFETY GLASS - 34.7" X 69.4"
	091261-01-000	FT	SLIPNOT - ANTISLIP - 1' WIDE X 12' - BLACK
	096764-02-000	FT	SLIPNOT - ANTISLIP - 1'WIDE (180' ROLLS) - WHITE
*	094499-02-000	EA	EXTINGUISHER/FIRE - DRY - 10BC - W/GAUGE - CANADIAN - CANADIAN
	094499-03-000	EA	EXTINGUISHER/FIRE - DRY - 10BC - W/GAUGE/BRACKET - USA
	094499-04-000	EA	STRAP - FIRE EXTINGUISHER MOUNTING - METAL
	108808-01-01A	EA	HANDRAIL - ENTRANCE - 26"H X 26"L - BRASS
	131058-03-02A	EA	HAND RAIL - INTERIOR ENTRY DOOR - BLACK
	112515-05-01A	EA	PICTURE - DECORATIVE - 12" X 15" - PALM TREE - BATHROOM
	131493-02-05A	EA	PICTURE - DECORATIVE - 13" X 15" - VIOLIN (P69, P70, P51)
	131493-02-09A	EA	PICTURE - DECORATIVE - 13" X 15" - MEDITERRANEAN (P71, P72, P73, P74, P52, P53)
	132738-01-01A	EA	CLOCK - DIGITAL W/ALARM - 12 VOLT - BLACK
	142368-01-01A	EA	CLOCK - 8" ROUND - BRASS
	133831-01-01A	EA	HOLDER - CUP W/THREE CENTERLINE RUBBER FINGERS
	140066-01-01A	EA	BASKET - LAUNDRY/WIRE - WHITE

***COMPONENT PARTS LISTED LATER IN THIS GROUP**

INTERIOR FINISH GROUP (CONTINUED)
COMPONENT PARTS FOR ACCESSORIES

094499-02-000

KEY	PART NUMBER	U/M	DESCRIPTION	VENDOR NO
	094499-01-700	EA	BRACKET MTG. W/PLAS. STRAP	294039

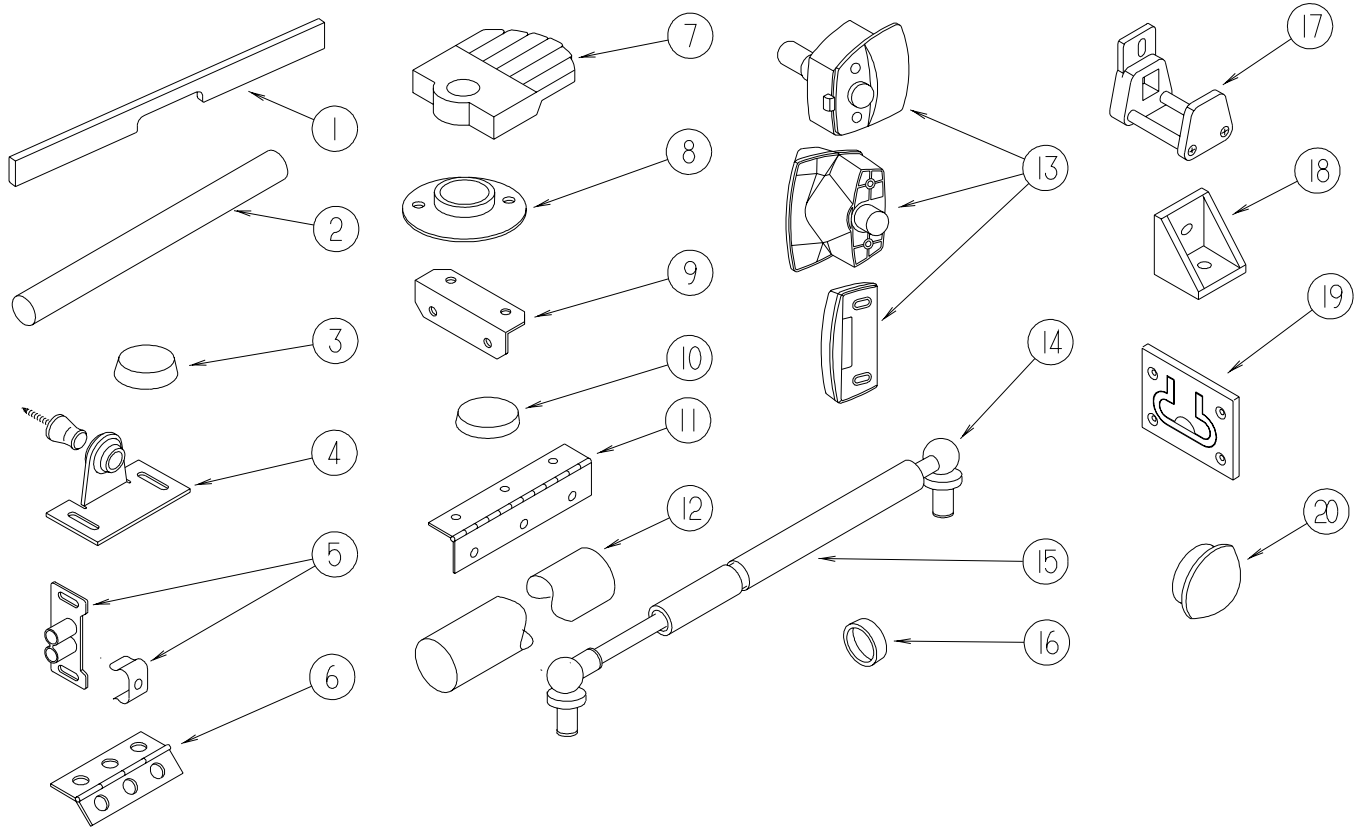
INTERIOR FINISH GROUP (CONTINUED)

FLOOR COVERINGS

KEY	PART NUMBER	U/M	DESCRIPTION
	075233-01-000	SY	PAD - CARPET - 3/8" X 6' ROLL
	093486-01-000	SY	CARPET - COMPARTMENT - 72" WIDE - DARK GRAY
	093486-02-000	SY	CARPET - COMPARTMENT - 72" WIDE - LIGHT GRAY
	137430-01-000	EA	RUG - AREA - 2-6 - 34" X 96" - SIENNA (P69, P70, P51) FROM: 00-00-00 THRU: 01-05-03
	137430-04-000	EA	RUG - AREA - 34" X 78" - SIENNA (P69, P70, P51) FROM: 01-06-03 THRU: 99-99-99
	137430-02-000	EA	RUG - AREA - 2-6 - 34" X 96" - CORNUCOPI (P71, P72, P52)
	137430-03-000	EA	RUG - AREA - 2-6 - 34" X 96" - PLATINUM (P73, P74, P53)
	139056-11-000	SY	CARPET - MUSLIN - 4 SQUARE YARD INCREMENTS (P69, P70, P51)
	139056-15-000	SY	CARPET - TARRAGON - 4 SQUARE YARD INCREMENTS (P71, P72, P52)
	096060-J7-000	SY	CARPET - SAHARA DESERT - INCREMENTS OF 4 SQ YDS (P73, P74, P53)
	096060-G5-000	SY	CARPET - PURPLE MAZE - INCREMENTS OF 4 SQ YDS
	096060-J5-000	SY	CARPET - MUSLIN - INCREMENTS OF 4 SQ YDS
	131711-01-06A	EA	TILE/FLOOR - VINYL - 12" X 12" - MUSHROOM

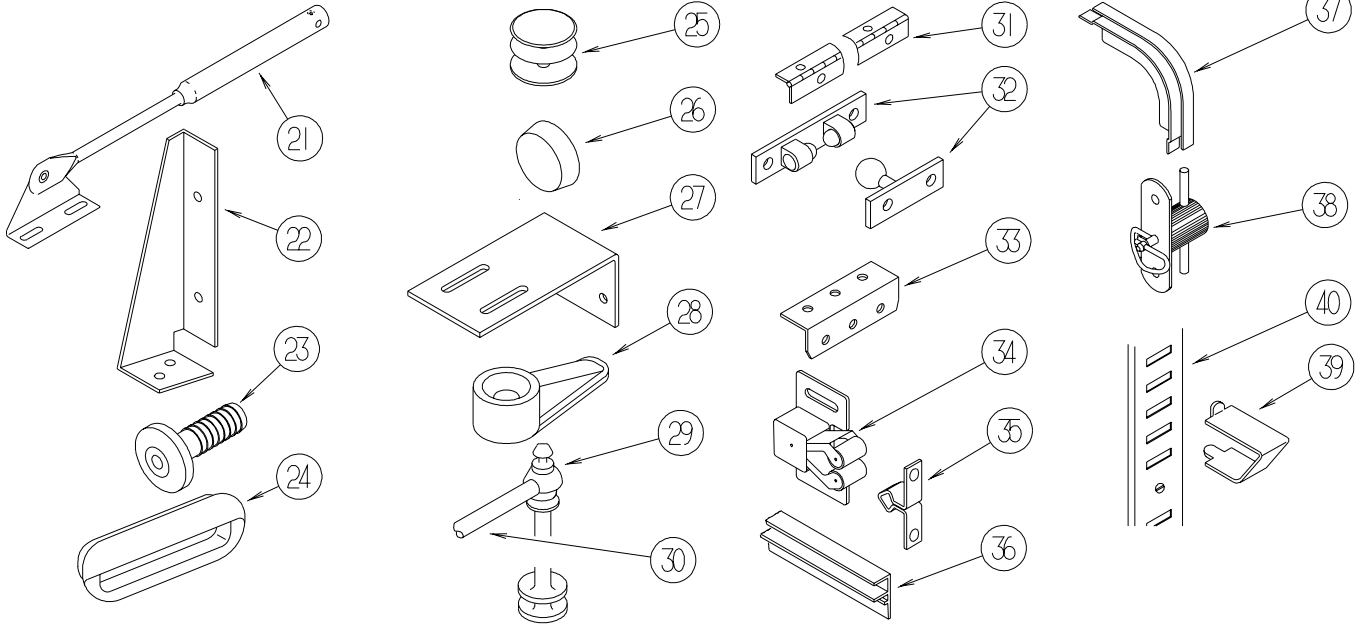
INTERIOR FINISH GROUP (CONTINUED)

HARDWARE



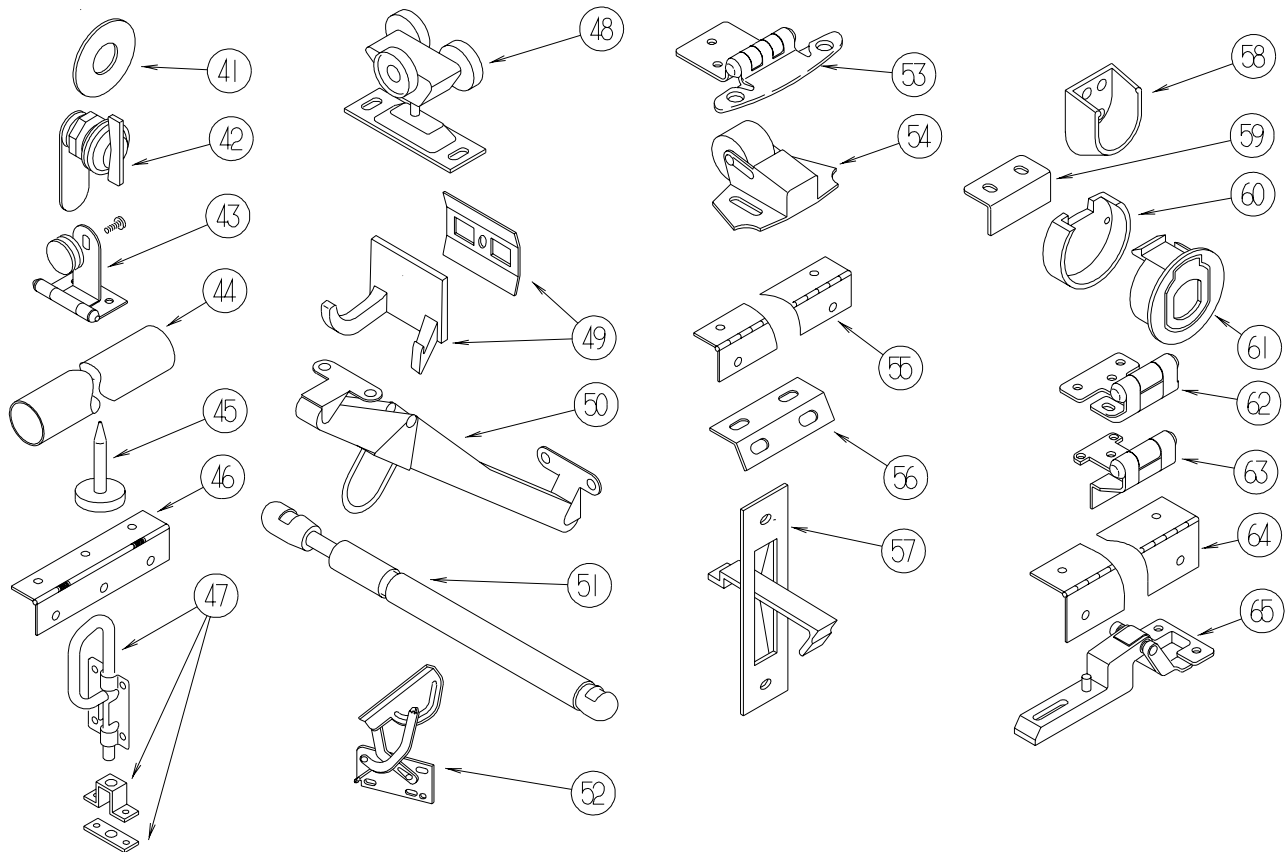
KEY	PART NUMBER	U/M	DESCRIPTION
1	P26866-12-N62	EA	HANDLE - DOOR/TAMBOUR - 14.7" - WASHED MAPLE
1	P26866-12-N63	EA	HANDLE - DOOR/TAMBOUR - 11.6" - CONCERT CHERRY
1	P26866-12-P69	EA	HANDLE - DOOR/TAMBOUR - 11.6" - PORTSMOUTH OAK
2	Y00136-21-218	EA	DOWEL - WOOD - 1" X 4'
3	004354-01-000	EA	BUMPER - RUBBER - .5" DIA - BROWN
4	009013-01-000	EA	CATCH - BULLDOG - MALE/FEMALE
5	009021-01-000	EA	CATCH - GRILLE - NYLON
5	009021-02-000	EA	STRIKE - SPRING STEEL - .68"
6	009059-01-000	EA	HINGE - DOOR - 2" X 1.4" - BRASS
6	009059-02-000	EA	HINGE - DOOR - 2" X 2.7" - BRASS
6	009059-03-000	EA	HINGE - BRASS - 1.75"
7	009089-01-000	EA	CLIP - MIRROR
8	009112-01-000	EA	FLANGE - PLASTIC - 1" CLOTHES ROD - OFF WHITE
9	016604-05-000	EA	BRACE - ANGLE - 2 1/2" - OFF WHITE METAL
9	016604-10-000	EA	BRACE - SEAT ANGLE - 2.5" - BLACK
9	016604-11-000	EA	BRACE - SEAT - ANGLE - 2.5" - CHESTNUT
10	023320-01-000	EA	PAD - FELT 3/8" DIAMETER
11	041389-25-000	EA	HINGE - PIANO - 1 1/2" X 55" - UNPAINTED
12	042438-02-000	EA	DOWEL - WOOD - 2" DIAMETER X 2'
12	042438-06-000	EA	DOWEL - WOOD - CLOTHES ROD - 1.5" X 26"
13	058335-03-000	EA	LATCH W/O LOCK - BATHROOM DOOR BLACK
14	057460-02-000	EA	BALL STUD - F/GAS SPRING .39" - 5/16"-18
15	057460-04-000	EA	SPRING/GAS - BALL STUD STYLE - 120 PI - "SPD6209"
16	057671-01-000	EA	COVER - SCREW - #8 - OFF WHITE
16	057671-15-000	EA	COVER - SCREW - #8 - BRIGHT WHITE
16	057671-16-000	EA	COVER - SCREW - #8 - SOFT WHITE
16	057671-17-000	EA	COVER - SCREW - VW LT GRAY - #8
17	064467-01-000	EA	GUIDE - POCKET - SLIDING DOOR - WALL MOUNTED
18	065740-01-000	EA	BRACE - CABINET/CORNER - PLASTIC
19	072871-01-000	EA	PULL - FLUSH - CHROME
20	074045-08-000	EA	PLUG - OAK - 3/8" DOWEL-1/2" HEAD - SALEM CHERRY - CONCERT CHERRY
20	074045-12-000	EA	PLUG - OAK - 3/8" DOWEL-1/2" HEAD - WASHED MAPLE
20	074045-13-000	EA	PLUG - OAK - 3/8" DOWEL-1/2" HEAD - PORTSMOUTH OAK

INTERIOR FINISH GROUP (CONTINUED)
HARDWARE (CONTINUED)



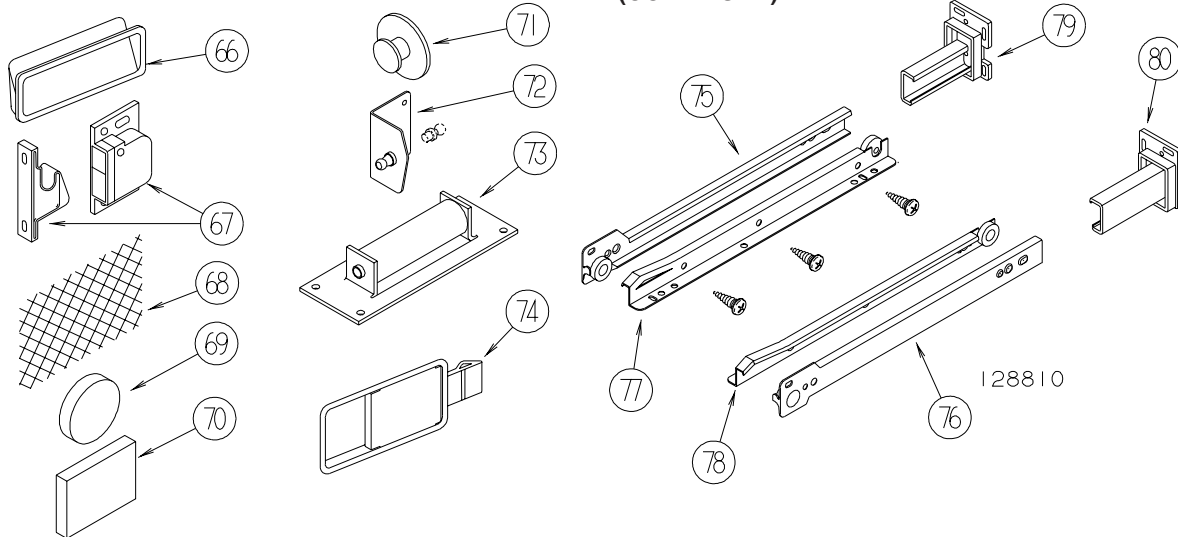
KEY	PART NUMBER	U/M	DESCRIPTION
21	074493-02-000	EA	SUPPORT - PISTON SPRING - CABINET DOOR - 26 LBS
21	074493-03-000	EA	SUPPORT - PISTON SPRING - CABINET DOOR - 12 LBS
21	074493-04-000	EA	SUPPORT - PISTON SPRING - CABINET DOOR - 32 LBS
22	076827-02-000	EA	BRACKET/LEG - 2.9" X 1.8" - TRIANGULAR - LEFT/E-COATED
23	079921-01-000	EA	ROLLER - NYLON - W/STEEL SHAFT - BARBED
24	080736-01-000	EA	PULL - RECESSED - 1.25" X 4" - OAK
25	081114-02-000	EA	CAP - INSERT - ROUND - 1" DIAMETER - WHITE PLASTIC
26	081914-01-000	EA	BUMPER - RUBBER - ROUND - 1/2" DIA. X 1/8" THICK
27	083125-07-000	EA	BRACE - ANGLE/COUCH - 2.5" - OFF WHITE
28	083204-03-000	EA	BUTTON - RETAINING MIRROR 5/16" TIP
29	084070-03-000	EA	POST - END - 2.4" - SHINY BRASS
30	084071-05-000	EA	ROD - BRASS - 15"
30	084071-19-000	EA	ROD - BRASS - 7.1"
30	084071-20-000	EA	ROD - BRASS - 9.8"
30	084071-23-000	EA	ROD - BRASS - 13.1"
30	084071-24-000	EA	ROD - BRASS - 3.8"
30	084071-28-000	EA	ROD - BRASS - 6"
30	084071-30-000	EA	ROD - BRASS - 11.6"
30	084071-31-000	EA	ROD - BRASS - 14.8"
30	084071-33-000	EA	ROD - BRASS - 20.4"
30	084071-34-000	EA	ROD - BRASS - 16.9"
31	084413-01-000	EA	HINGE - 1" X 72" - ALUMINUM - W/HOLES
32	084451-01-000	EA	CATCH & LATCH - 1.7" - BRASS
33	089025-01-000	EA	SUPPORT - SPRING TO BED - ANGLE 1.5" X 11.8"
34	093586-03-000	EA	CATCH - SPRING ROLLER - .377"
34	093586-06-000	EA	CATCH - SPRING ROLLER - .236"
35	093586-04-000	EA	STRIKE - SPRING STEEL - 1.14"
35	093586-05-000	EA	STRIKE - SPRING STEEL - .943"
36	093622-01-000	EA	TRACK - DOOR - TAMBOUR - PLASTIC - 8' LENGTHS
37	093623-01-000	EA	CORNER - TRACK - TAMBOUR DOOR
	097872-04-000	EA	DOWEL - WOOD - 1" DIAMETER X 1.38" LONG - UNFINISHED
38	098196-01-000	EA	LATCH - 1/4 TURN - T-BAR
39	098979-01-000	EA	CLIP - ADJUSTABLE SHELF
40	098980-01-000	EA	PILASTER - ADJUSTABLE SHELF - 18"
40	098980-02-000	EA	PILASTER - ADJUSTABLE SHELF - 12"
40	098980-03-000	EA	PILASTER - ADJUSTABLE SHELF - 9"
40	098980-04-000	EA	PILASTER - ADJUSTABLE SHELF - 48"
40	098980-05-000	EA	PILASTER - ADJUSTABLE SHELF - 15"
40	098980-06-000	EA	PILASTER - ADJUSTABLE SHELF - 24"

INTERIOR FINISH GROUP (CONTINUED)
HARDWARE (CONTINUED)



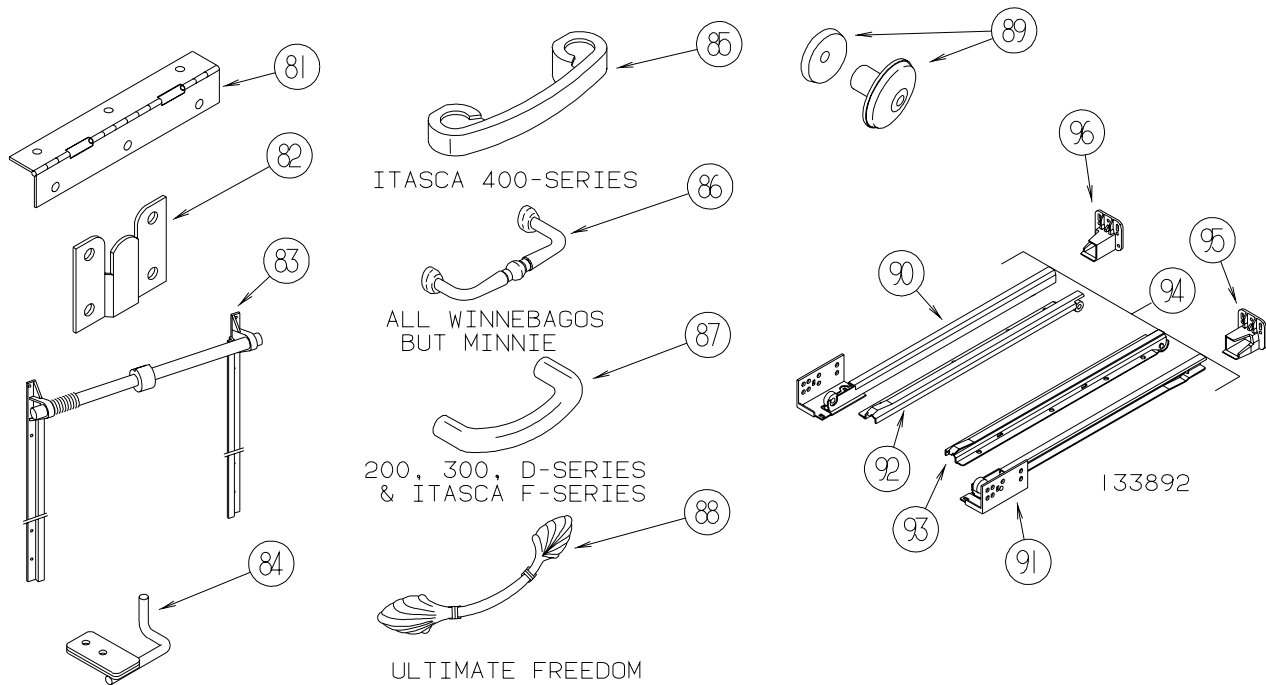
KEY	PART NUMBER	U/M	DESCRIPTION
41	100707-01-000	EA	SPACER - GLASS DOOR - .8" DIA - .3" HOLE - PLASTIC
42	100710-01-01A	EA	LOCK - GLASS DOOR/TWIST TYPE - BRASS
43	100711-01-01A	EA	HINGE - GLASS DOOR
44	102075-06-02A	EA	ROD - SHOWER CURTAIN - 1" OD X 33.5" - SOFT WHITE
44	102075-09-02A	EA	ROD - SHOWER CURTAIN - 3/4"OD X 29.5" - SOFT WHITE
44	102075-16-02A	EA	ROD - SHOWER CURTAIN - 3/4"OD X 34.2" - SOFT WHITE
44	102075-18-02A	EA	ROD - SHOWER CURTAIN - 1" OD X 38.9" - SOFT WHITE
44	102075-20-03A	EA	ROD - SHOWER CURTAIN - 48.8" - MILL
44	102075-21-03A	EA	ROD - SHOWER CURTAIN - 46.1"
45	102194-01-000	EA	GUIDE - PLASTIC - 1" (HEAD/PIN)
46	102920-01-01A	EA	HINGE - SPRING LOADED - BRASS
47	103256-01-000	EA	LATCH COMPLETE (SLIDE)
48	103874-01-000	EA	HANGER - SLIDING DOOR
49	104174-01-000	EA	HOOK - ROBE - DOUBLE
50	104181-01-01A	EA	SUPPORT - LEAF 5.3" EXTENDS TO 7.5" - SAFETY RING - METAL
51	107796-06-000	EA	SPRING/GAS - 12" COMPRESSED/20" EXTENDED - 120 LB.
51	107796-08-000	EA	SPRING/GAS - 11" COMPRESSED/17" EXTENDED - 60 LB
51	107796-15-000	EA	SPRING/GAS - 24" COMPRESSED/40" EXTENDED - 15 LB.
51	107796-16-000	EA	SPRING/GAS - 6.4" COMPRESSED/9.6" EXTENDED - 65 LB.
52	108126-01-000	EA	TRAY HINGE SET (QTY. 2 PER SET)
53	108138-01-000	EA	HINGE - CABINET DOOR - BURNISHED BRASS - Q SERIES (ULTIMATE FREEDOM) ONLY
53	108138-03-000	EA	HINGE - BRIGHT BRASS
54	109403-01-000	EA	CATCH - SINGLE ROLLER - SCREEN DOOR
55	110496-01-01A	EA	HINGE - BRASS
56	111866-01-02A	EA	BRACE - SEAT - ANGLE - OFF WHITE
57	113130-01-01A	EA	PULL - DOOR POCKET
58	113236-01-01A	EA	BRACKET - CLOTHES - ROD
59	113375-02-01A	EA	STRIKE - DOOR - CHROME
60	113375-05-01A	EA	LATCH - SLAM - BACK - .8" THICK
61	113375-06-01A	EA	LATCH - SLAM - FACE - .7" THICK
62	113676-01-01A	EA	HINGE - OVERLAY - VARIABLE - BURNISHED BRASS
63	113677-01-01A	EA	HINGE - SELF CLOSING
64	114278-02-000	EA	HINGE - CONTINUOUS - 3" WIDE
65	114443-01-01A	EA	HINGE - CABINET DOOR

INTERIOR FINISH GROUP (CONTINUED)
HARDWARE (CONTINUED)



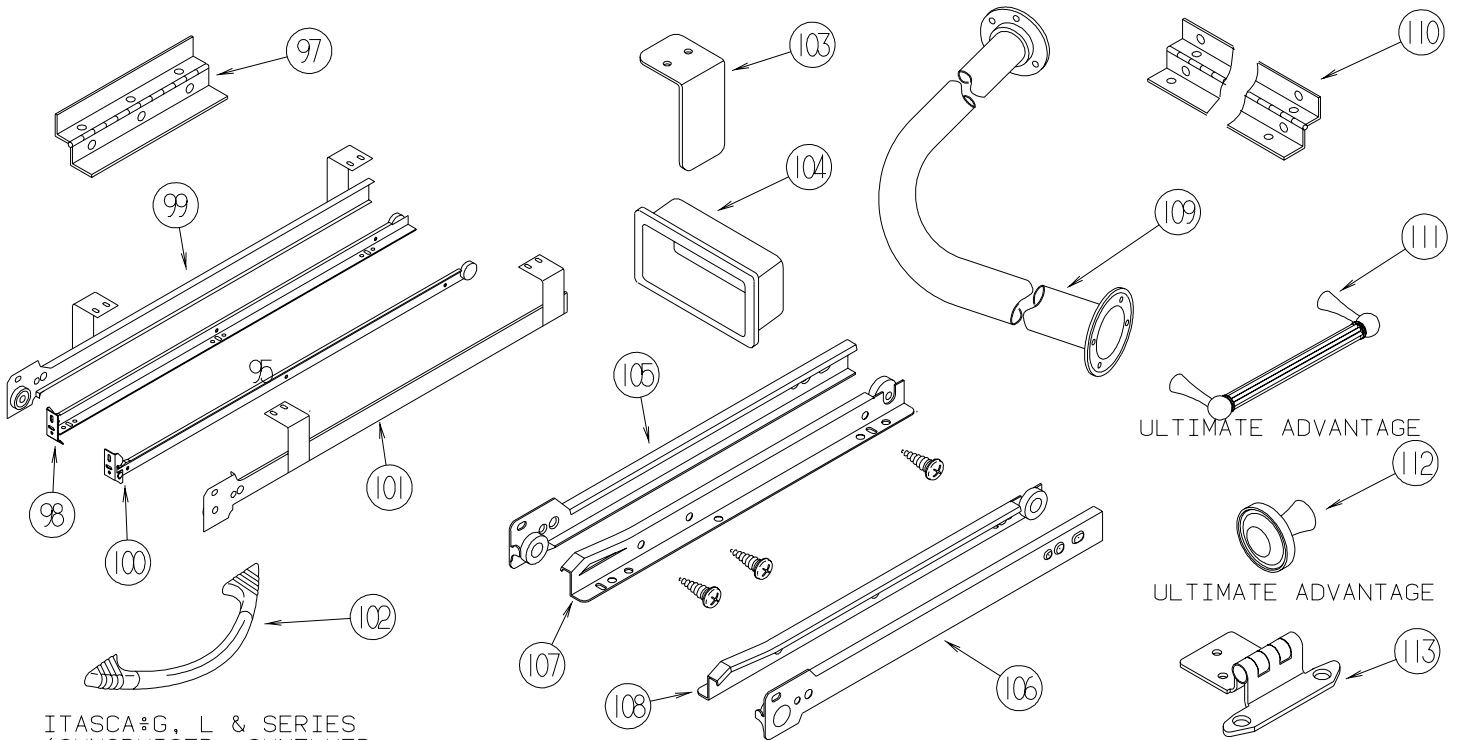
KEY	PART NUMBER	U/M	DESCRIPTION
66	115994-01-01A	EA	HANDLE - POCKET
67	117095-01-01A	EA	LATCH - DOOR - GRABBER W/KEEPER - PLASTIC - BLK-5 LB PULL
67	117095-02-01A	EA	LATCH - DOOR - GRABBER W/KEEPER - PLASTIC - BLK-10 LB PULL
68	118200-01-01A	SF	MESH - PLASTIC 1/2" - 48" X LENGTH = SF - BLACK
69	122717-01-01A	EA	PAD - NON-SKID - 4" DIAMETER ROUND
70	122717-06-01A	FT	PAD - NON-SKID - PSA - 5"W
71	125221-01-01A	EA	PULL - MIRROR - W/ROUND HANDLE
72	126263-06-02B	EA	BRACKET - GAS SPRING W/INSIDE BALL STUD - E-COATED
	126263-08-02B	EA	BRACKET - GAS SPRING W/CENTERED BALL STUD - E-COATED
73	126584-02-000	EA	ROLLER - FLAT
74	127349-01-01A	EA	LATCH - PADDLE
75	128810-01-01A	EA	SLIDE - DRAWER - 12" - LEFT CABINET
75	128810-05-01A	EA	SLIDE - DRAWER - 14" - LEFT CABINET
75	128810-09-01A	EA	SLIDE - DRAWER - 16" - LEFT CABINET
75	128810-13-01A	EA	SLIDE - DRAWER - 18" - LEFT CABINET
75	128810-17-01A	EA	SLIDE - DRAWER - 20" - LEFT CABINET
75	128810-21-01A	EA	SLIDE - DRAWER - 22" - LEFT CABINET
75	128810-25-01A	EA	SLIDE - DRAWER - 24" - LEFT CABINET
75	128810-29-01A	EA	SLIDE - DRAWER - 9" - LEFT CABINET
76	128810-02-01A	EA	SLIDE - DRAWER - 12" - RIGHT CABINET
76	128810-06-01A	EA	SLIDE - DRAWER - 14" - RIGHT CABINET
76	128810-10-01A	EA	SLIDE - DRAWER - 16" - RIGHT CABINET
76	128810-14-01A	EA	SLIDE - DRAWER - 18" - RIGHT CABINET
76	128810-18-01A	EA	SLIDE - DRAWER - 20" - RIGHT CABINET
76	128810-22-01A	EA	SLIDE - DRAWER - 22" - RIGHT CABINET
76	128810-26-01A	EA	SLIDE - DRAWER - 24" - RIGHT CABINET
76	128810-30-01A	EA	SLIDE - DRAWER - 9" - RIGHT CABINET
77	128810-03-01A	EA	SLIDE - DRAWER - 12" - LEFT DRAWER
77	128810-07-01A	EA	SLIDE - DRAWER - 14" - LEFT DRAWER
77	128810-11-01A	EA	SLIDE - DRAWER - 16" - LEFT DRAWER
77	128810-15-01A	EA	SLIDE - DRAWER - 18" - LEFT DRAWER
77	128810-19-01A	EA	SLIDE - DRAWER - 20" - LEFT DRAWER
77	128810-23-01A	EA	SLIDE - DRAWER - 22" - LEFT DRAWER
77	128810-27-01A	EA	SLIDE - DRAWER - 24" - LEFT DRAWER
77	128810-27-01A	EA	SLIDE - DRAWER - 24" - LEFT DRAWER
77	128810-31-01A	EA	SLIDE - DRAWER - 9" - LEFT DRAWER
78	128810-04-01A	EA	SLIDE - DRAWER - 12" - RIGHT DRAWER
78	128810-08-01A	EA	SLIDE - DRAWER - 14" - RIGHT DRAWER
78	128810-12-01A	EA	SLIDE - DRAWER - 16" - RIGHT DRAWER
78	128810-16-01A	EA	SLIDE - DRAWER - 18" - RIGHT DRAWER
78	128810-20-01A	EA	SLIDE - DRAWER - 20" - RIGHT DRAWER
78	128810-24-01A	EA	SLIDE - DRAWER - 22" - RIGHT DRAWER
78	128810-28-01A	EA	SLIDE - DRAWER - 24" - RIGHT DRAWER
78	128810-32-01A	EA	SLIDE - DRAWER - 9" - RIGHT DRAWER
79	128811-01-01A	EA	BACKSOCKET - ADJUSTABLE - LEFT
80	128811-02-01A	EA	BACKSOCKET - ADJUSTABLE - RIGHT

INTERIOR FINISH GROUP (CONTINUED) HARDWARE (CONTINUED)



KEY	PART NUMBER	U/M	DESCRIPTION
81	129753-01-01A	EA	HINGE - SPRING LOADED - 19" X 19" - BLACK
82	130120-01-01A	EA	BRACKET - MIRROR
83	130787-01-000	EA	TRACK - TAMBOUR DOOR/SPRING - 15.9"
83	130787-02-000	EA	TRACK - TAMBOUR DOOR/SPRING - 24"
83	130787-04-000	EA	TRACK - TAMBOUR DOOR - SPRING
84	130798-01-02B	EA	GUIDE - POCKET DOOR - E-COATED
85	131962-01-01A	EA	PULL - DOOR/DRAWER - POLISHED BRASS - ITASCA 400 SERIES (SUNDANCER)
86	131963-01-01A	EA	PULL - POLISHED BRASS - WINNEBAGO BRAVE/ADVENTURER/CHIEFTAIN/JOURNEY/MINNIE WINNIE
87	131964-01-01A	EA	PULL - POLISHED BRASS - RIALTA/WINNEBAGO MINNIE/VISTA, ITASCA SPIRIT/SUNOVA
88	131965-01-01A	EA	PULL - DOOR/DRAWER - 6.3" - BURNISHED BRASS - ULTIMATE FREEDOM
89	133313-01-02A	EA	PULL - DOOR/DRAWER - BRIGHT BRASS
89	133313-01-03A	EA	PULL - DOOR/DRAWER - CHROME/BRASS - ITASCA L & P SERIES (SUNFLYER & HORISON) ONLY
90	133892-01-01A	EA	SLIDE - DRAWER - 16" - LEFT CABINET
90	133892-06-01A	EA	SLIDE - DRAWER - 22" - LEFT CABINET
90	133892-10-01A	EA	SLIDE - DRAWER - 12" - LEFT CABINET
90	133892-14-01A	EA	SLIDE - DRAWER - 18" - LEFT CABINET
91	133892-02-01A	EA	SLIDE - DRAWER - 16" - RIGHT CABINET
91	133892-07-01A	EA	SLIDE - DRAWER - 22" - RIGHT CABINET
91	133892-11-01A	EA	SLIDE - DRAWER - 12" - RIGHT CABINET
91	133892-15-01A	EA	SLIDE - DRAWER - 18" - RIGHT CABINET
92	133892-03-01A	EA	SLIDE - DRAWER - 16" - LEFT DRAWER
92	133892-08-01A	EA	SLIDE - DRAWER - 22" - LEFT DRAWER
92	133892-12-01A	EA	SLIDE - DRAWER - 12" - LEFT DRAWER
92	133892-16-01A	EA	SLIDE - DRAWER - 18" - LEFT DRAWER
93	133892-04-01A	EA	SLIDE - DRAWER - 16" - RIGHT DRAWER
93	133892-09-01A	EA	SLIDE - DRAWER - 22" - RIGHT DRAWER
93	133892-13-01A	EA	SLIDE - DRAWER - 12" - RIGHT DRAWER
93	133892-17-01A	EA	SLIDE - DRAWER - 18" - RIGHT DRAWER
94	133892-05-01A	EA	SLIDE - DRAWER - 9" - FULL SET
95	133907-01-01A	EA	BACKSOCKET - RIGHT HAND
96	133907-02-01A	EA	BACKSOCKET - LEFT HAND

INTERIOR FINISH GROUP (CONTINUED) HARDWARE (CONTINUED)



ITASCA®G, L & SERIES
(SUNCRUISER, SUNFLYER
& HORIZON)

KEY	PART NUMBER	U/M	DESCRIPTION
97	135538-01-01A	EA	HINGE - PIANO - FULL WRAP - BRASS PLATED
97	135538-03-01A	EA	HINGE - PIANO - FULL WRAP - STOCKER BRASS
98	136944-01-01A	EA	SLIDE - DRAWER/RIGHT HAND - 13.8"
99	136944-02-01A	EA	SLIDE - CABINET/RIGHT HAND - 13.8"
100	136944-03-01A	EA	SLIDE - DRAWER/LEFT HAND - 13.8"
101	136944-04-01A	EA	SLIDE - CABINET/LEFT HAND - 13.8"
102	137446-01-01A	EA	PULL - CABINET - CHROME/BRASS - ITASCA G, L & P SERIES (SUNCRUISER/SUNFLYER/HORIZON)
103	138136-02-02B	EA	GUIDE - DOOR - E-COATED
104	139136-01-01A	EA	HANDLE - RECESSED - 2.9" X 1.3"/2.7" X 1" X .7" C/O- BRASS
104	139136-02-01A	EA	HANDLE - RECESSED - 2.9" X 1.3"/2.7" X 1" X .4" C/O- BRASS
105	139566-01-01A	EA	SLIDE - DRAWER - 37.5" - LEFT CABINET
105	139566-05-01A	EA	SLIDE - DRAWER - 32" - LEFT CABINET
106	139566-02-01A	EA	SLIDE - DRAWER - 37.5" - RIGHT CABINET
106	139566-06-01A	EA	SLIDE - DRAWER - 32" - RIGHT CABINET
107	139566-03-01A	EA	SLIDE - DRAWER - 37.5" - LEFT DRAWER
107	139566-07-01A	EA	SLIDE - DRAWER - 32" - LEFT DRAWER
108	139566-04-01A	EA	SLIDE - DRAWER - 37.5" - RIGHT DRAWER
108	139566-08-01A	EA	SLIDE - DRAWER - 32" - RIGHT DRAWER
109	140494-01-01A	EA	ROD - SHOWER
109	140494-01-02A	EA	ROD - SHOWER - SOFT WHITE
110	142276-01-01A	EA	HINGE - PIANO - FULL WRAP - BRASS
	142569-05-000	EA	SPRING - GAS - 39.9"/15 LB
FROM: 01-18-03 THRU: 99-99-99			
111	142909-01-01A	EA	PULL - CABINET - BRASS - ULTIMATE ADVANTAGE
112	142910-01-01A	EA	KNOB - CABINET - BRASS - ULTIMATE ADVANTAGE
113	143468-01-02A	EA	HINGE - SELF CLOSING - POLISHED BRASS

LABELS GROUP

SEWAGE

KEY PART NUMBER U/M DESCRIPTION
006187-01-000 EA LABEL - SEWAGE

WASTE WATER

KEY PART NUMBER U/M DESCRIPTION
006188-01-000 EA LABEL - WASTE WATER

WARNING

THIS SYSTEM IS DESIGNED FOR USE WITH PROPANE ONLY
DO NOT CONNECT NATURAL GAS TO THIS SYSTEM

BEFORE TURNING ON PROPANE:

- (A) BE CERTAIN APPLIANCES ARE CERTIFIED FOR PROPANE AND ARE EQUIPPED WITH CORRECT BURNING ORIFICES.
- (B) MAKE CERTAIN ALL PROPANE CONNECTIONS ARE TIGHT BY TESTING WITH SOAPY WATER. ALL APPLIANCE VALVES ARE TURNED OFF, AND ANY UNCONNECTED OUTLETS ARE CAPPED.

AFTER TURNING ON PROPANE:

- (A) LIGHT ALL PILOT LIGHTS
- (B) (B) ALL CONNECTIONS, INCLUDING THOSE AT THE APPLIANCES, REGULATORS AND CYLINDERS SHOULD BE LEAK-TESTED PERIODICALLY WITH SOAPY WATER BY THE OCCUPANT. NEVER USE A LIGHTED MATCH OR OTHER FLAME WHEN CHECKING FOR LEAKS.
- (C) DO NOT LEAVE SYSTEM TURNED ON OF CONTAINERS CONNECTED UNTIL THE SYSTEM HAS BEEN PROVEN TO BE FREE OF LEAKS.
- (D) COOKING APPLIANCES SHOULD NOT BE USED FOR SPACE HEATING.
- (E) WHEN THE CONTAINERS ARE DISCONNECTED THE PROPANE SUPPLY LINE SHOULD BE CAPPED OR PLUGGED.

AVERTISSEMENT

CETTE INSTALLATION EST CONÇUE POUR LE PROPANE SEULEMENT
NE PAS L'ALIMENTER EN GAZ NATUREL

AVANT LA MISE EN SERVICE:

- (A) S'ASSURER QUE LES APPAREILS SONT CERTIFIÉS POUR LE PROPANE ET MUNIS D'ORIFICES DE BRULEUR APPROPRIÉS.
- (B) VÉRIFIER L'ÉTANCHEITÉ DE TOUS LES RACCORDEMENTS AU PROPANE. LA PERMÉTURE DE TOUS LES ROBINETS D'APPAREILS ET L'OBTURATION DE TOUTES LES SORTIES NON RACCORDEES.

APRÈS LA MISE EN SERVICE:

- (A) ALLUMER TOUTES LES VEILLEUSES.
- (B) L'OCCUPANT DOIT ÉPROUVER PÉRIODIQUEMENT L'ÉTANCHEITÉ DE TOUS LES RACCORDEMENTS Y COMPRIS CEUX AUX APPAREILS, AUX DÉTENDEURS ET AUX BOUTEILLES, EN Y APPLIQUANT DE L'EAU SAVONNEUSE NE JAMAIS SE SERVIR D'UNE ALLUMETTE OU AUTRE POUR LA DÉTECTION DES FUITES.
- (C) NE PAS LAISSER L'ALIMENTATION OUVERTE NI LES RÉCIPIENTS RACCORDES AVANT D'AVOIR COMPLÉTÉ L'ÉPREUVE D'ÉTANCHEITÉ AU PROPANE DE L'INSTALLATION.
- (D) LES APPAREILS DE CUISSON NE DOIVENT PAS ÊTRE UTILISÉS POUR LE CHAUFFAGE DES LOCAUX.
- (E) LORSQUE LES RÉCIPIENTS SONT DÉCONNECTÉS, L'ALIMENTATION DE PROPANE DOIT ÊTRE OBTURÉE OU SCELLÉE.

KEY PART NUMBER U/M DESCRIPTION
023769-01-000 EA LABEL - WARNING - LPG - CANADIAN

EXIT

KEY PART NUMBER U/M DESCRIPTION
039290-01-000 EA LABEL - WARNING - EXIT

LABELS GROUP (CONTINUED)



KEY PART NUMBER U/M DESCRIPTION
040944-01-000 EA LABEL - ENTRANCE DOOR - "OPEN"

CAUTION

THIS MOTOR HOME HAS BEEN DESIGNED, MANUFACTURED AND TESTED WITH CONCERN FOR THE PROTECTION OF IT'S OCCUPANTS. WE RECOMMEND YOU PERFORM THE FOLLOWING INSPECTIONS FOR YOUR SAFETY AND THE SAFETY OF YOUR PASSENGERS BEFORE STARTING YOUR VEHICLE.

1. LP GAS SYSTEM- TURN OFF AT TANK FOR TRAVELING. TEST FOR LEAKS UPON ARRIVAL AT DESTINATION. BEFORE LIGHTING PILOTS.
2. WHEELS- INSPECT FOR DAMAGE AND CHECK LUG NUTS FOR TIGHTNESS.
3. TIRES- INSPECT FOR WEAR AND DAMAGE AND CHECK FOR RECOMMENDED AIR PRESSURE.
4. LIGHTING- TEST FOR PROPER OPERATION OF ALL INTERIOR AND EXTERIOR LIGHTS INCLUDING DASH LIGHTS, HEADLIGHTS, TAIL LIGHTS, BRAKE LIGHTS, CLEARANCE LIGHTS AND TURN SIGNALS.
5. EXITS- INSPECT RELEASE MECHANISM ON EMERGENCY EXIT WINDOW. TEST BOTH LOCKS ON MAIN ENTRANCE DOOR FOR EASE OF OPERATION AND INSTRUCT PASSENGERS HOW TO USE BOTH MEANS OF EXIT.
6. SEAT BELTS- DIRECT PASSENGERS TO DESIGNATED SEATS AND REQUIRE USE OF SEAT BELTS.
7. APPLIANCES- TURN OFF AND LATCH OR LOCK DOORS WHERE PROVIDED.
8. LOOSE PARCELS- STORE SECURELY.
9. UTILITY SUPPLY LINES- DISCONNECT ALL ELECTRIC, SEWER AND WATER LINES AND SECURE PROPERLY.
10. ENTRANCE DOOR STEP- PLACE IN RETRACTED POSITION FOR TRAVELING.

READ YOUR MOTOR HOME AND CHASSIS OWNER'S
MANUAL FOR FURTHER PRECAUTIONS

KEY PART NUMBER U/M DESCRIPTION
056259-01-000 EA LABEL - SAFETY CHECK LIST

UNLEADED FUEL ONLY

KEY PART NUMBER U/M DESCRIPTION
062043-01-000 EA LABEL - FUEL - UNLEADED

WARNING DISCONNECT BATTERIES BEFORE
CONNECTING EXTERNAL CHARGING EQUIPMENT.

KEY PART NUMBER U/M DESCRIPTION
065748-01-000 EA LABEL - CAUTION - BATTERY CHARGING

AVERTISSEMENT : DEBRANCHER LES BATTERIES AVANT
DE BRANCHER TOUT EQUIPEMENT DE CHARGE EXTERIEUR.

KEY PART NUMBER U/M DESCRIPTION
065748-02-000 EA LABEL - WARNING - BATTERY/FRENCH - CANADIAN

DIESEL FUEL ONLY

KEY PART NUMBER U/M DESCRIPTION
068383-01-000 EA LABEL - DIESEL FUEL

VEHICLE EMISSION CONTROL INFORMATION

THIS VEHICLE CONFORMS TO U.S. EPA
REGULATIONS APPLICABLE TO XXXX MODEL
YEAR NEW VEHICLES.

072887-01-000-2 CATALYST

KEY PART NUMBER U/M DESCRIPTION
072887-14-000 EA LABEL - EPA - 2003 MODEL YEAR

LABELS GROUP (CONTINUED)

IF YOU SMELL GAS

1. EXTINGUISH ANY OPEN FLAME, PILOT LIGHTS AND ALL SMOKING MATERIALS.
2. DO NOT TOUCH ELECTRICAL SWITCHES.
3. SHUT OFF THE GAS SUPPLY AT THE TANK VALVE(S) OR GAS SUPPLY CONNECTION.
4. OPEN DOORS AND OTHER VENTILATING OPENINGS.
5. LEAVE THE AREA UNTIL ODOR CLEARS.
6. HAVE THE GAS SYSTEM CHECKED AND LEAKAGE SOURCE CORRECTED BEFORE USING AGAIN.

KEY PART NUMBER U/M DESCRIPTION
 073998-01-000 EA LABEL - LPG ODOR WARNING

WARNING: TEST SMOKE DETECTOR
 OPERATION AFTER VEHICLE HAS BEEN IN
 STORAGE, BEFORE EACH TRIP AND AT
 LEAST ONCE PER WEEK DURING USE.

KEY PART NUMBER U/M DESCRIPTION
 077956-01-000 EA LABEL - WARNING - SMOKE DETECTOR

DO NOT FILL
 LP-GAS CONTAINER(S)
 TO MORE THAN 80%
 OF CAPACITY.

KEY PART NUMBER U/M DESCRIPTION
 079965-01-000 EA LABEL - LPG - 80% CAPACITY

WARNING
 MUST BE STOWED
 IN LATCHED POSITION
 WHILE VEHICLE IS IN MOTION

KEY PART NUMBER U/M DESCRIPTION
 079966-01-000 EA LABEL - WARNING - STOWED - MOTION

W
A
T
E
R

H
E
A
T
E
R
O
N

O
F
F

KEY PART NUMBER U/M DESCRIPTION
 083588-01-000 EA LABEL - ON/OFF - WATER HEATER
 083588-03-000 EA LABEL - ON/OFF - WATER HEATER

E
N
G
I
N
E

H
E
A
T
E
R
O
N

O
F
F

KEY PART NUMBER U/M DESCRIPTION
 083588-02-000 EA LABEL - ON/OFF - ENGINE HEATER
 083588-04-000 EA LABEL - ON/OFF - ENGINE HEATER

LABELS GROUP (CONTINUED)

CAUTION	TO HELP AVOID PERSONAL INJURY DURING REMOVAL OF FUEL FILLER CAP, SLOWLY LOOSEN CAP 1/2 TURN TO ALLOW ANY FUEL PRESSURE TO BE RELIEVED BEFORE TURNING CAP FURTHER.
FUEL SPRAY MAY CAUSE PERSONAL INJURY	STOP ADDING FUEL AFTER FIRST SHUTOFF BY AUTOMATIC NOZZLE WHEN TANK IS NEARLY FULL. DO NOT OVERFILL FUEL TANK. SEE OWNERS MANUAL FOR ADDITIONAL INFORMATION. PRINTED IN U.S.A. WLC PT NO 15611763

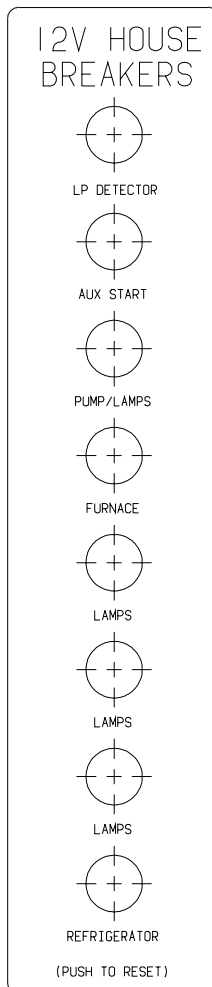
KEY PART NUMBER U/M DESCRIPTION
087207-05-000 EA LABEL - FUEL CAP REMOVAL



KEY PART NUMBER U/M DESCRIPTION
087236-01-000 EA LABEL - CABLE - INPUT

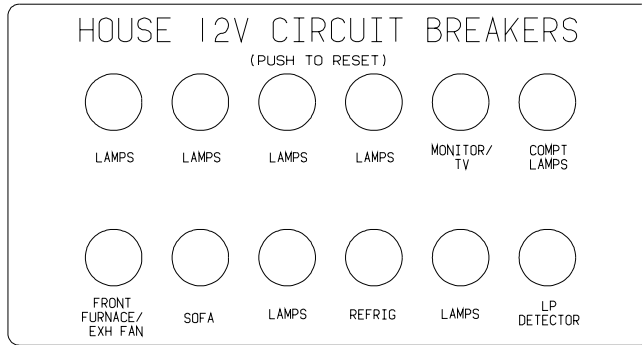


KEY PART NUMBER U/M DESCRIPTION
087236-02-000 EA LABEL - TV OUTLET

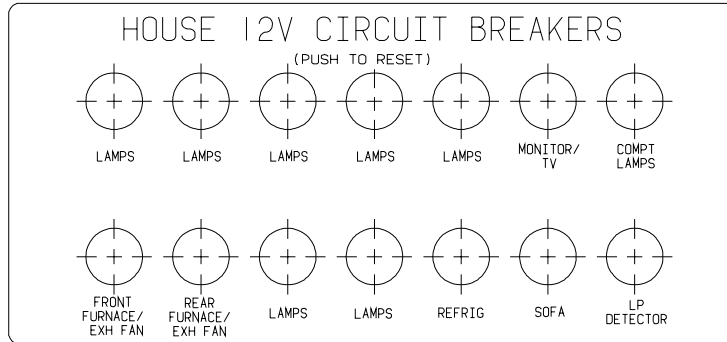


KEY PART NUMBER U/M DESCRIPTION
092547-08-000 EA LABEL - CIRCUIT BREAKER

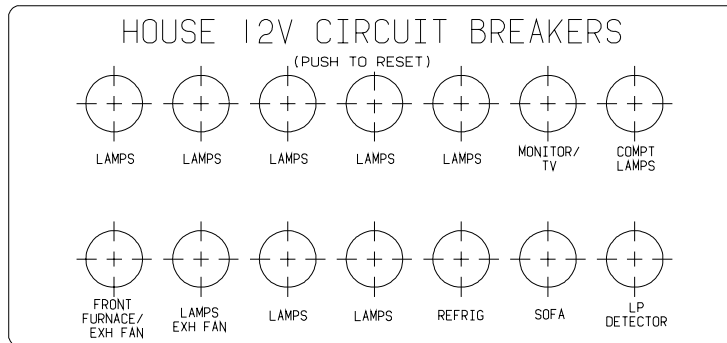
LABELS GROUP (CONTINUED)



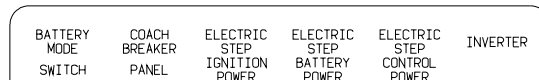
KEY PART NUMBER U/M DESCRIPTION
 092547-10-000 EA LABEL - CIRCUIT BREAKER



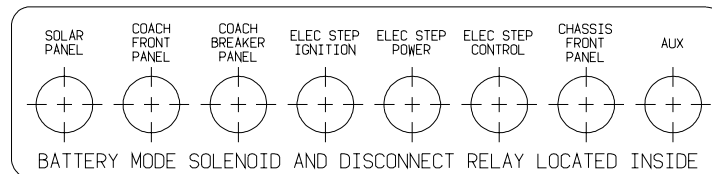
KEY PART NUMBER U/M DESCRIPTION
 092547-11-000 EA LABEL - CIRCUIT BREAKER



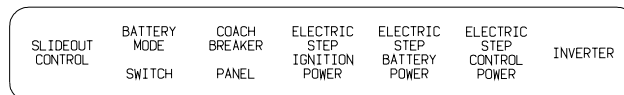
KEY PART NUMBER U/M DESCRIPTION
 092547-12-000 EA LABEL - CIRCUIT BREAKER



KEY PART NUMBER U/M DESCRIPTION
 093236-08-000 EA LABEL - CIRCUIT BREAKER

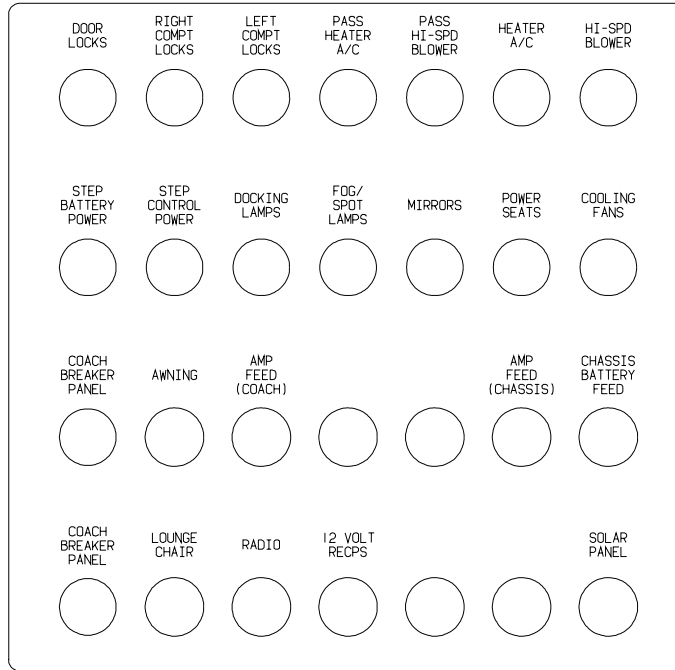


KEY PART NUMBER U/M DESCRIPTION
 093236-13-000 EA LABEL - CIRCUIT BREAKER

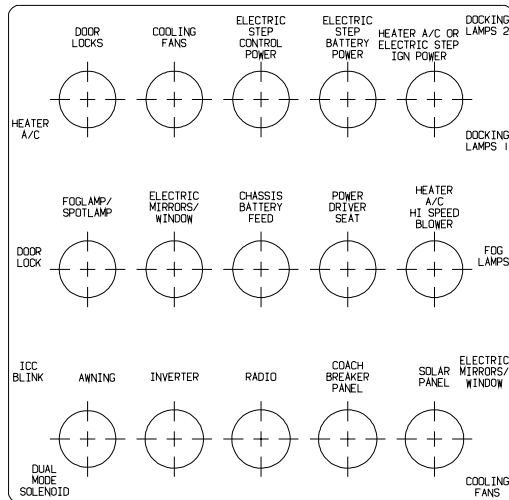


KEY PART NUMBER U/M DESCRIPTION
 093236-21-000 EA LABEL - CIRCUIT BREAKER

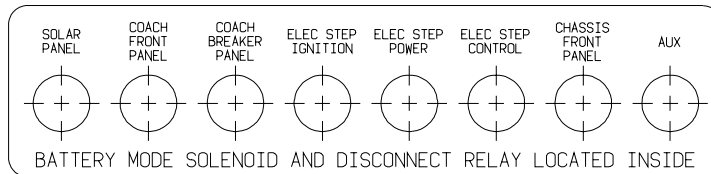
LABELS GROUP (CONTINUED)



KEY PART NUMBER U/M DESCRIPTION
 093236-22-000 EA LABEL - CIRCUIT BREAKER



KEY PART NUMBER U/M DESCRIPTION
 093236-23-000 EA LABEL - CIRCUIT BREAKER - MAIN



KEY PART NUMBER U/M DESCRIPTION
 093236-24-000 EA LABEL - CIRCUIT BREAKER

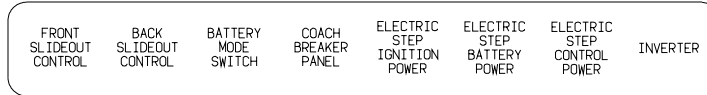
NO ART AVAILABLE

KEY PART NUMBER U/M DESCRIPTION
 093236-26-000 EA LABEL - CIRCUIT BREAKER

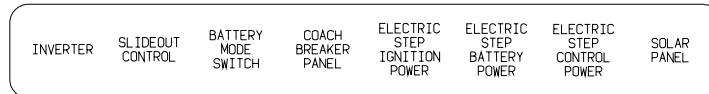
LABELS GROUP (CONTINUED)

NO ART AVAILABLE

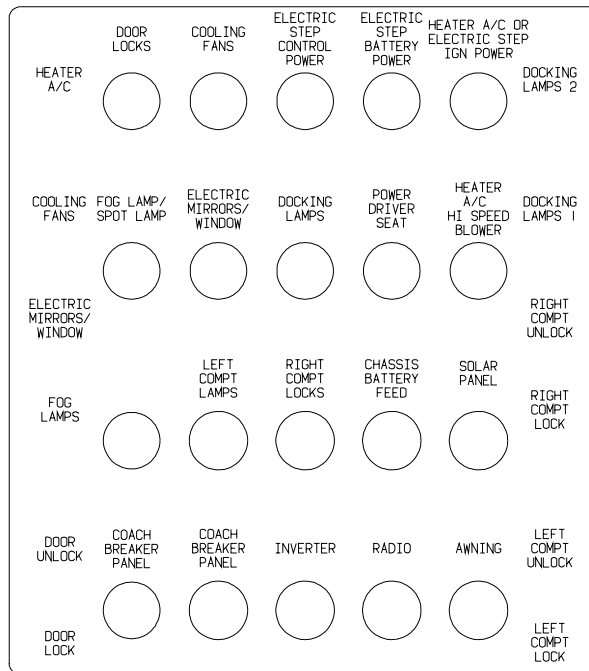
KEY PART NUMBER U/M DESCRIPTION
 093236-27-000 EA LABEL - CIRCUIT BREAKER - MAIN



KEY PART NUMBER U/M DESCRIPTION
 093236-28-000 EA LABEL - CIRCUIT BREAKER



KEY PART NUMBER U/M DESCRIPTION
 093236-29-000 EA LABEL - CIRCUIT BREAKER



KEY PART NUMBER U/M DESCRIPTION
 093236-30-000 EA LABEL - CIRCUIT BREAKER

LABELS GROUP (CONTINUED)

A / C C I R C U I T 1	M A I N	A / C C I R C U I T 2	R E F F R I G / C O N V	M I C R O W A V E	R E C P S 1	R E C P S 2	R E C P S 3	W A S H E R / D R Y E R	W A T E R H E A T E R	
-----------------------------	---------	-----------------------------	-------------------------	-------------------	----------------	----------------	----------------	-------------------------	--------------------------	--

KEY PART NUMBER 095721-31-000 **U/M DESCRIPTION**
EA LABEL - CONTROL CENTER - 30 AMP - US

A / C C I R C U I T 1	M A I N	M A I N	A / C C I R C U I T 2	R E F F R I G / C O N V	M I C R O W A V E	R E C P S 1	R E C P S 2	R E C P S 3	W A S H E R / D R Y E R	W A T E R H E A T E R
-----------------------------	---------	---------	-----------------------------	-------------------------	-------------------	----------------	----------------	----------------	-------------------------	--------------------------

KEY PART NUMBER 095721-33-000 **U/M DESCRIPTION**
EA LABEL - CONTROL CENTER - 50 AMP - US

A / C	M A I N	R E F F R I G / C O N V	M I C R O W A V E	R E C P S 1	R E C P S 2
-------	---------	-------------------------	-------------------	----------------	----------------

KEY PART NUMBER 095721-40-000 **U/M DESCRIPTION**
EA LABEL - CONTROL CENTER

AUTOMOTIVE AND COACH
CIRCUIT BREAKERS

KEY PART NUMBER 098379-01-000 **U/M DESCRIPTION**
EA LABEL - CIRCUIT BREAKER - FRONT BOX

CIRCUIT BREAKERS
AND AUTOMOTIVE
FUSE PANEL

KEY PART NUMBER 098379-03-000 **U/M DESCRIPTION**
EA LABEL - ELECTRICAL BOX - FRONT

BATTERY MODE
SOLENOID AND
RELAYS

KEY PART NUMBER 098379-04-000 **U/M DESCRIPTION**
EA LABEL - ELECTRICAL BOX - SIDE

LABELS GROUP (CONTINUED)

UNLEADED
FUEL ONLY

KEY PART NUMBER U/M DESCRIPTION
098641-01-000 EA LABEL - FUEL - UNLEADED - DASH

FOR AWNING INSTALLATION
CONTACT YOUR MOTORHOME
DEALERSHIP

KEY PART NUMBER U/M DESCRIPTION
099509-01-000 EA LABEL - AWNING INSTALLATION

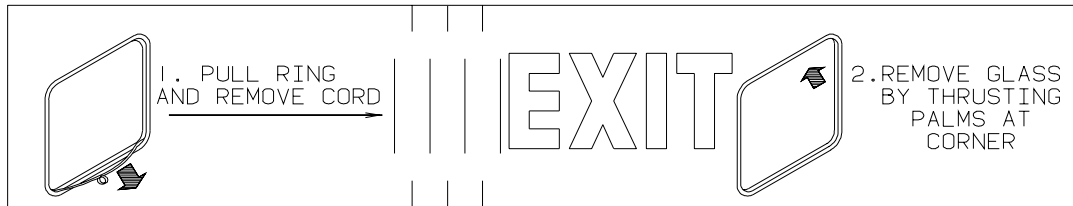
WARNING
THIS VEHICLE, LIKE OTHER
VEHICLES, MAY CONTAIN SMALL
AMOUNTS OF ONE OR MORE
SUBSTANCES WHICH ARE LISTED
BY THE STATE OF CALIFORNIA
FOR CAUSING CANCER OR
REPRODUCTIVE TOXICITY.

KEY PART NUMBER U/M DESCRIPTION
099689-01-000 EA LABEL - WARNING - CANCER/TOXICITY

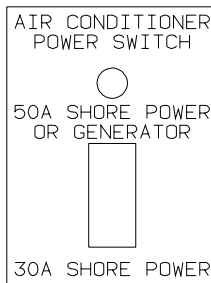
NOTE: TUNE ANTENNA
PER MANUFACTURER'S
DIRECTIONS. FAILURE TO
COMPLY COULD RESULT IN
DAMAGE TO CB.

CB POWER PROVISION
RED +12 V
BLACK GROUND
COAX ANTENNA
(SEE REVERSE ALSO)

KEY PART NUMBER U/M DESCRIPTION
104678-01-000 EA LABEL - CB PREP



KEY PART NUMBER U/M DESCRIPTION
107571-01-000 EA LABEL - EXIT/ESCAPE WINDOW

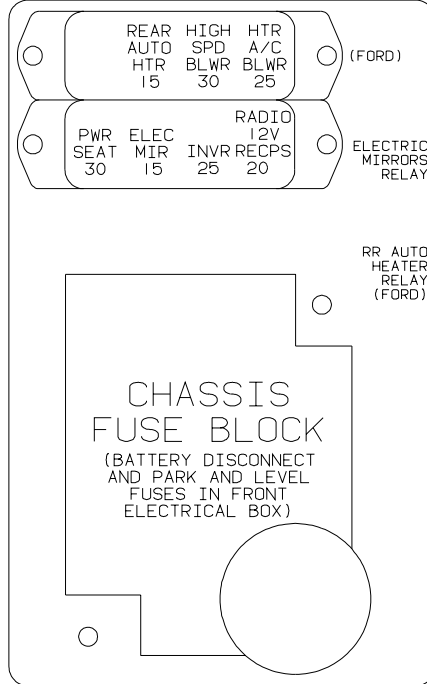


KEY PART NUMBER U/M DESCRIPTION
109051-02-000 EA LABEL - SWITCH - 50 AMP POWER

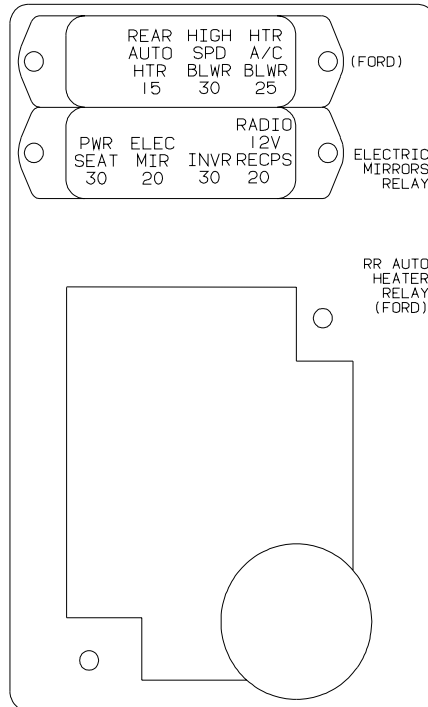
LABELS GROUP (CONTINUED)

DO NOT USE HITCH BEFORE
READING OWNERS MANUAL REGARDING
VEHICLE LOADING AND TOWING

KEY	PART NUMBER	U/M DESCRIPTION
	111104-01-000	EA LABEL - HITCH - READ MANUAL - WHITE
	111104-02-000	EA LABEL - HITCH - READ MANUAL - BLACK



KEY	PART NUMBER	U/M DESCRIPTION
	111537-08-000	EA LABEL - FUSES



KEY	PART NUMBER	U/M DESCRIPTION
	111537-09-000	EA LABEL - FUSES

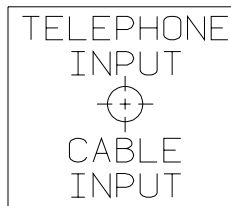
LABELS GROUP (CONTINUED)

WARNING: CONTAINS "CFC" A SUBSTANCE WHICH HARMS PUBLIC HEALTH AND ENVIRONMENT BY DESTROYING OZONE IN THE UPPER ATMOSPHERE.

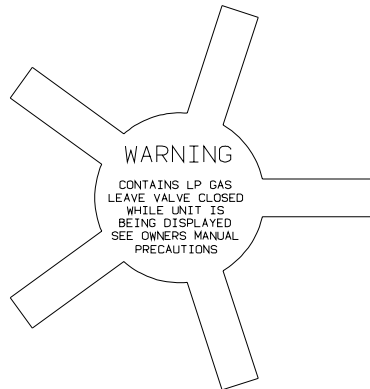
KEY	PART NUMBER	U/M DESCRIPTION
	111802-01-000	EA LABEL - CFC WARNING



KEY	PART NUMBER	U/M DESCRIPTION
	113402-01-000	EA LABEL - CAUTION - WATER HEATER EXHAUST



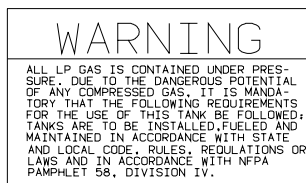
KEY	PART NUMBER	U/M DESCRIPTION
	114866-02-000	EA LABEL - PHONE & CABLE INPUT - WHITE/CLEAR BACKGROUND
	114866-03-000	EA LABEL - PHONE & CABLE INPUT - BLACK/CLEAR BACKGROUND



KEY	PART NUMBER	U/M DESCRIPTION
	115600-01-000	EA LABEL - WARNING LPG VALVE

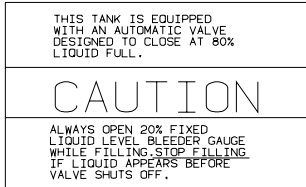
WARNING: REPLACE TIRE ONLY WITH ONE OF EXACTLY SAME TYPE AND RATING. DO NOT REPLACE WITH PASSENGER CAR TIRE. SEE OPERATOR'S MANUAL FOR MORE INFORMATION CALL WINNEBAGO OWNER RELATIONS AT 1-800-537-1885.

KEY	PART NUMBER	U/M DESCRIPTION
	115869-01-000	EA LABEL - WARNING - TIRE



KEY	PART NUMBER	U/M DESCRIPTION
	116112-01-000	EA LABEL - CAUTION - LP

LABELS GROUP (CONTINUED)



KEY PART NUMBER U/M DESCRIPTION
116113-01-000 EA LABEL - CAUTION - LP

INSERT RETAINER PINS IN
SLIDE MECHANISM AFTER
RETURNING GENERATOR TO
STORED POSITION.

IF RETAINER PINS ARE NOT
INSERTED, THE GENERATOR
WILL EXTEND WHICH MAY
CAUSE PERSONAL INJURY.

KEY PART NUMBER U/M DESCRIPTION
116273-01-000 EA LABEL - WARNING - GENERATOR

WARNING! UNDERSTAND OPERATOR'S MANUAL BEFORE USING.
KEEP PEOPLE AND OBSTRUCTIONS CLEAR OF
SLIDEOUT ROOM WHEN OPERATING TO AVOID
INJURY AND/OR PROPERTY DAMAGE.

KEY PART NUMBER U/M DESCRIPTION
116549-01-000 EA LABEL - WARNING - SLIDEOUT

WARNING
DO NOT USE ETHER
OR STARTING FLUID

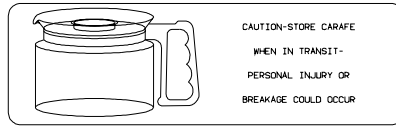
INTAKE MANIFOLD HEATER
MAY CAUSE EXPLOSION
AND SEVERE INJURY

KEY PART NUMBER U/M DESCRIPTION
116756-02-000 EA LABEL - WARNING - ETHER/STARTING

NO ART AVAILABLE

KEY PART NUMBER U/M DESCRIPTION
116775-01-000 EA LABEL/CAUTION - TRAVEL LATCH

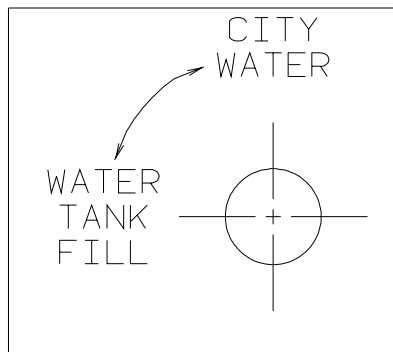
LABELS GROUP (CONTINUED)



KEY PART NUMBER U/M DESCRIPTION
116829-02-000 EA LABEL - COFFEEMAKER

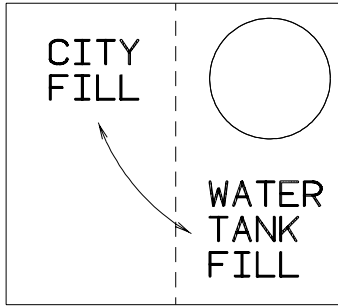


KEY PART NUMBER U/M DESCRIPTION
117628-02-000 EA LABEL - SWITCH - WATER PUMP/LIGHTS-WHITE/CLEAR BACKGROUND

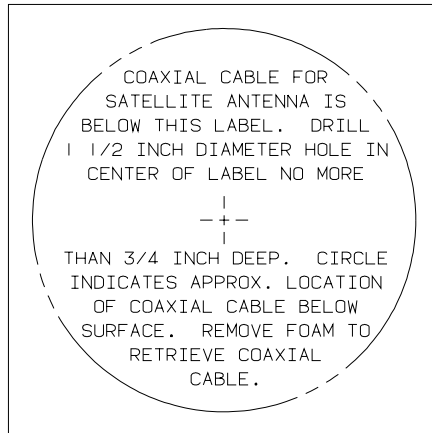


KEY PART NUMBER U/M DESCRIPTION
117629-03-000 EA LABEL - WATER PUMP/FILL-BLK LETTERS/CLEAR BACKGROUND-.31"

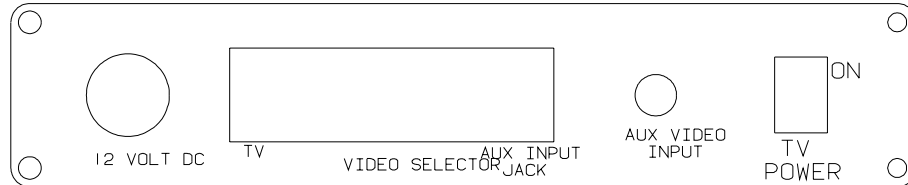
LABELS GROUP (CONTINUED)



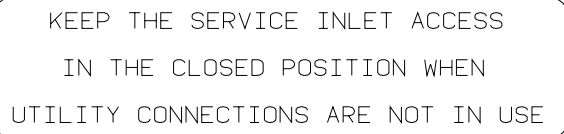
KEY PART NUMBER **U/M DESCRIPTION**
 117629-04-000 EA LABEL - CITY WATER/TANK FILL



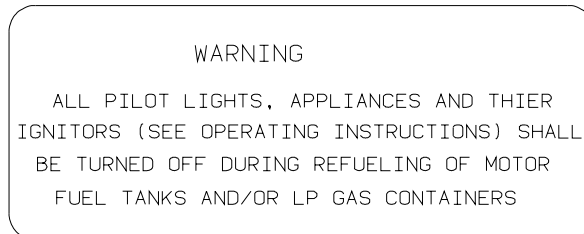
KEY PART NUMBER **U/M DESCRIPTION**
 120431-01-000 EA LABEL - LOCATION - COAXIAL CABLE/SATELLITE ANTENNA



KEY PART NUMBER **U/M DESCRIPTION**
 120677-01-000 EA LABEL - TV

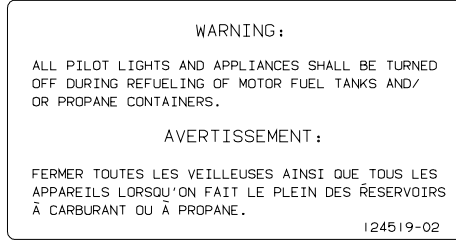


KEY PART NUMBER **U/M DESCRIPTION**
 123562-01-000 EA LABEL - SERVICE/UTILITY ACCESS

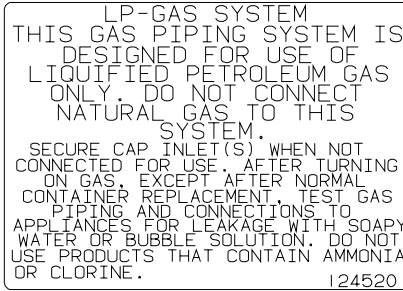


KEY PART NUMBER **U/M DESCRIPTION**
 124519-01-01A EA LABEL - WARNING/REFUELING - BLACK ON CLEAR
 124519-01-02A EA LABEL - WARNING/REFUELING - WHITE ON CLEAR

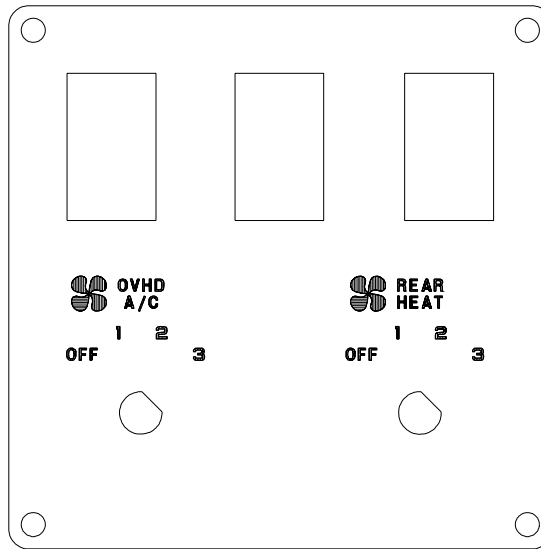
LABELS GROUP (CONTINUED)



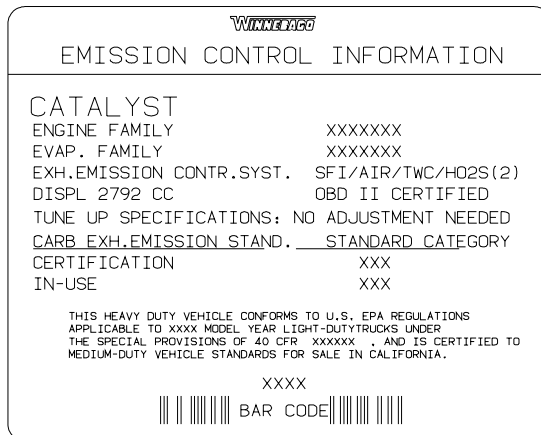
KEY	PART NUMBER	U/M	DESCRIPTION
	124519-02-01A	EA	LABEL - WARNING/REFUELING - BLACK ON CLEAR - CSA
	124519-02-02A	EA	LABEL - WARNING/REFUELING - WHITE ON CLEAR - CSA



KEY	PART NUMBER	U/M	DESCRIPTION
	124520-01-01A	EA	LABEL - LP GAS ONLY - BLACK ON CLEAR
	124520-01-02A	EA	LABEL - LP GAS ONLY - WHITE ON CLEAR



KEY	PART NUMBER	U/M	DESCRIPTION
	124572-01-000	EA	LABEL - SWITCHES



KEY	PART NUMBER	U/M	DESCRIPTION
	124709-07-000	EA	LABEL - EMISSION CONTROL - DUAL

LABELS GROUP (CONTINUED)

THIS CONNECTION IS FOR
 (B) VOLT AC,60 HZ(CYCLES)
 (A) AMPERE SUPPLY

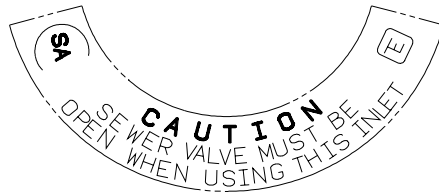
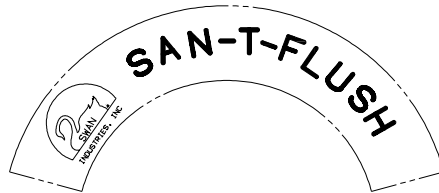
DO NOT CONNECT TO
 HIGHER VOLTAGE

KEY	PART NUMBER	U/M	DESCRIPTION
	125306-01-01A	EA	LABEL - ELECTRICAL ENTRANCE - 110V 30 AMP - BLACK ON CLEAR
	125306-01-02A	EA	LABEL - ELECTRICAL ENTRANCE - 110V 30 AMP - WHITE ON CLEAR

THIS CONNECTION IS FOR
 (B) VOLT AC,3-POLE,4 WIRE
 60 HZ(CYCLES),(A) AMPERE SUPPLY

DO NOT CONNECT TO
 HIGHER VOLTAGE

KEY	PART NUMBER	U/M	DESCRIPTION
	125306-04-01A	EA	LABEL-ELECTRICAL ENTRANCE-120/240V 50 AMP-BLACK ON CLEAR
	125306-04-02A	EA	LABEL - ELECTRICAL ENTRANCE-120/240V 50 AMP-WHITE ON CLEAR



KEY	PART NUMBER	U/M	DESCRIPTION
	125697-07-000	EA	LABEL - CAUTION - FLUSHING SYSTEM

REMOVE PRIMARY TIRE HANGER BEFORE USING
 SPARE TIRE HOIST-SEE OWNERS MANUAL - PERSONAL
 INJURY MAY RESULT IF NOT FOLLOWED

KEY	PART NUMBER	U/M	DESCRIPTION
	126024-01-000	EA	LABEL - TIRE HANGER REMOVAL

GRAY HOLDING TANK

KEY	PART NUMBER	U/M	DESCRIPTION
	126247-01-000	EA	LABEL - GRAY HOLDING TANK-WHITE LETTERS/CLEAR BACKGROUND
	126247-05-000	EA	LABEL - GRAY HOLDING TANK-BLACK LETTERS/CLEAR BACKGROUND

BLACK HOLDING TANK

KEY	PART NUMBER	U/M	DESCRIPTION
	126247-02-000	EA	LABEL - BLACK HOLDING TANK-WHITE LETTERS/BLACK BACKGROUND
	126247-06-000	EA	LABEL - BLACK HOLDING TANK-BLACK LETTERS/CLEAR BACKGROUND

LABELS GROUP (CONTINUED)

EXTERIOR SHOWER

KEY PART NUMBER U/M DESCRIPTION
126248-03-000 EA LABEL - EXTERIOR SHOWER

CITY WATER FILL

KEY PART NUMBER U/M DESCRIPTION
126249-03-000 EA LABEL - CITY WATER FILL-BLK LETTERS/CLEAR BACKGROUND .31"

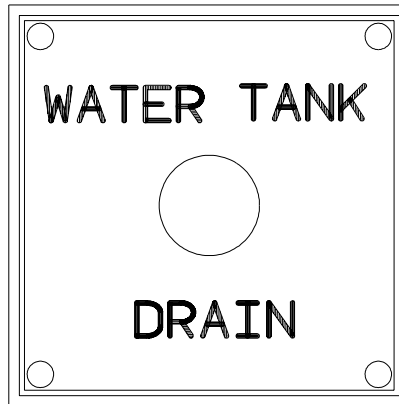


WARNING

○ **Children Can be KILLED or INJURED
by Passenger Air Bag**

The back seat is the safest place for children 12 and under.
Make sure all children use seat belts or child seats.

KEY PART NUMBER U/M DESCRIPTION
126612-01-000 EA LABEL - HANG TAG - AIR BAG - DASH



KEY PART NUMBER U/M DESCRIPTION
127170-01-000 EA LABEL - WATER TANK DRAIN

WARNING

ROOF SURFACE MAY BE SLIPPERY
ESPECIALLY WHERE MOISTURE IS PRESENT
SLIPPING MAY RESULT IN PERSONAL INJURY.

128218-01

KEY PART NUMBER U/M DESCRIPTION
128218-01-01A EA LABEL - WARNING - SLIPPERY ROOF

ENTRANCE DOOR PROP ROD

THIS ROD IS DESIGNED TO PROP THE
ENTRANCE DOOR OPEN WHEN THE PATIO
AWNING ARM IS ATTACHED TO THE
SIDEWALL AND THE AWNING IS EX-
TENDED.
HOOK ONE END OF ROD INTO LOOP ON
DOOR AND OTHER END INTO LOOP ON THE
SIDEWALL AS SHOWN.

(THIS LABEL TO BE REMOVED BY RETAIL OWNER ONLY)

KEY PART NUMBER U/M DESCRIPTION
128658-01-000 EA LABEL - PROP ROD - ENTRY DOOR

LABELS GROUP (CONTINUED)

WARNING
 POTABLE WATER ONLY
 SANITIZE, FLUSH, AND
 DRAIN BEFORE USING.
 SEE INSTRUCTION MANUAL

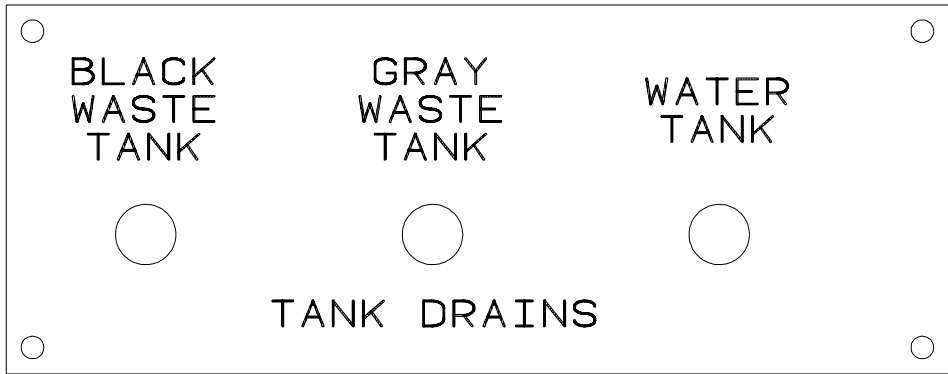
KEY PART NUMBER U/M DESCRIPTION
 128725-01-01A EA LABEL - POTABLE WATER ONLY - BLACK ON CLEAR

TOW VEHICLE RATING MAY BE LESS THAN HITCH RATING.
 MAXIMUM VERTICAL HITCH LOAD: 350 LBS
 DO NOT EXCEED REAR AXLE RATING.
 SEE OWNER'S MANUAL FOR ADDITIONAL INFORMATION.

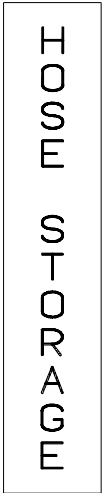
KEY PART NUMBER U/M DESCRIPTION
 129669-01-01A EA LABEL - HITCH/VEHICLE RATE - 350 - WHITE ON CLEAR
 129669-01-02A EA LABEL - HITCH/VEHICLE RATE - 350 - BLACK ON CLEAR
 129669-02-01A EA LABEL - HITCH/VEHICLE RATE - 500 - WHITE ON CLEAR
 129669-02-02A EA LABEL - HITCH/VEHICLE RATE - 500 - BLACK ON CLEAR

TIRE ROTATION
 SEE RIALTA OWNERS MANUAL
 SECTION 9

KEY PART NUMBER U/M DESCRIPTION
 129684-01-000 EA LABEL - TIRE ROTATION



KEY PART NUMBER U/M DESCRIPTION
 130166-01-000 EA LABEL - DRAIN



KEY PART NUMBER U/M DESCRIPTION
 130167-02-000 EA LABEL - HOSE STORAGE

LABELS GROUP (CONTINUED)

WASTE TANK FLUSH

KEY PART NUMBER U/M DESCRIPTION
130168-01-000 EA LABEL - WASTE TANK FLUSH

MONITOR WATER
PANEL LIGHT PUMP

KEY PART NUMBER U/M DESCRIPTION
130170-01-000 EA LABEL - SWITCH PANEL - BLK/CLEAR BACKGROUND-1.8"H X 5.9"L

LIGHTS WATER
PUMP

KEY PART NUMBER U/M DESCRIPTION
130170-02-000 EA LABEL - SWITCH PANEL-BLK/CLEAR BACKGROUND-1.4"H X 3.9"L

WATER
PUMP

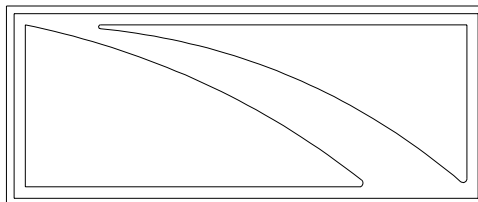
KEY PART NUMBER U/M DESCRIPTION
130170-03-000 EA LABEL - PANEL SWITCH

CAUTION:
OPEN A WINDOW OR VENT WHILE
OPERATING DRYER. IT IS DANGEROUS
TO CREATE A NEGATIVE AIR PRESSURE
INSIDE A VEHICLE CONTAINING
FUEL-BURNING APPLIANCES

KEY PART NUMBER U/M DESCRIPTION
130670-01-01A EA LABEL - CAUTION DRYER VENTING - BLACK ON CLEAR

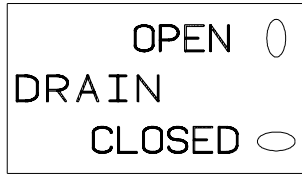
PUSH TO
RELEASE
GENERATOR
SLIDE ASM

KEY PART NUMBER U/M DESCRIPTION
131779-01-01A EA LABEL - GENERATOR



KEY PART NUMBER U/M DESCRIPTION
132651-01-01A EA DECAL - MIRROR/GALLEY

LABELS GROUP (CONTINUED)



KEY PART NUMBER U/M DESCRIPTION
133423-01-01A EA LABEL - DRAIN



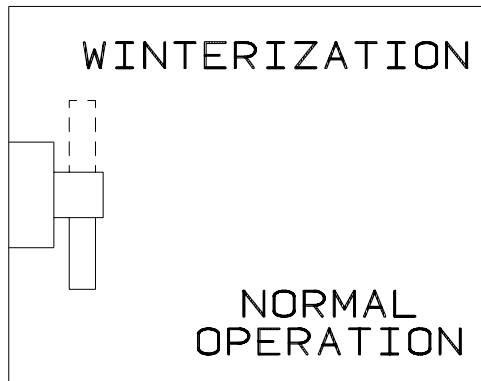
KEY PART NUMBER U/M DESCRIPTION
133424-01-01A EA LABEL - BYPASS - WATER HEATER



KEY PART NUMBER U/M DESCRIPTION
133424-02-01A EA LABEL - NORMAL OPERATION



KEY PART NUMBER U/M DESCRIPTION
133424-03-01A EA LABEL - WATER HEATER BYPASS - BLACK/CLEAR



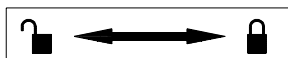
KEY PART NUMBER U/M DESCRIPTION
133425-01-01A EA LABEL - VALVE - WINTERIZATION



KEY PART NUMBER U/M DESCRIPTION
133533-01-01A EA LABEL - JACKS DOWN - CLEAR W/WHITE LETTERING

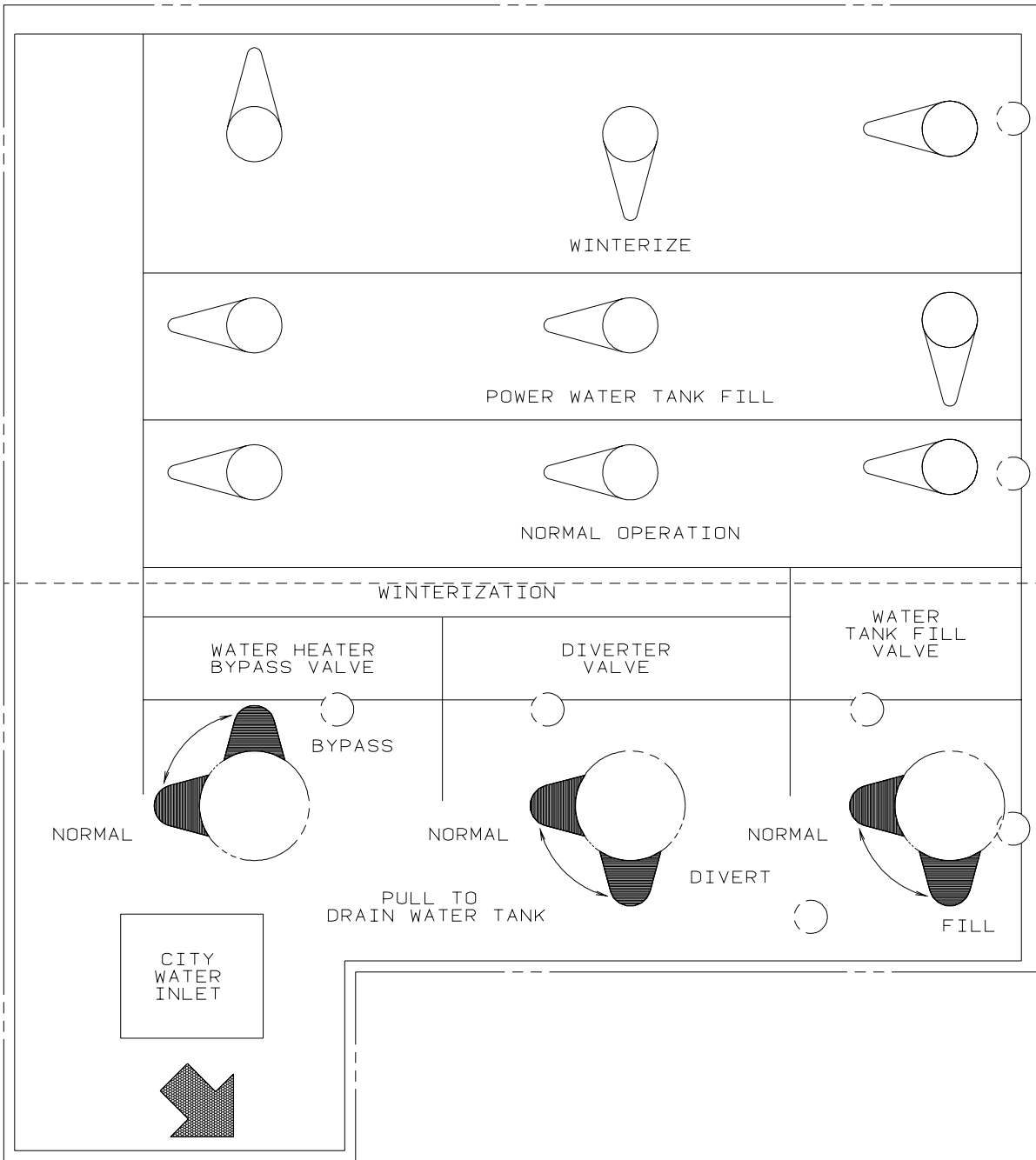


KEY PART NUMBER U/M DESCRIPTION
133533-02-01A EA LABEL - CHECK ANTENNA - CLEAR W/WHITE LETTERING



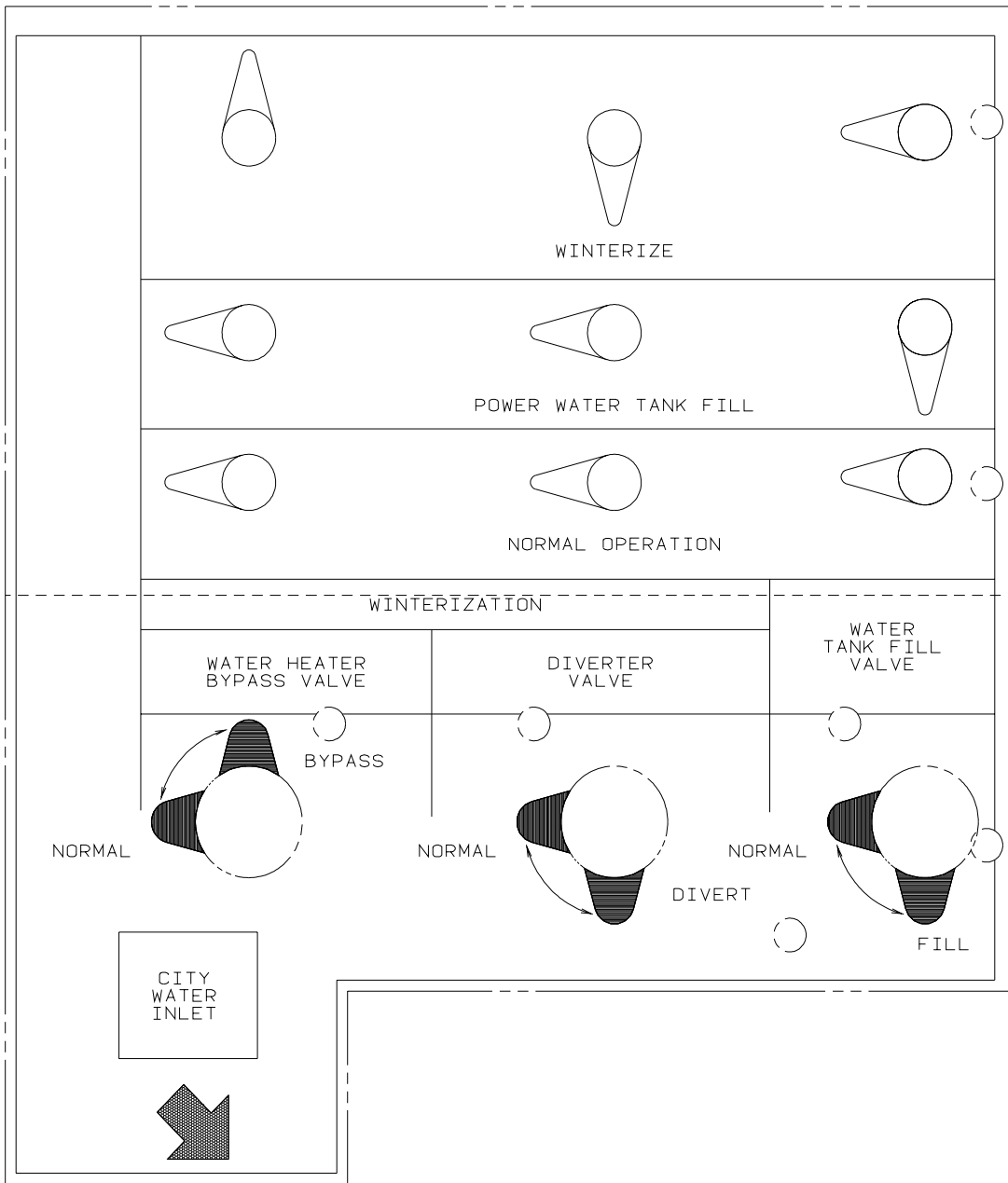
KEY PART NUMBER U/M DESCRIPTION
133533-03-01A EA LABEL - LOCK/UNLOCK - BLACK/WHITE

LABELS GROUP (CONTINUED)

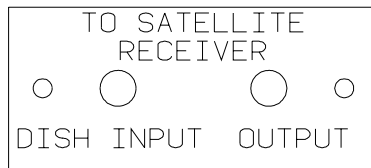


KEY	PART NUMBER	U/M	DESCRIPTION
	133629-01-01A	EA	LABEL - WATER CENTER

LABELS GROUP (CONTINUED)



KEY PART NUMBER U/M DESCRIPTION
 133629-02-01A EA LABEL - WATER CENTER - BLACK/CLEAR



KEY PART NUMBER U/M DESCRIPTION
 134250-01-01A EA LABEL - SATELLITE RECEIVER - BLACK/CLEAR

THIS CHAIR IS NOT INTENDED FOR OCCUPANCY WHEN VEHICLE IS IN MOTION AND MUST BE RETURNED TO STOWED POSITION

DTS ISICE SIEGE N/EST PAS DESTINE A ETRE OCCUPE LORSQUE LE VEHICULE EST IN MOVEMENT ET IL FAUT QUE LE RANGER

THIS CHAIR IS NOT INTENDED FOR OCCUPANCY WHEN VEHICLE IS IN MOTION AND MUST BE RETURNED TO STOWED POSITION

KEY PART NUMBER U/M DESCRIPTION
 134537-01-01A EA LABEL - OCCUPANCY - CHAIR - US

LABELS GROUP (CONTINUED)

THIS SEAT IS NOT INTENDED
FOR OCCUPANCY WHEN
VEHICLE IS IN MOTION

KEY PART NUMBER U/M DESCRIPTION
134538-01-01A EA LABEL - OCCUPANCY - NO SEAT BELT - BLACK ON CLEAR - US

DST ISICE SIEGE N/EST PAS THIS SEAT IS NOT INTENDED
DESTINE A ETRE OCCUPE LORSQUE FOR OCCUPANCY WHILE
LE VEHICULE EST IN MOVUUMENT VEHICLE IS IN MOTION

KEY PART NUMBER U/M DESCRIPTION
134538-02-01A EA LABEL - OCCUPANCY - NO SEAT BELT - BLACK ON CLEAR - CSA

WARNING

IT IS NOT SAFE TO USE COOKING
APPLICANCES FOR COMFORT HEATING

COOKING APPLICANCES NEED FRESH AIR FOR SAFE OPERATION
BEFORE OPERATION.

1. OPEN OVERHEAD VENT OR TURN ON EXHAUST FAN AND;
2. OPEN WINDOW.

KEY PART NUMBER U/M DESCRIPTION
134539-01-01A EA LABEL - WARNING - STOVE/HEATING - US - BLACK ON CLEAR

NO ART AVAILABLE

KEY PART NUMBER U/M DESCRIPTION
134540-01-01A EA LABEL - WARNING - STOVE/HEATING - CSA - BLACK ON CLEAR

HOLDING TANK HEATER
TURN OFF WHEN NOT IN USE
SEE OPERATOR'S MANUAL

KEY PART NUMBER U/M DESCRIPTION
134563-01-01A EA LABEL - SWITCH - HEATER

THIS VEHICLE MAY INCLUDE MERCURY-CONTAINING DEVICES INSTALLED BY THE MANUFACTURER:

FLUORESCENT TUBES, RANGES WITH OVEN, HWH LEVEL SENSING UNIT.

REMOVE DEVICES BEFORE VEHICLE DISPOSAL UPON REMOVAL OF
DEVICES: PLEASE REUSE, RECYCLE, OR DISPOSE AS HAZARDOUS WASTE

135869-01A

KEY PART NUMBER U/M DESCRIPTION
135869-01-01A EA LABEL - MERCURY CONTENT - BLACK ON CLEAR
135869-01-02A EA LABEL - MERCURY CONTENT - WHITE ON CLEAR

LIQUID SOAP

KEY PART NUMBER U/M DESCRIPTION
136047-01-01A EA LABEL - LIQUID SOAP

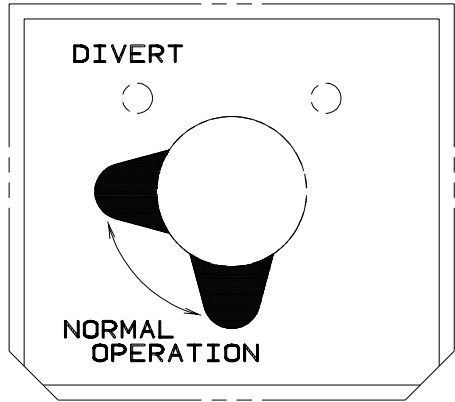
LABELS GROUP (CONTINUED)

DOOR LOCK	DOOR UNLOCK	RIGHT COMPT DOOR LOCK	RIGHT COMPT DOOR UNLOCK	LEFT COMPT DOOR LOCK	LEFT COMPT DOOR UNLOCK	AUX START SOLENOID	AMP SOURCE
POWER MIRRORS	HEATER BLOWER	PASS HEATER BLOWER	FOG LAMPS	DOCKING LAMPS	DOCKING LAMPS SWITCH TRIGGER	COOLING FANS	

KEY PART NUMBER U/M DESCRIPTION
 136161-01-01A EA LABEL - RELAY - MATTE BLACK/WHITE LETTERS



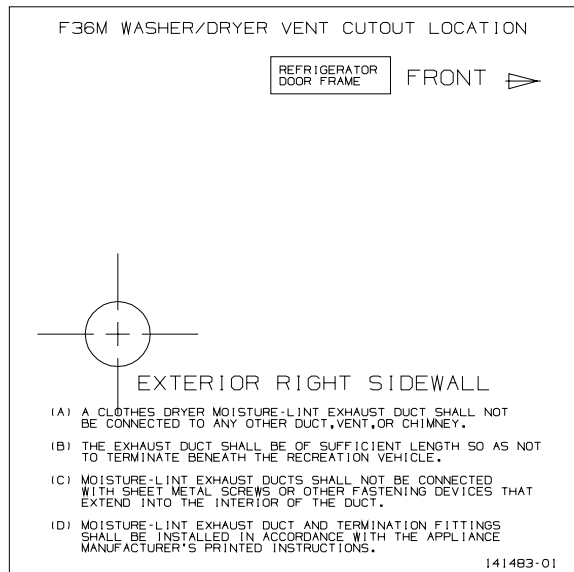
KEY PART NUMBER U/M DESCRIPTION
 136360-01-01A EA LABEL - AIR BAGS



KEY PART NUMBER U/M DESCRIPTION
 137997-01-01A EA LABEL - WINTERIZATION VALVE - BLACK/CLEAR



KEY PART NUMBER U/M DESCRIPTION
 140190-01-01A EA DECAL/LOGO - V6 (DOMED) - CYAN/MAGENTA/YELLOW/BLACK



KEY PART NUMBER U/M DESCRIPTION
 141483-01-01A EA LABEL - DRYER VENTING - BLACK/WHITE

LABELS GROUP (CONTINUED)

WASHER/DRYER BRACKETS

KEY PART NUMBER U/M DESCRIPTION
141523-01-01A EA LABEL - WASHER/DRYER BRACKETS - BLACK/WHITE

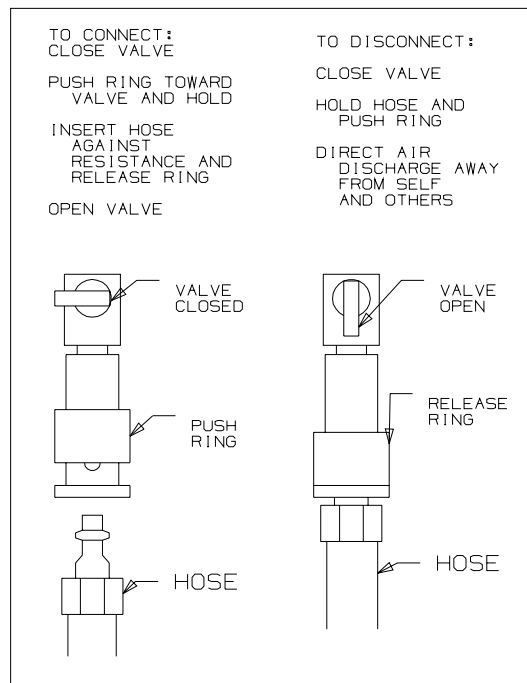
 **WARNING :** COMPRESSED AIR CAN BE HAZARDOUS.

PROPER EYE PROTECTION MUST BE WORN WHEN CONNECTING, DISCONNECTING OR USING AIR HOSE.

CLOSE VALVE BEHIND CONNECTOR BEFORE CONNECTING OR DISCONNECTING AIR HOSE.

HOSE DISCONNECT WILL PRODUCE AIR DISCHARGE FROM HOSE. DIRECT AIR DISCHARGE AWAY FROM SELF AND OTHERS.

KEY PART NUMBER U/M DESCRIPTION
142771-01-01A EA LABEL - WARNING/COMPRESSED AIR - WHITE LETTERING ON CLEAR



KEY PART NUMBER U/M DESCRIPTION
142773-01-01A EA LABEL - CONNECT/COMPRESS AIR - WHITE LETTERING ON CLEAR

NO ART AVAILABLE

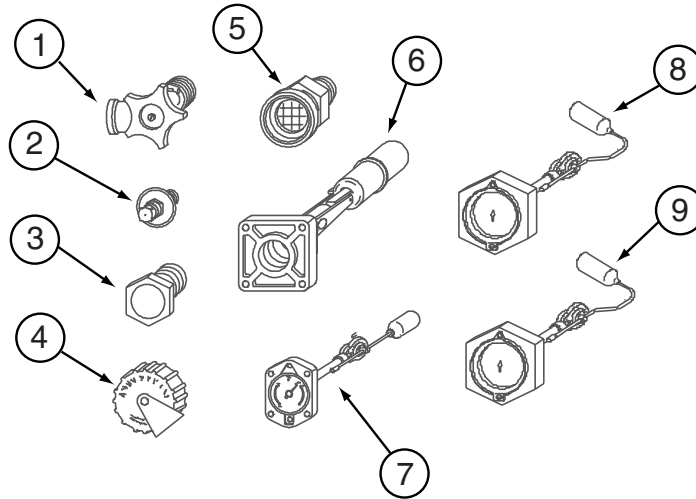
KEY PART NUMBER U/M DESCRIPTION
144649-01-01A EA LABEL - ADJUSTABLE VALVE - WHITE ON CLEAR

LP GROUP
LP SYSTEM

KEY	PART NUMBER	U/M	DESCRIPTION
	010265-01-000	EA	ELBOW - BRASS - 90 DEGREE - 3/8"F X 1/2"FPT
	010326-01-000	EA	ADAPTER - FLARE - W/CONE GASKET - 3/8"F X 1/2"F
	010329-01-000	EA	ADAPTER - BRASS - 1/2"F X 1/2"MPT - L36W
	024250-01-000	EA	ADAPTER - BRASS - 3/8"F X 1/2"FPT - L39
	010377-02-000	EA	NUT - BRASS - 3/8" FLARE - FORGED
	010380-02-000	EA	NUT - BRASS - 1/2" FLARE - FORGED
	010536-02-000	EA	TEE - STEEL - 1/2" - BLACK - L36W
	016188-09-000	EA	GROMMET - LP LINE - .68"HOLE X 1 1/4"LONG
	040440-03-000	EA	TRANSMITTER - DIAL/SNAP-ON - 0-90 OHM 2 TERM(POWER/GROUND)
	045703-03-000	EA	HOSE - LP - 3/8"ID X 18" - 3/8"MPT X 1/2"F SWIVEL - U.S. - L39
	045703-05-000	EA	HOSE - LP - 3/8"ID X 28" - 3/8"MPT X 1/2"F SWIVEL - U.S.
	045703-06-000	EA	HOSE - LP - 3/8"ID X 28" - 3/8"MPT X 1/2"F SWIVEL - CANADA
	045703-12-000	EA	HOSE - LP - 3/8"ID X 18" - 3/8"MPT X 1/2"F SWIVEL - CANADA - L39
	045703-13-000	EA	HOSE - LP - 3/8"ID X 120" - 3/8"F SWIVEL X 1/2"F SWIVEL US - L39
*	088253-03-000	EA	TANK - LP - 100 LB - 16" DIAMETER X 36" LONG - SPL - L36W
*	088253-10-000	EA	TANK - LP - 100 LB - 14" DIAMETER X 47" LONG - L39
	103613-03-000	EA	DETECTOR - LP GAS - W/O SHUT-OFF VALVE
	105658-01-000	EA	COMPARTMENT - LP REGULATOR
	106150-01-000	EA	REGULATOR - TWO STAGE-W/90 DEGREE ELBOW & 3/8" FPT OUTLET

***COMPONENT PARTS LISTED LATER IN THIS GROUP**

LP GROUP (CONTINUED)
COMPONENT PARTS FOR LP SYSTEM



088253-03-000

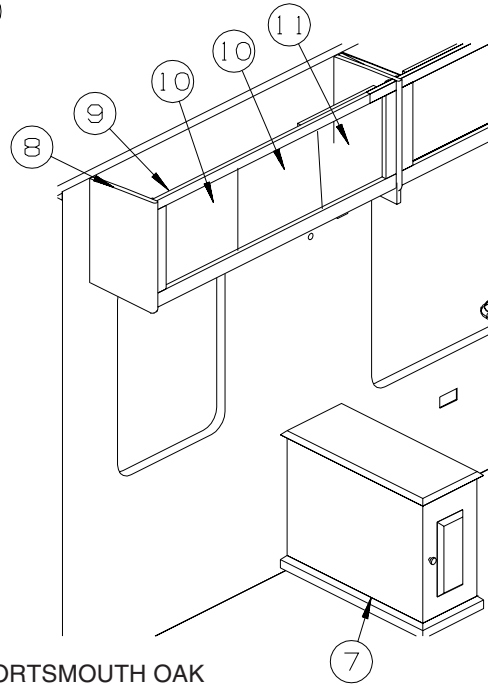
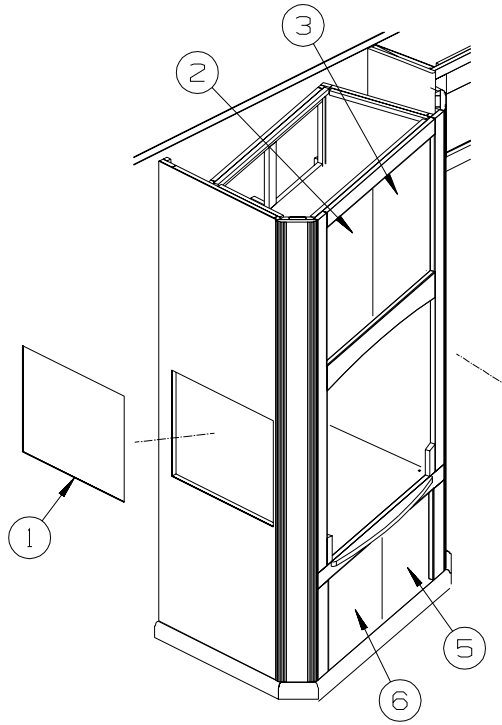
KEY	PART NUMBER	U/M	DESCRIPTION	VENDOR NO.
1	040421-01-708	EA	HANDWHEEL-SERVICE VALVE	G-1015-A
1	040421-01-712	EA	VALVE,SERV. W/O VAPOR RELIEF	29000853
2	040421-01-700	EA	VALVE-LIQUID LEVEL, 20%	G-1013
3	040421-01-713	EA	VALVE-RELIEF 1" W/SPRING 7"	29000587
4	040421-01-702	EA	CAP-FILL VALVE, PLASTIC	G-1014-A
5	040421-01-701	EA	VALVE-FILL-SHORT, LP	7547B
6	040421-01-711	EA	VALVE-80% FILL W/AUTO STOP	LLL/TL3
7			NOT WHAT IS ILLUSTRATED HERE	
8			NOT WHAT IS ILLUSTRATED HERE	
9	088253-01-700	EA	FLOAT/BOLT ON-SCREW ON DIAL	SG16C0000071
9	088253-01-702	EA	FLOAT/SCREW IN-SNAP ON DIAL	SG16C0001442
	040421-01-703	EA	VALVE-SERVICE W/VAPOR RELIEF	G-1015
	040421-01-706	EA	DIAL-VISIBLE FACE, LP TANK	MA-8 ROCHST

088253-10-000

KEY	PART NUMBER	U/M	DESCRIPTION	VENDOR NO.
1	040421-01-708	EA	HANDWHEEL-SERVICE VALVE	G-1015-A
1	040421-01-712	EA	VALVE,SERV. W/O VAPOR RELIEF	29000853
2	040421-01-700	EA	VALVE-LIQUID LEVEL, 20%	G-1013
3	040421-01-713	EA	VALVE-RELIEF 1" W/SPRING 7"	29000587
4	040421-01-702	EA	CAP-FILL VALVE, PLASTIC	G-1014-A
5	040421-01-701	EA	VALVE-FILL-SHORT, LP	7547B
6	040421-01-711	EA	VALVE-80% FILL W/AUTO STOP	LLL/TL3
7	040421-01-707	EA	FLOAT/BOLT ON-SCREW ON DIAL	14C
7	088253-09-700	EA	FLOAT/SCREW IN-SNAP ON DIAL	SG14C0001466
8			NOT WHAT IS ILLUSTRATED HERE	
9			NOT WHAT IS ILLUSTRATED HERE	

LOUNGE GROUP CABINETS

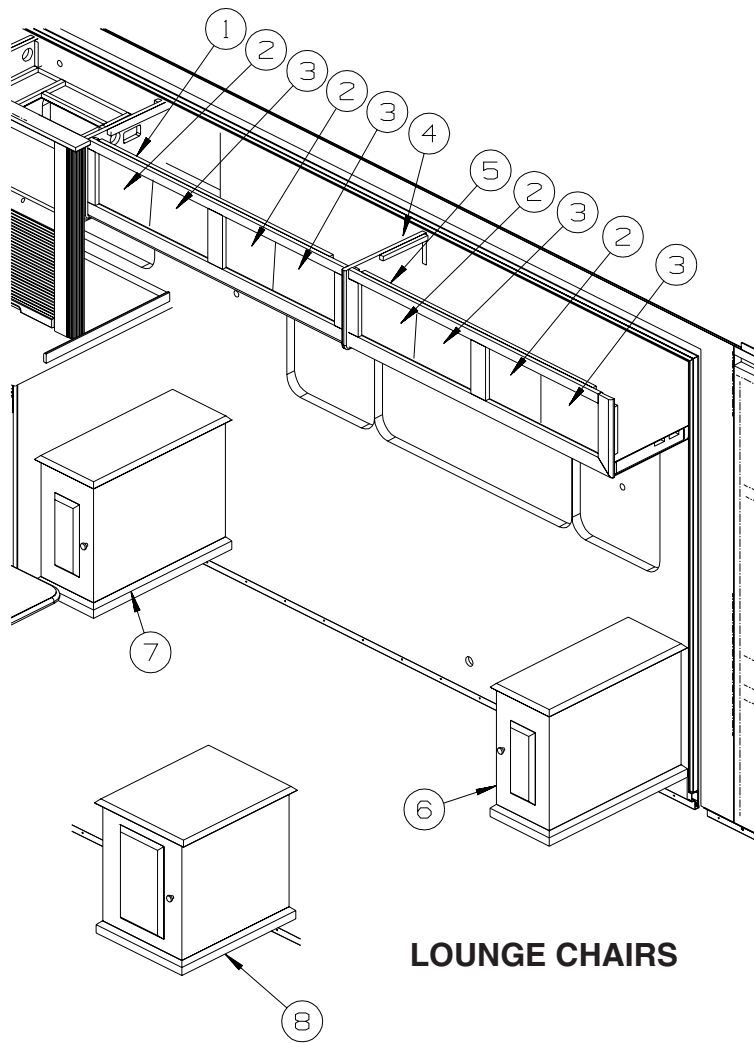
ENTERTAINMENT CENTER



LOUNGE CHAIR

KEY	PART NUMBER	U/M	DESCRIPTION
1	133655-55-N53	EA	COUNTERTOP - LAMINATED - PORTSMOUTH OAK
1	133655-55-N52	EA	COUNTERTOP - LAMINATED - BROWN PLANK CHERRY - CONCERT CHERRY
1	133655-55-N62	EA	COUNTERTOP - LAMINATED - WASHED MAPLE
2	135238-76-P69	EA	DOOR - RAIL/ARCHED TOP - 14.9" X 21.8" - W/O HARDWARE - PORTSMOUTH OAK
2	135238-76-N63	EA	DOOR - RAIL/ARCHED TOP - 14.9" X 21.8" - W/O HARDWARE - CONCERT CHERRY
2	135238-76-N62	EA	DOOR - RAIL/ARCHED TOP - 14.9" X 21.8" - W/O HARDWARE - WASHED MAPLE
3	135238-77-P69	EA	DOOR - RAIL/ARCHED TOP - 14.9" X 21.8" - W/O HARDWARE - PORTSMOUTH OAK
3	135238-77-N63	EA	DOOR - RAIL/ARCHED TOP - 14.9" X 21.8" - W/O HARDWARE - CONCERT CHERRY
3	135238-77-N62	EA	DOOR - RAIL/ARCHED TOP - 14.9" X 21.8" - W/O HARDWARE - WASHED MAPLE
4	134783-S1-P69	EA	DOOR - RAIL/SOLID PANEL - 10" X 29.5" - W/O HARDWARE - PORTSMOUTH OAK
4	134783-S1-N63	EA	DOOR - RAIL/SOLID PANEL - 10" X 29.5" - W/O HARDWARE - CONCERT CHERRY
4	134783-S1-N62	EA	DOOR - RAIL/SOLID PANEL - 10" X 29.5" - W/O HARDWARE - WASHED MAPLE
5	134783-S5-P69	EA	DOOR - RAIL/SOLID PANEL - 14.3" X 14.3" - W/O HARDWARE - PORTSMOUTH OAK
5	134783-S5-N63	EA	DOOR - RAIL/SOLID PANEL - 14.3" X 14.3" - W/O HARDWARE - CONCERT CHERRY
5	134783-S5-N62	EA	DOOR - RAIL/SOLID PANEL - 14.3" X 14.3" - W/O HARDWARE - WASHED MAPLE
6	134783-S3-P69	EA	DOOR - RAIL/SOLID PANEL - 14.3" X 14.3" - W/O HARDWARE - PORTSMOUTH OAK
6	134783-S3-N63	EA	DOOR - RAIL/SOLID PANEL - 14.3" X 14.3" - W/O HARDWARE - CONCERT CHERRY
6	134783-S3-N62	EA	DOOR - RAIL/SOLID PANEL - 14.3" X 14.3" - W/O HARDWARE - WASHED MAPLE
7	139281-02-04A	EA	CABINET/END TABLE - F/COUCH - LEFT HAND - OAK - PORTSMOUTH OAK
7	139281-02-03A	EA	CABINET/END TABLE - F/COUCH - LEFT HAND - CHERRY - CONCERT CHERRY
7	139281-02-02A	EA	CABINET/END TABLE - F/COUCH - LEFT HAND - WASHED MAPLE
8	P38119-22-N53	EA	ENDCAP - OVERHEAD/CABINET - PORTSMOUTH OAK
8	P38119-22-N52	EA	ENDCAP - OVERHEAD/CABINET - CONCERT CHERRY
8	P38119-22-N62	EA	ENDCAP - OVERHEAD/CABINET - WASHED MAPLE
9	139726-01-N53	EA	CABINET - OVERHEAD/FRONT/RIGHT HAND - W/O DOORS/HARDWARE - PORTSMOUTH OAK
9	139726-01-N52	EA	CABINET - OVERHEAD/FRONT/RIGHT HAND - W/O DOORS/HARDWARE - CONCERT CHERRY
9	139726-01-N62	EA	CABINET - OVERHEAD/FRONT/RIGHT HAND - W/O DOORS/HARDWARE - WASHED MAPLE
10	135238-39-P69	EA	DOOR - RAIL/ARCHED TOP - 14.3" X 14.3" - W/O HARDWARE - PORTSMOUTH OAK
10	135238-39-N63	EA	DOOR - RAIL/ARCHED TOP - 14.3" X 14.3" - W/O HARDWARE - CONCERT CHERRY
10	135238-39-N62	EA	DOOR - RAIL/ARCHED TOP - 14.3" X 14.3" - W/O HARDWARE - WASHED MAPLE
11	135238-40-P69	EA	DOOR - RAIL/ARCHED TOP - 14.3" X 14.3" - W/O HARDWARE - PORTSMOUTH OAK
11	135238-40-N63	EA	DOOR - RAIL/ARCHED TOP - 14.3" X 14.3" - W/O HARDWARE - CONCERT CHERRY
11	135238-40-N62	EA	DOOR - RAIL/ARCHED TOP - 14.3" X 14.3" - W/O HARDWARE - WASHED MAPLE
	139804-02-02B	EA	STRAP - TV - E-COATED

LOUNGE GROUP (CONTINUED)
CABINETS (CONTINUED)



COUCH

LOUNGE CHAIRS

KEY	PART NUMBER	U/M	DESCRIPTION
1	139165-01-N53	EA	CABINET - OVERHEAD/FRONT/LEFT HAND - W/O DOORS/HARDWARE - PORTSMOUTH OAK
1	139165-01-N52	EA	CABINET - OVERHEAD/FRONT/LEFT HAND - W/O DOORS/HARDWARE - CONCERT CHERRY
1	139165-01-N62	EA	CABINET - OVERHEAD/FRONT/LEFT HAND - W/O DOORS/HARDWARE - WASHED MAPLE
2	131995-74-P69	EA	DOOR - RAIL/ARCHED TOP - 12" X 9.8" - W/O HARDWARE - PORTSMOUTH OAK
2	131995-74-P70	EA	DOOR - RAIL/ARCHED TOP - 12" X 9.8" - W/O HARDWARE - CONCERT CHERRY
2	131995-74-N62	EA	DOOR - RAIL/ARCHED TOP - 12" X 9.8" - W/O HARDWARE - WASHED MAPLE
3	131995-75-P69	EA	DOOR - RAIL/ARCHED TOP - 12" X 9.8" - W/O HARDWARE - PORTSMOUTH OAK
3	131995-75-P70	EA	DOOR - RAIL/ARCHED TOP - 12" X 9.8" - W/O HARDWARE - CONCERT CHERRY
3	131995-75-N62	EA	DOOR - RAIL/ARCHED TOP - 12" X 9.8" - W/O HARDWARE - WASHED MAPLE
4	P38119-15-N53	EA	ENDCAP - OVERHEAD/CABINET - PORTSMOUTH OAK
4	P38119-15-N52	EA	ENDCAP - OVERHEAD/CABINET - CONCERT CHERRY
4	P38119-15-N62	EA	ENDCAP - OVERHEAD/CABINET - WASHED MAPLE
5	139133-01-N53	EA	CABINET - OVERHEAD/FRONT/LEFT HAND - W/O DOORS/HARDWARE - PORTSMOUTH OAK
5	139133-01-N52	EA	CABINET - OVERHEAD/FRONT/LEFT HAND - W/O DOORS/HARDWARE - CONCERT CHERRY
5	139133-01-P51	EA	CABINET - OVERHEAD/FRONT/LEFT HAND - W/O DOORS/HARDWARE - WASHED MAPLE
6	139281-02-04A	EA	CABINET/END TABLE - F/COUCH - LEFT HAND - OAK - PORTSMOUTH OAK
6	139281-02-03A	EA	CABINET/END TABLE - F/COUCH - LEFT HAND - CHERRY - CONCERT CHERRY
6	139281-02-02A	EA	CABINET/END TABLE - F/COUCH - LEFT HAND - WASHED MAPLE
7	139281-01-04A	EA	CABINET/END TABLE - F/COUCH - RIGHT HAND - OAK - PORTSMOUTH OAK
7	139281-01-03A	EA	CABINET/END TABLE - F/COUCH - RIGHT HAND - CHERRY - CONCERT CHERRY
7	139281-01-02A	EA	CABINET/END TABLE - F/COUCH - RIGHT HAND - WASHED MAPLE
8	139281-03-04A	EA	CABINET/END TABLE - F/COUCH - CENTER - OAK - PORTSMOUTH OAK
8	139281-03-03A	EA	CABINET/END TABLE - F/COUCH - CENTER - CHERRY - CONCERT CHERRY
8	139281-03-02A	EA	CABINET/END TABLE - F/COUCH - CENTER - WASHED MAPLE

SEALANTS & FASTENERS GROUP
SEALANTS & ADHESIVES

KEY	PART NUMBER	U/M	DESCRIPTION
	002707-02-000	FT	TAPE - SEALER - 5/16" X 1/2" - INCREMENTS OF 50 FT
	004001-02-000	EA	GUN - PLEXUS ADHESIVE - W/O NOZZLE
	004001-05-000	EA	ADHESIVE - SCOTCH-WELD - 3M DP100 - CLEAR - 50ML
	004011-01-000	EA	ADHESIVE-3M-4475 TUBE
	010405-02-000	EA	TAPE - THREAD SEALING - 3/8"
	034552-06-000	EA	SILICONE - TUBE - W/O NOZZLE - OFF WHITE
	034552-15-000	EA	SILICONE - TUBE - W/O NOZZLE - BRIGHT WHITE
	063642-01-000	FT	TAPE - ADHESIVE - .4" X 1.5" X 180'
	064075-07-000	FT	SEAL - BULB - W/WIRED U CHANNEL - .3" X .5" CHANNEL-BLACK
	067788-01-000	EA	ADHESIVE - SPRAY - 3M - 19.5 OZ AEROSOL CAN
	069640-01-000	FT	SEALER - RIBBON - 1/4" DIAMETER X 30' - BLACK OR GRAY
	069640-02-000	FT	SEALER - TAPE - .13" THICK X .5" WIDE X 60' - GRAY
	069640-03-000	FT	SEALER - TAPE - .13" THICK X .75" WIDE X 60' - BLACK
	069640-07-000	FT	SEALER - TAPE - .09" THICK X 2" WIDE X 45' - GRAY
	069640-09-000	FT	SEALER - TAPE - .03" THICK X 2.50"WIDE X 80' - GRAY
	069640-10-000	FT	SEALER - TAPE - .03" THICK X 1.50" WIDE X 90' - GRAY
	069640-11-000	FT	SEALER - TAPE - .19" THICK X .38" WIDE X 40' - BLACK
	069640-13-000	FT	SEALER - TAPE - .03" THICK X 2" WIDE X 45' - BLACK
	069640-14-000	FT	SEALER - TAPE - .06" THICK X 1" WIDE X 100' - GRAY
	069640-15-000	FT	SEALER - TAPE - .06" THICK X .38" WIDE X 100' - GRAY
	069640-17-000	FT	SEALER - TAPE - .03" THICK X 1" WIDE X 90' - GRAY
	069640-18-000	FT	SEALER - TAPE - .50" THICK X .13" WIDE X 60' - BRT WHITE
	069640-19-000	FT	SEALER - TAPE - .75" THICK X .13" WIDE X 60' - BRT WHITE
	069640-20-000	FT	SEALER - TAPE - .50" THICK X 1/8" WIDE X 60' - BLACK
	069640-21-000	FT	SEALER - TAPE - .50" THICK X 1/16" WIDE X 100'-BRIGHT WHT
	069640-23-000	FT	SEALER - TAPE - .06" THICK X 3/4" WIDE X 100' - BRT WHITE
	069640-27-000	FT	SEALER - TAPE - .06" THICK X 2.25" WIDE - BRIGHT WHITE
	069640-28-000	FT	SEALER - TAPE - .25" THICK X 1 7/8" WIDE X 90' - GRAY
	069640-30-000	FT	SEALER - TAPE - 3/8" X 1/32" - GRAY
	069640-31-000	FT	SEALER - TAPE - 25"THICK X 3/4"WIDE X 60' - BLACK
	072889-01-000	EA	SEALANT - URETHANE - BLACK - TUBE W/NOZZLE TIP
	076322-01-000	FT	TAPE-DOUBLE COATED/ADHESIVE BK-.03"THK X .8"W X 216'- WHT
	076322-02-000	FT	TAPE-DOUBLE COATED/ADHESIVE BK-.05"THK X 1"W X 108' - WHT
	076322-03-000	FT	TAPE-DOUBLE COATED/ADHESIVE BK-.05"THK X .5"W X 108' - WHT
	076322-04-000	FT	TAPE-DOUBLE COATED/ADHESIVE BK-.05"THK X .8"W X 108' - WHT
	076322-05-000	FT	TAPE-DOUBLE COATED/ADHESIVE BK-.05"THK X .8"W X 108' - WHT
	076322-11-000	FT	TAPE-DOUBLE COATED/ADHESIVE BK-.02"THK X 1"W X 216' - CLR
	086276-01-000	EA	TAPE - DOUBLE SIDED - 1/2" WIDE X 108' LONG (SOLD BY ROLL)
	088479-01-000	EA	TAPE - ALUMINUM - 3"
	090340-01-000	FT	SEAL - FOAM - CLOSED CELL - 1/4" X 1/2" X 50'
	090340-02-000	FT	SEAL - FOAM - CLOSED CELL - 3/8" X 1/2" X 50'
	091255-02-000	FT	SEAL - ADHESIVE BACKED/FOAM - 3/64" THICK X 3/16"W X 1000'
	091255-03-000	FT	SEAL - ADHESIVE BACKED/FOAM - 1/4" THICK X 1/4"W X 1000'
	094401-01-000	EA	SEALER - BODY SEAM - FLEXICLEAR
	094401-03-000	EA	SEALER - BODY SEAM - BLACK
	094401-04-000	EA	SEALER - BODY SEAM - CLEAR
	098408-01-000	FT	SEAL - SPONGE RUBBER - CLOSED CELL
	099069-01-000	FT	SEAL - RUBBER - CLOSED SPONGE - .5" WIDE X .12" THICK -BLK
	099418-01-000	FT	SEAL - D-SECTION/ADHESIVE BACK - .44" X .44"- BLK RUBBER
	099418-02-000	FT	SEAL - D SECTION - WHITE
	100128-02-000	FT	SEAL - FOAM/ADHESIVE BACK - .37" WIDE X .37" THICK
	104692-01-000	FT	SEAL - ADHESIVE BACKED FOAM - 3/4" THICK X 3/4" WIDE X 25'
	104692-03-000	FT	SEAL - ADHESIVE BACKED FOAM - 1" THICK X 1 3/16"WIDE X 15'
	107828-01-000	EA	SEALANT - SB - 190 EVERSEAL
	108716-01-000	EA	SILICONE - W/O NOZZLE - OFF WHITE - SELF LEVELING
	109506-12-000	EA	FILM/ABRASION-RESISTANT - TRANSPARENT - 1" DIA.
	110274-01-000	FT	TAPE - DOUBLE SIDED/FOAM - .45" X 1" X 216' - BLACK
	112481-02-000	EA	ADHESIVE - PLEXUS ETHACRYLATE - CARTRIDGE
	112864-01-000	FT	SEAL - FOAM/BUTYL COVERED - 3/8" X 35'
	112864-02-000	FT	FOAM - BUTYL COVERED 5/16" X 44'
	112864-03-000	FT	FOAM - BUTYL COVERED - 1/2" X 1/8" X 25'
	112864-04-000	FT	FOAM - BUTYL COVERED - 3/8" X 1/8"
	112901-02-000	EA	ADHESIVE - PLEXUS - MA330 - 50ML - GRAY
	112901-03-000	EA	ADHESIVE - PLEXUS - MA300 - 50ML - WHITE

SEALANTS & FASTENERS GROUP (CONTINUED)

SEALANTS & ADHESIVES (CONTINUED)

KEY	PART NUMBER	U/M	DESCRIPTION
	112902-01-000	EA	NOZZLE - ELEMENT - 3/8 X 24
	112902-02-000	EA	NOZZLE-BELL 3/8X24 - TAH 160-824
	112902-03-000	EA	MIXER NOZZLE - F/GUN #00400102000 - SCOTCH-WELD & PLEXUS
	112902-04-000	EA	NOZZLE - ELEMENT - 1/4" X 3.5"
	113366-01-000	EA	ADHESIVE - INSTANT - 1 OZ
	113452-02-000	FT	SEAL/TRIM - FRONT - VINYL W/WIRE CARRIER - .027"
	115933-01-000	FT	TAPE - 1/64" X 3/8" X 100'
	120074-02-03A	EA	SILICONE - TUBE - W/O NOZZLE - SMOKEY WHITE
	120074-02-02A	EA	SILICONE - TUBE - W/O NOZZLE - LOW ODOR - SOFT WHITE
	120534-01-01A	EA	TAPE - SCOTCH - 3M - 1/2" FINE LINE
	123244-01-000	FT	TAPE - DOUBLE SIDED/FOAM - 5/64" THICK X 3/4" WIDE X 108'
	123816-01-000	FT	TAPE - DOUBLE SIDED - 1" X 3/4" X 200'
	123816-02-000	FT	TAPE - DOUBLE SIDED - 1/2" X 1 1/3" X 200'
	123816-03-000	FT	TAPE - DOUBLE SIDED - 1/2" X 3/4" X 200'
	123816-04-000	FT	TAPE - DOUBLE SIDED - 6" X 750'
	126427-01-000	EA	ADHESIVE - ALL PURPOSE - ABS/PVC
	126427-02-000	EA	PRIMER - CLEANER - FLEX PIPING
	131264-01-08A	EA	SILICONE - TUBE - W/O NOZZLE - BUFF
	131264-01-02A	EA	SILICONE - TUBE - W/O NOZZLE - CLEAR
	131264-01-01A	EA	SILICONE - TUBE - W/O NOZZLE - BLACK
	131264-02-01A	EA	SILICONE - TUBE - W/O NOZZLE - VW GRAY - BATH ONLY
	131264-03-01A	EA	SILICONE - TUBE - W/O NOZZLE - SELF LEVELING - BRIGHT WHITE
	131264-04-01A	EA	SILICONE/SEALANT/ADHESIVE - FAST CURE F/GLASS/VINYL - B/W
	131384-01-000	EA	ADHESIVE - JETWELD
	134651-01-000	FT	SEAL - 1/2" X 3/4" PSA 1 SIDE
	900390-01-000	EA	NOZZLE - SILICONE TUBE - 2.5" LONG
	900390-03-000	EA	NOZZLE - SILICONE TUBE - 4.3" LONG

BOLTS, NUTS AND WASHERS

KEY	PART NUMBER	U/M	DESCRIPTION
	OMC04K-06-016	EA	BOLT - HEX - M06 X 1 X 016
	OMC05K-08-055	EA	BOLT - HEX - M08 X 1.25 X 2.2
	OMC13K-14-110	EA	BOLT - HEX
	OMC13K-14-070	EA	BOLT - HEX - M14 X 2 X 2 3/4
	OMC31K-08-020	EA	BOLT - HEX - SERRATED FLANGE - M8 X 020
	OMC32K-10-030	EA	BOLT - HEX - SERRATED FLANGE - M10 X 1 1/2
	OMD16K-10-000	EA	NUT - HEX PREV TORQUE M10 X 1 1/2 CLASS 8
	OMD39K-12-000	EA	NUT - HEX W/NYLON LOCK - M12 X 1 3/4
	OMD40K-14-000	EA	NUT - HEX W/NYLON LOCK - M14 X 2
	OMD54F-06-000	EA	NUT-HEX SER FLG M6X1,0 SS - DIN6923A2M6
	OME06K-14-280	EA	WASHER - FLAT - 14 ID X 28 OD
	000C12-04-40B	EA	BOLT - HEX - 1/4-20 X 2 1/2 - GRADE 5 ZINC
	000C12-04-08B	EA	BOLT - HEX - 1/4-20 X 1/2 - GRADE #5 - ZINC
	000C12-05-16B	EA	BOLT - HEX - 5/16-18 X 1 - GRADE #5 - ZINC
	000C12-06-24B	EA	BOLT - HEX - 3/8-16 X 1 1/2 - ZINC #5
	000C12-06-16B	EA	BOLT - HEX - 3/8-16 X 1 - GRADE #5 - ZINC
	000C12-06-128	EA	BOLT - HEX - 3/8 - 16 X 8 - ZINC 5
	000C12-06-44B	EA	BOLT - HEX - 3/8-16 X 2 3/4 - GRADE 5 - ZINC
	000C12-08-28B	EA	BOLT - HEX - 1/2-13 X 1 3/4 - GRADE #5 - ZINC
	000C12-08-24B	EA	BOLT - HEX - 1/2-13 X 1 1/2 - GRADE #5 - ZINC
	000C12-08-16B	EA	BOLT - HEX - 1/2-13 X 1 - GRADE #5 - ZINC
	000C12-10-24B	EA	BOLT - HEX - 5/8-11 X 1 1/2 - GRADE #5 - ZINC
	000C13-07-48B	EA	BOLT - HEX - 7/16-20 X 3 - GRADE #5 - ZINC
	000C13-07-40B	EA	BOLT - HEX - 7/16-20 X 2 1/2 - GRADE #5 - ZINC
	000C14-07-28B	EA	BOLT - HEX - 7/16-14 X 1 3/4 - GRADE #8 - ZINC
	000C14-10-32K	EA	BOLT - HEX - 5/8-11 X 2 - GRADE #8 - ZINC
	000C18-05-40A	EA	BOLT - ELEVATOR - 5/16-18 X 2 1/2 - PL
	000C18-06-48B	EA	BOLT - ELEVATOR - 3/8-16 X 3 - GRADE 5 - ZINC
	000C26-04-18B	EA	BOLT - HEX - SERRATED FLANGE - 1/4-20 X 1 1/8 - ZINC
	000C26-04-14B	EA	BOLT - HEX - SERRATED FLANGE - 1/4-20 X 7/8 - ZINC
	000C26-04-10B	EA	BOLT - HEX - SERRATED FLANGE - 1/4-20 X 5/8 - ZINC
	000C26-05-20B	EA	BOLT - HEX - SERRATED FLANGE - 5/16-18 X 1 1/4 - ZINC
	000C26-05-129	EA	BOLT - HEX - SERRATED FLANGE - 5/16-18 X 3/4
	000C26-05-12B	EA	BOLT - HEX - SERRATED FLANGE - 5/16-18 X 3/4 - ZINC

SEALANTS & FASTENERS GROUP (CONTINUED)
BOLTS, NUTS AND WASHERS (CONTINUED)

KEY	PART NUMBER	U/M	DESCRIPTION
	000C26-05-249	EA	BOLT - HEX - SERRATED FLANGE - 5/16-18 X 1 1/2
	000C26-06-28B	EA	BOLT - HEX - SERRATED FLANGE - 3/8-16 X 1 3/4 - ZINC
	000C26-06-20B	EA	BOLT - HEX - SERRATED FLANGE - 3/8-16 X 1 1/4 - ZINC
	000C26-06-12B	EA	BOLT - HEX - SERRATED FLANGE - 3/8-16 X 3/4 - ZINC
	000C26-06-40B	EA	BOLT - HEX - SERRATED FLANGE - 3/8-16 X 2 1/2 - ZINC
	000C26-08-24B	EA	BOLT - HEX - SERRATED FLANGE - 1/2-13 X 1 1/2 - ZINC
	000C27-04-40B	EA	BOLT - CARRIAGE - 1/4-20 X 2 1/2 - ZINC
	000C27-05-44I	EA	BOLT-CARR,5/16-18X2.75" - BLACK ZINC
	000C27-07-40B	EA	BOLT - CARRIAGE - 7/16-14 X 2 1/2 - GRADE #5
	000D16-07-00B	EA	NUT - HEX - 7/16-14 - ZINC
	000D24-10-00B	EA	NUT - HEX - SELF LOCKING - 10-32 ZINC
	000D28-10-00B	EA	NUT - HEX - W/NYLON LOCK - 10-32 ZINC
	000D29-04-00B	EA	NUT - HEX - SELF LOCKING - 1/4 X 20 - ZINC
	000D29-06-00B	EA	NUT - HEX - W/NYLON LOCK - 3/8-16 - ZINC
	000D29-09-00B	EA	NUT - HEX - SELF LOCKING - 9/16-12 - ZINC
	000D30-07-00B	EA	NUT - HEX LOCK - NYLON 7/16 X 20
	000D34-06-00B	EA	NUT - HEX - LOCKING - 3/8-16 GRADE C - ZINC
	000D39-04-00B	EA	NUT - HEX - LOCKING W/SERRATED FLANGE - 1/4-20 - ZINC
	000D39-05-00B	EA	NUT - HEX - LOCKING W/SERRATED FLANGE - 5/16-18 - ZINC
	000D39-06-00B	EA	NUT - HEX - LOCKING W/SERRATED FLANGE - 3/8-18 - ZINC
	000D39-06-00D	EA	NUT - HEX - LOCKING W/SERRATED FLANGE - 3/8"-16 BLACK
	000D39-07-00B	EA	NUT - HEX - LOCKING W/SERRATED FLANGE - 7/16-14 - ZINC
	000D44-04-00B	EA	NUT - HEX - LOCKING W/SERRATED FLANGE - 1/4-28 - ZINC
	000D44-07-00B	EA	NUT - HEX - LOCKING W/SERRATED FLANGE - 7/16-20 - ZINC
	000D44-08-00B	EA	NUT - HEX - LOCKING W/SERRATED FLANGE - 1/2-20 - ZINC
	000D46-04-00A	EA	NUT - HEX - WELD - 1/4-20 - PLAIN
	000D65-08-00B	EA	NUT - HEX - LOCKING W/SERRATED FLANGE - 8-32 - ZINC
	000D67-10-00B	EA	NUT - HEX - LOCK - 5/8-11 - ZINC
	000D73-08-00C	EA	NUT - HEX FLANGE - 1/2-13
	000D75-09-00B	EA	NUT - HEX LOCKING - 9/16-12 - ZINC
	000D76-06-00B	EA	NUT - HEX FLANGE - 3/8-16
	000E11-04-00F	EA	WASHER - LOCKING - 1/4 MED SPLIT - STAINLESS STEEL
	000E11-07-00B	EA	WASHER - LOCKING - 7/16 MED SPLIT - ZINC
	000E11-08-00B	EA	WASHER - LOCKING - 1/2 MED SPLIT - ZINC
	000E13-17-00B	EA	WASHER - FLAT - 3/8 AR - ZINC
	000E13-18-00B	EA	WASHER - FLAT - 3/8 WIDE - ZINC
	000E13-20-00B	EA	WASHER - FLAT - 7/16 WIDE - ZINC
	000E13-22-00B	EA	WASHER - FLAT - 1/2 WIDE - ZINC
	000E13-26-00B	EA	WASHER - FLAT - 5/8 WIDE - ZINC
	000E14-10-00B	EA	WASHER - LOCKING - #10 EXTERNAL TOOTH - ZINC
	000E16-10-00B	EA	WASHER - HARDENED - 5/8 - FLAT - ZINC
	000G45-05-16B	EA	BOLT - LAG - 5/16-9 X 1 - ZINC
	000G62-08-24B	EA	SCREW - SF/DR - 8-18 X 1 1/2 PFH
	002329-01-000	EA	WASHER-FLAT, 9/32" ID X 5/8" OD - NYLON
	005081-01-000	EA	NUT - SPEED - C-TYPE - #8 SCREW
	040921-03-000	EA	NUT - SPEED - U TYPE - #10
	040921-04-000	EA	NUT - SPEED - U TYPE - #8-.59" LENGTH X .44" WIDTH
	040921-05-000	EA	NUT - SPEED - U-TYPE - 8-.67" X .44" WIDE
	041322-01-000	EA	WASHER - FLANGE - 15/32 ID X 2 3/8 OD - F/SEAT BELT MTG
	044364-01-000	EA	NUT - SPEED - FLAT - RECTANGULAR - SELF LOCKING/ONE PIECE
	044364-02-000	EA	NUT - SPEED - FLAT - ROUND
	044533-01-000	EA	WASHER - PLASTIC - 1 3/8 OD - FOR BUTTONS
	046867-04-000	EA	GROMMET - #0
	046867-05-000	EA	WASHER - #0
	051387-06-000	EA	BOLT - CARRIAGE W/O HOLE - 5/16-18 X 9 1/2 - ZINC
	058716-02-000	EA	WASHER - FLAT NYLON
	058716-03-000	EA	WASHER - FLAT/NYLON - .500 X 1 1/4 X 060
	064081-03-000	EA	NUT - WING 3/8-16 - W/WELD NUT
	077071-01-000	EA	WASHER - FENDER - 3/16 ID X 1 OD
	084406-01-000	EA	NUT - CAPPED - CROSS RECESSED - BLACK - 1/4-20 THD
	087234-01-000	EA	NUT - JACK - 1/4 X 20 THD - MOLLY
	087718-01-000	EA	MONOBOLT - STEEL - 3/16 DIAMETER
	088787-12-000	EA	STUD - WELD - 1/4 - 20 X 1.0 LG - MN
	102333-02-01A	EA	BOLT - CARRIAGE - 1/4-20

SEALANTS & FASTENERS GROUP (CONTINUED)
BOLTS, NUTS AND WASHERS (CONTINUED)

KEY	PART NUMBER	U/M	DESCRIPTION
	102540-02-000	EA	SEAL - SCREW
	103020-02-000	EA	BOLT-U - #8-32 - GRADE 5 ZINC
	106166-01-000	EA	BOLT/COLLARED HANGER - 8-32 X 1
	106956-03-000	EA	BOLT - HEX TAP - 1/2-12NC X 3 - GRADE 5 - FULL THREAD/ZINC
	106956-08-000	EA	BOLT - HEX TAP - 1/2-13NC X 4 - GRADE 5 - FULL THREAD/ZINC
	107393-02-000	EA	BOLT - SHOULDER - 3/8" SOCKETHEAD
	107397-01-000	EA	WASHER - FENDER - 3/4 ID X 1 OD
	108067-03-000	EA	STUD - WELD - 1/4 - 20 X 1/2 CD
	109235-01-05A	FT	COVER - SCREW - BRIGHT WHITE
	109235-01-01A	FT	COVER - SCREW - MAT BLACK
	109917-03-000	EA	WASHER - 1" X .50"
	109917-04-000	EA	WASHER - 1" X .75"
	113985-02-000	EA	BOLT - FLANGE - M10-1 1/2 X 30CL 10.9
	114259-05-000	EA	BOLT - 7/16-20 X 1 1/4 W/WASHER
	128444-01-000	EA	WASHER - SPRING - CONICAL
	131377-01-000	EA	NUT-HEX HEAD W/WASHER-1/4-20 X 2" STEEL W/3/4" OD WASHER
	135092-01-01A	EA	BOLT - HEX - SERRATED FLANGE - 1/2-20 X 1 3/4-GRADE 5 ZINC
	135092-02-01A	EA	BOLT - HEX - SERRATED FLANGE - 1/2-20 X 2 1/2-GRADE 5 ZINC

SCREWS

KEY	PART NUMBER	U/M	DESCRIPTION
	0G1106-08-240	EA	SCREW - 6-20 X 1/2 PPH - VW LIGHT GRAY
	0G1108-12-240	EA	SCREW - 8-18 X 3/4 PPH - VW LIGHT GRAY
	0G1208-12-170	EA	SCREW - 8-18 X 3/4 POH - BRIGHT WHITE
	0G1306-08-130	EA	SCREW-6-20X1/2 PFH TAUPE
	0G1308-10-240	EA	SCREW - 8-18 X 5/8 PFH - VW LIGHT GRAY
	0G3804-22-180	EA	SCREW - MACHINE - 1/4-20 X 1 3/8 PFH - BLACK
	0G3908-08-160	EA	SCREW - SF/DR - 8-18 X 1/2 PPH - VW WHITE
	0G3908-08-240	EA	SCREW - SF/DR - 8-18 X 1/2 PPH - VW LIGHT GRAY
	0G3908-08-170	EA	SCREW - SF/DR - 8-18 X 1/2 PPH - BRIGHT WHITE
	0G3908-12-250	EA	SCREW - SF/DR - 8-18 X 3/4 PPH - DARK GRAY
	0G3908-12-240	EA	SCREW - SF/DR - 8-18 X .75 PPH - VW LIGHT GRAY
	0G3908-16-170	EA	SCREW - SF/DR - 8-18 X 1 PPH - BRIGHT WHITE
	0G3908-24-170	EA	SCREW - SF/DR - 8-18 X 1 1/2 PPH - BRIGHT WHITE
	0G3910-10-320	EA	SCREW - SF/DR - 10-16 X 5/8 PPH - GLACIER
	0G3910-10-240	EA	SCREW - SF/DR - 10-16 X 5/8 PPH - VW LIGHT GRAY
	0G3910-10-330	EA	SCREW - SF/DR - 20-16 X 5/8 PPH - PUTTY
	0G3910-12-320	EA	SCREW - SF/DR - 10-16 X .75 PPH - GLACIER
	0G3910-12-240	EA	SCREW - SF/DR - 10-16 X .75 PPH - VW LIGHT GRAY
	0G3910-12-170	EA	SCREW - SF/DR - 10-16 X 3/4 PPH - BRIGHT WHITE
	0G5508-12-270	EA	SCREW - SF/DR - 8-18 X 3/4 PWH - TITANIUM
	0G5508-12-260	EA	SCREW - SF/DR - 8-18 X 3/4 PWH - ALLANTE ANTELOPE
	0G5508-12-240	EA	SCREW - SF/DR - 8-18 X 3/4 PWH - VW LIGHT GRAY
	0G5508-12-170	EA	SCREW - SF/DR - 8-18 X 3/4 PWH - BRIGHT WHITE
	0G5508-12-330	EA	SCREW - SF/DR - 8-18 X 3/4 PWH - PUTTY
	0G5508-12-320	EA	SCREW - SF/DR - 8-18 X 3/4 PWH - GLACIER
	0G5508-16-320	EA	SCREW - SF/DR - 8-18 X 1 PWH - GLACIER
	0G5508-16-250	EA	SCREW - SF/DR - 8-18 X 1 PWH - VW DARK GRAY
	0G6008-16-170	EA	SCREW - SF/DR - 8-18 X 1 POH - BRIGHT WHITE
	0G6710-08-240	EA	SCREW - 10-12 X 1/2 PPH TAUPE - VW LIGHT GRAY
	0G6710-08-170	EA	SCREW - 10-12 X 1/2 PPH - BRIGHT WHITE
	0G6710-08-130	EA	SCREW - 10-12 X 1/2 PPH - TAUPE
	0G6710-12-170	EA	SCREW - 10-12 X 3/4 PPH - BRIGHT WHITE
	0G6806-16-170	EA	SCREW - 6-18 X 1 POH - BRIGHT WHITE
	0G6810-24-280	EA	SCREW - 10-12 X 1 1/2 POH - SOFT WHITE
	000C20-04-16A	EA	SCREW - 1/4-20X 1 - FLAT SOCKET HEAD
	000C20-05-28F	EA	SCREW - 5/16-18 X 1 3/4 FLAT SOC - STAINLESS STEEL
	000C20-06-24T	EA	SCREW - 3/8-16 X 1 1/2 - FLAT SOCKET
	000G11-06-10J	EA	SCREW - 6-20 X 5/8 PPH - BRASS
	000G11-06-08B	EA	SCREW - 6-20 X 1/2 PPH - ZINC
	000G11-07-08B	EA	SCREW - 7-19 X 1/2 PPH - ZINC
	000G11-08-12B	EA	SCREW - 8-18 X 3/4 PPH - ZINC
	000G11-08-08T	EA	SCREW - 8-18 X 1/2 PPH - FLUOROCARBON COATING

SEALANTS & FASTENERS GROUP (CONTINUED)
SCREWS (CONTINUED)

KEY	PART NUMBER	U/M	DESCRIPTION
	000G11-08-06B	EA	SCREW - 8-18 X 3/8 PPH - ZINC
	000G11-08-20G	EA	SCREW - 8-18 X 1 1/4 - ANTIQUE BRASS
	000G11-08-20B	EA	SCREW - 8-18 X 1 1/4 PPH - ZINC
	000G11-08-16B	EA	SCREW - 8-18 X 1 PPH - ZINC
	000G11-08-12T	EA	SCREW - 8-18 X 3/4 PPH - BLACK MAGNESIUM
	000G11-08-12P	EA	SCREW - 8-18 X 3/4 PPH - DARK BROWN
	000G11-10-12D	EA	SCREW - 10-16 X 3/4 PPH - BLACK
	000G12-06-12J	EA	SCREW - 6-20 X .75 POH - BRASS
	000G12-06-08T	EA	SCREW - 6-20 X 1/2 POH - BLACK
	000G12-08-12S	EA	SCREW - 8-18 X 3/4 POH - OFF WHITE
	000G13-05-10B	EA	SCREW - 5-12 X 5/8 PFH - ZINC
	000G13-06-08B	EA	SCREW - 6-20 X 1/2 PFH - ZINC
	000G13-06-06I	EA	SCREW - 6-20 X 3/8 PFH - BLACK ZINC
	000G13-06-16J	EA	SCREW - 6-20 X 1 PFH - BRASS
	000G13-06-10J	EA	SCREW - 6-20 X 5/8 PFH - BRASS
	000G13-06-10G	EA	SCREW - 6-20 X 5/8 PFH - ANTIQUE BRASS
	000G13-06-08G	EA	SCREW - 6-20 X 1/2 PFH - ANTIQUE BRASS
	000G13-06-24J	EA	SCREW - 6-20 X 1 1/2 PFH - BRASS
	000G13-07-12B	EA	SCREW - 7-19 X 3/4 PFH - ZINC
	000G13-07-10H	EA	SCREW - 7-19 X 5/8 PFH - BLACK
	000G13-08-10B	EA	SCREW - 8-18 X 5/8 PFH - ZINC
	000G13-08-24B	EA	SCREW - 8-18 X 1 1/2 PFH - ZINC
	000G13-08-16B	EA	SCREW - 8-18 X 1 PFH - ZINC
	000G13-08-109	EA	SCREW - 8-18 X 5/8 PFH
	000G13-10-16I	EA	SCREW - 10-16 X 1 PFH - BLACK
	000G16-04-24B	EA	SCREW - MACHINE - 1/4-20 X 1 1/2 PPH
	000G18-08-22B	EA	SCREW - MACHINE - 8-32 X 1 3/8 PPH - ZINC
	000G18-08-16B	EA	SCREW - MACHINE - 8-32 X 1 PPH - ZINC
	000G18-08-12B	EA	SCREW - MACHINE - 8-32 X 3/4 PPH - ZINC
	000G18-08-24B	EA	SCREW - MACHINE - 8-32 X 1 1/2 PPH - ZINC
	000G19-10-12F	EA	SCREW - MACHINE - 10-32 X 3/4 PPH - STAINLESS STEEL
	000G19-10-10B	EA	SCREW - MACHINE - 10-32 X 5/8 - PPH - ZINC
	000G19-10-08B	EA	SCREW - MACHINE - 10-32 X 1/2 PPH - ZINC
	000G19-10-20B	EA	SCREW - MACHINE - 10-32 X 1 1/2 PPH - ZINC
	000G36-10-12T	EA	SCREW - 10-24X 3/4 PFH TYPE 23 - BLACK
	000G39-06-16T	EA	SCREW - SF/DR - 6-20 X 1 PPH - BLACK
	000G39-06-10T	EA	SCREW - SF/DR - 6-20 X 5/8 PPH - BLACK
	000G39-08-32B	EA	SCREW - SF/DR - 8-18 X 2 PPH - ZINC
	000G39-08-24T	EA	SCREW - SF/DR - 8-18 X 1 1/2 PPH - BLACK
	000G39-08-24S	EA	SCREW - SF/DR - 8-18 X 1 1/2 - OFF WHITE
	000G39-08-24B	EA	SCREW - SF/DR - 8-18 X 1 1/2 PPH - ZINC
	000G39-08-16T	EA	SCREW - SF/DR - 6-20 X 1 PPH - BLACK
	000G39-08-16B	EA	SCREW - SF/DR - 8-18 X 1 PPH - ZINC
	000G39-08-12B	EA	SCREW - SF/DR - 8-18 X 3/4 PPH - ZINC
	000G39-08-08T	EA	SCREW - SF/DR - 8-18 X 1/2 PPH - BLACK
	000G39-08-08S	EA	SCREW - SF/DR - 8-18 X 1/2 PPH - OFF WHITE
	000G39-08-08B	EA	SCREW - SF/DR - 8-18 X 1/2 PPH - ZINC
	000G39-08-06B	EA	SCREW - SF/DR - 8-18 X 3/8 PPH - ZINC
	000G39-10-08B	EA	SCREW - SF/DR - 10-16 X 1/2 PPH - ZINC
	000G39-10-48T	EA	SCREW - SF/DR - 10-16 X 3 PPH - BLACK
	000G39-10-48B	EA	SCREW - SF/DR - 10-16 X 3 - PPH - ZINC
	000G39-10-32B	EA	SCREW - SF/DR - 10-16 X 2 - PPH - ZINC
	000G39-10-20T	EA	SCREW - SF/DR - 10-16 X 1 1/4 PPH - BLACK
	000G39-10-20B	EA	SCREW - SF/DR - 10-16 X 1 1/4 PPH - ZINC
	000G39-10-169	EA	SCREW - SF/DR - 10-16 X 1 PPH - FLUOROCARBON SILVER
	000G39-10-129	EA	SCREW - SF/DR - 10-16 X 3/4 PPH - FLUOROCARBON SILVER
	000G39-10-12T	EA	SCREW - SF/DR - 10-16 X 3/4 - BLACK
	000G39-10-10T	EA	SCREW - SF/DR - 10-16 X 5/8 - BLACK
	000G39-10-10B	EA	SCREW - SF/DR - 10-16 X 5/8 - ZINC
	000G39-12-12E	EA	SCREW - SF/DR - 12-14 X 3/4 PPH - CHROME
	000G42-04-16B	EA	SCREW - SF/DR - 1/4-14 X 1 HWH - ZINC
	000G42-04-24B	EA	SCREW - SF/DR - 1/4-14 X 1 1/2 - ZINC
	000G46-08-24T	EA	SCREW - MACHINE - 8-32 X 1 1/2 PFH - BLACK
	000G50-04-08B	EA	SCREW - MACHINE - 1/4-20 X 1/2 PTH - ZINC

SEALANTS & FASTENERS GROUP (CONTINUED)
SCREWS (CONTINUED)

KEY	PART NUMBER	U/M	DESCRIPTION
	000G51-06-12B	EA	SCREW - 6-20 X 3/4 PTH - ZINC
	000G52-06-05B	EA	SCREW - MACHINE - 6-32 X 5/16 PTH ZINC
	000G52-08-18B	EA	SCREW - MACHINE - 8-32 X 1 1/8 PTH - ZINC
	000G54-04-14B	EA	SCREW - 1/4-20 X 7/8 PTH - TYPE 23 - ZINC PLATED
	000G55-08-16S	EA	SCREW - SF/DR - 8-18 X 1 PWH - WILLOW
	000G55-08-16T	EA	SCREW - SF/DR - 8-18 X 1 PWH - BLACK
	000G55-08-16S	EA	SCREW - SF/DR - 8-18 X 1.00 - PWH - OFF WHITE
	000G55-08-124	EA	SCREW - SF/DR - 8-18 X 3/4 PWH - ASH GRAY
	000G55-08-12M	EA	SCREW - SF/DR - 8-19 X .75 PWH - GRAY
	000G56-12-48B	EA	SCREW - WOOD - 12-11 X 3 POH - SPECIAL HARDENED
	000G57-14-72B	EA	SCREW-14-10-X4 1/2 PFH ZN GENERAL MOTORHOMES
	000G57-14-64B	EA	SCREW - 14-10 X 4 PFH ZINC
	000G60-08-22B	EA	SCREW - SF/DR - 8-18 X 1.38 POH - ZINC
	000G60-08-20F	EA	SCREW - SF/DR - 8-19X1.25 POH
	000G60-08-16E	EA	SCREW - SF/DR - 8-1 X 1 POH - CHROME
	000G60-10-20B	EA	SCREW - SF/DR - 10-16 X 1 1/4 POH - ZINC
	000G60-10-28T	EA	SCREW - SF/DR - 10-16 X 1 3/4 - BLACK
	000G60-10-209	EA	SCREW - SF/DR - 10-16 X 1 1/4 POH - SILVER STALGAARD
	000G67-08-32B	EA	SCREW - 8-15 X 2 PPH - ZINC
	000G67-10-24S	EA	SCREW - 10-12 X 1 1/2 PPH - OFF WHITE
	000G67-10-24B	EA	SCREW - 10-12 X 1 1/2 PPH - ZINC
	000G67-10-20D	EA	SCREW - 10-12 X 1 1/4 PPH - BLACK
	000G67-10-125	EA	SCREW - 10-12 X 3/4 PPH - WILLOW
	000G67-10-12S	EA	SCREW - 10-12 X 3/4 PPH - OFF WHITE
	000G67-10-12P	EA	SCREW - 10-12 X 3/4 PPH - DARK BROWN
	000G67-10-12B	EA	SCREW - 10-12 X 3/4 PPH - ZINC
	000G67-10-10T	EA	SCREW - 10-12 X 5/8 PPH - BLACK
	000G67-10-10S	EA	SCREW - 10-12 X 5/8 PPH - OFF WHITE
	000G67-10-10P	EA	SCREW - 10-12 X 5/8 PPH - DARK BROWN
	000G67-10-10B	EA	SCREW - 10-12 X 5/8 PPH - ZINC - TYPE A
	000G67-10-08B	EA	SCREW - 10-12 X 1/2 PPH - ZINC
	000G67-10-36T	EA	SCREW - 10-12 X 2 1/4 - PPH - BLACK
	000G68-06-12J	EA	SCREW - 6-18 X 3/4 POH - BRASS
	000G68-06-10J	EA	SCREW - 6-18 X 5/8 POH - BRASS
	000G68-06-10G	EA	SCREW - 6-18 X 5/8 POH - ANTIQUE BRASS
	029130-01-000	EA	SCREW - SNAP STUD - #8-16 X 5/8" LONG
	029130-03-000	EA	SCREW - SNAP STUD - #8-16 X 1" LONG
	049465-01-000	EA	SCREW - 10-16 PTH W/WASHER - DARK BROWN
	049465-03-000	EA	SCREW - 10-16 X 1 POH W/WASHER - OFF WHITE
	049465-04-000	EA	SCREW - 10-16 X 1 PTH W/WASHER - BEIGE
	049465-13-000	EA	SCREW-10+16X1 PTH W/WASHER - *ASH GRAY
	049465-17-000	EA	SCREW - 10-16 X 1 POH W/WASHER - BRIGHT WHITE
	049465-23-000	EA	SCREW - 10-16 X 1.5 POH W/WASHER - VW LIGHT GRAY
	054434-03-000	EA	SCREW - SF/DR - 10-16 X 2 - PWH - ZINC - W/O WINGS
	075908-01-000	EA	SCREW - MACHINE - 10-32 X .56 PTH - EXTERNAL TOOTH - ZINC
	076790-01-000	EA	SCREW - 6-20 X 1 1/4 PPH - BLACK
	076790-05-000	EA	SCREW - 6-20 X 1/2 PPH - BLACK - THREAD CUTTING/WOOD
	083554-01-000	EA	SCREW - DRYWALL - 8 X 1 1/4
	083554-04-000	EA	SCREW - DRYWALL - 8 X 2 1/2
	087721-01-000	EA	SCREW - FLAT HEAD - TAPPING - 1/4 X 1 1/4 LONG - ZINC
	090033-02-000	EA	SCREW - 1/4-20 X 5/8 - ROUND WASHER HEAD - OFF/WHITE
	097974-01-000	EA	SCREW - PARTICLE BOARD - 7-9 X 3/4 PPH
	101618-01-000	EA	SCREW - 1/4-20 X 3/4 HEX - TAPPING - STALGARD TYPE F
	110460-05-02A	EA	SCREW - MACHINE - 10-24 X 2 1/2 PFH - WHITE
	113563-01-01A	EA	SCREW - 8 X 5/8 LONG SHOULDER/WASHER HEAD
	117478-01-04A	EA	SCREW - 8-18 X 3/4 PPH W/WASHER - VW LIGHT GRAY
	118383-01-04A	EA	RETAINER/RECESSED - F/.22" SCREW - BRIGHT WHITE
	118383-01-05A	EA	RETAINER/RECESSED - F/.22" SCREW - VW LIGHT GRAY
	118383-01-09A	EA	RETAINER/RECESSED - F/.22" SCREW - GLACIER
	118383-02-09A	EA	RETAINER/RECESSED - F/.27" SCREW - GLACIER
	118383-02-05A	EA	RETAINER/RECESSED - F/.27" SCREW - VW LIGHT GRAY
	118383-03-09A	EA	RETAINER/RECESSED - F/.32" SCREW - GLACIER

SEALANTS & FASTENERS GROUP (CONTINUED)
SCREWS (CONTINUED)

KEY	PART NUMBER	U/M	DESCRIPTION
	118383-04-09A	EA	CAP - F/RECESSED RETAINER - GLACIER
	118383-04-05A	EA	CAP - F/RECESSED RETAINER - VW LIGHT GRAY
	118383-04-04A	EA	CAP - F/RECESSED RETAINER - BRIGHT WHITE
	126458-01-01A	EA	SCREW - 8-18 X 1/2 - PRWH - BLACK
	134126-01-01A	EA	SCREW/NAIL - HEX HEAD - 3/4"
	140040-01-000	EA	SCREW - 1/4-20 X 1 - BUTTON HEAD/SOCKET - W/LOCTITE

CLAMPS, CLIPS, GROMMETS, RIVETS & PLUGS

KEY	PART NUMBER	U/M	DESCRIPTION
	000F10-06-32B	EA	PIN - COTTER - 3/16" X 2" - ZINC
	000H14-06-06R	EA	RIVET-MANDREL BLIND,3/16 AL - CHERRY BSP-66
	000H14-06-03R	EA	RIVET - MANDREL BLIND - 3/16 ALUMINUM
	000H16-04-06R	EA	RIVET - POP ALUMINUM - 1/8 X .313 - .375
	000H16-06-10R	EA	RIVET - POP ALUMINUM - 3/16 X .501-.625
	007161-01-000	EA	CLAMP - HOSE - SPRING TYPE - 1/2"
	010495-01-000	EA	CLAMP - CABLE - 9/16"ID
	010495-02-000	EA	CLAMP - CABLE - 3/8"ID
	010495-04-000	EA	CLAMP - CABLE - 11/16" - WHITE
	010497-01-000	EA	CLAMP - CLOSED - 5/8"ID
	010497-03-000	EA	CLAMP - CLOSED - 1"ID - CUSHIONED
	010497-04-000	EA	CLAMP - CLOSED - 1 5/8"ID
	010497-05-000	EA	CLAMP - CLOSED - 1/2"ID
	010497-07-000	EA	CLAMP - CLOSED - 3/8"ID
	010497-10-000	EA	CLAMP - CLOSED
	010499-01-000	EA	CLAMP - CLOSED - 3/8"ID
	016188-03-000	EA	GROMMET - L/P LINE - 3/8"HOLE X 2 1/2"LONG - RUBBER
	016188-04-000	EA	GROMMET - L/P LINE - 1/2"HOLE X 2 1/2"LONG - RUBBER
	016188-05-000	EA	GROMMET - L/P LINE - 3/8"HOLE X 1 1/4"LONG - RUBBER
	016188-06-000	EA	GROMMET - L/P LINE - 3/8"HOLE X 3 1/4"LONG
	016188-07-000	EA	GROMMET - L/P LINE - 1/2"HOLE X 3 1/4"LONG
	023942-01-000	EA	GROMMET - RUBBER - 2" OD
	034141-02-000	EA	PLUG/NYLON - .38" - BLACK
	061420-04-000	EA	PLUG/PLASTIC - 1 1/4" DIAMETER
	061420-05-000	EA	PLUG/PLASTIC - 1 1/2" DIAMETER
	061420-08-000	EA	PLUG/PLASTIC - 2 1/2" DIAMETER
	061420-09-000	EA	PLUG/PLASTIC - 1.00" - DIAMETER
	061420-10-000	EA	PLUG/PLASTIC - 1 1/2" DIAMETER - BLACK
	061420-14-000	EA	PLUG/PLASTIC - .034" DIAMETER
	061420-15-000	EA	PLUG/PLASTIC - 2" DIAMETER - BLACK
	061420-16-000	EA	PLUG/PLASTIC - 2 1/8" DIAMETER
	062401-01-000	EA	CLAMP - HOSE - WORMGEAR - .25" - 1"
	062401-02-000	EA	CLAMP - HOSE - WORMGEAR - 1.56" - 2.5"
	062401-03-000	EA	CLAMP - HOSE - WORMGEAR - .22" - 1"
	062401-04-000	EA	CLAMP - HOSE - WORMGEAR - .69" - 1.25"
	062401-05-000	EA	CLAMP - HOSE - WORMGEAR - 2" - 3" ID
	062401-06-000	EA	CLAMP - HOSE - WORMGEAR - .22" - .62" ID
	062401-09-000	EA	CLAMP - HOSE - WORMGEAR - 2.8" - 3.75"
	062401-11-000	EA	CLAMP - HOSE - WORMGEAR - 3.50" - 4.50"
	062401-12-000	EA	CLAMP - HOSE - WORMGEAR - .79" X 1.26"
	071015-11-000	EA	GROMMET - RUBBER - 1"ID FITS .12 MATERIAL - BLACK
	071015-19-000	EA	GROMMET - RUBBER - .38 ID - FITS .06 MATERIAL - BLACK
	071015-26-000	EA	GROMMET - RUBBER - 1.5" ID X 2.1" OD W/.06" GROOVE-BLACK
	071015-30-000	EA	GROMMET - RUBBER - .31" ID X .81" OD W/.12" GROOVE-BLACK
	071015-39-000	EA	GROMMET - .75 ID FITS .06 MTL
	071015-41-000	EA	GROMMET - .125 ID FITS .188 MTL
	075148-02-000	EA	CLAMP - GROUNDING - BRONZE SCREWS
	077955-01-000	EA	CLIP/J - 3/8" - VINYL COATED
	080734-02-000	EA	CLIP - WIRE NYLON
	081211-03-000	EA	PLUG/PLASTIC - .50 DIAMETER - BLACK
	081211-04-000	EA	PLUG/PLASTIC - .46 DIAMETER - BLACK

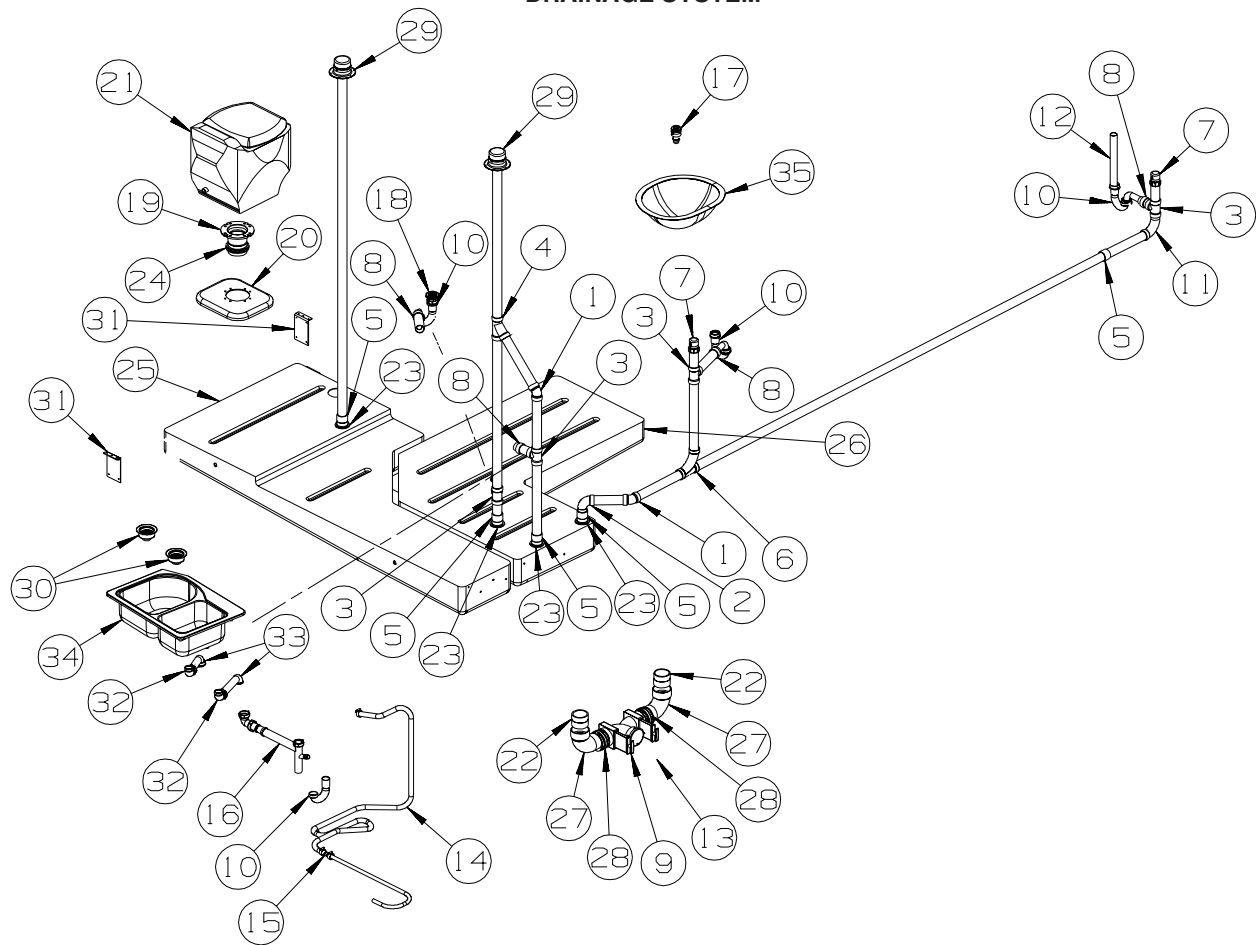
SEALANTS & FASTENERS GROUP (CONTINUED)
CLAMPS, CLIPS, GROMMETS, RIVETS & PLUGS (CONTINUED)

KEY	PART NUMBER	U/M	DESCRIPTION
	083609-01-000	EA	CLAMP - WIRE - DUAL - EQUAL DIAMETERS - 5/8"
	083610-01-000	EA	CLAMP - WIRE - DUAL - UNEQUAL DIAMETERS - 3/4" & 1 1/4"
	083610-02-000	EA	CLAMP - WIRE - DUAL - UNEQUAL DIAMETERS - 3/4" & 2"
	083610-03-000	EA	CLAMP - WIRE - DUAL - EQUAL DIAMETERS - 2"
	088756-01-000	EA	GROMMET - WEB - 1 1/8 " I.D.
	091952-01-000	EA	CLIP - GRIPPER - 1"
	091952-02-000	EA	CLIP - GRIPPER - 3/4"
	094362-02-000	EA	CLIP - XMAS TREE - BINDER HEAD - .9" LONG
	114208-04-000	EA	GROMMET - EDGE LINER - FITS 1"
	114208-05-000	EA	GROMMET - EDGE LINER - FITS 2"
	118626-01-02A	EA	RIVET - POP - ALUMINUM - 3/16 X .08 - .375
	118626-01-01A	EA	RIVET - POP - ALUMINUM - 3/16 X .08 - .375
	118626-02-01A	EA	RIVET - POP - ALUMINUM - 3/16 X .500 - .750
	137014-01-01A	EA	GROMMET - CABLE - ALMOND
	137014-01-02A	EA	GROMMET - CABLE - BROWN
	139118-01-01A	EA	GROMMET - PLASTIC/SCREW
	139118-02-01A	EA	GROMMET - SCREW - PLASTIC
	140171-02-000	EA	CLAMP - HOSE - STEPLESS EAR - .250

MISCELLANEOUS FASTENERS

KEY	PART NUMBER	U/M	DESCRIPTION
	008343-01-000	EA	TIE - WIRE - 6"
	008343-02-000	EA	TIE - WIRE - 14"
	008343-03-000	EA	TIE - WIRE - 7 1/2" - BLACK
	029094-04-000	YD	VELCRO TAPE - LOOP - 1" WIDE - BLACK
	029094-06-000	YD	VELCRO TAPE - LOOP - 2" WIDE - BLACK
	029096-03-000	YD	VELCRO TAPE - HOOK - 1" WIDE - BLACK
	029096-04-000	YD	VELCRO TAPE - HOOK - 1" WIDE - BLACK
	048394-02-000	YD	VELCRO TAPE - HOOK - ADHESIVE BACK - 3/4" WIDE - BEIGE
	085774-01-000	FT	FASTENER - DUAL LOCK - 1" WIDE - ADHESIVE BACK - BLACK
	085774-02-000	FT	FASTENER - DUAL HOOK - 1" WIDE - ADHESIVE BACK - BLACK
	085774-03-000	FT	FASTENER - DUAL LOCK - 1/2" WIDE - ADHESIVE BACK - BLACK
	085774-04-000	FT	FASTENER - DUAL HOOK - 1/2" WIDE - ADHESIVE BACK - BLACK
	088792-02-000	YD	VELCRO TAPE - LOOP - 3/4" - ADHESIVE BACK - BEIGE
	088792-04-000	YD	VELCRO TAPE - HOOK - 5/8" - NON-ADHESIVE BACK - WHITE
	088792-05-000	YD	VELCRO TAPE - LOOP - 5/8" - NON-ADHESIVE BACK - WHITE
	108046-02-000	EA	CABLE TIE - SCREW MOUNT 15"
	110943-02-000	FT	FELT STRIP - 3/8" - ADHESIVE BACK - WHITE
	113133-02-01A	EA	RIVET - POP - ALUMINUM - 3/16 X .252 - .504 - BLACK
	127960-01-01A	EA	RETAINER - 3/8" - STAINLESS STEEL

WATER & SEWAGE GROUP DRAINAGE SYSTEM



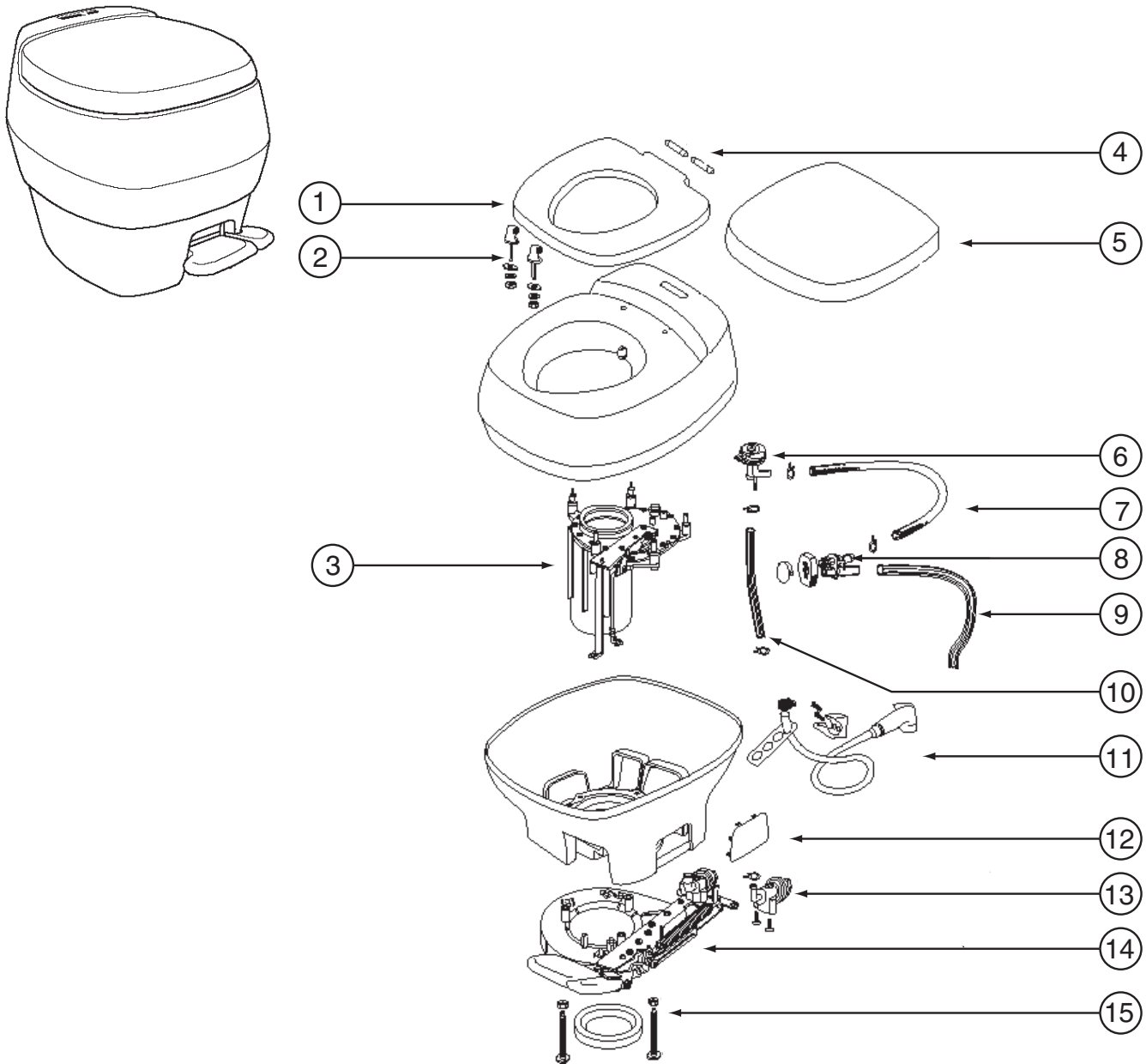
KEY	PART NUMBER	U/M	DESCRIPTION
1	010006-01-000	EA	ELBOW - 45 DEGREE - 1 1/2" HUB X HUB - PLASTIC
2	010008-01-000	EA	ELBOW - 90 DEGREE - 1 1/2" HUB X HUB - PLASTIC
3	010071-01-000	EA	TEE - SANITARY - 1 1/2" HUB X HUB X HUB - PLASTIC
4	010073-01-000	EA	WYE - 45 DEGREE - 1 1/2" HUB X HUB X HUB - PLASTIC
5	010115-01-000	EA	COUPLING - 1 1/2" HUB X HUB - PLASTIC
6	031365-02-000	EA	TEE - PLASTIC - 1 1/2" EXTRA LONG TURN
7	079968-01-000	EA	VENT - MECHANICAL/TRAP ARM - ANTI-SIPHON-2" X 7.3" PLASTIC
8	109571-01-000	EA	ADAPTER - P-TRAP - 1 1/2"P X 1 1/4"MPT
9	136143-01-000	EA	VALVE - DUAL - 3" X 3"
10	107538-01-000	EA	P-TRAP - PLASTIC - 1 1/4" W/EXTENSION ARM
10	011071-01-000	EA	P-TRAP - PLASTIC - 1 1/2" - CSA - CANADIAN ONLY
11	033761-01-000	EA	ELBOW - 90 DEGREE - TURN - 1 1/2" HUB X 1 1/2" SPIGOT
12	126588-02-000	EA	ARM - WASTE - 1 1/2 X 20" - FEMALE
13	139513-01-000	EA	HOSE - SEWER - 3" X 10' - W/ADAPTER
14	139567-01-000	FT	HOSE - DISHWASHER - 7/8" DIAMETER - DISHWASHER ONLY
15	139571-01-000	EA	COUPLING - REDUCING - 1" X 1 3/4" - DISHWASHER ONLY
16	011091-04-000	EA	WASTE - CONTINUOUS - DOUBLE SINK - DISHWASHER - DISHWASHER ONLY
16	011091-02-000	EA	WASTE - CONTINUOUS - DOUBLE SINK - WITHOUT DISHWASHER
17	141491-01-01A	EA	FAUCET - LAVATORY - W/STOP - CHROME/POLISHED BRASS
17	110760-04-000	EA	TAILPIECE W/POP-UP DRAIN MECHANISM - POLISHED BRASS
			FROM: 00-00-00 THRU: 06-09-02
			FROM: 06-10-02 THRU: 99-99-99
18	066440-01-000	EA	STRAINER - SHOWER DRAIN - W/RUBBER WASHER
	011069-06-000	EA	TAILPIECE - 1 1/2" X 1 1/4" X 2 1/2"
	127440-02-01A	EA	WASHER - RUBBER - 1.8" X .1"
	130403-01-000	EA	NUT - SLIP - W/WINGS 1 1/2"
19	116644-01-000	EA	FLANGE/CLOSET - 3" FEMALE - 4 BOLT
20	131786-05-01A	EA	SPACER - TOILET - SOFT WHITE
20	132179-05-000	EA	FOAM - SPACER - TOILET - THETFORD
21*	132389-01-01A	EA	TOILET - CHINA - WHITE
22	010129-03-000	EA	NIPPLE - PLASTIC - 3" X 3" TOE

WATER & SEWAGE GROUP (CONTINUED)
DRAINAGE SYSTEM (CONTINUED)

KEY	PART NUMBER	U/M	DESCRIPTION
23	061607-01-000	EA	GROMMET - HOLDING TANK - 1 1/2" NPS
24	061607-02-000	EA	GROMMET - HOLDING TANK - 3" NPS
25	138265-01-01A	EA	TANK - HOLDING - W/O FITTINGS
	010232-01-000	EA	FITTING - SPINWELD - PLASTIC 3FPT
	049032-01-000	EA	PATCH - SPINWELD - 3/8" - PLASTIC
26	138264-01-01A	EA	TANK - HOLDING
	010232-01-000	EA	FITTING - SPINWELD - PLASTIC 3FPT
	049032-01-000	EA	PATCH - SPINWELD - 3/8" - PLASTIC
27	010062-01-000	EA	ELBOW - ST PLASTIC - 3 90 SPGXH
28	078406-01-000	EA	COUPLER - RUBBER - W/CLAMPS - 3" X 3"
29	083558-03-000	EA	VENT - PLUMBING - ROOF PIPE COVERED - OFF WHITE
30	092303-01-000	EA	STRAINER - W/BASKET - GALLEY SINK - 4" OD
31	094756-01-01A	EA	BRACKET/ANGLE - W/HOLES
			FROM: 00-00-00 THRU: 08-04-02
31	094756-02-01A	EA	BRACKET - L - 6.1" LONG X 3.9" WIDE - STEEL
			FROM: 08-05-02 THRU: 99-99-99
32	125569-01-000	EA	ELBOW - 1 1/2" X 90 DEGREE - DOUBLE SLIP
33	126588-01-000	EA	ARM - WASTE - 1 1/2" X 9 1/2" - FEMALE
34	134851-01-01A	EA	SINK - DOUBLE/GALLEY - LARGE/SMALL - 25" X 18" X 6.9"D-WHT
35	136639-01-01A	EA	SINK - LAVATORY W/SOAP DISH - WHITE
			FROM: 00-00-00 THRU: 06-09-02
35	143310-01-01A	EA	SINK - LAVATORY - OVAL - 19" X 16" - WHITE
			FROM: 06-10-02 THRU: 99-99-99

***COMPONENT PARTS LISTED LATER IN THIS GROUP**

WATER & SEWAGE GROUP (CONTINUED)
COMPONENT PARTS FOR DRAINAGE SYSTEM

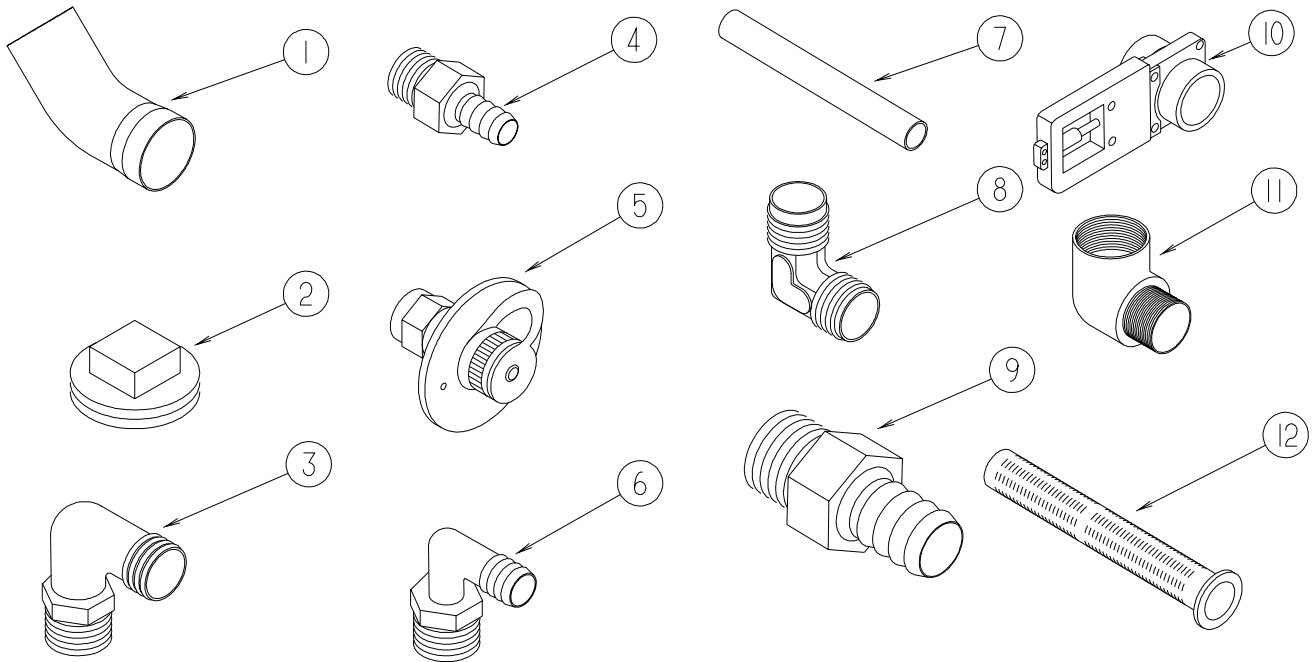


132389-01-01A

KEY	PART NUMBER	U/M	DESCRIPTION	VENDOR NO.
1	132389-01-700	EA	SEAT ONLY - WHITE	1927632
2	132389-01-701	EA	HINGE POST KIT	1927732
3	132389-01-702	EA	UPPER MECHANISM KIT - WHITE	1928432
4	132389-01-703	EA	HINGE PINS	19292
5	132389-01-704	EA	COVER - SEAT - WHITE	1929332
6	132389-01-705	EA	VACUUM BREAKER PACKAGE	19278
8	132389-01-706	EA	FLUSH NOZZLE - PACKAGE	1927932
10	132389-01-707	EA	TUBE - WATER SUPPLY	19282
11	132389-01-708	EA	HAND SPRAY KIT	19289
12	132389-01-709	EA	COVER - SIDE ACCESS- WHITE	1929832
13	132389-01-710	EA	WATER VALVE PACKAGE	19283
14	132389-01-711	EA	LOWER MECHANISM - WHITE	1928532
15	132389-01-712	EA	CLOSET FLANGE-SEAL/BOLT PKG	19309
	132389-01-713	EA	SEAL - BLADE	8308
	132389-01-714	EA	BOLT PACKAGE - F/RISER	24819
	132389-01-715	EA	SEAL - FLANGE	19325

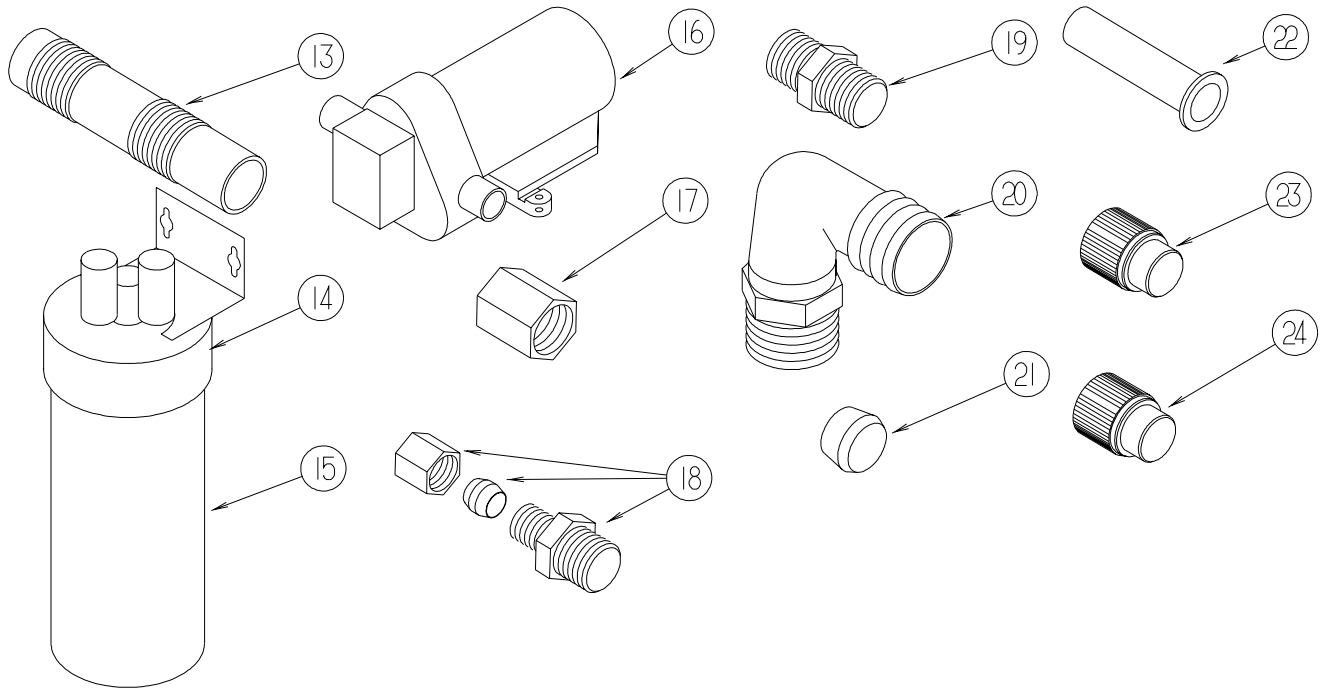
CONTACT WINNEBAGO PART SALES FOR UNLISTED COMPONENTS

WATER & SEWAGE GROUP (CONTINUED)
WATER SYSTEM



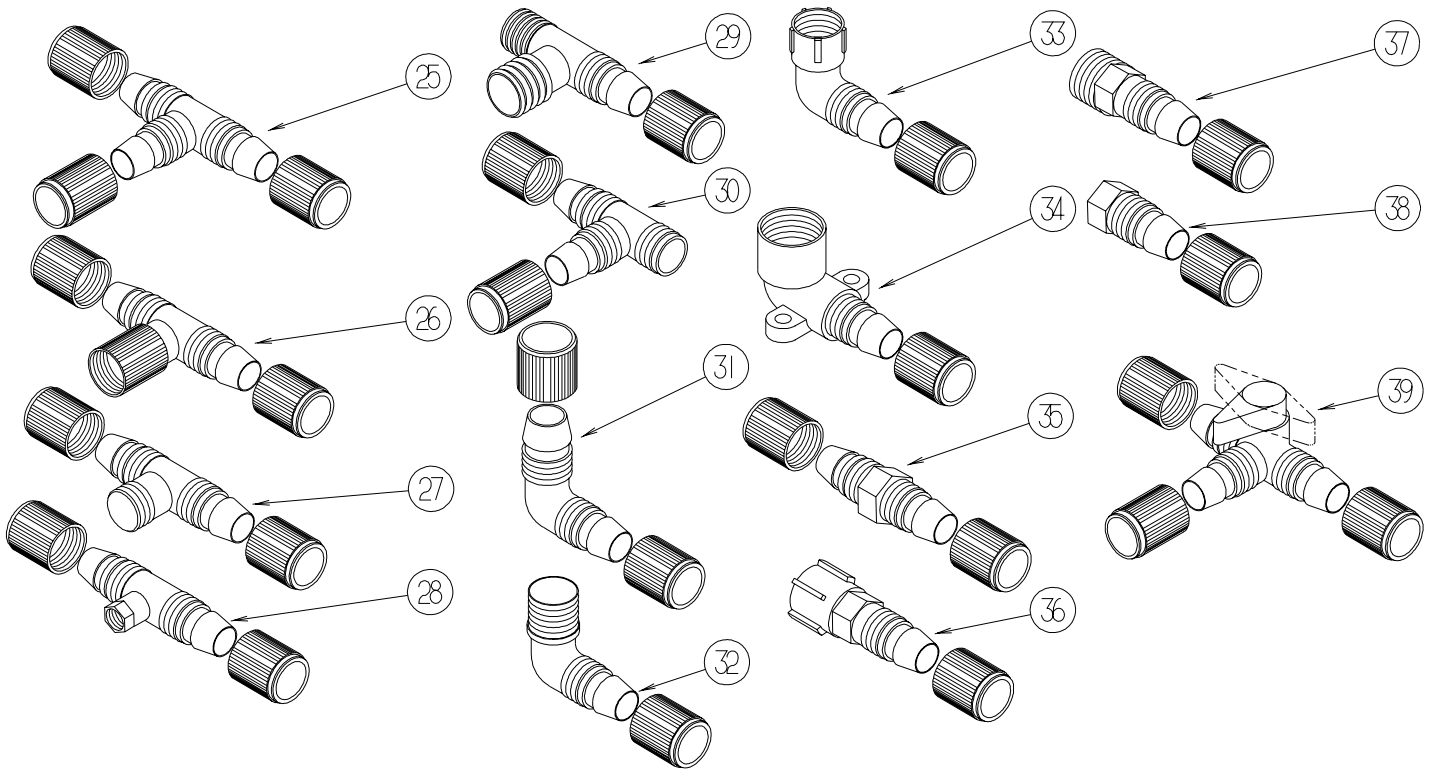
KEY	PART NUMBER	U/M	DESCRIPTION
1	010009-01-000	EA	ELBOW - 90 DEGREE - 1/4 BEND - 1 1/2" PLASTIC
2	010166-01-000	EA	PLUG/THREADED - 1 1/4"MPT - PLASTIC - BLACK - UL
3	010219-01-000	EA	ELBOW - 1 1/4 MPT X 1 1/4 BARB - WATER FILL - PLASTIC
4	010224-01-000	EA	ADAPTER - HOSE TO PIPE - 3/8 MPT X 3/8 BARB - PLASTIC
5	010230-06-000	EA	FILL - CITY WATER - W/CHECK VALVE - MPT - BRUSHED ALUM
6	035539-01-000	EA	ELBOW - 3/8 MPT X 3/8 BARB - PLASTIC
7	039800-04-000	FT	TUBING - POLYBUTYL - 1/4"OD
7	074462-02-000	FT	TUBING - VINYL - 3/8 ID X 20' - CLEAR
7	112176-01-000	FT	TUBING - VINYL - REINFORCED - 1/2" ID
7	124188-01-000	FT	TUBING - PEX - 1/2" ID X 20' - BLUE(COLD)
7	124188-02-000	FT	TUBING - PEX - 1/2" ID X 20' - RED(HOT)
8	039808-03-000	EA	ELBOW - 1/2" MPT X 1/2" MPT - PLASTIC
9	044927-01-000	EA	ADAPTER - HOSE TO PIPE-1 1/4 MPTX1 1/4 BARB-BLACK PLASTIC
10	062421-03-000	EA	VALVE/DUMP W/O HANDLE - 1 1/2" X 1 1/2" HUB
11	065318-02-000	EA	ELBOW - 90 DEGREE - 3/8" MPT TO 3/8" FPT
12	077954-02-000	EA	FILTER - WATER TANK - W/SCREEN IN TANK

WATER & SEWAGE GROUP (CONTINUED)
WATER SYSTEM (CONTINUED)



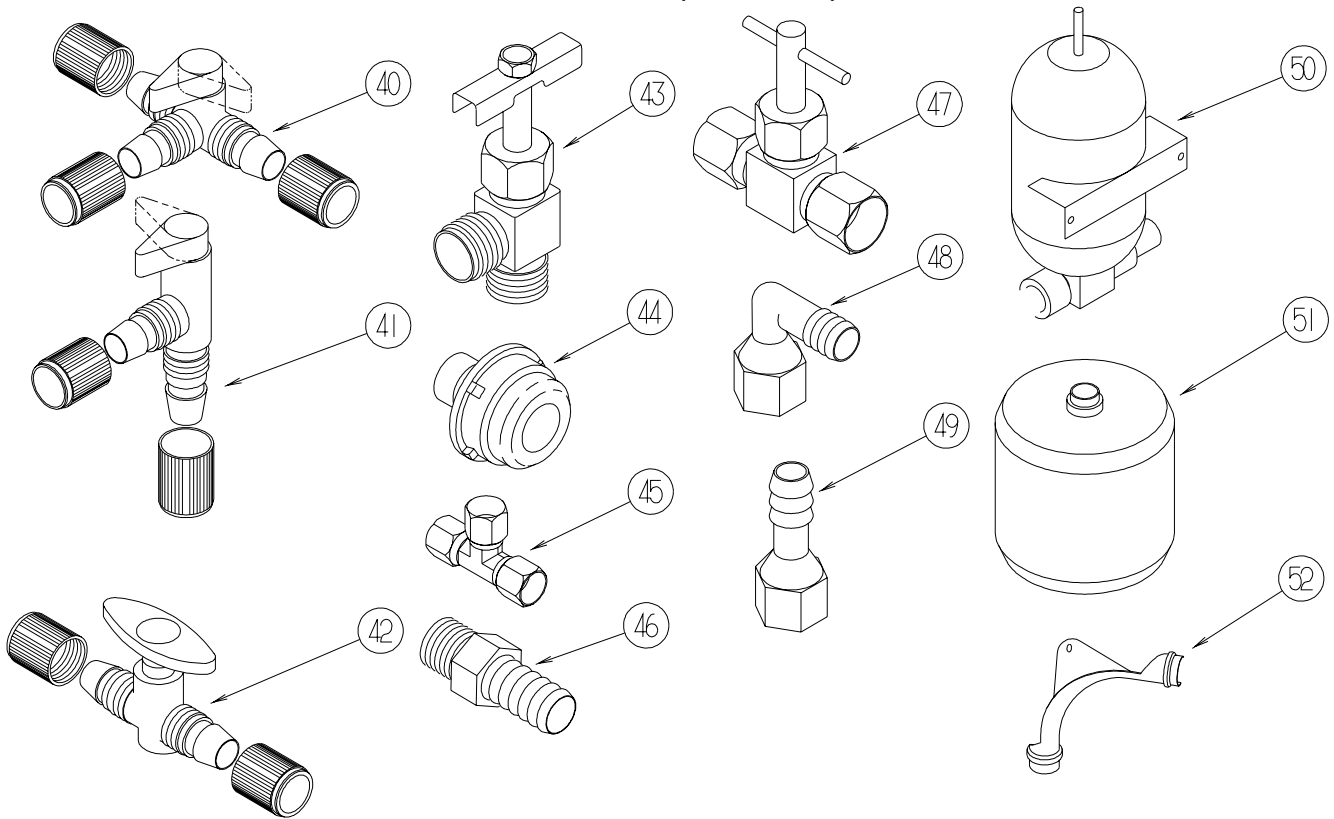
KEY	PART NUMBER	U/M	DESCRIPTION
13	079381-01-000	FT	TUBING - RIBBED FLEXIBLE - WATER FILL - 1.4" ID
14	087200-01-000	EA	FILTER-WATER PURIFICATION, EVERPURE QC2-AC
15	087200-02-000	EA	CARTRIDGE-WATER FILTER,AC - EVERPURE 9601-11
16*	098607-01-000	EA	PUMP - WATER - W/.5" MPT FITTING - FLOW 2.8 GPM
17	101814-01-000	EA	COUPLING - FEMALE - 1/2" X 1/2" FPT - GRAY
18	103798-01-000	EA	CONNECTOR - 1/4 OD X 3/8 MPT
19	110438-02-000	EA	VALVE - CHECK - BRASS - 1/2 MPT X 1/2 MPT
20	111223-02-000	EA	ELBOW - 1/2" MPT X 3/8" BARB - PLASTIC
20	111223-03-000	EA	ELBOW - 3/4" MPT X 1/2" BARB - PLASTIC
20	111223-04-000	EA	ELBOW - 1/2" MPT X 1/2" BARB - PLASTIC
21	111888-01-000	EA	FERRULE - PLASTIC - .250 ID X .375 OD
22	111888-02-000	EA	INSERT - BRASS - 1/4 COMP
23	113697-01-000	EA	CAP - 3/8"P
24	114427-01-000	EA	CAP - 1/2"P

WATER & SEWAGE GROUP (CONTINUED)
WATER SYSTEM (CONTINUED)



KEY	PART NUMBER	U/M	DESCRIPTION
25	114428-01-000	EA	TEE - 1/2"P X 1/2"P X 1/2"P
26	114428-02-000	EA	TEE - SWIVEL - 1/2"P X 1/2"P X 1/2"FPT
27	114428-03-000	EA	TEE - 1/2"P X 1/2"P X 1/2"MPT
28	114428-04-000	EA	TEE - 1/2"P X 1/2"P X 1/8"FPT
29	114428-06-000	EA	TEE - 1/2" P X 1/2" MPT X 1/2" MPT
30	114428-07-000	EA	TEE - 1/2" P X 1/2" MPT X 1/2" P
31	114429-01-000	EA	ELBOW - 1/2"P X 1/2"P
32	114429-02-000	EA	ELBOW - 1/2"P X 1/2"MPT
32	114429-04-000	EA	ELBOW - 1/2"P X 3/8"MPT
32	114429-05-000	EA	ELBOW - 1/2"P X 3/4"MPT
33	114429-03-000	EA	ELBOW - SWIVEL - 1/2"P X 1/2"FPT
33	114429-06-000	EA	ELBOW - SWIVEL - 1/2"P X 3/4"FPT
33	114429-08-000	EA	ELBOW - SWIVEL - 1/2"P X 1/2"FPT
34	114429-09-000	EA	ELBOW - 1/2"P X 1/2"FPT DROP EAR
35	114430-01-000	EA	ADAPTER - 1/2"P X 1/2"P
36	114430-02-000	EA	ADAPTER - SWIVEL - 1/2"P X 1/2"FPT
37	114430-03-000	EA	ADAPTER - 1/2"P X 1/2"MPT
38	114430-06-000	EA	ADAPTER - 1/2"P X 3/8"FPT
39	114431-01-000	EA	VALVE - 180 DEGREE/CENTER DRAIN - 1/2"P - THREE WAY

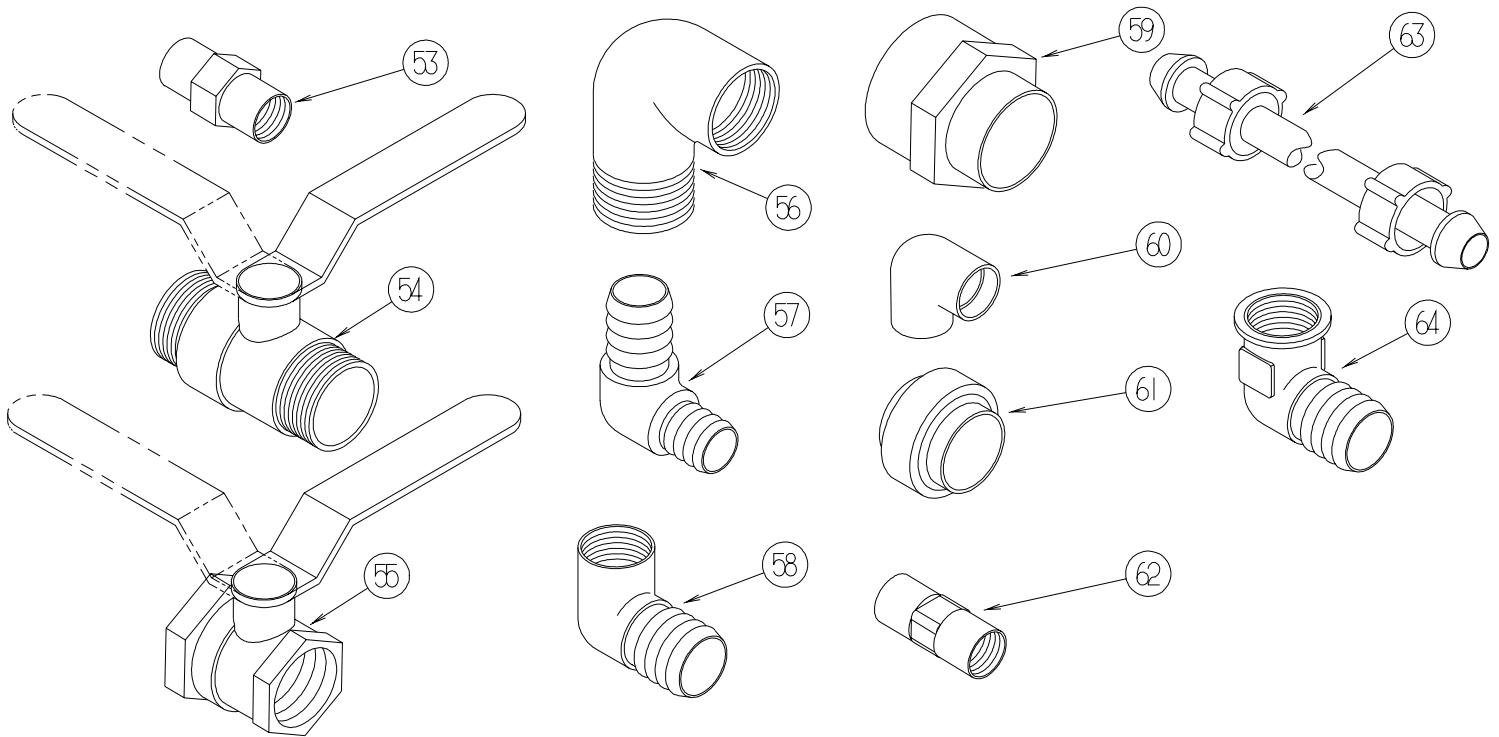
WATER & SEWAGE GROUP (CONTINUED)
WATER SYSTEM (CONTINUED)



KEY	PART NUMBER	U/M	DESCRIPTION
40	114431-02-000	EA	VALVE - WATER BYPASS - 1/2"P - THREE WAY (WATER HEATER)
41	114431-03-000	EA	VALVE - 90 DEGREE DRAIN - 1/2"P
42	114431-04-000	EA	VALVE - "INLINE SHUT-OFF" - 1/2"P
43	114431-05-000	EA	VALVE - NEEDLE - 1/8" MPT X 1/4" COMPRESSION (ICE MAKER)
44	114966-01-000	EA	FILTER - IN LINE - TWIST ON - 1/2"
45	118423-01-000	EA	FITTING - BRASS-TEE - 1/4C X 1/4C X 1/4C
46	118809-02-000	EA	ADAPTER - 1/2" MPT X 1/2" BARB - PLASTIC
47	120868-01-000	EA	VALVE - NEEDLE - 1/4" COMPRESSION X 1/4" COMPRESSION
48	123150-01-000	EA	ELBOW - 1/2 FPT X 1/2 BARB - SWIVEL
49	123152-01-000	EA	ADAPTER - 1/2 FPT X 1/2 BARB - SWIVEL
50	123243-01-000	EA	TANK - ACCUMULATOR - 24 OZ
51	123317-01-000	EA	TANK - ACCUMULATOR - 2 GALLON
52	124184-01-000	EA	SUPPORT - WATER LINE - BEND

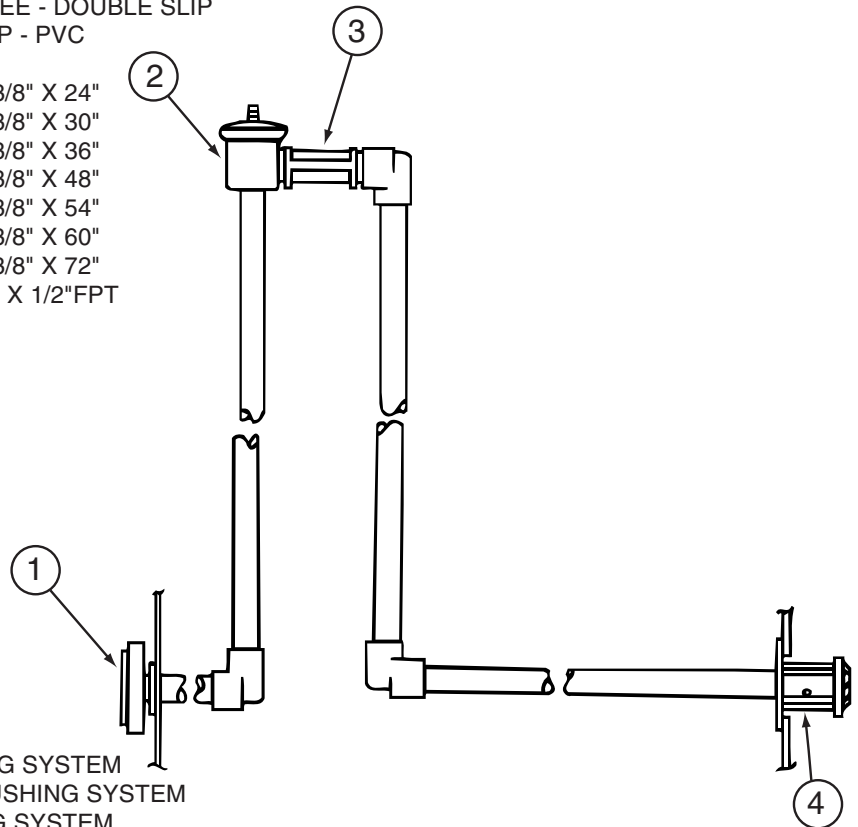
WATER & SEWAGE GROUP (CONTINUED)

WATER SYSTEM (CONTINUED)



KEY	PART NUMBER	U/M	DESCRIPTION
53	132148-01-000	EA	CONNECTOR - 1/2" X 1/2"MPT - BRASS
54	132483-01-000	EA	VALVE/BALL - 1" - THREADED ENDS
55	132483-02-000	EA	VALVE/BALL - 1/2" - BRASS - FPT
56	132484-01-000	EA	ELBOW - 90 DEGREE - 1MPT X 1FPT - PLASTIC
57	132781-01-000	EA	ELBOW - 1.3" BARB X 1.3" BARB - 90 DEGREE - PLASTIC
58	132782-01-000	EA	ELBOW - 1"FPT X 1.3" BARB - 90 DEGREE - PLASTIC
59	133835-01-000	EA	ADAPTER - REDUCING - 1 1/2" X 1 1/4"
60	133837-01-000	EA	ELBOW - 1 1/2" X 90 DEGREE - DOUBLE SLIP
61	133889-01-000	EA	UNION - 1 1/2 DOUBLE SLIP - PVC
62	135386-01-000	EA	NIPPLE - 1/2"
63	140821-01-000	EA	TUBE - WATER SUPPLY - 3/8" X 24"
63	140821-02-000	EA	TUBE - WATER SUPPLY - 3/8" X 30"
63	140821-03-000	EA	TUBE - WATER SUPPLY - 3/8" X 36"
63	140821-04-000	EA	TUBE - WATER SUPPLY - 3/8" X 48"
63	140821-05-000	EA	TUBE - WATER SUPPLY - 3/8" X 54"
63	140821-06-000	EA	TUBE - WATER SUPPLY - 3/8" X 60"
63	140821-07-000	EA	TUBE - WATER SUPPLY - 3/8" X 72"
64	142812-01-000	EA	ELBOW - BRASS - 1/2"MPT X 1/2"FPT

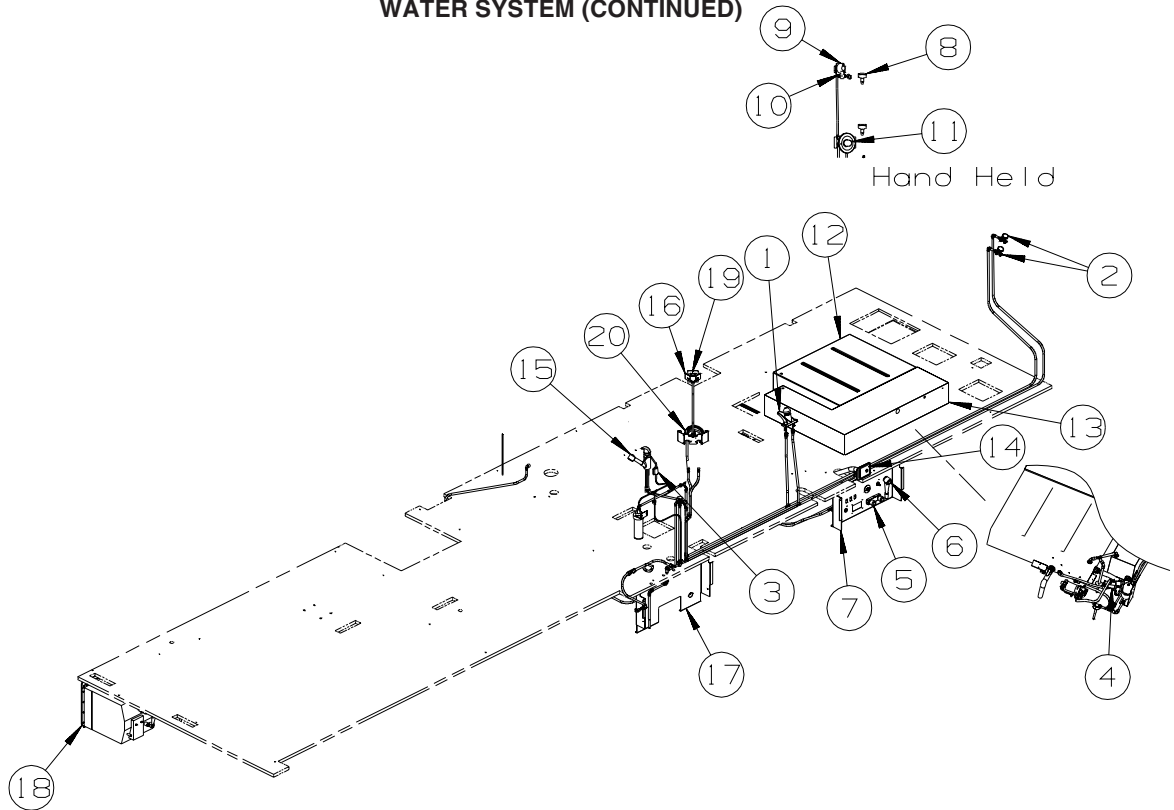
***COMPONENT PARTS LISTED LATER IN THIS GROUP**



KEY	PART NUMBER	U/M	DESCRIPTION
1	125697-05-000	EA	INLET - WATER - FLUSHING SYSTEM
2	125697-04-000	EA	BREAKER - VACUUM - FLUSHING SYSTEM
3	125697-03-000	EA	CHECK VALVE - FLUSHING SYSTEM
4	125697-02-000	EA	NOZZLE - WELD-A-FLUSH
	125697-06-000	EA	INSTRUCTIONS - USER - FLUSHING SYSTEM

WATER & SEWAGE GROUP (CONTINUED)

WATER SYSTEM (CONTINUED)



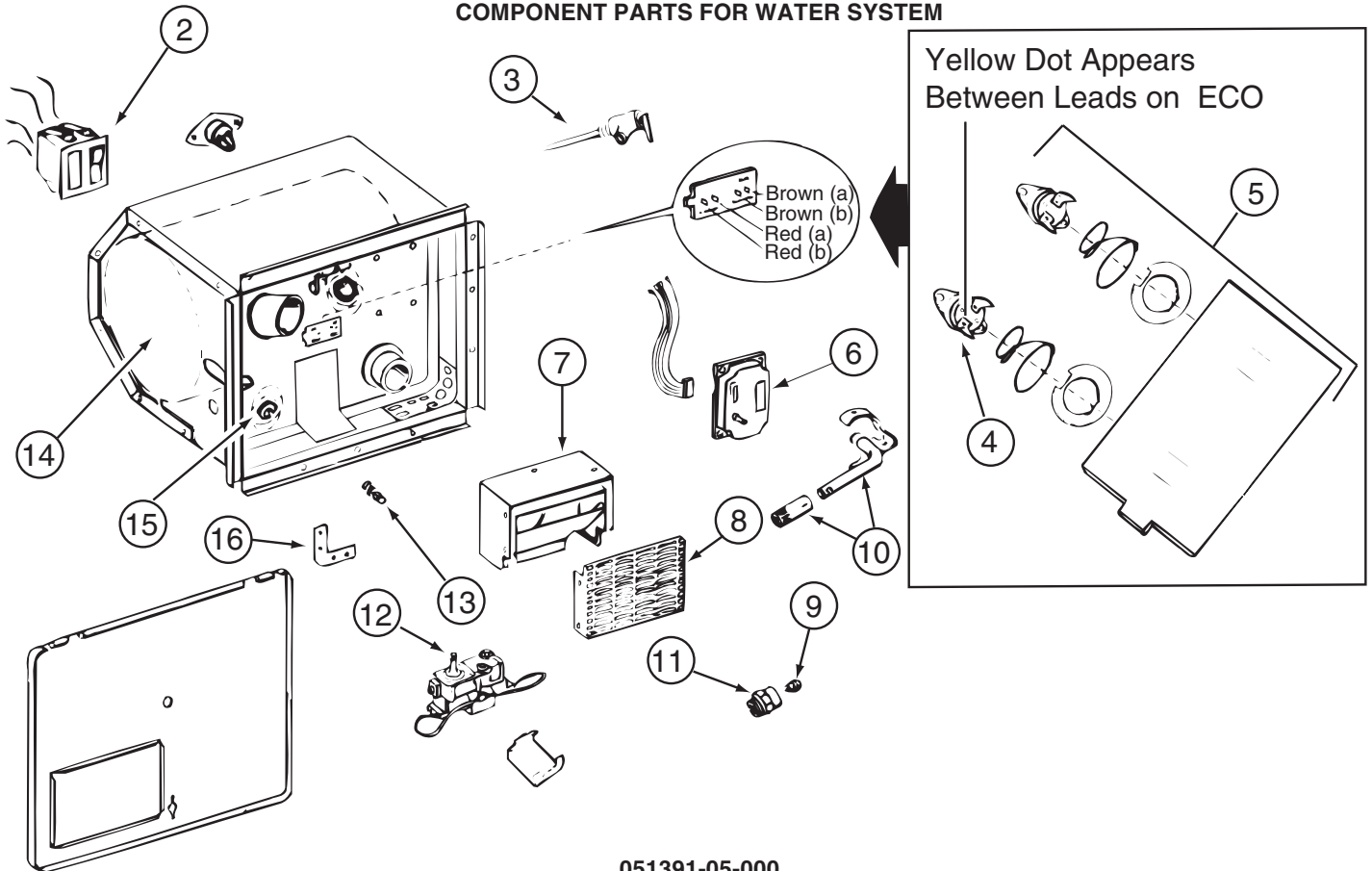
KEY	PART NUMBER	U/M	DESCRIPTION
1*	141490-01-01A	EA	FAUCET - LAVATORY - W/STOP - CHROME/POLISHED BRASS
2	098419-01-000	EA	FAUCET - WASHER - 90 DEGREE
3	103635-01-000	EA	FAUCET - SINGLE CONTROL/DRINKING WATER
4*	118569-03-000	EA	WINTERIZATION SYSTEM - W/O TANK
4	109216-05-000	EA	ANGLE - FURNACE DOOR
4	140309-05-02B	EA	ANGLE - FURNACE DOOR - E-COATED
			FROM: 00-00-00 THRU: 02-16-03
			FROM: 02-17-03 THRU: 99-99-99
5*	075241-06-000	EA	FAUCET - SHOWER/BRIGHT WHITE - .5" MPT W/1.9" INLET PIPES
6	131383-01-02A	EA	SHOWER HEAD - W/60" HOSE & BRACKET - WHITE - USA
6	131383-02-02A	EA	SHOWER HEAD - W/60" HOSE & BRACKET - CSA - WHITE - CANADIAN
7	136034-06-12B	EA	PANEL - SERVICE CENTER - BRIGHT WHITE
8*	129390-03-01A	EA	SHOWER HEAD - W/HOSE & BRACKET - BRASS
			FROM: 03-04-02 THRU: 99-99-99
9	130041-01-02A	EA	SPACER/SHOWER HEAD - SOFT WHITE
10	135028-01-01A	EA	DROP ELL - F/SHOWER HOSE - BRASS - 1/2"
11*	131340-02-01A	EA	FAUCET ONLY - W/O SHOWER HEAD/ARM EXTENSION - BRASS
			FROM: 00-00-00 THRU: 10-29-02
11*	144596-01-01A	EA	FAUCET/VALVE - SHOWER - POSI-TEMP - MOEN 62300
			FROM: 10-30-02 THRU: 99-99-99
11	144596-02-01A	EA	FAUCET - TRIM KIT - CHATEAU - POLISHED BRASS
			FROM: 10-30-02 THRU: 99-99-99
12	132224-14-000	EA	TANK - WATER - 40 GALLON - W/FITTINGS
	042989-05-000	EA	FITTING - SPINWELD - 1/2"FPT - PLASTIC
	042989-08-000	EA	FITTING - SPINWELD - 1"FPT - PLASTIC
	049032-01-000	EA	PATCH - SPINWELD - 3/8" - PLASTIC
	132224-01-000	EA	TANK - WATER - 40 GALLON - W/O FITTINGS
13	140114-03-000	EA	TANK - WATER - 30 GALLONS - W/FITTINGS
	042989-03-000	EA	FITTING - SPINWELD - 1 1/4"NPT - PLASTIC
	042989-05-000	EA	FITTING - SPINWELD - 1/2"FPT - PLASTIC
	049032-01-000	EA	PATCH - SPINWELD - 3/8" - PLASTIC
	140114-01-000	EA	TANK - WATER - W/O FITTINGS
14	137169-01-01A	EA	WATER FILL/GRAVITY - W/DOOR - W/O LOCK - BRIGHT WHITE
	138290-03-000	EA	CASE - W/CAM - W/O CYLINDER/KEY
15*	123744-03-01A	EA	FAUCET - GALLEY/SINGLE CONTROL W/SPRAYER HEAD - CHROME
16	131551-01-02B	EA	BRACKET - SHOWER HEAD
17	136034-09-12B	EA	PANEL - SERVICE CENTER - BRIGHT WHITE

WATER & SEWAGE GROUP (CONTINUED)
WATER SYSTEM (CONTINUED)

KEY	PART NUMBER	U/M	DESCRIPTION
18*	125420-01-03A	EA	DOOR - WATER HEATER - 10 GALLON - BLACK W/BLACK GRILLE
18	133224-01-02B	EA	PLATE - WATER HEATER - E-COATED
18*	051391-05-000	EA	WATER HEATER/MOTOR AID-GAS/ELECT IGN - GCH10A-9E - 10 GAL
18	117047-02-000	EA	BUMPER - RUBBER - WASHER INSERT
19	128974-01-01A	EA	VALVE - SHOWER HEAD/WATER SAVER (ON/OFF) - BRIGHT BRASS
20*	131340-01-01A	EA	FAUCET - W/SHOWER HEAD- SINGLE LEVER-W/O WATER SAVER-BRASS FROM: 00-00-00 THRU: 10-29-02
20*	144596-01-01A	EA	FAUCET/VALVE - SHOWER - POSI-TEMP - MOEN 62300 FROM: 10-30-02 THRU: 99-99-99
20	144596-03-01A	EA	FAUCET - TRIM KIT - W/SHOWER HEAD - BRASS FROM: 10-30-02 THRU: 99-99-99

***COMPONENT PARTS LISTED LATER IN THIS GROUP**

WATER & SEWAGE GROUP (CONTINUED)
COMPONENT PARTS FOR WATER SYSTEM



051391-05-000

KEY	PART NUMBER	U/M	DESCRIPTION	VENDOR NO.
2	051393-01-701	EA	SWITCH - REMOTE - W/LIGHT	91959
3	051391-01-704	EA	VALVE-RELIEF, 1/2" FITTING	91604
4	051391-04-701	EA	THERMOSTAT 12V DC-120 PRESET	91470
5	051391-05-707	EA	THERMOSTAT & ECO - 110 VOLT	91873
6	051393-01-704	EA	BOARD-CIRCUIT	93865
7	051391-04-707	EA	KIT-EXHAUST, (FLUE & GASKET)	90960
8	051391-01-717	EA	GRILLE-WATER HEATER DOOR	92640
9	051391-05-701	EA	ORIFICE-MAIN BURNER	93914
10	051391-05-700	EA	BURNER-MAIN	93221
11	051391-03-700	EA	HOLDER-ORIFICE	91563
12	051393-01-726	EA	VALVE-SOLENOID, W/O BRACKET	93870
13	051391-01-715	EA	PLUG-DRAIN, 1 EA = 2 PER PKG	91857
14	051391-05-704	EA	TANK-INNER	93593
15	051391-05-706	EA	ELEMENT-HEATING 1500 WATT	91160 W/GASKET
16	111129-01-711	EA	BRACKET-CORNER, SET OF FOUR	91928
	051391-05-703	EA	HARDWARE KIT-DOOR	91858
	051391-05-705	EA	SWITCH - ON/OFF SWITCH - BOX	91182
	051393-01-721	EA	THERMOSTAT W/ECO, 140 FRT MT	91447
	051393-01-723	EA	SWITCH - THERMAL CUTOUT 2/PK	93866
	051393-01-725	EA	ELECTRODE-SGL SPADE CONNECT.	93868
	051393-01-730	EA	BRACKET - F/10 GAL SYSTEM	93862

CONTACT WINNEBAGO PARTS SALES FOR UNLISTED COMPONENTS

075241-04-000, 075241-05-000, 075241-06-000

KEY	PART NUMBER	U/M	DESCRIPTION	VENDOR NO.
	075240-05-700	EA	CARTRIDGE - WASHERLESS	9-P42

098607-01-000

KEY	PART NUMBER	U/M	DESCRIPTION	VENDOR NO.
	098607-01-702	EA	DIAPHRAGM/DRIVE ASSEMBLY KIT	94-238-04
	098607-01-703	EA	VALVE KIT	94-232-00
	098607-01-705	EA	VALVE-CHECK, KIT	94-237-00
	098607-01-706	EA	HOUSING, W/SWITCH ONLY	94-231-20
	098607-01-707	EA	MOTOR W/BASEPLATE	11-148-04

WATER & SEWAGE GROUP (CONTINUED)
COMPONENT PARTS FOR WATER SYSTEM (CONTINUED)

118569-03-000

KEY	PART NUMBER	U/M	DESCRIPTION	VENDOR NO
	118569-01-700	EA	VALVE/SOLENOID-ELECT CONTROL	NO VDR#
	118569-01-701	EA	SWITCH - ELECTRIC	EA1-31
	118569-01-702	EA	PLATE - SWITCH	ERUS-1
	118569-01-704	EA	PLUG - 3/4 MPT	NO VDR#
	118569-01-705	EA	PLUG - 1/2 MPT	NO VDR#
	118569-01-706	EA	SCREEN - WHITE	NO VDR#

123744-03-01A

KEY	PART NUMBER	U/M	DESCRIPTION	VENDOR NO.
	135027-01-700	EA	CLIP - RETAINER	883
	135027-01-705	EA	CARTRIDGE F/SGL LEVER FAUCET	1225

125420-01-02A, 125420-01-03A, 125420-04-03A

KEY	PART NUMBER	U/M	DESCRIPTION	VENDOR NO.
	051391-01-705	EA	FASTENER - CAMLOCK	92609

129390-03-01A

KEY	PART NUMBER	U/M	DESCRIPTION	VENDOR NO.
	129390-03-700	EA	BRACKET-HANGAR/SHOWER HEAD	5001-210PK
	129390 03 701	EA	CONNECTOR-SWIVE	4002-210PK

131340-01-01A

KEY	PART NUMBER	U/M	DESCRIPTION	VENDOR NO.
	119677-01-701	EA	SHOWER HEAD ONLY 1/2"	34PB
	131340-01-700	EA	BUTTON - HOT/COLD	N1201-16
	131340-01-701	EA	KNOB - CLEAR	N1201-9

131340-02-01A

KEY	PART NUMBER	U/M	DESCRIPTION	VENDOR NO.
	131340-02-700	EA	CARTRIDGE	6-1201-5-0

141490-01-01A

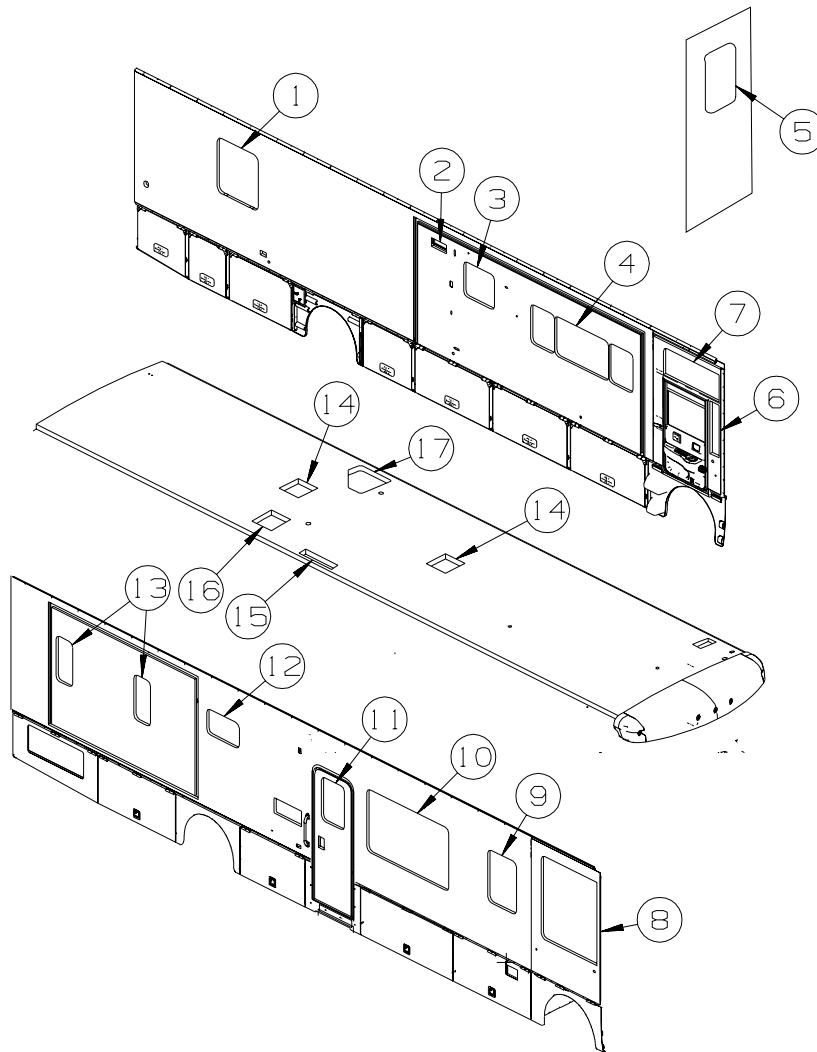
KEY	PART NUMBER	U/M	DESCRIPTION	VENDOR NO.
	132410-01-700	EA	CARTRIDGE F/DBL HDLE FAUCET	1224

144596-01-01A

KEY	PART NUMBER	U/M	DESCRIPTION	VENDOR NO.
	144596-01-700	EA	CARTRIDGE (REPLACEMENT)	1222

WINDOW & VENTS GROUP

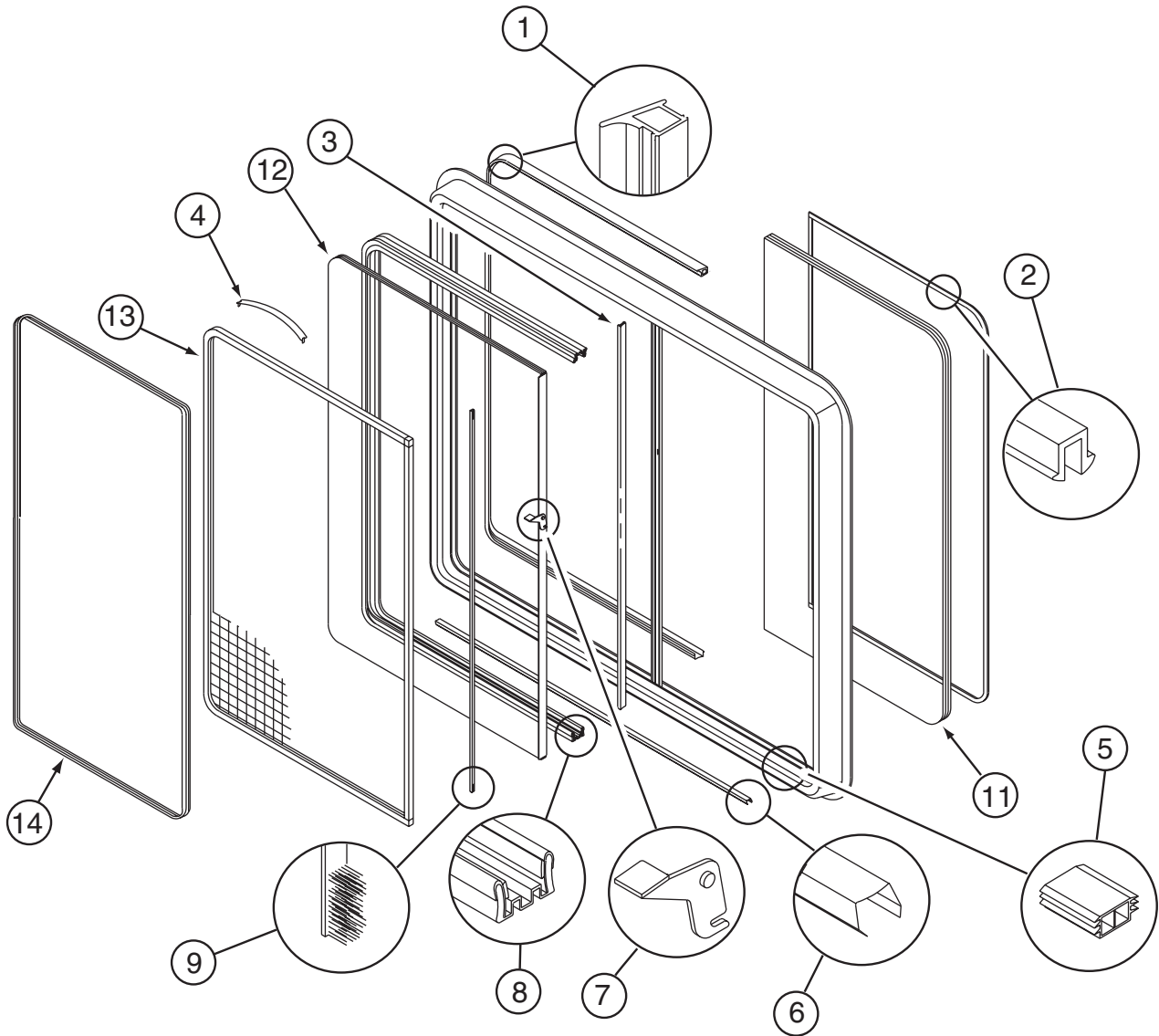
WINDOW & VENT LAYOUT



KEY	PART NUMBER	U/M	DESCRIPTION
1*	129929-10-01A	EA	WINDOW - TORQUE - THERMO/ESCAPE - 30" X 33"
2	138983-01-01A	EA	VENT - MICROWAVE OUTER - BRIGHT WHITE
2	138983-03-01A	EA	COVER - VENT MICROWAVE OUTER - BRIGHT WHITE
3*	112898-21-01A	EA	WINDOW - VERTICAL SLIDER - THERMOPANE - 21.1" X 22.7"
4*	112795-77-01A	EA	WINDOW - DRIVER HORIZONTAL SLIDER - THERMO - 57.4" X 23.6"
4*	112795-81-01A	EA	WINDOW - DRVR HORIZ SLIDER/ESCAPE - THERMO - 23.8" X 57.7" FROM: 00-00-00 THRU: 02-17-02 FROM: 02-18-02 THRU: 99-99-99
5*	134004-03-01A	EA	WINDOW - VERT SLIDER/FLUSH O/S-THERMO - 21" X 19.8"
6*	139501-01-01A	EA	WINDOW - CORNER
7*	139500-01-01A	EA	WINDOW - VISTA
8*	139502-01-01A	EA	WINDOW - SLIDER - PASSENGER/FRONT
9*	112898-26-01A	EA	WINDOW - VERTICAL SLIDER - THERMOPANE - 31.7" X 21.1"
10*	112795-80-01A	EA	WINDOW - PASSENGER HORIZ SLIDER - THERMO - 37.9" X 60.4"
11*	113733-10-01A	EA	WINDOW - STATIONARY - THERMO/EUROPEAN - 26.3" X 17"
12*	112795-78-01A	EA	WINDOW - PASSENGER HORIZ SLIDER - THERMO - 23.7" X 15"
13*	137867-04-01A	EA	WINDOW - DOUBLE TIPOUT - THERMO - 27.2" X 12.3"
14*	123780-09-01A	EA	FANTASTIC VENT-4"ROOF- W/FAN/DBL DOME-W/O THERM/PWR LIFT - HOME COMFORT PLUS PKG.
	009440-01-000	EA	GEAR/ARM - LIFT - ROOF VENT COVER
15	084073-04-000	EA	BASE/VENT - ROOF/REFRIGERATOR - BLACK - NORCOLD
15	084073-07-000	EA	CAP - ROOF/REFRIGERATOR VENT - 10" X 32" - BRIGHT WHITE
16*	123780-10-01A	EA	FANTASTIC VENT-4"ROOF-W/FAN/PWR LIFT/DBL DOME-W/O THERM - INSULATED POWERED VENT
	009440-01-000	EA	GEAR/ARM - LIFT - ROOF VENT COVER
17	122214-01-02A	EA	PANEL - SKYLITE - INNER - W/ANGLED CORNER - WHITE
17	138372-01-12B	EA	TRIM - CORNER - SKYLIGHT - BRIGHT WHITE
17	139411-01-01A	EA	PANEL/SKYLITE - OUTER - NEO ANGLE - WHITE

*COMPONENT PARTS LISTED LATER IN THIS GROUP

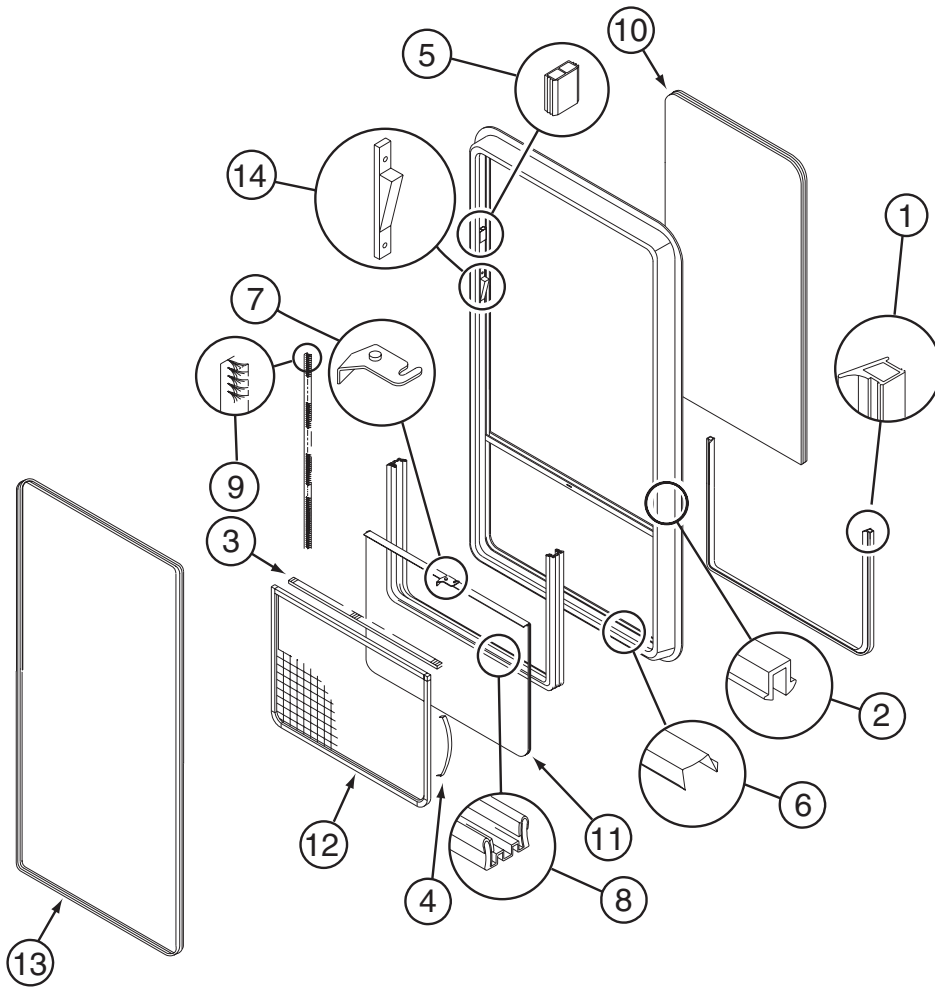
WINDOW & VENTS GROUP (CONTINUED)
COMPONENT PARTS FOR WINDOW & VENT LAYOUT



112795-77-01A

KEY	PART NUMBER	U/M	DESCRIPTION	VENDOR NO.
1	112795-01-704	FT	PLUG FILLER (DOUBLE GLAZED)	122-018737
2	112795-01-705	FT	VINYL - GLAZING	132-025736
3	098644-01-706	FT	WEATHERSTRIP - GLASS	171-010668
4	098644-01-713	EA	CLIP - SCREEN - METAL	226-016966
4	125582-01-701	EA	CLIP - SCREEN - PLASTIC	130-005153
5	112795-01-701	EA	SLIDE-STOP	132-019092
6	098644-01-710	FT	TRACK - SCREEN SPACER 12'	132-017135
7	112795-01-700	EA	LATCH ASM., BLK.,(BOLT ON)	DH287-CK
8	112795-01-703	IN	CHANNEL-RUN (INCHES)	122-018736
9	098644-01-711	FT	WEATHERSTRIP - SCREEN BLACK	171-016965
11	112795-77-700	EA	GLASS - STATIONARY	390-28313
12	112795-77-701	EA	GLASS - SLIDING W/SASH LATCH	DH493-G8
13	098647-47-702	EA	SCREEN ASSY - W/SEAL & CLIPS	410-025226
14	098647-47-704	EA	RETAINER - TRIM	H493-66
	098644-01-717	FT	SPLINE - SCREEN	132-004716

WINDOW & VENTS GROUP (CONTINUED)
COMPONENT PARTS FOR WINDOW & VENT LAYOUT (CONTINUED)



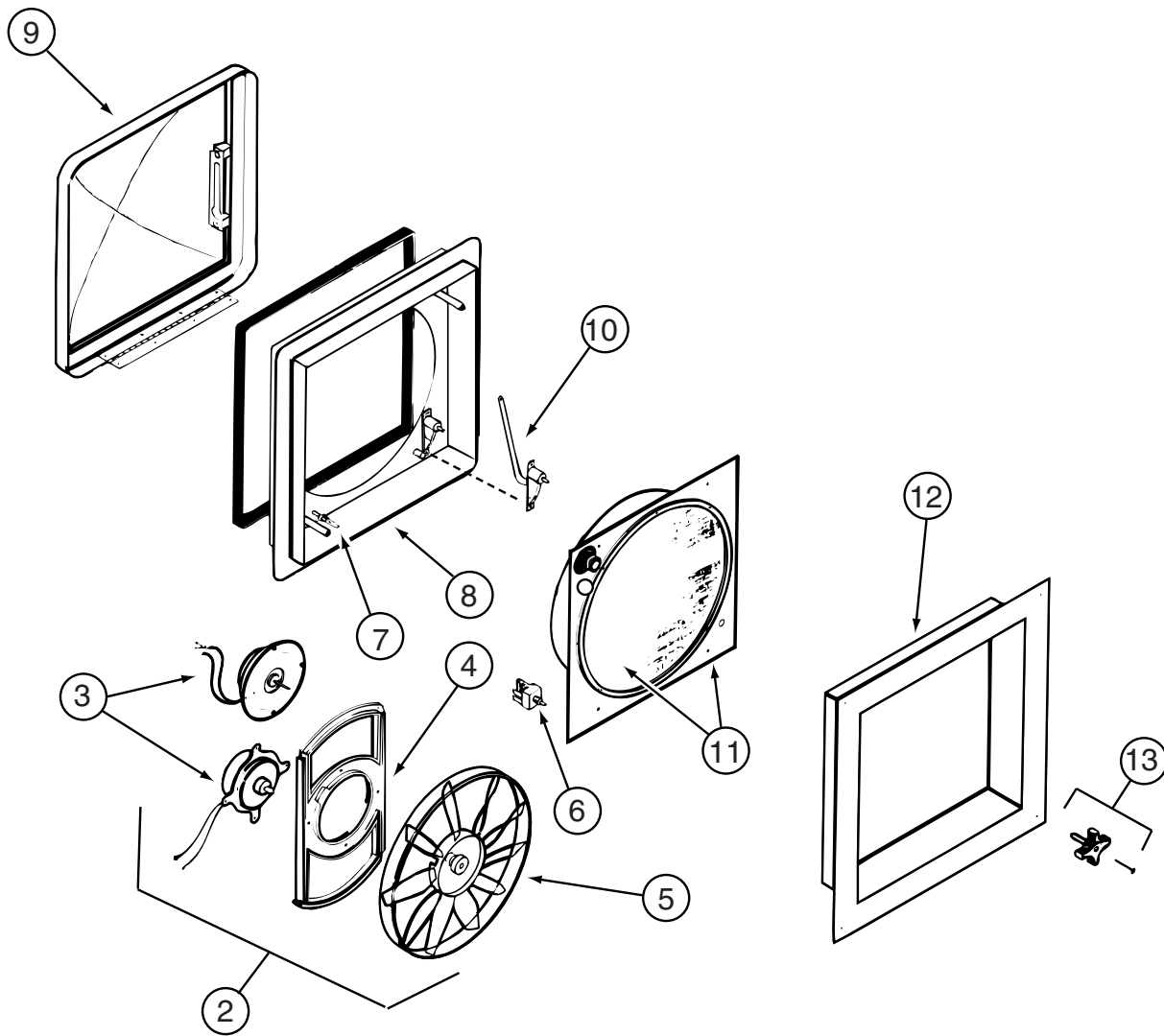
112898-26-01A

KEY	PART NUMBER	U/M	DESCRIPTION	VENDOR NO.
1	112795-01-704	FT	PLUG FILLER (DOUBLE GLAZED)	122-018737
2	112795-01-705	FT	VINYL - GLAZING	132-025736
3	098644-01-706	FT	WEATHERSTRIP - GLASS	171-010668
4	098644-01-713	EA	CLIP - SCREEN - METAL	226-016966
4	125582-01-701	EA	CLIP - SCREEN - PLASTIC	130-005153
5	112795-01-701	EA	SLIDE-STOP	132-019092
6	098644-01-710	FT	TRACK - SCREEN SPACER 12'	132-017135
7	112795-01-700	EA	LATCH ASM., BLK.,(BOLT ON)	DH287-CK
8	112795-01-703	IN	CHANNEL-RUN (INCHES)	122-018736
9	098644-01-711	FT	WEATHERSTRIP - SCREEN BLACK	171-016965
10	112898-26-700	EA	GLASS - STATIONARY	390-028343
11	112898-26-701	EA	GLASS-SLIDING W/SASH & LATCH	DH332-G8
12	098644-04-703	EA	SCREEN ASM - W/SEALS & CLIPS	410-017955
13	112898-20-702	EA	RETAINER - TRIM	H332-67
14	112898-04-703	EA	VERTICAL LATCH (SASH KIT)	DH343-CK
	098644-01-717	FT	SPLINE - SCREEN	132-004716

113733-04-01A, 113733-10-01A, 113733-11-01A

KEY	PART NUMBER	U/M	DESCRIPTION	VENDOR NO.
	112795-01-705	FT	VINYL - GLAZING	132-025736
	113733-10-700	EA	GLASS-STATIONARY	390-028306
	113733-10-701	EA	RETAINER-TRIM	H416-66

WINDOW & VENTS GROUP (CONTINUED)
COMPONENT PARTS FOR WINDOW & VENT LAYOUT (CONTINUED)

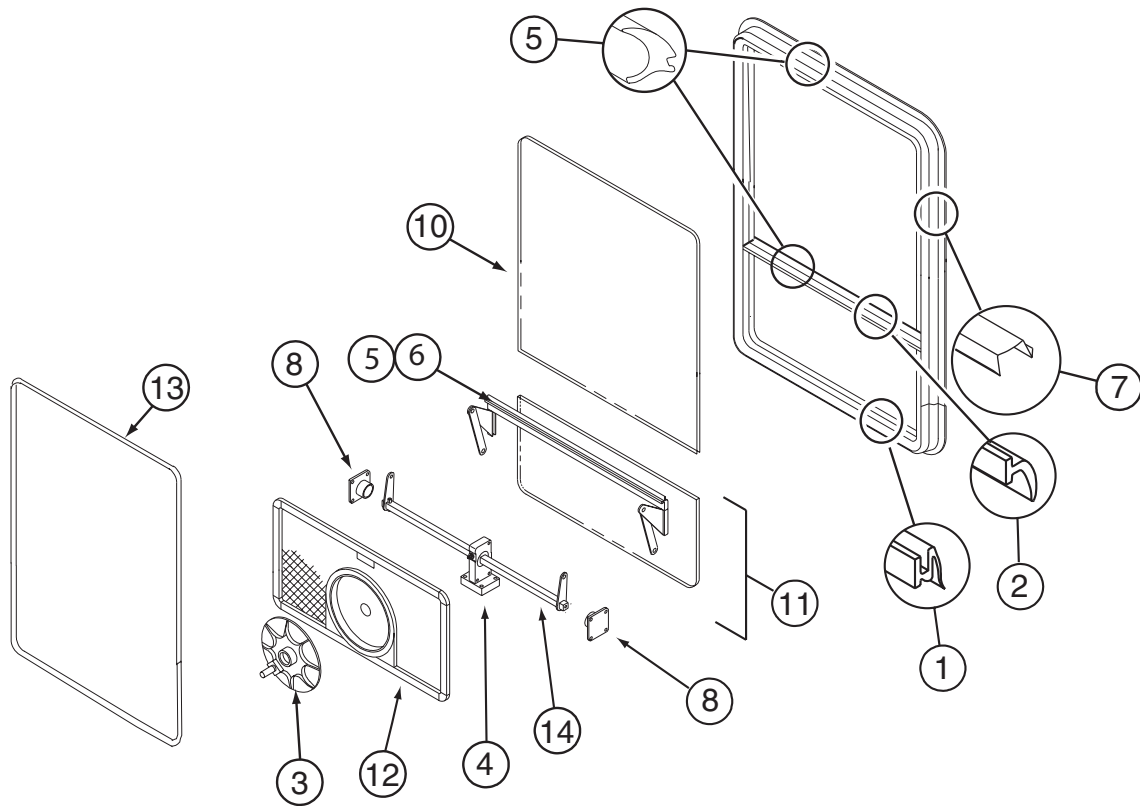


123780-09-01A

KEY	PART NUMBER	U/M	DESCRIPTION	VENDOR NO.
2	084079-11-700	EA	MOTOR & FAN BLADE W/BRACKET	K4017-09
3	084079-01-705	EA	MOTOR/EXT BRKT/FAN BLADE KIT	1080-00
5	084079-01-704	EA	BLADE-FAN	1138-00
6	084079-01-709	EA	SWITCH - MAIN - 3 SPEED	1031-05
7	084079-01-707	EA	SWITCH - SAFETY	1122-05
8	123780-05-700	EA	BASE/MAIN-BRT WHT W/GASKET	1010-81
9	123780-09-700	EA	DOMES (DOUBLE)WHT TRANSPARENT	K2020-82
10	009440-01-000	EA	GEAR-ARM-ROOF VENT	705221K38
11	123780-03-701	EA	SCREEN ASM 78-100MM W/SWITCH	1030BT-81
12	123780-03-700	EA	GARNISH - INT. 3"-4" BRT/WHT	2040-81
13	084079-01-703	EA	KNOB-LIFT, W/EXT.	1140K-00
	123780-01-702	EA	SCREEN INSERT (SCREEN RING)	K1035-81

CONTACT WINNEBAGO PART SALES FOR UNLISTED COMPONENTS

WINDOW & VENTS GROUP (CONTINUED)
COMPONENT PARTS FOR WINDOW & VENT LAYOUT (CONTINUED)

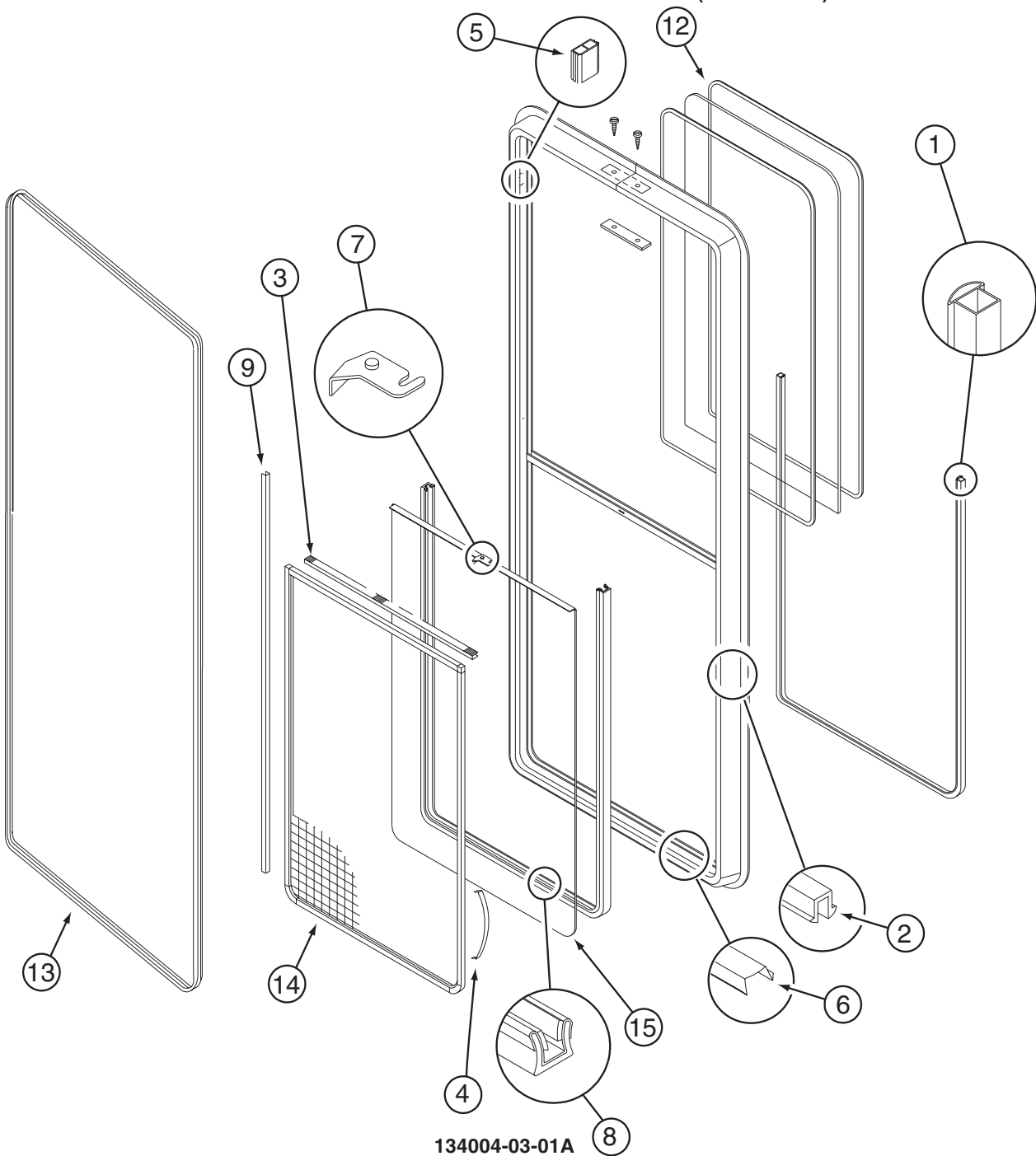


129929-10-01A

KEY	PART NUMBER	U/M	DESCRIPTION	VENDOR NO .
1	100322-01-701	FT	SEAL-VENT	122-016071
3	100322-01-718	EA	HANDLE-DIAL	410-016081
4	129929-01-710	EA	TORQUE-CTR SUPPORT (2 HOLE)	410-026806
5	129929-01-705	FT	GLAZING VINYL	132-026811
6	129929-01-707	FT	COVER/SCREW-FILLER STRIP	132-026808
8	129929-01-708	EA	SUPPORT - TORQUE BAR - RT/LT	130-026804
10	129929-10-700	EA	GLASS - STATIONARY	390-028300
11	129929-10-701	EA	VENT GLASS ASSEMBLY	DTH002-G8
12	129929-02-702	EA	SCREEN ASM - W/SEALS & CLIPS	410-026861
13	129929-02-707	EA	RETAINER - TRIM	CH10162
14	129929-02-704	EA	OPERATOR BAR ASSEMBLY	DTH002-15
	100322-01-717	FT	SEAL - VENT	122-016071
	129929-01-706	FT	SEAL - TOP F/CENTER EGRESS	132-026811
	129929-02-706	FT	SEAL - FOAM	140-027022

CONTACT WINNEBAGO PART SALES FOR UNLISTED COMPONENTS

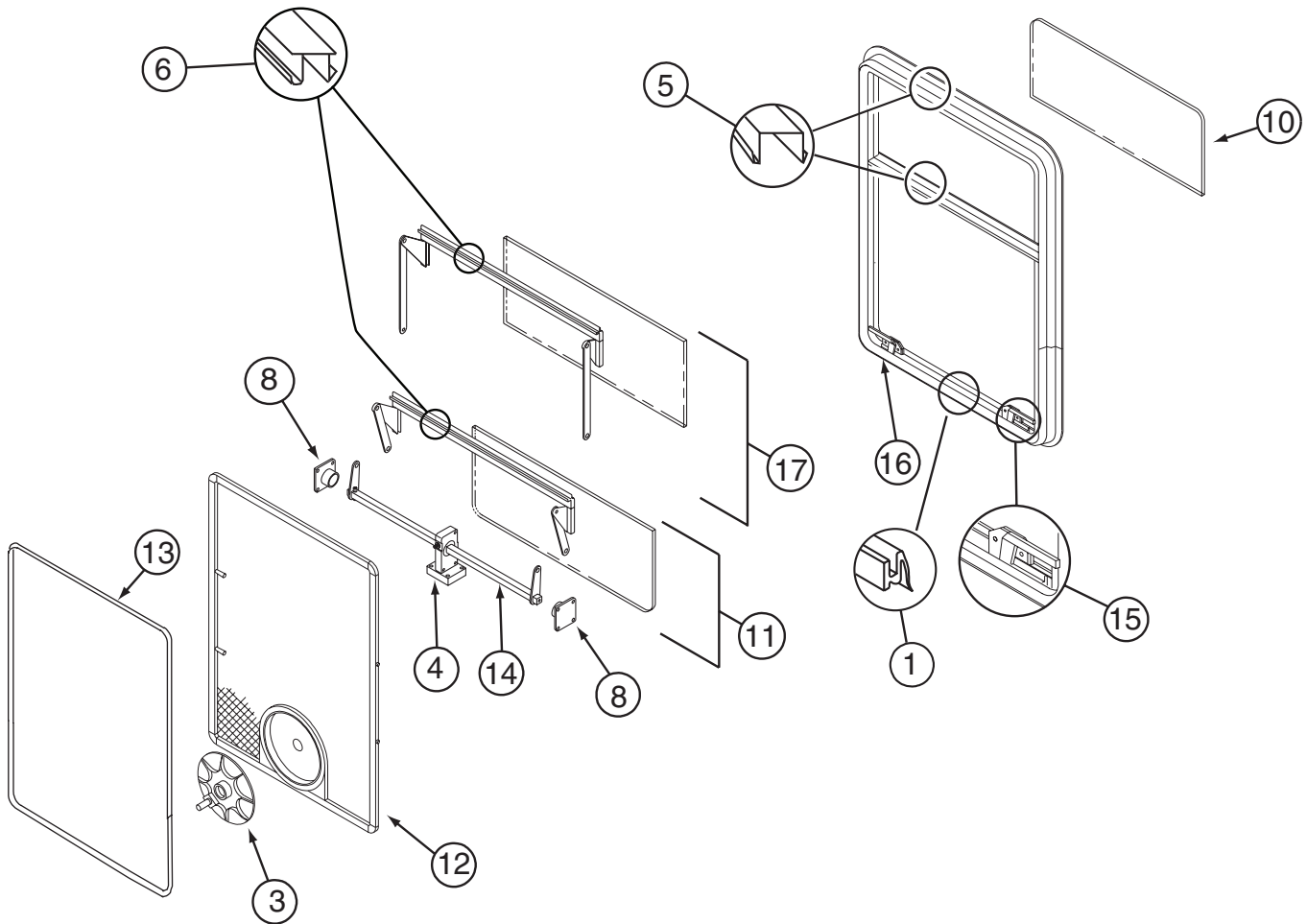
WINDOW & VENTS GROUP (CONTINUED)
COMPONENT PARTS FOR WINDOW & VENT LAYOUT (CONTINUED)



134004-03-01A

KEY	PART NUMBER	U/M	DESCRIPTION	VENDOR NO
1	112795-01-704	FT	PLUG FILLER (DOUBLE GLAZED)	122-018737
2	112795-01-705	FT	VINYL - GLAZING	132-027331
3	098644-01-706	FT	WEATHERSTRIP - GLASS	171-010668
4	098644-01-713	EA	CLIP - SCREEN - METAL	226-016966
4	125582-01-701	EA	CLIP - SCREEN - PLASTIC	130-005153
5	112795-01-701	EA	SLIDE-STOP	132-019092
6	098644-01-710	FT	TRACK - SCREEN SPACER 12'	132-017135
7	112795-01-700	EA	LATCH ASM., BLK.,(BOLT ON)	DH287-CK
8	112795-01-703	IN	CHANNEL-RUN (INCHES)	122-027566
9	075673-05-000	FT	SEAL-PILE ADH BACK,BLK	AMESBURY
12	134004-03-700	EA	GLASS - STATIONARY	390-028662
13	134004-03-702	EA	RETAINER - TRIM	H702-56
14	098644-13-702	EA	SCREEN ASM W/SEALS & CLIPS	410-028663
15	134004-03-701	EA	GLASS-SLIDING W/SASH & LATCH	DH702-G8
	098644-01-717	FT	SPLINE - SCREEN	132-004716
	112898-04-703	EA	VERTICAL LATCH (SASH KIT)	DH343-CK

WINDOW & VENTS GROUP (CONTINUED)
COMPONENT PARTS FOR WINDOW & VENT LAYOUT (CONTINUED)

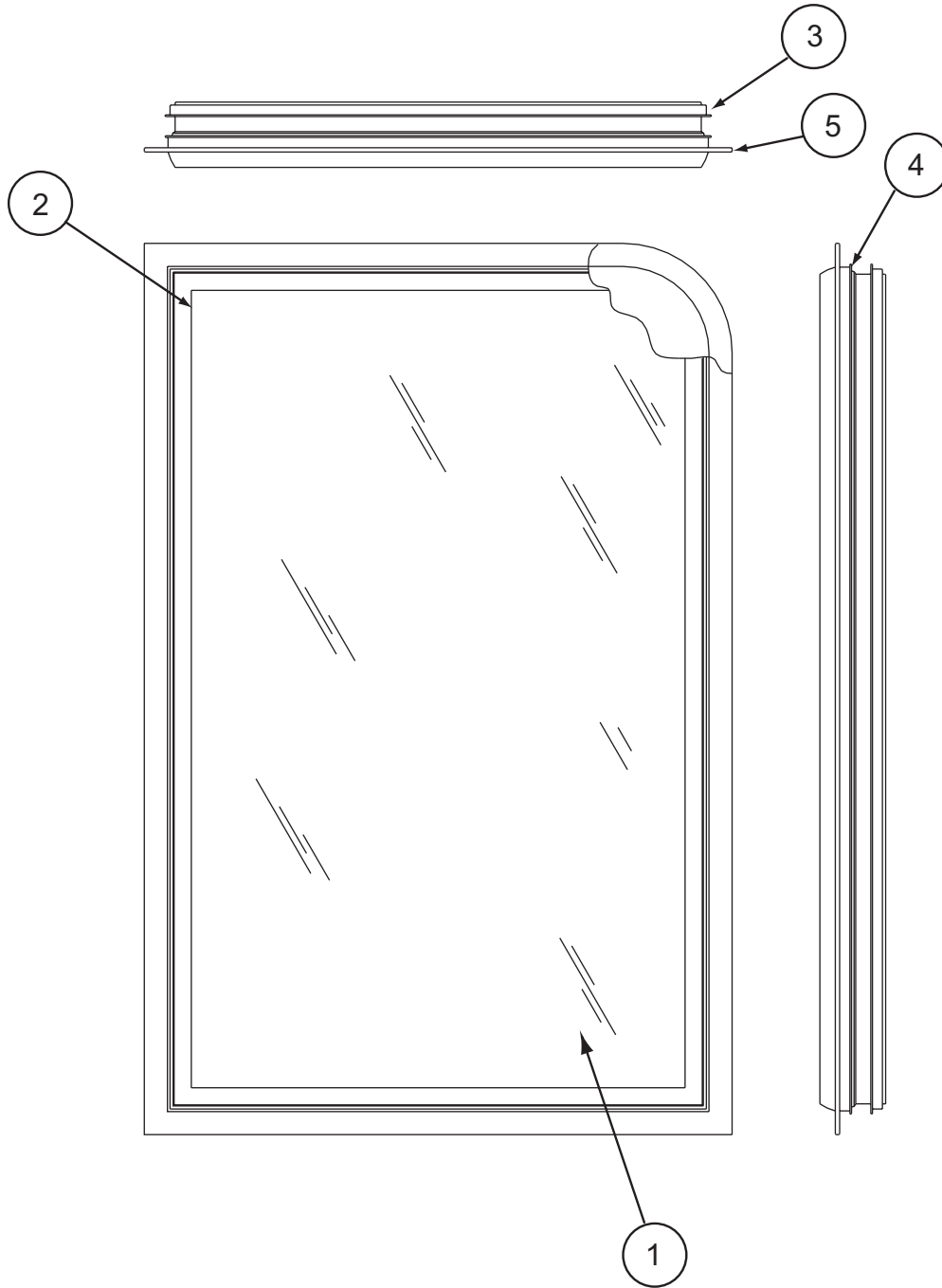


137867-04-01A

KEY	PART NUMBER	U/M	DESCRIPTION	VENDOR NO.
1	100322-01-701	FT	SEAL-VENT	122-016071
3	100322-01-718	EA	HANDLE-DIAL	410-016081
4	129929-01-710	EA	TORQUE-CTR SUPPORT (2 HOLE)	410-026806
5	129929-01-705	FT	GLAZING VINYL	132-026811
6	129929-01-707	FT	COVER/SCREW-FILLER STRIP	132-026808
8	129929-01-708	EA	SUPPORT - TORQUE BAR - RT/LT	130-026804
10	137867-04-700	EA	GLASS - STATIONARY (DBL GLZ)	390-029416
10	137867-04-704	EA	RETAINER - TRIM	H298-62
11	137867-04-701	EA	VENT ASSEMBLY LWR (DBL GLZ)	DTH025-G8
12	137867-04-703	EA	SCREEN ASSEMBLY W/SEAL/CLIPS	410-029417
13	137867-03-703	EA	RETAINER - TRIM	DTH023-62
14	137867-03-704	EA	OPERATOR BAR ASSEMBLY	DTH025-15
15	NOT USED			
16	NOT USED			
17	137867-04-702	EA	VENT ASSEMBLY UPR (DBL GLZ)	DTH025-G6
	100322-01-717	EA	E-RING	245-015975
	129929-01-706	IN	SEAL - TOP F/CENTER EGRESS	132-026811
	129929-02-706	FT	SEAL - FOAM	140-027022

CONTACT WINNEBAGO PART SALES FOR UNLISTED COMPONENTS

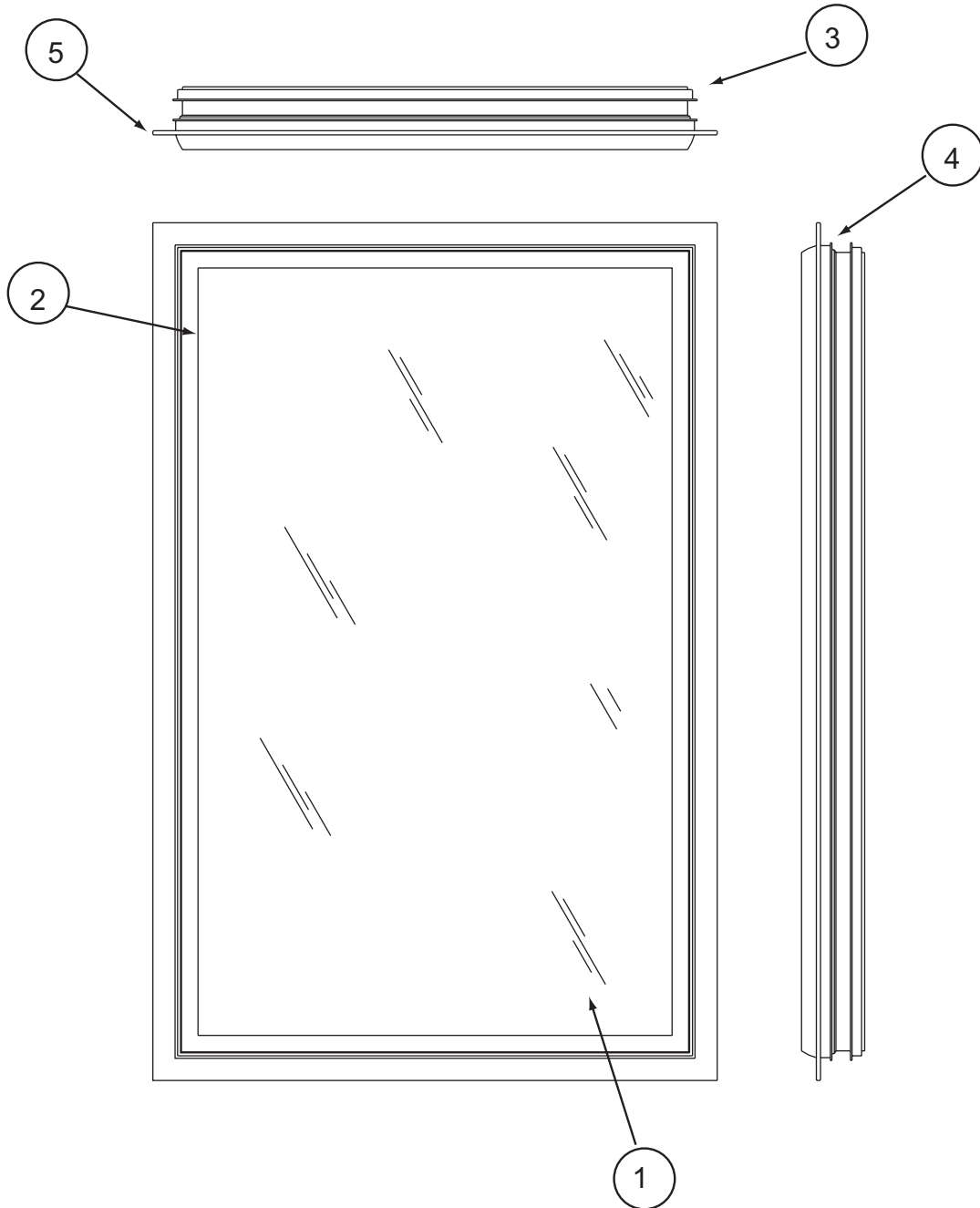
WINDOW & VENTS GROUP (CONTINUED)
COMPONENT PARTS FOR WINDOW & VENT LAYOUT (CONTINUED)



139500-01-01A

KEY	PART NUMBER	U/M	DESCRIPTION	VENDOR NO.
1	139500-01-700	EA	GLASS - STATIONARY	390-029243
2	116000-01-704	FT	VINYL - GLAZING	132-018161
3	139500-01-701	EA	RETAINER - TRIM	H771-42
4	139500-01-702	EA	RETAINER - TRIM	H771-41L
5	139500-01-703	EA	RETAINER - TRIM	H771-43

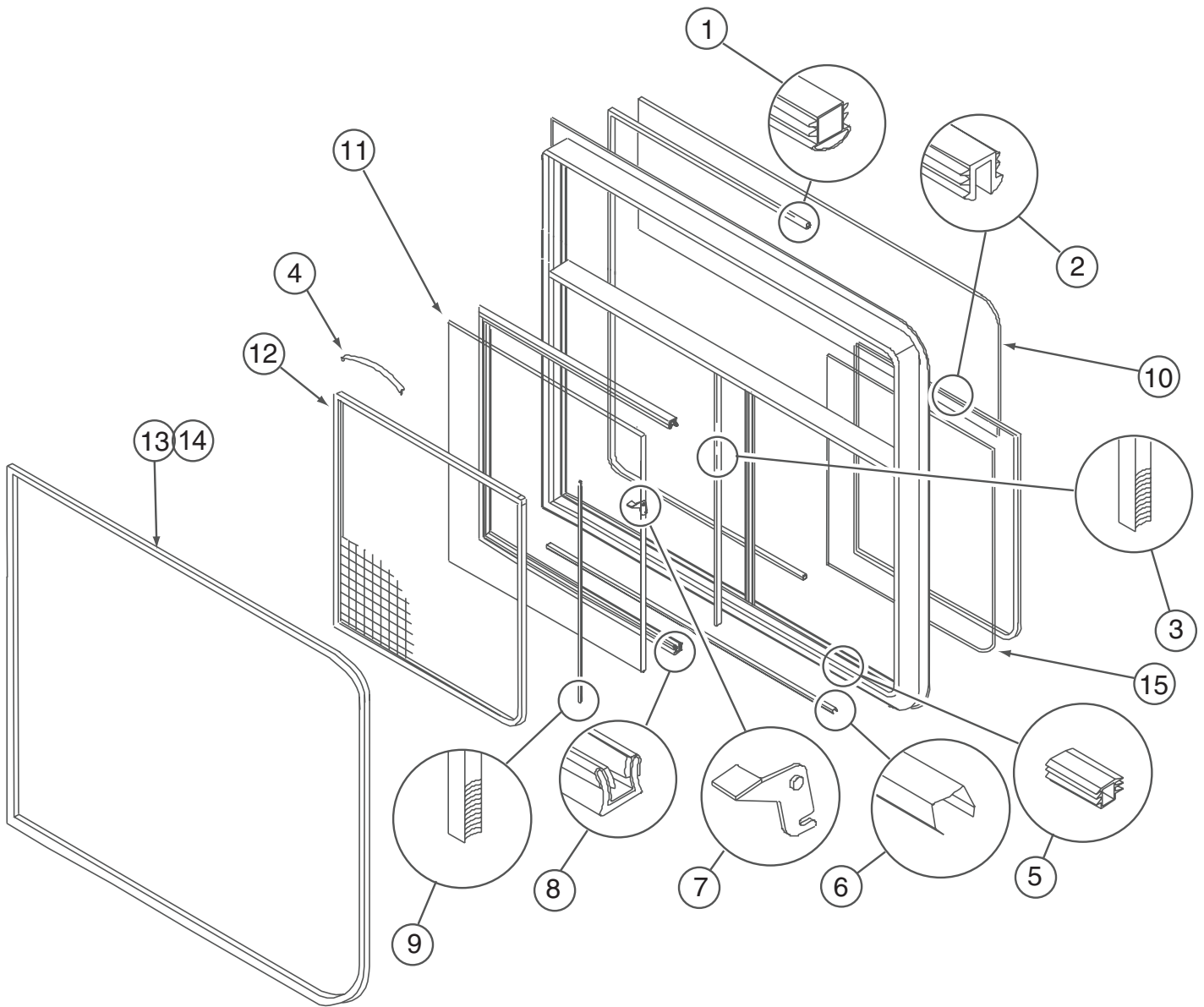
WINDOW & VENTS GROUP (CONTINUED)
COMPONENT PARTS FOR WINDOW & VENT LAYOUT (CONTINUED)



139501-01-01A

KEY	PART NUMBER	U/M	DESCRIPTION	VENDOR NO.
1	139501-01-700	EA	GLASS - STATIONARY	390-029242
2	116000-01-704	FT	VINYL - GLAZING	132-018161
4	139501-01-701	EA	RETAINER - TRIM	H770-41
5	139501-01-702	EA	RETAINER - TRIM	H770-42

WINDOW & VENTS GROUP (CONTINUED)
COMPONENT PARTS FOR WINDOWS & VENT LAYOUT (CONTINUED)

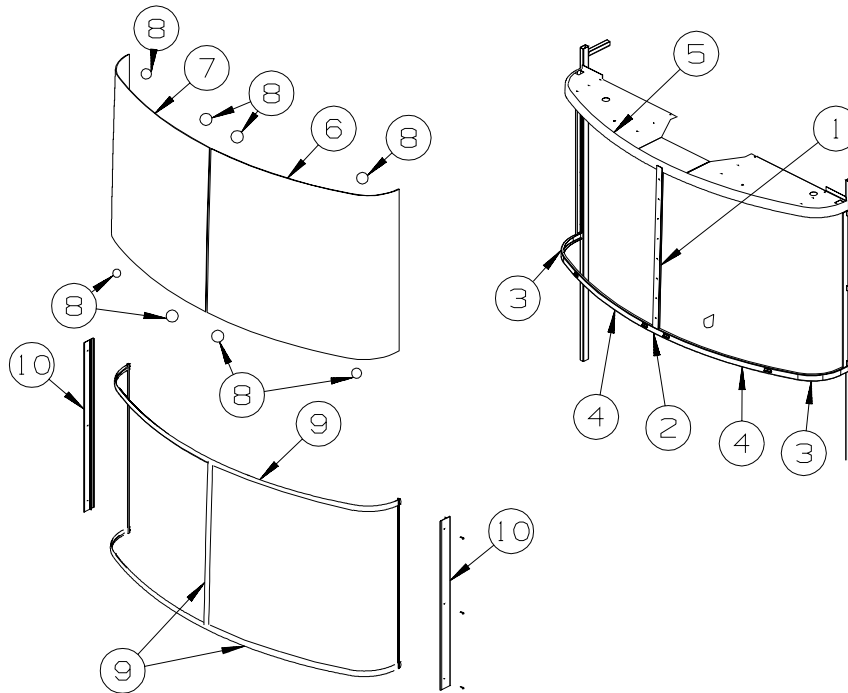


139502-01-01A

KEY	PART NUMBER	U/M	DESCRIPTION	VENDOR NO.
1	112795-01-704	FT	PLUG FILLER (DOUBLE GLAZED)	122-018737
2	112795-01-705	FT	VINYL - GLAZING	132-027331
3	098644-01-706	FT	WEATHERSTRIP - GLASS	171-010668
4	125582-01-701	EA	CLIP - SCREEN - PLASTIC	130-005153
4	098644-01-713	EA	CLIP - SCREEN - METAL	226-016966
5	112795-01-701	EA	SLIDE-STOP	132-019092
6	098644-01-710	FT	TRACK - SCREEN SPACER 12'	132-017135
7	112795-01-700	EA	LATCH ASM., BLK.,(BOLT ON)	DH287-CK
8	112795-01-703	IN	CHANNEL-RUN (INCHES)	122-027566
9	098644-01-711	FT	WEATHERSTRIP - SCREEN BLACK	171-016965
10	139502-01-700	EA	GLASS - STATIONARY	390-029245
11	139502-01-701	EA	SLIDE ASM W/SEALS & CLIPS	DH772-A9R
12	139502-01-702	EA	SCREEN ASM W/SEAL & CLIPS	410-029335
13	139502-01-703	EA	RETAINER - TRIM	H772-41
14	139502-01-704	EA	RETAINER - TRIM	H772-42
15	139502-01-705	EA	GLASS - STATIONARY	390-029246
	098644-01-717	FT	SPLINE - SCREEN	132-004716

WINDSHIELD & WIPER GROUP

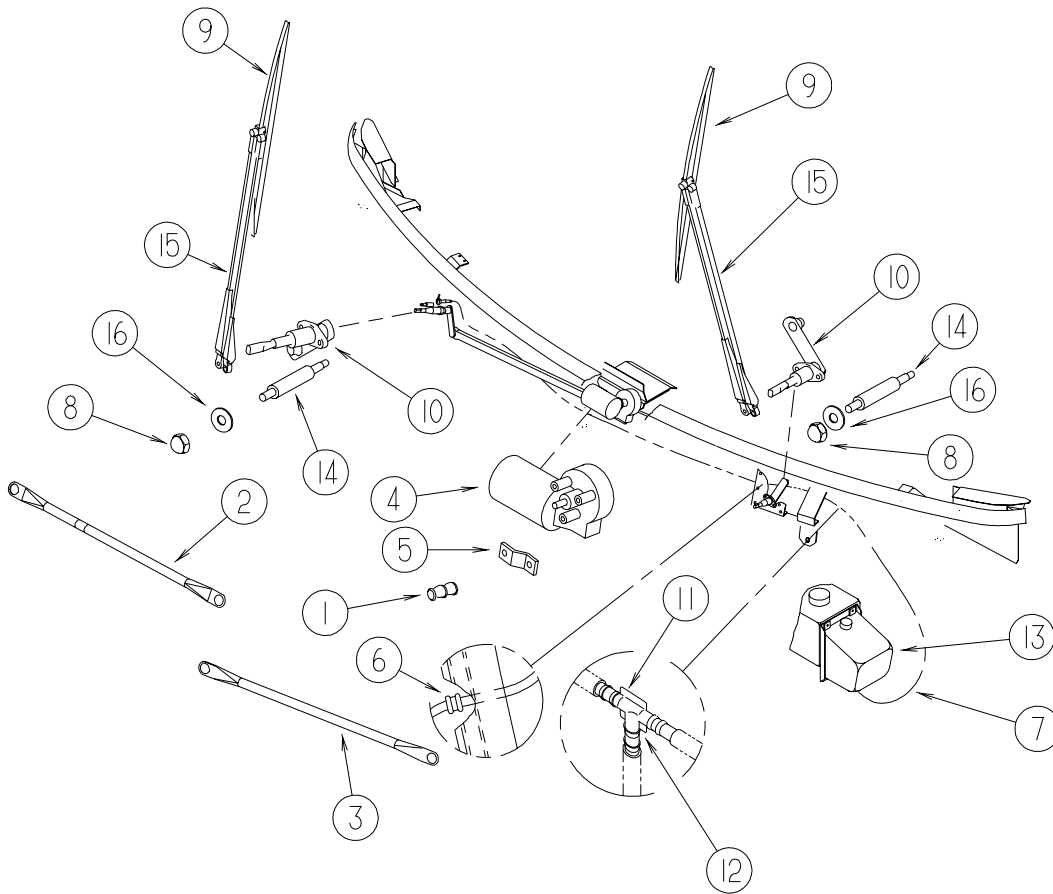
WINDSHIELD



KEY	PART NUMBER	U/M	DESCRIPTION
1	127862-01-000	EA	CARRIER/REVEAL - WINDSHIELD - 47.2"
2	132375-01-000	EA	CARRIER/REVEAL - WINDSHIELD - 5.5"
3	132375-03-000	EA	CARRIER/REVEAL - WINDSHIELD - 7.5"
4	117335-06-000	EA	CARRIER/REVEAL - 29.8"
5	127862-11-000	EA	CARRIER/REVEAL - WINDSHIELD - 43.7"
6	136688-02-000	EA	WINDSHIELD - DRIVER
7	136688-01-000	EA	WINDSHIELD - PASSENGER
8	081914-02-000	EA	BUMPER - RUBBER - ROUND - 5/16" DIA. X 13/64" THICK
9	120533-01-000	FT	MOLDING - REVEAL - WINDSHIELD
10	138559-01-01A	EA	TRIM - WINDSHIELD - A-PILLAR
	002328-02-000	EA	BLOCK - WINDSHIELD - .062" X .5" X .98"

WINDSHIELD & WIPER GROUP (CONTINUED)

WIPER



KEY	PART NUMBER	U/M	DESCRIPTION
1	067188-01-000	EA	STUD - CRANK - WIPER MOTOR
	117322-01-000	EA	SCREW - 1/4-28 UNFINISHED - 2A - TORX
2	117770-02-000	EA	LINK - CONNECTING - 24" - CLOSED GROMMET/CLOSED GROMMET
3	117770-01-000	EA	LINK - CONNECTING - 24" - CLOSED GROMMET/OPEN GROMMET
4	104346-05-000	EA	WIPER MOTOR - "DYNAMIC PARK" - W/INTERNAL BREAKER
5	104347-04-000	EA	ARM - DRIVE - WIPER MOTOR
6	061603-01-000	EA	GROMMET - SNAP - 3/16"ID - 3/8" HOLE - PLASTIC BLACK
7	045794-01-000	FT	HOSE - WASHER - WINDSHIELD - 5/32" ID - BLACK
8	077049-02-000	EA	NUT - ACORN - 10-32 BLACK/ANODIZED
9*	095964-01-000	EA	BLADE - WINDSHIELD WIPER - 24"
10*	096505-09-000	EA	SHAFT/PIVOT - WINDSHIELD WIPER
11	110605-01-000	EA	TEE - PLASTIC - BARBED - 1/8" X 1/8" X 3/16"
12	117765-03-000	EA	CONNECTOR - 5/32" - WINDSHIELD WASHER
	045794-02-000	FT	HOSE - WINDSHIELD WASHER - 3/32" ID - BLACK
13	117766-02-000	EA	RESERVOIR/PUMP - WINDSHIELD WASHER
14	117768-01-000	EA	SHAFT - ADAPTER - PANTOGRAPH ARM
15*	117769-01-000	EA	ARM - WIPER - PANTOGRAPH - 28"
16	110742-02-000	EA	GASKET - NEOPRENE - WIPER ADAPTER SHAFT - .5" ID X .9" OD

*COMPONENT PARTS LISTED LATER IN THIS GROUP

WINDSHIELD & WIPER GROUP (CONTINUED)
COMPONENT PARTS FOR WIPER

095964-01-000

KEY	PART NUMBER	U/M	DESCRIPTION	VENDOR NO.
	095964-01-700	EA	BLADE-REFILL 24" EA= 1 PAIR	12360

096505-09-000

KEY	PART NUMBER	U/M	DESCRIPTION	VENDOR NO.
	096505-02-700	EA	DRIVER-KNURLED,(HD) BRL .687	NT721017
	096505-02-701	EA	NUT-HEX (HD) W/.687 BARREL	NT721021
	096505-02-702	EA	CAP-RUBBER (HD) BARREL .687	CP721084
	096505-02-703	EA	NUT/ACORN - HD W/.687 BRL	51065-40-NT27WC

117769-01-000

KEY	PART NUMBER	U/M	DESCRIPTION	VENDOR NO.
	096931-01-700	FT	HOSE - WASHER - 1/8" ID	XTU-66-0001
	117769-01-700	EA	RETAINER CLIP - HOSE	