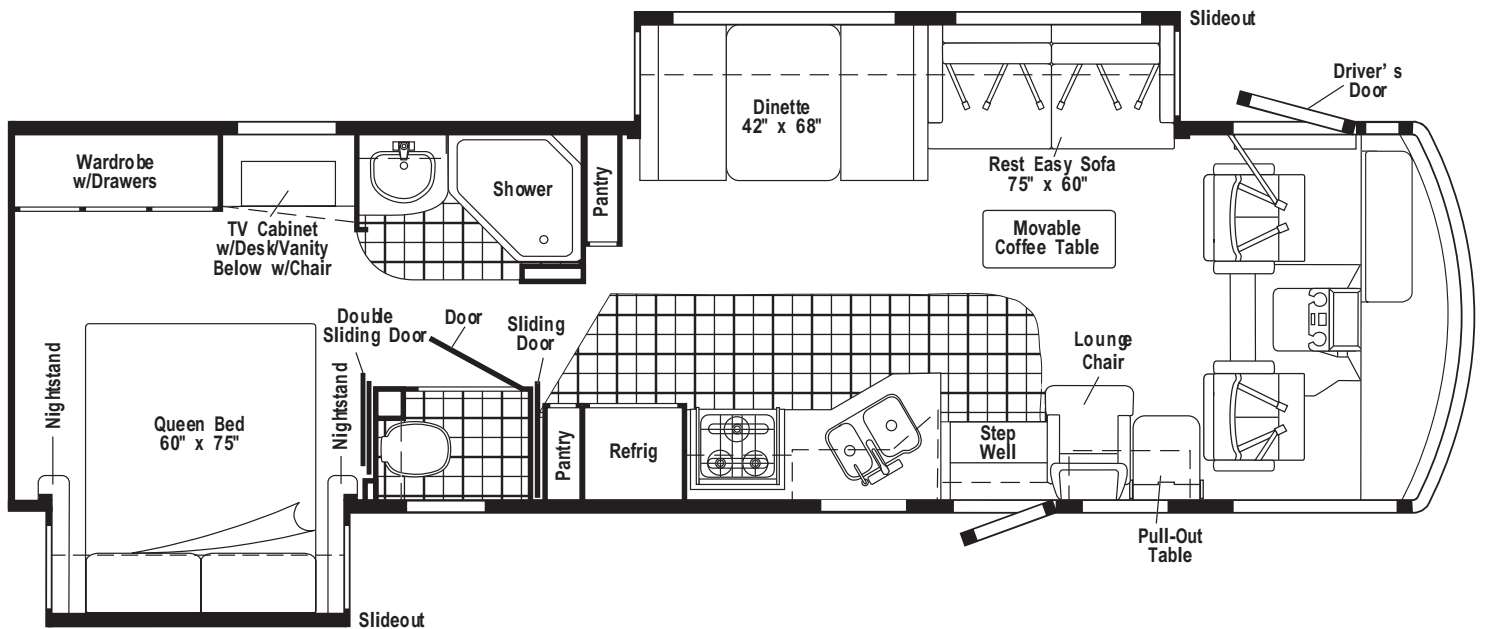
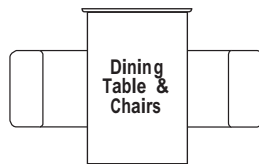


2003
SUNCRUISER
IFG33V
G-SERIES
PORTSMOUTH OAK
P54 IVORYWOOD - BEIGE
P57 FERN GARDEN - GREEN
P60 CRYSTAL LAKE - BLUE
CONCERT CHERRY
P55 IVORYWOOD - BEIGE
P58 FERN GARDEN - GREEN
P61 CRYSTAL LAKE - BLUE
WASHED MAPLE
P56 IVORYWOOD - BEIGE
P59 FERN GARDEN - GREEN
P62 CRYSTAL LAKE - BLUE



FLOORPLAN

CONTENTS

FLOORPLAN	1
ACCESSORIES GROUP	6
OPERATORS MANUAL	6
APPLIANCE GROUP	7
APPLIANCES	7
COMPONENT PARTS FOR APPLIANCE	13
115504-01-000	13
120075-13-01A, 120075-14-01A, 120075-15-01A	13
121569-05-01A, 121569-07-01A	19
125242-02-01A	24
126019-01-01A	32
126022-01-01A, 126022-02-01A, 126022-03-01A	32
133004-04-01A	32
AUDIO VIDEO GROUP	33
RADIO SYSTEM	33
COMPONENT PARTS FOR RADIO SYSTEM	34
143509-01-000	34
REAR VIEW MONITOR	35
COMPONENT PARTS FOR REAR VIEW MONITOR	36
093040-10-000	36
TELEPHONE	37
TV & VCR	37
COMPONENT PARTS FOR TV & VCR	38
076319-23-000	38
076319-25-000	38
124073-11-000	39
124073-12-000	39
126697-07-000	39
130121-06-000	39
133377-01-000 & 133377-02-000	39
137135-01-000	40
EXTERIOR ENTERTAINMENT	41
BATH GROUP	42
CABINETS	42
SHOWER	45
COMPONENT PARTS FOR SHOWER	46
139047-01-01A, 139047-01-02A, 139047-02-01A, 139047-02-02A, 139047-03-01A, 139047-03-02A, 139047-04-02A, 139047-04-03A	46
BEDROOM GROUP	47
CABINETS	47
TV & RADIO CABINETS	51
CHASSIS GROUP	52
FRAME	52
COMPONENT PARTS FOR FRAME	54
132643-01-01A, 132643-06-01A, 132643-07-01A, 132643-09-01A	54
FRONT END	55
DRIVETRAIN	56
EXHAUST	57
FUEL	59
HYDRAULIC LEVELING	61
COMPONENT PARTS FOR HYDRAULIC LEVELING	62
100536-48-000	62
128571-03-000	62
131306-12-000	63
131306-22-000	64
WHEEL, TIRE, COVERS &/OR LINERS	65
COMPONENT PARTS FOR WHEEL, TIRE, COVERS &/OR LINERS	66
110435-15-000	66
110435-20-000	66
134609-02-000	66
134609-03-000	66
134609-05-000	66
BRAKE	67
BRAKELINE	67

CONTENTS (CONTINUED)

CURTAIN & CUSHION GROUP	68
NOTICE	68
CUSHION LAYOUT	69
BUCKET SEATS	71
COMPONENT PARTS FOR BUCKET SEATS	74
081373-03-000	74
122611-02-000	74
LOUNGE CHAIR	75
SOFA	76
COMPONENT PARTS FOR SOFA	78
136534-13-000, 136534-28-000	78
136534-14-000	78
WINDOW TREATMENT	79
HARDWARE	81
ACCESSORIES	83
COMPONENT PARTS FOR ACCESSORIES	84
091990-08-01A	84
FABRICS	85
DINETTE GROUP	87
CABINETS	87
TABLE	89
DRIVERS COMPARTMENT GROUP	92
DASH	92
MOTOR COVER	94
FRONT INTERIOR	96
CABINETS	98
ELECTRICAL GROUP	100
12V BODY WIRING	100
FRONT END WIRING	106
COMPONENT PARTS FOR LIGHTS & SWITCHES	108
008089-02-000	108
086280-01-000	108
091937-08-000	108
091937-09-000	108
097917-01-06A	108
108354-01-01A	108
121935-01-01A	108
137417-01-01A	108
137417-03-01A	108
137417-06-01A	108
136119-01-000	108
CIRCUIT BREAKERS & FUSES	109
CONVERTER, INVERTER, LOAD CENTERS	109
110V WIRING	110
DRIVERS DOOR WIRING	111
ENTERTAINMENT WIRING	112
BOXES & CORDS	112
WIRE ASSEMBLIES	113
CONNECTORS & CONDUIT	114
BOOTS, SOLENOIDS, RELAYS & MISCELLANEOUS	116
EXTERIOR BODY GROUP	117
GRAPHICS & PAINT	117
PANELS & TRIMS	119
FRONT END	124
LADDER	125
MIRRORS	125
COMPONENT PARTS FOR MIRRORS	126
106015-18-01A, 106015-19-01A	126
STRUCTURAL COMPONENTS	127
AWNINGS	127
COMPONENT PARTS FOR AWNINGS	128
113874-01-02A	128

CONTENTS (CONTINUED)

EXTERIOR DOORS & COMPARTMENTS GROUP	129
DOOR & COMPARTMENT LAYOUT	129
COMPONENT PARTS FOR DOOR & COMPARTMENT LAYOUT	134
084103-08-000	134
094707-03-01A	134
110506-A1-000, 110506-A2-000, 110506-26-000, 110506-27-000	134
143709-01-01A	135
COMPARTMENT DOOR PIECE PARTS	136
DRIVERS	138
COMPONENT PARTS FOR DRIVERS	139
125581-09-01A	139
ENTRY	141
SCREEN	142
LATCH - ENTRY	143
EXTERIOR SLIDEOUT GROUP	144
FRONT LEFT	144
COMPONENT PARTS FOR FRONT	149
100536-42-000	149
140122-01-000	149
RIGHT REAR	150
COMPONENT PARTS FOR RIGHT REAR	154
100536-46-000	154
137390-01-000	154
GALLEY GROUP	155
CABINETS	155
DOORS & DRAWERS	158
GENERATOR GROUP	161
GAS	161
HEATING & A/C GROUP	162
AUTOMOTIVE	162
COMPONENT PARTS FOR AUTOMOTIVE	164
103930-44-000	164
103930-45-000	164
103930-46-000	164
103930-47-000	164
103930-49-000	164
103930-55-000	165
FURNACE	166
COMPONENT PARTS FOR FURNACE	167
139980-03-000	167
139980-04-000	168
REAR HEATER	169
COMPONENT PARTS FOR REAR HEATER	170
129205-01-000	170
CENTRAL	171
COMPONENT PARTS FOR CENTRAL	172
105620-11-000	172
105620-12-000	174
105620-15-000	175
INTERIOR FINISH GROUP	176
MOLDINGS & TRIMS	176
PANELING & LAMINATES	180
ACCESSORIES	181
COMPONENT PARTS FOR ACCESSORIES	182
094499-02-000	182
FLOOR COVERINGS	183
HARDWARE	184
LABELS GROUP	190
LP GROUP	214
LP SYSTEM	214
COMPONENT PARTS FOR LP SYSTEM	215
088253-10-000	215

CONTENTS (CONTINUED)

LOUNGE GROUP	216
CABINETS	216
TABLE	218
SEALANTS & FASTENERS GROUP	219
SEALANTS & ADHESIVES	219
BOLTS, NUTS AND WASHERS	220
SCREWS	222
CLAMPS, CLIPS, GROMMETS, RIVETS & PLUGS	226
MISCELLANEOUS FASTENERS	227
WATER & SEWAGE GROUP	228
DRAINAGE SYSTEM	228
COMPONENT PARTS FOR DRAINAGE SYSTEM	230
132389-01-01A	230
WATER SYSTEM	231
COMPONENT PARTS FOR WATER SYSTEM	238
051391-05-000	238
075241-04-000, 075241-05-000, 075241-06-000	238
098607-01-000	239
123744-03-01A	239
131340-01-01A	239
131340-02-01A	239
141490-01-01A	239
WINDOW & VENTS GROUP	240
WINDOW & VENT LAYOUT	240
COMPONENT PARTS FOR WINDOW & VENT LAYOUT	242
112795-72-01A	242
112795-77-01A	243
112795-78-01A	243
113733-04-01A, 113733-10-01A, 113733-11-01A	243
122882-04-01A, 122882-05-01A	243
112898-25-01A	244
123780-03-01A	245
123780-09-01A	246
123780-10-01A	247
125583-01-01A	248
125585-01-01A	249
125600-01-01A	249
134004-03-01A	250
137867-03-01A	251
WINDSHIELD & WIPER GROUP	252
WINDSHIELD	252
WIPER	253
COMPONENT PARTS FOR WIPER	254
095964-01-000	254
096505-09-000	254
117769-01-000	254

ACCESSORIES GROUP
OPERATORS MANUAL

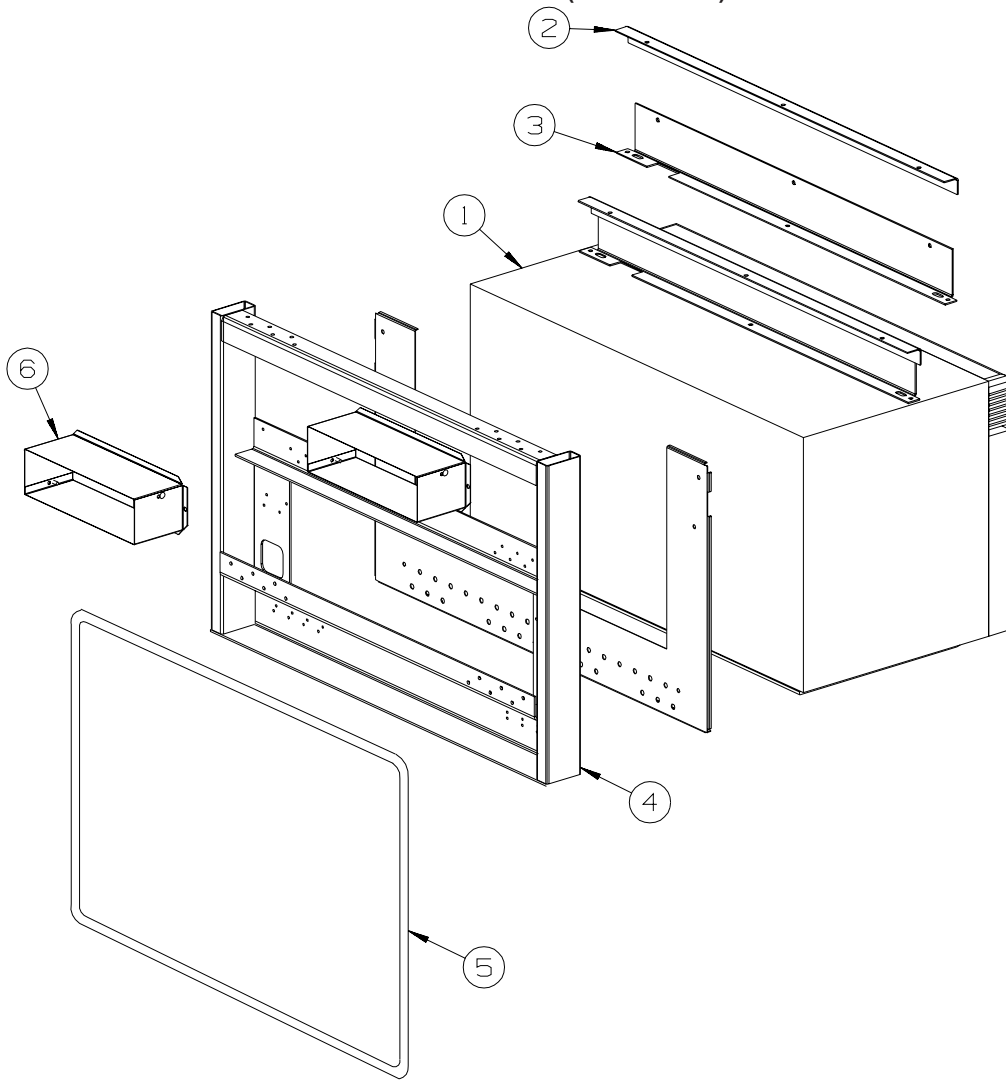
KEY	PART NUMBER	U/M	DESCRIPTION
	140917-01-000	DW	TOP LEVEL-G,2003
	129079-01-01A	EA	CASE - VINYL/BLACK-EXPANDABLE ACCORDION SIDES-7"WX9"HX14"L
	132000-15-003	EA	MANUAL/OWNER - SUNCRUISER - 2003

APPLIANCE GROUP APPLIANCES

KEY	PART NUMBER	U/M	DESCRIPTION
*	126022-01-01A	EA	COVER - RANGE/BI-FOLD - 16" & 22" - BLACK TEXTURED
	135066-03-01A	EA	RANGE - 3 BURNER W/OVEN - 22" BLACK GLASS DOOR - RANGE W/OVEN
	135065-03-01A	EA	RANGE - 3 BURNER W/SEALED BURNERS - W/O OVEN - BLACK TOP - RANGE TOP
	136382-05-04B	EA	BRACKET - TIEDOWN/OVEN - FRONT - BLACK - RANGE W/OVEN
	136382-02-04B	EA	BRACKET - TIEDOWN/OVEN - BLACK - BACK - RANGE W/OVEN - G37C ONLY
	136382-06-04B	EA	BRACKET - TIEDOWN/OVEN - REAR - BLACK - RANGE W/OVEN
	136382-01-04B	EA	BRACKET - TIEDOWN/OVEN - BLACK - RANGE W/OVEN - G37C ONLY
	106936-35-04B	EA	BRACKET - STOVE TIEDOWN/FRONT - BLACK - RANGE TOP
	106936-21-04B	EA	BRACKET - STOVE TIEDOWN/FRONT - BLACK - RANGE TOP - G37C ONLY
	106936-36-04B	EA	BRACKET - STOVE TIEDOWN/REAR - BLACK - RANGE TOP
	106936-22-04B	EA	BRACKET - STOVE TIEDOWN/REAR - BLACK - RANGE TOP - G37C ONLY
*	126019-01-01A	EA	COFFEEMAKER - OPTIMA - W/BRACKETS - BLACK & DECKER
*	115504-01-000	EA	PANEL - SOLAR 10 WATT - 12.2"W X 26.9"L X 1.2"H
*	133004-02-01A	EA	PANEL - MONITOR - 2 TANK DIGITAL VOLT METER - SOLAR
*	133004-04-01A	EA	PANEL/MONITOR-2 TANK-DIGITAL VOLT MT/SOLAR-NO WATER HTR SW - G37C ONLY
	133068-01-000	EA	HAIR DRYER - 3 SPEED W/NIGHT LIGHT - WALL MOUNT
	133139-01-000	EA	VACUUM CLEANER - RECHARGEABLE DUST-BUSTER - BLACK & DECKER
	143733-01-000	EA	VACUUM CLEANER - RECHARGEABLE - EUREKA 79A
	144676-01-000	EA	VACUUM CLEANER - RECHARGEABLE - EUREKA 77A
			FROM: 00-00-00 THRU: 10-06-02
			FROM: 10-07-02 THRU: 99-99-99
	133140-01-000	EA	FLASHLIGHT - RECHARGEABLE - BLACK & DECKER
			FROM: 00-00-00 THRU: 07-24-02
	143981-01-000	EA	FLASHLIGHT - RECHARGEABLE
			FROM: 07-25-02 THRU: 99-99-99
	130818-02-01A	EA	TRASH CONTAINER - 20 QUART ALMOND

*COMPONENT PARTS LISTED LATER IN THIS GROUP

APPLIANCE GROUP (CONTINUED)
APPLIANCES (CONTINUED)



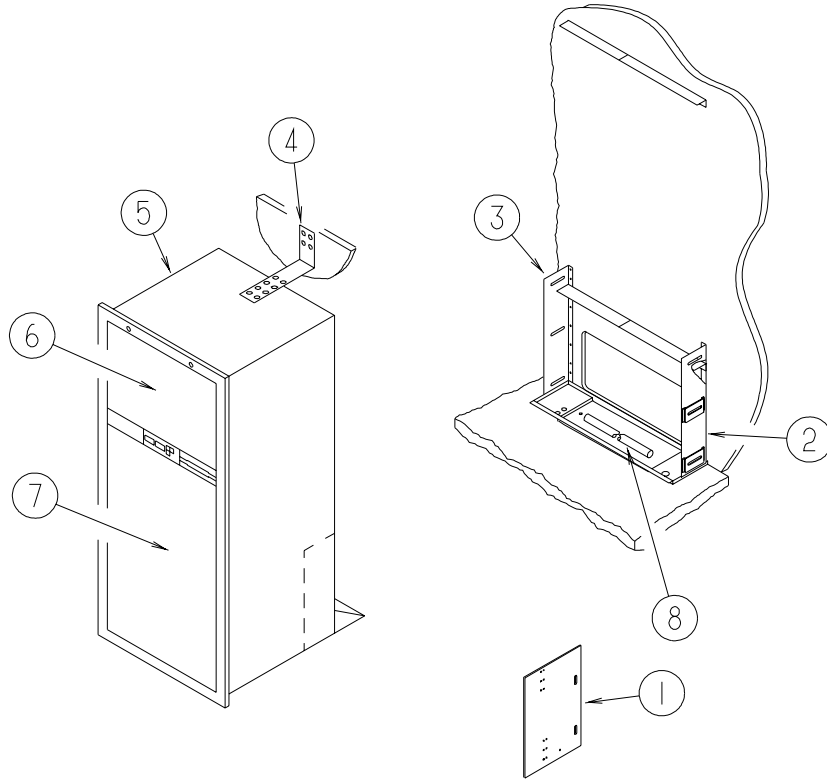
G31Y,G33V,G35U,G38G

KEY	PART NUMBER	U/M	DESCRIPTION
1	119267-12-01A	EA	OVEN - MICROWAVE/CONVECTION W/HOOD US - #R-1875 - CONVECTION U.S.
1	119267-13-01A	EA	OVEN - MICROWAVE/CONVECTION W/HOOD CSA - #R-1875A - CONVECTION CANADIAN
1	119267-10-01A	EA	OVEN - MICROWAVE/NON CONVECTION W/HOOD US - #R-1500 - OVEN W/FAN
	119267-14-000	EA	VENT - KIT - F/1510 - OVEN W/FAN
2	NOT USED		
3	NOT USED		
4	NOT USED		
5	NOT USED		
6	NOT USED		

G37C & G38R

KEY	PART NUMBER	U/M	DESCRIPTION
1	119267-12-01A	EA	OVEN - MICROWAVE/CONVECTION W/HOOD US - #R-1875 - CONVECTION U.S.
1	119267-13-01A	EA	OVEN - MICROWAVE/CONVECTION W/HOOD CSA - #R-1875A - CONVECTION CANADIAN
1	119267-10-01A	EA	OVEN - MICROWAVE/NON CONVECTION W/HOOD US - #R-1500 - OVEN W/FAN
	119267-14-000	EA	VENT - KIT - F/1510 - OVEN W/FAN
2	129836-02-02B	EA	ANGLE - W/HOLES - .7" X 1" X 28.3" - E-COATED - LH
3	129836-05-02B	EA	ANGLE - W/HOLES - E-COATED - G37C
3	129836-07-02B	EA	ANGLE - W/HOLES - E-COATED - G38R
4	137824-02-02B	EA	BRACKET - MICROWAVE - E-COATED - G37C
4	137824-06-02B	EA	BRACKET - MICROWAVE - E-COATED - G38R
5	NOT USED		
6	140093-01-02B	EA	DUCT - E-COATED - G37C
6	140093-06-02B	EA	DUCT - E-COATED - G38R

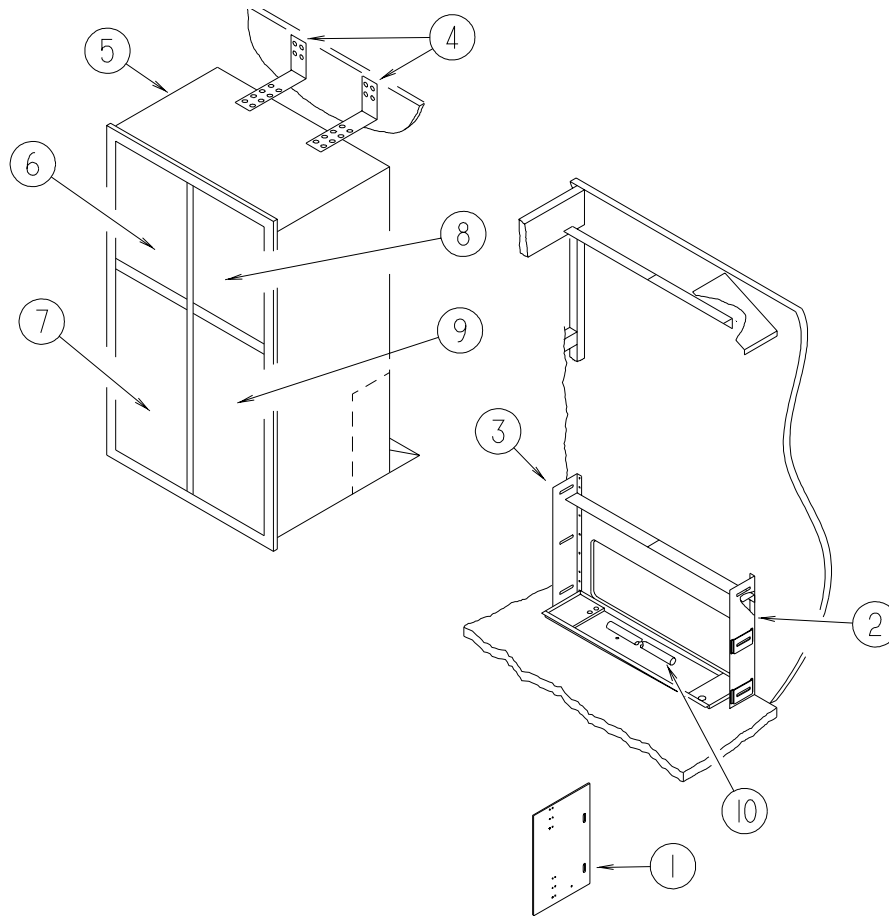
APPLIANCE GROUP (CONTINUED)
APPLIANCES (CONTINUED)



KEY	PART NUMBER	U/M	DESCRIPTION
1	065225-04-000	EA	PLATE - TIEDOWN/REFRIGERATOR
2	093646-01-000	EA	BRACKET - TIEDOWN/REFRIGERATOR - RIGHT HAND
3	093646-02-000	EA	BRACKET - TIEDOWN/REFRIGERATOR - LEFT HAND
4	093369-02-000	EA	STRAP - REFRIGERATOR
5*	121569-05-01A	EA	REFRIGERATOR - LARGE DOUBLE DOOR/RH - 2-WAY - BLACK
5*	120075-13-01A	EA	REFRIGERATOR-LARGE DOUBLE DOOR/RH - 2-WAY -ICE MAKER-BLACK - W/ICE MAKER
6	P34457-03-N47	EA	PANEL - INSERT RAISED MEMBRANE - 21.5" X 14.5" - PORTSMOUTH
6	P34457-03-L85	EA	PANEL - INSERT RAISED MEMBRANE - 21.5" X 14.5" - CONCERT CHERRY
6	P34457-03-L94	EA	PANEL - INSERT RAISED MEMBRANE - 21.5" X 14.5" - WASHED MAPLE
7	P34457-04-N47	EA	PANEL - INSERT RAISED MEMBRANE - 21.5" X 38.5" - PORTSMOUTH
7	P34457-04-L85	EA	PANEL - INSERT RAISED MEMBRANE - 21.5" X 38.5" - CONCERT CHERRY
7	P34457-04-L94	EA	PANEL - INSERT RAISED MEMBRANE - 21.5" X 38.5" - WASHED MAPLE
8	112176-01-000	FT	TUBING - VINYL - REINFORCED - 1/2" ID
	116751-05-01A	EA	TRAY - REFRIGERATOR - BLACK
	090329-01-000	FT	SEAL/T - REFRIGERATOR CABINET
	054450-01-000	EA	LEVEL - REFRIGERATOR

***COMPONENT PARTS LISTED LATER IN THIS GROUP**

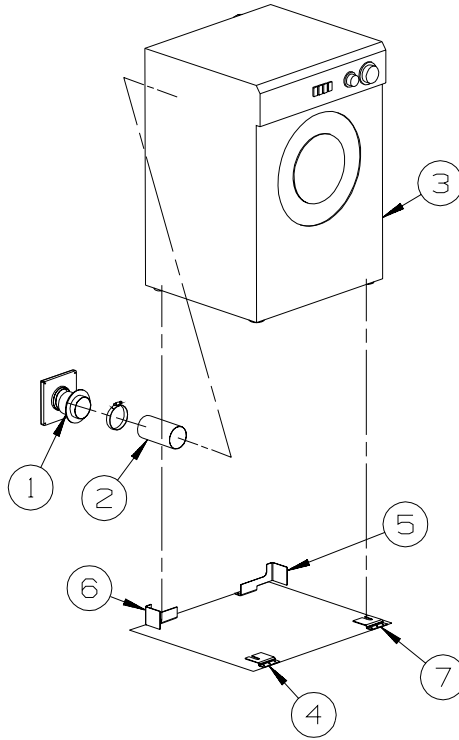
APPLIANCE GROUP (CONTINUED)
APPLIANCES (CONTINUED)



KEY	PART NUMBER	U/M	DESCRIPTION
1	065225-01-000	EA	PLATE - TIEDOWN/REFRIGERATOR
2	093646-01-000	EA	BRACKET - TIEDOWN/REFRIGERATOR - RIGHT HAND
3	093646-02-000	EA	BRACKET - TIEDOWN/REFRIGERATOR - LEFT HAND
4	093369-02-000	EA	STRAP - REFRIGERATOR
5*	125242-02-01A	EA	REFRIGERATOR-4 DR-W/ICE MKR-W/CONTOURED HANDLE-NORCOLD1201
6	P34457-01-N75	EA	PANEL - INSERT RAISED MEMBRANE - 16.1" X 18.3" - PORTSMOUTH
6	P34457-01-LQ1	EA	PANEL - INSERT RAISED MEMBRANE - 16.1" X 18.3" - CONCERT CHERRY
6	P34457-01-L94	EA	PANEL - INSERT RAISED MEMBRANE - 16.1" X 18.3" - WASHED MAPLE
7	P34457-02-N75	EA	PANEL - INSERT RAISED MEMBRANE - 16.1" X 41.1" - PORTSMOUTH
7	P34457-02-LQ1	EA	PANEL - INSERT RAISED MEMBRANE - 16.1" X 41.1" - CONCERT CHERRY
7	P34457-02-L94	EA	PANEL - INSERT RAISED MEMBRANE - 16.1" X 41.1" - WASHED MAPLE
8	P34457-01-N75	EA	PANEL - INSERT RAISED MEMBRANE - 16.1" X 18.3" - PORTSMOUTH
8	P34457-01-LQ1	EA	PANEL - INSERT RAISED MEMBRANE - 16.1" X 18.3" - CONCERT CHERRY
8	P34457-01-L94	EA	PANEL - INSERT RAISED MEMBRANE - 16.1" X 18.3" - WASHED MAPLE
9	P34457-02-N75	EA	PANEL - INSERT RAISED MEMBRANE - 16.1" X 41.1" - PORTSMOUTH
9	P34457-02-LQ1	EA	PANEL - INSERT RAISED MEMBRANE - 16.1" X 41.1" - CONCERT CHERRY
9	P34457-02-L94	EA	PANEL - INSERT RAISED MEMBRANE - 16.1" X 41.1" - WASHED MAPLE
10	112176-01-000	FT	TUBING - VINYL - REINFORCED - 1/2" ID
	090329-01-000	FT	SEAL/T - REFRIGERATOR CABINET
	054450-01-000	EA	LEVEL - REFRIGERATOR
	118871-06-01A	EA	TRAY/PAN - F/SIDE BY SIDE REFRIGERATOR - BLACK
			FROM: 00-00-00 THRU: 06-17-02
	118871-02-01A	EA	TRAY - REFRIGERATOR - SIDE/SIDE - BLACK - 34.4" LONG
			FROM: 06-18-02 THRU: 99-99-99

*COMPONENT PARTS LISTED LATER IN THIS GROUP

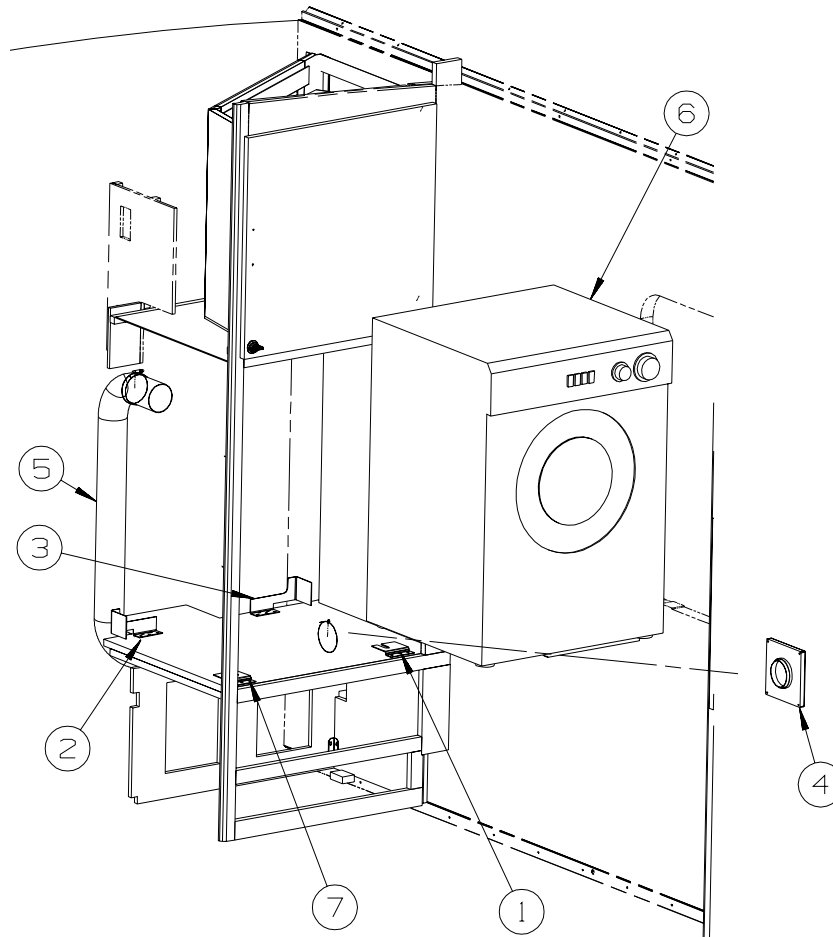
APPLIANCE GROUP (CONTINUED)
APPLIANCES (CONTINUED)



G37C

KEY	PART NUMBER	U/M	DESCRIPTION
1	111947-02-01A	EA	VENT - DRYER - 3"
2	116653-02-000	FT	DUCT - FLEXIBLE - 3' COMPRESSED/8' EXTENDED
3	107753-03-01A	EA	WASHER - DRYER - VENTED - UL/CSA - WHITE
			FROM: 00-00-00 THRU: 10-21-02
3	107753-04-01A	EA	WASHER - DRYER - VENTED - UL/CSA - WHITE
			FROM: 10-22-02 THRU: 99-99-99
4	111913-01-01A	EA	BRACKET - WASHER - TIE DOWN
			FROM: 00-00-00 THRU: 11-10-02
4	111913-02-04B	EA	BRACKET/WASHER - TIE DOWN - BLACK
			FROM: 11-11-02 THRU: 99-99-99
5	113795-03-02B	EA	BRACKET - WASHER - E-COATED
6	113795-04-02B	EA	BRACKET - WASHER - E-COATED
7	111913-01-01A	EA	BRACKET - WASHER - TIE DOWN
			FROM: 00-00-00 THRU: 11-10-02
7	111913-03-04B	EA	BRACKET/WASHER - TIE DOWN - BLACK
			FROM: 11-11-02 THRU: 99-99-99

APPLIANCE GROUP (CONTINUED)
APPLIANCES (CONTINUED)



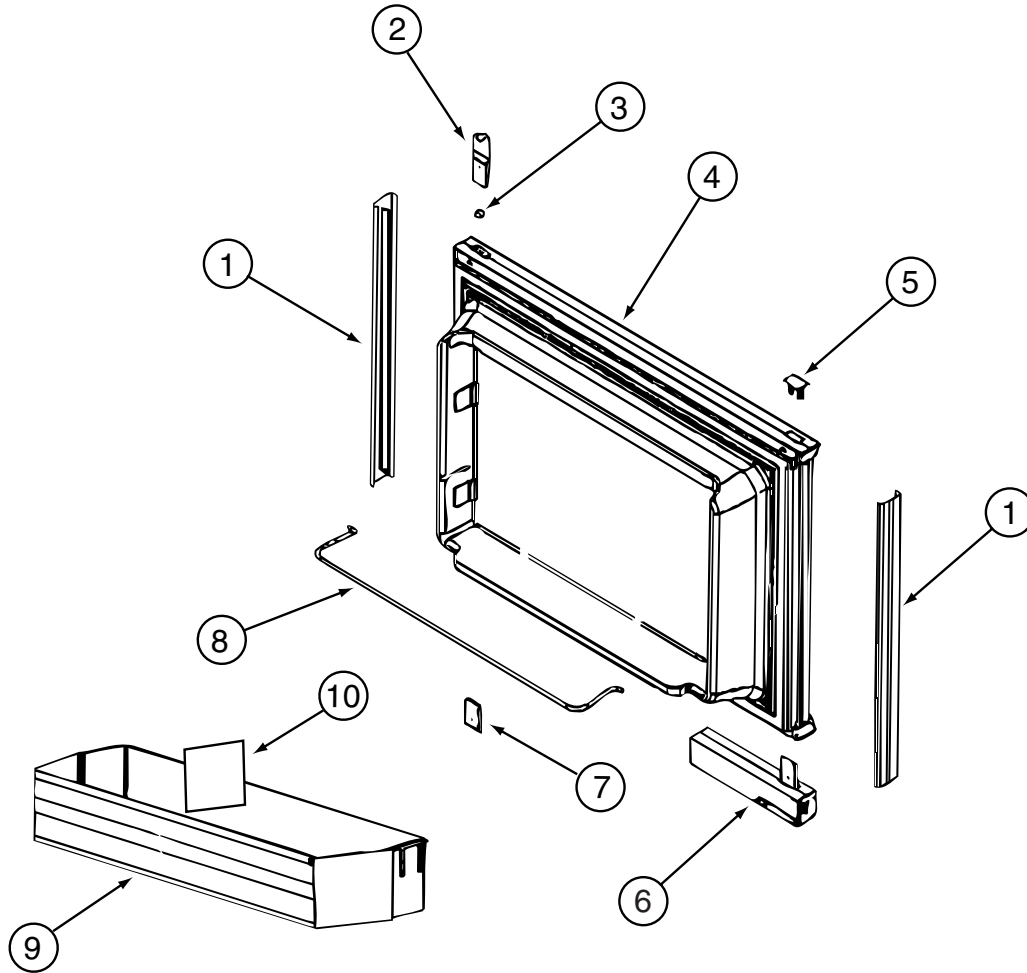
G38G

KEY	PART NUMBER	U/M	DESCRIPTION
1	111913-01-01A	EA	BRACKET - WASHER - TIE DOWN FROM: 00-00-00 THRU: 11-10-02
1	111913-02-04B	EA	BRACKET/WASHER - TIE DOWN - BLACK FROM: 11-11-02 THRU: 99-99-99
2	113795-03-02B	EA	BRACKET - WASHER - E-COATED
3	113795-04-02B	EA	BRACKET - WASHER - E-COATED
4	111947-02-01A	EA	VENT - DRYER - 3"
5	116653-02-000	FT	DUCT - FLEXIBLE - 3' COMPRESSED/8' EXTENDED
6	107753-03-01A	EA	WASHER - DRYER - VENTED - UL/CSA - WHITE FROM: 00-00-00 THRU: 10-21-02
6	107753-04-01A	EA	WASHER - DRYER - VENTED - UL/CSA - WHITE FROM: 10-22-02 THRU: 99-99-99
7	111913-01-01A	EA	BRACKET - WASHER - TIE DOWN FROM: 00-00-00 THRU: 11-10-02
7	111913-03-04B	EA	BRACKET/WASHER - TIE DOWN - BLACK FROM: 11-11-02 THRU: 99-99-99

APPLIANCE GROUP (CONTINUED)
COMPONENT PARTS FOR APPLIANCE

115504-01-000

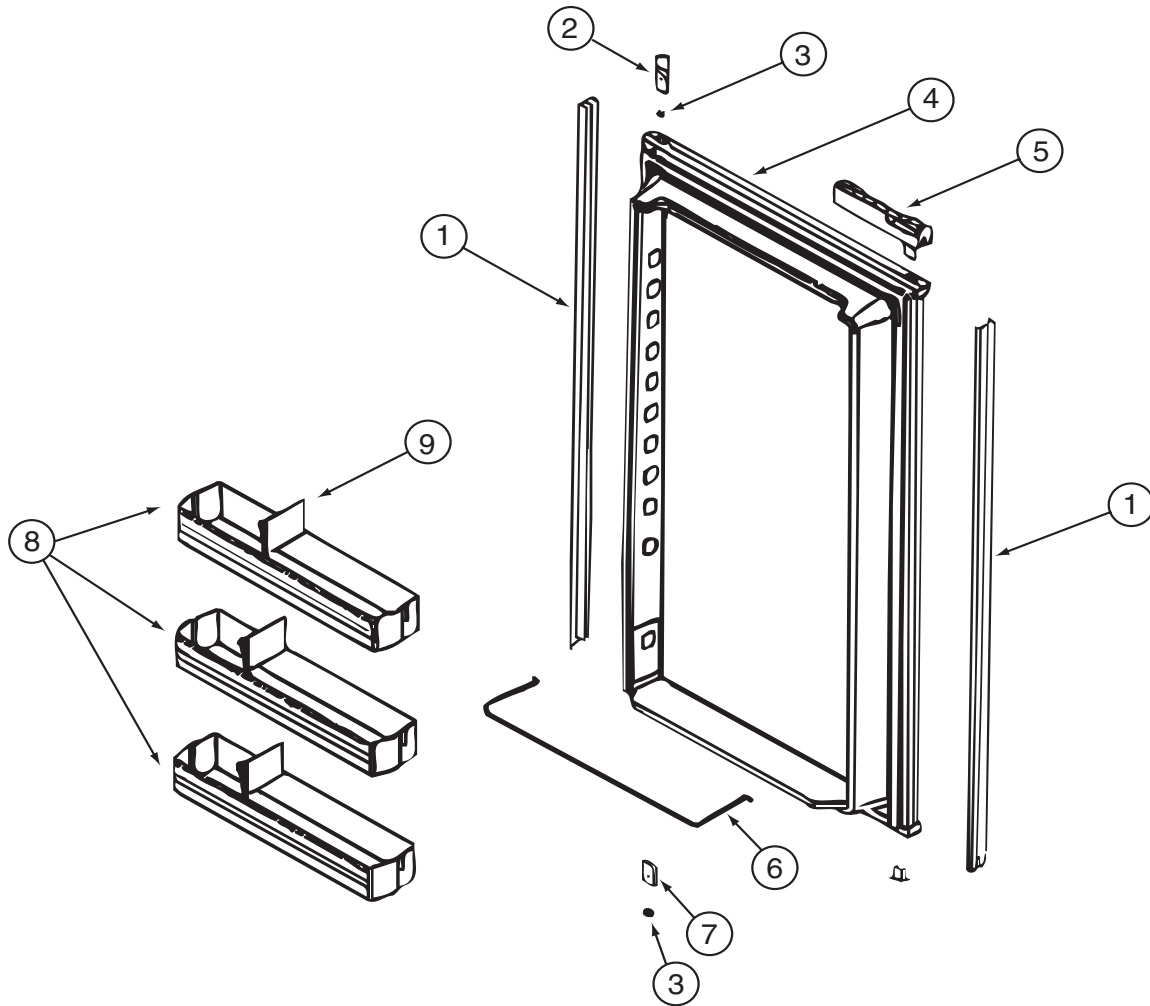
KEY	PART NUMBER	U/M	DESCRIPTION	VENDOR NO.
	115504-01-700	EA	PLUG & CABLE, 10 WATT PANEL	600-016



120075-13-01A, 120075-14-01A, 120075-15-01A

KEY	PART NUMBER	U/M	DESCRIPTION	VENDOR NO.
1	121568-03-700	EA	RETAINER - DOOR PANEL/BLACK	619558
2	120075-01-701	EA	HINGE-TOP RH/BOTTOM LH(DOOR)	618511
3	121568-03-701	EA	BUSHING - HINGE PIN/GRAY	619671
4	121568-03-702	EA	DOOR LINER - W/TRIM/BLACK	619627 - SMALL DOOR
5	120075-01-702	EA	CAP, (HINGE PLUG)	618160
6	120075-12-700	EA	HANDLE(CONTOUR)TOP LH/BTM RH	621105
	120075-12-702	EA	HANDLE/HOUSING-TOP-LH/BTM RH	618159GEN
6	120075-12-701	EA	HANDLE(CONTOUR)TOP RH/BTM LH	621104
	120075-12-707	EA	LATCH	619648
	120075-12-709	EA	HANDLE/HOUSING-BTM LH/TOP RH	618122GEN
6	121568-03-703	EA	HANDLE/FLUSH-TOP/RH-LWR/LH	619865
6	121568-03-708	EA	HANDLE/FLUSH-TOP/LH-LWR/RH	619866
7	120075-01-705	EA	HINGE-TOP LH/BOTTOM RH(DOOR)	618510
8	121568-01-700	EA	RAIL - DOOR UPPER	618618
9	120075-07-700	EA	DOOR BIN - CLEAR	619006
10	120075-07-701	EA	DIVIDER/DOOR BIN CLEAR	619008
	121568-03-704	EA	TRAVEL LATCH - GRAY	619647
	121568-03-705	EA	STORAGE LATCH - GRAY	619648

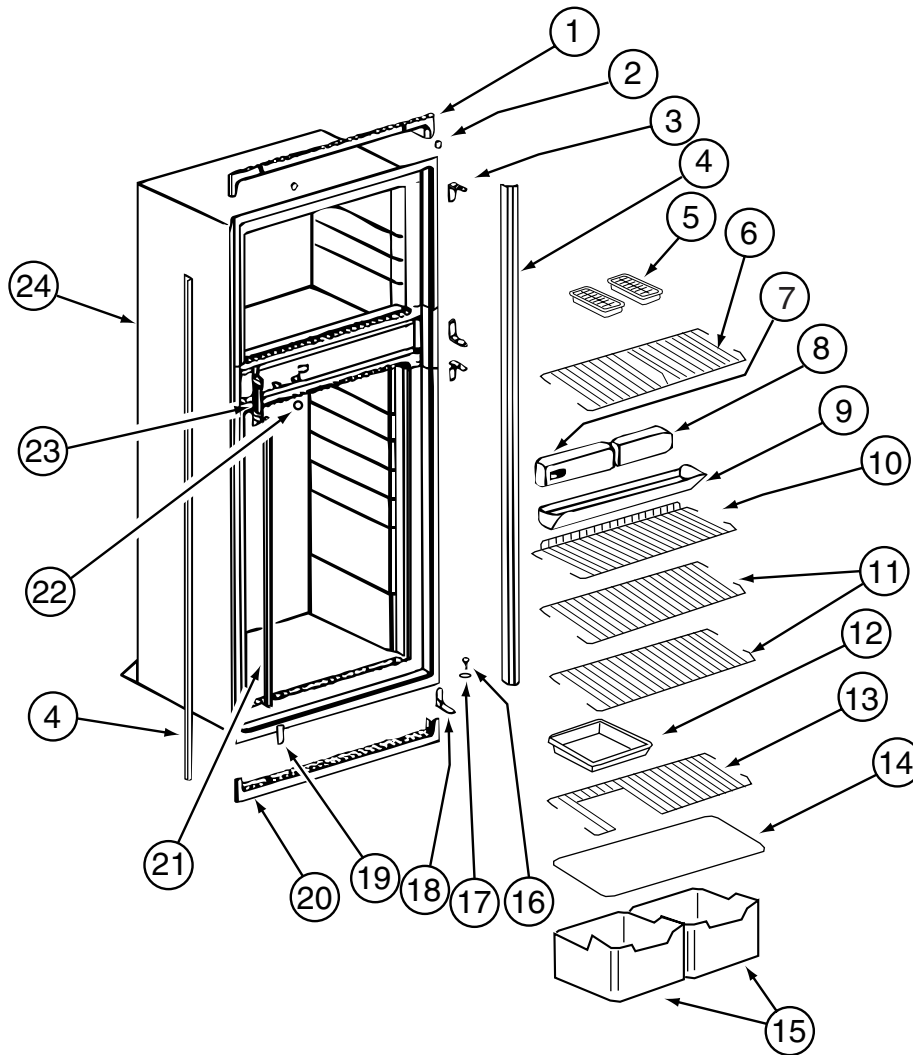
APPLIANCE GROUP (CONTINUED)
COMPONENT PARTS FOR APPLIANCE (CONTINUED)



120075-13-01A, 120075-14-01A, 120075-15-01A (CONTINUED)

KEY	PART NUMBER	U/M	DESCRIPTION	VENDOR NO.
1	120075-07-702	EA	RETAINER - DOOR PANEL/BLACK	619560
2	120075-01-701	EA	HINGE-TOP RH/BOTTOM LH(DOOR)	618511
3	121568-03-701	EA	BUSHING - HINGE PIN/GRAY	619671
4	120075-07-703	EA	DOOR LINER - BLACK	619631 - LARGE DOOR
5	120075-12-700	EA	HANDLE(CONTOUR)TOP LH/BTM RH	621105
	120075-12-702	EA	HANDLE/HOUSING-TOP-LH/BTM RH	618159GEN
5	120075-12-701	EA	HANDLE(CONTOUR)TOP RH/BTM LH	621104
	120075-12-707	EA	LATCH	619648
	120075-12-709	EA	HANDLE/HOUSING-BTM LH/TOP RH	618122GEN
5	121568-03-703	EA	HANDLE/FLUSH-TOP/RH-LWR/LH	619865
5	121568-03-708	EA	HANDLE/FLUSH-TOP/LH-LWR/RH	619866
6	121568-01-704	EA	RAIL - DOOR LOWER	618578
7	120075-01-705	EA	HINGE-TOP LH/BOTTOM RH(DOOR)	618510
8	120075-07-700	EA	DOOR BIN - CLEAR	619006
8	120075-07-704	EA	DOOR BIN - LARGE/CLEAR	619005
9	120075-07-701	EA	DIVIDER/DOOR BIN CLEAR	619008
	121568-03-704	EA	TRAVEL LATCH - GRAY	619647
	121568-03-705	EA	STORAGE LATCH - GRAY	619648

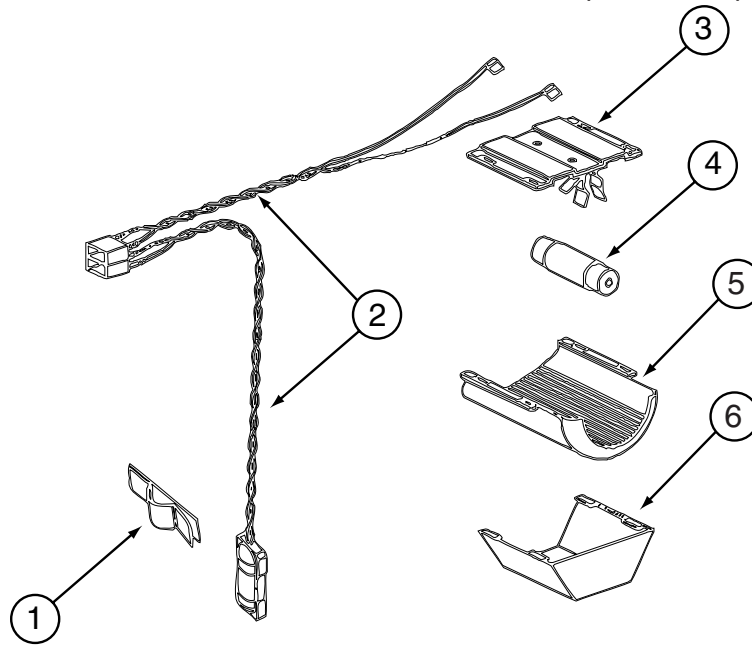
APPLIANCE GROUP (CONTINUED)
COMPONENT PARTS FOR APPLIANCE (CONTINUED)



120075-13-01A, 120075-14-01A, 120075-15-01A (CONTINUED)

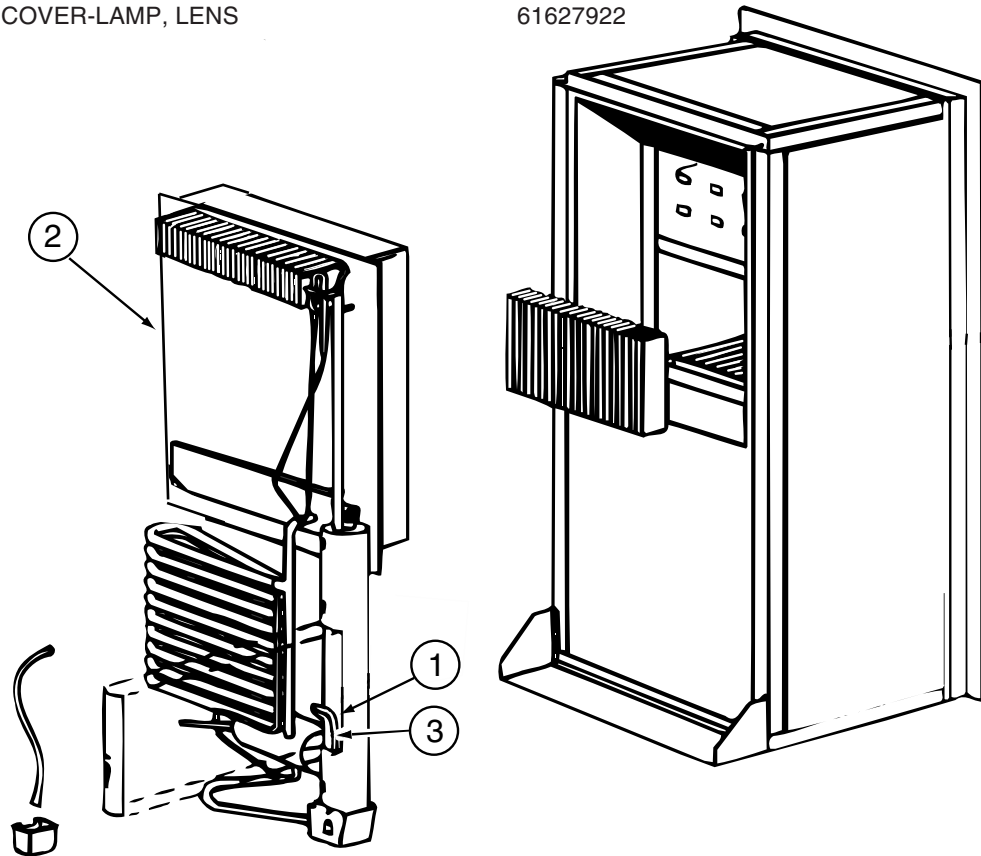
KEY	PART NUMBER	U/M	DESCRIPTION	VENDOR NO.
1	121568-03-709	EA	TRIM - TOP/BLACK	619687
2	120075-01-714	EA	PLUG-HOLE (BLACK)	618170
3	121568-03-710	EA	HINGE/CABINET-TOP/RH-LWR/LH	619335
4	120075-07-705	EA	TRIM - SIDE - BLACK	622296
5	104137-06-724	EA	ICE TRAY	61630422
6	120075-07-706	EA	SHELF - WIRE/FREEZER	620249
7	120075-07-707	EA	CONTROL BOX - BLACK	619665
8	121568-03-713	EA	FRONT BOX/DECORATIVE-BLACK	619282
9	120075-01-720	EA	TRAY-DRIP	618137
10	120075-01-722	EA	SHELF-WIRE, SHORT	620269
11	120075-01-723	EA	SHELF-WIRE	620270
12	104137-06-718	EA	SHELF-TRAY, WHITE, W/CUTOUT	617756
13	120075-01-724	EA	SHELF-WIRE, W/CUTOUT	618177
14	120075-01-725	EA	COVER-CRISPER	618158
15	120075-07-708	EA	CRISPER/ICE BIN	619007
16	120075-01-727	EA	PIN-HINGE	618145
17	121568-03-701	EA	BUSHING - HINGE PIN/GRAY	619671
18	121568-03-715	EA	HINGE/CABINET-TOP/LH-LWR/RH	619336
19	121568-03-716	EA	COVER - HINGE HOLES	619301
20	120075-01-729	EA	TRIM-BOTTOM PIECE	620958
21	120075-01-730	EA	RETAINER-SHELF(SER#926684 DN	618181
22	121568-03-717	EA	HOLE PLUG - WHITE	619561
23	120075-01-732	EA	PLATE-STRIKE	618167
24	120075-09-700	EA	CABINET - FOAMED	619660
	120075-01-721	EA	LOUVER-DRIP TRAY	618176

APPLIANCE GROUP (CONTINUED)
COMPONENT PARTS FOR APPLIANCE (CONTINUED)



120075-13-01A, 120075-14-01A, 120075-15-01A (CONTINUED)

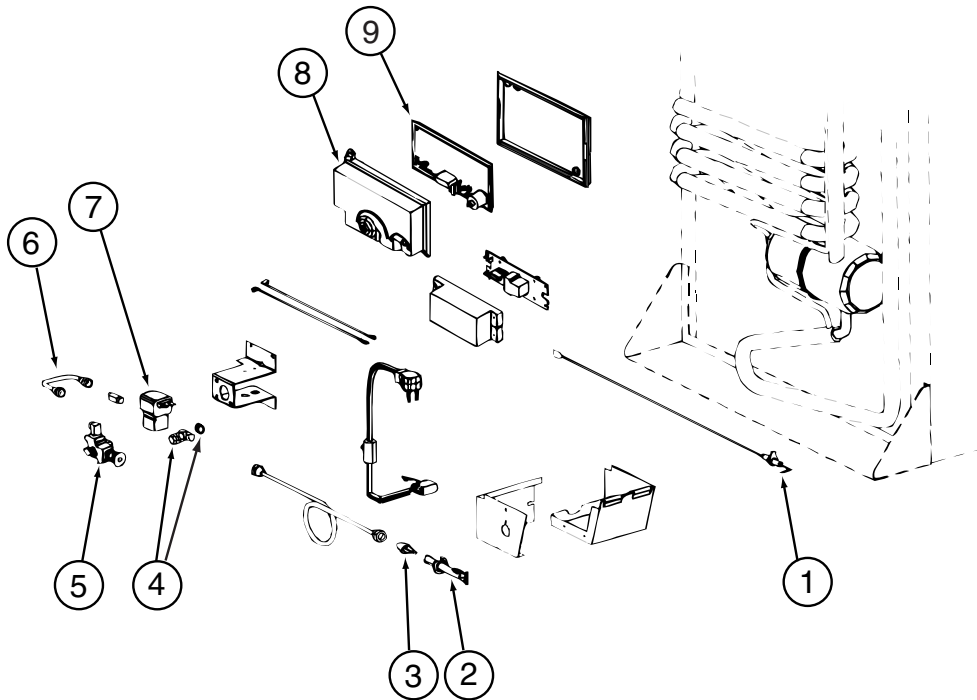
KEY	PART NUMBER	U/M DESCRIPTION	VENDOR NO.
1	084880-01-760	EA CLIP (THERMISTER)	61689122
2	120075-01-735	EA THERMISTER W/LAMP & WIRE/ASM	618548
3	084880-03-705	EA BRACKET-LIGHT-INTERIOR	61629722
4	084880-03-706	EA BULB-LAMP	61628922
5	120075-01-734	EA COVER-LENS	618190
6	084880-03-707	EA COVER-LAMP, LENS	61627922



120075-13-01A, 120075-14-01A, 120075-15-01A (CONTINUED)

KEY	PART NUMBER	U/M DESCRIPTION	VENDOR NO.
1	088248-01-710	EA HEATER DC (HORIZONTAL)	61562822
2	120075-01-736	EA COOLING UNIT, SERVICE PACK	618542
3	088248-01-709	EA HEATER-AC (HORIZONTAL)	61562722

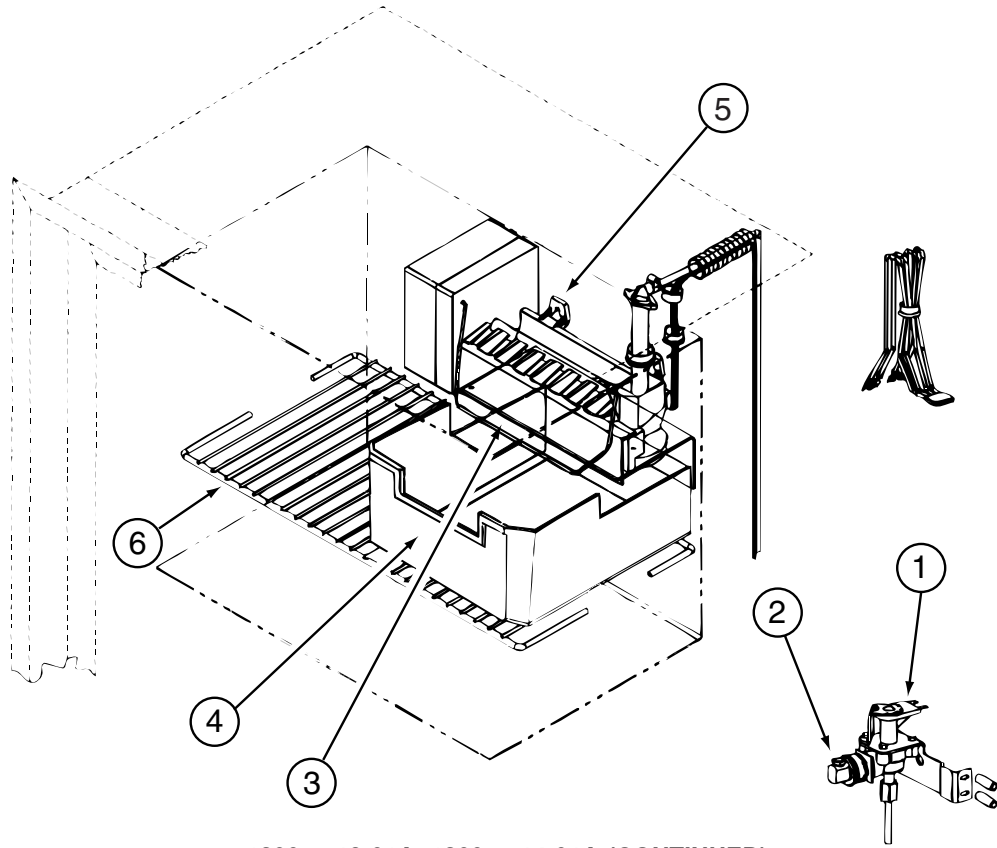
APPLIANCE GROUP (CONTINUED)
COMPONENT PARTS FOR APPLIANCE (CONTINUED)



120075-13-01A, 120075-14-01A, 120075-15-01A (CONTINUED)

KEY	PART NUMBER	U/M	DESCRIPTION	VENDOR NO.
1	104137-06-715	EA	ELECTRODE-SPARK/SENSOR, SGL	61692222
2	104137-06-714	EA	BURNER ASSEMBLY, 5-SLOT	61705222
3	120075-01-737	EA	ORIFICE - JEWEL - .0155	618284
4	113737-01-702	EA	PLUG 1/8" F/PRESSURE TAP	61445322
4	113737-01-716	EA	TAP-PRESSURE	61594422
5	104137-06-734	EA	VALVE-SHUT OFF/MAN-OLD STYLE	61694922
6	113737-01-750	EA	TUBE-UNION	61694622
7	084880-01-718	EA	VALVE-GAS, (ASCO)	621447
8	120075-01-738	EA	COVER-POWER BOARD	618185
9	120075-07-710	EA	POWER - BOARD - 2-WAY	619360 = 621269
	104137-06-734	EA	VALVE-SHUT OFF/MAN-NEW STYLE	618696
	120075-01-744	EA	KIT - GAS VALVE/BURNER TUBE	620609

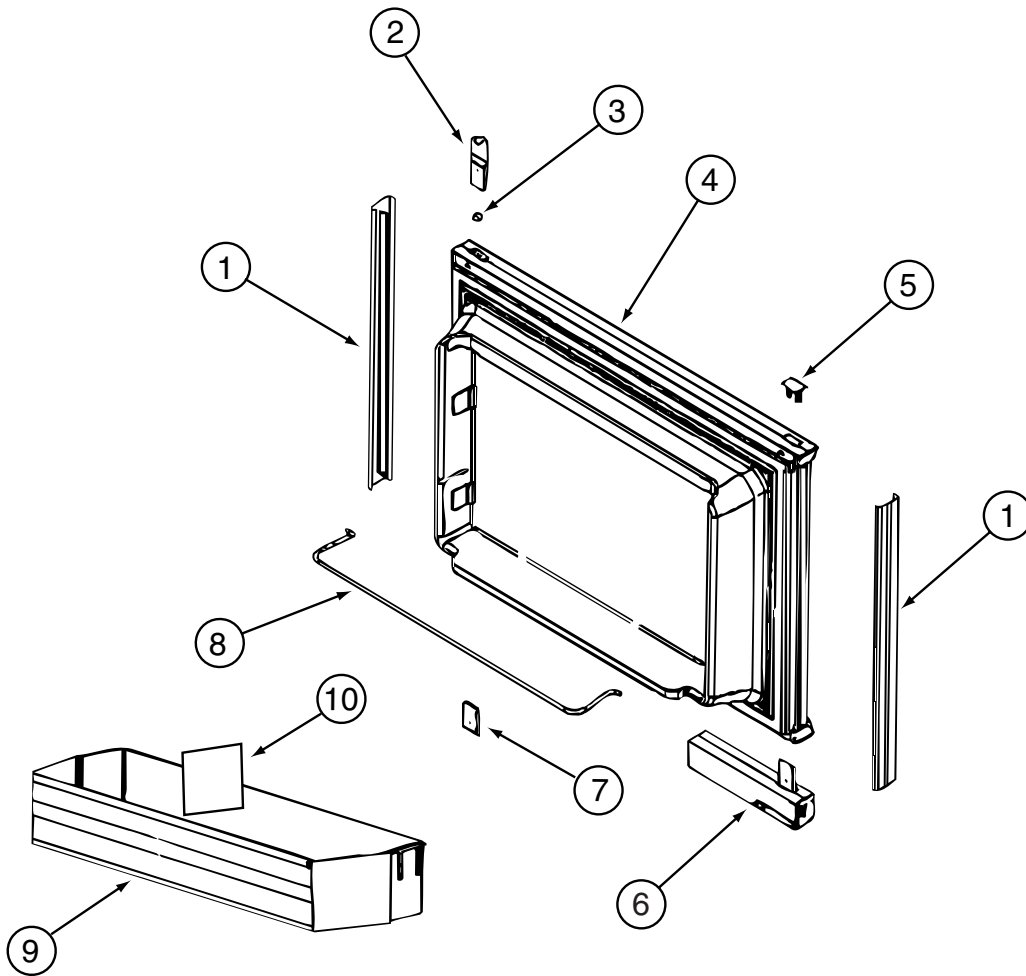
APPLIANCE GROUP (CONTINUED)
COMPONENT PARTS FOR APPLIANCE (CONTINUED)



120075-13-01A, 120075-14-01A (CONTINUED)

KEY	PART NUMBER	U/M	DESCRIPTION	VENDOR NO.
1	120075-09-701	EA	WATER VALVE W/BACKET	618253
2	120075-03-702	EA	NUT/COMPRESSION - FITTING	61678722
3	120075-03-703	EA	ARM-SHUT OFF	61656922
4	120075-03-704	EA	BIN-ICE CUBE	618154
5	094039-07-706	EA	ICE MAKER W/O PLATES	61656522
6	120075-01-717	EA	SHELF-FREEZER, WIRE	618172
	120075-09-702	EA	RELAY - 12 VOLT	620239

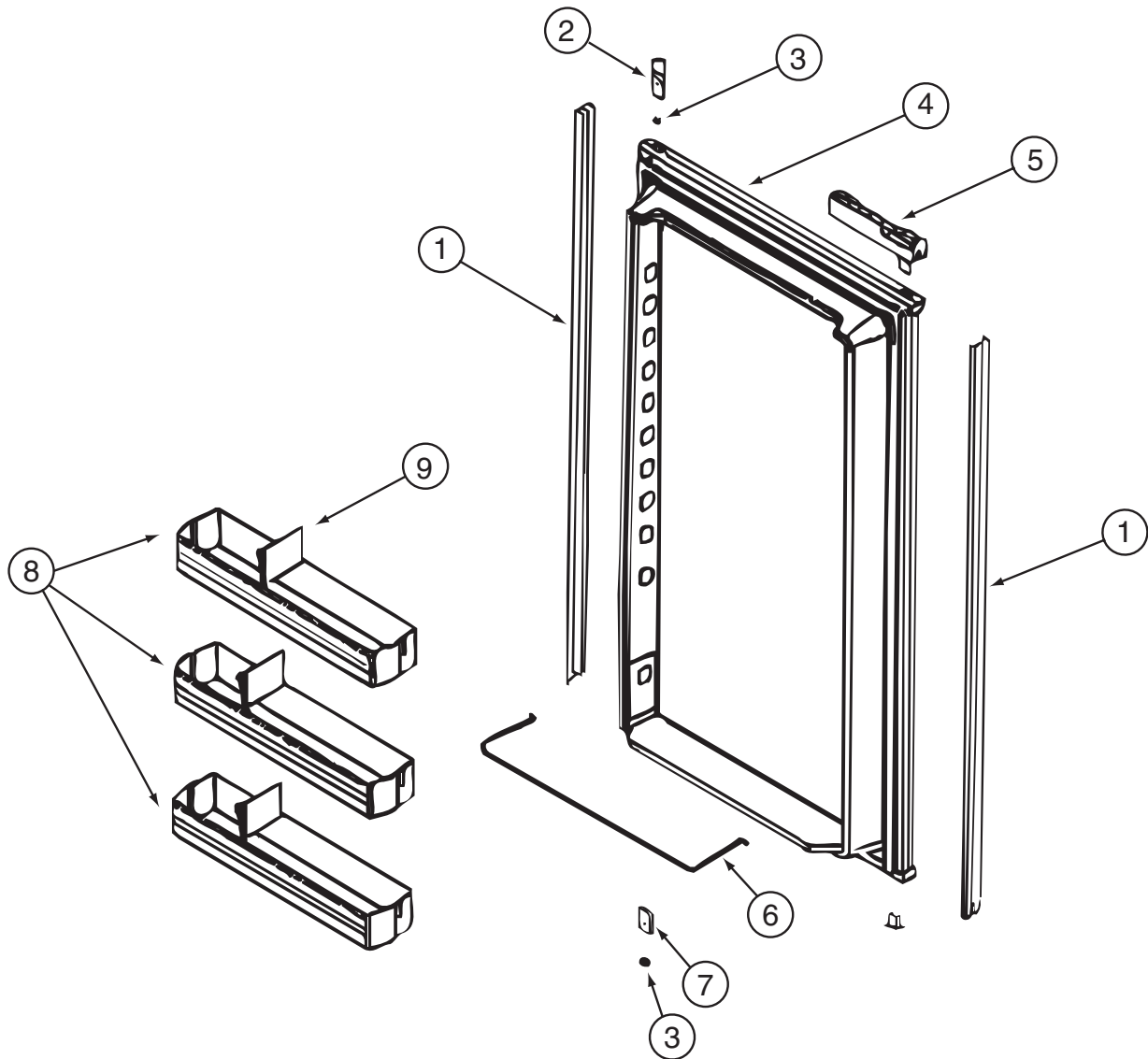
APPLIANCE GROUP (CONTINUED)
COMPONENT PARTS FOR APPLIANCE (CONTINUED)



121569-05-01A, 121569-07-01A

KEY	PART NUMBER	U/M	DESCRIPTION	VENDOR NO.
1	121568-03-700	EA	RETAINER - DOOR PANEL/BLACK	619558
2	120075-01-701	EA	HINGE-TOP RH/BOTTOM LH(DOOR)	618511
3	121568-03-701	EA	BUSHING - HINGE PIN/GRAY	619671
4	121568-03-702	EA	DOOR LINER - W/TRIM/BLACK	619627 - SMALL DOOR
5	120075-01-702	EA	CAP, (HINGE PLUG)	618160
6	120075-12-700	EA	HANDLE(CONTOUR)TOP LH/BTM RH	621105
7	120075-01-705	EA	HINGE-TOP LH/BOTTOM RH(DOOR)	618510
8	121568-01-700	EA	RAIL - DOOR UPPER	618618
9	120075-07-700	EA	DOOR BIN - CLEAR	619006
10	120075-07-701	EA	DIVIDER/DOOR BIN CLEAR	619008
	121568-03-705	EA	STORAGE LATCH - GRAY	619648

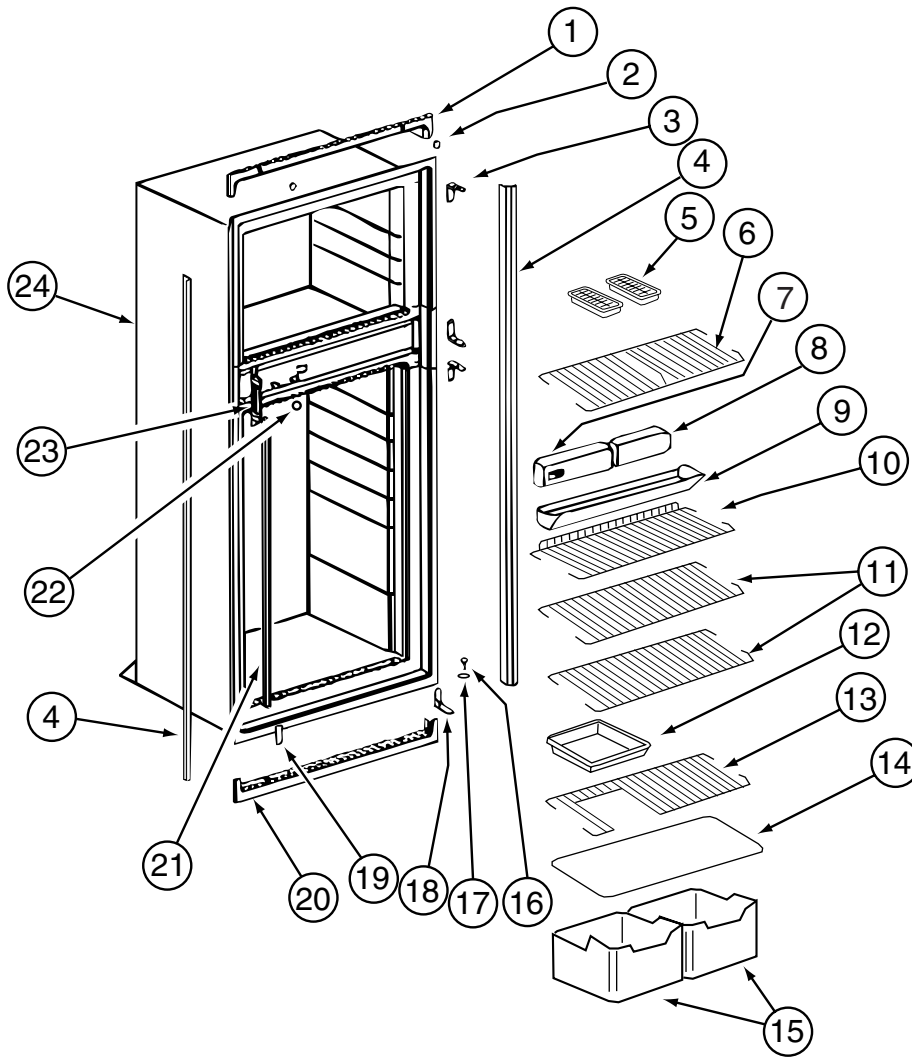
APPLIANCE GROUP (CONTINUED)
COMPONENT PARTS FOR APPLIANCE (CONTINUED)



121569-05-01A, 121569-07-01A (CONTINUED)

KEY	PART NUMBER	U/M	DESCRIPTION	VENDOR NO.
1	120075-07-702	EA	RETAINER - DOOR PANEL/BLACK	619560
2	120075-01-701	EA	HINGE-TOP RH/BOTTOM LH(DOOR)	618511
3	121568-03-701	EA	BUSHING - HINGE PIN/GRAY	619671
4	121568-03-707	EA	DOOR LINER - W/BLACK TRIM	619629
5	120075-12-701	EA	HANDLE(CONTOUR)TOP RH/BTM LH	621104
6	121568-01-704	EA	RAIL - DOOR LOWER	618578
7	120075-01-705	EA	HINGE-TOP LH/BOTTOM RH(DOOR)	618510
8	121568-01-701	EA	BIN - DOOR WHITE	618619
9	120075-07-701	EA	DIVIDER/DOOR BIN CLEAR	619008
	121568-03-705	EA	STORAGE LATCH - GRAY	619648

APPLIANCE GROUP (CONTINUED)
COMPONENT PARTS FOR APPLIANCE (CONTINUED)

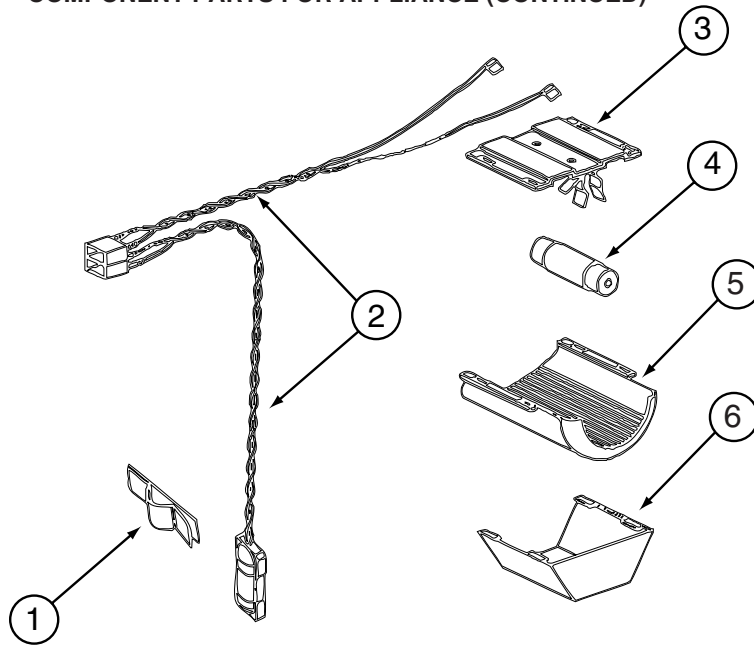


121569-05-01A, 121569-07-01A (CONTINUED)

KEY	PART NUMBER	U/M	DESCRIPTION	VENDOR NO.
1	121568-03-709	EA	TRIM - TOP/BLACK	619687
2	120075-01-714	EA	PLUG-HOLE	618170
3	121568-03-710	EA	HINGE/CABINET-TOP/RH-LWR/LH	619335
4	120075-07-705	EA	TRIM - SIDE - BLACK	619802
6	121568-03-712	EA	SHELF - WIRE/FREEZER	620250
7	121568-03-714	EA	CONTROL ASM - 2 WAY BLACK	619350
8	121568-03-713	EA	FRONT BOX/DECORATIVE-BLACK	619282
9	120075-01-720	EA	TRAY-DRIP	618137
10	121568-01-707	EA	SHELF - WIRE - SHORT	618624
11	121568-01-708	EA	SHELF - WIRE	618589
14	120075-01-725	EA	COVER-CRISPER	618158
15	121568-01-709	EA	CRISPER	618571
16	120075-01-727	EA	PIN-HINGE	618145
18	121568-03-715	EA	HINGE/CABINET-TOP/LH-LWR/RH	619336
19	121568-03-716	EA	COVER - HINGE HOLES	619301
20	120075-01-729	EA	TRIM-BOTTOM PIECE	618136
21	120075-01-730	EA	RETAINER-SHELF	618181
22	121568-03-717	EA	HOLE PLUG - WHITE	619561
23	120075-01-732	EA	PLATE-STRIKE	618167
24	120075-07-709	EA	CABINET - FOAMED	619347
	120075-01-721	EA	LOUVER-DRIP TRAY	618176

CONTACT WINNEBAGO PART SALES FOR UNLISTED COMPONENTS

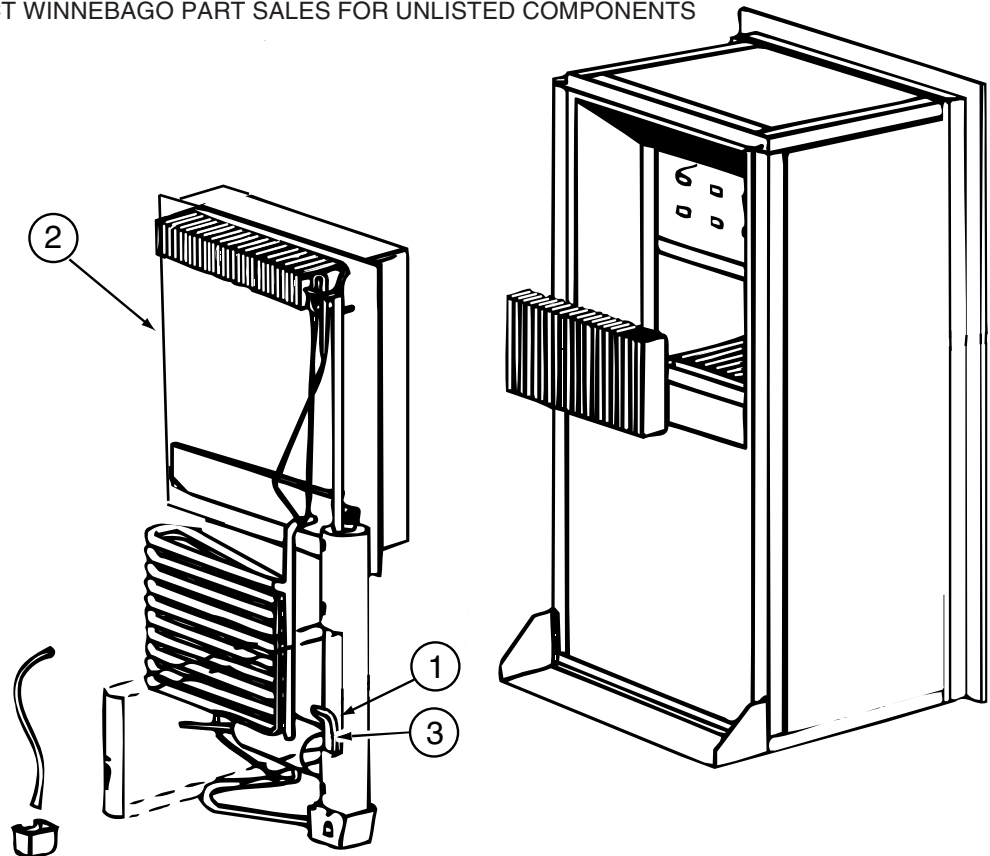
APPLIANCE GROUP (CONTINUED)
COMPONENT PARTS FOR APPLIANCE (CONTINUED)



121569-05-01A, 121569-07-01A (CONTINUED)

KEY	PART NUMBER	U/M	DESCRIPTION	VENDOR NO.
1	084880-01-760	EA	CLIP (THERMISTER)	61689122
2	120075-01-735	EA	THERMISTER W/LAMP & WIRE/ASM	618548
3	084880-03-705	EA	BRACKET-LIGHT-INTERIOR	61629722
4	084880-03-706	EA	BULB-LAMP	61628922
6	084880-03-707	EA	COVER-LAMP, LENS	61627922

CONTACT WINNEBAGO PART SALES FOR UNLISTED COMPONENTS

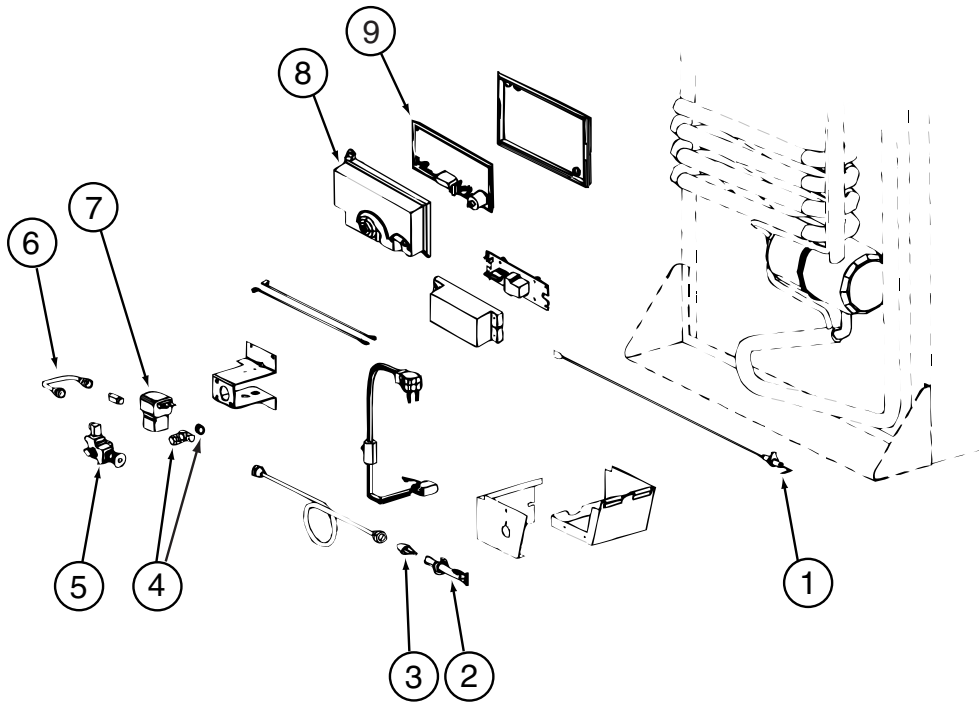


121569-05-01A, 121569-07-01A (CONTINUED)

KEY	PART NUMBER	U/M	DESCRIPTION	VENDOR NO.
2	120075-01-736	EA	COOLING UNIT, SERVICE PACK	618542
3	088248-01-709	EA	HEATER-AC (HORIZONTAL)	61562722
	120075-01-744	EA	KIT - GAS VALVE/BURNER TUBE	620609

CONTACT WINNEBAGO PART SALES FOR UNLISTED COMPONENTS

APPLIANCE GROUP (CONTINUED)
COMPONENT PARTS FOR APPLIANCE (CONTINUED)

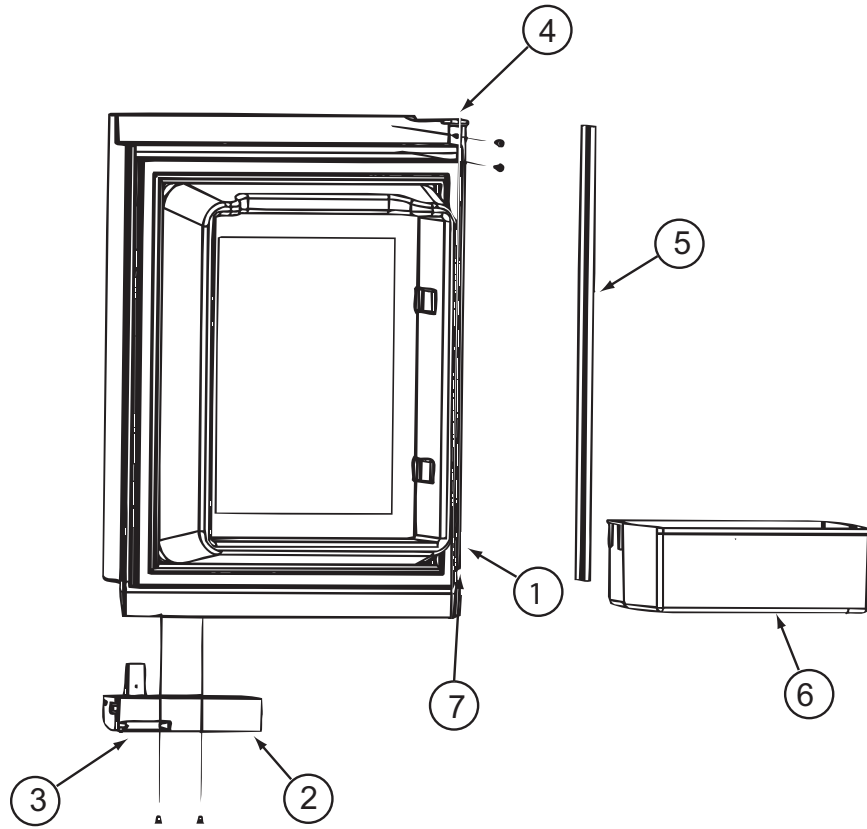


121569-05-01A, 121569-07-01A (CONTINUED)

KEY	PART NUMBER	U/M	DESCRIPTION	VENDOR NO.
1	104137-06-715	EA	ELECTRODE-SPARK/SENSOR, SGL	61692222
2	104137-06-714	EA	BURNER ASSEMBLY, 5-SLOT	61705222
3	120075-01-737	EA	ORIFICE - JEWEL - .0155	618284
4	113737-01-702	EA	PLUG 1/8" F/PRESSURE TAP	61445322
4	113737-01-716	EA	TAP-PRESSURE	61594422
6	113737-01-750	EA	TUBE-UNION	61694622
7	084880-01-718	EA	VALVE-GAS, (ASCO)	61551822
8	120075-01-738	EA	COVER-POWER BOARD	618185
9	121568-03-719	EA	POWER - BOARD - 2-WAY	619353
	121568-03-720	EA	VALVE/SHUT OF-MANUAL ELECT.	618696

CONTACT WINNEBAGO PART SALES FOR UNLISTED COMPONENTS

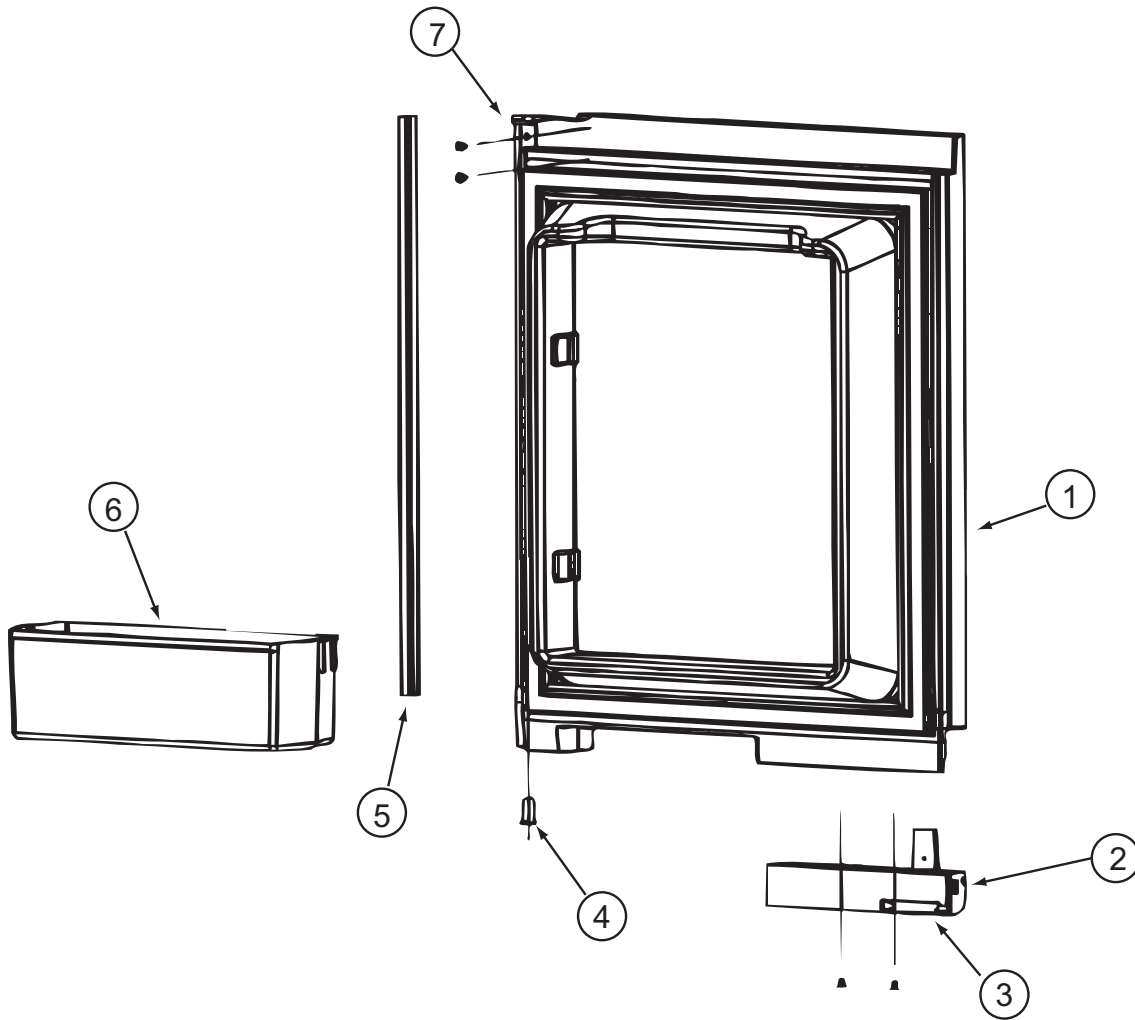
APPLIANCE GROUP (CONTINUED)
COMPONENT PARTS FOR APPLIANCE (CONTINUED)



125242-02-01A

KEY	PART NUMBER	U/M	DESCRIPTION	VENDOR NO.
1	125242-01-762	EA	LINER/FOAMED-UPPER/LH-WHITE	619839
2	125242-02-700	EA	HANDLE(CONTOUR)TOP LH BTM RH	621107
3	125242-02-722	EA	LATCH-STORAGE DR/BLK POINTED	619374
4	125242-02-724	EA	HINGE - DOOR	618792
5	125242-02-723	EA	RETAINER/PANEL-UPPER DOOR	621974
6	125242-01-711	EA	DOOR BIN	618765
7	125242-01-704	EA	BUSHING-HINGE MIDDLE	618746
	125242-02-725	EA	DOOR ASM/UPR LH/WHITE GASKET	621148

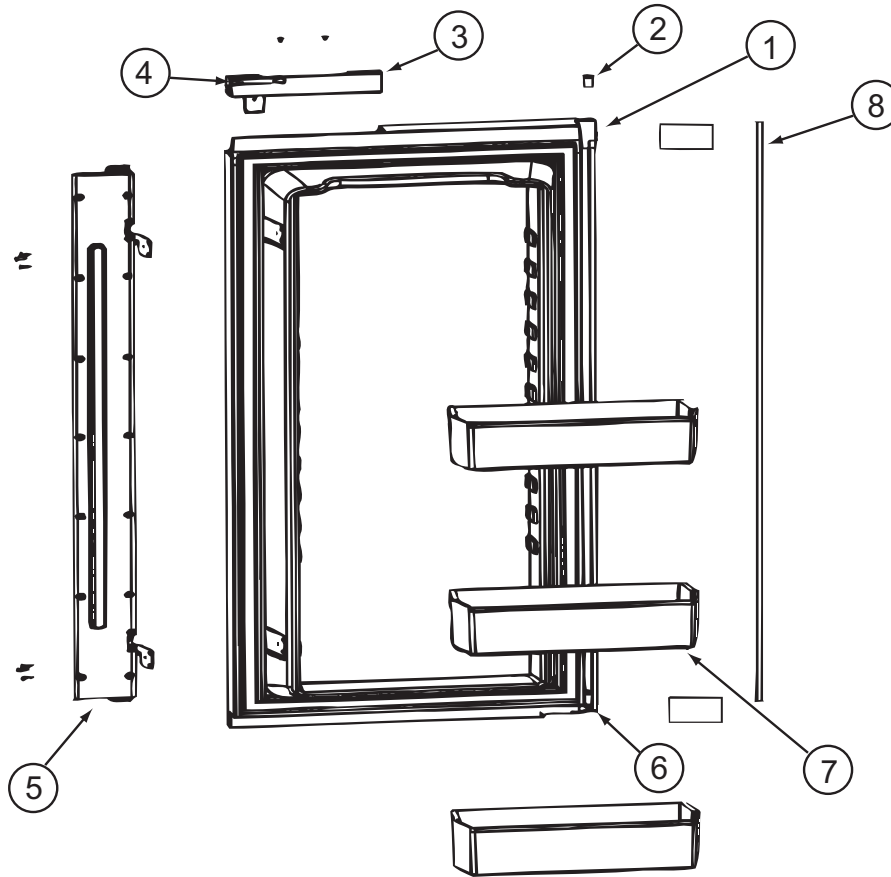
APPLIANCE GROUP (CONTINUED)
COMPONENT PARTS FOR APPLIANCE (CONTINUED)



125242-02-01A (CONTINUED)

KEY	PART NUMBER	U/M	DESCRIPTION	VENDOR NO.
1	125242-01-763	EA	LINER/FOAMED-UPPER/RH-WHITE	619840
2	125242-02-701	EA	HANDLE(CONTOUR)TOP RH LWR LH	621106
3	125242-02-722	EA	LATCH-STORAGE DR/BLK POINTED	619374
4	125242-01-704	EA	BUSHING-HINGE MIDDLE	618746
5	125242-02-723	EA	RETAINER/PANEL-UPPER DOOR	621974
6	125242-01-711	EA	DOOR BIN	618765
7	125242-02-724	EA	HINGE - DOOR	618792
	125242-02-721	EA	DOOR ASM-UPR/RH/WHITE GASKET	621149

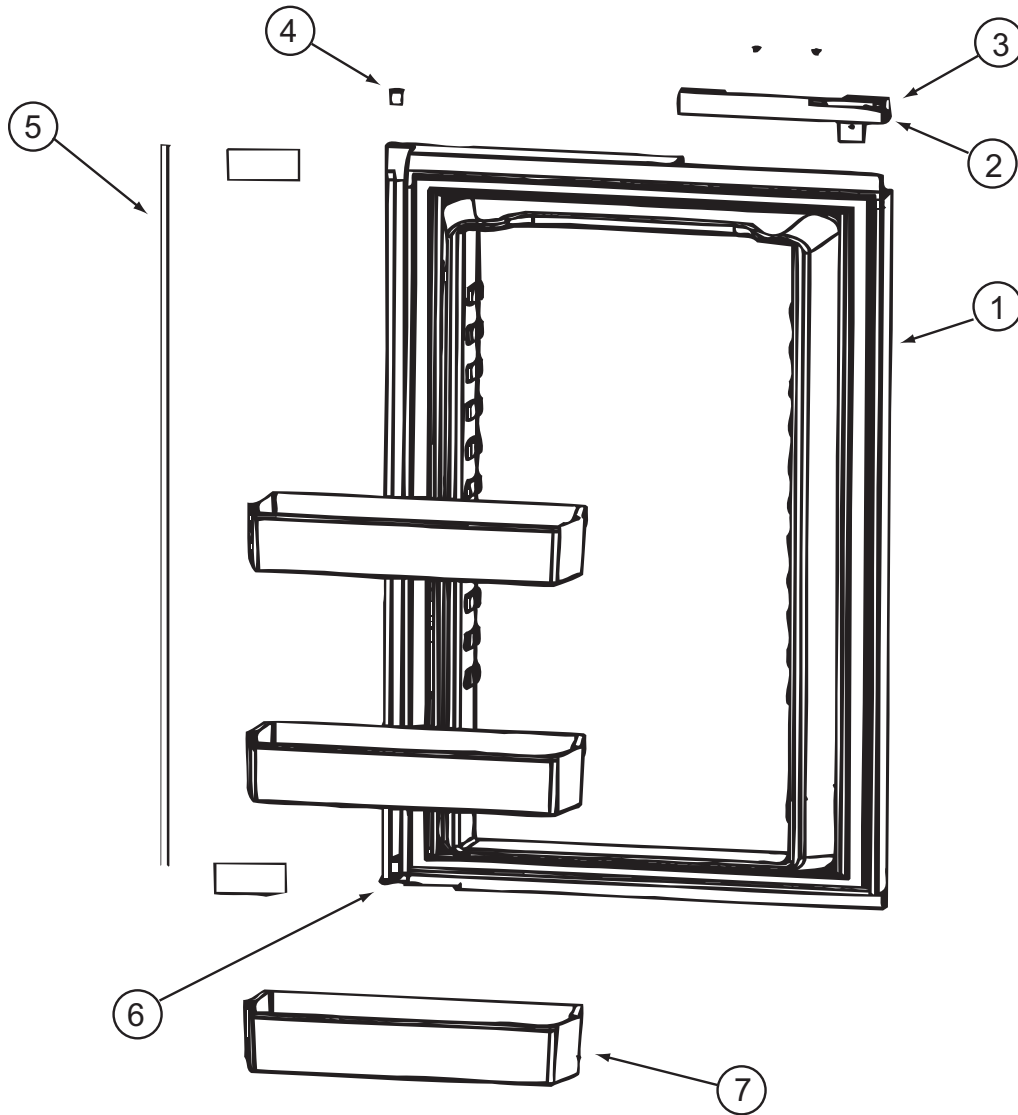
APPLIANCE GROUP (CONTINUED)
COMPONENT PARTS FOR APPLIANCE (CONTINUED)



125242-02-01A (CONTINUED)

KEY	PART NUMBER	U/M	DESCRIPTION	VENDOR NO.
1	125242-01-765	EA	LINER/FOAMED-LOWER-LH-WHITE	619837
2	125242-01-704	EA	BUSHING-HINGE MIDDLE	618746
3	125242-02-701	EA	HANDLE(CONTOUR)TOP RH LWR LH	621106
4	125242-02-722	EA	LATCH-STORAGE DR/BLK POINTED	619374
5	125242-02-727	EA	FLAPPER ASM DOUBLE POLE	619845
6	125242-02-724	EA	HINGE - DOOR	618792
7	125242-01-711	EA	DOOR BIN	618765
8	125242-02-728	EA	RETAINER/PANEL - LOWER	621973
	125242-01-736	EA	CONTACT-PROBE PIN	618886
	125242-02-726	EA	DOOR ASM-LWR LH/WHITE GASKET	621150

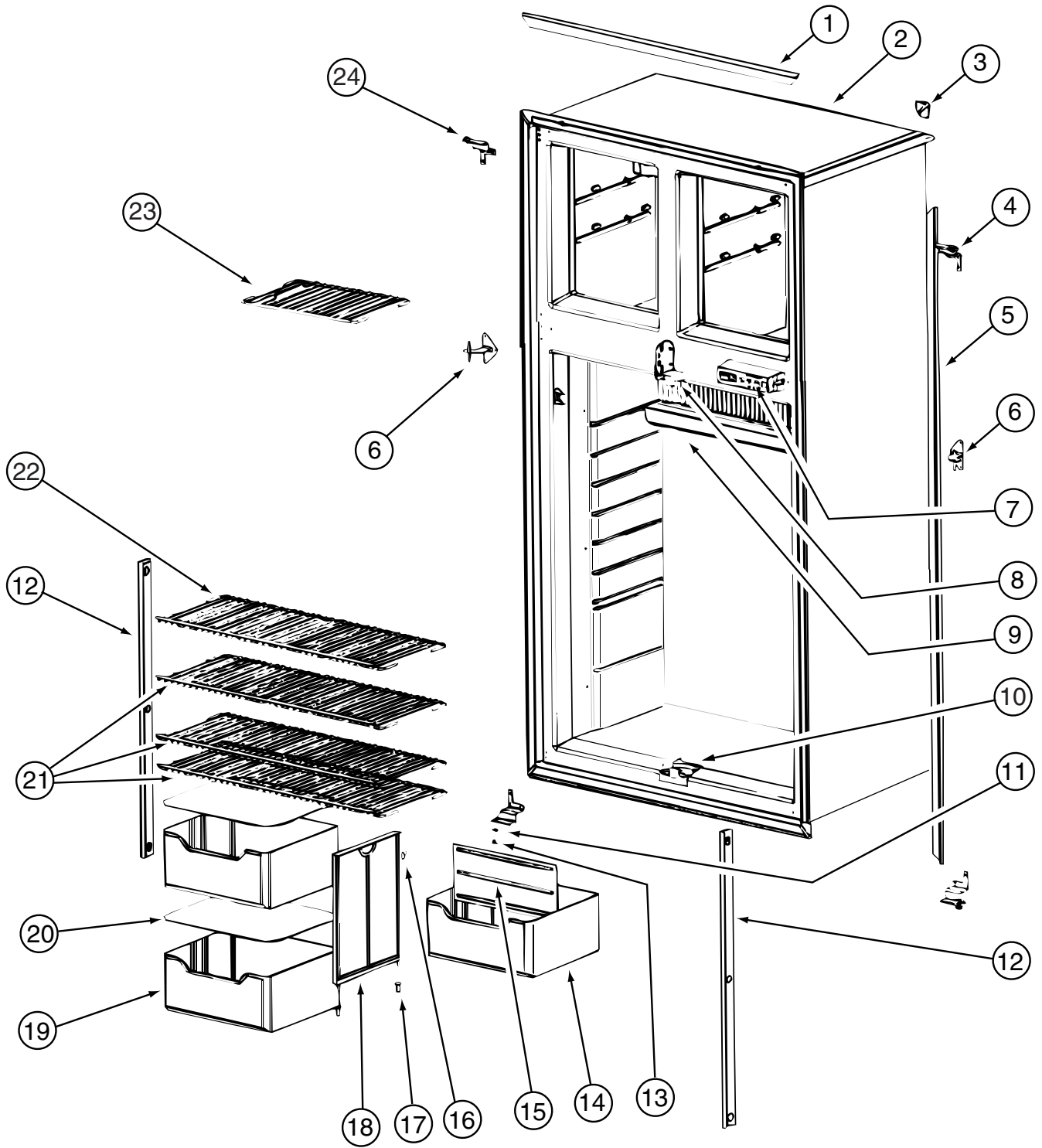
APPLIANCE GROUP (CONTINUED)
COMPONENT PARTS FOR APPLIANCE (CONTINUED)



125242-02-01A (CONTINUED)

KEY	PART NUMBER	U/M	DESCRIPTION	VENDOR NO.
1	125242-01-764	EA	LINER/FOAMED-LOWER/RH-WHITE	619838
2	125242-02-700	EA	HANDLE(CONTOUR)TOP LH BTM RH	621107
3	125242-02-722	EA	LATCH-STORAGE DR/BLK POINTED	619374
4	125242-01-704	EA	BUSHING-HINGE MIDDLE	618746
5	125242-02-728	EA	RETAINER/PANEL - LOWER	621973
6	125242-02-724	EA	HINGE - DOOR	618792
7	125242-01-711	EA	DOOR BIN	618765
	125242-01-729	EA	FAN-EXTERNAL DC	618856
	125242-02-716	EA	GUIDE ASM LWR(SER#540294 DN)	620042
	125242-02-717	EA	GUIDE ASM LWR(SER#540295 UP)	620043

APPLIANCE GROUP (CONTINUED)
COMPONENT PARTS FOR APPLIANCE (CONTINUED)

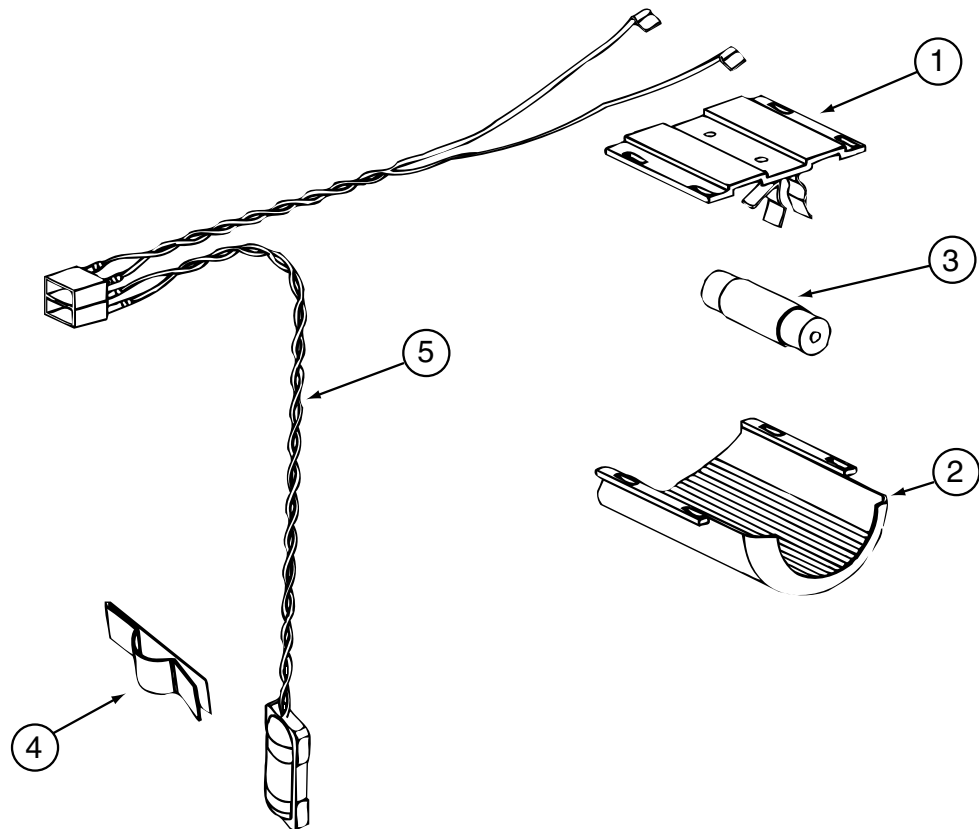


125242-02-01A (CONTINUED)

APPLIANCE GROUP (CONTINUED)
COMPONENT PARTS FOR APPLIANCE (CONTINUED)

125242-02-01A (CONTINUED)

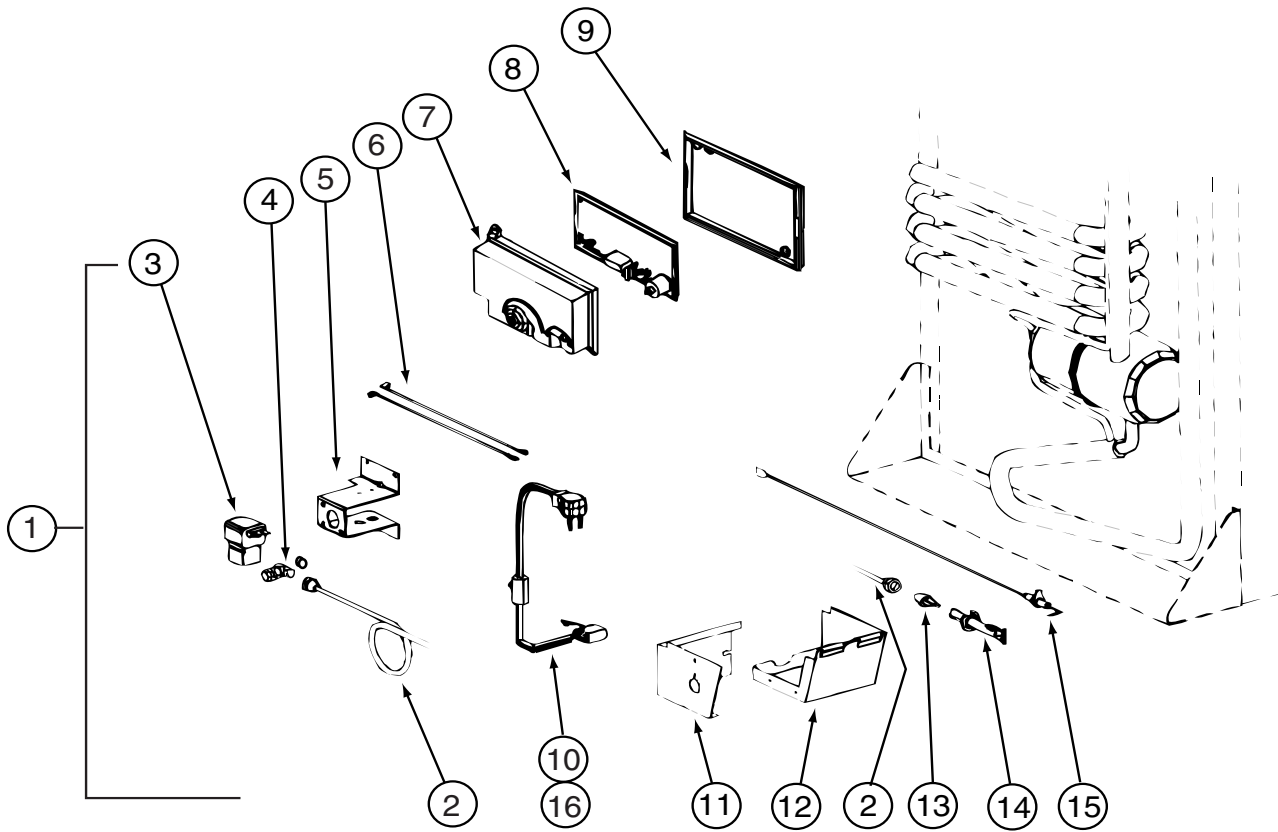
KEY	PART NUMBER	U/M	DESCRIPTION	VENDOR NO.
1	125242-01-723	EA	TRIM-HORIZONTAL-FRT SNAP ON	618845
2	125242-01-748	EA	CABINET/FOAMED ASSEMBLY	618748
3	125242-01-722	EA	TRIM - CORNER	618844
4	125242-01-715	EA	HINGE - TOP RH/BOTTOM LH	618798
5	125242-01-724	EA	RIM-LT/RT-FRT VERT SNAPON	618846
6	125242-01-713	EA	HINGE-MIDDLE (PAINTED)	618794
7	125242-02-704	EA	DISPLAY ASM (SER#832172) UP	621188
8	125242-01-751	EA	BLOCK - GUIDE - UPPER	618789
9	125242-01-712	EA	DRIP TRAY	618774
10	125242-01-752	EA	BLOCK - GUIDE - LOWER	618788
11	120075-01-708	EA	BUSHING - DOOR HINGE	618144
12	120075-01-730	EA	RETAINER - SHELF(SER#926684 DN	618181
13	120075-01-727	EA	PIN - HINGE	618145
14	125242-01-734	EA	CRISPER/BOTTLE BIN	618878
15	125242-01-733	EA	DIVIDER - BOTTLE CRISPER	618877
16	125242-01-750	EA	CLIP	61409622
17	113737-01-701	EA	BUSHING - HINGE	61742022
18	125242-01-749	EA	SUPPORT - WALL	618840
19	125242-01-734	EA	CRISPER/BOTTLE BIN	618878
20	125242-01-706	EA	COVER - CRISPER	618757
21	125242-01-726	EA	SHELF - WIRE (LONG)	618848
22	125242-01-727	EA	SHELF - WIRE (SHORT)	618849
23	125242-01-725	EA	SHELF - FREEZER (WIRE)	618847
24	125242-01-714	EA	HINGE - TOP LH/BOTTOM RH	618796
	125242-01-735	EA	SWITCH - DOOR LIGHT	618884



125242-02-01A (CONTINUED)

KEY	PART NUMBER	U/M	DESCRIPTION	VENDOR NO.
1	084880-03-705	EA	BRACKET - LIGHT - INTERIOR	61629722
2	120075-01-734	EA	COVER - LENS	618190
3	084880-03-706	EA	BULB - LAMP	61628922
4	084880-01-760	EA	CLIP (THERMISTER)	61689122
5	120075-01-735	EA	THERMISTER W/LAMP & WIRE/ASM	618548

APPLIANCE GROUP (CONTINUED)
COMPONENT PARTS FOR APPLIANCE (CONTINUED)

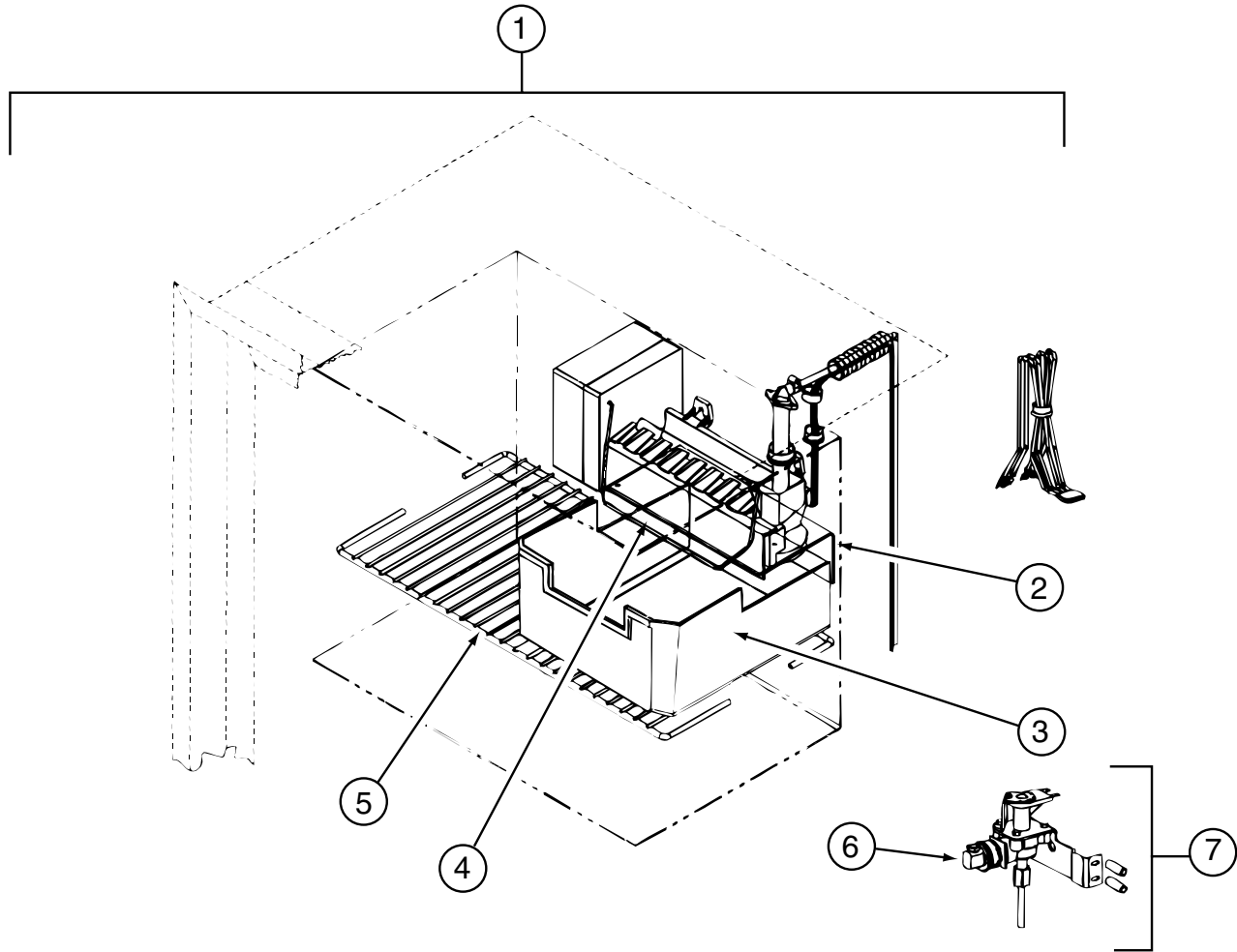


125242-02-01A (CONTINUED)

KEY	PART NUMBER	U/M	DESCRIPTION	VENDOR NO.
1	125242-01-753	EA	KIT - GAS VALVE/BURNER TUBE	620610
2	125242-01-744	EA	BURNER TUBE	618937
4	113737-01-716	EA	TAP-PRESSURE	61594422
7	120075-01-738	EA	COVER-POWER BOARD	618185
8	125242-02-703	EA	POWER BOARD	621271
9	120075-01-740	EA	COVER-BASE, POWER BOARD	618186
11	125242-01-739	EA	BASE-BURNER BOX	618902
12	125242-01-740	EA	COVER-BURNER BOX	618910
13	125242-01-717	EA	ORIFICE-JEWELED	618814
14	125242-01-743	EA	BURNER - 8 SLOT	618932
15	104137-06-715	EA	ELECTRODE-SPARK/SENSOR, SGL	61692222

CONTACT WINNEBAGO PART SALES FOR UNLISTED COMPONENTS

APPLIANCE GROUP (CONTINUED)
COMPONENT PARTS FOR APPLIANCE (CONTINUED)



125242-02-01A (CONTINUED)

KEY	PART NUMBER	U/M	DESCRIPTION	VENDOR NO.
1	094039-07-706	EA	ICE MAKER W/O PLATES	61656522
2	125242-01-737	EA	BRACKET - MOUNTING (ICE MAKER)	618894
3	125242-01-716	EA	ICE BIN	618803
4	120075-03-703	EA	ARM - SHUT OFF	61656922
5	125242-01-725	EA	SHELF - FREEZER (WIRE)	618847
6	120075-03-702	EA	NUT/COMPRESSION - FITTING	61678722
7	120075-03-701	EA	VALVE - WATER - W/BRACKET	618523

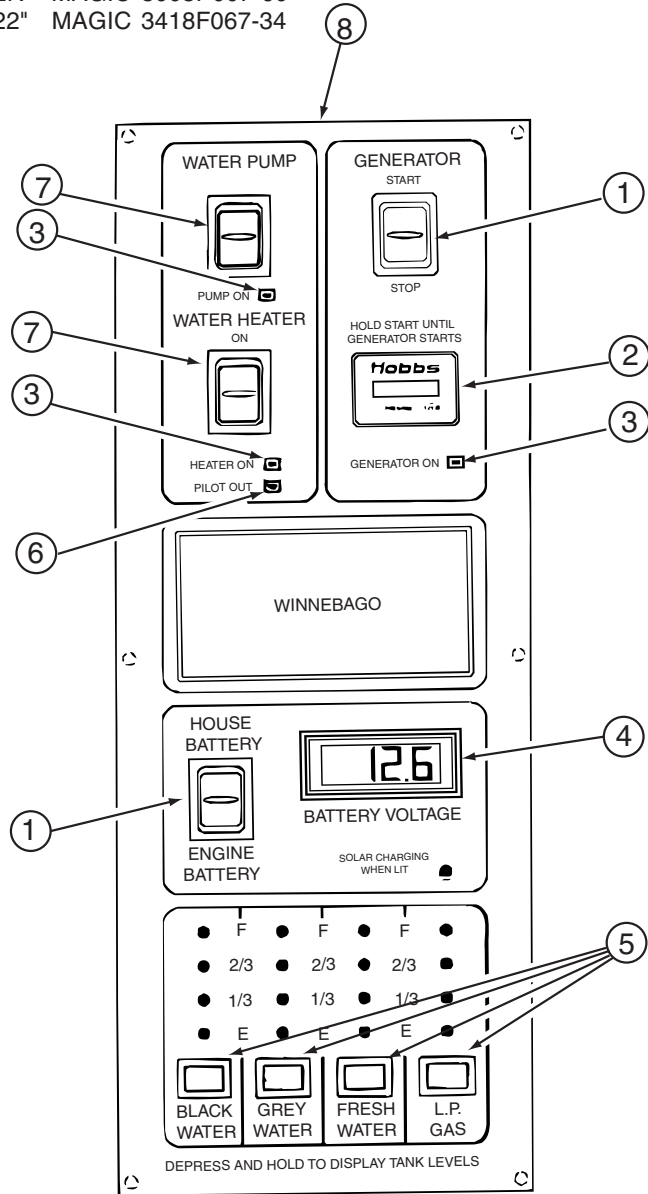
APPLIANCE GROUP (CONTINUED)
COMPONENT PARTS FOR APPLIANCE (CONTINUED)

126019-01-01A

KEY	PART NUMBER	U/M	DESCRIPTION	VENDOR NO.
	126019-01-700	EA	GLASS CARAFE	172547-00
	126019-01-701	EA	RESERVOIR- WATER	172554
	126019-01-702	EA	BASKET - FILTER	172553-00
	126019-01-703	EA	HARDWARE - MOUNTING	172174-00

126022-01-01A, 126022-02-01A, 126022-03-01A

KEY	PART NUMBER	U/M	DESCRIPTION	VENDOR NO.
	114030-01-707	EA	PLUG BUTTON BLACK	74002628
	126022-01-700	EA	BUMPER - RANGE BIFOLD COVER	MAGIC 8003P007-60
	126022-01-701	EA	HINGE-RANGE BIFOLD COVER-22"	MAGIC 3418F067-34



133004-04-01A

KEY	PART NUMBER	U/M	DESCRIPTION	VENDOR NO.
1	133004-01-702	EA	SWITCH/DPDT MOM=ON-OFF-ON	L1011-00
2	100258-10-701	EA	GAUGE-HOUR MTR-CLIP ON (LCD)	L0775-00
3	133004-01-706	EA	L.E.D. GREEN-PANEL MOUNT	L0785
4	133004-01-704	EA	METER/VOLT-DIGITAL - LCD	L1008-00
5	133004-01-705	EA	SWITCH/MOM ON - PUSH BUTTON	L0950-00
7	133004-01-701	EA	SWITCH/DPDT ON-ON/MAINTAINED	L1025-00
8	133004-04-700	EA	SCREENED CHASSIS/SUB ASSY	CE0287
	133004-02-700	EA	BOARD - PC	L5113-03

CONTACT WINNEBAGO PARTS SALES FOR MISSING COMPONENTS

AUDIO VIDEO GROUP RADIO SYSTEM

KEY	PART NUMBER	U/M	DESCRIPTION
	077069-02-000	EA	CABLE - ANTENNA/EXTENSION - RADIO - 96"
	077069-03-000	EA	CABLE/EXTENSION - RADIO ANTENNA - 260"
	123256-02-000	EA	CABLE - CB - COAX
	089340-02-000	EA	GRILLE - SPEAKER - 6.5" SQUARE
	110470-01-01A	EA	GRILLE - 4" X 6" OVAL SPEAKER - BLACK
	124885-01-000	EA	GRILLE - SPEAKER - 6" X 9" - SUB-WOOFER - SURROUND SOUND
	139111-01-02A	EA	GRILLE - SPEAKER - 6" ROUND - GLACIER - W/O SURROUND SOUND
	090944-01-000	EA	ANTENNA - RADIO - 16" RUBBER - W/72" LEAD WIRE FROM: 00-00-00 THRU: 01-05-03
	090944-02-000	EA	ANTENNA - RADIO - 16" RUBBER - W/O LEAD WIRE FROM: 01-06-03 THRU: 99-99-99
	090944-03-000	EA	CABLE - ANTENNA FROM: 01-06-03 THRU: 99-99-99
	123256-01-000	EA	ANTENNA - CB - W/O CABLE
	094097-01-000	EA	SPEAKER - RADIO/TV - W/O GRILLE - 5.25" DIAMETER
	110469-01-000	EA	SPEAKER - 4" X 6" OVAL - COAXIAL
	124883-02-000	EA	SPEAKER - CUBE - W/BRACKET - SURROUND SOUND
	124884-01-000	EA	SPEAKER - 6" X 9" - SUB-WOOFER - SURROUND SOUND
	102080-17-000	EA	CHANGER - COMPACT DISC - SONY CDX-555RF
	102080-18-000	EA	CHANGER - CONTROL/FM MODULE & REMOTE - SONY CDX-555RF KIT
	108847-01-000	EA	BRACKET - ANTENNA GROUND
	115916-01-01B	EA	BRACKET - ANTENNA MOUNT
	109889-04-000	EA	EXTENDER - ANTENNA SHAFT - 3.7"
	124881-02-000	EA	AMPLIFIER - AUDIO - MTS Q SURROUND - ORANGE LABEL (LATEST)
	125322-02-000	EA	RADIO-AM/FM STEREO/CASSETTE-AUDIOVOX-MS-306-EXT ENT W/CASS - EXT ENTERTAINMENT
	127517-11-000	EA	RADIO - AM/FM STEREO - CD PLAYER - SONY CDX-L300 - EXT ENTERTAINMENT W/CD FROM: 00-00-00 THRU: 06-02-02
*	143509-01-000	EA	RADIO - AM/FM CD - W/REMOTE - JENSEN CD3010X-W - EXT ENTERTAINMENT W/CD FROM: 06-03-02 THRU: 99-99-99
	135420-01-000	EA	RADIO - AM/FM CASSETTE/CD COMBO - M9900 - DASH
	135420-07-000	EA	RADIO - MOUNTING KIT - A-BODY - DASH
	141679-01-000	EA	RADIOS - TWO WAY SET
	141679-02-000	EA	RADIO/BATTERY KIT - TWO WAY (4 RADIOS/8 BATTERIES)
	133089-01-000	EA	CONTROL - VOLUME - SPEAKER

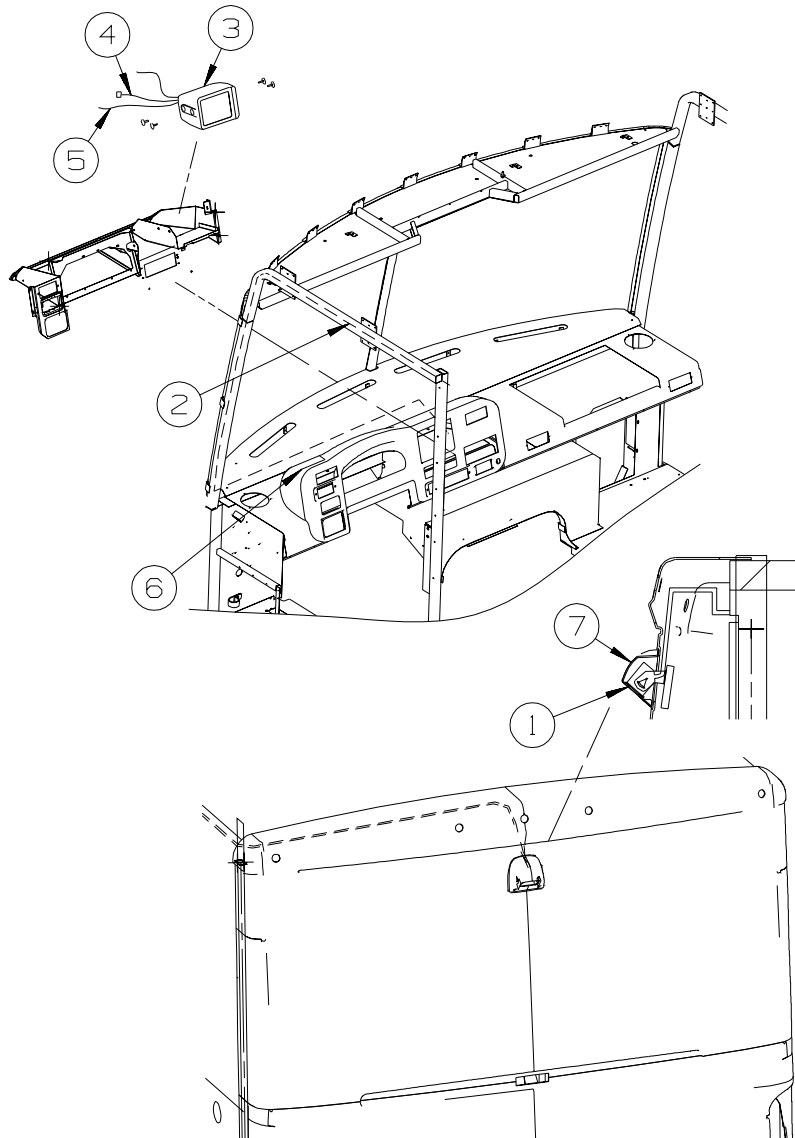
*COMPONENT PARTS LISTED LATER IN THIS GROUP

AUDIO VIDEO GROUP (CONTINUED)
COMPONENT PARTS FOR RADIO SYSTEM

143509-01-000

KEY	PART NUMBER	U/M DESCRIPTION	VENDOR NO.
	143509-01-700	EA REMOTE - RADIO	VG70A0

AUDIO VIDEO GROUP (CONTINUED)
REAR VIEW MONITOR



KEY	PART NUMBER	U/M	DESCRIPTION
1	093040-09-000	EA	CAMERA - REAR VIEW - W/BRACKET - SONY
2	093041-01-000	EA	CABLE - MONITOR/CAMERA - INTERNAL USE - 65.6'
3*	093040-10-000	EA	MONITOR - 7" REAR VIEW - W/BRACKET - SONY
4	096717-04-000	EA	WIRE ASSEMBLY - REAR MONITOR - UPPER
5	114870-01-000	EA	PLUG - AUDIO W/LEADS - 48.5"
6	093214-01-03A	EA	GRILLE - SPEAKER - 4" - GLACIER
6	098819-01-000	EA	SPEAKER - 4" - 2 WATT - 8 OHM
7	137919-01-01A	EA	SHROUD - CAMERA - OUTER - BRIGHT WHITE

***COMPONENT PARTS LISTED LATER IN THIS GROUP**

AUDIO VIDEO GROUP (CONTINUED)
COMPONENT PARTS FOR REAR VIEW MONITOR

093040-10-000

KEY	PART NUMBER	U/M DESCRIPTION	VENDOR NO.
	093040-10-700	EA LENS-MONITOR, REAR VIEW F/7"	3-708-537-01

AUDIO VIDEO GROUP (CONTINUED)
TELEPHONE

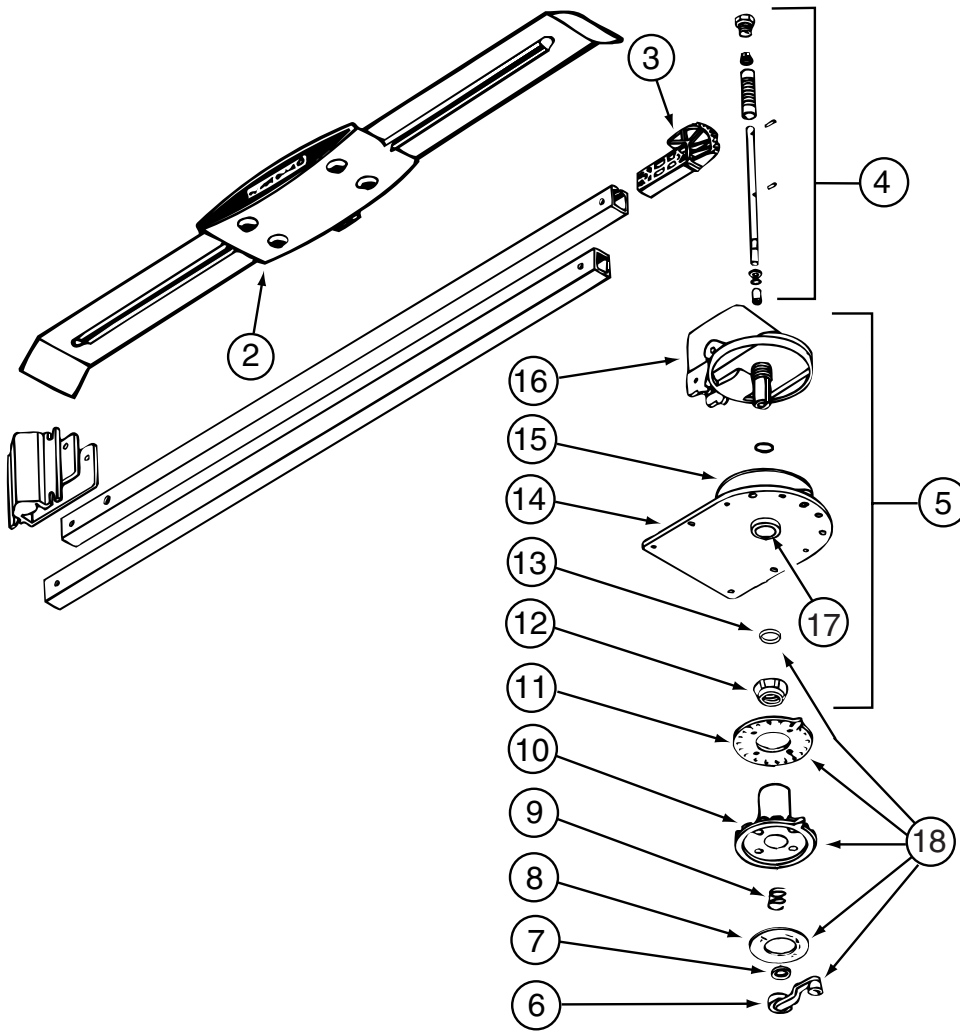
KEY	PART NUMBER	U/M	DESCRIPTION
	093253-01-03A	EA	PLATE - WALL - TELEPHONE - WHITE
	130686-01-01A	EA	PLATE - WALL - TELEPHONE/COAX - WHITE

TV & VCR

KEY	PART NUMBER	U/M	DESCRIPTION
	076319-03-000	FT	CABLE - COAXIAL - 75 OHM
	136860-01-000	EA	CABLE - RCA - #3 MALE TO #12F MALE CONNECTOR - SURROUND SOUND
	076319-09-000	EA	WALLPLATE - CABLE RECEPTACLE - TV - SINGLE - BROWN
	076319-12-000	EA	CONNECTOR - COAXIAL - ONE PIECE
*	076319-23-000	EA	ANTENNA - TV ROOF MOUNT - 44.5" MAST
*	076319-25-000	EA	KIT - HARDWARE INTERIOR
*	137135-01-000	EA	ANTENNA - SATELLITE DSS - W/SENSOR FROM: 00-00-00 THRU: 04-08-02
	137135-02-000	EA	ANTENNA - SATELLITE DSS - W/SENSOR FROM: 04-09-02 THRU: 99-99-99
	069726-02-000	EA	BUMPER - .88" OD X .40" THICK - BLACK
	082134-01-000	EA	ADAPTER - TV - CABLE TO CABLE
	082136-01-000	EA	NUT - HEX JAM - 3/8-32
	086756-01-000	EA	SPLITTER - TV/2 WAY
	115540-01-000	EA	AMPLIFIER - TV SPEAKERS
	123324-01-000	EA	FILTER - GROUND LOOP
*	124073-11-000	EA	VCR-VHS/HI-FI STEREO - SILVER CASE - RCA VR651HF - SURROUND SOUND FROM: 00-00-00 THRU: 05-16-02
*	124073-12-000	EA	VCR-VHS/HI-FI STEREO - SILVER CASE - RCA VR651HF - SURROUND SOUND FROM: 05-17-02 THRU: 99-99-99
*	126697-07-000	EA	VCR - VHS/CABLE READY - W/REMOTE - GE VG4045 - VCR FROM: 00-00-00 THRU: 08-04-02
	124073-13-000	EA	VCR-VHS/CABLE READY - W/AUDIO/VIDEO PORT - RCA VR546 - VCR FROM: 08-05-02 THRU: 99-99-99
*	126696-07-000	EA	TV - 19" COLOR - W/O 1/8" JACK - UL/CSA - GE 19GT243 - 19" TV W/REMOTE
*	133377-01-000	EA	TV - 25" - COLOR - W/1/8" JACK - UL/CSA - GE 25GT240M - 25" TV
*	130121-06-000	EA	TV - 25" - COLOR/STEREO W/5 JACKS - RCA F25649 - 25" TV/SURROUND SOUND FROM: 00-00-00 THRU: 09-17-02
*	130121-07-000	EA	TV - 25" - COLOR/STEREO W/5 JACKS - RCA F25442A0 - 25" TV/SURROUND SOUND FROM: 09-18-02 THRU: 12-01-02
	130121-08-000	EA	TV - 25" - COLOR/STEREO W/5 JACKS - RCA F25441A0 - 25" TV/SURROUND SOUND FROM: 12-02-02 THRU: 99-99-99
	134006-01-03B	EA	PLATE - COAXIAL CABLE/OFF WHITE
	136764-02-000	EA	DVD PLAYER - RCA RC524OP - DVD PLAYER FROM: 00-00-00 THRU: 07-21-02
	136764-03-000	EA	DVD PLAYER - RCA DRC220N - DVD PLAYER FROM: 07-22-02 THRU: 99-99-99
	142258-01-000	EA	SWITCH - VIDEO/ANTENNA POWER SUPPLY - VIDEO SELECTION SYSTEM

*COMPONENT PARTS LISTED LATER IN THIS GROUP

AUDIO VIDEO GROUP (CONTINUED)
COMPONENT PARTS FOR TV & VCR



076319-23-000

KEY	PART NUMBER	U/M	DESCRIPTION	VENDOR NO.
2	076319-01-700	EA	HEAD-ANTENNA, AMPLIFIED	RVSA U/V
3	076319-01-701	EA	GEAR-ELEVATING, PLASTIC	2200046
4	076319-01-702	EA	SHAFT ASM-ELEVATING	RP-4000
5	076319-01-711	EA	BASE & LIFT ASM	2762802
7	076319-01-705	EA	GROMMET-NYLON, 7/8"ID	3200658
8	076319-01-708	EA	DECAL-CRANK	5413002
9	076319-01-707	EA	SPRING-HANDLE	2160822
11	076319-01-712	EA	PLATE - CEILING	3200608
12	076319-01-715	EA	NUT (GEAR HOUSING)	2200047
14	076319-01-713	EA	BASE-PLATE, STEEL	3100523
15	076319-01-703	EA	BEARING-NYLON, 5"OD	3200656
16	076319-01-714	EA	HOUSING, ROTATING GEAR	2200049
17	076319-01-716	EA	TUBING, ELEVATING	RP-2900
17	076319-01-704	EA	BEARING-NYLON, 1.25"OD	3200657

CONTACT WINNEBAGO PART SALES FOR UNLISTED COMPONENT

076319-25-000

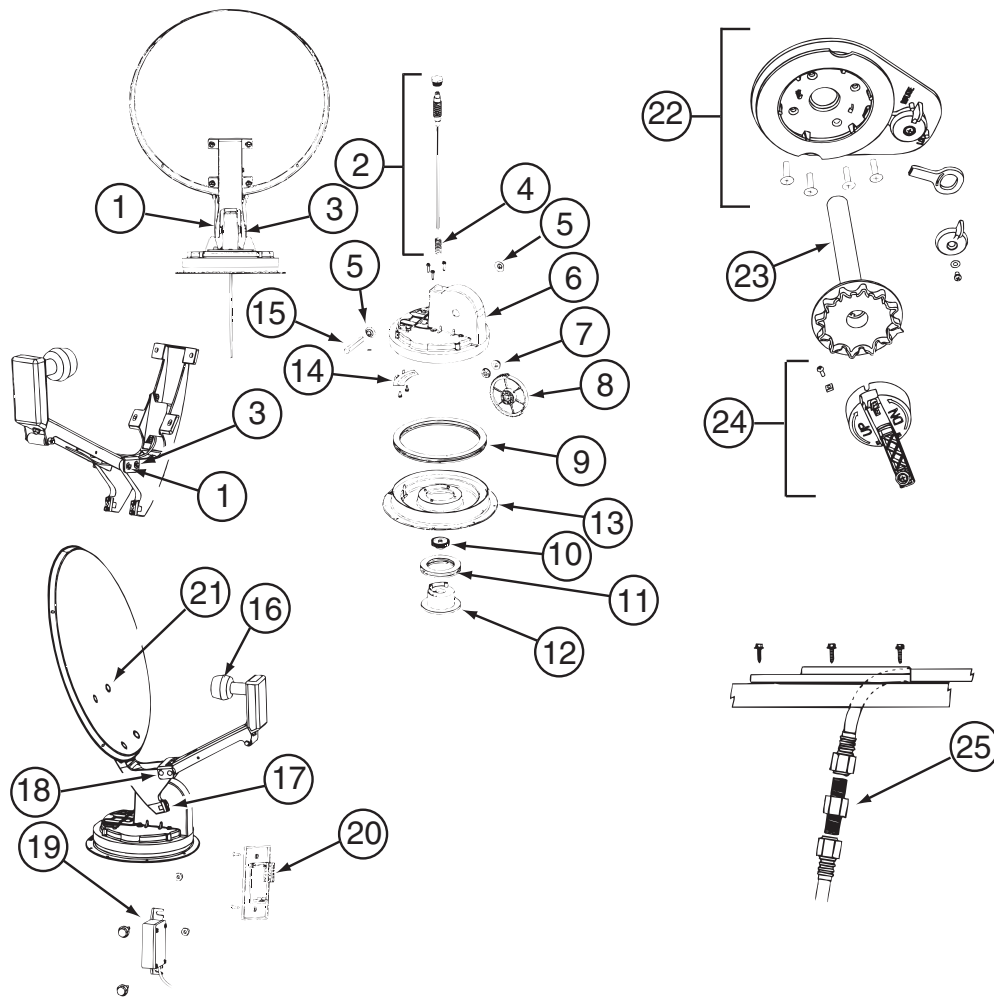
KEY	PART NUMBER	U/M	DESCRIPTION	VENDOR NO.
6	076319-01-706	EA	CRANK-W/SET SCREW UNIV/BEIGE	2750897
6	120233-01-710	EA	HANDLE-CRANK W/SCREW - WHITE	RP-6795
8	076319-01-708	EA	DECAL-CRANK	5413002
10	076319-25-700	EA	DIRECTIONAL HANDLE(WHITE)	3200612
11	076319-25-701	EA	PLATE - CEILING(WHITE)	3200609
13	120233-01-709	EA	WASHER-NYLON	RP-2658

CONTACT WINNEBAGO PART SALES FOR UNLISTED COMPONENTS

AUDIO VIDEO GROUP (CONTINUED)
COMPONENT PARTS FOR TV & VCR (CONTINUED)

			124073-11-000	
KEY	PART NUMBER	U/M DESCRIPTION		VENDOR NO.
	126697-04-700	EA REMOTE		239040
			124073-12-000	
KEY	PART NUMBER	U/M DESCRIPTION		VENDOR NO.
	126697-04-700	EA REMOTE		239040
			126697-07-000	
KEY	PART NUMBER	U/M DESCRIPTION		VENDOR NO.
	126697-07-700	EA REMOTE		248687
			130121-06-000	
KEY	PART NUMBER	U/M DESCRIPTION		VENDOR NO.
	130121-05-700	EA REMOTE		242524
			133377-01-000 & 133377-02-000	
KEY	PART NUMBER	U/M DESCRIPTION		VENDOR NO.
	133377-01-700	EA REMOTE		240961

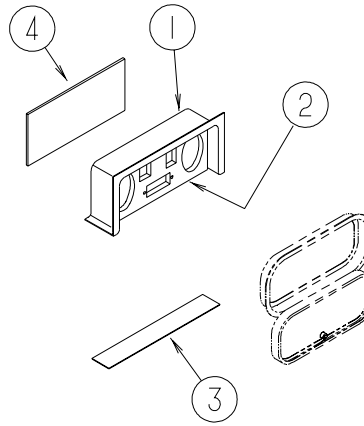
AUDIO VIDEO GROUP (CONTINUED)
COMPONENT PARTS FOR TV & VCR (CONTINUED)



137135-01-000

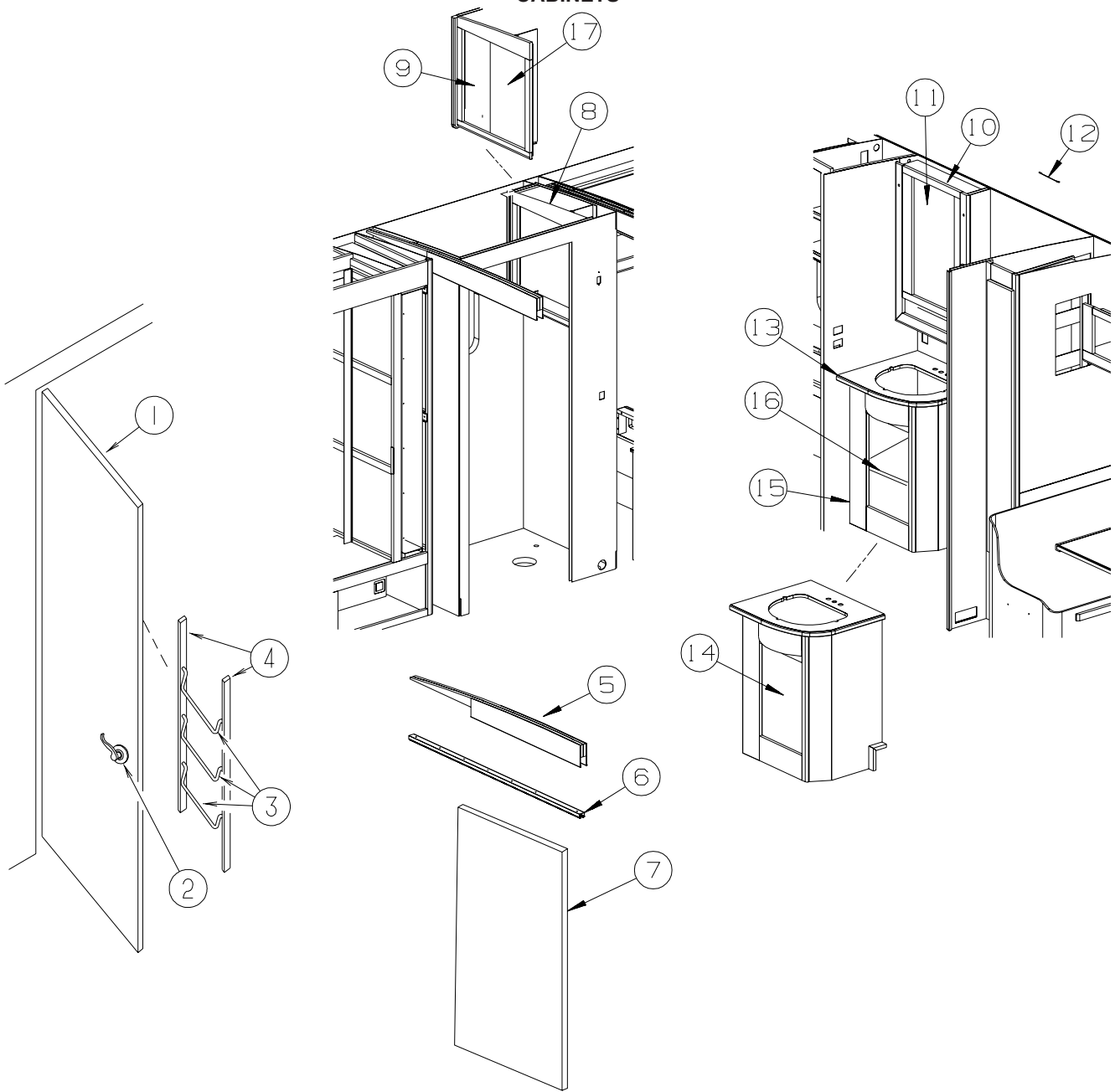
KEY	PART NUMBER	U/M	DESCRIPTION	VENDOR NO.
1	120233-01-714	EA	CLIP-E	5160818
2	137135-01-703	EA	SHAFT-ELEVATING(SPRING/PLUG)	RP-4400
3	137135-01-704	EA	PIN - 1/4" X 3.25"	2160813
4	137135-01-705	EA	SPRING	2160818
5	137135-01-707	EA	SEAL - PIVOT SHAFT	2200852
6	137135-01-708	EA	TURRET	3100728
7	137135-01-709	EA	PIVOT BEARING	2200470
8	137135-01-711	EA	GEAR - ELEVATING	2200464
9	137135-01-712	EA	BEARING - OUTER	2590347
10	137135-01-714	EA	GEAR - ELEVATING SHAFT	2200465
11	137135-01-715	EA	BEARING - INNER	2590348
12	137135-01-716	EA	HUB	3100731
13	137135-01-713	EA	TURRET BASE	3100730
14	137135-01-710	EA	PLATE - ROTATE LIMIT	3720052
15	137135-01-706	EA	KIT-TURRET/SEAL/BEARING/GEAR	RP-RM30
16	120233-01-734	EA	LOW NOISE BLOCK FILTER (SGL)	LB10003
17	137135-01-722	EA	CLAMP	2590343
18	137135-01-719	EA	BRACKET - PIVOT	2744945
19	137135-01-720	EA	DE-SENSOR UNIT W/43" CABLE	276342
20	137135-01-721	EA	WALL PLATE	3200213
21	137135-01-717	EA	BOLT - FLAT HEAD	216032
22	120233-01-722	EA	PLATE ASSEMBLY (CEILING)	2762826
23	120233-01-704	EA	DIAL - DIRECTIONAL	3200364
24	120233-01-721	EA	CRANK HANDLE ASSEMBLY	2762825
25	137135-01-701	EA	CONNECTOR - F - MALE TO MALE	FS-8100
	137135-01-700	EA	ROOF WEDGE W/GASKET	RW-5000
	137135-01-718	EA	REFLECTOR/WHITE - 46CM	2745282

AUDIO VIDEO GROUP (CONTINUED)
EXTERIOR ENTERTAINMENT



KEY	PART NUMBER	U/M	DESCRIPTION
1	124696-02-01A	EA	BOX - ENTERTAINMENT CENTER/EXTERIOR - BRIGHT WHITE
	124696-01-01A	EA	BOX - ENTERTAINMENT CENTER/EXTERIOR - BRIGHT WHITE
2	127409-02-L15	EA	PLATE - RADIO MOUNTING
3	104898-01-02A	EA	PLATE - PLASTIC BOTTOM - BRIGHT WHITE
4	NOT USED		

BATH GROUP CABINETS

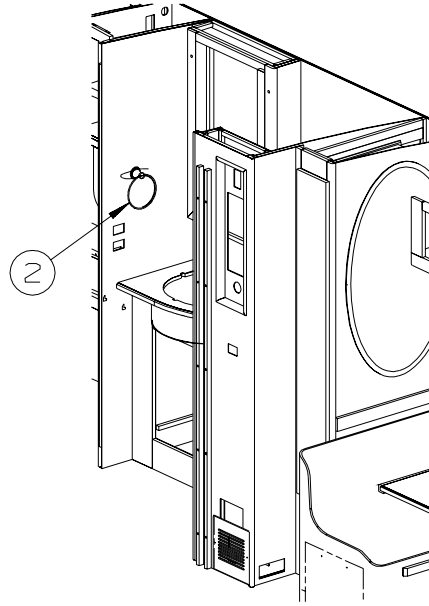
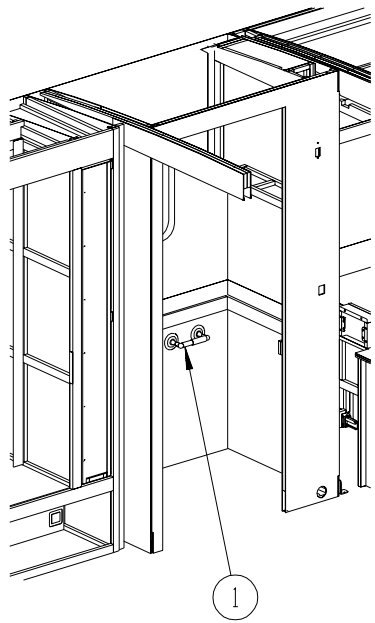


KEY	PART NUMBER	U/M	DESCRIPTION
1	131933-08-M42	EA	DOOR - BATH - W/O HARDWARE - PORTSMOUTH OAK
1	131933-08-M08	EA	DOOR - BATH - W/O HARDWARE - CONCERT CHERRY
1	131933-08-M15	EA	DOOR - BATH - W/O HARDWARE - WASHED MAPLE
2	111155-05-01A	EA	LOCK - PRIVACY/LOCKING - POLISHED BRASS - "S" SHAPE HANDLE FROM: 00-00-00 THRU: 01-26-03
2	146064-01-01A	EA	LOCK - PRIVACY HANDLE - POLISHED BRASS FROM: 01-27-03 THRU: 99-99-99
3	100357-01-000	EA	ROD - F/TOWEL BAR - BRASS
4	P34509-01-N01	EA	RAIL END - RH/LH - TOWEL RACK - PORTSMOUTH OAK - PORTSMOUTH OAK
4	P34509-01-P14	EA	RAIL END - RH/LH - TOWEL RACK - CHERRY - CONCERT CHERRY
4	P34509-01-J70	EA	RAIL END - RH/LH - TOWEL RACK - CHERRY - WASHED MAPLE
5	137426-01-N42	EA	HEADER - DOOR - PORTSMOUTH OAK
5	137426-01-N85	EA	HEADER - DOOR - CONCERT CHERRY
5	137426-01-N84	EA	HEADER - DOOR - WASHED MAPLE
6	137422-02-01A	EA	TRACK/DOOR - OFF WHITE
7	104013-05-L81	EA	DOOR - SLIDING - W/O HARDWARE - PORTSMOUTH OAK
7	104013-05-M85	EA	DOOR - SLIDING - W/O HARDWARE - CONCERT CHERRY
7	104013-05-M84	EA	DOOR - SLIDING - W/O HARDWARE - WASHED MAPLE

BATH GROUP (CONTINUED)
CABINETS (CONTINUED)

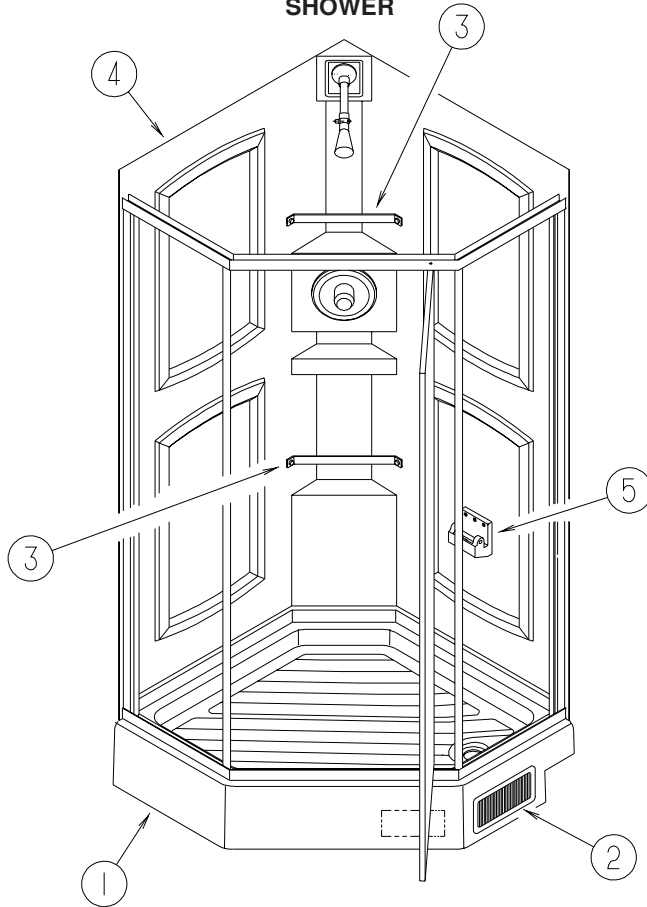
KEY	PART NUMBER	U/M	DESCRIPTION
8	137134-01-N42	EA	CABINET - OVERHEAD - LINEN - W/O DOORS/HARDWARE - PORTSMOUTH OAK
8	137134-01-P46	EA	CABINET - OVERHEAD - LINEN - W/O DOORS/HARDWARE - CONCERT CHERRY
8	137134-01-P56	EA	CABINET - OVERHEAD - LINEN - W/O DOORS/HARDWARE - WASHED MAPLE
9	134868-18-N47	EA	DOOR - RAIL/ARCHED TOP - 10.8" X 21.8" - W/O HARDWARE - PORTSMOUTH OAK FROM: 00-00-00 THRU: 11-12-02
9	141518-40-P54	EA	DOOR - ARCHED/PENCIL EDGE/LEFT HAND-10.8" X 21.8"-W/O HDW - PORTSMOUTH OAK FROM: 11-13-02 THRU: 99-99-99
9	134868-18-P55	EA	DOOR - RAIL/ARCHED TOP - 10.8" X 21.8" - W/O HARDWARE - CONCERT CHERRY FROM: 00-00-00 THRU: 11-12-02
9	141518-40-P55	EA	DOOR - ARCHED/PENCIL EDGE/LEFT HAND-10.8" X 21.8"-W/O HDW - CONCERT CHERRY FROM: 11-13-02 THRU: 99-99-99
9	134868-18-P56	EA	DOOR - RAIL/ARCHED TOP - 10.8" X 21.8" - W/O HARDWARE - WASHED MAPLE FROM: 00-00-00 THRU: 11-12-02
9	141518-40-P56	EA	DOOR - ARCHED/PENCIL EDGE/LEFT HAND-10.8" X 21.8"-W/O HDW - WASHED MAPLE FROM: 11-13-02 THRU: 99-99-99
10	137263-01-N42	EA	CABINET - MEDICINE/OVERHEAD - W/O DOORS/HARDWARE - PORTSMOUTH OAK
10	137263-01-P46	EA	CABINET - MEDICINE/OVERHEAD - W/O DOORS/HARDWARE - CONCERT CHERRY
10	137263-01-P56	EA	CABINET - MEDICINE/OVERHEAD - W/O DOORS/HARDWARE - WASHED MAPLE
11	115237-04-M01	EA	DOOR - MIRRORED - BATH - W/O HARDWARE - PORTSMOUTH OAK
11	115237-04-P55	EA	DOOR - MIRRORED - BATH - W/O HARDWARE - CONCERT CHERRY
11	115237-04-P56	EA	DOOR - MIRRORED - BATH - W/O HARDWARE - WASHED MAPLE
	093606-03-000	EA	MIRROR - BEVELED EDGE - 28.3" X 15.1"
	137463-01-01A	EA	LIFT - HOOK - SATIN BRASS
12	076767-04-000	EA	CABLE - STAINLESS STEEL - 5.9"
13	133654-06-P54	EA	COUNTERTOP - LAMINATED - BEIGE PAMPAS (P54)
13	133654-06-P55	EA	COUNTERTOP - LAMINATED (P55)
13	133654-06-P56	EA	COUNTERTOP - LAMINATED - BEIGE PAMPAS (P56)
13	133654-06-P45	EA	COUNTERTOP - LAMINATED - EGGSHELL (P57)
13	133654-06-P46	EA	COUNTERTOP - LAMINATED - EGGSHELL (P58)
13	133654-06-P59	EA	COUNTERTOP - LAMINATED - EGGSHELL (P59)
13	133654-06-N44	EA	COUNTERTOP - LAMINATED - GRAY TRANQUILITY/PORTSMOUTH OAK (P60)
13	133654-06-P50	EA	COUNTERTOP - LAMINATED - GRAY TRANQUILITY (P61)
13	133654-06-P62	EA	COUNTERTOP - LAMINATED - GRAY TRANQUILITY (P62)
14	136955-B9-P54	EA	DOOR - RAISED PANEL/PENCIL EDGE - 15" X 21.9" - W/O HDW - PORTSMOUTH OAK
14	136955-B9-P55	EA	DOOR - RAISED PANEL/PENCIL EDGE - 15" X 21.9" - W/O HDW - CONCERT CHERRY
14	136955-B9-P56	EA	DOOR - RAISED PANEL/PENCIL EDGE - 15" X 21.9" - W/O HDW - WASHED MAPLE
15	137299-01-N42	EA	CABINET - LAVATORY - W/O COUNTERTOP/DOORS/DWRS/HDW - PORTSMOUTH OAK
15	137299-01-P46	EA	CABINET - LAVATORY - W/O COUNTERTOP/DOORS/DWRS/HDW - CONCERT CHERRY
15	137299-01-P56	EA	CABINET - LAVATORY - W/O COUNTERTOP/DOORS/DWRS/HDW - WASHED MAPLE
16	137299-21-N42	EA	SHELF - W/PLASTIC EDGE MOLDING
17	134868-17-N47	EA	DOOR - RAIL/ARCHED TOP - 10.8" X 21.8" - W/O HARDWARE - PORTSMOUTH OAK FROM: 00-00-00 THRU: 11-12-02
17	141520-40-P54	EA	DOOR - ARCHED/PENCIL EDGE/RIGHT HAND -10.8"X21.8"- W/O HDW - PORTSMOUTH OAK FROM: 11-13-02 THRU: 99-99-99
17	134868-17-P55	EA	DOOR - RAIL/ARCHED TOP - 10.8" X 21.8" - W/O HARDWARE - CONCERT CHERRY FROM: 00-00-00 THRU: 11-12-02
17	141520-40-P55	EA	DOOR - ARCHED/PENCIL EDGE/RIGHT HAND -10.8"X21.8"- W/O HDW - CONCERT CHERRY FROM: 11-13-02 THRU: 99-99-99
17	134868-17-P56	EA	DOOR - RAIL/ARCHED TOP - 10.8" X 21.8" - W/O HARDWARE - WASHED MAPLE FROM: 00-00-00 THRU: 11-12-02
17	141520-40-P56	EA	DOOR - ARCHED/PENCIL EDGE/RIGHT HAND -10.8"X21.8"- W/O HDW - WASHED MAPLE FROM: 11-13-02 THRU: 99-99-99

BATH GROUP (CONTINUED)
CABINETS (CONTINUED)



KEY	PART NUMBER	U/M	DESCRIPTION
1	140973-02-01A	EA	TISSUE HOLDER - CHROME/BRASS
2	135009-01-01A	EA	RING - TOWEL - CHROME & BRASS

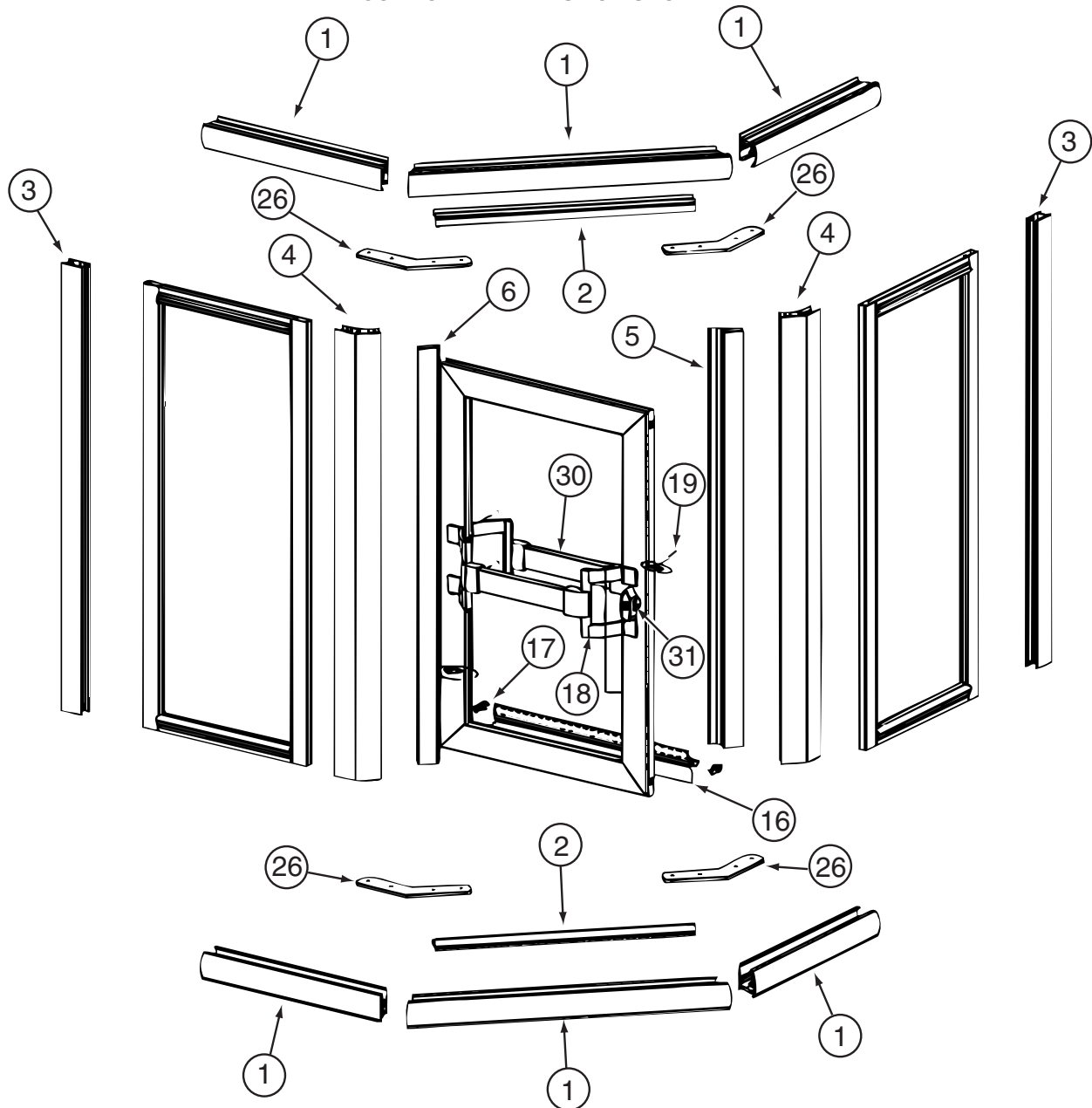
BATH GROUP (CONTINUED)
SHOWER



KEY	PART NUMBER	U/M	DESCRIPTION
1	M02630-67-N42	EA	SHOWER PAN - W/STRAINER
2	089326-02-000	EA	GRILLE - FLOOR - HEATING - 9.3" X 5.3" - SOFT WHITE
3	113714-02-02A	EA	RETAINER - SHELF/SHOWER - SOFT WHITE
4	131311-01-01A	EA	ENCLOSURE - SHOWER - SIDES/BACK - 1 PIECE
5	135607-03-01A	EA	SEAT - SHOWER/FOLDING(FOR REPLACEMENT OR OPTION INST ONLY)
*	139047-03-02A	EA	DOOR - SHOWER - NEO ANGLE - GOLD/CLEAR - 66.4" TALL
			FROM: 00-00-00 THRU: 01-05-03
*	139047-03-01A	EA	DOOR - SHOWER - NEO ANGLE - GOLD/AQUA - 66.4" TALL
			FROM: 01-06-03 THRU: 99-99-99

***COMPONENT PARTS LISTED LATER IN THIS GROUP**

BATH GROUP (CONTINUED)
COMPONENT PARTS FOR SHOWER

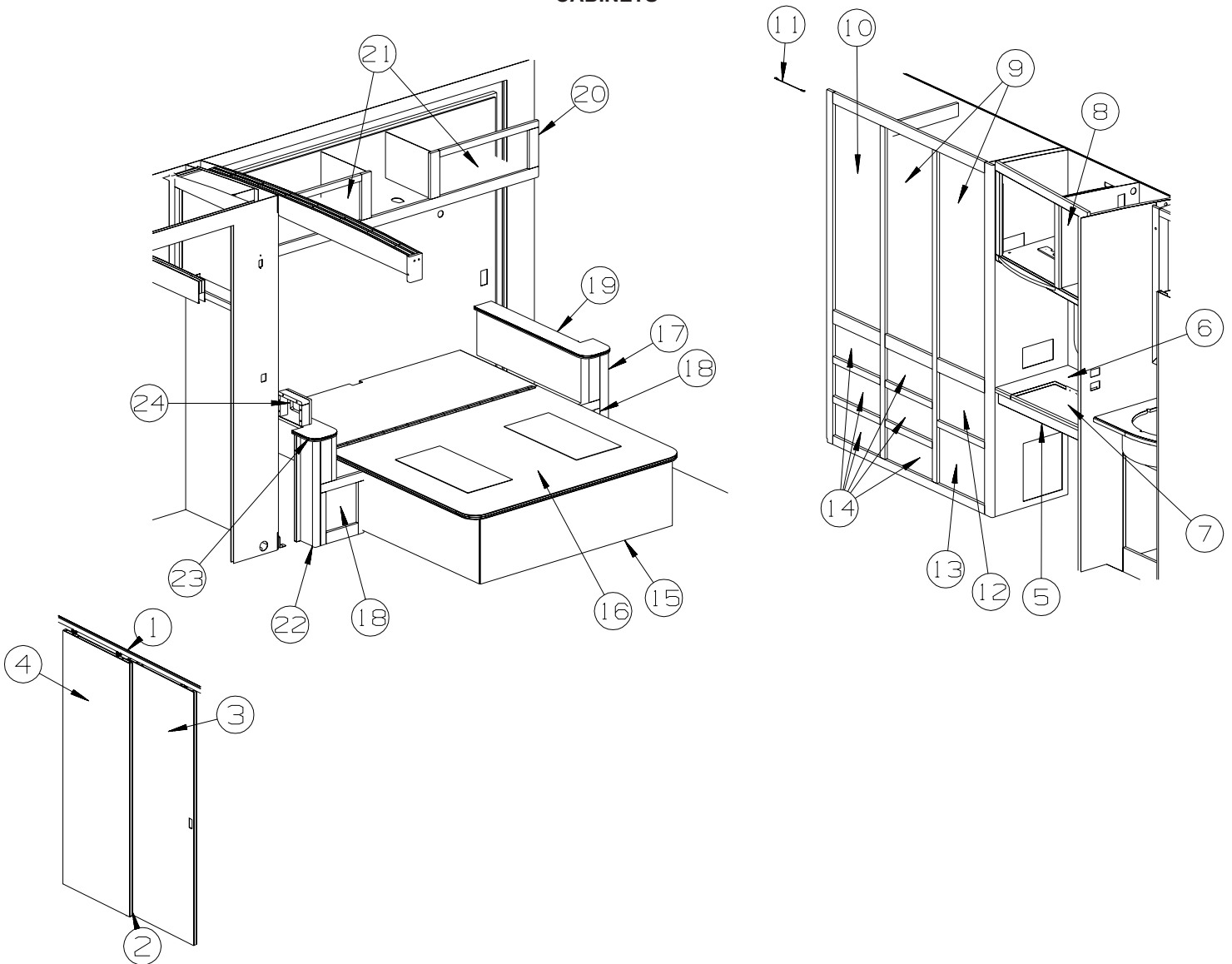


139047-01-01A, 139047-01-02A, 139047-02-01A, 139047-02-02A, 139047-03-01A, 139047-03-02A, 139047-04-02A, 139047-04-03A

KEY	PART NUMBER	U/M	DESCRIPTION	VENDOR NO.
1	139047-01-700	EA	HEADER/SILL - 30" (PAIR)	900
2	139047-01-701	EA	DAM STRIP-TOP/BOTTOM-35.4"	901
3	139047-01-702	EA	JAMB - WALL - 65.9"	903
4	139047-01-703	EA	CORNER POST-45 DEGREE- 65.9"	909
5	139047-01-704	EA	STRIKE - JAMB - 64.6"	926
6	139047-01-705	EA	HINGE/POST - DOOR - 64.5"	920
16	139047-01-710	EA	VINYL SWEEP	C176G
17	139047-01-711	EA	PLUG - DRIP CAP (SET)	CP933
18	092574-01-701	EA	BRACKET-DOOR PULL/TOWEL BAR	8141G
19	092574-01-710	EA	SCREW-GOLD, FOR TOWEL BAR	83212G
26	139047-01-712	EA	HEADER - CORNER BRACKET	313.45C
30	116814-01-700	EA	BAR-TOWEL 17 5/16"	68G
31	089318-01-707	EA	LATCH/CATCH - SAFETY - BLACK	9730N
	139047-01-706	EA	HINGE PINS	CP932
	139047-01-707	EA	WASHERS - HINGE	CP148TW
	139047-01-708	EA	HINGE - SLEEVE - 61.5"	C921B
	139047-01-709	EA	STRIP - MAGNETIC- 55"	98-42
	139047-01-713	EA	RAIL DRIP - 31.6"	927G

CONTACT WINNEBAGO PART SALES FOR UNLISTED COMPONENT

BEDROOM GROUP CABINETS

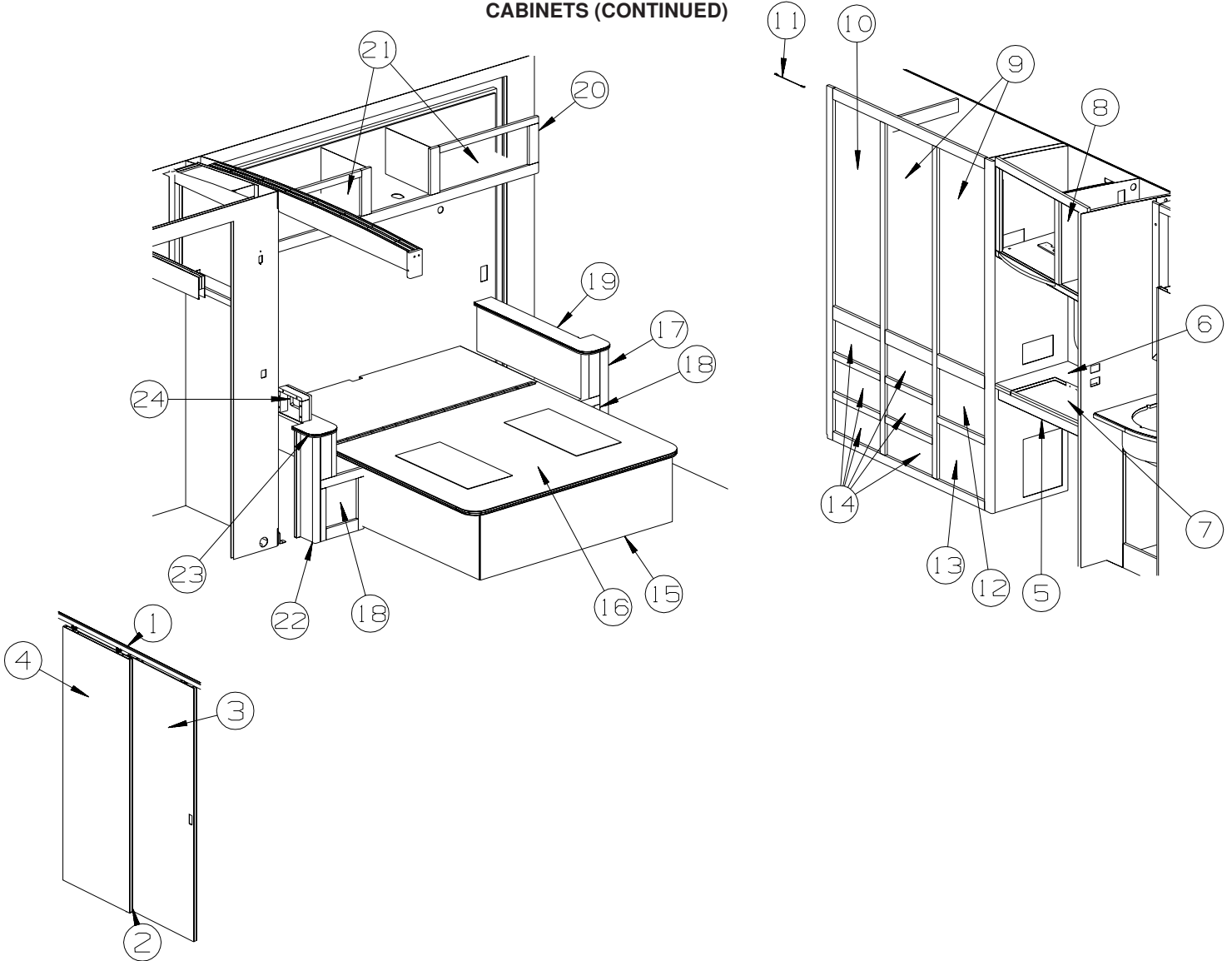


KEY	PART NUMBER	U/M	DESCRIPTION
1	137422-01-01A	EA	TRACK/DOOR - OFF WHITE
2	137421-01-N42	EA	DOOR - SLIDING - PORTSMOUTH OAK
2	137421-01-P46	EA	DOOR - SLIDING - CONCERT CHERRY
2	137421-01-P56	EA	DOOR - SLIDING - WASHED MAPLE
3	137421-11-N42	EA	PANEL - SLIDING DOOR - W/O HANGER - PORTSMOUTH OAK
3	137421-11-P46	EA	PANEL - SLIDING DOOR - W/O HANGER - CONCERT CHERRY
3	137421-11-P56	EA	PANEL - SLIDING DOOR - W/O HANGER - WASHED MAPLE
4	137421-14-N42	EA	PANEL - SLIDING DOOR - W/O HANGER - PORTSMOUTH OAK
4	137421-14-P46	EA	PANEL - SLIDING DOOR - W/O HANGER - CONCERT CHERRY
4	137421-14-P56	EA	PANEL - SLIDING DOOR - W/O HANGER - WASHED MAPLE
5	136874-01-N42	EA	DRAWER/VANITY - W/O HARDWARE - PORTSMOUTH OAK
5	136874-01-P46	EA	DRAWER/VANITY - W/O HARDWARE - CONCERT CHERRY
5	136874-01-P56	EA	DRAWER/VANITY - W/O HARDWARE - WASHED MAPLE
	140374-15-000	EA	MIRROR - SAFETY GLASS - 10.1" X 18.6"
6	133655-23-P54	EA	COUNTERTOP - LAMINATED - BEIGE PAMPAS (P54)
6	133655-23-P55	EA	COUNTERTOP - LAMINATED - BEIGE PAMPAS (P55)
6	133655-23-P56	EA	COUNTERTOP - LAMINATED - BEIGE PAMPAS (P56)
6	133655-23-P37	EA	COUNTERTOP - LAMINATED - EGG SHELL (P57)
6	133655-23-P46	EA	COUNTERTOP - LAMINATED - EGG SHELL (P58)
6	133655-23-P59	EA	COUNTERTOP - LAMINATED - EGG SHELL (P59)
6	133655-23-N44	EA	COUNTERTOP - LAMINATED - GRAY TRANQUILITY (P60)
6	133655-23-P50	EA	COUNTERTOP - LAMINATED - GRAY TRANQUILITY (P61)
6	133655-23-P62	EA	COUNTERTOP - LAMINATED - EGG SHELL (P62)

BEDROOM GROUP (CONTINUED)
CABINETS (CONTINUED)

KEY	PART NUMBER	U/M	DESCRIPTION
7	133655-24-P54	EA	COUNTERTOP - LAMINATED - BEIGE PAMPAS (P54)
7	133655-24-P55	EA	COUNTERTOP - LAMINATED - BEIGE PAMPAS (P55)
7	133655-24-P56	EA	COUNTERTOP - LAMINATED - BEIGE PAMPAS (P56)
7	133655-24-P37	EA	COUNTERTOP - LAMINATED - EGGSHELL (P57)
7	133655-24-P46	EA	COUNTERTOP - LAMINATED - EGGSHELL (P58)
7	133655-24-P59	EA	COUNTERTOP - LAMINATED - EGGSHELL (P59)
7	133655-24-N44	EA	COUNTERTOP - LAMINATED - GRAY TRANQUILITY (P60)
7	133655-24-P50	EA	COUNTERTOP - LAMINATED - GRAY TRANQUILITY (P61)
7	133655-24-P62	EA	COUNTERTOP - LAMINATED - GRAY TRANQUILITY (P62)
8	134868-27-N47	EA	DOOR - RAIL/ARCHED TOP - 10.6" X 19.9" - W/O HARDWARE - PORTSMOUTH OAK FROM: 00-00-00 THRU: 11-12-02
8	141520-34-P54	EA	DOOR - ARCHED/PENCIL EDGE/RIGHT HAND -10.6"X19.9"- W/O HDW - PORTSMOUTH OAK FROM: 11-13-02 THRU: 99-99-99
8	134868-27-P55	EA	DOOR - RAIL/ARCHED TOP - 10.6" X 19.9" - W/O HARDWARE - CONCERT CHERRY FROM: 00-00-00 THRU: 11-12-02
8	141520-34-P55	EA	DOOR - ARCHED/PENCIL EDGE/RIGHT HAND -10.6"X19.9"- W/O HDW - CONCERT CHERRY FROM: 11-13-02 THRU: 99-99-99
8	134868-27-P56	EA	DOOR - RAIL/ARCHED TOP - 10.6" X 19.9" - W/O HARDWARE - WASHED MAPLE FROM: 00-00-00 THRU: 11-12-02
8	141520-34-P56	EA	DOOR - ARCHED/PENCIL EDGE/RIGHT HAND -10.6"X19.9"- W/O HDW - WASHED MAPLE FROM: 11-13-02 THRU: 99-99-99
9	134786-02-N04	EA	DOOR - MIRROR/MITERED CORNERS - 16.7" X 47.9"-W/O HARDWARE - PORTSMOUTH OAK
9	134786-02-M16	EA	DOOR - MIRROR/MITERED CORNERS - 16.7" X 47.9"-W/O HARDWARE - CONCERT CHERRY
9	134786-02-M15	EA	DOOR - MIRROR/MITERED CORNERS - 16.7" X 47.9"-W/O HARDWARE - WASHED MAPLE
10	134868-29-N47	EA	DOOR - RAIL/ARCHED TOP - 16.7" X 48" - W/O HARDWARE - PORTSMOUTH OAK FROM: 00-00-00 THRU: 11-12-02
10	141518-D9-P54	EA	DOOR - ARCHED/PENCIL EDGE - 16.7" X 48" - W/O HARDWARE - PORTSMOUTH OAK FROM: 11-13-02 THRU: 99-99-99
10	134868-29-P55	EA	DOOR - RAIL/ARCHED TOP - 16.7" X 48" - W/O HARDWARE - CONCERT CHERRY FROM: 00-00-00 THRU: 11-12-02
10	141518-D9-P55	EA	DOOR - ARCHED/PENCIL EDGE - 16.7" X 48" - W/O HARDWARE - CONCERT CHERRY FROM: 11-13-02 THRU: 99-99-99
10	134868-29-P56	EA	DOOR - RAIL/ARCHED TOP - 16.7" X 48" - W/O HARDWARE - WASHED MAPLE FROM: 00-00-00 THRU: 11-12-02
10	141518-D9-P56	EA	DOOR - ARCHED/PENCIL EDGE - 16.7" X 48" - W/O HARDWARE - WASHED MAPLE FROM: 11-13-02 THRU: 99-99-99
11	076767-04-000	EA	CABLE - STAINLESS STEEL - 5.9"
12	P34767-C0-N37	EA	DRAWER - PENCIL EDGE - 14.7"W X 11.8"D-W/O SLIDES/HARDWARE - PORTSMOUTH OAK FROM: 00-00-00 THRU: 08-18-02
12	134870-43-P41	EA	DRAWER - PENCIL EDGE - 15.1"W X 11.8"D -W/O SLIDES/HDW - PORTSMOUTH OAK FROM: 08-19-02 THRU: 99-99-99
12	P34767-C0-P55	EA	DRAWER - PENCIL EDGE - 14.7"W X 11.8"D-W/O SLIDES/HARDWARE - CONCERT CHERRY FROM: 00-00-00 THRU: 08-18-02
12	134870-43-P20	EA	DRAWER - PENCIL EDGE - 15.1"W X 11.8"D -W/O SLIDES/HDW - CONCERT CHERRY FROM: 08-19-02 THRU: 99-99-99
12	P34767-C0-P56	EA	DRAWER - PENCIL EDGE - 14.7"W X 11.8"D-W/O SLIDES/HARDWARE - WASHED MAPLE FROM: 00-00-00 THRU: 08-18-02
12	134870-43-P33	EA	DRAWER - PENCIL EDGE - 15.1"W X 11.8"D -W/O SLIDES/HDW - WASHED MAPLE FROM: 08-19-02 THRU: 99-99-99
13	P34767-C0-N37	EA	DRAWER - PENCIL EDGE - 14.7"W X 11.8"D-W/O SLIDES/HARDWARE - PORTSMOUTH OAK FROM: 00-00-00 THRU: 08-18-02
13	P34767-J5-P54	EA	DRAWER - PENCIL EDGE - 14.7"W X 11.8"D-W/O SLIDES/HARDWARE - PORTSMOUTH OAK FROM: 08-19-02 THRU: 99-99-99
13	P34767-C0-P55	EA	DRAWER - PENCIL EDGE - 14.7"W X 11.8"D-W/O SLIDES/HARDWARE - CONCERT CHERRY FROM: 00-00-00 THRU: 08-18-02
13	P34767-J5-P55	EA	DRAWER - PENCIL EDGE - 14.7"W X 11.8"D-W/O SLIDES/HARDWARE - CONCERT CHERRY FROM: 08-19-02 THRU: 99-99-99
13	P34767-C0-P56	EA	DRAWER - PENCIL EDGE - 14.7"W X 11.8"D-W/O SLIDES/HARDWARE - WASHED MAPLE FROM: 00-00-00 THRU: 08-18-02
13	P34767-J5-P56	EA	DRAWER - PENCIL EDGE - 14.7"W X 11.8"D-W/O SLIDES/HARDWARE - WASHED MAPLE FROM: 08-19-02 THRU: 99-99-99

BEDROOM GROUP (CONTINUED) CABINETS (CONTINUED)

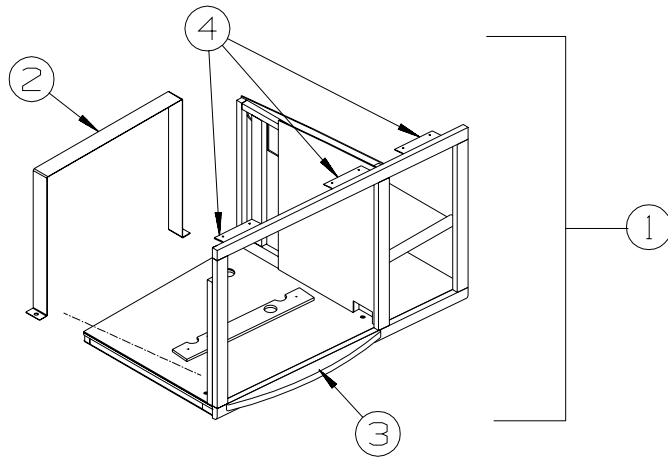


KEY	PART NUMBER	U/M	DESCRIPTION
14	P34767-B9-N37	EA	DRAWER - PENCIL EDGE - 14.7"W X 17.7"D-W/O SLIDES/HARDWARE - PORTSMOUTH OAK
14	P34767-B9-P55	EA	DRAWER - PENCIL EDGE - 14.7"W X 17.7"D-W/O SLIDES/HARDWARE - CONCERT CHERRY
14	P34767-B9-P56	EA	DRAWER - PENCIL EDGE - 14.7"W X 17.7"D-W/O SLIDES/HARDWARE - WASHED MAPLE
15	137388-01-P37	EA	CABINET/BASE - W/O DOOR/DRAWER/HARDWARE - F/QUEEN BED - PORTSMOUTH OAK
15	137388-01-P46	EA	CABINET/BASE - W/O DOOR/DRAWER/HARDWARE - F/QUEEN BED - CONCERT CHERRY
15	137388-01-P56	EA	CABINET/BASE - W/O DOOR/DRAWER/HARDWARE - F/QUEEN BED - WASHED MAPLE
16	137406-01-N42	EA	BEDBOARD - W/HINGE/T-MOLDING/SLIPNOT - FLIP-UP
17	136885-04-N47	EA	CABINET - NIGHTSTAND/RH - W/O COUNTERTOP/DOOR/DRAWER/HDW - PORTSMOUTH OAK
17	136885-04-N52	EA	CABINET - NIGHTSTAND/RH - W/O COUNTERTOP/DOOR/DRAWER/HDW - CONCERT CHERRY
17	136885-04-N62	EA	CABINET - NIGHTSTAND/RH - W/O COUNTERTOP/DOOR/DRAWER/HDW - WASHED MAPLE
18	P34767-C1-N47	EA	DRAWER - PENCIL EDGE - 7.6"W X 23.6"D-W/O SLIDES/HARDWARE - PORTSMOUTH OAK
18	P34767-C1-N63	EA	DRAWER - PENCIL EDGE - 7.6"W X 23.6"D-W/O SLIDES/HARDWARE - CONCERT CHERRY
18	P34767-C1-N62	EA	DRAWER - PENCIL EDGE - 7.6"W X 23.6"D-W/O SLIDES/HARDWARE - WASHED MAPLE
19	133655-26-P54	EA	COUNTERTOP - LAMINATED - BEIGE PAMPAS (P54)
19	133655-26-P55	EA	COUNTERTOP - LAMINATED - BEIGE PAMPAS (P55)
19	133655-26-P56	EA	COUNTERTOP - LAMINATED - BEIGE PAMPAS (P56)
19	133655-26-P37	EA	COUNTERTOP - LAMINATED - EGGSHELL (P57)
19	133655-26-P46	EA	COUNTERTOP - LAMINATED - EGGSHELL (P58)
19	133655-26-P59	EA	COUNTERTOP - LAMINATED - EGGSHELL (P59)
19	133655-26-N44	EA	COUNTERTOP - LAMINATED - GRAY TANQUILITY (P60)
19	133655-26-P50	EA	COUNTERTOP - LAMINATED - GRAY TRANQUILITY (P61)
19	133655-26-P62	EA	COUNTERTOP - LAMINATED - GRAY TRANQUILITY (P62)
20	137367-01-N42	EA	CABINET - OVERHEAD/REAR/RIGHT HAND - W/O DOORS/HARDWARE - PORTSMOUTH OAK
20	137367-01-P46	EA	CABINET - OVERHEAD/REAR/RIGHT HAND - W/O DOORS/HARDWARE - CONCERT CHERRY
20	137367-01-P56	EA	CABINET - OVERHEAD/REAR/RIGHT HAND - W/O DOORS/HARDWARE - WASHED MAPLE

BEDROOM GROUP (CONTINUED)
CABINETS (CONTINUED)

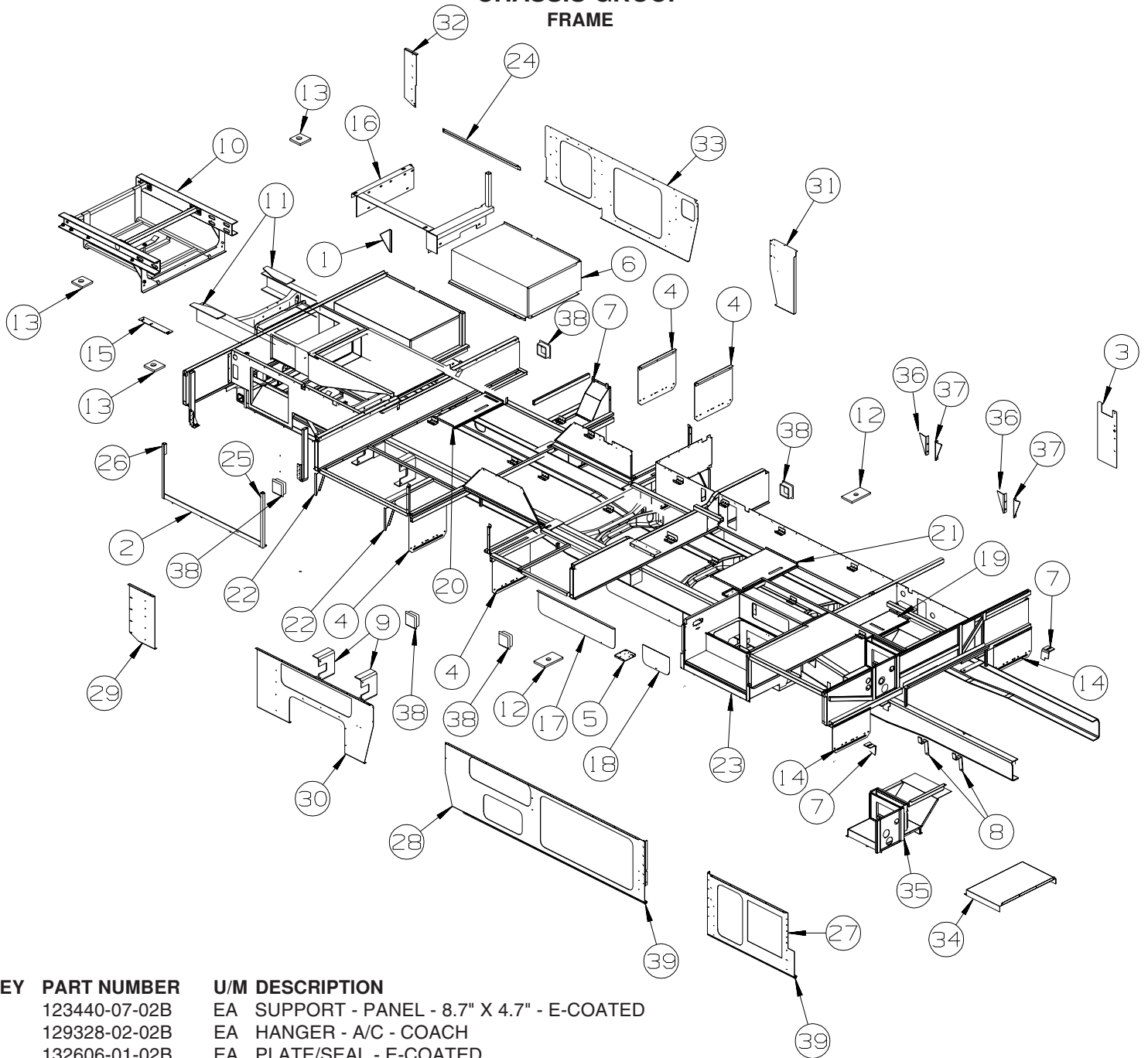
KEY	PART NUMBER	U/M	DESCRIPTION
21	134868-26-N47	EA	DOOR - RAIL/ARCHED TOP - 10" X 25.1" - W/O HARDWARE - PORTSMOUTH OAK FROM: 00-00-00 THRU: 11-12-02
21	141522-25-P54	EA	DOOR - ARCHED/PENCIL EDGE/HORIZ - 10" X 25.2" - W/O HDW - PORTSMOUTH OAK FROM: 11-13-02 THRU: 99-99-99
21	134868-26-P55	EA	DOOR - RAIL/ARCHED TOP - 10" X 25.1" - W/O HARDWARE - CONCERT CHERRY FROM: 00-00-00 THRU: 11-12-02
21	141522-25-P55	EA	DOOR - ARCHED/PENCIL EDGE/HORIZ - 10" X 25.2" - W/O HDW - CONCERT CHERRY FROM: 11-13-02 THRU: 99-99-99
21	134868-26-P56	EA	DOOR - RAIL/ARCHED TOP - 10" X 25.1" - W/O HARDWARE - WASHED MAPLE FROM: 00-00-00 THRU: 11-12-02
21	141522-25-P56	EA	DOOR - ARCHED/PENCIL EDGE/HORIZ - 10" X 25.2" - W/O HDW - WASHED MAPLE FROM: 11-13-02 THRU: 99-99-99
22	136885-03-N42	EA	CABINET - NIGHTSTAND/LH - W/O COUNTERTOP/DOOR/DRAWER/HDW - PORTSMOUTH OAK
22	136885-03-N52	EA	CABINET - NIGHTSTAND/LH - W/O COUNTERTOP/DOOR/DRAWER/HDW - CONCERT CHERRY
22	136885-03-N62	EA	CABINET - NIGHTSTAND/LH - W/O COUNTERTOP/DOOR/DRAWER/HDW - WASHED MAPLE
23	133655-50-P54	EA	COUNTERTOP - LAMINATED - BEIGE PAMPAS (P54)
23	133655-50-P55	EA	COUNTERTOP - LAMINATED - BEIGE PAMPAS (P55)
23	133655-50-P56	EA	COUNTERTOP - LAMINATED - BEIGE PAMPAS (P56)
23	133655-50-P57	EA	COUNTERTOP - LAMINATED - EGGSHELL (P57)
23	133655-50-P58	EA	COUNTERTOP - LAMINATED - EGGSHELL (P58)
23	133655-50-P59	EA	COUNTERTOP - LAMINATED - EGGSHELL (P59)
23	133655-50-N44	EA	COUNTERTOP - LAMINATED - GRAY TRANQUILITY/PORTSMOUTH OAK (P60)
23	133655-50-P61	EA	COUNTERTOP - LAMINATED - GRAY TRANQUILITY (P61)
23	133655-50-P62	EA	COUNTERTOP - LAMINATED - GRAY TRANQUILITY (P62)
24	139533-01-N42	EA	CABINET - CLOCK - 5.5" X 7.9" - PORTSMOUTH OAK
24	139533-01-N85	EA	CABINET - CLOCK - 5.5" X 7.9" - CONCERT CHERRY
24	139533-01-N84	EA	CABINET - CLOCK - 5.5" X 7.9" - WASHED MAPLE

BEDROOM GROUP (CONTINUED)
TV & RADIO CABINETS



KEY	PART NUMBER	U/M	DESCRIPTION
1	137352-01-N42	EA	CABINET - OVERHEAD/TV/REAR - W/O DOORS/HARDWARE - PORTSMOUTH OAK
1	137352-01-P46	EA	CABINET - OVERHEAD/TV/REAR - W/O DOORS/HARDWARE - CONCERT CHERRY
1	137352-01-P56	EA	CABINET - OVERHEAD/TV/REAR - W/O DOORS/HARDWARE - WASHED MAPLE
2	115466-28-02B	EA	STRAP - TIEDOWN/TV - E-COATED
3	P39390-01-N30	EA	TRIM - TV/CURVED - PORTSMOUTH OAK
3	P39390-01-N94	EA	TRIM - TV/CURVED - CONCERT CHERRY
3	P39390-01-N84	EA	TRIM - TV/CURVED - WASHED MAPLE
4	106699-01-01A	EA	BRACKET F/TV INSTALLATION - OVERHEAD CABINET

CHASSIS GROUP FRAME



KEY	PART NUMBER	U/M	DESCRIPTION
1	123440-07-02B	EA	SUPPORT - PANEL - 8.7" X 4.7" - E-COATED
2	129328-02-02B	EA	HANGER - A/C - COACH
3	132606-01-02B	EA	PLATE/SEAL - E-COATED
4	136391-02-02B	EA	GUARD/ROCK - STEEL - W/ANGLE - 18"W X 15"H - E-COATED
5	138799-01-02B	EA	SHIM - BODY - E-COATED
			FROM: 00-00-00 THRU: 12-22-02
	144724-01-02B	EA	BRACKET - SENSOR/LEVELING - E-COATED
			FROM: 12-23-02 THRU: 99-99-99
6	140930-01-02B	EA	COMPARTMENT - GENERATOR - E-COAT
			FROM: 00-00-00 THRU: 12-09-02
6	140930-02-02B	EA	COMPARTMENT - GENERATOR - E-COATED
			FROM: 12-10-02 THRU: 99-99-99
7	117154-04-02B	EA	MOUNT - FRAME RAIL/FLOOR
8	117287-01-02B	EA	BRACKET - MOUNTING/CABLE - E-COAT
9	120867-01-02B	EA	MOUNT - LP TANK - E-COAT
10*	132643-06-01A	EA	HITCH/TIRE CARRIER - EXTENSION RAIL(REAR CLIP) - 43.1"
11	133095-01-02B	EA	PLATE - CLIP - E-COATED
12	135712-01-02B	EA	PLATE - BODY MOUNT - E-COATED
13	135712-02-02B	EA	PLATE - BODY MOUNT - E-COATED
14	136391-01-02B	EA	GUARD/ROCK - STEEL - W/ANGLE - 18"W X 11"H - E-COATED
15	136538-01-02B	EA	SHIM - HITCH - E-COATED

CHASSIS GROUP (CONTINUED)
FRAME (CONTINUED)

KEY	PART NUMBER	U/M	DESCRIPTION
16	138113-02-02B	EA	OUTRIGGER/GENERATOR - E-COATED
17	140219-08-02B	EA	SHIELD - HEAT/EXHAUST - E-COATED - WORKHORSE
18	140219-10-02B	EA	SHIELD - HEAT/EXHAUST - E-COATED - WORKHORSE
19	117804-05-02B	EA	PANEL - CLOSEOUT - HEAT DUCT - E-COATED
20	117804-06-02B	EA	PANEL - CLOSEOUT - HEAT DUCT - E-COATED
21	117804-08-02B	EA	PANEL - CLOSEOUT - HEAT DUCT - E-COATED
22	123440-02-02B	EA	SUPPORT - PANEL - 9.9"/7.6" X 4.7" - E-COATED
	123440-06-02B	EA	SUPPORT - PANEL - 8.7"/5.5" X 4.7" - E-COATED
23	132607-06-02B	EA	BOX - ENTRY STEP - E-COATED
24	133612-05-02B	EA	ZEE/SEAL PLANE - BOTTOM - E-COATED
25	133833-01-02B	EA	HANGER - A/C - E-COATED
26	133833-02-02B	EA	HANGER - A/C - E-COATED
27	137098-01-02B	EA	PLATE/SEAL - E-COATED
28	137098-02-02B	EA	PLATE/SEAL - E-COATED
29	137098-23-02B	EA	PLATE/SEAL - E-COATED
30	137098-25-02B	EA	PLATE/SEAL - E-COATED
31	137103-01-02B	EA	PLATE/SEAL - E-COATED
32	137103-14-02B	EA	PLATE/SEAL - E-COATED
33	137103-17-02B	EA	PLATE/SEAL - E-COATED
34	133203-02-02B	EA	COVER - TRANSMISSION - E-COATED
35	138369-01-02B	EA	COMPARTMENT - AUTO HEATER - E-COATED
36	131531-05-02B	EA	GUSSET - SLIDEOUT - E - COATED
37	131531-06-02B	EA	GUSSET - SLIDEOUT - E - COATED
38	119845-01-01A	EA	PLUG/PLASTIC - 1 1/2" SQUARE - BLACK
39	126516-01-01A	FT	TRIM - VINYL/EXTRUDED - 8'

***COMPONENT PARTS LISTED LATER IN THIS GROUP**

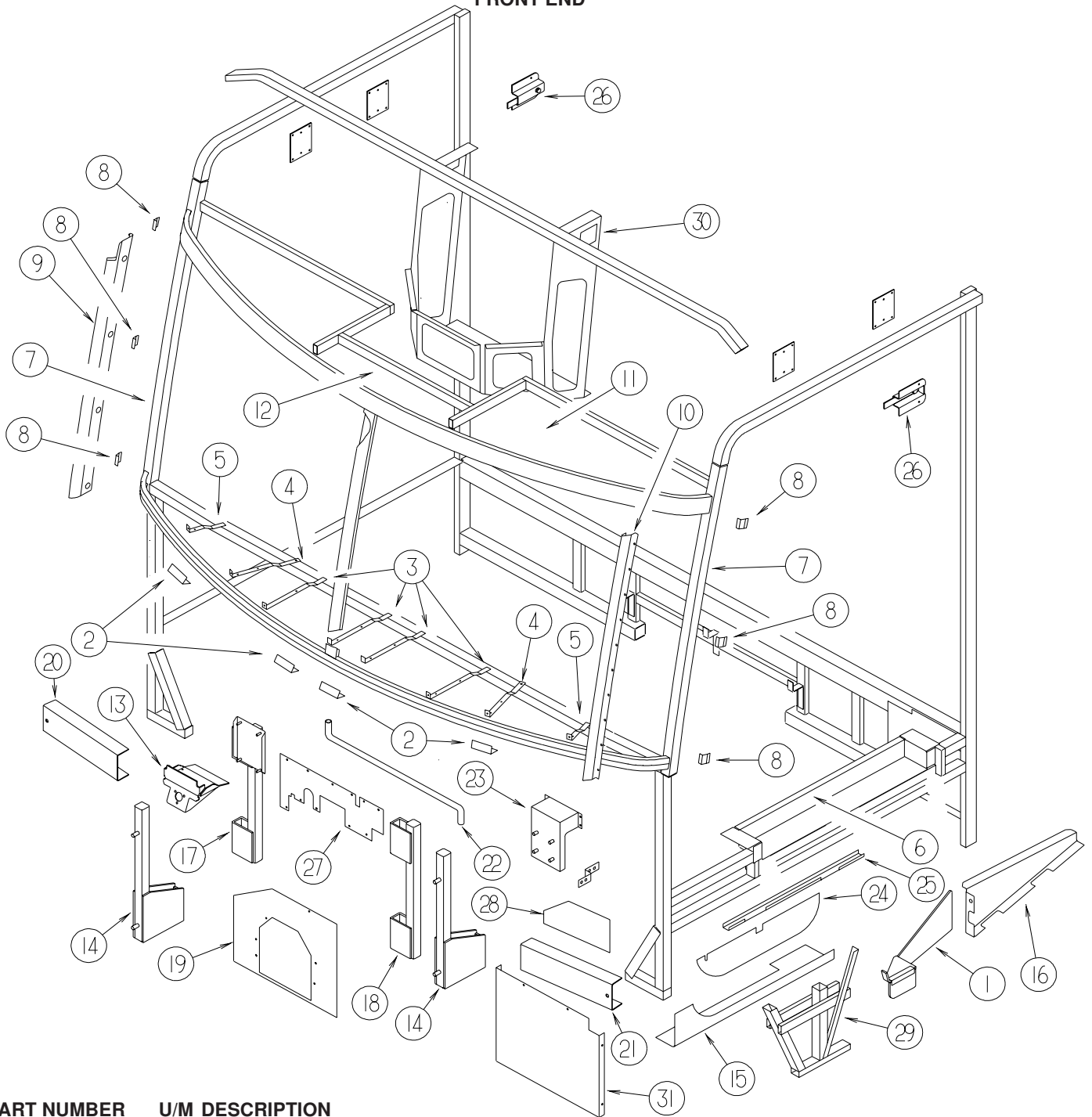
CHASSIS GROUP (CONTINUED)
COMPONENT PARTS FOR FRAME

132643-01-01A, 132643-06-01A, 132643-07-01A, 132643-09-01A

KEY	PART NUMBER	U/M	DESCRIPTION	VENDOR NO.
	132643-01-700	EA	HITCH/RECEIVER WELDED ASM.	72430-47
	132643-01-701	EA	TIRE CARRIER COMPLETE	56610-47
	132643-01-702	EA	RETAINER KIT/SPARE TIRE	55290-47

CHASSIS GROUP (CONTINUED)

FRONT END



KEY	PART NUMBER	U/M DESCRIPTION
1	128255-03-04B	EA STEP - DRIVER DOOR - BLACK
2	076364-57-000	EA ANGLE - FORMED
3	137047-04-01B	EA STRAP - DEFROSTER PLENUM
4	137047-05-01B	EA STRAP - DEFROSTER PLENUM
5	137047-06-01B	EA STRAP - DEFROSTER PLENUM
6	106746-02-000	EA PANEL - STEPWELL
7	117273-01-01A	EA TUBE - SUPPORT - A-PILLAR
8	120363-01-01B	EA BRACKET - WINDSHIELD
9	121269-05-01B	EA FRAME - WINDSHIELD - A-PILLAR - MILL
10	121269-06-01B	EA FRAME - WINDSHIELD - A-PILLAR - MILL
11	133709-51-01B	EA HEADER - F/TV - MILL - FORD
12	124904-04-01B	EA HEADER/WINDSHIELD - CENTER - 27.5"
13	134506-02-01B	EA BRACKET - WIPER MOTOR
14	117622-01-02B	EA BRACE - TUBE/BUMPER - VERTICAL - E-COATED - FORD
15	137041-01-02B	EA ANGLE - MOTOR COVER - E-COATED - WORKHORSE
16	137306-01-02B	EA BRACKET - STRIKE SUPPORT - E-COATED - WORKHORSE

CHASSIS GROUP (CONTINUED)
FRONT END (CONTINUED)

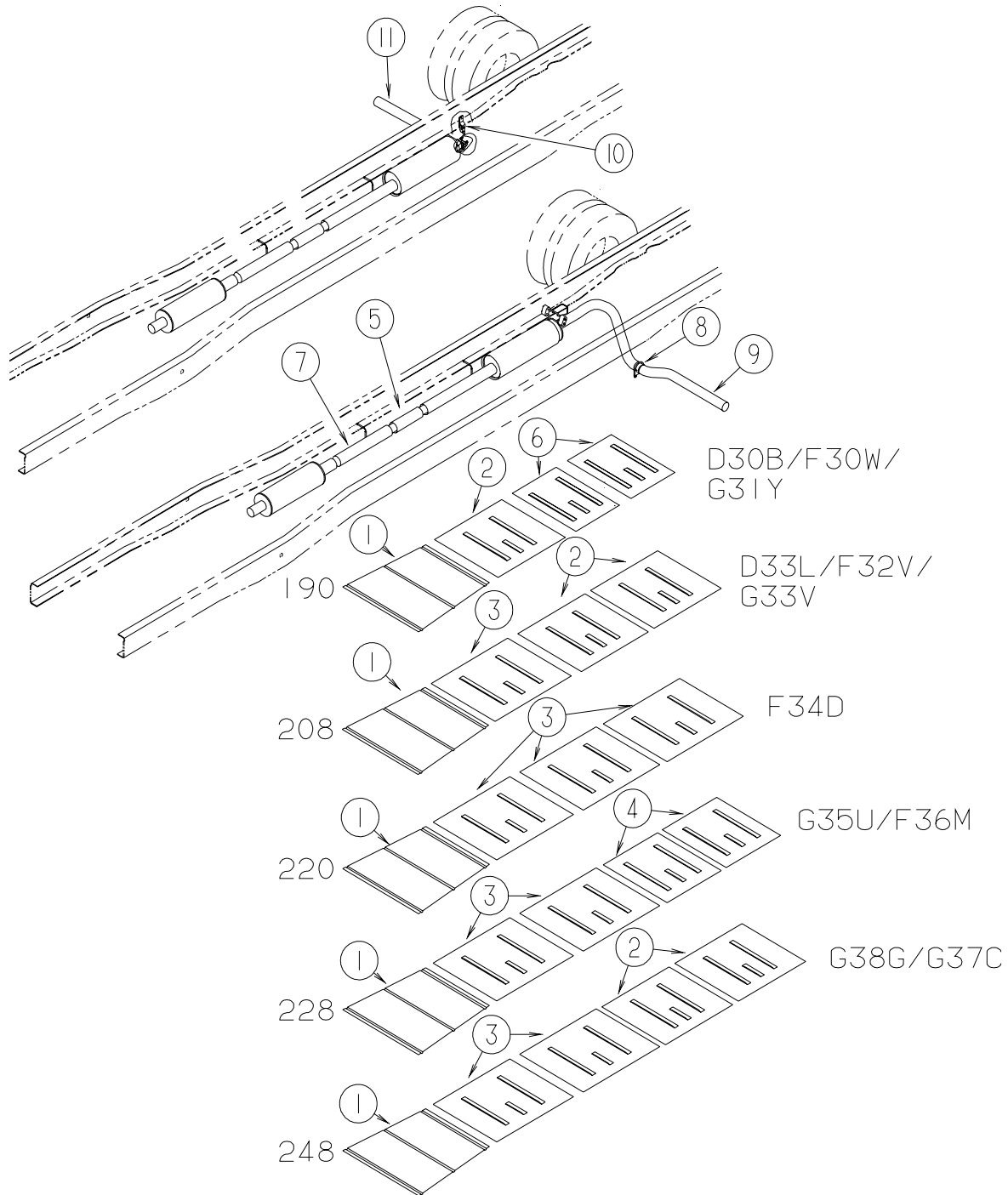
KEY	PART NUMBER	U/M	DESCRIPTION
17	134807-03-02B	EA	SUPPORT - FRONT - E-COATED - FORD
18	134807-04-02B	EA	SUPPORT - FRONT - E-COATED - FORD
19	134807-01-02B	EA	SUPPORT - FRONT - E-COATED - WORKHORSE
20	125744-02-02B	EA	CHANNEL - SUPPORT - FRONT END - E-COATED - RH, FORD
20	137048-02-02B	EA	CHANNEL - SUPPORT - FRONT - E-COATED - RH, WORKHORSE
21	125744-10-02B	EA	CHANNEL-SUPPORT,FRT END,E-CT - LH, FORD
			FROM: 00-00-00THRU: 11-01-02
21	137048-01-02B	EA	CHANNEL/SUPPORT - FRONT - E-COATED - LH, WORKHORSE
22	044317-01-000	FT	HOSE - FUEL - 3/8" ID - WORKHORSE
23	119656-02-02B	EA	BRACKET - RESERVOIR/WASHER - E-COATED - WORKHORSE
24	140782-01-01A	EA	SHIELD - SIGHT - BLACK PLASTIC - WORKHORSE
25	140790-01-02B	EA	ANGLE - SIGHT SHIELD - E-COATED - WORKHORSE
26	NOT USED		
27	NOT USED		
28	137496-01-01B	EA	PANEL - SPLASH GUARD - WORKHORSE W/22.5 TIRE
29	138340-01-02B	EA	SUPPORT/STEP - DRIVER - E-COATED - WORKHORSE W/22.5 TIRE
30	143632-01-02B	EA	SUPPORT - TV - FRONT - E-COATED - WORKHORSE
			FROM: 11-02-02 THRU: 99-99-99
31	144679-01-02B	EA	SHIELD - SPLASH - HEADLIGHT - E-COATED - FORD
			FROM: 11-02-02 THRU: 11-14-02
31	144679-02-02B	EA	SHIELD - SPLASH - HEADLIGHT - E-COATED - FORD
			FROM: 11-15-02 THRU: 99-99-99

DRIVETRAIN

KEY	PART NUMBER	U/M	DESCRIPTION
	129580-03-000	EA	DRIVESHAFT - BALANCED - 99 F53 - 248" WB - 228 - 248 STRETCH FORD G37C/G38G
	115043-03-000	EA	BUSHING - DRIVESHAFT - 228 - 248 STRETCH FORD G37C/G38G
	128528-03-000	EA	BOLT - U-JOINT - 3/8-24 X 3/4 - 228 - 248 STRETCH WORKHORSE G37C/G38G
	128528-04-000	EA	STRAP - BEARING - 1480 JOINT - 228 - 248 STRETCH WORKHORSE G37C/G38G
	138616-09-02B	EA	BRACKET/BEARING MNT - FRT/248" WB - E-CT - 228 - 248 STRETCH WORKHORSE G37C/G38G
	138616-10-02B	EA	BRACKET/BEARING MNT - MID-RR/248" WB - E-CT - 228 - 248 STRETCH WORKHORSE G37C/G38G
	140691-04-000	EA	DRIVESHAFT - BALANCED - 4 SECTION - 228 - 248 STRETCH WORKHORSE G37C/G38G

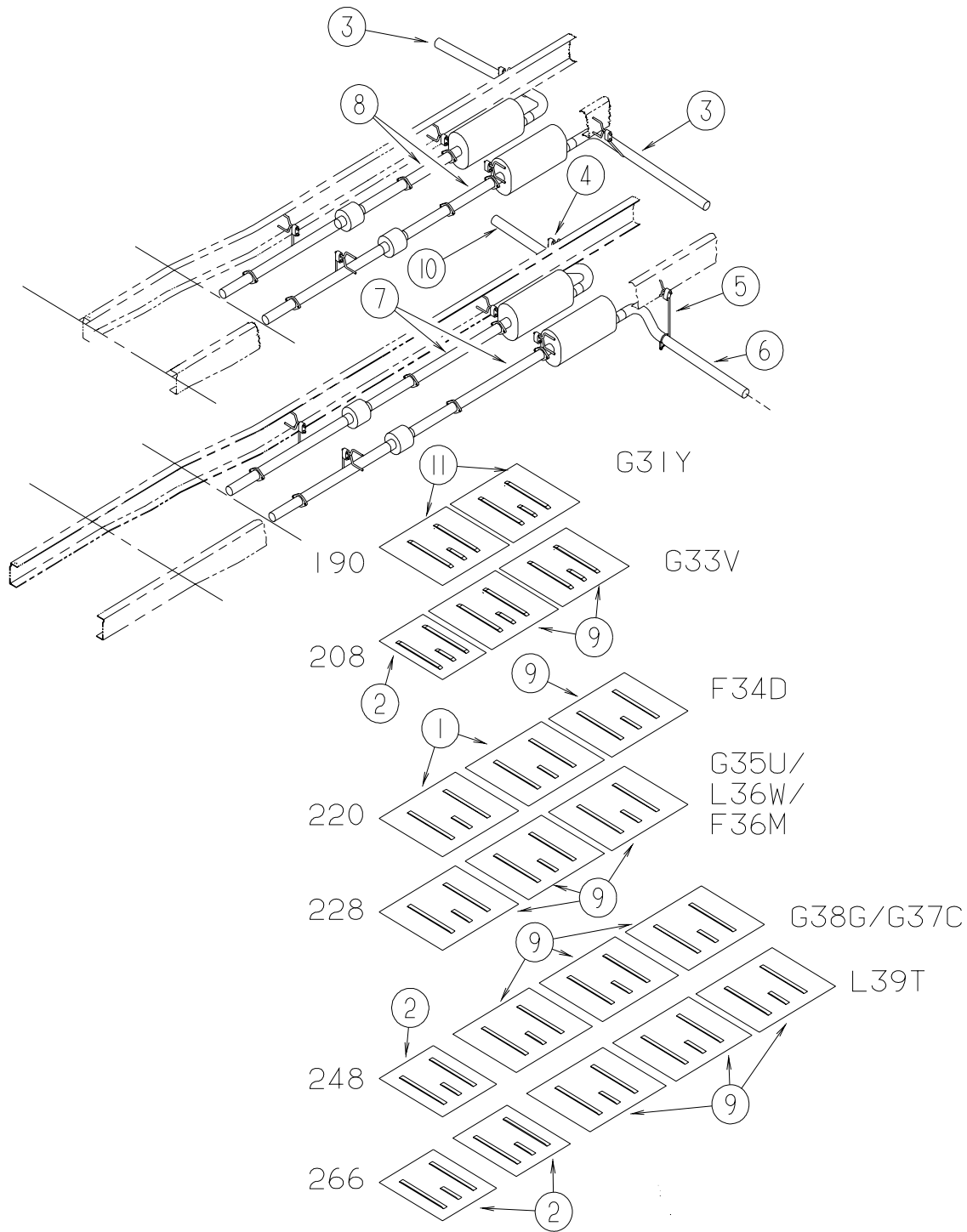
CHASSIS GROUP (CONTINUED)

EXHAUST



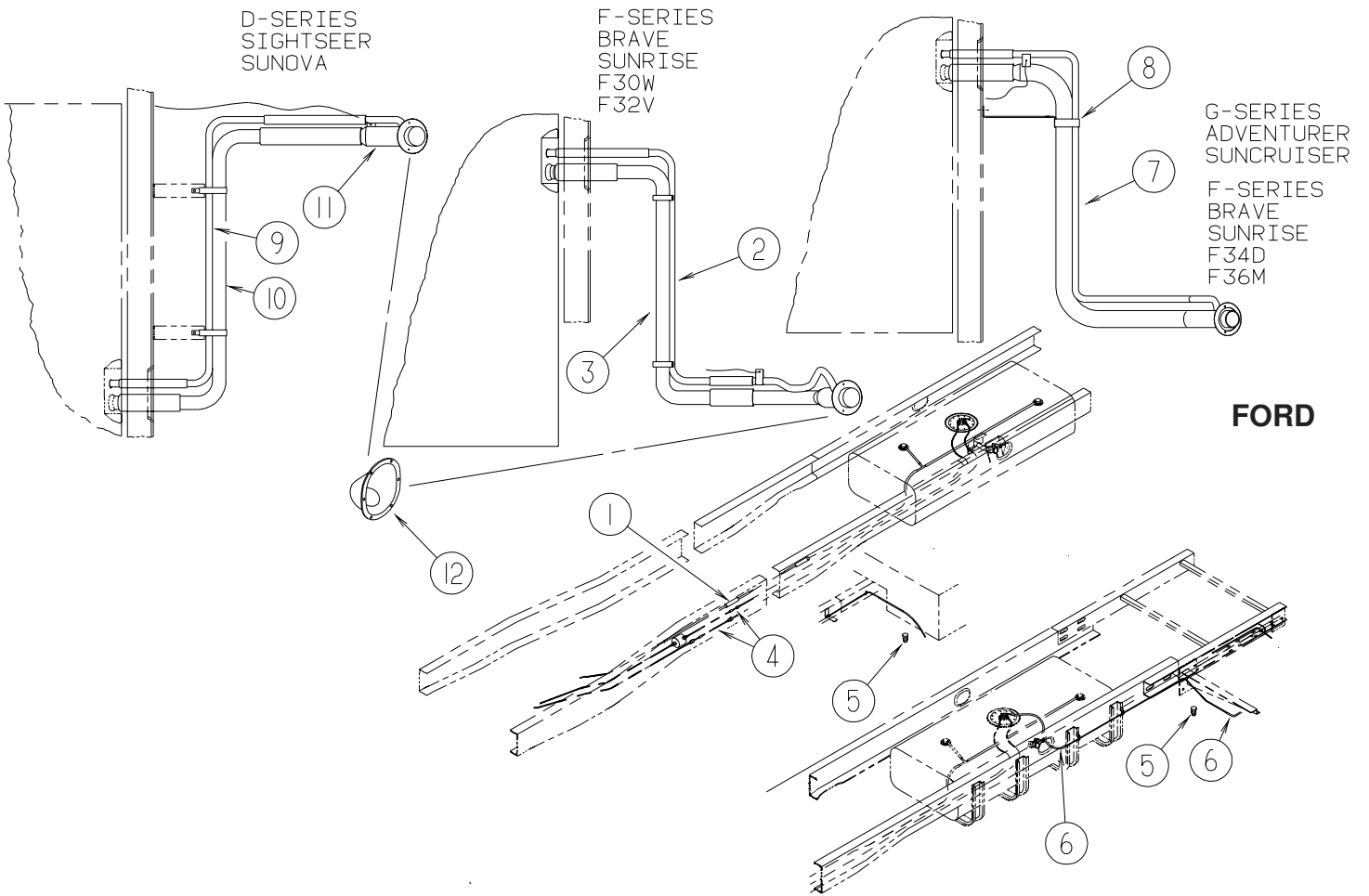
KEY	PART NUMBER	U/M	DESCRIPTION
1	128756-01-02B	EA	SHIELD - HEAT/EXHAUST - 33.9" X 16.9" - E-COATED
2	101544-02-000	EA	SHIELD - HEAT/EXHAUST - 30" X 29.1" - E-COATED
3	101544-06-000	EA	SHIELD - HEAT/EXHAUST - 33.9" X 29.1" - E-COATED
4	101544-10-000	EA	SHIELD - HEAT/EXHAUST - 19.7" X 29.1" - E-COATED - FORD
5	112012-03-000	EA	PIPE - EXHAUST - 3" DIAMETER - FORD CHASSIS - 228"-248" STRETCH, G38G
	094918-06-000	EA	CLAMP - EXHAUST - 3" - HEAVY DUTY
6	101544-01-000	EA	SHIELD - HEAT/EXHAUST - 19.7" X 29.1" - E-COATED
7	112012-09-000	EA	PIPE - EXHAUST - 3" DIAMETER X 7.5" LONG - 208"-190" SHRINK, G31Y
8	122392-02-02B	EA	HANGER - TAILPIPE - E-COATED
9	142985-01-000	EA	PIPE - EXHAUST
10	122392-02-02B	EA	HANGER - TAILPIPE - E-COATED - G31Y ONLY
11	122529-03-000	EA	PIPE - EXHAUST - G31Y ONLY

CHASSIS GROUP (CONTINUED)
EXHAUST (CONTINUED)



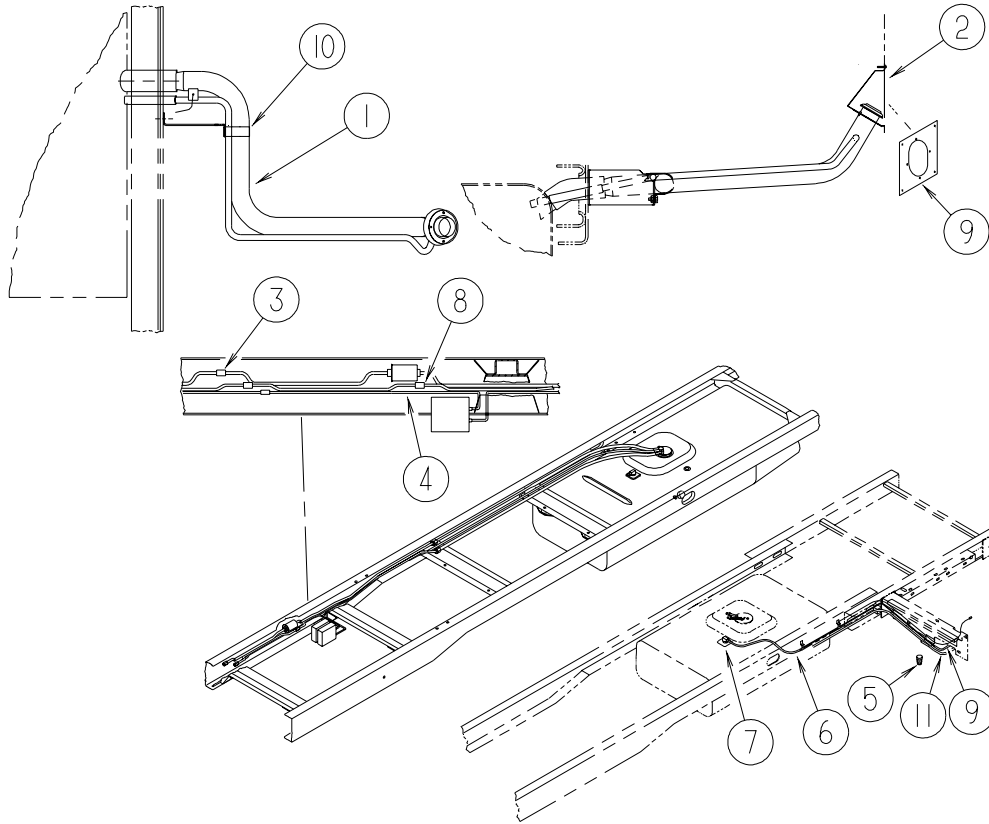
KEY	PART NUMBER	U/M	DESCRIPTION
1	NOT USED		
2	101544-01-000	EA	SHIELD - HEAT/EXHAUST - 19.7" X 29.1" - E-COATED
3	098762-05-000	EA	EXTENSION - EXHAUST - STRAIGHT - 3" O.D X 7.9" LONG - SST
3	094918-01-000	EA	CLAMP - EXHAUST - 3" - GUILLOTINE STYLE
4	NOT USED - CHASSIS SUPPLIED		
5	NOT USED - CHASSIS SUPPLIED		
6	NOT USED		
7	NOT USED		
8	137652-01-000	EA	PIPE - EXHAUST - W/FLANGES - G38G ONLY
9	101544-06-000	EA	SHIELD - HEAT/EXHAUST - 33.9" X 29.1" - E-COATED
10	NOT USED		

CHASSIS GROUP (CONTINUED) FUEL



KEY	PART NUMBER	U/M	DESCRIPTION
1	128139-02-000	FT	HOSE - FUEL - LOW PERMEABILITY - 5/8" DIAMETER - ALTERED LENGTH CHASSIS
2	NOT USED		
3	NOT USED		
4	129494-03-000	EA	FUEL LINE - 5/16" X 21.2" - FORD CHASSIS - 228"-248" STRETCH, G38G
5	084884-01-000	EA	PLUG - BRASS - 3/8"
6	128139-03-000	FT	HOSE - FUEL - LOW PERMEABILITY - 1/4" DIAMETER
7	135801-01-000	EA	NECK - FUEL FILL
8	140728-02-02B	EA	BRACKET - FUEL FILL - E-COATED
9	NOT USED		
10	NOT USED		
11	NOT USED		
12	NOT USED		

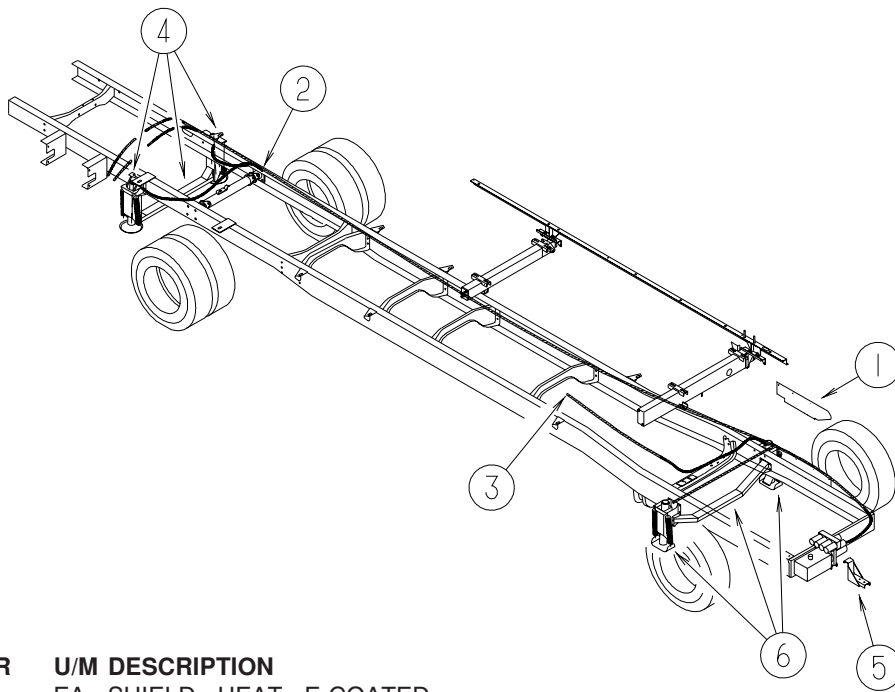
CHASSIS GROUP (CONTINUED)
FUEL OR FUEL FILL OR EMISSIONS (CONTINUED)



WORKHORSE

KEY	PART NUMBER	U/M	DESCRIPTION
1	136300-02-000	EA	NECK - FUEL FILL
2	NOT USED		
3	098779-02-000	EA	COUPLER - FUEL LINE - 1.2" LONG X 16MM THREAD - ALTERED LENGTH CHASSIS
4	127392-03-000	EA	HOSE-VAPOR/EMISSION - 5/16" X 44.5" W/ENDS - WH - 228"-248" STRETCH, G37C, G38G
5	084884-01-000	EA	PLUG - BRASS - 3/8"
6	128139-03-000	FT	HOSE - FUEL - LOW PERMEABILITY - 1/4" DIAMETER
7	068382-06-000	EA	BUSHING - BRASS - 3/8"MPT X 1/8"FPT
7	114254-01-000	EA	ADAPTER - 1/4 BARB X 1/8 MPT
8	098779-01-000	EA	COUPLER - FUEL LINE - 1.2" LONG X 14MM THREAD - 228"-248" STRETCH, G37C, G38G
9	139138-01-02B	EA	PLATE - FUEL FILL - E-COATED
10	140728-01-02B	EA	BRACKET - FUEL FILL - E-COATED
11	NOT USED		

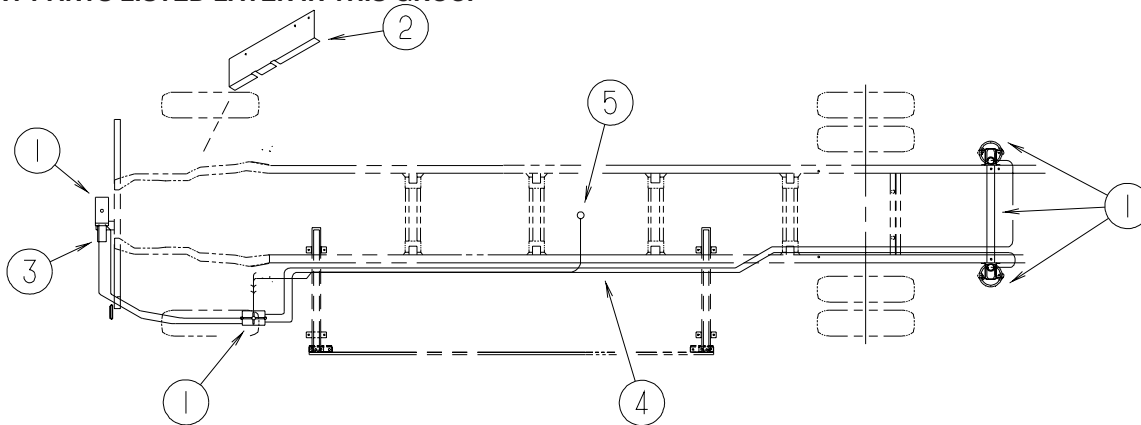
CHASSIS GROUP (CONTINUED) HYDRAULIC LEVELING



FORD

KEY	PART NUMBER	U/M	DESCRIPTION	
1	132999-01-02B	EA	SHIELD - HEAT - E-COATED	
2	100536-47-000	EA	HOSE KIT - LEVELING JACKS - G38G, G37C	
2*	100536-48-000	EA	HOSE KIT - LEVELING JACKS - G35U, G33V, G31Y	
3	117183-01-02B	EA	COVER - SENSOR - LEVELING	
3	144723-01-02B	EA	COVER - SENSOR - LEVELING	FROM: 00-00-00 THRU: 12-22-02
3	144723-01-02B	EA	COVER - SENSOR - LEVELING	FROM: 12-23-02 THRU: 99-99-99
4*	128571-03-000	EA	JACK/CROSSMEMBER - 9K - REAR LEVELING - MANUAL	
5	129550-01-02B	EA	BRACKET - PUMP - E-COAT	
6*	131306-12-000	EA	LEVELING SYSTEM - FORD CHASSIS W/310 SYS-2 ROOM SLIDEOUT	

***COMPONENT PARTS LISTED LATER IN THIS GROUP**



WORKHORSE

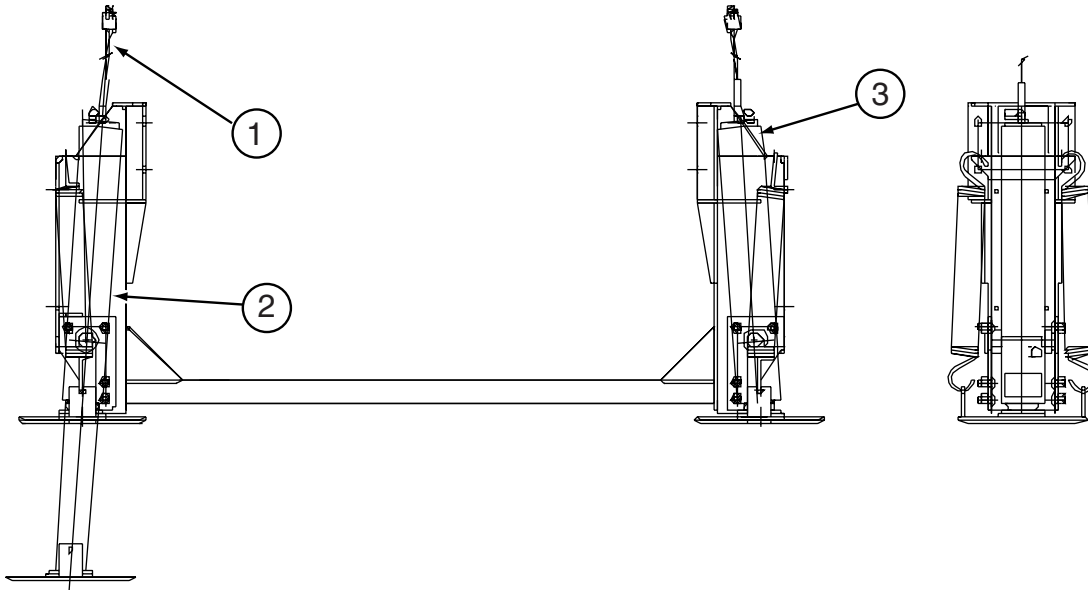
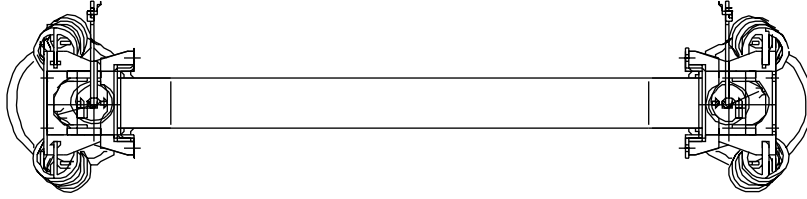
KEY	PART NUMBER	U/M	DESCRIPTION	
1*	131306-22-000	EA	LEVELING SYSTEM - WORKHORSE CHASSIS W/310 -2 ROOM SLIDEOUT	
2	132999-02-02B	EA	SHIELD - HEAT - E-COATED	
3	129550-01-02B	EA	BRACKET - PUMP - E-COAT	
4	100536-47-000	EA	HOSE KIT - LEVELING JACKS - G37C, G38G	
4*	100536-48-000	EA	HOSE KIT - LEVELING JACKS - G31Y, G33V, G35UV	
5	117183-01-02B	EA	COVER - SENSOR - LEVELING	
5	144723-01-02B	EA	COVER - SENSOR - LEVELING	FROM: 00-00-00 THRU: 12-22-02
5	144723-01-02B	EA	COVER - SENSOR - LEVELING	FROM: 12-23-02 THRU: 99-99-99

***COMPONENT PARTS LISTED LATER IN THIS GROUP**

CHASSIS GROUP (CONTINUED)
COMPONENT PARTS FOR HYDRAULIC LEVELING

100536-48-000

KEY	PART NUMBER	U/M	DESCRIPTION	VENDOR NO.
	100536-31-700	EA	HOSE - HYDRAULIC - 360"	RAP4163
	100536-31-701	EA	HOSE - HYDRAULIC - 96"	RAP5352
	100536-39-700	EA	HOSE - HYDRAULIC - 384"	RAP4164
	100536-48-700	EA	HOSE - 146"	RAP2443

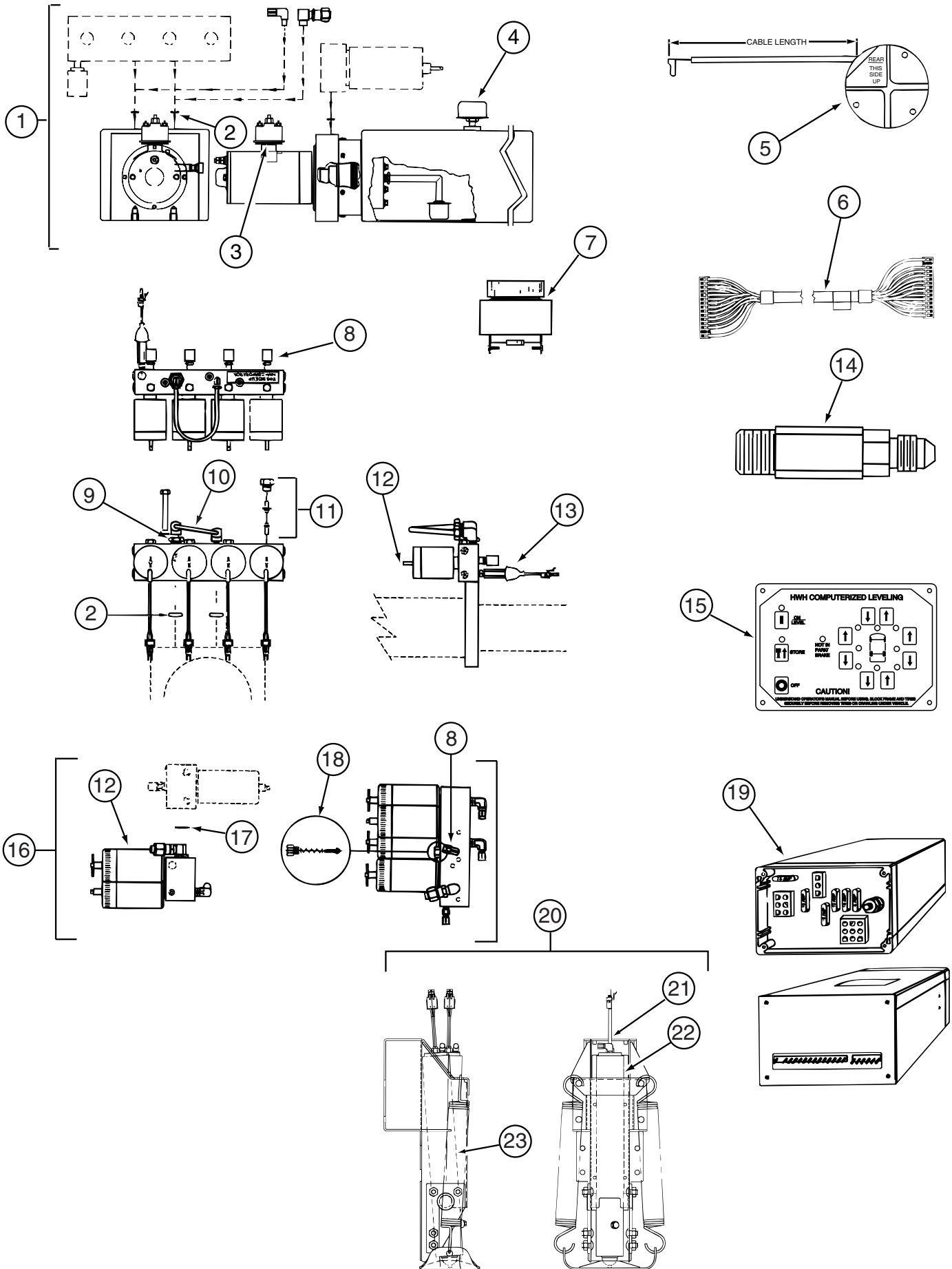


128571-03-000

KEY	PART NUMBER	U/M	DESCRIPTION	VENDOR NO.
1	100532-12-706	EA	SWITCH - WARNING/MAGNETIC	RAP1008 / RAP90496
2	100532-12-707	EA	SPRING KIT	R3847
3	100532-53-700	EA	CYLINDER ASM. - 9K	RAP90491/AP15891
	131306-02-701	EA	FOOT - 9K JACK	RAP8464

CHASSIS GROUP (CONTINUED)

COMPONENT PARTS FOR HYDRAULIC LEVELING (CONTINUED)



131306-12-000

CHASSIS GROUP (CONTINUED)
COMPONENT PARTS FOR HYDRAULIC LEVELING (CONTINUED)

131306-12-000 (CONTINUED)

KEY	PART NUMBER	U/M	DESCRIPTION	VENDOR NO.
1	100532-01-713	EA	PUMP-RESERVOIR ASM.-MONARCH	RAP90014/AP2260
2	100532-03-723	EA	O-RING/SEAL KIT	RAP9171
3	100532-09-710	EA	SOLENOID-INTERMITENT DUTY	RAP0533
4	100532-03-715	EA	CAP-BREATHER W/DIPSTICK	RAP7876
5	100532-12-703	EA	SENSING UINT BI-AXIS-27'	RAP6800
6	131306-11-702	EA	CONTROL CABLE-12'-310 SYSTEM	RAP90047/AP10619
7	100532-32-703	EA	BUZZER - JACK WARNING	RAP90403
7	100532-32-704	EA	CHIME - JACK WARNING	RAP90681/AP19812
8	100532-03-722	EA	O-RING KIT	R7430
9	100532-03-717	EA	VALVE-PRESS., RETURN SHUTTLE	RAP7964
10	100532-03-719	EA	TUBE ASM. (SHORT SHUTTLE)	RAP8088
11	100532-03-721	EA	VALVE-CHECK KIT (SGL)	RAP7944
12	100532-09-704	EA	VALVE-PRESS SOLENOID(LARGE)	RAP0642
13	131306-11-704	EA	PRESSURE SWITCH - 50 PSI	RAP2082
14	131306-09-700	EA	VELOCITY VALVE ASM.W/4 VALVE	RAP90280
14	131306-09-701	EA	VELOCITY VALVE - SINGLE	RAP90279/AP11578
15	131306-12-700	EA	TOUCH PANEL - 310	RAP90056/AP10215
16	100532-48-701	EA	MANIFOLD - ROOM EXT - 2 ROOM	RAP90035
17	100532-31-702	EA	O-RING/SEAL KIT - MANIFOLD	RAP90127
18	100532-31-701	EA	CHECK VALVE & KIT	RAP10021
19	131306-11-701	EA	CONTROL BOX - 310 SYSTEM	RAP90019/AP10086
20	100532-51-700	EA	JACK - 6K STRAIGHT ACTING	RAP90502/AP16112
21	100532-12-706	EA	SWITCH - WARNING/MAGNETIC	RAP1008 / RAP90496
22	100532-45-700	EA	CYLINDER W/O FOOT - 6K X 13"	RAP90490/AP16112
23	100532-12-707	EA	SPRING KIT	R3847
	100532-53-700	EA	CYLINDER ASM. - 9K	RAP90491/AP15891
	131306-02-700	EA	FOOT - 6K JACK	RAP2004
	131306-02-701	EA	FOOT - 9K JACK	RAP8464
	131306-12-701	EA	PUMP/TANK/MANIFOLD-2 ROOM	AP19501
	131306-12-702	EA	VALVE-PRESS SOLENOID (SMALL),	RAP90729

131306-22-000

KEY	PART NUMBER	U/M	DESCRIPTION	VENDOR NO.
	100532-01-713	EA	PUMP/MOTOR/TANK - MONARCH	RAP90014/AP2260
	100532-03-715	EA	CAP-BREATHER W/DIPSTICK	RAP7876
	100532-03-717	EA	VALVE-PRESS., RETURN SHUTTL	RAP7964
	100532-03-719	EA	TUBE ASM. (SHORT SHUTTLE)	RAP8088
	100532-03-721	EA	VALVE-CHECK KIT (SGL)	RAP7944
	100532-03-722	EA	O-RING KIT	R7430
	100532-03-723	EA	O-RING/SEAL KIT	RAP9171
	100532-09-704	EA	VALVE-PRESS SOLENOID(LARGE)	RAP0642
	100532-09-710	EA	SOLENOID-INTERMITENT DUTY	RAP0533
	100532-12-703	EA	SENSING UNIT BI-AXIS-27'	RAP6800
	100532-12-706	EA	SWITCH - WARNING/MAGNETIC	RAP1008
	100532-12-707	EA	SPRING KIT (PAIR)	R3847
	100532-31-701	EA	CHECK VALVE & KIT	RAP10021
	100532-31-702	EA	O-RING/SEAL KIT - MANIFOLD	RAP90127
	100532-32-704	EA	CHIME - JACK WARNING	RAP90681/AP19812
	100532-53-700	EA	CYLINDER ASM. - 9K	RAP90491/AP15891
	131306-02-701	EA	FOOT - 9K JACK	RAP8464/AP17525
	131306-09-700	EA	VELOCITY VALVE ASM.W/4 VALVE	RAP90280
	131306-09-701	EA	VELOCITY VALVE - SINGLE	RAP90279/AP11578
	131306-11-701	EA	CONTROL BOX - 310 SYSTEM	RAP90019/AP10086
	131306-11-704	EA	PRESSURE SWITCH - 50 PSI	RAP2082
	131306-12-700	EA	TOUCH PANEL - 310	RAP90056/AP10215
	131306-12-702	EA	VALVE-PRESS SOLENOID (SMALL)	RAP90729/AP24604
	131306-22-700	EA	CABLE/CONTROL - 5'- 310 SYST	RAP90048/AP10524
	131306-26-700	EA	MANIFOLD ASM. - 2 ROOM	RAP90870/AP20550
	131306-29-700	EA	JACK - 9K - W/SWITCHES	RAP90851/AP22657
	131306-29-701	EA	JACK - 9K - W/SWITCHES	RAP90852/AP22802

CHASSIS GROUP (CONTINUED)
WHEEL, TIRE, COVERS &/OR LINERS

KEY	PART NUMBER	U/M	DESCRIPTION
	080208-04-000	EA	LUG WRENCH - 1 3/16" - OSHKOSH/SPARTAN - WORKHORSE
	080208-05-000	EA	BAR - LEVERAGE - LUG WRENCH - .75"DIA. - OSHKOSH/SPARTAN - WORKHORSE
	102340-07-000	EA	TIRE - 245/70R X 19.5 - LOAD RANGE F - MICHELIN XRV - WORKHORSE 20,700 GVWR, W22
	102340-09-000	EA	TIRE - 245/70R X 19.5G - GOODYEAR - WORKHORSE 22,000 GVWR, W22
	118814-02-000	EA	WHEEL - STEEL - 19.5" X 6.75" - GRAY - WORKHORSE
			FROM: 00-00-00 THRU: 09-15-02
	118814-05-000	EA	WHEEL - STEEL - 19.5" X 6.75" - W/STEM - GRAY - WORKHORSE
			FROM: 09-16-02 THRU: 99-99-99
	051377-06-000	EA	VALVE STEM ASM-VS-12223R - WORKHORSE
*	134609-02-000	EA	LINER - WHEEL - SET OF 4 - 19.5" - WORKHORSE W/19.5 TIRE
*	134609-03-000	EA	LINER - WHEEL - SET OF 4 - 22.5" - WORKHORSE W/22.5 TIRE
			FROM: 00-00-00 THRU: 08-11-02
*	134609-05-000	EA	LINER - WHEEL - SET OF 4 - 22.5" - WORKHORSE W/22.5 TIRE
			FROM: 08-12-02 THRU: 99-99-99
	091209-16-000	EA	NUT - JAM/THREADED - 22MM - WORKHORSE
	102340-08-000	EA	TIRE - 245/70R X 19.5F - GOODYEAR - FORD
*	110435-15-000	EA	LINER - WHEEL - SET/4 - 19.5" - FORD
			FROM: 00-00-00 THRU: 11-17-02
*	110435-20-000	EA	LINER - WHEEL - SET OF 4 - 19.5" - FORD
			FROM: 11-18-02 THRU: 99-99-99
	077030-04-000	EA	EXTENSION - VALVE STEM - .75" - FORD
	095012-09-000	EA	EXTENSION - VALVE STEM - LIVE - 7.7"
	095012-07-000	EA	STABILIZER - VALVE EXTENSION - LIVE - 4"
	095012-08-000	EA	STABILIZER - VALVE EXTENSION - LIVE - 4.7"

***COMPONENT PARTS LISTED LATER IN THIS GROUP**

CHASSIS GROUP (CONTINUED)
COMPONENT PARTS FOR WHEEL, TIRE, COVERS &/OR LINERS

110435-15-000

KEY	PART NUMBER	U/M DESCRIPTION	VENDOR NO.
	110435-04-705	EA DECAL-CTR HUB 2 3/4" DIAMOND	2 3/4 DECAL DIAMOND
	110435-10-705	EA TOOL - INSTALLATION	V195P7-TOL
	110435-15-700	EA LINER - WHEEL - FRONT	V195F9-FWC
	110435-15-701	EA LINER - WHEEL - REAR	V195F9-RWC
	110435-15-702	EA COVER LUG NUT/JAMB NUT - 14M	V195F9-EJN

110435-20-000

KEY	PART NUMBER	U/M DESCRIPTION	VENDOR NO.
	110435-02-704	EA COVER-JAMB NUT	V160F0-LNC
	110435-04-705	EA DECAL-CTR HUB 2 3/4" DIAMOND	
	110435-10-705	EA TOOL/JAMB NUT INSTALLATION	V195P7-TOL
	110435-15-700	EA LINER - WHEEL - FRONT	V195F9-FWC
	110435-15-701	EA LINER - WHEEL - REAR	V195F9-RWC
	110435-20-700	EA LNC W/ENCL M14X1.5 JAM NUT	V195F9-EJN-MF

134609-02-000

KEY	PART NUMBER	U/M DESCRIPTION	VENDOR NO.
	091209-13-704	EA NUT-JAMB-A20, 22M THREAD FRT	A20
	091209-13-705	EA LINER - FT - 19.5" W/SST NUT COVERS	507
	091209-13-706	EA LINER - RR W/SST NUT COVERS	508
	091209-13-708	EA CAP-CENTER, STAINLESS	A26
	091209-13-709	EA TOOL/JAMB NUT-ULTG/ULTI'S	M9100
	091209-16-000	EA NUT - JAM/THREADED - 22MM	KAPER II A20
	134609-02-700	EA COVER - LUG NUT 1 3/4"	302
	134609-02-701	EA COVER - LUG NUT(2"DEEP)	L502

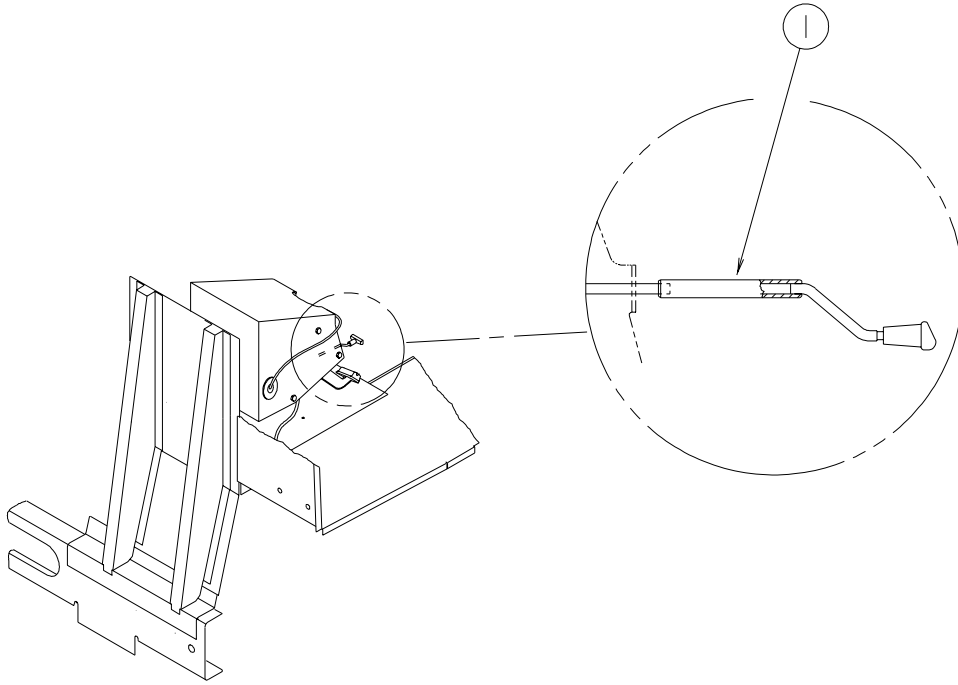
134609-03-000

KEY	PART NUMBER	U/M DESCRIPTION	VENDOR NO.
	134609-03-700	EA LINER - SIMULATOR - FRONT	S-300
	134609-03-701	EA LINER - SIMULATOR - REAR	S-310
	134609-03-702	EA AXLE COVER - FRONT	A-30
	134609-03-703	EA AXLE COVER - REAR	A-31
	134609-03-704	EA JAM NUT	J-A30
	134609-03-705	EA LUG NUT COVER	L-14
	134609-03-706	EA CAP CENTER (STAINLESS STEEL)	A-A26
	134609-03-707	EA TOOL - JAM NUT REMOVAL	M-9300HD

134609-05-000

KEY	PART NUMBER	U/M DESCRIPTION	VENDOR NO.
	134609-03-704	EA JAM NUT	J-A30
	134609-03-705	EA LUG NUT COVER	L-14
	134609-03-706	EA CAP CENTER (STAINLESS STEEL)	A-A26
	134609-03-707	EA TOOL - JAM NUT REMOVAL	M-9300HD
	134609-05-700	EA LINER - SIMULATOR - FRONT	S-320
	134609-05-701	EA LINER - SIMULATOR - REAR	S-321
	134609-05-702	EA AXLE COVER - FRONT	A-37
	134609-05-703	EA AXLE COVER - REAR	A-38

CHASSIS GROUP (CONTINUED)
BRAKE



FORD

KEY	PART NUMBER	U/M	DESCRIPTION
1	113007-01-000	EA	PIN - SPRING - .375 X 3"

BRAKELINE

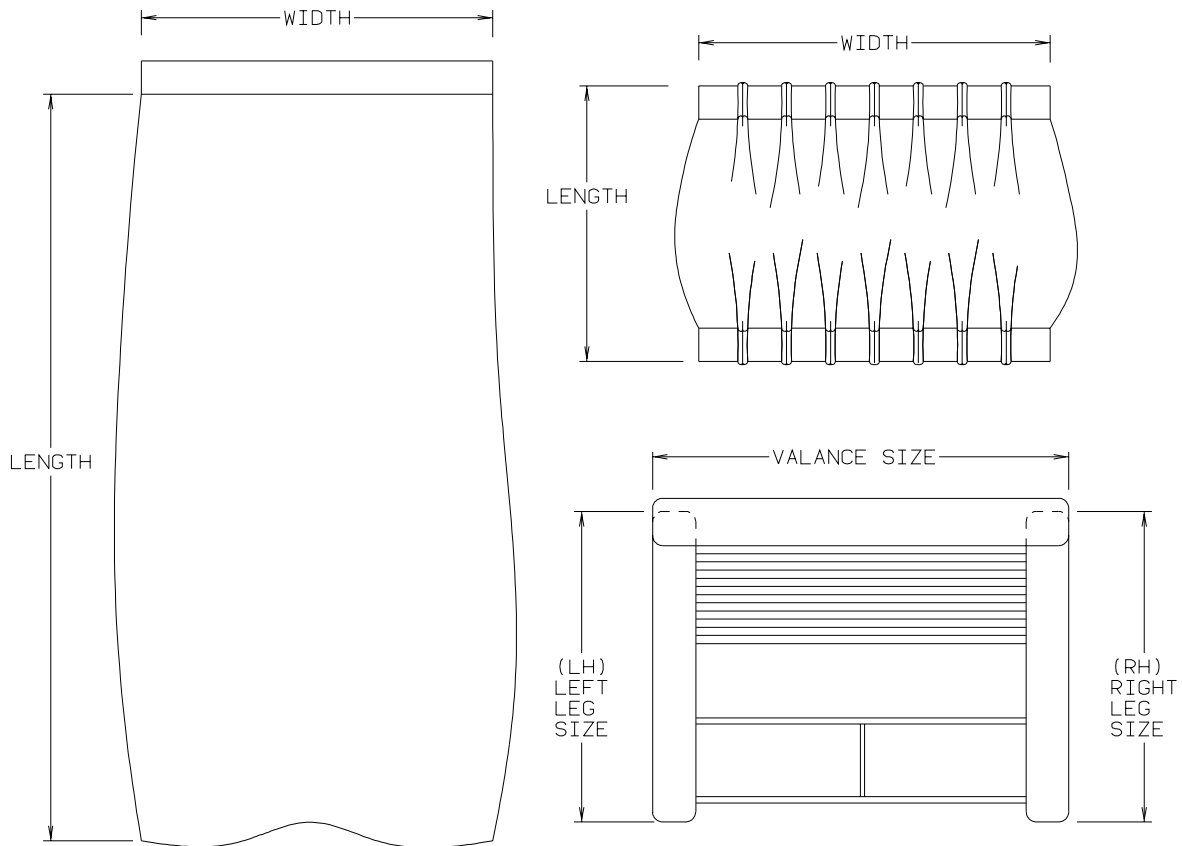
KEY	PART NUMBER	U/M	DESCRIPTION
	075466-01-000	EA	UNION - INVERTED FLAIR - 1/4"

CURTAIN & CUSHION GROUP

NOTICE

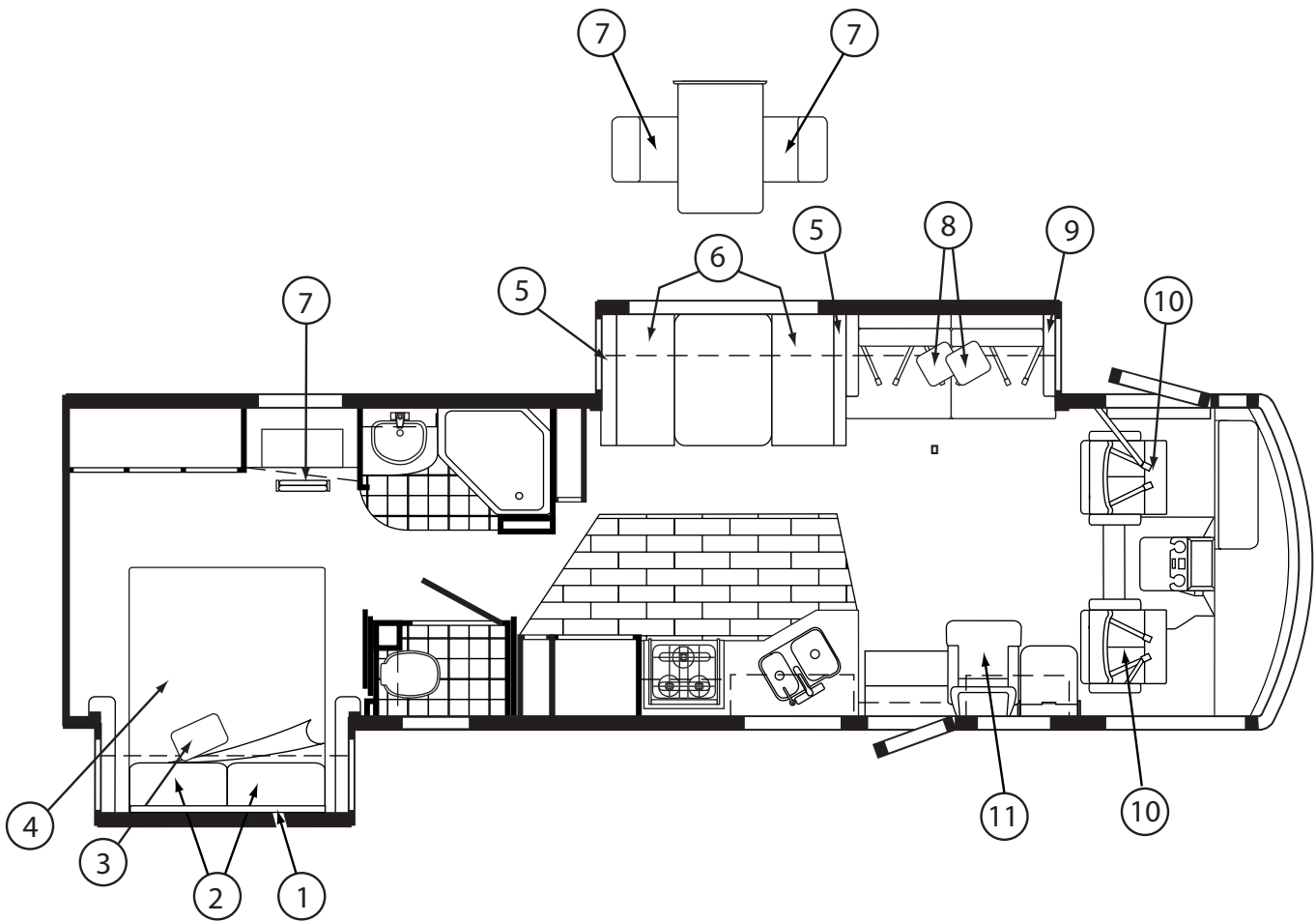
IN ORDER TO ASSIST OUR PARTS SALES DEPT. IN PROVIDING INTERIOR SOFTWARE ITEMS, PLEASE INCLUDE THE SERIAL NUMBER AND THE COLOR CODE NUMBER FROM THE VEHICLE CERTIFICATION LABEL WHEN ORDERING. THIS LABEL IS LOCATED ON THE LEFT SIDEWALL AT THE END OF THE DASH (A-BODY), OR ON THE DRIVER'S DOOR LATCH PLATE (C-BODY).

AN EXAMPLE OF A COLOR CODE NUMBER IS B07, WHICH DESIGNATES AN OVERALL COLOR SCHEME OF A PARTICULAR UNIT. THE COLOR LISTED AFTER THE ITEM DESCRIPTION ON THE MICROFICHE, INDICATES THE OVERALL UNIT COLOR. ORDER THE ITEM YOU DESIRE ACCORDING TO UNIT COLOR CODE. IF ALL COLORS USE THE SAME ITEM NO COLOR CODE WILL BE NOTED.



NOTE: USE THIS ILLUSTRATION WHEN DETERMINING LENGTH AND WIDTH MEASUREMENTS FOR CURTAINS. YOU WILL NOTE THE WIDTH MEASUREMENT IS TAKEN ON THE TOP OF THE CURTAIN WITH THE CURTAIN FULLY EXTENDED. THE LENGTH MEASUREMENT IS TAKEN FROM TOP TO BOTTOM. LEFT AND RIGHT WINDOW LEGS ARE DETERMINED WHEN FACING THE WINDOW.

CURTAIN & CUSHION GROUP (CONTINUED)
CUSHION LAYOUT

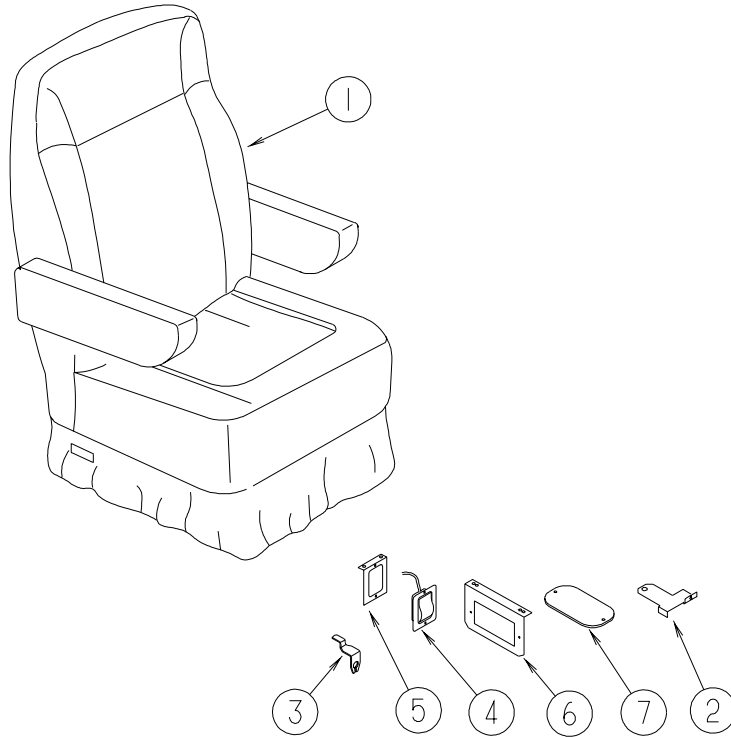


KEY	PART NUMBER	U/M	DESCRIPTION
1	140489-03-P54	EA	HEADBOARD - FABRIC COVERED - 25" X 62.5" (P54, P55, P56)
1	140489-03-P21	EA	HEADBOARD - FABRIC COVERED - 25" X 62.5" (P57, P58, P59)
1	140489-03-P60	EA	HEADBOARD - FABRIC COVERED - 25" X 62.5" (P60, P61, P62)
2	142405-02-P54	EA	SHAM - PILLOW (P54, P55, P56)
2	142405-02-P21	EA	SHAM - PILLOW (P57, P58, P59)
2	142405-02-P60	EA	SHAM - PILLOW (P60, P61, P62)
3	132338-28-P54	EA	PILLOW - 10" X 17" (P54, P55, P56)
3	132338-28-P21	EA	PILLOW - 10" X 17" (P57, P58, P59)
3	132338-28-P60	EA	PILLOW - 10" X 17" (P60, P61, P62)
4	132336-09-P54	EA	BEDSPREAD/CAP - 60" X 75" (P54, P55, P56)
4	132336-09-P21	EA	BEDSPREAD/CAP - 60" X 75" (P57, P58, P59)
4	132336-09-P60	EA	BEDSPREAD/CAP - 60" X 75" (P60, P61, P62)
	123015-06-000	EA	MATTRESS - INNERSPRING - 60" X 74.5"
5	142723-03-P54	EA	BACK - DINETTE - 12.5" X 40" (P54, P55, P56)
5	142723-03-P57	EA	BACK - DINETTE - 12.5" X 40" (P57, P58, P59)
5	142723-03-P60	EA	BACK - DINETTE - 12.5" X 40" (P60, P61, P62)
	P42723-03-P54	EA	COVER/BACK - DINETTE - 12.5" X 40" (P54, P55, P56)
	P42723-03-P57	EA	COVER/BACK - DINETTE - 12.5" X 40" (P57, P58, P59)
	P42723-03-P60	EA	COVER/BACK - DINETTE - 12.5" X 40" (P60, P61, P62)
6	142292-05-P54	EA	SEAT - DINETTE CUSHION (SPRUNG) - 23.5" X 38.5" (P54, P55, P56)
6	142292-05-P57	EA	SEAT - DINETTE CUSHION (SPRUNG) - 23.5" X 38.5" (P57, P58, P59)
6	142292-05-P60	EA	SEAT - DINETTE CUSHION (SPRUNG) - 23.5" X 38.5" (P60, P61, P62)
	P42292-05-P54	EA	COVER/SEAT - DINETTE CUSHION (SPRUNG) - 23.5" X 38.5" (P54, P55, P56)
	P42292-05-P57	EA	COVER/SEAT - DINETTE CUSHION (SPRUNG) - 23.5" X 38.5" (P57, P58, P59)
	P42292-05-P60	EA	COVER/SEAT - DINETTE CUSHION (SPRUNG) - 23.5" X 38.5" (P60, P61, P62)
6	142366-01-000	EA	FRAME - SPRUNG - DINETTE SEAT

CURTAIN & CUSHION GROUP (CONTINUED)
CUSHION LAYOUT (CONTINUED)

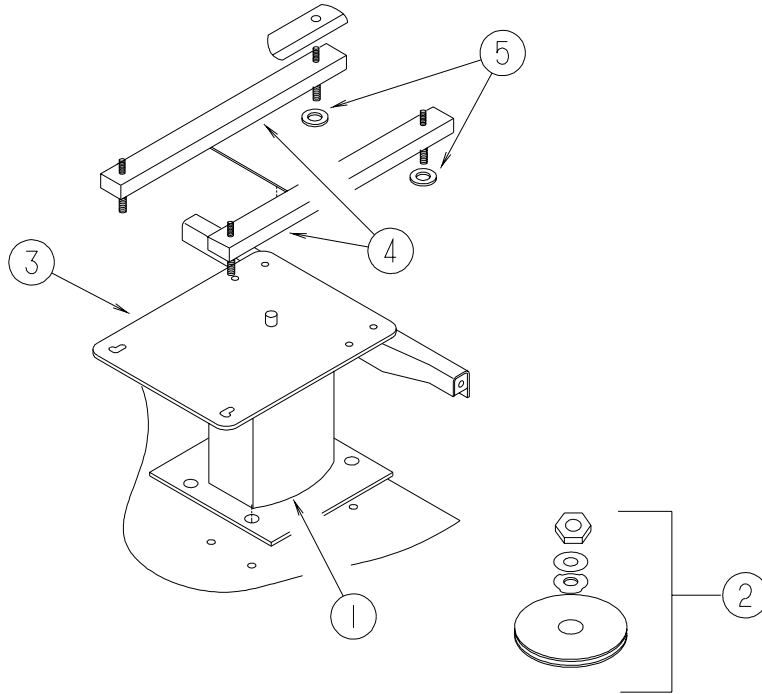
KEY	PART NUMBER	U/M	DESCRIPTION
7	132571-37-000	EA	CHAIR - DINETTE - SAND/PORTSMOUTH OAK (P54)
7	132571-38-000	EA	CHAIR - DINETTE - SAND/CHERRY (P55)
7	132571-39-000	EA	CHAIR - DINETTE - SAND/WASHED MAPLE (P56)
7	132571-40-000	EA	CHAIR - DINETTE - DESTIN/PORTSMOUTH OAK (P57)
7	132571-41-000	EA	CHAIR - DINETTE - DESTIN/CHERRY (P58)
7	132571-42-000	EA	CHAIR - DINETTE - DESTIN/WASHED MAPLE (P59)
7	132571-43-000	EA	CHAIR - DINETTE - HIGH HEEL/PORTSMOUTH OAK (P60)
7	132571-44-000	EA	CHAIR - DINETTE - HIGH HEEL/CHERRY (P61)
7	132571-45-000	EA	CHAIR - DINETTE - HIGH HEEL/WASHED MAPLE (P62)
7	135600-B0-000	EA	CHAIR - FOLDING - SAND/PORTSMOUTH OAK (P54)
7	135600-B1-000	EA	CHAIR - FOLDING - SAND/CHERRY (P55)
7	135600-B2-000	EA	CHAIR - FOLDING - SAND/WASHED MAPLE (P56)
7	135600-95-000	EA	CHAIR - FOLDING - DESTIN/PORTSMOUTH OAK (P57)
7	135600-96-000	EA	CHAIR - FOLDING - DESTIN/CHERRY (P58)
7	135600-97-000	EA	CHAIR - FOLDING - DESTIN/WASHED MAPLE (P59)
7	135600-B3-000	EA	CHAIR - FOLDING - HIGH HEEL/PORTSMOUTH OAK (P60)
7	135600-B4-000	EA	CHAIR - FOLDING - HIGH HEEL/CHERRY (P61)
7	135600-B5-000	EA	CHAIR - FOLDING - HIGH HEEL/WASHED MAPLE (P62)
	129529-02-000	EA	STRAP - CHAIR RETAINING - 81.9"
8	132319-48-P54	EA	PILLOW - 17" - W/"V" OVERLAY (P54, P55, P56) FROM: 00-00-00 THRU: 06-16-02
8	132319-54-P54	EA	PILLOW - 17" - W/OVERLAY (P54, P55, P56) FROM: 06-17-02 THRU: 99-99-99
8	132319-48-P21	EA	PILLOW - 17" - W/"V" OVERLAY (P57, P58, P59)
8	132319-48-P60	EA	PILLOW - 17" - W/"V" OVERLAY (P60, P61, P62)
9	138095-11-P54	EA	SOFA/SLEEPER - RECLINER/POWERED - W/TRUNDLE BED (P54, P55, P56)
9	138095-11-P57	EA	SOFA/SLEEPER - RECLINER/POWERED - W/TRUNDLE BED (P57, P58, P59)
9	138095-11-P60	EA	SOFA/SLEEPER - RECLINER/POWERED - W/TRUNDLE BED (P60, P61, P62)
9	138095-12-P54	EA	SOFA/SLEEPER - RECLINER/POWERED - TRUNDLE BED (P54, P55, P56) RESTEASY ULTRALEATHER
9	138095-12-P57	EA	SOFA/SLEEPER - RECLINER/POWERED - TRUNDLE BED (P57, P58, P59) RESTEASY ULTRALEATHER
9	138095-12-P60	EA	SOFA/SLEEPER - RECLINER/POWERED - TRUNDLE BED (P60, P61, P62) RESTEASY ULTRALEATHER
10	143448-01-000	EA	BUCKET SEAT - W/SKIRT - SAND (P54, P55, P56)
10	143448-02-000	EA	BUCKET SEAT - W/SKIRT (P57, P58, P59)
10	143448-03-000	EA	BUCKET SEAT - W/SKIRT (P60, P61, P62)
10	143448-04-000	EA	BUCKET SEAT - W/SKIRT - BUFF (P54, P55, P56) - ULTRA LEATHER CAB SEATS
10	143448-05-000	EA	BUCKET SEAT - W/SKIRT - MOSS (P57, P58, P59) - ULTRA LEATHER CAB SEATS
10	143448-06-000	EA	BUCKET SEAT - W/SKIRT - AURORA (P60, P61, P62) - ULTRA LEATHER CAB SEATS
11	142959-03-P54	EA	CHAIR - RECLINER/GLIDER - W/SWIVEL BASE/FOOTREST (P54, P55, P56)
11	142959-01-P57	EA	CHAIR - RECLINER/GLIDER - W/SWIVEL BASE/FOOTREST (P57, P58, P59)
11	142959-01-P60	EA	CHAIR - RECLINER/GLIDER - W/SWIVEL BASE/FOOTREST (P60, P61, P62)
11	142959-02-P54	EA	CHAIR - RECLINER/GLIDER - W/SWIVEL BASE/FOOTREST - ULTRALEATHER HOOP LOUNGE CHAIR

CURTAIN & CUSHION GROUP (CONTINUED)
BUCKET SEATS



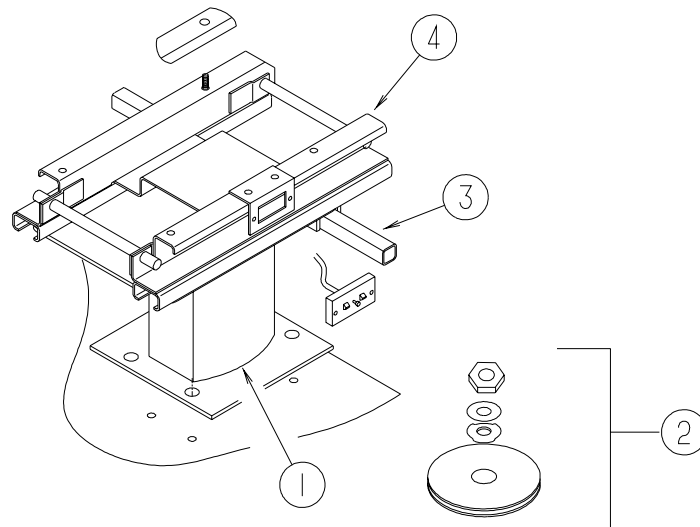
KEY	PART NUMBER	U/M	DESCRIPTION
1	143448-01-000	EA	BUCKET SEAT - W/SKIRT - SAND (P54, P55, P56)
1	143448-04-000	EA	BUCKET SEAT - W/SKIRT - LTHR/ANT PRL-BUFF WLTNG (P54, P55, P56) - ULTRALEATHER SEATS
1	143448-02-000	EA	BUCKET SEAT - W/SKIRT (P57, P58, P59)
1	143448-05-000	EA	BUCKET SEAT - W/SKIRT - LTHR/ANT PRL-MOSS WLTNG (P57, P58, P59) - ULTRALEATHER SEATS
1	143448-03-000	EA	BUCKET SEAT - W/SKIRT (P60, P61, P62)
1	143448-06-000	EA	BUCKET SEAT - W/SKIRT - LTHR/ANT PRL-AURORA WLTNG (P60, P61, P62) - ULTRALEATHER SEATS
2	117125-01-02B	EA	BRACKET - CABLE MOUNT - ADJUSTER W/LOCK
3	108049-02-000	EA	CLIP - CABLE/PEDESTAL
4	108049-04-000	EA	CABLE - W/MINI LEVER ACTION SWITCH - 28" SHEATH/30" CABLE
5	127159-01-02B	EA	BRACKET - SEAT RELEASE - SINGLE REMOTE - E-COATED
6	128699-01-02B	EA	BRACKET - SEAT SWITCH - E-COATED
7	133232-01-01A	EA	COVER - SEAT - ADJUSTMENT
	130184-01-01A	EA	PROTECTOR - SEAT - CLEAR

CURTAIN & CUSHION GROUP (CONTINUED)
BUCKET SEATS (CONTINUED)



DRIVER NON-POWER

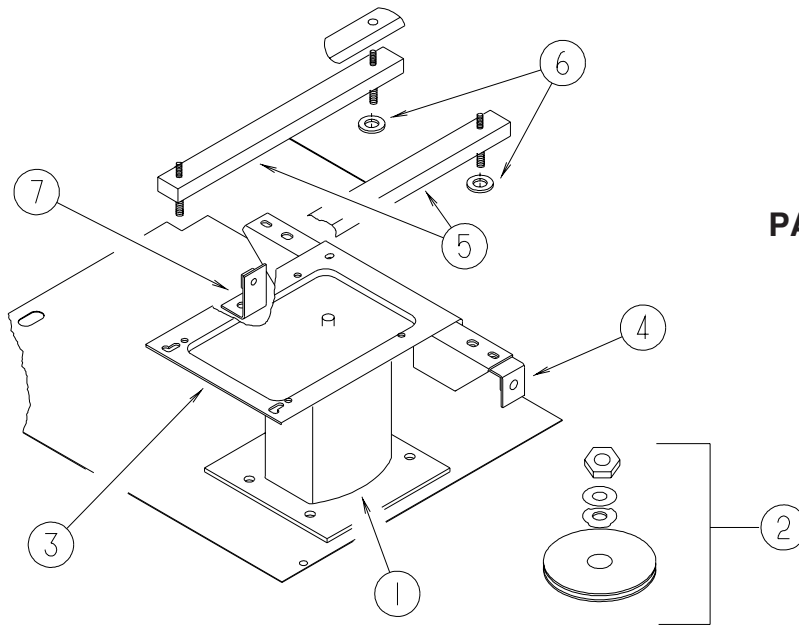
KEY	PART NUMBER	U/M	DESCRIPTION
1	133408-01-000	EA	PEDESTAL - SEAT/DRIVER - 9 3/4"
2	107921-06-000	EA	BEARING KIT - PEDESTAL
3	133408-08-000	EA	TOP PLATE - W/BAR
3	133408-19-000	EA	TOP PLATE - DRIVERS - W/ANCHOR
			FROM: 00-00-00 THRU: 02-09-03
			FROM: 02-10-03 THRU: 99-99-99
4	NOT USED		
5	NOT USED		



DRIVER POWER

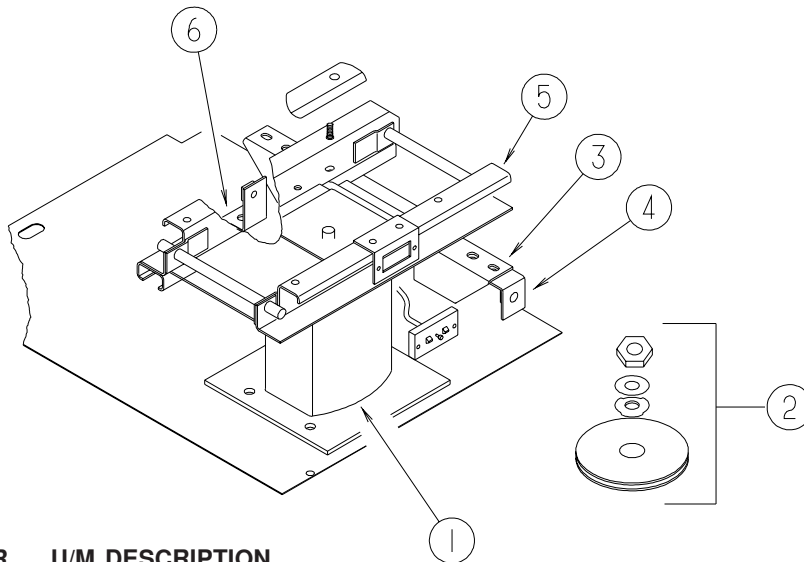
KEY	PART NUMBER	U/M	DESCRIPTION
1	133408-05-000	EA	PEDESTAL - SEAT - 5.75"
2	107921-06-000	EA	BEARING KIT - PEDESTAL
3	133408-08-000	EA	TOP PLATE - W/BAR
3	133408-19-000	EA	TOP PLATE - DRIVERS - W/ANCHOR
			FROM: 00-00-00 THRU: 02-09-03
			FROM: 02-10-03 THRU: 99-99-99
4*	081373-03-000	EA	SEAT - POWER 6 WAY
*COMPONENT PARTS LISTED LATER IN THIS GROUP			

CURTAIN & CUSHION GROUP (CONTINUED)
BUCKET SEATS (CONTINUED)



PASSENGER NON-POWER

KEY	PART NUMBER	U/M	DESCRIPTION
1	133408-01-000	EA	PEDESTAL - SEAT - DRIVER/PASSENGER - 9 3/4"
2	107921-06-000	EA	BEARING KIT - PEDESTAL
3	133408-02-000	EA	TOP PLATE - SINGLE SIDE BELT
			FROM: 00-00-00 THRU: 02-09-03
3	133408-20-000	EA	TOP PLATE - PASSENGER - W/ANCHOR
			FROM: 02-10-03 THRU: 99-99-99
4	133408-03-000	EA	BRACKET - ANCHOR/PEDESTAL
5	NOT USED		
6	NOT USED		
7	133408-04-000	EA	BRACKET - ANCHOR/FLOOR

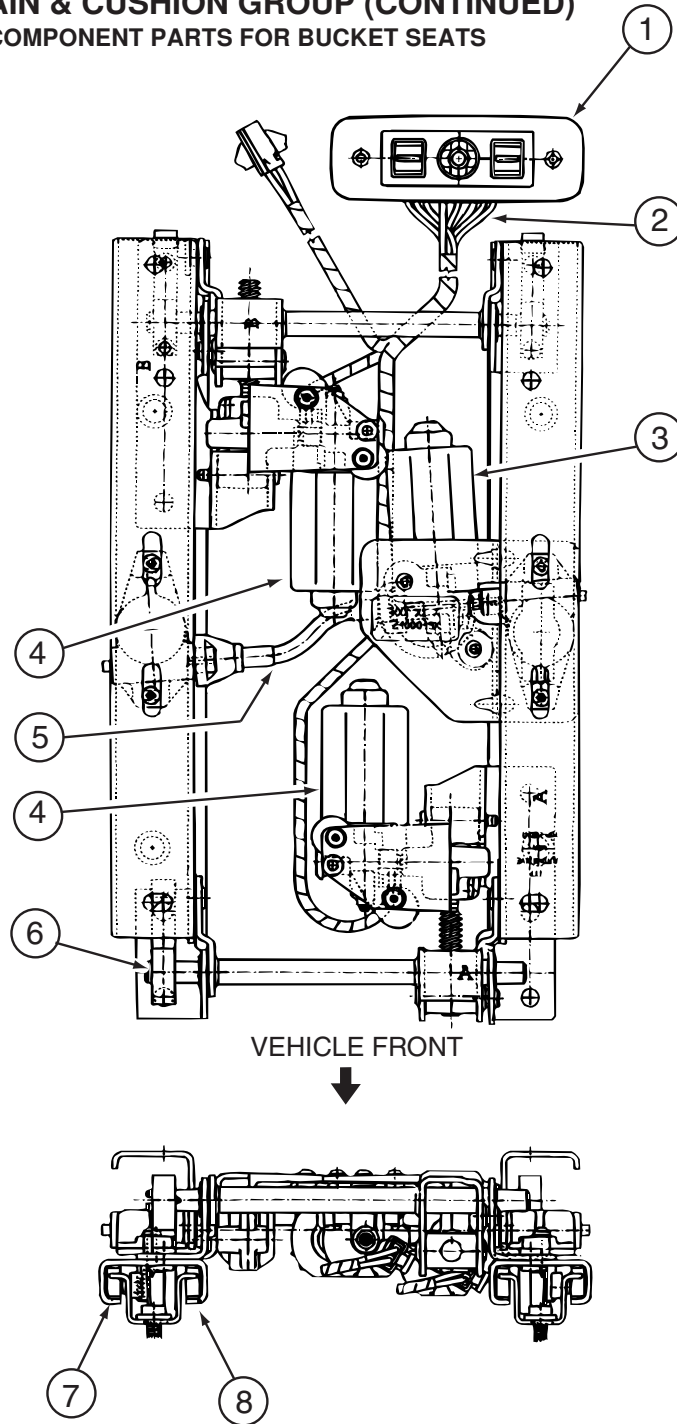


PASSENGER POWER

KEY	PART NUMBER	U/M	DESCRIPTION
1	133408-05-000	EA	PEDESTAL - SEAT - 5.75"
2	107921-06-000	EA	BEARING KIT - PEDESTAL
3	133408-08-000	EA	TOP PLATE - W/BAR
			FROM: 00-00-00 THRU: 02-09-03
3	133408-19-000	EA	TOP PLATE - DRIVERS - W/ANCHOR
			FROM: 02-10-03 THRU: 99-99-99
4	133408-03-000	EA	BRACKET - ANCHOR/PEDESTAL
5*	081373-03-000	EA	SEAT - POWER 6 WAY
6	133408-04-000	EA	BRACKET - ANCHOR/FLOOR

*COMPONENT PARTS LISTED LATER IN THIS GROUP

CURTAIN & CUSHION GROUP (CONTINUED)
COMPONENT PARTS FOR BUCKET SEATS



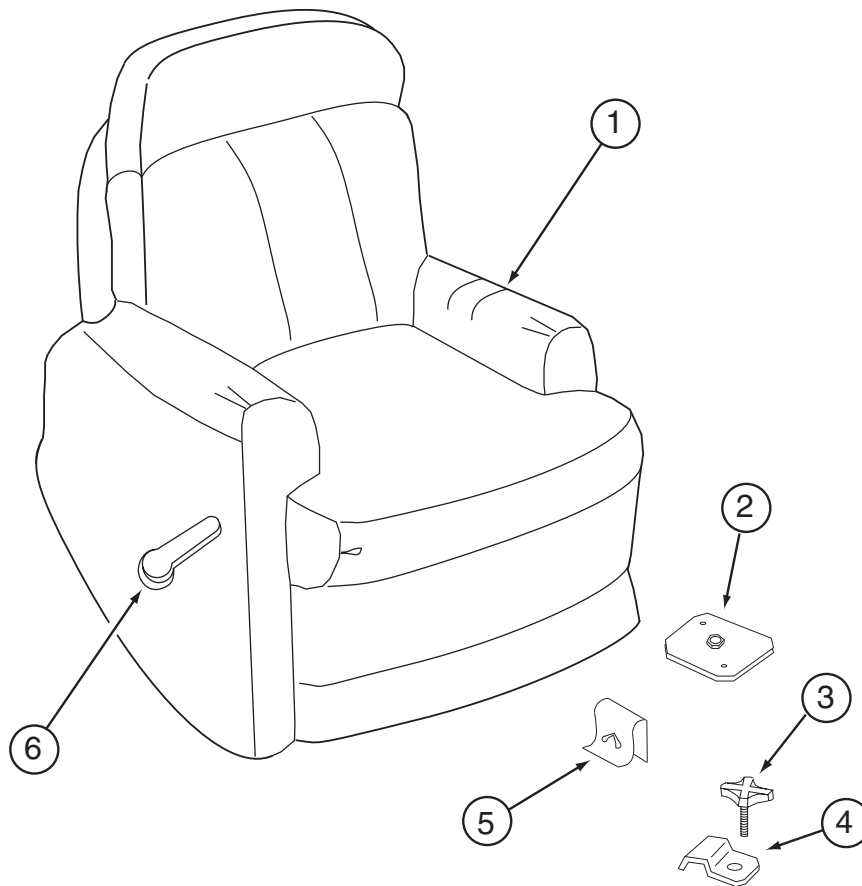
081373-03-000

KEY	PART NUMBER	U/M	DESCRIPTION	VENDOR NO.
1	081373-03-700	EA	SWITCH POWER	22543667 BLACK
2	081373-03-701	EA	WIRE HARNESS ASM., LT. SIDE	22138093
2	081373-03-702	EA	WIRE HARNESS ASM., RT. SIDE	22138094
3	081373-02-703	EA	MOTOR / HORIZONTAL	22128095
4	081373-02-704	EA	MOTOR PKG. ADJ. VERTICAL	22063238 & H-196
5	081373-03-704	EA	DRIVE CABLE	22143984
6	081373-03-705	EA	SPRING	22048978
7	081373-03-706	EA	SHOE GUIDE (WHITE)	22048993
8	081373-03-707	EA	SHOE GUIDE (BLACK)	22048994
	081373-03-700	EA	SWITCH POWER	22137945

122611-02-000

KEY	PART NUMBER	U/M	DESCRIPTION	VENDOR NO.
	122611-02-701	EA	LUMBAR - LEVER	412
	122611-02-702	EA	LUMBAR MECHANISM	24395-FLEXSTEEL

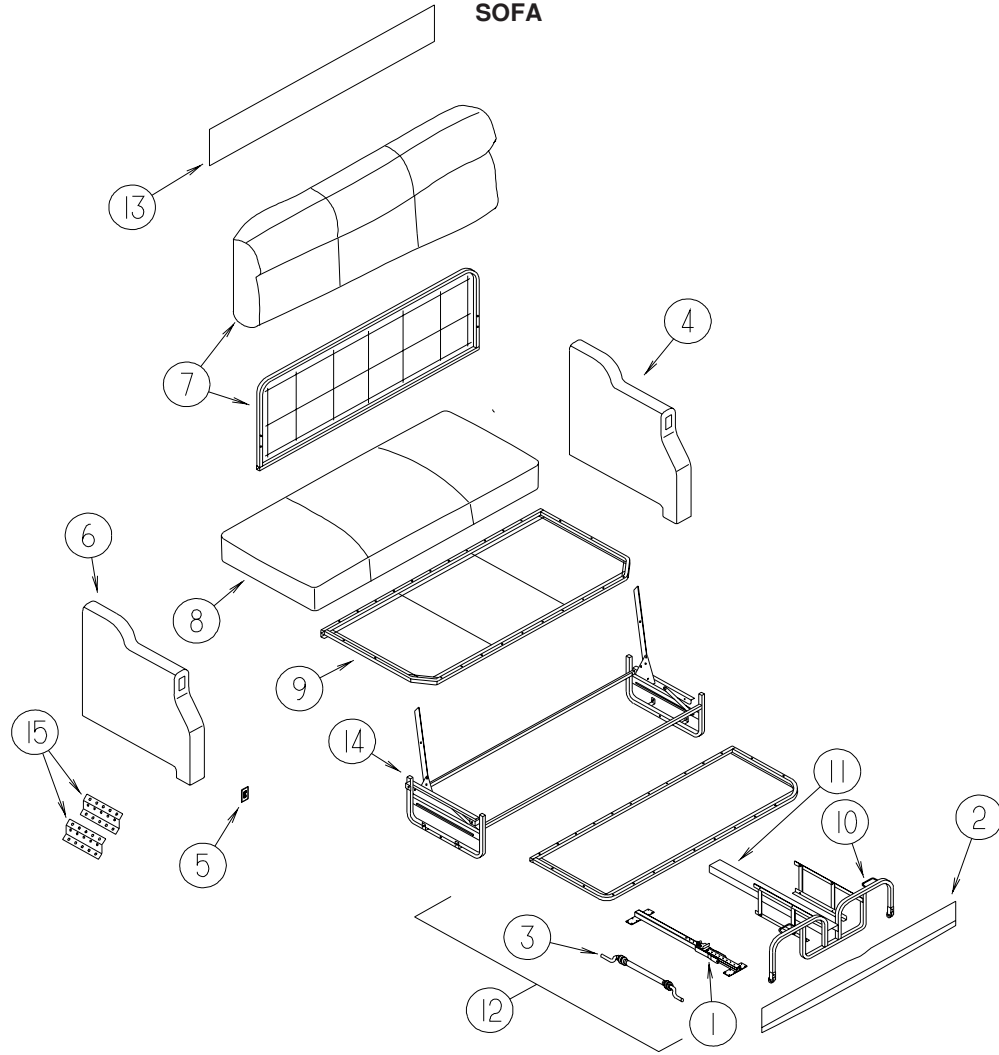
CURTAIN & CUSHION GROUP (CONTINUED)
LOUNGE CHAIR



KEY	PART NUMBER	U/M	DESCRIPTION
1	142959-03-P54	EA	CHAIR - RECLINER/GLIDER - W/SWIVEL BASE/FOOTREST (P54, P55, P56)
1	142959-01-P57	EA	CHAIR - RECLINER/GLIDER - W/SWIVEL BASE/FOOTREST (P57, P58, P59)
1	142959-01-P60	EA	CHAIR - RECLINER/GLIDER - W/SWIVEL BASE/FOOTREST (P60, P61, P62)
1	142959-02-P54	EA	CHAIR - RECLINER/GLIDER - W/SWIVEL BASE/FOOTREST - ULTALEATHER HOOP LOUNGE CHAIR
	P42959-01-P54	EA	COVER/CHAIR - RECLINER - W/FOOTREST (P54, P55, P56)
	P42959-01-P57	EA	COVER/CHAIR - RECLINER - W/FOOTREST (P57, P58, P59)
	P42959-01-P60	EA	COVER/CHAIR - RECLINER - W/FOOTREST (P60, P61,P62)
	P42959-02-P54	EA	COVER/CHAIR - RECLINER - W/FOOTREST - ULTALEATHER HOOP LOUNGE CHAIR
2	134128-02-02B	EA	PLATE - W/HOLES - E-COATED
3	134194-01-01A	EA	KNOB - HOLD DOWN - RECLINER - BLACK
4	134057-01-11B	EA	BRACKET - RECLINER - FLAT BLACK
5	029134-01-000	EA	CLIP-FINISH-K2915-UPHOLSTERY
6	133126-11-000	EA	RECLINER - (PLASTIC HANDLE)

CURTAIN & CUSHION GROUP (CONTINUED)

SOFA



KEY	PART NUMBER	U/M	DESCRIPTION
	138095-11-P54	EA	SOFA/SLEEPER - RECLINER/POWERED - W/TRUNDLE BED (P54, P55, P56)
	138095-11-P57	EA	SOFA/SLEEPER - RECLINER/POWERED - W/TRUNDLE BED (P57, P58, P59)
	138095-11-P60	EA	SOFA/SLEEPER - RECLINER/POWERED - W/TRUNDLE BED (P60, P61, P62)
	138095-12-P54	EA	SOFA/SLEEPER - RECLINER/POWERED - TRUNDLE BED (P54, P55, P56) - ULTRALEATHER RESTEASY
	138095-12-P57	EA	SOFA/SLEEPER - RECLINER/POWERED - TRUNDLE BED (P57, P58, P59) - ULTRALEATHER RESTEASY
	138095-12-P60	EA	SOFA/SLEEPER - RECLINER/POWERED - TRUNDLE BED (P60, P61, P62) - ULTRALEATHER RESTEASY
1*	136534-14-000	EA	SLIDE RAIL - W/LATCH MECHANISM/PLATES/STOP F/30" RAISED
2	135824-07-P54	EA	PANEL/FRONT KICK - SOFA/SLEEPER - 59.5" - FABRIC COVERED (P54, P55, P56)
2	135824-07-P57	EA	PANEL/FRONT KICK - SOFA/SLEEPER - 59.5" - FABRIC COVERED (P57, P58, P59)
2	135824-07-P60	EA	PANEL/FRONT KICK - SOFA/SLEEPER - 59.5" - FABRIC COVERED (P60, P61, P62)
2	135824-08-N47	EA	PANEL/FRONT KICK - 59.5" - FABRIC COVERED (P54, P55, P56) - ULTRALEATHER RESTEASY
2	135824-08-N48	EA	PANEL/FRONT KICK - 59.5" - FABRIC COVERED (P57, P58, P59) - ULTRALEATHER RESTEASY
2	135824-08-N49	EA	PANEL/FRONT KICK - 59.5" - FABRIC COVERED (P60, P61, P62) - ULTRALEATHER RESTEASY
	121906-01-02B	EA	BRACKET - KICKBOARD - E-COATED
3	136534-19-000	EA	CABLE ONLY - REMOTE - 34" W/Z-ENDS (F/LEVER HANDLE -30-)
4	135823-08-P54	EA	ARMREST - LEFT HAND (P54, P55, P56)
4	135823-08-P57	EA	ARMREST - LEFT HAND (P57, P58, P59)
4	135823-08-P60	EA	ARMREST - LEFT HAND (P60, P61, P62)
4	135823-10-N47	EA	ARMREST - LEFT HAND (P54, P55, P56) - ULTRALEATHER RESTEASY
4	135823-10-N48	EA	ARMREST - LEFT HAND (P57, P58, P59) - ULTRALEATHER RESTEASY
4	135823-10-N49	EA	ARMREST - LEFT HAND (P60, P61, P62) - ULTRALEATHER RESTEASY
	P35823-08-P54	EA	COVER/ARMREST - LEFT HAND (P54, P55, P56)
	P35823-08-P57	EA	COVER/ARMREST - LEFT HAND (P57, P58, P59)
	P35823-08-P60	EA	COVER/ARMREST - LEFT HAND (P60, P61, P62)
	P35823-10-N47	EA	COVER/ARMREST - LEFT HAND (P54, P55, P56) - ULTRALEATHER RESTEASY
	P35823-10-N48	EA	COVER/ARMREST - LEFT HAND (P57, P58, P59) - ULTRALEATHER RESTEASY
	P35823-10-N49	EA	COVER/ARMREST - LEFT HAND (P60, P61, P62) - ULTRALEATHER RESTEASY

CURTAIN & CUSHION GROUP (CONTINUED)
SOFA (CONTINUED)

KEY	PART NUMBER	U/M	DESCRIPTION
5	136118-01-000	EA	SWITCH - SOFA/RECLINER
6	135823-07-P54	EA	ARMREST - RIGHT HAND (P54, P55, P56)
6	135823-07-P57	EA	ARMREST - RIGHT HAND (P57, P58, P59)
6	135823-07-P60	EA	ARMREST - RIGHT HAND (P60, P61, P62)
6	135823-09-N47	EA	ARMREST - RIGHT HAND (P54, P55, P56) - ULTRALEATHER RESTEASY
6	135823-09-N48	EA	ARMREST - RIGHT HAND (P57, P58, P59) - ULTRALEATHER RESTEASY
6	135823-09-N49	EA	ARMREST - RIGHT HAND (P60, P61, P62) - ULTRALEATHER RESTEASY
	P35823-07-P54	EA	COVER/ARMREST - RIGHT HAND (P54, P55, P56)
	P35823-07-P57	EA	COVER/ARMREST - RIGHT HAND (P57, P58, P59)
	P35823-07-P60	EA	COVER/ARMREST - RIGHT HAND (P60, P61, P62)
	P35823-09-N47	EA	COVER/ARMREST - RIGHT HAND (P54, P55, P56) - ULTRALEATHER RESTEASY
	P35823-09-N48	EA	COVER/ARMREST - RIGHT HAND (P57, P58, P59) - ULTRALEATHER RESTEASY
	P35823-09-N49	EA	COVER/ARMREST - RIGHT HAND (P60, P61, P62) - ULTRALEATHER RESTEASY
7	138095-02-P54	EA	BACK - SOFA/SLEEPER - RECLINER/POWERED (P54, P55, P56)
7	138095-02-P57	EA	BACK - SOFA/SLEEPER - RECLINER/POWERED (P57, P58, P59)
7	138095-02-P60	EA	BACK - SOFA/SLEEPER - RECLINER/POWERED (P60, P61, P62)
7	138095-06-P54	EA	BACK - SOFA/SLEEPER - RECLINER/POWERED - LEATHER - ULTRALEATHER RESTEASY
	P38095-02-P54	EA	COVER/BACK - SOFA/SLEEPER - RECLINER/POWERED (P54, P55, P56)
	P38095-02-P57	EA	COVER/BACK - SOFA/SLEEPER - RECLINER/POWERED (P57, P58, P59)
	P38095-02-P60	EA	COVER/BACK - SOFA/SLEEPER - RECLINER/POWERED (P60, P61, P62)
	P38095-06-M62	EA	COVER/BACK - SOFA/SLEEPER - RECLINER/POWERED - ULTRALEATHER RESTEASY
	136534-20-000	EA	BACK - FRAME - BEVERAGE TRAY
	136534-21-000	EA	FRAME - BEVERAGE TRAY
	136534-22-000	EA	HINGE - RIGHT
	136534-23-000	EA	HINGE - LEFT
	139758-01-01A	EA	TRAY-BEVERAGE
8	138095-03-P54	EA	SEAT - SOFA/SLEEPER - RECLINER/POWERED (P54, P55, P56)
8	138095-03-P57	EA	SEAT - SOFA/SLEEPER - RECLINER/POWERED (P57, P58, P59)
8	138095-03-P60	EA	SEAT - SOFA/SLEEPER - RECLINER/POWERED (P60, P61, P62)
8	138095-19-N47	EA	SEAT - SOFA/SLEEPER - RECLINER/POWERED (P54, P55, P56) - ULTRALEATHER RESTEASY
8	138095-19-N48	EA	SEAT - SOFA/SLEEPER - RECLINER/POWERED (P57, P58, P59) - ULTRALEATHER RESTEASY
8	138095-19-N49	EA	SEAT - SOFA/SLEEPER - RECLINER/POWERED (P60, P61, P62) - ULTRALEATHER RESTEASY
	P38095-03-P54	EA	COVER/SEAT - SOFA/SLEEPER - RECLINER/POWERED (P54, P55, P56)
	P38095-03-P57	EA	COVER/SEAT - SOFA/SLEEPER - RECLINER/POWERED (P57, P58, P59)
	P38095-03-P60	EA	COVER/SEAT - SOFA/SLEEPER - RECLINER/POWERED (P60, P61, P62)
	P38095-19-N47	EA	COVER - SEAT - SOFA/BED - LEATHER (P54, P55, P56) - ULTRALEATHER RESTEASY
	P38095-19-N48	EA	COVER - SEAT - SOFA/BED - LEATHER (P57, P58, P59) - ULTRALEATHER RESTEASY
	P38095-19-N49	EA	COVER - SEAT - SOFA/BED - LEATHER (P60, P61, P62) - ULTRALEATHER RESTEASY
9	136534-04-000	EA	SEAT - 26.5" X 60" CL W/FLEXOLATOR
10	136534-17-000	EA	TRUNDLE FRAME - 17.5" X 55" - W/LINKAGE, LATCH & HANDLE
11	136534-31-000	EA	CAP - CABLE COVER
12	138095-04-P54	EA	TRUNDLE - SOFA/SLEEPER (P54, P55, P56)
12	138095-04-P57	EA	TRUNDLE - SOFA/SLEEPER (P57, P58, P59)
12	138095-04-P60	EA	TRUNDLE - SOFA/SLEEPER (P60, P61, P62)
12	138095-08-M62	EA	TRUNDLE - SOFA/SLEEPER - LEATHER - ULTRALEATHER RESTEASY
	P38095-04-P54	EA	COVER/TRUNDLE - SOFA/SLEEPER (P54, P55, P56)
	P38095-04-P57	EA	COVER/TRUNDLE - SOFA/SLEEPER (P57, P58, P59)
	P38095-04-P60	EA	COVER/TRUNDLE - SOFA/SLEEPER (P60, P61, P62)
	P38095-08-M62	EA	COVER/TRUNDLE - SOFA/SLEEPER - ULTRALEATHER RESTEASY
13	139716-04-P54	EA	SIGHT SHIELD - 58" - FULL BACK - W/BEVERAGE TRAY (P54, P55, P56)
13	139716-04-P57	EA	SIGHT SHIELD - 58" - FULL BACK - W/BEVERAGE TRAY (P57, P58, P59)
13	139716-04-P60	EA	SIGHT SHIELD - 58" - FULL BACK - W/BEVERAGE TRAY (P60, P61, P62)
13	139716-05-N47	EA	SIGHT SHIELD - 58" - FULL BACK - W/BEVERAGE TRAY - ULTRALEATHER RESTEASY
14*	136534-13-000	EA	BASE - 27.25" X 60" - POWERED CL - W/8" OVER HANG
	136534-33-000	EA	SPRING-7X1/2 W/HOOK ON ENDS
15	116104-04-02B	EA	BRACKET - ZEE W/HOLES - 3.2" - E-COATED

***COMPONENT PARTS LISTED LATER IN THIS GROUP**

CURTAIN & CUSHION GROUP (CONTINUED)
COMPONENT PARTS FOR SOFA

136534-13-000, 136534-28-000

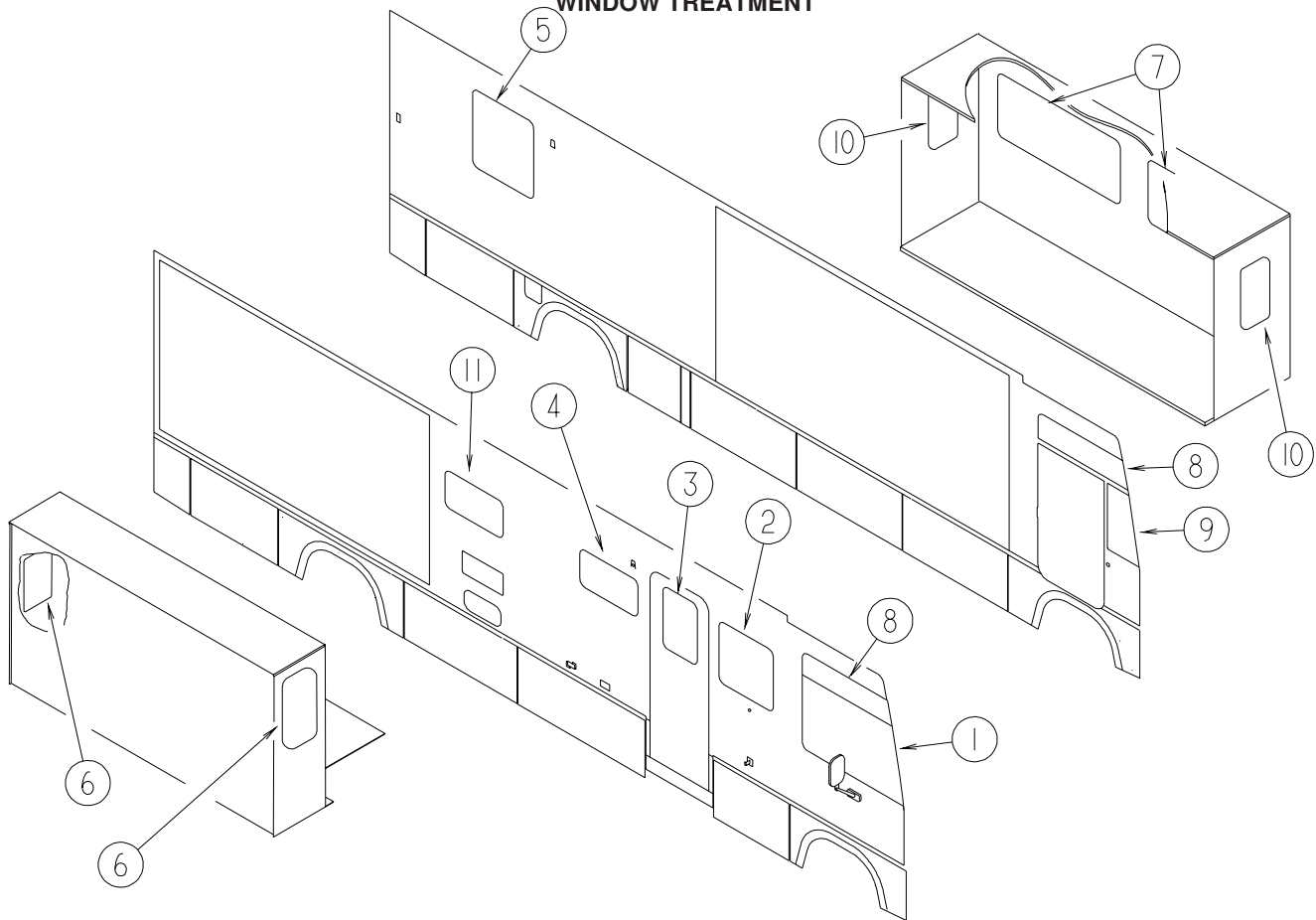
KEY	PART NUMBER	U/M	DESCRIPTION	VENDOR NO.
	136534-02-700	EA	MOTOR	9PL-MO-W/T-1
	136534-02-701	EA	CABLE/DRV MTR-REST EASY SOFA	9PL-FCA27.75

136534-14-000

KEY	PART NUMBER	U/M	DESCRIPTION	VENDOR NO.
	136534-14-700	EA	SLIDE MECHANISM ASM W/LATCH	PTN-SLD-BUSH
	136534-14-701	EA	BUSHING/GUIDE - F/MECHANISM	9TN-SLD-GR-0

CURTAIN & CUSHION GROUP (CONTINUED)

WINDOW TREATMENT

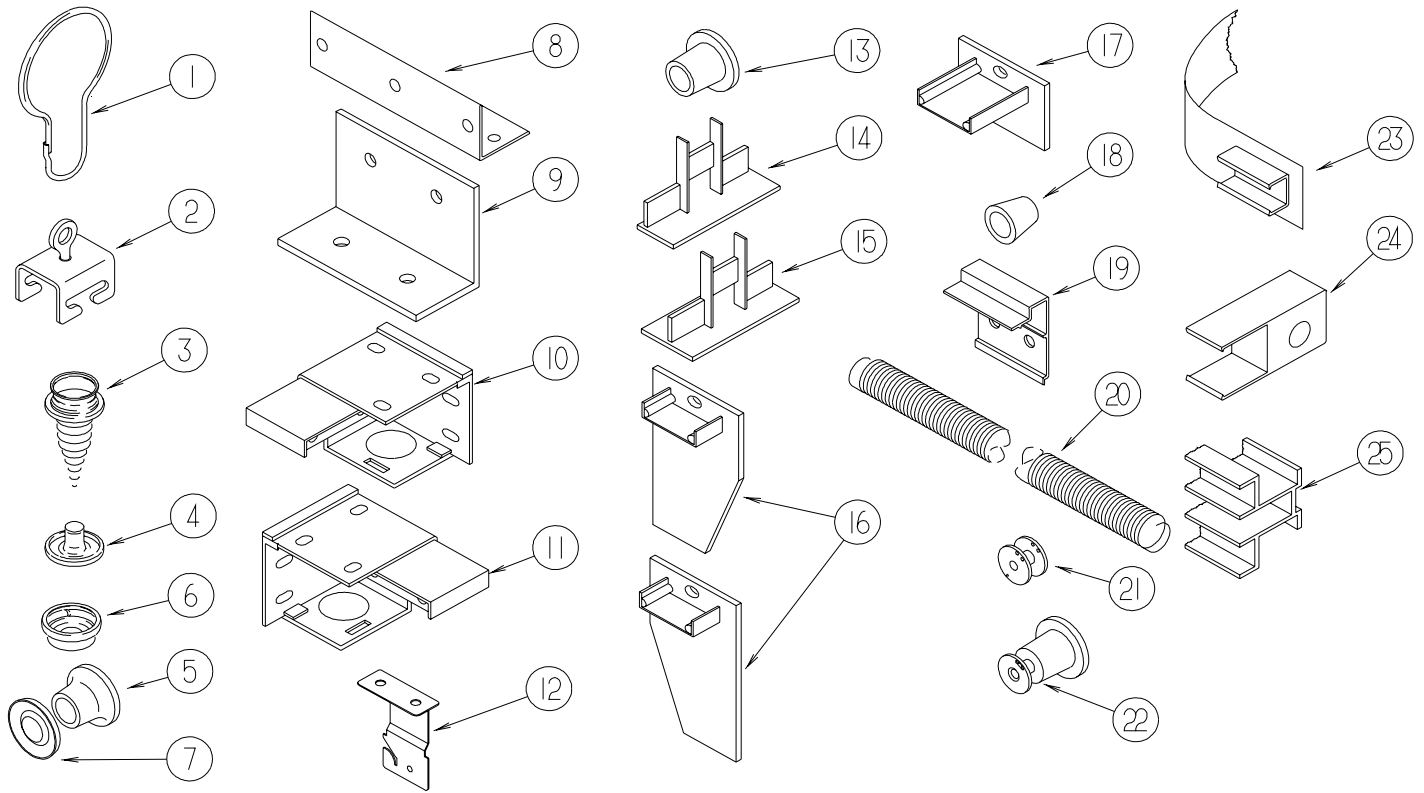


KEY	PART NUMBER	U/M	DESCRIPTION
1	093487-21-02A	EA	CURTAIN - PASS/WRAPAROUND/PRIVACY/PLEATED - 42.5" X 112"
2	142259-04-P54	EA	VALANCE - PALM COURT - 32" (P54, P55, P56)
2	142259-04-P57	EA	VALANCE - PALM COURT - 32" (P57, P58, P59)
2	142259-04-P60	EA	VALANCE - PALM COURT - 32" (P60, P61, P62)
2	140789-29-P45	EA	BLIND - DAY/NIGHTER - 29" X 28" (P54, P55, P56)
2	140789-29-P47	EA	BLIND - DAY/NIGHTER - 29" X 28" (P57, P58, P59, P60, P61, P62)
2	136988-97-P54	EA	LEG - RIGHT - 26" (P54, P55, P56)
2	136988-97-P57	EA	LEG - RIGHT - 26" (P57, P58, P59)
2	136988-97-P60	EA	LEG - RIGHT - 26" (P60, P61, P62)
2	136988-98-P54	EA	LEG - LEFT - 26" (P54, P55, P56)
2	136988-98-P57	EA	LEG - LEFT - 26" (P57, P58, P59)
2	136988-98-P60	EA	LEG - LEFT - 26" (P60, P61, P62)
3	084755-57-E07	EA	SHADE - PULL - 27.25"
4	109041-44-02A	EA	BLIND - MINI - 30.5" X 18" (P54, P55, P56)
4	109041-44-04A	EA	BLIND - MINI - 30.5" X 18" (P57, P58, P59, P60, P61, P62)
5	142266-06-P54	EA	VALANCE - BEL AIR - 33" (P54, P55, P56)
5	142266-06-P57	EA	VALANCE - BEL AIR - 33" (P57, P58, P59)
5	142266-06-P60	EA	VALANCE - BEL AIR - 33" (P60, P61, P62)
5	140789-25-N42	EA	BLIND - DAY/NIGHTER - 31" X 26" (P54, P55, P56)
5	140789-25-N44	EA	BLIND - DAY/NIGHTER - 31" X 26" (P57, P58, P59, P60, P61, P62)
6	142266-04-P54	EA	VALANCE - BEL AIR - 26" (P54, P55, P56)
6	142266-04-P57	EA	VALANCE - BEL AIR - 26" (P57, P58, P59)
6	142266-04-P60	EA	VALANCE - BEL AIR - 26" (P60, P61, P62)
6	140789-07-N42	EA	BLIND - DAY/NIGHTER - 22.5" X 23" (P54, P55, P56)
6	140789-07-N44	EA	BLIND - DAY/NIGHTER - 22.5" X 23" (P57, P58, P59, P60, P61, P62)
6	136988-59-P54	EA	LEG - RIGHT - 22" (P54, P55, P56)
6	136988-59-P57	EA	LEG - RIGHT - 22" (P57, P58, P59)
6	136988-59-P60	EA	LEG - RIGHT - 22" (P60, P61, P62)
6	136988-60-P54	EA	LEG - LEFT - 22" (P54, P55, P56)
6	136988-60-P57	EA	LEG - LEFT - 22" (P57, P58, P59)
6	136988-60-P60	EA	LEG - LEFT - 22" (P60, P61, P62)

CURTAIN & CUSHION GROUP (CONTINUED)
WINDOW TREATMENT (CONTINUED)

KEY	PART NUMBER	U/M	DESCRIPTION
7	142259-01-P54	EA	LAMBREQUIN - PALM COURT - 61" X 25" (P54, P55, P56)
7	142259-01-P57	EA	LAMBREQUIN - PALM COURT - 61" X 25" (P57, P58, P59)
7	142259-01-P60	EA	LAMBREQUIN - PALM COURT - 61" X 25" (P60, P61, P62)
7	140789-08-N09	EA	BLIND - DAY/NIGHTER - 59" X 26.5" (P54, P55, P56)
7	140789-08-N44	EA	BLIND - DAY/NIGHTER - 59" X 26.5" (P57, P58, P59, P60, P61, P62)
8	126841-03-000	EA	SHADE - PULL - CHARCOAL MESH - 40.3" X 60"
9	093487-22-02A	EA	CURTAIN - DRVR/WRAPAROUND/PRIVACY/PLEATED - 42.5" X 112"
10	142259-05-P54	EA	VALANCE - PALM COURT - 26" (P54, P55, P56)
10	142259-05-P57	EA	VALANCE - PALM COURT - 26" (P57, P58, P59)
10	142259-05-P60	EA	VALANCE - PALM COURT - 26" (P60, P61, P62)
10	140789-07-N42	EA	BLIND - DAY/NIGHTER - 22.5" X 23" (P54, P55, P56)
10	140789-07-N44	EA	BLIND - DAY/NIGHTER - 22.5" X 23" (P57, P58, P59, P60, P61, P62)
10	136988-21-P54	EA	LEG - RIGHT - 22" (P54, P55, P56)
10	136988-21-P57	EA	LEG - RIGHT - 22" (P57, P58, P59)
10	136988-21-P60	EA	LEG - RIGHT - 22" (P60, P61, P62)
10	136988-22-P54	EA	LEG - LEFT - 22" (P54, P55, P56)
10	136988-22-P57	EA	LEG - LEFT - 22" (P57, P58, P59)
10	136988-22-P60	EA	LEG - LEFT - 22" (P60, P61, P62)
11	121410-B3-P54	EA	VALANCE - MODERATE - 27" (P54, P55, P56)
11	121410-B3-P57	EA	VALANCE - MODERATE - 27" (P57, P58, P59)
11	121410-B3-P60	EA	VALANCE - MODERATE - 27" (P60, P61, P62)
11	109041-64-02A	EA	BLIND - MINI - 25.5" (P54, P55, P56)
11	109041-64-01A	EA	BLIND - MINI - 25" (P57, P58, P59, P60, P61, P62)

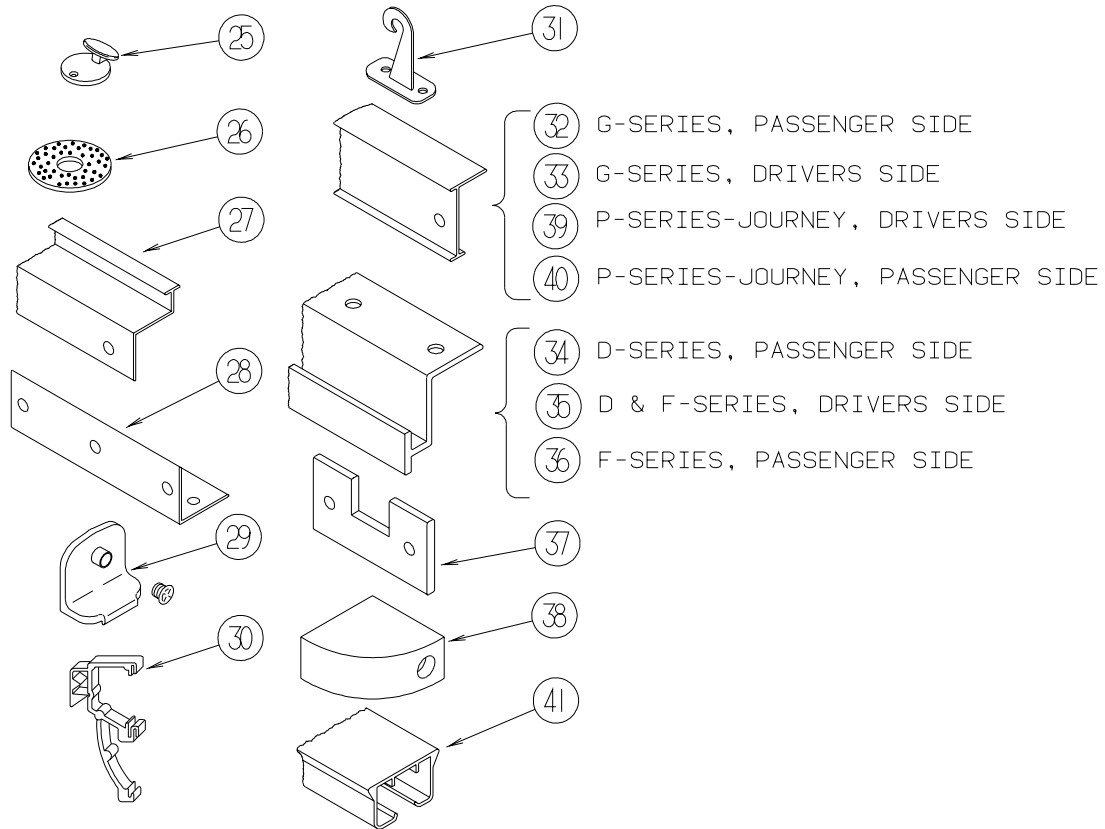
CURTAIN & CUSHION GROUP (CONTINUED) HARDWARE



KEY	PART NUMBER	U/M	DESCRIPTION
1	009136-02-000	EA	HANGER - RING - PIN TYPE - CURTAIN - BRASS
2	009702-01-000	EA	END STOP - CURTAIN CARRIER - L - ROD
3	029130-01-000	EA	SCREW - SNAP STUD - #8-16 X 3/8" LONG
3	029130-03-000	EA	SCREW - SNAP STUD - #8-16 X 1" LONG
4	029155-01-000	EA	CAP - SNAP - 5/32" OUTSIDE DIAMETER OF PIN
5	029156-01-000	EA	SOCKET - SNAP - 9/16" O.D.
6	046867-02-000	EA	WASHER - HANDY BUTTON #3
7	046867-03-000	EA	GROMMET - HANDY BUTTON #3
8	075943-10-000	EA	BRACE - VALANCE - 20" - OFF WHITE
9	083125-07-000	EA	BRACE - ANGLE/COUCH - 2.5" - OFF WHITE
9	083125-08-000	EA	BRACE - WINDOW MOUNT - .75" - OFF WHITE
10	083170-01-000	EA	BRACKET/BLIND - LEFT SIDE WHEN FACING WINDOW - CLEAR
11	083170-02-000	EA	BRACKET/BLIND - RIGHT SIDE WHEN FACING WINDOW - CLEAR
12	084434-01-000	EA	BRACKET - MOUNTING - ROLLER SHADE - 1 3/8"
13	094896-02-000	EA	GROMMET - CORD/PLEATED BLIND - NYLON - GRAY
14	094907-02-000	EA	END CAP - PLEATED BLIND/TOP - RH/LH - GRAY PLASTIC
15	094907-04-000	EA	END CAP - PLEATED BLIND/BOTTOM - RH/LH
16	094907-05-000	EA	END CAP - PLEATED BLIND/BOTTOM - PULL TYPE - PLASTIC
17	094907-06-000	EA	END CAP - PLEATED BLIND/TOP
18	097564-99-000	EA	HANDLE - KNOB - E-Z LIFT SHADE - COLORLESS
19	097565-01-000	EA	BRACKET - MOUNTING - PLEATED BLIND
20	097591-01-000	EA	SPRING - EXTENSION - PLEATED BLIND
21	097592-01-000	EA	SPOOL - CORD - ELEVATED BLIND HOLDUP - SMALL - CLEAR
22	097592-02-000	EA	SPOOL - CORD - ELEVATED BLIND HOLDUP - LARGE - CLEAR
	097593-02-000	FT	CORD - BLIND - PLEATED - GRAY
	097593-06-000	FT	CORD - BLIND - PLEATED - PEWTER
	097593-10-000	FT	CORD - BLIND - PLEATED - VANILLA
23	101031-01-000	YD	TAPE/GLIDE - 4.25" SPACING
24	101033-02-000	EA	END CAP - LOW PROFILE TRACK - CLEAR
25	101033-08-000	EA	TRACK/WALL - 75" - FRT BUNK WINDOW 300 SERIES (MINNIE/SPIRIT)
25	101033-09-000	EA	TRACK/WALL - 32" - SIDE BUNK WINDOW 200 SERIES/300 SERIES (VISTA/SUNSTAR /MINNIE/SPIRIT)

CURTAIN & CUSHION GROUP (CONTINUED)

HARDWARE (CONTINUED)



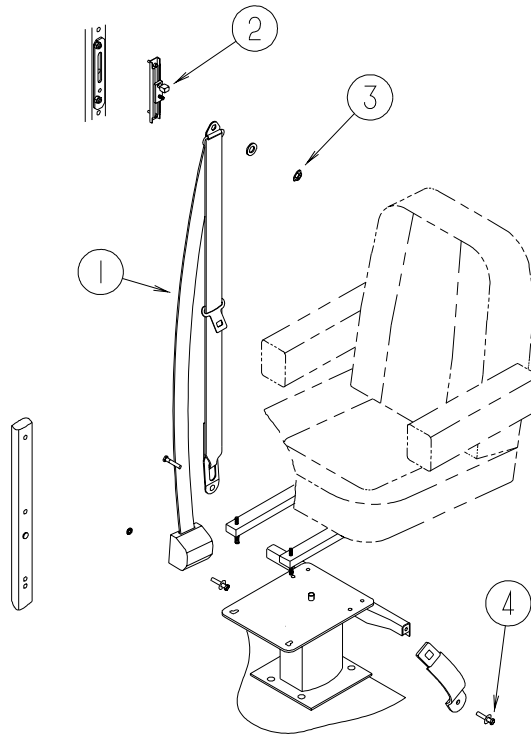
KEY	PART NUMBER	U/M	DESCRIPTION
25	102555-03-000	EA	CLEAT - BLIND CORD - MILKY WHITE - PLASTIC
26	103242-01-000	EA	VELCRO HOOK - BEIGE 7/8" ROUND W/CENTER HOLE
26	103242-02-000	EA	VELCRO HOOK - BLACK 7/8" ROUND W/CENTER HOLE
27	105450-14-01A	EA	TRACK - CURTAIN - 90" - OFF WHITE - FRONT BUNK PRIVACY 300 SERIES (MINNIE/SPIRITE)
27	105450-15-01A	EA	TRACK - CURTAIN - 82.3" - OFF WHITE - FRONT BUNK PRIVACY 200 SERIES (VISTA/SUNSTAR)
28	105648-01-02A	EA	BRACE - VALANCE - OFF/WHITE - 14"
29	106544-01-000	EA	PULL - SHADE/BRASS
	106544-01-001	EA	SCREW - SHADE/BRASS
30	109353-04-000	EA	CLIP - VALANCE SLAT MOUNTING - CLEAR PLASTIC
	109441-02-000	EA	SPACER/BRACKET - BLIND HOLD DOWN
31	109441-03-000	EA	BRACKET/HOOK - BLIND HOLD DOWN - CLOUDY
32	126456-03-04A	EA	TRACK/WRAPAROUND - PASSENGER - GLACIER - G SERIES (ADVENTURER/SUNCRUISER)
33	126456-04-04A	EA	TRACK/WRAPAROUND - DRIVER - GLACIER - G SERIES (ADVENTURER/SUNCRUISER)
34	127254-03-05A	EA	TRACK/WRAPAROUND - PASSENGER - GLACIER - D SERIES (SIGHTSEER/SUNOVA)
35	127254-04-05A	EA	TRACK/WRAP - DRIVER - GLACIER - D SERIES/F SERIES (SIGHTSEER/SUNOVA/BRAVE/SUNRISE)
36	127254-14-03A	EA	TRACK/WRAPAROUND - PASSENGER - GLACIER - F SERIES (BRAVE/SUNRISE)
37	130549-01-01A	EA	STOP - CURTAIN TRACK
38	132504-01-N92	EA	BRACKET - SHADE
39	133235-01-04A	EA	TRACK - CURTAIN/LEFT HAND - GLACIER - P SERIES (JOURNEY)
40	133236-01-04A	EA	TRACK - CURTAIN/RIGHT HAND - GLACIER - P SERIES (JOURNEY)
41	138460-01-02A	EA	TRACK/CURTAIN - PASSENGER - WHITE - Q SERIES (ULTIMATE ADVANTAGE/ULTIMATE FREEDOM)
	138460-02-02A	EA	TRACK/CURTAIN - DRIVER - WHITE - Q SERIES (ULTIMATE ADVANTAGE/ULTIMATE FREEDOM)
41	138460-03-02A	EA	TRACK/CURTAIN - PASSENGER - WHITE - P SERIES (JOURNEY DL/HORIZON)
	138460-04-02A	EA	TRACK/CURTAIN - DRIVER - WHITE - P SERIES (JOURNEY DL/HORIZON)
41	138460-05-02A	EA	TRACK/CURTAIN - PASSENGER - WHITE - L SERIES (CHIEFTAIN/SUNFLYER)
	138460-06-02A	EA	TRACK/CURTAIN - DRIVER - WHITE - L SERIES (CHIEFTAIN/SUNFLYER)
	141634-01-000	EA	BOBBIN-PLEATED,ADJUSTABLE

FROM: 06-17-02 THRU: 99-99-99

CURTAIN & CUSHION GROUP (CONTINUED)

ACCESSORIES

KEY	PART NUMBER	U/M	DESCRIPTION
	057534-03-000	EA	TIEBACK - CLEAR PLASTIC - 7.5"
	057534-08-000	EA	TIEBACK - CLEAR PLASTIC - 16"
	099717-04-000	EA	STRAP - W/21.2" FEMALE STRAP AND 27.1" MALE STRAP
	056271-01-000	EA	SEAT BELT - 2" X 102" - BLACK
	127038-01-01A	EA	TIEDOWN STRAP - W/VELCRO ENDS
	129491-01-000	EA	CATCH - SNAP HOOK - 1"



KEY	PART NUMBER	U/M	DESCRIPTION
1*	091990-08-01A	EA	SEAT BELT - 3 POINT - .766" DIAMETER HOLE IN D-LOOP BRKT
2	127598-01-01A	EA	ADJUSTER - SEATBELT - D-LOOP
3	127598-02-000	EA	NUT - HEX FLANGE - M10 X 1.5 - CLASS 10
4	095076-02-000	EA	WASHER - FL - 7/16"ID X 2"OD X .06

*COMPONENT PARTS LISTED LATER IN THIS GROUP

CURTAIN & CUSHION GROUP (CONTINUED)
COMPONENT PARTS FOR ACCESSORIES

091990-08-01A

KEY	PART NUMBER	U/M	DESCRIPTION	VENDOR NO.
	091990-01-701	EA	EXTENDER 9" FOR A8408 3 PT	I-1331-02
	091990-01-703	EA	RECEIVER/FEMALE END-SEATBELT	I-1159-02
	091990-05-700	EA	SLEEVE/BUCKLE COVER-PLASTIC	209S-2
	091990-05-701	EA	CAP/COVER - BOLT HOLE COVER	209SC-02
	091990-05-702	EA	SLEEVE/RETRACTABLE COVER	309C-02

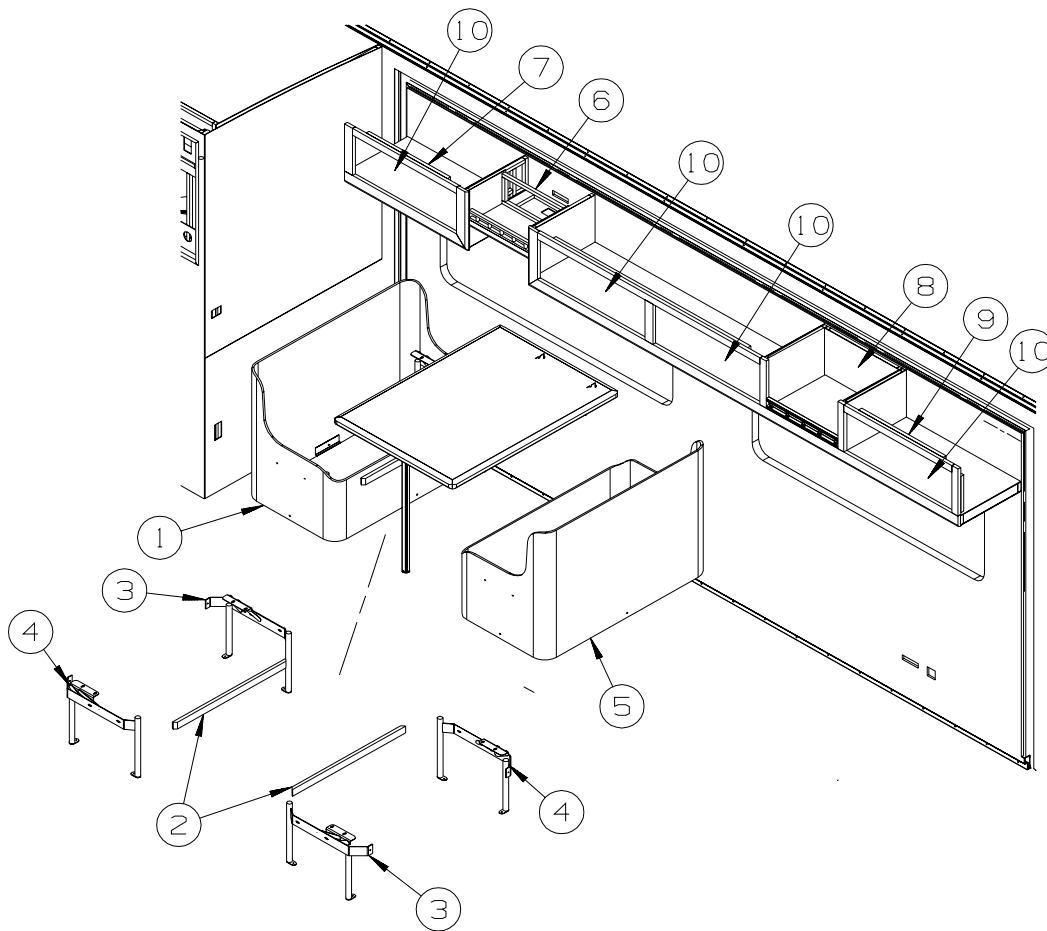
CURTAIN & CUSHION GROUP (CONTINUED)
FABRICS

2003 FAMILY	P54/55/56 IVORYWOOD	P57/58/59 FERN GARDEN	P60/61/62 CRYSTAL LAKE
BUCKET	405 BUSR 126883-K6-000 *OPT. ULTRA LTH.-ANT.PEARL 079680-36-000/ANTIQUE PEARL WELT - 079680-47-000/BUFF	405 BUSR 126883-K9-000 *OPT. ULTRA LTH.-ANT.PEARL 079680-36-000/ANTIQUE PEARL WELT - 079680-48-000/MOSS	405 BUSR 126883-L1-000 *OPT. ULTRA LTH.-ANT.PEARL 079680-36-000/ANTIQUE PEARL WELT - 079680-49-000/AURORA
DINETTE CUSHIONS	730 TEAR DROP - FULL WRAP 126883-K5-000	730 TEAR DROP - FULL WRAP 126883-K8-000	730 TEAR DROP - FULL WRAP 126883-L0-000
WRAP	126883-K6-000	126883-K9-000	126883-L1-000
DINING CHAIRS	(2) FLEXSTEEL #C-5703 126883-K6-000	(2) FLEXSTEEL #C-5703 126883-K9-000	(2) FLEXSTEEL #C-5703 126883-L1-000
FOLDING CHAIRS	REM 126883-K6-000	REM 126883-K9-000	REM 126883-L1-000
SOFA	805 STYLE 126883-K5-000 *OPT. ULTRA LTH.-ANT.PEARL 079680-36-000/ANTIQUE PEARL WELT - 079680-47-000/BUFF	805 STYLE 126883-K8-000 *OPT. ULTRA LTH.-ANT.PEARL 079680-36-000/ANTIQUE PEARL WELT - 079680-48-000/MOSS	805 STYLE 126883-L0-000 *OPT. ULTRA LTH.-ANT.PEARL 079680-36-000/ANTIQUE PEARL WELT - 079680-49-000/AURORA
LOUNGE PILLOW	(2) 17" PALM COURT 126883-K6-000 FAN & WELT - 126883-K5-000 ¼" CORD - 139041-16-000	(2) 17" PALM COURT 126883-K9-000 FAN & WELT - 126883-K8-000 ¼" CORD - 139041-15-000	(2) 17" PALM COURT 126883-L1-000 FAN & WELT - 126883-L0-000 ¼" CORD - 139041-14-000
LOUNGE CHAIR	475 STYLE 126883-K6-000 OPT. ** ANTIQUE PEARL 079680-36-000/ANTIQUE PEARL	475 STYLE 126883-K9-000 OPT. ** ANTIQUE PEARL 079680-36-000/ANTIQUE PEARL	475 STYLE 126883-L1-000 OPT. ** ANTIQUE PEARL 079680-36-000/ANTIQUE PEARL
LOUNGE WINDOWS	PALM COURT LAMBREQUIN 126883-K6-000/126883-K5-000 UNDERLAY/OVERLAY CORD - 084415-D8-000	PALM COURT LAMBREQUIN 126883-K9-000/126883-K8-000 UNDERLAY/OVERLAY CORD - 084415-F2-000	PALM COURT LAMBREQUIN 126883-L1-000/126883-L0-000 UNDERLAY/OVERLAY CORD - 139041-11-000
FRONT WRAP	PURCHASED PLEATED	PURCHASED PLEATED	PURCHASED PLEATED
DAY/NIGHTER	094911-58-000/094911-50-000 PUTTY/WT. DECO	094911-56-000/094911-50-000 EGGSHELL/WT. DECO	094911-56-000/094911-50-000 EGGSHELL/WT. DECO
GALLEY BLINDS	C011 BEIGE	386 SNOCAP	386 SNOCAP
BATH WINDOW	MODERATE 137813-18-000	MODERATE 137813-20-000	MODERATE 105745-Y1-000

CURTAIN & CUSHION GROUP (CONTINUED)
FABRICS (CONTINUED)

2003 FAMILY	P54/55/56 IVORYWOOD	P57/58/59 FERN GARDEN	P60/61/62 CRYSTAL LAKE
BEDROOM WDO TREATMENT	BEL AIR VALANCE	BEL AIR VALANCE	BEL AIR VALANCE
	137813-18-000/137813-19-000	137813-20-000/137813-21-000	105745-Y1-000/137813-23-000
	UNDERLAY/OVERLAY	UNDERLAY/OVERLAY	UNDERLAY/OVERLAY
	LEGS - 137813-18-000	LEGS - 137813-20-000	LEGS - 105745-Y1-000
	CORD - 084415-D8-000	CORD - 084415-F2-000	CORD - 139041-11-000
BEDCOVER	BEDCAP W/½" WELT	BEDCAP W/½" WELT	BEDCAP W/½" WELT
	137813-18-000/137813-19-000	137813-20-000/137813-21-000	105745-Y1-000/137813-23-000
QUILT PATTERN	DIAMOND	DIAMOND	DIAMOND
SHAMS	SHAM W/2" GATH. BAND	SHAM W/2" GATH. BAND	SHAM W/2" GATH. BAND
	137813-18-000/137813-19-000	137813-20-000/137813-21-000	105745-Y1-000/137813-23-000
	CORD - 084415-D8-000	CORD - 084415-F2-000	CORD - 139041-11-000
BED PILLOW	(2) 10X17" W/1½" GATH. BAND	(2) 10X17" W/1½" GATH. BAND	(2) 10X17" W/1½" GATH. BAND
	BODY - 137813-19-000	BODY - 137813-21-000	BODY - 137813-23-000
	GATH. BAND - 137813-18-000	GATH. BAND - 137813-20-000	GATH. BAND - 105745-Y1-000
	WELT - 137813-18-000	WELT - 137813-20-000	WELT - 105745-Y1-000
HEADBOARD	CAMEO STYLE	CAMEO STYLE	CAMEO STYLE
	CTR - 137813-18-000	CTR - 137813-20-000	CTR - 105745-Y1-000
	SIDES - 137813-19-000	SIDES - 137813-21-000	SIDES - 137813-23-000
	CORD - 084415-D8-000	CORD - 084415-F2-000	CORD - 139041-11-000
CARPET	139056-04-000	096060-F0-000	139056-06-000
	SORREL	PALE SAGE	CRYSTAL LAKE
SLIDE OUT TRIM LOUNGE BEDROOM	126883-K7-000	126883-K9-000	126883-L1-000
	137813-19-000	137813-21-000	137813-23-000
CEILING FABRIC CEILING SLDOUT	113979-12-01A	113979-12-01A	113979-12-01A
	113979-13-01A/113979-14-01A	113979-13-01A/113979-14-01A	113979-13-01A/113979-14-01A
DRIVERS COMPT VINYL	079680-50-000	079680-50-000	079680-50-000
	ALLANTE DOESKIN	ALLANTE DOESKIN	ALLANTE DOESKIN

DINETTE GROUP CABINETS

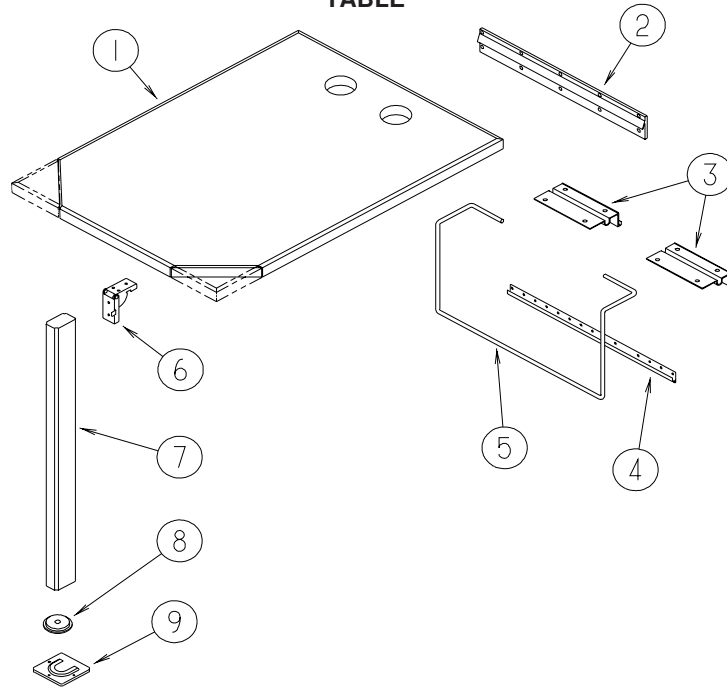


KEY	PART NUMBER	U/M	DESCRIPTION
1	141859-03-P54	EA	CABINET/BENCH - DINETTE - W/O DOORS/HARDWARE
1	141859-03-P55	EA	CABINET/BENCH - DINETTE - W/O DOORS/HARDWARE
1	141859-03-P56	EA	CABINET/BENCH - DINETTE - W/O DOORS/HARDWARE
1	141859-03-P57	EA	CABINET/BENCH - DINETTE - W/O DOORS/HARDWARE
1	141859-03-P58	EA	CABINET/BENCH - DINETTE - W/O DOORS/HARDWARE
1	141859-03-P59	EA	CABINET/BENCH - DINETTE - W/O DOORS/HARDWARE
1	141859-03-P60	EA	CABINET/BENCH - DINETTE - W/O DOORS/HARDWARE
1	141859-03-P61	EA	CABINET/BENCH - DINETTE - W/O DOORS/HARDWARE
1	141859-03-P62	EA	CABINET/BENCH - DINETTE - W/O DOORS/HARDWARE
2	081295-01-N70	EA	SUPPORT - BED/DINETTE - 28" LONG - PORTSMOUTH OAK
2	081295-01-M52	EA	SUPPORT - BED/DINETTE - 28" LONG - CONCERT CHERRY
2	081295-01-H37	EA	SUPPORT - BED/DINETTE - 28" LONG - WASHED MAPLE
3	142033-01-000	EA	BRACKET - DINETTE - RIGHT HAND
4	142033-02-000	EA	BRACKET - DINETTE - LEFT HAND
5	141859-04-P54	EA	CABINET/BENCH - DINETTE - W/O DOORS/HARDWARE
5	141859-04-P55	EA	CABINET/BENCH - DINETTE - W/O DOORS/HARDWARE
5	141859-04-P56	EA	CABINET/BENCH - DINETTE - W/O DOORS/HARDWARE
5	141859-04-P57	EA	CABINET/BENCH - DINETTE - W/O DOORS/HARDWARE
5	141859-04-P58	EA	CABINET/BENCH - DINETTE - W/O DOORS/HARDWARE
5	141859-04-P59	EA	CABINET/BENCH - DINETTE - W/O DOORS/HARDWARE
5	141859-04-P60	EA	CABINET/BENCH - DINETTE - W/O DOORS/HARDWARE
5	141859-04-P61	EA	CABINET/BENCH - DINETTE - W/O DOORS/HARDWARE
5	141859-04-P62	EA	CABINET/BENCH - DINETTE - W/O DOORS/HARDWARE
6	136894-01-N42	EA	CABINET - OVERHEAD/COFFEE - W/O DOORS/HARDWARE - PORTSMOUTH OAK
6	136894-01-P46	EA	CABINET - OVERHEAD/COFFEE - W/O DOORS/HARDWARE - CONCERT CHERRY
6	136894-01-P56	EA	CABINET - OVERHEAD/COFFEE - W/O DOORS/HARDWARE - WASHED MAPLE
7	136599-01-N42	EA	CABINET - OVERHEAD/DINETTE - W/O DOORS/HARDWARE - PORTSMOUTH OAK
7	136599-01-P46	EA	CABINET - OVERHEAD/DINETTE - W/O DOORS/HARDWARE - CONCERT CHERRY
7	136599-01-P56	EA	CABINET - OVERHEAD/DINETTE - W/O DOORS/HARDWARE - WASHED MAPLE
8	140374-37-000	EA	MIRROR - SAFETY GLASS - 10.3" X 18.2"

DINETTE GROUP (CONTINUED)
CABINETS (CONTINUED)

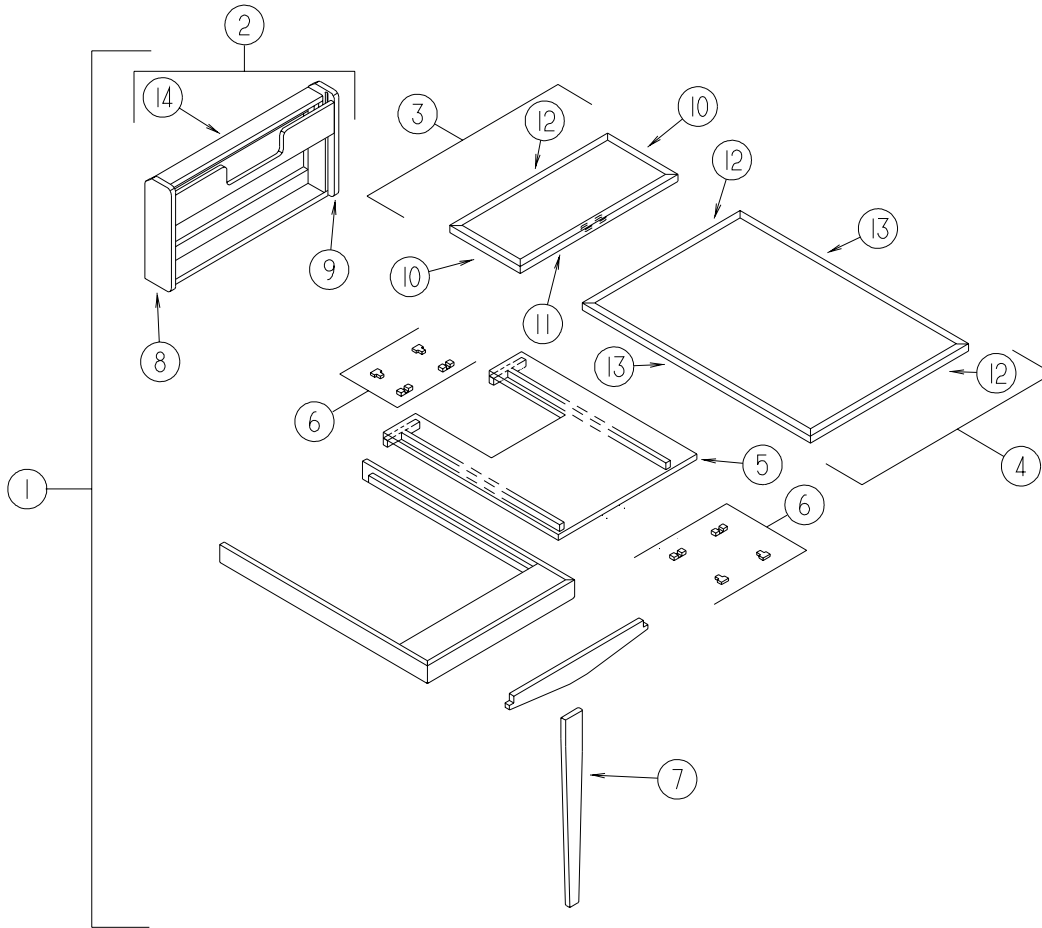
KEY	PART NUMBER	U/M	DESCRIPTION
9	136645-01-N42	EA	CABINET - OVERHEAD/COUCH - W/O DOORS/HARDWARE - PORTSMOUTH OAK
9	136645-01-P46	EA	CABINET - OVERHEAD/COUCH - W/O DOORS/HARDWARE - CONCERT CHERRY
9	136645-01-P56	EA	CABINET - OVERHEAD/COUCH - W/O DOORS/HARDWARE - WASHED MAPLE
9	136645-02-N42	EA	CABINET - OVERHEAD/COUCH - W/O DOORS/HARDWARE - PORTSMOUTH OAK - SURROUND SOUND
9	136645-02-P46	EA	CABINET - OVERHEAD/COUCH - W/O DOORS/HARDWARE - CONCERT CHERRY - SURROUND SOUND
9	136645-02-P56	EA	CABINET - OVERHEAD/COUCH - W/O DOORS/HARDWARE - WASHED MAPLE - SURROUND SOUND
10	134868-16-N47	EA	DOOR - RAIL/ARCHED TOP - 10.8" X 23.8" - W/O HARDWARE - PORTSMOUTH OAK FROM: 00-00-00 THRU: 11-12-02
10	141522-43-P54	EA	DOOR - ARCHED/PENCIL EDGE/HORIZ - 10.8" X 23.8" - W/O HDW - PORTSMOUTH OAK FROM: 11-13-02 THRU: 99-99-99
10	134868-16-P55	EA	DOOR - RAIL/ARCHED TOP - 10.8" X 23.8" - W/O HARDWARE - CONCERT CHERRY FROM: 00-00-00 THRU: 11-12-02
10	141522-43-P55	EA	DOOR - ARCHED/PENCIL EDGE/HORIZ - 10.8" X 23.8" - W/O HDW - CONCERT CHERRY FROM: 11-13-02 THRU: 99-99-99
10	134868-16-P56	EA	DOOR - RAIL/ARCHED TOP - 10.8" X 23.8" - W/O HARDWARE - WASHED MAPLE FROM: 00-00-00 THRU: 11-12-02
10	141522-43-P56	EA	DOOR - ARCHED/PENCIL EDGE/HORIZ - 10.8" X 23.8" - W/O HDW - WASHED MAPLE FROM: 11-13-02 THRU: 99-99-99

DINETTE GROUP (CONTINUED) TABLE



KEY	PART NUMBER	U/M	DESCRIPTION
1	143257-04-P54	EA	TABLE - 29.7" X 41.5" - WOOD EDGE (P54)
1	143257-04-P55	EA	TABLE - 29.7" X 41.5" - WOOD EDGE (P55)
1	143257-04-P56	EA	TABLE - 29.7" X 41.5" - WOOD EDGE - BEIGE PAMPAS/W MAPLE (P56)
1	143257-04-P45	EA	TABLE - 29.7" X 41.5" - WOOD EDGE - EGGHELL/PORTS OAK (P57)
1	143257-04-P46	EA	TABLE - 29.7" X 41.5" - WOOD EDGE - EGGHELL/CHERRY (P58)
1	143257-04-P59	EA	TABLE - 29.7" X 41.5" - WOOD EDGE - EGGHELL/WASHED MAPLE (P59)
1	143257-04-P49	EA	TABLE - 29.7" X 41.5" - WOOD EDGE - GRAY TRANQUILITY/P OAK (P60)
1	143257-04-P50	EA	TABLE - 29.7" X 41.5" - WOOD EDGE - GRAY TRANQUILITY/CHERRY (P61)
1	143257-04-P62	EA	TABLE - 29.7" X 41.5" - WOOD EDGE - GRAY TRANQUILITY/MAPLE (P62)
2	053200-13-000	EA	SUPPORT - TABLE - 18.5" FROM: 00-00-00 THRU: 01-05-03
2	140921-02-01A	EA	SUPPORT - TABLE - 18.5" - OFF WHITE FROM: 01-06-03 THRU: 99-99-99
3	088410-02-000	EA	BRACKET - LIFT - TABLE MOUNTED - OFF WHITE FROM: 00-00-00 THRU: 01-05-03
3	140921-03-01A	EA	HANGER - TABLE - W/VINYL - OFF WHITE FROM: 01-06-03 THRU: 99-99-99
4	024281-15-000	EA	BRACKET/TABLE - LIFT ROD/LOWER WALL MOUNTED - 17.1"
5	024275-13-000	EA	ROD - TABLE LIFT - OFF/WHITE
6	093550-01-000	EA	BRACKET - HINGE - MOUNTS TO LEG & TABLE TOP - 1.7" X 2.6"
7	092707-04-10A	EA	LEG - TABLE - W/O HARDWARE - 27" - PORTSMOUTH OAK II - PORTSMOUTH OAK
7	092707-04-04A	EA	LEG - TABLE - W/O HARDWARE - 27" - CHERRY - CONCERT CHERRY
7	092707-04-08A	EA	LEG - TABLE - W/O HARDWARE - 27" - WASHED MAPLE
8	092593-01-05A	EA	CATCH - TABLE LEG - OFF/WHITE FROM: 00-00-00 THRU: 12-04-02
8	143798-02-01A	EA	CATCH - TABLE LEG - BRIGHT WHITE FROM: 12-05-02 THRU: 99-99-99
9	049493-12-000	EA	CATCH - TABLE LEG/FLOOR MOUNTED - OFF WHITE FROM: 00-00-00 THRU: 12-04-02
9	143798-01-01A	EA	CATCH - FLOOR TO TABLE LEG - BRIGHT WHITE FROM: 12-05-02 THRU: 99-99-99

DINETTE GROUP (CONTINUED)
TABLE (CONTINUED)

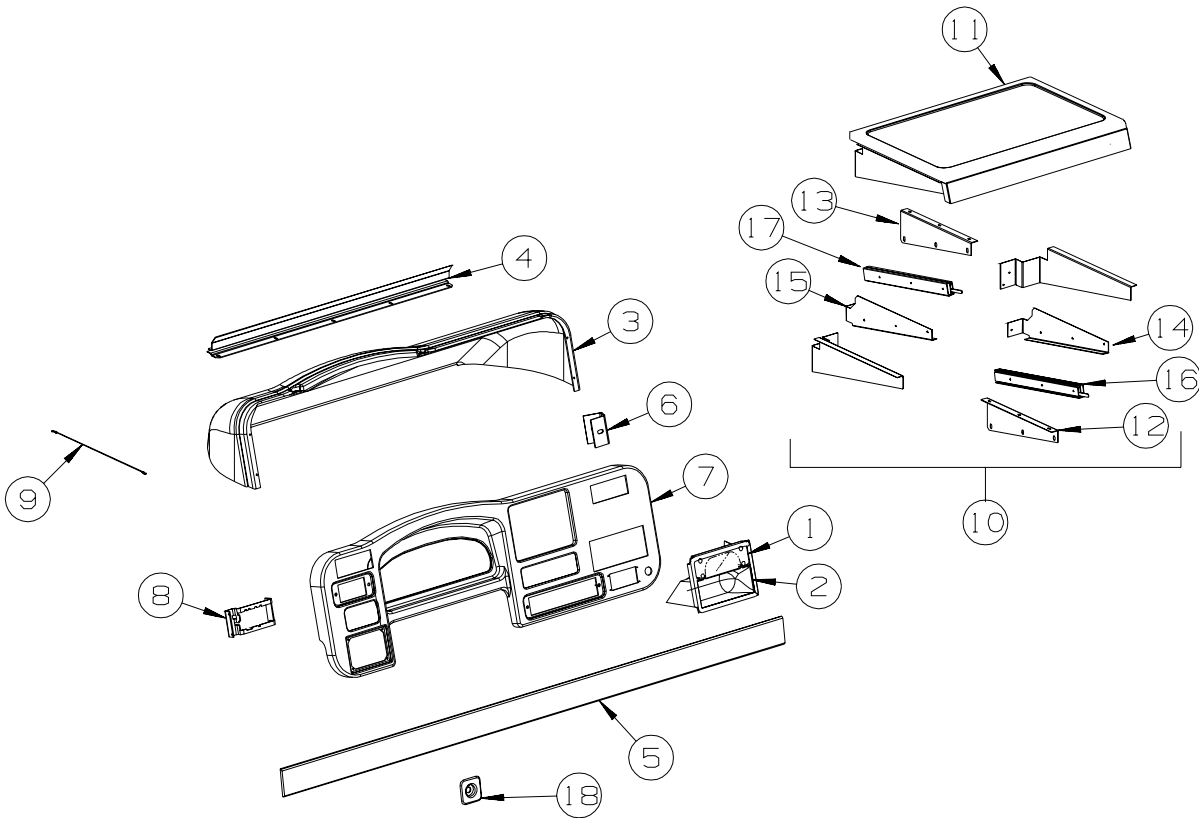


KEY	PART NUMBER	U/M	DESCRIPTION
1	133856-01-N42	EA	TABLE COMPLETE - LAMINATED - PORTSMOUTH OAK
1	133856-01-L52	EA	TABLE COMPLETE - LAMINATED - PLANK CHERRY - CONCERT CHERRY
1	133856-01-L58	EA	TABLE COMPLETE - LAMINATED - WASHED MAPLE
2	133856-31-N42	EA	CABINET/WALL - W/O COUNTERTOP - F/PULLOUT TABLE - PORTSMOUTH OAK
2	133856-31-L52	EA	CABINET/WALL - W/O COUNTERTOP - F/PULLOUT TABLE - CONCERT CHERRY
3	133856-31-L58	EA	CABINET/WALL - W/O COUNTERTOP - F/PULLOUT TABLE - WASHED MAPLE
3	133856-12-N42	EA	TABLE TOP - SMALL HINGED SECTION - LAMINATED PORTSMOUTH OAK
3	133856-12-L52	EA	TABLE TOP - SMALL HINGED SECTION - LAMINATED-PLANK CHERRY - CONCERT CHERRY
3	133856-12-L58	EA	TABLE TOP - SMALL HINGED SECTION - LAMINATED-WASHED MAPLE
4	133856-11-N42	EA	TABLE TOP - LARGE SECTION - LAMINATED - PORTSMOUTH OAK
4	133856-11-L52	EA	TABLE TOP - LARGE SECTION - LAMINATED - PLANK CHERRY - CONCERT CHERRY
4	133856-11-L58	EA	TABLE TOP - LARGE SECTION - LAMINATED - WASHED MAPLE

DINETTE GROUP (CONTINUED)
TABLE (CONTINUED)

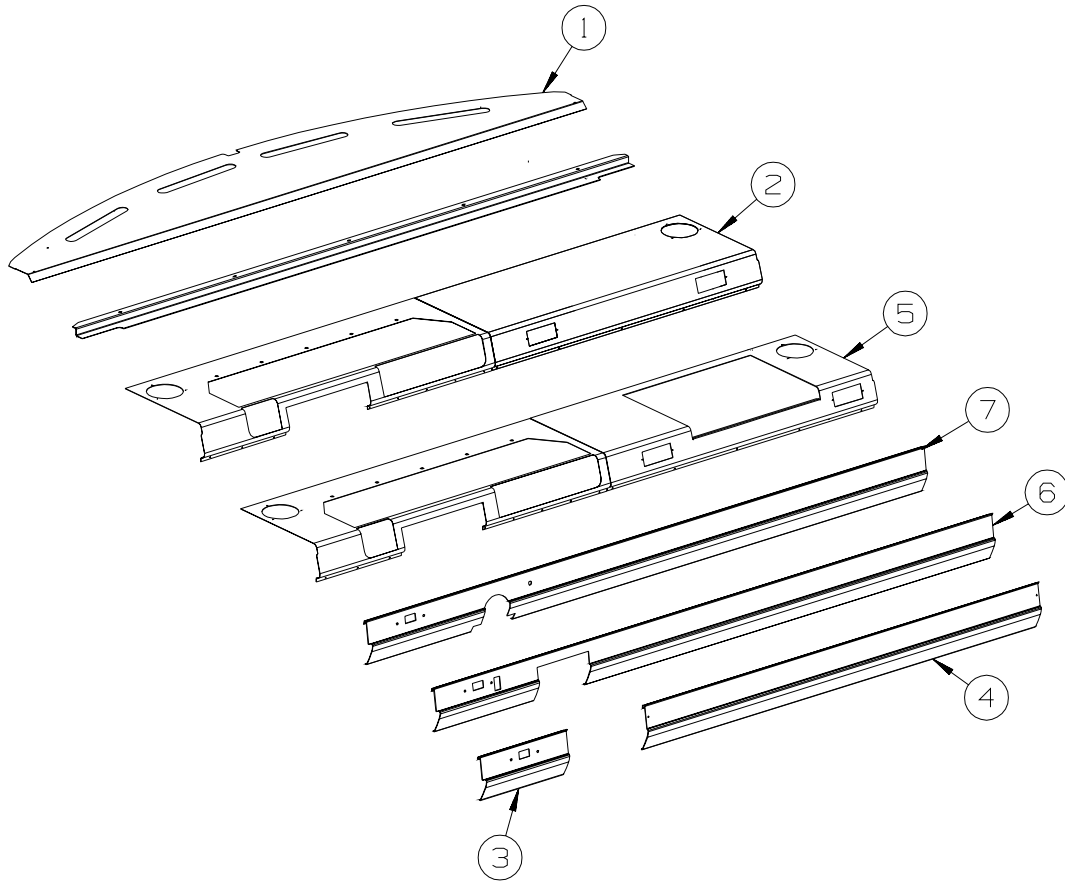
KEY	PART NUMBER	U/M	DESCRIPTION
5	133856-17-N42	EA	SLIDE - TABLE TOP - PORTSMOUTH OAK
5	133856-17-L52	EA	SLIDE - TABLE TOP - CONCERT CHERRY
5	133856-17-L58	EA	SLIDE - TABLE TOP - WASHED MAPLE
6	009050-02-000	EA	LEVELER - TABLE TOP - MALE END W/4 SCREWS - PLASTIC
6	009050-03-000	EA	LEVELER - TABLE TOP - FEMALE END W/2 SCREWS - PLASTIC
7	133856-28-N42	EA	LEG - F/TABLE - PORTSMOUTH OAK
7	133856-28-L52	EA	LEG - F/TABLE - CONCERT CHERRY
7	133856-28-L58	EA	LEG - F/TABLE - WASHED MAPLE
8	133856-27-N42	EA	END - LEFT HAND - F/TABLE CABINET - PORTSMOUTH OAK
8	133856-27-L52	EA	END - RIGHT HAND - F/TABLE CABINET - CONCERT CHERRY
8	133856-27-L58	EA	END - RIGHT HAND - F/TABLE CABINET - WASHED MAPLE
9	133856-26-N42	EA	END - RIGHT HAND - F/TABLE CABINET - PORTSMOUTH OAK
9	133856-26-L52	EA	END - LEFT HAND - F/TABLE CABINET - CONCERT CHERRY
9	133856-26-L58	EA	END - LEFT HAND - F/TABLE CABINET - WASHED MAPLE
10	133856-15-N42	EA	TRIM - TABLE MOLDING - 12" - PORTSMOUTH OAK
10	133856-15-L52	EA	TRIM - TABLE MOLDING - 12" - CONCERT CHERRY
10	133856-15-L58	EA	TRIM - TABLE MOLDING - 12" - WASHED MAPLE
11	133856-16-N42	EA	TRIM - TABLE MOLDING - 23.8" - PORTSMOUTH OAK
11	133856-16-L52	EA	TRIM - TABLE MOLDING - 23.8" - CONCERT CHERRY
11	133856-16-L58	EA	TRIM - TABLE MOLDING - 23.8" - WASHED MAPLE
12	133856-14-N42	EA	TRIM - TABLE MOLDING - 23.8" - PORTSMOUTH OAK
12	133856-14-L52	EA	TRIM - TABLE MOLDING - 23.8" - CONCERT CHERRY
12	133856-14-L58	EA	TRIM - TABLE MOLDING - 23.8" - WASHED MAPLE
13	133856-13-N42	EA	TRIM - TABLE MOLDING - 41.2" - PORTSMOUTH OAK
13	133856-13-L52	EA	TRIM - TABLE MOLDING - 41.2" - CONCERT CHERRY
13	133856-13-L58	EA	TRIM - TABLE MOLDING - 41.2" - WASHED MAPLE
14	133856-23-N42	EA	COUNTERTOP - F/WALL CABINET - LAMINATED - PORTSMOUTH OAK
14	133856-23-L52	EA	COUNTERTOP - F/WALL CABINET - LAMINATED - PLANK CHERRY - CONCERT CHERRY
14	133856-23-L58	EA	COUNTERTOP - F/WALL CABINET - LAMINATED - WASHED MAPLE

DRIVERS COMPARTMENT GROUP DASH



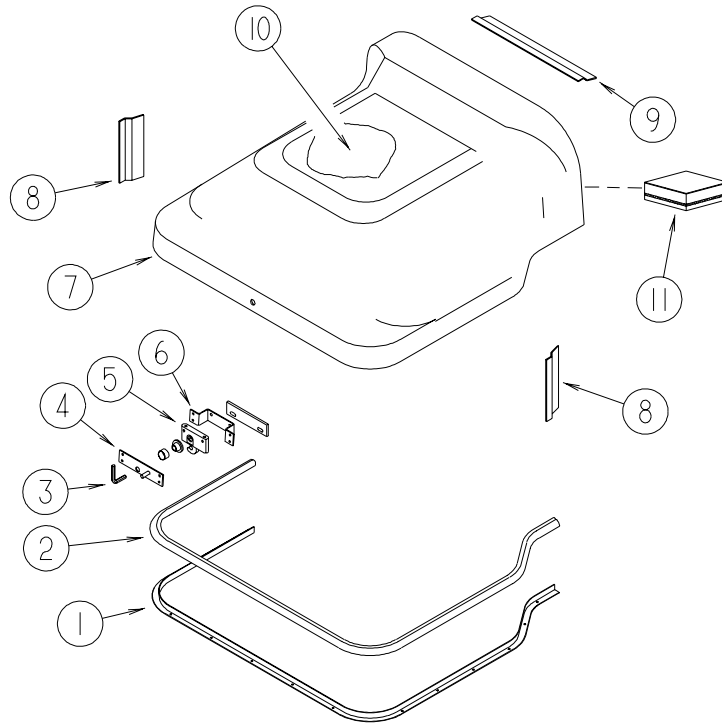
KEY	PART NUMBER	U/M	DESCRIPTION
1	096776-03-000	EA	STORAGE BOX - CD'S - 4 DISC HOLDER - W/O REAR MONITOR
2	111350-01-01A	EA	POCKET - INSTRUMENT PANEL - UPPER - BLACK - W/O REAR MONITOR
3	132080-01-03A	EA	POD - INSTRUMENT PANEL - W/O HOLE - GLACIER - W/O REAR MONITOR
3	132080-02-03A	EA	POD - INSTRUMENT PANEL - W/O HOLE - GLACIER - W/REAR MONITOR
	049176-01-000	EA	HEDLOCK II - 3/4 DIAMETER SCREW MOUNT
4	129813-02-02A	EA	HINGE - DASH POD - GLACIER
5	132647-01-05A	EA	MOLDING/TRIM - DASH - 96" - VINYL WRAP/PORTSMOUTH OAK
5	132647-01-06A	EA	MOLDING/TRIM - DASH - 96" - VINYL WRAP/CONCERT CHERRY
5	132647-01-02A	EA	MOLDING/TRIM - DASH - 96" - VINYL WRAP/WASHED MAPLE
6	134257-02-02B	EA	CLIP - RETAINER - BEZEL - E-COATED
7	138611-01-02A	EA	BEZEL - INSTRUMENT PANEL - PUTTY (P54,P55,P56,P57,P58,P59) - FORD
7	138611-01-03A	EA	BEZEL - INSTRUMENT PANEL - TITANIUM (P60,P61,P62) - FORD
7	137806-02-02A	EA	BEZEL - INSTRUMENT PANEL - PUTTY (P54,P55,P56,P57,P58,P59) - WORKHORSE 2002 YEAR
7	137806-02-03A	EA	BEZEL - INSTRUMENT PANEL - TITANIUM (P60,P61,P62) - WORKHORSE 2002 YEAR
7	142956-02-02A	EA	BEZEL - INSTRUMENT PANEL - WH - PUTTY (P54,P55,P56,P57,P58,P59) - WORKHORSE 2003 YEAR
7	142956-02-03A	EA	BEZEL - INSTRUMENT PANEL - WH - TITANIUM (P60,P61,P62) - WORKHORSE 2003 YEAR
8	133849-01-02B	EA	MOUNT - HEADLAMP SWITCH - E-COATED - WORKHORSE
9	076767-05-000	EA	CABLE - STAINLESS STEEL - 15.5"
10	135298-02-N52	EA	TABLE COMPLETE - WORKSTATION
11	135122-02-N52	EA	TABLE TOP - PULLOUT/WORKSTATION
	106569-09-06A	EA	VINYL - LAMINATE - ALLANTE DOESKIN - 1/4" X 25" X 100"
12	135132-03-02B	EA	ANGLE-SLIDE,RH
13	135132-04-02B	EA	ANGLE-SLIDE,LH
14	135228-01-02B	EA	ANGLE - SLIDE - TRAY/RIGHT HAND - E-COATED
15	135228-02-02B	EA	ANGLE - SLIDE - TRAY/LEFT HAND - E-COATED
16	135314-01-01A	EA	SLIDE - DASH WORK STATION - RIGHT HAND
17	135314-02-01A	EA	SLIDE - DASH WORK STATION - LEFT HAND
18	NOT USED		

DRIVERS COMPARTMENT GROUP (CONTINUED)
DASH (CONTINUED)



KEY	PART NUMBER	U/M	DESCRIPTION
1	132126-02-02B	EA	PANEL - DASH TOP - E-COATED
	106569-11-05A	EA	VINYL - LAMINATE - ALLANTE DOESKIN - 1/4" X 25" X 100"
2	132128-01-02B	EA	DASH - E-COAT - W/O WORKSTATION, FORD
2	132128-04-02B	EA	DASH - E-COAT - W/O WORKSTATION, WORKHORSE 2002 SERIALIZED CHASSIS
2	142962-03-02B	EA	DASH - E-COAT - W/O WORKSTATION, WORKHORSE 2003 SERIALIZED CHASSIS
3	111528-12-04A	EA	TRIM - DASH/LOWER - DRIVER - PUTTY (P54,P55,P56,P57,P58,P59) - FORD
3	111528-12-03A	EA	TRIM - DASH/LOWER - DRIVER - TITANIUM (P60,P61,P62) - FORD
4	111528-10-04A	EA	TRIM - DASH/LOWER - PASSENGER - PUTTY (P54,P55,P56,P57,P58,P59) - FORD
4	111528-10-03A	EA	TRIM - DASH/LOWER - PASSENGER - TITANIUM (P60,P61,P62) - FORD
5	135096-01-02B	EA	DASH - E-COAT - W/WORKSTATION, FORD
5	135096-04-02B	EA	DASH - E-COAT - W/WORKSTATION, WORKHORSE 2002 SERIALIZED CHASSIS
5	142962-04-02B	EA	DASH - E-COAT - W/WORKSTATION, WORKHORSE 2003 SERIALIZED CHASSIS
6	137928-02-03A	EA	TRIM/DASH - LOWER - PUTTY (P54,P55,P56,P57,P58,P59) - WORKHORSE
6	137928-02-04A	EA	TRIM/DASH - LOWER - TITANIUM (P60,P61,P62) - WORKHORSE
7	NOT USED		

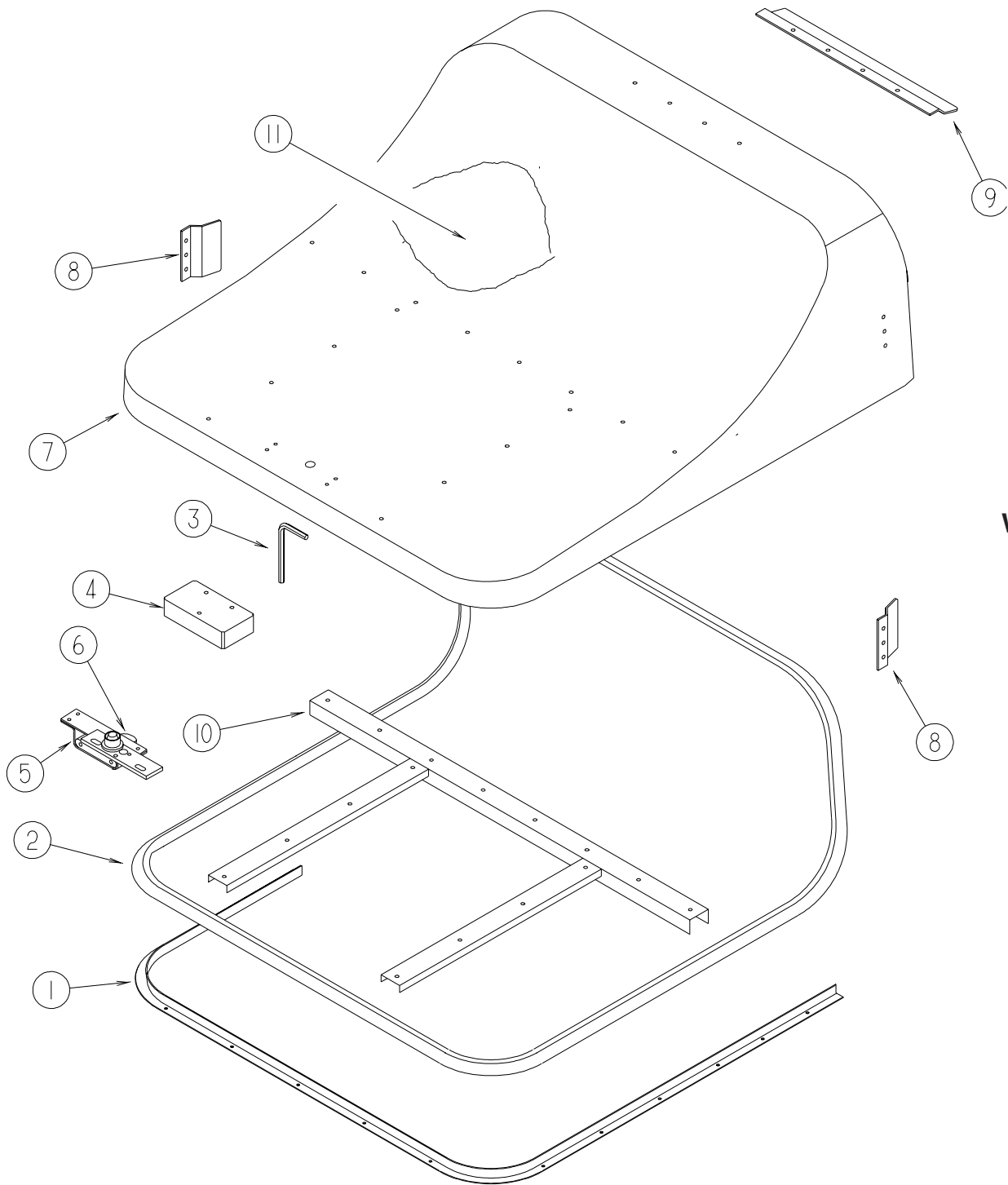
DRIVERS COMPARTMENT GROUP (CONTINUED)
MOTOR COVER



FORD

KEY	PART NUMBER	U/M	DESCRIPTION
1	115860-05-01A	EA	TRIM - MOTOR COVER - MILL FINISH
2	039623-01-000	FT	SEAL - MOTOR COVER - RUBBER BULB TYPE
3	116833-01-02B	EA	WRENCH - HEX MOTOR COVER - E-COATED
4	115852-01-02B	EA	STRIKE - LATCH - MOTOR COVER - E-COATED
5	116581-01-000	EA	LATCH - W/O STRIKE - MOTOR COVER
6	115850-01-02B	EA	RETAINER - LATCH - MOTOR COVER - RIGHT HAND - E-COATED
7	129099-04-01A	EA	COVER - MOTOR - W/O CARPET
8	115855-02-02B	EA	RETAINER - MOTOR COVER/SIDE - E-COATED
9	115855-01-02B	EA	RETAINER - MOTOR COVER/TOP - E-COATED
10	134497-01-000	SF	FOIL/ALUMINUM - REINFORCED
11	NOT USED		

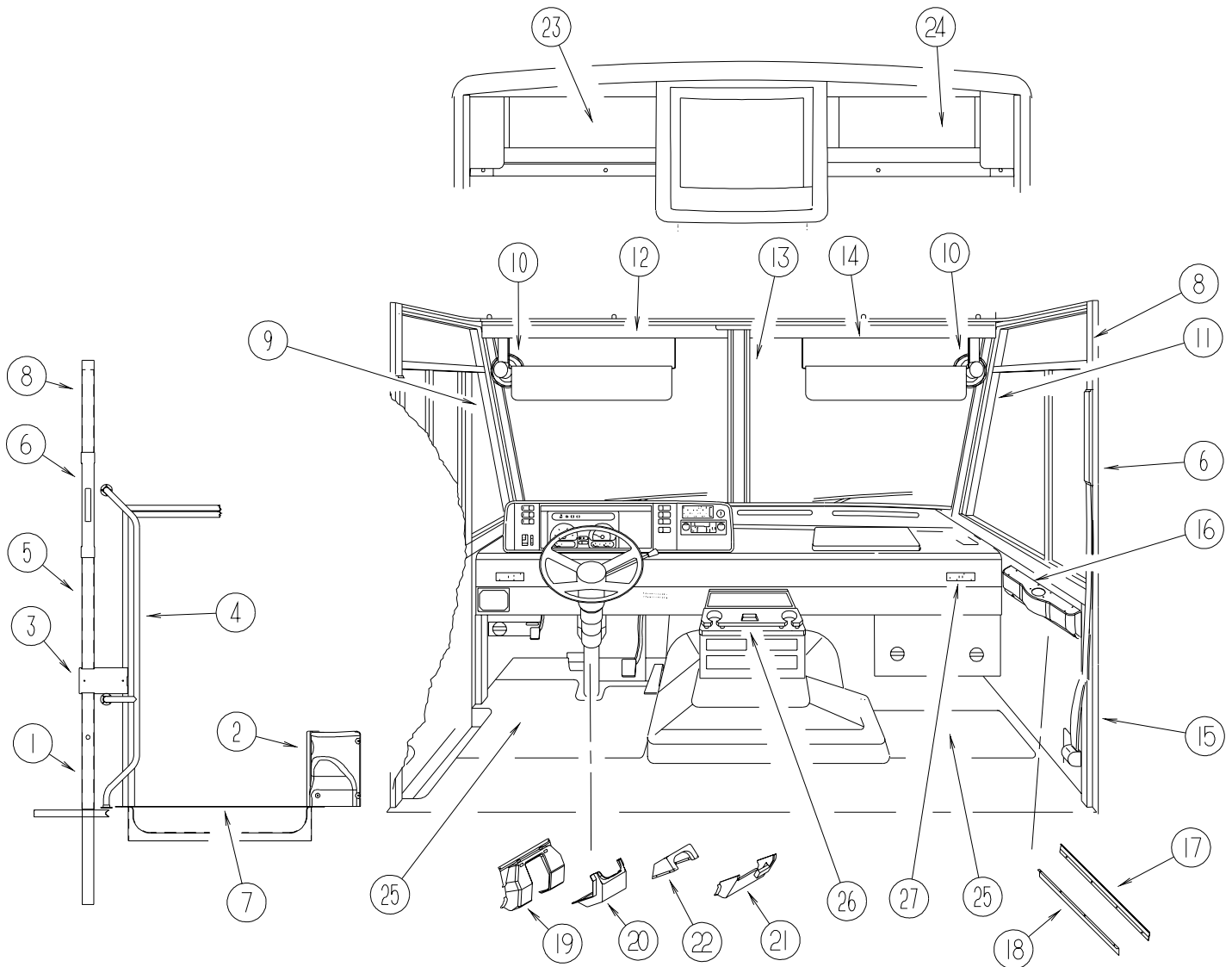
DRIVERS COMPARTMENT GROUP (CONTINUED)
MOTOR COVER (CONTINUED)



WORKHORSE

KEY	PART NUMBER	U/M	DESCRIPTION
1	137332-01-01A	EA	TRIM - MOTOR COVER
2	039623-01-000	FT	SEAL - MOTOR COVER - RUBBER BULB TYPE
3	116833-01-02B	EA	WRENCH - HEX MOTOR COVER - E-COATED
4	137305-02-02B	EA	BRACKET - STRIKE SUPPORT - E-COATED
5	116581-01-000	EA	LATCH - W/O STRIKE - MOTOR COVER
6	115850-01-02B	EA	RETAINER - LATCH - MOTOR COVER - RIGHT HAND - E-COATED
7	137096-01-01A	EA	COVER - MOTOR - W/O CARPET
8	115855-04-02B	EA	RETAINER - MOTOR COVER - E-COATD
9	115855-03-02B	EA	RETAINER - MOTOR COVER/TOP - E-COATED
10	130127-02-02B	EA	SUPPORT - MOTOR COVER - E-COATED
11	134497-01-000	SF	FOIL/ALUMINUM - REINFORCED

DRIVERS COMPARTMENT GROUP (CONTINUED) FRONT INTERIOR

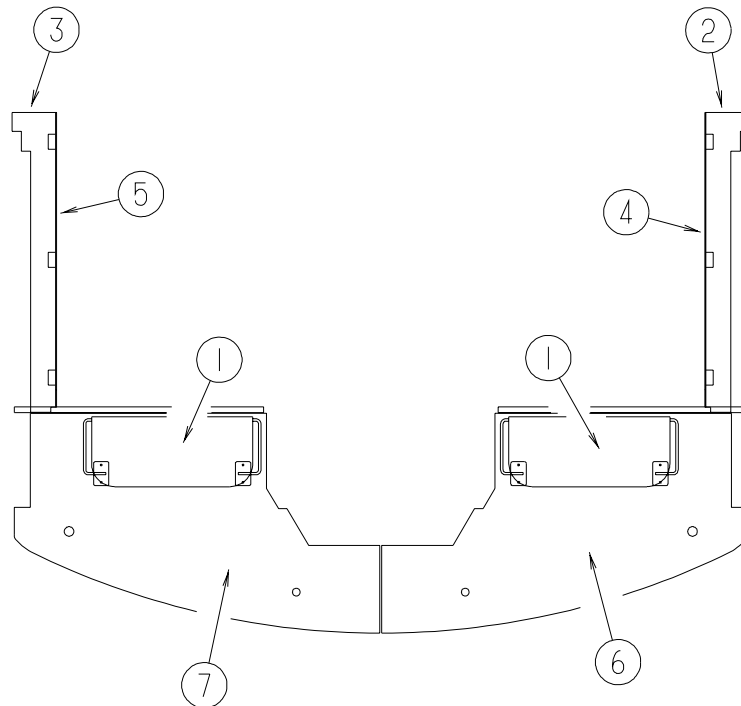


KEY	PART NUMBER	U/M	DESCRIPTION
1	024700-67-000	EA	COVER - SIDEWALL ROLL BAR - 20.1" - OFF WHITE
2	132296-01-03A	EA	PANEL/TRIM - DASH/CAB DOOR - LOW MOUNT MIRRORS - PUTTY (P54, P55, P56, P57, P58, P59)
2	132296-01-02A	EA	PANEL/TRIM - DASH/CAB DOOR - TITANIUM (P60, P61, P62)
3	141072-01-01A	EA	COVER - BRACKET/LATCH - OFF WHITE
	140151-02-01A	EA	COVER - SCREW - OFF WHITE
4	131058-04-02A	EA	HAND RAIL - INTERIOR CAB DOOR - BLACK
5	024700-66-000	EA	COVER - SIDEWALL ROLL BAR - 20.6" - OFF WHITE
6	140151-01-01A	EA	COVER - SEAT BELT - OFF WHITE
6	140151-03-01A	EA	COVER - SEAT BELT SLIDE - BLACK
	140151-02-01A	EA	COVER - SCREW - OFF WHITE
7	131849-02-04A	EA	TRIM ASM-STEP,DR PUTTY (P54, P55, P56, P57, P58, P59)
7	131849-02-02A	EA	TRIM - DRIVER STEP - TITANIUM (P60, P61, P62)
	102569-02-000	EA	MAT - ANTI SLIP - LOWER
8	024700-58-000	EA	COVER - ROLL BAR - SIDEWALL - 16.5" - OFF WHITE
9	125508-02-03A	EA	TRIM - A-PILLAR - DRIVER/INTERIOR - GLACIER
10	122856-01-01A	EA	FAN-DEFROSTER-2 SPEED W/SWIVEL BASE/NON-OSCILLATING-CHROME
11	125508-01-03A	EA	TRIM - A-PILLAR - PASSENGER/INTERIOR - GLACIER

DRIVERS COMPARTMENT GROUP (CONTINUED)

FRONT INTERIOR (CONTINUED)

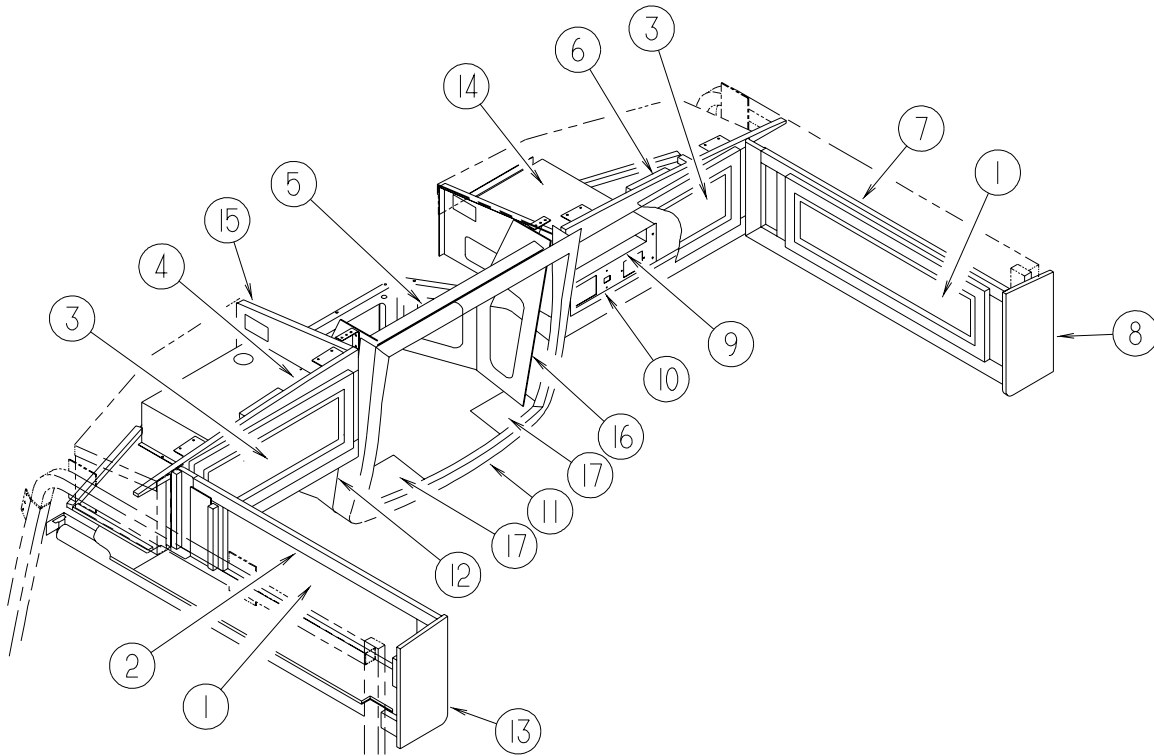
KEY	PART NUMBER	U/M	DESCRIPTION
12	118453-04-03A	EA	TRIM - WINDSHIELD - INNER/TOP/DRIVER - GLACIER
13	118452-04-03A	EA	TRIM - WINDSHIELD - CENTER - GLACIER
14	118453-03-03A	EA	TRIM - WINDSHIELD - INNER/TOP/PASSENGER - GLACIER
15	024700-59-000	EA	COVER - ROLL BAR - SIDEWALL - 44.1" - OFF WHITE
16	132354-07-06A	EA	PANEL/TRIM - INNER - W/O BEVERAGE TRAY - PUTTY (P54, P55, P56, P57, P58, P59)
16	132354-07-02A	EA	PANEL/TRIM - INNER - W/O BEVERAGE TRAY-TITANIUM (P60, P61, P62)
	132297-03-04A	EA	PANEL/TRIM - W/BEVERAGE HOLDER - PORTSMOUTH OAK
	132297-03-02A	EA	PANEL/TRIM - W/BEVERAGE HOLDER - CONCERT CHERRY
	132297-03-03A	EA	PANEL/TRIM - W/BEVERAGE HOLDER - WASHED MAPLE
16	122717-06-01A	FT	PAD - NON-SKID - PSA - 5"W
17	106105-03-000	EA	CLIP - MOUNTING - UNIVERSAL
18	132595-02-02B	EA	BRACKET - BEVERAGE TRAY HOLDER
19	131804-01-02A	EA	COVER - STEERING COLUMN - UPPER - PUTTY (P54, P55, P56, P57, P58, P59) - FORD
19	131804-01-03A	EA	COVER - STEERING COLUMN - UPPER - TITANIUM (P60, P61, P62) - FORD
20	125795-01-02A	EA	COVER - STEERING COLUMN/LOWER - PUTTY (P54, P55, P56, P57, P58, P59) - FORD
20	125795-01-03A	EA	COVER - STEERING COLUMN/LOWER - TITANIUM (P60, P61, P62) - FORD
21	137851-01-02A	EA	COVER - STEERING COLUMN - PUTTY (P54, P55, P56, P57, P58, P59) - WORKHORSE
21	137851-01-03A	EA	COVER - STEERING COLUMN - TITANIUM (P60, P61, P62) - WORKHORSE
22	137878-01-02A	EA	COVER - STEERING COLUMN - FRONT - PUTTY (P54, P55, P56, P57, P58, P59) - WORKHORSE
22	137878-01-03A	EA	COVER - STEERING COLUMN - FRONT - TITANIUM (P60, P61, P62) - WORKHORSE
23	126457-07-M42	EA	PANEL - CLOSEOUT - OVERHEAD/FRONT/DRIVER
24	126457-06-M42	EA	PANEL - CLOSEOUT - OVERHEAD/FRONT/PASSENGER
25	105924-01-P45	EA	MAT - FLOOR - 18" X 27" (P54, P55, P56)
25	105924-01-P47	EA	MAT - FLOOR - 18" X 27" (P57, P58, P59)
25	105924-01-P49	EA	MAT - FLOOR - 18" X 27" (P60, P61, P62)
26	142072-01-P45	EA	TRAY ASM-BEVERAGE - PORTSMOUTH OAK
26	142072-01-P46	EA	TRAY ASM-BEVERAGE - CONCERT CHERRY
26	142072-01-P56	EA	TRAY ASM-BEVERAGE - WASHED MAPLE
27	133417-02-01A	EA	DECAL - LOGO - DOMED - SUNCRUISER



KEY	PART NUMBER	U/M	DESCRIPTION
1	123298-04-05A	EA	SUNVISOR - 10.5" X 21" - DRIVER/PASSENGER - GLACIER
2	126443-16-P45	EA	PANEL - OVERHEAD/FRONT/PASSENGER - VINYL COVERED
3	126443-17-P45	EA	PANEL - OVERHEAD/FRONT/DRIVER - VINYL COVERED
4	132694-01-P45	EA	PANEL - OVERHEAD/FRONT/PASSENGER - VINYL COVERED
5	132694-02-P45	EA	PANEL - OVERHEAD/FRONT/DRIVER - VINYL COVERED
6	126440-11-P45	EA	PANEL - OVERHEAD/FRONT/BOTTOM/PASSENGER - VINYL COVERED
7	126440-12-P45	EA	PANEL - OVERHEAD/FRONT/BOTTOM/DRIVER - VINYL COVERED

DRIVERS COMPARTMENT GROUP (CONTINUED)

CABINETS



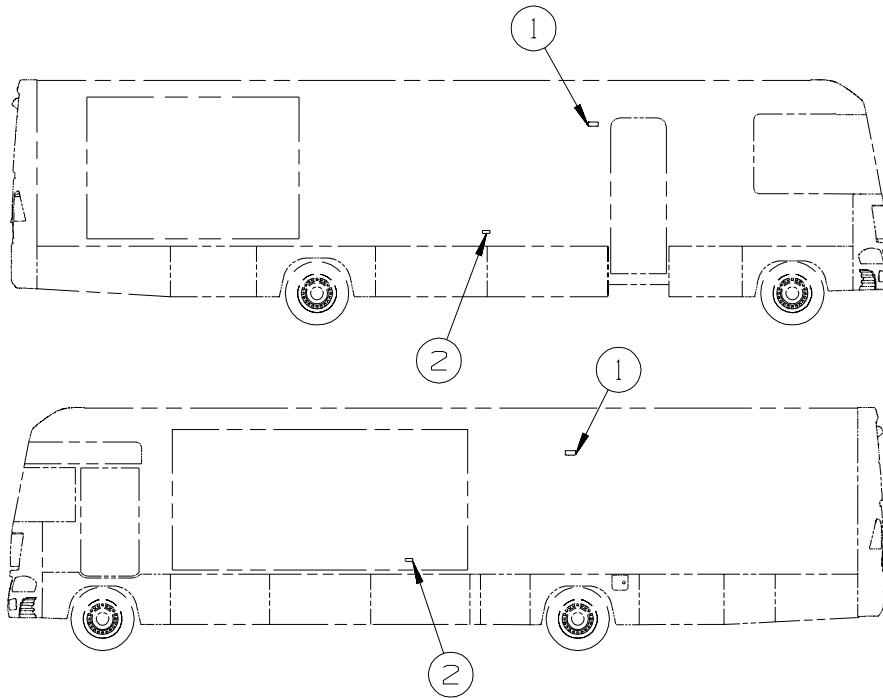
KEY	PART NUMBER	U/M	DESCRIPTION
1	134868-26-N47	EA	DOOR - RAIL/VENEER - 10" X 25.1" - W/O HARDWARE - PORTSMOUTH OAK FROM: 00-00-00 THRU: 12-30-02
1	141522-25-P54	EA	DOOR - ARCHED/PENCIL EDGE/HORIZ - 10" X 25.2" - W/O HDW - PORTSMOUTH OAK FROM: 12-31-02 THRU: 99-99-99
1	134868-26-P55	EA	DOOR - RAIL/VENEER - 10" X 25.1" - W/O HARDWARE - CONCERT CHERRY FROM: 00-00-00 THRU: 12-30-02
1	141522-25-P55	EA	DOOR - ARCHED/PENCIL EDGE/HORIZ - 10" X 25.2" - W/O HDW - CONCERT CHERRY FROM: 12-31-02 THRU: 99-99-99
1	134868-26-P56	EA	DOOR - RAIL/VENEER - 10" X 25.1" - W/O HARDWARE - WASHED MAPLE FROM: 00-00-00 THRU: 12-30-02
1	141522-25-P56	EA	DOOR - ARCHED/PENCIL EDGE/HORIZ - 10" X 25.2" - W/O HDW - WASHED MAPLE FROM: 12-31-02 THRU: 99-99-99
2	141207-02-P45	EA	CABINET - OVERHEAD/FRONT/LEFT HAND - W/O DOORS/HARDWARE - PORTSMOUTH OAK
2	141207-02-P46	EA	CABINET - OVERHEAD/FRONT/LEFT HAND - W/O DOORS/HARDWARE - CONCERT CHERRY
2	141207-02-P56	EA	CABINET - OVERHEAD/FRONT/LEFT HAND - W/O DOORS/HARDWARE - WASHED MAPLE
3	134783-91-N47	EA	DOOR - RAIL/GLASS INSERT - 10.8" X 23.8" - W/O HARDWARE - PORTSMOUTH OAK
3	134783-91-P55	EA	DOOR - RAIL/GLASS INSERT - 10.8" X 23.8" - W/O HARDWARE - CONCERT CHERRY
3	134783-91-P56	EA	DOOR - RAIL/GLASS INSERT - 10.8" X 23.8" - W/O HARDWARE - WASHED MAPLE
	100708-21-000	EA	DOOR/GLASS - TV CABINET - 8.1" X 21" - W/O HARDWARE
4	141208-02-P45	EA	CABINET - OVERHEAD/FRONT/LEFT HAND - W/O DOORS/HARDWARE - PORTSMOUTH OAK
4	141208-02-P46	EA	CABINET - OVERHEAD/FRONT/LEFT HAND - W/O DOORS/HARDWARE - CONCERT CHERRY
4	141208-02-P56	EA	CABINET - OVERHEAD/FRONT/LEFT HAND - W/O DOORS/HARDWARE - - WASHED MAPLE
5	133790-08-02B	EA	STRAP - TIEDOWN - TV - E-COATED
6	141208-01-P45	EA	CABINET - OVERHEAD/FRONT/RIGHT HAND - W/O DOORS/HARDWARE - PORTSMOUTH OAK
6	141208-01-P46	EA	CABINET - OVERHEAD/FRONT/RIGHT HAND - W/O DOORS/HARDWARE - CONCERT CHERRY
6	141208-01-P56	EA	CABINET - OVERHEAD/FRONT/RIGHT HAND - W/O DOORS/HARDWARE - WASHED MAPLE
7	141207-01-P45	EA	CABINET - OVERHEAD/FRONT/RIGHT HAND - W/O DOORS/HARDWARE - PORTSMOUTH OAK
7	141207-01-P46	EA	CABINET - OVERHEAD/FRONT/RIGHT HAND - W/O DOORS/HARDWARE - CONCERT CHERRY
7	141207-01-P56	EA	CABINET - OVERHEAD/FRONT/RIGHT HAND - W/O DOORS/HARDWARE - WASHED MAPLE
8	137462-05-N42	EA	END CAP - OVERHEAD/CABINET - PORTSMOUTH OAK
8	137462-05-P46	EA	END CAP - OVERHEAD/CABINET - CONCERT CHERRY
8	137462-05-P56	EA	END CAP - OVERHEAD/CABINET - WASHED MAPLE
9	118847-03-02B	EA	MOUNT - SWITCH BOX - E-COATED
10	131807-12-P45	EA	PANEL/SHELF/VINYL COVERED
10	131807-13-P45	EA	PANEL/SHELF/VINYL COVERED

DRIVERS COMPARTMENT GROUP (CONTINUED)
CABINETS (CONTINUED)

KEY	PART NUMBER	U/M	DESCRIPTION
11	130020-02-03A	EA	COVER - TV/OVERHEAD/FRONT - W/O HARDWARE - GLACIER
12	P30021-04-P45	EA	COVER - TV - OVERHEAD/LOWER
13	137462-09-N42	EA	END CAP - OVERHEAD CABINET - PORTSMOUTH OAK
13	137462-09-P46	EA	END CAP - OVERHEAD CABINET - CONCERT CHERRY
13	137462-09-P56	EA	END CAP - OVERHEAD CABINET - WASHED MAPLE
14	126270-03-02B	EA	PANEL/SHELF - E-COATED
15	132856-01-02B	EA	PANEL/SHELF - E-COATED
16	130030-02-01B	EA	SUPPORT - TV - E-COATED

FROM: 00-00-00 THRU: 11-01-02

ELECTRICAL GROUP 12V BODY WIRING

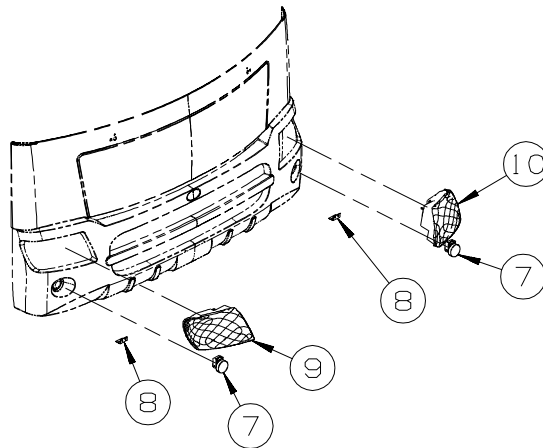
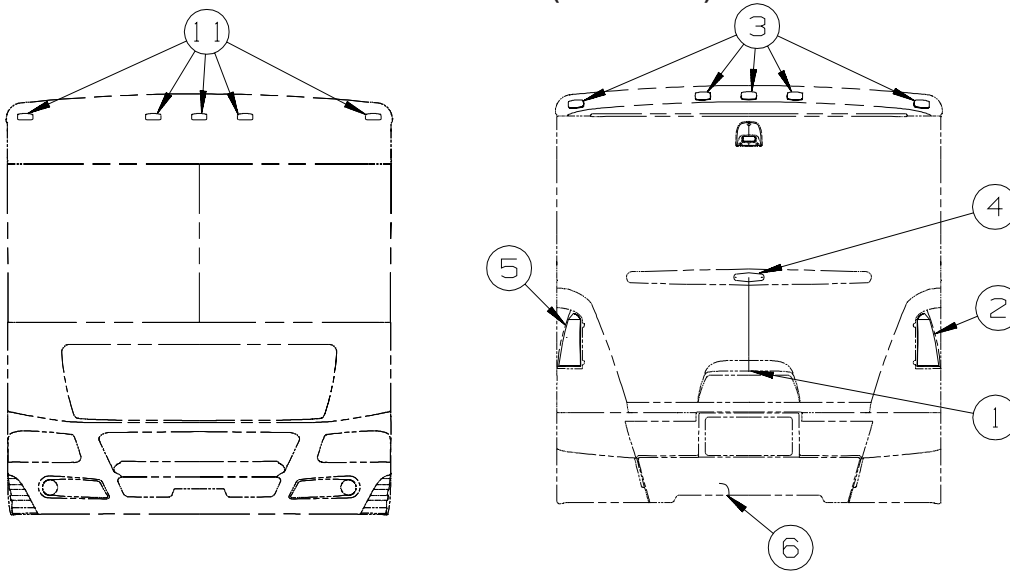


KEY	PART NUMBER	U/M	DESCRIPTION
1*	097917-01-06A	EA	LIGHT - PORCH - BRIGHT WHITE
	008215-01-000	EA	BULB - 12 VOLT - #1003 - .94 AMP
1*	008089-02-000	EA	LIGHT/PORCH - RECESSED - CANADIAN
	008214-01-000	EA	BULB - 12 VOLT - #67 - .59 AMP - CANADIAN
2	111102-01-000	EA	BASE - MARKER LAMP
2	036196-01-000	EA	BULB - 12V - #194 - .27 AMP - BAYONETTE
2	111102-02-000	EA	LENS - AMBER - MARKER LAMP

***COMPONENT PARTS LISTED LATER IN THIS GROUP**

ELECTRICAL GROUP (CONTINUED)

12V BODY WIRING (CONTINUED)

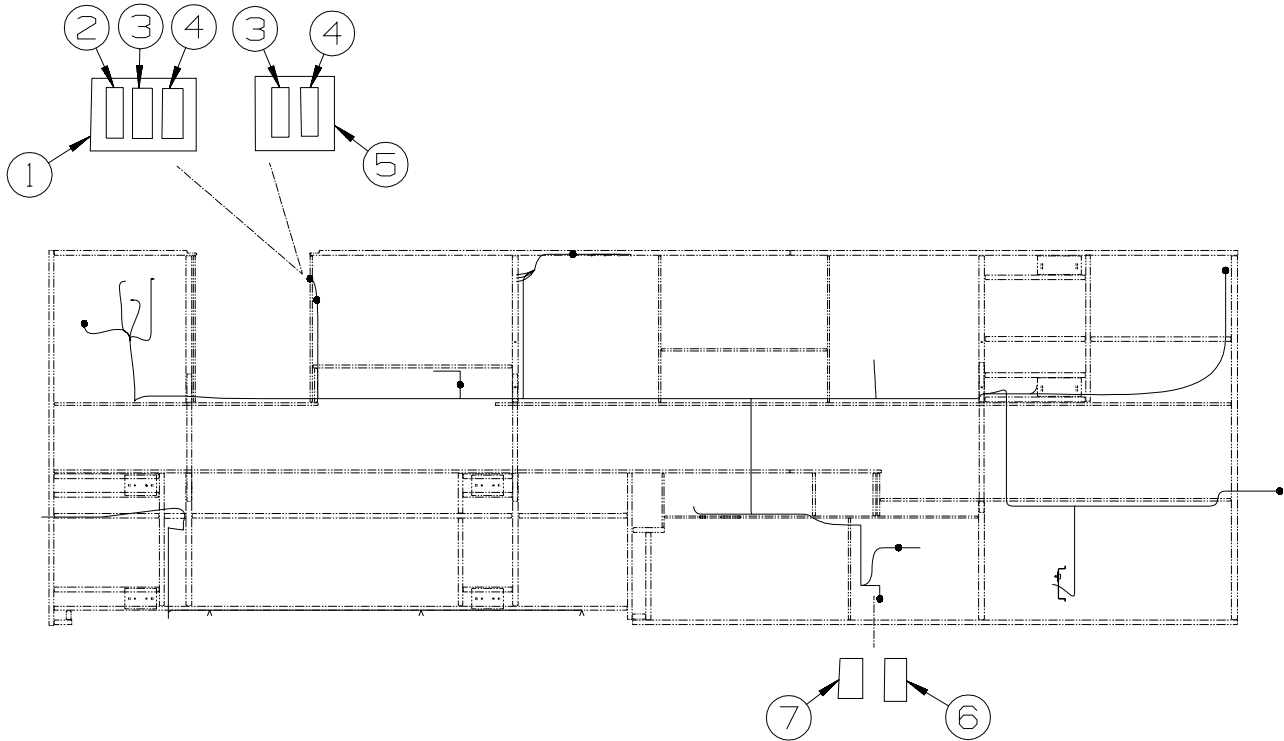


KEY	PART NUMBER	U/M	DESCRIPTION
1	087201-01-000	EA	LIGHT - HALF ROUND - 1" X 1.7" - PLASTIC - BLACK OR WHITE
2	142117-01-000	EA	LAMP - TAILLIGHT - REAR - RIGHT HAND
2	112707-01-000	EA	BULB - 12 VOLT - #3156 - 2.10 AMP
2	112708-01-000	EA	BULB - 12 VOLT - #3157 - .59/2.10 AMP
2	112709-01-000	EA	SOCKET - TURN LIGHT
2	112709-03-000	EA	SOCKET - BRAKE LIGHT/MARKER LIGHT
3	133055-01-000	EA	LENS - RED - F/CLEARANCE/MARKER
3	133055-03-000	EA	BASE - F/CLEARANCE/MARKER - WHITE
3	138996-04-000	EA	CONNECTOR - LAMP
4	136917-01-000	EA	LIGHT - BRAKE - CENTER MOUNT - OVAL
5	142117-02-000	EA	LAMP - TAILLIGHT - REAR - LEFT HAND
5	112707-01-000	EA	BULB - 12 VOLT - #3156 - 2.10 AMP
5	112708-01-000	EA	BULB - 12 VOLT - #3157 - .59/2.10 AMP
5	112709-01-000	EA	SOCKET - TURN LIGHT
5	112709-03-000	EA	SOCKET - BRAKE LIGHT/MARKER LIGHT
6	113589-02-000	EA	CONNECTOR - SOCKET - TRAILER
6	113589-01-000	EA	CONNECTOR - PLUG - TRAILER
7	138910-01-000	EA	LAMP - FOG - CLEAR/ROUND
8	139686-01-02B	EA	ANGLE - MOUNT - FOGLAMP - E-COATED
9	142116-01-000	EA	HEADLAMP - W/PARK/TURN SIGNAL - RIGHT HAND
9	036196-01-000	EA	BULB - 12V - #194 - .27 AMP - BAYONETTE
9	112708-01-000	EA	BULB - 12 VOLT - #3157 - .59/2.10 AMP
9	049359-01-000	EA	SPRING - RETAINER - HEADLAMP - GM #496096
9	142116-03-000	EA	SOCKET/LAMP - 3 WIRE
9	124187-01-000	EA	SOCKET/HOUSING - LOW BEAM HEADLAMP
9	124187-02-000	EA	SOCKET/HOUSING - HIGH BEAM HEADLAMP
9	139001-02-000	EA	SOCKET ONLY - F/DOCKING LAMP

ELECTRICAL GROUP (CONTINUED)

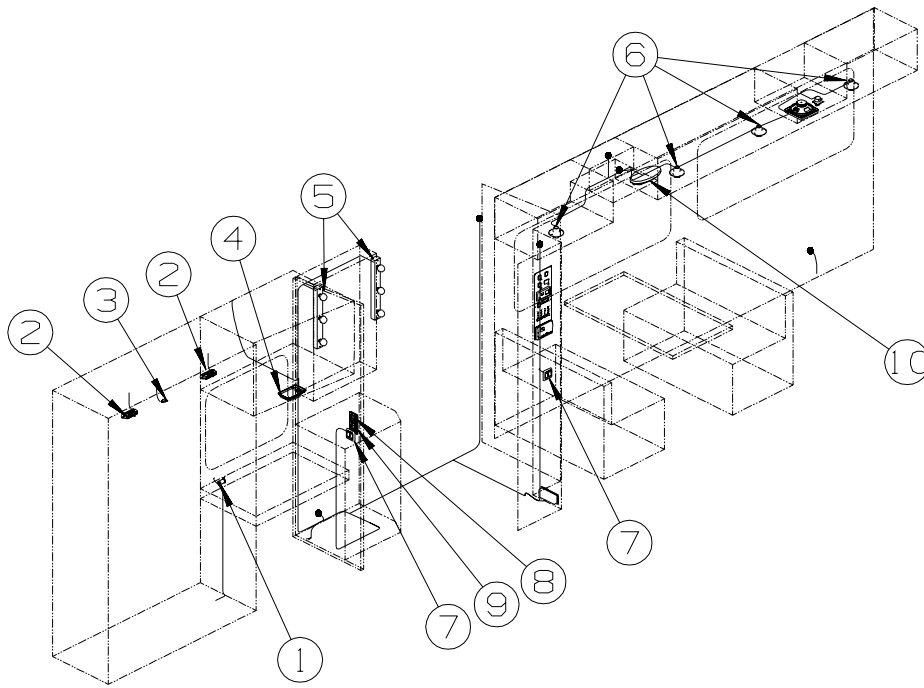
12V BODY WIRING (CONTINUED)

KEY	PART NUMBER	U/M	DESCRIPTION
10	142116-02-000	EA	HEADLAMP - W/PARK/TURN SIGNAL - LEFT HAND
10	036196-01-000	EA	BULB - 12V - #194 - .27 AMP - BAYONETTE
10	112708-01-000	EA	BULB - 12 VOLT - #3157 - .59/2.10 AMP
10	049359-01-000	EA	SPRING - RETAINER - HEADLAMP - GM #496096
10	142116-03-000	EA	SOCKET/LAMP - 3 WIRE
10	124187-01-000	EA	SOCKET/HOUSING - LOW BEAM HEADLAMP
10	124187-02-000	EA	SOCKET/HOUSING - HIGH BEAM HEADLAMP
10	139001-02-000	EA	SOCKET ONLY - F/DOCKING LAMP
11	132978-01-000	EA	LIGHT - CLEARANCE - AMBER



KEY	PART NUMBER	U/M	DESCRIPTION
1	098351-23-01A	EA	PLATE/SWITCH - 3 GANG - POLISHED BRASS
2	108357-07-000	EA	SWITCH - ROCKER - SPDT - MOM/OFF/MOM - 3 TERMINAL
2	108356-12-01A	EA	COVER/ACTUATOR SWITCH - 3 GROOVES
2	108355-01-000	EA	HOUSING - SWITCH
3	108357-06-000	EA	SWITCH - ROCKER - DPDT - MOM/OFF/MOM - 6 TERMINAL
3	108356-11-01A	EA	COVER/ACTUATOR SWITCH - 3 GROOVES - AUX BATT - BLACK
3	108355-01-000	EA	HOUSING - SWITCH
4	108357-01-000	EA	SWITCH - ROCKER - SPST - ON/OFF - 2 TERMINAL
4	108356-14-01A	EA	COVER/ACTUATOR SWITCH - 3 GROOVES
4	108355-01-000	EA	HOUSING - SWITCH
5	098351-22-01A	EA	PLATE/SWITCH - 2 GANG - POLISHED BRASS
6	108357-15-000	EA	SWITCH - ROCKER - DPDT - ON/NONE/ON - LIGHTED
6	108356-04-01A	EA	COVER/ACTUATOR SWITCH - 2 ROWS DIMPLES W/LENS-CONTURA-BLK
6	108355-01-000	EA	HOUSING - SWITCH
7	108357-01-000	EA	SWITCH - ROCKER - SPST - ON/OFF - 2 TERMINAL
7	108356-02-01A	EA	COVER/ACTUATOR SWITCH - 2 ROWS DIMPLES- CONTURA II - BLACK
7	108355-01-000	EA	HOUSING - SWITCH

ELECTRICAL GROUP (CONTINUED)
12V BODY WIRING (CONTINUED)

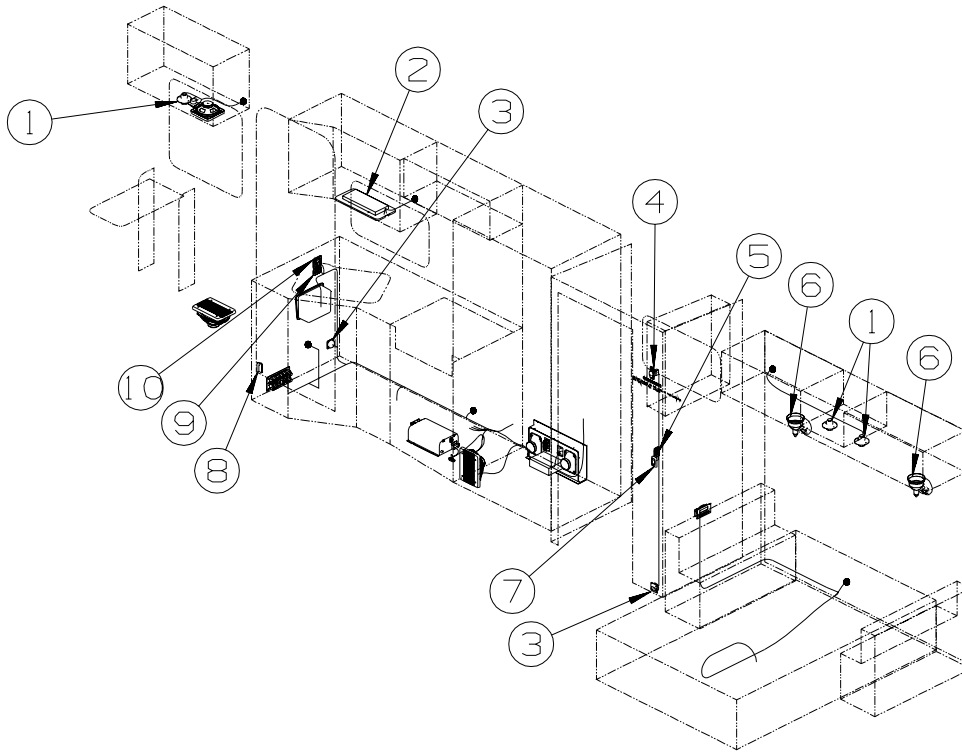


KEY	PART NUMBER	U/M	DESCRIPTION
1	132958-01-000	EA	RECEPTACLE - 12 VOLT - MOUNTING FLANGE - BLACK
2*	087694-01-000	EA	LIGHT - WARDROBE/CLOSET - W/SWITCH
3	056264-01-000	EA	SWITCH - LEAF ACTUATOR
4*	137417-01-01A	EA	LIGHT - DOME - SINGLE - W/SWITCH/FROSTED LENS - WHITE
			FROM: 00-00-00 THRU: 12-18-02
4*	137417-02-01A	EA	LIGHT - DOME - SINGLE - W/SWITCH/OPTIC LENS - WHITE
			FROM: 12-19-02 THRU: 99-99-99
5	138116-01-01A	EA	LIGHT/MAKE UP - 3 BULB - CURVED - W/O BULB - BRASS
	123918-01-000	EA	BULB - 12V - MAKEUP WHITE
6	132427-01-01A	EA	LIGHT - READING - SWIVEL/ROUND - BRASS
6	123917-01-000	EA	BULB - 12V - HALOGEN SPOT
7	135740-01-02A	EA	SWITCH - ROCKER - SPST - ON/OFF - WHITE - CEILING
7	135740-02-02A	EA	SWITCH - ROCKER - SPDT - ON/ON - WHITE - HALL
7	135741-02-02A	EA	SWITCH - BASE - DOUBLE - WHITE
7	135742-16-01A	EA	BEZEL - SWITCH - CEILING/HALL - WHITE
8	135740-01-02A	EA	SWITCH - ROCKER - SPST - ON/OFF - WHITE
8	135741-02-02A	EA	SWITCH - BASE - DOUBLE - WHITE
8	135742-20-01A	EA	BEZEL - SWITCH - SHOWER/MAKEUP - WHITE
9	135740-01-02A	EA	SWITCH - ROCKER - SPST - ON/OFF - WHITE - FAN
9	135740-03-02A	EA	SWITCH - ROCKER - DPDT - MOM/OFF/MOM - WHITE - REMOTE LIFT
9	138253-01-01A	EA	SWITCH - BLANK - WHITE - BLANK
9	135741-02-02A	EA	SWITCH - BASE - DOUBLE - WHITE
9	135742-17-01A	EA	BEZEL - SWITCH - UP/DOWN FAN - WHITE
10	093575-26-01A	EA	LIGHT - CEILING - OVAL - BRASS/NICKEL
10	117806-01-000	EA	BULB - 12V - #912 - 1.0 AMP

*COMPONENT PARTS LISTED LATER IN THIS GROUP

ELECTRICAL GROUP (CONTINUED)

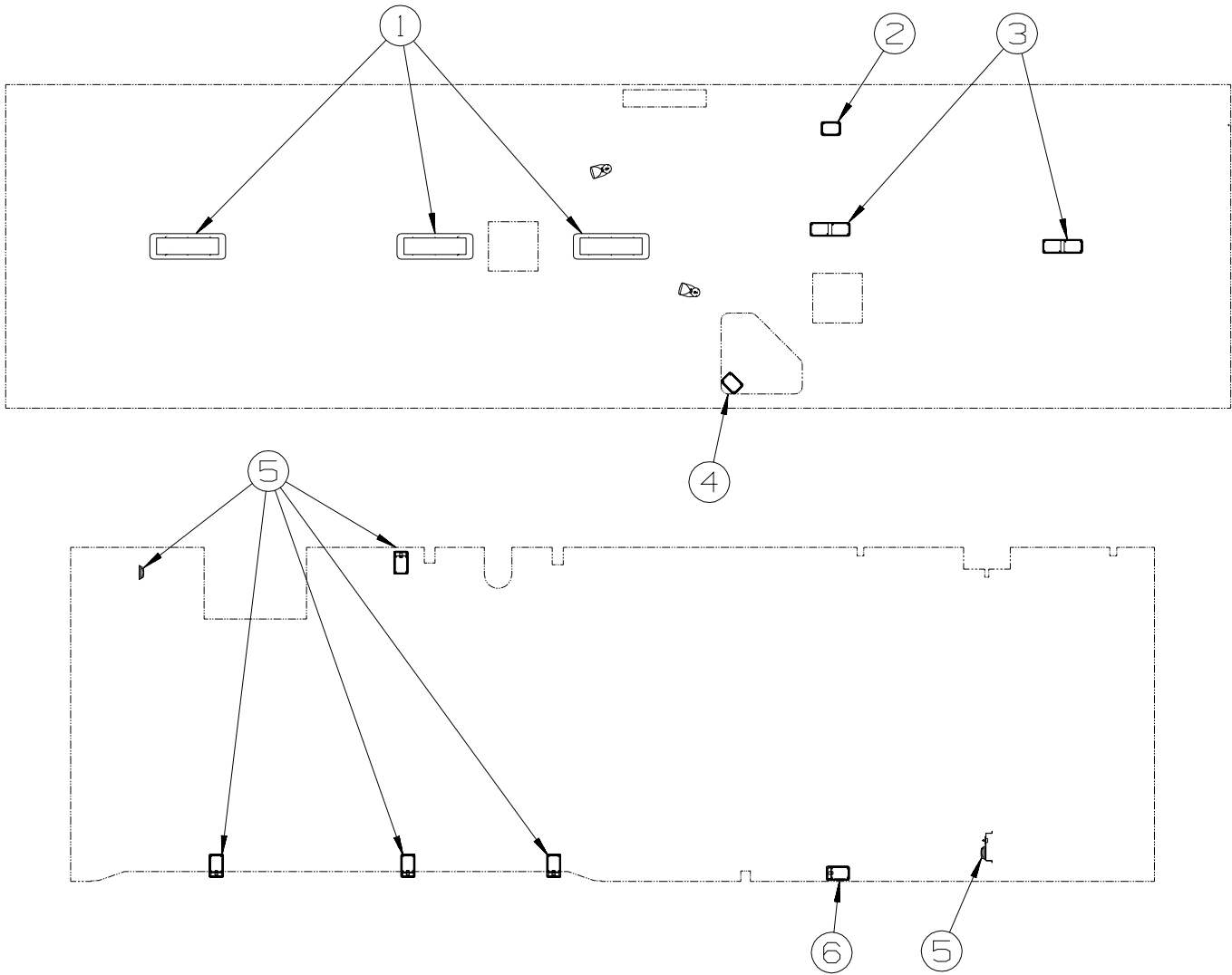
12V BODY WIRING (CONTINUED)



KEY	PART NUMBER	U/M	DESCRIPTION
1	132427-01-01A	EA	LIGHT - READING - SWIVEL/ROUND - BRASS
1	123917-01-000	EA	BULB - 12V - HALOGEN SPOT
2*	091937-09-000	EA	LIGHT-FLOURESCENT-12V/16 WATT RECESSED - W/SWITCH
3*	108354-01-01A	EA	LIGHT - COURTESY
4	081994-10-000	EA	PLATE/SWITCH - SLIDEOUT
4	108357-06-000	EA	SWITCH - ROCKER - DPDT - MOM/OFF/MOM - 6 TERMINAL
4	108356-02-01A	EA	COVER/ACTUATOR SWITCH - 2 ROWS DIMPLES- CONTURA II - BLACK
4	108355-01-000	EA	HOUSING - SWITCH
5	135740-01-02A	EA	SWITCH - ROCKER - SPST - ON/OFF - WHITE
5	135741-01-02A	EA	SWITCH - BASE - SINGLE - WHITE
5	135742-07-01A	EA	BEZEL - SWITCH - CEILING - WHITE
6	119258-11-02A	EA	LAMP - WALL - UL/CSA
7	135740-01-02A	EA	SWITCH - ROCKER - SPST - ON/OFF - WHITE
7	135741-01-02A	EA	SWITCH - BASE - SINGLE - WHITE
7	135742-06-01A	EA	BEZEL - SWITCH - AISLE - WHITE
8	116995-02-000	EA	SWITCH/MAGNET - ELECTRIC STEP - BLACK/WHITE-CLOSED CIRCUIT
9	135740-01-01A	EA	SWITCH - ROCKER - SPST - ON/OFF - BROWN
9	135741-01-01A	EA	SWITCH - BASE - SINGLE - BROWN
9	135742-11-02A	EA	BEZEL - SWITCH - STEP - BROWN
10	135740-01-01A	EA	SWITCH - ROCKER - SPST - ON/OFF - BROWN
10	135741-02-01A	EA	SWITCH - BASE - DOUBLE - BROWN
10	135742-19-02A	EA	BEZEL - SWITCH - PORCH/CEILING - BROWN

*COMPONENT PARTS LISTED LATER IN THIS GROUP

ELECTRICAL GROUP (CONTINUED)
12V BODY WIRING (CONTINUED)

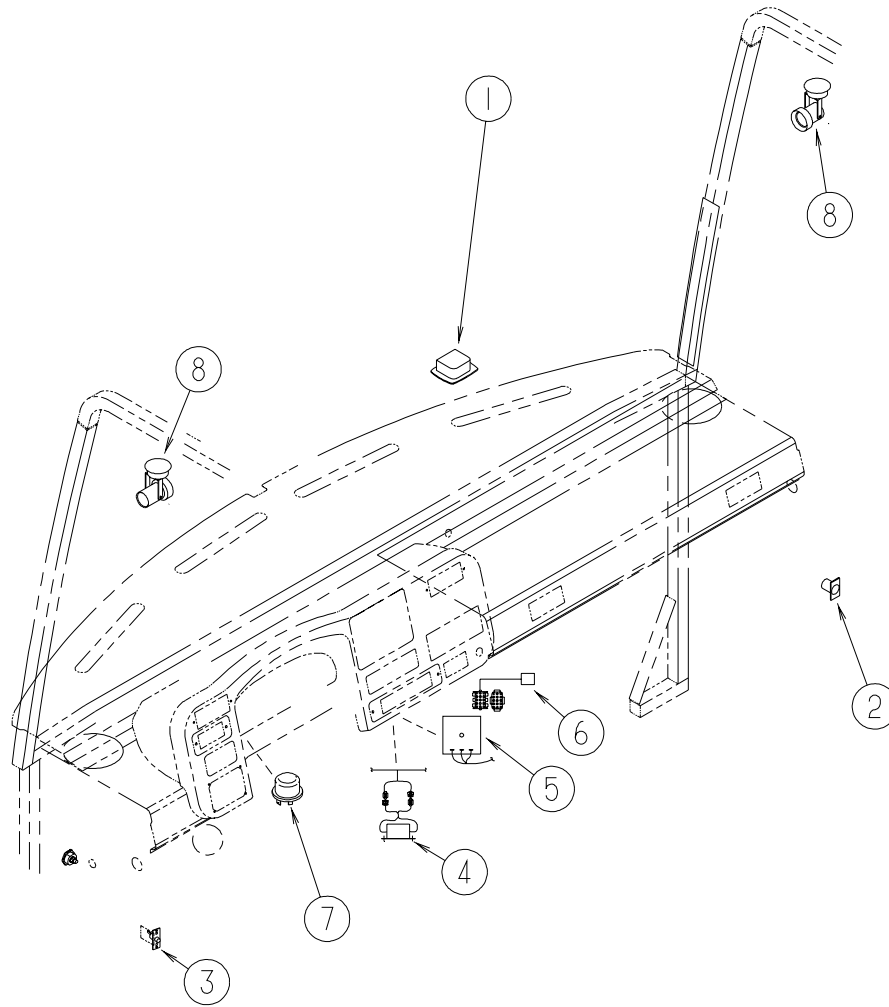


KEY	PART NUMBER	U/M	DESCRIPTION
1*	091937-08-000	EA	LIGHT-FLUORESCENT-12V/30 WATT RECESSED - W/O SWITCH
	091937-03-000	EA	BULB - FLUORESCENT LIGHT - 12 VOLT
2*	137417-03-01A	EA	LIGHT - DOME - SINGLE - W/FROSTED LENS - W/O SWITCH-WHITE
3*	137417-06-01A	EA	LIGHT - DOME - DOUBLE - W/FROSTED LENS - W/O SWITCH-WHITE
4*	121935-01-01A	EA	LIGHT - DOME - SHOWER
5*	137417-01-01A	EA	LIGHT - DOME - SINGLE - W/SWITCH/FROSTED LENS - WHITE
6*	086280-01-000	EA	LIGHT - SURFACE MOUNT - 12 VOLT

*COMPONENT PARTS LISTED LATER IN THIS GROUP

ELECTRICAL GROUP (CONTINUED)

FRONT END WIRING



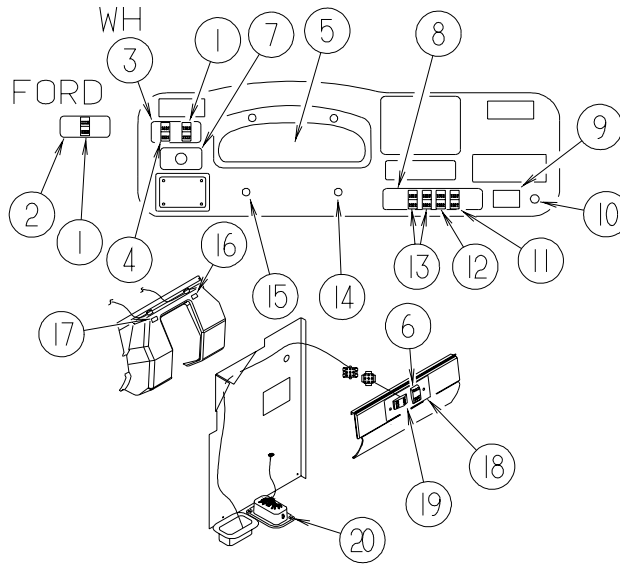
KEY	PART NUMBER	U/M	DESCRIPTION
1	NOT USED		
2	132958-01-000	EA	RECEPTACLE - 12 VOLT - MOUNTING FLANGE - BLACK
3	041250-01-000	EA	SWITCH-PUSH BUTTON, IN DOOR JAMB - METAL - CHROME
4	128074-02-000	EA	FILTER - NOISE - 12 VOLT DC W/PLUGS - SURROUND SOUND
5	133535-01-000	EA	MODULE - TIMER 20 SECOND - WARNING LIGHT - TS61120P
6	115539-01-000	EA	RELAY - RADIO/TV SPEAKER - SWITCH
7	007093-01-000	EA	SIGNAL FLASHER - WORKHORSE
8	128786-01-01A	EA	LIGHT - READING/SWIVEL
8	128786-02-01A	EA	LIGHT - READING/SWIVEL - W/O SWITCH - BRASS

FROM: 00-00-00 THRU: 09-18-02

FROM: 09-19-02 THRU: 99-99-99

ELECTRICAL GROUP (CONTINUED)

FRONT END WIRING (CONTINUED)



KEY	PART NUMBER	U/M	DESCRIPTION
1	108357-14-000	EA	SWITCH - ROCKER - SPST - W/LIGHT - ON/OFF - 4 TERMINAL
1	108356-04-01A	EA	COVER/ACTUATOR SWITCH - 2 ROWS DIMPLES W/LENS-CONTURA-BLK
1	108355-01-000	EA	HOUSING - SWITCH
2	132954-06-01A	EA	APPLIQUE - SWITCH - FOG - BLACK - FORD CHASSIS
3	132954-06-01A	EA	APPLIQUE - SWITCH - FOG - BLACK - WORKHORSE 18,000 CHASSIS
3	132954-04-01A	EA	APPLIQUE - SWITCH - FOG - OVER/DRIVE - BLACK - WORKHORSE 20,700 & 22,000 HD CHASSIS
4	108357-08-000	EA	SWITCH - ROCKER - DPDT - 0N/NONE/ON - 6 TERMINAL
4	108356-02-01A	EA	COVER/ACTUATOR SWITCH - 2 ROWS DIMPLES- CONTURA II - BLACK
4	108355-01-000	EA	HOUSING - SWITCH
5	094794-06-000	EA	CLUSTER - INSTRUMENT PANEL - KILO/FORD F53 - F5TD-10849-BB - FORD
5	127244-12-000	EA	CLUSTER - INSTRUMENT PANEL - K/M - GAS - CANADIAN - WORKHORSE
6	108357-09-000	EA	SWITCH - ROCKER - SPDT - ON/NONE/MOM - 3 TERMINAL
6	108356-02-01A	EA	COVER/ACTUATOR SWITCH - 2 ROWS DIMPLES- CONTURA II - BLACK
6	108355-01-000	EA	HOUSING - SWITCH
7	134088-01-01A	EA	APPLIQUE - SWITCH - HEADLAMP - BLACK
8	132954-01-01A	EA	APPLIQUE - SWITCH - HEATER/RADIO/GENERATOR
8	132047-02-02B	EA	INSERT - DASH/SWITCH-AUX FANS/RR HTR/RADIO PWR/GEN SW
9*	136119-01-000	EA	COMPASS/THERMOMETER - ELECTRONIC
10	089294-01-000	EA	LIGHTER - CIGARETTE - W/SOCKET & WIRE
11	108357-10-000	EA	SWITCH - ROCKER - SPDT - W/LIGHT - MOM/NONE/MOM-5 TERMINAL
11	108356-04-01A	EA	COVER/ACTUATOR SWITCH - 2 ROWS DIMPLES W/LENS-CONTURA-BLK
11	108355-01-000	EA	HOUSING - SWITCH
11	096241-03-000	EA	SWITCH - BLANK - BLACK
12	108357-08-000	EA	SWITCH - ROCKER - DPDT - 0N/NONE/ON - 6 TERMINAL
12	108356-02-01A	EA	COVER/ACTUATOR SWITCH - 2 ROWS DIMPLES- CONTURA II - BLACK
12	108355-01-000	EA	HOUSING - SWITCH
13	108357-03-000	EA	SWITCH - ROCKER - SPDT - ON/OFF/ON - 3 TERMINAL
13	108356-02-01A	EA	COVER/ACTUATOR SWITCH - 2 ROWS DIMPLES- CONTURA II - BLACK
13	108355-01-000	EA	HOUSING - SWITCH
13	096241-03-000	EA	SWITCH - BLANK - BLACK
14	133534-02-000	EA	LIGHT - AMBER INDICATOR WITH 1/4" TERMINALS
15	133534-01-000	EA	LIGHT - RED INDICATOR WITH 1/4" TERMINALS
16	133534-02-000	EA	LIGHT - AMBER INDICATOR WITH 1/4" TERMINALS
17	133534-01-000	EA	LIGHT - RED INDICATOR WITH 1/4" TERMINALS
18	132891-04-02B	EA	PLATE/SWITCH - E-COATED
18	132946-03-01A	EA	APPLIQUE - SWITCH - SLIDEOUT - BLACK
19	108357-06-000	EA	SWITCH - ROCKER - DPDT - MOM/OFF/MOM - 6 TERMINAL
19	108356-02-01A	EA	COVER/ACTUATOR SWITCH - 2 ROWS DIMPLES- CONTURA II - BLACK
19	108355-01-000	EA	HOUSING - SWITCH
20	118571-03-000	EA	BRACKET - MOUNTING
20	118571-04-000	EA	GASKET
	077031-01-000	EA	FILM - BLACK - 1" X 1.75"
	077031-03-000	EA	FILM - WHITE - .75" X 1"

*COMPONENT PARTS LISTED LATER IN THIS GROUP

ELECTRICAL GROUP (CONTINUED)
COMPONENT PARTS FOR LIGHTS & SWITCHES

			008089-02-000	
KEY	PART NUMBER	U/M DESCRIPTION		VENDOR NO.
	008089-01-700	EA LENS/PORCH LIGHT RECESSED		DECO
			086280-01-000	
KEY	PART NUMBER	U/M DESCRIPTION		VENDOR NO.
	086280-01-700	EA BULB,12V		ARP1089
			091937-08-000	
KEY	PART NUMBER	U/M DESCRIPTION		VENDOR NO.
	091937-08-700	EA LENS - LIGHT - FLUORESCENT		D-766
			091937-09-000	
KEY	PART NUMBER	U/M DESCRIPTION		VENDOR NO.
	091937-09-700	EA LENS - LIGHT - FLUORESCENT		D-762
			097917-01-06A	
KEY	PART NUMBER	U/M DESCRIPTION		VENDOR NO.
	097917-01-700	EA LENS-LIGHT, CLEAR		30-78-021
			108354-01-01A	
KEY	PART NUMBER	U/M DESCRIPTION		VENDOR NO.
	108354-01-700	EA BULB-COURTESY LIGHT		395-B
			121935-01-01A	
KEY	PART NUMBER	U/M DESCRIPTION		VENDOR NO.
	121935-01-700	EA LENS ONLY		809511
			137417-01-01A	
KEY	PART NUMBER	U/M DESCRIPTION		VENDOR NO.
	137417-01-700	EA LENS - SINGLE (FROSTED)		810868
			137417-03-01A	
KEY	PART NUMBER	U/M DESCRIPTION		VENDOR NO.
	137417-01-700	EA LENS - SINGLE (FROSTED)		810868
			137417-06-01A	
KEY	PART NUMBER	U/M DESCRIPTION		VENDOR NO.
	137417-06-700	EA LENS - DOUBLE WHITE		810867
			136119-01-000	
KEY	PART NUMBER	U/M DESCRIPTION		VENDOR NO.
	136119-01-700	EA COMPASS SENSOR (BLACK BOX)		AP-SUB-005
	136119-01-701	EA PROBE/TEMPERATURE SENSOR(V1)		AP-SUB-004A
	136119-01-702	EA DISPLAY MODULE-LED (V1)		AP-SUB-004B
	136119-01-703	EA HARNESS - COMPASS POWER		AP-HRN-175
	136119-01-704	EA HARNESS - COMPASS ENGINE		AP-HRN-176
	136119-01-705	EA HRNSS-COMP.TEMP SENSOR V1		AP-HRN-177
	136119-01-706	EA PROBE/TEMPERATURE SENSOR (V2)		AP-SUB-006
	136119-01-707	EA DISPLAY MODULE - VISUAL (V2)		AP-SUB-007
	136119-01-708	EA HARNESS/COMP. COMP/THERM(V2)		AP-HRN-239 W/PACKRD

ELECTRICAL GROUP (CONTINUED)
CIRCUIT BREAKERS & FUSES

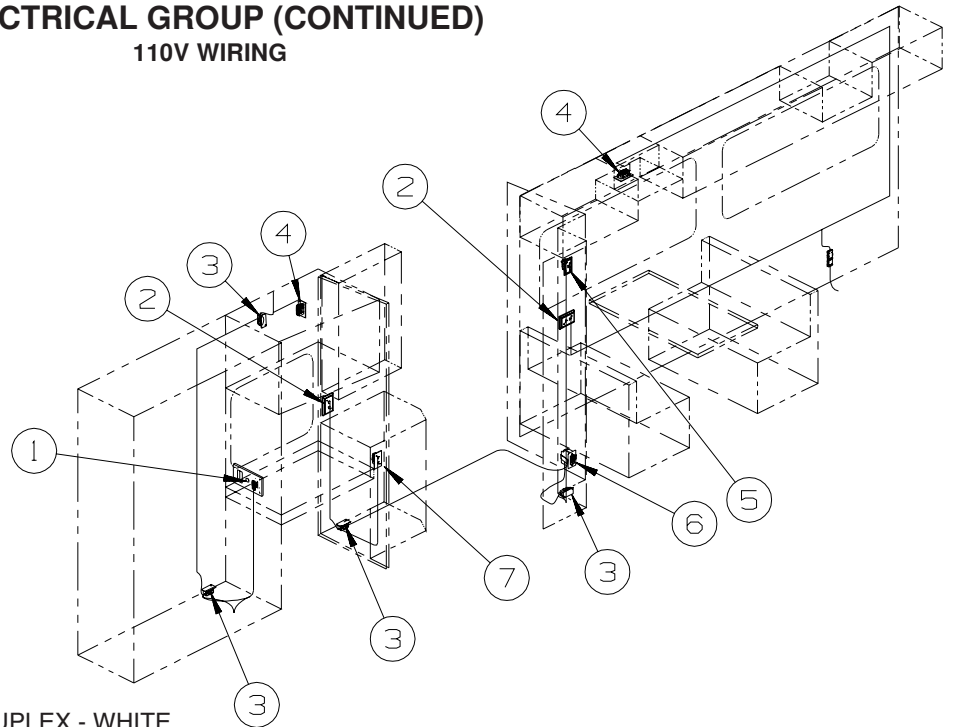
KEY	PART NUMBER	U/M	DESCRIPTION
	008233-01-000	EA	FUSE - 12 VOLT - 6 AMP
	008235-01-000	EA	FUSE - 15 AMP/12VOLT - AUTOMOTIVE
	008268-01-000	EA	CIRCUIT BREAKER W/MOUNT - 30A, 12V - FASCO 1711-3023
	033573-01-000	EA	CIRCUIT BREAKER W/MOUNT-20A, 12V - FASCO 1711-2026
	062901-02-000	EA	FUSE - 5 AMP - AUTOMOTIVE
	062901-04-000	EA	FUSE - 10 AMP - AUTOMOTIVE
	062901-05-000	EA	FUSE - 15 AMP - AUTOMOTIVE
	062901-06-000	EA	FUSE - 20 AMP - AUTOMOTIVE
	062901-07-000	EA	FUSE - 25 AMP - AUTOMOTIVE
	062901-08-000	EA	FUSE - 30 AMP - AUTOMOTIVE
	083209-01-000	EA	CIRCUIT BREAKER - 15 AMP - 120 VOLT - CANADIAN
	083209-02-000	EA	CIRCUIT BREAKER - 15/15 AMP - 120 VOLT
	083209-03-000	EA	CIRCUIT BREAKER - 15/20 AMP - 120 VOLT
	083209-04-000	EA	CIRCUIT BREAKER - 30 AMP - 120 VOLT
	083209-05-000	EA	CIRCUIT BREAKER - 20 AMP - 120 VOLT
	083209-06-000	EA	CIRCUIT BREAKER - 30/15 AMP - 120 VOLT
	083209-07-000	EA	CIRCUIT BREAKER - 20/20 AMP - 120 VOLT
	083209-10-000	EA	CIRCUIT BREAKER - 20/30 AMP - 120 VOLT
	083209-11-000	EA	CIRCUIT BREAKER - 20/15 AMP - 120 VOLT
	092786-03-000	EA	BUSS BAR - 6.9" LONG
	092786-06-000	EA	BUSS BAR
	093654-01-000	EA	CIRCUIT BREAKER - 6 AMP - 12 VOLT - PUSH BUTTON - WHITE
	093654-02-000	EA	CIRCUIT BREAKER - 15 AMP - 12 VOLT - PUSH BUTTON - WHITE
	093654-03-000	EA	CIRCUIT BREAKER - 20 AMP - 12 VOLT - PUSH BUTTON - WHITE
	093654-11-000	EA	COVER - RESET BUTTON
	093655-01-000	EA	CIRCUIT BREAKER - 25 AMP - 12 VOLT - PUSH BUTTON - WHITE
	093655-02-000	EA	CIRCUIT BREAKER - 30 AMP - 12 VOLT - PUSH BUTTON - WHITE
	093655-03-000	EA	CIRCUIT BREAKER - 40 AMP - 12 VOLT - PUSH BUTTON - WHITE
	097611-01-000	EA	CIRCUIT BREAKER - 10 AMP
	097611-03-000	EA	CIRCUIT BREAKER - 20 AMP
	097611-04-000	EA	CIRCUIT BREAKER - 25 AMP
	106656-01-000	EA	FUSE BLOCK - 4 CAVITY - AUTOFUSE
	108567-01-000	EA	CIRCUIT BREAKER - 40 AMP - 12 VOLT - TYPE II
	108669-01-000	EA	HOUSING - AUTO FUSE HOLDER
	111683-01-000	EA	FUSE - HOLDER - GLASS - 1/4" X 1 1/4"
	113482-01-000	EA	CIRCUIT BREAKER - 55 AMP - MANUAL
	113520-01-000	EA	BREAKER - CIRCUIT - 15AMP - SWITCHED
	115187-01-000	EA	FUSE - 300 AMP - NON-DELAY
	115187-02-000	EA	FUSE HOLDER - BUSS ANN/ANL BLOCK
	118531-05-02B	EA	PLATE - CIRCUIT BREAKER - E-COAT
	122811-01-000	EA	CIRCUIT BREAKER - 20/50/50/20
	125986-04-000	EA	FUSE - 10 AMP - AUTO - MINI BLADE
	125986-05-000	EA	FUSE - 15 AMP - AUTO - MINI BLADE
	134127-01-000	EA	CIRCUIT BREAKER - 10 AMP - MINI

CONVERTER, INVERTER, LOAD CENTERS

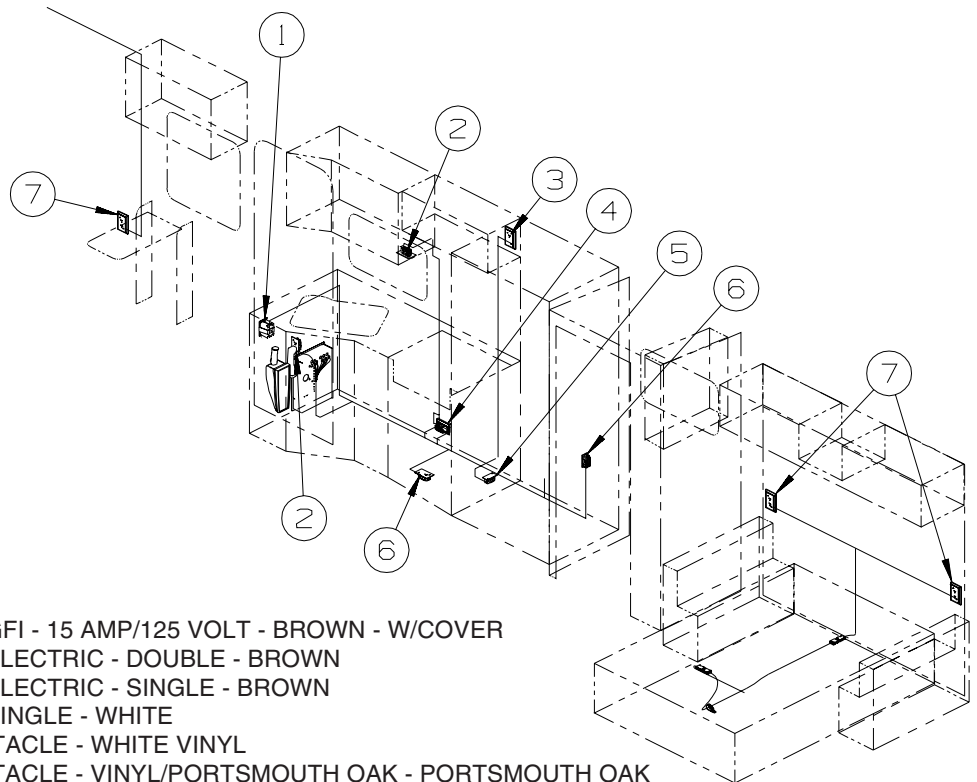
KEY	PART NUMBER	U/M	DESCRIPTION
	099048-04-000	EA	INVERTER - 300 WATT
	123058-02-000	EA	CONVERTER - 45 AMP - ELECTRONIC - 4 1/8"H X 7"W X 12 3/8"L
	127002-05-000	EA	PANEL/MONITOR - ENERGY MANAGEMENT SYSTEMS CTRL - W/PLUG
	127002-07-000	EA	SENSOR - CURRENT
	127002-08-000	EA	MODULE - EMS CENTER - W/REMOTE SENSOR
	141258-01-000	EA	LOAD CENTER - 120/240 - 50 AMP
	141258-02-000	EA	LOAD CENTER - COVER

ELECTRICAL GROUP (CONTINUED)

110V WIRING



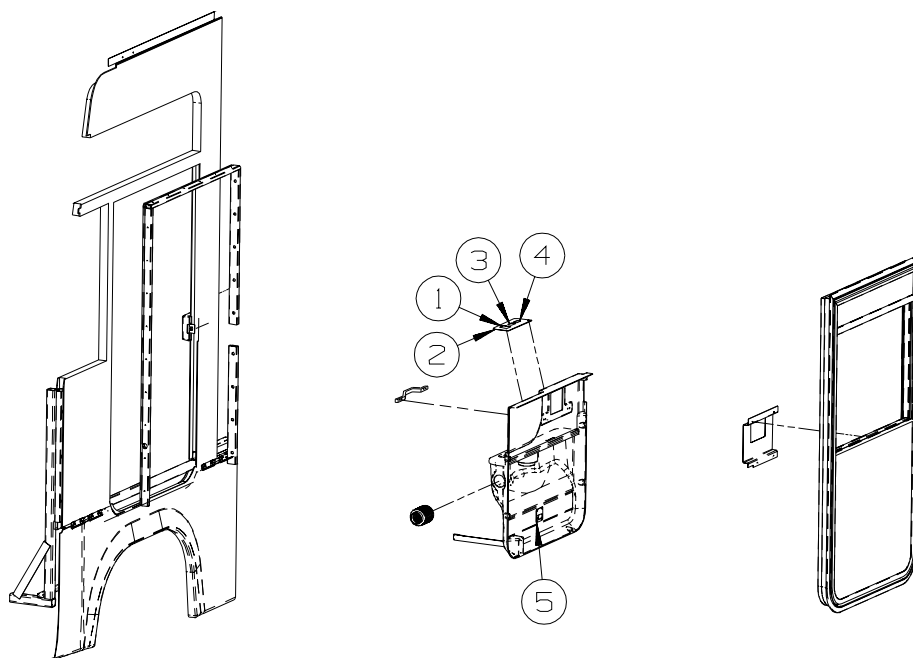
KEY	PART NUMBER	U/M	DESCRIPTION
1	058708-06-000	EA	RECEPTACLE - DUPLEX - WHITE
1	133713-06-20A	EA	SPACER/RECEPTACLE - PHONE - WHITE VINYL
2	058708-06-000	EA	RECEPTACLE - DUPLEX - WHITE
2	133713-01-20A	EA	SPACER/RECEPTACLE - WHITE VINYL
3	058707-02-000	EA	RECEPTACLE - BLANK - JUNCTION BOX
4	058708-05-000	EA	RECEPTACLE - ELECTRIC - SINGLE - BROWN
4	058708-07-000	EA	RECEPTACLE - SINGLE - WHITE
5	084420-01-000	EA	SWITCH - TOGGLE - 15 AMP - 120 VOLT - BROWN
6	084076-02-000	EA	RECEPTACLE - GFI - 15 AMP/125 VOLT - BROWN - W/COVER
7	058708-01-000	EA	RECEPTACLE - ELECTRIC - DOUBLE - BROWN



KEY	PART NUMBER	U/M	DESCRIPTION
1	084076-02-000	EA	RECEPTACLE - GFI - 15 AMP/125 VOLT - BROWN - W/COVER
2	058708-01-000	EA	RECEPTACLE - ELECTRIC - DOUBLE - BROWN
3	058708-05-000	EA	RECEPTACLE - ELECTRIC - SINGLE - BROWN
3	058708-07-000	EA	RECEPTACLE - SINGLE - WHITE
3	133713-01-20A	EA	SPACER/RECEPTACLE - WHITE VINYL
3	133713-01-08A	EA	SPACER/RECEPTACLE - VINYL/PORTSMOUTH OAK - PORTSMOUTH OAK
3	133713-01-03A	EA	SPACER/RECEPTACLE - VINYL/SALEM CHERRY - CONCERT CHERRY
4	131826-01-01A	EA	RECEPTACLE - EXTERIOR - W/COVER/GASKET - WHITE
5	058707-02-000	EA	RECEPTACLE - BLANK - JUNCTION BOX
6	058707-01-000	EA	RECEPTACLE - ELECTRIC - SINGLE - BROWN
7	058708-06-000	EA	RECEPTACLE - DUPLEX - WHITE
7	133713-01-20A	EA	SPACER/RECEPTACLE - WHITE VINYL

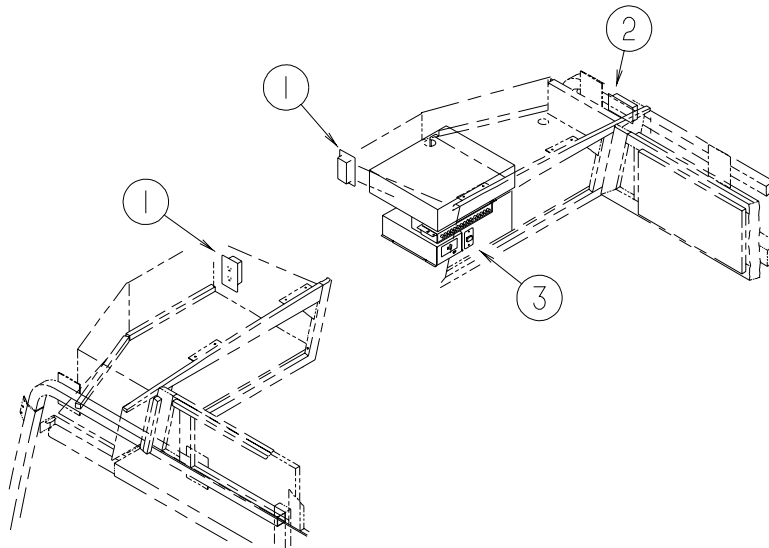
ELECTRICAL GROUP (CONTINUED)

DRIVERS DOOR WIRING

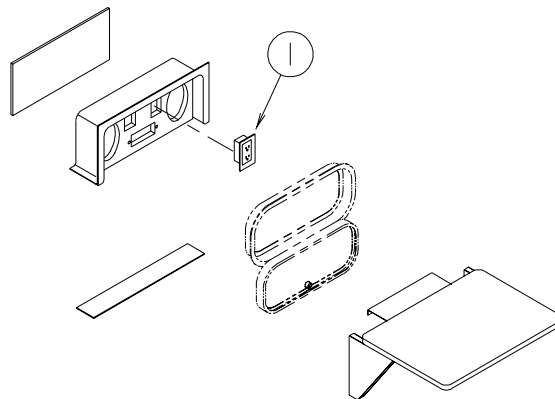


KEY	PART NUMBER	U/M	DESCRIPTION
1	093132-01-000	EA	SWITCH - ROCKER/POWER WINDOWS - 5 TERM - (ARROWS)
2	132514-02-02B	EA	PLATE - SWITCH - HEATED MIRROR - E-COATED
3	088246-01-000	EA	SWITCH/REMOTE MIRROR - W/2PIN & 6 PIN CONNECTORS/PIGTAIL
4	108357-14-000	EA	SWITCH - ROCKER - SPST - W/LIGHT - ON/OFF - 4 TERMINAL
4	108356-03-01A	EA	COVER/ACTUATOR SWITCH -3 GROOVES W/LIGHT-CONTRA III-BLACK
4	108355-01-000	EA	HOUSING - SWITCH
5	108354-01-01A	EA	LIGHT - COURTESY

ELECTRICAL GROUP (CONTINUED)
ENTERTAINMENT WIRING



KEY	PART NUMBER	U/M	DESCRIPTION
1	058708-01-000	EA	RECEPTACLE - ELECTRIC - DOUBLE - BROWN
2	058707-02-000	EA	RECEPTACLE - BLANK - JUNCTION BOX
3	079364-04-000	EA	SWITCH - ON/OFF ROCKER - 2 TERMINAL - BLACK
3	098351-16-01A	EA	PLATE/SWITCH - 1 GANG W/LABEL



KEY	PART NUMBER	U/M	DESCRIPTION
1	058708-01-000	EA	RECEPTACLE - ELECTRIC - DOUBLE - BROWN

BOXES & CORDS

KEY	PART NUMBER	U/M	DESCRIPTION
	008054-01-000	EA	CORD - POWER - 10/3 WIRE - 30 AMP - 25'
	008289-01-000	EA	BOX - ELECTRIC/STEEL - 1/2" & 3/4" KNOCKOUTS - 4" X 4"
	008294-01-000	EA	COVER - ELECTRIC BOX - BLANK/STEEL - 4" X 4" - GRAY
	092492-11-000	EA	SEAL - ELECTRIC BOX - 7" X 18.4"
	106071-05-000	EA	SWITCH - AUTOMATIC TRANSFER - 50/70 - MAGNETEK
			FROM: 00-00-00 THRU: 10-06-02
	106071-06-000	EA	SWITCH - AUTOMATIC TRANSFER
			FROM: 10-07-02 THRU: 99-99-99
	108934-02-000	EA	CORD - POWER - 50 AMP - 4-WIRE - 36'
	109925-04-000	EA	DOOR - ELECTRICAL BOX - GM/FORD
	115832-01-000	FT	CORD - HEAVY DUTY - 14-2W GROUND
	131679-01-000	EA	BOX-ELEC-WATERPROOF SEALED 4" X 4" W/4 3/4"OUTLETS-UL/CSA
	131680-01-000	EA	COVER - W/GASKET FOR WATERPROOF 4" X 4" BOX - UL/CSA
	133070-01-000	EA	BOX - ELECTRIC/PLASTIC - 3" X 2" X 2.8" - UL
	133070-02-000	EA	BOX - ELECTRIC/PLASTIC - 3" X 2" X 2.8" - CSA

ELECTRICAL GROUP (CONTINUED)
WIRE ASSEMBLIES

KEY	PART NUMBER	U/M	DESCRIPTION
	093040-06-000	EA	WIRE ASSEMBLY-MONITOR-F/NON-PRE-WIRED AFTER MARKET INSTALL
	096449-01-000	EA	WIRE ASSEMBLY - WATER TANK TO MONITOR PANEL
	096450-05-000	EA	WIRE F/SENSORS - BLACK WATER - 23.6"
	096451-06-000	EA	WIRE F/SENSORS - GREY WATER - 23.6"
	124125-02-000	EA	WIRE - ELECTRICAL BOX
	124843-02-000	EA	WIRE ASSEMBLY - SPEAKER ADAPTER
	124843-03-000	EA	WIRE ASSEMBLY - SPEAKER ADAPTER
	124882-08-000	EA	WIRE LOOM - AMPLIFIER - Q SURROUND
	125853-01-000	EA	WIRE LOOM - ENTERTAINMENT CENTER
	125853-04-000	EA	WIRE LOOM - ENTERTAINMENT CENTER
	127002-03-000	EA	WIRE ASSEMBLY - ENERGY MANAGEMENT SYSTEM
	129436-06-000	EA	WIRE ASSEMBLY - INSTRUMENT PANEL/POWER MIRROR
	131279-02-000	EA	WIRE LOOM - POWER SEAT - DRIVER
	131279-03-000	EA	WIRE LOOM - POWER SEAT - PASSENGER
	131386-02-000	EA	WIRE ASSEMBLY - F/SLIDEOUT CONTROL
	132668-01-000	EA	WIRE ASSEMBLY - AUXILIARY FANS
	132669-01-000	EA	WIRE ASSEMBLY - INSTRUMENT PANEL - AUXILARY FANS
	135131-01-000	EA	WIRE LOOM - THERMOSTAT
	135420-02-000	EA	WIRE LOOM - RADIO
	120233-05-000	EA	WIRE ASSEMBLY - 30" CONNECTS TO WALLPLATE DISPLAY FROM: 00-00-00 THRU: 04-08-02
	137135-03-000	EA	WIRE LOOM - DIGITAL ELEVATION SENSOR FROM: 04-09-02 THRU: 99-99-99
	137135-04-000	EA	WIRE HARNESS - POWER - DIGITAL ELEVATION SENSOR FROM: 04-09-02 THRU: 99-99-99
	142258-02-000	EA	WIRE LOOM - VIDEO SWITCH/POWER SUPPLY FROM: 04-09-02 THRU: 99-99-99
	137626-01-000	EA	WIRE - OVERDRIVE SWITCH
	133817-02-000	EA	WIRE ASSEMBLY - SPEAKER/ADAPTER - 117.9" LONG FROM: 00-00-00 THRU: 06-10-02

ELECTRICAL GROUP (CONTINUED)
CONNECTORS & CONDUIT

KEY	PART NUMBER	U/M	DESCRIPTION
	007956-01-000	EA	RECEPTACLE - HOUSING - 6 POSITION
	007956-05-000	EA	INSULATOR - SHRINK - 1/4" ID X 1 1/2"
	008058-01-000	EA	ADAPTER - POWER CORD - 30 AMP TO 15 AMP
	008311-01-000	EA	CONNECTOR - WIRE NUT - INSULATED - RED
	008312-01-000	EA	CONNECTOR - WIRE NUT - INSULATED - BLUE
	008313-01-000	EA	CONNECTOR - WIRE NUT - INSULATED - YELLOW
	008314-01-000	EA	CONNECTOR - WIRE NUT - INSULATED - GRAY
	008326-01-000	EA	TERMINAL - RING - 16/14 WIRE - 3/8" STUD
	008328-01-000	EA	TERMINAL - RING - 12/10 WIRE - #10 STUD FIT
	008331-01-000	EA	TERMINAL - RING - TONGUE - #4 WIRE - 3/8" STUD - COPPER
	008348-01-000	EA	TERMINAL - RING - 3/8" STUD 2 GA. WIRE
	008355-01-000	EA	CONNECTOR - CABLE CLAMPING - 3/4"
	008356-01-000	EA	CONNECTOR - PLASTIC - 3/8" AVG
	008356-02-000	EA	CONNECTOR - PLASTIC - 21/32
	035416-04-000	EA	TERMINAL - RING - #10 STUD FIT - INSULATED BARREL #16/14
	041953-01-000	FT	CONDUIT - CONVOLUTE SLIT - .5" ID - POLYETHYLENE
	041953-02-000	FT	CONDUIT - CONVOLUTE SLIT - .6" ID - POLYETHYLENE
	041953-03-000	FT	CONDUIT - CONVOLUTE SLIT - 1" ID (CLOTHES ROD COVER)
	041953-05-000	FT	CONDUIT - CONVOLUTE SOLID - .62" ID - POLYETHYLENE
	041953-06-000	FT	CONDUIT - CONVOLUTE SLIT - .4" ID - POLYETHYLENE
	041953-07-000	FT	CONDUIT - CONVOLUTE SLIT - .25" ID - POLYETHYLENE
	041953-08-000	FT	CONDUIT - CONVOLUTE SLIT - 1.5" ID - POLYETHYLENE
	041953-09-000	FT	CONDUIT - CONVOLUTE SLIT - .5" ID - NYLON
	041953-10-000	FT	CONDUIT - CONVOLUTE SLIT - .75" ID - NYLON
	041953-11-000	FT	CONDUIT - CONVOLUTE SLIT - 1.06" ID - NYLON
	041953-12-000	FT	CONDUIT - CONVOLUTE SOLID - 1.1" ID - NYLON
	041953-13-000	FT	CONDUIT - CONVOLUTE SLIT - 1.25
	041953-14-000	FT	CONDUIT - CONVOLUTE SLIT - 1.5
	047443-01-000	EA	TERMINAL - .250 RECEPTACLE FIT - INSULATED - 16/14 AWG
	047443-02-000	EA	TERMINAL - .250 RECEPTACLE FIT - INSULATED - 12/10 AWG
	058028-01-000	EA	CONNECTOR - ELECTRICAL PIGTAIL - NYLON - CLEAR
	062036-01-000	EA	TERMINAL - PACK - CON - 12/10 AWG
	074017-02-000	EA	HOUSING - 5 POSITION - RIGHT ANGLED
	077479-01-000	EA	BOOT - BATTERY TERMINAL - DOUBLE CABLE
	077479-02-000	EA	BOOT - BATTERY TERMINAL - SINGLE CABLE
	080015-02-000	EA	RECEPTACLE - FLAG - .185 - 16/14 GAUGE
	080015-03-000	EA	RECEPTACLE - FLAG - .250 - 14/16 GAUGE
	082109-01-000	EA	HOUSING - CONNECTOR - PACKARD
	082741-01-000	EA	CONNECTOR BODY - 2 CONNECTOR MALE
	087225-01-000	FT	SLEEVING - 1/2" - TYPE H
	087949-01-000	EA	BUSS BAR - 2 POSITION - .6" X 1.5"
	087949-02-000	EA	BUSS BAR - 3 POSITION - .6" X 2.4"
	087949-03-000	EA	BUSS BAR - 4 POSITION
	087949-05-000	EA	BUSS BAR - 7 POSITION
	088267-01-000	EA	TERMINAL - FEMALE - 1/4
	088473-01-000	EA	HOUSING - PIN - 12 CAVITY (3 ROWS OF 4)
	088473-02-000	EA	HOUSING - PIN - 15 CAVITY (3 ROWS OF 5)
	088473-03-000	EA	HOUSING - PIN - 9 CAVITY (3 ROWS OF 3)
	088473-04-000	EA	HOUSING - PIN - 8 CAVITY IN-LINE
	088473-06-000	EA	HOUSING - PIN - 6 CAVITY (2 ROWS OF 3)
	088473-08-000	EA	HOUSING - PIN - 4 CAVITY - IN-LINE
	088473-09-000	EA	HOUSING - PIN - 3 CAVITY - IN-LINE
	088473-10-000	EA	HOUSING - PIN - 2 CAVITY - IN LINE
	088474-01-000	EA	HOUSING - SOCKET - 12 CAVITY
	088474-02-000	EA	HOUSING - SOCKET - 15 CAVITY
	088474-03-000	EA	HOUSING - SOCKET - 9 CAVITY
	088474-06-000	EA	HOUSING - SOCKET - 6 CAVITY
	088474-07-000	EA	HOUSING - SOCKET - 5 CAVITY
	088474-08-000	EA	HOUSING - SOCKET - 4 CAVITY
	088474-09-000	EA	HOUSING - SOCKET - 3 CAVITY
	088474-10-000	EA	HOUSING - SOCKET - 2 CAVITY
	088475-01-000	EA	PIN - CONNECTOR - 14-20 AWG
	088475-02-000	EA	PIN - CONNECTOR - 10-12 AWG
	088476-01-000	EA	TERMINAL - ELECTRICAL

ELECTRICAL GROUP (CONTINUED)
CONNECTORS & CONDUIT (CONTINUED)

KEY	PART NUMBER	U/M	DESCRIPTION
	088476-02-000	EA	SOCKET - CONNECTOR - 12-10 GA - PRE-TIN
	098261-01-000	EA	SOCKET - CONNECTOR - WEATHERPACK - 12 AWG
	098261-02-000	EA	SOCKET - CONNECTOR - WEATHERPACK - 14-18 AWG
	098262-01-000	EA	SEAL - CONNECTOR - WEATHERPACK
	098262-05-000	EA	SEAL - CAVITY
	098262-06-000	EA	SEAL - CONNECTOR - M/P - 10 GAUGE
	098262-07-000	EA	SEAL - CONNECTOR - 12 AWG - 280 SER
	098263-01-000	EA	HOUSING - 3 PIN - WEATHER PACK
	098263-02-000	EA	HOUSING - 3 PIN - WEATHER PACK
	098264-01-000	EA	HOUSING - 2 PIN - WEATHER PACK - MALE W/FEMALE PINS
	098264-02-000	EA	HOUSING - 2 PIN - WEATHER PACK - FEMALE W/MALE PINS
	098265-02-000	EA	PIN - CONNECTOR - WEATHER PACK
	100690-01-000	EA	HOUSING - 5 POSITION - MALE - WEATHER PACK
	100690-02-000	EA	HOUSING - 5 POSITION - FEMALE - WEATHER PACK
	102777-02-000	EA	TERMINAL - RING - #6 STUD - 10 AWG
	104100-01-000	EA	HOUSING - 1 POSITION - 75 AMPS
	104100-03-000	EA	TERMINAL - 75 AMP
	106655-02-000	EA	TERMINAL - FUSE BLOCK - 10-12 AWG
	110178-01-000	EA	HOUSING - WIPER MOTOR
	112823-01-000	EA	SPLICE - REDUCER - 16-14 TO 18-22
	113072-01-000	EA	HOUSING - ELECTRICAL - TURN/TAIL LAMP
	113072-03-000	EA	HOUSING - ELECTRICAL - STOP/MARKER TAILLAMP
	113135-01-000	EA	TERMINAL - FEMALE - M/P - 14-16 - F/SEALED TERMINAL
	113306-01-000	EA	TERMINAL - FEMALE - M/P - 14-16 - F/NON-SEALED TERMINAL
	113306-02-000	EA	TERMINAL - FEMALE - M/P - 10-12 - 480
	113307-01-000	EA	TERMINAL - FEMALE - M/P - 16-20
	113308-01-000	EA	TERMINAL - FEMALE - M/P - 14-16 - 280
	113468-01-000	EA	HOUSING - 2 POSITION-FEMALE-USED ON WIPER/WASHER WIRE ASM
	113638-02-000	EA	CONNECTOR - ACTUATOR
	114667-01-000	FT	HOSE - 2" ID - FLEXIBLE
	115556-01-000	EA	HOUSING - 3 POSITION - FEMALE
	115556-02-000	EA	HOUSING - 2 POSITION - FEMALE/PARALLEL
	115931-02-000	EA	COVER - CONNECTOR - 50 AMP W/LOCKING RING
	115932-02-000	EA	CONNECTOR - FEMALE - 50 AMP/240 VOLT
	116811-01-000	EA	TERMINAL - .110 RECEPTACLE - 16-14 AWG
	118571-01-000	EA	CONNECTOR - 3-WAY - MALE/SEALED
	118571-02-000	EA	CONNECTOR - 3-WAY - FEMALE/SEALED
	118571-05-000	EA	LOCK - SECONDARY - FEMALE
	118571-06-000	EA	LOCK - SECONDARY - MALE
	118597-01-000	EA	TERMINAL - MALE - M/P - 480 - 14-16
	118599-01-000	EA	TERMINAL - MALE - M/P - 280 - 14-16
	118820-01-000	EA	INSULATOR - TERMINAL
	119223-01-000	EA	HOUSING - 6 POSITION - MALE - WEATHERPACK
	119248-02-000	EA	HOUSING - 7 POSITION - FEMALE
	125323-01-000	EA	HOUSING - 10 POSITION - MALE
	125323-02-000	EA	HOUSING - 8 POSITION - MALE
	125323-03-000	EA	LOCK - SECONDARY 8 POSITION
	125323-04-000	EA	LOCK - SECONDARY 10 POSITION
	125323-05-000	EA	HOUSING - 6 POSITION - MALE
	125323-06-000	EA	LOCK - SECONDARY 6 POSITION
	125324-01-000	EA	TERMINAL - MALE - METRI-PACK - 150
	125325-01-000	EA	SEAL - CAVITY
	126403-01-000	EA	CONNECTOR - 2 CIRCUIT
	126403-02-000	EA	CONNECTOR - 3 CIRCUIT
	129233-01-000	EA	HOUSING - 6 POSITION - MALE WEATHERPACK
	129233-02-000	EA	HOUSING - 2-POSITION/FEMALE - 280-SERIES
	129234-01-000	EA	HOUSING - 6-POSITION/FEMALE - 280-SERIES
	129234-02-000	EA	HOUSING - 6-POSITION/FEMALE - 280-SERIES
	129234-03-000	EA	LOCK - SECONDARY - 6-POSITION
	129235-01-000	EA	HOUSING - 2-POSITION/FEMALE - 630-SERIES
	129235-02-000	EA	LOCK - SECONDARY - 2-POSITION
	129236-01-000	EA	TERMINAL - FEMALE - M/P - 630 - 10-12
	131515-01-000	EA	HOUSING - PIN - 2 CAVITY/HIGH AMP

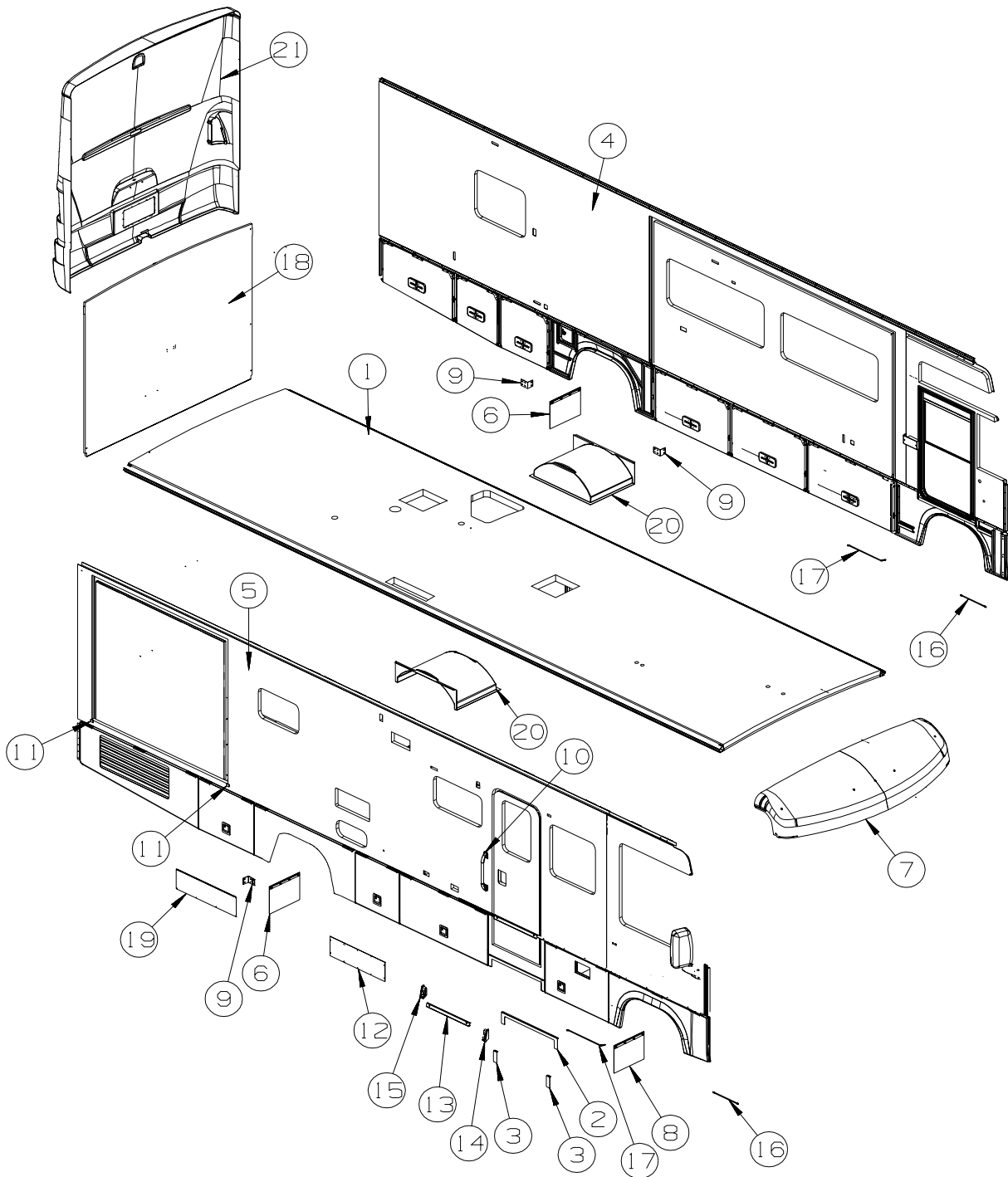
ELECTRICAL GROUP (CONTINUED)
BOOTS, SOLENOIDS, RELAYS & MISCELLANEOUS

KEY	PART NUMBER	U/M	DESCRIPTION
	007093-01-000	EA	SIGNAL FLASHER
	008188-01-000	EA	SOLENOID - 3 POST - BATTERY CHANGE OVER
	063910-01-000	EA	HOUSING - RELAY
	063912-02-000	EA	RELAY - CANISTER - SPDT
	065450-05-000	EA	TIEDOWN - BATTERY - 8.4" TUBE
	065451-05-000	EA	BRACKET/TIEDOWN - BATTERY - 7.7" FROM BRKT TO BRKT
	086233-01-000	EA	STUD - ISOLATED - 3/8" X 7/8" LONG
	086273-01-000	EA	RELAY - BATTERY DISCONNECT

EXTERIOR BODY GROUP (CONTINUED)
GRAPHICS & PAINT (CONTINUED)

KEY	PART NUMBER	U/M	DESCRIPTION	
	041561-03-000	EA	PAINT - 16 OUNCE SPRAY - OFF WHITE	
				DUPONT COLOR CODES
			LT. SILVER MET.	P6235
			LT. STEEL MET.	P7448K
			JAGUAR BLUE MET.	P7414
			LAGO BLUE MET.	W9212
			WIN. GREEN MET.	GM198
			BRIGHT WHITE	B8951

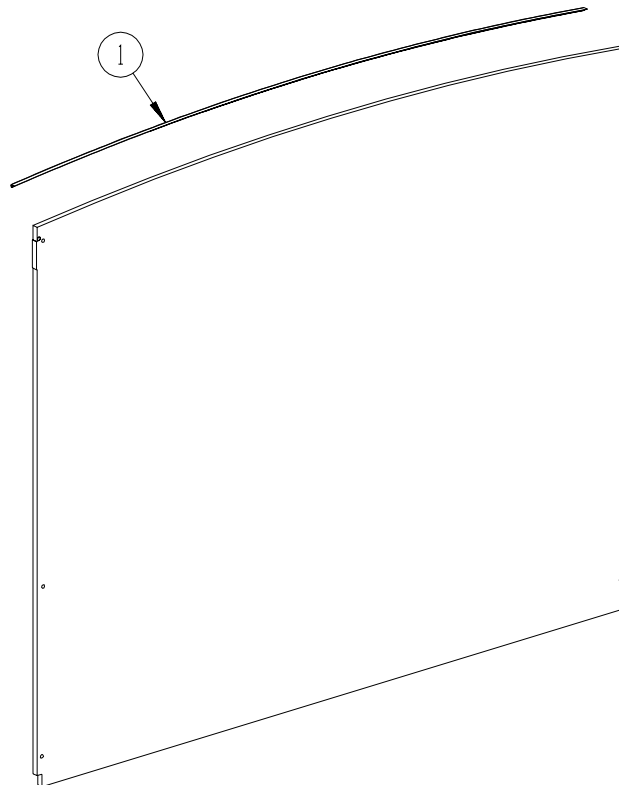
EXTERIOR BODY GROUP (CONTINUED) PANELS & TRIMS



KEY	PART NUMBER	U/M DESCRIPTION
1	142659-01-P45	EA ROOF - W/O LIGHTS/VENTS - W/WIRING
2	138021-02-02B	EA VALANCE/PANEL - ENTRY STEP/U-SHAPED - 33.2" X 4.1" E-COAT - FORD
3	121117-05-02B	EA ANGLE - W/O SLOTS - 5.7" X 2" - E-COATED - WORKHORSE
4	142661-01-P45	EA SIDEWALL - DRIVER - W/O WINDOWS/TRIMS(P54, P55, P56)
4	142661-01-P47	EA SIDEWALL - DRIVER - W/O WINDOWS/TRIMS(P57, P58, P59)
4	142661-01-P49	EA SIDEWALL - DRIVER - W/O WINDOWS/TRIMS(P60, P61, P62)
5	142660-01-P45	EA SIDEWALL - PASSENGER - W/O WINDOWS/TRIMS(P54, P55, P56)
5	142660-01-P47	EA SIDEWALL - PASSENGER - W/O WINDOWS/TRIMS(P57, P58, P59)
5	142660-01-P49	EA SIDEWALL - PASSENGER - W/O WINDOWS/TRIMS(P60, P61, P62)
6	017516-01-000	EA MUD FLAP - 14"H X 18"W - W/O MOUNTING HOLES - BLACK
	140922-01-02B	EA PLATE - MUD FLAP - E-COATED
7	125052-02-J20	EA CAP - ROOF - W/O LIGHTS/WIRING

EXTERIOR BODY GROUP (CONTINUED)
PANELS & TRIMS (CONTINUED)

KEY	PART NUMBER	U/M	DESCRIPTION
8	017516-01-000	EA	MUD FLAP - 14"H X 18"W - W/O MOUNTING HOLES - BLACK
	132695-01-02B	EA	ANGLE - MUDFLAP - E-COATED
	140922-01-02B	EA	PLATE - MUD FLAP - E-COATED
9	119568-01-01A	EA	STANDOFF - VALANCE PANEL - BLACK
10	132442-02-01A	EA	HANDLE - ASSIST - CLEAR W/CHROME ENDS
11	093673-01-06A	FT	TRIM/MOLDING - 1.4" X 8' LONG - BRIGHT WHITE
			FROM: 10-14-02 THRU: 99-99-99
12	119568-01-01A	EA	STANDOFF - VALANCE PANEL - BLACK
13	133045-01-01A	EA	TRIM - W/HOLES - 25.3" - BRIGHT WHITE
14	126775-01-01A	EA	END CAP - VALANCE TRIM - RIGHT HAND
			FROM: 00-00-00 THRU: 01-01-03
14	126775-01-02A	EA	END CAP - VALANCE TRIM - RIGHT HAND - BLACK
			FROM: 01-02-03 THRU: 99-99-99
15	126775-02-01A	EA	END CAP - VALANCE TRIM - LEFT HAND
			FROM: 00-00-00 THRU: 01-01-03
15	126775-02-02A	EA	END CAP - VALANCE TRIM - LEFT HAND - BLACK
			FROM: 01-02-03 THRU: 99-99-99
16	107865-06-000	EA	ROD - SUPPORT - VALANCE PANEL - 15"
17	107865-25-000	EA	ROD - SUPPORT - VALANCE PANEL - 18.9"
18	140938-06-P54	EA	BACKWALL - W/O WINDOWS/TRIMS
18	140938-06-P55	EA	BACKWALL - W/O WINDOWS/TRIMS
18	140938-06-P56	EA	BACKWALL - W/O WINDOWS/TRIMS
18	140938-06-P57	EA	BACKWALL - W/O WINDOWS/TRIMS
18	140938-06-P58	EA	BACKWALL - W/O WINDOWS/TRIMS
18	140938-06-P59	EA	BACKWALL - W/O WINDOWS/TRIMS
18	140938-06-P60	EA	BACKWALL - W/O WINDOWS/TRIMS
18	140938-06-P61	EA	BACKWALL - W/O WINDOWS/TRIMS
18	140938-06-P62	EA	BACKWALL - W/O WINDOWS/TRIMS
19	133386-02-02B	EA	PANEL - CLOSEOUT - HOLDING TANK - E-COATED
20	131365-01-000	EA	WHEELWELL - PLASTIC
21	141610-03-P45	EA	PANEL/REAR CAP - W/CAMERA SHROUD - REAR VIEW MONITOR
21	141610-04-P45	EA	PANEL/REAR CAP - W/O CAMERA SHROUD

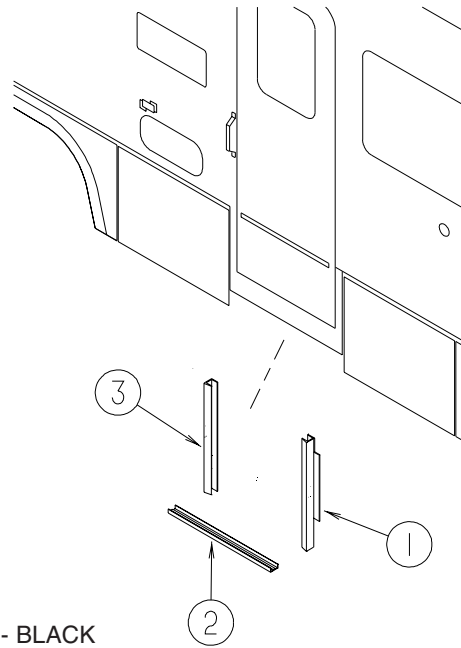


BACKWALL

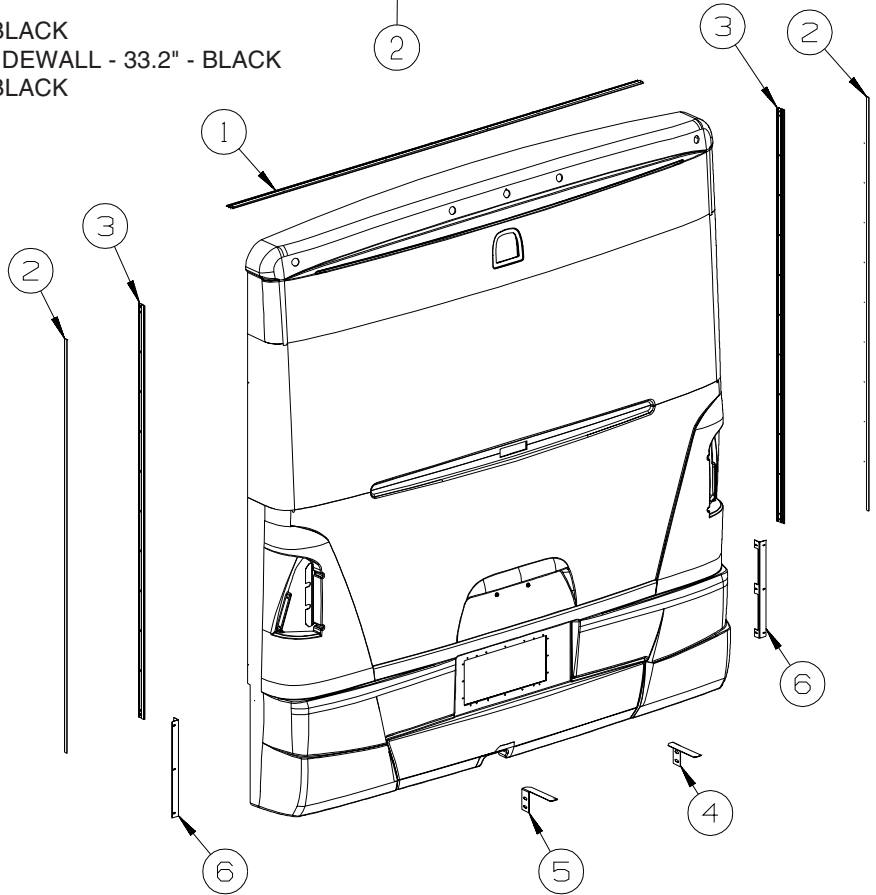
KEY	PART NUMBER	U/M	DESCRIPTION
1	114248-02-01A	EA	ANGLE - PLASTIC - 96.6"

EXTERIOR BODY GROUP (CONTINUED)

PANELS & TRIMS (CONTINUED)

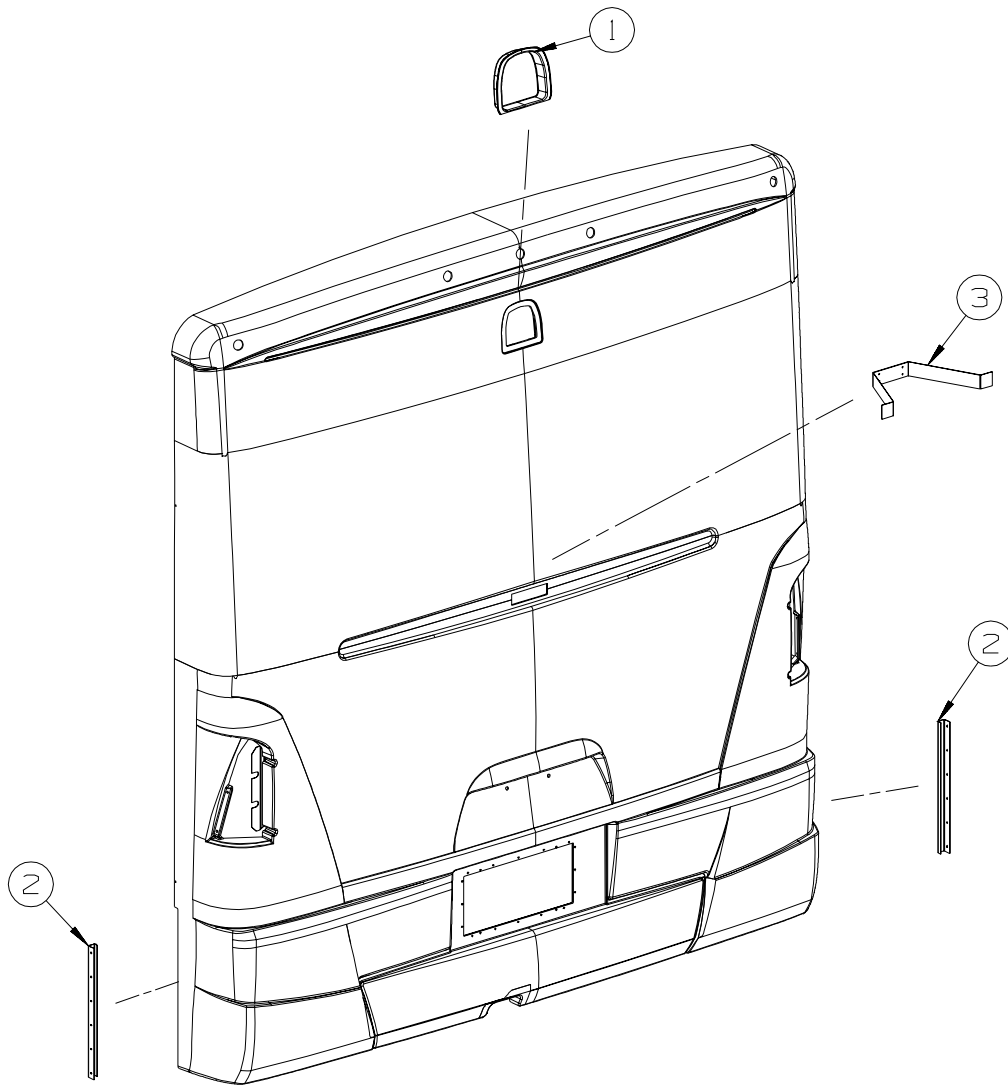


KEY	PART NUMBER	U/M	DESCRIPTION
1	133100-05-01A	EA	TRIM - SIDEWALL - BLACK
2	137599-01-01A	EA	TRIM - NOTCHED- SIDEWALL - 33.2" - BLACK
3	133100-06-01A	EA	TRIM - SIDEWALL - BLACK



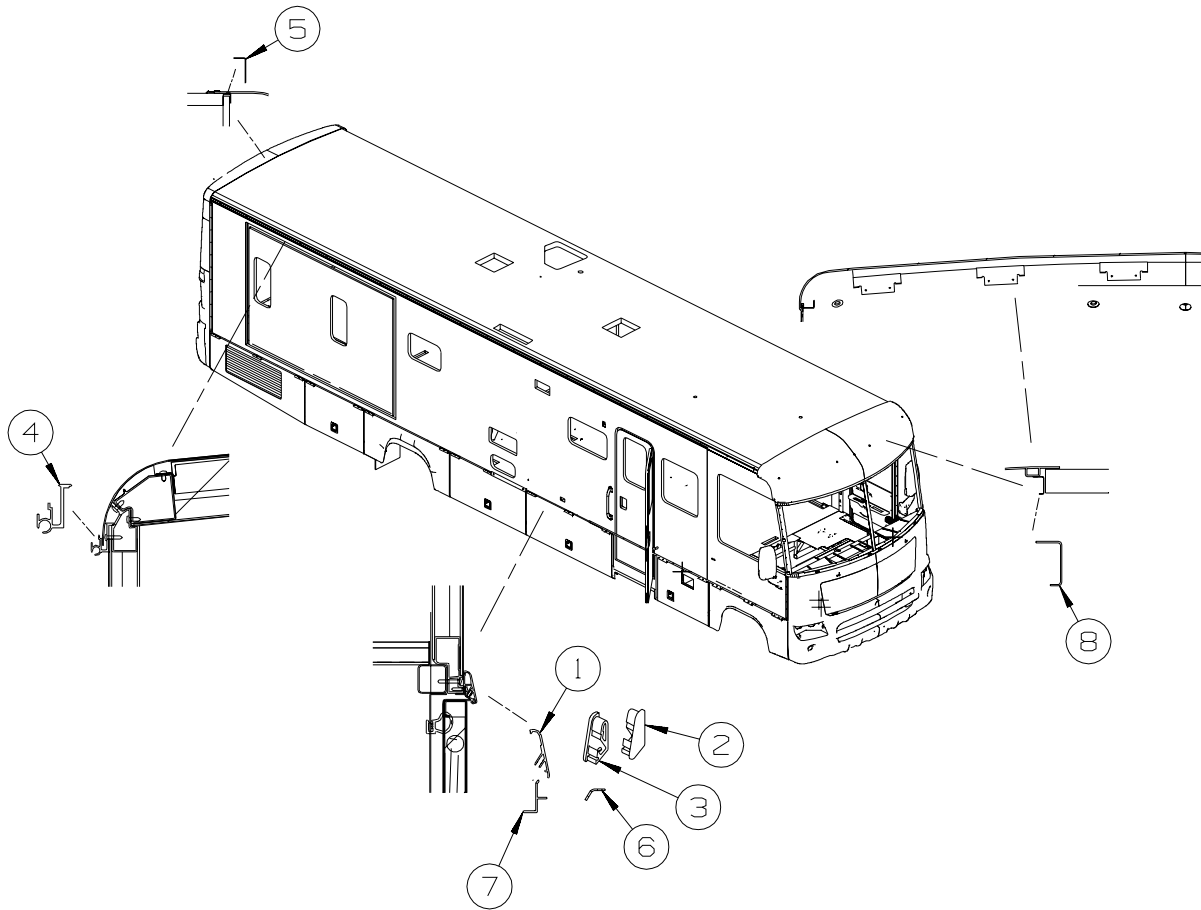
KEY	PART NUMBER	U/M	DESCRIPTION
1	083805-23-000	EA	TRIM - ROOF CAP - 92.1" - BRIGHT WHITE
2	091985-01-07A	FT	INSERT - TRIM - .65" WIDE - BRIGHT WHITE
3	092041-05-01A	EA	TRIM - REAR - CAP TO SIDEWALL - BRIGHT WHITE
4	140339-01-02B	EA	BRACE - REAR CAP - RIGHT HAND - E-COAT
			FROM: 00-00-00 THRU: 05-09-02
4	140339-03-02B	EA	BRACE - REAR CAP - RIGHT HAND - E-COAT
			FROM: 05-10-02 THRU: 99-99-99
4	140339-01-02B	EA	BRACE - REAR CAP - RIGHT HAND - E-COAT - G31Y ONLY
5	140339-02-02B	EA	BRACE - REAR CAP - LEFT HAND - E-COAT
			FROM: 00-00-00 THRU: 05-09-02
5	140339-03-02B	EA	BRACE - REAR CAP - RIGHT HAND - E-COAT
			FROM: 05-10-02 THRU: 99-99-99
5	140339-01-02B	EA	BRACE - REAR CAP - RIGHT HAND - E-COAT - G31Y ONLY

EXTERIOR BODY GROUP (CONTINUED)
PANELS & TRIMS (CONTINUED)



KEY	PART NUMBER	U/M	DESCRIPTION
1	138227-01-01A	EA	SHROUD - CAMERA - INNER - BLACK
2	138467-03-02B	EA	BRACKET/SUPPORT - BUMPER - E-COATED
3	140337-02-02B	EA	BRACKET - REAR CAP - E-COATED

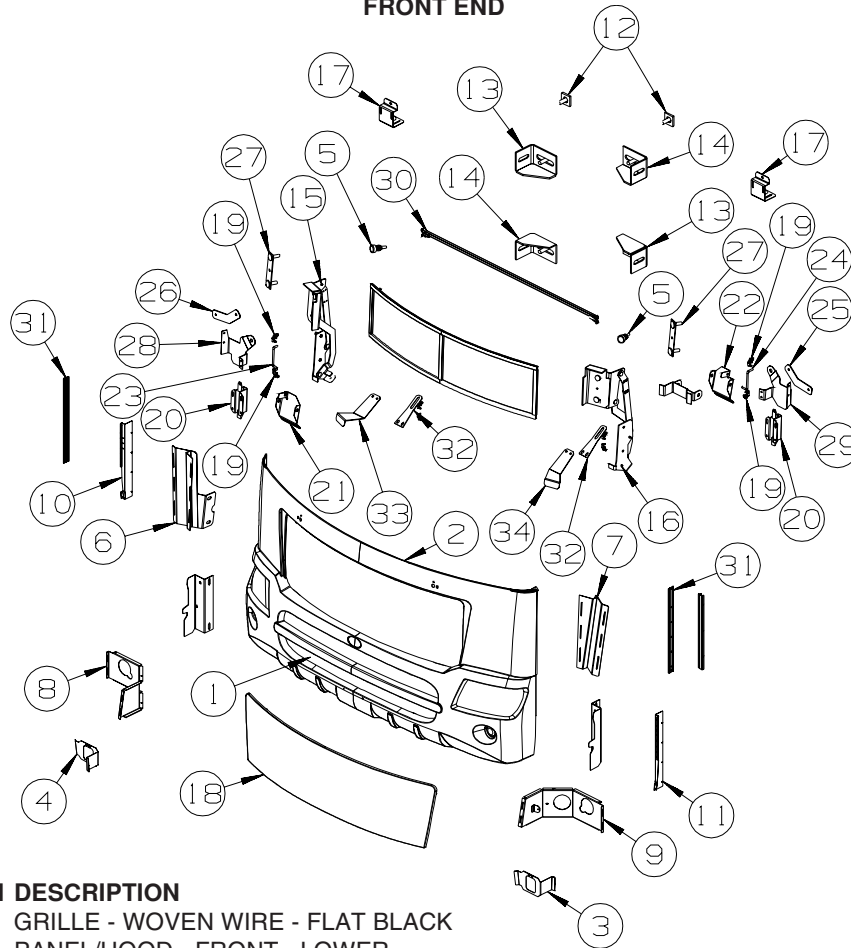
EXTERIOR BODY GROUP (CONTINUED)
PANELS & TRIMS (CONTINUED)



KEY	PART NUMBER	U/M	DESCRIPTION
1	123993-01-02A	EA	TRIM - COVER - 182" ALUMINUM - BLACK
2	126775-01-01A	EA	END CAP - VALANCE TRIM - RIGHT HAND
			FROM: 00-00-00 THRU: 01-01-03
2	126775-01-02A	EA	END CAP - VALANCE TRIM - RIGHT HAND - BLACK
			FROM: 01-02-03 THRU: 99-99-99
3	126775-02-01A	EA	END CAP - VALANCE TRIM - LEFT HAND
			FROM: 00-00-00 THRU: 01-01-03
3	126775-02-02A	EA	END CAP - VALANCE TRIM - LEFT HAND - BLACK
			FROM: 01-02-03 THRU: 99-99-99
4	131483-01-01A	EA	RAIL - AWNING - 192" - BRIGHT WHITE
5	132273-01-02B	EA	BRACKET - REAR TRIM - E-COATED
6	132597-01-02B	EA	ANGLE/SUPPORT/TRIM - E-COATED
			FROM: 00-00-00 THRU: 11-14-02
6	143143-02-01A	EA	ANGLE/SUPPORT/TRIM - E-COATED
			FROM: 11-15-02 THRU: 99-99-99
7	133376-01-01A	EA	TRIM - RETAINER - 144" - MILL
8	134774-01-02B	EA	BRACKET - CAB ATTACHMENT - E-COATED

EXTERIOR BODY GROUP (CONTINUED)

FRONT END



KEY	PART NUMBER	U/M	DESCRIPTION
1	115924-27-02A	EA	GRILLE - WOVEN WIRE - FLAT BLACK
2	140898-04-P54	EA	PANEL/HOOD - FRONT - LOWER
3	139685-06-02B	EA	SUPPORT - FOG LAMP - PASSENGER - E-COATED
4	139685-08-02B	EA	SUPPORT - FOG LAMP - DRIVER - E-COATED
5	058786-01-000	EA	BOLT - HOOD ADJUSTMENT - 5/16"-18 X 1.5"-2"- W/BLACK PAD
6	141008-01-02B	EA	SUPPORT/HINGE - RIGHT HAND - E-COATED
7	141008-02-02B	EA	SUPPORT/HINGE - LEFT HAND - E-COATED
8	141128-03-02B	EA	BRACKET - HEADLAMP - OUTER/PASSENGER - E-COATED
9	141128-04-02B	EA	BRACKET - HEADLAMP - OUTER/DRIVER - E-COATED
10	143561-01-02B	EA	BRACKET - FRONT END - E-COATED
11	143561-02-02B	EA	BRACKET - FRONT END - E-COATED
12	116617-02-02B	EA	SPACER - BUMPER
13	128455-01-02B	EA	BRACKET - BUMPER
14	128455-02-02B	EA	BRACKET - BUMPER
15	137072-05-01A	EA	HINGE - HOOD - PASSENGER - BLACK
16	137072-06-01A	EA	HINGE - HOOD - DRIVER - BLACK
17	140324-02-02B	EA	BRACKET - HOOD - STRIKER - E-COATED
18	140899-01-P54	EA	HOOD - FRONT - W/O HARDWARE
19	102265-01-000	EA	CLIP - ROD END - 5/32" - BLACK PLASTIC
20	113908-01-000	EA	LATCH/PLUNGER - F/HOOD
21	134415-01-02B	EA	LATCH/HOOD - PULL - RIGHT HAND - E-COATED
22	134415-02-02B	EA	LATCH/HOOD - PULL - LEFT HAND - E-COATED
23	134416-01-01A	EA	ROD/HOOD LATCH - STAINLESS STEEL - RIGHT HAND
24	134416-02-01A	EA	ROD/HOOD LATCH - STAINLESS STEEL - LEFT HAND
25	134418-06-02B	EA	PIVOT - LATCH/HOOD - E-COATED - RIGHT HAND
26	134418-07-02B	EA	PIVOT - LATCH/HOOD - E-COATED - LEFT HAND
27	106730-10-000	EA	PLATE - STUD - F/HOOD
28	139162-03-02B	EA	BRACKET - LATCH - SPRING - RIGHT HAND
29	139162-04-02B	EA	BRACKET - LATCH - SPRING - LEFT HAND
30	142854-02-02B	EA	TUBE - TIMING - HOOD - E-COATED
31	092041-06-01A	EA	TRIM - BACKWALL/SIDEWALL - 25.5" - BRIGHT WHITE
	091985-01-07A	FT	INSERT - TRIM - .65" WIDE - BRIGHT WHITE
32	141017-02-02B	EA	SUPPORT/HINGE - FRONT - E-COATED
33	141018-03-02B	EA	BRACKET/HINGE - FRONT/PASSENGER - E-COATED
34	141018-04-02B	EA	BRACKET/HINGE - FRONT/DRIVER - E-COATED

EXTERIOR BODY GROUP (CONTINUED)

LADDER

KEY	PART NUMBER	U/M	DESCRIPTION
	129375-02-000	EA	SEAL - LADDER BRACKET
	130163-09-01A	EA	LADDER EXTENSION/LOWER - 35.6" - 3 STEP - BRUSHED ALUMINUM
	141624-01-01A	EA	LADDER - REAR CAP - BRUSHED ALUMINUM

MIRRORS

KEY	PART NUMBER	U/M	DESCRIPTION
*	106015-18-01A	EA	MIRROR - EXTERIOR/REMOTE/HEAT - PASSENGER
*	106015-19-01A	EA	MIRROR - EXTERIOR/REMOTE/HEAT - DRIVER

***COMPONENT PARTS LISTED LATER IN THIS GROUP**

EXTERIOR BODY GROUP (CONTINUED)
COMPONENT PARTS FOR MIRRORS

106015-18-01A, 106015-19-01A

KEY	PART NUMBER	U/M	DESCRIPTION	VENDOR NO.
	106015-12-702	EA	CAP/SCREW - (PKG OF 4) - BLK	748329 RND
	106015-16-700	EA	GLASS-FLAT W/HEAT ELEMENT	709450
	106015-18-700	EA	GLASS/CONVEX-KIT W/CLIP	709650
	106015-18-701	EA	ACTUATOR - CONVEX GLASS	7475410
	106015-18-702	EA	MOTOR - FLAT GLASS	747118
	106015-18-703	EA	CONVEX REBUILT KIT	709651
	106015-19-700	EA	VIBRATION KIT - MIRROR GLASS, VELVAC	709645

EXTERIOR BODY GROUP (CONTINUED)
STRUCTURAL COMPONENTS

KEY	PART NUMBER	U/M	DESCRIPTION
	002766-01-001	EA	ANGLE - EXTRUDED - 1" X 1 1/2" X 17'
	077517-62-000	EA	FIBERGLASS SHEET - 48" X 96" - BRIGHT WHITE
	089297-01-000	SF	PLYWOOD - LUAN - OVERLAY GRADE - 4' X 8'
	100619-01-000	BF	FOAM - EXPANDED POLYSTYRENE - 1.34" X 48" X 96"
	100619-02-000	BF	FOAM - EXPANDED POLYSTYRENE - 1.5" X 48" X 96"
	100619-04-000	BF	FOAM - EXPANDED POLYSTYRENE - .5" X 48" X 96"
	100619-05-000	BF	FOAM - EXPANDED POLYSTYRENE - .75" X 48" X 96"-1.5 DENSITY
	100619-13-000	BF	FOAM - EXPANDED POLYSTYRENE - .34" X 34.65" X 96"
	100619-16-000	BF	FOAM - EXPANDED POLYSTYRENE - .75" X 48" X 96"-2.0 DENSITY
	100619-27-000	BF	FOAM - EXPANDED POLYSTYRENE - 48" X 92.8" X 3"
	105077-08-000	EA	FOAM - PLUG - ROOF CAP
	116942-03-01A	EA	ALUMINUM - .7" X 40" X 158"
	120107-01-000	EA	FOAM - ROOF COVE - 2.8" X 96" LONG
	120107-02-000	EA	FOAM - PLUG - ROOF TUBE - 2.2" X 2.9" X 1.8" LONG
	120107-03-000	EA	FOAM - PLUG - SIDEWALL TUBE - 1.2" X 2.1" X 1.8" LONG
	128782-03-01A	EA	FIBERGLASS SHEET - 26.1" X 68.2" - HIGH GLOSS/SLIDEOUT-B/W
	128782-07-01A	EA	FIBERGLASS SHEET - 79" X 456" - HIGH GLOSS - BRIGHT WHITE
	128782-09-01A	EA	FIBERGLASS SHEET - 31" X 68.2" - HIGH GLOSS - BRIGHT WHITE
	128782-10-01A	EA	FIBERGLASS SHEET - 25" X 48" - HIGH GLOSS - BRIGHT WHITE
	108535-05-03A	EA	FIBERGLASS SHEET - 108" X 500' ROLL - BRIGHT WHITE

AWNINGS

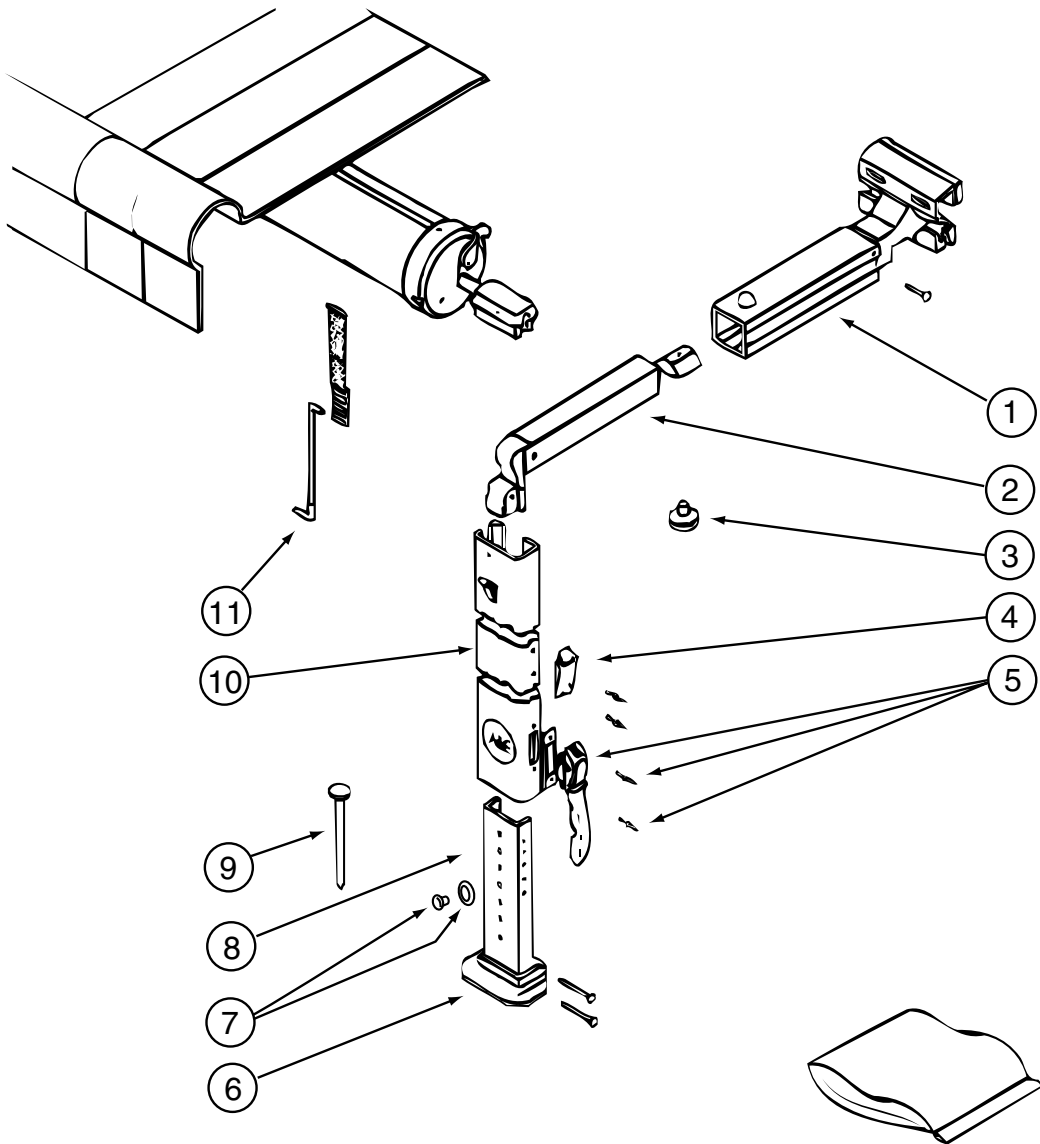
PATIO AWNINGS

SERIES	MODEL	COLOR DESIGNATION	AWNING FABRIC	AWNING LENGTH	WEATHER WRAP	PART # MANUAL	up to 05/05/02	after 05/06/02
							PART # ELECTRIC	PART # ELECTRIC
SUN	G31Y	ALPINE GREEN (DY)	VINYL	16'	MTL/BRT WHT	113874-06-28A	137084-06-28A	143181-06-28A
CRUISER	G33V	ALPINE GREEN (DY)	VINYL	18'	MTL/BRT WHT	113874-07-28A	137084-07-28A	143181-07-28A
	G35U	ALPINE GREEN (DY)	VINYL	16'	MTL/BRT WHT	113874-06-28A	137084-06-28A	143181-06-28A
	G37C	ALPINE GREEN (DY)	VINYL	19'	MTL/BRT WHT	113874-08-28A	137084-08-28A	143181-08-28A
	G38G	ALPINE GREEN (DY)	VINYL	19'	MTL/BRT WHT	113874-08-28A	137084-08-28A	143181-08-28A

KEY	PART NUMBER	U/M	DESCRIPTION
*	113874-01-02A	EA	HARDWARE KIT - AWNING - W/O STANDOFF BRACKET-BRIGHT WHITE - PATIO AWNING
	137084-01-01A	EA	HARDWARE KIT - F/1 STEP AWNING - BRIGHT WHITE - PATIO AWNING ELECTRIC FROM: 00-00-00 THRU: 05-05-02
	143181-01-01A	EA	HARDWARE/AWNING - WEATHERPROOF - BRIGHT WHITE - PATIO AWNING ELECTRIC FROM: 05-06-02 THRU: 99-99-99
	137084-02-01A	EA	ELECTRICAL KIT-1 STEP - F/PATIO AWNING - PATIO AWNING ELECTRIC FROM: 00-00-00 THRU: 05-05-02
	143181-02-01A	EA	HARDWARE/AWNING - ELECTRICAL KIT - PATIO AWNING ELECTRIC FROM: 05-06-02 THRU: 99-99-99
	113874-11-01A	EA	SCREW/LAG - AWNING - 1/4" X 1" STAINLESS STEEL
	113874-12-01A	EA	SCREW/LAG - AWNING - 1/4" X 2 3/4" STAINLESS STEEL
	137054-01-02A	EA	BRACKET - AWNING - BRIGHT WHITE - PATIO AWNING
	137171-01-01A	EA	BRACKET - AWNING - BRIGHT WHITE - PATIO AWNING ELECTRIC FROM: 00-00-00 THRU: 05-05-02

*COMPONENT PARTS LISTED LATER IN THIS GROUP

EXTERIOR BODY GROUP (CONTINUED)
COMPONENT PARTS FOR AWNINGS

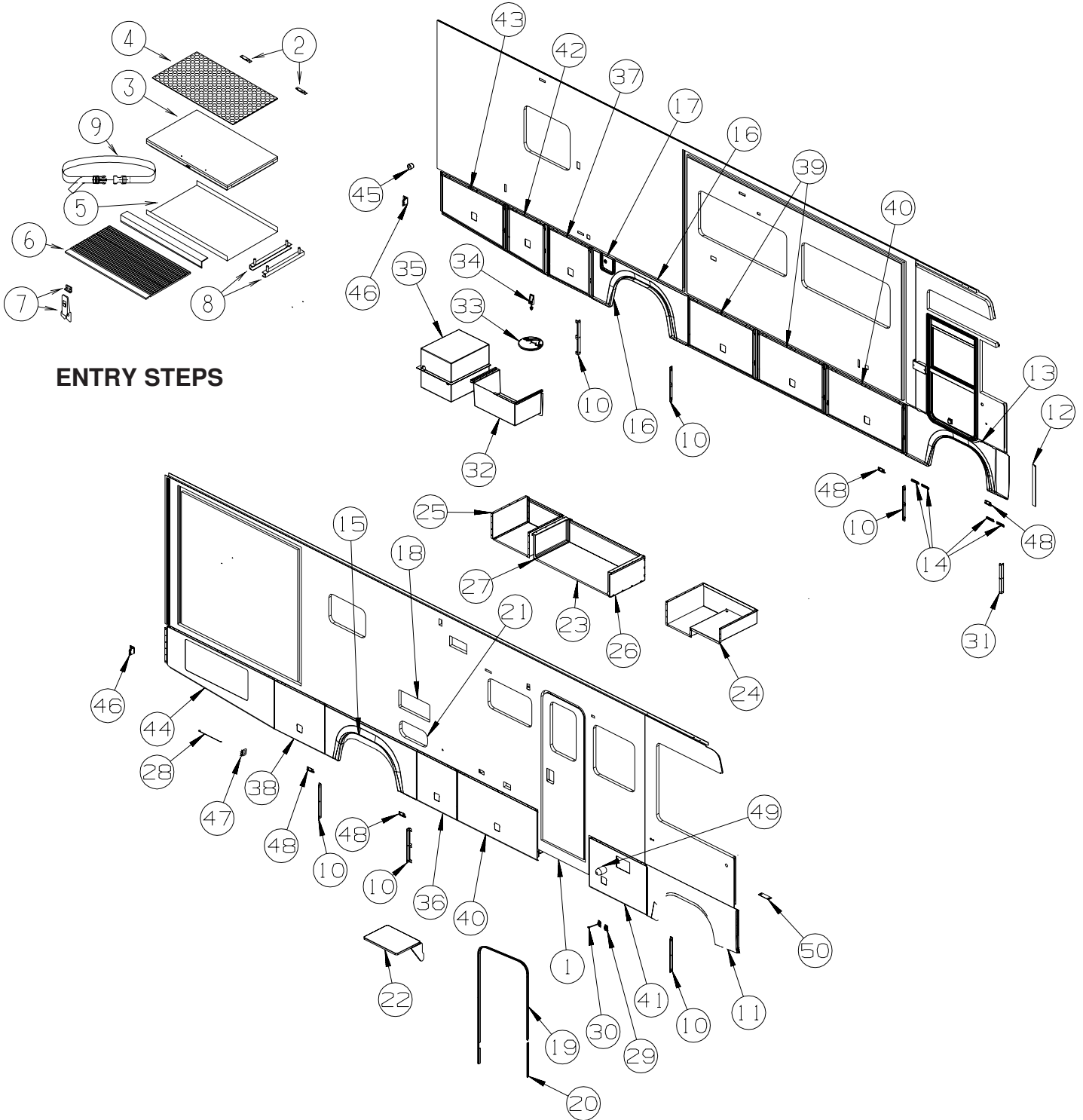


113874-01-02A

KEY	PART NUMBER	U/M	DESCRIPTION	VENDOR NO.
1	113874-01-714	EA	RAFTER - MAIN RH/LH BRT/WHT	830295.536F
2	113874-01-715	EA	RAFTER - SECONDARY BRT/WHT	830463.511F
3	113874-01-702	EA	KNOB - ADJUSTING	3105421.014
4	113874-01-706	EA	LOCK - TRAVEL	830587.001
5	113874-01-707	EA	HANDLE - LIFT W/RIVETS	830644
6	113874-01-712	EA	FOOT - PATIO	730366-001
7	113874-01-710	EA	PLUG-STOP KIT	830456
8	113874-01-717	EA	ARM - ADJUSTABLE BRT/WHT	830467.517/F
9	113874-01-709	EA	NAIL-SPIKE, 8"	113006
10	113874-01-716	EA	ARM - MAIN SUPPORT BRT/WHT	3104502.293/F
11	113874-01-703	EA	ROD-CENTER PULL W/ACCESSORY	830152.102

EXTERIOR DOORS & COMPARTMENTS GROUP

DOOR & COMPARTMENT LAYOUT



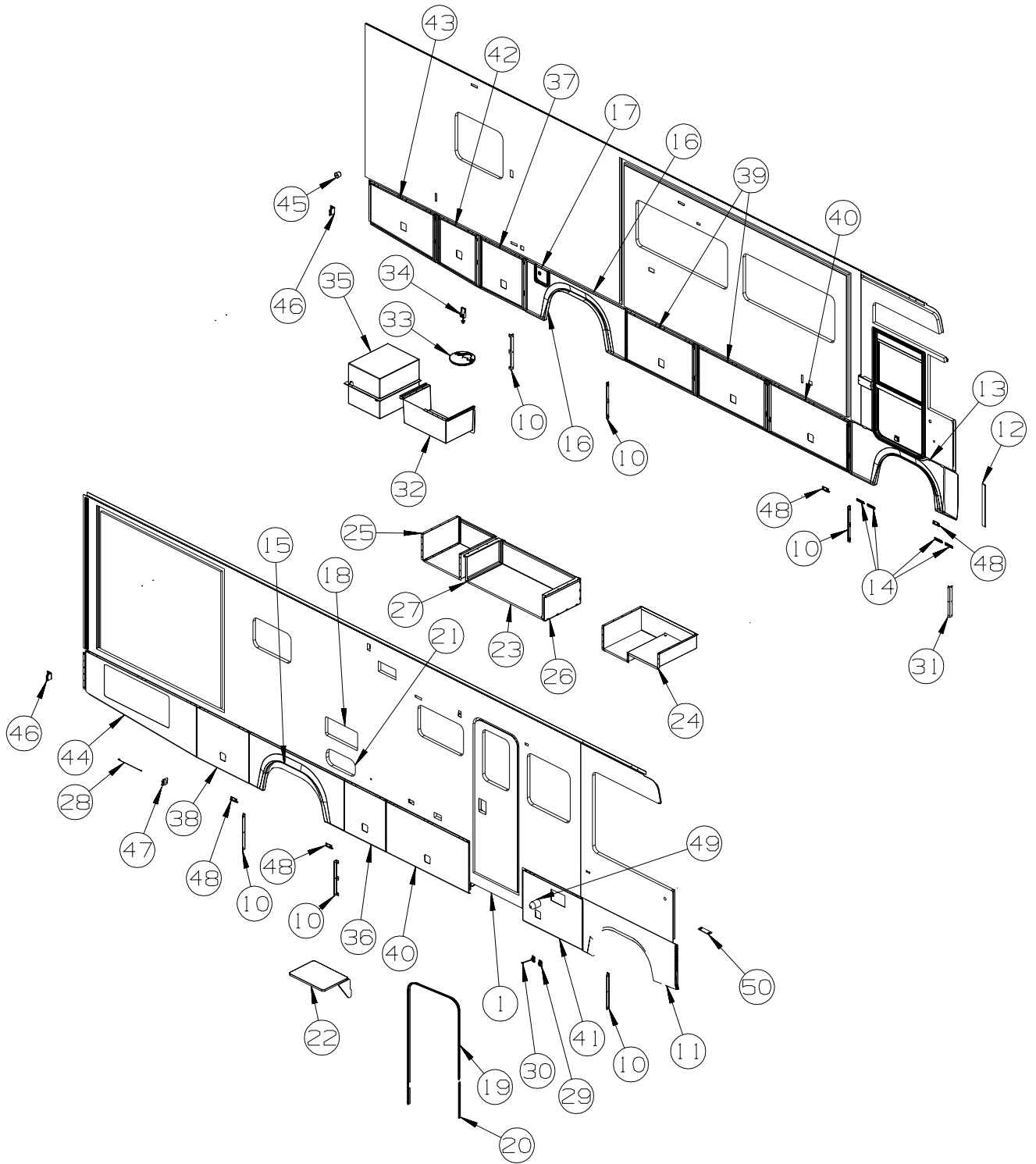
ENTRY STEPS

KEY	PART NUMBER	U/M	DESCRIPTION
1*	094707-03-01A	EA	STEP - ELECTRIC DOUBLE - W/BLACK CONTROL BOX - KWIKEE
2	101222-01-04A	EA	BRACKET - CATCH - LID - E-COATED
3	P20256-07-000	EA	LID/DOOR - ENTRY STEP - W/O CARPET/HARDWARE
4	133114-02-01A	EA	TREAD - STEP/RUBBER - 28.5" - TAUPE (P54, P55, P56)
4	133114-02-03A	EA	TREAD - STEP/RUBBER - 28.5" - GRAY (P57, P58, P59, P60, P61, P62)
5	123330-03-02B	EA	SUPPORT - ENTRY STEP - E-COATED
6	133114-01-01A	EA	TREAD - STEP/RUBBER - 29.3" - TAUPE (P54, P55, P56)
6	133114-01-03A	EA	TREAD - STEP/RUBBER - 29.2" - GRAY (P57, P58, P59, P60, P61, P62)
7	116975-01-01A	EA	LATCH - W/O STRIKE - BLACK - NEW STYLE
8	138787-02-02B	EA	CHANNEL/MOUNT - E-COAT - WORKHORSE
9	099856-11-000	EA	STRAP - TIEDOWN - 7.9"
10	138789-01-02B	EA	ANGLE/MOUNT - WHEEL LIP - E-COATED

EXTERIOR DOORS & COMPARTMENTS GROUP (CONTINUED)
DOOR & COMPARTMENT LAYOUT (CONTINUED)

KEY	PART NUMBER	U/M	DESCRIPTION	
11	141193-05-P45	EA	PANEL/WHEEL LIP - PASSENGER/FRONT - WORKHORSE	
	139793-03-01A	EA	HINGE - CENTER/VALANCE DOOR - W/O BALL STUD	
11	141193-01-P45	EA	PANEL/WHEEL LIP - PASSENGER/FRONT - FORD	
	139793-03-01A	EA	HINGE - CENTER/VALANCE DOOR - W/O BALL STUD	
12	133939-02-02B	EA	STRAP - W/HOLES - E-COATED	
13	141193-06-P45	EA	PANEL/WHEEL LIP - DRIVER/FRONT - WORKHORSE	
13	141193-02-P45	EA	PANEL/WHEEL LIP - DRIVER/FRONT - FORD	
14	132654-07-01A	EA	SUPPORT - WHEEL LIP - BLACK - 4.5"	
15	141193-15-P45	EA	PANEL/WHEEL LIP - PASSENGER/REAR - WORKHORSE	
	139793-03-01A	EA	HINGE - CENTER/VALANCE DOOR - W/O BALL STUD	
15	141193-13-P45	EA	PANEL/WHEEL LIP - PASSENGER/REAR - FORD	
	139793-03-01A	EA	HINGE - CENTER/VALANCE DOOR - W/O BALL STUD	
16	141193-16-P45	EA	PANEL/WHEEL LIP - DRIVER/REAR - WORKHORSE	
	139793-03-01A	EA	HINGE - CENTER/VALANCE DOOR - W/O BALL STUD	
16	141193-14-P45	EA	PANEL/WHEEL LIP - DRIVER/REAR - FORD	
	139793-03-01A	EA	HINGE - CENTER/VALANCE DOOR - W/O BALL STUD	
17	131905-03-L32	EA	DOOR - FUEL FILL W/O LOCK - BLACK	
*	110506-A2-000	EA	LOCK ASM-TWIST,26.45	
	110506-51-000	EA	CASE/CYLINDER - TWIST LATCH - W/O CAM - 1" - 596669	
	110506-78-000	EA	CAM - LOCK	
	139793-03-01A	EA	HINGE - CENTER/VALANCE DOOR - W/O BALL STUD	
18*	084103-08-000	EA	DOOR - VENT - REFRIGERATOR - W/O JAMB - BRIGHT WHITE	
	084104-08-000	EA	JAMB - VENT DOOR/REFRIGERATOR - BRIGHT WHITE	
19	139100-01-01A	EA	GARNISH/RADIUS - ENTRY DOOR - BRIGHT WHITE	
20	139101-01-01A	EA	GARNISH/STRAIGHT - 36.31" - W/NOTCH - BRIGHT WHITE	
21	126945-09-N42	EA	DOOR/STORAGE - W/O HARDWARE - 18" X 8.3"	
22	142034-01-01A	EA	SHELF - F/EXTERIOR TV - BRIGHT WHITE	
23	126386-46-L76	EA	COMPARTMENT - LUGGAGE	
				FROM: 00-00-00 THRU: 07-16-02
23	141697-27-P45	EA	COMPARTMENT - LUGGAGE	
				FROM: 07-17-02 THRU: 99-99-99
24	126386-37-L32	EA	COMPARTMENT - WATER HEATER - 10 GALLON	
				FROM: 00-00-00 THRU: 07-16-02
24	141698-12-P45	EA	COMPARTMENT - LUGGAGE	
				FROM: 07-17-02 THRU: 99-99-99
25	126386-52-L32	EA	COMPARTMENT - LUGGAGE	
				FROM: 00-00-00 THRU: 07-16-02
25	141698-21-P45	EA	COMPARTMENT - LUGGAGE	
				FROM: 07-17-02 THRU: 99-99-99
26	126397-01-01A	EA	PANEL/COMPARTMENT END - RIGHT HAND	
27	126397-02-01A	EA	PANEL/COMPARTMENT END - LEFT HAND	
28	076767-14-000	EA	CABLE - STAINLESS STEEL - 14.9"	
29	104099-02-04A	EA	CATCH/RETAINER - DOOR HOLDER - BRIGHT WHITE	
30	104099-03-04A	EA	CATCH - DOOR HOLDER - STRIKE - 6" - BRIGHT WHITE	
31	113904-13-02B	EA	ANGLE - ATTACHMENT/WHEEL LIP - 15.7" - E-COAT	
32	M08627-11-M42	EA	COMPARTMENT - ELECTRIC/DRAIN	
33	M08628-01-H17	EA	HATCH - W/FOAM INSERT - 3/4" X 11 1/2" DIA.- BLACK PLASTIC	
34	121175-02-01A	EA	LATCH - SWELL	
35	133372-03-M42	EA	COMPARTMENT - POWERCORD	
36	140982-02-P37	EA	VALANCE/DOOR - W/O PADDLE LATCH - 26.1" X 26.3"	
	132873-21-000	EA	ROD - LATCH - 6.8" W/3/4" DOG LEG	
	132873-22-000	EA	ROD - LATCH - 8.7" W/3/4" DOG LEG	
	107796-32-000	EA	SPRING/GAS - 9.5" COMPRESSED/15" EXTENDED - 90 LB - BLACK	
37	140982-03-P37	EA	VALANCE/DOOR - W/O PADDLE LATCH - 29.3" X 26.3"	
	132873-23-000	EA	ROD - LATCH - 8.5" W/3/4" DOG LEG	
	132873-24-000	EA	ROD - LATCH - 10.3" W/3/4" DOG LEG	
	107796-32-000	EA	SPRING/GAS - 9.5" COMPRESSED/15" EXTENDED - 90 LB - BLACK	
38	140982-05-P37	EA	VALANCE/DOOR - W/O PADDLE LATCH - 37.8" X 26.3"	
	132873-25-000	EA	ROD - LATCH - 10.2" W/3/4" DOG LEG	
	132873-26-000	EA	ROD - LATCH - 12" W/3/4" DOG LEG	
	107796-32-000	EA	SPRING/GAS - 9.5" COMPRESSED/15" EXTENDED - 90 LB - BLACK	

EXTERIOR DOORS & COMPARTMENTS GROUP (CONTINUED)
DOOR & COMPARTMENT LAYOUT (CONTINUED)



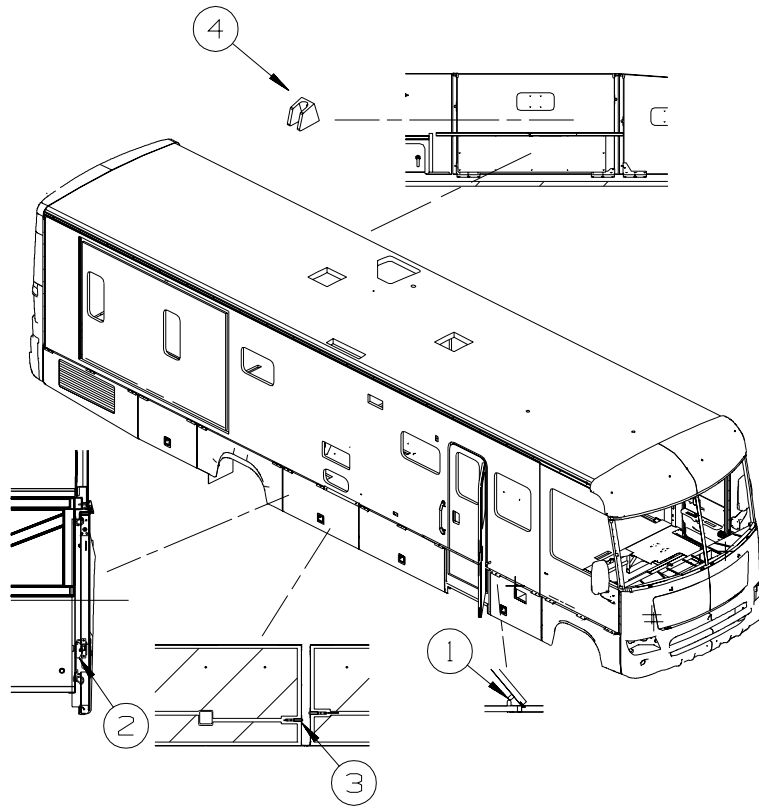
KEY	PART NUMBER	U/M	DESCRIPTION
39	140982-09-P37	EA	VALANCE/DOOR - W/O PADDLE LATCH - 45" X 26.3"
	132873-31-000	EA	ROD - LATCH - 16.3" W/3/4" DOG LEG
	132873-32-000	EA	ROD - LATCH - 18.1" W/3/4" DOG LEG
	107796-32-000	EA	SPRING/GAS - 9.5" COMPRESSED/15" EXTENDED - 90 LB - BLACK

EXTERIOR DOORS & COMPARTMENTS GROUP (CONTINUED)
DOOR & COMPARTMENT LAYOUT (CONTINUED)

KEY	PART NUMBER	U/M	DESCRIPTION
40	140982-10-P37	EA	VALANCE/DOOR - W/O PADDLE LATCH - 52" X 26.3"
	132873-31-000	EA	ROD - LATCH - 16.3" W/3/4" DOG LEG
			FROM: 00-00-00 THRU: 06-18-02
	132873-33-000	EA	ROD - LATCH - 19.8" W/3/4" DOG LEG
			FROM: 06-19-02 THRU: 99-99-99
	132873-32-000	EA	ROD - LATCH - 18.1" W/3/4" DOG LEG
			FROM: 00-00-00 THRU: 06-18-02
	132873-34-000	EA	ROD - LATCH - 21.6" W/3/4" DOG LEG
			FROM: 06-19-02 THRU: 99-99-99
	107796-32-000	EA	SPRING/GAS - 9.5" COMPRESSED/15" EXTENDED - 90 LB - BLACK
41	140982-13-P37	EA	VALANCE/DOOR - W/O PADDLE LATCH- W/CUT-OUT - 37.5" X 26.3"
	132873-35-000	EA	ROD - LATCH - 21.8" W/3/4" DOG LEG
	132873-43-000	EA	ROD - LATCH - 5.1" W/3/4" DOG LEG
	107796-32-000	EA	SPRING/GAS - 9.5" COMPRESSED/15" EXTENDED - 90 LB - BLACK
42	140982-15-P37	EA	VALANCE/DOOR - DRVR W/O PAD LATCH - 26.3" X 26.1" X 24.4"
	132873-21-000	EA	ROD - LATCH - 6.8" W/3/4" DOG LEG
	132873-22-000	EA	ROD - LATCH - 8.7" W/3/4" DOG LEG
	107796-27-000	EA	SPRING/GAS - 8.5" COMPRESSED/12" EXTENDED - 90 LB
43	140982-16-P37	EA	VALANCE/DOOR - DRVR W/O PAD LATCH - 24.4" X 43.4" X 21.3"
	132873-39-000	EA	ROD - LATCH - 15.5" W/3/4" DOG LEG
	132873-40-000	EA	ROD - LATCH - 17.3" W/3/4" DOG LEG
	107796-27-000	EA	SPRING/GAS - 8.5" COMPRESSED/12" EXTENDED - 90 LB
44	140982-24-P45	EA	VALANCE/DOOR - PASS A/C - W/O LATCH - 26.4" X 69.8" X21.4"
45	117047-01-000	EA	BUMPER - RUBBER - WASHER INSERT
46	109216-03-000	EA	ANGLE - FURNACE DOOR
			FROM: 00-00-00 THRU: 01-13-03
46	140309-03-02B	EA	ANGLE - FURNACE DOOR
			FROM: 01-14-03 THRU: 99-99-99
47	107721-07-000	FT	SEAL - ACCESS DOOR - .9" WIDE X 1.1" HIGH
48	143143-02-01A	EA	ANGLE - SUPPORT/TRIM
			FROM: 01-06-03 THRU: 99-99-99
49	120863-02-000	EA	BUMPER - RUBBER/RADIUS TOP - 1" DIAMETER X 1 1/2"
50	120494-03-02B	EA	SHIM - STRIKER - LUGGAGE DOOR - .20 - E-COATED
			FROM: 00-00-00 THRU: 01-05-03
50	143793-01-01A	EA	SHIM/STRIKER - LUGGAGE - 1.5" - BLACK
			FROM: 01-06-03 THRU: 99-99-99
	132892-02-01A	FT	SEAL - BULB
	138292-01-000	EA	SEAL - LOCK CYLINDER
	138289-01-000	EA	CYLINDER - LOCKING
	138289-02-000	EA	CYLINDER - LOCKING
	138289-03-000	EA	CYLINDER - LOCKING
	138289-04-000	EA	CYLINDER - LOCKING
	138289-05-000	EA	CYLINDER - LOCKING
	138289-06-000	EA	CYLINDER - LOCKING
	138289-07-000	EA	CYLINDER - LOCKING
	138289-08-000	EA	CYLINDER - LOCKING
	138289-09-000	EA	CYLINDER - LOCKING
	138289-10-000	EA	CYLINDER - LOCKING
	138288-01-000	EA	KEY - REVERSIBLE - #1151 - T/M 16169-02-3091
	138288-02-000	EA	KEY - REVERSIBLE - #1151 - T/M 16169-02-3091
	138288-03-000	EA	KEY - REVERSIBLE - #1151 - T/M 16169-02-3091
	138288-04-000	EA	KEY - REVERSIBLE - #1151 - T/M 16169-02-3091
	138288-05-000	EA	KEY - REVERSIBLE - #1151 - T/M 16169-02-3091
	138288-06-000	EA	KEY - REVERSIBLE - #1151 - T/M 16169-02-3091
	138288-07-000	EA	KEY - REVERSIBLE - #1151 - T/M 16169-02-3091
	138288-08-000	EA	KEY - REVERSIBLE - #1151 - T/M 16169-02-3091
	138288-09-000	EA	KEY - REVERSIBLE - #1151 - T/M 16169-02-3091
	138288-10-000	EA	KEY - REVERSIBLE - #1151 - T/M 16169-02-3091

***COMPONENT PARTS LISTED LATER IN THIS GROUP**

EXTERIOR DOORS & COMPARTMENTS GROUP (CONTINUED)
DOOR & COMPARTMENT LAYOUT (CONTINUED)



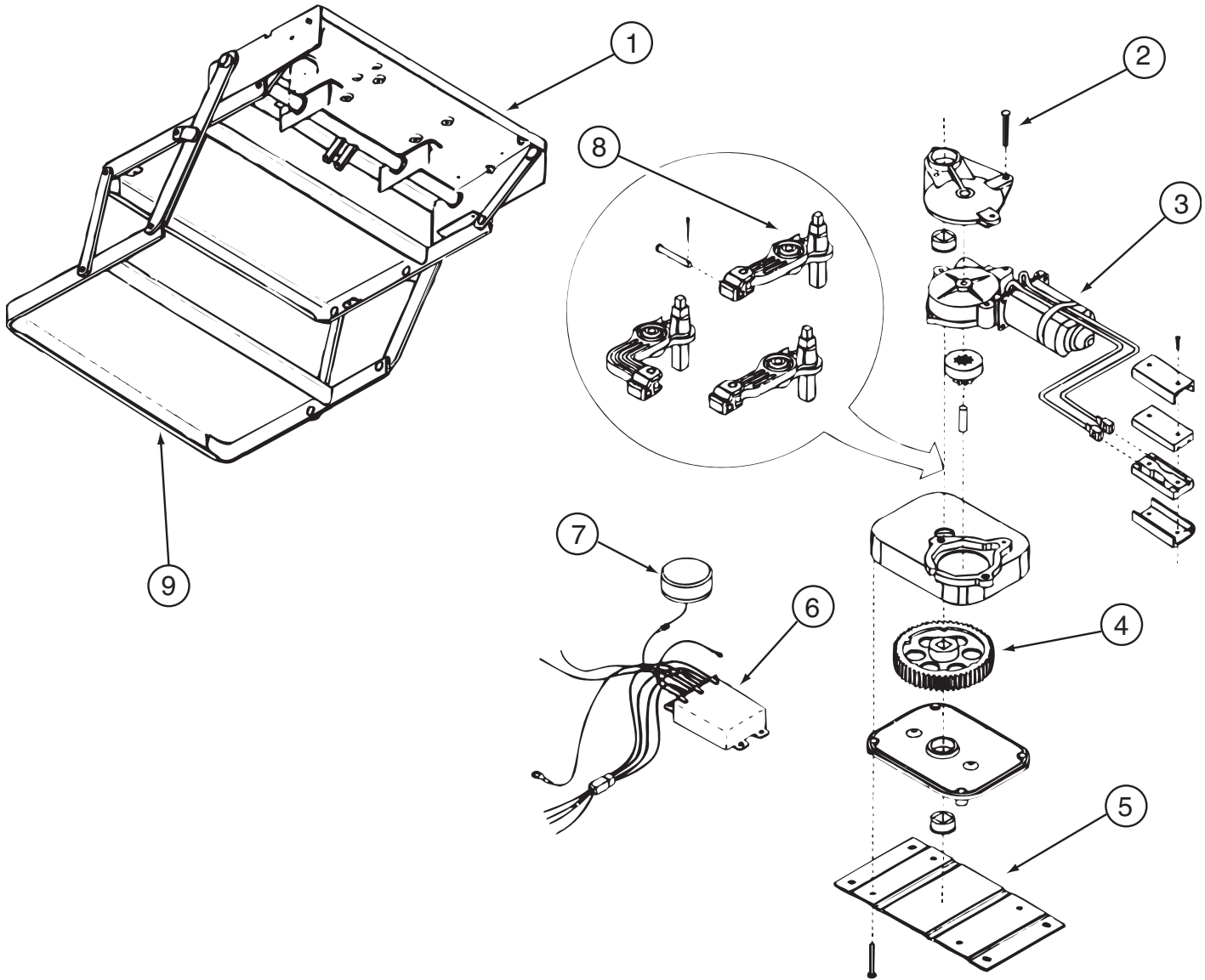
KEY	PART NUMBER	U/M	DESCRIPTION
1	120863-02-000	EA	BUMPER - RUBBER/RADIUS TOP - 1" DIAMETER X 1.50"
2	126263-02-02B	EA	BRACKET - GAS SPRING W/BALL STUD - E-COATED
3	130053-01-01A	EA	STRIKER - LUGGAGE DOOR - FLUSH - BLACK
3	130053-02-01A	EA	STRIKER - LUGGAGE DOOR - OFF SET - BLACK
	120494-03-02B	EA	SHIM - STRIKER - LUGGAGE DOOR - .20 - E-COATED
	120494-04-02B	EA	SHIM - STRIKER - LUGGAGE DOOR - E-COATED
	143793-01-01A	EA	SHIM/STRIKER - LUGGAGE - 1.5" - BLACK
4	131383-03-02A	EA	BRACKET - SHOWER HEAD - WHITE

EXTERIOR DOORS & COMPARTMENTS GROUP (CONTINUED)

COMPONENT PARTS FOR DOOR & COMPARTMENT LAYOUT

084103-08-000

KEY	PART NUMBER	U/M DESCRIPTION	VENDOR NO.
	084104-01-700	EA LOCK-MALE, FASTENER	201-721-010
	084104-01-701	EA LOCK-FEMALE, FASTENER	201-802-010



094707-03-01A

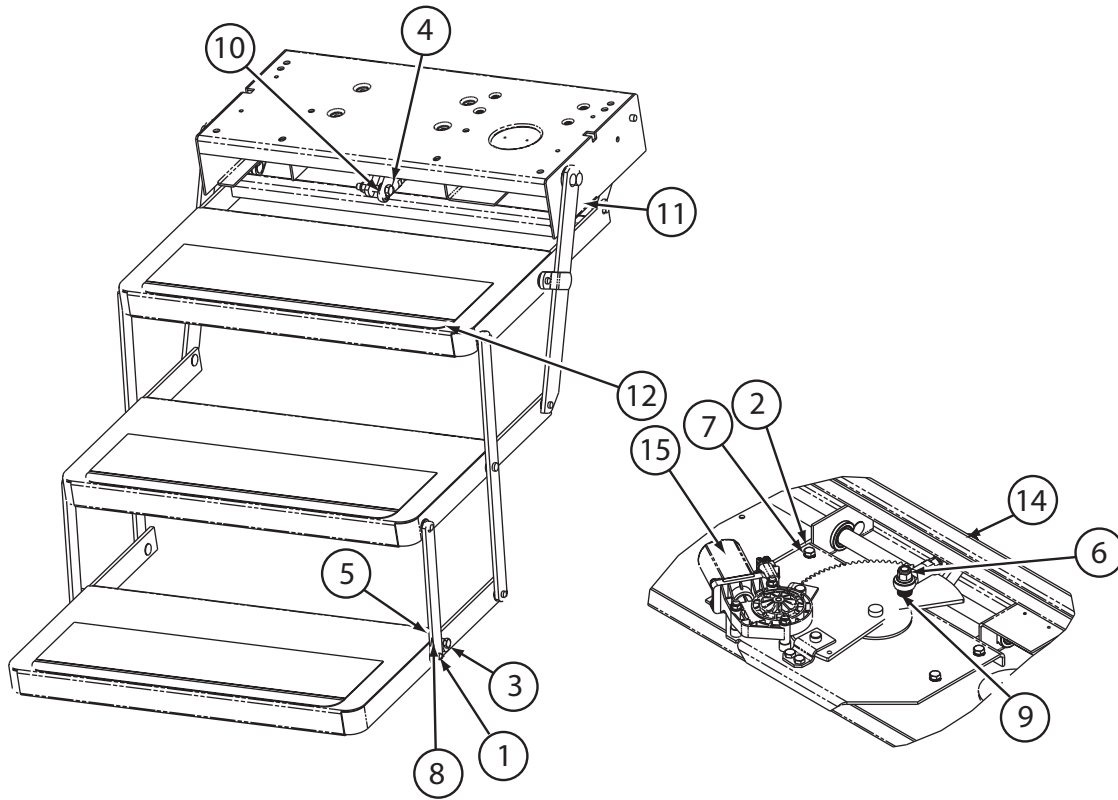
KEY	PART NUMBER	U/M DESCRIPTION	VENDOR NO.
1	094707-01-702	EA FRAME W/DBL STEP,3200 SERIES	908032
2	094707-02-703	EA BEARING & PINS	909530
3	094707-02-700	EA MOTOR - "UT" ASM W/BRGS/PIN	909520
4	094707-02-702	EA GEAR KIT(GEAR-BEARING-PINS)	909525
5	094707-02-704	EA CONNECTOR-MOTOR ASM.W/PLATES	909537
6	094707-03-700	EA KIT CONTROL/SWITCH-RETROFIT	909506005
7	088746-01-705	EA LIGHT-UNDER STEP	9004
8	094707-02-701	EA LINKAGE ASM. W/BEARINGS-PINS	909534
	094707-02-706	EA GEAR BOX ASM. W/O MOTOR	9524
	094707-02-708	EA TREAD - NON-SKID - YELLOW	909331
	094707-03-701	EA PLUG - 4-WAY - PACKARD	909306

CONTACT WINNEBAGO PART SALES FOR UNLISTED COMPONENTS

110506-A1-000, 110506-A2-000, 110506-26-000, 110506-27-000

KEY	PART NUMBER	U/M DESCRIPTION	VENDOR NO.
	110506-40-700	EA HARDWARE PACKAGE-CYLINDER/CASE	596950AAL

EXTERIOR DOORS & COMPARTMENTS GROUP (CONTINUED)
COMPONENT PARTS FOR DOOR & COMPARTMENT LAYOUT (CONTINUED)

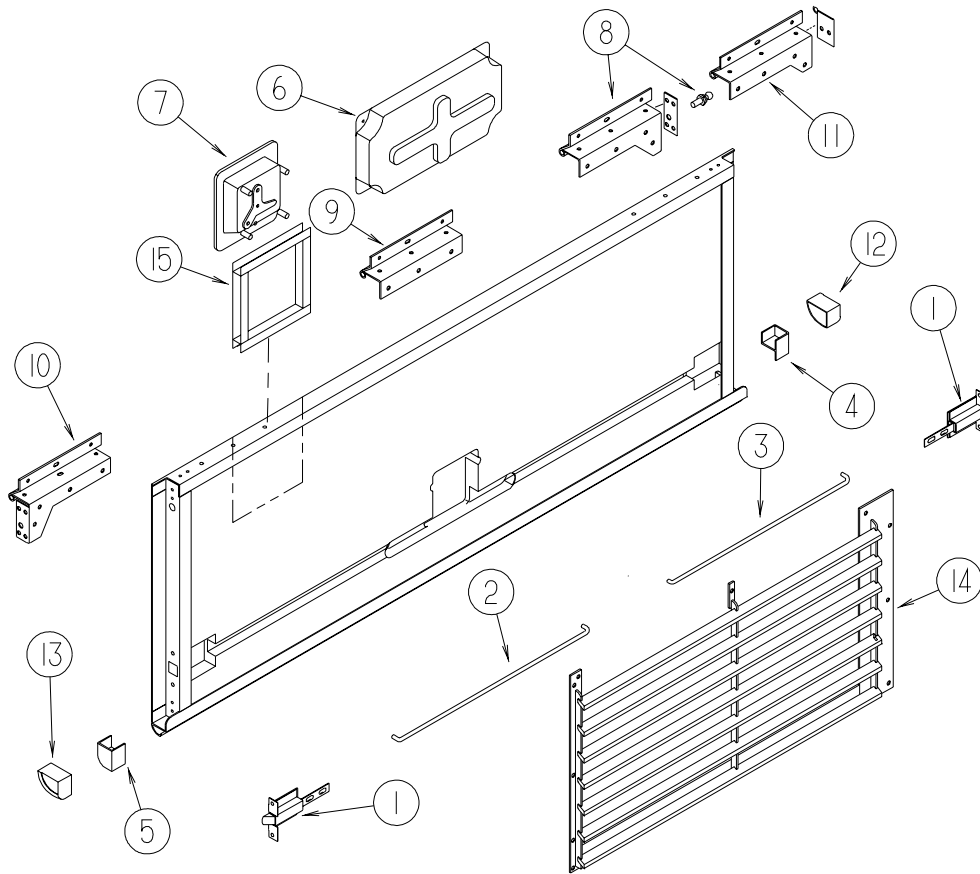


143709-01-01A

KEY	PART NUMBER	U/M	DESCRIPTION	VENDOR NO.
1	143709-01-700	EA	CAM STOP	1102200
11	143709-01-701	EA	BUMPER - BLACK (RUBBER STOP)	1602000
12	143709-01-702	EA	TREAD/NON-SKID _6" X 21" BLK	1915260
13	143709-01-703	EA	FRAME ONLY PAINTED BLACK 25	3202050
14	143709-01-704	EA	LINK ASM ELECTRIC STEP 24/25	3380050
15	143709-01-705	EA	MOTOR ASSEMBLY 24/25 STEP	3392151

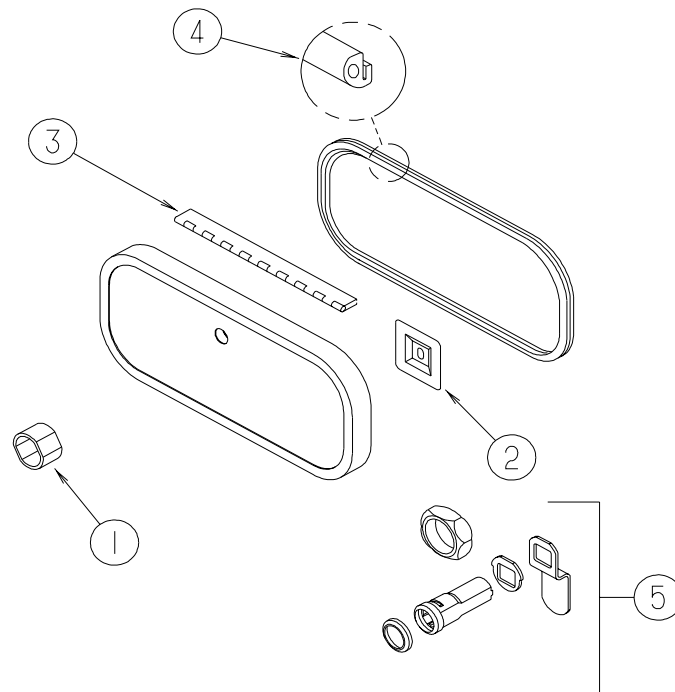
CONTACT WINNEBAGO PART SALES FOR UNLISTED COMPONENTS

EXTERIOR DOORS & COMPARTMENTS GROUP (CONTINUED)
COMPARTMENT DOOR PIECE PARTS



KEY	PART NUMBER	U/M	DESCRIPTION
1	121947-01-01A	EA	BOLT - SLIDE W/PLASTIC PLUNGER
2	132873-01-000	EA	ROD - LATCH (BLANK) - RIGHT HAND
3	132873-02-000	EA	ROD - LATCH (BLANK) - LEFT HAND
4	135276-01-01A	EA	REINFORCEMENT - CORNER - RIGHT HAND
5	135276-02-01A	EA	REINFORCEMENT - CORNER - LEFT HAND
6	137359-01-01A	EA	COVER - LATCH - WHITE
7	138277-01-01A	EA	LATCH/PADDLE - COMPARTMENT DOOR - BLACK - KEY ONE
7	112949-02-04A	EA	LATCH - PADDLE NON-LOCKING - BRIGHT WHITE
8	139793-01-01A	EA	HINGE - RIGHT HAND/VALANCE DOOR - W/BALL STUD
9	139793-03-01A	EA	HINGE - CENTER/VALANCE DOOR - W/O BALL STUD
10	139793-05-01A	EA	HINGE - LEFT HAND/VALANCE DOOR - W/O BALL STUD
11	139793-04-01A	EA	HINGE - RIGHT HAND/VALANCE DOOR - W/O BALL STUD
12	141601-02-01A	EA	END CAP/VALANCE DOOR - LEFT HAND
13	141601-01-01A	EA	END CAP/VALANCE DOOR - RIGHT HAND
14	113333-10-M42	EA	GRILL/DOOR - A/C
15	133049-02-L76	EA	TRIM - COVER/WATER HEATER

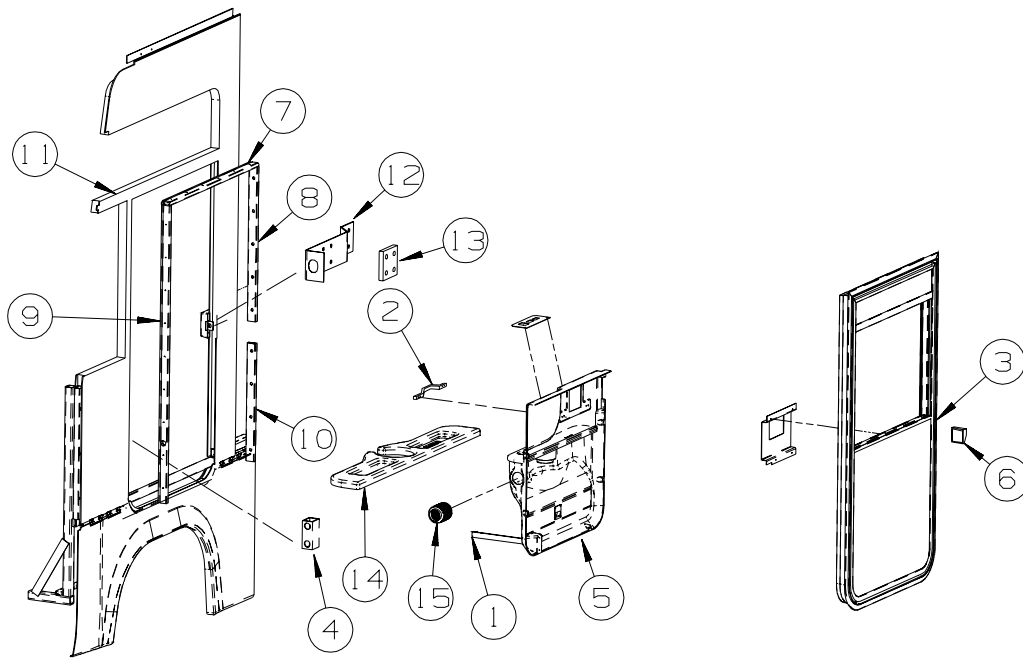
EXTERIOR DOORS & COMPARTMENTS GROUP (CONTINUED)
COMPARTMENT DOOR PIECE PARTS (CONTINUED)



KEY	PART NUMBER	U/M	DESCRIPTION
1	139325-01-000	EA	SPACER - LOCK - 6MM
	139337-01-000	EA	GASKET - LOCK
2	097111-02-04A	EA	POCKET - LOCK - VALANCE
3	081801-V3-000	EA	HINGE - ALUMINUM - 2" X 96" - BRIGHT WHITE
4	106850-02-000	FT	SEAL-E - SPONGE RUBBER - .43" X .75"
5	138290-02-000	EA	CASE - W/CAM - W/O CYLINDER/KEY

EXTERIOR DOORS & COMPARTMENTS GROUP (CONTINUED)

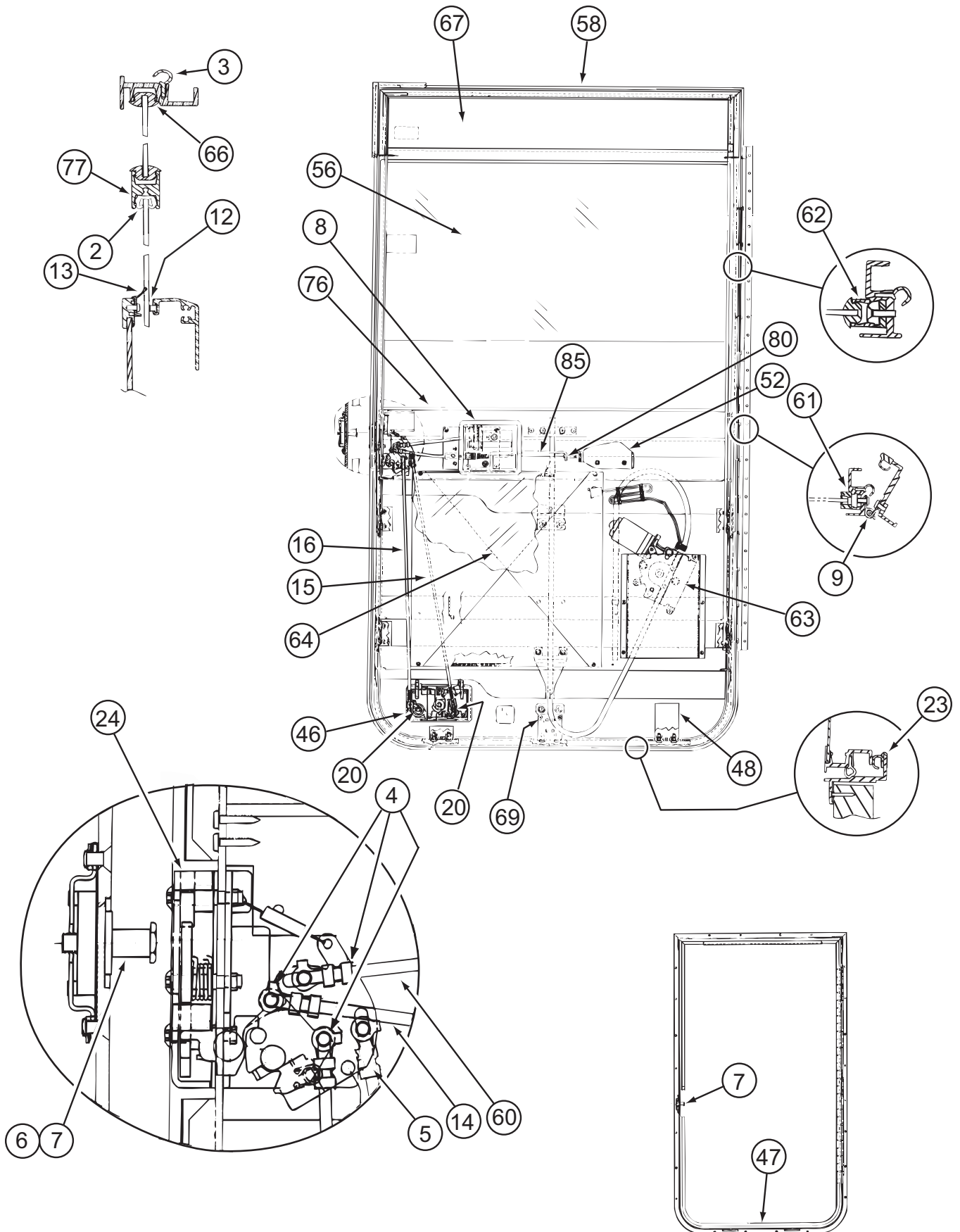
DRIVERS



KEY	PART NUMBER	U/M	DESCRIPTION
1	109378-01-000	EA	STRAP - CHECK - DRIVER DOOR - 12.8"
2	110604-01-01A	EA	HANDLE - ASSIST - DRIVER DOOR - 10.8" LONG - BLACK
3*	125581-09-01A	EA	DOOR - DRIVER - POWER WINDOW/LOCK
4	128131-01-01A	EA	SPACER/SWITCH - DOME - BLACK
5	132298-05-03A	EA	PANEL/DOOR - INNER/DRIVER - W/O BEVERAGE TRAY - PUTTY (P54,P55,P56,P57,P58,P59)
5	132298-05-02A	EA	PANEL/DOOR - INNER/DRIVER - W/O BEVERAGE TRAY - TITANIUM (P60,P61,P62)
6	109235-01-05A	FT	COVER - SCREW - BRIGHT WHITE
7	125725-01-01A	EA	FRAME - DRIVER DOOR - 33.5" - BLACK
8	125725-03-01A	EA	FRAME - DRIVER DOOR - 27.8" - BLACK
9	125725-07-01A	EA	FRAME - DRIVER DOOR - 53.3" - BLACK
10	125725-08-01A	EA	FRAME - DRIVER DOOR - 21.4" - BLACK
11	125804-02-02B	EA	ANGLE - DOOR SUPPORT - E-COATED
12	126506-01-02B	EA	BRACKET - STRIKE - DRIVER DOOR - E-COATED
13	126534-01-02B	EA	SPACER - STRIKE - DRIVER DOOR - E-COATED
14	132297-03-04A	EA	BEVERAGE TRAY - DRIVER/PASSENGER - PORTSMOUTH OAK
14	132297-03-02A	EA	BEVERAGE TRAY - DRIVER/PASSENGER - CONCERT CHERRY
14	132297-03-03A	EA	BEVERAGE TRAY - DRIVER/PASSENGER - WASHED MAPLE
15	117802-01-000	EA	GROMMET - CONVOLUTED - 2"
	138288-01-000	EA	KEY - REVERSIBLE - #1151 - T/M 16169-02-3091
	138288-02-000	EA	KEY - REVERSIBLE - #1152 - T/M 16169-02-3092
	138288-03-000	EA	KEY - REVERSIBLE - #1153 - T/M 16169-02-3093
	138288-04-000	EA	KEY - REVERSIBLE - #1154 - T/M 16169-02-3094
	138288-05-000	EA	KEY - REVERSIBLE - #1155 - T/M 16169-02-3095
	138288-06-000	EA	KEY - REVERSIBLE - #1156 - T/M 16169-02-3096
	138288-07-000	EA	KEY - REVERSIBLE - #1157 - T/M 16169-02-3097
	138288-08-000	EA	KEY - REVERSIBLE - #1158 - T/M 16169-02-3098
	138288-09-000	EA	KEY - REVERSIBLE - #1159 - T/M 16169-02-3099
	138288-10-000	EA	KEY - REVERSIBLE - #1150 - T/M 16169-02-3100
	138289-01-000	EA	CYLINDER - LOCKING
	138289-02-000	EA	CYLINDER - LOCKING
	138289-03-000	EA	CYLINDER - LOCKING
	138289-04-000	EA	CYLINDER - LOCKING
	138289-05-000	EA	CYLINDER - LOCKING
	138289-06-000	EA	CYLINDER - LOCKING
	138289-07-000	EA	CYLINDER - LOCKING
	138289-08-000	EA	CYLINDER - LOCKING
	138289-09-000	EA	CYLINDER - LOCKING
	138289-10-000	EA	CYLINDER - LOCKING
	138292-01-000	EA	SEAL - LOCK CYLINDER

*COMPONENT PARTS LISTED LATER IN THIS GROUP

EXTERIOR DOORS & COMPARTMENTS GROUP (CONTINUED)
COMPONENT PARTS FOR DRIVERS



125581-09-01A

EXTERIOR DOORS & COMPARTMENTS GROUP (CONTINUED)
COMPONENT PARTS FOR DRIVERS (CONTINUED)

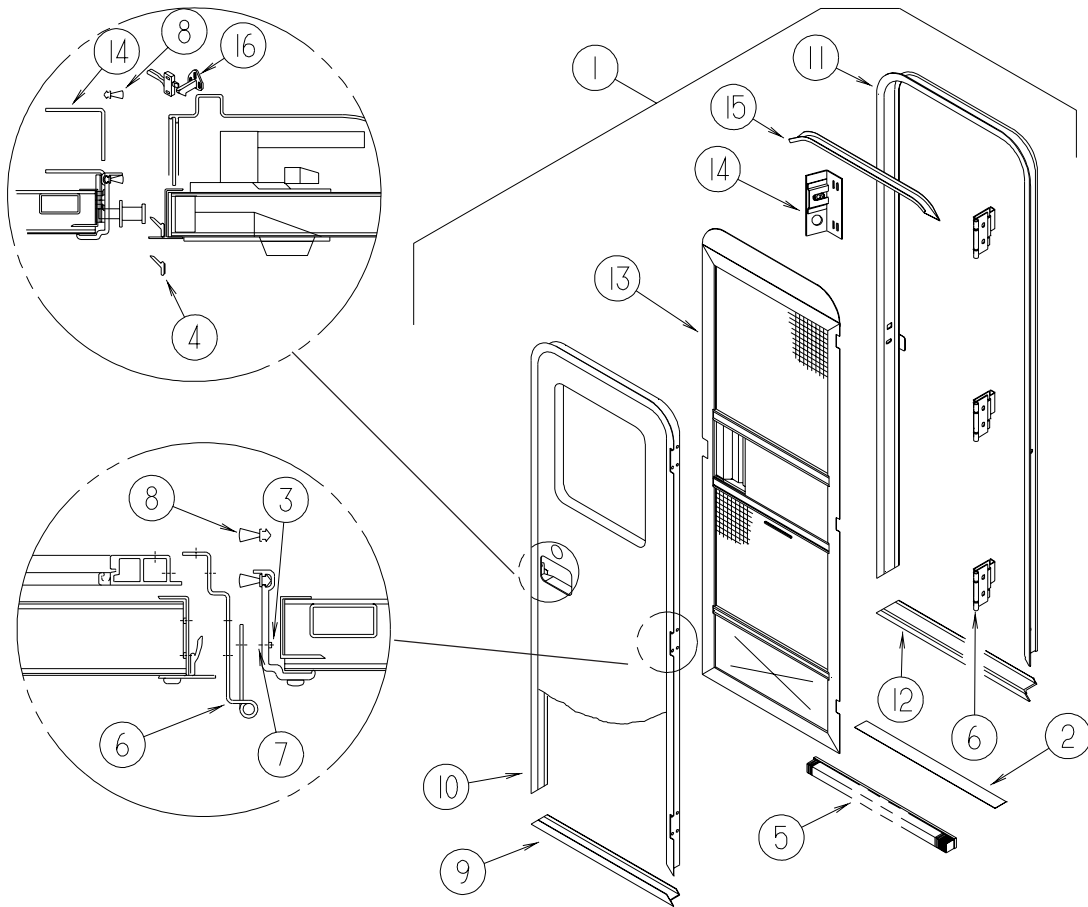
125581-09-01A (CONTINUED)

KEY	PART NUMBER	U/M	DESCRIPTION	VENDOR NO.
2	106469-01-705	FT	CHANNEL-RUN, SLIDING	122-010850
3	106469-01-702	EA	SEAL-DOOR FRAME (DOOR)EA=1	122-040984
4	106469-04-714	EA	ROD-CLIP, RH	80801
5	106469-04-713	EA	ROD-CLIP, LH	80802
6	106469-04-704	EA	NUT ASSEMBLY-CAGED W/STRIKER	11920-16
7	106469-04-703	EA	BOLT-STRIKER, W/WASHER	10335-16
8	106469-04-712	EA	HANDLE/DOOR-INNER W/HARDWARE	11297-01
9	106469-05-702	EA	HINGE - 42"	211-041194
12	106469-01-709	FT	WEATHERSTRIP FUZZY	171-040630
13	125581-03-703	EA	WEATHERSTRIP - BELTING	132-041069
14	106469-04-711	EA	ROD-LOCK, HORIZONTAL	15508-01
15	125581-04-700	EA	ROD - LATCH/VERTICAL ADJUST.	203-041767
16	125581-04-701	EA	ROD - LOCK/VERTICAL ADJUST.	203-041768
20	128913-01-707	EA	NUT - HEX/NYLOCK - 1/4 - 20	233-062447
23	106469-01-723	EA	SEAL-BULB ASM. (DOOR JAMB)	171-040985
24	106469-05-706	EA	LATCH-ROTARY, W/LINKAGE	16512-01
46	125581-09-700	EA	PADDLE-W/O LOCK RH (REV KEY)	17191-02
46	125581-09-701	EA	LATCH/LOCK-DRVR DR (REV KEY)	PARTS DEPT
46	125581-09-702	EA	LATCH/LOCK-DRVR DR (REV KEY)	PARTS DEPT
46	125581-09-703	EA	LATCH/LOCK-DRVR DR (REV KEY)	PARTS DEPT
46	125581-09-704	EA	LATCH/LOCK-DRVR DR (REV KEY)	PARTS DEPT
46	125581-09-705	EA	LATCH/LOCK-DRVR DR (REV KEY)	PARTS DEPT
46	125581-09-706	EA	LATCH/LOCK-DRVR DR (REV KEY)	PARTS DEPT
46	125581-09-707	EA	LATCH/LOCK-DRVR DR (REV KEY)	PARTS DEPT
46	125581-09-708	EA	LATCH/LOCK-DRVR DR (REV KEY)	PARTS DEPT
46	125581-09-709	EA	LATCH/LOCK-DRVR DR (REV KEY)	PARTS DEPT
46	125581-09-710	EA	LATCH/LOCK-DRVR DR (REV KEY)	PARTS DEPT
47	125581-04-703	EA	FRAME - MOUNTING - BLACK	V180-35L
48	125581-07-703	EA	BRACKET-ALUMINUM "L"(INSIDE)	N135-55
56	125581-08-703	EA	GLASS-ROLL-UP 29.46"X29.37"	106-042081
56	125581-09-711	EA	GLASS-ROLL UP 24"H X 29.37"W	490207
58	125581-08-702	EA	FRAME/DOOR - SUB ASSY-BLACK	V220-98L
60	106469-04-705	EA	ROD-LATCH, HORIZONTAL	203-041139
61	125581-08-701	EA	CHANNEL/VERT ROLL UP-BLACK	V220-60
62	125581-08-700	EA	CHANNEL/VERT STA GLASS-BLACK	V220-61
63	125581-03-702	EA	REGULATOR-ELECTRIC-SPEC RH	410-040966
64	125581-06-700	EA	PANEL/INTERIOR	V164-97
66	125581-04-710	FT	VINYL - GLAZING	132-041484
67	125581-07-701	EA	GLASS-STATIONERY/4.95"X29.5"	106-042082
69	125581-04-711	EA	CHANNEL-GLASS - LIFT BRKT	N135-66
74	125581-07-704	EA	BRACKET - STRAP/JAMB & DOOR	248-080394
76	125581-03-701	EA	SILL - INNER - BLACK	V123-68L
77	125581-03-700	EA	MULLION RAIL- BLACK	V123-84
	125581-07-705	EA	BRACKET (L) F/SEAL PROTECT	490201

CONTACT WINNEBAGO PART SALES FOR UNLISTED COMPONENT

EXTERIOR DOORS & COMPARTMENTS GROUP (CONTINUED)

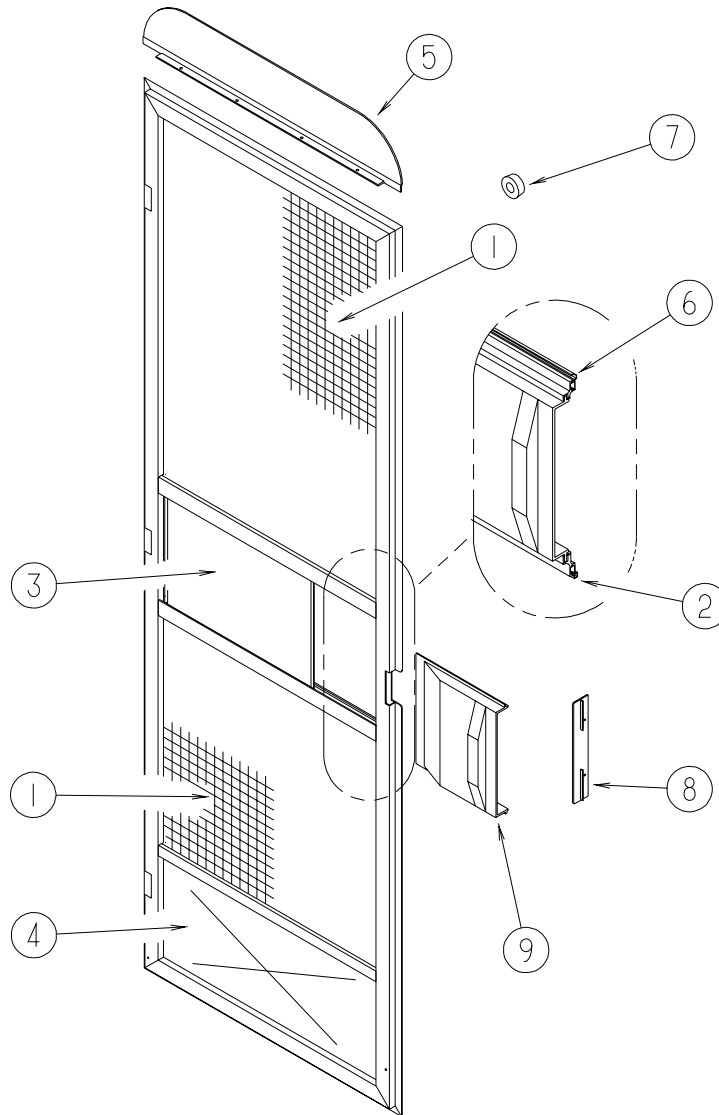
ENTRY



KEY	PART NUMBER	U/M	DESCRIPTION
1	P32206-08-P32	EA	DOOR - ENTRY W/SCREEN DOOR - W/O WINDOW LATCH (P54, P55, P56)
1	P32206-08-P31	EA	DOOR - ENTRY W/SCREEN DOOR - W/O WINDOW LATCH (P57, P58, P59)
1	P32206-08-N32	EA	DOOR - ENTRY W/SCREEN DOOR - W/O WINDOW LATCH (P60, P61, P62)
2	038327-01-000	FT	TAPE - ANTI-SLIP - 2" X 60"
3	039715-01-000	EA	NUT-SERT - 1/4" DIAMETER - 20 THREADS
4	075671-04-000	FT	SEAL - SPONGE - LAZY T - W/ADHESIVE STRIP - .5" WIDE
5	075673-05-000	FT	SEAL - PILE - ADHESIVE BACK - BLACK
6	106719-01-05A	EA	HINGE - ENTRY DOOR - BRIGHT WHITE
7	116111-02-01A	EA	SCREW - TAPTITE - 1/4-20 X 3/8 PPH 0 ZINC
8	118929-01-01A	FT	SEAL - PILE - PUSH ON
9	121893-03-02A	EA	FRAME - ENTRY DOOR/LOWER - BRIGHT WHITE
10	121894-16-01A	EA	FRAME - ENTRY DOOR - BRIGHT WHITE
11	121898-14-01A	EA	JAMB - ENTRY DOOR
12	051049-05-000	EA	JAMB/DOOR - LOWER - ENTRY DOOR
13	132208-02-L32	EA	DOOR - SCREEN - W/O HARDWARE
14	137401-01-03B	EA	BRACKET - DOOR ANGLE - OFF WHITE
15	044582-50-000	EA	CAP - DRIP - JAMB MITERED - BRIGHT WHITE
			FROM: 00-00-00 THRU: 08-04-02
15	139054-19-01A	EA	CAP - DRIP - JAMB MOUNTED - BRIGHT WHITE
			FROM: 08-05-02 THRU: 99-99-99
16	132915-01-01A	EA	LATCH - SCREEN DOOR - BLACK
	138287-01-000	EA	CYLINDER/LOCK - ENTRY DOOR (MASTER)
	138287-02-000	EA	CYLINDER/LOCK - ENTRY DOOR (MASTER)
	138287-03-000	EA	CYLINDER/LOCK - ENTRY DOOR (MASTER)
	138287-04-000	EA	CYLINDER/LOCK - ENTRY DOOR (MASTER)
	138287-05-000	EA	CYLINDER/LOCK - ENTRY DOOR (MASTER)
	138287-06-000	EA	CYLINDER/LOCK - ENTRY DOOR (MASTER)
	138287-07-000	EA	CYLINDER/LOCK - ENTRY DOOR (MASTER)
	138287-08-000	EA	CYLINDER/LOCK - ENTRY DOOR (MASTER)
	138287-09-000	EA	CYLINDER/LOCK - ENTRY DOOR (MASTER)
	138287-10-000	EA	CYLINDER/LOCK - ENTRY DOOR (MASTER)

EXTERIOR DOORS & COMPARTMENTS GROUP (CONTINUED) ENTRY (CONTINUED)

KEY	PART NUMBER	U/M	DESCRIPTION
	138288-01-000	EA	KEY - REVERSIBLE - #1151 - T/M 16169-02-3091
	138288-02-000	EA	KEY - REVERSIBLE - #1152 - T/M 16169-02-3092
	138288-03-000	EA	KEY - REVERSIBLE - #1153 - T/M 16169-02-3093
	138288-04-000	EA	KEY - REVERSIBLE - #1154 - T/M 16169-02-3094
	138288-05-000	EA	KEY - REVERSIBLE - #1155 - T/M 16169-02-3095
	138288-06-000	EA	KEY - REVERSIBLE - #1156 - T/M 16169-02-3096
	138288-07-000	EA	KEY - REVERSIBLE - #1157 - T/M 16169-02-3097
	138288-08-000	EA	KEY - REVERSIBLE - #1158 - T/M 16169-02-3098
	138288-09-000	EA	KEY - REVERSIBLE - #1159 - T/M 16169-02-3099
	138288-10-000	EA	KEY - REVERSIBLE - #1150 - T/M 16169-02-3100

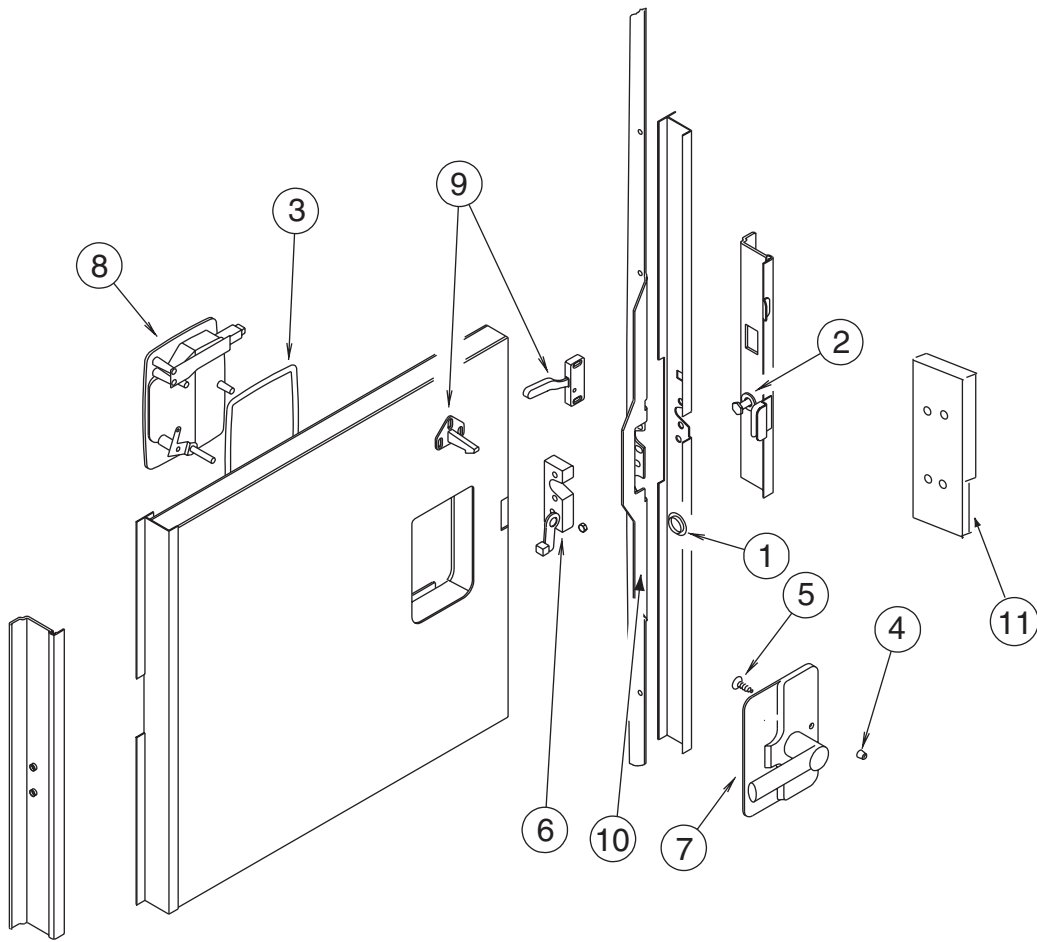


SCREEN

KEY	PART NUMBER	U/M	DESCRIPTION
1	002293-02-000	SF	SCREEN - 26" - CHARCOAL
2	002294-01-000	FT	SPLINE - SCREENING - .13" X .14"
3	016454-18-000	EA	INSERT - SCREEN DOOR - CENTER
4	078552-09-000	EA	INSERT - SCREEN DOOR - LOWER
5	078595-03-000	EA	PLATE - SCREEN DOOR
6	078777-08-000	FT	CHANNEL - SLIDER
7	120863-06-000	EA	BUMPER - RUBBER/RADIUS TOP - 3/4" X 3/8"
8	132081-01-01A	EA	STRIKE - SLIDER - SCREEN DOOR - BRIGHT WHITE
9	132082-01-01A	EA	SLIDER - SCREEN DOOR - BRIGHT WHITE

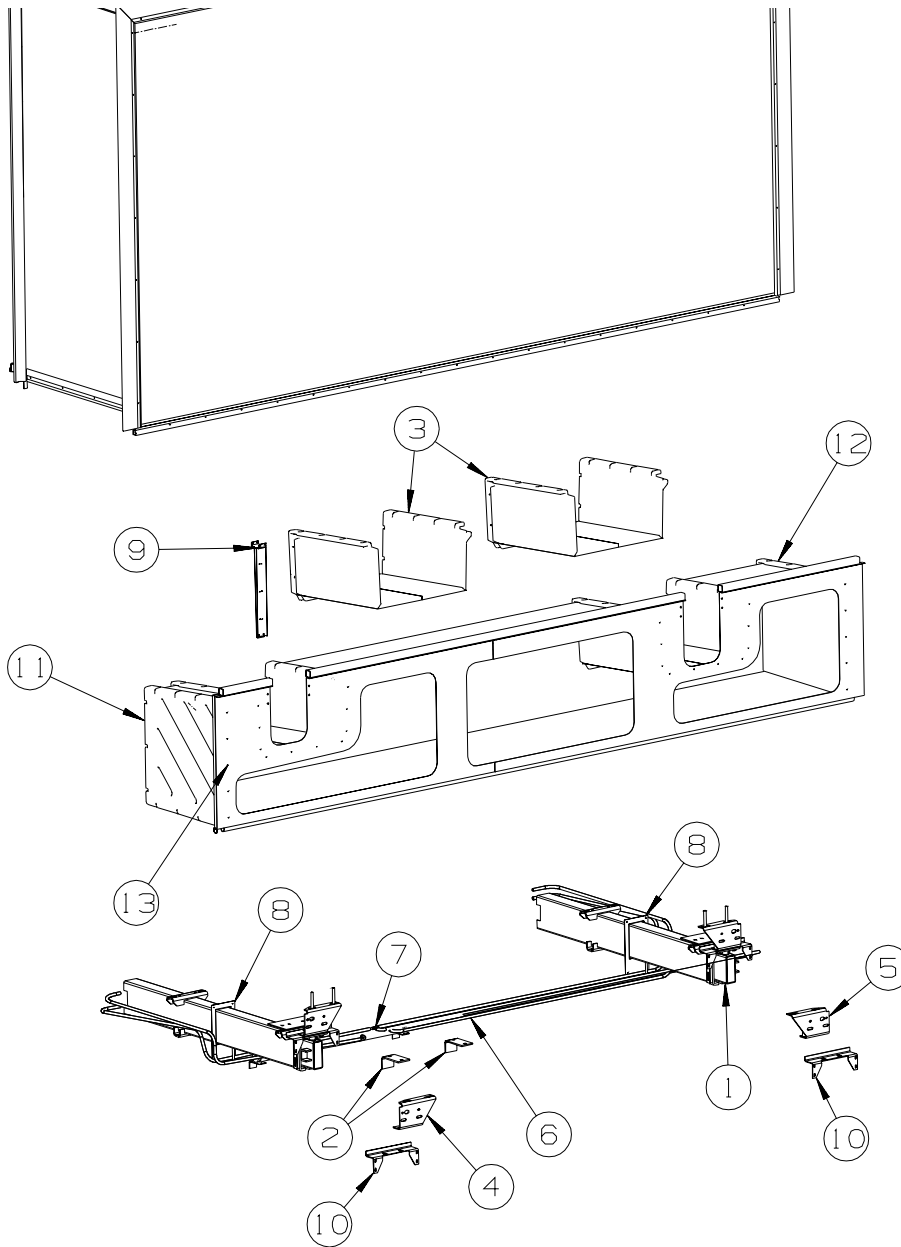
EXTERIOR DOORS & COMPARTMENTS GROUP (CONTINUED)

LATCH - ENTRY



KEY	PART NUMBER	U/M	DESCRIPTION
1	061420-14-000	EA	PLUG/PLASTIC - .034" DIAMETER
2	092927-14-000	EA	STRIKER - ROUND - JAMB MOUNTED
3	112782-04-01A	EA	GASKET
4	112782-05-01A	EA	CAP - VINYL - RED
5	112782-08-01A	EA	SCREW - MOUNTING/PLATE - ZINC
6	112782-15-01A	EA	LATCH - SINGLE ROTOR
7	112782-16-01A	EA	LATCH - INTERIOR PLATE
8	112782-18-01A	EA	LATCH - EXTERIOR - W/O LOCK CYLINDER W/ICON-REVERSIBLE KEY
9	132915-01-01A	EA	LATCH - SCREEN DOOR
10	132207-01-02B	EA	STIFFENER/DOOR - FORMED - E-COATED
	072893-04-000	EA	NUTSERT - 10-32
11	139102-01-01A	EA	COVER - BRACKET - STRIKE - BRIGHT WHITE

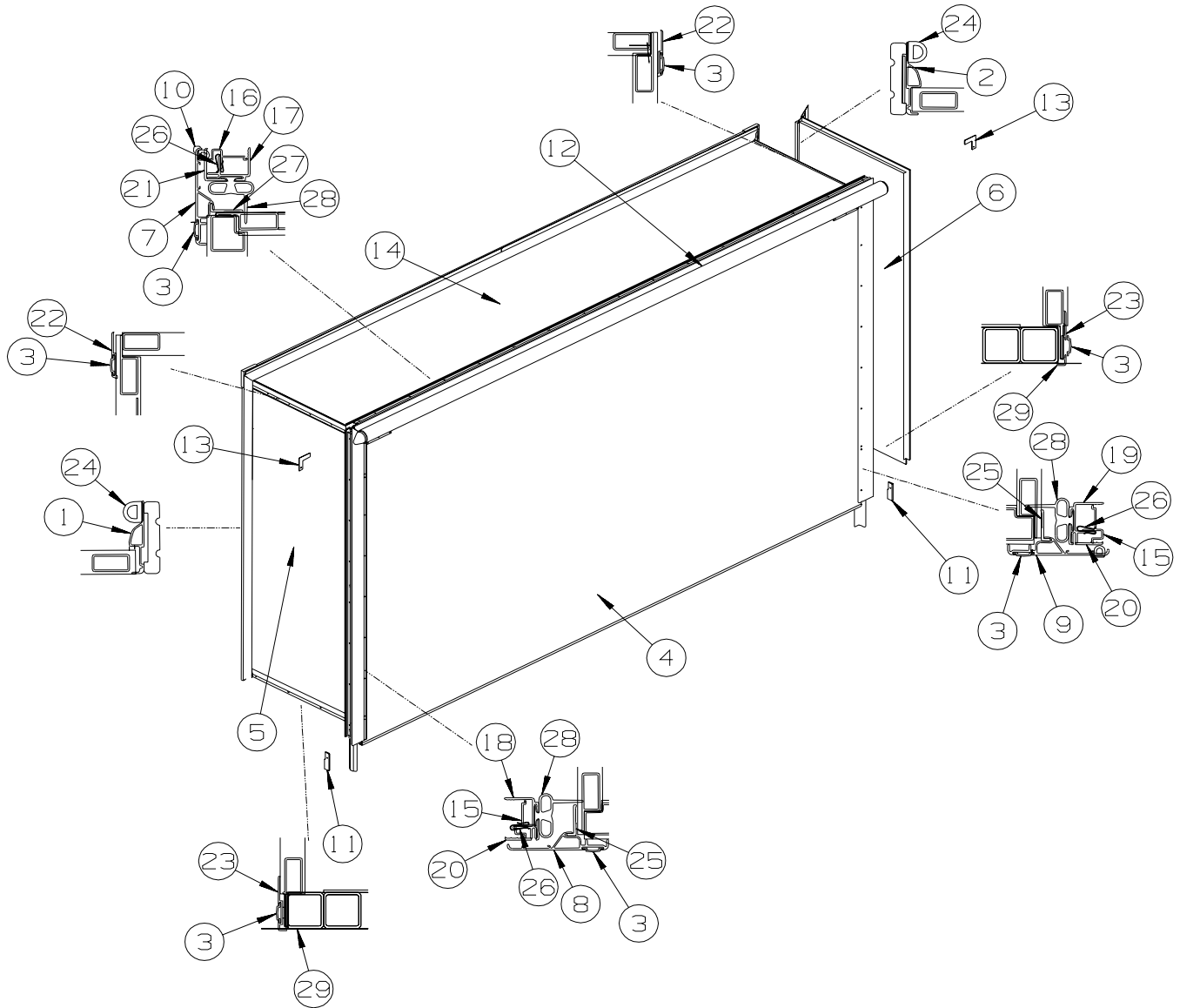
EXTERIOR SLIDEOUT GROUP FRONT LEFT



KEY	PART NUMBER	U/M	DESCRIPTION
1*	140122-01-000	EA	SLIDEOUT - HYDRAULIC - 29.12"
2	122922-02-02B	EA	BRACKET/CYLINDER SUPPORT - E-COATED
3	140869-01-01A	EA	CAP - COMPARTMENT/FOLDING
4	127030-01-02B	EA	BRACKET - INNER FRONT/SLIDEOUT - E-COATED
4	145328-02-02B	EA	BRACKET - INNER REAR/MOUNT - E-COATED FROM: 00-00-00 THRU: 04-06-03
5	127030-02-02B	EA	BRACKET - INNER REAR/MOUNT - E-COATED FROM: 04-07-03 THRU: 99-99-99
5	145328-01-02B	EA	BRACKET - INNER FRONT/SLIDEOUT - E-COATED FROM: 00-00-00 THRU: 04-06-03
5	145328-01-02B	EA	BRACKET - INNER FRONT/SLIDEOUT - E-COATED FROM: 04-07-03 THRU: 99-99-99
6*	100536-42-000	EA	HOSE KIT - PUMP TO SLIDE-OUT VALVE
7	123264-01-000	EA	TEE - UNION - 1/4" X 1/4" X 1/4"
8	125828-02-02B	EA	FILLER/STEEL - SLIDEOUT - E-COATED
9	126591-01-02B	EA	CARRIER - WIRE LOOM - SLIDEOUT
10	128386-02-02B	EA	BRACKET - SLIDEOUT COMPARTMENT - E-COATED
11	137030-01-01A	EA	END CAP - COMPARTMENT/RIGHT HAND
12	137030-02-01A	EA	END CAP - COMPARTMENT/LEFT HAND
13	137173-08-02B	EA	SEAL PLANE - F/SLIDEOUT - E-COATED
	126516-01-01A	FT	TRIM - VINYL/EXTRUDED - 8'

*COMPONENT PARTS LISTED LATER IN THIS GROUP

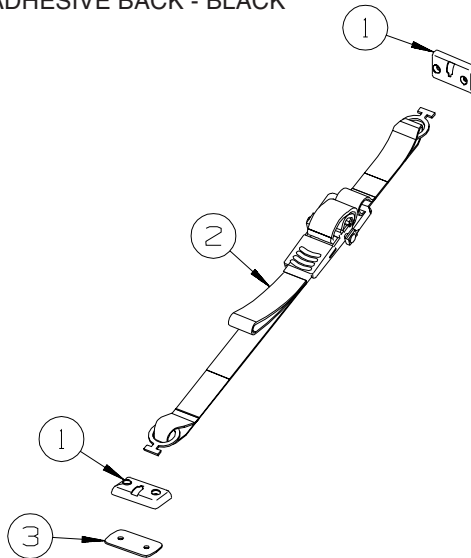
EXTERIOR SLIDEOUT GROUP (CONTINUED)
FRONT LEFT (CONTINUED)



KEY	PART NUMBER	U/M	DESCRIPTION
1	139624-01-01A	EA	TRIM/SEAL - INNER/RIGHT HAND - 73.4" - BRIGHT WHITE
2	139624-02-01A	EA	TRIM/SEAL - INNER/LEFT HAND - 73.4" - BRIGHT WHITE
3	105312-01-07A	FT	INSERT - FEATURE STRIP - VINYL - BRIGHT WHITE
4	142661-11-P45	EA	SLUG - SLIDEOUT (P54, P55, P56)
4	142661-11-P47	EA	SLUG - SLIDEOUT (P57, P58, P59)
4	142661-11-P49	EA	SLUG - SLIDEOUT (P60, P61, P62)
5	141972-01-N71	EA	PANEL - SLIDEOUT - FRONT (P54, P55, P56)
5	141972-01-P47	EA	PANEL - SLIDEOUT - FRONT (P57, P58, P59)
5	141972-01-N72	EA	PANEL - SLIDEOUT - FRONT (P60, P61, P62)
6	141973-01-P63	EA	PANEL - SLIDEOUT - REAR (P54, P55, P56)
6	141973-01-P47	EA	PANEL - SLIDEOUT - REAR (P57, P58, P59)
6	141973-01-N72	EA	PANEL - SLIDEOUT - REAR (P60, P61, P62)
7	139625-06-01A	EA	TRIM/SEAL - TOP/W/MITERED ENDS - 147" - BRIGHT WHITE
8	139625-01-01A	EA	TRIM/SEAL - LEFT HAND - 76.4" - BRIGHT WHITE
9	139625-02-01A	EA	TRIM/SEAL - RIGHT HAND - 76.4" - BRIGHT WHITE

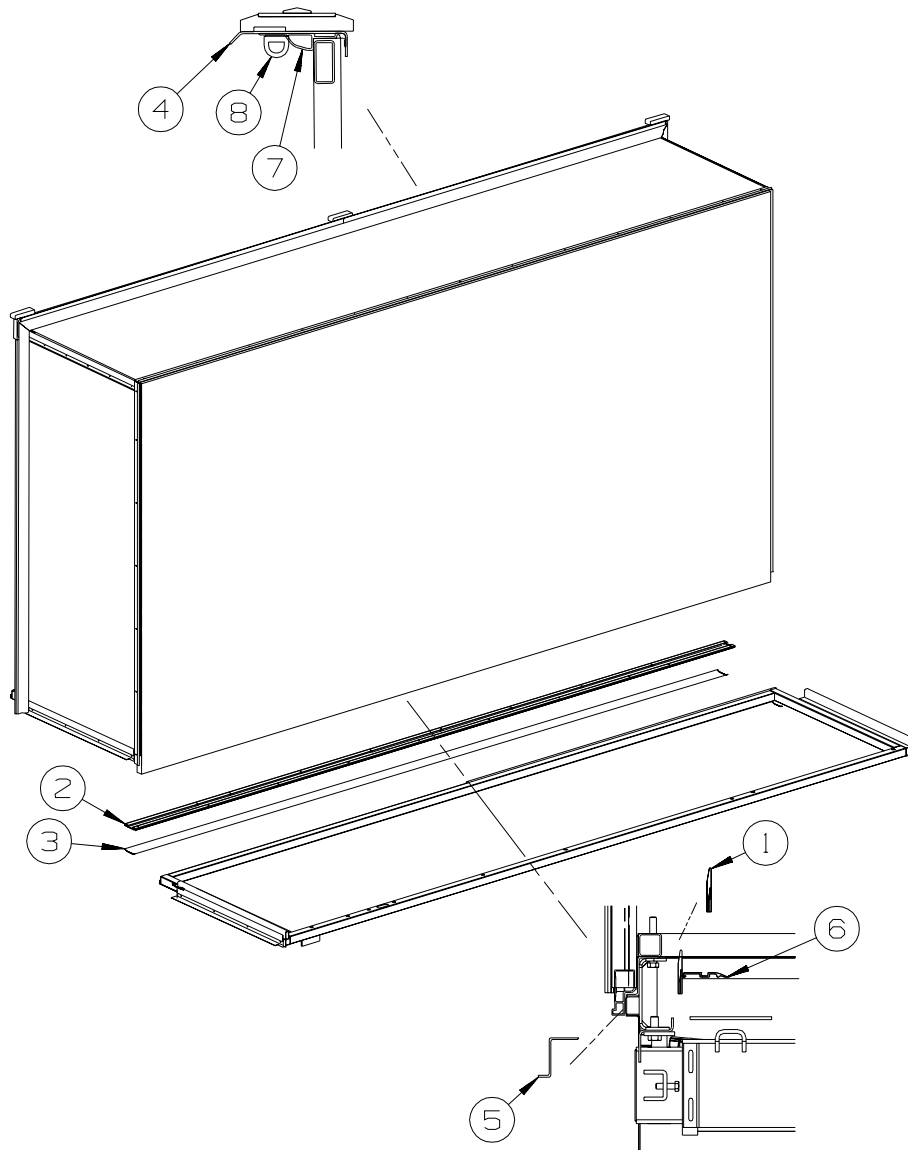
EXTERIOR SLIDEOUT GROUP (CONTINUED)
FRONT LEFT (CONTINUED)

KEY	PART NUMBER	U/M	DESCRIPTION
10	117058-01-01A	FT	TAPE - LOOP - 3/4" WIDE - ADHESIVE BACKED
11	126546-01-02A	EA	COVER - END/SIDEWALL SLIDEOUT - BRIGHT WHITE
12	122977-07-03A	EA	AWNING/SLIDEOUT W/COVER - 147" - WHITE - VINYL/VINYL WRAP
13	116444-04-12B	EA	TRIM/KEY CORNER - SLIDEOUT - 3.1"X3.1" - BRT WHT
14	137383-02-P45	EA	ROOF - W/O LIGHTS/VENTS - W/WIRING - F/SLIDEOUT
15	142718-01-01A	EA	RETAINER - SIDEWALL/SLIDEOUT - 72.8" - MILL
16	142718-02-01A	EA	RETAINER - SIDEWALL/SLIDEOUT - 144.9"
17	142719-01-01A	EA	TRIM/SIDEWALL - TOP/SLIDEOUT - 146.7" - BRIGHT WHITE
18	142720-01-01A	EA	TRIM - SIDEWALL/SLIDEOUT - 74.8" - BRIGHT WHITE
			FROM: 00-00-00 THRU: 10-27-02
18	142720-08-01A	EA	TRIM - SIDEWALL/SLIDEOUT - 74.4" - BRIGHT WHITE
			FROM: 10-28-02 THRU: 99-99-99
19	142720-02-01A	EA	TRIM - SIDEWALL/SLIDEOUT - 74.8" - BRIGHT WHITE
			FROM: 00-00-00 THRU: 10-27-02
19	142720-06-01A	EA	TRIM - SIDEWALL/SLIDEOUT - 74.4" - BRIGHT WHITE
			FROM: 10-28-02 THRU: 99-99-99
20	136824-01-01A	EA	TRIM - SIDEWALL/SLIDEOUT - 74.9" - BRIGHT WHITE
			FROM: 00-00-00 THRU: 10-27-02
20	136824-38-01A	EA	TRIM - SIDEWALL/SLIDEOUT - 74.6" - BRIGHT WHITE
			FROM: 10-28-02 THRU: 99-99-99
21	136824-05-01A	EA	TRIM - SIDEWALL/SLIDEOUT - 146.4" - BRIGHT WHITE
22	138659-01-01A	EA	TRIM/FEATURE STRIP - 181.7" - BRIGHT WHITE
23	125051-03-01A	EA	TRIM - FEATURE STRIP/LOWER - 29.3" - BRIGHT WHITE
24	112091-01-000	FT	SEAL/D - NEOPRENE - HEAT ACTIVE ADHESIVE - .9"
			FROM: 00-00-00 THRU: 01-12-03
24	146056-01-000	FT	SEAL - TRIANGLE - W/PSA
			FROM: 01-13-03 THRU: 99-99-99
25	133954-09-01A	EA	TRIM/SEAL - W/MITERED ENDS - 71.6" - BRIGHT WHITE
26	142549-01-000	EA	CLIP-S TYPE
27	133954-07-01A	EA	TRIM/SEAL - W/MITERED ENDS - 141.8" - BRIGHT WHITE
28	136978-01-01A	FT	SEAL - SLIDEOUT - BLACK
29	075673-05-000	FT	SEAL - PILE - ADHESIVE BACK - BLACK



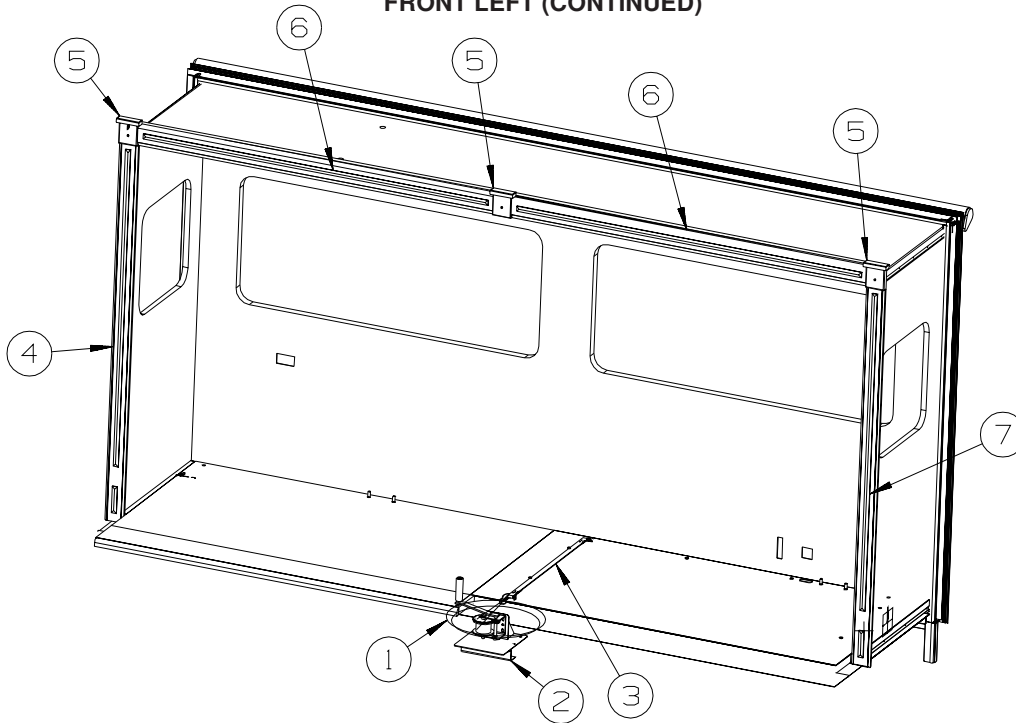
KEY	PART NUMBER	U/M	DESCRIPTION
1	135619-02-01A	EA	PLATE - TIEDOWN - SLIDEOUT ROOM
2	135619-01-01A	EA	STRAP - TIEDOWN - SLIDEOUT ROOM
3	135622-01-01B	EA	PLATE - TIEDOWN - SLIDEOUT ROOM

EXTERIOR SLIDEOUT GROUP (CONTINUED)
FRONT LEFT (CONTINUED)



KEY	PART NUMBER	U/M	DESCRIPTION
1	115075-03-000	FT	SEAL - WIPE - .25" X 2.9"
2	115325-05-02A	EA	RAIL - FLOOR/SLIDEOUT ROOM - BLACK - 72.7" LONG
3	115661-01-000	FT	SHOE/GLIDE - SLIDEOUT ROOM - 1/16" X 3" - POLYETHYLENE
4	125466-01-01A	EA	SUPPORT - ROOF/INTERIOR - OFF WHITE
5	128621-23-01A	EA	BRACKET/ZEE - SLIDEOUT - 140.6" - MILL
6	134837-01-01A	EA	RAMP - SLIDEOUT - BLACK PVC
7	139624-06-01A	EA	TRIM/SEAL - INNER/TOP - 145.2" - BRIGHT WHITE
8	112091-01-000	FT	SEAL/D - NEOPRENE - HEAT ACTIVE ADHESIVE - .9" FROM: 00-00-00 THRU: 01-12-03
8	146056-01-000	FT	SEAL - TRIANGLE - W/PSA FROM: 01-13-03 THRU: 99-99-99

EXTERIOR SLIDEOUT GROUP (CONTINUED)
FRONT LEFT (CONTINUED)



KEY	PART NUMBER	U/M	DESCRIPTION
1	115767-02-000	EA	WINCH - SLIDEOUT W/10' STRAP
2	116082-03-02B	EA	BRACKET - WINCH
3	116101-02-F31	EA	STRAP - WINCH - 34" CENTER BRACKET/STRAP END
4	120993-17-P54	EA	TRIM - DECORATIVE - 2.7" X 70" - FABRIC COVERED (P54, P55, P56)
4	120993-17-P57	EA	TRIM - DECORATIVE - 2.7" X 70" - FABRIC COVERED (P57, P58, P59)
4	120993-17-P60	EA	TRIM - DECORATIVE - 2.7" X 70" - FABRIC COVERED (P60, P61, P62)
4	Y00152-71-786	EA	MOLDING/TRIM - VINYL - .6" X 3.5" X 70.2" - PORTSMOUTH OAK
4	Y00152-61-786	EA	MOLDING/TRIM - VINYL - .6" X 3.5" X 70.2" - CHERRY - CONCERT CHERRY
4	Y00152-21-786	EA	MOLDING/TRIM - VINYL - .6" X 3.5" X 70.2" - WASHED MAPLE
4	M09454-30-P54	EA	MOLDING - TRIM/VEE - .2" X 1" X 68.2" - OAK/PORTSMOUTH OAK
4	M09454-30-P55	EA	MOLDING - TRIM/VEE - .2" X 1" X 68.2" - CHERRY/CHERRY - CONCERT CHERRY
4	M09454-30-P56	EA	MOLDING - TRIM/VEE - .2" X 1" X 68.2" - MAPLE/MAPLE - WASHED MAPLE
5	141930-01-04A	EA	MOLDING/BLOCK - OAK - PORTSMOUTH OAK
5	141930-01-02A	EA	MOLDING/BLOCK - CHERRY - CONCERT CHERRY
5	141930-01-03A	EA	MOLDING/BLOCK - MAPLE - WASHED MAPLE
6	120993-15-P54	EA	TRIM - DECORATIVE - 2.7" X 67.8" - FABRIC COVERED (P54, P55, P56)
6	120993-15-P57	EA	TRIM - DECORATIVE - 2.7" X 67.8" - FABRIC COVERED (P57, P58, P59)
6	120993-15-P60	EA	TRIM - DECORATIVE - 2.7" X 67.8" - FABRIC COVERED (P60, P61, P62)
6	Y00153-71-726	EA	MOLDING/TRIM - VINYL - .6" X 3.9" X 67.8" - PORTSMOUTH OAK
6	Y00153-61-726	EA	MOLDING/TRIM - VINYL - .6" X 3.9" X 67.8" - CHERRY - CONCERT CHERRY
6	Y00153-21-726	EA	MOLDING/TRIM - VINYL - .6" X 3.9" X 67.8" - MAPLE - WASHED MAPLE
6	M09454-05-P54	EA	MOLDING - TRIM/VEE - .2" X 1" X 65.2" - OAK/PORTSMOUTH OAK
6	M09454-05-P55	EA	MOLDING - TRIM/VEE - .2" X 1" X 65.2" - CHERRY/CHERRY - CONCERT CHERRY
6	M09454-05-P56	EA	MOLDING - TRIM/VEE - .2" X 1" X 65.2" - MAPLE/MAPLE - WASHED MAPLE
7	120993-17-P54	EA	TRIM - DECORATIVE - 2.7" X 70" - FABRIC COVERED (P54, P55, P56)
7	120993-17-P57	EA	TRIM - DECORATIVE - 2.7" X 70" - FABRIC COVERED (P57, P58, P59)
7	120993-17-P60	EA	TRIM - DECORATIVE - 2.7" X 70" - FABRIC COVERED (P60, P61, P62)
7	Y00152-71-786	EA	MOLDING/TRIM - VINYL - .6" X 3.5" X 70.2" - PORTSMOUTH OAK
7	Y00152-61-786	EA	MOLDING/TRIM - VINYL - .6" X 3.5" X 70.2" - CHERRY - CONCERT CHERRY
7	Y00152-21-786	EA	MOLDING/TRIM - VINYL - .6" X 3.5" X 70.2" - WASHED MAPLE
7	M09450-92-P45	EA	MOLDING - TRIM/VEE - .2" X 1" X 9.8" - OAK/PORTSMOUTH OAK
7	M09450-92-P46	EA	MOLDING - TRIM/VEE - .2" X 1" X 9.8" - CHERRY/CHERRY - CONCERT CHERRY
7	M09450-92-P56	EA	MOLDING - TRIM/VEE - .2" X 1" X 9.8" - MAPLE/MAPLE - WASHED MAPLE
7	M09450-93-P45	EA	MOLDING - TRIM/VEE - .2" X 1" X 55.8" - OAK/PORTSMOUTH OAK
7	M09450-93-P46	EA	MOLDING - TRIM/VEE - .2" X 1" X 55.8" - CHERRY/CHERRY - CONCERT CHERRY
7	M09450-93-P56	EA	MOLDING - TRIM/VEE - .2" X 1" X 55.8" - MAPLE/MAPLE - WASHED MAPLE

EXTERIOR SLIDEOUT GROUP (CONTINUED)
COMPONENT PARTS FOR FRONT

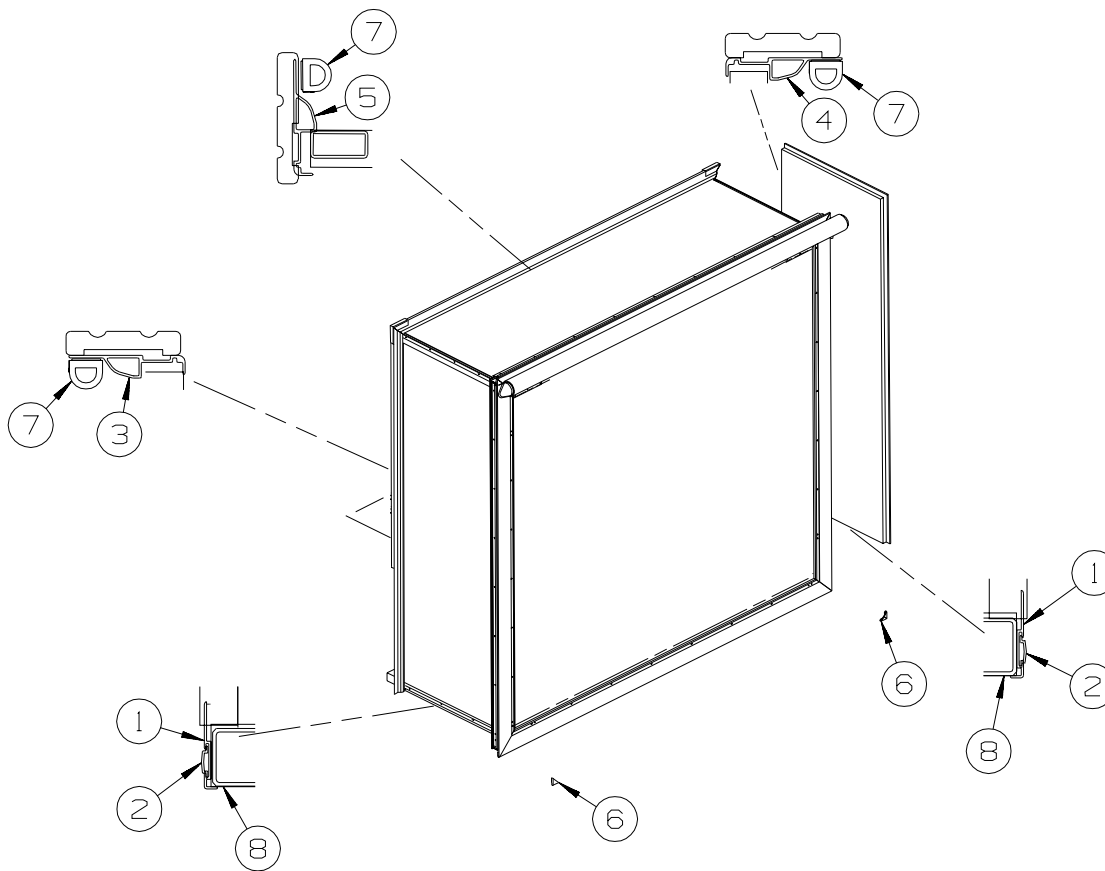
100536-42-000

KEY	PART NUMBER	U/M	DESCRIPTION	VENDOR NO.
	100536-42-700	EA	HOSE/HYDRAULIC - 180" - PRESS	RAP90120/AP5965
	100536-42-701	EA	HOSE/HYDRAULIC - 175" - RETURN	RAP90350/AP7358

140122-01-000

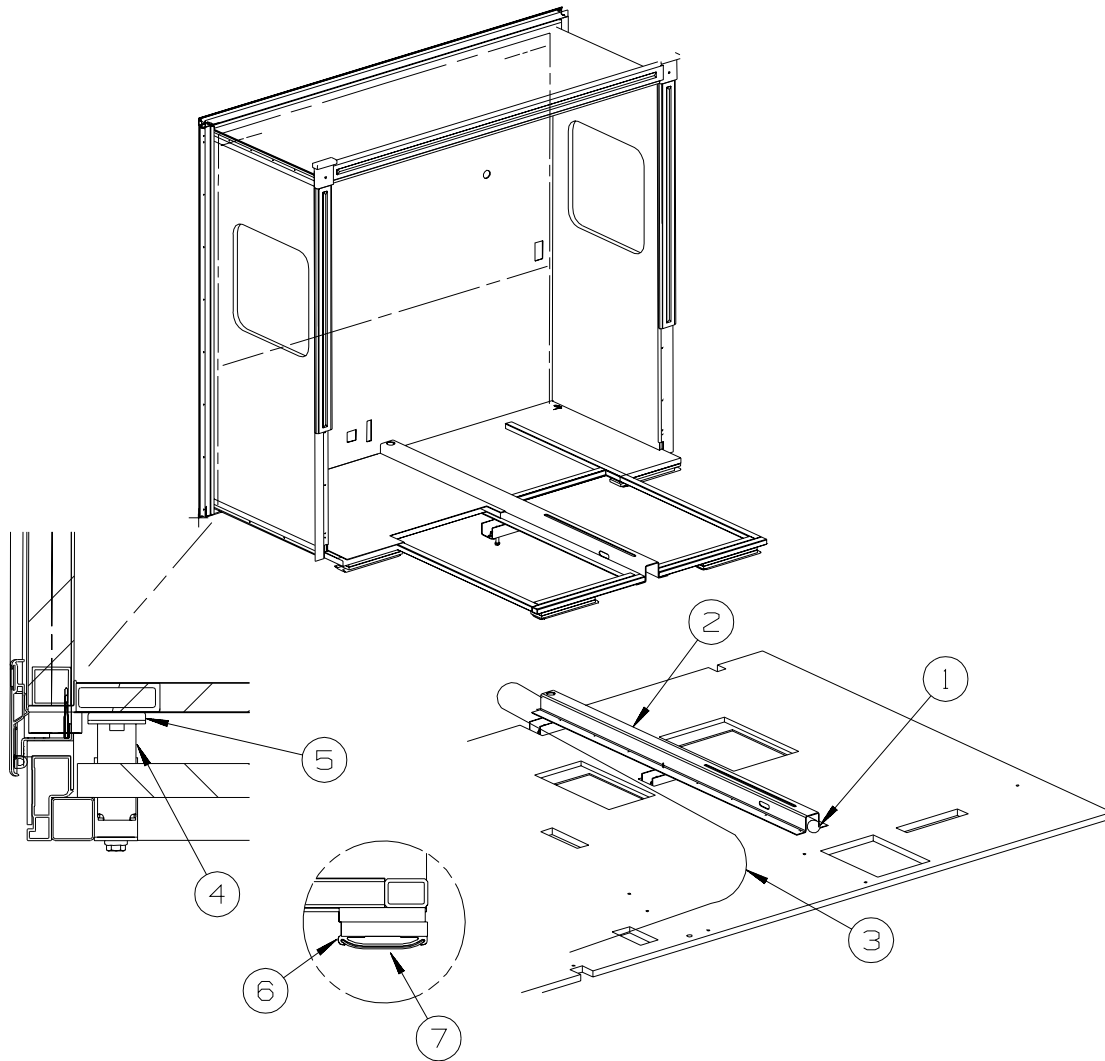
KEY	PART NUMBER	U/M	DESCRIPTION	VENDOR NO.
	128599-06-703	EA	BEARING KIT - SLIDE-OUT TUBE	RAP90698
	128599-06-704	EA	BEARING PAD - SLIDE-OUT	P14811
	132540-01-700	EA	RAM - SLIDEOUT ROOM	RAP90689/AP19616
	132540-01-701	EA	CYLINDER - SYNCRONIZING	RAP90690/AP17966
	132540-01-706	EA	BOLT - SLIDE ROOM ADJUSTER	RAP90865/P19611
	137196-01-700	EA	HOSE-HYDRAULIC - 1/8" X 120"	AP24642
	137196-01-701	EA	HOSE-HYDRAULIC - 1/4" X 116"	AP5384

EXTERIOR SLIDEOUT GROUP (CONTINUED)
RIGHT REAR (CONTINUED)



KEY	PART NUMBER	U/M DESCRIPTION
1	141435-01-01A	EA TRIM - FEATURE - LOWER - 29.2" - BRIGHT WHITE FROM: 00-00-00 THRU: 01-12-03
1	141435-03-01A	EA TRIM - FEATURE - LOWER - BRIGHT WHITE FROM: 01-13-03 THRU: 99-99-99
	141434-51-001	EA TRIM - FLOOR/SIDEWALL - 16'
2	105312-01-07A	FT INSERT - FEATURE STRIP - VINYL - BRIGHT WHITE
3	139624-15-01A	EA TRIM/SEAL - INNER/RIGHT HAND W/NOTCH - 72.9" - BRIGHT WHITE
4	139624-16-01A	EA TRIM/SEAL - INNER/LEFT HAND W/NOTCH - 72.7" - BRIGHT WHITE
5	139624-04-01A	EA TRIM/SEAL - INNER/TOP - 80.2" - BRIGHT WHITE
6	135275-01-01A	EA PROTECTOR - CORNER - SLIDEOUT - WHITE
7	112091-01-000	FT SEAL/D - NEOPRENE - HEAT ACTIVE ADHESIVE - .9" FROM: 00-00-00 THRU: 01-12-03
7	146056-01-000	FT SEAL - TRIANGLE - W/PSA FROM: 01-13-03 THRU: 99-99-99
8	075673-05-000	FT SEAL - PILE - ADHESIVE BACK - BLACK

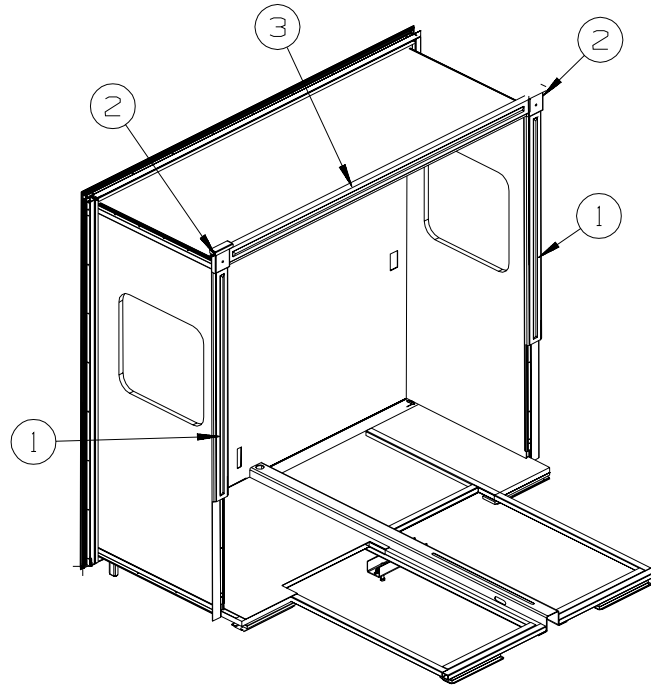
EXTERIOR SLIDEOUT GROUP (CONTINUED)
RIGHT REAR (CONTINUED)



KEY	PART NUMBER	U/M	DESCRIPTION
1*	137390-01-000	EA	HYDRAULIC/BED - F/SLIDEOUT
2	137390-02-000	EA	CHANNEL - HYDRAULIC - F/SLIDEOUT
3*	100536-46-000	EA	HOSE KIT - F/SLIDEOUT
4	126313-10-02B	EA	SUPPORT - ROLLER - E-COATED
5	128599-03-000	EA	PAD - F/SLIDEOUT
6	115325-08-01A	EA	RAIL - FLOOR/SLIDEOUT ROOM - BLACK
7	115661-01-000	FT	SHOE/GLIDE - SLIDEOUT ROOM - 1/16" X 3" - POLYETHYLENE

***COMPONENT PARTS LISTED LATER IN THIS GROUP**

EXTERIOR SLIDEOUT GROUP (CONTINUED)
RIGHT REAR (CONTINUED)



KEY	PART NUMBER	U/M	DESCRIPTION
1	120993-06-P54	EA	TRIM - DECORATIVE - 2.7" X 45.8" - FABRIC COVERED (P54, P55, P56)
1	120993-06-P57	EA	TRIM - DECORATIVE - 2.7" X 45.8" - FABRIC COVERED (P57, P58, P59)
1	120993-06-P60	EA	TRIM - DECORATIVE - 2.7" X 45.8" - FABRIC COVERED (P60, P61, P62)
1	Y00152-71-168	EA	MOLDING/TRIM - VINYL - .6" X 3.5" X 45.9" - PORTSMOUTH OAK
1	Y00152-61-168	EA	MOLDING/TRIM - VINYL - .6" X 3.5" X 45.9" - CHERRY - CONCERT CHERRY
1	Y00152-21-168	EA	MOLDING/TRIM - VINYL - .6" X 3.5" X 45.9" - MAPLE - WASHED MAPLE
1	M09450-65-P45	EA	MOLDING - TRIM/VEE - .2" X 1" X 44" - OAK/PORTSMOUTH OAK
1	M09450-65-P46	EA	MOLDING - TRIM/VEE - .2" X 1" X 44" - CHERRY/CHERRY - CONCERT CHERRY
1	M09450-65-P56	EA	MOLDING - TRIM/VEE - .2" X 1" X 44" - MAPLE/MAPLE - WASHED MAPLE
2	141930-01-04A	EA	MOLDING/BLOCK - OAK - PORTSMOUTH OAK
2	141930-01-02A	EA	MOLDING/BLOCK - CHERRY - CONCERT CHERRY
2	141930-01-03A	EA	MOLDING/BLOCK - MAPLE - WASHED MAPLE
3	120993-16-P54	EA	TRIM - DECORATIVE - 2.7" X 74.1" - FABRIC COVERED (P54, P55, P56)
3	120993-16-P57	EA	TRIM - DECORATIVE - 2.7" X 74.1" - FABRIC COVERED (P57, P58, P59)
3	120993-16-P60	EA	TRIM - DECORATIVE - 2.7" X 74.1" - FABRIC COVERED (P60, P61, P62)
3	Y00153-71-886	EA	MOLDING/TRIM - VINYL - .6" X 3.9" X 74.1" - PORTSMOUTH OAK
3	Y00153-61-886	EA	MOLDING/TRIM - VINYL - .6" X 3.9" X 74.1" - CHERRY - CONCERT CHERRY
3	Y00153-21-886	EA	MOLDING/TRIM - VINYL - .6" X 3.9" X 74.1" - MAPLE - WASHED MAPLE
3	M09450-68-P45	EA	MOLDING - TRIM/VEE - .2" X 1" X 72" - OAK/PORTSMOUTH OAK
3	M09450-68-P46	EA	MOLDING - TRIM/VEE - .2" X 1" X 72" - CHERRY/CHERRY - CONCERT CHERRY
3	M09450-68-P56	EA	MOLDING - TRIM/VEE - .2" X 1" X 72" - MAPLE/MAPLE - WASHED MAPLE

EXTERIOR SLIDEOUT GROUP (CONTINUED)
COMPONENT PARTS FOR RIGHT REAR

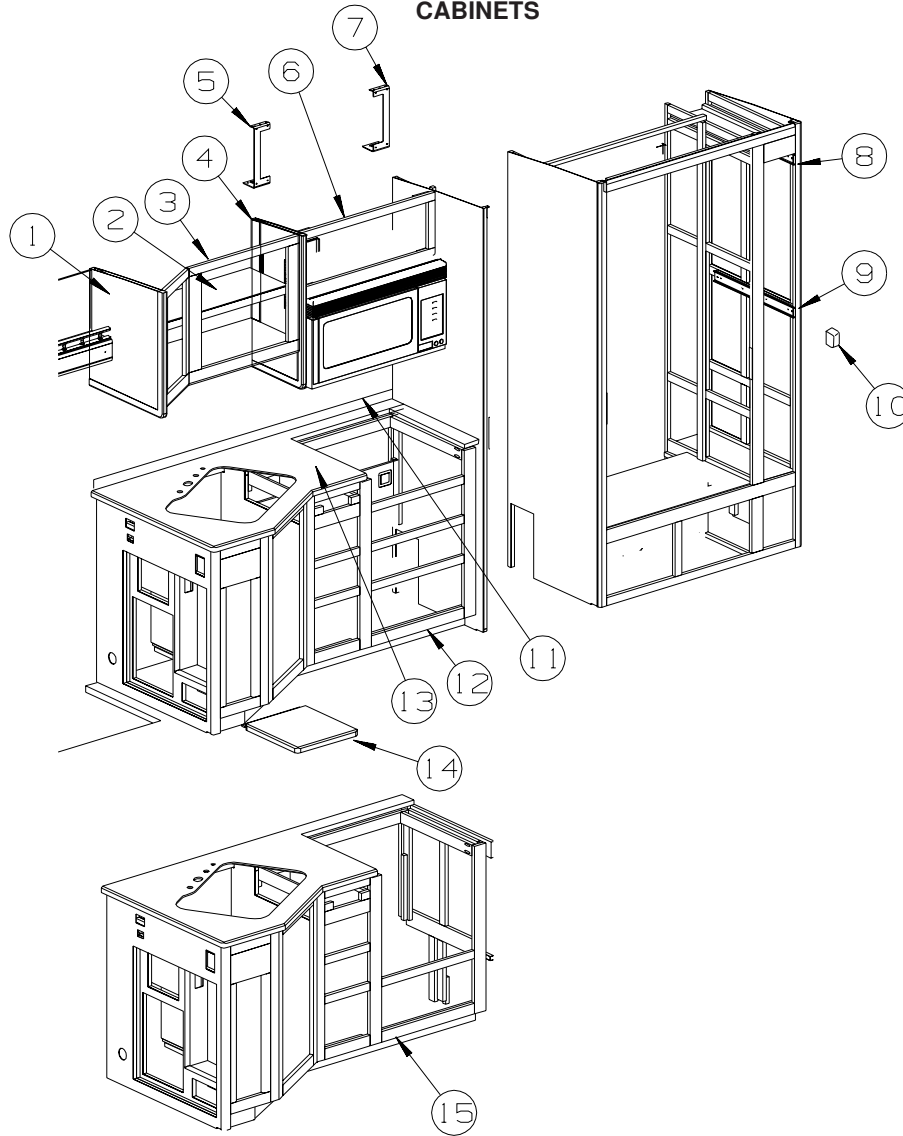
100536-46-000

KEY	PART NUMBER	U/M	DESCRIPTION	VENDOR NO.
	100536-46-700	EA	HOSE/HYDRAULIC - 1/4" X 408"	RAP4669/AP4669
	100536-46-701	EA	HOSE/HYDRAULIC - 1/4" X 412"	AP7130

137390-01-000

KEY	PART NUMBER	U/M	DESCRIPTION	VENDOR NO.
	128599-06-700	EA	HOSE/HYDRAULIC -1/8" X 72"	AP24635
	128599-06-701	EA	HOSE/HYDRAULIC - 1/8" X 84"	AP24636
	128599-06-703	EA	BEARING KIT - SLIDE-OUT TUBE	RAP90698
	128599-06-704	EA	BEARING PAD - SLIDE-OUT	P14811
	137390-01-700	EA	RAM/CYLINDER - SLIDEOUT ROOM	RAP90876/AP23425
	137390-01-701	EA	CYLINDER NUT KIT - SLIDEOUT	RAP90947
	137390-01-702	EA	SLOT COVER ASM. - RUBBER	AP26959

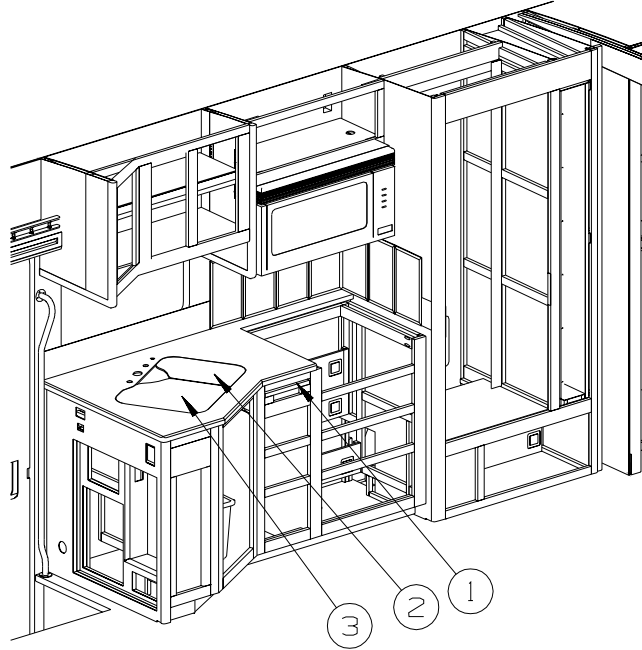
GALLEY GROUP CABINETS



KEY	PART NUMBER	U/M	DESCRIPTION
1	137462-16-P54	EA	END CAP - OVERHEAD CABINET - PORTSMOUTH OAK
1	137462-16-P55	EA	END CAP - OVERHEAD CABINET - CONCERT CHERRY
1	137462-16-P56	EA	END CAP - OVERHEAD CABINET - WASHED MAPLE
2	140934-27-P54	EA	SHELF - W/PLASTIC EDGE MOLDING - PORTSMOUTH OAK
2	140934-27-P55	EA	SHELF - W/PLASTIC EDGE MOLDING - CONCERT CHERRY
2	140934-27-P56	EA	SHELF - W/PLASTIC EDGE MOLDING - WASHED MAPLE
3	140934-01-P54	EA	CABINET - OVERHEAD/GALLEY - W/O DOORS/HARDWARE - PORTSMOUTH OAK
3	140934-01-P55	EA	CABINET - OVERHEAD/GALLEY - W/O DOORS/HARDWARE - CONCERT CHERRY
3	140934-01-P56	EA	CABINET - OVERHEAD/GALLEY - W/O DOORS/HARDWARE - WASHED MAPLE
4	137462-17-P45	EA	END CAP - OVERHEAD CABINET - PORTSMOUTH OAK
4	137462-17-P46	EA	END CAP - OVERHEAD CABINET - CONCERT CHERRY
4	137462-17-P56	EA	END CAP - OVERHEAD CABINET - WASHED MAPLE
5	130736-03-02B	EA	BRACKET - MICROWAVE - E-COATED
6	141733-02-P45	EA	CABINET - OVERHEAD/MICROWAVE - W/O DOORS/HARDWARE - PORTSMOUTH OAK
6	141733-02-P46	EA	CABINET - OVERHEAD/MICROWAVE - W/O DOORS/HARDWARE - CONCERT CHERRY
6	141733-02-P56	EA	CABINET - OVERHEAD/MICROWAVE - W/O DOORS/HARDWARE - WASHED MAPLE
7	130736-04-02B	EA	BRACKET - MICROWAVE - E-COATED
8	122360-02-000	EA	SLIDE - PANTRY - W/O LOCK - RIGHT/LEFT HAND
9	122360-03-000	EA	SLIDE - PANTRY - W/LOCK - RIGHT HAND (FACING PANEL)
10	123673-01-01A	EA	KNOB - PANTRY SLIDE
11	130813-04-04A	EA	BACKSPLASH/SIDE - GALLEY CABINET - 1/2" VENDURA - QUARRY

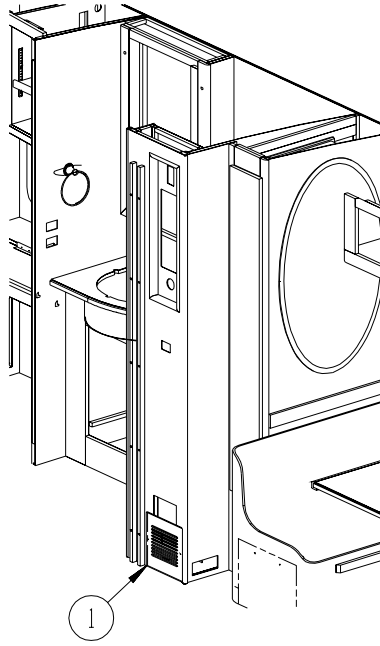
GALLEY GROUP (CONTINUED) CABINETS (CONTINUED)

KEY	PART NUMBER	U/M	DESCRIPTION
12	P40935-01-P45	EA	CABINET - GALLEY - W/O CTRTP/DRS/DWR/HDW - PORTSMOUTH OAK - RANGE TOP 3 BURNER
12	P40935-01-P46	EA	CABINET - GALLEY - W/O CTRTP/DRS/DWR/HDW - CONCERT CHERRY - RANGE TOP 3 BURNER
12	P40935-01-P56	EA	CABINET - GALLEY - W/O CTRTP/DRS/DWR/HDW - WASHED MAPLE - RANGE TOP 3 BURNER
13	137475-01-03A	EA	COUNTERTOP - 1/4" VENDURA - ROCKY MOUNTAIN
14	141784-01-03A	EA	COUNTERTOP - EXTENSION - 1/4" VENDURA - QUARRY
16	P40935-02-P45	EA	CABINET - GALLEY - W/O CTRTP/DRS/DWR/HDW - PORTSMOUTH OAK - RANGE 3 BURNER W/OVEN
16	P40935-02-P46	EA	CABINET - GALLEY - W/O CTRTP/DRS/DWR/HDW - CONCERT CHERRY - RANGE 3 BURNER W/OVEN
16	P40935-02-P56	EA	CABINET - GALLEY - W/O CTRTP/DRS/DWR/HDW - WASHED MAPLE - RANGE 3 BURNER W/OVEN

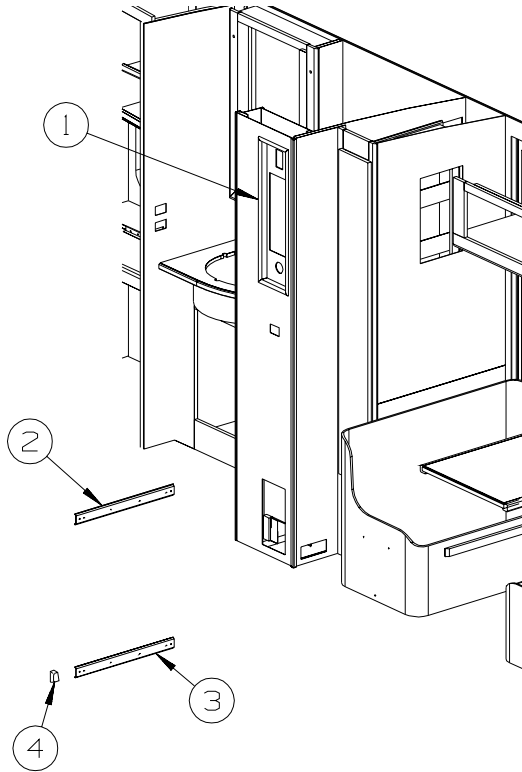


KEY	PART NUMBER	U/M	DESCRIPTION
1	102778-03-000	EA	BOARD - CUTTING - .7" X 10" X 17.7" - WOOD
2	137489-02-03A	EA	COVER - SINK/SMALL - 9.6" X 15.7" - 1/4" VENDURA/QUARRY
3	137489-01-03A	EA	COVER - SINK/LARGE - 13.8" X 17" - 1/4" VENDURA/QUARRY

GALLEY GROUP (CONTINUED)
CABINETS (CONTINUED)



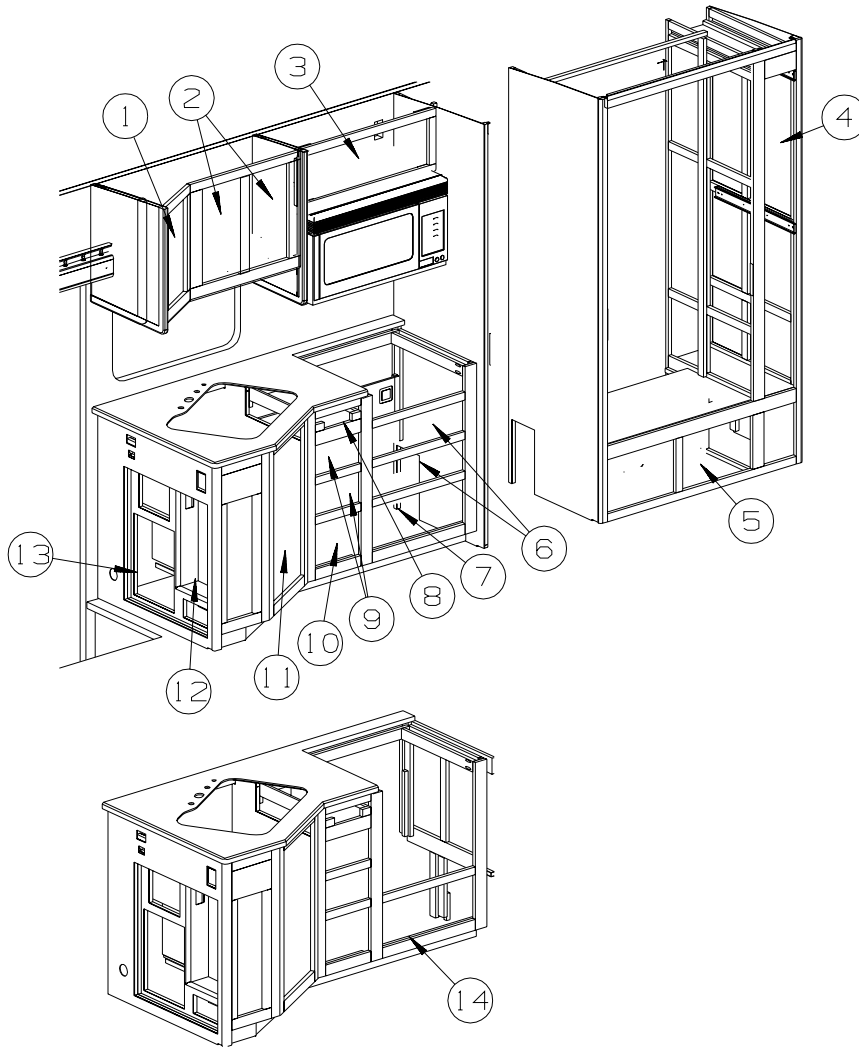
KEY	PART NUMBER	U/M DESCRIPTION
1	093614-14-01A	EA GRILLE - AIR RETURN - 7.9" X 13.9" - WHITE



KEY	PART NUMBER	U/M DESCRIPTION
1	137602-55-P45	EA POCKET - MONITOR PANEL - PORTSMOUTH OAK
1	137602-55-P46	EA POCKET - MONITOR PANEL - CONCERT CHERRY
1	137602-55-P56	EA POCKET - MONITOR PANEL - WASHED MAPLE
2	122360-02-000	EA SLIDE - PANTRY - W/O LOCK - RIGHT/LEFT HAND
3	122360-01-000	EA SLIDE - PANTRY - W/LOCK - LEFT HAND (FACING PANEL)
4	123673-01-01A	EA KNOB - PANTRY SLIDE

GALLEY GROUP (CONTINUED)

DOORS & DRAWERS

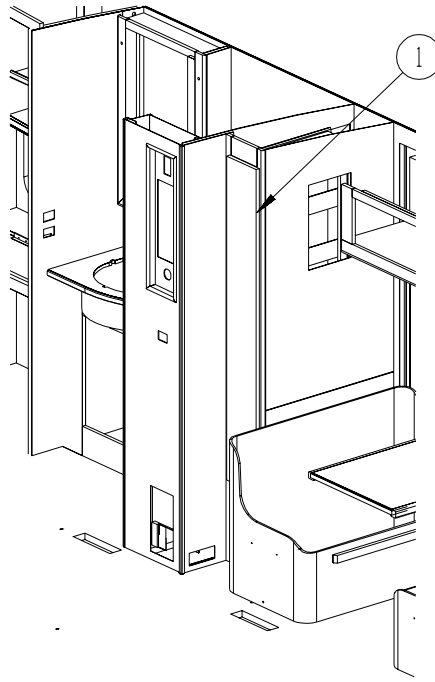


KEY	PART NUMBER	U/M	DESCRIPTION
1	134868-02-N47	EA	DOOR - RAIL/ARCHED TOP - 10" X 19.1" - W/O HARDWARE - PORTSMOUTH OAK FROM: 00-00-00 THRU: 11-12-02
1	141520-22-P54	EA	DOOR - ARCHED/PENCIL EDGE/RIGHT HAND -10" X 19.1"-W/O HDW - PORTSMOUTH OAK FROM: 11-13-02 THRU: 99-99-99
1	134868-02-P55	EA	DOOR - RAIL/ARCHED TOP - 10" X 19.1" - W/O HARDWARE - CONCERT CHERRY FROM: 00-00-00 THRU: 11-12-02
1	141520-22-P55	EA	DOOR - ARCHED/PENCIL EDGE/RIGHT HAND -10" X 19.1"-W/O HDW - CONCERT CHERRY FROM: 11-13-02 THRU: 99-99-99
1	134868-02-P56	EA	DOOR - RAIL/ARCHED TOP - 10" X 19.1" - W/O HARDWARE - WASHED MAPLE FROM: 00-00-00 THRU: 11-12-02
1	141520-22-P56	EA	DOOR - ARCHED/PENCIL EDGE/RIGHT HAND -10" X 19.1"-W/O HDW - WASHED MAPLE FROM: 11-13-02 THRU: 99-99-99
2	134868-10-N47	EA	DOOR - RAIL/ARCHED TOP - 10" X 19.1" - W/O HARDWARE - PORTSMOUTH OAK FROM: 00-00-00 THRU: 11-12-02
2	141518-22-P54	EA	DOOR - ARCHED/PENCIL EDGE/LEFT HAND - 10" X 19.1" -W/O HDW - PORTSMOUTH OAK FROM: 11-13-02 THRU: 99-99-99
2	134868-10-P55	EA	DOOR - RAIL/ARCHED TOP - 10" X 19.1" - W/O HARDWARE - CONCERT CHERRY FROM: 00-00-00 THRU: 11-12-02
2	141518-22-P55	EA	DOOR - ARCHED/PENCIL EDGE/LEFT HAND - 10" X 19.1" -W/O HDW - CONCERT CHERRY FROM: 11-13-02 THRU: 99-99-99
2	134868-10-P56	EA	DOOR - RAIL/ARCHED TOP - 10" X 19.1" - W/O HARDWARE - WASHED MAPLE FROM: 00-00-00 THRU: 11-12-02
2	141518-22-P56	EA	DOOR - ARCHED/PENCIL EDGE/LEFT HAND - 10" X 19.1" -W/O HDW - WASHED MAPLE FROM: 11-13-02 THRU: 99-99-99

GALLEY GROUP (CONTINUED)
DOORS & DRAWERS (CONTINUED)

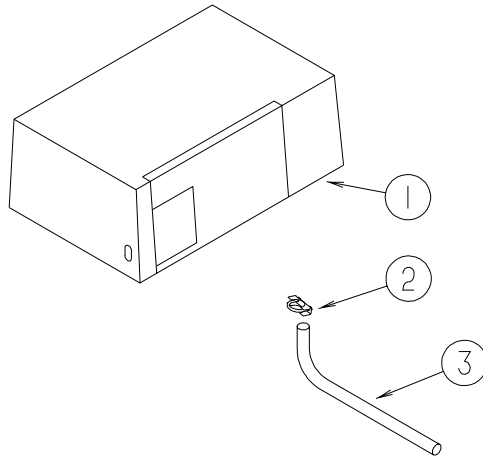
KEY	PART NUMBER	U/M	DESCRIPTION
3	134868-03-N47	EA	DOOR - RAIL/ARCHED TOP - 10" X 29.5" - W/O HARDWARE - PORTSMOUTH OAK FROM: 00-00-00 THRU: 11-12-02
3	141522-28-P54	EA	DOOR - ARCHED/PENCIL EDGE/HORIZ - 10" X 29.5" - W/O HDW - PORTSMOUTH OAK FROM: 11-13-02 THRU: 99-99-99
3	134868-03-P55	EA	DOOR - RAIL/ARCHED TOP - 10" X 29.5" - W/O HARDWARE - CONCERT CHERRY FROM: 00-00-00 THRU: 11-12-02
3	141522-28-P55	EA	DOOR - ARCHED/PENCIL EDGE/HORIZ - 10" X 29.5" - W/O HDW - CONCERT CHERRY FROM: 11-13-02 THRU: 99-99-99
3	134868-03-P56	EA	DOOR - RAIL/ARCHED TOP - 10" X 29.5" - W/O HARDWARE - WASHED MAPLE FROM: 00-00-00 THRU: 11-12-02
3	141522-28-P56	EA	DOOR - ARCHED/PENCIL EDGE/HORIZ - 10" X 29.5" - W/O HDW - WASHED MAPLE FROM: 11-13-02 THRU: 99-99-99
4	134781-A6-N47	EA	DOOR - RAIL/VENEER - 8" X 60.7" - W/O HARDWARE - PORTSMOUTH OAK
4	134781-A6-P55	EA	DOOR - RAIL/VENEER - 8" X 60.7" - W/O HARDWARE - CONCERT CHERRY
4	134781-A6-P56	EA	DOOR - RAIL/VENEER - 8" X 60.7" - W/O HARDWARE - WASHED MAPLE
5	134870-27-P54	EA	DRAWER - PENCIL EDGE - 23.3"W X 11.8"D - W/O SLIDES/HDW - PORTSMOUTH OAK
5	134870-27-P55	EA	DRAWER - PENCIL EDGE - 23.3"W X 11.8"D - W/O SLIDES/HDW - CONCERT CHERRY
5	134870-27-P56	EA	DRAWER - PENCIL EDGE - 23.3"W X 11.8"D - W/O SLIDES/HDW - WASHED MAPLE
6	134870-25-P54	EA	DRAWER - PENCIL EDGE - 20.2"W X 19.7"D - W/O SLIDES/HDW - PORTSMOUTH OAK
6	134870-25-P55	EA	DRAWER - PENCIL EDGE - 20.2"W X 19.7"D - W/O SLIDES/HDW - CONCERT CHERRY
6	134870-25-P56	EA	DRAWER - PENCIL EDGE - 20.2"W X 19.7"D - W/O SLIDES/HDW - WASHED MAPLE
7	134870-04-N47	EA	DRAWER - PENCIL EDGE - 20.2"W X 15.7"D - W/O SLIDES/HDW - PORTSMOUTH OAK
7	134870-04-M84	EA	DRAWER - PENCIL EDGE - 20.2"W X 15.7"D - W/O SLIDES/HDW - CONCERT CHERRY
7	134870-04-M85	EA	DRAWER - PENCIL EDGE - 20.2"W X 15.7"D - W/O SLIDES/HDW - WASHED MAPLE
8	134768-N5-P54	EA	FACE-DRAWER - PORTSMOUTH OAK
8	134768-N5-P55	EA	FACE-DRAWER - CONCERT CHERRY
8	134768-N5-P56	EA	FACE-DRAWER - WASHED MAPLE
9	134870-26-P54	EA	DRAWER - PENCIL EDGE - 9.6"W X 19.7"D - W/O SLIDES/HDW - PORTSMOUTH OAK
9	134870-26-P55	EA	DRAWER - PENCIL EDGE - 9.6"W X 19.7"D - W/O SLIDES/HDW - CONCERT CHERRY
9	134870-26-P56	EA	DRAWER - PENCIL EDGE - 9.6"W X 19.7"D - W/O SLIDES/HDW - WASHED MAPLE
10	134870-02-N47	EA	DRAWER - PENCIL EDGE - 9.6"W X 15.7"D - W/O SLIDES/HDW - PORTSMOUTH OAK
10	134870-02-M63	EA	DRAWER - PENCIL EDGE - 9.6"W X 15.7"D - W/O SLIDES/HDW - CONCERT CHERRY
10	134870-02-M62	EA	DRAWER - PENCIL EDGE - 9.6"W X 15.7"D - W/O SLIDES/HDW - WASHED MAPLE
11	136955-C6-P54	EA	DOOR - RAISED PANEL/PENCIL EDGE - 15.6" X 29.5" - W/O HDW - PORTSMOUTH OAK
11	136955-C6-P55	EA	DOOR - RAISED PANEL/PENCIL EDGE - 15.6" X 29.5" - W/O HDW - CONCERT CHERRY
11	136955-C6-P56	EA	DOOR - RAISED PANEL/PENCIL EDGE - 15.6" X 29.5" - W/O HDW - WASHED MAPLE
12	136955-72-P54	EA	DOOR - RAISED PANEL/PENCIL EDGE - 12" X 26" - W/O HDW - PORTSMOUTH OAK
12	136955-72-P55	EA	DOOR - RAISED PANEL/PENCIL EDGE - 12" X 26" - W/O HDW - CONCERT CHERRY
12	136955-72-P56	EA	DOOR - RAISED PANEL/PENCIL EDGE - 12" X 26" - W/O HDW - WASHED MAPLE
13	136955-71-P54	EA	DOOR - RAISED PANEL/PENCIL EDGE - 12" X 26" - W/O HDW - PORTSMOUTH OAK
13	136955-71-P55	EA	DOOR - RAISED PANEL/PENCIL EDGE - 12" X 26" - W/O HDW - CONCERT CHERRY
13	136955-71-P56	EA	DOOR - RAISED PANEL/PENCIL EDGE - 12" X 26" - W/O HDW - WASHED MAPLE
14	134870-03-N47	EA	DRAWER - PENCIL EDGE - 20.2"W X 15.7"D - W/O SLIDES/HDW - PORTSMOUTH OAK
14	134870-03-M85	EA	DRAWER - PENCIL EDGE - 20.2"W X 15.7"D - W/O SLIDES/HDW - CONCERT CHERRY
14	134870-03-M84	EA	DRAWER - PENCIL EDGE - 20.2"W X 15.7"D - W/O SLIDES/HDW - WASHED MAPLE

GALLEY GROUP (CONTINUED)
DOORS & DRAWERS (CONTINUED)



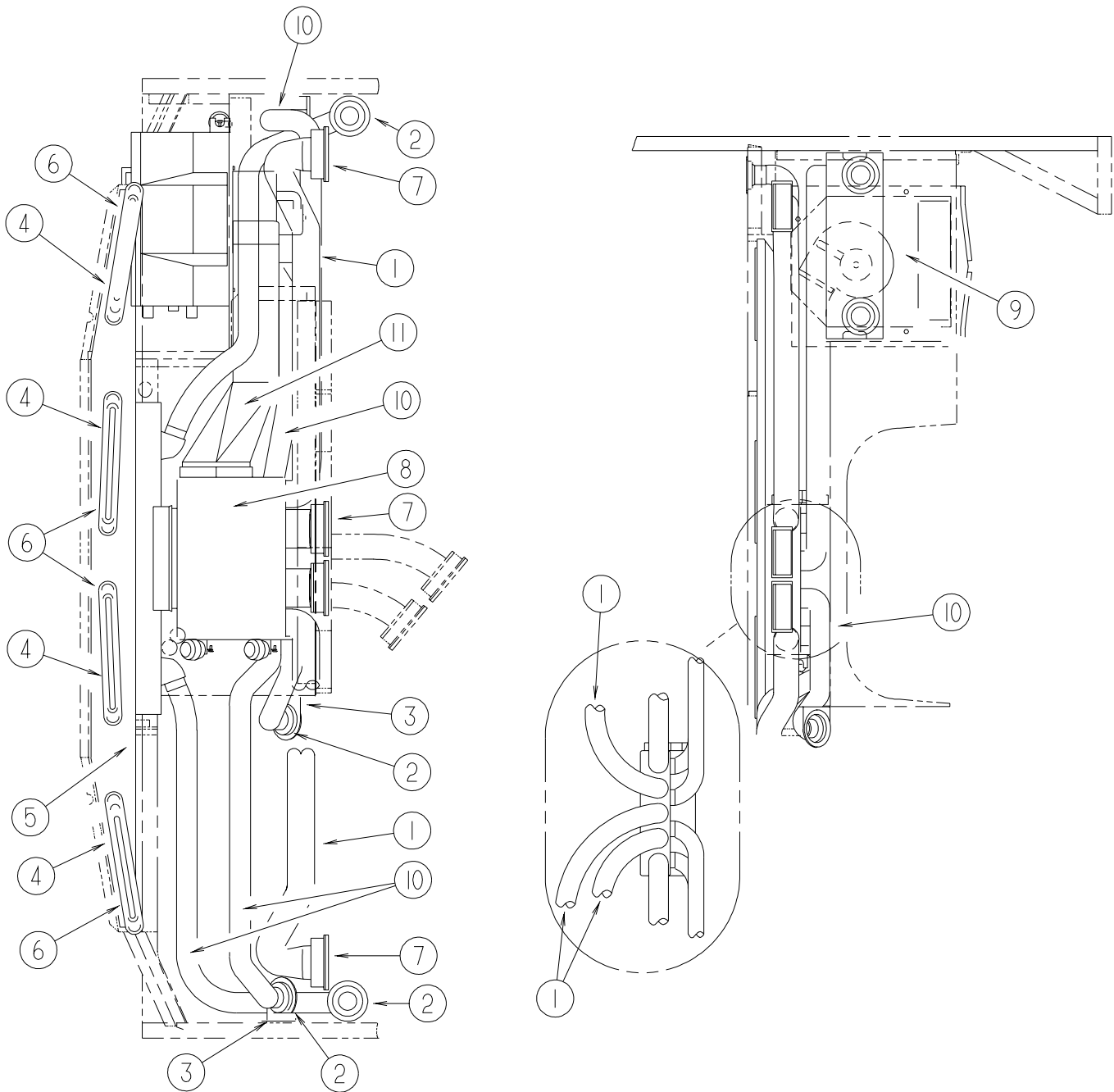
KEY	PART NUMBER	U/M	DESCRIPTION
1	134781-A7-N47	EA	DOOR - RAIL/VENEER - 8" X 60.7" - W/O HARDWARE - PORTSMOUTH OAK
1	134781-A7-P55	EA	DOOR - RAIL/VENEER - 8" X 60.7" - W/O HARDWARE - CONCERT CHERRY
1	134781-A7-P56	EA	DOOR - RAIL/VENEER - 8" X 60.7" - W/O HARDWARE - WASHED MAPLE

GENERATOR GROUP GAS



KEY	PART NUMBER	U/M	DESCRIPTION
1	135707-02-000	EA	GENERATOR - 7.9 - 30/20 - GAS - MARQUIS GOLD - 30 AMP
1	135707-01-000	EA	GENERATOR - 7.9 - 30/30 - GAS - MARQUIS GOLD - 50 AMP
1	135707-07-000	EA	GENERATOR - 5.5 - 30/20 - GAS - MARQUIS GOLD - 30 AMP
1	135707-06-000	EA	GENERATOR - 5.5 - 30/30 - GAS - MARQUIS GOLD - 50 AMP
2	007125-03-000	EA	CLAMP - MUFFLER - 1.5" DIAMETER
3	105958-27-000	EA	PIPE - EXHAUST - GENERATOR

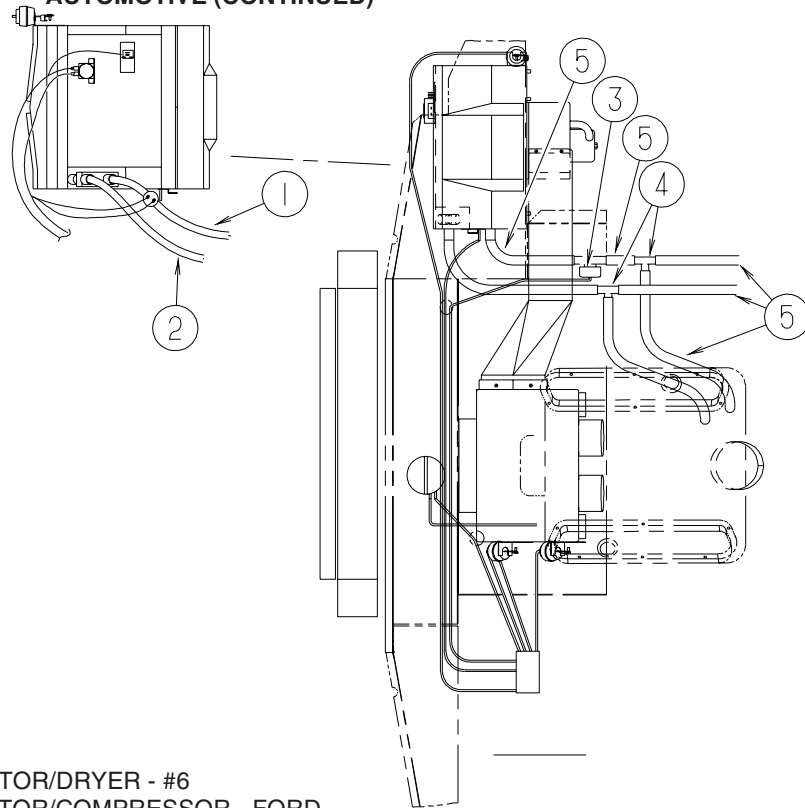
HEATING & A/C GROUP AUTOMOTIVE



KEY	PART NUMBER	U/M	DESCRIPTION
1	007281-01-000	EA	HOSE - FLEXIBLE PVC - 2 1/2" ID X 50'
2	024990-05-000	EA	OUTLET - DEFROSTER - W/SWIVEL - 2" SLEEVE/4" OD - BLACK - 2 USED
3	136157-03-02B	EA	BRACKET - HEATER - E-COATED - 1 USED
4	077075-01-000	EA	GASKET - INSTRUMENT PANEL/DEFROSTER PLENUM - .6" X 10.2"
5	103017-03-000	EA	PLENUM - DEFROSTER
6	135265-01-04A	EA	VENT - DEFROSTER - PLASTIC - GLACIER
7	135803-01-01A	EA	LOUVER - A/C - 2.5" X 5.2" - BLACK - 2 USED
7	135803-02-01A	EA	LOUVER - A/C - 2.5" - 5.7" - W/SCREW HOLES - BLACK - 2 USED
8*	103930-49-000	EA	CONTROL/PLENUM - LARGE ROTARY
9*	103930-55-000	EA	EVAPORATOR/HEATER - NONCHARGED - SINGLE OUTPUT
10	007076-01-000	EA	HOSE - FLEXIBLE PVC - 2" ID - INCREMENTS OF 50'
11	103016-03-000	EA	PLENUM - TRANSITION
	103930-54-000	EA	MANUAL - OWNERS - HEATER/AC

***COMPONENT PARTS LISTED LATER IN THIS GROUP**

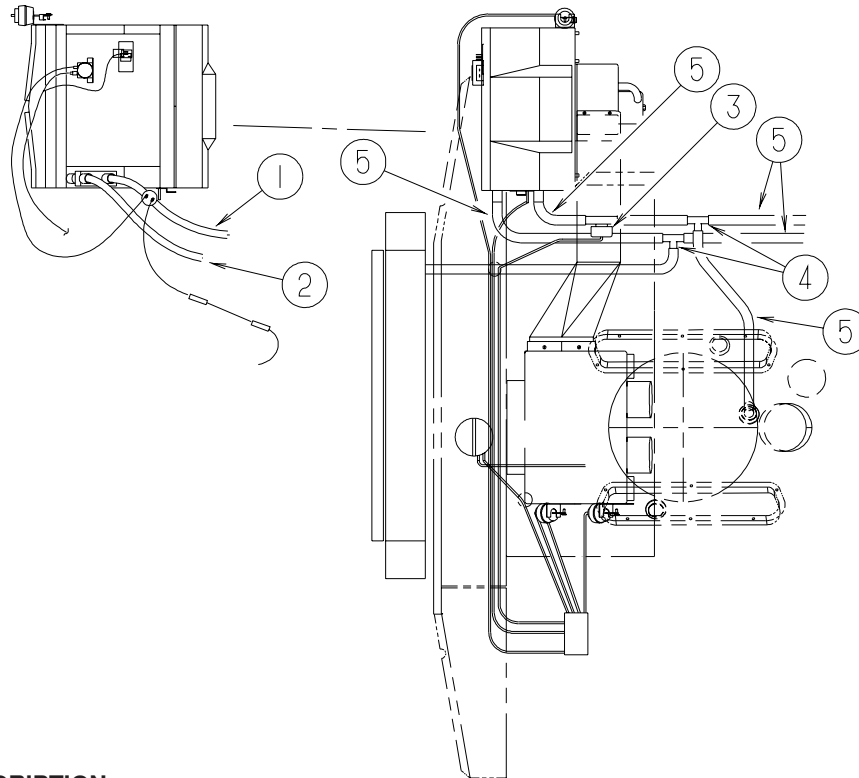
HEATING & A/C GROUP (CONTINUED) AUTOMOTIVE (CONTINUED)



FORD

KEY	PART NUMBER	U/M	DESCRIPTION
1*	103930-44-000	EA	HOSE - EVAPORATOR/DRYER - #6
2*	103930-45-000	EA	HOSE - EVAPORATOR/COMPRESSOR - FORD
3	103930-23-000	EA	VALVE/WATER - 2 PORT/VACUUM CONTROLLED - "NEW DESIGN"
4	076776-01-000	EA	TEE - BEADED - 5/8" X 5/8" X 5/8"
5	007108-01-000	FT	HOSE - HEATER - 5/8" ID - HI-TEMP

***COMPONENT PARTS LISTED LATER IN THIS GROUP**



WORKHORSE

KEY	PART NUMBER	U/M	DESCRIPTION
1*	103930-47-000	EA	HOSE - EXPANSION VALVE-EVAPORATOR/DRYER
2*	103930-46-000	EA	HOSE - EXPANSION BLOCK (EVAPORATOR) TO COMPRESSOR
3	103930-23-000	EA	VALVE/WATER - 2 PORT/VACUUM CONTROLLED - "NEW DESIGN"
4	076776-01-000	EA	TEE - BEADED - 5/8" X 5/8" X 5/8"
5	007108-01-000	FT	HOSE - HEATER - 5/8" ID - HI-TEMP

***COMPONENT PARTS LISTED LATER IN THIS GROUP**

HEATING & A/C GROUP (CONTINUED)

COMPONENT PARTS FOR AUTOMOTIVE

103930-44-000

KEY	PART NUMBER	U/M	DESCRIPTION	VENDOR NO
	103930-29-701	EA	O'RING F/LOW PRESSURE SWITCH	045-0483
	103930-44-700	EA	HOSE ASSEMBLY #6	085-0462
	113245-01-711	EA	O'RING #6	045-0129

103930-45-000

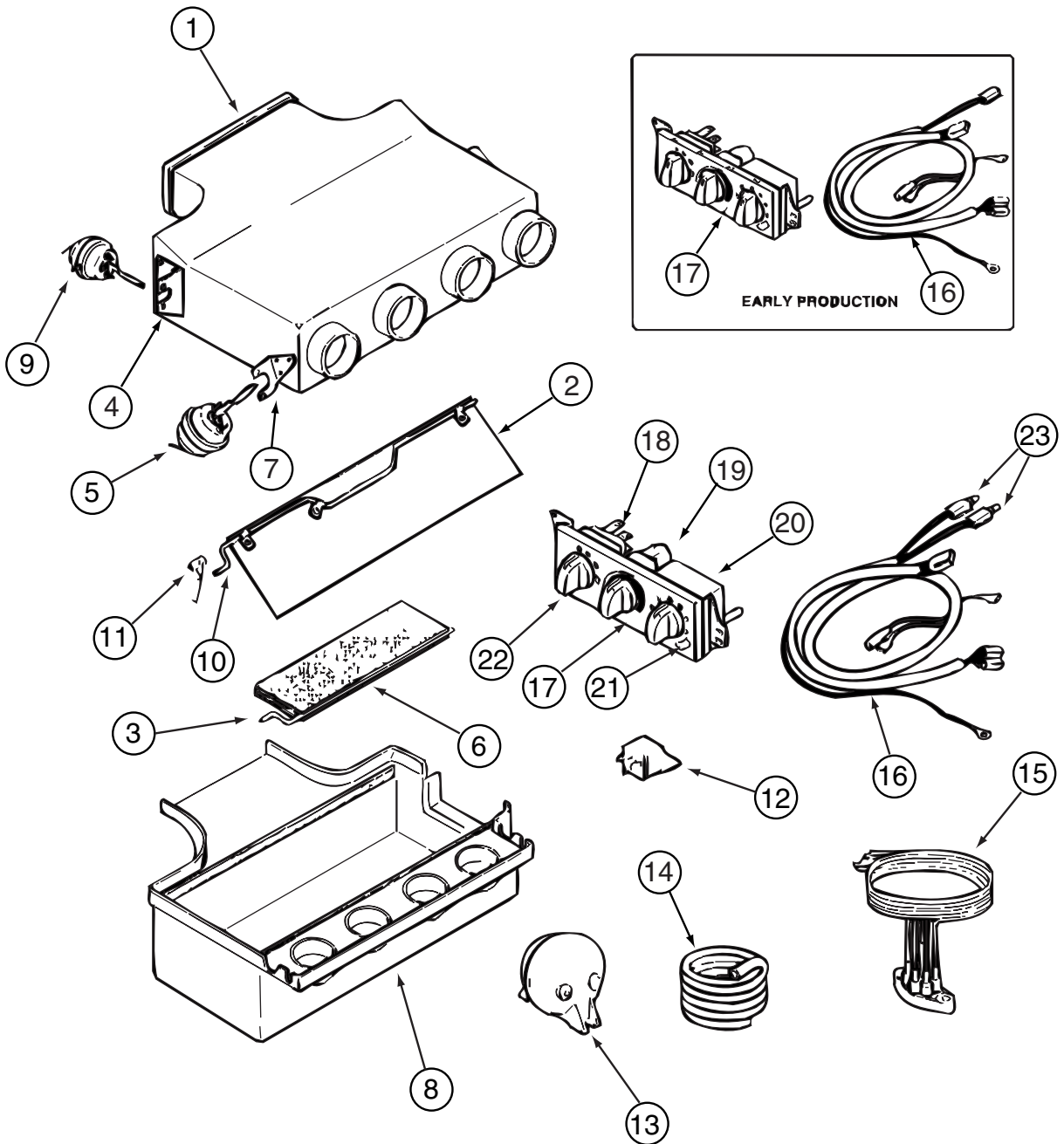
KEY	PART NUMBER	U/M	DESCRIPTION	VENDOR NO.
	103930-17-702	EA	O'RING #10	045-0127

103930-46-000

KEY	PART NUMBER	U/M	DESCRIPTION	VENDOR NO
	103930-17-702	EA	O'RING #10	045-0127
	103930-29-701	EA	O'RING F/LOW PRESSURE SWITCH	045-0483
	103930-46-700	EA	HOSE - #10 EVAP/COMP - 4.3'	085-0486

103930-47-000

KEY	PART NUMBER	U/M	DESCRIPTION	VENDOR NO
	103930-47-700	EA	HOSE - #6-EVAP/DRIER - 2.2'	085-0485
	113245-01-710	EA	O'RING, #12	045-0128



103930-49-000

HEATING & A/C GROUP (CONTINUED)
COMPONENT PARTS FOR AUTOMOTIVE (CONTINUED)

103930-49-000 (CONTINUED)

KEY	PART NUMBER	U/M	DESCRIPTION	VENDOR NO.
1	103930-39-705	EA	PLENUM - TOP	060-0482
2	103930-04-700	EA	DOOR - DEFROSTER-A/C	071-0149
3	103930-39-700	EA	ROD - DOOR - AC/HEAT	073-067
5	103930-02-708	EA	MOTOR-VACUUM SERVO, A/C	030-0025
6	103930-39-706	EA	PLATE - DOOR - A/C	071-0623
8	103930-39-707	EA	PLENUM - BOTTOM	060-0483
9	103930-33-701	EA	MOTOR - VACUUM, 3 STAGE	030-0105
10	103930-39-701	EA	ROD - DOOR - AC/DEFROST	073-0069
11	103930-39-704	EA	SPRING	022-0119
12	103930-02-707	EA	RELAY-BOSCH W/RESISTER	031-0001
13	103930-02-710	EA	CANISTER-VACUUM	054-0002
15	103930-33-703	EA	VACUUM HARNESS	036-0466
16	103930-49-700	EA	HARNESS - WIRE	036-556
16	103930-49-701	EA	HARNESS - WIRE W/BULBS	036-0557
17	103930-49-702	EA	CONTROL PANEL-RECESSED FACE	032-0054
17	103930-49-703	EA	CONTROL PANEL - NON RECESSED	083-0223
18	103930-49-704	EA	SWITCH - BLOWER	032-0332
19	103930-49-705	EA	POTENTIOMETER	032-0182
20	103930-49-706	EA	SWITCH - VACUUM	032-0185
21	103930-49-707	EA	DECAL CONTROL PANEL-N/RECESS	058-0144
22	103930-49-708	EA	KNOB - BLOWER - NONRECESSED	062-0620
23	103930-33-705	EA	LIGHT BULBS	035-0030
CONTACT WINNEBAGO PART SALES FOR UNLISTED COMPONENTS				

103930-55-000

KEY	PART NUMBER	U/M	DESCRIPTION	VENDOR NO
	103930-01-710	EA	RESISTOR-FUSED, A/C 4 TERM	035-0006
	103930-01-711	EA	THERMOSTAT	033-0003
	103930-01-717	EA	WHEEL-BLOWER, CLOCKWISE	062-0010
	103930-20-700	EA	VALVE-EXPANSION-BLOCK, 2 TON	034-0032
	103930-55-700	EA	CORE EVAPORATOR	041-00168
	103930-55-701	EA	CASE - FRONT	062-00658
	103930-55-702	EA	CASE - REAR	062-00657
	103930-55-703	EA	MOTOR/BLOWER	030-0137

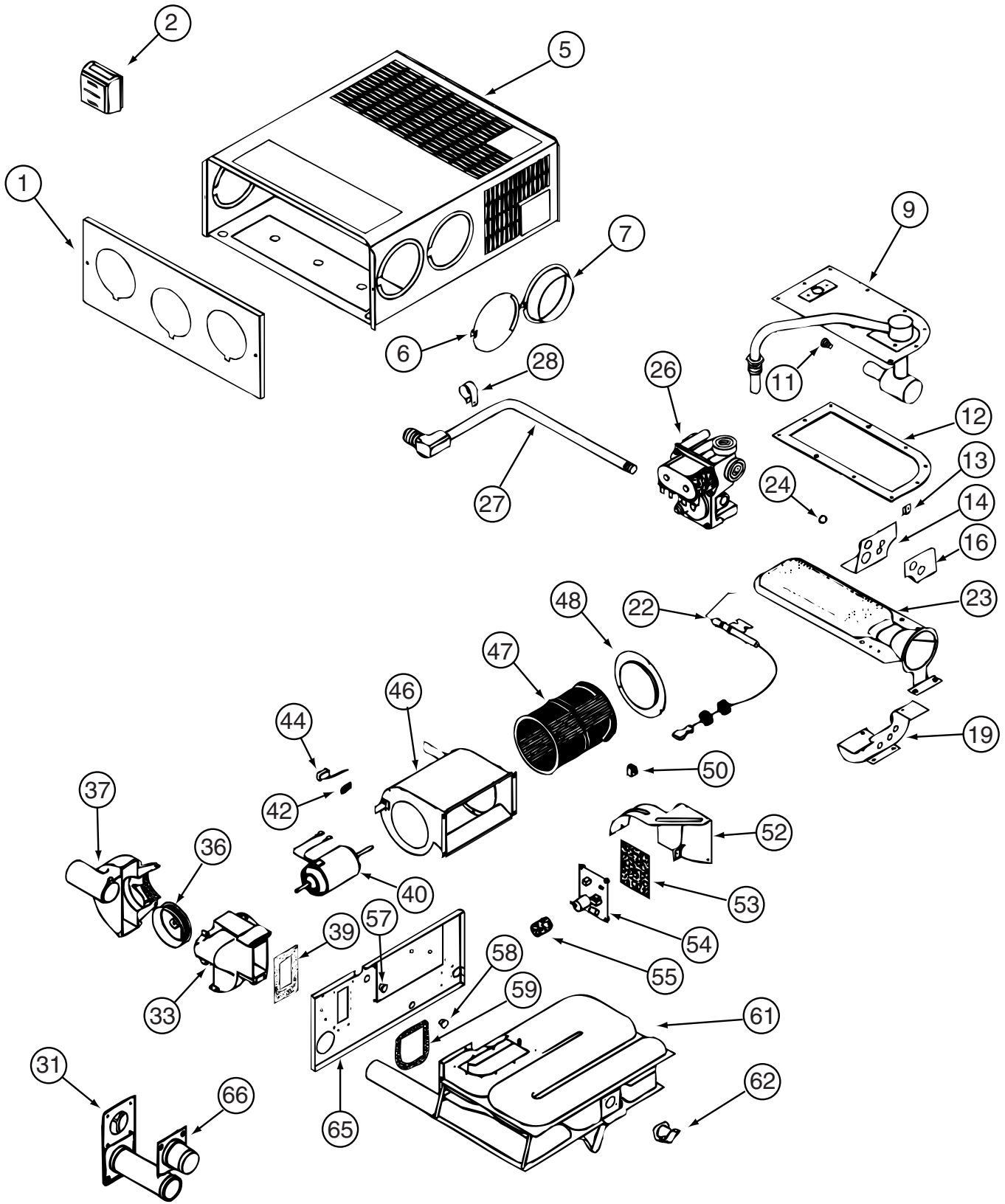
HEATING & A/C GROUP (CONTINUED)
FURNACE

KEY	PART NUMBER	U/M	DESCRIPTION
*	139980-03-000	EA	FURNACE - 35000 BTU - SF QUIET - SUBURBAN SF-35 2322J - G31Y, G33V
*	139980-04-000	EA	FURNACE - 40000 BTU - SF QUIET - SUBURBAN SF-42 2323J - G35U, G37C, G38G
	098668-14-000	EA	GASKET - FIBERGLASS - .5" X 18" X 18"
	098668-15-000	EA	PLATE - FACE - SUBURBAN FURNACE
	098668-23-000	EA	DOOR - ACCESS - FURNACE - BRIGHT WHITE
	126693-05-02B	EA	PANEL - EXHAUST/FURNACE - E-COATED
	093614-13-02A	EA	GRILLE - AIR RETURN - 15.9" X 11.9" - BEIGE
	137965-01-01A	EA	REGISTER - 2.25" X 10" - W/O DAMPER - ANTIQUE BRASS
	137965-02-01A	EA	REGISTER - 2.25" X 10" - W/DAMPER - ANTIQUE BRASS
	139980-05-000	EA	VENT - INTAKE
	139980-06-000	EA	VENT CAP
	141194-01-02B	EA	PANEL/FURNACE CLOSEOUT - E-COATED
	141337-01-01A	EA	GASKET - FURNACE

***COMPONENT PARTS LISTED LATER IN THIS GROUP**

HEATING & A/C GROUP (CONTINUED)

COMPONENT PARTS FOR FURNACE



139980-03-000

HEATING & A/C GROUP (CONTINUED)
COMPONENT PARTS FOR FURNACE (CONTINUED)

139980-03-000 (CONTINUED)

KEY	PART NUMBER	U/M	DESCRIPTION	VENDOR NO.
9	139980-01-700	EA	MANIFOLD ASSEMBLY	171571
11	069634-01-720	EA	ORIFICE-MAIN BURNER	180222
12	098668-22-703	EA	GASKET - BURNER ACCESS COVER	070811
22	139980-01-701	EA	ELECTRODE	232286
23	098668-02-700	EA	BURNER ASSEMBLY,SF-30 & SF35	010745
26	098668-01-718	EA	VALVE-GAS SF S.N.974903079	161122
27	139980-01-702	EA	PIPE ASSEMBLY/GAS INLET	171574
31	098668-01-707	EA	TUBE ASSEMBLY, EXHAUST W/CAP	260231
33	139980-01-703	EA	COMBUSTION AIR HOUS FRT/HALF	390852
36	098668-01-706	EA	WHEEL-COMBUSTION AIR	350184
37	139980-01-704	EA	COMBUSTION AIR HOUS RR HALF	390848
39	139980-01-705	EA	GASKET/FIREWALL-COMB AIR	071084
40	139980-01-707	EA	MOTOR ASSEMBLY W/GASKET SF35	232684
42	101990-01-714	EA	GASKET-MICROSWITCH	230877
44	098668-21-700	EA	SWITCH-MICRO-W/O FLAG 3 1/4"	232261
46	139980-01-708	EA	BLOWER ASSEMBLY - ROOM AIR	390739BK
47	098668-01-711	EA	WHEEL-BLOWER, ROOM AIR	350129
48	139980-01-709	EA	ORFICE RING	390696
50	139980-01-710	EA	SWITCH - ON/OFF	232351
52	139980-01-711	EA	PANEL ASSEMBLY-MODULE BD	101663
53	139980-01-712	EA	INSULATOR - MODULE BD	070807
54	098668-22-705	EA	MODULE BD W/RELAY TIME DELAY	520820
55	139980-01-713	EA	CAP/INSULATOR-MODULE BD	070973
57	139980-01-714	EA	BUSHING - UNIVERSAL	070362
58	139980-01-715	EA	BUSHING - STRAIN RELIEF	231809
59	098668-01-716	EA	GASKET-FIREWALL,CHAMBER SIDE	070808
61	139980-01-716	EA	CHAMBER ASSEMBLY - FINAL	021149BK
62	098668-21-701	EA	SWITCH - LIMIT	232504
66	098668-01-713	EA	TUBE ASSEMBLY, INTAKE	051248

CONTACT WINNEBAGO PART SALES FOR UNLISTED COMPONENTS

139980-04-000

KEY	PART NUMBER	U/M	DESCRIPTION	VENDOR NO.
9	098668-20-700	EA	MANIFOLD ASM.	171517
11	139980-04-700	EA	ORFICE - MAIN BURNER	180242
12	098668-22-703	EA	GASKET - BURNER ACCESS COVER	070811
22	139980-01-701	EA	ELECTRODE	232286
23	098668-11-701	EA	BURNER ASSEMBLY,SF-42F	010799
26	098668-01-718	EA	VALVE-GAS SF S.N.974903079	161122
27	139980-01-702	EA	PIPE ASSEMBLY/GAS INLET	171574
31	098668-01-707	EA	TUBE ASSEMBLY, EXHAUST W/CAP	260231
33	139980-01-703	EA	COMBUSTION AIR HOUS FRT/HALF	390852
36	098668-22-702	EA	WHEEL-COMBUSTION AIR	350183
37	139980-01-704	EA	COMBUSTION AIR HOUS RR HALF	390848
39	139980-01-705	EA	GASKET/FIREWALL-COMB AIR	071084
40	139980-04-701	EA	MOTOR ASSEMBLY W/GASKET	232683
42	101990-01-714	EA	GASKET-MICROSWITCH	230877
44	098668-21-700	EA	SWITCH-MICRO-W/O FLAG 3 1/4"	232261
46	139980-04-702	EA	BLOWER ASSEMBLY/ROOM AIR	390740BK
47	098668-01-711	EA	WHEEL-BLOWER, ROOM AIR	350129
48	139980-01-709	EA	ORFICE RING	390696
50	139980-01-710	EA	SWITCH - ON/OFF	232351
52	139980-01-711	EA	PANEL ASSEMBLY-MODULE BD	101663
53	139980-01-712	EA	INSULATOR - MODULE BD	070807
54	098668-22-705	EA	MODULE BD W/RELAY TIME DELAY	520820
55	139980-01-713	EA	CAP/INSULATOR-MODULE BD	070973
57	139980-01-714	EA	BUSHING - UNIVERSAL	070362
58	139980-01-715	EA	BUSHING - STRAIN RELIEF	231809
59	098668-01-716	EA	GASKET-FIREWALL,CHAMBER SIDE	070808
61	139980-04-703	EA	CHAMBER ASSEMBLY FINAL	021150BK
62	098668-22-706	EA	SWITCH/LIMIT - 195 TRIP TEMP	232505
66	098668-01-713	EA	TUBE ASSEMBLY, INTAKE	051248

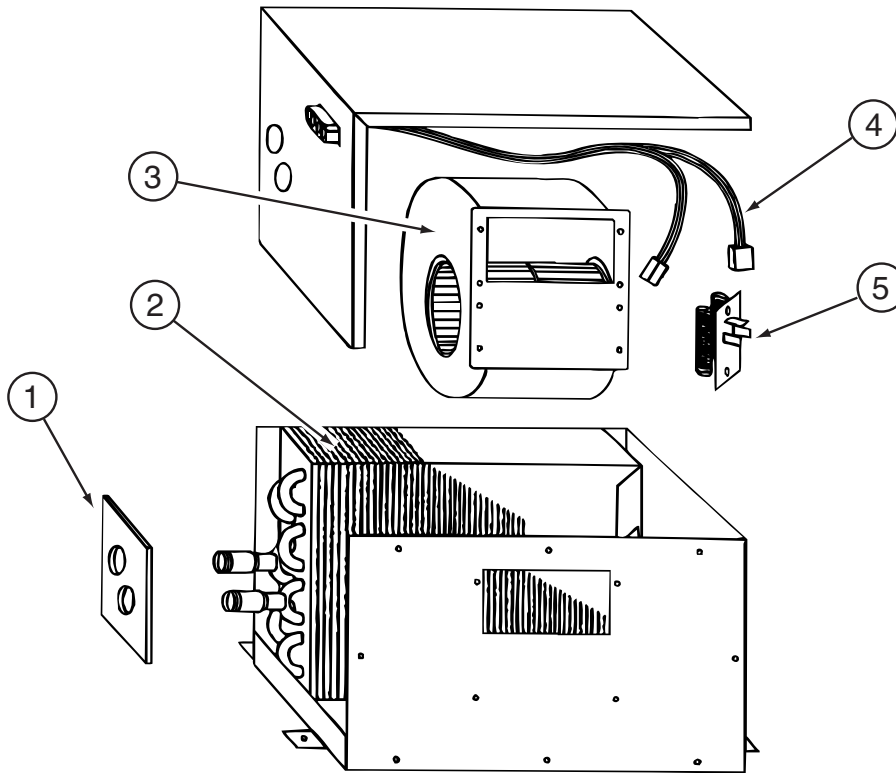
CONTACT WINNEBAGO PART SALES FOR UNLISTED COMPONENTS

HEATING & A/C GROUP (CONTINUED)
REAR HEATER

KEY	PART NUMBER	U/M	DESCRIPTION
*	129205-01-000	EA	HEATER - REAR
	007108-01-000	FT	HOSE - HEATER - 5/8" ID - HI-TEMP
	076776-01-000	EA	TEE - BEADED - 5/8" X 5/8" X 5/8"
	079059-01-000	EA	HOSE - 90 DEGREE - 5/8"ID X 4" X 36"
	137965-01-01A	EA	REGISTER - 2.25" X 10" - W/O DAMPER - ANTIQUE BRASS

***COMPONENT PARTS LISTED LATER IN THIS GROUP**

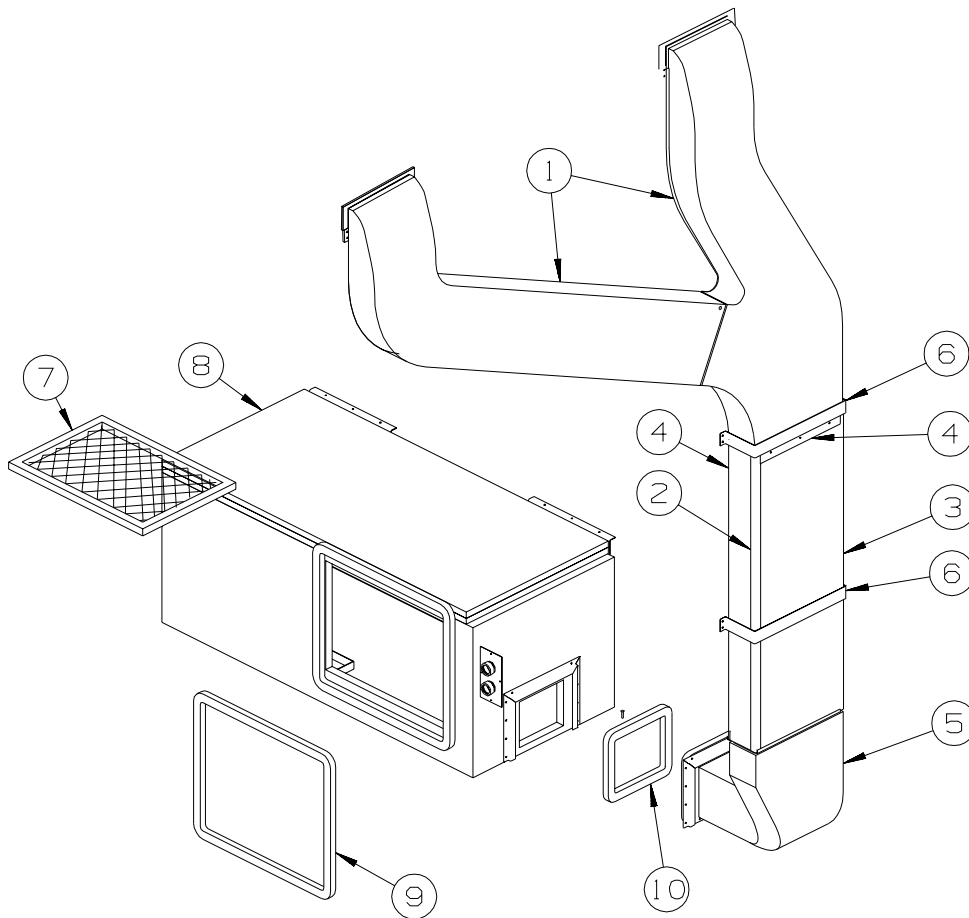
HEATING & A/C GROUP (CONTINUED)
COMPONENT PARTS FOR REAR HEATER



129205-01-000

KEY	PART NUMBER	U/M	DESCRIPTION	VENDOR NO.
1	129205-01-700	EA	SEAL - CORE TUBE	HV218421
2	129205-01-701	EA	CORE - HEATER	HV218426
3	129205-01-702	EA	BLOWER ASSEMBLY	HV218419
4	129205-01-703	EA	WIRE HARNESS	HV218420
5	129205-01-704	EA	RESISTOR	HV218125

HEATING & A/C GROUP (CONTINUED) CENTRAL

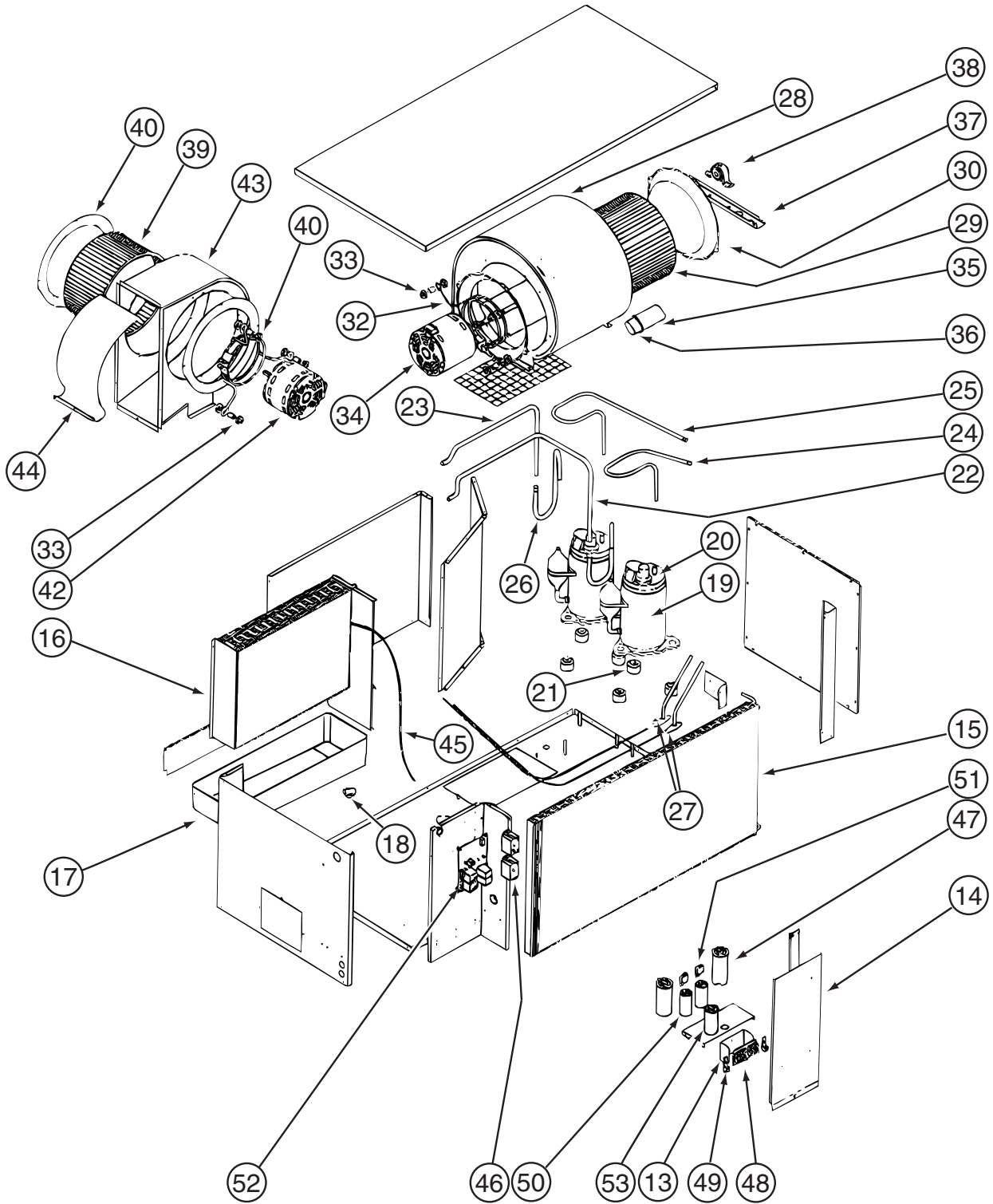


KEY	PART NUMBER	U/M	DESCRIPTION
1	M09204-01-000	EA	DUCT/AC - UPPER RIGHT HAND & LEFT HAND
	128862-01-000	EA	DUCT/AIR - UPPER LEFT HAND
	128868-01-000	EA	DUCT/AIR - UPPER RIGHT HAND
	105290-01-000	SF	INSULATION - AIR POCKET W/FOIL
2	130262-01-000	EA	PROTECTOR - CORNER SAVER - .7" X .7" X 48"
3	117870-09-01A	EA	PLENUM - A/C
4	115886-11-02A	EA	RETAINER - SIDEWALL - MILL - 11.8"
5	138842-01-01A	EA	DUCT - CENTRAL AIR/FORCED - LOWER
	105290-01-000	SF	INSULATION - AIR POCKET W/FOIL
6	129047-01-02B	EA	STRAP/MOUNTING - AIR DUCT - E-COATED
7	109050-02-000	EA	FILTER/FURNACE-AC - FIBERGLASS - 1" X 14" X 20" - G38G USES 2, ALL OTHER G-SERIES USE 1
7	109050-03-000	EA	FILTER/FURNACE-AC - FIBERGLASS - 1" X 10" X 20" - G31Y, G33V ONLY
8*	105620-11-000	EA	A/C CENTRAL PACKAGE - RIGHT HAND POWER SAVER/LARGE BLOWER
8*	105620-12-000	EA	A/C - CENTRAL - RIGHT HAND/HEAT PUMP - 12,000 BTU COMP - HOME COMFORT PLUS PKG
9	134588-01-000	EA	GASKET - DUCT - 15.5" X 18.2" IS - 17.4" X 20.2" OS
10	134588-02-000	EA	GASKET - DUCT - 6.4" X 7.4" IS - 8.3" X 9.4" OS
	105620-14-000	EA	THERMOSTAT - A/C AND FURNACE
*	105620-15-000	EA	THERMOSTAT - FURNACE/HEAT PUMP-A/C
	120134-01-02A	EA	REGISTER - W/DAMPER - 4" PIPE/7" O.D. FACE - WHITE

*COMPONENT PARTS LISTED LATER IN THIS GROUP

HEATING & A/C GROUP (CONTINUED)

COMPONENT PARTS FOR CENTRAL



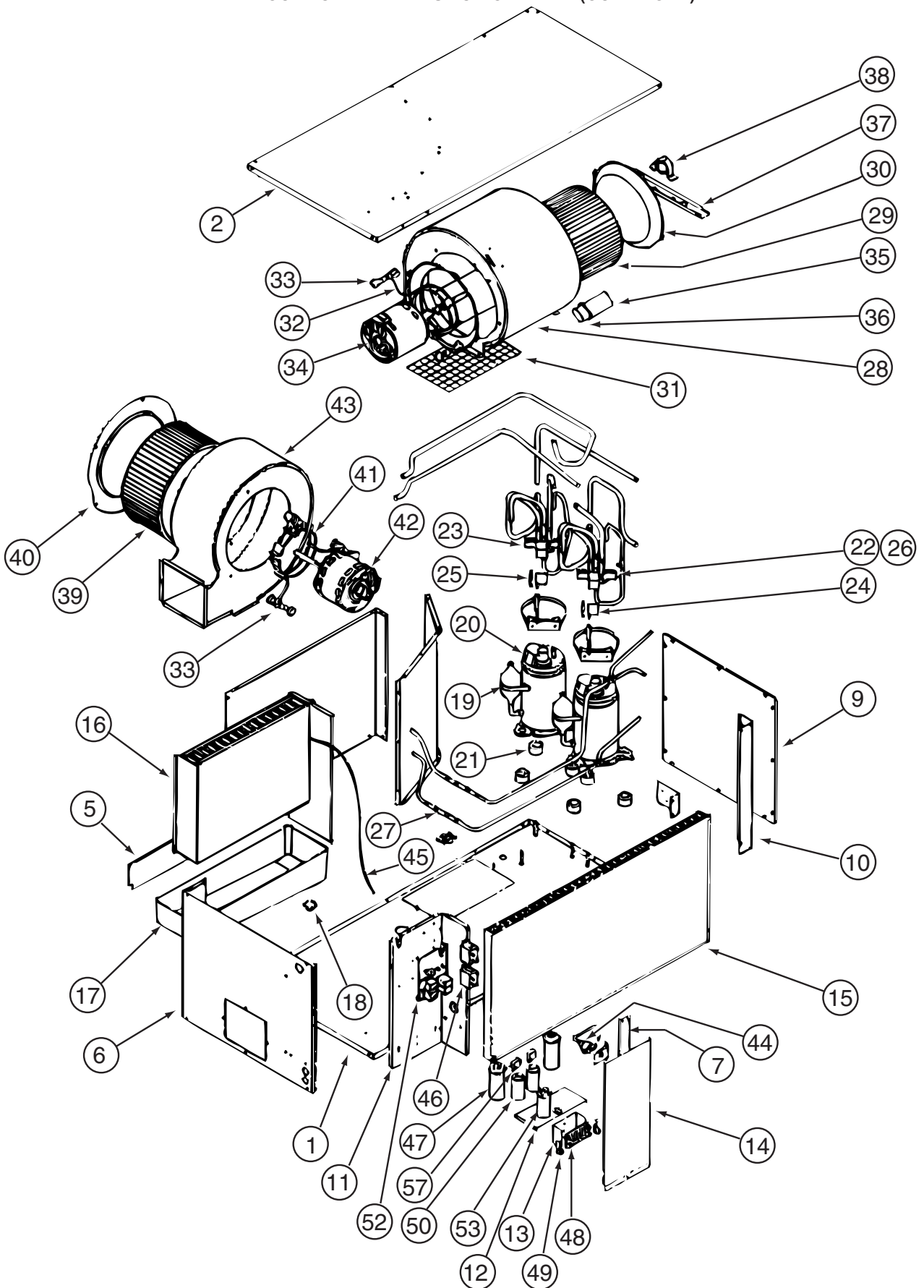
105620-11-000

**HEATING & A/C GROUP (CONTINUED)
COMPONENT PARTS FOR CENTRAL (CONTINUED)**

105620-11-000 (CONTINUED)

KEY	PART NUMBER	U/M	DESCRIPTION	VENDOR NO.
15	105620-10-707	EA	CONDENSER COIL	1452-1541
16	105620-10-708	EA	EVAPORATOR COIL	1452A1531
17	105620-10-709	EA	DRAIN PAN	6636-304
18	105620-10-717	EA	VALVE - DRAIN	6531-503
19	126860-01-700	EA	COMPRESSOR RK136AT-002-A4Y	1450A2119
20	126860-01-701	EA	OVERLOAD PROTECTOR MRA# 1460	1450-0071
21	105620-01-706	EA	MOUNTING PKG.,COMP., 3 PER	6759-3081
22	105620-10-710	EA	SUCTION LINE ASSY COIL#1	6636-131
23	105620-10-711	EA	SUCTION LINE ASSY COIL#2	6636-129
24	105620-10-712	EA	DISCHARGE LINE ASSEMBLY#1	6636-126
25	105620-10-713	EA	DISCHARGE LINE ASSEMBLY#2	6636-125
26	105620-10-714	EA	SUCTION LINE ASSY COMP#1&2	6636-130
27	105620-10-719	EA	LIQUID LINE ASSEMBLY COMP.	6636-520
28	105620-10-718	EA	BLOWER HOUSING/OUTSIDE AIR	6536-515
29	105620-01-713	EA	WHEEL-BLOWER/OUTSIDE AIR	1472-1011
32	105620-01-715	EA	MOUNT-BLOWER/OUTSIDE AIR	6795A3011
34	105620-10-721	EA	MOTOR/BLOWER-8 3/4" SHAFT	1468A3029
35	105620-01-718	EA	CAPACITOR-FAN, 12.5 MFD/370V	1499-5631
36	105620-10-715	EA	RUBBER CAPACITOR BOOT	1499-951
37	105620-10-700	EA	BEARING BRACKET/OUTSIDE AIR	6536-574
38	105620-10-701	EA	BEARING/PILLOW BLOCK-O/S AIR	6536-3011
39	105620-11-701	EA	BLOWER WHEEL/INSIDE AIR	1472-1121
40	105620-11-702	EA	BLOWER VENTURI/INSIDE AIR	6535-287
41	105620-01-723	EA	MOUNT-BLOWER MOTOR - I/S AIR	6795-3021
42	105620-11-703	EA	BLOWER MOTOR/INSIDE AIR	1468-3219
43	105620-11-704	EA	BLOWER HOUSING/INSIDE AIR	6535-589
46	105620-01-729	EA	RELAY-COMPRESSOR -4 TERMINAL	1460-1131
47	126859-01-703	EA	CAPACITOR - RUN	1499-5671
48	105620-01-738	EA	BOARD-TERMINAL, HIGH VOLTAGE	6795-315
51	105620-10-705	EA	PTCR (START DEVICE) - W/CAP.	8333A9021
52	105620-05-700	EA	BOARD-PRINTED CIRCUIT, 2 TON	6795A3201
53	093763-01-704	EA	CAPACITOR-FAN	1499-5461
	105620-10-720	EA	FUSE/BUSS(8AMP/250V) 2 PKG	6535-3081
			CONTACT WINNEBAGO PARTS SALES FOR UNLISTED COMPONENTS	

HEATING & A/C GROUP (CONTINUED)
COMPONENT PARTS FOR CENTRAL (CONTINUED)



105620-12-000

HEATING & A/C GROUP (CONTINUED)
COMPONENT PARTS FOR CENTRAL (CONTINUED)

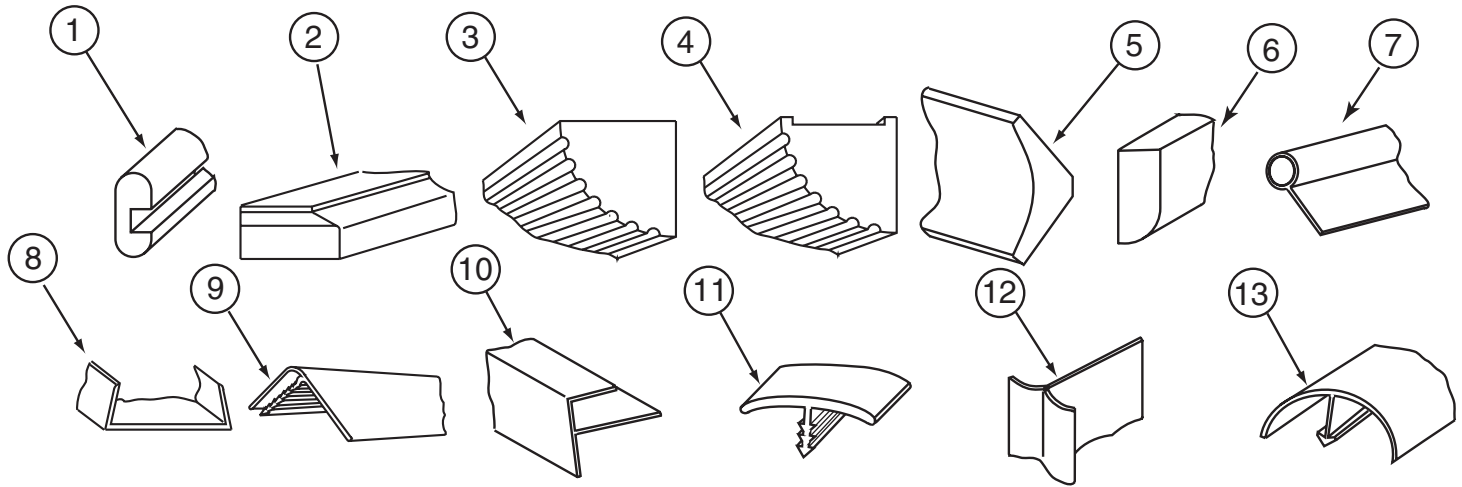
105620-12-000 (CONTINUED)

KEY	PART NUMBER	U/M	DESCRIPTION	VENDOR NO.
15	105620-12-701	EA	COIL - CONDENSER	1452-1621
16	105620-12-702	EA	COIL - EVAPORATOR	1452A1611
17	105620-10-709	EA	DRAIN PAN	6636-304
18	105620-12-703	EA	VALVE - DRAIN	6795-200
19	105620-12-704	EA	COMPRESSOR	1450-2149
21	105620-01-706	EA	MOUNTING PKG.,COMP., 3 PER	6759-3081
22	105620-12-706	EA	REVERSING VALVE ASSEMBLY #1	6535A533
23	105620-12-707	EA	REVERSING VALVE ASSEMBLY #2	6535-5321
24	105620-12-708	EA	COIL - SOLENOID	1460-1081
25	105620-12-709	EA	WIRE HARNESS-REVERSING VALVE	6536-111
26	105620-12-710	EA	VALVE - REVERSE ONLY	1454A350
27	105620-12-711	EA	RESTRICTOR - BY FLOW	1454-2521
28	105620-12-712	EA	BLOWER HOUSING/OUTSIDE AIR	6536-515
29	105620-01-713	EA	WHEEL-BLOWER/OUTSIDE AIR	1472-1011
30	105620-01-714	EA	VENTURI-BLOWER/OUTSIDE AIR	6795A150
32	105620-01-715	EA	MOUNT-BLOWER/OUTSIDE AIR	6795A3011
34	105620-10-721	EA	MOTOR/BLOWER-8 3/4" SHAFT	1468A3029
35	105620-01-718	EA	CAPACITOR-FAN, 12.5 MFD/370V	1499-5631
37	105620-12-713	EA	BRACKET/BEARING-O/S AIR BLWR	6536-514
38	105620-10-701	EA	BEARING/PILLOW BLOCK-O/S AIR	6536-3011
39	105620-12-714	EA	WHEEL - BLOWER/INSIDE AIR	1472-1121
40	105620-12-715	EA	BLOWER VENTURI/INSIDE AIR	6535A287
41	105620-01-723	EA	MOUNT-BLOWER MOTOR - I/S AIR	6795-3021
42	105620-12-716	EA	BLOWER MTR/IN AIR/REVERSIBLE	1468-3219
43	105620-12-717	EA	BLOWER HOUSING/INSIDE AIR	6535A589
44	105620-12-718	EA	SWITCH ASSM. - HIGH PRESSURE	6535-5291
45	105620-12-719	EA	COIL SENSOR	7330A3231
46	105620-01-729	EA	RELAY-COMPRESSOR -4 TERMINAL	1460-1131
48	105620-01-738	EA	BOARD-TERMINAL, HIGH VOLTAGE	6795-315
51	105620-10-705	EA	PTCR (START DEVICE) - W/CAP.	8333A9021
52	105620-12-720	EA	KIT-CIRCUIT BD (6535-SERIES)	6535-3209
52	105620-12-721	EA	CIRCUIT BD(6535 A SERIES)	6535-3201
53	093763-01-704	EA	CAPACITOR-FAN	1499-5461
	105620-10-720	EA	FUSE/BUSS(8AMP/250V) 2 PKG	6535-3081
			CONTACT WINNEBAGO PART SALES FOR UNLISTED COMPONENTS	

105620-15-000

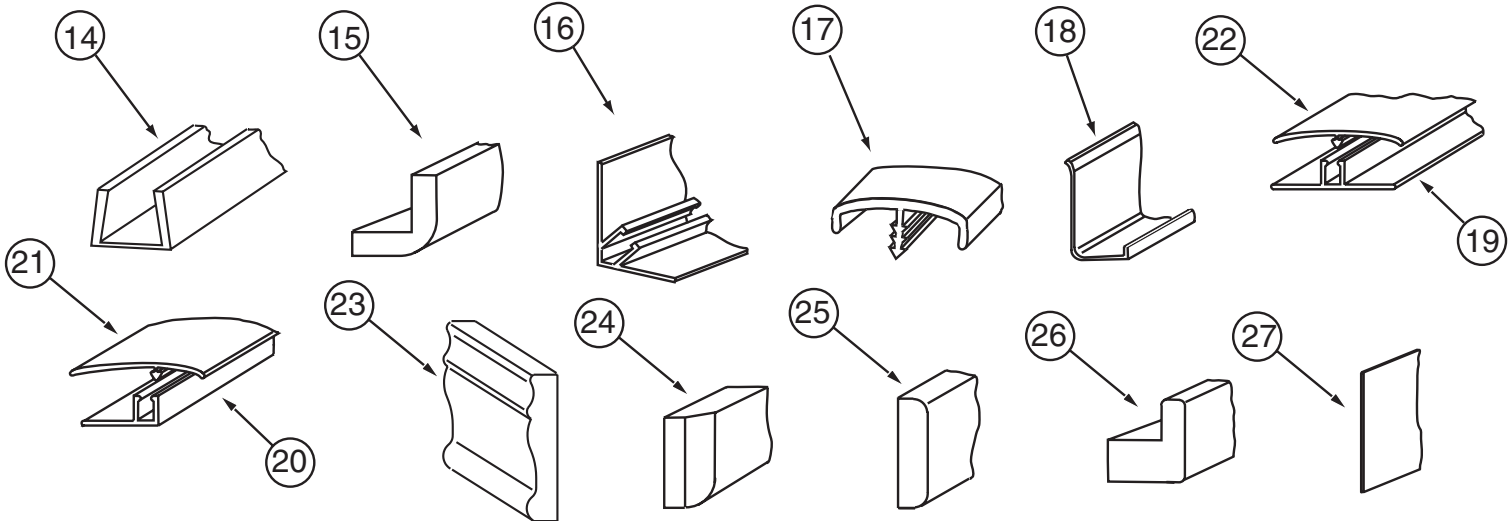
KEY	PART NUMBER	U/M	DESCRIPTION	VENDOR NO.
	105620-15-700	EA	FUSE/BUSS (2AMP/250V) 3 PER PK	8330-3343

INTERIOR FINISH GROUP
MOLDINGS & TRIMS
PORTSMOUTH OAK, CONDERT CHERRY & WASHEDE MAPLE



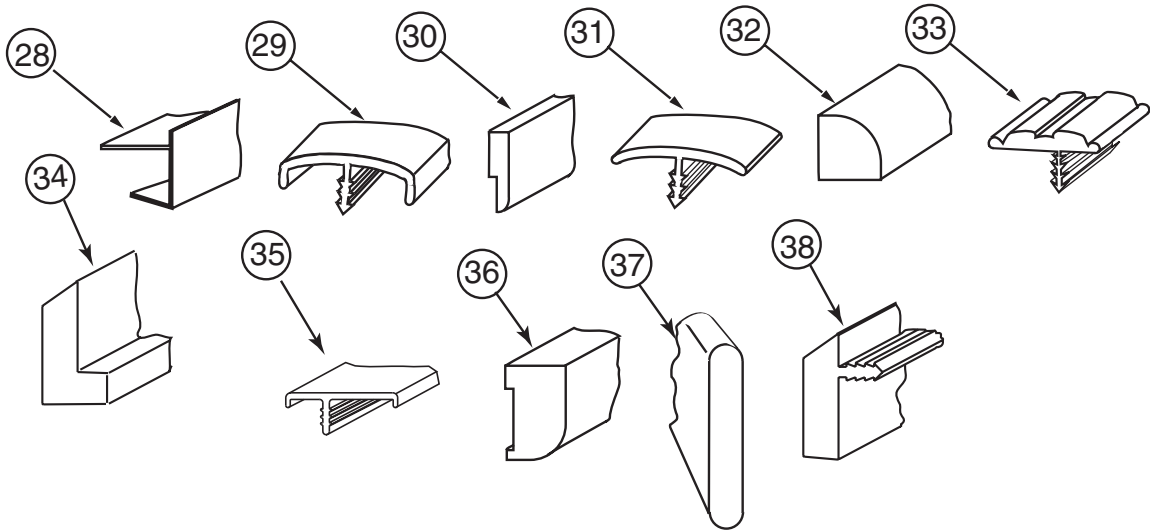
KEY	PART NUMBER	U/M	DESCRIPTION
1	M09412-62-N42	EA	MOLDING/SHELF EDGE - W/.4" NOTCH - PORTSMOUTH II - PORTSMOUTH OAK
1	M09412-62-M62	EA	MOLDING/SHELF EDGE - W/.4" NOTCH - WASHED MAPLE
1	M09412-62-M52	EA	MOLDING/SHELF EDGE - W/.4" NOTCH - CHERRY IV - CONCERT CHERRY
2	P34052-01-N75	EA	TRIM/TABLE - 29.7" - PORTSMOUTH OAK
2	P34052-01-M84	EA	TRIM/TABLE - 29.7" - WASHED MAPLE
2	P34052-01-M52	EA	TRIM/TABLE - 29.7" - SALEM CHERRY - CONCERT CHERRY
2	P34052-02-N47	EA	TRIM/TABLE - 24" - PORTSMOUTH OAK
2	P34052-02-M84	EA	TRIM/TABLE - 24" - WASHED MAPLE
2	P34052-02-M52	EA	TRIM/TABLE - 24" - SALEM CHERRY - CONCERT CHERRY
3	Y00070-22-438	EA	MOLDING/FLUTED - MAPLE - 96" - WASHED MAPLE
3	Y00070-32-438	EA	MOLDING/FLUTED - CHERRY - 96" - CONCERT CHERRY
3	Y00070-42-438	EA	MOLDING/FLUTED - OAK - 96" - PORTSMOUTH OAK
4	Y00071-22-438	EA	MOLDING/FLUTED - W/NOTCH - MAPLE - 96" - WASHED MAPLE
4	Y00071-32-438	EA	MOLDING/FLUTED - W/NOTCH - CHERRY - 96" - CONCERT CHERRY
4	Y00071-42-438	EA	MOLDING/FLUTED - W/NOTCH - OAK - 96" - PORTSMOUTH OAK
5	Y00074-22-438	EA	MOLDING/CROWN - VINYL WRAPPED - MAPLE - 96" - WASHED MAPLE
5	Y00074-62-438	EA	MOLDING/CROWN - VINYL WRAPPED - CONCERT CHERRY - 96" - CONCERT CHERRY
5	Y00074-72-438	EA	MOLDING/CROWN - VINYL WRAPPED - PORTSMOUTH OAK - 96" - PORTSMOUTH OAK
6	Y00086-22-438	EA	MOLDING - VINYL WRAP - 96" - WASHED MAPLE
6	Y00086-62-438	EA	MOLDING - VINYL WRAP - 96" - CONCERT CHERRY
6	Y00086-72-438	EA	MOLDING - VINYL WRAP - 96" - PORTSMOUTH OAK
7	009767-12-000	FT	WELTING - ANTIQUE WHITE
8	009778-25-000	FT	U-CHANNEL - 1" - BEIGE ILLUSION
8	009778-27-000	FT	U-CHANNEL - 1" - WASHED MAPLE
8	009778-30-000	FT	U-CHANNEL - 1" - VILLAGE OAK
8	009778-32-000	FT	U-CHANNEL - 1" - PORTSMOUTH OAK
8	009778-34-000	FT	U-CHANNEL - 1" - CONCERT CHERRY
9	009809-23-000	EA	MOLDING - CORNER - OUTSIDE - 1" X 84" - MODERN IVORY
9	009809-30-000	EA	MOLDING - CORNER - OUTSIDE - 1" X 84" - BEIGE ILLUSION
9	009809-32-000	EA	MOLDING - CORNER - OUTSIDE - 1" X 84" - PORTSMOUTH OAK
9	009809-33-000	EA	MOLDING - CORNER - OUTSIDE - 1" X 84" - CONCERT CHERRY
10	009812-24-000	EA	MOLDING - CORNER - 1/2" W/1/4"CHAN X 84" - IVORY PLASTIC
10	009812-31-000	EA	MOLDING - CORNER - 1/2" W/1/4"CHAN X 84" - BEIGE ILLUSION
10	009812-33-000	EA	MOLDING - CORNER - 1/2" W/1/4"CHAN X 84" - WASHED MAPLE
10	009812-34-000	EA	MOLDING - CORNER - 1/2" W/1/4"CHAN X 84" - VW LIGHT GRAY
10	009812-35-000	EA	MOLDING - CORNER - 1/2" W/1/4"CHAN X 84" - PORTSMOUTH OAK
10	009812-36-000	EA	MOLDING - CORNER - 1/2" W/1/4"CHAN X 84" - CONCERT CHERRY
11	009815-10-000	FT	MOLDING-T - W/EDGE LIP - 3/4" FACE - BEIGE ILLUSION
12	022992-11-000	FT	MOLDING - REVERSE COVE - T-SHAPED - IVORY
12	022992-14-000	FT	MOLDING - REVERSE COVE - T-SHAPED - BRIGHT WHITE
12	022992-15-000	FT	MOLDING - REVERSE COVE - T-SHAPED - VW GRAY
13	042357-25-000	EA	MOLDING - CORNER - RADIUS/PLASTIC - WASHED MAPLE

INTERIOR FINISH GROUP (CONTINUED)
MOLDINGS & TRIMS (CONTINUED)
PORTSMOUTH OAK, CONDERT CHERRY & WASHEDE MAPLE



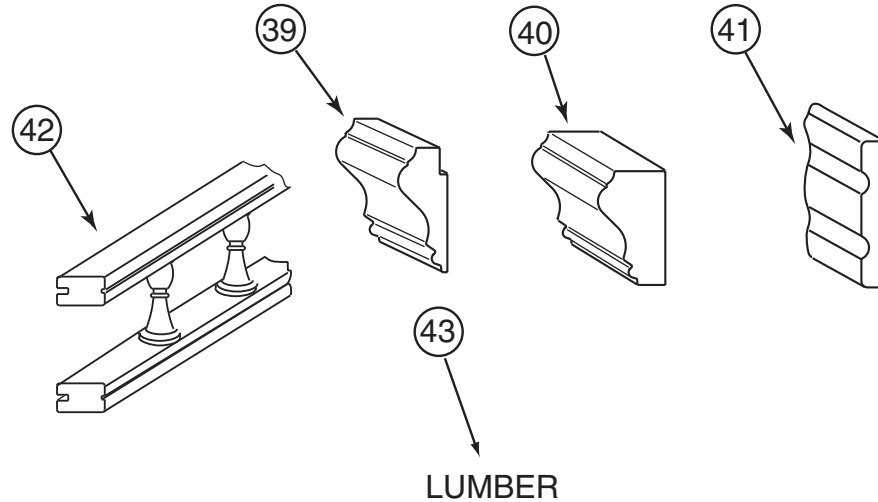
KEY	PART NUMBER	U/M	DESCRIPTION
14	070504-18-000	FT	U-CHANNEL - PLASTIC - .13" X 96" - IVORY
14	070504-35-000	FT	U-CHANNEL - PLASTIC - .13" X 72" - IVORY
14	070504-42-000	FT	U-CHANNEL - PLASTIC - .13" X 84" - BEIGE ILLUSION
14	070504-43-000	FT	U-CHANNEL - PLASTIC - .9" X 96" - BEIGE ILLUSION
14	070504-50-000	FT	U-CHANNEL - PLASTIC - .13" X 96" - WASHED MAPLE
14	070504-54-000	FT	U-CHANNEL - PLASTIC - .9" X 96" - VILLAGE OAK
14	070504-57-000	FT	U-CHANNEL - PLASTIC - .13" X 84" - PORTSMOUTH OAK
14	070504-58-000	FT	U-CHANNEL - PLASTIC - .9" X 84" - PORTSMOUTH OAK
14	070504-60-000	FT	U-CHANNEL - PLASTIC - .13" X 84" - CONCERT CHERRY
14	070504-61-000	FT	U-CHANNEL - PLASTIC - .9" X 84" - CONCERT CHERRY
15	080176-08-000	EA	CAP - CORNER - RADIUS MOLDING - PLASTIC - WASHED MAPLE
16	081521-02-007	EA	MOUNT - METAL MOLDING - F/RADIUS CORNER MOLDING - 151.5"
17	083620-09-000	FT	MOLDING-T - W/EDGE LIP - 7/8" FACE - MODERN IVORY
17	083620-15-000	FT	MOLDING-T - W/EDGE LIP - 7/8" FACE - BEIGE ILLUSION
17	083620-19-000	FT	MOLDING-T - W/EDGE LIP - 7/8" FACE - WASHED MAPLE
17	083620-20-000	FT	MOLDING-T - W/EDGE LIP - 7/8" FACE - PORTSMOUTH OAK
17	083620-21-000	FT	MOLDING-T - W/EDGE LIP - 7/8" FACE - CONCERT CHERRY
18	085746-04-000	FT	TRIM-J - CARPET 1.2" X .5" ANGLE - 10' LONG - OFF WHITE
19	086229-01-000	EA	RETAINER - BATTEN - .75" X 92.1" - ANY COLOR
20	086229-11-000	EA	RETAINER - OFFSET - 97"
21	086229-12-000	EA	BATTEN - 1.5" OFFSET X 96.8" - MODERN IVORY
21	086229-21-000	EA	BATTEN - 1.5" X 83.9" OFFSET - WHITE
22	086229-20-000	EA	BATTEN - 1" X 96" - BEIGE
23	100182-10-J70	EA	TRIM - CHAIR RAIL - 2.5" X 8' EACH - WOOD - WASHED MAPLE
23	100182-10-N47	EA	TRIM/RAIL - PORTSMOUTH OAK
23	100182-10-P85	EA	TRIM - CHAIR RAIL - 2.5" X 8' EACH - WOOD - CONCERT CHERRY
24	100659-30-N75	EA	MOLDING - TRIM - PORTSMOUTH OAK
24	100659-30-N74	EA	MOLDING - TRIM - CHERRY - CONCERT CHERRY
24	100659-30-M84	EA	MOLDING-TRIM,VINYL FLOOR - WASHED MAPLE
25	100818-01-08A	EA	MOLDING - VINYL WRAPPED - 1.6" X .4" X 84"-WASHED MAPLE
25	100818-01-12A	EA	MOLDING - VINYL WRAPPED - 1.6" X .4" X 84"-PORTSMOUTH OAK
25	100818-01-13A	EA	MOLDING - VINYL WRAPPED - 1.6" X .4" X 84" - CHERRY - CONCERT CHERRY
26	100819-01-08A	EA	MOLDING - VINYL WRAPPED-L-SHAPED-1.5"X1.5"X84"- WASHED MAPLE
26	100819-01-12A	EA	MOLDING - VINYL WRAPPED-L-SHAPED - 1.5" X 1.5" X 84" - OAK - PORTSMOUTH OAK
26	100819-01-13A	EA	MOLDING - VINYL WRAPPED-L-SHAPED-1.5"X1.5"X84" - CONCERT CHERRY
27	101957-01-06A	EA	EXTRUDED - PLASTIC - WASHED MAPLE

INTERIOR FINISH GROUP (CONTINUED)
MOLDINGS & TRIMS (CONTINUED)
PORTSMOUTH OAK, CONDERT CHERRY & WASHEDE MAPLE



KEY	PART NUMBER	U/M	DESCRIPTION
28	103186-01-07A	FT	MOLDING/PLASTIC - 3/8" U-CHANNEL-3/4"FACE - BEIGE ILLUS 8'
28	103186-01-08A	FT	MOLDING/PLASTIC - 3/8" U-CHANNEL-3/4"FACE-WASHED MAPLE 8' - WASHED MAPLE
28	103186-01-09A	FT	MOLDING/PLASTIC - 3/8" U-CHAN'L-3/4"FACE-PORTSMOUTH OAK 8' - PORTSMOUTH OAK
28	103186-01-10A	FT	MOLDING/PLASTIC-3/8" U-CHAN'L-3/4"FACE-CONCERT CHERRY 8' - CONCERT CHERRY
28	103186-02-07A	FT	MOLDING/PLASTIC-1" U-CHAN'L-1 3/8"FACE-BEIGE ILLUSION - 8'
28	103186-02-08A	FT	MOLDING/PLASTIC - 1" U-CHANNEL-1 3/8"FACE-WASHED MAPLE 8' - WASHED MAPLE
28	103186-02-09A	FT	MOLDING/PLASTIC - 1" U-CHAN'L-1 3/8"FACE-PORTSMOUTH OAK 8' - PORTSMOUTH OAK
28	103186-02-10A	FT	MOLDING/PLASTIC - 1" U-CHAN'L-1 3/8"FACE-CONCERT CHERRY 8' - CONCERT CHERRY
29	104676-02-06A	FT	MOLDING-T - W/EDGE LIP - 11/16" FACE - WASHED MAPLE
29	104676-02-08A	FT	MOLDING-T - W/EDGE LIP - 11/16" FACE - PORTSMOUTH OAK
29	104676-02-09A	FT	MOLDING-T - W/EDGE LIP - 11/16" FACE - CONCERT CHERRY
30	105004-01-08A	EA	MOLDING - VINYL WRAPPED - 1" X 96" - WASHED MAPLE
30	105004-01-12A	EA	MOLDING - VINYL WRAPPED 1" X 96" - PORTSMOUTH OAK
30	105004-01-13A	EA	MOLDING - VINYL WRAPPED 1" X 96" - CONCERT CHERRY
31	105709-02-000	FT	MOLDING-T - W/EDGE LIP - 3/4" FACE - BEIGE ILLUSION
32	109410-01-P25	EA	MOLDING - TRIM - 8' - BLACK CHERRY/CHERRY IV - CONCERT CHERRY
32	109410-01-N75	EA	MOLDING - TRIM - 8' - PORTSMOUTH OAK
32	109410-01-J70	EA	MOLDING - TRIM - 8' - WHITE MAPLE/WASHED MAPLE
33	109736-02-01A	FT	MOLDING-T/OFFSET - W/EDGE LIP - 1" FACE - NAT OAK/BRASS
34	111235-01-H56	EA	MOLDING - COUNTERTOP - 1.4" X 8' - WHITE MAPLE - UNSTAINED - WASHED MAPLE
34	111235-01-N42	EA	MOLDING - COUNTERTOP - 1.4" X 8' - OAK - UNSTAINED - PORTSMOUTH OAK
34	111235-01-P79	EA	MOLDING - COUNTERTOP - 1.4" X 8' - CONCERT CHERRY
35	119520-01-01A	FT	MOLDING-T/OFFSET - W/EDGE LIP - 1"FACE - OFF WHITE
35	119520-01-02A	FT	MOLDING-T/OFFSET - W/EDGE LIP - 1"FACE - CONCERT CHERRY
35	119520-01-03A	FT	MOLDING-T/OFFSET - W/EDGE LIP - 1"FACE - WASHED MAPLE
35	119520-01-04A	FT	MOLDING-T/OFFSET - W/EDGE LIP - 1"FACE - PORTSMOUTH OAK
35	119520-02-01A	FT	MOLDING-T/OFFSET - W/EDGE LIP - 1"FACE
36	126204-D2-134	EA	MOLDING - VINYL WRAPPED - .7" X 1.6" X 84" - WASHED MAPLE
36	126204-F2-134	EA	MOLDING - VINYL WRAPPED - .7" X 2.5" X 84" - WASHED MAPLE
36	137887-D2-134	EA	MOLDING - VINYL WRAPPED - .7" X 1.6" X 96" - CHERRY - CONCERT CHERRY
36	137887-F2-134	EA	MOLDING - VINYL WRAPPED - .7" X 2.5" X 84" - CHERRY - CONCERT CHERRY
36	137887-F2-743	EA	MOLDING - VINYL WRAPPED - .7" X 2.5" X 108" - CHERRY - CONCERT CHERRY
36	137895-D2-134	EA	MOLDING - VINYL WRAPPED - .7" X 1.6" X 84" - PORTSMOUTH OAK
36	137895-F2-134	EA	MOLDING - VINYL WRAPPED - .7" X 2.5" X 84" - PORTSMOUTH OAK
36	137895-F2-743	EA	MOLDING - VINYL WRAPPED - .7" X 2.5" X 108" - PORTSMOUTH OAK
37	127842-01-01A	FT	SEAL - SIGHT SHIELD - 2" BLACK
38	130247-01-05A	FT	MOLDING-T/OFF SET - 1.3" FACE - CONCERT CHERRY
38	130247-01-04A	FT	MOLDING-T/OFF SET - 1.3" FACE - PORTSMOUTH OAK
38	130247-01-02A	FT	MOLDING-T/OFF SET - 1.3" FACE - WASHED MAPLE

INTERIOR FINISH GROUP (CONTINUED)
MOLDINGS & TRIMS (CONTINUED)
PORTSMOUTH OAK, CONDERT CHERRY & WASHEDE MAPLE



KEY	PART NUMBER	U/M	DESCRIPTION
39	131923-02-04A	FT	MOLDING - PICTURE - OAK - PORTSMOUTH OAK
40	131923-03-03A	FT	MOLDING - CROWN - DIVIDER - WHITE MAPLE - WASHED MAPLE
40	131923-03-02A	FT	MOLDING - CROWN - DIVIDER - CHERRY - CONCERT CHERRY
41	134156-01-03A	EA	MOLDING - VINYL WRAP - .7" X 3.8" X 33.8" - WASHED MAPLE
41	134156-01-08A	EA	MOLDING - VINYL WRAP - .7" X 3.8" X 33.8" - PORTSMOUTH OAK
41	134156-03-03A	EA	MOLDING - VINYL WRAP - .7" X 3.4" X 28.3" - WASHED MAPLE
41	134156-03-07A	EA	MOLDING - VINYL WRAP - .7" X 3.4" X 28.3" - CONCERT CHERRY
41	134156-03-08A	EA	MOLDING - VINYL WRAP - .7" X 3.4" X 28.3" - PORTSMOUTH OAK
41	134156-05-07A	EA	MOLDING - VINYL WRAP - .7" X 3.8" X 34.4" - CONCERT CHERRY
42	137108-01-02A	EA	RAIL - DECORATIVE - SALEM CHERRY - CONCERT CHERRY
42	137108-01-03A	EA	RAIL - DECORATIVE - WASHED MAPLE
42	137108-01-07A	EA	RAIL - DECORATIVE - PORTSMOUTH OAK
43	126205-D2-438	EA	LUMBER - VINYL WRAPPED - .7" X 1.5" X 96" - WASHED MAPLE
43	126205-E2-438	EA	LUMBER - VINYL WRAPPED - .7" X 2" X 96" - WASHED MAPLE
43	126205-F2-438	EA	LUMBER - VINYL WRAPPED - .7" X 2.5" X 96" - WASHED MAPLE
43	126205-G2-438	EA	LUMBER - STAINED - .7" X 3" X 96" - WASHED MAPLE
43	126205-J2-438	EA	LUMBER - VINYL WRAPPED - .7" X 5.5" X 96" - WASHED MAPLE
43	126205-R2-438	EA	LUMBER - LUMBER - VINYL WRAPPED - .7" X 3" X 96" - WASHED MAPLE
43	137885-A2-438	EA	LUMBER - VINYL WRAPPED - .7" X .75" X 96" - CHERRY - CONCERT CHERRY
43	137885-D2-438	EA	LUMBER - VINYL WRAPPED - .7" X 1.5" X 96" - CHERRY - CONCERT CHERRY
43	137885-E2-438	EA	LUMBER - VINYL WRAPPED - .7" X 2" X 96" - CHERRY - CONCERT CHERRY
43	137885-F2-438	EA	LUMBER - VINYL WRAPPED - .7" X 2.5" X 96" - CHERRY - CONCERT CHERRY
43	137885-G2-438	EA	LUMBER - VINYL WRAPPED - .7" X 3" X 96" - CHERRY - CONCERT CHERRY
43	137885-J2-743	EA	LUMBER-018X140X2743 MM VYL - CONCERT CHERRY
43	137885-J2-438	EA	LUMBER - VINYL WRAPPED - .7" X 5.5" X 96" - CHERRY - CONCERT CHERRY
43	137885-R2-438	EA	LUMBER - VINYL WRAPPED - .7" X 3" X 96" - CHERRY - CONCERT CHERRY
43	137894-A2-438	EA	LUMBER - VINYL WRAPPED - .7" X .75" X 96" - PORTSMOUTH OAK
43	137894-D2-438	EA	LUMBER - VINYL WRAPPED - .7" X 1.5" X 96" - PORTSMOUTH OAK
43	137894-E2-438	EA	LUMBER - VINYL WRAPPED - .7" X 2" X 96" - PORTSMOUTH OAK
43	137894-F2-438	EA	LUMBER - VINYL WRAPPED - .7" X 2.5" X 96" - PORTSMOUTH OAK
43	137894-G2-438	EA	LUMBER - VINYL WRAPPED - .7" X 3" X 96" - PORTSMOUTH OAK
43	137894-H2-438	EA	LUMBER - VINYL WRAPPED - .7" X 3.5" X 96" - PORTSMOUTH OAK
43	137894-J2-438	EA	LUMBER - VINYL WRAPPED - .7" X 5.5" X 96" - PORTSMOUTH OAK
43	137894-J2-743	EA	LUMBER - VINYL WRAPPED - .7" X 5.5" X 108" -PORTSMOUTH OAK
43	137894-R2-438	EA	LUMBER - VINYL WRAPPED - .7" X 3" X 96" - PORTSMOUTH OAK
	141260-01-02A	FT	U-CHANNEL - 1" - GRADY BROWN
	141260-01-01A	FT	U-CHANNEL - 1" - VILLAGE OAK

INTERIOR FINISH GROUP (CONTINUED)
PANELING & LAMINATES

EY	PART NUMBER	U/M	DESCRIPTION
	000885-A5-000	SF	PARTICLE BOARD - 3/8" X 4' X 8'- WHT PEB EMBOSSED-1 SIDED
	000885-92-000	SF	PARTICLE BOARD-3/8" X 4' X 8'-PORTSMOUTH OAK-VINYL 1 SIDED - PORTSMOUTH OAK
	000885-96-000	SF	PART BD-PAPER,CONCERT CHERRY , 3/8X48X96 1 SIDE - CONCERT CHERRY
	000885-88-000	SF	PART BD-3/8X48X96 WASHED MAP , 1 SIDED - WASHED MAPLE
	000885-93-000	SF	PARTICLE BOARD - 3/8" X 4' X 8' - PORTSMOUTH OAK - 2-SIDED - PORTSMOUTH OAK
	000885-98-000	SF	PARTICLE BOARD - 3/8" X 4' X 8' - SALEM CHERRY - 2 SIDED - CONCERT CHERRY
	000885-89-000	SF	PARTICLE BOARD - 3/8" X 4' X 8' - WASHED MAPLE - 2-SIDED - WASHED MAPLE
	000885-95-000	SF	PARTICLE BOARD - 3/4" X 4' X 8' - PORTSMOUTH OAK - 2-SIDED - PORTSMOUTH OAK
	000885-A3-000	SF	PARTICLE BOARD - 3/4" X 4' X 8' - SALEM CHERRY - 2 SIDED - CONCERT CHERRY
	000885-91-000	SF	PARTICLE BOARD - 3/4" X 4' X 8' - WASHED MAPLE - 2-SIDED - WASHED MAPLE
	057882-04-000	SF	TAMBOUR - 48" X 96" SHEET - UNFINISHED - PORTSMOUTH OAK
	057882-06-000	SF	TAMBOUR/ROLL UP - 4' X 8' - CONCERT CHERRY
	057882-05-000	SF	TAMBOUR - 48" X 96" SHEET - UNFINISHED - WASHED MAPLE
	074497-42-000	SF	PANELING - PORTSMOUTH OAK - 4' X 8' - PORTSMOUTH OAK
	074497-43-000	SF	PANELING - SALEM CHERRY - 4' X 8' - CONCERT CHERRY
	074497-39-000	SF	PANELING - WASHED MAPLE - 4' X 8' - WASHED MAPLE
	074498-95-000	SF	LAMINATE - PLASTIC - PORTSMOUTH OAK - 4' X 8' - PORTSMOUTH OAK
	074498-96-000	SF	LAMINATE - PLASTIC - CHERRY - 4' X 8' - CONCERT CHERRY
	074498-82-000	SF	LAMINATE - PLASTIC - WASHED MAPLE - 4' X 8' - WASHED MAPLE
	074498-87-000	SF	LAMINATE - PLASTIC - BEIGE PAMPAS - 5' X 8' (P54, P55, P56)
	074498-99-000	SF	LAMINATE - PLASTIC - EGGSHELL - 4' X 8' (P57, P58, P59)
	074498-97-000	SF	LAMINATE - PLASTIC - GRAY TRANQUILITY - 4' X 8' (P60, P61, P62)
	076325-78-000	FT	MOLDING - EDGE BAND - .93" X .024" - PORTSMOUTH OAK
	076325-79-000	FT	MOLDING - EDGE BAND - .93" X .024" - CONCERT CHERRY
	076325-75-000	FT	MOLDING - EDGE BAND - .93" X .024" - WASHED MAPLE
	076773-15-000	SF	PANELING - 2 SIDED/PORTSMOUTH OAK - 1/8" X 4' X 8' - PORTSMOUTH OAK
	076773-16-000	SF	PANELING - 2 SIDED/SALEM CHERRY - 1/8" X 4' X 8' - CONCERT CHERRY
	076773-14-000	SF	PANELING - 2 SIDED/WASHED MAPLE - 1/8" X 4' X 8' - WASHED MAPLE
	079666-03-000	SF	PANELING - CLOSET - CEDAR - 4' X 7'
	080215-14-000	SF	PANELING - 2 SIDED - PORTSMOUTH OAK - 3/16" X 4' X 8' - PORTSMOUTH OAK
	080215-15-000	SF	PANELING - 2 SIDED - SALEM CHERRY - 3/16" X 4' X 8' - CONCERT CHERRY
	080215-13-000	SF	PANELING - WOODGRAIN -2 SIDED/WASHED MPLE-3/16" X 4' X 8' - WASHED MAPLE
	085284-F7-000	FT	TAPE/STRIP - TRUE GRIP - 1 1/2" WIDE - ADHESIVE BACKED
	085284-G8-000	FT	BATT TAPE - ADHESIVE BACKED - PORTSMOUTH OAK
	085284-H2-000	FT	BATT TAPE - ADHESIVE BACKED - SALEM CHERRY - CONCERT CHERRY
	085284-F5-000	FT	BATT TAPE - ADHESIVE BACKED - WASHED MAPLE
	085284-G9-000	FT	BATT TAPE - ADHESIVE BACKED - DECORATIVE - ALABASTER (P54, P55, P56)
	085284-H6-000	FT	BATT TAPE - ADHESIVE BACKED - DECORATIVE - MULTI (P57, P58, P59)
	085284-H4-000	FT	BATT TAPE - ADHESIVE BACKED - DECORATIVE - STARLIGHT (P60, P61, P62)
	088263-G9-000	EA	BATT STRIP - DECORATIVE - CORK/ALABASTER - 8' (P54, P55, P56)
	088263-H2-000	EA	BATT STRIP - DECORATIVE - MULTI - 8' LONG - 8' (P57, P58, P59)
	088263-H1-000	EA	BATT STRIP - DECORATIVE - STARLIGHT - 8' LONG (P60, P61, P62)
	088272-H9-000	SF	PANELING - PEBBLE EMBOSSED - WHITE - 4' X 7'
	088272-J9-000	SF	PANELING - ALABASTER - 4' X 7' (P54, P55, P56)
	088272-K4-000	SF	PANELING - MULTI - 4' X 7' (P57, P58, P59)
	088272-K3-000	SF	PANELING - STARLIGHT - 4' X 7' (P60, P61, P62)
	126339-01-000	SF	BOARD - WHEAT - 60" X 72"
	132610-10-05A	FT	WALLPAPER - BORDER - 5 3/4" - SELF ADHESIVE (P54, P55, P56)
	132610-10-06A	FT	WALLPAPER - BORDER - 5 3/4" - SELF ADHESIVE (P57, P58, P59)
	132610-05-20A	FT	WALLPAPER - BORDER - 7" - SELF-ADHESIVE (P60, P61, P62)

INTERIOR FINISH GROUP (CONTINUED)
ACCESSORIES

KEY	PART NUMBER	U/M	DESCRIPTION
	072852-01-000	EA	DETECTOR - SMOKE - W/9 VOLT BATTERY - US
	094499-03-000	EA	EXTINGUISHER/FIRE - DRY - 10BC - W/GAUGE/BRACKET - US
	072852-02-000	EA	DETECTOR - SMOKE - W/9 VOLT BATTERY - CANADIAN
*	094499-02-000	EA	EXTINGUISHER/FIRE - DRY - 10BC - W/GAUGE - CANADIAN
	094499-04-000	EA	STRAP - FIRE EXTINGUISHER MOUNTING - METAL
	091261-01-000	FT	SLIPNOT - ANTISLIP - 1' WIDE X 12' - BLACK
	096764-02-000	FT	SLIPNOT - ANTISLIP - 1'WIDE (180' ROLLS) - WHITE
	131494-06-01A	EA	MIRROR - BEVELED/RECTANGLE - 1" X 24" X 36" - ETCHED
	132738-01-01A	EA	CLOCK - DIGITAL W/ALARM - 12 VOLT - BLACK
	133426-01-02B	EA	BRACKET - MIRROR - MOUNTING - E-COATED
	093606-43-000	EA	MIRROR - BEVELED EDGE - 7.4" X 12.8"
	140374-05-000	EA	MIRROR - SAFETY GLASS - 8.5" X 15.2"
	140374-30-000	EA	MIRROR - SAFETY GLASS - 25.6" X 31.5"
	140374-36-000	EA	MIRROR - SAFETY GLASS - 20.9" X 25.2"
	140374-37-000	EA	MIRROR - SAFETY GLASS - 10.3" X 18.2"
	134566-01-01A	EA	HOLDER - CUP - TWO STEP - BLACK
	125136-02-000	EA	DETECTOR/CO - GAS MODEL - 9 VOLT
	131058-03-02A	EA	HAND RAIL - INTERIOR ENTRY DOOR - BLACK
	142368-02-01A	EA	CLOCK - 8" SQUARE - BRASS

***COMPONENT PARTS LISTED LATER IN THIS GROUP**

INTERIOR FINISH GROUP (CONTINUED)

COMPONENT PARTS FOR ACCESSORIES

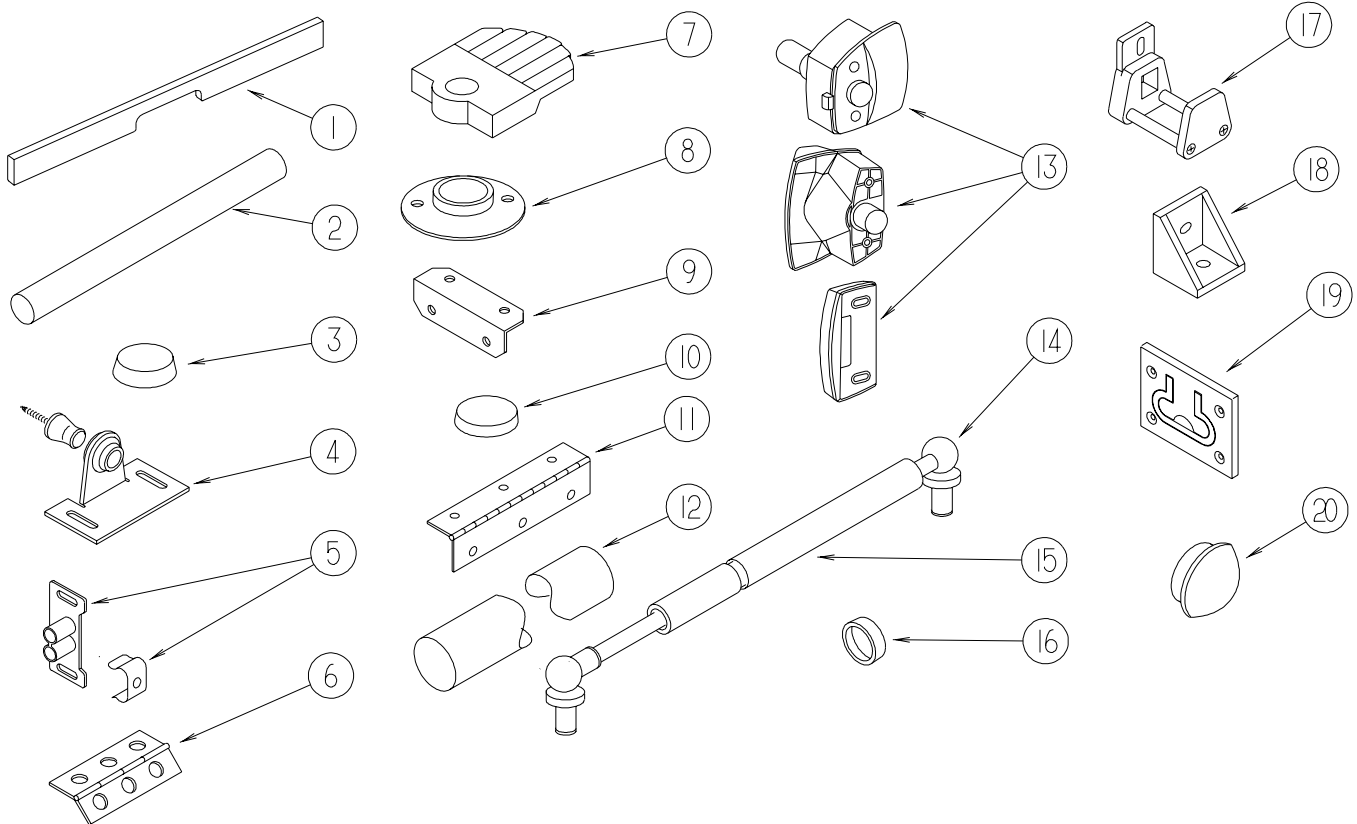
094499-02-000

KEY	PART NUMBER	U/M	DESCRIPTION	VENDOR NO
	094499-01-700	EA	BRACKET MTG. W/PLAS. STRAP	294039

INTERIOR FINISH GROUP (CONTINUED)
FLOOR COVERINGS

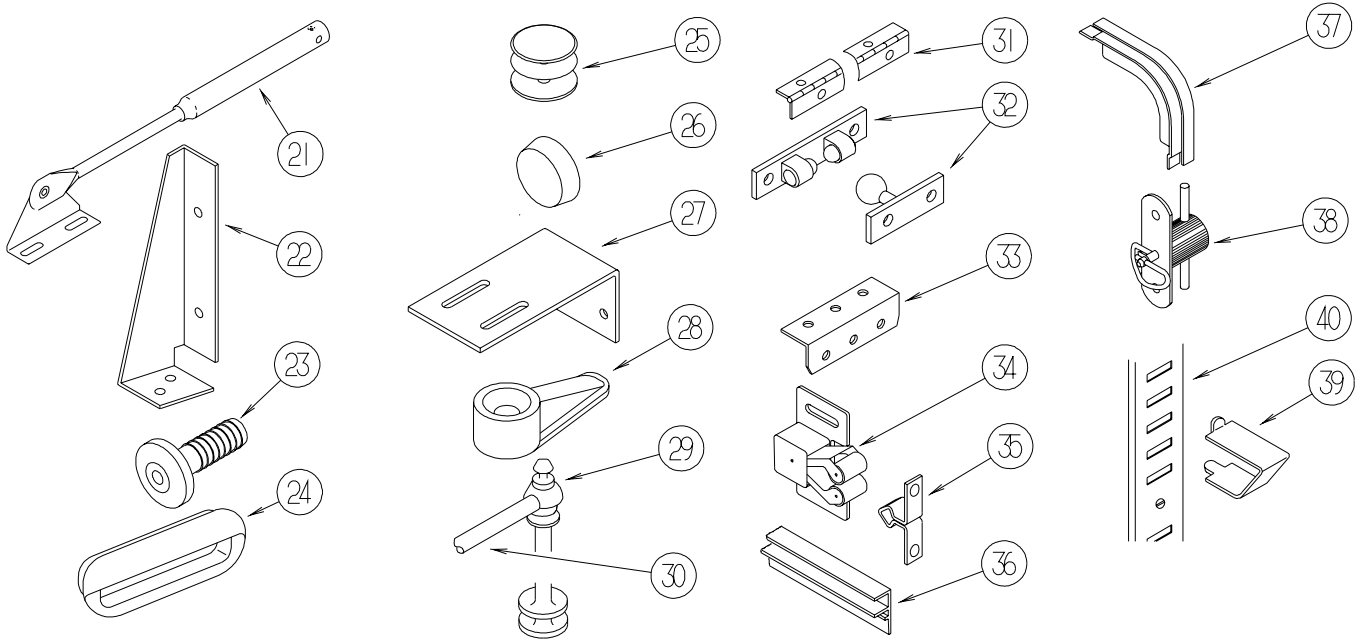
KEY	PART NUMBER	U/M	DESCRIPTION
	093486-02-000	SY	CARPET - COMPARTMENT - 72" WIDE - LIGHT GRAY
	139056-04-000	SY	CARPET - 4 SQUARE YARD INCREMENTS (P54, P55, P56)
	096060-F0-000	SY	CARPET - PALE SAGE - INCREMENTS OF 4 SQ YARDS (P57, P58, P59)
	139056-06-000	SY	CARPET - CRYSTAL LAKE - 4 SQUARE YARD INCREMENTS (P60, P61, P62)
	131711-01-04A	SY	TILE/FLOOR - VINYL - 12" X 12" - DOVER WHITE

INTERIOR FINISH GROUP (CONTINUED) HARDWARE



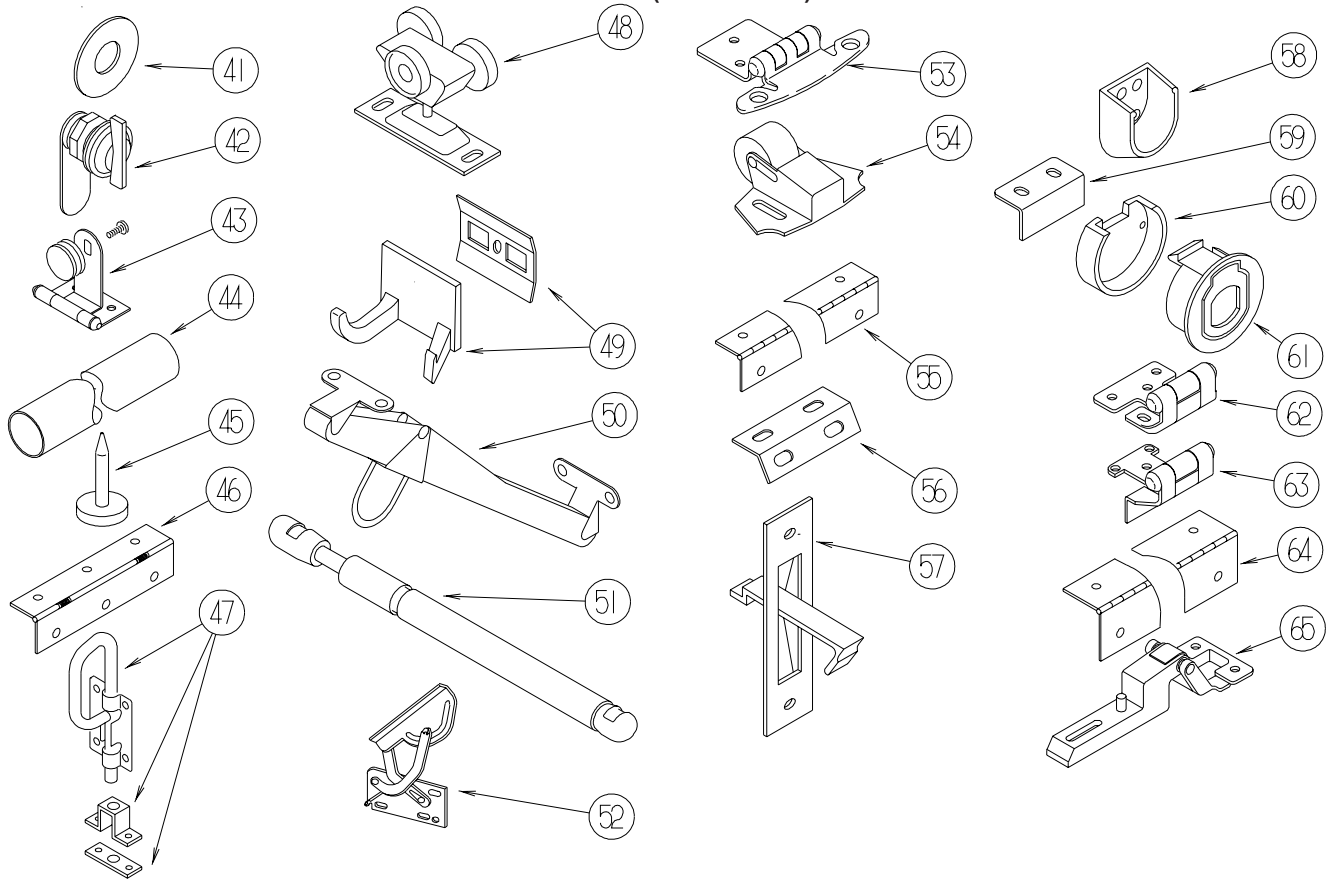
KEY	PART NUMBER	U/M	DESCRIPTION
1	P26866-12-N62	EA	HANDLE - DOOR/TAMBOUR - 14.7" - WASHED MAPLE
1	P26866-12-N63	EA	HANDLE - DOOR/TAMBOUR - 11.6" - CONCERT CHERRY
1	P26866-12-P69	EA	HANDLE - DOOR/TAMBOUR - 11.6" - PORTSMOUTH OAK
2	Y00136-21-218	EA	DOWEL - WOOD - 1" X 4"
3	004354-01-000	EA	BUMPER - RUBBER - .5" DIA - BROWN
4	009013-01-000	EA	CATCH - BULLDOG - MALE/FEMALE
5	009021-01-000	EA	CATCH - GRILLE - NYLON
5	009021-02-000	EA	STRIKE - SPRING STEEL - .68"
6	009059-01-000	EA	HINGE - DOOR - 2" X 1.4" - BRASS
6	009059-02-000	EA	HINGE - DOOR - 2" X 2.7" - BRASS
6	009059-03-000	EA	HINGE - BRASS - 1.75"
7	009089-01-000	EA	CLIP - MIRROR
8	009112-01-000	EA	FLANGE - PLASTIC - 1" CLOTHES ROD - OFF WHITE
9	016604-05-000	EA	BRACE - ANGLE - 2 1/2" - OFF WHITE METAL
9	016604-10-000	EA	BRACE - SEAT ANGLE - 2.5" - BLACK
9	016604-11-000	EA	BRACE - SEAT - ANGLE - 2.5" - CHESTNUT
10	023320-01-000	EA	PAD - FELT 3/8" DIAMETER
11	041389-25-000	EA	HINGE - PIANO - 1 1/2" X 55" - UNPAINTED
12	042438-02-000	EA	DOWEL - WOOD - 2" DIAMETER X 2'
12	042438-06-000	EA	DOWEL - WOOD - CLOTHES ROD - 1.5" X 26"
13	058335-03-000	EA	LATCH W/O LOCK - BATHROOM DOOR BLACK
14	057460-02-000	EA	BALL STUD - F/GAS SPRING .39" - 5/16"-18
15	057460-04-000	EA	SPRING/GAS - BALL STUD STYLE - 120 PI - "SPD6209"
16	057671-01-000	EA	COVER - SCREW - #8 - OFF WHITE
16	057671-15-000	EA	COVER - SCREW - #8 - BRIGHT WHITE
16	057671-16-000	EA	COVER - SCREW - #8 - SOFT WHITE
16	057671-17-000	EA	COVER - SCREW - VW LT GRAY - #8
17	064467-01-000	EA	GUIDE - POCKET - SLIDING DOOR - WALL MOUNTED
18	065740-01-000	EA	BRACE - CABINET/CORNER - PLASTIC
19	072871-01-000	EA	PULL - FLUSH - CHROME
20	074045-08-000	EA	PLUG - OAK - 3/8" DOWEL-1/2" HEAD - SALEM CHERRY - CONCERT CHERRY
20	074045-12-000	EA	PLUG - OAK - 3/8" DOWEL-1/2" HEAD - WASHED MAPLE
20	074045-13-000	EA	PLUG - OAK - 3/8" DOWEL-1/2" HEAD - PORTSMOUTH OAK

INTERIOR FINISH GROUP (CONTINUED)
HARDWARE (CONTINUED)



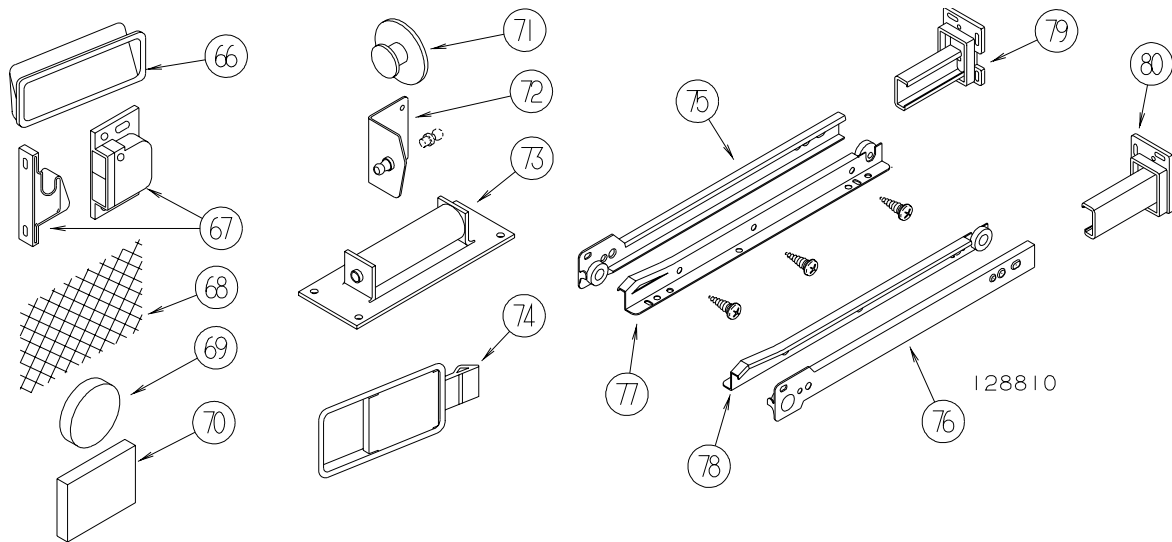
KEY	PART NUMBER	U/M	DESCRIPTION
21	074493-02-000	EA	SUPPORT - PISTON SPRING - CABINET DOOR - 26 LBS
21	074493-03-000	EA	SUPPORT - PISTON SPRING - CABINET DOOR - 12 LBS
21	074493-04-000	EA	SUPPORT - PISTON SPRING - CABINET DOOR - 32 LBS
22	076827-02-000	EA	BRACKET/LEG - 2.9" X 1.8" - TRIANGULAR - LEFT/E-COATED
23	079921-01-000	EA	ROLLER - NYLON - W/STEEL SHAFT - BARBED
24	080736-01-000	EA	PULL - RECESSED - 1.25" X 4" - OAK
25	081114-02-000	EA	CAP - INSERT - ROUND - 1" DIAMETER - WHITE PLASTIC
26	081914-01-000	EA	BUMPER - RUBBER - ROUND - 1/2" DIA. X 1/8" THICK
27	083125-07-000	EA	BRACE - ANGLE/COUCH - 2.5" - OFF WHITE
28	083204-03-000	EA	BUTTON - RETAINING MIRROR 5/16" TIP
29	084070-03-000	EA	POST - END - 2.4" - SHINY BRASS
30	084071-05-000	EA	ROD - BRASS - 15"
30	084071-19-000	EA	ROD - BRASS - 7.1"
30	084071-20-000	EA	ROD - BRASS - 9.8"
30	084071-23-000	EA	ROD - BRASS - 13.1"
30	084071-24-000	EA	ROD - BRASS - 3.8"
30	084071-28-000	EA	ROD - BRASS - 6"
30	084071-30-000	EA	ROD - BRASS - 11.6"
30	084071-31-000	EA	ROD - BRASS - 14.8"
30	084071-33-000	EA	ROD - BRASS - 20.4"
30	084071-34-000	EA	ROD - BRASS - 16.9"
31	084413-01-000	EA	HINGE - 1" X 72" - ALUMINUM - W/HOLES
32	084451-01-000	EA	CATCH & LATCH - 1.7" - BRASS
33	089025-01-000	EA	SUPPORT - SPRING TO BED - ANGLE 1.5" X 11.8"
34	093586-03-000	EA	CATCH - SPRING ROLLER - .377"
34	093586-06-000	EA	CATCH - SPRING ROLLER - .236"
35	093586-04-000	EA	STRIKE - SPRING STEEL - 1.14"
35	093586-05-000	EA	STRIKE - SPRING STEEL - .943"
36	093622-01-000	EA	TRACK - DOOR - TAMBOUR - PLASTIC - 8' LENGTHS
37	093623-01-000	EA	CORNER - TRACK - TAMBOUR DOOR
	097872-04-000	EA	DOWEL - WOOD - 1" DIAMETER X 1.38" LONG - UNFINISHED
38	098196-01-000	EA	LATCH - 1/4 TURN - T-BAR
39	098979-01-000	EA	CLIP - ADJUSTABLE SHELF
40	098980-01-000	EA	PILASTER - ADJUSTABLE SHELF - 18"
40	098980-02-000	EA	PILASTER - ADJUSTABLE SHELF - 12"
40	098980-03-000	EA	PILASTER - ADJUSTABLE SHELF - 9"
40	098980-04-000	EA	PILASTER - ADJUSTABLE SHELF - 48"
40	098980-05-000	EA	PILASTER - ADJUSTABLE SHELF - 15"
40	098980-06-000	EA	PILASTER - ADJUSTABLE SHELF - 24"

INTERIOR FINISH GROUP (CONTINUED) HARDWARE (CONTINUED)



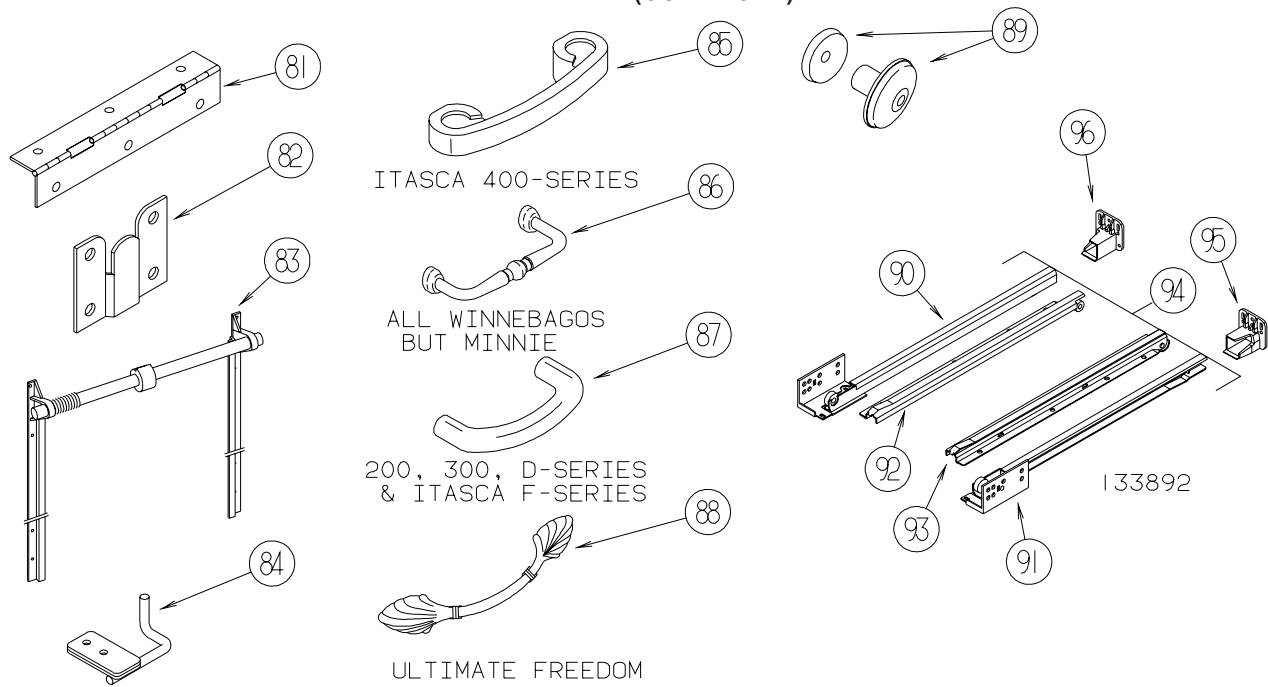
KEY	PART NUMBER	U/M	DESCRIPTION
41	100707-01-000	EA	SPACER - GLASS DOOR - .8" DIA - .3" HOLE - PLASTIC
42	100710-01-01A	EA	LOCK - GLASS DOOR/TWIST TYPE - BRASS
43	100711-01-01A	EA	HINGE - GLASS DOOR
44	102075-06-02A	EA	ROD - SHOWER CURTAIN - 1" OD X 33.5" - SOFT WHITE
44	102075-09-02A	EA	ROD - SHOWER CURTAIN - 3/4"OD X 29.5" - SOFT WHITE
44	102075-16-02A	EA	ROD - SHOWER CURTAIN - 3/4"OD X 34.2" - SOFT WHITE
44	102075-18-02A	EA	ROD - SHOWER CURTAIN - 1" OD X 38.9" - SOFT WHITE
44	102075-20-03A	EA	ROD - SHOWER CURTAIN - 48.8" - MILL
44	102075-21-03A	EA	ROD - SHOWER CURTAIN - 46.1"
45	102194-01-000	EA	GUIDE - PLASTIC - 1" (HEAD/PIN)
46	102920-01-01A	EA	HINGE - SPRING LOADED - BRASS
47	103256-01-000	EA	LATCH COMPLETE (SLIDE)
48	103874-01-000	EA	HANGER - SLIDING DOOR
49	104174-01-000	EA	HOOK - ROBE - DOUBLE
50	104181-01-01A	EA	SUPPORT - LEAF 5.3" EXTENDS TO 7.5" - SAFETY RING - METAL
51	107796-06-000	EA	SPRING/GAS - 12" COMPRESSED/20" EXTENDED - 120 LB.
51	107796-08-000	EA	SPRING/GAS - 11" COMPRESSED/17" EXTENDED - 60 LB
51	107796-15-000	EA	SPRING/GAS - 24" COMPRESSED/40" EXTENDED - 15 LB.
51	107796-16-000	EA	SPRING/GAS - 6.4" COMPRESSED/9.6" EXTENDED - 65 LB.
52	108126-01-000	EA	TRAY HINGE SET (QTY. 2 PER SET)
53	108138-01-000	EA	HINGE - CABINET DOOR - BURNISHED BRASS - Q SERIES (ULTIMATE FREEDOM) ONLY
53	108138-03-000	EA	HINGE - BRIGHT BRASS
54	109403-01-000	EA	CATCH - SINGLE ROLLER - SCREEN DOOR
55	110496-01-01A	EA	HINGE - BRASS
56	111866-01-02A	EA	BRACE - SEAT - ANGLE - OFF WHITE
57	113130-01-01A	EA	PULL - DOOR POCKET
58	113236-01-01A	EA	BRACKET - CLOTHES - ROD
59	113375-02-01A	EA	STRIKE - DOOR - CHROME
60	113375-05-01A	EA	LATCH - SLAM - BACK - .8" THICK
61	113375-06-01A	EA	LATCH - SLAM - FACE - .7" THICK
62	113676-01-01A	EA	HINGE - OVERLAY - VARIABLE - BURNISHED BRASS
63	113677-01-01A	EA	HINGE - SELF CLOSING
64	114278-02-000	EA	HINGE - CONTINUOUS - 3" WIDE
65	114443-01-01A	EA	HINGE - CABINET DOOR

INTERIOR FINISH GROUP (CONTINUED)
HARDWARE (CONTINUED)



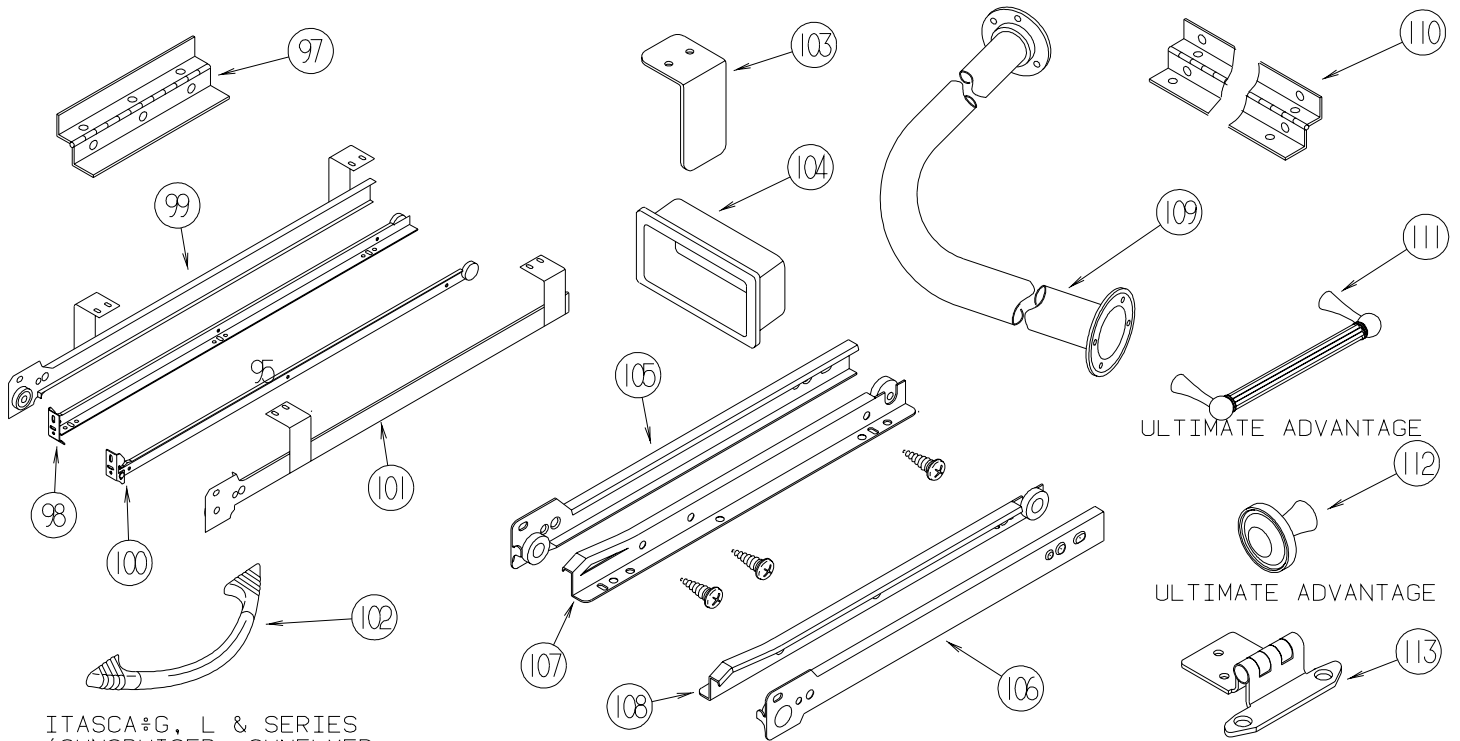
KEY	PART NUMBER	U/M	DESCRIPTION
66	115994-01-01A	EA	HANDLE - POCKET
67	117095-01-01A	EA	LATCH - DOOR - GRABBER W/KEEPER - PLASTIC - BLK-5 LB PULL
67	117095-02-01A	EA	LATCH - DOOR - GRABBER W/KEEPER - PLASTIC - BLK-10 LB PULL
68	118200-01-01A	SF	MESH - PLASTIC 1/2" - 48" X LENGTH = SF - BLACK
69	122717-01-01A	EA	PAD - NON SKID - 4" DIAMETER ROUND
70	122717-06-01A	FT	PAD - NON-SKID - PSA - 5"W
71	125221-01-01A	EA	PULL - MIRROR - W/ROUND HANDLE
72	126263-06-02B	EA	BRACKET - GAS SPRING W/INSIDE BALL STUD - E-COATED
	126263-08-02B	EA	BRACKET - GAS SPRING W/CENTERED BALL STUD - E-COATED
73	126584-02-000	EA	ROLLER - FLAT
74	127349-01-01A	EA	LATCH - PADDLE
75	128810-01-01A	EA	SLIDE - DRAWER - 12" - LEFT CABINET
75	128810-05-01A	EA	SLIDE - DRAWER - 14" - LEFT CABINET
75	128810-09-01A	EA	SLIDE - DRAWER - 16" - LEFT CABINET
75	128810-13-01A	EA	SLIDE - DRAWER - 18" - LEFT CABINET
75	128810-17-01A	EA	SLIDE - DRAWER - 20" - LEFT CABINET
75	128810-21-01A	EA	SLIDE - DRAWER - 22" - LEFT CABINET
75	128810-25-01A	EA	SLIDE - DRAWER - 24" - LEFT CABINET
75	128810-29-01A	EA	SLIDE - DRAWER - 9" - LEFT CABINET
76	128810-02-01A	EA	SLIDE - DRAWER - 12" - RIGHT CABINET
76	128810-06-01A	EA	SLIDE - DRAWER - 14" - RIGHT CABINET
76	128810-10-01A	EA	SLIDE - DRAWER - 16" - RIGHT CABINET
76	128810-14-01A	EA	SLIDE - DRAWER - 18" - RIGHT CABINET
76	128810-18-01A	EA	SLIDE - DRAWER - 20" - RIGHT CABINET
76	128810-22-01A	EA	SLIDE - DRAWER - 22" - RIGHT CABINET
76	128810-26-01A	EA	SLIDE - DRAWER - 24" - RIGHT CABINET
76	128810-30-01A	EA	SLIDE - DRAWER - 9" - RIGHT CABINET
77	128810-03-01A	EA	SLIDE - DRAWER - 12" - LEFT DRAWER
77	128810-07-01A	EA	SLIDE - DRAWER - 14" - LEFT DRAWER
77	128810-11-01A	EA	SLIDE - DRAWER - 16" - LEFT DRAWER
77	128810-15-01A	EA	SLIDE - DRAWER - 18" - LEFT DRAWER
77	128810-19-01A	EA	SLIDE - DRAWER - 20" - LEFT DRAWER
77	128810-23-01A	EA	SLIDE - DRAWER - 22" - LEFT DRAWER
77	128810-27-01A	EA	SLIDE - DRAWER - 24" - LEFT DRAWER
77	128810-27-01A	EA	SLIDE - DRAWER - 24" - LEFT DRAWER
77	128810-31-01A	EA	SLIDE - DRAWER - 9" - LEFT DRAWER
78	128810-04-01A	EA	SLIDE - DRAWER - 12" - RIGHT DRAWER
78	128810-08-01A	EA	SLIDE - DRAWER - 14" - RIGHT DRAWER
78	128810-12-01A	EA	SLIDE - DRAWER - 16" - RIGHT DRAWER
78	128810-16-01A	EA	SLIDE - DRAWER - 18" - RIGHT DRAWER
78	128810-20-01A	EA	SLIDE - DRAWER - 20" - RIGHT DRAWER
78	128810-24-01A	EA	SLIDE - DRAWER - 22" - RIGHT DRAWER
78	128810-28-01A	EA	SLIDE - DRAWER - 24" - RIGHT DRAWER
78	128810-32-01A	EA	SLIDE - DRAWER - 9" - RIGHT DRAWER
79	128811-01-01A	EA	BACKSOCKET - ADJUSTABLE - LEFT
80	128811-02-01A	EA	BACKSOCKET - ADJUSTABLE - RIGHT

INTERIOR FINISH GROUP (CONTINUED) HARDWARE (CONTINUED)



KEY	PART NUMBER	U/M	DESCRIPTION
81	129753-01-01A	EA	HINGE - SPRING LOADED - 19" X 19" - BLACK
82	130120-01-01A	EA	BRACKET - MIRROR
83	130787-01-000	EA	TRACK - TAMBOUR DOOR/SPRING - 15.9"
83	130787-02-000	EA	TRACK - TAMBOUR DOOR/SPRING - 24"
83	130787-04-000	EA	TRACK - TAMBOUR DOOR - SPRING
84	130798-01-02B	EA	GUIDE - POCKET DOOR - E-COATED
85	131962-01-01A	EA	PULL - DOOR/DRAWER - POLISHED BRASS - ITASCA 400 SERIES (SUNDANCER)
86	131963-01-01A	EA	PULL - POLISHED BRASS - WINNEBAGO BRAVE/ADVENTURER/CHIEFTAIN/JOURNEY/MINNIE WINNIE
87	131964-01-01A	EA	PULL - POLISHED BRASS - RIALTA/WINNEBAGO MINNIE/VISTA, ITASCA SPIRIT/SUNOVA
88	131965-01-01A	EA	PULL - DOOR/DRAWER - 6.3" - BURNISHED BRASS - ULTIMATE FREEDOM
89	133313-01-02A	EA	PULL - DOOR/DRAWER - BRIGHT BRASS
89	133313-01-03A	EA	PULL - DOOR/DRAWER - CHROME/BRASS - ITASCA L & P SERIES (SUNFLYER & HORISON) ONLY
90	133892-01-01A	EA	SLIDE - DRAWER - 16" - LEFT CABINET
90	133892-06-01A	EA	SLIDE - DRAWER - 22" - LEFT CABINET
90	133892-10-01A	EA	SLIDE - DRAWER - 12" - LEFT CABINET
90	133892-14-01A	EA	SLIDE - DRAWER - 18" - LEFT CABINET
91	133892-02-01A	EA	SLIDE - DRAWER - 16" - RIGHT CABINET
91	133892-07-01A	EA	SLIDE - DRAWER - 22" - RIGHT CABINET
91	133892-11-01A	EA	SLIDE - DRAWER - 12" - RIGHT CABINET
91	133892-15-01A	EA	SLIDE - DRAWER - 18" - RIGHT CABINET
92	133892-03-01A	EA	SLIDE - DRAWER - 16" - LEFT DRAWER
92	133892-08-01A	EA	SLIDE - DRAWER - 22" - LEFT DRAWER
92	133892-12-01A	EA	SLIDE - DRAWER - 12" - LEFT DRAWER
92	133892-16-01A	EA	SLIDE - DRAWER - 18" - LEFT DRAWER
93	133892-04-01A	EA	SLIDE - DRAWER - 16" - RIGHT DRAWER
93	133892-09-01A	EA	SLIDE - DRAWER - 22" - RIGHT DRAWER
93	133892-13-01A	EA	SLIDE - DRAWER - 12" - RIGHT DRAWER
93	133892-17-01A	EA	SLIDE - DRAWER - 18" - RIGHT DRAWER
94	133892-05-01A	EA	SLIDE - DRAWER - 9" - FULL SET
95	133907-01-01A	EA	BACKSOCKET - RIGHT HAND
96	133907-02-01A	EA	BACKSOCKET - LEFT HAND

INTERIOR FINISH GROUP (CONTINUED) HARDWARE (CONTINUED)



ITASCA® G, L & SERIES
(SUNCRUISER, SUNFLYER
& HORIZON)

KEY	PART NUMBER	U/M	DESCRIPTION
97	135538-01-01A	EA	HINGE - PIANO - FULL WRAP - BRASS PLATED
97	135538-03-01A	EA	HINGE - PIANO - FULL WRAP - STOCKER BRASS
98	136944-01-01A	EA	SLIDE - DRAWER/RIGHT HAND - 13.8"
99	136944-02-01A	EA	SLIDE - CABINET/RIGHT HAND - 13.8"
100	136944-03-01A	EA	SLIDE - DRAWER/LEFT HAND - 13.8"
101	136944-04-01A	EA	SLIDE - CABINET/LEFT HAND - 13.8"
102	137446-01-01A	EA	PULL - CABINET - CHROME/BRASS - ITASCA G, L & P SERIES (SUNCRUISER/SUNFLYER/HORIZON)
103	138136-02-02B	EA	GUIDE - DOOR - E-COATED
104	139136-01-01A	EA	HANDLE - RECESSED - 2.9" X 1.3"/2.7" X 1" X .7" C/O- BRASS
104	139136-02-01A	EA	HANDLE - RECESSED - 2.9" X 1.3"/2.7" X 1" X .4" C/O- BRASS
105	139566-01-01A	EA	SLIDE - DRAWER - 37.5" - LEFT CABINET
105	139566-05-01A	EA	SLIDE - DRAWER - 32" - LEFT CABINET
106	139566-02-01A	EA	SLIDE - DRAWER - 37.5" - RIGHT CABINET
106	139566-06-01A	EA	SLIDE - DRAWER - 32" - RIGHT CABINET
107	139566-03-01A	EA	SLIDE - DRAWER - 37.5" - LEFT DRAWER
107	139566-07-01A	EA	SLIDE - DRAWER - 32" - LEFT DRAWER
108	139566-04-01A	EA	SLIDE - DRAWER - 37.5" - RIGHT DRAWER
108	139566-08-01A	EA	SLIDE - DRAWER - 32" - RIGHT DRAWER
109	140494-01-01A	EA	ROD - SHOWER
109	140494-01-02A	EA	ROD - SHOWER - SOFT WHITE
110	142276-01-01A	EA	HINGE - PIANO - FULL WRAP - BRASS
	142569-05-000	EA	SPRING - GAS - 39.9"/15 LB
FROM: 01-18-03 THRU: 99-99-99			
111	142909-01-01A	EA	PULL - CABINET - BRASS - ULTIMATE ADVANTAGE
112	142910-01-01A	EA	KNOB - CABINET - BRASS - ULTIMATE ADVANTAGE
113	143468-01-02A	EA	HINGE - SELF CLOSING - POLISHED BRASS

LABELS GROUP

SEWAGE

KEY PART NUMBER U/M DESCRIPTION
006187-01-000 EA LABEL - SEWAGE

WASTE WATER

KEY PART NUMBER U/M DESCRIPTION
006188-01-000 EA LABEL - WASTE WATER

WARNING

THIS SYSTEM IS DESIGNED FOR USE WITH PROPANE ONLY
DO NOT CONNECT NATURAL GAS TO THIS SYSTEM

BEFORE TURNING ON PROPANE:

- (A) BE CERTAIN APPLIANCES ARE CERTIFIED FOR PROPANE AND ARE EQUIPPED WITH CORRECT BURNING ORIFICES.
- (B) MAKE CERTAIN ALL PROPANE CONNECTIONS ARE TIGHT BY TESTING WITH SOAPY WATER. ALL APPLIANCE VALVES ARE TURNED OFF, AND ANY UNCONNECTED OUTLETS ARE CAPPED.

AFTER TURNING ON PROPANE:

- (A) LIGHT ALL PILOT LIGHTS
- (B) (B) ALL CONNECTIONS, INCLUDING THOSE AT THE APPLIANCES, REGULATORS AND CYLINDERS SHOULD BE LEAK-TESTED PERIODICALLY WITH SOAPY WATER BY THE OCCUPANT. NEVER USE A LIGHTED MATCH OR OTHER FLAME WHEN CHECKING FOR LEAKS.
- (C) DO NOT LEAVE SYSTEM TURNED ON OF CONTAINERS CONNECTED UNTIL THE SYSTEM HAS BEEN PROVEN TO BE FREE OF LEAKS.
- (D) COOKING APPLIANCES SHOULD NOT BE USED FOR SPACE HEATING.
- (E) WHEN THE CONTAINERS ARE DISCONNECTED THE PROPANE SUPPLY LINE SHOULD BE CAPPED OR PLUGGED.

AVERTISSEMENT

CETTE INSTALLATION EST CONÇUE POUR LE PROPANE SEULEMENT
NE PAS L'ALIMENTER EN GAZ NATUREL

AVANT LA MISE EN SERVICE:

- (A) S'ASSURER QUE LES APPAREILS SONT CERTIFIÉS POUR LE PROPANE ET MUNIS D'ORIFICES DE BRULEUR APPROPRIÉS.
- (B) VÉRIFIER L'ÉTANCHEITÉ DE TOUS LES RACCORDEMENTS AU PROPANE. LA PERMÉTURE DE TOUS LES ROBINETS D'APPAREILS ET L'OBTURATION DE TOUTES LES SORTIES NON RACCORDEES.

APRÈS LA MISE EN SERVICE:

- (A) ALLUMER TOUTES LES VEILLEUSES.
- (B) L'OCCUPANT DOIT ÉPROUVER PÉRIODIQUEMENT L'ÉTANCHEITÉ DE TOUS LES RACCORDEMENTS Y COMPRIS CEUX AUX APPAREILS, AUX DÉTENDEURS ET AUX BOUTEILLES, EN Y APPLIQUANT DE L'EAU SAVONNEUSE NE JAMAIS SE SERVIR D'UNE ALLUMETTE OU AUTRE POUR LA DÉTECTION DES FUITES.
- (C) NE PAS LAISSER L'ALIMENTATION OUVERTE NI LES RÉCIPIENTS RACCORDES AVANT D'AVOIR COMPLÉTÉ L'ÉPREUVE D'ÉTANCHEITÉ AU PROPANE DE L'INSTALLATION.
- (D) LES APPAREILS DE CUISSON NE DOIVENT PAS ÊTRE UTILISÉS POUR LE CHAUFFAGE DES LOCAUX.
- (E) LORSQUE LES RÉCIPIENTS SONT DÉCONNECTÉS, L'ALIMENTATION DE PROPANE DOIT ÊTRE OBTURÉE OU SCELLÉE.

KEY PART NUMBER U/M DESCRIPTION
023769-01-000 EA LABEL - WARNING - LPG - CANADIAN

EXIT

KEY PART NUMBER U/M DESCRIPTION
039290-01-000 EA LABEL - WARNING - EXIT

LABELS GROUP (CONTINUED)



KEY PART NUMBER U/M DESCRIPTION
040944-01-000 EA LABEL - ENTRANCE DOOR - "OPEN"

CAUTION

THIS MOTOR HOME HAS BEEN DESIGNED, MANUFACTURED AND TESTED WITH CONCERN FOR THE PROTECTION OF IT'S OCCUPANTS. WE RECOMMEND YOU PERFORM THE FOLLOWING INSPECTIONS FOR YOUR SAFETY AND THE SAFETY OF YOUR PASSENGERS BEFORE STARTING YOUR VEHICLE.

1. LP GAS SYSTEM- TURN OFF AT TANK FOR TRAVELING. TEST FOR LEAKS UPON ARRIVAL AT DESTINATION. BEFORE LIGHTING PILOTS.
2. WHEELS- INSPECT FOR DAMAGE AND CHECK LUG NUTS FOR TIGHTNESS.
3. TIRES- INSPECT FOR WEAR AND DAMAGE AND CHECK FOR RECOMMENDED AIR PRESSURE.
4. LIGHTING- TEST FOR PROPER OPERATION OF ALL INTERIOR AND EXTERIOR LIGHTS INCLUDING DASH LIGHTS, HEADLIGHTS, TAIL LIGHTS, BRAKE LIGHTS, CLEARANCE LIGHTS AND TURN SIGNALS.
5. EXITS- INSPECT RELEASE MECHANISM ON EMERGENCY EXIT WINDOW. TEST BOTH LOCKS ON MAIN ENTRANCE DOOR FOR EASE OF OPERATION AND INSTRUCT PASSENGERS HOW TO USE BOTH MEANS OF EXIT.
6. SEAT BELTS- DIRECT PASSENGERS TO DESIGNATED SEATS AND REQUIRE USE OF SEAT BELTS.
7. APPLIANCES- TURN OFF AND LATCH OR LOCK DOORS WHERE PROVIDED.
8. LOOSE PARCELS- STORE SECURELY.
9. UTILITY SUPPLY LINES- DISCONNECT ALL ELECTRIC, SEWER AND WATER LINES AND SECURE PROPERLY.
10. ENTRANCE DOOR STEP- PLACE IN RETRACTED POSITION FOR TRAVELING.

READ YOUR MOTOR HOME AND CHASSIS OWNER'S
MANUAL FOR FURTHER PRECAUTIONS

KEY PART NUMBER U/M DESCRIPTION
056259-01-000 EA LABEL - SAFETY CHECK LIST

UNLEADED FUEL ONLY

KEY PART NUMBER U/M DESCRIPTION
062043-01-000 EA LABEL - FUEL - UNLEADED

WARNING DISCONNECT BATTERIES BEFORE
CONNECTING EXTERNAL CHARGING EQUIPMENT.

KEY PART NUMBER U/M DESCRIPTION
065748-01-000 EA LABEL - CAUTION - BATTERY CHARGING

AVERTISSEMENT : DEBRANCHER LES BATTERIES AVANT
DE BRANCHER TOUT EQUIPEMENT DE CHARGE EXTERIEUR.

KEY PART NUMBER U/M DESCRIPTION
065748-02-000 EA LABEL - WARNING - BATTERY/FRENCH - CANADIAN

DIESEL FUEL ONLY

KEY PART NUMBER U/M DESCRIPTION
068383-01-000 EA LABEL - DIESEL FUEL

VEHICLE EMISSION CONTROL INFORMATION
THIS VEHICLE CONFORMS TO U.S. EPA
REGULATIONS APPLICABLE TO XXXX MODEL
YEAR NEW VEHICLES.

072887-01-000-7 CATALYST

KEY PART NUMBER U/M DESCRIPTION
072887-14-000 EA LABEL - EPA - 2003 MODEL YEAR

LABELS GROUP (CONTINUED)

IF YOU SMELL GAS

1. EXTINGUISH ANY OPEN FLAME, PILOT LIGHTS AND ALL SMOKING MATERIALS.
2. DO NOT TOUCH ELECTRICAL SWITCHES.
3. SHUT OFF THE GAS SUPPLY AT THE TANK VALVE(S) OR GAS SUPPLY CONNECTION.
4. OPEN DOORS AND OTHER VENTILATING OPENINGS.
5. LEAVE THE AREA UNTIL ODOR CLEARS.
6. HAVE THE GAS SYSTEM CHECKED AND LEAKAGE SOURCE CORRECTED BEFORE USING AGAIN.

KEY PART NUMBER U/M DESCRIPTION
 073998-01-000 EA LABEL - LPG ODOR WARNING

WARNING: TEST SMOKE DETECTOR
 OPERATION AFTER VEHICLE HAS BEEN IN
 STORAGE, BEFORE EACH TRIP AND AT
 LEAST ONCE PER WEEK DURING USE.

KEY PART NUMBER U/M DESCRIPTION
 077956-01-000 EA LABEL - WARNING - SMOKE DETECTOR

DO NOT FILL
 LP-GAS CONTAINER(S)
 TO MORE THAN 80%
 OF CAPACITY.

KEY PART NUMBER U/M DESCRIPTION
 079965-01-000 EA LABEL - LPG - 80% CAPACITY

WARNING
 MUST BE STOWED
 IN LATCHED POSITION
 WHILE VEHICLE IS IN MOTION

KEY PART NUMBER U/M DESCRIPTION
 079966-01-000 EA LABEL - WARNING - STOWED - MOTION

W
A
T
E
R
O
N
|
H
E
A
T
E
R
O
F
F

KEY PART NUMBER U/M DESCRIPTION
 083588-01-000 EA LABEL - ON/OFF - WATER HEATER
 083588-03-000 EA LABEL - ON/OFF - WATER HEATER

E
N
G
I
N
E
O
N
|
H
E
A
T
E
R
O
F
F

KEY PART NUMBER U/M DESCRIPTION
 083588-02-000 EA LABEL - ON/OFF - ENGINE HEATER
 083588-04-000 EA LABEL - ON/OFF - ENGINE HEATER

LABELS GROUP (CONTINUED)

CAUTION	TO HELP AVOID PERSONAL INJURY DURING REMOVAL OF FUEL FILLER CAP, SLOWLY LOOSEN CAP 1/2 TURN TO ALLOW ANY FUEL PRESSURE TO BE RELIEVED BEFORE TURNING CAP FURTHER.
FUEL SPRAY MAY CAUSE PERSONAL INJURY	STOP ADDING FUEL AFTER FIRST SHUTOFF BY AUTOMATIC NOZZLE WHEN TANK IS NEARLY FULL. DO NOT OVERFILL FUEL TANK. SEE OWNERS MANUAL FOR ADDITIONAL INFORMATION. PRINTED IN U.S.A. WLC PT NO 15611763

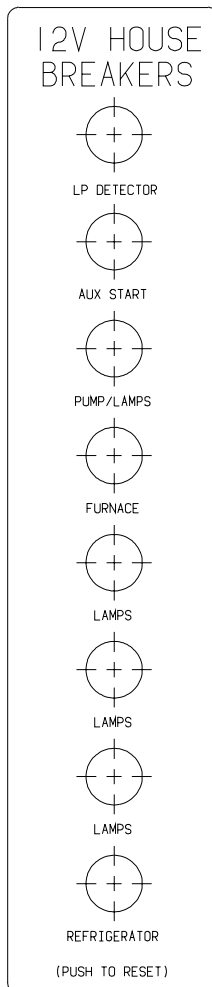
KEY PART NUMBER U/M DESCRIPTION
087207-05-000 EA LABEL - FUEL CAP REMOVAL



KEY PART NUMBER U/M DESCRIPTION
087236-01-000 EA LABEL - CABLE - INPUT

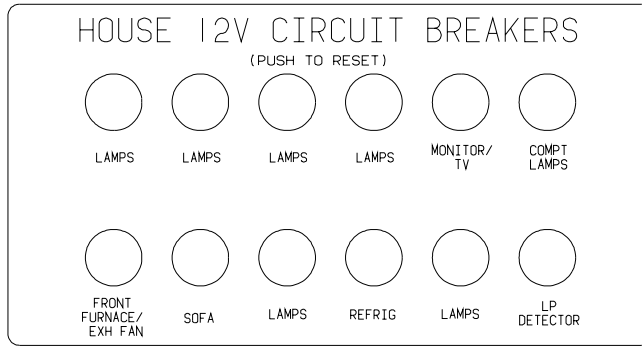


KEY PART NUMBER U/M DESCRIPTION
087236-02-000 EA LABEL - TV OUTLET

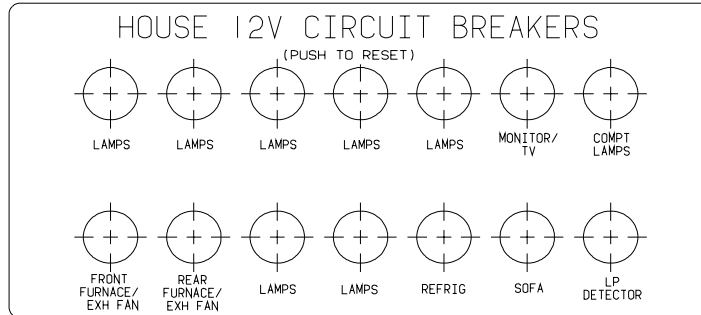


KEY PART NUMBER U/M DESCRIPTION
092547-08-000 EA LABEL - CIRCUIT BREAKER

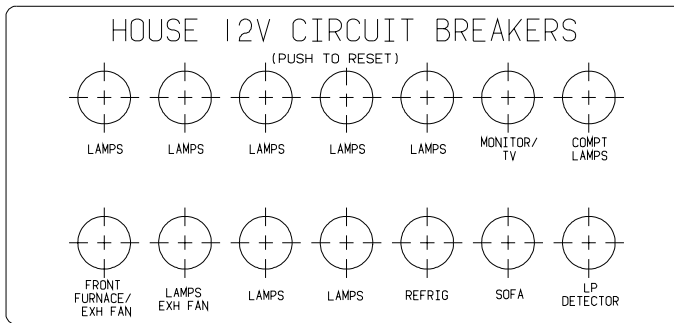
LABELS GROUP (CONTINUED)



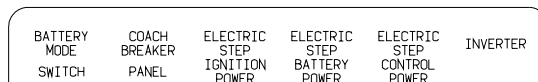
KEY PART NUMBER 092547-10-000 **U/M DESCRIPTION**
EA LABEL - CIRCUIT BREAKER



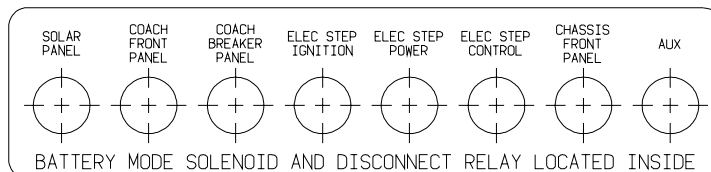
KEY PART NUMBER 092547-11-000 **U/M DESCRIPTION**
EA LABEL - CIRCUIT BREAKER



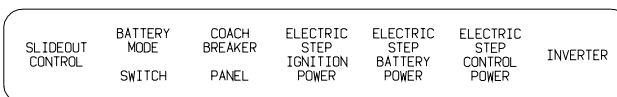
KEY PART NUMBER 092547-12-000 **U/M DESCRIPTION**
EA LABEL - CIRCUIT BREAKER



KEY PART NUMBER 093236-08-000 **U/M DESCRIPTION**
EA LABEL - CIRCUIT BREAKER

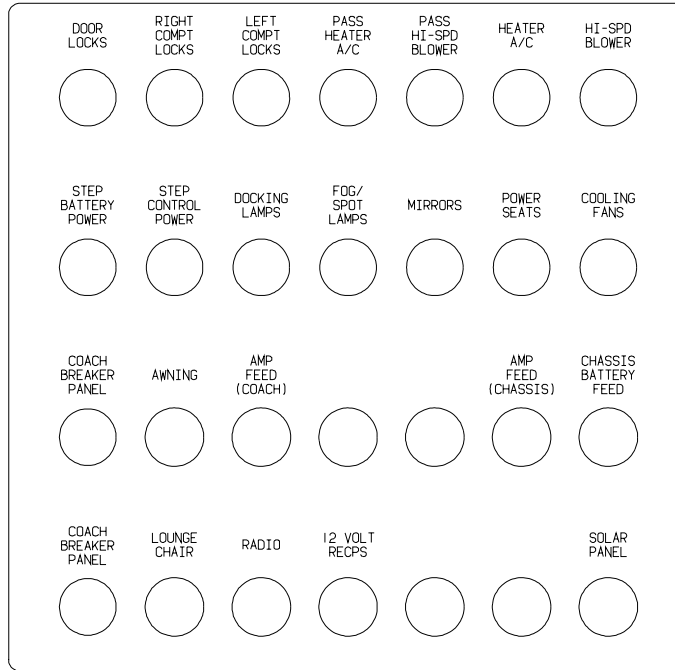


KEY PART NUMBER 093236-13-000 **U/M DESCRIPTION**
EA LABEL - CIRCUIT BREAKER

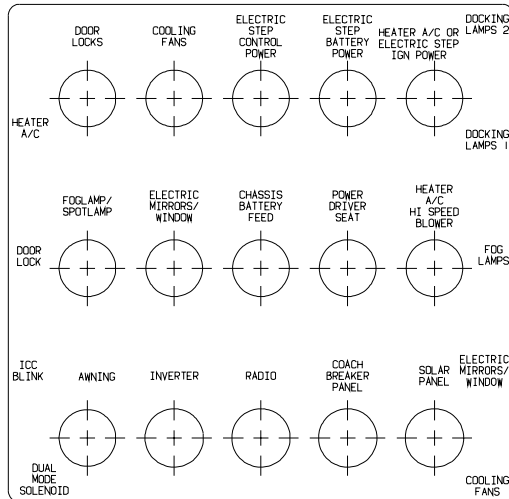


KEY PART NUMBER 093236-21-000 **U/M DESCRIPTION**
EA LABEL - CIRCUIT BREAKER

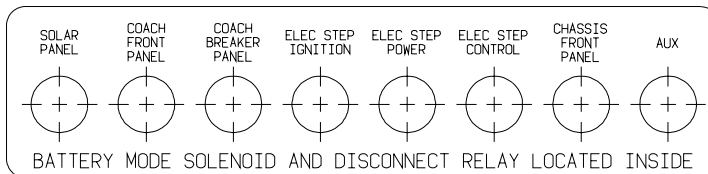
LABELS GROUP (CONTINUED)



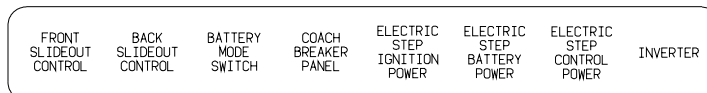
KEY PART NUMBER U/M DESCRIPTION
 093236-22-000 EA LABEL - CIRCUIT BREAKER



KEY PART NUMBER U/M DESCRIPTION
 093236-23-000 EA LABEL - CIRCUIT BREAKER - MAIN

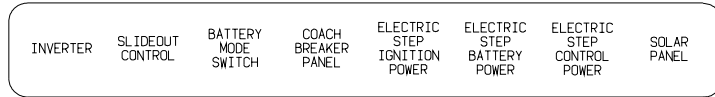


KEY PART NUMBER U/M DESCRIPTION
 093236-24-000 EA LABEL - CIRCUIT BREAKER

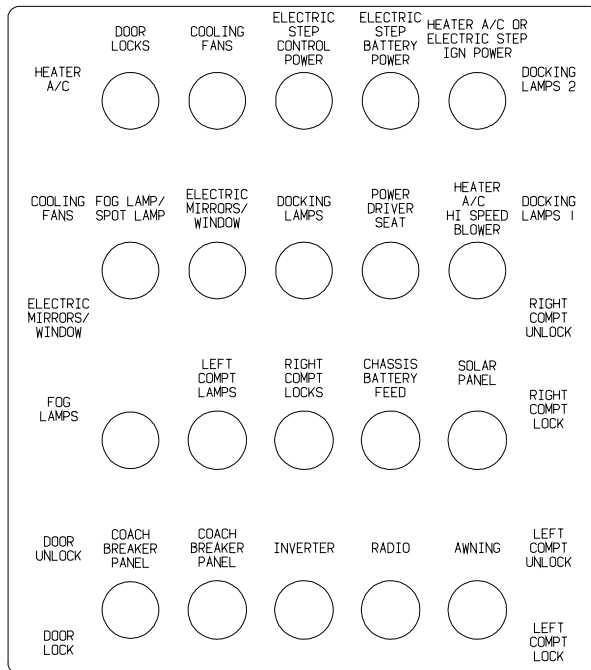


KEY PART NUMBER U/M DESCRIPTION
 093236-28-000 EA LABEL - CIRCUIT BREAKER

LABELS GROUP (CONTINUED)



KEY PART NUMBER U/M DESCRIPTION
 093236-29-000 EA LABEL - CIRCUIT BREAKER



KEY PART NUMBER U/M DESCRIPTION
 093236-30-000 EA LABEL - CIRCUIT BREAKER

LABELS GROUP (CONTINUED)

A / C C I R C U I T 1	M A I N	A / C C I R C U I T 2	R E F F R I G / C O N V	M I C R O W A V E	R E C P S 1	R E C P S 2	R E C P S 3	W A S H E R / D R Y E R	W A T E R H E A T E R	
-----------------------------	---------	-----------------------------	-------------------------	-------------------	----------------	----------------	----------------	-------------------------	--------------------------	--

KEY PART NUMBER 095721-31-000 **U/M DESCRIPTION**
EA LABEL - CONTROL CENTER - 30 AMP - US

A / C C I R C U I T 1	M A I N	M A I N	A / C C I R C U I T 2	R E F F R I G / C O N V	M I C R O W A V E	R E C P S 1	R E C P S 2	R E C P S 3	W A S H E R / D R Y E R	W A T E R H E A T E R
-----------------------------	---------	---------	-----------------------------	-------------------------	-------------------	----------------	----------------	----------------	-------------------------	--------------------------

KEY PART NUMBER 095721-33-000 **U/M DESCRIPTION**
EA LABEL - CONTROL CENTER - 50 AMP - US

A / C	M A I N	R E F F R I G / C O N V	M I C R O W A V E	R E C P S 1	R E C P S 2
-------	---------	-------------------------	-------------------	----------------	----------------

KEY PART NUMBER 095721-40-000 **U/M DESCRIPTION**
EA LABEL - CONTROL CENTER

AUTOMOTIVE AND COACH
CIRCUIT BREAKERS

KEY PART NUMBER 098379-01-000 **U/M DESCRIPTION**
EA LABEL - CIRCUIT BREAKER - FRONT BOX

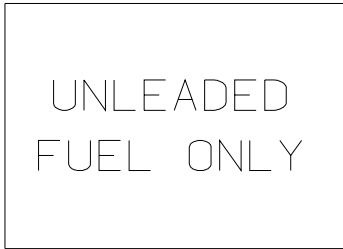
CIRCUIT BREAKERS
AND AUTOMOTIVE
FUSE PANEL

KEY PART NUMBER 098379-03-000 **U/M DESCRIPTION**
EA LABEL - ELECTRICAL BOX - FRONT

BATTERY MODE
SOLENOID AND
RELAYS

KEY PART NUMBER 098379-04-000 **U/M DESCRIPTION**
EA LABEL - ELECTRICAL BOX - SIDE

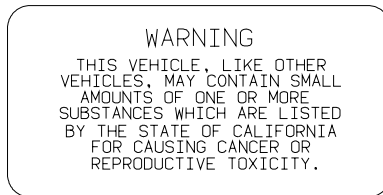
LABELS GROUP (CONTINUED)



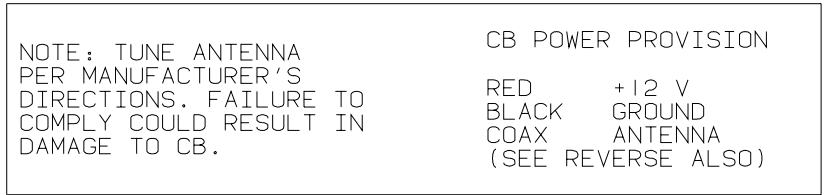
KEY PART NUMBER U/M DESCRIPTION
098641-01-000 EA LABEL - FUEL - UNLEADED - DASH



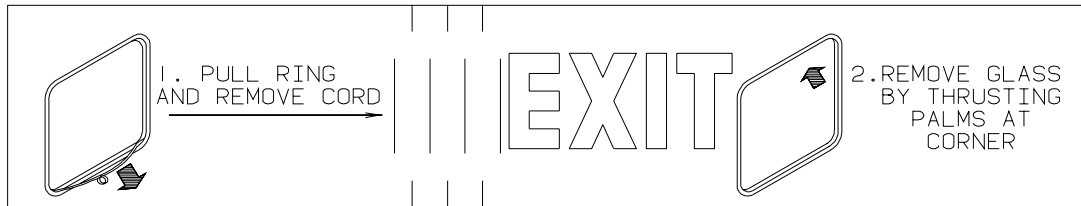
KEY PART NUMBER U/M DESCRIPTION
099509-01-000 EA LABEL - AWNING INSTALLATION



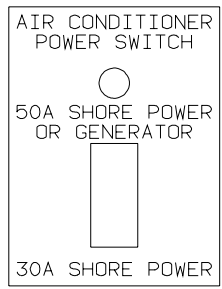
KEY PART NUMBER U/M DESCRIPTION
099689-01-000 EA LABEL - WARNING - CANCER/TOXICITY



KEY PART NUMBER U/M DESCRIPTION
104678-01-000 EA LABEL - CB PREP



KEY PART NUMBER U/M DESCRIPTION
107571-01-000 EA LABEL - EXIT/ESCAPE WINDOW

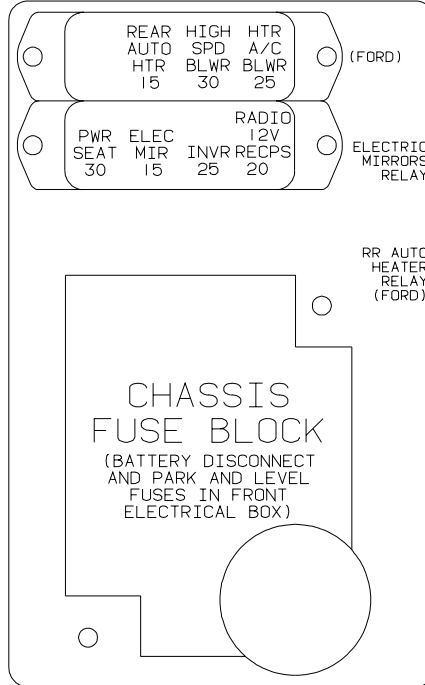


KEY PART NUMBER U/M DESCRIPTION
109051-02-000 EA LABEL - SWITCH - 50 AMP POWER

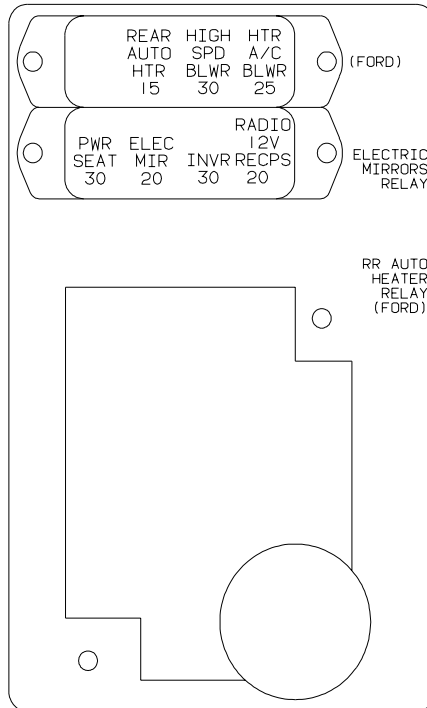
LABELS GROUP (CONTINUED)

DO NOT USE HITCH BEFORE
READING OWNERS MANUAL REGARDING
VEHICLE LOADING AND TOWING

KEY	PART NUMBER	U/M DESCRIPTION
	111104-01-000	EA LABEL - HITCH - READ MANUAL - WHITE
	111104-02-000	EA LABEL - HITCH - READ MANUAL - BLACK



KEY	PART NUMBER	U/M DESCRIPTION
	111537-08-000	EA LABEL - FUSES



KEY	PART NUMBER	U/M DESCRIPTION
	111537-09-000	EA LABEL - FUSES

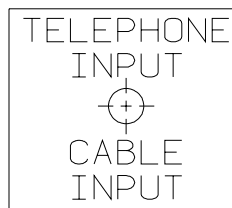
LABELS GROUP (CONTINUED)

WARNING: CONTAINS "CFC" A SUBSTANCE WHICH HARMS PUBLIC HEALTH AND ENVIRONMENT BY DESTROYING OZONE IN THE UPPER ATMOSPHERE.

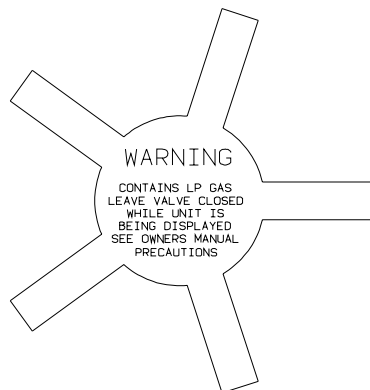
KEY	PART NUMBER	U/M DESCRIPTION
	111802-01-000	EA LABEL - CFC WARNING



KEY	PART NUMBER	U/M DESCRIPTION
	113402-01-000	EA LABEL - CAUTION - WATER HEATER EXHAUST



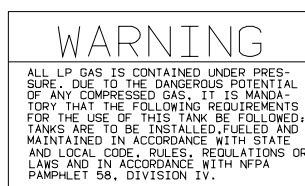
KEY	PART NUMBER	U/M DESCRIPTION
	114866-02-000	EA LABEL - PHONE & CABLE INPUT - WHITE/CLEAR BACKGROUND
	114866-03-000	EA LABEL - PHONE & CABLE INPUT - BLACK/CLEAR BACKGROUND



KEY	PART NUMBER	U/M DESCRIPTION
	115600-01-000	EA LABEL - WARNING LPG VALVE

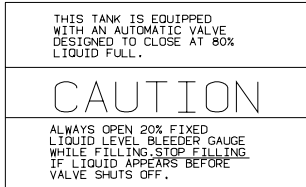
WARNING: REPLACE TIRE ONLY WITH ONE OF EXACTLY SAME TYPE AND RATING. DO NOT REPLACE WITH PASSENGER CAR TIRE. SEE OPERATOR'S MANUAL FOR MORE INFORMATION CALL WINNEBAGO OWNER RELATIONS AT 1-800-537-1885.

KEY	PART NUMBER	U/M DESCRIPTION
	115869-01-000	EA LABEL - WARNING - TIRE

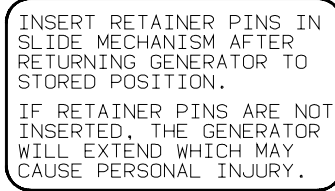


KEY	PART NUMBER	U/M DESCRIPTION
	116112-01-000	EA LABEL - CAUTION - LP

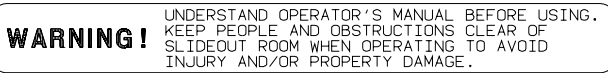
LABELS GROUP (CONTINUED)



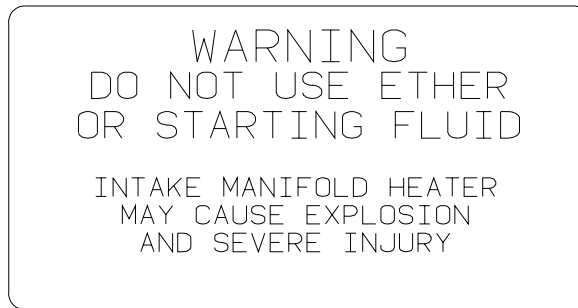
KEY PART NUMBER **U/M DESCRIPTION**
 116113-01-000 EA LABEL - CAUTION - LP



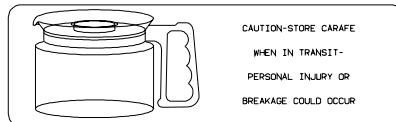
KEY PART NUMBER **U/M DESCRIPTION**
 116273-01-000 EA LABEL - WARNING - GENERATOR



KEY PART NUMBER **U/M DESCRIPTION**
 116549-01-000 EA LABEL - WARNING - SLIDEOUT



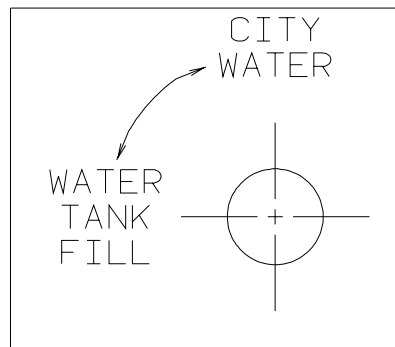
KEY PART NUMBER **U/M DESCRIPTION**
 116756-02-000 EA LABEL - WARNING - ETHER/STARTING



KEY PART NUMBER **U/M DESCRIPTION**
 116829-02-000 EA LABEL - COFFEEMAKER

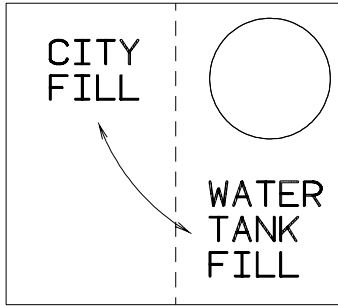


KEY PART NUMBER **U/M DESCRIPTION**
 117628-02-000 EA LABEL - SWITCH - WATER PUMP/LIGHTS-WHITE/CLEAR BACKGROUND

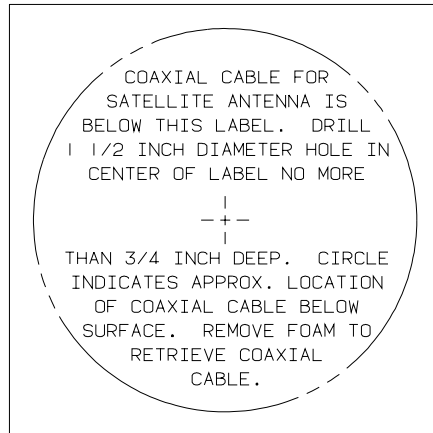


KEY PART NUMBER **U/M DESCRIPTION**
 117629-03-000 EA LABEL - WATER PUMP/FILL-BLK LETTERS/CLEAR BACKGROUND-.31"

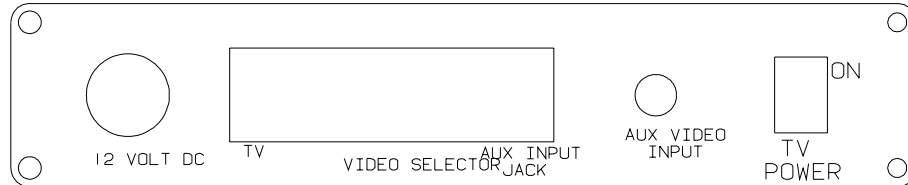
LABELS GROUP (CONTINUED)



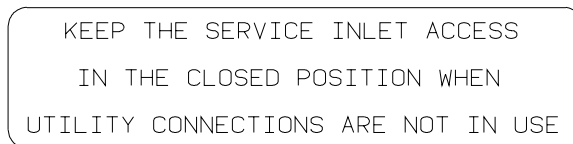
KEY PART NUMBER 117629-04-000
U/M DESCRIPTION EA LABEL - CITY WATER/TANK FILL



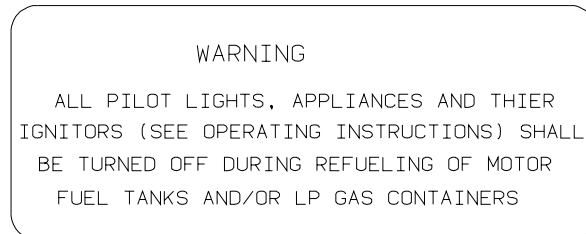
KEY PART NUMBER 120431-01-000
U/M DESCRIPTION EA LABEL - LOCATION - COAXIAL CABLE/SATELLITE ANTENNA



KEY PART NUMBER 120677-01-000
U/M DESCRIPTION EA LABEL - TV

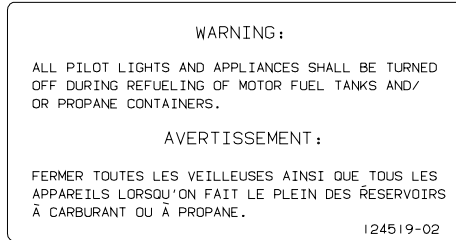


KEY PART NUMBER 123562-01-000
U/M DESCRIPTION EA LABEL - SERVICE/UTILITY ACCESS

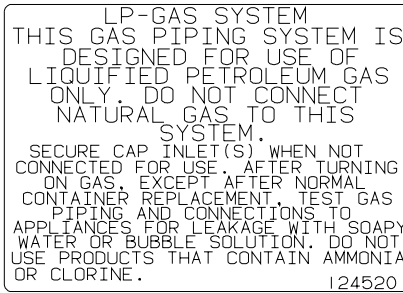


KEY PART NUMBER 124519-01-01A
U/M DESCRIPTION EA LABEL - WARNING/REFUELING - BLACK ON CLEAR
 124519-01-02A EA LABEL - WARNING/REFUELING - WHITE ON CLEAR

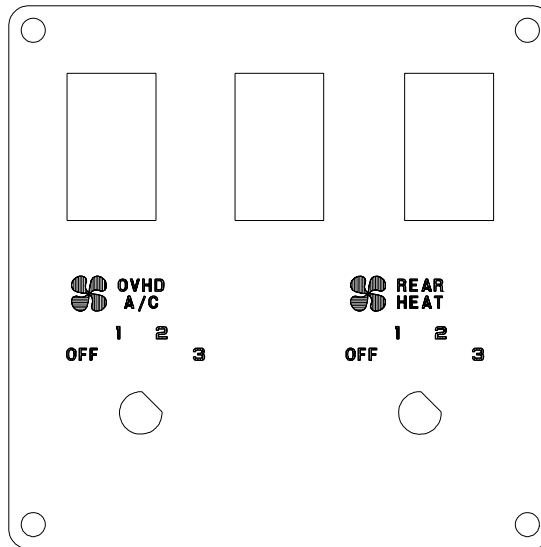
LABELS GROUP (CONTINUED)



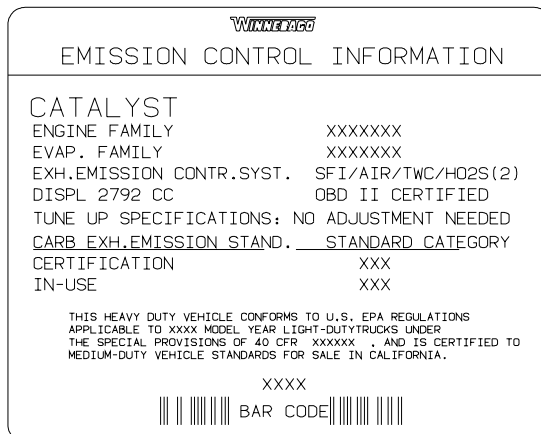
KEY	PART NUMBER	U/M DESCRIPTION
	124519-02-01A	EA LABEL - WARNING/REFUELING - BLACK ON CLEAR - CSA
	124519-02-02A	EA LABEL - WARNING/REFUELING - WHITE ON CLEAR - CSA



KEY	PART NUMBER	U/M DESCRIPTION
	124520-01-01A	EA LABEL - LP GAS ONLY - BLACK ON CLEAR
	124520-01-02A	EA LABEL - LP GAS ONLY - WHITE ON CLEAR



KEY	PART NUMBER	U/M DESCRIPTION
	124572-01-000	EA LABEL - SWITCHES



KEY	PART NUMBER	U/M DESCRIPTION
	124709-07-000	EA LABEL - EMISSION CONTROL - DUAL

LABELS GROUP (CONTINUED)

THIS CONNECTION IS FOR
 (B) VOLT AC,60 HZ(CYCLES)
 (A) AMPERE SUPPLY

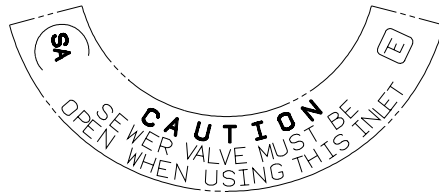
DO NOT CONNECT TO
 HIGHER VOLTAGE

KEY	PART NUMBER	U/M DESCRIPTION
	125306-01-01A	EA LABEL - ELECTRICAL ENTRANCE - 110V 30 AMP - BLACK ON CLEAR
	125306-01-02A	EA LABEL - ELECTRICAL ENTRANCE - 110V 30 AMP - WHITE ON CLEAR

THIS CONNECTION IS FOR
 (B) VOLT AC,3-POLE,4 WIRE
 60 HZ(CYCLES),(A) AMPERE SUPPLY

DO NOT CONNECT TO
 HIGHER VOLTAGE

KEY	PART NUMBER	U/M DESCRIPTION
	125306-04-01A	EA LABEL-ELECTRICAL ENTRANCE-120/240V 50 AMP-BLACK ON CLEAR
	125306-04-02A	EA LABEL - ELECTRICAL ENTRANCE-120/240V 50 AMP-WHITE ON CLEAR



KEY	PART NUMBER	U/M DESCRIPTION
	125697-07-000	EA LABEL - CAUTION - FLUSHING SYSTEM

REMOVE PRIMARY TIRE HANGER BEFORE USING
 SPARE TIRE HOIST-SEE OWNERS MANUAL- PERSONAL
 INJURY MAY RESULT IF NOT FOLLOWED

KEY	PART NUMBER	U/M DESCRIPTION
	126024-01-000	EA LABEL - TIRE HANGER REMOVAL

GRAY HOLDING TANK

KEY	PART NUMBER	U/M DESCRIPTION
	126247-01-000	EA LABEL - GRAY HOLDING TANK-WHITE LETTERS/CLEAR BACKGROUND
	126247-05-000	EA LABEL - GRAY HOLDING TANK-BLACK LETTERS/CLEAR BACKGROUND

BLACK HOLDING TANK

KEY	PART NUMBER	U/M DESCRIPTION
	126247-02-000	EA LABEL - BLACK HOLDING TANK-WHITE LETTERS/BLACK BACKGROUND
	126247-05-000	EA LABEL - GRAY HOLDING TANK-BLACK LETTERS/CLEAR BACKGROUND

LABELS GROUP (CONTINUED)

EXTERIOR SHOWER

KEY PART NUMBER U/M DESCRIPTION
126248-03-000 EA LABEL - EXTERIOR SHOWER

CITY WATER FILL

KEY PART NUMBER U/M DESCRIPTION
126249-03-000 EA LABEL - CITY WATER FILL-BLK LETTERS/CLEAR BACKGROUND .31"

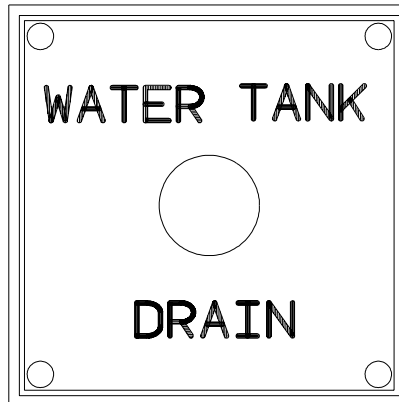


WARNING

○ **Children Can be KILLED or INJURED
by Passenger Air Bag**

The back seat is the safest place for children 12 and under.
Make sure all children use seat belts or child seats.

KEY PART NUMBER U/M DESCRIPTION
126612-01-000 EA LABEL - HANG TAG - AIR BAG - DASH



KEY PART NUMBER U/M DESCRIPTION
127170-01-000 EA LABEL - WATER TANK DRAIN

WARNING

ROOF SURFACE MAY BE SLIPPERY
ESPECIALLY WHERE MOISTURE IS PRESENT
SLIPPING MAY RESULT IN PERSONAL INJURY.

128218-01

KEY PART NUMBER U/M DESCRIPTION
128218-01-01A EA LABEL - WARNING - SLIPPERY ROOF

ENTRANCE DOOR PROP ROD

THIS ROD IS DESIGNED TO PROP THE
ENTRANCE DOOR OPEN WHEN THE PATIO
AWNING ARM IS ATTACHED TO THE
SIDEWALL AND THE AWNING IS EX-
TENDED.
HOOK ONE END OF ROD INTO LOOP ON
DOOR AND OTHER END INTO LOOP ON THE
SIDEWALL AS SHOWN.

(THIS LABEL TO BE REMOVED BY RETAIL OWNER ONLY)

KEY PART NUMBER U/M DESCRIPTION
128658-01-000 EA LABEL - PROP ROD - ENTRY DOOR

LABEL GROUP (CONTINUED)

WARNING
 POTABLE WATER ONLY
 SANITIZE, FLUSH, AND
 DRAIN BEFORE USING.
 SEE INSTRUCTION MANUAL

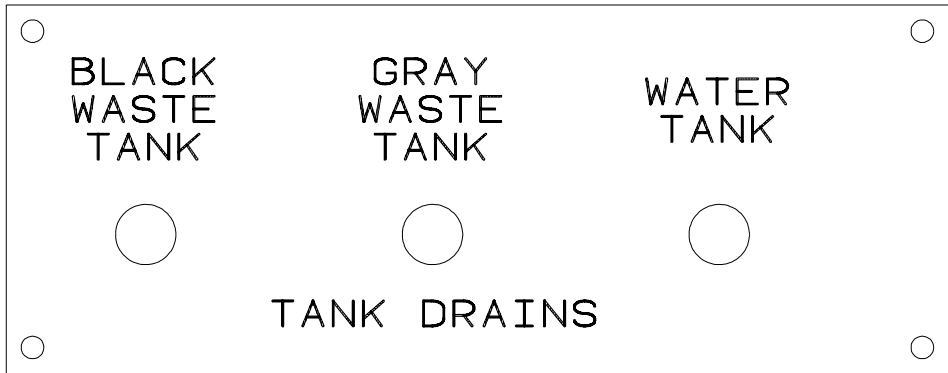
KEY PART NUMBER U/M DESCRIPTION
 128725-01-01A EA LABEL - POTABLE WATER ONLY - BLACK ON CLEAR

TOW VEHICLE RATING MAY BE LESS THAN HITCH RATING.
 MAXIMUM VERTICAL HITCH LOAD: 350 LBS
 DO NOT EXCEED REAR AXLE RATING.
 SEE OWNER'S MANUAL FOR ADDITIONAL INFORMATION.

KEY PART NUMBER U/M DESCRIPTION
 129669-01-01A EA LABEL - HITCH/VEHICLE RATE - 350 - WHITE ON CLEAR
 129669-01-02A EA LABEL - HITCH/VEHICLE RATE - 350 - BLACK ON CLEAR
 129669-02-01A EA LABEL - HITCH/VEHICLE RATE - 500 - WHITE ON CLEAR
 129669-02-02A EA LABEL - HITCH/VEHICLE RATE - 500 - BLACK ON CLEAR

TIRE ROTATION
 SEE RIALTA OWNERS MANUAL
 SECTION 9

KEY PART NUMBER U/M DESCRIPTION
 129684-01-000 EA LABEL - TIRE ROTATION



KEY PART NUMBER U/M DESCRIPTION
 130166-01-000 EA LABEL - DRAIN

H
O
S
E

S
T
O
R
A
G
E

KEY PART NUMBER U/M DESCRIPTION
 130167-02-000 EA LABEL - HOSE STORAGE

LABELS GROUP (CONTINUED)

WASTE TANK FLUSH

KEY PART NUMBER U/M DESCRIPTION
130168-01-000 EA LABEL - WASTE TANK FLUSH

MONITOR WATER
PANEL LIGHT PUMP

KEY PART NUMBER U/M DESCRIPTION
130170-01-000 EA LABEL - SWITCH PANEL - BLK/CLEAR BACKGROUND-1.8"H X 5.9"L

LIGHTS WATER
PUMP

KEY PART NUMBER U/M DESCRIPTION
130170-02-000 EA LABEL - SWITCH PANEL-BLK/CLEAR BACKGROUND-1.4"H X 3.9"L

WATER
PUMP

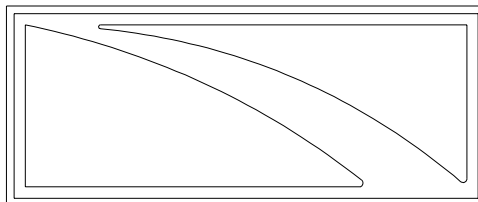
KEY PART NUMBER U/M DESCRIPTION
130170-03-000 EA LABEL - PANEL SWITCH

CAUTION:
OPEN A WINDOW OR VENT WHILE
OPERATING DRYER. IT IS DANGEROUS
TO CREATE A NEGATIVE AIR PRESSURE
INSIDE A VEHICLE CONTAINING
FUEL-BURNING APPLIANCES

KEY PART NUMBER U/M DESCRIPTION
130670-01-01A EA LABEL - CAUTION DRYER VENTING - BLACK ON CLEAR

PUSH TO
RELEASE
GENERATOR
SLIDE ASM

KEY PART NUMBER U/M DESCRIPTION
131779-01-01A EA LABEL - GENERATOR



KEY PART NUMBER U/M DESCRIPTION
132651-01-01A EA DECAL - MIRROR/GALLEY

LABELS GROUP (CONTINUED)



KEY PART NUMBER U/M DESCRIPTION
 133423-01-01A EA LABEL - DRAIN



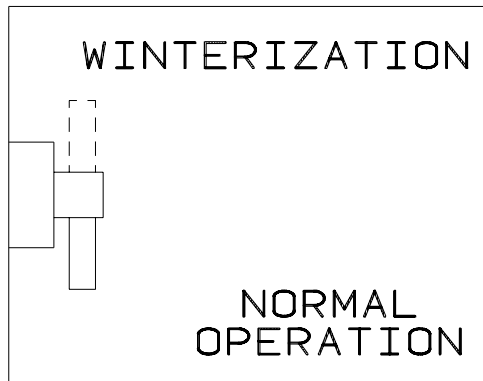
KEY PART NUMBER U/M DESCRIPTION
 133424-01-01A EA LABEL - BYPASS - WATER HEATER



KEY PART NUMBER U/M DESCRIPTION
 133424-02-01A EA LABEL - NORMAL OPERATION



KEY PART NUMBER U/M DESCRIPTION
 133424-03-01A EA LABEL - WATER HEATER BYPASS - BLACK/CLEAR



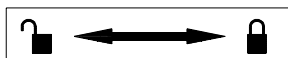
KEY PART NUMBER U/M DESCRIPTION
 133425-01-01A EA LABEL - VALVE - WINTERIZATION



KEY PART NUMBER U/M DESCRIPTION
 133533-01-01A EA LABEL - JACKS DOWN - CLEAR W/WHITE LETTERING

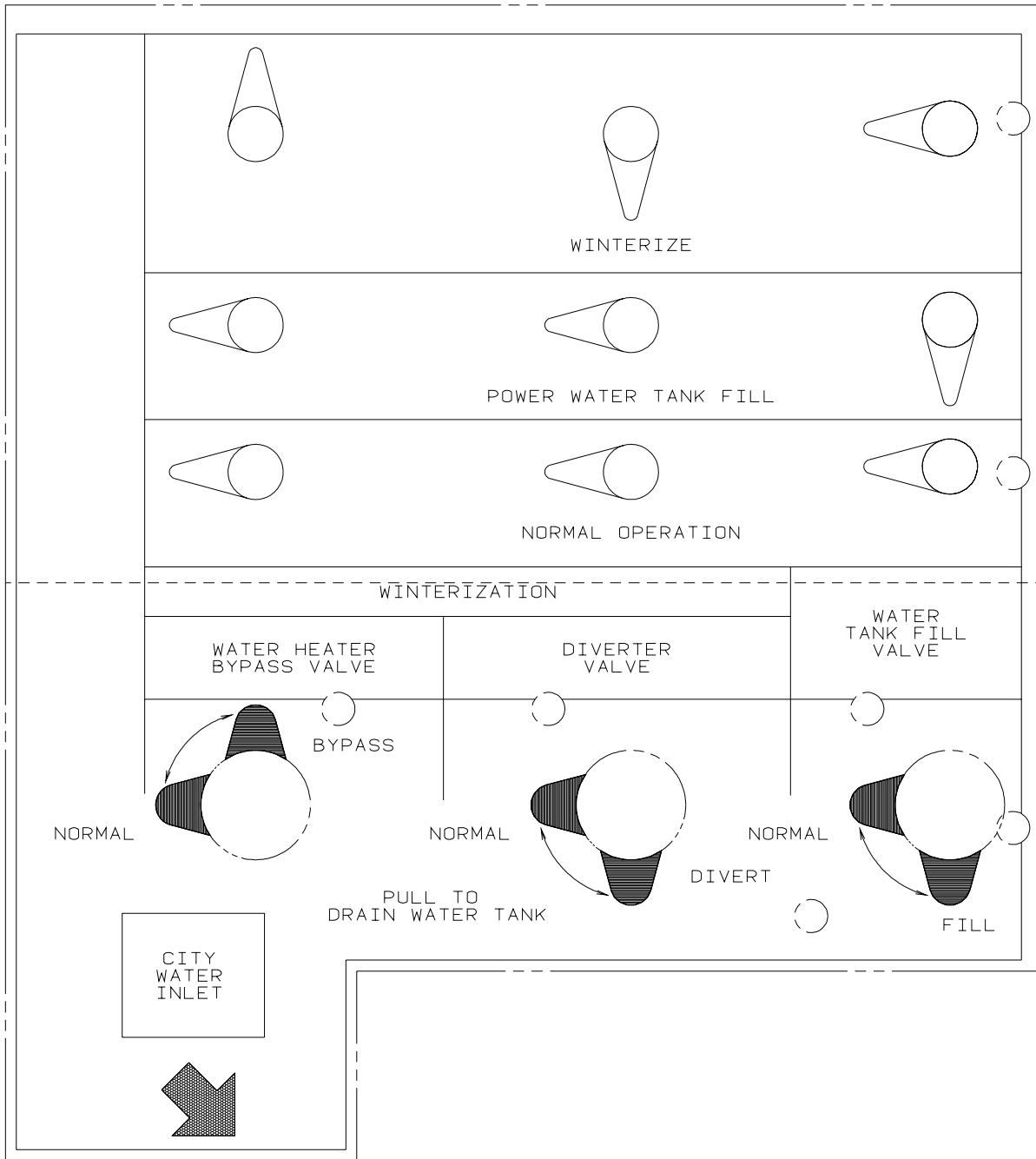


KEY PART NUMBER U/M DESCRIPTION
 133533-02-01A EA LABEL - CHECK ANTENNA - CLEAR W/WHITE LETTERING



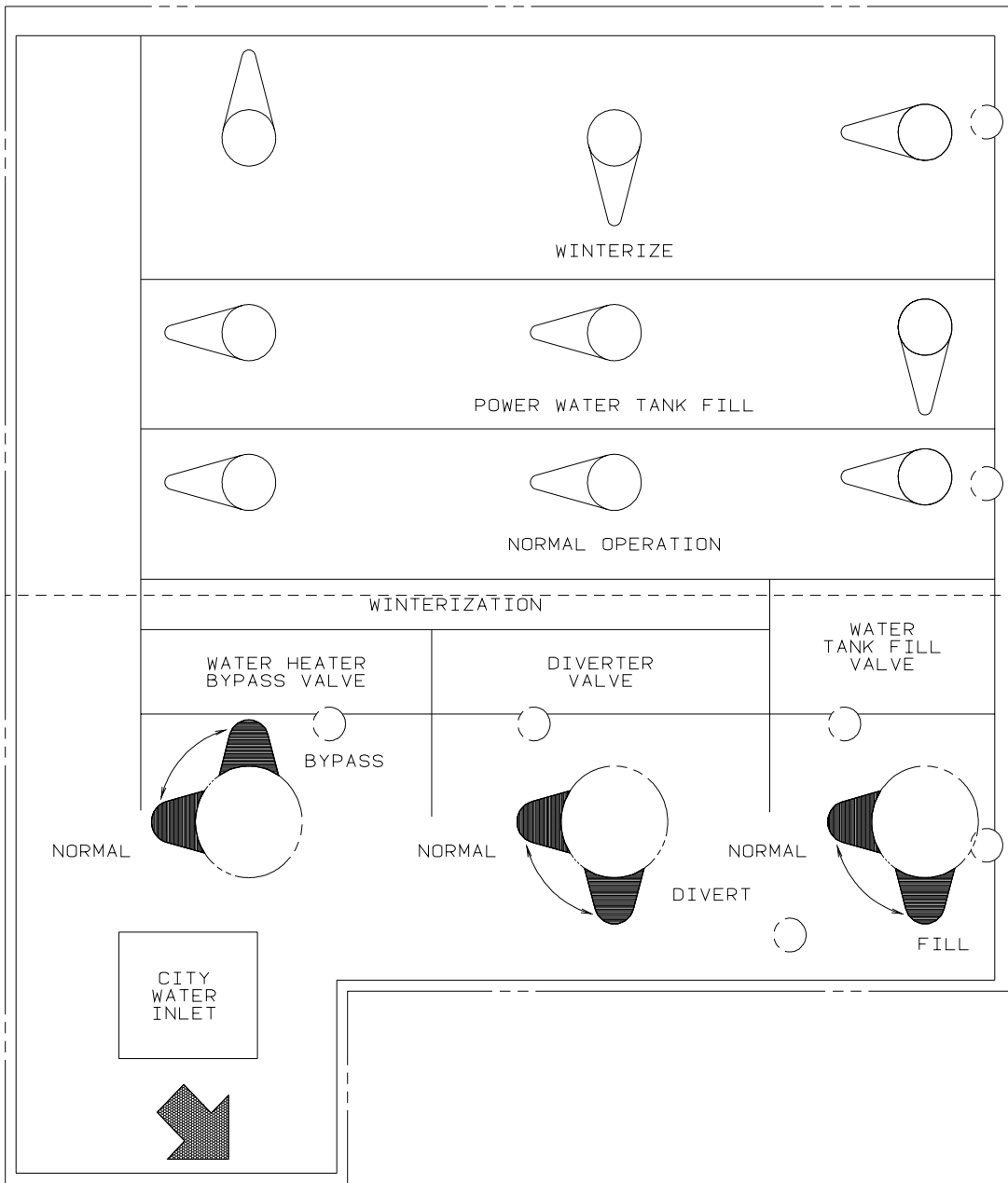
KEY PART NUMBER U/M DESCRIPTION
 133533-03-01A EA LABEL - LOCK/UNLOCK - BLACK/WHITE

LABELS GROUP (CONTINUED)

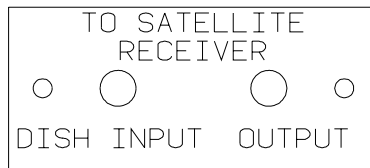


KEY	PART NUMBER	U/M	DESCRIPTION
	133629-01-01A	EA	LABEL - WATER CENTER

LABELS GROUP (CONTINUED)



KEY PART NUMBER U/M DESCRIPTION
 133629-02-01A EA LABEL - WATER CENTER - BLACK/CLEAR



KEY PART NUMBER U/M DESCRIPTION
 134250-01-01A EA LABEL - SATELLITE RECEIVER - BLACK/CLEAR

THIS CHAIR IS NOT INTENDED FOR OCCUPANCY WHEN VEHICLE IS IN MOTION AND MUST BE RETURNED TO STOWED POSITION

DTS ISICE SIEGE N/EST PAS DESTINE A ETRE OCCUPE LORSQUE LE VEHICULE EST IN MOVEMENT ET IL FAUT QUE LE RANGER

THIS CHAIR IS NOT INTENDED FOR OCCUPANCY WHEN VEHICLE IS IN MOTION AND MUST BE RETURNED TO STOWED POSITION

KEY PART NUMBER U/M DESCRIPTION
 134537-01-01A EA LABEL - OCCUPANCY - CHAIR - US

LABELS GROUP (CONTINUED)

THIS SEAT IS NOT INTENDED
FOR OCCUPANCY WHEN
VEHICLE IS IN MOTION

KEY PART NUMBER U/M DESCRIPTION
134538-01-01A EA LABEL - OCCUPANCY - NO SEAT BELT - BLACK ON CLEAR - US

DST ISICE SIEGE N/EST PAS THIS SEAT IS NOT INTENDED
DESTINE A ETRE OCCUPE LORSQUE FOR OCCUPANCY WHILE
LE VEHICULE EST IN MOVUUMENT VEHICLE IS IN MOTION

KEY PART NUMBER U/M DESCRIPTION
134538-02-01A EA LABEL - OCCUPANCY - NO SEAT BELT - BLACK ON CLEAR - CSA

WARNING

IT IS NOT SAFE TO USE COOKING
APPLICANCES FOR COMFORT HEATING

COOKING APPLICANCES NEED FRESH AIR FOR SAFE OPERATION
BEFORE OPERATION.

1. OPEN OVERHEAD VENT OR TURN ON EXHAUST FAN AND;
2. OPEN WINDOW.

KEY PART NUMBER U/M DESCRIPTION
134539-01-01A EA LABEL - WARNING - STOVE/HEATING - US - BLACK ON CLEAR

HOLDING TANK HEATER

TURN OFF WHEN NOT IN USE
SEE OPERATOR'S MANUAL

KEY PART NUMBER U/M DESCRIPTION
134563-01-01A EA LABEL - SWITCH - HEATER

THIS VEHICLE MAY INCLUDE MERCURY-CONTAINING DEVICES INSTALLED BY THE MANUFACTURER:

FLUORESCENT TUBES, RANGES WITH OVEN, HWH LEVEL SENSING UNIT.

REMOVE DEVICES BEFORE VEHICLE DISPOSAL UPON REMOVAL OF
DEVICES: PLEASE REUSE, RECYCLE, OR DISPOSE AS HAZARDOUS WASTE

135869-01A

KEY PART NUMBER U/M DESCRIPTION
135869-01-01A EA LABEL - MERCURY CONTENT - BLACK ON CLEAR
135869-01-02A EA LABEL - MERCURY CONTENT - WHITE ON CLEAR

LIQUID SOAP

KEY PART NUMBER U/M DESCRIPTION
136047-01-01A EA LABEL - LIQUID SOAP

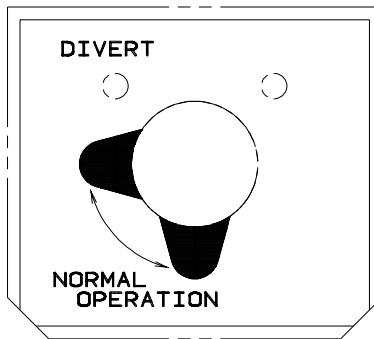
LABELS GROUP (CONTINUED)

DOOR LOCK	DOOR UNLOCK	RIGHT COMPT DOOR LOCK	RIGHT COMPT DOOR UNLOCK	LEFT COMPT DOOR LOCK	LEFT COMPT DOOR UNLOCK	AUX START SOLENOID	AMP SOURCE
POWER MIRRORS	HEATER BLOWER	PASS HEATER BLOWER	FOG LAMPS	DOCKING LAMPS	DOCKING LAMPS SWITCH TRIGGER	COOLING FANS	

KEY PART NUMBER U/M DESCRIPTION
 136161-01-01A EA LABEL - RELAY - MATTE BLACK/WHITE LETTERS



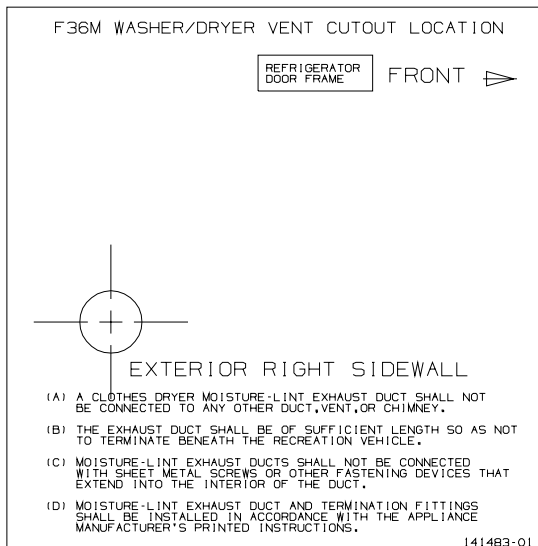
KEY PART NUMBER U/M DESCRIPTION
 136360-01-01A EA LABEL - AIR BAGS



KEY PART NUMBER U/M DESCRIPTION
 137997-01-01A EA LABEL - WINTERIZATION VALVE - BLACK/CLEAR



KEY PART NUMBER U/M DESCRIPTION
 140190-01-01A EA DECAL/LOGO - V6 (DOMED) - CYAN/MAGENTA/YELLOW/BLACK




KEY PART NUMBER U/M DESCRIPTION
 141483-01-01A EA LABEL - DRYER VENTING - BLACK/WHITE

LABELS GROUP (CONTINUED)

WASHER/DRYER BRACKETS

KEY	PART NUMBER	U/M DESCRIPTION
	141523-01-01A	EA LABEL - WASHER/DRYER BRACKETS - BLACK/WHITE

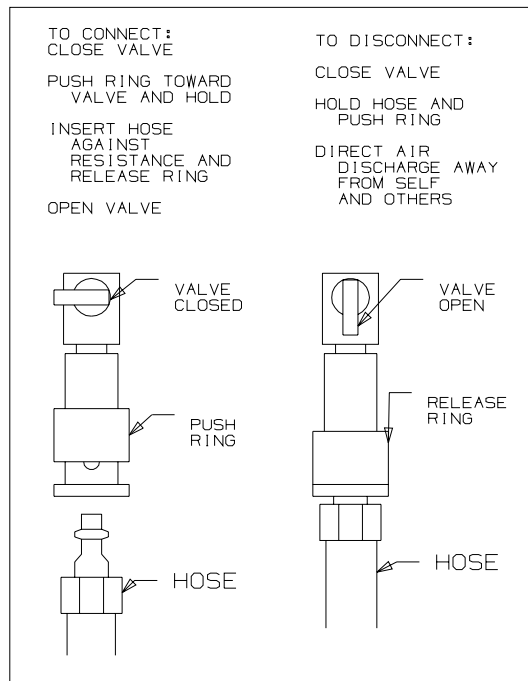
 **WARNING:** COMPRESSED AIR CAN BE HAZARDOUS.

PROPER EYE PROTECTION MUST BE WORN WHEN CONNECTING, DISCONNECTING OR USING AIR HOSE.

CLOSE VALVE BEHIND CONNECTOR BEFORE CONNECTING OR DISCONNECTING AIR HOSE.

HOSE DISCONNECT WILL PRODUCE AIR DISCHARGE FROM HOSE. DIRECT AIR DISCHARGE AWAY FROM SELF AND OTHERS.

KEY	PART NUMBER	U/M DESCRIPTION
	142771-01-01A	EA LABEL - WARNING/COMPRESSED AIR - WHITE LETTERING ON CLEAR



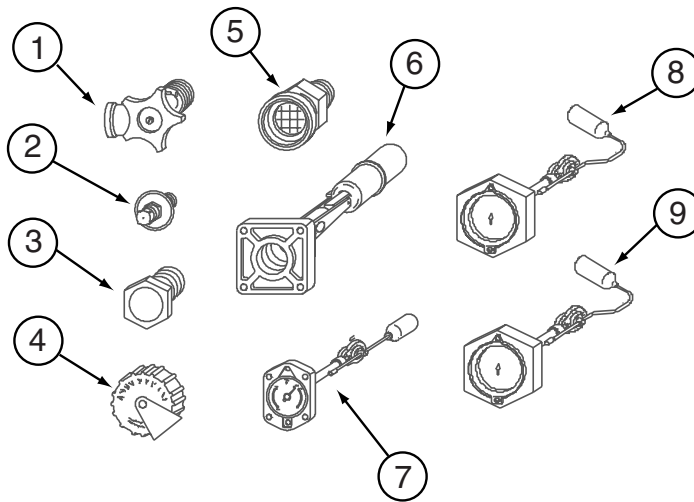
KEY	PART NUMBER	U/M DESCRIPTION
	142773-01-01A	EA LABEL - CONNECT/COMPRESS AIR - WHITE LETTERING ON CLEAR

LP GROUP
LP SYSTEM

KEY	PART NUMBER	U/M	DESCRIPTION
	045703-05-000	EA	HOSE - LP - 3/8"ID X 28" - 3/8"MPT X 1/2"F SWIVEL - U.S.
	045703-06-000	EA	HOSE - LP - 3/8"ID X 28" - 3/8"MPT X 1/2"F SWIVEL - CANADIAN
	105658-01-000	EA	COMPARTMENT - LP REGULATOR
	106150-01-000	EA	REGULATOR - TWO STAGE-W/90 DEGREE ELBOW & 3/8" FPT OUTLET
	010326-01-000	EA	ADAPTER - FLARE - W/CONE GASKET - 3/8"F X 1/2"F
	010329-01-000	EA	ADAPTER - BRASS - 1/2"F X 1/2"MPT
	024250-01-000	EA	ADAPTER - BRASS - 3/8"F X 1/2"FPT
	010377-02-000	EA	NUT - BRASS - 3/8" FLARE - FORGED
	010380-02-000	EA	NUT - BRASS - 1/2" FLARE - FORGED
	010265-01-000	EA	ELBOW - BRASS - 90 DEGREE - 3/8"F X 1/2"FPT
	065318-02-000	EA	ELBOW - 90 DEGREE - 3/8" MPT TO 3/8" FPT
	010536-02-000	EA	TEE - STEEL - 1/2" - BLACK
	040440-03-000	EA	TRANSMITTER - DIAL/SNAP-ON - 0-90 OHM 2 TERM(POWER/GROUND)
*	088253-10-000	EA	TANK - LP - 100 LB - 14" DIAMETER X 47" LONG
	103613-03-000	EA	DETECTOR - LP GAS - W/O SHUT-OFF VALVE

***COMPONENT PARTS LISTED LATER IN THIS GROUP**

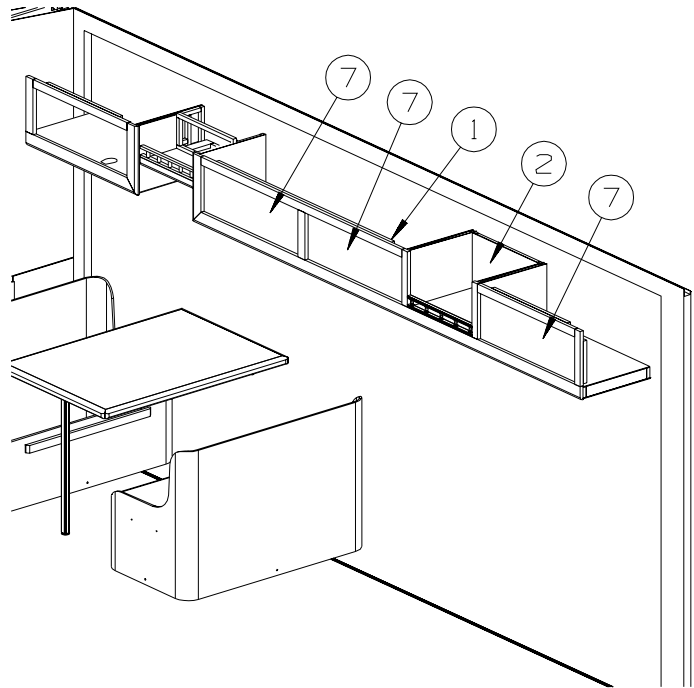
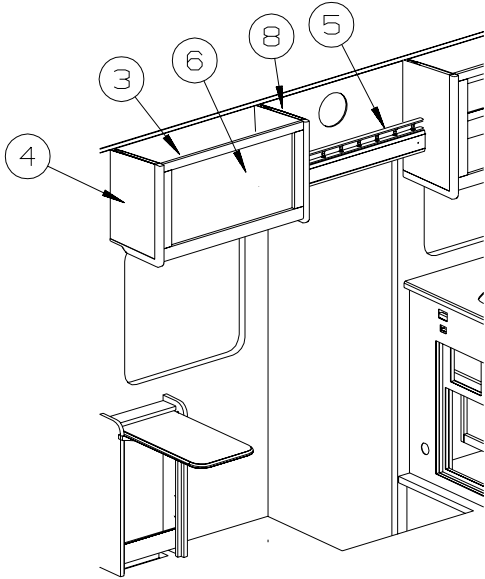
LP GROUP (CONTINUED)
COMPONENT PARTS FOR LP SYSTEM



088253-10-000

KEY	PART NUMBER	U/M	DESCRIPTION	VENDOR NO.
1	040421-01-708	EA	HANDWHEEL-SERVICE VALVE	G-1015-A
1	040421-01-712	EA	VALVE,SERV. W/O VAPOR RELIEF	29000853
2	040421-01-700	EA	VALVE-LIQUID LEVEL, 20%	G-1013
3	040421-01-713	EA	VALVE-RELIEF 1" W/SPRING 7"	29000587
4	040421-01-702	EA	CAP-FILL VALVE, PLASTIC	G-1014-A
5	040421-01-701	EA	VALVE-FILL-SHORT, LP	7547B
6	040421-01-711	EA	VALVE-80% FILL W/AUTO STOP	LLL/TL3
7	040421-01-707	EA	FLOAT/BOLT ON-SCREW ON DIAL	14C
7	088253-09-700	EA	FLOAT/SCREW IN-SNAP ON DIAL	SG14C0001466
8			NOT WHAT IS ILLUSTRATED HERE	
9			NOT WHAT IS ILLUSTRATED HERE	

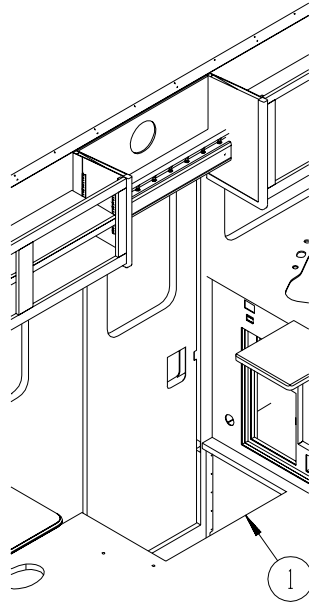
LOUNGE GROUP CABINETS



KEY	PART NUMBER	U/M	DESCRIPTION
1	136645-01-N42	EA	CABINET - OVERHEAD/COUCH - W/O DOORS/HARDWARE - PORTSMOUTH OAK
1	136645-01-P46	EA	CABINET - OVERHEAD/COUCH - W/O DOORS/HARDWARE - CONCERT CHERRY
1	136645-01-P56	EA	CABINET - OVERHEAD/COUCH - W/O DOORS/HARDWARE - WASHED MAPLE
1	136645-02-N42	EA	CABINET - OVERHEAD/COUCH - W/O DOORS/HARDWARE - PORTSMOUTH OAK - SURROUND SOUND
1	136645-02-P46	EA	CABINET - OVERHEAD/COUCH - W/O DOORS/HARDWARE - CONCERT CHERRY - SURROUND SOUND
1	136645-02-P56	EA	CABINET - OVERHEAD/COUCH - W/O DOORS/HARDWARE - WASHED MAPLE - SURROUND SOUND
2	140374-37-000	EA	MIRROR - SAFETY GLASS - 10.3" X 18.2"
3	141882-01-P45	EA	CABINET - OVERHEAD/FRONT - W/O DOORS/HARDWARE - PORTSMOUTH OAK
3	141882-01-P46	EA	CABINET - OVERHEAD/FRONT - W/O DOORS/HARDWARE - CONCERT CHERRY
3	141882-01-P56	EA	CABINET - OVERHEAD/FRONT - W/O DOORS/HARDWARE - WASHED MAPLE
3	141882-02-P45	EA	CABINET - OVERHEAD/FRONT - W/O DOORS/HARDWARE - PORTSMOUTH OAK - SURROUND SOUND
3	141882-02-P46	EA	CABINET - OVERHEAD/FRONT - W/O DOORS/HARDWARE - CONCERT CHERRY - SURROUND SOUND
3	141882-02-P56	EA	CABINET - OVERHEAD/FRONT - W/O DOORS/HARDWARE - WASHED MAPLE - SURROUND SOUND
4	137462-07-N42	EA	END CAP - OVERHEAD CABINET - PORTSMOUTH OAK
4	137462-07-P46	EA	END CAP - OVERHEAD CABINET - CONCERT CHERRY
4	137462-07-P56	EA	END CAP - OVERHEAD CABINET - WASHED MAPLE
5	141807-01-P45	EA	CABINET - OVERHEAD/ENTRY DOOR - W/O DOORS/HARDWARE - PORTSMOUTH OAK
5	141807-01-P46	EA	CABINET - OVERHEAD/ENTRY DOOR - W/O DOORS/HARDWARE - CONCERT CHERRY
5	141807-01-P56	EA	CABINET - OVERHEAD/ENTRY DOOR - W/O DOORS/HARDWARE - WASHED MAPLE
6	134868-08-N47	EA	DOOR - RAIL/ARCHED TOP - 15.5" X 29.5" - W/O HARDWARE - PORTSMOUTH OAK FROM: 00-00-00 THRU: 11-12-02
6	141522-C4-P54	EA	DOOR - ARCHED/PENCIL EDGE/HORIZ - 15.5" X 29.5" - W/O HDW - PORTSMOUTH OAK FROM: 11-13-02 THRU: 99-99-99
6	134868-08-P55	EA	DOOR - RAIL/ARCHED TOP - 15.5" X 29.5" - W/O HARDWARE - CONCERT CHERRY FROM: 00-00-00 THRU: 11-12-02
6	141522-C4-P55	EA	DOOR - ARCHED/PENCIL EDGE/HORIZ - 15.5" X 29.58" - W/O HDW - CONCERT CHERRY FROM: 11-13-02 THRU: 99-99-99
6	134868-08-P56	EA	DOOR - RAIL/ARCHED TOP - 15.5" X 29.5" - W/O HARDWARE - WASHED MAPLE FROM: 00-00-00 THRU: 11-12-02
6	141522-C4-P56	EA	DOOR - ARCHED/PENCIL EDGE/HORIZ - 15.5" X 29.5" - W/O HDW - WASHED MAPLE FROM: 11-13-02 THRU: 99-99-99

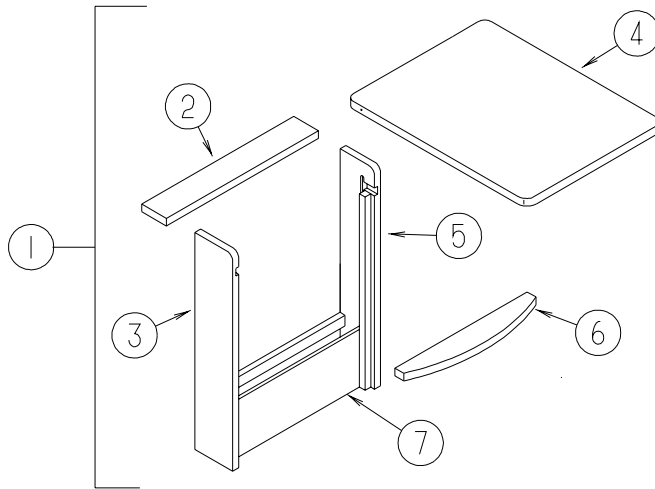
LOUNGE GROUP (CONTINUED)
CABINETS (CONTINUED)

KEY	PART NUMBER	U/M	DESCRIPTION
7	134868-16-N47	EA	DOOR - RAIL/ARCHED TOP - 10.8" X 23.8" - W/O HARDWARE - PORTSMOUTH OAK FROM: 00-00-00 THRU: 11-12-02
7	141522-43-P54	EA	DOOR - ARCHED/PENCIL EDGE/HORIZ - 10.8" X 23.8" - W/O HDW - PORTSMOUTH OAK FROM: 11-13-02 THRU: 99-99-99
7	134868-16-P55	EA	DOOR - RAIL/ARCHED TOP - 10.8" X 23.8" - W/O HARDWARE - CONCERT CHERRY FROM: 00-00-00 THRU: 11-12-02
7	141522-43-P55	EA	DOOR - ARCHED/PENCIL EDGE/HORIZ - 10.8" X 23.8" - W/O HDW - CONCERT CHERRY FROM: 11-13-02 THRU: 99-99-99
7	134868-16-P56	EA	DOOR - RAIL/ARCHED TOP - 10.8" X 23.8" - W/O HARDWARE - WASHED MAPLE FROM: 00-00-00 THRU: 11-12-02
7	141522-43-P56	EA	DOOR - ARCHED/PENCIL EDGE/HORIZ - 10.8" X 23.8" - W/O HDW - WASHED MAPLE FROM: 11-13-02 THRU: 99-99-99
8	137462-12-P45	EA	END CAP - OVERHEAD CABINET - PORTSMOUTH OAK
8	137462-12-P46	EA	END CAP - OVERHEAD CABINET - CONCERT CHERRY
8	137462-12-P56	EA	END CAP - OVERHEAD CABINET - WASHED MAPLE

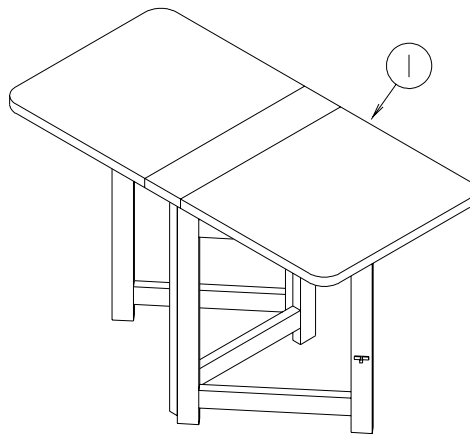


KEY	PART NUMBER	U/M	DESCRIPTION
1	139955-06-02A	EA	TRIM - STEP/ENTRY - TITANIUM

LOUNGE GROUP (CONTINUED) TABLE



KEY	PART NUMBER	U/M	DESCRIPTION
1	136683-02-N42	EA	CABINET/PULLOUT TABLE - W/TABLE - PORTSMOUTH OAK
1	136683-02-M52	EA	CABINET/PULLOUT TABLE - W/TABLE - CHERRY - CONCERT CHERRY
1	136683-02-M62	EA	CABINET/PULLOUT TABLE - W/TABLE - WASHED MAPLE
2	136683-20-M53	EA	TOP ONLY - F/PULLOUT CABINET - PORTSMOUTH OAK
2	136683-20-M52	EA	TOP ONLY - F/PULLOUT CABINET - CONCERT CHERRY
2	136683-20-M62	EA	TOP ONLY - F/PULLOUT CABINET - WASHED MAPLE
3	136683-12-M53	EA	CABINET/LEFT SIDE - F/PULLOUT TABLE - 5.7" X 28.7" - PORTSMOUTH OAK
3	136683-12-M52	EA	CABINET/LEFT SIDE - F/PULLOUT TABLE - 5.7" X 28.7" - CONCERT CHERRY
3	136683-12-M62	EA	CABINET/LEFT SIDE - F/PULLOUT TABLE - 5.7" X 28.7" - WASHED MAPLE
4	136683-22-N42	EA	TABLE TOP ONLY - F/PULLOUT TABLE - PORTSMOUTH OAK
4	136683-22-M52	EA	TABLE TOP ONLY - F/PULLOUT TABLE - CHERRY - CONCERT CHERRY
4	136683-22-M62	EA	TABLE TOP ONLY - F/PULLOUT TABLE - WASHED MAPLE
5	136683-11-M53	EA	CABINET/RIGHT SIDE - F/PULLOUT TABLE - 5.7" X 28.7" - PORTSMOUTH OAK
5	136683-11-M52	EA	CABINET/RIGHT SIDE - F/PULLOUT TABLE - 5.7" X 28.7" - CONCERT CHERRY
5	136683-11-M62	EA	CABINET/RIGHT SIDE - F/PULLOUT TABLE - 5.7" X 28.7" - WASHED MAPLE
6	136683-19-M53	EA	SHELF - TABLE STABILIZER W/EDGE MOLDING - PORTSMOUTH OAK
6	136683-19-M52	EA	SHELF - TABLE STABILIZER-W/EDGE MOLDING - CONCERT CHERRY
6	136683-19-M62	EA	SHELF - TABLE STABILIZER-W/EDGE MOLDING - WASHED MAPLE
7	136683-21-M52	EA	PANEL - LOWER/FRONT - PORTSMOUTH OAK
7	136683-21-M53	EA	PANEL - LOWER/FRONT - CONCERT CHERRY
7	136683-21-M62	EA	PANEL - LOWER/FRONT - WASHED MAPLE



KEY	PART NUMBER	U/M	DESCRIPTION
1	133604-01-L81	EA	TABLE/COFFEE - COMPLETE - PORTSMOUTH OAK
1	133604-01-L52	EA	TABLE/COFFEE - COMPLETE - CHERRY - CONCERT CHERRY
1	133604-01-L58	EA	TABLE/COFFEE - COMPLETE - WASHED MAPLE
	134334-01-000	EA	BAG - COFFEE TABLE

SEALANTS & FASTENERS GROUP
SEALANTS & ADHESIVES

KEY	PART NUMBER	U/M	DESCRIPTION
	002707-02-000	FT	TAPE - SEALER - 5/16" X 1/2" - INCREMENTS OF 50 FT
	004001-02-000	EA	GUN - PLEXUS ADHESIVE - W/O NOZZLE
	004001-05-000	EA	ADHESIVE - SCOTCH-WELD - 3M DP100 - CLEAR - 50ML
	004011-01-000	EA	ADHESIVE-3M-4475 TUBE
	010405-02-000	EA	TAPE - THREAD SEALING - 3/8"
	034552-06-000	EA	SILICONE - TUBE - W/O NOZZLE - OFF WHITE
	034552-15-000	EA	SILICONE - TUBE - W/O NOZZLE - BRIGHT WHITE
	063642-01-000	FT	TAPE - ADHESIVE - .4" X 1.5" X 180'
	064075-07-000	FT	SEAL - BULB - W/WIRED U CHANNEL - .3" X .5" CHANNEL-BLACK
	067788-01-000	EA	ADHESIVE - SPRAY - 3M - 19.5 OZ AEROSOL CAN
	069640-01-000	FT	SEALER - RIBBON - 1/4" DIAMETER X 30' - BLACK OR GRAY
	069640-02-000	FT	SEALER - TAPE - .13" THICK X .5" WIDE X 60' - GRAY
	069640-03-000	FT	SEALER - TAPE - .13" THICK X .75" WIDE X 60' - BLACK
	069640-07-000	FT	SEALER - TAPE - .09" THICK X 2" WIDE X 45' - GRAY
	069640-09-000	FT	SEALER - TAPE - .03" THICK X 2.50"WIDE X 80' - GRAY
	069640-10-000	FT	SEALER - TAPE - .03" THICK X 1.50" WIDE X 90' - GRAY
	069640-11-000	FT	SEALER - TAPE - .19" THICK X .38" WIDE X 40' - BLACK
	069640-13-000	FT	SEALER - TAPE - .03" THICK X 2" WIDE X 45' - BLACK
	069640-14-000	FT	SEALER - TAPE - .06" THICK X 1" WIDE X 100' - GRAY
	069640-15-000	FT	SEALER - TAPE - .06" THICK X .38" WIDE X 100' - GRAY
	069640-17-000	FT	SEALER - TAPE - .03" THICK X 1" WIDE X 90' - GRAY
	069640-18-000	FT	SEALER - TAPE - .50" THICK X .13" WIDE X 60' - BRT WHITE
	069640-19-000	FT	SEALER - TAPE - .75" THICK X .13" WIDE X 60' - BRT WHITE
	069640-20-000	FT	SEALER - TAPE - .50" THICK X 1/8" WIDE X 60' - BLACK
	069640-21-000	FT	SEALER - TAPE - .50" THICK X 1/16" WIDE X 100'-BRIGHT WHT
	069640-23-000	FT	SEALER - TAPE - .06" THICK X 3/4" WIDE X 100' - BRT WHITE
	069640-27-000	FT	SEALER - TAPE - .06" THICK X 2.25" WIDE - BRIGHT WHITE
	069640-28-000	FT	SEALER - TAPE - .25" THICK X 1 7/8" WIDE X 90' - GRAY
	069640-30-000	FT	SEALER - TAPE - 3/8" X 1/32" - GRAY
	069640-31-000	FT	SEALER - TAPE - 25"THICK X 3/4"WIDE X 60' - BLACK
	072889-01-000	EA	SEALANT - URETHANE - BLACK - TUBE W/NOZZLE TIP
	076322-01-000	FT	TAPE-DOUBLE COATED/ADHESIVE BK-.03"THK X .8"W X 216'- WHT
	076322-02-000	FT	TAPE-DOUBLE COATED/ADHESIVE BK-.05"THK X 1"W X 108' - WHT
	076322-03-000	FT	TAPE-DOUBLE COATED/ADHESIVE BK-.05"THK X .5"W X 108' - WHT
	076322-04-000	FT	TAPE-DOUBLE COATED/ADHESIVE BK-.05"THK X .8"W X 108' - WHT
	076322-05-000	FT	TAPE-DOUBLE COATED/ADHESIVE BK-.05"THK X .8"W X 108' - WHT
	076322-11-000	FT	TAPE-DOUBLE COATED/ADHESIVE BK-.02"THK X 1"W X 216' - CLR
	086276-01-000	EA	TAPE - DOUBLE SIDED - 1/2" WIDE X 108' LONG (SOLD BY ROLL)
	088479-01-000	EA	TAPE - ALUMINUM - 3"
	090340-01-000	FT	SEAL - FOAM - CLOSED CELL - 1/4" X 1/2" X 50'
	090340-02-000	FT	SEAL - FOAM - CLOSED CELL - 3/8" X 1/2" X 50'
	091255-02-000	FT	SEAL - ADHESIVE BACKED/FOAM - 3/64" THICK X 3/16"W X 1000'
	091255-03-000	FT	SEAL - ADHESIVE BACKED/FOAM - 1/4" THICK X 1/4"W X 1000'
	094401-01-000	EA	SEALER - BODY SEAM - FLEXICLEAR
	094401-03-000	EA	SEALER - BODY SEAM - BLACK
	094401-04-000	EA	SEALER - BODY SEAM - CLEAR
	098408-01-000	FT	SEAL - SPONGE RUBBER - CLOSED CELL
	099069-01-000	FT	SEAL - RUBBER - CLOSED SPONGE - .5" WIDE X .12" THICK -BLK
	099418-01-000	FT	SEAL - D-SECTION/ADHESIVE BACK - .44" X .44"- BLK RUBBER
	099418-02-000	FT	SEAL - D SECTION - WHITE
	100128-02-000	FT	SEAL - FOAM/ADHESIVE BACK - .37" WIDE X .37" THICK
	104692-01-000	FT	SEAL - ADHESIVE BACKED FOAM - 3/4" THICK X 3/4" WIDE X 25'
	104692-03-000	FT	SEAL - ADHESIVE BACKED FOAM - 1" THICK X 1 3/16"WIDE X 15'
	107828-01-000	EA	SEALANT - SB - 190 EVERSEAL
	108716-01-000	EA	SILICONE - W/O NOZZLE - OFF WHITE - SELF LEVELING
	109506-12-000	EA	FILM/ABRASION-RESISTANT - TRANSPARENT - 1" DIA.
	110274-01-000	FT	TAPE - DOUBLE SIDED/FOAM - .45" X 1" X 216' - BLACK
	112481-02-000	EA	ADHESIVE - PLEXUS ETHACRYLATE - CARTRIDGE
	112864-01-000	FT	SEAL - FOAM/BUTYL COVERED - 3/8" X 35'
	112864-02-000	FT	FOAM - BUTYL COVERED 5/16" X 44'
	112864-03-000	FT	FOAM - BUTYL COVERED - 1/2" X 1/8" X 25'
	112864-04-000	FT	FOAM - BUTYL COVERED - 3/8" X 1/8"
	112901-02-000	EA	ADHESIVE - PLEXUS - MA330 - 50ML - GRAY
	112901-03-000	EA	ADHESIVE - PLEXUS - MA300 - 50ML - WHITE

SEALANTS & FASTENERS GROUP (CONTINUED)

SEALANTS & ADHESIVES (CONTINUED)

KEY	PART NUMBER	U/M	DESCRIPTION
	112902-01-000	EA	NOZZLE - ELEMENT - 3/8 X 24
	112902-02-000	EA	NOZZLE-BELL 3/8X24 - TAH 160-824
	112902-03-000	EA	MIXER NOZZLE - F/GUN #00400102000 - SCOTCH-WELD & PLEXUS
	112902-04-000	EA	NOZZLE - ELEMENT - 1/4" X 3.5"
	113366-01-000	EA	ADHESIVE - INSTANT - 1 OZ
	113452-02-000	FT	SEAL/TRIM - FRONT - VINYL W/WIRE CARRIER - .027"
	115933-01-000	FT	TAPE - 1/64" X 3/8" X 100'
	120074-02-03A	EA	SILICONE - TUBE - W/O NOZZLE - SMOKEY WHITE
	120074-02-02A	EA	SILICONE - TUBE - W/O NOZZLE - LOW ODOR - SOFT WHITE
	120534-01-01A	EA	TAPE - SCOTCH - 3M - 1/2" FINE LINE
	123244-01-000	FT	TAPE - DOUBLE SIDED/FOAM - 5/64" THICK X 3/4" WIDE X 108'
	123816-01-000	FT	TAPE - DOUBLE SIDED - 1" X 3/4" X 200'
	123816-02-000	FT	TAPE - DOUBLE SIDED - 1/2" X 1 1/3" X 200'
	123816-03-000	FT	TAPE - DOUBLE SIDED - 1/2" X 3/4" X 200'
	123816-04-000	FT	TAPE - DOUBLE SIDED - 6" X 750'
	126427-01-000	EA	ADHESIVE - ALL PURPOSE - ABS/PVC
	126427-02-000	EA	PRIMER - CLEANER - FLEX PIPING
	131264-01-08A	EA	SILICONE - TUBE - W/O NOZZLE - BUFF
	131264-01-02A	EA	SILICONE - TUBE - W/O NOZZLE - CLEAR
	131264-01-01A	EA	SILICONE - TUBE - W/O NOZZLE - BLACK
	131264-02-01A	EA	SILICONE - TUBE - W/O NOZZLE - VW GRAY - BATH ONLY
	131264-03-01A	EA	SILICONE - TUBE - W/O NOZZLE- SELF LEVELING - BRIGHT WHITE
	131264-04-01A	EA	SILICONE/SEALANT/ADHESIVE - FAST CURE F/GLASS/VINYL - B/W
	131384-01-000	EA	ADHESIVE - JETWELD
	134651-01-000	FT	SEAL - 1/2" X 3/4" PSA 1 SIDE
	900390-01-000	EA	NOZZLE - SILICONE TUBE - 2.5" LONG
	900390-03-000	EA	NOZZLE - SILICONE TUBE - 4.3" LONG

BOLTS, NUTS AND WASHERS

KEY	PART NUMBER	U/M	DESCRIPTION
	OMC04K-06-016	EA	BOLT - HEX - M06 X 1 X 016
	OMC05K-08-055	EA	BOLT - HEX - M08 X 1.25 X 2.2
	OMC13K-14-110	EA	BOLT - HEX
	OMC13K-14-070	EA	BOLT - HEX - M14 X 2 X 2 3/4
	OMC31K-08-020	EA	BOLT - HEX - SERRATED FLANGE - M8 X 020
	OMC32K-10-030	EA	BOLT - HEX - SERRATED FLANGE - M10 X 1 1/2
	OMD16K-10-000	EA	NUT - HEX PREV TORQUE M10 X 1 1/2 CLASS 8
	OMD39K-12-000	EA	NUT - HEX W/NYLON LOCK - M12 X 1 3/4
	OMD40K-14-000	EA	NUT - HEX W/NYLON LOCK - M14 X 2
	OMD54F-06-000	EA	NUT-HEX SER FLG M6X1,0 SS - DIN6923A2M6
	OME06K-14-280	EA	WASHER - FLAT - 14 ID X 28 OD
	000C12-04-40B	EA	BOLT - HEX - 1/4-20 X 2 1/2 - GRADE 5 ZINC
	000C12-04-08B	EA	BOLT - HEX - 1/4-20 X 1/2 - GRADE #5 - ZINC
	000C12-05-16B	EA	BOLT - HEX - 5/16-18 X 1 - GRADE #5 - ZINC
	000C12-06-24B	EA	BOLT - HEX - 3/8-16 X 1 1/2 - ZINC #5
	000C12-06-16B	EA	BOLT - HEX - 3/8-16 X 1 - GRADE #5 - ZINC
	000C12-06-128	EA	BOLT - HEX - 3/8 - 16 X 8 - ZINC 5
	000C12-06-44B	EA	BOLT - HEX - 3/8-16 X 2 3/4 - GRADE 5 - ZINC
	000C12-08-28B	EA	BOLT - HEX - 1/2-13 X 1 3/4 - GRADE #5 - ZINC
	000C12-08-24B	EA	BOLT - HEX - 1/2-13 X 1 1/2 - GRADE #5 - ZINC
	000C12-08-16B	EA	BOLT - HEX - 1/2-13 X 1 - GRADE #5 - ZINC
	000C12-10-24B	EA	BOLT - HEX - 5/8-11 X 1 1/2 - GRADE #5 - ZINC
	000C13-07-48B	EA	BOLT - HEX - 7/16-20 X 3 - GRADE #5 - ZINC
	000C13-07-40B	EA	BOLT - HEX - 7/16-20 X 2 1/2 - GRADE #5 - ZINC
	000C14-07-28B	EA	BOLT - HEX - 7/16-14 X 1 3/4 - GRADE #8 - ZINC
	000C14-10-32K	EA	BOLT - HEX - 5/8-11 X 2 - GRADE #8 - ZINC
	000C18-05-40A	EA	BOLT - ELEVATOR - 5/16-18 X 2 1/2 - PL
	000C18-06-48B	EA	BOLT - ELEVATOR - 3/8-16 X 3 - GRADE 5 - ZINC
	000C26-04-18B	EA	BOLT - HEX - SERRATED FLANGE - 1/4-20 X 1 1/8 - ZINC
	000C26-04-14B	EA	BOLT - HEX - SERRATED FLANGE - 1/4-20 X 7/8 - ZINC
	000C26-04-10B	EA	BOLT - HEX - SERRATED FLANGE - 1/4-20 X 5/8 - ZINC
	000C26-05-20B	EA	BOLT - HEX - SERRATED FLANGE - 5/16-18 X 1 1/4 - ZINC
	000C26-05-129	EA	BOLT - HEX - SERRATED FLANGE - 5/16-18 X 3/4
	000C26-05-12B	EA	BOLT - HEX - SERRATED FLANGE - 5/16-18 X 3/4 - ZINC

SEALANTS & FASTENERS GROUP (CONTINUED)
BOLTS, NUTS AND WASHERS (CONTINUED)

KEY	PART NUMBER	U/M	DESCRIPTION
	000C26-05-249	EA	BOLT - HEX - SERRATED FLANGE - 5/16-18 X 1 1/2
	000C26-06-28B	EA	BOLT - HEX - SERRATED FLANGE - 3/8-16 X 1 3/4 - ZINC
	000C26-06-20B	EA	BOLT - HEX - SERRATED FLANGE - 3/8-16 X 1 1/4 - ZINC
	000C26-06-12B	EA	BOLT - HEX - SERRATED FLANGE - 3/8-16 X 3/4 - ZINC
	000C26-06-40B	EA	BOLT - HEX - SERRATED FLANGE - 3/8-16 X 2 1/2 - ZINC
	000C26-08-24B	EA	BOLT - HEX - SERRATED FLANGE - 1/2-13 X 1 1/2 - ZINC
	000C27-04-40B	EA	BOLT - CARRIAGE - 1/4-20 X 2 1/2 - ZINC
	000C27-05-44I	EA	BOLT-CARR,5/16-18X2.75" - BLACK ZINC
	000C27-07-40B	EA	BOLT - CARRIAGE - 7/16-14 X 2 1/2 - GRADE #5
	000D16-07-00B	EA	NUT - HEX - 7/16-14 - ZINC
	000D24-10-00B	EA	NUT - HEX - SELF LOCKING - 10-32 ZINC
	000D28-10-00B	EA	NUT - HEX - W/NYLON LOCK - 10-32 ZINC
	000D29-04-00B	EA	NUT - HEX - SELF LOCKING - 1/4 X 20 - ZINC
	000D29-06-00B	EA	NUT - HEX - W/NYLON LOCK - 3/8-16 - ZINC
	000D29-09-00B	EA	NUT - HEX - SELF LOCKING - 9/16-12 - ZINC
	000D30-07-00B	EA	NUT - HEX LOCK - NYLON 7/16 X 20
	000D34-06-00B	EA	NUT - HEX - LOCKING - 3/8-16 GRADE C - ZINC
	000D39-04-00B	EA	NUT - HEX - LOCKING W/SERRATED FLANGE - 1/4-20 - ZINC
	000D39-05-00B	EA	NUT - HEX - LOCKING W/SERRATED FLANGE - 5/16-18 - ZINC
	000D39-06-00B	EA	NUT - HEX - LOCKING W/SERRATED FLANGE - 3/8-18 - ZINC
	000D39-06-00D	EA	NUT - HEX - LOCKING W/SERRATED FLANGE - 3/8"-16 BLACK
	000D39-07-00B	EA	NUT - HEX - LOCKING W/SERRATED FLANGE - 7/16-14 - ZINC
	000D44-04-00B	EA	NUT - HEX - LOCKING W/SERRATED FLANGE - 1/4-28 - ZINC
	000D44-07-00B	EA	NUT - HEX - LOCKING W/SERRATED FLANGE - 7/16-20 - ZINC
	000D44-08-00B	EA	NUT - HEX - LOCKING W/SERRATED FLANGE - 1/2-20 - ZINC
	000D46-04-00A	EA	NUT - HEX - WELD - 1/4-20 - PLAIN
	000D65-08-00B	EA	NUT - HEX - LOCKING W/SERRATED FLANGE - 8-32 - ZINC
	000D67-10-00B	EA	NUT - HEX - LOCK - 5/8-11 - ZINC
	000D73-08-00C	EA	NUT - HEX FLANGE - 1/2-13
	000D75-09-00B	EA	NUT - HEX LOCKING - 9/16-12 - ZINC
	000D76-06-00B	EA	NUT - HEX FLANGE - 3/8-16
	000E11-04-00F	EA	WASHER - LOCKING - 1/4 MED SPLIT - STAINLESS STEEL
	000E11-07-00B	EA	WASHER - LOCKING - 7/16 MED SPLIT - ZINC
	000E11-08-00B	EA	WASHER - LOCKING - 1/2 MED SPLIT - ZINC
	000E13-17-00B	EA	WASHER - FLAT - 3/8 AR - ZINC
	000E13-18-00B	EA	WASHER - FLAT - 3/8 WIDE - ZINC
	000E13-20-00B	EA	WASHER - FLAT - 7/16 WIDE - ZINC
	000E13-22-00B	EA	WASHER - FLAT - 1/2 WIDE - ZINC
	000E13-26-00B	EA	WASHER - FLAT - 5/8 WIDE - ZINC
	000E14-10-00B	EA	WASHER - LOCKING - #10 EXTERNAL TOOTH - ZINC
	000E16-10-00B	EA	WASHER - HARDENED - 5/8 - FLAT - ZINC
	000G45-05-16B	EA	BOLT - LAG - 5/16-9 X 1 - ZINC
	000G62-08-24B	EA	SCREW - SF/DR - 8-18 X 1 1/2 PFH
	002329-01-000	EA	WASHER-FLAT, 9/32" ID X 5/8" OD - NYLON
	005081-01-000	EA	NUT - SPEED - C-TYPE - #8 SCREW
	040921-03-000	EA	NUT - SPEED - U TYPE - #10
	040921-04-000	EA	NUT - SPEED - U TYPE - #8-.59" LENGTH X .44" WIDTH
	040921-05-000	EA	NUT - SPEED - U-TYPE - 8-.67" X .44" WIDE
	041322-01-000	EA	WASHER - FLANGE - 15/32 ID X 2 3/8 OD - F/SEAT BELT MTG
	044364-01-000	EA	NUT - SPEED - FLAT - RECTANGULAR - SELF LOCKING/ONE PIECE
	044364-02-000	EA	NUT - SPEED - FLAT - ROUND
	044533-01-000	EA	WASHER - PLASTIC - 1 3/8 OD - FOR BUTTONS
	046867-04-000	EA	GROMMET - #0
	046867-05-000	EA	WASHER - #0
	051387-06-000	EA	BOLT - CARRIAGE W/O HOLE - 5/16-18 X 9 1/2 - ZINC
	058716-02-000	EA	WASHER - FLAT NYLON
	058716-03-000	EA	WASHER - FLAT/NYLON - .500 X 1 1/4 X 060
	064081-03-000	EA	NUT - WING 3/8-16 - W/WELD NUT
	077071-01-000	EA	WASHER - FENDER - 3/16 ID X 1 OD
	084406-01-000	EA	NUT - CAPPED - CROSS RECESSED - BLACK - 1/4-20 THD
	087234-01-000	EA	NUT - JACK - 1/4 X 20 THD - MOLLY
	087718-01-000	EA	MONOBOLT - STEEL - 3/16 DIAMETER
	088787-12-000	EA	STUD - WELD - 1/4 - 20 X 1.0 LG - MN
	102333-02-01A	EA	BOLT - CARRIAGE - 1/4-20

SEALANTS & FASTENERS GROUP (CONTINUED)
BOLTS, NUTS AND WASHERS (CONTINUED)

KEY	PART NUMBER	U/M	DESCRIPTION
	102540-02-000	EA	SEAL - SCREW
	103020-02-000	EA	BOLT-U - #8-32 - GRADE 5 ZINC
	106166-01-000	EA	BOLT/COLLARED HANGER - 8-32 X 1
	106956-03-000	EA	BOLT - HEX TAP - 1/2-12NC X 3 - GRADE 5 - FULL THREAD/ZINC
	106956-08-000	EA	BOLT - HEX TAP - 1/2-13NC X 4 - GRADE 5 - FULL THREAD/ZINC
	107393-02-000	EA	BOLT - SHOULDER - 3/8" SOCKETHEAD
	107397-01-000	EA	WASHER - FENDER - 3/4 ID X 1 OD
	108067-03-000	EA	STUD - WELD - 1/4 - 20 X 1/2 CD
	109235-01-05A	FT	COVER - SCREW - BRIGHT WHITE
	109235-01-01A	FT	COVER - SCREW - MAT BLACK
	109917-03-000	EA	WASHER - 1" X .50"
	109917-04-000	EA	WASHER - 1" X .75"
	113985-02-000	EA	BOLT - FLANGE - M10-1 1/2 X 30CL 10.9
	114259-05-000	EA	BOLT - 7/16-20 X 1 1/4 W/WASHER
	128444-01-000	EA	WASHER - SPRING - CONICAL
	131377-01-000	EA	NUT-HEX HEAD W/WASHER-1/4-20 X 2" STEEL W/3/4" OD WASHER
	135092-01-01A	EA	BOLT - HEX - SERRATED FLANGE - 1/2-20 X 1 3/4-GRADE 5 ZINC
	135092-02-01A	EA	BOLT - HEX - SERRATED FLANGE - 1/2-20 X 2 1/2-GRADE 5 ZINC

SCREWS

KEY	PART NUMBER	U/M	DESCRIPTION
	0G1106-08-240	EA	SCREW - 6-20 X 1/2 PPH - VW LIGHT GRAY
	0G1108-12-240	EA	SCREW - 8-18 X 3/4 PPH - VW LIGHT GRAY
	0G1208-12-170	EA	SCREW - 8-18 X 3/4 POH - BRIGHT WHITE
	0G1306-08-130	EA	SCREW-6-20X1/2 PFH TAUPE
	0G1308-10-240	EA	SCREW - 8-18 X 5/8 PFH - VW LIGHT GRAY
	0G3804-22-180	EA	SCREW - MACHINE - 1/4-20 X 1 3/8 PFH - BLACK
	0G3908-08-160	EA	SCREW - SF/DR - 8-18 X 1/2 PPH - VW WHITE
	0G3908-08-240	EA	SCREW - SF/DR - 8-18 X 1/2 PPH - VW LIGHT GRAY
	0G3908-08-170	EA	SCREW - SF/DR - 8-18 X 1/2 PPH - BRIGHT WHITE
	0G3908-12-250	EA	SCREW - SF/DR - 8-18 X 3/4 PPH - DARK GRAY
	0G3908-12-240	EA	SCREW - SF/DR - 8-18 X .75 PPH - VW LIGHT GRAY
	0G3908-16-170	EA	SCREW - SF/DR - 8-18 X 1 PPH - BRIGHT WHITE
	0G3908-24-170	EA	SCREW - SF/DR - 8-18 X 1 1/2 PPH - BRIGHT WHITE
	0G3910-10-320	EA	SCREW - SF/DR - 10-16 X 5/8 PPH - GLACIER
	0G3910-10-240	EA	SCREW - SF/DR - 10-16 X 5/8 PPH - VW LIGHT GRAY
	0G3910-10-330	EA	SCREW - SF/DR - 20-16 X 5/8 PPH - PUTTY
	0G3910-12-320	EA	SCREW - SF/DR - 10-16 X .75 PPH - GLACIER
	0G3910-12-240	EA	SCREW - SF/DR - 10-16 X .75 PPH - VW LIGHT GRAY
	0G3910-12-170	EA	SCREW - SF/DR - 10-16 X 3/4 PPH - BRIGHT WHITE
	0G5508-12-270	EA	SCREW - SF/DR - 8-18 X 3/4 PWH - TITANIUM
	0G5508-12-260	EA	SCREW - SF/DR - 8-18 X 3/4 PWH - ALLANTE ANTELOPE
	0G5508-12-240	EA	SCREW - SF/DR - 8-18 X 3/4 PWH - VW LIGHT GRAY
	0G5508-12-170	EA	SCREW - SF/DR - 8-18 X 3/4 PWH - BRIGHT WHITE
	0G5508-12-330	EA	SCREW - SF/DR - 8-18 X 3/4 PWH - PUTTY
	0G5508-12-320	EA	SCREW - SF/DR - 8-18 X 3/4 PWH - GLACIER
	0G5508-16-320	EA	SCREW - SF/DR - 8-18 X 1 PWH - GLACIER
	0G5508-16-250	EA	SCREW - SF/DR - 8-18 X 1 PWH - VW DARK GRAY
	0G6008-16-170	EA	SCREW - SF/DR - 8-18 X 1 POH - BRIGHT WHITE
	0G6710-08-240	EA	SCREW - 10-12 X 1/2 PPH TAUPE - VW LIGHT GRAY
	0G6710-08-170	EA	SCREW - 10-12 X 1/2 PPH - BRIGHT WHITE
	0G6710-08-130	EA	SCREW - 10-12 X 1/2 PPH - TAUPE
	0G6710-12-170	EA	SCREW - 10-12 X 3/4 PPH - BRIGHT WHITE
	0G6806-16-170	EA	SCREW - 6-18 X 1 POH - BRIGHT WHITE
	0G6810-24-280	EA	SCREW - 10-12 X 1 1/2 POH - SOFT WHITE
	000C20-04-16A	EA	SCREW - 1/4-20X 1 - FLAT SOCKET HEAD
	000C20-05-28F	EA	SCREW - 5/16-18 X 1 3/4 FLAT SOC - STAINLESS STEEL
	000C20-06-24T	EA	SCREW - 3/8-16 X 1 1/2 - FLAT SOCKET
	000G11-06-10J	EA	SCREW - 6-20 X 5/8 PPH - BRASS
	000G11-06-08B	EA	SCREW - 6-20 X 1/2 PPH - ZINC
	000G11-07-08B	EA	SCREW - 7-19 X 1/2 PPH - ZINC
	000G11-08-12B	EA	SCREW - 8-18 X 3/4 PPH - ZINC
	000G11-08-08T	EA	SCREW - 8-18 X 1/2 PPH - FLUOROCARBON COATING

SEALANTS & FASTENERS GROUP (CONTINUED)
SCREWS (CONTINUED)

KEY	PART NUMBER	U/M	DESCRIPTION
	000G11-08-06B	EA	SCREW - 8-18 X 3/8 PPH - ZINC
	000G11-08-20G	EA	SCREW - 8-18 X 1 1/4 - ANTIQUE BRASS
	000G11-08-20B	EA	SCREW - 8-18 X 1 1/4 PPH - ZINC
	000G11-08-16B	EA	SCREW - 8-18 X 1 PPH - ZINC
	000G11-08-12T	EA	SCREW - 8-18 X 3/4 PPH - BLACK MAGNESIUM
	000G11-08-12P	EA	SCREW - 8-18 X 3/4 PPH - DARK BROWN
	000G11-10-12D	EA	SCREW - 10-16 X 3/4 PPH - BLACK
	000G12-06-12J	EA	SCREW - 6-20 X .75 POH - BRASS
	000G12-06-08T	EA	SCREW - 6-20 X 1/2 POH - BLACK
	000G12-08-12S	EA	SCREW - 8-18 X 3/4 POH - OFF WHITE
	000G13-05-10B	EA	SCREW - 5-12 X 5/8 PFH - ZINC
	000G13-06-08B	EA	SCREW - 6-20 X 1/2 PFH - ZINC
	000G13-06-06I	EA	SCREW - 6-20 X 3/8 PFH - BLACK ZINC
	000G13-06-16J	EA	SCREW - 6-20 X 1 PFH - BRASS
	000G13-06-10J	EA	SCREW - 6-20 X 5/8 PFH - BRASS
	000G13-06-10G	EA	SCREW - 6-20 X 5/8 PFH - ANTIQUE BRASS
	000G13-06-08G	EA	SCREW - 6-20 X 1/2 PFH - ANTIQUE BRASS
	000G13-06-24J	EA	SCREW - 6-20 X 1 1/2 PFH - BRASS
	000G13-07-12B	EA	SCREW - 7-19 X 3/4 PFH - ZINC
	000G13-07-10H	EA	SCREW - 7-19 X 5/8 PFH - BLACK
	000G13-08-10B	EA	SCREW - 8-18 X 5/8 PFH - ZINC
	000G13-08-24B	EA	SCREW - 8-18 X 1 1/2 PFH - ZINC
	000G13-08-16B	EA	SCREW - 8-18 X 1 PFH - ZINC
	000G13-08-109	EA	SCREW - 8-18 X 5/8 PFH
	000G13-10-16I	EA	SCREW - 10-16 X 1 PFH - BLACK
	000G16-04-24B	EA	SCREW - MACHINE - 1/4-20 X 1 1/2 PPH
	000G18-08-22B	EA	SCREW - MACHINE - 8-32 X 1 3/8 PPH - ZINC
	000G18-08-16B	EA	SCREW - MACHINE - 8-32 X 1 PPH - ZINC
	000G18-08-12B	EA	SCREW - MACHINE - 8-32 X 3/4 PPH - ZINC
	000G18-08-24B	EA	SCREW - MACHINE - 8-32 X 1 1/2 PPH - ZINC
	000G19-10-12F	EA	SCREW - MACHINE - 10-32 X 3/4 PPH - STAINLESS STEEL
	000G19-10-10B	EA	SCREW - MACHINE - 10-32 X 5/8 - PPH - ZINC
	000G19-10-08B	EA	SCREW - MACHINE - 10-32 X 1/2 PPH - ZINC
	000G19-10-20B	EA	SCREW - MACHINE - 10-32 X 1 1/2 PPH - ZINC
	000G36-10-12T	EA	SCREW - 10-24X 3/4 PFH TYPE 23 - BLACK
	000G39-06-16T	EA	SCREW - SF/DR - 6-20 X 1 PPH - BLACK
	000G39-06-10T	EA	SCREW - SF/DR - 6-20 X 5/8 PPH - BLACK
	000G39-08-32B	EA	SCREW - SF/DR - 8-18 X 2 PPH - ZINC
	000G39-08-24T	EA	SCREW - SF/DR - 8-18 X 1 1/2 PPH - BLACK
	000G39-08-24S	EA	SCREW - SF/DR - 8-18 X 1 1/2 - OFF WHITE
	000G39-08-24B	EA	SCREW - SF/DR - 8-18 X 1 1/2 PPH - ZINC
	000G39-08-16T	EA	SCREW - SF/DR - 6-20 X 1 PPH - BLACK
	000G39-08-16B	EA	SCREW - SF/DR - 8-18 X 1 PPH - ZINC
	000G39-08-12B	EA	SCREW - SF/DR - 8-18 X 3/4 PPH - ZINC
	000G39-08-08T	EA	SCREW - SF/DR - 8-18 X 1/2 PPH - BLACK
	000G39-08-08S	EA	SCREW - SF/DR - 8-18 X 1/2 PPH - OFF WHITE
	000G39-08-08B	EA	SCREW - SF/DR - 8-18 X 1/2 PPH - ZINC
	000G39-08-06B	EA	SCREW - SF/DR - 8-18 X 3/8 PPH - ZINC
	000G39-10-08B	EA	SCREW - SF/DR - 10-16 X 1/2 PPH - ZINC
	000G39-10-48T	EA	SCREW - SF/DR - 10-16 X 3 PPH - BLACK
	000G39-10-48B	EA	SCREW - SF/DR - 10-16 X 3 - PPH - ZINC
	000G39-10-32B	EA	SCREW - SF/DR - 10-16 X 2 - PPH - ZINC
	000G39-10-20T	EA	SCREW - SF/DR - 10-16 X 1 1/4 PPH - BLACK
	000G39-10-20B	EA	SCREW - SF/DR - 10-16 X 1 1/4 PPH - ZINC
	000G39-10-169	EA	SCREW - SF/DR - 10-16 X 1 PPH - FLUOROCARBON SILVER
	000G39-10-129	EA	SCREW - SF/DR - 10-16 X 3/4 PPH - FLUOROCARBON SILVER
	000G39-10-12T	EA	SCREW - SF/DR - 10-16 X 3/4 - BLACK
	000G39-10-10T	EA	SCREW - SF/DR - 10-16 X 5/8 - BLACK
	000G39-10-10B	EA	SCREW - SF/DR - 10-16 X 5/8 - ZINC
	000G39-12-12E	EA	SCREW - SF/DR - 12-14 X 3/4 PPH - CHROME
	000G42-04-16B	EA	SCREW - SF/DR - 1/4-14 X 1 HWH - ZINC
	000G42-04-24B	EA	SCREW - SF/DR - 1/4-14 X 1 1/2 - ZINC
	000G46-08-24T	EA	SCREW - MACHINE - 8-32 X 1 1/2 PFH - BLACK
	000G50-04-08B	EA	SCREW - MACHINE - 1/4-20 X 1/2 PTH - ZINC

SEALANTS & FASTENERS GROUP (CONTINUED)
SCREWS (CONTINUED)

KEY	PART NUMBER	U/M	DESCRIPTION
	000G51-06-12B	EA	SCREW - 6-20 X 3/4 PTH - ZINC
	000G52-06-05B	EA	SCREW - MACHINE - 6-32 X 5/16 PTH ZINC
	000G52-08-18B	EA	SCREW - MACHINE - 8-32 X 1 1/8 PTH - ZINC
	000G54-04-14B	EA	SCREW - 1/4-20 X 7/8 PTH - TYPE 23 - ZINC PLATED
	000G55-08-16S	EA	SCREW - SF/DR - 8-18 X 1 PWH - WILLOW
	000G55-08-16T	EA	SCREW - SF/DR - 8-18 X 1 PWH - BLACK
	000G55-08-16S	EA	SCREW - SF/DR - 8-18 X 1.00 - PWH - OFF WHITE
	000G55-08-124	EA	SCREW - SF/DR - 8-18 X 3/4 PWH - ASH GRAY
	000G55-08-12M	EA	SCREW - SF/DR - 8-19 X .75 PWH - GRAY
	000G56-12-48B	EA	SCREW - WOOD - 12-11 X 3 POH - SPECIAL HARDENED
	000G57-14-72B	EA	SCREW-14-10-X4 1/2 PFH ZN GENERAL MOTORHOMES
	000G57-14-64B	EA	SCREW - 14-10 X 4 PFH ZINC
	000G60-08-22B	EA	SCREW - SF/DR - 8-18 X 1.38 POH - ZINC
	000G60-08-20F	EA	SCREW - SF/DR - 8-19X1.25 POH
	000G60-08-16E	EA	SCREW - SF/DR - 8-1 X 1 POH - CHROME
	000G60-10-20B	EA	SCREW - SF/DR - 10-16 X 1 1/4 POH - ZINC
	000G60-10-28T	EA	SCREW - SF/DR - 10-16 X 1 3/4 - BLACK
	000G60-10-209	EA	SCREW - SF/DR - 10-16 X 1 1/4 POH - SILVER STALGAARD
	000G67-08-32B	EA	SCREW - 8-15 X 2 PPH - ZINC
	000G67-10-24S	EA	SCREW - 10-12 X 1 1/2 PPH - OFF WHITE
	000G67-10-24B	EA	SCREW - 10-12 X 1 1/2 PPH - ZINC
	000G67-10-20D	EA	SCREW - 10-12 X 1 1/4 PPH - BLACK
	000G67-10-125	EA	SCREW - 10-12 X 3/4 PPH - WILLOW
	000G67-10-12S	EA	SCREW - 10-12 X 3/4 PPH - OFF WHITE
	000G67-10-12P	EA	SCREW - 10-12 X 3/4 PPH - DARK BROWN
	000G67-10-12B	EA	SCREW - 10-12 X 3/4 PPH - ZINC
	000G67-10-10T	EA	SCREW - 10-12 X 5/8 PPH - BLACK
	000G67-10-10S	EA	SCREW - 10-12 X 5/8 PPH - OFF WHITE
	000G67-10-10P	EA	SCREW - 10-12 X 5/8 PPH - DARK BROWN
	000G67-10-10B	EA	SCREW - 10-12 X 5/8 PPH - ZINC - TYPE A
	000G67-10-08B	EA	SCREW - 10-12 X 1/2 PPH - ZINC
	000G67-10-36T	EA	SCREW - 10-12 X 2 1/4 - PPH - BLACK
	000G68-06-12J	EA	SCREW - 6-18 X 3/4 POH - BRASS
	000G68-06-10J	EA	SCREW - 6-18 X 5/8 POH - BRASS
	000G68-06-10G	EA	SCREW - 6-18 X 5/8 POH - ANTIQUE BRASS
	029130-01-000	EA	SCREW - SNAP STUD - #8-16 X 5/8" LONG
	029130-03-000	EA	SCREW - SNAP STUD - #8-16 X 1" LONG
	049465-01-000	EA	SCREW - 10-16 PTH W/WASHER - DARK BROWN
	049465-03-000	EA	SCREW - 10-16 X 1 POH W/WASHER - OFF WHITE
	049465-04-000	EA	SCREW - 10-16 X 1 PTH W/WASHER - BEIGE
	049465-13-000	EA	SCREW-10+16X1 PTH W/WASHER - *ASH GRAY
	049465-17-000	EA	SCREW - 10-16 X 1 POH W/WASHER - BRIGHT WHITE
	049465-23-000	EA	SCREW - 10-16 X 1.5 POH W/WASHER - VW LIGHT GRAY
	054434-03-000	EA	SCREW - SF/DR - 10-16 X 2 - PWH - ZINC - W/O WINGS
	075908-01-000	EA	SCREW - MACHINE - 10-32 X .56 PTH - EXTERNAL TOOTH - ZINC
	076790-01-000	EA	SCREW - 6-20 X 1 1/4 PPH - BLACK
	076790-05-000	EA	SCREW - 6-20 X 1/2 PPH - BLACK - THREAD CUTTING/WOOD
	083554-01-000	EA	SCREW - DRYWALL - 8 X 1 1/4
	083554-04-000	EA	SCREW - DRYWALL - 8 X 2 1/2
	087721-01-000	EA	SCREW - FLAT HEAD - TAPPING - 1/4 X 1 1/4 LONG - ZINC
	090033-02-000	EA	SCREW - 1/4-20 X 5/8 - ROUND WASHER HEAD - OFF/WHITE
	097974-01-000	EA	SCREW - PARTICLE BOARD - 7-9 X 3/4 PPH
	101618-01-000	EA	SCREW - 1/4-20 X 3/4 HEX - TAPPING - STALGARD TYPE F
	110460-05-02A	EA	SCREW - MACHINE - 10-24 X 2 1/2 PFH - WHITE
	113563-01-01A	EA	SCREW - 8 X 5/8 LONG SHOULDER/WASHER HEAD
	117478-01-04A	EA	SCREW - 8-18 X 3/4 PPH W/WASHER - VW LIGHT GRAY
	118383-01-04A	EA	RETAINER/RECESSED - F/.22" SCREW - BRIGHT WHITE
	118383-01-05A	EA	RETAINER/RECESSED - F/.22" SCREW - VW LIGHT GRAY
	118383-01-09A	EA	RETAINER/RECESSED - F/.22" SCREW - GLACIER
	118383-02-09A	EA	RETAINER/RECESSED - F/.27" SCREW - GLACIER
	118383-02-05A	EA	RETAINER/RECESSED - F/.27" SCREW - VW LIGHT GRAY
	118383-03-09A	EA	RETAINER/RECESSED - F/.32" SCREW - GLACIER

SEALANTS & FASTENERS GROUP (CONTINUED)
SCREWS (CONTINUED)

KEY	PART NUMBER	U/M	DESCRIPTION
	118383-04-09A	EA	CAP - F/RECESSED RETAINER - GLACIER
	118383-04-05A	EA	CAP - F/RECESSED RETAINER - VW LIGHT GRAY
	118383-04-04A	EA	CAP - F/RECESSED RETAINER - BRIGHT WHITE
	126458-01-01A	EA	SCREW - 8-18 X 1/2 - PRWH - BLACK
	134126-01-01A	EA	SCREW/NAIL - HEX HEAD - 3/4"
	140040-01-000	EA	SCREW - 1/4-20 X 1 - BUTTON HEAD/SOCKET - W/LOCTITE

SEALANTS & FASTENERS GROUP (CONTINUED)
CLAMPS, CLIPS, GROMMETS, RIVETS & PLUGS

KEY	PART NUMBER	U/M	DESCRIPTION
	000F10-06-32B	EA	PIN - COTTER - 3/16" X 2" - ZINC
	000H14-06-06R	EA	RIVET-MANDREL BLIND,3/16 AL - CHERRY BSP-66
	000H14-06-03R	EA	RIVET - MANDREL BLIND - 3/16 ALUMINUM
	000H16-04-06R	EA	RIVET - POP ALUMINUM - 1/8 X .313 - .375
	000H16-06-10R	EA	RIVET - POP ALUMINUM - 3/16 X .501-.625
	007161-01-000	EA	CLAMP - HOSE - SPRING TYPE - 1/2"
	010495-01-000	EA	CLAMP - CABLE - 9/16"ID
	010495-02-000	EA	CLAMP - CABLE - 3/8"ID
	010495-04-000	EA	CLAMP - CABLE - 11/16" - WHITE
	010497-01-000	EA	CLAMP - CLOSED - 5/8"ID
	010497-03-000	EA	CLAMP - CLOSED - 1"ID - CUSHIONED
	010497-04-000	EA	CLAMP - CLOSED - 1 5/8"ID
	010497-05-000	EA	CLAMP - CLOSED - 1/2"ID
	010497-07-000	EA	CLAMP - CLOSED - 3/8"ID
	010497-10-000	EA	CLAMP - CLOSED
	010499-01-000	EA	CLAMP - CLOSED - 3/8"ID
	016188-03-000	EA	GROMMET - L/P LINE - 3/8"HOLE X 2 1/2"LONG - RUBBER
	016188-04-000	EA	GROMMET - L/P LINE - 1/2"HOLE X 2 1/2"LONG - RUBBER
	016188-05-000	EA	GROMMET - L/P LINE - 3/8"HOLE X 1 1/4"LONG - RUBBER
	016188-06-000	EA	GROMMET - L/P LINE - 3/8"HOLE X 3 1/4"LONG
	016188-07-000	EA	GROMMET - L/P LINE - 1/2"HOLE X 3 1/4"LONG
	023942-01-000	EA	GROMMET - RUBBER - 2" OD
	034141-02-000	EA	PLUG/NYLON - .38" - BLACK
	061420-04-000	EA	PLUG/PLASTIC - 1 1/4" DIAMETER
	061420-05-000	EA	PLUG/PLASTIC - 1 1/2" DIAMETER
	061420-08-000	EA	PLUG/PLASTIC - 2 1/2" DIAMETER
	061420-09-000	EA	PLUG/PLASTIC - 1.00" - DIAMETER
	061420-10-000	EA	PLUG/PLASTIC - 1 1/2" DIAMETER - BLACK
	061420-14-000	EA	PLUG/PLASTIC - .034" DIAMETER
	061420-15-000	EA	PLUG/PLASTIC - 2" DIAMETER - BLACK
	061420-16-000	EA	PLUG/PLASTIC - 2 1/8" DIAMETER
	062401-01-000	EA	CLAMP - HOSE - WORMGEAR - .25" - 1"
	062401-02-000	EA	CLAMP - HOSE - WORMGEAR - 1.56" - 2.5"
	062401-03-000	EA	CLAMP - HOSE - WORMGEAR - .22" - 1"
	062401-04-000	EA	CLAMP - HOSE - WORMGEAR - .69" - 1.25"
	062401-05-000	EA	CLAMP - HOSE - WORMGEAR - 2" - 3" ID
	062401-06-000	EA	CLAMP - HOSE - WORMGEAR - .22" - .62" ID
	062401-09-000	EA	CLAMP - HOSE - WORMGEAR - 2.8" - 3.75"
	062401-11-000	EA	CLAMP - HOSE - WORMGEAR - 3.50" - 4.50"
	062401-12-000	EA	CLAMP - HOSE - WORMGEAR - .79" X 1.26"
	071015-11-000	EA	GROMMET - RUBBER - 1"ID FITS .12 MATERIAL - BLACK
	071015-19-000	EA	GROMMET - RUBBER - .38 ID - FITS .06 MATERIAL - BLACK
	071015-26-000	EA	GROMMET - RUBBER - 1.5" ID X 2.1" OD W/.06" GROOVE-BLACK
	071015-30-000	EA	GROMMET - RUBBER - .31" ID X .81" OD W/.12" GROOVE-BLACK
	071015-39-000	EA	GROMMET - .75 ID FITS .06 MTL
	071015-41-000	EA	GROMMET - .125 ID FITS .188 MTL
	075148-02-000	EA	CLAMP - GROUNDING - BRONZE SCREWS
	077955-01-000	EA	CLIP/J - 3/8" - VINYL COATED
	080734-02-000	EA	CLIP - WIRE NYLON
	081211-03-000	EA	PLUG/PLASTIC - .50 DIAMETER - BLACK
	081211-04-000	EA	PLUG/PLASTIC - .46 DIAMETER - BLACK

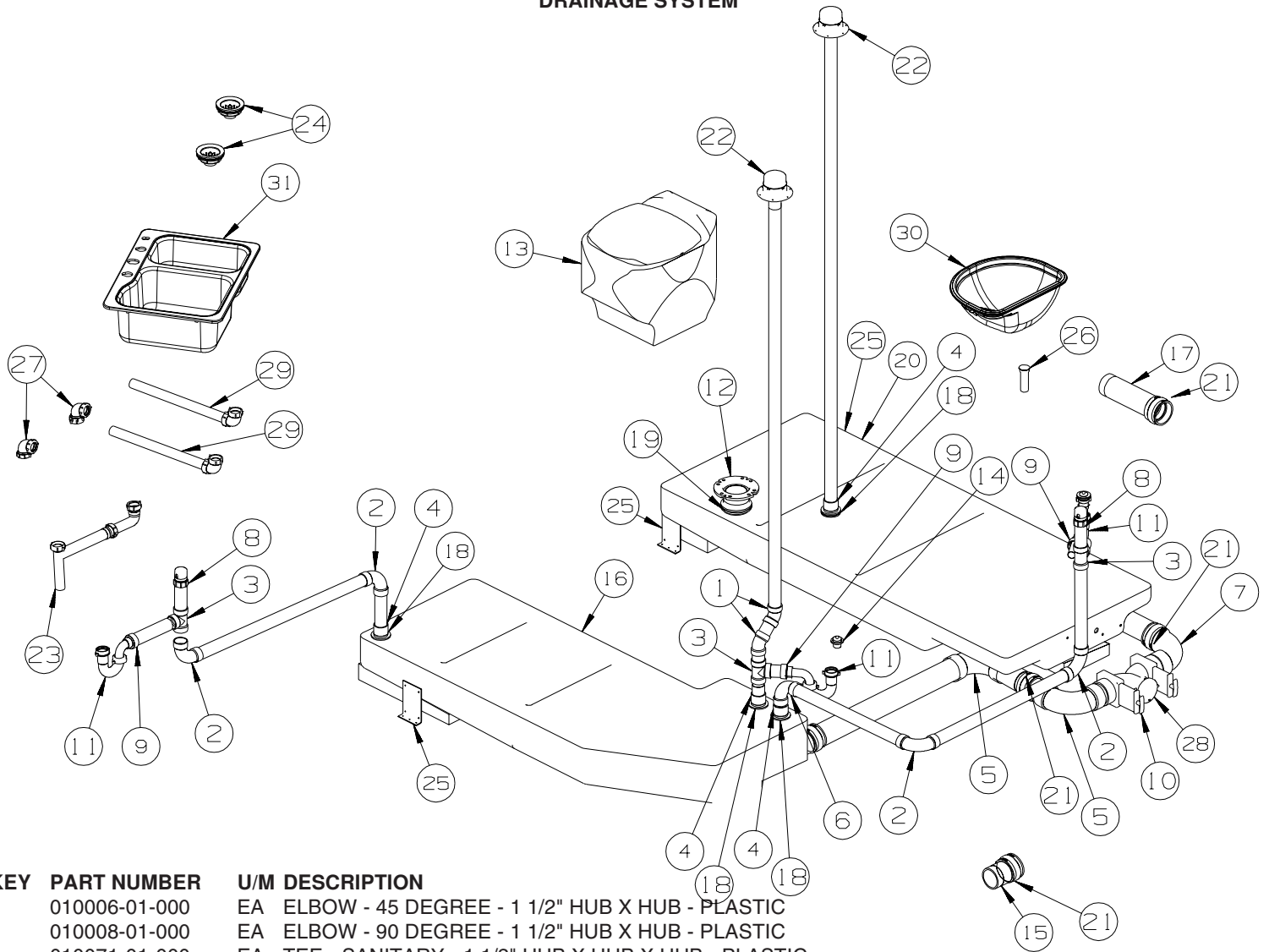
SEALANTS & FASTENERS GROUP (CONTINUED)
CLAMPS, CLIPS, GROMMETS, RIVETS & PLUGS (CONTINUED)

KEY	PART NUMBER	U/M	DESCRIPTION
	083609-01-000	EA	CLAMP - WIRE - DUAL - EQUAL DIAMETERS - 5/8"
	083610-01-000	EA	CLAMP - WIRE - DUAL - UNEQUAL DIAMETERS - 3/4" & 1 1/4"
	083610-02-000	EA	CLAMP - WIRE - DUAL - UNEQUAL DIAMETERS - 3/4" & 2"
	083610-03-000	EA	CLAMP - WIRE - DUAL - EQUAL DIAMETERS - 2"
	088756-01-000	EA	GROMMET - WEB - 1 1/8 " I.D.
	091952-01-000	EA	CLIP - GRIPPER - 1"
	091952-02-000	EA	CLIP - GRIPPER - 3/4"
	094362-02-000	EA	CLIP - XMAS TREE - BINDER HEAD - .9" LONG
	114208-04-000	EA	GROMMET - EDGE LINER - FITS 1"
	114208-05-000	EA	GROMMET - EDGE LINER - FITS 2"
	118626-01-02A	EA	RIVET - POP - ALUMINUM - 3/16 X .08 - .375
	118626-01-01A	EA	RIVET - POP - ALUMINUM - 3/16 X .08 - .375
	118626-02-01A	EA	RIVET - POP - ALUMINUM - 3/16 X .500 - .750
	137014-01-01A	EA	GROMMET - CABLE - ALMOND
	137014-01-02A	EA	GROMMET - CABLE - BROWN
	139118-01-01A	EA	GROMMET - PLASTIC/SCREW
	139118-02-01A	EA	GROMMET - SCREW - PLASTIC
	140171-02-000	EA	CLAMP - HOSE - STEPLESS EAR - .250

MISCELLANEOUS FASTENERS

KEY	PART NUMBER	U/M	DESCRIPTION
	008343-01-000	EA	TIE - WIRE - 6"
	008343-02-000	EA	TIE - WIRE - 14"
	008343-03-000	EA	TIE - WIRE - 7 1/2" - BLACK
	029094-04-000	YD	VELCRO TAPE - LOOP - 1" WIDE - BLACK
	029094-06-000	YD	VELCRO TAPE - LOOP - 2" WIDE - BLACK
	029096-03-000	YD	VELCRO TAPE - HOOK - 1" WIDE - BLACK
	029096-04-000	YD	VELCRO TAPE - HOOK - 1" WIDE - BLACK
	048394-02-000	YD	VELCRO TAPE - HOOK - ADHESIVE BACK - 3/4" WIDE - BEIGE
	085774-01-000	FT	FASTENER - DUAL LOCK - 1" WIDE - ADHESIVE BACK - BLACK
	085774-02-000	FT	FASTENER - DUAL HOOK - 1" WIDE - ADHESIVE BACK - BLACK
	085774-03-000	FT	FASTENER - DUAL LOCK - 1/2" WIDE - ADHESIVE BACK - BLACK
	085774-04-000	FT	FASTENER - DUAL HOOK - 1/2" WIDE - ADHESIVE BACK - BLACK
	088792-02-000	YD	VELCRO TAPE - LOOP - 3/4" - ADHESIVE BACK - BEIGE
	088792-04-000	YD	VELCRO TAPE - HOOK - 5/8" - NON-ADHESIVE BACK - WHITE
	088792-05-000	YD	VELCRO TAPE - LOOP - 5/8" - NON-ADHESIVE BACK - WHITE
	108046-02-000	EA	CABLE TIE - SCREW MOUNT 15"
	110943-02-000	FT	FELT STRIP - 3/8" - ADHESIVE BACK - WHITE
	113133-02-01A	EA	RIVET - POP - ALUMINUM - 3/16 X .252 - .504 - BLACK
	127960-01-01A	EA	RETAINER - 3/8" - STAINLESS STEEL

WATER & SEWAGE GROUP DRAINAGE SYSTEM



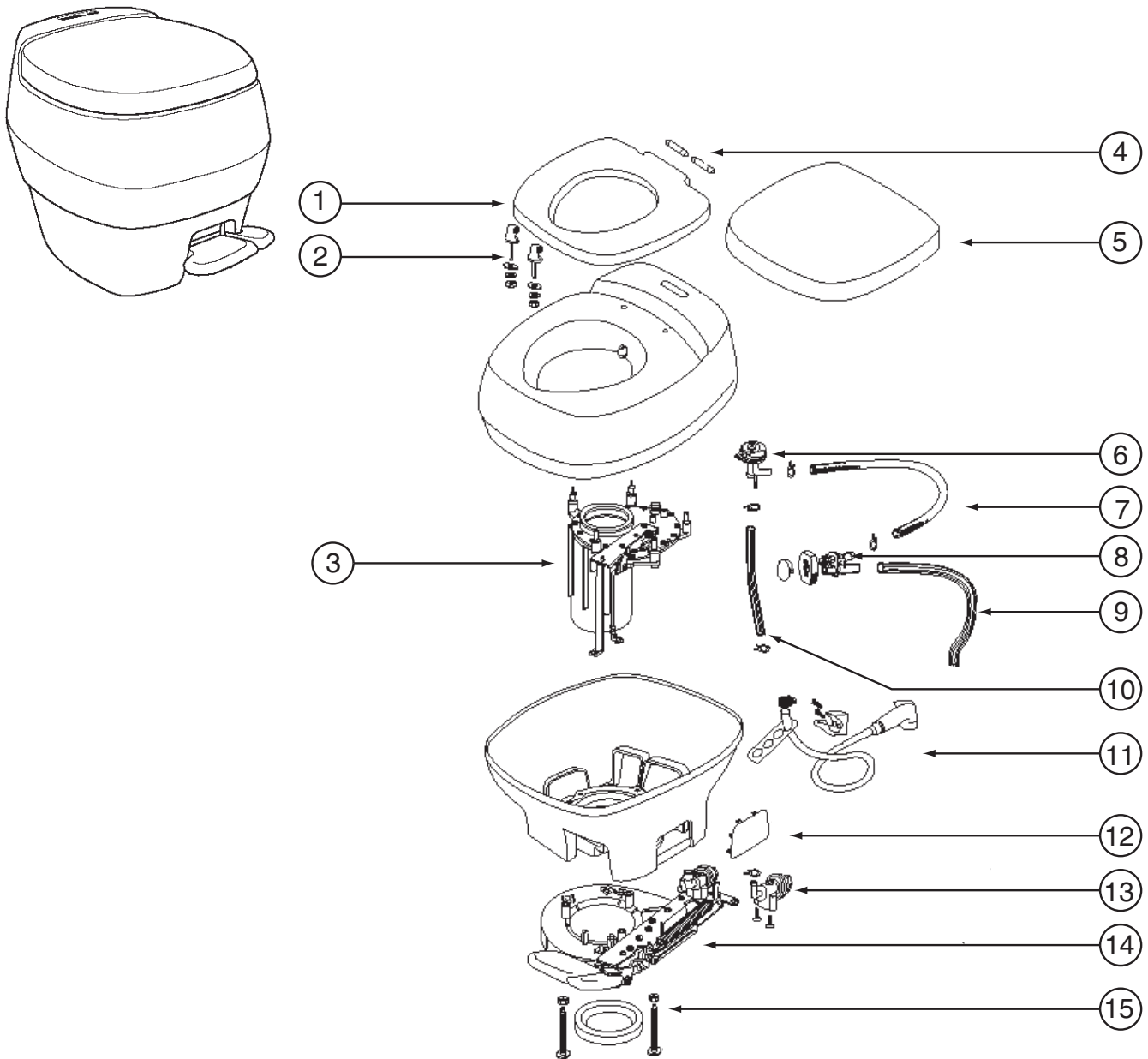
KEY	PART NUMBER	U/M	DESCRIPTION
1	010006-01-000	EA	ELBOW - 45 DEGREE - 1 1/2" HUB X HUB - PLASTIC
2	010008-01-000	EA	ELBOW - 90 DEGREE - 1 1/2" HUB X HUB - PLASTIC
3	010071-01-000	EA	TEE - SANITARY - 1 1/2" HUB X HUB X HUB - PLASTIC
4	010115-01-000	EA	COUPLING - 1 1/2" HUB X HUB - PLASTIC
5	031126-01-000	EA	ELBOW - 1/4 BEND - 3" X 90" XLT - BLACK PLASTIC
6	033761-01-000	EA	ELBOW - 90 DEGREE - TURN - 1 1/2" HUB X 1 1/2" SPIGOT
7	041956-01-000	EA	ELBOW - 3" STREET - 90 DEGREE PLASTIC
8	079968-01-000	EA	VENT - MECHANICAL/TRAP ARM - ANTI-SIPHON-2" X 7.3" PLASTIC
9	109571-01-000	EA	ADAPTER - P-TRAP - 1 1/2" P X 1 1/4" MPT
10	136143-01-000	EA	VALVE - DUAL - 3" X 3"
11	107538-01-000	EA	P-TRAP - PLASTIC - 1 1/4" W/EXTENSION ARM - USA
11	011071-01-000	EA	P-TRAP - PLASTIC - 1 1/2" - CSA - CANADIAN
12	116644-01-000	EA	FLANGE/CLOSET - 3" FEMALE - 4 BOLT
13*	132389-01-01A	EA	TOILET - CHINA - WHITE
14	066440-01-000	EA	STRAINER - SHOWER DRAIN - W/RUBBER WASHER
	011069-02-000	EA	TAILPIECE - TUB/SHOWER - 1 1/2" X 1 1/4" X 4" - BRASS
	127440-02-01A	EA	WASHER - RUBBER - 1.8" X .1"
	130403-01-000	EA	NUT - SLIP - W/WINGS 1 1/2"
15	010129-03-000	EA	NIPPLE - PLASTIC - 3" X 3" TOE
16	135367-03-000	EA	TANK-HOLDING 45 GAL - 02 G32V
17	010129-05-000	EA	NIPPLE - PLASTIC - 3" X 10"
18	061607-01-000	EA	GROMMET - HOLDING TANK - 1 1/2" NPS
19	061607-02-000	EA	GROMMET - HOLDING TANK - 3" NPS
20	139423-01-01A	EA	TANK - HOLDING - W/O FITTINGS
21	078406-01-000	EA	COUPLER - RUBBER - W/CLAMPS - 3" X 3"
22	083558-06-000	EA	VENT - PLUMBING - ROOF PIPE COVERED - VW WHITE
23	091980-01-000	EA	WASTE - CONTINUOUS
24	092303-01-000	EA	STRAINER - W/BASKET - GALLEY SINK - 4" OD
	127440-02-01A	EA	WASHER - RUBBER - 1.8" X .1"

WATER & SEWAGE GROUP (CONTINUED)
DRAINAGE SYSTEM (CONTINUED)

KEY	PART NUMBER	U/M	DESCRIPTION
25	094756-02-01A	EA	BRACKET - L - 6.1" LONG X 3.9" WIDE - STEEL
26	141491-01-01A	EA	WASTE - LAVATORY - W/O OVERFLOW
27	125569-01-000	EA	ELBOW - 1 1/2" X 90 DEGREE - DOUBLE SLIP
28	139513-01-000	EA	HOSE - SEWER - 3" X 10' - W/ADAPTER
29	126588-02-000	EA	ARM - WASTE - 1 1/2 X 20" - FEMALE
30	136639-01-01A	EA	SINK - LAVATORY W/SOAP DISH - WHITE
			FROM: 00-00-00 THRU: 06-02-02
30	142285-01-01A	EA	SINK - LAVATORY
			FROM: 06-03-02 THRU: 99-99-99
31	136828-01-01A	EA	SINK/DBL - LGE/SM BASIN-25"X19"X7" W/O NOTCH/FAUCET HOLES

***COMPONENT PARTS LISTED LATER IN THIS GROUP**

WATER & SEWAGE GROUP (CONTINUED)
COMPONENT PARTS FOR DRAINAGE SYSTEM

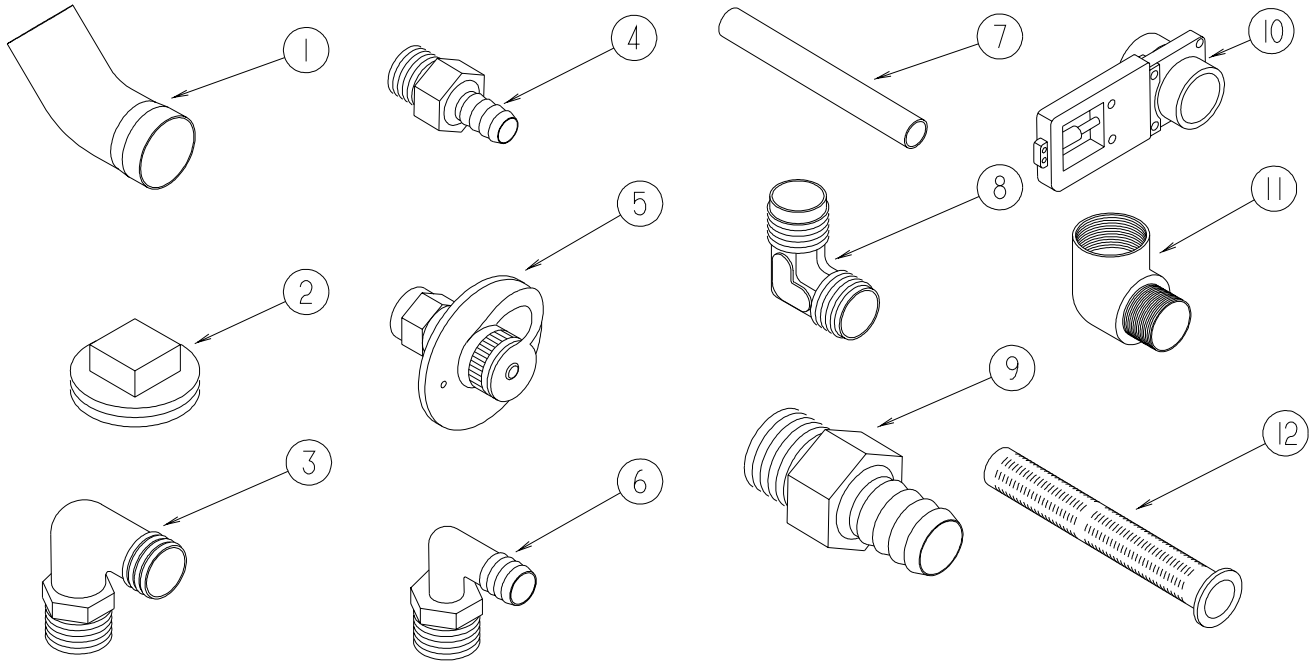


132389-01-01A

KEY	PART NUMBER	U/M	DESCRIPTION	VENDOR NO.
1	132389-01-700	EA	SEAT ONLY - WHITE	1927632
2	132389-01-701	EA	HINGE POST KIT	1927732
3	132389-01-702	EA	UPPER MECHANISM KIT - WHITE	1928432
4	132389-01-703	EA	HINGE PINS	19292
5	132389-01-704	EA	COVER - SEAT - WHITE	1929332
6	132389-01-705	EA	VACUUM BREAKER PACKAGE	19278
8	132389-01-706	EA	FLUSH NOZZLE - PACKAGE	1927932
10	132389-01-707	EA	TUBE - WATER SUPPLY	19282
11	132389-01-708	EA	HAND SPRAY KIT	19289
12	132389-01-709	EA	COVER - SIDE ACCESS- WHITE	1929832
13	132389-01-710	EA	WATER VALVE PACKAGE	19283
14	132389-01-711	EA	LOWER MECHANISM - WHITE	1928532
15	132389-01-712	EA	CLOSET FLANGE-SEAL/BOLT PKG	19309
	132389-01-713	EA	SEAL - BLADE	8308
	132389-01-714	EA	BOLT PACKAGE - F/RISER	24819
	132389-01-715	EA	SEAL - FLANGE	19325

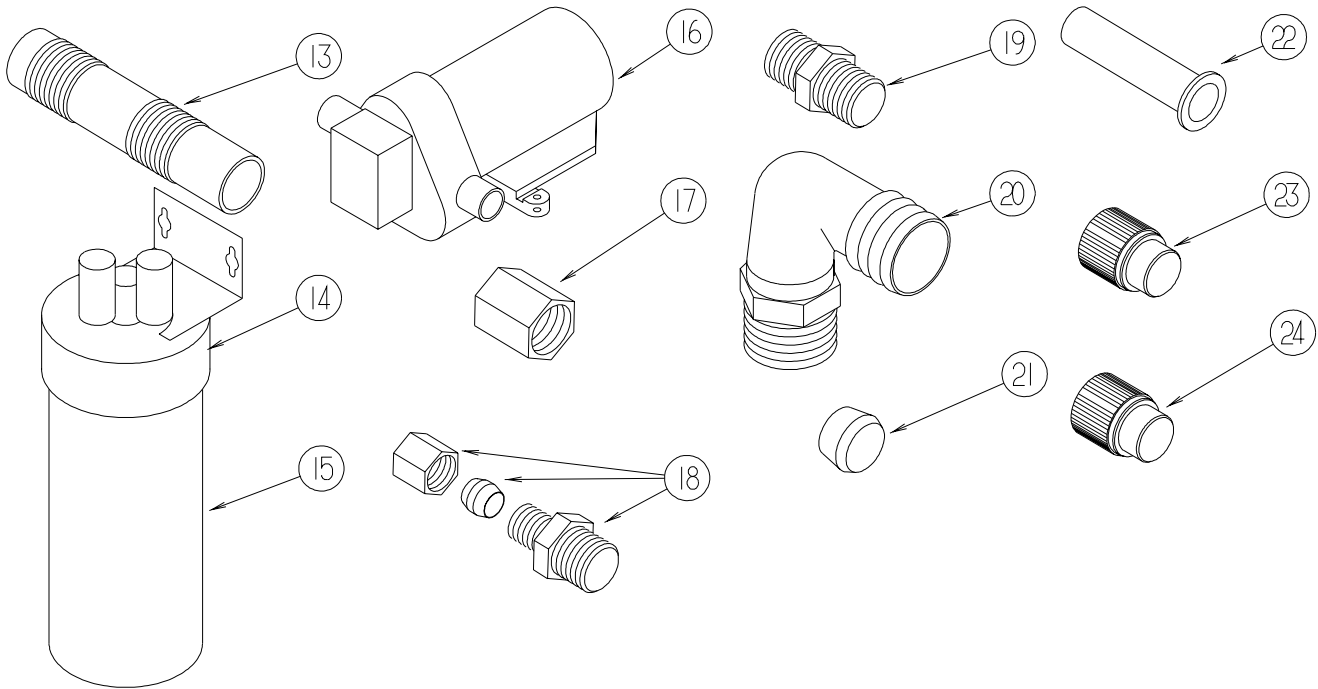
CONTACT WINNEBAGO PART SALES FOR UNLISTED COMPONENTS

WATER & SEWAGE GROUP (CONTINUED)
WATER SYSTEM



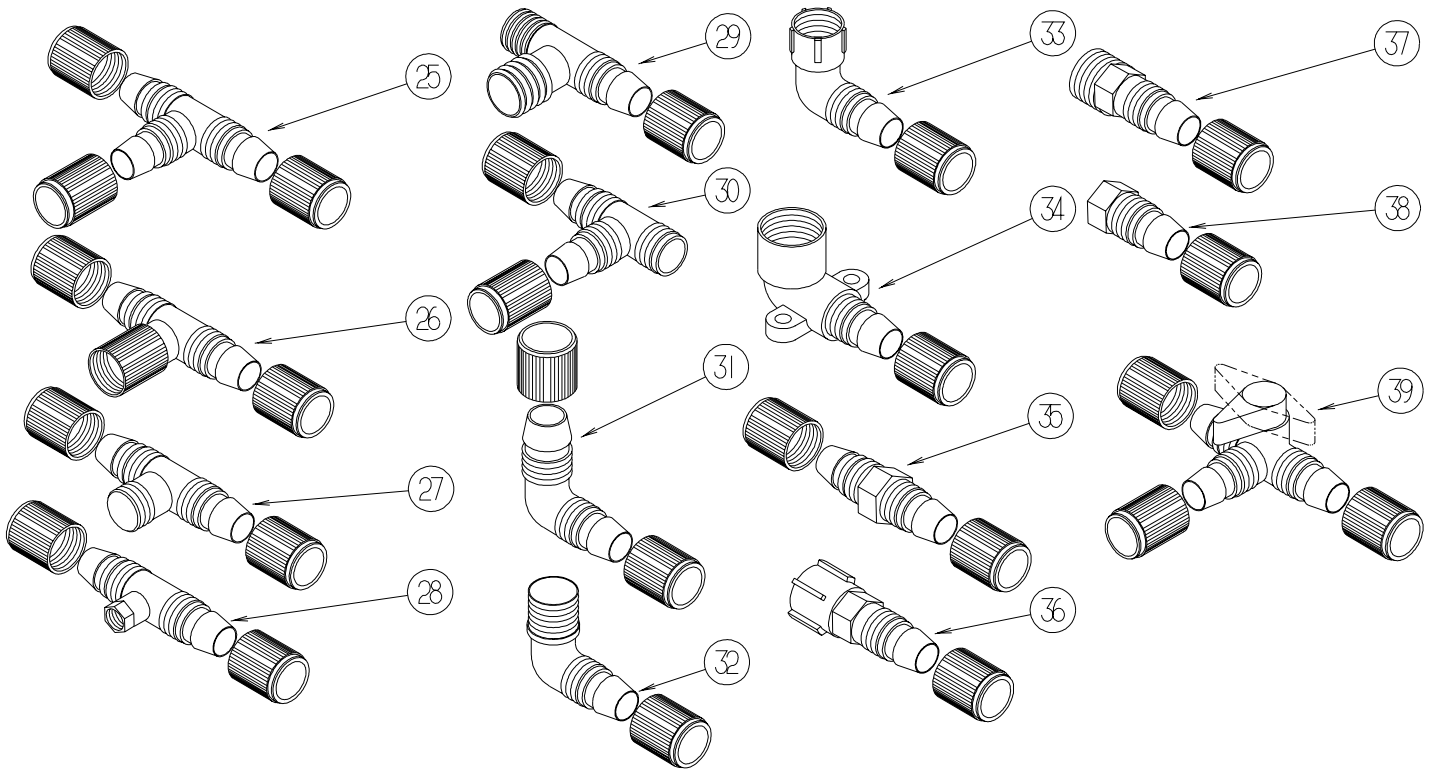
KEY	PART NUMBER	U/M	DESCRIPTION
1	010009-01-000	EA	ELBOW - 90 DEGREE - 1/4 BEND - 1 1/2" PLASTIC
2	010166-01-000	EA	PLUG/THREADED - 1 1/4"MPT - PLASTIC - BLACK - UL
3	010219-01-000	EA	ELBOW - 1 1/4 MPT X 1 1/4 BARB - WATER FILL - PLASTIC
4	010224-01-000	EA	ADAPTER - HOSE TO PIPE - 3/8 MPT X 3/8 BARB - PLASTIC
5	010230-06-000	EA	FILL - CITY WATER - W/CHECK VALVE - MPT - BRUSHED ALUM
6	035539-01-000	EA	ELBOW - 3/8 MPT X 3/8 BARB - PLASTIC
7	039800-04-000	FT	TUBING - POLYBUTYL - 1/4"OD
7	074462-02-000	FT	TUBING - VINYL - 3/8 ID X 20' - CLEAR
7	112176-01-000	FT	TUBING - VINYL - REINFORCED - 1/2" ID
7	124188-01-000	FT	TUBING - PEX - 1/2" ID X 20' - BLUE(COLD)
7	124188-02-000	FT	TUBING - PEX - 1/2" ID X 20' - RED(HOT)
8	039808-03-000	EA	ELBOW - 1/2" MPT X 1/2" MPT - PLASTIC
9	044927-01-000	EA	ADAPTER - HOSE TO PIPE-1 1/4 MPTX1 1/4 BARB-BLACK PLASTIC
10	062421-03-000	EA	VALVE/DUMP W/O HANDLE - 1 1/2" X 1 1/2" HUB
11	065318-02-000	EA	ELBOW - 90 DEGREE - 3/8" MPT TO 3/8" FPT
12	077954-02-000	EA	FILTER - WATER TANK - W/SCREEN IN TANK

WATER & SEWAGE GROUP (CONTINUED)
WATER SYSTEM (CONTINUED)



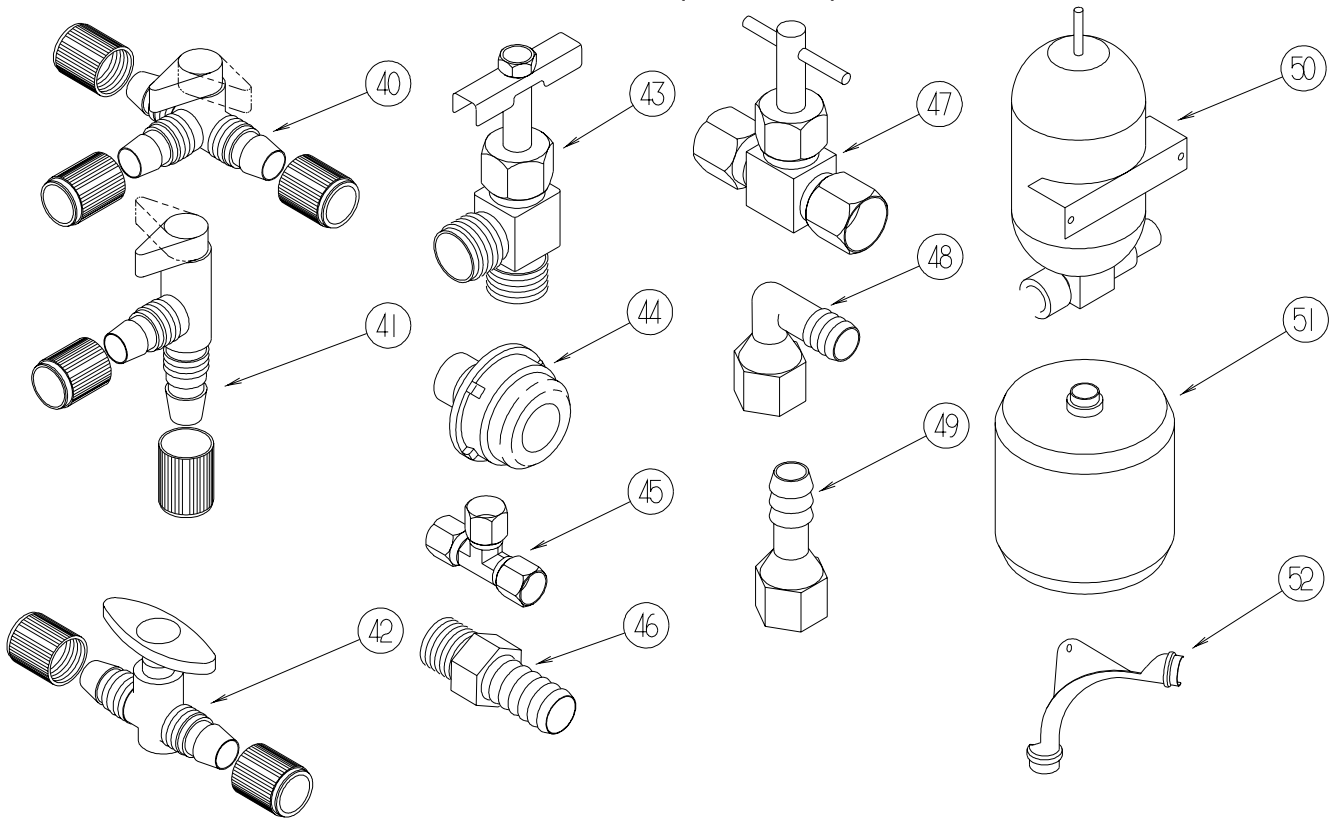
KEY	PART NUMBER	U/M	DESCRIPTION
13	079381-01-000	FT	TUBING - RIBBED FLEXIBLE - WATER FILL - 1.4" ID
14	087200-01-000	EA	FILTER-WATER PURIFICATION, EVERPURE QC2-AC
15	087200-02-000	EA	CARTRIDGE-WATER FILTER, AC - EVERPURE 9601-11
16*	098607-01-000	EA	PUMP - WATER - W/.5" MPT FITTING - FLOW 2.8 GPM
17	101814-01-000	EA	COUPLING - FEMALE - 1/2" X 1/2" FPT - GRAY
18	103798-01-000	EA	CONNECTOR - 1/4 OD X 3/8 MPT
19	110438-02-000	EA	VALVE - CHECK - BRASS - 1/2 MPT X 1/2 MPT
20	111223-02-000	EA	ELBOW - 1/2" MPT X 3/8" BARB - PLASTIC
20	111223-03-000	EA	ELBOW - 3/4" MPT X 1/2" BARB - PLASTIC
20	111223-04-000	EA	ELBOW - 1/2" MPT X 1/2" BARB - PLASTIC
21	111888-01-000	EA	FERRULE - PLASTIC - .250 ID X .375 OD
22	111888-02-000	EA	INSERT - BRASS - 1/4 COMP
23	113697-01-000	EA	CAP - 3/8"P
24	114427-01-000	EA	CAP - 1/2"P

WATER & SEWAGE GROUP (CONTINUED)
WATER SYSTEM (CONTINUED)



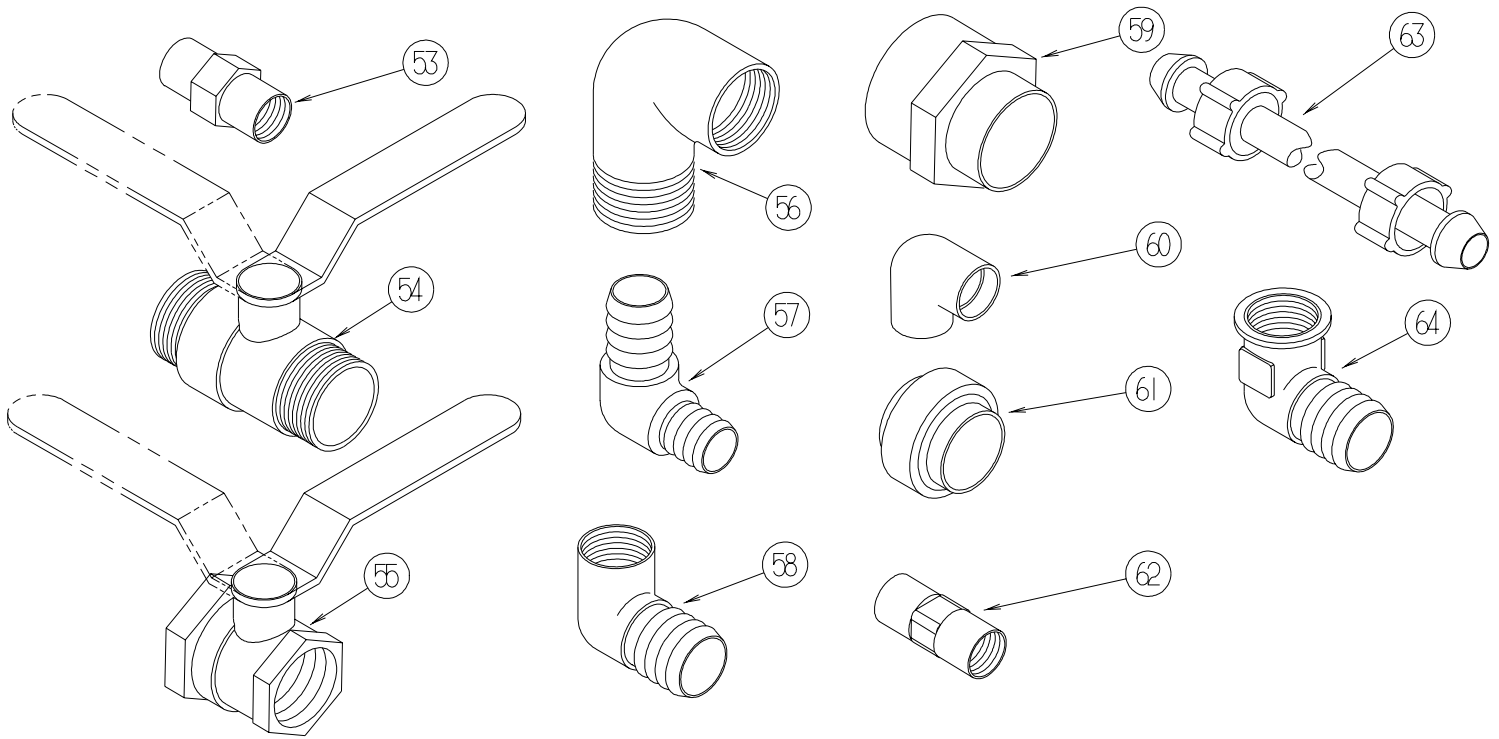
KEY	PART NUMBER	U/M	DESCRIPTION
25	114428-01-000	EA	TEE - 1/2"P X 1/2"P X 1/2"P
26	114428-02-000	EA	TEE - SWIVEL - 1/2"P X 1/2"P X 1/2"FPT
27	114428-03-000	EA	TEE - 1/2"P X 1/2"P X 1/2"MPT
28	114428-04-000	EA	TEE - 1/2"P X 1/2"P X 1/8"FPT
29	114428-06-000	EA	TEE - 1/2" P X 1/2" MPT X 1/2" MPT
30	114428-07-000	EA	TEE - 1/2" P X 1/2" MPT X 1/2" P
31	114429-01-000	EA	ELBOW - 1/2"P X 1/2"P
32	114429-02-000	EA	ELBOW - 1/2"P X 1/2"MPT
32	114429-04-000	EA	ELBOW - 1/2"P X 3/8"MPT
32	114429-05-000	EA	ELBOW - 1/2"P X 3/4"MPT
33	114429-03-000	EA	ELBOW - SWIVEL - 1/2"P X 1/2"FPT
33	114429-06-000	EA	ELBOW - SWIVEL - 1/2"P X 3/4"FPT
33	114429-08-000	EA	ELBOW - SWIVEL - 1/2"P X 1/2"FPT
34	114429-09-000	EA	ELBOW - 1/2"P X 1/2"FPT DROP EAR
35	114430-01-000	EA	ADAPTER - 1/2"P X 1/2"P
36	114430-02-000	EA	ADAPTER - SWIVEL - 1/2"P X 1/2"FPT
37	114430-03-000	EA	ADAPTER - 1/2"P X 1/2"MPT
38	114430-06-000	EA	ADAPTER - 1/2"P X 3/8"FPT
39	114431-01-000	EA	VALVE - 180 DEGREE/CENTER DRAIN - 1/2"P - THREE WAY

WATER & SEWAGE GROUP (CONTINUED)
WATER SYSTEM (CONTINUED)



KEY	PART NUMBER	U/M	DESCRIPTION
40	114431-02-000	EA	VALVE - WATER BYPASS - 1/2"P - THREE WAY (WATER HEATER)
41	114431-03-000	EA	VALVE - 90 DEGREE DRAIN - 1/2"P
42	114431-04-000	EA	VALVE - "INLINE SHUT-OFF" - 1/2"P
43	114431-05-000	EA	VALVE - NEEDLE - 1/8" MPT X 1/4" COMPRESSION (ICE MAKER)
44	114966-01-000	EA	FILTER - IN LINE - TWIST ON - 1/2"
45	118423-01-000	EA	FITTING - BRASS-TEE - 1/4C X 1/4C X 1/4C
46	118809-02-000	EA	ADAPTER - 1/2" MPT X 1/2" BARB - PLASTIC
47	120868-01-000	EA	VALVE - NEEDLE - 1/4" COMPRESSION X 1/4" COMPRESSION
48	123150-01-000	EA	ELBOW - 1/2 FPT X 1/2 BARB - SWIVEL
49	123152-01-000	EA	ADAPTER - 1/2 FPT X 1/2 BARB - SWIVEL
50	123243-01-000	EA	TANK - ACCUMULATOR - 24 OZ
51	123317-01-000	EA	TANK - ACCUMULATOR - 2 GALLON
52	124184-01-000	EA	SUPPORT - WATER LINE - BEND

WATER & SEWAGE GROUP (CONTINUED)
WATER SYSTEM (CONTINUED)

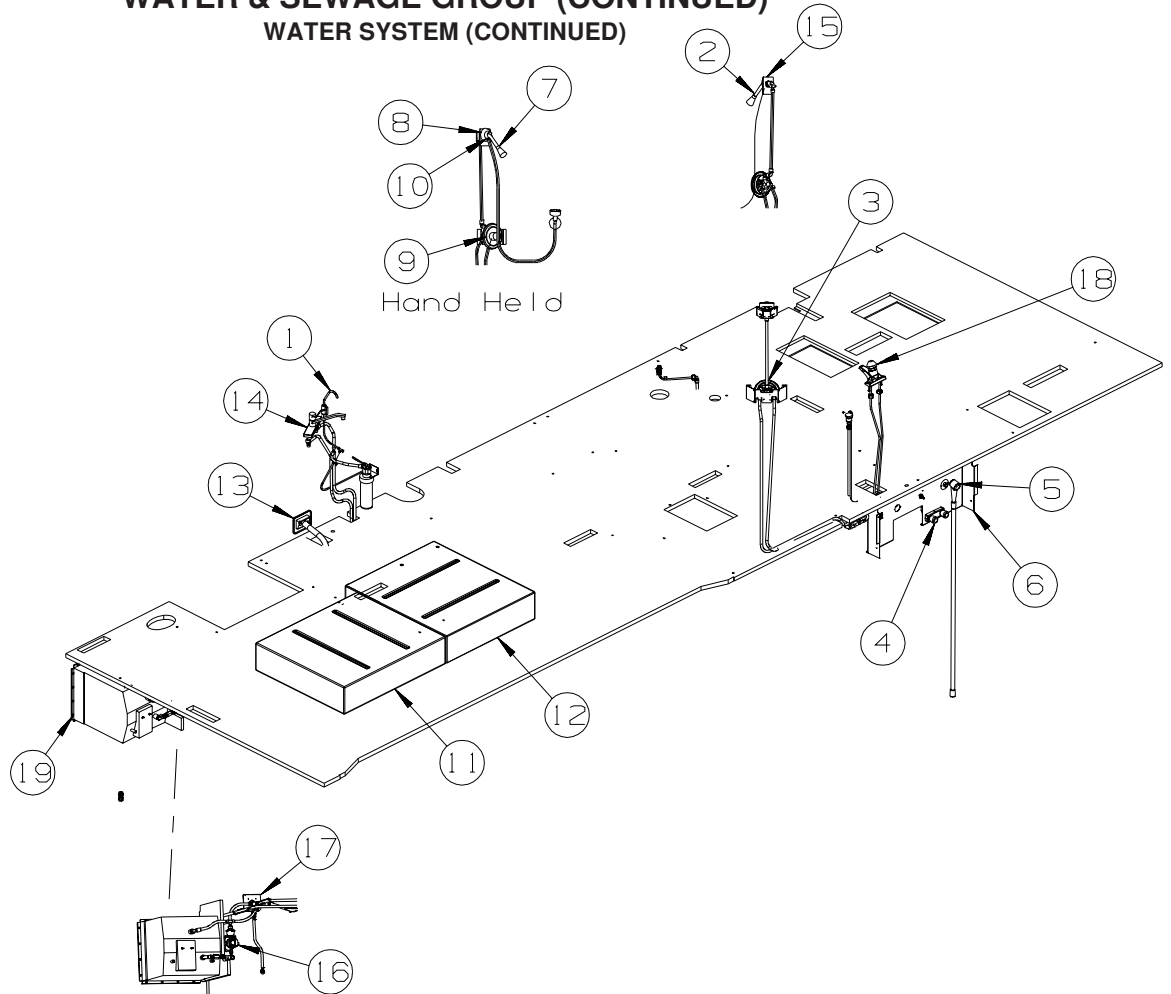


KEY	PART NUMBER	U/M	DESCRIPTION
53	132148-01-000	EA	CONNECTOR - 1/2" X 1/2"MPT - BRASS
54	132483-01-000	EA	VALVE/BALL - 1" - THREADED ENDS
55	132483-02-000	EA	VALVE/BALL - 1/2" - BRASS - FPT
56	132484-01-000	EA	ELBOW - 90 DEGREE - 1MPT X 1FPT - PLASTIC
57	132781-01-000	EA	ELBOW - 1.3" BARB X 1.3" BARB - 90 DEGREE - PLASTIC
58	132782-01-000	EA	ELBOW - 1"FPT X 1.3" BARB - 90 DEGREE - PLASTIC
59	133835-01-000	EA	ADAPTER - REDUCING - 1 1/2" X 1 1/4"
60	133837-01-000	EA	ELBOW - 1 1/2" X 90 DEGREE - DOUBLE SLIP
61	133889-01-000	EA	UNION - 1 1/2 DOUBLE SLIP - PVC
62	135386-01-000	EA	NIPPLE - 1/2"
63	140821-01-000	EA	TUBE - WATER SUPPLY - 3/8" X 24"
63	140821-02-000	EA	TUBE - WATER SUPPLY - 3/8" X 30"
63	140821-03-000	EA	TUBE - WATER SUPPLY - 3/8" X 36"
63	140821-04-000	EA	TUBE - WATER SUPPLY - 3/8" X 48"
63	140821-05-000	EA	TUBE - WATER SUPPLY - 3/8" X 54"
63	140821-06-000	EA	TUBE - WATER SUPPLY - 3/8" X 60"
63	140821-07-000	EA	TUBE - WATER SUPPLY - 3/8" X 72"
64	142812-01-000	EA	ELBOW - BRASS - 1/2"MPT X 1/2"FPT

***COMPONENT PARTS LISTED LATER IN THIS GROUP**

WATER & SEWAGE GROUP (CONTINUED)

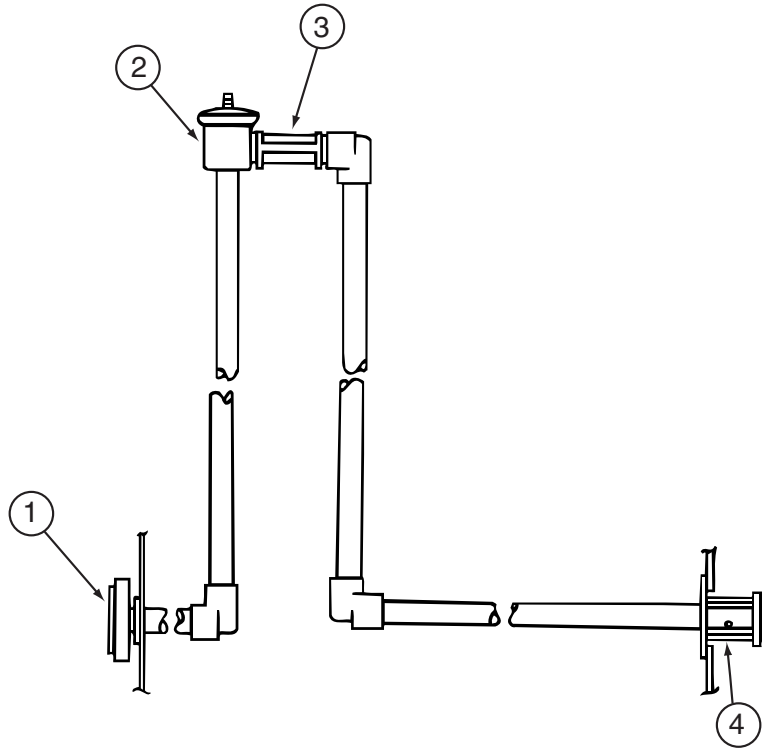
WATER SYSTEM (CONTINUED)



KEY	PART NUMBER	U/M	DESCRIPTION
1	103635-01-000	EA	FAUCET - SINGLE CONTROL/DRINKING WATER
2	128974-01-01A	EA	VALVE - SHOWER HEAD/WATER SAVER (ON/OFF) - BRIGHT BRASS
3*	131340-01-01A	EA	FAUCET - W/SHOWER HEAD- SINGLE LEVER-W/O WATER SAVER-BRASS
4*	075241-06-000	EA	FAUCET - SHOWER/BRIGHT WHITE - .5" MPT W/1.9" INLET PIPES
5	131383-01-02A	EA	SHOWER HEAD - W/60" HOSE & BRACKET - WHITE - USA
5	131383-02-02A	EA	SHOWER HEAD - W/60" HOSE & BRACKET - CSA - WHITE - CANADIAN
6	136034-02-12B	EA	PANEL/SERVICE CENTER - BRIGHT WHITE
7	129390-03-01A	EA	SHOWER HEAD - W/HOSE & BRACKET - BRASS
8	130041-01-02A	EA	SPACER/SHOWER HEAD - SOFT WHITE
9*	131340-02-01A	EA	FAUCET ONLY - W/O SHOWER HEAD/ARM EXTENSION - BRASS
10	135028-01-01A	EA	DROP ELL - F/SHOWER HOSE - BRASS - 1/2"
11	132224-05-000	EA	TANK - WATER - 40 GAL - W/FITTINGS - SECONDARY
	042989-03-000	EA	FITTING - SPINWELD - 1 1/4"NPT - PLASTIC
	042989-05-000	EA	FITTING - SPINWELD - 1/2"FPT - PLASTIC
	049032-01-000	EA	PATCH - SPINWELD - 3/8" - PLASTIC
	132224-01-000	EA	TANK - WATER - 40 GALLON - W/O FITTINGS
12	132224-17-000	EA	TANK - WATER - 40 GALLON W/FITTINGS
	042989-03-000	EA	FITTING - SPINWELD - 1 1/4"NPT - PLASTIC
	042989-05-000	EA	FITTING - SPINWELD - 1/2"FPT - PLASTIC
	042989-08-000	EA	FITTING - SPINWELD - 1"FPT - PLASTIC
	049032-01-000	EA	PATCH - SPINWELD - 3/8" - PLASTIC
	132224-01-000	EA	TANK - WATER - 40 GALLON - W/O FITTINGS
13	137169-01-01A	EA	WATER FILL/GRAVITY - W/DOOR - W/O LOCK - BRIGHT WHITE
	138290-03-000	EA	CASE - W/CAM - W/O CYLINDER/KEY
14*	123744-03-01A	EA	FAUCET - GALLEY/SINGLE CONTROL W/SPRAYER HEAD - CHROME
15	131551-01-02B	EA	BRACKET - SHOWER HEAD
16	138618-01-12B	EA	COVER - VALVE - BYPASS - BRIGHT WHITE
17	137410-01-12B	EA	BRACKET - VALVE - WINTERIZATION - BRIGHT WHITE
18*	141490-01-01A	EA	FAUCET - LAVATORY - W/STOP - CHROME/POLISHED BRASS
19*	051391-05-000	EA	WATER HEATER/MOTOR AID-GAS/ELECT IGN - GCH10A-9E - 10 GAL
19	125420-03-03A	EA	DOOR - WATER HEATER - BLACK

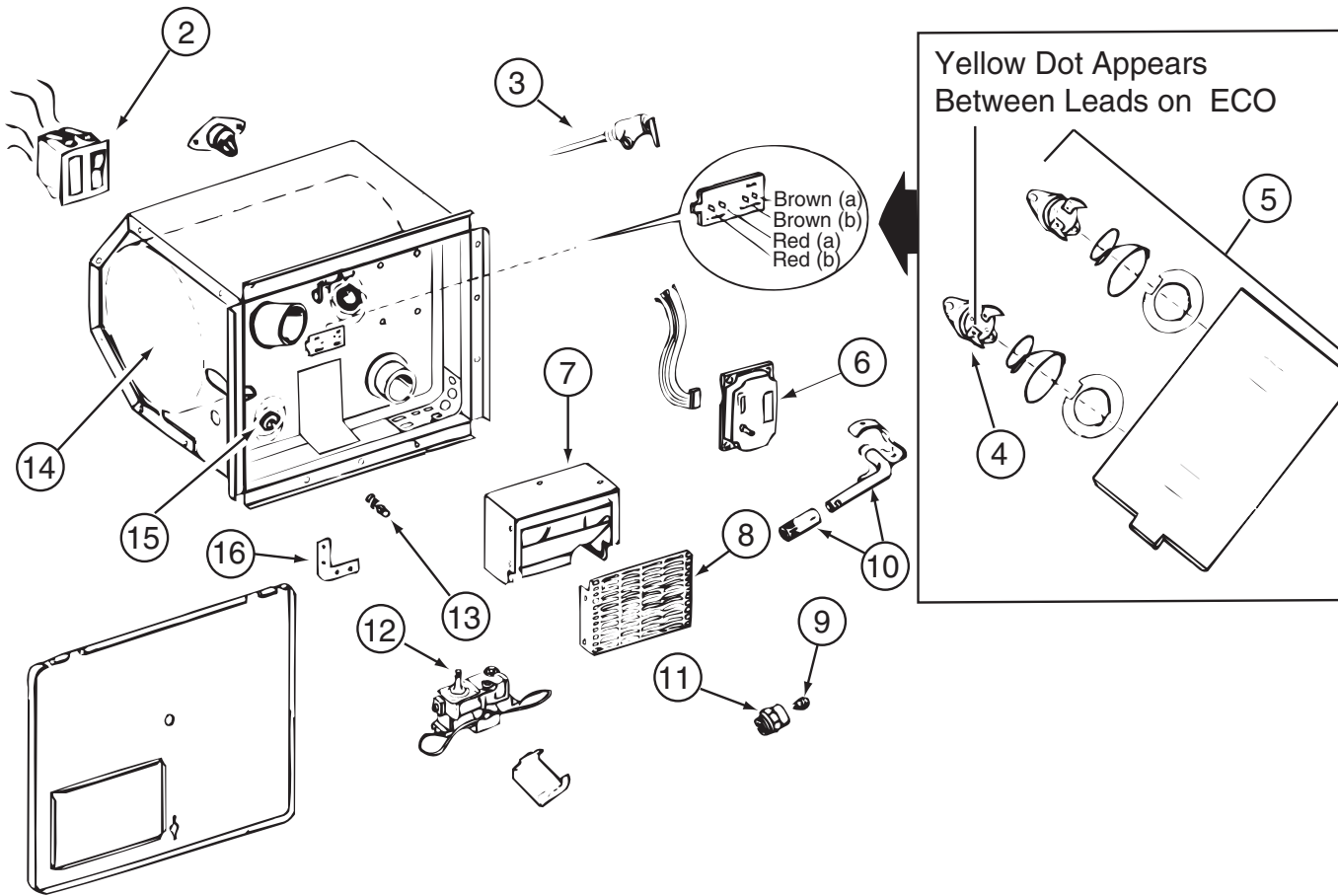
*COMPONENT PARTS LISTED LATER IN THIS GROUP

WATER & SEWAGE GROUP (CONTINUED)
WATER SYSTEM (CONTINUED)



KEY	PART NUMBER	U/M	DESCRIPTION
1	125697-05-000	EA	INLET - WATER - FLUSHING SYSTEM
2	125697-04-000	EA	BREAKER - VACUUM - FLUSHING SYSTEM
3	125697-03-000	EA	CHECK VALVE - FLUSHING SYSTEM
4	125697-02-000	EA	NOZZLE - WELD-A-FLUSH
	125697-06-000	EA	INSTRUCTIONS - USER - FLUSHING SYSTEM

WATER & SEWAGE GROUP (CONTINUED)
COMPONENT PARTS FOR WATER SYSTEM



051391-05-000

KEY	PART NUMBER	U/M	DESCRIPTION	VENDOR NO.
2	051393-01-701	EA	SWITCH - REMOTE - W/LIGHT	91959
3	051391-01-704	EA	VALVE-RELIEF, 1/2" FITTING	91604
4	051391-04-701	EA	THERMOSTAT 12V DC-120 PRESET	91470
5	051391-05-707	EA	THERMOSTAT & ECO - 110 VOLT	91873
6	051393-01-704	EA	BOARD-CIRCUIT	93865
7	051391-04-707	EA	KIT-EXHAUST, (FLUE & GASKET)	90960
8	051391-01-717	EA	GRILLE-WATER HEATER DOOR	92640
9	051391-05-701	EA	ORIFICE-MAIN BURNER	93914
10	051391-05-700	EA	BURNER-MAIN	93221
11	051391-03-700	EA	HOLDER-ORIFICE	91563
12	051393-01-726	EA	VALVE-SOLENOID, W/O BRACKET	93870
13	051391-01-715	EA	PLUG-DRAIN, 1 EA = 2 PER PKG	91857
14	051391-05-704	EA	TANK-INNER	93593
15	051391-05-706	EA	ELEMENT-HEATING 1500 WATT	91160 W/GASKET
16	111129-01-711	EA	BRACKET-CORNER, SET OF FOUR	91928
	051391-05-703	EA	HARDWARE KIT-DOOR	91858
	051391-05-705	EA	SWITCH - ON/OFF SWITCH - BOX	91182
	051393-01-721	EA	THERMOSTAT W/ECO, 140 FRT MT	91447
	051393-01-723	EA	SWITCH - THERMAL CUTOUT 2/PK	93866
	051393-01-725	EA	ELECTRODE-SGL SPADE CONNECT.	93868
	051393-01-730	EA	BRACKET - F/10 GAL SYSTEM	93862

CONTACT WINNEBAGO PARTS SALES FOR UNLISTED COMPONENTS

075241-04-000, 075241-05-000, 075241-06-000

KEY	PART NUMBER	U/M	DESCRIPTION	VENDOR NO.
	075240-05-700	EA	CARTRIDGE - WASHERLESS	9-P42

WATER & SEWAGE GROUP (CONTINUED)
COMPONENT PARTS FOR WATER SYSTEM (CONTINUED)

098607-01-000

KEY	PART NUMBER	U/M	DESCRIPTION	VENDOR NO.
	098607-01-702	EA	DIAPHRAGM/DRIVE ASSEMBLY KIT	94-238-04
	098607-01-703	EA	VALVE KIT	94-232-00
	098607-01-705	EA	VALVE-CHECK, KIT	94-237-00
	098607-01-706	EA	HOUSING, W/SWITCH ONLY	94-231-20
	098607-01-707	EA	MOTOR W/BASEPLATE	11-148-04

123744-03-01A

KEY	PART NUMBER	U/M	DESCRIPTION	VENDOR NO.
	135027-01-700	EA	CLIP - RETAINER	883
	135027-01-705	EA	CARTRIDGE F/SGL LEVER FAUCET	1225

131340-01-01A

KEY	PART NUMBER	U/M	DESCRIPTION	VENDOR NO.
	119677-01-701	EA	SHOWER HEAD ONLY 1/2"	34PB
	131340-01-700	EA	BUTTON - HOT/COLD	N1201-16
	131340-01-701	EA	KNOB - CLEAR	N1201-9

131340-02-01A

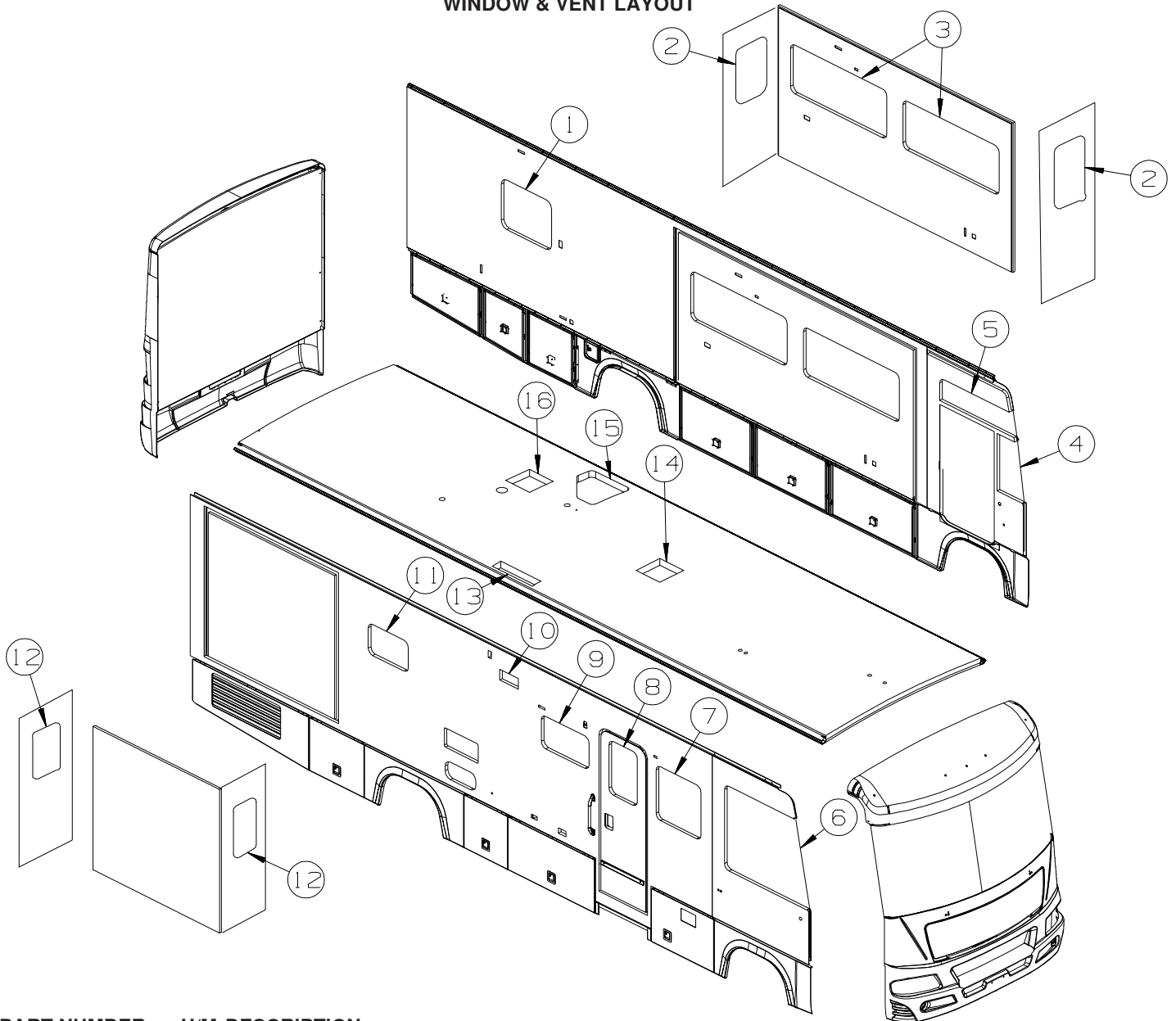
KEY	PART NUMBER	U/M	DESCRIPTION	VENDOR NO.
	131340-02-700	EA	CARTRIDGE	6-1201-5-0

141490-01-01A

KEY	PART NUMBER	U/M	DESCRIPTION	VENDOR NO.
	132410-01-700	EA	CARTRIDGE F/DBL HDLE FAUCET	1224

WINDOW & VENTS GROUP

WINDOW & VENT LAYOUT



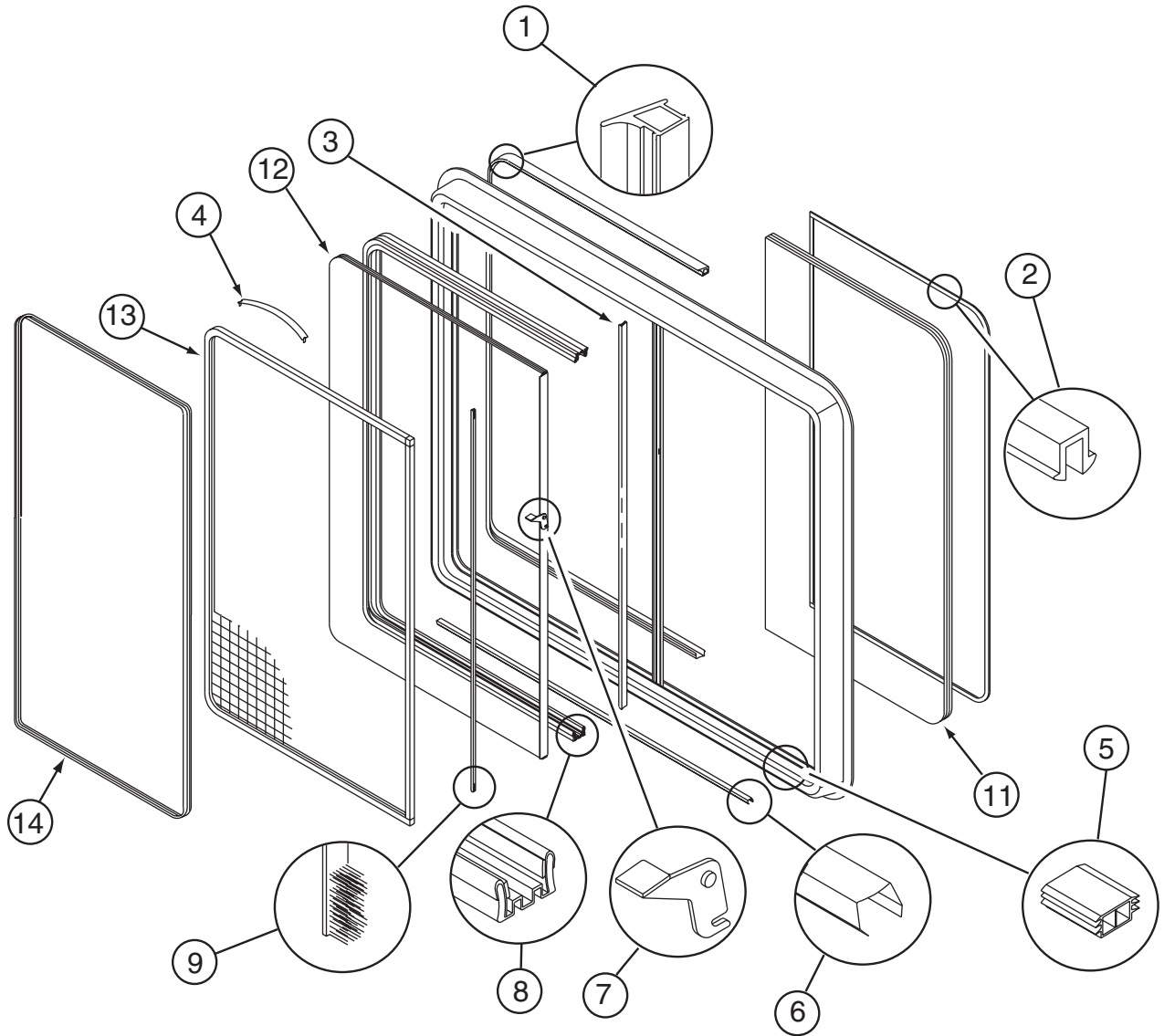
KEY	PART NUMBER	U/M	DESCRIPTION
1*	137867-03-01A	EA	WINDOW - DOUBLE TIPOUT ESCAPE/THERMO - 24.2" X 30.2" - DUAL PANE
2*	134004-03-01A	EA	WINDOW - VERT SLIDER/FLUSH O/S-THERMO - 21" X 19.8" - DUAL PANE
3*	112795-77-01A	EA	WINDOW - DRIVER HORIZONTAL SLIDER - THERMO - 57.4" X 23.6" - DUAL PANE
4*	125585-01-01A	EA	WINDOW - FRONT SLANT/THERMO - 11.6"T X 29.2"H X 16.8"B - DUAL PANE
5*	125600-01-01A	EA	WINDOW - VISTA - THERMOPANE - DUAL PANE
6*	125583-01-01A	EA	WINDOW - CAB PASS-3 GLASS THERMO- 42.9"T X 51.2"B X 42.6"H - DUAL PANE
7*	112898-25-01A	EA	WINDOW - VERTICAL SLIDER - THERMOPANE - 26.3" X 26.9" - DUAL PANE
8*	113733-10-01A	EA	WINDOW - STATIONARY - THERMO/EUROPEAN - 26.3" X 17" - DUAL PANE
9*	112795-72-01A	EA	WINDOW - PASSENGER HORIZ SLIDER - THERMO - 28.5" X 15.7" - DUAL PANE
10	138983-01-01A	EA	VENT - MICROWAVE OUTER - BRIGHT WHITE
10	138983-03-01A	EA	COVER - VENT MICROWAVE OUTER - BRIGHT WHITE
11*	112795-72-01A	EA	WINDOW - PASSENGER HORIZ SLIDER - THERMO - 28.5" X 15.7" - DUAL PANE FROM: 00-00-00 THRU: 06-09-02
11*	112795-78-01A	EA	WINDOW - PASSENGER HORIZ SLIDER - THERMO - 23.7" X 15" - DUAL PANE FROM: 06-10-02 THRU: 99-99-99
12*	134004-03-01A	EA	WINDOW - VERT SLIDER/FLUSH O/S-THERMO - 21" X 19.8" - DUAL PANE
13	084073-04-000	EA	BASE/VENT - ROOF/REFRIGERATOR - BLACK - NORCOLD
13	084073-07-000	EA	CAP - ROOF/REFRIGERATOR VENT - 10" X 32" - BRIGHT WHITE
14*	123780-03-01A	EA	FANTASTIC VENT - 3"-4" ROOF - W/FAN - W/O THERM/PWR LIFT - POWER VENTILATOR
	009440-01-000	EA	GEAR/ARM - LIFT - ROOF VENT COVER
14*	123780-09-01A	EA	FANTASTIC VENT - 4" ROOF- W/FAN/INSUL - W/O THERM/PWR LIFT - HOME COMFORT PLUS PKG.
14	009440-01-000	EA	GEAR/ARM - LIFT - ROOF VENT COVER

WINDOW & VENTS GROUP (CONTINUED)
WINDOW & VENT LAYOUT (CONTINUED)

KEY	PART NUMBER	U/M	DESCRIPTION
15	122214-01-02A	EA	PANEL - SKYLITE - INNER - W/ANGLED CORNER - WHITE
15	138372-01-12B	EA	TRIM - CORNER - SKYLIGHT - BRIGHT WHITE
15	139411-01-01A	EA	PANEL/SKYLITE - OUTER - NEO ANGLE - WHITE
16*	122882-04-01A	EA	VENT - ROOF - W/FAN/POWER LIFT - W/O INSIDE GARNISH - UL - U.S. - POWER VENT
	048648-01-000	EA	MOTOR - ROOF VENT - 1/8 SHAFT - 12VOLT
	048649-01-000	EA	FAN BLADE - ROOF VENT - 6 BLADES - 6"
16	122882-07-01A	EA	GARNISH - ROOF VENT - 2.5" TO 4.1"
16*	122882-05-01A	EA	VENT - ROOF - W/FAN/POWER LIFT - W/O INSIDE GARNISH - CSA - CANADIAN - POWER VENT
	048648-01-000	EA	MOTOR - ROOF VENT - 1/8 SHAFT - 12VOLT
	048649-01-000	EA	FAN BLADE - ROOF VENT - 6 BLADES - 6"
16	122882-07-01A	EA	GARNISH - ROOF VENT - 2.5" TO 4.1"
16*	123780-10-01A	EA	FANTASTIC VENT - 4" ROOF- W/FAN/PWR LIFT/INSUL - W/O THERM - HOME COMFORT PLUS PKG
	009440-01-000	EA	GEAR/ARM - LIFT - ROOF VENT COVER

***COMPONENT PARTS LISTED LATER IN THIS GROUP**

WINDOW & VENTS GROUP (CONTINUED)
COMPONENT PARTS FOR WINDOW & VENT LAYOUT



112795-72-01A

KEY	PART NUMBER	U/M	DESCRIPTION	VENDOR NO.
1	112795-01-704	FT	PLUG FILLER (DOUBLE GLAZED)	122-018737
2	112795-01-705	FT	VINYL - GLAZING	132-025736
3	098644-01-706	FT	WEATHERSTRIP - GLASS	171-010668
4	098644-01-713	EA	CLIP - SCREEN - METAL	226-016966
4	125582-01-701	EA	CLIP - SCREEN - PLASTIC	130-005153
	098644-01-717	FT	SPLINE - SCREEN	132-004716
5	112795-01-701	EA	SLIDE-STOP	132-019092
6	098644-01-710	FT	TRACK - SCREEN SPACER 12'	132-017135
7	112795-01-700	EA	LATCH ASM., BLK.,(BOLT ON)	DH287-CK
8	112795-01-703	IN	CHANNEL-RUN (INCHES)	122-018736
9	098644-01-711	FT	WEATHERSTRIP - SCREEN BLACK	171-016965
11	112795-72-700	EA	GLASS - STATIONARY	390-028307
12	112795-72-701	EA	GLASS - SLIDING W/SASH LATCH	DC29-G8
13	098647-31-704	EA	SCREEN ASSY - W/SEAL & CLIPS	410-019128
14	098647-31-705	EA	RETAINER - TRIM	CH29-66

WINDOW & VENTS GROUP (CONTINUED)
COMPONENT PARTS FOR WINDOW & VENT LAYOUT (CONTINUED)

112795-77-01A

KEY	PART NUMBER	U/M	DESCRIPTION	VENDOR NO.
1	112795-01-704	FT	PLUG FILLER (DOUBLE GLAZED)	122-018737
2	112795-01-705	FT	VINYL - GLAZING	132-025736
3	098644-01-706	FT	WEATHERSTRIP - GLASS	171-010668
4	098644-01-713	EA	CLIP - SCREEN - METAL	226-016966
4	125582-01-701	EA	CLIP - SCREEN - PLASTIC	130-005153
5	112795-01-701	EA	SLIDE-STOP	132-019092
6	098644-01-710	FT	TRACK - SCREEN SPACER 12'	132-017135
7	112795-01-700	EA	LATCH ASM., BLK.,(BOLT ON)	DH287-CK
8	112795-01-703	IN	CHANNEL-RUN (INCHES)	122-018736
9	098644-01-711	FT	WEATHERSTRIP - SCREEN BLACK	171-016965
11	112795-77-700	EA	GLASS - STATIONARY	390-28313
12	112795-77-701	EA	GLASS - SLIDING W/SASH LATCH	DH493-G8
13	098647-47-702	EA	SCREEN ASSY - W/SEAL & CLIPS	410-025226
14	098647-47-704	EA	RETAINER - TRIM	H493-66
	098644-01-717	FT	SPLINE - SCREEN	132-004716

112795-78-01A

KEY	PART NUMBER	U/M	DESCRIPTION	VENDOR NO.
1	112795-01-704	FT	PLUG FILLER (DOUBLE GLAZED)	122-018737
2	112795-01-705	FT	VINYL - GLAZING	132-025736
3	098644-01-706	FT	WEATHERSTRIP - GLASS	171-010668
4	098644-01-713	EA	CLIP - SCREEN - METAL	226-016966
4	125582-01-701	EA	CLIP - SCREEN - PLASTIC	130-005153
	098644-01-717	FT	SPLINE - SCREEN	132-004716
5	112795-01-701	EA	SLIDE-STOP	132-019092
6	098644-01-710	FT	TRACK - SCREEN SPACER 12'	132-017135
7	112795-01-700	EA	LATCH ASM., BLK.,(BOLT ON)	DH287-CK
8	112795-01-703	IN	CHANNEL-RUN (INCHES)	122-018736
9	098644-01-711	FT	WEATHERSTRIP - SCREEN BLACK	171-016965
11	112795-78-700	EA	GLASS - STATIONARY	390-028338
12	112795-78-701	EA	GLASS - SLIDING W/SASH LATCH	DB969-G8
13	112795-56-702	EA	SCREEN ASSY - W/SEAL & CLIPS	410-019414
14	112795-56-704	EA	RETAINER - TRIM	B969-66

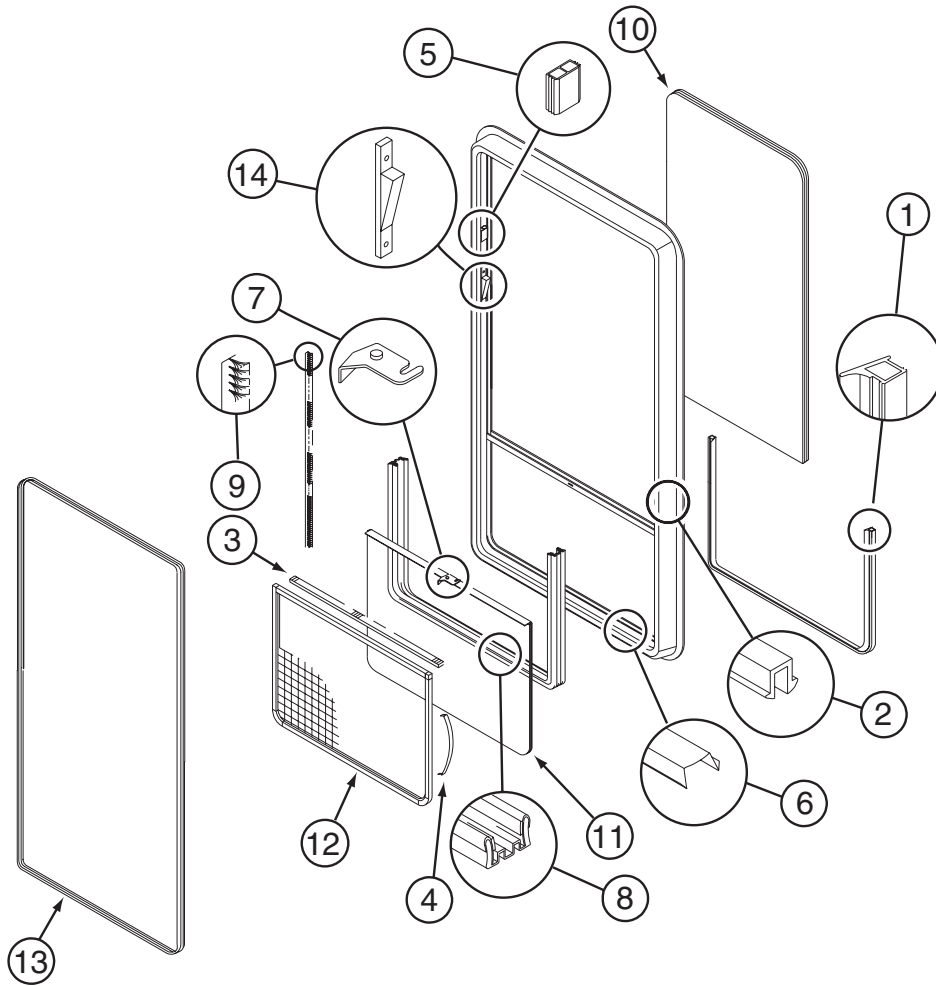
113733-04-01A, 113733-10-01A, 113733-11-01A

KEY	PART NUMBER	U/M	DESCRIPTION	VENDOR NO.
	112795-01-705	FT	VINYL - GLAZING	132-025736
	113733-10-700	EA	GLASS-STATIONARY	390-028306
	113733-10-701	EA	RETAINER-TRIM	H416-66

122882-04-01A, 122882-05-01A

KEY	PART NUMBER	U/M	DESCRIPTION	VENDOR NO.
	064470-01-700	EA	COVER - VENT - W/O SLIDE BAR	J7291
	064470-01-701	EA	SLIDE BAR - VENT LID	JRP1291B
	064469-03-708	EA	GEAR-DRIVE	RP-1024
	110051-07-701	EA	MOTOR-LIFT, W/BRKT-GEAR 3/16	RP1099B
	122882-04-700	EA	SCREEN	J29-670-01A

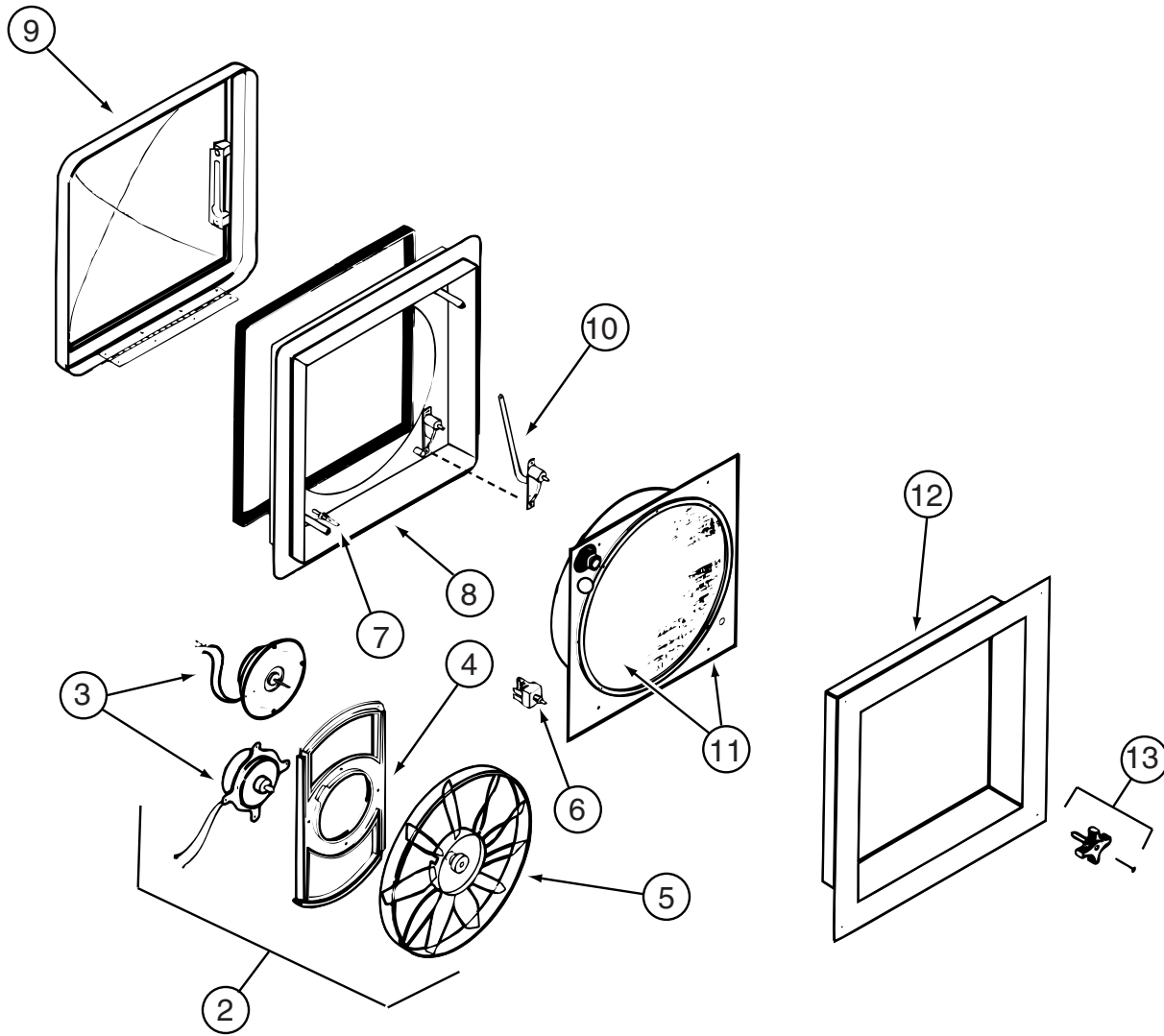
WINDOW & VENTS GROUP (CONTINUED)
COMPONENT PARTS FOR WINDOW & VENT LAYOUT (CONTINUED)



112898-25-01A

KEY	PART NUMBER	U/M	DESCRIPTION	VENDOR NO.
1	112795-01-704	FT	PLUG FILLER (DOUBLE GLAZED)	122-018737
2	112795-01-705	FT	VINYL - GLAZING	132-025736
3	098644-01-706	FT	WEATHERSTRIP - GLASS	171-010668
4	098644-01-713	EA	CLIP - SCREEN - METAL	226-016966
4	125582-01-701	EA	CLIP - SCREEN - PLASTIC	130-005153
5	112795-01-701	EA	SLIDE-STOP	132-019092
6	098644-01-710	FT	TRACK - SCREEN SPACER 12'	132-017135
7	112795-01-700	EA	LATCH ASM., BLK.,(BOLT ON)	DH287-CK
8	112795-01-703	IN	CHANNEL-RUN (INCHES)	122-018736
9	098644-01-711	FT	WEATHERSTRIP - SCREEN BLACK	171-016965
10	112898-25-700	EA	GLASS - STATIONARY	390-028310
11	112898-25-701	EA	GLASS-SLIDING W/SASH & LATCH	DH564-G8
12	112898-19-702	EA	SCREEN ASM - W/SEALS & CLIPS	410-026279
13	112898-19-703	EA	RETAINER - TRIM	W564-66
14	112898-04-703	EA	VERTICAL LATCH (SASH KIT)	DH343-CK
	098644-01-717	FT	SPLINE - SCREEN	132-004716

WINDOW & VENTS GROUP (CONTINUED)
COMPONENT PARTS FOR WINDOW & VENT LAYOUT (CONTINUED)



123780-03-01A

KEY	PART NUMBER	U/M	DESCRIPTION	VENDOR NO.
2	084079-11-700	EA	MOTOR & FAN BLADE W/BRACKET	K4017-09
3	084079-01-705	EA	MOTOR/EXT BRKT/FAN BLADE KIT	1080-00
5	084079-01-704	EA	BLADE-FAN	1138-00
6	084079-01-709	EA	SWITCH - MAIN - 3 SPEED	1031-05
7	084079-01-707	EA	SWITCH - SAFETY	1122-05
8	123780-05-700	EA	BASE/MAIN-BRT WHT W/GASKET	1010-81
9	123780-01-700	EA	COVER - VENT W/HINGE & SLIDE	1020K-81
10	009440-01-000	EA	GEAR-ARM-ROOF VENT	705221K38
11	123780-03-701	EA	SCREEN ASM 78-100MM W/SWITCH	1030BT-81
12	123780-03-700	EA	GARNISH - INT. 3"-4" BRT/WHT	2040-81
13	084079-01-703	EA	KNOB-LIFT, W/EXT.	1140K-00
	123780-01-702	EA	SCREEN INSERT (SCREEN RING)	K1035-81

CONTACT WINNEBAGO PART SALES FOR UNLISTED COMPONENTS

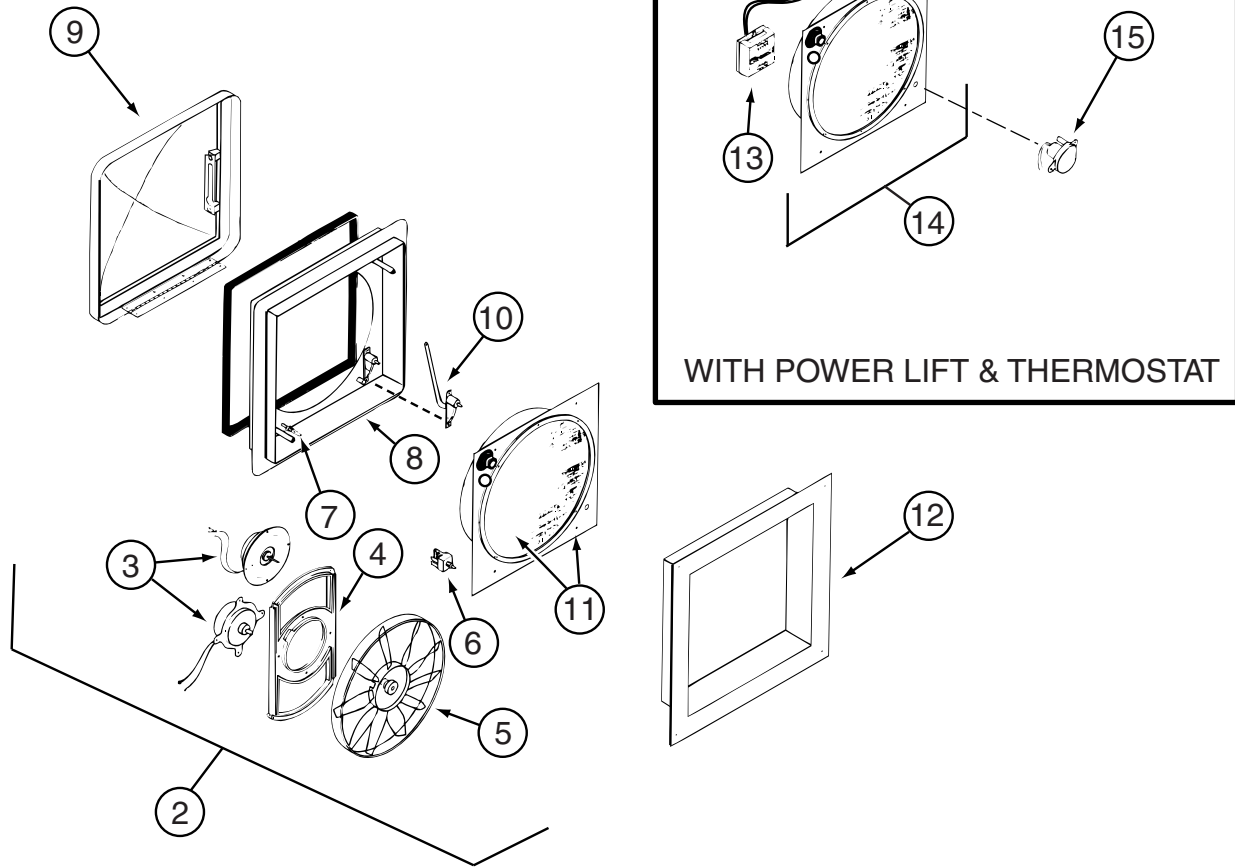
WINDOW & VENTS GROUP (CONTINUED)
COMPONENT PARTS FOR WINDOW & VENT LAYOUT (CONTINUED)

123780-09-01A

KEY	PART NUMBER	U/M	DESCRIPTION	VENDOR NO.
2	084079-11-700	EA	MOTOR & FAN BLADE W/BRACKET	K4017-09
3	084079-01-705	EA	MOTOR/EXT BRKT/FAN BLADE KIT	1080-00
5	084079-01-704	EA	BLADE-FAN	1138-00
6	084079-01-709	EA	SWITCH - MAIN - 3 SPEED	1031-05
7	084079-01-707	EA	SWITCH - SAFETY	1122-05
8	123780-05-700	EA	BASE/MAIN-BRT WHT W/GASKET	1010-81
9	123780-09-700	EA	DOME (DOUBLE)WHT TRANSPARENT	K2020-82
10	009440-01-000	EA	GEAR-ARM-ROOF VENT	705221K38
11	123780-03-701	EA	SCREEN ASM 78-100MM W/SWITCH	1030BT-81
12	123780-03-700	EA	GARNISH - INT. 3"-4" BRT/WHT	2040-81
13	084079-01-703	EA	KNOB-LIFT, W/EXT.	1140K-00
	123780-01-702	EA	SCREEN INSERT (SCREEN RING)	K1035-81

CONTACT WINNEBAGO PART SALES FOR UNLISTED COMPONENTS

WINDOW & VENTS GROUP (CONTINUED)
COMPONENT PARTS FOR WINDOW & VENT LAYOUT (CONTINUED)

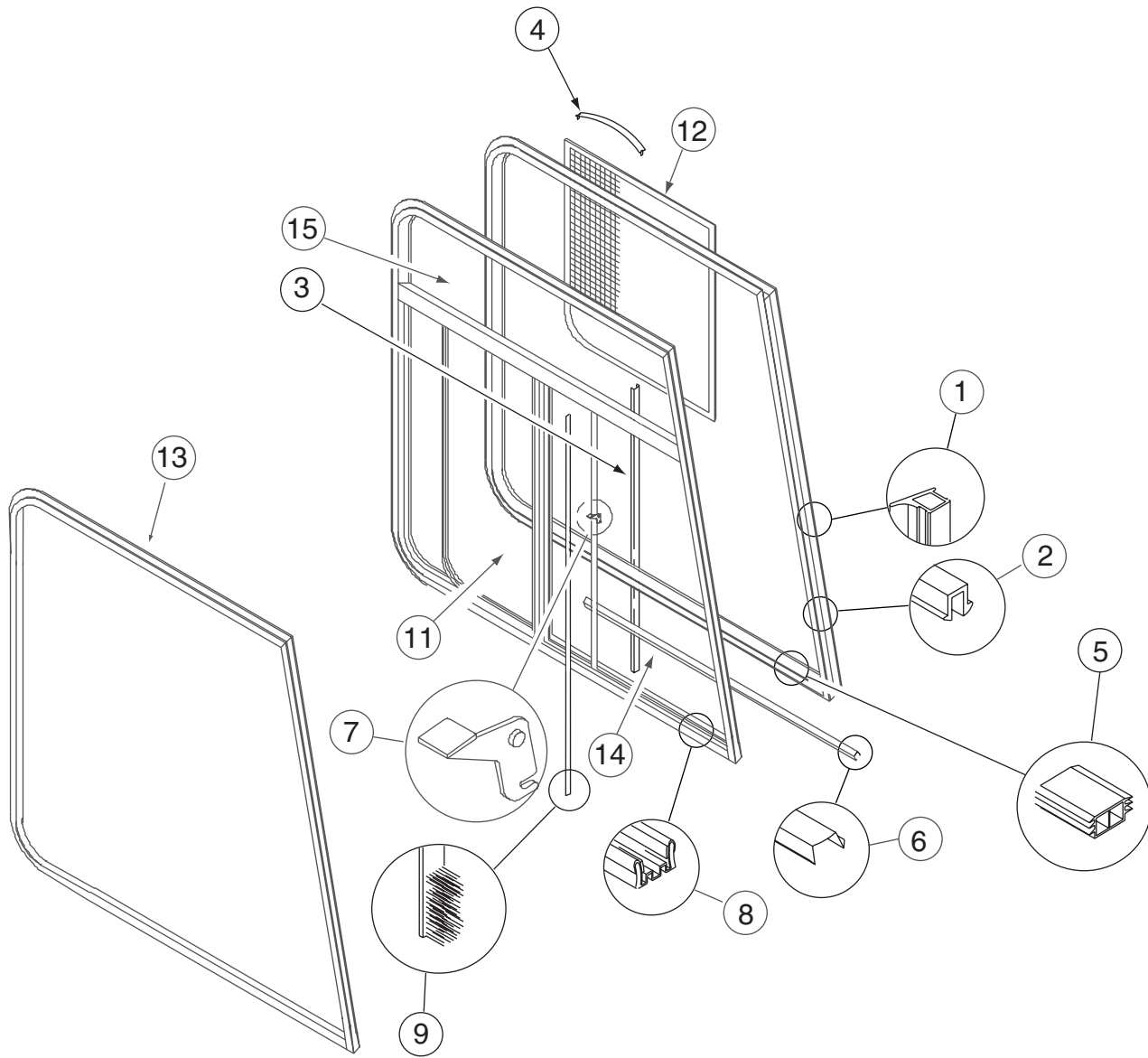


123780-10-01A

KEY	PART NUMBER	U/M	DESCRIPTION	VENDOR NO.
2	084079-11-700	EA	MOTOR & FAN BLADE W/BRACKET	K4017-09
3	084079-01-705	EA	MOTOR/EXT BRKT/FAN BLADE KIT	1080-00
5	084079-01-704	EA	BLADE-FAN	1138-00
6	084079-01-709	EA	SWITCH - MAIN - 3 SPEED	1031-05
7	084079-01-707	EA	SWITCH - SAFETY	1122-05
8	123780-05-700	EA	BASE/MAIN-BRT WHT W/GASKET	1010-81
9	123780-09-700	EA	DOMES (DOUBLE)WHT TRANSPARENT	K2020-82
10	009440-01-000	EA	GEAR-ARM-ROOF VENT	705221K38
12	123780-03-700	EA	GARNISH - INT. 3"-4" BRT/WHT	2040-81
13	084079-01-710	EA	THERMOSTAT(WALL MT)ANY COLOR	9988-81
14	123780-05-701	EA	SCREEN INT W/ALL SWITCHES	KIT-81
15	084079-11-703	EA	MOTOR/AUTO LIFT OFF/WHT CAP	6050-80 OS
15	084079-11-705	EA	MOTOR - LIFT (BC MOTOR)	5050-40
15	084079-11-707	EA	MOTOR-AUTO LIFT-WHT CAP NS	6050-81 NS
	123780-01-702	EA	SCREEN INSERT (SCREEN RING)	K1035-81

CONTACT WINNEBAGO PART SALES FOR UNLISTED COMPONENTS

WINDOW & VENTS GROUP (CONTINUED)
COMPONENT PARTS FOR WINDOW & VENT LAYOUT (CONTINUED)



125583-01-01A

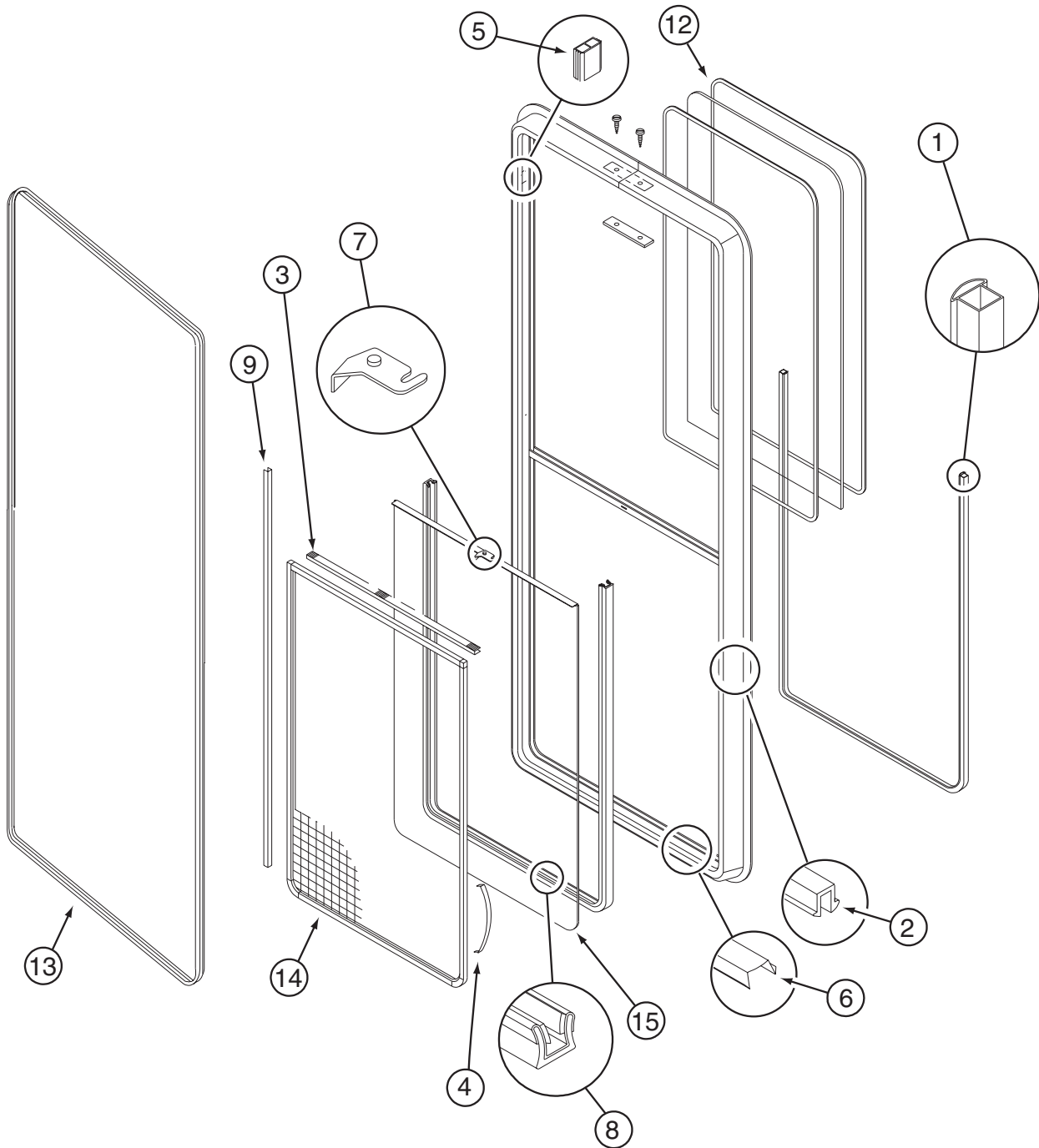
KEY	PART NUMBER	U/M	DESCRIPTION	VENDOR NO.
1	112795-01-704	FT	PLUG FILLER (DOUBLE GLAZED)	122-018737
2	112795-01-705	FT	VINYL-GLAZING	132-027331
3	098644-01-706	FT	WEATHERSTRIP - GLASS	171-010668
4	098644-01-713	EA	CLIP - SCREEN - METAL	226-016966
4	125582-01-701	EA	CLIP - SCREEN - PLASTIC	130-005153
5	112795-01-701	EA	SLIDE-STOP	132-019092
6	098644-01-710	FT	TRACK - SCREEN SPACER 12'	32-017135
7	112795-01-700	EA	LATCH ASM., BLK.,(BOLT ON)	DH287-CK
8	112795-01-703	IN	CHANNEL-RUN (INCHES)	122-027566
9	098644-01-711	FT	WEATHERSTRIP - SCREEN BLACK	171-016965
11	125583-01-700	EA	GLASS-SLIDING W/SASH & LATCH	DH573-A9R
12	125582-01-705	EA	SCREEN - PASSENGER - W/SEALS & CLIPS	410-026545
13	125582-01-706	EA	RETAINER - TRIM	H573-27R
14	125583-01-702	EA	GLASS - STATIONARY - R.H.	390-026101
15	125583-01-701	EA	GLASS - STATIONARY - UPPER	390-026100
	125582-01-708	EA	WEEPHOLE COVER - RIGHT HAND	130-026598
	125582-01-709	EA	WEEPHOLE COVER - LEFT HAND	130-026599
	098644-01-717	EA	SPLINE - SCREEN	132-004716

WINDOW & VENTS GROUP (CONTINUED)
COMPONENT PARTS FOR WINDOW & VENT LAYOUT (CONTINUED)

125585-01-01A			
KEY	PART NUMBER	U/M DESCRIPTION	VENDOR NO.
	125585-01-700	EA GLASS - STATIONARY	390026092
	116000-01-704	EA VINYL - GLAZING	132-018161
	125584-01-701	EA RETAINER - TRIM	106026078

125600-01-01A			
KEY	PART NUMBER	U/M DESCRIPTION	VENDOR NO.
	125600-01-700	EA GLASS - STATIONARY	390026099
	116000-01-704	EA VINYL - GLAZING	132-018161
	125586-01-701	EA RETAINER - TRIM	H57027L

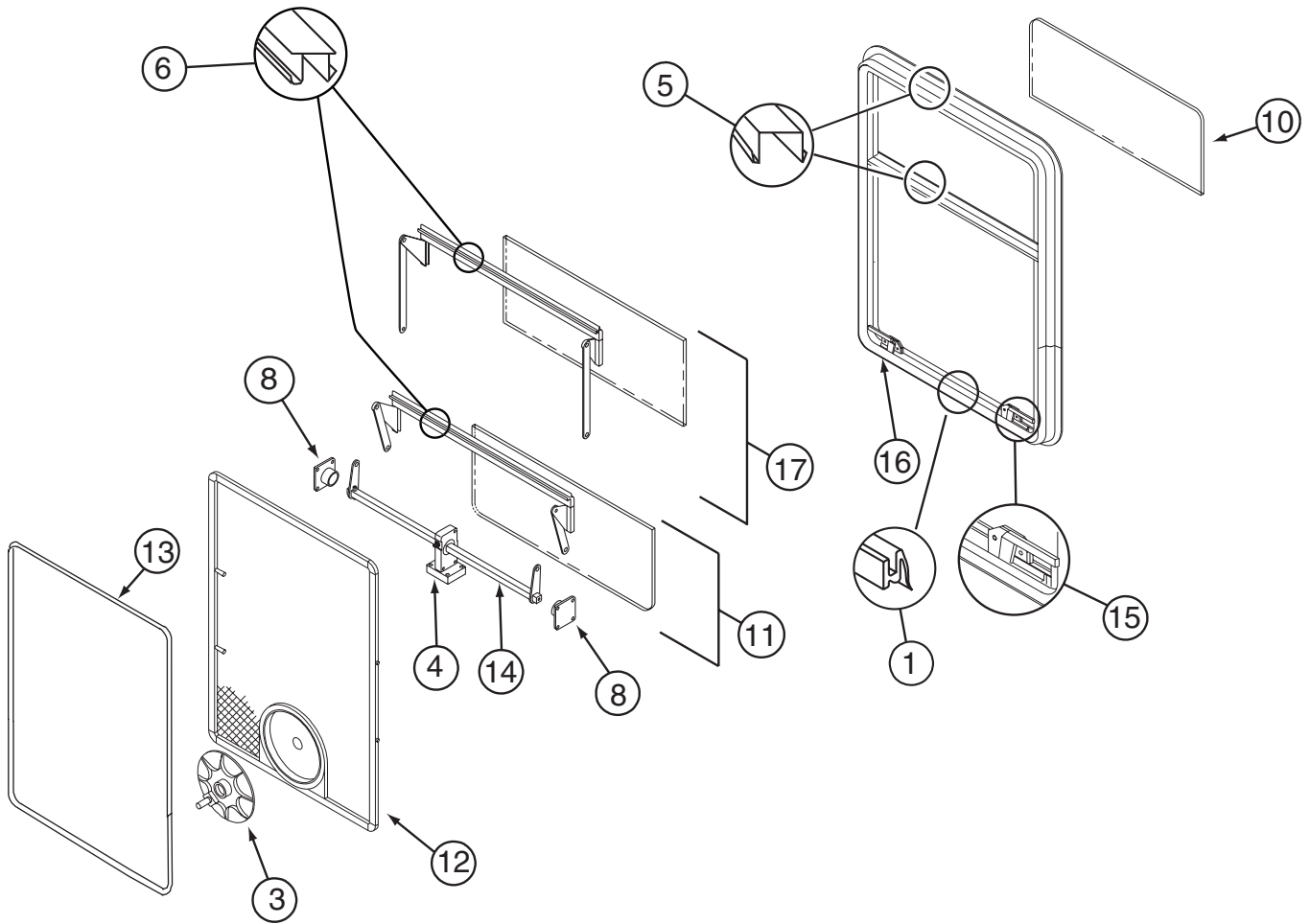
WINDOW & VENTS GROUP (CONTINUED)
COMPONENT PARTS FOR WINDOW & VENT LAYOUT (CONTINUED)



134004-03-01A

KEY	PART NUMBER	U/M	DESCRIPTION	VENDOR NO
1	112795-01-704	FT	PLUG FILLER (DOUBLE GLAZED)	122-018737
2	112795-01-705	FT	VINYL - GLAZING	132-027331
3	098644-01-706	FT	WEATHERSTRIP - GLASS	171-010668
4	098644-01-713	EA	CLIP - SCREEN - METAL	226-016966
4	125582-01-701	EA	CLIP - SCREEN - PLASTIC	130-005153
5	112795-01-701	EA	SLIDE-STOP	132-019092
6	098644-01-710	FT	TRACK - SCREEN SPACER 12'	132-017135
7	112795-01-700	EA	LATCH ASM., BLK.,(BOLT ON)	DH287-CK
8	112795-01-703	IN	CHANNEL-RUN (INCHES)	122-027566
9	075673-05-000	FT	SEAL-PILE ADH BACK,BLK	AMESBURY
12	134004-03-700	EA	GLASS - STATIONARY	390-028662
13	134004-03-702	EA	RETAINER - TRIM	H702-56
14	098644-13-702	EA	SCREEN ASM W/SEALS & CLIPS	410-028663
15	134004-03-701	EA	GLASS-SLIDING W/SASH & LATCH	DH702-G8
	098644-01-717	FT	SPLINE - SCREEN	132-004716
	112898-04-703	EA	VERTICAL LATCH (SASH KIT)	DH343-CK

WINDOW & VENTS GROUP (CONTINUED)
COMPONENT PARTS FOR WINDOW & VENT LAYOUT (CONTINUED)



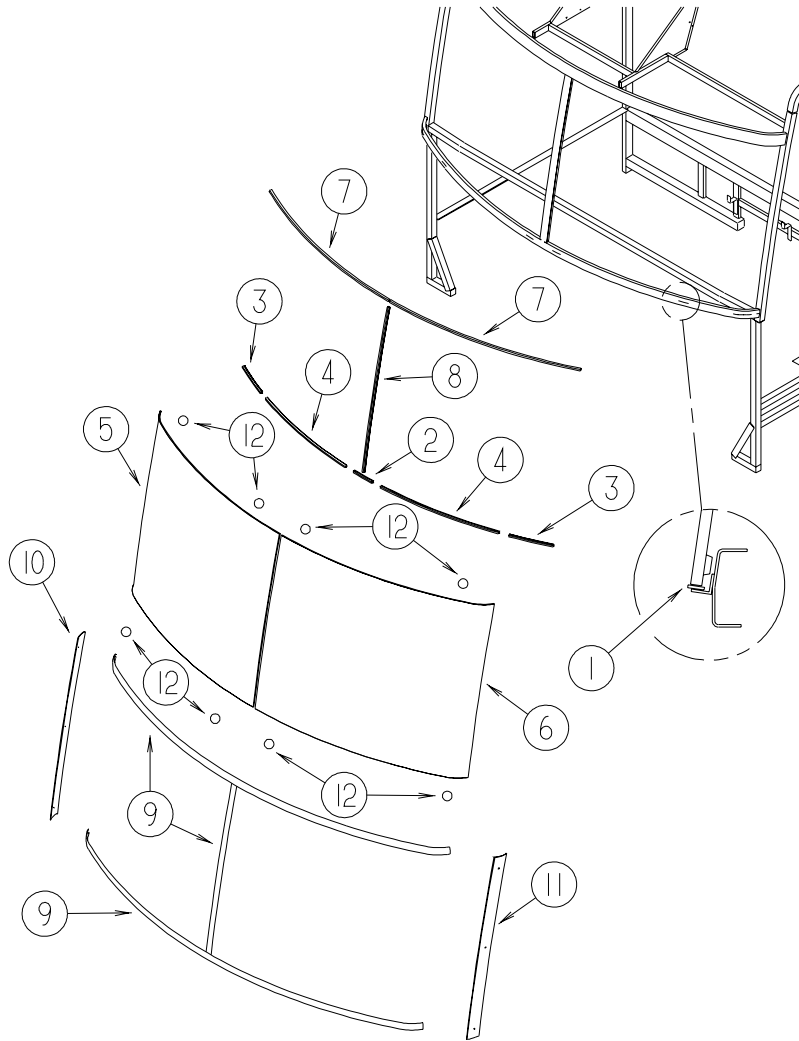
137867-03-01A

KEY	PART NUMBER	U/M	DESCRIPTION	VENDOR NO.
1	100322-01-701	FT	SEAL-VENT	122-016071
3	100322-01-718	EA	HANDLE-DIAL	410-016081
4	129929-01-710	EA	TORQUE-CTR SUPPORT (2 HOLE)	410-026806
5	129929-01-705	FT	GLAZING VINYL	132-026811
6	129929-01-707	FT	COVER/SCREW-FILLER STRIP	132-026808
8	129929-01-708	EA	SUPPORT - TORQUE BAR - RT/LT	130-026804
10	137867-03-700	EA	GLASS - STATIONARY (DBL GLZ)	390-029119
11	137867-02-701	EA	VENT ASSEMBLY LWR (DBL GLZ)	DTH023-G8
12	137867-03-702	EA	SCREEN ASSEMBLY	410-029122
13	137867-03-703	EA	RETAINER - TRIM	DTH023-62
14	129929-02-704	EA	OPERATOR BAR ASSEMBLY	DTH002-15
15	112898-06-704	EA	HANDLE-LATCH/RED-RH (TIPOUT)	182-11293
16	112898-06-705	EA	HANDLE-LATCH/RED-LH (TIPOUT)	182-11294
17	137867-02-702	EA	VENT ASSEMBLY UPR (DBL GLZ)	DTH023-G6
	100322-01-717	EA	E-RING	245-015975
	129929-01-706	IN	SEAL - TOP F/CENTER EGRESS	132-026811
	129929-02-706	FT	SEAL - FOAM	140-027022

CONTACT WINNEBAGO PART SALES FOR UNLISTED COMPONENTS

WINDSHIELD & WIPER GROUP

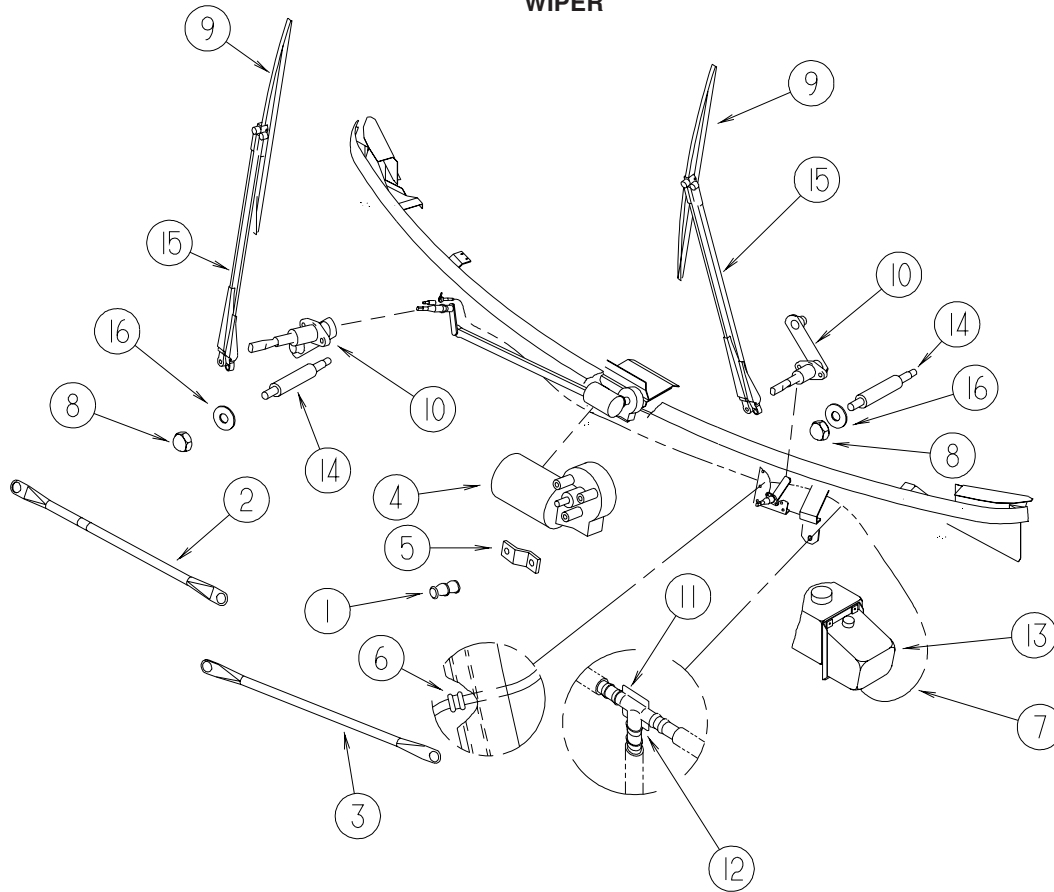
WINDSHIELD



KEY	PART NUMBER	U/M	DESCRIPTION
1	002328-02-000	EA	BLOCK - WINDSHIELD - .062" X .5" X .98"
2	142036-01-000	EA	CARRIER/REVEAL - WINDSHIELD
3	142036-02-000	EA	CARRIER/REVEAL - WINDSHIELD
4	132375-04-000	EA	CARRIER/REVEAL - WINDSHIELD - 29.8"
5	124328-01-000	EA	WINDSHIELD - PASSENGER - 52" X 41" (CURVED)
6	124328-02-000	EA	WINDSHIELD - DRIVER - 52" X 41" (CURVED)
7	127862-01-000	EA	CARRIER/REVEAL - WINDSHIELD - 47.2"
8	127862-09-000	EA	CARRIER/REVEAL - WINDSHIELD - 38.6"
9	120533-01-000	FT	MOLDING - REVEAL - WINDSHIELD
10	125384-01-02A	EA	TRIM - WINDSHIELD - A-PILLAR - PASSENGER - BLACK
11	125384-02-02A	EA	TRIM - WINDSHIELD - A-PILLAR - DRIVER - BLACK
12	081914-02-000	EA	BUMPER - RUBBER - ROUND - 5/16" DIA. X 13/64" THICK

WINDSHIELD & WIPER GROUP (CONTINUED)

WIPER



KEY	PART NUMBER	U/M	DESCRIPTION
1	067188-01-000	EA	STUD - CRANK - WIPER MOTOR
	117322-01-000	EA	SCREW - 1/4-28 UNFINISHED - 2A - TORX
2	117770-02-000	EA	LINK - CONNECTING - 24" - CLOSED GROMMET/CLOSED GROMMET
3	117770-01-000	EA	LINK - CONNECTING - 24" - CLOSED GROMMET/OPEN GROMMET
4	104346-05-000	EA	WIPER MOTOR - "DYNAMIC PARK" - W/INTERNAL BREAKER
5	104347-04-000	EA	ARM - DRIVE - WIPER MOTOR
6	061603-01-000	EA	GROMMET - SNAP - 3/16"ID - 3/8" HOLE - PLASTIC BLACK
7	045794-01-000	FT	HOSE - WASHER - WINDSHIELD - 5/32" ID - BLACK
8	077049-02-000	EA	NUT - ACORN - 10-32 BLACK/ANODIZED
9*	095964-01-000	EA	BLADE - WINDSHIELD WIPER - 24"
10*	096505-09-000	EA	SHAFT/PIVOT - WINDSHIELD WIPER
11	110605-01-000	EA	TEE - PLASTIC - BARBED - 1/8" X 1/8" X 3/16"
12	117765-03-000	EA	CONNECTOR - 5/32" - WINDSHIELD WASHER
	045794-02-000	FT	HOSE - WINDSHIELD WASHER - 3/32" ID - BLACK
13	117766-02-000	EA	RESERVOIR/PUMP - WINDSHIELD WASHER
14	117768-01-000	EA	SHAFT - ADAPTER - PANTOGRAPH ARM
15*	117769-01-000	EA	ARM - WIPER - PANTOGRAPH - 28"
16	110742-02-000	EA	GASKET - NEOPRENE - WIPER ADAPTER SHAFT - .5" ID X .9" OD

*COMPONENT PARTS LISTED LATER IN THIS GROUP

WINDSHIELD & WIPER GROUP (CONTINUED)
COMPONENT PARTS FOR WIPER

095964-01-000

KEY	PART NUMBER	U/M	DESCRIPTION	VENDOR NO.
	095964-01-700	EA	BLADE-REFILL 24" EA= 1 PAIR	12360

096505-09-000

KEY	PART NUMBER	U/M	DESCRIPTION	VENDOR NO.
	096505-02-700	EA	DRIVER-KNURLED,(HD) BRL .687	NT721017
	096505-02-701	EA	NUT-HEX (HD) W/.687 BARREL	NT721021
	096505-02-702	EA	CAP-RUBBER (HD) BARREL .687	CP721084
	096505-02-703	EA	NUT/ACORN - HD W/.687 BRL	51065-40-NT27WC

117769-01-000

KEY	PART NUMBER	U/M	DESCRIPTION	VENDOR NO.
	096931-01-700	FT	HOSE - WASHER - 1/8" ID	XTU-66-0001
	117769-01-700	EA	RETAINER CLIP - HOSE	