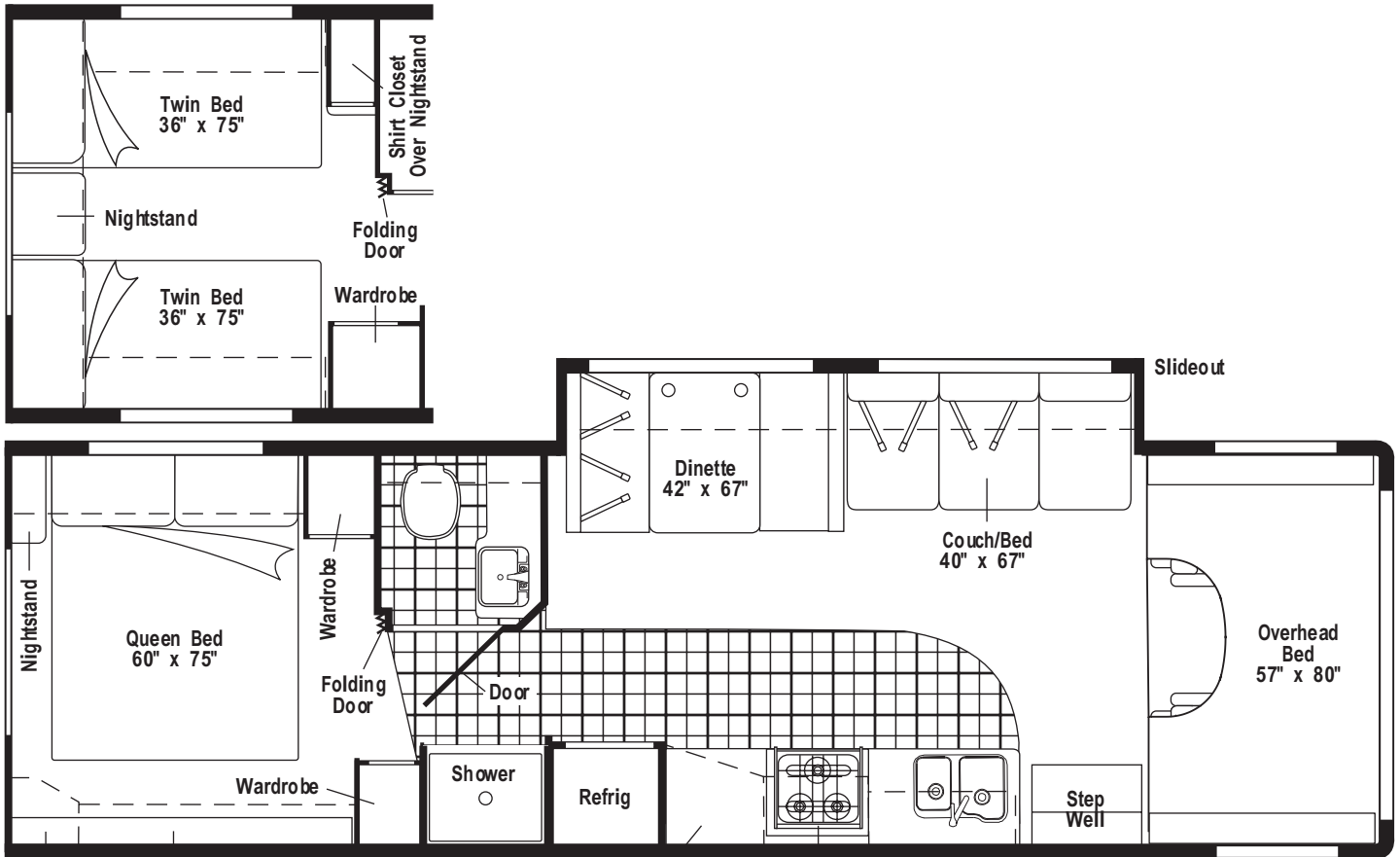


**2003 SPIRIT
IF331T
300 SERIES
PORTSMOUTH OAK
P10 SAGEBRUSH - GREEN
P11 BLUE CAMEO - BLUE
P12 SANDSTONE - BEIGE**



FLOORPLAN

CONTENTS

ACCESSORIES GROUP	6
OPERATORS MANUAL	6
APPLIANCES GROUP	7
APPLIANCES	7
COMPONENT PARTS FOR APPLIANCE	10
112881-02-03A	10
112881-04-01A	13
121568-06-01A, 121568-07-01A, 121568-08-01A	16
134940-01-01A	21
134940-02-01A	22
136354-01-01A, 136354-02-01A	23
136354-03-01A	24
136354-04-01A	25
AUDIO VIDEO GROUP	26
TV & VCR	26
RADIO SYSTEM	26
COMPONENT PARTS FOR TV & VCR	27
076319-23-000	27
076319-25-000	27
086231-10-000	28
094487-05-000	28
126697-07-000	28
133377-01-000 & 133377-02-000	28
137135-01-000	29
EXTERIOR ENTERTAINMENT	30
BATH GROUP	31
CABINETS	31
SHOWER	33
COMPONENT PARTS FOR SHOWER DOOR	34
089318-01-000	34
135615-01-01A, 135615-02-01A, 135615-05-01A	35
BEDROOM GROUP	36
TWIN CABINETS	36
QUEEN CABINETS	38
COMPONENT PARTS FOR CABINETS	40
131595-01-01A	40
TV & RADIO CABINETS	41
CHASSIS GROUP	42
FRAME	42
DRIVETRAIN	42
EXHAUST	43
HITCH	45
REAR BUMPER	45
FUEL	46
SUSPENSION	47
COMPONENT PARTS FOR SUSPENSION	48
135674-01-000	48
144887-01-000	48
SPARE TIRE	49
WHEEL, TIRE COVERS &/OR LINERS	50
COMPONENT PARTS FOR WHEEL, TIRE, COVERS &/OR LINERS	51
091209-05-000	51
109443-05-000	51
110435-13-000	51
BRAKE OR BRAKELINE	52

CONTENTS (CONTINUED)

CURTAIN & CUSHION GROUP	53
NOTICE	53
CUSHION LAYOUT	54
BUCKET SEATS	56
SOFA	58
WINDOW TREATMENT	59
HARDWARE	61
ACCESSORIES	63
FABRICS	64
DINETTE GROUP	65
CABINETS	65
TABLE	66
DRIVERS COMPARTMENT GROUP	67
FRONT INTERIOR	67
COMPONENT PARTS FOR FRONT INTERIOR	68
106025-02-01A	68
CABINETS	69
ELECTRICAL GROUP	70
12V BODY WIRING	70
COMPONENT PARTS FOR 12V BODY WIRING	75
008089-02-000	75
081638-01-000	75
097917-01-06A	75
121935-01-01A	75
137417-02-01A	75
137417-03-01A	75
137417-05-01A	75
137417-06-01A	75
FRONT END WIRING	76
CIRCUIT BREAKERS & FUSES	77
CONVERTER, INVERTER, LOAD CENTER	77
110V WIRING	78
ENTERTAINMENT WIRING	80
COMPONENT PARTS FOR ENTERTAINMENT WIRING	82
123775-01-01A	82
BOXES & CORDS	83
WIRE ASSEMBLIES	83
CONNECTORS & CONDUIT	84
BOOTS, SOLENOIDS, RELAYS & MISCELLANEOUS	86
EXTERIOR BODY GROUP	87
GRAPHICS & PAINT	87
PANELS & TRIMS	88
LADDER	94
RUNNING BOARDS	94
COMPONENT PARTS FOR RUNNING BOARDS	95
072884-27-000	95
072884-28-000	95
MIRRORS	96
COMPONENT PARTS FOR MIRRORS	97
133908-01-01A, 133908-01-02A, 133908-02-01A, 133908-03-01A, 133908-03-02A, 133908-04-01A, 133908-05-01A, 133908-06-01A,	97
133908-07-01A, 133908-08-01A, 133908-10-01A, 133908-11-01A, 133908-12-01A, 133908-13-01A	97
133908-09-01A	97
STRUCTURAL COMPONENTS	98
AWNINGS	98
COMPONENT PARTS FOR AWNINGS	99
113874-01-02A	99

CONTENTS (CONTINUED)

EXTERIOR DOORS & COMPARTMENTS GROUP	100
DOOR & COMPARTMENT LAYOUT	100
COMPONENT PARTS FOR DOOR & COMPARTMENT LAYOUT	103
084103-08-000	103
094707-03-01A	104
COMPARTMENT DOOR PIECE PARTS	105
COMPONENTS FOR COMPARTMENT DOOR PIECE PARTS	109
110506-A1-000, 110506-A2-000, 110506-26-000, 110506-27-000	109
ENTRY	110
SCREEN	112
LATCH - ENTRY	113
EXTERIOR SLIDEOUT GROUP	114
COMPONENT PARTS FOR FRONT SLIDEOUT	119
138173-01-000	119
138173-02-000	120
GALLEY GROUP	121
CABINETS	121
GENERATOR GROUP	122
HEATING & A/C GROUP	123
FURNACE	123
COMPONENT PARTS FOR FURNACE	124
139980-01-000	124
139980-02-000	126
ROOF	128
COMPONENT PARTS FOR ROOF	129
131184-01-01A	129
131184-05-01A	130
131185-03-01A	131
131188-03-01A	132
131188-04-01A	133
INTERIOR FINISH GROUP	134
MOLDINGS & TRIMS	134
PANELING & LAMINATES	138
ACCESSORIES	138
COMPONENT PARTS FOR ACCESSORIES	139
094499-02-000	139
FLOOR COVERINGS	140
HARDWARE	141
LABELS GROUP	147
LP GROUP	171
LP SYSTEM	171
COMPONENT PARTS FOR LP SYSTEM	172
080450-01-000	172
097821-03-000	172
LOUNGE GROUP	173
CABINETS	173
SEALANTS & FASTENERS GROUP	174
SEALANTS & ADHESIVES	174
BOLTS, NUTS AND WASHERS	175
SCREWS	177
CLAMPS, CLIPS, GROMMETS, RIVETS & PLUGS	180
MISCELLANEOUS FASTENERS	181

CONTENTS (CONTINUED)

WATER & SEWAGE GROUP	182
DRAINAGE SYSTEM	182
COMPONENT PARTS FOR DRAINAGE SYSTEM	184
062415-01-000	184
067487-04-000	185
096927-01-02A	186
131932-02-02A	187
WATER SYSTEM	188
COMPONENT PARTS FOR WATER SYSTEM	195
051391-03-000	195
075241-04-000, 075241-05-000, 075241-06-000	196
098607-01-000	196
104114-05-01A	196
WINDOWS & VENTS GROUP	197
WINDOW & VENT LAYOUT	197
COMPONENT PARTS FOR WINDOW & VENT LAYOUT	199
098647-29-02A	199
098647-30-02A	200
098647-31-02A	200
098647-32-02A	200
098647-47-02A	201
098647-49-02A	202
112795-72-01A	203
112795-73-01A	204
112795-77-01A	204
112795-78-01A	204
113502-09-01A	205
113733-04-01A, 113733-10-01A, 113733-11-01A	206
122882-01-01A	206
122882-02-01A, 122882-03-01A	206
129929-11-01A	207

ACCESSORIES GROUP
OPERATORS MANUAL

KEY	PART NUMBER	U/M	DESCRIPTION
	129079-01-01A	EA	CASE - VINYL/BLACK-EXPANDABLE ACCORDION SIDES-7"WX9"HX14"L
	132000-12-003	EA	MANUAL/OWNER - SPIRIT - 2003

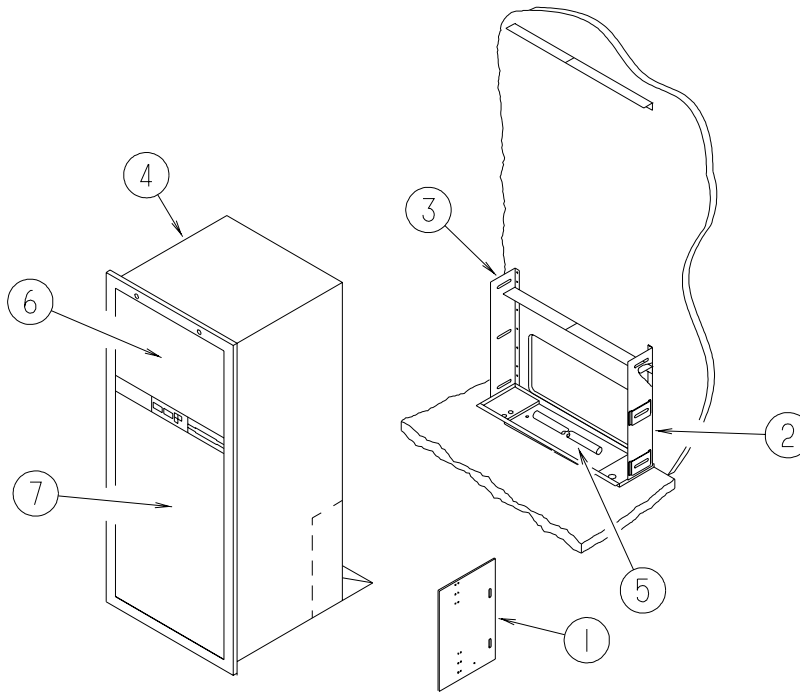
APPLIANCES GROUP

APPLIANCES

KEY	PART NUMBER	U/M	DESCRIPTION
*	134940-01-01A	EA	PANEL - MONITOR - 2 TANK - W/GENERATOR SWITCH/HOUR METER
*	134940-02-01A	EA	PANEL - MONITOR - 2 TANK - W/O GENERATOR SWITCH/HOUR METER
*	136354-03-01A	EA	HOOD - RANGE - W/LITE/FAN - US/NON VENTED - CHARCOAL - U.S. - 322E
*	136354-04-01A	EA	HOOD - RANGE - W/LITE/FAN - CSA/NON VENTED - CHARCOAL - CANADIAN - 322E
*	136354-01-01A	EA	HOOD - RANGE - W/LITE/FAN - VENTED - TEXTURED BLK - U.S. - 322R, 324F, 324V, 329B, 331
*	136354-02-01A	EA	HOOD - RANGE - W/LITE/FAN - VENTED - TEXTURED BLK - CANADIAN - 322R, 324F, 324V, 329B, 331
	112881-02-03A	EA	RANGE - 16" - 3 BURNER - FRONT HI-OUTPUT BRNR - BLK TOP/DR FROM: 00-00-00 THRU: 05-20-02
	112881-04-01A	EA	RANGE - 16"/3 BURNER/NEW STYLE KNOBS-GRATES-HANDLES BLK DR FROM: 05-21-02 THRU: 99-99-99
	116884-01-01B	EA	BRACKET - TIE DOWN - 322E
	116884-02-01B	EA	BRACKET - TIE DOWN - 322E
	140176-03-01B	EA	BRACKET/TIEDOWN - STOVE - 322R, 324F, 324V, 331
	140176-04-01B	EA	BRACKET/TIEDOWN - STOVE - 322R, 324F, 324V, 331
	140176-07-01B	EA	BRACKET/TIEDOWN - STOVE - 329B
	140176-08-01B	EA	BRACKET/TIEDOWN - STOVE - 329B

***COMPONENT PARTS LISTED LATER IN THIS GROUP**

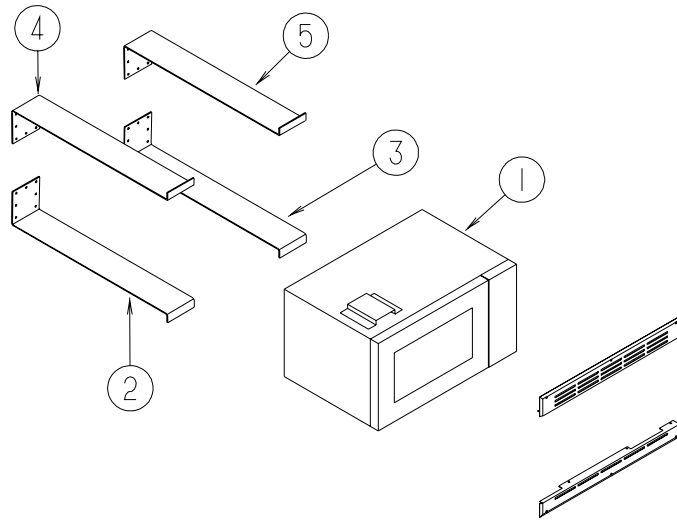
APPLIANCE GROUP (CONTINUED)
APPLIANCES (CONTINUED)



KEY	PART NUMBER	U/M	DESCRIPTION
1	065225-04-000	EA	PLATE - TIEDOWN/REFRIGERATOR
2	093646-01-000	EA	BRACKET - TIEDOWN/REFRIGERATOR - RIGHT HAND
3	093646-02-000	EA	BRACKET - TIEDOWN/REFRIGERATOR - LEFT HAND
4*	121568-07-01A	EA	REFRIGERATOR - SMALL DBL DOOR-LH/2 WAY- 52.8"HX23.5"WX24"D - 322E - 322R, 324F, 324V
4*	121568-06-01A	EA	REFRIGERATOR - SMALL DBL DOOR-RH/2 WAY- 52.8"HX23.5"WX24"D - 329B, 331
5	112176-01-000	FT	TUBING - VINYL - REINFORCED - 1/2" ID
6	NOT USED - USE WOODGRAIN PANELING		
7	NOT USED - USE WOODGRAIN PANELING		
	090329-01-000	FT	SEAL/T - REFRIGERATOR CABINET
	116751-01-01A	EA	TRAY - REFRIGERATOR - 322E, 322R, 324V
	116751-02-01A	EA	TRAY - REFRIGERATOR - BLACK - 331
	116751-04-01A	EA	TRAY - REFRIGERATOR - BLACK - 324F
	116751-05-01A	EA	TRAY - REFRIGERATOR - BLACK - 329B
	054450-01-000	EA	LEVEL - REFRIGERATOR

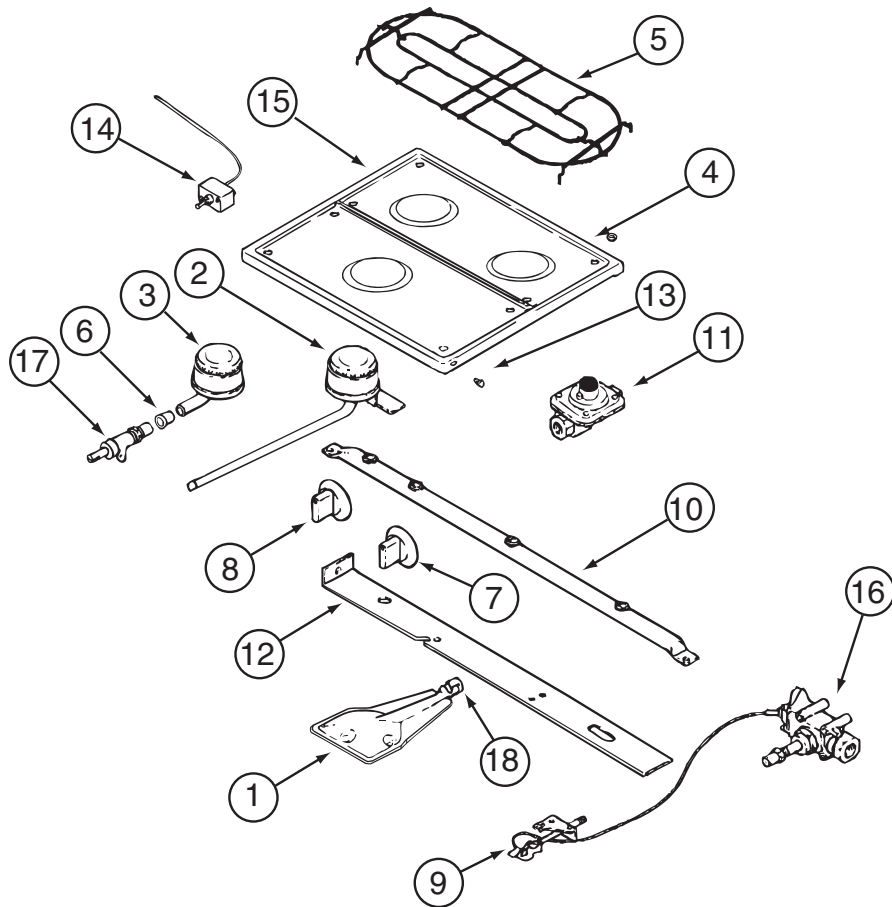
***COMPONENT PARTS LISTED LATER IN THIS GROUP**

APPLIANCE GROUP (CONTINUED)
APPLIANCES (CONTINUED)



KEY	PART NUMBER	U/M	DESCRIPTION
1	128527-06-000	EA	OVEN - MICROWAVE W/TRIM KIT- 1 CU.FT.- NON CONVECTION FROM: 00-00-00 THRU: 08-11-02
1	128527-08-000	EA	OVEN-MICROWAVE-1.0 CUBIC FT/NON CONVECTION-SAMSUNG MR1032B FROM: 08-12-02 THRU: 99-99-99
2	116843-03-02B	EA	BRACKET - MICROWAVE - 322E, 322R
2	094750-11-000	EA	BRACKET - MICROWAVE - 89 DEGREE - 331
2	094750-10-000	EA	BRACKET - MICROWAVE - 89 DEGREE - 324F, 324V, 329B
3	128711-01-02B	EA	BRACKET - MICROWAVE - 322E
3	094750-11-000	EA	BRACKET - MICROWAVE - 89 DEGREE - 331
3	094750-10-000	EA	BRACKET - MICROWAVE - 89 DEGREE - 324F, 324V, 329B
4	094750-11-000	EA	BRACKET - MICROWAVE - 89 DEGREE - 331
5	094750-11-000	EA	BRACKET - MICROWAVE - 89 DEGREE - 331

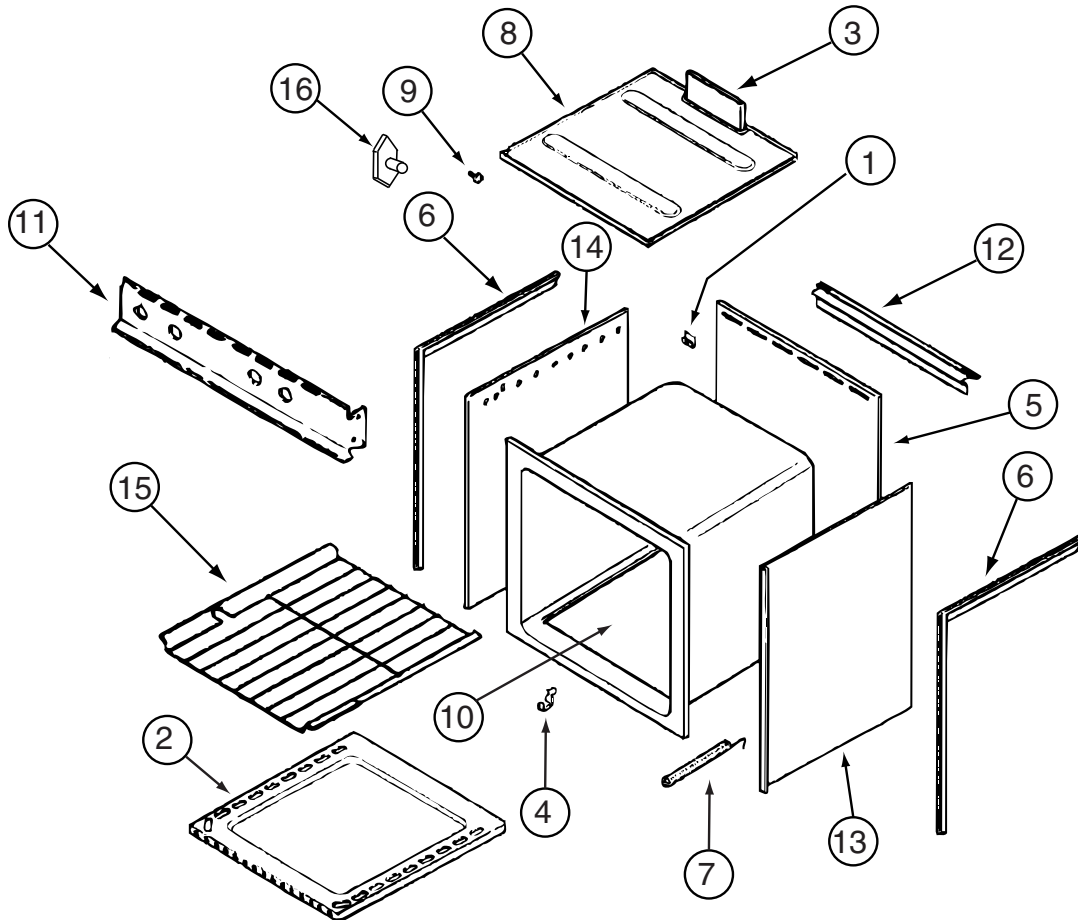
APPLIANCE GROUP (CONTINUED)
COMPONENT PARTS FOR APPLIANCE



112881-02-03A

KEY	PART NUMBER	U/M	DESCRIPTION	VENDOR NO.
1	126023-01-717	EA	BURNER - OVEN	74003343
2	112881-01-717	EA	BURNER, TOP REAR	7505P181-60
3	112881-02-703	EA	BURNER - FRONT HIGH OUTPUT	7505P142-60
4	102020-01-709	EA	BUMPER-GRATE	8007-P020-60
5	126023-01-730	EA	GRATE - TOP	74003358
6	098507-02-701	EA	INSERT-BURNER, SLOTTED VENT	7214P015-60
7	112881-01-718	EA	KNOB - TOP BURNER HI-OUTPUT	74001794
7	112881-01-705	EA	KNOB-TOP BURNER	7733P072-60
8	126023-02-700	EA	KNOB - THERMOSTAT - SERIES 11	74004359
8	126023-01-704	EA	KNOB - THERMOSTAT - SERIES 10	7731P109-60
9	126023-02-701	EA	PILOT - OVEN - SERIES 11	74004586
9	102020-01-714	EA	PILOT-OVEN - SERIES 10	968-143
10	126023-02-702	EA	PIPE - MANIFOLD - SERIES 11	74004360
10	126023-01-705	EA	PIPE - MANIFOLD - SERIES 10	7513P161-60
11	126023-02-703	EA	REGULATOR - PRESSURE - SERIES 11	74004235
11	128728-01-712	EA	FITTING HALF UNION - SERIES 11	7507P083-60
11	102022-01-708	EA	REGULATOR, 1/4 & 1/2 OUT - SERIES 10	7510P04160/12001285
13	102020-01-724	EA	BUMPER-MAIN TOP	8003P008-60
14	126023-01-734	EA	THERMOSTAT OVEN - SERIES 11	74004361
14	112881-01-722	EA	THERMOSTAT SER. - SERIES 10	7515P029-60K
15	126023-01-728	EA	TOP - MAIN (BLACK)	74003323
16	126023-02-704	EA	VALVE/OVEN - MERCURY - SERIES 11	74004585
16	112881-02-700	EA	VALVE - OVEN - SERIES 10	7501P056-60
17	126023-02-705	EA	VALVE -BURNER - REAR - SERIES 11	74004362
17	126023-02-706	EA	VALVE - BURNER -FRONT - SERIES 11	74004363
17	126023-01-709	EA	VALVE - BURNER (REAR) - SERIES 10	74003348
17	126023-01-710	EA	VALVE - BURNER (FRONT) - SERIES 10	74003349
18	135656-01-701	EA	MIXER/AIR	3411F003-34
	128728-01-712	EA	FITTING - HALF UNION	7507P083-60

APPLIANCE GROUP (CONTINUED)
COMPONENT PARTS FOR APPLIANCE (CONTINUED)

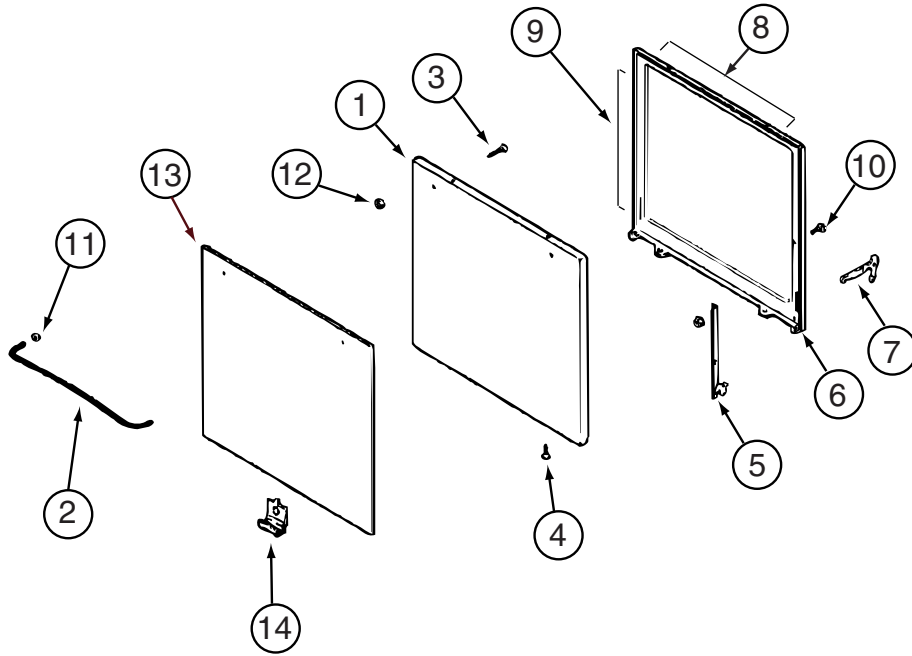


112881-02-03A (CONTINUED)

KEY	PART NUMBER	U/M	DESCRIPTION	VENDOR NO.
1	112881-02-701	EA	CLIP - MAIN TOP (REAR)	7112P071-60
2	126023-01-731	EA	BOTTOM - OVEN	2205F016-19
3	126023-01-718	EA	FLUE BOX ASSEMBLY	4006W075-80
6	112881-01-720	EA	TRIM-FLAT RH BLACK TEXTURED	4002812
6	112881-01-719	EA	TRIM-FLAT LH BLACK TEXTURED	74002813
7	112881-02-704	EA	SPRING-OVEN DOOR F/1641 MOD	7803P052-60
7	112881-02-702	EA	SPRING - OVEN DOOR	7803P051-60
11	126023-01-715	EA	PANEL - MANIFOLD	74003350
12	112881-01-721	EA	DEFLECTOR FLUE BLACK TEXTURE	74002809
15	126023-01-716	EA	RACK - OVEN	74003106
16	128728-01-703	EA	T-NUT - F/HINGE	7103P109-60
	112881-03-702	EA	CLIP - MAIN TOP	74003998

CONTACT WINNEBAGO PART SALES FOR UNLISTED COMPONENTS

APPLIANCE GROUP (CONTINUED)
COMPONENT PARTS FOR APPLIANCE (CONTINUED)

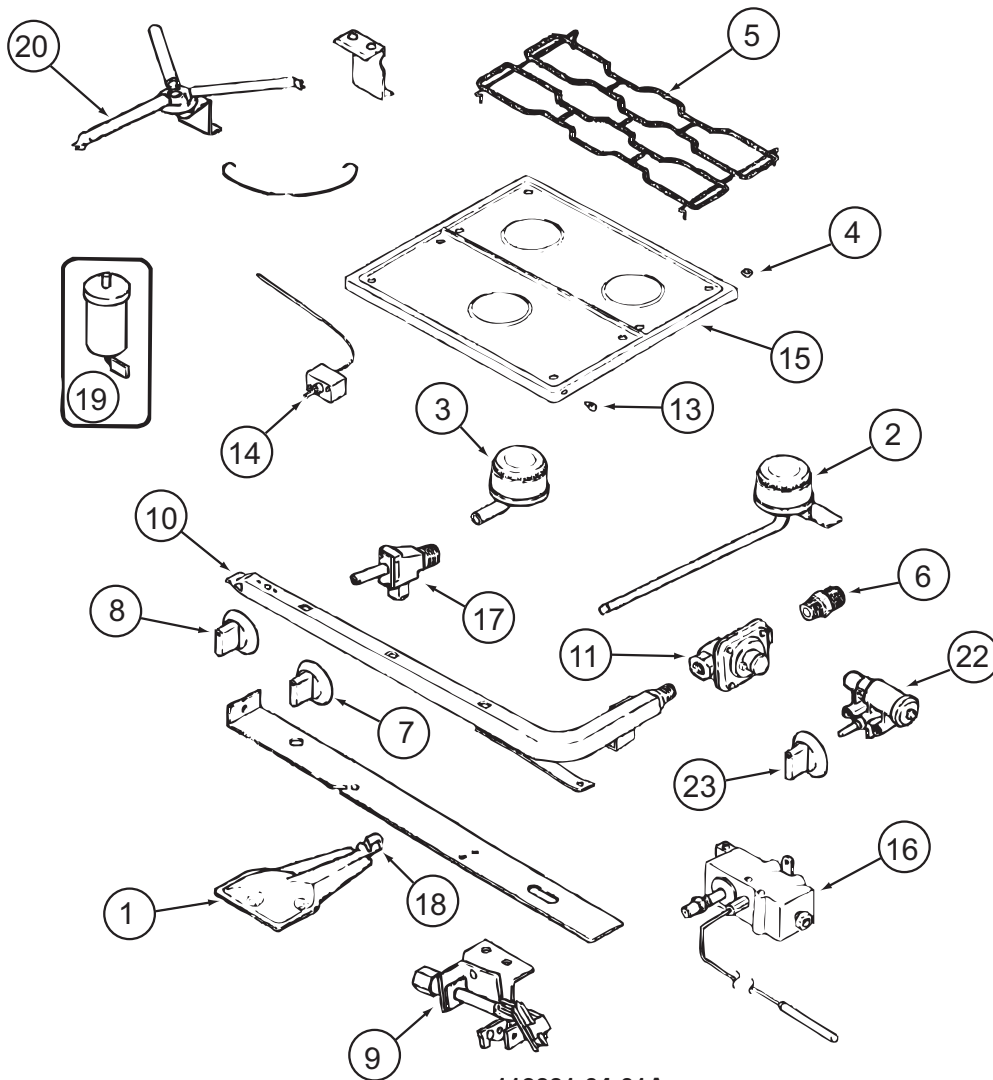


112881-02-03A (CONTINUED)

KEY	PART NUMBER	U/M	DESCRIPTION	VENDOR NO.
1	112881-02-705	EA	DOOR/OVEN-TEXT/BLK-F/WINDOW	74001273
1	112881-01-713	EA	DOOR/OVEN-TEXT/BLK NO WINDOW	2401F126-70
2	102020-01-701	EA	HANDLE,DOOR	7701P092-60
8	126023-01-732	EA	SEAL/OVEN DR TOP	7212P014-60
9	126023-01-733	EA	SEAL/OVEN DR SIDES(2PCS)	7212P038-60
13	102022-01-704	EA	GLASS-OUTER	7902P261-60

CONTACT WINNEBAGO PART SALES FOR UNLISTED COMPONENTS

APPLIANCE GROUP (CONTINUED)
COMPONENT PARTS FOR APPLIANCE (CONTINUED)

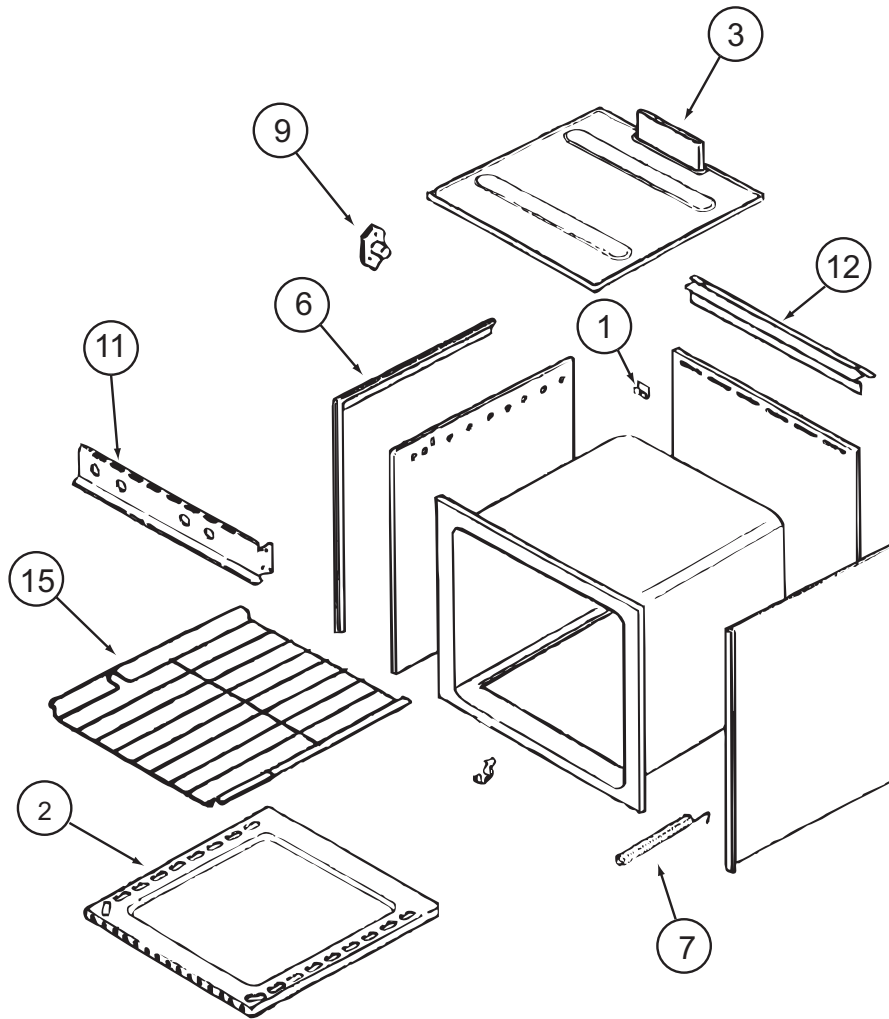


112881-04-01A

KEY	PART NUMBER	U/M	DESCRIPTION	VENDOR NO.
1	126023-01-717	EA	BURNER - OVEN	74003343
2	112881-04-700	EA	BURNER - TOP/LEFT REAR	74004584
2	126023-01-700	EA	BURNER-TOP (RT-REAR) 5100BTU	74004583
3	112881-04-701	EA	BURNER - TOP/FRONT	74004582
4	102020-01-709	EA	BUMPER-GRATE	8007-P020-60
5	112881-04-702	EA	GRATE - BLACK	74007277
6	135065-03-700	EA	FITTING - HALF UNION	74004234
7	128728-01-701	EA	KNOB - BURNER - REAR	74003941
7	128728-01-702	EA	KNOB - BURNER - FRONT	74003942
8	112881-04-703	EA	KNOB - THERMOSTAT - BLACK	74004645
9	112881-04-706	EA	PILOT - OVEN	74006334
10	126023-02-702	EA	PIPE - MANIFOLD	74004360
11	126023-02-703	EA	REGULATOR - PRESSURE	74004235
13	102020-01-724	EA	BUMPER-MAIN TOP	8003P008-60
14	126023-01-734	EA	THERMOSTAT OVEN 11/CLY MODEL	74006332
15	126023-01-728	EA	TOP - MAIN (BLACK)	74003323
16	112881-04-704	EA	VALVE - OVEN	74006333
17	126023-02-705	EA	VALVE - BURNER - REAR	74004362
17	126023-02-706	EA	VALVE - BURNER - FRONT	74004363
17	135065-03-701	EA	SCREW - VALVE	71003231
18	135656-01-701	EA	MIXER/AIR	3411F003-34
20	126023-01-736	EA	FLASH TUBE EXTENSION (REAR)	74003326
20	126023-01-737	EA	FLASH TUBE EXTENSION (FRONT)	74003327
22	126023-01-719	EA	IGNITER HEAD - TOP BURNER	74002413
23	128728-01-707	EA	KNOB - IGNITOR	74003944

CONTACT WINNEBAGO PART SALES FOR UNLISTED COMPONENTS

APPLIANCE GROUP (CONTINUED)
COMPONENT PARTS FOR APPLIANCE (CONTINUED)

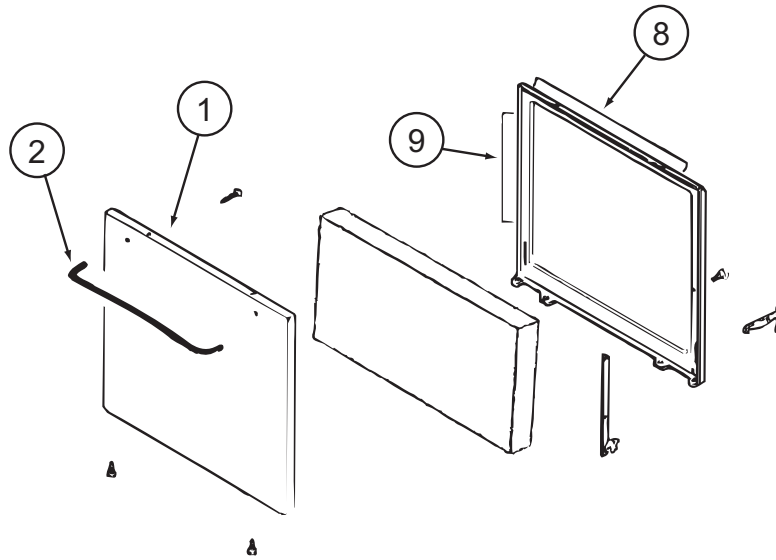


112881-04-01A (CONTINUED)

KEY	PART NUMBER	U/M	DESCRIPTION	VENDOR NO.
1	112881-03-702	EA	CLIP - MAIN TOP	74003998
2	126023-01-731	EA	BOTTOM - OVEN	2205F016-19
3	126023-01-718	EA	FLUE BOX ASSEMBLY	4006W075-80
6	112881-01-720	EA	TRIM-FLAT RH BLACK TEXTURED	74002812
6	112881-01-719	EA	TRIM-FLAT LH BLACK TEXTURED	74002813
7	112881-02-702	EA	SPRING - OVEN DOOR	7803P051-60
9	128728-01-703	EA	PIN/T-NUT F/HINGE	7103P109-60
11	112881-04-707	EA	MANIFOLD - BLACK	74007296
12	112881-01-723	EA	DEFLECTOR/FLUE-BLK-NON SEAL	74002809
15	126023-01-716	EA	RACK - OVEN	74003106

CONTACT WINNEBAGO PART SALES FOR UNLISTED COMPONENTS

APPLIANCE GROUP (CONTINUED)
COMPONENT PARTS FOR APPLIANCE (CONTINUED)

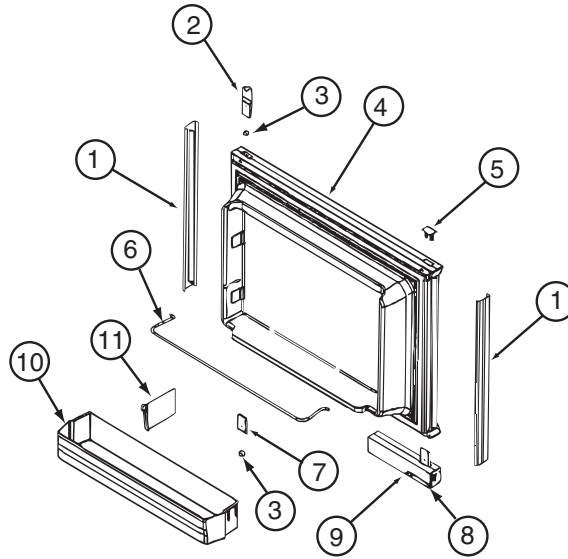


112881-04-01A (CONTINUED)

KEY	PART NUMBER	U/M	DESCRIPTION	VENDOR NO.
1	112881-01-713	EA	DOOR/OVEN-TEXT/BLK NO WINDOW	2401F126-70
2	128727-01-701	EA	HANDLE - OVEN DOOR	74003929
8	126023-01-732	EA	SEAL/OVEN DR TOP	7212P014-60
9	126023-01-733	EA	SEAL/OVEN DR SIDES(2PCS)	7212P038-60

CONTACT WINNEBAGO PART SALES FOR UNLISTED COMPONENTS

APPLIANCE GROUP (CONTINUED)
COMPONENT PARTS FOR APPLIANCE (CONTINUED)

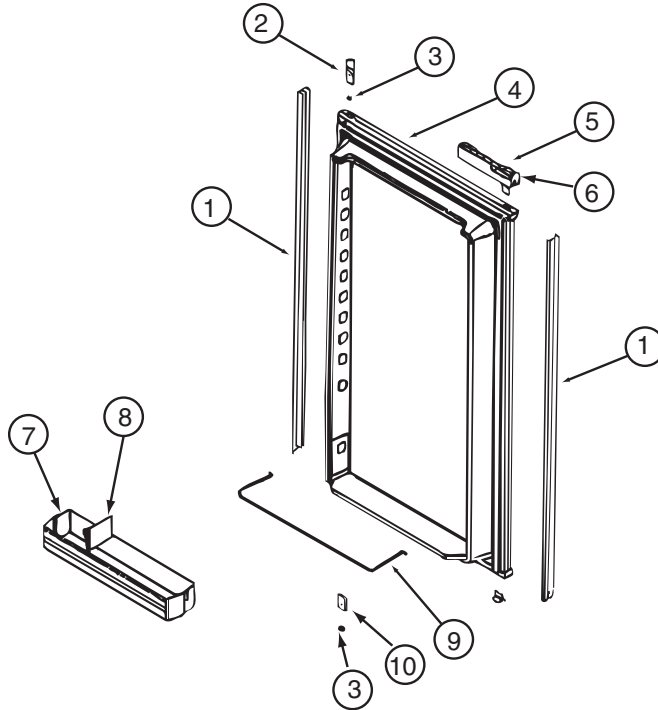


121568-06-01A, 121568-07-01A, 121568-08-01A

KEY	PART NUMBER	U/M	DESCRIPTION	VENDOR NO.
1	121568-03-706	EA	RETAINER - DOOR PANEL/BLACK	619559
2	120075-01-701	EA	HINGE-TOP RH/BOTTOM LH(DOOR)	618511
3	121568-03-701	EA	BUSHING - HINGE PIN/GRAY	619671
4	121568-03-707	EA	DOOR LINER - W/BLACK TRIM	619629
5	121568-03-703	EA	HANDLE/FLUSH-TOP/RH-LWR/LH	619865
6	121568-03-705	EA	STORAGE LATCH - GRAY	619648
7	121568-01-701	EA	BIN - DOOR WHITE	618619
9	121568-01-704	EA	RAIL - DOOR LOWER	618578
10	120075-01-705	EA	HINGE-TOP LH/BOTTOM RH(DOOR)	618510

CONTACT WINNEBAGO PART SALES FOR UNLISTED COMPONENTS

APPLIANCE GROUP (CONTINUED)
COMPONENT PARTS FOR APPLIANCE (CONTINUED)

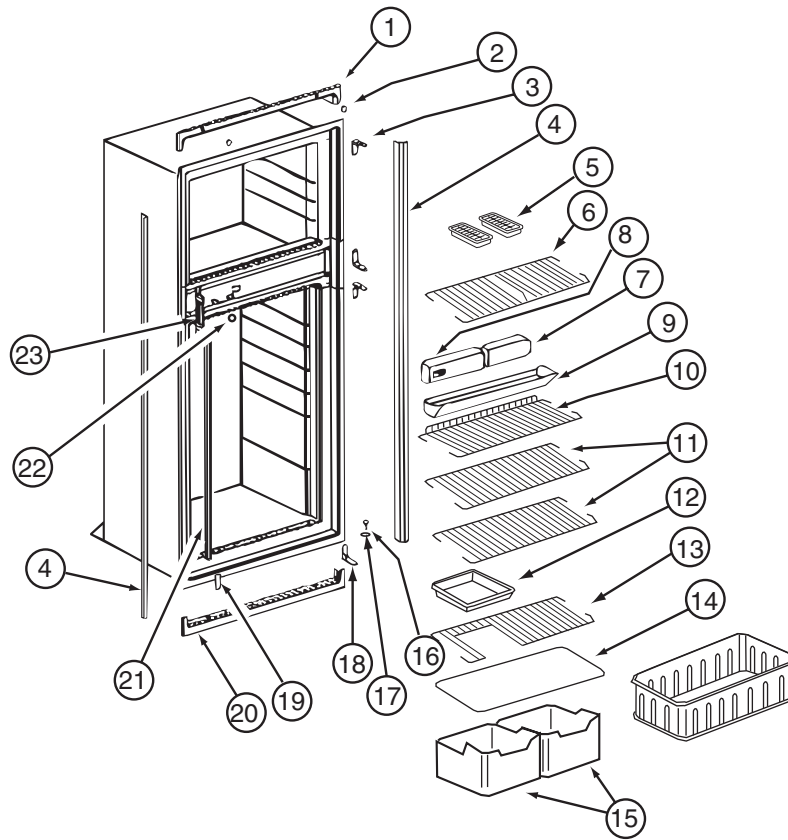


121568-06-01A, 121568-07-01A, 121568-08-01A (CONTINUED)

KEY	PART NUMBER	U/M	DESCRIPTION	VENDOR NO.
1	121568-03-706	EA	RETAINER - DOOR PANEL/BLACK	619559
2	120075-01-701	EA	HINGE-TOP RH/BOTTOM LH(DOOR)	618511
3	121568-03-701	EA	BUSHING - HINGE PIN/GRAY	619671
4	121568-03-707	EA	DOOR LINER - W/BLACK TRIM	619629
5	121568-03-703	EA	HANDLE/FLUSH-TOP/RH-LWR/LH	619865
6	121568-03-705	EA	STORAGE LATCH - GRAY	619648
7	121568-01-701	EA	BIN - DOOR WHITE	618619
9	121568-01-704	EA	RAIL - DOOR LOWER	618578
10	120075-01-705	EA	HINGE-TOP LH/BOTTOM RH(DOOR)	618510

CONTACT WINNEBAGO PART SALES FOR UNLISTED COMPONENTS

APPLIANCE GROUP (CONTINUED)
COMPONENT PARTS FOR APPLIANCE (CONTINUED)

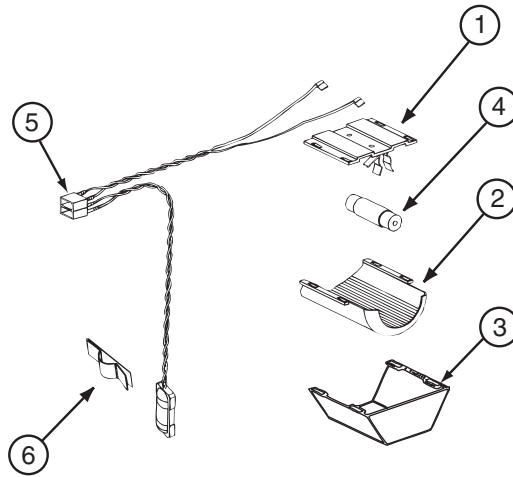


121568-06-01A, 121568-07-01A, 121568-08-01A (CONTINUED)

KEY	PART NUMBER	U/M	DESCRIPTION	VENDOR NO.
1	120075-01-713	EA	TRIM-TOP PIECE	619687
2	120075-01-714	EA	PLUG-HOLE (BLACK)	618170
3	121568-03-710	EA	HINGE/CABINET-TOP/RH-LWR/LH	619335
4	121568-03-711	EA	TRIM - SIDE/BLACK	622295
6	121568-01-705	EA	SHELF - WIRE FREEZER	620250
7	121568-06-700	EA	FRONT BOX-N611	622002
8	121568-06-701	EA	CONTROL ASSEMBLY-OPTICAL/N611	621988
9	120075-01-720	EA	TRAY-DRIP	618137
9	120075-01-721	EA	LOUVER-DRIP TRAY	618176
11	121568-01-708	EA	SHELF - WIRE	620273
13	121568-01-707	EA	SHELF - WIRE - SHORT	620272
14	120075-01-725	EA	COVER-CRISPER	618158
15	121568-01-709	EA	CRISPER	618571
16	120075-01-727	EA	PIN-HINGE	618145
17	121568-03-701	EA	BUSHING - HINGE PIN/GRAY	619671
18	121568-03-715	EA	HINGE/CABINET-TOP/LH-LWR/RH	619336
19	121568-03-716	EA	COVER - HINGE HOLES	619301
20	120075-01-729	EA	TRIM-BOTTOM PIECE	620958
21	121568-06-702	EA	CLIP - SHELF	61536522
22	121568-06-703	EA	HOLE PLUG - WHITE	620282
23	120075-01-732	EA	PLATE-STRIKE	618167

CONTACT WINNEBAGO PART SALES FOR UNLISTED COMPONENTS

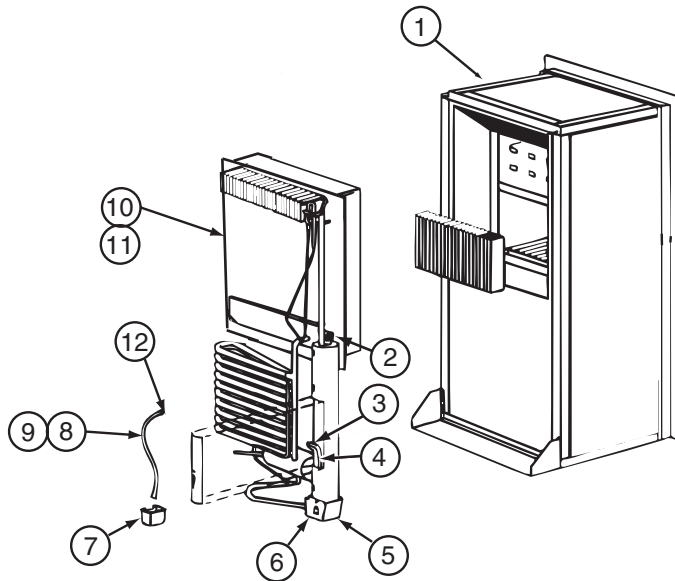
APPLIANCE GROUP (CONTINUED)
COMPONENT PARTS FOR APPLIANCE (CONTINUED)



121568-06-01A, 121568-07-01A, 121568-08-01A (CONTINUED)

KEY	PART NUMBER	U/M	DESCRIPTION	VENDOR NO.
2	120075-01-735	EA	THERMISTER W/LAMP & WIRE/ASM	618548
3	084880-03-705	EA	BRACKET-LIGHT-INTERIOR	61629722
4	084880-03-706	EA	BULB-LAMP	61628922
6	084880-03-707	EA	COVER-LAMP, LENS	61627922

CONTACT WINNEBAGO PART SALES FOR UNLISTED COMPONENTS

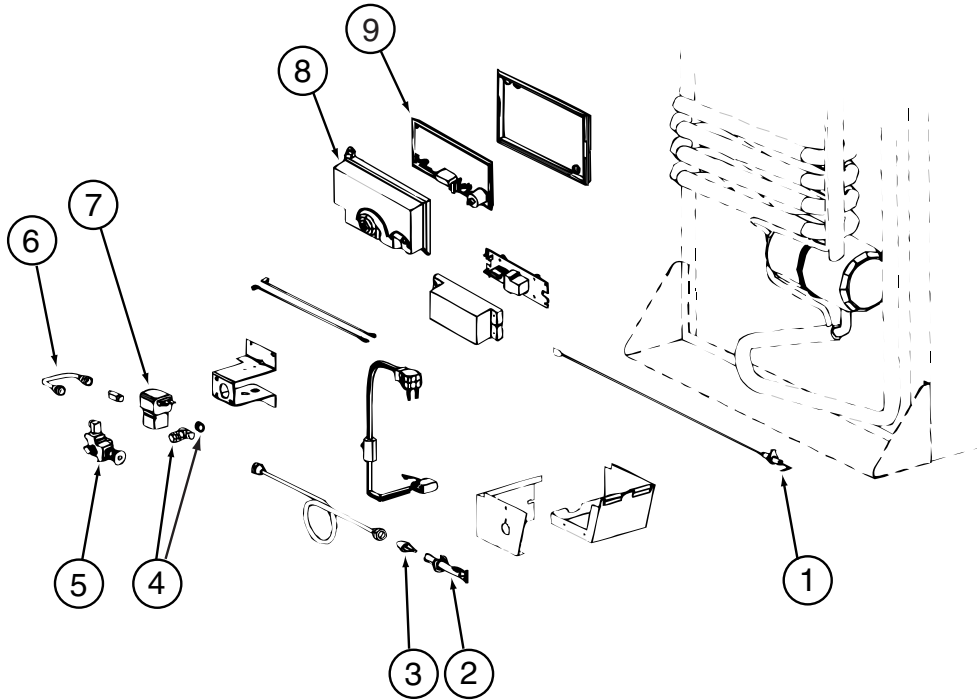


121568-06-01A, 121568-07-01A, 121568-08-01A (CONTINUED)

KEY	PART NUMBER	U/M	DESCRIPTION	VENDOR NO.
4	121568-06-704	EA	HEATER-AC/300W/120VAC	621702
10	120076-01-704	EA	COOLING UNIT, SERVICE PACK	618543

CONTACT WINNEBAGO PART SALES FOR UNLISTED COMPONENTS

APPLIANCE GROUP (CONTINUED)
COMPONENT PARTS FOR APPLIANCE (CONTINUED)



121568-06-01A, 121568-07-01A, 121568-08-01A (CONTINUED)

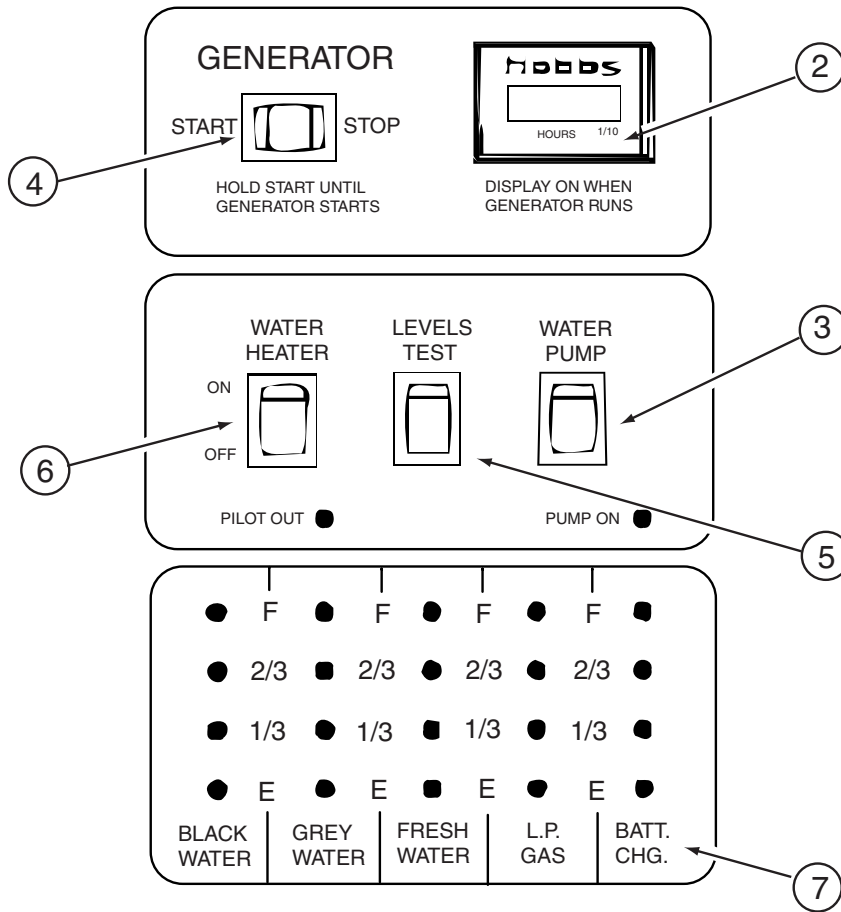
KEY	PART NUMBER	U/M	DESCRIPTION	VENDOR NO.
1	121568-06-705	EA	GAS VALVE/BRKT ASSY-COMBO	621439
1	121568-06-706	EA	GAS VALVE-COMBO/WRENCH FLAT	621329
4	120075-01-738	EA	COVER-POWER BOARD	618185
5	121568-06-707	EA	BOARD/POWER-N611	621991
6	120075-01-740	EA	COVER-BASE, POWER BOARD	618186
8	121568-06-708	EA	BURNER/ORFICE-ADAPTER KIT	621957
13	104137-06-715	EA	ELECTRODE-SPARK/SENSOR, SGL	61692222

CONTACT WINNEBAGO PART SALES FOR UNLISTED COMPONENTS

121568-06-01A, 121568-07-01A, 121568-08-01A (CONTINUED)

KEY	PART NUMBER	U/M	DESCRIPTION	VENDOR NO.
	121568-05-700	EA	FAN 12V KIT DBLE SIDEWALL	619020

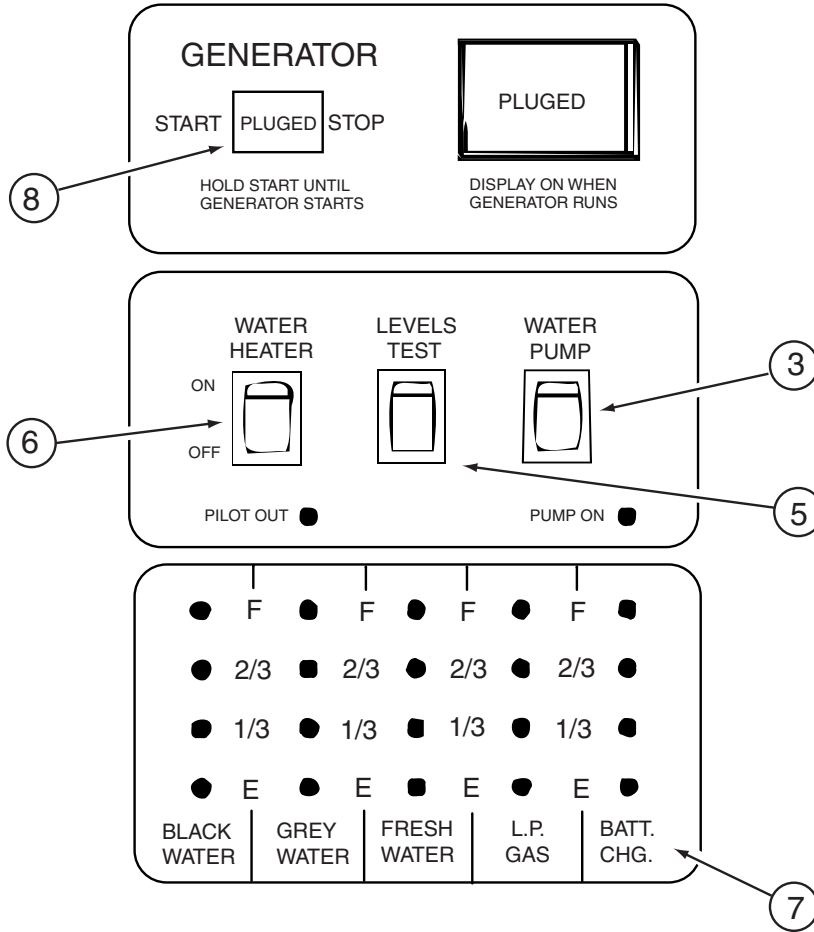
APPLIANCE GROUP (CONTINUED)
COMPONENT PARTS FOR APPLIANCE (CONTINUED)



134940-01-01A

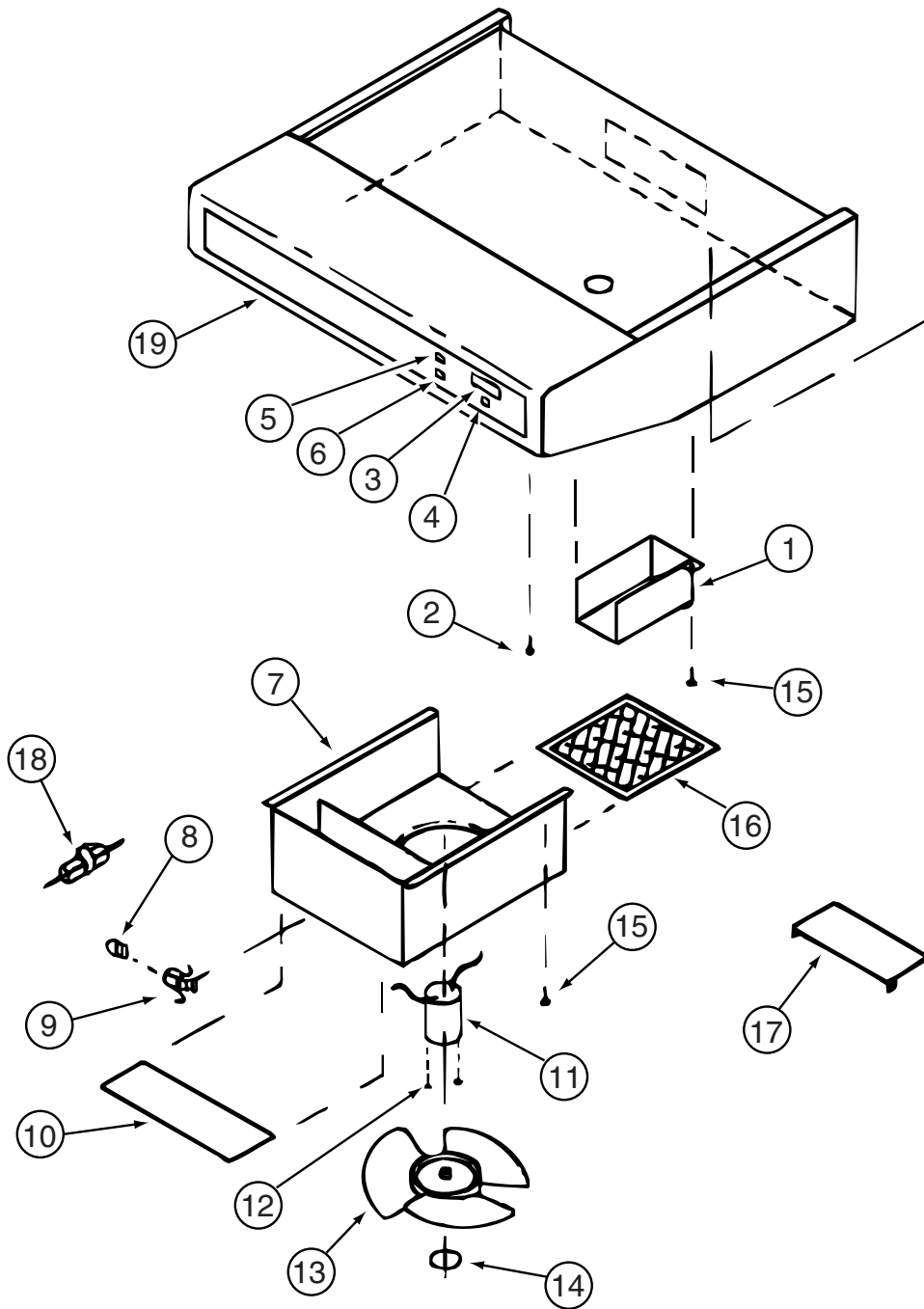
KEY	PART NUMBER	U/M	DESCRIPTION	VENDOR NO.
	134940-01-700	EA	BOARD - PC	L5118-01
2	100258-10-701	EA	GAUGE-HR METER ONLY (LCD)	L0775-00
3	096983-01-703	EA	SWITCH - ON/ON	L0115-00
4	096983-01-702	EA	SWITCH - MOM/OFF/MOM/3 TERM	L0112-00
5	096983-01-701	EA	SWITCH - SPST/MOM 2 TERMINAL	L0111-00
6	134940-01-701	EA	SWITCH-SPST/ON-OFF/BLK W/LGT	L0109
7	134940-01-702	EA	CHASSIS - SILKSCREENED	CC0558-00
	100258-10-702	EA	HOUR METER(CLIP ON)SW & WIRE	L4441-00

APPLIANCE GROUP (CONTINUED)
COMPONENT PARTS FOR APPLIANCE (CONTINUED)



KEY	PART NUMBER	U/M	DESCRIPTION	134940-02-01A	VENDOR NO.
	134940-01-700	EA	BOARD - PC		L5118-01
3	096983-01-703	EA	SWITCH - ON/ON		L0115-00
5	096983-01-701	EA	SWITCH - SPST/MOM 2 TERMINAL		L0111-00
6	134940-01-701	EA	SWITCH-SPST/ON-OFF/BLK W/LGT		L0109
7	134940-01-702	EA	CHASSIS - SILKSCREENED		CC0558-00
8	134940-02-700	EA	SWITCH - DUMMY		L0118

APPLIANCE GROUP (CONTINUED)
COMPONENT PARTS FOR APPLIANCE (CONTINUED)

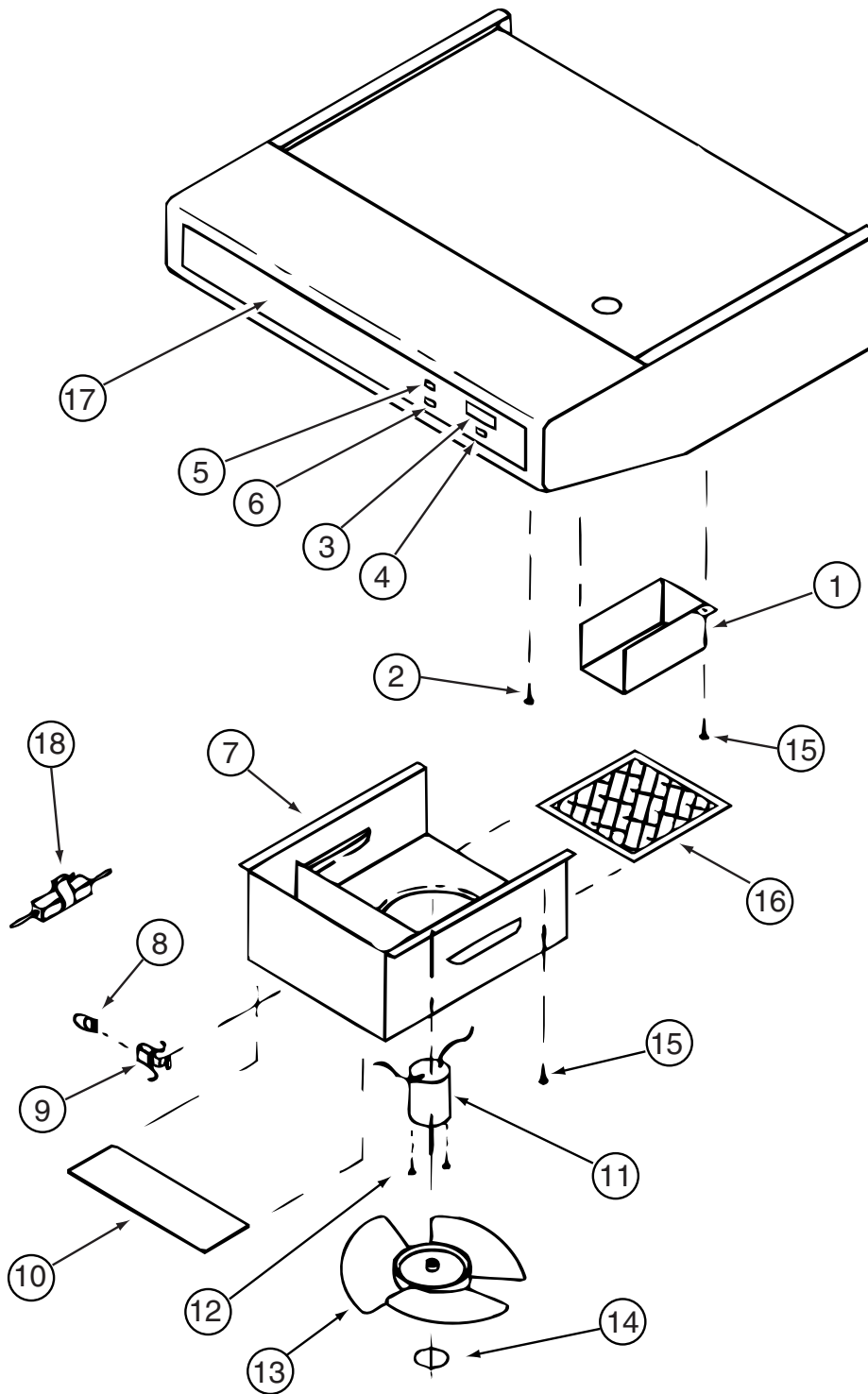


136354-01-01A, 136354-02-01A

KEY	PART NUMBER	U/M	DESCRIPTION	VENDOR NO.
4	096983-01-702	EA	SWITCH - MOM/OFF/MOM/3 TERM	L0112-00
6	096983-01-700	EA	SWITCH/1 SPEED -ON/OFF- BLK	00108-00
8	092696-01-709	EA	LAMP #912	VA415
9	092696-01-710	EA	HOLDER-LAMP	CB267-2
10	092696-02-701	EA	LENS-LAMP	CC179-2
11	090973-01-700	EA	MOTOR-12 VOLT, CSA & UL	CA508-1
13	090973-01-702	EA	BLADE-FAN	VA183-1
16	096983-01-707	EA	FILTER-MESH	CC246
17	100258-01-701	EA	DAMPER ASSEMBLY (METAL FLAP)	CAO-565-00
19	136354-01-700	EA	OVERLAY	CE0110-00

CONTACT WINNEBAGO PART SALES FOR UNLISTED COMPONENTS

APPLIANCE GROUP (CONTINUED)
COMPONENT PARTS FOR APPLIANCE (CONTINUED)

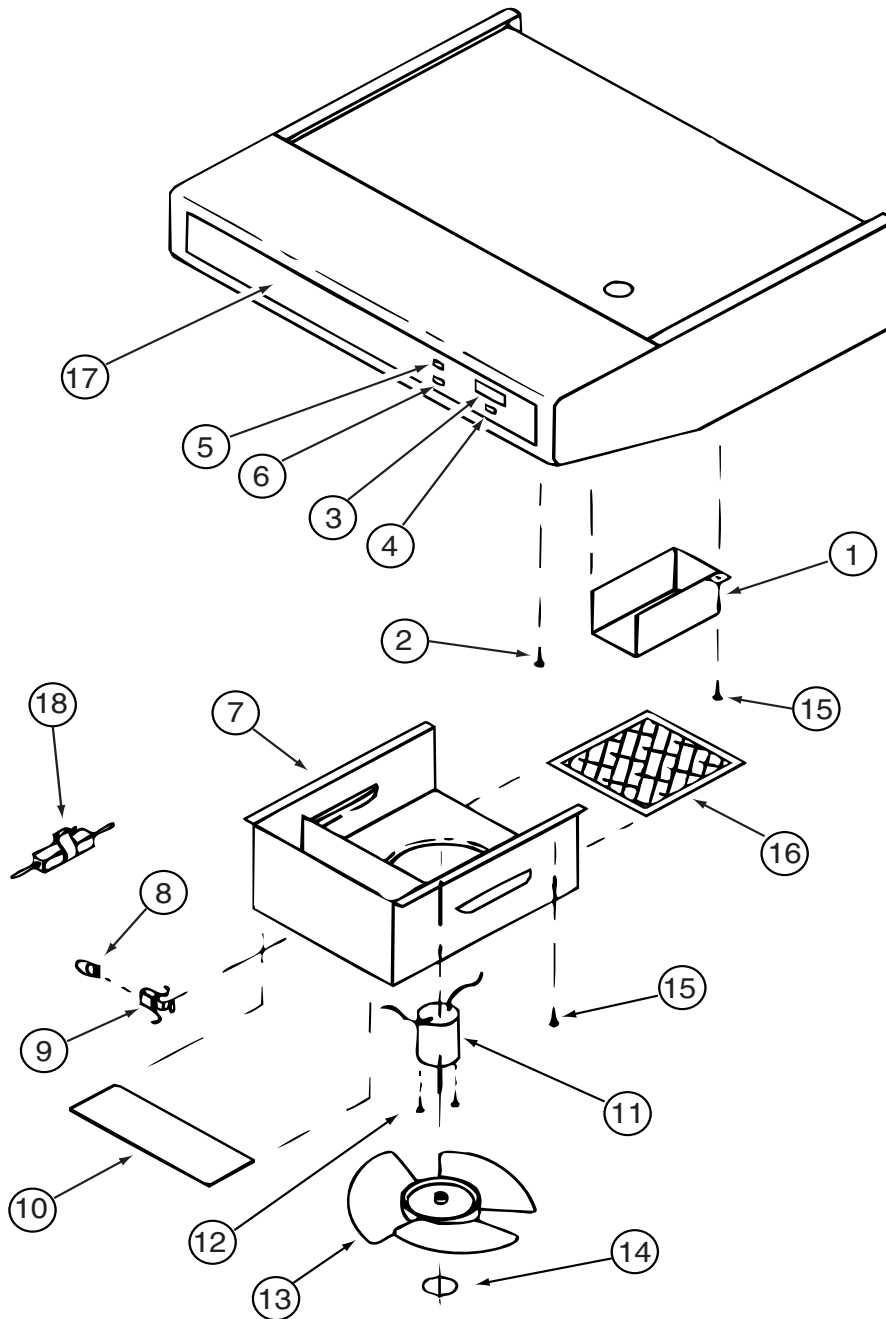


136354-03-01A

KEY	PART NUMBER	U/M	DESCRIPTION	VENDOR NO.
4	096983-01-702	EA	SWITCH - MOM/OFF/MOM/3 TERM	L0112-00
6	096983-01-700	EA	SWITCH/1 SPEED -ON/OFF- BLK	00108-00
8	092696-01-709	EA	LAMP #912	VA415
9	092696-01-710	EA	HOLDER-LAMP	CB267-2
10	092696-02-701	EA	LENS-LAMP	CC179-2
11	090973-01-700	EA	MOTOR-12 VOLT, CSA & UL	CA508-1
13	090973-01-702	EA	BLADE-FAN	VA183-1
16	096983-01-707	EA	FILTER-MESH	CC246
17	136354-01-700	EA	OVERLAY	CE0110-00

CONTACT WINNEBAGO PART SALES FOR UNLISTED COMPONENTS

APPLIANCE GROUP (CONTINUED)
COMPONENT PARTS FOR APPLIANCE (CONTINUED)



136354-04-01A

KEY	PART NUMBER	U/M	DESCRIPTION	VENDOR NO.
4	096983-01-702	EA	SWITCH - MOM/OFF/MOM/3 TERM	L0112-00
6	096983-01-700	EA	SWITCH - ON/OFF	L0108-00
8	092696-01-709	EA	LAMP #912	VA415
9	092696-01-710	EA	HOLDER-LAMP	CB267-2
10	092696-02-701	EA	LENS-LAMP	CC179-2
11	090973-01-700	EA	MOTOR-12 VOLT, CSA & UL	CA508-1
13	090973-01-702	EA	BLADE-FAN	VA183-1
16	096983-01-707	EA	FILTER-MESH	CC246
17	136354-01-700	EA	OVERLAY	CE0110-00

CONTACT WINNEBAGO PART SALES FOR UNLISTED COMPONENTS

AUDIO VIDEO GROUP

RADIO SYSTEM

KEY	PART NUMBER	U/M	DESCRIPTION
	090944-01-000	EA	ANTENNA - RADIO - 16" RUBBER - W/72" LEAD WIRE
	077069-02-000	EA	CABLE - ANTENNA/EXTENSION - RADIO - 96"
	108847-01-000	EA	BRACKET - ANTENNA GROUND
	109889-02-000	EA	EXTENDER - ANTENNA SHAFT - 2.1"
			FROM: 00-00-00 THRU: 07-02-02
	109889-04-000	EA	EXTENDER - ANTENNA SHAFT - 3.7"
			FROM: 07-03-02 THRU: 99-99-99
	108137-01-000	EA	PLUG - ANTENNA
	110469-01-000	EA	SPEAKER - 4" X 6" OVAL - COAXIAL
	110470-01-01A	EA	GRILLE - 4" X 6" OVAL SPEAKER - BLACK
	111177-01-01A	EA	GRILLE - SPEAKER - 6.6" X 8.9" - HOUSING 5" X 7" SPEAKER
	074979-19-000	EA	COVER - SPEAKER - VW LIGHT GRAY
	127517-11-000	EA	RADIO - AM/FM STEREO/CD PLAYER - SONY CDX-L300 - EXTERIOR ENTERTAINMENT W/CD
			FROM: 00-00-00 THRU: 06-02-02
*	143509-01-000	EA	RADIO - AM/FM CD - W/REMOTE - JENSEN CD3010X-W - EXTERIOR ENTERTAINMENT W/CD
			FROM: 06-03-02 THRU: 99-99-99
	125322-02-000	EA	RADIO-AM/FM STEREO/CASSETTE-AUDIOVOX-MS-306-EXT ENT W/CASS - DASH
	135420-01-000	EA	RADIO - AM/FM CASSETTE/CD COMBO - M9900 - 7.2" X 3.3" R.O. - DASH
	135420-05-000	EA	RADIO - MOUNTING KIT - FORD

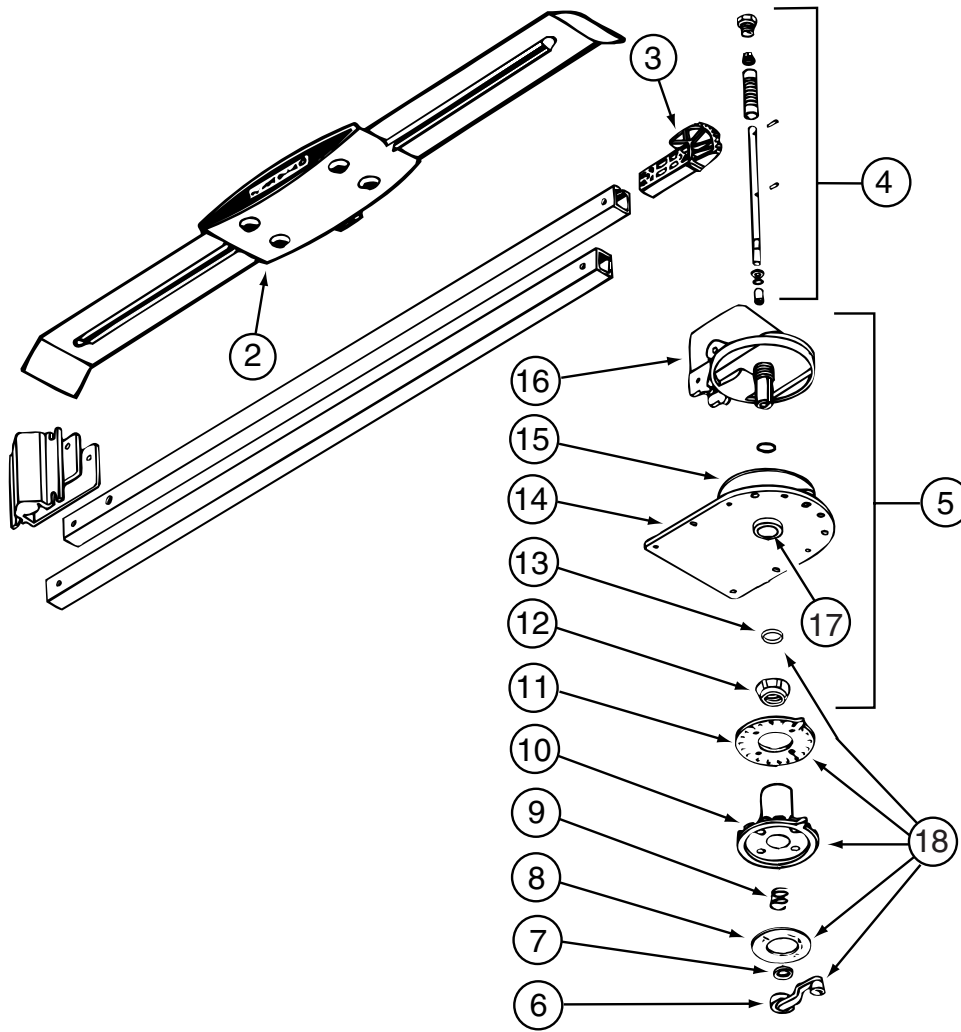
*COMPONENT PARTS LISTED LATER IN THIS GROUP

TV & VCR

KEY	PART NUMBER	U/M	DESCRIPTION
*	076319-23-000	EA	ANTENNA - TV ROOF MOUNT - 44.5" MAST
*	076319-25-000	EA	KIT - HARDWARE INTERIOR
	076319-27-000	EA	WALLPLATE/RECEPTACLE - WHITE
	069726-02-000	EA	BUMPER - .88" OD X .40" THICK - BLACK
*	137135-01-000	EA	ANTENNA - SATELLITE DSS - W/SENSOR
			FROM: 00-00-00 THRU: 04-08-02
	137135-02-000	EA	ANTENNA - SATELLITE DSS - W/SENSOR
			FROM: 04-09-02 THRU: 99-99-99
	076319-09-000	EA	WALLPLATE - CABLE RECEPTACLE - TV - SINGLE - BROWN
	076319-03-000	FT	CABLE - COAXIAL - 75 OHM
	145210-01-000	FT	CABLE-COAXIAL 1000' RG-6 WINEGARD CL-0260
	076319-12-000	EA	CONNECTOR - COAXIAL - ONE PIECE
*	133377-02-000	EA	TV - 25" - COLOR - W/O 1/8" JACK - UL/CSA - GE 25GT240 - 25" TV W/VIDEO SELECT
*	126696-07-000	EA	TV - 19" COLOR - W/O 1/8" JACK - UL/CSA - GE 19GT243 - 19" TV W/VCR & VIDEO SELECT
*	086231-10-000	EA	TV - 13" COLOR - AUDIOVOX AVT-1498/DC - 13" TV W/VCP
*	126697-07-000	EA	VCR - VHS/CABLE READY - W/REMOTE - GE VG4045
			FROM: 00-00-00 THRU: 08-04-02
	124073-13-000	EA	VCR-VHS/CABLE READY - W/AUDIO/VIDEO PORT - RCA VR546
			FROM: 08-05-02 THRU: 99-99-99
*	094487-05-000	EA	VIDEO CASSETTE PLAYER - W/O REMOTE - VERTIC - AVP-7000VF - 13" TV W/VCP
			FROM: 00-00-00 THRU: 11-17-02
*	094487-07-000	EA	VIDEO CASSETTE PLAYER - W/O REMOTE - VERTIC - AVP-9000VF - 13" TV W/VCP
			FROM: 11-18-02 THRU: 99-99-99
	086757-04-000	EA	CONTROL CENTER - SWITCH - VCR/TV - 5 INPUTS
	086777-06-000	EA	WALLPLATE - TV CABLE - ANTENNA BOOSTER/1 OUTPUT - BLACK
	086777-02-000	EA	WALLPLATE - TV CABLE - W/ANTENNA SWITCH - BLACK
	082134-01-000	EA	ADAPTER - TV - CABLE TO CABLE
	082136-01-000	EA	NUT - HEX JAM - 3/8-32
	086756-01-000	EA	SPLITTER - TV/2 WAY
	134006-01-03B	EA	PLATE - COAXIAL CABLE/OFF WHITE
	139335-01-02B	EA	PLATE - ELECTRICAL - E-COATED

*COMPONENT PARTS LISTED LATER IN THIS GROUP

AUDIO VIDEO GROUP (CONTINUED)
COMPONENT PARTS FOR TV & VCR



076319-23-000

KEY	PART NUMBER	U/M	DESCRIPTION	VENDOR NO.
2	076319-01-700	EA	HEAD-ANTENNA, AMPLIFIED	RVSA U/V
3	076319-01-701	EA	GEAR-ELEVATING, PLASTIC	2200046
4	076319-01-702	EA	SHAFT ASM-ELEVATING	RP-4000
5	076319-01-711	EA	BASE & LIFT ASM	2762802
7	076319-01-705	EA	GROMMET-NYLON, 7/8"ID	3200658
8	076319-01-708	EA	DECAL-CRANK	5413002
9	076319-01-707	EA	SPRING-HANDLE	2160822
11	076319-01-712	EA	PLATE - CEILING	3200608
12	076319-01-715	EA	NUT (GEAR HOUSING)	2200047
14	076319-01-713	EA	BASE-PLATE, STEEL	3100523
15	076319-01-703	EA	BEARING-NYLON, 5"OD	3200656
16	076319-01-714	EA	HOUSING, ROTATING GEAR	2200049
	076319-01-716	EA	TUBING, ELEVATING	RP-2900
17	076319-01-704	EA	BEARING-NYLON, 1.25"OD	3200657

CONTACT WINNEBAGO PART SALES FOR UNLISTED COMPONENT

076319-25-000

KEY	PART NUMBER	U/M	DESCRIPTION	VENDOR NO.
6	076319-01-706	EA	CRANK-W/SET SCREW UNIV/BEIGE	2750897
6	120233-01-710	EA	HANDLE-CRANK W/SCREW - WHITE	RP-6795
8	076319-01-708	EA	DECAL-CRANK	5413002
10	076319-25-700	EA	DIRECTIONAL HANDLE(WHITE)	3200612
11	076319-25-701	EA	PLATE - CEILING(WHITE)	3200609
13	120233-01-709	EA	WASHER-NYLON	RP-2658

CONTACT WINNEBAGO PART SALES FOR UNLISTED COMPONENTS

AUDIO VIDEO GROUP (CONTINUED)
COMPONENT PARTS FOR TV & VCR (CONTINUED)

086231-10-000

KEY	PART NUMBER	U/M DESCRIPTION	VENDOR NO.
	086231-08-700	EA REMOTE-UNIVERSAL	892325
	086231-08-701	EA CONVERTER/POWER SUP 110/12 V	891436
	086231-10-700	EA ADAPTER WIRE - (CIGARETTE)	894000

094487-05-000

KEY	PART NUMBER	U/M DESCRIPTION	VENDOR NO.
	086231-08-700	EA REMOTE-UNIVERSAL	0892325
	094487-03-700	EA WIRE - ADAPTER	0891436

126696-07-000

KEY	PART NUMBER	U/M DESCRIPTION	VENDOR NO.
	133377-01-700	EA REMOTE	240961

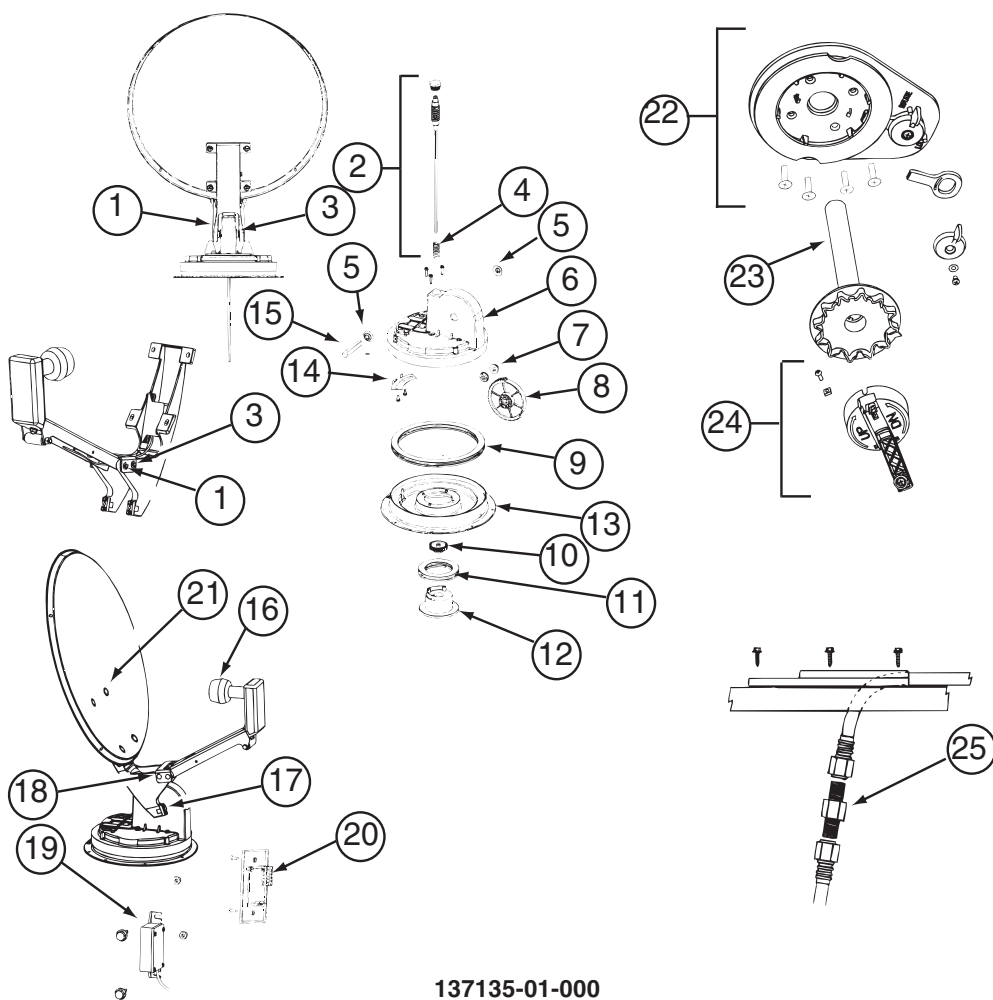
126697-07-000

KEY	PART NUMBER	U/M DESCRIPTION	VENDOR NO.
	126697-07-700	EA REMOTE	248687

133377-01-000 & 133377-02-000

KEY	PART NUMBER	U/M DESCRIPTION	VENDOR NO.
	133377-01-700	EA REMOTE	240961

AUDIO VIDEO GROUP (CONTINUED)
COMPONENT PARTS FOR TV & VCR (CONTINUED)



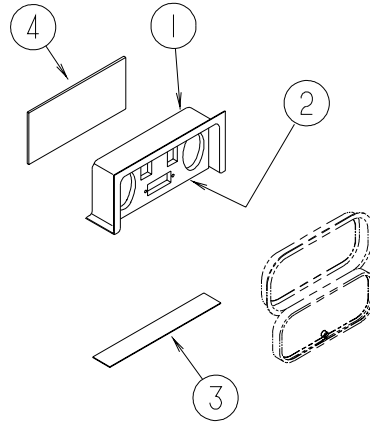
137135-01-000

KEY	PART NUMBER	U/M	DESCRIPTION	VENDOR NO.
1	120233-01-714	EA	CLIP-E	5160818
2	137135-01-703	EA	SHAFT-ELEVATING(SPRING/PLUG)	RP-4400
3	137135-01-704	EA	PIN - 1/4" X 3.25"	2160813
4	137135-01-705	EA	SPRING	2160818
5	137135-01-707	EA	SEAL - PIVOT SHAFT	2200852
6	137135-01-708	EA	TURRET	3100728
7	137135-01-709	EA	PIVOT BEARING	2200470
8	137135-01-711	EA	GEAR - ELEVATING	2200464
9	137135-01-712	EA	BEARING - OUTER	2590347
10	137135-01-714	EA	GEAR - ELEVATING SHAFT	2200465
11	137135-01-715	EA	BEARING - INNER	2590348
12	137135-01-716	EA	HUB	3100731
13	137135-01-713	EA	TURRET BASE	3100730
14	137135-01-710	EA	PLATE - ROTATE LIMIT	3720052
15	137135-01-706	EA	KIT-TURRET/SEAL/BEARING/GEAR	RP-RM30
16	120233-01-734	EA	LOW NOISE BLOCK FILTER (SGL)	LB10003
17	137135-01-722	EA	CLAMP	2590343
18	137135-01-719	EA	BRACKET - PIVOT	2744945
19	137135-01-720	EA	DE-SENSOR UNIT W/43" CABLE	276342
20	137135-01-721	EA	WALL PLATE	3200213
21	137135-01-717	EA	BOLT - FLAT HEAD	216032
22	120233-01-722	EA	PLATE ASSEMBLY (CEILING)	2762826
23	120233-01-704	EA	DIAL - DIRECTIONAL	3200364
24	120233-01-721	EA	CRANK HANDLE ASSEMBLY	2762825
25	137135-01-701	EA	CONNECTOR - F - MALE TO MALE	FS-8100
	137135-01-700	EA	ROOF WEDGE W/GASKET	RW-5000
	137135-01-718	EA	REFLECTOR/WHITE - 46CM	2745282

143509-01-000

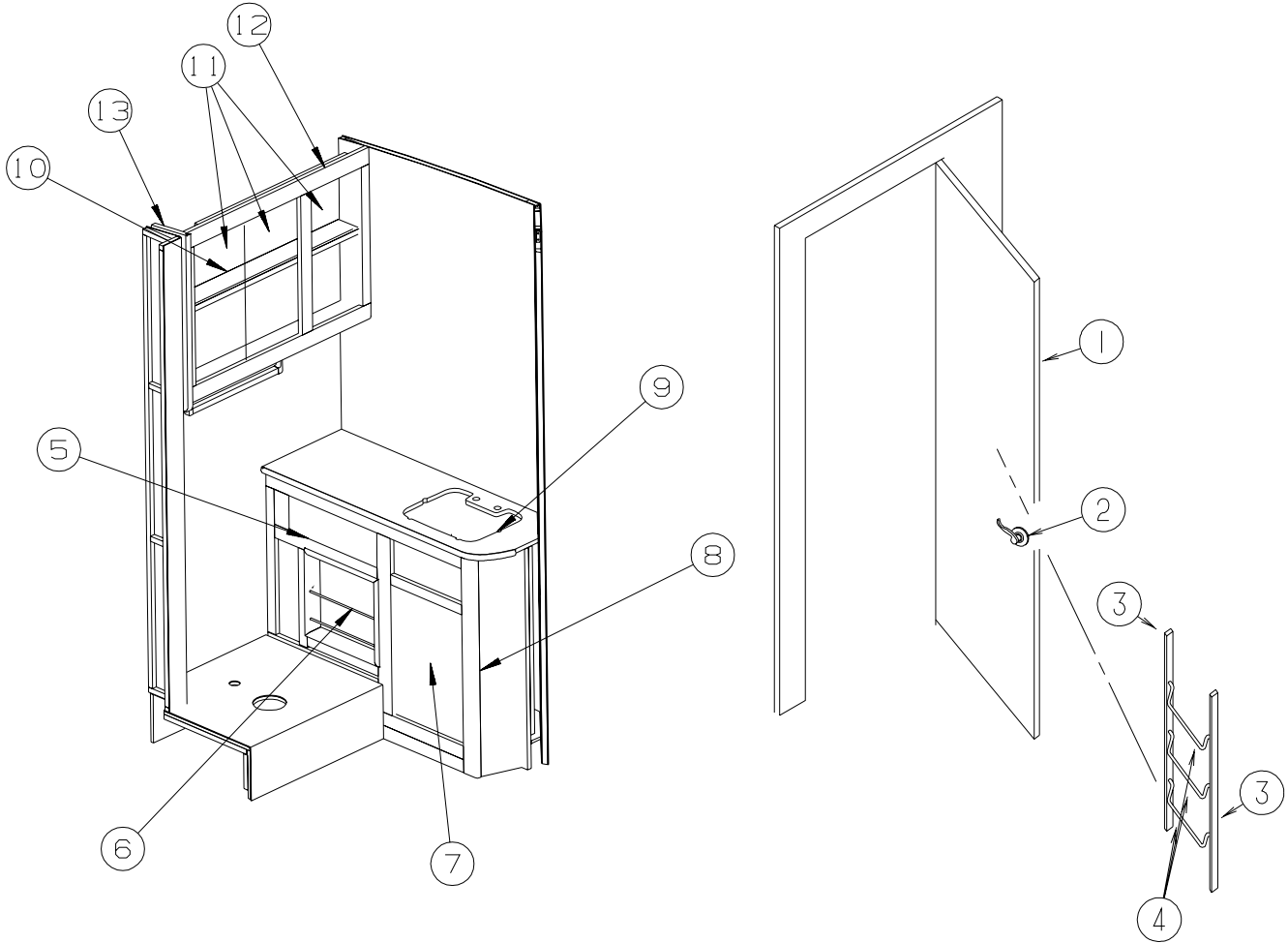
KEY	PART NUMBER	U/M	DESCRIPTION	VENDOR NO.
	143509-01-700	EA	REMOTE - RADIO	VG70A0

AUDIO VIDEO GROUP (CONTINUED)
EXTERIOR ENTERTAINMENT



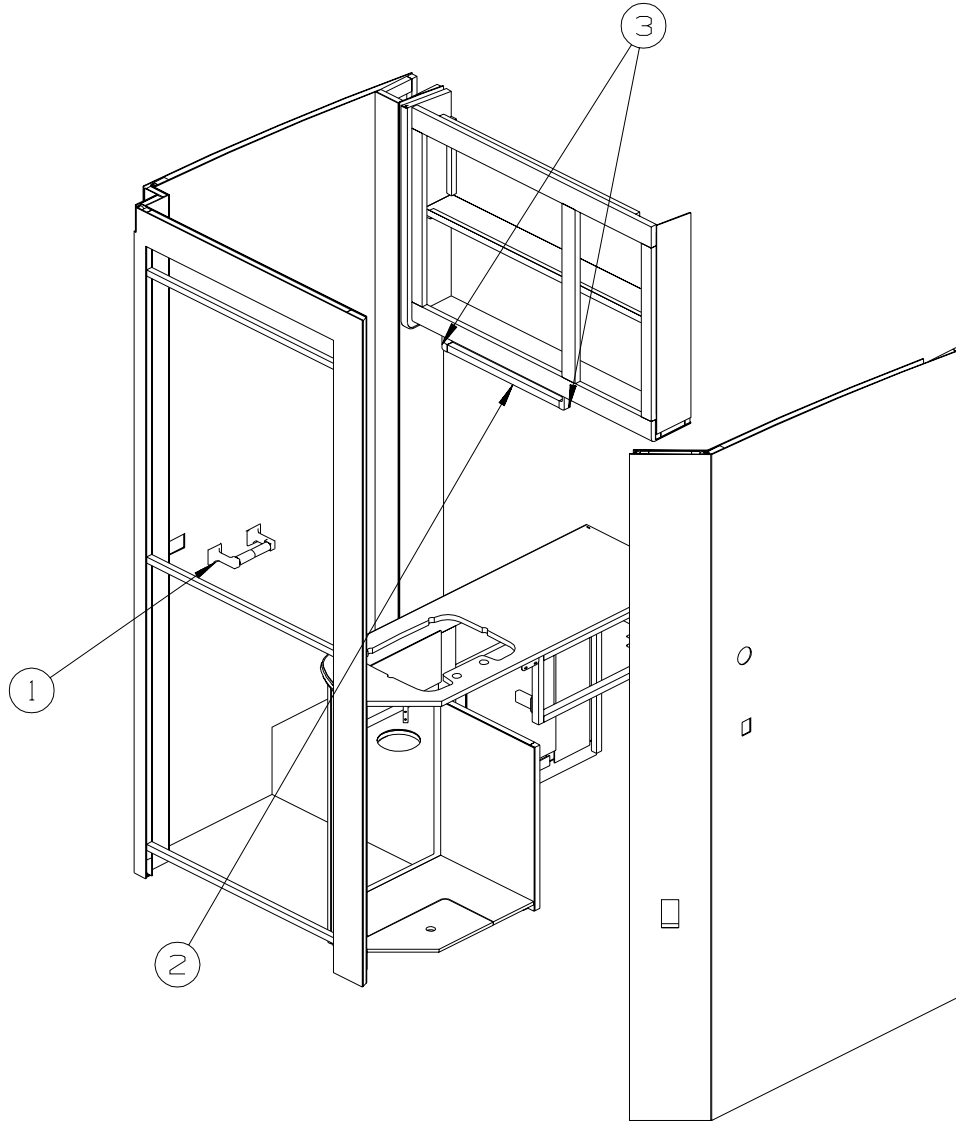
KEY	PART NUMBER	U/M	DESCRIPTION
1	124696-01-01A	EA	BOX - ENTERTAINMENT CENTER/EXTERIOR - BRIGHT WHITE - 322E - 322R - 324F
1	104897-02-02A	EA	BOX - EXTERIOR ENTERTAINMENT CENTER - 324V - 329B - 331
2	127409-01-L07	EA	PLATE - RADIO MOUNTING - 322E - 322R - 324F
2	127409-02-L15	EA	PLATE - RADIO MOUNTING - 324V - 329B - 331
3	104898-01-02A	EA	PLATE - PLASTIC BOTTOM - BRIGHT WHITE
4	104898-02-02A	EA	PLATE - PLASTIC BACK - BRIGHT WHITE - 322E - 322R - 324F
4	NOT USED		- 324V - 329B - 331

BATH GROUP CABINETS



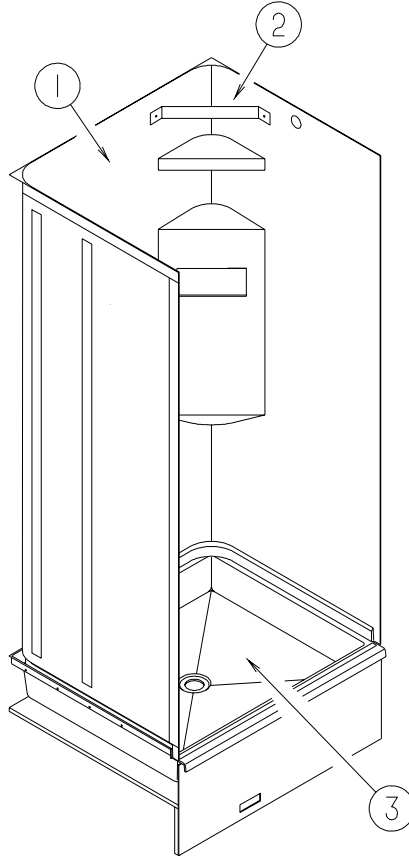
KEY	PART NUMBER	U/M	DESCRIPTION
1	131933-07-L81	EA	DOOR - BATH - W/O HARDWARE
2	111155-05-01A	EA	LOCK - PRIVACY/LOCKING - POLISHED BRASS - "S" SHAPE HANDLE FROM: 00-00-00 THRU: 01-26-03
2	146064-01-01A	EA	LOCK - PRIVACY HANDLE - POLISHED BRASS FROM: 01-27-03 THRU: 99-99-99
3	100357-01-000	EA	ROD - F/TOWEL BAR - BRASS
4	P34509-01-N01	EA	RAIL END - RH/LH - TOWEL RACK - PORTSMOUTH OAK
5	P34767-C5-N04	EA	DRAWER - PENCIL EDGE - 15.4" X 9.8" - W/O SLIDES/HARDWARE
6	137602-10-N09	EA	POCKET - MAGAZINE RACK
7	136919-A7-P10	EA	DOOR - FLAT/PENCIL EDGE - 14.3" X 21.8" - W/O HARDWARE
8	135580-01-P07	EA	CABINET - LAVATORY - W/O COUNTERTOP/DOORS/DRAWERS/HDW
9	133654-07-P07	EA	COUNTERTOP - LAMINATED - EGGSHELL/NATURAL OAK (P10)
9	133654-07-N01	EA	COUNTERTOP - LAMINATED - GRAY TRANQUILITY/NATURAL OAK (P11)
9	133654-07-M03	EA	COUNTERTOP - LAMINATED - WHITE TALC/NATURAL OAK (P12)
10	140674-15-P07	EA	SHELF - W/PLASTIC EDGE TRIM
11	136955-40-P10	EA	DOOR - RAISED PANEL/PENCIL EDGE - 10.8" X 21.8" - W/O HDW
	076767-04-000	EA	CABLE - STAINLESS STEEL - 5.9"
12	140674-01-P07	EA	CABINET - OVERHEAD/MEDICINE - W/O DOORS/HARDWARE
13	140674-18-P07	EA	END CAP - OVERHEAD CABINET

BATH GROUP (CONTINUED)
CABINETS (CONTINUED)



KEY	PART NUMBER	U/M	DESCRIPTION
1	075452-02-000	EA	HOLDER - TOILET TISSUE - BRASS
2	075453-04-000	EA	ROD - F/TOWEL BAR - 18" BRASS - W/O END BRACKETS
3	075453-03-000	EA	BRACKET - TOWEL BAR - BRASS - 2 PER PACK

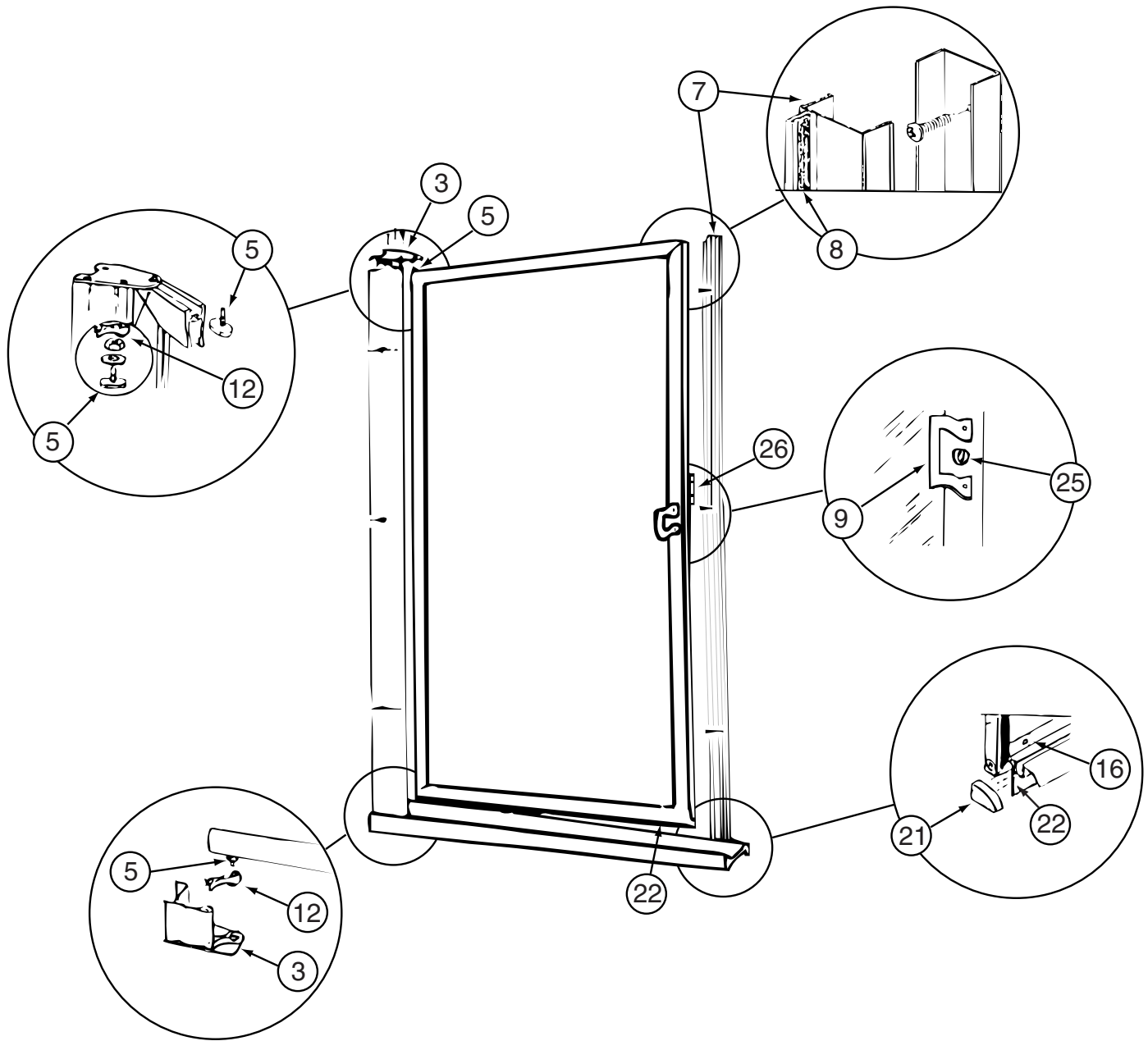
BATH GROUP (CONTINUED)
SHOWER



KEY	PART NUMBER	U/M	DESCRIPTION
1	105629-01-02A	EA	SURROUND - SHOWER - SOFT WHITE
2	113714-02-02A	EA	RETAINER - SHELF/SHOWER - SOFT WHITE
3	M02673-13-N09	EA	SHOWER PAN - W/STRAINER
*	089318-01-000	EA	DOOR - SHOWER - HINGED W/GOLD FRAME - WINN#1 GOLD
*	135615-01-01A	EA	DOOR - SHOWER/FOLDING - 29.7" X 62.9" - WHITE

***COMPONENT PARTS LISTED LATER IN THIS GROUP**

BATH GROUP (CONTINUED)
COMPONENT PARTS FOR SHOWER DOOR

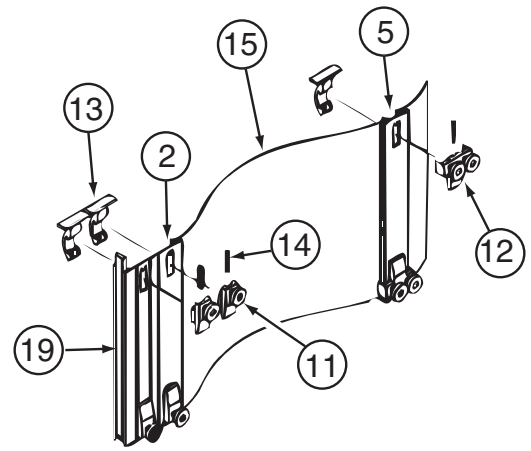
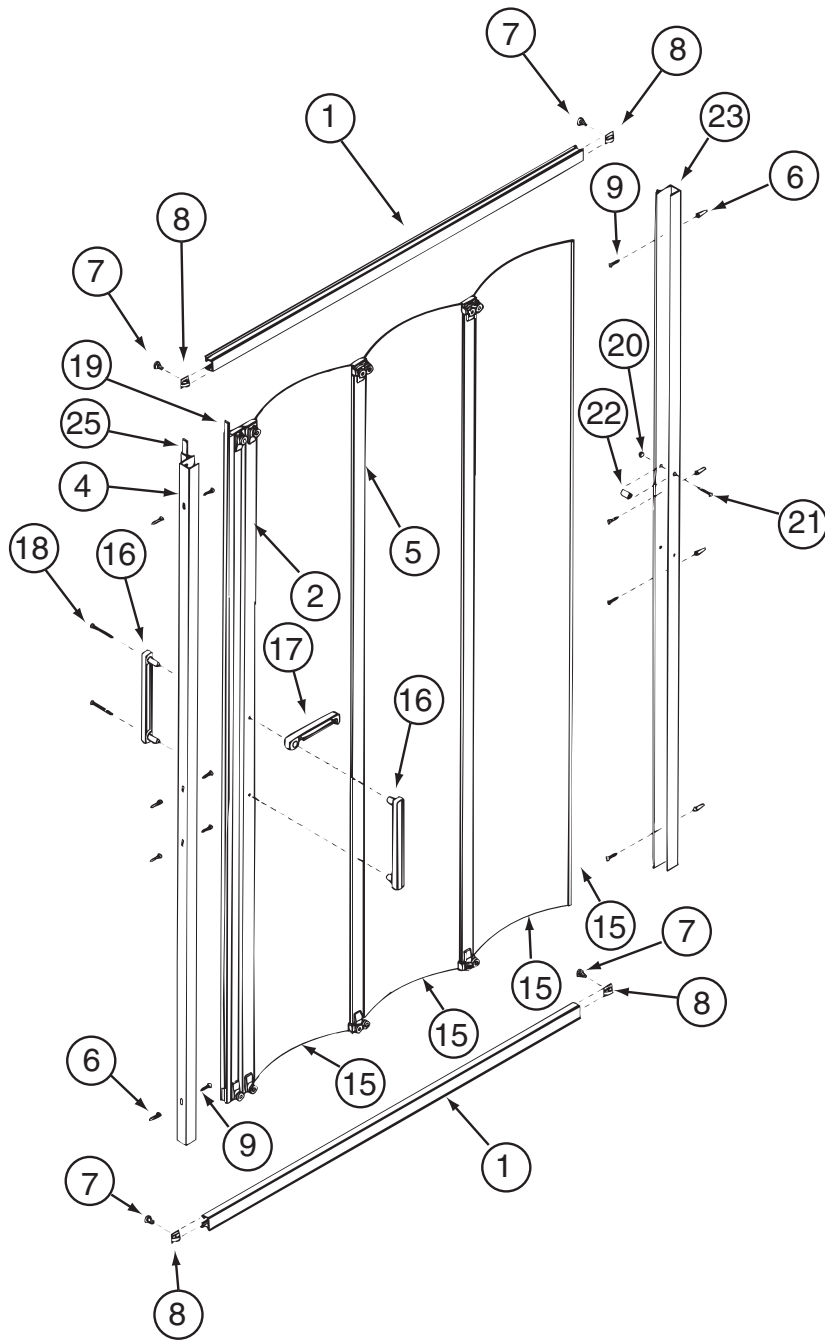


089318-01-000

KEY	PART NUMBER	U/M	DESCRIPTION	VENDOR NO.
3	089318-01-706	EA	PLATE - PIVOT (UPPER/LOWER)	796
5	089318-01-704	EA	BOLT-PIVOT, TOP OR BOTTOM	1428B
7	089318-01-703	EA	STRIKE-JAMB W/MAGNETIC STRIP	150G
8	092574-01-705	EA	STRIP-MAGNETIC, 66"	98-41G
9	092574-01-703	EA	BRACKET/DOOR PULL-W/O STUDS	8149G
12	089318-01-702	EA	BUSHING W/ARM, LOWER	18712A
12	092574-01-707	EA	BUSHING-PIVOT, TOP	18712B
16	092574-01-704	EA	SCREW-GOLD #6 3/8	638G
21	107878-01-703	EA	CAP-DRIP, PLUG SET	DCP2
22	089318-01-701	FT	SWEEP-VINYL	C171G 500FT RL
25	089318-01-707	EA	LATCH/CATCH - SAFETY - BLACK	9730N
26	092574-01-701	EA	BRACKET/DOOR PULL/TOWEL BAR	8141G
26	116814-01-700	EA	BAR-TOWEL 17 5/16"	68G
	092574-01-708	EA	DRIP RAIL - (SWEEP)	927G-35"/OLD #34
	092574-01-710	EA	SCREW-GOLD, FOR TOWEL BAR	83212G
	092574-01-711	EA	BRACKET/DOOR PULL - W/STUDS	8153G

CONTACT WINNEBAGO PART SALES FOR UNLISTED COMPONENTS

BATH GROUP (CONTINUED)
COMPONENT PARTS FOR SHOWER DOOR (CONTINUED)



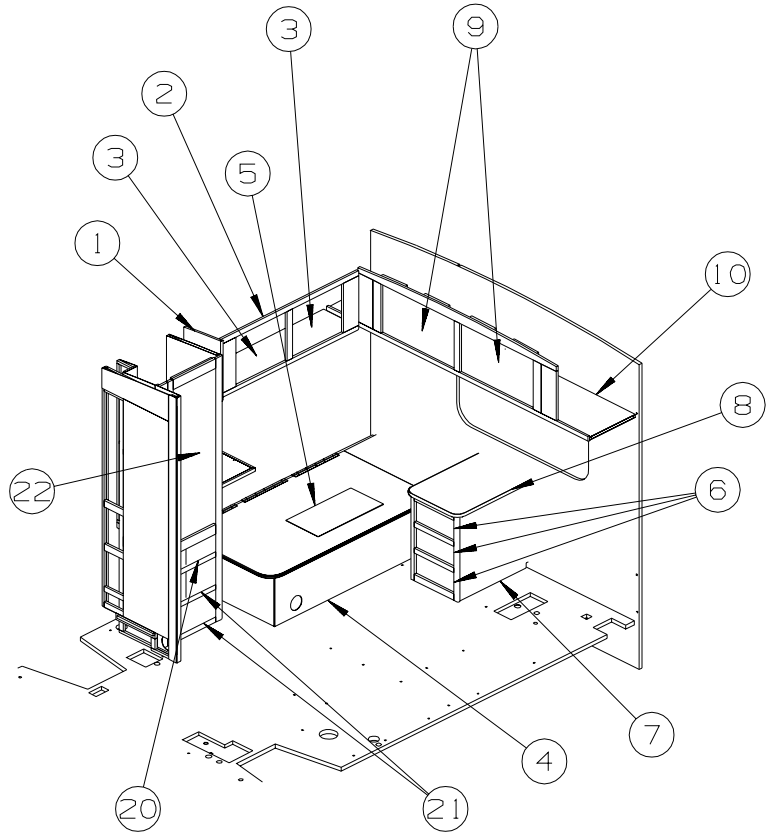
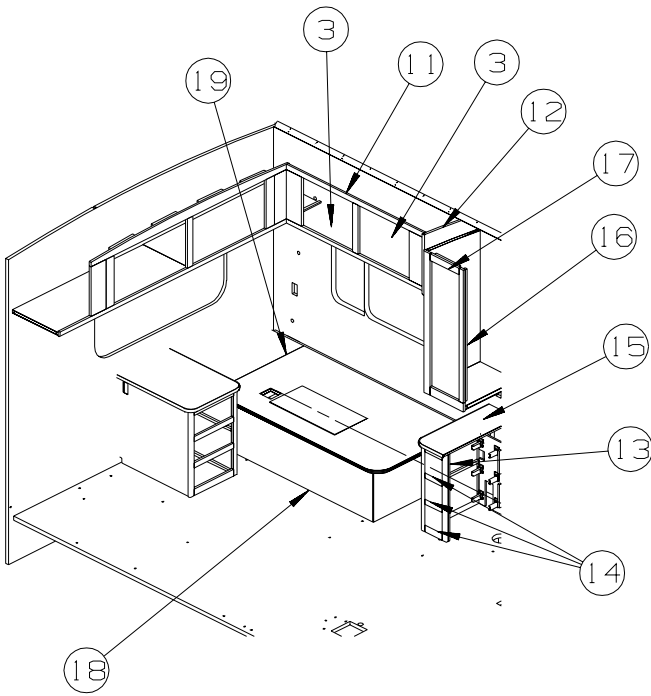
Roller Assembly Detail

135615-01-01A, 135615-02-01A, 135615-05-01A

KEY	PART NUMBER	U/M	DESCRIPTION	VENDOR NO.
1	135615-01-702	EA	TRACK - (TOP/BOTTOM) - 40"	117W
2	135615-01-701	EA	STRIKE ASSEMBLY - 66"	109W
4	135615-01-703	EA	JAMB/WALL - W/O MAG STRIKE 66"	112W
11	108351-01-703	EA	BRACKET & ROLLER ASM. SINGLE	GRB1
12	108351-01-704	EA	BRACKET & ROLLER ASM. DOUBLE	GRB2
13	108351-01-705	EA	CLIP ONLY F/SGL/DBL ROLLER	GRC1
14	108351-01-706	EA	SPRING-ROLLER BRACKET	GS1
16	108351-01-701	EA	HANDLES-DOOR, SET	SFH
17	108351-01-702	EA	LATCH-DOOR	SFL
23	135615-01-704	EA	JAMB/WALL PANEL RECEIVER 66"	110W
25	135615-01-700	EA	STRIP/MAGNETIC - 66"	98-41W

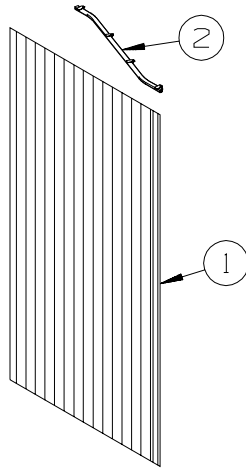
CONTACT WINNEBAGO PART SALES FOR UNLISTED COMPONENT

BEDROOM GROUP TWIN CABINETS



KEY	PART NUMBER	U/M	DESCRIPTION
1	140713-15-P07	EA	END CAP - OVERHEAD CABINET
2	140713-01-P07	EA	CABINET - OVERHEAD/REAR/TWIN/RIGHT HAND - W/O DOORS/HDW
3	136955-D0-P10	EA	DOOR - RAISED PANEL/PENCIL EDGE - 15.7" X 20.5" - W/O HDW
4	P40712-01-P07	EA	CABINET/BASE - TWIN BED/RIGHT HAND - W/O DOOR/DRAWER/HDW
5	P40712-17-P07	EA	PANEL/BOARD - TWIN BED - W/HINGE/MOLDING
6	P34767-20-N04	EA	DRAWER - PENCIL EDGE - 13.5"W X 19.6"D - W/O SLIDES/HDW
7	140711-01-P07	EA	CABINET - NIGHTSTAND/TWIN - W/O DOORS/HARDWARE
8	140888-03-P07	EA	COUNTERTOP - LAMINATED (P10)
8	140888-03-P08	EA	COUNTERTOP - LAMINATED (P11)
8	140888-03-P09	EA	COUNTERTOP - LAMINATED (P12)
9	136955-D3-P10	EA	DOOR - RAISED PANEL/PENCIL EDGE - 15.7" X 28" - W/O HDW
10	140650-01-P07	EA	CABINET - OVERHEAD - W/O DOORS/HARDWARE
11	140713-02-P07	EA	CABINET - OVERHEAD/REAR/TWIN/LEFT HAND - W/O DOORS/HDW
12	140713-20-P07	EA	END CAP - OVERHEAD CABINET
13	134910-10-P07	EA	CABINET - NIGHTSTAND - W/O COUNTERTOP/DOOR/DRAWER/HARDWARE
14	P34767-12-N04	EA	DRAWER - PENCIL EDGE - 5.2"W X 19.6"D - W/O SLIDES/HDW
15	140888-04-P07	EA	COUNTERTOP - LAMINATED (P10)
15	140888-04-P08	EA	COUNTERTOP - LAMINATED (P11)
15	140888-04-P09	EA	COUNTERTOP - LAMINATED (P12)
16	140673-01-P07	EA	CABINET - SHIRT CLOSET - W/O DOORS/HARDWARE
17	136955-73-P10	EA	DOOR - RAISED VENEER/PENCIL EDGE - 12" X 40" - W/O HDW
18	P40712-02-P07	EA	CABINET/BASE - TWIN BED/LEFT HAND - W/O DOOR/DRAWER/HDW
19	P40712-27-000	EA	PANEL ASM TOP LH
20	P34767-18-N04	EA	DRAWER - PENCIL EDGE - 14.6"W X 11.8"D - W/O SLIDES/HDW
21	P34767-19-N04	EA	DRAWER - PENCIL EDGE - 14.6"W X 11.8"D - W/O SLIDES/HDW
22	134786-02-N04	EA	DOOR - MIRROR/MITERED CORNERS - 16.7" X 47.9"-W/O HARDWARE

BEDROOM GROUP (CONTINUED)
TWIN CABINETS (CONTINUED)

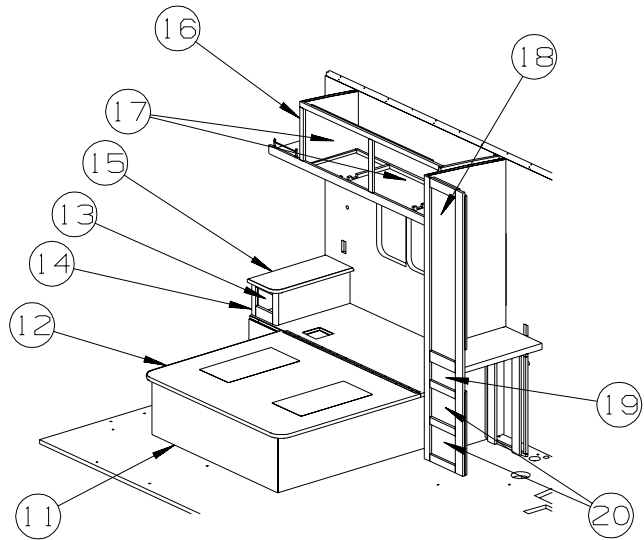
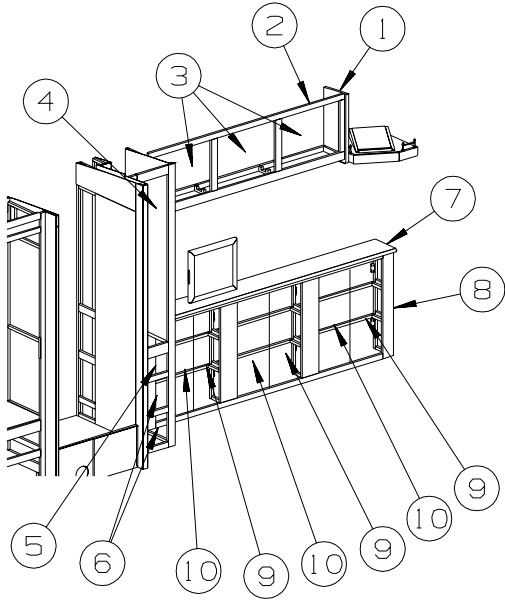


KEY	PART NUMBER	U/M	DESCRIPTION
1*	131595-01-01A	EA	DOOR - FOLDING-36.9" X 74.9"-W/4 CEILING MOUNTED BRACKETS
2	131595-02-01A	EA	TRACK - DOOR - CURVED ENDS - 28.6"

***COMPONENT PARTS LISTED LATER IN THIS GROUP**

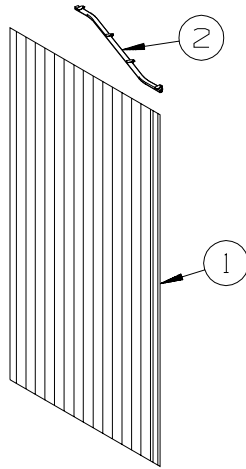
BEDROOM GROUP (CONTINUED)

QUEEN CABINETS



KEY	PART NUMBER	U/M	DESCRIPTION
1	140908-15-P10	EA	END CAP - OVERHEAD CABINET
2	140908-01-P10	EA	CABINET - OVERHEAD/REAR/RIGHT HAND - W/O DOORS/HARDWARE
3	136955-D0-P10	EA	DOOR - RAISED PANEL/PENCIL EDGE - 15.7" X 20.5" - W/O HDW
4	134786-03-N04	EA	DOOR - MIRROR/MITERED CORNERS- 12" X 48" - W/O HARDWARE
	140374-09-000	EA	MIRROR - SAFETY GLASS - 8.7" X 44.7"
5	P34767-21-N04	EA	DRAWER - PENCIL EDGE - 9.5"W X 11.8"D - W/O SLIDES/HDW
6	P34767-22-N04	EA	DRAWER - PENCIL EDGE - 9.5"W X 11.8"D - W/O SLIDES/HDW
7	140887-04-P10	EA	COUNTERTOP - LAMINATED
7	140887-04-P11	EA	COUNTERTOP - LAMINATED
7	140887-04-P12	EA	COUNTERTOP - LAMINATED
8	139558-01-N04	EA	CABINET - VANITY - W/O DOORS/HARDWARE
9	136919-63-P10	EA	DOOR - FLAT/PENCIL EDGE - 11.4" X 28.1" - W/O HARDWARE
10	136919-62-P10	EA	DOOR - FLAT/PENCIL EDGE - 11.4" X 28.1" - W/O HARDWARE
11	P37349-01-N04	EA	BASE/QUEEN BED - W/O DOOR/DRAWER/HARDWARE
12	137349-24-000	EA	TOP/QUEEN BED - (LARGE PORTION)
	107796-26-000	EA	SPRING/GAS - 12" COMPRESSED/20" EXTENDED - 90 LB.
13	P34767-11-N04	EA	DRAWER - PENCIL EDGE - 6"W X 19.6"D - W/O SLIDES/HDW
14	137346-01-N04	EA	CABINET - NIGHTSTAND - W/O COUNTERTOP/DOORS/DRAWERS/HDW
15	140888-05-P10	EA	COUNTERTOP - LAMINATED
15	140888-05-P11	EA	COUNTERTOP - LAMINATED
15	140888-05-P12	EA	COUNTERTOP - LAMINATED
16	140910-01-P10	EA	CABINET - OVERHEAD/REAR/LEFT HAND - W/O DOORS/HARDWARE
17	136955-D3-P10	EA	DOOR - RAISED PANEL/PENCIL EDGE - 15.7" X 28" - W/O HDW
18	136955-76-P10	EA	DOOR - RAISED PANEL/PENCIL EDGE - 12" X 48" - W/O HDW
19	P34767-23-N04	EA	DRAWER - PENCIL EDGE - 9.5"W X 19.6"D - W/O SLIDES/HDW
20	P34767-24-N04	EA	DRAWER - PENCIL EDGE - 9.5"W X 19.6"D - W/O SLIDES/HDW

BEDROOM GROUP (CONTINUED)
QUEEN CABINETS (CONTINUED)



KEY	PART NUMBER	U/M	DESCRIPTION
1*	131595-01-01A	EA	DOOR - FOLDING-36.9" X 74.9"-W/4 CEILING MOUNTED BRACKETS
2	131595-02-01A	EA	TRACK - DOOR - CURVED ENDS - 28.6"

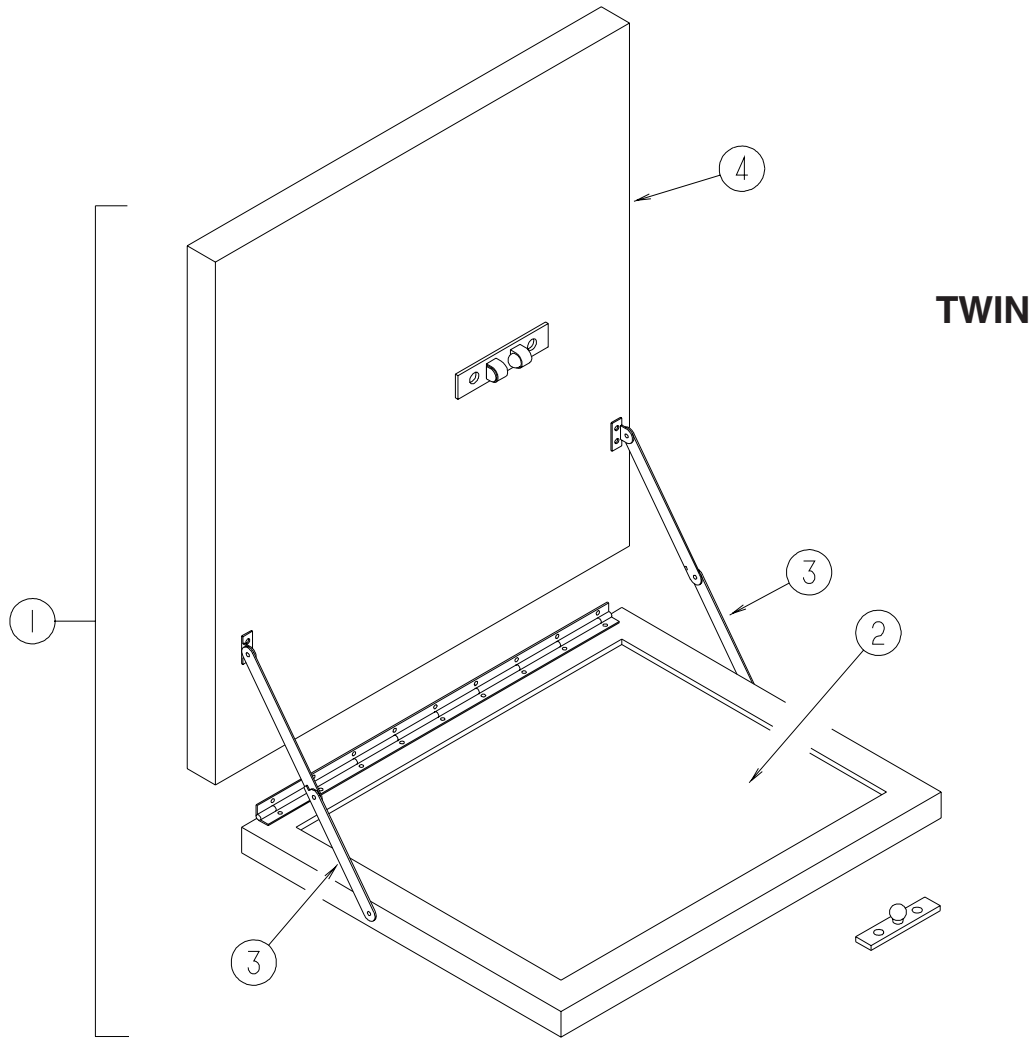
***COMPONENT PARTS LISTED LATER IN THIS GROUP**

BEDROOM GROUP (CONTINUED)
COMPONENT PARTS FOR CABINETS

131595-01-01A

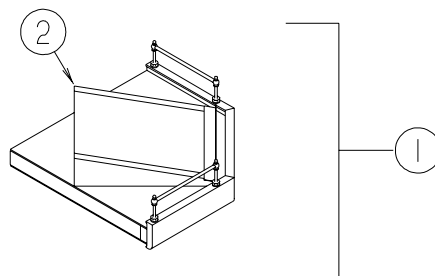
KEY	PART NUMBER	U/M	DESCRIPTION	VENDOR NO.
	117431-01-707	EA	CATCH/PIN - PLASTIC	
	131595-01-700	EA	END STOP ONLY	
	131595-01-701	EA	BRACKET/MOUNTING	908956
	131595-01-702	EA	TRACK/STRAIGHT - 37"	

BEDROOM GROUP (CONTINUED)
TV & RADIO CABINETS



TWIN

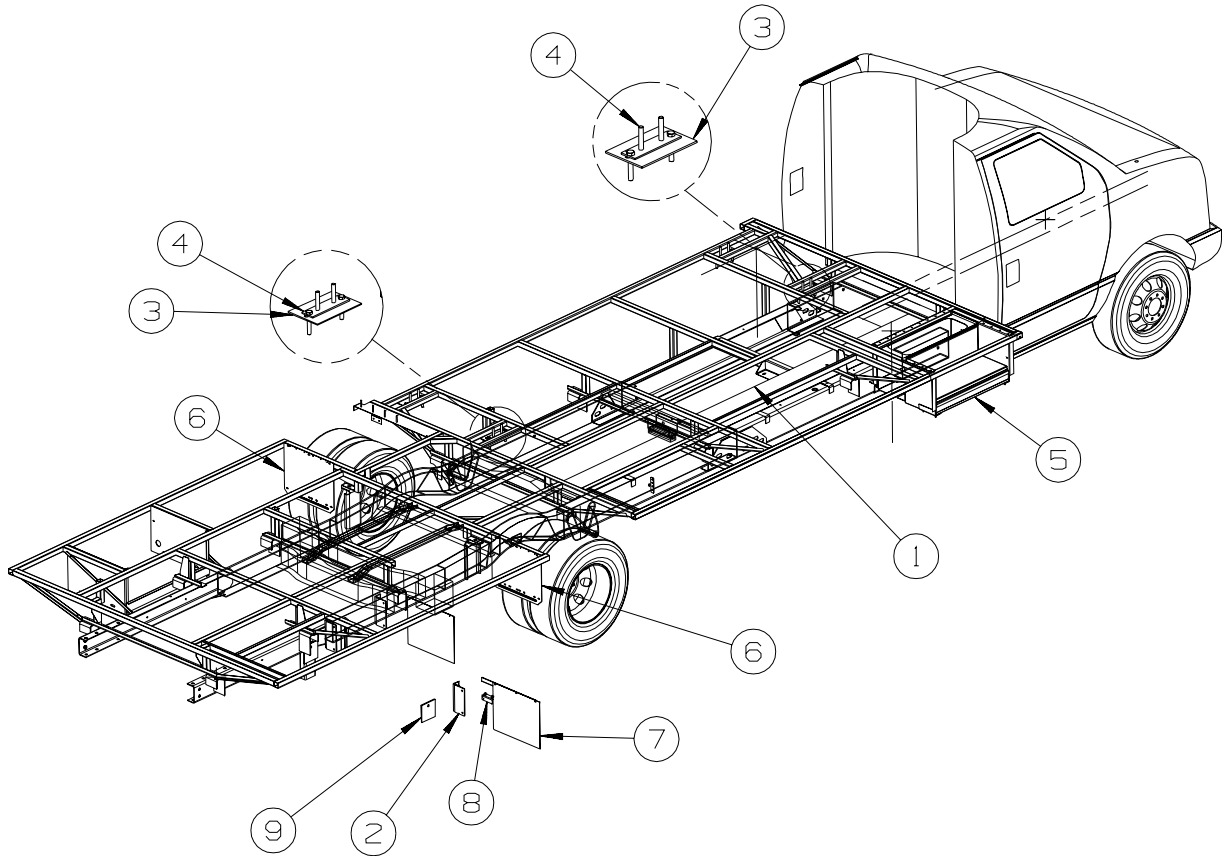
KEY	PART NUMBER	U/M DESCRIPTION
1	084357-02-N01 140374-03-000	EA TV STAND - FOLD DOWN W/MIRROR EA MIRROR - SAFETY GLASS - 14" X 12.7"
2	084356-08-000	EA INSERT - TV STAND - W/SUPPORT HINGES - OFF WHITE
3	084412-01-000	EA SUPPORT/HINGE KIT (LEFT & RIGHT HINGES)
4	120692-01-N02	EA EXTENSION - TV SHELF



QUEEN

KEY	PART NUMBER	U/M DESCRIPTION
1	137077-01-N04	EA SHELF - TV - W/BRASS RODS/WEDGE
2	133023-01-N21	EA WEDGE - TV SHELF

CHASSIS GROUP FRAME



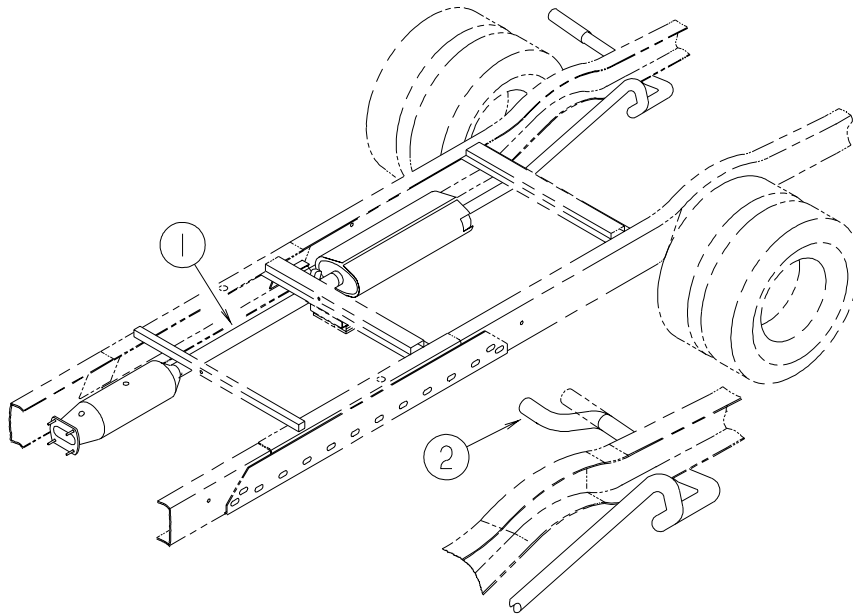
KEY	PART NUMBER	U/M	DESCRIPTION
1	135676-01-02B	EA	SHIELD - HEAT - E-COATED
2	136042-01-02B	EA	BRACKET - LP SUPPORT - E-COATED
3	138569-01-02B	EA	PLATE - W/SLOTS - F/SLIDEOUT - E-COATED
4	136995-03-02B	EA	PLATE - E-COATED
5	135458-04-02B	EA	BOX - ENTRY STEP - E-COATED
6	136388-02-02B	EA	GUARD - ROCK - E-COATED
7	111848-03-02B	EA	SHIELD - E-COAT
8	143817-01-02B	EA	BRACKET - ROCK GUARD - E-COATED
			FROM: 07-19-02 THRU: 99-99-99
9	135712-01-02B	EA	PLATE - BODY MOUNT - E-COATED

DRIVETRAIN

KEY	PART NUMBER	U/M	DESCRIPTION
	103653-23-000	EA	BOLT - U-JOINT - 5/16-24 X .75 - 331
	103653-24-000	EA	STRAP - U-JOINT - 331
	131695-06-000	EA	DRIVESHAFT - 3 BALANCED - 220" WHEELBASE - 331
	131694-09-000	EA	DRIVESHAFT ASSEMBLY - BALANCED PAIR - 190" WHEELBASE - 329B

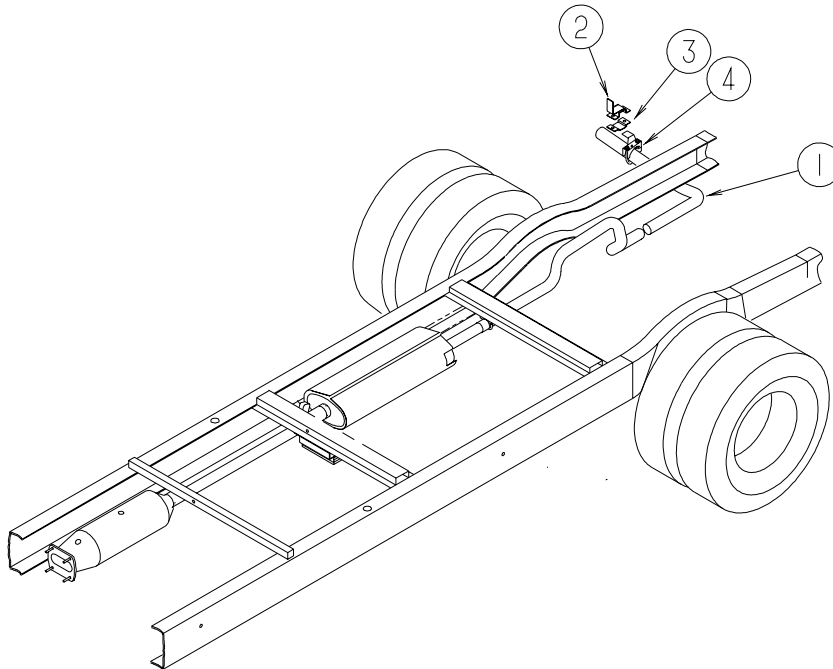
CHASSIS GROUP (CONTINUED)

EXHAUST



FORD

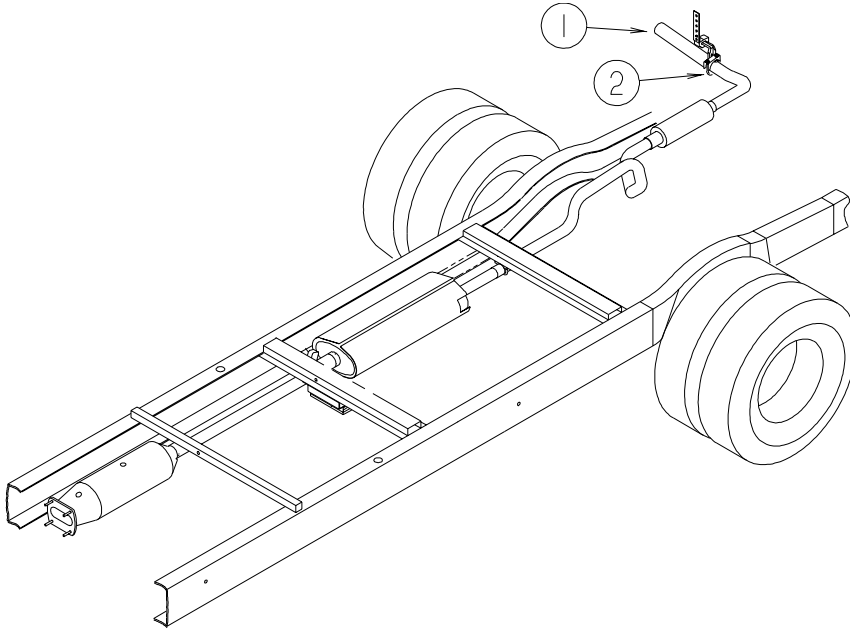
KEY	PART NUMBER	U/M	DESCRIPTION
1	111478-02-000	EA	EXHAUST PIPE - DOUBLE WALL STAINLESS STEEL - 34" - GAS - 329B
1	111478-04-000	EA	EXHAUST PIPE - DOUBLE WALL STAINLESS STEEL - 63.9" - GAS - 331
	094918-06-000	EA	CLAMP - EXHAUST - 3" - HEAVY DUTY
2	NOT USED		



FORD

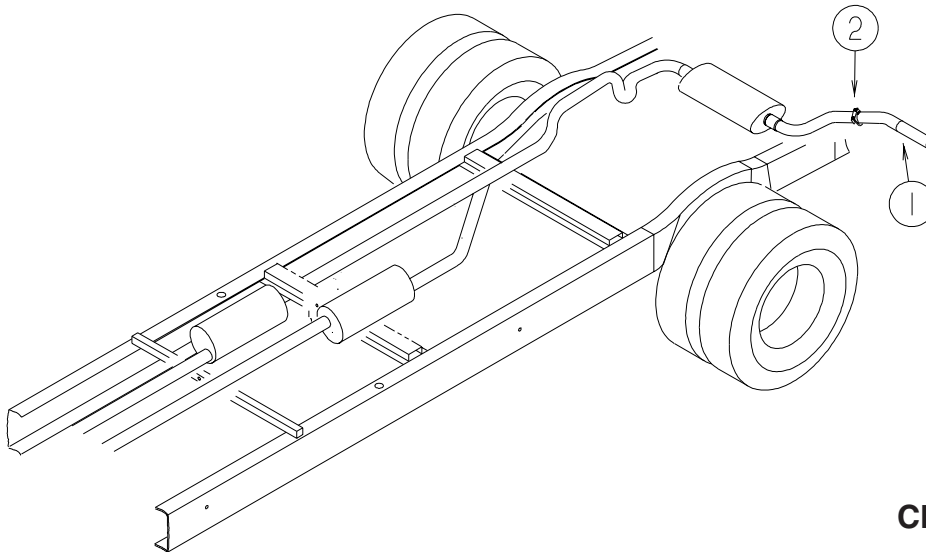
KEY	PART NUMBER	U/M	DESCRIPTION
1	111836-05-000	EA	PIPE - EXHAUST/TAIL - 322E, 322R
1	NOT USED - CHASSIS SUPPLIED		324F, 324V
2	117380-05-02B	EA	HANGER - TAILPIPE - E-COATED - 322E, 322R
3	096054-04-000	EA	SUPPORT - EXHAUST PIPE
4	095190-01-000	EA	HANGER - EXHAUST - 4" X 1.4"
4	094918-06-000	EA	CLAMP - EXHAUST - 3" - HEAVY DUTY

CHASSIS GROUP (CONTINUED)
EXHAUST (CONTINUED)



CHEVY - 324F, 324V

KEY	PART NUMBER	U/M	DESCRIPTION
1	124570-03-000	EA	PIPE - EXHAUST - TAIL - 2.75" DIAMETER
2	007125-08-000	EA	CLAMP - MUFFLER - 3" DIAMETER



CHEVY - 322E, 322R

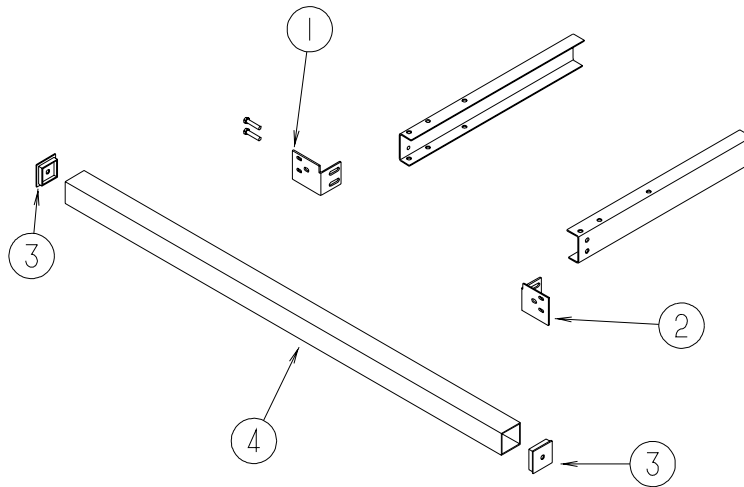
KEY	PART NUMBER	U/M	DESCRIPTION
1	124571-02-000	EA	PIPE - EXHAUST - TAIL
1	145774-01-000	EA	PIPE - EXHAUST - TAIL
2	007125-08-000	EA	CLAMP - MUFFLER - 3" DIAMETER

FROM: 00-00-00 THRU: 12-13-02
 FROM: 12-14-02 THRU: 99-99-99

CHASSIS GROUP (CONTINUED)

HITCH

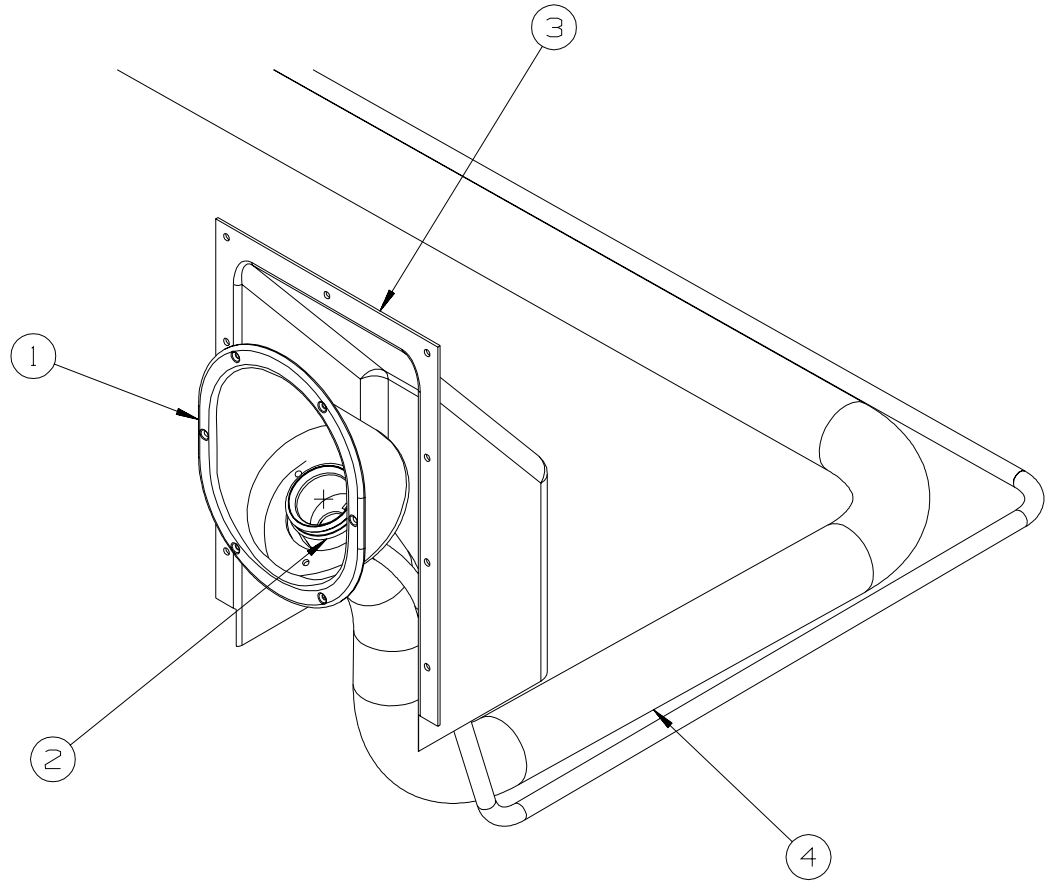
KEY	PART NUMBER	U/M	DESCRIPTION
	130339-04-000	EA	HITCH RECEIVER - BOLT ON CLASS II FROM: 00-00-00 THRU: 12-18-02
	130339-04-000	EA	HITCH RECEIVER - BOLT ON CLASS III FROM: 12-19-02 THRU: 99-99-99



REAR BUMPER

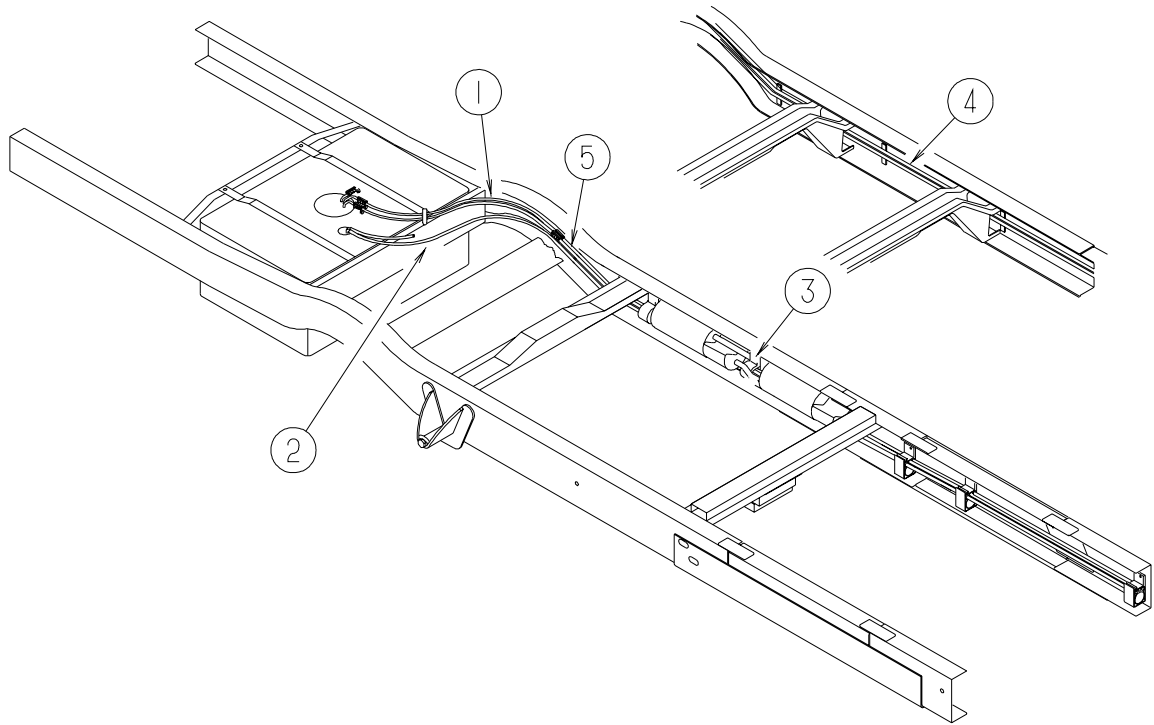
KEY	PART NUMBER	U/M	DESCRIPTION
1	104420-02-000	EA	SUPPORT/ANGLE - REAR BUMPER - LEFT HAND
2	104420-01-000	EA	SUPPORT/ANGLE - REAR BUMPER - RIGHT HAND
3	039779-01-000	EA	CAP - BUMPER - RUBBER - 4" X 4" - BLACK
4	103422-05-02A	EA	BUMPER - REAR - SQUARE ALUMINUM - 97.3" - BRIGHT WHITE
	140371-01-02B	EA	PLATE/WASHER - BUMPER - 3.3"SQ - E-COATED
	038327-01-000	EA	TAPE - ANTI-SLIP - 2" X 60'

CHASSIS GROUP (CONTINUED)
FUEL



KEY	PART NUMBER	U/M	DESCRIPTION
1	127291-02-01A	EA	SHROUD - FUEL FILL - BRIGHT WHITE
2	078200-01-000	EA	GASKET - FUEL FILL - 3.5"OD X 2"ID
3	078040-08-000	EA	SHROUD - FUEL FILL - UPPER - RECTANGULAR FROM: 00-00-00 THRU: 06-03-02
3	078040-06-000	EA	SHROUD - FUEL FILL - UPPER - RECTANGULAR FROM: 06-04-02 THRU: 99-99-99
4	127628-02-000	EA	NECK - FUEL FILL - UNLEADED

CHASSIS GROUP (CONTINUED)
FUEL (CONTINUED)



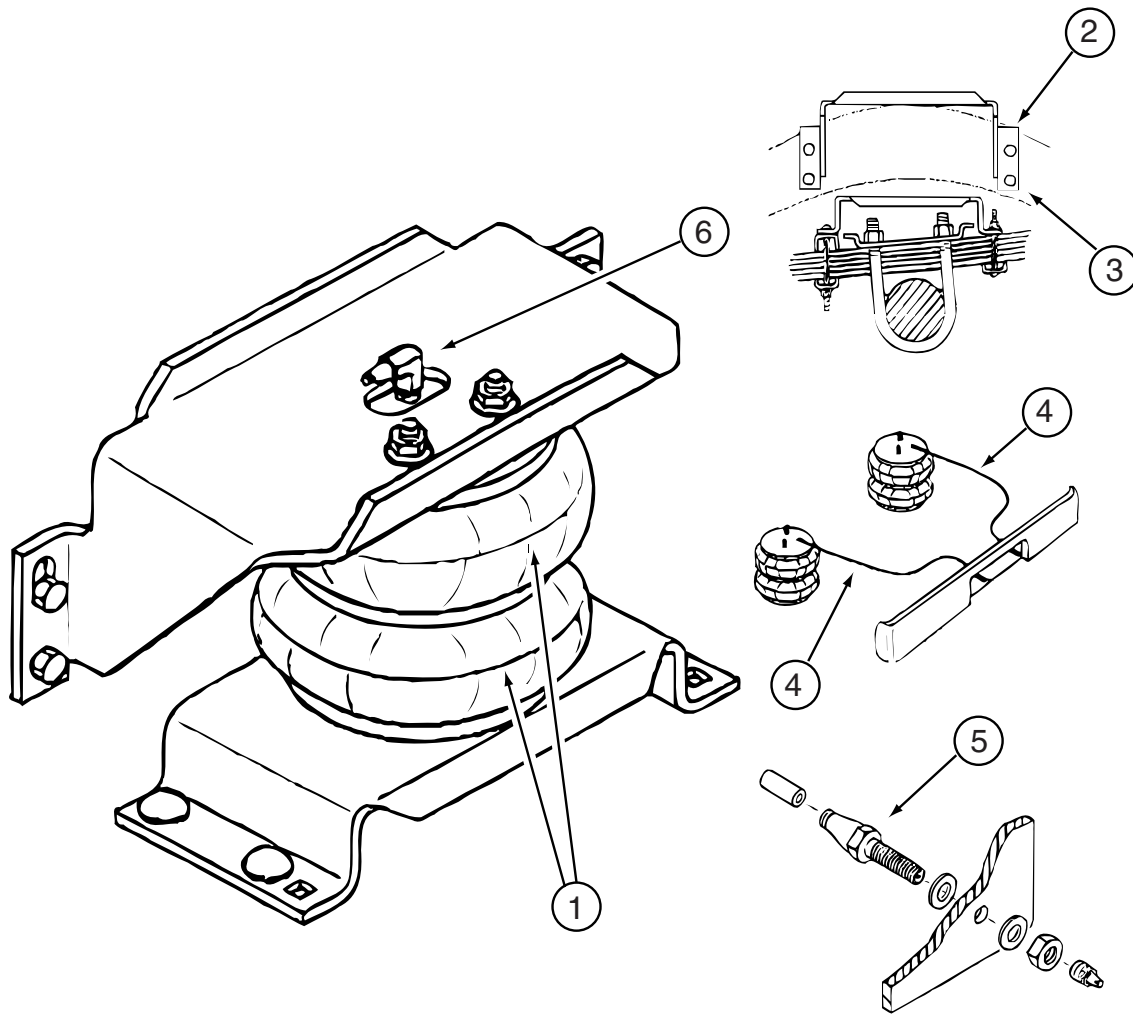
KEY	PART NUMBER	U/M	DESCRIPTION
1	106388-10-000	EA	FUEL LINE - FORD - 5/16 HP - FORD
1	106389-10-000	EA	FUEL LINE - FORD - 3/8 HP - FORD
2	125187-01-000	FT	HOSE - FUEL - LOW PERMEABILITY - 11.1 ID - FORD
3	125187-02-000	FT	HOSE - FUEL - LOW PERMEABILITY - 12.7" ID - FORD
	128139-03-000	FT	HOSE - FUEL - LOW PERMEABILITY - 1/4" DIAMETER
4	NOT USED		
	084884-01-000	EA	PLUG - BRASS - 3/8"

SUSPENSION

KEY	PART NUMBER	U/M	DESCRIPTION
*	135674-01-000	EA	AIRSPRING - AIR BAG KIT - FORD 450 SUPER DUTY CHASSIS FROM: 00-00-00 THRU: 01-06-03
*	144887-01-000	EA	AIRSPRING - 4" DIAMETER TWIN FROM: 01-07-03 THRU: 99-99-99

***COMPONENT PARTS LISTED LATER IN THIS GROUP**

SUSPENSION (CONTINUED)
COMPONENT PARTS FOR SUSPENSION



135674-01-000

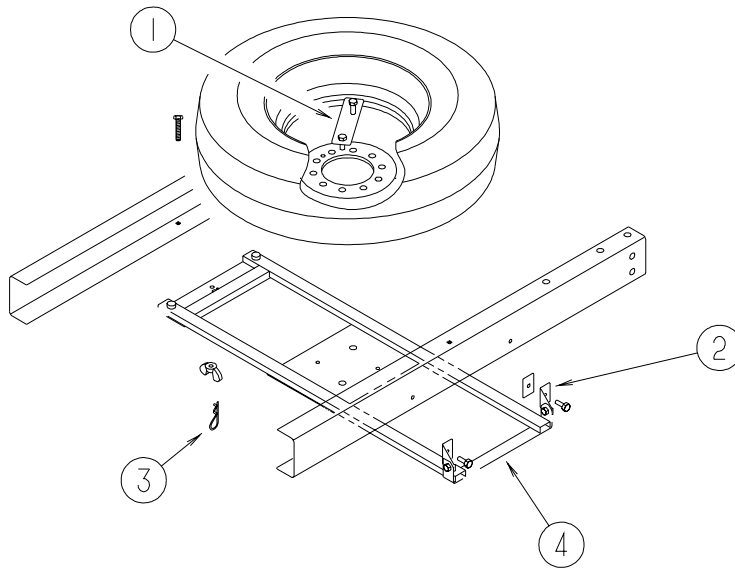
KEY	PART NUMBER	U/M	DESCRIPTION	VENDOR NO.
1	135674-01-700	EA	AIR SPRING	W21-760-6957
2	135674-01-701	EA	BRACKET - UPPER/RT & LT	5187
3	135674-01-702	EA	BRACKET - LOWER/RT & LT	5092
4	084086-01-701	EA	TUBING, DOT 1/4"X22'	21-0937
5	084086-05-706	EA	VALVE-INFLATION, PUSH TO CONN	3032
6	084086-04-703	EA	BRASS ELBOW	21-3028
	084086-01-705	EA	PROTECTOR-TUBING	21-0899
	084086-05-704	EA	BRACKET CLAMP	5086
	135674-01-703	EA	STRAP/SHIM - F/BRACKET	5093

144887-01-000

KEY	PART NUMBER	U/M	DESCRIPTION	VENDOR NO.
	144887-01-700	EA	BAG KIT - PASS - W/AIR LINE/FILL VALVE	T-9RKFH4WP
	144887-01-701	EA	BAG KIT - DR- W/AIR LINE/FILL VALVE	T-9RKFH4WD
	144887-01-702	EA	AIR LINE KIT - PASS - W/FILL VALVE	T-9FH4WALKP
	144887-01-703	EA	AIR LINE KIT - PR - W/FILL VALVE	T-9FH4WALKD

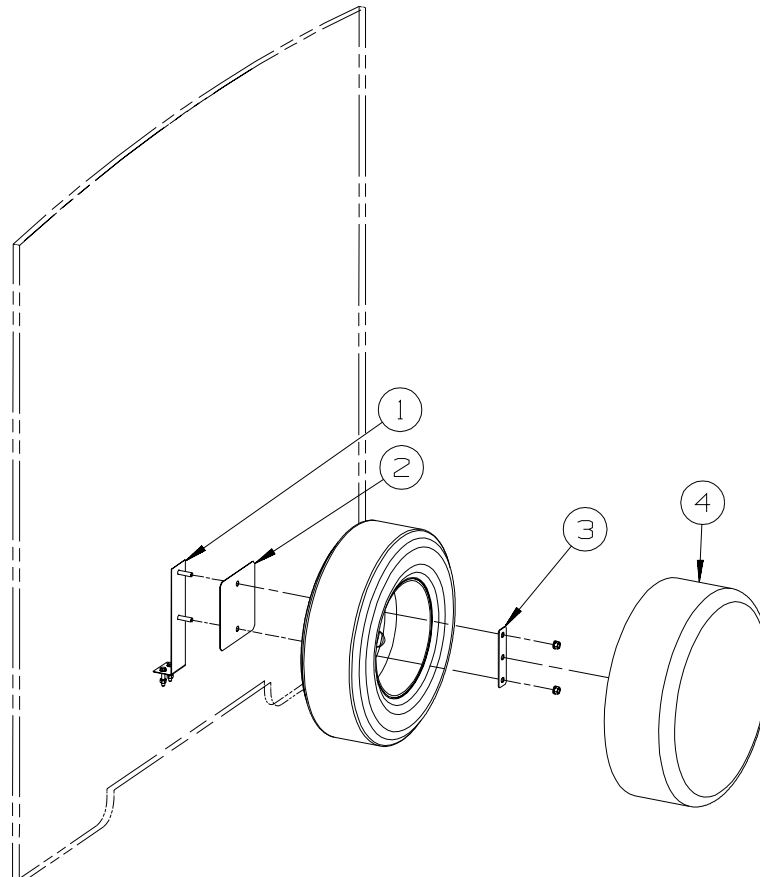
CHASSIS GROUP (CONTINUED)

SPARE TIRE



324F, 324V, 329B, 331C

KEY	PART NUMBER	U/M	DESCRIPTION
1	116338-02-02B	EA	BRACKET/CLAMP - SPARE TIRE - E-COATED
2	116349-04-02B	EA	BRACKET - HINGE - SPARE TIRE - E-COATED - 324F, 324V, 329B
2	116349-02-02B	EA	BRACKET - HINGE - SPARE TIRE - E-COATED - 331
3	034513-01-000	EA	PIN - HITCH - 3/16" WIRE
4	135796-02-02B	EA	CRADLE - SPARE TIRE - E-COATED - 324F, 324V, 329B
4	135796-04-02B	EA	CRADLE - SPARE TIRE - E-COATED - 331
	069726-02-000	EA	BUMPER - .88" OD X .40" THICK - BLACK



322E, 322R

KEY	PART NUMBER	U/M	DESCRIPTION
1	105209-05-02B	EA	BRACKET ASSEMBLY - SPARE TIRE
2	105208-01-000	EA	PLATE - SPARE TIRE
3	143547-01-02B	EA	RETAINER - SPARE TIRE - E-COATED
4	073322-09-N06	EA	COVER - TIRE - 30"
	073322-50-000	EA	COVER - UNIVERSAL LINER

CHASSIS GROUP (CONTINUED)

WHEEL, TIRE COVERS &/OR LINERS

KEY	PART NUMBER	U/M	DESCRIPTION
*	091209-05-000	EA	LINER - WHEEL - SET OF 4 - 16" - STAINLESS STEEL - CHEVY
*	110435-13-000	EA	LINER - WHEEL - SET OF 4 - 16" (8 HOLE) - FORD
	095012-05-000	EA	EXTENSION - VALVE STEM - LIVE - 5"
	077030-02-000	EA	EXTENSION - VALVE STEM - 1.25"
	095012-06-000	EA	STABILIZER - VALVE EXTENSION - LIVE - 2"
*	109443-05-000	EA	WHEEL COVER - 4/SET - 16" STAINLESS STEEL - 8 LUG
	070917-06-000	EA	TIRE - LT225/75R16E - R4S M/S - FIRESTONE - FORD
			FROM: 00-00-00 THRU: 05-17-02
	143401-01-000	EA	TIRE - LT225/75R16 LRE - GOODYEAR WRANGLER HT - FORD
			FROM: 05-18-02 THRU: 06-16-02
	083425-14-000	EA	TIRE - LT225/75R16 LRE - MICHELIN LTX M/S - FORD
			FROM: 06-17-02 THRU: 99-99-99
	106715-01-000	EA	TIRE - LT 225/75 R16 - LRD 550 AS - CHEVY
	051377-03-000	EA	VALVE STEM - CHEVY
	051377-04-000	EA	VALVE STEM - .5" X 2" - FORD
	112358-01-000	EA	WRENCH - LUG - 7/8" - L-SHAPE
	083617-04-000	EA	WHEEL - STEEL - 6" X 16" - FORD
	089359-03-000	EA	WHEEL - STEEL - 6" X 16" - 8 HOLE - PRIMED - #28623 - CHEVY

*COMPONENT PARTS LISTED LATER IN THIS GROUP

CHASSIS GROUP (CONTINUED)
COMPONENT PARTS FOR WHEEL, TIRE, COVERS &/OR LINERS

091209-05-000

KEY	PART NUMBER	U/M	DESCRIPTION	VENDOR NO.
	091209-03-702	EA	COVER-AXLE, FRONT, 8 LUG	64UE
	091209-03-703	EA	COVER-AXLE, REAR, 8 LUG	65UE
	091209-03-704	EA	RING-SNAP	00
	091209-05-700	EA	LINER-WHEEL, FRONT	57-88 KAPER
	091209-05-701	EA	LINER-WHEEL, REAR	58-88

109443-05-000

KEY	PART NUMBER	U/M	DESCRIPTION	VENDOR NO.
	098532-01-700	EA	COVER-LUG NUT (CHROME)	SHAU-LNC
	109443-05-700	EA	COVER-WHEEL, 16" SS EA=1	SHFM16-CVR

110435-13-000

KEY	PART NUMBER	U/M	DESCRIPTION	VENDOR NO.
	110435-01-711	EA	DECAL-CENTER CAP, 2"	2" DECAL
	110435-10-705	EA	TOOL - INSTALLATION	V195P7-TOL
	110435-13-700	EA	LINER - WHEEL - FRONT	V160F7-FWC
	110435-13-701	EA	LINER - WHEEL - REAR	V160F7-RWC
	110435-13-702	EA	COVER-LUG NUT W/JAMB NUT FT	V160F7-EJN

CHASSIS GROUP (CONTINUED)

BRAKE OR BRAKELINE

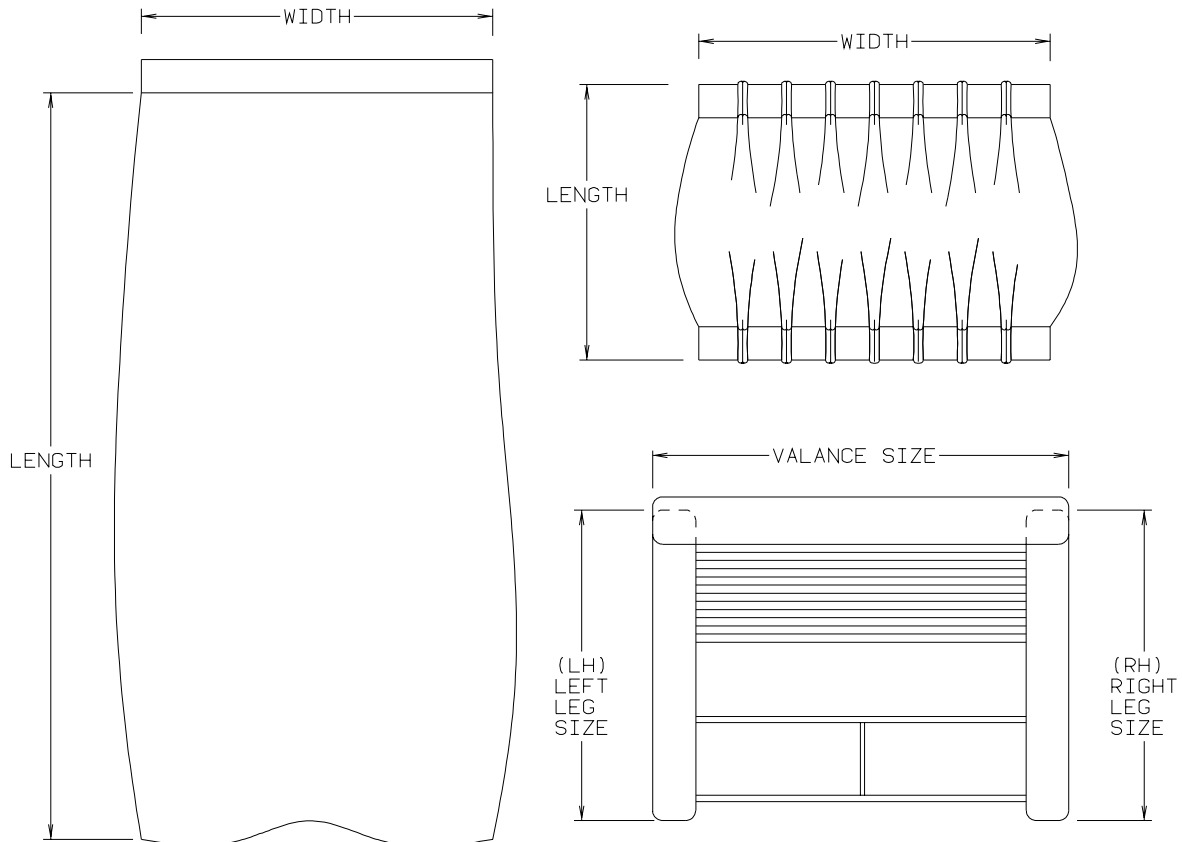
KEY	PART NUMBER	U/M	DESCRIPTION
	088498-01-000	EA	UNION - INVERTED FLARE - BRASS - 3/16

CURTAIN & CUSHION GROUP

NOTICE

IN ORDER TO ASSIST OUR PARTS SALES DEPT. IN PROVIDING INTERIOR SOFTWARE ITEMS, PLEASE INCLUDE THE SERIAL NUMBER AND THE COLOR CODE NUMBER FROM THE VEHICLE CERTIFICATION LABEL WHEN ORDERING. THIS LABEL IS LOCATED ON THE LEFT SIDEWALL AT THE END OF THE DASH (A-BODY), OR ON THE DRIVER'S DOOR LATCH PLATE (C-BODY).

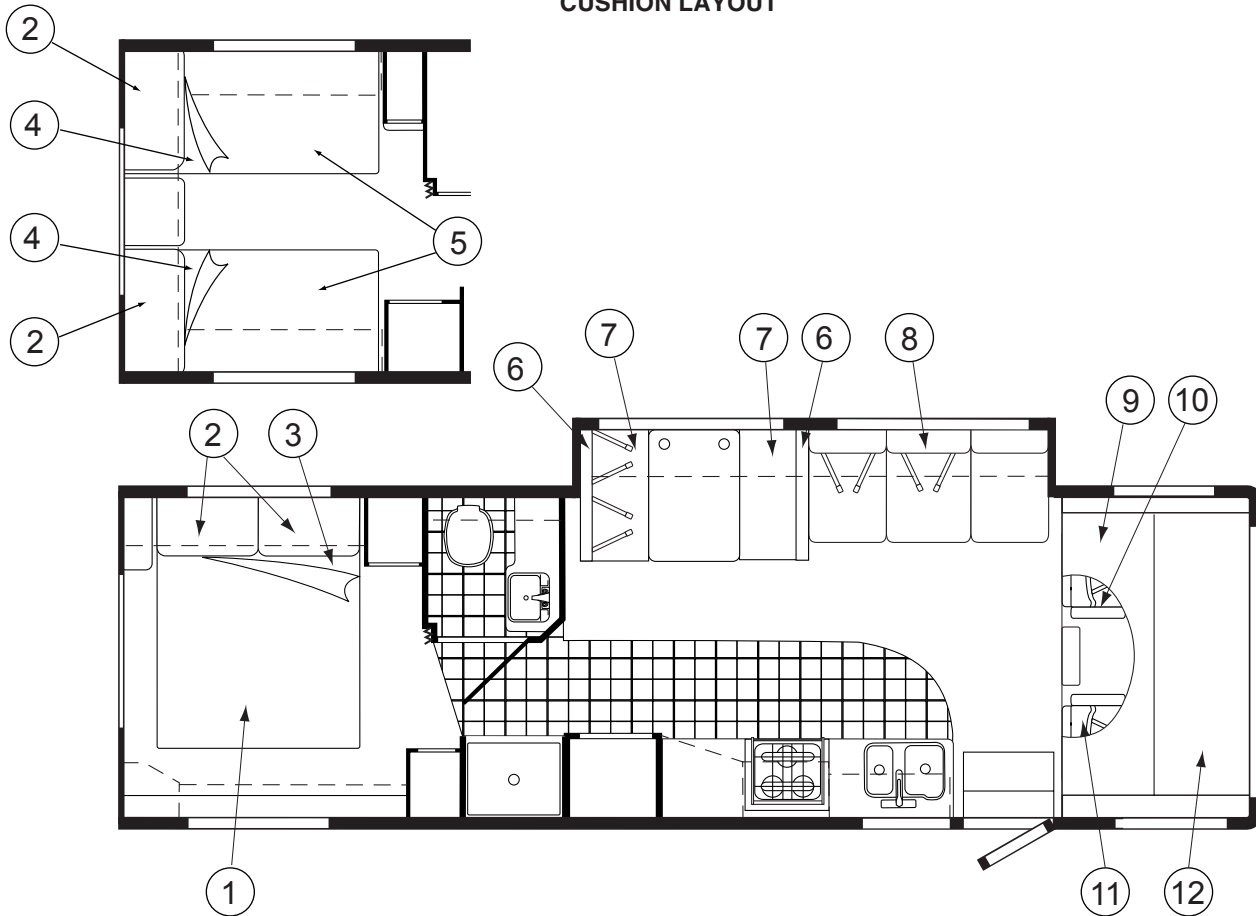
AN EXAMPLE OF A COLOR CODE NUMBER IS B07, WHICH DESIGNATES AN OVERALL COLOR SCHEME OF A PARTICULAR UNIT. THE COLOR LISTED AFTER THE ITEM DESCRIPTION ON THE MICROFICHE, INDICATES THE OVERALL UNIT COLOR. ORDER THE ITEM YOU DESIRE ACCORDING TO UNIT COLOR CODE. IF ALL COLORS USE THE SAME ITEM NO COLOR CODE WILL BE NOTED.



NOTE: USE THIS ILLUSTRATION WHEN DETERMINING LENGTH AND WIDTH MEASUREMENTS FOR CURTAINS. YOU WILL NOTE THE WIDTH MEASUREMENT IS TAKEN ON THE TOP OF THE CURTAIN WITH THE CURTAIN FULLY EXTENDED. THE LENGTH MEASUREMENT IS TAKEN FROM TOP TO BOTTOM. LEFT AND RIGHT WINDOW LEGS ARE DETERMINED WHEN FACING THE WINDOW.

CURTAIN & CUSHION GROUP (CONTINUED)

CUSHION LAYOUT



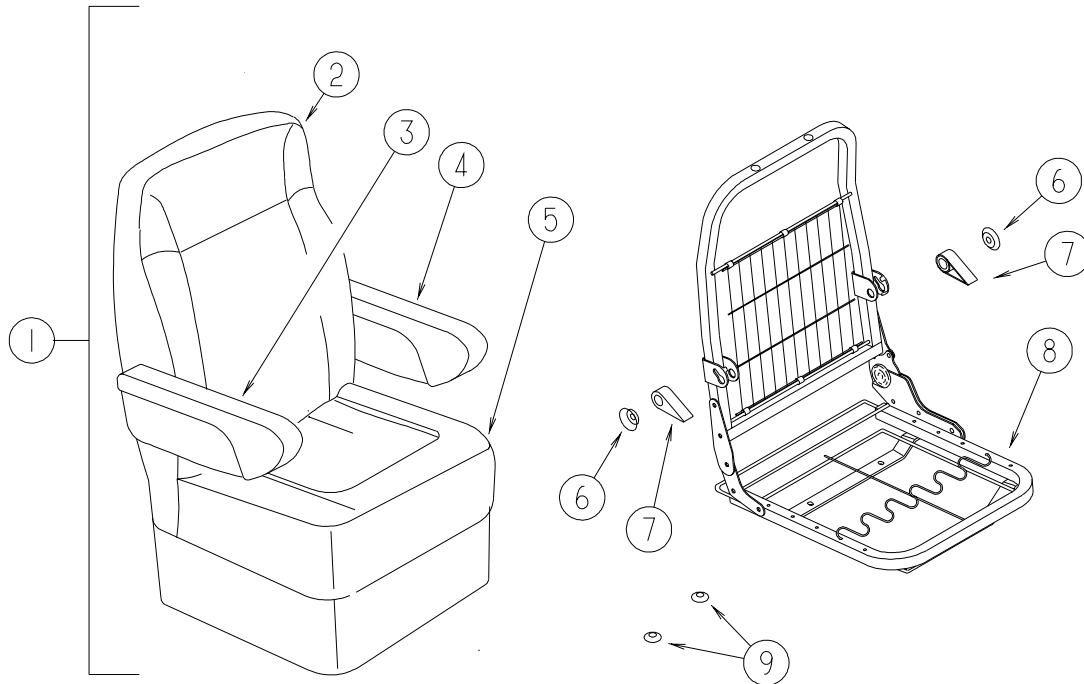
KEY	PART NUMBER	U/M	DESCRIPTION
1	132336-09-P10	EA	BEDSPREAD/CAP - 60" X 75"
1	132336-09-P11	EA	BEDSPREAD/CAP - 60" X 75"
1	132336-09-P12	EA	BEDSPREAD/CAP - 60" X 75"
2	104176-04-P10	EA	PILLOW SHAM - 30" (P10)
2	104176-04-N39	EA	PILLOW SHAM - 30" (P11)
2	104176-04-P35	EA	PILLOW SHAM - 30" (P12)
3	123015-06-000	EA	MATTRESS - INNERSPRING - 60" X 74.5"
4	101123-29-000	EA	MATTRESS - FOAM - 35" X 74"
5	132336-10-P10	EA	BEDSPREAD/CAP - 36" X 75"
5	132336-10-P11	EA	BEDSPREAD/CAP - 36" X 75"
5	132336-10-P12	EA	BEDSPREAD/CAP - 36" X 75"
6	111897-21-P10	EA	CUSHION - SEAT BACK - 12.5" X 42" X 5" (P10)
6	111897-25-N05	EA	CUSHION - BACK - 13.5" X 30" X 5" (P11)
6	111897-21-P12	EA	CUSHION - SEAT BACK - 12.5" X 42" X 5" (P12)
	P11897-21-P10	EA	COVER - BACK - 12.5" X 42" X 5" (P10)
	P11897-25-N05	EA	COVER - DINETTE BACK - 13.5" X 30" X 5" (P11)
	P11897-21-P12	EA	COVER - BACK - 12.5" X 42" X 5" (P12)
7	105603-23-P10	EA	CUSHION - SEAT - 21" X 42" X 5" (P10)
7	105603-31-N05	EA	CUSHION - SEAT - 21" X 42" X 5" (P11)
7	105603-23-P35	EA	CUSHION - SEAT - 21" X 42" X 5" (P12)
	P05603-23-P10	EA	COVER - SEAT - 21" X 42" X 5" (P10)
	P05603-31-N05	EA	COVER - SEAT - 21" X 42" X 5" (P11)
	P05603-23-P35	EA	COVER - SEAT - 21" X 42" X 5" (P12)
8		EA	SOFA/BED - SEE SOFA AREA
9	105573-17-P07	EA	CUSHION - OVERHEAD BUNK/REAR - 27" X 23" X 80" X 5" (P10)
9	105573-17-N05	EA	CUSHION - OVERHEAD BUNK/REAR - 27" X 23" X 80" X 5" (P11)
9	105573-17-P12	EA	CUSHION - OVERHEAD BUNK/REAR - 27" X 23" X 80" X 5" (P12)
	P05573-17-P07	EA	COVER - OVERHEAD/REAR - 27" X 23" X 80" X 5" (P10)
	P05573-17-N05	EA	COVER - OVERHEAD/REAR - 27" X 23" X 80" X 5" (P11)
	P05573-17-P12	EA	COVER - OVERHEAD/REAR - 27" X 23" X 80" X 5" (P12)

CURTAIN & CUSHION GROUP (CONTINUED)
CUSHION LAYOUT (CONTINUED)

KEY	PART NUMBER	U/M	DESCRIPTION
10	136590-01-P10	EA	BUCKET SEAT - DRIVER
10	136590-01-P11	EA	BUCKET SEAT - DRIVER
10	136590-01-P12	EA	BUCKET SEAT - DRIVER
10	136590-09-M04	EA	BUCKET SEAT - DRIVER - LEATHER FACED CAB SEAT
11	136590-02-P10	EA	BUCKET SEAT - PASSENGER
11	136590-02-P11	EA	BUCKET SEAT - PASSENGER
11	136590-02-P12	EA	BUCKET SEAT - PASSENGER
11	136590-10-M04	EA	BUCKET SEAT - PASSENGER - LEATHER FACED CAB SEAT
12	105573-18-P07	EA	CUSHION - OVERHEAD BUNK/FRONT - 32.5" X 80" X 5" (P10)
12	105573-18-N05	EA	CUSHION - OVERHEAD BUNK/FRONT - 32.5" X 80" X 5" (P11)
12	105573-18-P12	EA	CUSHION - OVERHEAD BUNK/FRONT - 32.5" X 80" X 5" (P12)
	P05573-18-P07	EA	COVER - OVERHEAD/FRONT - 32.5" X 80" X 5" (P10)
	P05573-18-N05	EA	COVER - OVERHEAD/FRONT - 32.5" X 80" X 5" (P11)
	P05573-18-P12	EA	COVER - OVERHEAD/FRONT - 32.5" X 80" X 5" (P12)

CURTAIN & CUSHION GROUP (CONTINUED)

BUCKET SEATS



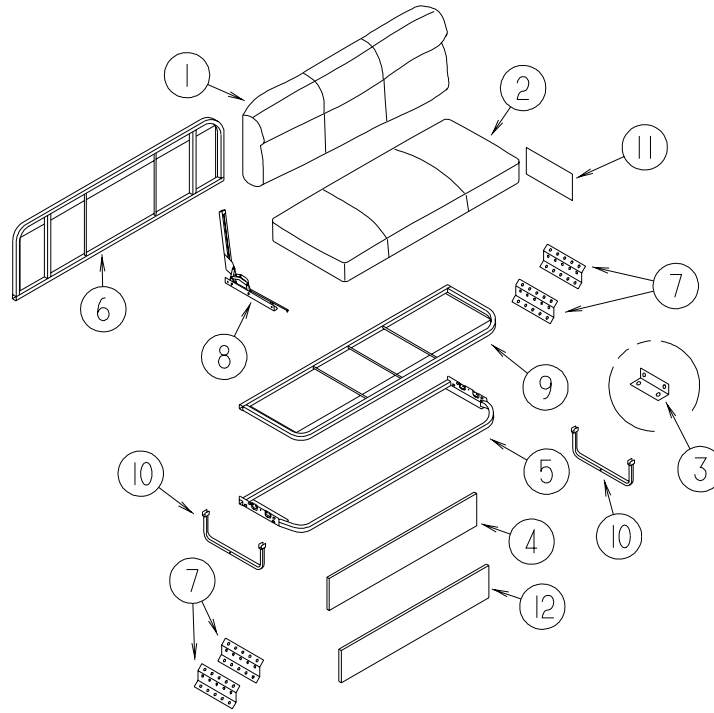
KEY	PART NUMBER	U/M	DESCRIPTION
1	136590-01-P10	EA	BUCKET SEAT - DRIVER - FORD
1	136590-01-P11	EA	BUCKET SEAT - DRIVER - FORD
1	136590-01-P12	EA	BUCKET SEAT - DRIVER - FORD
1	136590-03-P10	EA	BUCKET SEAT - DRIVER - W/SKIRT - CHEVY
1	136590-03-P11	EA	BUCKET SEAT - DRIVER - W/SKIRT - CHEVY
1	136590-03-P12	EA	BUCKET SEAT - DRIVER - W/SKIRT - CHEVY
1	136590-09-M04	EA	BUCKET SEAT - DRIVER - LEATHER FACED CAB SEAT - FORD
1	136590-11-P10	EA	BUCKET SEAT - DRIVER - W/SKIRT - LEATHER FACED CAB SEAT - CHEVY
1	136590-02-P10	EA	BUCKET SEAT - PASSENGER - FORD
1	136590-02-P11	EA	BUCKET SEAT - PASSENGER - FORD
1	136590-02-P12	EA	BUCKET SEAT - PASSENGER - FORD
1	136590-04-P10	EA	BUCKET SEAT - PASSENGER - W/SKIRT - CHEVY
1	136590-04-P11	EA	BUCKET SEAT - PASSENGER - W/SKIRT - CHEVY
1	136590-04-P12	EA	BUCKET SEAT - PASSENGER - W/SKIRT - CHEVY
1	136590-10-M04	EA	BUCKET SEAT - PASSENGER - LEATHER FACED CAB SEAT - FORD
1	136590-12-M04	EA	BUCKET SEAT - PASSENGER - W/SKIRT - LEATHER FACED CAB SEAT - CHEVY
2	M05962-E1-P10	EA	COVER - BACK (P10)
2	M05962-E1-N05	EA	COVER - BACK (P11)
2	M05962-E1-P12	EA	COVER - BACK (P12)
2	M05962-E7-M04	EA	COVER - BACK - LEATHER FACED CAB SEAT
3	129666-07-P10	EA	ARMREST - RIGHT HAND (P10)
3	129666-07-N05	EA	ARMREST - RIGHT HAND (P10)
3	129666-07-P12	EA	ARMREST - RIGHT HAND (P10)
3	129666-09-M04	EA	ARMREST - RIGHT HAND - LEATHER FACED CAB SEAT
	P29666-07-P10	EA	COVER - ARMREST/RIGHT HAND (P10)
	P29666-07-L08	EA	COVER - ARMREST/RIGHT HAND (P11)
	P29666-07-P12	EA	COVER - ARMREST/RIGHT HAND (P12)
	P29666-09-M04	EA	COVER - ARMREST/RIGHT HAND - LEATHER FACED CAB SEAT
	130698-01-000	EA	ARMREST/MOLDED - RIGHT - W/O COVER

CURTAIN & CUSHION GROUP (CONTINUED)
BUCKET SEATS (CONTINUED)

KEY	PART NUMBER	U/M	DESCRIPTION
4	129666-08-P10	EA	ARMREST - LEFT HAND (P10)
4	129666-08-N05	EA	ARMREST - LEFT HAND (P11)
4	129666-08-P12	EA	ARMREST - LEFT HAND (P12)
4	129666-10-M04	EA	ARMREST - LEFT HAND - LEATHER FACED CAB SEAT
	P29666-08-P10	EA	COVER - ARMREST/LEFT HAND (P10)
	P29666-08-N05	EA	COVER - ARMREST/LEFT HAND (P11)
	P29666-08-P12	EA	COVER - ARMREST/LEFT HAND (P12)
	P29666-10-M04	EA	COVER - ARMREST/LEFT HAND - LEATHER FACED CAB SEAT
	130698-02-000	EA	ARMREST/MOLDED - LEFT - W/O COVER
5	M05962-E2-P10	EA	COVER - SEAT (P10) - FORD
5	M05962-E2-N05	EA	COVER - SEAT (P11) - FORD
5	M05962-E2-P12	EA	COVER - SEAT (P12) - FORD
5	M05962-E8-M04	EA	COVER - SEAT - LEATHER FACED CAB SEAT - FORD
5	M05962-E3-P10	EA	COVER - SEAT - W/SKIRT (P10) - CHEVY
5	M05962-E3-N05	EA	COVER - SEAT - W/SKIRT (P11) - CHEVY
5	M05962-E3-P12	EA	COVER - SEAT - W/SKIRT (P12) - CHEVY
5	M05962-E9-M04	EA	COVER - SEAT - W/SKIRT - LEATHER FACED CAB SEAT - CHEVY
	029134-01-000	EA	CLIP-FINISH-K2915-UPHOLSTERY
6	130802-03-000	EA	SCREW F/LEVER
7	130802-01-000	EA	LEVER - LEFT HAND
7	130802-02-000	EA	LEVER - RIGHT HAND
8	132875-03-000	EA	FRAME - RIGHT HAND CHAIR/TAPERED BACK
8	132875-04-000	EA	FRAME - LEFT HAND CHAIR/TAPERED BACK
9	007221-01-000	EA	SPACER - SEAT/ADJUSTER

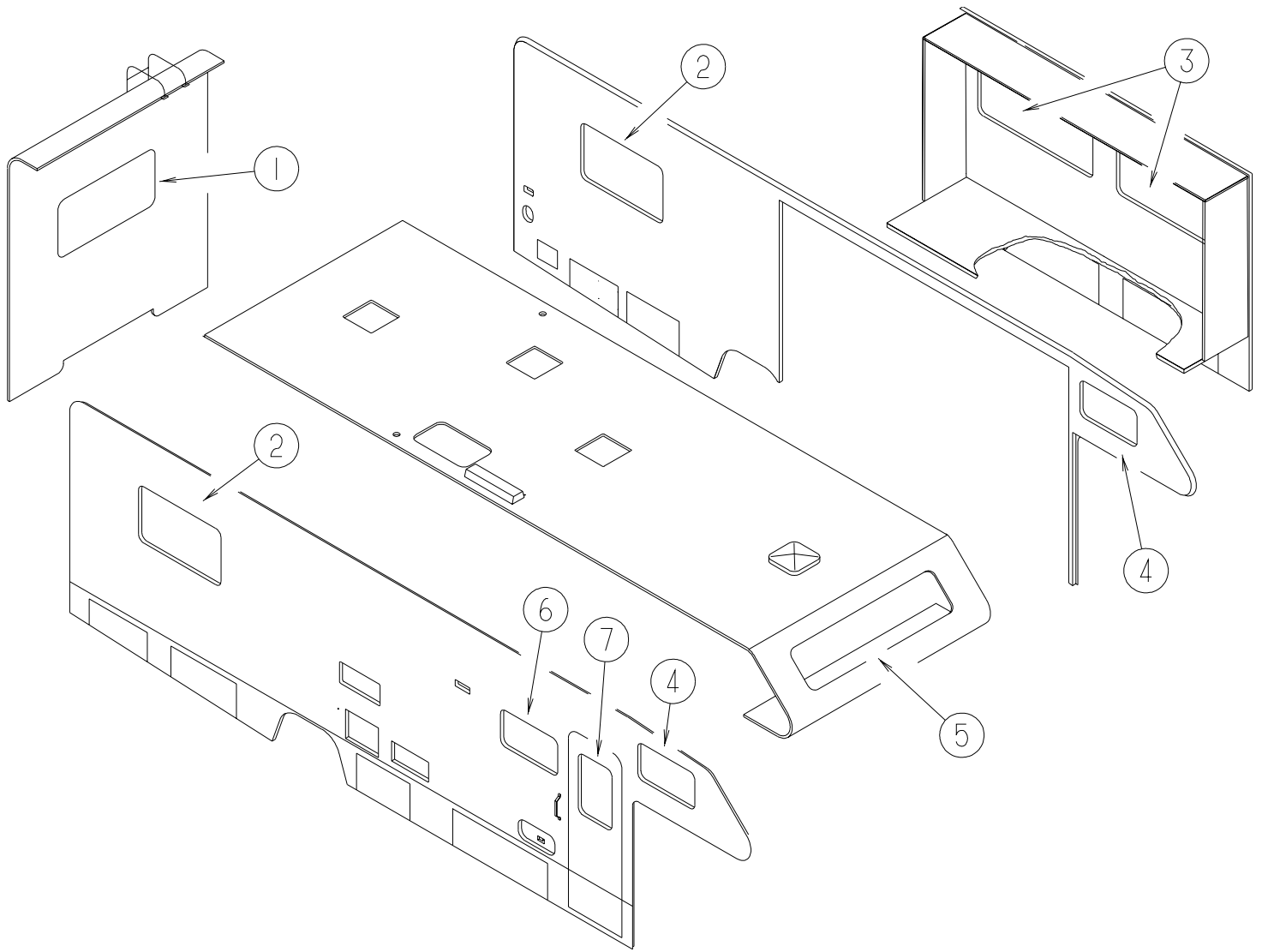
CURTAIN & CUSHION GROUP (CONTINUED)

SOFA



KEY	PART NUMBER	U/M	DESCRIPTION
1	111319-03-P10	EA	BACK - SOFA/BED - W/FRAME - 66.5" (P10)
1	111319-03-N05	EA	BACK - SOFA/BED - W/FRAME - 66.5" (P11)
1	111319-03-P12	EA	BACK - SOFA/BED - W/FRAME - 66.5" (P12)
	P11319-03-P10	EA	COVER - BACK - 66.5" (P10)
	P11319-03-N05	EA	COVER - BACK - 66.5" (P11)
	P11319-03-P12	EA	COVER - BACK - 66.5" (P12)
2	100032-37-P10	EA	SEAT - SOFA/BED W/FRAME - 66.5" (P10)
2	100032-37-N05	EA	SEAT - SOFA/BED W/FRAME - 66.5" (P11)
2	100032-37-P12	EA	SEAT - SOFA/BED W/FRAME - 66.5" (P12)
	P00032-37-P10	EA	COVER/SEAT - SOFA/SLEEPER - 66.5" (P10)
	P00032-37-N05	EA	COVER - SEAT - SOFA/SLEEPER - 66.5" (P11)
	P00032-37-P12	EA	COVER/SEAT - SOFA/SLEEPER - 66.5" (P12)
3	082525-01-000	EA	BRACE - COUCH - FLOOR MOUNT - ANGLE 3" LONG
4	142692-01-P10	EA	PANEL/FRONT KICK - SOFA/BED - FABRIC COVERED
4	142692-01-P11	EA	PANEL/FRONT KICK - SOFA/BED - FABRIC COVERED
4	142692-01-P12	EA	PANEL/FRONT KICK - SOFA/BED - FABRIC COVERED
5	101085-03-000	EA	FRAME - BASE - SOFA/BED - 66.5"
6	101085-09-000	EA	FRAME - BACK - SOFA/BED - 66.5" X 16"
7	101926-01-02A	EA	BRACKET - ZEE - 2" - BLACK
8	113990-09-000	EA	LOCK - BRACKET - MALE - CANADIAN
8	122556-04-01A	EA	LOCK - JACK KNIFE SEAT - CANADIAN
9	101085-01-000	EA	FRAME - SEAT - SOFA/BED - 66.5"
10	114763-08-000	EA	FRAME - FORWARD FACING LEGS
11	M02634-25-P10	EA	SKIRT - SOFA/SLEEPER (P10)
11	M02634-25-N05	EA	SKIRT - SOFA/SLEEPER (P11)
11	M02634-25-P12	EA	SKIRT - SOFA/SLEEPER (P12)
12	142692-11-P10	EA	DOOR/FRONT KICK PANEL - FABRIC COVERED
12	142692-11-P11	EA	DOOR/FRONT KICK PANEL - FABRIC COVERED
12	142692-11-P12	EA	DOOR/FRONT KICK PANEL - FABRIC COVERED

CURTAIN & CUSHION GROUP (CONTINUED)
WINDOW TREATMENT



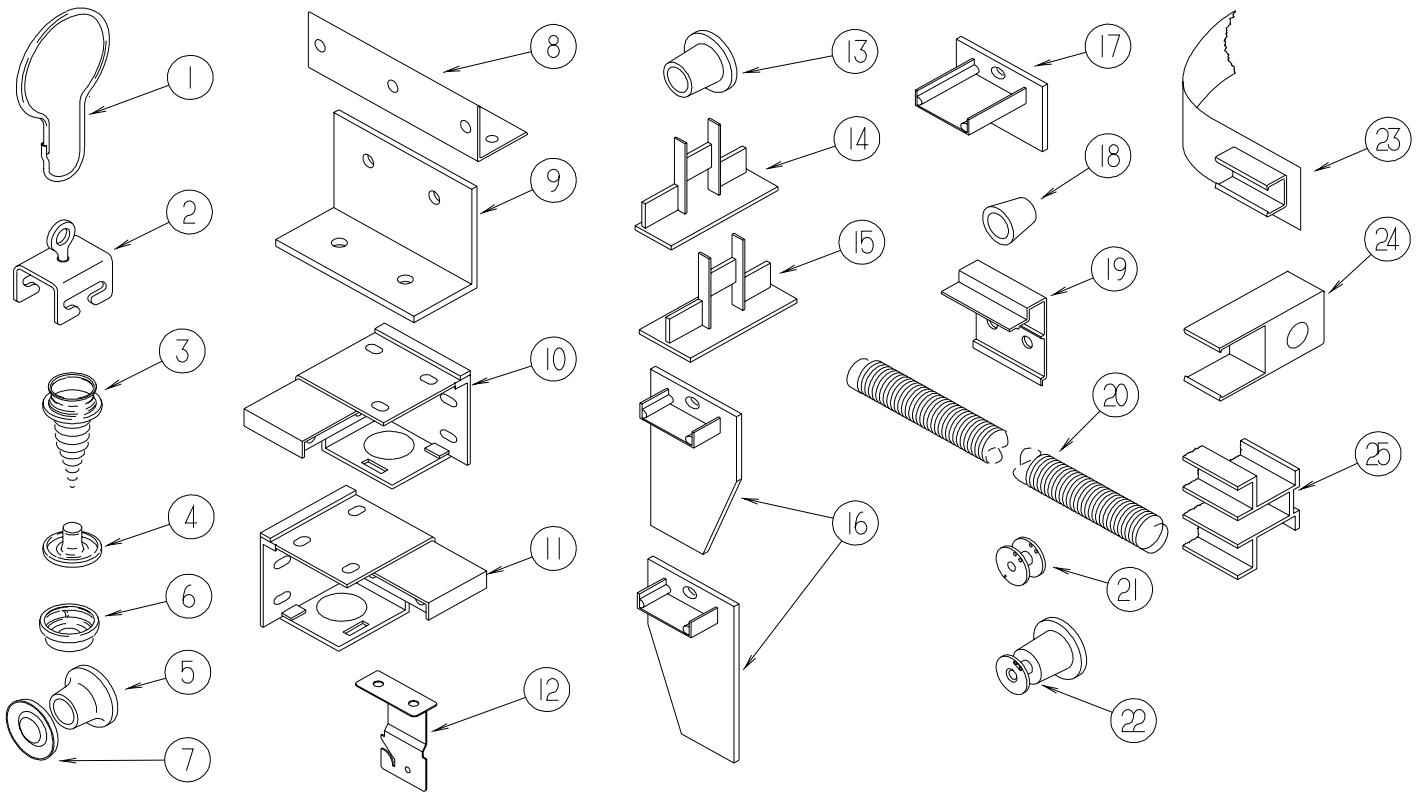
KEY	PART NUMBER	U/M	DESCRIPTION
1	139139-01-P10	EA	VALANCE - MILAN - 54"
1	139139-01-P11	EA	VALANCE - MILAN - 54"
1	139139-01-P12	EA	VALANCE - MILAN - 54"
1	140789-03-N02	EA	BLIND - DAY/NIGHTER - 51" X 27"
1	136988-15-N47	EA	LEG - RIGHT - 26" (P10)
1	136988-15-N39	EA	LEG - RIGHT - 26" - FABRIC COVERED (P11)
1	136988-15-P35	EA	LEG - RIGHT - 26" (P12)
1	136988-16-N47	EA	LEG - LEFT - 26" (P10)
1	136988-16-N39	EA	LEG - LEFT - 26" - FABRIC COVERED (P11)
1	136988-16-P35	EA	LEG - LEFT - 26" (P12)
2	139139-03-P10	EA	VALANCE - MILAN - 46" (P10)
2	139139-03-N05	EA	VALANCE - MILAN - 46" (P11)
2	139139-03-P12	EA	VALANCE - MILAN - 46" (P12)
2	140789-02-N02	EA	BLIND - DAY/NIGHTER - 43" X 28"
2	136988-15-N47	EA	LEG - RIGHT - 26" (P10)
2	136988-15-N39	EA	LEG - RIGHT - 26" - FABRIC COVERED (P11)
2	136988-15-P35	EA	LEG - RIGHT - 26" (P12)
2	136988-16-N47	EA	LEG - LEFT - 26" (P10)
2	136988-16-N39	EA	LEG - LEFT - 26" - FABRIC COVERED (P11)
2	136988-16-P35	EA	LEG - LEFT - 26" (P12)
3	138097-03-P10	EA	VALANCE - CUFFED - 62.5" (P10)
3	138097-03-N39	EA	VALANCE - CUFFED - 62.5" (P11)
3	138097-03-P12	EA	VALANCE - CUFFED - 62.5" (P12)
3	140789-08-N02	EA	BLIND - DAY/NIGHTER - 59" X 26.5"

CURTAIN & CUSHION GROUP (CONTINUED)
WINDOW TREATMENT (CONTINUED)

KEY	PART NUMBER	U/M	DESCRIPTION
3	127017-47-P10	EA	LEG - RIGHT - 23.5" (P10)
3	127017-47-N39	EA	LEG - RIGHT - 23.5" - FABRIC COVERED (P11)
3	127017-47-P12	EA	LEG - RIGHT - 23.5" (P12)
3	127017-48-P10	EA	LEG - LEFT - 23.5" (P10)
3	127017-48-N39	EA	LEG - LEFT - 23.5" - FABRIC COVERED (P11)
3	127017-48-P12	EA	LEG - LEFT - 23.5" (P12)
4	101034-63-P10	EA	CURTAIN - RIGHT HAND - 19.5" X 31" (P10)
4	101034-63-N05	EA	CURTAIN - RIGHT HAND - 19.5" X 31" (P11)
4	101034-63-P12	EA	CURTAIN - RIGHT HAND - 19.5" X 31" (P12)
4	101034-64-P10	EA	CURTAIN - LEFT HAND - 19.5" X 31" (P10)
4	101034-64-N05	EA	CURTAIN - LEFT HAND - 19.5" X 31" (P11)
4	101034-64-P12	EA	CURTAIN - LEFT HAND - 19.5" X 31" (P12)
5	101034-66-P10	EA	CURTAIN - RIGHT HAND - 19" X 56"
5	101034-66-P11	EA	CURTAIN - RIGHT HAND - 19" X 56"
5	101034-66-P12	EA	CURTAIN - RIGHT HAND - 19" X 56"
5	101034-67-P10	EA	CURTAIN - LEFT HAND - 19" X 56"
5	101034-67-P11	EA	CURTAIN - LEFT HAND - 19" X 56"
5	101034-67-P12	EA	CURTAIN - LEFT HAND - 19" X 56"
6	109041-57-03A	EA	BLIND-MINI,26X17"
7	121410-C2-P10	EA	VALANCE - MODERATE - 10" X 33"
7	121410-C2-P11	EA	VALANCE - MODERATE - 10" X 33"
7	121410-C2-P12	EA	VALANCE - MODERATE - 10" X 33"
7	116582-06-000	EA	VALANCE - ENTRY DOOR - 31" X 5"
7	084755-57-E07	EA	SHADE - PULL - 27.25"
	076892-30-P10	EA	CURTAIN - CAB PRIVACY - 45" X 74"
	076892-30-P11	EA	CURTAIN - CAB PRIVACY - 45" X 74"
	076892-30-P12	EA	CURTAIN - CAB PRIVACY - 45" X 74"
	101668-39-P10	EA	CURTAIN - RIGHT HAND - TAPE TOP - 35" X 50" (P10) BUNK PRIVACY
	101668-39-N05	EA	CURTAIN - RIGHT HAND - 35" X 50" (P11) BUNK PRIVACY
	101668-39-P12	EA	CURTAIN - RIGHT HAND - TAPE TOP - 35" X 50" (P12) BUNK PRIVACY
	101668-40-P10	EA	CURTAIN - LEFT HAND - TAPE TOP - 35" X 50" (P10) BUNK PRIVACY
	101668-40-N05	EA	CURTAIN - LEFT HAND - 35" X 50" (P11) BUNK PRIVACY
	101668-40-P12	EA	CURTAIN - LEFT HAND - TAPE TOP - 35" X 50" (P12) BUNK PRIVACY
	073260-23-P10	EA	TIEBACK - 3" X 18" (P10) BUNK PRIVACY
	073260-23-N05	EA	TIEBACK - 3" X 18" (P11) BUNK PRIVACY
	073260-23-P12	EA	TIEBACK - 3" X 18" (P12) BUNK PRIVACY

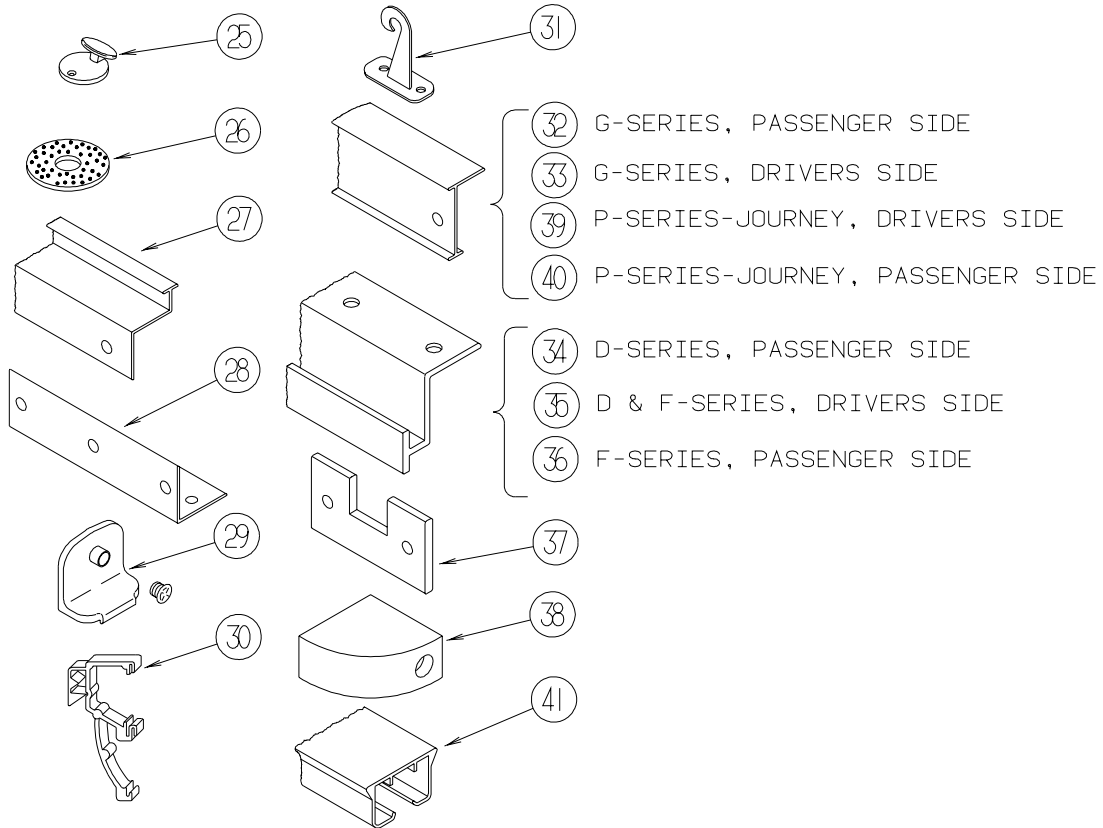
CURTAIN & CUSHION GROUP (CONTINUED)

HARDWARE



KEY	PART NUMBER	U/M	DESCRIPTION
1	009136-02-000	EA	HANGER - RING - PIN TYPE - CURTAIN - BRASS
2	009702-01-000	EA	END STOP - CURTAIN CARRIER - L - ROD
3	029130-01-000	EA	SCREW - SNAP STUD - #8-16 X 3/8" LONG
3	029130-03-000	EA	SCREW - SNAP STUD - #8-16 X 1" LONG
4	029155-01-000	EA	CAP - SNAP - 5/32" OUTSIDE DIAMETER OF PIN
5	029156-01-000	EA	SOCKET - SNAP - 9/16" O.D.
6	046867-02-000	EA	WASHER - HANDY BUTTON #3
7	046867-03-000	EA	GROMMET - HANDY BUTTON #3
8	075943-10-000	EA	BRACE - VALANCE - 20" - OFF WHITE
9	083125-07-000	EA	BRACE - ANGLE/COUCH - 2.5" - OFF WHITE
9	083125-08-000	EA	BRACE - WINDOW MOUNT - .75" - OFF WHITE
10	083170-01-000	EA	BRACKET/BLIND - LEFT SIDE WHEN FACING WINDOW - CLEAR
11	083170-02-000	EA	BRACKET/BLIND - RIGHT SIDE WHEN FACING WINDOW - CLEAR
12	084434-01-000	EA	BRACKET - MOUNTING - ROLLER SHADE - 1 3/8"
13	094896-02-000	EA	GROMMET - CORD/PLEATED BLIND - NYLON - GRAY
14	094907-02-000	EA	END CAP - PLEATED BLIND/TOP - RH/LH - GRAY PLASTIC
15	094907-04-000	EA	END CAP - PLEATED BLIND/BOTTOM - RH/LH
16	094907-05-000	EA	END CAP - PLEATED BLIND/BOTTOM - PULL TYPE - PLASTIC
17	094907-06-000	EA	END CAP - PLEATED BLIND/TOP
18	097564-99-000	EA	HANDLE - KNOB - E-Z LIFT SHADE - COLORLESS
19	097565-01-000	EA	BRACKET - MOUNTING - PLEATED BLIND
20	097591-01-000	EA	SPRING - EXTENSION - PLEATED BLIND
21	097592-01-000	EA	SPOOL - CORD - ELEVATED BLIND HOLDUP - SMALL - CLEAR
22	097592-02-000	EA	SPOOL - CORD - ELEVATED BLIND HOLDUP - LARGE - CLEAR
	097593-02-000	FT	CORD - BLIND - PLEATED - GRAY
	097593-06-000	FT	CORD - BLIND - PLEATED - PEWTER
	097593-10-000	FT	CORD - BLIND - PLEATED - VANILLA
23	101031-01-000	YD	TAPE/GLIDE - 4.25" SPACING
24	101033-02-000	EA	END CAP - LOW PROFILE TRACK - CLEAR
25	101033-08-000	EA	TRACK/WALL - 75" - FRT BUNK WINDOW 300 SERIES (MINNIE/SPIRIT)
25	101033-09-000	EA	TRACK/WALL - 32" - SIDE BUNK WINDOW 200 SERIES/300 SERIES (VISTA/SUNSTAR /MINNIE/SPIRIT)

CURTAIN & CUSHION GROUP (CONTINUED)
HARDWARE (CONTINUED)



KEY	PART NUMBER	U/M	DESCRIPTION
25	102555-03-000	EA	CLEAT - BLIND CORD - MILKY WHITE - PLASTIC
26	103242-01-000	EA	VELCRO HOOK - BEIGE 7/8" ROUND W/CENTER HOLE
26	103242-02-000	EA	VELCRO HOOK - BLACK 7/8" ROUND W/CENTER HOLE
27	105450-14-01A	EA	TRACK - CURTAIN - 90" - OFF WHITE - FRONT BUNK PRIVACY 300 SERIES (MINNIE/SPIRITE)
27	105450-15-01A	EA	TRACK - CURTAIN - 82.3" - OFF WHITE - FRONT BUNK PRIVACY 200 SERIES (VISTA/SUNSTAR)
28	105648-01-02A	EA	BRACE - VALANCE - OFF/WHITE - 14"
29	106544-01-000	EA	PULL - SHADE/BRASS
	106544-01-001	EA	SCREW - SHADE/BRASS
30	109353-04-000	EA	CLIP - VALANCE SLAT MOUNTING - CLEAR PLASTIC
	109441-02-000	EA	SPACER/BRACKET - BLIND HOLD DOWN
31	109441-03-000	EA	BRACKET/HOOK - BLIND HOLD DOWN - CLOUDY
32	126456-03-04A	EA	TRACK/WRAPAROUND - PASSENGER - GLACIER - G SERIES (ADVENTURER/SUNCRUISER)
33	126456-04-04A	EA	TRACK/WRAPAROUND - DRIVER - GLACIER - G SERIES (ADVENTURER/SUNCRUISER)
34	127254-03-05A	EA	TRACK/WRAPAROUND - PASSENGER - GLACIER - D SERIES (SIGHTSEER/SUNOVA)
35	127254-04-05A	EA	TRACK/WRAP - DRIVER - GLACIER - D SERIES/F SERIES (SIGHTSEER/SUNOVA/BRAVE/SUNRISE)
36	127254-14-03A	EA	TRACK/WRAPAROUND - PASSENGER - GLACIER - F SERIES (BRAVE/SUNRISE)
37	130549-01-01A	EA	STOP - CURTAIN TRACK
38	132504-01-N92	EA	BRACKET - SHADE
39	133235-01-04A	EA	TRACK - CURTAIN/LEFT HAND - GLACIER - P SERIES (JOURNEY)
40	133236-01-04A	EA	TRACK - CURTAIN/RIGHT HAND - GLACIER - P SERIES (JOURNEY)
41	138460-01-02A	EA	TRACK/CURTAIN - PASSENGER - WHITE - Q SERIES (ULTIMATE ADVANTAGE/ULTIMATE FREEDOM)
	138460-02-02A	EA	TRACK/CURTAIN - DRIVER - WHITE - Q SERIES (ULTIMATE ADVANTAGE/ULTIMATE FREEDOM)
41	138460-03-02A	EA	TRACK/CURTAIN - PASSENGER - WHITE - P SERIES (JOURNEY DL/HORIZON)
	138460-04-02A	EA	TRACK/CURTAIN - DRIVER - WHITE - P SERIES (JOURNEY DL/HORIZON)
41	138460-05-02A	EA	TRACK/CURTAIN - PASSENGER - WHITE - L SERIES (CHIEFTAIN/SUNFLYER)
	138460-06-02A	EA	TRACK/CURTAIN - DRIVER - WHITE - L SERIES (CHIEFTAIN/SUNFLYER)
	141634-01-000	EA	BOBBIN-PLEATED,ADJUSTABLE

FROM: 06-17-02 THRU: 99-99-99

CURTAIN & CUSHION GROUP (CONTINUED)

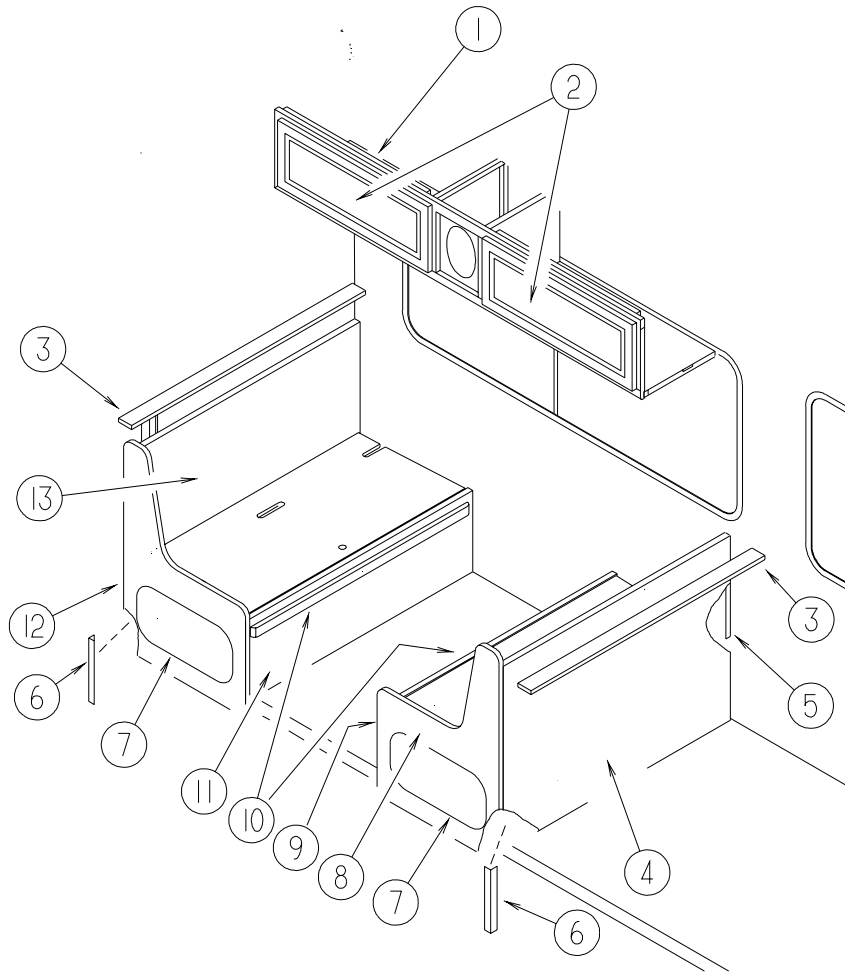
ACCESSORIES

KEY	PART NUMBER	U/M	DESCRIPTION
	074494-02-000	EA	BUTTON - RETAINING PIVOT - #60
	074494-03-000	EA	BUTTON - SERRATED PIVOT - W/3/8 TACK
	007021-01-000	EA	SEAT BELT - 2" X 90" - BLACK
	056271-01-000	EA	SEAT BELT - 2" X 102" - BLACK
	057534-01-000	EA	TIEBACK - CLEAR PLASTIC - 6"
	057534-03-000	EA	TIEBACK - CLEAR PLASTIC - 7.5"
	099717-04-000	EA	STRAP - W/21.2" FEMALE STRAP AND 27.1" MALE STRAP

CURTAIN & CUSHION GROUP (CONTINUED)
FABRICS

2003 FAMILY	P10 GREENGAGE	P11 BAYWATER	P12 WOODBINE BEIGE
BUCKET	566 SEAT	566 SEAT	566 SEAT
	126883-L7-000	126883-42-000	126883-L9-000
	*OPT. LEATH/COBRA SILVER	*OPT. LEATH/COBRA SILVER	*OPT. LEATH/COBRA SILVER
	079680-39-000 (BOXING)	079680-39-000 (BOXING)	079680-39-000 (BOXING)
DINETTE	SQUARE CLUB	SQUARE CLUB	SQUARE CLUB
	126883-L6-000	126883-F0-000	126883-L8-000
DINETTE PADS	126883-L7-000	126883-42-000	126883-L9-000
SOFA	695 /K.E. JACK KNIFE	695 /K.E. JACK KNIFE	695 /K.E. JACK KNIFE
	126883-L6-000	126883-E8-000	126883-L8-000
LOUNGE CHAIR	465 CHAIR	465 CHAIR	465 CHAIR
	126883-L7-000	126883-42-000	126883-L9-000
LOUNGE	CUFFED VALANCE	CUFFED VALANCE	CUFFED VALANCE
WINDOWS	126883-L7/126883-L6	126883-42/126883-E8	126883-L9/126883-L8
	UNDERLAY/OVERLAY	UNDERLAY/OVERLAY	UNDERLAY/OVERLAY
	BUTTONS - 126883-L7-000	BUTTONS - 126883-42-000	BUTTONS - 126883-L9-000
	LEGS - 126883-L7-000	LEGS - 126883-42-000	LEGS - 126883-L9-000
FWA, BLACKOUT,	105745-Y0-000	105745-Y3-000	137813-29-000
PRIVACY & OVHD			
CURTAINS			
OVERHEAD BUNK	126883-L7-000	126883-42-000	126883-L9-000
DIVIDER CURTAIN	105745-X9/105745-Y0	105745-X3/105745-Y3	137813-28/137813-29
DAY/NIGHTER	094911-53/094911-50	094911-53/094911-50	094911-53/094911-50
	COTTON/WT. DECO	COTTON/WT. DECO	COTTON/WT. DECO
GALLEY BLINDS	386 SNOCAP	386 SNOCAP	386 SNOCAP
BEDROOM WDO	MILAN VALANCE	MILAN VALANCE	MILAN VALANCE
TREATMENT	105745-X9/105745-Y0	105745-X3/105745-Y3	137813-28/137813-29
	LEGS - 105745-Y0-000	LEGS - 105745-Y3-000	LEGS - 137813-29-000
BEDCOVER	BEDCAP W/1/2" N-G WELT	BEDCAP W/1/2" N-G WELT	BEDCAP W/1/2" N-G WELT
	105745-X9/105745-Y0	105745-X3/105745-Y3	137813-28/137813-29
QUILT PATTERN	DIAMOND	DIAMOND	DIAMOND
SHAMS	1/2" NON-GATH. WELT	1/2" NON-GATH. WELT	1/2" NON-GATH. WELT
	105745-X9/105745-Y0	105745-X3/105745-Y3	137813-28/137813-29
VANITY CHAIR	REM CHAIR	REM CHAIR	REM CHAIR
	126883-L7-000	126883-42-000	126883-L9-000
VINYL-EXPANDED	103907-01-01A	103907-01-01A	103907-01-01A
VINYL-HEADLINER	103907-01-06A	103907-01-06A	103907-01-06A
VINYL-TIRE COVER	103907-05-000	103907-05-000	103907-05-000
VINYL-CEILING	113979-12-01A	113979-12-01A	113979-12-01A
DRAPERY LINING	087272-03-000	087272-03-000	087272-03-000

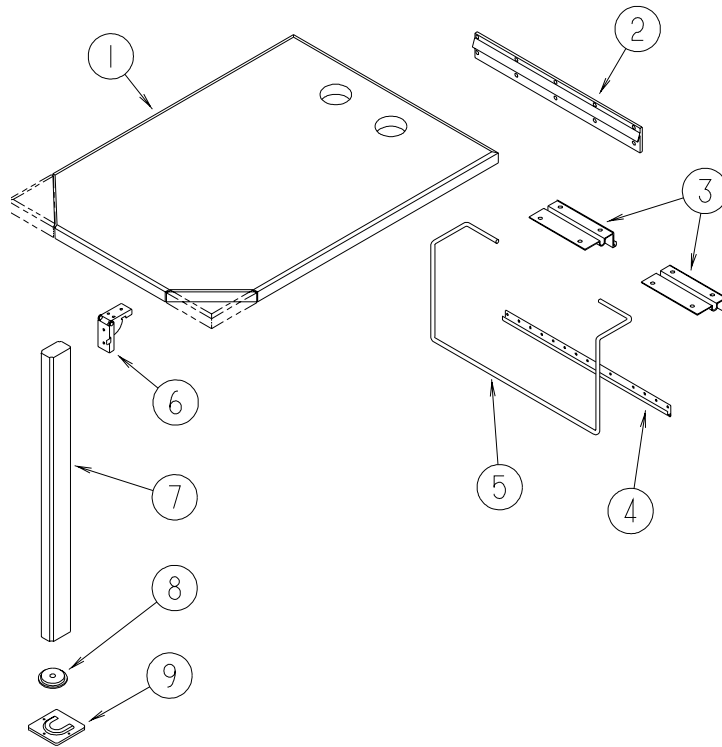
DINETTE GROUP CABINETS



KEY	PART NUMBER	U/M	DESCRIPTION
1	137298-01-P10	EA	CABINET - OVERHEAD/FRONT - DINETTE - W/O DOORS/HARDWARE
1	137298-01-P11	EA	CABINET - OVERHEAD/FRONT - DINETTE - W/O DOORS/HARDWARE
1	137298-01-P12	EA	CABINET - OVERHEAD/FRONT - DINETTE - W/O DOORS/HARDWARE
2	136955-46-P10	EA	DOOR - RAISED PANEL/PENCIL EDGE - 10.8" X 28" - W/O HDW
			FROM: 00-00-00 THRU: 05-05-02
2	136955-25-P34	EA	DOOR - RAISED PANEL/PENCIL EDGE - 10" X 25.2" - W/O HDW
			FROM: 05-06-02 THRU: 99-99-99
3	111338-11-P10	EA	PAD - DINETTE SEATBACK (P10)
3	111338-11-N05	EA	PAD - DINETTE SEATBACK (P11)
3	111338-11-P12	EA	PAD - DINETTE SEATBACK (P12)
4	137450-13-N01	EA	PANEL/BACK - DINETTE SEAT - RIGHT HAND
5	122021-02-02A	EA	ANGLE - W/HOLES - 13.7" LONG - OFF WHITE
6	122021-01-02A	EA	ANGLE - W/HOLES - 8.6" LONG - OFF WHITE
7	134783-02-N04	EA	DOOR - RAIL/SOLID PANEL - 10" X 19.1" - W/O HARDWARE
8	137450-16-N01	EA	PANEL/END CAP - DINETTE SEAT - RIGHT HAND
9	137450-11-N01	EA	PANEL/FACE - DINETTE SEAT - RIGHT HAND
10	081295-01-N70	EA	SUPPORT - BED/DINETTE - 28" LONG
11	137450-18-N01	EA	PANEL/FACE - DINETTE SEAT - LEFT HAND
12	137450-24-N01	EA	PANEL/END CAP - DINETTE SEAT - LEFT HAND
13	137450-20-N01	EA	PANEL/BACK - DINETTE SEAT - LEFT HAND

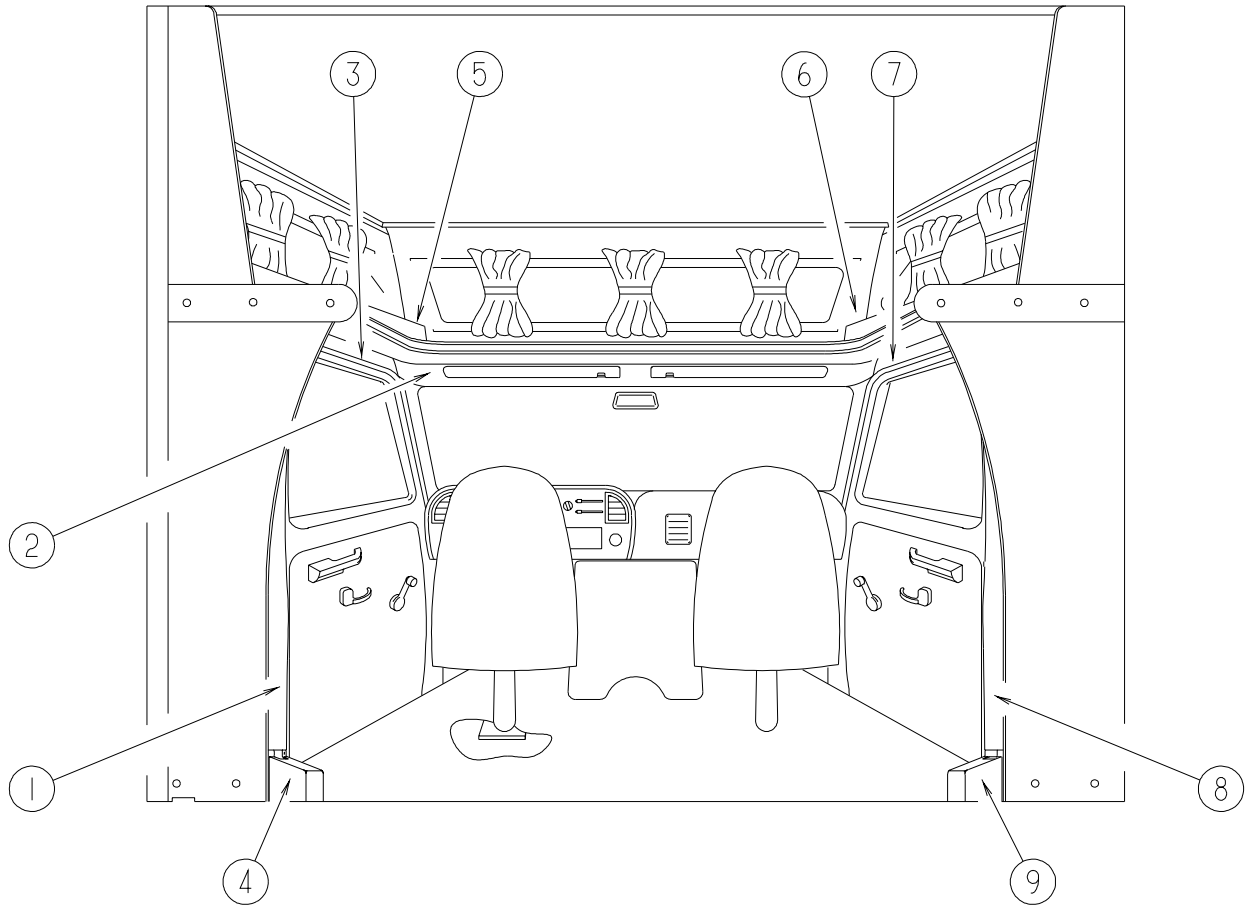
DINETTE GROUP (CONTINUED)

TABLE



KEY	PART NUMBER	U/M	DESCRIPTION
1	132034-01-P07	EA	TABLE TOP ONLY - 41.6" X 29.7" - (P10) 324V, 322R
1	132034-02-P07	EA	TABLE TOP ONLY - 41.6" X 25" - EGGHELL (P10) 322E, 331T
1	132034-03-P07	EA	TABLE TOP ONLY - 37.7" X 29.7" - (P10) 324F
1	132034-20-P07	EA	TABLE TOP ONLY - 24" X 37.7" (P10) 329B
1	132034-01-N01	EA	TABLE TOP ONLY - 41.6" X 29.7" (P11) 324V, 322R
1	132034-02-N01	EA	TABLE TOP ONLY - 41.6" X 25" - GRAY TRANQUILITY (P11) 322E, 331T
1	132034-03-N01	EA	TABLE TOP ONLY - 37.7" X 29.7" (P11) 324F
1	132034-20-N01	EA	TABLE TOP ONLY - 24" X 37.7" (P11) 329B
1	132034-01-M03	EA	TABLE TOP ONLY - 41.6" X 29.7" (P12) 324V, 322R
1	132034-02-M03	EA	TABLE TOP ONLY - 41.6" X 25" - WHITE TALC (P12) 322E, 331T
1	132034-03-M03	EA	TABLE TOP ONLY - 37.7" X 29.7" (P12) 324F
1	132034-20-M03	EA	TABLE TOP ONLY - 24" X 37.7" (P12) 329B
2	053200-13-000	EA	SUPPORT - TABLE - 18.5"
			FROM: 00-00-00 THRU: 11-10-02
2	140921-02-01A	EA	SUPPORT - TABLE - 18.5" - OFF WHITE
			FROM: 11-11-02 THRU: 99-99-99
3	088410-02-000	EA	BRACKET - LIFT - TABLE MOUNTED
			FROM: 00-00-00 THRU: 11-10-02
3	140921-03-01A	EA	HANGER - TABLE - W/VINYL - OFF WHITE
			FROM: 11-11-02 THRU: 99-99-99
4	024281-15-000	EA	BRACKET/TABLE - LIFT ROD/LOWER WALL MOUNTED - 17.1"
5	024275-13-000	EA	ROD - TABLE LIFT - OFF/WHITE
6	093550-01-000	EA	BRACKET - HINGE - MOUNTS TO LEG & TABLE TOP - 1.7" X 2.6"
7	092707-04-10A	EA	LEG - TABLE - W/O HARDWARE - 27" - PORTSMOUTH OAK II
8	092593-01-05A	EA	CATCH - TABLE LEG - OFF/WHITE
			FROM: 00-00-00 THRU: 12-04-02
8	143798-02-01A	EA	CATCH - TABLE LEG - BRIGHT WHITE
			FROM: 12-05-02 THRU: 99-99-99
9	049493-12-000	EA	CATCH - TABLE LEG/FLOOR MOUNTED - OFF WHITE
			FROM: 00-00-00 THRU: 12-04-02
9	143798-01-01A	EA	CATCH - FLOOR TO TABLE LEG - BRIGHT WHITE
			FROM: 12-05-02 THRU: 99-99-99

DRIVERS COMPARTMENT GROUP FRONT INTERIOR



KEY	PART NUMBER	U/M	DESCRIPTION
1	125031-02-H04	EA	TRIM - CAB - B-PILLAR - DRIVER SIDE - FORD
2	106448-03-N01	EA	HEADLINER - W/VINYL - FORD
2	124818-02-P07	EA	HEADLINER - W/VINYL - CHEVY
3	106447-04-H04	EA	TRIM - CAB DOOR - UPPER/LEFT HAND - FORD
4	106431-01-02A	EA	COVER - SEATBELT RECOIL - DRIVER SIDE - VW GRAY
5	141795-02-P07	EA	CABINET/HAMPER - FRONT - W/DOOR - W/O HARDWARE (P10)
5	141795-02-P08	EA	CABINET/HAMPER - FRONT - W/DOOR - W/O HARDWARE (P11)
5	141795-02-P09	EA	CABINET/HAMPER - FRONT - W/DOOR - W/O HARDWARE (P12)
6	141795-01-P07	EA	CABINET/HAMPER - FRONT - W/DOOR - W/O HARDWARE (P10)
6	141795-01-P08	EA	CABINET/HAMPER - FRONT - W/DOOR - W/O HARDWARE (P11)
6	141795-01-P09	EA	CABINET/HAMPER - FRONT - W/DOOR - W/O HARDWARE (P12)
7	106447-03-H04	EA	TRIM - CAB DOOR - UPPER/RIGHT HAND - FORD
8	125031-01-H04	EA	TRIM - CAB - B-PILLAR - PASSENGER SIDE - FORD
9	106431-02-02A	EA	COVER - SEATBELT RECOIL - PASSENGER SIDE - VW GRAY
	094658-02-M01	EA	HANDLE - BUNK - 2" X 14.2" - OAK - 324F & 331T
*	106025-02-01A	EA	LADDER - BUNK - 52"
	125780-03-000	EA	MAT - FLOOR - FRONT PASSENGER - "1" - FORD (GRAY)
	125780-04-000	EA	MAT - FLOOR - FRONT DRIVER - "1" - FORD (GRAY)
	124182-03-01A	EA	MAT - PASSENGER - ITASCA/CHEVY
	124182-04-01A	EA	MAT - DRIVER - ITASCA/CHEVY

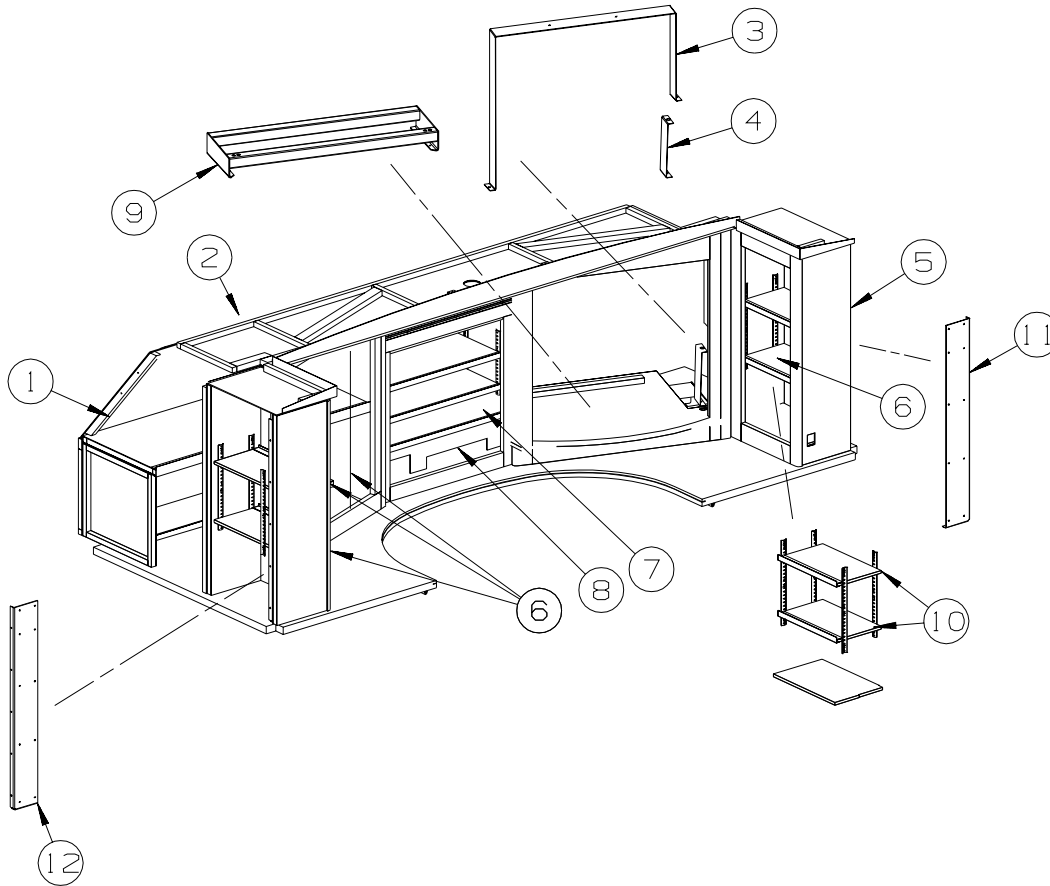
*COMPONENT PARTS LISTED LATER IN THIS GROUP

DRIVERS COMPARTMENT GROUP (CONTINUED)
COMPONENT PARTS FOR FRONT INTERIOR

106025-02-01A

KEY	PART NUMBER	U/M	DESCRIPTION	VENDOR NO.
	106025-01-700	EA	BRACKET SET-F/BUNK LADDER	

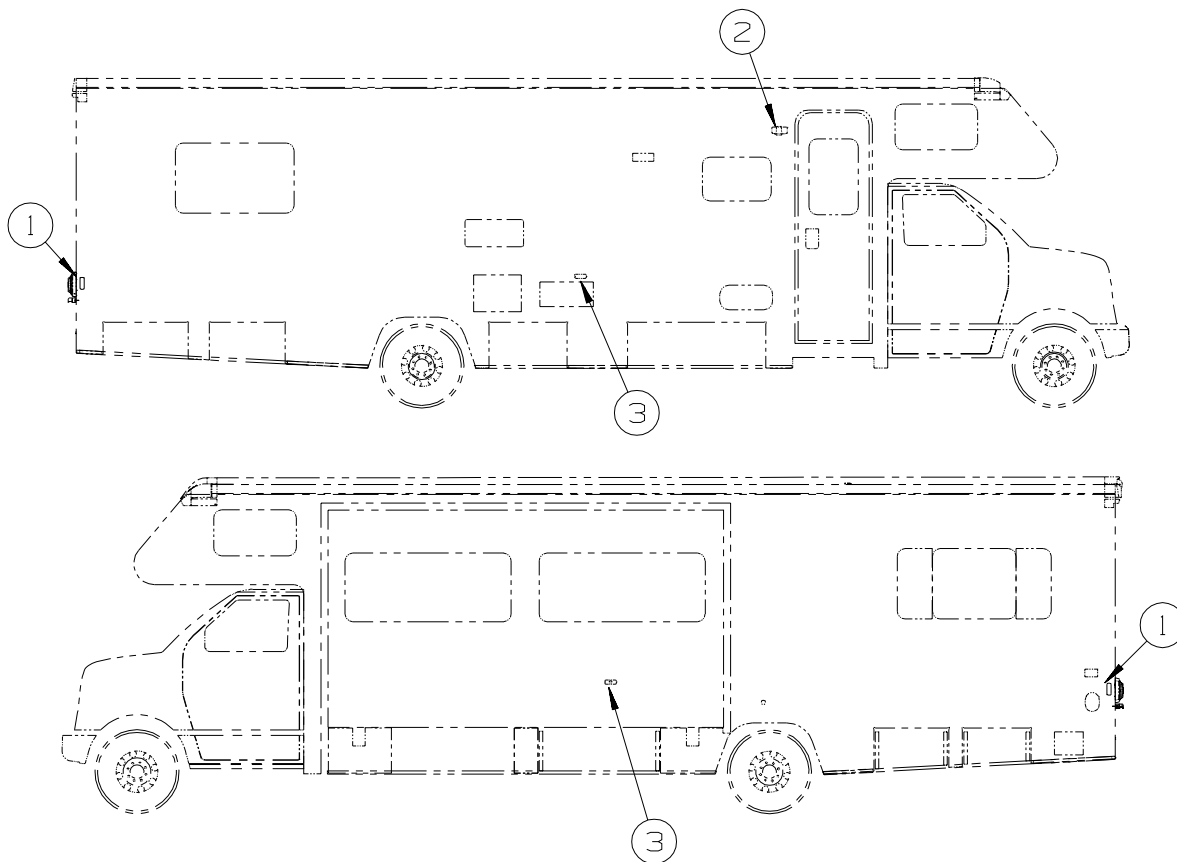
DRIVERS COMPARTMENT GROUP (CONTINUED) CABINETS



KEY	PART NUMBER	U/M	DESCRIPTION
1	142076-02-P07	EA	CABINET - ENTERTAINMENT CENTER - LEFT HAND - W/O DOORS/HDW
2	142079-04-P07	EA	CABINET - ENTERTAINMENT CENTER/TOP - W/O DOORS/HARDWARE
3	136269-06-02B	EA	BRACKET/TIEDOWN - TV - E-COATED
			FROM: 00-00-00 THRU: 09-03-02
3	144148-02-02B	EA	BRACKET/TIEDOWN - TV - E-COATED
			FROM: 09-04-02 THRU: 99-99-99
4	136269-08-02B	EA	BRACKET/TIEDOWN - TV - E-COATED
5	142077-03-P07	EA	CABINET - ENTERTAINMENT CENTER/RIGHT HAND - W/O DOORS/HDW
	136268-03-03B	EA	BRACKET - WINDWALL - OFF WHITE
6	136955-70-P10	EA	DOOR - RAISED PANEL/PENCIL EDGE - 12" X 26" - W/O HDW
7	100708-30-000	EA	DOOR - GLASS - F/TV CABINET
8	142200-01-P07	EA	PANEL - VINYL COVERED
8	142200-02-P07	EA	PANEL - VINYL COVERED - W/ INVERTER-DC/AC - 130 WATT
9	142119-01-02B	EA	BRACKET - ENTERTAINMENT CENTER - E-COATED
10	142077-17-P07	EA	SHELF - W/PLASTIC EDGE TRIM - PORTSMOUTH OAK
11	136268-03-03B	EA	BRACKET - WINGWALL - OFF WHITE
12	136268-04-03B	EA	BRACKET - WINGWALL - OFF WHITE

ELECTRICAL GROUP

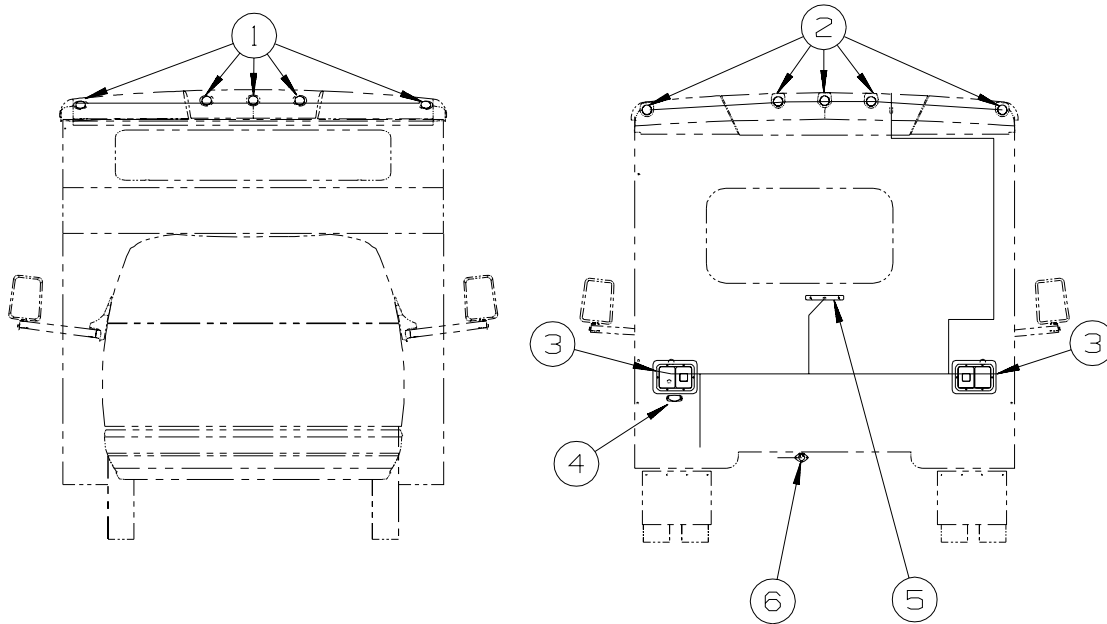
12V BODY WIRING



KEY	PART NUMBER	U/M	DESCRIPTION
1	111102-01-000	EA	BASE - MARKER LAMP
	036196-01-000	EA	BULB - 12V - #194 - .27 AMP - BAYONETTE
1	111102-03-000	EA	LENS - RED - MARKER LAMP
2*	097917-01-06A	EA	LIGHT - PORCH - BRIGHT WHITE
	008215-01-000	EA	BULB - 12 VOLT - #1003 - .94 AMP
2*	008089-02-000	EA	LIGHT/PORCH - RECESSED - CANADIAN
	008214-01-000	EA	BULB - 12 VOLT - #67 - .59 AMP
3	111102-01-000	EA	BASE - MARKER LAMP
	036196-01-000	EA	BULB - 12V - #194 - .27 AMP - BAYONETTE
3	111102-02-000	EA	LENS - AMBER - MARKER LAMP

***COMPONENT PARTS LISTED LATER IN THIS GROUP**

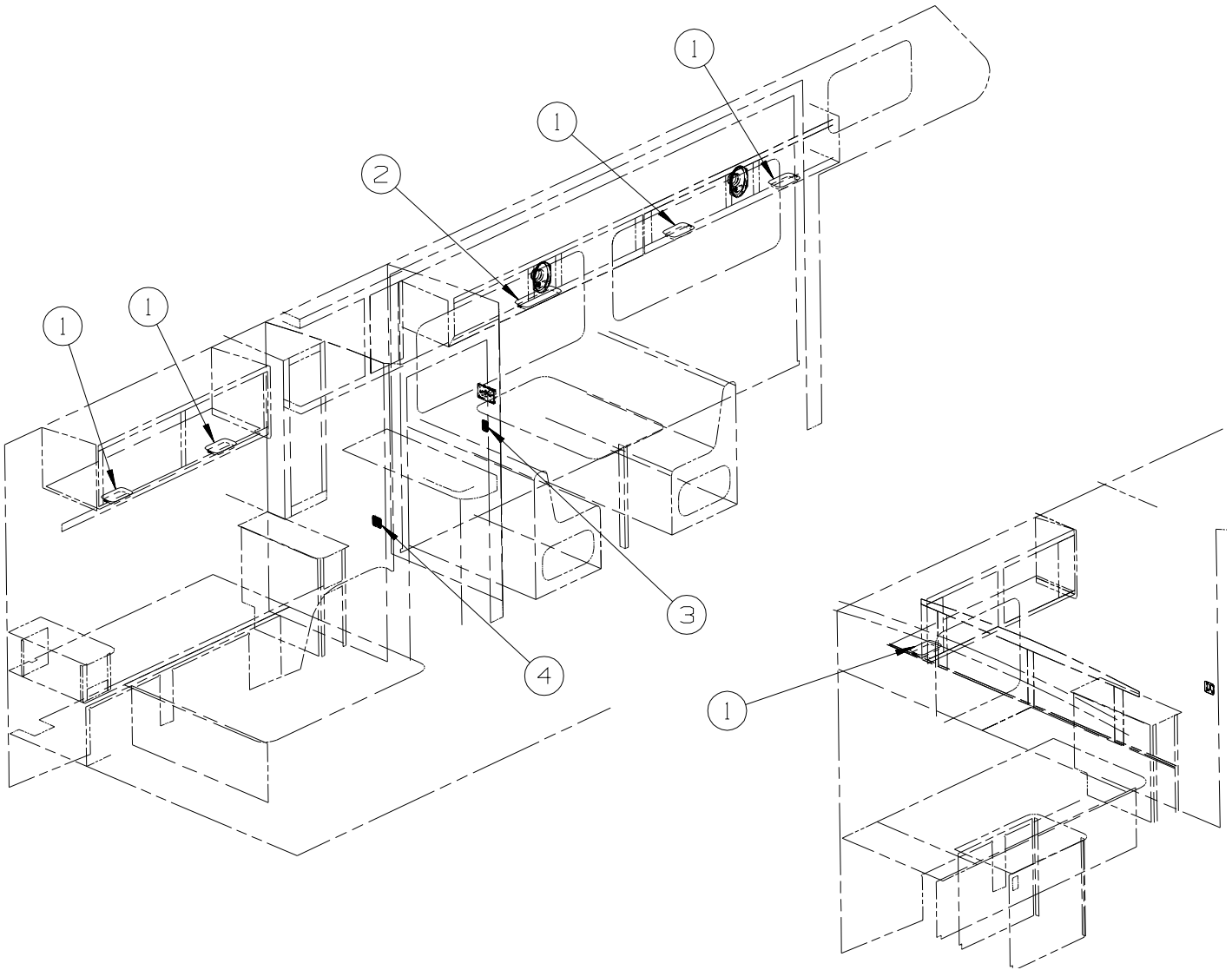
ELECTRICAL GROUP (CONTINUED)
12V BODY WIRING (CONTINUED)



KEY	PART NUMBER	U/M	DESCRIPTION
1	138996-01-000	EA	LAMP - CLEARANCE - AMBER
1	138996-03-000	EA	BRACKET - CLEARANCE LIGHT
2	138996-02-000	EA	LAMP - CLEARANCE - RED
2	138996-03-000	EA	BRACKET - CLEARANCE LIGHT
3*	081638-01-000	EA	TAILLIGHT/DOUBLE W/BLACK TRIM - DRIVER/PASSENGER SIDE
3	103355-02-01A	EA	POD - TAIL LIGHT - BRIGHT WHITE
4	066432-02-000	EA	LIGHT - LICENSE - BLACK
4	066432-03-000	EA	BRACKET - LICENSE PLATE
5	136916-01-000	EA	LIGHT - CENTER BRAKE - L.E.D.
6	113589-01-000	EA	CONNECTOR - PLUG - TRAILER
6	113589-02-000	EA	CONNECTOR - SOCKET - TRAILER

***COMPONENT PARTS LISTED LATER IN THIS GROUP**

ELECTRICAL GROUP (CONTINUED)
12V BODY WIRING (CONTINUED)

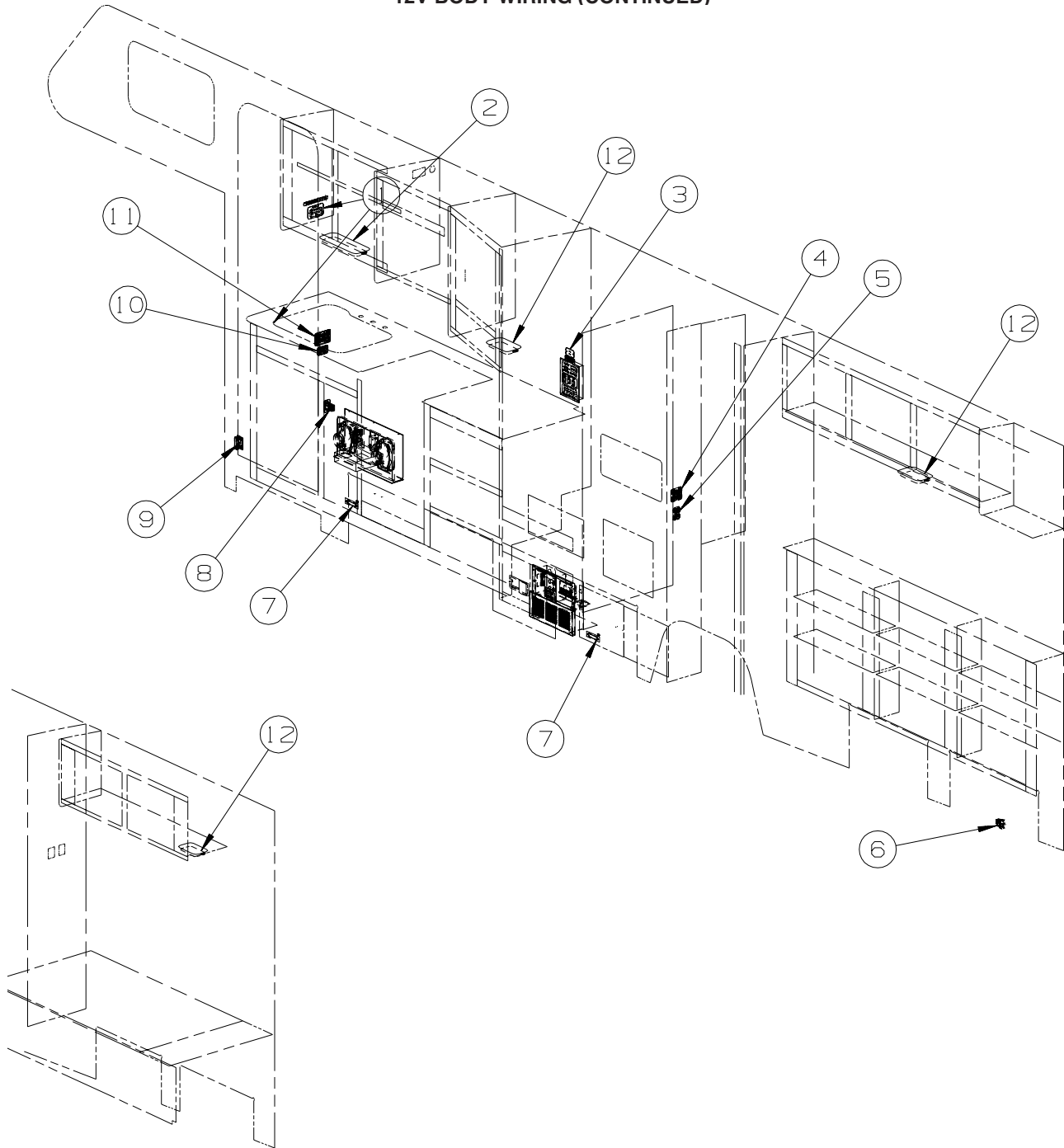


KEY	PART NUMBER	U/M	DESCRIPTION
1*	137417-02-01A	EA	LIGHT - DOME - SINGLE - W/SWITCH/OPTIC LENS - WHITE
2*	137417-05-01A	EA	LIGHT - DOME - DOUBLE - W/SWITCH/OPTIC LENS - WHITE
3	135740-01-02A	EA	SWITCH - ROCKER - SPST - ON/OFF - WHITE
3	135741-01-02A	EA	SWITCH - BASE - SINGLE - WHITE
3	135742-07-01A	EA	BEZEL - SWITCH - CEILING - WHITE
4	135740-01-02A	EA	SWITCH - ROCKER - SPST - ON/OFF - WHITE - SHOWER & CEILING
4	135741-02-02A	EA	SWITCH - BASE - DOUBLE - WHITE
4	135742-15-01A	EA	BEZEL - SWITCH - CEILING/SHOWER - WHITE

***COMPONENT PARTS LISTED LATER IN THIS GROUP**

ELECTRICAL GROUP (CONTINUED)

12V BODY WIRING (CONTINUED)



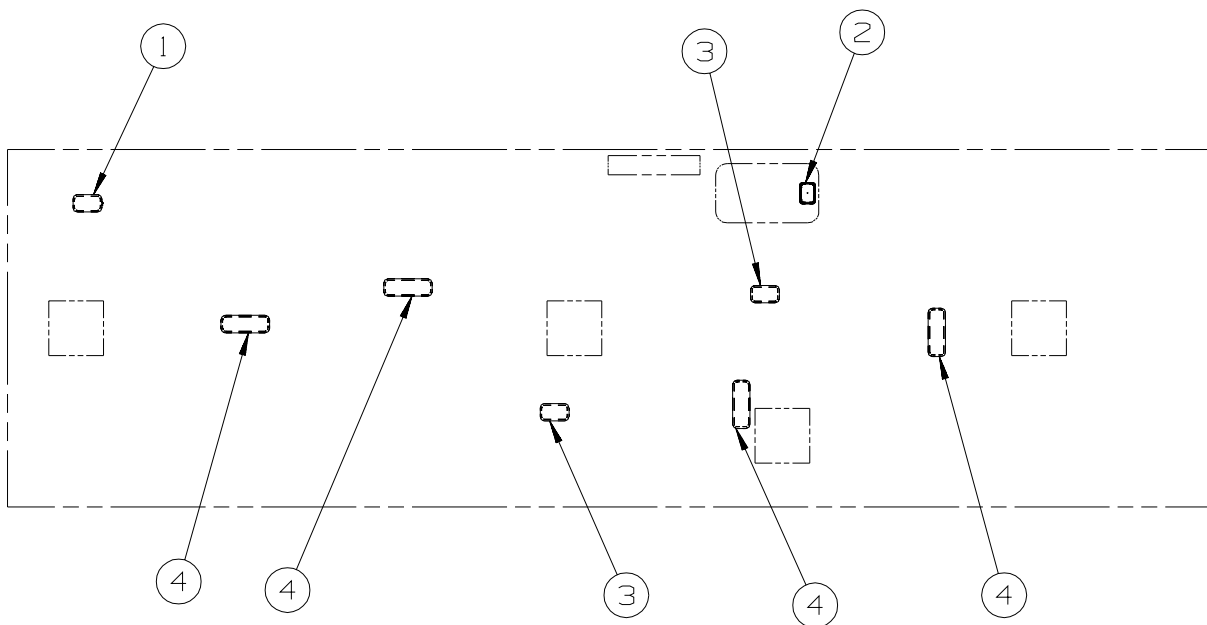
KEY	PART NUMBER	U/M	DESCRIPTION
1	138173-04-000	EA	CONTROL PANEL (TOUCH PAD) - ELECTRIC SLIDEOUT - #1802931
2*	137417-05-01A	EA	LIGHT - DOME - DOUBLE - W/SWITCH/OPTIC LENS - WHITE
3	077942-01-000	EA	SWITCH - DUMMY - BLACK
3	079364-08-000	EA	SWITCH - ON/OFF LIGHTED - GREEN - W/HEATED HOLDING TANKS
3	098351-01-01A	EA	PLATE/SWITCH - 1 GANG - POLISHED BRASS - W/O LABEL
4	135740-01-02A	EA	SWITCH - ROCKER - SPST - ON/OFF - WHITE - HALL & CEILING
4	135741-02-02A	EA	SWITCH - BASE - DOUBLE - WHITE
4	135742-16-01A	EA	BEZEL - SWITCH - CEILING/HALL - WHITE
5	135740-01-02A	EA	SWITCH - ROCKER - SPST - ON/OFF - WHITE - AISLE
5	135741-02-02A	EA	SWITCH - BASE - DOUBLE - WHITE
5	135742-06-01A	EA	BEZEL - SWITCH - AISLE - WHITE
6	108357-15-000	EA	SWITCH - ROCKER - DPDT - ON/NONE/ON - LIGHTED - WATER PUMP
6	108356-04-01A	EA	COVER/ACTUATOR SWITCH - 2 ROWS DIMPLES W/LENS-CONTURA-BLK
6	108355-01-000	EA	HOUSING - SWITCH
7	061424-01-000	EA	LIGHT - AISLE - 12 VOLT - RECTANGULAR

ELECTRICAL GROUP (CONTINUED)

12V BODY WIRING (CONTINUED)

KEY	PART NUMBER	U/M	DESCRIPTION
8	108357-06-000	EA	SWITCH - ROCKER - DPDT - MOM/OFF/MOM - 6 TERMINAL - BATTERY DISCONNECT
8	108356-11-01A	EA	COVER/ACTUATOR SWITCH - 3 GROOVES - AUX BATT - BLACK
8	108355-01-000	EA	HOUSING - SWITCH
8	098351-07-01A	EA	PLATE/SWITCH - 1 GANG - POLISHED BRASS - GENERATOR
9	116995-02-000	EA	SWITCH/MAGNET - ELECTRIC STEP - BLACK/WHITE-CLOSED CIRCUIT
10	135740-01-01A	EA	SWITCH - ROCKER - SPST - ON/OFF - BROWN - STEP
10	135741-01-01A	EA	SWITCH - BASE - SINGLE - BROWN
10	135742-11-02A	EA	BEZEL - SWITCH - STEP - BROWN
11	135740-01-01A	EA	SWITCH - ROCKER - SPST - ON/OFF - BROWN - PORCH/AISLE/CEILING
11	135741-03-01A	EA	SWITCH - BASE - TRIPLE - BROWN
11	135742-26-02A	EA	BEZEL - SWITCH - PORCH/AISLE/CEILING - BRIGHT WHITE
12*	137417-02-01A	EA	LIGHT - DOME - SINGLE - W/SWITCH/OPTIC LENS - WHITE

*COMPONENT PARTS LISTED LATER IN THIS GROUP



KEY	PART NUMBER	U/M	DESCRIPTION
1*	137417-02-01A	EA	LIGHT - DOME - SINGLE - W/SWITCH/OPTIC LENS - WHITE
2*	121935-01-01A	EA	LIGHT - DOME - SHOWER
3*	137417-03-01A	EA	LIGHT - DOME - SINGLE - W/FROSTED LENS - W/O SWITCH-WHITE
4*	137417-06-01A	EA	LIGHT - DOME - DOUBLE - W/FROSTED LENS - W/O SWITCH-WHITE

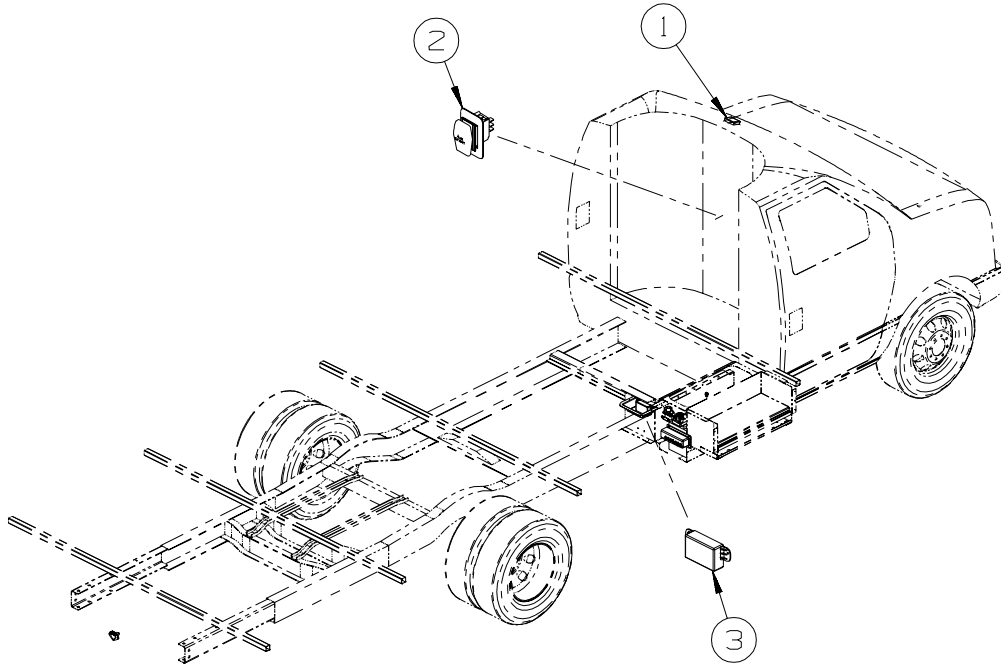
*COMPONENT PARTS LISTED LATER IN THIS GROUP

ELECTRICAL GROUP (CONTINUED)
COMPONENT PARTS FOR 12V BODY WIRING

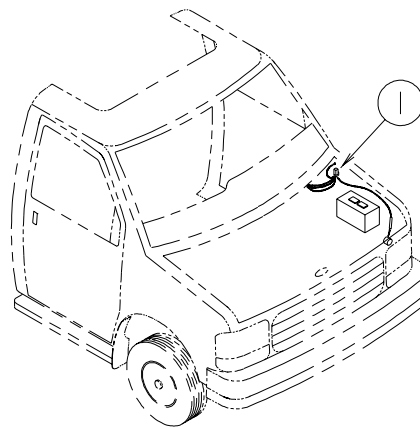
008089-02-000			
KEY	PART NUMBER	U/M DESCRIPTION	VENDOR NO.
	008089-01-700	EA LENS/PORCH LIGHT RECESSED	DECO
081638-01-000			
KEY	PART NUMBER	U/M DESCRIPTION	VENDOR NO.
	081638 01 700	EA LENS-TAILLIGHT, RED	30-84-010
	081638 01 701	EA LENS-TAILLIGHT, W/BACKUP	30-84-700
097917-01-06A			
KEY	PART NUMBER	U/M DESCRIPTION	VENDOR NO.
	097917-01-700	EA LENS-LIGHT, CLEAR	30-78-021
121935-01-01A			
KEY	PART NUMBER	U/M DESCRIPTION	VENDOR NO.
	121935-01-700	EA LENS ONLY	809511
137417-02-01A			
KEY	PART NUMBER	U/M DESCRIPTION	VENDOR NO.
	137417-02-700	EA LENS - SINGLE OPTIC	810844
137417-03-01A			
KEY	PART NUMBER	U/M DESCRIPTION	VENDOR NO.
	137417-01-700	EA LENS - SINGLE (FROSTED)	810868
137417-05-01A			
KEY	PART NUMBER	U/M DESCRIPTION	VENDOR NO.
	137417-05-700	EA LENS - DOUBLE OPTIC	810845
137417-06-01A			
KEY	PART NUMBER	U/M DESCRIPTION	VENDOR NO.
	137417-06-700	EA LENS - DOUBLE WHITE	810867

ELECTRICAL GROUP (CONTINUED)

FRONT END WIRING



KEY	PART NUMBER	U/M	DESCRIPTION
1	135376-01-01A	EA	LIGHT - DOME - CAB - BLACK
2	108357-09-000	EA	SWITCH - ROCKER - SPDT - ON/NONE/MOM - 3 TERMINAL
2	108356-07-01A	EA	COVER/ACTUATOR SWITCH - 2 ROWS DIMPLES - AUX START - BLACK
2	081994-07-000	EA	PLATE - SWITCH - "AUXILIARY START"
3	138173-03-000	EA	MODULE - (CONTROL BOX) - SLIDEOUT CONTROL - #1802930



KEY	PART NUMBER	U/M	DESCRIPTION
1	100138-01-000	EA	MODULE - DAYTIME/RUNNING LIGHT - HAMSAR DRL #H8005B

ELECTRICAL GROUP (CONTINUED)
CIRCUIT BREAKERS & FUSES

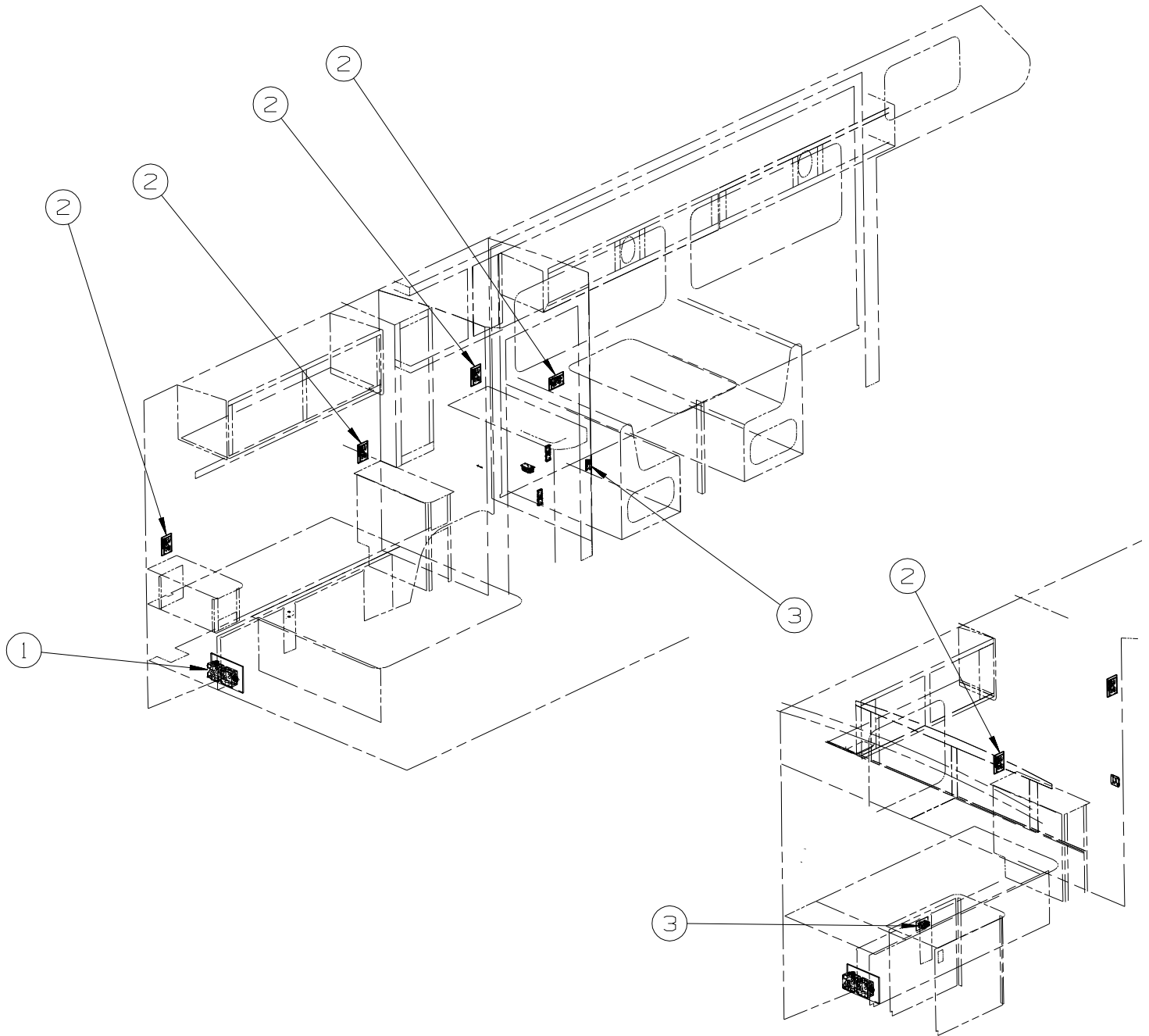
KEY	PART NUMBER	U/M	DESCRIPTION
	008233-01-000	EA	FUSE - 12 VOLT - 6 AMP
	008235-01-000	EA	FUSE - 15 AMP/12VOLT - AUTOMOTIVE
	008268-01-000	EA	CIRCUIT BREAKER W/MOUNT - 30A, 12V - FASCO 1711-3023
	033573-01-000	EA	CIRCUIT BREAKER W/MOUNT-20A, 12V - FASCO 1711-2026
	062901-02-000	EA	FUSE - 5 AMP - AUTOMOTIVE
	062901-04-000	EA	FUSE - 10 AMP - AUTOMOTIVE
	062901-05-000	EA	FUSE - 15 AMP - AUTOMOTIVE
	062901-06-000	EA	FUSE - 20 AMP - AUTOMOTIVE
	062901-07-000	EA	FUSE - 25 AMP - AUTOMOTIVE
	062901-08-000	EA	FUSE - 30 AMP - AUTOMOTIVE
	083209-01-000	EA	CIRCUIT BREAKER - 15 AMP - 120 VOLT - CANADIAN
	083209-02-000	EA	CIRCUIT BREAKER - 15/15 AMP - 120 VOLT
	083209-03-000	EA	CIRCUIT BREAKER - 15/20 AMP - 120 VOLT
	083209-04-000	EA	CIRCUIT BREAKER - 30 AMP - 120 VOLT
	083209-05-000	EA	CIRCUIT BREAKER - 20 AMP - 120 VOLT
	083209-06-000	EA	CIRCUIT BREAKER - 30/15 AMP - 120 VOLT
	083209-07-000	EA	CIRCUIT BREAKER - 20/20 AMP - 120 VOLT
	083209-10-000	EA	CIRCUIT BREAKER - 20/30 AMP - 120 VOLT
	083209-11-000	EA	CIRCUIT BREAKER - 20/15 AMP - 120 VOLT
	092786-03-000	EA	BUSS BAR - 6.9" LONG
	092786-06-000	EA	BUSS BAR
	093654-01-000	EA	CIRCUIT BREAKER - 6 AMP - 12 VOLT - PUSH BUTTON - WHITE
	093654-02-000	EA	CIRCUIT BREAKER - 15 AMP - 12 VOLT - PUSH BUTTON - WHITE
	093654-03-000	EA	CIRCUIT BREAKER - 20 AMP - 12 VOLT - PUSH BUTTON - WHITE
	093654-11-000	EA	COVER - RESET BUTTON
	093655-01-000	EA	CIRCUIT BREAKER - 25 AMP - 12 VOLT - PUSH BUTTON - WHITE
	093655-02-000	EA	CIRCUIT BREAKER - 30 AMP - 12 VOLT - PUSH BUTTON - WHITE
	093655-03-000	EA	CIRCUIT BREAKER - 40 AMP - 12 VOLT - PUSH BUTTON - WHITE
	097611-01-000	EA	CIRCUIT BREAKER - 10 AMP
	097611-03-000	EA	CIRCUIT BREAKER - 20 AMP
	097611-04-000	EA	CIRCUIT BREAKER - 25 AMP
	106656-01-000	EA	FUSE BLOCK - 4 CAVITY - AUTOFUSE
	108567-01-000	EA	CIRCUIT BREAKER - 40 AMP - 12 VOLT - TYPE II
	108669-01-000	EA	HOUSING - AUTO FUSE HOLDER
	111683-01-000	EA	FUSE - HOLDER - GLASS - 1/4" X 1 1/4"
	113482-01-000	EA	CIRCUIT BREAKER - 55 AMP - MANUAL
	113520-01-000	EA	BREAKER - CIRCUIT - 15AMP - SWITCHED
	115187-01-000	EA	FUSE - 300 AMP - NON-DELAY
	115187-02-000	EA	FUSE HOLDER - BUSS ANN/ANL BLOCK
	118531-05-02B	EA	PLATE - CIRCUIT BREAKER - E-COAT
	122811-01-000	EA	CIRCUIT BREAKER - 20/50/50/20
	125986-04-000	EA	FUSE - 10 AMP - AUTO - MINI BLADE
	125986-05-000	EA	FUSE - 15 AMP - AUTO - MINI BLADE
	134127-01-000	EA	CIRCUIT BREAKER - 10 AMP - MINI

CONVERTER, INVERTER, LOAD CENTER

KEY	PART NUMBER	U/M	DESCRIPTION
	083208-02-000	EA	CONTROL CENTER - 45 AMP/120V/12V - W/O BREAKERS/LINEAR
	083208-06-000	EA	CONTROL CENTER - 45 AMP/120V/12V - W/O BREAKERS/ELECTRONIC
	099048-03-000	EA	INVERTER - 130 WATT

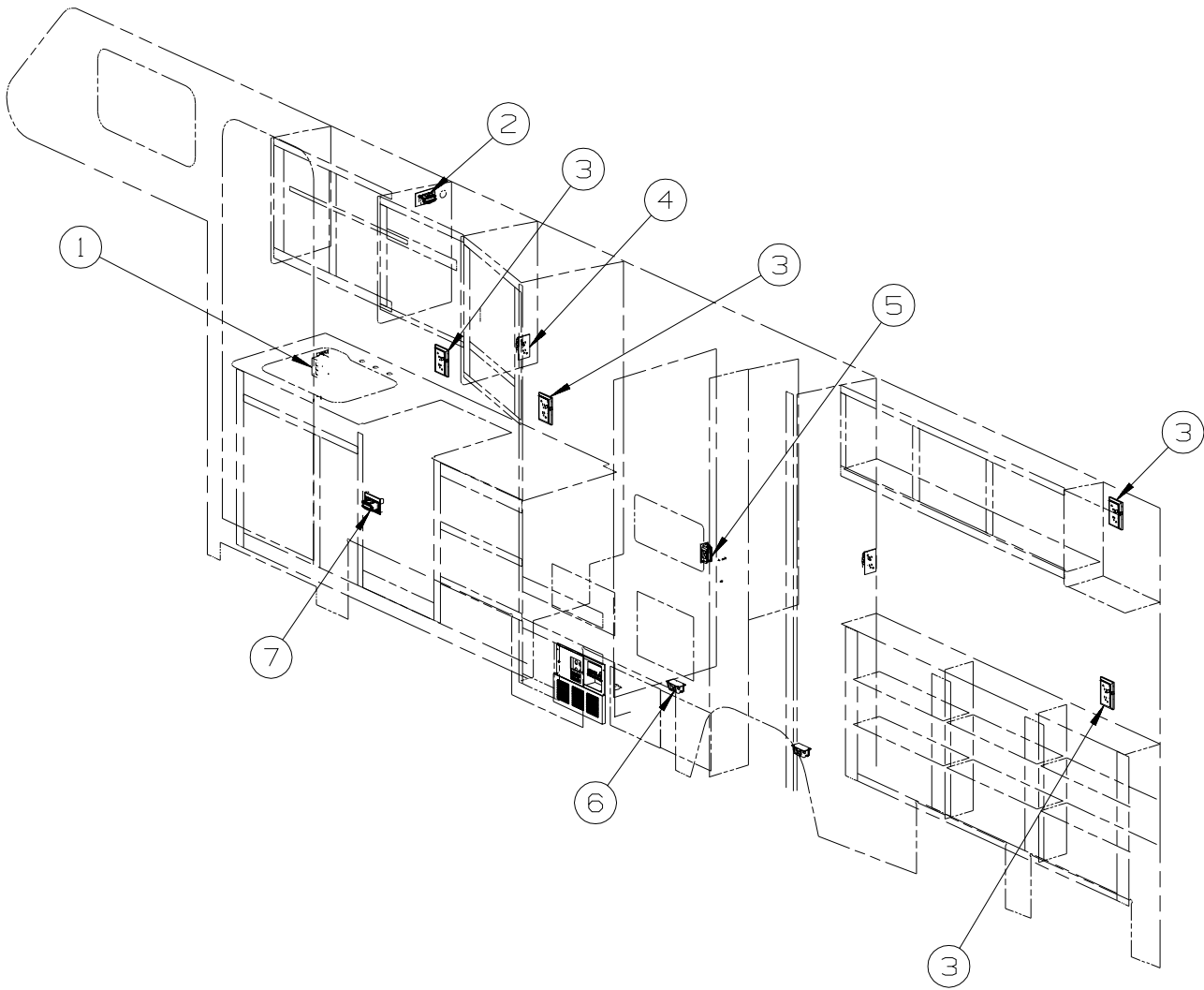
ELECTRICAL GROUP (CONTINUED)

110V WIRING



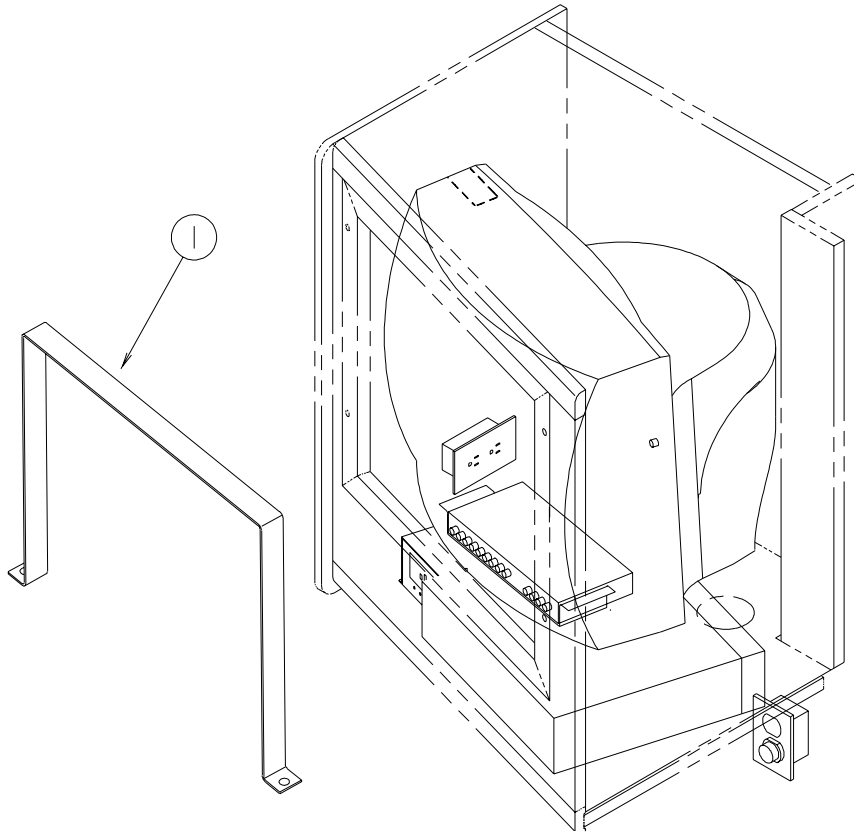
KEY	PART NUMBER	U/M	DESCRIPTION
1	024924-02-000	EA	RECEPTACLE - POWER CORD - W/PARTIAL PLATE
2	058708-06-000	EA	RECEPTACLE - DUPLEX - WHITE
2	133713-01-20A	EA	SPACER/RECEPTACLE - WHITE VINYL
3	058708-01-000	EA	RECEPTACLE - ELECTRIC - DOUBLE - BROWN

ELECTRICAL GROUP (CONTINUED)
110V WIRING (CONTINUED)



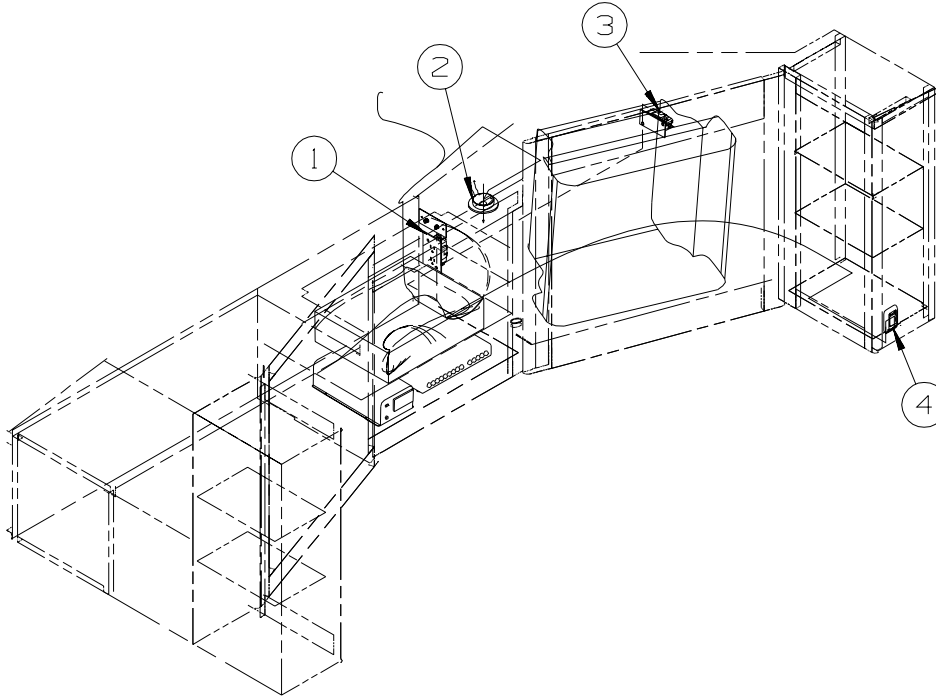
KEY	PART NUMBER	U/M	DESCRIPTION
1	084076-02-000	EA	RECEPTACLE - GFI - 15 AMP/125 VOLT - BROWN - W/COVER
2	058708-05-000	EA	RECEPTACLE - ELECTRIC - SINGLE - BROWN
2	058708-07-000	EA	RECEPTACLE - SINGLE - WHITE
3	058708-06-000	EA	RECEPTACLE - DUPLEX - WHITE
3	133713-01-20A	EA	SPACER/RECEPTACLE - WHITE VINYL
4	058708-01-000	EA	RECEPTACLE - ELECTRIC - DOUBLE - BROWN
5	058707-01-000	EA	RECEPTACLE - ELECTRIC - SINGLE - BROWN
6	058707-02-000	EA	RECEPTACLE - BLANK - JUNCTION BOX
7	131826-01-01A	EA	RECEPTACLE - EXTERIOR - W/COVER/GASKET - WHITE

ELECTRICAL GROUP (CONTINUED)
ENTERTAINMENT WIRING



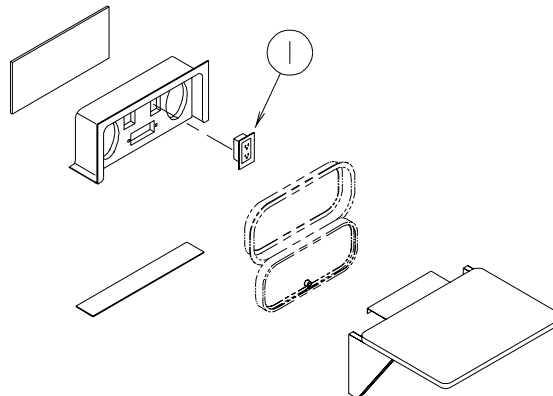
KEY	PART NUMBER	U/M DESCRIPTION
1	125006-08-02B	EA BRACKET - TIEDOWN TV - E-COATED

ELECTRICAL GROUP (CONTINUED)
ENTERTAINMENT WIRING (CONTINUED)



KEY	PART NUMBER	U/M	DESCRIPTION
1	058708-01-000	EA	RECEPTACLE - ELECTRIC - DOUBLE - BROWN
2*	123775-01-01A	EA	LIGHT - HALOGEN - ROUND
3	058707-02-000	EA	RECEPTACLE - BLANK - JUNCTION BOX
4	135740-01-01A	EA	SWITCH - ROCKER - SPST - ON/OFF - BROWN
4	135741-01-01A	EA	SWITCH - BASE - SINGLE - BROWN
4	135742-07-02A	EA	BEZEL - SWITCH - CEILING - BROWN

***COMPONENT PARTS LISTED LATER IN THIS GROUP**



KEY	PART NUMBER	U/M	DESCRIPTION
1	058708-01-000	EA	RECEPTACLE - ELECTRIC - DOUBLE - BROWN

ELECTRICAL GROUP (CONTINUED)
COMPONENT PARTS FOR ENTERTAINMENT WIRING

123775-01-01A

KEY	PART NUMBER	U/M	DESCRIPTION	VENDOR NO
	123775-01-700	EA	BULB - 10 WATT - HALOGEN	71-JC10
	123775-01-701	EA	BEZEL/LENS - RECESSED LIGHT	

ELECTRICAL GROUP (CONTINUED)

BOXES & CORDS

KEY	PART NUMBER	U/M	DESCRIPTION
	008054-01-000	EA	CORD - POWER - 10/3 WIRE - 30 AMP - 25'
	008289-01-000	EA	BOX - ELECTRIC/STEEL - 1/2" & 3/4" KNOCKOUTS - 4" X 4"
	008289-02-000	EA	BOX - ELECTRIC/STEEL - 1/2" & 3/4" KNOCKOUTS - 4" X 4"-CAN
	008294-01-000	EA	COVER - ELECTRIC BOX - BLANK/STEEL - 4" X 4" - GRAY
	008294-02-000	EA	COVER - ELECTRICAL BOX - BLANK/STEEL - 4" X 4" - CANADIAN
	069238-01-000	EA	COVER - ELECTRICAL BOX - W/HOLE - 4" X 4" - GRAY
	084077-03-000	EA	COVER/BLANK - WIRE ACCESS - 5.2" X 3.5" - IVORY
	084993-01-000	EA	STRAP - BATTERY - 43.2" LONG
	084993-02-000	EA	STRAP - BATTERY - 55" LONG
	091910-01-000	EA	BOX - ELECTRIC - 3.8" X 3.5" X 1.8" - PLASTIC
	091910-02-000	EA	BOX - ELECTRIC - 2.2" X 3.5" X 1.8" - PLASTIC
	131679-01-000	EA	BOX-ELEC-WATERPROOF SEALED 4" X 4" W/4 3/4"OUTLETS-UL/CSA
	131680-01-000	EA	COVER - W/GASKET FOR WATERPROOF 4" X 4" BOX - UL/CSA
	092492-16-000	EA	SEAL - ELECTRICAL BOX
	115832-01-000	FT	CORD - HEAVY DUTY - 14-2W GROUND

WIRE ASSEMBLIES

KEY	PART NUMBER	U/M	DESCRIPTION
	090986-02-000	EA	WIRE ASSEMBLY - ELECTRIC STEP - 324F - 329B
	096449-01-000	EA	WIRE ASSEMBLY - WATER TANK TO MONITOR PANEL
	096450-01-000	EA	WIRE F/SENSORS - BLACK WATER - 39.3" - 329B
	096450-02-000	EA	WIRE F/SENSORS - BLACK WATER - 59" - 322E - 322R
	096450-05-000	EA	WIRE F/SENSORS - BLACK WATER - 23.6" - 324F - 331
	096451-01-000	EA	WIRE F/SENSORS - GREY WATER - 86" - 324V
	096451-03-000	EA	WIRE F/SENSORS - GREY WATER - 78.6" - 322E - 322R - 331
	096451-05-000	EA	WIRE F/SENSORS - GREY WATER - 43.2" - 324F
	097618-01-000	EA	WIRE ASSEMBLY - MONITOR PANEL- W/3 WIRES & ORANGE RESISTOR - 329B FROM: 00-00-00 THRU: 05-05-02
	097618-02-000	EA	WIRE - MONITOR PANEL - 329B FROM: 05-06-02 THRU: 99-99-99
	106851-01-000	EA	WIRE ASSEMBLY - RUNNING LIGHTS - FUSE
	122743-01-000	EA	WIRE LOOM - DINETTE/TV - 322R
	125853-01-000	EA	WIRE LOOM - ENTERTAINMENT CENTER
	125853-04-000	EA	WIRE LOOM - ENTERTAINMENT CENTER
	126501-01-000	EA	WIRE ASSEMBLY - REMOTE MIRRORS - FORD
	134550-01-000	EA	WIRE ASSEMBLY - HEATER/RELAY
	134551-01-000	EA	WIRE ASSEMBLY - HEATER/TANKS - 322E - 322R - 324F
	134551-03-000	EA	WIRE ASSEMBLY - HEATER/TANKS - 324V
	134551-06-000	EA	WIRE ASSEMBLY - HEATER/TANKS - 329B - 331
	135420-03-000	EA	WIRE ASSEMBLY - RADIO - FORD C-BODY
	137135-03-000	EA	WIRE LOOM - DIGITAL ELEVATION SENSOR
	137135-04-000	EA	WIRE HARNESS - POWER - DIGITAL ELEVATION SENSOR

ELECTRICAL GROUP (CONTINUED)
CONNECTORS & CONDUIT

KEY	PART NUMBER	U/M	DESCRIPTION
	007956-01-000	EA	RECEPTACLE - HOUSING - 6 POSITION
	007956-05-000	EA	INSULATOR - SHRINK - 1/4" ID X 1 1/2"
	008058-01-000	EA	ADAPTER - POWER CORD - 30 AMP TO 15 AMP
	008311-01-000	EA	CONNECTOR - WIRE NUT - INSULATED - RED
	008312-01-000	EA	CONNECTOR - WIRE NUT - INSULATED - BLUE
	008313-01-000	EA	CONNECTOR - WIRE NUT - INSULATED - YELLOW
	008314-01-000	EA	CONNECTOR - WIRE NUT - INSULATED - GRAY
	008326-01-000	EA	TERMINAL - RING - 16/14 WIRE - 3/8" STUD
	008328-01-000	EA	TERMINAL - RING - 12/10 WIRE - #10 STUD FIT
	008331-01-000	EA	TERMINAL - RING - TONGUE - #4 WIRE - 3/8" STUD - COPPER
	008348-01-000	EA	TERMINAL - RING - 3/8" STUD 2 GA. WIRE
	008355-01-000	EA	CONNECTOR - CABLE CLAMPING - 3/4"
	008356-01-000	EA	CONNECTOR - PLASTIC - 3/8" AVG
	008356-02-000	EA	CONNECTOR - PLASTIC - 21/32
	035416-04-000	EA	TERMINAL - RING - #10 STUD FIT - INSULATED BARREL #16/14
	041953-01-000	FT	CONDUIT - CONVOLUTE SLIT - .5" ID - POLYETHYLENE
	041953-02-000	FT	CONDUIT - CONVOLUTE SLIT - .6" ID - POLYETHYLENE
	041953-03-000	FT	CONDUIT - CONVOLUTE SLIT - 1" ID (CLOTHES ROD COVER)
	041953-05-000	FT	CONDUIT - CONVOLUTE SOLID - .62" ID - POLYETHYLENE
	041953-06-000	FT	CONDUIT - CONVOLUTE SLIT - .4" ID - POLYETHYLENE
	041953-07-000	FT	CONDUIT - CONVOLUTE SLIT - .25" ID - POLYETHYLENE
	041953-08-000	FT	CONDUIT - CONVOLUTE SLIT - 1.5" ID - POLYETHYLENE
	041953-09-000	FT	CONDUIT - CONVOLUTE SLIT - .5" ID - NYLON
	041953-10-000	FT	CONDUIT - CONVOLUTE SLIT - .75" ID - NYLON
	041953-11-000	FT	CONDUIT - CONVOLUTE SLIT - 1.06" ID - NYLON
	041953-12-000	FT	CONDUIT - CONVOLUTE SOLID - 1.1" ID - NYLON
	041953-13-000	FT	CONDUIT - CONVOLUTE SLIT - 1.25
	041953-14-000	FT	CONDUIT - CONVOLUTE SLIT - 1.5
	047443-01-000	EA	TERMINAL - .250 RECEPTACLE FIT - INSULATED - 16/14 AWG
	047443-02-000	EA	TERMINAL - .250 RECEPTACLE FIT - INSULATED - 12/10 AWG
	058028-01-000	EA	CONNECTOR - ELECTRICAL PIGTAIL - NYLON - CLEAR
	062036-01-000	EA	TERMINAL - PACK - CON - 12/10 AWG
	074017-02-000	EA	HOUSING - 5 POSITION - RIGHT ANGLED
	077479-01-000	EA	BOOT - BATTERY TERMINAL - DOUBLE CABLE
	077479-02-000	EA	BOOT - BATTERY TERMINAL - SINGLE CABLE
	080015-02-000	EA	RECEPTACLE - FLAG - .185 - 16/14 GAUGE
	080015-03-000	EA	RECEPTACLE - FLAG - .250 - 14/16 GAUGE
	082109-01-000	EA	HOUSING - CONNECTOR - PACKARD
	082741-01-000	EA	CONNECTOR BODY - 2 CONNECTOR MALE
	087225-01-000	FT	SLEEVING - 1/2" - TYPE H
	087949-01-000	EA	BUSS BAR - 2 POSITION - .6" X 1.5"
	087949-02-000	EA	BUSS BAR - 3 POSITION - .6" X 2.4"
	087949-03-000	EA	BUSS BAR - 4 POSITION
	087949-05-000	EA	BUSS BAR - 7 POSITION
	088267-01-000	EA	TERMINAL - FEMALE - 1/4
	088473-01-000	EA	HOUSING - PIN - 12 CAVITY (3 ROWS OF 4)
	088473-02-000	EA	HOUSING - PIN - 15 CAVITY (3 ROWS OF 5)
	088473-03-000	EA	HOUSING - PIN - 9 CAVITY (3 ROWS OF 3)
	088473-04-000	EA	HOUSING - PIN - 8 CAVITY IN-LINE
	088473-06-000	EA	HOUSING - PIN - 6 CAVITY (2 ROWS OF 3)
	088473-08-000	EA	HOUSING - PIN - 4 CAVITY - IN-LINE
	088473-09-000	EA	HOUSING - PIN - 3 CAVITY - IN-LINE
	088473-10-000	EA	HOUSING - PIN - 2 CAVITY - IN LINE
	088474-01-000	EA	HOUSING - SOCKET - 12 CAVITY
	088474-02-000	EA	HOUSING - SOCKET - 15 CAVITY
	088474-03-000	EA	HOUSING - SOCKET - 9 CAVITY
	088474-06-000	EA	HOUSING - SOCKET - 6 CAVITY
	088474-07-000	EA	HOUSING - SOCKET - 5 CAVITY
	088474-08-000	EA	HOUSING - SOCKET - 4 CAVITY
	088474-09-000	EA	HOUSING - SOCKET - 3 CAVITY
	088474-10-000	EA	HOUSING - SOCKET - 2 CAVITY
	088475-01-000	EA	PIN - CONNECTOR - 14-20 AWG
	088475-02-000	EA	PIN - CONNECTOR - 10-12 AWG
	088476-01-000	EA	TERMINAL - ELECTRICAL

ELECTRICAL GROUP (CONTINUED)
CONNECTORS & CONDUIT (CONTINUED)

KEY	PART NUMBER	U/M	DESCRIPTION
	088476-02-000	EA	SOCKET - CONNECTOR - 12-10 GA - PRE-TIN
	098261-01-000	EA	SOCKET - CONNECTOR - WEATHERPACK - 12 AWG
	098261-02-000	EA	SOCKET - CONNECTOR - WEATHERPACK - 14-18 AWG
	098262-01-000	EA	SEAL - CONNECTOR - WEATHERPACK
	098262-05-000	EA	SEAL - CAVITY
	098262-06-000	EA	SEAL - CONNECTOR - M/P - 10 GAUGE
	098262-07-000	EA	SEAL - CONNECTOR - 12 AWG - 280 SER
	098263-01-000	EA	HOUSING - 3 PIN - WEATHER PACK
	098263-02-000	EA	HOUSING - 3 PIN - WEATHER PACK
	098264-01-000	EA	HOUSING - 2 PIN - WEATHER PACK - MALE W/FEMALE PINS
	098264-02-000	EA	HOUSING - 2 PIN - WEATHER PACK - FEMALE W/MALE PINS
	098265-02-000	EA	PIN - CONNECTOR - WEATHER PACK
	100690-01-000	EA	HOUSING - 5 POSITION - MALE - WEATHER PACK
	100690-02-000	EA	HOUSING - 5 POSITION - FEMALE - WEATHER PACK
	102777-02-000	EA	TERMINAL - RING - #6 STUD - 10 AWG
	104100-01-000	EA	HOUSING - 1 POSITION - 75 AMPS
	104100-03-000	EA	TERMINAL - 75 AMP
	106655-02-000	EA	TERMINAL - FUSE BLOCK - 10-12 AWG
	110178-01-000	EA	HOUSING - WIPER MOTOR
	112823-01-000	EA	SPLICE - REDUCER - 16-14 TO 18-22
	113072-01-000	EA	HOUSING - ELECTRICAL - TURN/TAIL LAMP
	113072-03-000	EA	HOUSING - ELECTRICAL - STOP/MARKER TAILLAMP
	113135-01-000	EA	TERMINAL - FEMALE - M/P - 14-16 - F/SEALED TERMINAL
	113306-01-000	EA	TERMINAL - FEMALE - M/P - 14-16 - F/NON-SEALED TERMINAL
	113306-02-000	EA	TERMINAL - FEMALE - M/P - 10-12 - 480
	113307-01-000	EA	TERMINAL - FEMALE - M/P - 16-20
	113308-01-000	EA	TERMINAL - FEMALE - M/P - 14-16 - 280
	113468-01-000	EA	HOUSING - 2 POSITION-FEMALE-USED ON WIPER/WASHER WIRE ASM
	113638-02-000	EA	CONNECTOR - ACTUATOR
	114667-01-000	FT	HOSE - 2" ID - FLEXIBLE
	115556-01-000	EA	HOUSING - 3 POSITION - FEMALE
	115556-02-000	EA	HOUSING - 2 POSITION - FEMALE/PARALLEL
	115931-02-000	EA	COVER - CONNECTOR - 50 AMP W/LOCKING RING
	115932-02-000	EA	CONNECTOR - FEMALE - 50 AMP/240 VOLT
	116811-01-000	EA	TERMINAL - .110 RECEPTACLE - 16-14 AWG
	118571-01-000	EA	CONNECTOR - 3-WAY - MALE/SEALED
	118571-02-000	EA	CONNECTOR - 3-WAY - FEMALE/SEALED
	118571-05-000	EA	LOCK - SECONDARY - FEMALE
	118571-06-000	EA	LOCK - SECONDARY - MALE
	118597-01-000	EA	TERMINAL - MALE - M/P - 480 - 14-16
	118599-01-000	EA	TERMINAL - MALE - M/P - 280 - 14-16
	118820-01-000	EA	INSULATOR - TERMINAL
	119223-01-000	EA	HOUSING - 6 POSITION - MALE - WEATHERPACK
	119248-02-000	EA	HOUSING - 7 POSITION - FEMALE
	125323-01-000	EA	HOUSING - 10 POSITION - MALE
	125323-02-000	EA	HOUSING - 8 POSITION - MALE
	125323-03-000	EA	LOCK - SECONDARY 8 POSITION
	125323-04-000	EA	LOCK - SECONDARY 10 POSITION
	125323-05-000	EA	HOUSING - 6 POSITION - MALE
	125323-06-000	EA	LOCK - SECONDARY 6 POSITION
	125324-01-000	EA	TERMINAL - MALE - METRI-PACK - 150
	125325-01-000	EA	SEAL - CAVITY
	126403-01-000	EA	CONNECTOR - 2 CIRCUIT
	126403-02-000	EA	CONNECTOR - 3 CIRCUIT
	129233-01-000	EA	HOUSING - 6 POSITION - MALE WEATHERPACK
	129233-02-000	EA	HOUSING - 2-POSITION/FEMALE - 280-SERIES
	129234-01-000	EA	HOUSING - 6-POSITION/FEMALE - 280-SERIES
	129234-02-000	EA	HOUSING - 6-POSITION/FEMALE - 280-SERIES
	129234-03-000	EA	LOCK - SECONDARY - 6-POSITION
	129235-01-000	EA	HOUSING - 2-POSITION/FEMALE - 630-SERIES
	129235-02-000	EA	LOCK - SECONDARY - 2-POSITION
	129236-01-000	EA	TERMINAL - FEMALE - M/P - 630 - 10-12
	131515-01-000	EA	HOUSING - PIN - 2 CAVITY/HIGH AMP

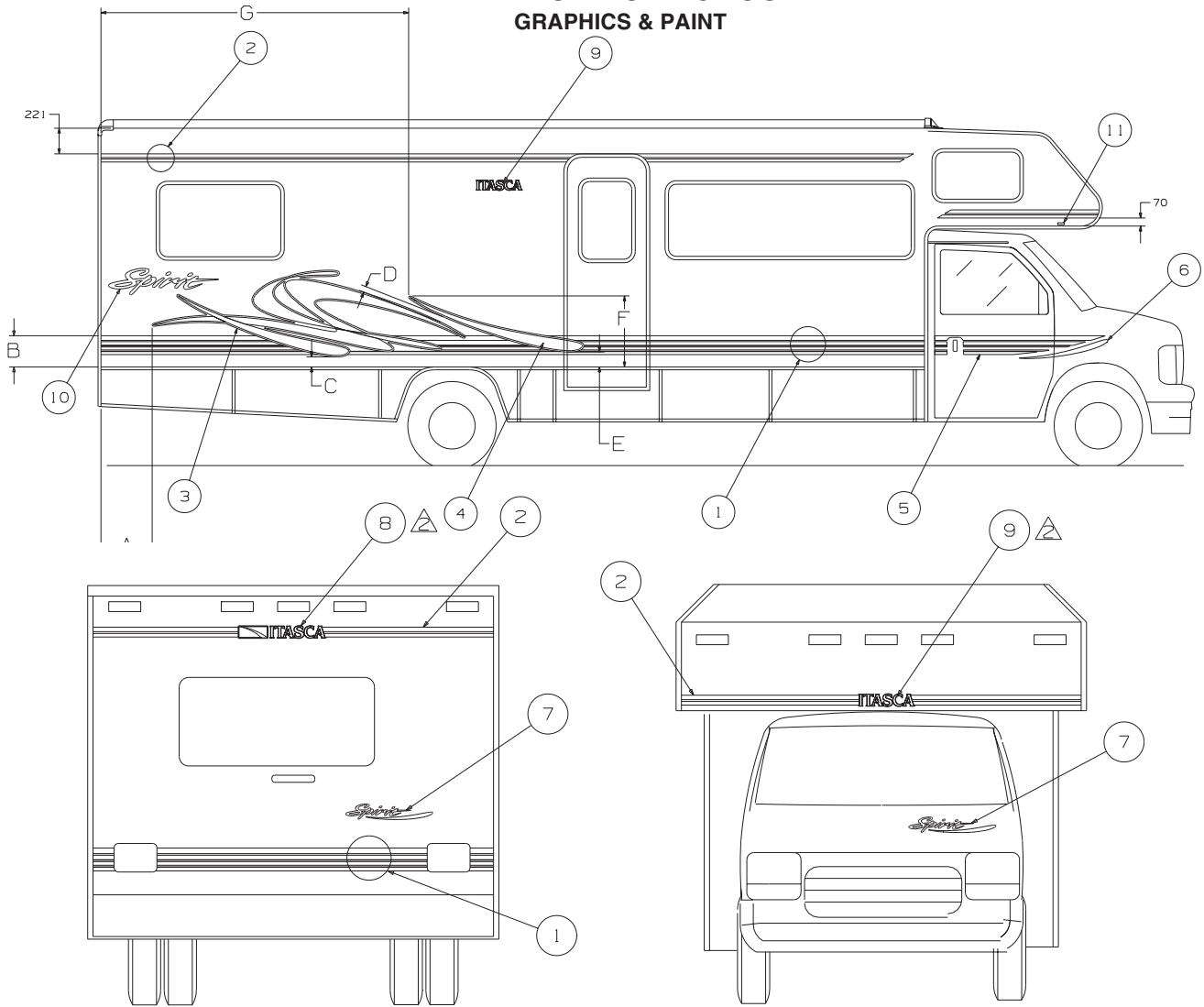
ELECTRICAL GROUP (CONTINUED)
CONNECTORS & CONDUIT (CONTINUED)

KEY	PART NUMBER	U/M	DESCRIPTION
	131515-02-000	EA	TERMINAL - FEMALE JR. POWER TIMER - F/HALOGEN FOG LIGHT
	131515-03-000	EA	SEAL - CAVITY - JR. POWER TIMER
	131681-01-000	EA	CONNECTOR - 3/4" SO CORD - UL/CS
	137207-01-000	EA	HOUSING - PIN - 2 CAVITY/HIGH AMP
	137208-01-000	EA	HOUSING - SOCKET - 2 CAVITY/HIGH AMP
	137209-01-000	EA	PIN - CONNECTOR - 10AWG/HIGH AMP
	137210-01-000	EA	SOCKET - CONNECTOR - 10 AWG/HIGH AMP
	138419-03-000	EA	SOCKET - LAMP - 3 WIRE
	142520-01-000	EA	TERMINAL - FEMALE - MINI FIT 16
	142522-01-000	EA	HOUSING - 4 PIN/MALE - MINI FIT
	142524-01-000	EA	HOUSING - 4 PIN/WEATHER PACK/FEMALE

BOOTS, SOLENOIDS, RELAYS & MISCELLANEOUS

KEY	PART NUMBER	U/M	DESCRIPTION
	008188-01-000	EA	SOLENOID - 3 POST - BATTERY CHANGE OVER
	063910-01-000	EA	HOUSING - RELAY
	063912-02-000	EA	RELAY - CANISTER - SPDT
	065450-05-000	EA	TIEDOWN - BATTERY - 8.4" TUBE
	086273-01-000	EA	RELAY - BATTERY DISCONNECT

EXTERIOR BODY GROUP GRAPHICS & PAINT



KEY	PART NO.	U/M	DESCRIPTION
1	94445-10-CHT (02A)	FT	MULTISTRIPE-161.9 MM - BURGUNDY/TAUPE PACE/DK.TEAL
2	105781-82-CHT (02A)	FT	MULTISTRIPE-69.9 MM - TAUPE PACE/DK.TEAL
3	137509-01-CHT (02A)	EA	DECAL-SWIRLEE,RH - BRT.WHITE/DK.TEAL/BURGUNDY/BLAZER BLUE
3	137509-02-CHT (02A)	EA	DECAL-SWIRLEE,LH - BRT.WHITE/DK.TEAL/BURGUNDY/BLAZER BLUE
4	137510-01-CHT (02A)	EA	DECAL-SLASH,RH - BRT WHT/DK.TEAL
4	137510-02-CHT (02A)	EA	DECAL-SLASH,LH - BRT WHT/DK.TEAL
5	137511-01-CHT (02A)	EA	DECAL-CAB DOOR RH - BURGUNDY/TAUPE PACE/DK.TEAL
5	137511-02-CHT (02A)	EA	DECAL-CAB DOOR LH - BURGUNDY/TAUPE PACE/DK.TEAL
6	137512-01-CHT (02A)	EA	DECAL-SLASH,CAB DOOR, RH - DK.TEAL/BRT.WHITE
6	137512-02-CHT (02A)	EA	DECAL-SLASH,CAB DOOR, LH - DK.TEAL/BRT.WHITE
7	137507-01-CHT (02A)	EA	DECAL-SPIRIT,SML.W/SLASH - BLAZER BLUE/DK.TEAL/BRT.WHITE/BURGUNDY
8	124806-01-CHT (23A)	EA	DECAL-ITASCA W/ICON - DK.TEAL/BRT WHITE
9	124811-01-CHT (04A)	EA	DECAL-ITASCA - DK.TEAL/BRT.WHITE
10	137508-01-CHT (02A)	EA	DECAL-SPIRIT - BLAZER BLUE/DK.TEAL/BRT.WHITE
11	132684-01-CHT (01A)	EA	DECAL-LOGO,DOMED,WINNEBAGO - CHROME/BLACK

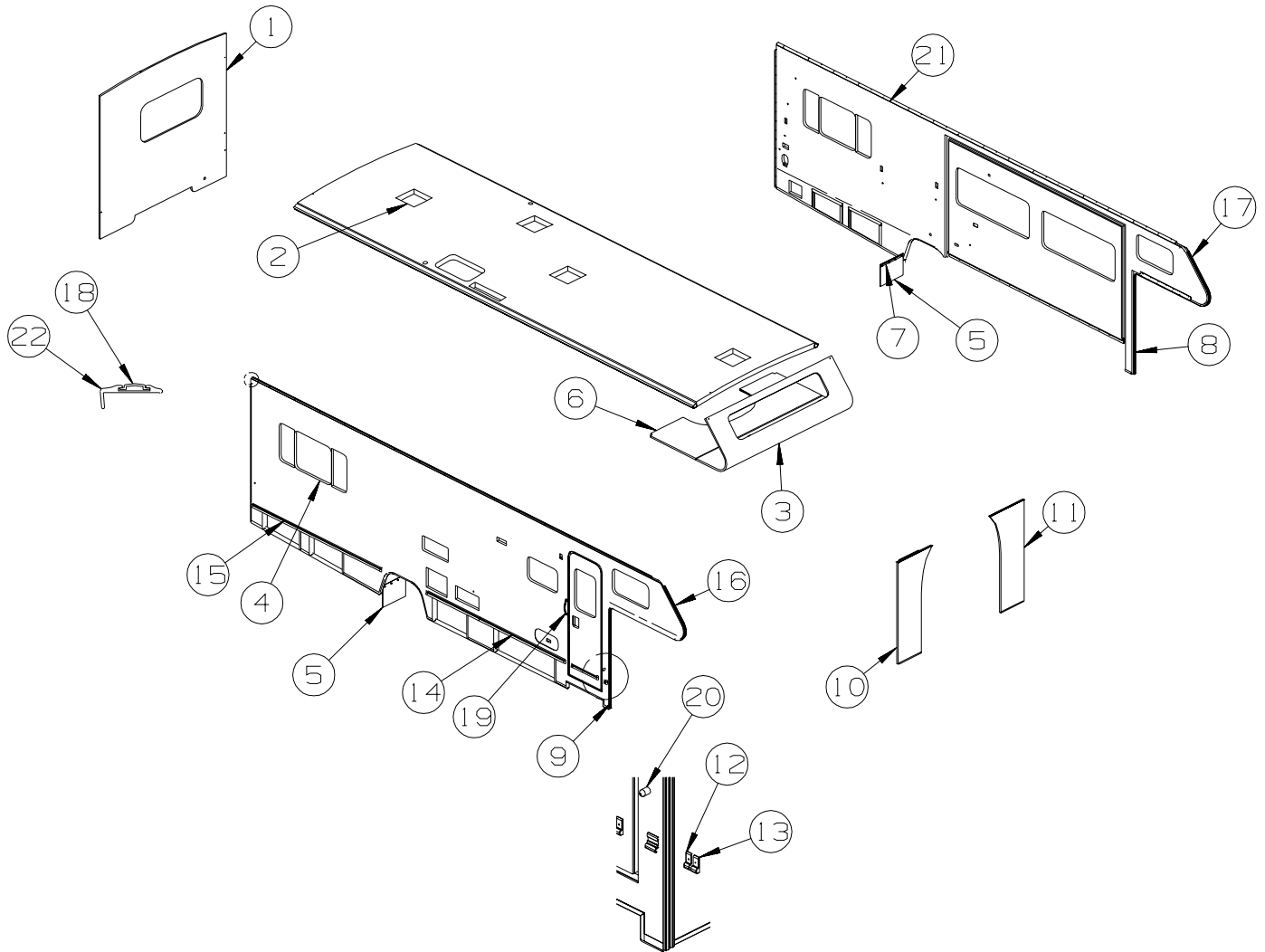
KEY	PART NUMBER	U/M	DESCRIPTION
	041561-03-000	EA	PAINT - 16 OUNCE SPRAY - OFF WHITE
	116424-01-000	EA	PROTECTOR - LATCH - WATER HEATER

DUPONT COLOR CODES

TAUPE PACE METALLIC	DUPONT
BURGUNDY METALLIC	DUPONT RM195
BLAZER BLUE METALLIC	DUPONT BM090
DARK TEAL METALLIC	DUPONT
BRIGHT WHITE DUPONT	B8951U

EXTERIOR BODY GROUP (CONTINUED)

PANELS & TRIMS

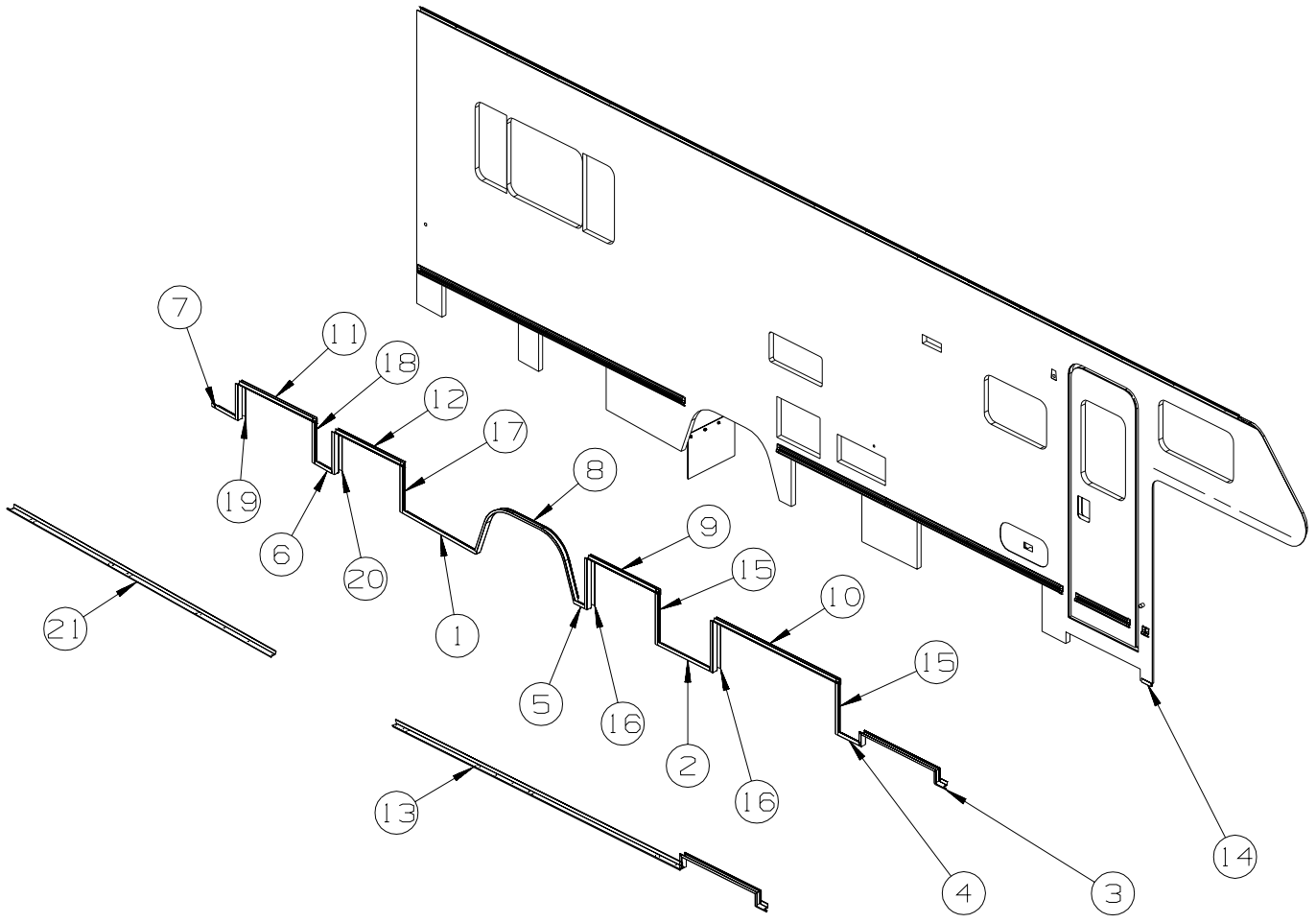


KEY	PART NUMBER	U/M	DESCRIPTION
1	140886-02-P10	EA	BACKWALL - W/O WINDOWS/TRIMS(P10) - QUEEN BED
1	140886-02-P11	EA	BACKWALL - W/O WINDOWS/TRIMS(P11) - QUEEN BED
1	140886-02-P12	EA	BACKWALL - W/O WINDOWS/TRIMS(P12) - QUEEN BED
1	140886-05-P10	EA	BACKWALL - W/O WINDOWS/TRIMS(P10) - QUEEN BED/DUAL PANE WINDOWS
1	140886-05-P11	EA	BACKWALL - W/O WINDOWS/TRIMS(P11) - QUEEN BED/DUAL PANE WINDOWS
1	140886-05-P12	EA	BACKWALL - W/O WINDOWS/TRIMS(P12) - QUEEN BED/DUAL PANE WINDOWS
1	140886-03-P07	EA	BACKWALL - W/O WINDOWS/TRIMS(P10) - TWIN BEDS
1	140886-03-P08	EA	BACKWALL - W/O WINDOWS/TRIMS(P11) - TWIN BEDS
1	140886-03-P09	EA	BACKWALL - W/O WINDOWS/TRIMS(P12) - TWIN BEDS
1	140886-06-P07	EA	BACKWALL - W/O WINDOWS/TRIMS(P10) - TWIN BEDS/DUAL PANE WINDOWS
1	140886-06-P08	EA	BACKWALL - W/O WINDOWS/TRIMS(P11) - TWIN BEDS/DUAL PANE WINDOWS
1	140886-06-P09	EA	BACKWALL - W/O WINDOWS/TRIMS(P12) - TWIN BEDS/DUAL PANE WINDOWS
2	141616-01-P10	EA	ROOF - W/O LIGHTS/VENTS - W/WIRING
3	141126-01-P07	EA	ROOF - FRONT SECTION - W/O LIGHTS/VENTS - W/WIRING - FRONT BUNK WINDOW
3	141126-02-P07	EA	ROOF - FRONT SECTION - W/O LIGHTS/VENTS - W/WIRING
4	P40706-02-P10	EA	SIDEWALL - PASSENGER - W/O WINDOWS/TRIMS - QUEEN BED
4	P40706-02-P11	EA	SIDEWALL - PASSENGER - W/O WINDOWS/TRIMS - QUEEN BED
4	P40706-02-P12	EA	SIDEWALL - PASSENGER - W/O WINDOWS/TRIMS - QUEEN BED
4	P40706-04-P10	EA	SIDEWALL - PASSENGER - W/O WINDOWS/TRIMS - TWIN BEDS
4	P40706-04-P11	EA	SIDEWALL - PASSENGER - W/O WINDOWS/TRIMS - TWIN BEDS
4	P40706-04-P12	EA	SIDEWALL - PASSENGER - W/O WINDOWS/TRIMS - TWIN BEDS
5	017516-01-000	EA	MUD FLAP - 14"H X 18"W - W/O MOUNTING HOLES - BLACK
	140922-01-02B	EA	PLATE - MUD FLAP - E-COATED
6	P25129-01-P07	EA	SLEEPERBOARD
7	069362-06-000	EA	TUBE/SUPPORT - FLOOR TO VALANCE PANEL - 17"
8	104479-09-02A	EA	TRIM - WINGWALL - PASSENGER SIDE - VERTICAL - BRIGHT WHITE
9	104479-10-02A	EA	TRIM - WINGWALL - DRIVER SIDE - VERTICAL - BRIGHT WHITE

EXTERIOR BODY GROUP (CONTINUED)
PANELS & TRIMS (CONTINUED)

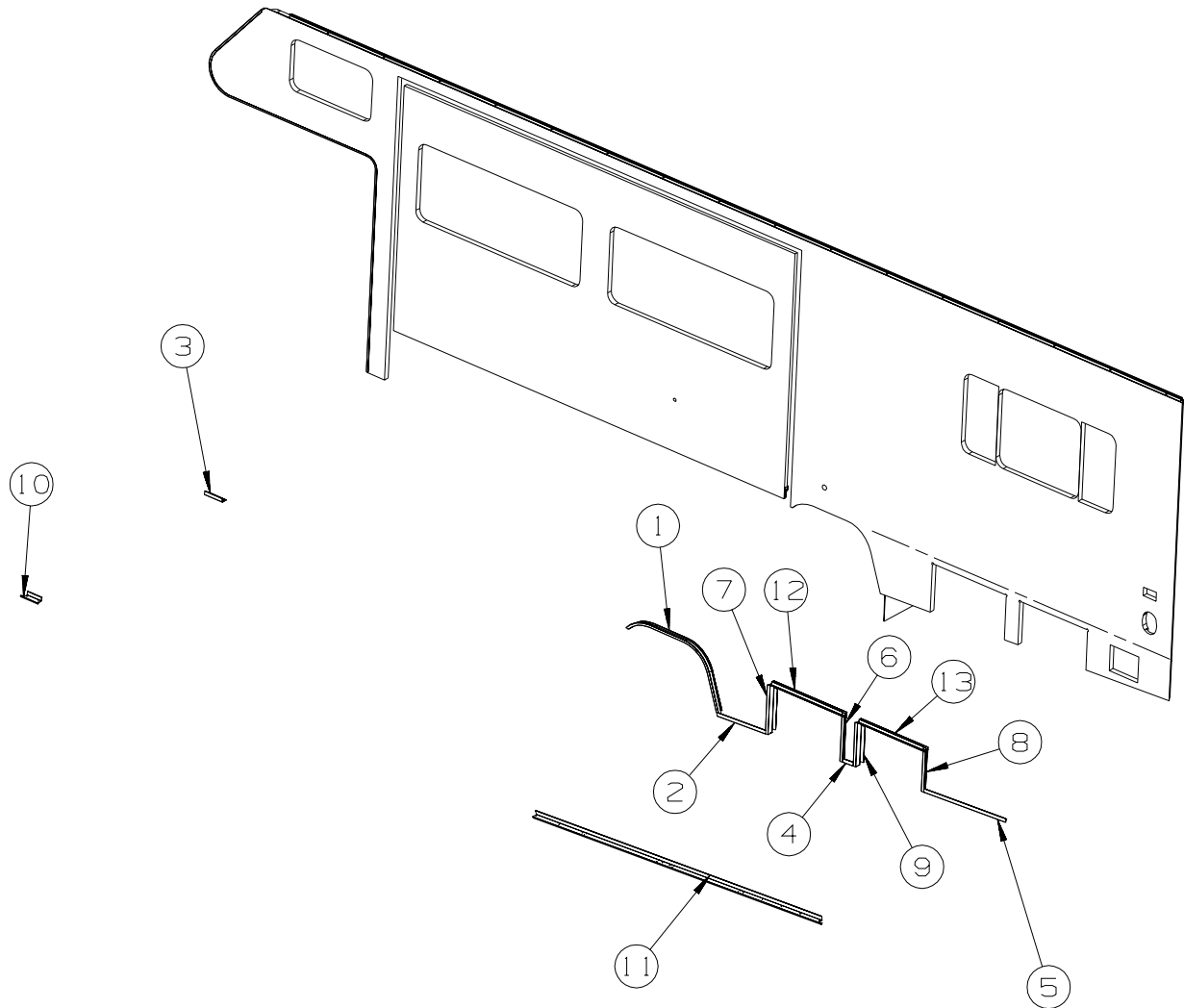
KEY	PART NUMBER	U/M	DESCRIPTION
10	125088-08-N01	EA	WINGWALL - RIGHT HAND
11	125088-09-N01	EA	WINGWALL - LEFT HAND
12	127910-01-01A	EA	CAP - TRIM/SIDEWALL - RIGHT HAND - BRIGHT WHITE
13	127910-02-01A	EA	CAP - TRIM/SIDEWALL - LEFT HAND - BRIGHT WHITE
14	128129-02-01A	EA	STRIP - FEATURE - HINGE - 143.7" - BRIGHT WHITE
15	128129-03-01A	EA	STRIP - FEATURE - HINGE - 119.8" - BRIGHT WHITE
16	136826-13-01A	EA	TRIM - CONTOUR - 80.2" - BRIGHT WHITE
17	136826-14-01A	EA	TRIM - CONTOUR - 80.2" - BRIGHT WHITE
18	105312-01-07A	FT	INSERT - FEATURE STRIP - VINYL - BRIGHT WHITE
19	009126-03-000	EA	HANDLE - ASSIST - BLACK TEXTURED
20	117046-02-000	EA	BUMPER - RUBBER/ROUND END - 1.5"
21	P40838-01-P07	EA	SIDEWALL - DRIVER - W/O WINDOWS/TRIMS(P10)
21	P40838-01-P08	EA	SIDEWALL - DRIVER - W/O WINDOWS/TRIMS(P11)
21	P40838-01-P09	EA	SIDEWALL - DRIVER - W/O WINDOWS/TRIMS(P12)
22	096854-14-01A	EA	TRIM - CONTOUR - 76.3" - BRIGHT WHITE

EXTERIOR BODY GROUP (CONTINUED)
PANELS & TRIMS (CONTINUED)



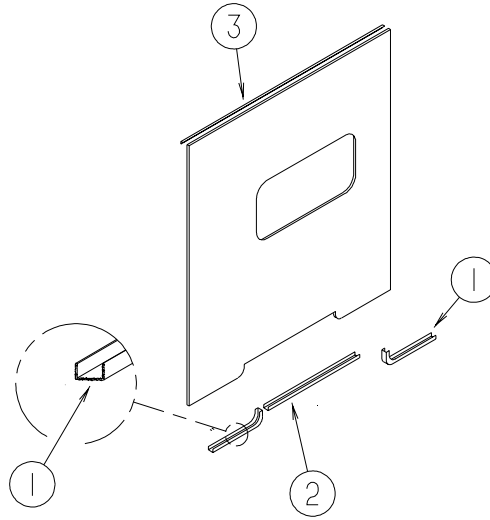
KEY	PART NUMBER	U/M	DESCRIPTION
1	127820-03-01A	EA	TRIM - SIDEWALL/LOWER - 28.6" - BRIGHT WHITE
2	127820-85-01A	EA	TRIM - SIDEWALL/LOWER - 20.3" - BRIGHT WHITE
			FROM: 00-00-00 THRU: 06-23-02
2	127820-09-01A	EA	TRIM - SIDEWALL/LOWER - 20" - BRIGHT WHITE
			FROM: 06-24-02 THRU: 99-99-99
3	127820-27-01A	EA	TRIM - SIDEWALL/LOWER - 3.7" - BRIGHT WHITE
4	127820-28-01A	EA	TRIM - SIDEWALL/LOWER - 8.2" - BRIGHT WHITE
5	127820-91-01A	EA	TRIM - SIDEWALL/LOWER - 4.5" - BRIGHT WHITE
6	127820-92-01A	EA	TRIM - SIDEWALL/LOWER - 6.6" - BRIGHT WHITE
7	127820-93-01A	EA	TRIM - SIDEWALL/LOWER - 9.1" - BRIGHT WHITE
8	127848-01-01A	EA	TRIM - WHEELWELL - BRIGHT WHITE
9	128427-08-01A	EA	JAMB - DOOR/STORAGE - TOP - 26.8" - BRIGHT WHITE
10	128427-10-01A	EA	JAMB - DOOR/STORAGE - TOP - 47.6" - BRIGHT WHITE
11	128427-11-01A	EA	JAMB - DOOR/STORAGE - TOP - 29.1" - BRIGHT WHITE
12	128427-13-01A	EA	JAMB - DOOR/STORAGE - TOP - 25.8" - BRIGHT WHITE
13	128732-08-P07	EA	TRIM - SIDEWALL - 142.8"
14	128426-09-01A	EA	TRIM - ROCKER - NOTCHED - 4.2" - MILL
15	138148-01-01A	EA	JAMB - DOOR/STORAGE - RIGHT HAND - 16" - BRIGHT WHITE
16	138148-02-01A	EA	JAMB - DOOR/STORAGE - LEFT HAND - 16" - BRIGHT WHITE
17	138149-03-01A	EA	JAMB - DOOR/STORAGE - RIGHT HAND - 14.5" - BRIGHT WHITE
18	138149-04-01A	EA	JAMB - DOOR/STORAGE - RIGHT HAND - 12.8" - BRIGHT WHITE
19	138152-03-01A	EA	JAMB - DOOR/STORAGE - LEFT HAND - 11.3" - BRIGHT WHITE
20	138152-10-01A	EA	JAMB - DOOR/STORAGE - LEFT HAND - 13.3" - BRIGHT WHITE
21	128426-35-01A	EA	TRIM - ROCKER - NOTCHED - 101.6" - BRIGHT WHITE

EXTERIOR BODY GROUP (CONTINUED)
PANELS & TRIMS (CONTINUED)

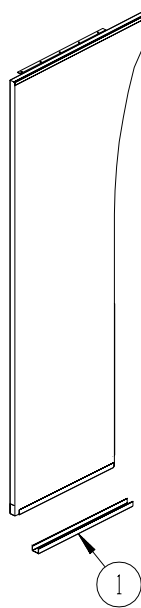


KEY	PART NUMBER	U/M	DESCRIPTION
1	127815-01-01A	EA	TRIM - WHEELWELL - SIDEWALL - BRIGHT WHITE
2	127820-07-01A	EA	TRIM - SIDEWALL/LOWER - 17.4" - BRIGHT WHITE
3	127820-13-01A	EA	TRIM - SIDEWALL/LOWER - 6.1" - BRIGHT WHITE
4	127820-94-01A	EA	TRIM - SIDEWALL/LOWER - 3.7" - BRIGHT WHITE
5	127820-95-01A	EA	TRIM - SIDEWALL/LOWER - 28.8" - BRIGHT WHITE
6	128425-07-01A	EA	JAMB - DOOR/STORAGE - RIGHT HAND - BRIGHT WHITE - 13.8"
			FROM: 00-00-00 THRU: 08-29-02
6	138150-01-01A	EA	JAMB - DOOR/STORAGE - RIGHT HAND - 13.8" - BRIGHT WHITE
			FROM: 08-30-02 THRU: 99-99-99
7	128425-08-01A	EA	JAMB - DOOR/STORAGE - LEFT HAND - BRIGHT WHITE - 15.1"
			FROM: 00-00-00 THRU: 08-29-02
7	138151-02-01A	EA	JAMB - DOOR/STORAGE - LEFT HAND - 15.1" - BRIGHT WHITE
			FROM: 08-30-02 THRU: 99-99-99
8	128425-09-01A	EA	JAMB - DOOR/STORAGE - RIGHT HAND - BRIGHT WHITE - 12.4"
			FROM: 00-00-00 THRU: 08-29-02
8	138150-02-01A	EA	JAMB - DOOR/STORAGE - RIGHT HAND - 12.4" - BRIGHT WHITE
			FROM: 08-30-02 THRU: 99-99-99
9	128425-10-01A	EA	JAMB - DOOR/STORAGE - LEFT HAND - BRIGHT WHITE - 13.5"
			FROM: 00-00-00 THRU: 08-29-02
9	138151-03-01A	EA	JAMB - DOOR/STORAGE - LEFT HAND - 13.1" - BRIGHT WHITE
			FROM: 08-30-02 THRU: 99-99-99
10	128426-05-01A	EA	TRIM - ROCKER - NOTCHED - 6" - BRIGHT/WHITE
11	128426-33-01A	EA	TRIM - ROCKER - NOTCHED - 101.7" - BRIGHT WHITE
12	128427-13-01A	EA	JAMB - DOOR/STORAGE - TOP - 25.8" - BRIGHT WHITE
13	128427-14-01A	EA	JAMB - DOOR/STORAGE - TOP - 23.6" - BRIGHT WHITE

EXTERIOR BODY GROUP (CONTINUED)
PANELS & TRIMS (CONTINUED)

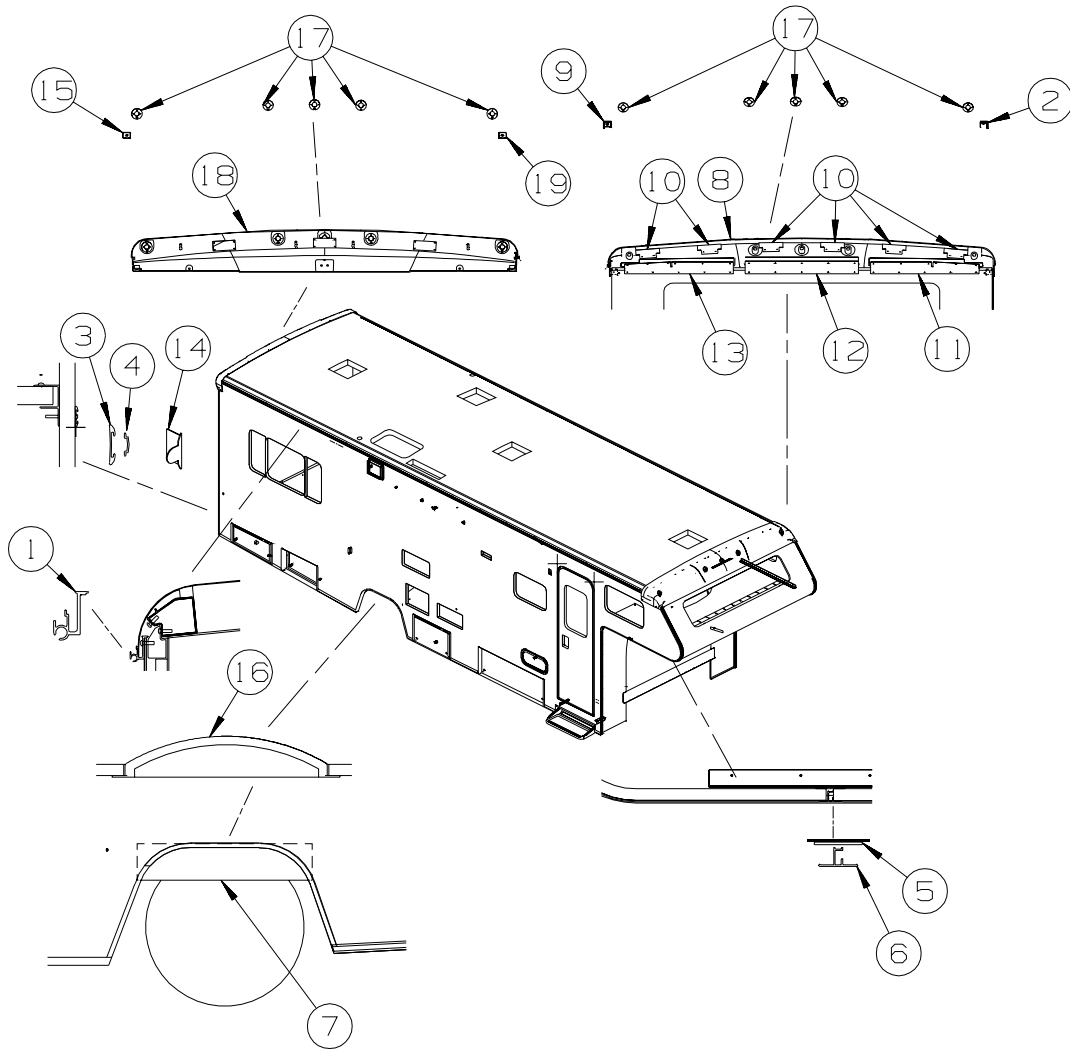


KEY	PART NUMBER	U/M DESCRIPTION
1	103334-03-02A	EA TRIM - BACKWALL - LOWER/DRIVER/PASSENGER - 25.6" - B/WHT
2	103335-02-02A	EA TRIM - BACKWALL - LOWER - DRIVER/PASS - 23" - BRT/WHT
3	114248-02-01A	EA ANGLE - PLASTIC - 96.6"



KEY	PART NUMBER	U/M DESCRIPTION
1	002365-03-006	EA U-CHANNEL - EXTRUDED - 1" X 192" - BRIGHT WHITE

EXTERIOR BODY GROUP (CONTINUED)
PANELS & TRIMS (CONTINUED)



KEY	PART NUMBER	U/M	DESCRIPTION
1	131483-01-01A	EA	RAIL - AWNING - 192" - BRIGHT WHITE
2	140476-01-01A	EA	CAP - TRIM - CORNER/PASSENGER
3	108688-06-03A	EA	STRIP - FEATURE - BRIGHT WHITE - 96.9"
4	105312-01-07A	FT	INSERT - FEATURE STRIP - VINYL - BRIGHT WHITE
5	100085-05-01A	EA	TRIM/STRAP - SLEEPERBOARD - OFF/WHITE - 92.9"
6	100086-04-01A	EA	TRIM - SLEEPERBOARD/ROOF/LOWER - BRIGHT WHITE - 96.5"
7	121948-02-000	EA	SHIELD - SIGHT
8	140443-02-P07	EA	CAP - ROOF - W/O LIGHTS/VENTS - W/WIRING
9	140476-02-01A	EA	CAP - TRIM - CORNER/DRIVER
10	134774-01-02B	EA	BRACKET - CAB ATTACHMENT - E-COATED
11	141718-01-02B	EA	BRACKET - ROOF CAP - END/RIGHT HAND - E-COATED
12	140805-01-02B	EA	BRACKET - ROOF CAP/FRONT - E-COATED
13	141718-02-02B	EA	BRACKET - ROOF CAP - END/LEFT HAND - E-COATED
14	108651-01-01A	EA	END CAP - FEATURE STRIP
15	140620-01-01A	EA	CAP - TRIM - REAR/RIGHT - BRIGHT WHITE
16	112435-03-000	EA	WHEELWELL
17	138423-01-12B	EA	PLATE/BACKING - LITE - BRIGHT WHITE
18	140596-02-P07	EA	CAP - ROOF - W/O LIGHTS/VENTS/WIRING-W/STEEL REINFORCEMENT
19	140620-02-01A	EA	CAP - TRIM - REAR/LEFT - BRIGHT WHITE

EXTERIOR BODY GROUP (CONTINUED)

LADDER

KEY	PART NUMBER	U/M	DESCRIPTION
	129639-06-01A	EA	LADDER - 95.7" - 7 STEP - BRUSHED ALUMINUM

RUNNING BOARDS

KEY	PART NUMBER	U/M	DESCRIPTION
*	072884-27-000	EA	RUNNING BOARD SET - 39" - FORD - ALUMINUM
*	072884-28-000	EA	RUNNING BOARD SET - ALUMINUM - CHEVY CHASSIS

***COMPONENT PARTS LISTED LATER IN THIS GROUP**

EXTERIOR BODY GROUP (CONTINUED)
COMPONENT PARTS FOR RUNNING BOARDS

072884-27-000

KEY	PART NUMBER	U/M	DESCRIPTION	VENDOR NO.
	072884-27-700	EA	BRACKET SET 12" 92	RB2BRK/M
	072884-27-701	EA	RUNNING BOARD-FORD 39",RT<	
	072884-27-702	FT	TREAD TAPE	RB9202
	072884-27-703	EA	MUD FLAP W/HOLES, 1EA=PAIR	99171
	072884-27-704	EA	CAP-ENDS, 1EA=PAIR	99148

072884-28-000

KEY	PART NUMBER	U/M	DESCRIPTION	VENDOR NO.
	072884-27-704	EA	CAP-ENDS, 1EA=PAIR	99148
	072884-28-700	EA	RUNNING BOARD W/BRKTS RT/LT	15543
	072884-28-701	EA	MUD FLAP - FRONT - 1EA=PAIR	99153
	072884-28-702	EA	BRACKET SET - COMPLETE	206771

EXTERIOR BODY GROUP (CONTINUED)

MIRRORS

KEY	PART NUMBER	U/M	DESCRIPTION
*	133908-01-02A	EA	MIRROR/PASSENGER - 102" W/B FORD - BRIGHT WHITE - 2002 FORD CHASSIS
	133908-10-01A	EA	MIRROR/PASSENGER - 102" FORD C BODY - BRIGHT WHITE - 2003 FORD CHASSIS
*	133908-02-02A	EA	MIRROR/DRIVER - 102" W/B FORD - BRIGHT WHITE - 2002 FORD CHASSIS
	133908-11-01A	EA	MIRROR/DRIVER - 102" FORD C BODY - BRIGHT WHITE - 2003 FORD CHASSIS
	133908-05-02A	EA	MIRROR/PASSENGER - 102" - WIDE BODY CHEVY - BRIGHT WHITE - CHEVY
	133908-06-02A	EA	MIRROR/DRIVER - 102" - WIDE BODY CHEVY - BRIGHT WHITE - CHEVY
*	133908-03-01A	EA	MIRROR/PASSENGER - 102" - HEATED/REMOTE - BRT WHT - W/DEFROST - 2002 FORD CHASSIS
	133908-12-01A	EA	MIRROR/PASS - 102" FORD - HEATED/REMOTE - BRT WHT - W/DEFROST - 2003 FORD CHASSIS
*	133908-04-01A	EA	MIRROR/DRIVER - 102" - HEATED/REMOTE - BRT WHITE - W/DEFROST - 2002 FORD CHASSIS
	133908-13-01A	EA	MIRROR/DRIVER - 102" FORD - HEATED/REMOTE - BRT WHT - W/DEFROST - 2003 FORD CHASSIS
	133908-07-02A	EA	MIRROR/PASSENGER-102" CHEVY C BODY-HEATED/REMOTE-BRT WHT - W/DEFROST - CHEVY
	133908-08-02A	EA	MIRROR/DRIVER-102" CHEVY C BODY-HEATED/REMOTE- BRT WHITE - W/DEFROST - CHEVY
*	120269-07-01A	EA	PANEL - F/ELECTRIC MIRROR ONLY - L28X OPTION - FORD
*	133908-09-01A	EA	PANEL - DOOR - ELECTRIC MIRROR - CHEVY
	120269-08-000	EA	HARNES/WIRE - F/ELECTRIC MIRRORS

*COMPONENT PARTS LISTED LATER IN THIS GROUP

EXTERIOR BODY GROUP (CONTINUED)
COMPONENT PARTS FOR MIRRORS

133908-01-01A, 133908-01-02A, 133908-02-01A, 133908-03-01A, 133908-03-02A, 133908-04-01A, 133908-05-01A, 133908-06-01A,
 133908-07-01A, 133908-08-01A, 133908-10-01A, 133908-11-01A, 133908-12-01A, 133908-13-01A

KEY	PART NUMBER	U/M	DESCRIPTION	VENDOR NO.
	117051-01-700	EA	MIRROR-CONVEX	723068-4
	120269-05-701	EA	GLASS ONLY REPLACEMENT RH/LH	709411
	133908-03-700	EA	CAP - RECT/BLACK-W/O LIGHT	7095570
	133908-04-700	EA	CAP-MIRROR/ROUND - W/O LIGHT	7095470
			133908-09-01A	
KEY	PART NUMBER	U/M	DESCRIPTION	VENDOR NO.
	133908-09-700	EA	SWITCH-MIRROR HEATER	7475150

EXTERIOR BODY GROUP (CONTINUED)

STRUCTURAL COMPONENTS

KEY	PART NUMBER	U/M	DESCRIPTION
	002726-01-001	EA	GARNISH - U-CHANNEL - 1.38" X 19' - SERRATED
	002754-01-001	EA	ANGLE - EXTRUDED - 3/4" X 3/4" X 16' - MILL ALUMINUM
	076054-AC-000	EA	FIBERGLASS SHEET - 20" X 99.8" - OFF WHITE
	076054-P9-000	EA	FIBERGLASS SHEET - 37.4" X 99.3" - BRIGHT WHITE
	076054-U8-000	EA	FIBERGLASS SHEET - 100" X 105" - BRIGHT WHITE
	076054-X9-000	EA	FIBERGLASS SHEET - 22.1" X 70.6" - BRIGHT WHITE
	077517-62-000	EA	FIBERGLASS SHEET - 48" X 96" - BRIGHT WHITE
	089297-01-000	SF	PLYWOOD - LUAN - OVERLAY GRADE - 4' X 8'
	089297-02-000	SF	PLYWOOD - LUAN - OVERLAY GRADE - 4' X 9'
	100619-01-000	BF	FOAM - EXPANDED POLYSTYRENE - 1.34" X 48" X 96"
	100619-02-000	BF	FOAM - EXPANDED POLYSTYRENE - 1.5" X 48" X 96"
	100619-04-000	BF	FOAM - EXPANDED POLYSTYRENE - .5" X 48" X 96"
	100619-05-000	BF	FOAM - EXPANDED POLYSTYRENE - .75" X 48" X 96"-1.5 DENSITY
	100619-16-000	BF	FOAM - EXPANDED POLYSTYRENE - .75" X 48" X 96"-2.0 DENSITY
	100619-27-000	BF	FOAM - EXPANDED POLYSTYRENE - 48" X 92.8" X 3"
	120107-01-000	EA	FOAM - ROOF COVE - 2.8" X 96" LONG
	120107-02-000	EA	FOAM - PLUG - ROOF TUBE - 2.2" X 2.9" X 1.8" LONG
	120107-03-000	EA	FOAM - PLUG - SIDEWALL TUBE - 1.2" X 2.1" X 1.8" LONG
	108535-05-03A	EA	FIBERGLASS SHEET - 108" X 500' ROLL - BRIGHT WHITE
	128782-02-01A	EA	FIBERGLASS SHEET - 79" X 428" - HIGH GLOSS - BRIGHT WHITE
	135926-04-01A	EA	FIBERGLASS - SHEET - 26.1" X 68.2" - BRIGHT WHITE
	135926-14-01A	EA	FIBERGLASS - SHEET - 96.7" X 261.4" - BRIGHT WHITE
	135926-15-01A	EA	FIBERGLASS - SHEET - 96.7" X 345.1" - BRIGHT WHITE

AWNINGS

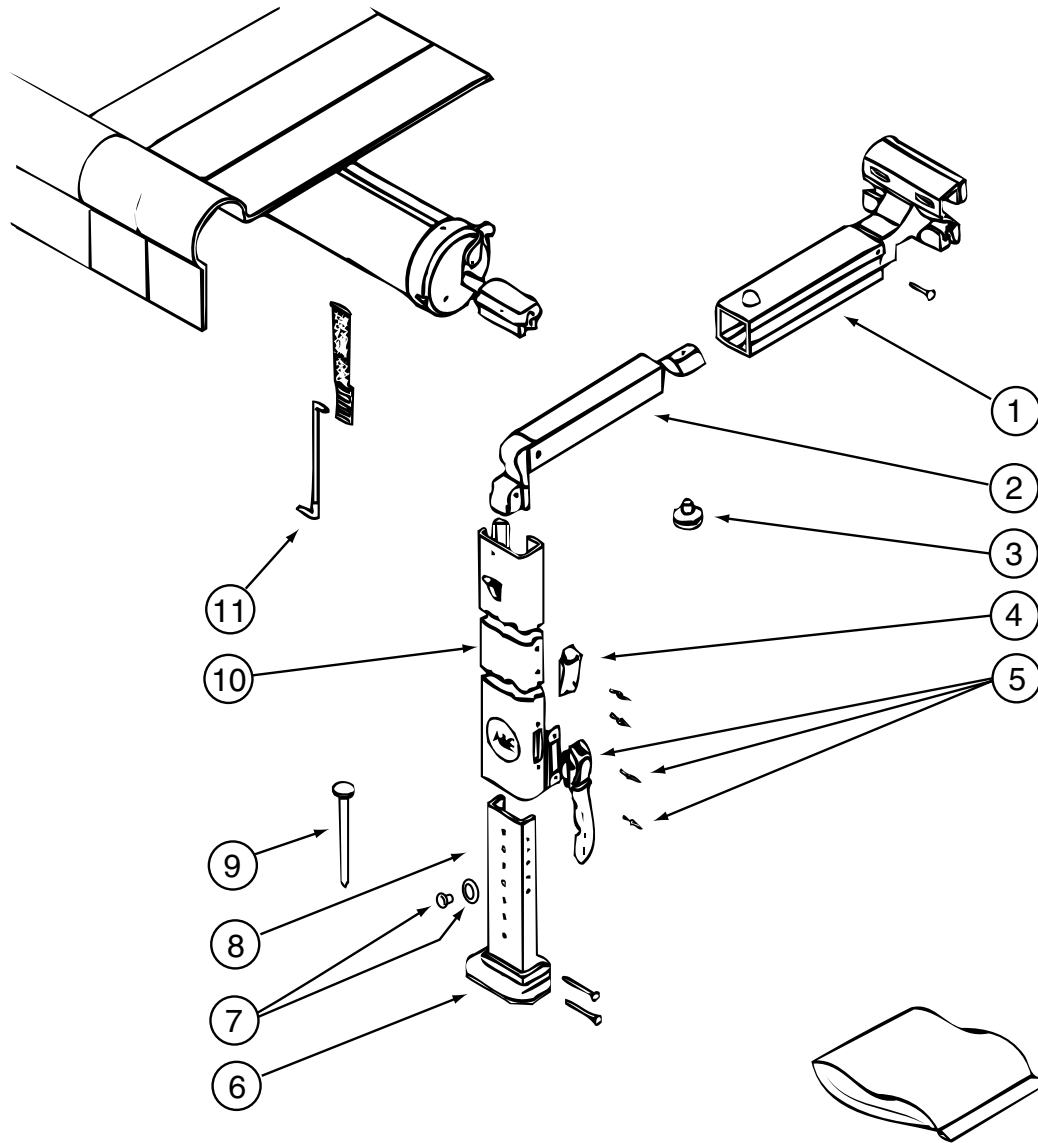
PATIO AWNINGS

SERIES	MODEL	COLOR	AWNING	AWNING	WEATHER	PART #
		DESIGNATION	FABRIC	LENGTH	WRAP	
SPIRIT	322E	POLAR NAVY TAUPE	VINYL	11.5'	VYL/BRT WHT	113874-03-48A
	322R	POLAR NAVY TAUPE	VINYL	11.5'	VYL/BRT WHT	113874-03-48A
	324F	POLAR NAVY TAUPE	VINYL	11.5'	VYL/BRT WHT	113874-03-48A
	324V	POLAR NAVY TAUPE	VINYL	11.5'	VYL/BRT WHT	113874-03-48A
	329B	POLAR NAVY TAUPE	VINYL	14'	VYL/BRT WHT	113874-05-48A
	331T	POLAR NAVY TAUPE	VINYL	16'	VYL/BRT WHT	113874-06-48A

KEY	PART NUMBER	U/M	DESCRIPTION
	111038-01-01A	EA	SPACER - AWNING - LOWER
*	113874-01-02A	EA	HARDWARE KIT - AWNING - W/O STANDOFF BRACKET-BRIGHT WHITE
	113874-10-01A	EA	SPACER - AWNING - LOWER BRACKET
	137054-01-02A	EA	BRACKET - AWNING - BRIGHT WHITE
	127647-01-01A	EA	ROD/AWNING GUARD - ENTRY DOOR - 17.8" LONG

*COMPONENT PARTS LISTED LATER IN THIS GROUP

EXTERIOR BODY GROUP (CONTINUED)
COMPONENT PARTS FOR AWNINGS

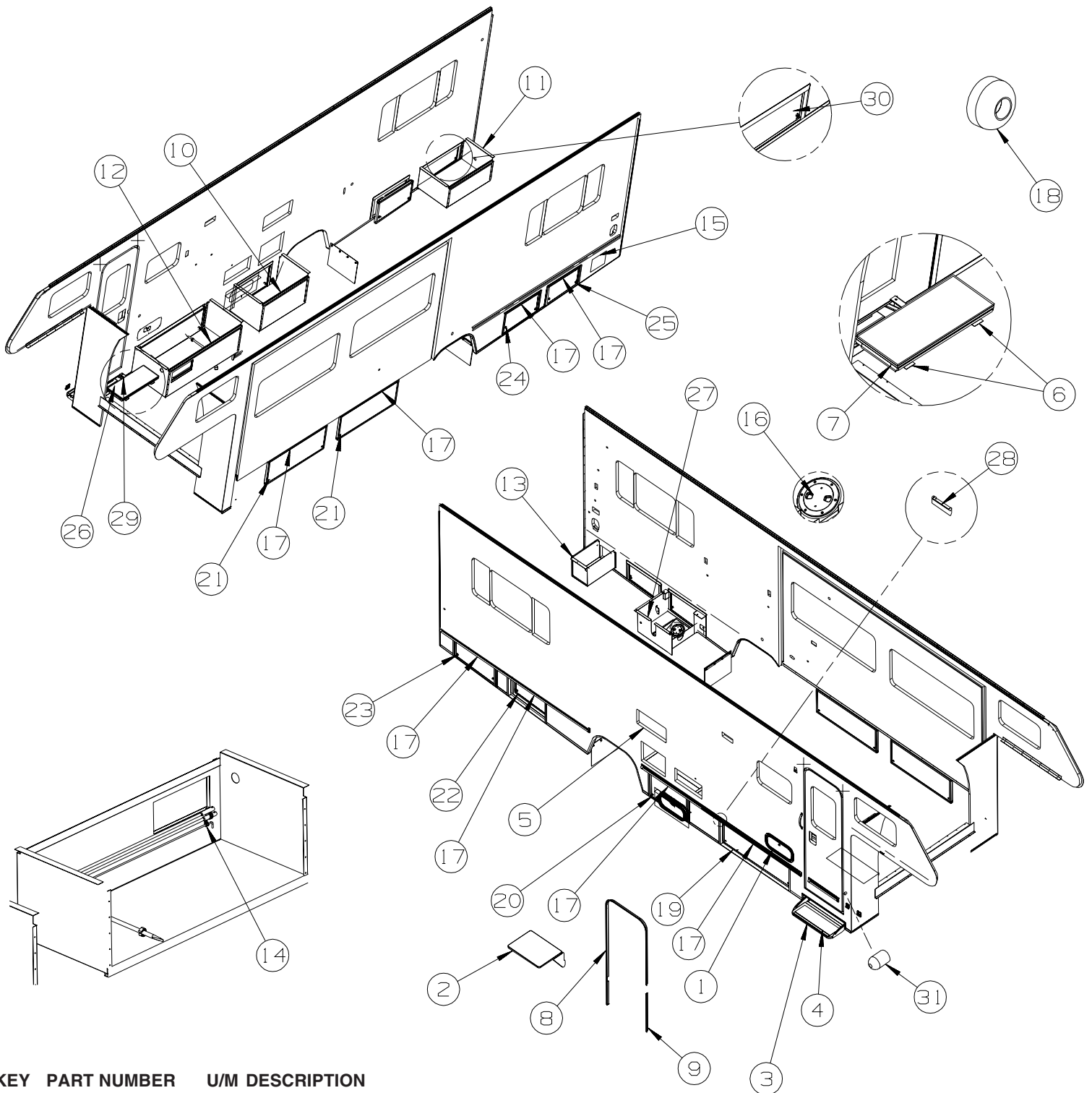


113874-01-02A

KEY	PART NUMBER	U/M	DESCRIPTION	VENDOR NO.
1	113874-01-714	EA	RAFTER - MAIN RH/LH BRT/WHT	830295.536F
2	113874-01-715	EA	RAFTER - SECONDARY BRT/WHT	830463.511F
3	113874-01-702	EA	KNOB - ADJUSTING	3105421.014
4	113874-01-706	EA	LOCK - TRAVEL	830587.001
5	113874-01-707	EA	HANDLE - LIFT W/RIVETS	830644
6	113874-01-712	EA	FOOT - PATIO	730366-001
7	113874-01-710	EA	PLUG-STOP KIT	830456
8	113874-01-717	EA	ARM - ADJUSTABLE BRT/WHT	830467.517/F
9	113874-01-709	EA	NAIL-SPIKE, 8"	113006
10	113874-01-716	EA	ARM - MAIN SUPPORT BRT/WHT	3104502.293/F
11	113874-01-703	EA	ROD-CENTER PULL W/ACCESSORY	830152.102

EXTERIOR DOORS & COMPARTMENTS GROUP

DOOR & COMPARTMENT LAYOUT



KEY	PART NUMBER	U/M	DESCRIPTION
1	126945-01-J22	EA	DOOR/STORAGE - W/O HARDWARE - 18" X 8.3" FROM: 00-00-00 THRU: 09-15-02
1	126945-09-P07	EA	DOOR/STORAGE - W/O HARDWARE - 18" X 8.3" FROM: 09-16-02 THRU: 99-99-99
2	142034-01-01A	EA	SHELF - F/EXTERIOR TV - BRIGHT WHITE
3	139748-02-04B	EA	STEP/PULLOUT - W/BRACKETS - BLACK
3 *	094708-03-01A	EA	STEP - ELECTRIC - SINGLE - BLACK CONTROL BOX - KWIKEE
4	102569-04-000	EA	MAT - ANTI SLIP
5 *	084103-08-000	EA	DOOR - VENT - REFRIGERATOR - W/O JAMB - BRIGHT WHITE
	084104-08-000	EA	JAMB - VENT DOOR/REFRIGERATOR - BRIGHT WHITE
6	101222-01-02A	EA	BRACKET - CATCH - LID - OFF WHITE
7	P14437-02-000	EA	CABINET - LID/ENTRY STEP - W/O CARPET
8	139100-02-01A	EA	GARNISH/RADIUS - ENTRY DOOR - BRIGHT WHITE

EXTERIOR DOORS & COMPARTMENTS GROUP (CONTINUED)
DOOR & COMPARTMENT LAYOUT (CONTINUED)

KEY	PART NUMBER	U/M	DESCRIPTION
9	139101-02-01A	EA	GARNISH/STRAIGHT - 35.31" - W/O NOTCHES - BRIGHT WHITE
10	137554-10-N01	EA	COMPARTMENT - LUGGAGE
11	137554-11-N01	EA	COMPARTMENT - LUGGAGE
12	137554-12-N01	EA	COMPARTMENT - LUGGAGE
			FROM: 00-00-00 THRU: 02-07-02
12	137554-16-N01	EA	COMPARTMENT - LUGGAGE
			FROM: 02-08-02 THRU: 99-99-99
13	140662-01-02B	EA	COMPARTMENT - POWER CORD - E-COATED
14	089329-02-000	EA	CLIP - SPRING
15	088794-06-000	EA	DOOR - POWER CORD W/HATCH - BRIGHT WHITE - 9.2" X 11"
16	092887-01-000	EA	HATCH/PLATE - 8.2" FLANGE/6.5" R.O. - BLACK
17	119143-02-02A	EA	SPACER/CENTER HINGE - COMPARTMENT DOOR - BRIGHT WHITE - 2"
18	120863-05-000	EA	BUMPER - RUBBER/RADIUS TOP - 3/4" X 3/8"
19	127795-01-J01	EA	VALANCE/DOOR - W/O HARDWARE - 46.4" X 15.3"
			FROM: 00-00-00 THRU: 09-15-02
19	127795-09-P07	EA	VALANCE/DOOR - W/O HARDWARE - 46.4" X 15.3"
			FROM: 09-16-02 THRU: 99-99-99
20	127795-02-J01	EA	VALANCE/DOOR - W/O HARDWARE - 25.6" X 15.3"
			FROM: 00-00-00 THRU: 09-15-02
20	127795-10-P07	EA	VALANCE/DOOR - W/O HARDWARE - 25.6" X 15.3"
			FROM: 09-16-02 THRU: 99-99-99
21	127795-07-P07	EA	VALANCE DOOR - W/O HARDWARE - 41.3" X 15.3"
			FROM: 00-00-00 THRU: 09-15-02
21	127795-12-P07	EA	VALANCE/DOOR - W/O HARDWARE - 41.3" X 15.3"
			FROM: 09-16-02 THRU: 99-99-99
22	127826-01-J01	EA	VALANCE/DOOR - PASSENGER W/O HDW - 13.9" X 24.6" X 12.6"
23	127826-02-J01	EA	VALANCE/DOOR - PASSENGER W/O HDW - 12.1" X 27.8" X 10.7"
			FROM: 00-00-00 THRU: 09-15-02
23	127826-24-P07	EA	VALANCE/DOOR - PASS W/O HARDWARE - 12.1" X 27.8" X 10.7"
			FROM: 09-16-02 THRU: 99-99-99
24	127826-03-J01	EA	VALANCE/DOOR - DRIVER W/O HDW - 14.4" X 24.6" X 13.2"
			FROM: 00-00-00 THRU: 09-15-02
24	127826-25-P07	EA	VALANCE/DOOR - DRVR W/O HARDWARE - 14.4" X 24.6" X 13.2"
			FROM: 09-16-02 THRU: 99-99-99
25	127826-04-J01	EA	VALANCE/DOOR - DRIVER W/O HDW - 14.3" X 22.4" X 11.7"
			FROM: 00-00-00 THRU: 09-15-02
25	127826-26-P07	EA	VALANCE/DOOR - DRVR W/O HARDWARE - 14.3" X 22.4" X 11.7"
			FROM: 09-16-02 THRU: 99-99-99
26	133114-03-01A	EA	TREAD - STEP/RUBBER - 27.1" - TAUPE
26	133114-03-03A	EA	TREAD - STEP/RUBBER - 27.1" - GRAY
27	139455-02-02B	EA	COMPARTMENT - DRAINAGE - E-COATED
28	102768-01-000	EA	HOLDER - COMPARTMENT/ENTRY DOOR - METAL - MILL FINISH
29	116975-01-01A	EA	LATCH - W/O STRIKE - BLACK - NEW STYLE
30	131383-03-02A	EA	BRACKET - SHOWER HEAD - WHITE
31	104099-01-04A	EA	CATCH - DOOR HOLDER - STRIKE - 3.9" - BRIGHT WHITE
			FROM: 00-00-00 THRU: 02-17-03
31	104099-02-04A	EA	CATCH/RETAINER - DOOR HOLDER - BRIGHT WHITE
			FROM: 00-00-00 THRU: 02-17-03
31	102768-01-000	EA	HOLDER - COMPARTMENT/ENTRY DOOR - METAL - MILL FINISH
			FROM: 02-18-03 THRU: 99-99-99
31	117046-02-000	EA	BUMPER - RUBBER/ROUND END - 1.5"
			FROM: 02-18-03 THRU: 99-99-99
	132892-02-01A	FT	SEAL - BULB
	138292-01-000	EA	SEAL - LOCK CYLINDER

EXTERIOR DOORS & COMPARTMENTS GROUP (CONTINUED)
DOOR & COMPARTMENT LAYOUT (CONTINUED)

KEY PART NUMBER U/M DESCRIPTION

LOCK CYLINDER USED UP TO 09-15-02

110506-59-000	EA	KEYS - SET OF TWO
110506-59-001	EA	KEYS - SET OF TWO
110506-59-002	EA	KEYS - SET OF TWO
110506-59-003	EA	KEYS - SET OF TWO
110506-59-004	EA	KEYS - SET OF TWO
110506-59-005	EA	KEYS - SET OF TWO
110506-59-006	EA	KEYS - SET OF TWO
110506-59-007	EA	KEYS - SET OF TWO
110506-59-008	EA	KEYS - SET OF TWO
110506-59-009	EA	KEYS - SET OF TWO

LOCK ASSEMBLY USED FROM: 09-16-02

138637-51-000	EA	KEYS - SET OF TWO
138637-51-001	EA	KEYS - SET OF TWO
138637-51-002	EA	KEYS - SET OF TWO
138637-51-003	EA	KEYS - SET OF TWO
138637-51-004	EA	KEYS - SET OF TWO
138637-51-005	EA	KEYS - SET OF TWO
138637-51-006	EA	KEYS - SET OF TWO
138637-51-007	EA	KEYS - SET OF TWO
138637-51-008	EA	KEYS - SET OF TWO
138637-51-009	EA	KEYS - SET OF TWO

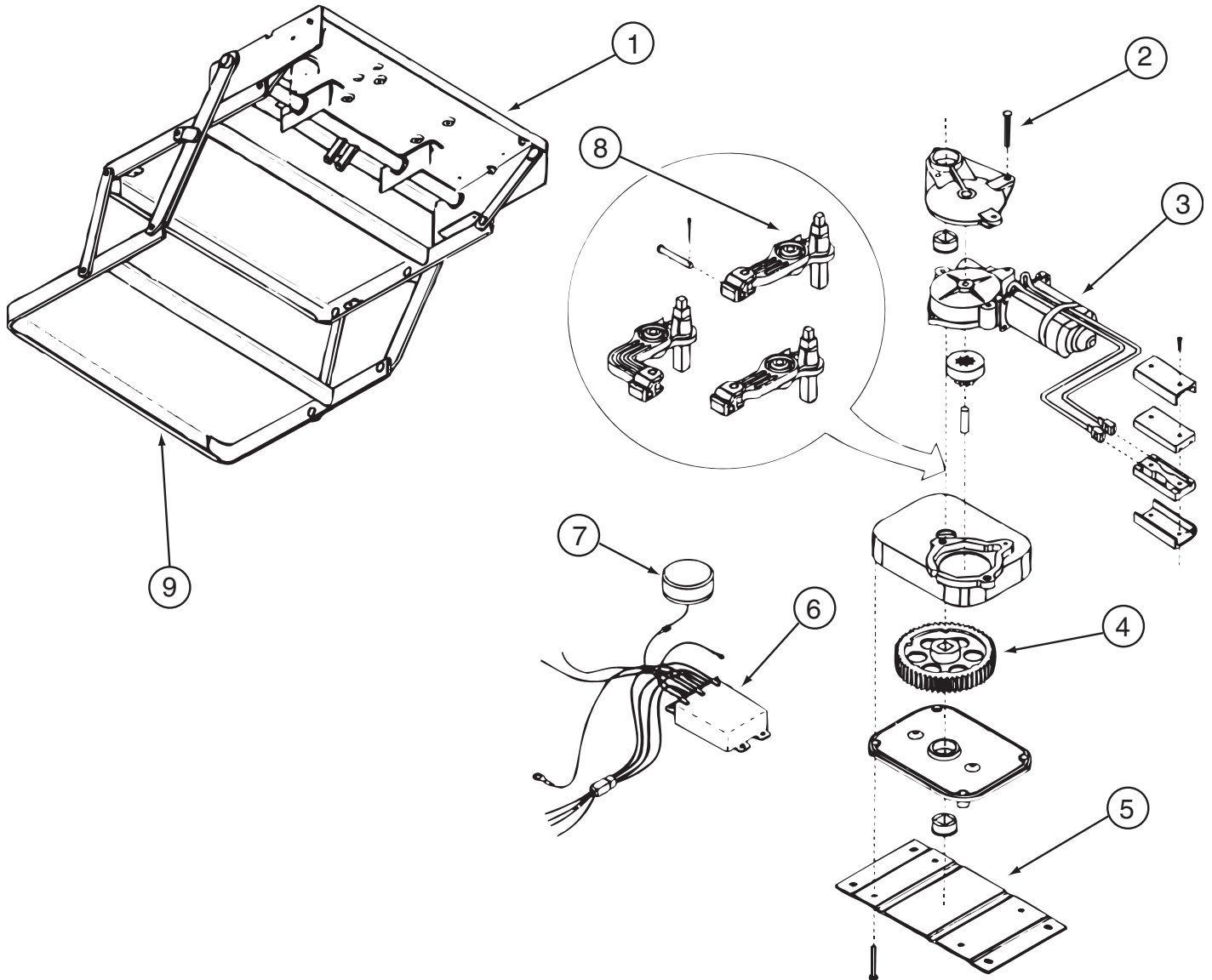
***COMPONENT PARTS LISTED LATER IN THIS GROUP**

EXTERIOR DOORS & COMPARTMENTS GROUP (CONTINUED)
COMPONENT PARTS FOR DOOR & COMPARTMENT LAYOUT

084103-08-000

KEY	PART NUMBER	U/M	DESCRIPTION	VENDOR NO.
	084104-01-700	EA	LOCK-MALE, FASTENER	201-721-010
	084104-01-701	EA	LOCK-FEMALE, FASTENER	201-802-010

EXTERIOR DOORS & COMPARTMENTS GROUP (CONTINUED)
COMPONENT PARTS FOR DOOR & COMPARTMENT LAYOUT (CONTINUED)

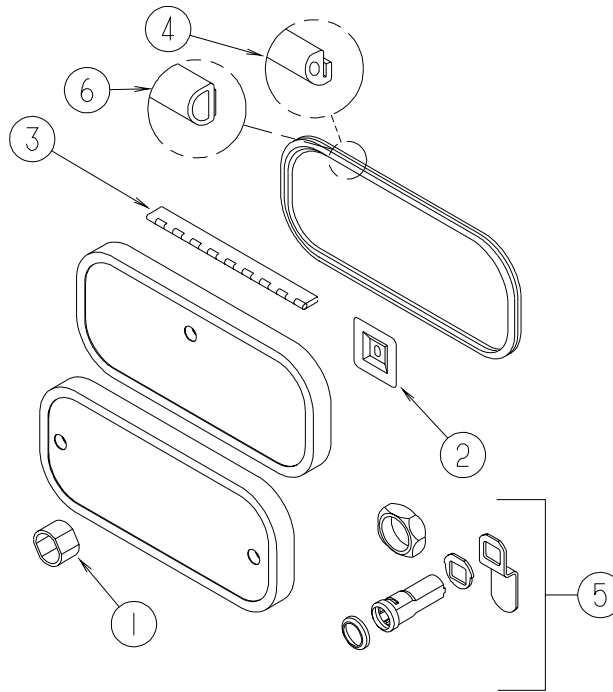


094707-03-01A

KEY	PART NUMBER	U/M	DESCRIPTION	VENDOR NO.
1	094707-01-702	EA	FRAME W/DBL STEP,3200 SERIES	908032
2	094707-02-703	EA	BEARING & PINS	909530
3	094707-02-700	EA	MOTOR - "UT" ASM W/BRGS/PIN	909520
4	094707-02-702	EA	GEAR KIT(GEAR-BEARING-PINS)	909525
5	094707-02-704	EA	CONNECTOR-MOTOR ASM.W/PLATES	909537
6	094707-03-700	EA	KIT CONTROL/SWITCH-RETROFIT	909506005
7	088746-01-705	EA	LIGHT-UNDER STEP	9004
8	094707-02-701	EA	LINKAGE ASM. W/BEARINGS-PINS	909534
	094707-02-706	EA	GEAR BOX ASM. W/O MOTOR	9524
	094707-02-708	EA	TREAD - NON-SKID - YELLOW	909331
	094707-03-701	EA	PLUG - 4-WAY - PACKARD	909306

CONTACT WINNEBAGO PART SALES FOR UNLISTED COMPONENTS

EXTERIOR DOORS & COMPARTMENTS GROUP (CONTINUED)
COMPARTMENT DOOR PIECE PARTS



KEY	PART NUMBER	U/M	DESCRIPTION
1	107997-51-001	EA	SPACER - DOOR LOCK - .6" DEEP
			FROM: 00-00-00 THRU: 01-19-03
1	144734-01-000	EA	SPACER
			FROM: 01-20-03 THRU: 99-99-99
1	139325-01-000	EA	SPACER - LOCK - 6MM - EXTERIOR ENTERTAINMENT DOOR ONLY
2	097111-02-04A	EA	POCKET - LOCK - VALANCE
			FROM: 09-16-02 THRU: 99-99-99
3	081801-V3-000	EA	HINGE - ALUMINUM - 2" X 96" - BRIGHT WHITE
4	106850-02-000	FT	SEAL-E - SPONGE RUBBER - .43" X .75"
5*	110506-27-000	EA	LOCK - TWIST - 1.6"
	110506-55-000	EA	CASE/CYLINDER - TWIST LOCK - W/O CAM - 1.25" - 597312AA1
	138290-02-000	EA	CASE - W/CAM - W/O CYLINDER/KEY - EXTERIOR ENTERTAINMENT DOOR ONLY
	139337-01-000	EA	GASKET - LOCK - EXTERIOR ENTERTAINMENT DOOR ONLY
LOCK ASSEMBLY USED UP TO: 09-15-02			
5*	110506-26-000	EA	LOCK - KEYED - 1.6"
	110506-54-000	EA	CASE/CYLINDER - LOCKING - W/O CAM/KEY - 1.25" - 703170
	110506-54-001	EA	CASE/CYLINDER - LOCKING - W/O CAM/KEY - 1.25" - 703171
	110506-54-002	EA	CASE/CYLINDER - LOCKING - W/O CAM/KEY - 1.25" - 703172
	110506-54-003	EA	CASE/CYLINDER - LOCKING - W/O CAM/KEY - 1.25" - 703173
	110506-54-004	EA	CASE/CYLINDER - LOCKING - W/O CAM/KEY - 1.25" - 703174
	110506-54-005	EA	CASE/CYLINDER - LOCKING - W/O CAM/KEY - 1.25" - 703175
	110506-54-006	EA	CASE/CYLINDER - LOCKING - W/O CAM/KEY - 1.25" - 703176
	110506-54-007	EA	CASE/CYLINDER - LOCKING - W/O CAM/KEY - 1.25" - 703177
	110506-54-008	EA	CASE/CYLINDER - LOCKING - W/O CAM/KEY - 1.25" - 703178
	110506-54-009	EA	CASE/CYLINDER - LOCKING - W/O CAM/KEY - 1.25" - 703179
	110506-66-000	EA	CAM - LATCHING - DOG LEGGED 1.5" LONG
LOCK ASSEMBLY USED FROM: 09-16-02 TO 01-19-03			
5	138637-02-000	EA	LOCK ASM. - KEYED - 1.3" CASE (CYLINDER/CAM/HDWR PKG)
	138637-50-000	EA	CASE/CYLINDER - LOCKING - W/O CAM/KEY - 1.3"
	138637-50-001	EA	CASE/CYLINDER - LOCKING - W/O CAM/KEY - 1.3"
	138637-50-002	EA	CASE/CYLINDER - LOCKING - W/O CAM/KEY - 1.3"
	138637-50-003	EA	CASE/CYLINDER - LOCKING - W/O CAM/KEY - 1.3"
	138637-50-004	EA	CASE/CYLINDER - LOCKING - W/O CAM/KEY - 1.3"
	138637-50-005	EA	CASE/CYLINDER - LOCKING - W/O CAM/KEY - 1.3"
	138637-50-006	EA	CASE/CYLINDER - LOCKING - W/O CAM/KEY - 1.3"
	138637-50-007	EA	CASE/CYLINDER - LOCKING - W/O CAM/KEY - 1.3"
	138637-50-008	EA	CASE/CYLINDER - LOCKING - W/O CAM/KEY - 1.3"
	138637-50-009	EA	CASE/CYLINDER - LOCKING - W/O CAM/KEY - 1.3"
	138637-61-000	EA	CAM - LATCHING - DOG LEG - 1 15/32" LONG

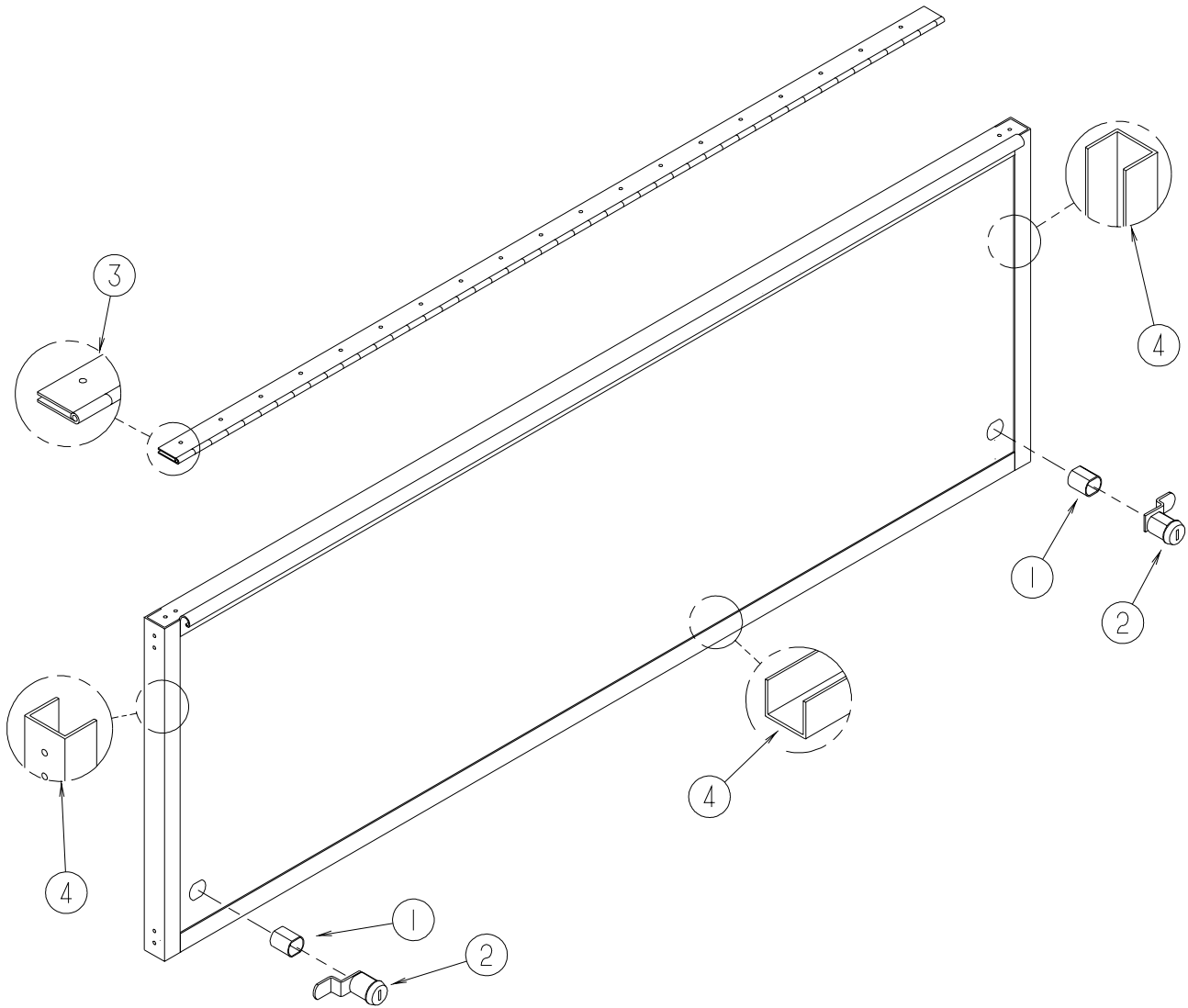
EXTERIOR DOORS & COMPARTMENTS GROUP (CONTINUED)
COMPARTMENT DOOR PIECE PARTS (CONTINUED)

LOCK ASSEMBLY USED FROM: 01-20-03 TO 99-99-99

5	138637-04-000	EA	LOCK ASM. - KEYED - 1.5" CASE (CYLINDER/CAM/HDWR PKG)
	138637-53-000	EA	CASE/CYLINDER - LOCKING - W/O CAM/KEY - 1.5"
	138637-53-001	EA	CASE/CYLINDER - LOCKING - W/O CAM/KEY - 1.5"
	138637-53-002	EA	CASE/CYLINDER - LOCKING - W/O CAM/KEY - 1.5"
	138637-53-003	EA	CASE/CYLINDER - LOCKING - W/O CAM/KEY - 1.5"
	138637-53-004	EA	CASE/CYLINDER - LOCKING - W/O CAM/KEY - 1.5"
	138637-53-005	EA	CASE/CYLINDER - LOCKING - W/O CAM/KEY - 1.5"
	138637-53-006	EA	CASE/CYLINDER - LOCKING - W/O CAM/KEY - 1.5"
	138637-53-007	EA	CASE/CYLINDER - LOCKING - W/O CAM/KEY - 1.5"
	138637-53-008	EA	CASE/CYLINDER - LOCKING - W/O CAM/KEY - 1.5"
	138637-53-009	EA	CASE/CYLINDER - LOCKING - W/O CAM/KEY - 1.5"
	138637-63-000	EA	CAM - LATCHING - DOG LEG - 1.5" LONG
6	112160-02-000	FT	SEAL - D SECTION - .2 X .3" - FOAM RUBBER

***COMPONENT PARTS LISTED LATER IN THIS GROUP**

EXTERIOR DOORS & COMPARTMENTS GROUP (CONTINUED)
COMPARTMENT DOOR PIECE PARTS (CONTINUED)



KEY	PART NUMBER	U/M	DESCRIPTION
1	107997-51-004	EA	SPACER - DOOR LOCK .9" DEEP - TWIST LOCKS
1	107997-51-004	EA	SPACER - DOOR LOCK .9" DEEP - KEYED LOCKS
			FROM: 00-00-00 THRU: 09-15-02
1	107997-51-003	EA	SPACER - DOOR LOCK .79" DEEP - KEYED LOCKS
			FROM: 09-16-02 THRU: 01-19-03
1	144734-03-000	EA	SPACER - KEYED LOCKS
			FROM: 01-20-03 THRU: 99-99-99
2	110506-55-000	EA	CASE/CYLINDER - TWIST LOCK - W/O CAM - 1.25" - 597312AA1 - TWIST LOCKS
	110506-64-000	EA	CAM - LATCHING - DOG LEG - 1.8" LONG - TWIST LOCKS
			LOCK ASSEMBLY USED UP TO: 09-15-02 - KEYED LOCKS
2	110506-54-000	EA	CASE/CYLINDER - LOCKING - W/O CAM/KEY - 1.25" - 703170
2	110506-54-001	EA	CASE/CYLINDER - LOCKING - W/O CAM/KEY - 1.25" - 703171
2	110506-54-002	EA	CASE/CYLINDER - LOCKING - W/O CAM/KEY - 1.25" - 703172
2	110506-54-003	EA	CASE/CYLINDER - LOCKING - W/O CAM/KEY - 1.25" - 703173
2	110506-54-004	EA	CASE/CYLINDER - LOCKING - W/O CAM/KEY - 1.25" - 703174
2	110506-54-005	EA	CASE/CYLINDER - LOCKING - W/O CAM/KEY - 1.25" - 703175
2	110506-54-006	EA	CASE/CYLINDER - LOCKING - W/O CAM/KEY - 1.25" - 703176
2	110506-54-007	EA	CASE/CYLINDER - LOCKING - W/O CAM/KEY - 1.25" - 703177
2	110506-54-008	EA	CASE/CYLINDER - LOCKING - W/O CAM/KEY - 1.25" - 703178
2	110506-54-009	EA	CASE/CYLINDER - LOCKING - W/O CAM/KEY - 1.25" - 703179
	110506-64-000	EA	CAM - LATCHING - DOG LEGGED 1.8" LONG
	110506-66-000	EA	CAM - LATCHING - DOG LEG - 1.5" LONG

EXTERIOR DOORS & COMPARTMENTS GROUP (CONTINUED)
COMPARTMENT DOOR PIECE PARTS (CONTINUED)

KEY	PART NUMBER	U/M	DESCRIPTION
LOCK ASSEMBLY USED FROM: 09-16-02 TO 01-19-03 - KEYED LOCKS			
2	138637-50-000	EA	CASE/CYLINDER - LOCKING - W/O CAM/KEY - 1.3"
2	138637-50-001	EA	CASE/CYLINDER - LOCKING - W/O CAM/KEY - 1.3"
2	138637-50-002	EA	CASE/CYLINDER - LOCKING - W/O CAM/KEY - 1.3"
2	138637-50-003	EA	CASE/CYLINDER - LOCKING - W/O CAM/KEY - 1.3"
2	138637-50-004	EA	CASE/CYLINDER - LOCKING - W/O CAM/KEY - 1.3"
2	138637-50-005	EA	CASE/CYLINDER - LOCKING - W/O CAM/KEY - 1.3"
2	138637-50-006	EA	CASE/CYLINDER - LOCKING - W/O CAM/KEY - 1.3"
2	138637-50-007	EA	CASE/CYLINDER - LOCKING - W/O CAM/KEY - 1.3"
2	138637-50-008	EA	CASE/CYLINDER - LOCKING - W/O CAM/KEY - 1.3"
2	138637-50-009	EA	CASE/CYLINDER - LOCKING - W/O CAM/KEY - 1.3"
	138637-60-000	EA	CAM - LATCHING - DOG LEG - 1.5" LONG
LOCK ASSEMBLY USED FROM: 01-20-03 TO 99-99-99 - KEYED LOCKS			
2	138637-53-000	EA	CASE/CYLINDER - LOCKING - W/O CAM/KEY - 1.5"
2	138637-53-001	EA	CASE/CYLINDER - LOCKING - W/O CAM/KEY - 1.5"
2	138637-53-002	EA	CASE/CYLINDER - LOCKING - W/O CAM/KEY - 1.5"
2	138637-53-003	EA	CASE/CYLINDER - LOCKING - W/O CAM/KEY - 1.5"
2	138637-53-004	EA	CASE/CYLINDER - LOCKING - W/O CAM/KEY - 1.5"
2	138637-53-005	EA	CASE/CYLINDER - LOCKING - W/O CAM/KEY - 1.5"
2	138637-53-006	EA	CASE/CYLINDER - LOCKING - W/O CAM/KEY - 1.5"
2	138637-53-007	EA	CASE/CYLINDER - LOCKING - W/O CAM/KEY - 1.5"
2	138637-53-008	EA	CASE/CYLINDER - LOCKING - W/O CAM/KEY - 1.5"
2	138637-53-009	EA	CASE/CYLINDER - LOCKING - W/O CAM/KEY - 1.5"
	138637-64-000	EA	CAM - LATCHING
3	126694-55-002	EA	EXTRUSION = U-CHANNEL/HINGED - 143.8" - BRIGHT WHITE
4	122612-55-008	EA	U-CHANNEL/EXTRUSION - 144" - BRIGHT WHITE

EXTERIOR DOORS & COMPARTMENTS GROUP (CONTINUED)

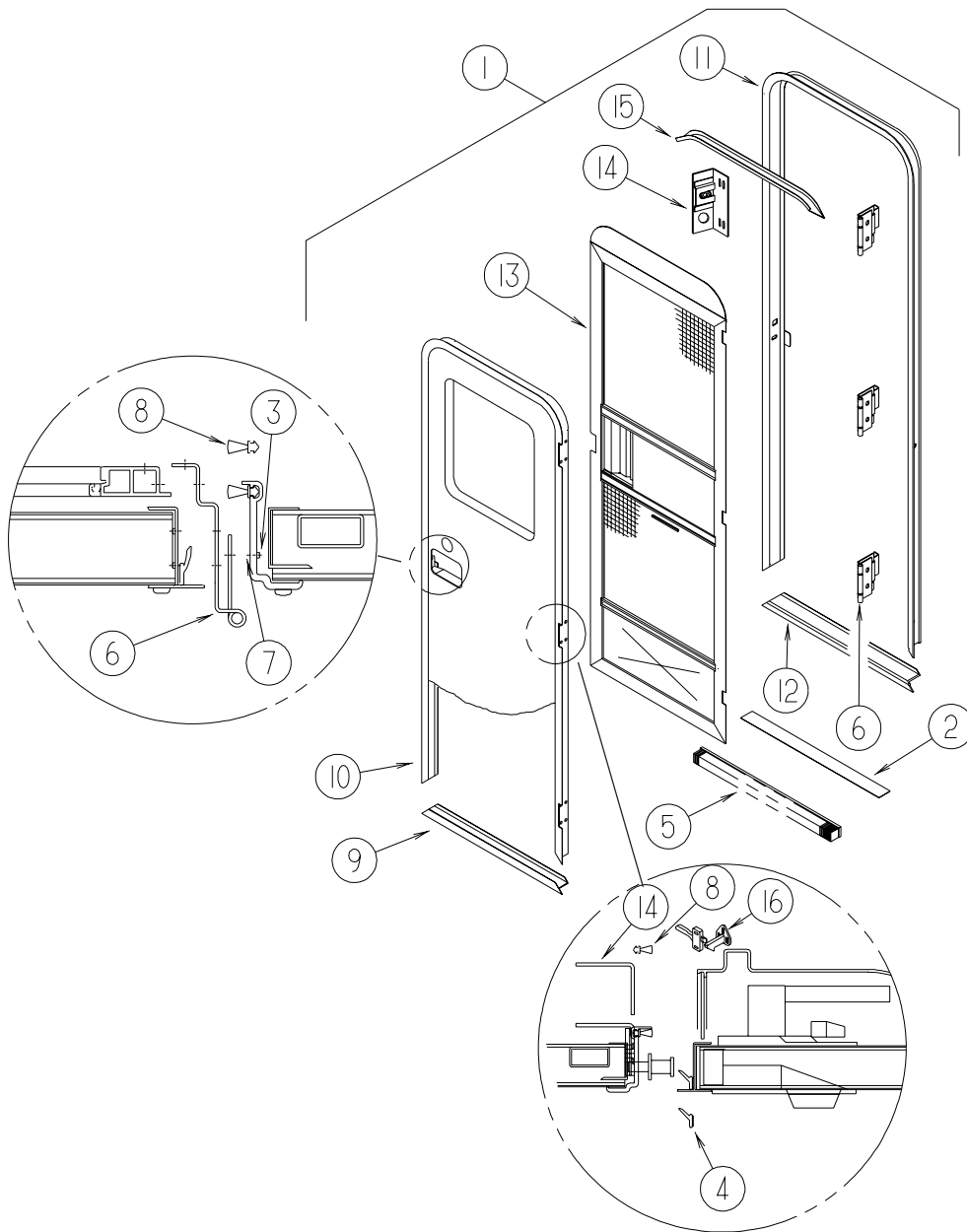
COMPONENTS FOR COMPARTMENT DOOR PIECE PARTS

110506-A1-000, 110506-A2-000, 110506-26-000, 110506-27-000

KEY	PART NUMBER	U/M	DESCRIPTION	VENDOR NO .
	110506-40-700	EA	HARDWARE PACKAGE-CYLINDER/CASE	596950AAL

EXTERIOR DOORS & COMPARTMENTS GROUP (CONTINUED)

ENTRY

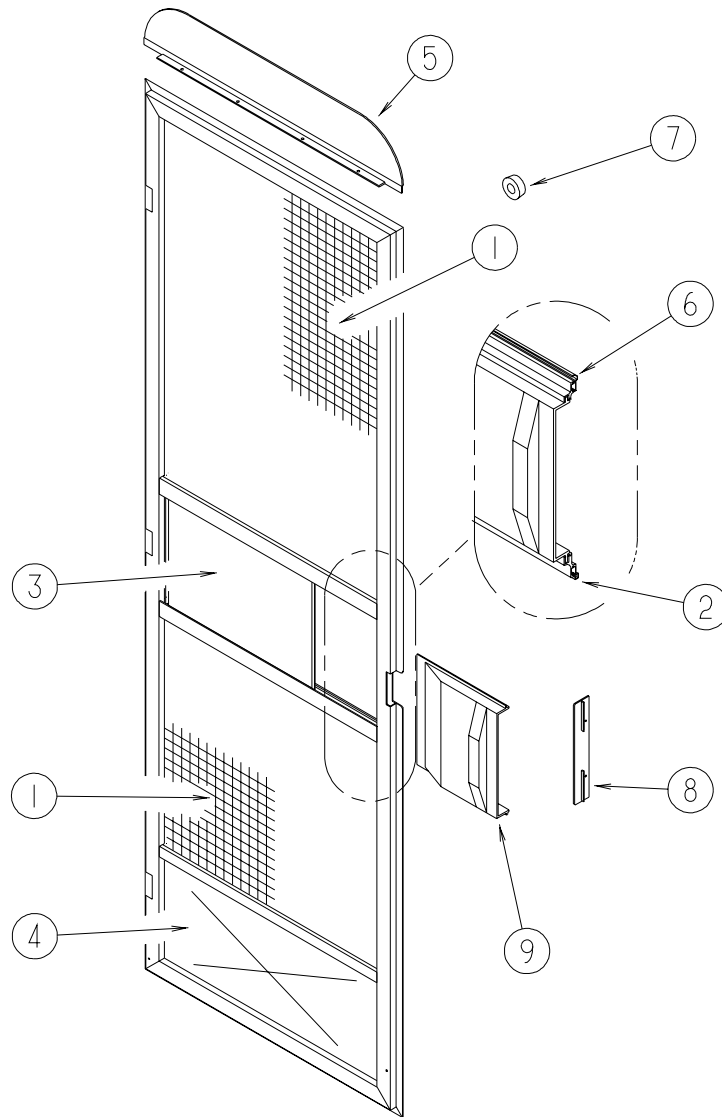


KEY	PART NUMBER	U/M	DESCRIPTION
1	P32206-09-P07	EA	DOOR - ENTRY W/SCREEN DOOR - W/O WINDOW/LATCH (P10) - 322E, 322R, 324F, 324V, 329B
1	P32206-09-N02	EA	DOOR - ENTRY W/SCREEN DOOR - W/O WINDOW/LATCH (P11) - 322E, 322R, 324F, 324V, 329B
1	P32206-09-N03	EA	DOOR - ENTRY W/SCREEN DOOR - W/O WINDOW/LATCH (P12) - 322E, 322R, 324F, 324V, 329B
1	P32206-12-P07	EA	DOOR - ENTRY W/SCREEN DOOR - W/O WINDOW/LATCH (P10) - 331T FROM: 00-00-00 THRU: 03-30-03
1	P32206-09-P07	EA	DOOR - ENTRY W/SCREEN DOOR - W/O WINDOW/LATCH (P10) - 331T FROM: 03-31-03 THRU: 99-99-99
1	P32206-12-N02	EA	DOOR - ENTRY W/SCREEN DOOR - W/O WINDOW/LATCH (P11) - 331T FROM: 00-00-00 THRU: 03-30-03
1	P32206-09-N02	EA	DOOR - ENTRY W/SCREEN DOOR - W/O WINDOW/LATCH (P11) - 331T FROM: 03-31-03 THRU: 99-99-99
1	P32206-12-N03	EA	DOOR - ENTRY W/SCREEN DOOR - W/O WINDOW/LATCH (P12) - 331T FROM: 00-00-00 THRU: 03-30-03
1	P32206-09-N03	EA	DOOR - ENTRY W/SCREEN DOOR - W/O WINDOW/LATCH (P12) - 331T FROM: 03-31-03 THRU: 99-99-99
2	038327-01-000	FT	TAPE - ANTI-SLIP - 2" X 60'
3	039715-01-000	EA	NUT-SERT - 1/4" DIAMETER - 20 THREADS
4	075671-04-000	FT	SEAL - SPONGE - LAZY T - W/ADHESIVE STRIP - .5" WIDE
5	075673-05-000	FT	SEAL - PILE - ADHESIVE BACK - BLACK
6	106719-01-05A	EA	HINGE - ENTRY DOOR - BRIGHT WHITE
7	116111-02-01A	EA	SCREW - TAPTITE - 1/4-20 X 3/8 PPH 0 ZINC

EXTERIOR DOORS & COMPARTMENTS GROUP (CONTINUED)
ENTRY (CONTINUED)

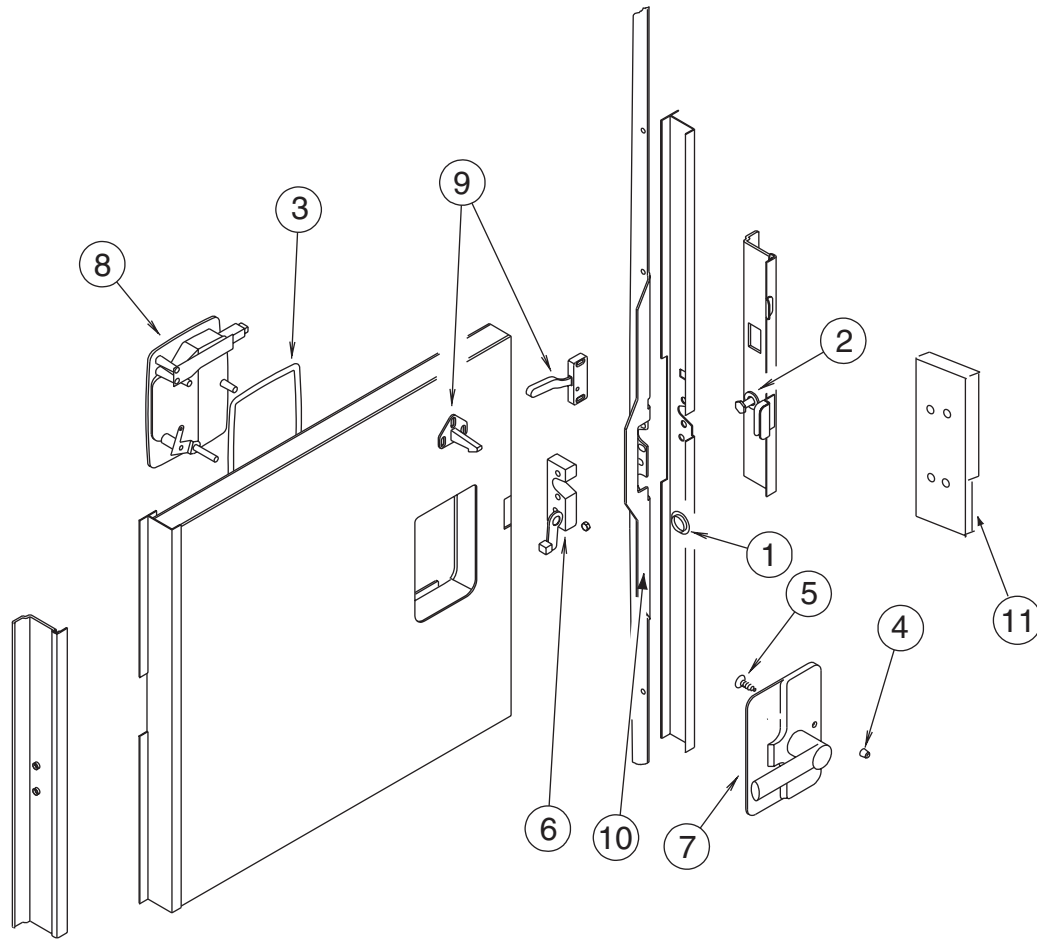
KEY	PART NUMBER	U/M DESCRIPTION
8	118929-01-01A	FT SEAL - PILE - PUSH ON
9	121893-01-01A	EA FRAME - ENTRY DOOR/BOTTOM - BRIGHT WHITE
10	121894-21-01A	EA FRAME - ENTRY DOOR - BRIGHT WHITE
11	121898-16-01A	EA JAMB - ENTRY DOOR - BRIGHT WHITE
12	051049-01-000	EA JAMB/DOOR - BOTTOM - 25.9" - UNPAINTED
13	132208-04-L07	EA DOOR - SCREEN - W/O HARDWARE
14	137401-01-03B	EA BRACKET - DOOR ANGLE - OFF WHITE
15	044582-44-000	EA CAP - DRIP - JAMB - BRIGHT WHITE
16	132915-01-01A	EA LATCH - SCREEN DOOR - BLACK
	138287-01-000	EA CYLINDER/LOCK - ENTRY DOOR (MASTER)
	138287-02-000	EA CYLINDER/LOCK - ENTRY DOOR (MASTER)
	138287-03-000	EA CYLINDER/LOCK - ENTRY DOOR (MASTER)
	138287-04-000	EA CYLINDER/LOCK - ENTRY DOOR (MASTER)
	138287-05-000	EA CYLINDER/LOCK - ENTRY DOOR (MASTER)
	138287-06-000	EA CYLINDER/LOCK - ENTRY DOOR (MASTER)
	138287-07-000	EA CYLINDER/LOCK - ENTRY DOOR (MASTER)
	138287-08-000	EA CYLINDER/LOCK - ENTRY DOOR (MASTER)
	138287-09-000	EA CYLINDER/LOCK - ENTRY DOOR (MASTER)
	138287-10-000	EA CYLINDER/LOCK - ENTRY DOOR (MASTER)
	138288-01-000	EA KEY - REVERSIBLE - #1151 - T/M 16169-02-3091
	138288-02-000	EA KEY - REVERSIBLE - #1152 - T/M 16169-02-3092
	138288-03-000	EA KEY - REVERSIBLE - #1153 - T/M 16169-02-3093
	138288-04-000	EA KEY - REVERSIBLE - #1154 - T/M 16169-02-3094
	138288-05-000	EA KEY - REVERSIBLE - #1155 - T/M 16169-02-3095
	138288-06-000	EA KEY - REVERSIBLE - #1156 - T/M 16169-02-3096
	138288-07-000	EA KEY - REVERSIBLE - #1157 - T/M 16169-02-3097
	138288-08-000	EA KEY - REVERSIBLE - #1158 - T/M 16169-02-3098
	138288-09-000	EA KEY - REVERSIBLE - #1159 - T/M 16169-02-3099
	138288-10-000	EA KEY - REVERSIBLE - #1150 - T/M 16169-02-3100
	138292-01-000	EA SEAL - LOCK CYLINDER

EXTERIOR DOORS & COMPARTMENTS GROUP (CONTINUED)
SCREEN



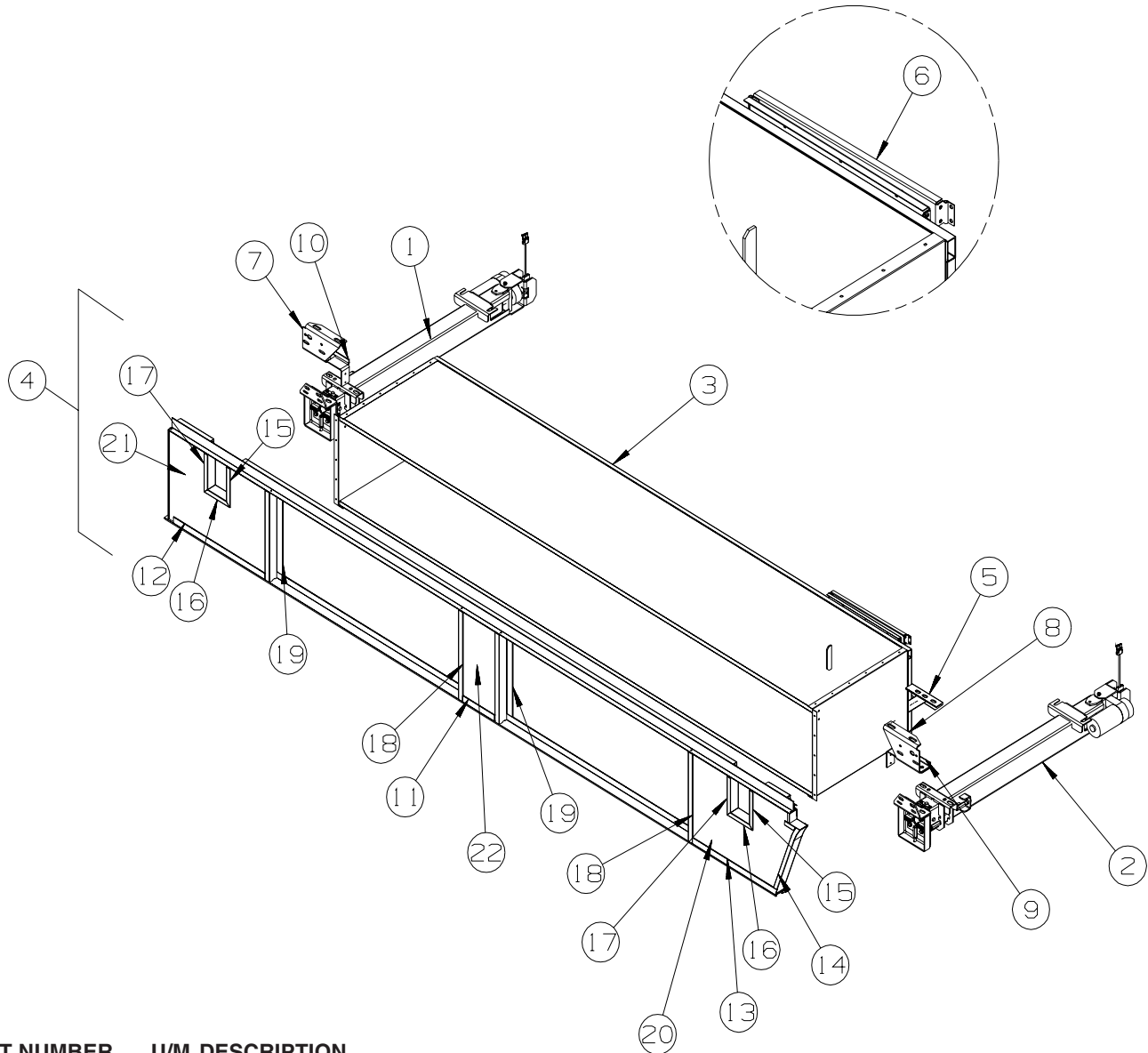
KEY	PART NUMBER	U/M	DESCRIPTION
1	002293-02-000	SF	SCREEN - 26" - CHARCOAL
2	002294-01-000	FT	SPLINE - SCREENING - .13" X .14"
3	016454-21-000	EA	INSERT - SCREEN DOOR - CENTER
4	078552-03-000	EA	KICK PANEL - SCREEN DOOR - LOWER INSERT - UNPAINTED
5	078595-01-000	EA	TOP PLATE - SCREEN DOOR - CURVED TOP - 4.7" X 25.35"
6	078777-08-000	FT	CHANNEL - SLIDER
7	120863-06-000	EA	BUMPER - RUBBER - 3/4" X 3/8"
8	132081-01-01A	EA	STRIKE - SLIDER - SCREEN DOOR - BRIGHT WHITE
9	132082-01-01A	EA	SLIDER - SCREEN DOOR - BRIGHT WHITE

EXTERIOR DOORS & COMPARTMENTS GROUP (CONTINUED)
LATCH - ENTRY



KEY	PART NUMBER	U/M	DESCRIPTION
1	061420-14-000	EA	PLUG/PLASTIC - .034" DIAMETER
2	092927-14-000	EA	STRIKER - ROUND - JAMB MOUNTED
3	112782-04-01A	EA	GASKET
4	112782-05-01A	EA	CAP - VINYL - RED
5	112782-08-01A	EA	SCREW - MOUNTING/PLATE - ZINC
6	112782-15-01A	EA	LATCH - SINGLE ROTOR
7	112782-16-01A	EA	LATCH - INTERIOR PLATE
8	112782-18-01A	EA	LATCH - EXTERIOR - W/O LOCK CYLINDER W/ICON-REVERSIBLE KEY
9	132915-01-01A	EA	LATCH - SCREEN DOOR
10	132207-01-02B	EA	STIFFENER/DOOR - FORMED - E-COATED
	072893-04-000	EA	NUTSERT - 10-32
11	139102-01-01A	EA	COVER - BRACKET - STRIKE - BRIGHT WHITE

EXTERIOR SLIDEOUT GROUP



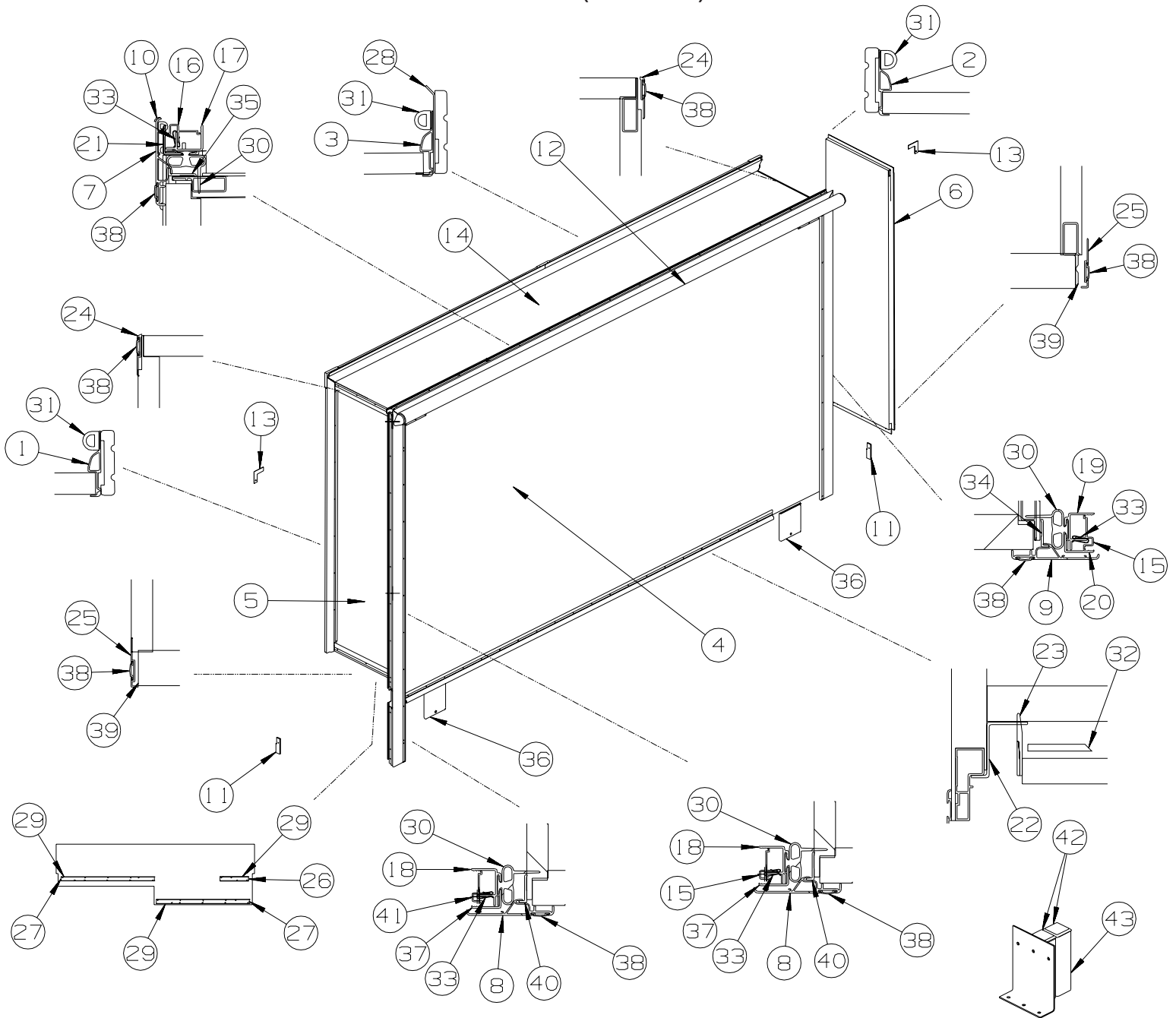
KEY	PART NUMBER	U/M	DESCRIPTION
1*	138173-01-000	EA	SLIDEOUT ARM ASSEMBLY - FRONT - ELECTRIC FROM: 00-00-00 THRU: 02-10-02
1*	142598-01-000	EA	SLIDE ARM ASSEMBLY - FRONT - ELECTRIC FROM: 02-11-02 THRU: 99-99-99
2*	138173-02-000	EA	SLIDEOUT ARM ASSEMBLY - REAR - ELECTRIC FROM: 00-00-00 THRU: 02-10-02
2*	142598-02-000	EA	SLIDE ARM ASSEMBLY - REAR - ELECTRIC FROM: 02-11-02 THRU: 99-99-99
	138173-05-000	EA	HANDLE/CRANK - SLIDEOUT
3	140962-01-P07	EA	COMPARTMENT - SLIDEOUT
4	140975-01-P07	EA	PANEL - SEAL PLANE (P10)
4	140975-01-P08	EA	PANEL - SEAL PLANE (P11)
4	140975-01-P09	EA	PANEL - SEAL PLANE (P12)
5	135554-08-P07	EA	SUPPORT - SLIDEOUT COMPARTMENT
6	126591-01-02B	EA	CARRIER - WIRE LOOM - SLIDEOUT
7	127030-03-02B	EA	BRACKET - UPPER FRONT/MOUNT - OUTSIDE WALL - E-COATED
8	127030-04-02B	EA	BRACKET - UPPER REAR/MOUNT - OUTSIDE WALL - E-COATED
9	127828-01-02B	EA	BRACKET - LOWER REAR/SLIDEOUT - OUTSIDE WALL - E-COATED FROM: 00-00-00 THRU: 02-07-02
9	127828-03-02B	EA	BRACKET - F/SLIDEOUT COMPARTMENT - E-COATED FROM: 02-08-02 THRU: 99-99-99
10	127828-02-02B	EA	BRACKET - LOWER FRONT/SLIDEOUT - OUTSIDE WALL - E-COATED FROM: 00-00-00 THRU: 02-07-02
10	127828-04-02B	EA	BRACKET - F/SLIDEOUT COMPARTMENT - E-COATED FROM: 02-08-02 THRU: 99-99-99

EXTERIOR SLIDEOUT GROUP (CONTINUED)
FRONT LEFT (CONTINUED)

KEY	PART NUMBER	U/M	DESCRIPTION
11	127820-11-01A	EA	TRIM - SIDEWALL/LOWER - 7.2" - BRIGHT WHITE
12	127820-85-01A	EA	TRIM - SIDEWALL/LOWER - 20.3" - BRIGHT WHITE
13	127820-86-01A	EA	TRIM - SIDEWALL/LOWER - 18.8" - BRIGHT WHITE
14	127852-02-M01	EA	TRIM - WHEELWELL - SLIDE OUT/REAR
15	137970-06-01A	EA	TRIM - SIDEWALL
16	137970-08-01A	EA	TRIM - SIDEWALL
17	137970-09-01A	EA	TRIM - SIDEWALL
18	128425-01-01A	EA	JAMB - DOOR/STORAGE - RIGHT HAND - BRIGHT WHITE - 16" FROM: 00-00-00 THRU: 08-29-02
18	138148-01-01A	EA	JAMB - DOOR/STORAGE - RIGHT HAND - 16" - BRIGHT WHITE FROM: 08-30-02 THRU: 99-99-99
19	128425-02-01A	EA	JAMB - DOOR/STORAGE - LEFT HAND - BRIGHT WHITE - 16" FROM: 00-00-00 THRU: 08-29-02
19	138148-02-01A	EA	JAMB - DOOR/STORAGE - LEFT HAND - BRIGHT WHITE - 16" FROM: 08-30-02 THRU: 99-99-99
20	140838-12-P07	EA	PANELLED END - F/SLIDEOUT (P10)
20	140838-12-P08	EA	PANELLED END - F/SLIDEOUT (P11)
20	140838-12-P09	EA	PANELLED END - F/SLIDEOUT (P12)
21	140838-13-P07	EA	PANELLED CENTER - F/SLIDEOUT (P10)
21	140838-13-P08	EA	PANELLED CENTER - F/SLIDEOUT (P11)
21	140838-13-P09	EA	PANELLED CENTER - F/SLIDEOUT (P12)
22	140838-14-P07	EA	PANELLED END - F/SLIDEOUT (P10)
22	140838-14-P08	EA	PANELLED END - F/SLIDEOUT (P11)
22	140838-14-P09	EA	PANELLED END - F/SLIDEOUT (P12)

***COMPONENT PARTS LISTED LATER IN THIS GROUP**

EXTERIOR SLIDEOUT GROUP (CONTINUED)
FRONT LEFT (CONTINUED)

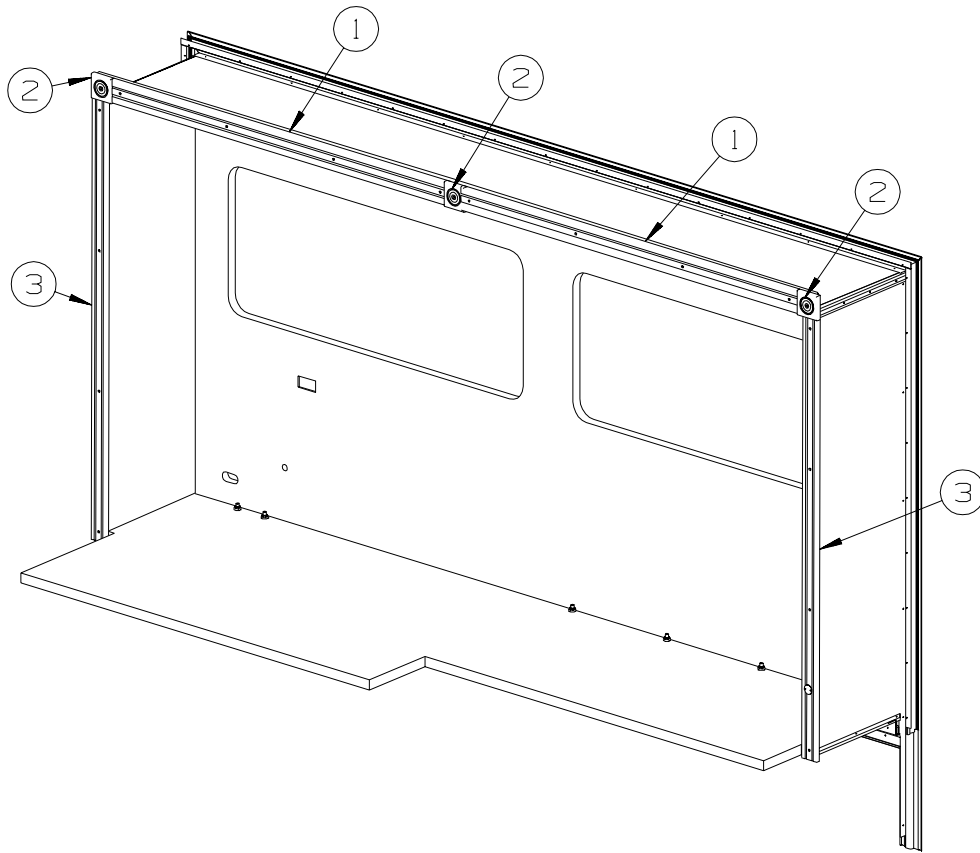


KEY	PART NUMBER	U/M	DESCRIPTION
1	139624-01-01A	EA	TRIM/SEAL - INNER/RIGHT HAND - 73.4" - BRIGHT WHITE
2	139624-02-01A	EA	TRIM/SEAL - INNER/LEFT HAND - 73.4" - BRIGHT WHITE
3	139624-07-01A	EA	TRIM/SEAL - INNER/TOP - 141.7" - BRIGHT WHITE
4	140838-11-P07	EA	SLUG - SLIDEOUT (P10)
4	140838-11-P08	EA	SLUG - SLIDEOUT (P11)
4	140838-11-P09	EA	SLUG - SLIDEOUT (P12)
5	134728-01-P31	EA	PANEL - SLIDEOUT - FRONT (P10)
5	134728-01-M76	EA	PANEL - SLIDEOUT - FRONT (P11)
5	134728-01-N02	EA	PANEL - SLIDEOUT - FRONT (P12)
6	134729-01-P31	EA	PANEL - SLIDEOUT - REAR (P10)
6	134729-01-M76	EA	PANEL - SLIDEOUT - REAR (P11)
6	134729-01-N02	EA	PANEL - SLIDEOUT - REAR (P12)
7	139625-08-01A	EA	TRIM/SEAL - TOP/W/MITERED ENDS - 143.5" - BRIGHT WHITE
8	139625-07-01A	EA	TRIM/SEAL - LEFT HAND - 94.9" - BRIGHT WHITE
9	141096-01-01A	EA	TRIM/SEAL - RIGHT HAND - 80.7" - BRIGHT WHITE

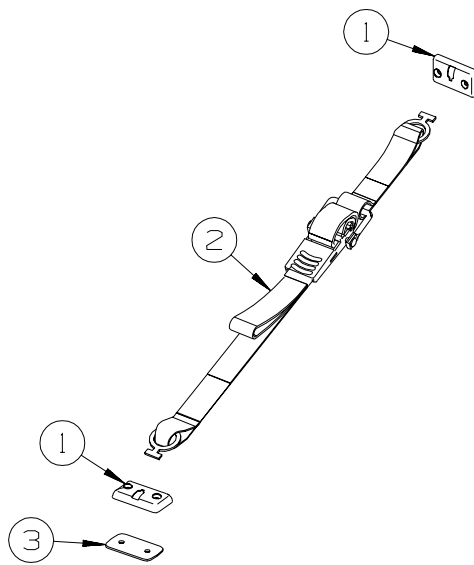
EXTERIOR SLIDEOUT GROUP (CONTINUED)
FRONT LEFT (CONTINUED)

KEY	PART NUMBER	U/M	DESCRIPTION
10	117058-01-01A	FT	TAPE - LOOP - 3/4" WIDE - ADHESIVE BACKED
11	126546-01-02A	EA	COVER - END/SIDEWALL SLIDEOUT - BRIGHT WHITE
12	122977-10-03A	EA	AWNING/SLIDEOUT W/COVER - 143" - WHITE - VINYL/VINYL WRAP
13	116444-04-12B	EA	TRIM/KEY CORNER - SLIDEOUT - 3.1"X3.1" - BRT WHT
14	134730-01-M07	EA	ROOF - W/O VENTS/WIRING - F/SLIDEOUT ROOM
15	142718-01-01A	EA	RETAINER - SIDEWALL/SLIDEOUT - 72.8" - MILL
16	142718-22-01A	EA	RETAINER - SIDEWALL/SLIDEOUT - 141.3"
17	142719-06-01A	EA	TRIM/SIDEWALL - TOP/SLIDEOUT - 143.3" - BRIGHT WHITE
18	141581-03-01A	EA	TRIM - SIDEWALL/SLIDEOUT - BRIGHT WHITE
19	141581-04-01A	EA	TRIM - SIDEWALL/SLIDEOUT - BRIGHT WHITE
20	136824-27-01A	EA	TRIM - SIDEWALL/SLIDEOUT - 78.8" - BRIGHT WHITE
			FROM: 00-00-00 THRU: 07-09-02
20	143753-01-01A	EA	TRIM - SIDEWALL/SLIDEOUT - 78.8" - BRIGHT WHITE
			FROM: 07-10-02 THRU: 99-99-99
21	136824-07-01A	EA	TRIM - SIDEWALL/SLIDEOUT - 144.1" - BRIGHT WHITE
22	128621-29-01A	EA	BRACKET/ZEE - SLIDEOUT - 136.9" - MILL
23	115075-02-000	FT	SEAL - WIPE - .25" X 2.9"
			FROM: 00-00-00 THRU: 03-28-02
23	115075-03-000	FT	SEAL - WIPE - .25" X 2.9"
			FROM: 03-29-02 THRU: 99-99-99
23	089275-02-000	FT	STRIP - 3/4" X 84" BLACK POLYETHYLENE
24	138659-01-01A	EA	TRIM/FEATURE STRIP - 181.7" - BRIGHT WHITE
25	125051-01-01A	EA	TRIM- FEATURE STRIP/LOWER - 20.2" - BRIGHT WHITE
26	115325-06-02A	EA	RAIL - FLOOR/SLIDEOUT ROOM - BLACK - 19.6" LONG
27	115325-03-02A	EA	RAIL - FLOOR/SLIDEOUT ROOM - BLACK - 64.5" LONG
28	125466-03-02A	EA	SUPPORT - ROOF - INTERIOR
29	115661-01-000	FT	SHOE/GLIDE - SLIDEOUT ROOM - 1/16" X 3" - POLYETHYLENE
30	136978-01-01A	FT	SEAL - SLIDEOUT - BLACK
31	112091-01-000	FT	SEAL/D - NEOPRENE - HEAT ACTIVE ADHESIVE - .9"
			FROM: 00-00-00 THRU: 01-12-03
31	146056-01-000	FT	SEAL - TRIANGLE - W/PSA
			FROM: 01-13-03 THRU: 99-99-99
32	134837-01-01A	EA	RAMP - SLIDEOUT - BLACK PVC
33	142549-01-000	EA	CLIP-S TYPE
34	133954-12-01A	EA	TRIM/SEAL - W/MITERED ENDS - 77.8" - BRIGHT WHITE
35	133954-13-01A	EA	TRIM/SEAL - W/MITERED ENDS - 138.2" - BRIGHT WHITE
36	138640-01-01A	EA	COVER - RAM - BRIGHT WHITE
37	136824-26-01A	EA	TRIM - SIDEWALL/SLIDEOUT - 93.3" - BRIGHT WHITE
38	105312-01-07A	FT	INSERT - FEATURE STRIP - VINYL - BRIGHT WHITE
39	075673-05-000	FT	SEAL - PILE - ADHESIVE BACK - BLACK
40	133954-11-01A	EA	TRIM/SEAL - W/MITERED - 92" - BRIGHT WHITE
41	142718-27-01A	EA	RETAINER/SIDEWALL - SLIDEOUT - 15.2"
42	119845-01-01A	EA	PLUG/PLASTIC - 1 1/2" SQUARE - BLACK
			FROM: 00-00-00 THRU: 06-27-02
43	131776-01-02B	EA	SUPPORT - LATCH - SLIDEOUT - E-COATED
			FROM: 00-00-00 THRU: 06-27-02

EXTERIOR SLIDEOUT GROUP (CONTINUED)
FRONT LEFT (CONTINUED)

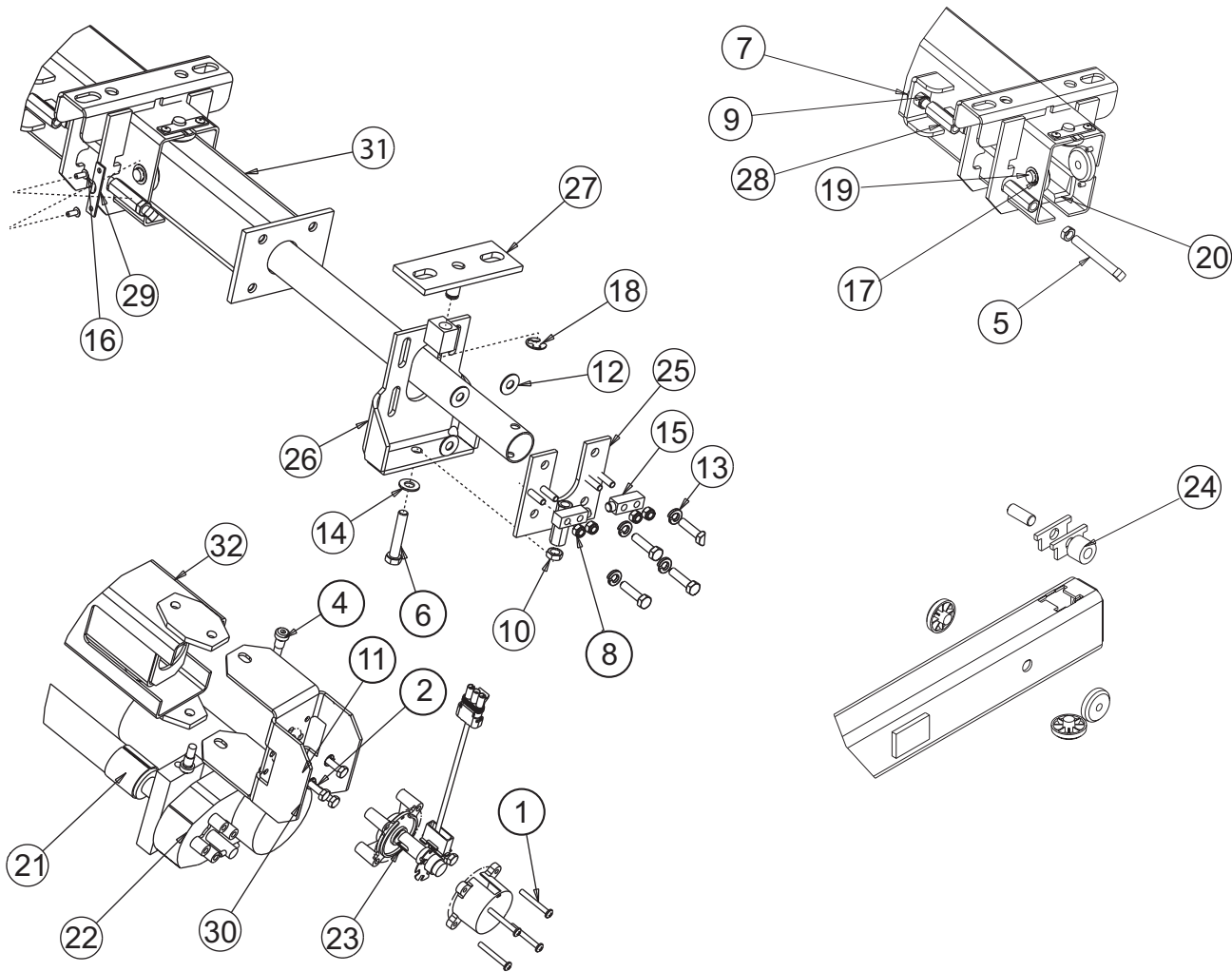


KEY	PART NUMBER	U/M	DESCRIPTION
1	132663-10-08A	EA	MOLDING-VINYL WRAP/PRE DRILLED-.6"X3.8"X65.8" - OAK - PORTSMOUTH OAK
2	132844-01-08A	EA	BLOCK - CORNER - 3.9" X 3.9" - PORTSMOUTH OAK
3	132663-04-08A	EA	MOLDING-VINYL WRAP/PRE DRILLED - .6" X 3" X 70.4" - OAK - PORTSMOUTH OAK



KEY	PART NUMBER	U/M	DESCRIPTION
1	135619-02-01A	EA	PLATE - TIEDOWN - SLIDEOUT ROOM
2	135619-01-01A	EA	STRAP - TIEDOWN - SLIDEOUT ROOM
3	135622-01-01B	EA	PLATE - TIEDOWN - SLIDEOUT ROOM

EXTERIOR SLIDEOUT GROUP (CONTINUED)
COMPONENT PARTS FOR FRONT SLIDEOUT

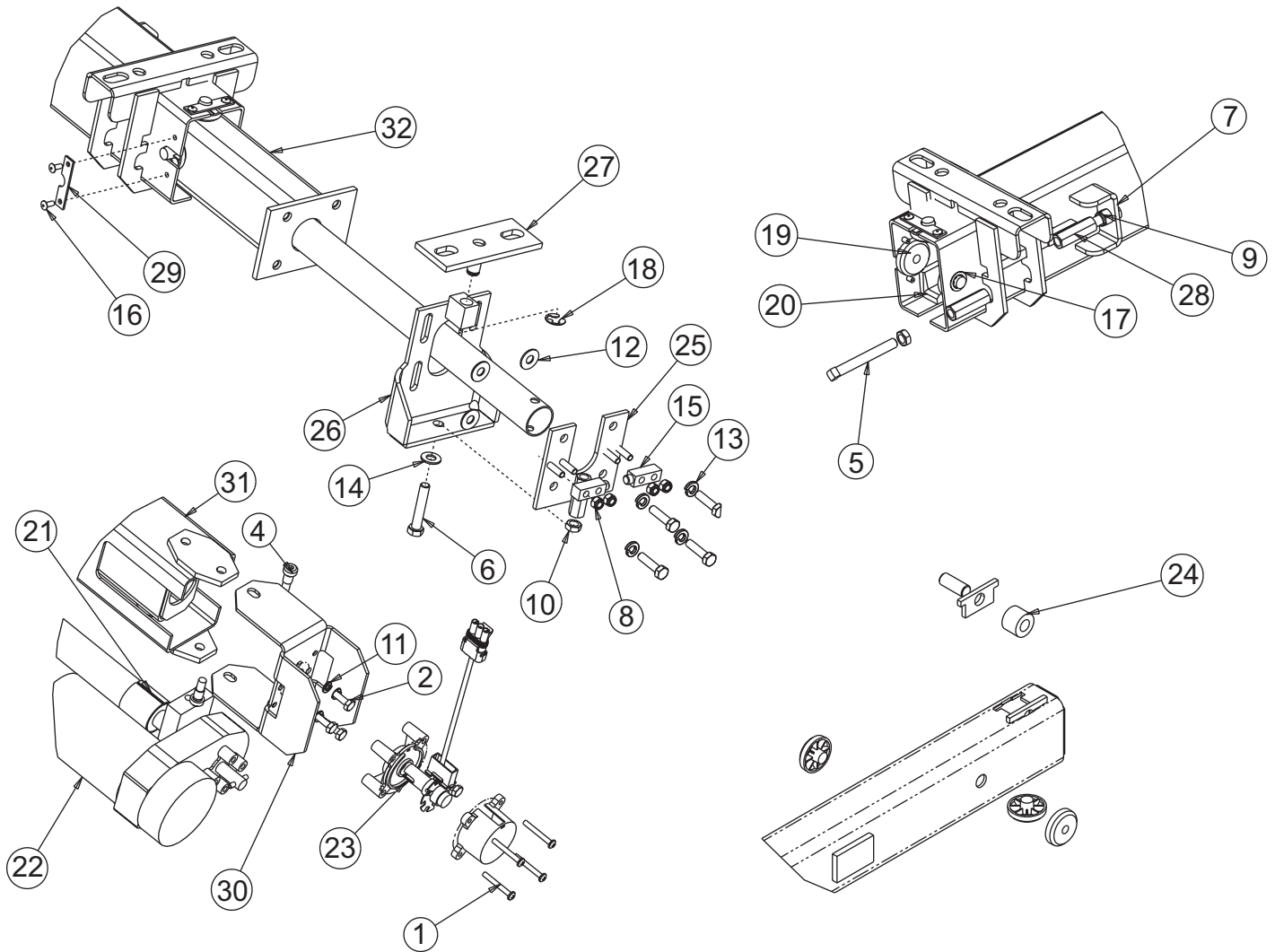


138173-01-000

KEY	PART NUMBER	U/M	DESCRIPTION	VENDOR NO.
	15	EA	PIN/CLEVIS - PLATED/FRONT	1213810
	16	EA	POP RIVET - SS 3/16"X1/4"	1214630
	17	EA	RING - RETAINER - 1/2" ROUND	1216350
	18	EA	RING - SNAP - 1/2" WAVY	1216720
	19	EA	WEAR PUCK - PLASTIC F/DRIVE	1612523
	20	EA	WEAR PAD - PLASTIC	1612531
	22	EA	MOTOR - DRIVE W/WORM SHAFT	1820106
	23	EA	HOUSING/ENCODER-MAIN ASSY	7200055
	24	EA	BEARING - ROLLER	7200073
	138173-01-708	EA	WIRE - ENCODER/HALL SWITCH	7200057

CONTACT WINNEBAGO PART SALES FOR UNLISTED COMPONENTS

EXTERIOR SLIDEOUT GROUP (CONTINUED)
COMPONENT PARTS FOR FRONT SLIDEOUT (CONTINUED)

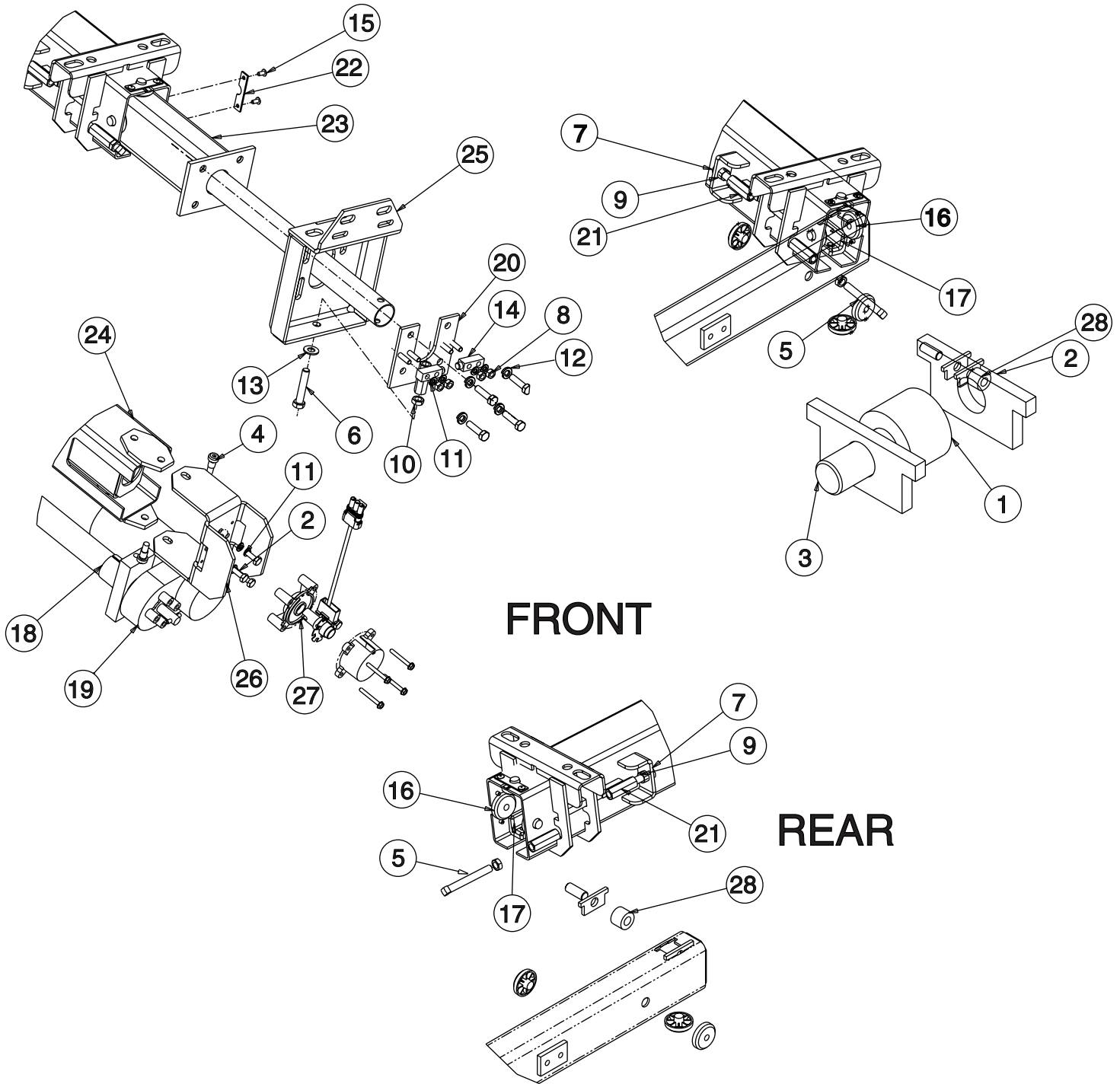


138173-02-000

KEY	PART NUMBER	U/M	DESCRIPTION	VENDOR NO.
	15	EA	PIN/CLEVIS - PLATED/FRONT	1213810
	16	EA	POP RIVET - SS 3/16"X1/4"	1214630
	17	EA	RING - RETAINER - 1/2" ROUND	1216350
	18	EA	RING - SNAP - 1/2" WAVY	1216720
	19	EA	WEAR PUCK - PLASTIC F/DRIVE	1612523
	20	EA	WEAR PAD - PLASTIC	1612531
	22	EA	MOTOR - DRIVE W/WORM SHAFT	1820106
	23	EA	HOUSING/ENCODER-MAIN ASSY	7200055
	24	EA	BEARING - ROLLER	7200073
	138173-01-708	EA	WIRE - ENCODER/HALL SWITCH	7200057

CONTACT WINNEBAGO PART SALES FOR UNLISTED COMPONENTS

EXTERIOR SLIDEOUT GROUP (CONTINUED)
COMPONENT PARTS FOR FRONT SLIDEOUT (CONTINUED)



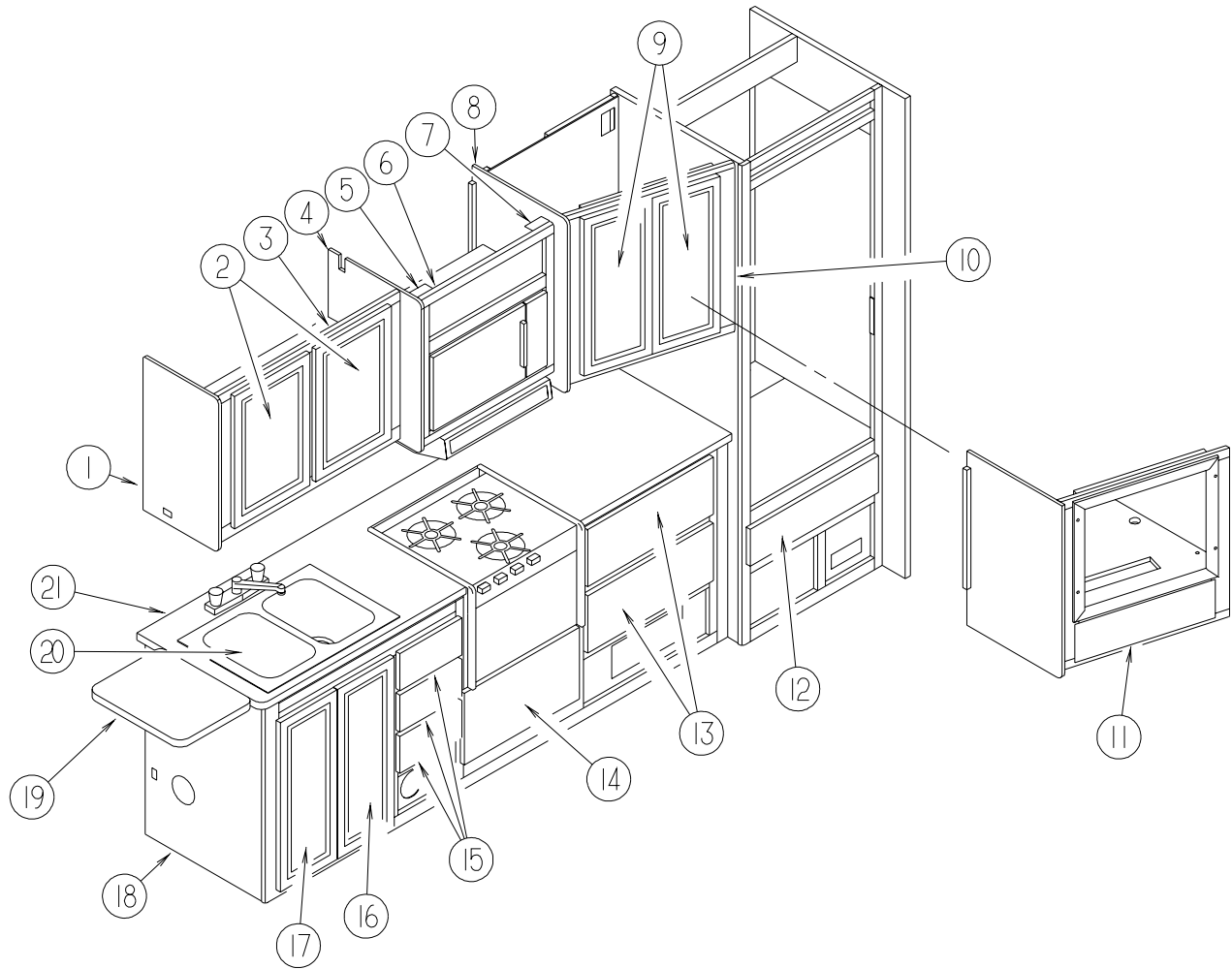
FRONT

REAR

142598-01-000, 142598-02-000

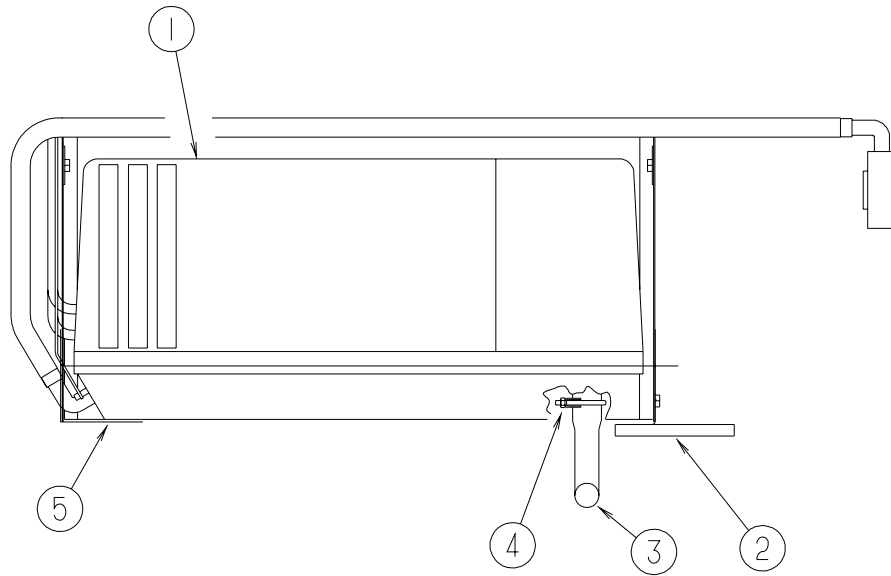
KEY	PART NUMBER	U/M	DESCRIPTION	VENDOR NO.
1	140457-01-701	EA	BUSHING - 1" X 3/4" X 1/2"ID	1614006
3	140457-01-704	EA	SHAFT/AXLE - REAR ROLLER	7204523
14	138173-01-700	EA	PIN/CLEVIS - PLATED/Front	1213810
15	138173-01-701	EA	POP RIVET - SS 3/16"X1/4"	1214630
16	138173-01-707	EA	WEAR PUCK - PLASTIC F/DRIVE	1612523
17	138173-01-705	EA	WEAR PAD - PLASTIC	1612531
19	138173-01-706	EA	MOTOR - DRIVE W/WORM SHAFT	1820106
	138173-01-704	EA	HOUSING/ENCODER-MAIN ASSY	7200055

GALLEY GROUP CABINETS



KEY	PART NUMBER	U/M	DESCRIPTION
1	140904-17-P10	EA	END CAP - OVERHEAD CABINET
2	136955-A6-P10	EA	DOOR - RAISED PANEL/PENCIL EDGE - 14.4" X 21.9" - W/O HDW
3	140904-01-P10	EA	CABINET - OVERHEAD/GALLEY - W/O DOORS/HARDWARE
4	140905-15-P10	EA	END CAP - OVERHEAD CABINET
5	098916-33-02B	EA	BRACE - MICROWAVE CABINET - LEFT HAND - E-COATED
6	140905-01-P10	EA	CABINET - OVERHEAD/MICROWAVE - W/O DOORS/HARDWARE
7	098916-34-02B	EA	BRACE - MICROWAVE CABINET - RIGHT HAND - E-COATED
8	140906-22-P10	EA	END CAP - OVERHEAD CABINET
9	136955-70-P10	EA	DOOR - RAISED PANEL/PENCIL EDGE - 12" X 26" - W/O HDW
10	140906-01-P10	EA	CABINET - OVERHEAD/GALLEY - W/O DOORS/HARDWARE
10	140906-02-P10	EA	CABINET - OVERHEAD/GALLEY - W/O DOORS/HARDWARE - W/19" TV
11	100708-18-000	EA	DOOR/GLASS - TV CABINET - 5.3" X 20" - W/O HARDWARE - W/19" TV
12	P34767-08-N04	EA	DRAWER - PENCIL EDGE - 22.6"W X 13.7"D-W/O SLIDES/HARDWARE
13	P34767-10-N04	EA	DRAWER - PENCIL EDGE - 22.9"W X 15.7"D - W/O SLIDES/HDW
14	P34767-07-N04	EA	DRAWER - PENCIL EDGE - 19.7"W X 15.7"D - W/O SLIDES/HDW
15	P34767-06-N04	EA	DRAWER - PENCIL EDGE - 9.9"W X 15.7"D - W/O SLIDES/HDW
16	136919-48-P10	EA	DOOR - FLAT/PENCIL EDGE - 10.8" X 27.9" - W/O HARDWARE
17	136919-47-P10	EA	DOOR - FLAT/PENCIL EDGE - 10.8" X 27.9" - W/O HARDWARE
18	140929-01-P10	EA	CABINET - GALLEY - W/O COUNTERTOP/DOORS/DRAWERS/HARDWARE
19	129503-01-P07	EA	EXTENSION/GALLEY - LAMINATED - W/O HARDWARE - EGGSHELL (P10)
19	129503-01-N01	EA	EXTENSION/GALLEY - LAMINATED - W/O HARDWARE - GREY TRANQUILITY (P11)
19	129503-01-M03	EA	EXTENSION/GALLEY - LAMINATED - W/O HARDWARE - WHITE TALC (P12)
20	103610-04-P17	EA	COVER - SINK - 15.7" X 13.8" - EGGSHELL MOSAIC (P10)
20	103610-04-N30	EA	COVER - SINK - 15.7" X 13.8" - GRAY TRANQUILITY (P11)
20	103610-04-N32	EA	COVER - SINK - 15.7" X 13.8" - WHITE TALC (P12)
21	133653-18-P10	EA	COUNTERTOP - LAMINATED
21	133653-18-P11	EA	COUNTERTOP - LAMINATED
21	133653-18-P12	EA	COUNTERTOP - LAMINATED

GENERATOR GROUP



KEY	PART NUMBER	U/M	DESCRIPTION
1	109982-03-000	EA	GENERATOR - 4.0 MICROLITE - 322E, 322R, 324F, 324V, 329B, 331
1	109982-04-000	EA	GENERATOR - 3.6 MICROLITE - LP - 324F
2	114071-02-02B	EA	SUPPORT - GENERATOR - RIGHT
3	105958-08-000	EA	PIPE - GENERATOR EXHAUST - 1.5" OD X 3.1" X 19.7" - 322E, 322R, 324V, 331
3	138232-01-000	EA	PIPE - EXHAUST - GENERATOR - 324F
3	139763-01-000	EA	PIPE - EXHAUST - GENERATOR - 324F
3	141158-01-000	EA	PIPE/EXHAUST - GENERATOR - 329B
	007131-01-000	EA	HANGER - TAILPIPE - 6 SLOTS - 324F, 329B, 331
4	007125-03-000	EA	CLAMP - MUFFLER - 1.5" DIAMETER - 324F, 329B
4	007125-04-000	EA	CLAMP - MUFFLER - 1.12" DIAMETER
5	114070-02-02B	EA	SUPPORT - GENERATOR - LEFT

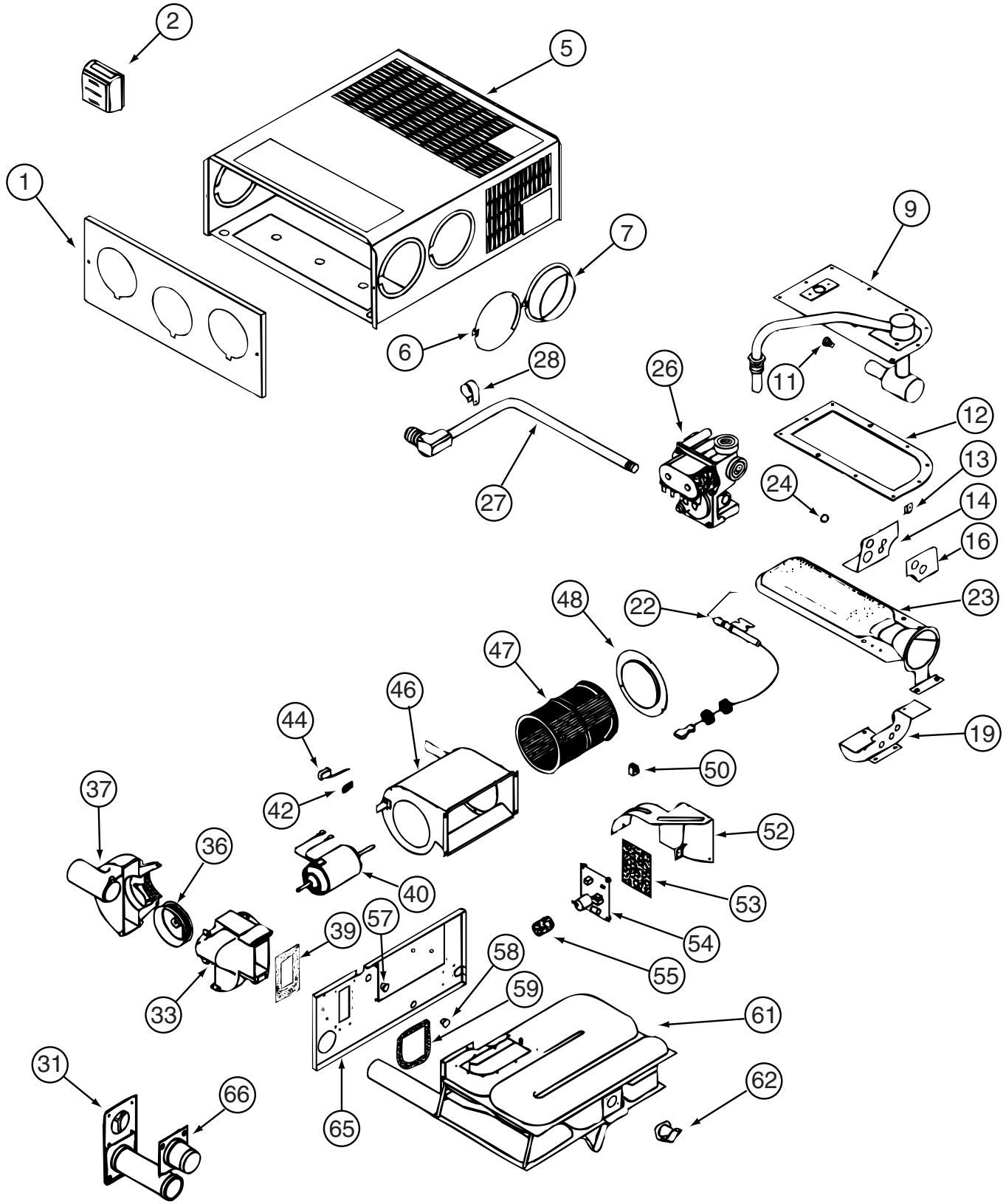
HEATING & A/C GROUP
FURNACE

KEY	PART NUMBER	U/M	DESCRIPTION
*	139980-01-000	EA	FURNACE - 25000 BTU - SF QUIET - SUBURBAN SF-25 2320J - 322E, 322R, 324F, 324V
*	139980-02-000	EA	FURNACE - 30000 BTU - SF QUIET - SUBURBAN SF-30 2321J - 329B, 331
	009198-01-000	FT	DUCT - HEAT - FLEXIBLE - 4" ID X 25'
	009198-02-000	FT	DUCT - HEAT - FLEXIBLE - 2" ID X 25'
	069636-02-000	EA	CONNECTOR - DUCT - 4" ID
	056464-10-000	EA	REGISTER W/O DAMPER - 4" DIAMETER - PLASTIC - BEIGE
	093614-01-02A	EA	GRILLE - AIR RETURN - 15.9" X 7.9" - BEIGE
	009200-01-000	EA	TAPE - FURNACE - 1 1/2"
	089367-01-000	EA	TEE - 4" OD - 7" LONG - METAL
	098668-23-000	EA	DOOR - ACCESS - FURNACE - BRIGHT WHITE

***COMPONENT PARTS LISTED LATER IN THIS GROUP**

HEATING & A/C GROUP (CONTINUED)

COMPONENT PARTS FOR FURNACE



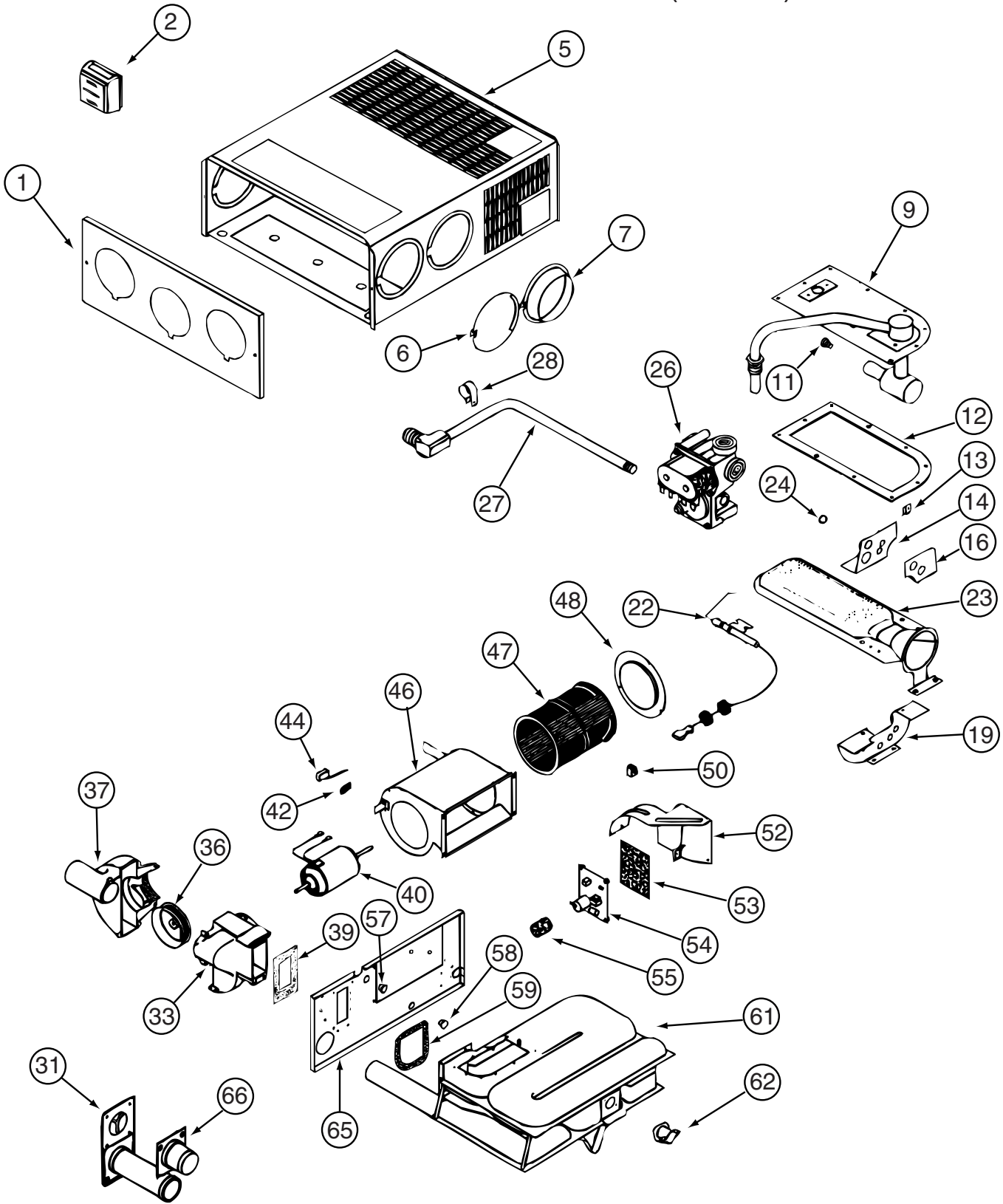
139980-01-000

HEATING & A/C GROUP (CONTINUED)
COMPONENT PARTS FOR FURNACE (CONTINUED)

139980-01-000 (CONTINUED)

KEY	PART NUMBER	U/M	DESCRIPTION	VENDOR NO.
9	139980-01-700	EA	MANIFOLD ASSEMBLY	171571
11	090039-01-703	EA	ORIFICE-MAIN BURNER	180193
12	098668-22-703	EA	GASKET - BURNER ACCESS COVER	070811
22	139980-01-701	EA	ELECTRODE	232286
26	098668-01-718	EA	VALVE-GAS SF S.N.974903079	161122
27	139980-01-702	EA	PIPE ASSEMBLY/GAS INLET	171574
31	098668-01-707	EA	TUBE ASSEMBLY, EXHAUST W/CAP	260231
33	139980-01-703	EA	HOUSING/COMB. - FRONT/HALF	390852
36	098668-01-706	EA	WHEEL-COMBUSTION AIR	350184
37	139980-01-704	EA	HOUSING/COMB. - REAR/HALF	390848
39	139980-01-705	EA	GASKET/FIREWALL-COMB AIR	071084
40	139980-01-706	EA	MOTOR ASSEMBLY W/GASKET	232682
42	101990-01-714	EA	GASKET-MICROSWITCH	230877
44	098668-21-700	EA	SWITCH-MICRO-W/O FLAG 3 1/4"	232261
46	139980-01-708	EA	BLOWER ASSEMBLY - ROOM AIR	390739BK
47	098668-01-711	EA	WHEEL-BLOWER, ROOM AIR	350129
48	139980-01-709	EA	ORFICE RING	390696
50	139980-01-710	EA	SWITCH - ON/OFF	232351
52	139980-01-711	EA	PANEL ASSEMBLY-MODULE BD	101663
53	139980-01-712	EA	INSULATOR - MODULE BD	070807
54	098668-22-705	EA	MODULE BD W/RELAY TIME DELAY	520820
55	139980-01-713	EA	CAP/INSULATOR-MODULE BD	070973
57	139980-01-714	EA	BUSHING - UNIVERSAL	070362
58	139980-01-715	EA	BUSHING - STRAIN RELIEF	231809
59	098668-01-716	EA	GASKET-FIREWALL,CHAMBER SIDE	070808
61	139980-01-716	EA	CHAMBER ASSEMBLY - FINAL	021149BK
62	098668-21-701	EA	SWITCH - LIMIT	232504
66	098668-01-713	EA	TUBE ASSEMBLY, INTAKE	051248
	098668-19-700	EA	DOOR/CABINET ACCESS	101888
			CONTACT WINNEBAGO PART SALES FOR UNLISTED COMPONENTS	

HEATING & A/C GROUP (CONTINUED)
COMPONENT PARTS FOR FURNACE (CONTINUED)



139980-02-000

HEATING & A/C GROUP (CONTINUED)
COMPONENT PARTS FOR FURNACE (CONTINUED)

139980-02-000 (CONTNUED)

KEY	PART NUMBER	U/M	DESCRIPTION	VENDOR NO.
9	139980-01-700	EA	MANIFOLD ASSEMBLY	171571
11	092300-02-701	EA	ORIFICE-MAIN BURNER (NT-30BW	180214
12	098668-22-703	EA	GASKET - BURNER ACCESS COVER	070811
22	139980-01-701	EA	ELECTRODE	232286
23	098668-02-700	EA	BURNER ASSEMBLY,SF-30 & SF35	010745
26	098668-01-718	EA	VALVE-GAS SF S.N.974903079	161122
27	139980-01-702	EA	PIPE ASSEMBLY/GAS INLET	171574
31	098668-01-707	EA	TUBE ASSEMBLY, EXHAUST W/CAP	260231
33	139980-01-703	EA	COMBUSTION AIR HOUS FRT/HALF	390852
36	098668-01-706	EA	WHEEL-COMBUSTION AIR	350184
37	139980-01-704	EA	COMBUSTION AIR HOUS RR HALF	390848
39	139980-01-705	EA	GASKET/FIREWALL-COMB AIR	071084
40	139980-01-706	EA	MOTOR ASSEMBLY W/GASKET	232682
42	101990-01-714	EA	GASKET-MICROSWITCH	230877
44	098668-21-700	EA	SWITCH-MICRO-W/O FLAG 3 1/4"	232261
46	139980-01-708	EA	BLOWER ASSEMBLY - ROOM AIR	390739BK
47	098668-01-711	EA	WHEEL-BLOWER, ROOM AIR	350129
48	139980-01-709	EA	ORFICE RING	390696
50	139980-01-710	EA	SWITCH - ON/OFF	232351
52	139980-01-711	EA	PANEL ASSEMBLY-MODULE BD	101663
53	139980-01-712	EA	INSULATOR - MODULE BD	070807
54	098668-22-705	EA	MODULE BD W/RELAY TIME DELAY	520820
55	139980-01-713	EA	CAP/INSULATOR-MODULE BD	070973
57	139980-01-714	EA	BUSHING - UNIVERSAL	070362
58	139980-01-715	EA	BUSHING - STRAIN RELIEF	231809
59	098668-01-716	EA	GASKET-FIREWALL,CHAMBER SIDE	070808
61	139980-01-716	EA	CHAMBER ASSEMBLY - FINAL	021149BK
62	098668-21-701	EA	SWITCH - LIMIT	232504
66	098668-01-713	EA	TUBE ASSEMBLY, INTAKE	051248

CONTACT WINNEBAGO PART SALES FOR UNLISTED COMPONENTS

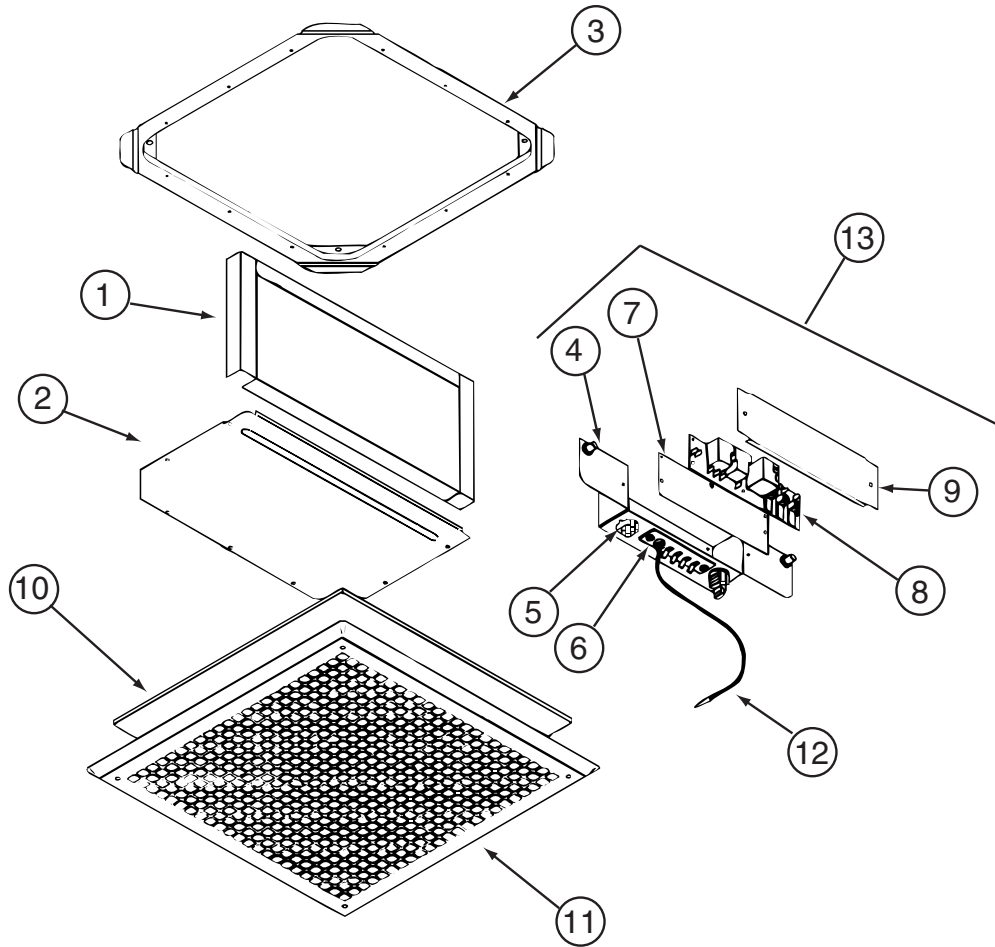
HEATING & A/C GROUP (CONTINUED)
ROOF

KEY	PART NUMBER	U/M	DESCRIPTION
*	131185-03-01A	EA	A/C - ROOF - 13,500 BTU - MACH 3 WHITE - ONE 13,500 BTU ROOF A/C
*	131188-03-01A	EA	A/C - ROOF - 14,800 BTU - MACH 15 - WHITE - ONE 14,800 BTU ROOF A/C
*	131188-04-01A	EA	A/C - ROOF - 14,800 BTU - HEAT PUMP - WHITE - A/C HEAT PUMP - 1
*	131184-01-01A	EA	CEILING ASSEMBLY - A/C DUCTED - WHITE - ONE 13,500 BTU ROOF A/C/ONE 14,800 BTU ROOF A/C
*	131184-05-01A	EA	CEILING - HEAT PUMP - WHITE - A/C HEAT PUMP - 1
	131184-02-01A	EA	BOARD - DIVIDER - SILVER
	135618-03-01A	EA	THERMOSTAT - A/C & FURNACE - WHITE - ONE 13,500 BTU ROOF A/C/ONE 14,800 BTU ROOF A/C
	135618-01-01A	EA	THERMOSTAT - HEAT PUMP/FURNACE - WHITE - A/C HEAT PUMP - 1
	120134-01-02A	EA	REGISTER - W/DAMPER - 4" PIPE/7" O.D. FACE - WHITE

***COMPONENT PARTS LISTED LATER IN THIS GROUP**

HEATING & A/C GROUP (CONTINUED)

COMPONENT PARTS FOR ROOF

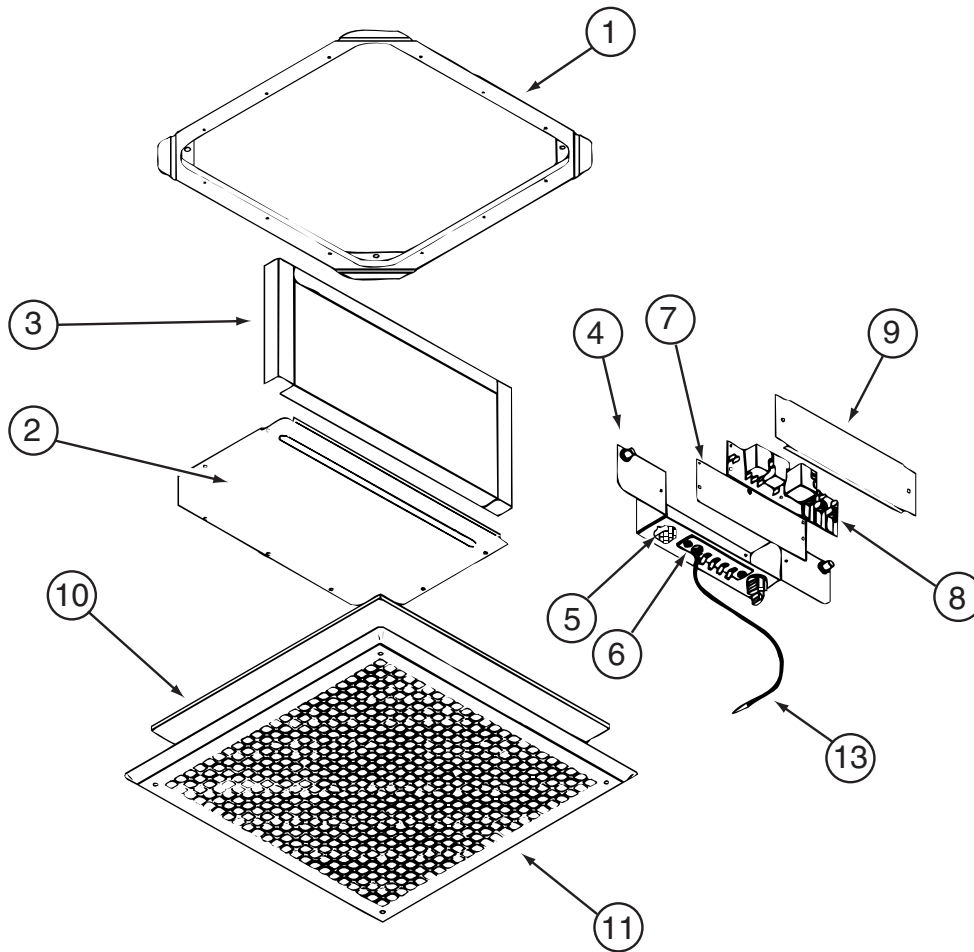


131184-01-01A

KEY	PART NUMBER	U/M	DESCRIPTION	VENDOR NO.
5	131184-01-700	EA	PLUG ASSEMBLY	7330A389
6	131184-01-701	EA	TERMINAL BOARD	7330B3201
7	131184-01-702	EA	ISOLATOR - BLANK	7330C365
8	108892-01-702	EA	BOARD-P.C.	7330A3211
10	108892-01-703	EA	FILTER	6798A3761
11	108892-01-704	EA	GRILLE 16 3/8X16 3/8 RETURN	6798-3041
12	131184-01-704	EA	COIL SENSOR	7330-6111
13	131184-01-705	EA	JUNCTION BOX ASSEMBLY	7330B5551
	131184-01-703	EA	SMALL PARTS PKG	8330-5961

CONTACT WINNEBAGO PART SALES FOR UNLISTED COMPONENT

HEATING & A/C GROUP (CONTINUED)
COMPONENT PARTS FOR ROOF (CONTINUED)

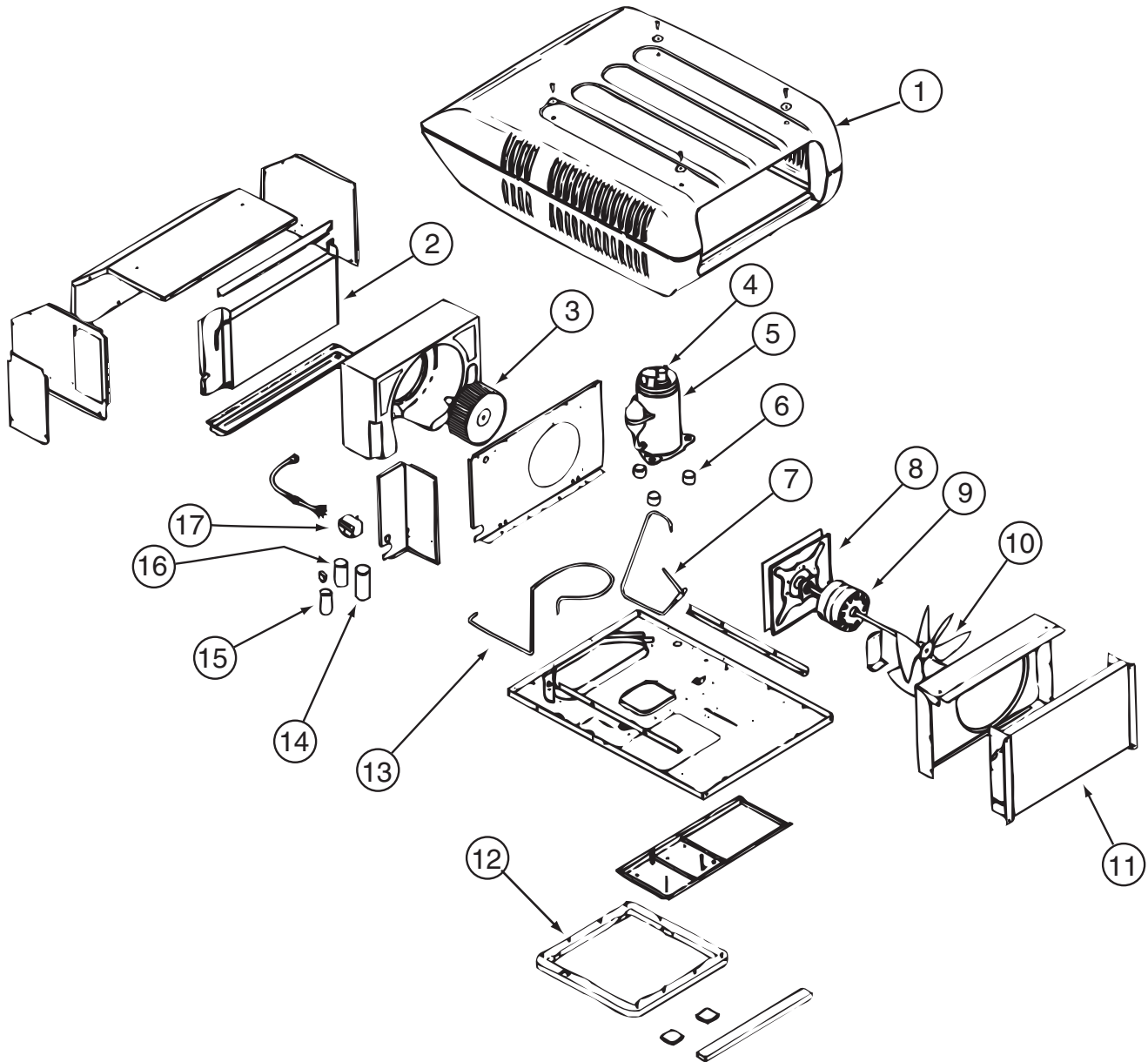


131184-05-01A

KEY	PART NUMBER	U/M	DESCRIPTION	VENDOR NO.
4	131184-04-703	EA	BOX - JUNCTION	7330-113
5	131184-04-700	EA	PLUG ASSEMBLY	7530A340
6	131184-04-702	EA	BOARD - TERMINAL	7530B3201
7	131184-01-702	EA	ISOLATOR - BLANK	7330C365
8	131184-04-705	EA	BOARD - P.C.	7330B3311
10	108892-01-703	EA	FILTER	6798A3761
11	108892-01-704	EA	GRILLE 16 3/8X16 3/8 RETURN	6798-3041
13	105620-12-719	EA	COIL SENSOR	7330A3231
	131184-01-703	EA	SMALL PARTS PKG	8330-5961

CONTACT WINNEBAGO PART SALES FOR UNLISTED COMPONENT

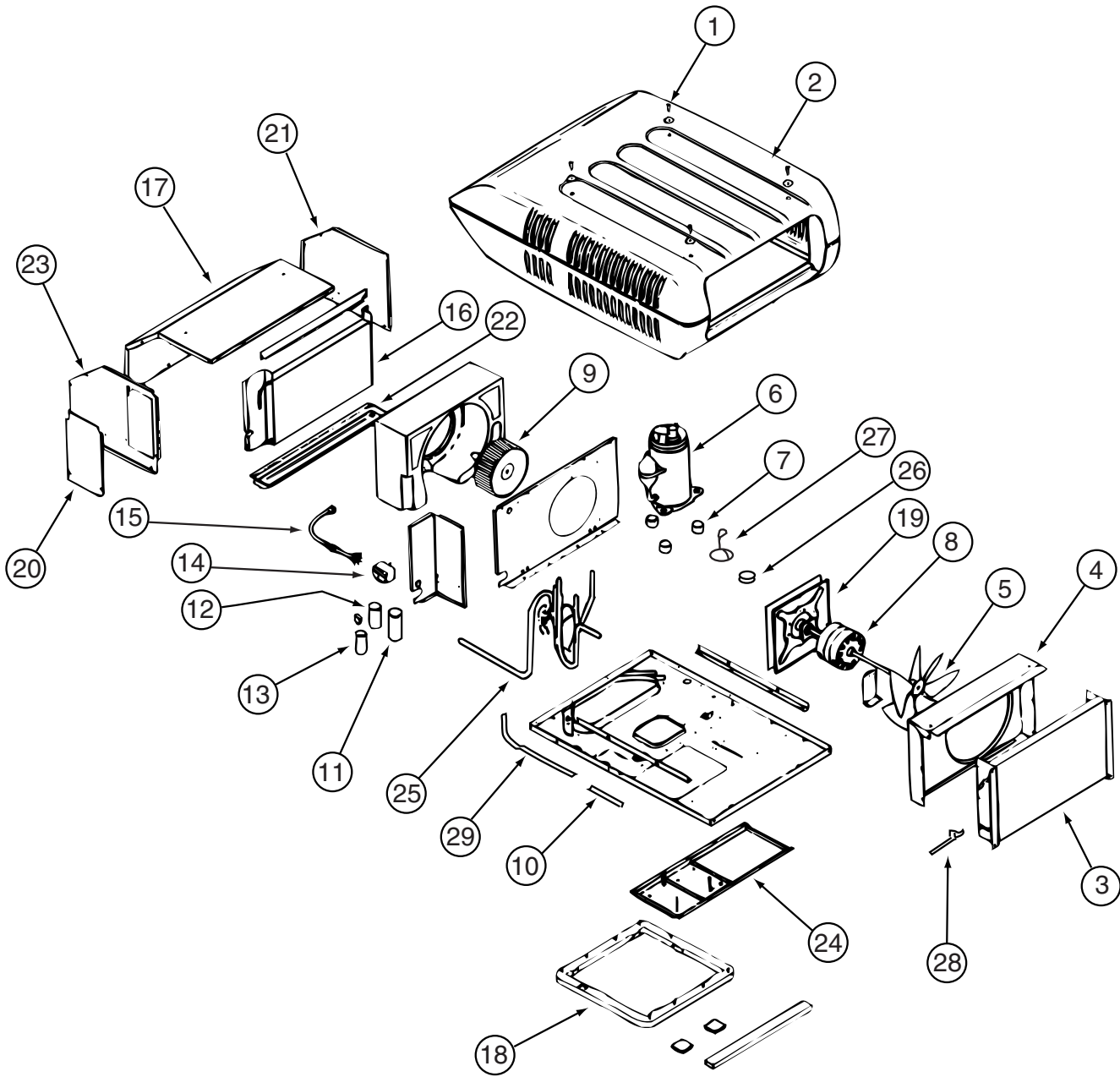
HEATING & A/C GROUP (CONTINUED)
COMPONENT PARTS FOR ROOF (CONTINUED)



131185-03-01A

KEY	PART NUMBER	U/M	DESCRIPTION	VENDOR NO.
1	131185-03-700	EA	SHROUD - ROOF AIR	8333-4161
2	131185-01-703	EA	EVAPORATOR COIL	1452A1491
3	131185-01-702	EA	BLOWER WHEEL PACKAGE	1472-1091
4	105620-01-705	EA	PROTECTOR-OVERLOAD, RH & LH	6759-3791
5	108889-01-722	EA	COMPRESSOR TSR3 C & D ONLY	1450-2099
6	105620-01-706	EA	MOUNTING PKG., COMP., 3 PER	6759-3081
7	131185-01-706	EA	DISCHARGE LINE	7333A136
8	131185-01-704	EA	MOTOR MOUNT & SEAL KIT	8333-5151
9	131185-01-701	EA	MOTOR (115V, 60HZ)	1468-3069
10	093763-01-712	EA	BLADE-FAN-CONDENSER	6733-3221
11	131185-01-700	EA	CONDENSER COIL	1452A1451
12	131185-01-705	EA	SUCTION LINE (3/8" OD)	6792B130
13	108889-01-707	EA	CAPACITOR-RUN, COMP-25MFD/370	1499-5661
14	105620-10-704	EA	START COMPACITOR	1497-0861
15	108889-01-708	EA	CAPACITOR-FAN, 7.5MFD. 370U	1499-5461
16	105620-10-705	EA	PTCR (START DEVICE) - W/CAP.	8333A9021
	093306-01-701	EA	DECAL PACKAGE, LEFT & RIGHT	6798B3591
	108889-01-710	EA	PAD-FILLER, CONDENSER SEAL	6759B3971

HEATING & A/C GROUP (CONTINUED)
COMPONENT PARTS FOR ROOF (CONTINUED)



131188-03-01A

KEY	PART NUMBER	U/M	DESCRIPTION	VENDOR NO.
2	108889-05-700	EA	SHROUD-BRIGHT/WHT. W/O LOGO	7333-4601
3	115219-01-700	EA	COIL-CONDENSER	1452A1321
5	093763-01-712	EA	BLADE-FAN-CONDENSER	6733-3221
6	131188-01-700	EA	COMPRESSOR - TECUMSEH	1450A2609
7	105620-01-706	EA	MOUNTING PKG.,COMP., 3 PER	6759-3081
8	131185-01-701	EA	MOTOR (115V, 60HZ)	1468-3069
9	131185-01-702	EA	BLOWER WHEEL PACKAGE	1472-1091
11	131188-01-701	EA	RUN CAP. (COMP-40MFD/370V)	1499-5721
12	108889-01-708	EA	CAPACITOR-FAN, 7.5MFD. 370U	1499-5461
13	126859-01-704	EA	CAPACITOR - START	1497-0871
14	091225-01-709	EA	RELAY-START	1497-4131
16	131186-01-701	EA	EVAPORATOR COIL	1452-1521
18	037648-01-714	EA	GASKET PACKAGE	8332-3301
19	131185-01-704	EA	MOTOR MOUNT & SEAL KIT	8333-5151
20	093306-01-701	EA	DECAL PACKAGE, LEFT & RIGHT	6798B3591
21	108889-01-710	EA	PAD-FILLER, CONDENSER SEAL	6759B3971
22	131188-01-702	EA	LINE - SUCTION	7335A134
23	131188-01-703	EA	LINE - DISCHARGE	7335A135

CONTACT WINNEBAGO PART SALES FOR UNLISTED COMPONENT

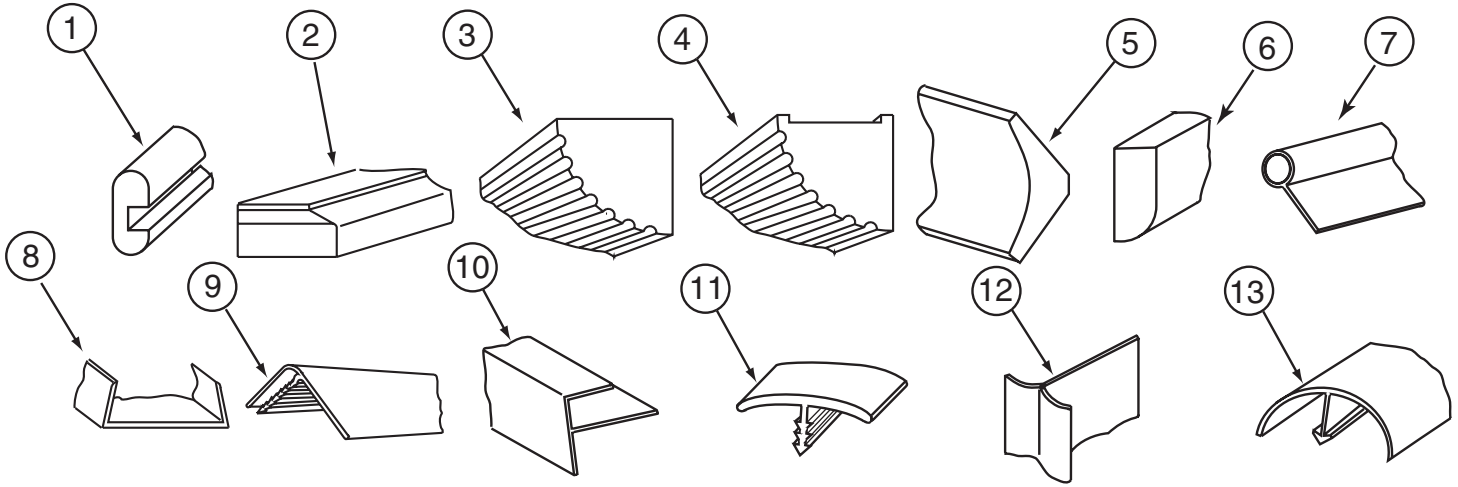
HEATING & A/C GROUP (CONTINUED)
COMPONENT PARTS FOR ROOF (CONTINUED)

131188-04-01A

KEY	PART NUMBER	U/M	DESCRIPTION	VENDOR NO.
3	131188-02-700	EA	CONDENSER COIL	1452-1441
5	093763-01-712	EA	BLADE-FAN-CONDENSER	6733-3221
6	131188-02-701	EA	COMPRESSOR(TECUMSEH-RK225AT)	1450A2069
7	105620-01-706	EA	MOUNTING PKG.,COMP., 3 PER	6759-3081
8	131185-01-701	EA	MOTOR (115V, 60HZ)	1468-3069
9	131185-01-702	EA	BLOWER WHEEL PACKAGE	1472-1091
10	131188-02-702	EA	RESTRICTOR - BY FLOW	1454-2501
11	131188-01-701	EA	RUN CAP. (COMP-40MFD/370V)	1499-5721
12	093763-01-704	EA	CAPACITOR-FAN	1499-5461
13	131188-02-703	EA	CAPACITOR-START(21-25MFD)	1497-0211
14	091225-01-709	EA	RELAY-START	1497-4131
16	131186-01-701	EA	EVAPORATOR COIL	1452-1521
18	037648-01-714	EA	GASKET PACKAGE	8332-3301
19	131185-01-704	EA	MOTOR MOUNT & SEAL KIT	8333-5151
25	131188-02-704	EA	VALVE/REVERSE ASSEMBLY	7535A5301
26	105620-12-708	EA	COIL - SOLENOID	1460-1081
27	131188-02-705	EA	WIRE HARNESS F/SOLENOID	7535-109
28	131188-02-706	EA	SWITCH - FREEZE	1460-2041
29	131188-02-707	EA	LIQUID LINE	7535-135

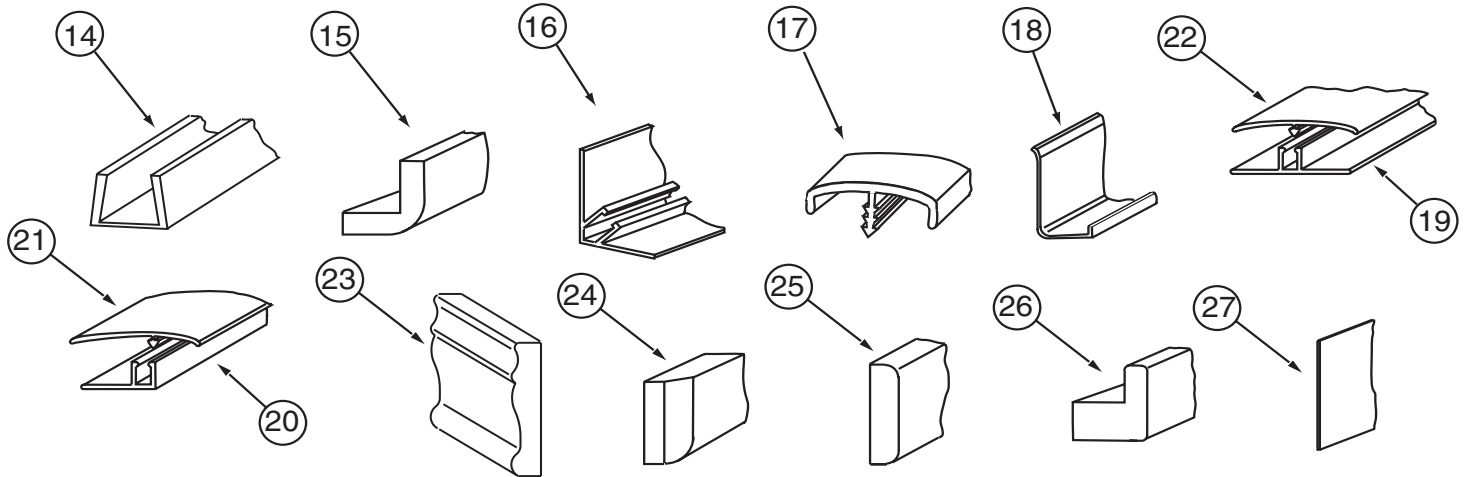
CONTACT WINNEBAGO PART SALES FOR UNLISTED COMPONENT

INTERIOR FINISH GROUP
MOLDINGS & TRIMS
PORTSMOUTH OAK



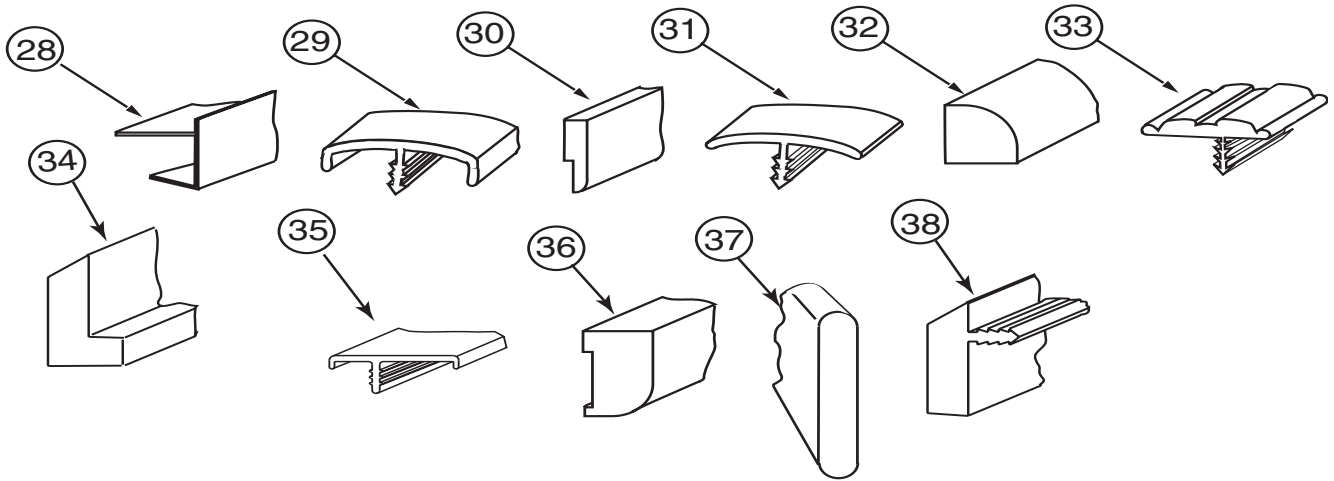
KEY	PART NUMBER	U/M	DESCRIPTION
1	M09412-62-N42	EA	MOLDING/SHELF EDGE - W/.4" NOTCH - PORTSMOUTH II - PORTSMOUTH OAK
1	M09412-62-M62	EA	MOLDING/SHELF EDGE - W/.4" NOTCH - WASHED MAPLE
1	M09412-62-M52	EA	MOLDING/SHELF EDGE - W/.4" NOTCH - CHERRY IV - CONCERT CHERRY
2	P34052-01-N75	EA	TRIM/TABLE - 29.7" - PORTSMOUTH OAK
2	P34052-01-M84	EA	TRIM/TABLE - 29.7" - WASHED MAPLE
2	P34052-01-M52	EA	TRIM/TABLE - 29.7" - SALEM CHERRY - CONCERT CHERRY
2	P34052-02-N47	EA	TRIM/TABLE - 24" - PORTSMOUTH OAK
2	P34052-02-M84	EA	TRIM/TABLE - 24" - WASHED MAPLE
2	P34052-02-M52	EA	TRIM/TABLE - 24" - SALEM CHERRY - CONCERT CHERRY
3	Y00070-22-438	EA	MOLDING/FLUTED - MAPLE - 96" - WASHED MAPLE
3	Y00070-32-438	EA	MOLDING/FLUTED - CHERRY - 96" - CONCERT CHERRY
3	Y00070-42-438	EA	MOLDING/FLUTED - OAK - 96" - PORTSMOUTH OAK
4	Y00071-22-438	EA	MOLDING/FLUTED - W/NOTCH - MAPLE - 96" - WASHED MAPLE
4	Y00071-32-438	EA	MOLDING/FLUTED - W/NOTCH - CHERRY - 96" - CONCERT CHERRY
4	Y00071-42-438	EA	MOLDING/FLUTED - W/NOTCH - OAK - 96" - PORTSMOUTH OAK
5	Y00074-22-438	EA	MOLDING/CROWN - VINYL WRAPPED - MAPLE - 96" - WASHED MAPLE
5	Y00074-62-438	EA	MOLDING/CROWN - VINYL WRAPPED - CONCERT CHERRY - 96" - CONCERT CHERRY
5	Y00074-72-438	EA	MOLDING/CROWN - VINYL WRAPPED - PORTSMOUTH OAK - 96" - PORTSMOUTH OAK
6	Y00086-22-438	EA	MOLDING - VINYL WRAP - 96" - WASHED MAPLE
6	Y00086-62-438	EA	MOLDING - VINYL WRAP - 96" - CONCERT CHERRY
6	Y00086-72-438	EA	MOLDING - VINYL WRAP - 96" - PORTSMOUTH OAK
7	009767-12-000	FT	WELTING - ANTIQUE WHITE
8	009778-25-000	FT	U-CHANNEL - 1" - BEIGE ILLUSION
8	009778-27-000	FT	U-CHANNEL - 1" - WASHED MAPLE
8	009778-30-000	FT	U-CHANNEL - 1" - VILLAGE OAK
8	009778-32-000	FT	U-CHANNEL - 1" - PORTSMOUTH OAK
8	009778-34-000	FT	U-CHANNEL - 1" - CONCERT CHERRY
9	009809-23-000	EA	MOLDING - CORNER - OUTSIDE - 1" X 84" - MODERN IVORY
9	009809-30-000	EA	MOLDING - CORNER - OUTSIDE - 1" X 84" - BEIGE ILLUSION
9	009809-32-000	EA	MOLDING - CORNER - OUTSIDE - 1" X 84" - PORTSMOUTH OAK
9	009809-33-000	EA	MOLDING - CORNER - OUTSIDE - 1" X 84" - CONCERT CHERRY
10	009812-24-000	EA	MOLDING - CORNER - 1/2" W/1/4"CHAN X 84" - IVORY PLASTIC
10	009812-31-000	EA	MOLDING - CORNER - 1/2" W/1/4"CHAN X 84" - BEIGE ILLUSION
10	009812-33-000	EA	MOLDING - CORNER - 1/2" W/1/4"CHAN X 84" - WASHED MAPLE
10	009812-34-000	EA	MOLDING - CORNER - 1/2" W/1/4"CHAN X 84" - VW LIGHT GRAY
10	009812-35-000	EA	MOLDING - CORNER - 1/2" W/1/4"CHAN X 84" - PORTSMOUTH OAK
10	009812-36-000	EA	MOLDING - CORNER - 1/2" W/1/4"CHAN X 84" - CONCERT CHERRY
11	009815-10-000	FT	MOLDING-T - W/EDGE LIP - 3/4" FACE - BEIGE ILLUSION
12	022992-11-000	FT	MOLDING - REVERSE COVE - T-SHAPED - IVORY
12	022992-14-000	FT	MOLDING - REVERSE COVE - T-SHAPED - BRIGHT WHITE
12	022992-15-000	FT	MOLDING - REVERSE COVE - T-SHAPED - VW GRAY
13	042357-25-000	EA	MOLDING - CORNER - RADIUS/PLASTIC - WASHED MAPLE

INTERIOR FINISH GROUP (CONTINUED)
MOLDINGS & TRIMS (CONTINUED)
PORTSMOUTH OAK



KEY	PART NUMBER	U/M	DESCRIPTION
14	070504-18-000	FT	U-CHANNEL - PLASTIC - .13" X 96" - IVORY
14	070504-35-000	FT	U-CHANNEL - PLASTIC - .13" X 72" - IVORY
14	070504-42-000	FT	U-CHANNEL - PLASTIC - .13" X 84" - BEIGE ILLUSION
14	070504-43-000	FT	U-CHANNEL - PLASTIC - .9" X 96" - BEIGE ILLUSION
14	070504-50-000	FT	U-CHANNEL - PLASTIC - .13" X 96" - WASHED MAPLE
14	070504-54-000	FT	U-CHANNEL - PLASTIC - .9" X 96" - VILLAGE OAK
14	070504-57-000	FT	U-CHANNEL - PLASTIC - .13" X 84" - PORTSMOUTH OAK
14	070504-58-000	FT	U-CHANNEL - PLASTIC - .9" X 84" - PORTSMOUTH OAK
14	070504-60-000	FT	U-CHANNEL - PLASTIC - .13" X 84" - CONCERT CHERRY
14	070504-61-000	FT	U-CHANNEL - PLASTIC - .9" X 84" - CONCERT CHERRY
15	080176-08-000	EA	CAP - CORNER - RADIUS MOLDING - PLASTIC - WASHED MAPLE
16	081521-02-007	EA	MOUNT - METAL MOLDING - F/RADIUS CORNER MOLDING - 151.5"
17	083620-09-000	FT	MOLDING-T - W/EDGE LIP - 7/8" FACE - MODERN IVORY
17	083620-15-000	FT	MOLDING-T - W/EDGE LIP - 7/8" FACE - BEIGE ILLUSION
17	083620-19-000	FT	MOLDING-T - W/EDGE LIP - 7/8" FACE - WASHED MAPLE
17	083620-20-000	FT	MOLDING-T - W/EDGE LIP - 7/8" FACE - PORTSMOUTH OAK
17	083620-21-000	FT	MOLDING-T - W/EDGE LIP - 7/8" FACE - CONCERT CHERRY
18	085746-04-000	FT	TRIM-J - CARPET 1.2" X .5" ANGLE - 10' LONG - OFF WHITE
19	086229-01-000	EA	RETAINER - BATTEN - .75" X 92.1" - ANY COLOR
20	086229-11-000	EA	RETAINER - OFFSET - 97"
21	086229-12-000	EA	BATTEN - 1.5" OFFSET X 96.8" - MODERN IVORY
21	086229-21-000	EA	BATTEN - 1.5" X 83.9" OFFSET - WHITE
22	086229-20-000	EA	BATTEN - 1" X 96" - BEIGE
23	100182-10-J70	EA	TRIM - CHAIR RAIL - 2.5" X 8' EACH - WOOD - WASHED MAPLE
23	100182-10-N47	EA	TRIM/RAIL - PORTSMOUTH OAK
23	100182-10-P85	EA	TRIM - CHAIR RAIL - 2.5" X 8' EACH - WOOD - CONCERT CHERRY
24	100659-30-N75	EA	MOLDING - TRIM - PORTSMOUTH OAK
24	100659-30-N74	EA	MOLDING - TRIM - CHERRY - CONCERT CHERRY
24	100659-30-M84	EA	MOLDING-TRIM, VINYL FLOOR - WASHED MAPLE
25	100818-01-08A	EA	MOLDING - VINYL WRAPPED - 1.6" X .4" X 84"-WASHED MAPLE
25	100818-01-12A	EA	MOLDING - VINYL WRAPPED - 1.6" X .4" X 84"-PORTSMOUTH OAK
25	100818-01-13A	EA	MOLDING - VINYL WRAPPED - 1.6" X .4" X 84" - CHERRY - CONCERT CHERRY
26	100819-01-08A	EA	MOLDING - VINYL WRAPPED-L-SHAPED-1.5"X1.5"X84"- WASHED MAPLE
26	100819-01-12A	EA	MOLDING - VINYL WRAPPED-L-SHAPED - 1.5" X 1.5" X 84" - OAK - PORTSMOUTH OAK
26	100819-01-13A	EA	MOLDING - VINYL WRAPPED-L-SHAPED-1.5"X1.5"X84" - CONCERT CHERRY
27	101957-01-06A	EA	EXTRUDED - PLASTIC - WASHED MAPLE

INTERIOR FINISH GROUP (CONTINUED)
MOLDINGS & TRIMS (CONTINUED)
PORTSMOUTH OAK

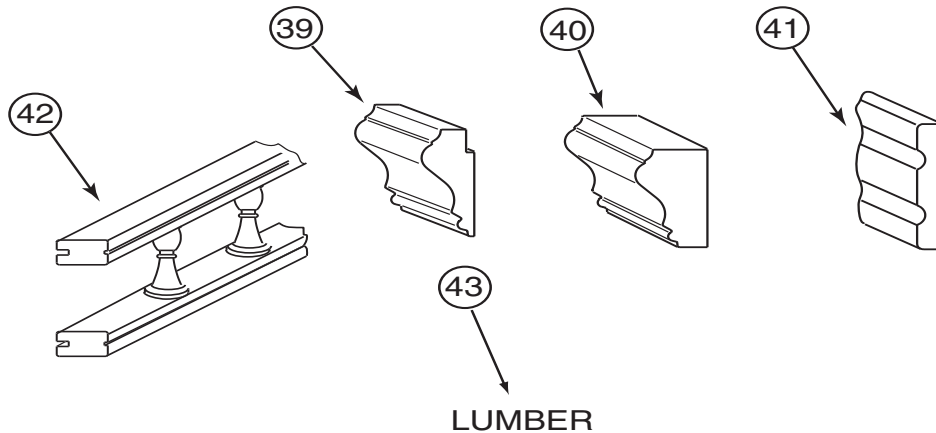


KEY	PART NUMBER	U/M	DESCRIPTION
28	103186-01-07A	FT	MOLDING/PLASTIC - 3/8" U-CHANNEL-3/4"FACE - BEIGE ILLUS 8'
28	103186-01-08A	FT	MOLDING/PLASTIC - 3/8" U-CHANNEL-3/4"FACE-WASHED MAPLE 8' - WASHED MAPLE
28	103186-01-09A	FT	MOLDING/PLASTIC - 3/8" U-CHAN'L-3/4"FACE-PORTSMOUTH OAK 8' - PORTSMOUTH OAK
28	103186-01-10A	FT	MOLDING/PLASTIC-3/8" U-CHAN'L-3/4"FACE-CONCERT CHERRY 8' - CONCERT CHERRY
28	103186-02-07A	FT	MOLDING/PLASTIC-1" U-CHAN'L-1 3/8"FACE-BEIGE ILLUSION - 8'
28	103186-02-08A	FT	MOLDING/PLASTIC - 1" U-CHANNEL-1 3/8"FACE-WASHED MAPLE 8' - WASHED MAPLE
28	103186-02-09A	FT	MOLDING/PLASTIC - 1" U-CHAN'L-1 3/8"FACE-PORTSMOUTH OAK 8' - PORTSMOUTH OAK
28	103186-02-10A	FT	MOLDING/PLASTIC - 1" U-CHAN'L-1 3/8"FACE-CONCERT CHERRY 8' - CONCERT CHERRY
29	104676-02-06A	FT	MOLDING-T - W/EDGE LIP - 11/16" FACE - WASHED MAPLE
29	104676-02-08A	FT	MOLDING-T - W/EDGE LIP - 11/16" FACE - PORTSMOUTH OAK
29	104676-02-09A	FT	MOLDING-T - W/EDGE LIP - 11/16" FACE - CONCERT CHERRY
30	105004-01-08A	EA	MOLDING - VINYL WRAPPED - 1" X 96" - WASHED MAPLE
30	105004-01-12A	EA	MOLDING - VINYL WRAPPED 1" X 96" - PORTSMOUTH OAK
30	105004-01-13A	EA	MOLDING - VINYL WRAPPED 1" X 96" - CONCERT CHERRY
31	105709-02-000	FT	MOLDING-T - W/EDGE LIP - 3/4" FACE - BEIGE ILLUSION
32	109410-01-P25	EA	MOLDING - TRIM - 8' - BLACK CHERRY/CHERRY IV - CONCERT CHERRY
32	109410-01-N75	EA	MOLDING - TRIM - 8' - PORTSMOUTH OAK
32	109410-01-J70	EA	MOLDING - TRIM - 8' - WHITE MAPLE/WASHED MAPLE
33	109736-02-01A	FT	MOLDING-T/OFFSET - W/EDGE LIP - 1" FACE - NAT OAK/BRASS
34	111235-01-H56	EA	MOLDING - COUNTERTOP - 1.4" X 8' - WHITE MAPLE - UNSTAINED - WASHED MAPLE
34	111235-01-N42	EA	MOLDING - COUNTERTOP - 1.4" X 8' - OAK - UNSTAINED - PORTSMOUTH OAK
34	111235-01-P79	EA	MOLDING - COUNTERTOP - 1.4" X 8' - CONCERT CHERRY
35	119520-01-01A	FT	MOLDING-T/OFFSET - W/EDGE LIP - 1"FACE - OFF WHITE
35	119520-01-02A	FT	MOLDING-T/OFFSET - W/EDGE LIP - 1"FACE - CONCERT CHERRY
35	119520-01-03A	FT	MOLDING-T/OFFSET - W/EDGE LIP - 1"FACE - WASHED MAPLE
35	119520-01-04A	FT	MOLDING-T/OFFSET - W/EDGE LIP - 1"FACE - PORTSMOUTH OAK
35	119520-02-01A	FT	MOLDING-T/OFFSET - W/EDGE LIP - 1"FACE
36	126204-D2-134	EA	MOLDING - VINYL WRAPPED - .7" X 1.6" X 84" - WASHED MAPLE
36	126204-F2-134	EA	MOLDING - VINYL WRAPPED - .7" X 2.5" X 84" - WASHED MAPLE
36	137887-D2-134	EA	MOLDING - VINYL WRAPPED - .7" X 1.6" X 96" - CHERRY - CONCERT CHERRY
36	137887-F2-134	EA	MOLDING - VINYL WRAPPED - .7" X 2.5" X 84" - CHERRY - CONCERT CHERRY
36	137887-F2-743	EA	MOLDING - VINYL WRAPPED - .7" X 2.5" X 108" - CHERRY - CONCERT CHERRY
36	137895-D2-134	EA	MOLDING - VINYL WRAPPED - .7" X 1.6" X 84" - PORTSMOUTH OAK
36	137895-F2-134	EA	MOLDING - VINYL WRAPPED - .7" X 2.5" X 84" - PORTSMOUTH OAK
36	137895-F2-743	EA	MOLDING - VINYL WRAPPED - .7" X 2.5" X 108" - PORTSMOUTH OAK
37	127842-01-01A	FT	SEAL - SIGHT SHIELD - 2" BLACK
38	130247-01-05A	FT	MOLDING-T/OFF SET - 1.3" FACE - CONCERT CHERRY
38	130247-01-04A	FT	MOLDING-T/OFF SET - 1.3" FACE - PORTSMOUTH OAK
38	130247-01-02A	FT	MOLDING-T/OFF SET - 1.3" FACE - WASHED MAPLE

INTERIOR FINISH GROUP (CONTINUED)

MOLDINGS & TRIMS (CONTINUED)

PORTSMOUTH OAK



KEY	PART NUMBER	U/M	DESCRIPTION
39	131923-02-04A	FT	MOLDING - PICTURE - OAK - PORTSMOUTH OAK
40	131923-03-03A	FT	MOLDING - CROWN - DIVIDER - WHITE MAPLE - WASHED MAPLE
40	131923-03-02A	FT	MOLDING - CROWN - DIVIDER - CHERRY - CONCERT CHERRY
41	134156-01-03A	EA	MOLDING - VINYL WRAP - .7" X 3.8" X 33.8" - WASHED MAPLE
41	134156-01-08A	EA	MOLDING - VINYL WRAP - .7" X 3.8" X 33.8" - PORTSMOUTH OAK
41	134156-03-03A	EA	MOLDING - VINYL WRAP - .7" X 3.4" X 28.3" - WASHED MAPLE
41	134156-03-07A	EA	MOLDING - VINYL WRAP - .7" X 3.4" X 28.3" - CONCERT CHERRY
41	134156-03-08A	EA	MOLDING - VINYL WRAP - .7" X 3.4" X 28.3" - PORTSMOUTH OAK
41	134156-05-07A	EA	MOLDING - VINYL WRAP - .7" X 3.8" X 34.4" - CONCERT CHERRY
42	137108-01-02A	EA	RAIL - DECORATIVE - SALEM CHERRY - CONCERT CHERRY
42	137108-01-03A	EA	RAIL - DECORATIVE - WASHED MAPLE
42	137108-01-07A	EA	RAIL - DECORATIVE - PORTSMOUTH OAK
43	126205-D2-438	EA	LUMBER - VINYL WRAPPED - .7" X 1.5" X 96" - WASHED MAPLE
43	126205-E2-438	EA	LUMBER - VINYL WRAPPED - .7" X 2" X 96" - WASHED MAPLE
43	126205-F2-438	EA	LUMBER - VINYL WRAPPED - .7" X 2.5" X 96" - WASHED MAPLE
43	126205-G2-438	EA	LUMBER - STAINED - .7" X 3" X 96" - WASHED MAPLE
43	126205-J2-438	EA	LUMBER - VINYL WRAPPED - .7" X 5.5" X 96" - WASHED MAPLE
43	126205-R2-438	EA	LUMBER - LUMBER - VINYL WRAPPED - .7" X 3" X 96" - WASHED MAPLE
43	137885-A2-438	EA	LUMBER - VINYL WRAPPED - .7" X .75" X 96" - CHERRY - CONCERT CHERRY
43	137885-D2-438	EA	LUMBER - VINYL WRAPPED - .7" X 1.5" X 96" - CHERRY - CONCERT CHERRY
43	137885-E2-438	EA	LUMBER - VINYL WRAPPED - .7" X 2" X 96" - CHERRY - CONCERT CHERRY
43	137885-F2-438	EA	LUMBER - VINYL WRAPPED - .7" X 2.5" X 96" - CHERRY - CONCERT CHERRY
43	137885-G2-438	EA	LUMBER - VINYL WRAPPED - .7" X 3" X 96" - CHERRY - CONCERT CHERRY
43	137885-J2-743	EA	LUMBER-018X140X2743 MM VYL - CONCERT CHERRY
43	137885-J2-438	EA	LUMBER - VINYL WRAPPED - .7" X 5.5" X 96" - CHERRY - CONCERT CHERRY
43	137885-R2-438	EA	LUMBER - VINYL WRAPPED - .7" X 3" X 96" - CHERRY - CONCERT CHERRY
43	137894-A2-438	EA	LUMBER - VINYL WRAPPED - .7" X .75 X 96" - PORTSMOUTH OAK
43	137894-D2-438	EA	LUMBER - VINYL WRAPPED - .7" X 1.5" X 96" - PORTSMOUTH OAK
43	137894-E2-438	EA	LUMBER - VINYL WRAPPED - .7" X 2" X 96" - PORTSMOUTH OAK
43	137894-F2-438	EA	LUMBER - VINYL WRAPPED - .7" X 2.5" X 96" - PORTSMOUTH OAK
43	137894-G2-438	EA	LUMBER - VINYL WRAPPED - .7" X 3" X 96" - PORTSMOUTH OAK
43	137894-H2-438	EA	LUMBER - VINYL WRAPPED - .7" X 3.5" X 96" - PORTSMOUTH OAK
43	137894-J2-438	EA	LUMBER - VINYL WRAPPED - .7" X 5.5" X 96" - PORTSMOUTH OAK
43	137894-J2-743	EA	LUMBER - VINYL WRAPPED - .7" X 5.5" X 108" -PORTSMOUTH OAK
43	137894-R2-438	EA	LUMBER - VINYL WRAPPED - .7" X 3" X 96" - PORTSMOUTH OAK
	141260-01-02A	FT	U-CHANNEL - 1" - GRADY BROWN
	141260-01-01A	FT	U-CHANNEL - 1" - VILLAGE OAK

INTERIOR FINISH GROUP (CONTINUED)
PANELING & LAMINATES

KEY	PART NUMBER	U/M	DESCRIPTION
	074497-42-000	SF	PANELING - PORTSMOUTH OAK - 4' X 8'
	088272-H9-000	SF	PANELING - PEBBLE EMBOSSED - WHITE - 4' X 7'
	088272-K4-000	SF	PANELING - MULTI - 4' X 7' (P10)
	088272-K3-000	SF	PANELING - STARLIGHT - 4' X 7' (P11)
	088272-J9-000	SF	PANELING - ALABASTER - 4' X 7' (P12)
	069733-87-000	EA	BATT STRIP - WOODGRAINED/PORTSMOUTH OAK - 8'
	088263-H2-000	EA	BATT STRIP - DECORATIVE - MULTI - 8' LONG (P10)
	088263-H1-000	EA	BATT STRIP - DECORATIVE - STARLIGHT - 8' LONG (P11)
	088263-G9-000	EA	BATT STRIP - DECORATIVE - ALABASTER - 8' LONG (P12)
	085284-G8-000	FT	BATT TAPE - ADHESIVE BACKED - PORTSMOUTH OAK
	085284-F9-000	FT	BATT TAPE - ADHESIVE BACKED - PEBBLE EMBOSSED
	085284-H6-000	FT	BATT TAPE - ADHESIVE BACKED - DECORATIVE - MULTI (P10)
	085284-H4-000	FT	BATT TAPE - ADHESIVE BACKED - DECORATIVE - STARLIGHT (P11)
	085284-G9-000	FT	BATT TAPE - ADHESIVE BACKED - DECORATIVE - ALABASTER (P12)
	074498-99-000	SF	LAMINATE - PLASTIC - EGGSHELL - 4' X 8' (P10)
	074498-97-000	SF	LAMINATE - PLASTIC - GRAY TRANQUILITY - 4' X 8' (P11)
	074498-84-000	SF	LAMINATE - PLASTIC - WHITE TALC - 4' X 8' (P12)
	076325-39-000	FT	MOLDING - EDGE BAND - 1 5/16" X .030" - ALMOND
	076325-40-000	FT	MOLDING - EDGE BAND - .93" X .024" - ALMOND
	000885-A5-000	SF	PARTICLE BOARD - 3/8" X 4' X 8' - WHT PEB EMBOSSED-1 SIDED
	000885-93-000	SF	PARTICLE BOARD - 3/8" X 4' X 8' - PORTSMOUTH OAK - 2-SIDED
	000885-93-000	SF	PARTICLE BOARD - 3/8" X 4' X 8' - PORTSMOUTH OAK - 2-SIDED
	000885-94-000	SF	PARTICLE BOARD - 1/2" X 4' X 8' - PORTSMOUTH OAK - 2-SIDED
	000885-95-000	SF	PARTICLE BOARD - 3/4" X 4' X 8' - PORTSMOUTH OAK - 2-SIDED
	126339-01-000	SF	BOARD - WHEAT - 60" X 72"
	057882-04-000	SF	TAMBOUR - 48" X 96" SHEET - UNFINISHED
	132610-10-09A	FT	WALLPAPER - BORDER - 5 3/4" - SELF ADHESIVE (P10) FROM: 00-00-00 THRU: 03-09-03
	132610-05-01A	FT	WALLPAPER - BORDER - 7" - CALYPSO - SELF-ADHESIVE (P10) FROM: 03-10-03 THRU: 99-99-99
	132610-06-07A	FT	WALLPAPER - BORDER - 5 1/4" - SELF-ADHESIVE (P11) FROM: 00-00-00 THRU: 03-16-03
	132610-08-01A	FT	WALLPAPER - BORDER - 4 3/4" - SELF-ADHESIVE (P11) FROM: 03-17-03 THRU: 99-99-99
	132610-10-10A	FT	WALLPAPER - BORDER - 5 3/4" - SELF ADHESIVE (P12) FROM: 00-00-00 THRU: 03-16-03
	132610-05-02A	FT	WALLPAPER - BORDER - 7" - SELF-ADHESIVE (P12) FROM: 03-17-03 THRU: 99-99-99

ACCESSORIES

KEY	PART NUMBER	U/M	DESCRIPTION
	072852-01-000	EA	DETECTOR - SMOKE - W/9 VOLT BATTERY - US
	094499-03-000	EA	EXTINGUISHER/FIRE - DRY - 10BC - W/GAUGE/BACKET
	094499-04-000	EA	STRAP - FIRE EXTINGUISHER MOUNTING - METAL
	064781-06-000	EA	HOLDER/CUP - TWO STEP - OFF WHITE
	072852-02-000	EA	DETECTOR - SMOKE - W/9 VOLT BATTERY - CANADIAN
*	094499-02-000	EA	EXTINGUISHER/FIRE - DRY - 10BC - W/GAUGE - CANADIAN
	096764-02-000	FT	SLIPNOT - ANTISLIP - 1' WIDE (180' ROLLS) - WHITE
	091261-01-000	FT	SLIPNOT - ANTISLIP - 1' WIDE X 12' - BLACK
	118718-01-01A	EA	HOLDER/DRINK - COLLAPSIBLE MUG - BLACK PLASTIC
	118718-01-02A	EA	HOLDER/DRINK - COLLAPSIBLE MUG - WHITE PLASTIC
	000C16-07-16B	EA	BOLT - CARRIAGE - ASSIST HANDLE - 7/16-14 X 1
	000D20-07-00B	EA	NUT - ACORN - ASSIST HANDLE - 7/16 - 14
	053552-02-N01	EA	HANDLE - ASSIST - INTERIOR/ENTRY DOOR - VINYL/OFF WHITE
	094499-04-000	EA	STRAP - FIRE EXTINGUISHER MOUNTING - METAL
	125136-02-000	EA	DETECTOR/CO - GAS MODEL - 9 VOLT
	093606-19-000	EA	MIRROR - BEVELED EDGE - 19.7" X 19.7"
	131494-05-01A	EA	MIRROR - ARCHED TOP - 20" X 30"
	140374-14-000	EA	MIRROR - SAFETY GLASS - 20.8" X 35.4"
	140374-36-000	EA	MIRROR - SAFETY GLASS - 20.9" X 25.2"

*COMPONENT PARTS LISTED LATER IN THIS GROUP

INTERIOR FINISH GROUP (CONTINUED)
COMPONENT PARTS FOR ACCESSORIES

094499-02-000

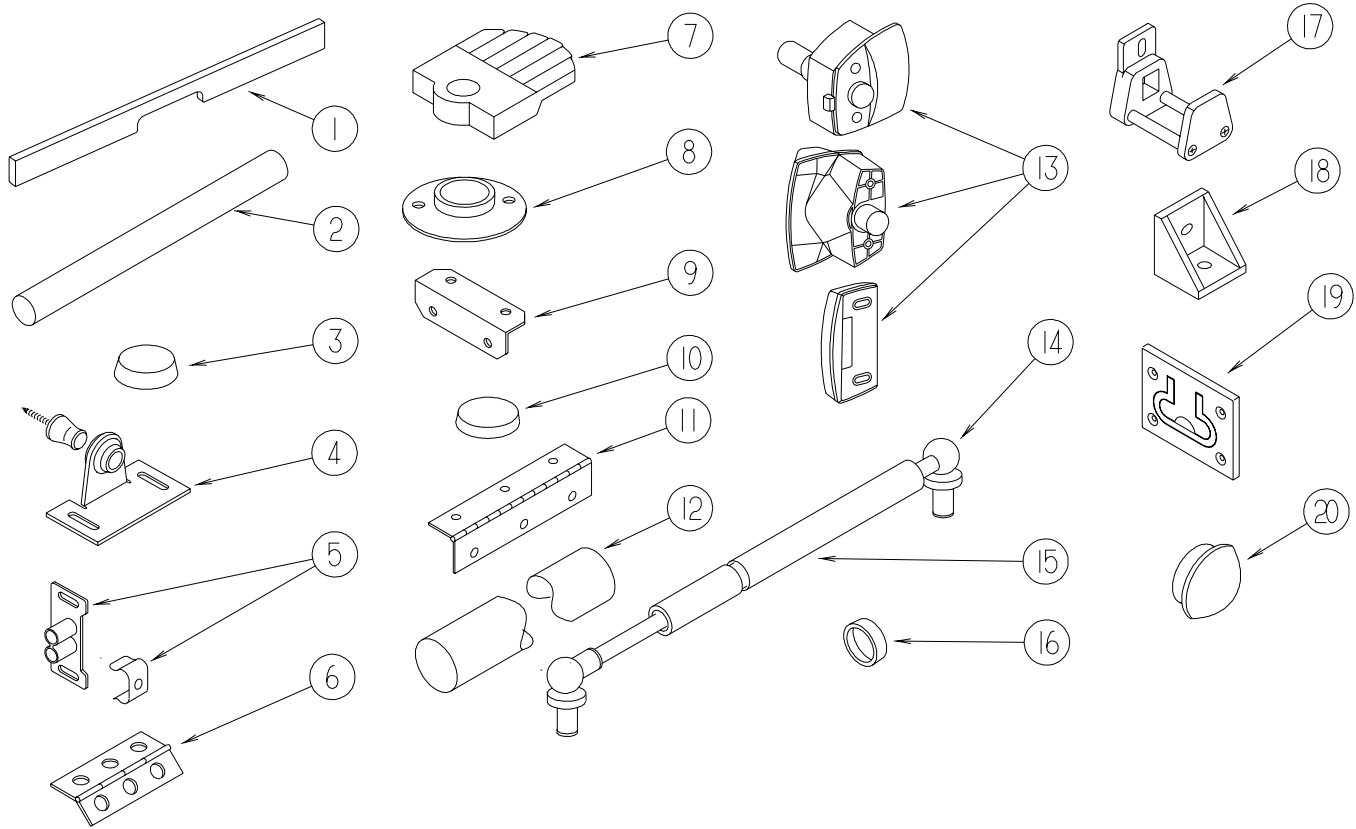
KEY	PART NUMBER	U/M	DESCRIPTION	VENDOR NO
	094499-01-700	EA	BRACKET MTG. W/PLAS. STRAP	294039

INTERIOR FINISH GROUP (CONTINUED)
FLOOR COVERINGS

KEY	PART NUMBER	U/M	DESCRIPTION
	042720-29-000	SY	VINYL - FLOOR COVERING - 7.5' WIDE - DIAMOND
	093486-02-000	SY	CARPET - COMPARTMENT - 72" WIDE - LIGHT GRAY
	096060-G9-000	SY	CARPET - LAUREL - INCREMENTS OF 4 SQ YARDS (P10)
	139056-06-000	SY	CARPET - CRYSTAL LAKE - 4 SQ YARD INCREMENTS (P11)
	096060-H1-000	SY	CARPET - TAPIOCA - INCREMENTS OF 4 SQ YARDS (P12)
	109583-01-P10	SY	CARPET - PEDESTAL COVERUP (P10)
	109583-01-M06	SY	CARPET - PEDESTAL COVERUP (P11)
	109583-01-P08	SY	CARPET - PEDESTAL COVERUP (P12)

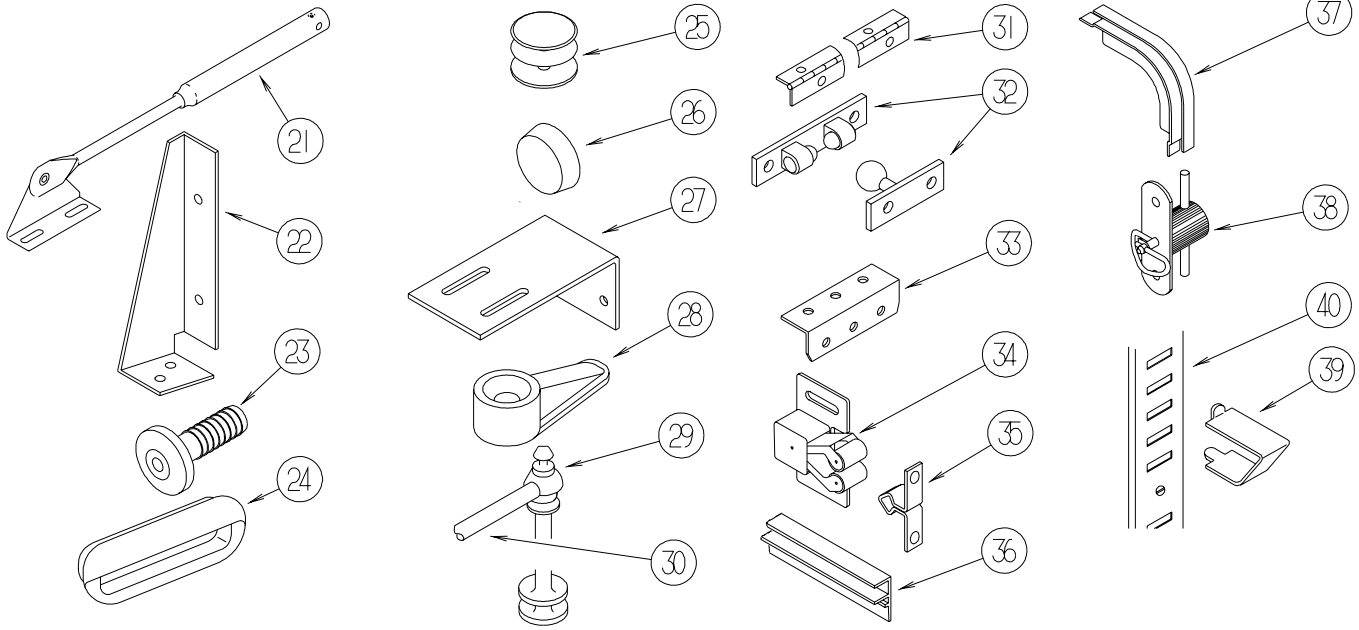
INTERIOR FINISH GROUP (CONTINUED)

HARDWARE



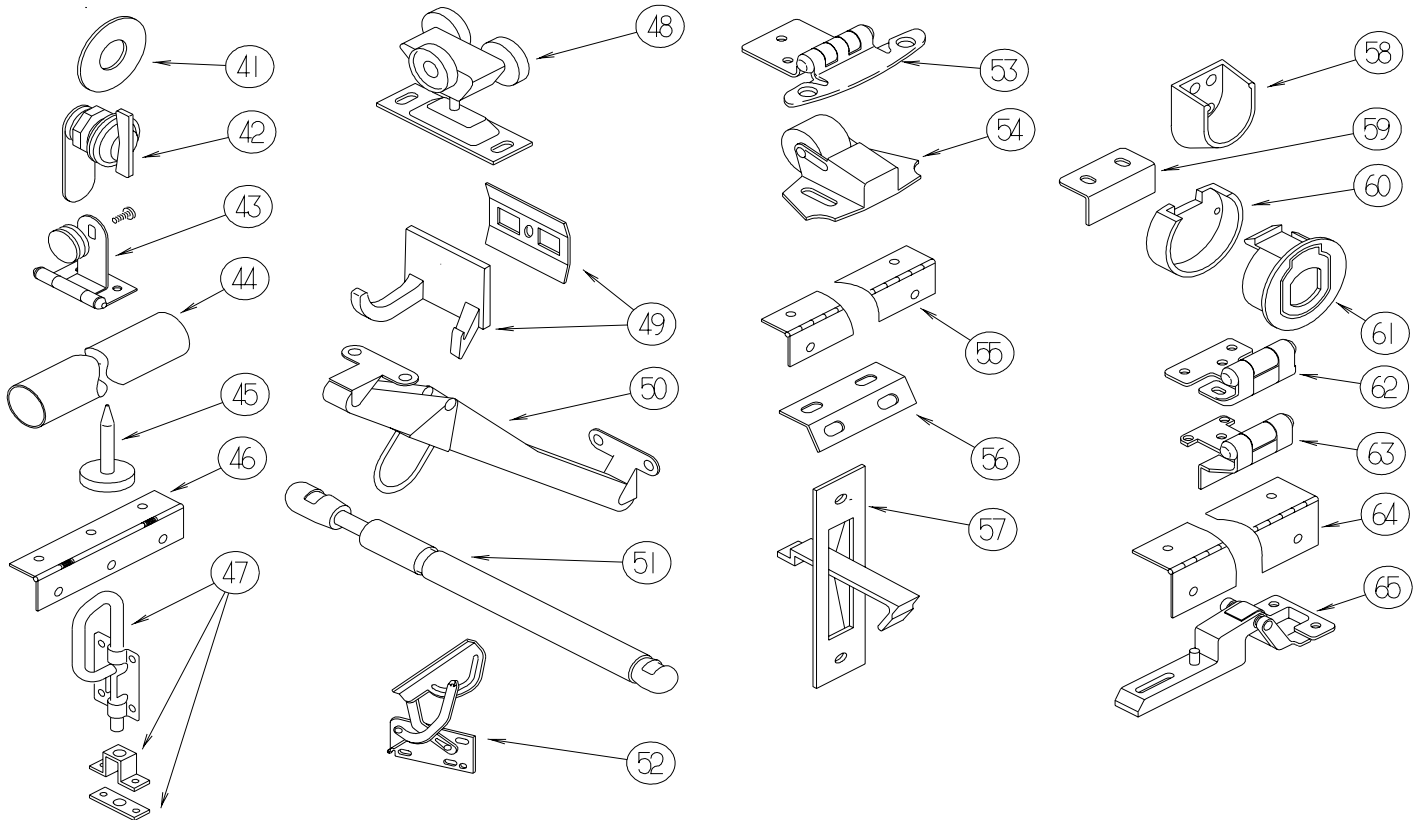
KEY	PART NUMBER	U/M	DESCRIPTION
1	P26866-12-N62	EA	HANDLE - DOOR/TAMBOUR - 14.7" - WASHED MAPLE
1	P26866-12-N63	EA	HANDLE - DOOR/TAMBOUR - 11.6" - CONCERT CHERRY
1	P26866-12-P69	EA	HANDLE - DOOR/TAMBOUR - 11.6" - PORTSMOUTH OAK
2	Y00136-21-218	EA	DOWEL - WOOD - 1" X 4'
3	004354-01-000	EA	BUMPER - RUBBER - .5" DIA - BROWN
4	009013-01-000	EA	CATCH - BULLDOG - MALE/FEMALE
5	009021-01-000	EA	CATCH - GRILLE - NYLON
5	009021-02-000	EA	STRIKE - SPRING STEEL - .68"
6	009059-01-000	EA	HINGE - DOOR - 2" X 1.4" - BRASS
6	009059-02-000	EA	HINGE - DOOR - 2" X 2.7" - BRASS
6	009059-03-000	EA	HINGE - BRASS - 1.75"
7	009089-01-000	EA	CLIP - MIRROR
8	009112-01-000	EA	FLANGE - PLASTIC - 1" CLOTHES ROD - OFF WHITE
9	016604-05-000	EA	BRACE - ANGLE - 2 1/2" - OFF WHITE METAL
9	016604-10-000	EA	BRACE - SEAT ANGLE - 2.5" - BLACK
9	016604-11-000	EA	BRACE - SEAT - ANGLE - 2.5" - CHESTNUT
10	023320-01-000	EA	PAD - FELT 3/8" DIAMETER
11	041389-25-000	EA	HINGE - PIANO - 1 1/2" X 55" - UNPAINTED
12	042438-02-000	EA	DOWEL - WOOD - 2" DIAMETER X 2'
12	042438-06-000	EA	DOWEL - WOOD - CLOTHES ROD - 1.5" X 26"
13	058335-03-000	EA	LATCH W/O LOCK - BATHROOM DOOR BLACK
14	057460-02-000	EA	BALL STUD - F/GAS SPRING .39" - 5/16"-18
15	057460-04-000	EA	SPRING/GAS - BALL STUD STYLE - 120 PI - "SPD6209"
16	057671-01-000	EA	COVER - SCREW - #8 - OFF WHITE
16	057671-15-000	EA	COVER - SCREW - #8 - BRIGHT WHITE
16	057671-16-000	EA	COVER - SCREW - #8 - SOFT WHITE
16	057671-17-000	EA	COVER - SCREW - VW LT GRAY - #8
17	064467-01-000	EA	GUIDE - POCKET - SLIDING DOOR - WALL MOUNTED
18	065740-01-000	EA	BRACE - CABINET/CORNER - PLASTIC
19	072871-01-000	EA	PULL - FLUSH - CHROME
20	074045-08-000	EA	PLUG - OAK - 3/8" DOWEL-1/2" HEAD - SALEM CHERRY - CONCERT CHERRY
20	074045-12-000	EA	PLUG - OAK - 3/8" DOWEL-1/2" HEAD - WASHED MAPLE
20	074045-13-000	EA	PLUG - OAK - 3/8" DOWEL-1/2" HEAD - PORTSMOUTH OAK

INTERIOR FINISH GROUP (CONTINUED)
HARDWARE (CONTINUED)



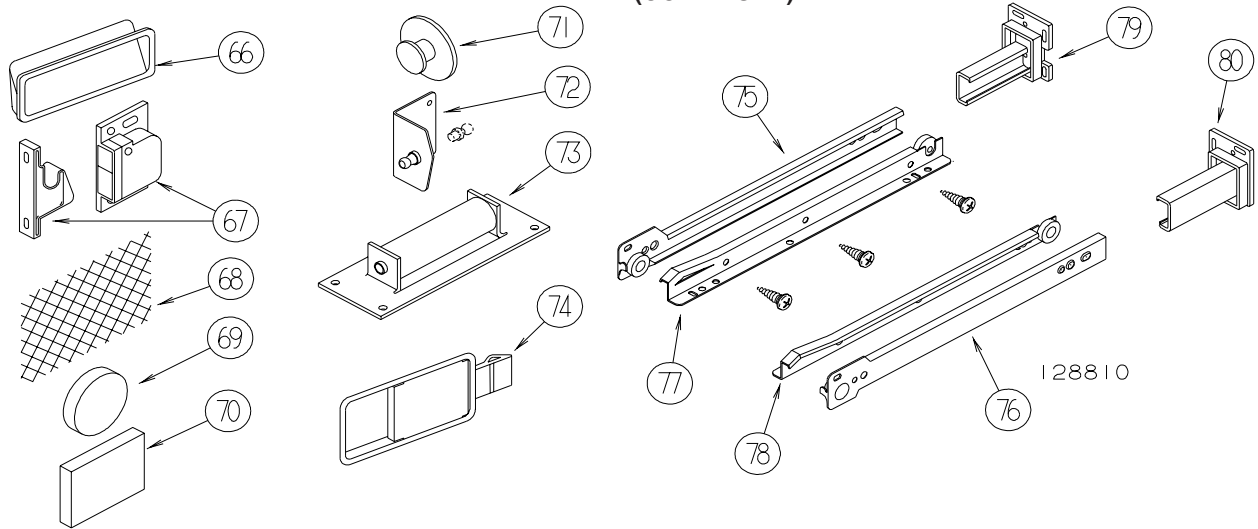
KEY	PART NUMBER	U/M	DESCRIPTION
21	074493-02-000	EA	SUPPORT - PISTON SPRING - CABINET DOOR - 26 LBS
21	074493-03-000	EA	SUPPORT - PISTON SPRING - CABINET DOOR - 12 LBS
21	074493-04-000	EA	SUPPORT - PISTON SPRING - CABINET DOOR - 32 LBS
22	076827-02-000	EA	BRACKET/LEG - 2.9" X 1.8" - TRIANGULAR - LEFT/E-COATED
23	079921-01-000	EA	ROLLER - NYLON - W/STEEL SHAFT - BARBED
24	080736-01-000	EA	PULL - RECESSED - 1.25" X 4" - OAK
25	081114-02-000	EA	CAP - INSERT - ROUND - 1" DIAMETER - WHITE PLASTIC
26	081914-01-000	EA	BUMPER - RUBBER - ROUND - 1/2" DIA. X 1/8" THICK
27	083125-07-000	EA	BRACE - ANGLE/COUCH - 2.5" - OFF WHITE
28	083204-03-000	EA	BUTTON - RETAINING MIRROR 5/16" TIP
29	084070-03-000	EA	POST - END - 2.4" - SHINY BRASS
30	084071-05-000	EA	ROD - BRASS - 15"
30	084071-19-000	EA	ROD - BRASS - 7.1"
30	084071-20-000	EA	ROD - BRASS - 9.8"
30	084071-23-000	EA	ROD - BRASS - 13.1"
30	084071-24-000	EA	ROD - BRASS - 3.8"
30	084071-28-000	EA	ROD - BRASS - 6"
30	084071-30-000	EA	ROD - BRASS - 11.6"
30	084071-31-000	EA	ROD - BRASS - 14.8"
30	084071-33-000	EA	ROD - BRASS - 20.4"
30	084071-34-000	EA	ROD - BRASS - 16.9"
31	084413-01-000	EA	HINGE - 1" X 72" - ALUMINUM - W/HOLES
32	084451-01-000	EA	CATCH & LATCH - 1.7" - BRASS
33	089025-01-000	EA	SUPPORT - SPRING TO BED - ANGLE 1.5" X 11.8"
34	093586-03-000	EA	CATCH - SPRING ROLLER - .377"
34	093586-06-000	EA	CATCH - SPRING ROLLER - .236"
35	093586-04-000	EA	STRIKE - SPRING STEEL - 1.14"
35	093586-05-000	EA	STRIKE - SPRING STEEL - .943"
36	093622-01-000	EA	TRACK - DOOR - TAMBOUR - PLASTIC - 8' LENGTHS
37	093623-01-000	EA	CORNER - TRACK - TAMBOUR DOOR
	097872-04-000	EA	DOWEL - WOOD - 1" DIAMETER X 1.38" LONG - UNFINISHED
38	098196-01-000	EA	LATCH - 1/4 TURN - T-BAR
39	098979-01-000	EA	CLIP - ADJUSTABLE SHELF
40	098980-01-000	EA	PILASTER - ADJUSTABLE SHELF - 18"
40	098980-02-000	EA	PILASTER - ADJUSTABLE SHELF - 12"
40	098980-03-000	EA	PILASTER - ADJUSTABLE SHELF - 9"
40	098980-04-000	EA	PILASTER - ADJUSTABLE SHELF - 48"
40	098980-05-000	EA	PILASTER - ADJUSTABLE SHELF - 15"
40	098980-06-000	EA	PILASTER - ADJUSTABLE SHELF - 24"

INTERIOR FINISH GROUP (CONTINUED) HARDWARE (CONTINUED)



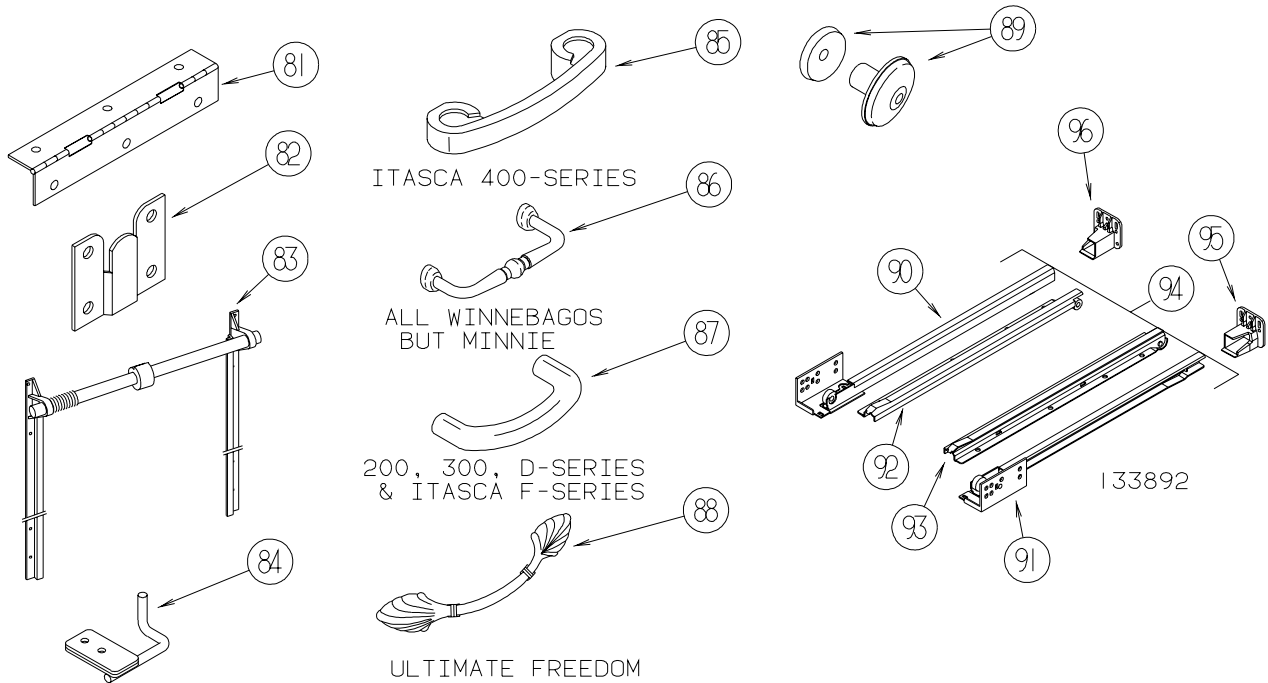
KEY	PART NUMBER	U/M	DESCRIPTION
41	100707-01-000	EA	SPACER - GLASS DOOR - .8" DIA - .3" HOLE - PLASTIC
42	100710-01-01A	EA	LOCK - GLASS DOOR/TWIST TYPE - BRASS
43	100711-01-01A	EA	HINGE - GLASS DOOR
44	102075-06-02A	EA	ROD - SHOWER CURTAIN - 1" OD X 33.5" - SOFT WHITE
44	102075-09-02A	EA	ROD - SHOWER CURTAIN - 3/4"OD X 29.5" - SOFT WHITE
44	102075-16-02A	EA	ROD - SHOWER CURTAIN - 3/4"OD X 34.2" - SOFT WHITE
44	102075-18-02A	EA	ROD - SHOWER CURTAIN - 1" OD X 38.9" - SOFT WHITE
44	102075-20-03A	EA	ROD - SHOWER CURTAIN - 48.8" - MILL
44	102075-21-03A	EA	ROD - SHOWER CURTAIN - 46.1"
45	102194-01-000	EA	GUIDE - PLASTIC - 1" (HEAD/PIN)
46	102920-01-01A	EA	HINGE - SPRING LOADED - BRASS
47	103256-01-000	EA	LATCH COMPLETE (SLIDE)
48	103874-01-000	EA	HANGER - SLIDING DOOR
49	104174-01-000	EA	HOOK - ROBE - DOUBLE
50	104181-01-01A	EA	SUPPORT - LEAF 5.3" EXTENDS TO 7.5" - SAFETY RING - METAL
51	107796-06-000	EA	SPRING/GAS - 12" COMPRESSED/20" EXTENDED - 120 LB.
51	107796-08-000	EA	SPRING/GAS - 11" COMPRESSED/17" EXTENDED - 60 LB
51	107796-15-000	EA	SPRING/GAS - 24" COMPRESSED/40" EXTENDED - 15 LB.
51	107796-16-000	EA	SPRING/GAS - 6.4" COMPRESSED/9.6" EXTENDED - 65 LB.
52	108126-01-000	EA	TRAY HINGE SET (QTY. 2 PER SET)
53	108138-01-000	EA	HINGE - CABINET DOOR - BURNISHED BRASS - Q SERIES (ULTIMATE FREEDOM) ONLY
53	108138-03-000	EA	HINGE - BRIGHT BRASS
54	109403-01-000	EA	CATCH - SINGLE ROLLER - SCREEN DOOR
55	110496-01-01A	EA	HINGE - BRASS
56	111866-01-02A	EA	BRACE - SEAT - ANGLE - OFF WHITE
57	113130-01-01A	EA	PULL - DOOR POCKET
58	113236-01-01A	EA	BRACKET - CLOTHES - ROD
59	113375-02-01A	EA	STRIKE - DOOR - CHROME
60	113375-05-01A	EA	LATCH - SLAM - BACK - .8" THICK
61	113375-06-01A	EA	LATCH - SLAM - FACE - .7" THICK
62	113676-01-01A	EA	HINGE - OVERLAY - VARIABLE - BURNISHED BRASS
63	113677-01-01A	EA	HINGE - SELF CLOSING
64	114278-02-000	EA	HINGE - CONTINUOUS - 3" WIDE
65	114443-01-01A	EA	HINGE - CABINET DOOR

INTERIOR FINISH GROUP (CONTINUED)
HARDWARE (CONTINUED)



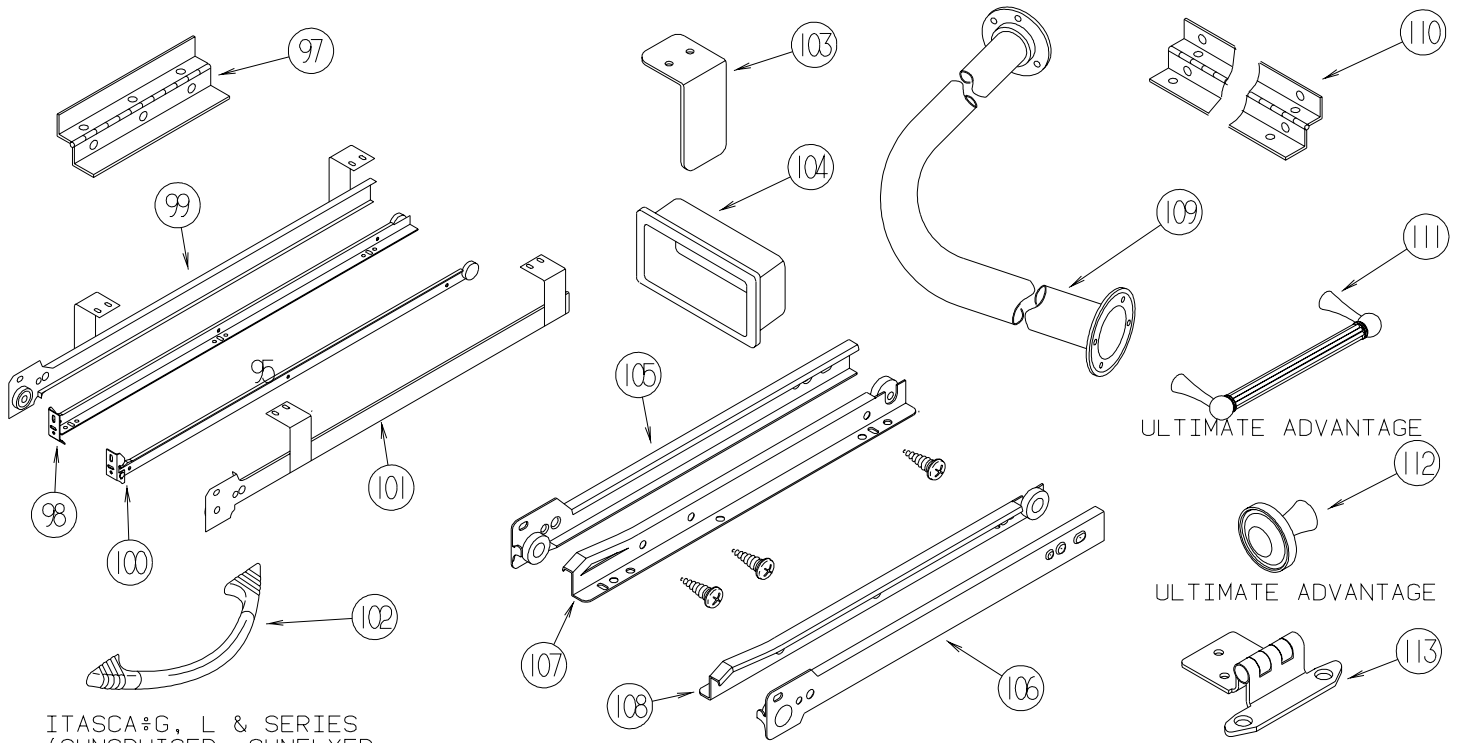
KEY	PART NUMBER	U/M	DESCRIPTION
66	115994-01-01A	EA	HANDLE - POCKET
67	117095-01-01A	EA	LATCH - DOOR - GRABBER W/KEEPER - PLASTIC - BLK-5 LB PULL
67	117095-02-01A	EA	LATCH - DOOR - GRABBER W/KEEPER - PLASTIC - BLK-10 LB PULL
68	118200-01-01A	SF	MESH - PLASTIC 1/2" - 48" X LENGTH = SF - BLACK
69	122717-01-01A	EA	PAD - NON SKID - 4" DIAMETER ROUND
70	122717-06-01A	FT	PAD - NON-SKID - PSA - 5"W
71	125221-01-01A	EA	PULL - MIRROR - W/ROUND HANDLE
72	126263-06-02B	EA	BRACKET - GAS SPRING W/INSIDE BALL STUD - E-COATED
	126263-08-02B	EA	BRACKET - GAS SPRING W/CENTERED BALL STUD - E-COATED
73	126584-02-000	EA	ROLLER - FLAT
74	127349-01-01A	EA	LATCH - PADDLE
75	128810-01-01A	EA	SLIDE - DRAWER - 12" - LEFT CABINET
75	128810-05-01A	EA	SLIDE - DRAWER - 14" - LEFT CABINET
75	128810-09-01A	EA	SLIDE - DRAWER - 16" - LEFT CABINET
75	128810-13-01A	EA	SLIDE - DRAWER - 18" - LEFT CABINET
75	128810-17-01A	EA	SLIDE - DRAWER - 20" - LEFT CABINET
75	128810-21-01A	EA	SLIDE - DRAWER - 22" - LEFT CABINET
75	128810-25-01A	EA	SLIDE - DRAWER - 24" - LEFT CABINET
75	128810-29-01A	EA	SLIDE - DRAWER - 9" - LEFT CABINET
76	128810-02-01A	EA	SLIDE - DRAWER - 12" - RIGHT CABINET
76	128810-06-01A	EA	SLIDE - DRAWER - 14" - RIGHT CABINET
76	128810-10-01A	EA	SLIDE - DRAWER - 16" - RIGHT CABINET
76	128810-14-01A	EA	SLIDE - DRAWER - 18" - RIGHT CABINET
76	128810-18-01A	EA	SLIDE - DRAWER - 20" - RIGHT CABINET
76	128810-22-01A	EA	SLIDE - DRAWER - 22" - RIGHT CABINET
76	128810-26-01A	EA	SLIDE - DRAWER - 24" - RIGHT CABINET
76	128810-30-01A	EA	SLIDE - DRAWER - 9" - RIGHT CABINET
77	128810-03-01A	EA	SLIDE - DRAWER - 12" - LEFT DRAWER
77	128810-07-01A	EA	SLIDE - DRAWER - 14" - LEFT DRAWER
77	128810-11-01A	EA	SLIDE - DRAWER - 16" - LEFT DRAWER
77	128810-15-01A	EA	SLIDE - DRAWER - 18" - LEFT DRAWER
77	128810-19-01A	EA	SLIDE - DRAWER - 20" - LEFT DRAWER
77	128810-23-01A	EA	SLIDE - DRAWER - 22" - LEFT DRAWER
77	128810-27-01A	EA	SLIDE - DRAWER - 24" - LEFT DRAWER
77	128810-27-01A	EA	SLIDE - DRAWER - 24" - LEFT DRAWER
77	128810-31-01A	EA	SLIDE - DRAWER - 9" - LEFT DRAWER
78	128810-04-01A	EA	SLIDE - DRAWER - 12" - RIGHT DRAWER
78	128810-08-01A	EA	SLIDE - DRAWER - 14" - RIGHT DRAWER
78	128810-12-01A	EA	SLIDE - DRAWER - 16" - RIGHT DRAWER
78	128810-16-01A	EA	SLIDE - DRAWER - 18" - RIGHT DRAWER
78	128810-20-01A	EA	SLIDE - DRAWER - 20" - RIGHT DRAWER
78	128810-24-01A	EA	SLIDE - DRAWER - 22" - RIGHT DRAWER
78	128810-28-01A	EA	SLIDE - DRAWER - 24" - RIGHT DRAWER
78	128810-32-01A	EA	SLIDE - DRAWER - 9" - RIGHT DRAWER
79	128811-01-01A	EA	BACKSOCKET - ADJUSTABLE - LEFT
80	128811-02-01A	EA	BACKSOCKET - ADJUSTABLE - RIGHT

INTERIOR FINISH GROUP (CONTINUED) HARDWARE (CONTINUED)



KEY	PART NUMBER	U/M	DESCRIPTION
81	129753-01-01A	EA	HINGE - SPRING LOADED - 19" X 19" - BLACK
82	130120-01-01A	EA	BRACKET - MIRROR
83	130787-01-000	EA	TRACK - TAMBOUR DOOR/SPRING - 15.9"
83	130787-02-000	EA	TRACK - TAMBOUR DOOR/SPRING - 24"
83	130787-04-000	EA	TRACK - TAMBOUR DOOR - SPRING
84	130798-01-02B	EA	GUIDE - POCKET DOOR - E-COATED
85	131962-01-01A	EA	PULL - DOOR/DRAWER - POLISHED BRASS - ITASCA 400 SERIES (SUNDANCER)
86	131963-01-01A	EA	PULL - POLISHED BRASS - WINNEBAGO BRAVE/ADVENTURER/CHIEFTAIN/JOURNEY/MINNIE WINNIE
87	131964-01-01A	EA	PULL - POLISHED BRASS - RIALTA/WINNEBAGO MINNIE/VISTA, ITASCA SPIRIT/SUNOVA
88	131965-01-01A	EA	PULL - DOOR/DRAWER - 6.3" - BURNISHED BRASS - ULTIMATE FREEDOM
89	133313-01-02A	EA	PULL - DOOR/DRAWER - BRIGHT BRASS
89	133313-01-03A	EA	PULL - DOOR/DRAWER - CHROME/BRASS - ITASCA L & P SERIES (SUNFLYER & HORISON) ONLY
90	133892-01-01A	EA	SLIDE - DRAWER - 16" - LEFT CABINET
90	133892-06-01A	EA	SLIDE - DRAWER - 22" - LEFT CABINET
90	133892-10-01A	EA	SLIDE - DRAWER - 12" - LEFT CABINET
90	133892-14-01A	EA	SLIDE - DRAWER - 18" - LEFT CABINET
91	133892-02-01A	EA	SLIDE - DRAWER - 16" - RIGHT CABINET
91	133892-07-01A	EA	SLIDE - DRAWER - 22" - RIGHT CABINET
91	133892-11-01A	EA	SLIDE - DRAWER - 12" - RIGHT CABINET
91	133892-15-01A	EA	SLIDE - DRAWER - 18" - RIGHT CABINET
92	133892-03-01A	EA	SLIDE - DRAWER - 16" - LEFT DRAWER
92	133892-08-01A	EA	SLIDE - DRAWER - 22" - LEFT DRAWER
92	133892-12-01A	EA	SLIDE - DRAWER - 12" - LEFT DRAWER
92	133892-16-01A	EA	SLIDE - DRAWER - 18" - LEFT DRAWER
93	133892-04-01A	EA	SLIDE - DRAWER - 16" - RIGHT DRAWER
93	133892-09-01A	EA	SLIDE - DRAWER - 22" - RIGHT DRAWER
93	133892-13-01A	EA	SLIDE - DRAWER - 12" - RIGHT DRAWER
93	133892-17-01A	EA	SLIDE - DRAWER - 18" - RIGHT DRAWER
94	133892-05-01A	EA	SLIDE - DRAWER - 9" - FULL SET
95	133907-01-01A	EA	BACKSOCKET - RIGHT HAND
96	133907-02-01A	EA	BACKSOCKET - LEFT HAND

INTERIOR FINISH GROUP (CONTINUED) HARDWARE (CONTINUED)



ITASCA G, L & SERIES
(SUNCRUISER, SUNFLYER
& HORIZON)

KEY	PART NUMBER	U/M	DESCRIPTION
97	135538-01-01A	EA	HINGE - PIANO - FULL WRAP - BRASS PLATED
97	135538-03-01A	EA	HINGE - PIANO - FULL WRAP - STOCKER BRASS
98	136944-01-01A	EA	SLIDE - DRAWER/RIGHT HAND - 13.8"
99	136944-02-01A	EA	SLIDE - CABINET/RIGHT HAND - 13.8"
100	136944-03-01A	EA	SLIDE - DRAWER/LEFT HAND - 13.8"
101	136944-04-01A	EA	SLIDE - CABINET/LEFT HAND - 13.8"
102	137446-01-01A	EA	PULL - CABINET - CHROME/BRASS - ITASCA G, L & P SERIES (SUNCRUISER/SUNFLYER/HORIZON)
103	138136-02-02B	EA	GUIDE - DOOR - E-COATED
104	139136-01-01A	EA	HANDLE - RECESSED - 2.9" X 1.3"/2.7" X 1" X .7" C/O- BRASS
104	139136-02-01A	EA	HANDLE - RECESSED - 2.9" X 1.3"/2.7" X 1" X .4" C/O- BRASS
105	139566-01-01A	EA	SLIDE - DRAWER - 37.5" - LEFT CABINET
105	139566-05-01A	EA	SLIDE - DRAWER - 32" - LEFT CABINET
106	139566-02-01A	EA	SLIDE - DRAWER - 37.5" - RIGHT CABINET
106	139566-06-01A	EA	SLIDE - DRAWER - 32" - RIGHT CABINET
107	139566-03-01A	EA	SLIDE - DRAWER - 37.5" - LEFT DRAWER
107	139566-07-01A	EA	SLIDE - DRAWER - 32" - LEFT DRAWER
108	139566-04-01A	EA	SLIDE - DRAWER - 37.5" - RIGHT DRAWER
108	139566-08-01A	EA	SLIDE - DRAWER - 32" - RIGHT DRAWER
109	140494-01-01A	EA	ROD - SHOWER
109	140494-01-02A	EA	ROD - SHOWER - SOFT WHITE
110	142276-01-01A	EA	HINGE - PIANO - FULL WRAP - BRASS
	142569-05-000	EA	SPRING - GAS - 39.9"/15 LB
FROM: 01-18-03 THRU: 99-99-99			
111	142909-01-01A	EA	PULL - CABINET - BRASS - ULTIMATE ADVANTAGE
112	142910-01-01A	EA	KNOB - CABINET - BRASS - ULTIMATE ADVANTAGE
113	143468-01-02A	EA	HINGE - SELF CLOSING - POLISHED BRASS

LABELS GROUP

SEWAGE

KEY PART NUMBER U/M DESCRIPTION
006187-01-000 EA LABEL - SEWAGE

WASTE WATER

KEY PART NUMBER U/M DESCRIPTION
006188-01-000 EA LABEL - WASTE WATER

WARNING

THIS SYSTEM IS DESIGNED FOR USE WITH PROPANE ONLY
DO NOT CONNECT NATURAL GAS TO THIS SYSTEM

BEFORE TURNING ON PROPANE:

- (A) BE CERTAIN APPLIANCES ARE CERTIFIED FOR PROPANE AND ARE EQUIPPED WITH CORRECT BURNING ORIFICES.
- (B) MAKE CERTAIN ALL PROPANE CONNECTIONS ARE TIGHT BY TESTING WITH SOAPY WATER. ALL APPLIANCE VALVES ARE TURNED OFF, AND ANY UNCONNECTED OUTLETS ARE CAPPED.

AFTER TURNING ON PROPANE:

- (A) LIGHT ALL PILOT LIGHTS
- (B) (B) ALL CONNECTIONS, INCLUDING THOSE AT THE APPLIANCES, REGULATORS AND CYLINDERS SHOULD BE LEAK-TESTED PERIODICALLY WITH SOAPY WATER BY THE OCCUPANT. NEVER USE A LIGHTED MATCH OR OTHER FLAME WHEN CHECKING FOR LEAKS.
- (C) DO NOT LEAVE SYSTEM TURNED ON OF CONTAINERS CONNECTED UNTIL THE SYSTEM HAS BEEN PROVEN TO BE FREE OF LEAKS.
- (D) COOKING APPLIANCES SHOULD NOT BE USED FOR SPACE HEATING.
- (E) WHEN THE CONTAINERS ARE DISCONNECTED THE PROPANE SUPPLY LINE SHOULD BE CAPPED OR PLUGGED.

AVERTISSEMENT

CETTE INSTALLATION EST CONÇUE POUR LE PROPANE SEULEMENT
NE PAS L'ALIMENTER EN GAZ NATUREL

AVANT LA MISE EN SERVICE:

- (A) S'ASSURER QUE LES APPAREILS SONT CERTIFIÉS POUR LE PROPANE ET MUNIS D'ORIFICES DE BRULEUR APPROPRIÉS.
- (B) VÉRIFIER L'ÉTANCHEITÉ DE TOUS LES RACCORDEMENTS AU PROPANE. LA PERMÉABILITÉ DE TOUS LES ROBINETS D'APPAREILS ET L'OBTURATION DE TOUTES LES SORTIES NON RACCORDEES.

APRÈS LA MISE EN SERVICE:

- (A) ALLUMER TOUTES LES VEILLEUSES.
- (B) L'OCCUPANT DOIT ÉPROUVER PÉRIODIQUEMENT L'ÉTANCHEITÉ DE TOUS LES RACCORDEMENTS Y COMPRIS CEUX AUX APPAREILS, AUX DÉTENDEURS ET AUX BOUTEILLES, EN Y APPLIQUANT DE L'EAU SAVONNEUSE NE JAMAIS SE SERVIR D'UNE ALLUMETTE OU AUTRE POUR LA DÉTECTION DES FUITES.
- (C) NE PAS LAISSER L'ALIMENTATION OUVERTE NI LES RÉCIPIENTS RACCORDES AVANT D'AVOIR COMPLÉTÉ L'ÉPREUVE D'ÉTANCHEITÉ AU PROPANE DE L'INSTALLATION.
- (D) LES APPAREILS DE CUISSON NE DOIVENT PAS ÊTRE UTILISÉS POUR LE CHAUFFAGE DES LOCAUX.
- (E) LORSQUE LES RÉCIPIENTS SONT DÉCONNECTÉS, L'ALIMENTATION DE PROPANE DOIT ÊTRE OBTURÉE OU SCELLÉE.

KEY PART NUMBER U/M DESCRIPTION
023769-01-000 EA LABEL - WARNING - LPG - CANADIAN

EXIT

KEY PART NUMBER U/M DESCRIPTION
039290-01-000 EA LABEL - WARNING - EXIT

LABELS GROUP (CONTINUED)



KEY PART NUMBER U/M DESCRIPTION
040944-01-000 EA LABEL - ENTRANCE DOOR - "OPEN"

CAUTION

THIS MOTOR HOME HAS BEEN DESIGNED, MANUFACTURED AND TESTED WITH CONCERN FOR THE PROTECTION OF IT'S OCCUPANTS. WE RECOMMEND YOU PERFORM THE FOLLOWING INSPECTIONS FOR YOUR SAFETY AND THE SAFETY OF YOUR PASSENGERS BEFORE STARTING YOUR VEHICLE.

1. LP GAS SYSTEM- TURN OFF AT TANK FOR TRAVELING. TEST FOR LEAKS UPON ARRIVAL AT DESTINATION. BEFORE LIGHTING PILOTS.
2. WHEELS- INSPECT FOR DAMAGE AND CHECK LUG NUTS FOR TIGHTNESS.
3. TIRES- INSPECT FOR WEAR AND DAMAGE AND CHECK FOR RECOMMENDED AIR PRESSURE.
4. LIGHTING- TEST FOR PROPER OPERATION OF ALL INTERIOR AND EXTERIOR LIGHTS INCLUDING DASH LIGHTS, HEADLIGHTS, TAIL LIGHTS, BRAKE LIGHTS, CLEARANCE LIGHTS AND TURN SIGNALS.
5. EXITS- INSPECT RELEASE MECHANISM ON EMERGENCY EXIT WINDOW. TEST BOTH LOCKS ON MAIN ENTRANCE DOOR FOR EASE OF OPERATION AND INSTRUCT PASSENGERS HOW TO USE BOTH MEANS OF EXIT.
6. SEAT BELTS- DIRECT PASSENGERS TO DESIGNATED SEATS AND REQUIRE USE OF SEAT BELTS.
7. APPLIANCES- TURN OFF AND LATCH OR LOCK DOORS WHERE PROVIDED.
8. LOOSE PARCELS- STORE SECURELY.
9. UTILITY SUPPLY LINES- DISCONNECT ALL ELECTRIC, SEWER AND WATER LINES AND SECURE PROPERLY.
10. ENTRANCE DOOR STEP- PLACE IN RETRACTED POSITION FOR TRAVELING.

READ YOUR MOTOR HOME AND CHASSIS OWNER'S
MANUAL FOR FURTHER PRECAUTIONS

KEY PART NUMBER U/M DESCRIPTION
056259-01-000 EA LABEL - SAFETY CHECK LIST

UNLEADED FUEL ONLY

KEY PART NUMBER U/M DESCRIPTION
062043-01-000 EA LABEL - FUEL - UNLEADED

WARNING DISCONNECT BATTERIES BEFORE
CONNECTING EXTERNAL CHARGING EQUIPMENT.

KEY PART NUMBER U/M DESCRIPTION
065748-01-000 EA LABEL - CAUTION - BATTERY CHARGING

AVERTISSEMENT : DEBRANCHER LES BATTERIES AVANT
DE BRANCHER TOUT EQUIPEMENT DE CHARGE EXTERIEUR.

KEY PART NUMBER U/M DESCRIPTION
065748-02-000 EA LABEL - WARNING - BATTERY/FRENCH - CANADIAN

DIESEL FUEL ONLY

KEY PART NUMBER U/M DESCRIPTION
068383-01-000 EA LABEL - DIESEL FUEL

VEHICLE EMISSION CONTROL INFORMATION
THIS VEHICLE CONFORMS TO U.S. EPA
REGULATIONS APPLICABLE TO XXXX MODEL
YEAR NEW VEHICLES.

072887-01-000-1 CATALYST

KEY PART NUMBER U/M DESCRIPTION
072887-14-000 EA LABEL - EPA - 2003 MODEL YEAR

LABELS GROUP (CONTINUED)

IF YOU SMELL GAS

1. EXTINGUISH ANY OPEN FLAME, PILOT LIGHTS AND ALL SMOKING MATERIALS.
2. DO NOT TOUCH ELECTRICAL SWITCHES.
3. SHUT OFF THE GAS SUPPLY AT THE TANK VALVE(S) OR GAS SUPPLY CONNECTION.
4. OPEN DOORS AND OTHER VENTILATING OPENINGS.
5. LEAVE THE AREA UNTIL ODOR CLEARS.
6. HAVE THE GAS SYSTEM CHECKED AND LEAKAGE SOURCE CORRECTED BEFORE USING AGAIN.

KEY PART NUMBER U/M DESCRIPTION
 073998-01-000 EA LABEL - LPG ODOR WARNING

WARNING: TEST SMOKE DETECTOR
 OPERATION AFTER VEHICLE HAS BEEN IN
 STORAGE, BEFORE EACH TRIP AND AT
 LEAST ONCE PER WEEK DURING USE.

KEY PART NUMBER U/M DESCRIPTION
 077956-01-000 EA LABEL - WARNING - SMOKE DETECTOR

DO NOT FILL
 LP-GAS CONTAINER(S)
 TO MORE THAN 80%
 OF CAPACITY.

KEY PART NUMBER U/M DESCRIPTION
 079965-01-000 EA LABEL - LPG - 80% CAPACITY

WARNING
 MUST BE STOWED
 IN LATCHED POSITION
 WHILE VEHICLE IS IN MOTION

KEY PART NUMBER U/M DESCRIPTION
 079966-01-000 EA LABEL - WARNING - STOWED - MOTION

W
A
T
E
R
O
N
|
H
E
A
T
E
R
O
F
F

KEY PART NUMBER U/M DESCRIPTION
 083588-01-000 EA LABEL - ON/OFF - WATER HEATER
 083588-03-000 EA LABEL - ON/OFF - WATER HEATER

E
N
G
I
N
E
O
N
|
H
E
A
T
E
R
O
F
F

KEY PART NUMBER U/M DESCRIPTION
 083588-02-000 EA LABEL - ON/OFF - ENGINE HEATER
 083588-04-000 EA LABEL - ON/OFF - ENGINE HEATER

LABELS GROUP (CONTINUED)

CAUTION	TO HELP AVOID PERSONAL INJURY DURING REMOVAL OF FUEL FILLER CAP, SLOWLY LOOSEN CAP 1/2 TURN TO ALLOW ANY FUEL PRESSURE TO BE RELIEVED BEFORE TURNING CAP FURTHER.
FUEL SPRAY MAY CAUSE PERSONAL INJURY	STOP ADDING FUEL AFTER FIRST SHUTOFF BY AUTOMATIC NOZZLE WHEN TANK IS NEARLY FULL. DO NOT OVERFILL FUEL TANK. SEE OWNERS MANUAL FOR ADDITIONAL INFORMATION. PRINTED IN U.S.A. WLC PT NO 15611763

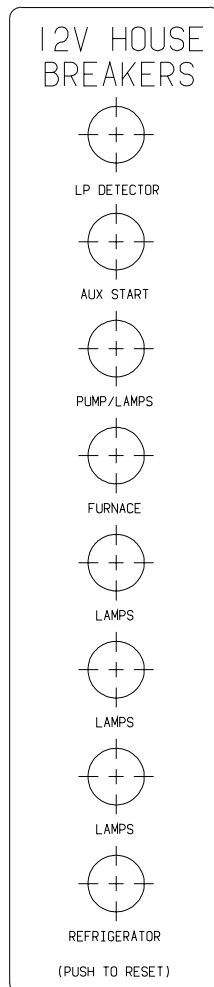
KEY PART NUMBER U/M DESCRIPTION
087207-05-000 EA LABEL - FUEL CAP REMOVAL



KEY PART NUMBER U/M DESCRIPTION
087236-01-000 EA LABEL - CABLE - INPUT

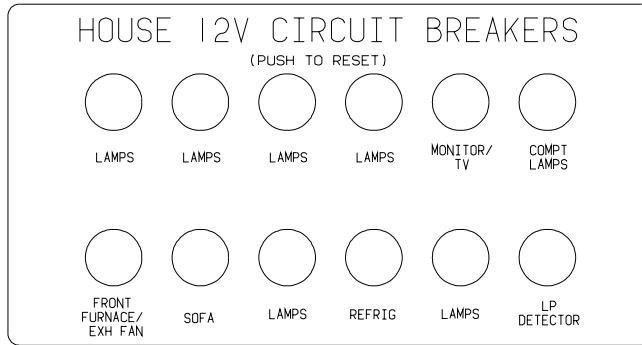


KEY PART NUMBER U/M DESCRIPTION
087236-02-000 EA LABEL - TV OUTLET

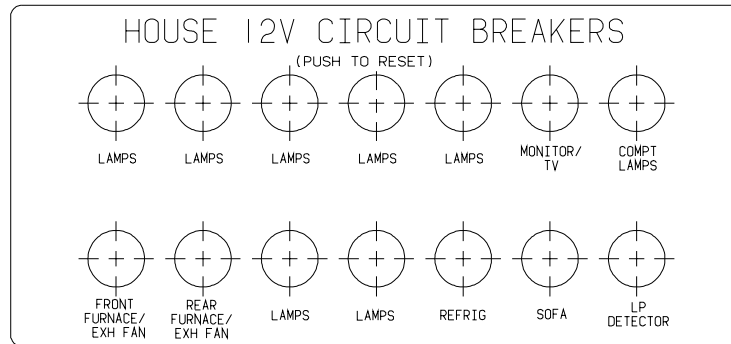


KEY PART NUMBER U/M DESCRIPTION
092547-08-000 EA LABEL - CIRCUIT BREAKER

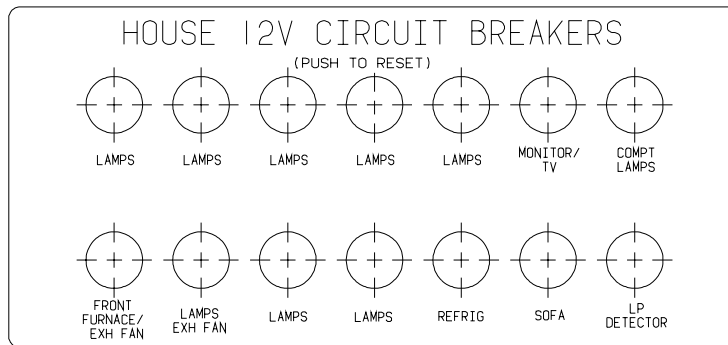
LABELS GROUP (CONTINUED)



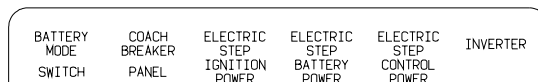
KEY PART NUMBER U/M DESCRIPTION
 092547-10-000 EA LABEL - CIRCUIT BREAKER



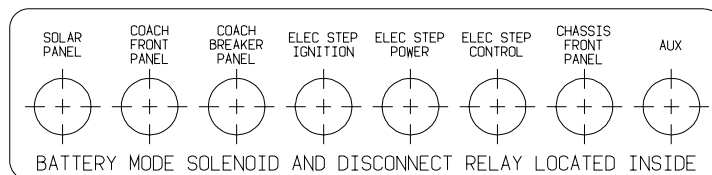
KEY PART NUMBER U/M DESCRIPTION
 092547-11-000 EA LABEL - CIRCUIT BREAKER



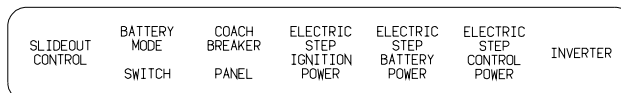
KEY PART NUMBER U/M DESCRIPTION
 092547-12-000 EA LABEL - CIRCUIT BREAKER



KEY PART NUMBER U/M DESCRIPTION
 093236-08-000 EA LABEL - CIRCUIT BREAKER

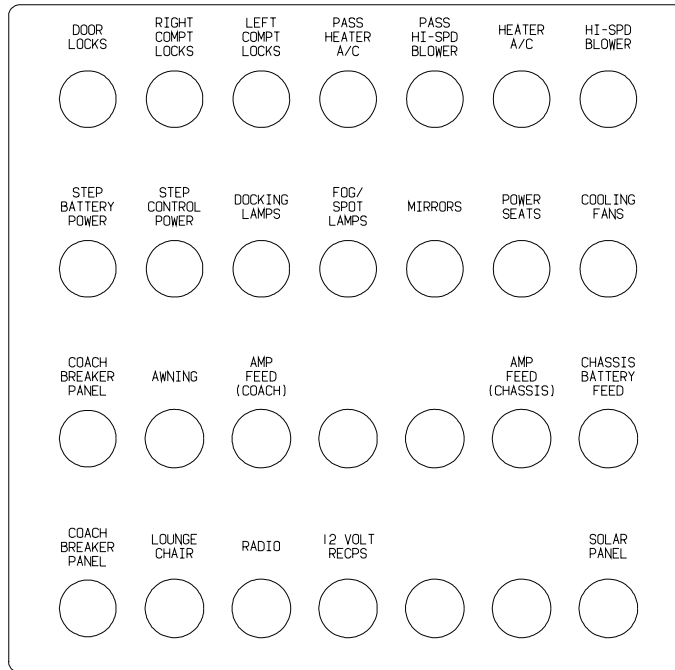


KEY PART NUMBER U/M DESCRIPTION
 093236-13-000 EA LABEL - CIRCUIT BREAKER

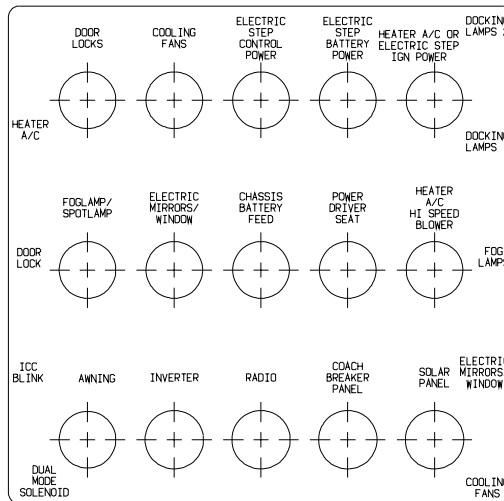


KEY PART NUMBER U/M DESCRIPTION
 093236-21-000 EA LABEL - CIRCUIT BREAKER

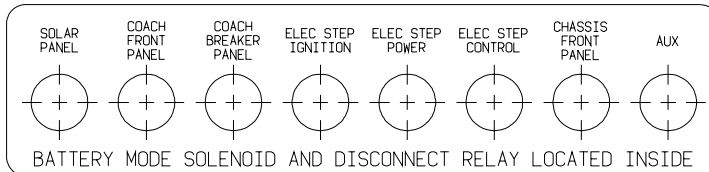
LABELS GROUP (CONTINUED)



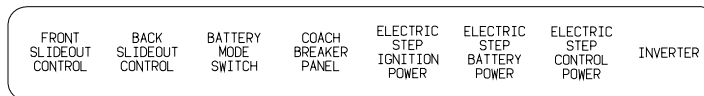
KEY PART NUMBER U/M DESCRIPTION
 093236-22-000 EA LABEL - CIRCUIT BREAKER



KEY PART NUMBER U/M DESCRIPTION
 093236-23-000 EA LABEL - CIRCUIT BREAKER - MAIN

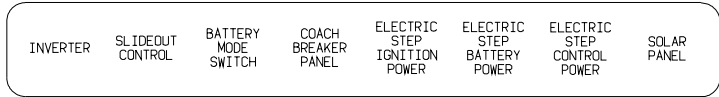


KEY PART NUMBER U/M DESCRIPTION
 093236-24-000 EA LABEL - CIRCUIT BREAKER

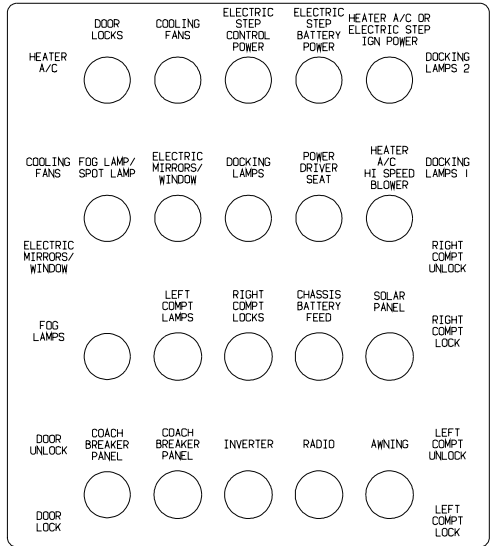


KEY PART NUMBER U/M DESCRIPTION
 093236-28-000 EA LABEL - CIRCUIT BREAKER

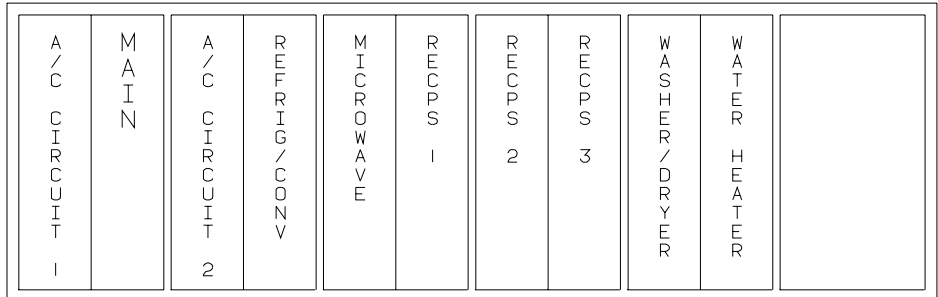
LABELS GROUP (CONTINUED)



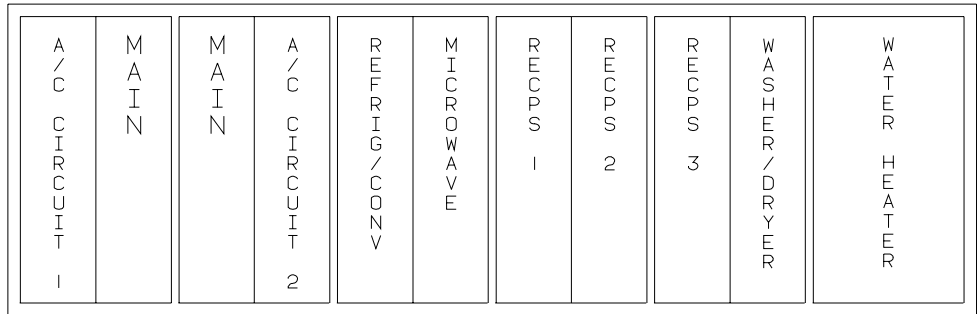
KEY PART NUMBER **U/M DESCRIPTION**
 093236-29-000 EA LABEL - CIRCUIT BREAKER



KEY PART NUMBER **U/M DESCRIPTION**
 093236-30-000 EA LABEL - CIRCUIT BREAKER

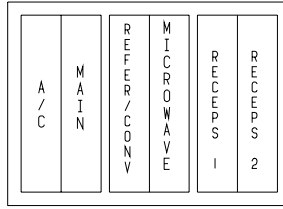


KEY PART NUMBER **U/M DESCRIPTION**
 095721-31-000 EA LABEL - CONTROL CENTER - 30 AMP - US



KEY PART NUMBER **U/M DESCRIPTION**
 095721-33-000 EA LABEL - CONTROL CENTER - 50 AMP - US

LABELS GROUP (CONTINUED)



KEY PART NUMBER U/M DESCRIPTION
095721-40-000 EA LABEL - CONTROL CENTER

AUTOMOTIVE AND COACH
CIRCUIT BREAKERS

KEY PART NUMBER U/M DESCRIPTION
098379-01-000 EA LABEL - CIRCUIT BREAKER - FRONT BOX

CIRCUIT BREAKERS
AND AUTOMOTIVE
FUSE PANEL

KEY PART NUMBER U/M DESCRIPTION
098379-03-000 EA LABEL - ELECTRICAL BOX - FRONT

BATTERY MODE
SOLENOID AND
RELAYS

KEY PART NUMBER U/M DESCRIPTION
098379-04-000 EA LABEL - ELECTRICAL BOX - SIDE

LABELS GROUP (CONTINUED)

UNLEADED
FUEL ONLY

KEY PART NUMBER U/M DESCRIPTION
098641-01-000 EA LABEL - FUEL - UNLEADED - DASH

FOR AWNING INSTALLATION
CONTACT YOUR MOTORHOME
DEALERSHIP

KEY PART NUMBER U/M DESCRIPTION
099509-01-000 EA LABEL - AWNING INSTALLATION

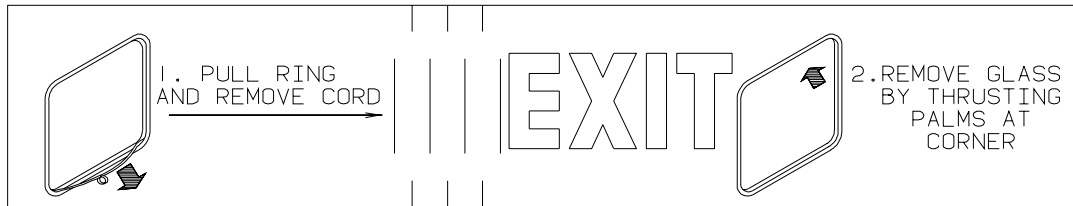
WARNING
THIS VEHICLE, LIKE OTHER
VEHICLES, MAY CONTAIN SMALL
AMOUNTS OF ONE OR MORE
SUBSTANCES WHICH ARE LISTED
BY THE STATE OF CALIFORNIA
FOR CAUSING CANCER OR
REPRODUCTIVE TOXICITY.

KEY PART NUMBER U/M DESCRIPTION
099689-01-000 EA LABEL - WARNING - CANCER/TOXICITY

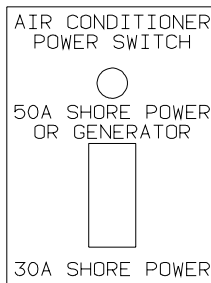
NOTE: TUNE ANTENNA
PER MANUFACTURER'S
DIRECTIONS. FAILURE TO
COMPLY COULD RESULT IN
DAMAGE TO CB.

CB POWER PROVISION
RED +12 V
BLACK GROUND
COAX ANTENNA
(SEE REVERSE ALSO)

KEY PART NUMBER U/M DESCRIPTION
104678-01-000 EA LABEL - CB PREP



KEY PART NUMBER U/M DESCRIPTION
107571-01-000 EA LABEL - EXIT/ESCAPE WINDOW

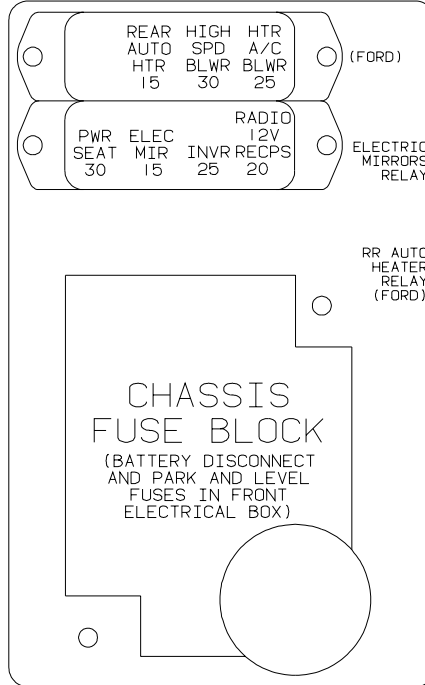


KEY PART NUMBER U/M DESCRIPTION
109051-02-000 EA LABEL - SWITCH - 50 AMP POWER

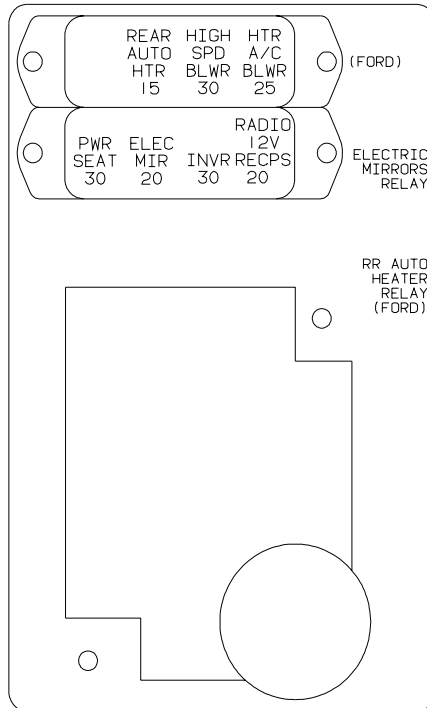
LABELS GROUP (CONTINUED)

DO NOT USE HITCH BEFORE
READING OWNERS MANUAL REGARDING
VEHICLE LOADING AND TOWING

KEY	PART NUMBER	U/M DESCRIPTION
	111104-01-000	EA LABEL - HITCH - READ MANUAL - WHITE
	111104-02-000	EA LABEL - HITCH - READ MANUAL - BLACK



KEY	PART NUMBER	U/M DESCRIPTION
	111537-08-000	EA LABEL - FUSES

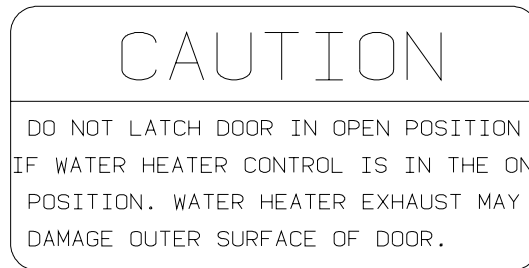


KEY	PART NUMBER	U/M DESCRIPTION
	111537-09-000	EA LABEL - FUSES

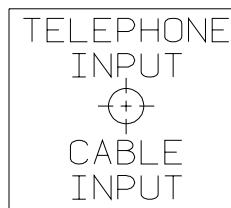
LABELS GROUP (CONTINUED)

WARNING: CONTAINS "CFC" A SUBSTANCE WHICH HARMS PUBLIC HEALTH AND ENVIRONMENT BY DESTROYING OZONE IN THE UPPER ATMOSPHERE.

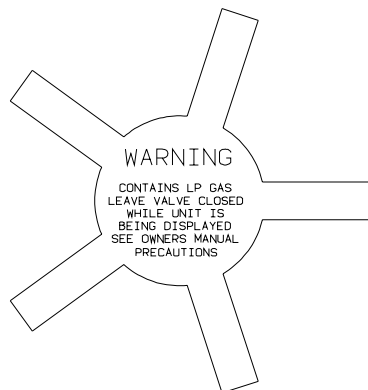
KEY	PART NUMBER	U/M DESCRIPTION
	111802-01-000	EA LABEL - CFC WARNING



KEY	PART NUMBER	U/M DESCRIPTION
	113402-01-000	EA LABEL - CAUTION - WATER HEATER EXHAUST



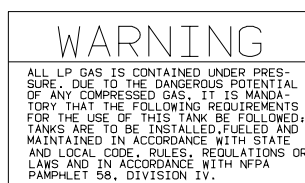
KEY	PART NUMBER	U/M DESCRIPTION
	114866-02-000	EA LABEL - PHONE & CABLE INPUT - WHITE/CLEAR BACKGROUND
	114866-03-000	EA LABEL - PHONE & CABLE INPUT - BLACK/CLEAR BACKGROUND



KEY	PART NUMBER	U/M DESCRIPTION
	115600-01-000	EA LABEL - WARNING LPG VALVE

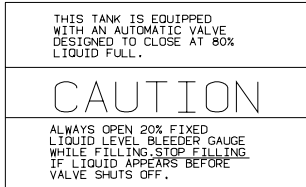
WARNING: REPLACE TIRE ONLY WITH ONE OF EXACTLY SAME TYPE AND RATING. DO NOT REPLACE WITH PASSENGER CAR TIRE. SEE OPERATOR'S MANUAL FOR MORE INFORMATION CALL WINNEBAGO OWNER RELATIONS AT 1-800-537-1885.

KEY	PART NUMBER	U/M DESCRIPTION
	115869-01-000	EA LABEL - WARNING - TIRE

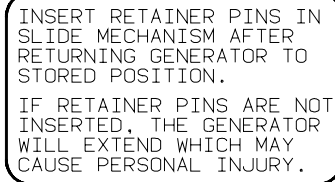


KEY	PART NUMBER	U/M DESCRIPTION
	116112-01-000	EA LABEL - CAUTION - LP

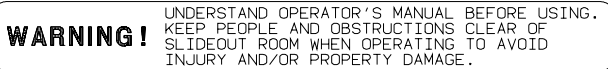
LABELS GROUP (CONTINUED)



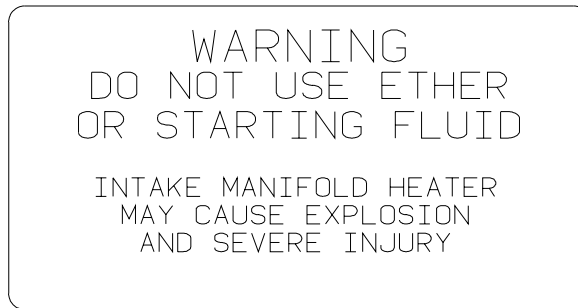
KEY PART NUMBER **U/M DESCRIPTION**
 116113-01-000 EA LABEL - CAUTION - LP



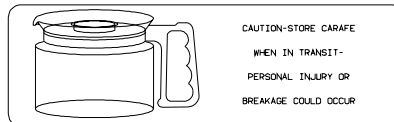
KEY PART NUMBER **U/M DESCRIPTION**
 116273-01-000 EA LABEL - WARNING - GENERATOR



KEY PART NUMBER **U/M DESCRIPTION**
 116549-01-000 EA LABEL - WARNING - SLIDEOUT



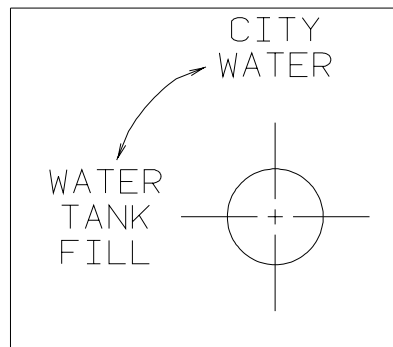
KEY PART NUMBER **U/M DESCRIPTION**
 116756-02-000 EA LABEL - WARNING - ETHER/STARTING



KEY PART NUMBER **U/M DESCRIPTION**
 116829-02-000 EA LABEL - COFFEEMAKER

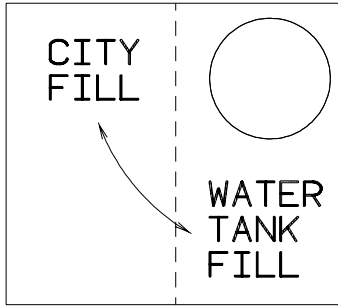


KEY PART NUMBER **U/M DESCRIPTION**
 117628-02-000 EA LABEL - SWITCH - WATER PUMP/LIGHTS-WHITE/CLEAR BACKGROUND

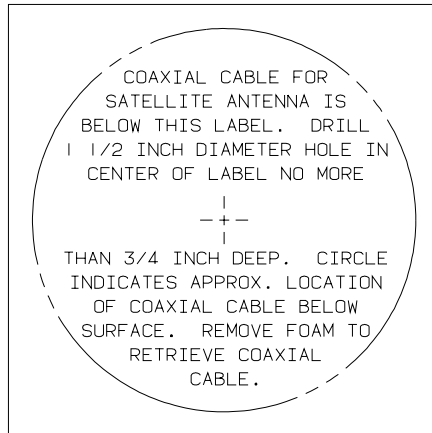


KEY PART NUMBER **U/M DESCRIPTION**
 117629-03-000 EA LABEL - WATER PUMP/FILL-BLK LETTERS/CLEAR BACKGROUND-.31"

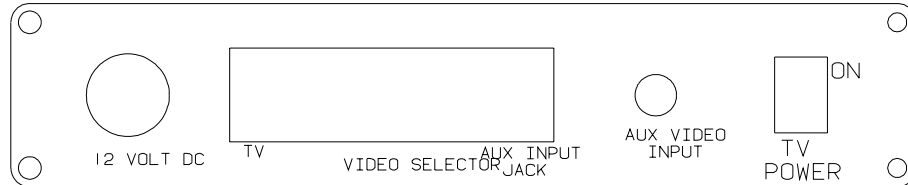
LABELS GROUP (CONTINUED)



KEY PART NUMBER 117629-04-000
U/M DESCRIPTION EA LABEL - CITY WATER/TANK FILL



KEY PART NUMBER 120431-01-000
U/M DESCRIPTION EA LABEL - LOCATION - COAXIAL CABLE/SATELLITE ANTENNA



KEY PART NUMBER 120677-01-000
U/M DESCRIPTION EA LABEL - TV

KEEP THE SERVICE INLET ACCESS
 IN THE CLOSED POSITION WHEN
 UTILITY CONNECTIONS ARE NOT IN USE

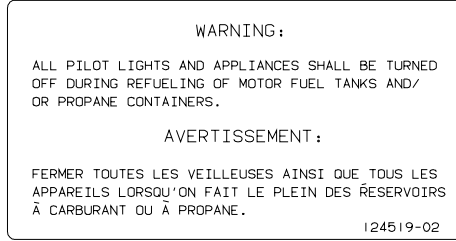
KEY PART NUMBER 123562-01-000
U/M DESCRIPTION EA LABEL - SERVICE/UTILITY ACCESS

WARNING

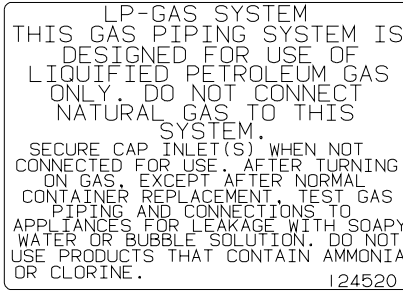
ALL PILOT LIGHTS, APPLIANCES AND THEIR
 IGNITORS (SEE OPERATING INSTRUCTIONS) SHALL
 BE TURNED OFF DURING REFUELING OF MOTOR
 FUEL TANKS AND/OR LP GAS CONTAINERS

KEY PART NUMBER 124519-01-01A
 124519-01-02A
U/M DESCRIPTION EA LABEL - WARNING/REFUELING - BLACK ON CLEAR
 EA LABEL - WARNING/REFUELING - WHITE ON CLEAR

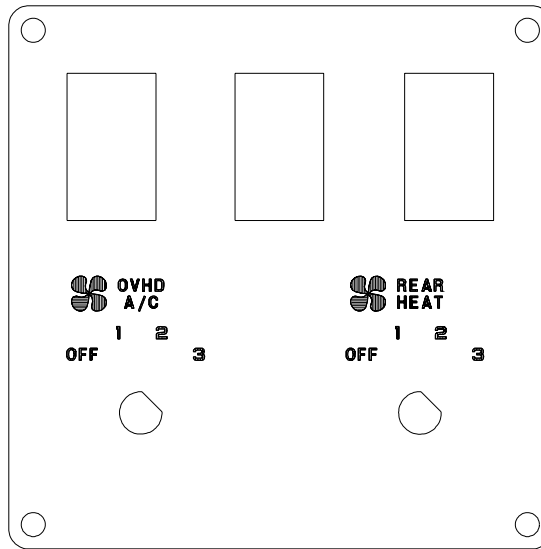
LABELS GROUP (CONTINUED)



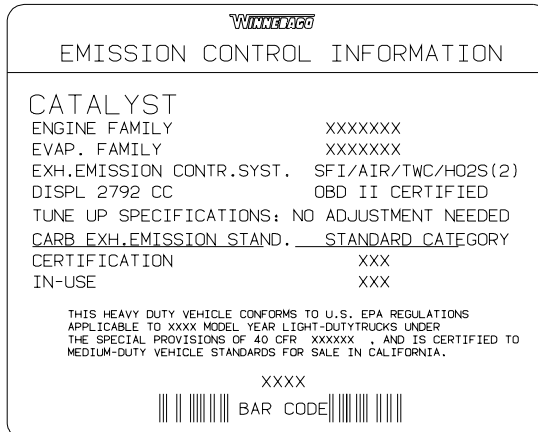
KEY	PART NUMBER	U/M	DESCRIPTION
	124519-02-01A	EA	LABEL - WARNING/REFUELING - BLACK ON CLEAR - CSA
	124519-02-02A	EA	LABEL - WARNING/REFUELING - WHITE ON CLEAR - CSA



KEY	PART NUMBER	U/M	DESCRIPTION
	124520-01-01A	EA	LABEL - LP GAS ONLY - BLACK ON CLEAR
	124520-01-02A	EA	LABEL - LP GAS ONLY - WHITE ON CLEAR

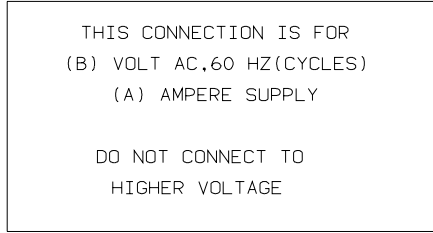


KEY	PART NUMBER	U/M	DESCRIPTION
	124572-01-000	EA	LABEL - SWITCHES

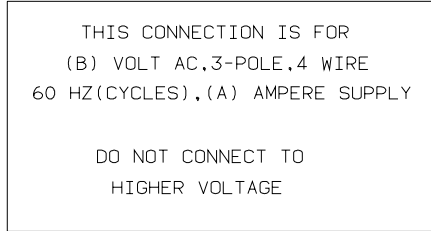


KEY	PART NUMBER	U/M	DESCRIPTION
	124709-07-000	EA	LABEL - EMISSION CONTROL - DUAL

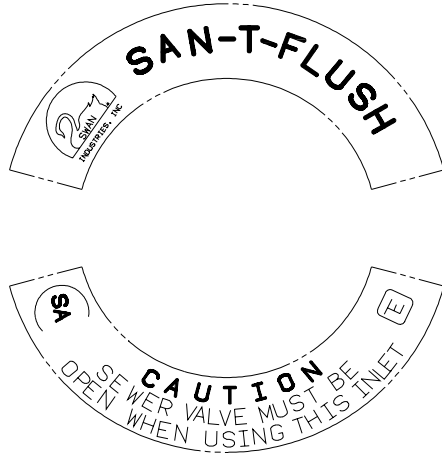
LABELS GROUP (CONTINUED)



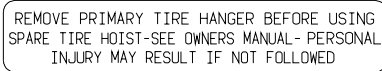
KEY	PART NUMBER	U/M DESCRIPTION
	125306-01-01A	EA LABEL - ELECTRICAL ENTRANCE - 110V 30 AMP - BLACK ON CLEAR
	125306-01-02A	EA LABEL - ELECTRICAL ENTRANCE - 110V 30 AMP - WHITE ON CLEAR



KEY	PART NUMBER	U/M DESCRIPTION
	125306-04-01A	EA LABEL-ELECTRICAL ENTRANCE-120/240V 50 AMP-BLACK ON CLEAR
	125306-04-02A	EA LABEL - ELECTRICAL ENTRANCE-120/240V 50 AMP-WHITE ON CLEAR



KEY	PART NUMBER	U/M DESCRIPTION
	125697-07-000	EA LABEL - CAUTION - FLUSHING SYSTEM



KEY	PART NUMBER	U/M DESCRIPTION
	126024-01-000	EA LABEL - TIRE HANGER REMOVAL



KEY	PART NUMBER	U/M DESCRIPTION
	126247-05-000	EA LABEL - GRAY HOLDING TANK-BLACK LETTERS/CLEAR BACKGROUND



KEY	PART NUMBER	U/M DESCRIPTION
	126247-06-000	EA LABEL - BLACK HOLDING TANK-BLACK LETTERS/CLEAR BACKGROUND

LABELS GROUP (CONTINUED)

EXTERIOR SHOWER

KEY PART NUMBER U/M DESCRIPTION
126248-03-000 EA LABEL - EXTERIOR SHOWER

CITY WATER FILL

KEY PART NUMBER U/M DESCRIPTION
126249-03-000 EA LABEL - CITY WATER FILL-BLK LETTERS/CLEAR BACKGROUND .31"

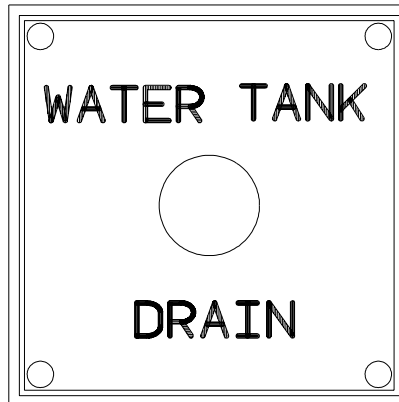


WARNING

○ **Children Can be KILLED or INJURED
by Passenger Air Bag**

The back seat is the safest place for children 12 and under.
Make sure all children use seat belts or child seats.

KEY PART NUMBER U/M DESCRIPTION
126612-01-000 EA LABEL - HANG TAG - AIR BAG - DASH



KEY PART NUMBER U/M DESCRIPTION
127170-01-000 EA LABEL - WATER TANK DRAIN

WARNING

ROOF SURFACE MAY BE SLIPPERY
ESPECIALLY WHERE MOISTURE IS PRESENT
SLIPPING MAY RESULT IN PERSONAL INJURY.

128218-01

KEY PART NUMBER U/M DESCRIPTION
128218-01-01A EA LABEL - WARNING - SLIPPERY ROOF

ENTRANCE DOOR PROP ROD

THIS ROD IS DESIGNED TO PROP THE
ENTRANCE DOOR OPEN WHEN THE PATIO
AWNING ARM IS ATTACHED TO THE
SIDEWALL AND THE AWNING IS EX-
TENDED.
HOOK ONE END OF ROD INTO LOOP ON
DOOR AND OTHER END INTO LOOP ON THE
SIDEWALL AS SHOWN.

(THIS LABEL TO BE REMOVED BY RETAIL OWNER ONLY)

KEY PART NUMBER U/M DESCRIPTION
128658-01-000 EA LABEL - PROP ROD - ENTRY DOOR

LABEL GROUP (CONTINUED)

WARNING
POTABLE WATER ONLY
SANITIZE, FLUSH, AND
DRAIN BEFORE USING.
SEE INSTRUCTION MANUAL

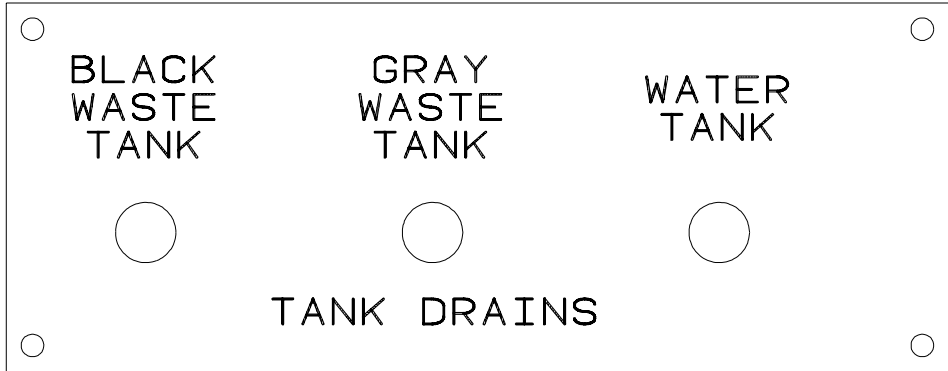
KEY PART NUMBER U/M DESCRIPTION
128725-01-01A EA LABEL - POTABLE WATER ONLY - BLACK ON CLEAR

TOW VEHICLE RATING MAY BE LESS THAN HITCH RATING.
MAXIMUM VERTICAL HITCH LOAD: 350 LBS
DO NOT EXCEED REAR AXLE RATING.
SEE OWNER'S MANUAL FOR ADDITIONAL INFORMATION.

KEY PART NUMBER U/M DESCRIPTION
129669-01-01A EA LABEL - HITCH/VEHICLE RATE - 350 - WHITE ON CLEAR
129669-01-02A EA LABEL - HITCH/VEHICLE RATE - 350 - BLACK ON CLEAR
129669-02-01A EA LABEL - HITCH/VEHICLE RATE - 500 - WHITE ON CLEAR
129669-02-02A EA LABEL - HITCH/VEHICLE RATE - 500 - BLACK ON CLEAR

TIRE ROTATION
SEE RIALTA OWNERS MANUAL
SECTION 9

KEY PART NUMBER U/M DESCRIPTION
129684-01-000 EA LABEL - TIRE ROTATION



KEY PART NUMBER U/M DESCRIPTION
130166-01-000 EA LABEL - DRAIN

H
O
S
E

S
T
O
R
A
G
E

KEY PART NUMBER U/M DESCRIPTION
130167-02-000 EA LABEL - HOSE STORAGE

LABELS GROUP (CONTINUED)

WASTE TANK FLUSH

KEY PART NUMBER U/M DESCRIPTION
130168-01-000 EA LABEL - WASTE TANK FLUSH

MONITOR WATER
PANEL LIGHT PUMP

KEY PART NUMBER U/M DESCRIPTION
130170-01-000 EA LABEL - SWITCH PANEL - BLK/CLEAR BACKGROUND-1.8"H X 5.9"L

LIGHTS WATER
PUMP

KEY PART NUMBER U/M DESCRIPTION
130170-02-000 EA LABEL - SWITCH PANEL-BLK/CLEAR BACKGROUND-1.4"H X 3.9"L

WATER
PUMP

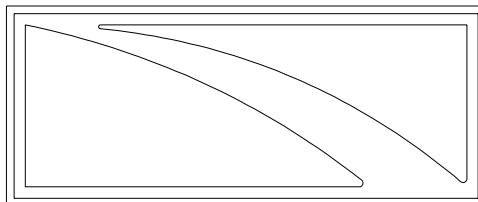
KEY PART NUMBER U/M DESCRIPTION
130170-03-000 EA LABEL - PANEL SWITCH

CAUTION:
OPEN A WINDOW OR VENT WHILE
OPERATING DRYER. IT IS DANGEROUS
TO CREATE A NEGATIVE AIR PRESSURE
INSIDE A VEHICLE CONTAINING
FUEL-BURNING APPLIANCES

KEY PART NUMBER U/M DESCRIPTION
130670-01-01A EA LABEL - CAUTION DRYER VENTING - BLACK ON CLEAR

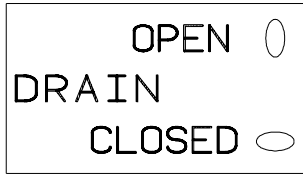
PUSH TO
RELEASE
GENERATOR
SLIDE ASM

KEY PART NUMBER U/M DESCRIPTION
131779-01-01A EA LABEL - GENERATOR



KEY PART NUMBER U/M DESCRIPTION
132651-01-01A EA DECAL - MIRROR/GALLEY

LABELS GROUP (CONTINUED)



KEY PART NUMBER U/M DESCRIPTION
 133423-01-01A EA LABEL - DRAIN



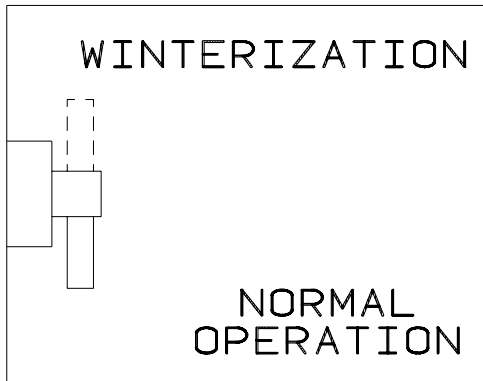
KEY PART NUMBER U/M DESCRIPTION
 133424-01-01A EA LABEL - BYPASS - WATER HEATER



KEY PART NUMBER U/M DESCRIPTION
 133424-02-01A EA LABEL - NORMAL OPERATION



KEY PART NUMBER U/M DESCRIPTION
 133424-03-01A EA LABEL - WATER HEATER BYPASS - BLACK/CLEAR



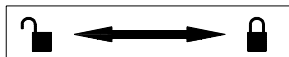
KEY PART NUMBER U/M DESCRIPTION
 133425-01-01A EA LABEL - VALVE - WINTERIZATION



KEY PART NUMBER U/M DESCRIPTION
 133533-01-01A EA LABEL - JACKS DOWN - CLEAR W/WHITE LETTERING

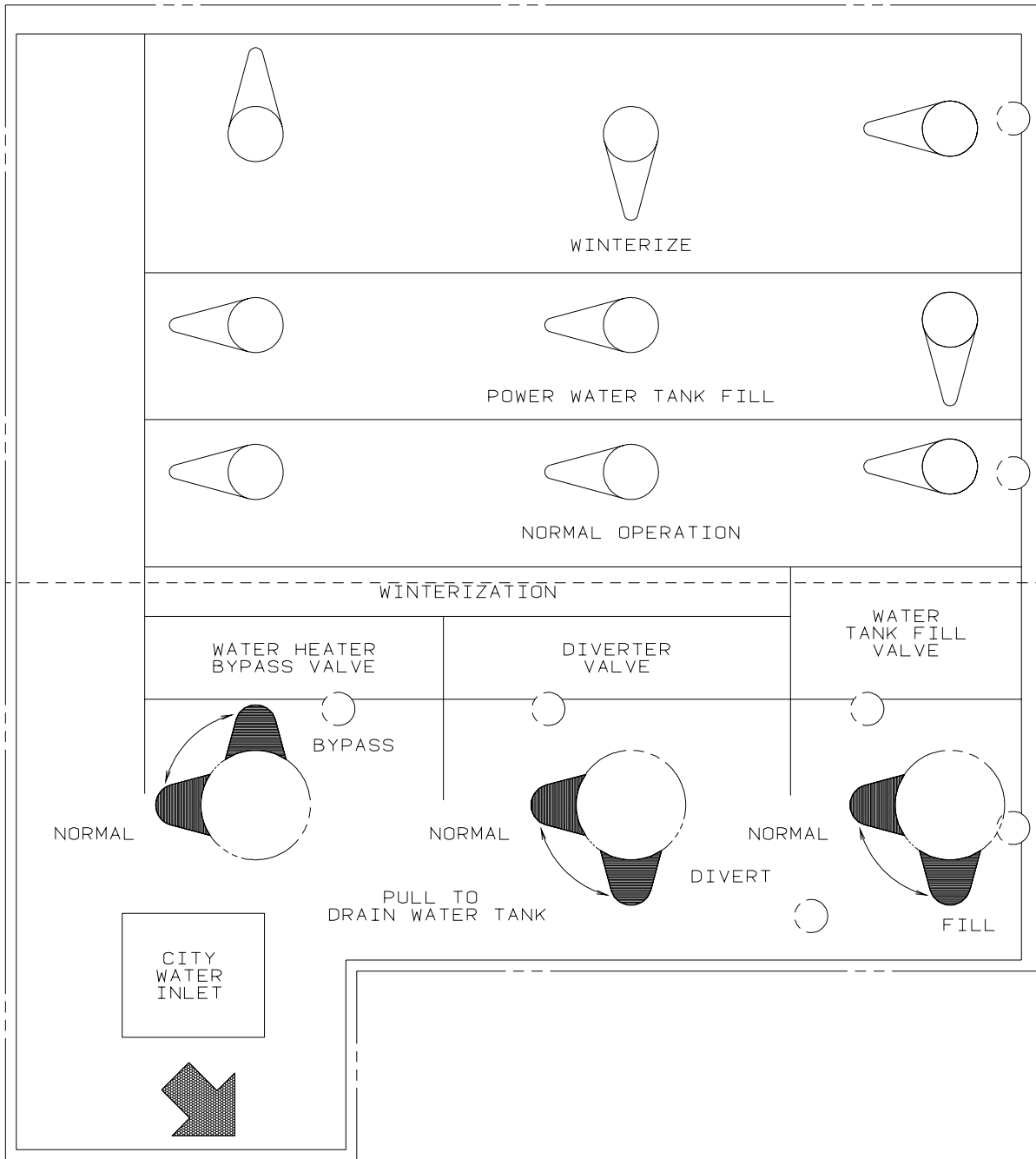


KEY PART NUMBER U/M DESCRIPTION
 133533-02-01A EA LABEL - CHECK ANTENNA - CLEAR W/WHITE LETTERING



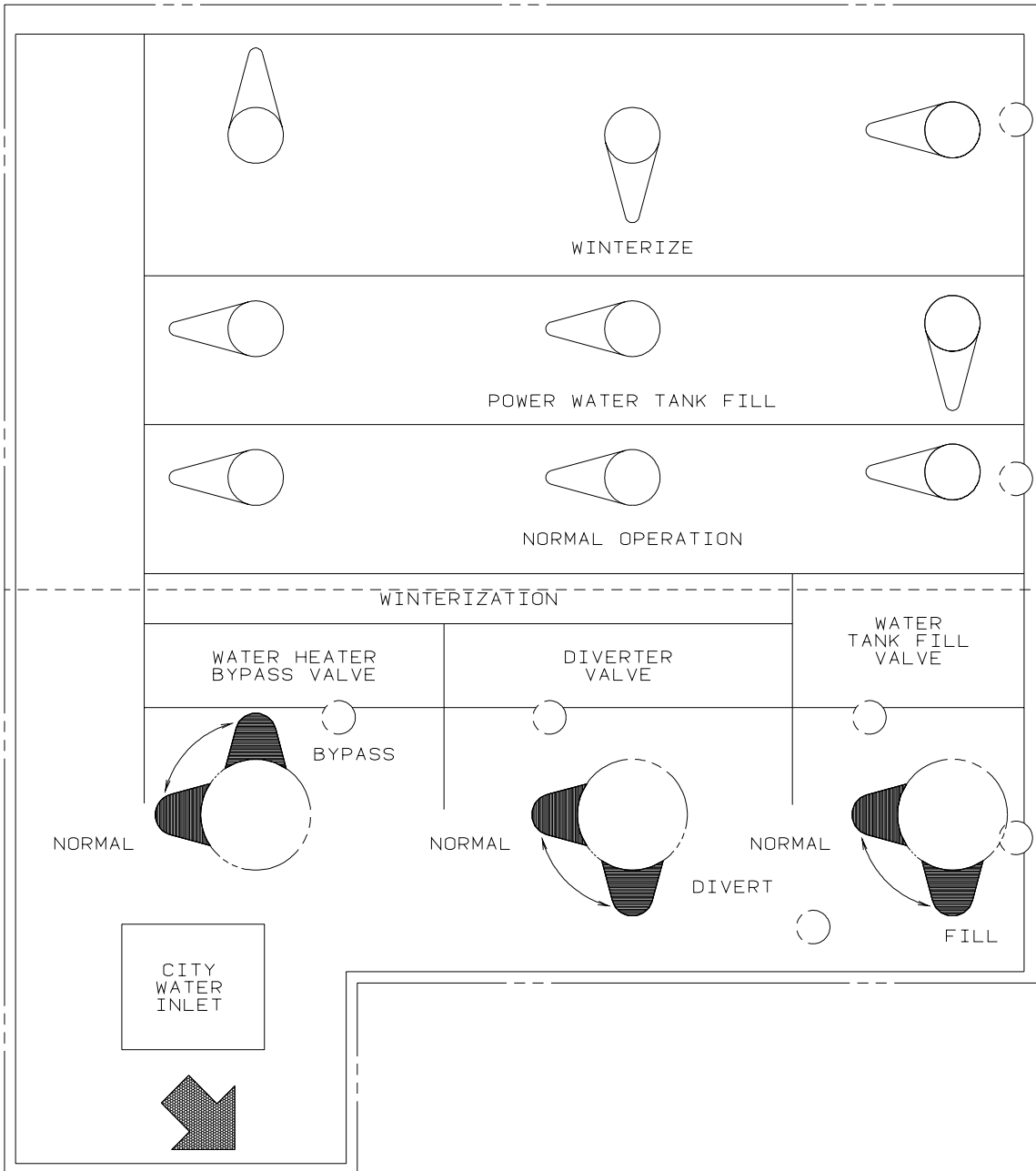
KEY PART NUMBER U/M DESCRIPTION
 133533-03-01A EA LABEL - LOCK/UNLOCK - BLACK/WHITE

LABELS GROUP (CONTINUED)

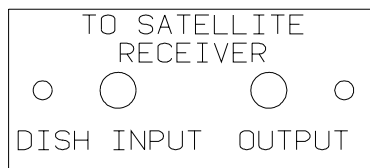


KEY	PART NUMBER	U/M	DESCRIPTION
	133629-01-01A	EA	LABEL - WATER CENTER

LABELS GROUP (CONTINUED)



KEY PART NUMBER U/M DESCRIPTION
 133629-02-01A EA LABEL - WATER CENTER - BLACK/CLEAR



KEY PART NUMBER U/M DESCRIPTION
 134250-01-01A EA LABEL - SATELLITE RECEIVER - BLACK/CLEAR

THIS CHAIR IS NOT INTENDED FOR OCCUPANCY WHEN VEHICLE IS IN MOTION AND MUST BE RETURNED TO STOWED POSITION

DTS ISICE SIEGE N/EST PAS DESTINE A ETRE OCCUPE LORSQUE LE VEHICULE EST IN MOVEMENT ET IL FAUT QUE LE RANGER

THIS CHAIR IS NOT INTENDED FOR OCCUPANCY WHEN VEHICLE IS IN MOTION AND MUST BE RETURNED TO STOWED POSITION

KEY PART NUMBER U/M DESCRIPTION
 134537-01-01A EA LABEL - OCCUPANCY - CHAIR - US

LABELS GROUP (CONTINUED)

THIS SEAT IS NOT INTENDED
FOR OCCUPANCY WHEN
VEHICLE IS IN MOTION

KEY PART NUMBER U/M DESCRIPTION
134538-01-01A EA LABEL - OCCUPANCY - NO SEAT BELT - BLACK ON CLEAR - US

DST ISICE SIEGE N/EST PAS THIS SEAT IS NOT INTENDED
DESTINE A ETRE OCCUPE LORSQUE FOR OCCUPANCY WHILE
LE VEHICULE EST IN MOVUUMENT VEHICLE IS IN MOTION

KEY PART NUMBER U/M DESCRIPTION
134538-02-01A EA LABEL - OCCUPANCY - NO SEAT BELT - BLACK ON CLEAR - CSA

WARNING

IT IS NOT SAFE TO USE COOKING
APPLICANCES FOR COMFORT HEATING

COOKING APPLICANCES NEED FRESH AIR FOR SAFE OPERATION
BEFORE OPERATION.

1. OPEN OVERHEAD VENT OR TURN ON EXHAUST FAN AND;
2. OPEN WINDOW.

KEY PART NUMBER U/M DESCRIPTION
134539-01-01A EA LABEL - WARNING - STOVE/HEATING - US - BLACK ON CLEAR

HOLDING TANK HEATER

TURN OFF WHEN NOT IN USE
SEE OPERATOR'S MANUAL

KEY PART NUMBER U/M DESCRIPTION
134563-01-01A EA LABEL - SWITCH - HEATER

THIS VEHICLE MAY INCLUDE MERCURY-CONTAINING DEVICES INSTALLED BY THE MANUFACTURER:

FLUORESCENT TUBES, RANGES WITH OVEN, HWH LEVEL SENSING UNIT.

REMOVE DEVICES BEFORE VEHICLE DISPOSAL UPON REMOVAL OF
DEVICES: PLEASE REUSE, RECYCLE, OR DISPOSE AS HAZARDOUS WASTE

135869-01A

KEY PART NUMBER U/M DESCRIPTION
135869-01-01A EA LABEL - MERCURY CONTENT - BLACK ON CLEAR
135869-01-02A EA LABEL - MERCURY CONTENT - WHITE ON CLEAR

LIQUID SOAP

KEY PART NUMBER U/M DESCRIPTION
136047-01-01A EA LABEL - LIQUID SOAP

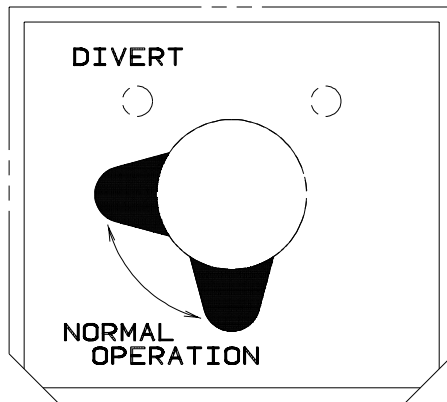
LABELS GROUP (CONTINUED)

DOOR LOCK	DOOR UNLOCK	RIGHT COMPT DOOR LOCK	RIGHT COMPT DOOR UNLOCK	LEFT COMPT DOOR LOCK	LEFT COMPT DOOR UNLOCK	AUX START SOLENOID	AMP SOURCE
POWER MIRRORS	HEATER BLOWER	PASS HEATER BLOWER	FOG LAMPS	DOCKING LAMPS	DOCKING LAMPS SWITCH TRIGGER	COOLING FANS	

KEY PART NUMBER U/M DESCRIPTION
 136161-01-01A EA LABEL - RELAY - MATTE BLACK/WHITE LETTERS



KEY PART NUMBER U/M DESCRIPTION
 136360-01-01A EA LABEL - AIR BAGS



KEY PART NUMBER U/M DESCRIPTION
 137997-01-01A EA LABEL - WINTERIZATION VALVE - BLACK/CLEAR



KEY PART NUMBER U/M DESCRIPTION
 140190-01-01A EA DECAL/LOGO - V6 (DOMED) - CYAN/MAGENTA/YELLOW/BLACK



KEY PART NUMBER U/M DESCRIPTION
 141523-01-01A EA LABEL - WASHER/DRYER BRACKETS - BLACK/WHITE

LABELS GROUP (CONTINUED)



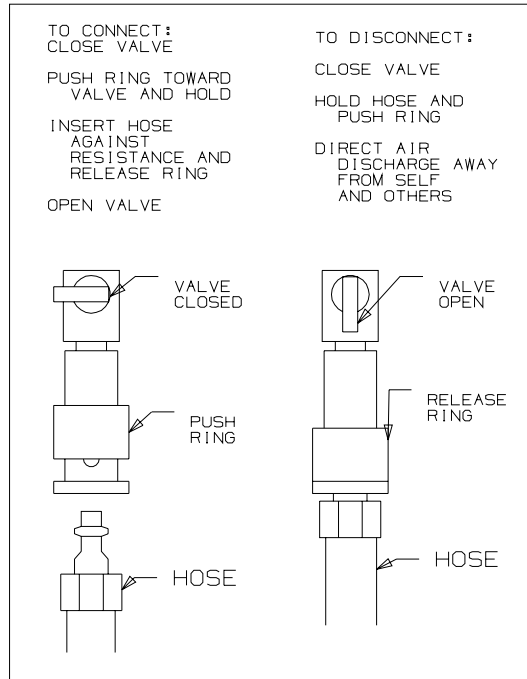
WARNING: COMPRESSED AIR CAN BE HAZARDOUS.

PROPER EYE PROTECTION MUST BE WORN WHEN CONNECTING, DISCONNECTING OR USING AIR HOSE.

CLOSE VALVE BEHIND CONNECTOR BEFORE CONNECTING OR DISCONNECTING AIR HOSE.

HOSE DISCONNECT WILL PRODUCE AIR DISCHARGE FROM HOSE. DIRECT AIR DISCHARGE AWAY FROM SELF AND OTHERS.

KEY	PART NUMBER	U/M DESCRIPTION
	142771-01-01A	EA LABEL - WARNING/COMPRESSED AIR - WHITE LETTERING ON CLEAR



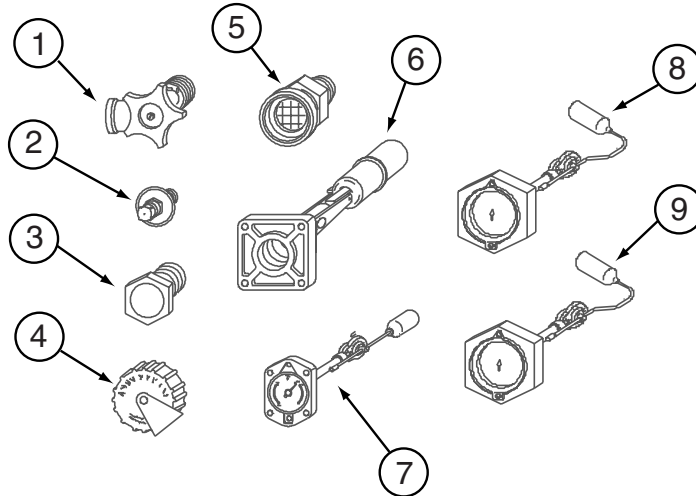
KEY	PART NUMBER	U/M DESCRIPTION
	142773-01-01A	EA LABEL - CONNECT/COMPRESS AIR - WHITE LETTERING ON CLEAR

LP GROUP
LP SYSTEM

KEY	PART NUMBER	U/M	DESCRIPTION
	045703-01-000	EA	HOSE - LP - 3/8"ID X 24" - 3/8"MPT X 1/2"F SWIVEL - U.S. - 324F - 324V - 329B
	045703-02-000	EA	HOSE - LP - 3/8"ID X 24" - 3/8"MPT X 1/2"F SWIVEL - CANADA - 324F - 324V - 329B
	045703-03-000	EA	HOSE - LP - 3/8"ID X 18" - 3/8"MPT X 1/2"F SWIVEL - U.S. - 324F
	045703-05-000	EA	HOSE - LP - 3/8"ID X 28" - 3/8"MPT X 1/2"F SWIVEL - U.S. - 322E - 322R - 331
	045703-06-000	EA	HOSE - LP - 3/8"ID X 28" - 3/8"MPT X 1/2"F SWIVEL - CANADA - 322E - 322R - 331
	045703-12-000	EA	HOSE - LP - 3/8"ID X 18" - 3/8"MPT X 1/2"F SWIVEL - CANADA - 324F
	105658-01-000	EA	COMPARTMENT - LP REGULATOR
	106150-01-000	EA	REGULATOR - TWO STAGE-W/90 DEGREE ELBOW & 3/8" FPT OUTLET
	040440-03-000	EA	TRANSMITTER - DIAL/SNAP-ON - 0-90 OHM 2 TERM(POWER/GROUND)
*	080450-01-000	EA	TANK-LP - 42 LB - 13" DIAMETER X 24" LONG - 322E - 322R - 324F - 324V - 329B
*	097821-03-000	EA	TANK - LP - 60 LB - 14" X 30" - 331
	010323-01-000	EA	ADAPTER - BRASS - 3/8"F X 1/2"MPT
	010329-01-000	EA	ADAPTER - BRASS - 1/2"F X 1/2"MPT
	010326-01-000	EA	ADAPTER - FLARE - W/CONE GASKET - 3/8"F X 1/2"F
	057042-01-000	EA	ADAPTER - CROSS 1/2"PIPE
	010377-02-000	EA	NUT - BRASS - 3/8" FLARE - FORGED
	010380-02-000	EA	NUT - BRASS - 1/2" FLARE - FORGED
	103613-03-000	EA	DETECTOR - LP GAS - W/O SHUT-OFF VALVE

***COMPONENT PARTS LISTED LATER IN THIS GROUP**

LP GROUP (CONTINUED)
COMPONENT PARTS FOR LP SYSTEM



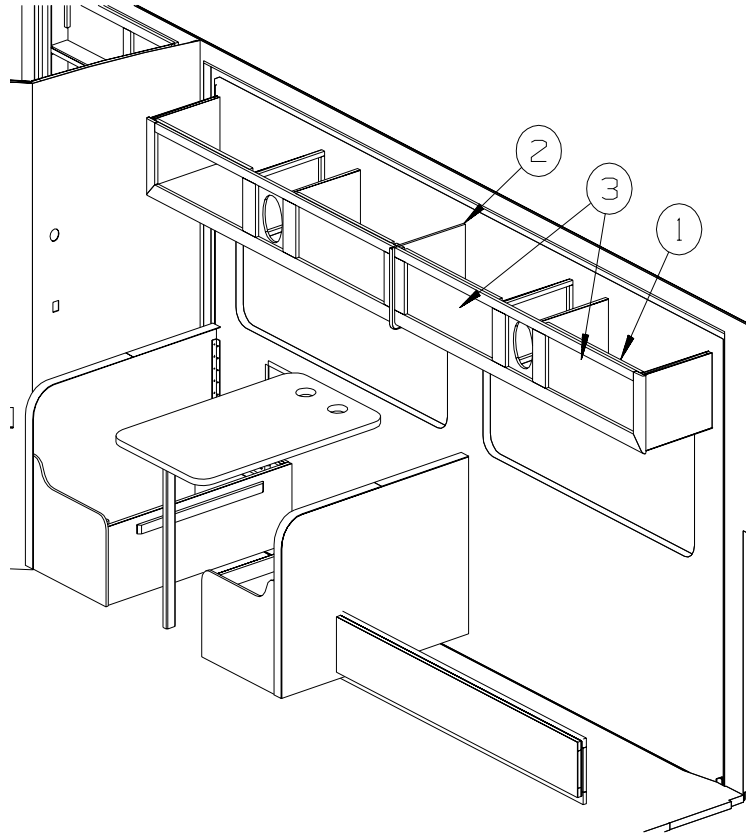
080450-01-000

KEY	PART NUMBER	U/M	DESCRIPTION	VENDOR NO.
1	040421-01-708	EA	HANDWHEEL-SERVICE VALVE	G-1015-A
1	040421-01-712	EA	VALVE,SERV. W/O VAPOR RELIEF	29000853
2	040421-01-700	EA	VALVE-LIQUID LEVEL, 20%	G-1013
3	040421-01-713	EA	VALVE-RELIEF 1" W/SPRING 7"	29000587
4	040421-01-702	EA	CAP-FILL VALVE, PLASTIC	G-1014-A
5	040421-01-701	EA	VALVE-FILL-SHORT, LP	7547B
6	040421-01-711	EA	VALVE-80% FILL W/AUTO STOP	LLL/TL3
7			NOT WHAT IS ILLUSTRATED HERE	
8	074142-01-701	EA	FLOAT/BOLT ON-SCREW ON DIAL	13C-BLT
8	080450-01-701	EA	FLOAT/SCREW IN-SNAP ON DIAL	SG13C0001408
9			NOT WHAT IS ILLUSTRATED HERE	
	040421-01-703	EA	VALVE-SERVICE W/VAPOR RELIEF	G-1015
	040421-01-706	EA	DIAL-VISIBLE FACE, LP TANK	MA-8 ROCHST

097821-03-000

KEY	PART NUMBER	U/M	DESCRIPTION	VENDOR NO.
1	040421-01-708	EA	HANDWHEEL-SERVICE VALVE	G-1015-A
1	040421-01-712	EA	VALVE,SERV. W/O VAPOR RELIEF	29000853
2	040421-01-700	EA	VALVE-LIQUID LEVEL, 20%	G-1013
3	040421-01-713	EA	VALVE-RELIEF 1" W/SPRING 7"	29000587
3	040421-01-714	EA	VALVE RELIEF 3/4"W/SPRING 7"	LVRF29000400
4	040421-01-702	EA	CAP-FILL VALVE, PLASTIC	G-1014-A
5	040421-01-701	EA	VALVE-FILL-SHORT, LP	7547B
6	040421-01-711	EA	VALVE-80% FILL W/AUTO STOP	LLL/TL3
7	040421-01-707	EA	FLOAT/BOLT ON-SCREW ON DIAL	14C
7	088253-09-700	EA	FLOAT/SCREW IN-SNAP ON DIAL	SG14C0001466
8			NOT WHAT IS ILLUSTRATED HERE	
9			NOT WHAT IS ILLUSTRATED HERE	

LOUNGE GROUP CABINETS



KEY	PART NUMBER	U/M	DESCRIPTION
1	137365-01-P10	EA	CABINET - OVERHEAD/FRONT - W/O DOORS/HARDWARE
1	137365-01-P11	EA	CABINET - OVERHEAD/FRONT - W/O DOORS/HARDWARE
1	137365-01-P12	EA	CABINET - OVERHEAD/FRONT - W/O DOORS/HARDWARE
2	136955-46-P10	EA	DOOR - RAISED PANEL/PENCIL EDGE - 10.8" X 28" - W/O HDW FROM: 00-00-00 THRU: 05-05-02
2	136955-25-P34	EA	DOOR - RAISED PANEL/PENCIL EDGE - 10" X 25.2" - W/O HDW FROM: 05-06-02 THRU: 99-99-99

SEALANTS & FASTENERS GROUP
SEALANTS & ADHESIVES

KEY	PART NUMBER	U/M	DESCRIPTION
	002707-02-000	FT	TAPE - SEALER - 5/16" X 1/2" - INCREMENTS OF 50 FT
	004001-02-000	EA	GUN - PLEXUS ADHESIVE - W/O NOZZLE
	004001-05-000	EA	ADHESIVE - SCOTCH-WELD - 3M DP100 - CLEAR - 50ML
	004011-01-000	EA	ADHESIVE-3M-4475 TUBE
	010405-02-000	EA	TAPE - THREAD SEALING - 3/8"
	034552-06-000	EA	SILICONE - TUBE - W/O NOZZLE - OFF WHITE
	034552-15-000	EA	SILICONE - TUBE - W/O NOZZLE - BRIGHT WHITE
	063642-01-000	FT	TAPE - ADHESIVE - .4" X 1.5" X 180'
	064075-07-000	FT	SEAL - BULB - W/WIRED U CHANNEL - .3" X .5" CHANNEL-BLACK
	067788-01-000	EA	ADHESIVE - SPRAY - 3M - 19.5 OZ AEROSOL CAN
	069640-01-000	FT	SEALER - RIBBON - 1/4" DIAMETER X 30' - BLACK OR GRAY
	069640-02-000	FT	SEALER - TAPE - .13" THICK X .5" WIDE X 60' - GRAY
	069640-03-000	FT	SEALER - TAPE - .13" THICK X .75" WIDE X 60' - BLACK
	069640-07-000	FT	SEALER - TAPE - .09" THICK X 2" WIDE X 45' - GRAY
	069640-09-000	FT	SEALER - TAPE - .03" THICK X 2.50"WIDE X 80' - GRAY
	069640-10-000	FT	SEALER - TAPE - .03" THICK X 1.50" WIDE X 90' - GRAY
	069640-11-000	FT	SEALER - TAPE - .19" THICK X .38" WIDE X 40' - BLACK
	069640-13-000	FT	SEALER - TAPE - .03" THICK X 2" WIDE X 45' - BLACK
	069640-14-000	FT	SEALER - TAPE - .06" THICK X 1" WIDE X 100' - GRAY
	069640-15-000	FT	SEALER - TAPE - .06" THICK X .38" WIDE X 100' - GRAY
	069640-17-000	FT	SEALER - TAPE - .03" THICK X 1" WIDE X 90' - GRAY
	069640-18-000	FT	SEALER - TAPE - .50" THICK X .13" WIDE X 60' - BRT WHITE
	069640-19-000	FT	SEALER - TAPE - .75" THICK X .13" WIDE X 60' - BRT WHITE
	069640-20-000	FT	SEALER - TAPE - .50" THICK X 1/8" WIDE X 60' - BLACK
	069640-21-000	FT	SEALER - TAPE - .50" THICK X 1/16" WIDE X 100'-BRIGHT WHT
	069640-23-000	FT	SEALER - TAPE - .06" THICK X 3/4" WIDE X 100' - BRT WHITE
	069640-27-000	FT	SEALER - TAPE - .06" THICK X 2.25" WIDE - BRIGHT WHITE
	069640-28-000	FT	SEALER - TAPE - .25" THICK X 1 7/8" WIDE X 90' - GRAY
	069640-30-000	FT	SEALER - TAPE - 3/8" X 1/32" - GRAY
	069640-31-000	FT	SEALER - TAPE - 25"THICK X 3/4"WIDE X 60' - BLACK
	072889-01-000	EA	SEALANT - URETHANE - BLACK - TUBE W/NOZZLE TIP
	076322-01-000	FT	TAPE-DOUBLE COATED/ADHESIVE BK-.03"THK X .8"W X 216'- WHT
	076322-02-000	FT	TAPE-DOUBLE COATED/ADHESIVE BK-.05"THK X 1"W X 108' - WHT
	076322-03-000	FT	TAPE-DOUBLE COATED/ADHESIVE BK-.05"THK X .5"W X 108' - WHT
	076322-04-000	FT	TAPE-DOUBLE COATED/ADHESIVE BK-.05"THK X .8"W X 108' - WHT
	076322-05-000	FT	TAPE-DOUBLE COATED/ADHESIVE BK-.05"THK X .8"W X 108' - WHT
	076322-11-000	FT	TAPE-DOUBLE COATED/ADHESIVE BK-.02"THK X 1"W X 216' - CLR
	086276-01-000	EA	TAPE - DOUBLE SIDED - 1/2" WIDE X 108' LONG (SOLD BY ROLL)
	088479-01-000	EA	TAPE - ALUMINUM - 3"
	090340-01-000	FT	SEAL - FOAM - CLOSED CELL - 1/4" X 1/2" X 50'
	090340-02-000	FT	SEAL - FOAM - CLOSED CELL - 3/8" X 1/2" X 50'
	091255-02-000	FT	SEAL - ADHESIVE BACKED/FOAM - 3/64" THICK X 3/16"W X 1000'
	091255-03-000	FT	SEAL - ADHESIVE BACKED/FOAM - 1/4" THICK X 1/4"W X 1000'
	094401-01-000	EA	SEALER - BODY SEAM - FLEXICLEAR
	094401-03-000	EA	SEALER - BODY SEAM - BLACK
	094401-04-000	EA	SEALER - BODY SEAM - CLEAR
	098408-01-000	FT	SEAL - SPONGE RUBBER - CLOSED CELL
	099069-01-000	FT	SEAL - RUBBER - CLOSED SPONGE - .5" WIDE X .12" THICK -BLK
	099418-01-000	FT	SEAL - D-SECTION/ADHESIVE BACK - .44" X .44"- BLK RUBBER
	099418-02-000	FT	SEAL - D SECTION - WHITE
	100128-02-000	FT	SEAL - FOAM/ADHESIVE BACK - .37" WIDE X .37" THICK
	104692-01-000	FT	SEAL - ADHESIVE BACKED FOAM - 3/4" THICK X 3/4" WIDE X 25'
	104692-03-000	FT	SEAL - ADHESIVE BACKED FOAM - 1" THICK X 1 3/16"WIDE X 15'
	107828-01-000	EA	SEALANT - SB - 190 EVERSEAL
	108716-01-000	EA	SILICONE - W/O NOZZLE - OFF WHITE - SELF LEVELING
	109506-12-000	EA	FILM/ABRASION-RESISTANT - TRANSPARENT - 1" DIA.
	110274-01-000	FT	TAPE - DOUBLE SIDED/FOAM - .45" X 1" X 216' - BLACK
	112481-02-000	EA	ADHESIVE - PLEXUS ETHACRYLATE - CARTRIDGE
	112864-01-000	FT	SEAL - FOAM/BUTYL COVERED - 3/8" X 35'
	112864-02-000	FT	FOAM - BUTYL COVERED 5/16" X 44'
	112864-03-000	FT	FOAM - BUTYL COVERED - 1/2" X 1/8" X 25'
	112864-04-000	FT	FOAM - BUTYL COVERED - 3/8" X 1/8"
	112901-02-000	EA	ADHESIVE - PLEXUS - MA330 - 50ML - GRAY
	112901-03-000	EA	ADHESIVE - PLEXUS - MA300 - 50ML - WHITE

SEALANTS & FASTENERS GROUP (CONTINUED)

SEALANTS & ADHESIVES (CONTINUED)

KEY	PART NUMBER	U/M	DESCRIPTION
	112902-01-000	EA	NOZZLE - ELEMENT - 3/8 X 24
	112902-02-000	EA	NOZZLE-BELL 3/8X24 - TAH 160-824
	112902-03-000	EA	MIXER NOZZLE - F/GUN #00400102000 - SCOTCH-WELD & PLEXUS
	112902-04-000	EA	NOZZLE - ELEMENT - 1/4" X 3.5"
	113366-01-000	EA	ADHESIVE - INSTANT - 1 OZ
	113452-02-000	FT	SEAL/TRIM - FRONT - VINYL W/WIRE CARRIER - .027"
	115933-01-000	FT	TAPE - 1/64" X 3/8" X 100'
	120074-02-03A	EA	SILICONE - TUBE - W/O NOZZLE - SMOKEY WHITE
	120074-02-02A	EA	SILICONE - TUBE - W/O NOZZLE - LOW ODOR - SOFT WHITE
	120534-01-01A	EA	TAPE - SCOTCH - 3M - 1/2" FINE LINE
	123244-01-000	FT	TAPE - DOUBLE SIDED/FOAM - 5/64" THICK X 3/4" WIDE X 108'
	123816-01-000	FT	TAPE - DOUBLE SIDED - 1" X 3/4" X 200'
	123816-02-000	FT	TAPE - DOUBLE SIDED - 1/2" X 1 1/3" X 200'
	123816-03-000	FT	TAPE - DOUBLE SIDED - 1/2" X 3/4" X 200'
	123816-04-000	FT	TAPE - DOUBLE SIDED - 6" X 750'
	126427-01-000	EA	ADHESIVE - ALL PURPOSE - ABS/PVC
	126427-02-000	EA	PRIMER - CLEANER - FLEX PIPING
	131264-01-08A	EA	SILICONE - TUBE - W/O NOZZLE - BUFF
	131264-01-02A	EA	SILICONE - TUBE - W/O NOZZLE - CLEAR
	131264-01-01A	EA	SILICONE - TUBE - W/O NOZZLE - BLACK
	131264-02-01A	EA	SILICONE - TUBE - W/O NOZZLE - VW GRAY - BATH ONLY
	131264-03-01A	EA	SILICONE - TUBE - W/O NOZZLE- SELF LEVELING - BRIGHT WHITE
	131264-04-01A	EA	SILICONE/SEALANT/ADHESIVE - FAST CURE F/GLASS/VINYL - B/W
	131384-01-000	EA	ADHESIVE - JETWELD
	134651-01-000	FT	SEAL - 1/2" X 3/4" PSA 1 SIDE
	900390-01-000	EA	NOZZLE - SILICONE TUBE - 2.5" LONG
	900390-03-000	EA	NOZZLE - SILICONE TUBE - 4.3" LONG

BOLTS, NUTS AND WASHERS

KEY	PART NUMBER	U/M	DESCRIPTION
	OMC04K-06-016	EA	BOLT - HEX - M06 X 1 X 016
	OMC05K-08-055	EA	BOLT - HEX - M08 X 1.25 X 2.2
	OMC13K-14-110	EA	BOLT - HEX
	OMC13K-14-070	EA	BOLT - HEX - M14 X 2 X 2 3/4
	OMC31K-08-020	EA	BOLT - HEX - SERRATED FLANGE - M8 X 020
	OMC32K-10-030	EA	BOLT - HEX - SERRATED FLANGE - M10 X 1 1/2
	OMD16K-10-000	EA	NUT - HEX PREV TORQUE M10 X 1 1/2 CLASS 8
	OMD39K-12-000	EA	NUT - HEX W/NYLON LOCK - M12 X 1 3/4
	OMD40K-14-000	EA	NUT - HEX W/NYLON LOCK - M14 X 2
	OMD54F-06-000	EA	NUT-HEX SER FLG M6X1,0 SS - DIN6923A2M6
	OME06K-14-280	EA	WASHER - FLAT - 14 ID X 28 OD
	000C12-04-40B	EA	BOLT - HEX - 1/4-20 X 2 1/2 - GRADE 5 ZINC
	000C12-04-08B	EA	BOLT - HEX - 1/4-20 X 1/2 - GRADE #5 - ZINC
	000C12-05-16B	EA	BOLT - HEX - 5/16-18 X 1 - GRADE #5 - ZINC
	000C12-06-24B	EA	BOLT - HEX - 3/8-16 X 1 1/2 - ZINC #5
	000C12-06-16B	EA	BOLT - HEX - 3/8-16 X 1 - GRADE #5 - ZINC
	000C12-06-128	EA	BOLT - HEX - 3/8 - 16 X 8 - ZINC 5
	000C12-06-44B	EA	BOLT - HEX - 3/8-16 X 2 3/4 - GRADE 5 - ZINC
	000C12-08-28B	EA	BOLT - HEX - 1/2-13 X 1 3/4 - GRADE #5 - ZINC
	000C12-08-24B	EA	BOLT - HEX - 1/2-13 X 1 1/2 - GRADE #5 - ZINC
	000C12-08-16B	EA	BOLT - HEX - 1/2-13 X 1 - GRADE #5 - ZINC
	000C12-10-24B	EA	BOLT - HEX - 5/8-11 X 1 1/2 - GRADE #5 - ZINC
	000C13-07-48B	EA	BOLT - HEX - 7/16-20 X 3 - GRADE #5 - ZINC
	000C13-07-40B	EA	BOLT - HEX - 7/16-20 X 2 1/2 - GRADE #5 - ZINC
	000C14-07-28B	EA	BOLT - HEX - 7/16-14 X 1 3/4 - GRADE #8 - ZINC
	000C14-10-32K	EA	BOLT - HEX - 5/8-11 X 2 - GRADE #8 - ZINC
	000C18-05-40A	EA	BOLT - ELEVATOR - 5/16-18 X 2 1/2 - PL
	000C18-06-48B	EA	BOLT - ELEVATOR - 3/8-16 X 3 - GRADE 5 - ZINC
	000C26-04-18B	EA	BOLT - HEX - SERRATED FLANGE - 1/4-20 X 1 1/8 - ZINC
	000C26-04-14B	EA	BOLT - HEX - SERRATED FLANGE - 1/4-20 X 7/8 - ZINC
	000C26-04-10B	EA	BOLT - HEX - SERRATED FLANGE - 1/4-20 X 5/8 - ZINC
	000C26-05-20B	EA	BOLT - HEX - SERRATED FLANGE - 5/16-18 X 1 1/4 - ZINC
	000C26-05-129	EA	BOLT - HEX - SERRATED FLANGE - 5/16-18 X 3/4
	000C26-05-12B	EA	BOLT - HEX - SERRATED FLANGE - 5/16-18 X 3/4 - ZINC

SEALANTS & FASTENERS GROUP (CONTINUED)
BOLTS, NUTS AND WASHERS (CONTINUED)

KEY	PART NUMBER	U/M	DESCRIPTION
	000C26-05-249	EA	BOLT - HEX - SERRATED FLANGE - 5/16-18 X 1 1/2
	000C26-06-28B	EA	BOLT - HEX - SERRATED FLANGE - 3/8-16 X 1 3/4 - ZINC
	000C26-06-20B	EA	BOLT - HEX - SERRATED FLANGE - 3/8-16 X 1 1/4 - ZINC
	000C26-06-12B	EA	BOLT - HEX - SERRATED FLANGE - 3/8-16 X 3/4 - ZINC
	000C26-06-40B	EA	BOLT - HEX - SERRATED FLANGE - 3/8-16 X 2 1/2 - ZINC
	000C26-08-24B	EA	BOLT - HEX - SERRATED FLANGE - 1/2-13 X 1 1/2 - ZINC
	000C27-04-40B	EA	BOLT - CARRIAGE - 1/4-20 X 2 1/2 - ZINC
	000C27-05-44I	EA	BOLT-CARR,5/16-18X2.75" - BLACK ZINC
	000C27-07-40B	EA	BOLT - CARRIAGE - 7/16-14 X 2 1/2 - GRADE #5
	000D16-07-00B	EA	NUT - HEX - 7/16-14 - ZINC
	000D24-10-00B	EA	NUT - HEX - SELF LOCKING - 10-32 ZINC
	000D28-10-00B	EA	NUT - HEX - W/NYLON LOCK - 10-32 ZINC
	000D29-04-00B	EA	NUT - HEX - SELF LOCKING - 1/4 X 20 - ZINC
	000D29-06-00B	EA	NUT - HEX - W/NYLON LOCK - 3/8-16 - ZINC
	000D29-09-00B	EA	NUT - HEX - SELF LOCKING - 9/16-12 - ZINC
	000D30-07-00B	EA	NUT - HEX LOCK - NYLON 7/16 X 20
	000D34-06-00B	EA	NUT - HEX - LOCKING - 3/8-16 GRADE C - ZINC
	000D39-04-00B	EA	NUT - HEX - LOCKING W/SERRATED FLANGE - 1/4-20 - ZINC
	000D39-05-00B	EA	NUT - HEX - LOCKING W/SERRATED FLANGE - 5/16-18 - ZINC
	000D39-06-00B	EA	NUT - HEX - LOCKING W/SERRATED FLANGE - 3/8-18 - ZINC
	000D39-06-00D	EA	NUT - HEX - LOCKING W/SERRATED FLANGE - 3/8"-16 BLACK
	000D39-07-00B	EA	NUT - HEX - LOCKING W/SERRATED FLANGE - 7/16-14 - ZINC
	000D44-04-00B	EA	NUT - HEX - LOCKING W/SERRATED FLANGE - 1/4-28 - ZINC
	000D44-07-00B	EA	NUT - HEX - LOCKING W/SERRATED FLANGE - 7/16-20 - ZINC
	000D44-08-00B	EA	NUT - HEX - LOCKING W/SERRATED FLANGE - 1/2-20 - ZINC
	000D46-04-00A	EA	NUT - HEX - WELD - 1/4-20 - PLAIN
	000D65-08-00B	EA	NUT - HEX - LOCKING W/SERRATED FLANGE - 8-32 - ZINC
	000D67-10-00B	EA	NUT - HEX - LOCK - 5/8-11 - ZINC
	000D73-08-00C	EA	NUT - HEX FLANGE - 1/2-13
	000D75-09-00B	EA	NUT - HEX LOCKING - 9/16-12 - ZINC
	000D76-06-00B	EA	NUT - HEX FLANGE - 3/8-16
	000E11-04-00F	EA	WASHER - LOCKING - 1/4 MED SPLIT - STAINLESS STEEL
	000E11-07-00B	EA	WASHER - LOCKING - 7/16 MED SPLIT - ZINC
	000E11-08-00B	EA	WASHER - LOCKING - 1/2 MED SPLIT - ZINC
	000E13-17-00B	EA	WASHER - FLAT - 3/8 AR - ZINC
	000E13-18-00B	EA	WASHER - FLAT - 3/8 WIDE - ZINC
	000E13-20-00B	EA	WASHER - FLAT - 7/16 WIDE - ZINC
	000E13-22-00B	EA	WASHER - FLAT - 1/2 WIDE - ZINC
	000E13-26-00B	EA	WASHER - FLAT - 5/8 WIDE - ZINC
	000E14-10-00B	EA	WASHER - LOCKING - #10 EXTERNAL TOOTH - ZINC
	000E16-10-00B	EA	WASHER - HARDENED - 5/8 - FLAT - ZINC
	000G45-05-16B	EA	BOLT - LAG - 5/16-9 X 1 - ZINC
	000G62-08-24B	EA	SCREW - SF/DR - 8-18 X 1 1/2 PFH
	002329-01-000	EA	WASHER-FLAT, 9/32" ID X 5/8" OD - NYLON
	005081-01-000	EA	NUT - SPEED - C-TYPE - #8 SCREW
	040921-03-000	EA	NUT - SPEED - U TYPE - #10
	040921-04-000	EA	NUT - SPEED - U TYPE - #8-.59" LENGTH X .44" WIDTH
	040921-05-000	EA	NUT - SPEED - U-TYPE - 8-.67" X .44" WIDE
	041322-01-000	EA	WASHER - FLANGE - 15/32 ID X 2 3/8 OD - F/SEAT BELT MTG
	044364-01-000	EA	NUT - SPEED - FLAT - RECTANGULAR - SELF LOCKING/ONE PIECE
	044364-02-000	EA	NUT - SPEED - FLAT - ROUND
	044533-01-000	EA	WASHER - PLASTIC - 1 3/8 OD - FOR BUTTONS
	046867-04-000	EA	GROMMET - #0
	046867-05-000	EA	WASHER - #0
	051387-06-000	EA	BOLT - CARRIAGE W/O HOLE - 5/16-18 X 9 1/2 - ZINC
	058716-02-000	EA	WASHER - FLAT NYLON
	058716-03-000	EA	WASHER - FLAT/NYLON - .500 X 1 1/4 X 060
	064081-03-000	EA	NUT - WING 3/8-16 - W/WELD NUT
	077071-01-000	EA	WASHER - FENDER - 3/16 ID X 1 OD
	084406-01-000	EA	NUT - CAPPED - CROSS RECESSED - BLACK - 1/4-20 THD
	087234-01-000	EA	NUT - JACK - 1/4 X 20 THD - MOLLY
	087718-01-000	EA	MONOBOLT - STEEL - 3/16 DIAMETER
	088787-12-000	EA	STUD - WELD - 1/4 - 20 X 1.0 LG - MN
	102333-02-01A	EA	BOLT - CARRIAGE - 1/4-20

SEALANTS & FASTENERS GROUP (CONTINUED)
BOLTS, NUTS AND WASHERS (CONTINUED)

KEY	PART NUMBER	U/M	DESCRIPTION
	102540-02-000	EA	SEAL - SCREW
	103020-02-000	EA	BOLT-U - #8-32 - GRADE 5 ZINC
	106166-01-000	EA	BOLT/COLLARED HANGER - 8-32 X 1
	106956-03-000	EA	BOLT - HEX TAP - 1/2-12NC X 3 - GRADE 5 - FULL THREAD/ZINC
	106956-08-000	EA	BOLT - HEX TAP - 1/2-13NC X 4 - GRADE 5 - FULL THREAD/ZINC
	107393-02-000	EA	BOLT - SHOULDER - 3/8" SOCKETHEAD
	107397-01-000	EA	WASHER - FENDER - 3/4 ID X 1 OD
	108067-03-000	EA	STUD - WELD - 1/4 - 20 X 1/2 CD
	109235-01-05A	FT	COVER - SCREW - BRIGHT WHITE
	109235-01-01A	FT	COVER - SCREW - MAT BLACK
	109917-03-000	EA	WASHER - 1" X .50"
	109917-04-000	EA	WASHER - 1" X .75"
	113985-02-000	EA	BOLT - FLANGE - M10-1 1/2 X 30CL 10.9
	114259-05-000	EA	BOLT - 7/16-20 X 1 1/4 W/WASHER
	128444-01-000	EA	WASHER - SPRING - CONICAL
	131377-01-000	EA	NUT-HEX HEAD W/WASHER-1/4-20 X 2" STEEL W/3/4" OD WASHER
	135092-01-01A	EA	BOLT - HEX - SERRATED FLANGE - 1/2-20 X 1 3/4-GRADE 5 ZINC
	135092-02-01A	EA	BOLT - HEX - SERRATED FLANGE - 1/2-20 X 2 1/2-GRADE 5 ZINC

SCREWS

KEY	PART NUMBER	U/M	DESCRIPTION
	0G1106-08-240	EA	SCREW - 6-20 X 1/2 PPH - VW LIGHT GRAY
	0G1108-12-240	EA	SCREW - 8-18 X 3/4 PPH - VW LIGHT GRAY
	0G1208-12-170	EA	SCREW - 8-18 X 3/4 POH - BRIGHT WHITE
	0G1306-08-130	EA	SCREW-6-20X1/2 PFH TAUPE
	0G1308-10-240	EA	SCREW - 8-18 X 5/8 PFH - VW LIGHT GRAY
	0G3804-22-180	EA	SCREW - MACHINE - 1/4-20 X 1 3/8 PFH - BLACK
	0G3908-08-160	EA	SCREW - SF/DR - 8-18 X 1/2 PPH - VW WHITE
	0G3908-08-240	EA	SCREW - SF/DR - 8-18 X 1/2 PPH - VW LIGHT GRAY
	0G3908-08-170	EA	SCREW - SF/DR - 8-18 X 1/2 PPH - BRIGHT WHITE
	0G3908-12-250	EA	SCREW - SF/DR - 8-18 X 3/4 PPH - DARK GRAY
	0G3908-12-240	EA	SCREW - SF/DR - 8-18 X .75 PPH - VW LIGHT GRAY
	0G3908-16-170	EA	SCREW - SF/DR - 8-18 X 1 PPH - BRIGHT WHITE
	0G3908-24-170	EA	SCREW - SF/DR - 8-18 X 1 1/2 PPH - BRIGHT WHITE
	0G3910-10-320	EA	SCREW - SF/DR - 10-16 X 5/8 PPH - GLACIER
	0G3910-10-240	EA	SCREW - SF/DR - 10-16 X 5/8 PPH - VW LIGHT GRAY
	0G3910-10-330	EA	SCREW - SF/DR - 20-16 X 5/8 PPH - PUTTY
	0G3910-12-320	EA	SCREW - SF/DR - 10-16 X .75 PPH - GLACIER
	0G3910-12-240	EA	SCREW - SF/DR - 10-16 X .75 PPH - VW LIGHT GRAY
	0G3910-12-170	EA	SCREW - SF/DR - 10-16 X 3/4 PPH - BRIGHT WHITE
	0G5508-12-270	EA	SCREW - SF/DR - 8-18 X 3/4 PWH - TITANIUM
	0G5508-12-260	EA	SCREW - SF/DR - 8-18 X 3/4 PWH - ALLANTE ANTELOPE
	0G5508-12-240	EA	SCREW - SF/DR - 8-18 X 3/4 PWH - VW LIGHT GRAY
	0G5508-12-170	EA	SCREW - SF/DR - 8-18 X 3/4 PWH - BRIGHT WHITE
	0G5508-12-330	EA	SCREW - SF/DR - 8-18 X 3/4 PWH - PUTTY
	0G5508-12-320	EA	SCREW - SF/DR - 8-18 X 3/4 PWH - GLACIER
	0G5508-16-320	EA	SCREW - SF/DR - 8-18 X 1 PWH - GLACIER
	0G5508-16-250	EA	SCREW - SF/DR - 8-18 X 1 PWH - VW DARK GRAY
	0G6008-16-170	EA	SCREW - SF/DR - 8-18 X 1 POH - BRIGHT WHITE
	0G6710-08-240	EA	SCREW - 10-12 X 1/2 PPH TAUPE - VW LIGHT GRAY
	0G6710-08-170	EA	SCREW - 10-12 X 1/2 PPH - BRIGHT WHITE
	0G6710-08-130	EA	SCREW - 10-12 X 1/2 PPH - TAUPE
	0G6710-12-170	EA	SCREW - 10-12 X 3/4 PPH - BRIGHT WHITE
	0G6806-16-170	EA	SCREW - 6-18 X 1 POH - BRIGHT WHITE
	0G6810-24-280	EA	SCREW - 10-12 X 1 1/2 POH - SOFT WHITE
	000C20-04-16A	EA	SCREW - 1/4-20X 1 - FLAT SOCKET HEAD
	000C20-05-28F	EA	SCREW - 5/16-18 X 1 3/4 FLAT SOC - STAINLESS STEEL
	000C20-06-24T	EA	SCREW - 3/8-16 X 1 1/2 - FLAT SOCKET
	000G11-06-10J	EA	SCREW - 6-20 X 5/8 PPH - BRASS
	000G11-06-08B	EA	SCREW - 6-20 X 1/2 PPH - ZINC
	000G11-07-08B	EA	SCREW - 7-19 X 1/2 PPH - ZINC
	000G11-08-12B	EA	SCREW - 8-18 X 3/4 PPH - ZINC
	000G11-08-08T	EA	SCREW - 8-18 X 1/2 PPH - FLUOROCARBON COATING

SEALANTS & FASTENERS GROUP (CONTINUED)
SCREWS (CONTINUED)

KEY	PART NUMBER	U/M	DESCRIPTION
	000G11-08-06B	EA	SCREW - 8-18 X 3/8 PPH - ZINC
	000G11-08-20G	EA	SCREW - 8-18 X 1 1/4 - ANTIQUE BRASS
	000G11-08-20B	EA	SCREW - 8-18 X 1 1/4 PPH - ZINC
	000G11-08-16B	EA	SCREW - 8-18 X 1 PPH - ZINC
	000G11-08-12T	EA	SCREW - 8-18 X 3/4 PPH - BLACK MAGNESIUM
	000G11-08-12P	EA	SCREW - 8-18 X 3/4 PPH - DARK BROWN
	000G11-10-12D	EA	SCREW - 10-16 X 3/4 PPH - BLACK
	000G12-06-12J	EA	SCREW - 6-20 X .75 POH - BRASS
	000G12-06-08T	EA	SCREW - 6-20 X 1/2 POH - BLACK
	000G12-08-12S	EA	SCREW - 8-18 X 3/4 POH - OFF WHITE
	000G13-05-10B	EA	SCREW - 5-12 X 5/8 PFH - ZINC
	000G13-06-08B	EA	SCREW - 6-20 X 1/2 PFH - ZINC
	000G13-06-06I	EA	SCREW - 6-20 X 3/8 PFH - BLACK ZINC
	000G13-06-16J	EA	SCREW - 6-20 X 1 PFH - BRASS
	000G13-06-10J	EA	SCREW - 6-20 X 5/8 PFH - BRASS
	000G13-06-10G	EA	SCREW - 6-20 X 5/8 PFH - ANTIQUE BRASS
	000G13-06-08G	EA	SCREW - 6-20 X 1/2 PFH - ANTIQUE BRASS
	000G13-06-24J	EA	SCREW - 6-20 X 1 1/2 PFH - BRASS
	000G13-07-12B	EA	SCREW - 7-19 X 3/4 PFH - ZINC
	000G13-07-10H	EA	SCREW - 7-19 X 5/8 PFH - BLACK
	000G13-08-10B	EA	SCREW - 8-18 X 5/8 PFH - ZINC
	000G13-08-24B	EA	SCREW - 8-18 X 1 1/2 PFH - ZINC
	000G13-08-16B	EA	SCREW - 8-18 X 1 PFH - ZINC
	000G13-08-109	EA	SCREW - 8-18 X 5/8 PFH
	000G13-10-16I	EA	SCREW - 10-16 X 1 PFH - BLACK
	000G16-04-24B	EA	SCREW - MACHINE - 1/4-20 X 1 1/2 PPH
	000G18-08-22B	EA	SCREW - MACHINE - 8-32 X 1 3/8 PPH - ZINC
	000G18-08-16B	EA	SCREW - MACHINE - 8-32 X 1 PPH - ZINC
	000G18-08-12B	EA	SCREW - MACHINE - 8-32 X 3/4 PPH - ZINC
	000G18-08-24B	EA	SCREW - MACHINE - 8-32 X 1 1/2 PPH - ZINC
	000G19-10-12F	EA	SCREW - MACHINE - 10-32 X 3/4 PPH - STAINLESS STEEL
	000G19-10-10B	EA	SCREW - MACHINE - 10-32 X 5/8 - PPH - ZINC
	000G19-10-08B	EA	SCREW - MACHINE - 10-32 X 1/2 PPH - ZINC
	000G19-10-20B	EA	SCREW - MACHINE - 10-32 X 1 1/2 PPH - ZINC
	000G36-10-12T	EA	SCREW - 10-24X 3/4 PFH TYPE 23 - BLACK
	000G39-06-16T	EA	SCREW - SF/DR - 6-20 X 1 PPH - BLACK
	000G39-06-10T	EA	SCREW - SF/DR - 6-20 X 5/8 PPH - BLACK
	000G39-08-32B	EA	SCREW - SF/DR - 8-18 X 2 PPH - ZINC
	000G39-08-24T	EA	SCREW - SF/DR - 8-18 X 1 1/2 PPH - BLACK
	000G39-08-24S	EA	SCREW - SF/DR - 8-18 X 1 1/2 - OFF WHITE
	000G39-08-24B	EA	SCREW - SF/DR - 8-18 X 1 1/2 PPH - ZINC
	000G39-08-16T	EA	SCREW - SF/DR - 6-20 X 1 PPH - BLACK
	000G39-08-16B	EA	SCREW - SF/DR - 8-18 X 1 PPH - ZINC
	000G39-08-12B	EA	SCREW - SF/DR - 8-18 X 3/4 PPH - ZINC
	000G39-08-08T	EA	SCREW - SF/DR - 8-18 X 1/2 PPH - BLACK
	000G39-08-08S	EA	SCREW - SF/DR - 8-18 X 1/2 PPH - OFF WHITE
	000G39-08-08B	EA	SCREW - SF/DR - 8-18 X 1/2 PPH - ZINC
	000G39-08-06B	EA	SCREW - SF/DR - 8-18 X 3/8 PPH - ZINC
	000G39-10-08B	EA	SCREW - SF/DR - 10-16 X 1/2 PPH - ZINC
	000G39-10-48T	EA	SCREW - SF/DR - 10-16 X 3 PPH - BLACK
	000G39-10-48B	EA	SCREW - SF/DR - 10-16 X 3 - PPH - ZINC
	000G39-10-32B	EA	SCREW - SF/DR - 10-16 X 2 - PPH - ZINC
	000G39-10-20T	EA	SCREW - SF/DR - 10-16 X 1 1/4 PPH - BLACK
	000G39-10-20B	EA	SCREW - SF/DR - 10-16 X 1 1/4 PPH - ZINC
	000G39-10-169	EA	SCREW - SF/DR - 10-16 X 1 PPH - FLUOROCARBON SILVER
	000G39-10-129	EA	SCREW - SF/DR - 10-16 X 3/4 PPH - FLUOROCARBON SILVER
	000G39-10-12T	EA	SCREW - SF/DR - 10-16 X 3/4 - BLACK
	000G39-10-10T	EA	SCREW - SF/DR - 10-16 X 5/8 - BLACK
	000G39-10-10B	EA	SCREW - SF/DR - 10-16 X 5/8 - ZINC
	000G39-12-12E	EA	SCREW - SF/DR - 12-14 X 3/4 PPH - CHROME
	000G42-04-16B	EA	SCREW - SF/DR - 1/4-14 X 1 HWH - ZINC
	000G42-04-24B	EA	SCREW - SF/DR - 1/4-14 X 1 1/2 - ZINC
	000G46-08-24T	EA	SCREW - MACHINE - 8-32 X 1 1/2 PFH - BLACK
	000G50-04-08B	EA	SCREW - MACHINE - 1/4-20 X 1/2 PTH - ZINC

SEALANTS & FASTENERS GROUP (CONTINUED)
SCREWS (CONTINUED)

KEY	PART NUMBER	U/M	DESCRIPTION
	000G51-06-12B	EA	SCREW - 6-20 X 3/4 PTH - ZINC
	000G52-06-05B	EA	SCREW - MACHINE - 6-32 X 5/16 PTH ZINC
	000G52-08-18B	EA	SCREW - MACHINE - 8-32 X 1 1/8 PTH - ZINC
	000G54-04-14B	EA	SCREW - 1/4-20 X 7/8 PTH - TYPE 23 - ZINC PLATED
	000G55-08-165	EA	SCREW - SF/DR - 8-18 X 1 PWH - WILLOW
	000G55-08-16T	EA	SCREW - SF/DR - 8-18 X 1 PWH - BLACK
	000G55-08-16S	EA	SCREW - SF/DR - 8-18 X 1.00 - PWH - OFF WHITE
	000G55-08-124	EA	SCREW - SF/DR - 8-18 X 3/4 PWH - ASH GRAY
	000G55-08-12M	EA	SCREW - SF/DR - 8-19 X .75 PWH - GRAY
	000G56-12-48B	EA	SCREW - WOOD - 12-11 X 3 POH - SPECIAL HARDENED
	000G57-14-72B	EA	SCREW-14-10-X4 1/2 PFH ZN GENERAL MOTORHOMES
	000G57-14-64B	EA	SCREW - 14-10 X 4 PFH ZINC
	000G60-08-22B	EA	SCREW - SF/DR - 8-18 X 1.38 POH - ZINC
	000G60-08-20F	EA	SCREW - SF/DR - 8-19X1.25 POH
	000G60-08-16E	EA	SCREW - SF/DR - 8-1 X 1 POH - CHROME
	000G60-10-20B	EA	SCREW - SF/DR - 10-16 X 1 1/4 POH - ZINC
	000G60-10-28T	EA	SCREW - SF/DR - 10-16 X 1 3/4 - BLACK
	000G60-10-209	EA	SCREW - SF/DR - 10-16 X 1 1/4 POH - SILVER STALGAARD
	000G67-08-32B	EA	SCREW - 8-15 X 2 PPH - ZINC
	000G67-10-24S	EA	SCREW - 10-12 X 1 1/2 PPH - OFF WHITE
	000G67-10-24B	EA	SCREW - 10-12 X 1 1/2 PPH - ZINC
	000G67-10-20D	EA	SCREW - 10-12 X 1 1/4 PPH - BLACK
	000G67-10-125	EA	SCREW - 10-12 X 3/4 PPH - WILLOW
	000G67-10-12S	EA	SCREW - 10-12 X 3/4 PPH - OFF WHITE
	000G67-10-12P	EA	SCREW - 10-12 X 3/4 PPH - DARK BROWN
	000G67-10-12B	EA	SCREW - 10-12 X 3/4 PPH - ZINC
	000G67-10-10T	EA	SCREW - 10-12 X 5/8 PPH - BLACK
	000G67-10-10S	EA	SCREW - 10-12 X 5/8 PPH - OFF WHITE
	000G67-10-10P	EA	SCREW - 10-12 X 5/8 PPH - DARK BROWN
	000G67-10-10B	EA	SCREW - 10-12 X 5/8 PPH - ZINC - TYPE A
	000G67-10-08B	EA	SCREW - 10-12 X 1/2 PPH - ZINC
	000G67-10-36T	EA	SCREW - 10-12 X 2 1/4 - PPH - BLACK
	000G68-06-12J	EA	SCREW - 6-18 X 3/4 POH - BRASS
	000G68-06-10J	EA	SCREW - 6-18 X 5/8 POH - BRASS
	000G68-06-10G	EA	SCREW - 6-18 X 5/8 POH - ANTIQUE BRASS
	029130-01-000	EA	SCREW - SNAP STUD - #8-16 X 5/8" LONG
	029130-03-000	EA	SCREW - SNAP STUD - #8-16 X 1" LONG
	049465-01-000	EA	SCREW - 10-16 PTH W/WASHER - DARK BROWN
	049465-03-000	EA	SCREW - 10-16 X 1 POH W/WASHER - OFF WHITE
	049465-04-000	EA	SCREW - 10-16 X 1 PTH W/WASHER - BEIGE
	049465-13-000	EA	SCREW-10+16X1 PTH W/WASHER - *ASH GRAY
	049465-17-000	EA	SCREW - 10-16 X 1 POH W/WASHER - BRIGHT WHITE
	049465-23-000	EA	SCREW - 10-16 X 1.5 POH W/WASHER - VW LIGHT GRAY
	054434-03-000	EA	SCREW - SF/DR - 10-16 X 2 - PWH - ZINC - W/O WINGS
	075908-01-000	EA	SCREW - MACHINE - 10-32 X .56 PTH - EXTERNAL TOOTH - ZINC
	076790-01-000	EA	SCREW - 6-20 X 1 1/4 PPH - BLACK
	076790-05-000	EA	SCREW - 6-20 X 1/2 PPH - BLACK - THREAD CUTTING/WOOD
	083554-01-000	EA	SCREW - DRYWALL - 8 X 1 1/4
	083554-04-000	EA	SCREW - DRYWALL - 8 X 2 1/2
	087721-01-000	EA	SCREW - FLAT HEAD - TAPPING - 1/4 X 1 1/4 LONG - ZINC
	090033-02-000	EA	SCREW - 1/4-20 X 5/8 - ROUND WASHER HEAD - OFF/WHITE
	097974-01-000	EA	SCREW - PARTICLE BOARD - 7-9 X 3/4 PPH
	101618-01-000	EA	SCREW - 1/4-20 X 3/4 HEX - TAPPING - STALGARD TYPE F
	110460-05-02A	EA	SCREW - MACHINE - 10-24 X 2 1/2 PFH - WHITE
	113563-01-01A	EA	SCREW - 8 X 5/8 LONG SHOULDER/WASHER HEAD
	117478-01-04A	EA	SCREW - 8-18 X 3/4 PPH W/WASHER - VW LIGHT GRAY
	118383-01-04A	EA	RETAINER/RECESSED - F/.22" SCREW - BRIGHT WHITE
	118383-01-05A	EA	RETAINER/RECESSED - F/.22" SCREW - VW LIGHT GRAY
	118383-01-09A	EA	RETAINER/RECESSED - F/.22" SCREW - GLACIER
	118383-02-09A	EA	RETAINER/RECESSED - F/.27" SCREW - GLACIER
	118383-02-05A	EA	RETAINER/RECESSED - F/.27" SCREW - VW LIGHT GRAY
	118383-03-09A	EA	RETAINER/RECESSED - F/.32" SCREW - GLACIER

SEALANTS & FASTENERS GROUP (CONTINUED)
SCREWS (CONTINUED)

KEY	PART NUMBER	U/M	DESCRIPTION
	118383-04-09A	EA	CAP - F/RECESSED RETAINER - GLACIER
	118383-04-05A	EA	CAP - F/RECESSED RETAINER - VW LIGHT GRAY
	118383-04-04A	EA	CAP - F/RECESSED RETAINER - BRIGHT WHITE
	126458-01-01A	EA	SCREW - 8-18 X 1/2 - PRWH - BLACK
	134126-01-01A	EA	SCREW/NAIL - HEX HEAD - 3/4"
	140040-01-000	EA	SCREW - 1/4-20 X 1 - BUTTON HEAD/SOCKET - W/LOCTITE

CLAMPS, CLIPS, GROMMETS, RIVETS & PLUGS

KEY	PART NUMBER	U/M	DESCRIPTION
	000F10-06-32B	EA	PIN - COTTER - 3/16" X 2" - ZINC
	000H14-06-06R	EA	RIVET-MANDREL BLIND,3/16 AL - CHERRY BSP-66
	000H14-06-03R	EA	RIVET - MANDREL BLIND - 3/16 ALUMINUM
	000H16-04-06R	EA	RIVET - POP ALUMINUM - 1/8 X .313 - .375
	000H16-06-10R	EA	RIVET - POP ALUMINUM - 3/16 X .501-.625
	007161-01-000	EA	CLAMP - HOSE - SPRING TYPE - 1/2"
	010495-01-000	EA	CLAMP - CABLE - 9/16"ID
	010495-02-000	EA	CLAMP - CABLE - 3/8"ID
	010495-04-000	EA	CLAMP - CABLE - 11/16" - WHITE
	010497-01-000	EA	CLAMP - CLOSED - 5/8"ID
	010497-03-000	EA	CLAMP - CLOSED - 1"ID - CUSHIONED
	010497-04-000	EA	CLAMP - CLOSED - 1 5/8"ID
	010497-05-000	EA	CLAMP - CLOSED - 1/2"ID
	010497-07-000	EA	CLAMP - CLOSED - 3/8"ID
	010497-10-000	EA	CLAMP - CLOSED
	010499-01-000	EA	CLAMP - CLOSED - 3/8"ID
	016188-03-000	EA	GROMMET - L/P LINE - 3/8"HOLE X 2 1/2"LONG - RUBBER
	016188-04-000	EA	GROMMET - L/P LINE - 1/2"HOLE X 2 1/2"LONG - RUBBER
	016188-05-000	EA	GROMMET - L/P LINE - 3/8"HOLE X 1 1/4"LONG - RUBBER
	016188-06-000	EA	GROMMET - L/P LINE - 3/8"HOLE X 3 1/4"LONG
	016188-07-000	EA	GROMMET - L/P LINE - 1/2"HOLE X 3 1/4"LONG
	023942-01-000	EA	GROMMET - RUBBER - 2" OD
	034141-02-000	EA	PLUG/NYLON - .38" - BLACK
	061420-04-000	EA	PLUG/PLASTIC - 1 1/4" DIAMETER
	061420-05-000	EA	PLUG/PLASTIC - 1 1/2" DIAMETER
	061420-08-000	EA	PLUG/PLASTIC - 2 1/2" DIAMETER
	061420-09-000	EA	PLUG/PLASTIC - 1.00" - DIAMETER
	061420-10-000	EA	PLUG/PLASTIC - 1 1/2" DIAMETER - BLACK
	061420-14-000	EA	PLUG/PLASTIC - .034" DIAMETER
	061420-15-000	EA	PLUG/PLASTIC - 2" DIAMETER - BLACK
	061420-16-000	EA	PLUG/PLASTIC - 2 1/8" DIAMETER
	062401-01-000	EA	CLAMP - HOSE - WORMGEAR - .25" - 1"
	062401-02-000	EA	CLAMP - HOSE - WORMGEAR - 1.56" - 2.5"
	062401-03-000	EA	CLAMP - HOSE - WORMGEAR - .22" - 1"
	062401-04-000	EA	CLAMP - HOSE - WORMGEAR - .69" - 1.25"
	062401-05-000	EA	CLAMP - HOSE - WORMGEAR - 2" - 3" ID
	062401-06-000	EA	CLAMP - HOSE - WORMGEAR - .22" - .62" ID
	062401-09-000	EA	CLAMP - HOSE - WORMGEAR - 2.8" - 3.75"
	062401-11-000	EA	CLAMP - HOSE - WORMGEAR - 3.50" - 4.50"
	062401-12-000	EA	CLAMP - HOSE - WORMGEAR - .79" X 1.26"
	071015-11-000	EA	GROMMET - RUBBER - 1"ID FITS .12 MATERIAL - BLACK
	071015-19-000	EA	GROMMET - RUBBER - .38 ID - FITS .06 MATERIAL - BLACK
	071015-26-000	EA	GROMMET - RUBBER - 1.5" ID X 2.1" OD W/.06" GROOVE-BLACK
	071015-30-000	EA	GROMMET - RUBBER - .31" ID X .81" OD W/.12" GROOVE-BLACK
	071015-39-000	EA	GROMMET - .75 ID FITS .06 MTL
	071015-41-000	EA	GROMMET - .125 ID FITS .188 MTL
	075148-02-000	EA	CLAMP - GROUNDING - BRONZE SCREWS
	077955-01-000	EA	CLIP/J - 3/8" - VINYL COATED
	080734-02-000	EA	CLIP - WIRE NYLON
	081211-03-000	EA	PLUG/PLASTIC - .50 DIAMETER - BLACK
	081211-04-000	EA	PLUG/PLASTIC - .46 DIAMETER - BLACK

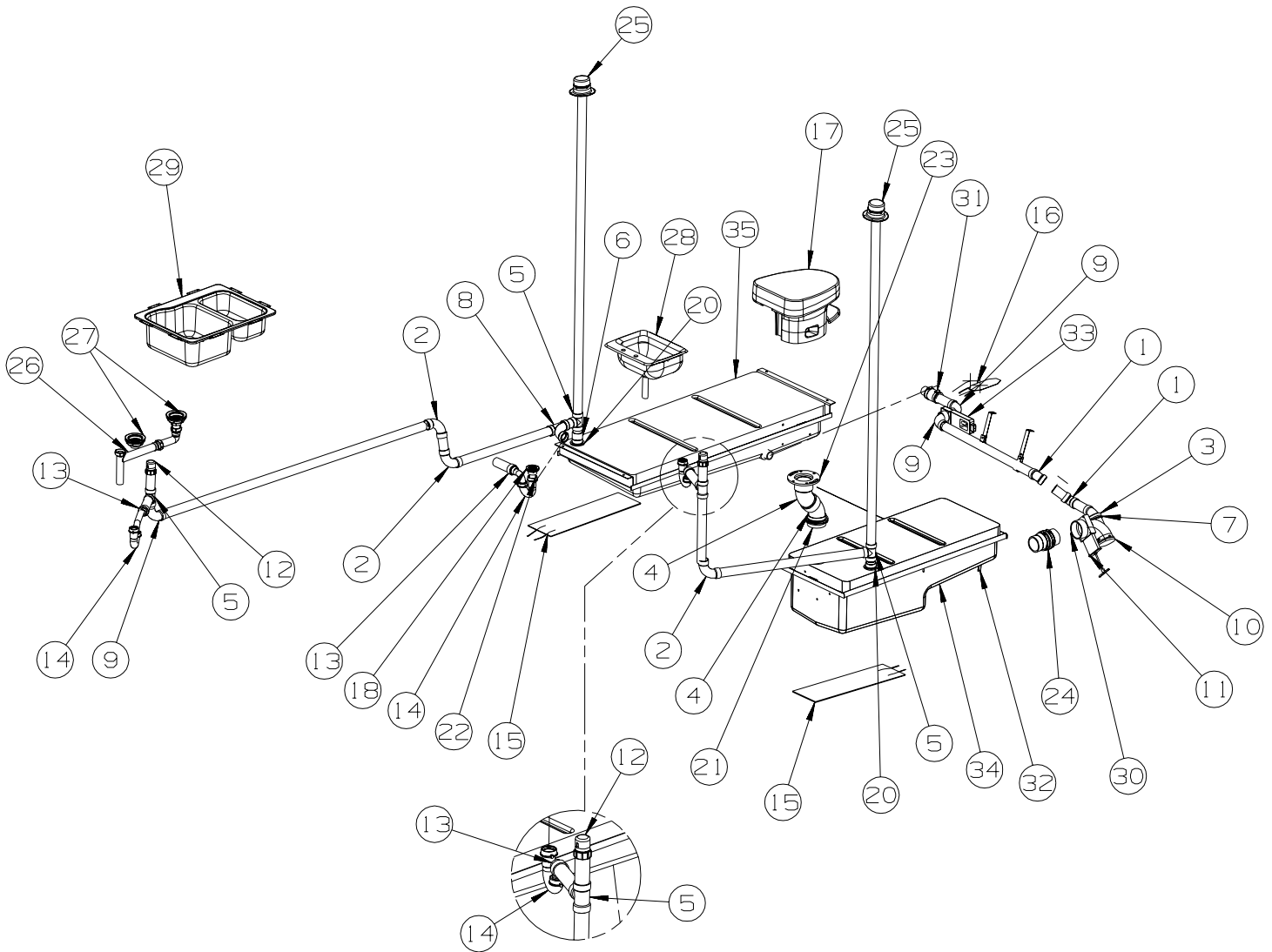
SEALANTS & FASTENERS GROUP (CONTINUED)
CLAMPS, CLIPS, GROMMETS, RIVETS & PLUGS (CONTINUED)

KEY	PART NUMBER	U/M	DESCRIPTION
	083609-01-000	EA	CLAMP - WIRE - DUAL - EQUAL DIAMETERS - 5/8"
	083610-01-000	EA	CLAMP - WIRE - DUAL - UNEQUAL DIAMETERS - 3/4" & 1 1/4"
	083610-02-000	EA	CLAMP - WIRE - DUAL - UNEQUAL DIAMETERS - 3/4" & 2"
	083610-03-000	EA	CLAMP - WIRE - DUAL - EQUAL DIAMETERS - 2"
	088756-01-000	EA	GROMMET - WEB - 1 1/8 " I.D.
	091952-01-000	EA	CLIP - GRIPPER - 1"
	091952-02-000	EA	CLIP - GRIPPER - 3/4"
	094362-02-000	EA	CLIP - XMAS TREE - BINDER HEAD - .9" LONG
	114208-04-000	EA	GROMMET - EDGE LINER - FITS 1"
	114208-05-000	EA	GROMMET - EDGE LINER - FITS 2"
	118626-01-02A	EA	RIVET - POP - ALUMINUM - 3/16 X .08 - .375
	118626-01-01A	EA	RIVET - POP - ALUMINUM - 3/16 X .08 - .375
	118626-02-01A	EA	RIVET - POP - ALUMINUM - 3/16 X .500 - .750
	137014-01-01A	EA	GROMMET - CABLE - ALMOND
	137014-01-02A	EA	GROMMET - CABLE - BROWN
	139118-01-01A	EA	GROMMET - PLASTIC/SCREW
	139118-02-01A	EA	GROMMET - SCREW - PLASTIC
	140171-02-000	EA	CLAMP - HOSE - STEPLESS EAR - .250

MISCELLANEOUS FASTENERS

KEY	PART NUMBER	U/M	DESCRIPTION
	008343-01-000	EA	TIE - WIRE - 6"
	008343-02-000	EA	TIE - WIRE - 14"
	008343-03-000	EA	TIE - WIRE - 7 1/2" - BLACK
	029094-04-000	YD	VELCRO TAPE - LOOP - 1" WIDE - BLACK
	029094-06-000	YD	VELCRO TAPE - LOOP - 2" WIDE - BLACK
	029096-03-000	YD	VELCRO TAPE - HOOK - 1" WIDE - BLACK
	029096-04-000	YD	VELCRO TAPE - HOOK - 1" WIDE - BLACK
	048394-02-000	YD	VELCRO TAPE - HOOK - ADHESIVE BACK - 3/4" WIDE - BEIGE
	085774-01-000	FT	FASTENER - DUAL LOCK - 1" WIDE - ADHESIVE BACK - BLACK
	085774-02-000	FT	FASTENER - DUAL HOOK - 1" WIDE - ADHESIVE BACK - BLACK
	085774-03-000	FT	FASTENER - DUAL LOCK - 1/2" WIDE - ADHESIVE BACK - BLACK
	085774-04-000	FT	FASTENER - DUAL HOOK - 1/2" WIDE - ADHESIVE BACK - BLACK
	088792-02-000	YD	VELCRO TAPE - LOOP - 3/4" - ADHESIVE BACK - BEIGE
	088792-04-000	YD	VELCRO TAPE - HOOK - 5/8" - NON-ADHESIVE BACK - WHITE
	088792-05-000	YD	VELCRO TAPE - LOOP - 5/8" - NON-ADHESIVE BACK - WHITE
	108046-02-000	EA	CABLE TIE - SCREW MOUNT 15"
	110943-02-000	FT	FELT STRIP - 3/8" - ADHESIVE BACK - WHITE
	113133-02-01A	EA	RIVET - POP - ALUMINUM - 3/16 X .252 - .504 - BLACK
	127960-01-01A	EA	RETAINER - 3/8" - STAINLESS STEEL

WATER & SEWAGE GROUP DRAINAGE SYSTEM



KEY	PART NUMBER	U/M	DESCRIPTION
1	010006-01-000	EA	ELBOW - 45 DEGREE - 1 1/2" HUB X HUB - PLASTIC
2	010008-01-000	EA	ELBOW - 90 DEGREE - 1 1/2" HUB X HUB - PLASTIC
3	010051-01-000	EA	ELBOW - 45 DEGREE - 1 1/2" SPIGOT X HUB - PLASTIC
4	010061-01-000	EA	ELBOW - 45 DEGREE ST - 3" SPIGOT & HUB - PLASTIC
5	010071-01-000	EA	TEE - SANITARY - 1 1/2" HUB X HUB X HUB - PLASTIC
5	010115-01-000	EA	COUPLING - 1 1/2" HUB X HUB - PLASTIC
7	010123-01-000	EA	BUSHING - 2" X 1 1/2" HUB - BLACK PLASTIC
FROM: 07-02-02 THRU: 99-99-99			
8	031365-02-000	EA	TEE - PLASTIC - 1 1/2" EXTRA LONG TURN
9	033761-01-000	EA	ELBOW - 90 DEGREE - TURN - 1 1/2" HUB X 1 1/2" SPIGOT
10*	062415-01-000	EA	CAP - SEWER - 3" DIAMETER
11	072346-01-000	EA	VALVE - 3" SLIP X 3" BAYONET W/CAP X 2" SOCKET-ABS
12	079968-01-000	EA	VENT - MECHANICAL/TRAP ARM - ANTI-SIPHON-2" X 7.3" PLASTIC
13	109571-01-000	EA	ADAPTER - P-TRAP - 1 1/2" P X 1 1/4" MPT
14	107538-01-000	EA	P-TRAP - PLASTIC - 1 1/4" W/EXTENSION ARM - USA
14	011071-01-000	EA	P-TRAP - PLASTIC - 1 1/2" - CSA - CANADIAN
15	133972-01-000	EA	PAD - HEATER - HOLDING TANK - 40 GALLON
16	133972-03-000	EA	PAD - HEATER ELBOW - 1.5" DIAMETER
17*	067487-04-000	EA	TOILET - LOW - FOOTFLUSH - WHITE
18	066440-01-000	EA	STRAINER - SHOWER DRAIN - W/RUBBER WASHER
	127440-02-01A	EA	WASHER - RUBBER - 1.8" X .1"
	130403-01-000	EA	NUT - SLIP - W/WINGS 1 1/2"
19	010129-03-000	EA	NIPPLE - PLASTIC - 3" X 3" TOE
20	061607-01-000	EA	GROMMET - HOLDING TANK - 1 1/2" NPS
21	061607-02-000	EA	GROMMET - HOLDING TANK - 3" NPS

WATER & SEWAGE GROUP (CONTINUED)
DRAINAGE SYSTEM (CONTINUED)

KEY	PART NUMBER	U/M	DESCRIPTION
22	011069-02-000	EA	TAILPIECE - TUB/SHOWER - 1 1/2" X 1 1/4" X 4" - BRASS
23	063641-01-000	EA	FLANGE - CLOSET - 4" X 3"
24	078406-01-000	EA	COUPLER - RUBBER - W/CLAMPS - 3" X 3"
25	083558-03-000	EA	VENT - PLUMBING - ROOF PIPE COVERED - OFF WHITE
26	091980-01-000	EA	WASTE - CONTINUOUS
27	092303-01-000	EA	STRAINER - W/BASKET - GALLEY SINK - 4" OD
	127440-02-01A	EA	WASHER - RUBBER - 1.8" X .1"
28*	096927-01-02A	EA	SINK - LAVATORY - RECTANGLE - SOFT WHITE
29	136828-01-01A	EA	SINK/DBL - LGE/SM BASIN-25"X19"X7" W/O NOTCH/FAUCET HOLES
30	139513-01-000	EA	HOSE - SEWER - 3" X 10' - W/ADAPTER
31	089355-01-000	EA	COUPLER - RUBBER - 1 1/2" X 1 1/2"
32	062421-05-000	EA	CABLE/ROD - F/DUMP VALVE - W/HANDLE - 48"
33	062421-03-000	EA	VALVE/DUMP W/O HANDLE - 1 1/2" X 1 1/2" HUB
34	137882-01-700	EA	TANK- HOLDING - W/3" NIPPLE
35	127519-01-700	EA	TANK - HOLDING - 34 GALLON W/1.5" OUTLET NIPPLE

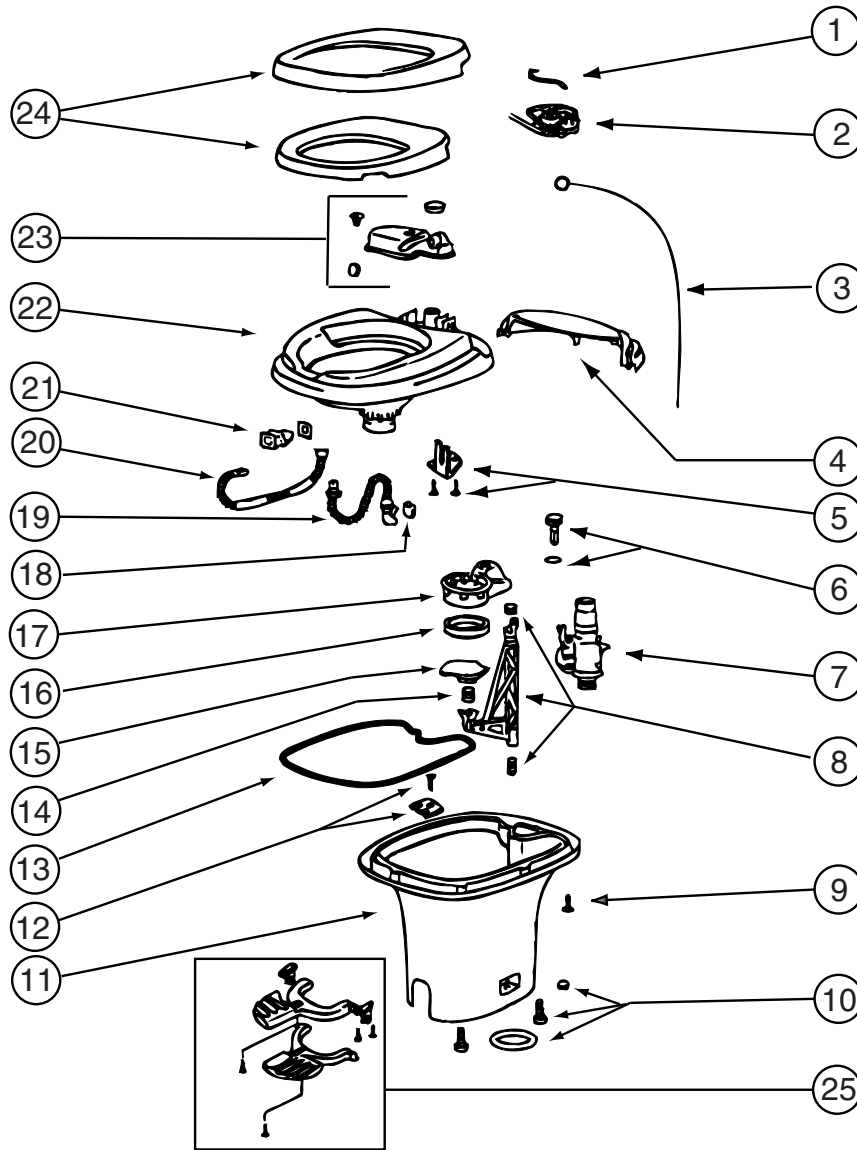
***COMPONENT PARTS LISTED LATER IN THIS GROUP**

WATER & SEWAGE GROUP (CONTINUED)
COMPONENT PARTS FOR DRAINAGE SYSTEM

062415-01-000

KEY	PART NUMBER	U/M	DESCRIPTION	VENDOR NO.
	062415-01-700	EA	STRING-SEWER CAP	V#SV7 STRAP

WATER & SEWAGE GROUP (CONTINUED)
COMPONENT PARTS FOR DRAINAGE SYSTEM (CONTINUED)



067487-04-000

KEY	PART NUMBER	U/M	DESCRIPTION	VENDOR NO.
2	063740-02-703	EA	KIT-LEVER/WIRE ASSM FOOT FL	24571
4	131932-02-701	EA	COVER -MECHANISM- WHITE	2086562
7	063740-01-714	EA	VALVE ASM (VALVE-BALL SEAL)	13168
10	063740-01-706	EA	BOLT PACKAGE-FLOOR FLANGE	12524THETFORD
15	063740-01-721	EA	BLADE ONLY	1248262
16	063740-01-722	EA	SEAL - BLADE	12481
20	063740-01-717	EA	TUBE-FLUSH	12509
23	063740-02-701	EA	RESERVOIR (TANK ASM.)	24630
24	131932-01-701	EA	SEAT/COVER ASSMBLY - WHITE	2464162
25	131932-02-702	EA	PEDAL PACKAGE(WHITE)	2082162

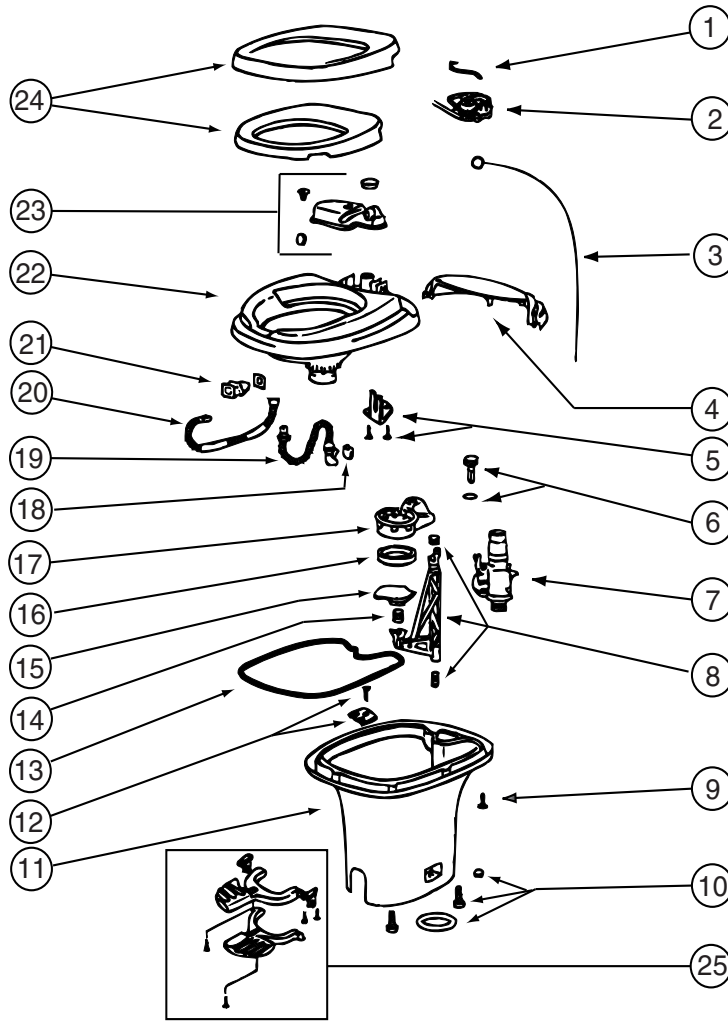
CONTACT WINNEBAGO PART SALES FOR UNLISTED COMPONENT

WATER & SEWAGE GROUP (CONTINUED)
COMPONENT PARTS FOR DRAINAGE SYSTEM (CONTINUED)

096927-01-02A

KEY	PART NUMBER	U/M	DESCRIPTION	VENDOR NO.
	096927-01-700	EA	SINK STOPPER	M9801
	096927-01-701	EA	TAILPIECE-DRAIN-LAVATORY	M9802

WATER & SEWAGE GROUP (CONTINUED)
COMPONENT PARTS FOR DRAINAGE SYSTEM (CONTINUED)

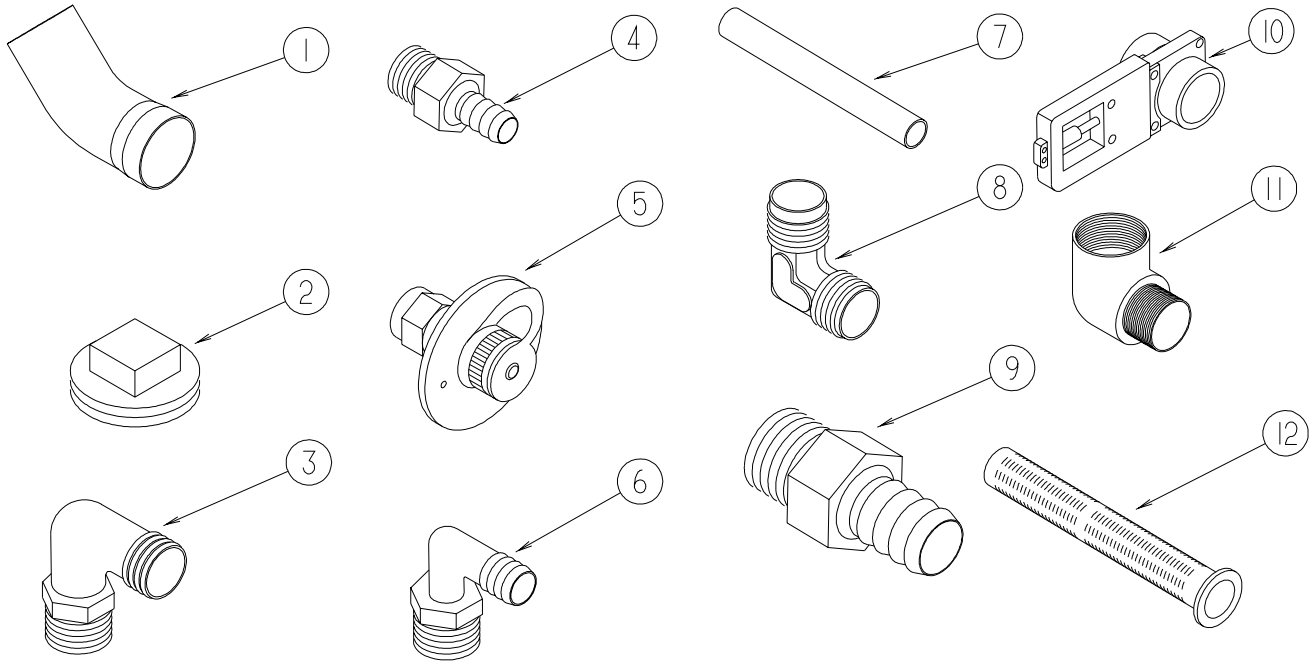


131932-02-02A

KEY	PART NUMBER	U/M	DESCRIPTION	VENDOR NO.
2	063740-02-703	EA	KIT-LEVER/WIRE ASSM FOOT FL	24571
4	131932-02-701	EA	COVER -MECHANISM- WHITE	2086562
7	063740-01-714	EA	VALVE ASM (VALVE-BALL SEAL)	13168
10	063740-01-706	EA	BOLT PACKAGE-FLOOR FLANGE	12524 THETFORD
15	063740-01-721	EA	BLADE ONLY	1248262
16	063740-01-722	EA	SEAL - BLADE	12481
23	063740-02-701	EA	RESERVOIR (TANK ASM.)	24630
24	131932-01-701	EA	SEAT/COVER ASSMBLY - WHITE	2464162
25	131932-02-702	EA	PEDAL PACKAGE(WHITE)	2082162

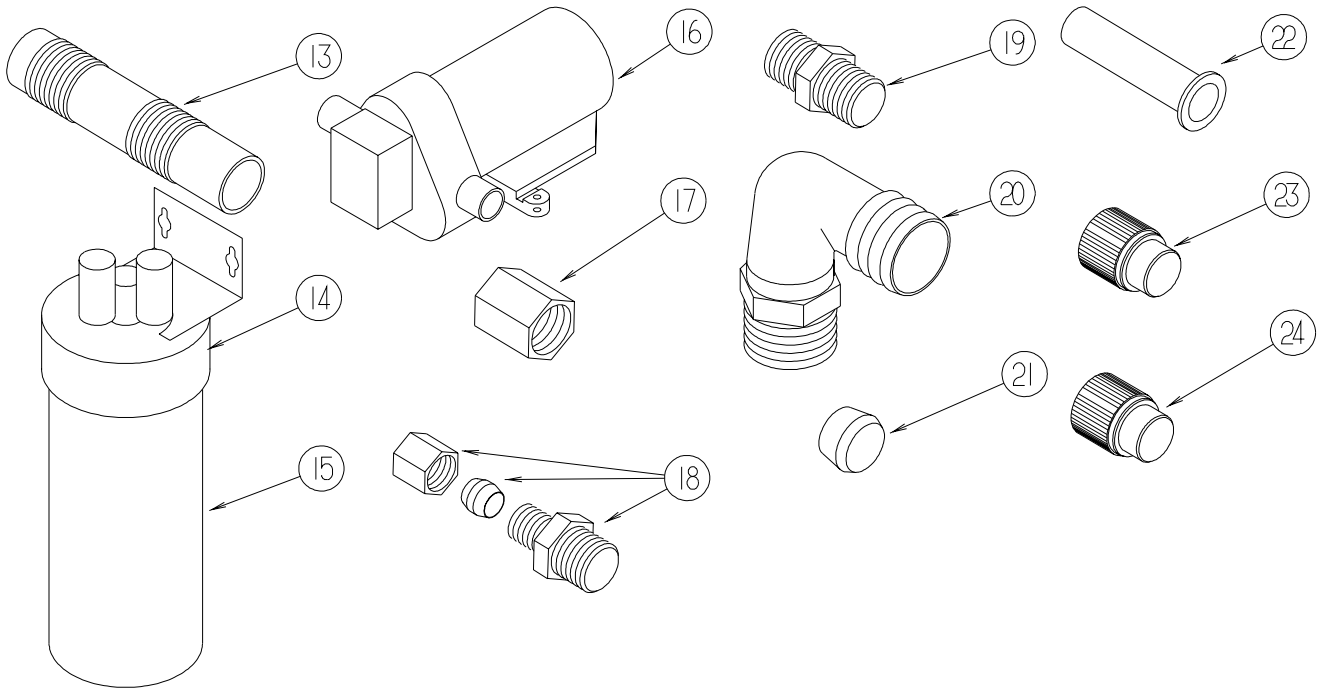
CONTACT WINNEBAGO PART SALES FOR UNLISTED COMPONENT

WATER & SEWAGE GROUP (CONTINUED)
WATER SYSTEM



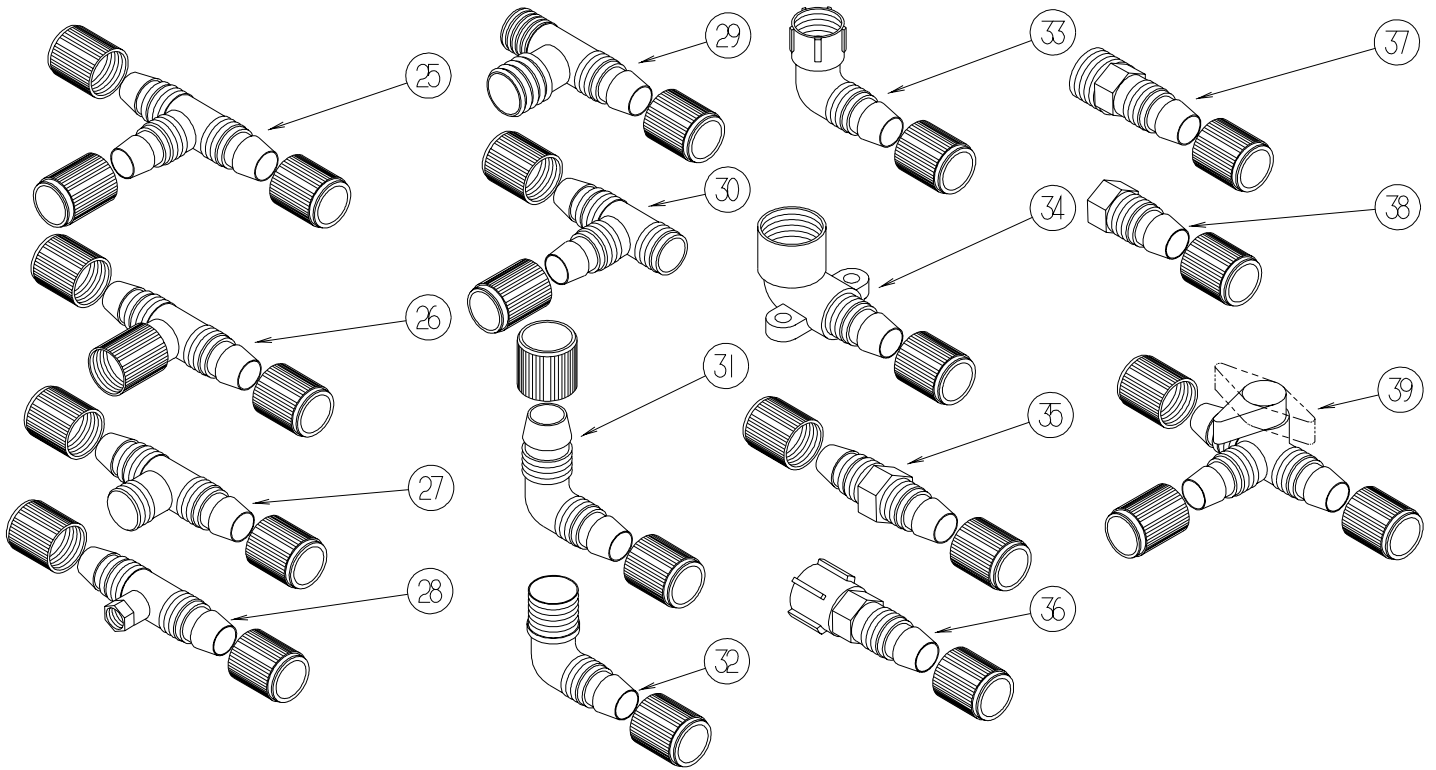
KEY	PART NUMBER	U/M	DESCRIPTION
1	010009-01-000	EA	ELBOW - 90 DEGREE - 1/4 BEND - 1 1/2" PLASTIC
2	010166-01-000	EA	PLUG/THREADED - 1 1/4"MPT - PLASTIC - BLACK - UL
3	010219-01-000	EA	ELBOW - 1 1/4 MPT X 1 1/4 BARB - WATER FILL - PLASTIC
4	010224-01-000	EA	ADAPTER - HOSE TO PIPE - 3/8 MPT X 3/8 BARB - PLASTIC
5	010230-06-000	EA	FILL - CITY WATER - W/CHECK VALVE - MPT - BRUSHED ALUM
6	035539-01-000	EA	ELBOW - 3/8 MPT X 3/8 BARB - PLASTIC
7	039800-04-000	FT	TUBING - POLYBUTYL - 1/4"OD
7	074462-02-000	FT	TUBING - VINYL - 3/8 ID X 20' - CLEAR
7	112176-01-000	FT	TUBING - VINYL - REINFORCED - 1/2" ID
7	124188-01-000	FT	TUBING - PEX - 1/2" ID X 20' - BLUE(COLD)
7	124188-02-000	FT	TUBING - PEX - 1/2" ID X 20' - RED(HOT)
8	039808-03-000	EA	ELBOW - 1/2" MPT X 1/2" MPT - PLASTIC
9	044927-01-000	EA	ADAPTER - HOSE TO PIPE-1 1/4 MPTX1 1/4 BARB-BLACK PLASTIC
10	062421-03-000	EA	VALVE/DUMP W/O HANDLE - 1 1/2" X 1 1/2" HUB
11	065318-02-000	EA	ELBOW - 90 DEGREE - 3/8" MPT TO 3/8" FPT
12	077954-02-000	EA	FILTER - WATER TANK - W/SCREEN IN TANK

WATER & SEWAGE GROUP (CONTINUED)
WATER SYSTEM (CONTINUED)



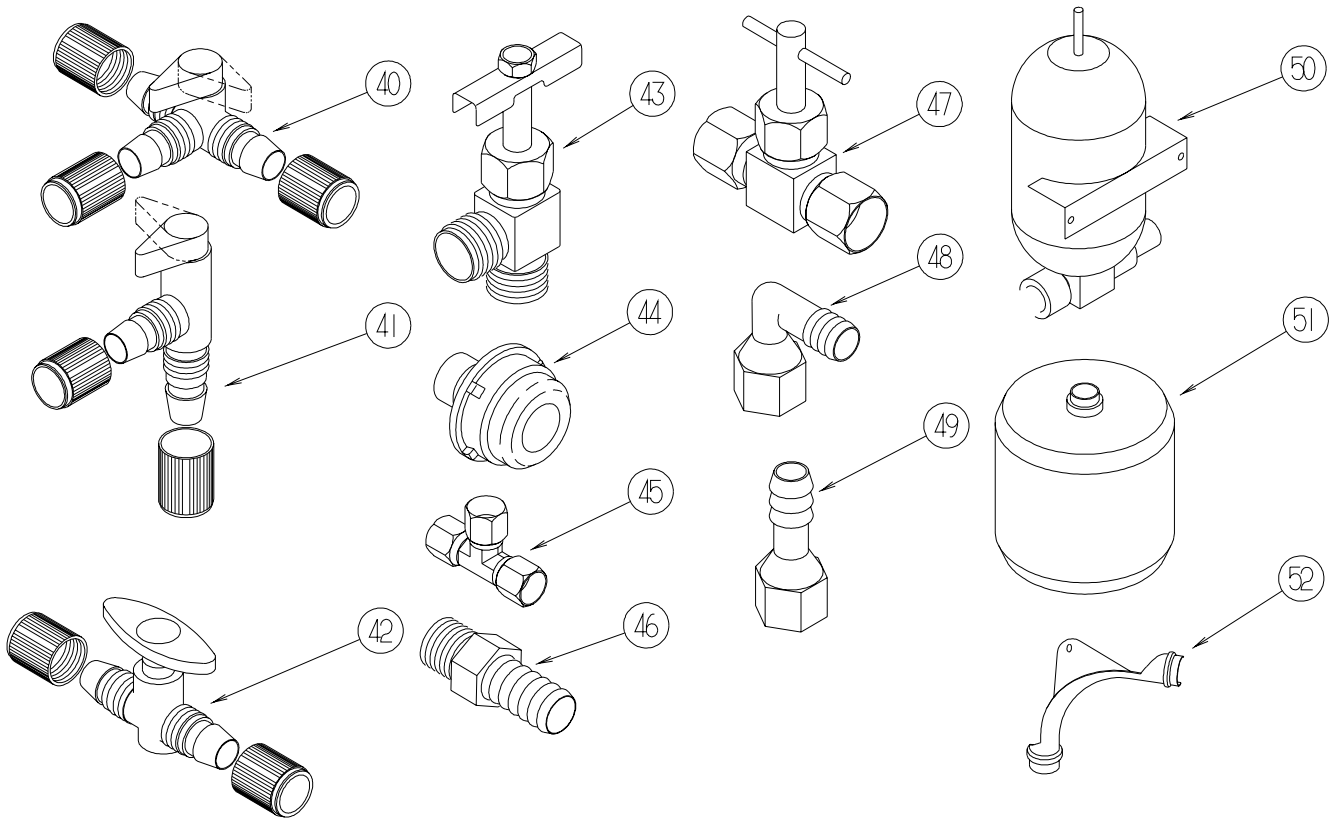
KEY	PART NUMBER	U/M	DESCRIPTION
13	079381-01-000	FT	TUBING - RIBBED FLEXIBLE - WATER FILL - 1.4" ID
14	087200-01-000	EA	FILTER-WATER PURIFICATION, EVERPURE QC2-AC
15	087200-02-000	EA	CARTRIDGE-WATER FILTER, AC - EVERPURE 9601-11
16*	098607-01-000	EA	PUMP - WATER - W/.5" MPT FITTING - FLOW 2.8 GPM
17	101814-01-000	EA	COUPLING - FEMALE - 1/2" X 1/2" FPT - GRAY
18	103798-01-000	EA	CONNECTOR - 1/4 OD X 3/8 MPT
19	110438-02-000	EA	VALVE - CHECK - BRASS - 1/2 MPT X 1/2 MPT
20	111223-02-000	EA	ELBOW - 1/2" MPT X 3/8" BARB - PLASTIC
20	111223-03-000	EA	ELBOW - 3/4" MPT X 1/2" BARB - PLASTIC
20	111223-04-000	EA	ELBOW - 1/2" MPT X 1/2" BARB - PLASTIC
21	111888-01-000	EA	FERRULE - PLASTIC - .250 ID X .375 OD
22	111888-02-000	EA	INSERT - BRASS - 1/4 COMP
23	113697-01-000	EA	CAP - 3/8"P
24	114427-01-000	EA	CAP - 1/2"P

WATER & SEWAGE GROUP (CONTINUED)
WATER SYSTEM (CONTINUED)



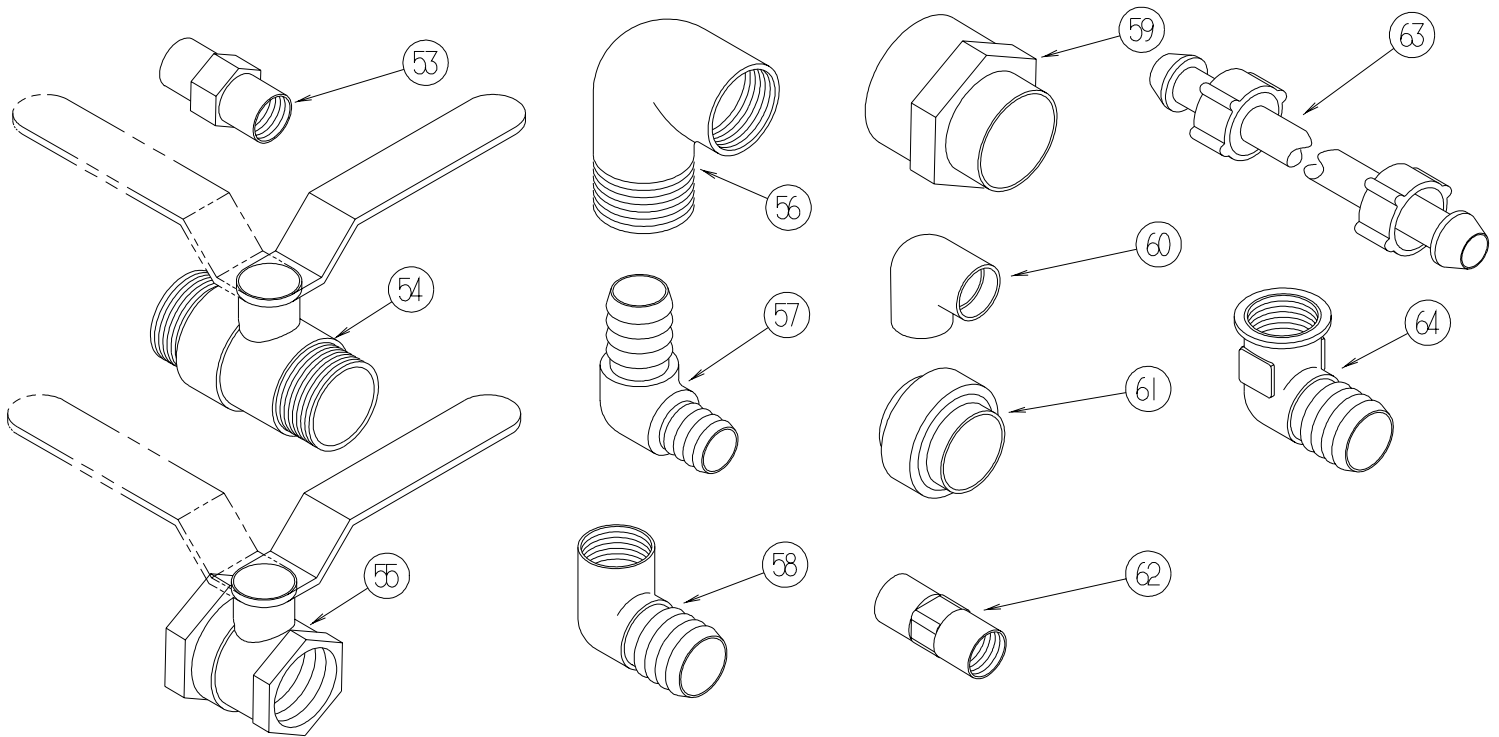
KEY	PART NUMBER	U/M	DESCRIPTION
25	114428-01-000	EA	TEE - 1/2"P X 1/2"P X 1/2"P
26	114428-02-000	EA	TEE - SWIVEL - 1/2"P X 1/2"P X 1/2"FPT
27	114428-03-000	EA	TEE - 1/2"P X 1/2"P X 1/2"MPT
28	114428-04-000	EA	TEE - 1/2"P X 1/2"P X 1/8"FPT
29	114428-06-000	EA	TEE - 1/2" P X 1/2" MPT X 1/2" MPT
30	114428-07-000	EA	TEE - 1/2" P X 1/2" MPT X 1/2" P
31	114429-01-000	EA	ELBOW - 1/2"P X 1/2"P
32	114429-02-000	EA	ELBOW - 1/2"P X 1/2"MPT
32	114429-04-000	EA	ELBOW - 1/2"P X 3/8"MPT
32	114429-05-000	EA	ELBOW - 1/2"P X 3/4"MPT
33	114429-03-000	EA	ELBOW - SWIVEL - 1/2"P X 1/2"FPT
33	114429-06-000	EA	ELBOW - SWIVEL - 1/2"P X 3/4"FPT
33	114429-08-000	EA	ELBOW - SWIVEL - 1/2"P X 1/2"FPT
34	114429-09-000	EA	ELBOW - 1/2"P X 1/2"FPT DROP EAR
35	114430-01-000	EA	ADAPTER - 1/2"P X 1/2"P
36	114430-02-000	EA	ADAPTER - SWIVEL - 1/2"P X 1/2"FPT
37	114430-03-000	EA	ADAPTER - 1/2"P X 1/2"MPT
38	114430-06-000	EA	ADAPTER - 1/2"P X 3/8"FPT
39	114431-01-000	EA	VALVE - 180 DEGREE/CENTER DRAIN - 1/2"P - THREE WAY

WATER & SEWAGE GROUP (CONTINUED)
WATER SYSTEM (CONTINUED)



KEY	PART NUMBER	U/M	DESCRIPTION
40	114431-02-000	EA	VALVE - WATER BYPASS - 1/2" P - THREE WAY (WATER HEATER)
41	114431-03-000	EA	VALVE - 90 DEGREE DRAIN - 1/2" P
42	114431-04-000	EA	VALVE - "INLINE SHUT-OFF" - 1/2" P
43	114431-05-000	EA	VALVE - NEEDLE - 1/8" MPT X 1/4" COMPRESSION (ICE MAKER)
44	114966-01-000	EA	FILTER - IN LINE - TWIST ON - 1/2"
45	118423-01-000	EA	FITTING - BRASS-TEE - 1/4" X 1/4" X 1/4"
46	118809-02-000	EA	ADAPTER - 1/2" MPT X 1/2" BARB - PLASTIC
47	120868-01-000	EA	VALVE - NEEDLE - 1/4" COMPRESSION X 1/4" COMPRESSION
48	123150-01-000	EA	ELBOW - 1/2 FPT X 1/2 BARB - SWIVEL
49	123152-01-000	EA	ADAPTER - 1/2 FPT X 1/2 BARB - SWIVEL
50	123243-01-000	EA	TANK - ACCUMULATOR - 24 OZ
51	123317-01-000	EA	TANK - ACCUMULATOR - 2 GALLON
52	124184-01-000	EA	SUPPORT - WATER LINE - BEND

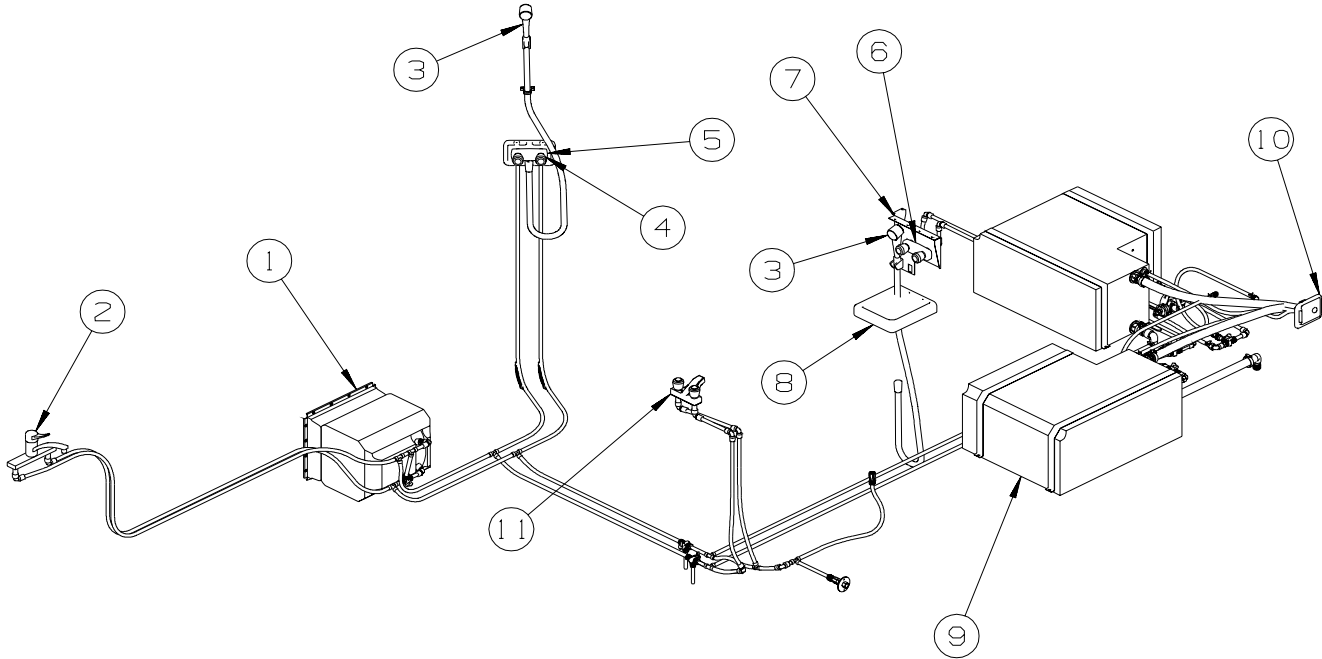
WATER & SEWAGE GROUP (CONTINUED)
WATER SYSTEM (CONTINUED)



KEY	PART NUMBER	U/M	DESCRIPTION
53	132148-01-000	EA	CONNECTOR - 1/2" X 1/2"MPT - BRASS
54	132483-01-000	EA	VALVE/BALL - 1" - THREADED ENDS
55	132483-02-000	EA	VALVE/BALL - 1/2" - BRASS - FPT
56	132484-01-000	EA	ELBOW - 90 DEGREE - 1MPT X 1FPT - PLASTIC
57	132781-01-000	EA	ELBOW - 1.3" BARB X 1.3" BARB - 90 DEGREE - PLASTIC
58	132782-01-000	EA	ELBOW - 1"FPT X 1.3" BARB - 90 DEGREE - PLASTIC
59	133835-01-000	EA	ADAPTER - REDUCING - 1 1/2" X 1 1/4"
60	133837-01-000	EA	ELBOW - 1 1/2" X 90 DEGREE - DOUBLE SLIP
61	133889-01-000	EA	UNION - 1 1/2 DOUBLE SLIP - PVC
62	135386-01-000	EA	NIPPLE - 1/2"
63	140821-01-000	EA	TUBE - WATER SUPPLY - 3/8" X 24"
63	140821-02-000	EA	TUBE - WATER SUPPLY - 3/8" X 30"
63	140821-03-000	EA	TUBE - WATER SUPPLY - 3/8" X 36"
63	140821-04-000	EA	TUBE - WATER SUPPLY - 3/8" X 48"
63	140821-05-000	EA	TUBE - WATER SUPPLY - 3/8" X 54"
63	140821-06-000	EA	TUBE - WATER SUPPLY - 3/8" X 60"
63	140821-07-000	EA	TUBE - WATER SUPPLY - 3/8" X 72"
64	142812-01-000	EA	ELBOW - BRASS - 1/2"MPT X 1/2"FPT

***COMPONENT PARTS LISTED LATER IN THIS GROUP**

WATER & SEWAGE GROUP (CONTINUED)
WATER SYSTEM (CONTINUED)



KEY	PART NUMBER	U/M	DESCRIPTION
1*	051391-03-000	EA	WATER HEATER GSA-8E ELECTRONIC IGNITION
1	052009-06-000	EA	DOOR - WATER HEATER - BRIGHT WHITE - 18" X 14.6"
2*	104114-05-01A	EA	FAUCET - GALLEY - SINGLE CONTROL - CHROME
3	131383-01-02A	EA	SHOWER HEAD - W/60" HOSE & BRACKET - WHITE - USA
3	131383-02-02A	EA	SHOWER HEAD - W/60" HOSE & BRACKET - CSA - WHITE - CANADIAN
4*	075241-04-000	EA	FAUCET - SHOWER/BRASS
5	075606-03-000	EA	PANEL - FAUCET SHOWER - SOFT WHITE
6*	075241-06-000	EA	FAUCET - SHOWER/BRIGHT WHITE - .5" MPT W/1.9" INLET PIPES
7	114416-03-02B	EA	BRACKET - SUPPORT,FAUCET, E-CT - *98 331WM/WT
8	114293-01-02A	EA	PAN - DRIP - EXTERIOR - BRIGHT WHITE
9	064214-21-000	EA	TANK/WATER - 31 GALLON - W/FITTINGS 24" X 12.8" X 30"
	042989-03-000	EA	FITTING - SPINWELD - 1 1/4"NPT - PLASTIC
	042989-04-000	EA	FITTING - SPINWELD - 3/8"FPT - PLASTIC
	042989-05-000	EA	FITTING - SPINWELD - 1/2"FPT - PLASTIC
	042989-08-000	EA	FITTING - SPINWELD - 1"FPT - PLASTIC
	049032-01-000	EA	PATCH - SPINWELD - 3/8" - PLASTIC
	062421-01-000	EA	TANK/WATER - 31 GALLON - W/O FITTINGS - 24" X 12.8" X 30"
10	137169-01-01A	EA	WATER FILL/GRAVITY - W/DOOR - W/O LOCK - BRIGHT WHITE
	137169-02-01A	EA	ADAPTER/LOCK - (WASHER) F/GRAVITY WATERFILL

LOCK ASM USED UP TO 09-15-02

110506-A3-000	EA	LOCK - KEYED
110506-52-000	EA	CASE/CYLINDER - LOCKING - W/O CAM/KEY - .65" - 702370
110506-52-001	EA	CASE/CYLINDER - LOCKING - W/O CAM/KEY - .65" - 702371
110506-52-002	EA	CASE/CYLINDER - LOCKING - W/O CAM/KEY - .65" - 702372
110506-52-003	EA	CASE/CYLINDER - LOCKING - W/O CAM/KEY - .65" - 702373
110506-52-004	EA	CASE/CYLINDER - LOCKING - W/O CAM/KEY - .65" - 702374
110506-52-005	EA	CASE/CYLINDER - LOCKING - W/O CAM/KEY - .65" - 702375
110506-52-006	EA	CASE/CYLINDER - LOCKING - W/O CAM/KEY - .65" - 702376
110506-52-007	EA	CASE/CYLINDER - LOCKING - W/O CAM/KEY - .65" - 702377
110506-52-008	EA	CASE/CYLINDER - LOCKING - W/O CAM/KEY - .65" - 702378
110506-52-009	EA	CASE/CYLINDER - LOCKING - W/O CAM/KEY - .65" - 702379
110506-77-000	EA	CAM - LOCK

WATER & SEWAGE GROUP (CONTINUED)
WATER SYSTEM (CONTINUED)

LOCK ASM USED FROM 09-15-02 THRU 01-19-03

138289-01-000	EA	CYLINDER - LOCKING
138289-02-000	EA	CYLINDER - LOCKING
138289-03-000	EA	CYLINDER - LOCKING
138289-04-000	EA	CYLINDER - LOCKING
138289-05-000	EA	CYLINDER - LOCKING
138289-06-000	EA	CYLINDER - LOCKING
138289-07-000	EA	CYLINDER - LOCKING
138289-08-000	EA	CYLINDER - LOCKING
138289-09-000	EA	CYLINDER - LOCKING
138289-10-000	EA	CYLINDER - LOCKING
138290-03-000	EA	CASE - W/CAM - W/O CYLINDER/KEY

KEY PART NUMBER U/M DESCRIPTION

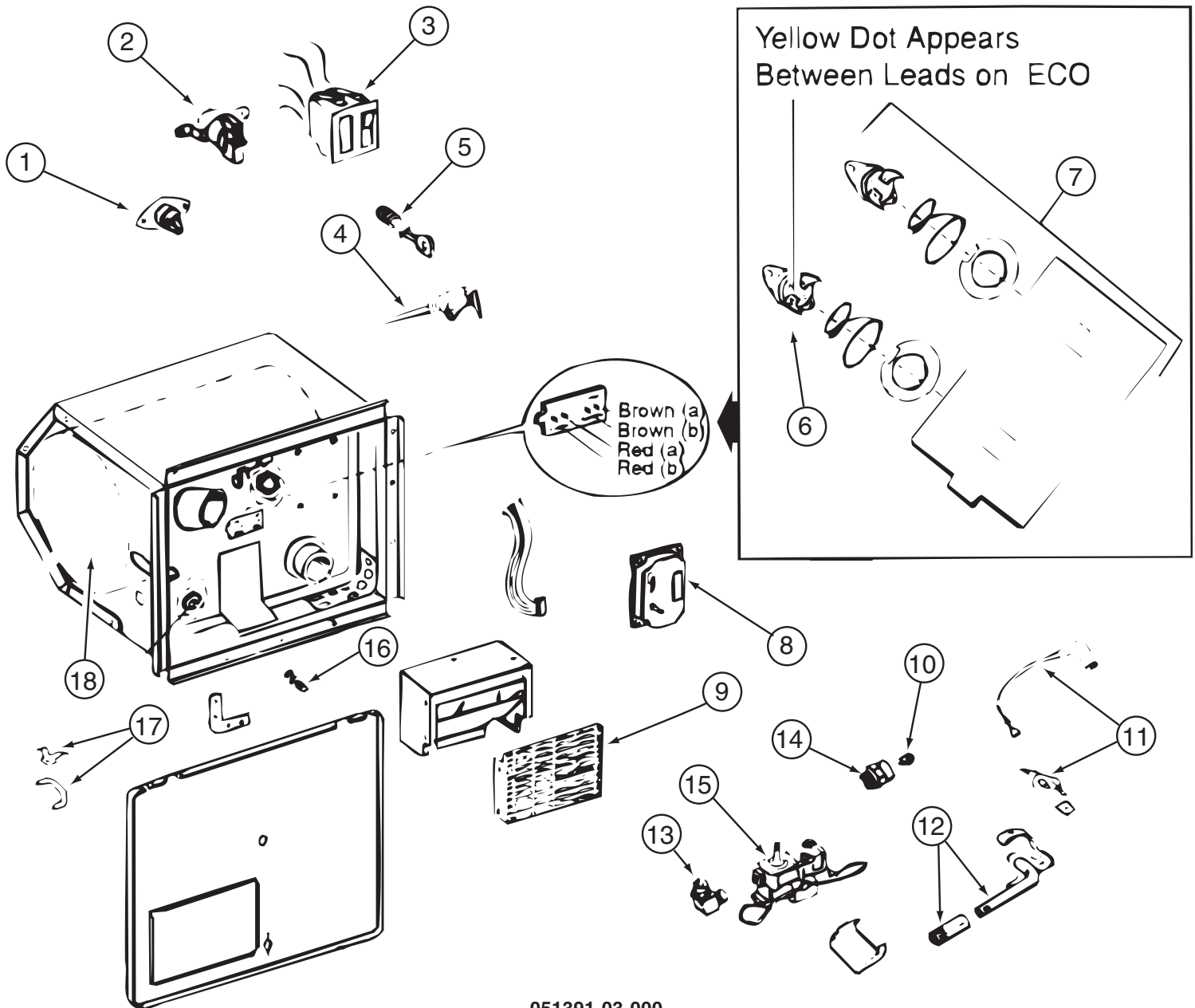
LOCK ASM USED FROM 01-20-02 THRU 99-99-99

138637-03-000	EA	LOCK ASM. - KEYED - .9" CASE (CYLINDER/CAM/HDWR PKG)
138637-52-000	EA	CASE/CYLINDER - LOCKING - W/O CAM/KEY - .9"
138637-52-001	EA	CASE/CYLINDER - LOCKING - W/O CAM/KEY - .9"
138637-52-002	EA	CASE/CYLINDER - LOCKING - W/O CAM/KEY - .9"
138637-52-003	EA	CASE/CYLINDER - LOCKING - W/O CAM/KEY - .9"
138637-52-004	EA	CASE/CYLINDER - LOCKING - W/O CAM/KEY - .9"
138637-52-005	EA	CASE/CYLINDER - LOCKING - W/O CAM/KEY - .9"
138637-52-006	EA	CASE/CYLINDER - LOCKING - W/O CAM/KEY - .9"
138637-52-007	EA	CASE/CYLINDER - LOCKING - W/O CAM/KEY - .9"
138637-52-008	EA	CASE/CYLINDER - LOCKING - W/O CAM/KEY - .9"
138637-52-009	EA	CASE/CYLINDER - LOCKING - W/O CAM/KEY - .9"
138637-62-000	EA	CAM - LATCHING - DOG LEG - 1" LONG

11* 075240-05-000 EA FAUCET - LAVATORY/BRASS - W/CLEAR KNOBS

***COMPONENT PARTS LISTED LATER IN THIS GROUP**

WATER & SEWAGE GROUP (CONTINUED)
COMPONENT PARTS FOR WATER SYSTEM



051391-03-000

KEY	PART NUMBER	U/M	DESCRIPTION	VENDOR NO.
3	051393-01-701	EA	SWITCH - REMOTE - W/LIGHT	91959
4	051391-01-704	EA	VALVE-RELIEF, 1/2" FITTING	91604
5	051391-01-705	EA	FASTENER-CAMLOCK	92609
6	051391-04-701	EA	THERMOSTAT 12V DC-120 PRESET	91470
7	051393-01-721	EA	THERMOSTAT W/ECO, 140 FRT MT	91447
9	051391-04-707	EA	KIT-EXHAUST, (FLUE & GASKET)	90960
10	051391-01-710	EA	ORIFICE-MAIN BURNER	92742
12	051391-04-703	EA	BURNER-MAIN/ELECTRONIC	91638
13	051391-01-714	EA	FITTING-ELBOW 45,3/8F X 3/8	MPT 1044
14	051391-03-700	EA	HOLDER-ORIFICE	91563
16	051391-01-715	EA	PLUG-DRAIN, 1 EA = 2 PER PKG	91857
17	051391-01-700	EA	HINGE KIT, (PIN & CLIP)	92568&92559
18	051391-04-706	EA	TANK-INNER,G6A-4E&6E FRT. MT	91641
	051391-01-717	EA	GRILLE-WATER HEATER DOOR	92640
	051393-01-723	EA	SWITCH - THERMAL CUTOUT 2/PK	93866
	051393-01-724	EA	BOARD-CIRCUIT, SPADE TERMINAL	93865
	051393-01-725	EA	ELECTRODE-SGL SPADE CONNECT.	93868
	051393-01-726	EA	VALVE-SOLENOID, W/O BRACKET	93870
	111129-01-711	EA	BRACKET-CORNER, SET OF FOUR	91928

CONTACT WINNEBAGO PARTS SALES FOR UNLISTED COMPONENTS

WATER & SEWAGE GROUP (CONTINUED)
COMPONENT PARTS FOR WATER SYSTEM (CONTINUED)

075241-04-000, 075241-05-000, 075241-06-000

KEY	PART NUMBER	U/M	DESCRIPTION	VENDOR NO.
	075240-05-700	EA	CARTRIDGE - WASHERLESS	9-P42

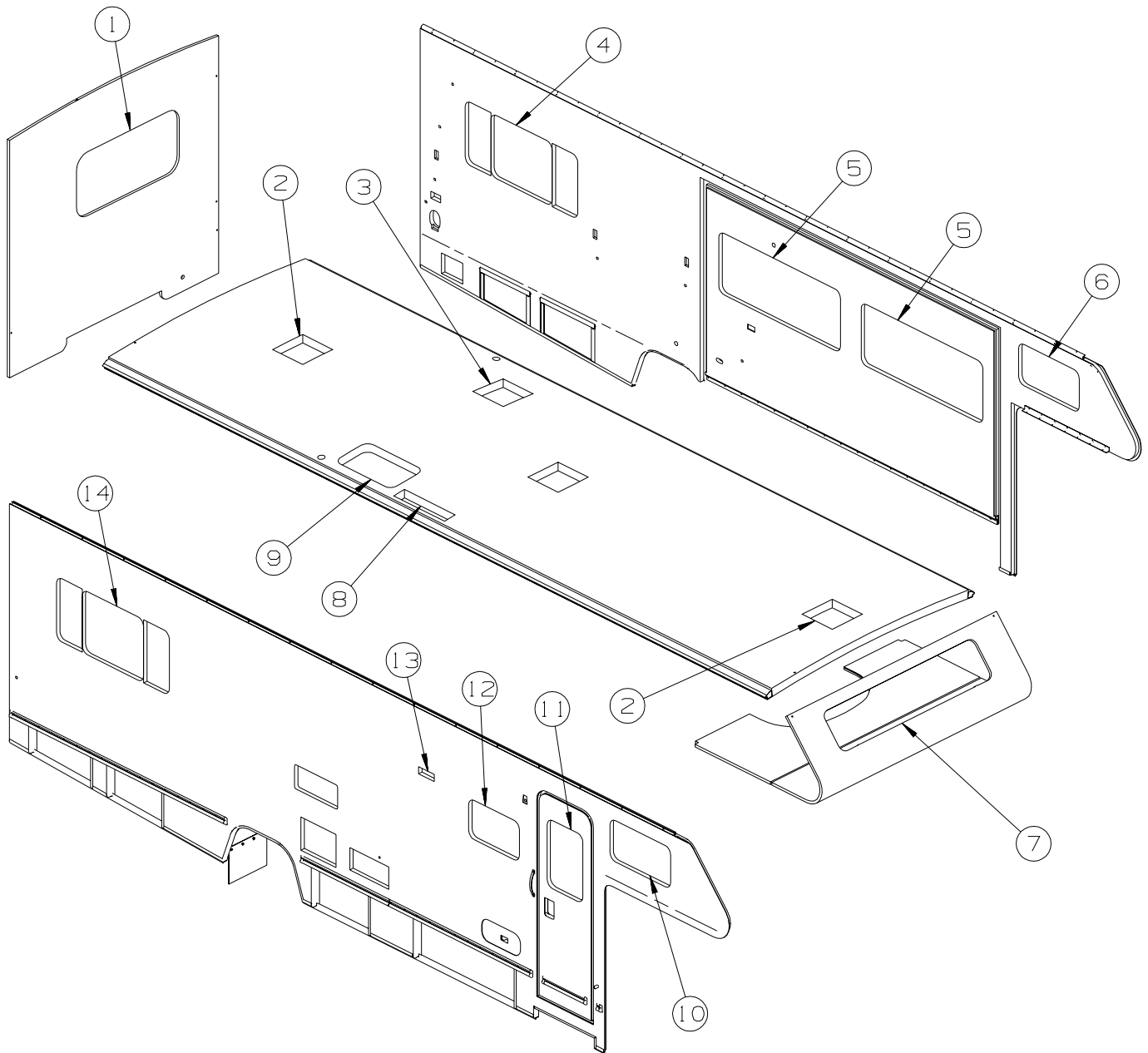
098607-01-000

KEY	PART NUMBER	U/M	DESCRIPTION	VENDOR NO.
	098607-01-702	EA	DIAPHRAGM/DRIVE ASSEMBLY KIT	94-238-04
	098607-01-703	EA	VALVE KIT	94-232-00
	098607-01-705	EA	VALVE-CHECK, KIT	94-237-00
	098607-01-706	EA	HOUSING, W/SWITCH ONLY	94-231-20
	098607-01-707	EA	MOTOR W/BASEPLATE	11-148-04

104114-05-01A

KEY	PART NUMBER	U/M	DESCRIPTION	VENDOR NO.
	104114-05-700	EA	CARTRIDGE- REPAIR KIT	6-N1201-5-0WB

WINDOWS & VENTS GROUP WINDOW & VENT LAYOUT



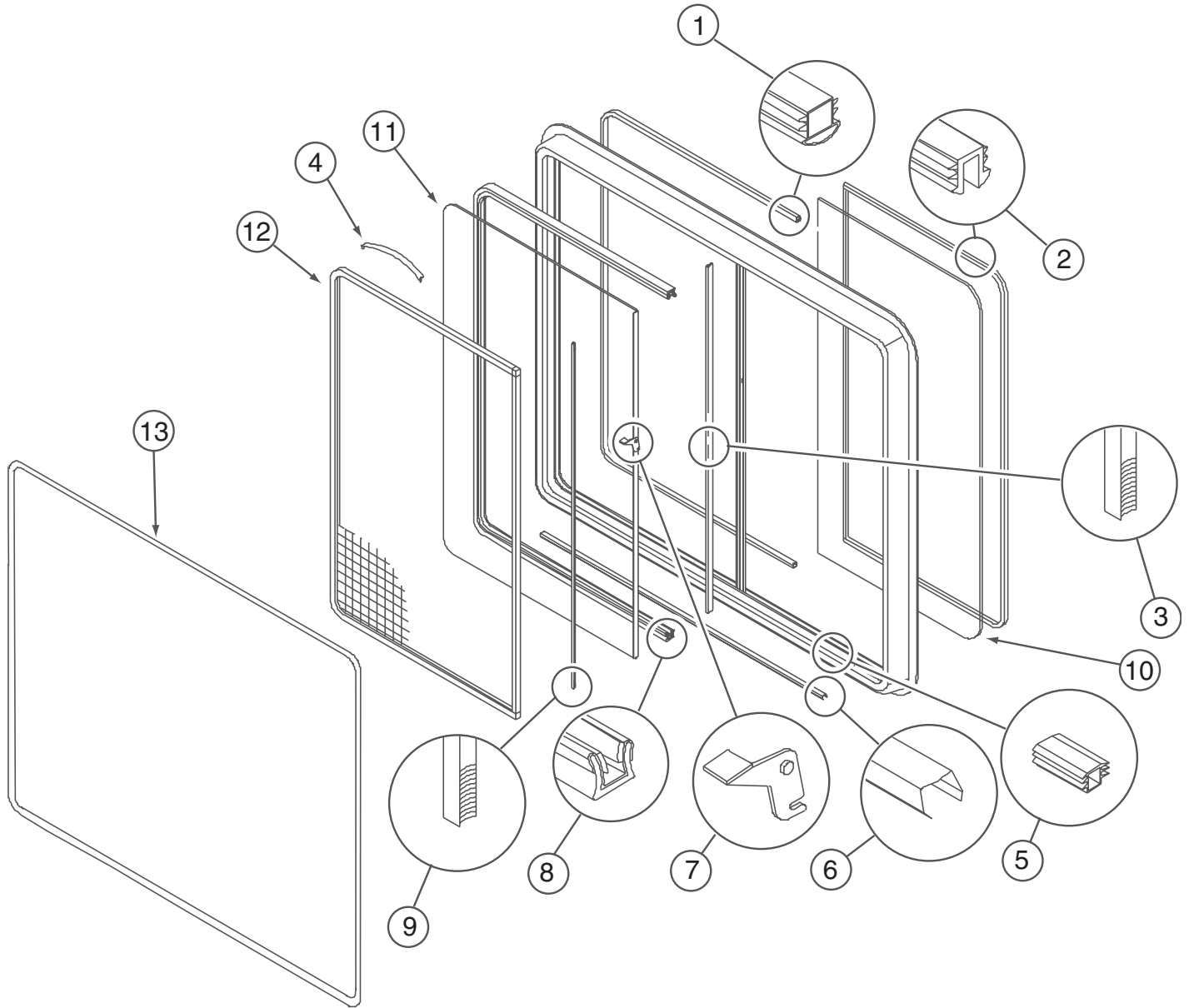
KEY	PART NUMBER	U/M	DESCRIPTION
1	078528-07-F15	EA	WINDOW - ESCAPE W/O INSIDE TRIM - CLEAR - 24.5" X 48.5"
	002282-09-000	EA	WEATHERSTRIP - WINDOW - .125" X 130.5" - BLACK
	002285-01-000	FT	FILLER - WEATHERSTRIP - RUBBER - BLACK
	076337-13-000	EA	GLASS - EGRESS - 45.5" X 21.5"
1	074816-16-000	EA	FRAME - WINDOW - INSIDE ESCAPE - BLACK
1*	113502-09-01A	EA	WINDOW - REAR/ESCAPE - THERMO/EUROPEAN - 24.7" X 48.7" - DUAL PANE
2*	122882-01-01A	EA	VENT - ROOF - NONPOWERED - W/O INSIDE GARNISH - NON POWERED
	009440-01-000	EA	GEAR/ARM - LIFT - ROOF VENT COVER
	122882-07-01A	EA	GARNISH - ROOF VENT - 2.5" TO 4.1"
3*	122882-02-01A	EA	VENT - ROOF - W/FAN - W/O INSIDE GARNISH - UL - U.S. - POWER VENT
3*	122882-03-01A	EA	VENT - ROOF - W/FAN - W/O INSIDE GARNISH - CSA - CANADIAN - POWER VENT
	009440-01-000	EA	GEAR/ARM - LIFT - ROOF VENT COVER
	048648-01-000	EA	MOTOR - ROOF VENT - 1/8 SHAFT - 12VOLT
	048649-01-000	EA	FAN BLADE - ROOF VENT - 6 BLADES - 6"
	122882-07-01A	EA	GARNISH - ROOF VENT - 2.5" TO 4.1"
4*	098647-30-02A	EA	WINDOW - DRIVER HORIZ SLIDER W/TRIM - CLEAR - 24.2" X 41"
4*	129929-11-01A	EA	WINDOW - TORQUE - THERMO - 40.9" X 24.2" - DUAL PANE

WINDOW & VENTS GROUP (CONTINUED)
WINDOW & VENT LAYOUT (CONTINUED)

KEY	PART NUMBER	U/M	DESCRIPTION
5*	098647-47-02A	EA	WINDOW - DRVR HORIZ SLIDER TINTED W/RETAINER-57.4" X 23.6"
5*	112795-77-01A	EA	WINDOW - DRIVER HORIZONTAL SLIDER - THERMO - 57.4" X 23.6" - DUAL PANE
6*	098647-32-02A	EA	WINDOW - DRIVER HORIZ SLIDER W/TRIM - CLEAR - 15.7"X 28.5"
6*	112795-73-01A	EA	WINDOW - DRIVER HORIZONTAL SLIDER - THERMO - 28.7" X 15.7" - DUAL PANE
7	103313-04-P07	EA	WINDOW - PICTURE - 14.3" X 71"
	002181-33-000	EA	GLASS - PICTURE WINDOW - 70.9"W X 14.2"H
	099154-01-000	FT	CHANNEL - GLAZING - STATIONARY GLASS - .62" X .45" - BLK
	103312-04-01A	EA	FRAME-WINDOW,PICTURE BLK
7	115630-04-01A	EA	WINDOW - STATIONARY/THERMO - 15.2" X 72" - BLACK I/S TRIM - DUAL PANE
8	084073-04-000	EA	BASE/VENT - ROOF/REFRIGERATOR - BLACK - NORCOLD
8	084073-07-000	EA	CAP - ROOF/REFRIGERATOR VENT - 10" X 32" - BRIGHT WHITE
9	122192-01-02A	EA	PANEL - SKYLITE - OUTER - 18.6" X 30" BASE MEASUREMENTS FROM: 00-00-00 THRU: 04-18-02
9	138379-02-01A	EA	PANEL/SKYLIGHT OTR - RECT/4"H CTR DOME-18.4" X 29.5 - WHT FROM: 04-19-02 THRU: 99-99-99
9	138372-01-12B	EA	TRIM - CORNER - SKYLIGHT - BRIGHT WHITE FROM: 04-19-02 THRU: 99-99-99
9	122193-01-02A	EA	PANEL - SKYLITE - INNER
10*	098647-31-02A	EA	WINDOW - PASS HORIZ SLIDER W/TRIM - CLEAR - 15.7" X 28.5"
10*	112795-72-01A	EA	WINDOW - PASSENGER HORIZ SLIDER - THERMO - 28.5" X 15.7" - DUAL PANE
11	117053-04-FB1	EA	WINDOW - PICTURE - CLEAR - 17" X 26.4" - W/O RETAINER
	002181-27-000	EA	GLASS - PICTURE WINDOW - 25.8"W X 16.4"H - CLEAR
	087561-01-000	FT	SEAL - GLASS - EXTERIOR - .5" WIDE - VINYL BLACK
11	117054-02-02A	EA	RETAINER - TRIM - BRIGHT WHITE
11*	113733-10-01A	EA	WINDOW - STATIONARY - THERMO/EUROPEAN - 26.3" X 17" - DUAL PANE
12*	098647-49-02A	EA	WINDOW - PASSENGER HORIZONTAL SLIDER W/RET - 15.7" X 23.7"
12*	112795-78-01A	EA	WINDOW - PASSENGER HORIZ SLIDER - THERMO - 23.7" X 15" - DUAL PANE
13	084616-07-000	EA	SHROUD - EXHAUST VENT/RANGE HOOD - BRIGHT WHITE
13	084878-09-000	EA	VENT - EXHAUST/RANGE HOOD - OFF WHITE
14*	098647-29-02A	EA	WINDOW - PASS HORIZ SLIDER W/TRIM - CLEAR - 24.2" X 41"
14*	129929-11-01A	EA	WINDOW - TORQUE - THERMO - 40.9" X 24.2" - DUAL PANE

*COMPONENT PARTS LISTED LATER IN THIS GROUP

WINDOWS & VENTS GROUP (CONTINUED)
COMPONENT PARTS FOR WINDOW & VENT LAYOUT



098647-29-02A

KEY	PART NUMBER	U/M	DESCRIPTION	VENDOR NO.
1	098644-01-716	FT	PLUG - FILLER	132-014470
2	098644-01-705	FT	GLAZING - STRIP	132-010231
3	098644-01-706	FT	WEATHERSTRIP - GLASS	171-010668
4	098644-01-713	EA	CLIP - SCREEN - METAL	226-016966
4	125582-01-701	EA	CLIP - SCREEN - PLASTIC	130-005153
5	098644-01-719	EA	STOP - SLIDER GLASS	132-014203
6	098644-01-710	FT	TRACK - SCREEN SPACER 12'	132-017135
7	098644-01-700	EA	LATCH - REPAIR KIT (BLACK)	B801-CK
8	098644-01-708	FT	CHANNEL - RUN PIERCED	122-016543
9	098644-01-711	FT	WEATHERSTRIP - SCREEN BLACK	171-016965
10	098647-29-702	EA	GLASS - STATIONARY	096-019295
11	098647-29-703	EA	GLASS-SLIDING W/SASH & LATCH	H172-C8
12	098647-29-704	EA	SCREEN ASM - W/SEALS & CLIPS	410-018864
13	098647-29-705	EA	RETAINER - TRIM	CH04-66
	098644-01-717	FT	SPLINE - SCREEN	132-004716

WINDOWS & VENTS GROUP (CONTINUED)
COMPONENT PARTS FOR WINDOW & VENT LAYOUT (CONTINUED)

098647-30-02A

KEY	PART NUMBER	U/M	DESCRIPTION	VENDOR NO.
1	098644-01-716	FT	PLUG - FILLER	132-014470
2	098644-01-705	FT	GLAZING - STRIP	132-010231
3	098644-01-706	FT	WEATHERSTRIP - GLASS	171-010668
4	098644-01-713	EA	CLIP - SCREEN - METAL	226-016966
4	125582-01-701	EA	CLIP - SCREEN - PLASTIC	130-005153
5	098644-01-719	EA	STOP - SLIDER GLASS	132-014203
6	098644-01-710	FT	TRACK - SCREEN SPACER 12'	132-017135
7	098644-01-700	EA	LATCH - REPAIR KIT (BLACK)	B801-CK
8	098644-01-708	FT	CHANNEL - RUN PIERCED	122-016543
9	098644-01-711	FT	WEATHERSTRIP - SCREEN BLACK	171-016965
10	098647-29-702	EA	GLASS - STATIONARY	096-019295
11	098647-29-703	EA	GLASS-SLIDING W/SASH & LATCH	H172-C8
12	098647-29-704	EA	SCREEN ASM - W/SEALS & CLIPS	410-018864
13	098647-29-705	EA	RETAINER - TRIM	CH04-66
	098644-01-717	FT	SPLINE - SCREEN	132-004716

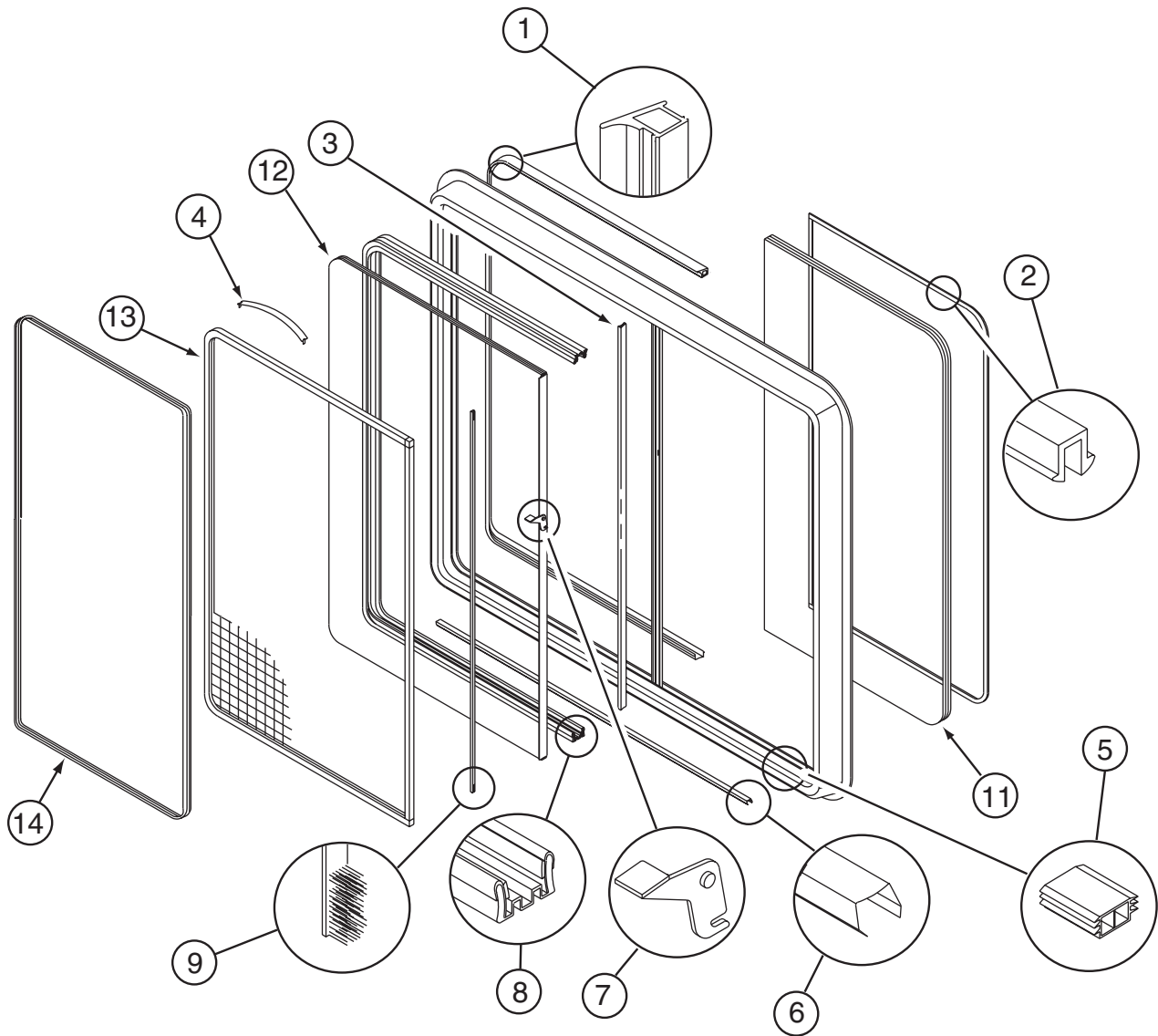
098647-31-02A

KEY	PART NUMBER	U/M	DESCRIPTION	VENDOR NO.
1	098644-01-716	FT	PLUG - FILLER	132-014470
2	098644-01-705	FT	GLAZING - STRIP	132-010231
3	098644-01-706	FT	WEATHERSTRIP - GLASS	171-010668
4	098644-01-713	EA	CLIP - SCREEN - METAL	226-016966
4	125582-01-701	EA	CLIP - SCREEN - PLASTIC	130-005153
5	098644-01-719	EA	STOP - SLIDER GLASS	132-014203
6	098644-01-710	FT	TRACK - SCREEN SPACER 12'	132-017135
7	098644-01-700	EA	LATCH - REPAIR KIT (BLACK)	B801-CK
8	098644-01-708	FT	CHANNEL - RUN PIERCED	122-016543
9	098644-01-711	FT	WEATHERSTRIP - SCREEN BLACK	171-016965
10	098647-31-702	EA	GLASS - STATIONARY	096-019299
11	098647-31-703	EA	GLASS-SLIDING W/SASH & LATCH	H425-C8
12	098647-31-704	EA	SCREEN ASM - W/SEALS & CLIPS	410-019128
13	098647-31-705	EA	RETAINER - TRIM	CH29-66
	098644-01-717	FT	SPLINE - SCREEN	132-004716

098647-32-02A

KEY	PART NUMBER	U/M	DESCRIPTION	VENDOR NO.
1	098644-01-716	FT	PLUG - FILLER	132-014470
2	098644-01-705	FT	GLAZING - STRIP	132-010231
3	098644-01-706	FT	WEATHERSTRIP - GLASS	171-010668
4	098644-01-713	EA	CLIP - SCREEN - METAL	226-016966
4	125582-01-701	EA	CLIP - SCREEN - PLASTIC	130-0
5	098644-01-719	EA	STOP - SLIDER GLASS	132-014203
6	098644-01-710	FT	TRACK - SCREEN SPACER 12'	132-017135
7	098644-01-700	EA	LATCH - REPAIR KIT (BLACK)	B801-CK
8	098644-01-708	FT	CHANNEL - RUN PIERCED	122-016543
9	098644-01-711	FT	WEATHERSTRIP - SCREEN BLACK	171-016965
10	098647-31-702	EA	GLASS - STATIONARY	096-019299
11	098647-31-703	EA	GLASS-SLIDING W/SASH & LATCH	H425-C8
12	098647-31-704	EA	SCREEN ASM - W/SEALS & CLIPS	410-019128
13	098647-31-705	EA	RETAINER - TRIM	CH29-66
	098644-01-717	FT	SPLINE - SCREEN	132-004716

WINDOWS & VENTS GROUP (CONTINUED)
COMPONENT PARTS FOR WINDOW & VENT LAYOUT (CONTINUED)



098647-47-02A

KEY	PART NUMBER	U/M	DESCRIPTION	VENDOR NO.
1	098644-01-716	FT	PLUG - FILLER	132-014470
2	098644-01-705	FT	GLAZING - STRIP	132-010231
3	098644-01-706	FT	WEATHERSTRIP - GLASS	171-010668
4	098644-01-713	EA	CLIP - SCREEN - METAL	226-016966
4	125582-01-701	EA	CLIP - SCREEN - PLASTIC	130-0
5	098644-01-719	EA	STOP - SLIDER GLASS	132-014203
6	098644-01-710	FT	TRACK - SCREEN SPACER 12'	132-017135
7	098644-01-700	EA	LATCH - REPAIR KIT (BLACK)	B801-CK
8	098644-01-708	FT	CHANNEL - RUN PIERCED	122-016543
9	098644-01-711	FT	WEATHERSTRIP - SCREEN BLACK	171-016965
10	098647-47-700	EA	GLASS - STATIONARY	106-025224
11	098647-47-701	EA	GLASS-SLIDING W/SASH & LATCH	H493-G9
12	098647-47-702	EA	SCREEN ASM - W/SEALS & CLIPS	410-025226
13	098647-47-704	EA	RETAINER - TRIM	H493-66
	098644-01-717	FT	SPLINE - SCREEN	132-004716

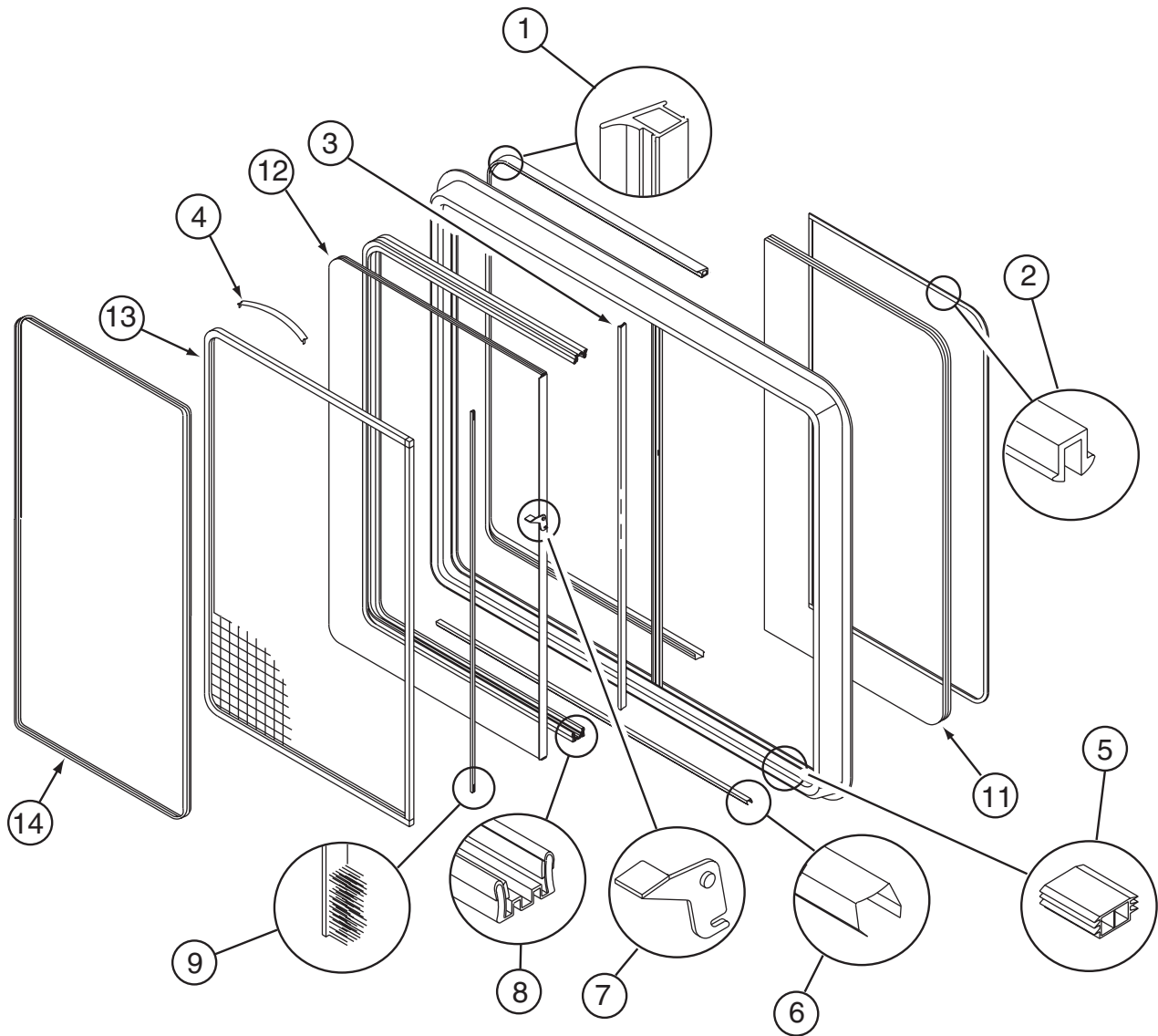
WINDOWS & VENTS GROUP (CONTINUED)
COMPONENT PARTS FOR WINDOW & VENT LAYOUT (CONTINUED)

098647-49-02A

KEY	PART NUMBER	U/M	DESCRIPTION	VENDOR NO.
1	098644-01-716	FT	PLUG - FILLER	132-014470
2	098644-01-705	FT	GLAZING - STRIP	132-010231
3	098644-01-706	FT	WEATHERSTRIP - GLASS	171-010668
4	098644-01-713	EA	CLIP - SCREEN - METAL	226-016966
4	125582-01-701	EA	CLIP - SCREEN - PLASTIC	130-0
5	098644-01-719	EA	STOP - SLIDER GLASS	132-014203
6	098644-01-710	FT	TRACK - SCREEN SPACER 12'	132-017135
7	098644-01-700	EA	LATCH - REPAIR KIT (BLACK)	B801-CK
8	098644-01-708	FT	CHANNEL - RUN PIERCED	122-016543
9	098644-01-711	FT	WEATHERSTRIP - SCREEN BLACK	171-016965
10	098647-49-700	EA	GLASS - STATIONARY	096-012066
11	098647-49-701	EA	GLASS-SLIDING W/SASH & LATCH	B969-G8
12	112795-56-702	EA	SCREEN ASM - W/SEALS & CLIPS	410-019414
13	098647-49-702	EA	RETAINER - TRIM	H969-66
	098644-01-717	FT	SPLINE - SCREEN	132-004716

CONTACT WINNEBAGO PART SALES FOR UNLISTED COMPONENTS

WINDOWS & VENTS GROUP (CONTINUED)
COMPONENT PARTS FOR WINDOW & VENT LAYOUT (CONTINUED)



112795-72-01A

KEY	PART NUMBER	U/M	DESCRIPTION	VENDOR NO.
1	112795-01-704	FT	PLUG FILLER (DOUBLE GLAZED)	122-018737
2	112795-01-705	FT	VINYL - GLAZING	132-025736
3	098644-01-706	FT	WEATHERSTRIP - GLASS	171-010668
4	098644-01-713	EA	CLIP - SCREEN - METAL	226-016966
4	125582-01-701	EA	CLIP - SCREEN - PLASTIC	130-005153
	098644-01-717	FT	SPLINE - SCREEN	132-004716
5	112795-01-701	EA	SLIDE-STOP	132-019092
6	098644-01-710	FT	TRACK - SCREEN SPACER 12'	132-017135
7	112795-01-700	EA	LATCH ASM., BLK.,(BOLT ON)	DH287-CK
8	112795-01-703	IN	CHANNEL-RUN (INCHES)	122-018736
9	098644-01-711	FT	WEATHERSTRIP - SCREEN BLACK	171-016965
11	112795-72-700	EA	GLASS - STATIONARY	390-028307
12	112795-72-701	EA	GLASS - SLIDING W/SASH LATCH	DC29-G8
13	098647-31-704	EA	SCREEN ASSY - W/SEAL & CLIPS	410-019128
14	098647-31-705	EA	RETAINER - TRIM	CH29-66

WINDOWS & VENTS GROUP (CONTINUED)
COMPONENT PARTS FOR WINDOW & VENT LAYOUT (CONTINUED)

112795-73-01A

KEY	PART NUMBER	U/M	DESCRIPTION	VENDOR NO.
1	112795-01-704	FT	PLUG FILLER (DOUBLE GLAZED)	122-018737
2	112795-01-705	FT	VINYL - GLAZING	132-025736
3	098644-01-706	FT	WEATHERSTRIP - GLASS	171-010668
4	098644-01-713	EA	CLIP - SCREEN - METAL	226-016966
4	125582-01-701	EA	CLIP - SCREEN - PLASTIC	130-005153
	098644-01-717	FT	SPLINE - SCREEN	132-004716
5	112795-01-701	EA	SLIDE-STOP	132-019092
6	098644-01-710	FT	TRACK - SCREEN SPACER 12'	132-017135
7	112795-01-700	EA	LATCH ASM., BLK.,(BOLT ON)	DH287-CK
8	112795-01-703	IN	CHANNEL-RUN (INCHES)	122-018736
9	098644-01-711	FT	WEATHERSTRIP - SCREEN BLACK	171-016965
11	112795-72-700	EA	GLASS - STATIONARY	390-028307
12	112795-72-701	EA	GLASS - SLIDING W/SASH LATCH	DC29-G8
13	098647-31-704	EA	SCREEN ASSY - W/SEAL & CLIPS	410-019128
14	098647-31-705	EA	RETAINER - TRIM	CH29-66

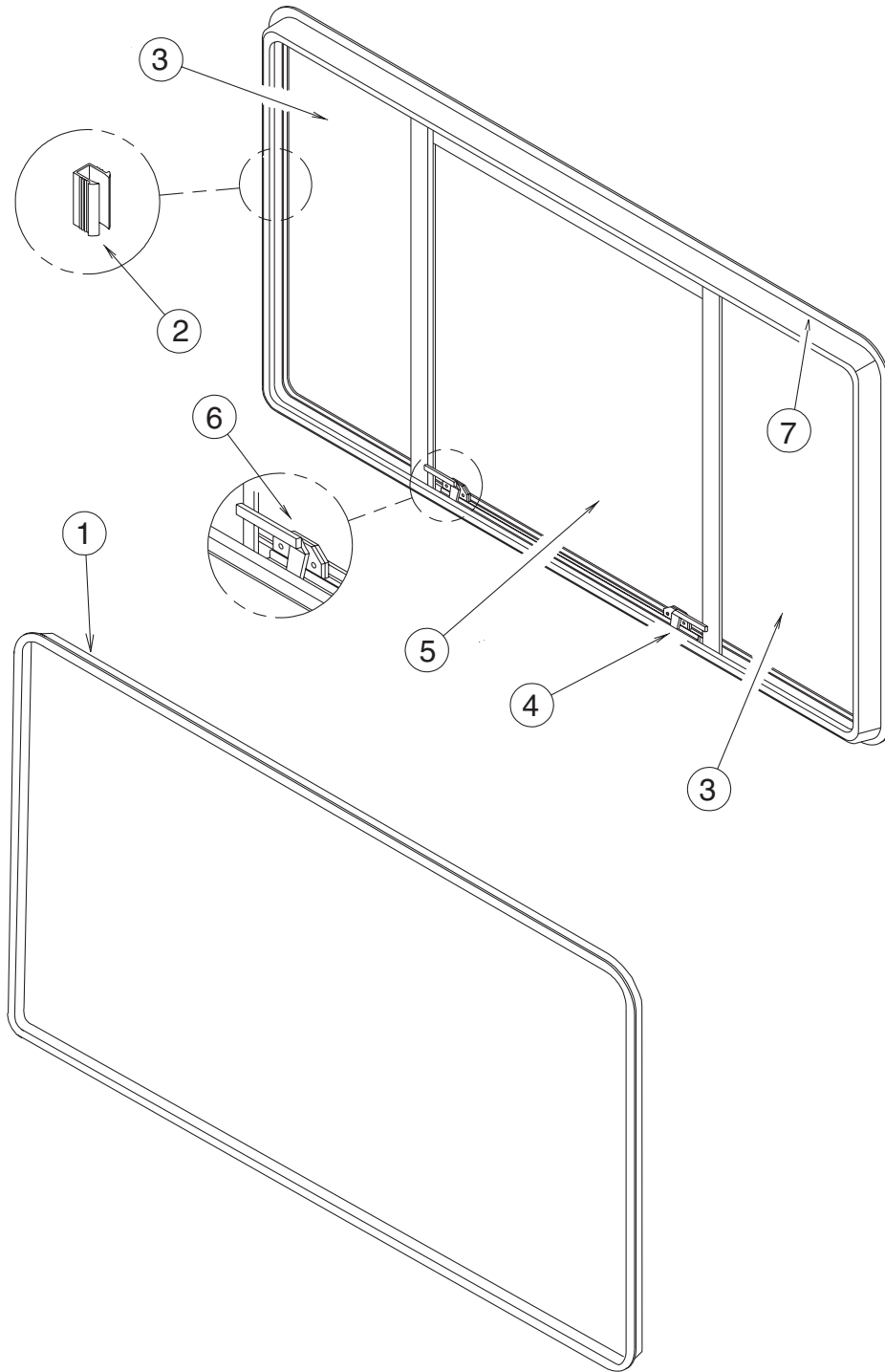
112795-77-01A

KEY	PART NUMBER	U/M	DESCRIPTION	VENDOR NO.
1	112795-01-704	FT	PLUG FILLER (DOUBLE GLAZED)	122-018737
2	112795-01-705	FT	VINYL - GLAZING	132-025736
3	098644-01-706	FT	WEATHERSTRIP - GLASS	171-010668
4	098644-01-713	EA	CLIP - SCREEN - METAL	226-016966
4	125582-01-701	EA	CLIP - SCREEN - PLASTIC	130-005153
5	112795-01-701	EA	SLIDE-STOP	132-019092
6	098644-01-710	FT	TRACK - SCREEN SPACER 12'	132-017135
7	112795-01-700	EA	LATCH ASM., BLK.,(BOLT ON)	DH287-CK
8	112795-01-703	IN	CHANNEL-RUN (INCHES)	122-018736
9	098644-01-711	FT	WEATHERSTRIP - SCREEN BLACK	171-016965
11	112795-77-700	EA	GLASS - STATIONARY	390-28313
12	112795-77-701	EA	GLASS - SLIDING W/SASH LATCH	DH493-G8
13	098647-47-702	EA	SCREEN ASSY - W/SEAL & CLIPS	410-025226
14	098647-47-704	EA	RETAINER - TRIM	H493-66
	098644-01-717	FT	SPLINE - SCREEN	132-004716

112795-78-01A

KEY	PART NUMBER	U/M	DESCRIPTION	VENDOR NO.
1	112795-01-704	FT	PLUG FILLER (DOUBLE GLAZED)	122-018737
2	112795-01-705	FT	VINYL - GLAZING	132-025736
3	098644-01-706	FT	WEATHERSTRIP - GLASS	171-010668
4	098644-01-713	EA	CLIP - SCREEN - METAL	226-016966
4	125582-01-701	EA	CLIP - SCREEN - PLASTIC	130-005153
	098644-01-717	FT	SPLINE - SCREEN	132-004716
5	112795-01-701	EA	SLIDE-STOP	132-019092
6	098644-01-710	FT	TRACK - SCREEN SPACER 12'	132-017135
7	112795-01-700	EA	LATCH ASM., BLK.,(BOLT ON)	DH287-CK
8	112795-01-703	IN	CHANNEL-RUN (INCHES)	122-018736
9	098644-01-711	FT	WEATHERSTRIP - SCREEN BLACK	171-016965
11	112795-78-700	EA	GLASS - STATIONARY	390-028338
12	112795-78-701	EA	GLASS - SLIDING W/SASH LATCH	DB969-G8
13	112795-56-702	EA	SCREEN ASSY - W/SEAL & CLIPS	410-019414
14	112795-56-704	EA	RETAINER - TRIM	B969-66

WINDOWS & VENTS GROUP (CONTINUED)
COMPONENT PARTS FOR WINDOW & VENT LAYOUT (CONTINUED)



113502-09-01A

KEY	PART NUMBER	U/M	DESCRIPTION	VENDOR NO.
1	113502-01-705	EA	RETAINER - TRIM	H098-60
2	112795-24-706	FT	SEAL - SPLINE/GRAY - ESCAPE	132-010481
3	113502-09-700	EA	GLASS - STATIONARY	390-028325
3	113502-09-701	EA	GLASS - STATIONARY	390-028326
4	112898-06-707	EA	HANDLE-LATCH/RED-RH (SLIDER)	182-025911
6	112898-06-708	EA	HANDLE-LATCH/RED-LH (SLIDER)	182-025912
7	098644-01-705	FT	GLAZING - STRIP	132-010231

CONTACT WINNEBAGO PART SALES FOR UNLISTED COMPONENTS

WINDOWS & VENTS GROUP (CONTINUED)
COMPONENT PARTS FOR WINDOW & VENT LAYOUT (CONTINUED)

113733-04-01A, 113733-10-01A, 113733-11-01A

KEY	PART NUMBER	U/M	DESCRIPTION	VENDOR NO.
	112795-01-705	FT	VINYL - GLAZING	132-025736
	113733-10-700	EA	GLASS-STATIONARY	390-028306
	113733-10-701	EA	RETAINER-TRIM	H416-66

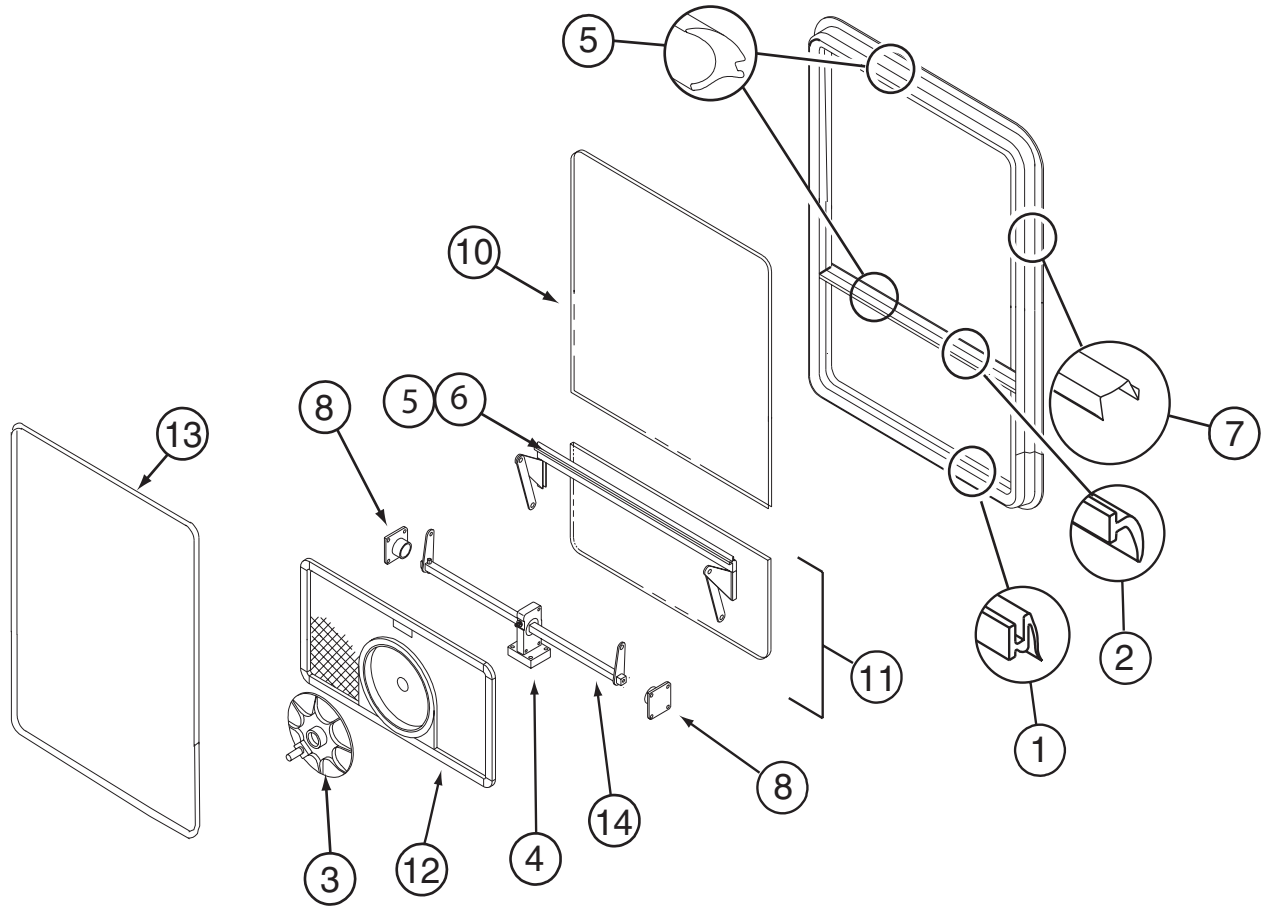
122882-01-01A

KEY	PART NUMBER	U/M	DESCRIPTION	VENDOR NO.
	009440-01-000	EA	GEAR-ARM-ROOF VENT	705221K38
	064470-01-700	EA	COVER - VENT - W/O SLIDE BAR	J7291
	064470-01-701	EA	SLIDE BAR - VENT LID	JRP1291B
	122882-01-701	EA	SCREEN	JRP-1124-B
	122882-01-702	EA	HANDLE - CRANK - WHITE	JRP1031B

122882-02-01A, 122882-03-01A

KEY	PART NUMBER	U/M	DESCRIPTION	VENDOR NO.
	064470-01-700	EA	COVER - VENT - W/O SLIDE BAR	J7291
	009440-01-000	EA	GEAR-ARM-ROOF VENT	705221K38
	048648-01-000	EA	MOTOR-12V NONVENTED 1/8 SFT	
	048649-01-000	EA	FAN-PLAS-6 IN 6 BLADED	
	122882-01-701	EA	SCREEN	JRP-1124-B
	122882-01-702	EA	HANDLE - CRANK - WHITE	JRP1031B
	064470-01-701	EA	SLIDE BAR - VENT LID	JRP1291B
	110051-03-700	EA	SWITCH-BLACK/PUSH BUTTON	27-0164

WINDOWS & VENTS GROUP (CONTINUED)
COMPONENT PARTS FOR WINDOW & VENT LAYOUT (CONTINUED)



129929-11-01A

KEY	PART NUMBER	U/M	DESCRIPTION	VENDOR NO.
1	100322-01-701	FT	SEAL-VENT	122-016071
3	100322-01-718	EA	HANDLE-DIAL	410-016081
4	129929-01-710	EA	TORQUE-CTR SUPPORT (2 HOLE)	410-026806
5	129929-01-705	FT	GLAZING VINYL	132-026811
6	129929-01-707	FT	COVER/SCREW-FILLER STRIP	132-026808
8	129929-01-708	EA	SUPPORT - TORQUE BAR - RT/LT	130-026804
10	129929-11-700	EA	GLASS - STATIONARY	390-028304
11	129929-11-701	EA	VENT GLASS ASSEMBLY	DTH005-G8
12	129929-05-702	EA	SCREEN ASM - W/SEALS & CLIPS	410-026909
13	129929-05-705	EA	RETAINER - TRIM	CH05-62
14	129929-05-704	EA	OPERATOR BAR ASSEMBLY	DTH005-15
	100322-01-717	FT	SEAL - VENT	122-016071
	129929-01-706	FT	SEAL - TOP F/CENTER EGRESS	132-026811
	129929-02-706	FT	SEAL - FOAM	140-027022

CONTACT WINNEBAGO PART SALES FOR UNLISTED COMPONENTS