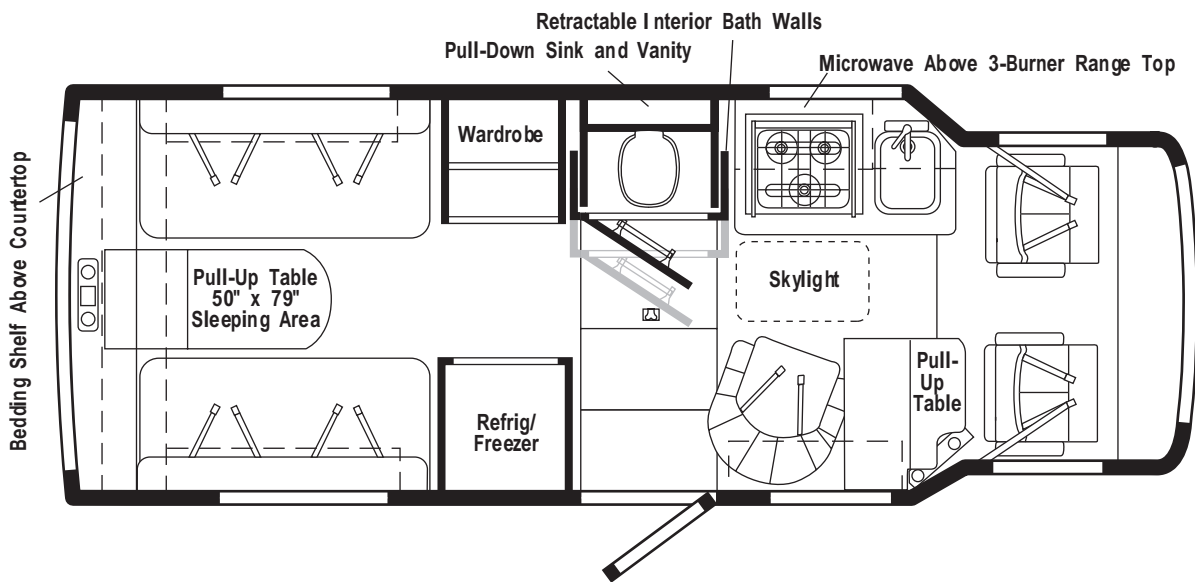


**2003
RIALTA
RV222HD
200 SERIES
GRAY**

**P90 GRAY SLATE - GRAY
P92 LAUREL MIST - SAGE
WASHED MAPLE
P91 GRAY SLATE - GRAY
P93 LAUREL MIST - SAGE**



FLOORPLAN

CONTENTS

FLOORPLAN	1
ACCESSORIES GROUP	5
OPERATORS MANUAL	5
APPLIANCE GROUP	6
APPLIANCES	6
COMPONENT PARTS FOR APPLIANCE	8
113736-01-01A, 113736-02-01A	8
113737-01-04A, 113737-02-04A, 113737-03-04A, 113737-04-04A	8
113947-02-03A	12
114014-02-02A	13
114030-02-01A, 114030-03-01A	14
131147-01-01A	15
AUDIO VIDEO GROUP	20
RADIO SYSTEM	20
COMPONENT PARTS FOR RADIO SYSTEM	21
127517-12-000	21
TV & VCR	22
COMPONENT PARTS FOR TV & VCR	23
076319-24-000	23
076319-25-000	23
086231-09-000	24
094487-04-000	24
BATH GROUP	25
CABINETS	25
CHASSIS GROUP	27
FRAME	27
FRONT END	30
EXHAUST	31
HITCH	32
REAR BUMPER	32
FUEL OR FUEL FILL OR EMISSIONS	33
SPARE TIRE	34
SUSPENSION	35
COMPONENT PARTS FOR SUSPENSION	36
112033-02-000	36
100293-03-000	36
WHEEL, TIRE, COVERS &/OR LINERS	37
COMPONENT PARTS FOR WHEEL, TIRE, COVERS &/OR LINERS	38
134261-02-01A	38
134261-03-01A	38
PARK BRAKE	39
BRAKELINE	40
CURTAIN & CUSHION GROUP	41
NOTICE	41
CUSHION LAYOUT	42
BUCKET SEATS	43
COMPONENT PARTS FOR BUCKET SEATS	45
122611-02-000	45
LOUNGE CHAIR	46
WINDOW TREATMENT	47
HARDWARE	48
ACCESSORIES	50
FABRICS	51
DINETTE GROUP	52
CABINETS	52
DRIVERS COMPARTMENT GROUP	54
FRONT INTERIOR	54

CONTENTS (CONTINUED)

ELECTRICAL GROUP	56
12V BODY WIRING	56
FRONT END WIRING	59
COMPONENT PARTS FOR LIGHTS & SWITCHES	60
008089-01-000	60
008089-02-000	60
087202-02-000	60
087694-01-000	60
098024-01-03A	60
098024-03-02A	60
098024-05-02A	60
CIRCUIT BREAKERS & FUSES	61
CONVERTER, INVERTER, LOAD CENTERS	61
COMPONENT PARTS FOR CONVERTER, INVERTER, LOAD CENTERS	62
093257-02-000	62
110V WIRING	63
BOXES & CORDS	65
WIRE ASSEMBLIES	65
CONNECTORS & CONDUIT	66
BOOTS, SOLENOIDS, RELAYS & MISCELLANEOUS	68
EXTERIOR BODY GROUP	69
GRAPHICS & PAINT	69
PANELS & TRIMS	71
VALANCE DOOR PIECE PARTS	73
RUNNING BOARDS	74
MIRRORS	74
STRUCTURAL COMPONENTS	75
EXTERIOR DOORS & COMPARTMENTS GROUP	76
ENTRY	76
SCREEN	77
LATCH - ENTRY	78
COMPONENT PARTS FOR LATCH - ENTRY	79
113636-01-01A	79
GALLEY GROUP	80
CABINETS	80
GENERATOR GROUP	81
GAS	81
HEATING & A/C GROUP	82
FURNACE	82
COMPONENT PARTS FOR FURNACE	83
075697-08-000	83
101990-05-000	85
REAR HEATER	86
COMPONENT PARTS FOR REAR HEATER	87
049401-04-000	87
084405-01-000	87
ROOF	88
COMPONENT PARTS FOR ROOF	89
093306-01-03A	89
093307-03-000	90
131183-03-01A	91
131183-04-01A	91
131186-02-02A	92
AUXILIARY OVERHEAD A/C	93
COMPONENT PARTS FOR AUXILIARY OVERHEAD A/C	94
113245-01-000	94

CONTENTS (CONTINUED)

INTERIOR FINISH GROUP	95
MOLDINGS & TRIMS	95
PANELING & LAMINATES	99
ACCESSORIES	99
COMPONENT PARTS FOR ACCESSORIES	100
094499-02-000	100
FLOOR COVERINGS	101
HARDWARE	102
LABELS GROUP	108
LP GROUP	132
LP SYSTEM	132
COMPONENT PARTS FOR LP SYSTEM	133
074039-04-000	133
LOUNGE GROUP	134
CABINETS	134
SEALANTS & FASTENERS GROUP	135
SEALANTS & ADHESIVES	135
BOLTS, NUTS AND WASHERS	136
SCREWS	138
CLAMPS, CLIPS, GROMMETS, RIVETS & PLUGS	141
MISCELLANEOUS FASTENERS	142
WATER & SEWAGE GROUP	143
DRAINAGE SYSTEM	143
COMPONENT PARTS FOR DRAINAGE SYSTEM	145
064076-03-000	145
070916-01-000	145
WATER SYSTEM	146
COMPONENT PARTS FOR WATER SYSTEM	155
075241-04-000, 075241-05-000, 075241-06-000	155
098607-01-000	155
110506-A1-000, 110506-A2-000, 110506-26-000, 110506-27-000	155
110506-59-000 - 110506-59-009	155
113122-01-000	155
140117-01-01A	155
WINDOW & VENTS GROUP	156
WINDOW & VENT LAYOUT	156
COMPONENT PARTS FOR WINDOWS & VENT LAYOUT	157
098644-10-02A	157
098647-46-02A	158
104691-07-02A	159
104691-17-02A	159
123780-01-01A	160
WINDSHIELD & WIPER GROUP	161
WIPER	161
COMPONENT PARTS FOR WIPER	162
085721-03-000	162
096931-01-000	162

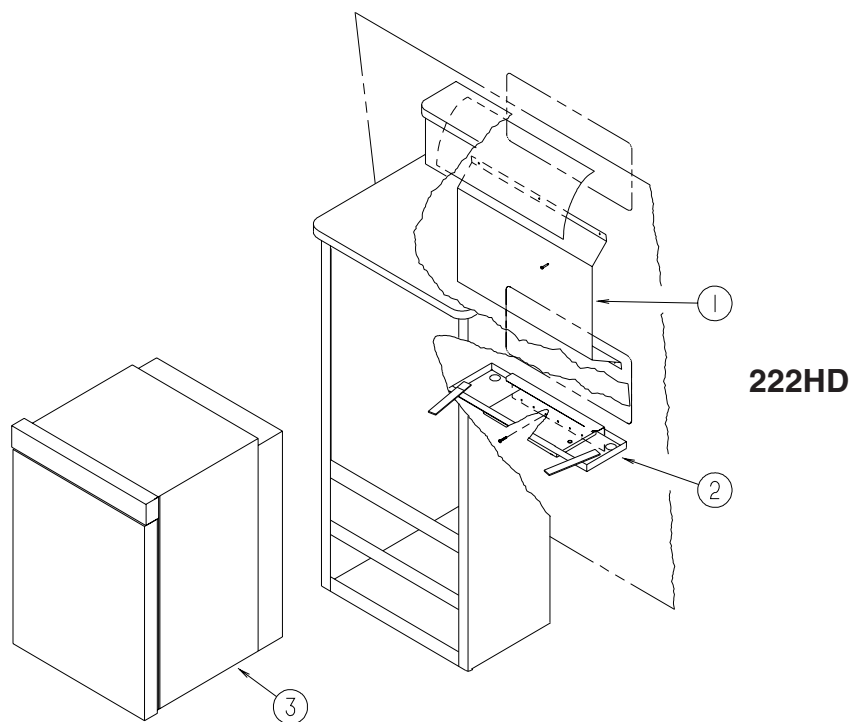
ACCESSORIES GROUP
OPERATORS MANUAL

KEY	PART NUMBER	U/M	DESCRIPTION
	132000-02-003	EA	MANUAL/OWNER - RIALTA - 2003
	129079-01-01A	EA	CASE - VINYL/BLACK-EXPANDABLE ACCORDION SIDES-7"WX9"HX14"L
	141137-01-000	DW	TOP LEVEL-H,2003

APPLIANCE GROUP APPLIANCES

KEY	PART NUMBER	U/M	DESCRIPTION
	112881-04-01A	EA	RANGE-16"/3 BRNR/NEW STYLE KNOBS-GRATES-HANDL BLK DR - RANGE 3-BURNER W/OVEN-222HD
*	113947-02-03A	EA	RANGE TOP - 2 BURNER W/COVER - VW LIGHT GRAY - RANGE TOP / 2-BURNER - 222FD, 222QD
*	114030-02-01A	EA	RANGE - 3 BURNER TOP - W/O OVEN - BLACK - UL - RANGE TOP 3-BURNER - 222HD FROM: 00-00-00 THRU: 06-17-02
	114030-04-01A	EA	RANGE - 3 BURNER TOP/NEW STYLE KNOBS/GRATES - BLK - RANGE TOP 3-BURNER - 222HD FROM: 06-18-02 THRU: 99-99-99
	131198-01-01B	EA	BRACKET - TIEDOWN/STOVE - E-COATED - RIGHT HAND - RANGE 3-BURNER W/OVEN - 222HD
	131198-02-01B	EA	BRACKET - TIEDOWN/STOVE - E-COATED - LEFT HAND - RANGE 3-BURNER W/OVEN - 222HD
	131198-03-01B	EA	BRACKET - TIEDOWN/STOVE - E-COATED - RIGHT HAND - RANGE TOP 3-BURNER - 222HD
	131198-04-01B	EA	BRACKET - TIEDOWN/STOVE - E-COATED - LEFT HAND - RANGE TOP 3-BURNER - 222HD
	126022-04-01A	EA	COVER/RANGE - BI-FOLD - 16" - NEW GRATES - RANGE 3 BURNER WITH OVEN - 222HD
	126022-05-01A	EA	COVER/RANGE - BI-FOLD - 22" - NEW GRATES - RANGE TOP 3-BURNER - 222HD
*	114014-02-02A	EA	PANEL - MONITOR 2 TANK W/REMOTE

*COMPONENT PARTS LISTED LATER IN THIS GROUP



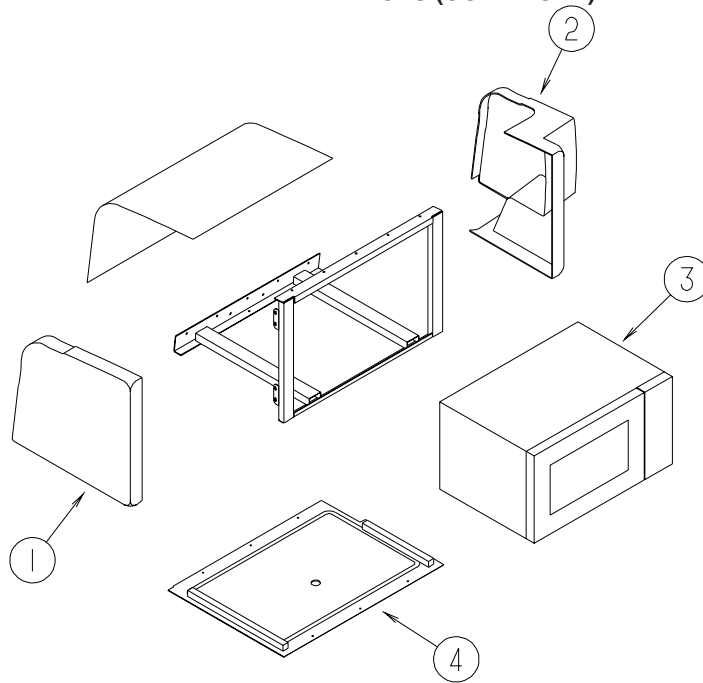
KEY	PART NUMBER	U/M	DESCRIPTION
1	131346-01-02B	EA	BAFFLE/AIR - E-COATED
2	116751-07-01A	EA	TRAY - REFRIGERATOR - BLACK
3*	131147-01-01A	EA	REFRIGERATOR - SINGLE DOOR - TOP ROTARY KNOBS
	054450-01-000	EA	LEVEL - REFRIGERATOR
	090329-01-000	FT	SEAL/T - REFRIGERATOR CABINET

*COMPONENT PARTS LISTED LATER IN THIS GROUP

KEY	PART NUMBER	U/M	DESCRIPTION
	054450-01-000	EA	LEVEL - REFRIGERATOR
*	113737-01-04A	EA	REFRIGERATOR - SMALL SINGLE DOOR - 3 WAY - VW LT GRAY
*	113737-03-04A	EA	REFRIGERATOR - ONE DOOR/3-WAY - VW LIGHT GRAY - HIGH ALTITUDE - 222QD
*	113737-04-04A	EA	REFRIGERATOR - ONE DOOR/3-WAY - VW LIGHT GRAY - HIGH ALTITUDE - 222FD
*	113736-01-01A	EA	VENT KIT - REFRIGERATOR - 222QD
*	113736-02-01A	EA	VENT KIT - REFRIGERATOR - 222FD
	119159-01-02B	EA	BRACKET - TIEDOWN - REFRIGERATOR - RIGHT HAND - 222FD
	119159-02-02B	EA	BRACKET - TIEDOWN - REFRIGERATOR - LEFT HAND - 222FD

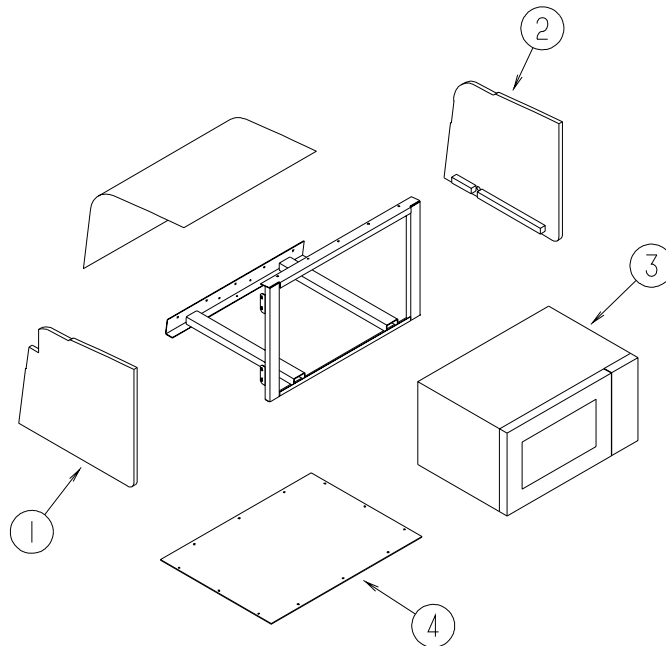
*COMPONENT PARTS LISTED LATER IN THIS GROUP

APPLIANCE GROUP (CONTINUED)
APPLIANCES (CONTINUED)



222QD

KEY	PART NUMBER	U/M	DESCRIPTION
1	112805-04-03A	EA	PANEL/END - MICROWAVE - LEFT HAND - VW LIGHT GRAY
2	112805-05-03A	EA	PANEL/END - MICROWAVE - VW LIGHT GRAY
3	128527-06-000	EA	OVEN - MICROWAVE W/TRIM KIT- 1 CU.FT.- NON CONVECTION FROM: 00-00-00 THRU: 08-11-02
3	128527-08-000	EA	OVEN-MICROWAVE-1.0 CUBIC FT/NON CONVECTION-SAMSUNG MR1032B FROM: 08-12-02 THRU: 99-99-99
4	112809-04-03A	EA	PANEL/CABINET BOTTOM - VW LT GRAY



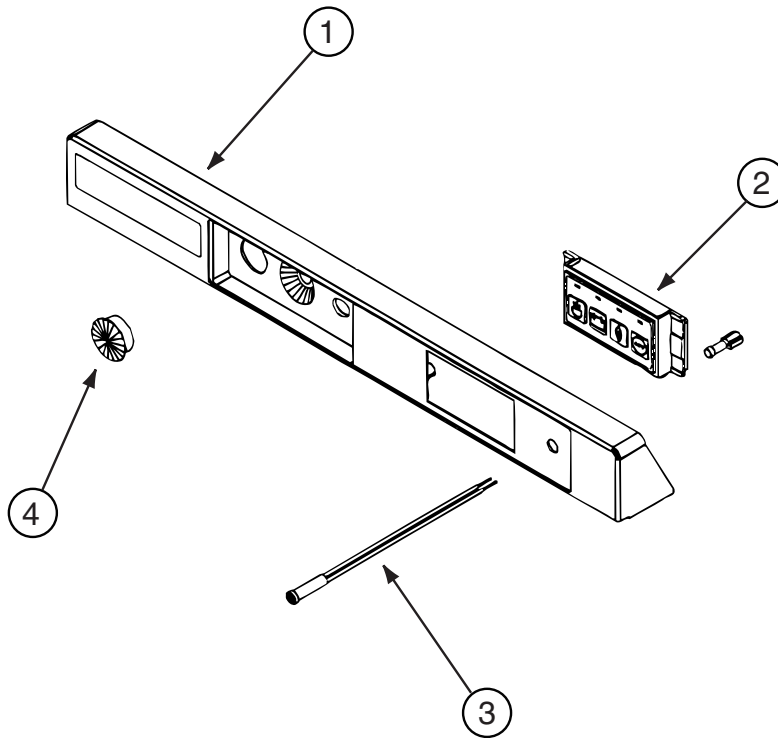
222FD
222HD

KEY	PART NUMBER	U/M	DESCRIPTION
1	119132-10-K77	EA	END CAP - OVERHEAD CABINET
2	119132-09-K77	EA	END CAP - OVERHEAD CABINET
3	128527-06-000	EA	OVEN - MICROWAVE W/TRIM KIT- 1 CU.FT.- NON CONVECTION FROM: 00-00-00 THRU: 08-11-02
3	128527-08-000	EA	OVEN-MICROWAVE-1.0 CUBIC FT/NON CONVECTION-SAMSUNG MR1032B FROM: 08-12-02 THRU: 99-99-99
4	119142-02-04A	EA	PANEL - MICROWAVE BOTTOM - BLACK

APPLIANCE GROUP (CONTINUED)
COMPONENT PARTS FOR APPLIANCE

113736-01-01A, 113736-02-01A

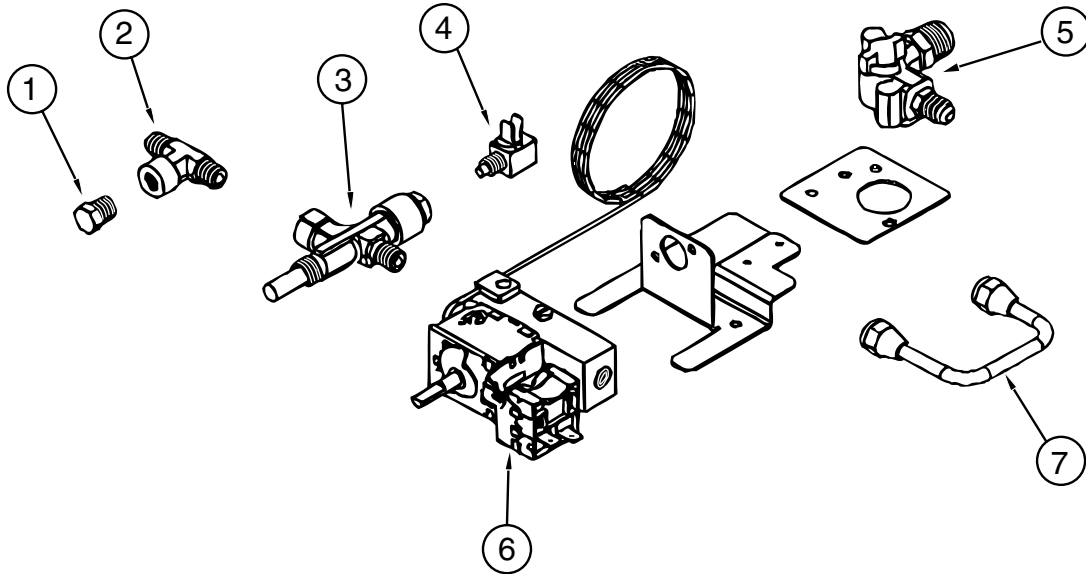
KEY	PART NUMBER	U/M	DESCRIPTION	VENDOR NO
	113736-01-700	EA	COVER-VENT	617920
	113736-01-701	EA	DISC-INSERT - F/VENT COVER	617921
	113736-01-702	EA	PLATE-BACKING METAL	617922
	113736-01-703	EA	GASKET-VENT TERMINAL	617924
	113736-01-704	EA	HOUSING-VENT TERMINAL	617923



113737-01-04A, 113737-02-04A, 113737-03-04A, 113737-04-04A

KEY	PART NUMBER	U/M	DESCRIPTION	VENDOR NO.
1	113737-01-723	EA	PANEL-CONTROL	617913
2	113737-01-729	EA	SWITCH - SELECTION (MODE)	617945
3	113737-01-703	EA	LIGHT-FLAME INDICATORGRN RED	61609022
4	113737-01-713	EA	PLUG-HOLE, 1" BLACK	617981

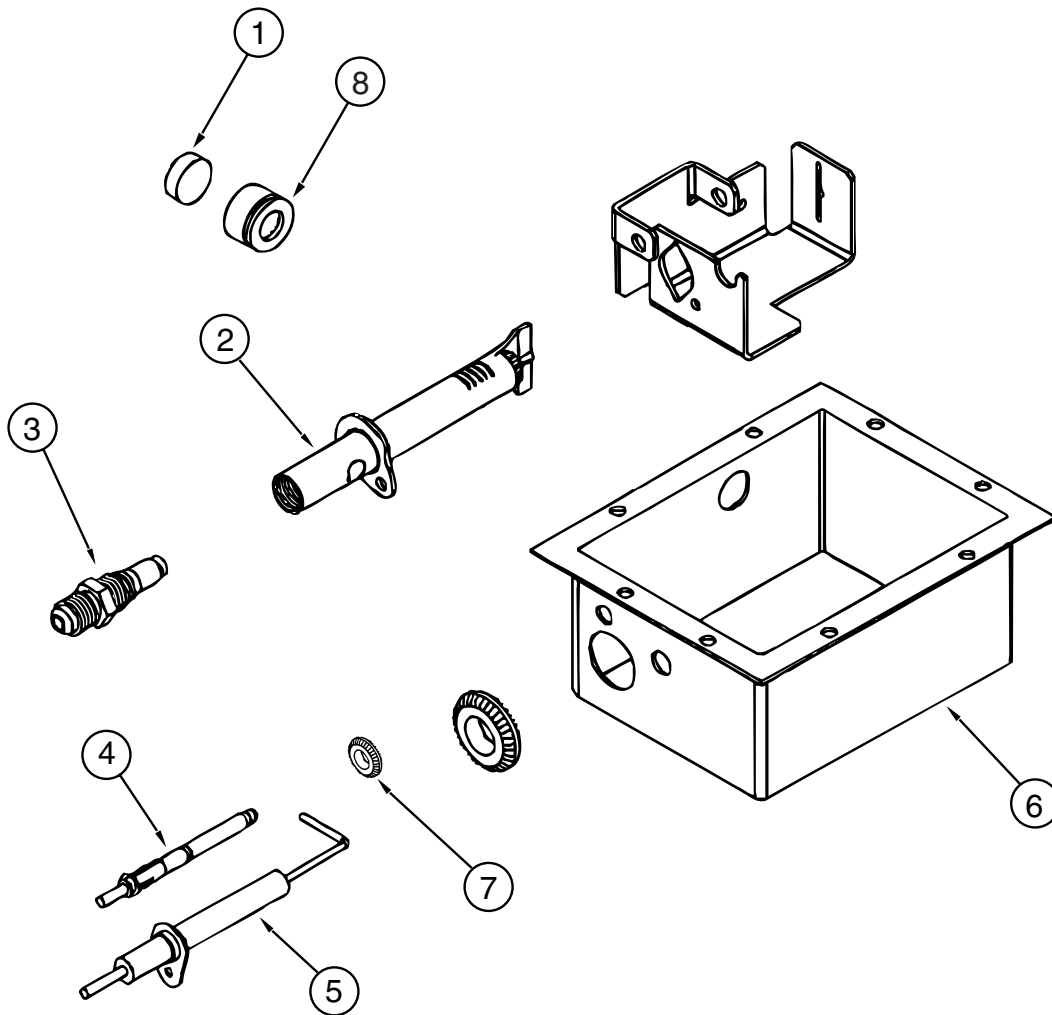
APPLIANCE GROUP (CONTINUED)
COMPONENT PARTS FOR APPLIANCE (CONTINUED)



113737-01-04A, 113737-02-04A, 113737-03-04A, 113737-04-04A (CONTINUED)

KEY	PART NUMBER	U/M	DESCRIPTION	VENDOR NO.
1	113737-01-702	EA	PLUG 1/8" F/PRESSURE TAP	61445322
2	113737-01-716	EA	TAP-PRESSURE	61594422
3	113737-01-730	EA	VALVE - SAFETY IGNITION	617965
4	113737-01-709	EA	INTERRUPTER	61750522
5	113737-01-719	EA	VALVE - SHUT-OFF - MANUAL	617976
6	113737-01-735	EA	THERMOSTAT - GAS VALVE	617944
7	113737-01-750	EA	TUBE-UNION	61694622

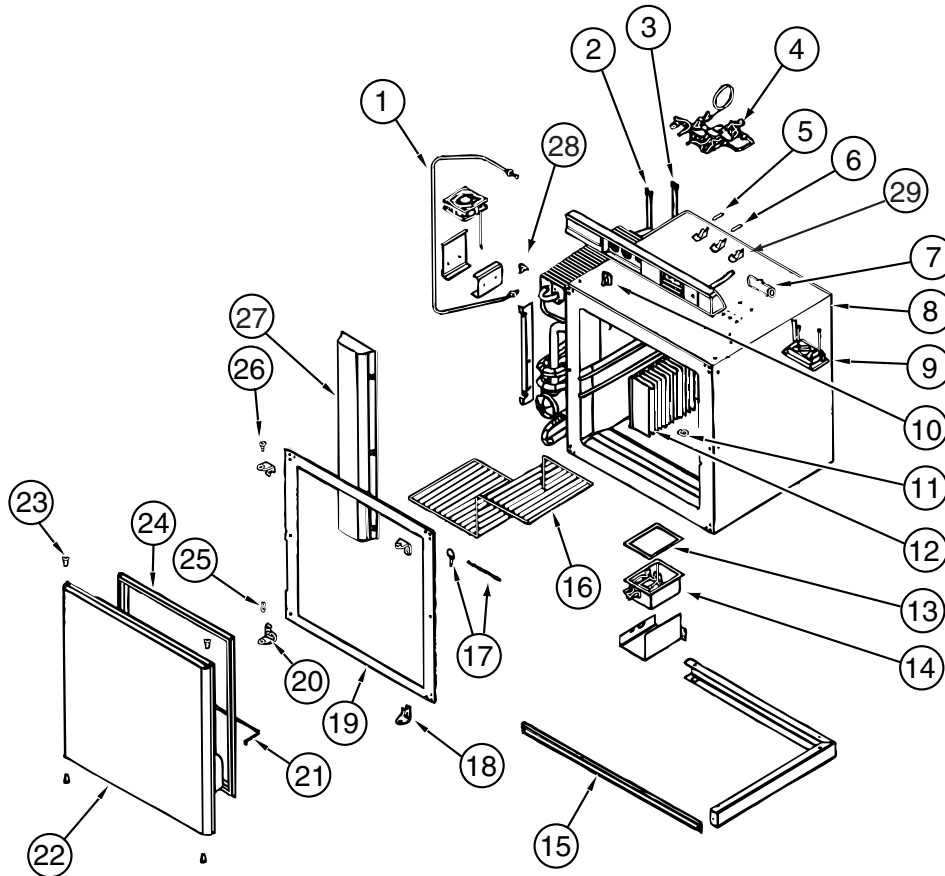
APPLIANCE GROUP (CONTINUED)
COMPONENT PARTS FOR APPLIANCE (CONTINUED)



113737-01-04A, 113737-02-04A, 113737-03-04A, 113737-04-04A (CONTINUED)

KEY	PART NUMBER	U/M	DESCRIPTION	VENDOR NO.
1	113737-01-732	EA	GLASS-SIGHT	617995
2	113737-01-726	EA	BURNER ASSEMBLY	617936
3	113737-01-727	EA	ORIFICE-ADAPTER ASSEMBLY	61753137
4	113737-01-717	EA	THERMOCOUPLE	617983
5	113737-01-715	EA	ELECTRODE-SPARK IGNITION	617966
6	113737-01-747	EA	BOX-BOTTOM F/BURNER	617925
7	113737-01-755	EA	RUBBER GROMMET	617997
8	113737-01-751	EA	GROMMET F/SIGHT GLASS	617933

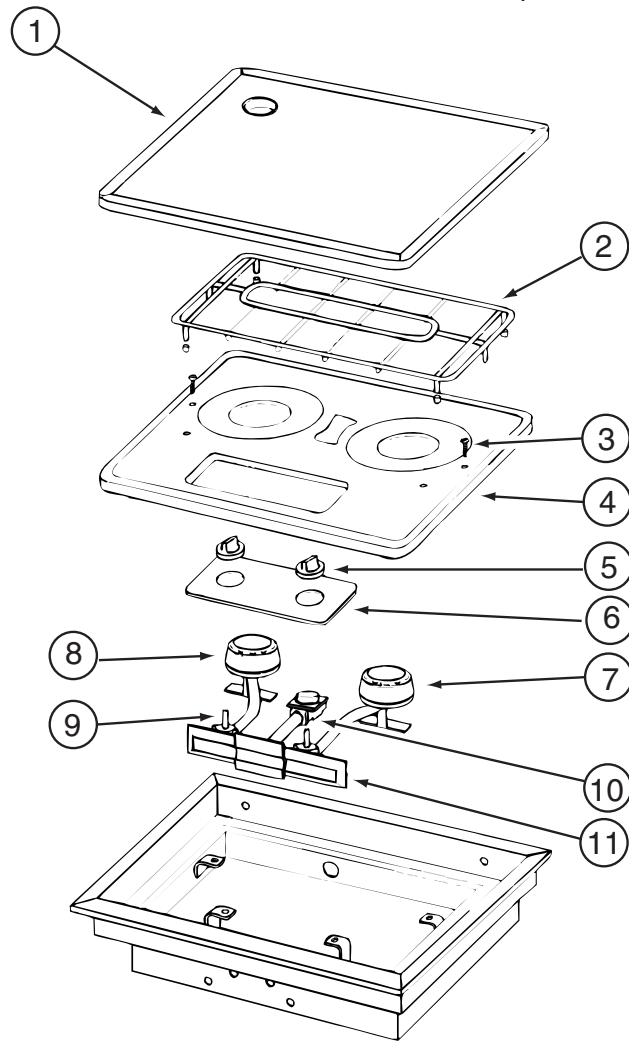
APPLIANCE GROUP (CONTINUED)
COMPONENT PARTS FOR APPLIANCE (CONTINUED)



113737-01-04A, 113737-02-04A, 113737-03-04A, 113737-04-04A (CONTINUED)

KEY	PART NUMBER	U/M	DESCRIPTION	VENDOR NO.
1	113737-01-746	EA	TUBE-BURNER	617989
2	113737-01-722	EA	HEATER DC (3-WAY)	61745422
3	113737-01-721	EA	HEATER AC	61745322
4	113737-01-718	EA	CONTROL ASSY-THERMOSTAT	617998
5	113737-01-714	EA	FUSE 20 AMP (3-WAY)	61440522
6	113737-01-720	EA	FUSE 3 AMP (32V OR LESS)	61654622
7	113737-01-731	EA	BLOCK-TERMINAL	617979
8	113737-01-707	EA	CABINET-COOLING UNIT (FOAMED)	617993
9	113737-01-728	EA	RELIGHTER	617964
10	113737-01-740	EA	KNOB-THERMOSTAT	617971
10	113737-01-741	EA	SCREW #10 X 1/2"	NSC0001
11	113737-01-705	EA	CLIP-FIN	61728722
12	113737-01-706	EA	FIN ASSEMBLY	617948
13	113737-01-748	EA	GASKET-BURNER BOX-FELT	617977
14	113737-01-749	EA	BURNER BOX ASSEMBLY	617937
15	113737-01-734	EA	GRILLE (AIR INLET BLK)	617938
16	113737-01-711	EA	SHELF L-SHAPED (WHITE)	618063
17	113737-01-752	EA	CHAIN (TRAVEL LATCH)	618047
17	113737-01-753	EA	PIN (TRAVEL LATCH)	618046
18	113737-01-725	EA	HINGE (LH BTM & RH TOP)	617911
19	113737-01-712	EA	BREAKER (BLACK TRIM)	617912
20	113737-01-724	EA	HINGE (RH BTM & LH TOP)	617910
21	113737-01-733	EA	DOOR-RAIL, WHITE POWDER	618064
22	113737-02-703	EA	DOOR ASSEMBLY-VW LIGHT GRAY	620297
22	113737-02-704	EA	DOOR LINER-VW LIGHT GRAY	620296
23	113737-01-701	EA	BUSHING-HINGE	61742022
24	113737-01-704	EA	GASKET-DOOR, GRAY	617906
25	113737-01-710	EA	PIN-HINGE, BOTTOM	61550722
26	113737-01-708	EA	PIN-HINGE, TOP	61114600
27	113737-02-702	EA	SYSTEM COVER-VW LIGHT GRAY	620299
28	113737-01-754	EA	THERMOSTAT (FAN 12V DC)	618093
29	113737-01-759	EA	FUSE HOLDER	61584222

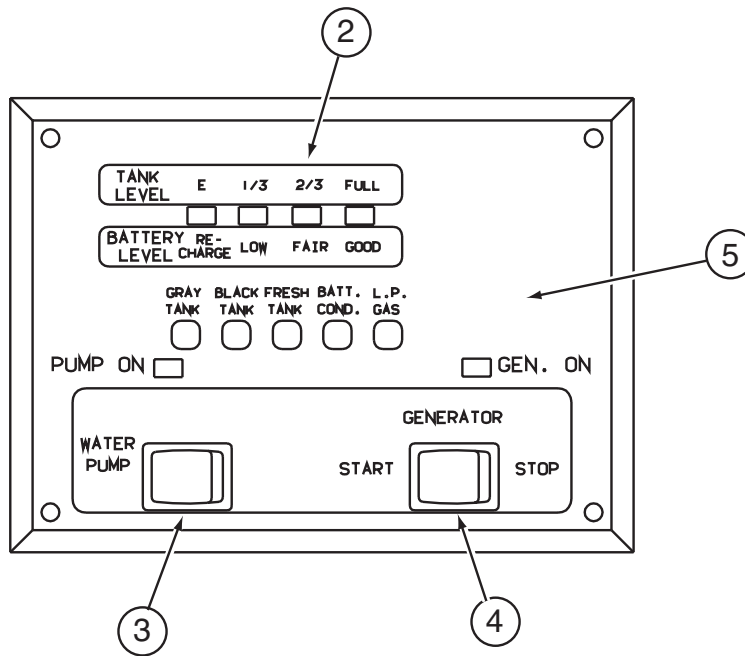
APPLIANCE GROUP (CONTINUED)
COMPONENT PARTS FOR APPLIANCE (CONTINUED)



113947-02-03A

KEY	PART NUMBER	U/M	DESCRIPTION	VENDOR NO.
1	113947-02-705	EA	COVER - STOVE TOP/LT GRAY	56231
2	101593-01-700	EA	GRATE, DESIGNER STYLE	53304
3	101593-01-701	EA	SCREW-THUMB	52537
5	101593-01-703	EA	KNOB-BURNER	53000
6	113948-01-702	EA	DECAL-BURNER CONTROL	51454
7	113947-02-702	EA	BURNER - RIGHT	56076
8	113947-02-703	EA	BURNER - LEFT	56075
9	113947-02-700	EA	VALVE - BURNER	56089
10	106689-01-704	EA	REGULATOR-EXTREME PRESSURE	51062
11	113948-02-702	EA	MANIFOLD	56079
	107323-01-711	EA	CUSHION - GRATE BOOTS-RUBBER	53008
	113948-02-705	EA	GROMMET/MOLDING 47.75"	52453

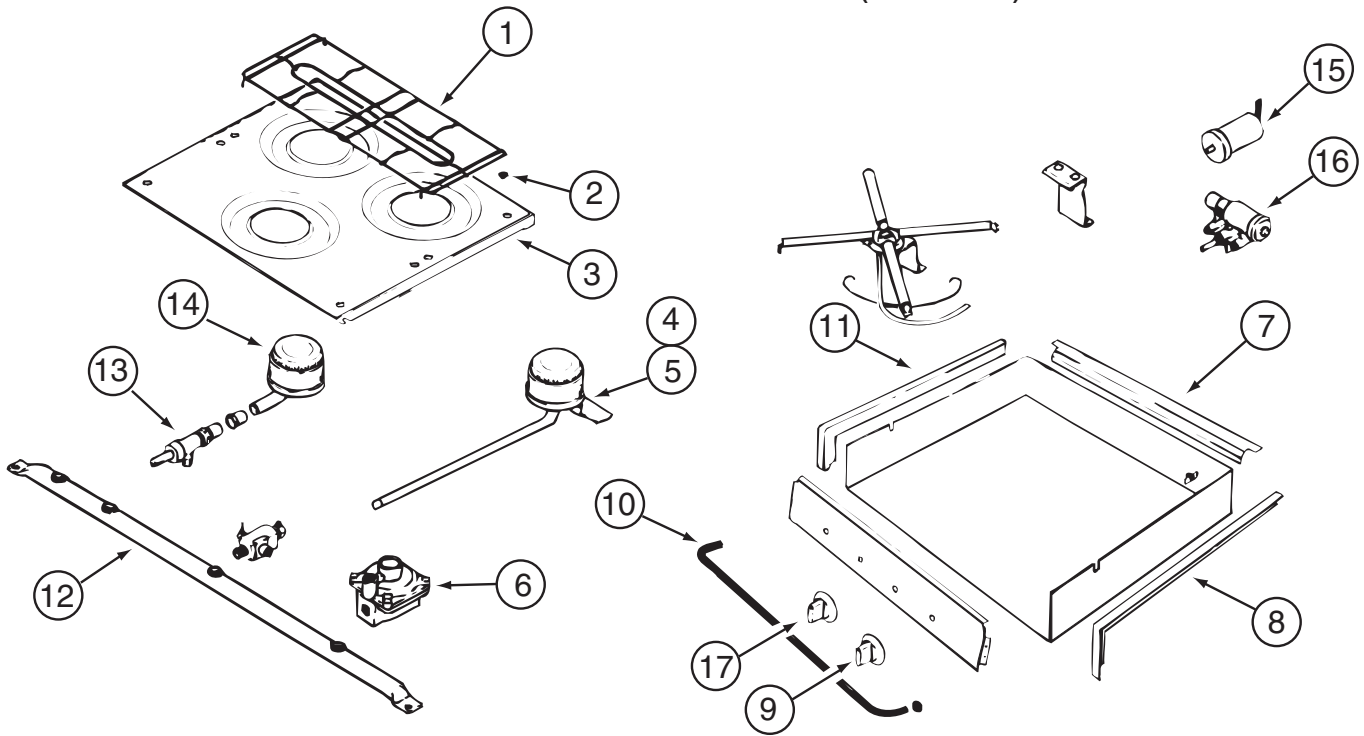
APPLIANCE GROUP (CONTINUED)
COMPONENT PARTS FOR APPLIANCE (CONTINUED)



114014-02-02A

KEY	PART NUMBER	U/M	DESCRIPTION	VENDOR NO.
2	114014-02-701	EA	OVERLAY SILKSCREEN	CD0343-00
3	096983-01-702	EA	SWITCH - MOM/OFF/MOM/3 TERM	L0112-00
4	096983-01-700	EA	SWITCH - ON/OFF	L0108-00
5	114014-02-702	EA	BOARD-CIRCUIT	L5098-06
	114014-02-700	EA	CHASSIS	CD0213-06

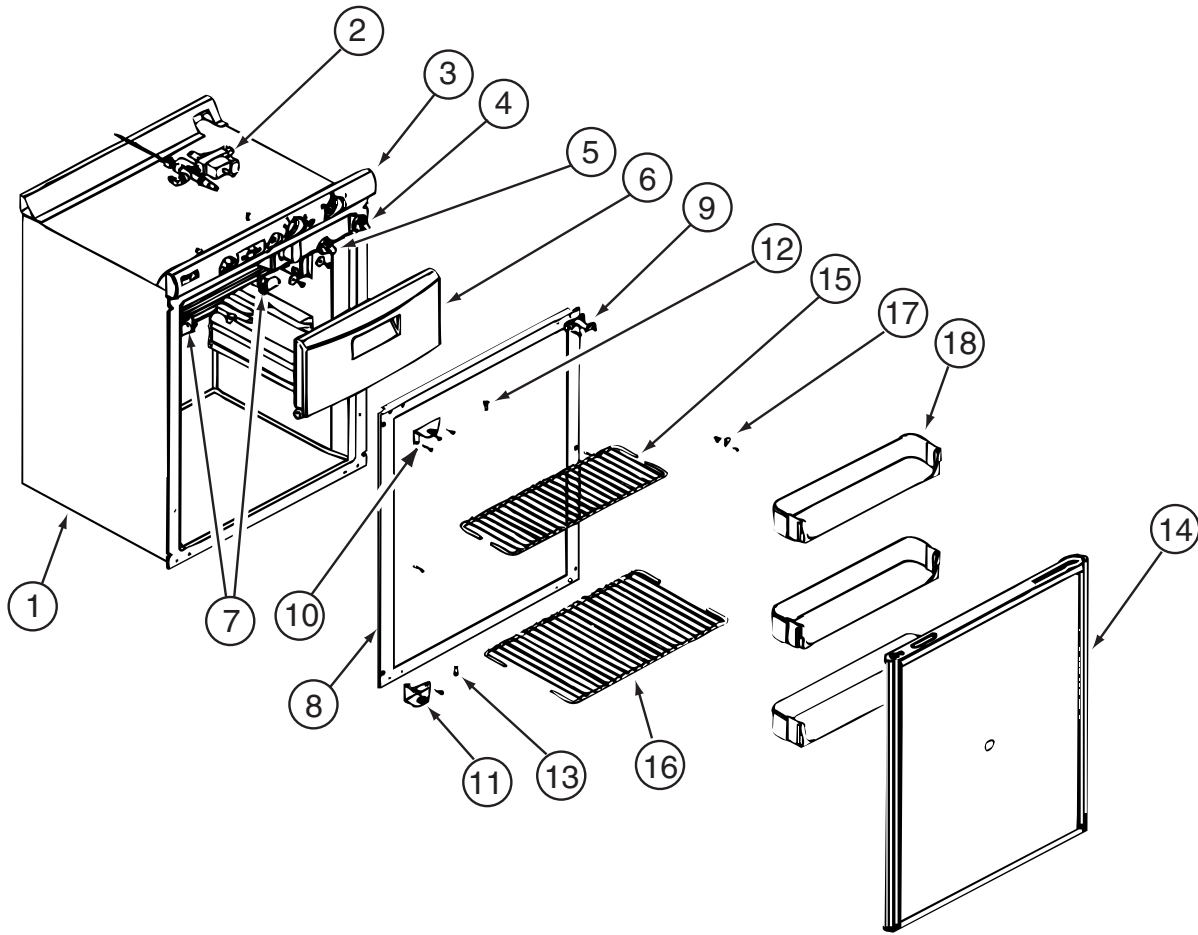
APPLIANCE GROUP (CONTINUED)
COMPONENT PARTS FOR APPLIANCE (CONTINUED)



114030-02-01A, 114030-03-01A

KEY	PART NUMBER	U/M	DESCRIPTION	VENDOR NO.
1	126023-01-703	EA	GRATE - TOP	74003358
2	102020-01-709	EA	BUMPER - GRATE	8007-P020-60
3	126023-01-706	EA	TOP - MAIN (WHITE)	74003322
3	126023-01-707	EA	TOP - MAIN (BLACK)	74003323
3	126023-01-708	EA	TOP - MAIN (ALMOND)	74003324
4	126023-01-700	EA	BURNER - TOP (RT-REAR)	7505P195-60
5	126023-01-701	EA	BURNER - TOP (LT-REAR)	7505P196-60
6	102020-01-729	EA	REGULATOR - PRESSURE	7510P043-60
7	114030-01-706	EA	TRIM - REAR/BLACK TEXTURED	74002841
8	114030-01-704	EA	TRIM - RIGHT/BLACK TEXTURED	74002839
9	126023-01-720	EA	KNOB - IGNITER	74002414
10	114030-02-700	EA	GUARD/FABRIC - TOWEL BAR	3609F006-70
11	114030-01-705	EA	TRIM - LEFT/BLACK TEXTURED	74002840
12	126023-01-705	EA	PIPE - MANIFOLD	7513P161-60
13	126023-01-709	EA	VALVE - BURNER (REAR)	74003348
13	126023-01-710	EA	VALVE - BURNER (FRONT)	74003349
14	126023-01-702	EA	BURNER - TOP (FRONT)	7505P144-60
15	126023-01-711	EA	ELECTRODE - IGNITER	7432P077-60
16	126023-01-719	EA	IGNITER - TOP BURNER	74002413
17	112881-01-705	EA	KNOB - TOP BURNER	733P072-60
17	112881-01-718	EA	KNOB - TOP BURNER HI-OUTPUT	74001794
	126023-01-735	EA	KIT-IGNITOR TOP BRNER & KNOB	12001296=74002413&
	128728-01-703	EA	T-NUT - F/HINGE	7103P109-60

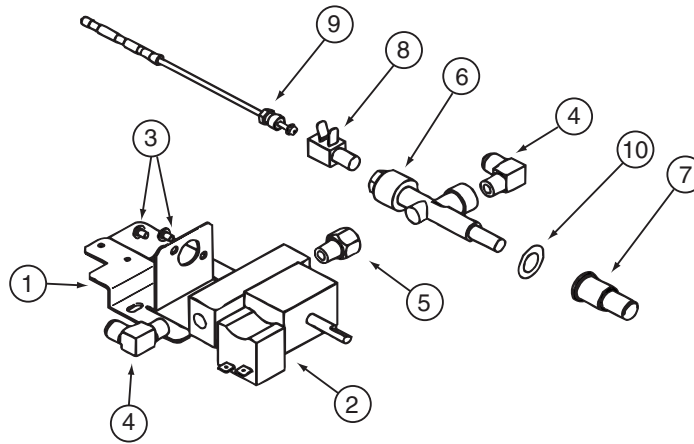
APPLIANCE GROUP (CONTINUED)
COMPONENT PARTS FOR APPLIANCE (CONTINUED)



131147-01-01A

KEY	PART NUMBER	U/M	DESCRIPTION	VENDOR NO.
1	131147-01-731	EA	CONTROL PANEL - 3-WAY	619146
4	131147-01-732	EA	SWITCH/SELECTOR- 4-POSITION	619168
6	131147-01-733	EA	SPARK IGNITOR	61645622
7	131147-01-734	EA	FLAME METER	61481322
CONTACT WINNEBAGO PART SALES FOR UNLISTED COMPONENT				

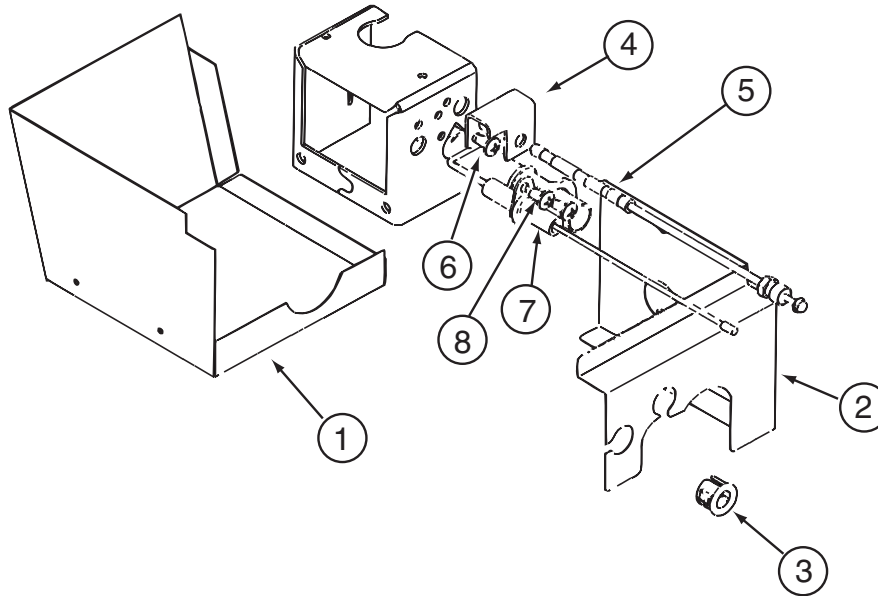
APPLIANCE GROUP (CONTINUED)
COMPONENT PARTS FOR APPLIANCE (CONTINUED)



131147-01-01A (CONTINUED)

KEY	PART NUMBER	U/M	DESCRIPTION	VENDOR NO.
2	113737 01 735	EA	THERMOSTAT-GAS VALVE	617944
4	131147 01 725	EA	ELBOW - BRASS/90 DEG - 2 PC	61621622
5	131147 01 726	EA	ADAPTER - PIPE	619055
6	131147 01 727	EA	VALVE - SAFETY	617965
7	131147 01 728	EA	PLUG/EXTENSION-SAFETY VALVE	619044
8	113737 01 709	EA	INTERRUPTER	61750522
9	131147 01 729	EA	THERMOCOUPLE	619154
10	131147 01 730	EA	O-RING/SAFETY VALVE	619051

CONTACT WINNEBAGO PART SALES FOR UNLISTED COMPONENT

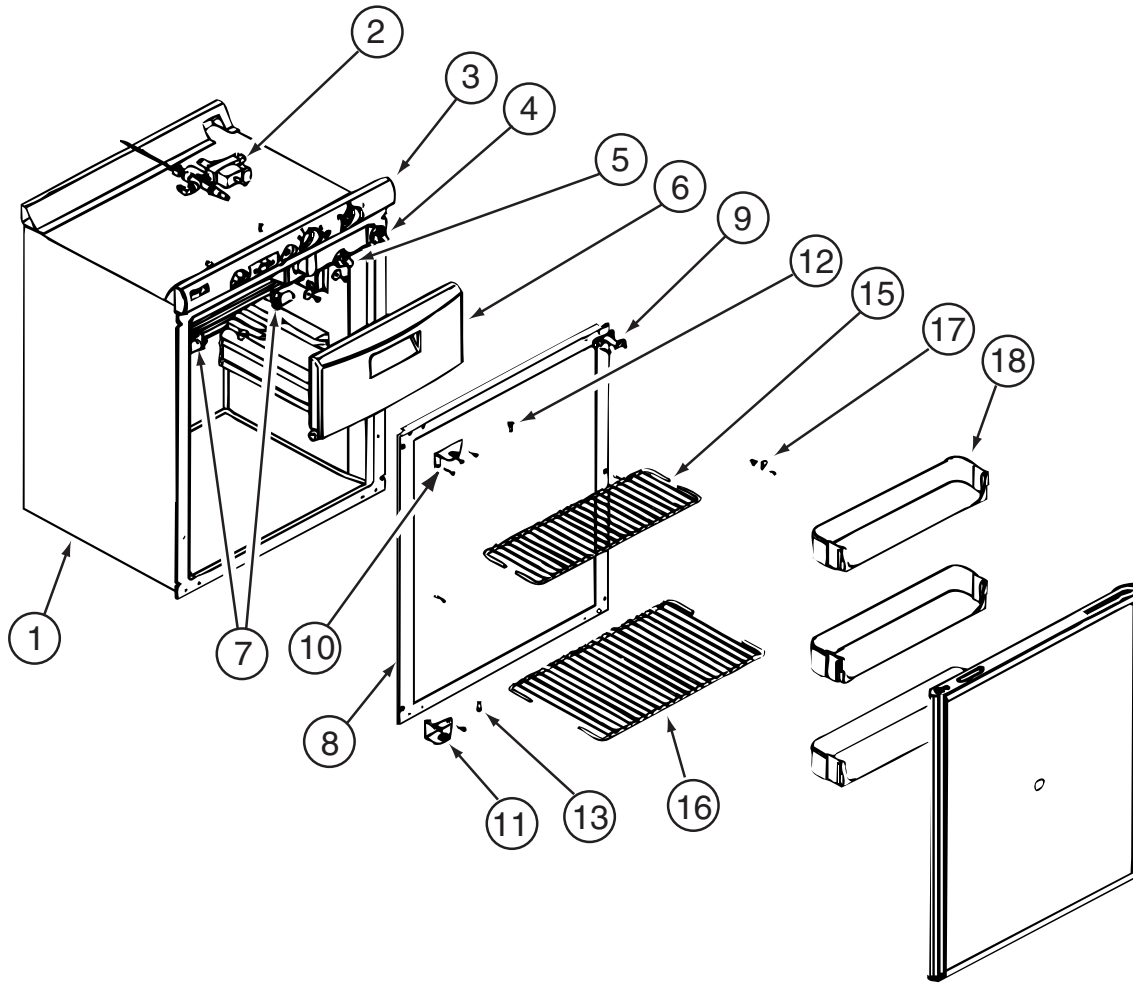


131147-01-01A (CONTINUED)

KEY	PART NUMBER	U/M	DESCRIPTION	VENDOR NO.
5	131147-01-729	EA	THERMOCOUPLE	619154
6	131147-01-746	EA	BURNER ASSEMBLY	619081
7	131147-01-747	EA	SPARK ELECTRODE	619153
	113737-01-702	EA	PLUG 1/8" F/PRESSURE TAP	61445322
	131147-01-745	EA	ORFICE ADAPTER ASSY	618090
	131147-01-748	EA	PRESSURE TAP	61755322

CONTACT WINNEBAGO PART SALES FOR UNLISTED COMPONENT

APPLIANCE GROUP (CONTINUED)
COMPONENT PARTS FOR APPLIANCE (CONTINUED)

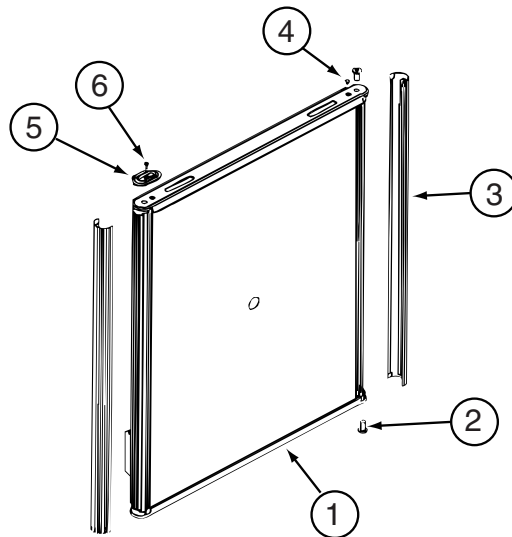


131147-01-01A (CONTINUED)

KEY	PART NUMBER	U/M	DESCRIPTION	VENDOR NO.
1	131147-01-700	EA	FOAMED CABINET	619120
2	131147-01-701	EA	GAS CONTROL	619147
3	131147-01-702	EA	CONTROL PANEL ASSEMBLY	619145
4	131147-01-703	EA	KNOB - SELECTOR	619070
5	131147-01-704	EA	KNOB - THERMOSTAT	619069
7	131147-01-706	EA	SPRING HOLDER ASSEMBLY - RH	619041
9	131147-01-708	EA	DOOR LATCH	619103
10	131147-01-709	EA	HINGE/CABINET-UPR/LH-LWR/RH	619096
11	131147-01-710	EA	HINGE/CABINET-UPR/RH-LWR/LH	619095
12	113737-01-708	EA	PIN-HINGE, TOP	61114600
13	113737-01-710	EA	PIN-HINGE, BOTTOM	61550722
15	131147-01-712	EA	WIRE - SHELF UPPER	619123
16	131147-01-713	EA	WIRE SHELF - LOWER	619102
17	125242-01-750	EA	CLIP	61409622
18	131147-01-714	EA	DOOR - BIN - WHITE	619033
	104137-06-724	EA	ICE TRAY	61630422
	113737-01-705	EA	CLIP-FIN	61728722
	131147-01-707	EA	SPRING HOLDER ASSEMBLY - LH	619042
	131147-01-715	EA	DRIP TRAY	61618930

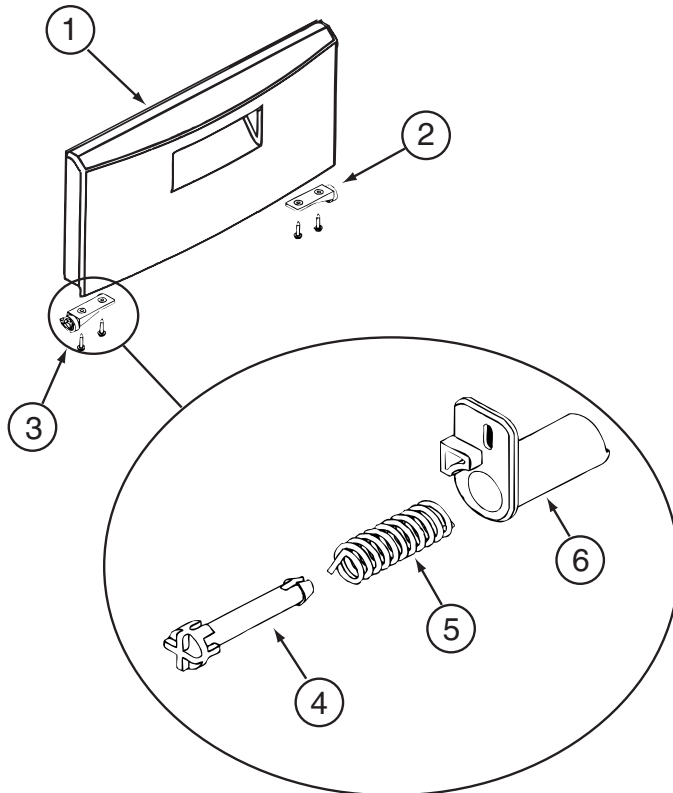
CONTACT WINNEBAGO PART SALES FOR UNLISTED COMPONENT

APPLIANCE GROUP (CONTINUED)
COMPONENT PARTS FOR APPLIANCE (CONTINUED)



131147-01-01A (CONTINUED)

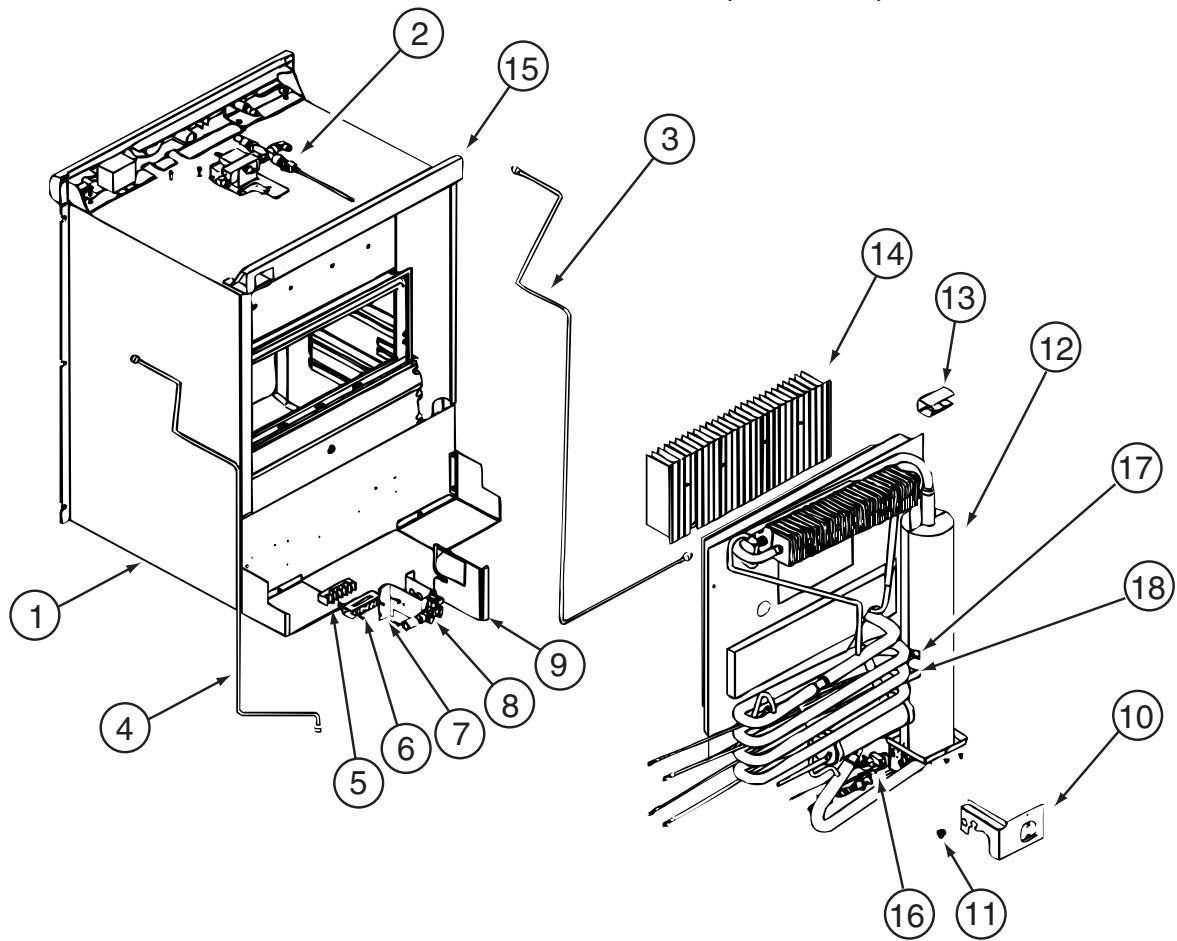
KEY	PART NUMBER	U/M	DESCRIPTION	VENDOR NO.
1	131147-01-741	EA	FOAMED DOOR ASSEMBLY	619030
2	113737-01-701	EA	BUSHING-HINGE	61742022
3	131147-01-742	EA	PANEL RETAINER- NEED 2 PCS	619035
4	131147-01-743	EA	PLUG - BEIGE	619048
5	131147-01-744	EA	LATCH PLATE	619104
6			CONTACT WINNEBAGO PART SALES FOR THIS COMPONENT	



131147-01-01A (CONTINUED)

KEY	PART NUMBER	U/M	DESCRIPTION	VENDOR NO.
1	131147-01-705	EA	FREEZER DOOR	619117
2	131147-01-735	EA	HINGE/FREEZER DOOR - RH	61632930
3	131147-01-736	EA	HINGE/FREEZER DOOR - LH	61633030
4	131147-01-738	EA	SPRING PIN	619133
5	131147-01-739	EA	TORSION SPRING - RH CABINET	619066
5	131147-01-740	EA	TORSION SPRING - LH CABINET	619064
6	102621-04-703	EA	HOLDER-SPRING, RH WHITE	61632830
6	102621-04-707	EA	HOLDER-SPRING, LH WHITE EVAP	61632730

APPLIANCE GROUP (CONTINUED)
COMPONENT PARTS FOR APPLIANCE (CONTINUED)



131147-01-01A (CONTINUED)

KEY	PART NUMBER	U/M	DESCRIPTION	VENDOR NO.
3	131147-01-716	EA	BURNER TUBE	619156
4	131147-01-717	EA	GAS INLET TUBE	619157
5	131147-01-718	EA	TERMINAL BLOCK	619173
8	131147-01-719	EA	MANUAL SHUT OFF VALVE	617976
12	131147-01-720	EA	COOLING SYSTEM - SERVICE KIT	619088
15	131147-01-721	EA	CABINET BAFFLE	619122
16	131147-01-722	EA	BURNER AND ORFICE ASM.	619151
17	131147-01-723	EA	HEATER - DC	619065
18	131147-01-724	EA	HEATER - AC	619063

CONTACT WINNEBAGO PART SALES FOR UNLISTED COMPONENT

AUDIO VIDEO GROUP
RADIO SYSTEM

KEY	PART NUMBER	U/M	DESCRIPTION
	074014-01-000	EA	GRILLE - SPEAKER - ROUND - 222QD
	089340-02-000	EA	GRILLE - SPEAKER - 6.5" SQUARE - 222FD, 222HD
	093214-01-02A	EA	GRILLE - SPEAKER - 4" BROWN - 222FD, 222HD
	124883-04-000	EA	GRILLE/SPEAKER - F/CUBE - DELUXE SOUND
	124885-01-000	EA	GRILLE - SPEAKER - 6" X 9" - SUB-WOOFER - DELUXE SOUND
	094097-01-000	EA	SPEAKER - RADIO/TV - W/O GRILLE - 5.25" DIAMETER
	124883-02-000	EA	SPEAKER - CUBE - W/BRACKET - DELUXE SOUND
	124884-01-000	EA	SPEAKER - 6" X 9" - SUB-WOOFER - DELUXE SOUND
	124883-03-000	EA	CUBE/SPEAKER - W/O CASE - DELUXE SOUND
	114365-02-000	EA	ADAPTER - RADIO - POWER/SPEAKERS - DELUXE SOUND
	114366-01-000	EA	ADAPTER - RADIO - ANTENNA
	124881-01-000	EA	AMPLIFIER - AUDIO - DELUXE SOUND
*	127517-12-000	EA	RADIO - AM/FM/CD - REMOTE CONTROL - SONY CDX-CA400

***COMPONENT PARTS LISTED LATER IN THIS GROUP**

AUDIO VIDEO GROUP (CONTINUED)
COMPONENT PARTS FOR RADIO SYSTEM

127517-12-000

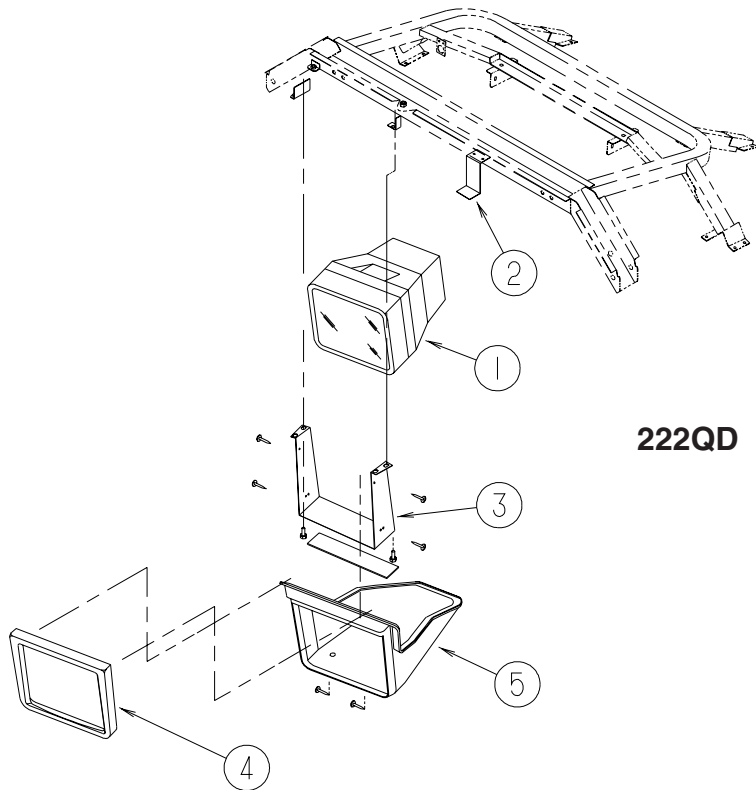
KEY	PART NUMBER	U/M	DESCRIPTION	VENDOR NO.
	127517-12-700	EA	REMOTE	RMX114

AUDIO VIDEO GROUP (CONTINUED)

TV & VCR

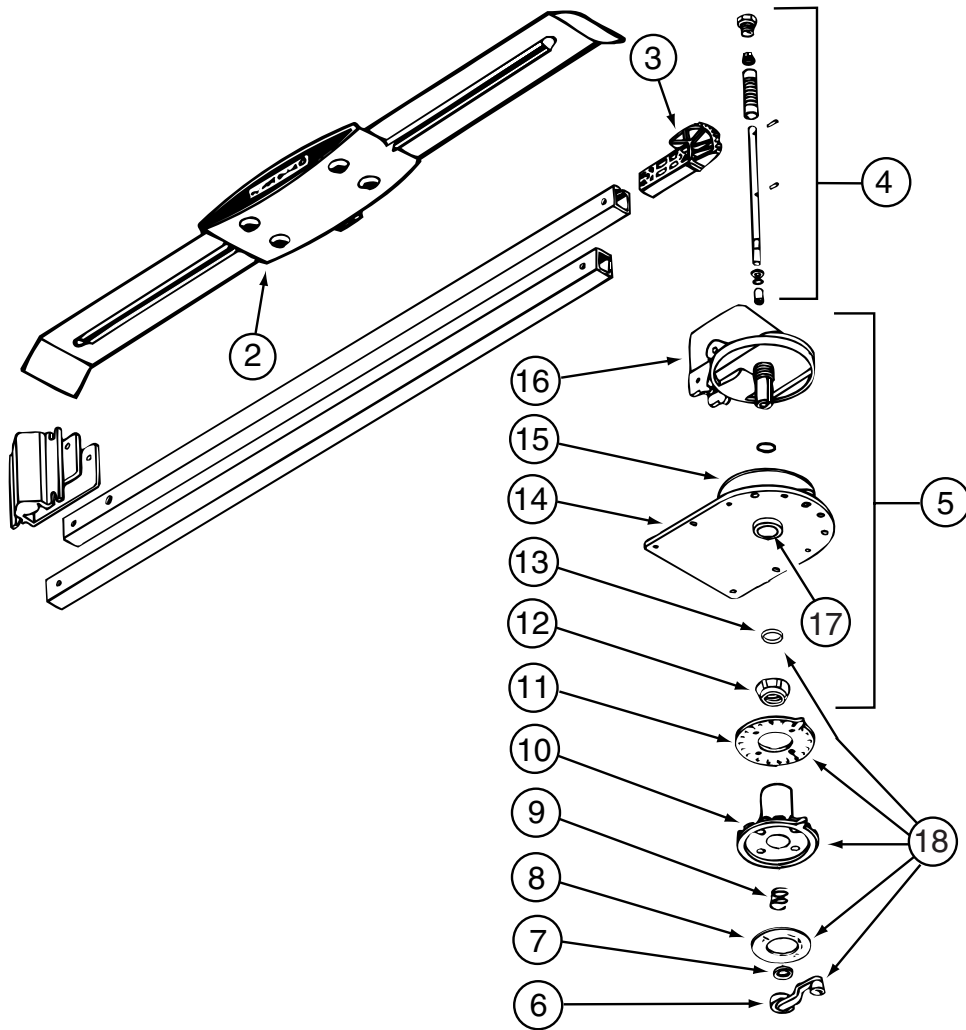
KEY	PART NUMBER	U/M	DESCRIPTION
	076319-03-000	FT	CABLE - COAXIAL - 75 OHM
	076319-06-000	EA	ADAPTER - CABLE ROOF PLATE
	082134-01-000	EA	ADAPTER - TV - CABLE TO CABLE
	076319-12-000	EA	CONNECTOR - COAXIAL - ONE PIECE
*	076319-24-000	EA	ANTENNA - TV ROOF MOUNT - 25.5" MAST
*	076319-25-000	EA	KIT - HARDWARE INTERIOR
	082136-01-000	EA	NUT - HEX JAM - 3/8-32
	086777-02-000	EA	WALLPLATE - TV CABLE - W/ANTENNA SWITCH - BLACK
	093901-03-000	EA	PLATE - TV COAX - EXTERIOR - 1.8" X 2.5"
*	094487-04-000	EA	VIDEO CASSETTE PLAYER W/O REMOTE - AUDIOVOX - VCP FROM: 00-00-00 THRU: 11-10-02
	094487-06-000	EA	VIDEO CASSETTE PLAYER - W/O REMOTE - HORIZ - AVP-9000 - VCP FROM: 11-11-02 THRU: 99-99-99

*COMPONENT PARTS LISTED LATER IN THIS GROUP



KEY	PART NUMBER	U/M	DESCRIPTION
1*	086231-09-000	EA	TV - COLOR - 9" DC - AUDIOVAX AVT-988
2	121323-01-02B	EA	BRACKET - Z
3	131698-01-02B	EA	STRAP - OVERHEAD/TV - E-COATED
4	114314-01-03A	EA	COVER - TV - OVERHEAD FRONT - VW LT GRAY
5	114315-01-03A	EA	COVER - TV - OVERHEAD FRONT - W/O HARDWARE

AUDIO VIDEO GROUP (CONTINUED)
COMPONENT PARTS FOR TV & VCR



076319-24-000

KEY	PART NUMBER	U/M	DESCRIPTION	VENDOR NO.
2	076319-01-700	EA	HEAD-ANTENNA, AMPLIFIED	RVSA U/V
3	076319-01-701	EA	GEAR-ELEVATING, PLASTIC	2200046
4	076319-01-702	EA	SHAFT ASM-ELEVATING	RP-4000
5	076319-01-711	EA	BASE & LIFT ASM	2762802
7	076319-01-705	EA	GROMMET-NYLON, 7/8"ID	3200658
8	076319-01-708	EA	DECAL-CRANK	5413002
9	076319-01-707	EA	SPRING-HANDLE	2160822
10	076319-25-700	EA	DIRECTIONAL HANDLE(WHITE)	3200612
11	076319-01-712	EA	PLATE - CEILING	3200608
11	076319-01-709	EA	PLATE-CEILING (IVORY)	3200621
12	076319-01-715	EA	NUT (GEAR HOUSING)	2200047
13	076319-01-704	EA	BEARING-NYLON, 1.25"OD	3200657
14	076319-01-713	EA	PLATE-BASE, STEEL	3100523
15	076319-01-703	EA	BEARING-NYLON, 5" OD	3200656
16	076319-01-714	EA	HOUSING, ROTATING GEAR	2200049
	076319-01-716	EA	TUBING, ELEVATING	RP-2900

CONTACT WINNEBAGO PART SALES FOR UNLISTED COMPONENTS

076319-25-000

KEY	PART NUMBER	U/M	DESCRIPTION	VENDOR NO.
6	076319-01-706	EA	CRANK-W/SET SCREW UNIV/BEIGE	2750897
6	120233-01-710	EA	HANDLE-CRANK W/SCREW - WHITE	RP-6795
8	076319-01-708	EA	DECAL-CRANK	5413002
10	076319-25-700	EA	DIRECTIONAL HANDLE(WHITE)	3200612
11	076319-25-701	EA	PLATE - CEILING(WHITE)	3200609
13	120233-01-709	EA	WASHER-NYLON	RP-2658

CONTACT WINNEBAGO PART SALES FOR UNLISTED COMPONENTS

AUDIO VIDEO GROUP (CONTINUED)
COMPONENT PARTS FOR TV & VCR (CONTINUED)

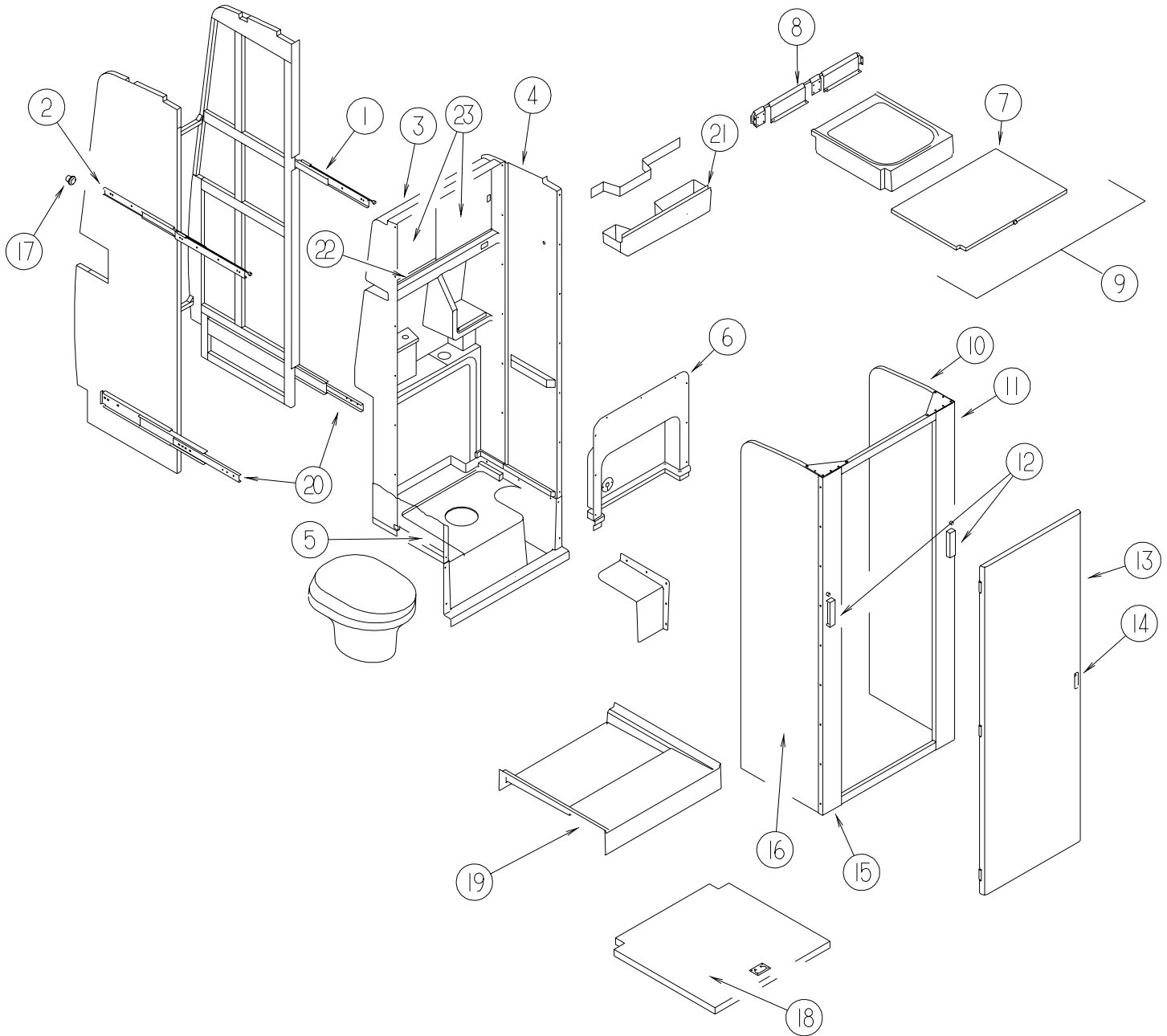
086231-09-000

KEY	PART NUMBER	U/M	DESCRIPTION	VENDOR NO.
	086231-09-700	EA	REMOTE	892338

094487-04-000

KEY	PART NUMBER	U/M	DESCRIPTION	VENDOR NO.
	086231-08-700	EA	REMOTE-UNIVERSAL	0892328
	094487-03-700	EA	WIRE - ADAPTER	0894000

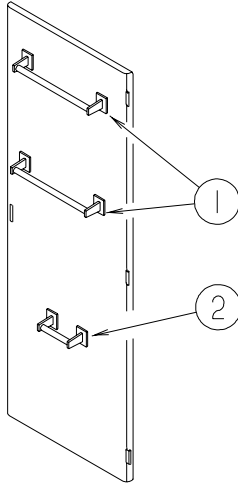
BATH GROUP CABINETS



KEY	PART NUMBER	U/M	DESCRIPTION
1	116173-01-000	EA	SLIDE - LOCKING - LEFT HAND FACING CABINET
2	116173-02-000	EA	SLIDE - LOCKING - RIGHT HAND FACING CABINET
3	111950-01-02A	EA	SURROUND - SHOWER/BACK - VW LIGHT GRAY
4	111986-01-02A	EA	SURROUND - SHOWER/RIGHT HAND SIDE - VW LIGHT GRAY
5	111986-03-02A	EA	SURROUND - SHOWER/LEFT HAND SIDE - VW LIGHT GRAY
6	112151-01-02A	EA	COVER - DRAINAGE ACCESS - VW LIGHT GRAY
7	113183-02-K76	EA	PANEL - DOOR/SINK
	127346-01-02A	EA	PLUG - HOLE - 3/4" DIAMETER - STEEL
8	113982-01-K76	EA	HINGE - FOLD UP SINK W/DOOR PANEL
	086235-03-000	EA	BEARING - SNAPIN - 5/16ID X 5/16
9	M06944-02-K76	EA	BATH SINK/FOLD UP - W/DOOR ATTACHED
10	NO LONGER AVAILABLE - CONTACT PART SALES		
11	116246-01-03A	EA	CORNER - BATH/RH - VW LT GRAY
12	074762-01-000	EA	PULL - CABINET - 4.8" X .9" - BLACK PLASTIC
13	113756-01-K76	EA	DOOR - BATH - W/LATCH
14	058335-03-000	EA	LATCH W/O LOCK - BATHROOM DOOR BLACK
15	116246-02-03A	EA	CORNER - BATH/LH - VW LT GRAY
16	NO LONGER AVAILABLE - CONTACT PART SALES		

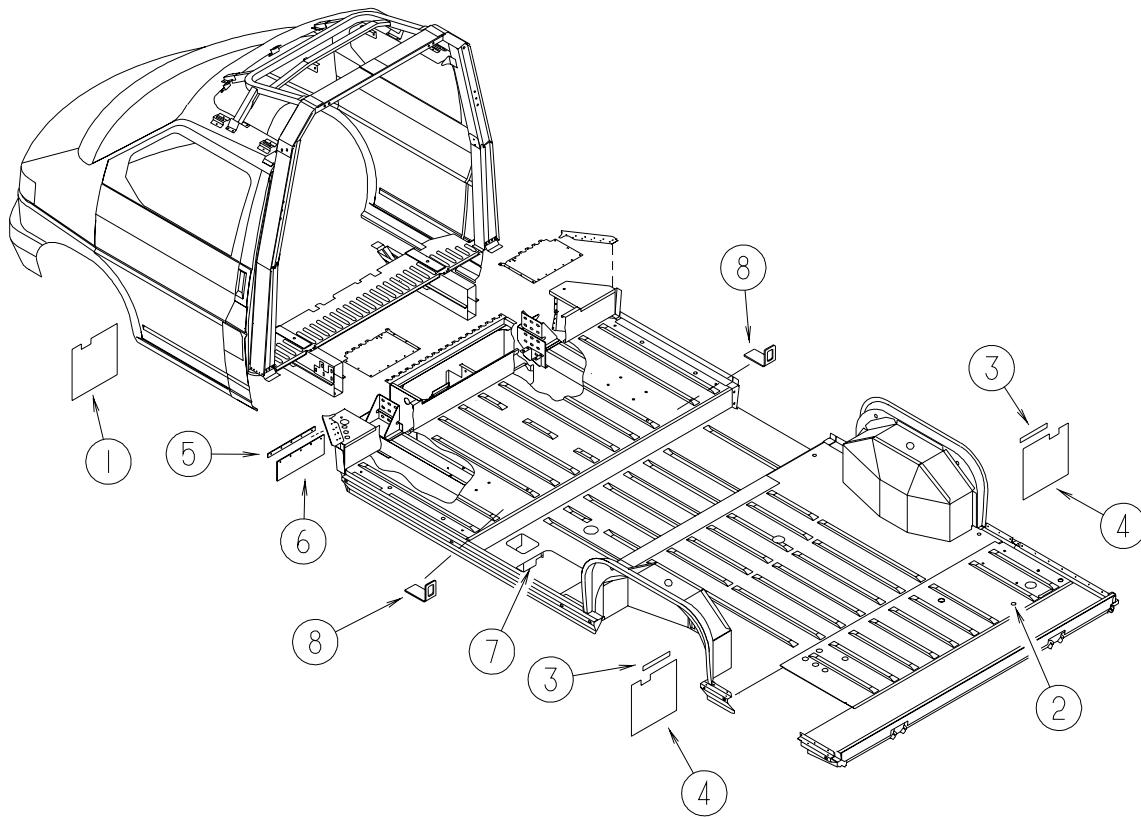
BATH GROUP (CONTINUED)
CABINETS (CONTINUED)

KEY	PART NUMBER	U/M	DESCRIPTION
17	116044-01-000	EA	BUMPER - MOLDED
18	P13092-02-000	EA	COVER - SHOWER PAN - W/O CARPET - 24.5" X 25.5"
19	118605-01-02A	EA	SHOWER PAN - W/STRAINER - VW LIGHT GRAY
	114974-01-000	EA	STRAINER/SHOWER PAN - W/HOSE END ADAPTER - WHITE PLASTIC
20	116174-01-000	EA	SLIDE - FULL EXTENDED
21	114898-01-02A	FT	VINYL - 1.6" - VW LIGHT GRAY
22	002324-02-000	EA	U-CHANNEL - WEATHERSTRIP W/FUZZ - F/1/8" GLASS
23	058331-B0-000	EA	MIRROR - SAFETY GLASS - 12.6" X 12.6"



KEY	PART NUMBER	U/M	DESCRIPTION
1	075453-03-000	EA	BRACKET - TOWEL BAR - BRASS - 2 PER PACK
1	075453-04-000	EA	ROD - F/TOWEL BAR - 18" BRASS - W/O END BRACKETS
2	075452-02-000	EA	HOLDER - TOILET TISSUE - BRASS

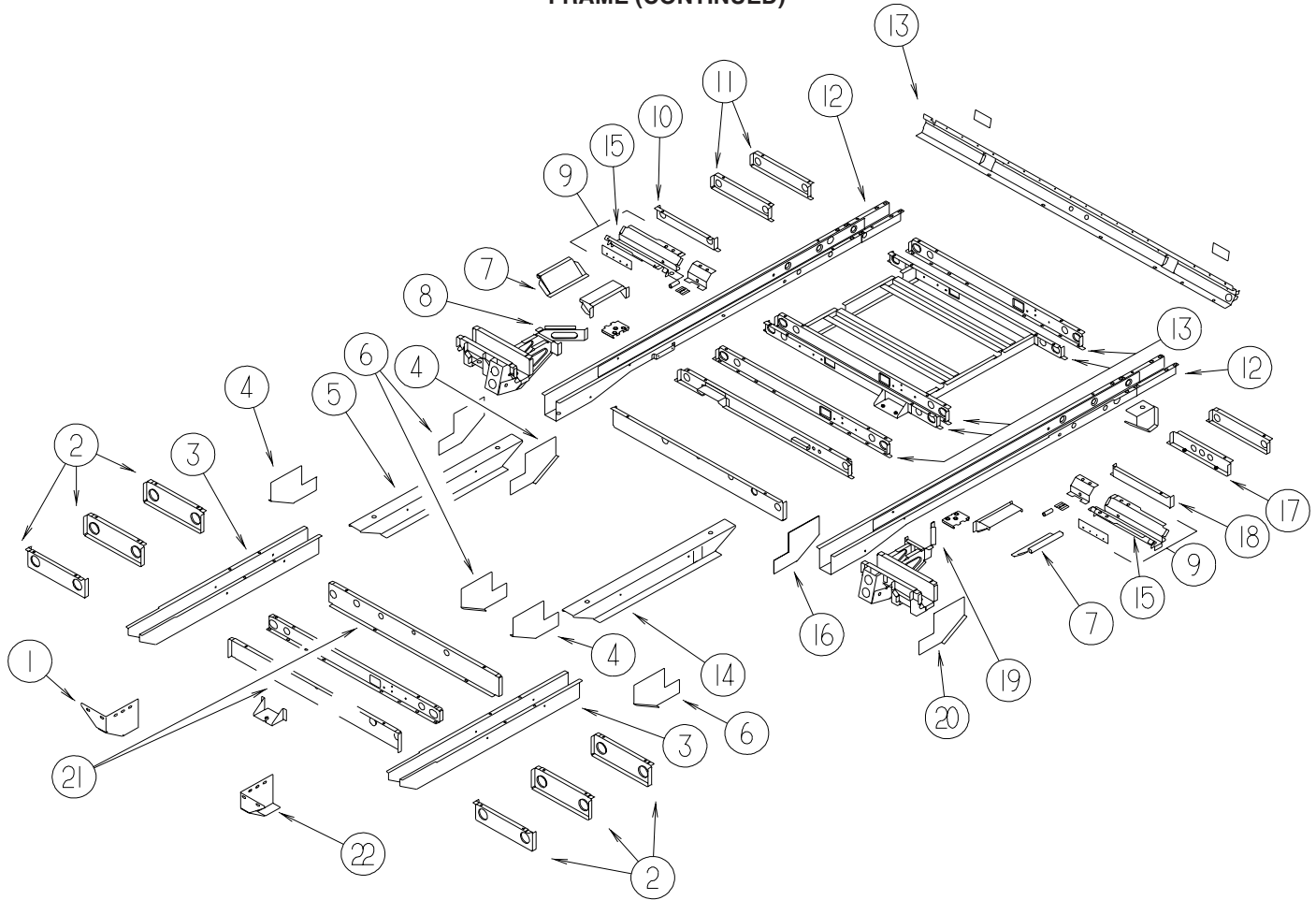
CHASSIS GROUP FRAME



KEY	PART NUMBER	U/M	DESCRIPTION
1	073905-03-000	EA	MUD FLAP - FRONT - 12.2" X 7.9"
2	074487-02-000	EA	PLUG - HOLE - .375 - .093 - .171 THICK
3	073913-01-000	EA	RETAINER - MUDFLAP - METAL
4	073905-01-000	EA	MUD FLAP - REAR - 10.1" X 9.3"
5	120293-01-02B	EA	RETAINER - MUDFLAP - E-COATED - 222FD
6	120299-01-01A	EA	ROCK GUARD - RUBBER - 5" X 14" - 222FD
7	114987-01-09B	EA	PANEL - COVER - SUMP - BOTTOM - GALVANIZED
7	114988-01-09B	EA	PANEL - COVER - SUMP - GALVANIZED
8	136768-02-02B	EA	BRACKET - TETHER - SAFETY STRAP - E-COATED - 222QD

CHASSIS GROUP (CONTINUED)

FRAME (CONTINUED)

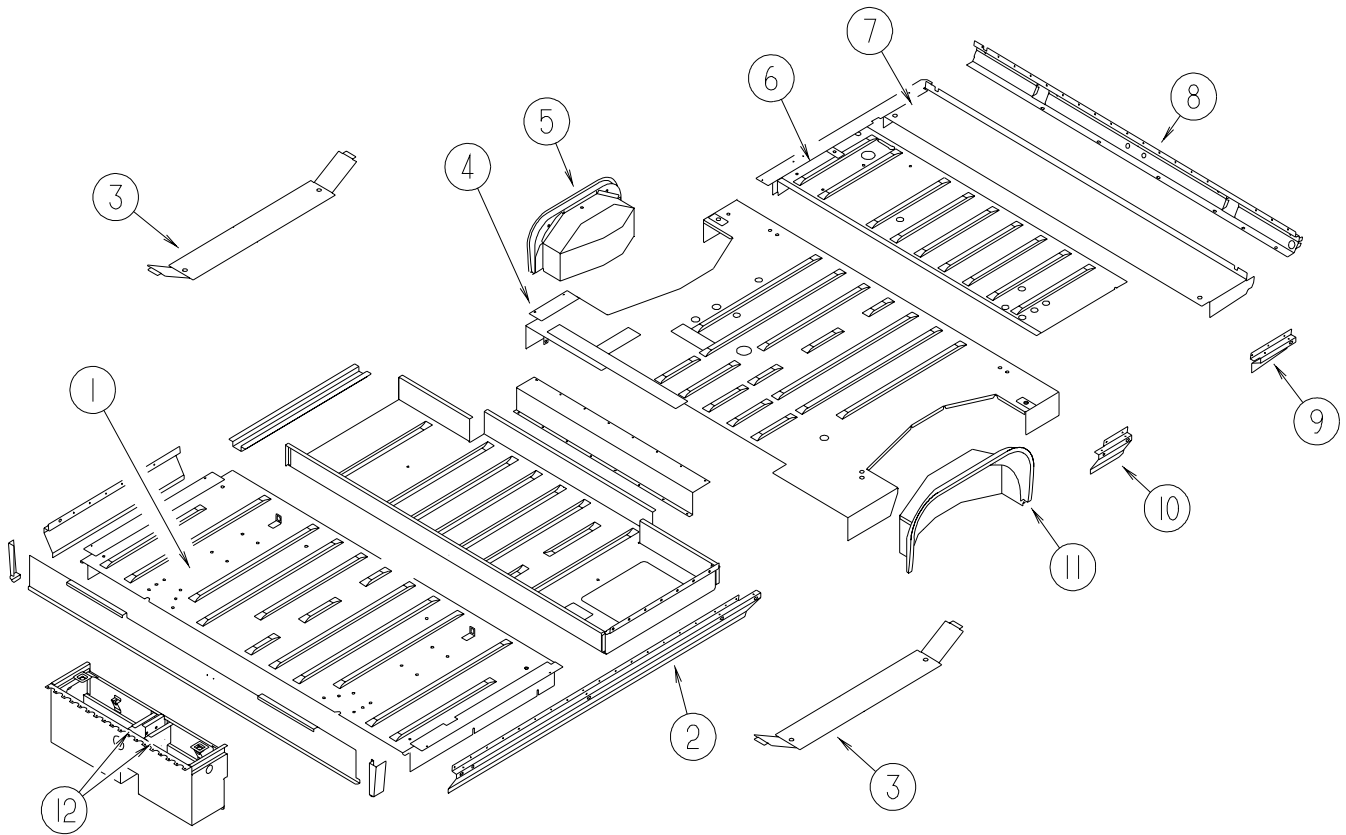


KEY	PART NUMBER	U/M	DESCRIPTION
1	117866-01-01B	EA	BRACKET - FRAME
2	130309-01-01B	EA	OUTRIGGER - FRONT
3	117865-03-01B	EA	RAIL - FRAME - FRONT/FLOOR
3	117865-04-01B	EA	RAIL/FRAME - FRONT/FLOOR
4	136003-01-01B	EA	GUSSET - FRAME/LOWER
5	126977-02-01B	EA	RAIL - FRAME - LOWER
6	136003-02-01B	EA	GUSSET - FRAME - LOWER - LEFT HAND
7	138737-01-01B	EA	REINFORCEMENT-WHEELHOUSE,MILL
8	138752-01-01B	EA	BRACKET-SPRING SUPPRT,G,MILL
9	138756-01-01B	EA	STRUT-SPRING MTG
10	071232-02-000	EA	OUTRIGGER - REAR - LEFT HAND
11	071232-01-000	EA	OUTRIGGER - REAR - RIGHT HAND
12	138738-01-01B	EA	RAIL-FRAME,REAR
13	138748-01-01B	EA	CROSSMEMBER-REAR,CENTER,MILL
14	126977-01-01B	EA	RAIL - FRAME - LOWER
15	138742-01-01B	EA	BRACE ASM-STRUT,REAR ,MILL
16	126976-02-01B	EA	GUSSET - FRAME/LOWER
17	112726-03-01B	EA	OUTRIGGER - RIGHT HAND
18	112726-04-01B	EA	OUTRIGGER - LEFT HAND
19	138752-02-01B	EA	BRACKET-SPRING SUPPRT,G,MILL
20	126976-01-01B	EA	GUSSET - FRAME/LOWER
21	138741-01-01B	EA	CROSSMEMBER-STEPBOX ,MILL
22	117866-02-01B	EA	BRACKET - FRAME

FROM: 00-00-00 THRU: 08-31-02

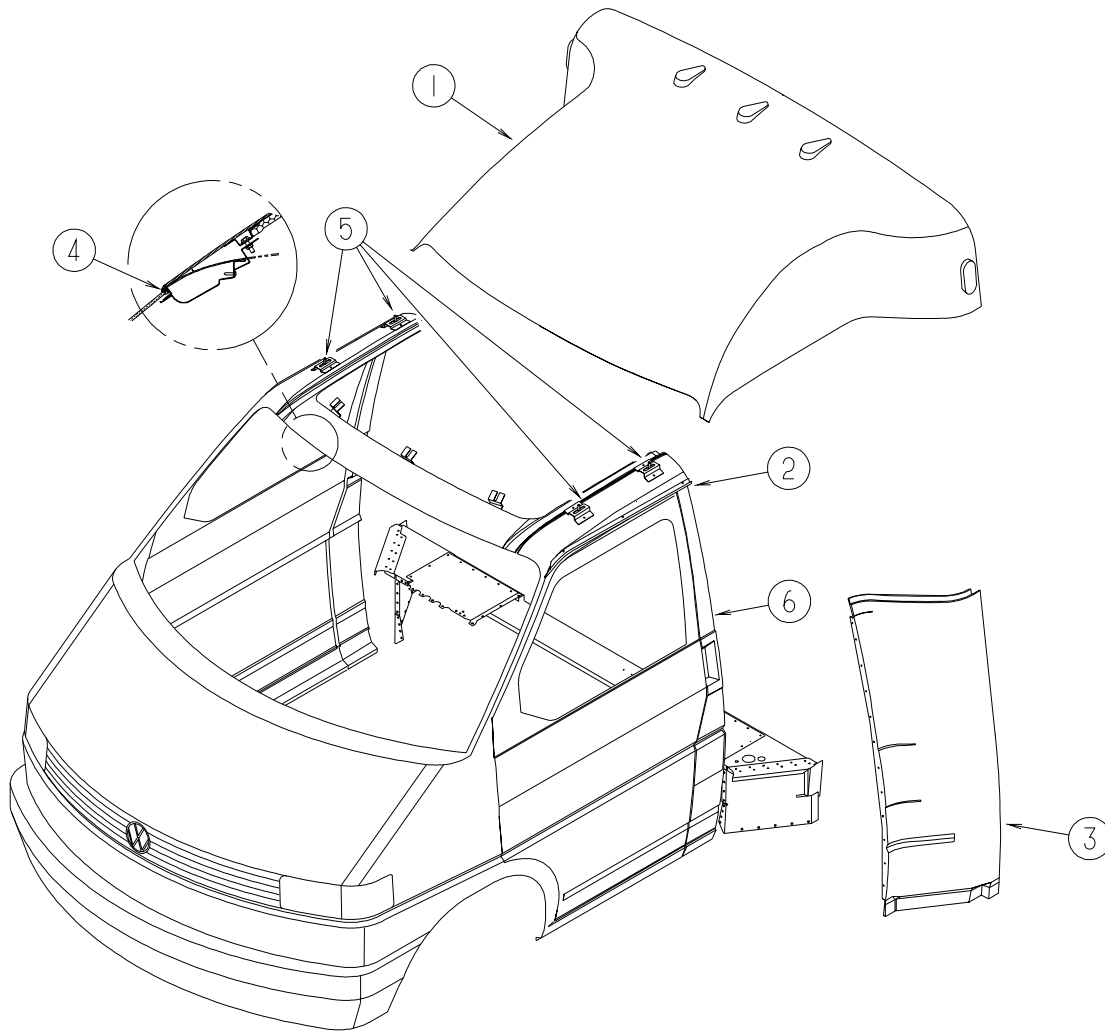
FROM: 09-01-02 THRU: 99-99-99

CHASSIS GROUP (CONTINUED)
FRAME (CONTINUED)



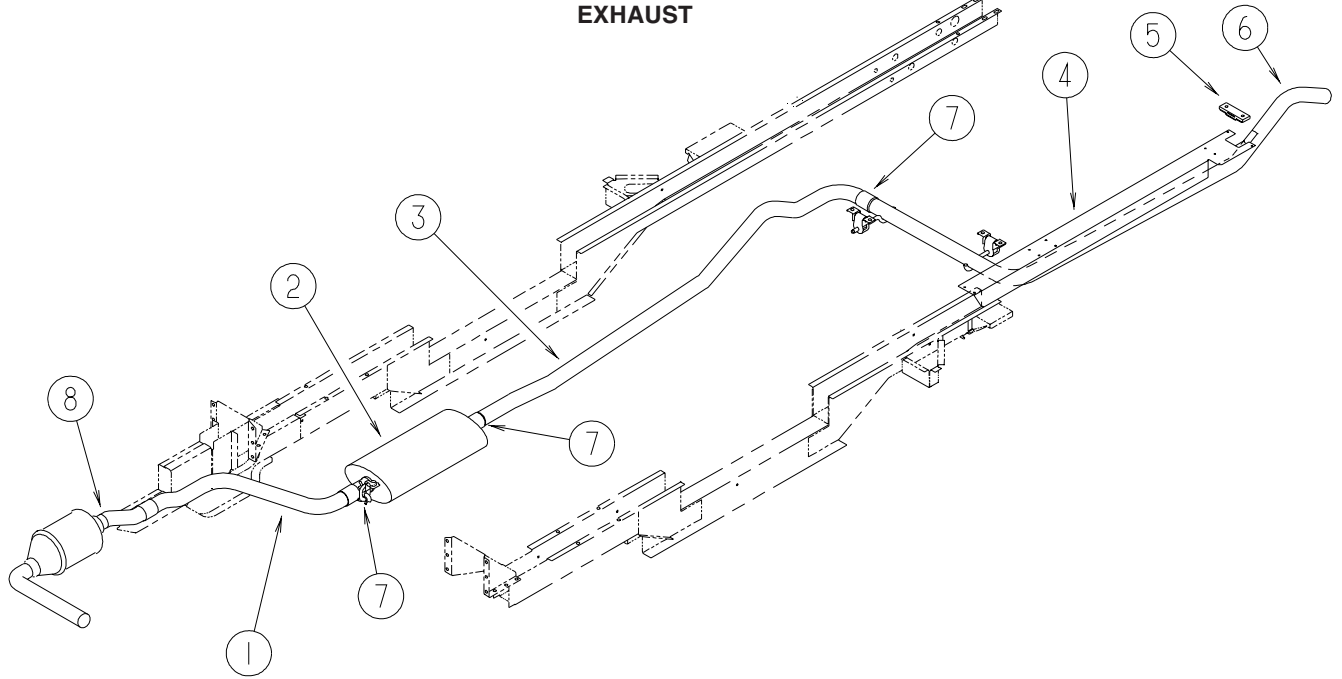
KEY	PART NUMBER	U/M	DESCRIPTION
1	110695-01-000	EA	PANEL - FLOOR - FRONT
2	071366-01-000	EA	ROCKER ASM - FRONT - LH
3	139105-01-01B	EA	CAP - RAIL/LOWER
4	112222-01-000	EA	PANEL/REAR FLOOR
5	112345-01-000	EA	WHEELHOUSE W/SHOCK MOUNT - REAR PASSENGER SIDE - STEEL
6	122969-01-01B	EA	PANEL/FLOOR - REAR
7	122962-02-01B	EA	PANEL/FLOOR - REAR
8	072382-01-000	EA	CROSSMEMBER - REAR
9	122954-01-01B	EA	ROCKER - REAR - LEFT HAND
10	113005-01-01B	EA	ROCKER - REAR - LEFT HAND
11	112345-02-000	EA	WHEELHOUSE W/SHOCK MOUNT - REAR DRIVER SIDE - STEEL
12	118541-01-01B	EA	PANEL/BOTTOM - BATTERY COMPARTMENT

CHASSIS GROUP (CONTINUED)
FRONT END



KEY	PART NUMBER	U/M	DESCRIPTION
1	111207-06-K76	EA	CAP - ROOF/FRONT
2	115022-02-01A	EA	RAIL - DRIP - RIGHT HAND
	115022-01-01A	EA	RAIL - DRIP - LEFT HAND
3	111276-04-F45	EA	PANEL - TRANSITION - LEFT - STEEL/FIBERGLASS - VW WHITE
	111276-03-F45	EA	PANEL - TRANSITION - RIGHT - STEEL/FIBERGLASS - VW WHITE
4	112127-02-000	FT	MOLDING - REVEAL - WINDOW
5	143322-01-02B	EA	CHANNEL - HAT - MOUNT/CAP - E-COATED
6	112538-02-000	EA	B-PILLAR - DRIVER
6	112538-01-000	EA	B-PILLAR - PASSENGER

CHASSIS GROUP (CONTINUED)
EXHAUST

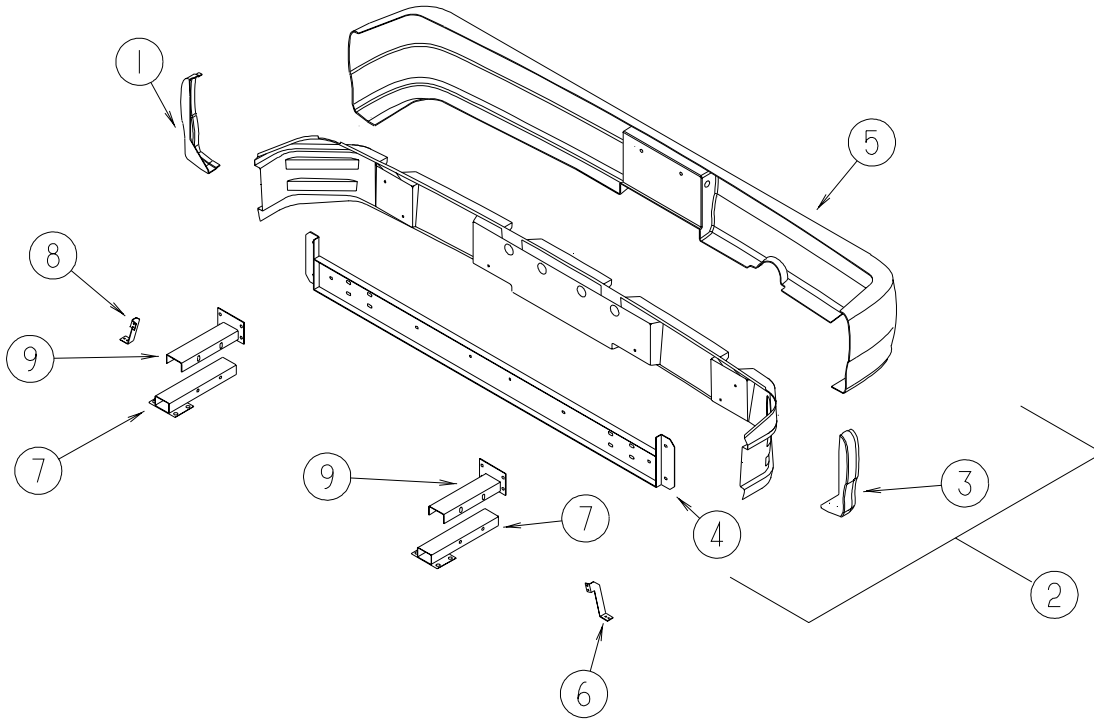


KEY	PART NUMBER	U/M	DESCRIPTION
1	113098-02-000	EA	PIPE - EXHAUST/FRONT
2	121261-02-000	EA	MUFFLER - FRONT
3	135908-01-000	EA	PIPE - EXHAUST - MIDDLE
4	125075-01-09B	EA	SHIELD - EXHAUST/TAIL PIPE - GALVANIZED
5	095190-01-000	EA	HANGER - EXHAUST - 4" X 1.4"
6	135908-02-000	EA	PIPE - EXHAUST - TAIL
7	082716-01-000	EA	CLAMP - EXHAUST - 2"
8	082716-02-000	EA	CLAMP - EXHAUST - 2.24"

CHASSIS GROUP (CONTINUED)

HITCH

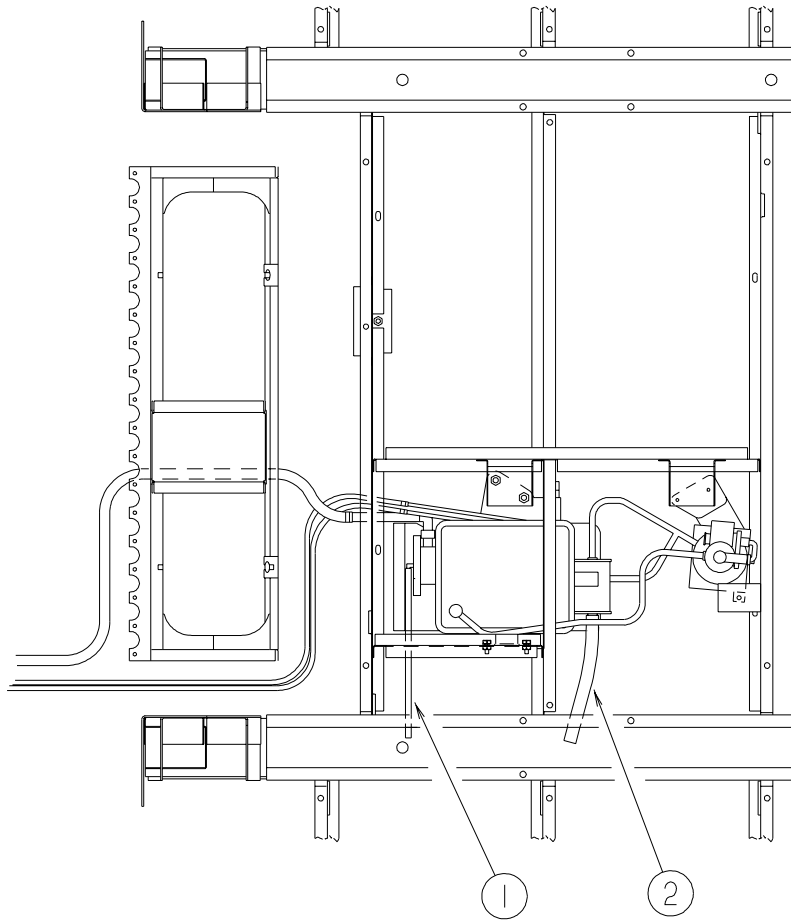
KEY	PART NUMBER	U/M	DESCRIPTION
	130339-06-000	EA	HITCH RECEIVER - BOLT ON CLASS I - 2000# FROM: 00-00-00 THRU: 09-23-02
	130339-10-000	EA	HITCH RECEIVER - BOLT ON CLASS I FROM: 09-24-02 THRU: 99-99-99



REAR BUMPER

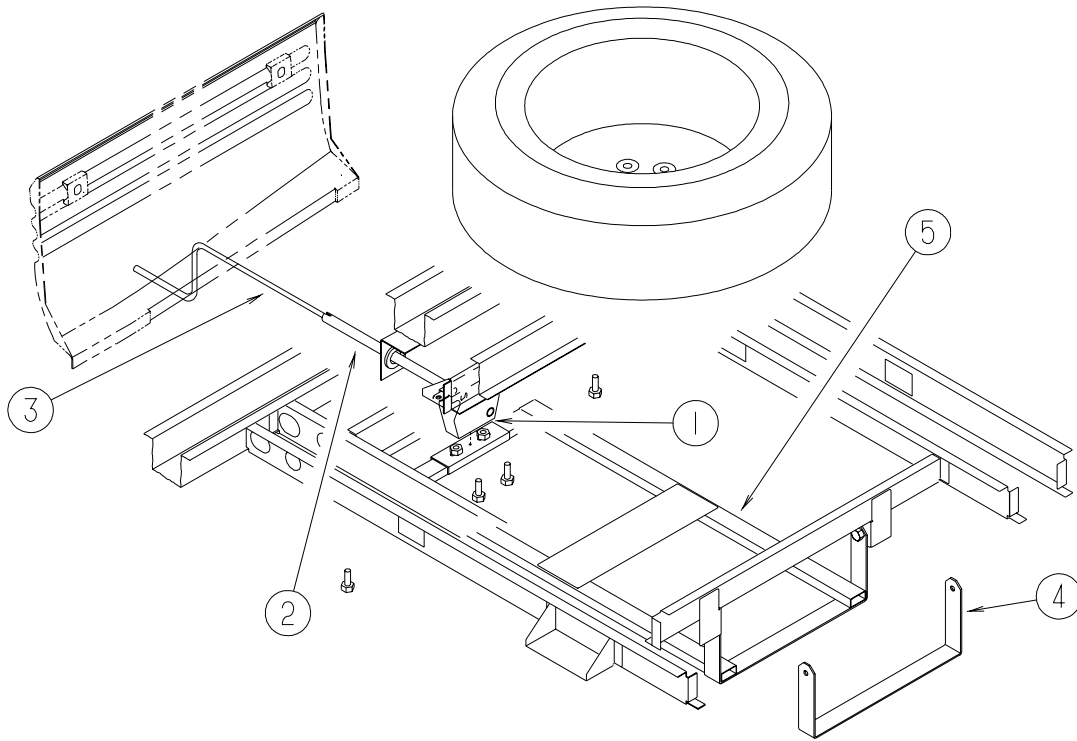
KEY	PART NUMBER	U/M	DESCRIPTION
1	130623-01-02A	EA	CAP - BUMPER END - PASSENGER - BLACK
2	130621-01-K76	EA	BUMPER - REAR
3	130623-02-02A	EA	CAP - BUMPER END - DRIVER - BLACK
4	087108-02-000	EA	SUPPORT - BUMPER/REAR FROM: 00-00-00 THRU: 05-26-02
4	142125-02-02B	EA	SUPPORT - BUMPER - REAR - E-COATED FROM: 05-27-02 THRU: 99-99-99
5	130624-01-02A	EA	BUMPER/REAR - OUTER/CENTER - BLACK
6	131451-02-02B	EA	BRACKET - BUMPER SUPPORT/OUTER - E-COATED
7	115947-01-02B	EA	SUPPORT - LOWER - BUMPER/REAR FROM: 00-00-00 THRU: 09-24-02
7	115947-02-02B	EA	SUPPORT - LOWER - BUMPER/REAR FROM: 09-25-02 THRU: 99-99-99
8	131451-01-02B	EA	BRACKET - BUMPER SUPPORT/OUTER - E-COATED
9	115944-01-02B	EA	SUPPORT - UPPER - BUMPER/REAR FROM: 00-00-00 THRU: 09-24-02
9	115944-02-02B	EA	SUPPORT - UPPER - REAR/BUMPER - E-COATED FROM: 09-25-02 THRU: 99-99-99

CHASSIS GROUP (CONTINUED)
FUEL OR FUEL FILL OR EMISSIONS



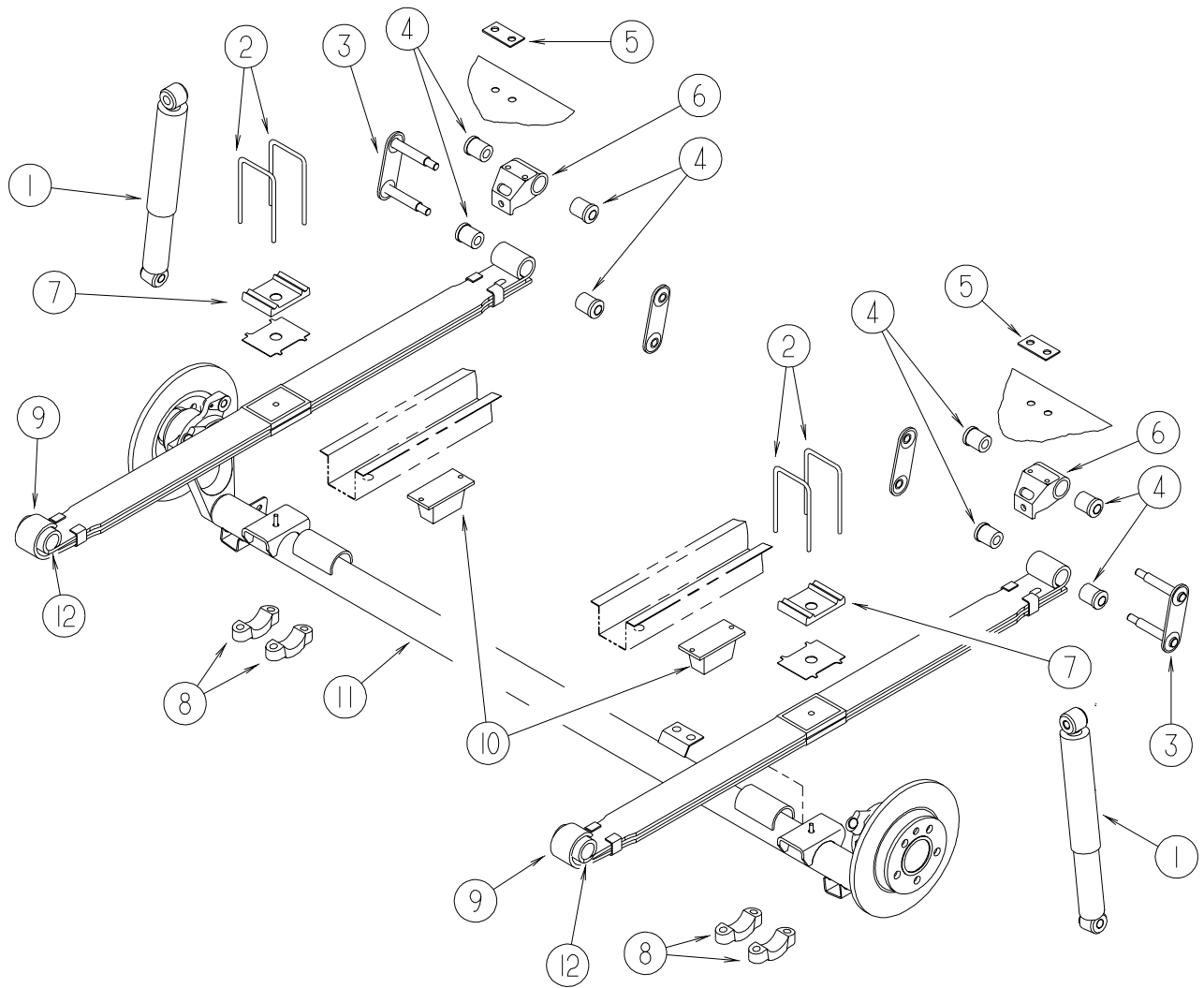
KEY	PART NUMBER	U/M	DESCRIPTION
1	045794-01-000	FT	HOSE - WASHER - WINDSHIELD - 5/32" ID - BLACK
2	007108-01-000	FT	HOSE - HEATER - 5/8" ID - HI-TEMP

CHASSIS GROUP (CONTINUED) SPARE TIRE



KEY	PART NUMBER	U/M	DESCRIPTION
1	093267-03-000	EA	HOIST - SPARE TIRE - 100 LB
2	093375-15-000	EA	EXTENSION - TIRE HOIST
3	093376-02-000	EA	HANDLE - CRANK - TIRE HOIST
3	142073-02-02B	EA	HANDLE - CRANK/TIRE HOIST - E-COATED
			FROM: 00-00-00 THRU: 10-01-02
			FROM: 10-02-02 THRU: 99-99-99
	114376-01-000	EA	PIN - DRIVE - .156 X .750 - TYPE E - TIRE HOIST
4	116350-02-01B	EA	BRACKET - SPARE TIRE - E-COATED
5	124645-01-02B	EA	CRADLE - SPARE TIRE
	113007-04-000	EA	PIN - SPRING - .007" X 1.25"
			FROM: 00-00-00 THRU: 04-14-02

CHASSIS GROUP (CONTINUED) SUSPENSION



KEY	PART NUMBER	U/M	DESCRIPTION
1*	112033-02-000	EA	SHOCK ABSORBER - REAR VW H-BODY - NEW DESIGN
2	112410-01-000	EA	BOLT-U - REAR SPRING
3	112560-01-000	EA	SHACKLE - SPRING - REAR
4	112503-01-000	EA	BUSHING - SPRING - REAR
5	071231-01-000	EA	PLATE - FLOOR DOUBLER
6	112415-01-000	EA	SUPPORT - SHACKLE - REAR
7	112414-01-000	EA	PLATE - SPRING CLAMP
8	112413-01-000	EA	BRACKET - U BOLT - REAR SUSPENSION
9	134195-01-000	EA	SPRING - REAR LEAF W/O BUSHINGS
10	113876-01-000	EA	PAD - JOUNCE - REAR SPRING
11	120493-01-01A	EA	AXLE - REAR - DISC BRAKE
12	116712-01-000	EA	BUSHING - SPRING - FRONT
*	100293-03-000	EA	AIR SPRING KIT - W/O WARNING LIGHT SYSTEM - RIALTA
	136662-02-000	EA	BOLT/LUG - CHROME F/RIALTA W/ALUMINUM WHEEL(#L54W OPTION) - STYLIZED ALUMINUM

***COMPONENT PARTS LISTED LATER IN THIS GROUP**

CHASSIS GROUP (CONTINUED)
COMPONENT PARTS FOR SUSPENSION

100293-03-000

KEY	PART NUMBER	U/M DESCRIPTION	VENDOR NO.
	100293-03-700	EA BAG - PRECHARGED KIT LT. VW	RK-W2L
	100293-03-701	EA BAG - PRECHARGED KIT RT. VW	RK-W2R
	100293-03-702	EA VALVE - AIR FILL	T9-AFV

112033-02-000

KEY	PART NUMBER	U/M DESCRIPTION	VENDOR NO.
	112033-02-700	EA SHOCK ABSORBER RR(PAIRS ONLY)	

CHASSIS GROUP (CONTINUED)
WHEEL, TIRE, COVERS &/OR LINERS

KEY	PART NUMBER	U/M	DESCRIPTION
	051377-03-000	EA	VALVE STEM
	136663-01-000	EA	VALVE STEM - USED W/16" WHEELS
	077030-08-000	EA	CAP - VALVE STEM - W/SHROUD - CHROME - STYLIZED ALUMINUM WHEELS
	077030-09-000	EA	EXTENSION - VALVE - .75" - METAL
	077030-04-000	EA	EXTENSION - VALVE STEM - .75"
	077030-02-000	EA	EXTENSION - VALVE STEM - 1.25" - PLASTIC
	114387-02-000	EA	HANDLE - JACK - SCREW - 1 PIECE
	114387-03-000	EA	JACK - SCREW - 4000 LB
	116209-01-000	EA	WRENCH - LUG - .75"
*	134261-02-01A	EA	COVER/WHEEL - 16" - SET OF 4
			FROM: 00-00-00 THRU: 04-30-02
*	134261-03-01A	EA	COVER/WHEEL - 16" - SET OF 4 - KAPER II - F/RIALTA
			FROM: 05-01-02 THRU: 99-99-99
	137603-01-000	EA	TIRE - 195/65 RI6 C 104/102R (FRONT TIRE)
	137603-02-000	EA	TIRE - 215/65 RI6 C 109/107R (REAR TIRE)
	137604-01-000	EA	WHEEL - ALUMINUM - 16" X 6" - CHROME/CAST - FRONT/REAR - STYLIZED ALUMINUM WHEELS
	137604-02-000	EA	WHEEL - ALUMINUM - 16" X 6" - PLAIN/ROUGH - SPARE TIRE
	136662-02-000	EA	BOLT/LUG - CHROME F/RIALTA W/ALUMINUM WHEEL - STYLIZED ALUMINUM WHEELS
	137604-03-000	EA	CAP/CENTER - ALUMINUM WHEEL - RIALTA - STYLIZED ALUMINUM WHEELS

***COMPONENT PARTS LISTED LATER IN THIS GROUP**

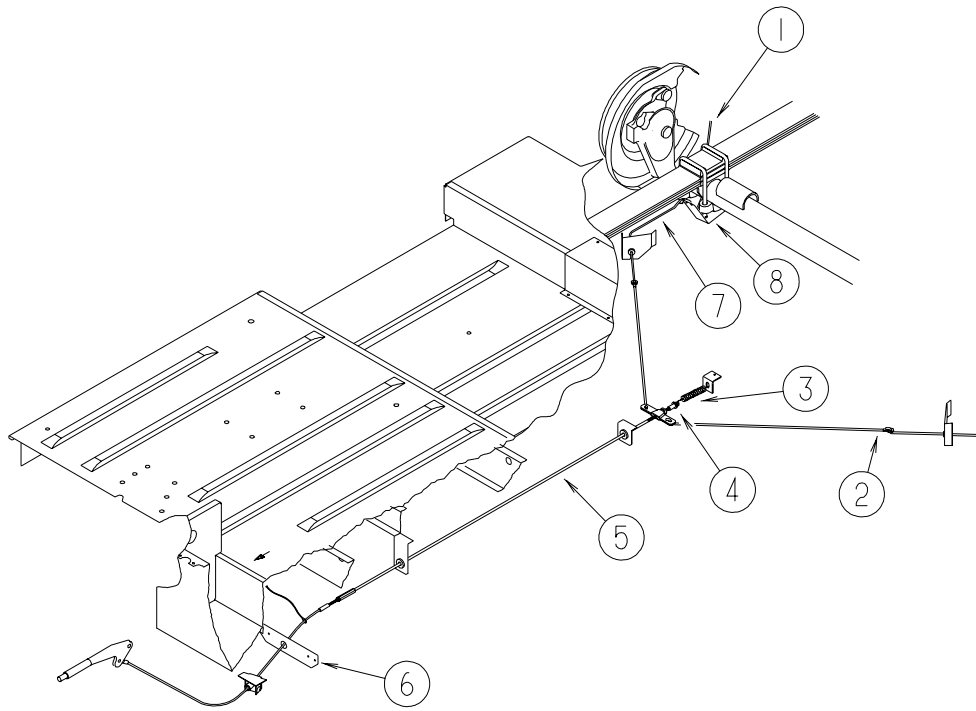
CHASSIS GROUP (CONTINUED)
COMPONENT PARTS FOR WHEEL, TIRE, COVERS &/OR LINERS

		134261-02-01A		
KEY	PART NUMBER	U/M	DESCRIPTION	VENDOR NO
	134261-02-700	EA	COVER/WHEEL- 16"	

		134261-03-01A		
KEY	PART NUMBER	U/M	DESCRIPTION	VENDOR NO
	134261-03-701	EA	COVER WHEEL (1 EA=1 ONLY)	

CHASSIS GROUP (CONTINUED)

PARK BRAKE

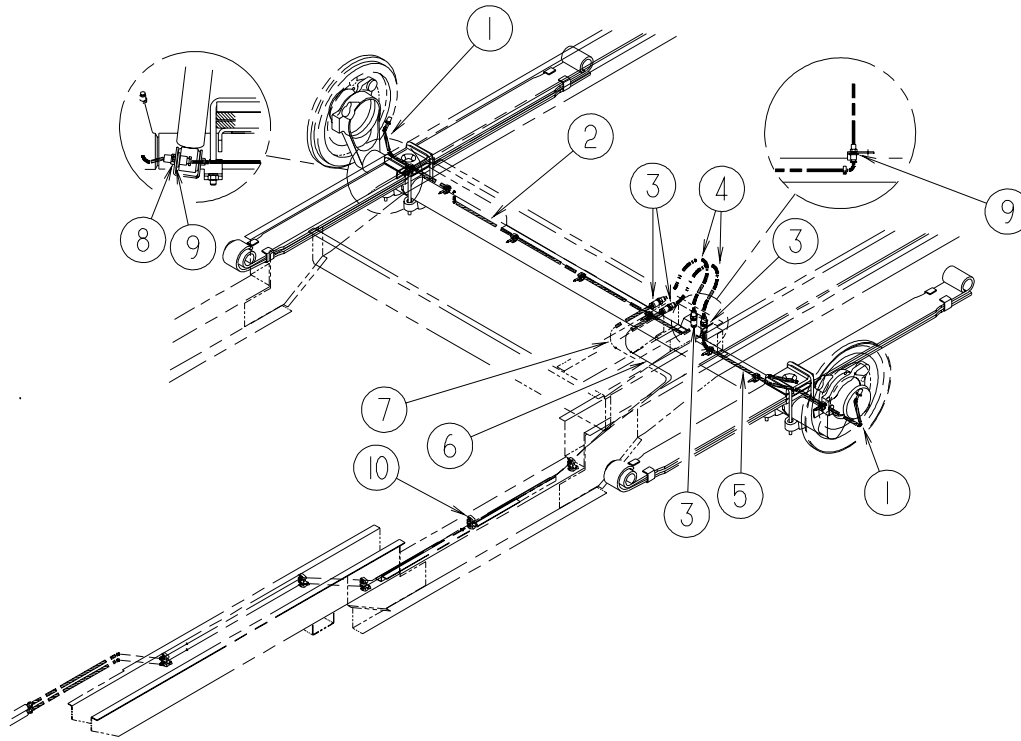


KEY	PART NUMBER	U/M	DESCRIPTION
1	123961-01-000	EA	CLIP - CABLE - PARK BRAKE
2	123956-01-000	EA	ROD - CONNECTING - PARK BRAKE
3	124053-01-000	EA	SPRING - PARK BRAKE
4	123960-01-000	EA	SPRING - RETAINER - PARK BRAKE
5	120406-02-02B	EA	ROD - THREADED - PARK BRAKE
6	119693-01-02B	EA	BRACKET - PARK BRAKE - E-COATED
	121406-01-01A	EA	BUSHING - THREADED - 2 PIECE NYLON
7	123954-01-000	EA	CABLE - REAR PARK BRAKE W/DISC BRAKES
8	130075-01-02B	EA	BRACKET - PARK BRAKE CABLE/LEFT HAND - E-COATED
8	130075-02-02B	EA	BRACKET - PARK BRAKE CABLE/RIGHT HAND - E-COATED

FROM: 00-00-00 THRU: 10-08-02

CHASSIS GROUP (CONTINUED)

BRAKELINE



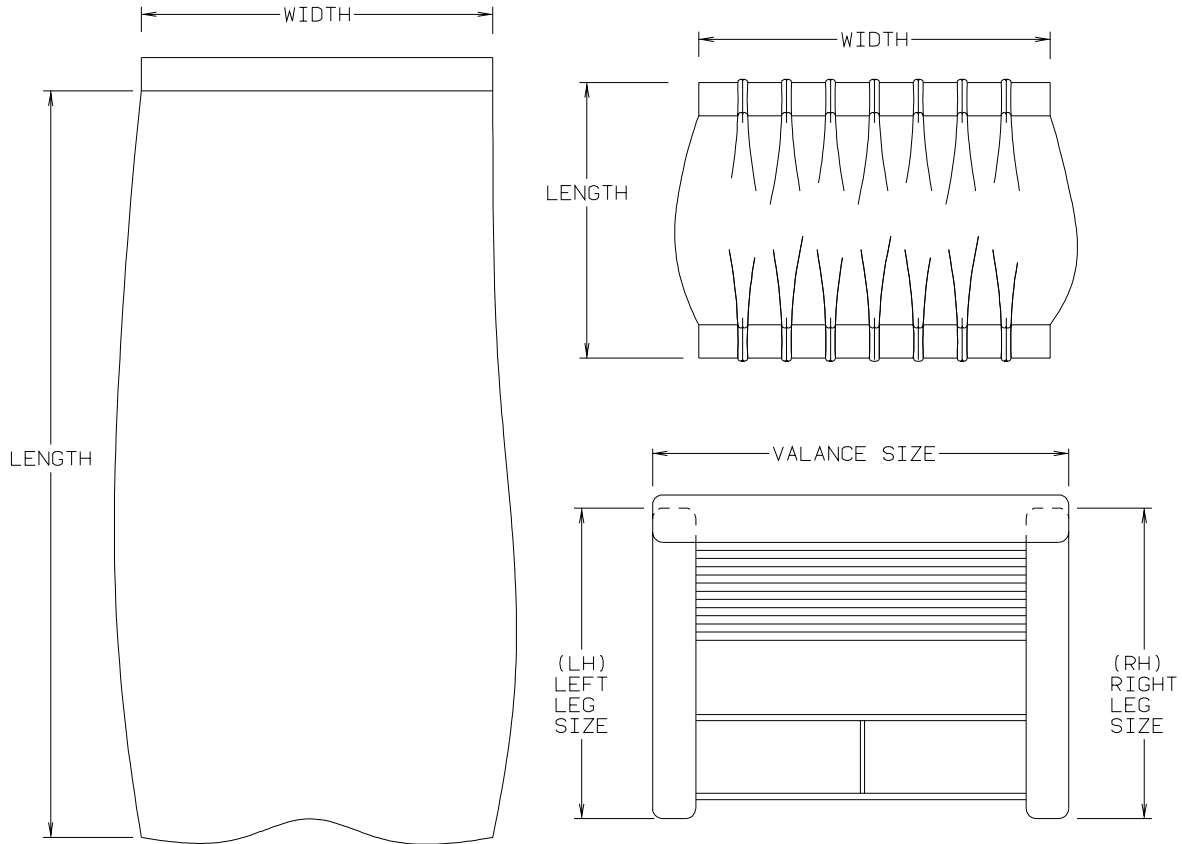
KEY	PART NUMBER	U/M	DESCRIPTION
1	125522-01-000	EA	HOSE ASM - BRAKE LINE
2	121592-01-000	EA	REAR RH BRAKE LINE FOR VW H-BODY WITH REAR DISC BRAKES
3	112638-02-000	EA	CLIP - SPRING - BRAKE HOSE
4	112638-01-000	EA	HOSE - BRAKE LINE/REAR
5	121592-02-000	EA	REAR LH BRAKE LINE FOR THE VW H-BODY WITH REAR DISC BRAKES
6	112640-05-000	EA	BRAKE LINE/FRONT
7	112640-06-000	EA	BRAKE LINE/FRONT
8	125486-01-02B	EA	BRACKET-RETAINING,BRAKE LINE
9	125523-01-000	EA	CLIP - RETAINER
10	088258-02-000	EA	CLIP - RETAINING - FUEL LINE SINGLE - 17 USED

CURTAIN & CUSHION GROUP

NOTICE

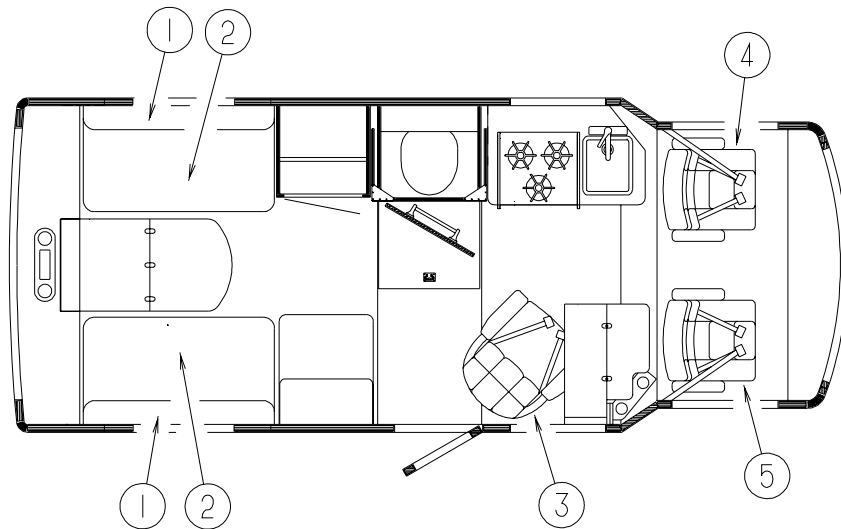
IN ORDER TO ASSIST OUR PARTS SALES DEPT. IN PROVIDING INTERIOR SOFTWARE ITEMS, PLEASE INCLUDE THE SERIAL NUMBER AND THE COLOR CODE NUMBER FROM THE VEHICLE CERTIFICATION LABEL WHEN ORDERING. THIS LABEL IS LOCATED ON THE LEFT SIDEWALL AT THE END OF THE DASH (A-BODY), OR ON THE DRIVER'S DOOR LATCH PLATE (C-BODY).

AN EXAMPLE OF A COLOR CODE NUMBER IS B07, WHICH DESIGNATES AN OVERALL COLOR SCHEME OF A PARTICULAR UNIT. THE COLOR LISTED AFTER THE ITEM DESCRIPTION ON THE MICROFICHE, INDICATES THE OVERALL UNIT COLOR. ORDER THE ITEM YOU DESIRE ACCORDING TO UNIT COLOR CODE. IF ALL COLORS USE THE SAME ITEM NO COLOR CODE WILL BE NOTED.



NOTE: USE THIS ILLUSTRATION WHEN DETERMINING LENGTH AND WIDTH MEASUREMENTS FOR CURTAINS. YOU WILL NOTE THE WIDTH MEASUREMENT IS TAKEN ON THE TOP OF THE CURTAIN WITH THE CURTAIN FULLY EXTENDED. THE LENGTH MEASUREMENT IS TAKEN FROM TOP TO BOTTOM. LEFT AND RIGHT WINDOW LEGS ARE DETERMINED WHEN FACING THE WINDOW.

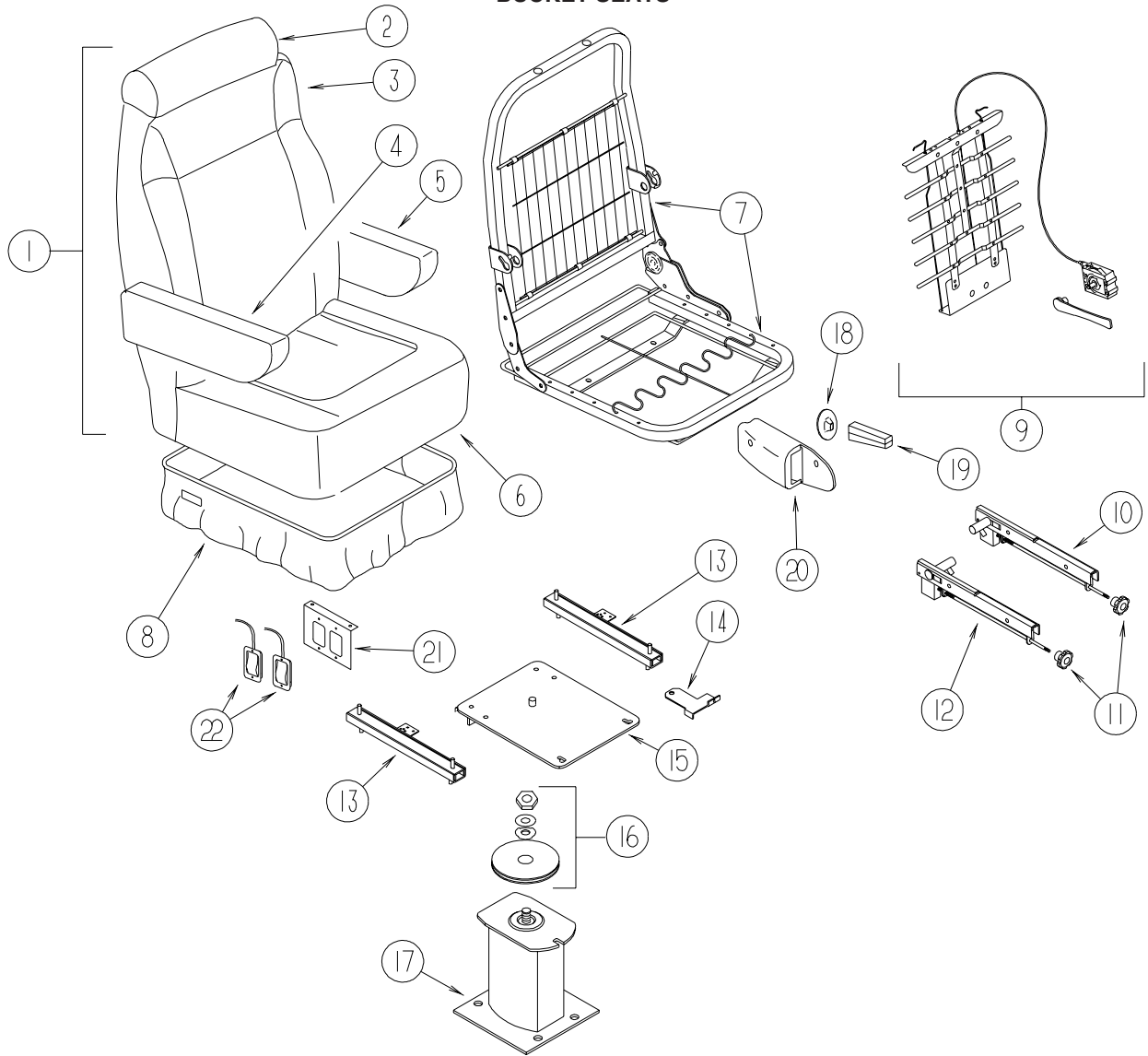
CURTAIN & CUSHION GROUP (CONTINUED)
CUSHION LAYOUT



KEY	PART NUMBER	U/M	DESCRIPTION
1	114942-06-P91	EA	BACK - DINETTE CUSHION (P91)
1	114942-06-N92	EA	BACK - DINETTE CUSHION (P93)
1	127861-01-M90	EA	BACK - DINETTE CUSHION - LEATHER FACED SEATS
	P14942-06-P91	EA	COVER - BACK/DINETTE (P91)
	P14942-06-N92	EA	COVER - BACK/DINETTE (P93)
	P27861-01-M90	EA	COVER - DINETTE BACK - LEATHER FACED SEATS
	123241-03-000	EA	FRAME - DINETTE BACK
2	114942-05-P91	EA	SEAT - DINETTE CUSHION (P91)
2	114942-05-N92	EA	SEAT - DINETTE CUSHION (P93)
2	127861-02-M91	EA	SEAT - DINETTE CUSHION - LEATHER FACED SEATS
	P14942-05-P91	EA	COVER - SEAT/DINETTE (P91)
	P14942-05-N92	EA	COVER - SEAT/DINETTE (P93)
	P27861-02-M91	EA	COVER - DINETTE SEAT - LEATHER FACED SEATS
	123241-02-000	EA	FRAME - DINETTE SEAT
	123241-01-000	EA	FRAME - DINETTE BASE
3	115470-02-P91	EA	CHAIR - SWIVEL (P91)
3	115470-02-N93	EA	CHAIR - SWIVEL (P93)
3	115470-03-L93	EA	CHAIR - SWIVEL - LEATHER FACED SEATS
4	127540-08-P90	EA	SEAT - BUCKET - DRIVER - W/LUMBAR SUPPORT/ARMREST (P91)
4	127540-08-N92	EA	SEAT - BUCKET - DRIVER - W/LUMBAR SUPPORT/ARMREST (P93)
4	127851-01-M90	EA	SEAT - BUCKET - W/LUMBAR SUPPORT/ARMREST - LEATHER
5	127540-13-P90	EA	SEAT - BUCKET - PASSENGER - W/ARMREST (P91)
5	127540-13-N92	EA	SEAT - BUCKET - PASSENGER - W/ARMREST (P93)
5	127851-03-M90	EA	SEAT - BUCKET - PASSENGER - W/ARMREST - LEATHER FACED SEATS

CURTAIN & CUSHION GROUP (CONTINUED)

BUCKET SEATS



KEY	PART NUMBER	U/M DESCRIPTION
1	127540-08-P90	EA SEAT - BUCKET - DRIVER - W/LUMBAR SUPPORT/ARMREST (P90, P91)
	127540-08-N92	EA SEAT - BUCKET - DRIVER - W/LUMBAR SUPPORT/ARMREST (P92, P93)
1	127851-01-M90	EA SEAT - BUCKET - W/LUMBAR SUPPORT/ARMREST - LEATHER FACED SEATS
1	127540-13-P90	EA SEAT - BUCKET - PASSENGER - W/ARMREST (P90, P91)
1	127540-13-N92	EA SEAT - BUCKET - PASSENGER - W/ARMREST (P92, P93)
	127851-03-M90	EA SEAT - BUCKET - PASSENGER - W/ARMREST - LEATHER FACED SEATS
2	119509-01-K86	EA HEADREST - BUCKET SEAT
2	119509-03-K76	EA HEADREST - BUCKET SEAT - LEATHER FACED SEATS
	P19509-01-K86	EA COVER - HEADREST
	P19509-03-K76	EA COVER - HEADREST - LEATHER FACED SEATS
	113977-12-000	EA HEADREST INSERT - W/O LOCK
	113977-13-000	EA HEADREST INSERT - W/LOCK
3	M05962-75-P90	EA COVER - BACK (P90, P91)
3	M05962-75-N92	EA COVER - BACK (P92, P93)
3	M05962-76-M90	EA COVER - BACK - LEATHER FACED SEATS
4	129666-05-K76	EA ARMREST - RIGHT HAND
4	129716-01-K76	EA ARMREST - RIGHT HAND - LEATHER FACED SEATS
	P29666-05-K76	EA COVER - ARMREST/RIGHT HAND
	P29716-01-K76	EA COVER - ARMREST/RIGHT HAND - LEATHER FACED SEATS
	130699-01-000	EA ARMREST/MOLDED - RIGHT - W/O COVER

CURTAIN & CUSHION GROUP (CONTINUED)
BUCKET SEATS (CONTINUED)

KEY	PART NUMBER	U/M	DESCRIPTION
5	129666-06-K76	EA	ARMREST - LEFT HAND
5	129716-02-K76	EA	ARMREST - LEFT HAND - LEATHER FACED SEATS
	P29666-06-K76	EA	COVER - ARMREST/LEFT HAND
	P29716-02-K76	EA	COVER - ARMREST/LEFT HAND - LEATHER FACED SEATS
	130699-02-000	EA	ARMREST/MOLDED - LEFT - W/O COVER
6	M05962-52-P90	EA	COVER - SEAT (P90, P91)
6	M05962-52-N92	EA	COVER - SEAT (P92, P93)
6	M05962-77-M90	EA	COVER - SEAT - LEATHER FACED SEATS
7	134532-02-000	EA	FRAME/SEAT - BACK/NARROW/RIGHT - PASSENGER SIDE
7	134532-03-000	EA	FRAME/SEAT - BACK/NARROW/LEFT - DRIVER SIDE
8	071126-41-K77	EA	SKIRT - SINGLE - 7" W/SLOT - LEATHER FACED SEATS
9*	122611-02-000	EA	LUMBAR - W/LEVER
10	122622-05-000	EA	BRACKET - ARMREST/LEFT HAND
11	122622-06-000	EA	KNOB - W/3/8" THREAD INSERT
12	122622-04-000	EA	BRACKET - ARMREST/RIGHT HAND
13	131566-04-000	EA	SLIDE/SEAT - HEAVY DUTY LOCKING - 5"
14	117125-01-02B	EA	BRACKET - CABLE MOUNT - ADJUSTER W/LOCK
15	133408-15-000	EA	TOP PLATE - PASSENGER SIDE
15	133408-07-000	EA	TOP PLATE - W/O BAR - DRIVER SIDE
16	107921-06-000	EA	BEARING KIT - PEDESTAL
17	133408-12-000	EA	PEDESTAL/SEAT - DRIVER - H-BODY
17	133408-13-000	EA	PEDESTAL/SEAT - PASSENGER - H-BODY
18	080730-09-000	EA	SHIELD - RECLINER HANDLE
19	080730-08-000	EA	HANDLE - RECLINER
20	080730-11-000	EA	SHIELD - RUBBER BOOT
21	127159-02-02B	EA	BRACKET - SEAT RELEASE - DUAL REMOTE - E-COATED
22	108049-04-000	EA	CABLE - W/SWITCHES - W/26" MINI LEVER ACTION

***COMPONENT PARTS LISTED LATER IN THIS GROUP**

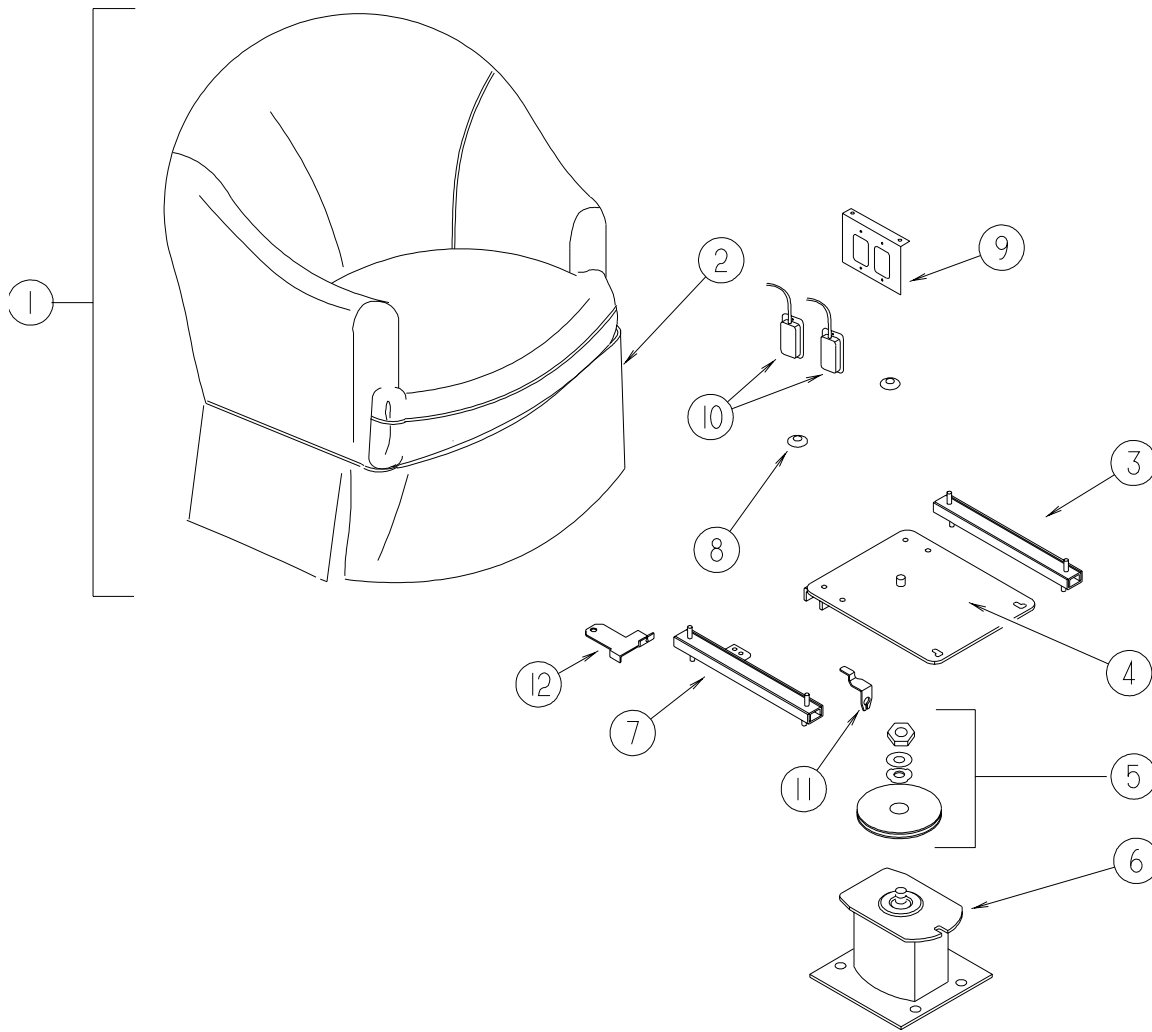
CURTAIN & CUSHION GROUP (CONTINUED)
COMPONENT PARTS FOR BUCKET SEATS

122611-02-000

KEY	PART NUMBER	U/M	DESCRIPTION	VENDOR NO.
	122611-02-701	EA	LUMBAR - LEVER	412
	122611-02-702	EA	LUMBAR MECHANISM	24395-FLEXSTEEL

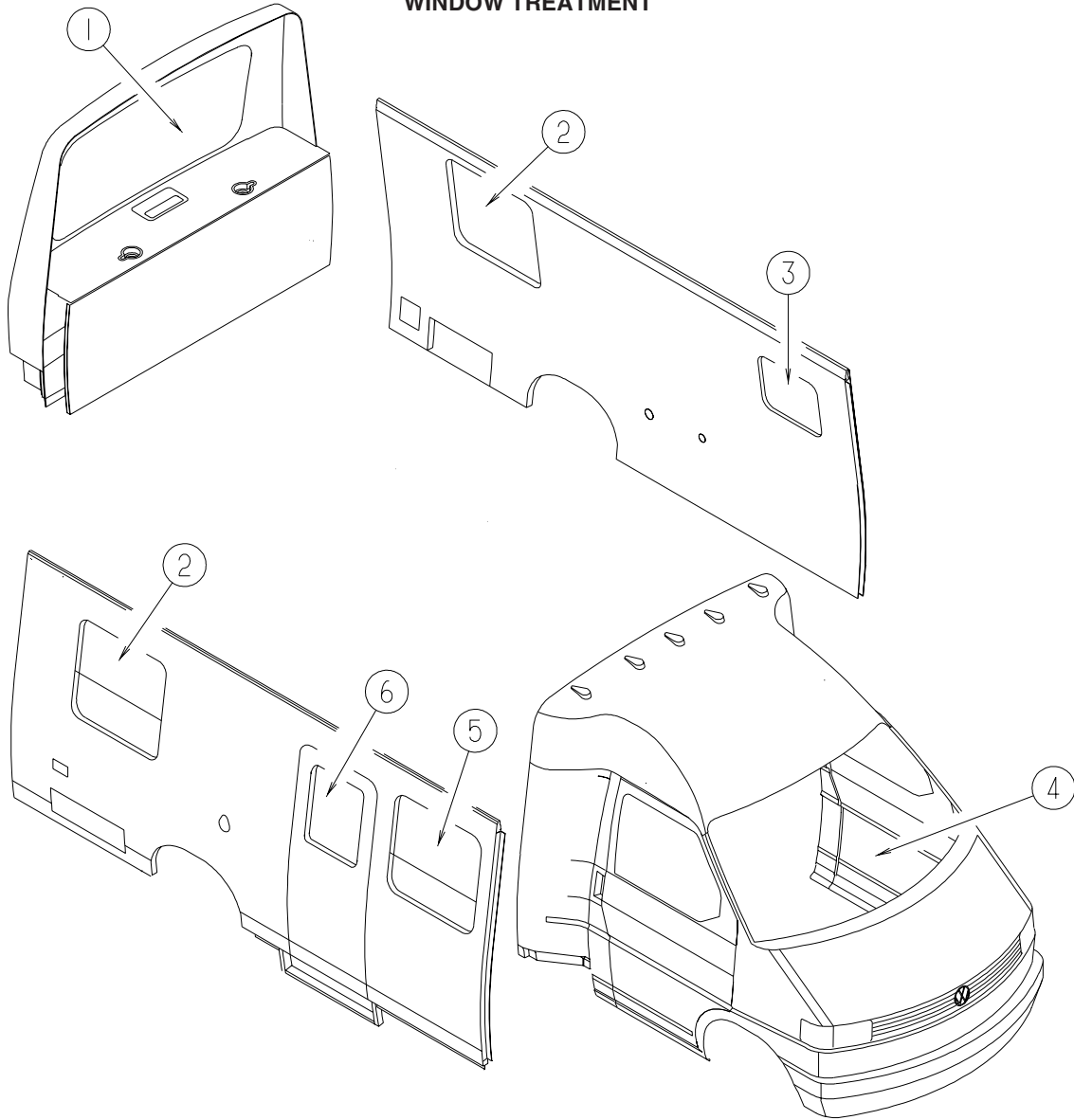
CURTAIN & CUSHION GROUP (CONTINUED)

LOUNGE CHAIR



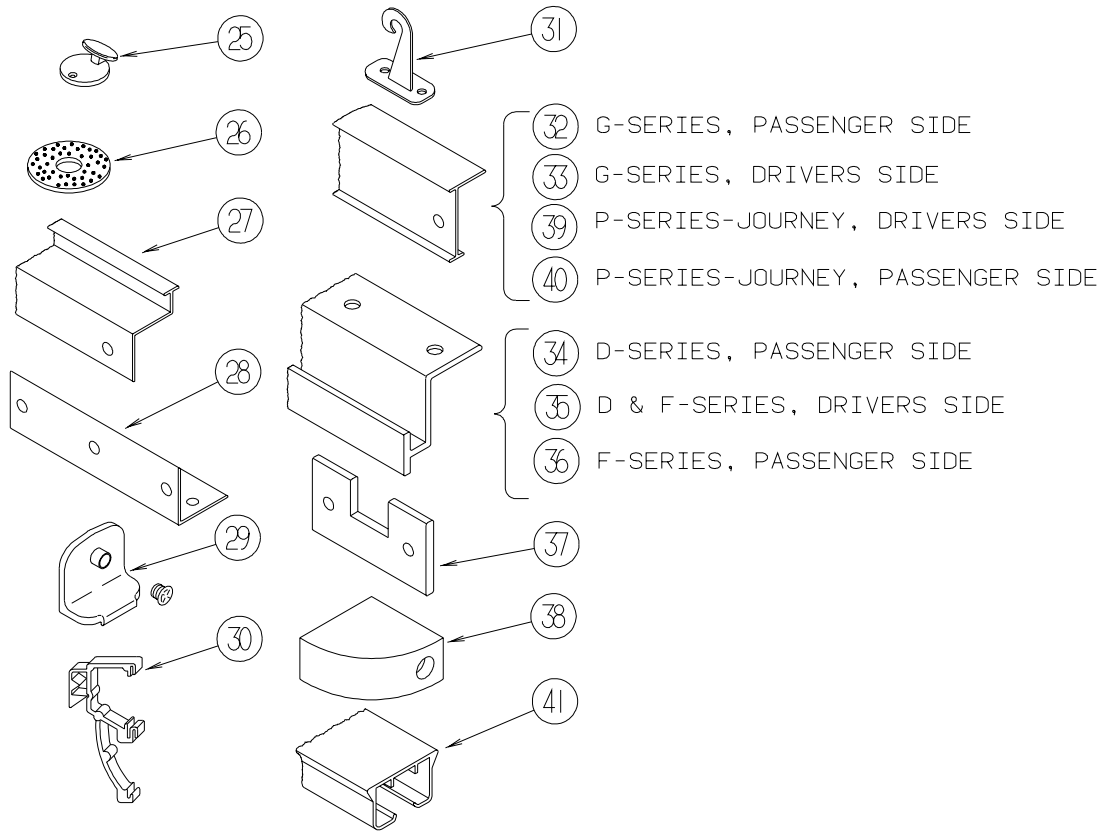
KEY	PART NUMBER	U/M	DESCRIPTION
1	115470-02-P91	EA	CHAIR - SWIVEL (P91)
1	115470-02-N93	EA	CHAIR - SWIVEL (P93)
1	115470-03-L93	EA	CHAIR - SWIVEL - LEATHER FACED SEATS
	P15470-02-P90	EA	COVER - CHAIR (P91)
	P15470-02-N93	EA	COVER - CHAIR (P93)
	P15470-03-L93	EA	COVER - CHAIR - LEATHER FACED SEATS
2	P07977-03-P90	EA	COVER - SKIRT - DIPLOMAT CHAIR (P91)
2	P07977-03-N93	EA	COVER - SKIRT - DIPLOMAT CHAIR (P93)
2	071126-41-K77	EA	SKIRT - SINGLE - 7" W/SLOT - LEATHER FACED SEATS
3	119952-01-000	EA	SLIDE/SEAT - HEAVY DUTY NON LOCKING
4	133408-07-000	EA	TOP PLATE - W/O BAR
5	107921-06-000	EA	BEARING KIT - PEDESTAL
6	133408-11-000	EA	PEDESTAL/SEAT - 9.75"
			FROM: 00-00-00 THRU: 11-24-02
6	133408-18-000	EA	PEDESTAL/SEAT - 9.75"
			FROM: 11-25-02 THRU: 99-99-99
7	119952-03-000	EA	SLIDE/SEAT - HEAVY DUTY LOCKING - 2 STUDS
8	007221-01-000	EA	SPACER - SEAT/ADJUSTER
9	127159-02-02B	EA	BRACKET - SEAT RELEASE - DUAL REMOTE
10	108049-04-000	EA	CABLE - W/MINI LEVER ACTION SWITCH - 28" SHEATH/30" CABLE
11	108049-02-000	EA	CLIP - CABLE/PEDESTAL
12	117125-01-02B	EA	BRACKET - CABLE MOUNT - ADJUSTER W/LOCK

CURTAIN & CUSHION GROUP (CONTINUED)
WINDOW TREATMENT



KEY	PART NUMBER	U/M	DESCRIPTION
1	119405-16-K77	EA	BLIND - MICRO PLEAT - 62" X 32"
2	113637-31-P91	EA	VALANCE - ROSEANNE - 42" (P91)
2	113637-31-N93	EA	VALANCE - ROSEANNE - 42" (P93)
2	119405-14-K77	EA	BLIND - MICRO PLEAT - 36.5" X 26.5"
3	111861-14-01A	EA	BLIND - MINI - 21" X 17.5" - ALABASTER PEARL
4	077591-14-H70	EA	CURTAIN - 26" X 114"
5	113637-32-P90	EA	VALANCE - ROSEANNE - 30.5" (P91)
5	113637-32-N92	EA	VALANCE - ROSEANNE - 30.5" (P93)
5	119405-15-K77	EA	BLIND - MICRO PLEAT - 28" X 26.5"
6	113637-33-P90	EA	VALANCE - ROSEANNE - 30" (P91)
6	113637-33-N93	EA	VALANCE - ROSEANNE - 30" (P93)
6	084755-39-E01	EA	SHADE - PULL - 26.25"
	117640-03-G47	EA	CURTAIN - SHOWER - RIGHT HAND/INSIDE LOOKING OUT
	117640-04-G47	EA	CURTAIN - SHOWER - LEFT HAND/INSIDE LOOKING OUT

CURTAIN & CUSHION GROUP (CONTINUED)
HARDWARE (CONTINUED)



KEY	PART NUMBER	U/M	DESCRIPTION
25	102555-03-000	EA	CLEAT - BLIND CORD - MILKY WHITE - PLASTIC
26	103242-01-000	EA	VELCRO HOOK - BEIGE 7/8" ROUND W/CENTER HOLE
26	103242-02-000	EA	VELCRO HOOK - BLACK 7/8" ROUND W/CENTER HOLE
27	105450-14-01A	EA	TRACK - CURTAIN - 90" - OFF WHITE - FRONT BUNK PRIVACY 300 SERIES (MINNIE/SPIRITE)
27	105450-15-01A	EA	TRACK - CURTAIN - 82.3" - OFF WHITE - FRONT BUNK PRIVACY 200 SERIES (VISTA/SUNSTAR)
28	105648-01-02A	EA	BRACE - VALANCE - OFF/WHITE - 14"
29	106544-01-000	EA	PULL - SHADE/BRASS
	106544-01-001	EA	SCREW - SHADE/BRASS
30	109353-04-000	EA	CLIP - VALANCE SLAT MOUNTING - CLEAR PLASTIC
	109441-02-000	EA	SPACER/BACKET - BLIND HOLD DOWN
31	109441-03-000	EA	BRACKET/HOOK - BLIND HOLD DOWN - CLOUDY
32	126456-03-04A	EA	TRACK/WRAPAROUND - PASSENGER - GLACIER - G SERIES (ADVENTURER/SUNCRUISER)
33	126456-04-04A	EA	TRACK/WRAPAROUND - DRIVER - GLACIER - G SERIES (ADVENTURER/SUNCRUISER)
34	127254-03-05A	EA	TRACK/WRAPAROUND - PASSENGER - GLACIER - D SERIES (SIGHTSEER/SUNOVA)
35	127254-04-05A	EA	TRACK/WRAP - DRIVER - GLACIER - D SERIES/F SERIES (SIGHTSEER/SUNOVA/BRAVE/SUNRISE)
36	127254-14-03A	EA	TRACK/WRAPAROUND - PASSENGER - GLACIER - F SERIES (BRAVE/SUNRISE)
37	130549-01-01A	EA	STOP - CURTAIN TRACK
38	132504-01-N92	EA	BRACKET - SHADE
39	133235-01-04A	EA	TRACK - CURTAIN/LEFT HAND - GLACIER - P SERIES (JOURNEY)
40	133236-01-04A	EA	TRACK - CURTAIN/RIGHT HAND - GLACIER - P SERIES (JOURNEY)
41	138460-01-02A	EA	TRACK/CURTAIN - PASSENGER - WHITE - Q SERIES (ULTIMATE ADVANTAGE/ULTIMATE FREEDOM)
	138460-02-02A	EA	TRACK/CURTAIN - DRIVER - WHITE - Q SERIES (ULTIMATE ADVANTAGE/ULTIMATE FREEDOM)
41	138460-03-02A	EA	TRACK/CURTAIN - PASSENGER - WHITE - P SERIES (JOURNEY DL/HORIZON)
	138460-04-02A	EA	TRACK/CURTAIN - DRIVER - WHITE - P SERIES (JOURNEY DL/HORIZON)
41	138460-05-02A	EA	TRACK/CURTAIN - PASSENGER - WHITE - L SERIES (CHIEFTAIN/SUNFLYER)
	138460-06-02A	EA	TRACK/CURTAIN - DRIVER - WHITE - L SERIES (CHIEFTAIN/SUNFLYER)
	141634-01-000	EA	BOBBIN-PLEATED,ADJUSTABLE

FROM: 06-17-02 THRU: 99-99-99

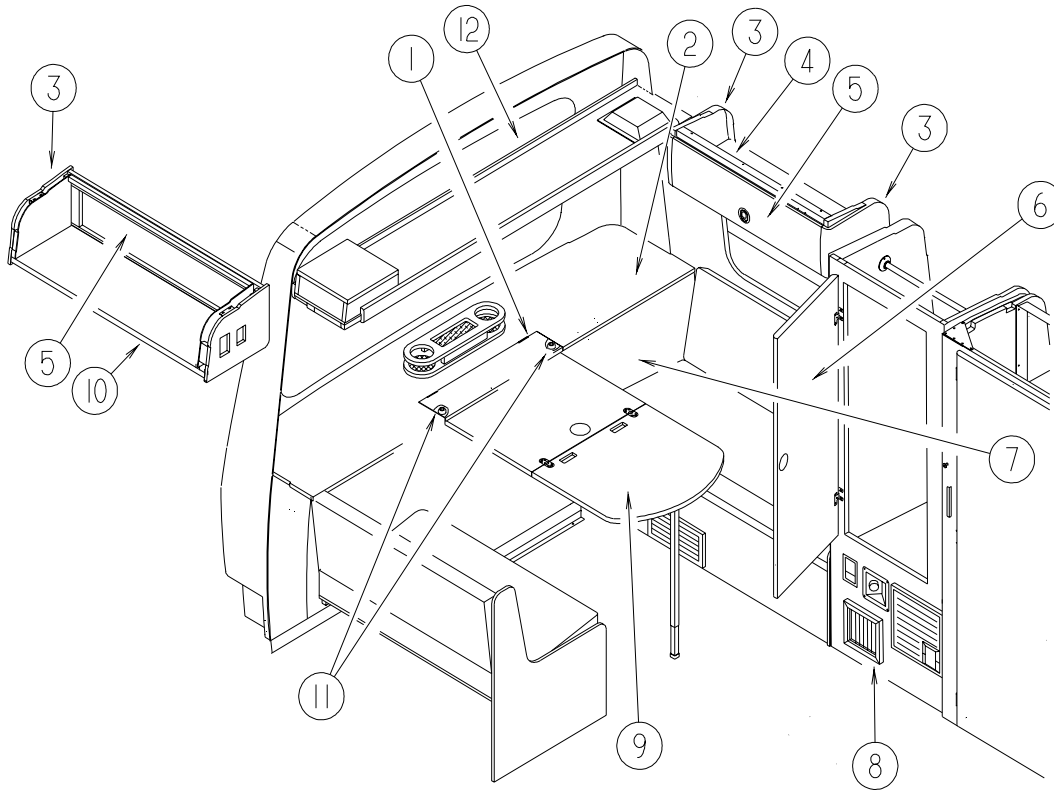
CURTAIN & CUSHION GROUP (CONTINUED)
ACCESSORIES

KEY	PART NUMBER	U/M	DESCRIPTION
	057534-02-000	EA	TIEBACK - CLEAR PLASTIC - 3"
	079349-04-K86	YD	WELT - NARROW
	089275-01-000	FT	STRIP - 3/4" X 96" - CLEAR POLYETHYLENE
	109146-01-000	EA	BOLT - SHOULDER/SEAT BELT - LOUNGE CHAIR
	114258-01-01A	EA	SEAT BELT - 2" X 90" - BLACK - LOUNGE CHAIR
	114259-01-01A	EA	SEAT BELT - PASSENGER/COMPANION - 3 POINT - COMPANION SEATS (2) FROM: 00-00-00 THRU: 05-06-02
	143116-01-01A	EA	BELT - SEAT - 3 POINT - PASSENGER - COMPANION SEATS (2) FROM: 05-07-02 THRU: 99-99-99
	114259-02-01A	EA	SEAT BELT - DRIVER/COMPANION - 3 POINT - COMPANION SEATS (2) FROM: 00-00-00 THRU: 05-06-02
	143116-02-01A	EA	BELT - SEAT - 3 POINT - DRIVER - COMPANION SEATS (2) FROM: 05-07-02 THRU: 99-99-99
	118337-17-P90	EA	BUTTON - #30 - BLACK LEATHER - COMPANION SEATS (2) FROM: 08-19-02 THRU: 99-99-99
	074494-03-000	EA	BUTTON - SERRATED PIVOT - W/3/8 TACK - COMPANION SEATS (2) FROM: 08-19-02 THRU: 99-99-99
	074494-05-000	EA	BUTTON - SINGLE PIVOT - #30 - COMPANION SEATS (2) FROM: 08-19-02 THRU: 99-99-99

CURTAIN & CUSHION GROUP (CONTINUED)
FABRICS

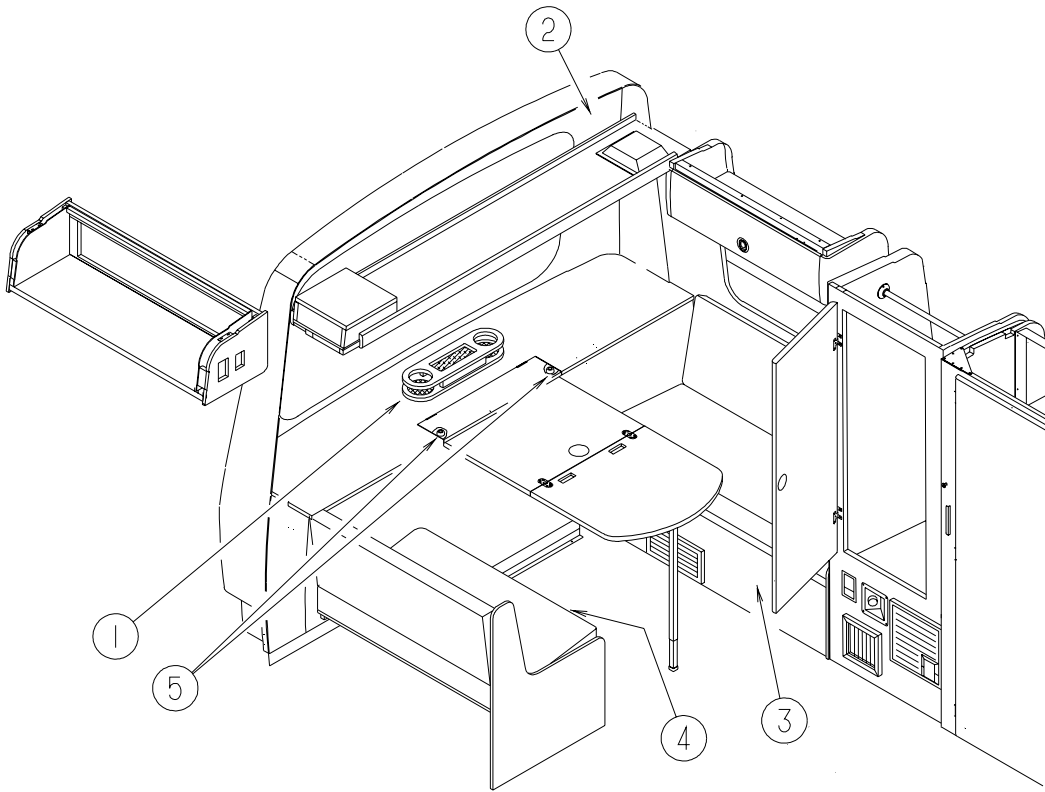
	P90/P91 GRAY FLANNEL	P92/P93 LAUREL MIST
FAMILY 2003 Rialta BUCKET	521 W/ADJ. ARMS	521 W/ADJ. ARMS
	*DRIVER'S W/LUMBAR	*DRIVER'S W/LUMBAR
	126883-J8-000/079680-30-000	126883-E3-000/079680-30-000
	550 W/ADJ. ARMS	550 W/ADJ. ARMS
	*OPT. LEATH. - ALLANTE GRAY	*OPT. LEATH. - ALLANTE GRAY
	079680-30-000	079680-30-000
DINETTE	EURO	EURO
	126883-J8-000/079680-30-000	126883-E3-000/079680-30-000
	720 LEATHER	720 LEATHER
	*OPT. LEATH. - ALLANTE GRAY	*OPT. LEATH. - ALLANTE GRAY
	079680-30-000	079680-30-000
SOFA	EURO	EURO
	126883-J8-000/079680-30-000	126883-E3-000/079680-30-000
	720 LEATHER	720 LEATHER
	*OPT. LEATH. - ALLANTE GRAY	*OPT. LEATH. - ALLANTE GRAY
	079680-30-000	079680-30-000
LOUNGE CHAIR	SIERRA	SIERRA
	126883-J8-000	126883-E3-000
	SIERRA	SIERRA
	*OPT. LEATH. - ALLANTE GRAY	*OPT. LEATH. - ALLANTE GRAY
	079680-30-000	079680-30-000
LOUNGE WINDOWS	ROSEANNE VALANCE	ROSEANNE VALANCE
	126883-J8-000/079680-30-000	126883-E3-000/079680-30-000
	OVERLAY/UNDERLAY	OVERLAY/UNDERLAY
DRAPERY LINING-54"	IVORY	IVORY
	087272-03-000	087272-03-000
FWA	CLOUDS CHROME	CLOUDS CHROME
	072333-88-000	072333-88-000
MICRO PLEATS	094911-61-000	094911-61-000
	CHROME	CHROME
GALLEY BLINDS	ALABASTER PEARL	ALABASTER PEARL
DINETTE TRIM & TRANS. PANEL	079680-30-000	079680-30-000
SHOWER CURT.	075244-10-000 VANILLA	075244-10-000 VANILLA
BEDCOVER	126883-J8-000	126883-E3-000
BED PILLOW	QUILTED W/.5" NON-GATH.	QUILTED W/.5" NON-GATH.
	WELT 126883-J8-000	WELT 126883-E3-000
FLOOR MATS	139056-02-000 CARPET	096060-J4-000 CARPET
	102695-24-000 TAPE	102695-20-000 TAPE
CEILING MATERIAL	SOFT CLOUD - 82"	SOFT CLOUD
	113979-15-01A	113979-15-01A

DINETTE GROUP CABINETS



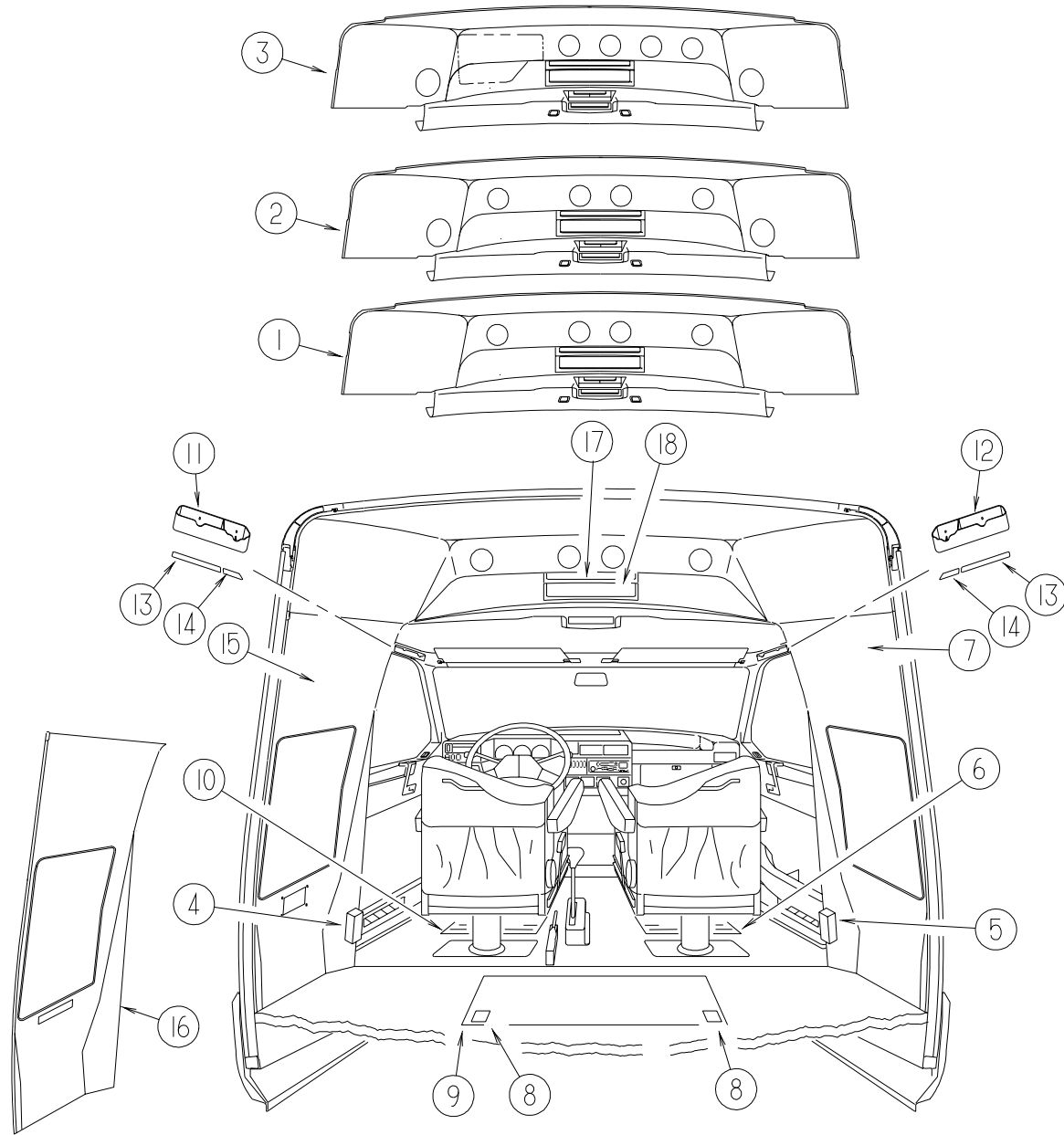
KEY	PART NUMBER	U/M	DESCRIPTION
1	133131-66-N90	EA	SHELF/FLIP UP - W/EDGE MOLDING F/REAR BACKWALL CABINET
2	133131-65-N90	EA	SHELF/LEDGE - W/EDGE MOLDING F/REAR BACKWALL CABINET
3	119132-11-K77	EA	END CAP - OVERHEAD
4	131105-02-M91	EA	CABINET - OVERHEAD/DINETTE - W/O DOORS/HARDWARE
5	134783-D0-M91	EA	DOOR - RAIL/SOLID PANEL - 7.3" X 36.9" - W/O HARDWARE
6	134785-04-M91	EA	DOOR COMPL-MITERED - W/O HARDWARE
7	124468-01-P90	EA	CABINET F/REAR BACKWALL SHELF - W/O COUNTERTOP/HARDWARE
8	119860-15-M91	EA	GRILL - WARDROBE CABINET
9	124485-01-N90	EA	TABLE - DINETTE
10	131105-01-M91	EA	CABINET - OVERHEAD/DINETTE - W/O DOORS/HARDWARE
11	117047-01-000	EA	BUMPER - RUBBER - WASHER INSERT
12	133666-04-P91	EA	CABINET/SHELF - OVERHEAD - W/O HARDWARE - W/O DELUXE SOUND
12	133666-05-P91	EA	CABINET/SHELF - OVERHEAD - W/O HARDWARE - W/DELUXE SOUND

DINETTE GROUP (CONTINUED)
CABINETS (CONTINUED)



KEY	PART NUMBER	U/M	DESCRIPTION	
1	127567-01-N90	EA	TRAY - BEVERAGE	
1	127567-02-P90	EA	TRAY - BEVERAGE	FROM: 00-00-00 THRU: 08-11-02
2	123060-02-K76	EA	PANEL - BACKWALL - UPPER/INNER	FROM: 08-12-02 THRU: 99-99-99
3	124309-06-M90	EA	PANEL - COVER - DINETTE/LEFT HAND	
4	124309-05-K77	EA	PANEL - COVER - DINETTE/RIGHT HAND	
5	120863-03-000	EA	BUMPER - RUBBER/RADIUS TOP - 1/2" X 1/4"	

DRIVERS COMPARTMENT GROUP FRONT INTERIOR

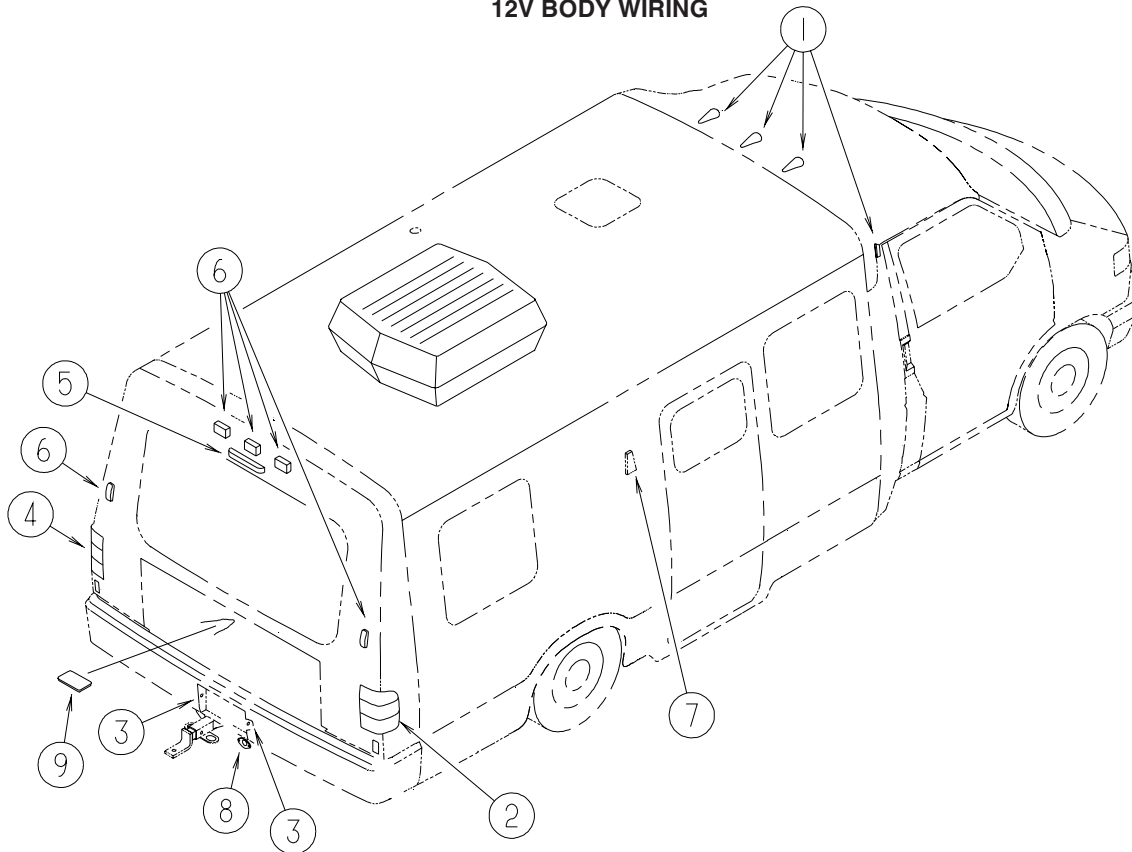


KEY	PART NUMBER	U/M	DESCRIPTION
1	117256-03-03A	EA	HEADLINER - CAB - ABS PLASTIC - VW LIGHT GRAY - W/O DELUXE SOUND SYSTEM - 222FD, 222HD
2	117256-07-03A	EA	HEADLINER - CAB - ABS PLASTIC - VW LIGHT GRAY - W/DELUXE SOUND SYSTEM - 222FD, 222HD
	117256-03-03A	EA	HEADLINER - CAB - ABS PLASTIC - VW LIGHT GRAY
2	117256-11-03A	EA	HEADLINER - CAB - ABS PLASTIC - VW LIGHT GRAY - W/DELUXE SOUND SYSTEM - 222QD
	117256-03-03A	EA	HEADLINER - CAB - ABS PLASTIC - VW LIGHT GRAY
3	117256-09-03A	EA	HEADLINER - CAB - ABS PLASTIC - VW LIGHT GRAY - TV - 9" 12V - 222QD
	117256-03-03A	EA	HEADLINER - CAB - ABS PLASTIC - VW LIGHT GRAY
3	117256-10-03A	EA	HEADLINER - CAB - ABS PLASTIC - VW LIGHT GRAY - TV - 9" 12V/W/DELUXE SOUND SYSTEM - 222QD
	117256-03-03A	EA	HEADLINER - CAB - ABS PLASTIC - VW LIGHT GRAY
4	128914-01-01A	EA	COVER - RETRACTOR - DRIVER SIDE - BLACK
5	128914-02-01A	EA	COVER - RETRACTOR - PASSENGER SIDE - BLACK
6	115381-02-01A	EA	MAT - FLOOR - PASSENGER - GRAY/BLACK
7	P27844-01-02A	EA	PANEL - TRANSITION/INNER - VW LIGHT GRAY
			FROM: 00-00-00 THRU: 08-29-02
7	143555-07-02A	EA	PANEL - TRANSITION - INNER - LIGHT GRAY
			FROM: 08-30-02 THRU: 99-99-99

DRIVERS COMPARTMENT GROUP (CONTINUED)
FRONT INTERIOR (CONTINUED)

KEY	PART NUMBER	U/M	DESCRIPTION
8	097111-02-04A	EA	POCKET - LOCK - REAR DOOR
	102330-01-000	EA	LATCH - VISE ACTION/KEY OPERATED
	102328-01-000	EA	KEY - BARREL - NICKEL PLATED
9	118892-01-F45	EA	LID - BATTERY COMPARTMENT - W/O CARPET - 8.3" X 30.3"
	105924-02-N91	EA	MAT - FLOOR - 18" X 25"
10	115381-01-01A	EA	MAT - FLOOR - DRIVER - GRAY/BLACK
11	142892-02-01A	EA	BIN - ACCESSORY - LIGHT GREY
			FROM: 08-30-02 THRU: 99-99-99
12	142892-01-01A	EA	BIN - ACCESSORY - LIGHT GREY
			FROM: 08-30-02 THRU: 99-99-99
13	143059-01-01A	EA	PAD/FELT - GREY
			FROM: 08-30-02 THRU: 99-99-99
14	143059-02-01A	EA	PAD/FELT - GREY
			FROM: 08-30-02 THRU: 99-99-99
15	P27844-02-02A	EA	PANEL - TRANSITION/INNER - VW LIGHT GRAY
			FROM: 00-00-00 THRU: 08-29-02
15	143555-09-02A	EA	PANEL - TRANSITION - INNER - LIGHT GRAY - 222FD, 222HD
			FROM: 08-30-02 THRU: 99-99-99
16	143555-10-02A	EA	PANEL - TRANSITION - INNER - LIGHT GRAY - 222QD
			FROM: 08-30-02 THRU: 99-99-99
17	109918-03-01A	EA	VENT - RETURN AIR - 12.3" X 2.75" - BLACK
18	109918-01-05A	EA	VENT - RETURN AIR - 12.3" X 5.5" - BLACK

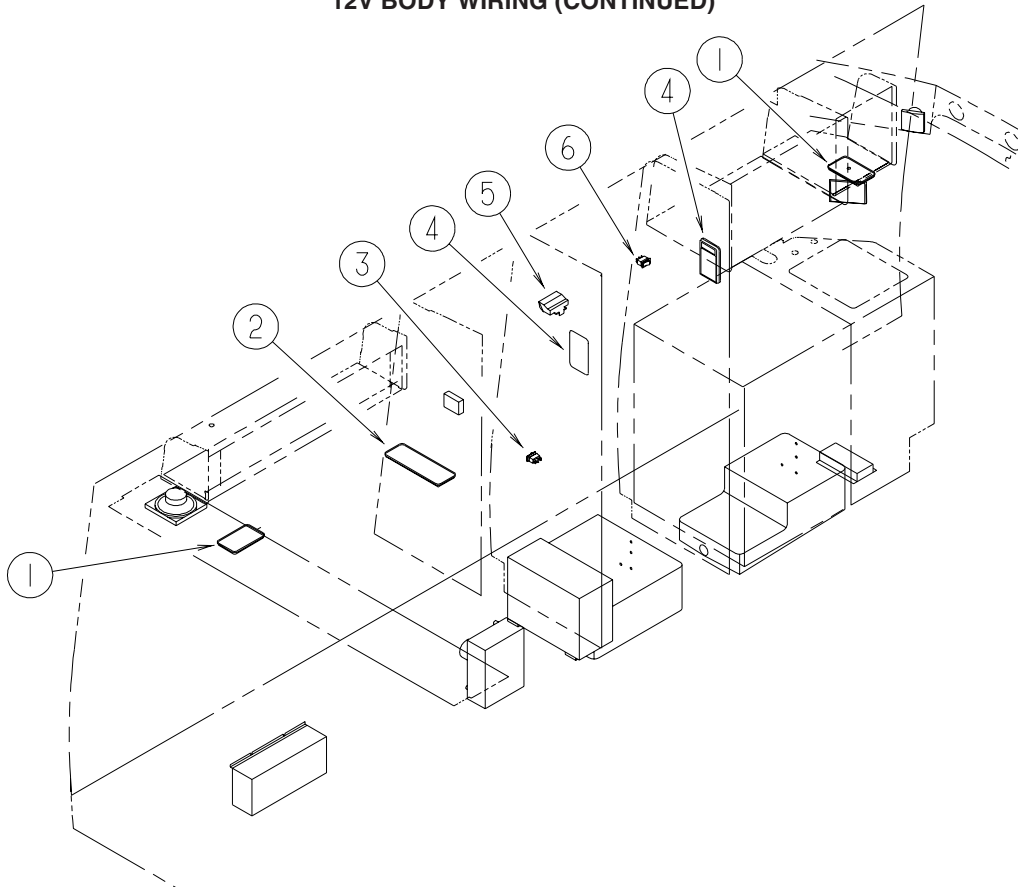
ELECTRICAL GROUP 12V BODY WIRING



KEY	PART NUMBER	U/M	DESCRIPTION
1	113709-01-000	EA	LAMP - CLEARANCE - AMBER - 3.5" X 1.12" X 1" TALL
2	112126-03-000	EA	LAMP - REAR/RIGHT HAND
2	112709-01-000	EA	SOCKET - TURN LIGHT
2	112709-02-000	EA	SOCKET - BACK-UP LIGHT
2	112709-03-000	EA	SOCKET - BRAKE LIGHT/MARKER LIGHT
2	112707-01-000	EA	BULB - 12 VOLT - #3156 - 2.10 AMP
2	112708-01-000	EA	BULB - 12 VOLT - #3157 - .59/2.10 AMP
2	113778-03-02B	EA	BRACKET - TAIL LAMP - 6.4" LONG - E-COATED
3	087201-01-000	EA	LIGHT - HALF ROUND - 1" X 1.7" - PLASTIC - BLACK OR WHITE
4	112126-04-000	EA	LAMP - REAR/LEFT HAND
4	112709-01-000	EA	SOCKET - TURN LIGHT
4	112709-02-000	EA	SOCKET - BACK-UP LIGHT
4	112709-03-000	EA	SOCKET - BRAKE LIGHT/MARKER LIGHT
4	112707-01-000	EA	BULB - 12 VOLT - #3156 - 2.10 AMP
4	112708-01-000	EA	BULB - 12 VOLT - #3157 - .59/2.10 AMP
4	113778-03-02B	EA	BRACKET - TAIL LAMP - 6.4" LONG - E-COATED
5	136916-01-000	EA	LIGHT - CENTER BRAKE - L.E.D.
6	111102-01-000	EA	BASE - MARKER LAMP
6	111102-03-000	EA	LENS - RED - MARKER LAMP
6	036196-01-000	EA	BULB - 12V - #194 - .27 AMP - BAYONETTE
7*	008089-01-000	EA	LIGHT-PORCH, RECESSED
	008214-01-000	EA	BULB - 12 VOLT - #67 - .59 AMP
7*	008089-02-000	EA	LIGHT - PORCH - RECESSED - CANADIAN
	008215-01-000	EA	BULB - 12 VOLT - #1003 - .94 AMP
8	113589-01-000	EA	CONNECTOR - PLUG - TRAILER
9	098024-01-03A	EA	LIGHT - DOME - 1 BULB - WHITE
	008218-01-000	EA	BULB - 12 VOLT - #1141 - 1.44 AMP

*COMPONENT PARTS LISTED LATER IN THIS GROUP

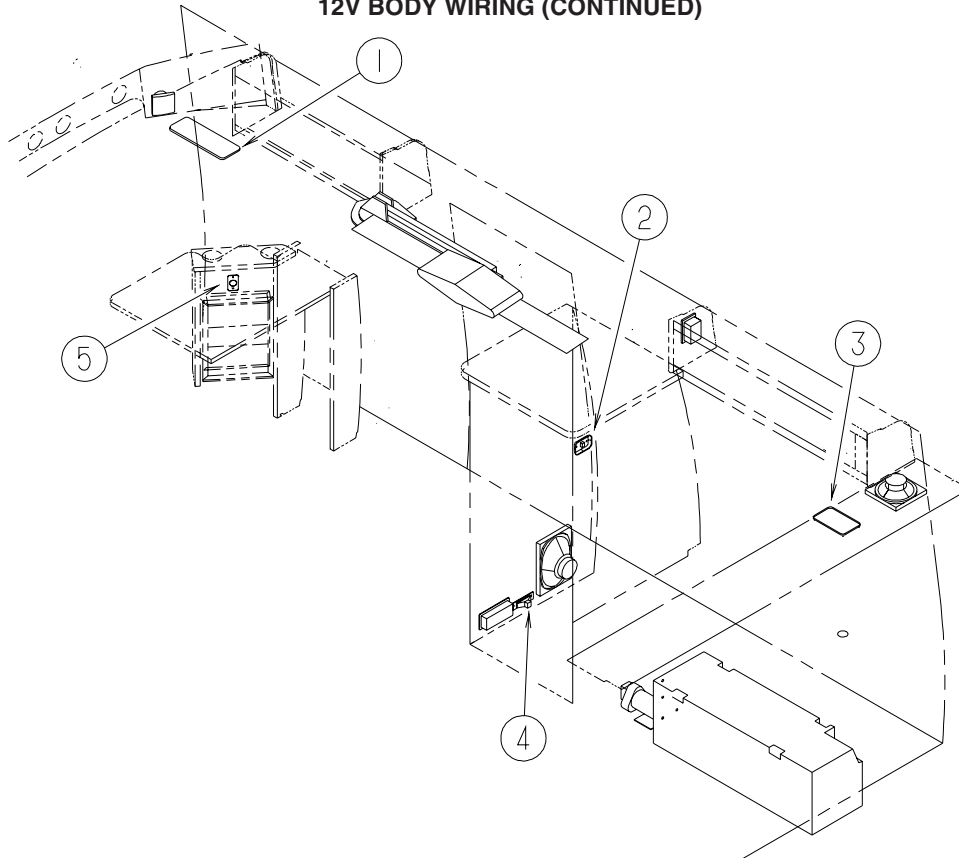
ELECTRICAL GROUP (CONTINUED)
12V BODY WIRING (CONTINUED)



KEY	PART NUMBER	U/M	DESCRIPTION
1*	098024-05-02A	EA	LIGHT - DOME - 1 BULB - SKYLITE/OPTI CLEAR
	008218-01-000	EA	BULB - 12 VOLT - #1141 - 1.44 AMP
2*	098024-03-02A	EA	LIGHT - DOME - 2 BULB - WHITE
	008218-01-000	EA	BULB - 12 VOLT - #1141 - 1.44 AMP
3	108357-15-000	EA	SWITCH - ROCKER - DPDT - ON/NONE/ON - LIGHTED
3	108356-04-01A	EA	COVER/ACTUATOR SWITCH - 2 ROWS DIMPLES W/LENS-CONTURA-BLK
3	108355-01-000	EA	HOUSING - SWITCH
4*	098024-01-03A	EA	LIGHT - DOME - 1 BULB - WHITE
	008218-01-000	EA	BULB - 12 VOLT - #1141 - 1.44 AMP
5*	087694-01-000	EA	LIGHT - WARDROBE/CLOSET - W/SWITCH
6	108357-14-000	EA	SWITCH - ROCKER - SPST - W/LIGHT - ON/OFF - 4 TERMINAL
6	108356-10-01A	EA	COVER/ACTUATOR SWITCH - 2 ROWS DIMPLES W/LENS-SHOWER DRAIN
6	108355-01-000	EA	HOUSING - SWITCH

***COMPONENT PARTS LISTED LATER IN THIS GROUP**

ELECTRICAL GROUP (CONTINUED)
12V BODY WIRING (CONTINUED)

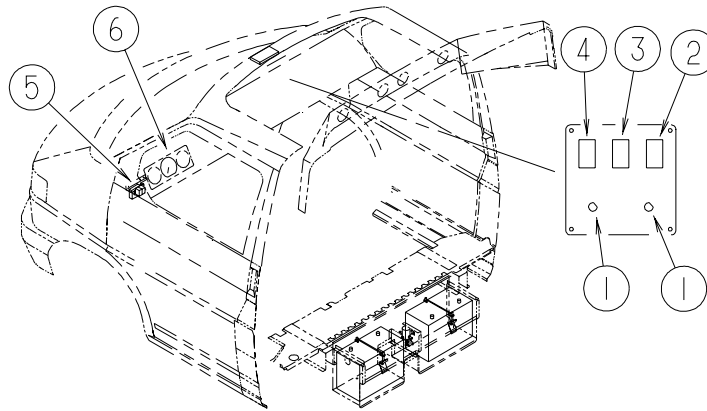


KEY	PART NUMBER	U/M	DESCRIPTION
1*	098024-03-02A	EA	LIGHT - DOME - 2 BULB - WHITE
	008218-01-000	EA	BULB - 12 VOLT - #1141 - 1.44 AMP
2	135740-01-01A	EA	SWITCH - ROCKER - SPST - ON/OFF - BROWN
2	135741-02-01A	EA	SWITCH - BASE - DOUBLE - BROWN
2	135742-19-02A	EA	BEZEL - SWITCH - PORCH/CEILING - BROWN
3*	098024-05-02A	EA	LIGHT - DOME - 1 BULB - SKYLITE/OPTI CLEAR
	008218-01-000	EA	BULB - 12 VOLT - #1141 - 1.44 AMP
4	061424-01-000	EA	LIGHT - AISLE - 12 VOLT - RECTANGULAR
5	111414-01-000	EA	RECEPTACLE/SOCKET - 12 VOLT
5	111386-01-04B	EA	PLATE - RECEPTACLE - 12 VOLT - BLACK

***COMPONENT PARTS LISTED LATER IN THIS GROUP**

ELECTRICAL GROUP (CONTINUED)

FRONT END WIRING



KEY	PART NUMBER	U/M	DESCRIPTION
1*	087202-02-000	EA	SWITCH - 4 POSITION - W/O KNOB/BEZEL - 5 TERMINAL
1	090977-01-000	EA	KNOB - ROTARY SWITCH/SLIP ON - REAR HEATER/DASH/REAR PANEL
2	108355-01-000	EA	HOUSING - SWITCH
2	108356-07-01A	EA	COVER/ACTUATOR SWITCH - 2 ROWS DIMPLES - AUX START - BLACK
2	108357-09-000	EA	SWITCH - ROCKER - SPDT - ON/NONE/MOM - 3 TERMINAL
3	108355-01-000	EA	HOUSING - SWITCH
3	108356-08-01A	EA	COVER/ACTUATOR SWITCH - 2 ROWS DIMPLES W/LENS - REAR-BLACK
3	108357-12-000	EA	SWITCH - ROCKER - DPST W/LIGHT - MOM/NONE/OFF-7 TERMINAL
4	108355-01-000	EA	HOUSING - SWITCH
4	108356-09-01A	EA	COVER/ACTUATOR SWITCH - 2 ROWS DIMPLES W/LENS - WASH/BLACK
4	108357-13-000	EA	SWITCH - ROCKER - DPDT - W/LIGHT-MOM/ON-OFF/OFF-7 TERMINAL
5	114965-01-000	EA	RELAY/TIMER MOD - 12 V/2 AMP - DELAY OFF 10 MIN-RR DEFROST
6	139408-02-000	EA	CLUSTER - INSTRUMENT PANEL - KILOMETER - CANADIAN

*COMPONENT PARTS LISTED LATER IN THIS GROUP

ELECTRICAL GROUP (CONTINUED)
COMPONENT PARTS FOR LIGHTS & SWITCHES

008089-01-000			
KEY	PART NUMBER	U/M DESCRIPTION	VENDOR NO.
	008089-01-700	EA LENS/PORCH LIGHT RECESSED	DECO
008089-02-000			
KEY	PART NUMBER	U/M DESCRIPTION	VENDOR NO.
	008089-01-700	EA LENS/PORCH LIGHT RECESSED	DECO
087202-02-000			
KEY	PART NUMBER	U/M DESCRIPTION	VENDOR NO.
	087202-01-701	EA KNOB-SWITCH, ROTARY	062-0104
	087202-01-702	EA PLATE F/ROTARY SWITCH	062-0105
087694-01-000			
KEY	PART NUMBER	U/M DESCRIPTION	VENDOR NO.
	087694-01-700	EA BULB	GE561
098024-01-03A			
KEY	PART NUMBER	U/M DESCRIPTION	VENDOR NO.
	098024-01-700	EA LENS-LIGHT	807877
098024-03-02A			
KEY	PART NUMBER	U/M DESCRIPTION	VENDOR NO.
	098024-01-700	EA LENS-LIGHT	807877
098024-05-02A			
KEY	PART NUMBER	U/M DESCRIPTION	VENDOR NO.
	098024-01-701	EA LENS - OPTI CLEAR - SKYLITE	809902

ELECTRICAL GROUP (CONTINUED)
CIRCUIT BREAKERS & FUSES

KEY	PART NUMBER	U/M	DESCRIPTION
	008233-01-000	EA	FUSE - 12 VOLT - 6 AMP
	008235-01-000	EA	FUSE - 15 AMP/12VOLT - AUTOMOTIVE
	008268-01-000	EA	CIRCUIT BREAKER W/MOUNT - 30A, 12V - FASCO 1711-3023
	033573-01-000	EA	CIRCUIT BREAKER W/MOUNT-20A, 12V - FASCO 1711-2026
	062901-02-000	EA	FUSE - 5 AMP - AUTOMOTIVE
	062901-04-000	EA	FUSE - 10 AMP - AUTOMOTIVE
	062901-05-000	EA	FUSE - 15 AMP - AUTOMOTIVE
	062901-06-000	EA	FUSE - 20 AMP - AUTOMOTIVE
	062901-07-000	EA	FUSE - 25 AMP - AUTOMOTIVE
	062901-08-000	EA	FUSE - 30 AMP - AUTOMOTIVE
	083209-01-000	EA	CIRCUIT BREAKER - 15 AMP - 120 VOLT - CANADIAN
	083209-02-000	EA	CIRCUIT BREAKER - 15/15 AMP - 120 VOLT
	083209-03-000	EA	CIRCUIT BREAKER - 15/20 AMP - 120 VOLT
	083209-04-000	EA	CIRCUIT BREAKER - 30 AMP - 120 VOLT
	083209-05-000	EA	CIRCUIT BREAKER - 20 AMP - 120 VOLT
	083209-06-000	EA	CIRCUIT BREAKER - 30/15 AMP - 120 VOLT
	083209-07-000	EA	CIRCUIT BREAKER - 20/20 AMP - 120 VOLT
	083209-10-000	EA	CIRCUIT BREAKER - 20/30 AMP - 120 VOLT
	083209-11-000	EA	CIRCUIT BREAKER - 20/15 AMP - 120 VOLT
	092786-03-000	EA	BUSS BAR - 6.9" LONG
	092786-06-000	EA	BUSS BAR
	093654-01-000	EA	CIRCUIT BREAKER - 6 AMP - 12 VOLT - PUSH BUTTON - WHITE
	093654-02-000	EA	CIRCUIT BREAKER - 15 AMP - 12 VOLT - PUSH BUTTON - WHITE
	093654-03-000	EA	CIRCUIT BREAKER - 20 AMP - 12 VOLT - PUSH BUTTON - WHITE
	093654-11-000	EA	COVER - RESET BUTTON
	093655-01-000	EA	CIRCUIT BREAKER - 25 AMP - 12 VOLT - PUSH BUTTON - WHITE
	093655-02-000	EA	CIRCUIT BREAKER - 30 AMP - 12 VOLT - PUSH BUTTON - WHITE
	093655-03-000	EA	CIRCUIT BREAKER - 40 AMP - 12 VOLT - PUSH BUTTON - WHITE
	097611-01-000	EA	CIRCUIT BREAKER - 10 AMP
	097611-03-000	EA	CIRCUIT BREAKER - 20 AMP
	097611-04-000	EA	CIRCUIT BREAKER - 25 AMP
	106656-01-000	EA	FUSE BLOCK - 4 CAVITY - AUTOFUSE
	108567-01-000	EA	CIRCUIT BREAKER - 40 AMP - 12 VOLT - TYPE II
	108669-01-000	EA	HOUSING - AUTO FUSE HOLDER
	111683-01-000	EA	FUSE - HOLDER - GLASS - 1/4" X 1 1/4"
	113482-01-000	EA	CIRCUIT BREAKER - 55 AMP - MANUAL
	113520-01-000	EA	BREAKER - CIRCUIT - 15AMP - SWITCHED
	115187-01-000	EA	FUSE - 300 AMP - NON-DELAY
	115187-02-000	EA	FUSE HOLDER - BUSS ANN/ANL BLOCK
	118531-05-02B	EA	PLATE - CIRCUIT BREAKER - E-COAT
	122811-01-000	EA	CIRCUIT BREAKER - 20/50/50/20
	125986-04-000	EA	FUSE - 10 AMP - AUTO - MINI BLADE
	125986-05-000	EA	FUSE - 15 AMP - AUTO - MINI BLADE
	134127-01-000	EA	CIRCUIT BREAKER - 10 AMP - MINI

CONVERTER, INVERTER, LOAD CENTERS

KEY	PART NUMBER	U/M	DESCRIPTION
*	093257-02-000	EA	CONTROL CENTER - W/O CIRCUIT BREAKERS/FUSES - 222HD, 222QD
	109677-01-000	EA	LOAD CENTER - 120 VOLT - 40 AMP - 222FD
	123058-02-000	EA	CONVERTER - 45 AMP - ELECTRONIC - 4 1/8"H X 7"W X 12 3/8"L

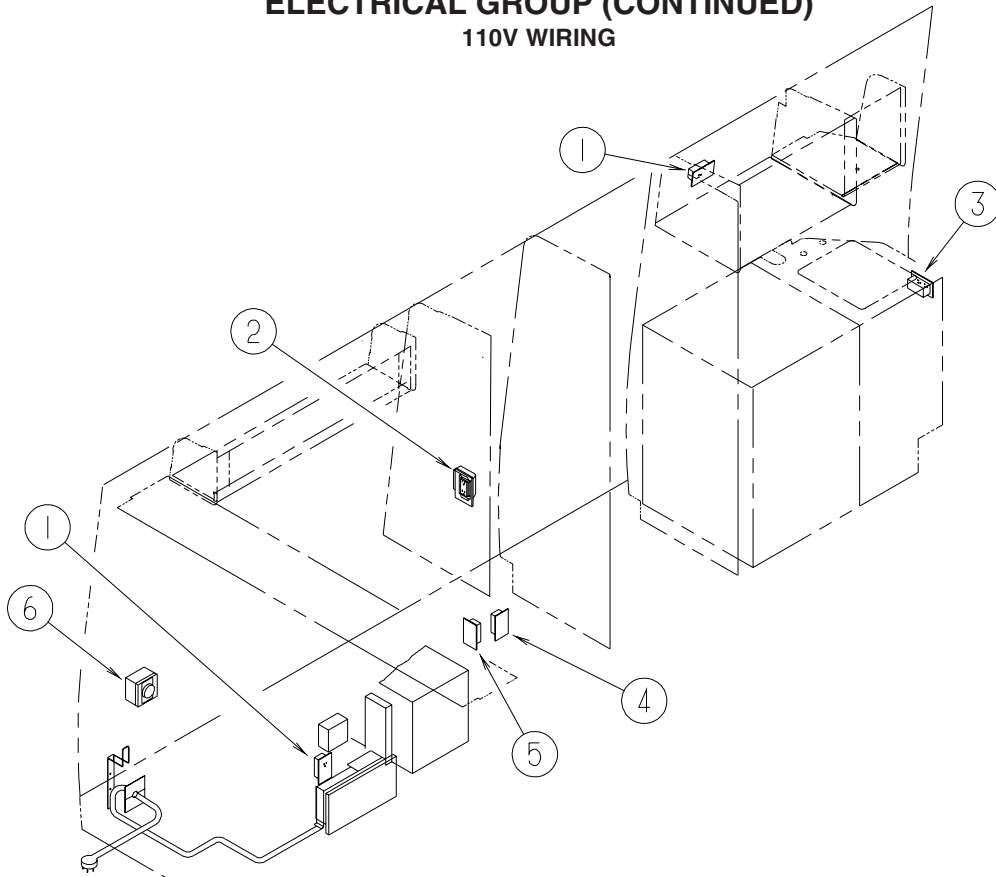
***COMPONENT PARTS LISTED LATER IN THIS GROUP**

ELECTRICAL GROUP (CONTINUED)
COMPONENT PARTS FOR CONVERTER, INVERTER, LOAD CENTERS

093257-02-000

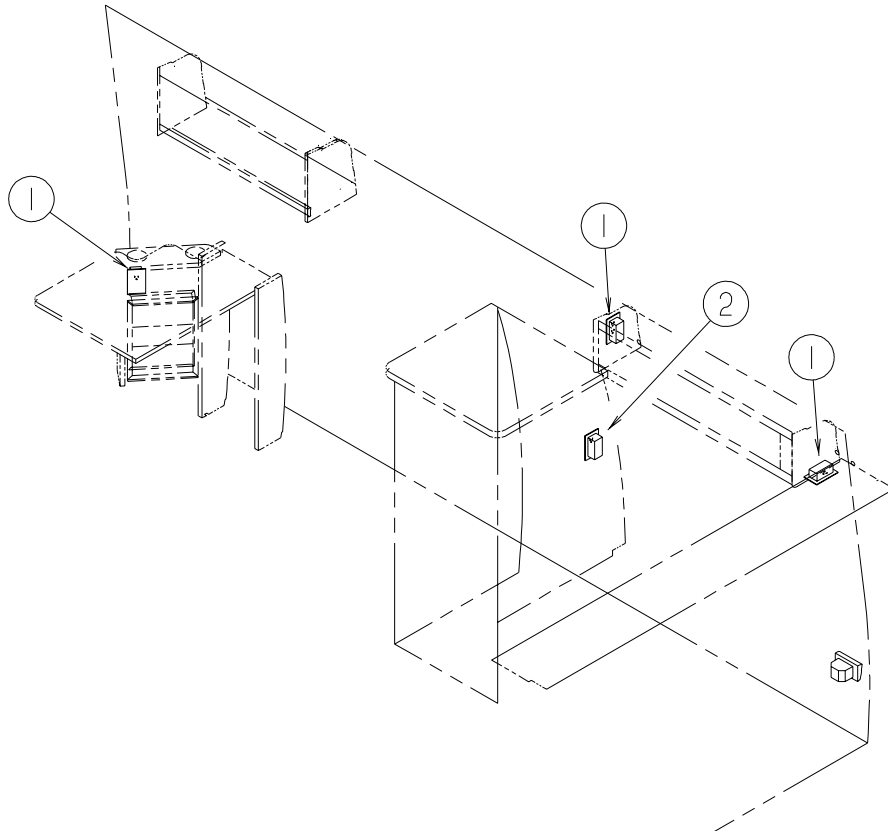
KEY	PART NUMBER	U/M	DESCRIPTION	VENDOR NO.
	093257-02-700	EA	GROUND BAR - 8 POINT	13507201
	093257-02-701	EA	FUSE BLOCK - DC- 11 POINT	30507060
	093257-02-702	EA	STAB ASSEMBLY - BREAKER	M91500008
	093257-02-703	EA	DEAD FRT ASM.-AC BREAKER CVR	M91500011
	093257-02-704	EA	NEUTRAL BAR ASM.W/GROUND BAR	M91500009

ELECTRICAL GROUP (CONTINUED)
110V WIRING



KEY	PART NUMBER	U/M	DESCRIPTION
1	058707-01-000	EA	RECEPTACLE - ELECTRIC - SINGLE - BROWN
2	084076-02-000	EA	RECEPTACLE - GFI - 15 AMP/125 VOLT - BROWN - W/COVER
3	058708-01-000	EA	RECEPTACLE - ELECTRIC - DOUBLE - BROWN
4	084420-01-000	EA	SWITCH - TOGGLE - 15 AMP - 120 VOLT - BROWN
5	058707-02-000	EA	RECEPTACLE - BLANK - JUNCTION BOX
6	024924-02-000	EA	RECEPTACLE - POWER CORD - W/PARTIAL PLATE

ELECTRICAL GROUP (CONTINUED)
110V WIRING (CONTINUED)



KEY	PART NUMBER	U/M	DESCRIPTION
1	058708-01-000	EA	RECEPTACLE - ELECTRIC - DOUBLE - BROWN
2	058707-01-000	EA	RECEPTACLE - ELECTRIC - SINGLE - BROWN
3	131826-01-01A	EA	RECEPTACLE - EXTERIOR - W/COVER/GASKET - WHITE

ELECTRICAL GROUP (CONTINUED)
BOXES & CORDS

KEY	PART NUMBER	U/M	DESCRIPTION
	008054-02-000	EA	CORD - POWER - 10/3 WIRE - 30 AMP - 35'
	008289-01-000	EA	BOX - ELECTRIC/STEEL - 4" X 4" - 1/2" & 3/4" KNOCKOUTS
	008294-01-000	EA	COVER - ELECTRIC BOX - BLANK/STEEL - 4" X 4" - GRAY
	069238-01-000	EA	COVER - ELECTRICAL BOX - W/HOLE - 4" X 4" - GRAY
	091910-01-000	EA	BOX - ELECTRIC - 3.8" X 3.5" X 1.8" - PLASTIC
	091910-02-000	EA	BOX - ELECTRIC - 2.2" X 3.5" X 1.8" - PLASTIC
	092985-02-000	EA	BRACKET - POWER CORD

WIRE ASSEMBLIES

KEY	PART NUMBER	U/M	DESCRIPTION
	096449-01-000	EA	WIRE ASSEMBLY - WATER TANK TO MONITOR PANEL
	096450-02-000	EA	WIRE F/SENSORS - BLACK WATER - 59"
	096451-06-000	EA	WIRE F/SENSORS - GREY WATER - 23.6"
	113731-01-000	EA	WIRE - LICENSE PLATE LAMP
	124843-01-000	EA	WIRE ASSEMBLY - SPEAKER ADAPTER
	124882-03-000	EA	WIRE LOOM - AMPLIFIER

ELECTRICAL GROUP (CONTINUED)
CONNECTORS & CONDUIT

KEY	PART NUMBER	U/M	DESCRIPTION
	007956-01-000	EA	RECEPTACLE - HOUSING - 6 POSITION
	007956-05-000	EA	INSULATOR - SHRINK - 1/4" ID X 1 1/2"
	008058-01-000	EA	ADAPTER - POWER CORD - 30 AMP TO 15 AMP
	008311-01-000	EA	CONNECTOR - WIRE NUT - INSULATED - RED
	008312-01-000	EA	CONNECTOR - WIRE NUT - INSULATED - BLUE
	008313-01-000	EA	CONNECTOR - WIRE NUT - INSULATED - YELLOW
	008314-01-000	EA	CONNECTOR - WIRE NUT - INSULATED - GRAY
	008326-01-000	EA	TERMINAL - RING - 16/14 WIRE - 3/8" STUD
	008328-01-000	EA	TERMINAL - RING - 12/10 WIRE - #10 STUD FIT
	008331-01-000	EA	TERMINAL - RING - TONGUE - #4 WIRE - 3/8" STUD - COPPER
	008348-01-000	EA	TERMINAL - RING - 3/8" STUD 2 GA. WIRE
	008355-01-000	EA	CONNECTOR - CABLE CLAMPING - 3/4"
	008356-01-000	EA	CONNECTOR - PLASTIC - 3/8" AVG
	008356-02-000	EA	CONNECTOR - PLASTIC - 21/32
	035416-04-000	EA	TERMINAL - RING - #10 STUD FIT - INSULATED BARREL #16/14
	041953-01-000	FT	CONDUIT - CONVOLUTE SLIT - .5" ID - POLYETHYLENE
	041953-02-000	FT	CONDUIT - CONVOLUTE SLIT - .6" ID - POLYETHYLENE
	041953-03-000	FT	CONDUIT - CONVOLUTE SLIT - 1" ID (CLOTHES ROD COVER)
	041953-05-000	FT	CONDUIT - CONVOLUTE SOLID - .62" ID - POLYETHYLENE
	041953-06-000	FT	CONDUIT - CONVOLUTE SLIT - .4" ID - POLYETHYLENE
	041953-07-000	FT	CONDUIT - CONVOLUTE SLIT - .25" ID - POLYETHYLENE
	041953-08-000	FT	CONDUIT - CONVOLUTE SLIT - 1.5" ID - POLYETHYLENE
	041953-09-000	FT	CONDUIT - CONVOLUTE SLIT - .5" ID - NYLON
	041953-10-000	FT	CONDUIT - CONVOLUTE SLIT - .75" ID - NYLON
	041953-11-000	FT	CONDUIT - CONVOLUTE SLIT - 1.06" ID - NYLON
	041953-12-000	FT	CONDUIT - CONVOLUTE SOLID - 1.1" ID - NYLON
	041953-13-000	FT	CONDUIT - CONVOLUTE SLIT - 1.25
	041953-14-000	FT	CONDUIT - CONVOLUTE SLIT - 1.5
	047443-01-000	EA	TERMINAL - .250 RECEPTACLE FIT - INSULATED - 16/14 AWG
	047443-02-000	EA	TERMINAL - .250 RECEPTACLE FIT - INSULATED - 12/10 AWG
	058028-01-000	EA	CONNECTOR - ELECTRICAL PIGTAIL - NYLON - CLEAR
	062036-01-000	EA	TERMINAL - PACK - CON - 12/10 AWG
	074017-02-000	EA	HOUSING - 5 POSITION - RIGHT ANGLED
	077479-01-000	EA	BOOT - BATTERY TERMINAL - DOUBLE CABLE
	077479-02-000	EA	BOOT - BATTERY TERMINAL - SINGLE CABLE
	080015-02-000	EA	RECEPTACLE - FLAG - .185 - 16/14 GAUGE
	080015-03-000	EA	RECEPTACLE - FLAG - .250 - 14/16 GAUGE
	082109-01-000	EA	HOUSING - CONNECTOR - PACKARD
	082741-01-000	EA	CONNECTOR BODY - 2 CONNECTOR MALE
	087225-01-000	FT	SLEEVING - 1/2" - TYPE H
	087949-01-000	EA	BUSS BAR - 2 POSITION - .6" X 1.5"
	087949-02-000	EA	BUSS BAR - 3 POSITION - .6" X 2.4"
	087949-03-000	EA	BUSS BAR - 4 POSITION
	087949-05-000	EA	BUSS BAR - 7 POSITION
	088267-01-000	EA	TERMINAL - FEMALE - 1/4
	088473-01-000	EA	HOUSING - PIN - 12 CAVITY (3 ROWS OF 4)
	088473-02-000	EA	HOUSING - PIN - 15 CAVITY (3 ROWS OF 5)
	088473-03-000	EA	HOUSING - PIN - 9 CAVITY (3 ROWS OF 3)
	088473-04-000	EA	HOUSING - PIN - 8 CAVITY IN-LINE
	088473-06-000	EA	HOUSING - PIN - 6 CAVITY (2 ROWS OF 3)
	088473-08-000	EA	HOUSING - PIN - 4 CAVITY - IN-LINE
	088473-09-000	EA	HOUSING - PIN - 3 CAVITY - IN-LINE
	088473-10-000	EA	HOUSING - PIN - 2 CAVITY - IN LINE
	088474-01-000	EA	HOUSING - SOCKET - 12 CAVITY
	088474-02-000	EA	HOUSING - SOCKET - 15 CAVITY
	088474-03-000	EA	HOUSING - SOCKET - 9 CAVITY
	088474-06-000	EA	HOUSING - SOCKET - 6 CAVITY
	088474-07-000	EA	HOUSING - SOCKET - 5 CAVITY
	088474-08-000	EA	HOUSING - SOCKET - 4 CAVITY
	088474-09-000	EA	HOUSING - SOCKET - 3 CAVITY
	088474-10-000	EA	HOUSING - SOCKET - 2 CAVITY
	088475-01-000	EA	PIN - CONNECTOR - 14-20 AWG
	088475-02-000	EA	PIN - CONNECTOR - 10-12 AWG
	088476-01-000	EA	TERMINAL - ELECTRICAL

ELECTRICAL GROUP (CONTINUED)
CONNECTORS & CONDUIT (CONTINUED)

KEY	PART NUMBER	U/M	DESCRIPTION
	088476-02-000	EA	SOCKET - CONNECTOR - 12-10 GA - PRE-TIN
	098261-01-000	EA	SOCKET - CONNECTOR - WEATHERPACK - 12 AWG
	098261-02-000	EA	SOCKET - CONNECTOR - WEATHERPACK - 14-18 AWG
	098262-01-000	EA	SEAL - CONNECTOR - WEATHERPACK
	098262-05-000	EA	SEAL - CAVITY
	098262-06-000	EA	SEAL - CONNECTOR - M/P - 10 GAUGE
	098262-07-000	EA	SEAL - CONNECTOR - 12 AWG - 280 SER
	098263-01-000	EA	HOUSING - 3 PIN - WEATHER PACK
	098263-02-000	EA	HOUSING - 3 PIN - WEATHER PACK
	098264-01-000	EA	HOUSING - 2 PIN - WEATHER PACK - MALE W/FEMALE PINS
	098264-02-000	EA	HOUSING - 2 PIN - WEATHER PACK - FEMALE W/MALE PINS
	098265-02-000	EA	PIN - CONNECTOR - WEATHER PACK
	100690-01-000	EA	HOUSING - 5 POSITION - MALE - WEATHER PACK
	100690-02-000	EA	HOUSING - 5 POSITION - FEMALE - WEATHER PACK
	102777-02-000	EA	TERMINAL - RING - #6 STUD - 10 AWG
	104100-01-000	EA	HOUSING - 1 POSITION - 75 AMPS
	104100-03-000	EA	TERMINAL - 75 AMP
	106655-02-000	EA	TERMINAL - FUSE BLOCK - 10-12 AWG
	110178-01-000	EA	HOUSING - WIPER MOTOR
	112823-01-000	EA	SPLICE - REDUCER - 16-14 TO 18-22
	113072-01-000	EA	HOUSING - ELECTRICAL - TURN/TAIL LAMP
	113072-03-000	EA	HOUSING - ELECTRICAL - STOP/MARKER TAILLAMP
	113135-01-000	EA	TERMINAL - FEMALE - M/P - 14-16 - F/SEALED TERMINAL
	113306-01-000	EA	TERMINAL - FEMALE - M/P - 14-16 - F/NON-SEALED TERMINAL
	113306-02-000	EA	TERMINAL - FEMALE - M/P - 10-12 - 480
	113307-01-000	EA	TERMINAL - FEMALE - M/P - 16-20
	113308-01-000	EA	TERMINAL - FEMALE - M/P - 14-16 - 280
	113468-01-000	EA	HOUSING - 2 POSITION-FEMALE-USED ON WIPER/WASHER WIRE ASM
	113638-02-000	EA	CONNECTOR - ACTUATOR
	114667-01-000	FT	HOSE - 2" ID - FLEXIBLE
	115556-01-000	EA	HOUSING - 3 POSITION - FEMALE
	115556-02-000	EA	HOUSING - 2 POSITION - FEMALE/PARALLEL
	115931-02-000	EA	COVER - CONNECTOR - 50 AMP W/LOCKING RING
	115932-02-000	EA	CONNECTOR - FEMALE - 50 AMP/240 VOLT
	116811-01-000	EA	TERMINAL - .110 RECEPTACLE - 16-14 AWG
	118571-01-000	EA	CONNECTOR - 3-WAY - MALE/SEALED
	118571-02-000	EA	CONNECTOR - 3-WAY - FEMALE/SEALED
	118571-05-000	EA	LOCK - SECONDARY - FEMALE
	118571-06-000	EA	LOCK - SECONDARY - MALE
	118597-01-000	EA	TERMINAL - MALE - M/P - 480 - 14-16
	118599-01-000	EA	TERMINAL - MALE - M/P - 280 - 14-16
	118820-01-000	EA	INSULATOR - TERMINAL
	119223-01-000	EA	HOUSING - 6 POSITION - MALE - WEATHERPACK
	119248-02-000	EA	HOUSING - 7 POSITION - FEMALE
	125323-01-000	EA	HOUSING - 10 POSITION - MALE
	125323-02-000	EA	HOUSING - 8 POSITION - MALE
	125323-03-000	EA	LOCK - SECONDARY 8 POSITION
	125323-04-000	EA	LOCK - SECONDARY 10 POSITION
	125323-05-000	EA	HOUSING - 6 POSITION - MALE
	125323-06-000	EA	LOCK - SECONDARY 6 POSITION
	125324-01-000	EA	TERMINAL - MALE - METRI-PACK - 150
	125325-01-000	EA	SEAL - CAVITY
	126403-01-000	EA	CONNECTOR - 2 CIRCUIT
	126403-02-000	EA	CONNECTOR - 3 CIRCUIT
	129233-01-000	EA	HOUSING - 6 POSITION - MALE WEATHERPACK
	129233-02-000	EA	HOUSING - 2-POSITION/FEMALE - 280-SERIES
	129234-01-000	EA	HOUSING - 6-POSITION/FEMALE - 280-SERIES
	129234-02-000	EA	HOUSING - 6-POSITION/FEMALE - 280-SERIES
	129234-03-000	EA	LOCK - SECONDARY - 6-POSITION
	129235-01-000	EA	HOUSING - 2-POSITION/FEMALE - 630-SERIES
	129235-02-000	EA	LOCK - SECONDARY - 2-POSITION
	129236-01-000	EA	TERMINAL - FEMALE - M/P - 630 - 10-12
	131515-01-000	EA	HOUSING - PIN - 2 CAVITY/HIGH AMP

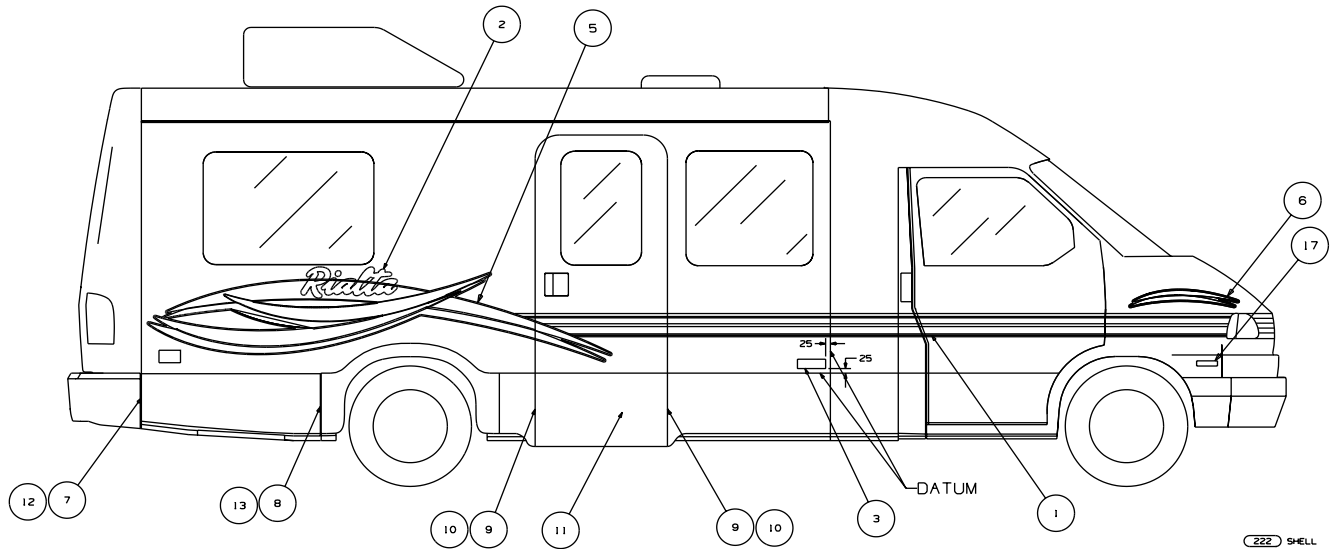
ELECTRICAL GROUP (CONTINUED)
CONNECTORS & CONDUIT (CONTINUED)

KEY	PART NUMBER	U/M	DESCRIPTION
	131515-02-000	EA	TERMINAL - FEMALE JR. POWER TIMER - F/HALOGEN FOG LIGHT
	131515-03-000	EA	SEAL - CAVITY - JR. POWER TIMER
	131681-01-000	EA	CONNECTOR - 3/4" SO CORD - UL/CS
	137207-01-000	EA	HOUSING - PIN - 2 CAVITY/HIGH AMP
	137208-01-000	EA	HOUSING - SOCKET - 2 CAVITY/HIGH AMP
	137209-01-000	EA	PIN - CONNECTOR - 10AWG/HIGH AMP
	137210-01-000	EA	SOCKET - CONNECTOR - 10 AWG/HIGH AMP
	138419-03-000	EA	SOCKET - LAMP - 3 WIRE
	142520-01-000	EA	TERMINAL - FEMALE - MINI FIT 16
	142522-01-000	EA	HOUSING - 4 PIN/MALE - MINI FIT
	142524-01-000	EA	HOUSING - 4 PIN/WEATHER PACK/FEMALE

BOOTS, SOLENOIDS, RELAYS & MISCELLANEOUS

KEY	PART NUMBER	U/M	DESCRIPTION
	008188-01-000	EA	SOLENOID - 3 POST - BATTERY CHANGE OVER
	063910-01-000	EA	HOUSING - RELAY
	063912-02-000	EA	RELAY - CANISTER - SPDT
	065450-08-000	EA	TIEDOWN - BATTERY

EXTERIOR BODY GROUP GRAPHICS & PAINT

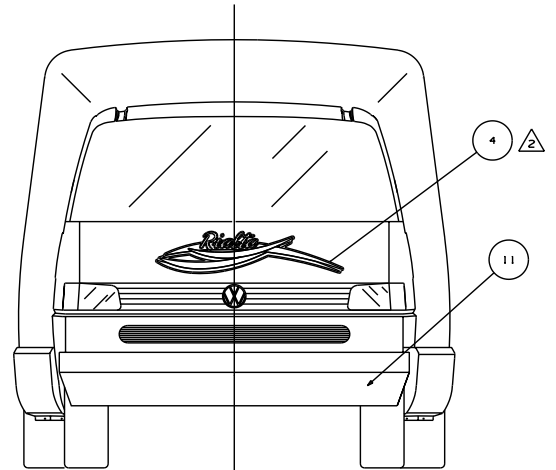
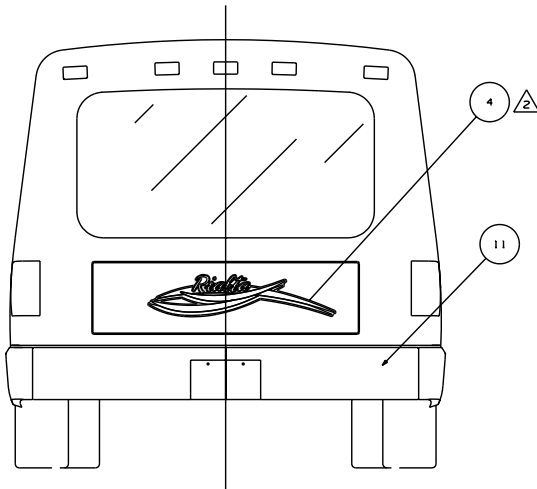


- (222) SHELL
- (04L) JAPAN EXPORT PKG.
- (92K) EXT. GRAPHICS PKG. #2
- (27G) EXT. GRAPHICS PKG. #1



- ⚠️ DECAL TO BE LOOSE INSIDE UNIT.
- ⚠️ CENTERED ON UNIT.
- ⚠️ USE WHERE VALANCE PANELS CONNECT AND PAINT DOES NOT COVER.

NOTES:



KEY PART NO. U/M DESCRIPTION

KEY	PART NO.	U/M	DESCRIPTION
(27G)	1	93689-33-CHT(02A)	FT MULTISTRIPES-127MM - DK.GREEN/EMBER BLUE/GRAY
(27G)	2	132594-01-CHT(04A)	EA DECAL-LOGO,RIALTA,LG - VW WHITE/DK.GREEN
(27G)	3	132684-01-CHT(01A)	EA DECAL-LOGO,DOMED,WINNEBAGO - CHROME/BLACK
(27G)	4	137301-01-CHT(02A)	EA DECAL-HOOD - DK.GREEN/GRAY/EMBER BLUE/LT.BLUE/VW WHITE
(27G)	5	137303-01-CHT(02A)	EA DECAL-SWEEPS,RH - GRAY/DK.GREEN/EMBER BLUE/LT.BLUE
(27G)	5	137303-02-CHT(02A)	EA DECAL-SWEEPS,LH - GRAY/DK.GREEN/EMBER BLUE/LT.BLUE
(27G)	6	137302-01-CHT(02A)	EA DECAL-SWEEP,RH - EMBER BLUE/LT.BLUE
(27G)	6	137302-02-CHT(02A)	EA DECAL-SWEEP,LH - EMBER BLUE/LT.BLUE
(27G)	7	132325-01-CHT(06A)	EA DECAL-VALANCE,DOOR,END,SML,RH - LT.BLUE
(92K)	7	132325-01-CHT(07A)	EA DECAL-VALANCE,DOOR,END,SML,RH - CANYON RED
(27G)	8	132324-01-CHT(06A)	EA DECAL-VALANCE,DOOR,END,LG,RH - LT.BLUE
(92K)	8	132324-01-CHT(07A)	EA DECAL-VALANCE,DOOR,END,LG,RH - CANYON RED
(27G)	9	131730-01-CHT(06A)	EA DECAL-VALANCE,PANEL,END,RH - LT.BLUE
(92K)	9	131730-01-CHT(07A)	EA DECAL-VALANCE,PANEL,END,RH - CANYON RED
(27G)	10	131730-02-CHT(06A)	EA DECAL-VALANCE,PANEL,END,LH - LT.BLUE
(92K)	10	131730-02-CHT(07A)	EA DECAL-VALANCE,PANEL,END,LH - CANYON RED
(27G)	11	141599-01-000	GL PAINT - LT.SILVER MET
(92K)	11	141599-28-000	GL PAINT - CANYON RED MET
(222)	11	141599-11-000	GL PAINT - DUPONT (88951U) VW WHITE
(27G)	12	132325-02-CHT(06A)	EA DECAL-VALANCE,DOOR,END,SML,LH - LT.BLUE
(92K)	12	132325-02-CHT(07A)	EA DECAL-VALANCE,DOOR,END,SML,LH - CANYON RED
(27G)	13	132324-02-CHT(06A)	EA DECAL-VALANCE,DOOR,END,LG,LH - LT.BLUE
(92K)	13	132324-02-CHT(07A)	EA DECAL-VALANCE,DOOR,END,LG,LH - CANYON RED
⚠️ (27G)	14	93681-14-CHT(29A)	FT FILM-38MM - LT.BLUE
⚠️ (92K)	15	93681-14-CHT(30A)	FT FILM-38MM - CANYON RED
	16	122886-02-CHT(01A)	EA DECAL-MOBILIE,SMALL - M.GREEN/R.BLUE
	17	140190-01-CHT(01A)	EA DECAL-LOGO,V8,DOMED (DGG PRINTED)

KEY PART NO. U/M DESCRIPTION

KEY	PART NO.	U/M	DESCRIPTION
(92K)	1	93689-33-CHT(03A)	FT MULTISTRIPES-127MM - CANYON RED/GREYSTONE/GOLD
(92K)	2	133594-01-CHT(05A)	EA DECAL-LOGO,RIALTA,LG - VW WHITE/CANYON RED
(92K)	4	137301-01-CHT(03A)	EA DECAL-HOOD - GRAYSTONE/GOLD/CANYON RED/BRIAR/VW WHITE
(92K)	5	137303-01-CHT(03A)	EA DECAL-SWEEPS,RH - GOLD/GREYSTONE/CANYON RED/BRIAR
(92K)	5	137303-02-CHT(03A)	EA DECAL-SWEEPS,LH - GOLD/GREYSTONE/CANYON RED/BRIAR
(92K)	6	137302-01-CHT(03A)	EA DECAL-SWEEP,RH - CANYON RED/BRIAR
(92K)	6	137302-02-CHT(03A)	EA DECAL-SWEEP,LH - CANYON RED/BRIAR

EXTERIOR BODY GROUP (CONTINUED)
GRAPHICS & PAINT (CONTINUED)

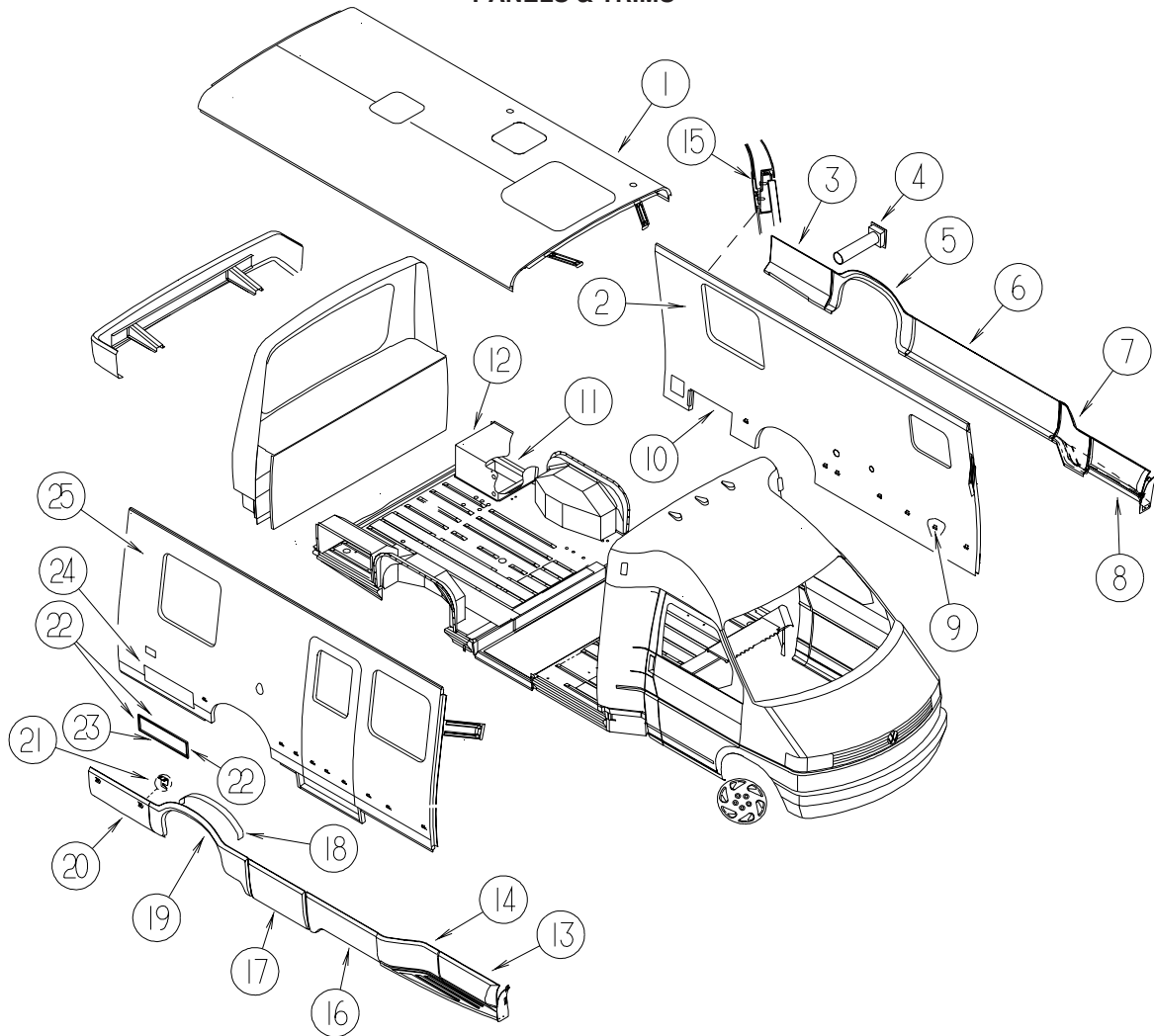
KEY	PART NUMBER	U/M	DESCRIPTION
	072882-01-000	EA	PAINT-LOW BAKE, OFF WHITE - REF:72897-01
	131622-33-000	GL	PAINT - CANYON RED - DUPONT #RM083
	141599-01-000	GL	PAINT - LIGHT SILVER METALLIC - DUPONT #P6235

DUPONT COLOR CODES

LIGHT SILVER METALLIC	P6235
IMRON CLEAR	3440S
CANYON RED METALLIC	P7417

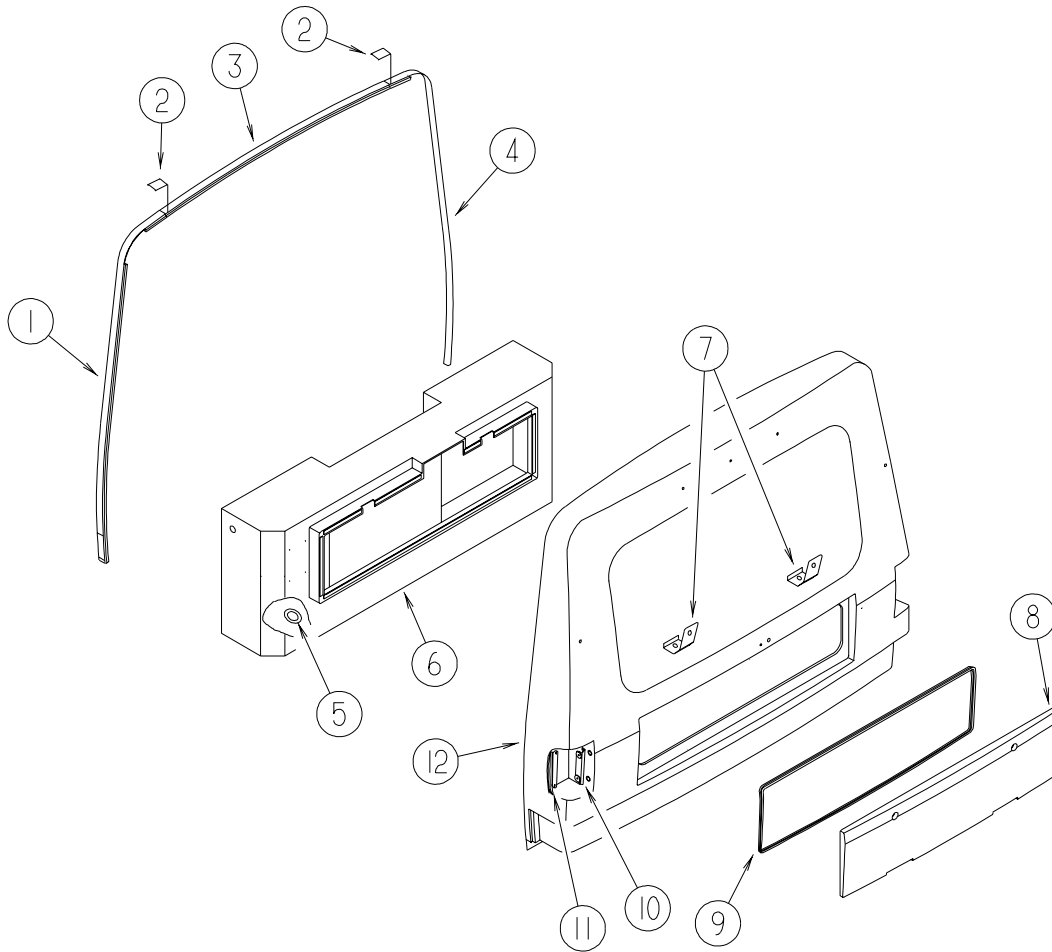
EXTERIOR BODY GROUP (CONTINUED)

PANELS & TRIMS



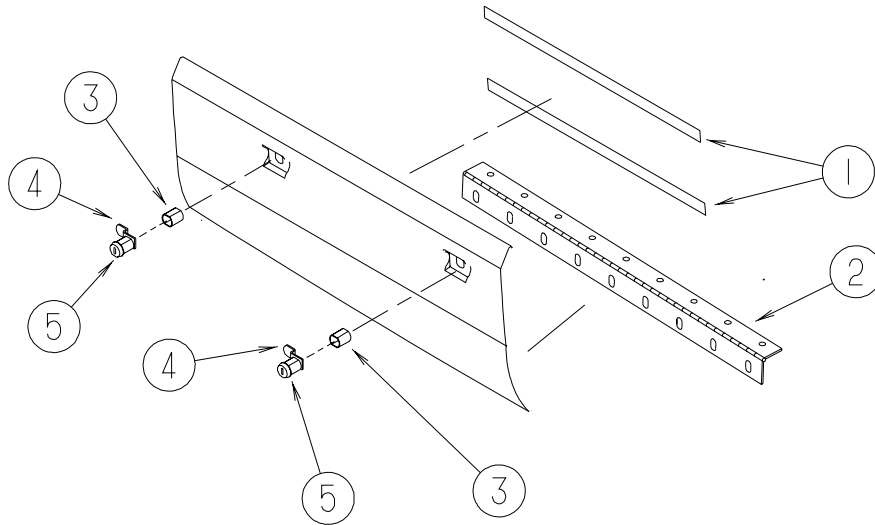
KEY	PART NUMBER	U/M	DESCRIPTION
1	124810-02-M91	EA	ROOF - W/O LIGHTS/VENTS - W/WIRING
2	124106-05-N93	EA	SIDEWALL - DRIVER - W/O WINDOWS/TRIMS
3	130833-09-L90	EA	VALANCE/DOOR - REAR/DRIVER - 14.6" X 38.2" X 12.8"
4	123664-01-01A	EA	COMPARTMENT - SEWER HOSE
5	130648-04-K76	EA	VALANCE/WHEEL LIP - DRIVER
6	130645-05-K76	EA	VALANCE/PANEL - FRONT/DRIVER - W/O HARDWARE
7	130611-04-K76	EA	VALANCE/PANEL - TRANSITION/DRIVER
8	130612-04-K76	EA	VALANCE/PANEL - CAB DOOR/DRIVER - W/O HARDWARE
9	073050-04-000	EA	CLIP/MOUNTING - VALANCE PANEL
10	113752-01-01A	EA	JAMB/TRIM - GENERATOR - VW WHITE
11	112808-03-02B	EA	ROCKER ASSEMBLY- REAR/DRIVER - E-COATED
12	NO LONGER AVAILABLE - CONTACT PART SALES		
13	130612-03-K76	EA	VALANCE/PANEL - CAB DOOR/PASSENGER - W/O HARDWARE
14	130611-03-K76	EA	VALANCE/PANEL - TRANSITION/PASSENGER
15	099571-03-01A	EA	TRIM - ROOF COVE - 2.9" X 146.2" - SMOKEY WHITE
16	130645-04-K76	EA	VALANCE/PANEL - FRONT/PASSENGER - W/O HARDWARE
17	130649-02-K76	EA	VALANCE/PANEL - ENTRY DOOR - 26.6" X 16.6" - BLACK
18	113012-03-01A	EA	TRIM-WHEELWELL, REAR, MILL
19	130648-03-K76	EA	VALANCE/WHEEL LIP - PASSENGER
20	130833-10-L90	EA	VALANCE/DOOR - REAR/PASSENGER - 14.6" X 38.2" X 12.8"
21	127289-01-02B	EA	BRACKET - LOCK CATCH - RH - E-COAT
21	127289-02-02B	EA	BRACKET - LOCK CATCH - LH - E-COAT
22	112160-02-000	FT	SEAL - D SECTION - .2 X .3" - FOAM RUBBER
23	112160-01-000	FT	SEAL - D SECTION - .2 X .3" - FOAM RUBBER
24	113753-01-01A	EA	JAMB/TRIM - LP - VW WHITE
25	138694-01-N91	EA	SIDEWALL - PASSENGER - W/O WINDOWS/TRIMS

EXTERIOR BODY GROUP (CONTINUED)
PANELS & TRIMS (CONTINUED)



KEY	PART NUMBER	U/M	DESCRIPTION
1	112544-02-01A	EA	TRIM - SIDEWALL TO REAR CAP - LEFT HAND
2	086754-10-000	EA	CAP - TRIM - VW WHITE
3	112548-01-01A	EA	TRIM - ROOF TO REAR CAP - CANADIAN
4	112544-01-01A	EA	TRIM - SIDEWALL TO REAR CAP - RIGHT HAND
5	009426-01-000	EA	HATCH - POWER CORD - WHITE
6	130527-01-01A	EA	COMPARTMENT/LUGGAGE - REAR - 222HD, 222QD
6	130527-02-01A	EA	COMPARTMENT/LUGGAGE - REAR - U.S. - 222FD
6	130527-03-01A	EA	COMPARTMENT/LUGGAGE - REAR - CANADIAN - 222FD
7	127124-02-02B	EA	BRACKET - DOOR - REAR - E-COATED
8	124392-02-K76	EA	DOOR - COMPARTMENT/REAR - W/O HARDWARE
	076767-05-000	EA	CABLE - STAINLESS STEEL - 15.5"
	124242-01-08B	EA	HINGE - TRUNK DOOR - VW WHITE
	131035-01-000	EA	LOCK/COMPRESSION TYPE - KEYED W/CAM & HARDWARE - W/O KEY
	131035-60-000	EA	CAM - LOCK - COMPRESSION
9	107721-07-000	FT	SEAL - ACCESS DOOR - .9" WIDE X 1.1" HIGH
10	113777-01-02B	EA	BRACKET - TAIL LAMP - 7.7" LONG - E-COATED
11	113689-01-02B	EA	BRACKET - TAIL LAMP - RH - E-COATED
11	113689-02-02B	EA	BRACKET - TAIL LAMP - LH - E-COATED
12	P30529-01-K76	EA	CAP/BACKWALL - RIALTA - W/O WINDOW/LIGHTS/DOOR - US

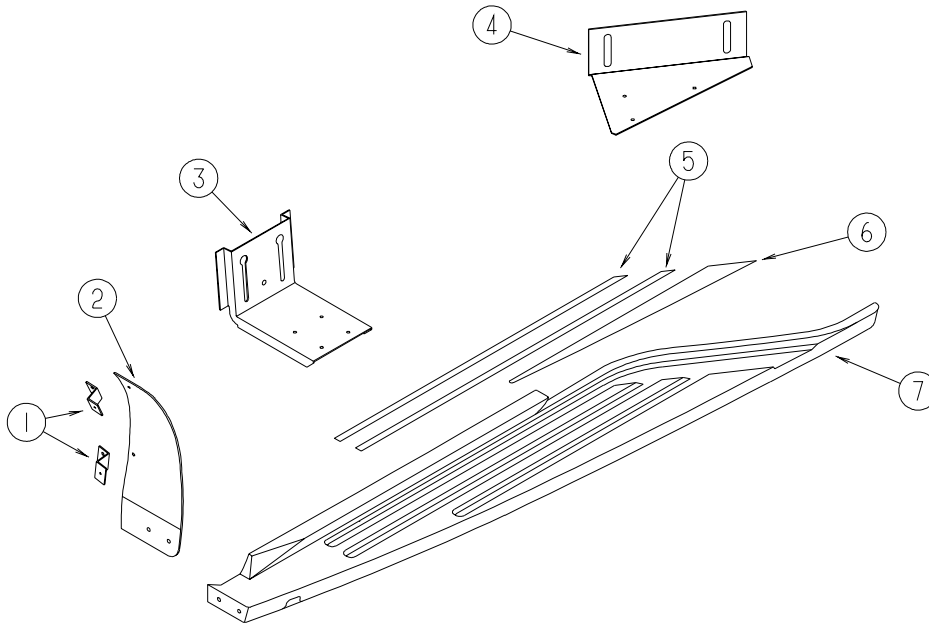
EXTERIOR BODY GROUP (CONTINUED)
VALANCE DOOR PIECE PARTS



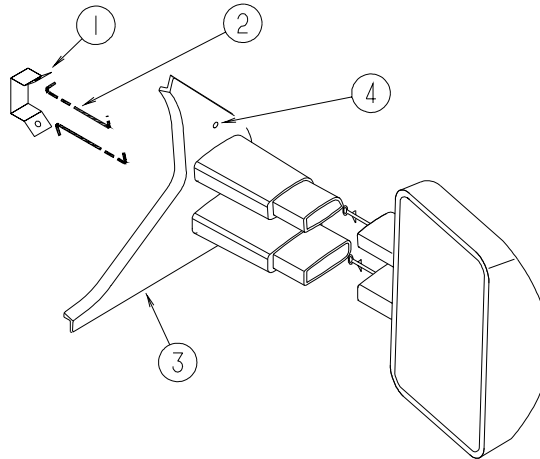
KEY	PART NUMBER	U/M	DESCRIPTION
1	134867-01-000	FT	SEAL - 3/4 X 1 1/4 - PSA ONE SIDE - GENERATOR - DRIVER SIDE
2	112246-06-01A	EA	HINGE - VALANCE DOOR - VW WHITE - PASSENGER SIDE
2	112246-05-01A	EA	HINGE - VALANCE DOOR - VW WHITE - GENERATOR - DRIVER SIDE
3	107997-51-005	EA	SPACER - DOOR LOCK .6" DEEP
4	110506-68-000	EA	CAM - LATCHING - DOG LEGGED 1.3" LONG
5	110506-55-000	EA	CASE/CYLINDER - TWIST LOCK - W/O CAM - 1.25" - 597312AA1
	076767-05-000	EA	CABLE - STAINLESS STEEL - 15.5"

EXTERIOR BODY GROUP (CONTINUED)

RUNNING BOARDS



KEY	PART NUMBER	U/M	DESCRIPTION
1	112507-01-02B	EA	BRACKET - MUD FLAP - FRONT
2	131135-02-02A	EA	SUPPORT - MUD FLAP - LEFT HAND - VW WHITE
	131135-01-02A	EA	SUPPORT - MUD FLAP - RIGHT HAND - VW WHITE
3	131573-01-02B	EA	BRACKET ASM-RUNNING BD,E-C -*99 200 SERIES
4	131574-01-02B	EA	BRACKET - RUNNING BOARD - DRIVER REAR - E-COATED
	131574-02-02B	EA	BRACKET - RUNNING BOARD - PASSENGER REAR - E-COATED
5	038327-05-000	EA	TAPE - ANTI SLIP - 5/8"X 60' - BLACK
6	102570-06-000	EA	MAT - ANTI SLIP - UPPER/LEFT HAND
	102570-05-000	EA	MAT - ANTI SLIP - UPPER/RIGHT HAND
7	130613-04-K76	EA	RUNNING BOARD - FIBERGLASS/DRIVER - VW WHITE
	130613-03-K76	EA	RUNNING BOARD - FIBERGLASS/PASSENGER - VW WHITE



MIRRORS

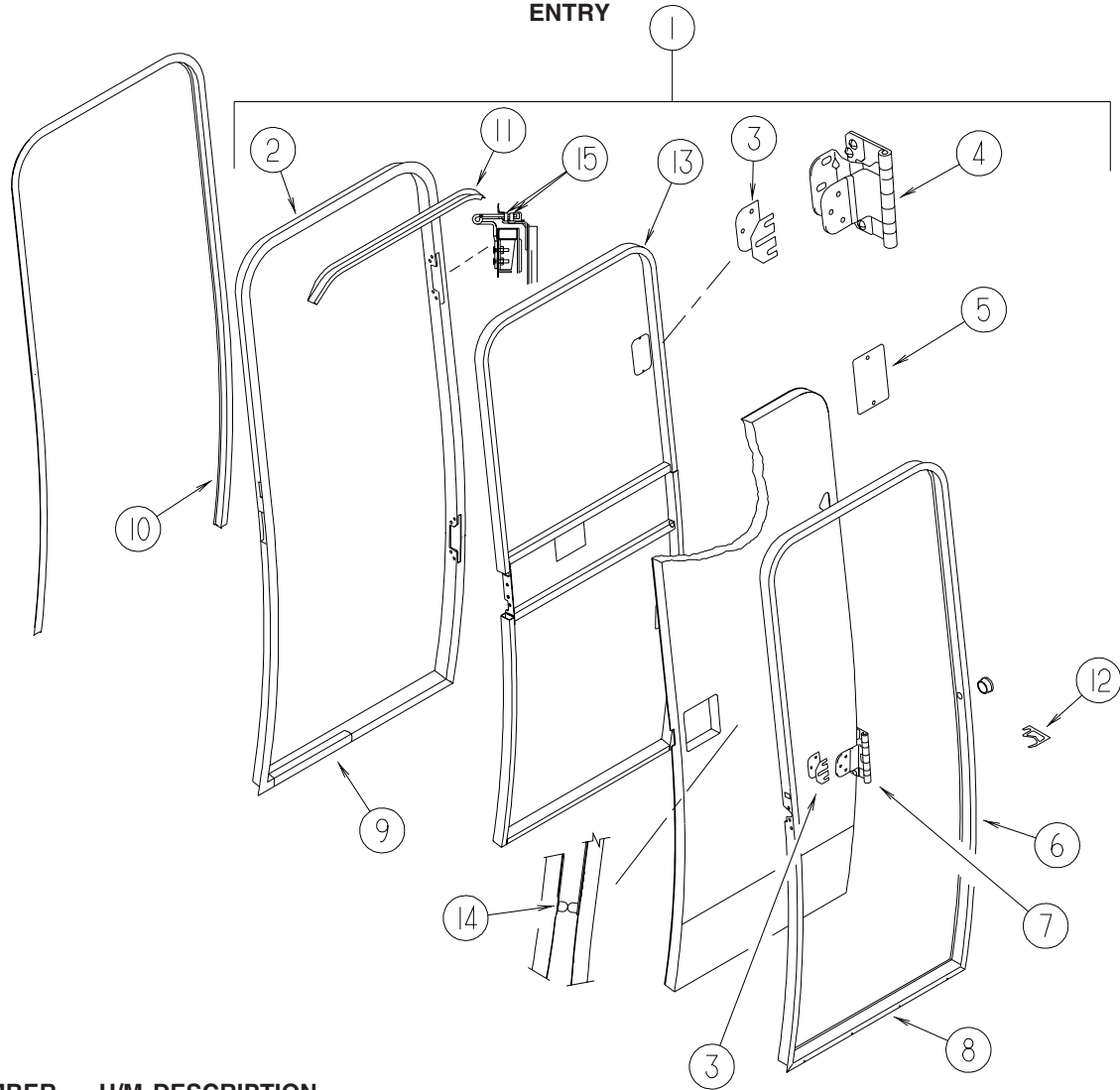
KEY	PART NUMBER	U/M	DESCRIPTION
1	115334-01-02B	EA	HOOK - BRACKET - MIRROR
2	115752-02-01A	EA	MIRROR ROD - 3.3" LONG
2	115752-03-01A	EA	ROD/MIRROR HOOK - 4.8"
3	114494-01-03A	EA	BRACKET - MIRROR - PASSENGER - VW WHITE
			FROM: 00-00-00 THRU: 07-21-02
3	114494-03-01A	EA	BRACKET - MIRROR - PASSENGER - VW WHITE
			FROM: 07-22-02 THRU: 99-99-99
3	114494-02-03A	EA	BRACKET - MIRROR - DRIVER - VW WHITE
			FROM: 00-00-00 THRU: 07-21-02
3	114494-04-01A	EA	BRACKET - MIRROR - DRIVER - VW WHITE
			FROM: 07-22-02 THRU: 99-99-99
4	127984-01-01A	EA	SCREW - EXTERIOR MIRROR - VW WHITE

EXTERIOR BODY GROUP (CONTINUED)
STRUCTURAL COMPONENTS

KEY	PART NUMBER	U/M	DESCRIPTION
	000870-10-000	SF	STYROFOAM - 3/4" X 48" X 121" - PLANED
	002754-01-001	EA	ANGLE - EXTRUDED - 3/4" X 3/4" X 16' - MILL ALUMINUM
	089297-01-000	SF	PLYWOOD - LUAN - OVERLAY GRADE - 4' X 8'
	090897-51-001	EA	TUBE - EXTRUDED - SIDEWALL - REAR
	092321-01-000	FT	INSULATION - FIBERGLASS W/FOIL BACKING - 1/2" T X 28.38"W
	100619-01-000	BF	FOAM - EXPANDED POLYSTYRENE - 1.34" X 48" X 96"
	100619-04-000	BF	FOAM - EXPANDED POLYSTYRENE - .5" X 48" X 96"
	100619-06-000	EA	FOAM - EXPANDED POLYSTYRENE-.9" X 20.4" X 63.4" (EA = 8BF)
	100619-07-000	EA	FOAM - EXPANDED POLYSTYRENE - .63" X 48" X 96" (EA = 20BF)

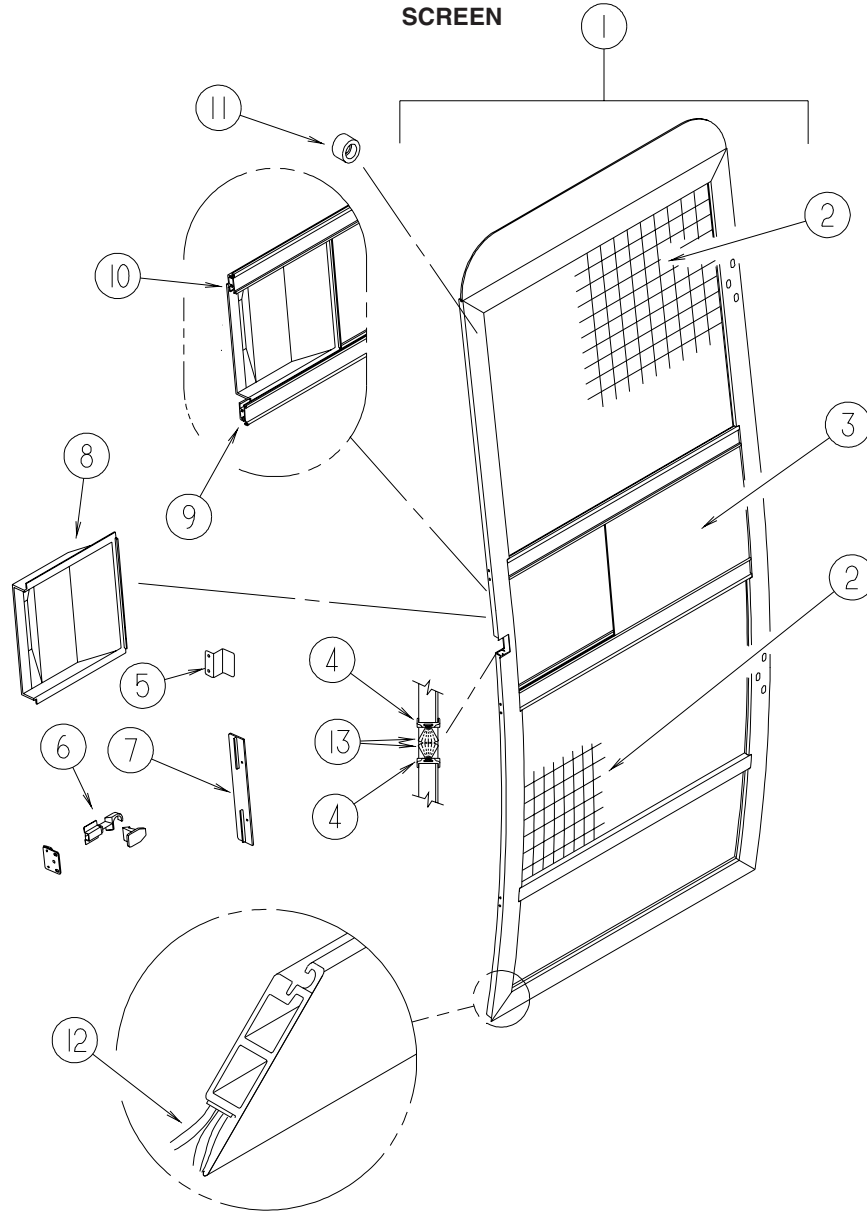
EXTERIOR DOORS & COMPARTMENTS GROUP

ENTRY



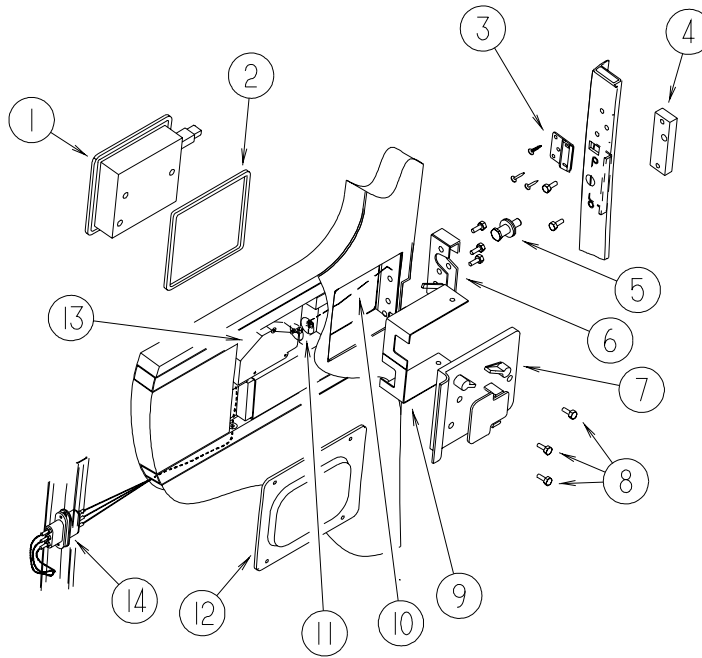
KEY	PART NUMBER	U/M	DESCRIPTION
1	P38689-01-N90	EA	DOOR - ENTRANCE - W/O WINDOW
2	113642-02-N90	EA	JAMB - DOOR/ENTRY
3	113668-01-01A	EA	GASKET - HINGE - DOOR
4	113460-01-02A	EA	HINGE - ENTRANCE DOOR/UPPER
			FROM: 00-00-00 THRU: 07-30-02
4	113460-01-08B	EA	HINGE - ENTRANCE DOOR/UPPER
			FROM: 07-31-02 THRU: 99-99-99
5	113680-01-01A	EA	COVER - ACCESS - DOOR HINGE
6	137168-03-N90	EA	TRIM - ENTRY DOOR
7	113461-01-02A	EA	HINGE - ENTRANCE DOOR/LOWER
			FROM: 00-00-00 THRU: 07-30-02
7	113461-01-08B	EA	HINGE - ENTRANCE DOOR/LOWER
			FROM: 07-31-02 THRU: 99-99-99
8	113395-02-01A	EA	TRIM - ENTRY DOOR/BOTTOM - VW WHITE
9	038327-01-000	EA	TAPE - ANTI-SLIP - 2" X 60'
10	137167-01-M90	EA	TRIM - ENTRY DOOR - UPPER
11	044582-39-000	EA	CAP-DRIP JAMB MTD,MILL
12	111536-03-000	FT	SEAL - ENTRY DOOR
13	138691-01-02B	EA	FRAME - ENTRY DOOR - E-COATED
14	117046-01-000	EA	BUMPER - RUBBER/ROUND END - .9"
15	116111-02-01A	EA	SCREW - TAPTITE - 1/4-20 X 3/8 PPH - ZINC

EXTERIOR DOORS & COMPARTMENTS GROUP (CONTINUED)



KEY	PART NUMBER	U/M	DESCRIPTION
1	113621-01-01A	EA	DOOR - SCREEN
2	002293-02-000	SF	SCREEN - 26" - CHARCOAL
3	016454-12-000	EA	INSERT/CENTER - SCREEN DOOR
4	113616-01-01A	FT	EXTRUDED - VINYL - SEAL TRACK - 7'
5	116485-01-03B	EA	BRACKET - SCREEN DOOR - OFF WHITE
6	110529-01-000	EA	LATCH - BULLET - SCREEN DOOR
7	079087-02-000	EA	STRIKE - SLIDER W/LIP FOR ELBOW CATCH-1.5" X 8.6" - OFF WHT
8	079086-02-000	EA	SLIDER - SCREEN DOOR
9	002294-01-000	FT	SPLINE - SCREENING - .13" X .14"
10	078777-08-000	FT	CHANNEL - SLIDER
11	120863-07-000	EA	BUMPER - RUBBER - .7" DIA X .7" THICK
12	075673-05-000	FT	SEAL - PILE - ADHESIVE BACK - BLACK
13	075673-04-000	FT	SEAL - PILE - ADHESIVE BACK

EXTERIOR DOORS & COMPARTMENTS GROUP (CONTINUED)
LATCH - ENTRY



KEY	PART NUMBER	U/M	DESCRIPTION
1*	113636-01-01A	EA	LATCH/PADDLE - ENTRY W/DEADBOLT - W/KEYS - OFF WHITE FROM: 00-00-00 THRU: 12-27-02
1	144998-01-01A	EA	LATCH - ROTARY - LONG DEADBOLT - OFF WHITE FROM: 12-28-02 THRU: 99-99-99
2	113669-01-01A	EA	GASKET - LATCH - DOOR
3	113750-01-04B	EA	PLATE - LATCH STRIKER
4	113636-05-01A	EA	NUT - CAGED
5	092927-03-000	EA	STRIKER - ROUND - JAMB MOUNTED
6	113636-03-01A	EA	LATCH - SINGLE ROTOR
	130444-01-01A	EA	CAP - KEY IDENTIFIER - GREEN
7	113636-02-01A	EA	PLATE - INSIDE - W/DEADBOLT
8	111203-06-01A	EA	SCREW - MOUNTING/PLATE - ZINC
9	115750-01-02B	EA	BRACKET - LATCH - DOOR
10	113834-01-01A	EA	ROD - DOOR LATCH - POWER
11	114209-01-01A	EA	PUSHNUT - CAP - 1/8" - WHITE
12	113960-01-01A	EA	COVER - ACTUATOR - POWER LOCK
13	117050-01-000	EA	POWER DOOR LOCK MOTOR/ACTUATOR - NEW STYLE VW #701959781
14	138897-02-000	EA	CONTACT/PIN - 3 POSITION

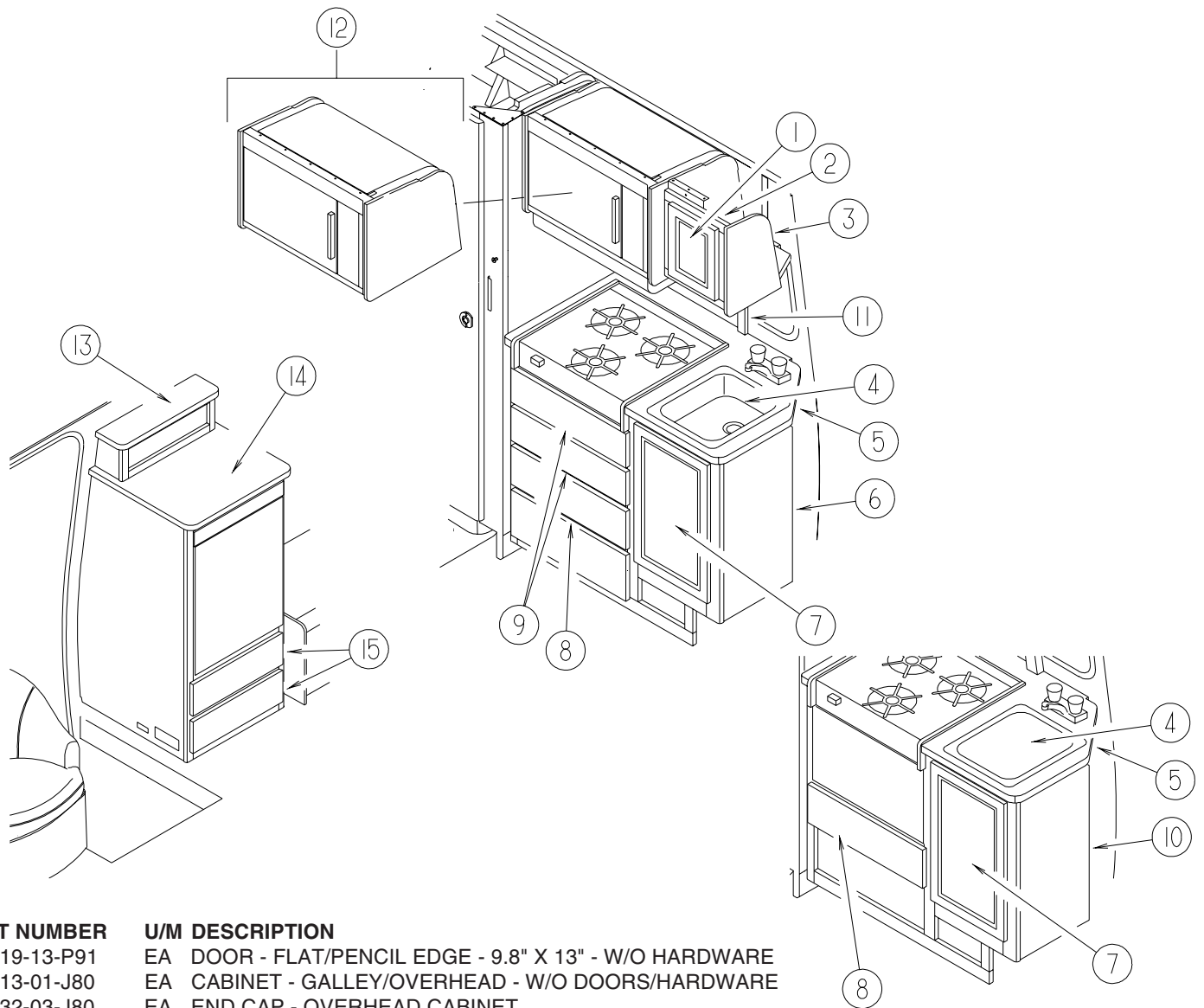
***COMPONENT PARTS LISTED LATER IN THIS GROUP**

EXTERIOR DOORS & COMPARTMENTS GROUP (CONTINUED)
COMPONENT PARTS FOR LATCH - ENTRY

113636-01-01A

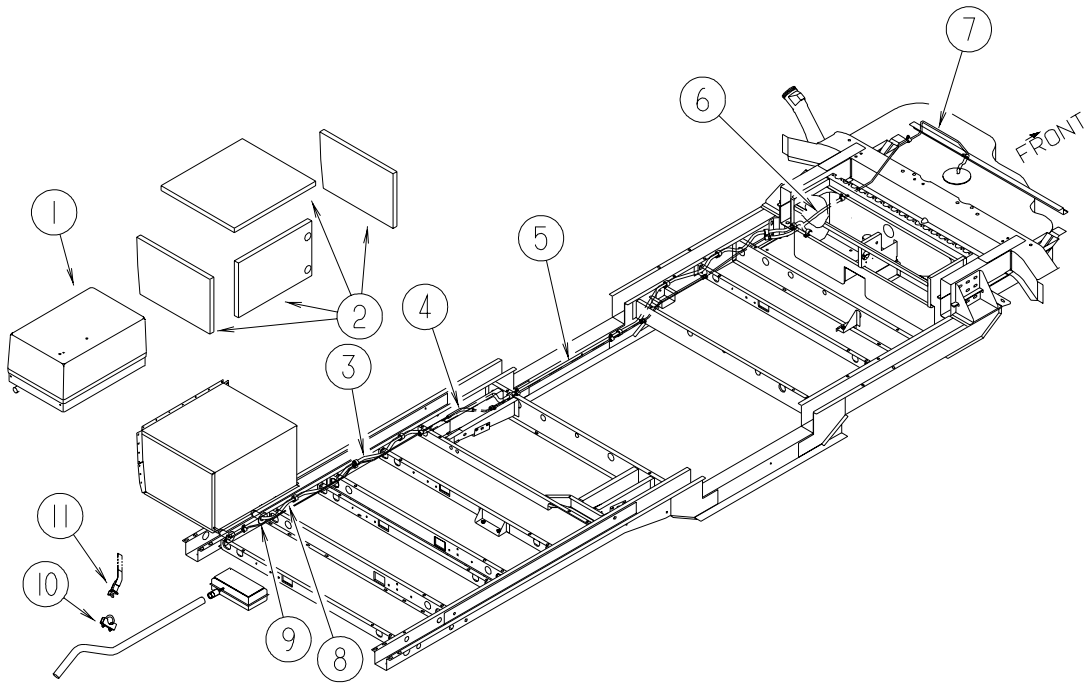
KEY	PART NUMBER	U/M	DESCRIPTION	VENDOR NO .
	113636-01-01A	EA	LATCH/PADDLE - ENTRY W/DEADBOLT - W/KEYS - OFF WHITE	
	045017-11-701	EA	KEY (F) BLANK - TM201-250	14264-01-2001
	113636-01-700	EA	KEY BLANK/D-BOLT TRI 0-099	14264-03-2001

GALLEY GROUP CABINETS



KEY	PART NUMBER	U/M	DESCRIPTION
1	136919-13-P91	EA	DOOR - FLAT/PENCIL EDGE - 9.8" X 13" - W/O HARDWARE
2	119213-01-J80	EA	CABINET - GALLEY/OVERHEAD - W/O DOORS/HARDWARE
3	119132-03-J80	EA	END CAP - OVERHEAD CABINET
4	126545-01-N90	EA	COVER - SINK
5	132601-05-N91	EA	COUNTERTOP - LAMINATED
6	134028-02-L91	EA	CABINET - GALLEY - W/O COUNTERTOP/DOORS/DRAWERS/HARDWARE
7	136919-99-P91	EA	DOOR - FLAT/PENCIL EDGE - 13.8" X 23.2" - W/O HARDWARE
8	P34767-83-M91	EA	DRAWER - PENCIL EDGE - 19.8"W X 17.7"D-W/O SLIDES/HARDWARE
9	P34767-89-M91	EA	DRAWER - PENCIL EDGE - 19.8"W X 17.7"D-W/O SLIDES/HARDWARE
10	134028-01-L91	EA	CABINET - GALLEY - W/O COUNTERTOP/DOORS/DRAWERS/HARDWARE
11	074700-05-000	EA	COVER - PIPE - VW LT GRAY PLASTIC
12	M07494-25-K77	EA	CABINET - OVERHEAD/MICROWAVE - W/O DOORS/HARDWARE
13	133131-71-N91	EA	COUNTERTOP - LAMINATE
14	133131-70-N91	EA	COUNTERTOP - LAMINATE
15	P34767-84-M91	EA	DRAWER - PENCIL EDGE - 19.8"W X 11.8"D-W/O SLIDES/HARDWARE

GENERATOR GROUP GAS



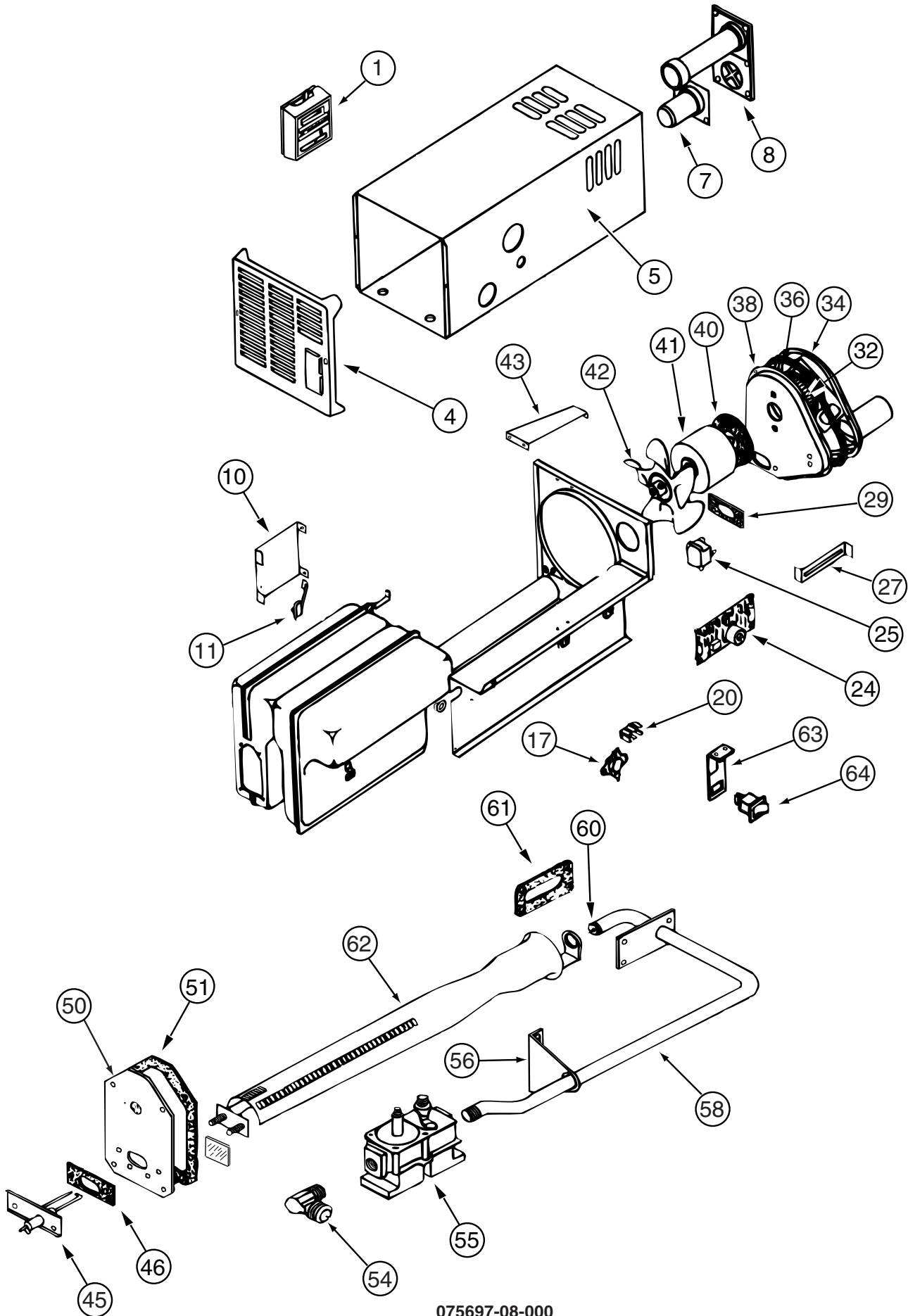
KEY	PART NUMBER	U/M	DESCRIPTION
1	132918-01-000	EA	GENERATOR - 2.8 KW - MICROLITE - MODEL #3KVC83C
2	007067-01-000	SF	INSULATION - FIBERGLASS - 1" THICK X 4'-INCREMENTS 4 SF
3	113378-02-000	EA	FUEL LINE - GENERATOR - REAR
4	128139-03-000	FT	HOSE - FUEL - LOW PERMEABILITY - 1/4" DIAMETER
5	113378-04-000	EA	FUEL LINE - GENERATOR - MIDDLE
6	128139-01-000	FT	HOSE - FUEL - LOW PERMEABILITY
7	113378-01-000	EA	FUEL LINE - GENERATOR - FRONT
8	128139-03-000	FT	HOSE - FUEL - LOW PERMEABILITY - 1/4" DIAMETER
9	084884-01-000	EA	PLUG - BRASS - 3/8"
10	007131-01-000	EA	HANGER - TAILPIPE - 6 SLOTS
11	007125-03-000	EA	CLAMP - MUFFLER - 1.5" DIAMETER

HEATING & A/C GROUP FURNACE

KEY	PART NUMBER	U/M	DESCRIPTION
*	101990-05-000	EA	FURNACE - 17,000 BTU - DUCTED - 222FD
*	075697-08-000	EA	FURNACE - FORCED AIR - 20,000 BTU - GRAY - 222HD, 222QD
	115764-01-01A	EA	THERMOSTAT - FURNACE
	089367-02-000	EA	TEE - 4" X 2" X 4" - 222FD
	101990-02-000	EA	VENT - FURNACE - OUTSIDE - 4-6" - 222FD
	125527-01-01A	EA	REGISTER - REDUCING 2" DIAMETER - 222FD
	009200-01-000	EA	TAPE - FURNACE - 1 1/2" - 222FD

***COMPONENT PARTS LISTED LATER IN THIS GROUP**

HEATING & A/C GROUP (CONTINUED)
COMPONENT PARTS FOR FURNACE



075697-08-000

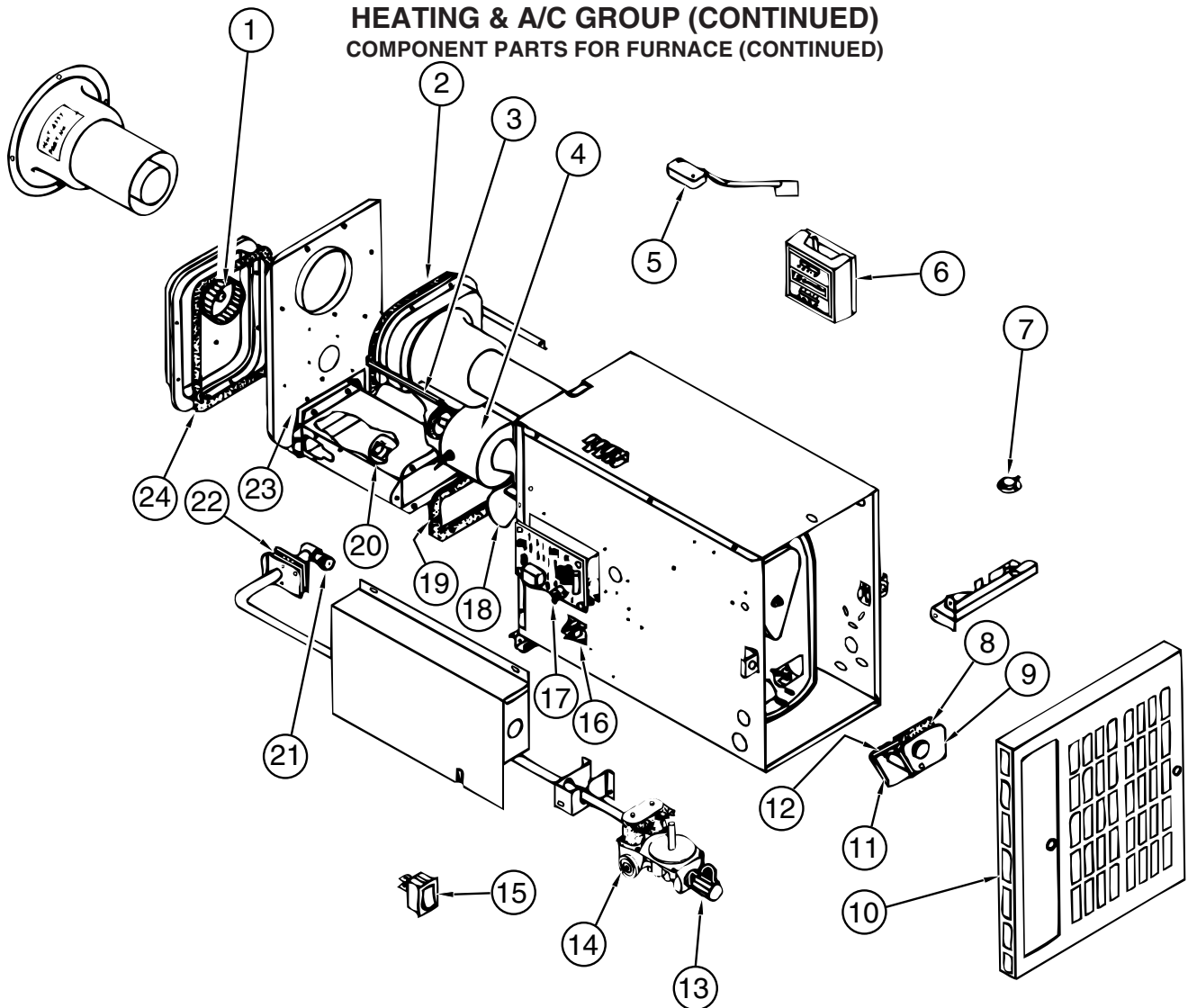
HEATING & A/C GROUP (CONTINUED)
COMPONENT PARTS FOR FURNACE (CONTINUED)

075697-08-000 (CONTINUED)

KEY	PART NUMBER	U/M	DESCRIPTION	VENDOR NO.
4	075697-07-700	EA	CABINET, FRONT	030785SG
5	075697-01-707	EA	CABINET ASSEMBLY	100957
8	075697-01-701	EA	VENT CAP & EXHAUST ASM 20SE	260098
17	074035-01-707	EA	SWITCH - LIMIT	230849
24	098668-22-705	EA	MODULE BD W/RELAY TIME DELAY	520820
25	075697-05-701	EA	MICROSWITCH ASSEMBLY	230933
29	075697-07-703	EA	GASKET - MOTOR	070448
36	074035-01-706	EA	WHEEL, COMBUSTION AIR	350082
41	075697-04-701	EA	MOTOR	230634
45	075697-04-703	EA	ELECTRODE-DBL PROBE PRIOR 92	231258
45	075697-01-708	EA	ELECTRODE-SGL PROBE 92 ON UP	231931
46	092300-01-704	EA	GASKET-ELECTRODE	070163
50	075697-04-704	EA	DOOR-BURNER ACCESS	030621
51	069634-01-732	EA	GASKET, BURNER ACCESS DOOR	070398
54	092300-01-718	EA	ELBOW 90'	170374
55	075697-07-701	EA	VALVE	161123
60	074035-01-709	EA	ORIFICE	180231
61	075697-01-709	EA	GASKET-MANIFOLD	070449
62	075697-07-702	EA	MANIFOLD ASSEMBY	170744
64	139980-01-710	EA	SWITCH - ON/OFF	232351
	075697-07-704	EA	GASKET - BURNER TUNNEL	070450

CONTACT WINNEBAGO PART SALES FOR UNLISTED COMPONENTS

HEATING & A/C GROUP (CONTINUED)
COMPONENT PARTS FOR FURNACE (CONTINUED)



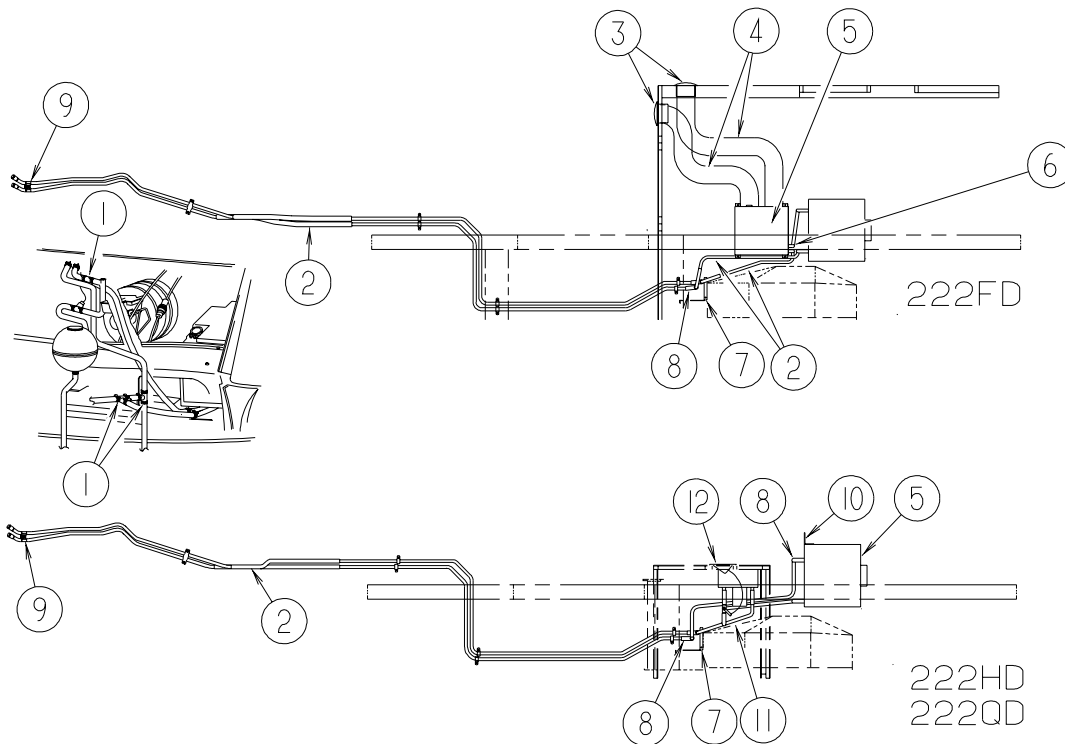
101990-05-000

KEY	PART NUMBER	U/M	DESCRIPTION	VENDOR NO.
1	101990-01-701	EA	WHEEL-COMBUSTION AIR	350126
2	101990-05-700	EA	GASKET, COMBUSTION AIR-FRONT	070862
3	101990-01-713	EA	GASKET-MOTOR	070849
4	101990-05-702	EA	MOTOR	231916
5	101990-01-720	EA	SWITCH - SAIL/NEW STYLE-BEND	231930
7	101990-01-710	EA	SWITCH - LIMIT	231768
8	101990-01-718	EA	GASKET-BURNER DOOR, ACCESS	070850
9	101990-05-708	EA	DOOR, BURNER ACCESS	030767
10	101990-05-707	EA	GRILLE ASSEMBLY	030966
11	101990-05-706	EA	ELECTRODE	231934
12	101990-01-721	EA	GASKET-ELECTRODE	070851
13	092300-01-718	EA	ELBOW 90'	170374
14	101990-05-705	EA	VALVE	161071
15	101990-05-704	EA	SWITCH - ON/OFF	23251
16	101990-01-705	EA	RELAY-TIME DELAY	231769
17	098668-01-712	EA	BOARD-MODULE	520741
18	101990-01-703	EA	WHEEL-ROOM AIR	350125
19	101990-05-703	EA	GASKET, BURNER TUNNEL-END	070848
20	101990-01-702	EA	BURNER	010763
21	101990-01-711	EA	ORIFICE	530415
22	101990-01-717	EA	GASKET-MANIFOLD	070847
23	101990-01-722	EA	GASKET-BURNER TUNNEL	070859
24	101990-05-701	EA	GASKET, COMBUSTION AIR-REAR	070906

CONTACT WINNEBAGO PART SALES FOR UNLISTED COMPONENTS

HEATING & A/C GROUP (CONTINUED)

REAR HEATER



KEY	PART NUMBER	U/M	DESCRIPTION
1	076776-02-000	EA	TEE - BEADED - 3/4 X 3/4 X 3/4
2	007108-01-000	FT	HOSE - HEATER - 5/8" ID - HI-TEMP
3	056464-09-000	EA	REGISTER W/DAMPER - 4" DIAMETER - PLASTIC - BEIGE
4	009198-01-000	FT	DUCT - HEAT - FLEXIBLE - 4" ID X 25'
4	069636-02-000	EA	CONNECTOR - DUCT - 4" ID
5*	049401-04-000	EA	HEATER - REAR - W/O SWITCH
5*	084405-01-000	EA	HEATER - REAR/DUCTED - W/MOTOR AID
6	079059-02-000	EA	HOSE - 90 DEGREE - .61" ID X 4" X 6"
7	084190-01-000	EA	GUARD - MOTOR AID - 5.9" X 5.7" X 5.3" - ANGLED/GALV STEEL
8	083081-01-000	EA	HOSE - FORMED - 90 DEGREES - 5/8" ID
9	134002-01-000	EA	CLAMP - PIPE - DOUBLE - 5/8" DIAMETER
10	058893-01-000	EA	BRACKET - L-ANGLE - .75" X .75" X 2.25 - ALUMINUM
11	083088-01-000	EA	PIPE - COOLANT RETURN - AUXILIARY REAR HEATER
12	090977-02-000	EA	KNOB - CABLE/SET SCREW - REAR HEATER
12	058906-08-000	EA	PANEL - CONTROL - AUXILIARY HEATER - VW LIGHT GRAY

*COMPONENT PARTS LISTED LATER IN THIS GROUP

HEATING & A/C GROUP (CONTINUED)
COMPONENT PARTS FOR REAR HEATER

049401-04-000

KEY	PART NUMBER	U/M	DESCRIPTION	VENDOR NO.
	049401-01-705	EA	VALVE 3 PORT 2 WAY	HV032126
	049401-03-700	EA	HEATER CORE	FT200027
	049401-03-701	EA	FAN-CCW	HV029931
	049401-03-702	EA	RESISTOR	RV212103
	049401-04-700	EA	CABLE-CONTROL	HV033639
	049401-04-701	EA	MOTOR 12V SS/PM	HV033107

084405-01-000

KEY	PART NUMBER	U/M	DESCRIPTION	VENDOR NO.
	084405-01-700	EA	CORE-HEATER	FT200229
	084405-01-701	EA	FAN BLADES	HV029931
	084405-01-702	EA	MOTOR ASSEMBLY, 12 VOLT	RV010348

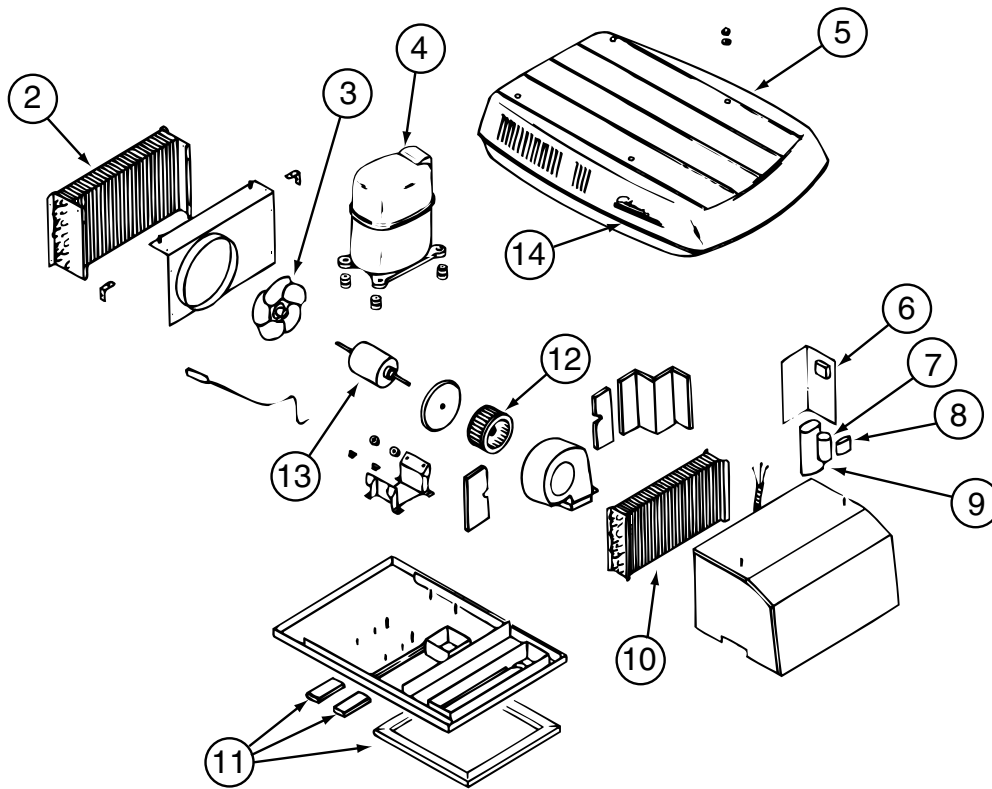
HEATING & A/C GROUP (CONTINUED)
ROOF

KEY	PART NUMBER	U/M	DESCRIPTION
*	093306-01-03A	EA	A/C - ROOF - 7100 BTU - POLAR WHITE - 6727-731
*	131186-02-02A	EA	A/C-ROOF-MACH 1 POWER SAVER-11,000 BTU - POLAR WHITE - DLX FEATURE PKG
*	093307-03-000	EA	CEILING ASSEMBLY - COOL ONLY - WHITE
	093307-04-000	EA	CEILING ASSEMBLY - A/C - COOL/HEAT - WHITE - AC HEAT STRIP
*	131183-03-01A	EA	CEILING ASSEMBLY - A/C - COOL - WHITE - DELUXE FEATURE PACKAGE
*	131183-04-01A	EA	CEILING ASSEMBLY - A/C - COOL/HEAT - WHITE - DELUXE FEATURE PACKAGE/AC HEAT STRIP
	102289-01-000	EA	SPRING - SCREW - ROOF A/C GASKET

***COMPONENT PARTS LISTED LATER IN THIS GROUP**

HEATING & A/C GROUP (CONTINUED)

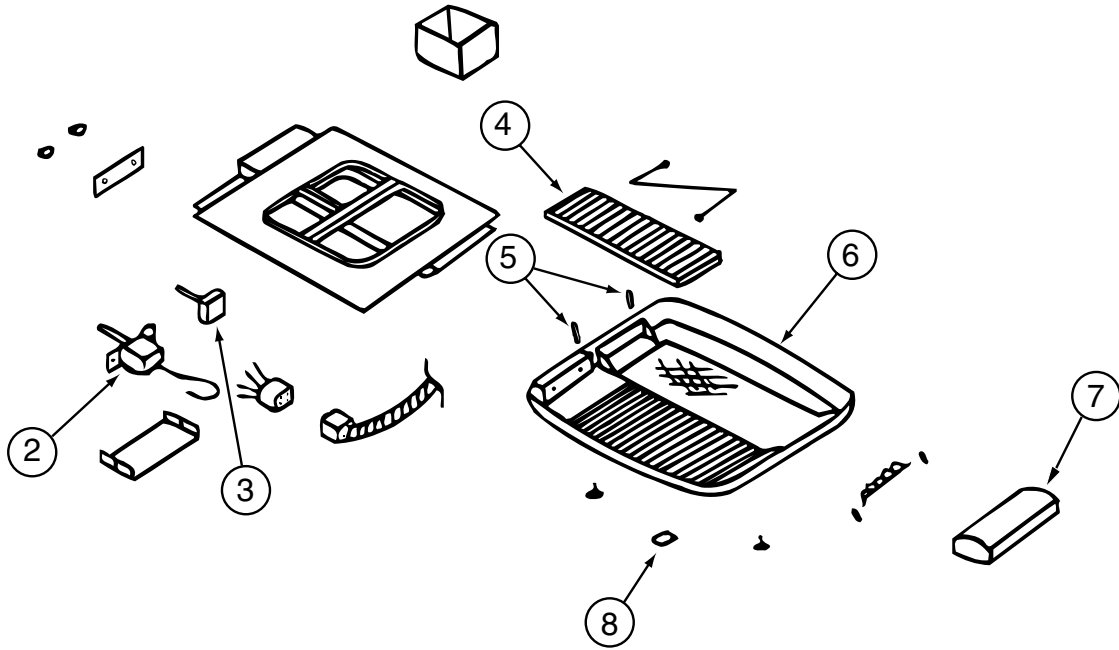
COMPONENT PARTS FOR ROOF



093306-01-03A

KEY	PART NUMBER	U/M	DESCRIPTION	VENDOR NO.
2	093306-01-711	EA	COIL-CONDENSER	1452-0701
3	093306-01-703	EA	FAN-4 BLADE. 9" DIAMETER	6707-3321
4	093306-01-717	EA	COMPRESSOR-PANASONIC	1450-2019
5	093306-01-723	EA	SHROUD - (POLAR WHITE)	6727-5711
6	093306-01-721	EA	RELAY-START	1497-5051
7	093306-01-720	EA	CAPACITOR-START, 21-25 MFD33	1497-3351
8	093306-01-719	EA	OVERLOAD	1450A0011
9	093306-01-718	EA	CAPACITOR-FAN, 5MFD 370 V	1499-5421
9	108889-01-707	EA	CAPACITOR-RUN,COMP-25MFD/370	1499-5661
10	093306-01-713	EA	COIL-EVAPORATOR	1452-0601
11	037648-01-714	EA	GASKET PACKAGE	8332-3301
12	093306-01-706	EA	WHEEL-BLOWER,6 5/16X2 7/8	6707-3281
13	093306-01-705	EA	MOTOR(115V1.6A60H2-RPM	6727-3119
14	093306-01-701	EA	DECAL PACKAGE, LEFT & RIGHT	6798B3591

HEATING & A/C GROUP (CONTINUED)
COMPONENT PARTS FOR ROOF (CONTINUED)

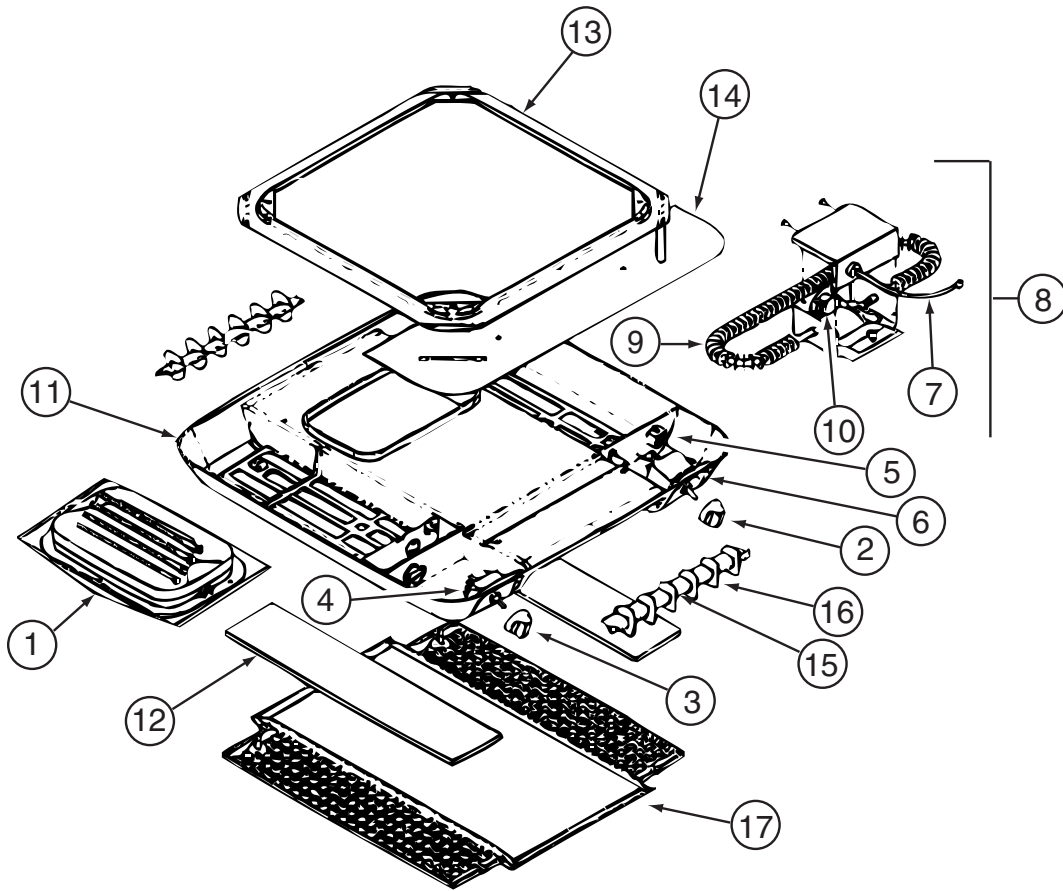


093307-03-000

KEY	PART NUMBER	U/M	DESCRIPTION	VENDOR NO.
2	076303-01-710	EA	THERMOSTAT	6733-3411
4	093766-02-702	EA	FILTER-PKG OF 2-5 X14.5 X1/8	6703-3303
5	076303-01-701	EA	KNOB-CONTROL	6733A3241
6	093307-03-700	EA	SHROUD - CEILING - WHITE	6727-3521
	091227-01-700	EA	WASHER PKG., PLASTIC	6250-3241 6703A3341

CONTACT WINNEBAGO PART SALES FOR UNLISTED COMPONENTS

HEATING & A/C GROUP (CONTINUED)
COMPONENT PARTS FOR ROOF (CONTINUED)



131183-03-01A

KEY	PART NUMBER	U/M	DESCRIPTION	VENDOR NO.
2	131183-03-700	EA	KNOB-THERMOSTAT/COOL ONLY	9330-3131
3	131183-03-701	EA	KNOB-SELECT SW/COOL ONLY	9330-3111
4	131183-04-702	EA	SWITCH-SELECT	9330-3251
5	131183-04-703	EA	PLUG ASSEMBLY	9330-345
6	131183-03-702	EA	THERMOSTAT-COOL ONLY	9330-3401
11	131183-03-703	EA	SHROUD/CEILING - WHITE	9330-3551
12	131183-04-709	EA	FILTER PKG - 2/PKG	9330-3151
15	131183-03-704	EA	VANE - WHITE	9330-30
16	131183-03-705	EA	LOUVER -WHITE	9330-309
17	131183-03-706	EA	GRILLE - WHITE	9330-305
	131183-04-710	EA	SMALL PARTS PACKAGE	9330-5991

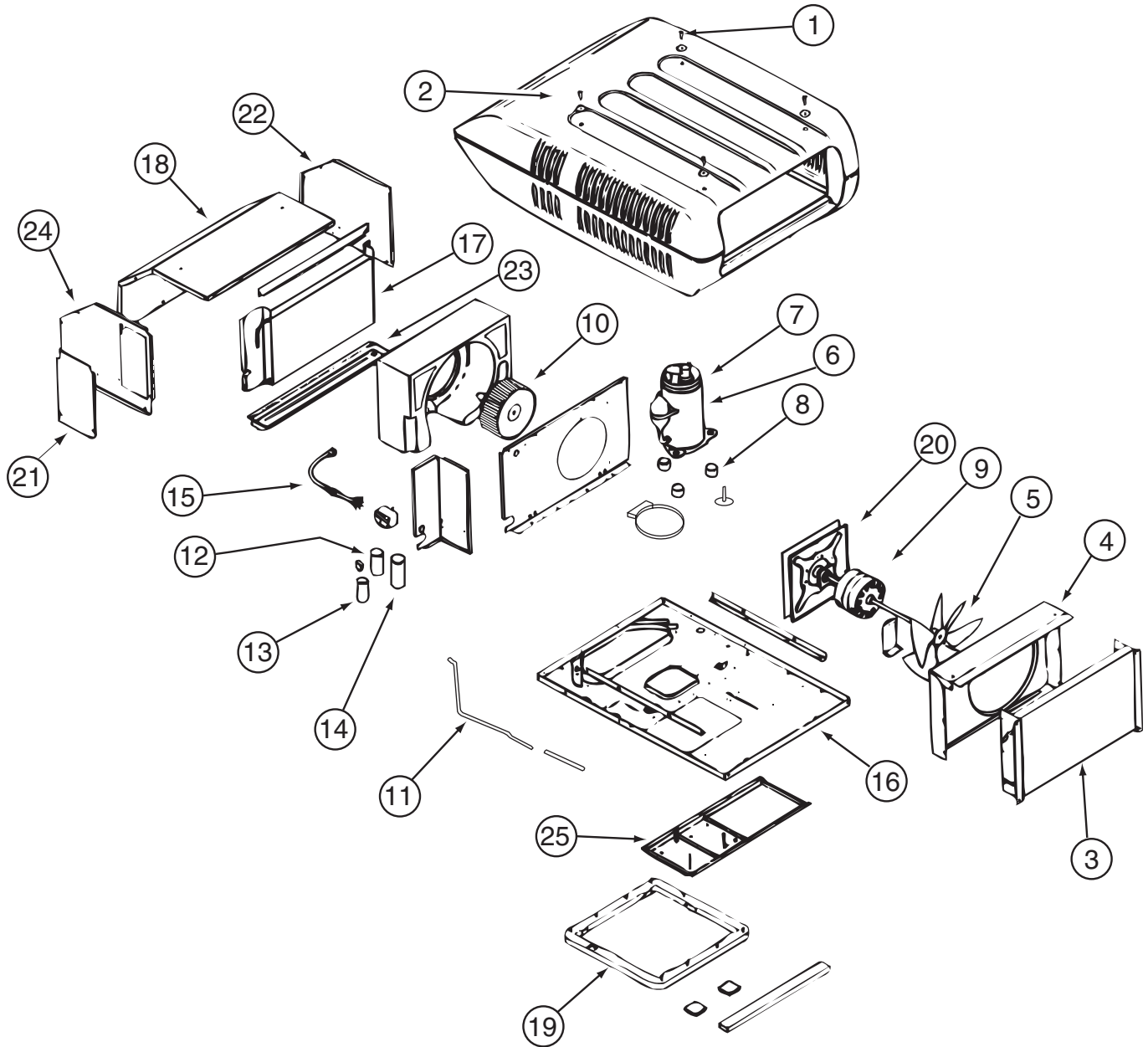
CONTACT WINNEBAGO PART SALES FOR UNLISTED COMPONENTS

131183-04-01A

KEY	PART NUMBER	U/M	DESCRIPTION	VENDOR NO.
2	131183-04-700	EA	KNOB-THERMOSTAT/HEAT-COOL	7330A3131
3	131183-04-701	EA	KNOB-SELECT SW/HEAT-COOL	9330-3121
4	131183-04-702	EA	SWITCH-SELECT	9330-3251
5	131183-04-703	EA	PLUG ASSEMBLY	9330-345
6	131183-04-704	EA	THERMOSTAT - HEAT/COOL	9330-3411
7	131183-04-705	EA	WIRING HARNES/HEATER ASM	9233-515
8	131183-04-706	EA	HEAT STRIP ASSEMBLY	9330-4551
9	131183-04-707	EA	HEAT ELEMENT	9233-3551
10	131183-04-708	EA	SWITCH-LIMIT	1460-5031
11	131183-03-703	EA	SHROUD/CEILING - WHITE	9330-3551
12	131183-04-709	EA	FILTER PKG - 2/PKG	9330-3151
15	131183-03-704	EA	VANE - WHITE	9330-30
16	131183-03-705	EA	LOUVER -WHITE	9330-309
17	131183-03-706	EA	GRILLE - WHITE	9330-305
	131183-04-710	EA	SMALL PARTS PACKAGE	9330-5991

CONTACT WINNEBAGO PART SALES FOR UNLISTED COMPONENTS

HEATING & A/C GROUP (CONTINUED)
COMPONENT PARTS FOR ROOF (CONTINUED)

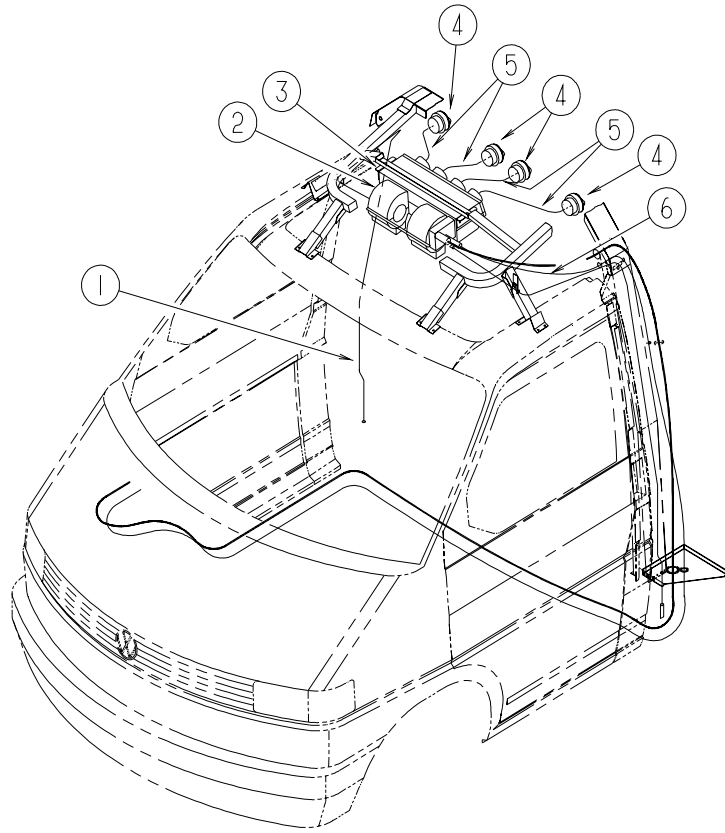


131186-02-02A

KEY	PART NUMBER	U/M	DESCRIPTION	VENDOR NO.
2	131185-02-700	EA	SHROUD - COLONEL WHITE	8333-4161
3	115219-01-700	EA	COIL-CONDENSER	1452A1321
5	093763-01-712	EA	BLADE-FAN-CONDENSER	6733-3221
6	126859-01-700	EA	COMPRESSOR RK124AT-001-A4Y	1450-2109
7	126859-01-701	EA	OVERLOAD PROTECTORMRA# 4761	1450-0061
8	105620-01-706	EA	MOUNTING PKG.,COMP., 3 PER	6759-3081
9	131186-01-700	EA	MOTOR - 115V, 60 HURTZ	1468-3109
10	131185-01-702	EA	BLOWER WHEEL PACKAGE	1472-1091
12	126859-01-703	EA	CAPACITOR - RUN	1499-5671
13	093763-01-704	EA	CAPACITOR-FAN	1499-5461
14	105620-10-704	EA	START COMPACITOR	1497-0861
15	105620-10-705	EA	PTCR (START DEVICE) - W/CAP.	8333A9021
18	131186-01-701	EA	EVAPORATOR COIL	1452-1521
20	037648-01-714	EA	GASKET PACKAGE	8332-3301
21	131185-01-704	EA	MOTOR MOUNT & SEAL KIT	8333-5151
	093306-01-701	EA	DECAL PACKAGE, LEFT & RIGHT	6798B3591
	108889-01-710	EA	PAD-FILLER, CONDENSER SEAL	6759B3971

CONTACT WINNEBAGO PART SALES FOR UNLISTED COMPONENT

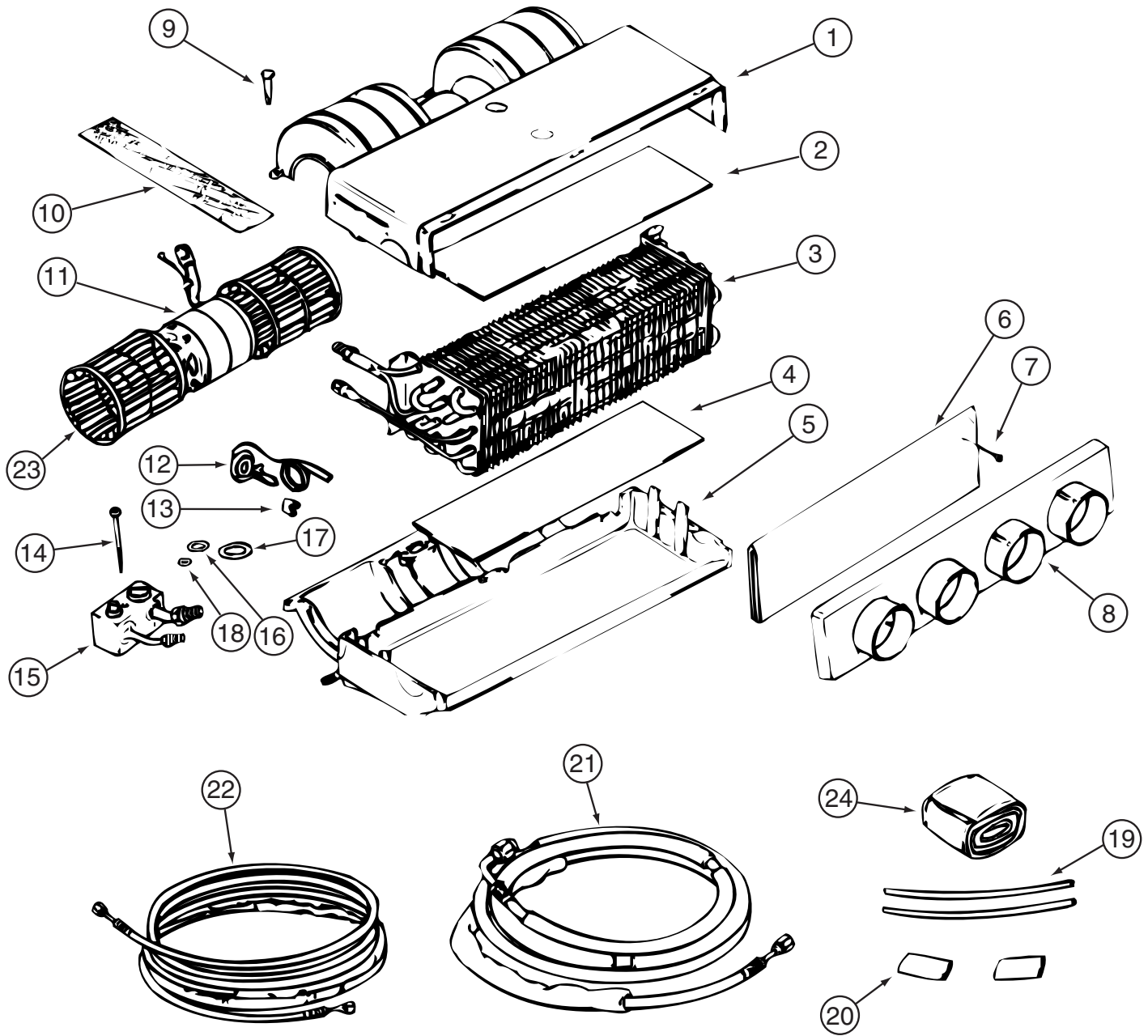
HEATING & A/C GROUP (CONTINUED)
AUXILIARY OVERHEAD A/C



KEY	PART NUMBER	U/M	DESCRIPTION
1			NO LONGER AVAILABLE - CONTACT PART SALES
2*	113245-01-000	EA	EVAPORATOR/AC - OVERHEAD
3	112083-01-000	EA	BRACKET - ROOF SUPPORT
4	113244-01-01A	EA	LOUVER - BALL - 3" - BLACK
5	007281-01-000	EA	HOSE - FLEXIBLE PVC - 2 1/2" ID X 50'
6			NO LONGER AVAILABLE - CONTACT PART SALES

***COMPONENT PARTS LISTED LATER IN THIS GROUP**

HEATING & A/C GROUP (CONTINUED)
COMPONENT PARTS FOR AUXILIARY OVERHEAD A/C

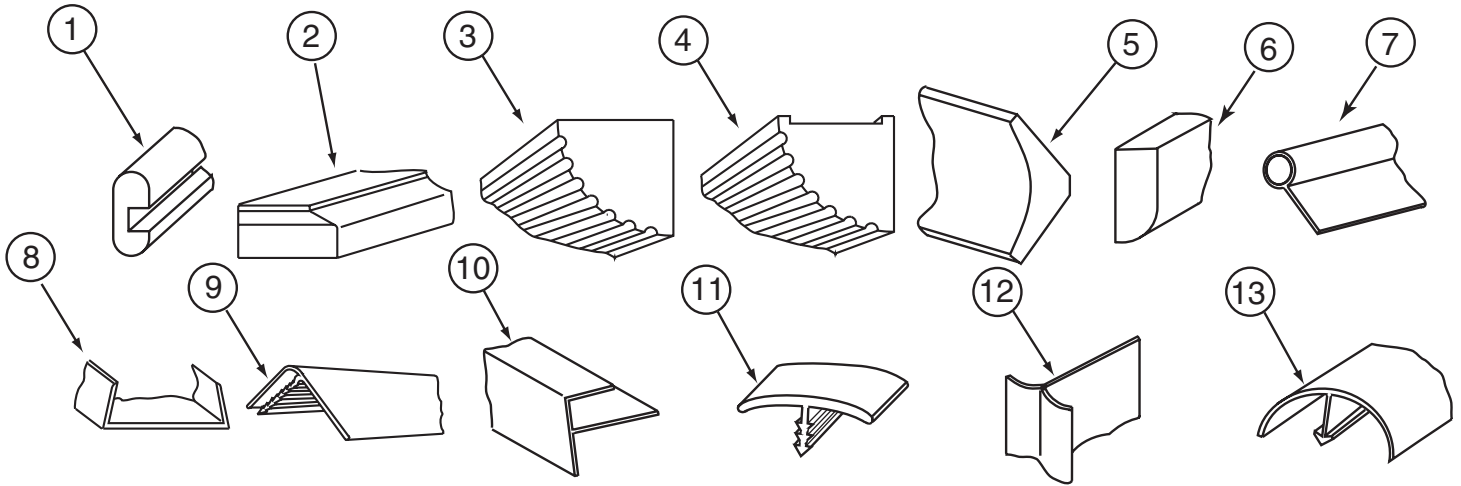


113245-01-000

KEY	PART NUMBER	U/M	DESCRIPTION	VENDOR NO.
1	113245-01-717	EA	CASE, TOP ONLY	062-0139
3	113245-01-705	EA	COIL-EVAPORATOR, (H) BODY VW	041-0034
5	113245-01-716	EA	CASE, BOTTOM W/90 DEG ELBOWS	062-140
6	113245-01-713	EA	SCREEN-CONDENSATION	045-0173
7	113245-01-714	EA	PIN-SCREEN RETAINER	062-0164
8	113245-01-703	EA	BEZEL- W/4 OUTLETS	062-0142
9	113245-01-701	EA	PIN PLASTIC	062-0027
11	113245-01-704	EA	MOTOR-BLOWER, 12V, 3 SPEED, DBL	030-0028
12	113245-01-706	EA	VALVE-EXPANSION, 134A 5 TON	034-0026
15	113245-01-712	EA	FITTING BLOCK WINN (H)	050-0129
16	103930-17-702	EA	O'RING #10	045-0127
17	113245-01-710	EA	O'RING, #12	045-0128
18	113245-01-711	EA	O'RING #6	045-0129
19	113245-01-718	FT	HOSE - DRAIN - 1/2"	051-0002
21	113245-01-709	EA	HOSE ASM #10 EVAPORATOR/COMP	085-0116
22	113245-01-708	EA	HOSE ASM #6 EVAPORATOR/DRIER	085-0115
23	113245-01-700	EA	WHEELBLOWER W/CLIP	062-00183
	113245-01-702	EA	COVER-SLOT	062-0141

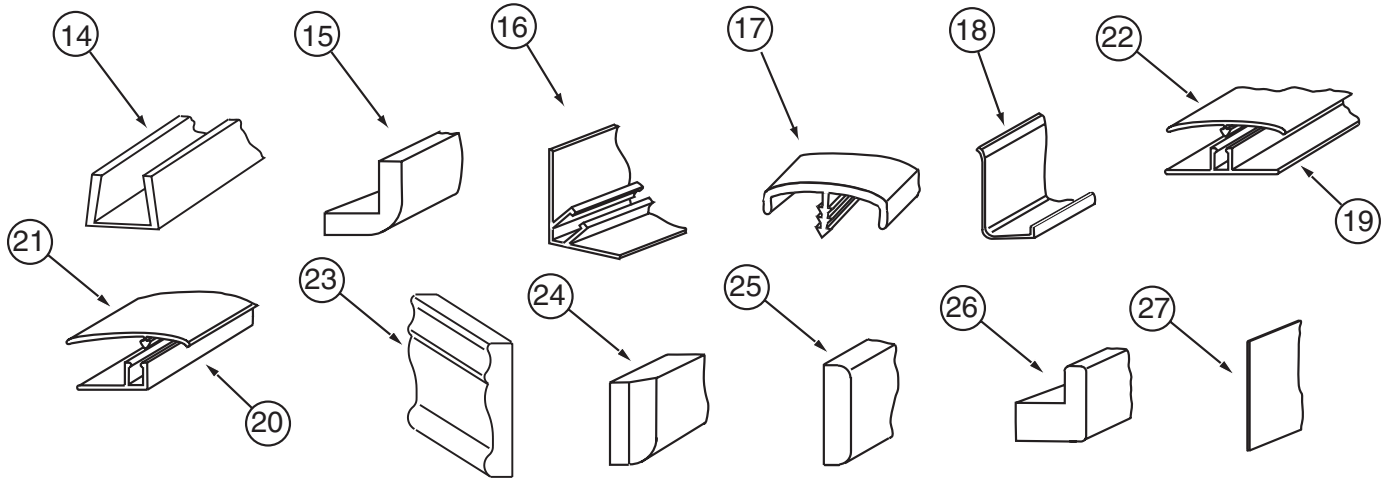
CONTACT WINNEBAGO PART SALES FOR UNLISTED COMPONENTS

INTERIOR FINISH GROUP
MOLDINGS & TRIMS
GRAY, WASHED MAPLE



KEY	PART NUMBER	U/M	DESCRIPTION
1	M09412-62-N42	EA	MOLDING/SHELF EDGE - W/.4" NOTCH - PORTSMOUTH II - PORTSMOUTH OAK
1	M09412-62-M62	EA	MOLDING/SHELF EDGE - W/.4" NOTCH - WASHED MAPLE
1	M09412-62-M52	EA	MOLDING/SHELF EDGE - W/.4" NOTCH - CHERRY IV - CONCERT CHERRY
2	P34052-01-N75	EA	TRIM/TABLE - 29.7" - PORTSMOUTH OAK
2	P34052-01-M84	EA	TRIM/TABLE - 29.7" - WASHED MAPLE
2	P34052-01-M52	EA	TRIM/TABLE - 29.7" - SALEM CHERRY - CONCERT CHERRY
2	P34052-02-N47	EA	TRIM/TABLE - 24" - PORTSMOUTH OAK
2	P34052-02-M84	EA	TRIM/TABLE - 24" - WASHED MAPLE
2	P34052-02-M52	EA	TRIM/TABLE - 24" - SALEM CHERRY - CONCERT CHERRY
3	Y00070-22-438	EA	MOLDING/FLUTED - MAPLE - 96" - WASHED MAPLE
3	Y00070-32-438	EA	MOLDING/FLUTED - CHERRY - 96" - CONCERT CHERRY
3	Y00070-42-438	EA	MOLDING/FLUTED - OAK - 96" - PORTSMOUTH OAK
4	Y00071-22-438	EA	MOLDING/FLUTED - W/NOTCH - MAPLE - 96" - WASHED MAPLE
4	Y00071-32-438	EA	MOLDING/FLUTED - W/NOTCH - CHERRY - 96" - CONCERT CHERRY
4	Y00071-42-438	EA	MOLDING/FLUTED - W/NOTCH - OAK - 96" - PORTSMOUTH OAK
5	Y00074-22-438	EA	MOLDING/CROWN - VINYL WRAPPED - MAPLE - 96" - WASHED MAPLE
5	Y00074-62-438	EA	MOLDING/CROWN - VINYL WRAPPED - CONCERT CHERRY - 96" - CONCERT CHERRY
5	Y00074-72-438	EA	MOLDING/CROWN - VINYL WRAPPED - PORTSMOUTH OAK - 96" - PORTSMOUTH OAK
6	Y00086-22-438	EA	MOLDING - VINYL WRAP - 96" - WASHED MAPLE
6	Y00086-62-438	EA	MOLDING - VINYL WRAP - 96" - CONCERT CHERRY
6	Y00086-72-438	EA	MOLDING - VINYL WRAP - 96" - PORTSMOUTH OAK
7	009767-12-000	FT	WELTING - ANTIQUE WHITE
8	009778-25-000	FT	U-CHANNEL - 1" - BEIGE ILLUSION
8	009778-27-000	FT	U-CHANNEL - 1" - WASHED MAPLE
8	009778-30-000	FT	U-CHANNEL - 1" - VILLAGE OAK
8	009778-32-000	FT	U-CHANNEL - 1" - PORTSMOUTH OAK
8	009778-34-000	FT	U-CHANNEL - 1" - CONCERT CHERRY
9	009809-23-000	EA	MOLDING - CORNER - OUTSIDE - 1" X 84" - MODERN IVORY
9	009809-30-000	EA	MOLDING - CORNER - OUTSIDE - 1" X 84" - BEIGE ILLUSION
9	009809-32-000	EA	MOLDING - CORNER - OUTSIDE - 1" X 84" - PORTSMOUTH OAK
9	009809-33-000	EA	MOLDING - CORNER - OUTSIDE - 1" X 84" - CONCERT CHERRY
10	009812-24-000	EA	MOLDING - CORNER - 1/2" W/1/4"CHAN X 84" - IVORY PLASTIC
10	009812-31-000	EA	MOLDING - CORNER - 1/2" W/1/4"CHAN X 84" - BEIGE ILLUSION
10	009812-33-000	EA	MOLDING - CORNER - 1/2" W/1/4"CHAN X 84" - WASHED MAPLE
10	009812-34-000	EA	MOLDING - CORNER - 1/2" W/1/4"CHAN X 84" - VW LIGHT GRAY
10	009812-35-000	EA	MOLDING - CORNER - 1/2" W/1/4"CHAN X 84" - PORTSMOUTH OAK
10	009812-36-000	EA	MOLDING - CORNER - 1/2" W/1/4"CHAN X 84" - CONCERT CHERRY
11	009815-10-000	FT	MOLDING-T - W/EDGE LIP - 3/4" FACE - BEIGE ILLUSION
12	022992-11-000	FT	MOLDING - REVERSE COVE - T-SHAPED - IVORY
12	022992-14-000	FT	MOLDING - REVERSE COVE - T-SHAPED - BRIGHT WHITE
12	022992-15-000	FT	MOLDING - REVERSE COVE - T-SHAPED - VW GRAY
13	042357-25-000	EA	MOLDING - CORNER - RADIUS/PLASTIC - WASHED MAPLE

INTERIOR FINISH GROUP (CONTINUED)
MOLDINGS & TRIMS (CONTINUED)
GRAY, WASHED MAPLE

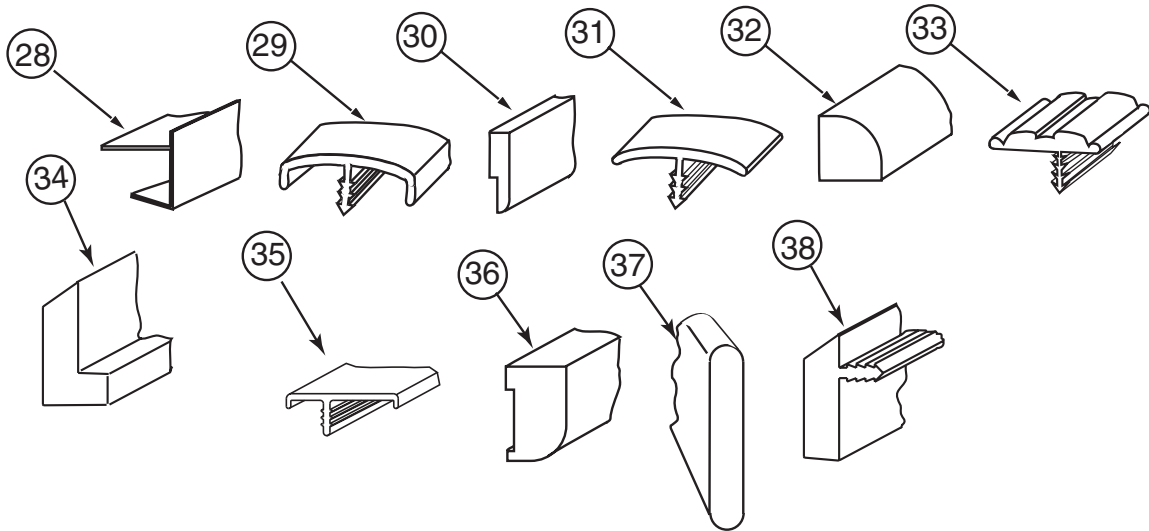


KEY	PART NUMBER	U/M	DESCRIPTION
14	070504-18-000	FT	U-CHANNEL - PLASTIC - .13" X 96" - IVORY
14	070504-35-000	FT	U-CHANNEL - PLASTIC - .13" X 72" - IVORY
14	070504-42-000	FT	U-CHANNEL - PLASTIC - .13" X 84" - BEIGE ILLUSION
14	070504-43-000	FT	U-CHANNEL - PLASTIC - .9" X 96" - BEIGE ILLUSION
14	070504-50-000	FT	U-CHANNEL - PLASTIC - .13" X 96" - WASHED MAPLE
14	070504-54-000	FT	U-CHANNEL - PLASTIC - .9" X 96" - VILLAGE OAK
14	070504-57-000	FT	U-CHANNEL - PLASTIC - .13" X 84" - PORTSMOUTH OAK
14	070504-58-000	FT	U-CHANNEL - PLASTIC - .9" X 84" - PORTSMOUTH OAK
14	070504-60-000	FT	U-CHANNEL - PLASTIC - .13" X 84" - CONCERT CHERRY
14	070504-61-000	FT	U-CHANNEL - PLASTIC - .9" X 84" - CONCERT CHERRY
15	080176-08-000	EA	CAP - CORNER - RADIUS MOLDING - PLASTIC - WASHED MAPLE
16	081521-02-007	EA	MOUNT - METAL MOLDING - F/RADIUS CORNER MOLDING - 151.5"
17	083620-09-000	FT	MOLDING-T - W/EDGE LIP - 7/8" FACE - MODERN IVORY
17	083620-15-000	FT	MOLDING-T - W/EDGE LIP - 7/8" FACE - BEIGE ILLUSION
17	083620-19-000	FT	MOLDING-T - W/EDGE LIP - 7/8" FACE - WASHED MAPLE
17	083620-20-000	FT	MOLDING-T - W/EDGE LIP - 7/8" FACE - PORTSMOUTH OAK
17	083620-21-000	FT	MOLDING-T - W/EDGE LIP - 7/8" FACE - CONCERT CHERRY
18	085746-04-000	FT	TRIM-J - CARPET 1.2" X .5" ANGLE - 10' LONG - OFF WHITE
19	086229-01-000	EA	RETAINER - BATTEN - .75" X 92.1" - ANY COLOR
20	086229-11-000	EA	RETAINER - OFFSET - 97"
21	086229-12-000	EA	BATTEN - 1.5" OFFSET X 96.8" - MODERN IVORY
21	086229-21-000	EA	BATTEN - 1.5" X 83.9" OFFSET - WHITE
22	086229-20-000	EA	BATTEN - 1" X 96" - BEIGE
23	100182-10-J70	EA	TRIM - CHAIR RAIL - 2.5" X 8' EACH - WOOD - WASHED MAPLE
23	100182-10-N47	EA	TRIM/RAIL - PORTSMOUTH OAK
23	100182-10-P85	EA	TRIM - CHAIR RAIL - 2.5" X 8' EACH - WOOD - CONCERT CHERRY
24	100659-30-N75	EA	MOLDING - TRIM - PORTSMOUTH OAK
24	100659-30-N74	EA	MOLDING - TRIM - CHERRY - CONCERT CHERRY
24	100659-30-M84	EA	MOLDING-TRIM,VINYL FLOOR - WASHED MAPLE
25	100818-01-08A	EA	MOLDING - VINYL WRAPPED - 1.6" X .4" X 84"-WASHED MAPLE
25	100818-01-12A	EA	MOLDING - VINYL WRAPPED - 1.6" X .4" X 84"-PORTSMOUTH OAK
25	100818-01-13A	EA	MOLDING - VINYL WRAPPED - 1.6" X .4" X 84" - CHERRY - CONCERT CHERRY
26	100819-01-08A	EA	MOLDING - VINYL WRAPPED-L-SHAPED-1.5"X1.5"X84"- WASHED MAPLE
26	100819-01-12A	EA	MOLDING - VINYL WRAPPED-L-SHAPED - 1.5" X 1.5" X 84" - OAK - PORTSMOUTH OAK
26	100819-01-13A	EA	MOLDING - VINYL WRAPPED-L-SHAPED-1.5"X1.5"X84" - CONCERT CHERRY
27	101957-01-06A	EA	EXTRUDED - PLASTIC - WASHED MAPLE

INTERIOR FINISH GROUP (CONTINUED)

MOLDINGS & TRIMS (CONTINUED)

GRAY, WASHED MAPLE

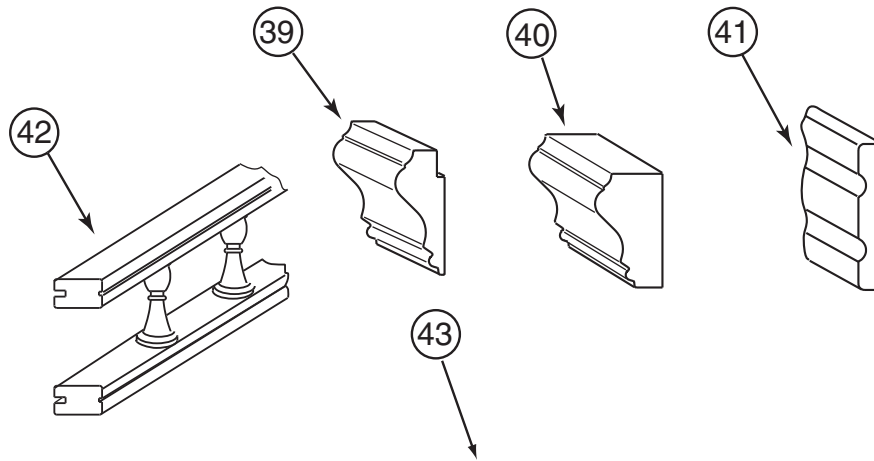


KEY	PART NUMBER	U/M	DESCRIPTION
28	103186-01-07A	FT	MOLDING/PLASTIC - 3/8" U-CHANNEL-3/4"FACE - BEIGE ILLUS 8'
28	103186-01-08A	FT	MOLDING/PLASTIC - 3/8" U-CHANNEL-3/4"FACE-WASHED MAPLE 8' - WASHED MAPLE
28	103186-01-09A	FT	MOLDING/PLASTIC - 3/8" U-CHAN'L-3/4"FACE-PORTSMOUTH OAK 8' - PORTSMOUTH OAK
28	103186-01-10A	FT	MOLDING/PLASTIC-3/8" U-CHAN'L-3/4"FACE-CONCERT CHERRY 8' - CONCERT CHERRY
28	103186-02-07A	FT	MOLDING/PLASTIC-1" U-CHAN'L-1 3/8"FACE-BEIGE ILLUSION - 8'
28	103186-02-08A	FT	MOLDING/PLASTIC - 1" U-CHANNEL-1 3/8"FACE-WASHED MAPLE 8' - WASHED MAPLE
28	103186-02-09A	FT	MOLDING/PLASTIC - 1" U-CHAN'L-1 3/8"FACE-PORTSMOUTH OAK 8' - PORTSMOUTH OAK
28	103186-02-10A	FT	MOLDING/PLASTIC - 1" U-CHAN'L-1 3/8"FACE-CONCERT CHERRY 8' - CONCERT CHERRY
29	104676-02-06A	FT	MOLDING-T - W/EDGE LIP - 11/16" FACE - WASHED MAPLE
29	104676-02-08A	FT	MOLDING-T - W/EDGE LIP - 11/16" FACE - PORTSMOUTH OAK
29	104676-02-09A	FT	MOLDING-T - W/EDGE LIP - 11/16" FACE - CONCERT CHERRY
30	105004-01-08A	EA	MOLDING - VINYL WRAPPED - 1" X 96" - WASHED MAPLE
30	105004-01-12A	EA	MOLDING - VINYL WRAPPED 1" X 96" - PORTSMOUTH OAK
30	105004-01-13A	EA	MOLDING - VINYL WRAPPED 1" X 96" - CONCERT CHERRY
31	105709-02-000	FT	MOLDING-T - W/EDGE LIP - 3/4" FACE - BEIGE ILLUSION
32	109410-01-P25	EA	MOLDING - TRIM - 8' - BLACK CHERRY/CHERRY IV - CONCERT CHERRY
32	109410-01-N75	EA	MOLDING - TRIM - 8' - PORTSMOUTH OAK
32	109410-01-J70	EA	MOLDING - TRIM - 8' - WHITE MAPLE/WASHED MAPLE
33	109736-02-01A	FT	MOLDING-T/OFFSET - W/EDGE LIP - 1" FACE - NAT OAK/BRASS
34	111235-01-H56	EA	MOLDING - COUNTERTOP - 1.4" X 8' - WHITE MAPLE - UNSTAINED - WASHED MAPLE
34	111235-01-N42	EA	MOLDING - COUNTERTOP - 1.4" X 8' - OAK - UNSTAINED - PORTSMOUTH OAK
34	111235-01-P79	EA	MOLDING - COUNTERTOP - 1.4" X 8' - CONCERT CHERRY
35	119520-01-01A	FT	MOLDING-T/OFFSET - W/EDGE LIP - 1"FACE - OFF WHITE
35	119520-01-02A	FT	MOLDING-T/OFFSET - W/EDGE LIP - 1"FACE - CONCERT CHERRY
35	119520-01-03A	FT	MOLDING-T/OFFSET - W/EDGE LIP - 1"FACE - WASHED MAPLE
35	119520-01-04A	FT	MOLDING-T/OFFSET - W/EDGE LIP - 1"FACE - PORTSMOUTH OAK
35	119520-02-01A	FT	MOLDING-T/OFFSET - W/EDGE LIP - 1"FACE
36	126204-D2-134	EA	MOLDING - VINYL WRAPPED - .7" X 1.6" X 84" - WASHED MAPLE
36	126204-F2-134	EA	MOLDING - VINYL WRAPPED - .7" X 2.5" X 84" - WASHED MAPLE
36	137887-D2-134	EA	MOLDING - VINYL WRAPPED - .7" X 1.6" X 96" - CHERRY - CONCERT CHERRY
36	137887-F2-134	EA	MOLDING - VINYL WRAPPED - .7" X 2.5" X 84" - CHERRY - CONCERT CHERRY
36	137887-F2-743	EA	MOLDING - VINYL WRAPPED - .7" X 2.5" X 108" - CHERRY - CONCERT CHERRY
36	137895-D2-134	EA	MOLDING - VINYL WRAPPED - .7" X 1.6" X 84" - PORTSMOUTH OAK
36	137895-F2-134	EA	MOLDING - VINYL WRAPPED - .7" X 2.5" X 84" - PORTSMOUTH OAK
36	137895-F2-743	EA	MOLDING - VINYL WRAPPED - .7" X 2.5" X 108" - PORTSMOUTH OAK
37	127842-01-01A	FT	SEAL - SIGHT SHIELD - 2" BLACK
38	130247-01-05A	FT	MOLDING-T/OFF SET - 1.3" FACE - CONCERT CHERRY
38	130247-01-04A	FT	MOLDING-T/OFF SET - 1.3" FACE - PORTSMOUTH OAK
38	130247-01-02A	FT	MOLDING-T/OFF SET - 1.3" FACE - WASHED MAPLE

INTERIOR FINISH GROUP (CONTINUED)

MOLDINGS & TRIMS (CONTINUED)

GRAY, WASHED MAPLE



LUMBER

KEY	PART NUMBER	U/M	DESCRIPTION
39	131923-02-04A	FT	MOLDING - PICTURE - OAK - PORTSMOUTH OAK
40	131923-03-03A	FT	MOLDING - CROWN - DIVIDER - WHITE MAPLE - WASHED MAPLE
40	131923-03-02A	FT	MOLDING - CROWN - DIVIDER - CHERRY - CONCERT CHERRY
41	134156-01-03A	EA	MOLDING - VINYL WRAP - .7" X 3.8" X 33.8" - WASHED MAPLE
41	134156-01-08A	EA	MOLDING - VINYL WRAP - .7" X 3.8" X 33.8" - PORTSMOUTH OAK
41	134156-03-03A	EA	MOLDING - VINYL WRAP - .7" X 3.4" X 28.3" - WASHED MAPLE
41	134156-03-07A	EA	MOLDING - VINYL WRAP - .7" X 3.4" X 28.3" - CONCERT CHERRY
41	134156-03-08A	EA	MOLDING - VINYL WRAP - .7" X 3.4" X 28.3" - PORTSMOUTH OAK
41	134156-05-07A	EA	MOLDING - VINYL WRAP - .7" X 3.8" X 34.4" - CONCERT CHERRY
42	137108-01-02A	EA	RAIL - DECORATIVE - SALEM CHERRY - CONCERT CHERRY
42	137108-01-03A	EA	RAIL - DECORATIVE - WASHED MAPLE
42	137108-01-07A	EA	RAIL - DECORATIVE - PORTSMOUTH OAK
43	126205-D2-438	EA	LUMBER - VINYL WRAPPED - .7" X 1.5" X 96" - WASHED MAPLE
43	126205-E2-438	EA	LUMBER - VINYL WRAPPED - .7" X 2" X 96" - WASHED MAPLE
43	126205-F2-438	EA	LUMBER - VINYL WRAPPED - .7" X 2.5" X 96" - WASHED MAPLE
43	126205-G2-438	EA	LUMBER - STAINED - .7" X 3" X 96" - WASHED MAPLE
43	126205-J2-438	EA	LUMBER - VINYL WRAPPED - .7" X 5.5" X 96" - WASHED MAPLE
43	126205-R2-438	EA	LUMBER - LUMBER - VINYL WRAPPED - .7" X 3" X 96" - WASHED MAPLE
43	137885-A2-438	EA	LUMBER - VINYL WRAPPED - .7" X .75" X 96" - CHERRY - CONCERT CHERRY
43	137885-D2-438	EA	LUMBER - VINYL WRAPPED - .7" X 1.5" X 96" - CHERRY - CONCERT CHERRY
43	137885-E2-438	EA	LUMBER - VINYL WRAPPED - .7" X 2" X 96" - CHERRY - CONCERT CHERRY
43	137885-F2-438	EA	LUMBER - VINYL WRAPPED - .7" X 2.5" X 96" - CHERRY - CONCERT CHERRY
43	137885-G2-438	EA	LUMBER - VINYL WRAPPED - .7" X 3" X 96" - CHERRY - CONCERT CHERRY
43	137885-J2-743	EA	LUMBER-018X140X2743 MM VYL - CONCERT CHERRY
43	137885-J2-438	EA	LUMBER - VINYL WRAPPED - .7" X 5.5" X 96" - CHERRY - CONCERT CHERRY
43	137885-R2-438	EA	LUMBER - VINYL WRAPPED - .7" X 3" X 96" - CHERRY - CONCERT CHERRY
43	137894-A2-438	EA	LUMBER - VINYL WRAPPED - .7" X .75" X 96" - PORTSMOUTH OAK
43	137894-D2-438	EA	LUMBER - VINYL WRAPPED - .7" X 1.5" X 96" - PORTSMOUTH OAK
43	137894-E2-438	EA	LUMBER - VINYL WRAPPED - .7" X 2" X 96" - PORTSMOUTH OAK
43	137894-F2-438	EA	LUMBER - VINYL WRAPPED - .7" X 2.5" X 96" - PORTSMOUTH OAK
43	137894-G2-438	EA	LUMBER - VINYL WRAPPED - .7" X 3" X 96" - PORTSMOUTH OAK
43	137894-H2-438	EA	LUMBER - VINYL WRAPPED - .7" X 3.5" X 96" - PORTSMOUTH OAK
43	137894-J2-438	EA	LUMBER - VINYL WRAPPED - .7" X 5.5" X 96" - PORTSMOUTH OAK
43	137894-J2-743	EA	LUMBER - VINYL WRAPPED - .7" X 5.5" X 108" - PORTSMOUTH OAK
43	137894-R2-438	EA	LUMBER - VINYL WRAPPED - .7" X 3" X 96" - PORTSMOUTH OAK
	141260-01-02A	FT	U-CHANNEL - 1" - GRADY BROWN
	141260-01-01A	FT	U-CHANNEL - 1" - VILLAGE OAK

INTERIOR FINISH GROUP (CONTINUED)
PANELING & LAMINATES

KEY	PART NUMBER	U/M	DESCRIPTION
	000885-88-000	SF	PARTICLE BOARD - 3/8" X 4' X 8' - WASHED MAPLE - 1-SIDED - WASHED MAPLE
	000885-90-000	SF	PARTICLE BOARD - 1/2" X 4' X 8' - WASHED MAPLE - 2-SIDED - WASHED MAPLE
	074498-82-000	SF	LAMINATE - PLASTIC - WASHED MAPLE - 4' X 8' - WASHED MAPLE
	074498-98-000	SF	LAMINATE - PLASTIC - DOVE MORAINÉ - 4' X 8'
	076325-74-000	FT	MOLDING - EDGE BAND - 1 5/16" X .038" - WASHED MAPLE
	076325-75-000	FT	MOLDING - EDGE BAND - .93" X .024" - WASHED MAPLE
	076325-71-000	FT	MOLDING - EDGE BAND - 1 5/16" X .038" - GRAY
	076325-72-000	FT	MOLDING - EDGE BAND - .93" X .024" - GRAY
	085284-F5-000	FT	BATT TAPE - ADHESIVE BACKED - WASHED MAPLE
	085284-G7-000	FT	BATT TAPE - ADHESIVE BACKED - DURNHAM MULTI
	069733-86-000	EA	BATT STRIP - WOODGRAINED/WASHED MAPLE - 8' - WASHED MAPLE
	088263-G8-000	EA	BATT STRIP - DECORATIVE - DURNHAM MULTI - 7'
	074497-39-000	SF	PANELING - WASHED MAPLE - 4' X 8' - WASHED MAPLE
	088272-J1-000	SF	PANELING - DENVER CLOUD - VW LIGHT GRAY - 48" X 84" - GRAY
	088272-J8-000	SF	PANELING - DURNHAM MULTI - 4' X 7'
	088272-J2-000	SF	PANELING - BOSSANOVA/EMBOSSÉ - LT GRAY - 48" X 84"

ACCESSORIES

KEY	PART NUMBER	U/M	DESCRIPTION
	072852-01-000	EA	DETECTOR - SMOKE - W/9 VOLT BATTERY - US
	072852-02-000	EA	DETECTOR - SMOKE - W/9 VOLT BATTERY - CANADIAN
	091261-01-000	FT	SLIPNOT - ANTISLIP - 1' WIDE X 12' - BLACK
	096764-02-000	FT	SLIPNOT - ANTISLIP - 1' WIDE (180' ROLLS) - WHITE
*	094499-02-000	EA	EXTINGUISHER/FIRE - DRY - 10BC - W/GAUGE - CANADIAN
	094499-03-000	EA	EXTINGUISHER/FIRE - DRY - 10BC - W/GAUGE/BACKET
	094499-04-000	EA	STRAP - FIRE EXTINGUISHER MOUNTING - METAL
	118718-01-01A	EA	HOLDER/DRINK - COLLAPSIBLE MUG - BLACK PLASTIC
	125136-02-000	EA	DETECTOR/CO - GAS MODEL - 9 VOLT
	140374-18-000	EA	MIRROR - SAFETY GLASS - 12.6" X 12.6"

***COMPONENT PARTS LISTED LATER IN THIS GROUP**

INTERIOR FINISH GROUP (CONTINUED)
COMPONENT PARTS FOR ACCESSORIES

094499-02-000

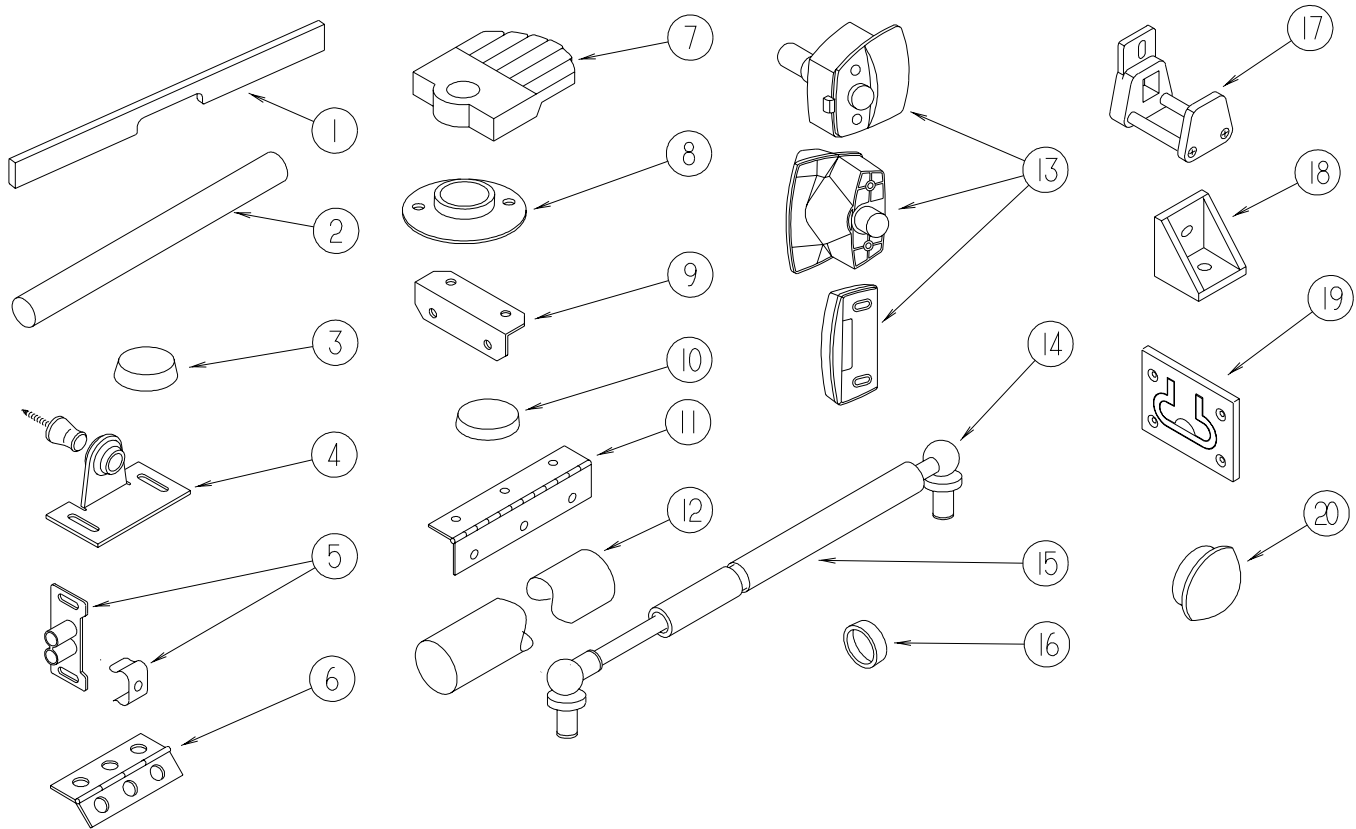
KEY	PART NUMBER	U/M	DESCRIPTION	VENDOR NO
	094499-01-700	EA	BRACKET MTG. W/PLAS. STRAP	294039

INTERIOR FINISH GROUP (CONTINUED)
FLOOR COVERINGS

KEY	PART NUMBER	U/M	DESCRIPTION
	139056-02-000	SY	CARPET - GRAPHITE - 4 SQUARE YARD INCREMENTS (P90, P91)
	096060-J4-000	SY	CARPET - SAGE - INCREMENTS OF 4 SQ YARDS (P92,P93)
	117477-01-P90	EA	CARPET-RIALTA CAB-MADE W/#13905602000 CARPET ONLY (P90, P91)
	117477-01-P92	EA	CARPET-RIALTA CAB-MADE W/#13905602000 CARPET ONLY (P92,P93)
	109583-01-P90	EA	CARPET/PEDESTAL COVER - W/EDGE BINDING TAPE (P90, P91)
	109583-01-P92	EA	CARPET/PEDESTAL COVER - W/EDGE BINDING TAPE (P92,P93)
	093486-02-000	SY	CARPET - COMPARTMENT - 72" WIDE - LIGHT GRAY

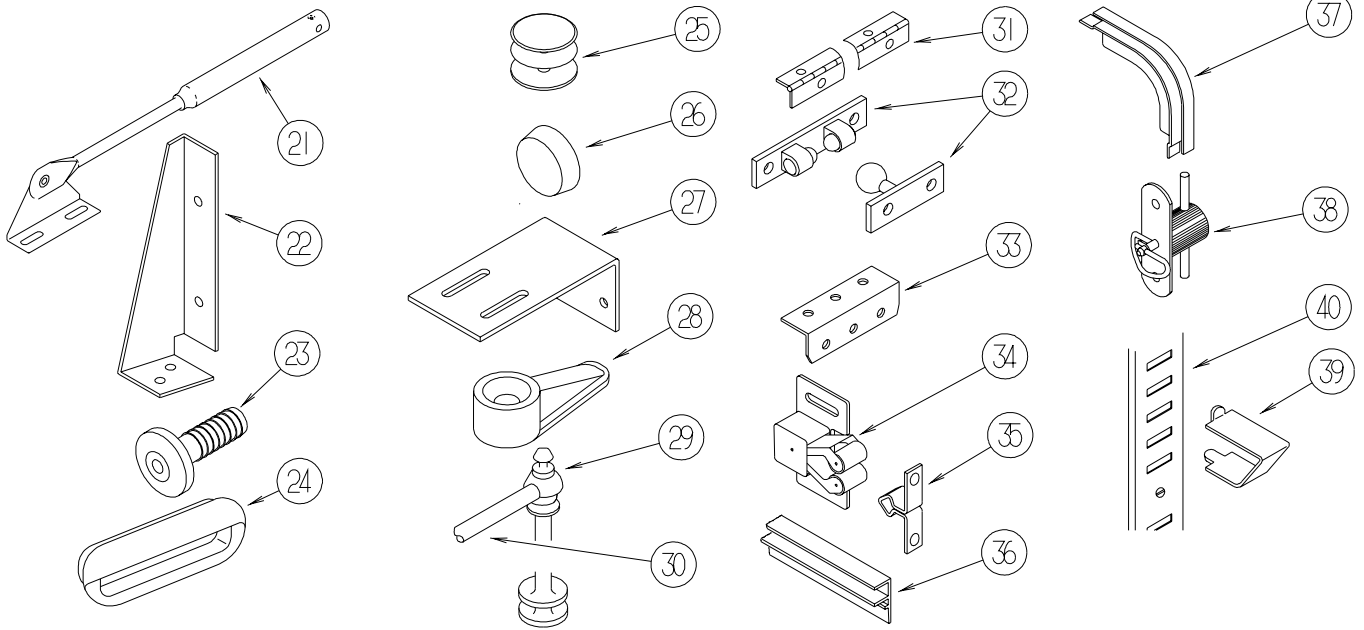
INTERIOR FINISH GROUP (CONTINUED)

HARDWARE



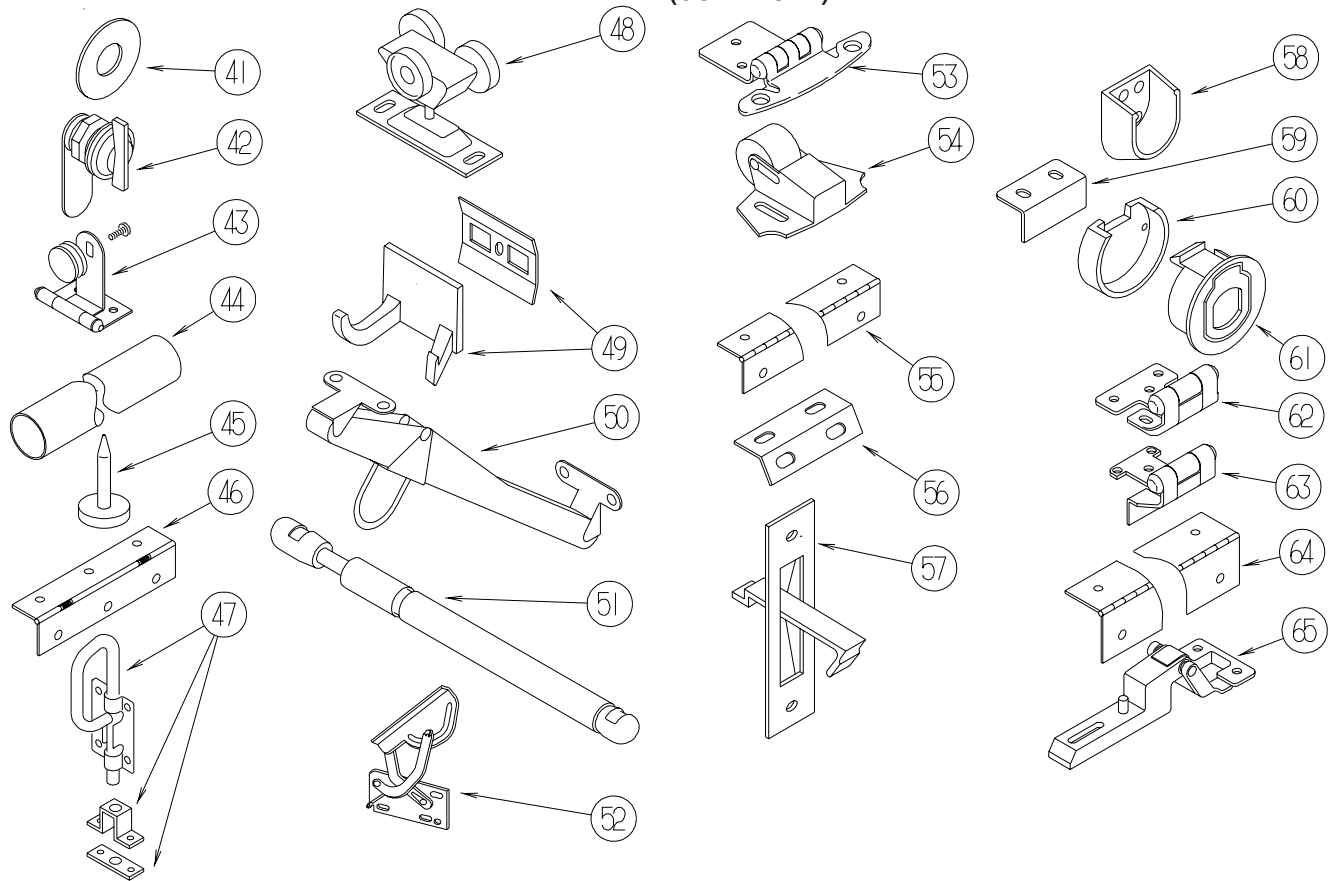
KEY	PART NUMBER	U/M	DESCRIPTION
1	P26866-12-N62	EA	HANDLE - DOOR/TAMBOUR - 14.7" - WASHED MAPLE
1	P26866-12-N63	EA	HANDLE - DOOR/TAMBOUR - 11.6" - CONCERT CHERRY
1	P26866-12-P69	EA	HANDLE - DOOR/TAMBOUR - 11.6" - PORTSMOUTH OAK
2	Y00136-21-218	EA	DOWEL - WOOD - 1" X 4'
3	004354-01-000	EA	BUMPER - RUBBER - .5" DIA - BROWN
4	009013-01-000	EA	CATCH - BULLDOG - MALE/FEMALE
5	009021-01-000	EA	CATCH - GRILLE - NYLON
5	009021-02-000	EA	STRIKE - SPRING STEEL - .68"
6	009059-01-000	EA	HINGE - DOOR - 2" X 1.4" - BRASS
6	009059-02-000	EA	HINGE - DOOR - 2" X 2.7" - BRASS
6	009059-03-000	EA	HINGE - BRASS - 1.75"
7	009089-01-000	EA	CLIP - MIRROR
8	009112-01-000	EA	FLANGE - PLASTIC - 1" CLOTHES ROD - OFF WHITE
9	016604-05-000	EA	BRACE - ANGLE - 2 1/2" - OFF WHITE METAL
9	016604-10-000	EA	BRACE - SEAT ANGLE - 2.5" - BLACK
9	016604-11-000	EA	BRACE - SEAT - ANGLE - 2.5" - CHESTNUT
10	023320-01-000	EA	PAD - FELT 3/8" DIAMETER
11	041389-25-000	EA	HINGE - PIANO - 1 1/2" X 55" - UNPAINTED
12	042438-02-000	EA	DOWEL - WOOD - 2" DIAMETER X 2'
12	042438-06-000	EA	DOWEL - WOOD - CLOTHES ROD - 1.5" X 26"
13	058335-03-000	EA	LATCH W/O LOCK - BATHROOM DOOR BLACK
14	057460-02-000	EA	BALL STUD - F/GAS SPRING .39" - 5/16"-18
15	057460-04-000	EA	SPRING/GAS - BALL STUD STYLE - 120 PI - "SPD6209"
16	057671-01-000	EA	COVER - SCREW - #8 - OFF WHITE
16	057671-15-000	EA	COVER - SCREW - #8 - BRIGHT WHITE
16	057671-16-000	EA	COVER - SCREW - #8 - SOFT WHITE
16	057671-17-000	EA	COVER - SCREW - VW LT GRAY - #8
17	064467-01-000	EA	GUIDE - POCKET - SLIDING DOOR - WALL MOUNTED
18	065740-01-000	EA	BRACE - CABINET/CORNER - PLASTIC
19	072871-01-000	EA	PULL - FLUSH - CHROME
20	074045-08-000	EA	PLUG - OAK - 3/8" DOWEL-1/2" HEAD - SALEM CHERRY - CONCERT CHERRY
20	074045-12-000	EA	PLUG - OAK - 3/8" DOWEL-1/2" HEAD - WASHED MAPLE
20	074045-13-000	EA	PLUG - OAK - 3/8" DOWEL-1/2" HEAD - PORTSMOUTH OAK

INTERIOR FINISH GROUP (CONTINUED)
HARDWARE (CONTINUED)



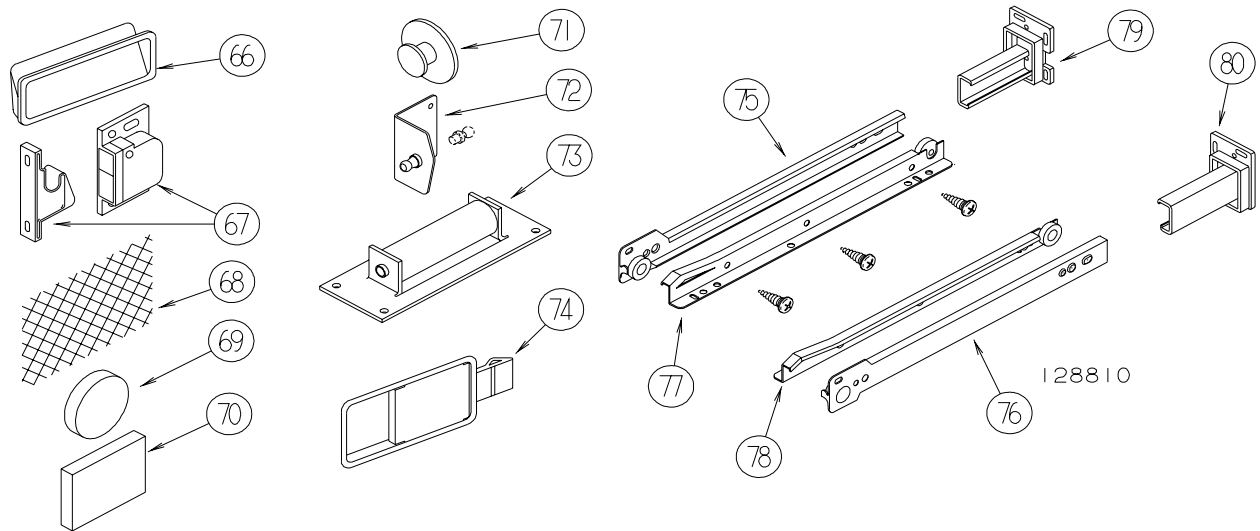
KEY	PART NUMBER	U/M	DESCRIPTION
21	074493-02-000	EA	SUPPORT - PISTON SPRING - CABINET DOOR - 26 LBS
21	074493-03-000	EA	SUPPORT - PISTON SPRING - CABINET DOOR - 12 LBS
21	074493-04-000	EA	SUPPORT - PISTON SPRING - CABINET DOOR - 32 LBS
22	076827-02-000	EA	BRACKET/LEG - 2.9" X 1.8" - TRIANGULAR - LEFT/E-COATED
23	079921-01-000	EA	ROLLER - NYLON - W/STEEL SHAFT - BARBED
24	080736-01-000	EA	PULL - RECESSED - 1.25" X 4" - OAK
25	081114-02-000	EA	CAP - INSERT - ROUND - 1" DIAMETER - WHITE PLASTIC
26	081914-01-000	EA	BUMPER - RUBBER - ROUND - 1/2" DIA. X 1/8" THICK
27	083125-07-000	EA	BRACE - ANGLE/COUCH - 2.5" - OFF WHITE
28	083204-03-000	EA	BUTTON - RETAINING MIRROR 5/16" TIP
29	084070-03-000	EA	POST - END - 2.4" - SHINY BRASS
30	084071-05-000	EA	ROD - BRASS - 15"
30	084071-19-000	EA	ROD - BRASS - 7.1"
30	084071-20-000	EA	ROD - BRASS - 9.8"
30	084071-23-000	EA	ROD - BRASS - 13.1"
30	084071-24-000	EA	ROD - BRASS - 3.8"
30	084071-28-000	EA	ROD - BRASS - 6"
30	084071-30-000	EA	ROD - BRASS - 11.6"
30	084071-31-000	EA	ROD - BRASS - 14.8"
30	084071-33-000	EA	ROD - BRASS - 20.4"
30	084071-34-000	EA	ROD - BRASS - 16.9"
31	084413-01-000	EA	HINGE - 1" X 72" - ALUMINUM - W/HOLES
32	084451-01-000	EA	CATCH & LATCH - 1.7" - BRASS
33	089025-01-000	EA	SUPPORT - SPRING TO BED - ANGLE 1.5" X 11.8"
34	093586-03-000	EA	CATCH - SPRING ROLLER - .377"
34	093586-06-000	EA	CATCH - SPRING ROLLER - .236"
35	093586-04-000	EA	STRIKE - SPRING STEEL - 1.14"
35	093586-05-000	EA	STRIKE - SPRING STEEL - .943"
36	093622-01-000	EA	TRACK - DOOR - TAMBOUR - PLASTIC - 8' LENGTHS
37	093623-01-000	EA	CORNER - TRACK - TAMBOUR DOOR
	097872-04-000	EA	DOWEL - WOOD - 1" DIAMETER X 1.38" LONG - UNFINISHED
38	098196-01-000	EA	LATCH - 1/4 TURN - T-BAR
39	098979-01-000	EA	CLIP - ADJUSTABLE SHELF
40	098980-01-000	EA	PILASTER - ADJUSTABLE SHELF - 18"
40	098980-02-000	EA	PILASTER - ADJUSTABLE SHELF - 12"
40	098980-03-000	EA	PILASTER - ADJUSTABLE SHELF - 9"
40	098980-04-000	EA	PILASTER - ADJUSTABLE SHELF - 48"
40	098980-05-000	EA	PILASTER - ADJUSTABLE SHELF - 15"
40	098980-06-000	EA	PILASTER - ADJUSTABLE SHELF - 24"

INTERIOR FINISH GROUP (CONTINUED) HARDWARE (CONTINUED)



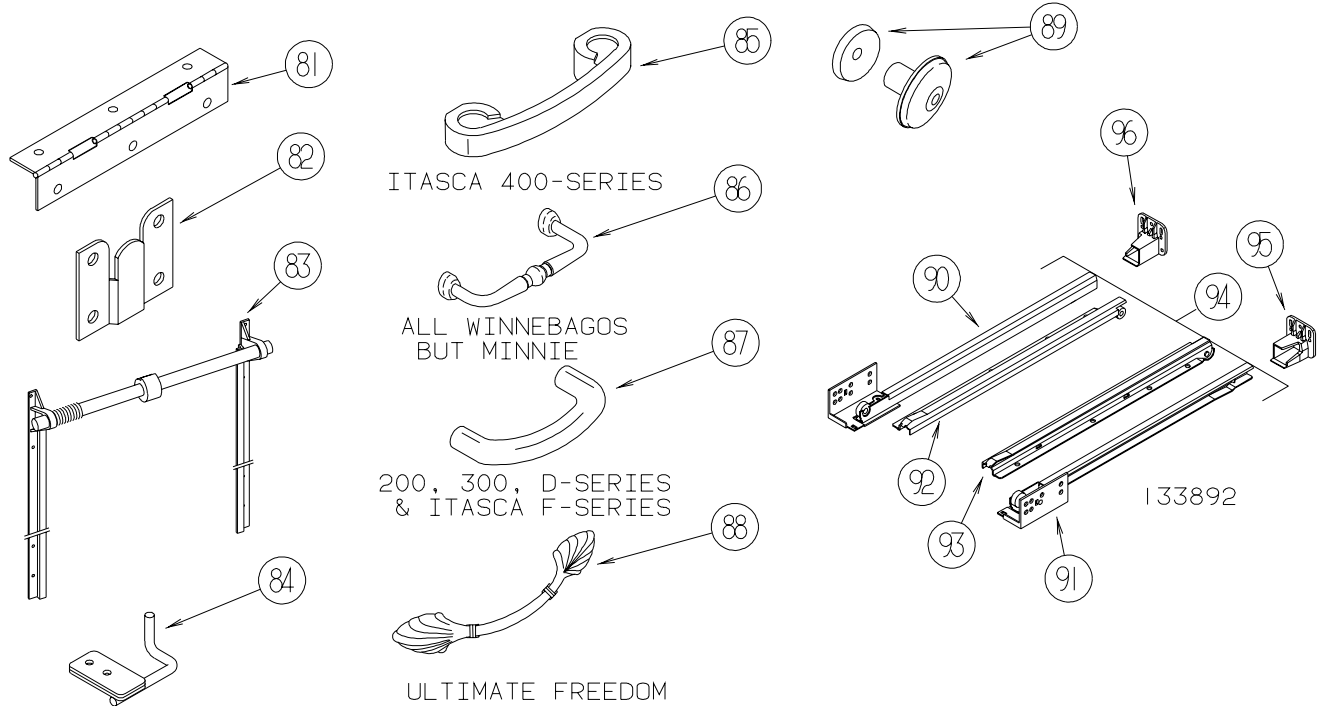
KEY	PART NUMBER	U/M	DESCRIPTION
41	100707-01-000	EA	SPACER - GLASS DOOR - .8" DIA - .3" HOLE - PLASTIC
42	100710-01-01A	EA	LOCK - GLASS DOOR/TWIST TYPE - BRASS
43	100711-01-01A	EA	HINGE - GLASS DOOR
44	102075-06-02A	EA	ROD - SHOWER CURTAIN - 1" OD X 33.5" - SOFT WHITE
44	102075-09-02A	EA	ROD - SHOWER CURTAIN - 3/4"OD X 29.5" - SOFT WHITE
44	102075-16-02A	EA	ROD - SHOWER CURTAIN - 3/4"OD X 34.2" - SOFT WHITE
44	102075-18-02A	EA	ROD - SHOWER CURTAIN - 1" OD X 38.9" - SOFT WHITE
44	102075-20-03A	EA	ROD - SHOWER CURTAIN - 48.8" - MILL
44	102075-21-03A	EA	ROD - SHOWER CURTAIN - 46.1"
45	102194-01-000	EA	GUIDE - PLASTIC - 1" (HEAD/PIN)
46	102920-01-01A	EA	HINGE - SPRING LOADED - BRASS
47	103256-01-000	EA	LATCH COMPLETE (SLIDE)
48	103874-01-000	EA	HANGER - SLIDING DOOR
49	104174-01-000	EA	HOOK - ROBE - DOUBLE
50	104181-01-01A	EA	SUPPORT - LEAF 5.3" EXTENDS TO 7.5" - SAFETY RING - METAL
51	107796-06-000	EA	SPRING/GAS - 12" COMPRESSED/20" EXTENDED - 120 LB.
51	107796-08-000	EA	SPRING/GAS - 11" COMPRESSED/17" EXTENDED - 60 LB
51	107796-15-000	EA	SPRING/GAS - 24" COMPRESSED/40" EXTENDED - 15 LB.
51	107796-16-000	EA	SPRING/GAS - 6.4" COMPRESSED/9.6" EXTENDED - 65 LB.
52	108126-01-000	EA	TRAY HINGE SET (QTY. 2 PER SET)
53	108138-01-000	EA	HINGE - CABINET DOOR - BURNISHED BRASS - Q SERIES (ULTIMATE FREEDOM) ONLY
53	108138-03-000	EA	HINGE - BRIGHT BRASS
54	109403-01-000	EA	CATCH - SINGLE ROLLER - SCREEN DOOR
55	110496-01-01A	EA	HINGE - BRASS
56	111866-01-02A	EA	BRACE - SEAT - ANGLE - OFF WHITE
57	113130-01-01A	EA	PULL - DOOR POCKET
58	113236-01-01A	EA	BRACKET - CLOTHES - ROD
59	113375-02-01A	EA	STRIKE - DOOR - CHROME
60	113375-05-01A	EA	LATCH - SLAM - BACK - .8" THICK
61	113375-06-01A	EA	LATCH - SLAM - FACE - .7" THICK
62	113676-01-01A	EA	HINGE - OVERLAY - VARIABLE - BURNISHED BRASS
63	113677-01-01A	EA	HINGE - SELF CLOSING
64	114278-02-000	EA	HINGE - CONTINUOUS - 3" WIDE
65	114443-01-01A	EA	HINGE - CABINET DOOR

INTERIOR FINISH GROUP (CONTINUED)
HARDWARE (CONTINUED)



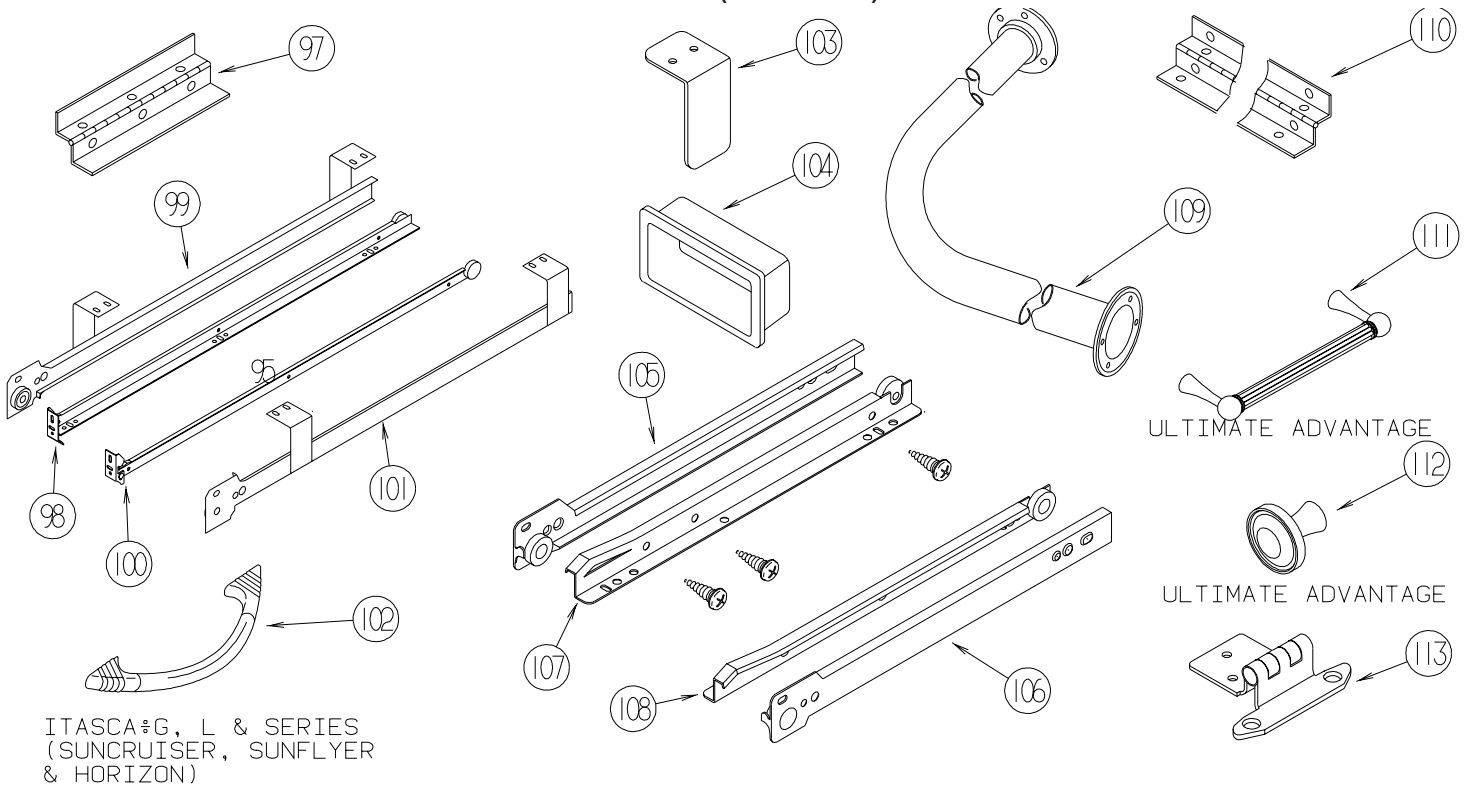
KEY	PART NUMBER	U/M	DESCRIPTION
66	115994-01-01A	EA	HANDLE - POCKET
67	117095-01-01A	EA	LATCH - DOOR - GRABBER W/KEEPER - PLASTIC - BLK-5 LB PULL
67	117095-02-01A	EA	LATCH - DOOR - GRABBER W/KEEPER - PLASTIC - BLK-10 LB PULL
68	118200-01-01A	SF	MESH - PLASTIC 1/2" - 48" X LENGTH = SF - BLACK
69	122717-01-01A	EA	PAD - NON SKID - 4" DIAMETER ROUND
70	122717-06-01A	FT	PAD - NON-SKID - PSA - 5"W
71	125221-01-01A	EA	PULL - MIRROR - W/ROUND HANDLE
72	126263-06-02B	EA	BRACKET - GAS SPRING W/INSIDE BALL STUD - E-COATED
72	126263-08-02B	EA	BRACKET - GAS SPRING W/CENTERED BALL STUD - E-COATED
73	126584-02-000	EA	ROLLER - FLAT
74	127349-01-01A	EA	LATCH - PADDLE
75	128810-01-01A	EA	SLIDE - DRAWER - 12" - LEFT CABINET
75	128810-05-01A	EA	SLIDE - DRAWER - 14" - LEFT CABINET
75	128810-09-01A	EA	SLIDE - DRAWER - 16" - LEFT CABINET
75	128810-13-01A	EA	SLIDE - DRAWER - 18" - LEFT CABINET
75	128810-17-01A	EA	SLIDE - DRAWER - 20" - LEFT CABINET
75	128810-21-01A	EA	SLIDE - DRAWER - 22" - LEFT CABINET
75	128810-25-01A	EA	SLIDE - DRAWER - 24" - LEFT CABINET
75	128810-29-01A	EA	SLIDE - DRAWER - 9" - LEFT CABINET
76	128810-02-01A	EA	SLIDE - DRAWER - 12" - RIGHT CABINET
76	128810-06-01A	EA	SLIDE - DRAWER - 14" - RIGHT CABINET
76	128810-10-01A	EA	SLIDE - DRAWER - 16" - RIGHT CABINET
76	128810-14-01A	EA	SLIDE - DRAWER - 18" - RIGHT CABINET
76	128810-18-01A	EA	SLIDE - DRAWER - 20" - RIGHT CABINET
76	128810-22-01A	EA	SLIDE - DRAWER - 22" - RIGHT CABINET
76	128810-26-01A	EA	SLIDE - DRAWER - 24" - RIGHT CABINET
76	128810-30-01A	EA	SLIDE - DRAWER - 9" - RIGHT CABINET
77	128810-03-01A	EA	SLIDE - DRAWER - 12" - LEFT DRAWER
77	128810-07-01A	EA	SLIDE - DRAWER - 14" - LEFT DRAWER
77	128810-11-01A	EA	SLIDE - DRAWER - 16" - LEFT DRAWER
77	128810-15-01A	EA	SLIDE - DRAWER - 18" - LEFT DRAWER
77	128810-19-01A	EA	SLIDE - DRAWER - 20" - LEFT DRAWER
77	128810-23-01A	EA	SLIDE - DRAWER - 22" - LEFT DRAWER
77	128810-27-01A	EA	SLIDE - DRAWER - 24" - LEFT DRAWER
77	128810-27-01A	EA	SLIDE - DRAWER - 24" - LEFT DRAWER
77	128810-31-01A	EA	SLIDE - DRAWER - 9" - LEFT DRAWER
78	128810-04-01A	EA	SLIDE - DRAWER - 12" - RIGHT DRAWER
78	128810-08-01A	EA	SLIDE - DRAWER - 14" - RIGHT DRAWER
78	128810-12-01A	EA	SLIDE - DRAWER - 16" - RIGHT DRAWER
78	128810-16-01A	EA	SLIDE - DRAWER - 18" - RIGHT DRAWER
78	128810-20-01A	EA	SLIDE - DRAWER - 20" - RIGHT DRAWER
78	128810-24-01A	EA	SLIDE - DRAWER - 22" - RIGHT DRAWER
78	128810-28-01A	EA	SLIDE - DRAWER - 24" - RIGHT DRAWER
78	128810-32-01A	EA	SLIDE - DRAWER - 9" - RIGHT DRAWER
79	128811-01-01A	EA	BACKSOCKET - ADJUSTABLE - LEFT
80	128811-02-01A	EA	BACKSOCKET - ADJUSTABLE - RIGHT

INTERIOR FINISH GROUP (CONTINUED) HARDWARE (CONTINUED)



KEY	PART NUMBER	U/M	DESCRIPTION
81	129753-01-01A	EA	HINGE - SPRING LOADED - 19" X 19" - BLACK
82	130120-01-01A	EA	BRACKET - MIRROR
83	130787-01-000	EA	TRACK - TAMBOUR DOOR/SPRING - 15.9"
83	130787-02-000	EA	TRACK - TAMBOUR DOOR/SPRING - 24"
83	130787-04-000	EA	TRACK - TAMBOUR DOOR - SPRING
84	130798-01-02B	EA	GUIDE - POCKET DOOR - E-COATED
85	131962-01-01A	EA	PULL - DOOR/DRAWER - POLISHED BRASS - ITASCA 400 SERIES (SUNDANCER)
86	131963-01-01A	EA	PULL - POLISHED BRASS - WINNEBAGO BRAVE/ADVENTURER/CHIEFTAIN/JOURNEY/MINNIE WINNIE
87	131964-01-01A	EA	PULL - POLISHED BRASS - RIALTA/WINNEBAGO MINNIE/VISTA, ITASCA SPIRIT/SUNOVA
88	131965-01-01A	EA	PULL - DOOR/DRAWER - 6.3" - BURNISHED BRASS - ULTIMATE FREEDOM
89	133313-01-02A	EA	PULL - DOOR/DRAWER - BRIGHT BRASS
89	133313-01-03A	EA	PULL - DOOR/DRAWER - CHROME/BRASS - ITASCA L & P SERIES (SUNFLYER & HORISON) ONLY
90	133892-01-01A	EA	SLIDE - DRAWER - 16" - LEFT CABINET
90	133892-06-01A	EA	SLIDE - DRAWER - 22" - LEFT CABINET
90	133892-10-01A	EA	SLIDE - DRAWER - 12" - LEFT CABINET
90	133892-14-01A	EA	SLIDE - DRAWER - 18" - LEFT CABINET
91	133892-02-01A	EA	SLIDE - DRAWER - 16" - RIGHT CABINET
91	133892-07-01A	EA	SLIDE - DRAWER - 22" - RIGHT CABINET
91	133892-11-01A	EA	SLIDE - DRAWER - 12" - RIGHT CABINET
91	133892-15-01A	EA	SLIDE - DRAWER - 18" - RIGHT CABINET
92	133892-03-01A	EA	SLIDE - DRAWER - 16" - LEFT DRAWER
92	133892-08-01A	EA	SLIDE - DRAWER - 22" - LEFT DRAWER
92	133892-12-01A	EA	SLIDE - DRAWER - 12" - LEFT DRAWER
92	133892-16-01A	EA	SLIDE - DRAWER - 18" - LEFT DRAWER
93	133892-04-01A	EA	SLIDE - DRAWER - 16" - RIGHT DRAWER
93	133892-09-01A	EA	SLIDE - DRAWER - 22" - RIGHT DRAWER
93	133892-13-01A	EA	SLIDE - DRAWER - 12" - RIGHT DRAWER
93	133892-17-01A	EA	SLIDE - DRAWER - 18" - RIGHT DRAWER
94	133892-05-01A	EA	SLIDE - DRAWER - 9" - FULL SET
95	133907-01-01A	EA	BACKSOCKET - RIGHT HAND
96	133907-02-01A	EA	BACKSOCKET - LEFT HAND

INTERIOR FINISH GROUP (CONTINUED)
HARDWARE (CONTINUED)



KEY	PART NUMBER	U/M	DESCRIPTION
97	135538-01-01A	EA	HINGE - PIANO - FULL WRAP - BRASS PLATED
97	135538-03-01A	EA	HINGE - PIANO - FULL WRAP - STOCKER BRASS
98	136944-01-01A	EA	SLIDE - DRAWER/RIGHT HAND - 13.8"
99	136944-02-01A	EA	SLIDE - CABINET/RIGHT HAND - 13.8"
100	136944-03-01A	EA	SLIDE - DRAWER/LEFT HAND - 13.8"
101	136944-04-01A	EA	SLIDE - CABINET/LEFT HAND - 13.8"
102	137446-01-01A	EA	PULL - CABINET - CHROME/BRASS - ITASCA G, L & P SERIES (SUNCRUISER/SUNFLYER/HORIZON)
103	138136-02-02B	EA	GUIDE - DOOR - E-COATED
104	139136-01-01A	EA	HANDLE - RECESSED - 2.9" X 1.3"/2.7" X 1" X .7" C/O- BRASS
104	139136-02-01A	EA	HANDLE - RECESSED - 2.9" X 1.3"/2.7" X 1" X .4" C/O- BRASS
105	139566-01-01A	EA	SLIDE - DRAWER - 37.5" - LEFT CABINET
105	139566-05-01A	EA	SLIDE - DRAWER - 32" - LEFT CABINET
106	139566-02-01A	EA	SLIDE - DRAWER - 37.5" - RIGHT CABINET
106	139566-06-01A	EA	SLIDE - DRAWER - 32" - RIGHT CABINET
107	139566-03-01A	EA	SLIDE - DRAWER - 37.5" - LEFT DRAWER
107	139566-07-01A	EA	SLIDE - DRAWER - 32" - LEFT DRAWER
108	139566-04-01A	EA	SLIDE - DRAWER - 37.5" - RIGHT DRAWER
108	139566-08-01A	EA	SLIDE - DRAWER - 32" - RIGHT DRAWER
109	140494-01-01A	EA	ROD - SHOWER
109	140494-01-02A	EA	ROD - SHOWER - SOFT WHITE
110	142276-01-01A	EA	HINGE - PIANO - FULL WRAP - BRASS
	142569-05-000	EA	SPRING - GAS - 39.9"/15 LB
			FROM: 01-18-03 THRU: 99-99-99
111	142909-01-01A	EA	PULL - CABINET - BRASS - ULTIMATE ADVANTAGE
112	142910-01-01A	EA	KNOB - CABINET - BRASS - ULTIMATE ADVANTAGE
113	143468-01-02A	EA	HINGE - SELF CLOSING - POLISHED BRASS

LABELS GROUP

SEWAGE

KEY PART NUMBER U/M DESCRIPTION
006187-01-000 EA LABEL - SEWAGE

WASTE WATER

KEY PART NUMBER U/M DESCRIPTION
006188-01-000 EA LABEL - WASTE WATER

WARNING

THIS SYSTEM IS DESIGNED FOR USE WITH PROPANE ONLY
DO NOT CONNECT NATURAL GAS TO THIS SYSTEM

BEFORE TURNING ON PROPANE:

- (A) BE CERTAIN APPLIANCES ARE CERTIFIED FOR PROPANE AND ARE EQUIPPED WITH CORRECT BURNING ORIFICES.
- (B) MAKE CERTAIN ALL PROPANE CONNECTIONS ARE TIGHT BY TESTING WITH SOAPY WATER. ALL APPLIANCE VALVES ARE TURNED OFF, AND ANY UNCONNECTED OUTLETS ARE CAPPED.

AFTER TURNING ON PROPANE:

- (A) LIGHT ALL PILOT LIGHTS
- (B) (B) ALL CONNECTIONS, INCLUDING THOSE AT THE APPLIANCES, REGULATORS AND CYLINDERS SHOULD BE LEAK-TESTED PERIODICALLY WITH SOAPY WATER BY THE OCCUPANT. NEVER USE A LIGHTED MATCH OR OTHER FLAME WHEN CHECKING FOR LEAKS.
- (C) DO NOT LEAVE SYSTEM TURNED ON OF CONTAINERS CONNECTED UNTIL THE SYSTEM HAS BEEN PROVEN TO BE FREE OF LEAKS.
- (D) COOKING APPLIANCES SHOULD NOT BE USED FOR SPACE HEATING.
- (E) WHEN THE CONTAINERS ARE DISCONNECTED THE PROPANE SUPPLY LINE SHOULD BE CAPPED OR PLUGGED.

AVERTISSEMENT

CETTE INSTALLATION EST CONÇUE POUR LE PROPANE SEULEMENT
NE PAS L'ALIMENTER EN GAZ NATUREL

AVANT LA MISE EN SERVICE:

- (A) S'ASSURER QUE LES APPAREILS SONT CERTIFIÉS POUR LE PROPANE ET MUNIS D'ORIFICES DE BRULEUR APPROPRIÉS.
- (B) VÉRIFIER L'ÉTANCHEITÉ DE TOUS LES RACCORDEMENTS AU PROPANE. LA PERMÉTURE DE TOUS LES ROBINETS D'APPAREILS ET L'OBTURATION DE TOUTES LES SORTIES NON RACCORDEES.

APRÈS LA MISE EN SERVICE:

- (A) ALLUMER TOUTES LES VEILLEUSES.
- (B) L'OCCUPANT DOIT ÉPROUVER PÉRIODIQUEMENT L'ÉTANCHEITÉ DE TOUS LES RACCORDEMENTS Y COMPRIS CEUX AUX APPAREILS, AUX DÉTENDEURS ET AUX BOUTEILLES, EN Y APPLIQUANT DE L'EAU SAVONNEUSE NE JAMAIS SE SERVIR D'UNE ALLUMETTE OU AUTRE POUR LA DÉTECTION DES FUITES.
- (C) NE PAS LAISSER L'ALIMENTATION OUVERTE NI LES RÉCIPIENTS RACCORDES AVANT D'AVOIR COMPLÉTÉ L'ÉPREUVE D'ÉTANCHEITÉ AU PROPANE DE L'INSTALLATION.
- (D) LES APPAREILS DE CUISSON NE DOIVENT PAS ÊTRE UTILISÉS POUR LE CHAUFFAGE DES LOCAUX.
- (E) LORSQUE LES RÉCIPIENTS SONT DÉCONNECTÉS, L'ALIMENTATION DE PROPANE DOIT ÊTRE OBTURÉE OU SCELLÉE.

KEY PART NUMBER U/M DESCRIPTION
023769-01-000 EA LABEL - WARNING - LPG - CANADIAN

EXIT

KEY PART NUMBER U/M DESCRIPTION
039290-01-000 EA LABEL - WARNING - EXIT

LABELS GROUP (CONTINUED)



KEY PART NUMBER U/M DESCRIPTION
040944-01-000 EA LABEL - ENTRANCE DOOR - "OPEN"

CAUTION

THIS MOTOR HOME HAS BEEN DESIGNED, MANUFACTURED AND TESTED WITH CONCERN FOR THE PROTECTION OF IT'S OCCUPANTS. WE RECOMMEND YOU PERFORM THE FOLLOWING INSPECTIONS FOR YOUR SAFETY AND THE SAFETY OF YOUR PASSENGERS BEFORE STARTING YOUR VEHICLE.

1. LP GAS SYSTEM- TURN OFF AT TANK FOR TRAVELING. TEST FOR LEAKS UPON ARRIVAL AT DESTINATION. BEFORE LIGHTING PILOTS.
2. WHEELS- INSPECT FOR DAMAGE AND CHECK LUG NUTS FOR TIGHTNESS.
3. TIRES- INSPECT FOR WEAR AND DAMAGE AND CHECK FOR RECOMMENDED AIR PRESSURE.
4. LIGHTING- TEST FOR PROPER OPERATION OF ALL INTERIOR AND EXTERIOR LIGHTS INCLUDING DASH LIGHTS, HEADLIGHTS, TAIL LIGHTS, BRAKE LIGHTS, CLEARANCE LIGHTS AND TURN SIGNALS.
5. EXITS- INSPECT RELEASE MECHANISM ON EMERGENCY EXIT WINDOW. TEST BOTH LOCKS ON MAIN ENTRANCE DOOR FOR EASE OF OPERATION AND INSTRUCT PASSENGERS HOW TO USE BOTH MEANS OF EXIT.
6. SEAT BELTS- DIRECT PASSENGERS TO DESIGNATED SEATS AND REQUIRE USE OF SEAT BELTS.
7. APPLIANCES- TURN OFF AND LATCH OR LOCK DOORS WHERE PROVIDED.
8. LOOSE PARCELS- STORE SECURELY.
9. UTILITY SUPPLY LINES- DISCONNECT ALL ELECTRIC, SEWER AND WATER LINES AND SECURE PROPERLY.
10. ENTRANCE DOOR STEP- PLACE IN RETRACTED POSITION FOR TRAVELING.

READ YOUR MOTOR HOME AND CHASSIS OWNER'S
MANUAL FOR FURTHER PRECAUTIONS

KEY PART NUMBER U/M DESCRIPTION
056259-01-000 EA LABEL - SAFETY CHECK LIST

UNLEADED FUEL ONLY

KEY PART NUMBER U/M DESCRIPTION
062043-01-000 EA LABEL - FUEL - UNLEADED

WARNING DISCONNECT BATTERIES BEFORE
CONNECTING EXTERNAL CHARGING EQUIPMENT.

KEY PART NUMBER U/M DESCRIPTION
065748-01-000 EA LABEL - CAUTION - BATTERY CHARGING

AVERTISSEMENT : DEBRANCHER LES BATTERIES AVANT
DE BRANCHER TOUT EQUIPEMENT DE CHARGE EXTERIEUR.

KEY PART NUMBER U/M DESCRIPTION
065748-02-000 EA LABEL - WARNING - BATTERY/FRENCH - CANADIAN

DIESEL FUEL ONLY

KEY PART NUMBER U/M DESCRIPTION
068383-01-000 EA LABEL - DIESEL FUEL

VEHICLE EMISSION CONTROL INFORMATION
THIS VEHICLE CONFORMS TO U.S. EPA
REGULATIONS APPLICABLE TO XXXX MODEL
YEAR NEW VEHICLES.

072887-01-000-7 CATALYST

KEY PART NUMBER U/M DESCRIPTION
072887-14-000 EA LABEL - EPA - 2003 MODEL YEAR

LABELS GROUP (CONTINUED)

IF YOU SMELL GAS

1. EXTINGUISH ANY OPEN FLAME, PILOT LIGHTS AND ALL SMOKING MATERIALS.
2. DO NOT TOUCH ELECTRICAL SWITCHES.
3. SHUT OFF THE GAS SUPPLY AT THE TANK VALVE(S) OR GAS SUPPLY CONNECTION.
4. OPEN DOORS AND OTHER VENTILATING OPENINGS.
5. LEAVE THE AREA UNTIL ODOR CLEARS.
6. HAVE THE GAS SYSTEM CHECKED AND LEAKAGE SOURCE CORRECTED BEFORE USING AGAIN.

KEY PART NUMBER U/M DESCRIPTION
 073998-01-000 EA LABEL - LPG ODOR WARNING

WARNING: TEST SMOKE DETECTOR
 OPERATION AFTER VEHICLE HAS BEEN IN
 STORAGE, BEFORE EACH TRIP AND AT
 LEAST ONCE PER WEEK DURING USE.

KEY PART NUMBER U/M DESCRIPTION
 077956-01-000 EA LABEL - WARNING - SMOKE DETECTOR

DO NOT FILL
 LP-GAS CONTAINER(S)
 TO MORE THAN 80%
 OF CAPACITY.

KEY PART NUMBER U/M DESCRIPTION
 079965-01-000 EA LABEL - LPG - 80% CAPACITY

WARNING
 MUST BE STOWED
 IN LATCHED POSITION
 WHILE VEHICLE IS IN MOTION

KEY PART NUMBER U/M DESCRIPTION
 079966-01-000 EA LABEL - WARNING - STOWED - MOTION

W
A
T
E
R
O
N
|
H
E
A
T
E
R
O
F
F

KEY PART NUMBER U/M DESCRIPTION
 083588-01-000 EA LABEL - ON/OFF - WATER HEATER
 083588-03-000 EA LABEL - ON/OFF - WATER HEATER

E
N
G
I
N
E
O
N
|
H
E
A
T
E
R
O
F
F

KEY PART NUMBER U/M DESCRIPTION
 083588-02-000 EA LABEL - ON/OFF - ENGINE HEATER
 083588-04-000 EA LABEL - ON/OFF - ENGINE HEATER

LABELS GROUP (CONTINUED)

<p>CAUTION</p>	<p>TO HELP AVOID PERSONAL INJURY DURING REMOVAL OF FUEL FILLER CAP, SLOWLY LOOSEN CAP 1/2 TURN TO ALLOW ANY FUEL PRESSURE TO BE RELIEVED BEFORE TURNING CAP FURTHER.</p>
<p>FUEL SPRAY MAY CAUSE PERSONAL INJURY</p>	<p>STOP ADDING FUEL AFTER FIRST SHUTOFF BY AUTOMATIC NOZZLE WHEN TANK IS NEARLY FULL. DO NOT OVERFILL FUEL TANK.</p> <p>SEE OWNERS MANUAL FOR ADDITIONAL INFORMATION.</p> <p style="font-size: small;">PRINTED IN U.S.A. WLC PT NO 15611763</p>

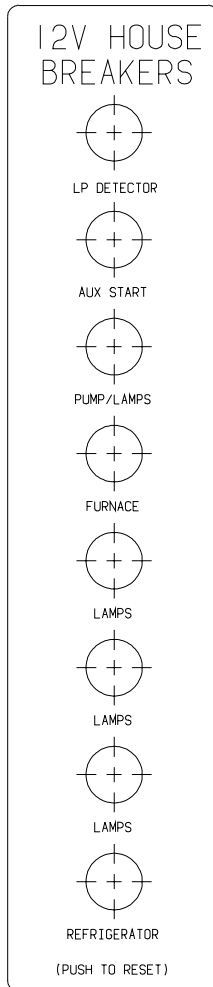
KEY PART NUMBER U/M DESCRIPTION
 087207-05-000 EA LABEL - FUEL CAP REMOVAL



KEY PART NUMBER U/M DESCRIPTION
 087236-01-000 EA LABEL - CABLE - INPUT

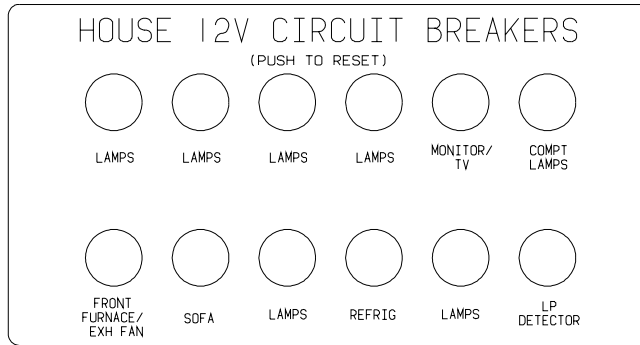


KEY PART NUMBER U/M DESCRIPTION
 087236-02-000 EA LABEL - TV OUTLET

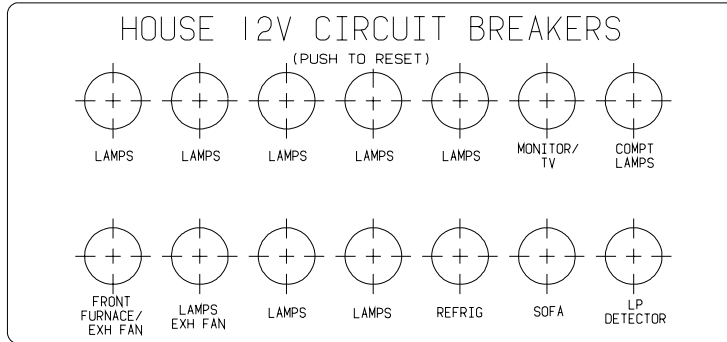


KEY PART NUMBER U/M DESCRIPTION
 092547-08-000 EA LABEL - CIRCUIT BREAKER

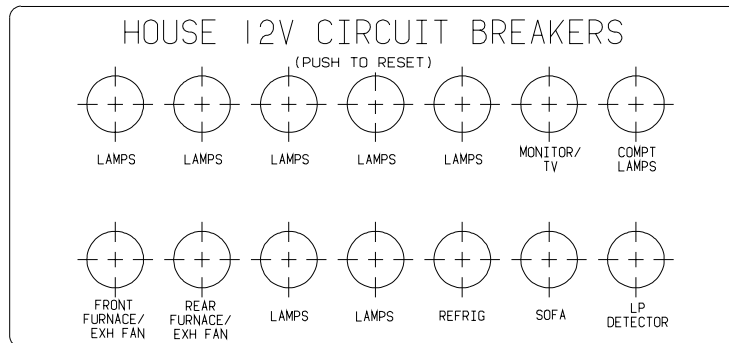
LABELS GROUP (CONTINUED)



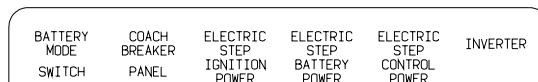
KEY PART NUMBER U/M DESCRIPTION
 092547-10-000 EA LABEL - CIRCUIT BREAKER



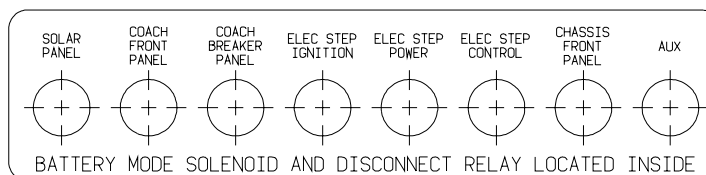
KEY PART NUMBER U/M DESCRIPTION
 092547-11-000 EA LABEL - CIRCUIT BREAKER



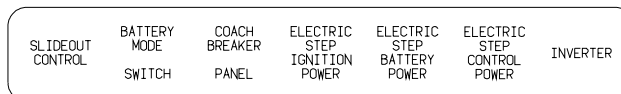
KEY PART NUMBER U/M DESCRIPTION
 092547-12-000 EA LABEL - CIRCUIT BREAKER



KEY PART NUMBER U/M DESCRIPTION
 093236-08-000 EA LABEL - CIRCUIT BREAKER

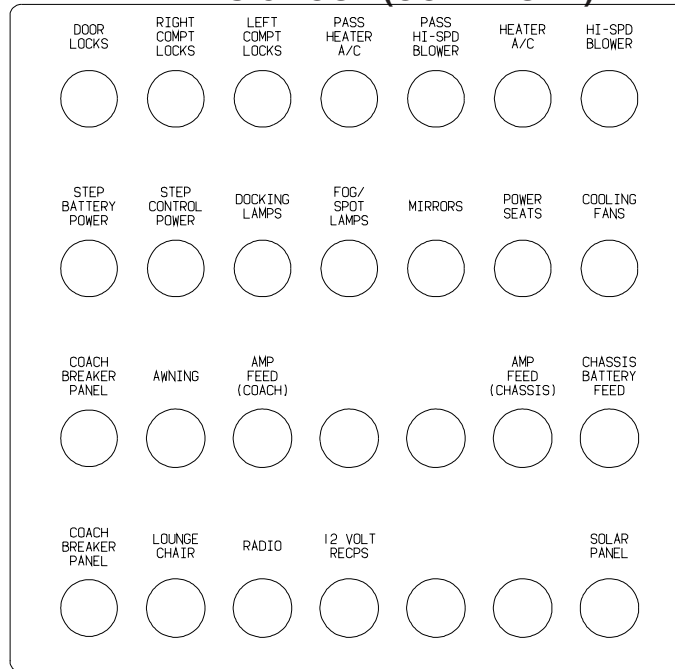


KEY PART NUMBER U/M DESCRIPTION
 093236-13-000 EA LABEL - CIRCUIT BREAKER

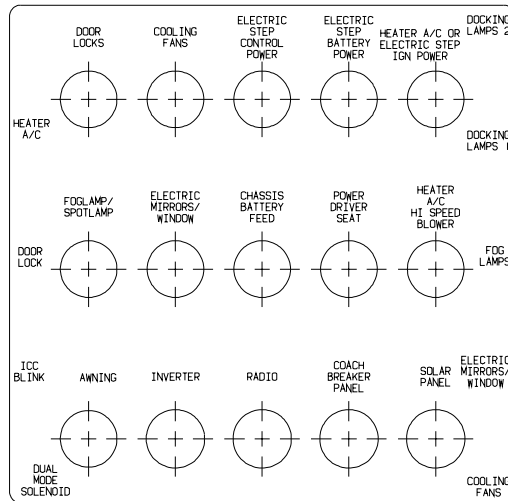


KEY PART NUMBER U/M DESCRIPTION
 093236-21-000 EA LABEL - CIRCUIT BREAKER

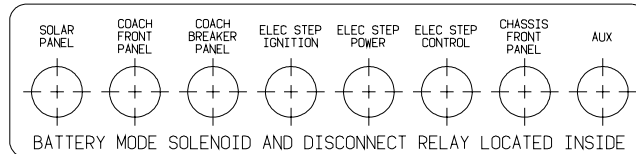
LABELS GROUP (CONTINUED)



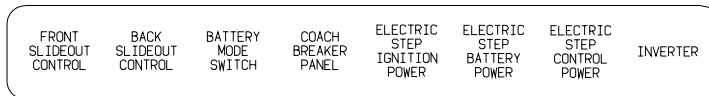
KEY PART NUMBER U/M DESCRIPTION
 093236-22-000 EA LABEL - CIRCUIT BREAKER



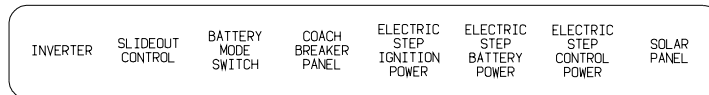
KEY PART NUMBER U/M DESCRIPTION
 093236-23-000 EA LABEL - CIRCUIT BREAKER - MAIN



KEY PART NUMBER U/M DESCRIPTION
 093236-24-000 EA LABEL - CIRCUIT BREAKER

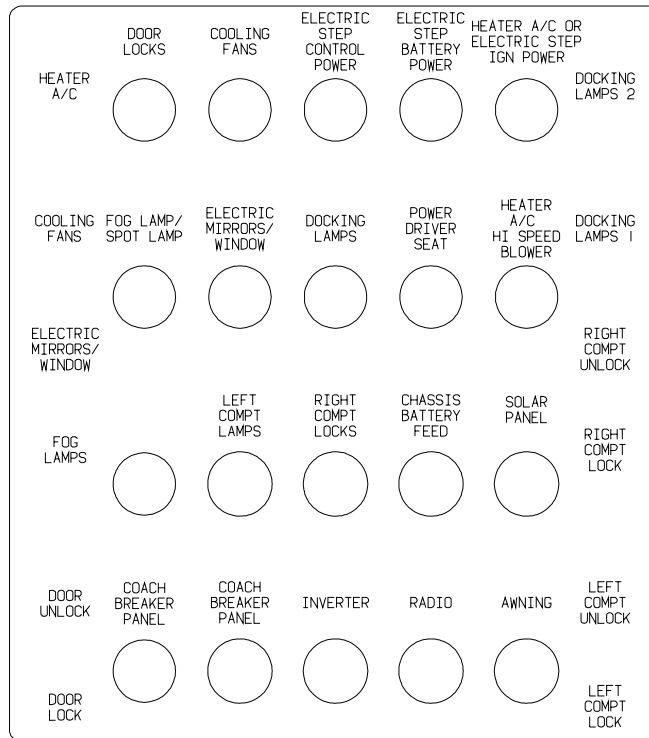


KEY PART NUMBER U/M DESCRIPTION
 093236-28-000 EA LABEL - CIRCUIT BREAKER



KEY PART NUMBER U/M DESCRIPTION
 093236-29-000 EA LABEL - CIRCUIT BREAKER

LABELS GROUP (CONTINUED)



KEY PART NUMBER U/M DESCRIPTION
 093236-30-000 EA LABEL - CIRCUIT BREAKER

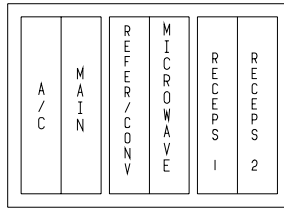
A / C CIRCUIT 1	M A I N	A / C CIRCUIT 2	R E F R I G / C O N V	M I C R O W A V E	R E C P S 1	R E C P S 2	R E C P S 3	W A S H E R / D R Y E R	W A T E R / H E A T E R	
-----------------------	------------------	-----------------------	---	---	----------------------------	----------------------------	----------------------------	--	--	--

KEY PART NUMBER U/M DESCRIPTION
 095721-31-000 EA LABEL - CONTROL CENTER - 30 AMP - US

A / C CIRCUIT 1	M A I N	M A I N	A / C CIRCUIT 2	R E F R I G / C O N V	M I C R O W A V E	R E C P S 1	R E C P S 2	R E C P S 3	W A S H E R / D R Y E R	W A T E R / H E A T E R
-----------------------	------------------	------------------	-----------------------	---	---	----------------------------	----------------------------	----------------------------	--	--

KEY PART NUMBER U/M DESCRIPTION
 095721-33-000 EA LABEL - CONTROL CENTER - 50 AMP - US

LABELS GROUP (CONTINUED)



KEY PART NUMBER U/M DESCRIPTION
095721-40-000 EA LABEL - CONTROL CENTER

AUTOMOTIVE AND COACH
CIRCUIT BREAKERS

KEY PART NUMBER U/M DESCRIPTION
098379-01-000 EA LABEL - CIRCUIT BREAKER - FRONT BOX

CIRCUIT BREAKERS
AND AUTOMOTIVE
FUSE PANEL

KEY PART NUMBER U/M DESCRIPTION
098379-03-000 EA LABEL - ELECTRICAL BOX - FRONT

BATTERY MODE
SOLENOID AND
RELAYS

KEY PART NUMBER U/M DESCRIPTION
098379-04-000 EA LABEL - ELECTRICAL BOX - SIDE

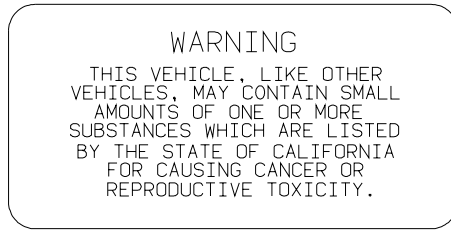
UNLEADED
FUEL ONLY

KEY PART NUMBER U/M DESCRIPTION
098641-01-000 EA LABEL - FUEL - UNLEADED - DASH

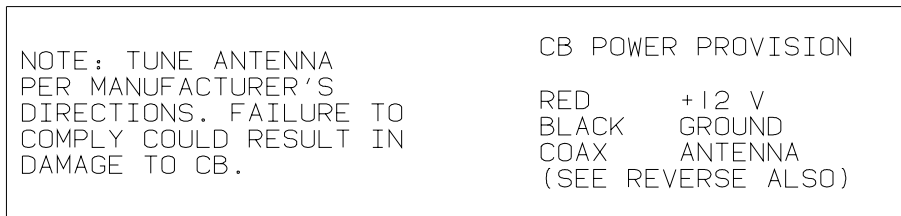
FOR AWNING INSTALLATION
CONTACT YOUR MOTORHOME
DEALERSHIP

KEY PART NUMBER U/M DESCRIPTION
099509-01-000 EA LABEL - AWNING INSTALLATION

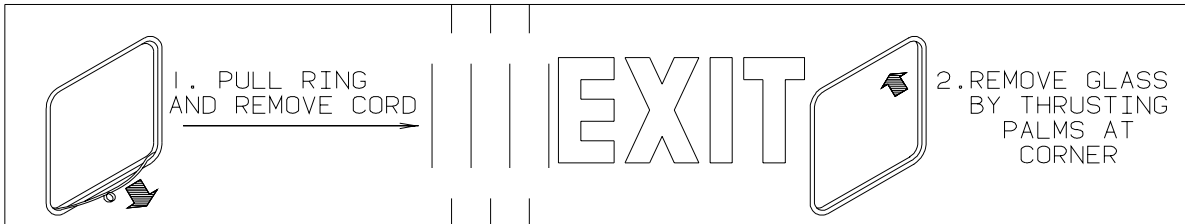
LABELS GROUP (CONTINUED)



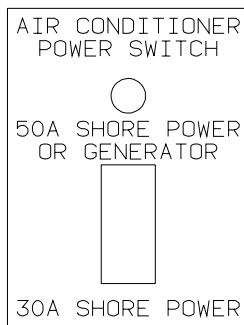
KEY	PART NUMBER	U/M DESCRIPTION
	099689-01-000	EA LABEL - WARNING - CANCER/TOXICITY



KEY	PART NUMBER	U/M DESCRIPTION
	104678-01-000	EA LABEL - CB PREP



KEY	PART NUMBER	U/M DESCRIPTION
	107571-01-000	EA LABEL - EXIT/ESCAPE WINDOW

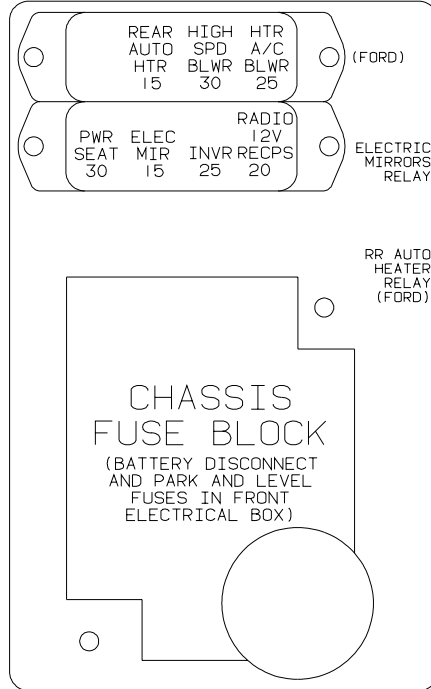


KEY	PART NUMBER	U/M DESCRIPTION
	109051-02-000	EA LABEL - SWITCH - 50 AMP POWER

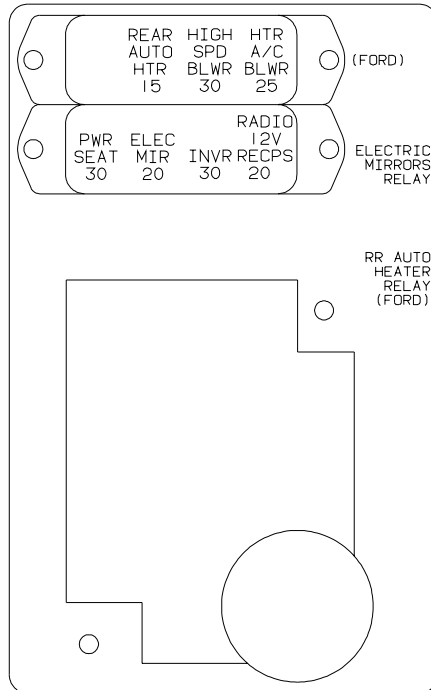
LABELS GROUP (CONTINUED)

DO NOT USE HITCH BEFORE
READING OWNERS MANUAL REGARDING
VEHICLE LOADING AND TOWING

KEY	PART NUMBER	U/M DESCRIPTION
	111104-01-000	EA LABEL - HITCH - READ MANUAL - WHITE
	111104-02-000	EA LABEL - HITCH - READ MANUAL - BLACK



KEY	PART NUMBER	U/M DESCRIPTION
	111537-08-000	EA LABEL - FUSES

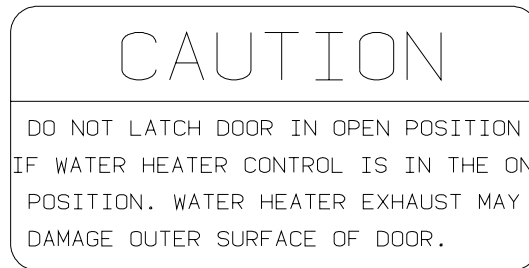


KEY	PART NUMBER	U/M DESCRIPTION
	111537-09-000	EA LABEL - FUSES

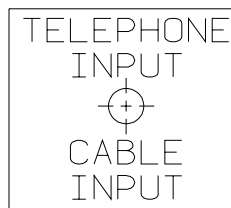
LABELS GROUP (CONTINUED)

WARNING: CONTAINS "CFC" A SUBSTANCE WHICH HARMS PUBLIC HEALTH AND ENVIRONMENT BY DESTROYING OZONE IN THE UPPER ATMOSPHERE.

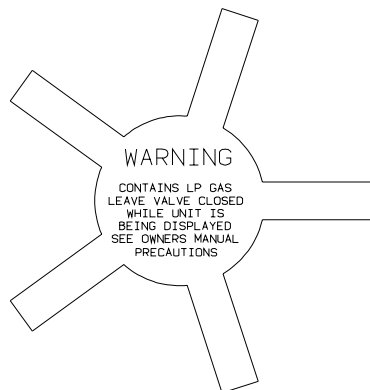
KEY	PART NUMBER	U/M DESCRIPTION
	111802-01-000	EA LABEL - CFC WARNING



KEY	PART NUMBER	U/M DESCRIPTION
	113402-01-000	EA LABEL - CAUTION - WATER HEATER EXHAUST



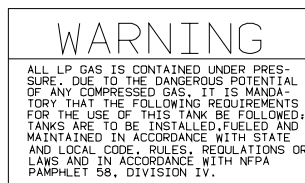
KEY	PART NUMBER	U/M DESCRIPTION
	114866-02-000	EA LABEL - PHONE & CABLE INPUT - WHITE/CLEAR BACKGROUND
	114866-03-000	EA LABEL - PHONE & CABLE INPUT - BLACK/CLEAR BACKGROUND



KEY	PART NUMBER	U/M DESCRIPTION
	115600-01-000	EA LABEL - WARNING LPG VALVE

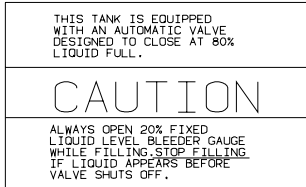
WARNING: REPLACE TIRE ONLY WITH ONE OF EXACTLY SAME TYPE AND RATING. DO NOT REPLACE WITH PASSENGER CAR TIRE. SEE OPERATOR'S MANUAL FOR MORE INFORMATION CALL WINNEBAGO OWNER RELATIONS AT 1-800-537-1885.

KEY	PART NUMBER	U/M DESCRIPTION
	115869-01-000	EA LABEL - WARNING - TIRE

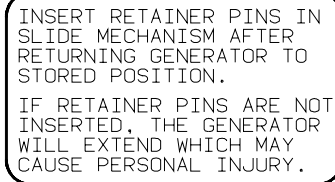


KEY	PART NUMBER	U/M DESCRIPTION
	116112-01-000	EA LABEL - CAUTION - LP

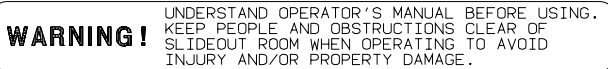
LABELS GROUP (CONTINUED)



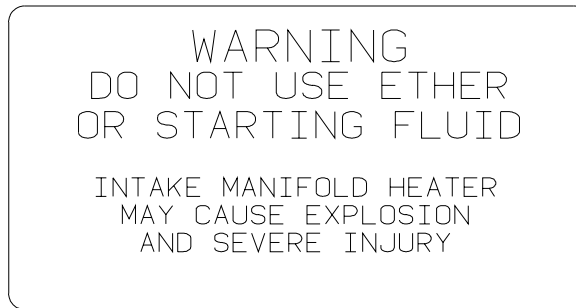
KEY PART NUMBER **U/M DESCRIPTION**
 116113-01-000 EA LABEL - CAUTION - LP



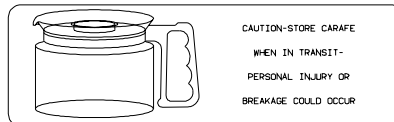
KEY PART NUMBER **U/M DESCRIPTION**
 116273-01-000 EA LABEL - WARNING - GENERATOR



KEY PART NUMBER **U/M DESCRIPTION**
 116549-01-000 EA LABEL - WARNING - SLIDEOUT



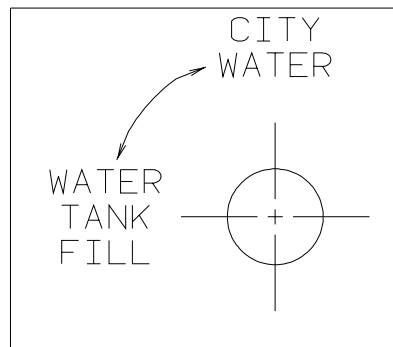
KEY PART NUMBER **U/M DESCRIPTION**
 116756-02-000 EA LABEL - WARNING - ETHER/STARTING



KEY PART NUMBER **U/M DESCRIPTION**
 116829-02-000 EA LABEL - COFFEEMAKER

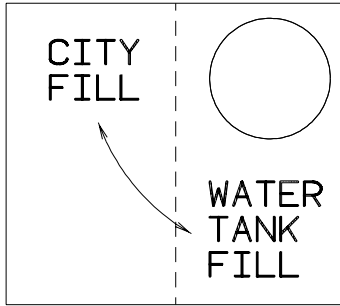


KEY PART NUMBER **U/M DESCRIPTION**
 117628-02-000 EA LABEL - SWITCH - WATER PUMP/LIGHTS-WHITE/CLEAR BACKGROUND

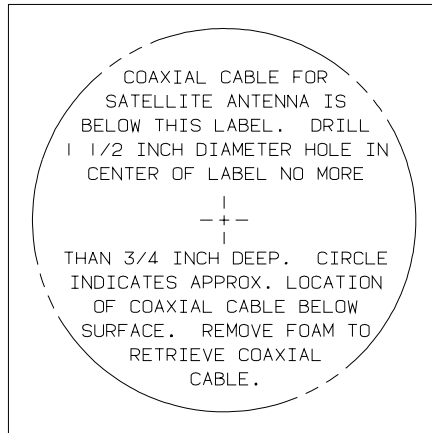


KEY PART NUMBER **U/M DESCRIPTION**
 117629-03-000 EA LABEL - WATER PUMP/FILL-BLK LETTERS/CLEAR BACKGROUND-.31"

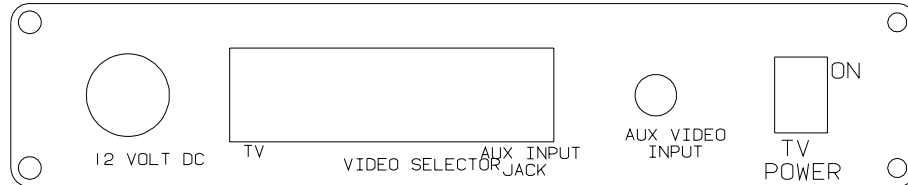
LABELS GROUP (CONTINUED)



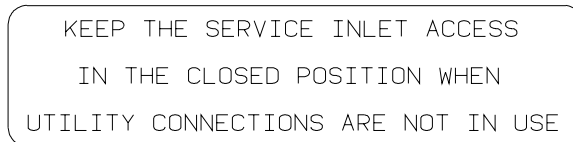
KEY PART NUMBER **U/M DESCRIPTION**
 117629-04-000 EA LABEL - CITY WATER/TANK FILL



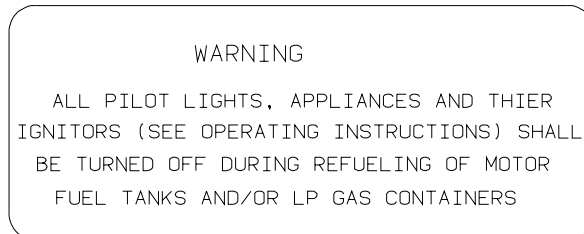
KEY PART NUMBER **U/M DESCRIPTION**
 120431-01-000 EA LABEL - LOCATION - COAXIAL CABLE/SATELLITE ANTENNA



KEY PART NUMBER **U/M DESCRIPTION**
 120677-01-000 EA LABEL - TV

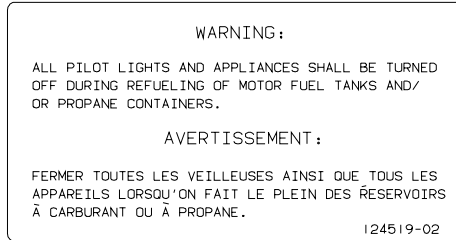


KEY PART NUMBER **U/M DESCRIPTION**
 123562-01-000 EA LABEL - SERVICE/UTILITY ACCESS

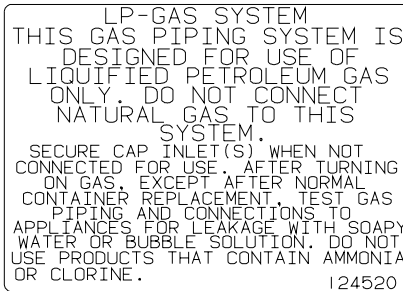


KEY PART NUMBER **U/M DESCRIPTION**
 124519-01-01A EA LABEL - WARNING/REFUELING - BLACK ON CLEAR
 124519-01-02A EA LABEL - WARNING/REFUELING - WHITE ON CLEAR

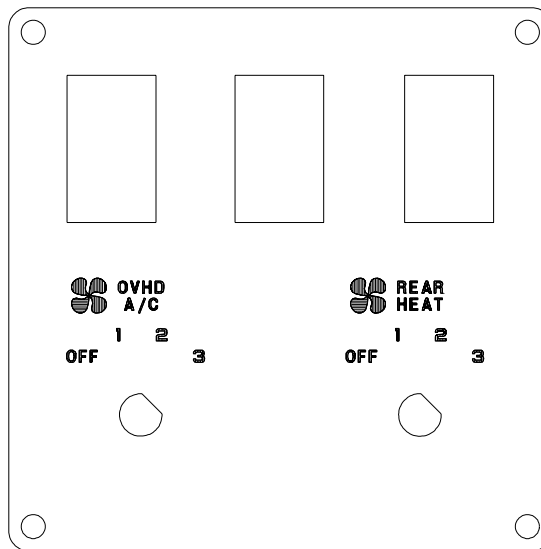
LABELS GROUP (CONTINUED)



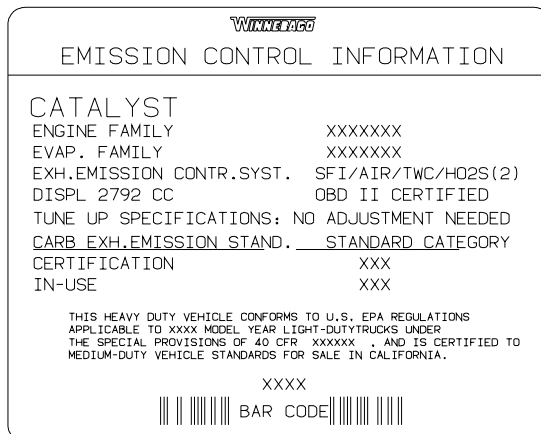
KEY	PART NUMBER	U/M	DESCRIPTION
	124519-02-01A	EA	LABEL - WARNING/REFUELING - BLACK ON CLEAR - CSA
	124519-02-02A	EA	LABEL - WARNING/REFUELING - WHITE ON CLEAR - CSA



KEY	PART NUMBER	U/M	DESCRIPTION
	124520-01-01A	EA	LABEL - LP GAS ONLY - BLACK ON CLEAR
	124520-01-02A	EA	LABEL - LP GAS ONLY - WHITE ON CLEAR



KEY	PART NUMBER	U/M	DESCRIPTION
	124572-01-000	EA	LABEL - SWITCHES



KEY	PART NUMBER	U/M	DESCRIPTION
	124709-07-000	EA	LABEL - EMISSION CONTROL - DUAL

LABELS GROUP (CONTINUED)

THIS CONNECTION IS FOR
(B) VOLT AC,60 HZ(CYCLES)
(A) AMPERE SUPPLY

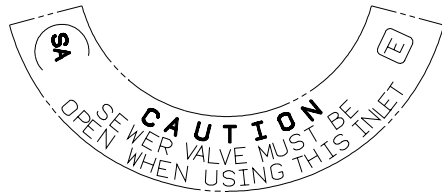
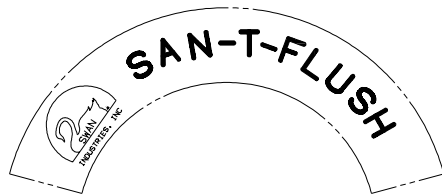
DO NOT CONNECT TO
HIGHER VOLTAGE

KEY	PART NUMBER	U/M	DESCRIPTION
	125306-01-01A	EA	LABEL - ELECTRICAL ENTRANCE - 110V 30 AMP - BLACK ON CLEAR
	125306-01-02A	EA	LABEL - ELECTRICAL ENTRANCE - 110V 30 AMP - WHITE ON CLEAR

THIS CONNECTION IS FOR
(B) VOLT AC,3-POLE,4 WIRE
60 HZ(CYCLES),(A) AMPERE SUPPLY

DO NOT CONNECT TO
HIGHER VOLTAGE

KEY	PART NUMBER	U/M	DESCRIPTION
	125306-04-01A	EA	LABEL-ELECTRICAL ENTRANCE-120/240V 50 AMP-BLACK ON CLEAR
	125306-04-02A	EA	LABEL - ELECTRICAL ENTRANCE-120/240V 50 AMP-WHITE ON CLEAR



KEY	PART NUMBER	U/M	DESCRIPTION
	125697-07-000	EA	LABEL - CAUTION - FLUSHING SYSTEM

REMOVE PRIMARY TIRE HANGER BEFORE USING
SPARE TIRE HOIST-SEE OWNERS MANUAL - PERSONAL
INJURY MAY RESULT IF NOT FOLLOWED

KEY	PART NUMBER	U/M	DESCRIPTION
	126024-01-000	EA	LABEL - TIRE HANGER REMOVAL

GRAY HOLDING TANK

KEY	PART NUMBER	U/M	DESCRIPTION
	126247-05-000	EA	LABEL - GRAY HOLDING TANK-BLACK LETTERS/CLEAR BACKGROUND

BLACK HOLDING TANK

KEY	PART NUMBER	U/M	DESCRIPTION
	126247-06-000	EA	LABEL - BLACK HOLDING TANK-BLACK LETTERS/CLEAR BACKGROUND

LABELS GROUP (CONTINUED)

EXTERIOR SHOWER

KEY PART NUMBER U/M DESCRIPTION
126248-03-000 EA LABEL - EXTERIOR SHOWER

CITY WATER FILL

KEY PART NUMBER U/M DESCRIPTION
126249-03-000 EA LABEL - CITY WATER FILL-BLK LETTERS/CLEAR BACKGROUND .31"

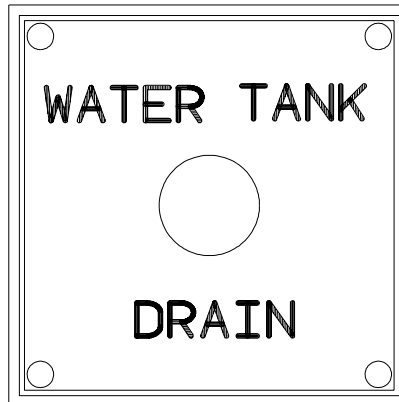


WARNING

○ **Children Can be KILLED or INJURED
by Passenger Air Bag**

The back seat is the safest place for children 12 and under.
Make sure all children use seat belts or child seats.

KEY PART NUMBER U/M DESCRIPTION
126612-01-000 EA LABEL - HANG TAG - AIR BAG - DASH



KEY PART NUMBER U/M DESCRIPTION
127170-01-000 EA LABEL - WATER TANK DRAIN

WARNING

ROOF SURFACE MAY BE SLIPPERY
ESPECIALLY WHERE MOISTURE IS PRESENT
SLIPPING MAY RESULT IN PERSONAL INJURY.

128218-01

KEY PART NUMBER U/M DESCRIPTION
128218-01-01A EA LABEL - WARNING - SLIPPERY ROOF

ENTRANCE DOOR PROP ROD

THIS ROD IS DESIGNED TO PROP THE
ENTRANCE DOOR OPEN WHEN THE PATIO
AWNING ARM IS ATTACHED TO THE
SIDEWALL AND THE AWNING IS EX-
TENDED.
HOOK ONE END OF ROD INTO LOOP ON
DOOR AND OTHER END INTO LOOP ON THE
SIDEWALL AS SHOWN.

(THIS LABEL TO BE REMOVED BY RETAIL OWNER ONLY)

KEY PART NUMBER U/M DESCRIPTION
128658-01-000 EA LABEL - PROP ROD - ENTRY DOOR

LABEL GROUP (CONTINUED)

WARNING
POTABLE WATER ONLY
SANITIZE, FLUSH, AND
DRAIN BEFORE USING.
SEE INSTRUCTION MANUAL

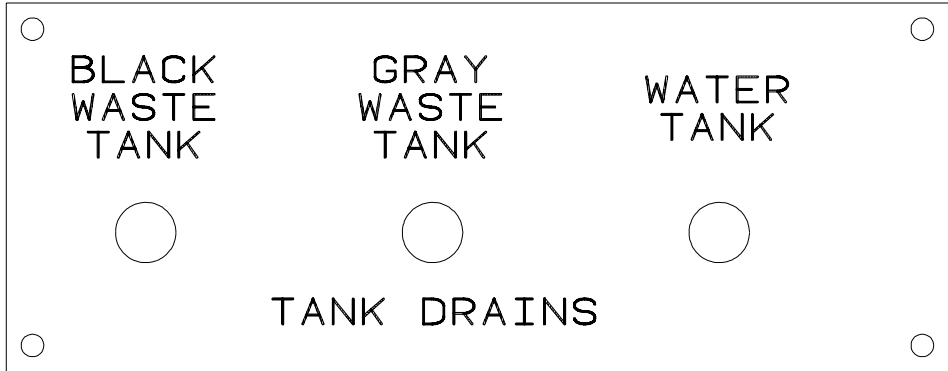
KEY PART NUMBER U/M DESCRIPTION
128725-01-01A EA LABEL - POTABLE WATER ONLY - BLACK ON CLEAR

TOW VEHICLE RATING MAY BE LESS THAN HITCH RATING.
MAXIMUM VERTICAL HITCH LOAD: 350 LBS
DO NOT EXCEED REAR AXLE RATING.
SEE OWNER'S MANUAL FOR ADDITIONAL INFORMATION.

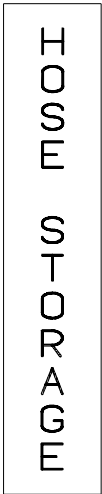
KEY PART NUMBER U/M DESCRIPTION
129669-01-01A EA LABEL - HITCH/VEHICLE RATE - 350 - WHITE ON CLEAR
129669-01-02A EA LABEL - HITCH/VEHICLE RATE - 350 - BLACK ON CLEAR
129669-02-01A EA LABEL - HITCH/VEHICLE RATE - 500 - WHITE ON CLEAR
129669-02-02A EA LABEL - HITCH/VEHICLE RATE - 500 - BLACK ON CLEAR

TIRE ROTATION
SEE RIALTA OWNERS MANUAL
SECTION 9

KEY PART NUMBER U/M DESCRIPTION
129684-01-000 EA LABEL - TIRE ROTATION



KEY PART NUMBER U/M DESCRIPTION
130166-01-000 EA LABEL - DRAIN



KEY PART NUMBER U/M DESCRIPTION
130167-02-000 EA LABEL - HOSE STORAGE

LABELS GROUP (CONTINUED)

WASTE TANK FLUSH

KEY PART NUMBER U/M DESCRIPTION
130168-01-000 EA LABEL - WASTE TANK FLUSH

MONITOR WATER
PANEL LIGHT PUMP

KEY PART NUMBER U/M DESCRIPTION
130170-01-000 EA LABEL - SWITCH PANEL - BLK/CLEAR BACKGROUND-1.8"H X 5.9"L

LIGHTS WATER
PUMP

KEY PART NUMBER U/M DESCRIPTION
130170-02-000 EA LABEL - SWITCH PANEL-BLK/CLEAR BACKGROUND-1.4"H X 3.9"L

WATER
PUMP

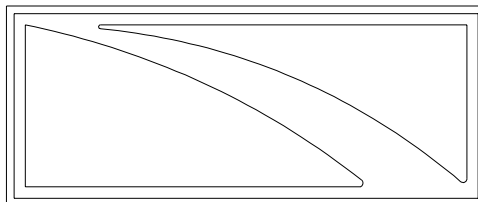
KEY PART NUMBER U/M DESCRIPTION
130170-03-000 EA LABEL - PANEL SWITCH

CAUTION:
OPEN A WINDOW OR VENT WHILE
OPERATING DRYER. IT IS DANGEROUS
TO CREATE A NEGATIVE AIR PRESSURE
INSIDE A VEHICLE CONTAINING
FUEL-BURNING APPLIANCES

KEY PART NUMBER U/M DESCRIPTION
130670-01-01A EA LABEL - CAUTION DRYER VENTING - BLACK ON CLEAR

PUSH TO
RELEASE
GENERATOR
SLIDE ASM

KEY PART NUMBER U/M DESCRIPTION
131779-01-01A EA LABEL - GENERATOR



KEY PART NUMBER U/M DESCRIPTION
132651-01-01A EA DECAL - MIRROR/GALLEY

LABELS GROUP (CONTINUED)



KEY PART NUMBER U/M DESCRIPTION
 133423-01-01A EA LABEL - DRAIN



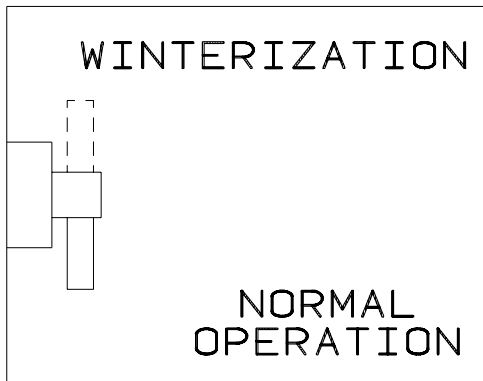
KEY PART NUMBER U/M DESCRIPTION
 133424-01-01A EA LABEL - BYPASS - WATER HEATER



KEY PART NUMBER U/M DESCRIPTION
 133424-02-01A EA LABEL - NORMAL OPERATION



KEY PART NUMBER U/M DESCRIPTION
 133424-03-01A EA LABEL - WATER HEATER BYPASS - BLACK/CLEAR



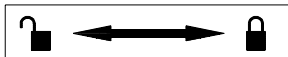
KEY PART NUMBER U/M DESCRIPTION
 133425-01-01A EA LABEL - VALVE - WINTERIZATION



KEY PART NUMBER U/M DESCRIPTION
 133533-01-01A EA LABEL - JACKS DOWN - CLEAR W/WHITE LETTERING

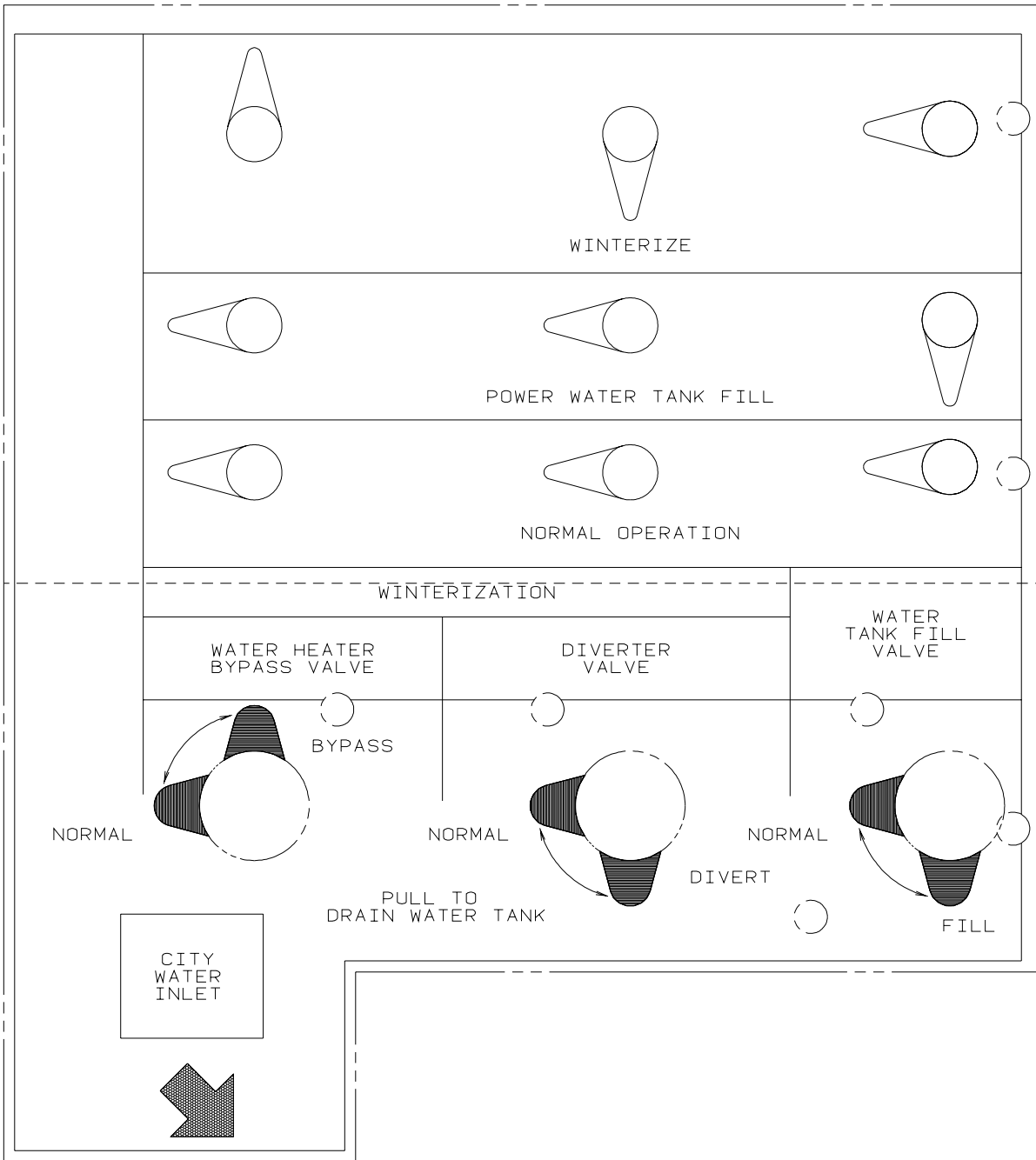


KEY PART NUMBER U/M DESCRIPTION
 133533-02-01A EA LABEL - CHECK ANTENNA - CLEAR W/WHITE LETTERING



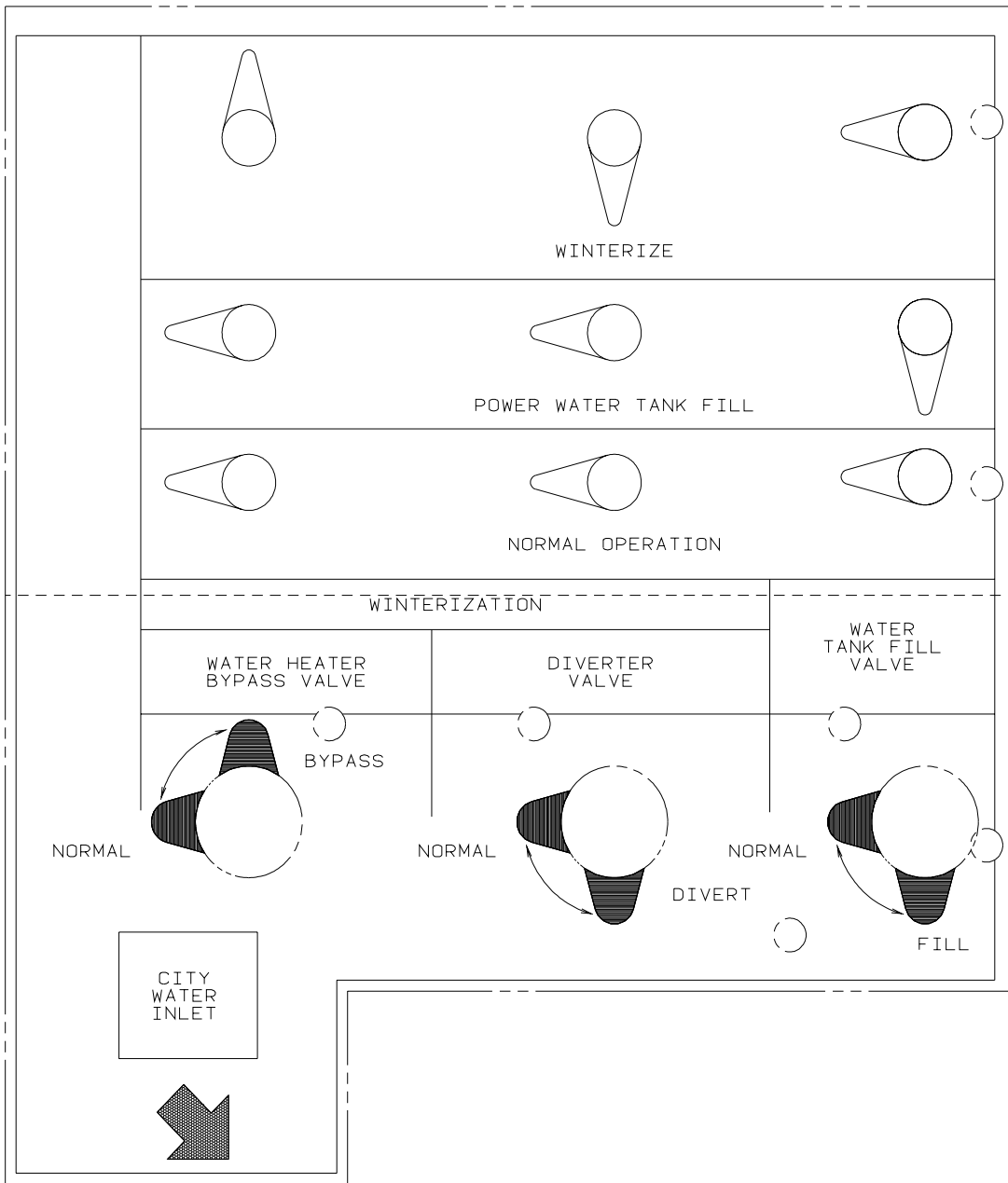
KEY PART NUMBER U/M DESCRIPTION
 133533-03-01A EA LABEL - LOCK/UNLOCK - BLACK/WHITE

LABELS GROUP (CONTINUED)

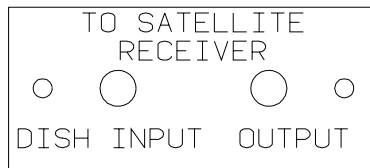


KEY	PART NUMBER	U/M	DESCRIPTION
	133629-01-01A	EA	LABEL - WATER CENTER

LABELS GROUP (CONTINUED)



KEY PART NUMBER U/M DESCRIPTION
 133629-02-01A EA LABEL - WATER CENTER - BLACK/CLEAR



KEY PART NUMBER U/M DESCRIPTION
 134250-01-01A EA LABEL - SATELLITE RECEIVER - BLACK/CLEAR

THIS CHAIR IS NOT INTENDED FOR OCCUPANCY WHEN VEHICLE IS IN MOTION AND MUST BE RETURNED TO STOWED POSITION

DTS ISICE SIEGE N/EST PAS DESTINE A ETRE OCCUPE LORSQUE LE VEHICULE EST IN MOVEMENT ET IL FAUT QUE LE RANGER

THIS CHAIR IS NOT INTENDED FOR OCCUPANCY WHEN VEHICLE IS IN MOTION AND MUST BE RETURNED TO STOWED POSITION

KEY PART NUMBER U/M DESCRIPTION
 134537-01-01A EA LABEL - OCCUPANCY - CHAIR - US

LABELS GROUP (CONTINUED)

THIS SEAT IS NOT INTENDED
FOR OCCUPANCY WHEN
VEHICLE IS IN MOTION

KEY PART NUMBER U/M DESCRIPTION
134538-01-01A EA LABEL - OCCUPANCY - NO SEAT BELT - BLACK ON CLEAR - US

DST ISICE SIEGE N/EST PAS THIS SEAT IS NOT INTENDED
DESTINE A ETRE OCCUPE LORSQUE FOR OCCUPANCY WHILE
LE VEHICULE EST IN MOVUUMENT VEHICLE IS IN MOTION

KEY PART NUMBER U/M DESCRIPTION
134538-02-01A EA LABEL - OCCUPANCY - NO SEAT BELT - BLACK ON CLEAR - CSA

WARNING

IT IS NOT SAFE TO USE COOKING
APPLICANCES FOR COMFORT HEATING

COOKING APPLICANCES NEED FRESH AIR FOR SAFE OPERATION
BEFORE OPERATION.

1. OPEN OVERHEAD VENT OR TURN ON EXHAUST FAN AND;
2. OPEN WINDOW.

KEY PART NUMBER U/M DESCRIPTION
134539-01-01A EA LABEL - WARNING - STOVE/HEATING - US - BLACK ON CLEAR

HOLDING TANK HEATER

TURN OFF WHEN NOT IN USE
SEE OPERATOR'S MANUAL

KEY PART NUMBER U/M DESCRIPTION
134563-01-01A EA LABEL - SWITCH - HEATER

THIS VEHICLE MAY INCLUDE MERCURY-CONTAINING DEVICES INSTALLED BY THE MANUFACTURER:

FLUORESCENT TUBES, RANGES WITH OVEN, HWH LEVEL SENSING UNIT.

REMOVE DEVICES BEFORE VEHICLE DISPOSAL UPON REMOVAL OF
DEVICES: PLEASE REUSE, RECYCLE, OR DISPOSE AS HAZARDOUS WASTE

135869-01A

KEY PART NUMBER U/M DESCRIPTION
135869-01-01A EA LABEL - MERCURY CONTENT - BLACK ON CLEAR
135869-01-02A EA LABEL - MERCURY CONTENT - WHITE ON CLEAR

LIQUID SOAP

KEY PART NUMBER U/M DESCRIPTION
136047-01-01A EA LABEL - LIQUID SOAP

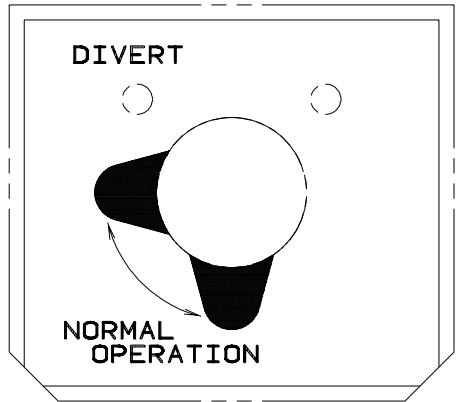
LABELS GROUP (CONTINUED)

DOOR LOCK	DOOR UNLOCK	RIGHT COMPT DOOR LOCK	RIGHT COMPT DOOR UNLOCK	LEFT COMPT DOOR LOCK	LEFT COMPT DOOR UNLOCK	AUX START SOLENOID	AMP SOURCE
POWER MIRRORS	HEATER BLOWER	PASS HEATER BLOWER	FOG LAMPS	DOCKING LAMPS	DOCKING LAMPS SWITCH TRIGGER	COOLING FANS	

KEY PART NUMBER U/M DESCRIPTION
 136161-01-01A EA LABEL - RELAY - MATTE BLACK/WHITE LETTERS



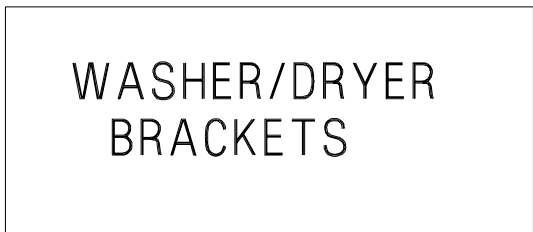
KEY PART NUMBER U/M DESCRIPTION
 136360-01-01A EA LABEL - AIR BAGS



KEY PART NUMBER U/M DESCRIPTION
 137997-01-01A EA LABEL - WINTERIZATION VALVE - BLACK/CLEAR

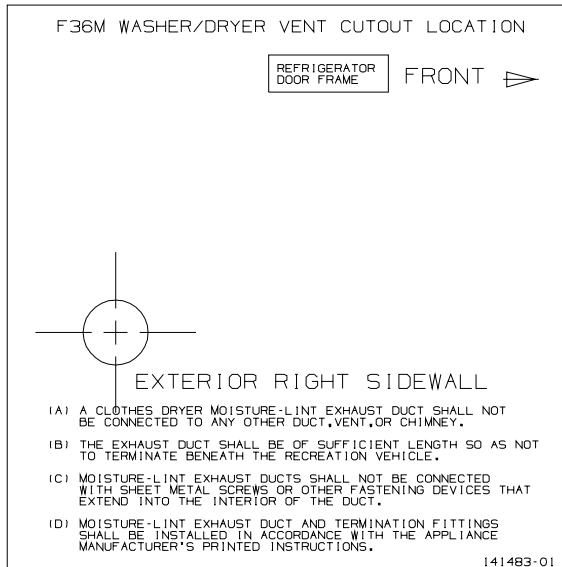


KEY PART NUMBER U/M DESCRIPTION
 140190-01-01A EA DECAL/LOGO - V6 (DOMED) - CYAN/MAGENTA/YELLOW/BLACK



KEY PART NUMBER U/M DESCRIPTION
 141523-01-01A EA LABEL - WASHER/DRYER BRACKETS - BLACK/WHITE

LABELS GROUP (CONTINUED)



KEY PART NUMBER **U/M DESCRIPTION**
 141483-01-01A EA LABEL - DRYER VENTING - BLACK/WHITE

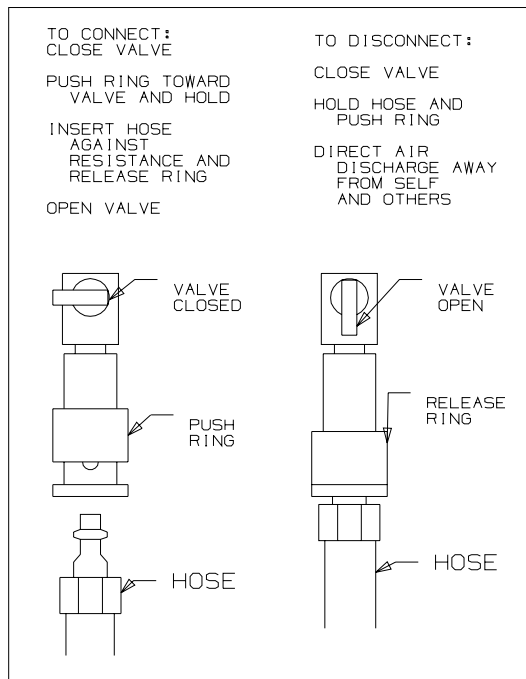
WARNING: COMPRESSED AIR CAN BE HAZARDOUS.

PROPER EYE PROTECTION MUST BE WORN WHEN CONNECTING, DISCONNECTING OR USING AIR HOSE.

CLOSE VALVE BEHIND CONNECTOR BEFORE CONNECTING OR DISCONNECTING AIR HOSE.

HOSE DISCONNECT WILL PRODUCE AIR DISCHARGE FROM HOSE. DIRECT AIR DISCHARGE AWAY FROM SELF AND OTHERS.

KEY PART NUMBER **U/M DESCRIPTION**
 142771-01-01A EA LABEL - WARNING/COMPRESSED AIR - WHITE LETTERING ON CLEAR



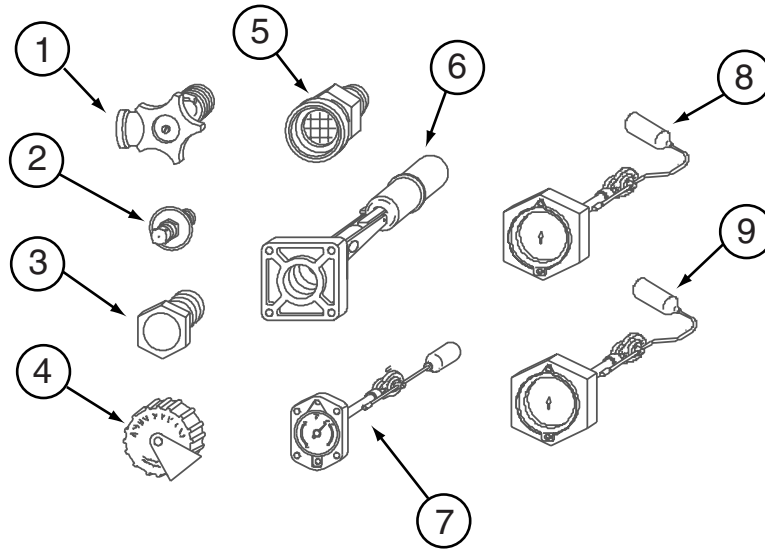
KEY PART NUMBER **U/M DESCRIPTION**
 142773-01-01A EA LABEL - CONNECT/COMPRESS AIR - WHITE LETTERING ON CLEAR

LP GROUP
LP SYSTEM

KEY	PART NUMBER	U/M	DESCRIPTION
	010265-01-000	EA	ELBOW - BRASS - 90 DEGREE - 3/8"F X 1/2"FPT
	010281-01-000	EA	TEE - BRASS - 3/8 F
	010323-01-000	EA	ADAPTER - BRASS - 3/8"F X 1/2"MPT
	010329-01-000	EA	ADAPTER - BRASS - 1/2"F X 1/2"MPT
	010377-02-000	EA	NUT - BRASS - 3/8" FLARE - FORGED
	010380-02-000	EA	NUT - BRASS - 1/2" FLARE - FORGED
	024250-01-000	EA	ADAPTER - BRASS - 3/8"F X 1/2"FPT
	033759-01-000	EA	ELBOW - 90 DEGREE - 3/8" F X 3/8" F
	040440-03-000	EA	TRANSMITTER - DIAL/SNAP-ON - 0-90 OHM 2 TERM(POWER/GROUND)
*	074039-04-000	EA	TANK - LP - 28 LB - BOTTOM MOUNT - 10" DIAMETER X 23" LONG
	074458-01-000	EA	ELBOW - 3/8 MALE FL TO 3/8 FEMALE FL SWIVEL
	103613-03-000	EA	DETECTOR - LP GAS - W/O SHUT-OFF VALVE
	106150-03-000	EA	REGULATOR -TWO STAGE-7/8-14 UNS2A LH INLET/3/8" FPT OUTLET

***COMPONENT PARTS LISTED LATER IN THIS GROUP**

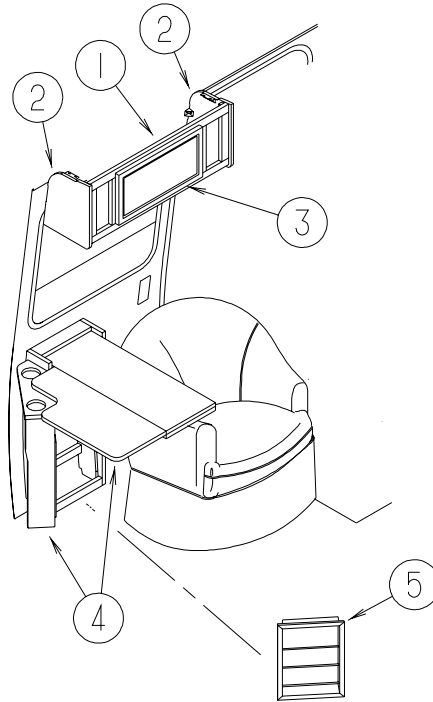
LP GROUP (CONTINUED)
COMPONENT PARTS FOR LP SYSTEM



074039-04-000

KEY	PART NUMBER	U/M	DESCRIPTION	VENDOR NO.
1	040421-01-708	EA	HANDWHEEL-SERVICE VALVE	G-1015-A
1	040421-01-712	EA	VALVE,SERV. W/O VAPOR RELIEF	29000853
2	040421-01-700	EA	VALVE-LIQUID LEVEL, 20%	G-1013
3	040421-01-713	EA	VALVE-RELIEF 1" W/SPRING 7"	29000587
4	040421-01-702	EA	CAP-FILL VALVE, PLASTIC	G-1014-A
5	040421-01-701	EA	VALVE-FILL-SHORT, LP	7547B
6	074039-04-700	EA	VALVE-80% FILL W/AUTO STOP	LVTL290C9010
7			NOT WHAT IS ILLUSTRATED HERE	
8			NOT WHAT IS ILLUSTRATED HERE	
9			NOT WHAT IS ILLUSTRATED HERE	
	074039-04-701	EA	FLOAT/SCREW IN-SNAP ON DIAL	SG10C000140
	040421-01-706	EA	DIAL-VISIBLE FACE, LP TANK	MA-8 ROCHST
	074039-01-700	EA	FLOAT/BOLT ON-SCREW ON DIAL	SG10C000027

LOUNGE GROUP CABINETS



KEY	PART NUMBER	U/M	DESCRIPTION
1	124888-01-J80	EA	CABINET - OVERHEAD/FRONT/RIGHT HAND - W/O DOORS/HARDWARE
2	119132-07-J80	EA	END CAP - OVERHEAD
3	134783-53-M91	EA	DOOR - RAIL/SOLID PANEL - 10" X 19.1" - W/O HARDWARE
4	137164-01-M91	EA	CABINET/TABLE COMPLETE
5	131096-52-M91	EA	POCKET - MAGAZINE

SEALANTS & FASTENERS GROUP
SEALANTS & ADHESIVES

KEY	PART NUMBER	U/M	DESCRIPTION
	002707-02-000	FT	TAPE - SEALER - 5/16" X 1/2" - INCREMENTS OF 50 FT
	004001-02-000	EA	GUN - PLEXUS ADHESIVE - W/O NOZZLE
	004001-05-000	EA	ADHESIVE - SCOTCH-WELD - 3M DP100 - CLEAR - 50ML
	004011-01-000	EA	ADHESIVE-3M-4475 TUBE
	010405-02-000	EA	TAPE - THREAD SEALING - 3/8"
	034552-06-000	EA	SILICONE - TUBE - W/O NOZZLE - OFF WHITE
	034552-15-000	EA	SILICONE - TUBE - W/O NOZZLE - BRIGHT WHITE
	063642-01-000	FT	TAPE - ADHESIVE - .4" X 1.5" X 180'
	064075-07-000	FT	SEAL - BULB - W/WIRED U CHANNEL - .3" X .5" CHANNEL-BLACK
	067788-01-000	EA	ADHESIVE - SPRAY - 3M - 19.5 OZ AEROSOL CAN
	069640-01-000	FT	SEALER - RIBBON - 1/4" DIAMETER X 30' - BLACK OR GRAY
	069640-02-000	FT	SEALER - TAPE - .13" THICK X .5" WIDE X 60' - GRAY
	069640-03-000	FT	SEALER - TAPE - .13" THICK X .75" WIDE X 60' - BLACK
	069640-07-000	FT	SEALER - TAPE - .09" THICK X 2" WIDE X 45' - GRAY
	069640-09-000	FT	SEALER - TAPE - .03" THICK X 2.50"WIDE X 80' - GRAY
	069640-10-000	FT	SEALER - TAPE - .03" THICK X 1.50" WIDE X 90' - GRAY
	069640-11-000	FT	SEALER - TAPE - .19" THICK X .38" WIDE X 40' - BLACK
	069640-13-000	FT	SEALER - TAPE - .03" THICK X 2" WIDE X 45' - BLACK
	069640-14-000	FT	SEALER - TAPE - .06" THICK X 1" WIDE X 100' - GRAY
	069640-15-000	FT	SEALER - TAPE - .06" THICK X .38" WIDE X 100' - GRAY
	069640-17-000	FT	SEALER - TAPE - .03" THICK X 1" WIDE X 90' - GRAY
	069640-18-000	FT	SEALER - TAPE - .50" THICK X .13" WIDE X 60' - BRT WHITE
	069640-19-000	FT	SEALER - TAPE - .75" THICK X .13" WIDE X 60' - BRT WHITE
	069640-20-000	FT	SEALER - TAPE - .50" THICK X 1/8" WIDE X 60' - BLACK
	069640-21-000	FT	SEALER - TAPE - .50" THICK X 1/16" WIDE X 100'-BRIGHT WHT
	069640-23-000	FT	SEALER - TAPE - .06" THICK X 3/4" WIDE X 100' - BRT WHITE
	069640-27-000	FT	SEALER - TAPE - .06" THICK X 2.25" WIDE - BRIGHT WHITE
	069640-28-000	FT	SEALER - TAPE - .25" THICK X 1 7/8" WIDE X 90' - GRAY
	069640-30-000	FT	SEALER - TAPE - 3/8" X 1/32" - GRAY
	069640-31-000	FT	SEALER - TAPE - 25"THICK X 3/4"WIDE X 60' - BLACK
	072889-01-000	EA	SEALANT - URETHANE - BLACK - TUBE W/NOZZLE TIP
	076322-01-000	FT	TAPE-DOUBLE COATED/ADHESIVE BK-.03"THK X .8"W X 216'- WHT
	076322-02-000	FT	TAPE-DOUBLE COATED/ADHESIVE BK-.05"THK X 1"W X 108' - WHT
	076322-03-000	FT	TAPE-DOUBLE COATED/ADHESIVE BK-.05"THK X .5"W X 108' - WHT
	076322-04-000	FT	TAPE-DOUBLE COATED/ADHESIVE BK-.05"THK X .8"W X 108' - WHT
	076322-05-000	FT	TAPE-DOUBLE COATED/ADHESIVE BK-.05"THK X .8"W X 108' - WHT
	076322-11-000	FT	TAPE-DOUBLE COATED/ADHESIVE BK-.02"THK X 1"W X 216' - CLR
	086276-01-000	EA	TAPE - DOUBLE SIDED - 1/2" WIDE X 108' LONG (SOLD BY ROLL)
	088479-01-000	EA	TAPE - ALUMINUM - 3"
	090340-01-000	FT	SEAL - FOAM - CLOSED CELL - 1/4" X 1/2" X 50'
	090340-02-000	FT	SEAL - FOAM - CLOSED CELL - 3/8" X 1/2" X 50'
	091255-02-000	FT	SEAL - ADHESIVE BACKED/FOAM - 3/64" THICK X 3/16"W X 1000'
	091255-03-000	FT	SEAL - ADHESIVE BACKED/FOAM - 1/4" THICK X 1/4"W X 1000'
	094401-01-000	EA	SEALER - BODY SEAM - FLEXICLEAR
	094401-03-000	EA	SEALER - BODY SEAM - BLACK
	094401-04-000	EA	SEALER - BODY SEAM - CLEAR
	098408-01-000	FT	SEAL - SPONGE RUBBER - CLOSED CELL
	099069-01-000	FT	SEAL - RUBBER - CLOSED SPONGE - .5" WIDE X .12" THICK -BLK
	099418-01-000	FT	SEAL - D-SECTION/ADHESIVE BACK - .44" X .44"- BLK RUBBER
	099418-02-000	FT	SEAL - D SECTION - WHITE
	100128-02-000	FT	SEAL - FOAM/ADHESIVE BACK - .37" WIDE X .37" THICK
	104692-01-000	FT	SEAL - ADHESIVE BACKED FOAM - 3/4" THICK X 3/4" WIDE X 25'
	104692-03-000	FT	SEAL - ADHESIVE BACKED FOAM - 1" THICK X 1 3/16"WIDE X 15'
	107828-01-000	EA	SEALANT - SB - 190 EVERSEAL
	108716-01-000	EA	SILICONE - W/O NOZZLE - OFF WHITE - SELF LEVELING
	109506-12-000	EA	FILM/ABRASION-RESISTANT - TRANSPARENT - 1" DIA.
	110274-01-000	FT	TAPE - DOUBLE SIDED/FOAM - .45" X 1" X 216' - BLACK
	112481-02-000	EA	ADHESIVE - PLEXUS ETHACRYLATE - CARTRIDGE
	112864-01-000	FT	SEAL - FOAM/BUTYL COVERED - 3/8" X 35'
	112864-02-000	FT	FOAM - BUTYL COVERED 5/16" X 44'
	112864-03-000	FT	FOAM - BUTYL COVERED - 1/2" X 1/8" X 25'
	112864-04-000	FT	FOAM - BUTYL COVERED - 3/8" X 1/8"
	112901-02-000	EA	ADHESIVE - PLEXUS - MA330 - 50ML - GRAY
	112901-03-000	EA	ADHESIVE - PLEXUS - MA300 - 50ML - WHITE

SEALANTS & FASTENERS GROUP (CONTINUED)

SEALANTS & ADHESIVES (CONTINUED)

KEY	PART NUMBER	U/M	DESCRIPTION
	112902-01-000	EA	NOZZLE - ELEMENT - 3/8 X 24
	112902-02-000	EA	NOZZLE-BELL 3/8X24 - TAH 160-824
	112902-03-000	EA	MIXER NOZZLE - F/GUN #00400102000 - SCOTCH-WELD & PLEXUS
	112902-04-000	EA	NOZZLE - ELEMENT - 1/4" X 3.5"
	113366-01-000	EA	ADHESIVE - INSTANT - 1 OZ
	113452-02-000	FT	SEAL/TRIM - FRONT - VINYL W/WIRE CARRIER - .027"
	115933-01-000	FT	TAPE - 1/64" X 3/8" X 100'
	120074-02-03A	EA	SILICONE - TUBE - W/O NOZZLE - SMOKEY WHITE
	120074-02-02A	EA	SILICONE - TUBE - W/O NOZZLE - LOW ODOR - SOFT WHITE
	120534-01-01A	EA	TAPE - SCOTCH - 3M - 1/2" FINE LINE
	123244-01-000	FT	TAPE - DOUBLE SIDED/FOAM - 5/64" THICK X 3/4" WIDE X 108'
	123816-01-000	FT	TAPE - DOUBLE SIDED - 1" X 3/4" X 200'
	123816-02-000	FT	TAPE - DOUBLE SIDED - 1/2" X 1 1/3" X 200'
	123816-03-000	FT	TAPE - DOUBLE SIDED - 1/2" X 3/4" X 200'
	123816-04-000	FT	TAPE - DOUBLE SIDED - 6" X 750'
	126427-01-000	EA	ADHESIVE - ALL PURPOSE - ABS/PVC
	126427-02-000	EA	PRIMER - CLEANER - FLEX PIPING
	131264-01-08A	EA	SILICONE - TUBE - W/O NOZZLE - BUFF
	131264-01-02A	EA	SILICONE - TUBE - W/O NOZZLE - CLEAR
	131264-01-01A	EA	SILICONE - TUBE - W/O NOZZLE - BLACK
	131264-02-01A	EA	SILICONE - TUBE - W/O NOZZLE - VW GRAY - BATH ONLY
	131264-03-01A	EA	SILICONE - TUBE - W/O NOZZLE - SELF LEVELING - BRIGHT WHITE
	131264-04-01A	EA	SILICONE/SEALANT/ADHESIVE - FAST CURE F/GLASS/VINYL - B/W
	131384-01-000	EA	ADHESIVE - JETWELD
	134651-01-000	FT	SEAL - 1/2" X 3/4" PSA 1 SIDE
	900390-01-000	EA	NOZZLE - SILICONE TUBE - 2.5" LONG
	900390-03-000	EA	NOZZLE - SILICONE TUBE - 4.3" LONG

BOLTS, NUTS AND WASHERS

KEY	PART NUMBER	U/M	DESCRIPTION
	OMC04K-06-016	EA	BOLT - HEX - M06 X 1 X 016
	OMC05K-08-055	EA	BOLT - HEX - M08 X 1.25 X 2.2
	OMC13K-14-110	EA	BOLT - HEX
	OMC13K-14-070	EA	BOLT - HEX - M14 X 2 X 2 3/4
	OMC31K-08-020	EA	BOLT - HEX - SERRATED FLANGE - M8 X 020
	OMC32K-10-030	EA	BOLT - HEX - SERRATED FLANGE - M10 X 1 1/2
	OMD16K-10-000	EA	NUT - HEX PREV TORQUE M10 X 1 1/2 CLASS 8
	OMD39K-12-000	EA	NUT - HEX W/NYLON LOCK - M12 X 1 3/4
	OMD40K-14-000	EA	NUT - HEX W/NYLON LOCK - M14 X 2
	OMD54F-06-000	EA	NUT-HEX SER FLG M6X1,0 SS - DIN6923A2M6
	OME06K-14-280	EA	WASHER - FLAT - 14 ID X 28 OD
	000C12-04-40B	EA	BOLT - HEX - 1/4-20 X 2 1/2 - GRADE 5 ZINC
	000C12-04-08B	EA	BOLT - HEX - 1/4-20 X 1/2 - GRADE #5 - ZINC
	000C12-05-16B	EA	BOLT - HEX - 5/16-18 X 1 - GRADE #5 - ZINC
	000C12-06-24B	EA	BOLT - HEX - 3/8-16 X 1 1/2 - ZINC #5
	000C12-06-16B	EA	BOLT - HEX - 3/8-16 X 1 - GRADE #5 - ZINC
	000C12-06-128	EA	BOLT - HEX - 3/8 - 16 X 8 - ZINC 5
	000C12-06-44B	EA	BOLT - HEX - 3/8-16 X 2 3/4 - GRADE 5 - ZINC
	000C12-08-28B	EA	BOLT - HEX - 1/2-13 X 1 3/4 - GRADE #5 - ZINC
	000C12-08-24B	EA	BOLT - HEX - 1/2-13 X 1 1/2 - GRADE #5 - ZINC
	000C12-08-16B	EA	BOLT - HEX - 1/2-13 X 1 - GRADE #5 - ZINC
	000C12-10-24B	EA	BOLT - HEX - 5/8-11 X 1 1/2 - GRADE #5 - ZINC
	000C13-07-48B	EA	BOLT - HEX - 7/16-20 X 3 - GRADE #5 - ZINC
	000C13-07-40B	EA	BOLT - HEX - 7/16-20 X 2 1/2 - GRADE #5 - ZINC
	000C14-07-28B	EA	BOLT - HEX - 7/16-14 X 1 3/4 - GRADE #8 - ZINC
	000C14-10-32K	EA	BOLT - HEX - 5/8-11 X 2 - GRADE #8 - ZINC
	000C18-05-40A	EA	BOLT - ELEVATOR - 5/16-18 X 2 1/2 - PL
	000C18-06-48B	EA	BOLT - ELEVATOR - 3/8-16 X 3 - GRADE 5 - ZINC
	000C26-04-18B	EA	BOLT - HEX - SERRATED FLANGE - 1/4-20 X 1 1/8 - ZINC
	000C26-04-14B	EA	BOLT - HEX - SERRATED FLANGE - 1/4-20 X 7/8 - ZINC
	000C26-04-10B	EA	BOLT - HEX - SERRATED FLANGE - 1/4-20 X 5/8 - ZINC
	000C26-05-20B	EA	BOLT - HEX - SERRATED FLANGE - 5/16-18 X 1 1/4 - ZINC
	000C26-05-129	EA	BOLT - HEX - SERRATED FLANGE - 5/16-18 X 3/4
	000C26-05-12B	EA	BOLT - HEX - SERRATED FLANGE - 5/16-18 X 3/4 - ZINC

SEALANTS & FASTENERS GROUP (CONTINUED)
BOLTS, NUTS AND WASHERS (CONTINUED)

KEY	PART NUMBER	U/M	DESCRIPTION
	000C26-05-249	EA	BOLT - HEX - SERRATED FLANGE - 5/16-18 X 1 1/2
	000C26-06-28B	EA	BOLT - HEX - SERRATED FLANGE - 3/8-16 X 1 3/4 - ZINC
	000C26-06-20B	EA	BOLT - HEX - SERRATED FLANGE - 3/8-16 X 1 1/4 - ZINC
	000C26-06-12B	EA	BOLT - HEX - SERRATED FLANGE - 3/8-16 X 3/4 - ZINC
	000C26-06-40B	EA	BOLT - HEX - SERRATED FLANGE - 3/8-16 X 2 1/2 - ZINC
	000C26-08-24B	EA	BOLT - HEX - SERRATED FLANGE - 1/2-13 X 1 1/2 - ZINC
	000C27-04-40B	EA	BOLT - CARRIAGE - 1/4-20 X 2 1/2 - ZINC
	000C27-05-44I	EA	BOLT-CARR,5/16-18X2.75" - BLACK ZINC
	000C27-07-40B	EA	BOLT - CARRIAGE - 7/16-14 X 2 1/2 - GRADE #5
	000D16-07-00B	EA	NUT - HEX - 7/16-14 - ZINC
	000D24-10-00B	EA	NUT - HEX - SELF LOCKING - 10-32 ZINC
	000D28-10-00B	EA	NUT - HEX - W/NYLON LOCK - 10-32 ZINC
	000D29-04-00B	EA	NUT - HEX - SELF LOCKING - 1/4 X 20 - ZINC
	000D29-06-00B	EA	NUT - HEX - W/NYLON LOCK - 3/8-16 - ZINC
	000D29-09-00B	EA	NUT - HEX - SELF LOCKING - 9/16-12 - ZINC
	000D30-07-00B	EA	NUT - HEX LOCK - NYLON 7/16 X 20
	000D34-06-00B	EA	NUT - HEX - LOCKING - 3/8-16 GRADE C - ZINC
	000D39-04-00B	EA	NUT - HEX - LOCKING W/SERRATED FLANGE - 1/4-20 - ZINC
	000D39-05-00B	EA	NUT - HEX - LOCKING W/SERRATED FLANGE - 5/16-18 - ZINC
	000D39-06-00B	EA	NUT - HEX - LOCKING W/SERRATED FLANGE - 3/8-18 - ZINC
	000D39-06-00D	EA	NUT - HEX - LOCKING W/SERRATED FLANGE - 3/8"-16 BLACK
	000D39-07-00B	EA	NUT - HEX - LOCKING W/SERRATED FLANGE - 7/16-14 - ZINC
	000D44-04-00B	EA	NUT - HEX - LOCKING W/SERRATED FLANGE - 1/4-28 - ZINC
	000D44-07-00B	EA	NUT - HEX - LOCKING W/SERRATED FLANGE - 7/16-20 - ZINC
	000D44-08-00B	EA	NUT - HEX - LOCKING W/SERRATED FLANGE - 1/2-20 - ZINC
	000D46-04-00A	EA	NUT - HEX - WELD - 1/4-20 - PLAIN
	000D65-08-00B	EA	NUT - HEX - LOCKING W/SERRATED FLANGE - 8-32 - ZINC
	000D67-10-00B	EA	NUT - HEX - LOCK - 5/8-11 - ZINC
	000D73-08-00C	EA	NUT - HEX FLANGE - 1/2-13
	000D75-09-00B	EA	NUT - HEX LOCKING - 9/16-12 - ZINC
	000D76-06-00B	EA	NUT - HEX FLANGE - 3/8-16
	000E11-04-00F	EA	WASHER - LOCKING - 1/4 MED SPLIT - STAINLESS STEEL
	000E11-07-00B	EA	WASHER - LOCKING - 7/16 MED SPLIT - ZINC
	000E11-08-00B	EA	WASHER - LOCKING - 1/2 MED SPLIT - ZINC
	000E13-17-00B	EA	WASHER - FLAT - 3/8 AR - ZINC
	000E13-18-00B	EA	WASHER - FLAT - 3/8 WIDE - ZINC
	000E13-20-00B	EA	WASHER - FLAT - 7/16 WIDE - ZINC
	000E13-22-00B	EA	WASHER - FLAT - 1/2 WIDE - ZINC
	000E13-26-00B	EA	WASHER - FLAT - 5/8 WIDE - ZINC
	000E14-10-00B	EA	WASHER - LOCKING - #10 EXTERNAL TOOTH - ZINC
	000E16-10-00B	EA	WASHER - HARDENED - 5/8 - FLAT - ZINC
	000G45-05-16B	EA	BOLT - LAG - 5/16-9 X 1 - ZINC
	000G62-08-24B	EA	SCREW - SF/DR - 8-18 X 1 1/2 PFH
	002329-01-000	EA	WASHER-FLAT, 9/32" ID X 5/8" OD - NYLON
	005081-01-000	EA	NUT - SPEED - C-TYPE - #8 SCREW
	040921-03-000	EA	NUT - SPEED - U TYPE - #10
	040921-04-000	EA	NUT - SPEED - U TYPE - #8-.59" LENGTH X .44" WIDTH
	040921-05-000	EA	NUT - SPEED - U-TYPE - 8-.67" X .44" WIDE
	041322-01-000	EA	WASHER - FLANGE - 15/32 ID X 2 3/8 OD - F/SEAT BELT MTG
	044364-01-000	EA	NUT - SPEED - FLAT - RECTANGULAR - SELF LOCKING/ONE PIECE
	044364-02-000	EA	NUT - SPEED - FLAT - ROUND
	044533-01-000	EA	WASHER - PLASTIC - 1 3/8 OD - FOR BUTTONS
	046867-04-000	EA	GROMMET - #0
	046867-05-000	EA	WASHER - #0
	051387-06-000	EA	BOLT - CARRIAGE W/O HOLE - 5/16-18 X 9 1/2 - ZINC
	058716-02-000	EA	WASHER - FLAT NYLON
	058716-03-000	EA	WASHER - FLAT/NYLON - .500 X 1 1/4 X 060
	064081-03-000	EA	NUT - WING 3/8-16 - W/WELD NUT
	077071-01-000	EA	WASHER - FENDER - 3/16 ID X 1 OD
	084406-01-000	EA	NUT - CAPPED - CROSS RECESSED - BLACK - 1/4-20 THD
	087234-01-000	EA	NUT - JACK - 1/4 X 20 THD - MOLLY
	087718-01-000	EA	MONOBOLT - STEEL - 3/16 DIAMETER
	088787-12-000	EA	STUD - WELD - 1/4 - 20 X 1.0 LG - MN
	102333-02-01A	EA	BOLT - CARRIAGE - 1/4-20

SEALANTS & FASTENERS GROUP (CONTINUED)
BOLTS, NUTS AND WASHERS (CONTINUED)

KEY	PART NUMBER	U/M	DESCRIPTION
	102540-02-000	EA	SEAL - SCREW
	103020-02-000	EA	BOLT-U - #8-32 - GRADE 5 ZINC
	106166-01-000	EA	BOLT/COLLARED HANGER - 8-32 X 1
	106956-03-000	EA	BOLT - HEX TAP - 1/2-12NC X 3 - GRADE 5 - FULL THREAD/ZINC
	106956-08-000	EA	BOLT - HEX TAP - 1/2-13NC X 4 - GRADE 5 - FULL THREAD/ZINC
	107393-02-000	EA	BOLT - SHOULDER - 3/8" SOCKETHEAD
	107397-01-000	EA	WASHER - FENDER - 3/4 ID X 1 OD
	108067-03-000	EA	STUD - WELD - 1/4 - 20 X 1/2 CD
	109235-01-05A	FT	COVER - SCREW - BRIGHT WHITE
	109235-01-01A	FT	COVER - SCREW - MAT BLACK
	109917-03-000	EA	WASHER - 1" X .50"
	109917-04-000	EA	WASHER - 1" X .75"
	113985-02-000	EA	BOLT - FLANGE - M10-1 1/2 X 30CL 10.9
	114259-05-000	EA	BOLT - 7/16-20 X 1 1/4 W/WASHER
	128444-01-000	EA	WASHER - SPRING - CONICAL
	131377-01-000	EA	NUT-HEX HEAD W/WASHER-1/4-20 X 2" STEEL W/3/4" OD WASHER
	135092-01-01A	EA	BOLT - HEX - SERRATED FLANGE - 1/2-20 X 1 3/4-GRADE 5 ZINC
	135092-02-01A	EA	BOLT - HEX - SERRATED FLANGE - 1/2-20 X 2 1/2-GRADE 5 ZINC

SCREWS

KEY	PART NUMBER	U/M	DESCRIPTION
	0G1106-08-240	EA	SCREW - 6-20 X 1/2 PPH - VW LIGHT GRAY
	0G1108-12-240	EA	SCREW - 8-18 X 3/4 PPH - VW LIGHT GRAY
	0G1208-12-170	EA	SCREW - 8-18 X 3/4 POH - BRIGHT WHITE
	0G1306-08-130	EA	SCREW-6-20X1/2 PFH TAUPE
	0G1308-10-240	EA	SCREW - 8-18 X 5/8 PFH - VW LIGHT GRAY
	0G3804-22-180	EA	SCREW - MACHINE - 1/4-20 X 1 3/8 PFH - BLACK
	0G3908-08-160	EA	SCREW - SF/DR - 8-18 X 1/2 PPH - VW WHITE
	0G3908-08-240	EA	SCREW - SF/DR - 8-18 X 1/2 PPH - VW LIGHT GRAY
	0G3908-08-170	EA	SCREW - SF/DR - 8-18 X 1/2 PPH - BRIGHT WHITE
	0G3908-12-250	EA	SCREW - SF/DR - 8-18 X 3/4 PPH - DARK GRAY
	0G3908-12-240	EA	SCREW - SF/DR - 8-18 X .75 PPH - VW LIGHT GRAY
	0G3908-16-170	EA	SCREW - SF/DR - 8-18 X 1 PPH - BRIGHT WHITE
	0G3908-24-170	EA	SCREW - SF/DR - 8-18 X 1 1/2 PPH - BRIGHT WHITE
	0G3910-10-320	EA	SCREW - SF/DR - 10-16 X 5/8 PPH - GLACIER
	0G3910-10-240	EA	SCREW - SF/DR - 10-16 X 5/8 PPH - VW LIGHT GRAY
	0G3910-10-330	EA	SCREW - SF/DR - 20-16 X 5/8 PPH - PUTTY
	0G3910-12-320	EA	SCREW - SF/DR - 10-16 X .75 PPH - GLACIER
	0G3910-12-240	EA	SCREW - SF/DR - 10-16 X .75 PPH - VW LIGHT GRAY
	0G3910-12-170	EA	SCREW - SF/DR - 10-16 X 3/4 PPH - BRIGHT WHITE
	0G5508-12-270	EA	SCREW - SF/DR - 8-18 X 3/4 PWH - TITANIUM
	0G5508-12-260	EA	SCREW - SF/DR - 8-18 X 3/4 PWH - ALLANTE ANTELOPE
	0G5508-12-240	EA	SCREW - SF/DR - 8-18 X 3/4 PWH - VW LIGHT GRAY
	0G5508-12-170	EA	SCREW - SF/DR - 8-18 X 3/4 PWH - BRIGHT WHITE
	0G5508-12-330	EA	SCREW - SF/DR - 8-18 X 3/4 PWH - PUTTY
	0G5508-12-320	EA	SCREW - SF/DR - 8-18 X 3/4 PWH - GLACIER
	0G5508-16-320	EA	SCREW - SF/DR - 8-18 X 1 PWH - GLACIER
	0G5508-16-250	EA	SCREW - SF/DR - 8-18 X 1 PWH - VW DARK GRAY
	0G6008-16-170	EA	SCREW - SF/DR - 8-18 X 1 POH - BRIGHT WHITE
	0G6710-08-240	EA	SCREW - 10-12 X 1/2 PPH TAUPE - VW LIGHT GRAY
	0G6710-08-170	EA	SCREW - 10-12 X 1/2 PPH - BRIGHT WHITE
	0G6710-08-130	EA	SCREW - 10-12 X 1/2 PPH - TAUPE
	0G6710-12-170	EA	SCREW - 10-12 X 3/4 PPH - BRIGHT WHITE
	0G6806-16-170	EA	SCREW - 6-18 X 1 POH - BRIGHT WHITE
	0G6810-24-280	EA	SCREW - 10-12 X 1 1/2 POH - SOFT WHITE
	000C20-04-16A	EA	SCREW - 1/4-20X 1 - FLAT SOCKET HEAD
	000C20-05-28F	EA	SCREW - 5/16-18 X 1 3/4 FLAT SOC - STAINLESS STEEL
	000C20-06-24T	EA	SCREW - 3/8-16 X 1 1/2 - FLAT SOCKET
	000G11-06-10J	EA	SCREW - 6-20 X 5/8 PPH - BRASS
	000G11-06-08B	EA	SCREW - 6-20 X 1/2 PPH - ZINC
	000G11-07-08B	EA	SCREW - 7-19 X 1/2 PPH - ZINC
	000G11-08-12B	EA	SCREW - 8-18 X 3/4 PPH - ZINC
	000G11-08-08T	EA	SCREW - 8-18 X 1/2 PPH - FLUOROCARBON COATING

SEALANTS & FASTENERS GROUP (CONTINUED)
SCREWS (CONTINUED)

KEY	PART NUMBER	U/M	DESCRIPTION
	000G11-08-06B	EA	SCREW - 8-18 X 3/8 PPH - ZINC
	000G11-08-20G	EA	SCREW - 8-18 X 1 1/4 - ANTIQUE BRASS
	000G11-08-20B	EA	SCREW - 8-18 X 1 1/4 PPH - ZINC
	000G11-08-16B	EA	SCREW - 8-18 X 1 PPH - ZINC
	000G11-08-12T	EA	SCREW - 8-18 X 3/4 PPH - BLACK MAGNESIUM
	000G11-08-12P	EA	SCREW - 8-18 X 3/4 PPH - DARK BROWN
	000G11-10-12D	EA	SCREW - 10-16 X 3/4 PPH - BLACK
	000G12-06-12J	EA	SCREW - 6-20 X .75 POH - BRASS
	000G12-06-08T	EA	SCREW - 6-20 X 1/2 POH - BLACK
	000G12-08-12S	EA	SCREW - 8-18 X 3/4 POH - OFF WHITE
	000G13-05-10B	EA	SCREW - 5-12 X 5/8 PFH - ZINC
	000G13-06-08B	EA	SCREW - 6-20 X 1/2 PFH - ZINC
	000G13-06-06I	EA	SCREW - 6-20 X 3/8 PFH - BLACK ZINC
	000G13-06-16J	EA	SCREW - 6-20 X 1 PFH - BRASS
	000G13-06-10J	EA	SCREW - 6-20 X 5/8 PFH - BRASS
	000G13-06-10G	EA	SCREW - 6-20 X 5/8 PFH - ANTIQUE BRASS
	000G13-06-08G	EA	SCREW - 6-20 X 1/2 PFH - ANTIQUE BRASS
	000G13-06-24J	EA	SCREW - 6-20 X 1 1/2 PFH - BRASS
	000G13-07-12B	EA	SCREW - 7-19 X 3/4 PFH - ZINC
	000G13-07-10H	EA	SCREW - 7-19 X 5/8 PFH - BLACK
	000G13-08-10B	EA	SCREW - 8-18 X 5/8 PFH - ZINC
	000G13-08-24B	EA	SCREW - 8-18 X 1 1/2 PFH - ZINC
	000G13-08-16B	EA	SCREW - 8-18 X 1 PFH - ZINC
	000G13-08-109	EA	SCREW - 8-18 X 5/8 PFH
	000G13-10-16I	EA	SCREW - 10-16 X 1 PFH - BLACK
	000G16-04-24B	EA	SCREW - MACHINE - 1/4-20 X 1 1/2 PPH
	000G18-08-22B	EA	SCREW - MACHINE - 8-32 X 1 3/8 PPH - ZINC
	000G18-08-16B	EA	SCREW - MACHINE - 8-32 X 1 PPH - ZINC
	000G18-08-12B	EA	SCREW - MACHINE - 8-32 X 3/4 PPH - ZINC
	000G18-08-24B	EA	SCREW - MACHINE - 8-32 X 1 1/2 PPH - ZINC
	000G19-10-12F	EA	SCREW - MACHINE - 10-32 X 3/4 PPH - STAINLESS STEEL
	000G19-10-10B	EA	SCREW - MACHINE - 10-32 X 5/8 - PPH - ZINC
	000G19-10-08B	EA	SCREW - MACHINE - 10-32 X 1/2 PPH - ZINC
	000G19-10-20B	EA	SCREW - MACHINE - 10-32 X 1 1/2 PPH - ZINC
	000G36-10-12T	EA	SCREW - 10-24X 3/4 PFH TYPE 23 - BLACK
	000G39-06-16T	EA	SCREW - SF/DR - 6-20 X 1 PPH - BLACK
	000G39-06-10T	EA	SCREW - SF/DR - 6-20 X 5/8 PPH - BLACK
	000G39-08-32B	EA	SCREW - SF/DR - 8-18 X 2 PPH - ZINC
	000G39-08-24T	EA	SCREW - SF/DR - 8-18 X 1 1/2 PPH - BLACK
	000G39-08-24S	EA	SCREW - SF/DR - 8-18 X 1 1/2 - OFF WHITE
	000G39-08-24B	EA	SCREW - SF/DR - 8-18 X 1 1/2 PPH - ZINC
	000G39-08-16T	EA	SCREW - SF/DR - 6-20 X 1 PPH - BLACK
	000G39-08-16B	EA	SCREW - SF/DR - 8-18 X 1 PPH - ZINC
	000G39-08-12B	EA	SCREW - SF/DR - 8-18 X 3/4 PPH - ZINC
	000G39-08-08T	EA	SCREW - SF/DR - 8-18 X 1/2 PPH - BLACK
	000G39-08-08S	EA	SCREW - SF/DR - 8-18 X 1/2 PPH - OFF WHITE
	000G39-08-08B	EA	SCREW - SF/DR - 8-18 X 1/2 PPH - ZINC
	000G39-08-06B	EA	SCREW - SF/DR - 8-18 X 3/8 PPH - ZINC
	000G39-10-08B	EA	SCREW - SF/DR - 10-16 X 1/2 PPH - ZINC
	000G39-10-48T	EA	SCREW - SF/DR - 10-16 X 3 PPH - BLACK
	000G39-10-48B	EA	SCREW - SF/DR - 10-16 X 3 - PPH - ZINC
	000G39-10-32B	EA	SCREW - SF/DR - 10-16 X 2 - PPH - ZINC
	000G39-10-20T	EA	SCREW - SF/DR - 10-16 X 1 1/4 PPH - BLACK
	000G39-10-20B	EA	SCREW - SF/DR - 10-16 X 1 1/4 PPH - ZINC
	000G39-10-169	EA	SCREW - SF/DR - 10-16 X 1 PPH - FLUOROCARBON SILVER
	000G39-10-129	EA	SCREW - SF/DR - 10-16 X 3/4 PPH - FLUOROCARBON SILVER
	000G39-10-12T	EA	SCREW - SF/DR - 10-16 X 3/4 - BLACK
	000G39-10-10T	EA	SCREW - SF/DR - 10-16 X 5/8 - BLACK
	000G39-10-10B	EA	SCREW - SF/DR - 10-16 X 5/8 - ZINC
	000G39-12-12E	EA	SCREW - SF/DR - 12-14 X 3/4 PPH - CHROME
	000G42-04-16B	EA	SCREW - SF/DR - 1/4-14 X 1 HWH - ZINC
	000G42-04-24B	EA	SCREW - SF/DR - 1/4-14 X 1 1/2 - ZINC
	000G46-08-24T	EA	SCREW - MACHINE - 8-32 X 1 1/2 PFH - BLACK
	000G50-04-08B	EA	SCREW - MACHINE - 1/4-20 X 1/2 PTH - ZINC

SEALANTS & FASTENERS GROUP (CONTINUED)
SCREWS (CONTINUED)

KEY	PART NUMBER	U/M	DESCRIPTION
	000G51-06-12B	EA	SCREW - 6-20 X 3/4 PTH - ZINC
	000G52-06-05B	EA	SCREW - MACHINE - 6-32 X 5/16 PTH ZINC
	000G52-08-18B	EA	SCREW - MACHINE - 8-32 X 1 1/8 PTH - ZINC
	000G54-04-14B	EA	SCREW - 1/4-20 X 7/8 PTH - TYPE 23 - ZINC PLATED
	000G55-08-16S	EA	SCREW - SF/DR - 8-18 X 1 PWH - WILLOW
	000G55-08-16T	EA	SCREW - SF/DR - 8-18 X 1 PWH - BLACK
	000G55-08-16S	EA	SCREW - SF/DR - 8-18 X 1.00 - PWH - OFF WHITE
	000G55-08-124	EA	SCREW - SF/DR - 8-18 X 3/4 PWH - ASH GRAY
	000G55-08-12M	EA	SCREW - SF/DR - 8-19 X .75 PWH - GRAY
	000G56-12-48B	EA	SCREW - WOOD - 12-11 X 3 POH - SPECIAL HARDENED
	000G57-14-72B	EA	SCREW-14-10-X4 1/2 PFH ZN GENERAL MOTORHOMES
	000G57-14-64B	EA	SCREW - 14-10 X 4 PFH ZINC
	000G60-08-22B	EA	SCREW - SF/DR - 8-18 X 1.38 POH - ZINC
	000G60-08-20F	EA	SCREW - SF/DR - 8-19X1.25 POH
	000G60-08-16E	EA	SCREW - SF/DR - 8-1 X 1 POH - CHROME
	000G60-10-20B	EA	SCREW - SF/DR - 10-16 X 1 1/4 POH - ZINC
	000G60-10-28T	EA	SCREW - SF/DR - 10-16 X 1 3/4 - BLACK
	000G60-10-209	EA	SCREW - SF/DR - 10-16 X 1 1/4 POH - SILVER STALGAARD
	000G67-08-32B	EA	SCREW - 8-15 X 2 PPH - ZINC
	000G67-10-24S	EA	SCREW - 10-12 X 1 1/2 PPH - OFF WHITE
	000G67-10-24B	EA	SCREW - 10-12 X 1 1/2 PPH - ZINC
	000G67-10-20D	EA	SCREW - 10-12 X 1 1/4 PPH - BLACK
	000G67-10-125	EA	SCREW - 10-12 X 3/4 PPH - WILLOW
	000G67-10-12S	EA	SCREW - 10-12 X 3/4 PPH - OFF WHITE
	000G67-10-12P	EA	SCREW - 10-12 X 3/4 PPH - DARK BROWN
	000G67-10-12B	EA	SCREW - 10-12 X 3/4 PPH - ZINC
	000G67-10-10T	EA	SCREW - 10-12 X 5/8 PPH - BLACK
	000G67-10-10S	EA	SCREW - 10-12 X 5/8 PPH - OFF WHITE
	000G67-10-10P	EA	SCREW - 10-12 X 5/8 PPH - DARK BROWN
	000G67-10-10B	EA	SCREW - 10-12 X 5/8 PPH - ZINC - TYPE A
	000G67-10-08B	EA	SCREW - 10-12 X 1/2 PPH - ZINC
	000G67-10-36T	EA	SCREW - 10-12 X 2 1/4 - PPH - BLACK
	000G68-06-12J	EA	SCREW - 6-18 X 3/4 POH - BRASS
	000G68-06-10J	EA	SCREW - 6-18 X 5/8 POH - BRASS
	000G68-06-10G	EA	SCREW - 6-18 X 5/8 POH - ANTIQUE BRASS
	029130-01-000	EA	SCREW - SNAP STUD - #8-16 X 5/8" LONG
	029130-03-000	EA	SCREW - SNAP STUD - #8-16 X 1" LONG
	049465-01-000	EA	SCREW - 10-16 PTH W/WASHER - DARK BROWN
	049465-03-000	EA	SCREW - 10-16 X 1 POH W/WASHER - OFF WHITE
	049465-04-000	EA	SCREW - 10-16 X 1 PTH W/WASHER - BEIGE
	049465-13-000	EA	SCREW-10+16X1 PTH W/WASHER - *ASH GRAY
	049465-17-000	EA	SCREW - 10-16 X 1 POH W/WASHER - BRIGHT WHITE
	049465-23-000	EA	SCREW - 10-16 X 1.5 POH W/WASHER - VW LIGHT GRAY
	054434-03-000	EA	SCREW - SF/DR - 10-16 X 2 - PWH - ZINC - W/O WINGS
	075908-01-000	EA	SCREW - MACHINE - 10-32 X .56 PTH - EXTERNAL TOOTH - ZINC
	076790-01-000	EA	SCREW - 6-20 X 1 1/4 PPH - BLACK
	076790-05-000	EA	SCREW - 6-20 X 1/2 PPH - BLACK - THREAD CUTTING/WOOD
	083554-01-000	EA	SCREW - DRYWALL - 8 X 1 1/4
	083554-04-000	EA	SCREW - DRYWALL - 8 X 2 1/2
	087721-01-000	EA	SCREW - FLAT HEAD - TAPPING - 1/4 X 1 1/4 LONG - ZINC
	090033-02-000	EA	SCREW - 1/4-20 X 5/8 - ROUND WASHER HEAD - OFF/WHITE
	097974-01-000	EA	SCREW - PARTICLE BOARD - 7-9 X 3/4 PPH
	101618-01-000	EA	SCREW - 1/4-20 X 3/4 HEX - TAPPING - STALGARD TYPE F
	110460-05-02A	EA	SCREW - MACHINE - 10-24 X 2 1/2 PFH - WHITE
	113563-01-01A	EA	SCREW - 8 X 5/8 LONG SHOULDER/WASHER HEAD
	117478-01-04A	EA	SCREW - 8-18 X 3/4 PPH W/WASHER - VW LIGHT GRAY
	118383-01-04A	EA	RETAINER/RECESSED - F/.22" SCREW - BRIGHT WHITE
	118383-01-05A	EA	RETAINER/RECESSED - F/.22" SCREW - VW LIGHT GRAY
	118383-01-09A	EA	RETAINER/RECESSED - F/.22" SCREW - GLACIER
	118383-02-09A	EA	RETAINER/RECESSED - F/.27" SCREW - GLACIER
	118383-02-05A	EA	RETAINER/RECESSED - F/.27" SCREW - VW LIGHT GRAY
	118383-03-09A	EA	RETAINER/RECESSED - F/.32" SCREW - GLACIER

SEALANTS & FASTENERS GROUP (CONTINUED)
SCREWS (CONTINUED)

KEY	PART NUMBER	U/M	DESCRIPTION
	118383-04-09A	EA	CAP - F/RECESSED RETAINER - GLACIER
	118383-04-05A	EA	CAP - F/RECESSED RETAINER - VW LIGHT GRAY
	118383-04-04A	EA	CAP - F/RECESSED RETAINER - BRIGHT WHITE
	126458-01-01A	EA	SCREW - 8-18 X 1/2 - PRWH - BLACK
	134126-01-01A	EA	SCREW/NAIL - HEX HEAD - 3/4"
	140040-01-000	EA	SCREW - 1/4-20 X 1 - BUTTON HEAD/SOCKET - W/LOCTITE

CLAMPS, CLIPS, GROMMETS, RIVETS & PLUGS

KEY	PART NUMBER	U/M	DESCRIPTION
	000F10-06-32B	EA	PIN - COTTER - 3/16" X 2" - ZINC
	000H14-06-06R	EA	RIVET-MANDREL BLIND,3/16 AL - CHERRY BSP-66
	000H14-06-03R	EA	RIVET - MANDREL BLIND - 3/16 ALUMINUM
	000H16-04-06R	EA	RIVET - POP ALUMINUM - 1/8 X .313 - .375
	000H16-06-10R	EA	RIVET - POP ALUMINUM - 3/16 X .501-.625
	007161-01-000	EA	CLAMP - HOSE - SPRING TYPE - 1/2"
	010495-01-000	EA	CLAMP - CABLE - 9/16"ID
	010495-02-000	EA	CLAMP - CABLE - 3/8"ID
	010495-04-000	EA	CLAMP - CABLE - 11/16" - WHITE
	010497-01-000	EA	CLAMP - CLOSED - 5/8"ID
	010497-03-000	EA	CLAMP - CLOSED - 1"ID - CUSHIONED
	010497-04-000	EA	CLAMP - CLOSED - 1 5/8"ID
	010497-05-000	EA	CLAMP - CLOSED - 1/2"ID
	010497-07-000	EA	CLAMP - CLOSED - 3/8"ID
	010497-10-000	EA	CLAMP - CLOSED
	010499-01-000	EA	CLAMP - CLOSED - 3/8"ID
	016188-03-000	EA	GROMMET - L/P LINE - 3/8"HOLE X 2 1/2"LONG - RUBBER
	016188-04-000	EA	GROMMET - L/P LINE - 1/2"HOLE X 2 1/2"LONG - RUBBER
	016188-05-000	EA	GROMMET - L/P LINE - 3/8"HOLE X 1 1/4"LONG - RUBBER
	016188-06-000	EA	GROMMET - L/P LINE - 3/8"HOLE X 3 1/4"LONG
	016188-07-000	EA	GROMMET - L/P LINE - 1/2"HOLE X 3 1/4"LONG
	023942-01-000	EA	GROMMET - RUBBER - 2" OD
	034141-02-000	EA	PLUG/NYLON - .38" - BLACK
	061420-04-000	EA	PLUG/PLASTIC - 1 1/4" DIAMETER
	061420-05-000	EA	PLUG/PLASTIC - 1 1/2" DIAMETER
	061420-08-000	EA	PLUG/PLASTIC - 2 1/2" DIAMETER
	061420-09-000	EA	PLUG/PLASTIC - 1.00" - DIAMETER
	061420-10-000	EA	PLUG/PLASTIC - 1 1/2" DIAMETER - BLACK
	061420-14-000	EA	PLUG/PLASTIC - .034" DIAMETER
	061420-15-000	EA	PLUG/PLASTIC - 2" DIAMETER - BLACK
	061420-16-000	EA	PLUG/PLASTIC - 2 1/8" DIAMETER
	062401-01-000	EA	CLAMP - HOSE - WORMGEAR - .25" - 1"
	062401-02-000	EA	CLAMP - HOSE - WORMGEAR - 1.56" - 2.5"
	062401-03-000	EA	CLAMP - HOSE - WORMGEAR - .22" - 1"
	062401-04-000	EA	CLAMP - HOSE - WORMGEAR - .69" - 1.25"
	062401-05-000	EA	CLAMP - HOSE - WORMGEAR - 2" - 3" ID
	062401-06-000	EA	CLAMP - HOSE - WORMGEAR - .22" - .62" ID
	062401-09-000	EA	CLAMP - HOSE - WORMGEAR - 2.8" - 3.75"
	062401-11-000	EA	CLAMP - HOSE - WORMGEAR - 3.50" - 4.50"
	062401-12-000	EA	CLAMP - HOSE - WORMGEAR - .79" X 1.26"
	071015-11-000	EA	GROMMET - RUBBER - 1"ID FITS .12 MATERIAL - BLACK
	071015-19-000	EA	GROMMET - RUBBER - .38 ID - FITS .06 MATERIAL - BLACK
	071015-26-000	EA	GROMMET - RUBBER - 1.5" ID X 2.1" OD W/.06" GROOVE-BLACK
	071015-30-000	EA	GROMMET - RUBBER - .31" ID X .81" OD W/.12" GROOVE-BLACK
	071015-39-000	EA	GROMMET - .75 ID FITS .06 MTL
	071015-41-000	EA	GROMMET - .125 ID FITS .188 MTL
	075148-02-000	EA	CLAMP - GROUNDING - BRONZE SCREWS
	077955-01-000	EA	CLIP/J - 3/8" - VINYL COATED
	080734-02-000	EA	CLIP - WIRE NYLON
	081211-03-000	EA	PLUG/PLASTIC - .50 DIAMETER - BLACK
	081211-04-000	EA	PLUG/PLASTIC - .46 DIAMETER - BLACK

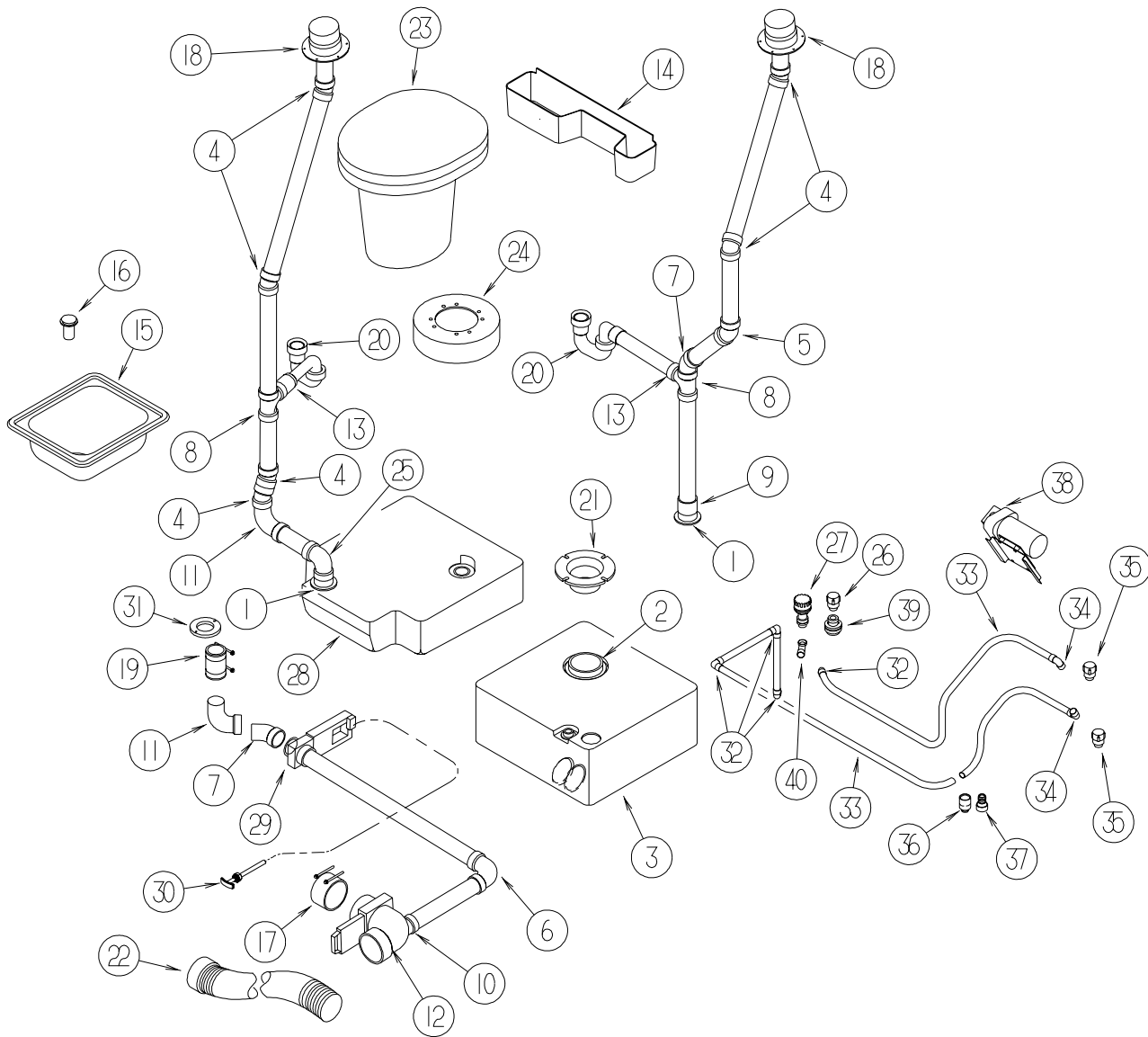
SEALANTS & FASTENERS GROUP (CONTINUED)
CLAMPS, CLIPS, GROMMETS, RIVETS & PLUGS (CONTINUED)

KEY	PART NUMBER	U/M	DESCRIPTION
	083609-01-000	EA	CLAMP - WIRE - DUAL - EQUAL DIAMETERS - 5/8"
	083610-01-000	EA	CLAMP - WIRE - DUAL - UNEQUAL DIAMETERS - 3/4" & 1 1/4"
	083610-02-000	EA	CLAMP - WIRE - DUAL - UNEQUAL DIAMETERS - 3/4" & 2"
	083610-03-000	EA	CLAMP - WIRE - DUAL - EQUAL DIAMETERS - 2"
	088756-01-000	EA	GROMMET - WEB - 1 1/8 " I.D.
	091952-01-000	EA	CLIP - GRIPPER - 1"
	091952-02-000	EA	CLIP - GRIPPER - 3/4"
	094362-02-000	EA	CLIP - XMAS TREE - BINDER HEAD - .9" LONG
	114208-04-000	EA	GROMMET - EDGE LINER - FITS 1"
	114208-05-000	EA	GROMMET - EDGE LINER - FITS 2"
	118626-01-02A	EA	RIVET - POP - ALUMINUM - 3/16 X .08 - .375
	118626-01-01A	EA	RIVET - POP - ALUMINUM - 3/16 X .08 - .375
	118626-02-01A	EA	RIVET - POP - ALUMINUM - 3/16 X .500 - .750
	137014-01-01A	EA	GROMMET - CABLE - ALMOND
	137014-01-02A	EA	GROMMET - CABLE - BROWN
	139118-01-01A	EA	GROMMET - PLASTIC/SCREW
	139118-02-01A	EA	GROMMET - SCREW - PLASTIC
	140171-02-000	EA	CLAMP - HOSE - STEPLESS EAR - .250

MISCELLANEOUS FASTENERS

KEY	PART NUMBER	U/M	DESCRIPTION
	008343-01-000	EA	TIE - WIRE - 6"
	008343-02-000	EA	TIE - WIRE - 14"
	008343-03-000	EA	TIE - WIRE - 7 1/2" - BLACK
	029094-04-000	YD	VELCRO TAPE - LOOP - 1" WIDE - BLACK
	029094-06-000	YD	VELCRO TAPE - LOOP - 2" WIDE - BLACK
	029096-03-000	YD	VELCRO TAPE - HOOK - 1" WIDE - BLACK
	029096-04-000	YD	VELCRO TAPE - HOOK - 1" WIDE - BLACK
	048394-02-000	YD	VELCRO TAPE - HOOK - ADHESIVE BACK - 3/4" WIDE - BEIGE
	085774-01-000	FT	FASTENER - DUAL LOCK - 1" WIDE - ADHESIVE BACK - BLACK
	085774-02-000	FT	FASTENER - DUAL HOOK - 1" WIDE - ADHESIVE BACK - BLACK
	085774-03-000	FT	FASTENER - DUAL LOCK - 1/2" WIDE - ADHESIVE BACK - BLACK
	085774-04-000	FT	FASTENER - DUAL HOOK - 1/2" WIDE - ADHESIVE BACK - BLACK
	088792-02-000	YD	VELCRO TAPE - LOOP - 3/4" - ADHESIVE BACK - BEIGE
	088792-04-000	YD	VELCRO TAPE - HOOK - 5/8" - NON-ADHESIVE BACK - WHITE
	088792-05-000	YD	VELCRO TAPE - LOOP - 5/8" - NON-ADHESIVE BACK - WHITE
	108046-02-000	EA	CABLE TIE - SCREW MOUNT 15"
	110943-02-000	FT	FELT STRIP - 3/8" - ADHESIVE BACK - WHITE
	113133-02-01A	EA	RIVET - POP - ALUMINUM - 3/16 X .252 - .504 - BLACK
	127960-01-01A	EA	RETAINER - 3/8" - STAINLESS STEEL

WATER & SEWAGE GROUP DRAINAGE SYSTEM



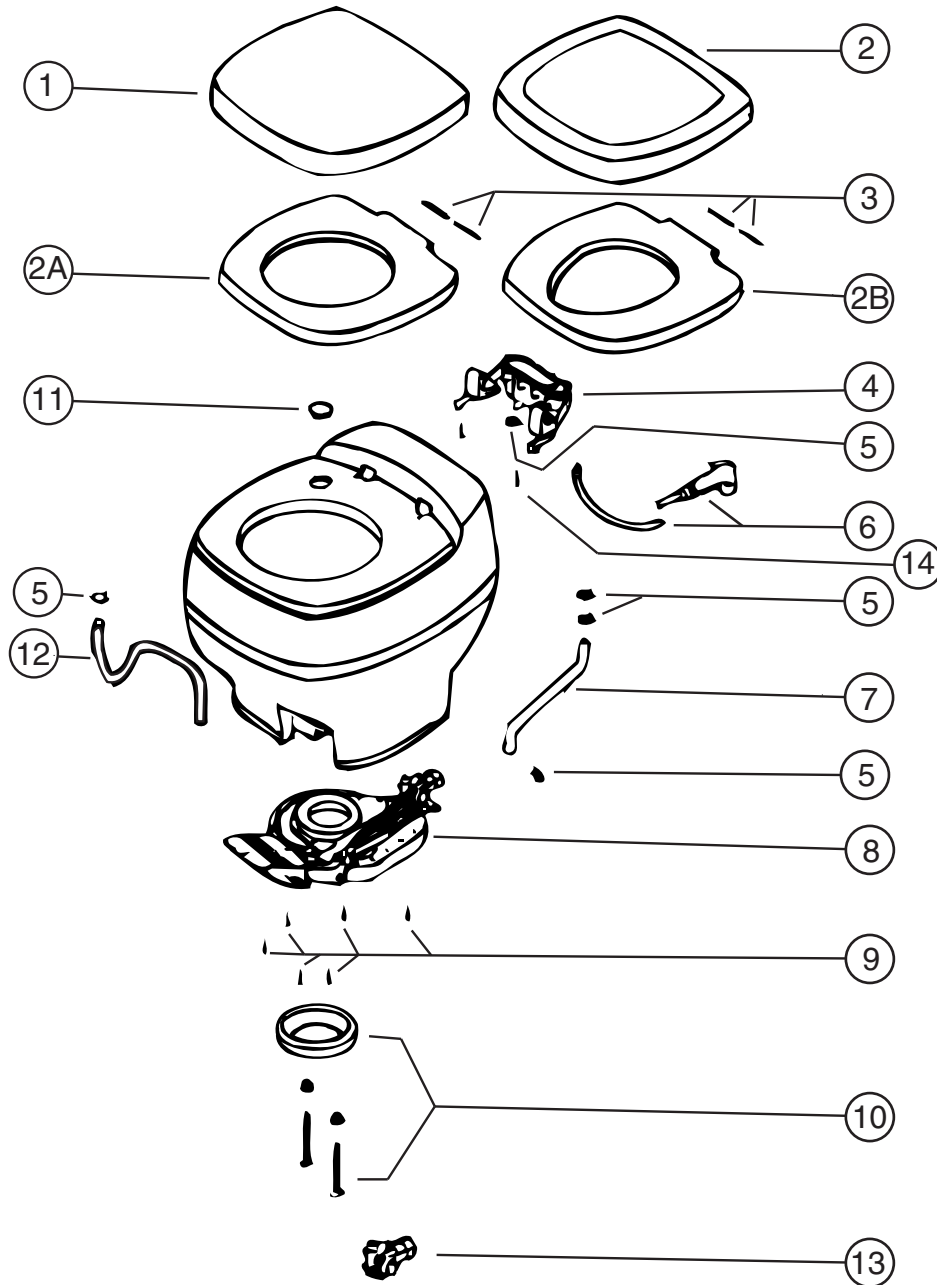
KEY	PART NUMBER	U/M	DESCRIPTION
1	061607-01-000	EA	GROMMET - HOLDING TANK - 1 1/2" NPS
2	061607-02-000	EA	GROMMET - HOLDING TANK - 3" NPS
3	127074-01-000	EA	TANK - HOLDING - 13 GALLON - W/O FITTINGS
4	010005-01-000	EA	ELBOW - 22.5 DEGREE - 1 1/2" HUB X HUB - PLASTIC
5	010006-01-000	EA	ELBOW - 45 DEGREE - 1 1/2" HUB X HUB - PLASTIC
6	010008-01-000	EA	ELBOW - 90 DEGREE - 1 1/2" HUB X HUB - PLASTIC
7	010051-01-000	EA	ELBOW - 45 DEGREE - 1 1/2" SPIGOT X HUB - PLASTIC
8	010071-01-000	EA	TEE - SANITARY - 1 1/2" HUB X HUB X HUB - PLASTIC
9	010115-01-000	EA	COUPLING - 1 1/2" HUB X HUB - PLASTIC
10	010123-01-000	EA	BUSHING - 2" X 1 1/2" HUB - BLACK PLASTIC
11	033761-01-000	EA	ELBOW - 90 DEGREE - TURN - 1 1/2" HUB X 1 1/2" SPIGOT
12	072346-01-000	EA	VALVE - 3" SLIP X 3" BAYONET W/CAP X 2" SOCKET-ABS
13	109571-01-000	EA	ADAPTER - P-TRAP - 1 1/2" P X 1 1/4" MPT
14	P12114-01-02A	EA	BASIN - CATCH - W/STRAINER
	106116-01-01A	EA	STRAINER/PLASTIC - STOPPER/TAILPIECE/GASKET & NUT-LAVATORY
	106116-02-01A	EA	GASKET - STRAINER
	112114-01-02A	EA	BASIN - CATCH - LAVATORY - VW LIGHT GRAY
15	011029-03-000	EA	SINK - STAINLESS STEEL - SINGLE W/RAILS
16	066437-02-000	EA	STRAINER - W/BASKET - GALLEY SINK - 2.6" OD
	011069-03-000	EA	TAILPIECE - TUB/SHOWER - 1 1/2" X 1 3/4" - PLASTIC
17	078406-01-000	EA	COUPLER - RUBBER - W/CLAMPS - 3" X 3"
18	083558-06-000	EA	VENT - PLUMBING - ROOF PIPE COVERED - VW WHITE
19	089355-01-000	EA	COUPLER - RUBBER - 1 1/2" X 1 1/2"

WATER & SEWAGE GROUP (CONTINUED)
DRAINAGE SYSTEM (CONTINUED)

KEY	PART NUMBER	U/M	DESCRIPTION
20	107538-01-000	EA	P-TRAP - PLASTIC - 1 1/4" W/EXTENSION ARM - USA
20	011071-01-000	EA	P-TRAP - PLASTIC - 1 1/2" - CSA - CANADIAN
21	116644-01-000	EA	FLANGE/CLOSET - 3" FEMALE - 4 BOLT
22	139513-01-000	EA	HOSE - SEWER - 3" X 10' - W/ADAPTER
23*	064076-03-000	EA	TOILET - STARLITE - LOW - WHITE
24	131786-02-01A	EA	SPACER - TOILET - OVAL - 13.5" LONG X 2.8" HIGH - SOFT WHT
25	034250-01-000	EA	ELBOW - 90 DEGREE - LONG TURN - 1 1/2" HUB X HUB - ABS
26	114427-02-000	EA	PLUG - W/COMP NUT - 1/2" PLASTIC PIPE/1/2" FLAIR-IT
27	114974-01-000	EA	STRAINER/SHOWER PAN - W/HOSE END ADAPTER - WHITE PLASTIC
28	133990-02-000	EA	TANK/HOLDING - GRAY WATER - 7 GALLON
29	062421-03-000	EA	VALVE/DUMP W/O HANDLE - 1 1/2" X 1 1/2" HUB
30	062421-09-000	EA	CABLE/ROD - F/DUMP VALVE - W/HANDLE - 41.5"
31	078200-01-000	EA	GASKET - FUEL FILL - 3.5"OD X 2"ID
32	114429-01-000	EA	ELBOW - 1/2"P X 1/2"P
33	112176-01-000	FT	TUBING - VINYL - REINFORCED - 1/2" ID
34	123150-01-000	EA	ELBOW - 1/2 FPT X 1/2 BARB - SWIVEL
35	114427-02-000	EA	PLUG - W/COMP NUT - 1/2" PLASTIC PIPE/1/2" FLAIR-IT
36	114430-03-000	EA	ADAPTER - 1/2"P X 1/2"MPT
37	123152-01-000	EA	ADAPTER - 1/2 FPT X 1/2 BARB - SWIVEL
38*	098607-01-000	EA	PUMP - WATER - W/.5" MPT FITTING - FLOW 2.8 GPM
39	114966-01-000	EA	FILTER - IN LINE - TWIST ON - 1/2"
40	114429-06-000	EA	ELBOW - SWIVEL - 1/2"P X 3/4"FPT

*COMPONENT PARTS LISTED LATER IN THIS GROUP

WATER & SEWAGE GROUP (CONTINUED)
COMPONENT PARTS FOR DRAINAGE SYSTEM



064076-03-000

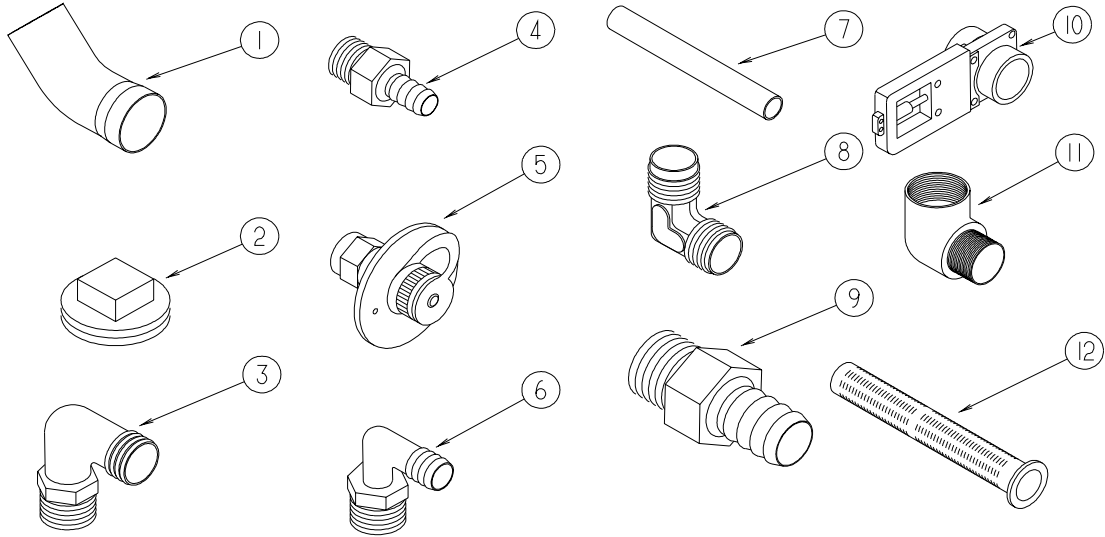
KEY	PART NUMBER	U/M	DESCRIPTION	VENDOR NO.
1	064076-03-700	EA	COVER-SEAT,TOILET-WHITE	2092362
2	064076-03-701	EA	RING-SEAT - TOILET/WHITE	656462
3	039341-02-707	EA	PIN-HINGE	2986
4	064076-03-702	EA	BREAKER-VACUUM - PKG(WHITE)	2070262
6	067487-01-701	EA	WATER SAVER PKG.	08993
8	064076-03-703	EA	MECHANISM - WHITE	2420362
10	039341-02-705	EA	SEAL & BOLT PKG-W/O FLANGE	08975
11	064076-03-704	EA	PLUG - HOLE - WHITE	0389562
13	064076-01-705	EA	VALVE-BALL REPLACEMENT PKG	09868

CONTACT WINNEBAGO PART SALES FOR UNLISTED COMPONENT

070916-01-000

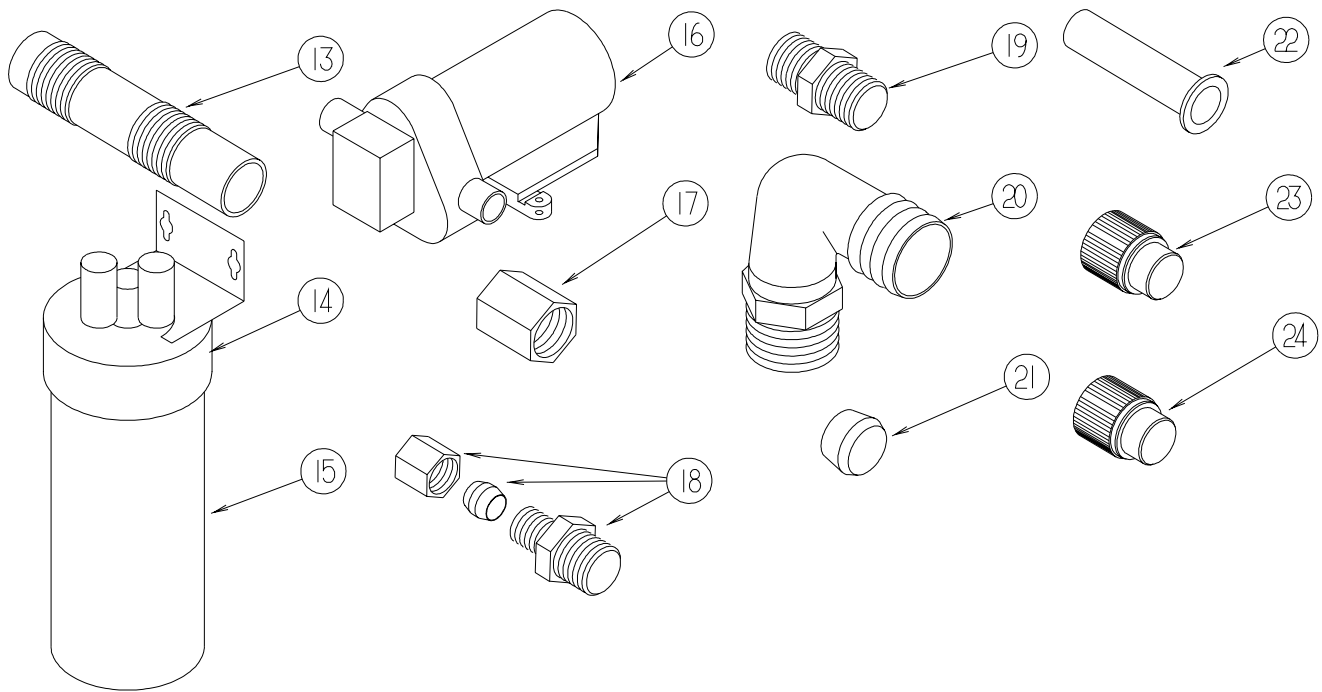
KEY	PART NUMBER	U/M	DESCRIPTION	VENDOR NO.
	070916-01-700	EA	VALVE ONLY (WASTE) 3"	T1003BU
	070916-01-701	EA	VALVE ONLY (WASTE)1 1/2"	T1001BU

WATER & SEWAGE GROUP (CONTINUED)
WATER SYSTEM



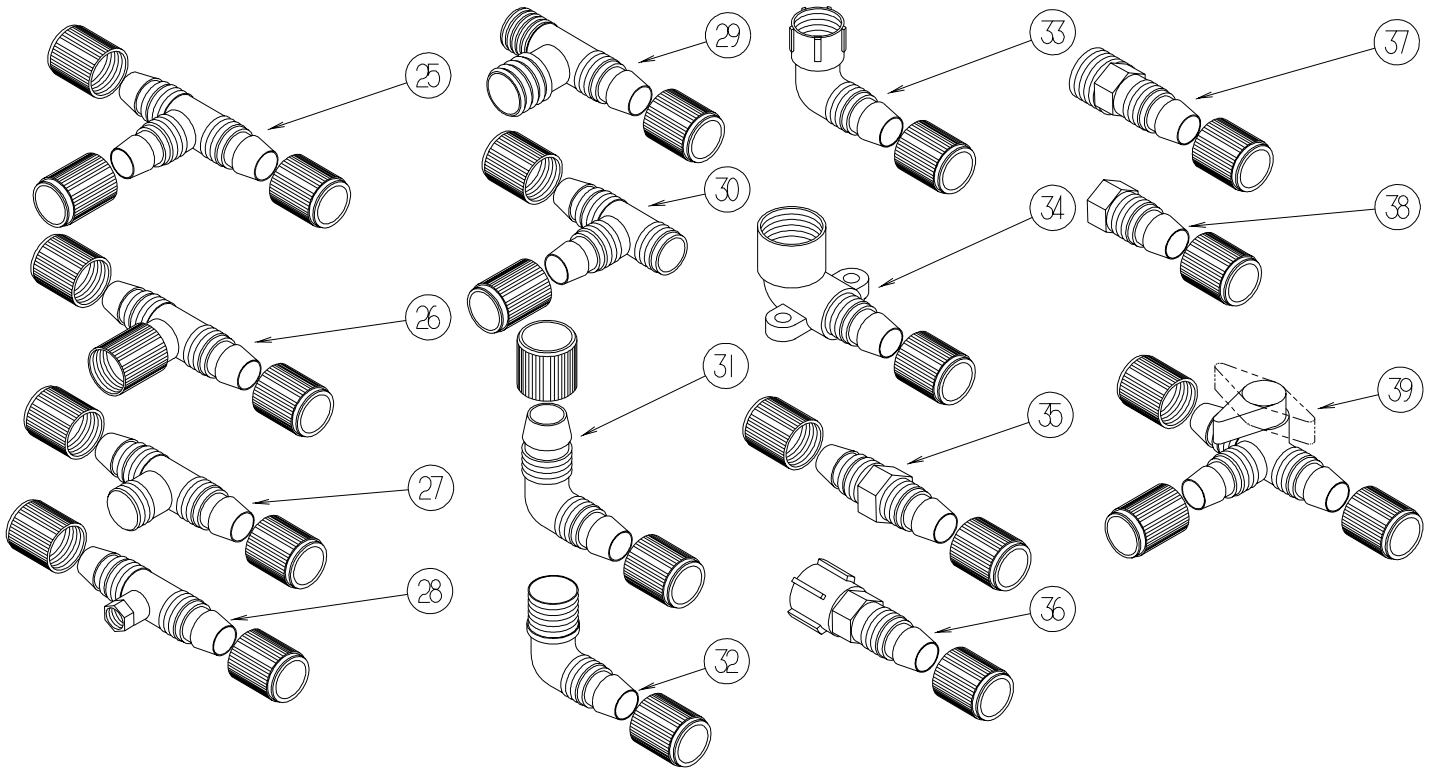
KEY	PART NUMBER	U/M	DESCRIPTION
1	010009-01-000	EA	ELBOW - 90 DEGREE - 1/4 BEND - 1 1/2" PLASTIC
2	010166-01-000	EA	PLUG/THREADED - 1 1/4"MPT - PLASTIC - BLACK - UL
3	010219-01-000	EA	ELBOW - 1 1/4 MPT X 1 1/4 BARB - WATER FILL - PLASTIC
4	010224-01-000	EA	ADAPTER - HOSE TO PIPE - 3/8 MPT X 3/8 BARB - PLASTIC
5	010230-06-000	EA	FILL - CITY WATER - W/CHECK VALVE - MPT - BRUSHED ALUM
6	035539-01-000	EA	ELBOW - 3/8 MPT X 3/8 BARB - PLASTIC
7	039800-04-000	FT	TUBING - POLYBUTYL - 1/4"OD
7	074462-02-000	FT	TUBING - VINYL - 3/8 ID X 20' - CLEAR
7	112176-01-000	FT	TUBING - VINYL - REINFORCED - 1/2" ID
7	124188-01-000	FT	TUBING - PEX - 1/2" ID X 20' - BLUE(COLD)
7	124188-02-000	FT	TUBING - PEX - 1/2" ID X 20' - RED(HOT)
8	039808-03-000	EA	ELBOW - 1/2" MPT X 1/2" MPT - PLASTIC
9	044927-01-000	EA	ADAPTER - HOSE TO PIPE-1 1/4 MPTX1 1/4 BARB-BLACK PLASTIC
10	062421-03-000	EA	VALVE/DUMP W/O HANDLE - 1 1/2" X 1 1/2" HUB
11	065318-02-000	EA	ELBOW - 90 DEGREE - 3/8" MPT TO 3/8" FPT
12	077954-02-000	EA	FILTER - WATER TANK - W/SCREEN IN TANK

WATER & SEWAGE GROUP (CONTINUED)
WATER SYSTEM (CONTINUED)



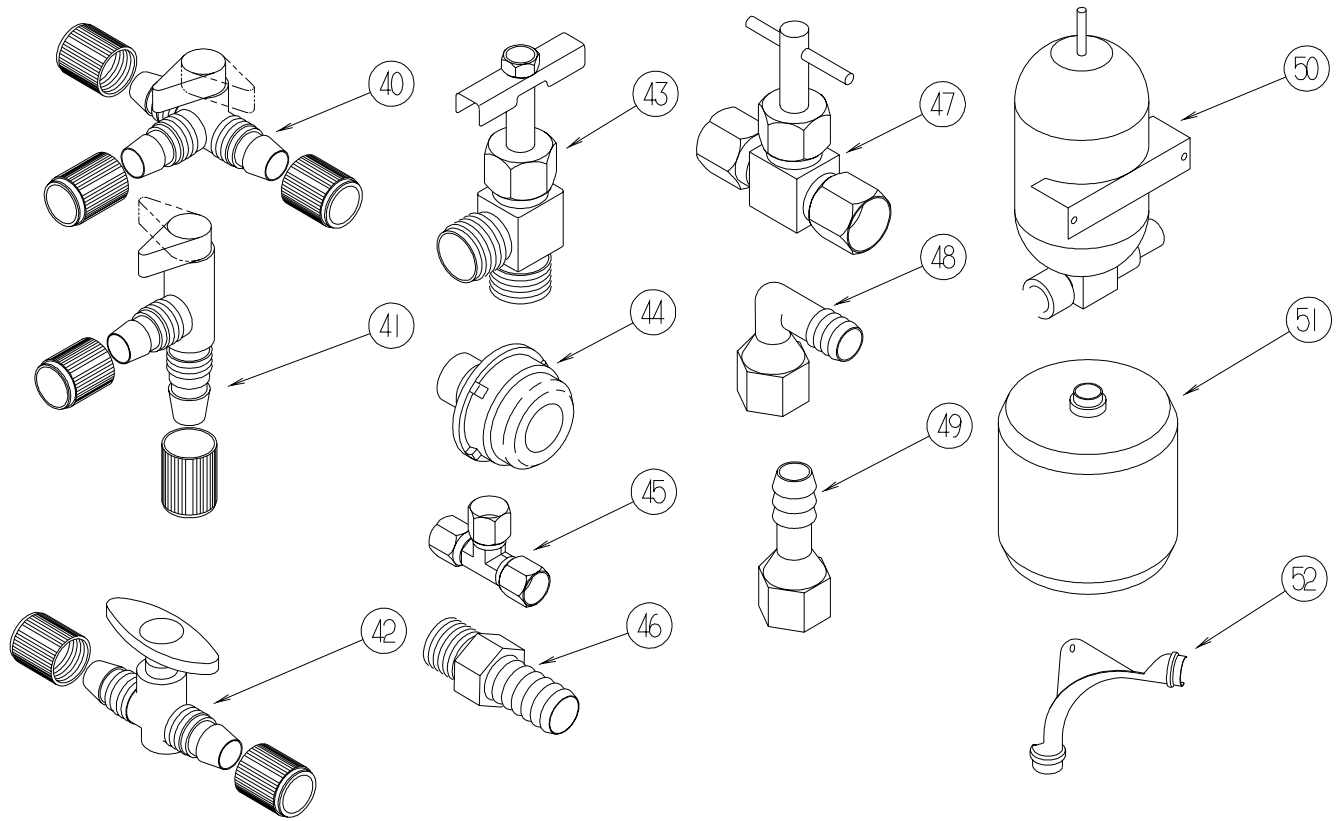
KEY	PART NUMBER	U/M	DESCRIPTION
13	079381-01-000	FT	TUBING - RIBBED FLEXIBLE - WATER FILL - 1.4" ID
14	087200-01-000	EA	FILTER-WATER PURIFICATION, EVERPURE QC2-AC
15	087200-02-000	EA	CARTRIDGE-WATER FILTER,AC - EVERPURE 9601-11
16*	098607-01-000	EA	PUMP - WATER - W/.5" MPT FITTING - FLOW 2.8 GPM
17	101814-01-000	EA	COUPLING - FEMALE - 1/2" X 1/2" FPT - GRAY
18	103798-01-000	EA	CONNECTOR - 1/4 OD X 3/8 MPT
19	110438-02-000	EA	VALVE - CHECK - BRASS - 1/2 MPT X 1/2 MPT
20	111223-02-000	EA	ELBOW - 1/2" MPT X 3/8" BARB - PLASTIC
20	111223-03-000	EA	ELBOW - 3/4" MPT X 1/2" BARB - PLASTIC
20	111223-04-000	EA	ELBOW - 1/2" MPT X 1/2" BARB - PLASTIC
21	111888-01-000	EA	FERRULE - PLASTIC - .250 ID X .375 OD
22	111888-02-000	EA	INSERT - BRASS - 1/4 COMP
23	113697-01-000	EA	CAP - 3/8"P
24	114427-01-000	EA	CAP - 1/2"P

WATER & SEWAGE GROUP (CONTINUED)
WATER SYSTEM (CONTINUED)



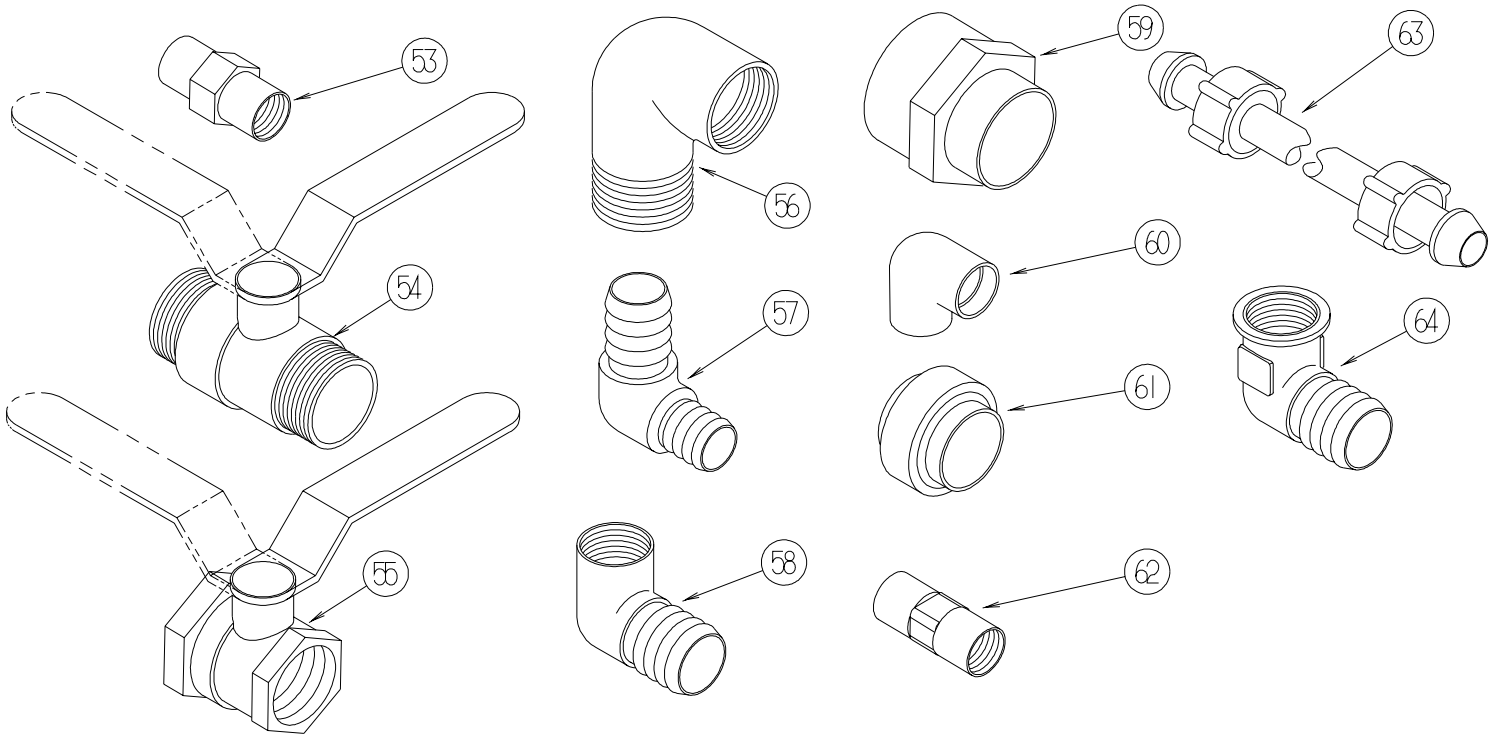
KEY	PART NUMBER	U/M	DESCRIPTION
25	114428-01-000	EA	TEE - 1/2"P X 1/2"P X 1/2"P
26	114428-02-000	EA	TEE - SWIVEL - 1/2"P X 1/2"P X 1/2"FPT
27	114428-03-000	EA	TEE - 1/2"P X 1/2"P X 1/2"MPT
28	114428-04-000	EA	TEE - 1/2"P X 1/2"P X 1/8"FPT
29	114428-06-000	EA	TEE - 1/2" P X 1/2" MPT X 1/2" MPT
30	114428-07-000	EA	TEE - 1/2" P X 1/2" MPT X 1/2" P
31	114429-01-000	EA	ELBOW - 1/2"P X 1/2"P
32	114429-02-000	EA	ELBOW - 1/2"P X 1/2"MPT
32	114429-04-000	EA	ELBOW - 1/2"P X 3/8"MPT
32	114429-05-000	EA	ELBOW - 1/2"P X 3/4"MPT
33	114429-03-000	EA	ELBOW - SWIVEL - 1/2"P X 1/2"FPT
33	114429-06-000	EA	ELBOW - SWIVEL - 1/2"P X 3/4"FPT
33	114429-08-000	EA	ELBOW - SWIVEL - 1/2"P X 1/2"FPT
34	114429-09-000	EA	ELBOW - 1/2"P X 1/2"FPT DROP EAR
35	114430-01-000	EA	ADAPTER - 1/2"P X 1/2"P
36	114430-02-000	EA	ADAPTER - SWIVEL - 1/2"P X 1/2"FPT
37	114430-03-000	EA	ADAPTER - 1/2"P X 1/2"MPT
38	114430-06-000	EA	ADAPTER - 1/2"P X 3/8"FPT
39	114431-01-000	EA	VALVE - 180 DEGREE/CENTER DRAIN - 1/2"P - THREE WAY

WATER & SEWAGE GROUP (CONTINUED)
WATER SYSTEM (CONTINUED)



KEY	PART NUMBER	U/M	DESCRIPTION
40	114431-02-000	EA	VALVE - WATER BYPASS - 1/2"P - THREE WAY (WATER HEATER)
41	114431-03-000	EA	VALVE - 90 DEGREE DRAIN - 1/2"P
42	114431-04-000	EA	VALVE - "INLINE SHUT-OFF" - 1/2"P
43	114431-05-000	EA	VALVE - NEEDLE - 1/8" MPT X 1/4" COMPRESSION (ICE MAKER)
44	114966-01-000	EA	FILTER - IN LINE - TWIST ON - 1/2"
45	118423-01-000	EA	FITTING - BRASS-TEE - 1/4C X 1/4C X 1/4C
46	118809-02-000	EA	ADAPTER - 1/2" MPT X 1/2" BARB - PLASTIC
47	120868-01-000	EA	VALVE - NEEDLE - 1/4" COMPRESSION X 1/4" COMPRESSION
48	123150-01-000	EA	ELBOW - 1/2 FPT X 1/2 BARB - SWIVEL
49	123152-01-000	EA	ADAPTER - 1/2 FPT X 1/2 BARB - SWIVEL
50	123243-01-000	EA	TANK - ACCUMULATOR - 24 OZ
51	123317-01-000	EA	TANK - ACCUMULATOR - 2 GALLON
52	124184-01-000	EA	SUPPORT - WATER LINE - BEND

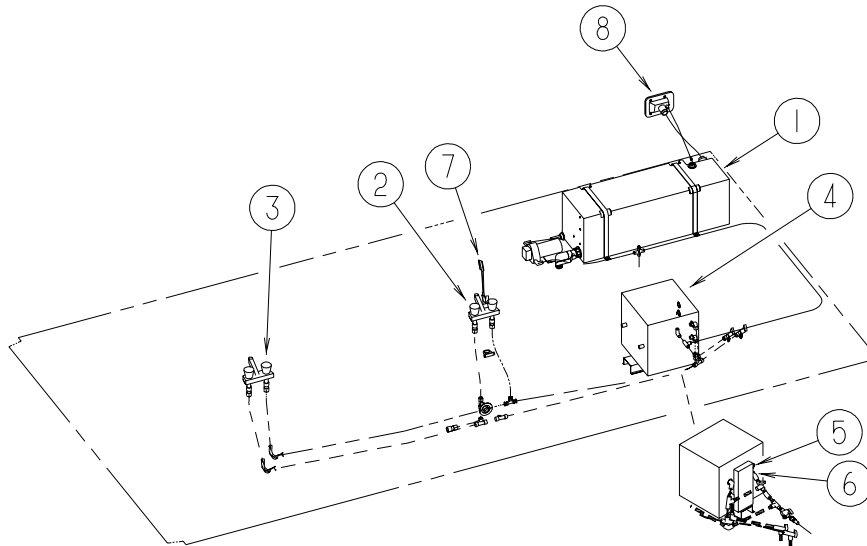
WATER & SEWAGE GROUP (CONTINUED)
WATER SYSTEM (CONTINUED)



KEY	PART NUMBER	U/M	DESCRIPTION
53	132148-01-000	EA	CONNECTOR - 1/2" X 1/2"MPT - BRASS
54	132483-01-000	EA	VALVE/BALL - 1" - THREADED ENDS
55	132483-02-000	EA	VALVE/BALL - 1/2" - BRASS - FPT
56	132484-01-000	EA	ELBOW - 90 DEGREE - 1MPT X 1FPT - PLASTIC
57	132781-01-000	EA	ELBOW - 1.3" BARB X 1.3" BARB - 90 DEGREE - PLASTIC
58	132782-01-000	EA	ELBOW - 1"FPT X 1.3" BARB - 90 DEGREE - PLASTIC
59	133835-01-000	EA	ADAPTER - REDUCING - 1 1/2" X 1 1/4"
60	133837-01-000	EA	ELBOW - 1 1/2" X 90 DEGREE - DOUBLE SLIP
61	133889-01-000	EA	UNION - 1 1/2" DOUBLE SLIP - PVC
62	135386-01-000	EA	NIPPLE - 1/2"
63	140821-01-000	EA	TUBE - WATER SUPPLY - 3/8" X 24"
63	140821-02-000	EA	TUBE - WATER SUPPLY - 3/8" X 30"
63	140821-03-000	EA	TUBE - WATER SUPPLY - 3/8" X 36"
63	140821-04-000	EA	TUBE - WATER SUPPLY - 3/8" X 48"
63	140821-05-000	EA	TUBE - WATER SUPPLY - 3/8" X 54"
63	140821-06-000	EA	TUBE - WATER SUPPLY - 3/8" X 60"
63	140821-07-000	EA	TUBE - WATER SUPPLY - 3/8" X 72"
64	142812-01-000	EA	ELBOW - BRASS - 1/2"MPT X 1/2"FPT

***COMPONENT PARTS LISTED LATER IN THIS GROUP**

WATER & SEWAGE GROUP (CONTINUED)
WATER SYSTEM (CONTINUED)



KEY	PART NUMBER	U/M	DESCRIPTION
1	074510-09-000	EA	TANK/WATER - 16 GALLON W/FITTINGS - 33.5" X 11.4" X 10.6"
	042989-03-000	EA	FITTING - SPINWELD - 1 1/4"NPT - PLASTIC
	042989-04-000	EA	FITTING - SPINWELD - 3/8"FPT - PLASTIC
	042989-05-000	EA	FITTING - SPINWELD - 1/2"FPT - PLASTIC
	042989-08-000	EA	FITTING - SPINWELD - 1"FPT - PLASTIC
	049032-01-000	EA	PATCH - SPINWELD - 3/8" - PLASTIC
	074510-01-000	EA	TANK/WATER - 16 GALLON W/O FITTINGS- 33.5" X 11.4" X 10.6"
2	115000-01-02A	EA	FAUCET - LAVATORY/SHOWER - WHITE/CLEAR HANDLES
3*	140117-01-01A	EA	FAUCET - GALLEY - DUAL LEVERS - CHROME/CLEAR HANDLES
4*	113122-01-000	EA	WATER HEATER - EHM4 (ELECTRICAL/MOTOR AID) - 4 GAL
5	090338-03-000	EA	FITTING - HOSE - 3/4"ID - 2" LENGTH - BRASS
6	007108-02-000	FT	HOSE - HEATER - 3/4" ID - HI-TEMP
7	131383-01-02A	EA	SHOWER HEAD - W/60" HOSE & BRACKET - WHITE - USA
7	131383-02-02A	EA	SHOWER HEAD - W/60" HOSE & BRACKET - CSA - WHITE - CANADIAN
8	137169-01-02A	EA	WATER FILL/GRAVITY - W/DOOR - W/O LOCK - VW WHITE
	137169-02-01A	EA	ADAPTER/LOCK - (WASHER) F/GRAVITY WATERFILL

LOCK ASM USED UP TO 09-15-02

110506-A3-000	EA	LOCK - KEYED
110506-52-000	EA	CASE/CYLINDER - LOCKING - W/O CAM/KEY - .65" - 702370
110506-52-001	EA	CASE/CYLINDER - LOCKING - W/O CAM/KEY - .65" - 702371
110506-52-002	EA	CASE/CYLINDER - LOCKING - W/O CAM/KEY - .65" - 702372
110506-52-003	EA	CASE/CYLINDER - LOCKING - W/O CAM/KEY - .65" - 702373
110506-52-004	EA	CASE/CYLINDER - LOCKING - W/O CAM/KEY - .65" - 702374
110506-52-005	EA	CASE/CYLINDER - LOCKING - W/O CAM/KEY - .65" - 702375
110506-52-006	EA	CASE/CYLINDER - LOCKING - W/O CAM/KEY - .65" - 702376
110506-52-007	EA	CASE/CYLINDER - LOCKING - W/O CAM/KEY - .65" - 702377
110506-52-008	EA	CASE/CYLINDER - LOCKING - W/O CAM/KEY - .65" - 702378
110506-52-009	EA	CASE/CYLINDER - LOCKING - W/O CAM/KEY - .65" - 702379
110506-77-000	EA	CAM - LOCK
110506-59-000	EA	KEY SET
110506-59-001	EA	KEY SET
110506-59-002	EA	KEY SET
110506-59-003	EA	KEY SET
110506-59-004	EA	KEY SET
110506-59-005	EA	KEY SET
110506-59-006	EA	KEY SET
110506-59-007	EA	KEY SET
110506-59-008	EA	KEY SET
110506-59-009	EA	KEY SET

KEY PART NUMBER U/M DESCRIPTION
LOCK ASM USED FROM 09-15-02 THRU 01-19-03

WATER & SEWAGE GROUP (CONTINUED)
WATER SYSTEM (CONTINUED)

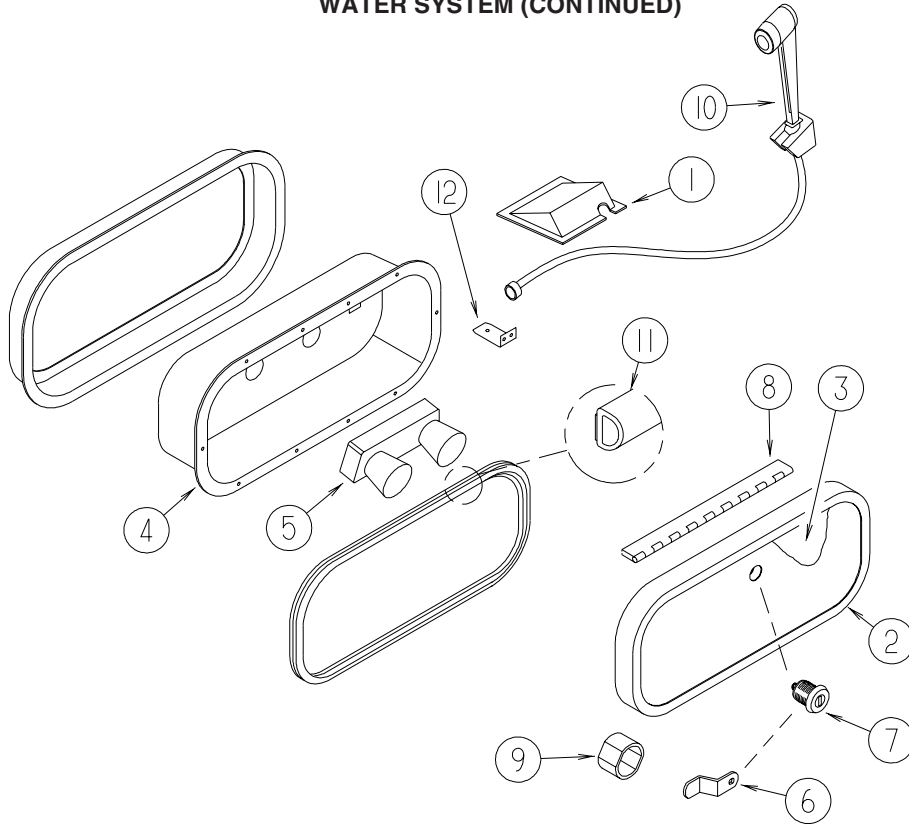
138289-01-000	EA	CYLINDER - LOCKING
138289-02-000	EA	CYLINDER - LOCKING
138289-03-000	EA	CYLINDER - LOCKING
138289-04-000	EA	CYLINDER - LOCKING
138289-05-000	EA	CYLINDER - LOCKING
138289-06-000	EA	CYLINDER - LOCKING
138289-07-000	EA	CYLINDER - LOCKING
138289-08-000	EA	CYLINDER - LOCKING
138289-09-000	EA	CYLINDER - LOCKING
138289-10-000	EA	CYLINDER - LOCKING
138290-03-000	EA	CASE - W/CAM - W/O CYLINDER/KEY
138288-01-000	EA	KEY - REVERSIBLE
138288-02-000	EA	KEY - REVERSIBLE
138288-03-000	EA	KEY - REVERSIBLE
138288-04-000	EA	KEY - REVERSIBLE
138288-05-000	EA	KEY - REVERSIBLE
138288-06-000	EA	KEY - REVERSIBLE
138288-07-000	EA	KEY - REVERSIBLE
138288-08-000	EA	KEY - REVERSIBLE
138288-09-000	EA	KEY - REVERSIBLE
138288-10-000	EA	KEY - REVERSIBLE

LOCK ASM USED FROM 01-20-03 THRU 99-99-99

138637-03-000	EA	LOCK ASM. - KEYED - .9" CASE (CYLINDER/CAM/HDWR PKG)
138637-52-000	EA	CASE/CYLINDER - LOCKING - W/O CAM/KEY - .9"
138637-52-001	EA	CASE/CYLINDER - LOCKING - W/O CAM/KEY - .9"
138637-52-002	EA	CASE/CYLINDER - LOCKING - W/O CAM/KEY - .9"
138637-52-003	EA	CASE/CYLINDER - LOCKING - W/O CAM/KEY - .9"
138637-52-004	EA	CASE/CYLINDER - LOCKING - W/O CAM/KEY - .9"
138637-52-005	EA	CASE/CYLINDER - LOCKING - W/O CAM/KEY - .9"
138637-52-006	EA	CASE/CYLINDER - LOCKING - W/O CAM/KEY - .9"
138637-52-007	EA	CASE/CYLINDER - LOCKING - W/O CAM/KEY - .9"
138637-52-008	EA	CASE/CYLINDER - LOCKING - W/O CAM/KEY - .9"
138637-52-009	EA	CASE/CYLINDER - LOCKING - W/O CAM/KEY - .9"
138637-62-000	EA	CAM - LATCHING - DOG LEG - 1" LONG
138637-51-000	EA	KEY SET
138637-51-001	EA	KEY SET
138637-51-002	EA	KEY SET
138637-51-003	EA	KEY SET
138637-51-004	EA	KEY SET
138637-51-005	EA	KEY SET
138637-51-006	EA	KEY SET
138637-51-007	EA	KEY SET
138637-51-008	EA	KEY SET
138637-51-009	EA	KEY SET

***COMPONENT PARTS LISTED LATER IN THIS GROUP**

WATER & SEWAGE GROUP (CONTINUED)
WATER SYSTEM (CONTINUED)



KEY	PART NUMBER	U/M	DESCRIPTION
1	054250-05-000	EA	SUPPORT-DIMMER SWITCH, O/W
	054250-04-000	EA	COVER/ANGLED - W/O HOLE 3.6" X 4.5" - PLASTIC
2	126945-06-M91	EA	DOOR/STORAGE - W/O HARDWARE - 18.3" X 9.3"
3	121577-04-01A	EA	PLATE - EXTERIOR SHOWER - BRIGHT WHITE
4	121473-01-01A	EA	COMPARTMENT - SHOWER - EXTERIOR
5*	075241-06-000	EA	FAUCET - SHOWER/BRIGHT WHITE - 1/2"MPT X 1.9" INLET PIPES

LOCK ASSEMBLY USED UP TO: 09-15-02

6	110506-66-000	EA	CAM - LATCHING - DOG LEG - 1.5" LONG
7*	110506-26-000	EA	LOCK - KEYED - 1.6"
	110506-54-000	EA	CASE/CYLINDER - LOCKING - W/O CAM/KEY - 1.25" - 703170
	110506-54-001	EA	CASE/CYLINDER - LOCKING - W/O CAM/KEY - 1.25" - 703171
	110506-54-002	EA	CASE/CYLINDER - LOCKING - W/O CAM/KEY - 1.25" - 703172
	110506-54-003	EA	CASE/CYLINDER - LOCKING - W/O CAM/KEY - 1.25" - 703173
	110506-54-004	EA	CASE/CYLINDER - LOCKING - W/O CAM/KEY - 1.25" - 703174
	110506-54-005	EA	CASE/CYLINDER - LOCKING - W/O CAM/KEY - 1.25" - 703175
	110506-54-006	EA	CASE/CYLINDER - LOCKING - W/O CAM/KEY - 1.25" - 703176
	110506-54-007	EA	CASE/CYLINDER - LOCKING - W/O CAM/KEY - 1.25" - 703177
	110506-54-008	EA	CASE/CYLINDER - LOCKING - W/O CAM/KEY - 1.25" - 703178

LOCK ASSEMBLY USED FROM: 09-16-02 TO 01-19-03

6	138637-61-000	EA	CAM - LATCHING - DOG LEG - 1 15/32" LONG
7	138637-02-000	EA	LOCK ASM. - KEYED - 1.3" CASE (CYLINDER/CAM/HDWR PKG)
	138637-50-000	EA	CASE/CYLINDER - LOCKING - W/O CAM/KEY - 1.3"
	138637-50-001	EA	CASE/CYLINDER - LOCKING - W/O CAM/KEY - 1.3"
	138637-50-002	EA	CASE/CYLINDER - LOCKING - W/O CAM/KEY - 1.3"
	138637-50-003	EA	CASE/CYLINDER - LOCKING - W/O CAM/KEY - 1.3"
	138637-50-004	EA	CASE/CYLINDER - LOCKING - W/O CAM/KEY - 1.3"
	138637-50-005	EA	CASE/CYLINDER - LOCKING - W/O CAM/KEY - 1.3"
	138637-50-006	EA	CASE/CYLINDER - LOCKING - W/O CAM/KEY - 1.3"
	138637-50-007	EA	CASE/CYLINDER - LOCKING - W/O CAM/KEY - 1.3"
	138637-50-008	EA	CASE/CYLINDER - LOCKING - W/O CAM/KEY - 1.3"
	138637-50-009	EA	CASE/CYLINDER - LOCKING - W/O CAM/KEY - 1.3"

WATER & SEWAGE GROUP (CONTINUED)
WATER SYSTEM (CONTINUED)

KEY PART NUMBER U/M DESCRIPTION

LOCK ASSEMBLY USED FROM: 01-20-03 TO 99-99-99

6	138637-63-000	EA	CAM - LATCHING	
7	138637-04-000	EA	LOCK ASM. - KEYED - 1.5" CASE (CYLINDER/CAM/HDWR PKG)	
	138637-53-000	EA	CASE/CYLINDER - LOCKING - W/O CAM/KEY - 1.5"	
	138637-53-001	EA	CASE/CYLINDER - LOCKING - W/O CAM/KEY - 1.5"	
	138637-53-002	EA	CASE/CYLINDER - LOCKING - W/O CAM/KEY - 1.5"	
	138637-53-003	EA	CASE/CYLINDER - LOCKING - W/O CAM/KEY - 1.5"	
	138637-53-004	EA	CASE/CYLINDER - LOCKING - W/O CAM/KEY - 1.5"	
	138637-53-005	EA	CASE/CYLINDER - LOCKING - W/O CAM/KEY - 1.5"	
	138637-53-006	EA	CASE/CYLINDER - LOCKING - W/O CAM/KEY - 1.5"	
	138637-53-007	EA	CASE/CYLINDER - LOCKING - W/O CAM/KEY - 1.5"	
	138637-53-008	EA	CASE/CYLINDER - LOCKING - W/O CAM/KEY - 1.5"	
	138637-53-009	EA	CASE/CYLINDER - LOCKING - W/O CAM/KEY - 1.5"	
8	081801-AF-000	EA	HINGE - ALUMINUM - 2" X 12.2"	
	081801-AG-000	EA	HINGE - ALUMINUM - VW WHITE	
9	107997-51-001	EA	SPACER - DOOR LOCK - .6" DEEP	
				FROM: 00-00-00 THRU: 01-19-03
9	144734-01-000	EA	SPACER - LOCK	
				FROM: 01-20-03 THRU: 99-99-99
10	131383-01-02A	EA	SHOWER HEAD - W/60" HOSE & BRACKET - WHITE - USA	
10	131383-02-02A	EA	SHOWER HEAD - W/60" HOSE & BRACKET - WHITE - CANADIAN	
11	112160-02-000	FT	SEAL - D SECTION - .2 X .3" - FOAM RUBBER	
12	NOT USED			

***COMPONENT PARTS LISTED LATER IN THIS GROUP**

WATER & SEWAGE GROUP (CONTINUED)
COMPONENT PARTS FOR WATER SYSTEM

075241-04-000, 075241-05-000, 075241-06-000

KEY	PART NUMBER	U/M DESCRIPTION	VENDOR NO.
	075240-05-700	EA CARTRIDGE - WASHERLESS	9-P42

098607-01-000

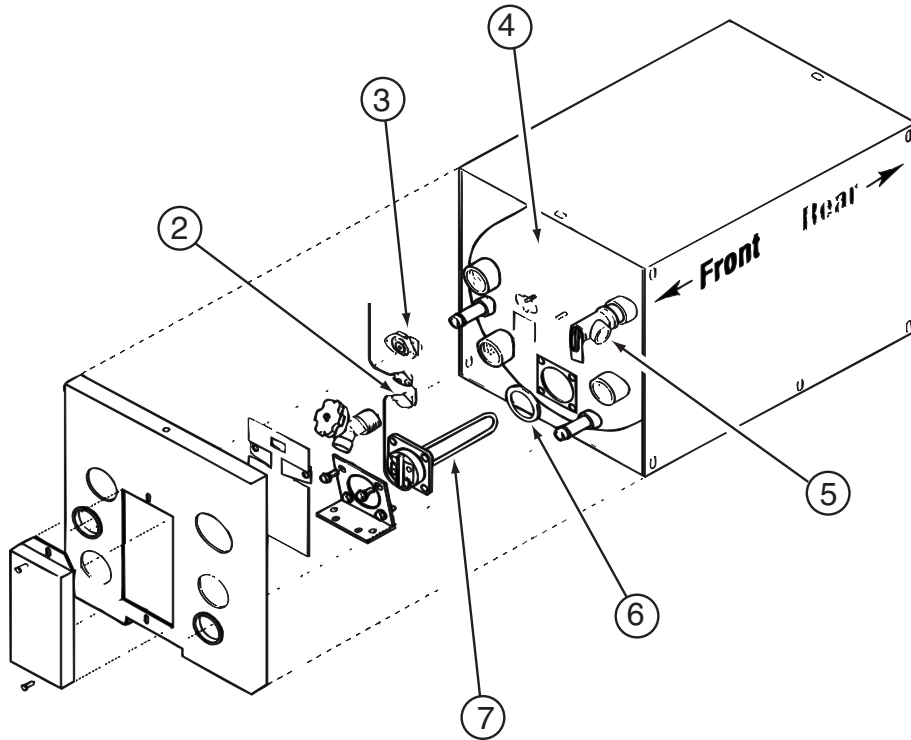
KEY	PART NUMBER	U/M DESCRIPTION	VENDOR NO.
	098607-01-702	EA DIAPHRAGM/DRIVE ASSEMBLY KIT	94-238-04
	098607-01-703	EA VALVE KIT	94-232-00
	098607-01-705	EA VALVE-CHECK, KIT	94-237-00
	098607-01-706	EA HOUSING, W/SWITCH ONLY	94-231-20
	098607-01-707	EA MOTOR W/BASEPLATE	11-148-04

110506-A1-000, 110506-A2-000, 110506-26-000, 110506-27-000

KEY	PART NUMBER	U/M DESCRIPTION	VENDOR NO .
	110506-40-700	EA HARDWARE PACKAGE-CYLINDER/CASE	596950AAL

110506-59-000 - 110506-59-009

KEY	PART NUMBER	U/M DESCRIPTION	VENDOR NO .
	110506-40-700	EA HDWE KIT	596950AAL
	110506-59-701	EA KEY BLANK (GOLD)	



113122-01-000

KEY	PART NUMBER	U/M DESCRIPTION	VENDOR NO.
3	074034-01-700	EA THERMOSTAT/ECO SW-HI(OUTPUT)	90037
4	113122-01-700	EA TANK-INNER, EHM4-SM	92248
5	051391-01-704	EA VALVE-RELIEF, 1/2" FITTING	91604
6	074034-01-703	EA GASKET (110V)	92679
7	074034-01-702	EA HEATING ELEMENT/GASKET 110 V	91580 BOLT/SCREW ON

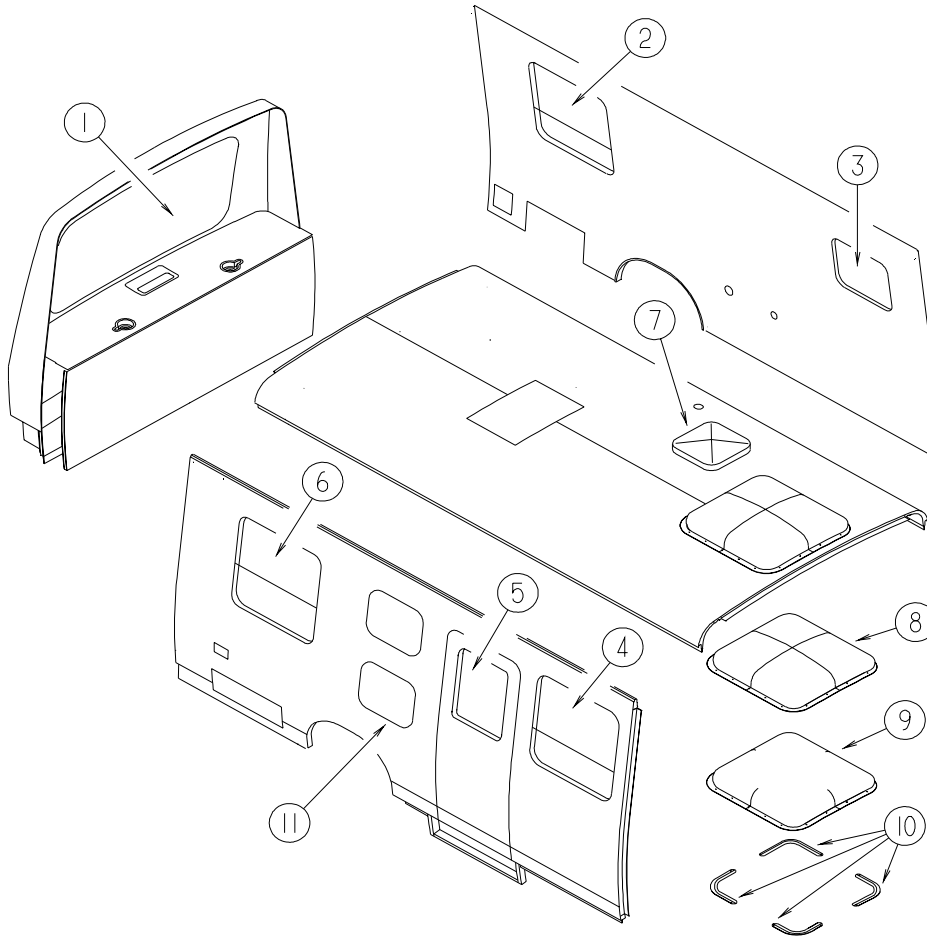
CONTACT WINNEBAGO PART SALES FOR UNLISTED COMPONENTS

140117-01-01A

KEY	PART NUMBER	U/M DESCRIPTION	VENDOR NO.
	140117-01-700	EA CARTRIDGE - BRASS	9-41-5-0

WINDOW & VENTS GROUP

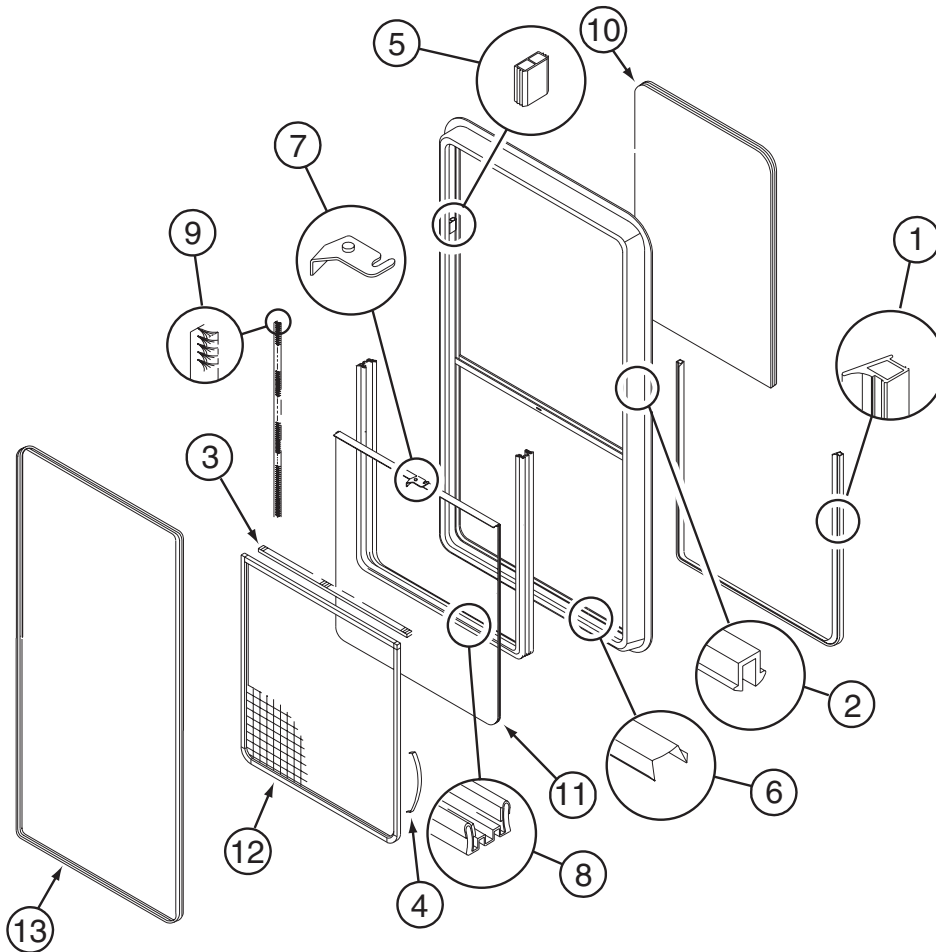
WINDOW & VENT LAYOUT



KEY	PART NUMBER	U/M	DESCRIPTION
1	084423-03-000	EA	WEATHERSTRIP - VULCANIZED - 1/2" W/LIP X 14'- BLACK RUBBER
1	084886-05-000	EA	WINDOW - REAR ESCAPE W/DEFROSTER - 58.6" X 29"
1	002285-01-000	FT	FILLER - WEATHERSTRIP - RUBBER - BLACK
2*	104691-17-02A	EA	WINDOW - DOUBLE TIPOUT - TINTED - 36.2" X 24.5"
3*	098647-46-02A	EA	WINDOW - DRIVER HORIZ SLIDER W/TRIM - TINTED-15.2" X 18.3"
4*	098644-10-02A	EA	WINDOW - VERTICAL SLIDER W/TRIM - TINTED - 25" X 27"
5	117053-01-F45	EA	WINDOW - PICTURE - 60% TINTING - 17.1" X 24.8"
5	114507-02-01A	EA	FRAME - WINDOW/INSIDE
5	002181-28-000	EA	GLASS - PICTURE WINDOW - 24"W X 16.3"H
5	087561-01-000	FT	SEAL - GLASS - EXTERIOR - .5" WIDE - VINYL BLACK
6*	104691-17-02A	EA	WINDOW - DOUBLE TIPOUT - TINTED - 36.2" X 24.5"
7*	123780-01-01A	EA	FANTASTIC VENT - 1" ROOF - W/FAN - W/O THERMOSTAT/PWR LIFT
	009440-01-000	EA	GEAR/ARM - LIFT - ROOF VENT COVER
8	114496-02-02A	EA	PANEL - OUTER SKYLIGHT - 30.2" X 31.6"
			FROM: 00-00-00 THRU: 08-06-02
8	114496-03-02A	EA	PANEL - OUTER SKYLIGHT - 30.2" X 31.6"
			FROM: 07-16-02 THRU: 99-99-99
9	114495-02-02A	EA	PANEL - INNER SKYLIGHT - 28.6" X 30"
10	138372-01-12B	EA	TRIM - CORNER - SKYLIGHT - BRIGHT WHITE
			FROM: 07-16-02 THRU: 99-99-99
11	084103-10-000	EA	DOOR - VENT/REFRIGERATOR - W/O JAMB - VW WHITE
	084104-10-000	EA	JAMB - VENT DOOR/REFRIGERATOR - VW WHITE

*COMPONENT PARTS LISTED LATER IN THIS GROUP

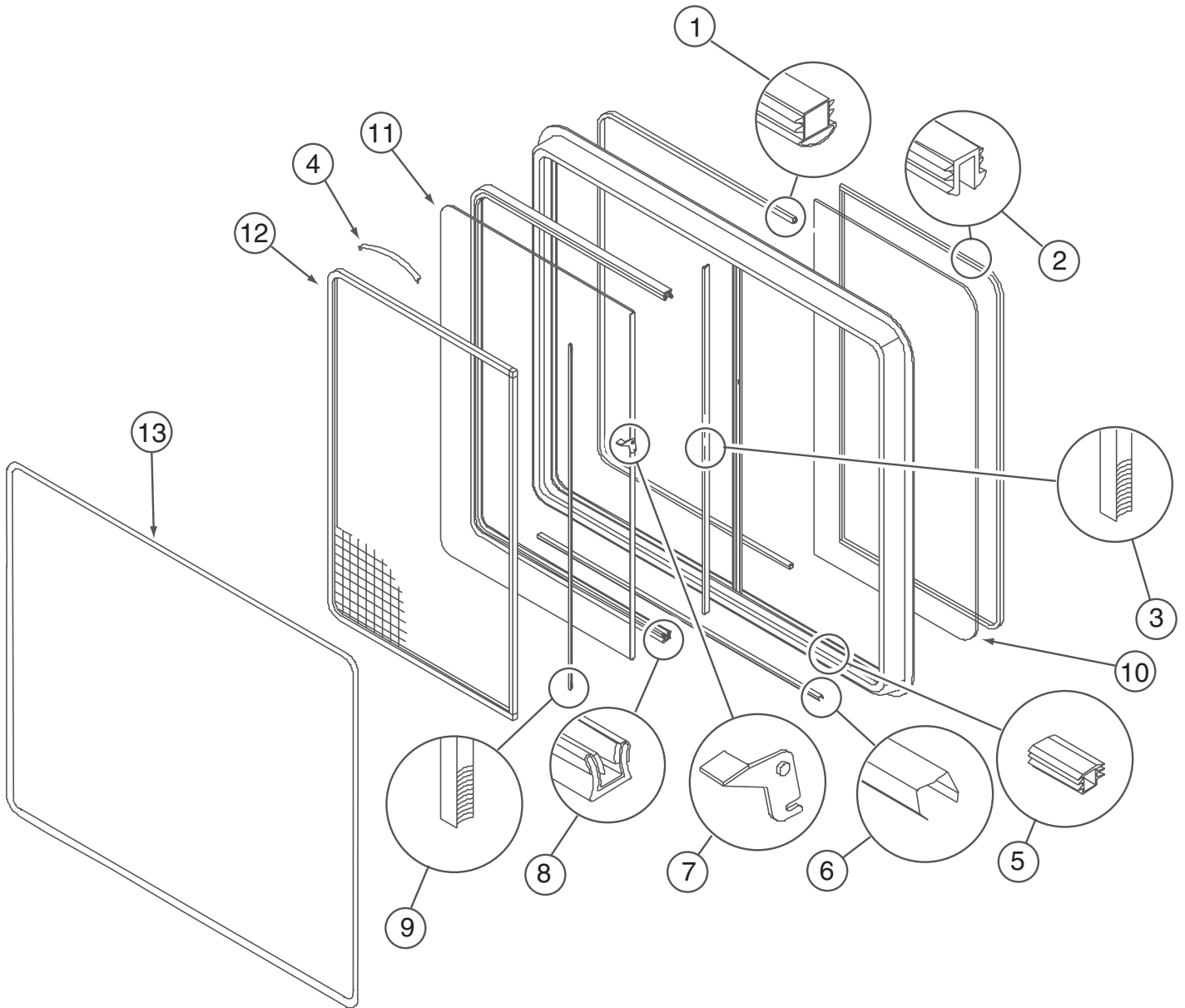
WINDOW & VENTS GROUP (CONTINUED)
COMPONENT PARTS FOR WINDOWS & VENT LAYOUT



098644-10-02A

KEY	PART NUMBER	U/M	DESCRIPTION	VENDOR NO.
1	098644-01-716	FT	PLUG - FILLER	132-014470
2	098644-01-705	FT	GLAZING - STRIP	132-010231
3	098644-01-706	FT	WEATHERSTRIP - GLASS	171-010668
4	098644-01-713	EA	CLIP - SCREEN - METAL	226-016966
4	125582-01-701	EA	CLIP - SCREEN - PLASTIC	130-005153
5	098644-01-719	EA	STOP - SLIDER GLASS	132-014203
6	098644-01-710	FT	TRACK - SCREEN SPACER 12'	132-017135
7	098644-01-700	EA	LATCH - REPAIR KIT (BLACK)	B801-CK
8	098644-01-708	FT	CHANNEL - RUN PIERCED	122-016543
9	098644-01-711	FT	WEATHERSTRIP - SCREEN BLACK	171-016965
10	098644-10-702	EA	GLASS - STATIONARY	106-025019
11	098644-10-701	EA	GLASS - SLIDING W/SASH/LATCH	H464-G9
12	098644-10-700	EA	SCREEN ASM - W/SEALS & CLIPS	410-019683
13	098644-10-704	EA	RETAINER - TRIM	CH78-66
	098644-01-717	FT	SPLINE - SCREEN	132-004716

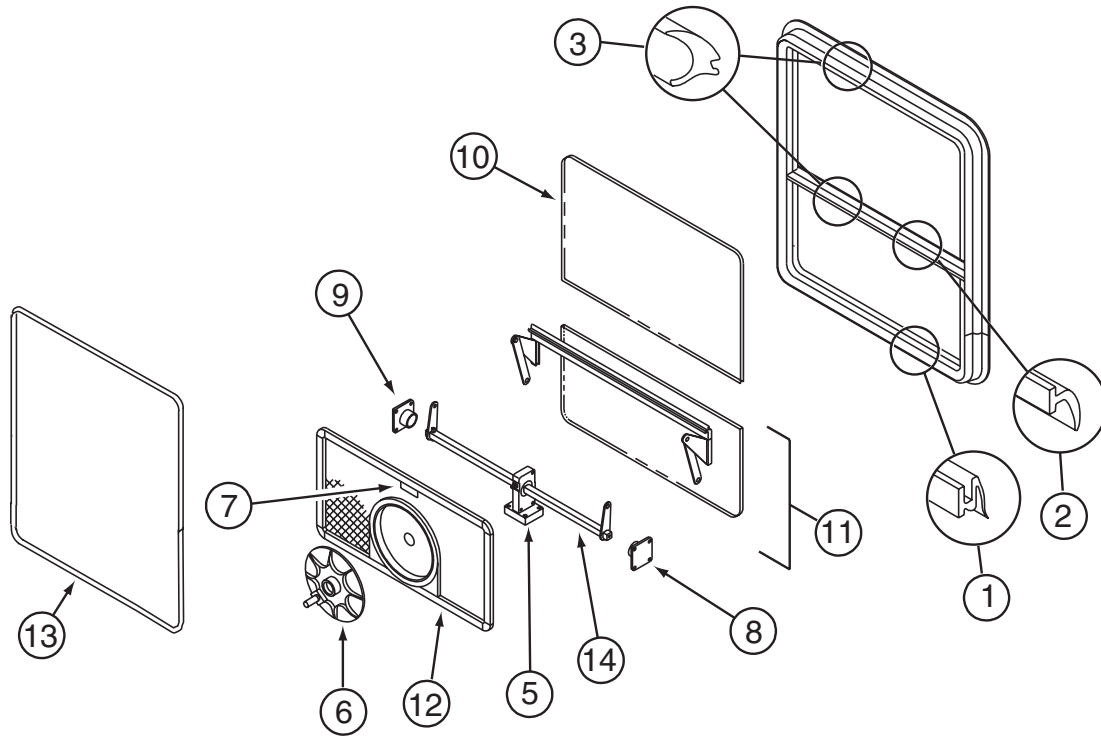
WINDOW & VENTS GROUP (CONTINUED)
COMPONENT PARTS FOR WINDOWS & VENT LAYOUT (CONTINUED)



098647-46-02A

KEY	PART NUMBER	U/M	DESCRIPTION	VENDOR NO.
1	098644-01-716	FT	PLUG - FILLER	132-014470
2	098644-01-705	FT	GLAZING - STRIP	132-010231
3	098644-01-706	FT	WEATHERSTRIP - GLASS	171-010668
4	098644-01-713	EA	CLIP - SCREEN - METAL	226-016966
4	125582-01-701	EA	CLIP - SCREEN - PLASTIC	130-0
5	098644-01-719	EA	STOP - SLIDER GLASS	132-014203
6	098644-01-710	FT	TRACK - SCREEN SPACER 12'	132-017135
7	098644-01-700	EA	LATCH - REPAIR KIT (BLACK)	B801-CK
8	098644-01-708	FT	CHANNEL - RUN PIERCED	122-016543
9	098644-01-711	FT	WEATHERSTRIP - SCREEN BLACK	171-016965
10	098647-46-700	EA	GLASS - STATIONARY	106-011181
11	098647-46-701	EA	GLASS-SLIDING W/SASH & LATCH	B809-G9
12	098647-46-702	EA	SCREEN ASM - W/SEALS & CLIPS	410-025286
13	098647-46-704	EA	RETAINER - TRIM	H409-66
	098644-01-717	FT	SPLINE - SCREEN	132-004716

WINDOW & VENTS GROUP (CONTINUED)
COMPONENT PARTS FOR WINDOWS & VENT LAYOUT (CONTINUED)



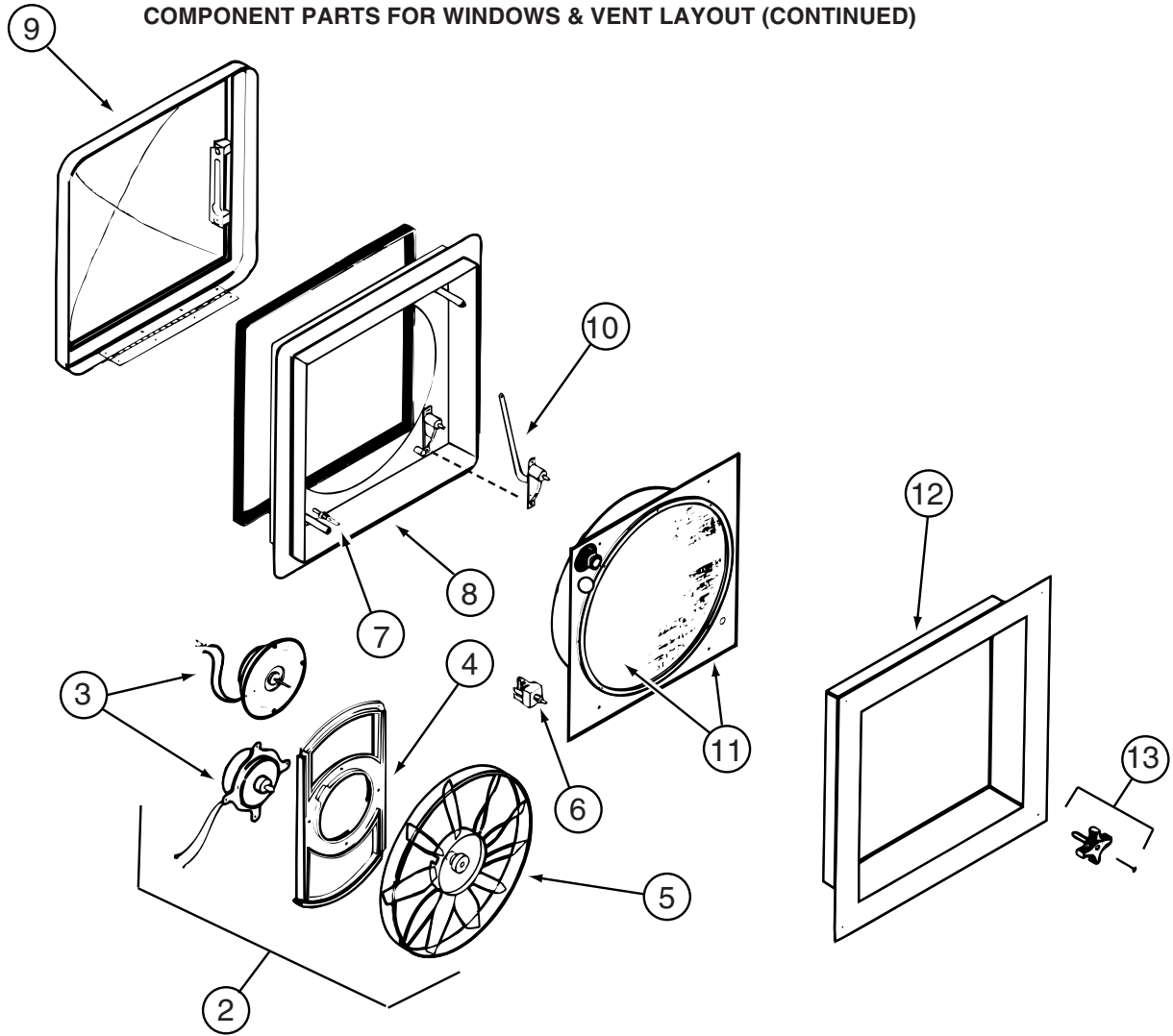
104691-07-02A

KEY	PART NUMBER	U/M	DESCRIPTION	VENDOR NO.
1	116976-01-702	FT	FILLER PLUG	132-016065
2	100322-01-701	FT	SEAL-VENT	122-016071
3	100322-01-702	EA	WEATHERSTRIP-HORIZ RAIL-148"	132-019631
	100322-01-703	FT	VINYL-GLAZING, BUTYL	132-010723
5	112519-01-702	EA	OPERATOR-VENT-CENTER SUPPORT	410-016123
6	100322-01-718	EA	HANDLE-DIAL	410-016081
7	112519-01-706	EA	CLIP-SCREEN	CH21-50
8	100322-01-714	EA	SUPPORT-TORQUE BAR, LH	130-015978
9	100322-01-715	EA	SUPPORT-TORQUE BAR, RH	130-015979
	100322-01-704	FT	TAPE-BUTYL	154-025932
10	104691-07-701	EA	GLASS - STATIONARY	106-018753
11	104691-07-700	EA	GLASS-VENT ASM., TIPOUT LWR	CH78-D9
12	104691-07-702	EA	SCREEN ASM - W/SEALS & CLIPS	410-018755
13	104691-07-704	EA	RETAINER - TRIM	CH78-59
14	104691-15-703	EA	OPERATOR & BAR ASSEMBLY	CH56-15

104691-17-02A

KEY	PART NUMBER	U/M	DESCRIPTION	VENDOR NO.
1	116976-01-702	FT	FILLER PLUG	132-016065
2	100322-01-701	FT	SEAL-VENT	122-016071
3	100322-01-702	EA	WEATHERSTRIP-HORIZ RAIL-148"	132-019631
	100322-01-703	FT	VINYL-GLAZING, BUTYL	132-010723
5	112519-01-702	EA	OPERATOR-VENT-CENTER SUPPORT	410-016123
6	100322-01-718	EA	HANDLE-DIAL	410-016081
7	112519-01-706	EA	CLIP-SCREEN	CH21-50
8	100322-01-714	EA	SUPPORT-TORQUE BAR, LH	130-015978
9	100322-01-715	EA	SUPPORT-TORQUE BAR, RH	130-015979
	100322-01-704	FT	TAPE-BUTYL	154-025932
10	104691-17-703	EA	GLASS - STATIONARY	106-025765
11	104691-17-700	EA	GLASS - VENT ASM. - LOWER	CH03-D9
11	104691-17-701	EA	GLASS - VENT ASM. - UPPER	CH03-G7
12	104691-17-702	EA	SCREEN ASM - W/SEALS & CLIPS	410-016019
13	104691-17-704	EA	RETAINER - TRIM	CH03-59
14	104691-17-706	EA	OPERATOR & BAR ASSEMBLY	CH03-15

WINDOW & VENTS GROUP (CONTINUED)
COMPONENT PARTS FOR WINDOWS & VENT LAYOUT (CONTINUED)



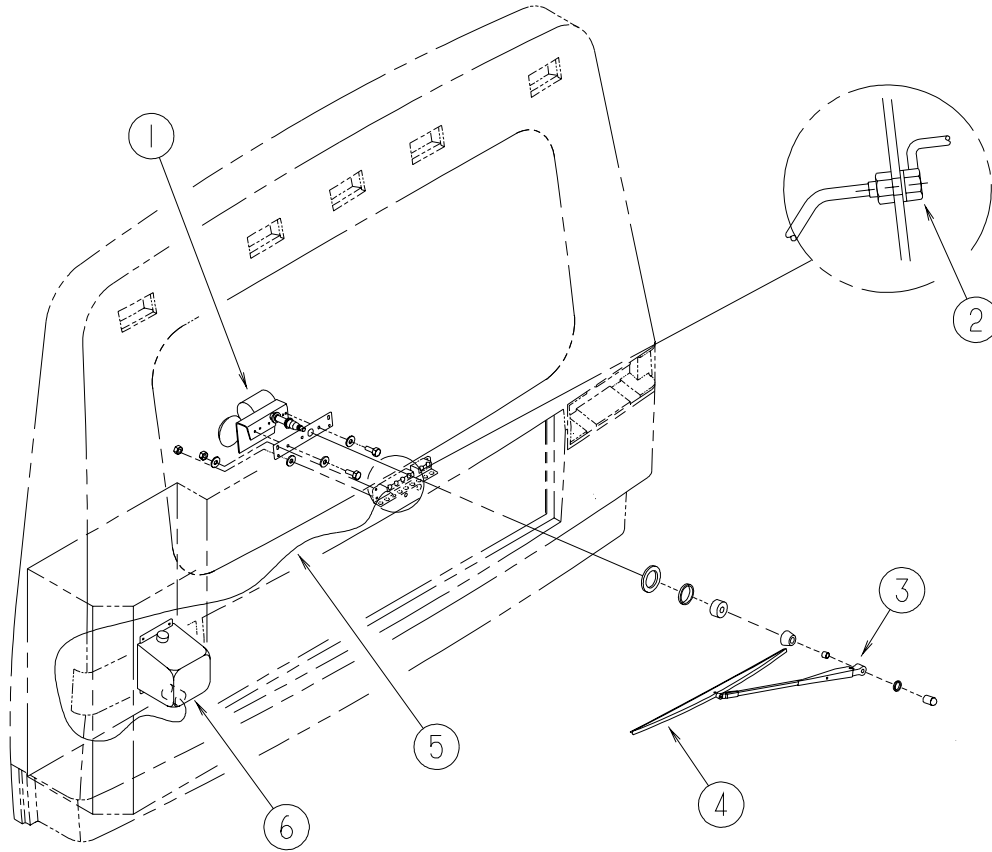
123780-01-01A

KEY	PART NUMBER	U/M	DESCRIPTION	VENDOR NO.
2	084079-11-700	EA	MOTOR & FAN BLADE W/BRACKET	K4017-09
3	084079-01-705	EA	MOTOR/EXT BRKT/FAN BLADE KIT	1080-00
5	084079-01-704	EA	BLADE-FAN	1138-00
6	084079-01-709	EA	SWITCH - MAIN - 3 SPEED	1031-05
7	084079-01-707	EA	SWITCH - SAFETY	1122-05
8	123780-05-700	EA	BASE/MAIN-BRT WHT W/GASKET	1010-81
9	123780-01-700	EA	COVER - VENT W/HINGE & SLIDE	1020K-81
10	009440-01-000	EA	GEAR-ARM-ROOF VENT	705221K38
11	123780-01-703	EA	SCREEN ASM. 15-25MM W/SWITCH	1030BT-81
12	123780-01-701	EA	GARNISH - INT 3/4-1" BRT/WHT	0040-81
13	084079-01-703	EA	KNOB-LIFT, W/EXT.	1140K-00
	123780-01-702	EA	SCREEN INSERT (SCREEN RING)	K1035-81

CONTACT WINNEBAGO PART SALES FOR UNLISTED COMPONENTS

WINDSHIELD & WIPER GROUP

WIPER



KEY	PART NUMBER	U/M	DESCRIPTION
1*	085721-03-000	EA	MOTOR - WIPER - 108 DEGREE - REAR WINDOW
	104346-01-000	EA	WIPER MOTOR- "CHEV CHASSIS"/COAST TO PARK W/GRN & RED WIRE
2	096057-02-000	EA	FITTING - WINDSHIELD WASHER
3*	096931-01-000	EA	ARM - WIPER - 20"
4	097978-01-000	EA	BLADE - WIPER - FLEX 22 INCH
5	045794-01-000	FT	HOSE - WASHER - WINDSHIELD - 5/32" ID - BLACK
6	117766-02-000	EA	RESERVOIR/PUMP - WINDSHIELD WASHER

***COMPONENT PARTS LISTED LATER IN THIS GROUP**

WINDSHIELD & WIPER GROUP (CONTINUED)
COMPONENT PARTS FOR WIPER

085721-03-000

KEY	PART NUMBER	U/M	DESCRIPTION	VENDOR NO.
	085721-03-000	EA	MOTOR - WIPER - 108 DEGREE - REAR WINDOW	
	085721-02-700	EA	ARM-DRIVE,F/REAR MTR.108'DEG	6211140LE25WJ
	085721-03-700	EA	PIVOT	62714-40-SH25WJ
	085721-03-701	EA	LINK - CONNECTING	LK721014
	085721-03-702	EA	BRACKET	620570-40-BK25WJ
	104346-01-000	EA	MOTOR-WIPER	63012-20-M012WJ

096931-01-000

KEY	PART NUMBER	U/M	DESCRIPTION	VENDOR NO.
	096931-01-000	EA	ARM - WIPER - 20"	
	096931-01-700	FT	HOSE-WIPER	XTU-66-0001
	096931-01-701	EA	NOZZLE-HARDWARE KIT	
	096931-01-702	EA	NUT	52695-40-NT27WC
	096931-01-703	EA	SCREW-SHORT	52696-40-SC27WC
	096931-01-704	EA	SCREW-LONG	52697-40-SC27WC
	096931-01-705	EA	CAP-PLASTIC	52699-40-CP27WC
	096931-01-706	EA	NOZZLE-SPRAY	52698-40-NZ27WC