

**2002**

**CHIEFTAIN**

**L-SERIES**

**SALEM CHERRY**

**N52 SARATOGA - CAMEL**

**N54 VENICE GREEN - GREEN**

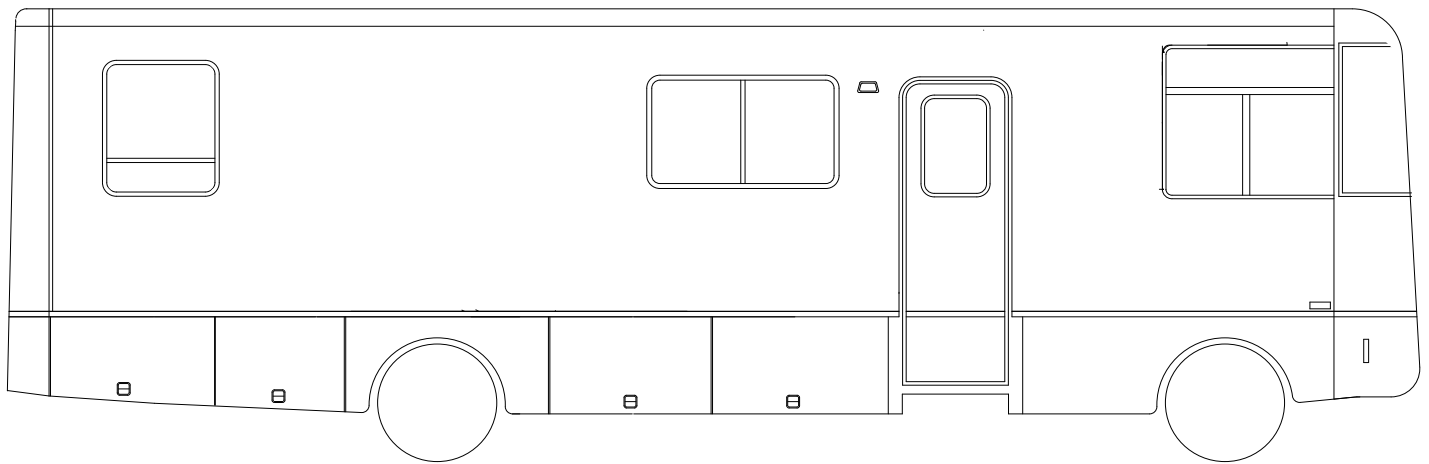
**N56 SILVER BROCADE - WARM GRAY**

**PORTSMOUTH OAK**

**N53 SARATOGA - CAMEL**

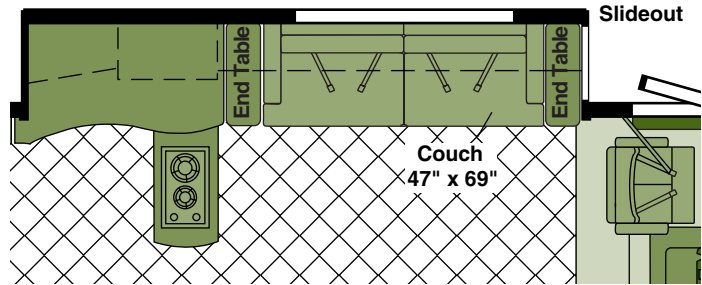
**N55 VENICE GREEN - GREEN**

**N57 SILVER BROCADE - WARM GRAY**

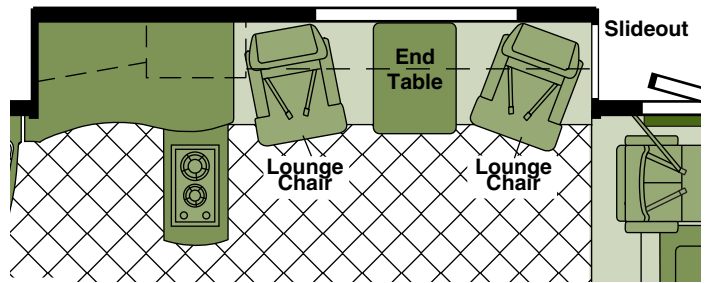


# 2002

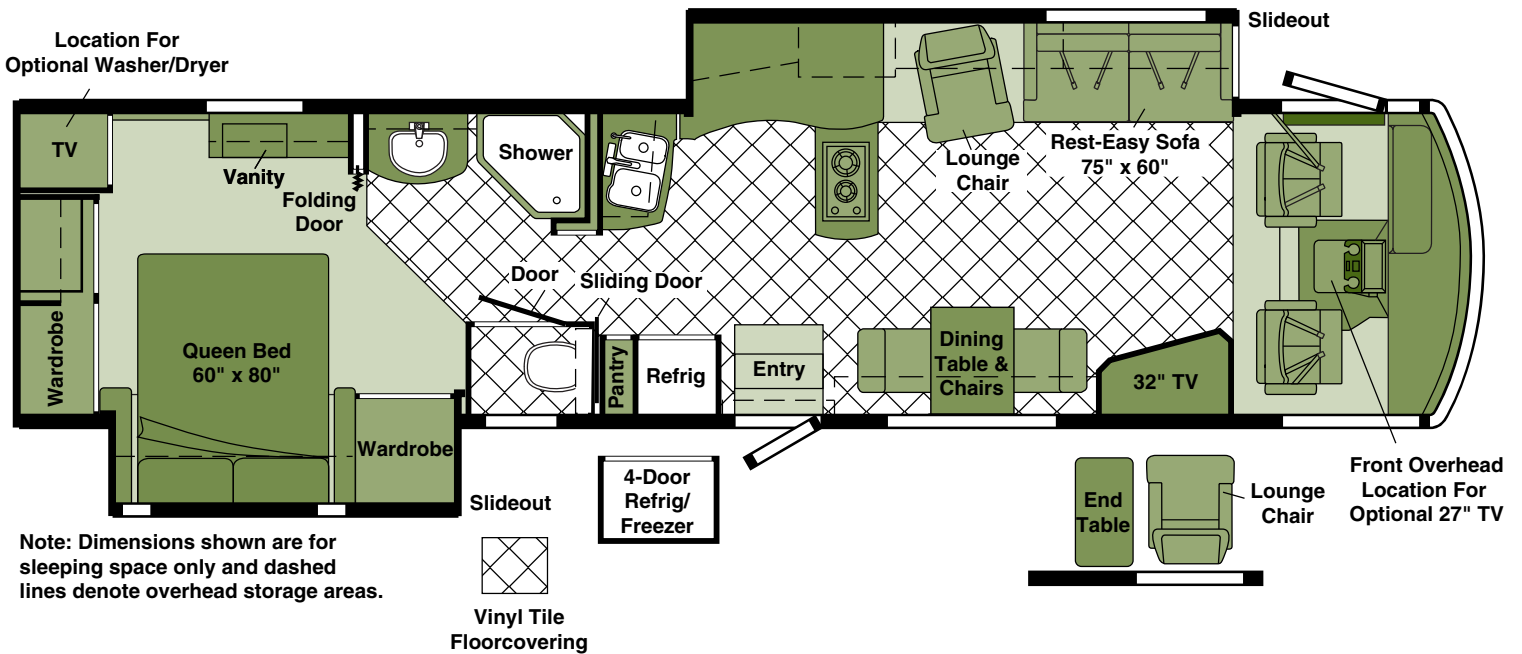
## WPL39C



## WPL39L



## WPL39T



### FLOORPLAN

# CONTENTS

<b>FLOORPLAN</b> .....	<b>2</b>
<b>ACCESSORIES GROUP</b> .....	<b>7</b>
OPERATORS MANUAL .....	7
<b>APPLIANCE GROUP</b> .....	<b>8</b>
APPLIANCES .....	8
COMPONENT PARTS FOR APPLIANCES .....	13
108186-02-000 .....	13
108186-03-000 .....	13
115504-01-000 .....	13
119267-04-01A .....	13
119267-06-01A .....	13
120075-13-01A, 120075-14-01A, 120075-15-01A .....	14
125242-02-01A .....	22
129561-01-01A .....	31
133004-02-01A .....	31
<b>AUDIO VIDEO GROUP</b> .....	<b>32</b>
RADIO SYSTEM .....	32
COMPONENT PARTS FOR RADIO SYSTEM .....	33
102080-15-000 .....	33
REAR VIEW MONITOR .....	34
COMPONENT PARTS FOR REAR VIEW MONITOR .....	35
093040-10-000 .....	35
TELEPHONE .....	36
TV & VCR .....	36
COMPONENT PARTS FOR TV & VCR .....	37
076319-23-000 .....	37
076319-25-000 .....	37
124073-11-000 .....	38
124075-06-000 .....	38
128138-01-000 .....	39
137135-01-000 .....	41
140061-01-000, 140061-02-000 .....	42
141454-01-01A .....	42
EXTERIOR ENTERTAINMENT .....	44
<b>BATH GROUP</b> .....	<b>45</b>
CABINETS .....	45
SHOWER .....	47
COMPONENT PARTS FOR SHOWER .....	48
139047-01-01A, 139047-01-02A, 139047-02-01A, 139047-02-02A, 139047-03-01A, 139047-03-02A, 139047-04-02A .....	48
<b>BEDROOM GROUP</b> .....	<b>49</b>
QUEEN CABINETS .....	49
TV & RADIO CABINETS .....	53
<b>CHASSIS GROUP</b> .....	<b>54</b>
FRAME .....	54
FRONT END .....	56
DRIVETRAIN .....	57
EXHAUST .....	58
FUEL .....	59
HYDRAULIC LEVELING .....	60
COMPONENT PARTS FOR HYDRAULIC LEVELING .....	61
100536-48-000 .....	61
131306-22-000 .....	61
131306-30-000 .....	61
WHEEL, TIRE, COVERS &/OR LINERS .....	62
BRAKELINE .....	62

# CONTENTS (CONTINUED)

<b>CURTAIN &amp; CUSHION GROUP .....</b>	<b>63</b>
NOTICE .....	63
CUSHION LAYOUT .....	64
BUCKET SEATS .....	66
COMPONENT PARTS FOR BUCKET SEATS .....	69
081373-03-000 .....	69
122611-02-000 .....	69
LOUNGE CHAIR .....	70
SOFA .....	71
COMPONENT PARTS FOR SOFA .....	75
136534-15-000, 136534-29-000 .....	75
136534-16-000 .....	75
WINDOW TREATMENT .....	76
HARDWARE .....	78
ACCESSORIES .....	80
COMPONENT PARTS FOR ACCESSORIES .....	81
091990-08-01A .....	81
FABRICS .....	82
<b>DINETTE GROUP .....</b>	<b>84</b>
CABINETS .....	84
TABLE .....	85
<b>DRIVERS COMPARTMENT GROUP .....</b>	<b>86</b>
DASH .....	86
MOTOR COVER .....	88
BEVERAGE TRAY .....	89
FRONT INTERIOR .....	90
CABINETS .....	93
<b>ELECTRICAL GROUP .....</b>	<b>94</b>
12V BODY WIRING .....	94
FRONT END WIRING .....	100
COMPONENT PARTS FOR LIGHTS & SWITCHES .....	103
008089-02-000 .....	103
086280-01-000 .....	103
087694-01-000 .....	103
091937-08-000 .....	103
091937-09-000 .....	103
093575-19-01A .....	103
097917-01-06A .....	103
102756-02-000 .....	103
121935-01-01A .....	103
123775-01-01A .....	103
136119-01-000 .....	103
137417-01-01A .....	103
137417-06-01A .....	103
137424-01-000 .....	103
CIRCUIT BREAKERS & FUSES .....	104
CONVERTER, INVERTER, LOAD CENTERS .....	105
110V WIRING .....	106
DRIVERS DOOR WIRING .....	107
COMPONENT PARTS FOR DRIVERS DOOR WIRING .....	108
108354-01-01A .....	108
ENTERTAINMENT WIRING .....	109
BOXES & CORDS .....	110
WIRE ASSEMBLIES .....	111
CONNECTORS & CONDUIT .....	112
BOOTS, SOLENOIDS, RELAYS & MISCELLANEOUS .....	114

# CONTENTS (CONTINUED)

<b>EXTERIOR BODY GROUP</b> .....	<b>116</b>
AIR HORN .....	116
COMPONENT PARTS FOR AIR HORN .....	117
077497-03-000 .....	117
077497-06-000 .....	117
077497-10-000 .....	117
GRAPHICS & PAINT .....	118
PANELS & TRIMS .....	120
FRONT END .....	123
COMPONENT PARTS FOR FRONT END .....	126
091955-02-000 .....	126
LADDER .....	127
MIRRORS .....	127
COMPONENT PARTS FOR MIRRORS .....	128
106015-18-01A & 106015-19-01A .....	128
STRUCTURAL COMPONENTS .....	129
AWNINGS .....	129
COMPONENT PARTS FOR AWNINGS .....	130
113874-01-02A .....	130
<b>EXTERIOR DOORS &amp; COMPARTMENTS GROUP</b> .....	<b>131</b>
DOOR & COMPARTMENT LAYOUT .....	131
COMPONENT PARTS FOR DOOR & COMPARTMENT LAYOUT .....	135
084103-08-000 .....	135
094707-03-01A .....	135
COMPARTMENT DOOR PIECE PARTS .....	136
DRIVERS .....	138
COMPONENT PARTS FOR DRIVERS .....	139
125581-10-01A .....	139
ENTRY .....	141
SCREEN .....	143
LATCH - ENTRY .....	144
<b>EXTERIOR SLIDEOUT GROUP</b> .....	<b>145</b>
FRONT LEFT .....	145
COMPONENT PARTS FOR FRONT LEFT SLIDEOUT .....	149
100536-42-000 .....	149
131360-01-000 .....	149
REAR RIGHT .....	150
COMPONENT PARTS FOR REAR RIGHT SLIDEOUT .....	154
100536-42-000 .....	154
137390-01-000 .....	154
<b>GALLEY GROUP</b> .....	<b>155</b>
CABINETS .....	155
DOORS & DRAWERS .....	157
<b>GENERATOR GROUP</b> .....	<b>158</b>
GAS .....	158

# CONTENTS (CONTINUED)

<b>HEATING &amp; A/C GROUP</b> .....	<b>159</b>
AUTOMOTIVE .....	159
COMPONENT PARTS FOR AUTOMOTIVE HEATER .....	161
103930-43-000 .....	161
103930-46-000 .....	162
103930-47-000 .....	162
FURNACE .....	163
COMPONENT PARTS FOR FURNACE .....	164
098668-22-000 .....	164
139980-04-000 .....	165
REAR HEATER .....	167
COMPONENT PARTS FOR REAR HEATER .....	168
129205-01-000 .....	168
CENTRAL A/C SYSTEM .....	169
COMPONENT PARTS FOR CENTRAL A/C SYSTEM .....	170
105620-11-000 .....	170
105620-12-000 .....	172
105620-15-000 .....	173
<b>INTERIOR FINISH GROUP</b> .....	<b>174</b>
MOLDINGS & TRIMS .....	174
PANELING & LAMINATES .....	178
ACCESSORIES .....	178
COMPONENT PARTS FOR ACCESSORIES .....	179
094499-02-000 .....	179
FLOOR COVERINGS .....	180
HARDWARE .....	181
<b>LABELS GROUP</b> .....	<b>187</b>
<b>LP GROUP</b> .....	<b>212</b>
LP SYSTEM .....	212
COMPONENT PARTS FOR LP SYSTEM .....	213
088253-03-000 .....	213
088253-10-000 .....	213
<b>LOUNGE GROUP</b> .....	<b>214</b>
CABINETS .....	214
<b>SEALANTS &amp; FASTENERS GROUP</b> .....	<b>216</b>
SEALANTS & ADHESIVES .....	216
BOLTS, NUTS AND WASHERS .....	217
SCREWS .....	219
CLAMPS, CLIPS, GROMMETS, RIVETS & PLUGS .....	222
MISCELLANEOUS FASTENERS .....	223
<b>WATER &amp; SEWAGE GROUP</b> .....	<b>224</b>
DRAINAGE SYSTEM .....	224
COMPONENT PARTS FOR DRAINAGE SYSTEM .....	226
136729-01-01A .....	226
WATER SYSTEM .....	228
COMPONENT PARTS FOR WATER SYSTEM .....	235
051391-05-000 .....	235
098607-01-000 .....	236
118569-01-000 .....	236
118569-03-000 .....	236
131340-01-01A .....	236

# CONTENTS (CONTINUED)

<b>WINDOW &amp; VENTS GROUP .....</b>	<b>237</b>
WINDOW & VENT LAYOUT .....	237
COMPONENT PARTS FOR WINDOWS & VENT LAYOUT .....	239
112795-77-01A .....	239
112795-78-01A .....	240
112795-80-01A .....	240
112795-81-01A .....	240
112898-21-01A .....	241
112898-26-01A .....	242
113733-04-01A, 113733-10-01A, 113733-11-01A .....	242
122882-04-01A, 122882-05-01A .....	242
123780-03-01A .....	243
123780-09-01A .....	244
123780-10-01A .....	245
129929-10-01A .....	246
134004-03-01A .....	247
137867-04-01A .....	248
139502-01-01A .....	249
<b>WINDSHIELD &amp; WIPER GROUP .....</b>	<b>250</b>
WINDSHIELD .....	250
WIPER .....	251
COMPONENT PARTS FOR WIPER .....	252
095964-01-000 .....	252
096505-09-000 .....	252
117769-01-000 .....	252

**ACCESSORIES GROUP**  
**OPERATORS MANUAL**

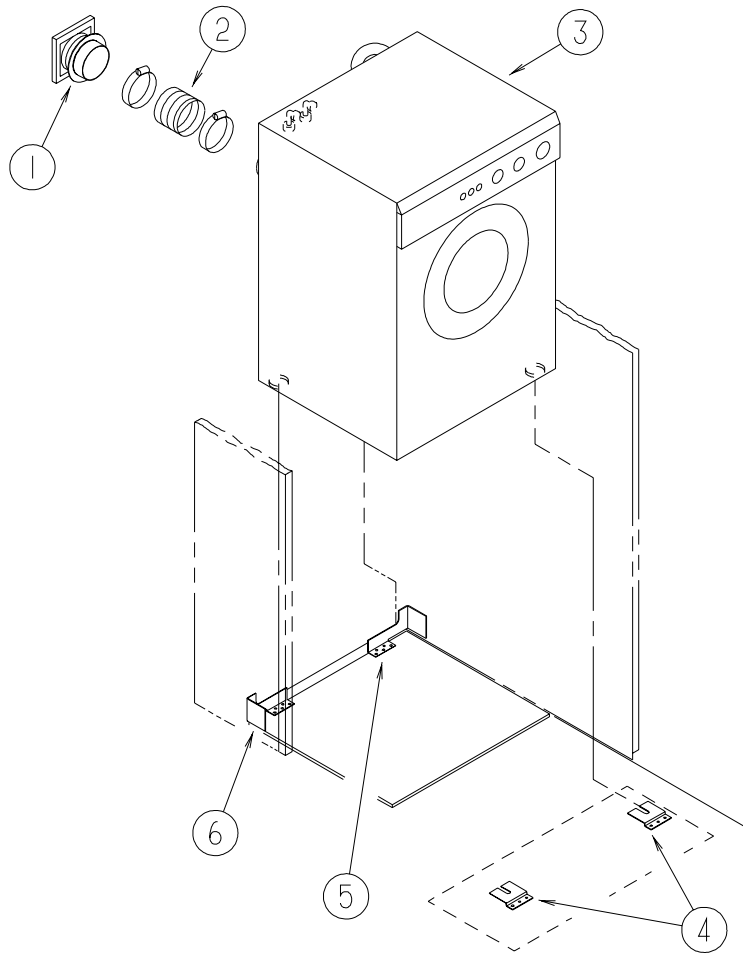
<b>KEY</b>	<b>PART NUMBER</b>	<b>U/M</b>	<b>DESCRIPTION</b>
	129079-01-01A	EA	CASE - VINYL/BLACK-EXPANDABLE ACCORDION SIDES-7"WX9"HX14"L FROM: 00-00-00 THRU: 11-28-01
	129079-04-01A	EA	CASE - VINYL/BLK-EXPANDABLE ACCORDION SIDES-11"WX9"HX14"L FROM: 11-29-01 THRU: 99-99-99
	132000-07-002	EA	MANUAL/OWNER - CHIEFTAIN - 2002
	138239-01-000	EA	TOP LEVEL - L-SERIES - 2002



## APPLIANCE GROUP APPLIANCES

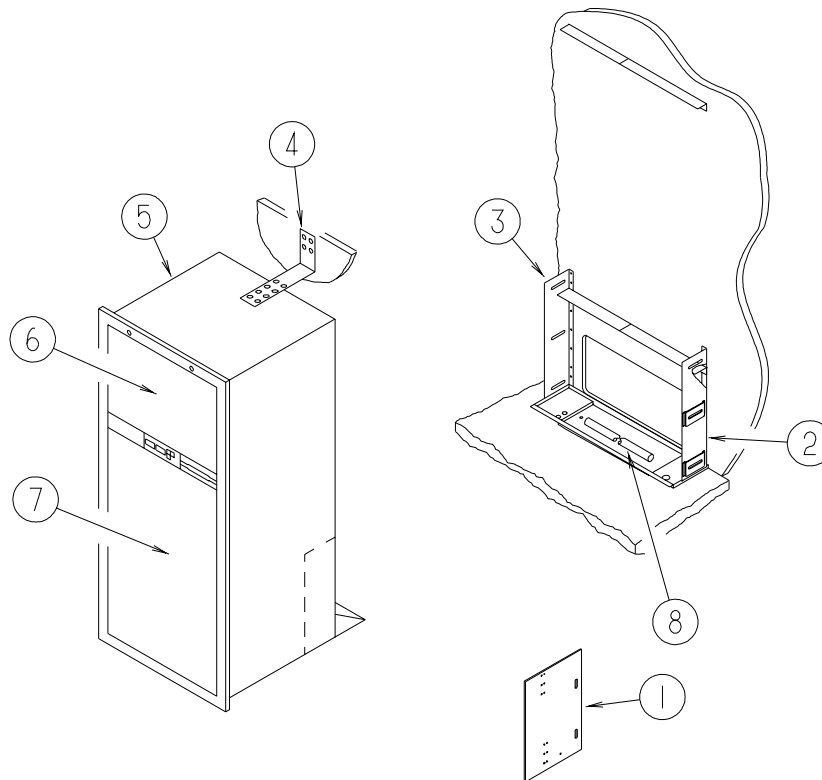
KEY	PART NUMBER	U/M	DESCRIPTION
	107752-04-01A	EA	DISHWASHER - 18" - BLACK - <a href="#">L39</a>
*	108186-02-000	EA	TOOL SET - VACUUM - W/O POWER BRUSH W/30' HOSE
*	108186-03-000	EA	VACUUM CLEANER - BUILT IN
	108187-02-000	EA	ELBOW - 90 DEGREE STREET PVC - VACUUM SYSTEM
	108187-06-000	EA	INLET - REDUCER
*	115504-01-000	EA	PANEL - SOLAR 10 WATT - 12.2"W X 26.9"L X 1.2"H
*	129561-01-01A	EA	PANEL/MONITOR - READ OUT ONLY - HOLDING/WATER TANK
*	133004-02-01A	EA	PANEL - MONITOR - 2 TANK DIGITAL VOLT METER - SOLAR
	119267-05-000	EA	FILTER - HOOD - CHARCOAL - SHARP #RK220
	130818-01-01A	EA	TRASH CONTAINER - W/SLIDE-OUT - <a href="#">L39</a>
	130818-02-01A	EA	TRASH CONTAINER - 20 QUART ALMOND - <a href="#">L36W</a>
	133068-01-000	EA	HAIR DRYER - 3 SPEED W/NIGHT LIGHT - WALL MOUNT
	133139-01-000	EA	VACUUM CLEANER - RECHARGEABLE DUST-BUSTER - <a href="#">BLACK &amp; DECKER</a>
	143733-01-000	EA	VACUUM CLEANER - RECHARGEABLE - <a href="#">EUREKA 79A</a>
	133140-01-000	EA	FLASHLIGHT - RECHARGEABLE - BLACK & DECKER
	133200-02-01A	EA	RANGE TOP - 2 BURNER W/BLACK GLASS TOP/12V IGNITOR
	138584-01-01A	EA	COFFEE MAKER/CARAFE - BLACK - NO TIMER - KRUPS
<b>*COMPONENT PARTS LISTED LATER IN THIS GROUP</b>			

**APPLIANCE GROUP (CONTINUED)**  
**APPLIANCES (CONTINUED)**



KEY	PART NUMBER	U/M	DESCRIPTION
1	111947-02-01A	EA	VENT - DRYER - 3"
2	116653-02-000	FT	DUCT - FLEXIBLE - 3' COMPRESSED/8' EXTENDED
3	107753-03-01A	EA	WASHER - DRYER - VENTED - UL/CSA - WHITE
4	111913-01-01A	EA	BRACKET - WASHER - TIE DOWN
5	113795-03-02B	EA	BRACKET - WASHER - E-COATED
6	113795-04-02B	EA	BRACKET - WASHER - E-COATED

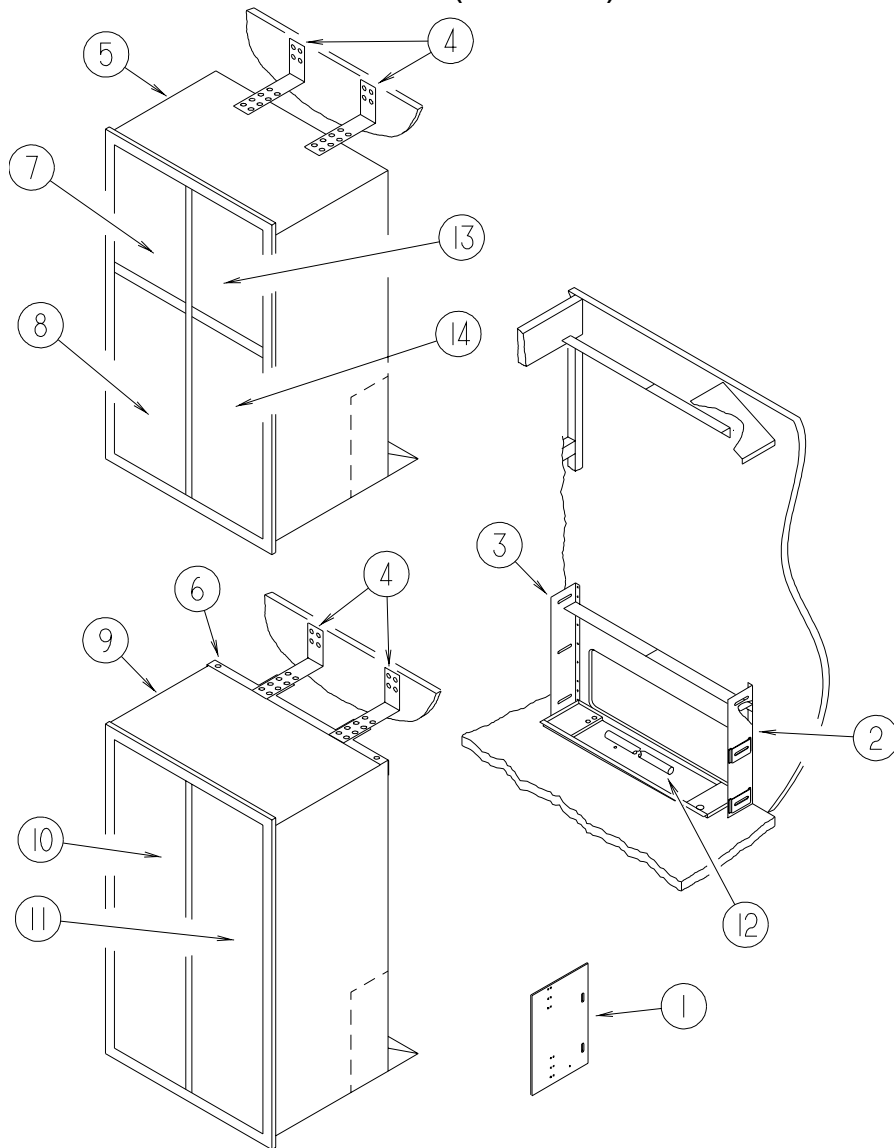
**APPLIANCE GROUP (CONTINUED)**  
**APPLIANCES (CONTINUED)**



KEY	PART NUMBER	U/M	DESCRIPTION
1	065225-04-000	EA	PLATE - TIEDOWN/REFRIGERATOR
2	093646-01-000	EA	BRACKET - TIEDOWN/REFRIGERATOR - RIGHT HAND
3	093646-02-000	EA	BRACKET - TIEDOWN/REFRIGERATOR - LEFT HAND
4	093369-02-000	EA	STRAP - REFRIGERATOR
5*	120075-13-01A	EA	REFRIGERATOR-LARGE DOUBLE DOOR/RH - 2-WAY -ICE MAKER-BLACK
6	P34457-03-L85	EA	PANEL - INSERT RAISED MEMBRANE - 21.5" X 14.5" - SALEM CHERRY
6	P34457-03-N47	EA	PANEL - INSERT RAISED MEMBRANE - 21.5" X 14.5" - PORTSMOUTH OAK
7	P34457-04-L85	EA	PANEL - INSERT RAISED MEMBRANE - 21.5" X 38.5" - SALEM CHERRY
7	P34457-04-N47	EA	PANEL - INSERT RAISED MEMBRANE - 21.5" X 38.5" - PORTSMOUTH OAK
8	112176-01-000	FT	TUBING - VINYL - REINFORCED - 1/2" ID
	054450-01-000	EA	LEVEL - REFRIGERATOR
	090329-01-000	FT	SEAL/T - REFRIGERATOR CABINET
	116751-01-01A	EA	TRAY - REFRIGERATOR

**\*COMPONENT PARTS LISTED LATER IN THIS GROUP**

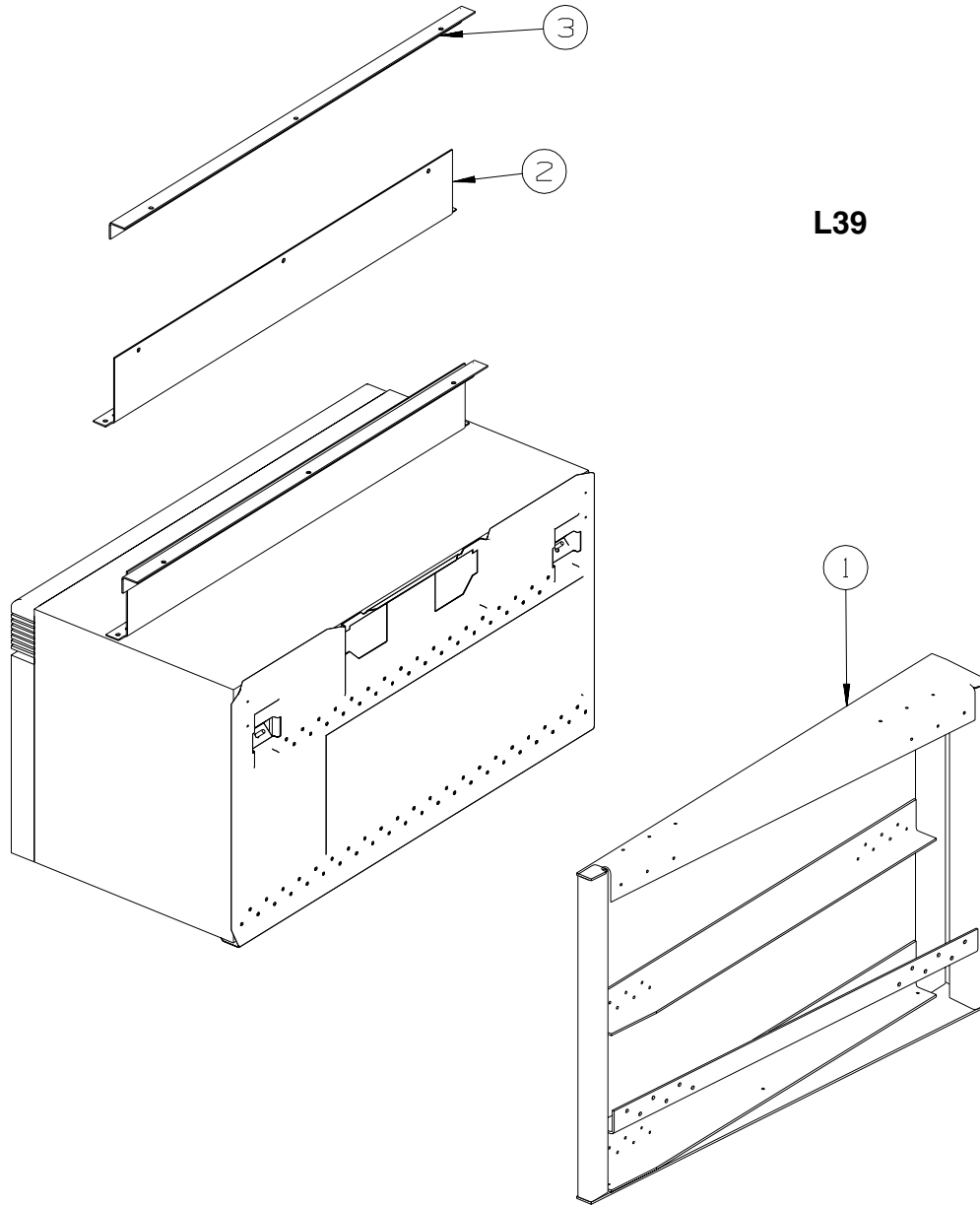
**APPLIANCE GROUP (CONTINUED)**  
**APPLIANCES (CONTINUED)**



KEY	PART NUMBER	U/M	DESCRIPTION
1	065225-01-000	EA	PLATE - TIEDOWN/REFRIGERATOR
2	093646-01-000	EA	BRACKET - TIEDOWN/REFRIGERATOR - RIGHT HAND
3	093646-02-000	EA	BRACKET - TIEDOWN/REFRIGERATOR - LEFT HAND
4	093369-02-000	EA	STRAP - REFRIGERATOR
5*	125242-02-01A	EA	REFRIGERATOR-4 DR-W/ICE MKR-W/CONTOURED HANDLE-NORCOLD1201
6			NOT USED
7	P34457-01-LQ1	EA	PANEL - INSERT RAISED MEMBRANE - 16.1" X 18.3"
8	P34457-02-LQ1	EA	PANEL - INSERT RAISED MEMBRANE - 16.1" X 41.1"
9			NOT USED
10			NOT USED
11			NOT USED
12	112176-01-000	EA	TUBING - VINYL - REINFORCED - 1/2" ID
13	P34457-01-LQ1	EA	PANEL - INSERT RAISED MEMBRANE - 16.1" X 18.3"
14	P34457-02-LQ1	EA	PANEL - INSERT RAISED MEMBRANE - 16.1" X 41.1"
	054450-01-000	EA	LEVEL - REFRIGERATOR
	090329-01-000	FT	SEAL/T - REFRIGERATOR CABINET
	137495-01-01A	EA	TRAY - REFRIGERATOR - BLACK - L36W
			FROM: 00-00-00 THRU: 03-29-02
	118871-02-01A	EA	TRAY - REFRIGERATOR - SIDE/SIDE - BLACK - 34.4" LONG - L36W
			FROM: 03-30-02 THRU: 99-99-99
	137495-01-01A	EA	TRAY - REFRIGERATOR - BLACK - L39
			FROM: 00-00-00 THRU: 11-04-01
	137495-02-01A	EA	TRAY - REFRIGERATOR - BLACK - L39
			FROM: 11-05-01 THRU: 99-99-99

\*COMPONENT PARTS LISTED LATER IN THIS GROUP

**APPLIANCE GROUP (CONTINUED)**  
**APPLIANCES (CONTINUED)**



**L39**

KEY	PART NUMBER	U/M	DESCRIPTION
*	119267-04-01A	EA	OVEN - MICROWAVE/CONVECTION W/HOOD - SHARP-#1850A/#1855 - US
*	119267-06-01A	EA	OVEN - MICROWAVE/CONVECTION W/HOOD - CSA - CANADA
1	139201-01-02B	EA	BRACKET - MICROWAVE - E-COATED - L39
2	129836-03-02B	EA	ANGLE - W/HOLES - 3.3" X 2.9" X 28.3" - E-COATED - L39
3	129836-02-02B	EA	ANGLE - W/HOLES - .7" X 1" X 28.3" - E-COATED - L39

**\*COMPONENT PARTS LISTED LATER IN THIS GROUP**

**APPLIANCE GROUP (CONTINUED)**  
**COMPONENT PARTS FOR APPLIANCES**

**108186-02-000**

<b>KEY</b>	<b>PART NUMBER</b>	<b>U/M</b>	<b>DESCRIPTION</b>	<b>VENDOR NO.</b>
	092304-02-701	EA	TOOL-DUSTING	1142
	092304-02-702	EA	TOOL-RUG	4982
	092304-02-703	EA	TOOL-CREVICE	1141
	092304-02-707	EA	TOOL-UPHOLSTERY	7029
	092304-02-708	EA	WAND-PLASTIC	4978
	092304-02-709	EA	HOSE ASM., 30' COMPLETE	4988-30-G

**108186-03-000**

<b>KEY</b>	<b>PART NUMBER</b>	<b>U/M</b>	<b>DESCRIPTION</b>	<b>VENDOR NO.</b>
	092304-02-700	EA	BRUSH-POWER, VACUUM (RUGRAT)	6970
	092304-02-701	EA	TOOL-DUSTING	1142
	092304-02-702	EA	TOOL-RUG	4982
	092304-02-703	EA	TOOL-CREVICE	1141
	092304-02-707	EA	TOOL-UPHOLSTERY	7029
	092304-02-708	EA	WAND-PLASTIC	4978
	092304-02-709	EA	HOSE ASM., 30' COMPLETE	4988-30-G
	092304-02-710	EA	SECONDARY FILTER	4929
	108186-03-700	EA	PAPER BAG - 3-PKG	7767
	108186-03-701	EA	MOTOR F/RV2000	7756
	108186-03-702	EA	REDUCER	5531
	108186-03-703	EA	VALVE - INLET - WHITE	4935
	108186-03-704	EA	BRUSH - TURBINE (HAND HELD)	7834-B

**115504-01-000**

<b>KEY</b>	<b>PART NUMBER</b>	<b>U/M</b>	<b>DESCRIPTION</b>	<b>VENDOR NO.</b>
	115504-01-700	EA	PLUG & CABLE, 10 WATT PANEL	600-016

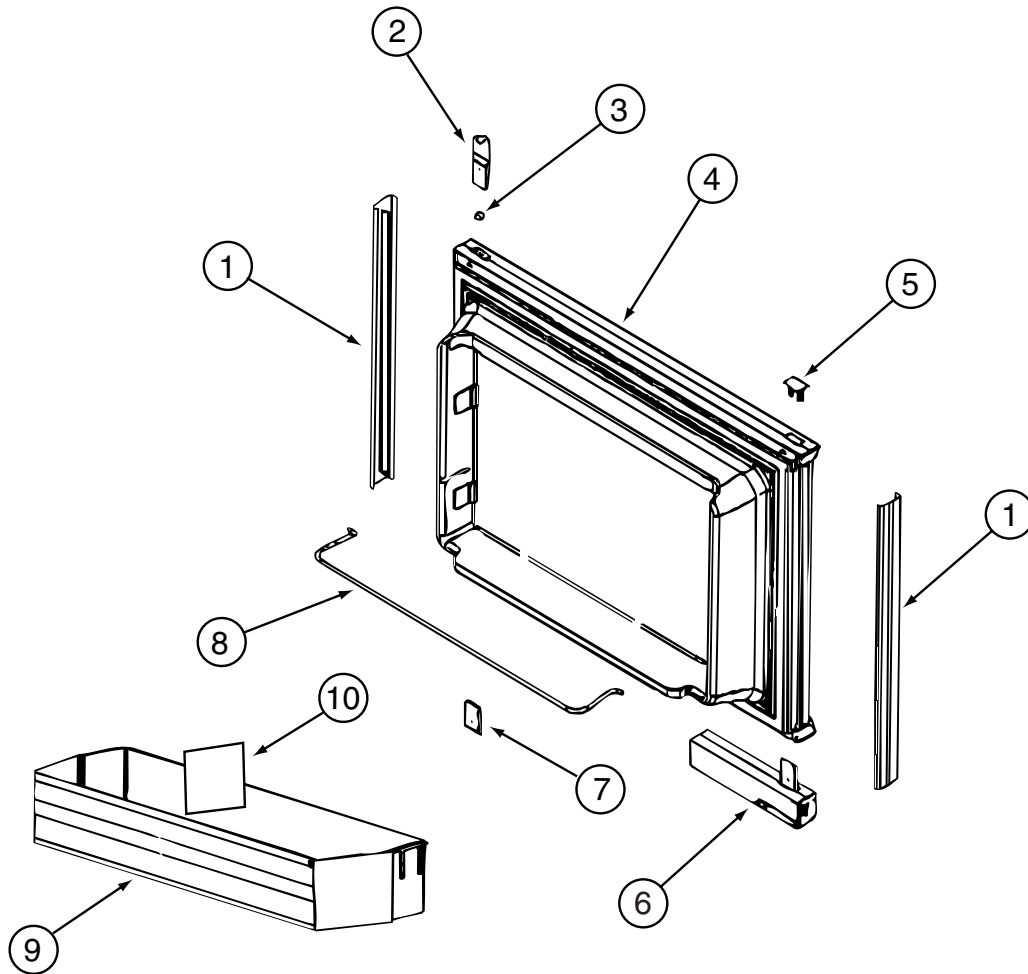
**119267-04-01A**

<b>KEY</b>	<b>PART NUMBER</b>	<b>U/M</b>	<b>DESCRIPTION</b>	<b>VENDOR NO.</b>
	119267-04-700	EA	FILTER-GREASE	BOO2
	119267-04-704	EA	LIGHT COVER	FANGKB009MRYO
	119267-04-706	EA	BULB/LIGHT (CARDED)	
	119267-04-708	EA	PAN-BOTTOM (MICROWAVE)	

**119267-06-01A**

<b>KEY</b>	<b>PART NUMBER</b>	<b>U/M</b>	<b>DESCRIPTION</b>	<b>VENDOR NO.</b>
	119267-04-700	EA	FILTER-GREASE	BOO2
	119267-04-703	EA	PLATE-MOUNTING W/2 SCREWS	FANGTB003MRV0

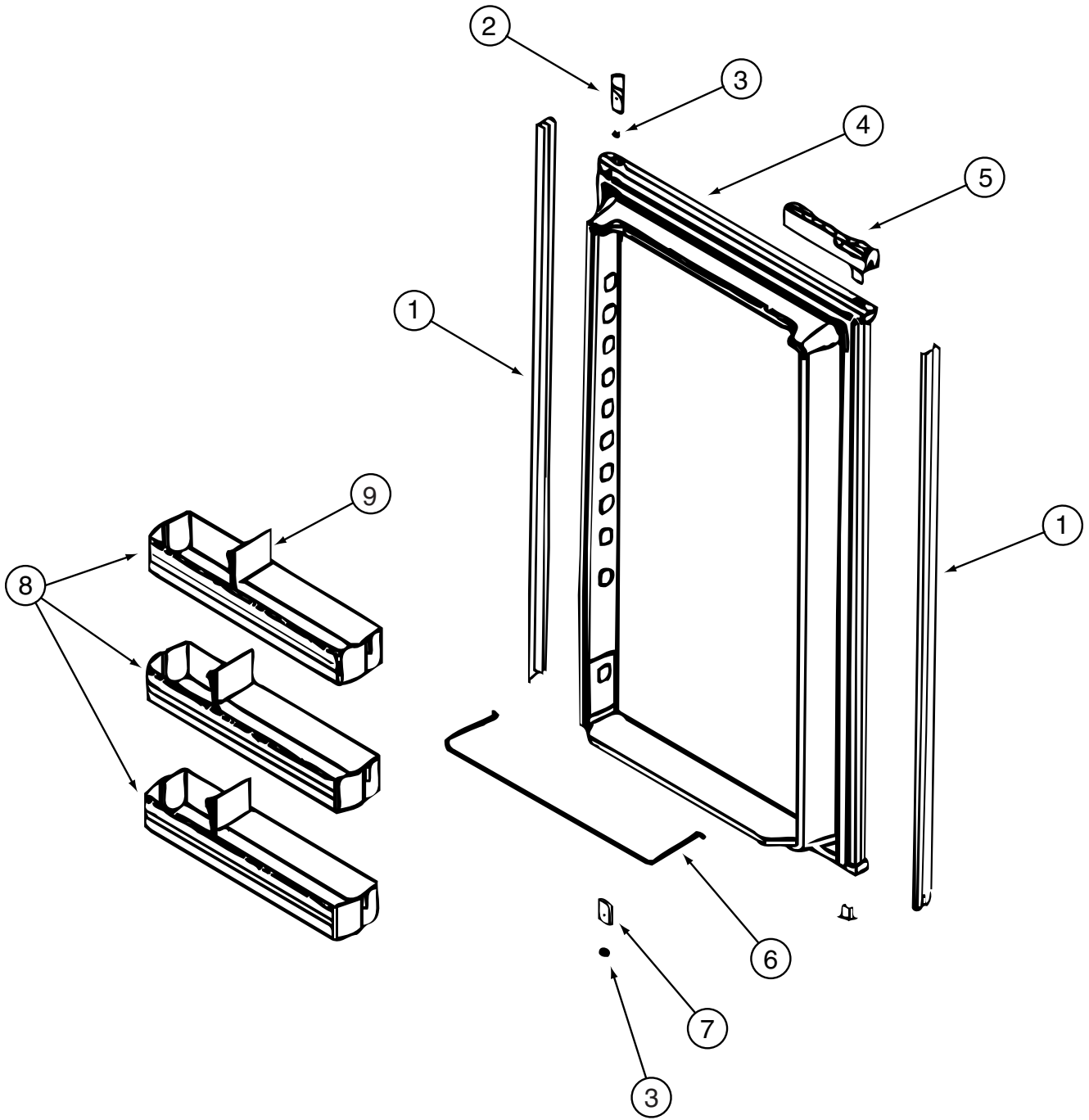
**APPLIANCE GROUP (CONTINUED)**  
**COMPONENT PARTS FOR APPLIANCES (CONTINUED)**



**120075-13-01A, 120075-14-01A, 120075-15-01A**

KEY	PART NUMBER	U/M	DESCRIPTION	VENDOR NO.
1	121568-03-700	EA	RETAINER - DOOR PANEL/BLACK	619558
2	120075-01-701	EA	HINGE-TOP RH/BOTTOM LH(DOOR)	618511
3	121568-03-701	EA	BUSHING - HINGE PIN/GRAY	619671
4	121568-03-702	EA	DOOR LINER - W/TRIM/BLACK	619627 - SMALL DOOR
5	120075-01-702	EA	CAP, (HINGE PLUG)	618160
6	120075-12-700	EA	HANDLE(CONTOUR)TOP LH/BTM RH	621105
	120075-12-702	EA	HANDLE/HOUSING-TOP-LH/BTM RH	618159GEN
6	120075-12-701	EA	HANDLE(CONTOUR)TOP RH/BTM LH	621104
	120075-12-709	EA	HANDLE/HOUSING-BTM LH/TOP RH	618122GEN
	120075-12-703	EA	HANDLE - PLASTIC - NEW STYLE	620928
	120075-12-704	EA	SPRING - COMPRESSION	618182
	120075-12-705	EA	LATCH - HANDLE	618121
	120075-12-706	EA	PIN - STEEL	618622
	120075-12-707	EA	LATCH	619648
	120075-12-708	EA	LATCH - SPRING	620960
6	121568-03-703	EA	HANDLE/FLUSH-TOP/RH-LWR/LH	619865
6	121568-03-708	EA	HANDLE/FLUSH-TOP/LH-LWR/RH	619866
7	120075-01-705	EA	HINGE-TOP LH/BOTTOM RH(DOOR)	618510
8	121568-01-700	EA	RAIL - DOOR UPPER	618618
9	120075-07-700	EA	DOOR BIN - CLEAR	619006
10	120075-07-701	EA	DIVIDER/DOOR BIN CLEAR	619008
	121568-03-704	EA	TRAVEL LATCH - GRAY	619647
	121568-03-705	EA	STORAGE LATCH - GRAY	619648

**APPLIANCE GROUP (CONTINUED)**  
**COMPONENT PARTS FOR APPLIANCES (CONTINUED)**



120075-13-01A, 120075-14-01A, 120075-15-01A (CONTINUED)

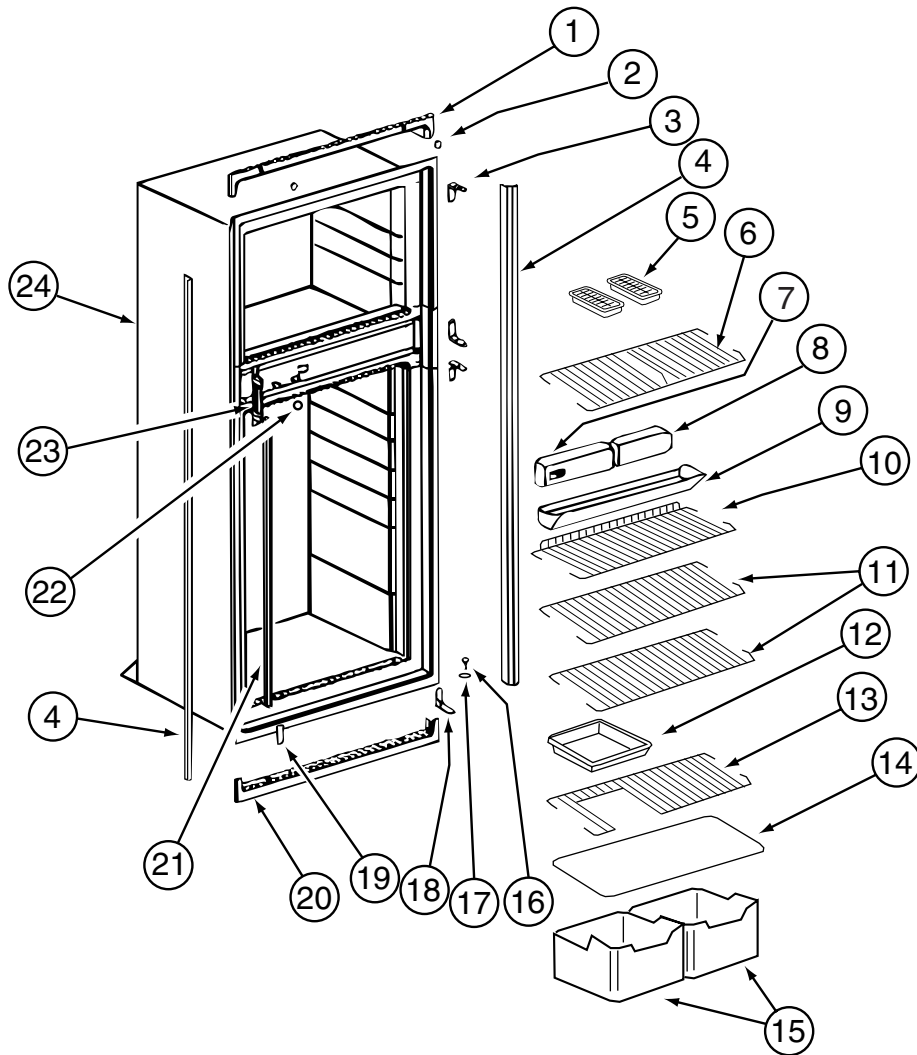


**APPLIANCE GROUP (CONTINUED)**  
**COMPONENT PARTS FOR APPLIANCES (CONTINUED)**

120075-13-01A, 120075-14-01A, 120075-15-01A (CONTINUED)

KEY	PART NUMBER	U/M	DESCRIPTION	VENDOR NO.
1	120075-07-702	EA	RETAINER - DOOR PANEL/BLACK	619560
2	120075-01-701	EA	HINGE-TOP RH/BOTTOM LH(DOOR)	618511
3	121568-03-701	EA	BUSHING - HINGE PIN/GRAY	619671
4	120075-07-703	EA	DOOR LINER - BLACK	619631 - LARGE DOOR
5	120075-12-700	EA	HANDLE(CONTOUR)TOP LH/BTM RH	621105
	120075-12-702	EA	HANDLE/HOUSING-TOP-LH/BTM RH	618159GEN
5	120075-12-701	EA	HANDLE(CONTOUR)TOP RH/BTM LH	621104
	120075-12-709	EA	HANDLE/HOUSING-BTM LH/TOP RH	618122GEN
	120075-12-703	EA	HANDLE - PLASTIC - NEW STYLE	620928
	120075-12-704	EA	SPRING - COMPRESSION	618182
	120075-12-705	EA	LATCH - HANDLE	618121
	120075-12-706	EA	PIN - STEEL	618622
	120075-12-707	EA	LATCH	619648
	120075-12-708	EA	LATCH - SPRING	620960
5	121568-03-703	EA	HANDLE/FLUSH-TOP/RH-LWR/LH	619865
5	121568-03-708	EA	HANDLE/FLUSH-TOP/LH-LWR/RH	619866
6	121568-01-704	EA	RAIL - DOOR LOWER	618578
7	120075-01-705	EA	HINGE-TOP LH/BOTTOM RH(DOOR)	618510
8	120075-07-700	EA	DOOR BIN - CLEAR	619006
8	120075-07-704	EA	DOOR BIN - LARGE/CLEAR	619005
9	120075-07-701	EA	DIVIDER/DOOR BIN CLEAR	619008
	121568-03-704	EA	TRAVEL LATCH - GRAY	619647
	121568-03-705	EA	STORAGE LATCH - GRAY	619648

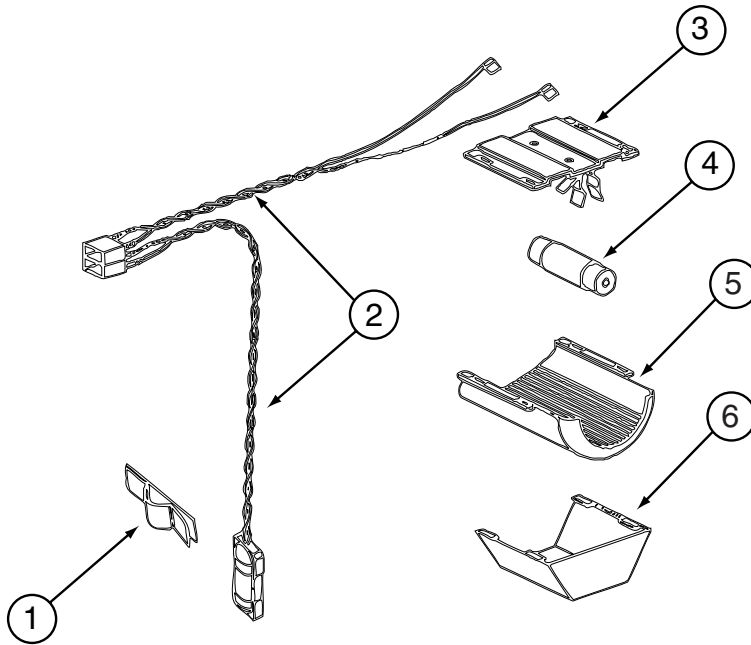
**APPLIANCE GROUP (CONTINUED)**  
**COMPONENT PARTS FOR APPLIANCES (CONTINUED)**



**120075-13-01A, 120075-14-01A, 120075-15-01A (CONTINUED)**

KEY	PART NUMBER	U/M	DESCRIPTION	VENDOR NO.
1	121568-03-709	EA	TRIM - TOP/BLACK	619687
2	120075-01-714	EA	PLUG-HOLE	618170
3	121568-03-710	EA	HINGE/CABINET-TOP/RH-LWR/LH	619335
4	120075-07-705	EA	TRIM - SIDE - BLACK	619802
5	104137-06-724	EA	ICE TRAY	61630422
6	120075-07-706	EA	SHELF - WIRE/FREEZER	620249
7	120075-07-707	EA	CONTROL BOX - BLACK	619665
8	121568-03-713	EA	FRONT BOX/DECORATIVE-BLACK	619282
9	120075-01-720	EA	TRAY-DRIP	618137
10	120075-01-722	EA	SHELF-WIRE, SHORT	618239
11	120075-01-723	EA	SHELF-WIRE	618114
12	104137-06-718	EA	SHELF-TRAY, WHITE, W/CUTOUT	617756
13	120075-01-724	EA	SHELF-WIRE, W/CUTOUT	618177
14	120075-01-725	EA	COVER-CRISPER	618158
15	120075-07-708	EA	CRISPER/ICE BIN	619007
16	120075-01-727	EA	PIN-HINGE	618145
17	121568-03-701	EA	BUSHING - HINGE PIN/GRAY	619671
18	121568-03-715	EA	HINGE/CABINET-TOP/LH-LWR/RH	619336
19	121568-03-716	EA	COVER - HINGE HOLES	619301
20	120075-01-729	EA	TRIM-BOTTOM PIECE	618136
21	120075-01-730	EA	RETAINER-SHELF	618181
22	121568-03-717	EA	HOLE PLUG - WHITE	619561
23	120075-01-732	EA	PLATE-STRIKE	618167
24	120075-09-700	EA	CABINET - FOAMED	619660
	120075-01-721	EA	LOUVER-DRIP TRAY	618176

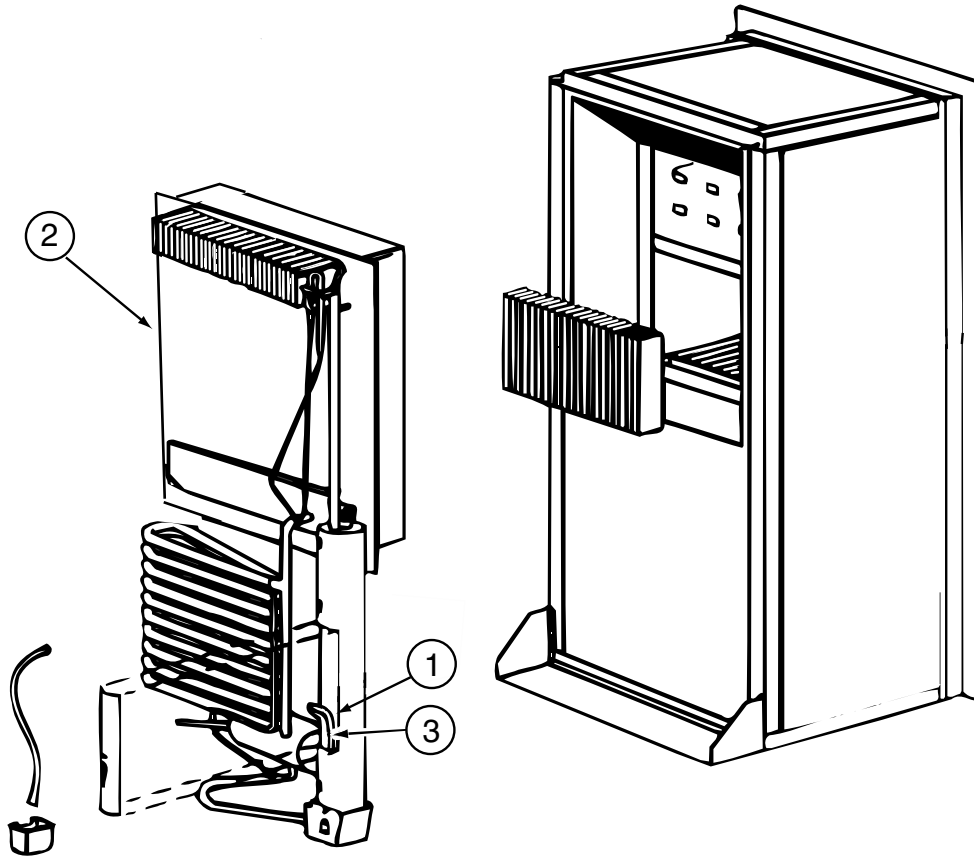
**APPLIANCE GROUP (CONTINUED)**  
**COMPONENT PARTS FOR APPLIANCES (CONTINUED)**



**120075-13-01A, 120075-14-01A, 120075-15-01A (CONTINUED)**

KEY	PART NUMBER	U/M	DESCRIPTION	VENDOR NO.
1	084880-01-760	EA	CLIP (THERMISTER)	61689122
2	120075-01-735	EA	THERMISTER W/LAMP & WIRE/ASM	618548
3	084880-03-705	EA	BRACKET-LIGHT-INTERIOR	61629722
4	084880-03-706	EA	BULB-LAMP	61628922
5	120075-01-734	EA	COVER-LENS	618190
6	084880-03-707	EA	COVER-LAMP, LENS	61627922

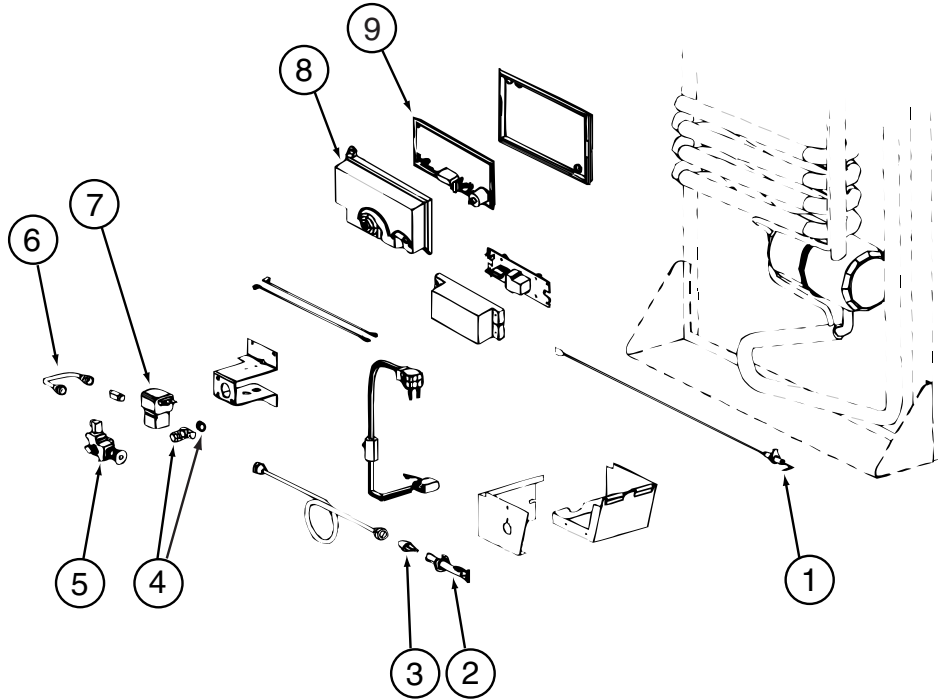
**APPLIANCE GROUP (CONTINUED)**  
**COMPONENT PARTS FOR APPLIANCES (CONTINUED)**



**120075-13-01A, 120075-14-01A, 120075-15-01A (CONTINUED)**

KEY	PART NUMBER	U/M	DESCRIPTION	VENDOR NO.
1	088248-01-710	EA	HEATER DC (HORIZONTAL)	61562822
2	120075-01-736	EA	COOLING UNIT, SERVICE PACK	618542
3	088248-01-709	EA	HEATER-AC (HORIZONTAL)	61562722

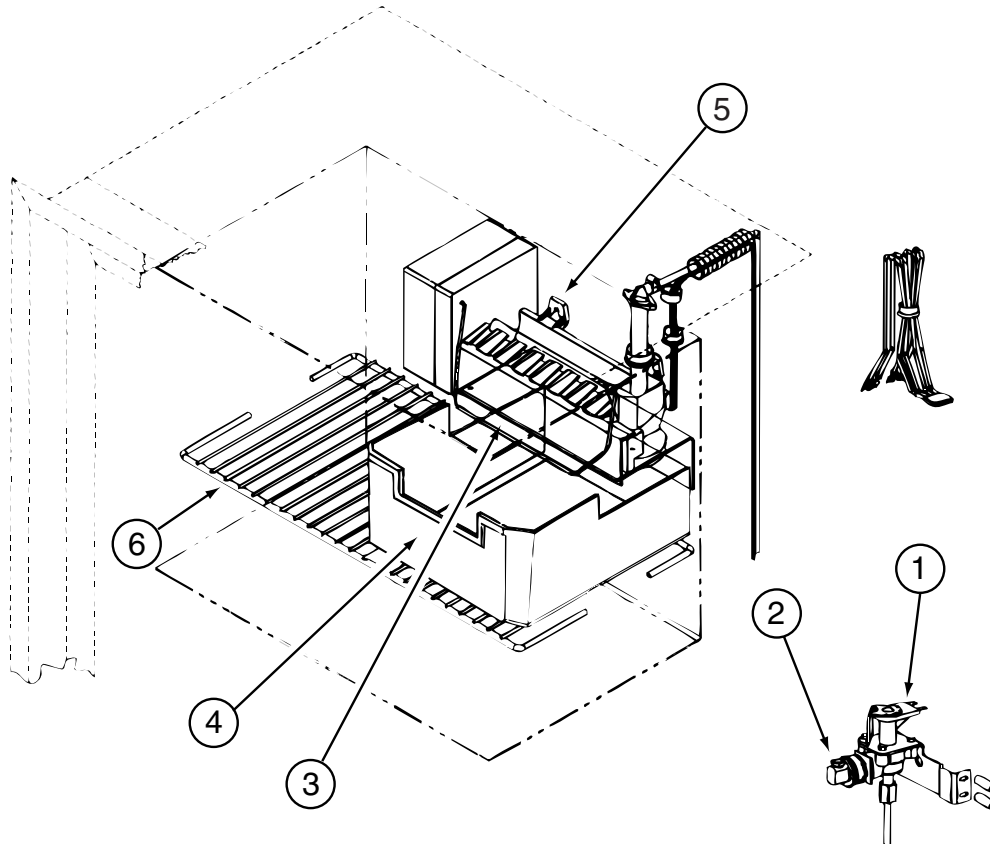
**APPLIANCE GROUP (CONTINUED)**  
**COMPONENT PARTS FOR APPLIANCES (CONTINUED)**



**120075-13-01A, 120075-14-01A, 120075-15-01A (CONTINUED)**

KEY	PART NUMBER	U/M	DESCRIPTION	VENDOR NO.
1	104137-06-715	EA	ELECTRODE-SPARK/SENSOR, SGL	61692222
2	104137-06-714	EA	BURNER ASSEMBLY, 5-SLOT	61705222
3	120075-01-737	EA	ORIFICE - JEWEL - .0155	618284
4	113737-01-702	EA	PLUG 1/8" F/PRESSURE TAP	61445322
4	113737-01-716	EA	TAP-PRESSURE	61594422
5	104137-06-734	EA	VALVE-SHUT OFF/MAN-OLD STYLE	61694922
6	113737-01-750	EA	TUBE-UNION	61694622
7	084880-01-718	EA	VALVE-GAS, (ASCO)	61551822
8	120075-01-738	EA	COVER-POWER BOARD	618185
9	120075-07-710	EA	POWER - BOARD - 2-WAY	619360
	104137-06-734	EA	VALVE-SHUT OFF/MAN-NEW STYLE	618696
	120075-01-744	EA	KIT - GAS VALVE/BURNER TUBE	620609

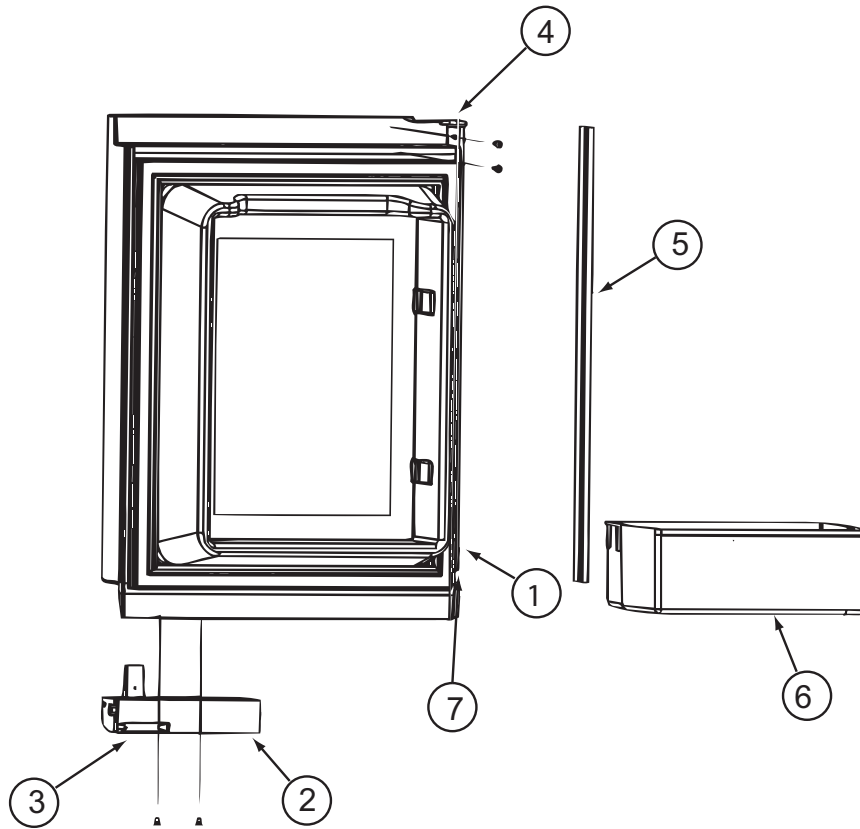
**APPLIANCE GROUP (CONTINUED)**  
**COMPONENT PARTS FOR APPLIANCES (CONTINUED)**



**120075-13-01A, 120075-14-01A (CONTINUED)**

KEY	PART NUMBER	U/M	DESCRIPTION	VENDOR NO.
1	120075-09-701	EA	WATER VALVE W/BRACKET	618253
2	120075-03-702	EA	NUT/COMPRESSION - FITTING	61678722
3	120075-03-703	EA	ARM-SHUT OFF	61656922
4	120075-03-704	EA	BIN-ICE CUBE	618154
5	094039-07-706	EA	ICE MAKER W/O PLATES	61656522
6	120075-01-717	EA	SHELF-FREEZER, WIRE	618172
	120075-09-702	EA	RELAY - 12 VOLT	620239

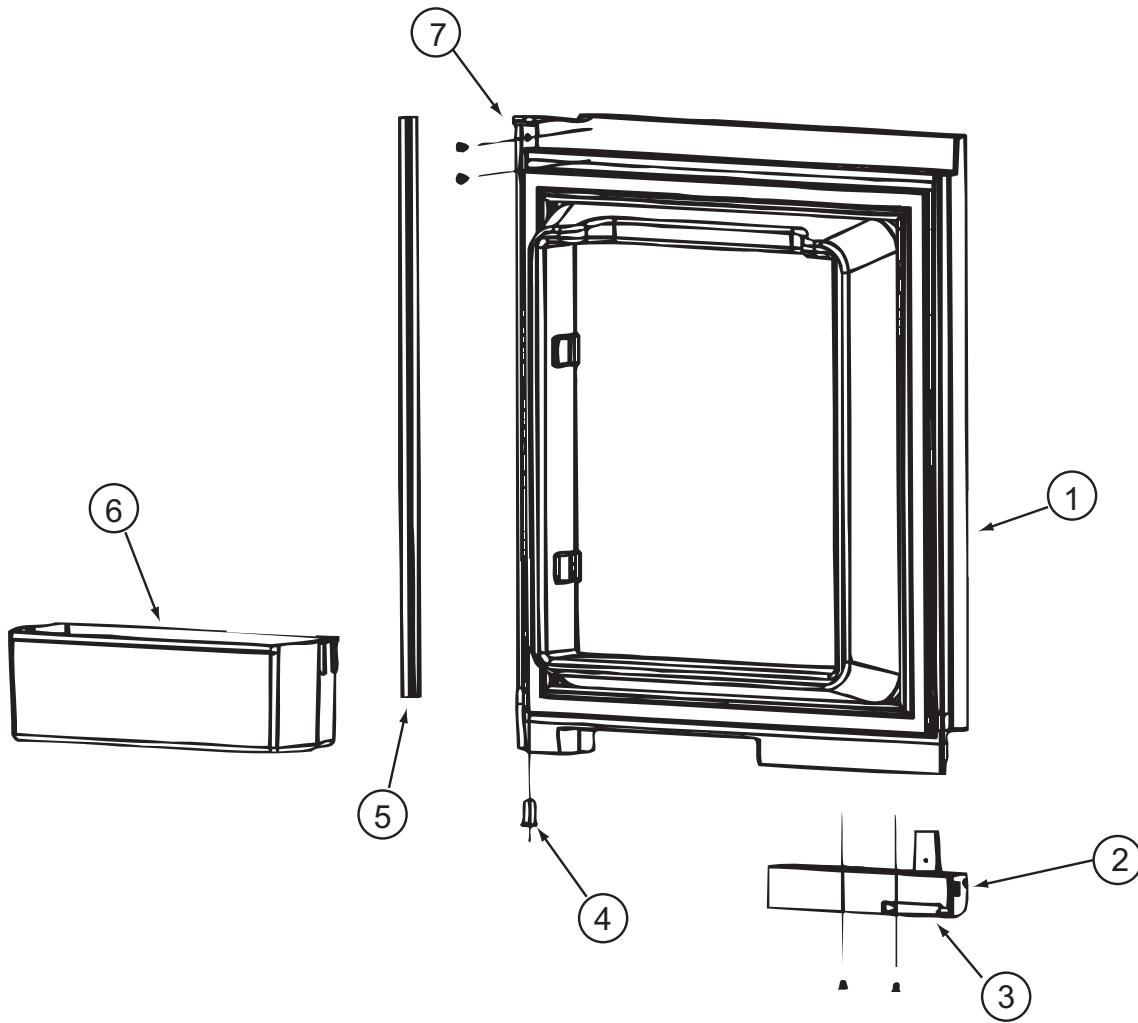
**APPLIANCE GROUP (CONTINUED)**  
**COMPONENT PARTS FOR APPLIANCES (CONTINUED)**



**125242-02-01A**

<b>KEY</b>	<b>PART NUMBER</b>	<b>U/M</b>	<b>DESCRIPTION</b>	<b>VENDOR NO.</b>
1	125242-01-762	EA	LINER/FOAMED-UPPER/LH-WHITE	619839
2	125242-02-700	EA	HANDLE(CONTOUR)TOP LH BTM RH	621107
3	125242-02-722	EA	LATCH-STORAGE DR/BLK POINTED	619374
4	125242-02-724	EA	HINGE - DOOR	618792
5	125242-02-723	EA	RETAINER/PANEL-UPPER DOOR	621974
6	125242-01-711	EA	DOOR BIN	618765
7	125242-01-704	EA	BUSHING-HINGE MIDDLE	618746
	125242-02-725	EA	DOOR ASM/UPR LH/WHITE GASKET	621148

**APPLIANCE GROUP (CONTINUED)**  
**COMPONENT PARTS FOR APPLIANCES (CONTINUED)**

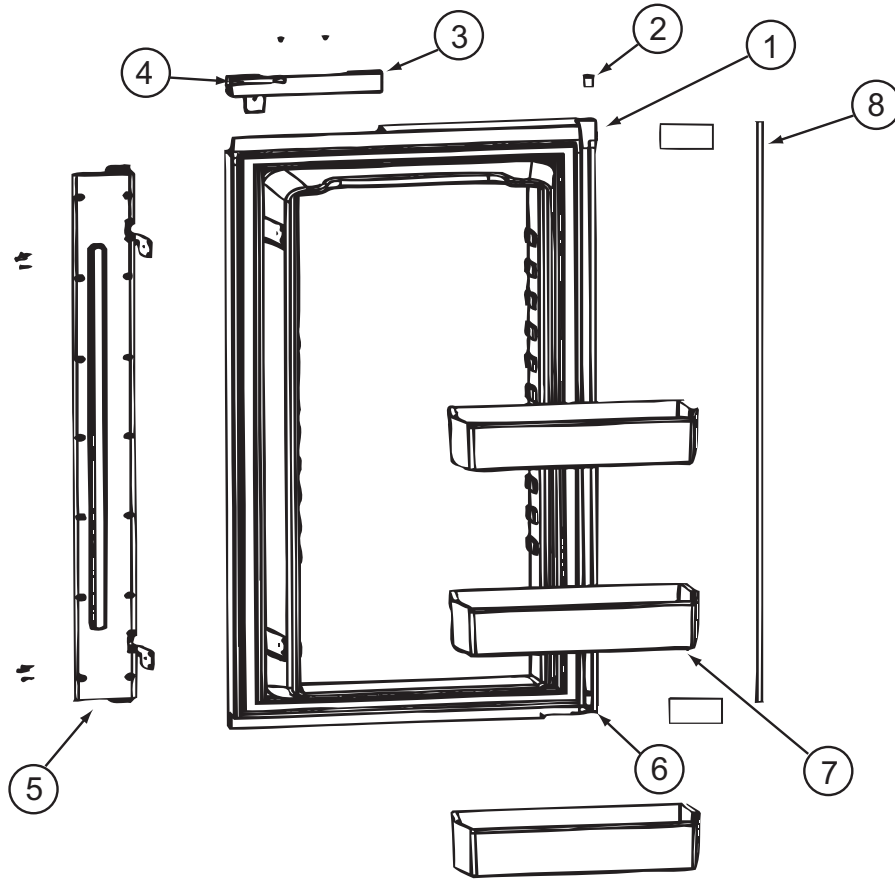


**125242-02-01A (CONTINUED)**

KEY	PART NUMBER	U/M	DESCRIPTION	VENDOR NO.
1	125242-01-763	EA	LINER/FOAMED-UPPER/RH-WHITE	619840
2	125242-02-701	EA	HANDLE(CONTOUR)TOP RH LWR LH	621106
3	125242-02-722	EA	LATCH-STORAGE DR/BLK POINTED	619374
4	125242-01-704	EA	BUSHING-HINGE MIDDLE	618746
5	125242-02-723	EA	RETAINER/PANEL-UPPER DOOR	621974
6	125242-01-711	EA	DOOR BIN	618765
7	125242-02-724	EA	HINGE - DOOR	618792
	125242-02-721	EA	DOOR ASM-UPR/RH/WHITE GASKET	621149



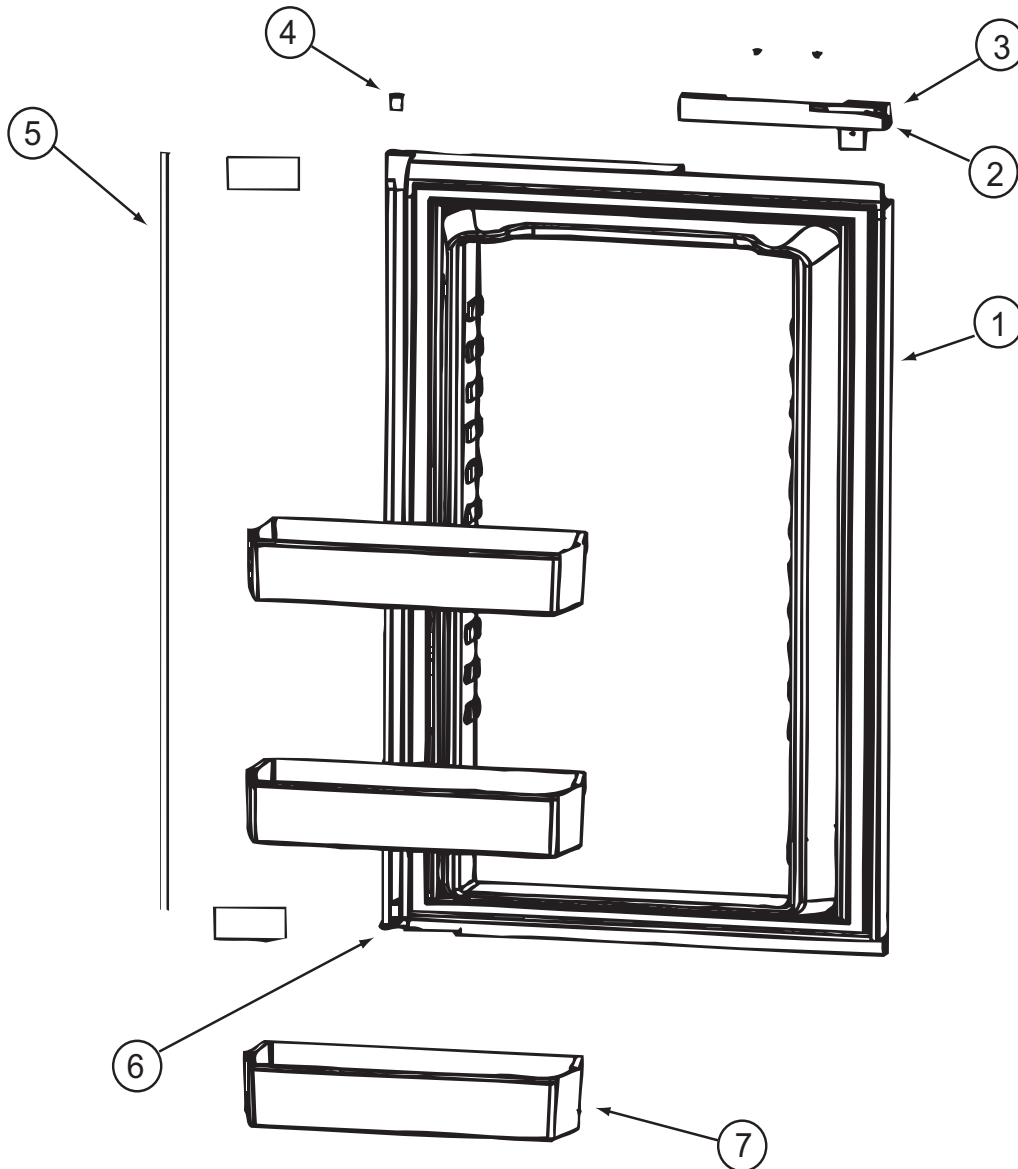
**APPLIANCE GROUP (CONTINUED)**  
**COMPONENT PARTS FOR APPLIANCES (CONTINUED)**



**125242-02-01A (CONTINUED)**

KEY	PART NUMBER	U/M	DESCRIPTION	VENDOR NO.
1	125242-01-765	EA	LINER/FOAMED-LOWER-LH-WHITE	619837
2	125242-01-704	EA	BUSHING-HINGE MIDDLE	618746
3	125242-02-701	EA	HANDLE(CONTOUR)TOP RH LWR LH	621106
4	125242-02-722	EA	LATCH-STORAGE DR/BLK POINTED	619374
5	125242-02-727	EA	FLAPPER ASM DOUBLE POLE	619845
6	125242-02-724	EA	HINGE - DOOR	618792
7	125242-01-711	EA	DOOR BIN	618765
8	125242-02-728	EA	RETAINER/PANEL - LOWER	621973
	125242-01-736	EA	CONTACT-PROBE PIN	618886
	125242-02-726	EA	DOOR ASM-LWR LH/WHITE GASKET	621150

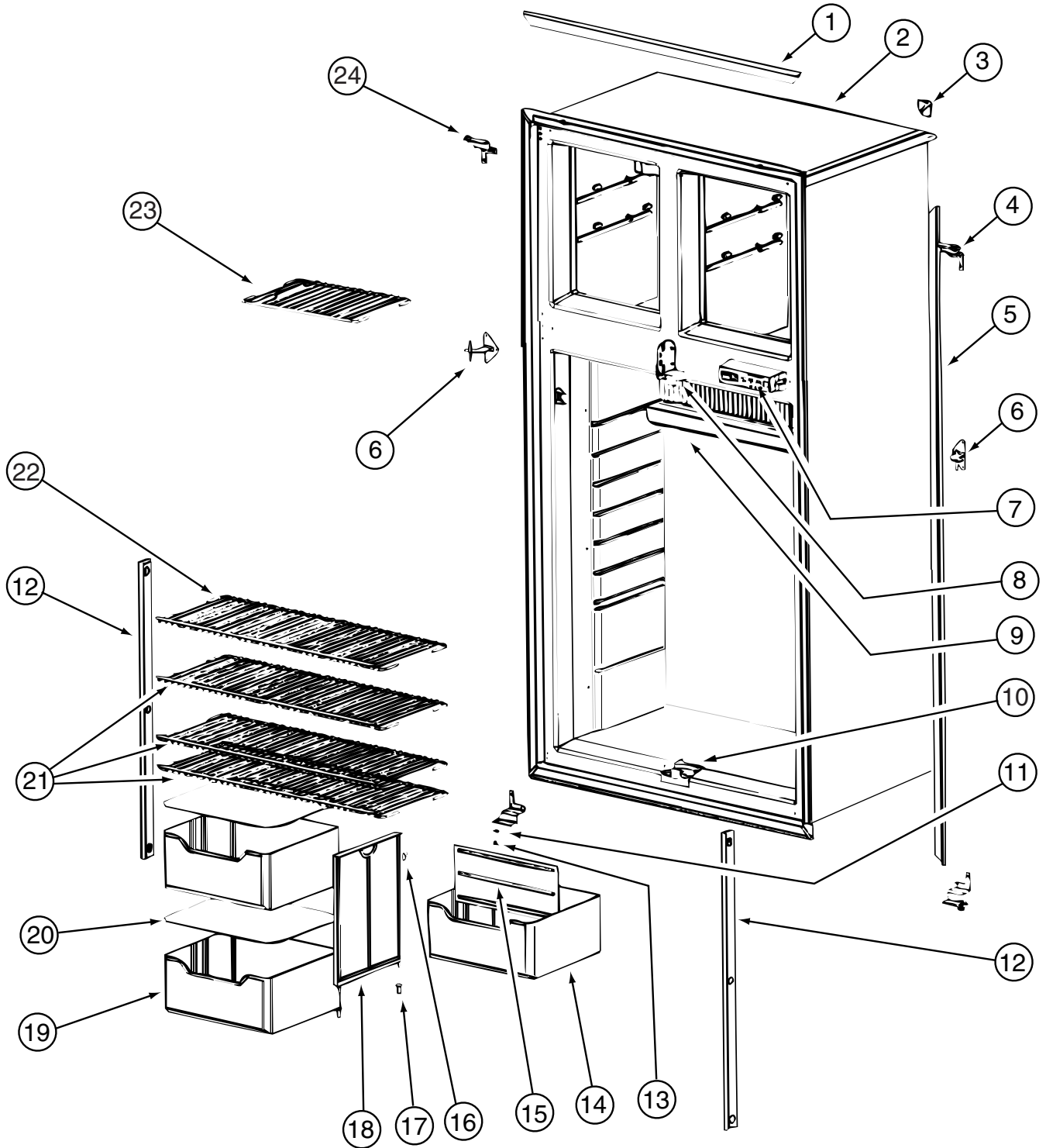
**APPLIANCE GROUP (CONTINUED)**  
**COMPONENT PARTS FOR APPLIANCES (CONTINUED)**



**125242-02-01A (CONTINUED)**

KEY	PART NUMBER	U/M	DESCRIPTION	VENDOR NO.
1	125242-01-764	EA	LINER/FOAMED-LOWER/RH-WHITE	619838
2	125242-02-700	EA	HANDLE(CONTOUR)TOP LH BTM RH	621107
3	125242-02-722	EA	LATCH-STORAGE DR/BLK POINTED	619374
4	125242-01-704	EA	BUSHING-HINGE MIDDLE	618746
5	125242-02-728	EA	RETAINER/PANEL - LOWER	621973
6	125242-02-724	EA	HINGE - DOOR	618792
7	125242-01-711	EA	DOOR BIN	618765
	125242-01-729	EA	FAN-EXTERNAL DC	618856
	125242-02-716	EA	GUIDE ASM LWR(SER#540294 DN)	620042
	125242-02-717	EA	GUIDE ASM LWR(SER#540295 UP)	620043

**APPLIANCE GROUP (CONTINUED)**  
**COMPONENT PARTS FOR APPLIANCES (CONTINUED)**



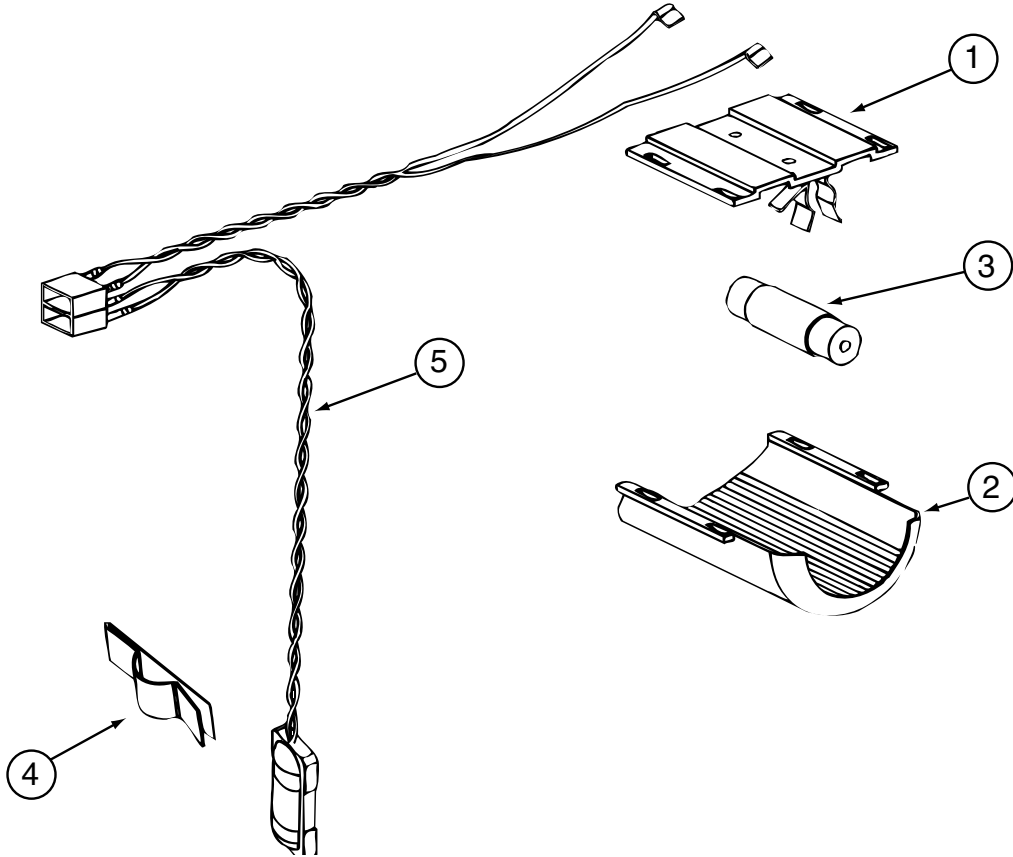
125242-02-01A (CONTINUED)

**APPLIANCE GROUP (CONTINUED)**  
**COMPONENT PARTS FOR APPLIANCES (CONTINUED)**

**125242-02-01A (CONTINUED)**

<b>KEY</b>	<b>PART NUMBER</b>	<b>U/M</b>	<b>DESCRIPTION</b>	<b>VENDOR NO.</b>
1	125242-01-723	EA	TRIM - HORIZONTAL	618845
2	125242-01-748	EA	CABINET/FOAMED ASSEMBLY	618748
3	125242-01-722	EA	TRIM - CORNER	618844
4	125242-01-715	EA	HINGE - TOP RH/BOTTOM LH	618798
5	125242-01-724	EA	TRIM - SIDE	618846
6	125242-01-713	EA	HINGE-MIDDLE (PAINTED)	618794
7	125242-02-704	EA	DISPLAY ASSEMBLY	621188
8	125242-01-751	EA	BLOCK - GUIDE - UPPER	618789
9	125242-01-712	EA	DRIP TRAY	618774
10	125242-01-752	EA	BLOCK - GUIDE - LOWER	618788
11	120075-01-708	EA	BUSHING - DOOR HINGE	618144
12	120075-01-730	EA	RETAINER - SHELF	618181
13	120075-01-727	EA	PIN - HINGE	618145
14	125242-01-734	EA	CRISPER/BOTTLE BIN	618878
15	125242-01-733	EA	DIVIDER - BOTTLE CRISPER	618877
16	125242-01-750	EA	CLIP	61409622
17	113737-01-701	EA	BUSHING - HINGE	61742022
18	125242-01-749	EA	SUPPORT - WALL	618840
19	125242-01-734	EA	CRISPER/BOTTLE BIN	618878
20	125242-01-706	EA	COVER - CRISPER	618757
21	125242-01-726	EA	SHELF - WIRE (LONG)	618848
22	125242-01-727	EA	SHELF - WIRE (SHORT)	618849
23	125242-01-725	EA	SHELF - FREEZER (WIRE)	618847
24	125242-01-714	EA	HINGE - TOP LH/BOTTOM RH	618796
	125242-01-735	EA	SWITCH - DOOR LIGHT	618884

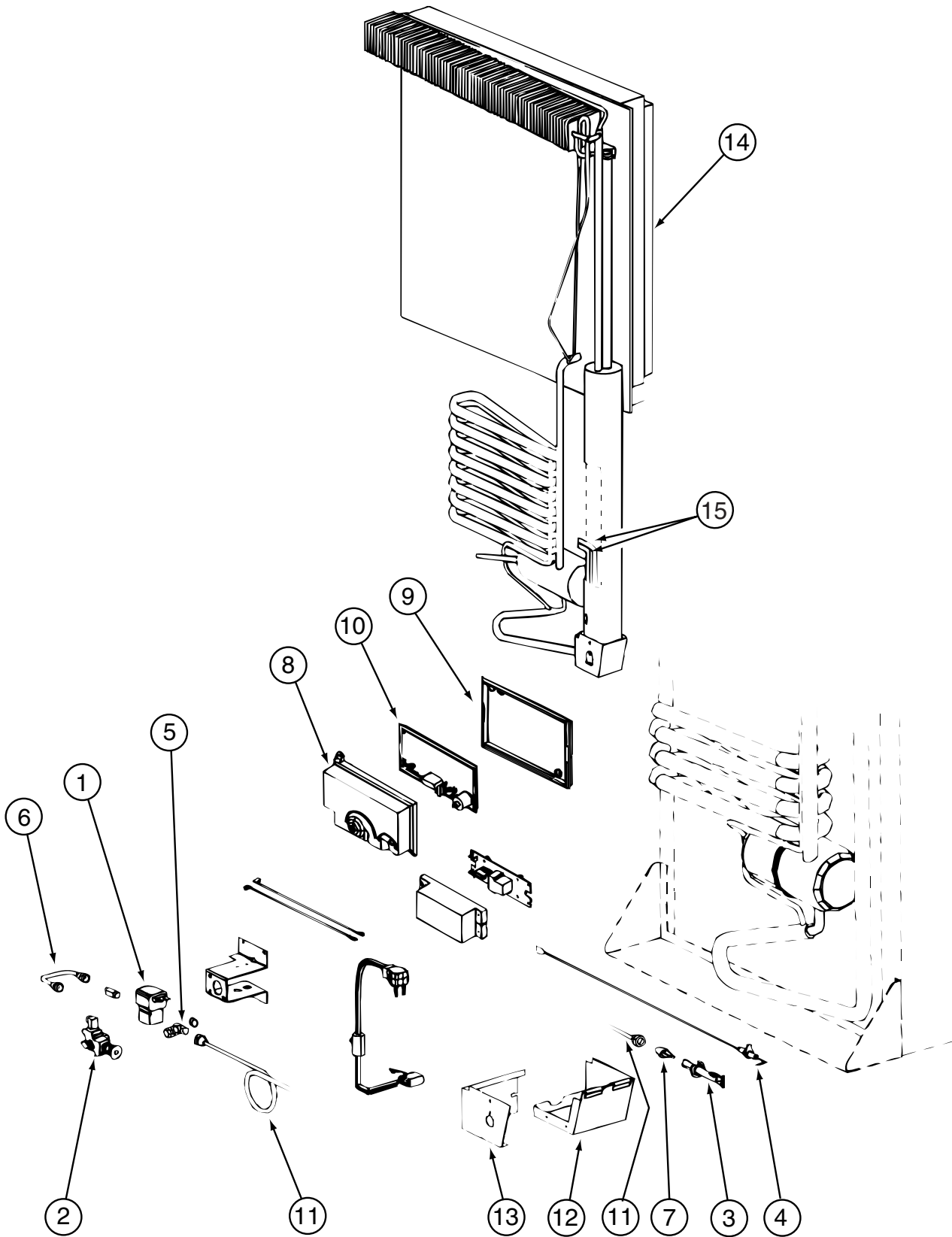
**APPLIANCE GROUP (CONTINUED)**  
**COMPONENT PARTS FOR APPLIANCES (CONTINUED)**



**125242-02-01A (CONTINUED)**

<b>KEY</b>	<b>PART NUMBER</b>	<b>U/M</b>	<b>DESCRIPTION</b>	<b>VENDOR NO.</b>
1	084880-03-705	EA	BRACKET - LIGHT - INTERIOR	61629722
2	120075-01-734	EA	COVER - LENS	618190
3	084880-03-706	EA	BULB - LAMP	61628922
4	084880-01-760	EA	CLIP (THERMISTER)	61689122
5	120075-01-735	EA	THERMISTER W/LAMP & WIRE/ASM	618548

**APPLIANCE GROUP (CONTINUED)**  
**COMPONENT PARTS FOR APPLIANCES (CONTINUED)**

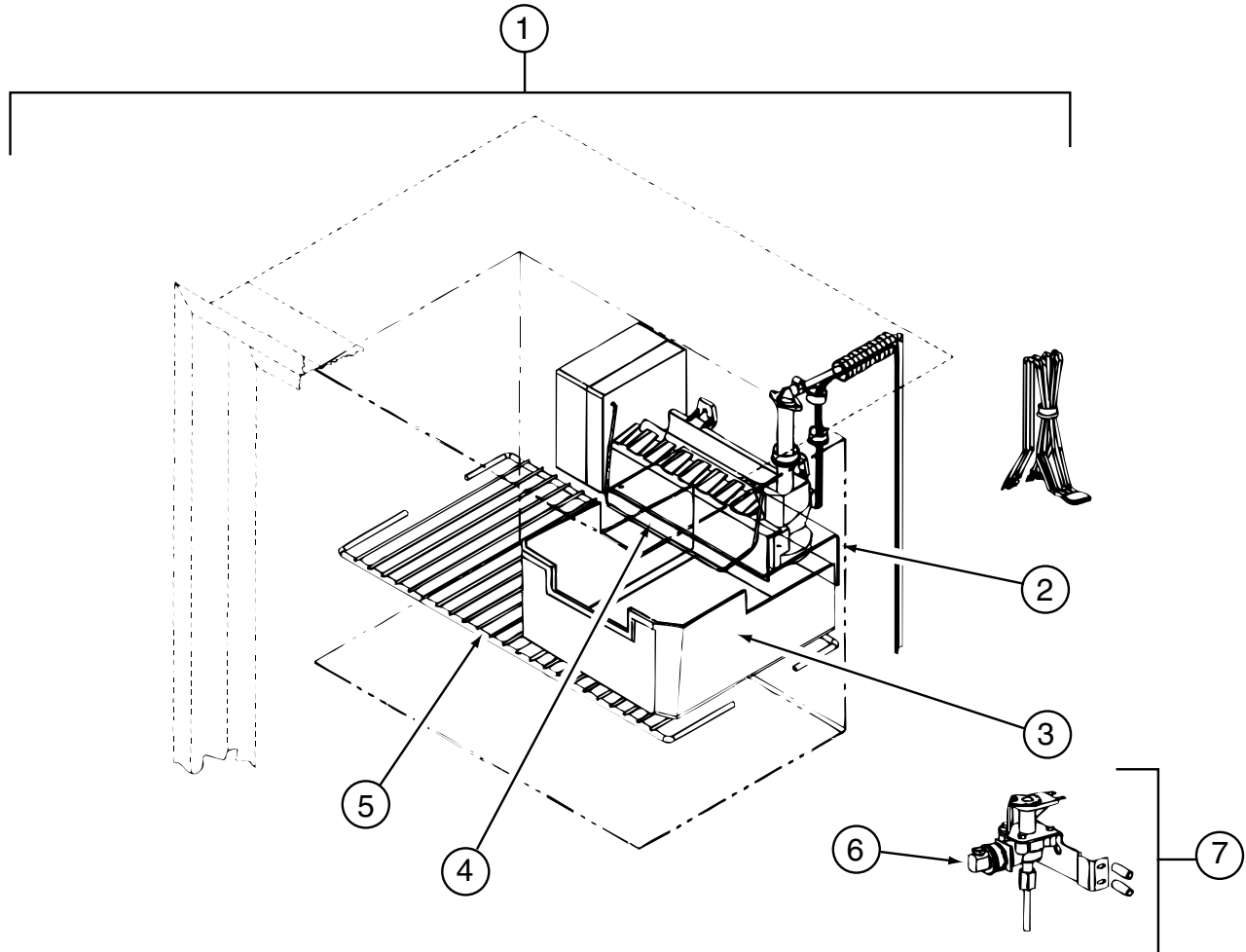


125242-02-01A (CONTINUED)

**APPLIANCE GROUP (CONTINUED)**  
**COMPONENT PARTS FOR APPLIANCES (CONTINUED)**

**125242-02-01A (CONTINUED)**

KEY	PART NUMBER	U/M	DESCRIPTION	VENDOR NO.
1	084880-01-718	EA	VALVE-GAS, (ASCO)	61551822
2	121568-03-720	EA	VALVE/SHUT OF-MANUAL ELECT.	618696
3	125242-01-743	EA	BURNER - 8 SLOT	618932
4	104137-06-715	EA	ELECTRODE-SPARK/SENSOR, SGL	61692222
5	113737-01-716	EA	TAP-PRESSURE	61594422
6	113737-01-750	EA	TUBE-UNION	61694622
7	125242-01-717	EA	ORIFICE-JEWELED	618814
8	120075-01-738	EA	COVER-POWER BOARD	618185
9	120075-01-740	EA	COVER-BASE, POWER BOARD	618186
10	125242-02-703	EA	POWER BOARD	621271
11	125242-01-744	EA	BURNER TUBE	618937
12	125242-01-739	EA	BASE-BURNER BOX	618902
13	125242-02-740	EA	COVER-BURNER BOX	618910
14	125242-01-746	EA	COOLING UNIT - 1200	618964
15	125242-01-732	EA	HEATER AC - 225W/110VAC	618872
	125242-01-753	EA	KIT - GAS VALVE/BURNER TUBE	620610



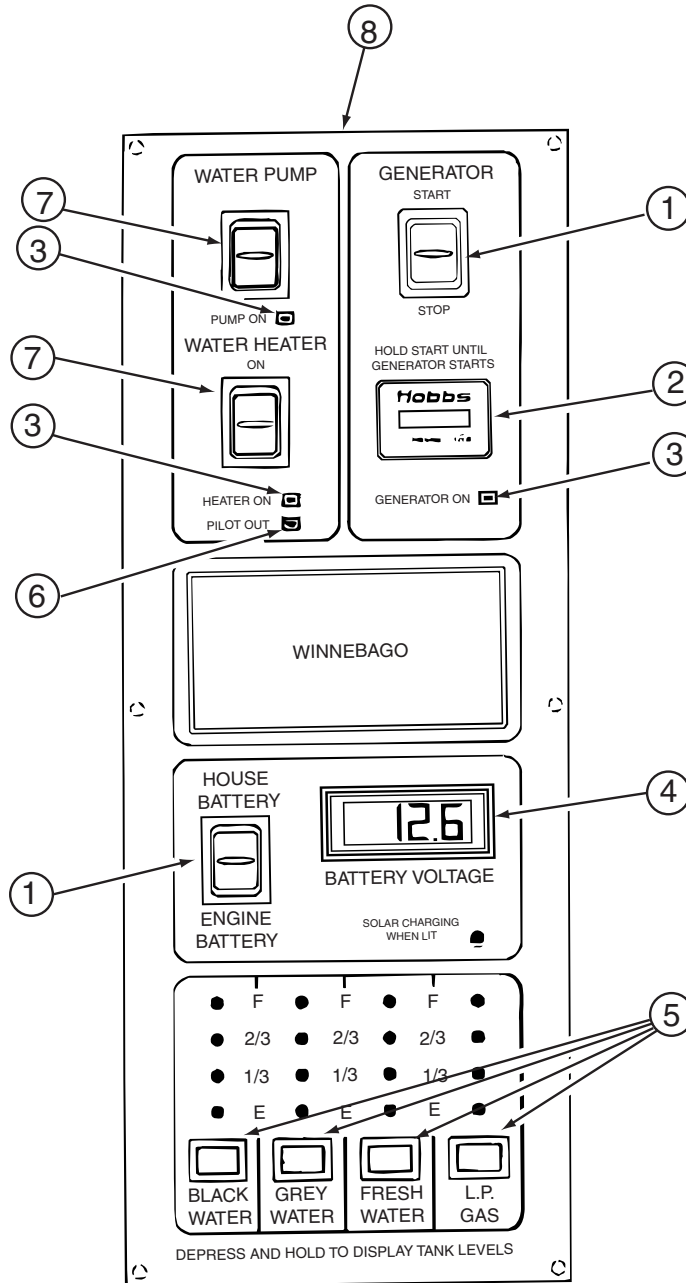
**125242-02-01A (CONTINUED)**

KEY	PART NUMBER	U/M	DESCRIPTION	VENDOR NO.
1	094039-07-706	EA	ICE MAKER W/O PLATES	61656522
2	125242-01-737	EA	BRACKET - MOUNTING (ICE MAKER)	618894
3	125242-01-716	EA	ICE BIN	618803
4	120075-03-703	EA	ARM - SHUT OFF	61656922
5	125242-01-725	EA	SHELF - FREEZER (WIRE)	618847
6	120075-03-702	EA	NUT/COMPRESSION - FITTING	61678722
7	120075-03-701	EA	VALVE - WATER - W/BRACKET	618523

**APPLIANCE GROUP (CONTINUED)**  
**COMPONENT PARTS FOR APPLIANCES (CONTINUED)**

**129561-01-01A**

KEY	PART NUMBER	U/M DESCRIPTION	VENDOR NO.
	129561-01-700	EA PC BOARD	L5097-09
	129561-01-701	EA CHASSIS SCREENED	C00399
	129561-01-702	EA LABEL	L0451-0
	129561-01-703	EA HARNESS	L7694-00



**133004-02-01A**

KEY	PART NUMBER	U/M DESCRIPTION	VENDOR NO.
1	133004-01-702	EA SWITCH/DPDT MOM=ON-OFF-ON	L1011-00
2	100258-10-701	EA GAUGE-HOUR MTR-CLIP ON (LCD)	L0775-00
3	133004-01-706	EA LED - GREEN - PANEL MOUNT	L0785
4	133004-01-704	EA METER/VOLT-DIGITAL - LCD	L1008-00
5	133004-01-705	EA SWITCH/MOM ON - PUSH BUTTON	L0950-00
6	133004-01-703	EA LED - RED - PANEL MOUNT	L1009-00
7	133004-01-701	EA SWITCH/DPDT ON-ON/MAINTAINED	L1025-00
8	133004-02-701	EA SCREENED - CHASSIS	CC0547-00
	133004-02-700	EA BOARD - PC	L5113-03



**AUDIO VIDEO GROUP**  
**RADIO SYSTEM**

KEY	PART NUMBER	U/M	DESCRIPTION
	077069-02-000	EA	CABLE/EXTENSION - RADIO ANTENNA - 96"
	123256-02-000	EA	CABLE - CB - COAX
	089340-02-000	EA	GRILLE - SPEAKER - 6.5" SQUARE - REAR STEREO
	110470-01-01A	EA	GRILLE - 4" X 6" OVAL SPEAKER - BLACK - EXT ENTERTAINMENT CTR
	124885-01-000	EA	GRILLE - SPEAKER - 6" X 9" - SUB-WOOFER - SOUND SYSTEM DELUXE
	090944-01-000	EA	ANTENNA - RADIO - 16" RUBBER - W/72" LEAD WIRE
	123256-01-000	EA	ANTENNA - CB - W/O CABLE
	094097-01-000	EA	SPEAKER - RADIO/TV - W/O GRILLE - 5.25" DIAMETER - REAR STEREO
	110469-01-000	EA	SPEAKER - 4" X 6" OVAL - COAXIAL - EXT ENTERTAINMENT CTR
	124883-02-000	EA	SPEAKER - CUBE - W/BRACKET - SOUND SYSTEM DELUXE
	124883-03-000	EA	SPEAKER - CUBE - W/O CASE - SOUND SYSTEM DELUXE
	124883-04-000	EA	SPEAKER - GRILLE - F/CUBE - SOUND SYSTEM DELUXE
	124884-01-000	EA	SPEAKER - 6" X 9" - SUB-WOOFER - SOUND SYSTEM DELUXE
	102080-11-000	EA	CHANGER - COMPACT DISC - CDX-530RF FROM: 00-00-00 THRU: 05-10-01
	102080-14-000	EA	CHANGER - COMPACT DISC - CDX-540RF FROM: 05-11-01 THRU: 01-31-02
	102080-17-000	EA	CHANGER - COMPACT DISC - CDX-540RF FROM: 02-01-02 THRU: 99-99-99
	102080-12-000	EA	CHANGER - REMOTE CONTROL-F/M MODULATOR - CDX-530RF FROM: 00-00-00 THRU: 05-08-01
*	102080-15-000	EA	CHANGER - CONTROL/FM MODULE & REMOTE - CDX-540RF KIT FROM: 05-09-01 THRU: 01-24-02
	102080-18-000	EA	CHANGER - CONTROL/FM MODULE & REMOTE - SONY CDX-555RF KIT FROM: 01-25-02 THRU: 99-99-99
	108847-01-000	EA	BRACKET - ANTENNA GROUND
	115916-01-01B	EA	BRACKET - ANTENNA MOUNT
	109889-04-000	EA	EXTENDER - ANTENNA SHAFT - 3.7"
	124881-02-000	EA	AMPLIFIER - AUDIO - MTS Q SURROUND - ORANGE LABEL (LATEST)
	125322-02-000	EA	RADIO-AM/FM STEREO/CASSETTE-AUDIOVOX-MS-306-EXT ENT W/CASS -EXT ENTERTAINMENT CTR
	127517-07-000	EA	RADIO - AM/FM STEREO/CD PLAYER - CDX-1200 - EXT ENTERTAINMENT CTR FROM: 00-00-00 THRU: 08-02-01
	127517-10-000	EA	RADIO - AM/FM STEREO/CD PLAYER - CDX-L250 - EXT ENTERTAINMENT CTR FROM: 08-03-01 THRU: 02-10-02
	127517-11-000	EA	RADIO - AM/FM STEREO/CD PLAYER - SONY CDX-L300 - EXT ENTERTAINMENT CTR FROM: 02-11-02 THRU: 06-02-02
	143509-01-000	EA	RADIO - AM/FM CD - W/REMOTE - JENSEN CD3010X-W - EXT ENTERTAINMENT CTR FROM: 06-03-02 THRU: 99-99-99
	133307-01-000	EA	RADIO - WALL MOUNT - CASSETTE W/ALARM - AUDIOVOX AWM-820 - REAR STEREO
	133307-02-000	EA	RADIO - WALL MOUNT - CD W/ALARM - AUDIOVOX AWM-930 - REAR STEREO
	135420-01-000	EA	RADIO - AM/FM CASSETTE/CD COMBO - M9900 - 7.2" X 3.3" R.O. - DASH
	135420-07-000	EA	RADIO - MOUNTING KIT - A-BODY - DASH

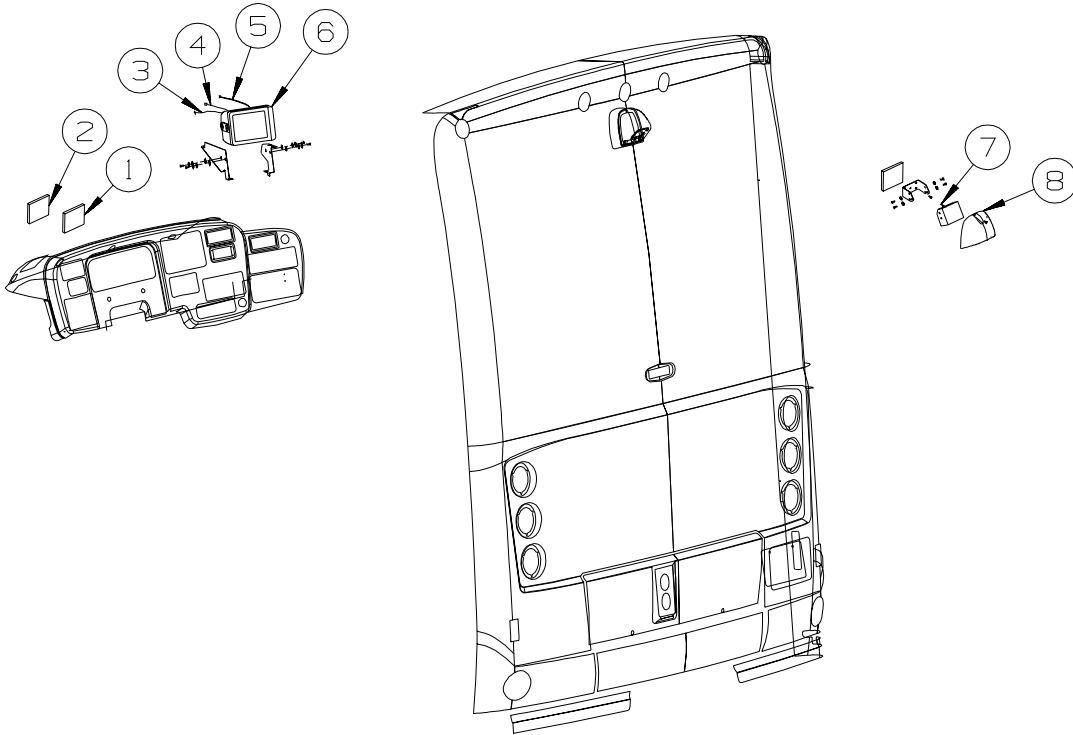
\*COMPONENT PARTS LISTED LATER IN THIS GROUP

**AUDIO VIDEO GROUP (CONTINUED)**  
**COMPONENT PARTS FOR RADIO SYSTEM**

102080-15-000

<b>KEY</b>	<b>PART NUMBER</b>	<b>U/M</b>	<b>DESCRIPTION</b>	<b>VENDOR NO.</b>
	102080-15-700	EA	REMOTE	1-476-488-11

**AUDIO VIDEO GROUP (CONTINUED)**  
**REAR VIEW MONITOR**



KEY	PART NUMBER	U/M	DESCRIPTION
1	093214-01-01A	EA	GRILLE - SPEAKER - 4" - BLACK
			FROM: 00-00-00 THRU: 11-26-01
1	093214-01-03A	EA	GRILLE - SPEAKER - 4" - GLACIER
			FROM: 11-27-01 THRU: 99-99-99
2	098819-01-000	EA	SPEAKER - 4" - 2 WATT - 8 OHM
3	114870-01-000	EA	PLUG - AUDIO W/LEADS - 48.5"
4	096717-04-000	EA	WIRE ASSEMBLY - REAR MONITOR - UPPER
5	093041-01-000	EA	CABLE - MONITOR/CAMERA - INTERNAL USE - 65.6'
6*	093040-10-000	EA	MONITOR - 7" REAR VIEW - W/BRACKET - SONY
7	093040-09-000	EA	CAMERA - REAR VIEW - W/BRACKET - SONY
8	137919-01-01A	EA	SHROUD - CAMERA - OUTER - BRIGHT WHITE

**\*COMPONENT PARTS LISTED LATER IN THIS GROUP**

**AUDIO VIDEO GROUP (CONTINUED)**  
**COMPONENT PARTS FOR REAR VIEW MONITOR**

**093040-10-000**

<b>KEY</b>	<b>PART NUMBER</b>	<b>U/M</b>	<b>DESCRIPTION</b>	<b>VENDOR NO.</b>
	093040-10-700	EA	LENS-MONITOR, REAR VIEW F/7"	3-708-537-01

## AUDIO VIDEO GROUP (CONTINUED)

### TELEPHONE

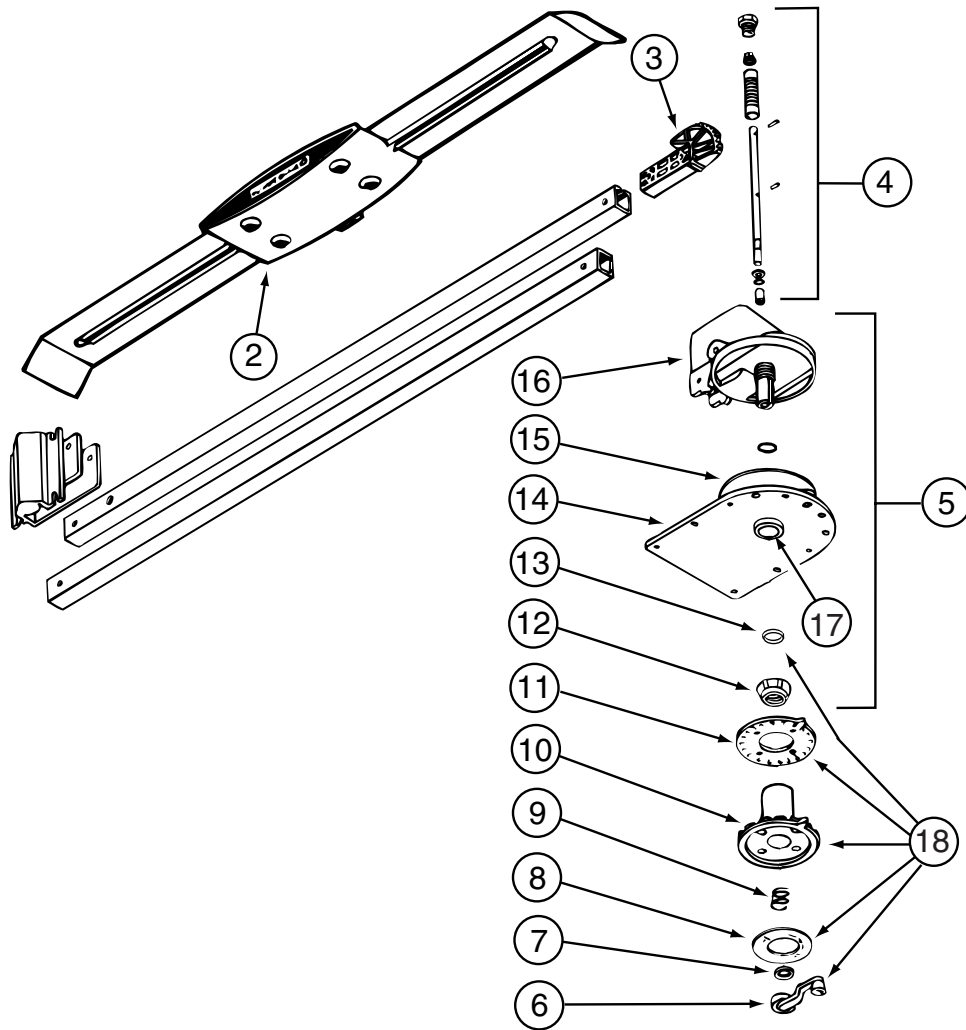
KEY	PART NUMBER	U/M	DESCRIPTION
	093253-01-01A	EA	PLATE - WALL - TELEPHONE - BEIGE
	130686-01-01A	EA	PLATE - WALL - TELEPHONE/COAX - WHITE

### TV & VCR

KEY	PART NUMBER	U/M	DESCRIPTION
	069726-02-000	EA	BUMPER - .88" OD X .40" THICK - BLACK
	076319-03-000	FT	CABLE - COAXIAL - 75 OHM
	117420-03-000	EA	CABLE - RCA - MALE - MALE - 20 FOOT - <a href="#">ENTERTAINMENT CENTER, L39</a>
	136860-01-000	EA	CABLE - RCA - #3 MALE TO #12F MALE CONNECTOR - <a href="#">ENTERTAINMENT CENTER, L39</a>
	076319-09-000	EA	WALLPLATE - CABLE RECEPTACLE - TV - SINGLE - BROWN
	086777-06-000	EA	WALLPLATE - TV CABLE - ANTENNA BOOSTER/1 OUTPUT - BLACK
	076319-12-000	EA	CONNECTOR - COAXIAL - ONE PIECE
*	076319-23-000	EA	ANTENNA - TV ROOF MOUNT - 44.5" MAST
*	128138-01-000	EA	ANTENNA/SATELLITE - AUTOMATIC
			FROM: 00-00-00 THRU: 12-09-01
*	141454-01-01A	EA	ANTENNA - SATELLITE - AUTOMATIC
			FROM: 12-10-01 THRU: 99-99-99
*	137135-01-000	EA	ANTENNA - SATELLITE DSS - W/SENSOR
			FROM: 00-00-00 THRU: 04-08-02
	137135-02-000	EA	ANTENNA - SATELLITE DSS - W/SENSOR
			FROM: 04-09-02 THRU: 99-99-99
*	076319-25-000	EA	KIT - HARDWARE INTERIOR
	082134-01-000	EA	ADAPTER - TV - CABLE TO CABLE
	082136-01-000	EA	NUT - HEX JAM - 3/8-32
	086756-01-000	EA	SPLITTER - TV/2 WAY
	086757-04-000	EA	CONTROL CENTER - SWITCH - VCR/TV - 5 INPUTS
	114870-02-000	EA	PLUG - AUDIO W/LEADS - 10" - <a href="#">L39</a>
	123324-01-000	EA	FILTER - GROUND LOOP - <a href="#">ENTERTAINMENT CENTER, L39</a>
*	124073-11-000	EA	VCR-VHS/HI-FI STEREO - SILVER CASE - RCA VR651HF
			FROM: 00-00-00 THRU: 05-16-02
	124073-12-000	EA	VCR-VHS/HI-FI STEREO - SILVER CASE - RCA VR637HF
			FROM: 05-17-02 THRU: 99-99-99
*	124075-06-000	EA	TV - 19" - 1/8 JACK - UL/CSA - RCA F19424M
	136162-01-000	EA	TV - 27" STEREO W/5 JACKS - RCA F27648
			FROM: 00-00-00 THRU: 04-22-02
	136162-02-000	EA	TV - 27" STEREO W/5 JACKS - RCA F27689
			FROM: 04-23-02 THRU: 99-99-99
*	140061-01-000	EA	TV - 32" COLOR/STEREO W/5 JACKS - RCA F32648 - <a href="#">ENTERTAINMENT CENTER, L39</a>
			FROM: 00-00-00 THRU: 12-02-01
*	140061-02-000	EA	TV - 32" COLOR/STEREO W/5 JACKS - RCA F32649 - <a href="#">ENTERTAINMENT CENTER, L39</a>
			FROM: 12-03-01 THRU: 99-99-99
	134006-01-03B	EA	PLATE - COAXIAL CABLE/OFF WHITE
	136764-02-000	EA	DVD PLAYER - RCA RC524OP
			FROM: 07-16-01 THRU: 07-21-02
	136764-03-000	EA	DVD PLAYER - RCA DRC220N
			FROM: 07-22-02 THRU: 99-99-99

**\*COMPONENT PARTS LISTED LATER IN THIS GROUP**

**AUDIO VIDEO GROUP (CONTINUED)**  
**COMPONENT PARTS FOR TV & VCR**



**076319-23-000**

KEY	PART NUMBER	U/M	DESCRIPTION	VENDOR NO.
2	076319-01-700	EA	HEAD - ANTENNA - AMPLIFIED	RVSA U/V
3	076319-01-701	EA	GEAR - ELEVATING - PLASTIC	2200046
4	076319-01-702	EA	SHAFT ASM - ELEVATING	RVP-400A
5	076319-01-711	EA	BASE & LIFT ASM	2762802
7	076319-01-705	EA	BEARING - NYLON - 7/8"ID	3200658
8	076319-01-708	EA	DECAL-CRANK	5413002
9	076319-01-707	EA	SPRING - HANDLE	5160822
11	076319-01-709	EA	PLATE-CEILING (IVORY)	3200621
11	076319-01-712	EA	PLATE - CEILING	3200608
12	076319-01-715	EA	NUT (GEAR HOUSING)	2200047
14	076319-01-713	EA	BASE PLATE	3100523
15	076319-01-703	EA	BEARING - NYLON - 5"OD	3200656
16	076319-01-714	EA	HOUSING - ROTATING GEAR	2200049
	076319-01-716	EA	TUBING, ELEVATING	RP-2900
17	076319-01-704	EA	BEARING-NYLON, 1.25"OD	3200657

CONTACT WINNEBAGO PART SALES FOR UNLISTED COMPONENT

**076319-25-000**

KEY	PART NUMBER	U/M	DESCRIPTION	VENDOR NO.
6	076319-01-706	EA	CRANK-ELEVATING W/SET SCREW	2750897
6	120233-01-710	EA	HANDLE-CRANK	RP-6795
8	076319-01-708	EA	DECAL-CRANK	5413002
9	076319-01-707	EA	SPRING-HANDLE	2160822
10	076319-25-700	EA	DIRECTIONAL HANDLE(WHITE)	3200612
11	076319-25-701	EA	PLATE - CEILING(WHITE)	3200609
13	120233-01-709	EA	WASHER-NYLON	RP-2658

CONTACT WINNEBAGO PART SALES FOR UNLISTED COMPONENTS

**AUDIO VIDEO GROUP (CONTINUED)**  
**COMPONENT PARTS FOR TV & VCR (CONTINUED)**

124073-11-000

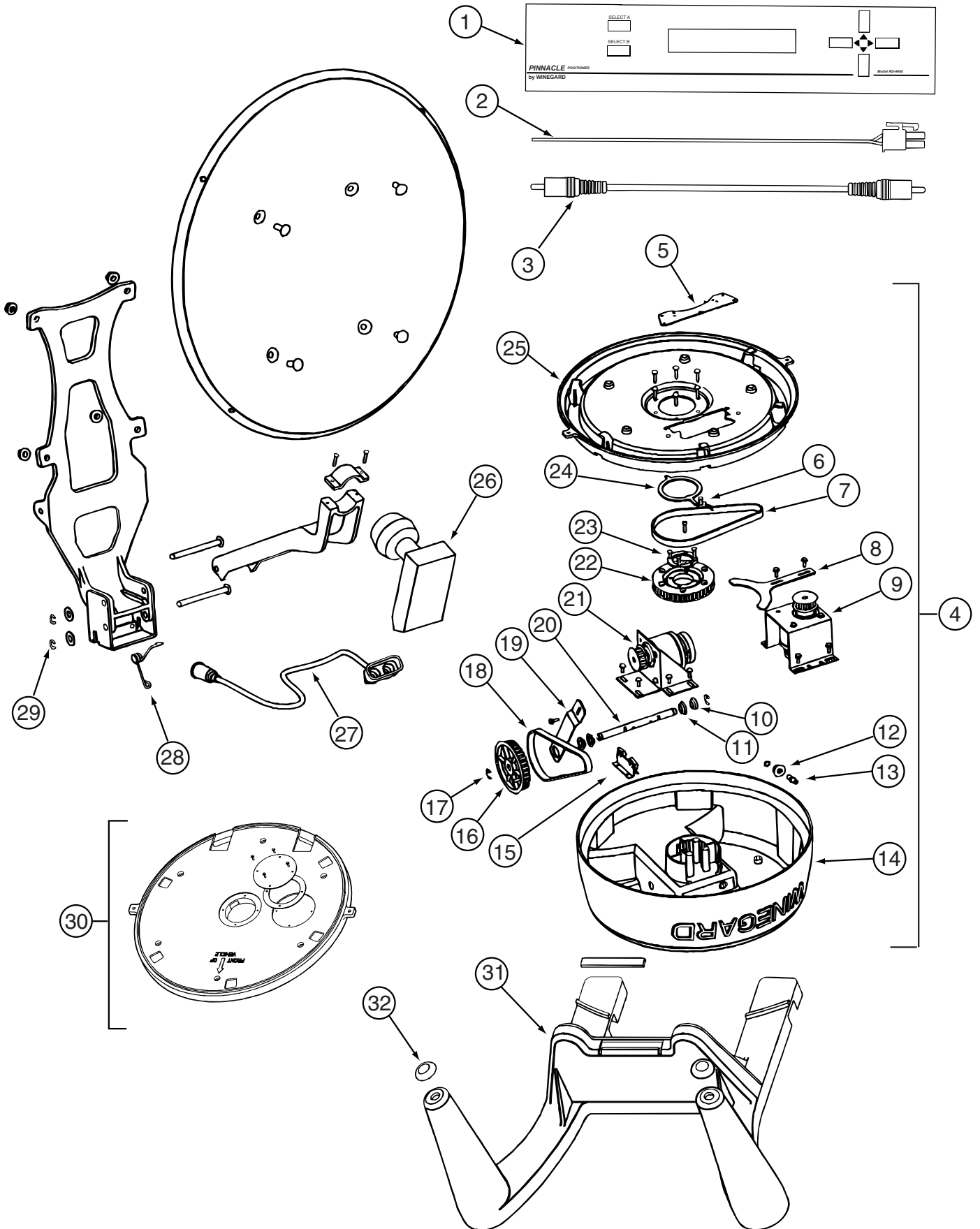
<b>KEY</b>	<b>PART NUMBER</b>	<b>U/M DESCRIPTION</b>	<b>VENDOR NO.</b>
	126697-04-700	EA REMOTE	239040

124075-06-000

<b>KEY</b>	<b>PART NUMBER</b>	<b>U/M DESCRIPTION</b>	<b>VENDOR NO.</b>
	124075-05-700	EA REMOTE	242778

# AUDIO VIDEO GROUP (CONTINUED)

## COMPONENT PARTS FOR TV & VCR (CONTINUED)



128138-01-000

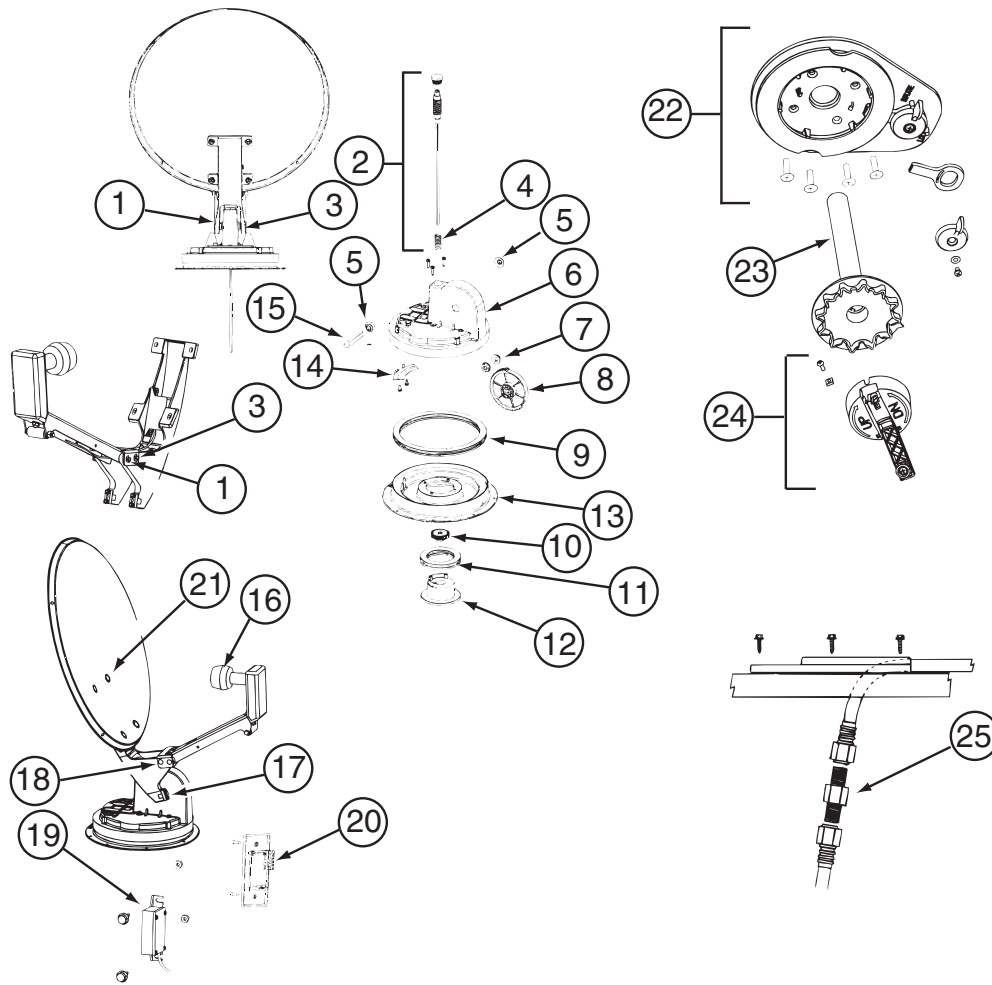


**AUDIO VIDEO GROUP (CONTINUED)**  
**COMPONENT PARTS FOR TV & VCR (CONTINUED)**

**128138-01-000 (CONTINUED)**

<b>KEY</b>	<b>PART NUMBER</b>	<b>U/M</b>	<b>DESCRIPTION</b>	<b>VENDOR NO.</b>
1	128138-01-700	EA	POSITIONER SATELLITE	RD-9900
2	128138-01-728	EA	WIRE HARNESS/WARNING DEVICE	2753254
3	128138-01-729	EA	CABLE 36" - RCA	2231044
4	128138-01-703	EA	MOUNT ASSEMBLY	2762832
5	128138-01-705	EA	SWITCH ASSEMBLY - ROTATION	2762835
6	128138-01-706	EA	SPRING - ROTATION	2160819
7	128138-01-707	EA	DRIVER BELT - ROTATION	2200140
8	128138-01-708	EA	TENSIONER - MOTOR ROTATE	3711303
9	128138-01-709	EA	MOTOR ASSEMBLY - ROTATION	2762838
10	128138-01-710	EA	BUSHING - OIL LUBE	2180509
11	128138-01-711	EA	SEAL- LIFT ARM SHAFT	2200851
12	128138-01-712	EA	BOOT COLLAR-F/F-8100 CON	3200206
13	128138-01-713	EA	CONNECTORF-8100 MALE/MALE	2360060
14	128138-01-714	EA	TOP COVER	2200844
15	128138-01-715	EA	SWITCH ASSEMBLY - ELEVATION	2762836
16	128138-01-716	EA	PULLEY - ELEVATION	2200850
17	128138-01-717	EA	E-CLIP	2160699
18	128138-01-718	EA	DRIVE BELT - ELEVATION	2200141
19	128138-01-719	EA	TENSIONER - MOTOR ELEVATION	3711304
20	128138-01-720	EA	SHAFT - LIFT ARM	2590345
21	128138-01-721	EA	MOTOR ASSEMBLY - ELEVATION	2762837
22	128138-01-722	EA	PULLEY - ROTATION	2201848
23	128138-01-723	EA	RING - STOP/FIXED	3711297
24	128138-01-724	EA	RING - STOP/ROTATION	3711295
25	128138-01-704	EA	MOUNT BASE ONLY	2200846
26	128138-01-730	EA	LOW NOISE BLOCK FILTER	2780160
27	128138-01-731	EA	CABLE-COAX/18' W/CONNECTORS	2753067
28	128138-01-732	EA	SPRING	2160821
29	128138-01-733	EA	E-CLIP	
30	128138-01-726	EA	MOUNT BASE ASSEMBLY	2762831
31	128138-01-701	EA	SUPPORT - ANTENNA	2200845
32	128138-01-702	EA	BUMPER - ANTENNA SUPPORT	2240025
	128138-01-725	EA	COAX CABLE 4' RG-6	2753018

**AUDIO VIDEO GROUP (CONTINUED)**  
**COMPONENT PARTS FOR TV & VCR (CONTINUED)**



**137135-01-000**

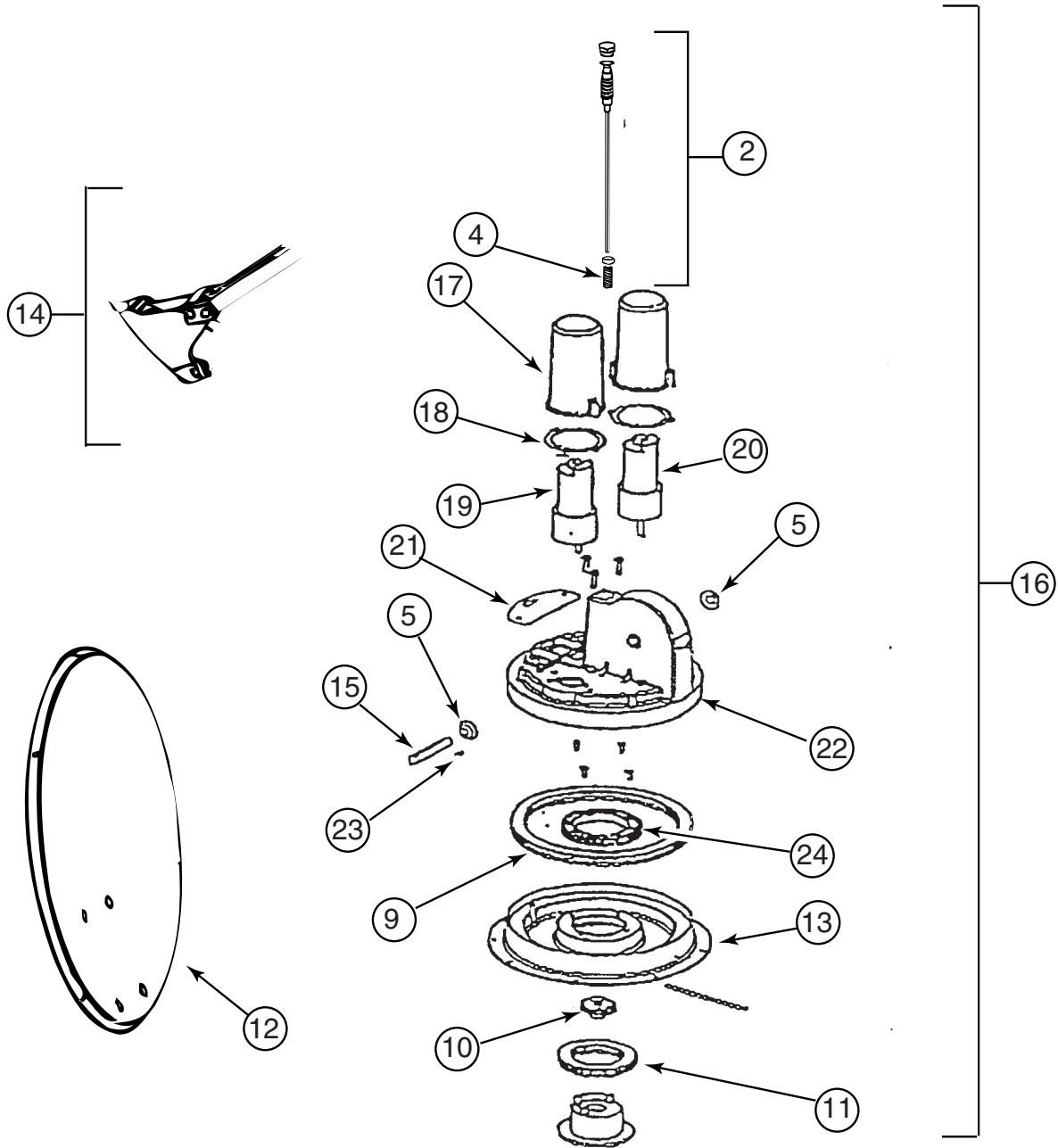
KEY	PART NUMBER	U/M	DESCRIPTION	VENDOR NO.
1	120233-01-714	EA	CLIP-E	5160818
2	137135-01-703	EA	SHAFT-ELEVATING(SPRING/PLUG)	RP-4400
3	137135-01-704	EA	PIN - 1/4" X 3.25"	2160813
4	137135-01-705	EA	SPRING	2160818
5	137135-01-707	EA	SEAL - PIVOT SHAFT	2200852
6	137135-01-708	EA	TURRET	3100728
7	137135-01-709	EA	PIVOT BEARING	2200470
8	137135-01-711	EA	GEAR - ELEVATING	2200464
9	137135-01-712	EA	BEARING - OUTER	2590347
10	137135-01-714	EA	GEAR - ELEVATING SHAFT	2200465
11	137135-01-715	EA	BEARING - INNER	2590348
12	137135-01-716	EA	HUB	3100731
13	137135-01-713	EA	TURRET BASE	3100730
14	137135-01-710	EA	PLATE - ROTATE LIMIT	3720052
15	137135-01-706	EA	PIVOT SHAFT	2590344
16	120233-01-734	EA	LOW NOISE BLOCK FILTER (SGL)	LB10003
17	137135-01-722	EA	CLAMP	2590343
18	137135-01-719	EA	BRACKET - PIVOT	2744945
19	137135-01-720	EA	DE-SENSOR UNIT W/43" CABLE	276342
20	137135-01-721	EA	WALL PLATE	3200213
21	137135-01-717	EA	BOLT - FLAT HEAD	216032
22	120233-01-722	EA	PLATE ASSEMBLY (CEILING)	2762826
23	120233-01-704	EA	DIAL - DIRECTIONAL	3200364
24	120233-01-721	EA	CRANK HANDLE ASSEMBLY	2762825
25	137135-01-701	EA	CONNECTOR - F - MALE TO MALE	FS-8100
	137135-01-700	EA	ROOF WEDGE W/GASKET	RW-5000
	137135-01-718	EA	REFLECTOR/WHITE - 46CM	2745282

**AUDIO VIDEO GROUP (CONTINUED)**  
**COMPONENT PARTS FOR TV & VCR (CONTINUED)**

140061-01-000, 140061-02-000

**KEY PART NUMBER U/M DESCRIPTION**  
 130121-05-700 EA REMOTE

**VENDOR NO.**  
 242524



141454-01-01A

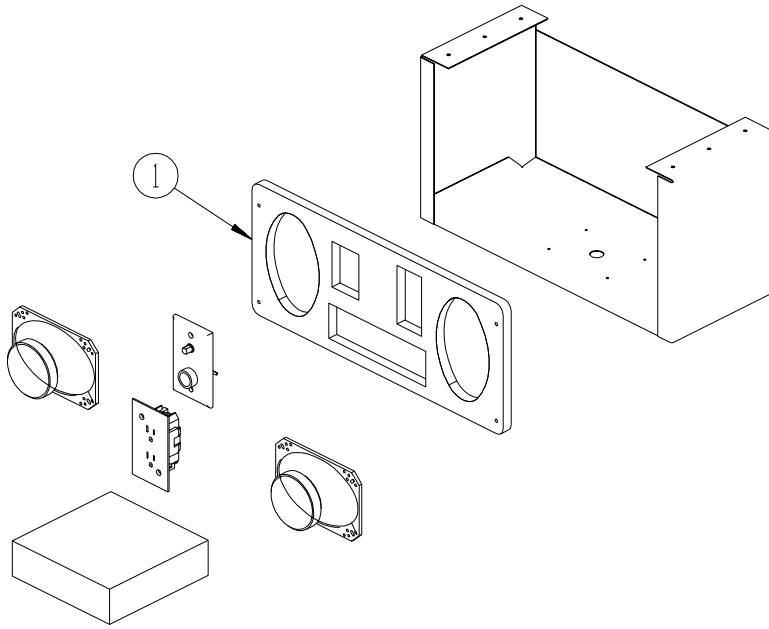
**AUDIO VIDEO GROUP (CONTINUED)**  
**COMPONENT PARTS FOR TV & VCR (CONTINUED)**

**141454-01-01A (CONTINUED)**

<b>KEY</b>	<b>PART NUMBER</b>	<b>U/M</b>	<b>DESCRIPTION</b>	<b>VENDOR NO.</b>
2	141454-01-700	EA	KIT ELEV-SHAFT/GEARS/SPRING	RP-RM20
4	137135-01-705	EA	SPRING	2160818
5	137135-01-707	EA	SEAL - PIVOT SHAFT	2200852
9	137135-01-712	EA	BEARING - OUTER	2590347
10	137135-01-714	EA	GEAR - ELEVATING SHAFT	2200465
11	137135-01-715	EA	BEARING - INNER	2590348
12	137135-01-718	EA	REFLECTOR/WHITE-46CM W/HDWE	RP-35RM
13	137135-01-713	EA	TURRET BASE	3100730
14	137135-01-723	EA	SUPPORT/FRAME-BACKUP-W/HDWE	RP-RM00
15	137135-01-706	EA	PIVOT SHAFT	2590344
16	141454-01-704	EA	KIT LIFT ASSEMBLY COMPLETE	2590344
17	141454-01-705	EA	HOUSING - MOTOR	3200260
18	141454-01-706	EA	GASKET - MOTOR HOUSING	2240054
19	141454-01-707	EA	MOTOR - AZIMUTH	2665039
20	141454-01-708	EA	MOTOR - ELEVATION	2665038
21	141454-01-709	EA	GASKET	2240056
22	141454-01-710	EA	TURRET	3100729
23	141454-01-711	EA	ROLL PIN	2160842
24	141454-01-712	EA	GEAR - ROTATE	2200469
	141454-01-701	EA	KIT - GEAR/MOTOR-GEAR/ROTATE	RP-RM25
	141454-01-702	EA	HOUSING/ELECTRONICS - UPPER	RP-RM10
	141454-01-703	EA	HOUSING/ELECTRONICS - LOWER	RP-RM15
	141454-01-713	EA	PANEL/FRT-W/DIGITAL READOUT	2764586

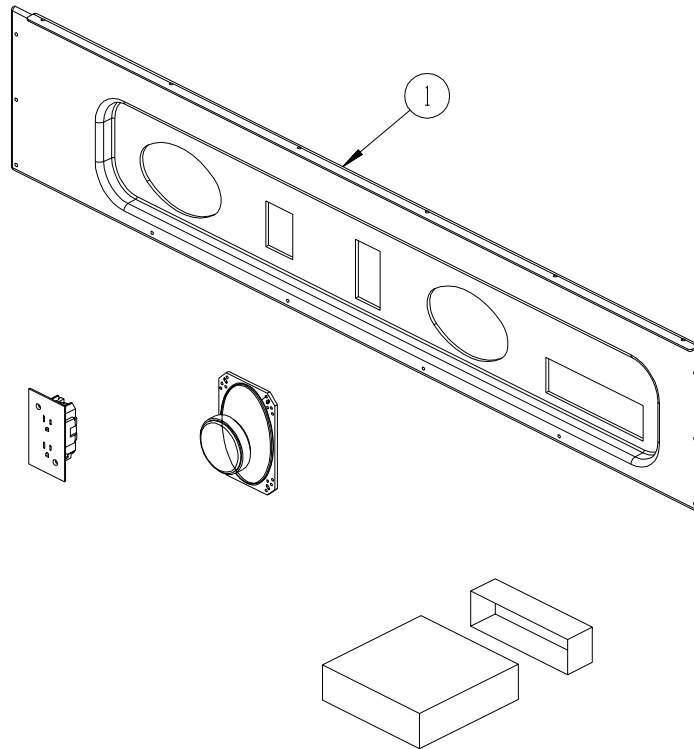
CONTACT WINNEBAGO PART SALES FOR UNLISTED COMPONENT

**AUDIO VIDEO GROUP (CONTINUED)**  
**EXTERIOR ENTERTAINMENT**



**L36W**

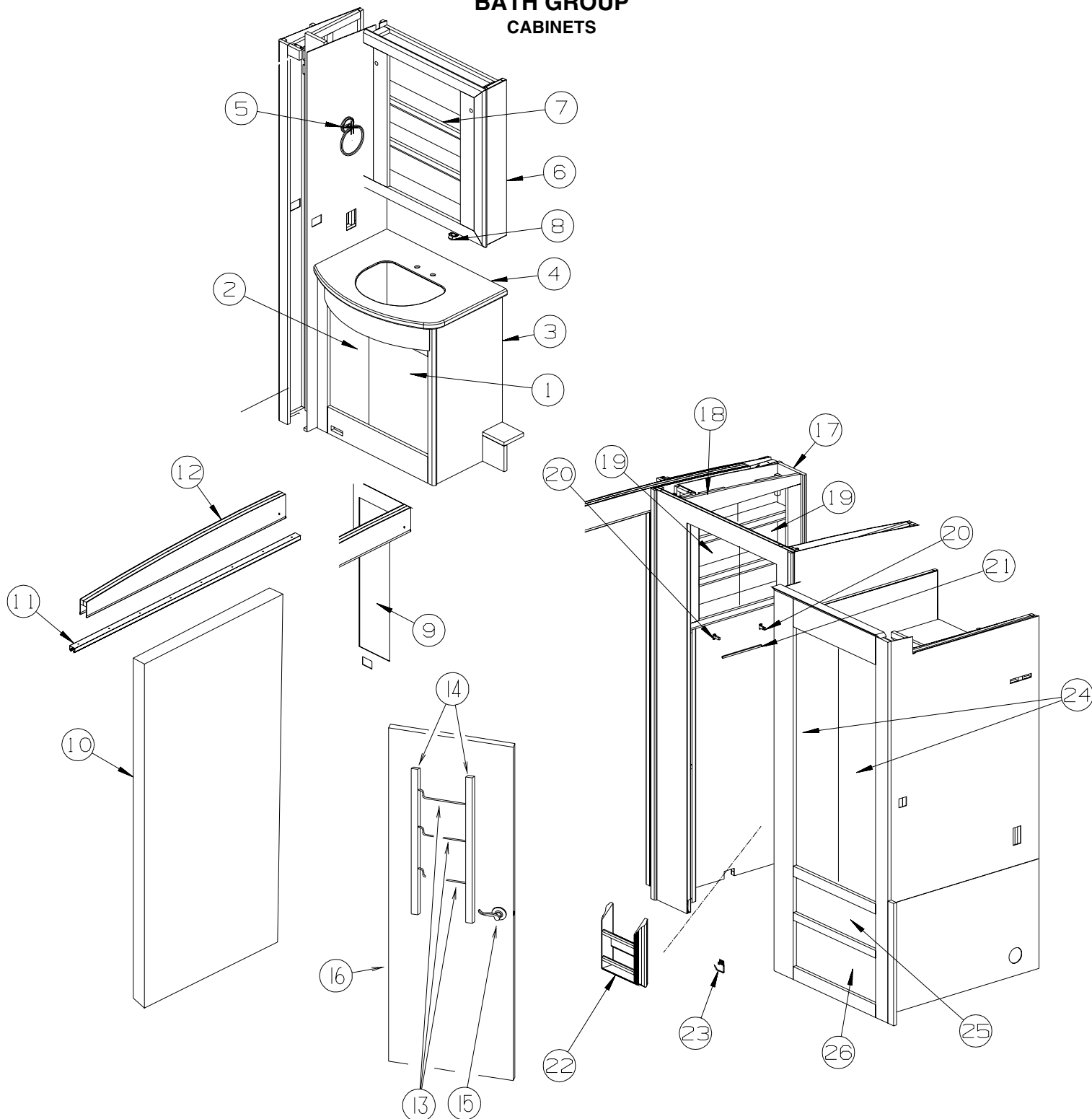
KEY	PART NUMBER	U/M DESCRIPTION
1	126123-04-L52	EA PLATE - RADIO MOUNTING



**L39**

KEY	PART NUMBER	U/M DESCRIPTION
1	139958-01-01A	EA PANEL - ENTERTAINMENT CENTER - BRIGHT WHITE

## BATH GROUP CABINETS

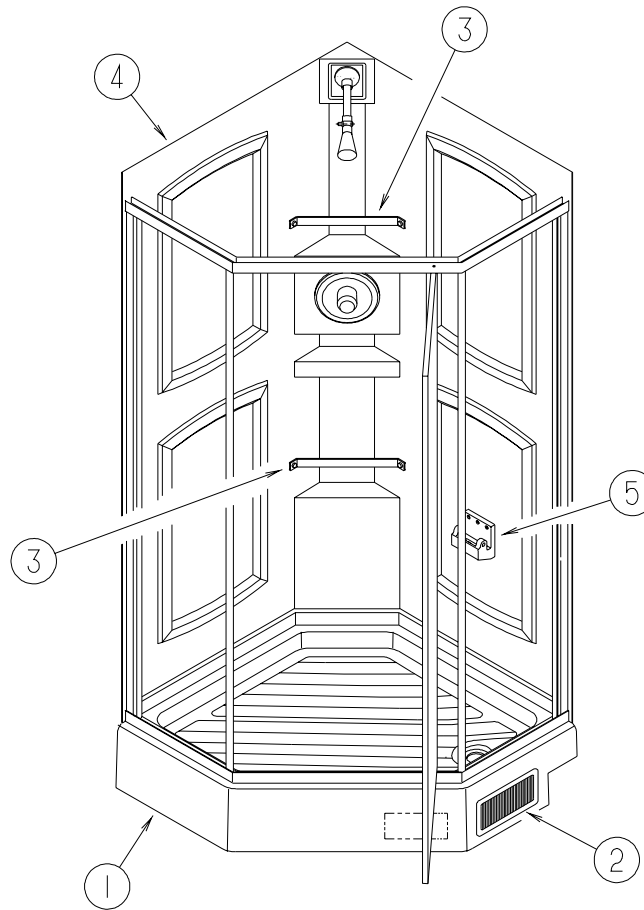


KEY	PART NUMBER	U/M	DESCRIPTION
1	131995-88-N52	EA	DOOR - RAIL/SOLID PANEL - 13.4" X 21.8" - W/O HARDWARE - SALEM CHERRY
1	131995-88-N53	EA	DOOR - RAIL/SOLID PANEL - 13.4" X 21.8" - W/O HARDWARE - PORTSMOUTH OAK
2	131995-90-N52	EA	DOOR - RAIL/SOLID PANEL - 13.4" X 21.8" - W/O HARDWARE - SALEM CHERRY
2	131995-90-N53	EA	DOOR - RAIL/SOLID PANEL - 13.4" X 21.8" - W/O HARDWARE - PORTSMOUTH OAK
3	139334-01-N52	EA	CABINET - LAVATORY - W/O COUNTERTOP/DOORS/DRAWERS/HARDWARE - SALEM CHERRY
3	139334-01-N53	EA	CABINET - LAVATORY - W/O COUNTERTOP/DOORS/DRAWERS/HARDWARE - PORTSMOUTH OAK
3	139334-01-N54	EA	CABINET - LAVATORY - W/O COUNTERTOP/DOORS/DRAWERS/HARDWARE - SALEM CHERRY
3	139334-01-N55	EA	CABINET - LAVATORY - W/O COUNTERTOP/DOORS/DRAWERS/HARDWARE - PORTSMOUTH OAK
3	139334-01-N56	EA	CABINET - LAVATORY - W/O COUNTERTOP/DOORS/DRAWERS/HARDWARE - SALEM CHERRY
3	139334-01-N57	EA	CABINET - LAVATORY - W/O COUNTERTOP/DOORS/DRAWERS/HARDWARE - PORTSMOUTH OAK
4	140624-01-01A	EA	COUNTERTOP - 1/4" VENDURA - ALMONDINE
5	132046-02-01A	EA	RING - TOWEL - BRASS

**BATH GROUP (CONTINUED)**  
**CABINETS (CONTINUED)**

KEY	PART NUMBER	U/M	DESCRIPTION
6	139444-01-N52	EA	CABINET - OVERHEAD/MEDICINE - W/O DOORS/HARDWARE - SALEM CHERRY
6	139444-01-N53	EA	CABINET - OVERHEAD/MEDICINE - W/O DOORS/HARDWARE - PORTSMOUTH OAK
7	115237-01-N52	EA	DOOR - MIRRORED/MEDICINE CABINET - 19.7" X 29.5" - W/O HDW - SALEM CHERRY
7	115237-01-M22	EA	DOOR - MIRRORED/MEDICINE CABINET - 19.7" X 29.5" - W/O HDW - PORTSMOUTH OAK
	093606-18-000	EA	MIRROR - BEVELED EDGE - 19.7" X 29.5"
8	137463-01-01A	EA	LIFT - HOOK - SATIN BRASS
9	137602-08-N52	EA	POCKET - MONITOR PANEL - SALEM CHERRY
9	137602-08-N53	EA	POCKET - MONITOR PANEL - PORTSMOUTH OAK
10	104013-05-M85	EA	DOOR - SLIDING - W/O HARDWARE - SALEM CHERRY
10	104013-05-L81	EA	DOOR - SLIDING - W/O HARDWARE - PORTSMOUTH OAK
	136843-01-01A	EA	SPRING - F/SLIDING DOOR
FROM: 00-00-00 THRU: 09-05-01			
11	137422-13-01A	EA	TRACK - DOOR - OFF WHITE
12	137426-04-N52	EA	HEADER - DOOR - SALEM CHERRY
12	137426-04-N53	EA	HEADER - DOOR - PORTSMOUTH OAK
13	100357-01-000	EA	ROD - F/TOWEL BAR - BRASS
14	P34509-01-E41	EA	RAIL END - RH/LH - TOWEL RACK - SALEM CHERRY
14	P34509-01-N01	EA	RAIL END - RH/LH - TOWEL RACK - PORTSMOUTH OAK
15	111155-05-01A	EA	LOCK - PRIVACY/LOCKING - POLISHED BRASS - "S" SHAPE HANDLE
16	131933-06-N63	EA	DOOR/BATH - W/O HARDWARE - SALEM CHERRY
16	131933-06-M22	EA	DOOR/BATH - W/O HARDWARE - PORTSMOUTH OAK
17	P38119-21-N52	EA	END CAP - OVERHEAD CABINET - SALEM CHERRY
17	P38119-21-N53	EA	END CAP - OVERHEAD/CABINET - PORTSMOUTH OAK
18	139556-01-N52	EA	CABINET - OVERHEAD/BATH - W/O DOORS/HARDWARE - SALEM CHERRY
18	139556-01-N53	EA	CABINET - OVERHEAD/BATH - W/O DOORS/HARDWARE - PORTSMOUTH OAK
19	131995-41-L52	EA	DOOR - RAIL/SOLID PANEL - 10.8" X 21.8" - W/O HARDWARE - SALEM CHERRY
19	131995-41-N75	EA	DOOR - RAIL/SOLID PANEL - 10.8" X 21.8" - W/O HARDWARE - PORTSMOUTH OAK
20	075453-03-000	EA	BRACKET - TOWEL BAR - BRASS - 2 PER PACK
21	075453-04-000	EA	ROD - F/TOWEL BAR - 18" BRASS - W/O END BRACKETS
22	139812-01-N52	EA	CABINET/MAGAZINE RACK - W/O HARDWARE - SALEM CHERRY
22	139812-01-N33	EA	CABINET/MAGAZINE RACK - W/O HARDWARE - PORTSMOUTH OAK
23	132533-01-01A	EA	HOLDER - TOILET PAPER - EURO STYLE - BRASS
24	132005-07-N52	EA	DOOR - MIRROR/MITERED CORNERS - 11.9" X 47.9" - W/O HDW - SALEM CHERRY
24	132005-07-N01	EA	DOOR - MIRROR/MITERED CORNERS - 11.9" X 47.9" - W/O HDW - PORTSMOUTH OAK
25	M09316-N4-N52	EA	DRAWER - OGEE EDGE - 22.5"W X 23.6"D - W/O SLIDES/HARDWARE - SALEM CHERRY
25	M09316-N4-N53	EA	DRAWER - OGEE EDGE - 22.5"W X 23.6"D - W/O SLIDES/HARDWARE - PORTSMOUTH OAK
26	M09316-N5-N52	EA	DRAWER - OGEE EDGE - 22.5"W X 23.6"D - W/O SLIDES/HARDWARE - SALEM CHERRY
26	M09316-N5-N53	EA	DRAWER - OGEE EDGE - 22.5"W X 23.6"D - W/O SLIDES/HARDWARE - PORTSMOUTH OAK

## BATH GROUP (CONTINUED) SHOWER

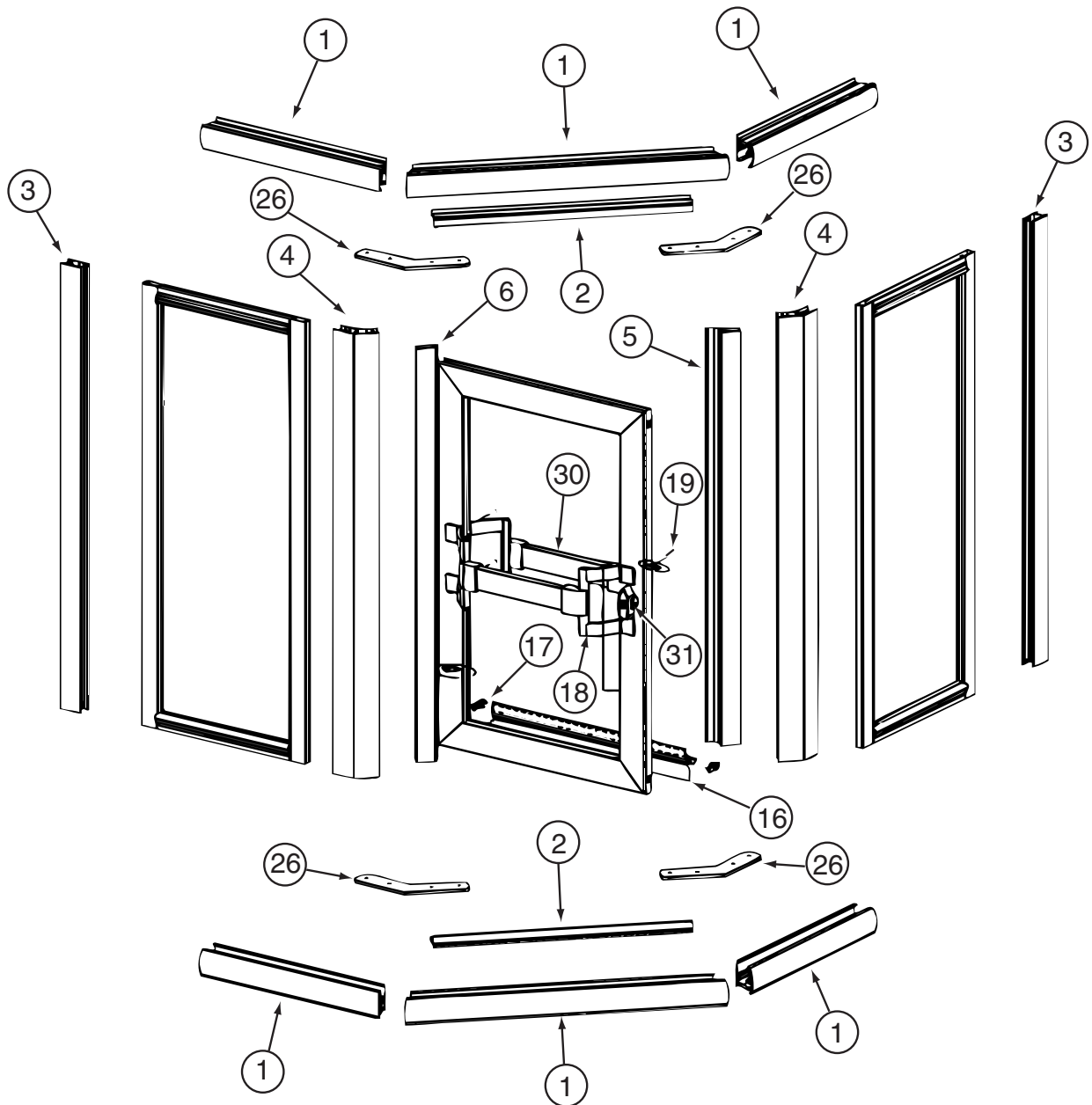


KEY	PART NUMBER	U/M	DESCRIPTION
1	M02630-58-N30	EA	SHOWER PAN - W/STRAINER - L36W
1	M02630-68-N52	EA	SHOWER PAN - W/STRAINER - L39
2	089326-02-000	EA	GRILLE - FLOOR - HEATING - 9.3" X 5.3" - SOFT WHITE
3	113714-02-02A	EA	RETAINER - SHELF/SHOWER - SOFT WHITE
4	131311-01-01A	EA	ENCLOSURE - SHOWER - SIDES/BACK - 1 PIECE
5	135607-03-01A	EA	SEAT - SHOWER/FOLDING
*	139047-03-01A	EA	DOOR - SHOWER - NEO ANGLE - GOLD/AQUA - 66.4" TALL

**\*COMPONENT PARTS LISTED LATER IN THIS GROUP**



**BATH GROUP (CONTINUED)**  
**COMPONENT PARTS FOR SHOWER**

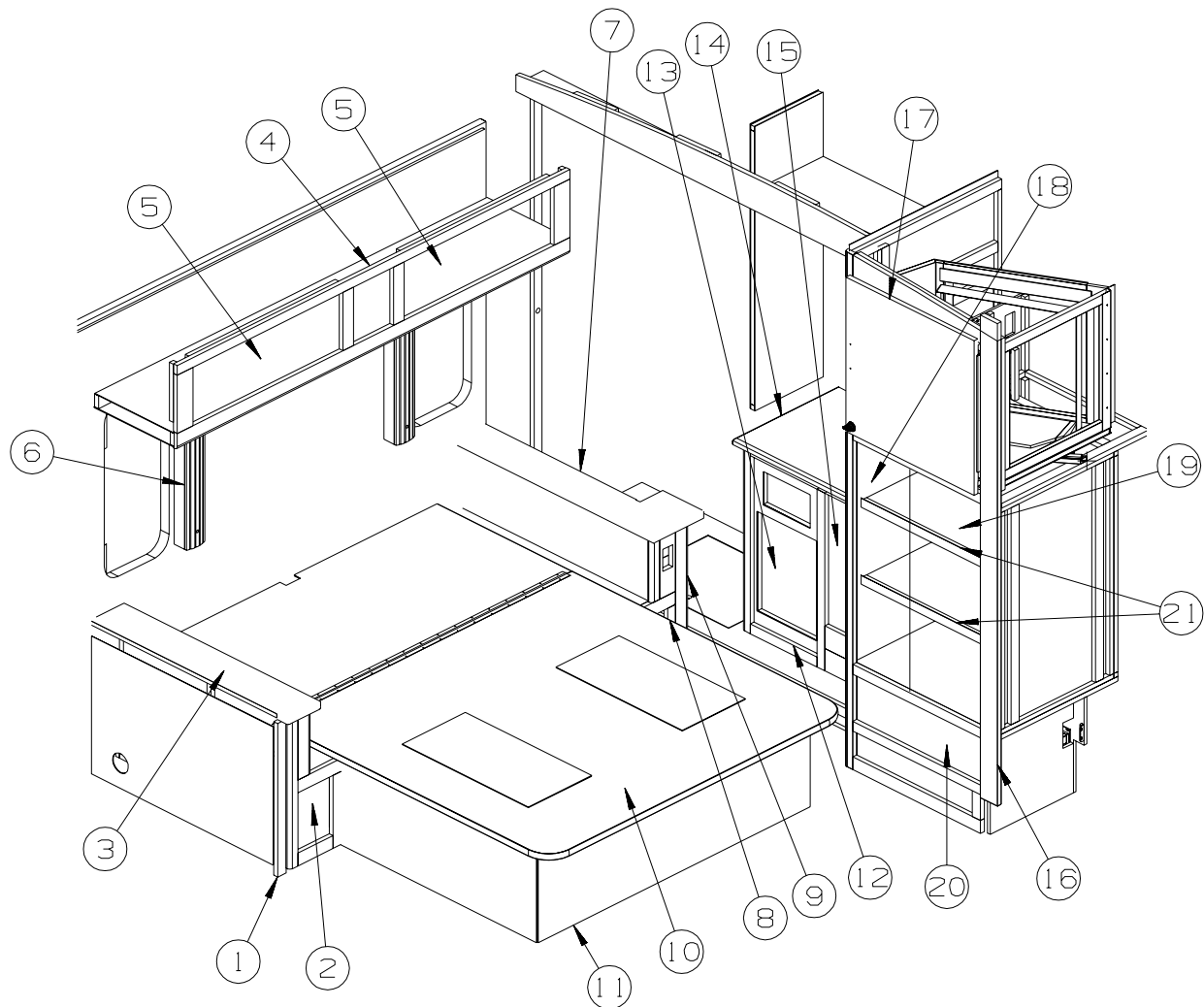


139047-01-01A, 139047-01-02A, 139047-02-01A, 139047-02-02A, 139047-03-01A, 139047-03-02A, 139047-04-02A

KEY	PART NUMBER	U/M	DESCRIPTION	VENDOR NO.
1	139047-01-700	EA	HEADER/SILL - 30" (PAIR)	900
2	139047-01-701	EA	DAM STRIP-TOP/BOTTOM-35.4"	901
3	139047-01-702	EA	JAMB - WALL - 65.9"	903
4	139047-01-703	EA	CORNER POST-45 DEGREE- 65.9"	909
5	139047-01-704	EA	STRIKE - JAMB - 64.6"	926
6	139047-01-705	EA	HINGE/POST - DOOR - 64.5"	920
16	139047-01-710	FT	VINYL SWEEP	C176G
17	139047-01-711	EA	PLUG - DRIP CAP (SET)	CP933
18	092574-01-701	EA	BRACKET-STUD, TOWEL BAR, GOLD	8141G
19	092574-01-710	EA	SCREW-GOLD, FOR TOWEL BAR	83212G
26	139047-01-712	EA	HEADER - CORNER BRACKET	313.45C
30	116814-01-700	EA	BAR-TOWEL 17 5/16"	68G
31	089318-01-707	EA	LATCH/CATCH - SAFETY - BLACK	9730B
	139047-01-706	EA	HINGE PINS	CP932
	139047-01-707	EA	WASHERS - HINGE	CP148TW
	139047-01-708	EA	HINGE - SLEEVE - 61.5"	C921B
	139047-01-709	EA	STRIP - MAGNETIC- 55"	98-42
	139047-01-713	EA	RAIL DRIP - 31.6"	927G

CONTACT WINNEBAGO PART SALES FOR UNLISTED COMPONENT

## BEDROOM GROUP QUEEN CABINETS

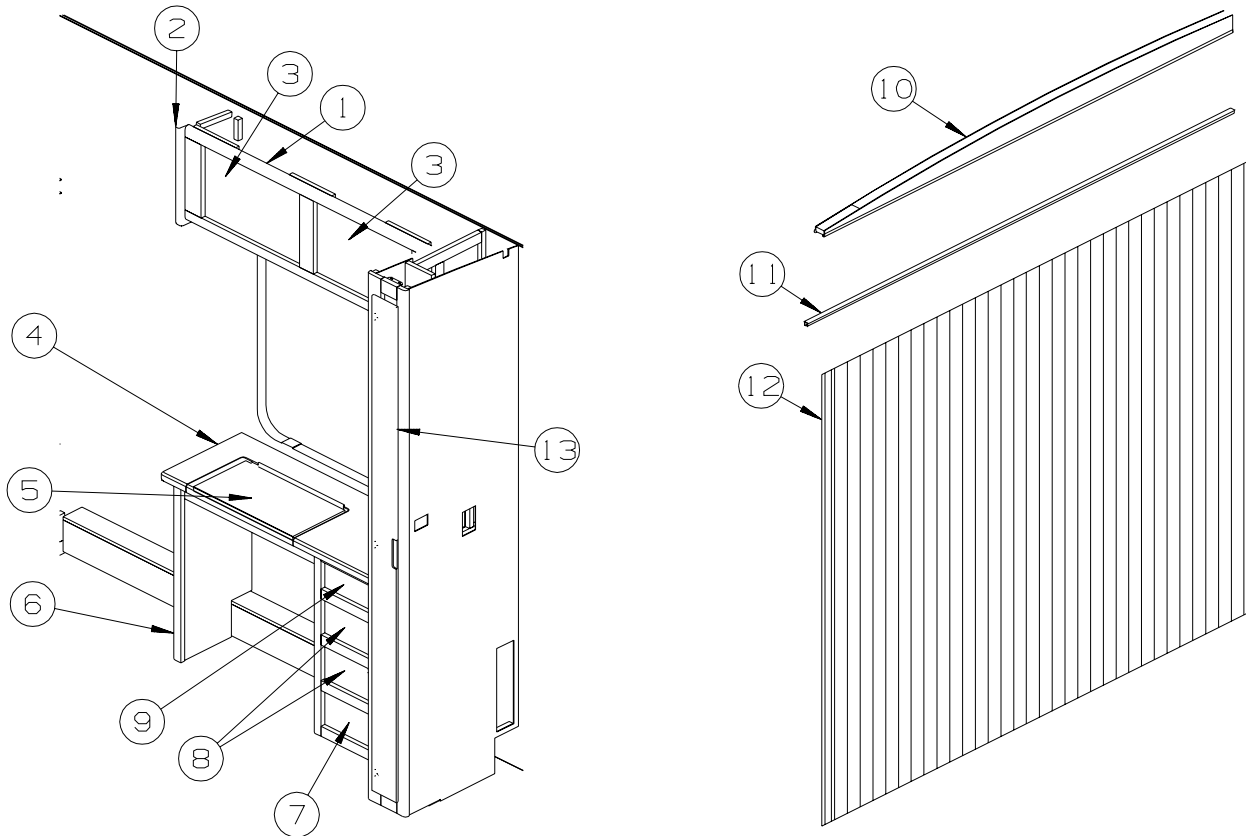


KEY	PART NUMBER	U/M	DESCRIPTION
1	136885-05-N52	EA	CABINET - NIGHTSTAND/LH - W/O COUNTERTOP/DOOR/DRAWER/HDW - SALEM CHERRY
1	136885-05-N53	EA	CABINET - NIGHTSTAND/LH - W/O COUNTERTOP/DOOR/DRAWER/HDW - PORTSMOUTH OAK
2	M09316-N6-N52	EA	DRAWER - OGEE EDGE - 5.6"W X 23.6"D - W/O SLIDES/HARDWARE - SALEM CHERRY
2	M09316-N6-N53	EA	DRAWER - OGEE EDGE - 5.6"W X 23.6"D - W/O SLIDES/HARDWARE - PORTSMOUTH OAK
3	140623-02-01A	EA	COUNTERTOP - 1/4" VENDURA - ALMONDINE
4	139326-01-N52	EA	CABINET - OVERHEAD/REAR/RIGHT HAND - W/O DOORS/HDW - SALEM CHERRY -W/RR STEREO SYS
4	139326-01-N53	EA	CABINET - OVERHEAD/REAR/RIGHT HAND-W/O DOORS/HDW-PORTSMOUTH OAK-W/RR STEREO SYS
4	139326-01-N54	EA	CABINET - OVERHEAD/REAR/RIGHT HAND - W/O DOORS/HDW - SALEM CHERRY -W/RR STEREO SYS
4	139326-01-N55	EA	CABINET - OVERHEAD/REAR/RIGHT HAND-W/O DOORS/HDW-PORTSMOUTH OAK-W/RR STEREO SYS
4	139326-01-N56	EA	CABINET - OVERHEAD/REAR/RIGHT HAND - W/O DOORS/HDW - SALEM CHERRY -W/RR STEREO SYS
4	139326-01-N57	EA	CABINET - OVERHEAD/REAR/RIGHT HAND-W/O DOORS/HDW-PORTSMOUTH OAK-W/RR STEREO SYS
4	139326-02-N52	EA	CABINET - OVERHEAD/REAR/RIGHT HAND - W/O DOORS/HDW-SALEM CHERRY-W/O RR STEREO SYS
4	139326-02-N53	EA	CABINET - OVERHEAD/RR/RIGHT HAND -W/O DOORS/HDW-PORTSMOUTH OAK-W/O RR STEREO SYS
4	139326-02-N54	EA	CABINET - OVERHEAD/REAR/RIGHT HAND - W/O DOORS/HDW-SALEM CHERRY-W/O RR STEREO SYS
4	139326-02-N55	EA	CABINET - OVERHEAD/RR/RIGHT HAND -W/O DOORS/HDW-PORTSMOUTH OAK-W/O RR STEREO SYS
4	139326-02-N56	EA	CABINET - OVERHEAD/REAR/RIGHT HAND - W/O DOORS/HDW-SALEM CHERRY-W/O RR STEREO SYS
4	139326-02-N57	EA	CABINET - OVERHEAD/RR/RIGHT HAND -W/O DOORS/HDW-PORTSMOUTH OAK-W/O RR STEREO SYS
5	131995-29-L52	EA	DOOR - RAIL/SOLID PANEL - 10" X 29.5" - W/O HARDWARE - SALEM CHERRY
5	131995-29-N75	EA	DOOR - RAIL/SOLID PANEL - 10" X 29.5" - W/O HARDWARE - PORTSMOUTH OAK
6	139873-01-N52	EA	VALANCE - SALEM CHERRY
6	139873-01-N53	EA	VALANCE - PORTSMOUTH OAK
7	140623-01-01A	EA	COUNTERTOP - 1/4" VENDURA - ALMONDINE
8	M09316-K6-M08	EA	DRAWER - OGEE EDGE - 7.6"W X 23.6"D - W/O SLIDES/HARDWARE - SALEM CHERRY
8	M09316-K6-N42	EA	DRAWER - OGEE EDGE - 7.6"W X 23.6"D - W/O SLIDES/HARDWARE - PORTSMOUTH OAK
9	136885-06-N52	EA	CABINET - NIGHTSTAND/RH - W/O COUNTERTOP/DOOR/DRAWER/HDW - SALEM CHERRY
9	136885-06-N53	EA	CABINET - NIGHTSTAND/RH - W/O COUNTERTOP/DOOR/DRAWER/HDW - PORTSMOUTH OAK
10	137406-24-000	EA	BED TOP/RAISED PORTION - W/O SUPPORT/HARDWARE
	097872-04-000	EA	DOWEL - WOOD - 1" DIAMETER X 1.38" LONG - UNFINISHED

**BEDROOM GROUP (CONTINUED)**  
**QUEEN CABINETS (CONTINUED)**

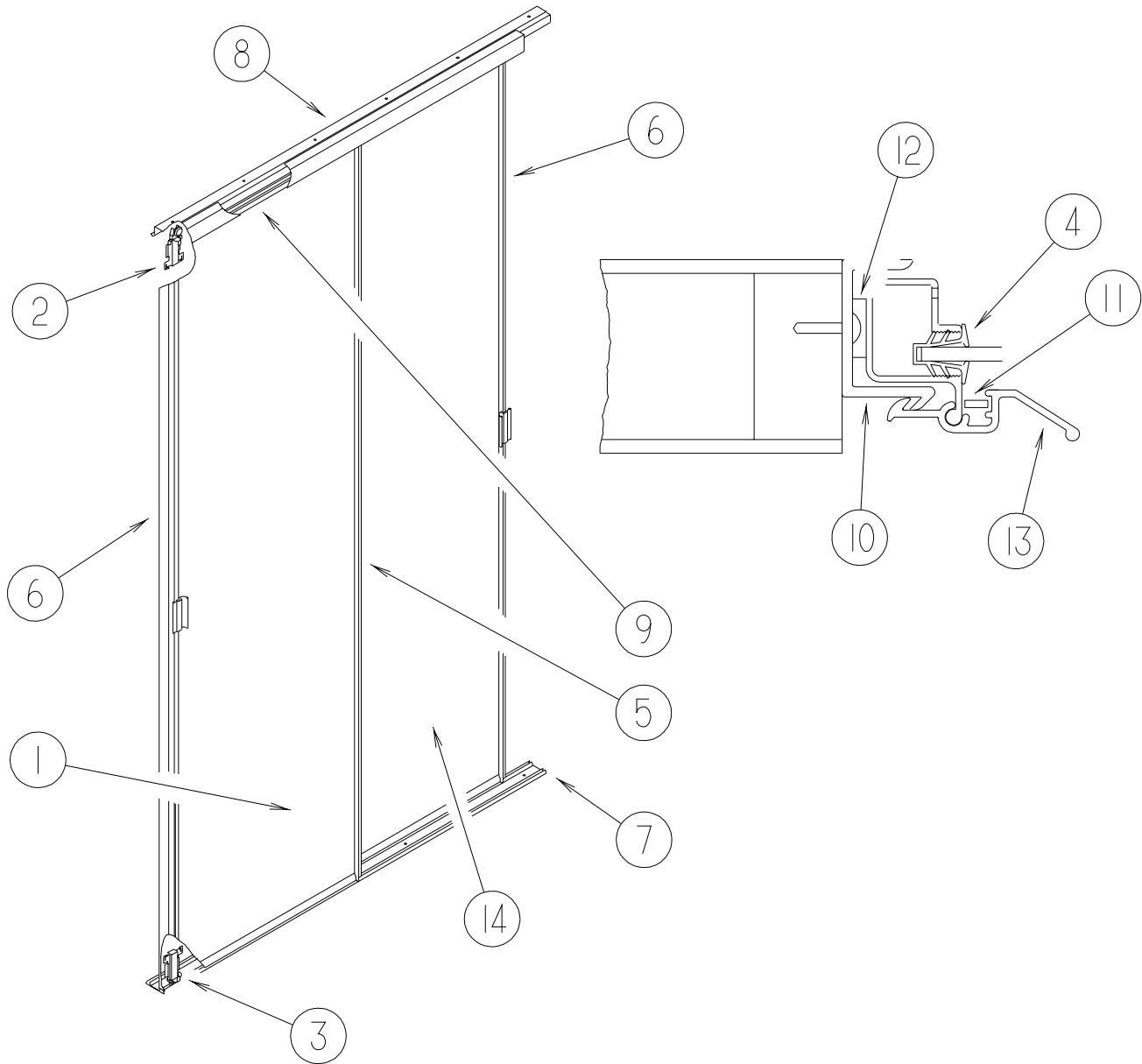
<b>KEY</b>	<b>PART NUMBER</b>	<b>U/M</b>	<b>DESCRIPTION</b>
11	139019-01-N52	EA	CABINET ASM-BED,QUEEN - SALEM CHERRY
11	139019-01-N53	EA	CABINET ASM-BED,QUEEN - PORTSMOUTH OAK
12	137892-01-N52	EA	CABINET/HAMPER - W/O DOORS/HARDWARE - SALEM CHERRY
12	137892-01-N53	EA	CABINET/HAMPER - W/O DOORS/HARDWARE - PORTSMOUTH OAK
13	131995-AR-N52	EA	DOOR - RAIL/SOLID PANEL - 13.6" X 27.1" - W/O HARDWARE - SALEM CHERRY
13	131995-AR-N53	EA	DOOR - RAIL/SOLID PANEL - 13.6" X 27.1" - W/O HARDWARE - PORTSMOUTH OAK
14	133655-45-N52	EA	COUNTERTOP - LAMINATED - WHITE TALC - SALEM CHERRY (N52, N54)
14	133655-45-N53	EA	COUNTERTOP - LAMINATED - WHITE TALC - PORTSMOUTH OAK (N53, N55)
14	133655-45-N56	EA	COUNTERTOP - LAMINATED - WHITE ETHOS - SALEM CHERRY (N56)
14	133655-45-N57	EA	COUNTERTOP - LAMINATED - WHITE ETHOS - PORTSMOUTH OAK (N57)
15	131995-BH-N52	EA	DOOR - RAIL/SOLID PANEL - 12.8" X 21.8" - W/O HARDWARE - SALEM CHERRY
15	131995-BH-N53	EA	DOOR - RAIL/SOLID PANEL - 12.8" X 21.8" - W/O HARDWARE - PORTSMOUTH OAK
16	137783-01-N52	EA	CABINET - TV/REAR/LEFT HAND - W/O DOORS/HARDWARE - SALEM CHERRY - WASHER/DRYER PREP
16	137783-01-N53	EA	CABINET - TV/REAR/LEFT HAND - W/O DOORS/HARDWARE - PORTSMOUTH OAK - WASHER/DRYER PREP
16	137783-03-N52	EA	CABINET - TV/REAR/LEFT HAND - W/O DOORS/HARDWARE - SALEM CHERRY - WASHER/DRYER
16	137783-03-N53	EA	CABINET - TV/REAR/LEFT HAND - W/O DOORS/HARDWARE - PORTSMOUTH OAK - WASHER/DRYER
17	131995-23-L14	EA	DOOR - RAIL/SOLID PANEL - 10" X 19.1" - W/O HARDWARE - SALEM CHERRY
17	131995-23-N75	EA	DOOR - RAIL/SOLID PANEL - 10" X 19.1" - W/O HARDWARE - PORTSMOUTH OAK
18	132850-08-N52	EA	DOOR - LOUVERED ACCESS - 12.4" X 36" - W/O HARDWARE - SALEM CHERRY
18	132850-08-N53	EA	DOOR - LOUVERED ACCESS - 12.4" X 36" - W/O HARDWARE - PORTSMOUTH OAK
19	132850-11-N52	EA	DOOR - LOUVERED ACCESS - 12.4" X 36" - W/O HARDWARE - SALEM CHERRY
19	132850-11-N53	EA	DOOR - LOUVERED ACCESS - 12.4" X 36" - W/O HARDWARE - PORTSMOUTH OAK
20	M09316-N2-N52	EA	DRAWER - OGEE EDGE - 22.9"W X 21.6"D - W/O SLIDES/HARDWARE - SALEM CHERRY
20	M09316-N2-N53	EA	DRAWER - OGEE EDGE - 22.9"W X 21.6"D - W/O SLIDES/HARDWARE - PORTSMOUTH OAK
21	137783-29-N52	EA	SHELF - W/PLASTIC EDGE MOLDING - SALEM CHERRY - WASHER/DRYER PREP
21	137783-29-N53	EA	SHELF - W/PLASTIC EDGE MOLDING - PORTSMOUTH OAK - WASHER/DRYER PREP

**BEDROOM GROUP (CONTINUED)**  
**QUEEN CABINETS (CONTINUED)**



KEY	PART NUMBER	U/M	DESCRIPTION
1	139528-01-N52	EA	CABINET - OVERHEAD/VANITY - W/O DOORS/HARDWARE - SALEM CHERRY
1	139528-01-N53	EA	CABINET - OVERHEAD/VANITY - W/O DOORS/HARDWARE - PORTSMOUTH OAK
2	P38119-20-N52	EA	END CAP - OVERHEAD CABINET - SALEM CHERRY
2	P38119-20-N53	EA	END CAP - OVERHEAD CABINET - PORTSMOUTH OAK
3	131995-65-L52	EA	DOOR - RAIL/SOLID PANEL - 12" X 18.7" - W/O HARDWARE - SALEM CHERRY
3	131995-65-N75	EA	DOOR - RAIL/SOLID PANEL - 12" X 18.7" - W/O HARDWARE - PORTSMOUTH OAK
4	140623-03-01A	EA	COUNTERTOP - 1/4" VENDURA - ALMONDINE
5	140623-04-01A	EA	COUNTERTOP - 1/4" VENDURA - ALMONDINE
	076767-01-000	EA	CABLE - STAINLESS STEEL - 12"
6	139478-01-N52	EA	CABINET - VANITY - W/O COUNTERTOP/DRAWER/HARDWARE - SALEM CHERRY
6	139478-01-N53	EA	CABINET - VANITY - W/O COUNTERTOP/DRAWER/HARDWARE - PORTSMOUTH OAK
	093606-44-000	EA	MIRROR - BEVELED - 8" X 16.5"
7	P32052-L8-N52	EA	FACE/DRAWER - BLANK - 6.1" X 15.7" - W/O HARDWARE - SALEM CHERRY
7	P32052-L8-N53	EA	FACE/DRAWER - BLANK - 6.1" X 15.7" - W/O HARDWARE - PORTSMOUTH OAK
8	M09316-12-L52	EA	DRAWER - OGEE EDGE - 13.5"W X 11.8"D - W/O SLIDES/HARDWARE - SALEM CHERRY
8	M09316-12-N42	EA	DRAWER - OGEE EDGE - 13.5"W X 11.8"D - W/O SLIDES/HARDWARE - PORTSMOUTH OAK
9	M09316-N3-N52	EA	DRAWER - OGEE EDGE - 13.5"W X 11.8"D - W/O SLIDES/HARDWARE - SALEM CHERRY
9	M09316-N3-N53	EA	DRAWER - OGEE EDGE - 13.5"W X 11.8"D - W/O SLIDES/HARDWARE - PORTSMOUTH OAK
10	137426-03-N52	EA	HEADER - DOOR - SALEM CHERRY
10	137426-03-N53	EA	HEADER - DOOR - PORTSMOUTH OAK
11	131595-06-01A	EA	TRACK - DOOR - STRAIGHT - 78.6"
12	131595-05-01A	EA	DOOR - FOLDING - W/TRACK - 78.6" X 73.9"
13	P40283-01-N52	EA	DOOR/COVER FOLDING ACCESS - W/O HARDWARE - SALEM CHERRY
13	P40283-01-N53	EA	DOOR/COVER FOLDING ACCESS - W/O HARDWARE - PORTSMOUTH OAK

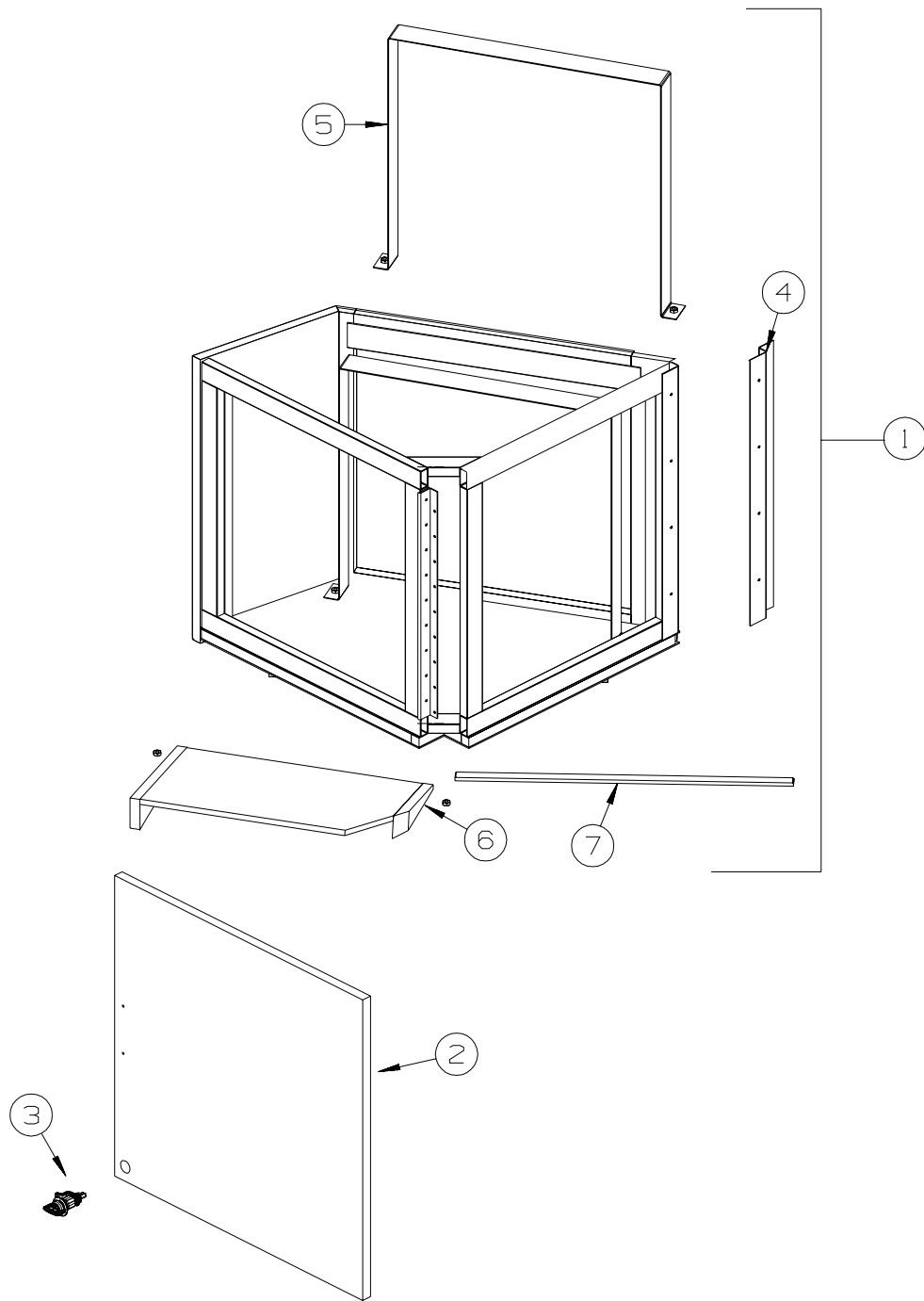
**BEDROOM GROUP (CONTINUED)**  
**QUEEN CABINETS (CONTINUED)**



KEY	PART NUMBER	U/M	DESCRIPTION
1	136681-18-N52	EA	DOOR-MIRRORED/WARDROBE - LH - W/HANGERS/GUIDES/LATCH
	058331-L9-000	EA	MIRROR - SAFETY GLASS - 34.7" X 68.7"
2	107390-02-000	EA	CORNER HANGER (DOUBLE ROLLER W/BRACKET) (SOLD AS 1 EACH)
3	107391-01-000	EA	GUIDE - BOTTOM - BY-PASS (4 USED PER DOOR)
4	111575-01-01A	FT	CHANNEL - GLAZING - SWING DOOR
5	114104-19-01A	EA	STILE - DOOR - SLIDING - 70.2" - TERRATONE
6	114104-20-01A	EA	STILE - DOOR - SLIDING - 70.2" - TERRATONE
7	114105-18-01A	EA	TRACK - SLIDING DOOR - LOWER - 67.2" - TERRATONE
8	114106-18-01A	EA	TRACK - SLIDING DOOR - UPPER - 67.2" - TERRATONE
9	114107-03-01A	EA	RAIL - DOOR/SLIDING - UPPER/LOWER - 34.1" - TERRATONE
10	115538-09-01A	EA	JAMB - DOOR - WARDROBE/MIRRORED - 70.4" - BLACK
11	115541-01-000	EA	SPRING - DOOR - SLIDING
12	123655-01-000	EA	SEAL - CLOSED CELL/FOAM
13	132038-01-01A	EA	LATCH - DOOR/WARDROBE - TERRATONE
14	136680-18-N52	EA	DOOR - MIRRORED/WARDROBE - RH - W/HANGERS/GUIDES/LATCH
	058331-L9-000	EA	MIRROR - SAFETY GLASS - 34.7" X 68.7"

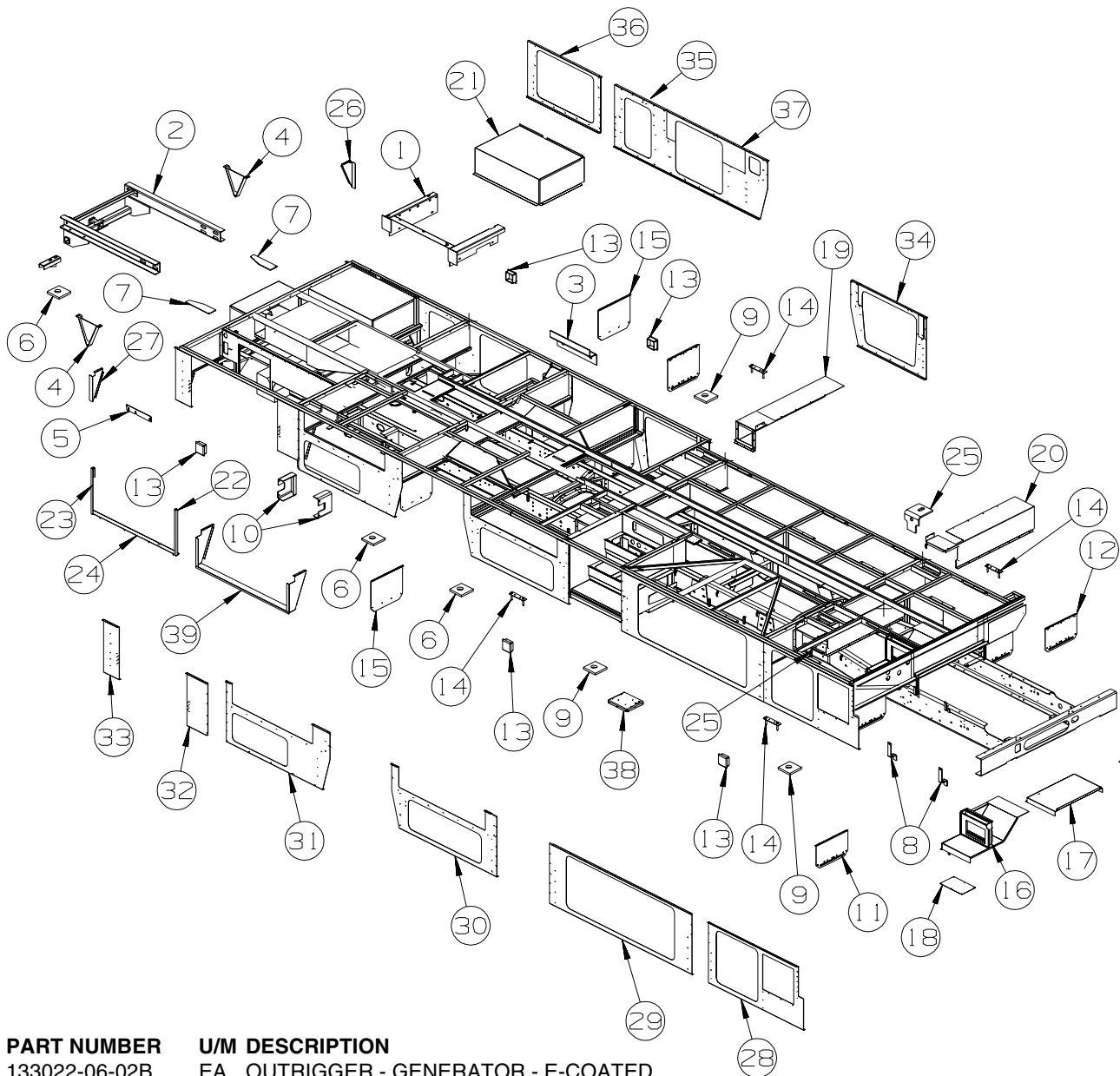
## BEDROOM GROUP (CONTINUED)

### TV & RADIO CABINETS



KEY	PART NUMBER	U/M	DESCRIPTION
1	139683-01-N52	EA	CABINET - OVERHEAD/TV/SWINGOUT - W/O DOORS/HARDWARE - SALEM CHERRY
1	139683-01-N53	EA	CABINET - OVERHEAD/TV/SWINGOUT - W/O DOORS/HARDWARE - PORTSMOUTH OAK
2	139683-18-N52	EA	DOOR - 24.3" X 24" - W/LATCH/PULL - SALEM CHERRY
2	139683-18-N53	EA	DOOR - 24.3" X 24" - W/LATCH/PULL - PORTSMOUTH OAK
3	135231-01-01A	EA	LATCH - COMPRESSION - BLACK
4	116104-08-02B	EA	BRACKET - ZEE W/HOLES - E-COATED
5	115466-28-02B	EA	STRAP - TIEDOWN/TV - E-COATED
5	115466-26-02B	EA	STRAP - TIEDOWN/TV - E-COATED
			FROM: 00-00-00 THRU: 11-27-01
6	133023-05-N52	EA	WEDGE - TV SHELF - SALEM CHERRY
6	133023-05-N53	EA	WEDGE - TV SHELF - PORTSMOUTH OAK
			FROM: 04-01-02 THRU: 99-99-99
7	113797-07-01A	EA	STRIP - RECTANGULAR - .2" X 23.4"
			FROM: 04-01-02 THRU: 99-99-99

# CHASSIS GROUP FRAME



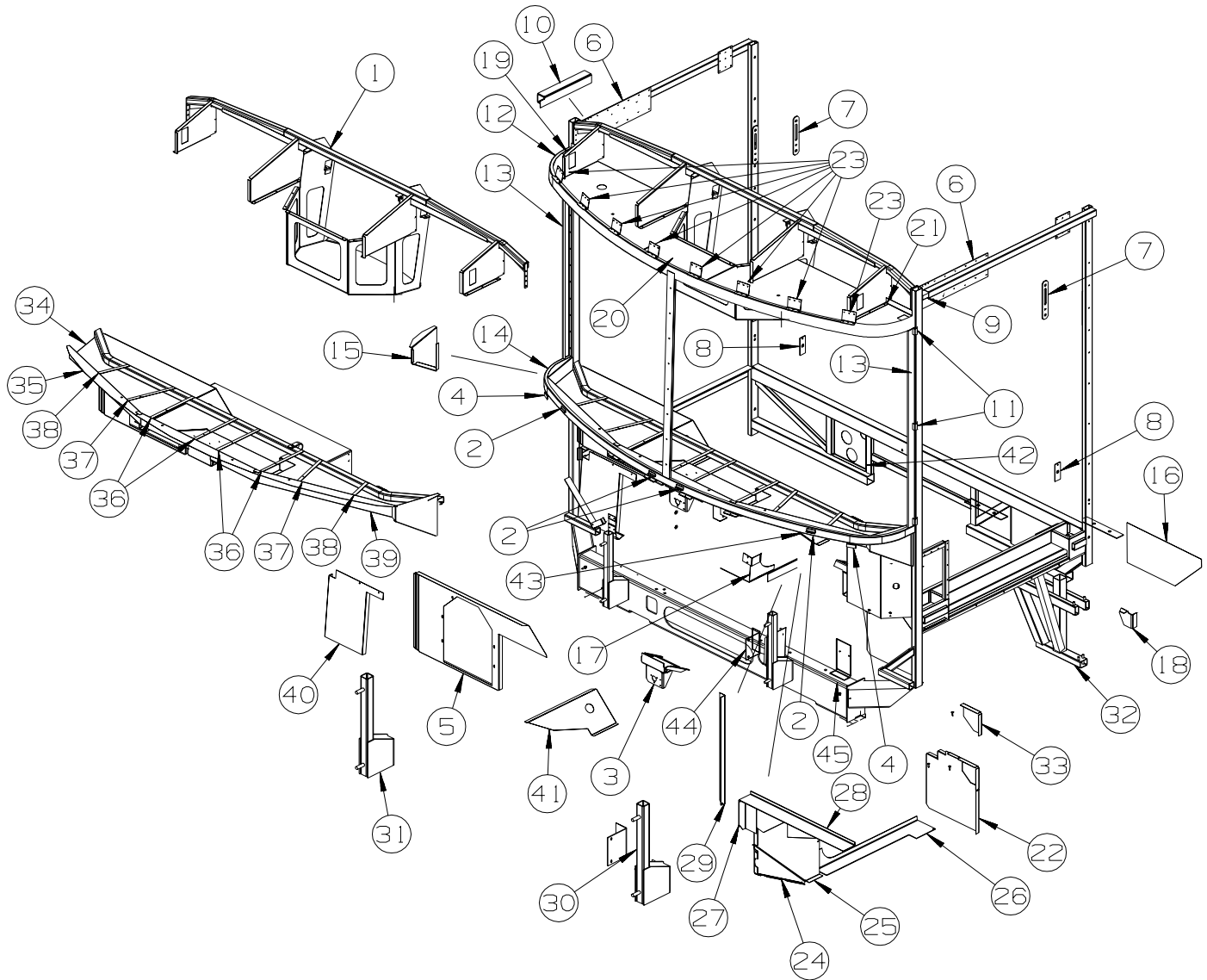
KEY	PART NUMBER	U/M	DESCRIPTION
1	133022-06-02B	EA	OUTRIGGER - GENERATOR - E-COATED
	104803-01-000	EA	ANGLE - FORMED W/SLOTS
2	132643-07-01A	EA	HITCH/TIRE CARRIER - EXTENSION RAIL(REAR CLIP) - 54"
3	140232-01-02B	EA	BRACKET - FUEL PUMP/GENERATOR - E-COATED
4	140441-03-02B	EA	PLATE - SKID - E-COATED
5	136538-01-02B	EA	SHIM - HITCH - E-COATED
6	135712-02-02B	EA	PLATE - BODY MOUNT - E-COATED
7	133095-01-02B	EA	PLATE - CLIP - E-COATED
8	117287-01-02B	EA	BRACKET - MOUNTING/CABLE - E-COAT
9	135712-01-02B	EA	PLATE - BODY MOUNT - E-COATED
10	120867-01-02B	EA	MOUNT - LP TANK - E-COAT
11	136389-01-02B	EA	GUARD/ROCK - STEEL - W/BEND - 18"W X 10.9"H - E-COATED
12	136391-05-02B	EA	GUARD/ROCK - E-COATED
12	136391-01-02B	EA	GUARD/ROCK - STEEL - W/ANGLE - 18"W X 11"H - E-COATED
			FROM: 00-00-00 THRU: 05-19-02
			FROM: 05-20-02 THRU: 99-99-99
13	119845-01-01A	EA	PLUG/PLASTIC - 1 1/2" SQUARE - BLACK
14	134460-01-02B	EA	PLATE - MOUNTING - E-COATED
15	134191-02-02B	EA	GUARD/ROCK - STEEL - W/BEND - 18" X 15" - E-COATED
16	138369-01-02B	EA	COMPARTMENT - AUTO HEATER - E-COATED
17	133203-02-02B	EA	COVER - TRANSMISSION - E-COATED
18	124562-05-02B	EA	PANEL - CLOSEOUT - AUTO HEATER - E-COATED
19	138405-01-02B	EA	COMPARTMENT - E-COATED

**CHASSIS GROUP (CONTINUED)**  
**FRAME (CONTINUED)**

KEY	PART NUMBER	U/M	DESCRIPTION
20	138405-02-02B	EA	COMPARTMENT - E-COATED
21	118968-11-02B	EA	COMPARTMENT -GENERATER - E-COATED
			FROM: 00-00-00 THRU: 10-26-01
21	140930-01-02B	EA	COMPARTMENT - GENERATOR - E-COAT
			FROM: 10-27-01 THRU: 99-99-99
22	133833-01-02B	EA	HANGER - A/C - E-COATED
23	133833-02-02B	EA	HANGER - A/C - E-COATED
24	129328-02-02B	EA	HANGER - A/C - COACH
25	117154-04-02B	EA	MOUNT - FRAME RAIL/FLOOR
26	123440-07-02B	EA	SUPPORT/VALANCE PANEL - 9.9" X 4.7" - E-COATED
			FROM: 00-00-00 THRU: 08-19-01
26	123440-09-02B	EA	SUPPORT - PANEL - E-COATED
			FROM: 08-20-01 THRU: 99-99-99
27	123440-02-02B	EA	SUPPORT/VALANCE PANEL - 9.9"/7.6" X 4.7" - E-COATED
			FROM: 00-00-00 THRU: 10-26-01
27	123440-10-02B	EA	SUPPORT/VALANCE PANEL - E-COATED -
			FROM: 10-27-02 THRU: 99-99-99
28	138793-01-02B	EA	PANEL - SEAL - E-COATED
29	138793-02-02B	EA	PANEL - SEAL - E-COATED
30	138793-03-02B	EA	PANEL - SEAL - E-COATED
31	138793-04-02B	EA	PANEL - SEAL - E-COATED
32	138793-05-02B	EA	PANEL - SEAL - E-COATED
33	138793-06-02B	EA	PANEL - SEAL - E-COATED
34	138792-03-02B	EA	PANEL - SEAL - E-COATED
35	138792-04-02B	EA	PANEL - SEAL - E-COATED
36	138792-05-02B	EA	PANEL - SEAL - E-COATED
37	138792-06-02B	EA	PANEL - SEAL - E-COATED
			FROM: 00-00-00 THRU: 08-19-01
38	138799-01-02B	EA	SHIM - BODY - E-COATED
39	140166-01-02B	EA	SUPPORT - SEAL PLANE - E-COATED



## CHASSIS GROUP (CONTINUED) FRONT END



KEY	PART NUMBER	U/M	DESCRIPTION
1	139732-01-01B	EA	SUPPORT ASM-CABINET,FRO,MILL
2	117462-04-01B	EA	CHANNEL/SUPPORT - FRONT - E-COAT
3	134506-01-01B	EA	BRACKET - WIPER MOTOR
4	127997-02-01B	EA	SUPPORT - FRONT END
5	136591-01-01B	EA	PANEL/SUPPORT - HEATER/A/C
6	139383-01-02B	EA	PLATE/MOUNT - SIDEWALL - E-COATED
7	127461-02-01B	EA	PLATE/ANCHOR - SEAT BELT - UPPER - MILL
8	133576-02-01B	EA	PLATE/ANCHOR - SEAT BELT - LOWER - MILL
9	136975-02-01B	EA	ANGLE - REINFORCEMENT
10	136975-01-01B	EA	ANGLE - REINFORCEMENT
11	120363-03-01B	EA	BRACKET - WINDSHIELD
12	136687-01-01B	EA	SUPPORT/WINDSHIELD - UPPER
13	136974-01-01B	EA	FRAME - WINDSHIELD
14	136686-01-01B	EA	SUPPORT/WINDSHIELD - LOWER
15	136806-02-01B	EA	PANEL/PLENUM END - LEFT HAND
16	137496-01-01B	EA	PANEL - SPLASH GUARD
17	137033-02-01B	EA	BRACKET/SEAL - TRANSITION
18	137026-01-01B	EA	PANEL/END - DRIVER STEP
19	137514-01-01B	EA	HEADER/WINDSHIELD - PASSENGER - W/OVERHEAD TV
19	139735-01-01B	EA	HEADER/WINDSHIELD - PASSENGER - W/O OVERHEAD TV
20	137515-01-01B	EA	HEADER/WINDSHIELD - CENTER - W/OVERHEAD TV
20	139737-01-01B	EA	HEADER/WINDSHIELD - CENTER - W/O OVERHEAD TV

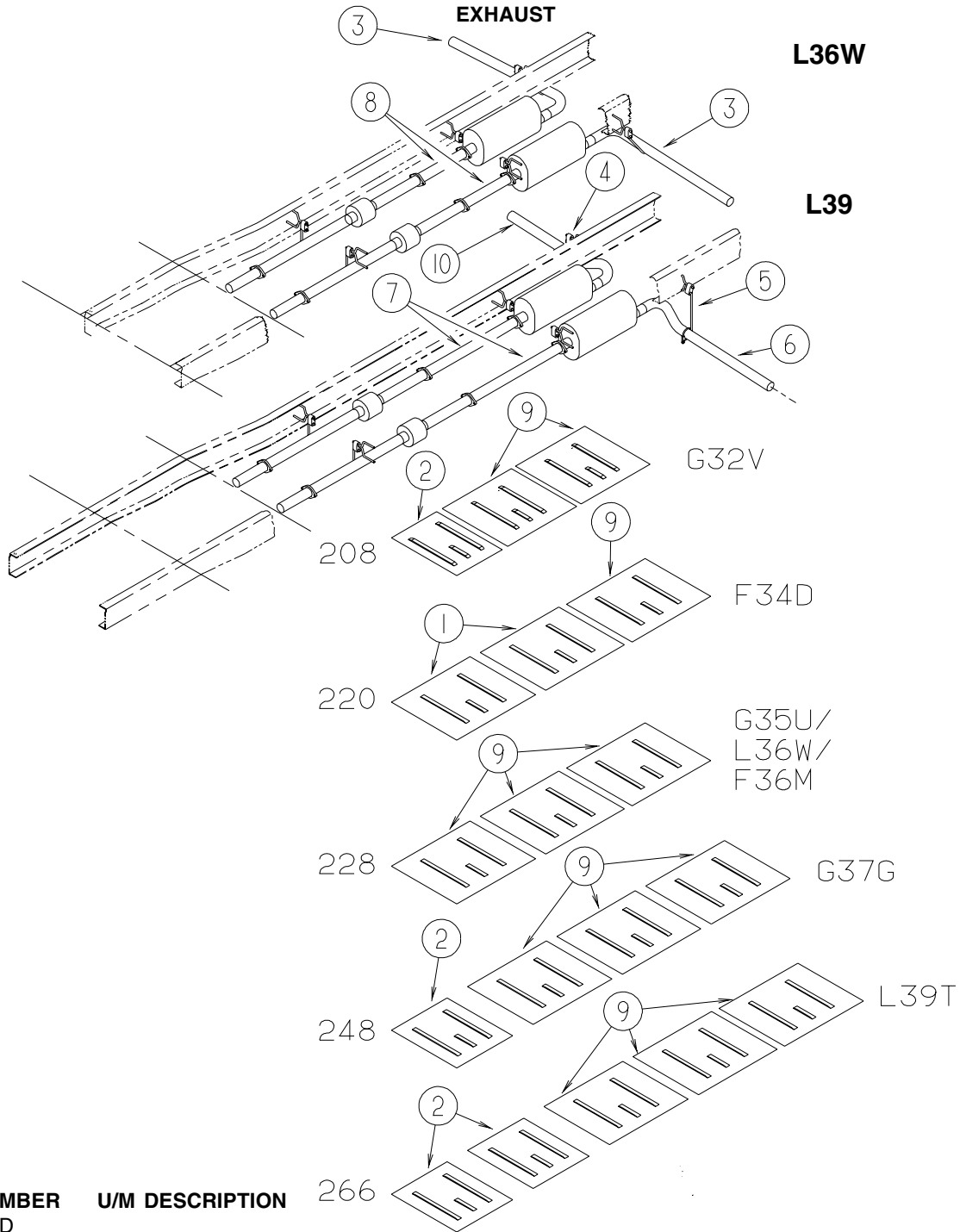
**CHASSIS GROUP (CONTINUED)**  
**FRONT END (CONTINUED)**

KEY	PART NUMBER	U/M	DESCRIPTION
21	137514-02-01B	EA	HEADER/WINDSHIELD - DRIVER - W/OVERHEAD TV
21	139735-02-01B	EA	HEADER/WINDSHIELD - DRIVER - W/O OVERHEAD TV
22	137062-01-01B	EA	SHIELD/SPLASH - HEADLIGHT
23	139575-01-01B	EA	BRACKET/ROOF CAP - FRONT
24	137043-01-02B	EA	PANEL/FILLER - E-COATED
25	137306-01-02B	EA	FILLER/BRACKET - LEFT HAND - E-COATED
26	137041-01-02B	EA	ANGLE/FILLER - MOTOR COVER - E-COATED
27	137037-03-02B	EA	ANGLE/FILLER - E-COATED
28	137037-01-02B	EA	ANGLE/FILLER - E-COATED
29	137037-02-02B	EA	ANGLE/FILLER - E-COATED
30	134807-08-02B	EA	SUPPORT - FRONT - E-COATED
31	134807-01-02B	EA	SUPPORT - FRONT - E-COATED
32	138340-01-02B	EA	SUPPORT/STEP - DRIVER - E-COATED
33	137027-01-01B	EA	PANEL/END - DRIVER STEP
34	136806-01-01B	EA	PANEL/PLENUM END - RIGHT HAND
35	136805-01-01B	EA	PANEL/PLENUM - RIGHT HAND
36	137047-01-01B	EA	STRAP - DEFROSTER PLENUM
37	137047-02-01B	EA	STRAP - DEFROSTER PLENUM
38	137047-03-01B	EA	STRAP - DEFROSTER PLENUM
39	136805-02-01B	EA	PANEL/PLENUM - LEFT HAND
40	121962-02-02B	EA	SHIELD/SPLASH - HEADLIGHT - E-COATED
41	136670-01-01B	EA	PANEL/SUPPORT - PLENUM - RIGHT
42	133144-02-01B	EA	PANEL/SUPPORT
43	137028-01-01B	EA	PANEL/FILLER - PLENUM
	076364-57-000	EA	ANGLE - FORMED
44	140413-01-02B	EA	BRACKET - AIR TANK - E-COATED
			FROM: 02-27-02 THRU: 00-00-00
45	140428-01-02B	EA	BRACKET - MOUNTING - COMPRESSOR - E-COATED
			FROM: 02-27-02 THRU: 00-00-00

**DRIVETRAIN**

KEY	PART NUMBER	U/M	DESCRIPTION
	140691-05-000	EA	DRIVESHAFT - BALANCED - 4 SECTION
	128528-03-000	EA	BOLT - U-JOINT - 3/8-24 X 3/4
	128528-04-000	EA	STRAP - BEARING - 1480 JOINT
	138316-03-02B	EA	BRACKET/BEARING MOUNT - MID-RR/266" WHEEL BASE -E-COATE
			FROM: 00-00-00 THRU: 11-19-01
	138616-11-02B	EA	BRACKET/BEARING MOUNT - MID-RR/266" WHEEL BASE - E-COATED
			FROM: 11-20-01 THRU: 99-99-99

# CHASSIS GROUP (CONTINUED)

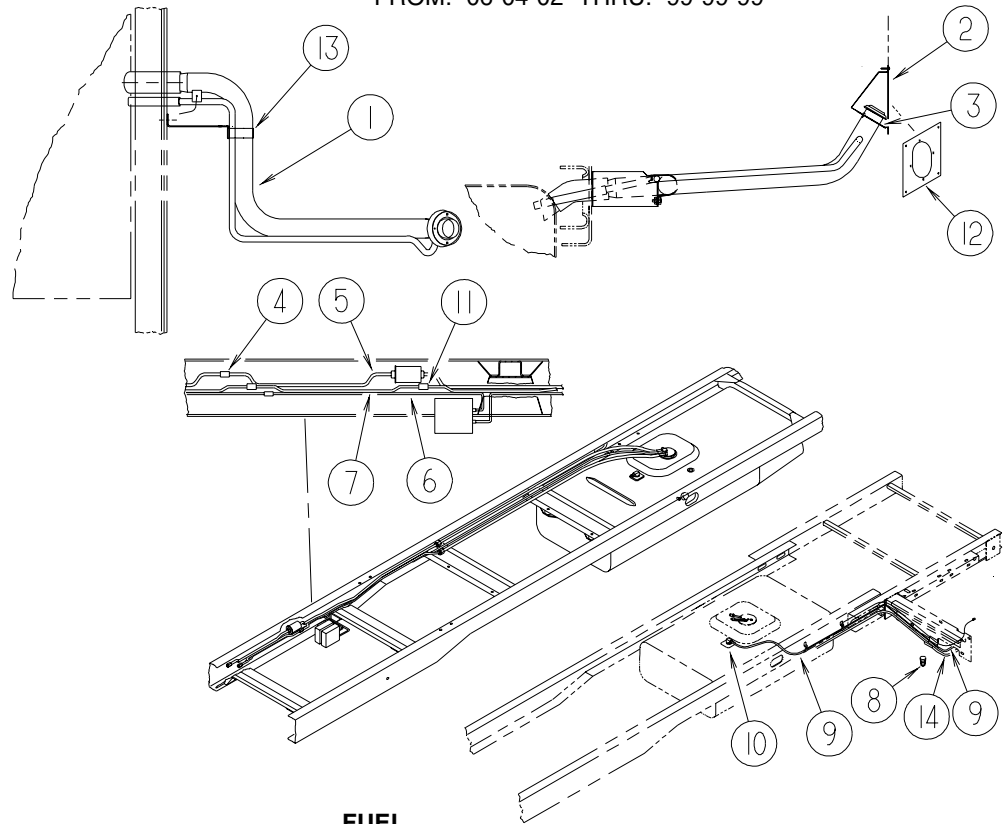


KEY	PART NUMBER	U/M	DESCRIPTION
1	NOT USED		
2	101544-01-000	EA	SHIELD - HEAT/EXHAUST - 19.7" X 29.1" - E-COATED
3	139338-02-000	EA	PIPE - EXHAUST - RIGHT HAND - RIGHT HAND
	122392-11-02B	EA	HANGER - TAILPIPE - E-COATED - RIGHT HAND
	094918-06-000	EA	CLAMP - EXHAUST - 3" - HEAVY DUTY - RIGHT HAND
3	098762-05-000	EA	EXTENSION - EXHAUST - STRAIGHT - 3" O.D X 7.9" LONG - SST - RIGHT HAND
	094918-01-000	EA	CLAMP - EXHAUST - 3" - GUILLOTINE STYLE - RIGHT HAND
3	098762-05-000	EA	EXTENSION - EXHAUST - STRAIGHT - 3" O.D X 7.9" LONG - SST - LEFT HAND
	094918-01-000	EA	CLAMP - EXHAUST - 3" - GUILLOTINE STYLE - LEFT HAND
4	122392-09-02B	EA	HANGER - TAILPIPE - E-COATED
	094918-06-000	EA	CLAMP - EXHAUST - 3" - HEAVY DUTY

## CHASSIS GROUP (CONTINUED)

### EXHAUST (CONTINUED)

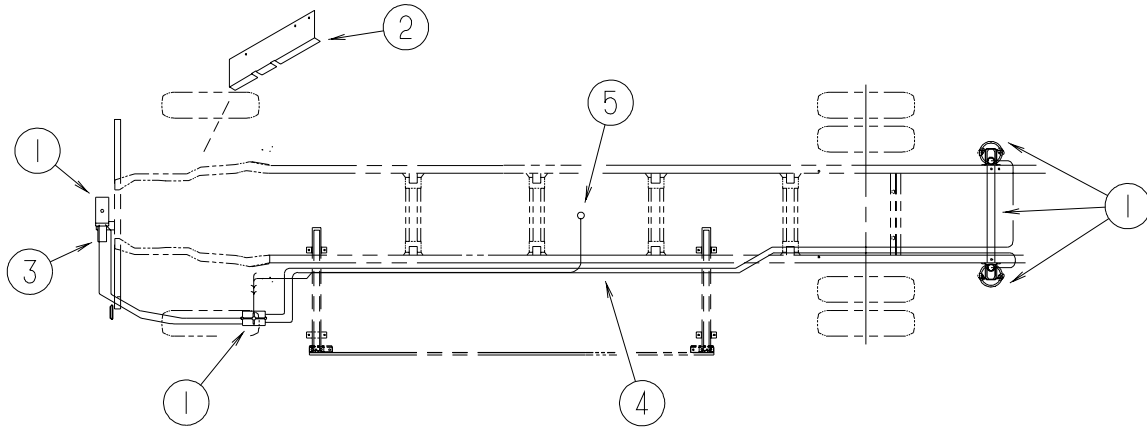
KEY	PART NUMBER	U/M	DESCRIPTION
5	122392-09-02B	EA	HANGER - TAILPIPE - E-COATED
			FROM: 00-00-00 THRU: 06-03-02
	094918-06-000	EA	CLAMP - EXHAUST - 3" - HEAVY DUTY
			FROM: 00-00-00 THRU: 06-03-02
6	139338-01-000	EA	PIPE - EXHAUST - LEFT HAND
			FROM: 00-00-00 THRU: 06-03-02
6	098762-05-000	EA	EXTENSION - EXHAUST - STRAIGHT - 3" O.D X 7.9" LONG - SST
			FROM: 06-04-02 THRU: 99-99-99
	094918-01-000	EA	CLAMP - EXHAUST - 3" - GUILLOTINE STYLE
			FROM: 06-04-02 THRU: 99-99-99
7	137652-02-000	EA	PIPE - EXHAUST - W/FLANGES
8	NOT USED		
9	101544-06-000	EA	SHIELD - HEAT/EXHAUST - 33.9" X 29.1" - E-COATED
10	139338-02-000	EA	PIPE - EXHAUST - RIGHT HAND
			FROM: 00-00-00 THRU: 06-03-02
10	098762-05-000	EA	EXTENSION - EXHAUST - STRAIGHT - 3" O.D X 7.9" LONG - SST
			FROM: 06-04-02 THRU: 99-99-99
	094918-01-000	EA	CLAMP - EXHAUST - 3" - GUILLOTINE STYLE
			FROM: 06-04-02 THRU: 99-99-99



KEY	PART NUMBER	U/M	DESCRIPTION
1	136300-03-000	EA	NECK - FUEL FILL
2	NOT USED		CHASSIS SUPPLIED
3	NOT USED		
4	098779-02-000	EA	COUPLER - FUEL LINE - 1.2" LONG X 16MM THREAD - 228"-266" STRETCH, L39
5	098759-09-000	EA	FUEL LINE/SUPPLY - 3/8" STEEL X 38" LONG W/16MM NUTS - 228"-266" STRETCH, L39
6	127392-04-000	EA	HOSE - VAPOR/EMISSION - 5/16" X 62.5" W/ENDS - WORKHORSE - 228"-266" STRETCH, L39
7	098758-09-000	EA	FUEL LINE/RETURN - 5/16" STEEL X 38" LONG W/14MM NUTS - 228"-266" STRETCH, L39
8	084884-01-000	EA	PLUG - BRASS - 3/8"
9	128139-03-000	FT	HOSE - FUEL - LOW PERMEABILITY - 1/4" DIAMETER
10	114254-01-000	EA	ADAPTER - 1/4 BARB X 1/8 MPT
10	068382-06-000	EA	BUSHING - BRASS - 3/8" MPT X 1/8" FPT
11	098779-01-000	EA	COUPLER - FUEL LINE - 1.2" LONG X 14MM THREAD - 228"-266" STRETCH, L39
12	139138-01-02B	EA	PLATE - FUEL FILL - E-COATED
13	140728-01-02B	EA	BRACKET - FUEL FILL - E-COATED
14	140303-01-000	FT	HOSE - FUEL - .312 INSIDE DIAMETER

## CHASSIS GROUP (CONTINUED)

### HYDRAULIC LEVELING



KEY	PART NUMBER	U/M	DESCRIPTION
1*	131306-22-000	EA	LEVELING SYSTEM - WORKHORSE CHASSIS W/310 -2 ROOM SLIDEOUT FROM: 00-00-00 THRU: 10-25-01
1*	131306-30-000	EA	LEVELING SYSTEM - 310 - 2 SLIDEOUT FROM: 10-26-01 THRU: 99-99-99
2	132999-02-02B	EA	SHIELD - HEAT - E-COATED
3	129550-05-02B	EA	BRACKET - PUMP - E-COAT
4*	100536-48-000	EA	HOSE KIT - LEVELING JACKS - L36W
4	100536-50-000	EA	HOSE KIT - LEVELING JACKS - 228"-266" STRETCH, L39
5	117183-01-02B	EA	COVER - SENSOR - LEVELING

**\*COMPONENT PARTS LISTED LATER IN THIS GROUP**

**CHASSIS GROUP (CONTINUED)**  
**COMPONENT PARTS FOR HYDRAULIC LEVELING**

**100536-48-000**

<b>KEY</b>	<b>PART NUMBER</b>	<b>U/M</b>	<b>DESCRIPTION</b>	<b>VENDOR NO.</b>
	100536-31-700	EA	HOSE - HYDRAULIC - 360"	RAP4163
	100536-31-701	EA	HOSE - HYDRAULIC - 96"	RAP5352
	100536-39-700	EA	HOSE - HYDRAULIC - 384"	RAP4164
	100536-48-700	EA	HOSE - 146"	RAP2443

**131306-22-000**

<b>KEY</b>	<b>PART NUMBER</b>	<b>U/M</b>	<b>DESCRIPTION</b>	<b>VENDOR NO.</b>
	100532-01-713	EA	PUMP/MOTOR/TANK - MONARCH	RAP90014/AP2260
	100532-03-715	EA	CAP-BREATHER W/DIPSTICK	RAP7876
	100532-03-717	EA	VALVE-PRESS., RETURN SHUTTL	RAP7964
	100532-03-719	EA	TUBE ASM. (SHORT SHUTTLE)	RAP8088
	100532-03-721	EA	VALVE-CHECK KIT (SGL)	RAP7944
	100532-03-722	EA	O-RING KIT	R7430
	100532-03-723	EA	O-RING/SEAL KIT	RAP9171
	100532-09-704	EA	VALVE-PRESS SOLENOID(LARGE)	RAP0642
	100532-09-710	EA	SOLENOID-INTERMITENT DUTY	RAP0533
	100532-12-703	EA	SENSING UNIT BI-AXIS-27'	RAP6800
	100532-12-706	EA	SWITCH - WARNING/MAGNETIC	RAP1008
	100532-12-707	EA	SPRING KIT (PAIR)	R3847
	100532-31-701	EA	CHECK VALVE & KIT	RAP10021
	100532-31-702	EA	O-RING/SEAL KIT - MANIFOLD	RAP90127
	100532-32-704	EA	CHIME - JACK WARNING	RAP90681/AP19812
	100532-53-700	EA	CYLINDER ASM. - 9K	RAP90491/AP15891
	131306-02-701	EA	FOOT - 9K JACK	RAP8464/AP17525
	131306-09-700	EA	VELOCITY VALVE ASM.W/4 VALVE	RAP90280
	131306-09-701	EA	VELOCITY VALVE - SINGLE	RAP90279/AP11578
	131306-11-701	EA	CONTROL BOX - 310 SYSTEM	RAP90019/AP10086
	131306-11-704	EA	PRESSURE SWITCH - 50 PSI	RAP2082
	131306-12-700	EA	TOUCH PANEL - 310	RAP90056/AP10215
	131306-12-702	EA	VALVE-PRESS SOLENOID (SMALL)	RAP90729/AP24604
	131306-22-700	EA	CABLE/CONTROL - 5'- 310 SYST	RAP90048/AP10524
	131306-26-700	EA	MANIFOLD ASM. - 2 ROOM	RAP90870/AP20550
	131306-29-700	EA	JACK - 9K - W/SWITCHES	RAP90851/AP22657
	131306-29-701	EA	JACK - 9K - W/SWITCHES	RAP90852/AP22802

**131306-30-000**

<b>KEY</b>	<b>PART NUMBER</b>	<b>U/M</b>	<b>DESCRIPTION</b>	<b>VENDOR NO.</b>
	100532-01-713	EA	PUMP/MOTOR/TANK - MONARCH	RAP90014/AP2260
	100532-03-715	EA	CAP-BREATHER W/DIPSTICK	RAP7876
	100532-03-717	EA	VALVE-PRESS., RETURN SHUTTL	RAP7964
	100532-03-719	EA	TUBE ASM. (SHORT SHUTTLE)	RAP8088
	100532-03-721	EA	VALVE-CHECK KIT (SGL)	RAP7944
	100532-03-722	EA	O-RING KIT	R7430
	100532-03-723	EA	O-RING/SEAL KIT	RAP9171
	100532-09-704	EA	VALVE-PRESS SOLENOID(LARGE)	RAP0642
	100532-12-706	EA	SWITCH - WARNING/MAGNETIC	RAP1008
	100532-12-707	EA	SPRING KIT (PAIR)	R3847
	100532-31-701	EA	CHECK VALVE & KIT	RAP10021
	100532-31-702	EA	O-RING/SEAL KIT - MANIFOLD	RAP90127
	100532-32-703	EA	BUZZER - JACK WARNING	RAP90403
	100532-32-704	EA	CHIME - JACK WARNING	RAP90681/AP19812
	100532-53-700	EA	CYLINDER ASM. - 9K	RAP90491/AP15891
	131306-02-701	EA	FOOT - 9K JACK	RAP8464/AP17525
	131306-09-700	EA	VELOCITY VALVE ASM.W/4 VALVE	RAP90280
	131306-09-701	EA	VELOCITY VALVE - SINGLE	RAP90279/AP11578
	131306-11-701	EA	CONTROL BOX - 310 SYSTEM	RAP90019/AP10086
	131306-11-704	EA	PRESSURE SWITCH - 50 PSI	RAP2082
	131306-12-700	EA	TOUCH PANEL - 310	RAP90056/AP10215
	131306-12-702	EA	VALVE-PRESS SOLENOID (SMALL)	RAP90729/AP24604
	131306-22-700	EA	CABLE/CONTROL - 5'- 310 SYST	RAP90048/AP10524
	131306-26-700	EA	MANIFOLD ASM. - 2 ROOM	RAP90870/AP20550
	131306-29-700	EA	JACK - 9K - W/SWITCHES	RAP90851/AP22657
	131306-29-701	EA	JACK - 9K - W/SWITCHES	RAP90852/AP22802
	131306-30-700	EA	SENSING UNIT BI-AXIS - 27'	RAP90313/AP13043

## CHASSIS GROUP (CONTINUED)

### WHEEL, TIRE, COVERS &/OR LINERS

KEY	PART NUMBER	U/M	DESCRIPTION
	128689-01-000	EA	WHEEL - ALUMINUM - 22.5" X 7.5" - 8 BOLT - FRONT AXLE FROM: 00-00-00 THRU: 12-22-01
	128689-02-000	EA	WHEEL - ALUMINUM - 22.5" X 7.5" - 8 BOLT - REAR AXLE FROM: 00-00-00 THRU: 12-22-01
	129058-02-000	EA	COVER - REAR AXLE HUB W/FLANGE - 7"H X 8.7"W FROM: 00-00-00 THRU: 12-22-01
	129058-06-000	EA	EXTENSION - VALVE STEM - 4" LONG FROM: 00-00-00 THRU: 12-22-01
	129058-07-000	EA	STABILIZER - VALVE STEM - 2.22"L FROM: 00-00-00 THRU: 12-22-01
	129058-10-000	EA	COVER - NUT - 1.9"H X 2"BASE X 1.4" NUT FROM: 00-00-00 THRU: 12-22-01

### BRAKELINE

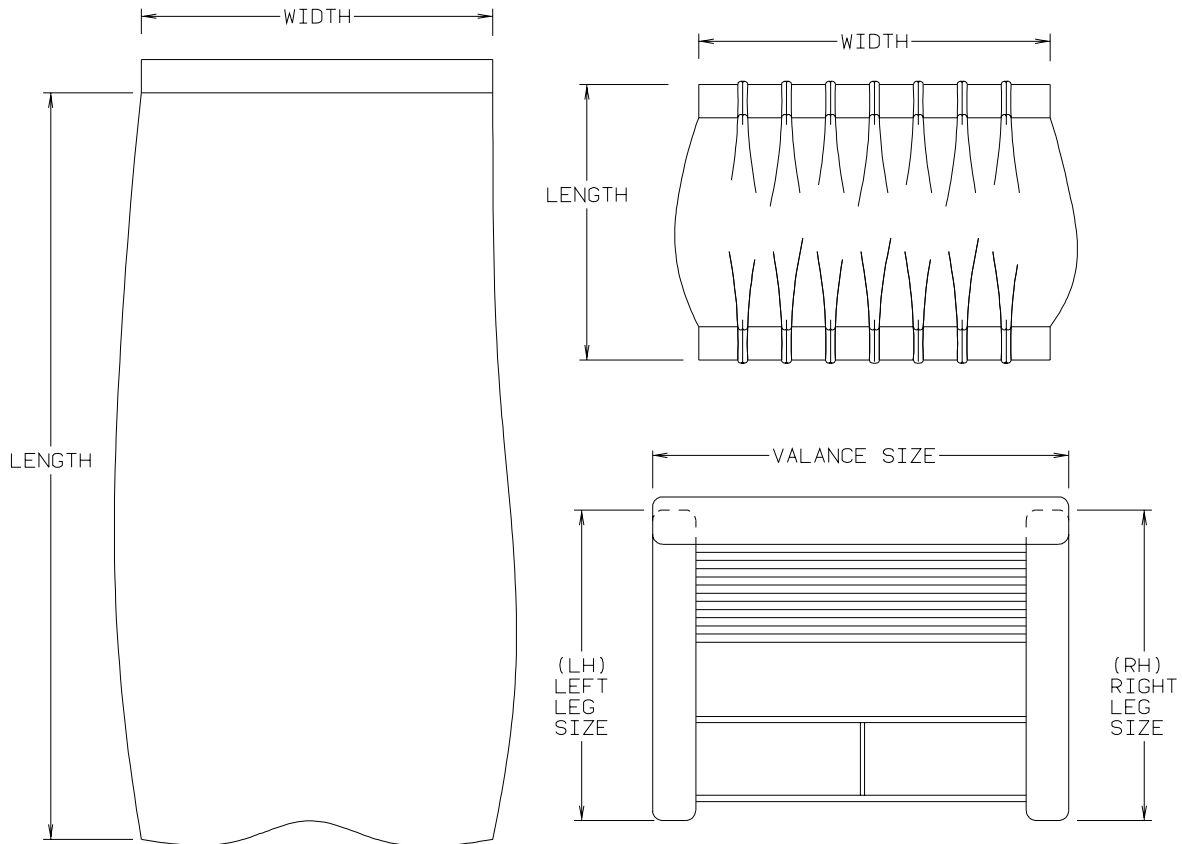
KEY	PART NUMBER	U/M	DESCRIPTION
	075466-01-000	EA	UNION - INVERTED FLAIR - 1/4" - 228"-266" STRETCH, L39

## CURTAIN & CUSHION GROUP

### NOTICE

IN ORDER TO ASSIST OUR PARTS SALES DEPT. IN PROVIDING INTERIOR SOFTWARE ITEMS, PLEASE INCLUDE THE SERIAL NUMBER AND THE COLOR CODE NUMBER FROM THE VEHICLE CERTIFICATION LABEL WHEN ORDERING. THIS LABEL IS LOCATED ON THE LEFT SIDEWALL AT THE END OF THE DASH (A-BODY), OR ON THE DRIVER'S DOOR LATCH PLATE (C-BODY).

AN EXAMPLE OF A COLOR CODE NUMBER IS B07, WHICH DESIGNATES AN OVERALL COLOR SCHEME OF A PARTICULAR UNIT. THE COLOR LISTED AFTER THE ITEM DESCRIPTION ON THE MICROFICHE, INDICATES THE OVERALL UNIT COLOR. ORDER THE ITEM YOU DESIRE ACCORDING TO UNIT COLOR CODE. IF ALL COLORS USE THE SAME ITEM NO COLOR CODE WILL BE NOTED.

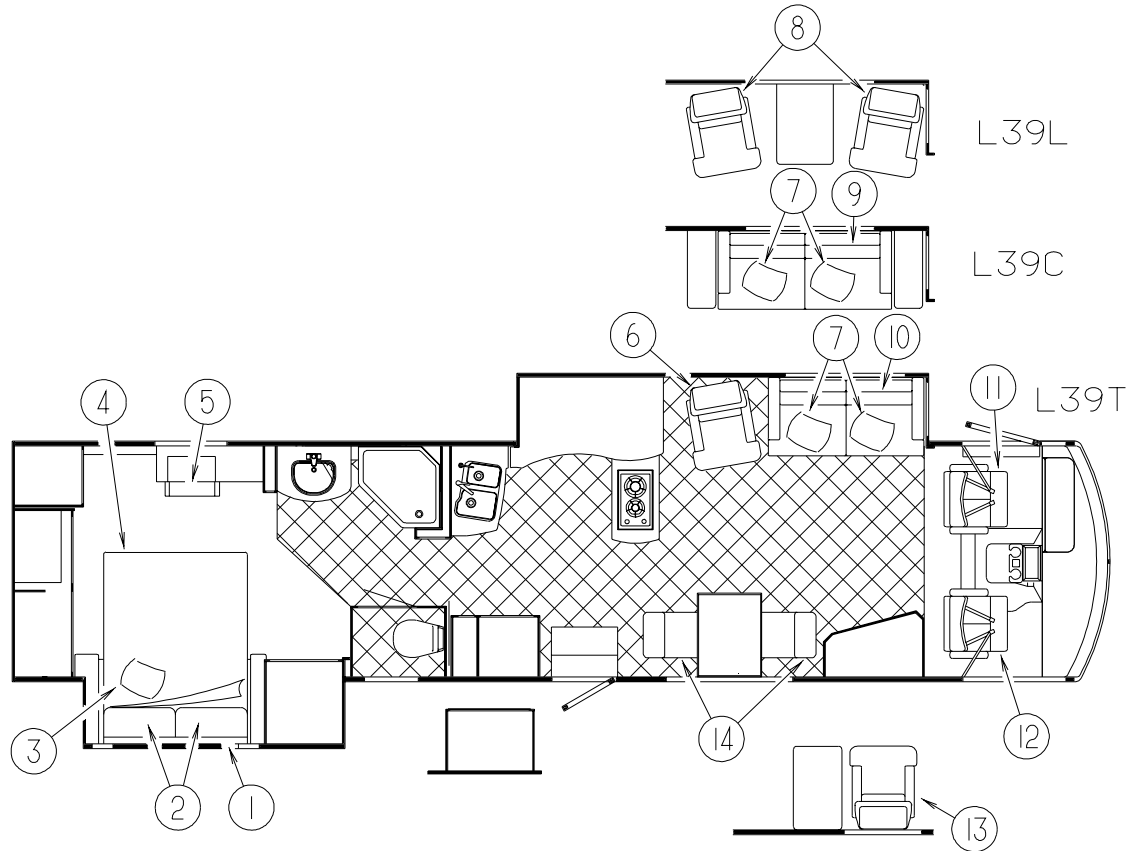


NOTE: USE THIS ILLUSTRATION WHEN DETERMINING LENGTH AND WIDTH MEASUREMENTS FOR CURTAINS. YOU WILL NOTE THE WIDTH MEASUREMENT IS TAKEN ON THE TOP OF THE CURTAIN WITH THE CURTAIN FULLY EXTENDED. THE LENGTH MEASUREMENT IS TAKEN FROM TOP TO BOTTOM. LEFT AND RIGHT WINDOW LEGS ARE DETERMINED WHEN FACING THE WINDOW.



## CURTAIN & CUSHION GROUP (CONTINUED)

### CUSHION LAYOUT



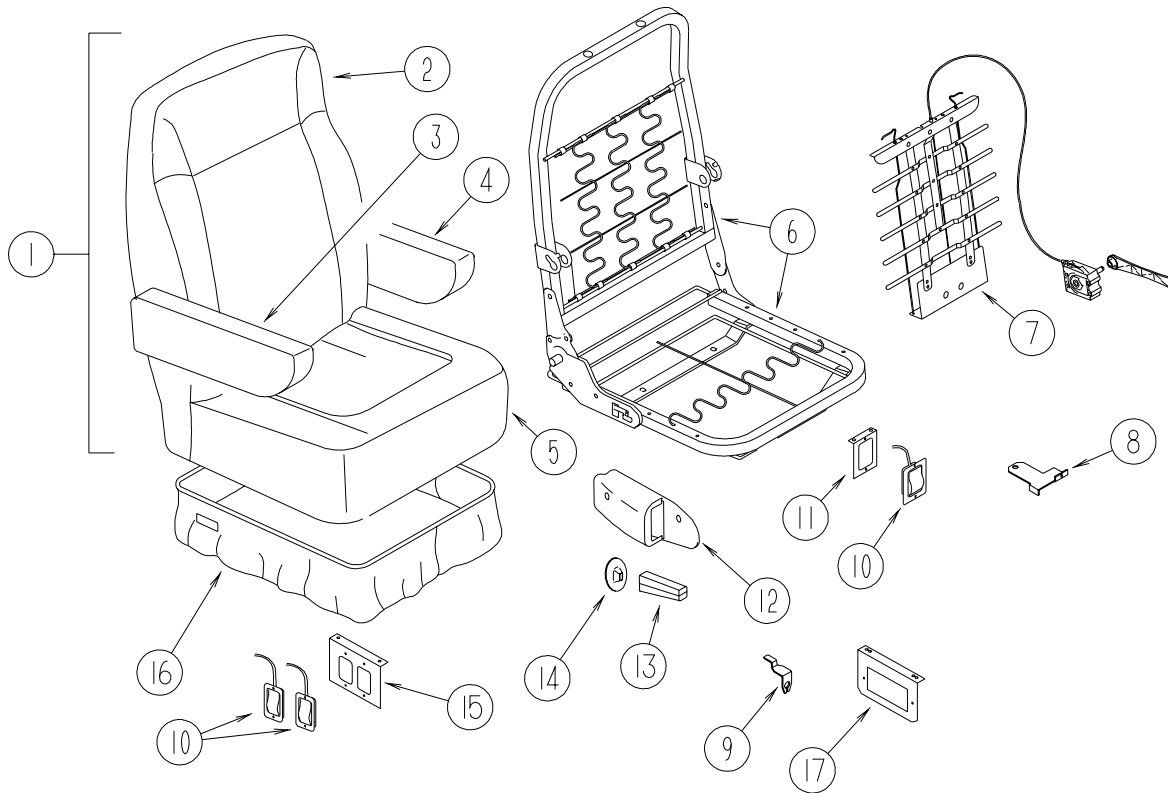
KEY	PART NUMBER	U/M	DESCRIPTION
1	140127-03-N52	EA	HEADBOARD - F/QUEEN BED - FABRIC COVERED (N52, N53)
1	140127-02-N54	EA	HEADBOARD - F/QUEEN BED - FABRIC COVERED (N54, N55)
1	140127-01-N56	EA	HEADBOARD - F/QUEEN BED - FABRIC COVERED (N56, N57)
2	126211-06-N74	EA	PILLOW SHAM - 20" X 33" (N52, N53)
2	126211-06-N76	EA	PILLOW SHAM - 20" X 33" (N54, N55)
2	126211-06-N79	EA	PILLOW SHAM - 20" X 33" (N56, N57)
3	132338-20-N52	EA	PILLOW - 12" X 24" - W/CENTER OVERLAY (N52, N53)
3	132338-21-N76	EA	PILLOW - 12" X 24" - W/CENTER OVERLAY (N54, N55)
3	132338-20-N79	EA	PILLOW - 12" X 24" - W/CENTER OVERLAY (N56, N57)
4	132336-23-N52	EA	BEDSPREAD/CAP - 60" X 80" (N52, N53)
4	132336-25-N76	EA	BEDSPREAD/CAP - 60" X 80" (N54, N55)
4	132336-23-N79	EA	BEDSPREAD/CAP - 60" X 80" (N56, N57)
	123015-07-000	EA	MATTRESS - INNERSPRING - 60" X 79.5"
5	135600-43-000	EA	CHAIR - FOLDING - IVORY/CHERRY (N52)
5	135600-44-000	EA	CHAIR - FOLDING - IVORY/PORTSMOUTH OAK (N53)
5	135600-45-000	EA	CHAIR - FOLDING - MOSS/CHERRY (N54)
5	135600-46-000	EA	CHAIR - FOLDING - MOSS/PORTSMOUTH OAK (N55)
5	135600-47-000	EA	CHAIR - FOLDING - SILVER/CHERRY (N56)
5	135600-48-000	EA	CHAIR - FOLDING - SILVER/PORTSMOUTH OAK (N57)
	129529-02-000	EA	STRAP - CHAIR RETAINING - 81.9"
6	135477-01-N74	EA	CHAIR - RECLINER W/FOOTREST (N52, N53)
6	135477-01-N76	EA	CHAIR - RECLINER W/FOOTREST (N54, N55)
6	135477-01-N79	EA	CHAIR - RECLINER W/FOOTREST (N56, N57)
6	135477-04-N74	EA	CHAIR - RECLINER W/FOOTREST - <b>LEATHER</b>

**CURTAIN & CUSHION GROUP (CONTINUED)**  
**CUSHION LAYOUT (CONTINUED)**

<b>KEY</b>	<b>PART NUMBER</b>	<b>U/M</b>	<b>DESCRIPTION</b>
7	132319-40-N74	EA	PILLOW - 18" - W/CENTER BUTTON & BRAID (N52, N53)
7	132319-40-N76	EA	PILLOW - 18" - W/CENTER BUTTON & BRAID (N54, N55)
7	132319-40-N79	EA	PILLOW - 18" - W/CENTER BUTTON & BRAID (N56, N57)
8	140481-01-000	EA	CHAIR - RECLINER - W/FOOTREST/PEDESTAL BASE (N52, N53)
8	140481-02-000	EA	CHAIR - RECLINER - W/FOOTREST/PEDESTAL BASE (N54, N55)
8	140481-03-000	EA	CHAIR - RECLINER - W/FOOTREST/PEDESTAL BASE (N56, N57)
8	140481-04-000	EA	CHAIR - RECLINER - W/FOOTREST/PEDESTAL BASE - <b>LEATHER</b>
9		EA	SOFA/BED - SEE SOFA AREA
10	138622-11-N52	EA	SOFA/SLEEPER - RECLINER/POWERED - W/TRUNDLE BED (N52, N53)
10	138622-11-N54	EA	SOFA/SLEEPER - RECLINER/POWERED - W/TRUNDLE BED (N54, N55)
10	138622-11-N52	EA	SOFA/SLEEPER - RECLINER/POWERED - W/TRUNDLE BED (N56, N57)
10	138622-12-N52	EA	SOFA/SLEEPER - RECLINER/POWERED - W/TRUNDLE BED - LEATHER (N52, N53)
10	138622-12-N54	EA	SOFA/SLEEPER - RECLINER/POWERED - W/TRUNDLE BED - LEATHER (N54, N55)
10	138622-12-N56	EA	SOFA/SLEEPER - RECLINER/POWERED - W/TRUNDLE BED - LEATHER (N56, N57)
11	135799-07-N52	EA	BUCKET SEAT - DRIVER - W/LUMBAR/ADJUSTABLE ARMRESTS (N52, N53)
11	135799-07-N76	EA	BUCKET SEAT - DRIVER - W/LUMBAR/ADJUSTABLE ARMRESTS (N54, N55)
11	135799-07-N79	EA	BUCKET SEAT - DRIVER - W/LUMBAR/ADJUSTABLE ARMRESTS (N56, N57)
12	135799-08-N52	EA	BUCKET SEAT - PASSENGER - W/ADJUSTABLE ARMRESTS (N52, N53)
12	135799-08-N76	EA	BUCKET SEAT - PASSENGER - W/ADJUSTABLE ARMRESTS (N54, N55)
12	135799-08-N79	EA	BUCKET SEAT - PASSENGER - W/ADJUSTABLE ARMRESTS (N56, N57)
13	135477-01-N74	EA	CHAIR - RECLINER W/FOOTREST (N52, N53)
13	135477-01-N76	EA	CHAIR - RECLINER W/FOOTREST (N54, N55)
13	135477-01-N79	EA	CHAIR - RECLINER W/FOOTREST (N56, N57)
13	140480-01-000	EA	CHAIR - RECLINER - W/FOOTREST/HOOP BASE (N52, N53)
13	140480-02-000	EA	CHAIR - RECLINER - W/FOOTREST/HOOP BASE (N54, N55)
13	140480-03-000	EA	CHAIR - RECLINER - W/FOOTREST/HOOP BASE (N56, N57)
13	140480-04-000	EA	CHAIR - RECLINER - W/FOOTREST/HOOP BASE - <b>LEATHER</b>
13	135477-04-N74	EA	CHAIR - RECLINER W/FOOTREST - <b>LEATHER</b>
14	134017-43-000	EA	CHAIR - DINETTE - NATURAL/BRIARWOOD CHERRY (N52)
14	134017-44-000	EA	CHAIR - DINETTE - NATURAL/PORTSMOUTH OAK (N53)
14	134017-45-000	EA	CHAIR - DINETTE - MOSS/BRIARWOOD CHERRY (N54)
14	134017-46-000	EA	CHAIR - DINETTE - MOSS/PORTSMOUTH OAK (N55)
14	134017-47-000	EA	CHAIR - DINETTE - SILVER/BRIARWOOD CHERRY (N56)
14	134017-48-000	EA	CHAIR - DINETTE - SILVER/PORTSMOUTH OAK (N57)

## CURTAIN & CUSHION GROUP (CONTINUED)

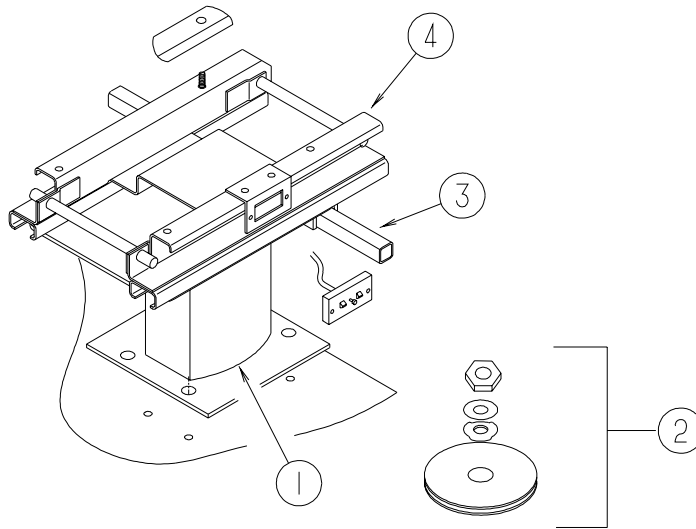
### BUCKET SEATS



KEY	PART NUMBER	U/M	DESCRIPTION
1	135799-07-N52	EA	BUCKET SEAT - DRIVER - W/LUMBAR/ADJUSTABLE ARMRESTS (N52, N53)
1	135799-07-N76	EA	BUCKET SEAT - DRIVER - W/LUMBAR/ADJUSTABLE ARMRESTS (N54, N55)
1	135799-07-N79	EA	BUCKET SEAT - DRIVER - W/LUMBAR/ADJUSTABLE ARMRESTS (N56, N57)
1	135799-08-N52	EA	BUCKET SEAT - PASSENGER - W/ADJUSTABLE ARMRESTS (N52, N53)
1	135799-08-N76	EA	BUCKET SEAT - PASSENGER - W/ADJUSTABLE ARMRESTS (N54, N55)
1	135799-08-N79	EA	BUCKET SEAT - PASSENGER - W/ADJUSTABLE ARMRESTS (N56, N57)
2	M05962-C9-N52	EA	COVER - BACK (N52, N53)
2	M05962-C9-N76	EA	COVER - BACK (N54, N55)
2	M05962-C9-N79	EA	COVER - BACK (N56, N57)
3	129666-17-N42	EA	ARMREST - RIGHT HAND
	P29666-17-N42	EA	COVER - ARMREST/RIGHT HAND
	122622-04-000	EA	BRACKET - ARMREST/RIGHT HAND
	122622-06-000	EA	KNOB - W/3/8" THREAD INSERT
	130699-01-000	EA	ARMREST/MOLDED - RIGHT - W/O COVER
4	129666-18-N42	EA	ARMREST - LEFT HAND
	P29666-18-N42	EA	COVER - ARMREST/LEFT HAND
	122622-05-000	EA	BRACKET - ARMREST/LEFT HAND
	122622-06-000	EA	KNOB - W/3/8" THREAD INSERT
	130699-02-000	EA	ARMREST/MOLDED - LEFT - W/O COVER
5	M05962-D0-N52	EA	COVER - SEAT (N52, N53)
5	M05962-D0-N76	EA	COVER - SEAT (N54, N55)
5	M05962-D0-N79	EA	COVER - SEAT (N56, N57)
6	134532-01-000	EA	FRAME - SEAT/HIGH BACK
	116104-04-02B	EA	BRACKET - ZEE W/HOLES - 3.2" - E-COATED
7*	122611-02-000	EA	LUMBAR - W/LEVER
8	117125-01-02B	EA	BRACKET - CABLE MOUNT - ADJUSTER W/LOCK
9	108049-02-000	EA	CLIP - CABLE/PEDESTAL
10	108049-04-000	EA	CABLE - W/MINI LEVER ACTION SWITCH - 28" SHEATH/30" CABLE
11	127159-01-02B	EA	BRACKET - SEAT RELEASE - SINGLE REMOTE - E-COATED
12	080730-09-000	EA	SHIELD - RECLINER HANDLE
13	080730-08-000	EA	HANDLE - RECLINER
14	080730-11-000	EA	SHIELD - RUBBER BOOT
15	127159-02-02B	EA	BRACKET - SEAT RELEASE - DUAL REMOTE - E-COATED
16	071126-77-N74	EA	SKIRT - 10.5" OPEN CORNER (STANDARD/6-WAY POWER) LEATHER
17	128699-01-02B	EA	BRACKET - SEAT SWITCH - E-COATED

\*COMPONENT PARTS LISTED LATER IN THIS GROUP

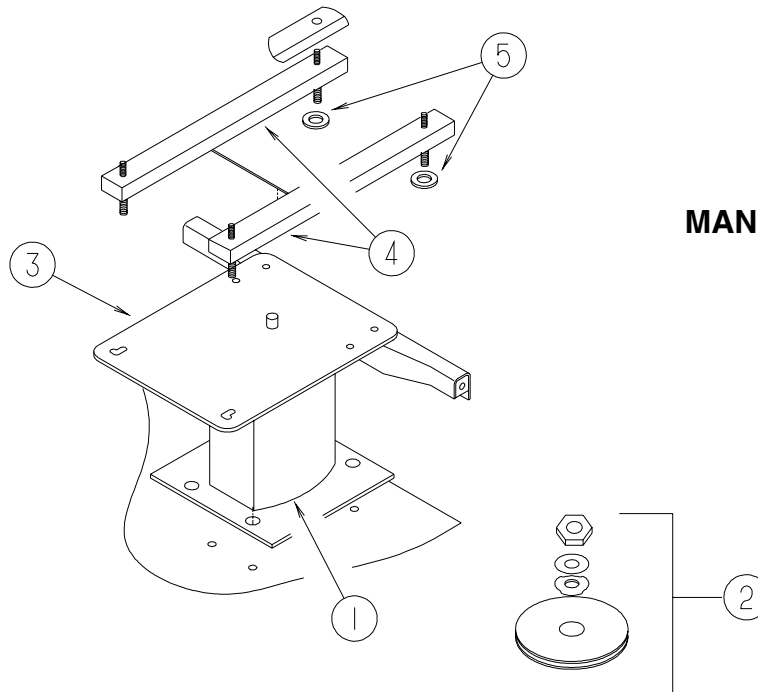
**CURTAIN & CUSHION GROUP (CONTINUED)**  
**BUCKET SEATS (CONTINUED)**



**POWER DRIVER**

KEY	PART NUMBER	U/M	DESCRIPTION
1	133408-05-000	EA	PEDESTAL - SEAT - 5.75"
2	107921-06-000	EA	BEARING KIT - PEDESTAL
3	133408-08-000	EA	TOP PLATE - W/BAR
4*	081373-03-000	EA	SEAT - POWER 6 WAY

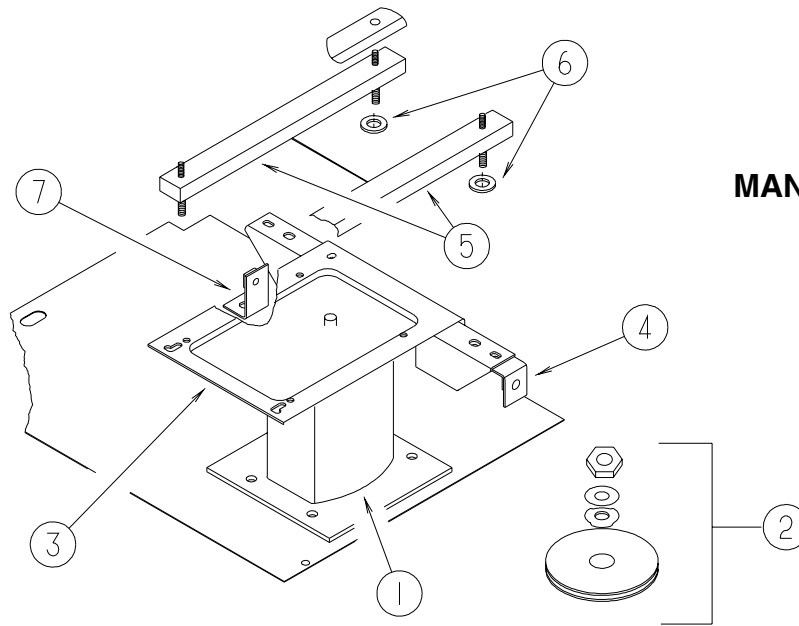
**\*COMPONENT PARTS LISTED LATER IN THIS GROUP**



**MANUAL DRIVER**

KEY	PART NUMBER	U/M	DESCRIPTION
1	133408-01-000	EA	PEDESTAL - SEAT - DRIVER/PASSENGER - 9 3/4"
2	107921-06-000	EA	BEARING KIT - PEDESTAL
3	133408-08-000	EA	TOP PLATE - W/BAR
4	131566-04-000	EA	SLIDE/SEAT - HEAVY DUTY LOCKING - 5"
	119952-07-000	EA	WIRE - LATCH RELEASE/ROTARY
5	NOT USED		

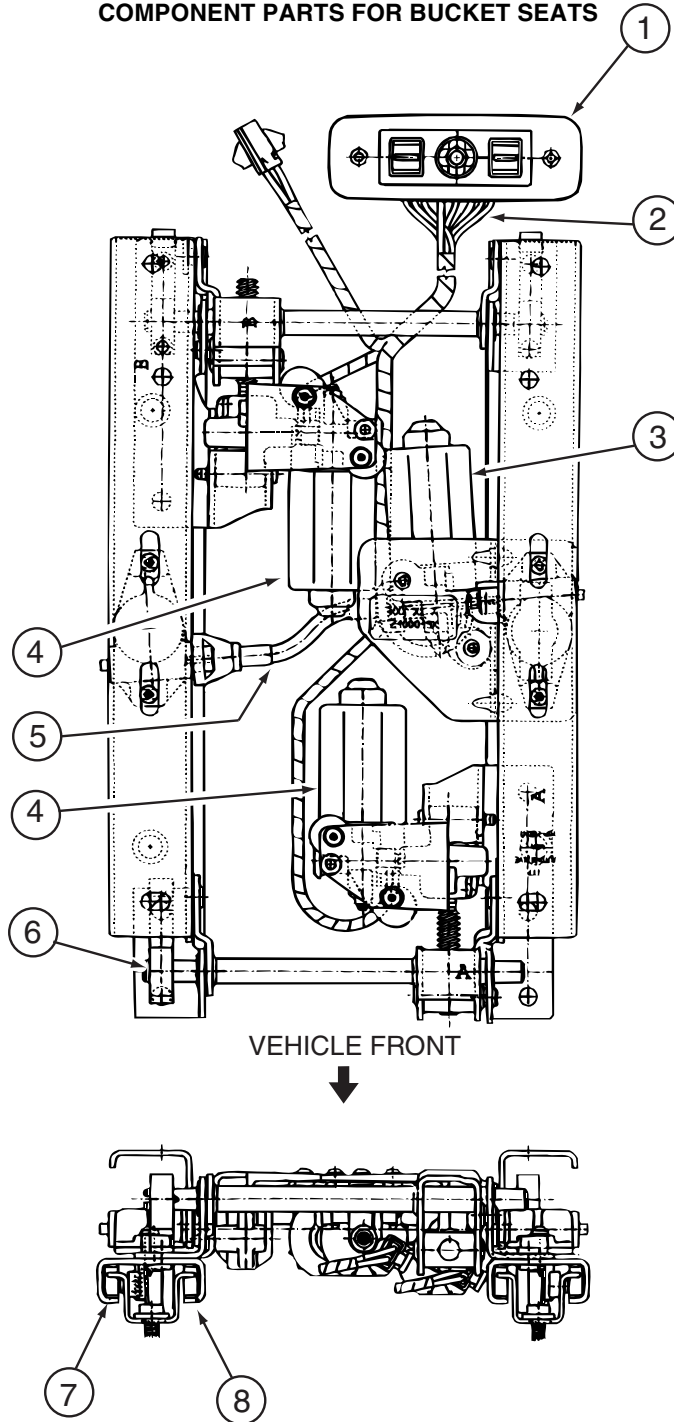
**CURTAIN & CUSHION GROUP (CONTINUED)**  
**BUCKET SEATS (CONTINUED)**



**MANUAL PASSENGER**

KEY	PART NUMBER	U/M	DESCRIPTION
1	133408-01-000	EA	PEDESTAL - SEAT/DRIVER - 9 3/4"
2	107921-06-000	EA	BEARING KIT - PEDESTAL
3	133408-02-000	EA	TOP PLATE - SINGLE SIDE BELT
4	133408-03-000	EA	BRACKET - ANCHORAGE/PEDESTAL
5	131566-04-000	EA	SLIDE/SEAT - HEAVY DUTY LOCKING - 5" - W/O FOOTREST
	119952-07-000	EA	WIRE - LATCH RELEASE/ROTARY - W/O FOOTREST
6	NOT USED		
7	133408-04-000	EA	BRACKET - ANCHOR/FLOOR

**CURTAIN & CUSHION GROUP (CONTINUED)**  
**COMPONENT PARTS FOR BUCKET SEATS**



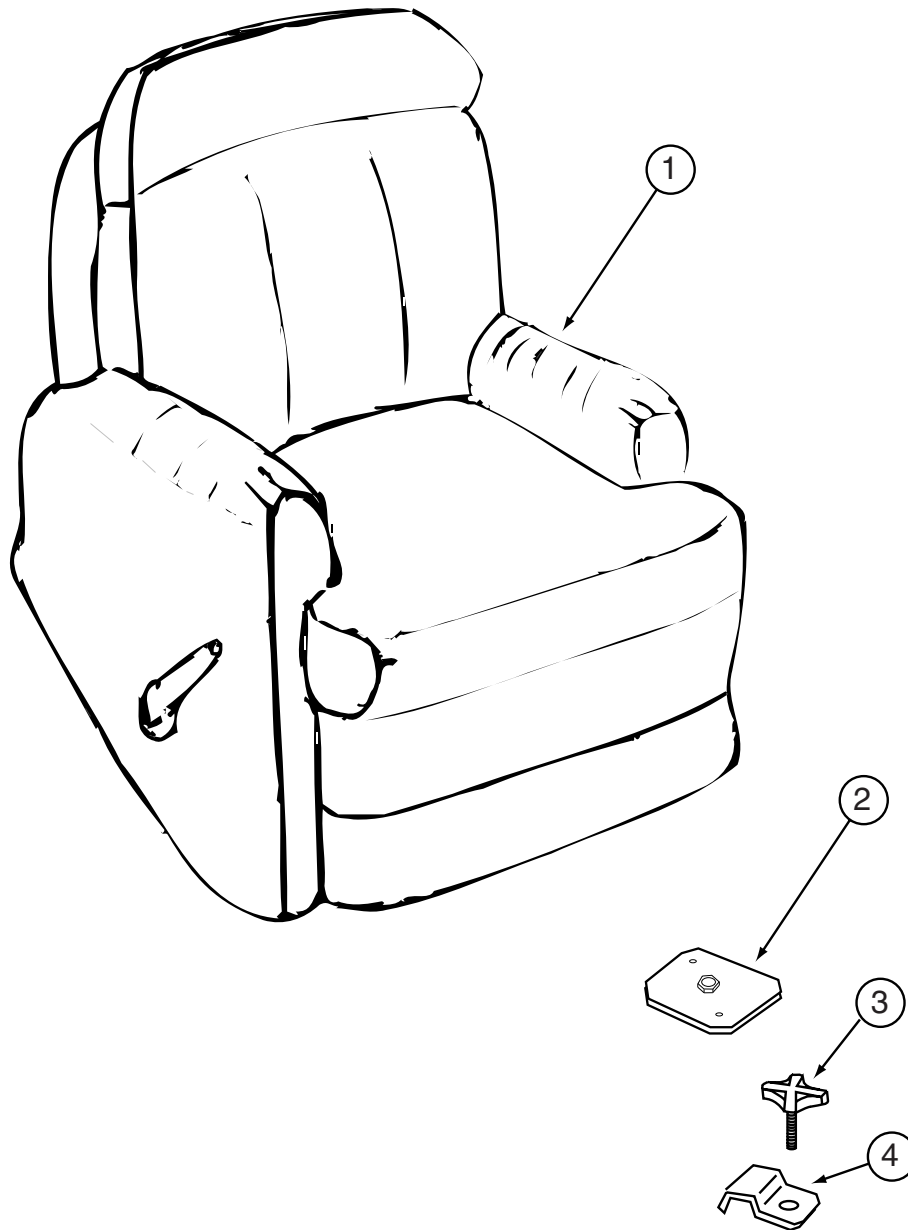
**081373-03-000**

KEY	PART NUMBER	U/M	DESCRIPTION	VENDOR NO.
1	081373-03-700	EA	SWITCH POWER	22137945
2	081373-03-701	EA	WIRE HARNESS ASM., LT. SIDE	22138093
2	081373-03-702	EA	WIRE HARNESS ASM., RT. SIDE	22138094
3	081373-02-703	EA	MOTOR PKG. ADJ. HORIZONTAL	22063237 & H-195
4	081373-02-704	EA	MOTOR PKG. ADJ. VERTICAL	22063238 & H-196
5	081373-03-704	EA	DRIVE CABLE	22143984
6	081373-03-705	EA	SPRING	22048978
7	081373-03-706	EA	SHOE GUIDE (WHITE)	22048993
8	081373-03-707	EA	SHOE GUIDE (BLACK)	22048994
	081373-03-700	EA	SWITCH POWER	22137945

**122611-02-000**

KEY	PART NUMBER	U/M	DESCRIPTION
	122611-02-701	EA	LUMBAR - LEVER
	122611-02-702	EA	LUMBAR MECHANISM

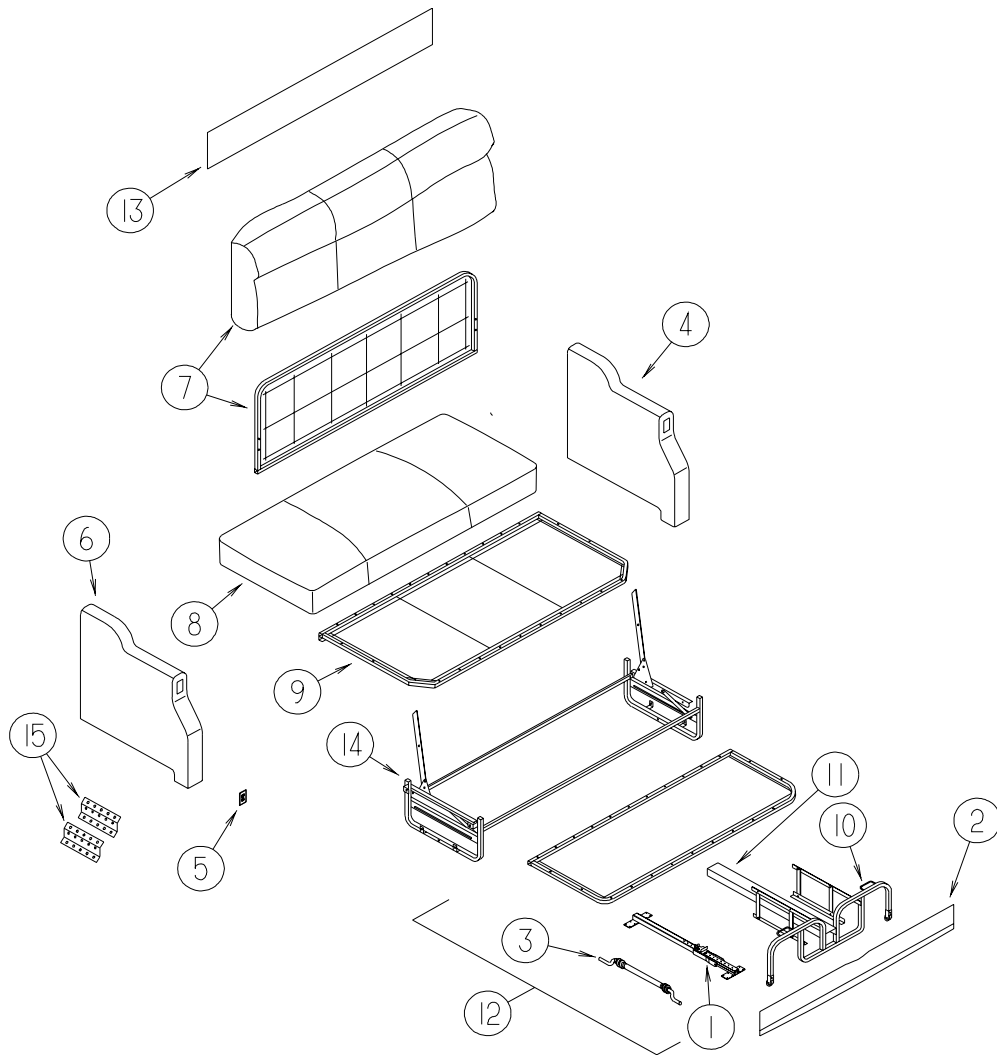
**CURTAIN & CUSHION GROUP (CONTINUED)**  
**LOUNGE CHAIR**



KEY	PART NUMBER	U/M	DESCRIPTION
1	135477-01-N74	EA	CHAIR - RECLINER W/FOOTREST (N52, N53)
1	135477-01-N76	EA	CHAIR - RECLINER W/FOOTREST (N54, N55)
1	135477-01-N79	EA	CHAIR - RECLINER W/FOOTREST (N56, N57)
1	135477-04-N74	EA	CHAIR - RECLINER W/FOOTREST - <b>LEATHER</b>
1	140480-01-000	EA	CHAIR - RECLINER - W/FOOTREST/HOOP BASE (N52, N53)
1	140480-02-000	EA	CHAIR - RECLINER - W/FOOTREST/HOOP BASE (N54, N55)
1	140480-03-000	EA	CHAIR - RECLINER - W/FOOTREST/HOOP BASE (N56, N57)
1	140480-04-000	EA	CHAIR - RECLINER - W/FOOTREST/HOOP BASE - <b>LEATHER</b>
1	140481-01-000	EA	CHAIR - RECLINER - W/FOOTREST/PEDESTAL BASE (N52, N53)
1	140481-02-000	EA	CHAIR - RECLINER - W/FOOTREST/PEDESTAL BASE (N54, N55)
1	140481-03-000	EA	CHAIR - RECLINER - W/FOOTREST/PEDESTAL BASE (N56, N57)
1	140481-04-000	EA	CHAIR - RECLINER - W/FOOTREST/PEDESTAL BASE - <b>LEATHER</b>
	P35477-01-N74	EA	COVER - RECLINER/SWIVEL/ROCKER - W/FOOTREST (N52, N53)
	P35477-01-N76	EA	COVER - RECLINER/SWIVEL/ROCKER - W/FOOTREST (N54, N55)
	P35477-01-N79	EA	COVER - RECLINER/SWIVEL/ROCKER - W/FOOTREST (N56, N57)
2	134128-02-02B	EA	PLATE ASM-W/HOLES,E-COAT
3	134194-01-01A	EA	KNOB - HOLD DOWN - RECLINER - BLACK
4	134057-01-11B	EA	BRACKET - RECLINER - FLAT BLACK
	134324-01-000	EA	E-CLIP - PHOSPHORUS FINISH

# CURTAIN & CUSHION GROUP (CONTINUED)

## SOFA



KEY	PART NUMBER	U/M	DESCRIPTION
	138622-11-N52	EA	SOFA/SLEEPER - RECLINER/POWERED - W/TRUNDLE BED (N52, N53)
	138622-11-N54	EA	SOFA/SLEEPER - RECLINER/POWERED - W/TRUNDLE BED (N54, N55)
	138622-11-N52	EA	SOFA/SLEEPER - RECLINER/POWERED - W/TRUNDLE BED (N56, N57)
	138622-12-N52	EA	SOFA/SLEEPER - RECLINER/POWERED - W/TRUNDLE BED - LEATHER (N52, N53)
	138622-12-N54	EA	SOFA/SLEEPER - RECLINER/POWERED - W/TRUNDLE BED - LEATHER (N54, N55)
	138622-12-N56	EA	SOFA/SLEEPER - RECLINER/POWERED - W/TRUNDLE BED - LEATHER (N56, N57)
1*	136534-16-000	EA	SLIDE RAIL - W/PLATES & STOP ASSEMBLY
2	135824-07-N74	EA	PANEL/FRONT KICK - SOFA/SLEEPER - 59.5" - FABRIC COVERED (N52, N53)
2	135824-07-N76	EA	PANEL/FRONT KICK - SOFA/SLEEPER - 59.5" - FABRIC COVERED (N54, N55)
2	135824-07-N56	EA	PANEL/FRONT KICK - SOFA/SLEEPER - 59.5" - FABRIC COVERED (N56, N57)
2	135824-08-N52	EA	PANEL/FRONT KICK - SOFA/SLEEPER - 59.5" - FABRIC COVERED (N52, N53) LEATHER
2	135824-08-N76	EA	PANEL/FRONT KICK - SOFA/SLEEPER - 59.5" - FABRIC COVERED (N54, N55) LEATHER
2	135824-08-N79	EA	PANEL/FRONT KICK - SOFA/SLEEPER - 59.5" - FABRIC COVERED (N56, N57) LEATHER
3	136534-19-000	EA	CABLE ONLY - REMOTE - 34" W/Z-ENDS (F/LEVER HANDLE -30-)
4	135823-11-N52	EA	ARMREST - RIGHT HAND (N52, N53)
4	135823-11-N54	EA	ARMREST - RIGHT HAND (N54, N55)
4	135823-11-N56	EA	ARMREST - RIGHT HAND (N56, N57)
4	135823-13-N52	EA	ARMREST - RIGHT HAND - LEATHER
	P35823-11-N52	EA	COVER/ARMREST - RIGHT HAND (N52, N53)
	P35823-11-N54	EA	COVER/ARMREST - RIGHT HAND (N54, N55)
	P35823-11-N56	EA	COVER/ARMREST - RIGHT HAND (N56, N57)
	P35823-13-N52	EA	COVER/ARMREST - RIGHT HAND - LEATHER
5	136118-01-000	EA	SWITCH - SOFA/RECLINER

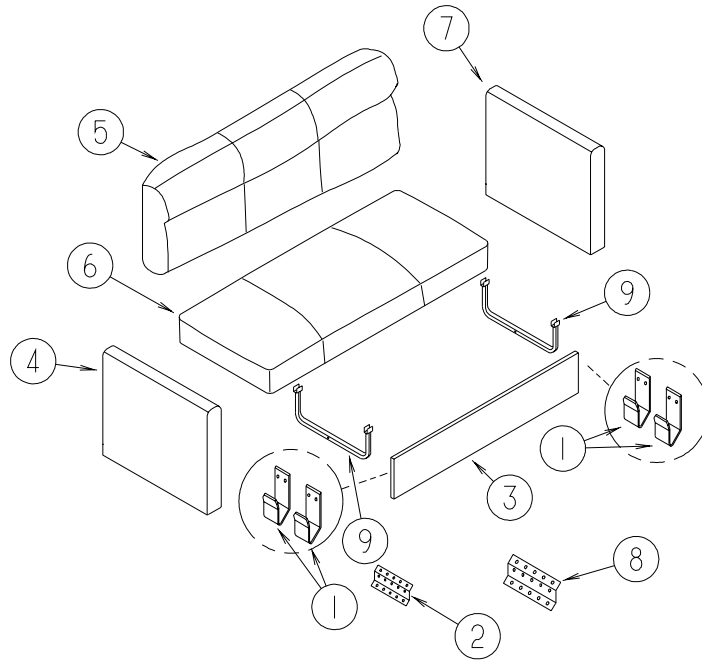


**CURTAIN & CUSHION GROUP (CONTINUED)**  
**SOFA (CONTINUED)**

KEY	PART NUMBER	U/M	DESCRIPTION
6	135823-12-N52	EA	ARMREST - LEFT HAND (N52, N53)
6	135823-12-N54	EA	ARMREST - LEFT HAND (N54, N55)
6	135823-12-N56	EA	ARMREST - LEFT HAND (N56, N57)
6	135823-14-N52	EA	ARMREST - LEFT HAND - <b>LEATHER</b>
	P35823-12-N52	EA	COVER/ARMREST - LEFT HAND (N52, N53)
	P35823-12-N54	EA	COVER/ARMREST - LEFT HAND (N54, N55)
	P35823-12-N56	EA	COVER/ARMREST - LEFT HAND (N56, N57)
	P35823-14-N52	EA	COVER/ARMREST - LEFT HAND - <b>LEATHER</b>
7	138622-02-N74	EA	BACK - SOFA/SLEEPER - RECLINER/POWERED (N52, N53)
7	138622-02-N56	EA	BACK - SOFA/SLEEPER - RECLINER/POWERED (N54, N55)
7	138622-02-N76	EA	BACK - SOFA/SLEEPER - RECLINER/POWERED (N56, N57)
7	138622-06-N74	EA	BACK - SOFA/SLEEPER - RECLINER/POWERED - <b>LEATHER</b>
	P38622-02-N74	EA	COVER/BACK - SOFA/SLEEPER - RECLINER/POWERED (N52, N53)
	P38622-02-N56	EA	COVER/BACK - SOFA/SLEEPER - RECLINER/POWERED (N54, N55)
	P38622-02-N76	EA	COVER/BACK - SOFA/SLEEPER - RECLINER/POWERED (N56, N57)
	P38622-06-N74	EA	COVER/BACK - SOFA/SLEEPER - RECLINER/POWERED - <b>LEATHER</b>
	136534-18-000	EA	BACK - 16.5" X 60" - CL W/O STRAPS
8	138622-03-N74	EA	SEAT - SOFA/SLEEPER - RECLINER/POWERED (N52, N53)
8	138622-03-N76	EA	SEAT - SOFA/SLEEPER - RECLINER/POWERED (N54, N55)
8	138622-03-N56	EA	SEAT - SOFA/SLEEPER - RECLINER/POWERED (N56, N57)
8	138622-07-N52	EA	SEAT - SOFA/SLEEPER - RECLINER/POWERED (N52, N53) <b>LEATHER</b>
8	138622-07-N76	EA	SEAT - SOFA/SLEEPER - RECLINER/POWERED (N54, N55) <b>LEATHER</b>
8	138622-07-N56	EA	SEAT - SOFA/SLEEPER - RECLINER/POWERED (N56, N57) <b>LEATHER</b>
	P38622-03-N74	EA	COVER/SEAT - SOFA/SLEEPER - RECLINER/POWERED (N52, N53)
	P38622-03-N76	EA	COVER/SEAT - SOFA/SLEEPER - RECLINER/POWERED (N54, N55)
	P38622-03-N56	EA	COVER/SEAT - SOFA/SLEEPER - RECLINER/POWERED (N56, N57)
	P38622-07-N52	EA	COVER/SEAT - SOFA/SLEEPER - RECLINER/POWERED (N52, N53) <b>LEATHER</b>
	P38622-07-N76	EA	COVER/SEAT - SOFA/SLEEPER - RECLINER/POWERED (N54, N55) <b>LEATHER</b>
	P38622-07-N56	EA	COVER/SEAT - SOFA/SLEEPER - RECLINER/POWERED (N56, N57) <b>LEATHER</b>
9	136534-04-000	EA	SEAT - 26.5" X 60" CL W/FLEXOLATOR
10	136534-17-000	EA	TRUNDLE FRAME - 17.5" X 55" - W/LINKAGE, LATCH & HANDLE
12	138622-04-N74	EA	TRUNDLE - SOFA/SLEEPER (N52, N53)
11	136534-31-000	EA	CAP - CABLE COVER
12	138622-04-N76	EA	TRUNDLE - SOFA/SLEEPER (N54, N55)
12	138622-04-N56	EA	TRUNDLE - SOFA/SLEEPER (N52, N53)
12	138622-08-N74	EA	TRUNDLE - SOFA/SLEEPER - <b>LEATHER</b>
	P38622-04-N74	EA	COVER/TRUNDLE - SOFA/SLEEPER - RECLINER/POWERED (N52, N53)
	P38622-04-N76	EA	COVER/TRUNDLE - SOFA/SLEEPER - RECLINER/POWERED (N54, N55)
	P38622-04-N56	EA	COVER/TRUNDLE - SOFA/SLEEPER - RECLINER/POWERED (N52, N53)
	P38622-08-N74	EA	COVER/TRUNDLE - SOFA/SLEEPER - RECLINER/POWERED - <b>LEATHER</b>
13	139716-01-N74	EA	SIGHT SHIELD - 58" - FULL BACK (N52, N53)
13	139716-01-N74	EA	SIGHT SHIELD - 58" - FULL BACK (N54, N55)
13	139716-01-N74	EA	SIGHT SHIELD - 58" - FULL BACK (N56, N57)
13	139716-02-N42	EA	SIGHT SHIELD - 58" - FULL BACK - <b>LEATHER</b>
14*	136534-15-000	EA	BASE - 27.5" X 60" - POWERED CL - W/10.5" OVERHANG
	136534-33-000	EA	SPRING-7X1/2 W/HOOK ON ENDS
15	101926-01-02A	EA	BRACKET - ZEE - 2" - BLACK

**\*COMPONENT PARTS LISTED LATER IN THIS GROUP**

**CURTAIN & CUSHION GROUP (CONTINUED)**  
**SOFA (CONTINUED)**



KEY	PART NUMBER	U/M	DESCRIPTION
1	121906-01-02B	EA	BRACKET - KICKBOARD - E-COATED
2	116104-04-02B	EA	BRACKET - ZEE W/HOLES - 3.2" - E-COATED
3	120992-18-N74	EA	PANEL/FRONT KICK - SOFA/BED - 70" - FABRIC COVERED (N52, N53)
3	120992-18-N79	EA	PANEL/FRONT KICK - SOFA/BED - 70" - FABRIC COVERED (N54, N55)
3	120992-18-N76	EA	PANEL/FRONT KICK - SOFA/BED - 70" - FABRIC COVERED (N56, N57)
3	120992-27-N52	EA	PANEL/FRONT KICK - SOFA/BED - 70" - FABRIC COVERED (N52, N53) LEATHER
3	120992-27-N79	EA	PANEL/FRONT KICK - SOFA/BED - 70" - FABRIC COVERED (N54, N55) LEATHER
3	120992-27-N76	EA	PANEL/FRONT KICK - SOFA/BED - 70" - FABRIC COVERED (N56, N57) LEATHER
4	136286-07-N52	EA	ARMREST - RIGHT HAND (N52, N53)
4	136286-07-N55	EA	ARMREST - RIGHT HAND (N54, N55)
4	136286-07-N56	EA	ARMREST - RIGHT HAND (N56, N57)
4	136286-09-N52	EA	ARMREST - RIGHT HAND (N52, N53) LEATHER
4	136286-09-N55	EA	ARMREST - RIGHT HAND (N54, N55) LEATHER
4	136286-09-N56	EA	ARMREST - RIGHT HAND (N56, N57) LEATHER
	P36286-07-N52	EA	COVER/ARMREST - RIGHT HAND (N52, N53)
	P36286-07-N55	EA	COVER/ARMREST - RIGHT HAND (N54, N55)
	P36286-07-N56	EA	COVER/ARMREST - RIGHT HAND (N56, N57)
	P36286-09-N52	EA	COVER/ARMREST - RIGHT HAND (N52, N53) LEATHER
	P36286-09-N55	EA	COVER/ARMREST - RIGHT HAND (N54, N55) LEATHER
	P36286-09-N56	EA	COVER/ARMREST - RIGHT HAND (N56, N57) LEATHER
	135963-05-000	EA	ARMREST - RIGHT HAND - W/SLOPE
5	136278-02-N74	EA	BACK - SOFA/BED - 70" (N52, N53)
5	136278-02-N76	EA	BACK - SOFA/BED - 70" (N54, N55)
5	136278-02-N79	EA	BACK - SOFA/BED - 70" (N56, N57)
5	136278-04-N52	EA	BACK - SOFA/BED - 70" (N52, N53) LEATHER
5	136278-04-N76	EA	BACK - SOFA/BED - 70" (N54, N55) LEATHER
5	136278-04-N79	EA	BACK - SOFA/BED - 70" (N56, N57) LEATHER
	P36278-02-N74	EA	COVER - BACK - SOFA/BED - 70" (N52, N53)
	P36278-02-N76	EA	COVER - BACK - SOFA/BED - 70" (N54, N55)
	P36278-02-N79	EA	COVER - BACK - SOFA/BED - 70" (N56, N57)
	P36278-04-N52	EA	COVER - BACK - SOFA/BED - 70" (N52, N53) LEATHER
	P36278-04-N76	EA	COVER - BACK - SOFA/BED - 70" (N54, N55) LEATHER
	P36278-04-N79	EA	COVER - BACK - SOFA/BED - 70" (N56, N57) LEATHER
6	136278-01-N74	EA	SEAT - SOFA/BED - 70" (N52, N53)
6	136278-01-N76	EA	SEAT - SOFA/BED - 70" (N54, N55)
6	136278-01-N79	EA	SEAT - SOFA/BED - 70" (N56, N57)
6	136278-03-N52	EA	SEAT - SOFA/BED - 70" (N52, N53) LEATHER
6	136278-03-N76	EA	SEAT - SOFA/BED - 70" (N54, N55) LEATHER
6	136278-03-N79	EA	SEAT - SOFA/BED - 70" (N56, N57) LEATHER

**CURTAIN & CUSHION GROUP (CONTINUED)**  
**SOFA (CONTINUED)**

<b>KEY</b>	<b>PART NUMBER</b>	<b>U/M</b>	<b>DESCRIPTION</b>
	P36278-01-N74	EA	COVER - SEAT - SOFA/BED - 70" (N52, N53)
	P36278-01-N76	EA	COVER - SEAT - SOFA/BED - 70" (N54, N55)
	P36278-01-N79	EA	COVER - SEAT - SOFA/BED - 70" (N56, N57)
	P36278-03-N52	EA	COVER - SEAT - SOFA/BED - 70" (N52, N53) LEATHER
	P36278-03-N76	EA	COVER - SEAT - SOFA/BED - 70" (N54, N55) LEATHER
	P36278-03-N79	EA	COVER - SEAT - SOFA/BED - 70" (N56, N57) LEATHER
	132870-03-000	EA	FRAME - 70" SOFA BASE - CUSTOM LOUNGE
7	136286-08-N52	EA	ARMREST - LEFT HAND (N52, N53)
7	136286-08-N55	EA	ARMREST - LEFT HAND (N54, N55)
7	136286-08-N56	EA	ARMREST - LEFT HAND (N56, N57)
7	136286-10-N52	EA	ARMREST - LEFT HAND (N52, N53) LEATHER
7	136286-10-N55	EA	ARMREST - LEFT HAND (N54, N55) LEATHER
7	136286-10-N56	EA	ARMREST - LEFT HAND (N56, N57) LEATHER
	P36286-08-N52	EA	COVER/ARMREST - RIGHT HAND (N52, N53)
	P36286-08-N55	EA	COVER/ARMREST - RIGHT HAND (N54, N55)
	P36286-08-N56	EA	COVER/ARMREST - RIGHT HAND (N56, N57)
	P36286-10-N52	EA	COVER/ARMREST - LEFT HAND (N52, N53) LEATHER
	P36286-10-N55	EA	COVER/ARMREST - LEFT HAND (N54, N55) LEATHER
	P36286-10-N56	EA	COVER/ARMREST - LEFT HAND (N56, N57) LEATHER
	135963-06-000	EA	ARMREST - LEFT HAND - W/SLOPE
8	101926-01-02A	EA	BRACKET - ZEE - 2" - BLACK
9	127335-12-000	EA	LEG - SOFA/BED - 10"
	124656-96-000	EA	LOCK - CANADIAN

**CURTAIN & CUSHION GROUP (CONTINUED)**  
**COMPONENT PARTS FOR SOFA**

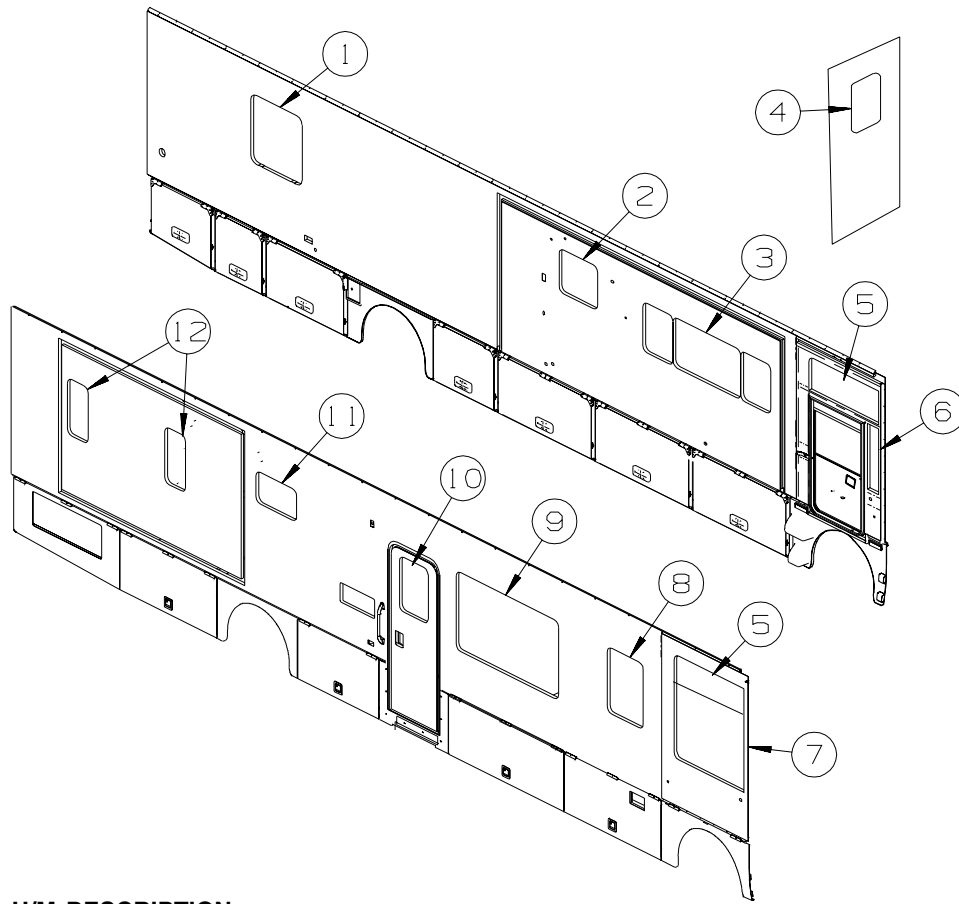
**136534-15-000, 136534-29-000**

<b>KEY</b>	<b>PART NUMBER</b>	<b>U/M</b>	<b>DESCRIPTION</b>	<b>VENDOR NO.</b>
	136534-02-700	EA	MOTOR	9PL-MO-W/T-1
	136534-02-701	EA	CABLE/DRV MTR-REST EASY SOFA	9PL-FCA27.75

**136534-16-000**

<b>KEY</b>	<b>PART NUMBER</b>	<b>U/M</b>	<b>DESCRIPTION</b>	<b>VENDOR NO.</b>
	136534-14-700	EA	SLIDE MECHANISM ASM W/LATCH	PTN-SLD-BUSH
	136534-14-701	EA	BUSHING/GUIDE - F/MECHANISM	9TN-SLD-GR-0

**CURTAIN & CUSHION GROUP (CONTINUED)**  
**WINDOW TREATMENT**

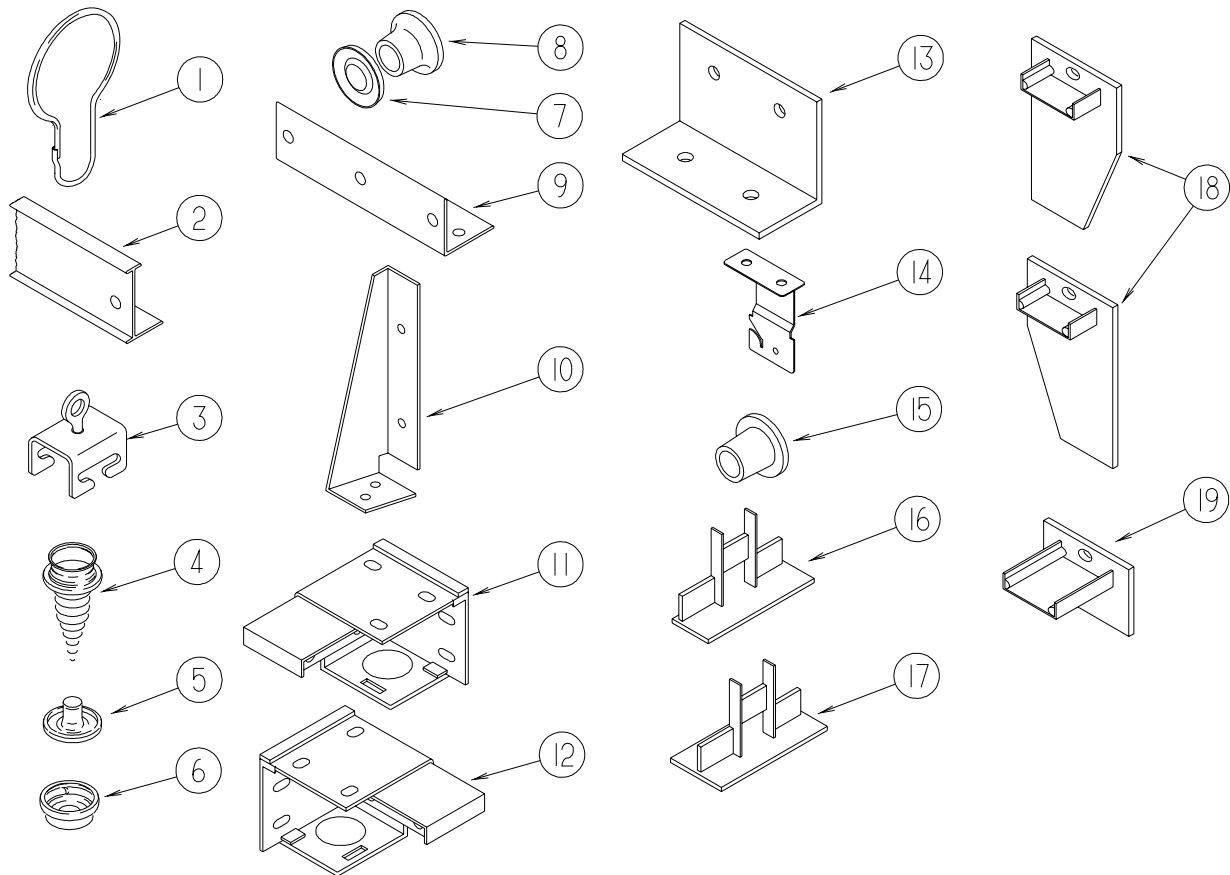


KEY	PART NUMBER	U/M	DESCRIPTION
1	117657-17-N52	EA	VALANCE - KINGSTON - 34" (N52, N53)
1	117657-18-N76	EA	VALANCE - KINGSTON - 34" (N54, N55)
1	117657-17-N79	EA	VALANCE - KINGSTON - 34" (N56, N57)
1	140789-11-N52	EA	BLIND - DAY/NIGHTER - 32" X 34" (N52, N53, N56, N57)
1	140789-11-N54	EA	BLIND - DAY/NIGHTER - 32" X 34" (N54, N55)
1	123910-91-N52	EA	LEG - RIGHT - 32" (N52, N53)
1	123910-85-N54	EA	LEG - RIGHT - 32" (N54, N55)
1	123910-91-N56	EA	LEG - RIGHT - 32" (N56, N57)
1	123910-92-N52	EA	LEG - LEFT - 32" (N52, N53)
1	123910-86-N54	EA	LEG - LEFT - 32" (N54, N55)
1	123910-92-N56	EA	LEG - LEFT - 32" (N56, N57)
2	111861-16-01A	EA	BLIND - MINI - 23.75" X 24" - BEIGE (N52, N53)
2	111861-16-02A	EA	BLIND - MINI - 23.75" X 24" - SNO CAP (N54, N55, N56, N57)
3	138652-01-N52	EA	LAMBREQUIN - DYNASTY - 61" (N52, N53)
3	138652-04-N76	EA	LAMBREQUIN - DYNASTY - 61" (N54, N55)
3	138652-01-N79	EA	LAMBREQUIN - DYNASTY - 61" (N56, N57)
3	140789-08-N09	EA	BLIND - DAY/NIGHTER - 59" X 26.5" (N52, N53, N56, N57)
3	140789-08-N44	EA	BLIND - DAY/NIGHTER - 59" X 26.5" (N54, N55)
4	138652-07-N52	EA	VALANCE - DYNASTY - 26" (N52, N53)
4	138652-08-N76	EA	VALANCE - DYNASTY - 26" (N54, N55)
4	138652-07-N78	EA	VALANCE - DYNASTY - 26" (N56, N57)
4	140789-07-N42	EA	BLIND - DAY/NIGHTER - 22.5" X 23" (N52, N53, N56, N57)
4	140789-07-N44	EA	BLIND - DAY/NIGHTER - 22.5" X 23" (N54, N55)
4	136988-21-N74	EA	LEG - RIGHT - 22" - FABRIC COVERED (N52, N53)
4	136988-21-N76	EA	LEG - RIGHT - 22" - FABRIC COVERED (N54, N55)
4	136988-21-N78	EA	LEG - RIGHT - 22" - FABRIC COVERED (N56, N57)
4	136988-22-N74	EA	LEG - LEFT - 22" - FABRIC COVERED (N52, N53)
4	136988-22-N76	EA	LEG - LEFT - 22" - FABRIC COVERED (N54, N55)
4	136988-22-N78	EA	LEG - LEFT - 22" - FABRIC COVERED (N56, N57)
5	126841-03-000	EA	SHADE - PULL - CHARCOAL MESH - 40.3" X 60"
6	093487-29-01A	EA	CURTAIN - WRAPAROUND/PLEATED - 50.5" X 150" - DRIVER
7	093487-30-01A	EA	CURTAIN - WRAPAROUND/PLEATED - 50.5" X 150" - PASSENGER

**CURTAIN & CUSHION GROUP (CONTINUED)**  
**WINDOW TREATMENT (CONTINUED)**

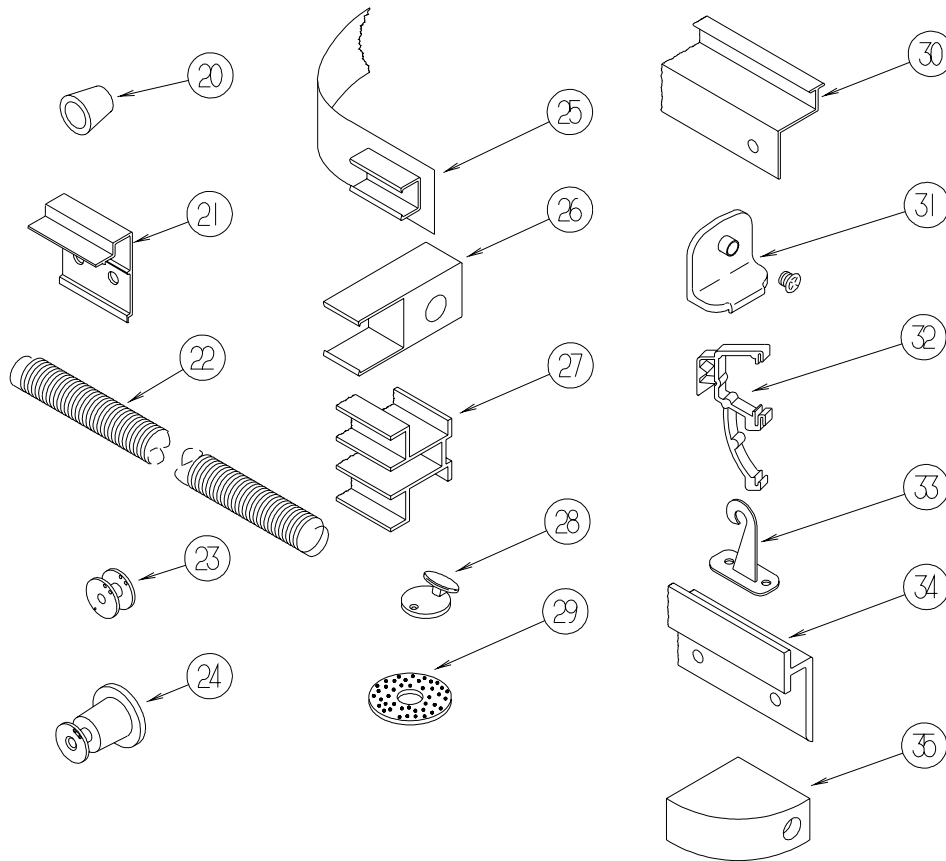
KEY	PART NUMBER	U/M	DESCRIPTION
8	138652-11-N52	EA	LAMBREQUIN - DYNASTY - 24" (N52, N53)
8	138652-12-N54	EA	LAMBREQUIN - DYNASTY - 24" (N54, N55)
8	138652-11-N56	EA	LAMBREQUIN - DYNASTY - 24" (N56, N57)
8	140789-11-N52	EA	BLIND - DAY/NIGHTER - 22" X 34" (N52, N53, N56, N57)
8	140789-11-N54	EA	BLIND - DAY/NIGHTER - 22" X 34" (N54, N55)
9	138652-09-N52	EA	LAMBREQUIN - DYNASTY - 63" (N52, N53)
9	138652-10-N54	EA	LAMBREQUIN - DYNASTY - 63" (N54, N55)
9	138652-09-N56	EA	LAMBREQUIN - DYNASTY - 63" (N56, N57)
9	140789-13-N52	EA	BLIND - DAY/NIGHTER - 61" X 42" (N52, N53, N56, N57)
9	140789-13-N54	EA	BLIND - DAY/NIGHTER - 61" X 42" (N54, N55)
10	084755-57-E07	EA	SHADE - PULL - 27.25"
11	121410-B3-N52	EA	VALANCE - MODERATE - 27" (N52, N53)
11	121410-B3-N54	EA	VALANCE - MODERATE - 27" (N54, N55)
11	121410-B3-N56	EA	VALANCE - MODERATE - 27" (N56, N57)
11	111861-15-01A	EA	BLIND - MINI - 25" X 17" - BEIGE (N52, N53)
11	111861-15-02A	EA	BLIND - MINI - 25" X 17" - SNO CAP (N54, N55, N56, N57)
12	121410-B7-N52	EA	VALANCE - MODERATE - 14.5" (N52, N53)
			FROM: 00-00-00 THRU: 01-27-02
12	121410-B7-N54	EA	VALANCE - MODERATE - 14.5" (N54, N55)
			FROM: 00-00-00 THRU: 01-27-02
12	121410-B7-N56	EA	VALANCE - MODERATE - 14.5" (N56, N57)
			FROM: 00-00-00 THRU: 01-27-02
12	142437-02-N52	EA	VALANCE - ASHWELL - 14.5" (N52, N53)
			FROM: 01-28-02 THRU: 99-99-99
12	142437-01-N54	EA	VALANCE - ASHWELL - 14.5" (N54, N55)
			FROM: 01-28-02 THRU: 99-99-99
12	142437-02-N56	EA	VALANCE - ASHWELL - 14.5" (N56, N57)
			FROM: 01-28-02 THRU: 99-99-99
12	140789-10-N66	EA	BLIND - DAY/NIGHTER - 14.5" X 28.5" (N52, N53, N56, N57)
12	140789-10-N54	EA	BLIND - DAY/NIGHTER - 14.5" X 28.5" (N54, N55)

## CURTAIN & CUSHION GROUP (CONTINUED) HARDWARE



KEY	PART NUMBER	U/M	DESCRIPTION
1	009136-02-000	EA	HANGER - RING - PIN TYPE - CURTAIN - BRASS
2	009700-04-002	EA	TRACK - CURTAIN - L SHAPED - 15.5' - OFF WHITE - <b>400 SERIES</b>
2	118896-05-04A	EA	TRACK/WRAPAROUND - PASSENGER - GLACIER - <b>Q-SERIES</b>
2	118897-04-04A	EA	TRACK/WRAPAROUND - PASSENGER - GLACIER - <b>Q-SERIES</b>
2	126456-03-04A	EA	TRACK/WRAPAROUND - PASSENGER - GLACIER - <b>G-SERIES</b>
2	126456-04-04A	EA	TRACK/WRAPAROUND - DRIVER - GLACIER - <b>G-SERIES</b>
3	009702-01-000	EA	END STOP - CURTAIN CARRIER - L ROD
4	029130-01-000	EA	SCREW - SNAP STUD - #8-16 X 3/8" LONG
4	029130-03-000	EA	SCREW - SNAP STUD - #8-16 X 1" LONG
5	029155-01-000	EA	CAP - SNAP - 5/32" OUTSIDE DIAMETER OF PIN
6	029156-01-000	EA	SOCKET - SNAP - 9/16" O.D.
7	046867-02-000	EA	WASHER - HANDY BUTTON #3
8	046867-03-000	EA	GROMMET - HANDY BUTTON #3
9	075943-10-000	EA	BRACE - VALANCE - 20" - OFF WHITE
9	105648-01-02A	EA	BRACE - VALANCE - OFF/WHITE - 14"
10	076827-02-000	EA	BRACKET/LEG - 2.9" X 1.8" - TRIANGULAR - LEFT/E-COATED
11	083170-01-000	EA	BRACKET/BLIND - LEFT SIDE WHEN FACING WINDOW - CLEAR
12	083170-02-000	EA	BRACKET/BLIND - RIGHT SIDE WHEN FACING WINDOW - CLEAR
13	083125-07-000	EA	BRACE - ANGLE/COUCH - 2.5" - OFF WHITE
13	083125-08-000	EA	BRACE - ANGLE/COUCH - .75" - OFF WHITE
14	084434-01-000	EA	BRACKET - MOUNTING - ROLLER SHADE - 1 3/8"
15	094896-02-000	EA	GROMMET - CORD/PLEATED BLIND - NYLON - GRAY
16	094907-02-000	EA	END CAP - PLEATED BLIND/TOP - RH/LH - GRAY PLASTIC
17	094907-04-000	EA	END CAP - PLEATED BLIND/BOTTOM - RH/LH
18	094907-05-000	EA	END CAP - PLEATED BLIND/BOTTOM - PULL TYPE - PLASTIC
19	094907-06-000	EA	END CAP - PLEATED BLIND/TOP

**CURTAIN & CUSHION GROUP (CONTINUED)**  
**HARDWARE (CONTINUED)**



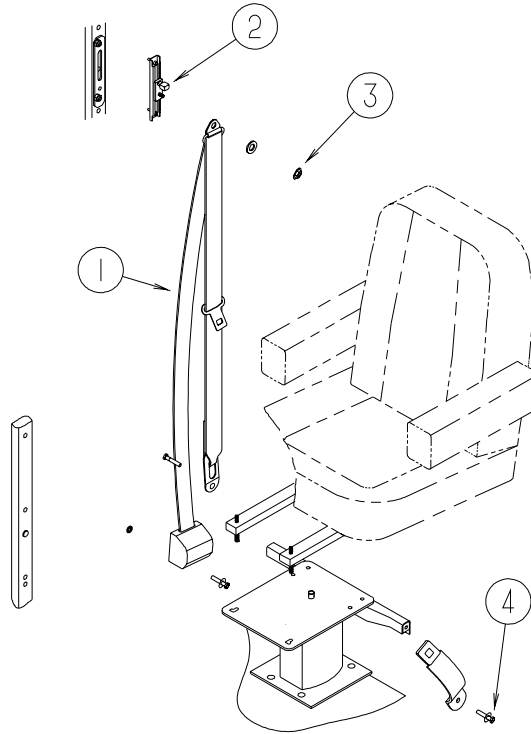
KEY	PART NUMBER	U/M	DESCRIPTION
20	097564-03-000	EA	HANDLE - KNOB - E-Z LIFT SHADE - TAN
20	097564-05-000	EA	HANDLE - KNOB - E-Z LIFT SHADE - TEAL
20	097564-06-000	EA	HANDLE - KNOB - E-Z LIFT SHADE - ALABASTER
21	097565-01-000	EA	BRACKET - MOUNTING - PLEATED BLIND
21	097565-02-000	EA	BRACKET - MOUNTING
22	097591-01-000	EA	SPRING - EXTENSION/PLEATED BLIND
23	097592-01-000	EA	SPOOL - CORD - ELEVATED BLIND HOLDUP - SMALL - CLEAR
24	097592-02-000	EA	SPOOL - CORD - ELEVATED BLIND HOLDUP - LARGE - CLEAR
	097593-02-000	FT	CORD - BLIND - PLEATED - GRAY
	097593-06-000	FT	CORD - BLIND - PLEATED - PEWTER
	097593-07-000	FT	CORD - BLIND - PLEATED - PALE JADE
	097593-10-000	FT	CORD - BLIND - PLEATED - VANILLA
25	101031-01-000	YD	TAPE/GLIDE - 4.25" SPACING
26	101033-02-000	EA	END CAP - LOW PROFILE TRACK - CLEAR
27	101033-08-000	EA	TRACK/WALL - 75"
27	101033-09-000	EA	TRACK/WALL - 32"
28	102555-03-000	EA	CLEAT - BLIND CORD - MILKY WHITE - PLASTIC
29	103242-01-000	EA	VELCRO HOOK - BEIGE 7/8" ROUND W/CENTER HOLE
29	103242-02-000	EA	VELCRO HOOK - BLACK 7/8" ROUND W/CENTER HOLE
30	105450-14-01A	EA	TRACK - CURTAIN - 90" - OFF WHITE - <a href="#">300-SERIES</a>
30	105450-15-01A	EA	TRACK - CURTAIN - 82.3" - OFF WHITE - <a href="#">200-SERIES</a>
31	106544-01-000	EA	PULL - SHADE/BRASS
	106544-01-001	EA	SCREW - SHADE/BRASS
32	109353-04-000	EA	CLIP - VALANCE SLAT MOUNTING - CLEAR PLASTIC
	109441-02-000	EA	SPACER/BACKET - BLIND HOLD DOWN
33	109441-03-000	EA	BRACKET/HOOK - BLIND HOLD DOWN - CLOUDY
34	127254-03-05A	EA	TRACK/WRAPAROUND - PASSENGER - GLACIER - <a href="#">D-SERIES</a>
34	127254-04-05A	EA	TRACK/WRAPAROUND - DRIVER - GLACIER - <a href="#">D-SERIES &amp; F-SERIES</a>
34	127254-14-03A	EA	TRACK/WRAPAROUND - PASSENGER - GLACIER - <a href="#">F-SERIES</a>
34	133235-01-04A	EA	TRACK - CURTAIN/LEFT HAND - GLACIER - <a href="#">P-SERIES</a>
34	133236-01-04A	EA	TRACK - CURTAIN/RIGHT HAND - GLACIER - <a href="#">P-SERIES</a>
35	132504-01-N92	EA	BRACKET - SHADE



## CURTAIN & CUSHION GROUP (CONTINUED)

### ACCESSORIES

KEY	PART NUMBER	U/M	DESCRIPTION
	007021-01-000	EA	SEAT BELT - 2" X 90" - BLACK
	056271-01-000	EA	SEAT BELT - 2" X 102" - BLACK
	074494-02-000	EA	BUTTON - RETAINING PIVOT - #60
	074494-04-000	EA	BUTTON - JOINED/PIVOT - W 3/4 TACK
	099717-04-000	EA	STRAP - W/21.2" FEMALE STRAP AND 27.1" MALE STRAP
	118337-15-N74	EA	BUTTON - #60 - FABRIC COVERED
	129491-01-000	EA	CATCH - SNAP HOOK - 1"
	057534-03-000	EA	TIEBACK - CLEAR PLASTIC - 7.5"



KEY	PART NUMBER	U/M	DESCRIPTION
1*	091990-08-01A	EA	SEAT BELT - 3 POINT - .766" DIAMETER HOLE IN D-LOOP BRKT
2	127598-01-01A	EA	ADJUSTER - SEATBELT - D-LOOP - ADJUSTER
3	127598-02-000	EA	NUT - HEX FLANGE - M10 X 1.5 - CLASS 10
4	095076-02-000	EA	WASHER - FL - 7/16"ID X 2"OD X .06

\*COMPONENT PARTS LISTED LATER IN THIS GROUP

**CURTAIN & CUSHION GROUP (CONTINUED)**  
**COMPONENT PARTS FOR ACCESSORIES**

091990-08-01A

<b>KEY</b>	<b>PART NUMBER</b>	<b>U/M</b>	<b>DESCRIPTION</b>	<b>VENDOR NO.</b>
	091990-01-701	EA	EXTENDER 9" FOR A8408 3 PT	I-1331-02
	091990-01-703	EA	RECEIVER/FEMALE END-SEATBELT	I-1159-02
	091990-05-700	EA	SLEEVE/BUCKLE COVER-PLASTIC	209S-2
	091990-05-701	EA	CAP/COVER - BOLT HOLE COVER	209SC-02
	091990-05-702	EA	SLEEVE/RETRACTABLE COVER	309C-02

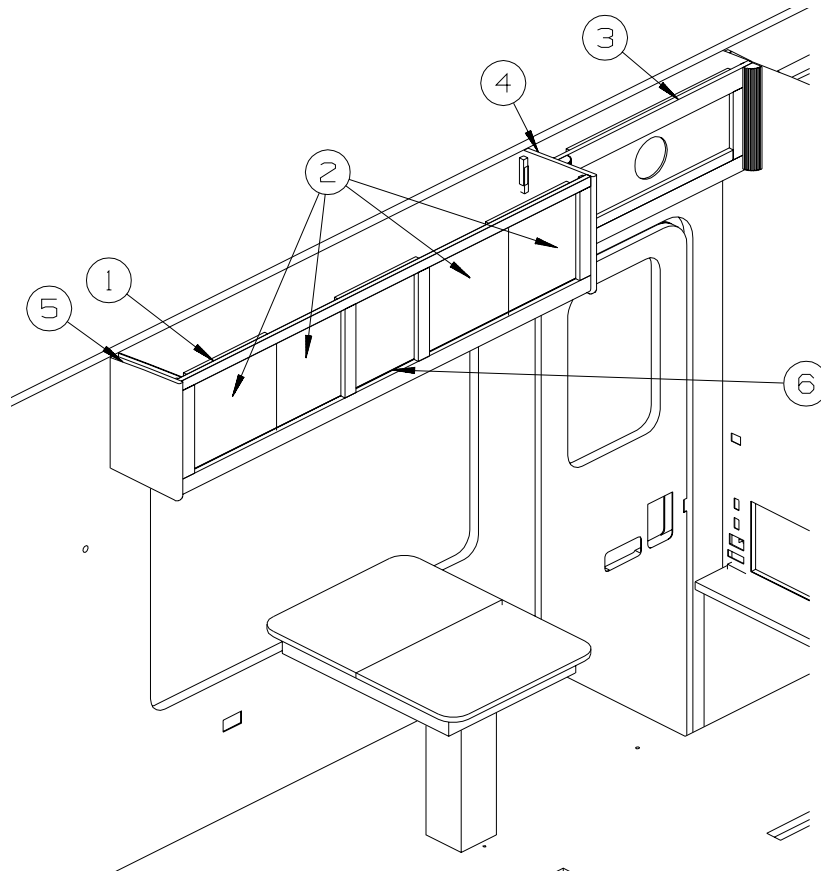
**CURTAIN & CUSHION GROUP (CONTINUED)**  
**FABRICS**

<b>FAMILY</b>	<b>N52/N53 SARATOGA</b>	<b>N54/N55 VENICE GREEN</b>	<b>N56/N57 SILVER BROCADE</b>
<b>BUCKET</b>	575 W/ADJ. ARMS	575 W/ADJ. ARMS	575 W/ADJ. ARMS
	DRIVER'S W/LUMBAR	DRIVER'S W/LUMBAR	DRIVER'S W/LUMBAR
	126883-F9-000	126883-G1-000	126883-G3-000
	*OPT. GLACIER W/PUTTY WELT	*OPT. GLACIER W/CIRRUS W.	*OPT. GLACIER W/TITANIUM WEL
	079680-50-000/079680-43-000	079680-50-000/079680-45-000	079680-50-000/103907-01-08A
<b>DINETTE</b>	CLUB	CLUB	CLUB
	126883-F8-000	126883-G0-000	126883-G2-000
<b>DINETTE WRAP FULLY WRAPPED DINETTE CHAIRS</b>	126883-F8-000	126883-G1-000	126883-G2-000
	FLEXSTEEL C155 CHAIRS	FLEXSTEEL C155 CHAIRS	FLEXSTEEL C155 CHAIRS
	FC 200 REM FOLDING	FC 200 REM FOLDING	FC 200 REM FOLDING
	126883-F9-000	126883-G1-000	126883-G3-000
<b>SOFA</b>	815 4WAY/685 COMFORT LGE.	815 4WAY/685 COMFORT LGE.	815 4WAY/685 COMFORT LGE.
	126883-F8-000	126883-G0-000	126883-G2-000
	*OPT. GLACIER W/PUTTY WELT	*OPT. GLACIER W/CIRRUS W.	*OPT. GLACIER W/TITANIUM WEL
	079680-50-000/079680-43-000	079680-50-000/079680-45-000	079680-50-000/103907-01-08A
<b>BANQUETTE</b>	676 W/815 FULL ARMS	676 W/815 FULL ARMS	676 W/815 FULL ARMS
	126883-F8-000	126883-G0-000	126883-G2-000
	*OPT. GLACIER W/PUTTY WELT	*OPT. GLACIER W/CIRRUS W.	*OPT. GLACIER W/TITANIUM WEL
	079680-50-000/079680-43-000	079680-50-000/079680-45-000	079680-50-000/103907-01-08A
<b>LOUNGE CHAIR</b>	455 HOOP W/FOOTREST	455 HOOP W/FOOTREST	455 HOOP W/FOOTREST
	126883-F9-000	126883-G1-000	126883-G3-000
	*OPT. GLACIER	*OPT. GLACIER	*OPT. GLACIER
	079680-50-000	079680-50-000	079680-50-000
<b>LOUNGE WINDOWS</b>	DYNASTY LAMBREQUIN	DYNASTY LAMBREQUIN	DYNASTY LAMBREQUIN
	126883-F8-000/126883-D0-000	126883-G0-000/105745-R4-000	126883-G2-000/105745-V4-000
	UNDERLAY/OVERLAY	UNDERLAY/OVERLAY	UNDERLAY/OVERLAY
<b>LOUNGE PILLOWS 2 PER SOFA</b>	18X18 W/CTR. BUTTON & BRAID	18X18 W/CTR. BUTTON & BRAID	18X18 W/CTR. BUTTON & BRAID
	126883-F9-000/084415-E2-000	126883-G1-000/084415-F3-000	126883-G3-000/084415-G0-000
<b>BEDROOM WINDOWS</b>	KINGSTON VALANCE	KINGSTON VALANCE	KINGSTON VALANCE
	SWAGGED OVLY 105745-V8-000	SWAGGED OVLY. 105745-V1-000	SWAGGED OVLY. 105745-V3-000
	BELLS/LINING 126883-D0-000	BELLS/LINING 105745-R4-000	BELLS/LINING 105745-V4-000
	WRAPPED BRD 126883-D0-000	WRAPPED BRD 126883-R4-000	WRAPPED BRD 105745-V4-000
	LEGS 126883-D0-000	LEGS 105745-R4-000	LEGS 105745-V4-000

**CURTAIN & CUSHION GROUP (CONTINUED)**  
**FABRICS (CONTINUED)**

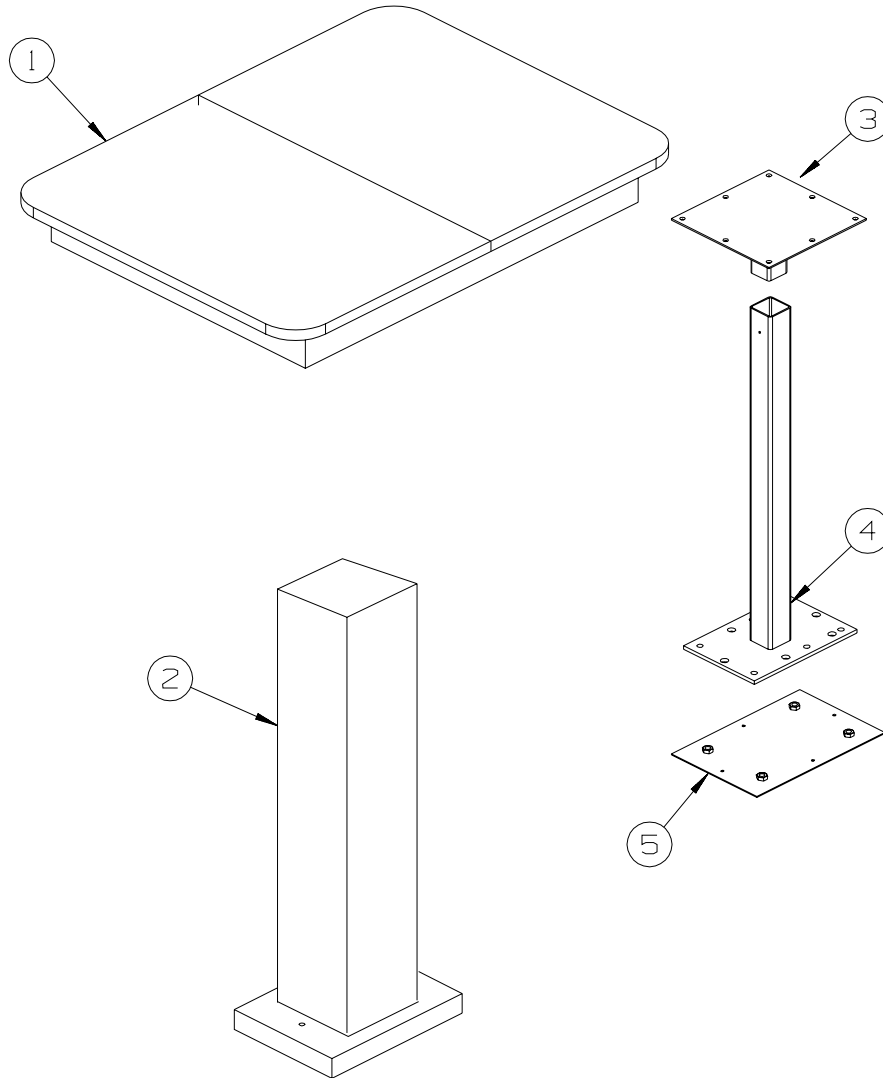
<b>FAMILY</b>	<b>N52/N53 SARATOGA</b>	<b>N54/N55 VENICE GREEN</b>	<b>N56/N57 SILVER BROCADE</b>
<b>BEDSPREAD CHANNEL QUILT</b>	BEDCAP W/.25" ACCENT WELT	BEDCAP W/.25" ACCENT WELT	BEDCAP W/.25" ACCENT WELT
	105745-V8-000/126883-D0-000	105745-V1-000/105745-R4-000	105745-V3-000/105745-V4-000
<b>SHAMS</b>	DBL. FLANGED W/BRAID	DBL. FLANGED W/BRAID	DBL. FLANGED W/BRAID
	105745-V0-000/084415-D8-000	105745-R4-000/084415-F2-000	105745-V5-000/084415-F9-000
<b>BEDRM. PILLOW 1 PER MATTRESS</b>	10X17 W/OVLY. & .25" WELT	10X17 W/OVLY. & .25" WELT	10X17 W/OVLY. & .25" WELT
	BODY 126883-D0-000	BODY 105745-R4-000	BODY 105745-V4-000
	OVERLAY 105745-V0-000	OVERLAY 105745-V1-000	OVERLAY 105745-V5-000
	WELT 105745-V8-000	WELT 105745-V1-000	WELT 105745-V3-000
<b>HEADBOARD *IF NEEDED</b>	BROOKWOOD OR CUSTOM CRAFT	BROOKWOOD OR CUSTOM CRAFT	BROOKWOOD OR CUSTOM CRAFT
	TOP EDGE 105745-V8-000	TOP EDGE 105745-R4-000	TOP EDGE 105745-V4-000
	CENTER 126883-D0-000	CENTER 105745-V1-000	CENTER 105745-V3-000
	BRAID 084415-D8-000	BRAID 084415-F2-000	BRAID 084415-F9-000
<b>DAY-NITERS LGE. &amp; BEDROOM</b>	PUTTY/WHITE DECO	EGGSHELL/WHITE DECO	PUTTY/WHITE DECO
	094911-58-000/094911-50-000	094911-56-000/094911-50-000	094911-58-000/094911-50-000
<b>GALLEY/BATH</b>	C011 BEIGE MICRO MINI	386 SNOCAP MICRO MINI	386 SNOCAP MICRO MINI
<b>OVHD. INSERTS LGE. &amp; BEDRM.</b>	LOUNGE 126883-F9-000	LOUNGE 126883-G1-000	LOUNGE 126883-G3-000
	BEDROOM 105745-V0-000	BEDROOM105745-R4-000	BEDROOM105745-V4-000
<b>FRONT WRAP</b>	PURCHASED PLEATED	PURCHASED PLEATED	PURCHASED PLEATED
	OFF WHITE	OFF WHITE	OFF WHITE
<b>SUNVISORS</b>	123298-04-05A	123298-04-05A	123298-04-05A
	GLACIER	GLACIER	GLACIER
<b>FLOOR MATS</b>	096060-J5-000 CARPET	096060-J6-000 CARPET	096060-J7-000 CARPET
	102695-12-000 TAPE	102695-28-000 TAPE	102695-24-000 TAPE
<b>CEILING MAT.</b>	113979-12-01A	113979-12-01A	113979-12-01A

## DINETTE GROUP CABINETS



KEY	PART NUMBER	U/M	DESCRIPTION
1	139638-01-N52	EA	CABINET - OVHD/RH - W/O DOORS/HDWE - SALEM CHERRY - <a href="#">W/ENTERTAINMENT CTR</a>
1	139638-01-N53	EA	CABINET - OVHD/RH - W/O DOORS/HDWE - PORTSMOUTH OAK - <a href="#">W/ENTERTAINMENT CTR</a>
1	139687-01-N52	EA	CABINET - OVHD/RH - W/O DOORS/HDWE - SALEM CHERRY - <a href="#">W/O ENTERTAINMENT CTR</a>
1	139687-01-N53	EA	CABINET - OVHD/RH - W/O DOORS/HDWE - PORTSMOUTH OAK - <a href="#">W/O ENTERTAINMENT CTR</a>
2	131995-A1-L52	EA	DOOR - RAIL/SOLID PNL - 12.4" X 14.3" - W/O HDWE- SALEM CHERRY - <a href="#">W/O ENTERTAINMENT CTR</a>
2	131995-A1-N53	EA	DOOR - RAIL/SOLID PNL - 12.4" X 14.3" - W/O HDWE- PORTSMOUTH OAK - <a href="#">W/O ENTERTAINMENT CTR</a>
3	139634-01-N52	EA	CABINET - OVHD/ENTRY DOOR - W/O DOORS/HDWE
3	139634-01-N53	EA	CABINET - OVHD/ENTRY DOOR - W/O DOORS/HDWE
3	139634-01-N54	EA	CABINET - OVHD/ENTRY DOOR - W/O DOORS/HDWE
3	139634-01-N55	EA	CABINET - OVHD/ENTRY DOOR - W/O DOORS/HDWE
3	139634-01-N56	EA	CABINET - OVHD/ENTRY DOOR - W/O DOORS/HDWE
3	139634-01-N57	EA	CABINET - OVHD/ENTRY DOOR - W/O DOORS/HDWE
4	139687-19-N52	EA	ENDCAP - OVHD CABINET - SALEM CHERRY - <a href="#">W/O ENTERTAINMENT CTR</a>
4	139687-19-N53	EA	ENDCAP - OVHD CABINET - PORTSMOUTH OAK - <a href="#">W/O ENTERTAINMENT CTR</a>
5	139687-18-N52	EA	ENDCAP - OVHD CABINET - SALEM CHERRY - <a href="#">W/O ENTERTAINMENT CTR</a>
5	139687-18-N53	EA	ENDCAP - OVHD CABINET - PORTSMOUTH OAK - <a href="#">W/O ENTERTAINMENT CTR</a>
6	131995-80-N52	EA	DOOR - RAIL/SOLID PNL - 12.4" X 14.3" - W/O HDWE- SALEM CHERRY - <a href="#">W/ENTERTAINMENT CTR</a>
6	131995-80-N75	EA	DOOR - RAIL/SOLID PNL - 12.4" X 14.3" - W/O HDWE- PORTSMOUTH OAK - <a href="#">W/ENTERTAINMENT CTR</a>

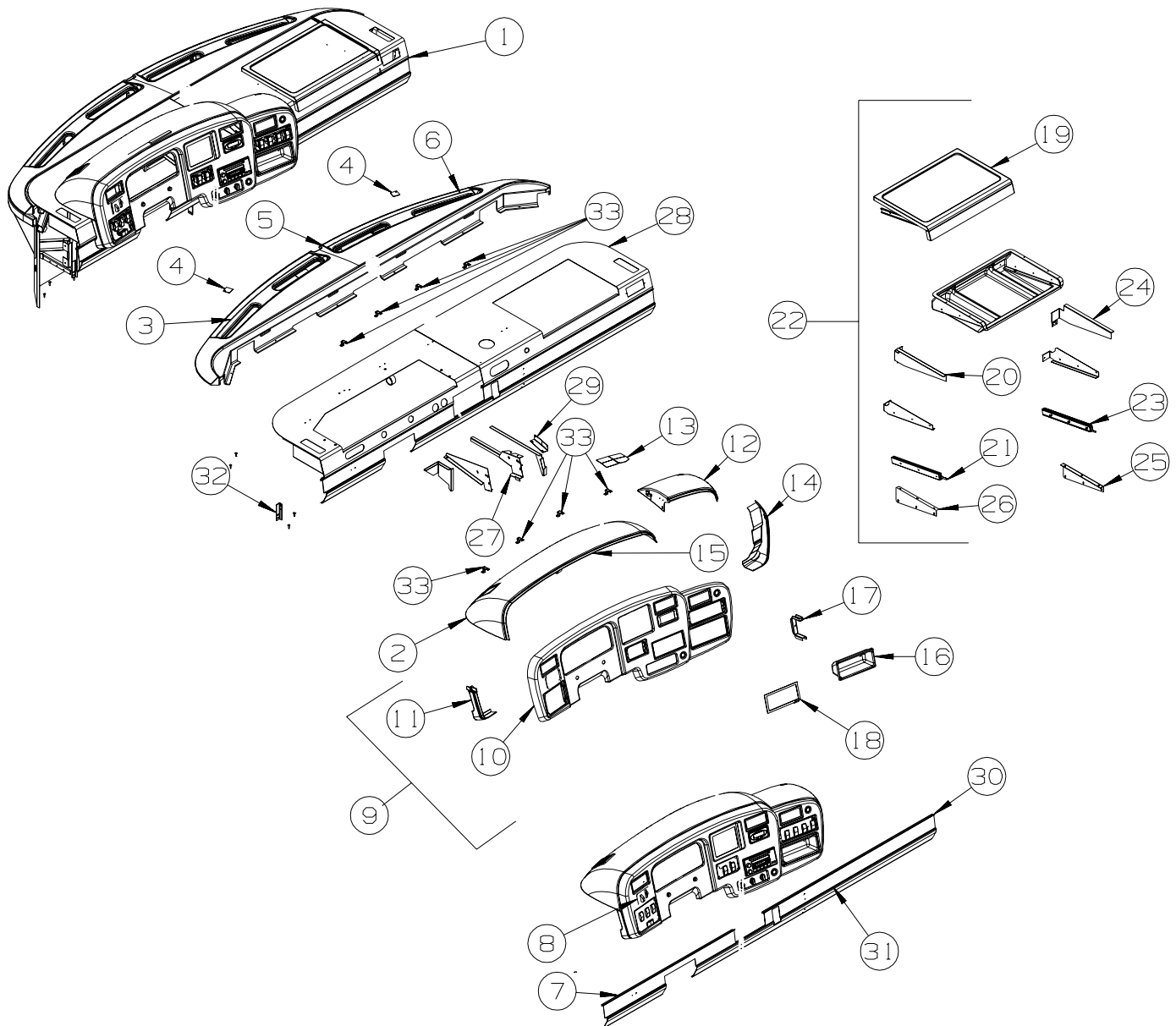
## DINETTE GROUP (CONTINUED) TABLE



KEY	PART NUMBER	U/M	DESCRIPTION
1	139294-01-03A	EA	TABLE - DINETTE - FREE STANDING - CHERRY - SALEM CHERRY
1	139294-01-04A	EA	TABLE - DINETTE - FREE STANDING - OAK - PORTSMOUTH OAK
2	139294-02-03A	EA	TABLE BASE - DINETTE - CHERRY - SALEM CHERRY
2	139294-02-04A	EA	TABLE BASE - DINETTE - OAK - PORTSMOUTH OAK
3	139466-01-02B	EA	SUPPORT - TABLE - UPPER - E-COATED
4	139459-01-02B	EA	SUPPORT/TABLE - DINETTE - E-COATED
5	139469-02-02B	EA	PLATE/BASE - TABLE - DINETTE - E-COATED

# DRIVERS COMPARTMENT GROUP

## DASH



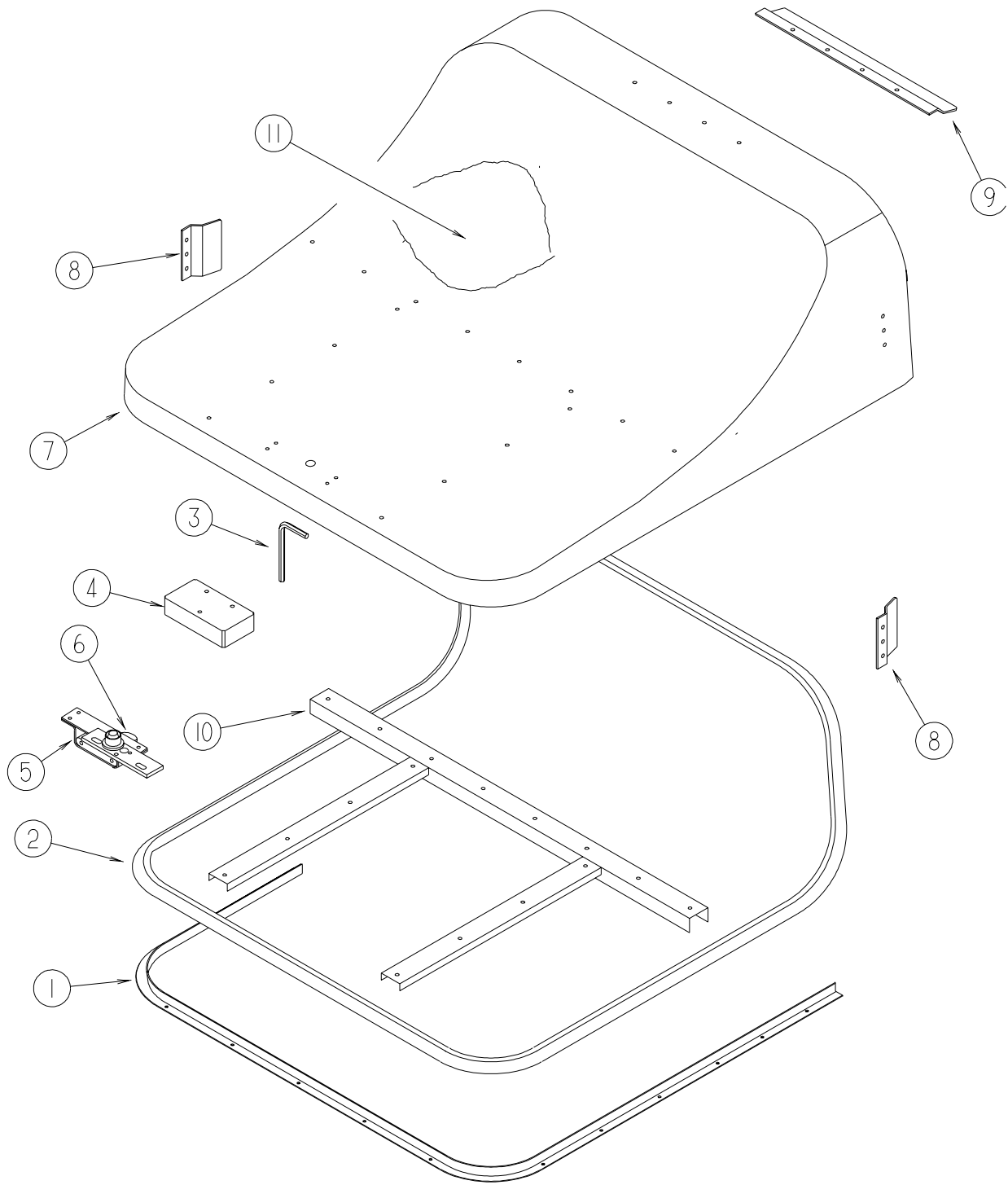
KEY	PART NUMBER	U/M	DESCRIPTION
1	138390-01-N52	EA	DASH - COMPLETE - W/WORK STATION
1	138390-02-N52	EA	DASH - COMPLETE - W/O WORK STATION
2	138396-01-01A	EA	POD - INSTRUMENT PANEL GLACIER
3	139299-02-03A	EA	SHROUD - DEFROST VENT - LEFT HAND - GLACIER
4	138964-01-02B	EA	PLATE - STUD - E-COATED
5	138392-02-N52	EA	PANEL - DASH - FRONT
6	139299-01-03A	EA	SHROUD - DEFROST VENT - RIGHT HAND - GLACIER
7	140070-02-01A	EA	APPLIQUE - LOWER DASH - PUTTY (N52, N53, N54, N55)
7	140070-02-02A	EA	APPLIQUE - LOWER DASH - TITANIUM (N56, N57)
8	133849-01-02B	EA	MOUNT - HEADLAMP SWITCH - E-COATED
8	134088-01-01A	EA	APPLIQUE - SWITCH - HEADLAMP - BLACK
9	139426-01-N52	EA	BEZEL - INSTRUMENT PANEL (N52, N53, N54, N55)
9	139426-01-N56	EA	BEZEL - INSTRUMENT PANEL (N56, N57)
10	138395-01-01A	EA	BEZEL - INSTRUMENT PANEL - PUTTY (N52, N53, N54, N55)
10	138395-01-02A	EA	BEZEL - INSTRUMENT PANEL - TITANIUM (N56, N57)
11	138399-01-03A	EA	POD - INSTRUMENT PANEL - LOWER/DRIVER - GLACIER
12	139542-01-N52	EA	POD - INSTRUMENT PANEL - PASSENGER
12	138397-01-01A	EA	POD - INSTRUMENT PANEL - PASSENGER - GLACIER
13	140568-01-02B	EA	REINFORCEMENT - POD - GPS - E-COATED
14	138398-01-01A	EA	POD - INSTRUMENT PANEL - LOWER/PASSENGER - GLACIER

**DRIVERS COMPARTMENT GROUP (CONTINUED)**  
**DASH (CONTINUED)**

<b>KEY</b>	<b>PART NUMBER</b>	<b>U/M</b>	<b>DESCRIPTION</b>
15	110530-01-000	FT	SEAL - SPONGE - .31" X .62"
16	139250-01-02A	EA	POCKET/STORAGE - INSTRUMENT PANEL - PUTTY (N52, N53, N54, N55)
16	139250-01-03A	EA	POCKET/STORAGE - INSTRUMENT PANEL - TITANIUM (N56, N57)
17	139253-01-02B	EA	RETAINER - STORAGE POCKET - E-COATED
18	139434-01-02B	EA	BRACKET - BEZEL/RADIO - E-COATED
19	135122-02-N52	EA	TABLE TOP - PULLOUT/WORKSTATION
20	135228-02-02B	EA	ANGLE - SLIDE - TRAY/LEFT HAND - E-COATED
21	135314-02-01A	EA	SLIDE - DASH WORK STATION - LEFT HAND
22	135298-02-N52	EA	TABLE COMPLETE - WORKSTATION
23	135314-01-01A	EA	SLIDE - DASH WORK STATION - RIGHT HAND
24	135228-01-02B	EA	ANGLE - SLIDE - TRAY/RIGHT HAND - E-COATED
25	135132-03-02B	EA	ANGLE-SLIDE,RH,E-CT
26	135132-04-02B	EA	ANGLE-SLIDE,LH,E-CT
27	139376-01-02B	EA	REINFORCEMENT - DASH - E-COATED
28	138391-01-02B	EA	DASH - E-COATED - <a href="#">W/WORK STATION</a>
28	138391-02-02B	EA	DASH - E-COATED - <a href="#">W/O WORK STATION</a>
28	106569-13-01A	EA	VINYL - LAMINATE - 1/4" X 26.5" X 104" - GLACIER
29	139425-01-02B	EA	ANGLE/SUPPORT - INSTRUMENT PANEL POD - RIGHT HAND/E-COATED
30	139339-01-01A	EA	TRIM - DASH - LOWER - GLACIER
31	140070-01-03A	EA	APPLIQUE - LOWER DASH - CHIEFTAIN - PUTTY (N52, N53, N54, N55)
31	140070-01-04A	EA	APPLIQUE - LOWER DASH - CHIEFTAIN - TITANIUM (N56, N57)
32	128692-02-02B	EA	ANGLE - FORMED - DASH SUPPORT - E-COATED
33	073050-04-000	EA	CLIP/MOUNTING - VALANCE PANEL

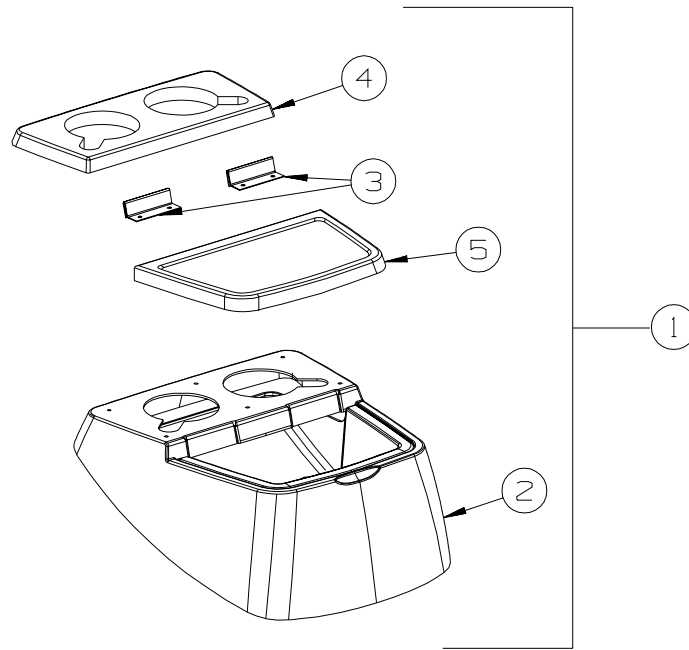


**DRIVERS COMPARTMENT GROUP (CONTINUED)**  
**MOTOR COVER**



KEY	PART NUMBER	U/M	DESCRIPTION
1	137332-01-01A	EA	TRIM - MOTOR COVER
2	039623-01-000	FT	SEAL - MOTOR COVER - RUBBER BULB TYPE
3	116833-01-02B	EA	WRENCH - HEX MOTOR COVER - E-COATED
4	137305-02-02B	EA	BRACKET - STRIKE SUPPORT - E-COATED
5	116581-01-000	EA	LATCH - W/O STRIKE - MOTOR COVER
6	115850-01-02B	EA	RETAINER - LATCH - MOTOR COVER - RIGHT HAND - E-COATED
7	137096-01-01A	EA	COVER - MOTOR - W/O CARPET
8	115855-04-02B	EA	RETAINER - MOTOR COVER - E-COATED
9	115855-03-02B	EA	RETAINER - MOTOR COVER/TOP - E-COATED
10	130127-02-02B	EA	SUPPORT - MOTOR COVER - E-COATED
11	134497-01-000	SF	FOIL/ALUMINUM - REINFORCED

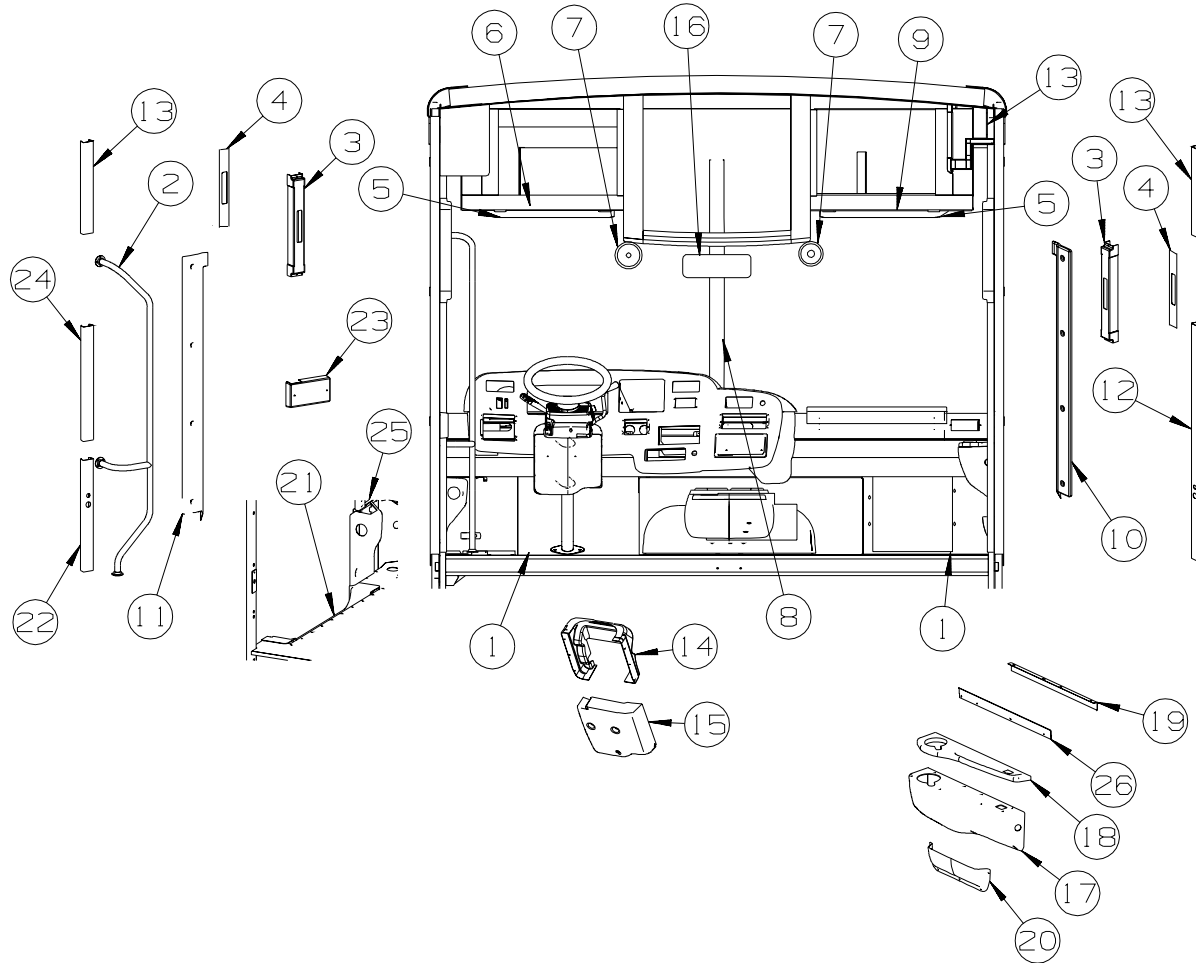
**DRIVERS COMPARTMENT GROUP (CONTINUED)**  
**BEVERAGE TRAY**



KEY	PART NUMBER	U/M	DESCRIPTION
1	139275-01-N52	EA	TRAY - BEVERAGE
2	139268-01-01A	EA	TRAY - BEVERAGE - GLACIER
3	139279-01-04B	EA	HINGE - BLACK
4	139296-01-01A	EA	LID - BEVERAGE TRAY - OYSTER GRAY
5	139285-01-01A	EA	LID/DOOR - OYSTER GRAY

## DRIVERS COMPARTMENT GROUP (CONTINUED)

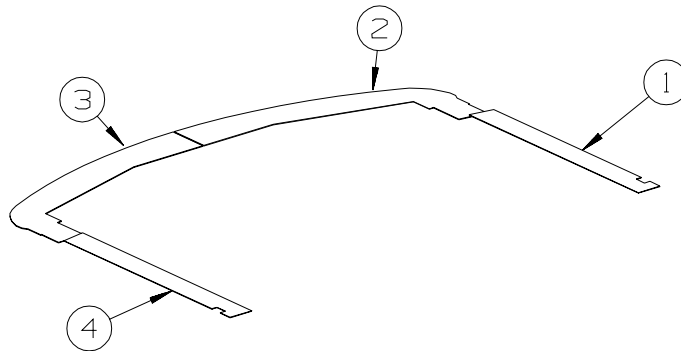
### FRONT INTERIOR



KEY	PART NUMBER	U/M	DESCRIPTION
1	105924-01-N74	EA	MAT - FLOOR - 18" X 27" (N52, N53)
1	105924-01-AA6	EA	MAT - FLOOR - 18" X 27" (N52, N53) - CARPET EXCHANGE
1	105924-01-N76	EA	MAT - FLOOR - 18" X 27" (N54, N55)
1	105924-01-AA8	EA	MAT - FLOOR - 18" X 27" (N54, N55) - CARPET EXCHANGE
1	105924-01-N56	EA	MAT - FLOOR - 18" X 27" (N56, N57)
2	131058-04-02A	EA	HAND RAIL - INTERIOR CAB DOOR - BLACK
3	127721-01-01A	EA	COVER - SLIDE - OFF WHITE
3	140151-01-01A	EA	COVER - SEAT BELT - OFF WHITE
			FROM: 00-00-00 THRU: 10-07-01
	140151-02-01A	EA	COVER - SCREW - OFF WHITE
			FROM: 10-08-01 THRU: 99-99-99
4	127798-01-01A	EA	COVER - SLIDE - INNER - 1.5" X 11.4" - BLACK
			FROM: 00-00-00 THRU: 10-07-01
4	140151-03-01A	EA	COVER - SEAT BELT SLIDE - BLACK
			FROM: 10-08-01 THRU: 99-99-99
5	123298-04-05A	EA	SUNVISOR - 10.5" X 21" - DRIVER/PASSENGER - GLACIER
6	138641-02-01A	EA	TRIM - WINDSHIELD - INTERIOR/TOP/DRIVER - GLACIER
7	122856-01-01A	EA	FAN-DEFROSTER-2 SPEED W/SWIVEL BASE/NON-OSCILLATING-CHROME
8	138708-01-01A	EA	TRIM - WINDSHIELD/CENTER
9	138641-01-01A	EA	TRIM - WINDSHIELD - INTERIOR/TOP/PASSENGER - GLACIER
10	138684-01-01A	EA	TRIM - A PILLAR - INTERIOR/PASSENGER - GLACIER
11	138684-02-01A	EA	TRIM - A PILLAR - INTERIOR/DRIVER - GLACIER
12	024700-59-000	EA	COVER - ROLL BAR - SIDEWALL - 44.1" - OFF WHITE
13	024700-58-000	EA	COVER - ROLL BAR - SIDEWALL - 16.5" - OFF WHITE

**DRIVERS COMPARTMENT GROUP (CONTINUED)**  
**FRONT INTERIOR (CONTINUED)**

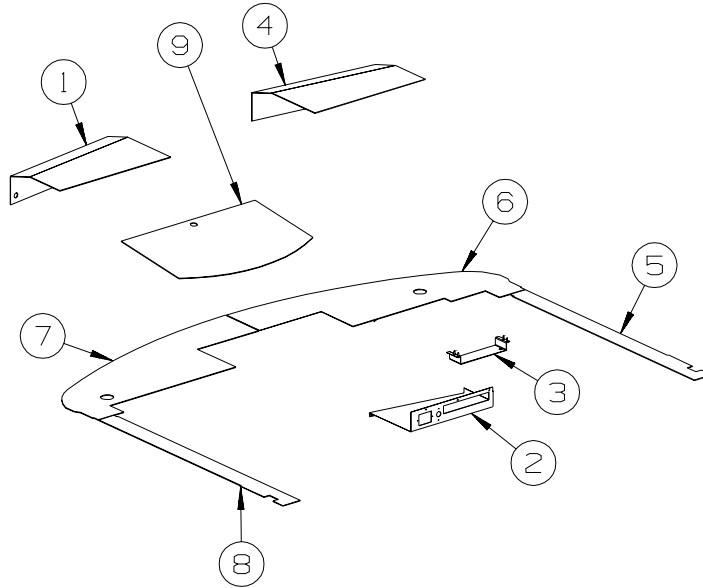
KEY	PART NUMBER	U/M	DESCRIPTION
14	139493-01-01A	EA	COVER - STEERING COLUMN - UPPER - PUTTY
15	139494-01-01A	EA	COVER - STEERING COLUMN - LOWER - PUTTY
	139555-01-02B	EA	MOUNT - STEERING COVER - E-COATED
16	134154-01-000	EA	MIRROR - CONVEX - 4" X 11.8"
17	139548-01-01A	EA	PANEL - DOOR/CAB - INNER/RIGHT HAND - GLACIER
18	139512-02-01A	EA	PANEL/TRIM - DRIVER DOOR - PUTTY
19	132595-01-02B	EA	BRACKET - BEVERAGE TRAY HOLDER
20	139405-02-01A	EA	POCKET/MAP - DOOR/PASSENGER - GLACIER
21	131849-01-01A	EA	TRIM - DRIVER STEP - GLACIER
21	P31835-01-05A	EA	TRIM - STEP - DRIVER - GLACIER
21	102569-02-000	EA	MAT - ANTI SLIP - LOWER
22	024700-67-000	EA	COVER - SIDEWALL ROLL BAR - 20.1" - OFF WHITE
23	103961-07-01A	EA	COVER - BRACKET - LATCH - OFF WHITE
			FROM: 00-00-00 THRU: 01-06-02
23	141072-01-01A	EA	COVER - BRACKET/LATCH - OFF WHITE
			FROM: 01-07-02 THRU: 99-99-99
	140151-02-01A	EA	COVER - SCREW - OFF WHITE
			FROM: 10-08-01 THRU: 99-99-99
24	024700-66-000	EA	COVER - SIDEWALL ROLL BAR - 20.6" - OFF WHITE
25	132296-02-04A	EA	PANEL/TRIM - DASH/CAB DOOR - GLACIER
25	132296-01-04A	EA	PANEL/TRIM - DASH/CAB DOOR - LOW MOUNT MIRRORS - GLACIER
26	106105-03-000	EA	CLIP - MOUNTING - UNIVERSAL



**W/O TV**

KEY	PART NUMBER	U/M	DESCRIPTION
1	139750-01-N52	EA	PANEL - OVERHEAD - VINYL COVERED - RIGHT HAND
2	139751-01-N52	EA	PANEL - OVERHEAD - VINYL COVERED - FRONT
3	139751-02-N52	EA	PANEL - OVERHEAD - VINYL COVERED - FRONT
4	139750-02-N52	EA	PANEL - OVERHEAD - VINYL COVERED - LEFT HAND

**DRIVERS COMPARTMENT GROUP (CONTINUED)**  
**FRONT INTERIOR (CONTINUED)**

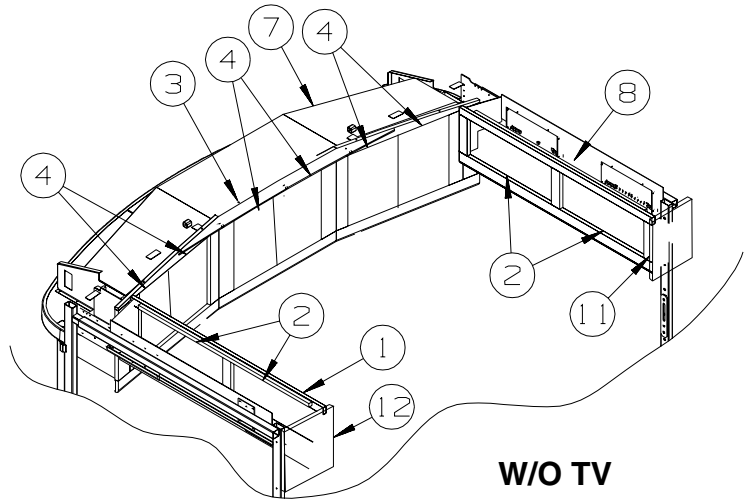
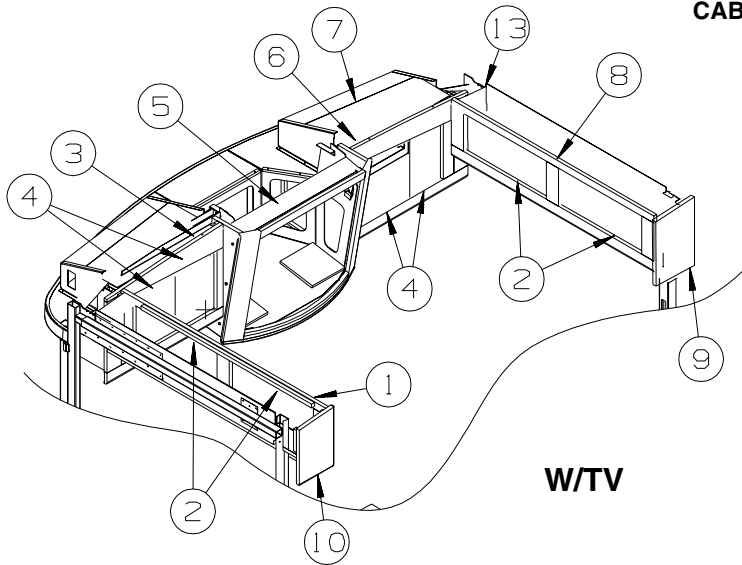


**W/TV**

<b>KEY</b>	<b>PART NUMBER</b>	<b>U/M</b>	<b>DESCRIPTION</b>
1	140016-02-N52	EA	PANEL - OVERHEAD/CLOSEOUT - VINYL COVERED - LEFT HAND
2	140095-01-N52	EA	PANEL - VINYL COVERED
3	118847-02-02B	EA	MOUNT - SWITCH BOX - E-COATED
4	140016-01-N52	EA	PANEL - OVERHEAD/CLOSEOUT - VINYL COVERED - RIGHT HAND
5	139752-01-N52	EA	PANEL - OVERHEAD - VINYL COVERED - RIGHT HAND
6	139753-01-N52	EA	PANEL - OVERHEAD/FRONT - VINYL COVERED - RIGHT HAND
7	139753-02-N52	EA	PANEL - OVERHEAD/FRONT - VINYL COVERED - LEFT HAND
8	139752-02-N52	EA	PANEL - OVERHEAD - VINYL COVERED - LEFT HAND
9	140109-01-N52	EA	COVER - OVERHEAD/TV BOTTOM - VINYL COVERED

# DRIVERS COMPARTMENT GROUP (CONTINUED)

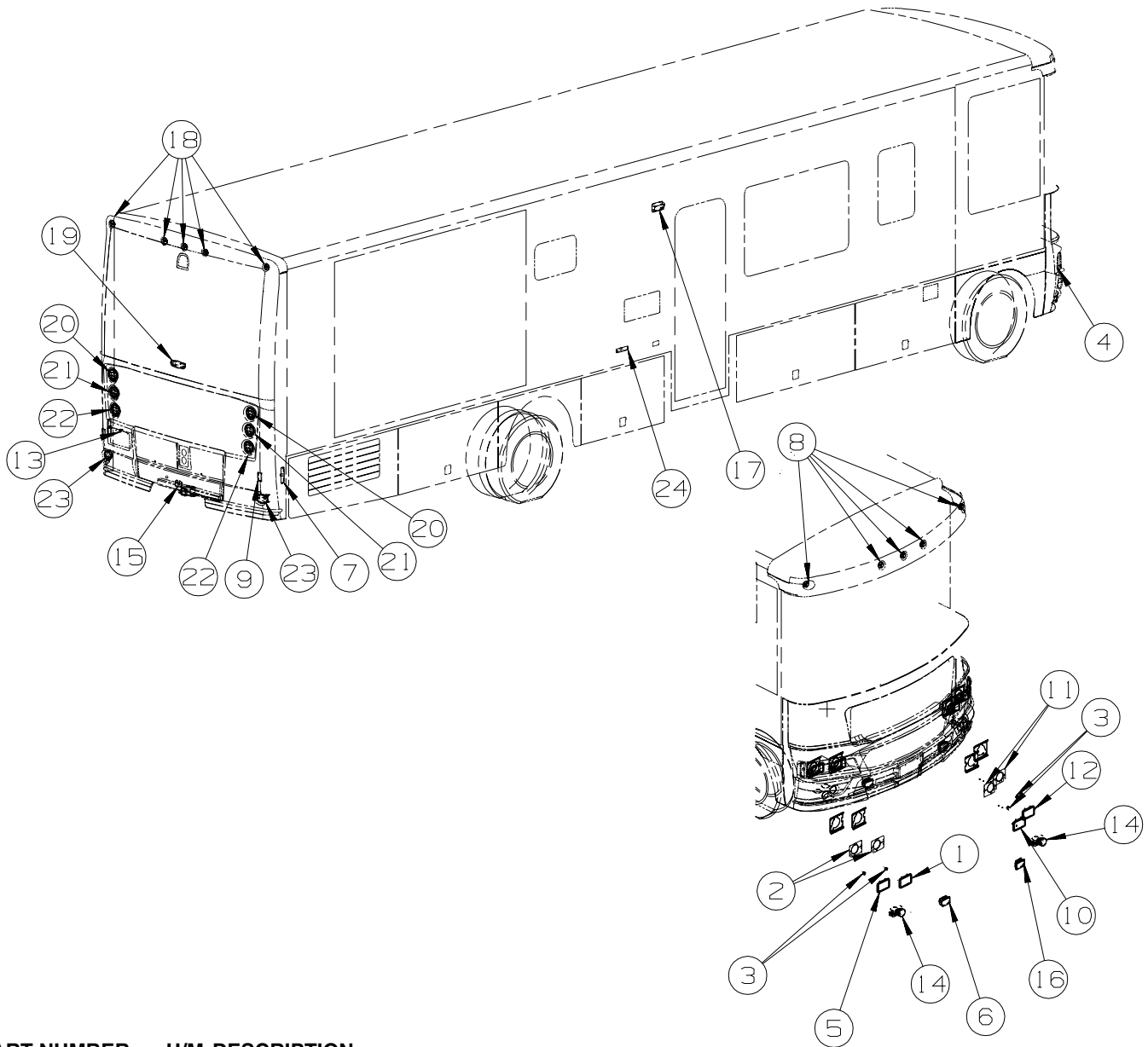
## CABINETS



KEY	PART NUMBER	U/M	DESCRIPTION
1	139577-01-N52	EA	CABINET - OVERHEAD/SIDE/FRONT/LEFT HAND - W/O DOORS/HDW - SALEM CHERRY - <a href="#">W/TV</a>
1	139577-01-N53	EA	CABINET - OVERHEAD/SIDE/FRONT/LEFT HAND - W/O DOORS/HDW - PORTSMOUTH OAK - <a href="#">W/TV</a>
1	139582-01-N52	EA	CABINET - OVERHEAD/SIDE/FRONT/LEFT HAND - W/O DOORS/HDW - SALEM CHERRY - <a href="#">W/O TV</a>
1	139582-01-N53	EA	CABINET - OVERHEAD/SIDE/FRONT/LEFT HAND - W/O DOORS/HDW - PORTSMOUTH OAK - <a href="#">W/O TV</a>
2	131995-08-N52	EA	DOOR - RAIL/SOLID PANEL - 9.2" X 21.8" - W/O HARDWARE - SALEM CHERRY
2	131995-08-N53	EA	DOOR - RAIL/SOLID PANEL - 9.2" X 21.8" - W/O HARDWARE - PORTSMOUTH OAK
3	139578-01-N52	EA	CABINET - OVERHEAD/FRONT/LEFT HAND - W/O DOORS/HARDWARE - SALEM CHERRY - <a href="#">W/TV</a>
3	139578-01-N53	EA	CABINET - OVERHEAD/FRONT/LEFT HAND - W/O DOORS/HARDWARE - PORTSMOUTH OAK - <a href="#">W/TV</a>
3	139580-01-N52	EA	CABINET - OVERHEAD/FRONT - W/O DOORS/HARDWARE - SALEM CHERRY - <a href="#">W/O TV</a>
3	139580-01-N53	EA	CABINET - OVERHEAD/FRONT - W/O DOORS/HARDWARE - PORTSMOUTH OAK - <a href="#">W/O TV</a>
4	131995-BG-N52	EA	DOOR - RAIL/SOLID PANEL - 11.4" X 16.1" - W/O HARDWARE - SALEM CHERRY - <a href="#">W/TV</a> FROM: 00-00-00 THRU: 09-30-01
4	131995-Z5-N52	EA	DOOR - RAIL/SOLID PANEL - 10.8" X 21.8" - W/O HARDWARE - SALEM CHERRY - <a href="#">W/TV</a> FROM: 10-01-01 THRU: 99-99-99
4	131995-BG-N53	EA	DOOR - RAIL/SOLID PANEL - 11.4" X 16.1" - W/O HARDWARE - PORTSMOUTH OAK - <a href="#">W/TV</a> FROM: 00-00-00 THRU: 09-30-01
4	131995-Z5-N53	EA	DOOR - RAIL/SOLID PANEL - 10.8" X 21.8" - W/O HARDWARE - PORTSMOUTH OAK - <a href="#">W/TV</a> FROM: 10-01-01 THRU: 99-99-99
4	131995-56-N52	EA	DOOR - RAIL/SOLID PANEL - 11.4" X 16.1" - W/O HARDWARE - SALEM CHERRY - <a href="#">W/O TV</a>
4	131995-56-N53	EA	DOOR - RAIL/SOLID PANEL - 11.4" X 16.1" - W/O HARDWARE - PORTSMOUTH OAK - <a href="#">W/O TV</a>
5	133544-05-N52	EA	CABINET - OVERHEAD/TV FACE - W/O HARDWARE - SALEM CHERRY
5	133544-05-N53	EA	CABINET - OVERHEAD/TV FACE - W/O HARDWARE - PORTSMOUTH OAK
	133790-14-02B	EA	STRAP - TIEDOWN/TV - E-COATED
	140364-01-01A	EA	FOAM-PAD, .5"X8"X8", *LUNDELL 0.508.008.0
6	139579-01-N52	EA	CABINET - OVERHEAD/FRONT/RIGHT HAND - W/O DOORS/HARDWARE - SALEM CHERRY
6	139579-01-N53	EA	CABINET - OVERHEAD/FRONT/RIGHT HAND - W/O DOORS/HARDWARE - PORTSMOUTH OAK
	139579-37-N52	EA	PANEL
7	140016-01-N52	EA	PANEL - OVERHEAD/CLOSEOUT - VINYL COVERED - RIGHT HAND - <a href="#">W/TV</a>
7	126681-11-N52	EA	PANEL - CLOSEOUT - <a href="#">W/O TV</a>
8	139581-01-N52	EA	CABINET - OVERHEAD/SIDE/FRONT/RIGHT HAND - W/O DOORS/HDW - SALEM CHERRY - <a href="#">W/O TV</a>
8	139581-01-N53	EA	CABINET - OVERHEAD/SIDE/FRONT/RIGHT HAND - W/O DOORS/HDW - PORTSMOUTH OAK - <a href="#">W/O TV</a>
8	139576-01-N52	EA	CABINET - OVERHEAD/SIDE/FRONT/RIGHT HAND - W/O DOORS/HDW - SALEM CHERRY - <a href="#">W/TV</a>
8	139576-01-N53	EA	CABINET - OVERHEAD/SIDE/FRONT/RIGHT HAND - W/O DOORS/HDW - PORTSMOUTH OAK - <a href="#">W/TV</a>
9	139576-21-N52	EA	END CAP - OVERHEAD CABINET - RIGHT HAND - SALEM CHERRY
9	139576-21-N53	EA	END CAP - OVERHEAD CABINET - RIGHT HAND - PORTSMOUTH OAK
10	139577-21-N52	EA	END CAP - OVERHEAD CABINET - SALEM CHERRY
10	139577-21-N53	EA	END CAP - OVERHEAD CABINET - PORTSMOUTH OAK
11	139581-26-N52	EA	END CAP - OVERHEAD CABINET - SALEM CHERRY
11	139581-26-N53	EA	END CAP - OVERHEAD CABINET - PORTSMOUTH OAK
12	139582-26-N52	EA	END CAP - OVERHEAD CABINET - SALEM CHERRY
12	139582-26-N53	EA	END CAP - OVERHEAD CABINET - PORTSMOUTH OAK
13	139576-20-N52	EA	END CAP - OVERHEAD CABINET - LEFT HAND - SALEM CHERRY
13	139576-20-N53	EA	END CAP - OVERHEAD CABINET - LEFT HAND - PORTSMOUTH OAK

# ELECTRICAL GROUP

## 12V BODY WIRING



KEY	PART NUMBER	U/M	DESCRIPTION
1	049187-04-000	EA	HEADLAMP - PASSENGER - HIGH BEAM - HALOGEN
2	110690-01-D18	EA	PLATE - HEADLAMP - QUAD/RIGHT HAND
3	049359-01-000	EA	SPRING - RETAINER - HEADLAMP - GM #496096
3	110750-01-000	EA	SCREW - HEADLAMP ADJUSTING
4	117826-02-000	EA	SIDE MARKER LAMP ASSEMBLY - AMBER
4	036196-01-000	EA	BULB - 12V - #194 - .27 AMP - BAYONETTE
4	117826-03-000	EA	GASKET - MARKER LIGHT
4	067789-02-000	EA	SOCKET - LAMP
5	049185-04-000	EA	HEADLAMP - PASSENGER - HIGH/LOW - HALOGEN
6	138419-01-000	EA	LAMP - PARK/TURN - PASSENGER - AMBER
6	139705-03-02B	EA	BRACKET - SIGNAL LAMP - E-COATED
7	117826-01-000	EA	SIDE MARKER LAMP ASSEMBLY - RED
7	036196-01-000	EA	BULB - 12V - #194 - .27 AMP - BAYONETTE
7	117826-03-000	EA	GASKET - MARKER LIGHT
7	067789-02-000	EA	SOCKET - LAMP
8	138996-01-000	EA	LAMP - CLEARANCE - AMBER
8	138996-04-000	EA	CONNECTOR - LAMP
9	138997-01-000	EA	REFLECTOR - RED/BLACK
10	049188-04-000	EA	HEADLAMP - DRIVER - HIGH BEAM - HALOGEN
11	110690-02-D18	EA	PLATE - HEADLAMP - QUAD/LEFT HAND
12	049186-04-000	EA	HEADLAMP - DRIVER - HIGH/LOW - HALOGEN

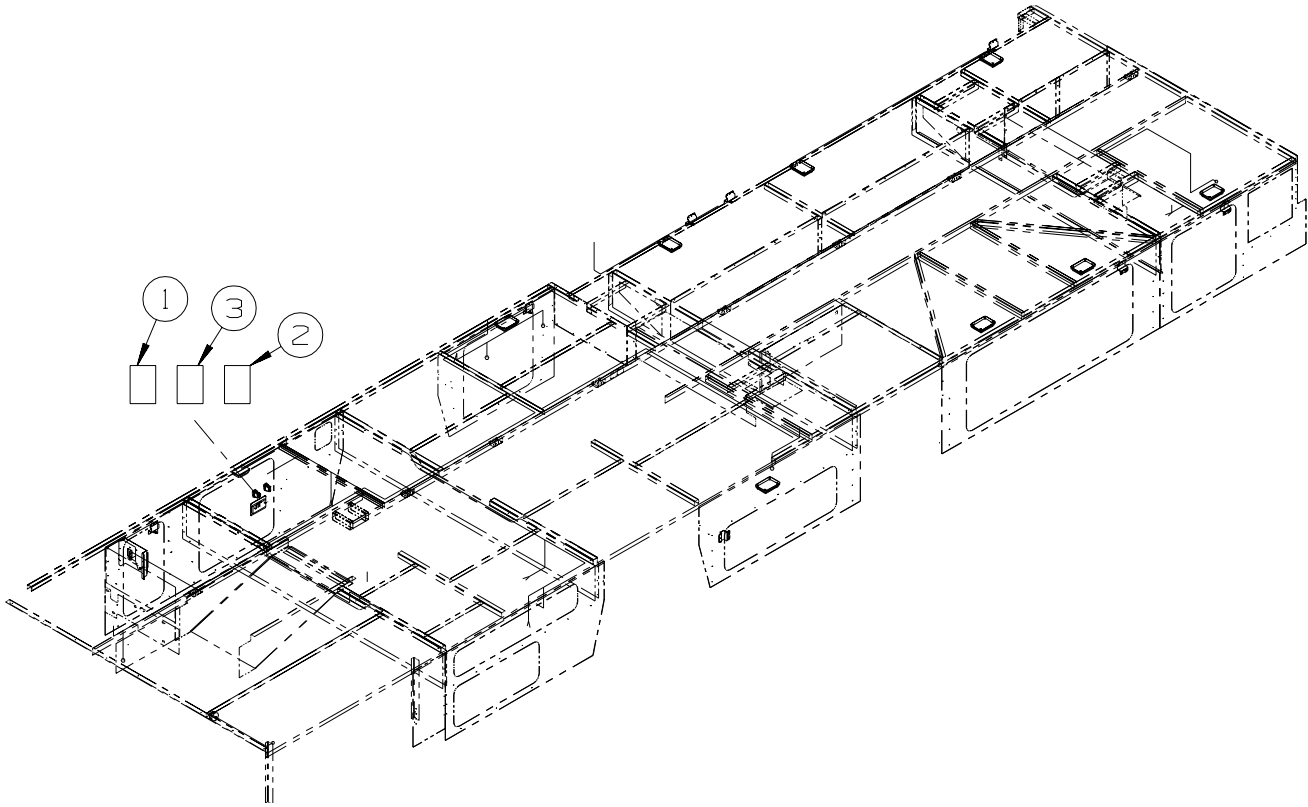
**ELECTRICAL GROUP (CONTINUED)**  
**12V BODY WIRING (CONTINUED)**

KEY	PART NUMBER	U/M	DESCRIPTION
13	087201-01-000	EA	LIGHT - HALF ROUND - 1" X 1.7" - PLASTIC - BLACK OR WHITE
14	138910-01-000	EA	LAMP - FOG - CLEAR/ROUND
14	139686-01-02B	EA	ANGLE - MOUNT - FOGLAMP - E-COATED
15	113589-01-000	EA	CONNECTOR - PLUG - TRAILER
15	113589-02-000	EA	CONNECTOR - SOCKET - TRAILER
16	138419-02-000	EA	LAMP - PARK/TURN - DRIVER - AMBER
16	139705-04-02B	EA	BRACKET - SIGNAL LAMP - E-COATED
17*	097917-01-06A	EA	LIGHT - PORCH - BRIGHT WHITE
	008215-01-000	EA	BULB - 12 VOLT - #1003 - .94 AMP
17*	008089-02-000	EA	LIGHT - PORCH - RECESSED - CANADIAN
	008214-01-000	EA	BULB - 12 VOLT - #67 - .59 AMP
18	138996-02-000	EA	LAMP - CLEARANCE - RED
18	138996-03-000	EA	BRACKET - CLEARANCE LIGHT
19	136917-01-000	EA	LIGHT - BRAKE - CENTER MOUNT - OVAL
20	138441-01-000	EA	LAMP - BRAKE/TAIL/TURN - 4 1/2" ROUND
20	138441-04-000	EA	CONNECTOR - LAMP - 3 CIRCUIT
21	138441-05-000	EA	LAMP - TURN - AMBER
21	138441-03-000	EA	CONNECTOR - LAMP - 2 CIRCUIT
22	138441-02-000	EA	LAMP - BACKUP - 4 1/2" ROUND
22	138441-03-000	EA	CONNECTOR - LAMP - 2 CIRCUIT
23	139001-01-000	EA	LIGHT ONLY (DOCKING)
23	139001-02-000	EA	SOCKET ONLY - F/DOCKING LAMP
23	036196-01-000	EA	BULB - 12V - #194 - .27 AMP - BAYONETTE
24	117826-02-000	EA	SIDE MARKER LAMP ASSEMBLY - AMBER
			FROM: 00-00-00 THRU: 03-16-02
24	111102-01-000	EA	BASE - MARKER LAMP
			FROM: 03-17-02 THRU: 99-99-99
24	111102-02-000	EA	LENS - AMBER - MARKER LAMP
			FROM: 03-17-02 THRU: 99-99-99
24	117826-03-000	EA	GASKET - MARKER LIGHT
24	036196-01-000	EA	BULB - 12V - #194 - .27 AMP - BAYONETTE
24	067789-02-000	EA	SOCKET - LAMP
	130672-01-01A	EA	SPOTLIGHT - POWER - REMOTE - WHITE

**\*COMPONENT PARTS LISTED LATER IN THIS GROUP**

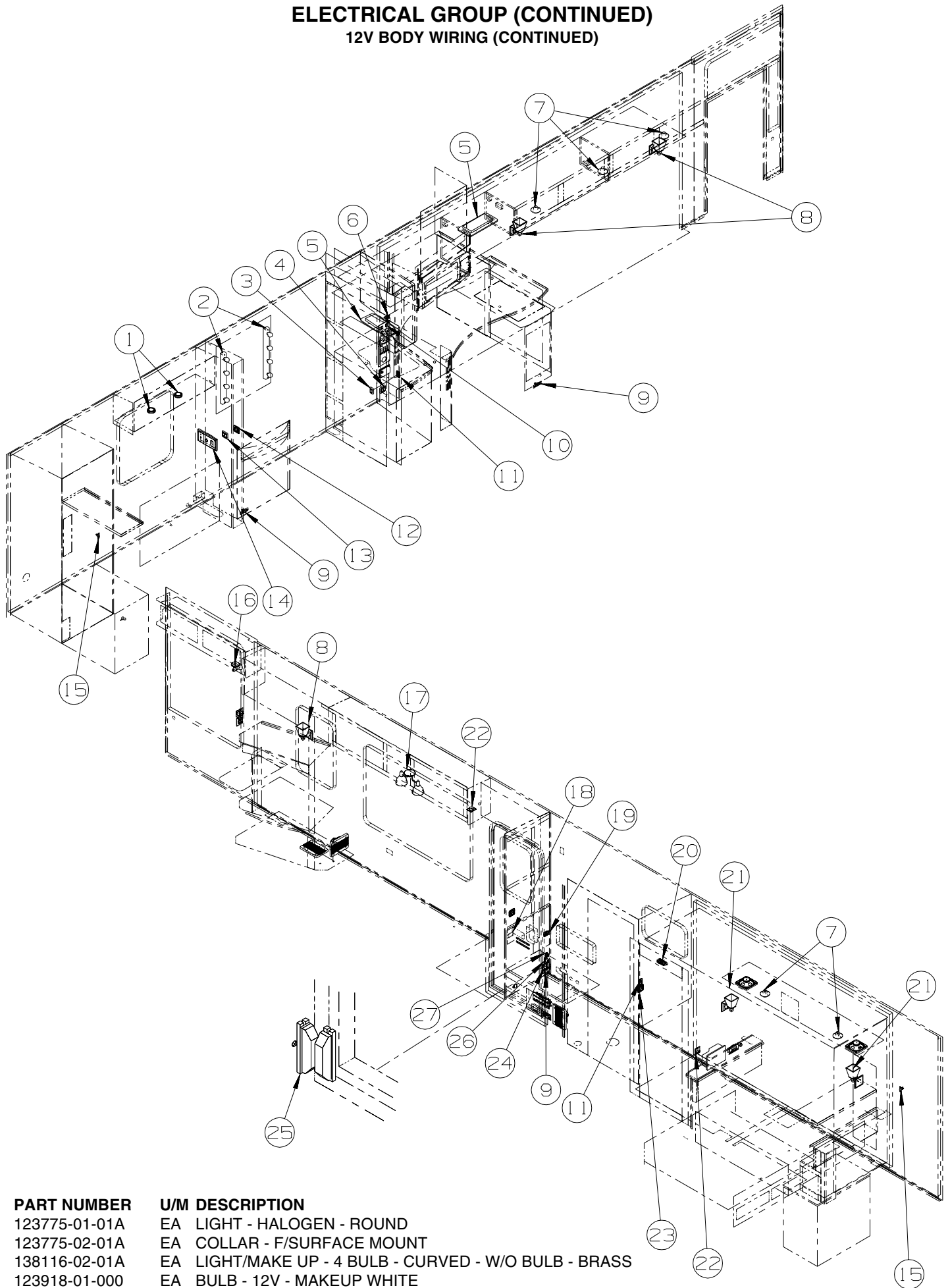


**ELECTRICAL GROUP (CONTINUED)**  
**12V BODY WIRING (CONTINUED)**



KEY	PART NUMBER	U/M	DESCRIPTION
1	108357-01-000	EA	SWITCH - ROCKER - SPST - ON/OFF - 2 TERMINAL
1	108356-02-01A	EA	COVER/ACTUATOR SWITCH - 2 ROWS DIMPLES- CONTURA II - BLACK
1	108355-01-000	EA	HOUSING - SWITCH
2	108357-15-000	EA	SWITCH - ROCKER - DPDT - ON/NONE/ON - LIGHTED
2	108356-04-01A	EA	COVER/ACTUATOR SWITCH - 2 ROWS DIMPLES W/LENS-CONTURA-BLK
2	108355-01-000	EA	HOUSING - SWITCH
3	108357-09-000	EA	SWITCH - ROCKER - SPDT - ON/NONE/MOM - 3 TERMINAL
3	108356-02-01A	EA	COVER/ACTUATOR SWITCH - 2 ROWS DIMPLES- CONTURA II - BLACK
3	108355-01-000	EA	HOUSING - SWITCH

**ELECTRICAL GROUP (CONTINUED)**  
**12V BODY WIRING (CONTINUED)**



KEY	PART NUMBER	U/M	DESCRIPTION
1*	123775-01-01A	EA	LIGHT - HALOGEN - ROUND
1	123775-02-01A	EA	COLLAR - F/SURFACE MOUNT
2	138116-02-01A	EA	LIGHT/MAKE UP - 4 BULB - CURVED - W/O BULB - BRASS
2	123918-01-000	EA	BULB - 12V - MAKEUP WHITE

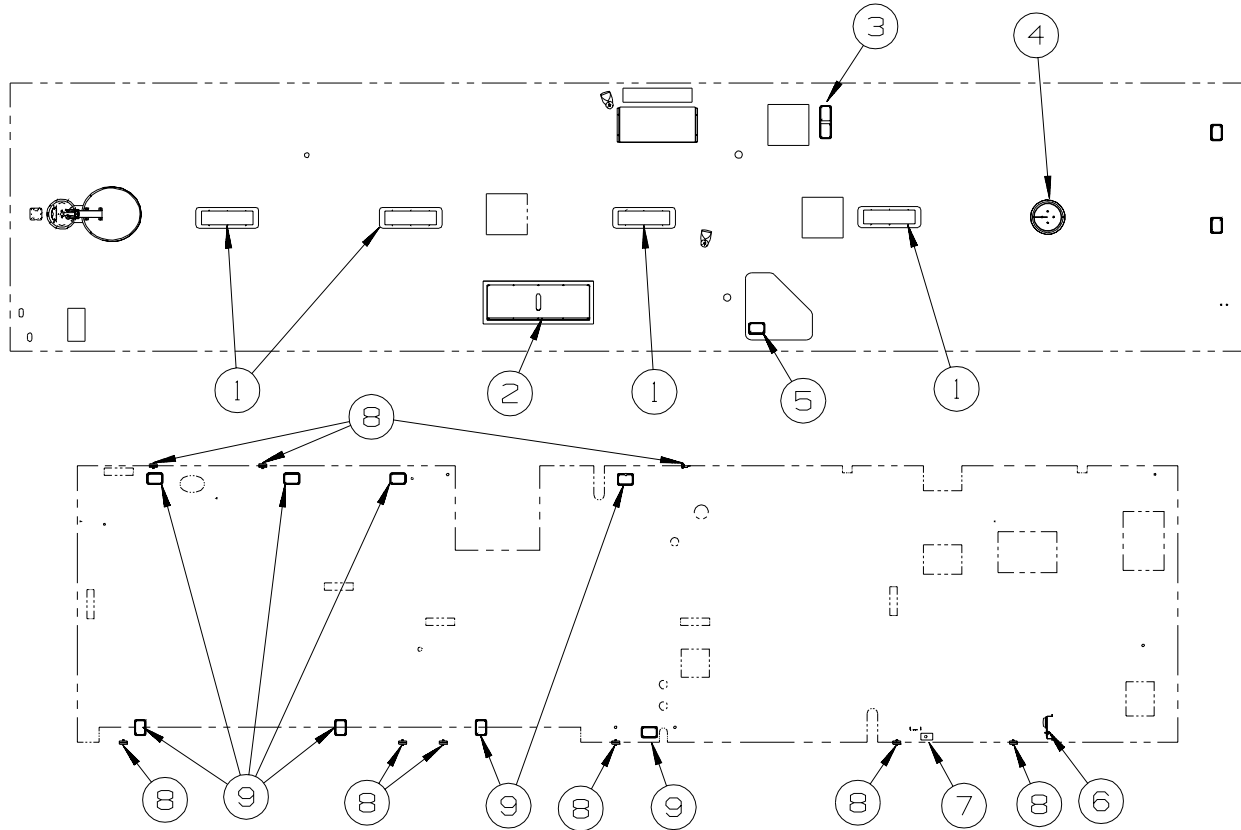
**ELECTRICAL GROUP (CONTINUED)**  
**12V BODY WIRING (CONTINUED)**

KEY	PART NUMBER	U/M	DESCRIPTION
3	135740-01-02A	EA	SWITCH - ROCKER - SPST - ON/OFF - WHITE
3	135741-01-02A	EA	SWITCH - BASE - SINGLE - WHITE
3	135742-12-01A	EA	BEZEL - SWITCH - FAN - WHITE
4	135740-01-02A	EA	SWITCH - ROCKER - SPST - ON/OFF - WHITE
4	135740-02-02A	EA	SWITCH - ROCKER - SPDT - ON/ON - WHITE
4	135741-02-02A	EA	SWITCH - BASE - DOUBLE - WHITE
4	135742-13-01A	EA	BEZEL - SWITCH - CEILING/AISLE - WHITE
5*	091937-09-000	EA	LIGHT-FLOURESCENT-12V/30 WATT RECESSED - W/SWITCH
6	081994-10-000	EA	PLATE/SWITCH - SLIDEOUT
6	108357-06-000	EA	SWITCH - ROCKER - DPDT - MOM/OFF/MOM - 6 TERMINAL
6	108356-02-01A	EA	COVER/ACTUATOR SWITCH - 2 ROWS DIMPLES- CONTURA II - BLACK
6	108355-01-000	EA	HOUSING - SWITCH
7	132427-01-01A	EA	LIGHT - READING/SWIVEL/ROUND - BRASS
8	119258-35-01A	EA	LAMP - WALL - BRASS - UL/CSA
8	117805-01-000	EA	BULB - 12V - # 921F - 1.4 AMPS
9	061424-01-000	EA	LIGHT - AISLE - 12 VOLT - RECTANGULAR
10	135740-01-02A	EA	SWITCH - ROCKER - SPST - ON/OFF - WHITE
11	135740-01-02A	EA	SWITCH - ROCKER - SPST - ON/OFF - WHITE
11	135741-01-02A	EA	SWITCH - BASE - SINGLE - WHITE
11	135742-07-01A	EA	BEZEL - SWITCH - CEILING - WHITE
12	135740-01-02A	EA	SWITCH - ROCKER - SPST - ON/OFF - WHITE
12	135741-02-02A	EA	SWITCH - BASE - DOUBLE - WHITE
12	135742-20-01A	EA	BEZEL - SWITCH - SHOWER/MAKEUP - WHITE
13	135740-01-02A	EA	SWITCH - ROCKER - SPST - ON/OFF - WHITE
13	135740-02-02A	EA	SWITCH - ROCKER - SPDT - ON/ON - WHITE
13	135741-02-02A	EA	SWITCH - BASE - DOUBLE - WHITE
13	135742-21-02A	EA	BEZEL - SWITCH - AISLE/READING - BROWN
14	132958-01-000	EA	RECEPTACLE - 12 VOLT - MOUNTING FLANGE - BLACK
15	041250-01-000	EA	SWITCH - PUSH BUTTON/DOOR JAMB - METAL - CHROME
16	128786-01-01A	EA	LIGHT - READING/SWIVEL
16	123917-01-000	EA	BULB - 12V - HALOGEN SPOT
17	093575-23-01A	EA	LIGHT - CEILING/DOUBLE - BRASS - UL/CSA
17	117805-01-000	EA	BULB - 12V - # 921F - 1.4 AMPS
18	135740-01-02A	EA	SWITCH - ROCKER - SPST - ON/OFF - WHITE
18	135741-02-02A	EA	SWITCH - BASE - DOUBLE - WHITE
18	135742-19-01A	EA	BEZEL - SWITCH - PORCH/CEILING LIGHT
19	135740-01-02A	EA	SWITCH - ROCKER - SPST - ON/OFF - WHITE
19	135741-01-02A	EA	SWITCH - BASE - SINGLE - WHITE
19	135742-11-01A	EA	BEZEL - SWITCH - STEP - WHITE
20*	087694-01-000	EA	LIGHT - WARDROBE/CLOSET - W/SWITCH
21	119258-37-01A	EA	LAMP - WALL - BRASS - W/O SHADE - UL/CSA
21	119257-18-01A	EA	SHADE - LAMP - PARCHMENT
21	067479-01-000	EA	BULB - 12V - #1076 - 1.80 AMP
22	137889-01-000	EA	SWITCH - LIGHT DIMMER
23	135740-01-02A	EA	SWITCH - ROCKER - SPST - ON/OFF - WHITE
23	135740-03-02A	EA	SWITCH - ROCKER - DPDT - MOM/OFF/MOM - WHITE
23	138253-01-01A	EA	SWITCH - BLANK - WHITE
23	135741-02-02A	EA	SWITCH - BASE - DOUBLE - WHITE
23	135742-17-01A	EA	BEZEL - SWITCH - UP/DOWN FAN - WHITE
24	108357-06-000	EA	SWITCH - ROCKER - DPDT - MOM/OFF/MOM - 6 TERMINAL
24	108356-11-01A	EA	COVER/ACTUATOR SWITCH - 3 GROOVES - AUX BATT - BLACK
24	108355-01-000	EA	HOUSING - SWITCH
24	108357-01-000	EA	SWITCH - ROCKER - SPST - ON/OFF - 2 TERMINAL
24	108356-14-01A	EA	COVER/ACTUATOR SWITCH - 3 GROOVES
24	108355-01-000	EA	HOUSING - SWITCH
24	098351-22-01A	EA	PLATE/SWITCH - 2 GANG - POLISHED BRASS
25	116995-02-000	EA	SWITCH/MAGNET - ELECTRIC STEP - BLACK/WHITE-CLOSED CIRCUIT
26	098351-07-01A	EA	PLATE/SWITCH - 1 GANG - POLISHED BRASS - GENERATOR
26	108357-07-000	EA	SWITCH - ROCKER - SPDT - MOM/OFF/MOM - 3 TERMINAL
26	108356-12-01A	EA	COVER/ACTUATOR SWITCH - 3 GROOVES
26	108355-01-000	EA	HOUSING - SWITCH
27	093132-02-000	EA	SWITCH - ROCKER/POWER DOOR LOCK - 5 TERM - (KEY/ARROW)
27	094086-01-01A	EA	PLATE - SWITCH - SINGLE GANG - 1.8" X 3" - BLACK PLASTIC

\*COMPONENT PARTS LISTED LATER IN THIS GROUP

## ELECTRICAL GROUP (CONTINUED)

### 12V BODY WIRING (CONTINUED)

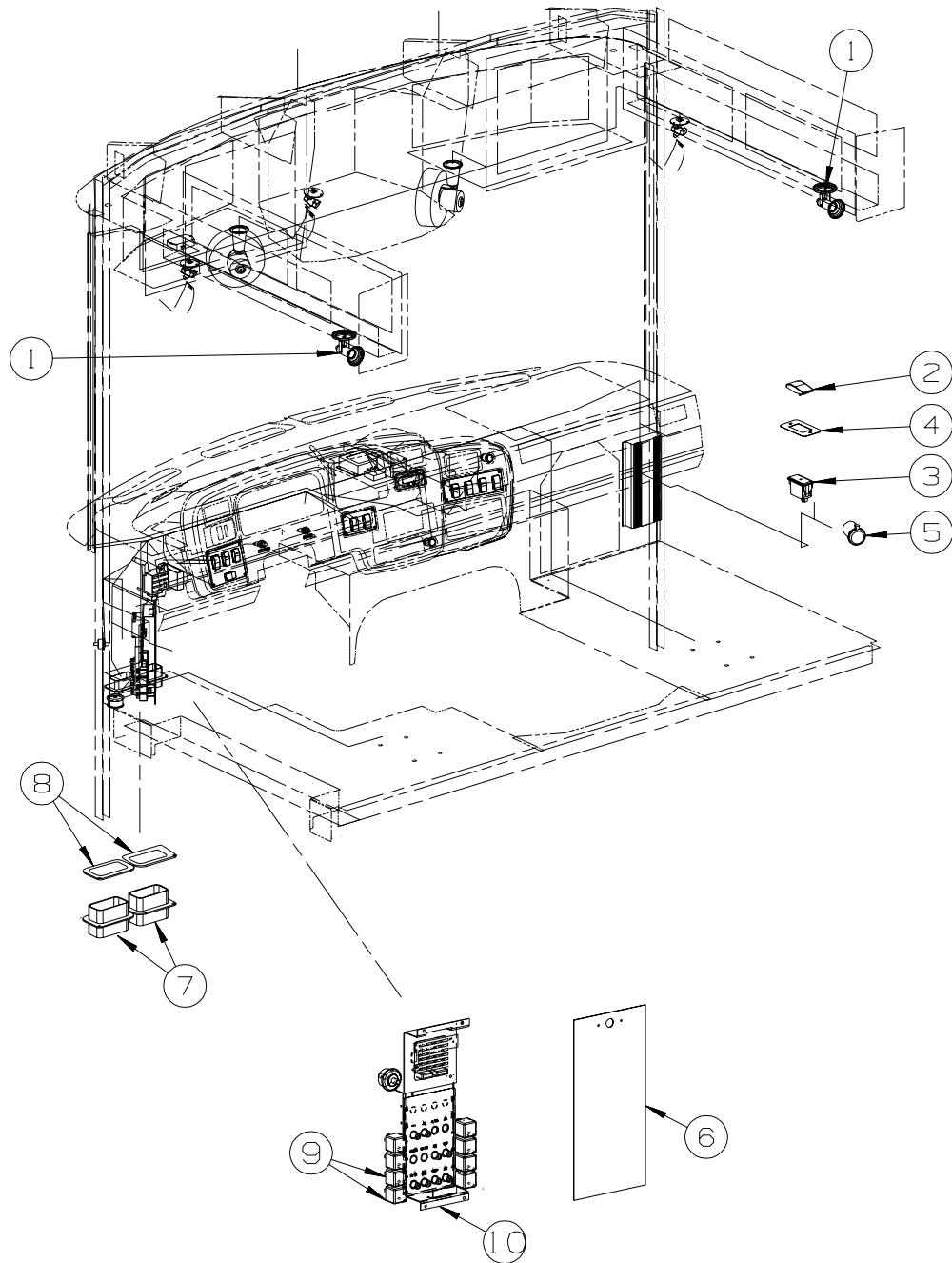


KEY	PART NUMBER	U/M	DESCRIPTION
1*	091937-08-000	EA	LIGHT-FLUORESCENT-12V/30 WATT RECESSED - W/O SWITCH
1	091937-03-000	EA	BULB - FLUORESCENT LIGHT - 12 VOLT
2	133416-02-000	EA	LIGHT - FLUORESCENT W/O LENS - 36" - 1 BULB
3*	137417-06-01A	EA	LIGHT - DOME - DOUBLE - W/FROSTED LENS - W/O SWITCH-WHITE
4*	093575-19-01A	EA	LIGHT - CEILING/ROUND - BRASS
4	117805-01-000	EA	BULB - 12V - # 921F - 1.4 AMPS
5*	121935-01-01A	EA	LIGHT - DOME - SHOWER
6*	137417-01-01A	EA	LIGHT - DOME - SINGLE - W/SWITCH/FROSTED LENS - WHITE
7*	086280-01-000	EA	LIGHT - SURFACE MOUNT - 12 VOLT
8	041250-01-000	EA	SWITCH - PUSH BUTTON/DOOR JAMB - METAL - CHROME
8	138494-01-02B	EA	BRACKET - SWITCH/LIGHT - E-COATED
9	137417-03-01A	EA	LIGHT - DOME - SINGLE - W/FROSTED LENS - W/O SWITCH-WHITE

**\*COMPONENT PARTS LISTED LATER IN THIS GROUP**

## ELECTRICAL GROUP (CONTINUED)

### FRONT END WIRING

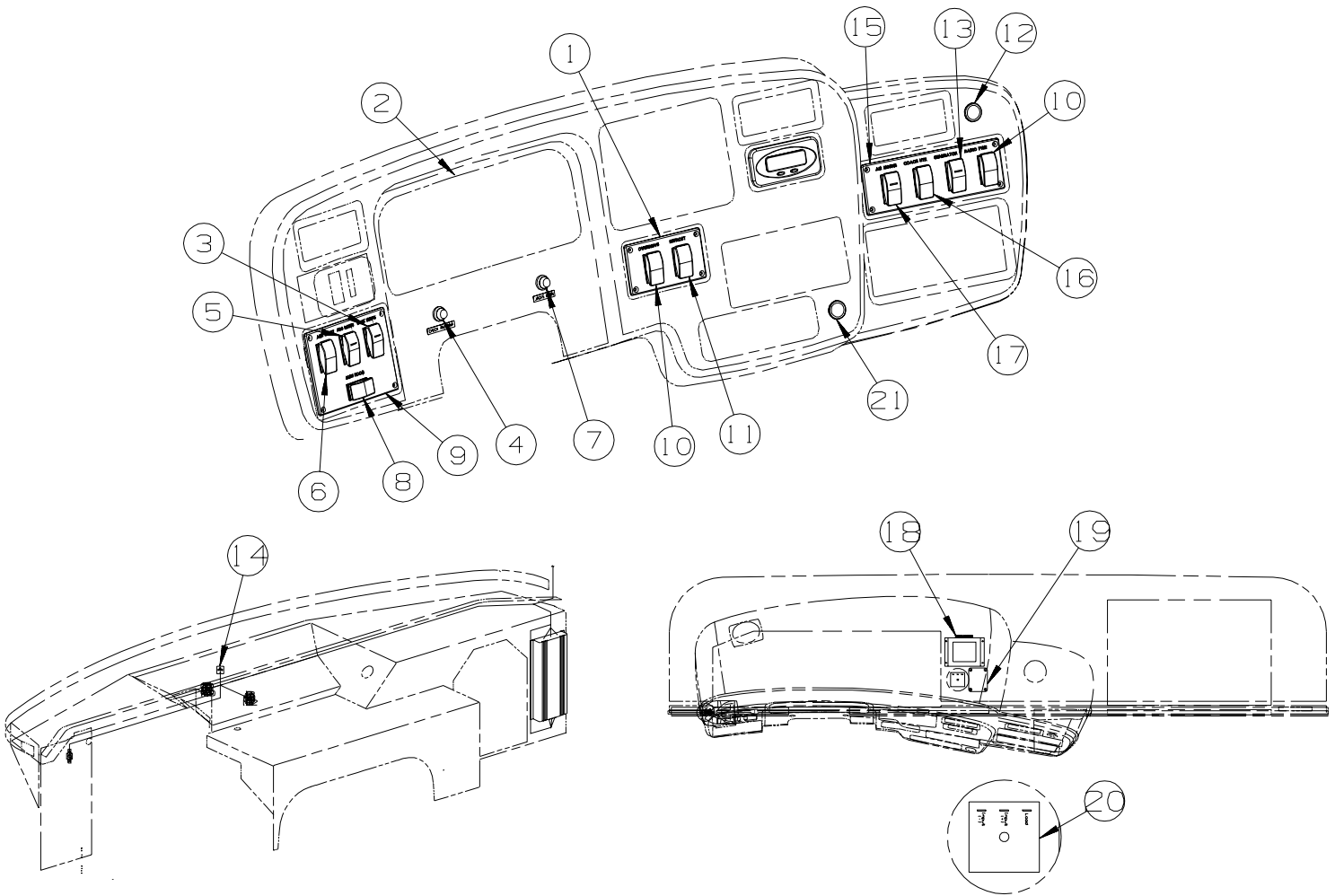


KEY	PART NUMBER	U/M	DESCRIPTION
1	128786-01-01A	EA	LIGHT - READING/SWIVEL
	123917-01-000	EA	BULB - 12V - HALOGEN SPOT
2	108357-01-000	EA	SWITCH - ROCKER - SPST - ON/OFF - 2 TERMINAL
3	108356-01-01A	EA	COVER/ACTUATOR SWITCH - 3 GROOVES - CONTURA III - BLACK
4	098351-07-01A	EA	PLATE/SWITCH - 1 GANG - POLISHED BRASS - GENERATOR
5	132958-01-000	EA	RECEPTACLE - 12 VOLT - MOUNTING FLANGE - BLACK
6	118905-04-02B	EA	DOOR - ELECTRICAL - E-COATED
7	118571-03-000	EA	BRACKET - MOUNTING
8	118571-04-000	EA	GASKET
9	063912-02-000	EA	RELAY - CANISTER - SPDT
10	118425-02-02B	EA	BRACKET - CIRCUIT BREAKER - E-COATED
*	137424-01-000	EA	GPS-NAVIGATION SYS-W/DVD DIVIT/MAPS/GPS ANT & WIRE HARNESS -US
	137424-02-000	EA	MONITOR - LCD - COLOR 6.5" - W/INTERFACE BOX & HARNESS - US
			FROM: 00-00-00 THRU: 05-19-02
	137424-03-000	EA	MONITOR/LCD - COLOR - US
			FROM: 05-20-02 THRU: 99-99-99
	007093-01-000	EA	SIGNAL FLASHER

\*COMPONENT PARTS LISTED LATER IN THIS GROUP

## ELECTRICAL GROUP (CONTINUED)

### FRONT END WIRING (CONTINUED)



KEY	PART NUMBER	U/M	DESCRIPTION
1	139046-03-01A	EA	PANEL - SWITCH - INSTRUMENT PANEL - MATT BLACK
2	127244-12-000	EA	CLUSTER - INSTRUMENT PANEL - K/M - GAS - CANADIAN
3	108357-14-000	EA	SWITCH - ROCKER - SPST - W/LIGHT - ON/OFF - 4 TERMINAL
3	108356-03-01A	EA	COVER/ACTUATOR SWITCH -3 GROOVES W/LIGHT-CONTRA III-BLACK
3	108355-01-000	EA	HOUSING - SWITCH
4	133534-01-000	EA	LIGHT - RED INDICATOR WITH 1/4" TERMINALS
5	108357-14-000	EA	SWITCH - ROCKER - SPST - W/LIGHT - ON/OFF - 4 TERMINAL
5	108356-03-01A	EA	COVER/ACTUATOR SWITCH -3 GROOVES W/LIGHT-CONTRA III-BLACK
5	108355-01-000	EA	HOUSING - SWITCH
6	108357-09-000	EA	SWITCH - ROCKER - SPDT - ON/NONE/MOM - 3 TERMINAL
6	108356-01-01A	EA	COVER/ACTUATOR SWITCH - 3 GROOVES - CONTURA III - BLACK
6	108355-01-000	EA	HOUSING - SWITCH
7	133534-02-000	EA	LIGHT - AMBER INDICATOR WITH 1/4" TERMINALS
8	108357-06-000	EA	SWITCH - ROCKER - DPDT - MOM/OFF/MOM - 6 TERMINAL
8	108356-01-01A	EA	COVER/ACTUATOR SWITCH - 3 GROOVES - CONTURA III - BLACK
8	108355-01-000	EA	HOUSING - SWITCH
9	139046-02-01A	EA	PANEL - SWITCH - INSTRUMENT PANEL - MATT BLACK
10	108357-08-000	EA	SWITCH - ROCKER - DPDT - ON/NONE/ON - 6 TERMINAL
10	108356-01-01A	EA	COVER/ACTUATOR SWITCH - 3 GROOVES - CONTURA III - BLACK
10	108355-01-000	EA	HOUSING - SWITCH
11	108357-03-000	EA	SWITCH - ROCKER - SPDT - ON/OFF/ON - 3 TERMINAL
11	108356-01-01A	EA	COVER/ACTUATOR SWITCH - 3 GROOVES - CONTURA III - BLACK
11	108355-01-000	EA	HOUSING - SWITCH
12	111414-01-000	EA	RECEPTACLE/SOCKET - 12 VOLT
13	108357-10-000	EA	SWITCH - ROCKER - SPDT - W/LIGHT - MOM/NONE/MOM-5 TERMINAL
13	108356-03-01A	EA	COVER/ACTUATOR SWITCH -3 GROOVES W/LIGHT-CONTRA III-BLACK
13	108355-01-000	EA	HOUSING - SWITCH
14	063912-02-000	EA	RELAY - CANISTER - SPDT

**ELECTRICAL GROUP (CONTINUED)**  
**FRONT END WIRING (CONTINUED)**

<b>KEY</b>	<b>PART NUMBER</b>	<b>U/M</b>	<b>DESCRIPTION</b>
15	139046-01-01A	EA	PANEL - SWITCH - INSTRUMENT PANEL - MATT BLACK
16	108357-03-000	EA	SWITCH - ROCKER - SPDT - ON/OFF/ON - 3 TERMINAL - W/HOME COMFORT PLUS
16	108356-01-01A	EA	COVER/ACTUATOR SWITCH - 3 GROOVES - CONTURA III - BLACK - W/HOME COMFORT PLUS
16	096241-03-000	EA	SWITCH - BLANK - BLACK - W/O HOME COMFORT PLUS
16	108355-01-000	EA	HOUSING - SWITCH
17	108357-15-000	EA	SWITCH - ROCKER - DPDT - ON/NONE/ON - LIGHTED - W/AIR HORNS
17	108356-01-01A	EA	COVER/ACTUATOR SWITCH - 3 GROOVES - CONTURA III - BLACK - W/AIR HORNS
17	096241-03-000	EA	SWITCH - BLANK - BLACK - W/O AIR HORNS
17	108355-01-000	EA	HOUSING - SWITCH
18*	102756-02-000	EA	REMOTE KEYLESS ENTRY SYSTEM
19	128074-02-000	EA	FILTER - NOISE - 12 VOLT DC W/PLUGS
20	133535-01-000	EA	MODULE - TIMER 20 SECOND - WARNING LIGHT - TS61120P
21	089294-01-000	EA	LIGHTER - CIGARETTE - W/SOCKET & WIRE
*	136119-01-000	EA	COMPASS/THERMOMETER - ELECTRONIC
	100138-01-000	EA	MODULE - DAYTIME/RUNNING LIGHT - HAMSAR DRL #H8005B

**\*COMPONENT PARTS LISTED LATER IN THIS GROUP**

**ELECTRICAL GROUP (CONTINUED)**  
**COMPONENT PARTS FOR LIGHTS & SWITCHES**

**008089-02-000**

<b>KEY</b>	<b>PART NUMBER</b>	<b>U/M</b>	<b>DESCRIPTION</b>
	008089-01-700	EA	LENS-LIGHT, RECESSED, PORCH DECO

**086280-01-000**

<b>KEY</b>	<b>PART NUMBER</b>	<b>U/M</b>	<b>DESCRIPTION</b>	<b>VENDOR NO.</b>
	086280-01-700	EA	BULB, 12V	ARP1089

**087694-01-000**

<b>KEY</b>	<b>PART NUMBER</b>	<b>U/M</b>	<b>DESCRIPTION</b>	<b>VENDOR NO.</b>
	087694-01-700	EA	BULB	GE561

**091937-08-000**

<b>KEY</b>	<b>PART NUMBER</b>	<b>U/M</b>	<b>DESCRIPTION</b>	<b>VENDOR NO.</b>
	091937-08-700	EA	LENS - LIGHT - FLUORESCENT	D-766

**091937-09-000**

<b>KEY</b>	<b>PART NUMBER</b>	<b>U/M</b>	<b>DESCRIPTION</b>	<b>VENDOR NO.</b>
	091937-09-700	EA	LENS - LIGHT - FLUORESCENT	D-762

**093575-19-01A**

<b>KEY</b>	<b>PART NUMBER</b>	<b>U/M</b>	<b>DESCRIPTION</b>	<b>VENDOR NO.</b>
	093575-19-700	EA	GLOBE F/55-556X2 LIGHT	9088

**097917-01-06A**

<b>KEY</b>	<b>PART NUMBER</b>	<b>U/M</b>	<b>DESCRIPTION</b>	<b>VENDOR NO.</b>
	097917-01-700	EA	LENS-LIGHT, CLEAR	30-78-021

**102756-02-000**

<b>KEY</b>	<b>PART NUMBER</b>	<b>U/M</b>	<b>DESCRIPTION</b>	<b>VENDOR NO.</b>
	102756-01-704	EA	HARNESS-MAIN	203-6638
	102756-02-700	EA	REMOTE (TRANSMITTER) KEYLESS	412-1112
	102756-02-701	EA	BOARD-MODULE, NEW SYSTEM	202-3153
	102756-02-702	EA	BATTERY-12 V	402-1002
	102756-02-702	EA	RELAY- 30AMP - SPDT	463-1000

**121935-01-01A**

<b>KEY</b>	<b>PART NUMBER</b>	<b>U/M</b>	<b>DESCRIPTION</b>	<b>VENDOR NO.</b>
	121935-01-700	EA	LENS ONLY	809511

**123775-01-01A**

<b>KEY</b>	<b>PART NUMBER</b>	<b>U/M</b>	<b>DESCRIPTION</b>	<b>VENDOR NO.</b>
	123775-01-700	EA	BULB - 10 WATT - HALOGEN	71-JC10
	123775-01-701	EA	BEZEL/LENS - RECESSED LIGHT	

**136119-01-000**

<b>KEY</b>	<b>PART NUMBER</b>	<b>U/M</b>	<b>DESCRIPTION</b>	<b>VENDOR NO.</b>
	136119-01-700	EA	SENSOR - COMPASS ENGINE	AP-SUB-005
	136119-01-701	EA	PROBE/TEMPERATURE SENSOR(V1)	AP-SUB-004A
	136119-01-702	EA	DISPLAY MODULE-LED (V1)	AP-SUB-004B
	136119-01-703	EA	HARNESS - COMPASS POWER	AP-HRN-175
	136119-01-704	EA	HARNESS - COMPASS ENGINE	AP-HRN-176
	136119-01-705	EA	HRNSS-COMP.TEMP SENSOR V1	AP-HRN-177
	136119-01-706	EA	PROBE/COMPASS TEMP. (V2)	AP-SUB-006
	136119-01-707	EA	DISPLAY MODULE - VISUAL (V2)	AP-SUB-007
	136119-01-708	EA	HARNESS/COMP. COMP/THERM(V2)	AP-HRN-239 W/PACKRD

**137417-01-01A**

<b>KEY</b>	<b>PART NUMBER</b>	<b>U/M</b>	<b>DESCRIPTION</b>	<b>VENDOR NO.</b>
	137417-01-700	EA	LENS - SINGLE WHITE	810868

**137417-06-01A**

<b>KEY</b>	<b>PART NUMBER</b>	<b>U/M</b>	<b>DESCRIPTION</b>	<b>VENDOR NO.</b>
	137417-06-700	EA	LENS - DOUBLE WHITE	810867

**137424-01-000**

<b>KEY</b>	<b>PART NUMBER</b>	<b>U/M</b>	<b>DESCRIPTION</b>	<b>VENDOR NO.</b>
	137424-01-700	EA	DISC - SETUP - DVD	NVD-A131



**ELECTRICAL GROUP (CONTINUED)**  
**CIRCUIT BREAKERS & FUSES**

<b>KEY</b>	<b>PART NUMBER</b>	<b>U/M</b>	<b>DESCRIPTION</b>
	008233-01-000	EA	FUSE - 12 VOLT - 6 AMP
	008235-01-000	EA	FUSE - 15 AMP/12VOLT - AUTOMOTIVE
	033573-01-000	EA	CIRCUIT BREAKER W/MOUNT-20A, 12V - FASCO 1711-2026
	062037-02-000	EA	HOUSING - AUTO FUSE - GREEN
	062037-04-000	EA	HOUSING - AUTO FUSE - BLUE
	062037-07-000	EA	HOUSING - AUTO FUSE - RED
	062901-02-000	EA	FUSE - 5 AMP - AUTOMOTIVE
	062901-05-000	EA	FUSE - 15 AMP - AUTOMOTIVE
	062901-06-000	EA	FUSE - 20 AMP - AUTOMOTIVE
	062901-07-000	EA	FUSE - 25 AMP - AUTOMOTIVE
	062901-08-000	EA	FUSE - 30 AMP - AUTOMOTIVE
	083209-01-000	EA	CIRCUIT BREAKER - 15 AMP - 120 VOLT - CANADIAN
	083209-02-000	EA	CIRCUIT BREAKER - 15/15 AMP - 120 VOLT
	083209-03-000	EA	CIRCUIT BREAKER - 15/20 AMP - 120 VOLT
	083209-04-000	EA	CIRCUIT BREAKER - 30 AMP - 120 VOLT
	083209-05-000	EA	CIRCUIT BREAKER - 20 AMP - 120 VOLT
	083209-06-000	EA	CIRCUIT BREAKER - 30/15 AMP - 120 VOLT
	083209-07-000	EA	CIRCUIT BREAKER - 20/20 AMP - 120 VOLT
	083209-10-000	EA	CIRCUIT BREAKER - 20/30 AMP - 120 VOLT
	083209-11-000	EA	CIRCUIT BREAKER - 20/15 AMP - 120 VOLT
	092786-02-000	EA	BUSS BAR - 3.3" LONG
	092786-03-000	EA	BUSS BAR - 6.9" LONG
	092786-06-000	EA	BUSS BAR
	093654-01-000	EA	CIRCUIT BREAKER - 6 AMP - 12 VOLT - PUSH BUTTON - WHITE
	093654-02-000	EA	CIRCUIT BREAKER - 15 AMP - 12 VOLT - PUSH BUTTON - WHITE
	093654-03-000	EA	CIRCUIT BREAKER - 20 AMP - 12 VOLT - PUSH BUTTON - WHITE
	093654-11-000	EA	COVER - RESET BUTTON
	093655-01-000	EA	CIRCUIT BREAKER - 25 AMP - 12 VOLT - PUSH BUTTON - WHITE
	093655-02-000	EA	CIRCUIT BREAKER - 30 AMP - 12 VOLT - PUSH BUTTON - WHITE
	093655-03-000	EA	CIRCUIT BREAKER - 40 AMP - 12 VOLT - PUSH BUTTON - WHITE
	093674-01-000	EA	PLATE - CIRCUIT BREAKER - HOUSE - 8.4" X 4.1" - STEEL
	097611-01-000	EA	CIRCUIT BREAKER - 10 AMP
	100341-01-000	EA	FUSE HOLDER - IN LINE TYPE
	106656-01-000	EA	FUSE BLOCK - 4 CAVITY - AUTOFUSE
	108567-01-000	EA	CIRCUIT BREAKER - 40 AMP - 12 VOLT - TYPE II
	108669-01-000	EA	HOUSING - AUTO FUSE HOLDER
	111683-01-000	EA	FUSE - HOLDER - GLASS - 1/4" X 1 1/4"
	113482-01-000	EA	CIRCUIT BREAKER - 55 AMP - MANUAL
	115187-01-000	EA	FUSE - 300 AMP - NON-DELAY
	115187-02-000	EA	FUSE HOLDER - BUSS ANN/ANL BLOCK
	118531-04-02B	EA	PLATE - CIRCUIT BREAKER - E-COATED
	118531-05-02B	EA	PLATE - CIRCUIT BREAKER - E-COAT
	122811-01-000	EA	CIRCUIT BREAKER - 20/50/50/20
	125986-04-000	EA	FUSE - 10 AMP - AUTO - MINI BLADE
	125986-05-000	EA	FUSE - 15 AMP - AUTO - MINI BLADE
	134127-01-000	EA	CIRCUIT BREAKER - 10 AMP - MINI

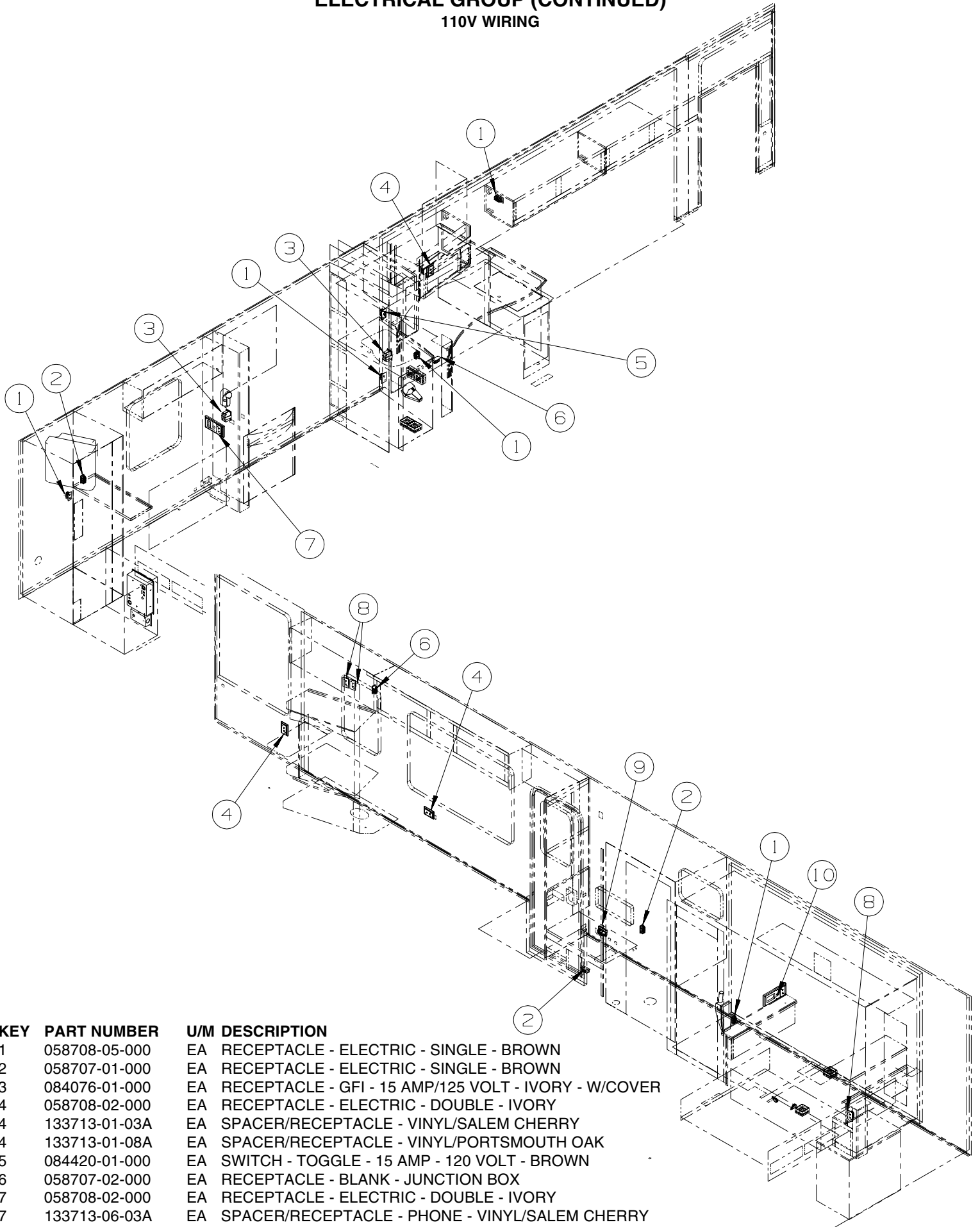
## ELECTRICAL GROUP (CONTINUED)

### CONVERTER, INVERTER, LOAD CENTERS

KEY	PART NUMBER	U/M	DESCRIPTION
	108915-03-000	EA	LOAD CENTER - 120/240 VOLT - 100 AMP FROM: 00-00-00 THRU: 01-06-02
	141258-01-000	EA	LOAD CENTER - 120/240 VOLT - 50 AMP FROM: 01-07-02 THRU: 99-99-99
	141258-02-000	EA	LOAD CENTER - COVER FROM: 01-07-02 THRU: 99-99-99
	109677-01-000	EA	LOAD CENTER - 120 VOLT - 40 AMP
	113685-01-000	EA	INVERTER - CHARGER - 2000W AC
	113685-05-000	EA	REMOTE PANEL - INVERTER/CHARGER
	113685-06-000	EA	CABLE - MODULAR JACK - 50'
	127002-04-000	EA	MODULE - EMS CONTROL - W/REMOTE SENSOR FROM: 00-00-00 THRU: 01-06-02
	127002-08-000	EA	MODULE - EMS CENTER - W/REMOTE SENSOR FROM: 01-07-02 THRU: 99-99-99
	127002-05-000	EA	PANEL/MONITOR - ENERGY MANAGEMENT SYSTEMS CTRL - W/PLUG
	127002-07-000	EA	SENSOR - CURRENT

# ELECTRICAL GROUP (CONTINUED)

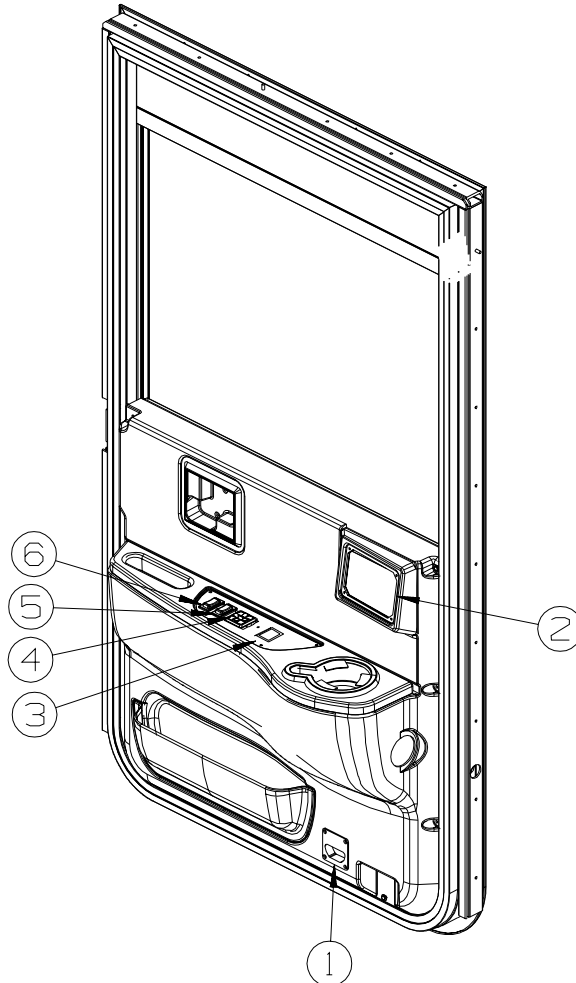
## 110V WIRING



KEY	PART NUMBER	U/M	DESCRIPTION
1	058708-05-000	EA	RECEPTACLE - ELECTRIC - SINGLE - BROWN
2	058707-01-000	EA	RECEPTACLE - ELECTRIC - SINGLE - BROWN
3	084076-01-000	EA	RECEPTACLE - GFI - 15 AMP/125 VOLT - IVORY - W/COVER
4	058708-02-000	EA	RECEPTACLE - ELECTRIC - DOUBLE - IVORY
4	133713-01-03A	EA	SPACER/RECEPTACLE - VINYL/SALEM CHERRY
4	133713-01-08A	EA	SPACER/RECEPTACLE - VINYL/PORTSMOUTH OAK
5	084420-01-000	EA	SWITCH - TOGGLE - 15 AMP - 120 VOLT - BROWN
6	058707-02-000	EA	RECEPTACLE - BLANK - JUNCTION BOX
7	058708-02-000	EA	RECEPTACLE - ELECTRIC - DOUBLE - IVORY
7	133713-06-03A	EA	SPACER/RECEPTACLE - PHONE - VINYL/SALEM CHERRY
7	133713-06-08A	EA	SPACER/RECEPTACLE - PHONE - VINYL/PORTSMOUTH OAK

**ELECTRICAL GROUP (CONTINUED)**  
**110V WIRING (CONTINUED)**

KEY	PART NUMBER	U/M	DESCRIPTION
8	058708-01-000	EA	RECEPTACLE - ELECTRIC - DOUBLE - BROWN
9	131826-01-01A	EA	RECEPTACLE - EXTERIOR - W/COVER/GASKET - WHITE
10	058708-02-000	EA	RECEPTACLE - ELECTRIC - DOUBLE - IVORY
10	133713-04-03A	EA	SPACER/RECEPTACLE - VINYL/SALEM CHERRY - REAR STEREO W/CD OR W/CASSETTE
10	133713-04-08A	EA	SPACER/RECEPTACLE - VINYL/PORTSMOUTH OAK - REAR STEREO W/CD OR W/CASSETTE
10	133713-03-03A	EA	SPACER/RECEPTACLE - CLOCK - VINYL/SALEM CHERRY
10	133713-03-08A	EA	SPACER/RECEPTACLE - CLOCK - VINYL/PORTSMOUTH OAK



**DRIVERS DOOR WIRING**

KEY	PART NUMBER	U/M	DESCRIPTION
1*	108354-01-01A	EA	LIGHT - COURTESY
2	107889-05-000	EA	PANEL - CONTROL - 310 W/HARNESS FROM: 10-26-01 THRU: 99-99-99
3	108357-14-000	EA	SWITCH - ROCKER - SPST - W/LIGHT - ON/OFF - 4 TERMINAL
4	088246-01-000	EA	SWITCH/REMOTE MIRROR - W/2PIN & 6 PIN CONNECTORS/PIGTAIL
5	093132-01-000	EA	SWITCH - ROCKER/POWER WINDOWS - 5 TERM - (ARROWS)
6	093132-02-000	EA	SWITCH - ROCKER/POWER DOOR LOCK - 5 TERM - (KEY/ARROW)

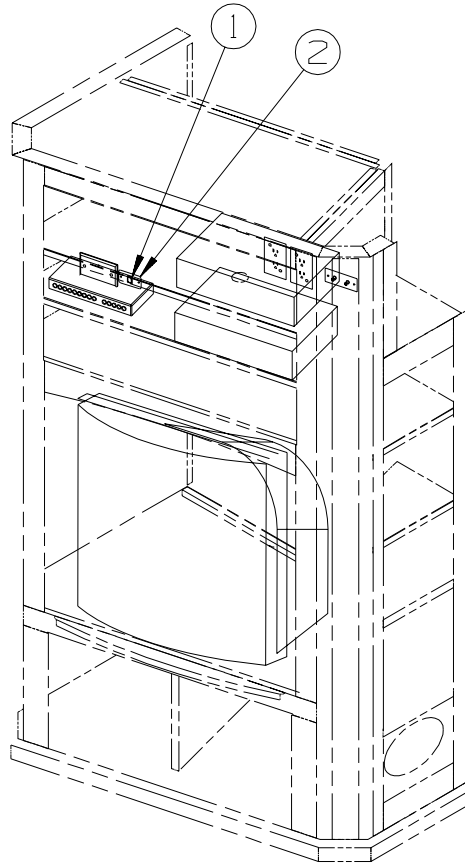
**\*COMPONENT PARTS LISTED LATER IN THIS GROUP**

**ELECTRICAL GROUP (CONTINUED)**  
**COMPONENT PARTS FOR DRIVERS DOOR WIRING**

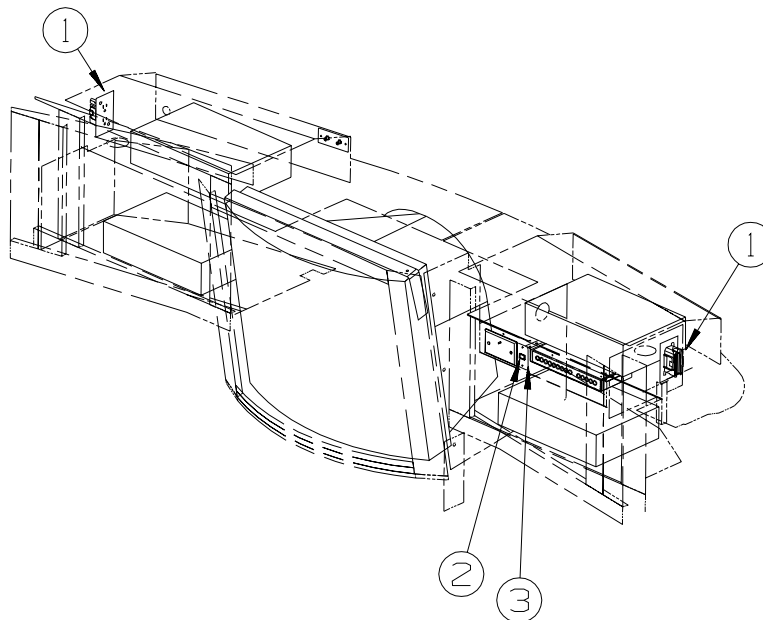
108354-01-01A

<b>KEY</b>	<b>PART NUMBER</b>	<b>U/M</b>	<b>DESCRIPTION</b>	<b>VENDOR NO.</b>
	108354-01-700	EA	BULB-COURTESY LIGHT	395-B

**ELECTRICAL GROUP (CONTINUED)**  
**ENTERTAINMENT WIRING**

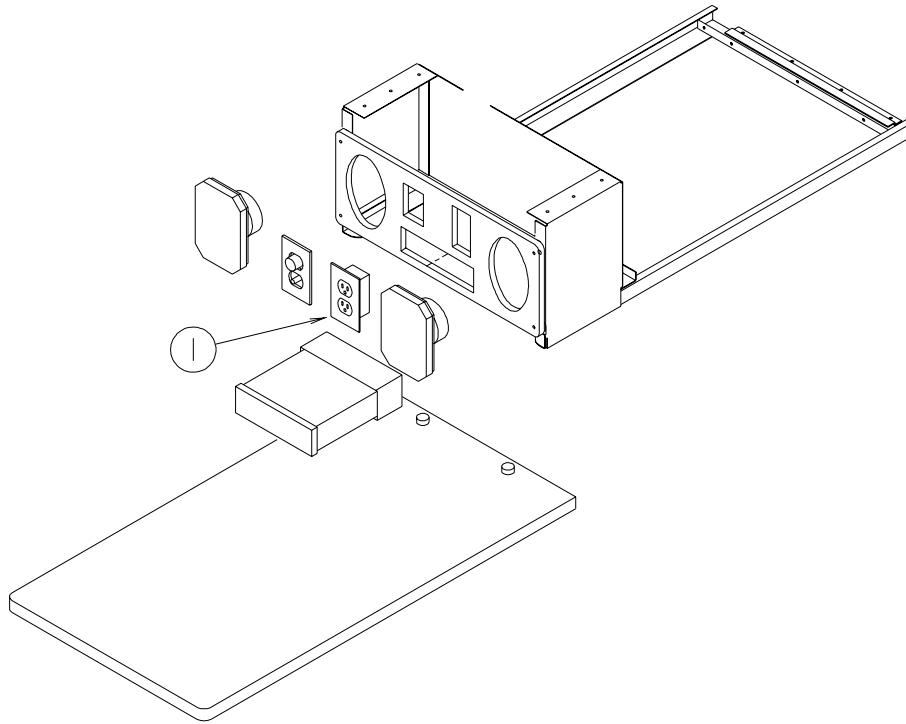


KEY	PART NUMBER	U/M	DESCRIPTION
1	079364-04-000	EA	SWITCH - ON/OFF ROCKER - 2 TERMINAL - BLACK
2	098351-08-01A	EA	PLATE/SWITCH - 4 GANG/BRASS-PORCH/CEILING/STEP/COMPT LAMPS



KEY	PART NUMBER	U/M	DESCRIPTION
1	058708-01-000	EA	RECEPTACLE - ELECTRIC - DOUBLE - BROWN
2	079364-04-000	EA	SWITCH - ON/OFF ROCKER - 2 TERMINAL - BLACK
3	098351-16-01A	EA	PLATE/SWITCH - 1 GANG W/LABEL

**ELECTRICAL GROUP (CONTINUED)**  
**ENTERTAINMENT WIRING (CONTINUED)**



KEY	PART NUMBER	U/M	DESCRIPTION
1	058708-02-000	EA	RECEPTACLE - ELECTRIC - DOUBLE - IVORY

**BOXES & CORDS**

KEY	PART NUMBER	U/M	DESCRIPTION
	008289-01-000	EA	BOX - ELECTRIC/STEEL - 1/2" & 3/4" KNOCKOUTS - 4" X 4" - L39
	091910-01-000	EA	BOX - ELECTRIC - 3.8" X 3.5" X 1.8" - PLASTIC - L36W
	091910-02-000	EA	BOX - ELECTRIC - 2.2" X 3.5" X 1.8" - PLASTIC - L36W
	133070-01-000	EA	BOX - ELECTRIC/PLASTIC - 3" X 2" X 2.8" - UL
	133070-02-000	EA	BOX - ELECTRIC/PLASTIC - 3" X 2" X 2.8" - CSA
	008294-01-000	EA	COVER - ELECTRIC BOX - BLANK/STEEL - 4" X 4" - GRAY
	131680-01-000	EA	COVER - W/GASKET FOR WATERPROOF 4" X 4" BOX - UL/CSA - L36W
	109925-04-000	EA	DOOR - ELECTRICAL BOX - GM/FORD - L39
			FROM: 00-00-00 THRU: 01-08-02
	092492-11-000	EA	SEAL - ELECTRIC BOX - 7" X 18.4" - L39
	092492-11-000	EA	SEAL - ELECTRIC BOX - 7" X 18.4" - L36W
			FROM: 00-00-00 THRU: 01-31-02
	092492-15-000	EA	SEAL - ELECTRICAL FUSE BOX - L36W
			FROM: 02-01-02 THRU: 99-99-99
	106071-05-000	EA	SWITCH - AUTOMATIC TRANSFER - 50/70 - MAGNETEK
	108934-02-000	EA	CORD - POWER - 50 AMP - 4-WIRE - 36'
	109172-01-000	EA	CORD - POWER - 13 AMP - 3-WIRE - 4' - L39
	115832-01-000	FT	CORD - HEAVY DUTY - 14-2W GROUND

## ELECTRICAL GROUP (CONTINUED)

### WIRE ASSEMBLIES

KEY	PART NUMBER	U/M	DESCRIPTION
	093040-06-000	EA	WIRE ASSEMBLY-MONITOR-F/NON-PRE-WIRED AFTER MARKET INSTALL
	096450-01-000	EA	WIRE F/SENSORS - BLACK WATER - 39.3" - L36W FROM: 00-00-00 THRU: 10-14-01
	096451-06-000	EA	WIRE F/SENSORS - GREY WATER - 23.6" - L36W FROM: 00-00-00 THRU: 10-14-01
	097618-01-000	EA	WIRE ASSEMBLY - MONITOR PANEL- W/3 WIRES & ORANGE RESISTOR
	108029-01-000	EA	WIRE ASSEMBLY - POWER DRIVER SEAT
	120233-05-000	EA	WIRE ASSEMBLY - 30" CONNECTS TO WALLPLATE DISPLAY
	124125-02-000	EA	WIRE - ELECTRICAL BOX
	124882-09-000	EA	WIRE LOOM - AMPLIFIER - Q SURROUND
	125853-01-000	EA	WIRE LOOM - ENTERTAINMENT CENTER - L36W
	125853-04-000	EA	WIRE LOOM - ENTERTAINMENT CENTER - L36W
	125853-05-000	EA	WIRE LOOM - ENTERTAINMENT CENTER - L39 FROM: 00-00-00 THRU: 08-31-01
	125853-06-000	EA	WIRE LOOM - ENTERTAINMENT CENTER - L39 FROM: 09-01-01 THRU: 99-99-99
	125853-07-000	EA	WIRE LOOM - ENTERTAINMENT CENTER - L39 FROM: 09-01-01 THRU: 99-99-99
	127002-03-000	EA	WIRE ASSEMBLY - ENERGY MANAGEMENT SYSTEM - L39
	128138-02-000	EA	WIRE - F/SATELLITE - AUTOMATIC FROM: 00-00-00 THRU: 12-09-01
	141454-02-000	EA	WIRE LOOM - SATELLITE - AUTOMATIC FROM: 12-10-01 THRU: 99-99-99
	129436-05-000	EA	WIRE ASSEMBLY - INSTRUMENT PANEL/POWER MIRROR
	129560-01-000	EA	WIRE ASSEMBLY - 2 MONITOR PANEL
	135131-01-000	EA	WIRE ASSEMBLY - THERMOSTAT
	135420-02-000	EA	WIRE ASSEMBLY - RADIO
	137135-03-000	EA	WIRE LOOM - DIGITAL ELEVATION SENSOR FROM: 04-09-02 THRU: 99-99-99
	137135-04-000	EA	WIRE HARNESS - POWER - DIGITAL ELEVATION SENSOR FROM: 04-09-02 THRU: 99-99-99
	137626-02-000	EA	WIRE - OVERDRIVE SWITCH
	137651-01-000	EA	WIRE ASM-DRL
	139583-01-000	EA	WIRE LOOM - SOFA/DOUBLE REST EASY - L36W
	139583-02-000	EA	WIRE LOOM - SOFA/REAR SWITCH - L36W
	140167-01-000	EA	WIRE LOOM - GPS ADAPTER
	142258-02-000	EA	WIRE LOOM - VIDEO SWITCH/POWER SUPPLY - IL36W



**ELECTRICAL GROUP (CONTINUED)**  
**CONNECTORS & CONDUIT**

KEY	PART NUMBER	U/M	DESCRIPTION
	007942-01-000	EA	TAB - WIRE 10 TO 14 AWG
	007954-01-000	EA	RECEPTACLE - HOUSING - 6 POSITION
	007956-05-000	EA	INSULATOR - SHRINK - 1/4" ID X 1 1/2"
	008311-01-000	EA	CONNECTOR - WIRE NUT - INSULATED - RED
	008312-01-000	EA	CONNECTOR - WIRE NUT - INSULATED - BLUE
	008313-01-000	EA	CONNECTOR - WIRE NUT - INSULATED - YELLOW
	008314-01-000	EA	CONNECTOR - WIRE NUT - INSULATED - GRAY
	008326-01-000	EA	TERMINAL - RING - 16/14 WIRE - 3/8" STUD
	008328-01-000	EA	TERMINAL - RING - 12/10 WIRE - #10 STUD FIT
	008331-01-000	EA	TERMINAL - RING - TONGUE - #4 WIRE - 3/8" STUD - COPPER
	008348-01-000	EA	TERMINAL - RING - 3/8" STUD 2 GA. WIRE
	008355-01-000	EA	CONNECTOR - CABLE CLAMPING - 3/4"
	008356-01-000	EA	CONNECTOR - PLASTIC - 3/8" AVG
	008356-02-000	EA	CONNECTOR - PLASTIC - 21/32
	008394-01-000	FT	CONDUIT - FLEXIBLE - 1/2"
	008398-01-000	EA	CONNECTOR - 1/2" X 90 DEGREE - FLEX CONDUIT - UL & CSA
	035416-04-000	EA	TERMINAL - RING - #10 STUD FIT - INSULATED BARREL #16/14
	041953-01-000	FT	CONDUIT - CONVOLUTE SLIT - .5" ID - POLYETHYLENE
	041953-03-000	FT	CONDUIT - CONVOLUTE SLIT - 1" ID (CLOTHES ROD COVER)
	041953-05-000	FT	CONDUIT - CONVOLUTE SOLID - .62" ID - POLYETHYLENE
	041953-06-000	FT	CONDUIT - CONVOLUTE SLIT - .4" ID - POLYETHYLENE
	041953-07-000	FT	CONDUIT - CONVOLUTE SLIT - .25" ID - POLYETHYLENE
	041953-08-000	FT	CONDUIT - CONVOLUTE SLIT - 1.5" ID - POLYETHYLENE
	041953-09-000	FT	CONDUIT - CONVOLUTE SLIT - .5" ID - NYLON
	041953-10-000	FT	CONDUIT - CONVOLUTE SLIT - .75" ID - NYLON
	041953-11-000	FT	CONDUIT - CONVOLUTE SLIT - 1.06" ID - NYLON
	041953-12-000	FT	CONDUIT - CONVOLUTE SOLID - 1.1" ID - NYLON
	041953-13-000	FT	CONDUIT - CONVOLUTE SLIT - 1.25
	047443-01-000	EA	TERMINAL - .250 RECEPTACLE FIT - INSULATED - 16/14 AWG
	047443-02-000	EA	TERMINAL - .250 RECEPTACLE FIT - INSULATED - 12/10 AWG
	058028-01-000	EA	CONNECTOR - ELECTRICAL PIGTAIL - NYLON - CLEAR
	062036-01-000	EA	TERMINAL - PACK - CON - 12/10 AWG
	074017-02-000	EA	HOUSING - 5 POSITION - RIGHT ANGLED
	077479-01-000	EA	BOOT - BATTERY TERMINAL - DOUBLE CABLE
	077479-02-000	EA	BOOT - BATTERY TERMINAL - SINGLE CABLE
	080015-02-000	EA	RECEPTACLE - FLAG - .185 - 16/14 GAUGE
	080015-03-000	EA	RECEPTACLE - FLAG - .250 - 14/16 GAUGE
	082109-01-000	EA	HOUSING - CONNECTOR - PACKARD
	082741-01-000	EA	CONNECTOR BODY - 2 CONNECTOR MALE
	085724-01-000	EA	SOCKET - DOUBLE CONTACT - TAILLIGHT
	087225-01-000	FT	SLEEVING - 1/2" - TYPE H
	087949-01-000	EA	BUSS BAR - 2 POSITION - .6" X 1.5"
	087949-02-000	EA	BUSS BAR - 3 POSITION - .6" X 2.4"
	087949-03-000	EA	BUSS BAR - 4 POSITION
	087949-05-000	EA	BUSS BAR - 7 POSITION
	088473-01-000	EA	HOUSING - PIN - 12 CAVITY (3 ROWS OF 4)
	088473-02-000	EA	HOUSING - PIN - 15 CAVITY (3 ROWS OF 5)
	088473-03-000	EA	HOUSING - PIN - 9 CAVITY (3 ROWS OF 3)
	088473-04-000	EA	HOUSING - PIN - 8 CAVITY IN-LINE
	088473-06-000	EA	HOUSING - PIN - 6 CAVITY (2 ROWS OF 3)
	088473-07-000	EA	HOUSING - PIN - 5 CAVITY - IN-LINE
	088473-08-000	EA	HOUSING - PIN - 4 CAVITY - IN-LINE
	088473-09-000	EA	HOUSING - PIN - 3 CAVITY - IN-LINE
	088473-10-000	EA	HOUSING - PIN - 2 CAVITY - IN LINE
	088474-01-000	EA	HOUSING - SOCKET - 12 CAVITY
	088474-02-000	EA	HOUSING - SOCKET - 15 CAVITY
	088474-03-000	EA	HOUSING - SOCKET - 9 CAVITY
	088474-04-000	EA	HOUSING - SOCKET - 8 CAVITY
	088474-06-000	EA	HOUSING - SOCKET - 6 CAVITY
	088474-07-000	EA	HOUSING - SOCKET - 5 CAVITY
	088474-08-000	EA	HOUSING - SOCKET - 4 CAVITY
	088474-09-000	EA	HOUSING - SOCKET - 3 CAVITY
	088474-10-000	EA	HOUSING - SOCKET - 2 CAVITY
	088475-01-000	EA	PIN - CONNECTOR - 14-20 AWG

**ELECTRICAL GROUP (CONTINUED)**  
**CONNECTORS & CONDUIT (CONTINUED)**

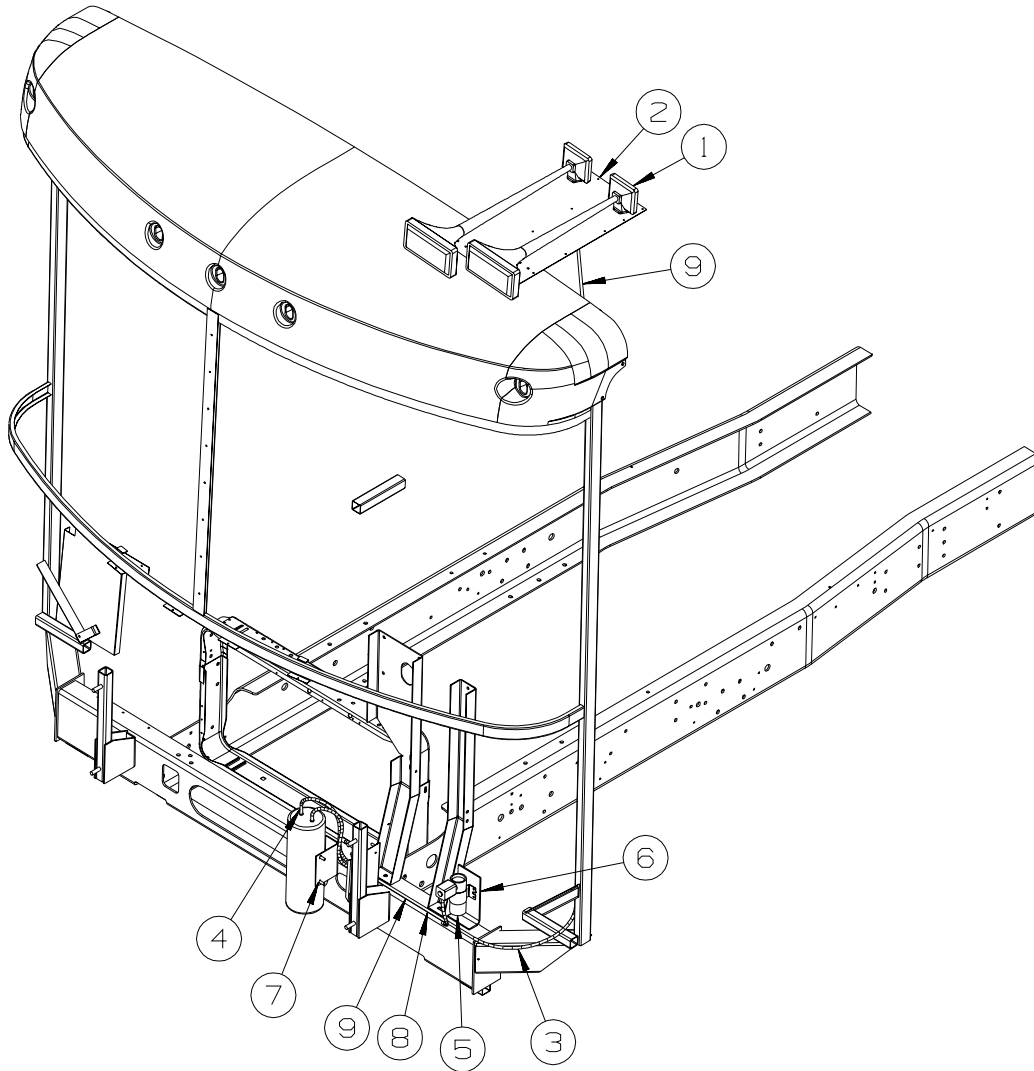
<b>KEY</b>	<b>PART NUMBER</b>	<b>U/M</b>	<b>DESCRIPTION</b>
	088475-02-000	EA	PIN - CONNECTOR - 10-12 AWG
	088476-01-000	EA	TERMINAL - ELECTRICAL
	088476-02-000	EA	SOCKET - CONNECTOR - 12-10 GA - PRE-TIN
	098261-02-000	EA	SOCKET - CONNECTOR - WEATHERPACK - 14-18 AWG
	098262-01-000	EA	SEAL - CONNECTOR - WEATHERPACK
	098262-05-000	EA	SEAL - CAVITY
	098263-02-000	EA	HOUSING - 3 PIN - WEATHER PACK
	098264-01-000	EA	HOUSING - 2 PIN - WEATHER PACK - MALE W/FEMALE PINS
	098264-02-000	EA	HOUSING - 2 PIN - WEATHER PACK - FEMALE W/MALE PINS
	098265-02-000	EA	PIN - CONNECTOR - WEATHER PACK
	102777-02-000	EA	TERMINAL - RING - #6 STUD - 10 AWG
	104100-01-000	EA	HOUSING - 1 POSITION - 75 AMPS
	104100-03-000	EA	TERMINAL - 75 AMP
	106655-01-000	EA	TERMINAL - FUSE BLOCK - 14-16 AWG
	106655-02-000	EA	TERMINAL - FUSE BLOCK - 10-12 AWG
	110178-01-000	EA	HOUSING - WIPER MOTOR
	112823-01-000	EA	SPLICE - REDUCER - 16-14 TO 18-22
	113135-01-000	EA	TERMINAL - FEMALE - M/P - 14-16 - F/SEALED TERMINAL
	113306-01-000	EA	TERMINAL - FEMALE - M/P - 14-16 - F/NON-SEALED TERMINAL
	113307-01-000	EA	TERMINAL - FEMALE - M/P - 16-20
	113308-01-000	EA	TERMINAL - FEMALE - M/P - 14-16 - 280
	113452-01-000	FT	SEAL/TRIM - FRONT - VINYL W/WIRE CARRIER - .020"
	113452-02-000	FT	SEAL/TRIM - FRONT - VINYL W/WIRE CARRIER - .027"
	113468-01-000	EA	HOUSING - 2 POSITION-FEMALE-USED ON WIPER/WASHER WIRE ASM
	115556-02-000	EA	HOUSING - 2 POSITION - FEMALE/PARALLEL
	115931-02-000	EA	COVER - CONNECTOR - 50 AMP W/LOCKING RING
	115932-02-000	EA	CONNECTOR - FEMALE - 50 AMP/240 VOLT
	116811-01-000	EA	TERMINAL - .110 RECEPTACLE - 16-14 AWG
	118571-01-000	EA	CONNECTOR - 3-WAY - MALE/SEALED
	118571-02-000	EA	CONNECTOR - 3-WAY - FEMALE/SEALED
	118571-03-000	EA	BRACKET - MOUNTING
	118571-04-000	EA	GASKET
	118571-05-000	EA	LOCK - SECONDARY - FEMALE
	118571-06-000	EA	LOCK - SECONDARY - MALE
	118597-01-000	EA	TERMINAL - MALE - M/P - 480 - 14-16
	118599-01-000	EA	TERMINAL - MALE - M/P - 280 - 14-16
	118820-01-000	EA	INSULATOR - TERMINAL
	119223-01-000	EA	HOUSING - 6 POSITION - MALE - WEATHERPACK
	119248-02-000	EA	HOUSING - 7 POSITION - FEMALE
	124625-02-000	EA	CONNECTOR - 12 VOLT
	125323-02-000	EA	HOUSING - 8 POSITION - MALE
	125323-03-000	EA	LOCK - SECONDARY 8 POSITION
	125323-04-000	EA	LOCK - SECONDARY 10 POSITION
	125323-05-000	EA	HOUSING - 6 POSITION - MALE
	125323-06-000	EA	LOCK - SECONDARY 6 POSITION
	125324-01-000	EA	TERMINAL - MALE - METRI-PACK - 150
	125325-01-000	EA	SEAL - CAVITY
	126403-01-000	EA	CONNECTOR - 2 CIRCUIT
	126403-02-000	EA	CONNECTOR - 3 CIRCUIT
	129233-01-000	EA	HOUSING - 2-POSITION/FEMALE - 280-SERIES
	129233-02-000	EA	HOUSING - 2-POSITION/FEMALE - 280-SERIES
	129234-01-000	EA	HOUSING - 6-POSITION/FEMALE - 280-SERIES
	129234-02-000	EA	HOUSING - 6-POSITION/FEMALE - 280-SERIES
	129234-03-000	EA	LOCK - SECONDARY - 6-POSITION
	129235-01-000	EA	HOUSING - 2-POSITION/FEMALE - 630-SERIES
	129235-02-000	EA	LOCK - SECONDARY - 2-POSITION
	129236-01-000	EA	TERMINAL - FEMALE - M/P - 630 - 10-12
	131515-01-000	EA	HOUSING - 2 POSITON JR. POWER TIMER - F/HALOGEN FOG LIGHT
	131681-01-000	EA	CONNECTOR - 3/4" SO CORD - UL/CS
	137207-01-000	EA	HOUSING - PIN - 2 CAVITY/HIGH AMP
	137208-01-000	EA	HOUSING - SOCKET - 2 CAVITY/HIGH AMP
	137209-01-000	EA	PIN - CONNECTOR - 10AWG/HIGH AMP
	137210-01-000	EA	SOCKET - CONNECTOR - 10 AWG/HIGH AMP
	138419-03-000	EA	SOCKET - LAMP - 3 WIRE

**ELECTRICAL GROUP (CONTINUED)**  
**BOOTS, SOLENOIDS, RELAYS & MISCELLANEOUS**

<b>KEY</b>	<b>PART NUMBER</b>	<b>U/M</b>	<b>DESCRIPTION</b>
	008188-01-000	EA	SOLENOID - 3 POST - BATTERY CHANGE OVER
	063910-01-000	EA	HOUSING - RELAY
	063912-02-000	EA	RELAY - CANISTER - SPDT
	086273-01-000	EA	RELAY - BATTERY DISCONNECT
	065450-05-000	EA	TIEDOWN - BATTERY - 8.4" TUBE
	086233-01-000	EA	STUD - ISOLATED - 3/8" X 7/8" LONG

# EXTERIOR BODY GROUP

## AIR HORN



KEY	PART NUMBER	U/M	DESCRIPTION
1*	077497-06-000	EA	HORN - AIR - CHROME - TWIN
1	125123-01-12B	EA	PLATE/MOUNT - AIR HORN - 25" X 13" - BRIGHT WHITE
3	077497-02-000	EA	HOSE - AUXILIARY AIR HORN
4*	077497-03-000	EA	FITTING KIT - HOSE/HOSE FITTING/AIR GAUGE - F/AUX HORN
5*	077497-10-000	EA	COMPRESSOR/TANK - SOLENOID KIT
6	081404-02-000	EA	BRACKET - MOUNTING/COMPRESSOR
			FROM: 00-00-00 THRU: 02-26-02
7	140413-01-02B	EA	BRACKET - AIR TANK - E-COATED
			FROM: 00-00-00 THRU: 02-26-02
8	131280-01-000	EA	WIRE ASSEMBLY - AIR HORN
9	071390-04-000	FT	TUBING - AIR BRAKE - 1/4" OD-BLK WEATHERHEAD(BRKS & HORN)
<b>*COMPONENT PARTS LISTED LATER IN THIS GROUP</b>			

**EXTERIOR BODY GROUP (CONTINUED)**  
**COMPONENT PARTS FOR AIR HORN**

077497-03-000

<b>KEY</b>	<b>PART NUMBER</b>	<b>U/M</b>	<b>DESCRIPTION</b>	<b>VENDOR NO.</b>
	077497-01-710	EA	GAUGE-AIR PRESSURE	14212S

077497-06-000

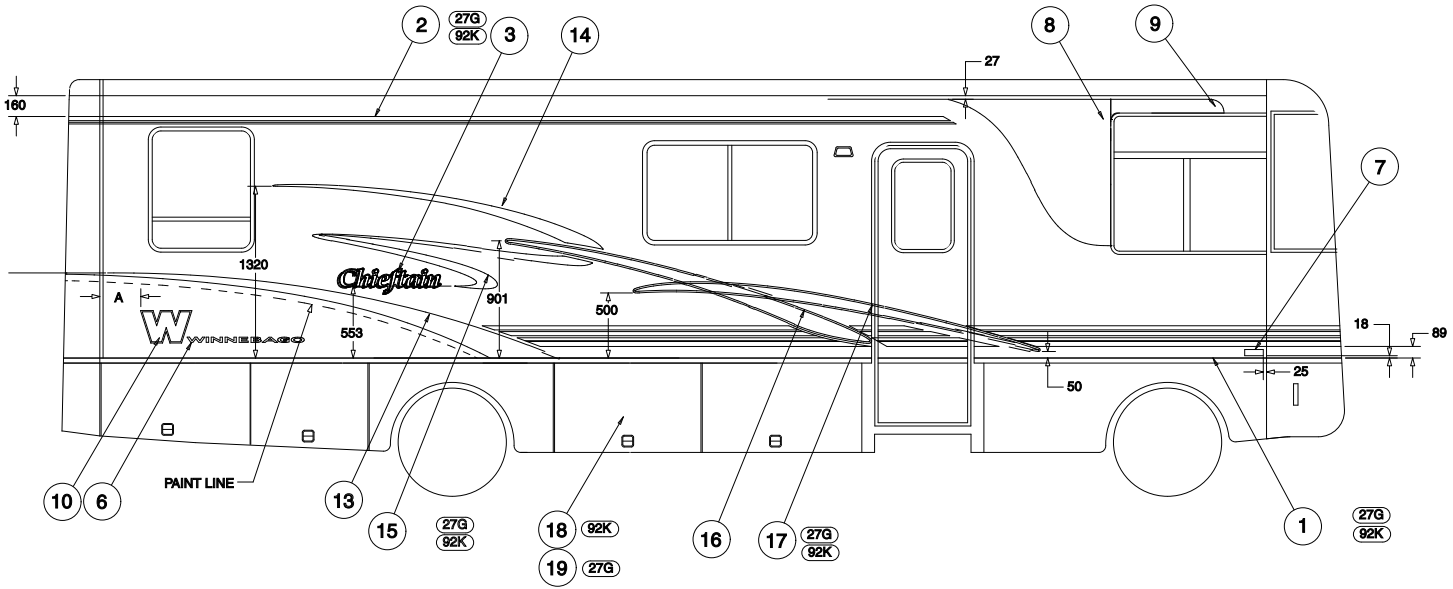
<b>KEY</b>	<b>PART NUMBER</b>	<b>U/M</b>	<b>DESCRIPTION</b>	<b>VENDOR NO.</b>
	077497-01-701	EA	SWITCH - COMPRESSOR	13940-S
	077497-01-702	EA	SWITCH - TOGGLE - W/WIRE	12949-S

077497-10-000

<b>KEY</b>	<b>PART NUMBER</b>	<b>U/M</b>	<b>DESCRIPTION</b>	<b>VENDOR NO.</b>
	077497-01-700	EA	SOLENOID-AIR TANK	550B
	077497-01-703	EA	TANK-AIR	751-N
	077497-01-709	EA	PLUNGER & SPRING F/SOLENOID	H136215
	077497-10-700	EA	COMPRESSOR/DIRECT DRIVE	85OEC

# EXTERIOR BODY GROUP (CONTINUED)

## GRAPHICS & PAINT



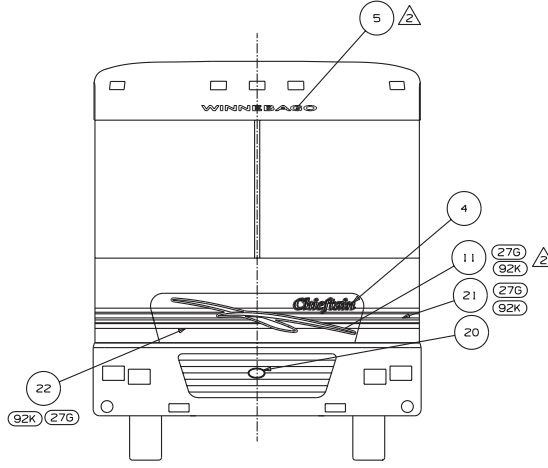
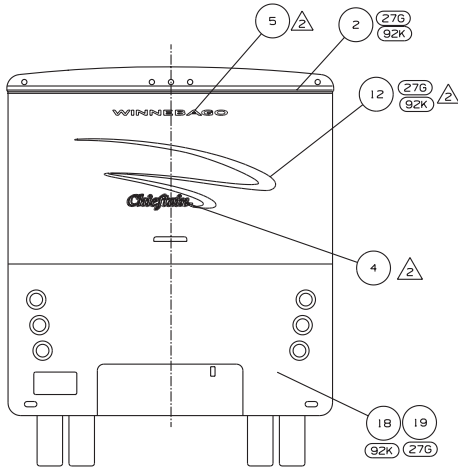
3. CONTINUE MULTISTRIPLE ONTO SLIDEOUT WINGWALLS.

CENTERED ON UNIT.

1. APPLY PROTECTOR 116424-01 TO WATER HEATER DOOR.

NOTES:

165	730	LEFT
116	315	RIGHT
B	A	



KEY	PART NO.	U/M	DESCRIPTION
(92K)	1	FT	MULTISTRIPLE-158,0MM - MED. TITANIUM/SUNSET/TWILIGHT BLUE/CHAMPAGNE STAR
(27G)	1	FT	MULTISTRIPLE-158,0MM - MED TITANIUM/SUNSET/MOSS GREEN/CHAMPAGNE STAR
(92K)	2	FT	MULTISTRIPLE-57,2MM - TWILIGHT BLUE/SUNSET
(27G)	2	FT	MULTISTRIPLE-57,2MM - MOSS GREEN/SUNSET
(92K)	3	EA	DECAL-CHIEFTAIN,LG - BRT. WHITE/CHAMPAGNE STAR/MED. TITANIUM/SUNSET
(27G)	3	EA	DECAL-CHIEFTAIN,SM - BRT. WHITE/CHAMPAGNE STAR/MED. TITANIUM/SUNSET
(92K)	4	EA	DECAL-WINNEBAGO - BRT. WHITE
(27G)	4	EA	DECAL-WINNEBAGO DOMED - GOLD CHROME/BLACK
(92K)	5	EA	DECAL-WINNEBAGO - MED. TITANIUM
(27G)	5	EA	DECAL-WINNEBAGO - BRT. WHITE
(92K)	6	EA	DECAL-WINNEBAGO - BRT. WHITE
(27G)	6	EA	DECAL-WINNEBAGO - BRT. WHITE
(92K)	7	EA	DECAL-WINNEBAGO - BRT. WHITE
(27G)	7	EA	DECAL-WINNEBAGO - BRT. WHITE
(92K)	8	EA	DECAL-WINDOW MASK,RH - CHAMPAGNE STAR
(27G)	8	EA	DECAL-WINDOW MASK,LH - CHAMPAGNE STAR
(92K)	9	EA	DECAL-WINDOW MASK,UPPER,RH - CHAMPAGNE STAR
(27G)	9	EA	DECAL-WINDOW MASK,UPPER,LH - CHAMPAGNE STAR
(92K)	10	EA	DECAL-W - BRT. WHITE/SUNSET
(27G)	10	EA	DECAL-W - BRT. WHITE/SUNSET
(92K)	11	EA	DECAL-SLASHES,HOOD - BRT. WHITE/CHAMPAGNE STAR/SUNSET/TWILIGHT BLUE
(27G)	11	EA	DECAL-SLASHES,HOOD - BRT. WHITE/CHAMPAGNE STAR/SUNSET/MOSS GREEN
(92K)	12	EA	DECAL-SOUIGGLE,RR - SUNSET/TWILIGHT BLUE
(27G)	12	EA	DECAL-SOUIGGLE,RR - SUNSET/MOSS GREEN
(92K)	13	EA	DECAL-SWEEP,RR,RH - SUNSET
(27G)	13	EA	DECAL-SWEEP,RR,RH - SUNSET
(92K)	14	EA	DECAL-SOUIGGLE,UPPER,RH - SUNSET
(27G)	14	EA	DECAL-SOUIGGLE,UPPER,LH - SUNSET
(92K)	15	EA	DECAL-SOUIGGLE,LG,RH - SUNSET/TWILIGHT BLUE
(27G)	15	EA	DECAL-SOUIGGLE,LG,RH - SUNSET/MOSS GREEN
(92K)	16	EA	DECAL-SOUIGGLE,LG,LH - SUNSET/TWILIGHT BLUE
(27G)	16	EA	DECAL-SOUIGGLE,LG,LH - SUNSET/MOSS GREEN

KEY	PART NO.	U/M	DESCRIPTION
(92K)	18	EA	DECAL-SLASH,MID,RH - CHAMPAGNE STAR/SUNSET
(27G)	18	EA	DECAL-SLASH,MID,LH - CHAMPAGNE STAR/SUNSET
(92K)	17	EA	DECAL-SLASH,FRT,RH - BRT. WHITE/TWILIGHT BLUE
(27G)	17	EA	DECAL-SLASH,FRT,LH - BRT. WHITE/TWILIGHT BLUE
(92K)	17	EA	DECAL-SLASH,FRT,RH - BRT. WHITE/MOSS GREEN
(27G)	17	EA	DECAL-SLASH,FRT,LH - BRT. WHITE/MOSS GREEN
(92K)	18	GL	PAINT-MED TITANIUM - DUPONT #C82481H
(27G)	19	GL	PAINT-MOSS GREEN - DUPONT #P0394V
(92K)	20	EA	DECAL-BEZEL-DOMED GRILLE LOGO - BLK/GOLD
(27G)	21	EA	DECAL-CORNER,RH - MED TITANIUM/SUNSET/TWILIGHT BLUE/CHAMPAGNE STAR
(92K)	21	EA	DECAL-CORNER,LH - MED TITANIUM/SUNSET/MOSS GREEN/CHAMPAGNE STAR
(27G)	21	EA	DECAL-CORNER,RH - MED TITANIUM/SUNSET/TWILIGHT BLUE/CHAMPAGNE STAR
(92K)	21	EA	DECAL-CORNER,LH - MED TITANIUM/SUNSET/MOSS GREEN/CHAMPAGNE STAR
(27G)	22	EA	DECAL-HOOD - MED TITANIUM/SUNSET/TWILIGHT BLUE/CHAMPAGNE STAR
(92K)	22	EA	DECAL-HOOD - MED TITANIUM/SUNSET/MOSS GREEN/CHAMPAGNE STAR

## EXTERIOR BODY GROUP (CONTINUED)

### GRAPHICS & PAINT (CONTINUED)

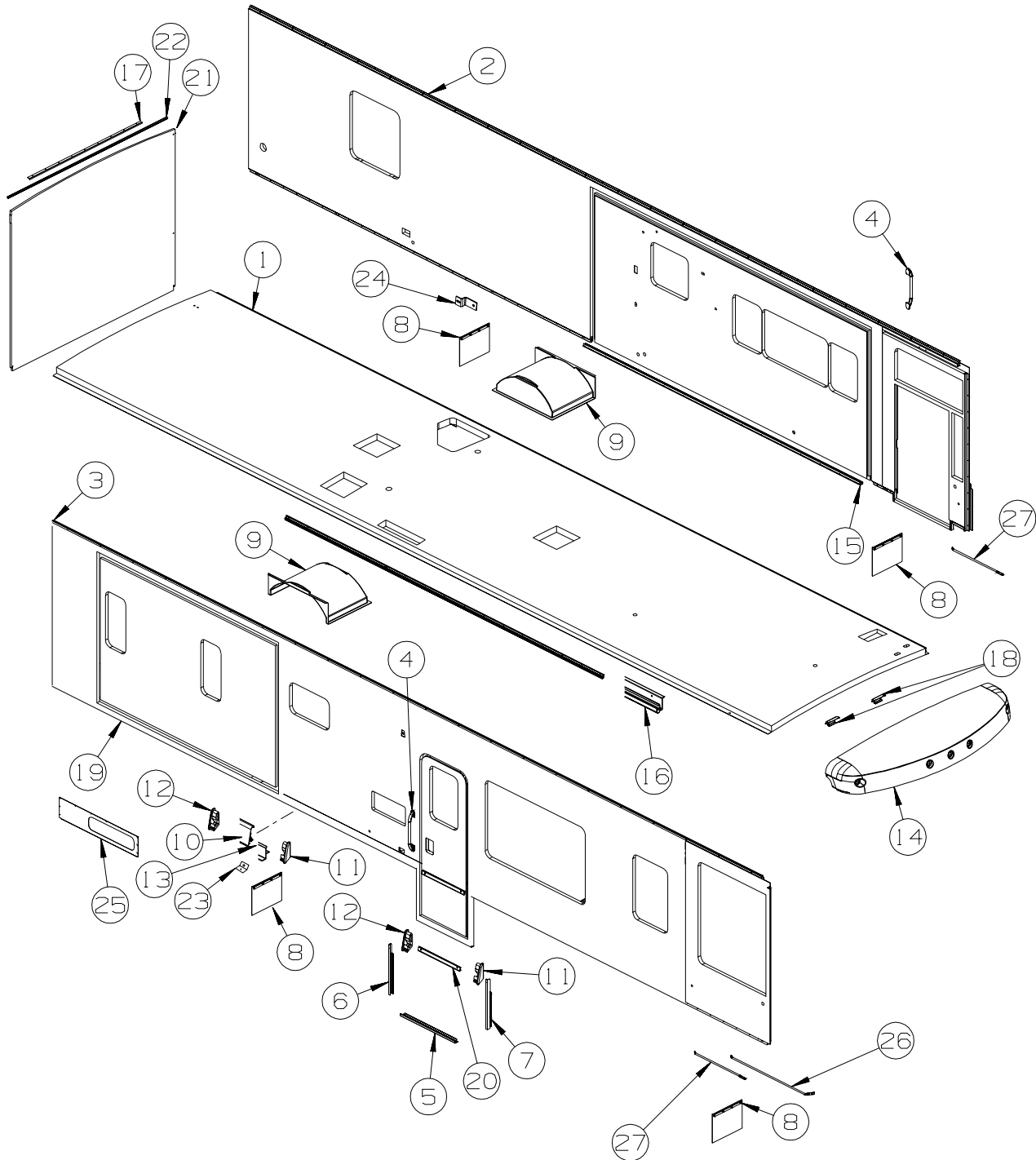
KEY	PART NUMBER	U/M	DESCRIPTION
	041561-03-000	EA	PAINT - 16 OUNCE SPRAY - OFF WHITE
	099399-23-700	EA	PAINT-SPRAY - BRIGHT WHITE ENAMEL - 12 OZ.

#### DUPONT COLOR CODES

TWILIGHT BLUE MET.	#F2228
SUNSET MET.	#YM430
CHAMPAGNE STAR MET.	#MM081
MED. TITANIUM MET.	#C9248
MOSS GREEN MET.	#P0035
MED. TITANIUM MET.	#C9248HN - <a href="#">VALANCE</a>

## EXTERIOR BODY GROUP (CONTINUED)

### PANELS & TRIMS



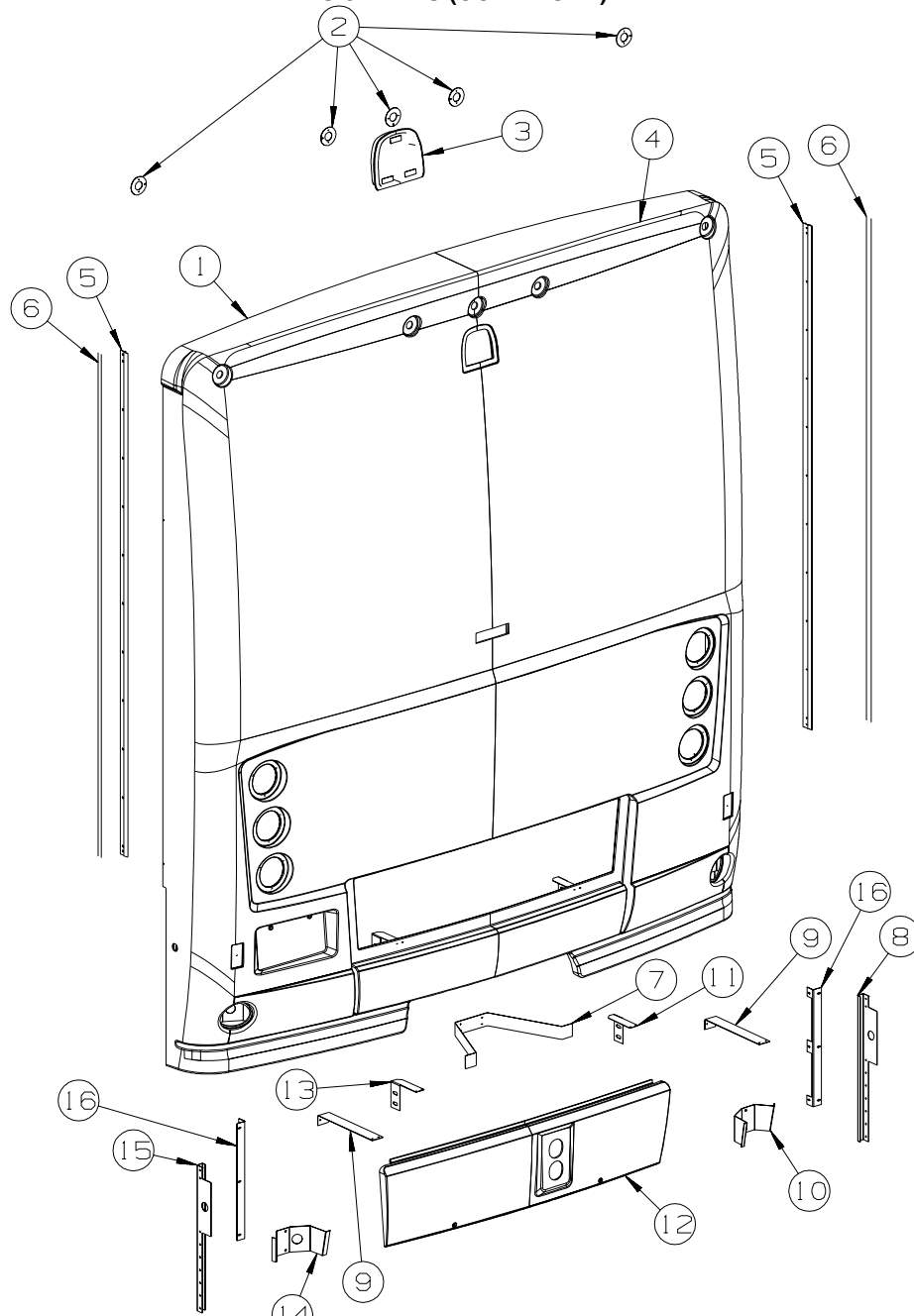
KEY	PART NUMBER	U/M	DESCRIPTION
1	138539-01-N52	EA	ROOF - W/O VENTS - W/WIRING
2	138537-01-N52	EA	SIDEWALL - DRIVER - W/O WINDOWS/TRIMS(N52, N53, N54, N55)
2	138537-01-N56	EA	SIDEWALL - DRIVER - W/O WINDOWS/TRIMS(N56, N57)
3	138538-01-N52	EA	SIDEWALL - PASSENGER - W/O WINDOWS/TRIMS(N52, N53, N54, N55)
3	138538-01-N56	EA	SIDEWALL - PASSENGER - W/O WINDOWS/TRIMS(N56, N57)
4	132442-02-01A	EA	HANDLE - ASSIST - CLEAR W/CHROME ENDS
5	137599-01-01A	EA	TRIM - NOTCHED - SIDEWALL - 33.2" - BLACK
6	139718-01-01A	EA	TRIM - SIDEWALL/PASSENGER - NOTCHED - 24.5" - BRIGHT WHITE
7	139718-02-01A	EA	TRIM - SIDEWALL/DRIVER - NOTCHED - 24.5" - BRIGHT WHITE
8	017516-01-000	EA	MUD FLAP - 14"H X 18"W - W/O MOUNTING HOLES - BLACK
	140922-01-02B	EA	PLATE - MUD FLAP - E-COATED
9	131365-01-000	EA	WHEELWELL - PLASTIC



**EXTERIOR BODY GROUP (CONTINUED)**  
**PANELS & TRIMS (CONTINUED)**

KEY	PART NUMBER	U/M	DESCRIPTION
10	123993-01-03A	EA	TRIM - COVER - 182" ALUMINUM - BRIGHT WHITE
11	126775-01-01A	EA	END CAP - VALANCE TRIM - RIGHT HAND
12	126775-02-01A	EA	END CAP - VALANCE TRIM - LEFT HAND
13	133376-01-01A	EA	TRIM - RETAINER - 144" - MILL
14	138180-02-N52	EA	CAP - ROOF - W/O LIGHTS/VENTS - W/WIRING
15	138874-03-02A	EA	TRIM - FLOOR - FLAT - BRIGHT WHITE
16	131483-01-01A	EA	RAIL - AWNING - 192" - BRIGHT WHITE
17	132273-01-02B	EA	BRACKET - REAR TRIM - E-COATED
18	134774-01-02B	EA	BRACKET - CAB ATTACHMENT - E-COATED
19	093673-01-06A	FT	TRIM/MOLDING - 1.4" X 8' LONG - BRIGHT WHITE
20	133045-01-01A	EA	TRIM - W/HOLES - 25.3" - BRIGHT WHITE
21	138541-01-N52	EA	BACKWALL - W/O WINDOW/TRIMS(N52, N53, N54, N55)
21	138541-01-N56	EA	BACKWALL - W/O WINDOW/TRIMS(N56, N57)
22	114248-02-01A	EA	ANGLE - PLASTIC - 96.6"
23	132597-01-02B	EA	ANGLE/SUPPORT/TRIM - E-COATED
24	123512-04-02B	EA	BRACKET/VALANCE DOOR - E-COATED
25	138793-08-02B	EA	PANEL - SEAL - E-COATED
26	107865-03-000	EA	ROD - SUPPORT - VALANCE PANEL - 17" FROM: 00-00-00 THRU: 11-25-01
26	107865-21-000	EA	ROD - SUPPORT - VALANCE PANEL - 23.3" FROM: 11-26-01 THRU: 03-15-02
26	107865-24-000	EA	ROD - SUPPORT - VALANCE PANEL - 22" FROM: 03-16-02 THRU: 99-99-99
27	107865-10-000	EA	ROD - SUPPORT - VALANCE PANEL - 15.1"

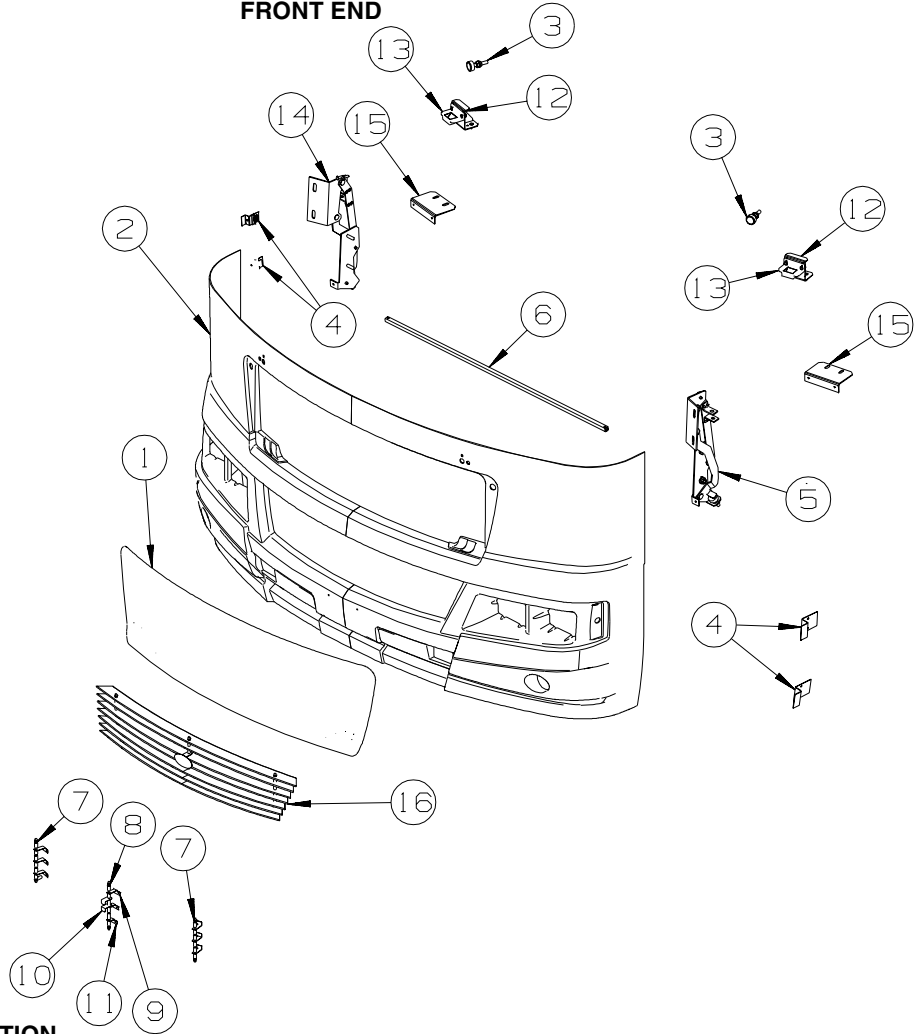
**EXTERIOR BODY GROUP (CONTINUED)**  
**PANELS & TRIMS (CONTINUED)**



KEY	PART NUMBER	U/M	DESCRIPTION
1	083805-23-000	EA	TRIM - ROOF CAP - 92.1" - BRIGHT WHITE
2	138423-01-02B	EA	PLATE/BACKING - LITE - E-COATED
			FROM: 00-00-00 THRU: 08-07-01
2	138423-01-12B	EA	PLATE/BACKING - LITE - BRIGHT WHITE
			FROM: 08-08-01 THRU: 99-99-99
3	138227-01-01A	EA	SHROUD - CAMERA - INNER - BLACK
4	139128-01-N52	EA	PANEL - REAR CAP
5	092041-05-01A	EA	TRIM - REAR - CAP TO SIDEWALL - BRIGHT WHITE
6	091985-01-07A	EA	INSERT - TRIM - .65" WIDE - BRIGHT WHITE
7	140337-01-02B	EA	BRACKET - REAR CAP - E-COAT
8	138467-02-02B	EA	BRACKET/SUPPORT - BUMPER - LEFT - E-COATED
9	140340-01-02B	EA	ANGLE - REAR CAP - E-COATED
10	138453-02-02B	EA	BRACKET - BACKUP LITE - LEFT HAND - E-COATED
11	140339-01-02B	EA	BRACE - REAR CAP - RIGHT HAND - E-COAT
12	137920-01-01A	EA	PANEL/DOOR - REAR CAP
13	140339-02-02B	EA	BRACE - REAR CAP - LEFT HAND - E-COAT
14	138453-01-02B	EA	BRACKET - BACKUP LITE - RIGHT HAND - E-COATED
15	138467-01-02B	EA	BRACKET/SUPPORT - BUMPER - RIGHT - E-COATED
16	138789-01-02B	EA	ANGLE/MOUNT - WHEEL LIP - E-COATED

# EXTERIOR BODY GROUP (CONTINUED)

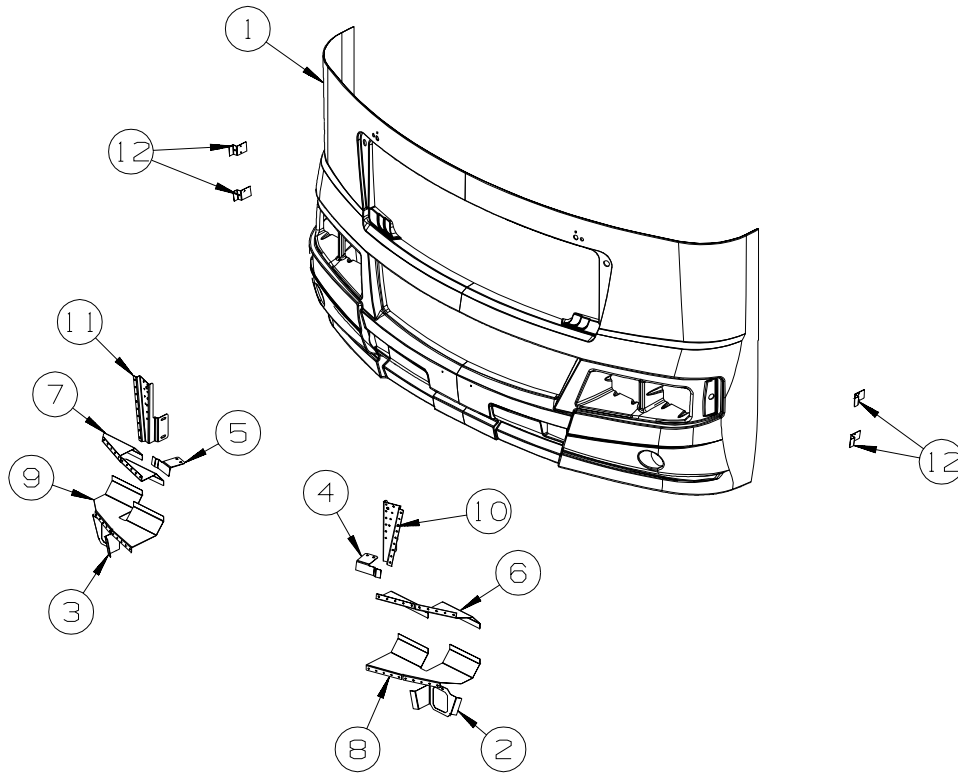
## FRONT END



KEY	PART NUMBER	U/M	DESCRIPTION
1	139164-01-N52	EA	HOOD - FRONT
2	138353-02-N52	EA	PANEL - FRONT/LOWER
3	058786-01-000	EA	BOLT - HOOD ADJUSTMENT - 5/16"-18 X 1.5"-2"- W/BLACK PAD
4	073050-04-000	EA	MOUNTING CLIP - VALANCE PANEL
5	137072-02-01A	EA	HINGE - HOOD - LEFT HAND - BLACK
			FROM: 00-00-00 THRU: 01-28-02
5	137072-04-01A	EA	HINGE - HOOD - LEFT HAND - BLACK
			FROM: 01-29-02 THRU: 99-99-99
6	137300-03-02B	EA	TUBE/TIMING - HOOD - E-COATED
7	088771-04-000	EA	ROD - THREADED - .25 DIAMETER
8	088771-06-000	EA	ROD - THREADED - .25 DIAMETER
9	132717-05-02B	EA	ANGLE - MOUNT - GRILLE - E-COATED
10	132717-06-02B	EA	ANGLE - MOUNT - GRILLE - E-COATED
11	132717-07-02B	EA	ANGLE - MOUNT - GRILLE - E-COATED
12	140324-01-02B	EA	BRACKET - HOOD - STRIKER/ADJUSTABLE - E-COATED
			FROM: 00-00-00 THRU: 08-17-01
12	140324-02-02B	EA	BRACKET - HOOD - STRIKER - E-COATED
			FROM: 08-18-01 THRU: 99-99-99
13	130053-02-01A	EA	STRIKER - LUGGAGE DOOR - OFF SET - BLACK
14	137072-01-01A	EA	HINGE - HOOD - RIGHT HAND - BLACK
			FROM: 00-00-00 THRU: 01-28-02
14	137072-03-01A	EA	HINGE - HOOD - RIGHT HAND - BLACK
			FROM: 01-29-02 THRU: 99-99-99
15	137939-02-02B	EA	BRACKET/MOUNT - SIGNAL/LAMP - E-COATED
16	139637-01-N52	EA	GRILLE - FRONT
*	091955-02-000	EA	SQUEEGEE - EXTENDED HANDLE
			FROM: 00-00-00 THRU: 08-23-01
	110429-06-02B	EA	BRACKET - SQUEEGEE - E-COATED
			FROM: 00-00-00 THRU: 08-23-01

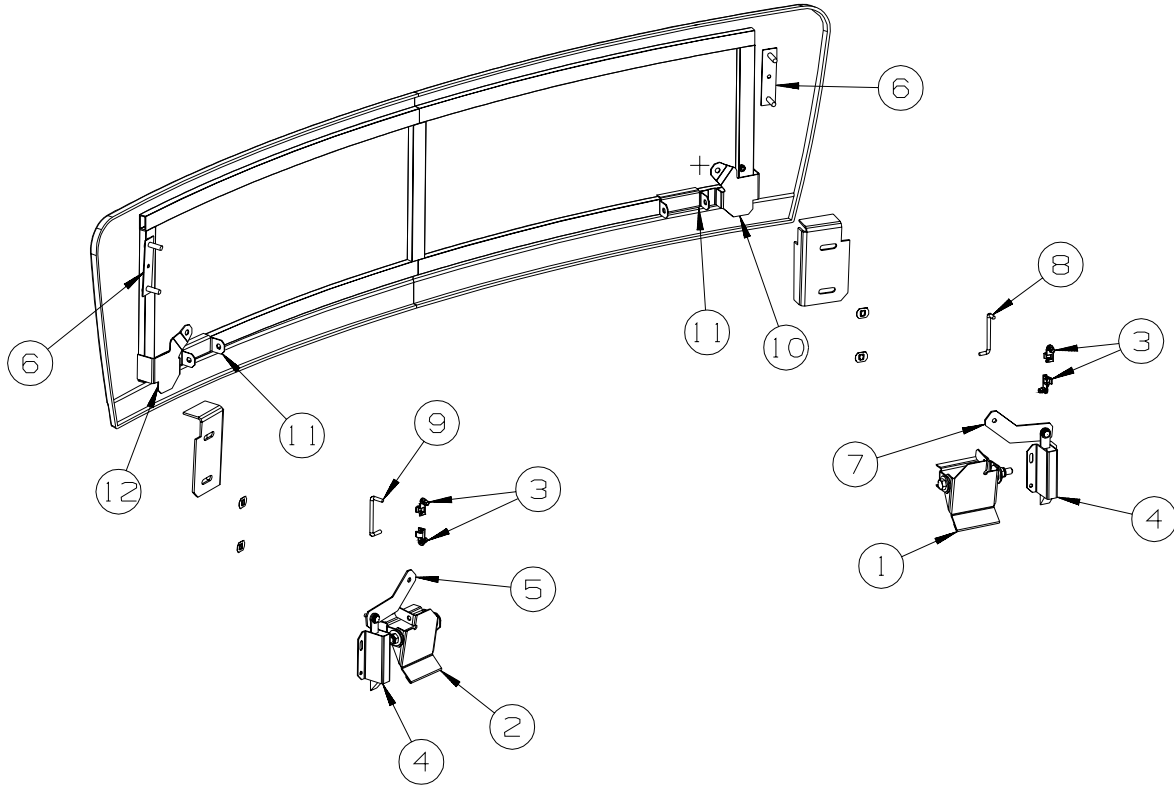
\*COMPONENT PARTS LISTED LATER IN THIS GROUP

**EXTERIOR BODY GROUP (CONTINUED)**  
**FRONT END (CONTINUED)**



KEY	PART NUMBER	U/M	DESCRIPTION
1	138353-01-01A	EA	PANEL - FRONT/LOWER - BRIGHT WHITE - W/O GRILLE
2	139685-02-02B	EA	SUPPORT - FOGLAMP - PASSENGER - E-COATED
3	139685-04-02B	EA	SUPPORT - FOGLAMP - DRIVER - E-COATED
4	139717-03-02B	EA	BRACKET/STRIKER MOUNT - RIGHT HAND - E-COATED
5	139717-04-02B	EA	BRACKET/STRIKER MOUNT - LEFT HAND - E-COATED
6	139761-01-02B	EA	BRACKET - HEADLAMP/UPPER - RIGHT HAND - E-COATED
7	139761-02-02B	EA	BRACKET - HEADLAMP/UPPER/LEFT HAND - E-COATED
8	139761-03-02B	EA	BRACKET - HEADLAMP/LOWER/RIGHT HAND - E-COATED
9	139761-04-02B	EA	BRACKET - HEADLAMP/LOWER/LEFT HAND - E-COATED
10	139713-03-02B	EA	SUPPORT - HINGE/RIGHT HAND - E-COATED
11	139713-04-02B	EA	SUPPORT - HINGE/LEFT HAND - E-COATED
12	139759-01-02B	EA	SUPPORT - WHEEL LIP/FRONT - E-COATED
			FROM: 00-00-00 THRU: 12-20-01
12	142030-01-04B	EA	SUPPORT - WHEEL LIP/FRONT - RIGHT HAND - E-COATED
			FROM: 12-21-01 THRU: 99-99-99
12	142030-02-04B	EA	SUPPORT - WHEEL LIP/FRONT - LEFT HAND - E-COATED
			FROM: 12-21-01 THRU: 99-99-99

**EXTERIOR BODY GROUP (CONTINUED)**  
**FRONT END (CONTINUED)**



KEY	PART NUMBER	U/M	DESCRIPTION
1	134415-01-02B	EA	LATCH/HOOD - PULL - RIGHT HAND - E-COATED
2	134415-02-02B	EA	LATCH/HOOD - PULL - LEFT HAND - E-COATED
3	102265-01-000	EA	CLIP - ROD END - 5/32" - BLACK PLASTIC
4	113908-01-000	EA	LATCH/PLUNGER - F/HOOD
5	134418-06-02B	EA	PIVOT - LATCH/HOOD - E-COATED - RIGHT HAND
6	106730-10-000	EA	PLATE - STUD - F/HOOD
7	134418-07-02B	EA	PIVOT - LATCH/HOOD - E-COATED - LEFT HAND
8	134416-01-01A	EA	ROD/HOOD LATCH - STAINLESS STEEL - RIGHT HAND
9	134416-02-01A	EA	ROD/HOOD LATCH - STAINLESS STEEL - LEFT HAND
10	139162-01-02B	EA	BRACKET - LATCH - SPRING - RIGHT HAND
11	139160-01-01A	EA	BRACKET - LATCH - PADDLE
12	139162-02-02B	EA	BRACKET - LATCH - SPRING - LEFT HAND

**EXTERIOR BODY GROUP (CONTINUED)**  
**COMPONENT PARTS FOR FRONT END**

091955-02-000

<b>KEY</b>	<b>PART NUMBER</b>	<b>U/M</b>	<b>DESCRIPTION</b>	<b>VENDOR NO.</b>
	091955-01-701	EA	HANDLE-EXTENSION 24" TO 40"	

## EXTERIOR BODY GROUP (CONTINUED)

### LADDER

KEY	PART NUMBER	U/M	DESCRIPTION
	129375-02-000	EA	SEAL - LADDER BRACKET
	130163-08-01A	EA	LADDER EXTENSION/LOWER - 35.6" - 3 STEP - BRUSHED ALUMINUM
	137927-01-01A	EA	LADDER - BRUSHED ALUMINUM

### MIRRORS

KEY	PART NUMBER	U/M	DESCRIPTION
*	106015-18-01A	EA	MIRROR - EXTERIOR/REMOTE/HEAT - PASSENGER
*	106015-19-01A	EA	MIRROR - EXTERIOR/REMOTE/HEAT - DRIVER

**\*COMPONENT PARTS LISTED LATER IN THIS GROUP**

**EXTERIOR BODY GROUP (CONTINUED)**  
**COMPONENT PARTS FOR MIRRORS**

**106015-18-01A & 106015-19-01A**

<b>KEY</b>	<b>PART NUMBER</b>	<b>U/M</b>	<b>DESCRIPTION</b>	<b>VENDOR NO.</b>
	106015-16-700	EA	GLASS-FLAT W/HEAT ELEMENT	709450
	106015-18-700	EA	GLASS/CONVEX-KIT W/CLIP	709650
	106015-18-701	EA	ACTUATOR - CONVEX GLAS	7475410
	106015-18-702	EA	MOTOR - FLAT GLASS	747118
	106015-18-703	EA	CONVEX REBUILT KIT	709651
	106015-19-700	EA	VIBRATION KIT - MIRROR GLASS, VELVAC	709645



**EXTERIOR BODY GROUP (CONTINUED)**  
**STRUCTURAL COMPONENTS**

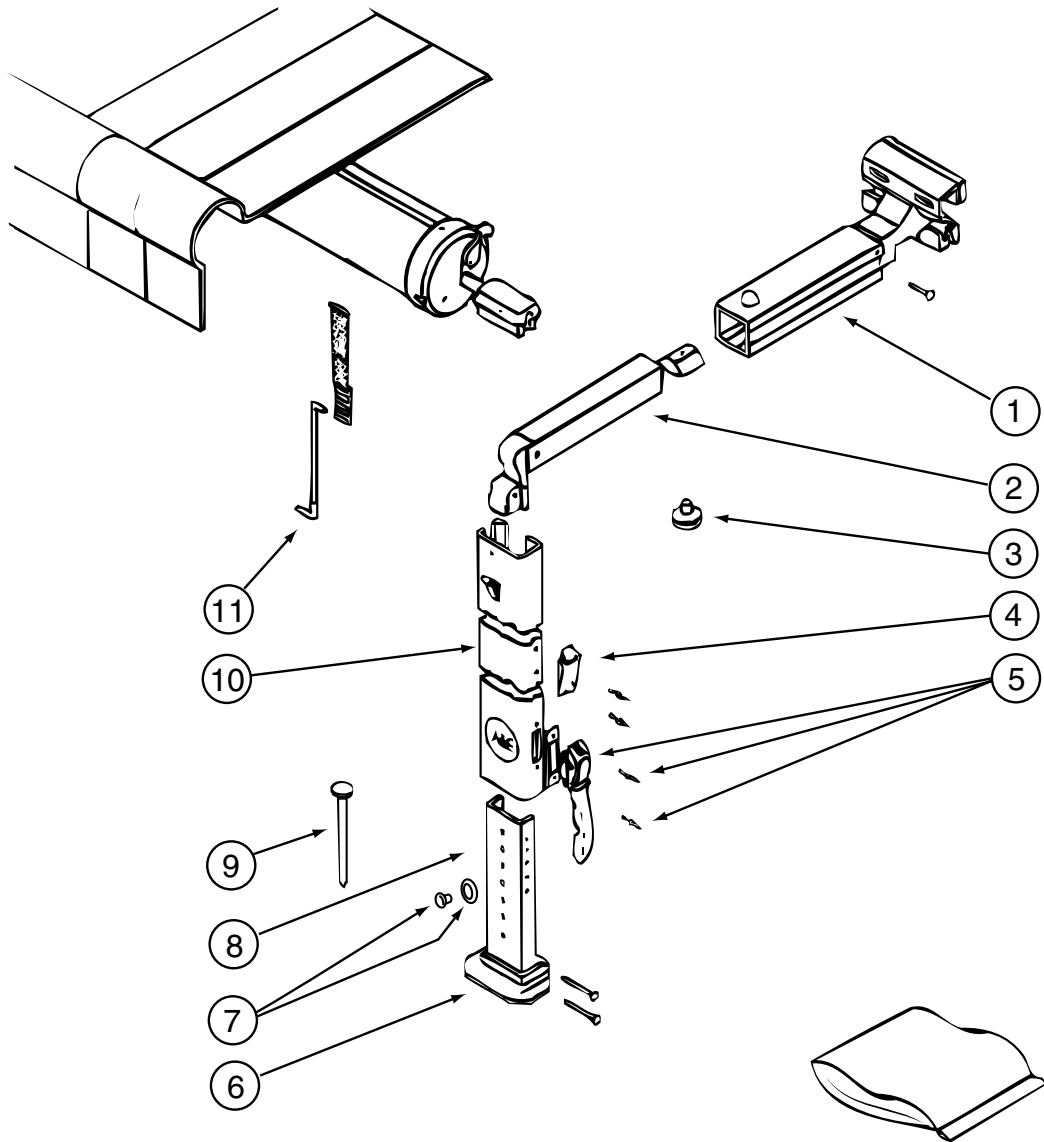
KEY	PART NUMBER	U/M	DESCRIPTION
	002766-01-001	EA	ANGLE - EXTRUDED - 1" X 1 1/2" X 17'
	077517-62-000	EA	FIBERGLASS SHEET - 48" X 96" - BRIGHT WHITE
	128782-02-01A	EA	FIBERGLASS SHEET - 79" X 428" - HIGH GLOSS - BRIGHT WHITE
	128782-07-01A	EA	FIBERGLASS SHEET - 79" X 456" - HIGH GLOSS - BRIGHT WHITE
	128782-09-01A	EA	FIBERGLASS-SHT,HG 787X1736,*BRT WHT VETROLIGHT
	089297-01-000	SF	PLYWOOD - LUAN - OVERLAY GRADE - 4' X 8'
	089297-02-000	SF	PLYWOOD - LUAN - OVERLAY GRADE - 4' X 9'
	100619-01-000	BF	FOAM - EXPANDED POLYSTYRENE - 1.34" X 48" X 96"
	100619-02-000	BF	FOAM - EXPANDED POLYSTYRENE - 1.5" X 48" X 96"
	100619-05-000	BF	FOAM - EXPANDED POLYSTYRENE - .75" X 48" X 96"-1.5 DENSITY
	100619-13-000	BF	FOAM - EXPANDED POLYSTYRENE - .34" X 34.65" X 96"
	100619-16-000	BF	FOAM - EXPANDED POLYSTYRENE - .75" X 48" X 96"-2.0 DENSITY
	100619-27-000	BF	FOAM - EXPANDED POLYSTYRENE - 48" X 92.8" X 3"
	120107-01-000	EA	FOAM - ROOF COVE - 2.8" X 96" LONG

**AWNINGS**

KEY	PART NUMBER	U/M	DESCRIPTION
*	113874-01-02A	EA	HARDWARE KIT - AWNING - W/O STANDOFF BRACKET-BRIGHT WHITE
	137084-01-01A	EA	HARDWARE KIT - F/1 STEP AWNING - BRIGHT WHIT - <a href="#">ELECTRIC</a>
	113874-07-29A	EA	AWNING - 18' FAWN VINYL - BRIGHT WHITE/METAL WRAP - <a href="#">MED TITANIUM, L39</a> FROM: 00-00-00 THRU: 01-06-02
	113874-08-29A	EA	AWNING - 19' FAWN VINYL - BRT/WHT METAL WRAP - <a href="#">MED TITANIUM, L39</a> FROM: 01-07-02 THRU: 01-06-02
	113874-07-46A	EA	AWNING - 18' - MOSS TRANSITIONAL - BRIGHT WHITE/VINYL WRAP - <a href="#">MOSS GREEN, L39</a> FROM: 00-00-00 THRU: 01-06-02
	113874-08-46A	EA	AWNING - 19' - MOSS TRANSITION - BRIGHT WHITE/METAL WRAP - <a href="#">MOSS GREEN, L39</a> FROM: 01-07-02 THRU: 01-06-02
	113874-08-29A	EA	AWNING - 19' FAWN VINYL - BRT/WHT METAL WRAP - <a href="#">MED TITANIUM, L36W</a>
	113874-08-46A	EA	AWNING - 19' - MOSS TRANSITION - BRIGHT WHITE/METAL WRAP - <a href="#">MOSS GREEN, L36W</a>
	137084-02-01A	EA	AWNING - 1 STEP/ELECTRICAL KIT - <a href="#">ELECTRIC</a>
	137084-07-29A	EA	AWNING - 18' 1 STEP - FAWN VINYL - METAL WRAP/BRT WHT - <a href="#">ELECTRIC, MED TITANIUM, L39</a>
	137084-07-46A	EA	AWNING - 18' 1 STEP - MOSS TRAN VINYL - METAL WRAP/BRT WHT - <a href="#">ELECTRIC, MOSS GREEN, L39</a>
	137084-08-29A	EA	AWNING - 19' 1 STEP - FAWN VINYL - METAL WRAP/BRT WHT - <a href="#">ELECTRIC, MED TITANIUM, L36W</a>
	137084-08-46A	EA	AWNING - 16' 1 STEP - MOSS TRAN VINYL - METAL WRAP/BRT WHT - <a href="#">ELECTRIC, MOSS GREEN, L36W</a>
	113874-11-01A	EA	SCREW/LAG - AWNING - 1/4" X 1" STAINLESS STEEL
	113874-12-01A	EA	SCREW/LAG - AWNING - 1/4" X 2 3/4" STAINLESS STEEL
	137054-01-02A	EA	BRACKET - AWNING - BRIGHT WHITE
	137171-01-01A	EA	BRACKET - AWNING - BRIGHT WHITE - <a href="#">ELECTRIC</a>

\*COMPONENT PARTS LISTED LATER IN THIS GROUP

**EXTERIOR BODY GROUP (CONTINUED)**  
**COMPONENT PARTS FOR AWNINGS**

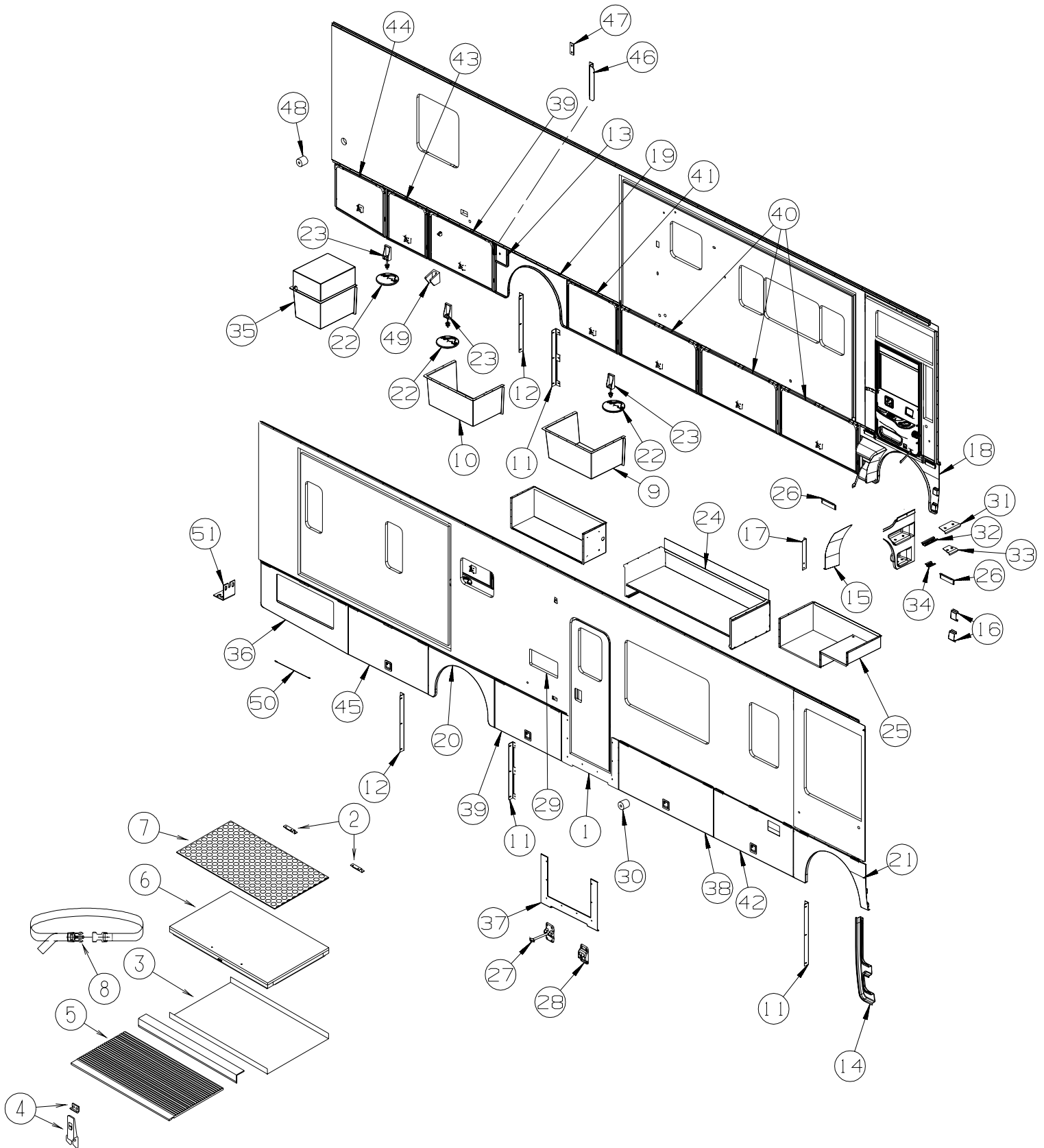


113874-01-02A

KEY	PART NUMBER	U/M	DESCRIPTION	VENDOR NO.
1	113874-01-714	EA	RAFTER - MAIN RH/LH BRT/WHT	830295.536F
2	113874-01-715	EA	RAFTER - SECONDARY BRT/WHT	830463.511F
3	113874-01-702	EA	KNOB - ADJUSTING	3105421014
4	113874-01-706	EA	LOCK - TRAVEL	830587.001
5	113874-01-707	EA	HANDLE - LIFT W/RIVETS	830644
6	113874-01-712	EA	FOOT - PATIO	730366-001
7	113874-01-710	EA	PLUG-STOP KIT	830456
8	113874-01-717	EA	ARM - ADJUSTABLE BRT/WHT	830467.517/F
9	113874-01-709	EA	NAIL-SPIKE, 8"	113006
10	113874-01-716	EA	ARM - MAIN SUPPORT BRT/WHT	3104502.293/F
11	113874-01-703	EA	ROD-CENTER PULL W/ACCESSORY	830152.102

# EXTERIOR DOORS & COMPARTMENTS GROUP

## DOOR & COMPARTMENT LAYOUT

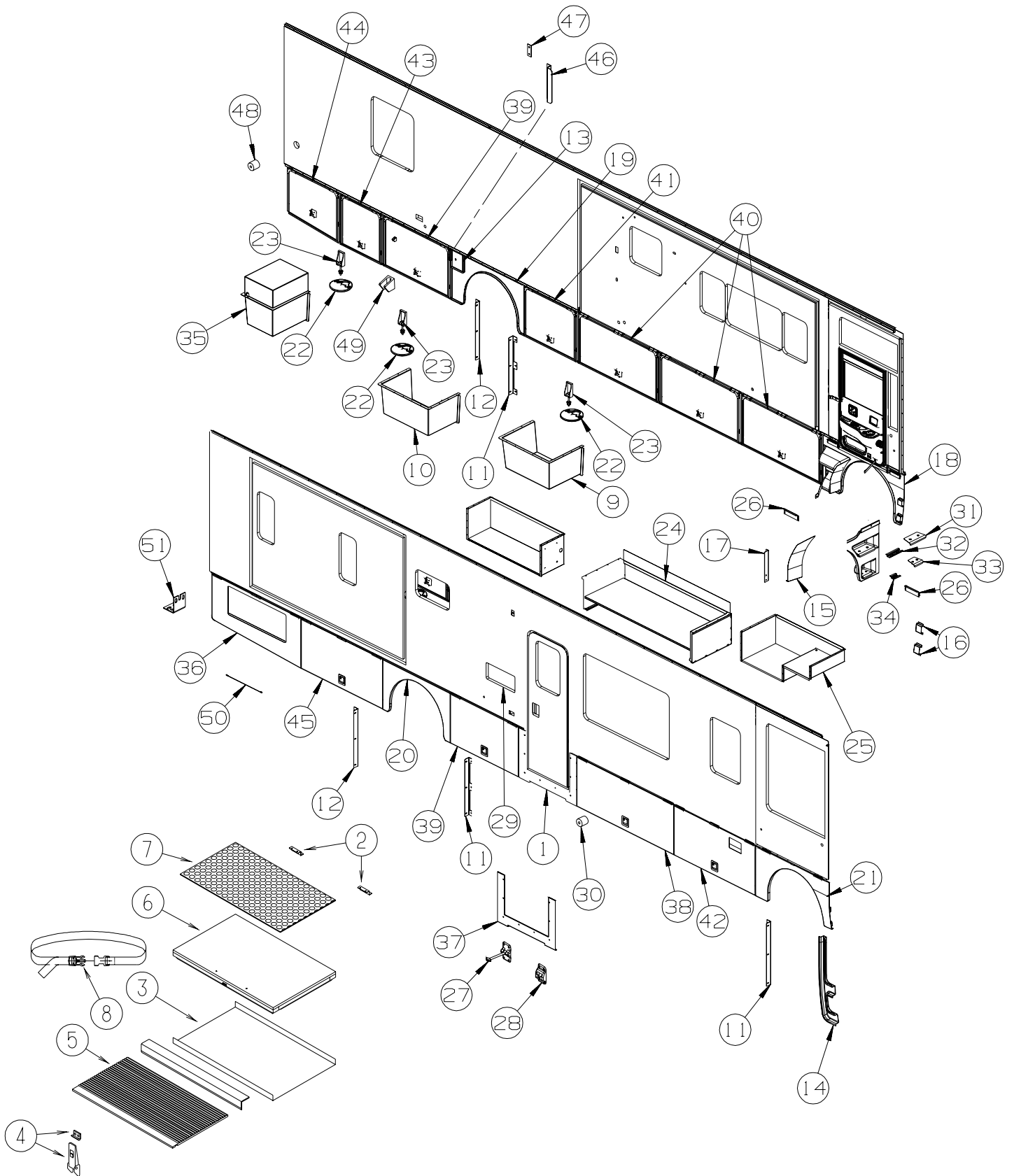


KEY	PART NUMBER	U/M	DESCRIPTION
1*	094707-03-01A	EA	STEP - ELECTRIC DOUBLE - W/BLACK CONTROL BOX - KWIKEE
2	101222-01-04A	EA	BRACKET - CATCH - LID - E-COATED
3	123330-06-02B	EA	SUPPORT - ENTRY STEP - E-COATED
4	116975-01-01A	EA	LATCH - W/O STRIKE - BLACK - NEW STYLE

**EXTERIOR DOORS & COMPARTMENTS GROUP (CONTINUED)**  
**DOOR & COMPARTMENT LAYOUT (CONTINUED)**

KEY	PART NUMBER	U/M	DESCRIPTION
5	133114-01-01A	EA	TREAD - STEP/RUBBER - 29.3" - TAUPE
6	P20256-10-000	EA	LID/DOOR - ENTRY STEP - W/O CARPET & HARDWARE
7	133114-02-01A	EA	TREAD - STEP/RUBBER - 28.4" - TAUPE
8	099856-11-000	EA	STRAP - TIEDOWN - 7.9"
9	133341-02-L76	EA	COMPARTMENT - DRAINAGE
10	133341-03-N52	EA	COMPARTMENT - DRAINAGE
11	138789-01-02B	EA	ANGLE/MOUNT - WHEEL LIP - E-COATED
12	138789-02-02B	EA	ANGLE/MOUNT - WHEEL LIP - E-COATED
13	138889-01-N52	EA	PANEL - DOOR FUEL FILL
			FROM: 00-00-00 THRU: 02-14-02
13	142459-01-N52	EA	PANEL ASM-DOOR,FUEL FILL
			FROM: 02-15-02 THRU: 99-99-99
14	138990-01-01A	EA	SUPPORT - WHEEL LIP/FRONT/RIGHT HAND - BRIGHT WHITE
15	140870-01-02B	EA	SHIELD - WHEEL LIP - E-COATED
16	139085-01-02B	EA	BRACKET - WHEEL LIP/FRONT - E-COATED
17	139003-02-02B	EA	BRACKET - REAR/WHEEL LIP - E-COATED
18	137434-02-N52	EA	PANEL/WHEEL LIP - FRONT/DRIVER
19	138878-01-N52	EA	PANEL/WHEEL LIP - REAR/DRIVER
20	138839-01-N52	EA	PANEL - WHEEL LIP - PASSENGER - REAR/RH
21	138912-01-N52	EA	PANEL/WHEEL LIP - FRONT/PASSENGER
22	M08628-01-H17	EA	HATCH - W/FOAM INSERT - 3/4" X 11 1/2" DIA.- BLACK PLASTIC
23	121175-02-01A	EA	LATCH - SWELL
24	135927-05-N52	EA	COMPARTMENT ASM-LUGGAGE
25	138459-01-N52	EA	COMPARTMENT - LUGGAGE
26	139081-01-02B	EA	ANGLE - VALANCE - E-COATED
27	104099-01-04A	EA	CATCH - DOOR HOLDER - STRIKE - BRIGHT WHITE
28	104099-02-04A	EA	CATCH - DOOR HOLDER - RETAINER - BRIGHT WHITE
29*	084103-08-000	EA	DOOR - VENT - REFRIGERATOR - W/O JAMB - BRIGHT WHITE
	084104-08-000	EA	JAMB - VENT DOOR/REFRIGERATOR - BRIGHT WHITE
30	120863-01-000	EA	BUMPER - RUBBER - 1 1/4" X 1 1/4"
			FROM: 10-30-01 THRU: 99-99-99
31	138141-01-04B	EA	TREAD/STEP - DRIVER
32	138143-02-02B	EA	SUPPORT/STEP - DRIVER - E-COATED
33	138141-02-04B	EA	TREAD/STEP - DRIVER
34	138143-04-02B	EA	SUPPORT/STEP - DRIVER - E-COATED
35	138596-01-N52	EA	COMPARTMENT - POWER CORD
36	139132-01-N52	EA	VALANCE/PANEL - PASS - A/C - W/GRILL - 28.7" X 62.6" X 26"
37	139771-01-N52	EA	PANEL/VALANCE - HORSESHOE
38	140442-07-N52	EA	VALANCE/DOOR - W/O PADDLE LATCH - 67" X 28"
	107796-31-000	EA	SPRING/GAS - 12" COMPRESSED/20" EXTENDED - 100 LB
39	140442-10-N52	EA	VALANCE/DOOR - W/O PADDLE LATCH - 47" X 28"
	107796-26-000	EA	SPRING/GAS - 12" COMPRESSED/20" EXTENDED - 90 LB.
40	140442-17-N52	EA	VALANCE/DOOR - W/O PADDLE LATCH - 57" X 28"
	107796-31-000	EA	SPRING/GAS - 12" COMPRESSED/20" EXTENDED - 100 LB
41	140442-18-N52	EA	VALANCE/DOOR - W/O PADDLE LATCH - 37" X 28"
	107796-26-000	EA	SPRING/GAS - 12" COMPRESSED/20" EXTENDED - 90 LB.
42	140442-19-N52	EA	VALANCE/DOOR - W/O PADDLE LATCH - 57" X 28" W/VENT
	107796-31-000	EA	SPRING/GAS - 12" COMPRESSED/20" EXTENDED - 100 LB
43	140442-20-N52	EA	VALANCE/DOOR - W/O PADDLE LATCH - 29" X 28"
	107796-26-000	EA	SPRING/GAS - 12" COMPRESSED/20" EXTENDED - 90 LB.
44	140442-21-N52	EA	VALANCE/DOOR - DRIVER W/O PADDLE LATCH - 28" X 37" X 25"
	107796-32-000	EA	SPRING/GAS - 9.5" COMPRESSED/15" EXTENDED - 90 LB
45	140442-23-N52	EA	VALANCE/DOOR - W/O PADDLE LATCH - 57" X 28"
	107796-31-000	EA	SPRING/GAS - 12" COMPRESSED/20" EXTENDED - 100 LB
46	142490-01-02B	EA	CATCH - FUEL DOOR - E-COATED
			FROM: 02-16-02 THRU: 99-99-99
47	142495-01-02B	EA	SPACER - DOOR CATCH - E-COATED
			FROM: 02-16-02 THRU: 99-99-99
48	117047-01-000	EA	BUMPER - RUBBER - WASHER INSERT
49	131383-03-02A	EA	BRACKET - SHOWER HEAD - WHITE
50	076767-01-000	EA	CABLE - STAINLESS STEEL - 12"
51	140309-03-02B	EA	ANGLE - FURNACE DOOR - E-COATED
	105290-01-000	SF	INSULATION - AIR POCKET W/FOIL
	120863-05-000	EA	BUMPER - RUBBER/RADIUS TOP - 3/4" X 3/8"

**EXTERIOR DOORS & COMPARTMENTS GROUP (CONTINUED)**  
**DOOR & COMPARTMENT LAYOUT (CONTINUED)**



**KEY PART NUMBER U/M DESCRIPTION**  
**LOCK ASSEMBLY USED UP TO 04-30-01**

129686-01-000	EA	CYLINDER - LOCK ASSEMBLY - COMPARTMENT/DRIVER DOOR
129686-02-000	EA	CYLINDER - LOCK ASSEMBLY - COMPARTMENT/DRIVER DOOR
129686-03-000	EA	CYLINDER - LOCK ASSEMBLY - COMPARTMENT/DRIVER DOOR

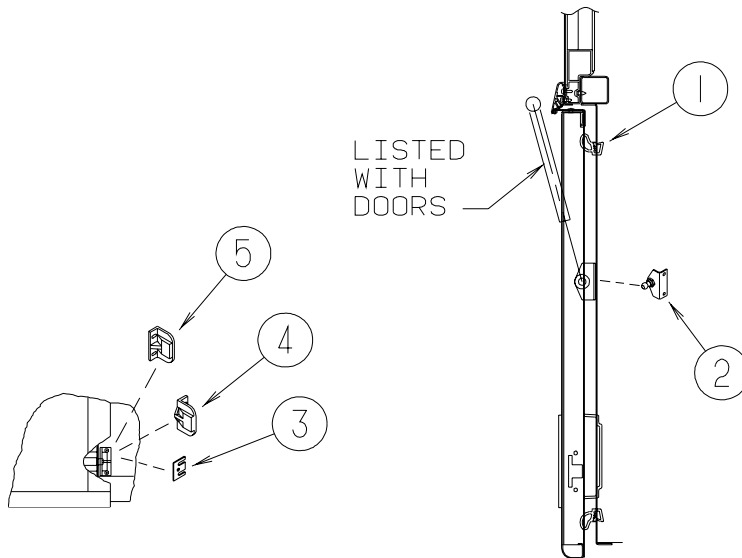
**EXTERIOR DOORS & COMPARTMENTS GROUP (CONTINUED)**  
**DOOR & COMPARTMENT LAYOUT (CONTINUED)**

KEY	PART NUMBER	U/M	DESCRIPTION
	129686-04-000	EA	CYLINDER - LOCK ASSEMBLY - COMPARTMENT/DRIVER DOOR
	129686-05-000	EA	CYLINDER - LOCK ASSEMBLY - COMPARTMENT/DRIVER DOOR
	129686-06-000	EA	CYLINDER - LOCK ASSEMBLY - COMPARTMENT/DRIVER DOOR
	129686-07-000	EA	CYLINDER - LOCK ASSEMBLY - COMPARTMENT/DRIVER DOOR
	129686-08-000	EA	CYLINDER - LOCK ASSEMBLY - COMPARTMENT/DRIVER DOOR
	129686-09-000	EA	CYLINDER - LOCK ASSEMBLY - COMPARTMENT/DRIVER DOOR
	129686-10-000	EA	CYLINDER - LOCK ASSEMBLY - COMPARTMENT/DRIVER DOOR

**LOCK ASSEMBLY USED AFTER 05-01-01**

138289-01-000	EA	CYLINDER - LOCKING
138289-02-000	EA	CYLINDER - LOCKING
138289-03-000	EA	CYLINDER - LOCKING
138289-04-000	EA	CYLINDER - LOCKING
138289-05-000	EA	CYLINDER - LOCKING
138289-06-000	EA	CYLINDER - LOCKING
138289-07-000	EA	CYLINDER - LOCKING
138289-08-000	EA	CYLINDER - LOCKING
138289-09-000	EA	CYLINDER - LOCKING
138289-10-000	EA	CYLINDER - LOCKING

**\*COMPONENT PARTS LISTED LATER IN THIS GROUP**

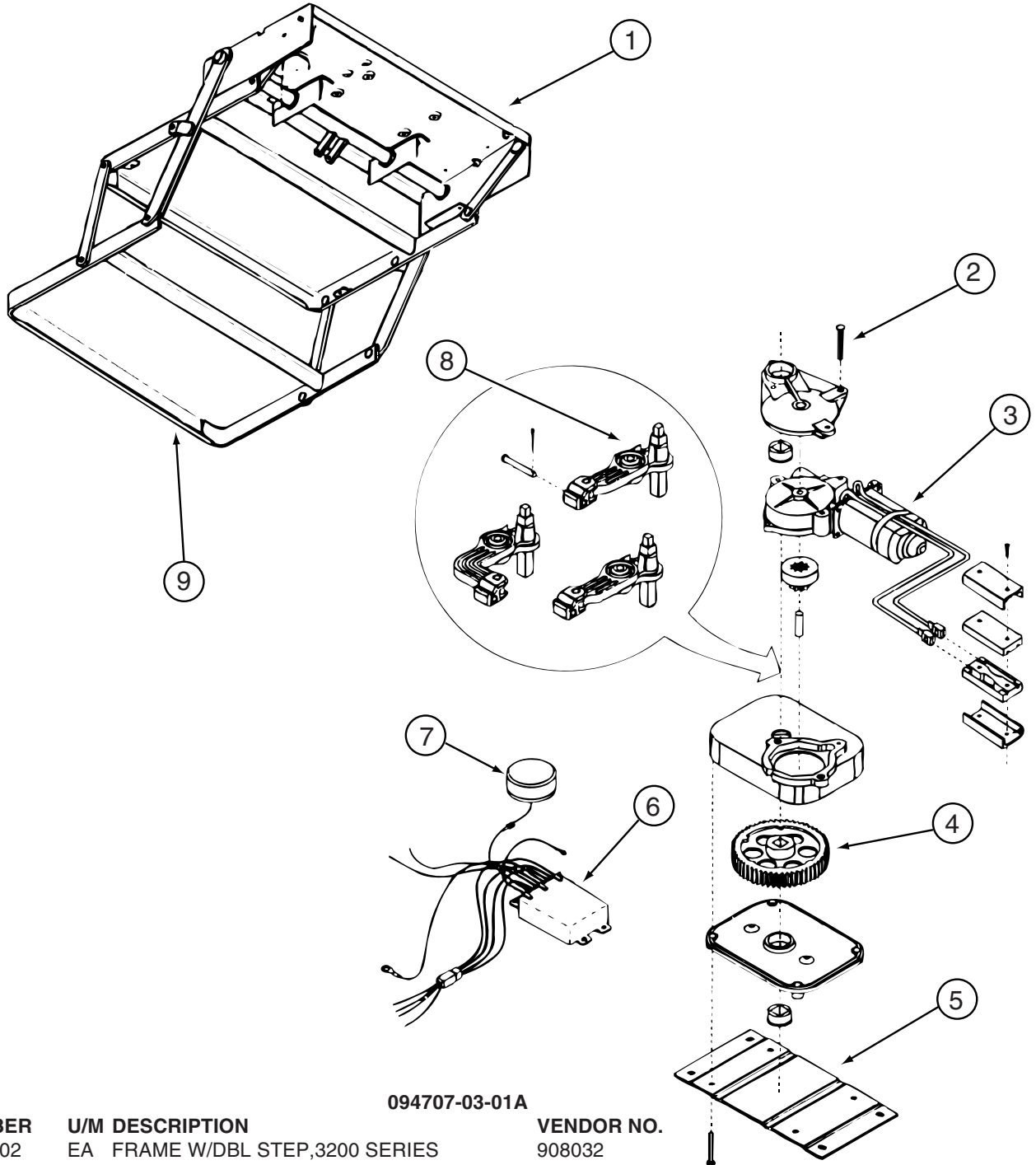


KEY	PART NUMBER	U/M	DESCRIPTION
1	132892-02-01A	FT	SEAL - BULB
2	126263-02-02B	EA	BRACKET - GAS SPRING W/BALL STUD - E-COATED
3	120494-03-02B	EA	SHIM - STRIKER - LUGGAGE DOOR - .20 - E-COATED
4	130053-02-01A	EA	STRIKER - LUGGAGE DOOR - OFF SET - BLACK
5	130053-01-01A	EA	STRIKER - LUGGAGE DOOR - FLUSH - BLACK

**EXTERIOR DOORS & COMPARTMENTS GROUP (CONTINUED)**  
**COMPONENT PARTS FOR DOOR & COMPARTMENT LAYOUT**

084103-08-000

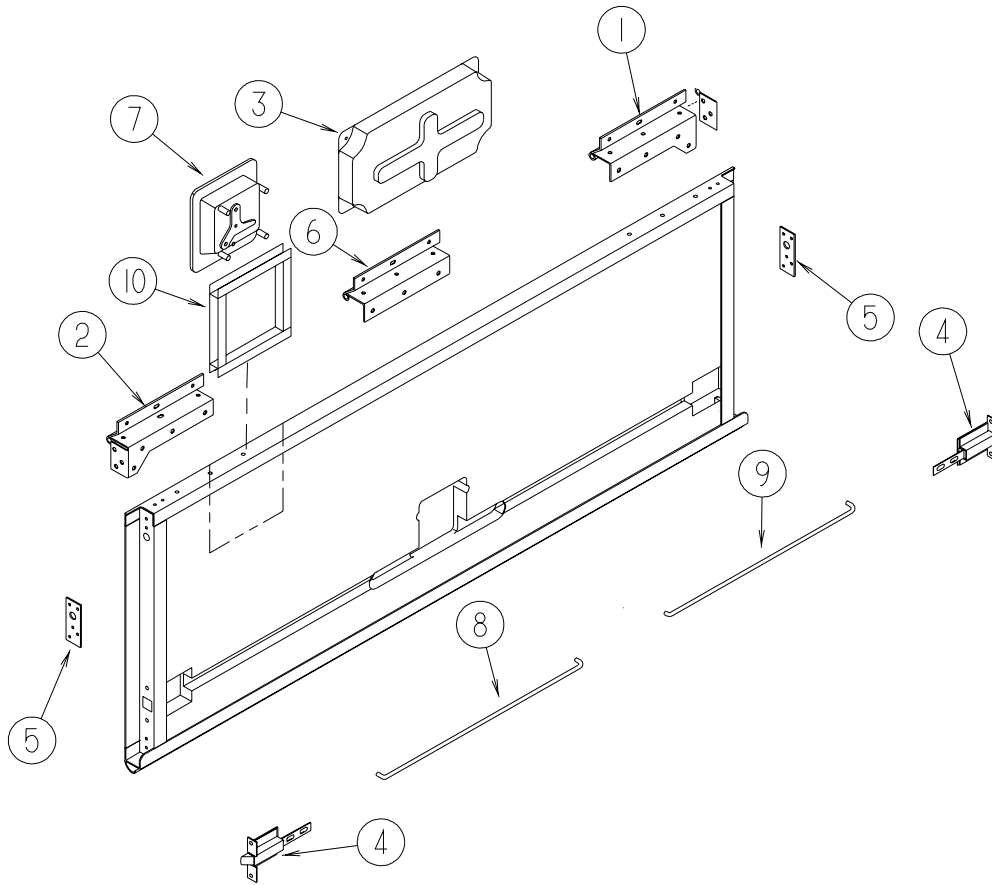
KEY	PART NUMBER	U/M	DESCRIPTION	VENDOR NO.
	084104-01-700	EA	LOCK-MALE, FASTENER	201-721-010
	084104-01-701	EA	LOCK-FEMALE, FASTENER	201-802-010



094707-03-01A

KEY	PART NUMBER	U/M	DESCRIPTION	VENDOR NO.
1	094707-01-702	EA	FRAME W/DBL STEP,3200 SERIES	908032
2	094707-02-703	EA	BEARING & PINS	909530
3	094707-02-700	EA	MOTOR - "UT" ASM W/BRGS/PIN	909520
4	094707-02-702	EA	GEAR KIT(GEAR-BEARING-PINS)	909525
5	094707-02-704	EA	CONNECTOR-MOTOR ASM.W/PLATES	909537
6	094707-03-700	EA	KIT CONTROL/SWITCH-RETROFIT	909506005
7	088733-01-700	EA	BULB	9004
7	088746-01-705	EA	LIGHT-UNDER STEP	9004
8	094707-02-701	EA	LINKAGE ASM. W/BEARINGS-PINS	909534
9	094707-02-707	EA	TREAD - NON-SKID - BLACK	909333
	094707-02-706	EA	GEAR BOX ASM. W/O MOTOR	9524
	094707-02-708	EA	TREAD - NON-SKID - YELLOW	909331
	094707-03-701	EA	PLUG - 4-WAY - PACKARD	909306

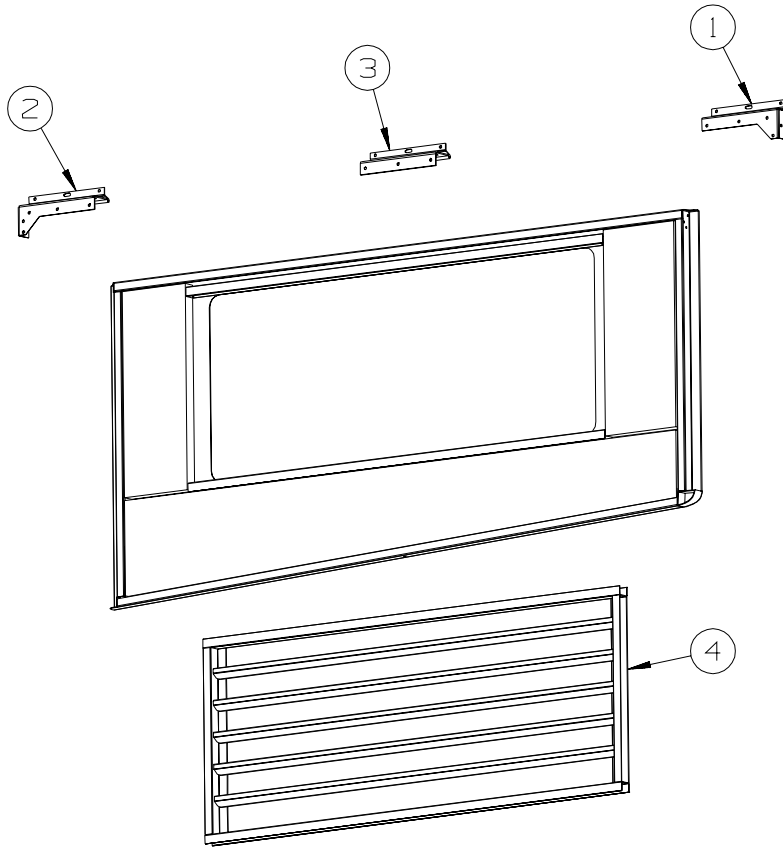
**EXTERIOR DOORS & COMPARTMENTS GROUP (CONTINUED)**  
**COMPARTMENT DOOR PIECE PARTS**



KEY	PART NUMBER	U/M	DESCRIPTION
1	131790-02-01A	EA	HINGE - SINGLE/PIVOT FROM: 00-00-00 THRU: 11-11-01
1	139793-02-01A	EA	HINGE - LEFT HAND/VALANCE DOOR - W/BALLSTUD FROM: 11-12-01 THRU: 99-99-99
1	139793-05-01A	EA	HINGE - LEFT HAND/VALANCE DOOR - W/O BALLSTUD FROM: 11-12-01 THRU: 99-99-99
2	131790-01-01A	EA	HINGE - SINGLE/PIVOT FROM: 00-00-00 THRU: 11-11-01
2	139793-01-01A	EA	HINGE - RIGHT HAND/VALANCE DOOR - W/BALLSTUD FROM: 11-12-01 THRU: 99-99-99
2	139793-04-01A	EA	HINGE - RIGHT HAND/VALANCE DOOR - W/O BALLSTUD FROM: 11-12-01 THRU: 99-99-99
3	137359-01-01A	EA	COVER - LATCH - WHITE
4	121947-01-01A	EA	BOLT - SLIDE W/PLASTIC PLUNGER
5	134033-01-04B	EA	PLATE - HINGE - BLACK
6	131790-03-01A	EA	HINGE - SINGLE/PIVOT FROM: 00-00-00 THRU: 11-11-01
6	139793-03-01A	EA	HINGE - CENTER/VALANCE DOOR - W/O BALLSTUD FROM: 11-12-011 THRU: 99-99-99
7	129675-01-01A	EA	LATCH - LOCKING PADDLE - BLACK FROM: 00-00-00 THRU: 04-30-01
7	138277-01-01A	EA	LATCH/PADDLE - COMPARTMENT DOOR - BLACK - KEY ONE FROM: 05-01-01 THRU: 99-99-99
7	112949-02-04A	EA	LATCH - PADDLE NON-LOCKING - BRIGHT WHITE
8	132873-02-000	EA	ROD - LATCH (BLANK) - LEFT HAND
9	132873-01-000	EA	ROD - LATCH (BLANK) - RIGHT HAND
10	133049-02-L76	EA	TRIM - COVER/WATER HEATER



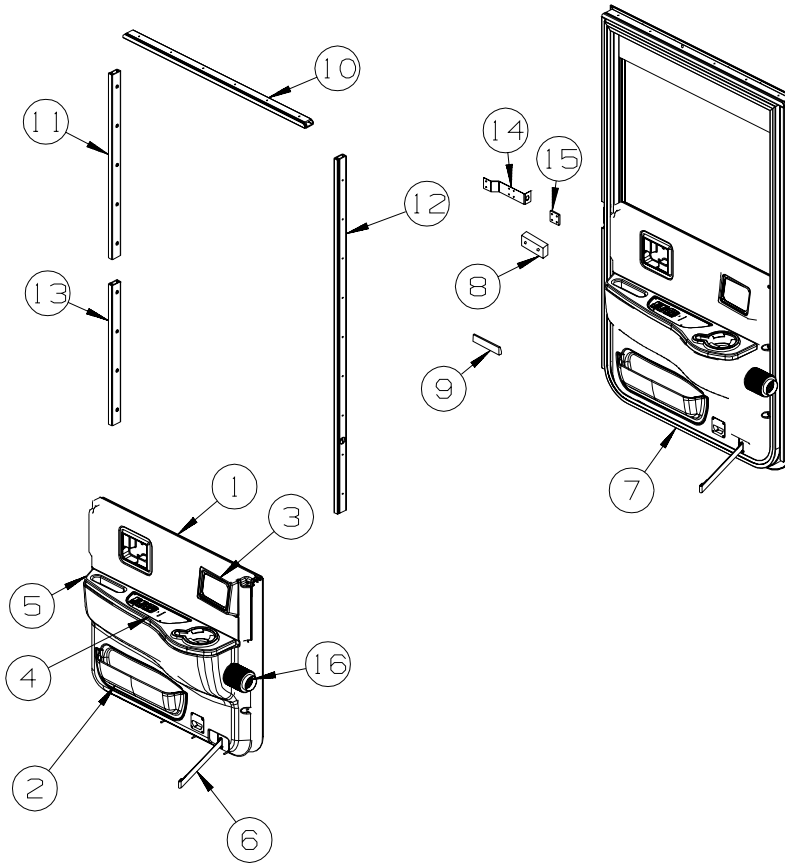
**EXTERIOR DOORS & COMPARTMENTS GROUP (CONTINUED)**  
**COMPARTMENT DOOR PIECE PARTS (CONTINUED)**



KEY	PART NUMBER	U/M	DESCRIPTION
1	131790-01-01A	EA	HINGE - SINGLE/PIVOT
2	131790-02-01A	EA	HINGE - SINGLE/PIVOT
3	131790-03-01A	EA	HINGE - SINGLE/PIVOT
4	113333-10-M42	EA	GRILL/DOOR - A/C

## EXTERIOR DOORS & COMPARTMENTS GROUP (CONTINUED)

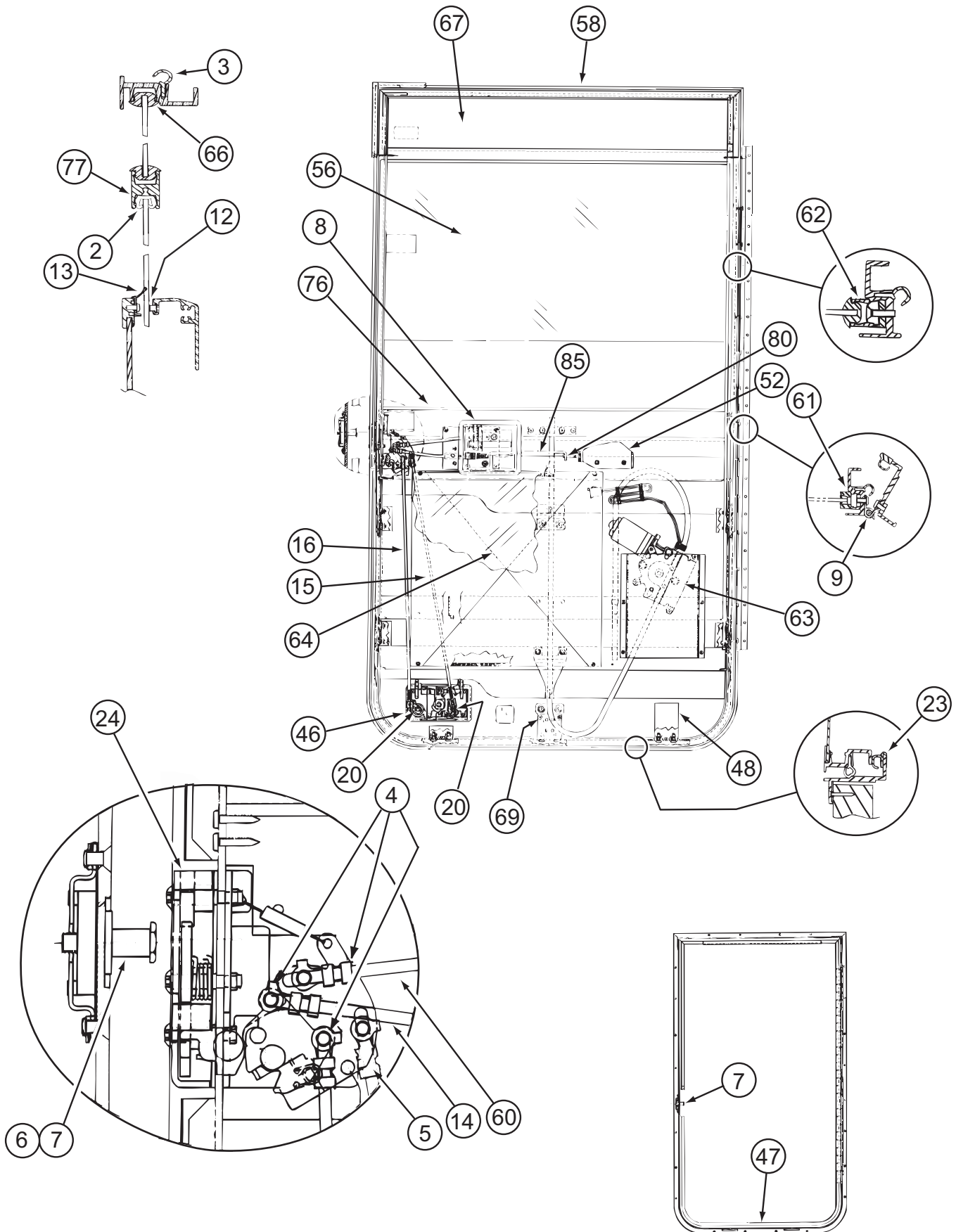
### DRIVERS



KEY	PART NUMBER	U/M	DESCRIPTION
1	139385-01-01A	EA	PANEL/DOOR - CAB/INNER/LEFT HAND - GLACIER
2	139405-01-01A	EA	POCKET/MAP - DOOR/DRIVER - GLACIER
3	139364-02-02B	EA	BACKIN - MONITOR - E-COAT
4	139497-01-04B	EA	PLATE - SWITCHES - DRIVER DOOR - BLACK
5	139512-01-01A	EA	PANEL/TRIM - PASSENGER DOOR - PUTTY
6	109378-01-000	EA	STRAP - CHECK - DRIVER DOOR - 12.8"
7*	125581-10-01A	EA	DOOR - DRIVER - POWER WINDOW/LOCK
8	128131-01-01A	EA	SPACER/SWITCH - DOME - BLACK
9	109235-01-05A	FT	COVER - SCREW - BRIGHT WHITE
10	125725-01-01A	EA	FRAME - DRIVER DOOR - 33.5" - BLACK
11	125725-03-01A	EA	FRAME - DRIVER DOOR - 27.8" - BLACK
12	125725-07-01A	EA	FRAME - DRIVER DOOR - 53.3" - BLACK
13	125725-08-01A	EA	FRAME - DRIVER DOOR - 21.4" - BLACK
14	126506-01-02B	EA	BRACKET - STRIKE - DRIVER DOOR - E-COATED
15	126534-01-02B	EA	SPACER - STRIKE - DRIVER DOOR - E-COATED
16	117802-01-000	EA	GROMMET - CONVOLUTED - 2"

\*COMPONENT PARTS LISTED LATER IN THIS GROUP

**EXTERIOR DOORS & COMPARTMENTS GROUP (CONTINUED)**  
**COMPONENT PARTS FOR DRIVERS**



125581-10-01A

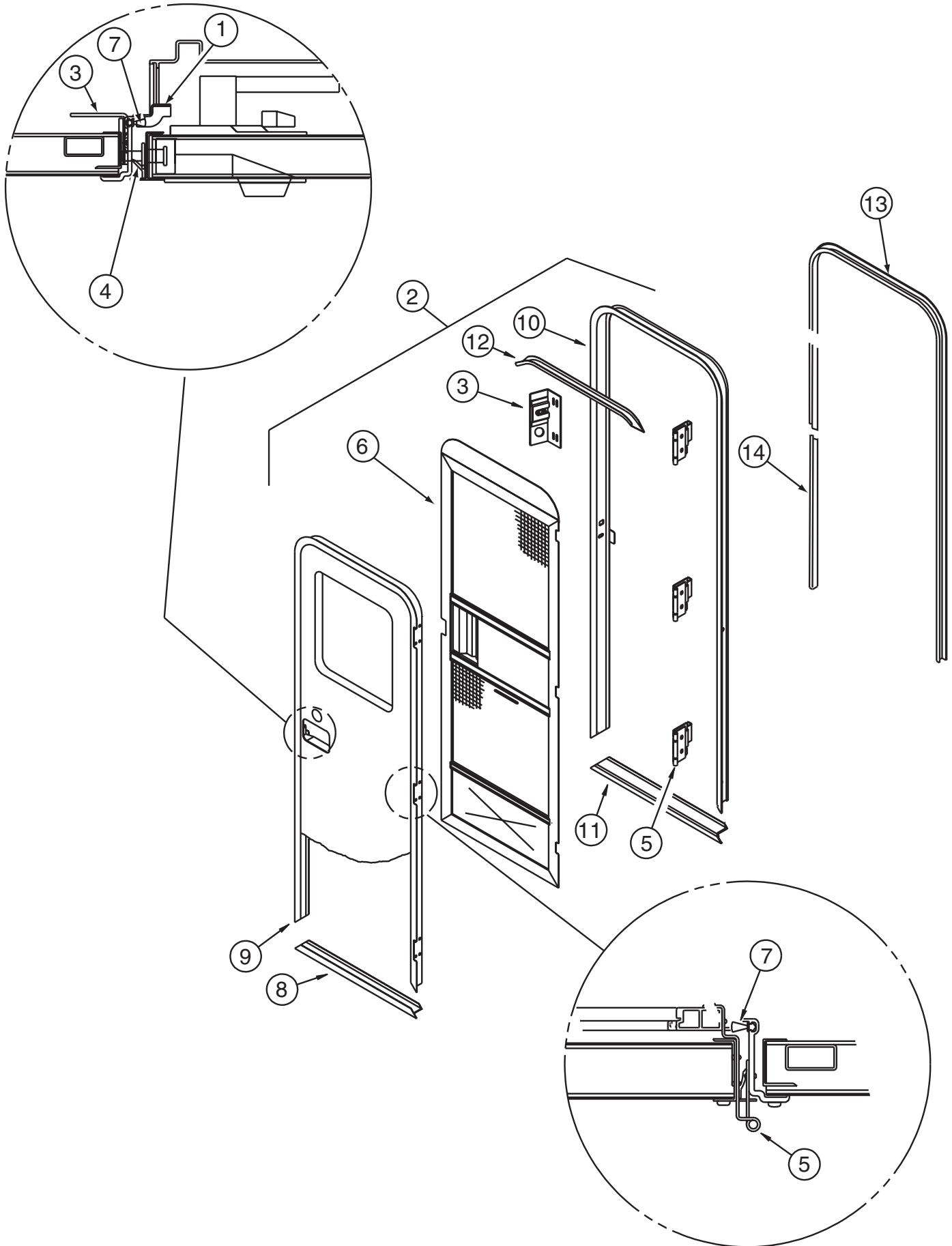
**EXTERIOR DOORS & COMPARTMENTS GROUP (CONTINUED)**  
**COMPONENT PARTS FOR DRIVERS (CONTINUED)**

**125581-10-01A (CONTINUED)**

<b>KEY</b>	<b>PART NUMBER</b>	<b>U/M</b>	<b>DESCRIPTION</b>	<b>VENDOR NO.</b>
2	106469-01-705	FT	CHANNEL-RUN, SLIDING	122-010850
3	106469-01-702	EA	SEAL-DOOR FRAME (DOOR)EA=1	122-040984
4	106469-04-714	EA	ROD-CLIP, RH	80801
5	106469-04-713	EA	ROD-CLIP, LH	80802
6	106469-04-704	EA	NUT ASSEMBLY-CAGED W/STRIKER	11920-16
7	106469-04-703	EA	BOLT-STRIKER, W/WASHER	10335-16
8	106469-04-712	EA	HANDLE/DOOR-INNER W/HARDWARE	11297-01
9	106469-05-702	EA	HINGE - 42"	211-041194
12	106469-01-709	FT	WEATHERSTRIP FUZZY	171-040630
13	125581-03-703	EA	WEATHERSTRIP - BELTING	132-041069
14	106469-04-711	EA	ROD-LOCK, HORIZONTAL	15508-01
15	125581-04-700	EA	ROD - LATCH/VERTICAL ADJUST.	203-041767
16	125581-04-701	EA	ROD - LOCK/VERTICAL ADJUST.	203-041768
20	128913-01-707	EA	NUT - HEX/NYLOCK - 1/4 - 20	233-062447
23	106469-01-723	EA	SEAL-BULB ASM. (DOOR JAMB)	171-040985
24	106469-05-706	EA	LATCH-ROTARY, W/LINKAGE	16512-01
46	125581-09-700	EA	PADDLE-W/O LOCK RH (REV KEY)	17191-02
46	125581-09-701	EA	LATCH/LOCK-DRVR DR (REV KEY)	PARTS DEPT
46	125581-09-702	EA	LATCH/LOCK-DRVR DR (REV KEY)	PARTS DEPT
46	125581-09-703	EA	LATCH/LOCK-DRVR DR (REV KEY)	PARTS DEPT
46	125581-09-704	EA	LATCH/LOCK-DRVR DR (REV KEY)	PARTS DEPT
46	125581-09-705	EA	LATCH/LOCK-DRVR DR (REV KEY)	PARTS DEPT
46	125581-09-706	EA	LATCH/LOCK-DRVR DR (REV KEY)	PARTS DEPT
46	125581-09-707	EA	LATCH/LOCK-DRVR DR (REV KEY)	PARTS DEPT
46	125581-09-708	EA	LATCH/LOCK-DRVR DR (REV KEY)	PARTS DEPT
46	125581-09-709	EA	LATCH/LOCK-DRVR DR (REV KEY)	PARTS DEPT
46	125581-09-710	EA	LATCH/LOCK-DRVR DR (REV KEY)	PARTS DEPT
47	125581-04-703	EA	FRAME - MOUNTING - BLACK	V180-35L
48	125581-07-703	EA	BRACKET-ALUMINUM "L"(INSIDE)	N135-55
56	125581-08-703	EA	GLASS-ROLL-UP	106-042081
58	125581-08-702	EA	FRAME/DOOR - SUB ASSY-BLACK	V220-98L
60	106469-04-705	EA	ROD-LATCH, HORIZONTAL	203-041139
61	125581-08-701	EA	GLASS-STATIONERY/4.95"X29.5"	106-042082
62	125581-08-700	EA	CHANNEL/VERT STA GLASS-BLACK	V220-61
63	125581-03-702	EA	REGULATOR-ELECTRIC-SPEC RH	410-040966
64	125581-06-700	EA	PANEL/INTERIOR	V164-97
66	125581-04-710	FT	VINYL - GLAZING	132-041484
67	125581-07-701	EA	GLASS-STATIONERY/4.95"X29.5"	106-042082
69	125581-04-711	EA	CHANNEL-GLASS - LIFT BRKT	N135-66
74	125581-07-704	EA	BRACKET - STRAP/JAMB & DOOR	248-080394
76	125581-03-701	EA	SILL - INNER - BLACK	V123-68L
77	125581-03-700	EA	MULLION RAIL- BLACK	V123-84
	125581-07-705	EA	BRACKET (L) F/SEAL PROTECT	490201
	125581-10-702	EA	LOCK(ACTUATOR) - ELECTRIC	410-041096
	125581-10-701	EA	CLIP - CABLE	130-042047
	125581-10-700	EA	ROD - LOCKING - POWER	203-041141

CONTACT WINNEBAGO PART SALES FOR UNLISTED COMPONENT

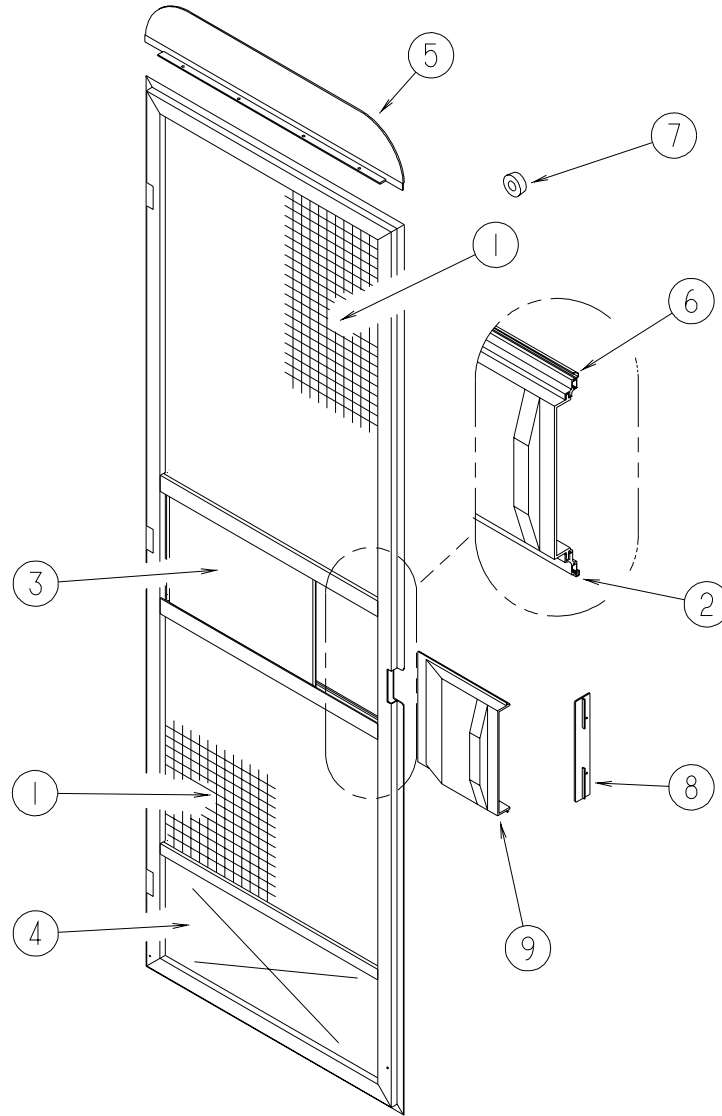
EXTERIOR DOORS & COMPARTMENTS GROUP (CONTINUED)  
ENTRY



**EXTERIOR DOORS & COMPARTMENTS GROUP (CONTINUED)**  
**ENTRY (CONTINUED)**

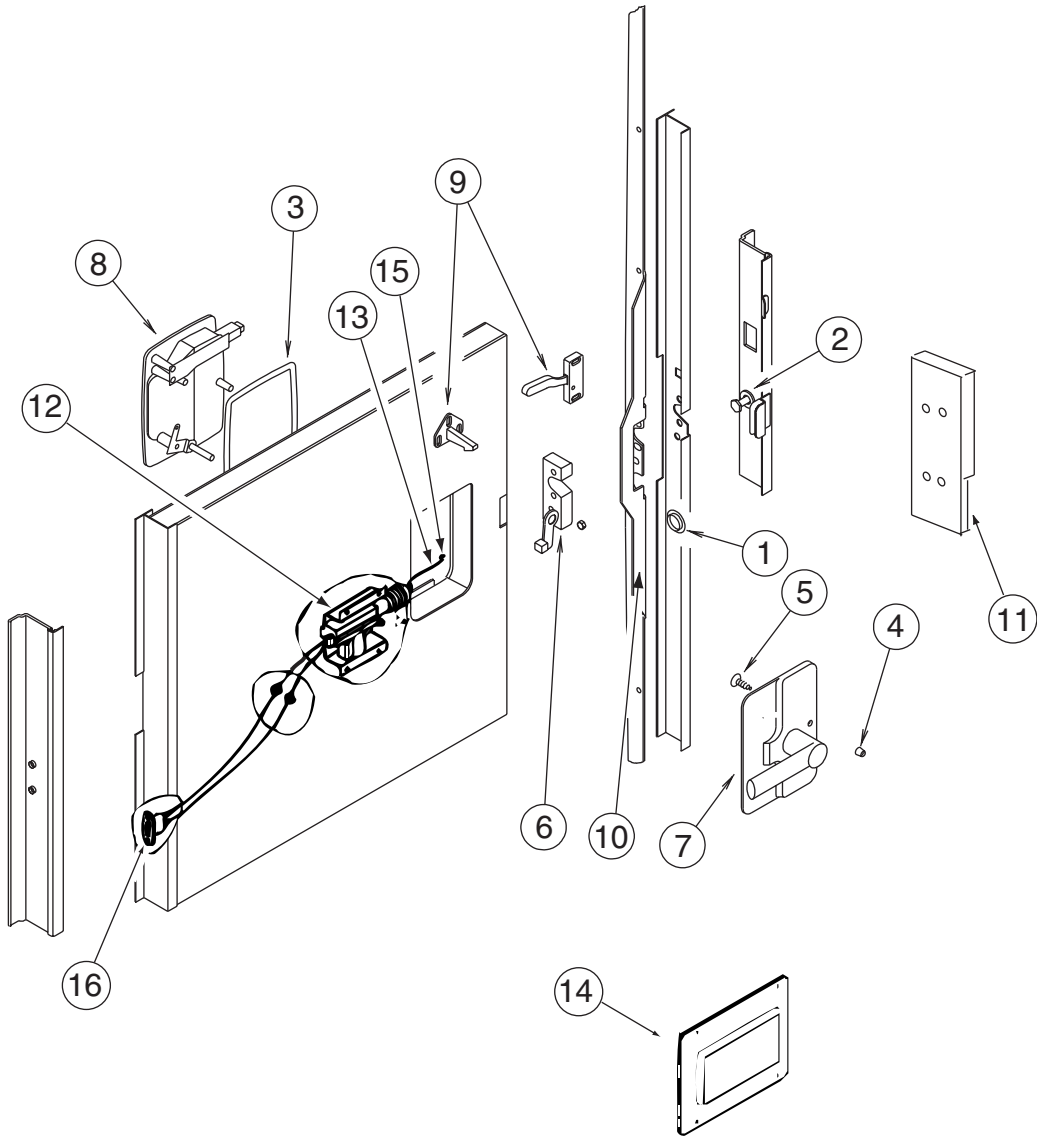
<b>KEY</b>	<b>PART NUMBER</b>	<b>U/M</b>	<b>DESCRIPTION</b>
1	132915-01-01A	EA	LATCH - SCREEN DOOR - BLACK
2	P32206-07-N52	EA	DOOR - ENTRY W/SCREEN DOOR - W/O WINDOW/LATCH (N52, N53, N54, N55)
2	P32206-07-N56	EA	DOOR - ENTRY W/SCREEN DOOR - W/O WINDOW/LATCH (N56, N57)
	039715-01-000	EA	NUT-SERT - 1/4" DIAMETER - 20 THREADS
3	137401-01-03B	EA	BRACKET - DOOR ANGLE - OFF WHITE
4	075671-04-000	FT	SEAL - SPONGE - LAZY T - W/ADHESIVE STRIP - .5" WIDE
5	106719-01-05A	EA	HINGE - ENTRY DOOR - BRIGHT WHITE
	106719-01-01A	EA	HINGE - ENTRY DOOR - MILL
	116111-02-01A	EA	SCREW - TAPTITE - 1/4-20 X 3/8 PPH - ZINC
6	132208-02-L32	EA	DOOR - SCREEN - W/O HARDWARE
7	118929-01-01A	FT	SEAL - PILE - PUSH ON
8	121893-03-02A	EA	FRAME - ENTRY DOOR/LOWER - BRIGHT WHITE
9	121894-22-01A	EA	FRAME - ENTRY DOOR
10	121898-17-01A	EA	JAMB - ENTRY DOOR - BRIGHT WHITE
11	051049-05-000	EA	JAMB/DOOR - LOWER - ENTRY DOOR
	075673-05-000	FT	SEAL - PILE - ADHESIVE BACK - BLACK
	038327-01-000	EA	TAPE - ANTI-SLIP - 2" X 60'
12	044582-50-000	EA	CAP - DRIP - JAMB MITERED - BRIGHT WHITE
13	139100-01-01A	EA	GARNISH/RADIUS - ENTRY DOOR - BRIGHT WHITE
14	139101-01-01A	EA	GARNISH/STRAIGHT - 36.31" - W/NOTCH - BRIGHT WHITE
	138287-01-000	EA	CYLINDER/LOCK - ENTRY DOOR (MASTER)
	138287-02-000	EA	CYLINDER/LOCK - ENTRY DOOR (MASTER)
	138287-03-000	EA	CYLINDER/LOCK - ENTRY DOOR (MASTER)
	138287-04-000	EA	CYLINDER/LOCK - ENTRY DOOR (MASTER)
	138287-05-000	EA	CYLINDER/LOCK - ENTRY DOOR (MASTER)
	138287-06-000	EA	CYLINDER/LOCK - ENTRY DOOR (MASTER)
	138287-07-000	EA	CYLINDER/LOCK - ENTRY DOOR (MASTER)
	138287-08-000	EA	CYLINDER/LOCK - ENTRY DOOR (MASTER)
	138287-09-000	EA	CYLINDER/LOCK - ENTRY DOOR (MASTER)
	138287-10-000	EA	CYLINDER/LOCK - ENTRY DOOR (MASTER)
	138288-01-000	EA	KEY - REVERSIBLE - #1151 - T/M 16169-02-3091
	138288-02-000	EA	KEY - REVERSIBLE - #1152 - T/M 16169-02-3092
	138288-03-000	EA	KEY - REVERSIBLE - #1153 - T/M 16169-02-3093
	138288-04-000	EA	KEY - REVERSIBLE - #1154 - T/M 16169-02-3094
	138288-05-000	EA	KEY - REVERSIBLE - #1155 - T/M 16169-02-3095
	138288-06-000	EA	KEY - REVERSIBLE - #1156 - T/M 16169-02-3096
	138288-07-000	EA	KEY - REVERSIBLE - #1157 - T/M 16169-02-3097
	138288-08-000	EA	KEY - REVERSIBLE - #1158 - T/M 16169-02-3098
	138288-09-000	EA	KEY - REVERSIBLE - #1159 - T/M 16169-02-3099
	138288-10-000	EA	KEY - REVERSIBLE - #1150 - T/M 16169-02-3100
	138292-01-000	EA	SEAL - LOCK CYLINDER

**EXTERIOR DOORS & COMPARTMENTS GROUP (CONTINUED)**  
**SCREEN**



KEY	PART NUMBER	U/M	DESCRIPTION
	132208-02-L32	EA	DOOR - SCREEN - W/O HARDWARE
1	002293-02-000	SF	SCREEN - 26" - CHARCOAL
2	002294-01-000	FT	SPLINE - SCREENING - .13" X .14"
3	016454-18-000	EA	INSERT - SCREEN DOOR - CENTER
4	078552-09-000	EA	INSERT - SCREEN DOOR - LOWER
5	078595-03-000	EA	PLATE - SCREEN DOOR
6	078777-08-000	FT	CHANNEL - SLIDER
7	120863-06-000	EA	BUMPER - RUBBER/RADIUS TOP - 3/4" X 3/8"
8	132081-01-01A	EA	STRIKE - SLIDER - SCREEN DOOR - BRIGHT WHITE
9	132082-01-01A	EA	SLIDER - SCREEN DOOR - BRIGHT WHITE

**EXTERIOR DOORS & COMPARTMENTS GROUP (CONTINUED)**  
**LATCH - ENTRY**

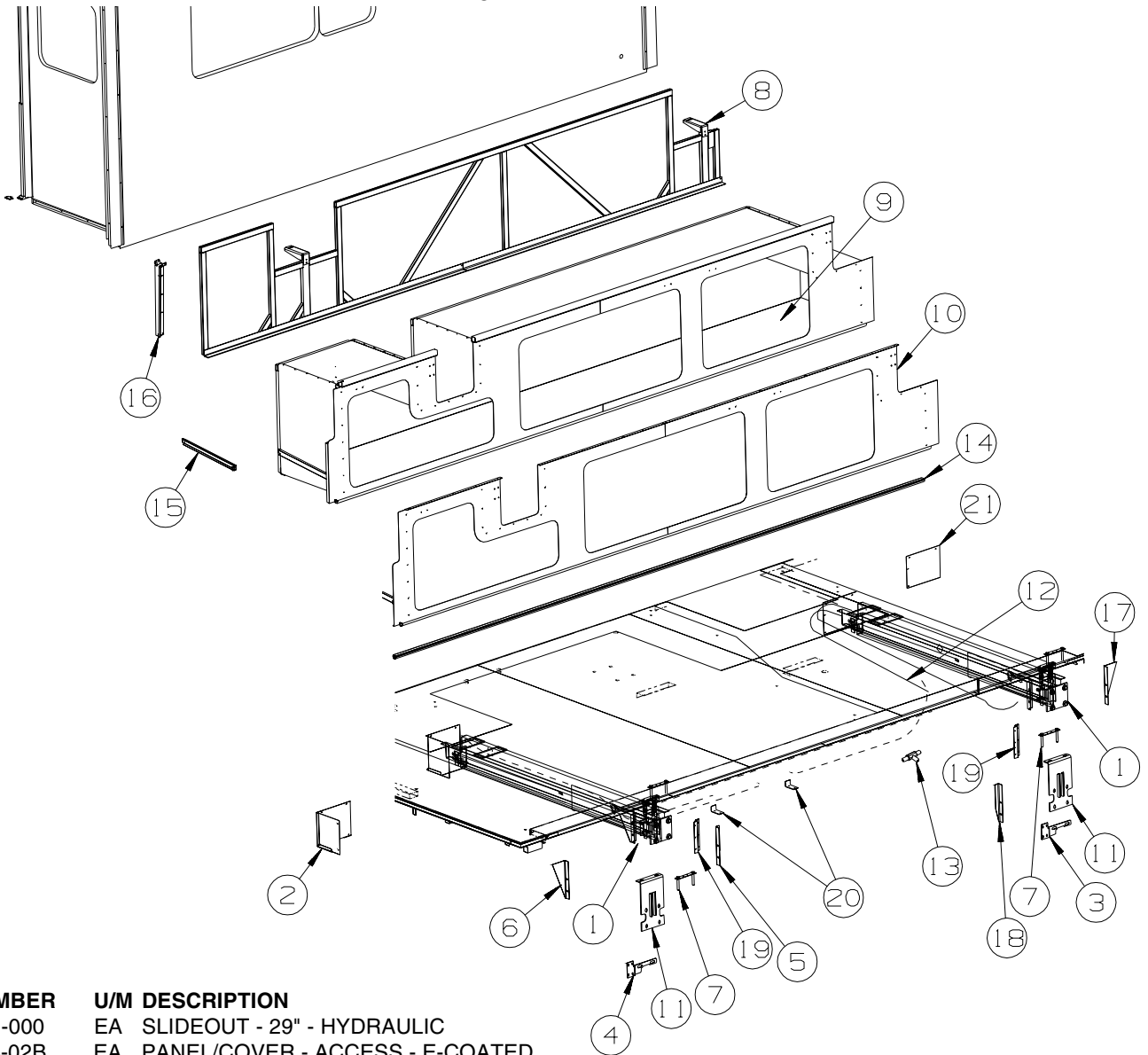


KEY	PART NUMBER	U/M	DESCRIPTION
1	061420-14-000	EA	PLUG/PLASTIC - .034" DIAMETER
2	092927-14-000	EA	STRIKER - ROUND - JAMB MOUNTED
3	112782-04-01A	EA	GASKET
4	112782-05-01A	EA	CAP - VINYL - RED
5	112782-08-01A	EA	SCREW - MOUNTING/PLATE - ZINC
6	112782-15-01A	EA	LATCH - SINGLE ROTOR
7	112782-16-01A	EA	LATCH - INTERIOR PLATE
8	112782-18-01A	EA	LATCH - EXTERIOR - W/O LOCK CYLINDER W/ICON-REVERSIBLE KEY
9	132915-01-01A	EA	LATCH - SCREEN DOOR - BLACK
10	132207-01-02B	EA	STIFFENER/DOOR - FORMED - E-COATED
	072893-04-000	EA	NUTSERT - 10-32
11	139102-01-01A	EA	COVER - BRACKET - STRIKE - BRIGHT WHITE
12	113650-02-02B	EA	BRACKET - ACTUATOR - ELECTRIC - E-COATED
	138898-01-000	EA	ACTUATOR/LOCK - ELECTRIC
13	113651-01-01A	EA	ROD - CONTROL - MOTOR/LOCK
14	113960-01-01A	EA	COVER - ACTUATOR - POWER LOCK
15	114209-01-01A	EA	PUSHNUT - CAP - 1/8" - WHITE
16	138897-01-000	EA	CONTACT/PIN - 2 POSITION/KIT



# EXTERIOR SLIDEOUT GROUP

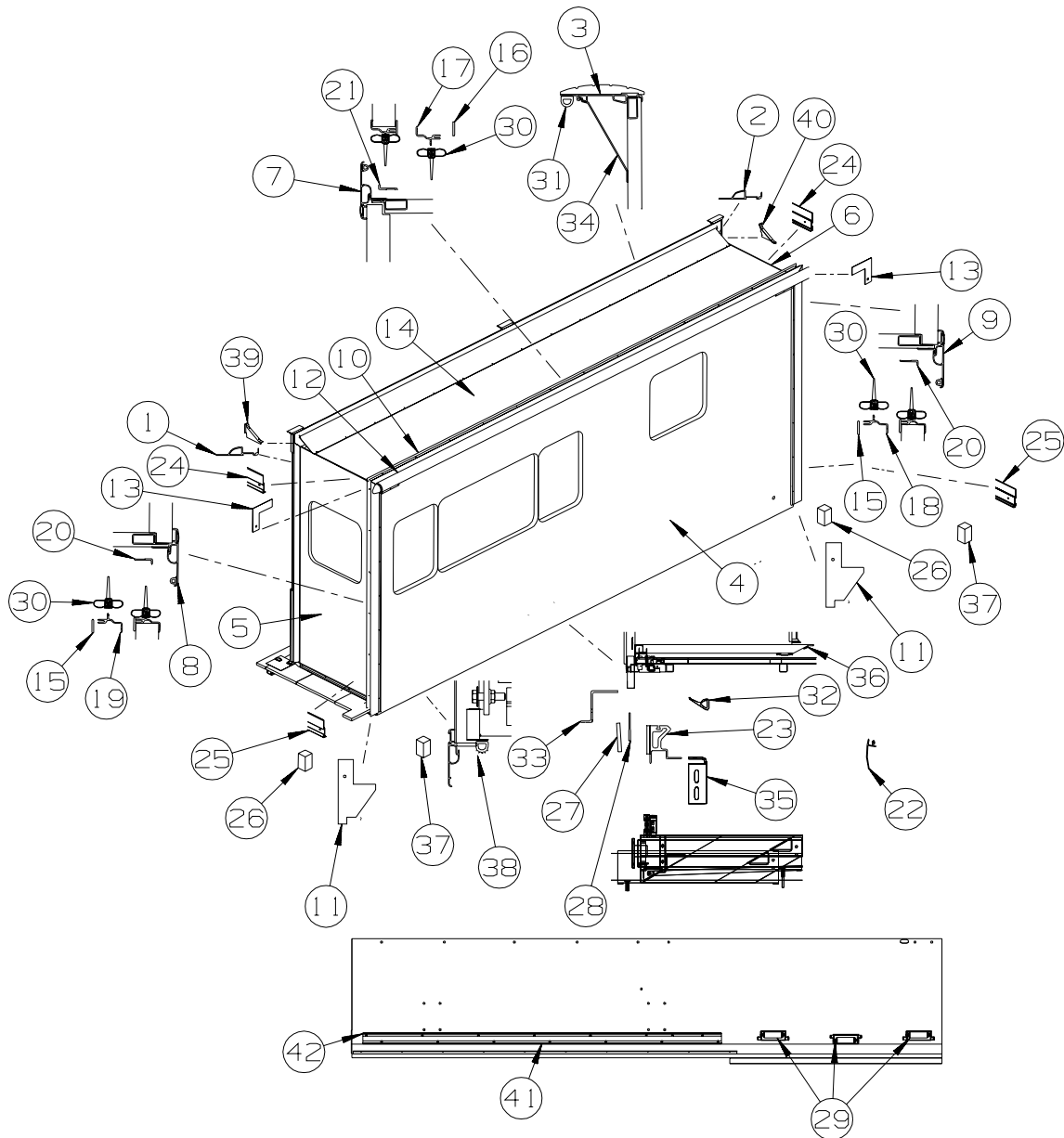
## FRONT LEFT



KEY	PART NUMBER	U/M	DESCRIPTION
1*	131360-01-000	EA	SLIDEOUT - 29" - HYDRAULIC
2	136749-03-02B	EA	PANEL/COVER - ACCESS - E-COATED
3	131528-02-02B	EA	BRACKET - F/SLIDEOUT COMPARTMENT - E-COATED
4	131528-01-02B	EA	BRACKET - F/SLIDEOUT COMPARTMENT - E-COATED
4	131528-02-02B	EA	BRACKET - F/SLIDEOUT COMPARTMENT - E-COATED FROM: 00-00-00 THRU: 11-11-01 FROM: 11-12-01 THRU: 99-99-99
5	131531-07-02B	EA	GUSSET - SLIDEOUT - E-COATED
6	131531-02-02B	EA	GUSSET - SLIDEOUT - E-COATED
7	136995-05-02B	EA	PLATE - E-COATED
8	138813-01-02B	EA	SUPPORT - F/SLIDEOUT - E-COATED
9	138824-01-N52	EA	COMPARTMENT - F/SLIDEOUT
10	138826-01-02B	EA	SEAL PLANE - F/SLIDEOUT - E-COATED
11	131529-01-02B	EA	BRACKET - MOUNTING - F/SLIDEOUT COMPARTMENT - C-COATED
12*	100536-42-000	EA	HOSE KIT - PUMP TO SLIDE-OUT VALVE
13	123264-01-000	EA	TEE - UNION - 1/4" X 1/4" X 1/4"
14	126516-01-01A	FT	TRIM - VINYL/EXTRUDED - 8'
15	135788-05-02B	EA	SUPPORT - VALANCE - E-COATED
16	126591-02-02B	EA	CARRIER - WIRE LOOM - F/SLIDEOUT ROOM FROM: 00-00-00 THRU: 12-10-01
17	131531-01-02B	EA	GUSSET - SLIDEOUT - E-COATED
18	131531-04-02B	EA	GUSSET - SLIDEOUT - E-COATED
19	116104-06-02B	EA	BRACKET - ZEE W/HOLES - 7.9" - E-COATED
20	122922-02-02B	EA	BRACKET/CYLINDER SUPPORT - E-COATED
21	139920-01-02B	EA	PANEL/END - COMPARTMENT - E-COAT

\*COMPONENT PARTS LISTED LATER IN THIS GROUP

**EXTERIOR SLIDEOUT GROUP (CONTINUED)**  
**FRONT LEFT (CONTINUED)**

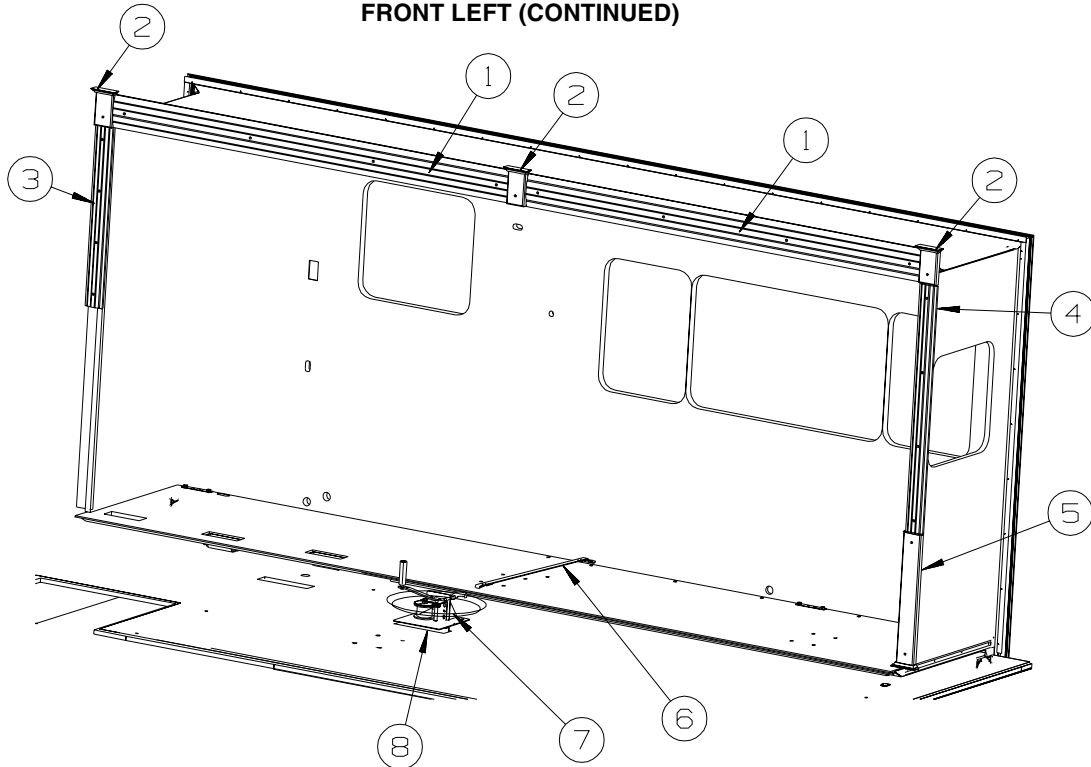


KEY	PART NUMBER	U/M	DESCRIPTION
1	117004-12-01A	EA	TRIM - SEAL/INNER/RIGHT - W/MITERED END-71.3"-BRIGHT WHITE FROM: 00-00-00 THRU: 03-23-02
1	139624-18-01A	EA	TRIM/SEAL - INNER/RIGHT HAND - 71.3" - BRIGHT WHITE FROM: 03-24-02 THRU: 99-99-99
2	117004-13-01A	EA	TRIM - SEAL/INNER/LEFT - W/MITERED END-71.3"-BRIGHT WHITE FROM: 00-00-00 THRU: 03-23-02
2	139624-19-01A	EA	TRIM/SEAL - INNER/LEFT HAND - 71.3" - BRIGHT WHITE FROM: 03-24-02 THRU: 99-99-99
3	131578-03-01A	EA	TRIM/SEAL - SLIDEOUT - 170" - BRIGHT WHITE FROM: 00-00-00 THRU: 03-24-02
3	141893-03-01A	EA	TRIM/SEAL - F/SLIDEOUT - BRIGHT HWITE FROM: 03-25-02 THRU: 99-99-99
4	138537-11-N52	EA	SLUG - SLIDEOUT (N52, N53, N54, N55)
4	138537-11-N56	EA	SLUG - SLIDEOUT (N56, N57)
5	136037-01-M84	EA	PANEL/SLIDEOUT - FRONT (N52, N53, N54, N55) FROM: 00-00-00 THRU: 01-01-02
5	136037-01-M70	EA	PANEL/SLIDEOUT - FRONT (N56, N57) FROM: 00-00-00 THRU: 01-01-02
5	141972-01-N71	EA	PANEL - SLIDEOUT/FRONT - W/O WINDOWS/TRIMS (N52, N53, N54, N55) FROM: 01-02-02 THRU: 99-99-99
5	141972-01-N70	EA	PANEL - SLIDEOUT/FRONT - W/O WINDOWS/TRIMS (N56, N57) FROM: 01-02-02 THRU: 99-99-99

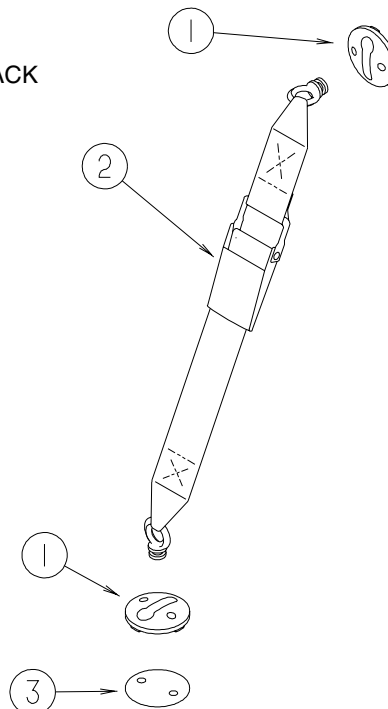
**EXTERIOR SLIDEOUT GROUP (CONTINUED)**  
**FRONT LEFT (CONTINUED)**

KEY	PART NUMBER	U/M	DESCRIPTION
6	138881-01-N52	EA	PANEL - SLIDEOUT - REAR (N52, N53, N54, N55) FROM: 00-00-00 THRU: 01-01-02
6	138881-01-N56	EA	PANEL - SLIDEOUT - REAR (N56, N57) FROM: 00-00-00 THRU: 01-01-02
6	141973-03-N52	EA	PANEL - SLIDEOUT/REAR - W/O WINDOWS/TRIMS (N52, N53, N54, N55) FROM: 01-02-02 THRU: 99-99-99
6	141973-03-N56	EA	PANEL - SLIDEOUT/REAR - W/O WINDOWS/TRIMS (N56, N57) FROM: 01-02-02 THRU: 99-99-99
7	133955-17-01A	EA	TRIM/SEAL - W/MITERED ENDS - 171.7" - BRIGHT WHITE
	105312-01-07A	FT	INSERT - FEATURE STRIP - VINYL - BRIGHT WHITE
8	133955-02-01A	EA	TRIM/SEAL - W/MITERED ENDS - 76.1" - BRIGHT WHITE
	105312-01-07A	FT	INSERT - FEATURE STRIP - VINYL - BRIGHT WHITE
9	133955-03-01A	EA	TRIM/SEAL - W/MITERED ENDS - 76.1" - BRIGHT WHITE
	105312-01-07A	FT	INSERT - FEATURE STRIP - VINYL - BRIGHT WHITE
10	117058-01-01A	FT	TAPE - LOOP - 3/4" WIDE - ADHESIVE BACKED
11	126546-02-02A	EA	COVER - END/SIDEWALL SLIDEOUT - BRIGHT WHITE
12	122977-15-03A	EA	AWNING/SLIDEOUT W/COVER - 172" - WHITE - VINYL/METAL WRAP FROM: 00-00-00 THRU: 08-02-01
12	122977-09-03A	EA	AWNING/SLIDEOUT W/COVER - 172" - WHITE - VINYL/VINYL WRAP FROM: 08-03-01 THRU: 99-99-99
13	116444-04-12B	EA	TRIM/KEY CORNER - SLIDEOUT - 3.1"X3.1" - BRT WHT
14	138723-01-N52	EA	ROOF - F/SLIDEOUT - W/O LIGHTS/VENTS
15	115886-02-03A	EA	RETAINER - SIDEWALL - BRIGHT WHITE - 73.5"
16	115886-09-01A	EA	RETAINER - SIDEWALL - BRIGHT WHITE - 170.9"
17	115863-21-01A	EA	TRIM - SIDEWALL/SLIDEOUT - TOP - 171.2" - BRIGHT WHITE
18	115863-17-01A	EA	TRIM - SIDEWALL/SLIDEOUT - LEFT HAND - 76.1" - BRT WHT
19	115863-18-01A	EA	TRIM - SIDEWALL/SLIDEOUT - RIGHT HAND - 76.1" - BRT WHT
20	133954-16-01A	EA	TRIM/SEAL - W/MITERED ENDS - 71.2" - BRIGHT WHITE
21	133954-15-01A	EA	TRIM/SEAL - W/MITERED ENDS - 166.5" - BRIGHT WHITE
22	139850-01-01A	EA	EXTRUDED VINYL - F/SLIDEOUT FLOOR
23	131659-05-N52	EA	TUBE/SUPPORT - SLIDEOUT - 170"
24	108688-01-03A	EA	STRIP - FEATURE - W/O INSERT/END CAPS - 15' - BRIGHT WHITE FROM: 00-00-00 THRU: 03-28-02
24	138659-01-01A	EA	TRIM/FEATURE STRIP - 181.7" - BRIGHT WHITE FROM: 03-25-02 THRU: 99-99-99
	105312-01-07A	FT	INSERT - FEATURE STRIP - VINYL - BRIGHT WHITE
25	125051-03-01A	EA	STRIP - FEATURE - LOWER - 29.2" - BRIGHT WHITE
	105312-01-07A	FT	INSERT - FEATURE STRIP - VINYL - BRIGHT WHITE
	075673-05-000	FT	SEAL - PILE - ADHESIVE BACK - BLACK
26	137408-02-000	EA	SEAL - BLOCK - F/SLIDEOUT - 1.4"
27	137343-03-02B	EA	STRAP - W/HOLES - E-COATED
28	123012-02-000	FT	SEAL - SLIDEOUT - .09"/.13" THICK X 1.25" - W/ADHESIVE
29	127033-02-01A	EA	ROLLER - GUIDE
30	115076-01-000	FT	SEAL - SLIDEOUT
31	112091-01-000	FT	SEAL/D - NEOPRENE - HEAT ACTIVE ADHESIVE - .9"
32	131611-01-000	FT	SEAL - SLIDEOUT/LOWER
33	131520-09-01A	EA	EXTRUSION/ZEE - F/SLIDEOUT - 165.6"
34	131579-03-01A	EA	TRIM - RETAINER - BRIGHT WHITE
35	133233-01-02B	EA	BRACKET - SLIDEOUT - E-COATED
36	131358-04-01A	EA	RETAINER - U-CHANNEL - 107.7" - BLACK
37	137408-01-000	EA	SEAL - BLOCK - F/SLIDEOUT - 2.2"
38	107721-08-000	FT	SEAL - ACCESS DOOR - .9" WIDE X .9" HIGH
39	131584-01-01A	EA	COVER - TRIM - SLIDEOUT - FRONT - BRIGHT WHITE
40	131584-02-01A	EA	COVER - TRIM - SLIDEOUT - REAR - BRIGHT WHITE
41	115325-01-02A	EA	RAIL - FLOOR/SLIDEOUT ROOM - BLACK FROM: 00-00-00 THRU: 08-02-01
41	115325-15-01A	EA	RAIL-FLR,SLDOUT,BLK,2560MM FROM: 08-03-01 THRU: 99-99-99
42	115661-01-000	FT	SHOE/GLIDE - SLIDEOUT ROOM - 1/16" X 3" - POLYETHYLENE

**EXTERIOR SLIDEOUT GROUP (CONTINUED)**  
**FRONT LEFT (CONTINUED)**



KEY	PART NUMBER	U/M	DESCRIPTION
1	P39129-05-N52	EA	MOLDING - FLUTED/CURVED - 80.4" - CHERRY IV - SALEM CHERRY
1	P39129-05-N53	EA	MOLDING - FLUTED/CURVED - 80.4" - PORTSMOUTH OAK
2	141303-01-N52	EA	MOLDING - CROWN/BLOCK - SALEM CHERRY
2	141303-01-N53	EA	MOLDING - CROWN/BLOCK - PORTSMOUTH OAK
3	P39129-06-N52	EA	MOLDING - FLUTED/CURVED - 32.3" - CHERRY IV - SALEM CHERRY
3	P39129-06-N53	EA	MOLDING - FLUTED/CURVED - 32.3" - PORTSMOUTH OAK
4	P39129-01-N52	EA	MOLDING - FLUTED/CURVED - 44.7" - CHERRY IV - SALEM CHERRY
4	P39129-01-N53	EA	MOLDING - FLUTED/CURVED - 44.7" - PORTSMOUTH OAK
5	141303-02-N52	EA	MOLDING - CROWN/BLOCK - SALEM CHERRY
5	141303-02-N53	EA	MOLDING - CROWN/BLOCK - PORTSMOUTH OAK
6	116101-02-F31	EA	STRAP - WINCH - 34" CENTER BRACKET/STRAP END
7	115767-02-000	EA	WINCH - SLIDEOUT W/10' STRAP
8	116082-03-02B	EA	BRACKET - WINCH
	069726-02-000	EA	BUMPER - .88" OD X .40" THICK - BLACK



KEY	PART NUMBER	U/M	DESCRIPTION
1	135619-02-01A	EA	PLATE - TIEDOWN - SLIDEOUT ROOM
2	135619-01-01A	EA	STRAP - TIEDOWN - SLIDEOUT ROOM
3	135622-01-01B	EA	PLATE - TIEDOWN - SLIDEOUT ROOM

**EXTERIOR SLIDEOUT GROUP (CONTINUED)**  
**COMPONENT PARTS FOR FRONT LEFT SLIDEOUT**

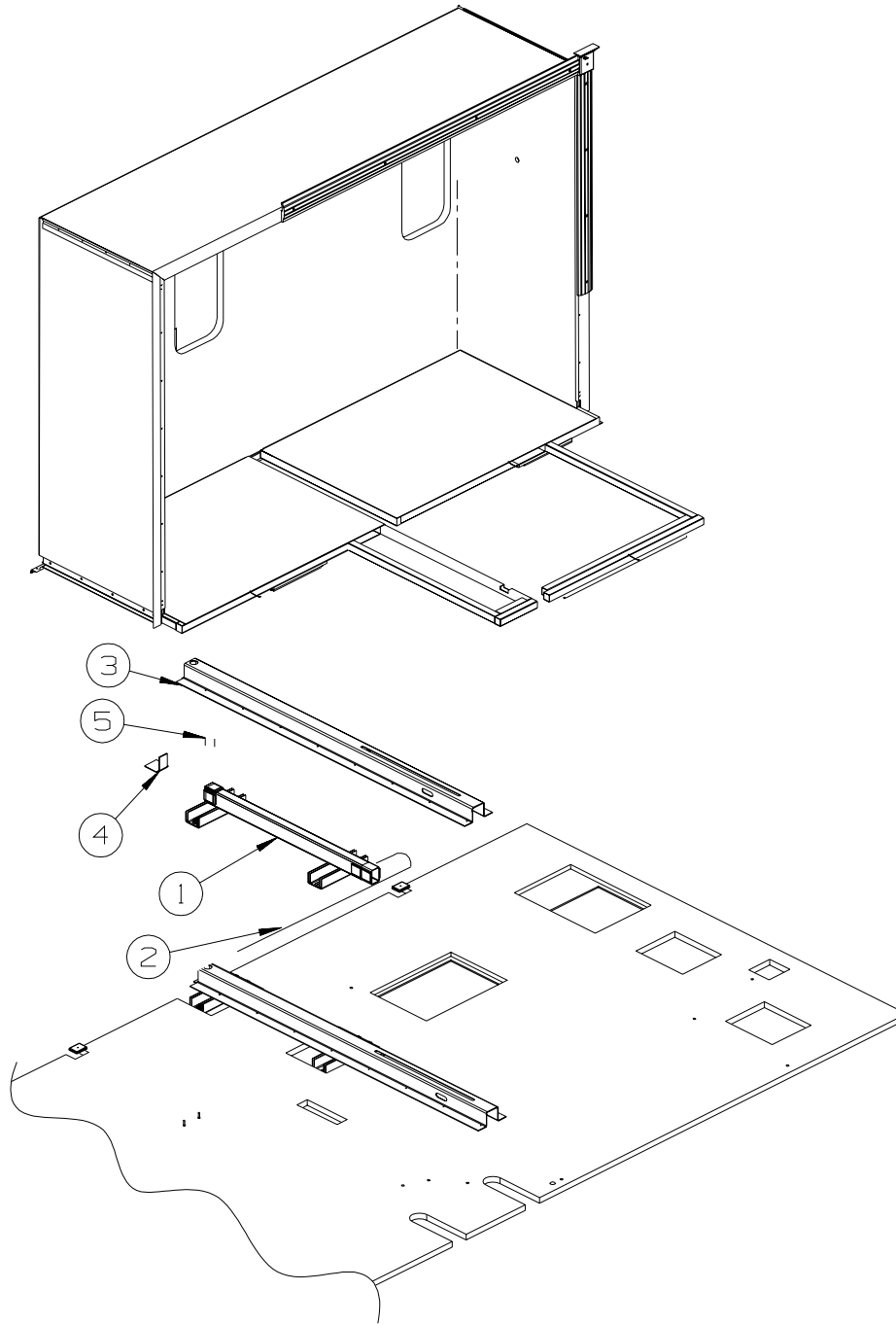
**100536-42-000**

<b>KEY</b>	<b>PART NUMBER</b>	<b>U/M</b>	<b>DESCRIPTION</b>	<b>VENDOR NO.</b>
	100536-42-700	EA	HOSE - HYDRAULIC - 168"	RAP6115
	100536-42-701	EA	HOSE - HYDRAULIC - 175"	RAP90350

**131360-01-000**

<b>KEY</b>	<b>PART NUMBER</b>	<b>U/M</b>	<b>DESCRIPTION</b>	<b>VENDOR NO.</b>
	100536-10-701	EA	HOSE-HYDRAULIC-1/4" X 116"	RAP90349/AP5384
	128599-06-703	EA	BEARING KIT - SLIDE-OUT TUBE	RAP90698
	128599-06-704	EA	BEARING PAD - SLIDE-OUT	P14811
	131360-01-700	EA	CYLINDER - HYDRAULIC (RAM)	RAP90696/AP19256
	131360-01-701	EA	HOSE-HYDRAULIC-1/4" X 125"	AP4906
	131360-01-702	EA	HOSE-HYDRAULIC-3/16" X 172"	AP18996
	131360-01-703	EA	HOSE-HYDRAULIC-3/16" X 42"	AP20533
	131360-01-704	EA	STUD/COMPT MOUNT-3 3/8" LONG	P19715
	131360-01-705	EA	STUD/COMPT MOUNT-4 5/8" LONG	P19716
	131360-01-706	EA	HOSE-HYDRAULIC - 1/8" X 42"	AP24631
	131360-01-707	EA	BOLT/ADJUSTMENT ROOM - 3/4"	P18667
	132540-01-701	EA	CYLINDER - SYNCRONIZING	RAP90690/AP17966

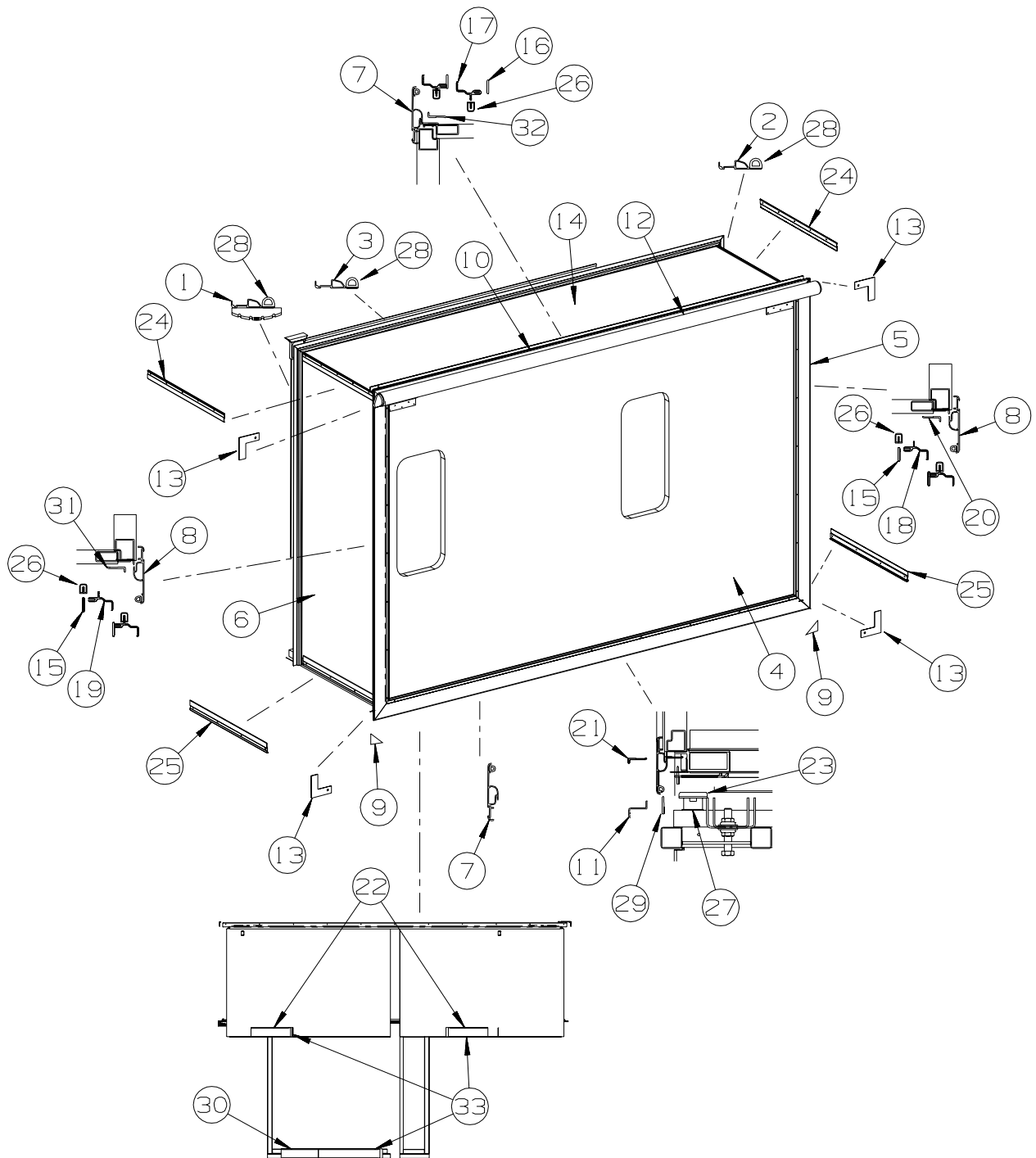
**EXTERIOR SLIDEOUT GROUP (CONTINUED)**  
**REAR RIGHT**



KEY	PART NUMBER	U/M	DESCRIPTION
1*	137390-01-000	EA	HYDRAULIC/BED - F/SLIDEOUT
2*	100536-42-000	EA	HOSE KIT - PUMP TO SLIDE-OUT VALVE
			FROM: 00-00-00 THRU: 10-03-01
2	100536-51-000	EA	HOSE KIT - F/SLIDEOUT
			FROM: 10-04-01 THRU: 99-99-99
3	137390-02-000	EA	CHANNEL - HYDRAULIC - F/SLIDEOUT
4	139953-01-02B	EA	ANGLE - REINFORCEMENT - F/SLIDEOUT - E-COATED
5	136780-01-02B	EA	ADJUSTER - SLIDE - E-COATED
			FROM: 00-00-00 THRU: 12-05-01

**\*COMPONENT PARTS LISTED LATER IN THIS GROUP**

**EXTERIOR SLIDEOUT GROUP (CONTINUED)**  
**REAR RIGHT (CONTINUED)**



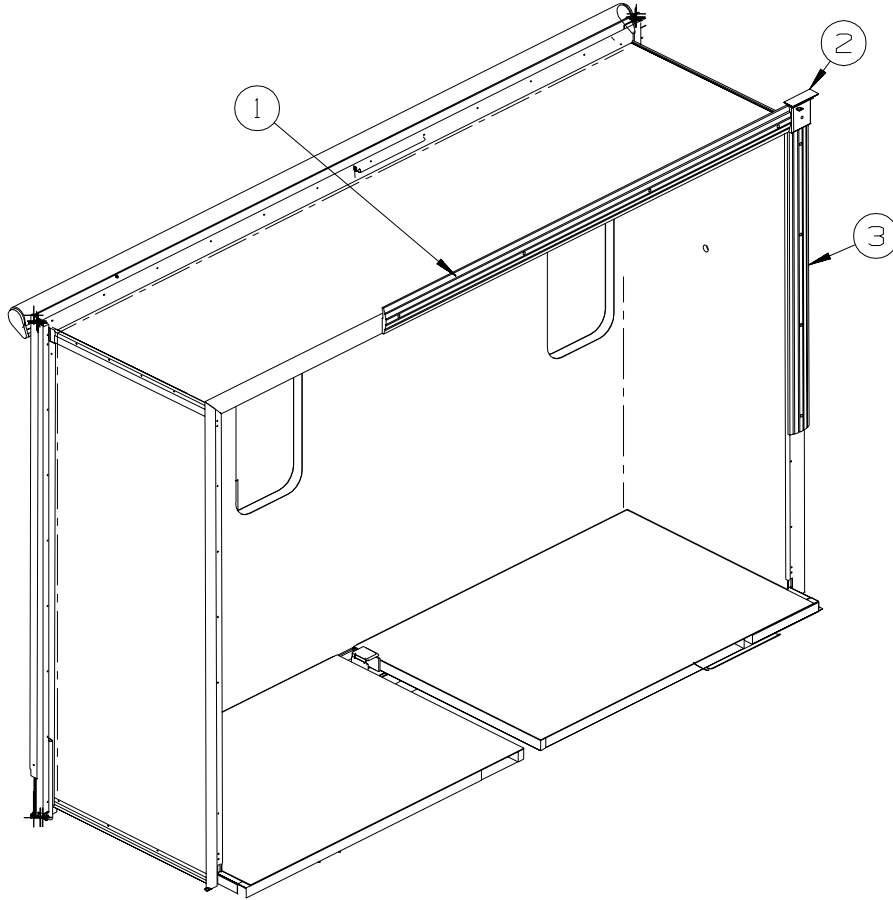
KEY	PART NUMBER	U/M	DESCRIPTION
1	117004-06-03A	EA	TRIM - SEAL/INNER/LEFT - W/MITERED END/NOTCH- 73.4" BRT/WT FROM: 00-00-00 THRU: 05-05-02
1	139624-10-01A	EA	TRIM/SEAL - INNER/RIGHT HAND - 73.4" - BRIGHT WHITE FROM: 05-06-02 THRU: 99-99-99
2	117004-07-03A	EA	TRIM - SEAL/INNER/RIGHT- W/MITERED END/NOTCH- 73.4" BRT/WT FROM: 00-00-00 THRU: 05-05-02
2	139624-11-01A	EA	TRIM/SEAL - INNER/LEFT HAND - 73.4" - BRIGHT WHITE FROM: 05-06-02 THRU: 99-99-99
3	117004-21-01A	EA	TRIM/SEAL- INNER/UPPER - W/MITERED ENDS - 110.2" - BRT WHT FROM: 00-00-00 THRU: 05-05-02
3	139624-17-01A	EA	TRIM/SEAL - INNER/TOP - 110.2" - BRIGHT WHITE FROM: 05-06-02 THRU: 99-99-99
4	138538-11-N52	EA	SLUG - SLIDEOUT (N52, N53, N54, N55)
4	138538-11-N56	EA	SLUG - SLIDEOUT (N56, N57)

**EXTERIOR SLIDEOUT GROUP (CONTINUED)**  
**REAR RIGHT (CONTINUED)**

KEY	PART NUMBER	U/M	DESCRIPTION
5	139314-01-N52	EA	PANEL/WALL - REAR - F/REAR SLIDEOUT (N52, N53, N54, N55)
5	139314-01-N56	EA	PANEL/WALL - REAR - F/REAR SLIDEOUT (N56, N57)
6	139313-01-N52	EA	PANEL/WALL - FRONT - F/REAR SLIDEOUT (N52, N53, N54, N55)
6	139313-01-N56	EA	PANEL/WALL - FRONT - F/REAR SLIDEOUT (N56, N57)
7	133955-27-01A	EA	TRIM/SEAL - W/MITERED ENDS - 111.8" - BRIGHT WHITE
	105312-01-07A	FT	INSERT - FEATURE STRIP - VINYL - BRIGHT WHITE
8	133955-05-01A	EA	TRIM/SEAL - W/MITERED ENDS - 75.6" - BRIGHT WHITE
	105312-01-07A	FT	INSERT - FEATURE STRIP - VINYL - BRIGHT WHITE
9	130262-01-000	EA	PROTECTOR - CORNER SAVER - .7" X .7" X 48"
10	117058-01-01A	FT	TAPE - LOOP - 3/4" WIDE - ADHESIVE BACKED
11	124303-05-02A	EA	TRIM - SIDEWALL - Z - 109.5" - BRIGHT WHITE
12	122977-16-03A	EA	AWNING/SLIDEOUT W/COVER - 112" - WHITE - VINYL/METAL WRAP FROM: 00-00-00 THRU: 08-02-01
12	122977-17-03A	EA	AWNING/SLIDEOUT W/COVER - 112" - WHITE - VINYL/VINYL WRAP FROM: 08-03-01 THRU: 99-99-99
13	116444-04-12B	EA	TRIM/KEY CORNER - SLIDEOUT - 3.1"X3.1" - BRT WHT
14	139298-01-N52	EA	ROOF - F/SLIDEOUT
15	115886-02-03A	EA	RETAINER - SIDEWALL - BRIGHT WHITE - 73.5"
16	115886-19-02A	EA	RETAINER - SIDEWALL - BRIGHT WHITE - 111"
17	115863-36-01A	EA	TRIM - SIDEWALL/SLIDEOUT - RIGHT HAND - 76.6" - BRT WHT
18	115863-22-01A	EA	TRIM - SIDEWALL/SLIDEOUT - LEFT HAND - 75.6" - BRT WHT
19	115863-23-01A	EA	TRIM - SIDEWALL/SLIDEOUT - RIGHT HAND - 75.6" - BRT WHT
20	133954-05-01A	EA	TRIM/SEAL - W/MITERED ENDS - 67.9" - BRIGHT WHITE FROM: 00-00-00 THRU: 12-09-01
20	133954-25-01A	EA	TRIM/SEAL - W/MITERED END - 70.4" - BRIGHT WHITE FROM: 12-10-01 THRU: 99-99-99
21	133954-18-01A	EA	TRIM/SEAL - W/MITERED ENDS - 76.5" - BRIGHT WHITE
22	115325-08-01A	EA	RAIL - FLOOR/SLIDEOUT ROOM - BLACK
23	128599-03-000	EA	PAD - F/SLIDEOUT
24	138659-01-01A	EA	TRIM/FEATURE STRIP - 181.7" - BRIGHT WHITE
	105312-01-07A	FT	INSERT - FEATURE STRIP - VINYL - BRIGHT WHITE
25	125051-02-01A	EA	TRIM - LOWER FEATURE - BRIGHT WHITE FROM: 00-00-00 THRU: 09-04-01
25	125051-03-01A	EA	STRIP - FEATURE - LOWER - 29.2" - BRIGHT WHITE FROM: 09-05-01 THRU: 99-99-99
	105312-01-07A	FT	INSERT - FEATURE STRIP - VINYL - BRIGHT WHITE
	075673-05-000	FT	SEAL - PILE - ADHESIVE BACK - BLACK
26	115076-01-000	FT	SEAL - SLIDEOUT
27	126313-02-02B	EA	SUPPORT - ROLLER - E-COATED
28	112091-01-000	FT	SEAL/D - NEOPRENE - HEAT ACTIVE ADHESIVE - .9"
29	123012-01-000	FT	SEAL - SLIDEOUT - .09"/.13" THICK X 1.25" - W/ADHESIVE
30	115325-11-01A	EA	RAIL - FLOOR/SIDEOUT ROOM - BLACK
31	133954-05-01A	EA	TRIM/SEAL - W/MITERED ENDS - 67.9" - BRIGHT WHITE FROM: 00-00-00 THRU: 12-09-01
31	133954-24-01A	EA	TRIM/SEAL - W/MITERED END - 70.4" - BRIGHT WHITE FROM: 12-10-01 THRU: 99-99-99
32	133954-19-01A	EA	TRIM/SEAL - W/MITERED ENDS - 111.4" - BRIGHT WHITE
33	115661-01-000	FT	SHOE/GLIDE - SLIDEOUT ROOM - 1/16" X 3" - POLYETHYLENE



**EXTERIOR SLIDEOUT GROUP (CONTINUED)**  
**REAR RIGHT (CONTINUED)**



KEY	PART NUMBER	U/M	DESCRIPTION
1	P39129-07-N52	EA	MOLDING - FLUTED/CURVED - 74.6" - CHERRY IV - SALEM CHERRY
1	P39129-07-N52	EA	MOLDING - FLUTED/CURVED - 74.6" - PORTSMOUTH OAK
2	141303-03-N52	EA	MOLDING - CROWN/BLOCK - SALEM CHERRY
2	141303-03-N53	EA	MOLDING - CROWN/BLOCK - PORTSMOUTH OAK
3	P39129-08-N52	EA	MOLDING - FLUTED/CURVED - 45.5" - CHERRY IV - SALEM CHERRY
3	P39129-08-N53	EA	MOLDING - FLUTED/CURVED - 45.5" - PORTSMOUTH OAK

**EXTERIOR SLIDEOUT GROUP (CONTINUED)**  
**COMPONENT PARTS FOR REAR RIGHT SLIDEOUT**

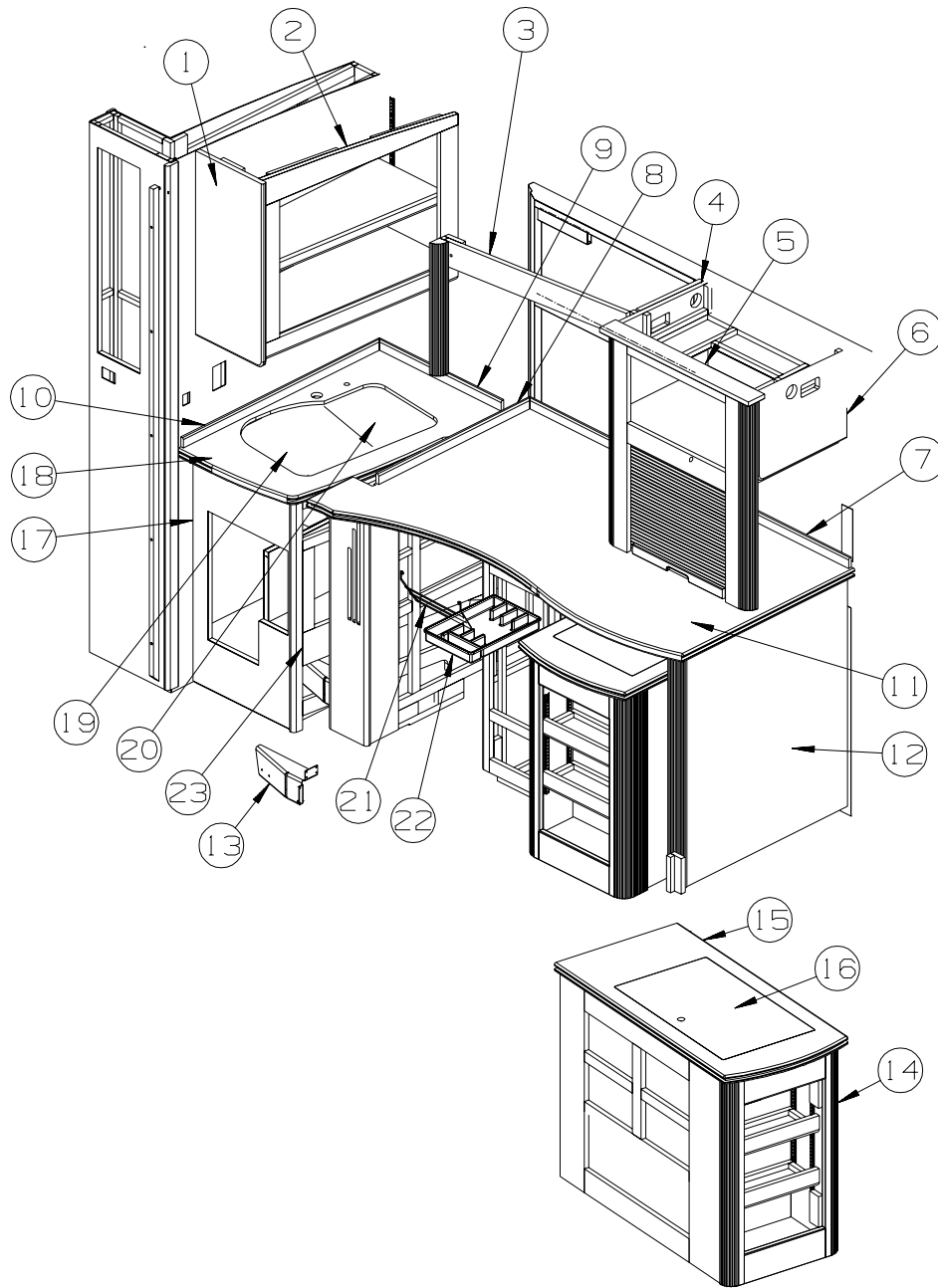
**100536-42-000**

<b>KEY</b>	<b>PART NUMBER</b>	<b>U/M</b>	<b>DESCRIPTION</b>	<b>VENDOR NO.</b>
	100536-42-700	EA	HOSE - HYDRAULIC - 168"	RAP6115
	100536-42-701	EA	HOSE - HYDRAULIC - 175"	RAP90350

**137390-01-000**

<b>KEY</b>	<b>PART NUMBER</b>	<b>U/M</b>	<b>DESCRIPTION</b>	<b>VENDOR NO.</b>
	128599-06-700	EA	HOSE/HYDRAULIC - 1/8" X 72"	AP24635
	128599-06-701	EA	HOSE/HYDRAULIC - 1/8" X 84"	AP24636
	128599-06-703	EA	BEARING KIT - SLIDE-OUT TUBE	RAP90698
	128599-06-704	EA	BEARING PAD - SLIDE-OUT	P14811
	137390-01-700	EA	RAM/CYLINDER - SLIDEOUT ROOM	RAP90876/AP23425
	137390-01-701	EA	CYLINDER NUT KIT - SLIDEOUT	RAP90947
	137390-01-702	EA	SLOT COVER ASM. - RUBBER	AP26959

## GALLEY GROUP CABINETS

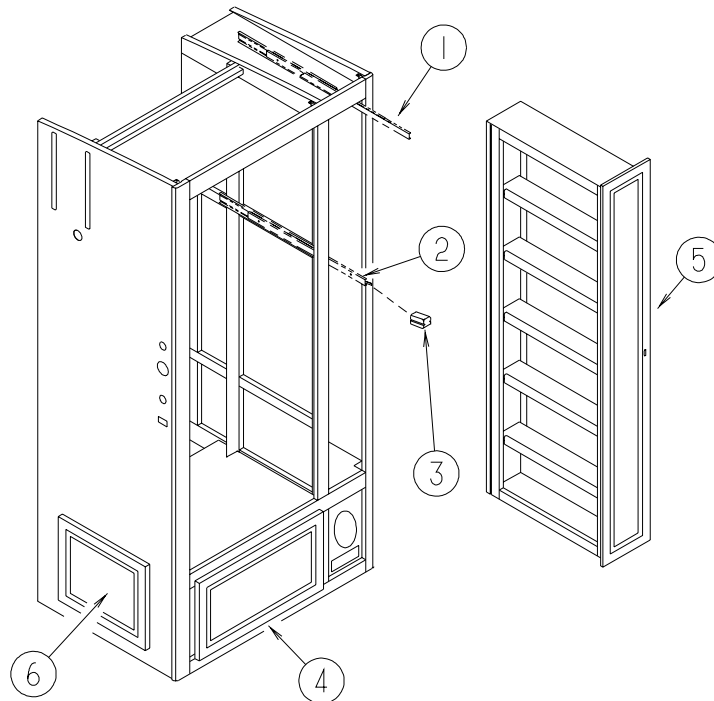


KEY	PART NUMBER	U/M	DESCRIPTION
1	P38119-18-N52	EA	END CAP - OVERHEAD/CABINET - SALEM CHERRY
1	P38119-18-N53	EA	END CAP - OVERHEAD/CABINET - PORTSMOUTH OAK
2	139263-01-N52	EA	CABINET - OVERHEAD/GALLEY - W/O DOORS/HARDWARE - SALEM CHERRY
2	139263-01-N53	EA	CABINET - OVERHEAD/GALLEY - W/O DOORS/HARDWARE - PORTSMOUTH OAK
3	139197-01-N52	EA	CABINET - MICROWAVE - W/O DOORS/HARDWARE - SALEM CHERRY
3	139197-01-N53	EA	CABINET - MICROWAVE - W/O DOORS/HARDWARE - PORTSMOUTH OAK
4	139175-11-N52	EA	END CAP - OVERHEAD/CABINET - SALEM CHERRY
4	139175-11-N53	EA	END CAP - OVERHEAD/CABINET - PORTSMOUTH OAK
5	139175-01-N52	EA	CABINET - OVERHEAD/WINDOW - W/O DOORS/HARDWARE-F/SLIDEOUT - SALEM CHERRY
5	139175-01-N53	EA	CABINET - OVERHEAD/WINDOW - W/O DOORS/HARDWARE-F/SLIDEOUT - PORTSMOUTH OAK
6	139175-14-N52	EA	END CAP - OVERHEAD CABINET - SALEM CHERRY
6	139175-14-N53	EA	END CAP - OVERHEAD CABINET - PORTSMOUTH OAK
7	139855-04-02A	EA	BACKSPLASH - COUNTERTOP - CORIAN - MAGNA SAVANNA
8	139855-03-02A	EA	BACKSPLASH - COUNTERTOP - CORIAN - MAGNA SAVANNA
9	139855-02-02A	EA	BACKSPLASH - COUNTERTOP - CORIAN - MAGNA SAVANNA
10	139855-01-02A	EA	BACKSPLASH - COUNTERTOP - CORIAN - MAGNA SAVANNA
11	138775-01-01A	EA	COUNTERTOP - 1/2" CORIAN - MAGNA SAVANNAH

## GALLEY GROUP (CONTINUED)

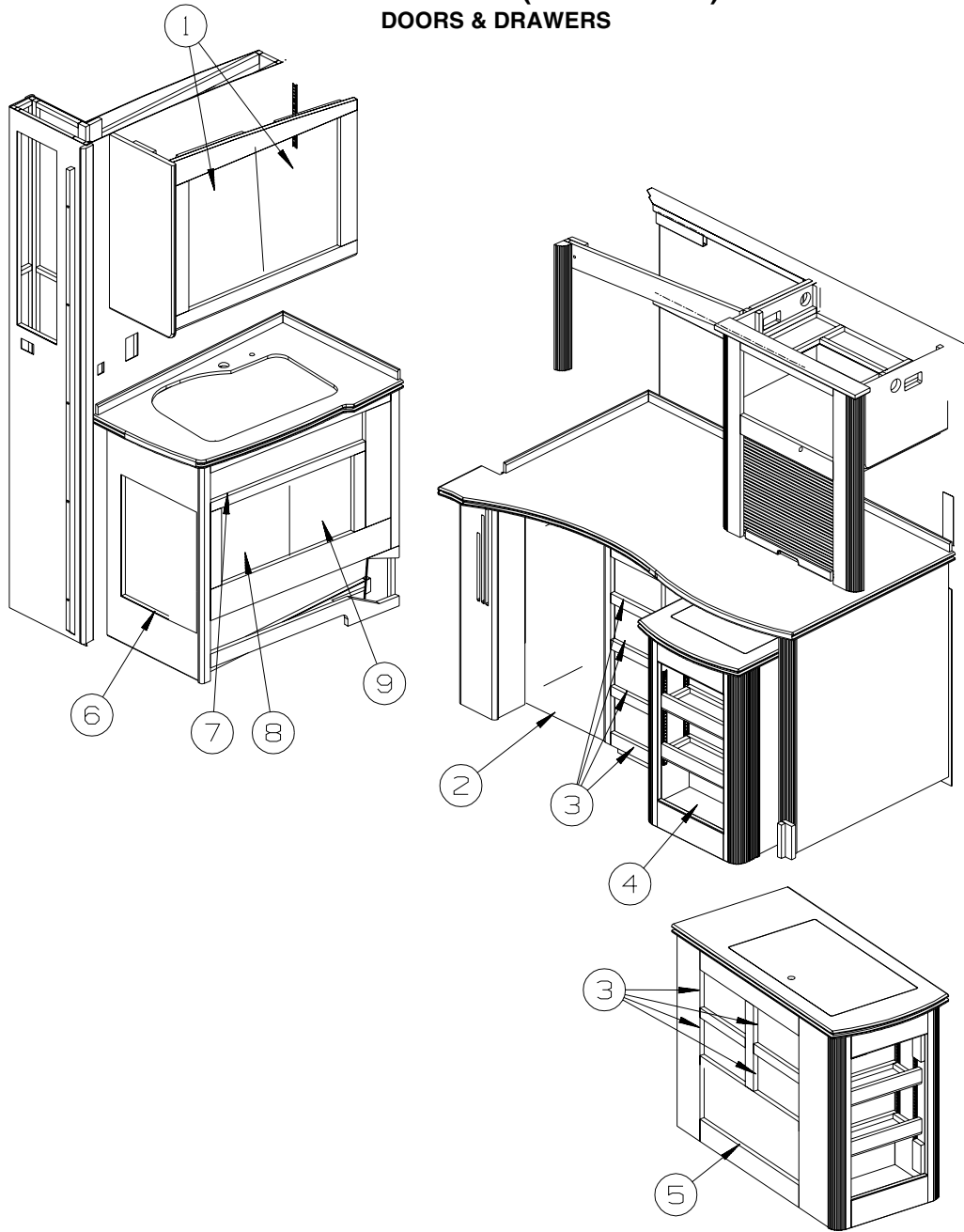
### CABINETS (CONTINUED)

KEY	PART NUMBER	U/M	DESCRIPTION
12	138284-01-N52	EA	CABINET - GALLEY - W/O COUNTERTOP/DRS/DWRS/HDW - SALEM CHERRY - <a href="#">W/DISHWASHER</a>
12	138284-01-N53	EA	CABINET - GALLEY - W/O COUNTERTOP/DRS/DWRS/HDW - PORTSMOUTH OAK - <a href="#">W/DISHWASHER</a>
12	138284-02-N52	EA	CABINET - GALLEY - W/O COUNTERTOP/DOORS/DRAWERS/HARDWARE - SALEM CHERRY
12	138284-02-N53	EA	CABINET - GALLEY - W/O COUNTERTOP/DOORS/DRAWERS/HARDWARE - PORTSMOUTH OAK
13	138709-01-02B	EA	BRACKET - COVER - PLUMBING - E-COATED
14	138029-01-N52	EA	CABINET - GALLEY - W/O CTRTP/DOORS/DRAWERS/HDW - F/RANGE - SALEM CHERRY
14	138029-01-N53	EA	CABINET - GALLEY - W/O CTRTP/DOORS/DRAWERS/HDW - F/RANGE - PORTSMOUTH OAK
15	138775-02-01A	EA	COUNTERTOP - 1/2" CORIAN - MAGNA SAVANNAH
16	120445-02-01A	EA	COUNTERTOP - STOVE LID - CORIAN
17	138609-01-N52	EA	CABINET - GALLEY - W/O CTRTP/DRS/DRAWERS/HARDWARE - F/SINK - SALEM CHERRY
17	138609-01-N53	EA	CABINET - GALLEY - W/O CTRTP/DRS/DRAWERS/HARDWARE - F/SINK - PORTSMOUTH OAK
18	138775-03-01A	EA	COUNTERTOP - 1/2" CORIAN - MAGNA SAVANNAH
19	107044-10-01A	EA	COVER - RECESSED SINK - CORIAN
20	107044-09-01A	EA	COVER - RECESSED SINK - CORIAN
21	093605-02-01A	EA	RACK - TOWEL/WIRE - ALMOND
22	100081-01-01A	EA	TRAY - SILVERWARE - 9" X 13.3" RUBBERMAID ALMOND PLASTIC
23	138609-29-N52	EA	DOOR - W/O HINGES - SALEM CHERRY
23	138609-29-N53	EA	DOOR - W/O HINGES - PORTSMOUTH OAK



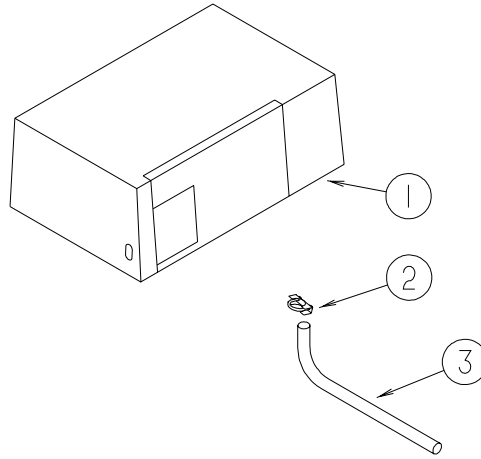
KEY	PART NUMBER	U/M	DESCRIPTION
1	122360-02-000	EA	SLIDE - PANTRY - W/O LOCK - RIGHT/LEFT HAND
2	122360-03-000	EA	SLIDE - PANTRY - W/LOCK - RIGHT HAND (FACING PANEL)
3	123673-01-01A	EA	KNOB - PANTRY SLIDE
4	131995-L7-N74	EA	DOOR - RAIL/SOLID PANEL - 12.6" X 6.1" - W/O HARDWARE - SALEM CHERRY
4	131995-L7-N75	EA	DOOR - RAIL/SOLID PANEL - 12.6" X 6.1" - W/O HARDWARE - PORTSMOUTH OAK
5	131995-J3-L52	EA	DOOR - RAIL/SOLID PANEL - 8" X 60.7" - W/O HDW - SALEM CHERRY - <a href="#">W/REFRIG/FREEZE/ICE</a>
5	131995-J3-N42	EA	DOOR - RAIL/SOLID PANEL - 8" X 60.7" - W/O HDW - PORTSMOUTH OAK - <a href="#">W/REFRIG/FREEZE/ICE</a>
6	131995-BE-N52	EA	DOOR - RAIL/SOLID PANEL - 14.3" X 12.4" - W/O HARDWARE - SALEM CHERRY
6	131995-BE-N53	EA	DOOR - RAIL/SOLID PANEL - 14.3" X 12.4" - W/O HARDWARE - PORTSMOUTH OAK

## GALLEY GROUP (CONTINUED) DOORS & DRAWERS



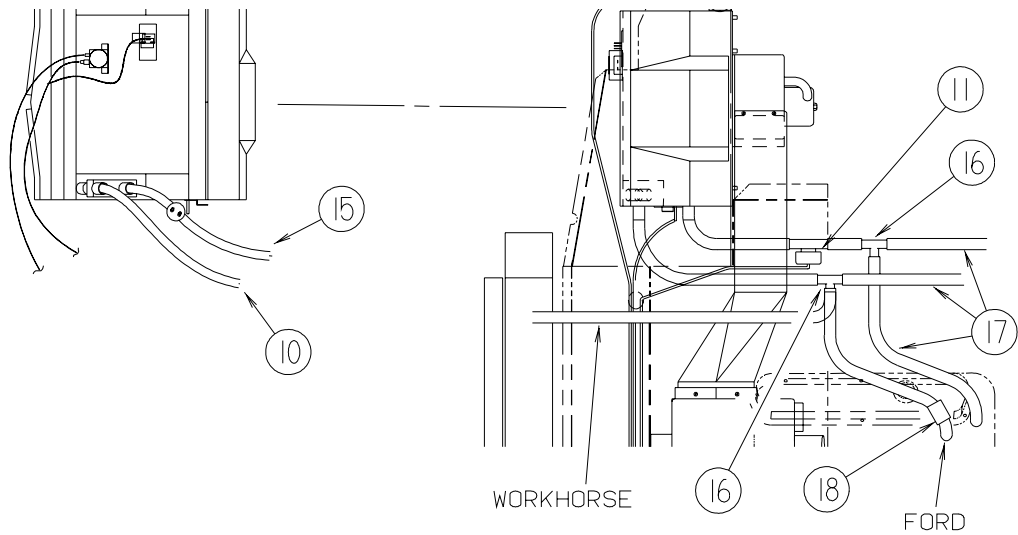
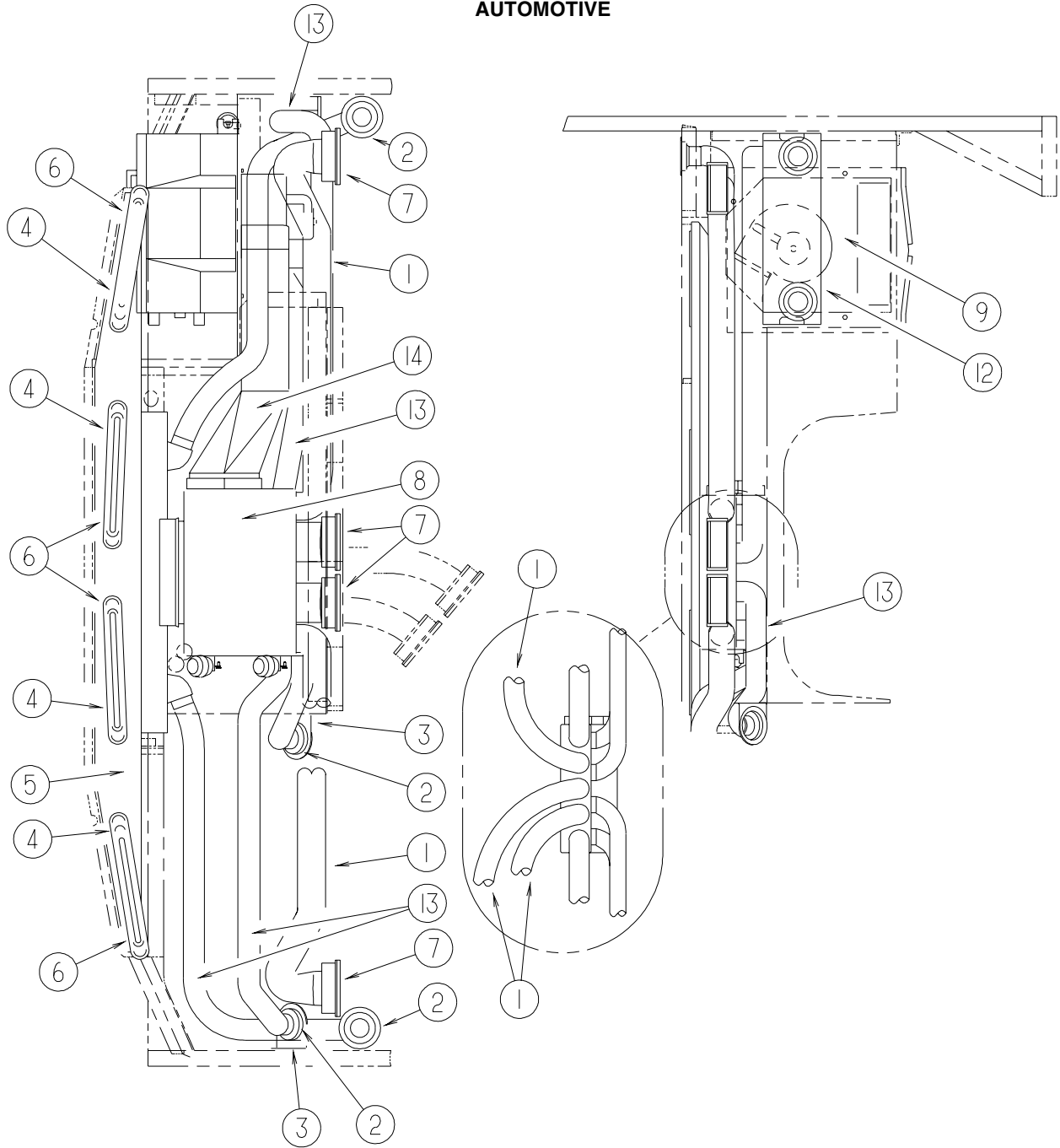
KEY	PART NUMBER	U/M	DESCRIPTION
1	131995-AV-N52	EA	DOOR - RAIL/SOLID PANEL - 14.3" X 21.8" - W/O HARDWARE - SALEM CHERRY
1	131995-AV-N52	EA	DOOR - RAIL/SOLID PANEL - 14.3" X 21.8" - W/O HARDWARE - PORTSMOUTH OAK
2	131995-D5-N52	EA	DOOR - RAIL/SOLID PANEL - 15.7" X 27.9" - W/O HARDWARE - SALEM CHERRY - W/O DISHWASHER
2	131995-D5-N53	EA	DOOR - RAIL/SOLID PANEL - 15.7" X 27.9" - W/O HDW - PORTSMOUTH OAK - W/O DISHWASHER
3	133890-16-N52	EA	DRAWER - OGEE EDGE - 10.4"W X 15.7"D - W/O SLIDES/HARDWARE - SALEM CHERRY
3	133890-16-N53	EA	DRAWER - OGEE EDGE - 10.4"W X 15.7"D - W/O SLIDES/HARDWARE - PORTSMOUTH OAK
4	134783-R9-N52	EA	DOOR - RAIL/SOLID PANEL - 12.8" X 21.8" - W/O HARDWARE - SALEM CHERRY
4	134783-R9-N53	EA	DOOR - RAIL/SOLID PANEL - 12.8" X 21.8" - W/O HARDWARE - PORTSMOUTH OAK
5	133890-17-N52	EA	DRAWER - OGEE EDGE - 23.2"W X 15.7"D - W/O SLIDES/HARDWARE - SALEM CHERRY
5	133890-17-N53	EA	DRAWER - OGEE EDGE - 23.2"W X 15.7"D - W/O SLIDES/HARDWARE - PORTSMOUTH OAK
6	131995-D0-N52	EA	DOOR - RAIL/SOLID PANEL - 15.7" X 20.4" - W/O HARDWARE - SALEM CHERRY
6	131995-D0-N53	EA	DOOR - RAIL/SOLID PANEL - 15.7" X 20.4" - W/O HARDWARE - PORTSMOUTH OAK
7	110941-28-N52	EA	DRAWER - TIPOUT - W/HIDDEN TRAY - SALEM CHERRY
7	110941-28-N53	EA	DRAWER - TIPOUT - W/HIDDEN TRAY - PORTSMOUTH OAK
	108127-01-01A	EA	CAP - TRAY
	108128-01-01A	EA	TRAY - HIDDEN
8	131995-79-N52	EA	DOOR - RAIL/SOLID PANEL - 12.4" X 14.3" - W/O HARDWARE - SALEM CHERRY
8	131995-79-N53	EA	DOOR - RAIL/SOLID PANEL - 12.4" X 14.3" - W/O HARDWARE - PORTSMOUTH OAK
9	131995-81-N52	EA	DOOR - RAIL/SOLID PANEL - 12.4" X 14.3" - W/O HARDWARE - SALEM CHERRY
9	131995-81-N53	EA	DOOR - RAIL/SOLID PANEL - 12.4" X 14.3" - W/O HARDWARE - PORTSMOUTH OAK

# GENERATOR GROUP GAS



KEY	PART NUMBER	U/M	DESCRIPTION
1	135707-01-000	EA	GENERATOR - 7.9 - 30/30 - GAS - MARQUIS GOLD - L39
1	135707-02-000	EA	GENERATOR - 7.9 - 30/20 - GAS - MARQUIS GOLD - L36W
1	135707-09-000	EA	GENERATOR - 7.0 - 30/30 - GAS - MARQUIS PLATINUM
2	007125-03-000	EA	CLAMP - MUFFLER - 1.5" DIAMETER
3	105958-15-000	EA	PIPE - GENERATOR EXHAUST - 1.5" OD X 9.8" X 24" - MARQUIS PLATINUM, L39 MARQUIS GOLD
3	105958-17-000	EA	PIPE - GENERATOR EXHAUST - 1.5" OD X 4.9" X 24" - L36W MARQUIS GOLD

# HEATING & A/C GROUP AUTOMOTIVE



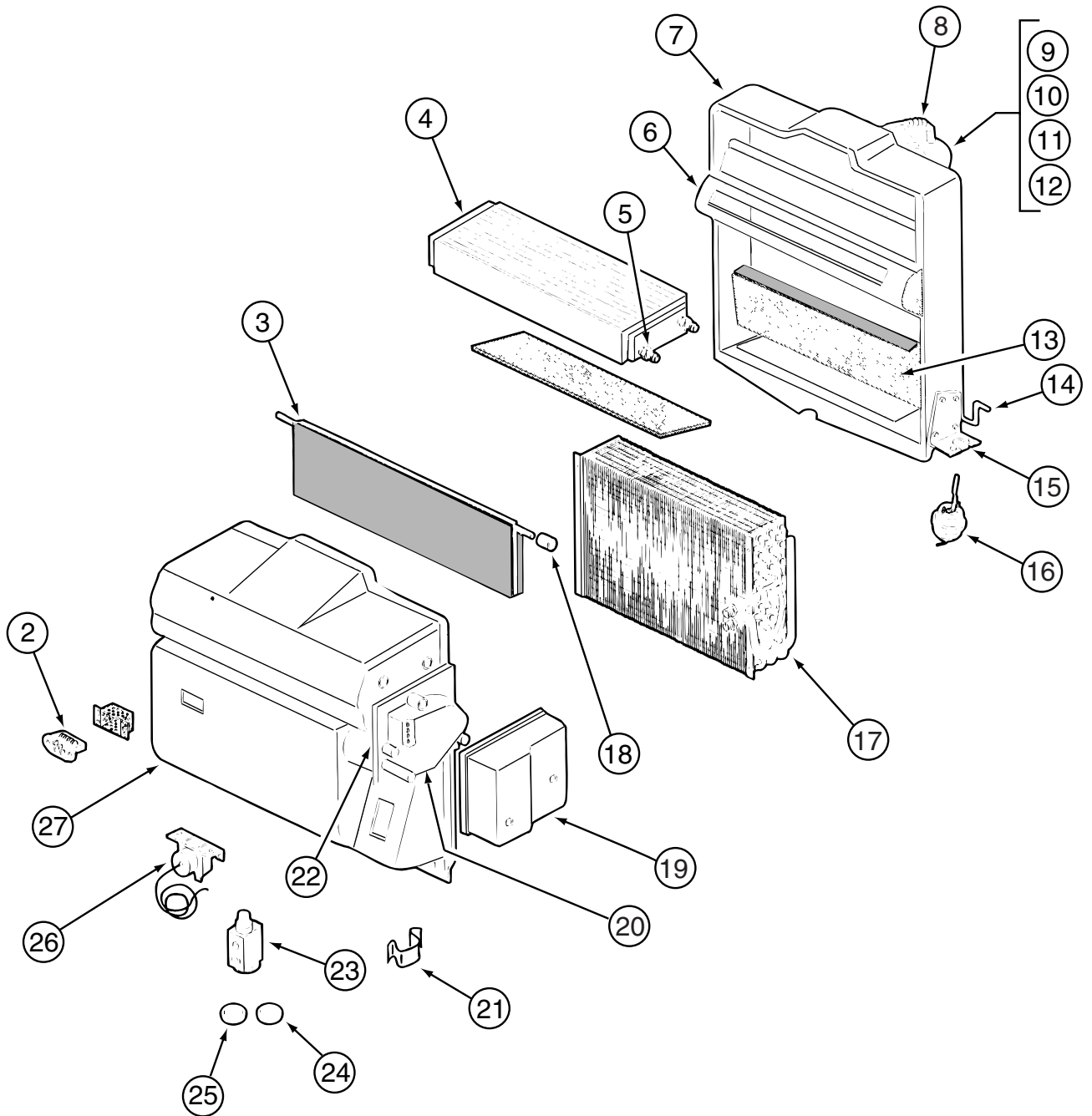
**HEATING & A/C GROUP (CONTINUED)**  
**AUTOMOTIVE (CONTINUED)**

KEY	PART NUMBER	U/M	DESCRIPTION
1	007281-01-000	EA	HOSE - FLEXIBLE PVC - 2 1/2" ID X 50'
2	024990-05-000	EA	OUTLET - DEFROSTER - W/SWIVEL - 2" SLEEVE/4" OD - BLACK
3	136157-03-02B	EA	BRACKET - HEATER - E-COATED
4	077075-01-000	EA	GASKET - INSTRUMENT PANEL/DEFROSTER PLENUM - .6" X 10.2"
5	103017-03-000	EA	PLENUM - DEFROSTER
6	135265-01-04A	EA	VENT - DEFROSTER - PLASTIC - GLACIER
7	131175-01-01A	EA	LOUVER ASSEMBLY - RECTANGULAR - BLACK FROM: 11-06-01 THRU: 99-99-99
8	103930-53-000	EA	CONTROL/PLENUM - LARGE ROTARY
9*	103930-43-000	EA	EVAPORATOR/HEATER ASSEMBLY - NON-CHARGED
9	103930-37-000	EA	MANUAL/OWNERS - HEATER-A/C FROM: 00-00-00 THRU: 10-01-01
9	103930-54-000	EA	MANUAL - OWNERS - HEATER/AC FROM: 10-02-01 THRU: 99-99-99
10*	103930-46-000	EA	HOSE - EXPANSION BLOCK (EVAPORATOR) TO COMPRESSOR
11	103930-23-000	EA	VALVE - WATER - 2 PORT/VACUUM CONTROLLED
12	095757-05-N52	EA	COVER - HEATER (N52, N53)
12	095757-05-AA6	EA	COVER - HEATER (N52, N53) - <a href="#">CARPET EXCHANGE</a>
12	095757-05-N54	EA	COVER - HEATER (N54, N55)
12	095757-05-AA7	EA	COVER - HEATER (N54, N55) - <a href="#">CARPET EXCHANGE</a>
12	095757-05-N56	EA	COVER - HEATER (N56, N57)
13	007076-01-000	EA	HOSE - FLEXIBLE PVC - 2" ID - INCREMENTS OF 50'
14	NOT USED		
15*	103930-47-000	EA	HOSE - EXPANSION VALVE-EVAPORATOR/DRIER
16	076776-01-000	EA	TEE - BEADED - 5/8" X 5/8" X 5/8"
17	007108-01-000	EA	HOSE - HEATER - 5/8" ID - HI-TEMP
18	NOT USED		

**\*COMPONENT PARTS LISTED LATER IN THIS GROUP**



**HEATING & A/C GROUP (CONTINUED)**  
**COMPONENT PARTS FOR AUTOMOTIVE HEATER**



103930-43-000

**HEATING & A/C GROUP (CONTINUED)**  
**COMPONENT PARTS FOR AUTOMOTIVE HEATER (CONTINUED)**

**103930-43-000 (CONTINUED)**

<b>KEY</b>	<b>PART NUMBER</b>	<b>U/M</b>	<b>DESCRIPTION</b>	<b>VENDOR NO</b>
2	103930-01-710	EA	RESISTOR-FUSED, A/C 4 TERM	035-0006
3	103930-30-705	EA	DOOR - AIR BLEND	071-0568
4	103930-01-703	EA	CORE-HEATER	042-0010
5	110279-01-712	EA	FITTING - HEATER CORE	050-0076
6	103930-30-707	EA	DIVIDER ASM.	086-0061
7	103930-20-711	EA	CASE-BACK, SUB-ASSEMBLY	062-0147
8	110279-01-703	EA	HOSE-VENT F/BLOWER MOTOR	051-0034
9	103930-20-707	EA	HOUSING-BLOWER	062-0145
10	103930-30-706	EA	MOTOR-BLOWER PM147 W/ADAPTER	030-0109
11	103930-01-717	EA	WHEEL-BLOWER, CLOCKWISE	062-0010
12	103930-20-708	EA	CLIP-MOTOR SHAFT	022-0001
13	103930-20-705	EA	PANEL-DOOR, RECIRCULATING	071-0213
14	103930-20-704	EA	ROD-DOOR-RECIRCULATING	073-0018
15	103930-01-708	EA	BRACKET-VACUUM MOTOR	070-0113
16	103930-02-708	EA	MOTOR-VACUUM SERVO, A/C	030-0025
17	103930-01-704	EA	COIL-EVAPORATOR	041-0017
18	103930-30-702	EA	BUSHING/DRIVE - BLEND DOOR	062-00634
19	103930-30-704	EA	COVER - SERVO	062-0545
20	103930-30-703	EA	MOTOR - SERVO	030-0104
21	103930-20-706	EA	CLIP-RETAINER - CASE ATTACH	022-0057
22	103930-30-701	EA	PLATE - MOTOR MOUNT	062-0544
23	103930-20-700	EA	VALVE-EXPANSION-BLOCK, 2 TON	034-0032
24	103930-17-702	EA	O'RING #10	045-0127
25	113245-01-707	EA	O'RING #8	045-0126
26	103930-01-711	EA	THERMOSTAT	033-0003
27	103930-30-700	EA	CASE - FRONT	062-0542
	094831-01-709	EA	CLAMP-ROD 3/16"	022-0025
	103930-02-714	EA	CLAMP-CLUTCH, BARREL	022-0006
	103930-20-713	EA	GASKET - BLEND AIR DOOR	045-0160
	103930-20-714	EA	GASKET - BLEND AIR DOOR	045-0161
	103930-30-708	EA	BUSHING/IDLER - BLEND DOOR	062-00167
	113245-01-718	FT	HOSE - DRAIN - 1/2"	051-0002
			CONTACT WINNEBAGO PART SALES FOR UNLISTED COMPONENTS	

**103930-46-000**

<b>KEY</b>	<b>PART NUMBER</b>	<b>U/M</b>	<b>DESCRIPTION</b>	<b>VENDOR NO</b>
	103930-17-702	EA	O'RING #10	045-0127
	103930-29-701	EA	O'RING F/LOW PRESSURE SWITCH	045-0483

**103930-47-000**

<b>KEY</b>	<b>PART NUMBER</b>	<b>U/M</b>	<b>DESCRIPTION</b>	<b>VENDOR NO</b>
	113245-01-710	EA	O'RING, #12	045-0128

## HEATING & A/C GROUP (CONTINUED)

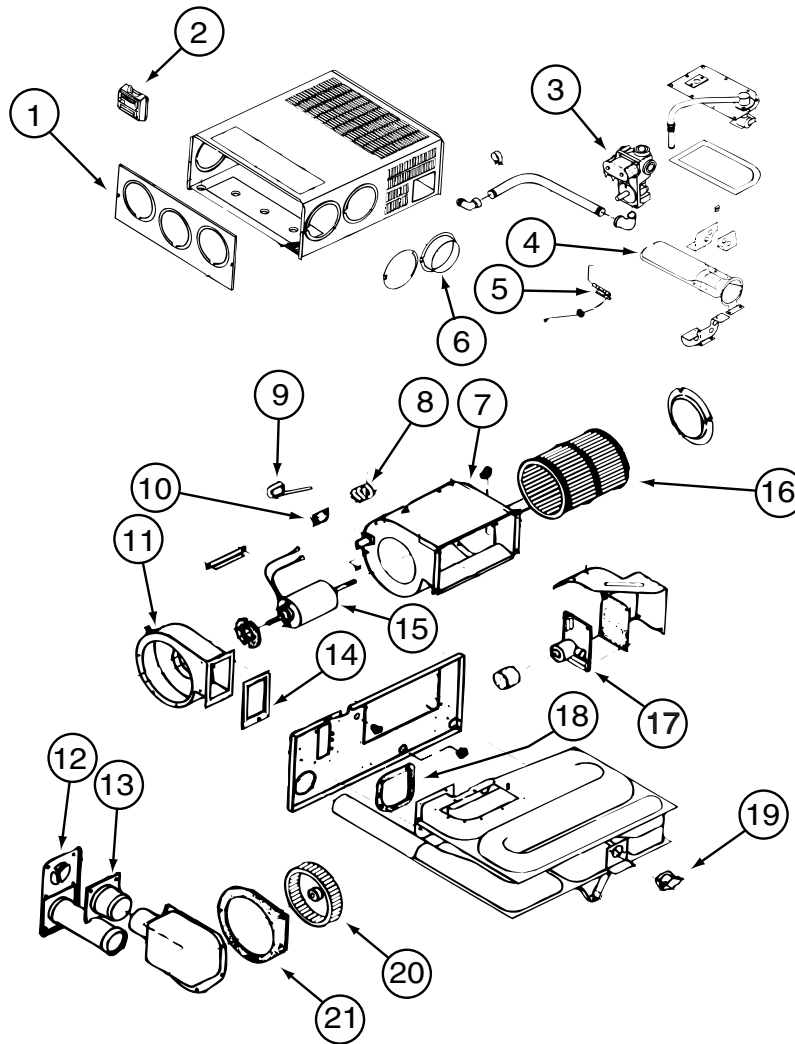
### FURNACE

KEY	PART NUMBER	U/M	DESCRIPTION	
	093614-13-02A	EA	GRILLE - AIR RETURN - 15.9" X 11.9" - BEIGE - L36W	
	098668-14-000	EA	GASKET - FIBERGLASS - .5" X 18" X 18"	
	098668-15-000	EA	PLATE - FACE - SUBURBAN FURNACE	
*	098668-22-000	EA	FURNACE - 40,000 BTU	
				FROM: 00-00-00 THRU: 09-30-01
*	139980-04-000	EA	FURNACE - 40000 BTU - SF QUIET - SUBURBAN SF-42 2323J	
				FROM: 10-01-01 THRU: 99-99-99
	126693-04-02B	EA	PANEL - EXHAUST/FURNACE - E-COATED	
	126693-05-02B	EA	PANEL - EXHAUST/FURNACE - E-COATED	
	137965-01-01A	EA	REGISTER - 2.25" X 10" - W/O DAMPER - ANTIQUE BRASS	
	137965-02-01A	EA	REGISTER - 2.25" X 10" - W/DAMPER - ANTIQUE BRASS	
	139980-05-000	EA	VENT - INTAKE	
	140322-01-01A	EA	SHROUD - FURNACE	
				FROM: 00-00-00 THRU: 10-25-01
	139980-06-000	EA	VENT CAP	
				FROM: 10-26-01 THRU: 99-99-99
	141337-01-01A	EA	GASKET - FURNACE	
				FROM: 10-26-01 THRU: 99-99-99

\*COMPONENT PARTS LISTED LATER IN THIS GROUP

## HEATING & A/C GROUP (CONTINUED)

### COMPONENT PARTS FOR FURNACE

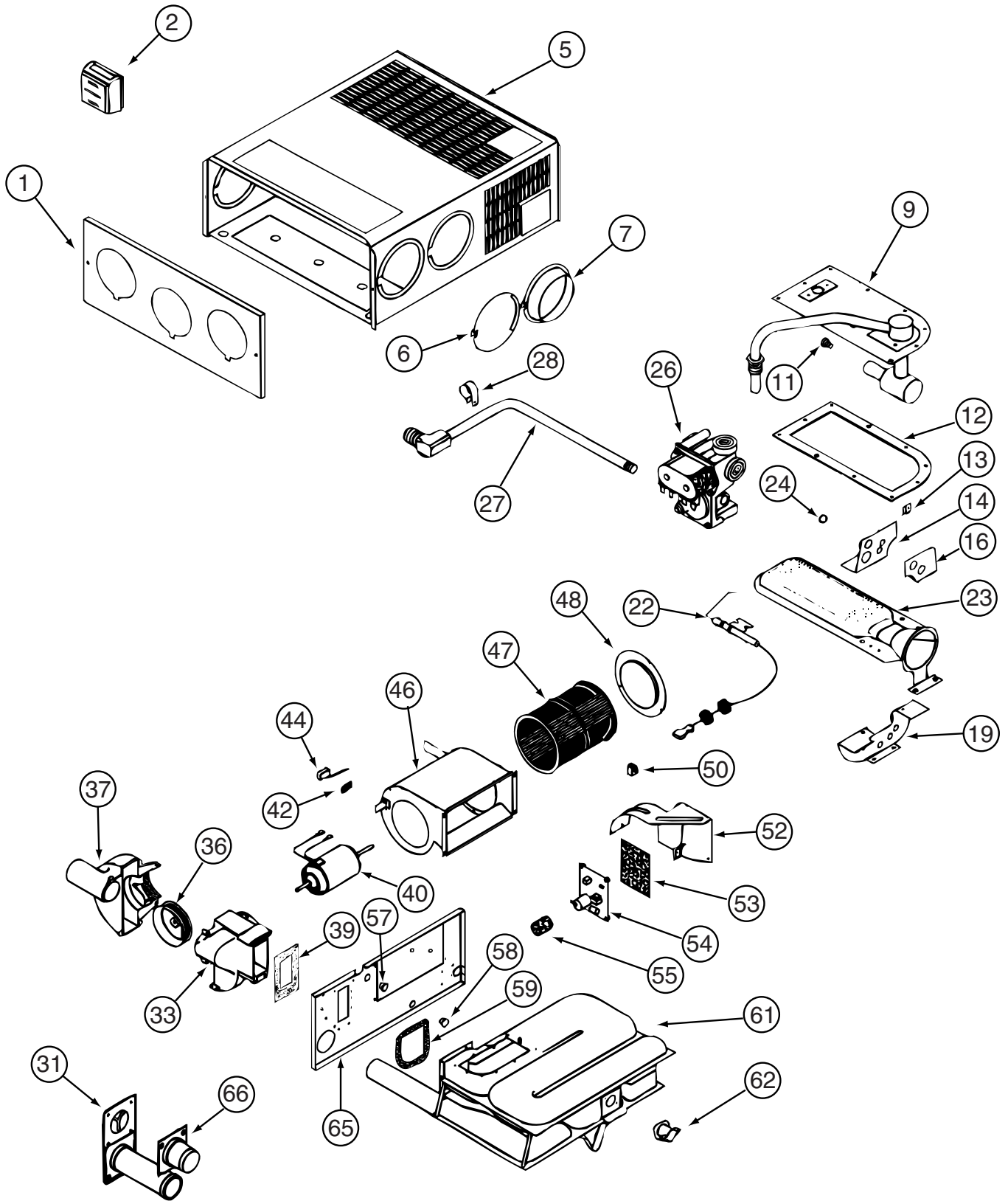


098668-22-000

KEY	PART NUMBER	U/M	DESCRIPTION	VENDOR NO.
1	098668-01-700	EA	CABINET FRONT	101242
3	098668-01-714	EA	VALVE-GAS, SF	161070
4	098668-11-701	EA	BURNER ASSEMBLY, SF-42F	010799
5	098668-01-715	EA	ELECTRODE ASM., SINGLE PROBE	232166
6	075696-02-703	EA	COLLAR-DUCT	050715
7	098668-11-704	EA	BLOWER ASM., ROOM AIR SF-42F	390698
8	074466-01-702	EA	RELAY, TIME DELAY	230625
9	098668-09-700	EA	SWITCH-MICRO-W/O FLAG 3 1/4"	232216
10	101990-01-714	EA	GASKET-MICROSWITCH	230877
11	098668-01-708	EA	HOUSING-BLOWER, COMBUSTION	390441
12	098668-01-707	EA	TUBE ASSEMBLY, EXHAUST W/CAP	260231
13	098668-01-713	EA	TUBE ASSEMBLY, INTAKE	051248
14	098668-01-717	EA	GASKET-FIREWALL, BLOWER SIDE	070809
	098668-11-700	EA	ORIFICE-MAIN BURNER, SF-42F	180216
15	098668-11-702	EA	MOTOR ASSEMBLY, SF-42F	232212
16	098668-01-711	EA	WHEEL-BLOWER, ROOM AIR	350129
17	098668-01-712	EA	BOARD-MODULE	520741
18	098668-01-716	EA	GASKET-FIREWALL, CHAMBER SIDE	070808
19	098668-11-706	EA	SWITCH-LIMIT, SF42 & SF42F	232217
20	098668-22-702	EA	WHEEL-COMBUSTION AIR	350183
21	098668-22-703	EA	GASKET	070811
	098668-08-700	EA	MODULE BD/FAN CONT - FENWAL	232613
	098668-08-701	EA	MODULE BD/FAN CONT-UNITED TE	232614

CONTACT WINNEBAGO PART SALES FOR UNLISTED COMPONENTS

**HEATING & A/C GROUP (CONTINUED)**  
**COMPONENT PARTS FOR FURNACE (CONTINUED)**



139980-04-000

**HEATING & A/C GROUP (CONTINUED)**  
**COMPONENT PARTS FOR FURNACE (CONTINUED)**

139980-04-000 (CONTNUED)

KEY	PART NUMBER	U/M	DESCRIPTION	VENDOR NO.
9	098668-20-700	EA	MANIFOLD ASM.	171517
11	139980-04-700	EA	ORFICE - MAIN BURNER	180242
12	098668-22-703	EA	GASKET - BURNER ACCESS COVER	070811
22	139980-01-701	EA	ELECTRODE	232286
23	098668-11-701	EA	BURNER ASSEMBLY,SF-42F	010799
26	098668-01-718	EA	VALVE-GAS SF S.N.974903079	161122
27	139980-01-702	EA	PIPE ASSEMBLY/GAS INLET	171574
31	098668-01-707	EA	TUBE ASSEMBLY, EXHAUST W/CAP	260231
33	139980-01-703	EA	COMBUSTION AIR HOUS FRT/HALF	390852
36	098668-22-702	EA	WHEEL-COMBUSTION AIR	350183
37	139980-01-704	EA	COMBUSTION AIR HOUS RR HALF	390848
39	139980-01-705	EA	GASKET/FIREWALL-COMB AIR	071084
40	139980-04-701	EA	MOTOR ASSEMBLY W/GASKET	232683
42	101990-01-714	EA	GASKET-MICROSWITCH	230877
44	098668-21-700	EA	SWITCH-MICRO-W/O FLAG 3 1/4"	232261
46	139980-04-702	EA	BLOWER ASSEMBLY/ROOM AIR	390740BK
47	098668-01-711	EA	WHEEL-BLOWER, ROOM AIR	350129
48	139980-01-709	EA	ORFICE RING	390696
50	139980-01-710	EA	SWITCH - ON/OFF	232351
52	139980-01-711	EA	PANEL ASSEMBLY-MODULE BD	101663
53	139980-01-712	EA	INSULATOR - MODULE BD	070807
54	098668-22-705	EA	MODULE BD W/RELAY TIME DELAY	520820
55	139980-01-713	EA	CAP/INSULATOR-MODULE BD	070973
57	139980-01-714	EA	BUSHING - UNIVERSAL	070362
58	139980-01-715	EA	BUSHING - STRAIN RELIEF	231809
59	098668-01-716	EA	GASKET-FIREWALL,CHAMBER SIDE	070808
61	139980-04-703	EA	CHAMBER ASSEMBLY FINAL	021150BK
62	098668-22-706	EA	SWITCH/LIMIT - 195 TRIP TEMP	232505
66	098668-01-713	EA	TUBE ASSEMBLY, INTAKE	051248

CONTACT WINNEBAGO PART SALES FOR UNLISTED COMPONENTS

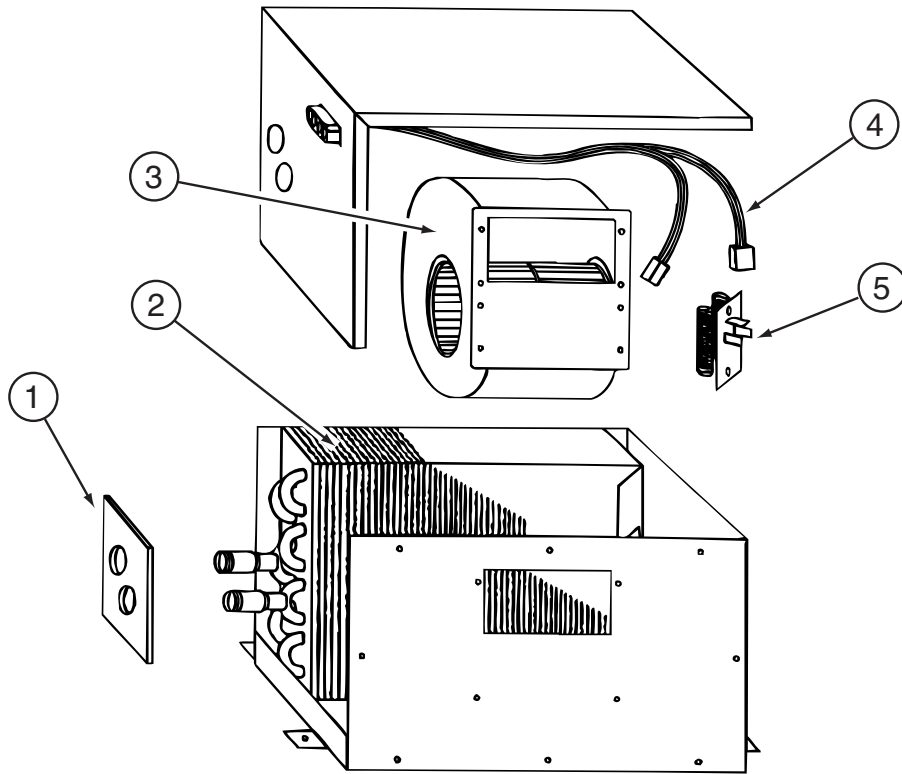
## HEATING & A/C GROUP (CONTINUED)

### REAR HEATER

KEY	PART NUMBER	U/M	DESCRIPTION
	007108-01-000	FT	HOSE - HEATER - 5/8" ID - HI-TEMP
	079059-13-000	FT	HOSE - 90 DEGREE - .61"ID X 4" X 48"
*	129205-01-000	EA	HEATER - REAR

**\*COMPONENT PARTS LISTED LATER IN THIS GROUP**

**HEATING & A/C GROUP (CONTINUED)**  
**COMPONENT PARTS FOR REAR HEATER**



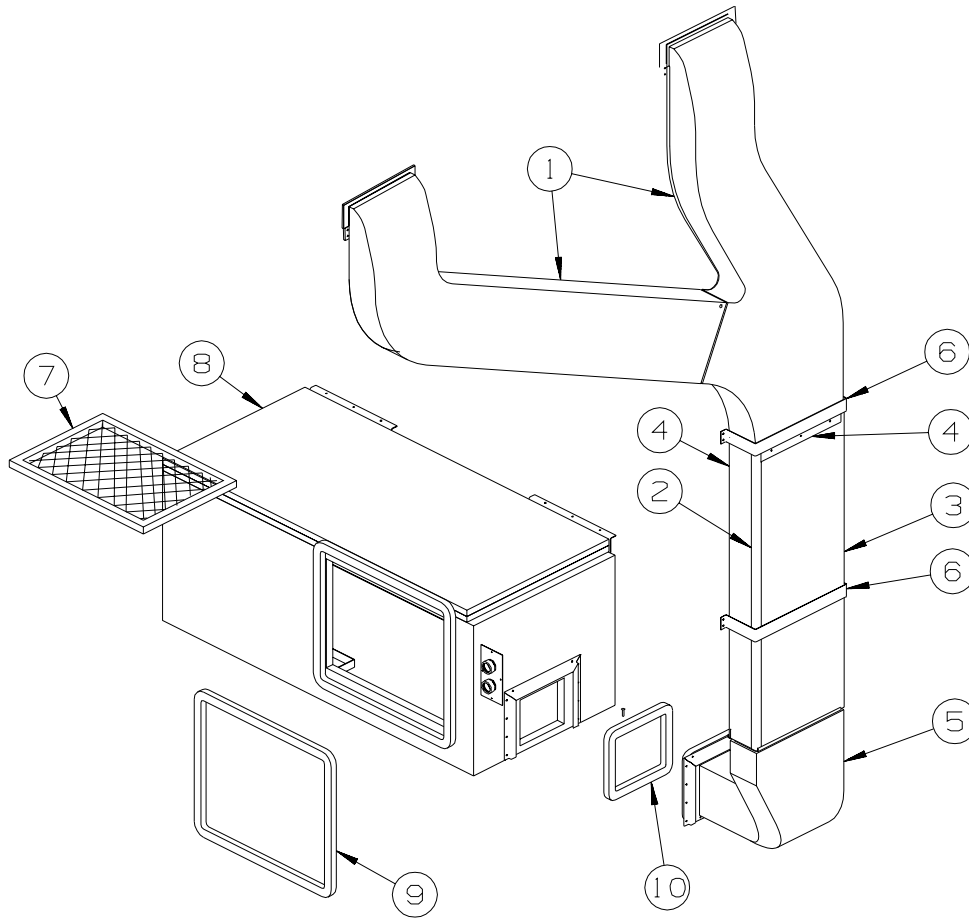
129205-01-000

KEY	PART NUMBER	U/M	DESCRIPTION	VENDOR NO.
1	129205-01-700	EA	SEAL - CORE TUBE	HV218421
2	129205-01-701	EA	CORE - HEATER	HV218426
3	129205-01-702	EA	BLOWER ASSEMBLY	HV218419
4	129205-01-703	EA	WIRE HARNESS	HV218420
5	129205-01-704	EA	RESISTOR	HV218125



## HEATING & A/C GROUP (CONTINUED)

### CENTRAL A/C SYSTEM

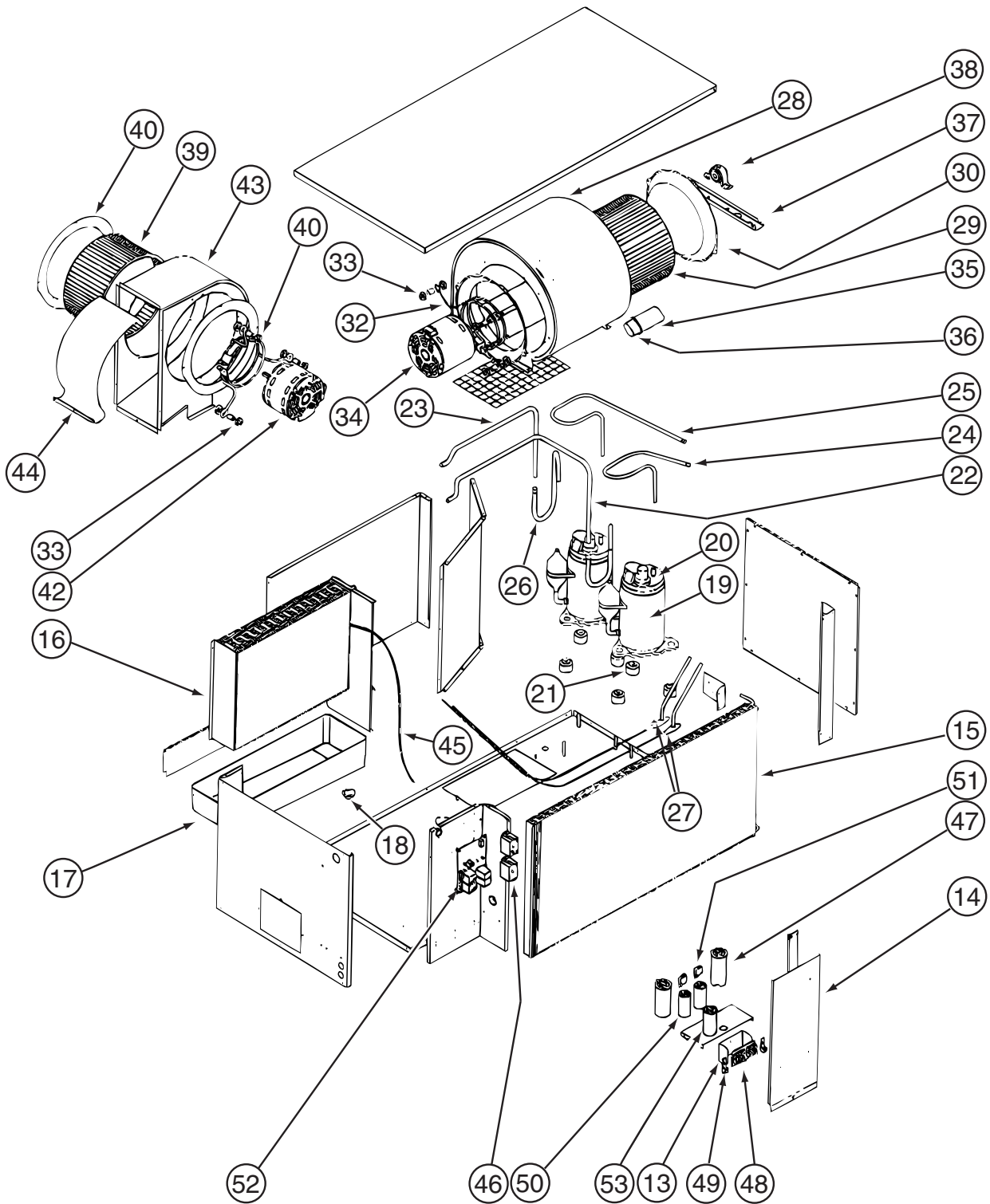


KEY	PART NUMBER	U/M	DESCRIPTION
1	M09204-01-000	EA	DUCT/AC - UPPER RIGHT HAND & LEFT HAND
	128862-01-000	EA	DUCT/AIR - UPPER LEFT HAND
	128868-01-000	EA	DUCT/AIR - UPPER RIGHT HAND
	105290-01-000	SF	INSULATION - AIR POCKET W/FOIL
2	130262-01-000	EA	PROTECTOR - CORNER SAVER - .7" X .7" X 48"
3	117870-09-01A	EA	PLENUM - A/C
4	115886-11-01A	EA	RETAINER - SIDEWALL - BRIGHT WHITE - 11.8"
5	138842-01-01A	EA	DUCT - CENTRAL AIR/FORCED - LOWER
	105290-01-000	SF	INSULATION - AIR POCKET W/FOIL
6	129047-01-02B	EA	STRAP/MOUNTING - AIR DUCT - E-COATED
7	109050-02-000	EA	FILTER/FURNACE-AC - FIBERGLASS - 1" X 14" X 20"
8*	105620-11-000	EA	A/C CENTRAL PACKAGE - RIGHT HAND POWER SAVER/LARGE BLOWER
8*	105620-12-000	EA	A/C - CENTRAL - RIGHT HAND/HEAT PUMP - 12,000 BTU COMP - WITH HEAT PUMP
9	134588-01-000	EA	GASKET - DUCT - 15.5" X 18.2" IS - 17.4" X 20.2" OS
10	134588-02-000	EA	GASKET - DUCT - 6.4" X 7.4" IS - 8.3" X 9.4" OS
	105620-14-000	EA	THERMOSTAT - A/C AND FURNACE
*	105620-15-000	EA	THERMOSTAT - FURNACE/HEAT PUMP-A/C
	120134-01-02A	EA	REGISTER - W/DAMPER - 4" PIPE/7" O.D. FACE - WHITE

\*COMPONENT PARTS LISTED LATER IN THIS GROUP

# HEATING & A/C GROUP (CONTINUED)

## COMPONENT PARTS FOR CENTRAL A/C SYSTEM



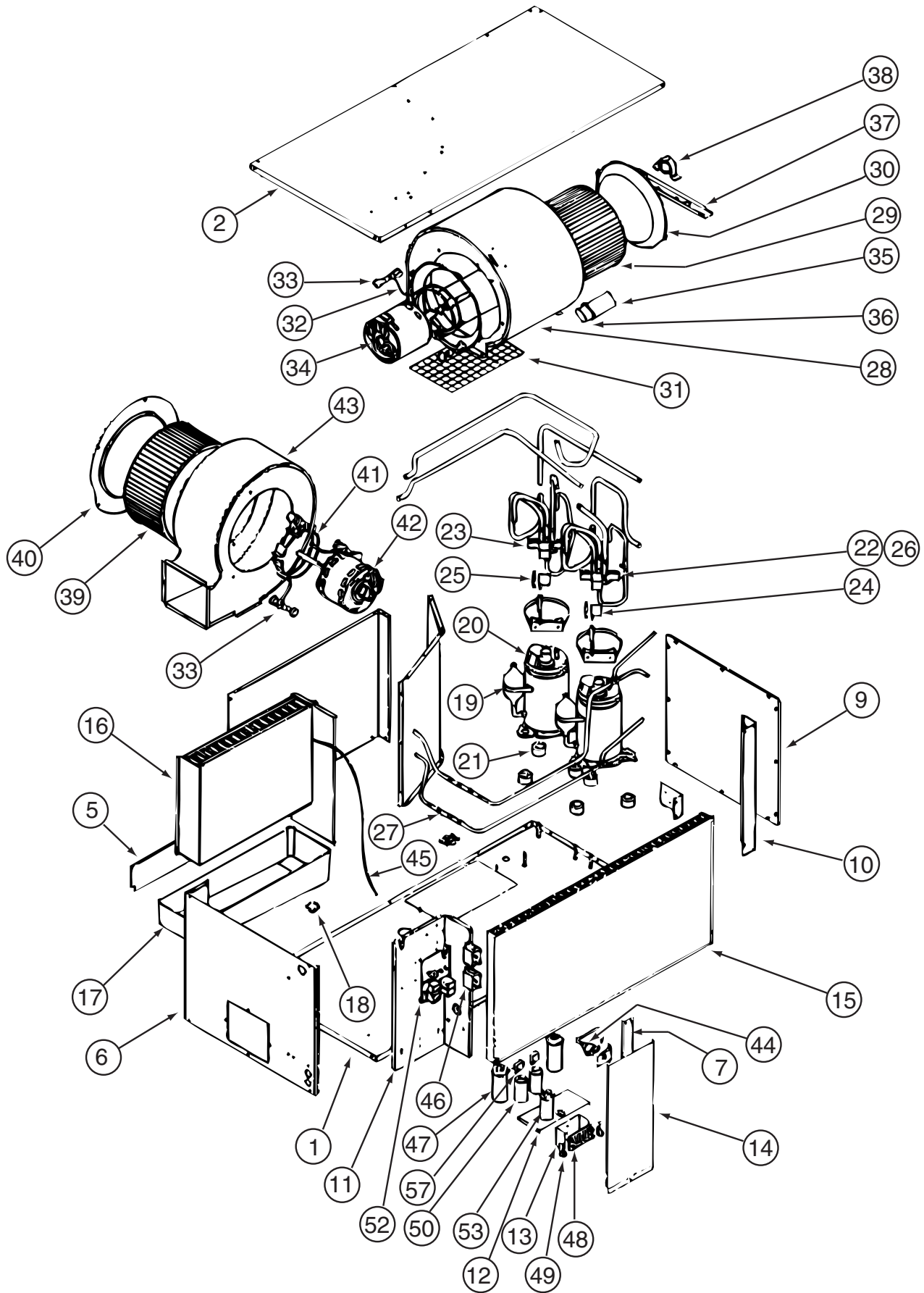
105620-11-000

**HEATING & A/C GROUP (CONTINUED)**  
**COMPONENT PARTS FOR CENTRAL A/C SYSTEM (CONTINUED)**

**105620-11-000 (CONTINUED)**

<b>KEY</b>	<b>PART NUMBER</b>	<b>U/M</b>	<b>DESCRIPTION</b>	<b>VENDOR NO.</b>
15	105620-10-707	EA	CONDENSER COIL	1452-1541
16	105620-10-708	EA	EVAPORATOR COIL	1452A1531
17	105620-10-709	EA	DRAIN PAN	6636-304
18	105620-10-717	EA	VALVE - DRAIN	6531-503
19	126860-01-700	EA	COMPRESSOR RK136AT-002-A4Y	1450A2119
20	126860-01-701	EA	OVERLOAD PROTECTOR MRA# 1460	1450-0071
21	105620-01-706	EA	MOUNTING PKG.,COMP., 3 PER	6759-3081
22	105620-10-710	EA	SUCTION LINE ASSY COIL#1	6636-131
23	105620-10-711	EA	SUCTION LINE ASSY COIL#2	6636-129
24	105620-10-712	EA	DISCHARGE LINE ASSEMBLY#1	6636-126
25	105620-10-713	EA	DISCHARGE LINE ASSEMBLY#2	6636-125
26	105620-10-714	EA	SUCTION LINE ASSY COMP#1&2	6636-130
27	105620-10-719	EA	LIQUID LINE ASSEMBLY COMP.	6636-520
28	105620-10-718	EA	BLOWER HOUSING/OUTSIDE AIR	6536-515
29	105620-01-713	EA	WHEEL-BLOWER/OUTSIDE AIR	1472-1011
32	105620-01-715	EA	MOUNT-BLOWER/OUTSIDE AIR	6795A3011
34	105620-10-721	EA	MOTOR/BLOWER-8 3/4" SHAFT	1468A3029
35	105620-01-718	EA	CAPACITOR-FAN, 12.5 MFD/370V	1499-5631
36	105620-10-715	EA	RUBBER CAPACITOR BOOT	1499-951
37	105620-10-700	EA	BEARING BRACKET/OUTSIDE AIR	6536-574
38	105620-10-701	EA	BEARING/PILLOW BLOCK-O/S AIR	6536-3011
39	105620-11-701	EA	BLOWER WHEEL/INSIDE AIR	1472-1121
40	105620-11-702	EA	BLOWER VENTURI/INSIDE AIR	6535-287
41	105620-01-723	EA	MOUNT-BLOWER MOTOR - I/S AIR	6795-3021
42	105620-11-703	EA	BLOWER MOTOR/INSIDE AIR	1468-3219
43	105620-11-704	EA	BLOWER HOUSING/INSIDE AIR	6535-589
46	105620-01-729	EA	RELAY-COMPRESSOR -4 TERMINAL	1460-1131
47	126859-01-703	EA	CAPACITOR - RUN	1499-5671
48	105620-01-738	EA	BOARD-TERMINAL, HIGH VOLTAGE	6795-315
51	105620-10-705	EA	PTCR (START DEVICE) - W/CAP.	8333A9021
52	105620-05-700	EA	BOARD-PRINTED CIRCUIT, 2 TON	6795A3201
53	093763-01-704	EA	CAPACITOR-FAN	1499-5461
	105620-10-720	EA	FUSE/BUSS(8AMP/250V) 2 PKG	6535-3081
			CONTACT WINNEBAGO PARTS SALES FOR UNLISTED COMPONENTS	

**HEATING & A/C GROUP (CONTINUED)**  
**COMPONENT PARTS FOR CENTRAL A/C SYSTEM (CONTINUED)**



105620-12-000

**HEATING & A/C GROUP (CONTINUED)**  
**COMPONENT PARTS FOR CENTRAL A/C SYSTEM (CONTINUED)**

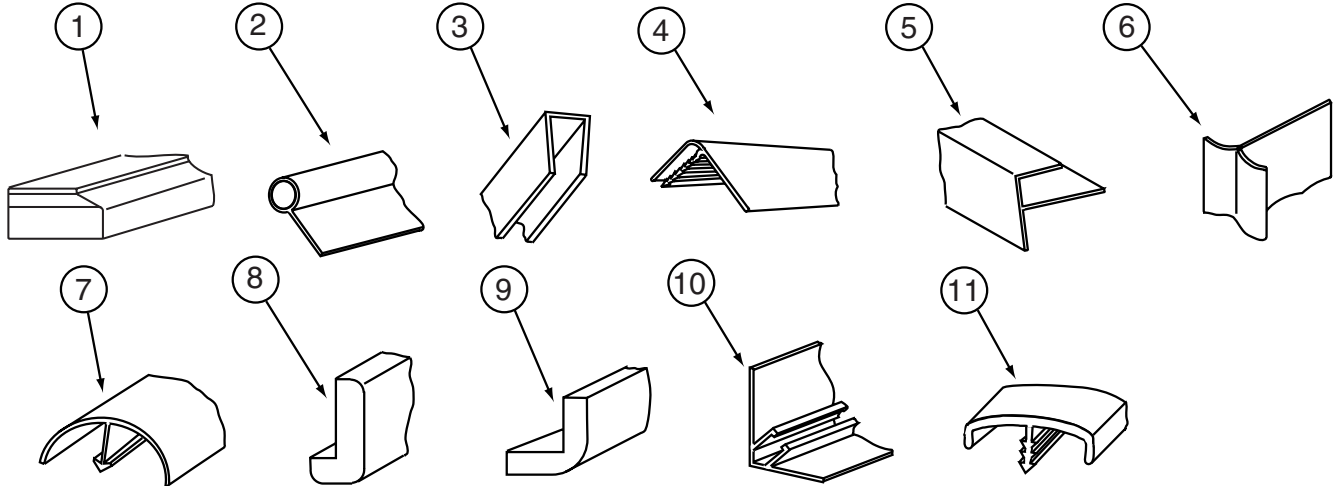
**105620-12-000 (CONTINUED)**

<b>KEY</b>	<b>PART NUMBER</b>	<b>U/M</b>	<b>DESCRIPTION</b>	<b>VENDOR NO.</b>
15	105620-12-701	EA	COIL - CONDENSER	1452-1621
16	105620-12-702	EA	COIL - EVAPORATOR	1452A1611
17	105620-10-709	EA	DRAIN PAN	6636-304
18	105620-01-703	EA	VALVE-DRAIN, RH & LH	6795-200
18	105620-12-703	EA	VALVE - DRAIN	6795-200
19	105620-12-704	EA	COMPRESSOR	1450-2149
21	105620-01-706	EA	MOUNTING PKG.,COMP., 3 PER	6759-3081
22	105620-12-706	EA	REVERSING VALVE ASSEMBLY #1	6535A533
23	105620-12-707	EA	REVERSING VALVE ASSEMBLY #2	6535-5321
24	105620-12-708	EA	COIL - SOLENOID	1460-1081
25	105620-12-709	EA	WIRE HARNESS-REVERSING VALVE	6536-111
26	105620-12-710	EA	VALVE - REVERSE ONLY	1454A350
27	105620-12-711	EA	RESTRICTOR - BY FLOW	1454-2521
28	105620-12-712	EA	BLOWER HOUSING/OUTSIDE AIR	6536-515
29	105620-01-713	EA	WHEEL-BLOWER/OUTSIDE AIR	1472-1011
32	105620-01-715	EA	MOUNT-BLOWER/OUTSIDE AIR	6795A3011
34	105620-10-721	EA	MOTOR/BLOWER-8 3/4" SHAFT	1468A3029
35	105620-01-718	EA	CAPACITOR-FAN, 12.5 MFD/370V	1499-5631
37	105620-12-713	EA	BRACKET/BEARING-O/S AIR BLWR	6536-514
38	105620-10-701	EA	BEARING/PILLOW BLOCK-O/S AIR	6536-3011
39	105620-11-701	EA	BLOWER WHEEL/INSIDE AIR	1472-1121
40	105620-12-715	EA	BLOWER VENTURI/INSIDE AIR	6535A287
41	105620-01-723	EA	MOUNT-BLOWER MOTOR - I/S AIR	6795-3021
42	105620-12-716	EA	BLOWER MOTOR-REVERSIBLE-I/S	1468-3219
43	105620-12-717	EA	BLOWER HOUSING/INSIDE AIR	6535A589
44	105620-12-718	EA	SWITCH ASSM. - HIGH PRESSURE	6535-5291
45	105620-12-719	EA	COIL SENSOR	7330A3231
46	105620-01-729	EA	RELAY-COMPRESSOR -4 TERMINAL	1460-1131
48	105620-01-738	EA	BOARD-TERMINAL, HIGH VOLTAGE	6795-315
51	105620-10-705	EA	PTCR (START DEVICE) - W/CAP.	8333A9021
52	105620-12-720	EA	KIT-CIRCUIT BD (6535-SERIES)	6535-3209
52	105620-12-721	EA	CIRCUIT BD(6535 A SERIES)	6535-3201
53	093763-01-704	EA	CAPACITOR-FAN	1499-5461
	105620-10-720	EA	FUSE/BUSS(8AMP/250V) 2 PKG	6535-3081
			CONTACT WINNEBAGO PART SALES FOR UNLISTED COMPONENTS	

**105620-15-000**

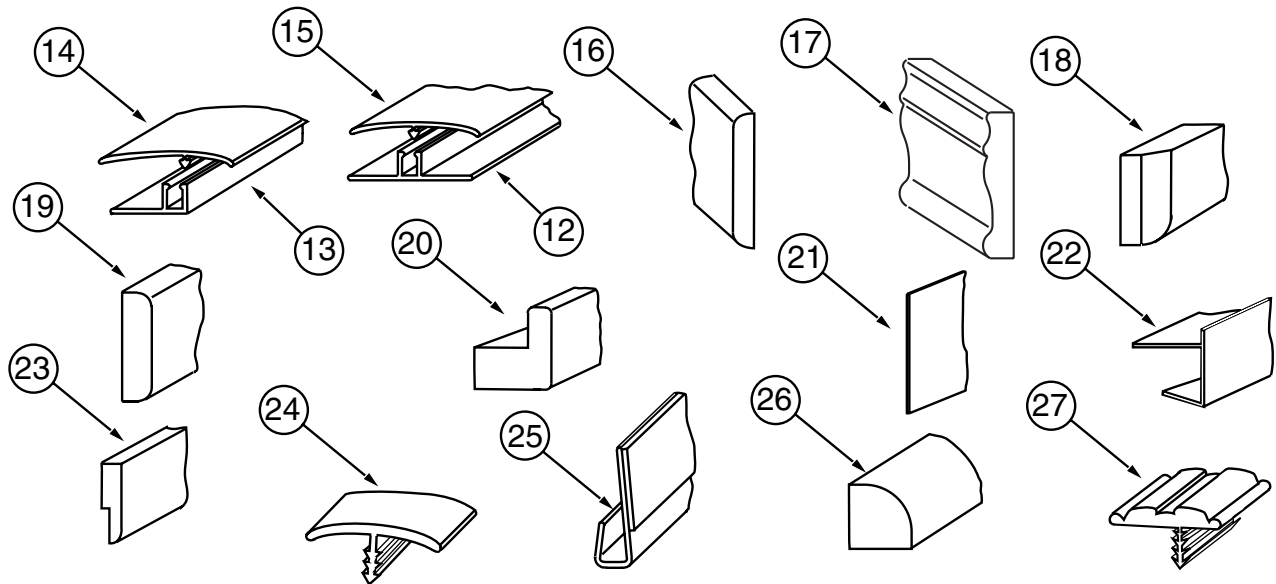
<b>KEY</b>	<b>PART NUMBER</b>	<b>U/M</b>	<b>DESCRIPTION</b>	<b>VENDOR NO</b>
	105620-15-700	EA	FUSE/BUSS(2AMP/250V)3 PER PK	8330-3343

**INTERIOR FINISH GROUP**  
**MOLDINGS & TRIMS**  
**SALEM CHERRY**  
**PORTSMOUTH OAK**



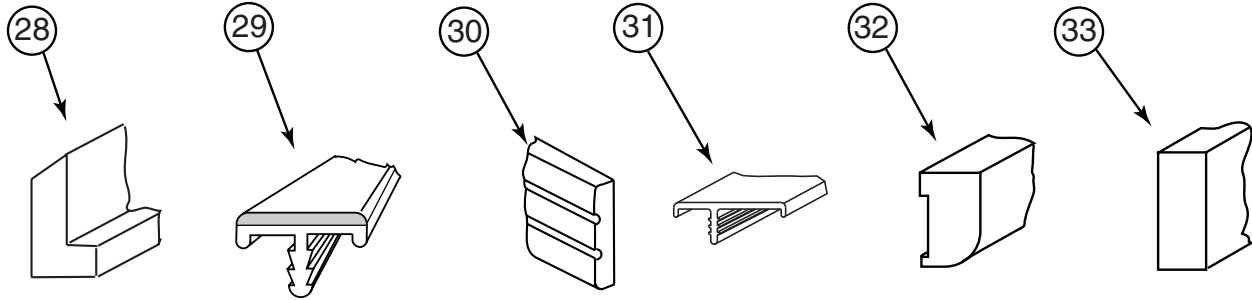
KEY	PART NUMBER	U/M	DESCRIPTION
1	P34052-01-N75	EA	TRIM/TABLE - 29.7" - PORTSMOUTH OAK
1	P34052-01-M84	EA	TRIM/TABLE - 29.7" - WASHED MAPLE
1	P34052-01-M52	EA	TRIM/TABLE - 29.7" - SALEM CHERRY
1	P34052-02-N47	EA	TRIM/TABLE - 24"
2	009767-12-000	FT	WELTING - ANTIQUE WHITE
2	009767-17-000	FT	WELTING - PORTSMOUTH OAK
3	009778-25-000	FT	U-CHANNEL - 1" - BEIGE ILLUSION
3	009778-27-000	FT	U-CHANNEL - 1" - WASHED MAPLE
3	009778-30-000	FT	U-CHANNEL - 1" - VILLAGE OAK
3	009778-31-000	FT	U-CHANNEL - 1" - GRADY BROWN
3	009778-32-000	FT	U-CHANNEL - 1" - PORTSMOUTH OAK
3	009778-34-000	FT	U-CHANNEL - 1" - CONCERT CHERRY
3	070504-36-000	FT	U-CHANNEL - PLASTIC - .13" X 96" - WATERFORD OAK
3	070504-42-000	FT	U-CHANNEL - PLASTIC - .13" X 84" - BEIGE ILLUSION
3	070504-50-000	FT	U-CHANNEL - PLASTIC - .13" X 96" - WASHED MAPLE
3	070504-51-000	FT	U-CHANNEL - PLASTIC - .9" X 96" - WASHED MAPLE
3	070504-54-000	FT	U-CHANNEL - PLASTIC - .9" X 96" - VILLAGE OAK
3	070504-56-000	FT	U-CHANNEL - PLASTIC - .8" X 72" - VW LIGHT GRAY
3	070504-57-000	FT	U-CHANNEL - PLASTIC - .6" X 84" - PORTSMOUTH OAK
3	070504-58-000	FT	U-CHANNEL - PLASTIC - .8" X 84" - PORTSMOUTH OAK
3	070504-60-000	FT	EXTRUSION-U CHANNEL,1.65 - CONCERT CHERRY
3	070504-61-000	FT	U-CHANNEL - PLASTIC - .8" X 84" - CONCERT CHERRY
4	009809-30-000	EA	MOLDING - CORNER - OUTSIDE - 1" X 84" - BEIGE ILLUSION
4	009809-31-000	EA	MOLDING - CORNER - OUTSIDE - 1" X 84" - WASHED MAPLE
4	009809-32-000	EA	MOLDING - CORNER - OUTSIDE - 1" X 84" - PORTSMOUTH OAK
4	009809-33-000	EA	MOLDING - CORNER - OUTSIDE - 1" X 84" - WORMY PECAN
5	009812-31-000	EA	MOLDING - CORNER - 1/2" W/1/4"CHAN X 84" - BEIGE ILLUSION
5	009812-33-000	EA	MOLDING - CORNER - 1/2" W/1/4"CHAN X 84" - WASHED MAPLE
5	009812-35-000	EA	MOLDING - CORNER - 1/2" W/1/4"CHAN X 84" - PORTSMOUTH OAK
5	009812-36-000	EA	MOLDING - CORNER - 1/2" W/1/4"CHAN X 84" - CONCERT CHERRY
6	022992-14-000	FT	MOLDING - REVERSE COVE - T-SHAPED - BRIGHT WHITE
6	022992-15-000	FT	MOLDING - REVERSE COVE - T-SHAPED - VW GRAY
7	042357-25-000	EA	MOLDING - CORNER - RADIUS/PLASTIC - WASHED MAPLE
7	042357-26-000	EA	MOLDING - CORNER - RADIUS/PLASTIC - PORTSMOUTH OAK
7	042357-27-000	EA	MOLDING - CORNER - RADIUS/PLASTIC - CONCERT CHERRY
8	077840-01-E41	EA	MOLDING - WALL CAP - 8' - SALEM CHERRY
8	077840-01-N30	EA	MOLDING - WALL CAP - 8' - PORTSMOUTH AOK
8	077840-01-M91	EA	MOLDING - WALL CAP - 8' - WASHED MAPLE
9	080176-08-000	EA	CAP - CORNER - RADIUS MOLDING - PLASTIC - WASHED MAPLE
10	081521-02-007	EA	MOUNT - METAL MOLDING - F/RADIUS CORNER MOLDING - 151.5"
11	083620-09-000	FT	MOLDING-T - W/EDGE LIP - 7/8" FACE - MODERN IVORY
11	083620-19-000	FT	MOLDING-T - W/EDGE LIP - 7/8" FACE - WASHED MAPLE
11	083620-20-000	FT	MOLDING-T - W/EDGE LIP - 7/8" FACE - PORTSMOUTH OAK
11	083620-21-000	FT	MOLDING-T - W/EDGE LIP - 7/8" FACE - CONCERT CHERRY
11	104676-02-08A	FT	MOLDING-T - W/EDGE LIP - 11/16" FACE - PORTSMOUTH OAK
11	104676-02-06A	FT	MOLDING-T - W/EDGE LIP - 11/16" FACE - WASHED MAPLE

**INTERIOR FINISH GROUP (CONTINUED)**  
**MOLDINGS & TRIMS (CONTINUED)**



KEY	PART NUMBER	U/M	DESCRIPTION
12	086229-01-000	EA	RETAINER - BATTEN - .75" X 92.1" - ANY COLOR
13	086229-11-000	EA	RETAINER - OFFSET - 97"
14	086229-12-000	EA	BATTEN - 1.5" OFFSET X 97.01" IVORY
14	086229-21-000	EA	BATTEN - 1.5" X 83.9" OFFSET - WHITE
15	086229-13-000	EA	BATTEN - 1" X 96" - IVORY
15	086229-19-000	EA	BATTEN - 1" X 98.4" - OFF WHITE
15	086229-20-000	EA	BATTEN - 1" X 96" - BEIGE
16	091985-01-08A	FT	INSERT - TRIM - .65" WIDE - SOFT WHITE
17	100182-10-E41	EA	TRIM - CHAIR RAIL - 2.5" X 8' EACH - WOOD
17	100182-10-J70	EA	TRIM - CHAIR RAIL - 2.5" X 8' EACH - WOOD
17	100182-10-K29	EA	TRIM - CHAIR RAIL - 2.5" X 8' EACH - WOOD
17	100182-10-N47	EA	TRIM/RAIL
18	100659-27-M70	EA	MOLDING/TRIM - VINYL FLOOR - CHERRY III
18	100659-30-N75	EA	MOLDING - TRIM - PORTSMOUTH OAK
18	100659-30-N74	EA	MOLDING - TRIM - CHERRY
18	100659-30-M84	EA	MOLDING-TRIM,VINYL FLOOR - 01 G-SERIES GENERAL
19	100818-01-12A	EA	MOLDING - VINYL WRAPPED - 1.6" X .4" X 84"-PORTSMOUTH OAK
19	100818-01-10A	EA	MOLDING - VINYL WRAPPED - 1.6" X .4" X 84" - CHERRY
19	100818-01-08A	EA	MOLDING - VINYL WRAPPED - 1.6" X .4" X 84"-WASHED MAPLE
20	100819-01-08A	EA	MOLDING - VINYL WRAPPED-L-SHAPED-1.5"X1.5"X84"-WASHED MPL
20	100819-01-09A	EA	MOLDING - VINYL WRAPPED-L-SHAPED-1.5"X1.5"X84"-PRTSMTH OAK
20	100819-01-10A	EA	MOLDING - VINYL WRAPPED-L-SHAPED-1.5"X1.5"X84"-CNCRT CHERR
20	100819-01-12A	EA	MOLDING - VINYL WRAPPED-L-SHAPED - 1.5" X 1.5" X 84" - OAK
21	101957-01-06A	EA	EXTRUDED - PLASTIC - WASHED MAPLE
22	103186-01-10A	FT	MOLDING - PLASTIC - 3/8" U-CHANNEL-3/4"FACE-CONCERT CHERRY
22	103186-01-09A	FT	MOLDING - PLASTIC - 3/8" U-CHANNEL-3/4"FACE-PORTSMOUTH OAK
22	103186-01-07A	FT	MOLDING - PLASTIC - 3/8" U-CHANNEL-3/4"FACE - BEIGE ILLUS
22	103186-02-10A	FT	MOLDING - PLASTIC - 1" U-CHANNEL-1 3/8"FACE-CONCERT CHERRY
22	103186-02-09A	FT	MOLDING - PLASTIC - 1" U-CHANNEL-1 3/8"FACE-PORTSMOUTH OAK
22	103186-02-08A	FT	MOLDING - PLASTIC - 1" U-CHANNEL-1 3/8"FACE-WASHED MAPLE
22	103186-02-07A	FT	MOLDING - PLASTIC - 1" U-CHANNEL-1 3/8"FACE-BEIGE ILLUSION
23	105004-01-10A	EA	MOLDING - VINYL WRAPPED 1" X 96" - SALEM CHERRY
23	105004-01-08A	EA	MOLDING - VINYL WRAPPED - 1" X 96" - WASHED MAPLE
23	105004-01-10A	EA	MOLDING - VINYL WRAPPED 1" X 96" - SALEM CHERRY
23	105004-01-12A	EA	MOLDING - VINYL WRAPPED 1" X 96" - PORTSMOUTH OAK
24	009815-10-000	FT	MOLDING-T - W/EDGE LIP - 3/4" FACE - BEIGE ILLUSION
24	105709-02-000	FT	MOLDING-T - W/EDGE LIP - 3/4" FACE - BEIGE ILLUSION
25	109332-02-01A	FT	TRIM-J - W/O ADHESIVE - BRASS
26	109410-01-J70	EA	MOLDING - TRIM - 8' - WHITE MAPLE/WASHED MAPLE
26	109410-01-E41	EA	MOLDING - TRIM - 8' - BLACK CHERRY/SALEM CHERRY
26	109410-01-N75	EA	MOLDING - TRIM - 8' - PORTSMOUTH OAK/PORTSMOUTH OAK
27	109736-02-01A	FT	MOLDING-T/OFFSET - W/EDGE LIP - 1" FACE - NAT OAK/BRASS

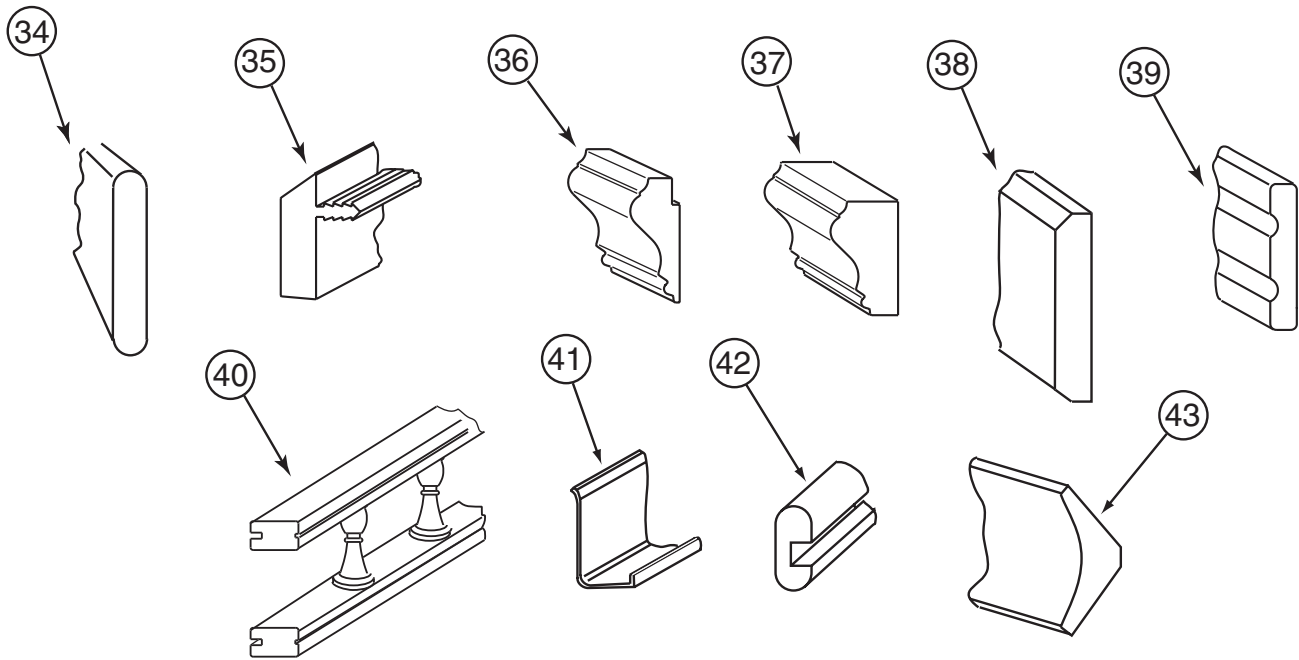
**INTERIOR FINISH GROUP (CONTINUED)**  
**MOLDINGS & TRIMS (CONTINUED)**



KEY	PART NUMBER	U/M	DESCRIPTION
28	111235-01-E74	EA	MOLDING - COUNTERTOP - 1.4" X 8' - BLACK CHERRY-UNSTAINED - SALEM CHERRY
28	111235-01-N42	EA	MOLDING - COUNTERTOP - 1.4" X 8' - PORTSMOUTH
28	111235-01-H56	EA	MOLDING - COUNTERTOP - 1.4" X 8' - WHITE MAPLE - UNSTAINED - WASHED MAPLE
29	113757-02-01A	FT	T-MOLDING - BULB
30	116951-15-N09	EA	MOLDING - TRIM - 1.7" X 11" - PORTSMOUTH OAK
30	116951-15-K09	EA	MOLDING - TRIM - 1.7" X 11" - WASHED MAPLE
30	116951-15-K13	EA	MOLDING - TRIM - 1.7" X 11" - SALEM CHERRY
31	119520-01-01A	FT	MOLDING-T/OFFSET - W/EDGE LIP - 1"FACE - OFF WHITE
31	119520-02-01A	FT	MOLDING-T/OFFSET - W/EDGE LIP - 1"FACE
32	126204-D2-134	EA	MOLDING - VINYL WRAPPED - .7" X 1.6" X 84" - WASHED MAPLE
32	126204-F2-134	EA	MOLDING - VINYL WRAPPED - .7" X 2.5" X 84" - WASHED MAPLE
32	126204-F2-438	EA	MOLDING - VINYL WRAPPED - .7" X 2.6" X 96" - WASHED MAPLE
32	137895-D2-134	EA	MOLDING - VINYL WRAPPED - .7" X 1.6" X 84" - PORTSMOUTH OAK
32	137895-F2-743	EA	MOLDING-018X063X2743 MM - PORTSMOUTH OAK
33	126205-D2-438	EA	LUMBER - VINYL WRAPPED - .7" X 1.5" X 96" - WASHED MAPLE
33	126205-E2-438	EA	LUMBER - VINYL WRAPPED - .7" X 2" X 96" - WASHED MAPLE
33	126205-F2-438	EA	LUMBER - VINYL WRAPPED - .7" X 2.5" X 96" - WASHED MAPLE
33	126205-G2-438	EA	LUMBER - STAINED - .7" X 3" X 96" - WASHED MAPLE
33	126205-J2-438	EA	LUMBER - VINYL WRAPPED - .7" X 5.5" X 96" - WASHED MAPLE
33	136030-F2-743	EA	MOLDING-018X065X2743MM PAPER WRAPPED-CHERRY - SALEM CHERRY FROM: 00-00-00 THRU: 09-03-01
33	136045-D2-438	EA	LUMBER - PAPER WRAPPED - .7" X 1.5" X 96" - CHERRY FROM: 00-00-00 THRU: 09-03-01
33	136045-E2-438	EA	LUMBER - PAPER WRAPPED - .7" X 2" X 96" - CHERRY FROM: 00-00-00 THRU: 09-03-01
33	136045-F2-438	EA	LUMBER - PAPER WRAPPED - .7" X 2.6" X 96" - CHERRY FROM: 00-00-00 THRU: 09-03-01
33	136045-G2-438	EA	LUMBER - PAPER WRAPPED - .7" X 3" X 96" - CHERRY FROM: 00-00-00 THRU: 09-03-01
33	136045-H2-438	EA	LUMBER - PAPER WRAPPED - .7" X 3.5" X 96" - CHERRY FROM: 00-00-00 THRU: 09-03-01
33	136045-J2-438	EA	LUMBER - PAPER WRAPPED - .7" X 5.5" X 96" - CHERRY FROM: 00-00-00 THRU: 09-03-01
33	136045-R2-438	EA	LUMBER - PAPER WRAPPED - .7" X 3" X 96" - CHERRY FROM: 00-00-00 THRU: 09-03-01
33	137894-A2-438	EA	LUMBER - VINYL WRAPPED - .7" X .75 X 96" - PORTSMOUTH OAK
33	137894-D2-022	EA	LUMBER-018X038X2022 MM - WRAPPED - PORTSMOUTH OAK
33	137894-D2-014	EA	LUMBER-018X038X2014 MM - WRAPPED - PORTSMOUTH OAK
33	137894-D2-001	EA	LUMBER-018X038X2000 MM - WRAPPED - PORTSMOUTH OAK
33	137894-D2-438	EA	LUMBER - VINYL WRAPPED - .7" X 1.5" X 96" - PORTSMOUTH OAK
33	137894-D2-134	EA	LUMBER-018X038X2134 MM - WRAPPED - PORTSMOUTH OAK
33	137894-D2-026	EA	LUMBER-018X038X2026 MM - WRAPPED - PORTSMOUTH OAK
33	137894-D2-024	EA	LUMBER-018X038X2024 MM - WRAPPED - PORTSMOUTH OAK
33	137894-E2-438	EA	LUMBER - VINYL WRAPPED - .7" X 2" X 96" - PORTSMOUTH OAK
33	137894-F2-438	EA	LUMBER - VINYL WRAPPED - .7" X 2.5" X 96" - PORTSMOUTH OAK
33	137894-G2-438	EA	LUMBER - VINYL WRAPPED - .7" X 3" X 96" - PORTSMOUTH OAK
33	137894-H2-438	EA	LUMBER - VINYL WRAPPED - .7" X 3.5" X 96" - PORTSMOUTH OAK
33	137894-J2-438	EA	LUMBER - VINYL WRAPPED - .7" X 5.5" X 96" - PORTSMOUTH OAK
33	137894-J2-743	EA	LUMBER-018X140X2743 MM - PORTSMOUTH OAK
33	137894-R2-438	EA	LUMBER - VINYL WRAPPED - .7" X 3" X 96" - PORTSMOUTH OAK



**INTERIOR FINISH GROUP (CONTINUED)**  
**MOLDINGS & TRIMS (CONTINUED)**



KEY	PART NUMBER	U/M	DESCRIPTION
34	127842-01-01A	FT	SEAL - SIGHT SHIELD - 2" BLACK
35	130247-01-05A	FT	MOLDING-T/OFF SET - 1.3" FACE - CONCERT CHERRY - SALEM CHERRY
35	130247-01-04A	FT	MOLDING-T/OFF SET - 1.3" FACE - PORTSMOUTH OAK
35	130247-01-02A	FT	MOLDING-T/OFF SET - 1.3" FACE - WASHED MAPLE
36	131923-02-02A	FT	MOLDING - PICTURE - CHERRY - SALEM CHERRY
36	131923-02-03A	FT	MOLDING - PICTURE - HARD WHITE MAPLE - WASHED MAPLE
36	131923-02-04A	FT	MOLDING - PICTURE - 42.8" - PORTSMOUTH
37	131923-03-02A	FT	MOLDING - CROWN - DIVIDER - CHERRY - SALEM CHERRY
37	131923-03-03A	FT	MOLDING - CROWN - DIVIDER - HARD WHITE MAPLE - WASHED MAPLE
37	131923-03-04A	FT	MOLDING - MOLDING - CROWN - DIVIDER - OAK - PORTSMOUTH
38	132647-01-05A	EA	MOLDING/TRIM - DASH - PORTSMOUTH OAK
39	134156-01-03A	EA	MOLDING - VINYL WRAP - .7" X 3.8" X 33.8" - WASHED MAPLE
39	134156-01-05A	EA	MOLDING - PAPER WRAP - .7" X 3.8" X 33.8" - CONCERT CHERRY - SALEM CHERRY
39	134156-01-07A	EA	MOLDING - VINYL WRAP - .7" X 3.8" X 33.8" - CONCERT CHERRY - SALEM CHERRY
			FROM: 00-00-00 THRU: 09-03-01
39	134156-01-08A	EA	MOLDING - VINYL WRAP - .7" X 3.8" X 33.8" - PORTSMOUTH OAK
39	134156-03-03A	EA	MOLDING - VINYL WRAP - .7" X 3.4" X 28.3" - WASHED MAPLE
39	134156-03-05A	EA	MOLDING - PAPER WRAP - .7" X 3.4" X 28.3" - CONCERT CHERRY - SALEM CHERRY
			FROM: 00-00-00 THRU: 09-03-01
39	134156-03-07A	EA	MOLDING - VINYL WRAP - .7" X 3.4" X 28.3" - CONCERT CHERRY - SALEM CHERRY
			FROM: 09-04-01 THRU: 00-00-00
39	134156-03-08A	EA	MOLDING - VINYL WRAP - .7" X 3.4" X 28.3" - PORTSMOUTH OAK
39	134156-05-05A	EA	MOLDING - PAPER WRAP - .7" X 3.8" X 34.4" - SALEM CHERRY
			FROM: 00-00-00 THRU: 09-03-01
39	134156-05-07A	EA	MOLDING - VINYL WRAP - .7" X 3.8" X 34.4" - CONCERT CHERRY - SALEM CHERRY
			FROM: 09-04-01 THRU: 00-00-00
39	134156-05-08A	EA	MOLDING - VINYL WRAP - .7" X 3.8" X 33.8" - PORTSMOUTH OAK
40	137108-01-07A	EA	RAIL - DECORATIVE - PORTSMOUTH OAK
40	137108-01-03A	EA	RAIL - DECORATIVE - WASHED MAPLE
40	137108-01-02A	EA	RAIL - DECORATIVE - SALEM CHERRY
41	085746-04-000	EA	TRIM-J - CARPET 1.2" X .5" ANGLE - 10' LONG - OFF WHITE
42	M09412-62-M52	EA	MOLDING/SHELF EDGE - W/.4" NOTCH - CHERRY IV
42	M09412-62-M62	EA	MOLDING/SHELF EDGE - W/.4" NOTCH - WASHED MAPLE
42	M09412-62-N42	EA	MOLDING/SHELF EDGE - W/.4" NOTCH - PORTSMOUTH II
43	Y00074-22-438	EA	MOLDING/CROWN - VINYL WRAPPED - MAPLE - 96"
43	Y00074-62-438	EA	MOLDING/CROWN - VINYL WRAPPED - CONCERT CHERRY - 96"
43	Y00074-72-438	EA	MOLDING/CROWN - VINYL WRAPPED - PORTSMOUTH OAK - 96"

**INTERIOR FINISH GROUP (CONTINUED)**  
**PANELING & LAMINATES**

<b>KEY</b>	<b>PART NUMBER</b>	<b>U/M</b>	<b>DESCRIPTION</b>
	000885-A3-000	SF	PARTICLE BOARD - 3/4" X 4' X 8' - SALEM CHERRY - 2 SIDED
	000885-98-000	SF	PARTICLE BOARD - 3/8" X 4' X 8' - SALEM CHERRY - 2 SIDED
	000885-A5-000	SF	PARTICLE BOARD - 3/8" X 4' X 8'- WHT PEB EMBOSSED-1 SIDED
	000885-93-000	SF	PARTICLE BOARD - 3/8" X 4' X 8' - PORTSMOUTH OAK - 2-SIDED
	000885-95-000	SF	PARTICLE BOARD - 3/4" X 4' X 8' - PORTSMOUTH OAK - 2-SIDED
	057882-04-000	SF	TAMBOUR - 48" X 96" SHEET - UNFINISHED
	057882-06-000	SF	TAMBOUR/ROLL UP - 4' X 8'
	074497-42-000	SF	PANELING - PORTSMOUTH OAK - 4' X 8'
	076773-15-000	SF	PANELING - 2 SIDED/PORTSMOUTH OAK - 1/8" X 4' X 8'
	074497-43-000	SF	PANELING - SALEM CHERRY - 4' X 8'
	076773-16-000	SF	PANELING - 2 SIDED - SALEM CHERRY - 1/8" X 4' X 8'
	088272-H9-000	SF	PANELING - PEBBLE EMBOSSED - WHITE - 4' X 7'
	088272-J9-000	SF	PANELING - ALABASTER - 4' X 7' (N52, N53, N54, N55)
	088272-K1-000	SF	PANELING - GRAY - 4' X 7' (N56, N57)
	074498-84-000	SF	LAMINATE - PLASTIC - WHITE TALC - 4' X 8' (N52, N53, N54, N55)
	074498-52-000	SF	LAMINATE - PLASTIC - WHITE ETHOS - 4' X 8' (N56, N57)
	074498-95-000	SF	LAMINATE - PLASTIC - PORTSMOUTH OAK - 4' X 8'
	074498-96-000	SF	LAMINATE - PLASTIC - CHERRY - 4' X 8'
	076325-39-000	FT	MOLDING - EDGE BAND - 1 5/16" X .030" - ALMOND
	076325-73-000	FT	MOLDING - EDGE BAND - .93" X .024 - OFF WHITE
	085284-F7-000	FT	TAPE/STRIP - TRUE GRIP - 1 1/2" WIDE - ADHESIVE BACKED
	085284-G9-000	FT	BATT TAPE - ADHESIVE BACKED - DECORATIVE - ALABASTER (N52, N53, N54, N55)
	085284-H1-000	FT	BATT TAPE - ADHESIVE BACKED - DECORATIVE - GRAY (N56, N57)
	088263-G9-000	SF	BATT STRIP - DECORATIVE - CORK/ALABASTER - 8' (N52, N53, N54, N55)
	088263-H0-000	SF	BATT STRIP - DECORATIVE - VILLA/GRAY - 8' LONG (N56, N57)
	132610-05-18A	FT	WALLPAPER - BORDER - 7" - SELF-ADHESIVE (N52, N53)
	132610-05-15A	FT	WALLPAPER - BORDER - 7" - SELF-ADHESIVE (N54, N55)
	132610-05-12A	FT	WALLPAPER - BORDER - 7" - SELF-ADHESIVE (N56, N57)

**ACCESSORIES**

<b>KEY</b>	<b>PART NUMBER</b>	<b>U/M</b>	<b>DESCRIPTION</b>
	072852-01-000	EA	DETECTOR - SMOKE - W/9 VOLT BATTERY - US
	072852-02-000	EA	DETECTOR - SMOKE - W/9 VOLT BATTERY - CANADIAN
	088742-16-000	EA	MIRROR - BEVELED/SAFETY GLASS - 14.4" X 18.5"
	093606-18-000	EA	MIRROR - BEVELED EDGE - 19.7" X 29.5"
	093606-28-000	EA	MIRROR - BEVELED EDGE - 17.5" X 27.9"
	140374-10-000	EA	MIRROR - SAFETY GLASS - 7.9" X 16.4"
	140374-35-000	EA	MIRROR - SAFETY GLASS - 9" X 14.9"
	140374-55-000	EA	MIRROR - SAFETY GLASS - 34.7" X 69.4"
	091261-01-000	FT	SLIPNOT - ANTISLIP - 1' WIDE X 12' - BLACK
	096764-02-000	FT	SLIPNOT - ANTISLIP - 1' WIDE (180' ROLLS) - WHITE
*	094499-02-000	EA	EXTINGUISHER/FIRE - DRY - 10BC - W/GAUGE - CANADIAN
	094499-03-000	EA	EXTINGUISHER/FIRE - DRY - 10BC - W/GAUGE/BRACKET - US
	094499-04-000	EA	STRAP - FIRE EXTINGUISHER MOUNTING - METAL
	108808-01-01A	EA	HANDRAIL - ENTRANCE - 26"H X 26"L - BRASS
	131058-03-02A	EA	HAND RAIL - INTERIOR ENTRY DOOR - BLACK
	112515-05-01A	EA	PICTURE - DECORATIVE - 12" X 15" - PALM TREE
	131493-02-05A	EA	PICTURE - DECORATIVE - 13" X 15" - VIOLIN
	131493-02-09A	EA	PICTURE - DECORATIVE - 13" X 15" - MEDITERRANEAN
	118081-03-01A	EA	CLOCK - WALL - ROUND 8" - BRASS
	125136-02-000	EA	DETECTOR/CO - GAS MODEL - 9 VOLT
	133713-02-03A	EA	SPACER/CUPHOLDER - VINYL/SALEM CHERRY
	131333-01-01A	EA	HOLDER - CUP - VERTICAL DROP/FLUSH MOUNT - BLACK
	133831-01-01A	EA	HOLDER - CUP W/THREE CENTERLINE RUBBER FINGERS
	140066-01-01A	EA	BASKET - LAUNDRY/WIRE - WHITE

**\*COMPONENT PARTS LISTED LATER IN THIS GROUP**

**INTERIOR FINISH GROUP (CONTINUED)**  
**COMPONENT PARTS FOR ACCESSORIES**

094499-02-000

<b>KEY</b>	<b>PART NUMBER</b>	<b>U/M</b>	<b>DESCRIPTION</b>	<b>VENDOR NO</b>
	094499-01-700	EA	BRACKET MTG. W/PLAS. STRAP	294039

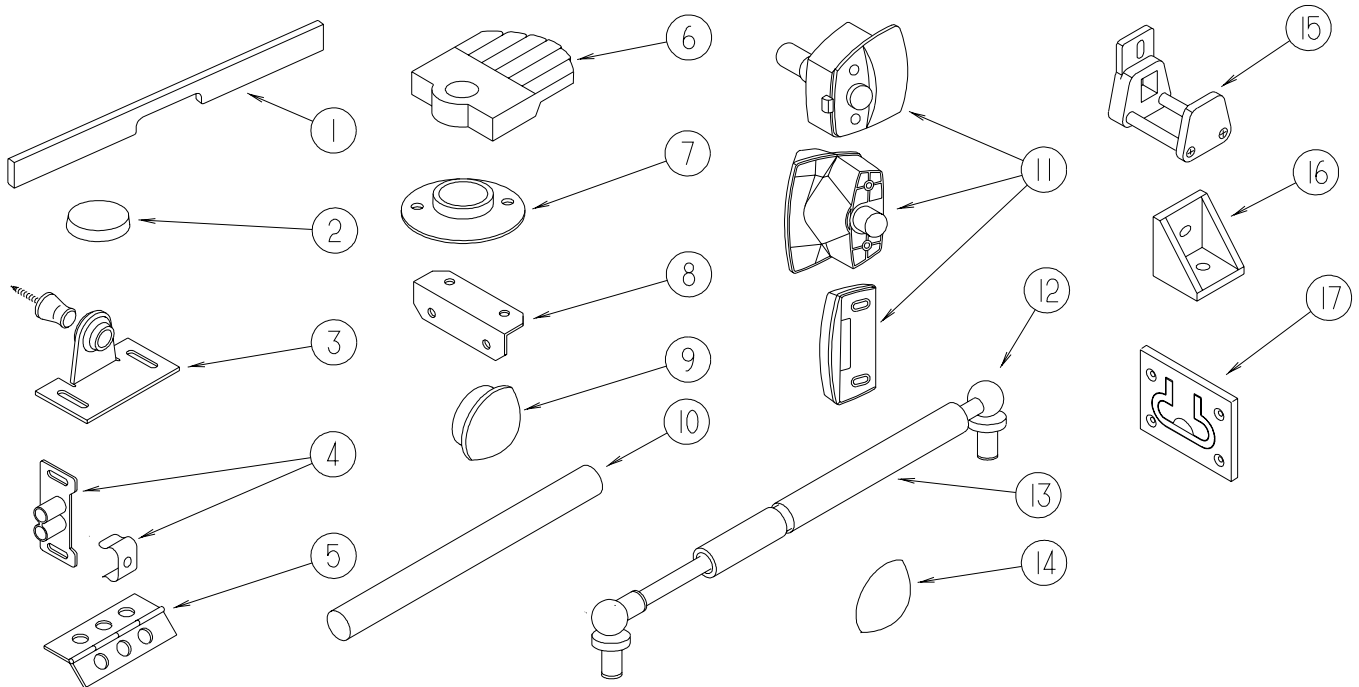
## INTERIOR FINISH GROUP (CONTINUED)

### FLOOR COVERINGS

KEY	PART NUMBER	U/M	DESCRIPTION
	093486-01-000	SY	CARPET - COMPARTMENT - 72" WIDE - DARK GRAY FROM: 00-00-00 THRU: 08-19-01
	093486-02-000	SY	CARPET - COMPARTMENT - 72" WIDE - LIGHT GRAY FROM: 08-20-01 THRU: 99-99-99
	096060-J5-000	SY	CARPET - MUSLIN - INCREMENTS OF 4 SQ YDS (N52, N53)
	096060-J8-000	SY	CARPET - NUTMEG - INCREMENTS OF 4 SQ YDS (N52, N53) - CARPET EXCHANGE
	096060-J6-000	SY	CARPET - PINEGROVE - INCREMENTS OF 4 SQ YDS (N54, N55)
	139056-07-000	SY	CARPET - 4 SQUARE YARD INCREMENTS (N54, N55) - CARPET EXCHANGE
	096060-J7-000	SY	CARPET - SAHARA DESERT - INCREMENTS OF 4 SQ YDS (N56, N57)
	131711-01-07A	EA	TILE/FLOOR - VINYL - 12" X 12"

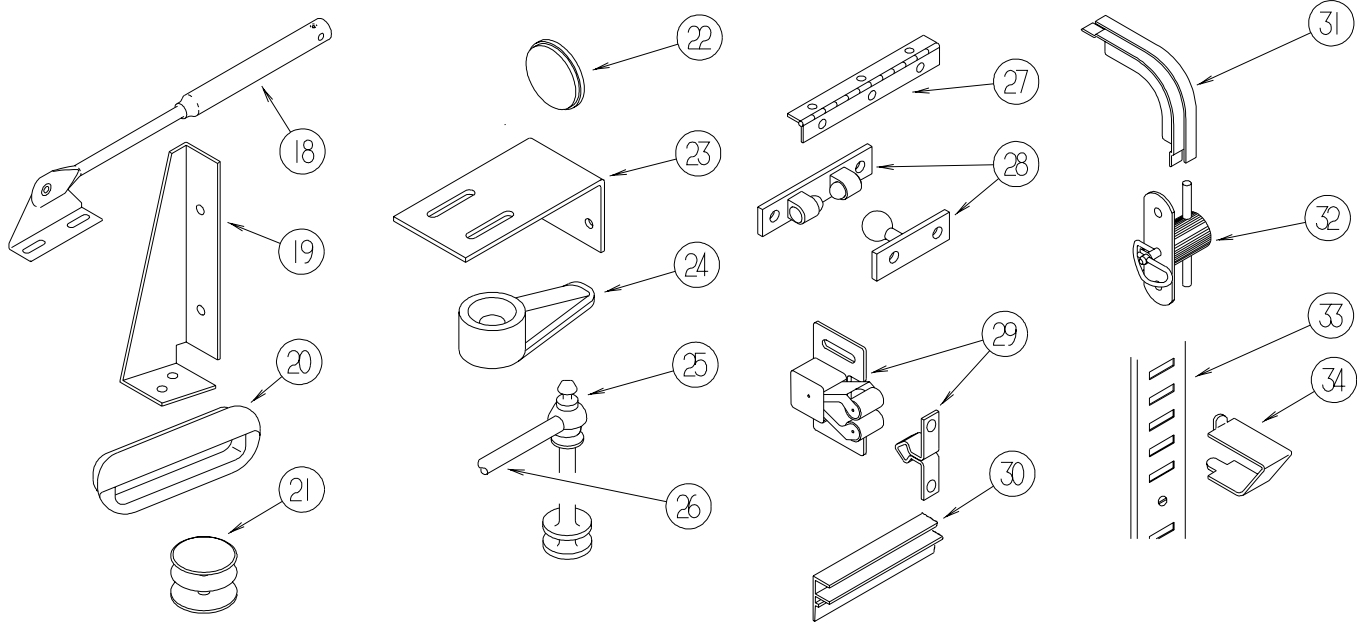
## INTERIOR FINISH GROUP (CONTINUED)

### HARDWARE



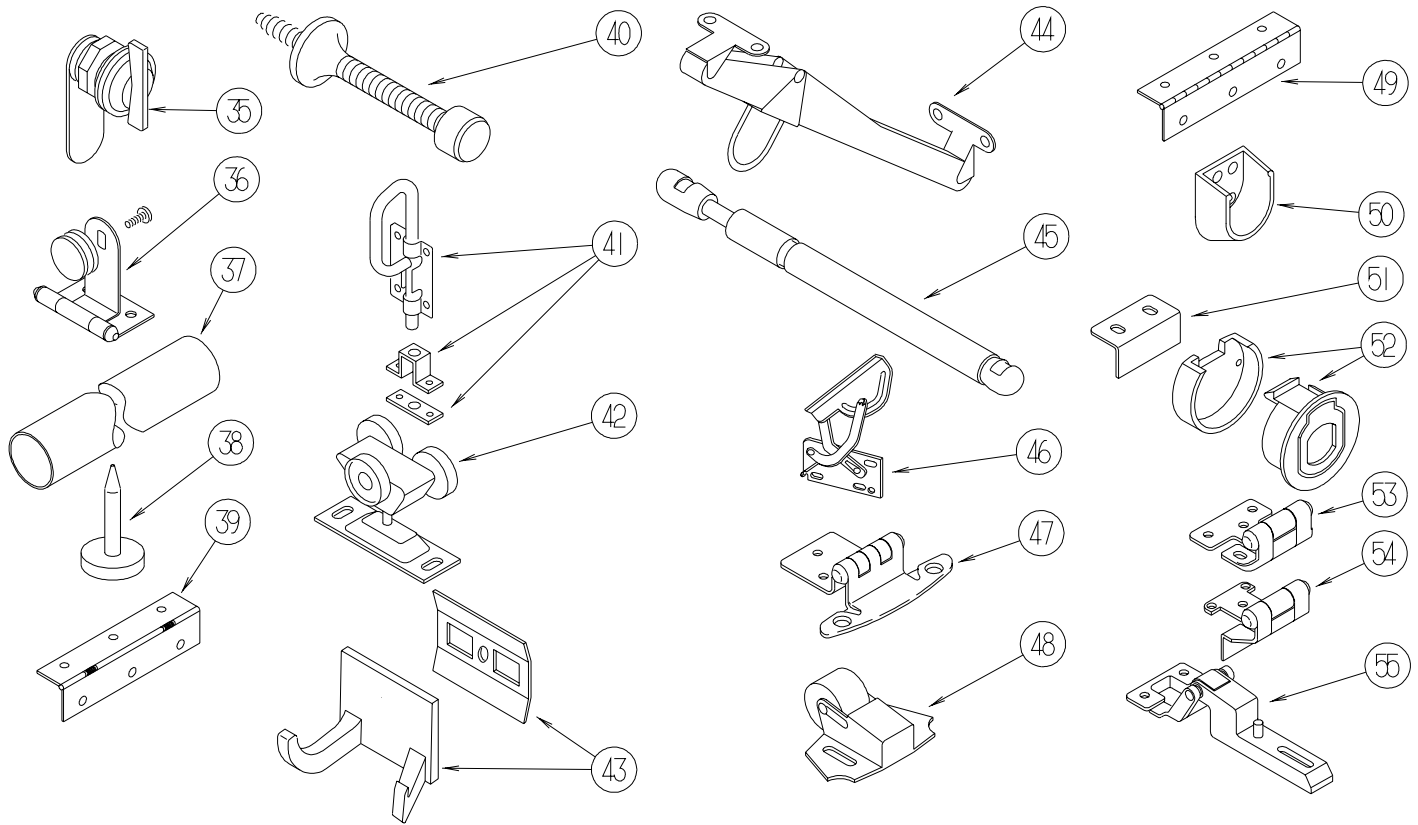
KEY	PART NUMBER	U/M	DESCRIPTION
1	P26866-09-KQ1	EA	HANDLE - DOOR/TAMBOUR - 14.7" - CHERRY/CHERRY III
1	P26866-10-K09	EA	HANDLE - DOOR/TAMBOUR - 11.6" - MAPLE/WASHED MAPLE
1	P26866-10-M07	EA	HANDLE - DOOR/TAMBOUR - 11.6" - ASH/PORTSMOUTH OAK - PORTSMOUTH OAK
2	004354-01-000	EA	BUMPER - RUBBER - .5" DIA - BROWN
2	023320-01-000	EA	PAD - FELT 3/8" DIAMETER
3	009013-01-000	EA	CATCH - BULLDOG - MALE/FEMALE
4	009021-01-000	EA	CATCH - GRILLE - NYLON
4	009021-02-000	EA	STRIKE - SPRING STEEL - .68"
5	009059-01-000	EA	HINGE - DOOR - 2" X 1.4" - BRASS
5	009059-02-000	EA	HINGE - DOOR - 2" X 2.7" - BRASS
5	009059-03-000	EA	HINGE - BRASS - 1.75"
5	041389-25-000	EA	HINGE - PIANO - 1 1/2" X 55" - UNPAINTED
6	009089-01-000	EA	CLIP - MIRROR
7	009112-01-000	EA	FLANGE - PLASTIC - 1" CLOTHES ROD - OFF WHITE
8	016604-01-000	EA	BRACE - ANGLE - 2 1/2" - UNPAINTED METAL
8	016604-05-000	EA	BRACE - ANGLE - 2 1/2" - OFF WHITE METAL
8	016604-07-000	EA	BRACE - ANGLE - 2 1/2" - VW GRAY
8	016604-09-000	EA	BRACE - ANGLE - VW LIGHT GRAY
9	042356-01-000	EA	PLUG - MAHOGANY - 3/8" DOWEL X 1/2" HEAD
9	074045-08-000	EA	PLUG - OAK - 3/8" DOWEL-1/2" HEAD - SALEM CHERRY
9	074045-12-000	EA	PLUG - OAK - 3/8" DOWEL-1/2" HEAD - WASHED MAPLE
9	074045-13-000	EA	PLUG - OAK - 3/8" DOWEL-1/2" HEAD - PORTSMOUTH OAK
10	042438-01-000	EA	DOWEL - WOOD - CLOTHES ROD - 1" X 4'
10	042438-02-000	EA	DOWEL - WOOD - CLOTHES ROD - 2" X 2'
10	042438-06-000	EA	DOWEL - WOOD - 1.5" X 26"
11	058335-03-000	EA	LATCH W/O LOCK - BATHROOM DOOR BLACK - <a href="#">RIALTA, 200-SERIES</a>
12	057460-02-000	EA	BALL STUD - F/GAS SPRING .39" - 5/16"-18
13	057460-04-000	EA	SPRING/GAS - BALL STUD STYLE - 120 PI - "SPD6209"
14	057671-01-000	EA	COVER - SCREW - OFF WHITE - #8
14	057671-13-000	EA	COVER - SCREW - DARK GRAY - #8
14	057671-15-000	EA	COVER - SCREW - #8 - BRIGHT WHITE
14	057671-16-000	EA	COVER - SCREW - #8 - SOFT WHITE
14	057671-17-000	EA	COVER - SCREW - VW LT GRAY - #8
15	064467-01-000	EA	GUIDE - POCKET - SLIDING DOOR - WALL MOUNTED
16	065740-01-000	EA	BRACE - CABINET/CORNER - PLASTIC
17	072871-01-000	EA	PULL - FLUSH - CHROME - <a href="#">RIALTA, 200-SERIES</a>

**INTERIOR FINISH GROUP (CONTINUED)**  
**HARDWARE (CONTINUED)**



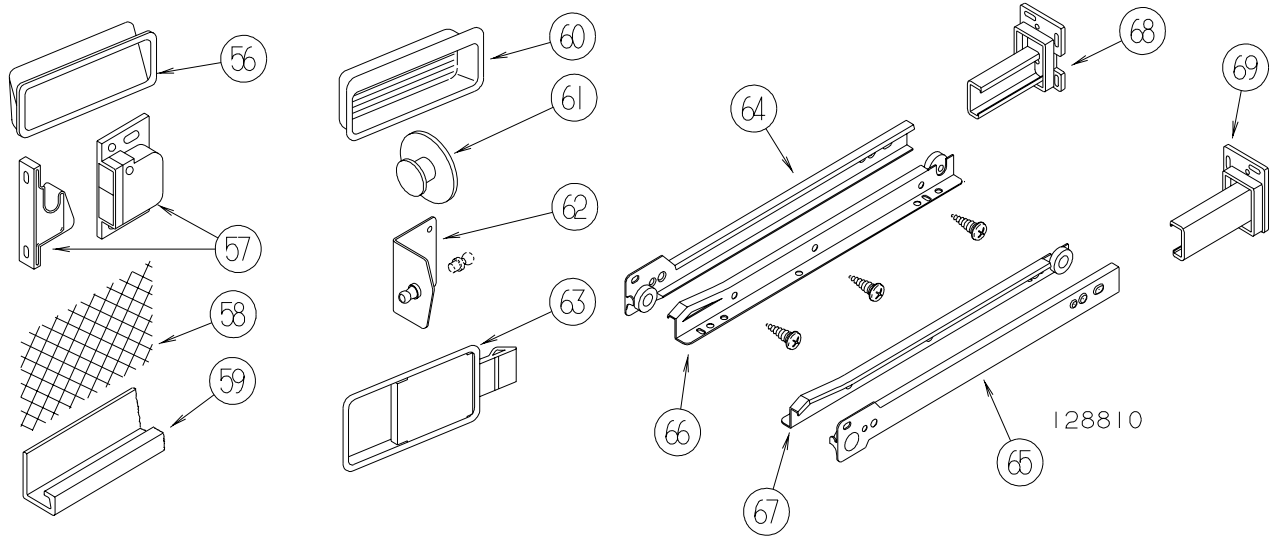
KEY	PART NUMBER	U/M	DESCRIPTION
18	074493-02-000	EA	SUPPORT - PISTON SPRING - CABINET DOOR - 26 LBS
18	074493-03-000	EA	SUPPORT - PISTON SPRING - CABINET DOOR - 12 LBS
18	074493-04-000	EA	SUPPORT - PISTON SPRING - CABINET DOOR - 32 LBS
19	076827-02-000	EA	BRACKET/LEG - 2.9" X 1.8" - TRIANGULAR - LEFT/E-COATED
20	080736-01-000	EA	PULL - RECESSED - 1.25" X 4" - OAK
21	081114-02-000	EA	CAP - INSERT - ROUND - 1" DIAMETER - WHITE PLASTIC
22	081914-01-000	EA	BUMPER - RUBBER - ROUND - 1/2" DIA. X 1/8" THICK
22	120760-01-000	EA	RUBBER BUMPER - CLEAR - .1" THICK X .8" DIAMETER
23	083125-07-000	EA	BRACE - ANGLE/COUCH - 2.5" - OFF WHITE
23	132871-02-02B	EA	BRACKET/L-ANGLE W/HOLES - 1.9" X 2.8" - E-COATED
24	083204-03-000	EA	BUTTON - RETAINING MIRROR 5/16" TIP
25	084070-03-000	EA	POST - END - 2.4" - SHINY BRASS
26	084071-05-000	EA	ROD - BRASS - 15"
26	084071-08-000	EA	ROD - BRASS - 9.3"
26	084071-19-000	EA	ROD - BRASS - 7.1"
26	084071-20-000	EA	ROD - BRASS - 9.8"
26	084071-23-000	EA	ROD - BRASS - 13.1"
26	084071-24-000	EA	ROD - BRASS - 3.8"
26	084071-28-000	EA	ROD - BRASS - 6"
26	084071-30-000	EA	ROD - BRASS - 11.6"
26	084071-31-000	EA	ROD - BRASS - 14.8"
26	084071-33-000	EA	ROD - BRASS - 20.4"
27	084413-01-000	EA	HINGE - 1" X 72" - ALUMINUM - W/HOLES
27	084625-07-000	EA	HINGE - ALUMINUM - W/HOLES - 13" - OFF/WHITE
27	084625-11-000	EA	HINGE - ALUMINUM - W/HOLES - 22" - OFF/WHITE
27	114278-02-000	EA	HINGE - CONTINUOUS - 3" WIDE
28	084451-01-000	EA	CATCH & LATCH - 1.7" - BRASS
29	093586-03-000	EA	CATCH - SPRING ROLLER - .377"
29	093586-04-000	EA	STRIKE - SPRING STEEL - 1.14"
29	093586-05-000	EA	STRIKE - SPRING STEEL - .943"
29	093586-06-000	EA	CATCH - SPRING ROLLER - .236"
30	093622-01-000	EA	TRACK - DOOR - TAMBOUR - PLASTIC - 8' LENGTHS
31	093623-01-000	EA	CORNER - TRACK - TAMBOUR DOOR
32	098196-01-000	EA	LATCH - 1/4 TURN - T-BAR
33	098979-01-000	EA	CLIP - ADJUSTABLE SHELF
34	098980-01-000	EA	PILASTER - ADJUSTABLE SHELF - 18"
34	098980-02-000	EA	PILASTER - ADJUSTABLE SHELF - 12"
34	098980-03-000	EA	PILASTER - ADJUSTABLE SHELF - 9"
34	098980-04-000	EA	PILASTER - ADJUSTABLE SHELF - 48"
34	098980-05-000	EA	PILASTER - ADJUSTABLE SHELF - 15"
34	098980-06-000	EA	PILASTER - ADJUSTABLE SHELF - 24"

## INTERIOR FINISH GROUP (CONTINUED) HARDWARE (CONTINUED)



KEY	PART NUMBER	U/M	DESCRIPTION
35	100710-01-01A	EA	LOCK - GLASS DOOR/TWIST TYPE - BRASS
36	100711-01-01A	EA	HINGE - GLASS DOOR
37	102075-06-02A	EA	ROD - SHOWER CURTAIN - 1" OD X 33.5" - SOFT WHITE
37	102075-09-02A	EA	ROD - SHOWER CURTAIN - 3/4"OD X 29.5" - SOFT WHITE
37	102075-16-02A	EA	ROD - SHOWER CURTAIN - 3/4"OD X 34.2" - SOFT WHITE
37	102075-18-02A	EA	ROD - SHOWER CURTAIN - 1" OD X 38.9" - SOFT WHITE
38	102194-01-000	EA	GUIDE - PLASTIC - 1" (HEAD/PIN)
39	102920-01-01A	EA	HINGE - SPRING LOADED - BRASS
40	103194-01-000	EA	STOP - BATH DOOR
41	103256-01-000	EA	LATCH COMPLETE (SLIDE)
42	103874-01-000	EA	HANGER - SLIDING DOOR
43	104174-01-000	EA	HOOK - ROBE - DOUBLE
44	104181-01-01A	EA	SUPPORT - LEAF 5.3" EXTENDS TO 7.5" - SAFETY RING - METAL
45	107796-05-000	EA	BRACKET - SUPPORT - GAS SPRING TO BED - FLAT (LOWER)
45	107796-06-000	EA	SPRING/GAS - 12" COMPRESSED/20" EXTENDED - 120 LB.
45	107796-08-000	EA	SPRING/GAS - 11" COMPRESSED/17" EXTENDED - 60 LB.
45	107796-09-000	EA	SPRING/GAS - 5.5" COMPRESSED/7.5" EXTENDED - 40 LB.
45	107796-15-000	EA	SPRING/GAS - 24" COMPRESSED/40" EXTENDED - 15 LB.
45	107796-16-000	EA	SPRING/GAS - 6.4" COMPRESSED/9.6" EXTENDED - 65 LB.
46	108126-01-000	EA	TRAY HINGE SET (QTY. 2 PER SET)
47	107327-01-000	EA	HINGE - BURNISHED BRASS - SPRING SELF CLOSING - <b>WHEN CATCH &amp; STRIKE ARE NOT USED</b>
47	108138-01-000	EA	HINGE - CABINET DOOR - BURNISHED BRASS - <b>ULTIMATE ADVANTAGE &amp; FREEDOM, Q-SERIES</b>
47	108138-03-000	EA	HINGE - BRIGHT BRASS
48	109403-01-000	EA	CATCH - SINGLE ROLLER - SCREEN DOOR
49	110496-01-01A	EA	HINGE - BRASS
50	113236-01-01A	EA	BRACKET - CLOTHES - ROD
51	113375-02-01A	EA	STRIKE - DOOR - CHROME - <b>RIALTA, 200-SERIES</b>
52	113375-05-01A	EA	LATCH - SLAM - BACK - .8" THICK - <b>RIALTA, 200-SERIES</b>
52	113375-06-01A	EA	LATCH - SLAM - FACE - .7" THICK - <b>RIALTA, 200-SERIES</b>
53	113676-01-01A	EA	HINGE - OVERLAY - VARIABLE - BURNISHED BRASS - <b>RIALTA, 200-SERIES</b>
54	113677-01-01A	EA	HINGE - SELF CLOSING - <b>RIALTA, 200-SERIES</b>
55	114443-01-01A	EA	HINGE - CABINET DOOR

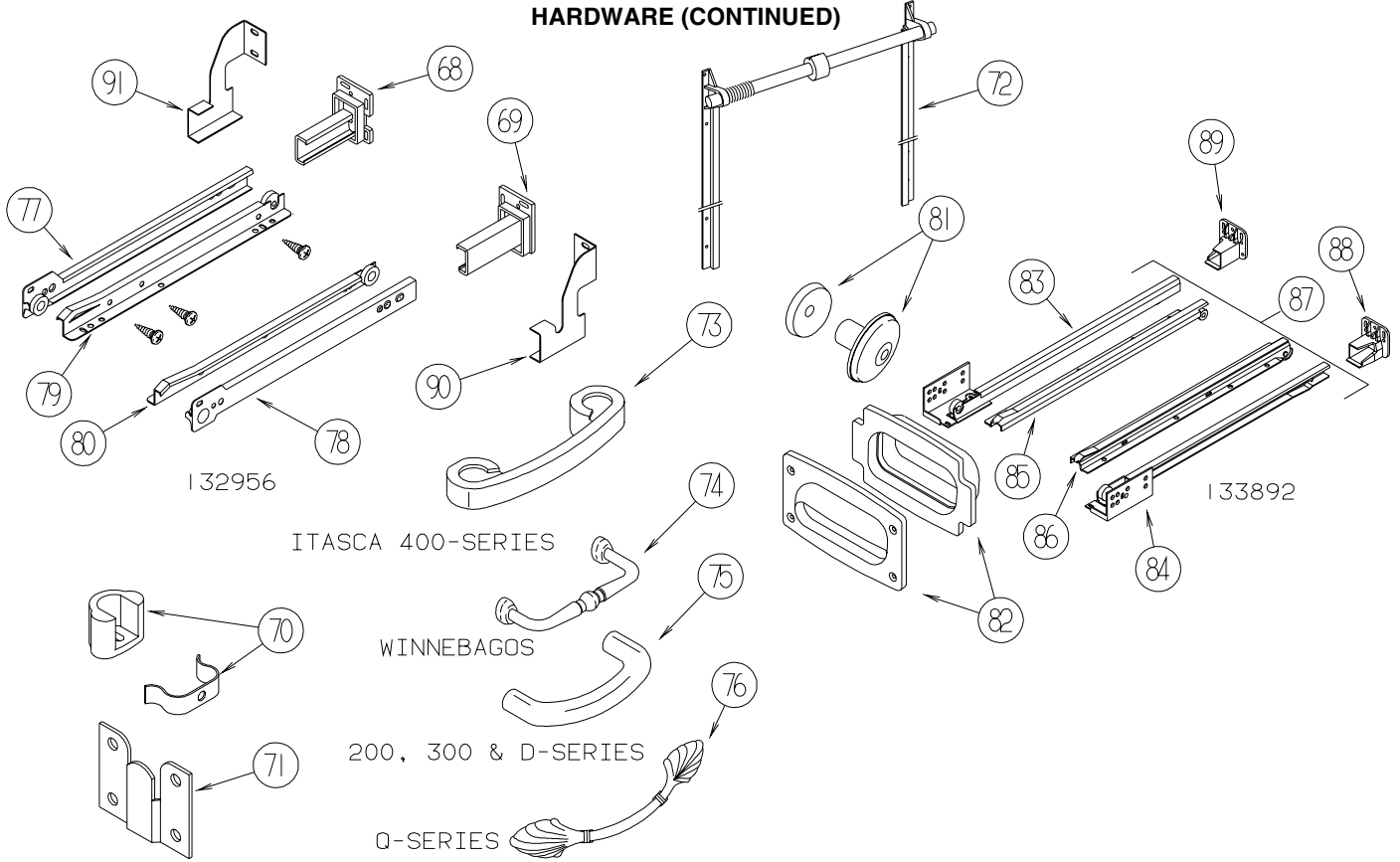
**INTERIOR FINISH GROUP (CONTINUED)**  
**HARDWARE (CONTINUED)**



KEY	PART NUMBER	U/M	DESCRIPTION
56	115994-01-01A	EA	HANDLE - POCKET - <a href="#">RIALTA, 200-SERIES</a>
57	117095-01-01A	EA	LATCH - DOOR - GRABBER W/KEEPER - PLASTIC - BLK-5 LB PULL
58	118200-01-01A	SF	MESH - PLASTIC 1/2" - 48" X LENGTH = SF - BLACK
58	118200-07-01A	SF	MESH - PLASTIC 1/2" - 10.5" X 24.7" - BLACK
59	118933-01-01A	EA	SUPPORT - HINGE LOCK
60	124311-01-01A	EA	HANDLE - RECESSED - BRASS
61	125221-01-01A	EA	PULL - MIRROR - W/ROUND HANDLE
62	126263-06-02B	EA	BRACKET - GAS SPRING W/INSIDE BALL STUD - E-COATED
63	127349-01-01A	EA	LATCH - PADDLE - <a href="#">RIALTA, 200-SERIES</a>
64	128810-01-01A	EA	SLIDE - DRAWER - 12" - LEFT CABINET
64	128810-05-01A	EA	SLIDE - DRAWER - 14" - LEFT CABINET
64	128810-09-01A	EA	SLIDE - DRAWER - 16" - LEFT CABINET
64	128810-13-01A	EA	SLIDE - DRAWER - 18" - LEFT CABINET
64	128810-17-01A	EA	SLIDE - DRAWER - 20" - LEFT CABINET
64	128810-21-01A	EA	SLIDE - DRAWER - 22" - LEFT CABINET
64	128810-25-01A	EA	SLIDE - DRAWER - 24" - LEFT CABINET
64	128810-29-01A	EA	SLIDE - DRAWER - 9" - LEFT CABINET
65	128810-02-01A	EA	SLIDE - DRAWER - 12" - RIGHT CABINET
65	128810-06-01A	EA	SLIDE - DRAWER - 14" - RIGHT CABINET
65	128810-10-01A	EA	SLIDE - DRAWER - 16" - RIGHT CABINET
65	128810-10-01A	EA	SLIDE - DRAWER - 16" - RIGHT CABINET
65	128810-14-01A	EA	SLIDE - DRAWER - 18" - RIGHT CABINET
65	128810-18-01A	EA	SLIDE - DRAWER - 20" - RIGHT CABINET
65	128810-22-01A	EA	SLIDE - DRAWER - 22" - RIGHT CABINET
65	128810-26-01A	EA	SLIDE - DRAWER - 24" - RIGHT CABINET
65	128810-30-01A	EA	SLIDE - DRAWER - 9" - RIGHT CABINET
66	128810-03-01A	EA	SLIDE - DRAWER - 12" - LEFT DRAWER
66	128810-07-01A	EA	SLIDE - DRAWER - 14" - LEFT DRAWER
66	128810-11-01A	EA	SLIDE - DRAWER - 16" - LEFT DRAWER
66	128810-15-01A	EA	SLIDE - DRAWER - 18" - LEFT DRAWER
66	128810-19-01A	EA	SLIDE - DRAWER - 20" - LEFT DRAWER
66	128810-23-01A	EA	SLIDE - DRAWER - 22" - LEFT DRAWER
66	128810-27-01A	EA	SLIDE - DRAWER - 24" - LEFT DRAWER
66	128810-31-01A	EA	SLIDE - DRAWER - 9" - LEFT DRAWER
67	128810-04-01A	EA	SLIDE - DRAWER - 12" - RIGHT DRAWER
67	128810-08-01A	EA	SLIDE - DRAWER - 14" - RIGHT DRAWER
67	128810-12-01A	EA	SLIDE - DRAWER - 16" - RIGHT DRAWER
67	128810-16-01A	EA	SLIDE - DRAWER - 18" - RIGHT DRAWER
67	128810-20-01A	EA	SLIDE - DRAWER - 20" - RIGHT DRAWER
67	128810-24-01A	EA	SLIDE - DRAWER - 22" - RIGHT DRAWER
67	128810-28-01A	EA	SLIDE - DRAWER - 24" - RIGHT DRAWER
67	128810-32-01A	EA	SLIDE - DRAWER - 9" - RIGHT DRAWER
68	128811-01-01A	EA	BACKSOCKET - ADJUSTABLE - LEFT
69	128811-02-01A	EA	BACKSOCKET - ADJUSTABLE - RIGHT

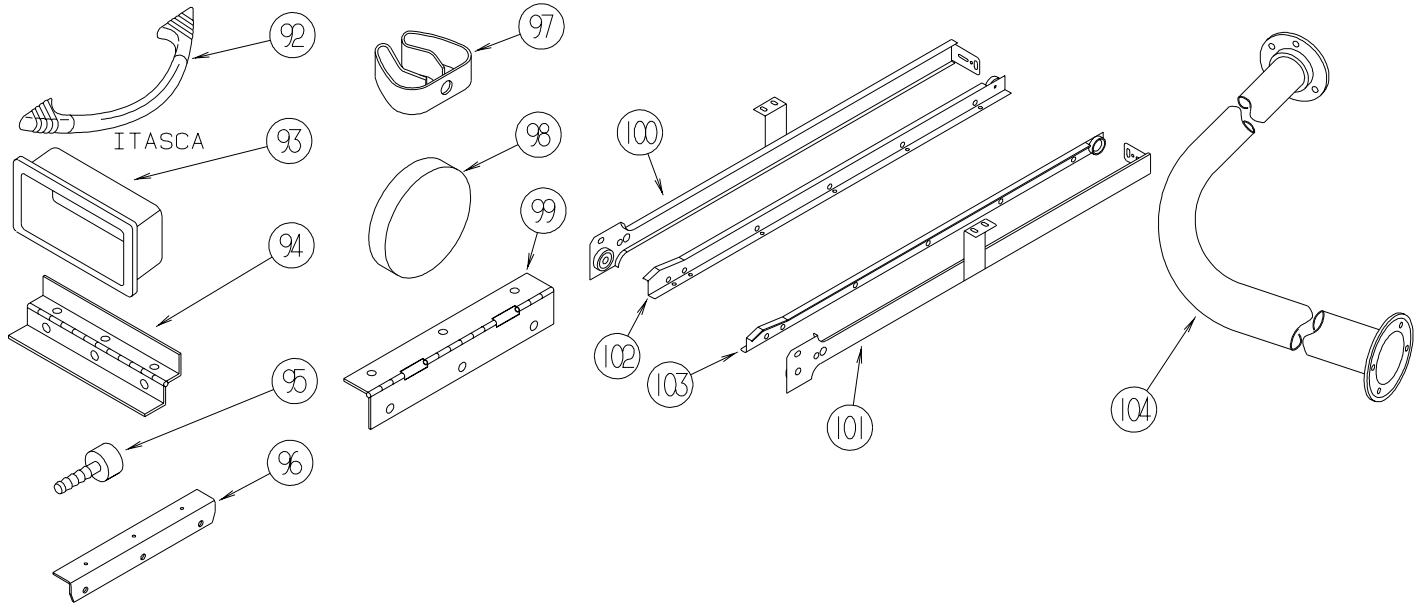


## INTERIOR FINISH GROUP (CONTINUED) HARDWARE (CONTINUED)



KEY	PART NUMBER	U/M	DESCRIPTION
68	128811-01-01A	EA	BACKSOCKET - ADJUSTABLE - LEFT
69	128811-02-01A	EA	BACKSOCKET - ADJUSTABLE - RIGHT
70	129703-01-01A	EA	CATCH ASSEMBLY (SPRING)
71	130120-01-01A	EA	BRACKET - MIRROR
72	130787-01-000	EA	TRACK - TAMBOUR DOOR/SPRING - 15.9"
72	130787-02-000	EA	TRACK - TAMBOUR DOOR/SPRING - 24"
72	130787-04-000	EA	TRACK - TAMBOUR DOOR - SPRING
73	131962-01-01A	EA	PULL - DOOR/DRAWER - POLISHED BRASS - <b>SUNDANCER, ITASCA 400-SERIES ONLY</b>
74	131963-01-01A	EA	PULL - DOOR/DRAWER - POLISHED BRASS - <b>F, G, L, P &amp; 400-SERIES WINNEBAGOS</b>
75	131964-01-01A	EA	PULL - DOOR/DRAWER - POLISHED BRASS - <b>200, 300 &amp; D-SERIES</b>
76	131965-01-01A	EA	PULL - DOOR/DRAWER - 6.3" - BURNISHED BRASS - <b>ULTIMATE ADVANTAGE &amp; FREEDOM, Q-SERIES</b>
77	132956-01-01A	EA	SLIDE - DRAWER - LEFT CABINET - 37.5"
77	132956-05-01A	EA	SLIDE - DRAWER - LEFT CABINET - 32"
78	132956-02-01A	EA	SLIDE - DRAWER - RIGHT CABINET - 37.5"
78	132956-06-01A	EA	SLIDE - DRAWER - RIGHT CABINET - 32"
79	132956-03-01A	EA	SLIDE - DRAWER - LEFT DRAWER - 37.5"
79	132956-07-01A	EA	SLIDE - DRAWER - LEFT DRAWER - 32"
80	132956-04-01A	EA	SLIDE - DRAWER - RIGHT DRAWER - 37.5"
80	132956-08-01A	EA	SLIDE - DRAWER - RIGHT DRAWER - 32"
81	133313-01-01A	EA	PULL - DOOR/DRAWER - BURNISHED BRASS
81	133313-01-02A	EA	PULL - DOOR/DRAWER - BRIGHT BRASS
82	133607-01-01A	EA	PULL - LATCH - BLACK PLASTIC
83	133892-01-01A	EA	SLIDE - DRAWER - LEFT CABINET - 16"
83	133892-06-01A	EA	SLIDE - DRAWER - LEFT CABINET - 22"
84	133892-02-01A	EA	SLIDE - DRAWER - RIGHT CABINET - 16"
84	133892-07-01A	EA	SLIDE - DRAWER - RIGHT CABINET - 22"
85	133892-03-01A	EA	SLIDE - DRAWER - LEFT DRAWER - 16"
85	133892-08-01A	EA	SLIDE - DRAWER - LEFT DRAWER - 22"
86	133892-04-01A	EA	SLIDE - DRAWER - RIGHT DRAWER - 16"
86	133892-09-01A	EA	SLIDE - DRAWER - RIGHT DRAWER - 22"
87	133892-05-01A	EA	SLIDE - DRAWER - FULL SET - 9"
88	133907-01-01A	EA	BACKSOCKET - RIGHT HAND
89	133907-02-01A	EA	BACKSOCKET - LEFT HAND
90	134649-01-02B	EA	SUPPORT - BACKSOCKET - E-COATED
91	134649-02-02B	EA	SUPPORT - BACKSOCKET - E-COATED

**INTERIOR FINISH GROUP (CONTINUED)**  
**HARDWARE (CONTINUED)**



KEY	PART NUMBER	U/M	DESCRIPTION
92	137446-01-01A	EA	PULL - CABINET - CHROME/BRASS - F, G, L, P-SERIES ITASCAS
93	139136-01-01A	EA	HANDLE - RECESSED - 2.9" X 1.3"/2.7" X 1" X .7" C/O- BRASS
93	139136-02-01A	EA	HANDLE - RECESSED - 2.9" X 1.3"/2.7" X 1" X .4" C/O- BRASS
94	135538-01-01A	EA	HINGE - PIANO - FULL WRAP - BRASS PLATED
94	135538-02-01A	EA	HINGE - PIANO - FULL WRAP - STOCKER BRASS
94	135538-03-01A	EA	HINGE - PIANO - FULL WRAP - STOCKER BRASS
94	135538-04-01A	EA	HINGE - PIANO - FULL WRAP
94	135538-05-01A	EA	HINGE - PIANO - FULL WRAP
95	079921-01-000	EA	ROLLER - NYLON - W/STEEL SHAFT - BARBED
96	089025-01-000	EA	SUPPORT - SPRING TO BED - ANGLE 1.5" X 11.8"
97	091952-01-000	EA	CLIP - GRIPPER - 1"
98	122717-01-01A	EA	PAD - NON SKID - 4" DIAMETER ROUND
99	129753-01-01A	EA	HINGE - SPRING LOADED - 19" X 19" - BLACK
100	139566-01-01A	EA	SLIDE - DRAWER - 37.5" - LEFT CABINET
100	139566-05-01A	EA	SLIDE - DRAWER - 32" - LEFT CABINET
101	139566-02-01A	EA	SLIDE - DRAWER - 37.5" - RIGHT CABINET
101	139566-06-01A	EA	SLIDE - DRAWER - 32" - RIGHT CABINET
102	139566-03-01A	EA	SLIDE - DRAWER - 37.5" - LEFT DRAWER
102	139566-07-01A	EA	SLIDE - DRAWER - 32" - LEFT DRAWER
103	139566-04-01A	EA	SLIDE - DRAWER - 37.5" - RIGHT DRAWER
103	139566-08-01A	EA	SLIDE - DRAWER - 32" - RIGHT DRAWER
104	140494-01-02A	EA	ROD - SHOWER - SOFT WHITE
104	140494-01-01A	EA	ROD - SHOWER

## LABELS GROUP

SEWAGE

**KEY PART NUMBER U/M DESCRIPTION**  
006187-01-000 EA LABEL - SEWAGE

WASTE WATER

**KEY PART NUMBER U/M DESCRIPTION**  
006188-01-000 EA LABEL - WASTE WATER

EXIT

**KEY PART NUMBER U/M DESCRIPTION**  
039290-01-000 EA LABEL - WARNING - EXIT

↑  
OPEN

**KEY PART NUMBER U/M DESCRIPTION**  
040944-01-000 EA LABEL - ENTRANCE DOOR - "OPEN"

### CAUTION

THIS MOTOR HOME HAS BEEN DESIGNED, MANUFACTURED AND TESTED WITH CONCERN FOR THE PROTECTION OF IT'S OCCUPANTS. WE RECOMMEND YOU PERFORM THE FOLLOWING INSPECTIONS FOR YOUR SAFETY AND THE SAFETY OF YOUR PASSENGERS BEFORE STARTING YOUR VEHICLE.

1. LP GAS SYSTEM- TURN OFF AT TANK FOR TRAVELING. TEST FOR LEAKS UPON ARRIVAL AT DESTINATION. BEFORE LIGHTING PILOTS.
2. WHEELS- INSPECT FOR DAMAGE AND CHECK LUG NUTS FOR TIGHTNESS.
3. TIRES- INSPECT FOR WEAR AND DAMAGE AND CHECK FOR RECOMMENDED AIR PRESSURE.
4. LIGHTING- TEST FOR PROPER OPERATION OF ALL INTERIOR AND EXTERIOR LIGHTS INCLUDING DASH LIGHTS, HEADLIGHTS, TAIL LIGHTS, BRAKE LIGHTS, CLEARANCE LIGHTS AND TURN SIGNALS.
5. EXITS- INSPECT RELEASE MECHANISM ON EMERGENCY EXIT WINDOW. TEST BOTH LOCKS ON MAIN ENTRANCE DOOR FOR EASE OF OPERATION AND INSTRUCT PASSENGERS HOW TO USE BOTH MEANS OF EXIT.
6. SEAT BELTS- DIRECT PASSENGERS TO DESIGNATED SEATS AND REQUIRE USE OF SEAT BELTS.
7. APPLIANCES- TURN OFF AND LATCH OR LOCK DOORS WHERE PROVIDED.
8. LOOSE PARCELS- STORE SECURELY.
9. UTILITY SUPPLY LINES- DISCONNECT ALL ELECTRIC, SEWER AND WATER LINES AND SECURE PROPERLY.
10. ENTRANCE DOOR STEP- PLACE IN RETRACTED POSITION FOR TRAVELING.

READ YOUR MOTOR HOME AND CHASSIS OWNER'S  
MANUAL FOR FURTHER PRECAUTIONS

**KEY PART NUMBER U/M DESCRIPTION**  
056259-01-000 EA LABEL - SAFETY CHECK LIST

UNLEADED FUEL ONLY

**KEY PART NUMBER U/M DESCRIPTION**  
062043-01-000 EA LABEL - FUEL - UNLEADED

## LABELS GROUP (CONTINUED)

**WARNING** DISCONNECT BATTERIES BEFORE  
CONNECTING EXTERNAL CHARGING EQUIPMENT.

**KEY PART NUMBER U/M DESCRIPTION**  
065748-01-000 EA LABEL - CAUTION - BATTERY CHARGING

AVERTISSEMENT : DEBRANCHER LES BATTERIES AVANT  
DE BRANCHER TOUT EQUIPEMENT DE CHARGE EXTERIEUR.

**KEY PART NUMBER U/M DESCRIPTION**  
065748-02-000 EA LABEL - WARNING - BATTERY/FRENCH - CANADIAN

DIESEL FUEL ONLY

**KEY PART NUMBER U/M DESCRIPTION**  
068383-01-000 EA LABEL - DIESEL FUEL

VEHICLE EMISSION CONTROL INFORMATION

THIS VEHICLE CONFORMS TO U.S. EPA  
REGULATIONS APPLICABLE TO XXXX MODEL  
YEAR NEW VEHICLES.

072887-01-000-2 CATALYST

**KEY PART NUMBER U/M DESCRIPTION**  
072887-13-000 EA LABEL - EPA - 2001 MODEL YEAR

IF YOU SMELL GAS

1. EXTINGUISH ANY OPEN FLAME, PILOT LIGHTS AND ALL SMOKING MATERIALS.
2. DO NOT TOUCH ELECTRICAL SWITCHES.
3. SHUT OFF THE GAS SUPPLY AT THE TANK VALVE(S) OR GAS SUPPLY CONNECTION.
4. OPEN DOORS AND OTHER VENTILATING OPENINGS.
5. LEAVE THE AREA UNTIL ODOR CLEARS.
6. HAVE THE GAS SYSTEM CHECKED AND LEAKAGE SOURCE CORRECTED BEFORE USING AGAIN.

**KEY PART NUMBER U/M DESCRIPTION**  
073998-01-000 EA LABEL - LPG ODOR WARNING

WARNING: TEST SMOKE DETECTOR  
OPERATION AFTER VEHICLE HAS BEEN IN  
STORAGE, BEFORE EACH TRIP AND AT  
LEAST ONCE PER WEEK DURING USE.

**KEY PART NUMBER U/M DESCRIPTION**  
077956-01-000 EA LABEL - WARNING - SMOKE DETECTOR

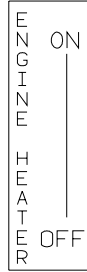
WARNING  
MUST BE STOWED  
IN LATCHED POSITION  
WHILE VEHICLE IS IN MOTION

**KEY PART NUMBER U/M DESCRIPTION**  
079966-01-000 EA LABEL - WARNING - STOWED - MOTION

## LABELS GROUP (CONTINUED)



**KEY PART NUMBER U/M DESCRIPTION**  
 083588-01-000 EA LABEL - ON/OFF - WATER HEATER



**KEY PART NUMBER U/M DESCRIPTION**  
 083588-02-000 EA LABEL - ON/OFF - ENGINE HEATER

<b>CAUTION</b>	TO HELP AVOID PERSONAL INJURY DURING REMOVAL OF FUEL FILLER CAP, SLOWLY LOOSEN CAP 1/2 TURN TO ALLOW ANY FUEL PRESSURE TO BE RELIEVED BEFORE TURNING CAP FURTHER.
FUEL SPRAY MAY CAUSE PERSONAL INJURY	STOP ADDING FUEL AFTER FIRST SHUTOFF BY AUTOMATIC NOZZLE WHEN TANK IS NEARLY FULL. DO NOT OVERFILL FUEL TANK.  SEE OWNERS MANUAL FOR ADDITIONAL INFORMATION.  PRINTED IN U.S.A. <span style="float: right;">WLC PT NO 15611763</span>

**KEY PART NUMBER U/M DESCRIPTION**  
 087207-05-000 EA LABEL - FUEL CAP REMOVAL



**KEY PART NUMBER U/M DESCRIPTION**  
 087236-01-000 EA LABEL - CABLE - INPUT

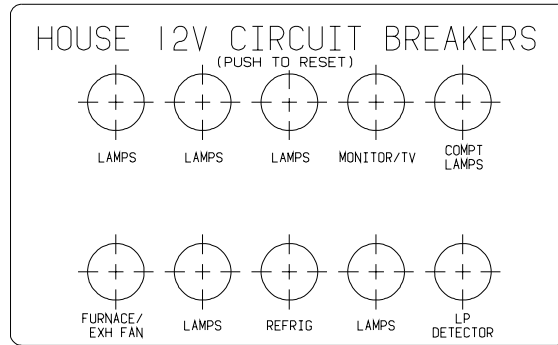


**KEY PART NUMBER U/M DESCRIPTION**  
 087236-02-000 EA LABEL - TV OUTLET

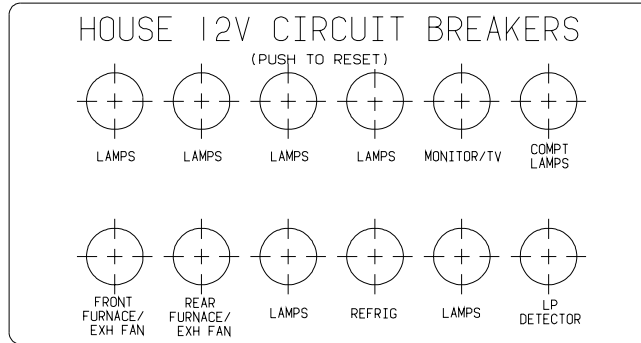
AIR CONDITIONING CIRCUIT.  
 THIS CONNECTION IS FOR  
 AIR CONDITIONERS RATED 110-  
 125 VOLT AC, 60 HZ, 16  
 AMPERES MAXIMUM. DO NOT  
 EXCEED CIRCUIT RATING.

**KEY PART NUMBER U/M DESCRIPTION**  
 091243-01-000 EA LABEL - A/C COVER "AIR CONDITIONING CIRCUIT ETC."

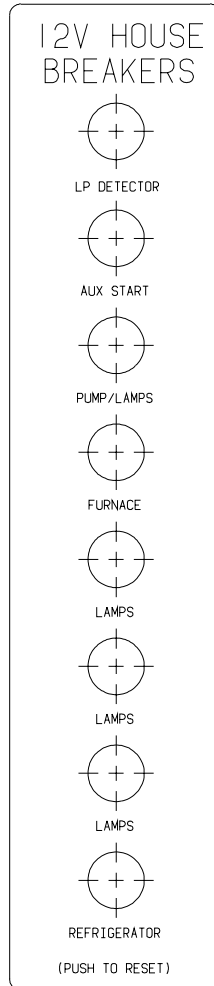
## LABELS GROUP (CONTINUED)



**KEY PART NUMBER U/M DESCRIPTION**  
092547-06-000 EA LABEL - CIRCUIT BREAKER

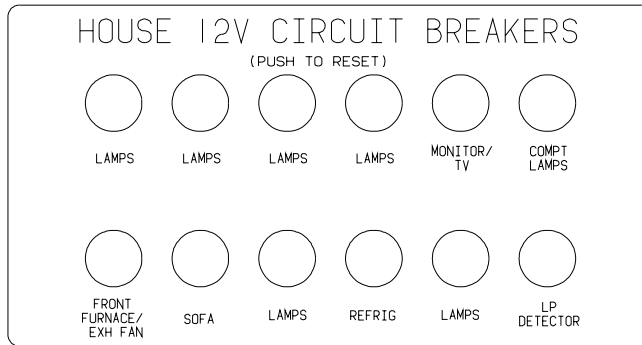


**KEY PART NUMBER U/M DESCRIPTION**  
092547-07-000 EA LABEL - CIRCUIT BREAKER

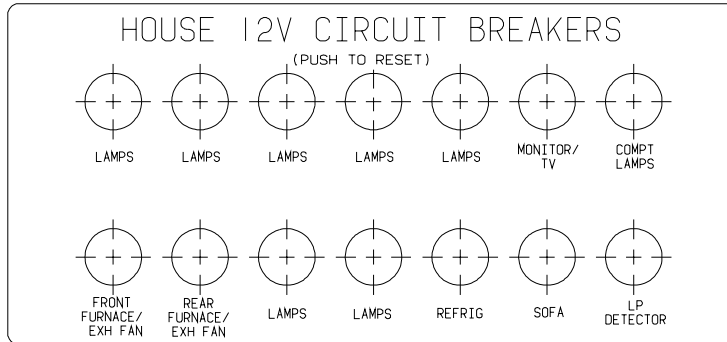


**KEY PART NUMBER U/M DESCRIPTION**  
092547-08-000 EA LABEL - CIRCUIT BREAKER

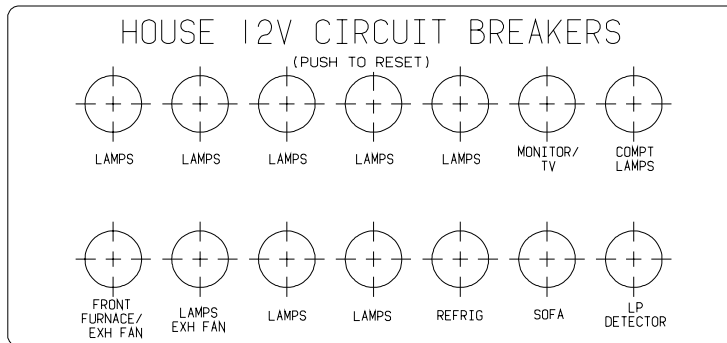
## LABELS GROUP (CONTINUED)



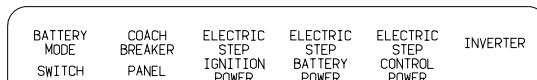
**KEY PART NUMBER** 092547-10-000  
**U/M DESCRIPTION** EA LABEL - CIRCUIT BREAKER



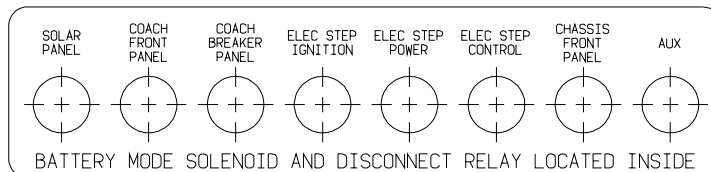
**KEY PART NUMBER** 092547-11-000  
**U/M DESCRIPTION** EA LABEL - CIRCUIT BREAKER



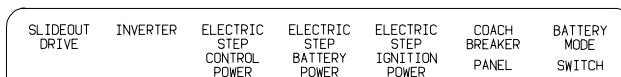
**KEY PART NUMBER** 092547-12-000  
**U/M DESCRIPTION** EA LABEL - CIRCUIT BREAKER



**KEY PART NUMBER** 093236-08-000  
**U/M DESCRIPTION** EA LABEL - CIRCUIT BREAKER



**KEY PART NUMBER** 093236-13-000  
**U/M DESCRIPTION** EA LABEL - CIRCUIT BREAKER

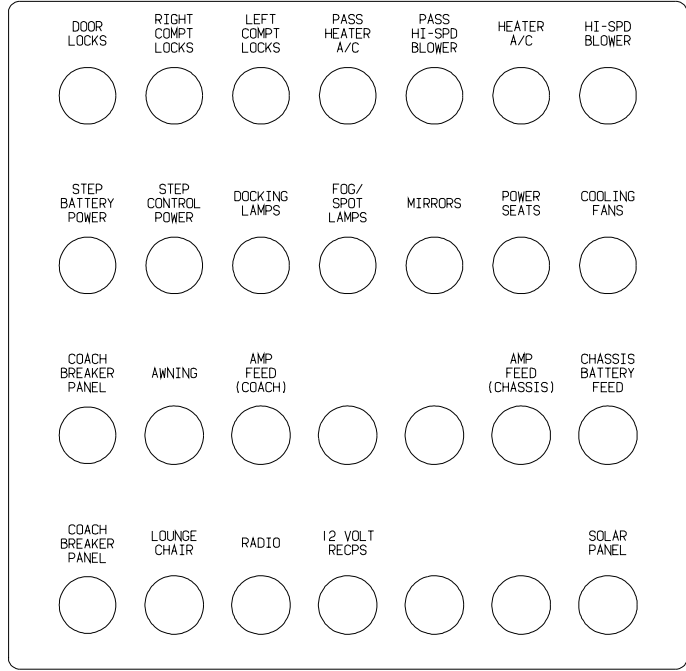


**KEY PART NUMBER** 093236-15-000  
**U/M DESCRIPTION** EA LABEL - CIRCUIT BREAKER

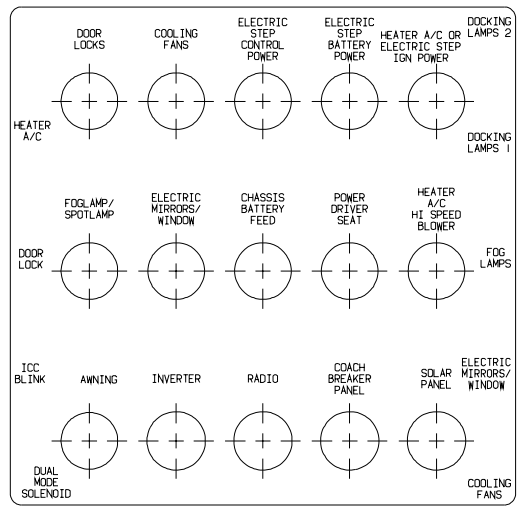
## LABELS GROUP (CONTINUED)



**KEY PART NUMBER U/M DESCRIPTION**  
 093236-21-000 EA LABEL - CIRCUIT BREAKER



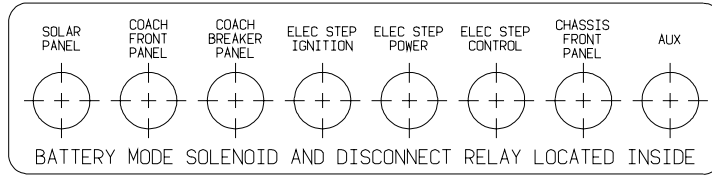
**KEY PART NUMBER U/M DESCRIPTION**  
 093236-22-000 EA LABEL - CIRCUIT BREAKER



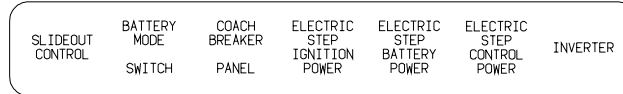
**KEY PART NUMBER U/M DESCRIPTION**  
 093236-23-000 EA LABEL - CIRCUIT BREAKER - MAIN



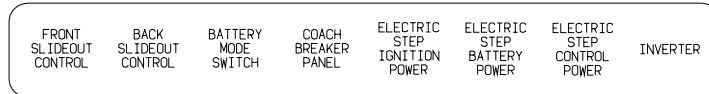
## LABELS GROUP (CONTINUED)



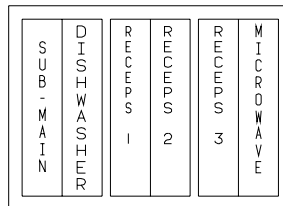
**KEY PART NUMBER U/M DESCRIPTION**  
 093236-24-000 EA LABEL - CIRCUIT BREAKER



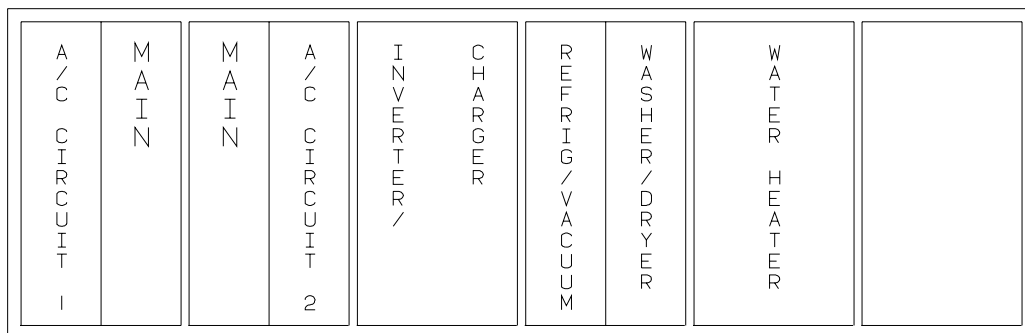
**KEY PART NUMBER U/M DESCRIPTION**  
 093236-25-000 EA LABEL - CIRCUIT BREAKER



**KEY PART NUMBER U/M DESCRIPTION**  
 093236-28-000 EA LABEL - CIRCUIT BREAKER



**KEY PART NUMBER U/M DESCRIPTION**  
 095721-20-000 EA LABEL - CONTROL CENTER W/INVERTER



**KEY PART NUMBER U/M DESCRIPTION**  
 095721-22-000 EA LABEL - CONTROL CENTER - 50 AMP

## LABELS GROUP (CONTINUED)

A / C C I R C U I T 1	M A I N	A / C C I R C U I T 2	R E F F R I G / C O N V	M I C R O W A V E	R E C P S 1	R E C P S 2	R E C P S 3	W A S H E R / D R Y E R	W A T E R H E A T E R	
-----------------------------	------------	-----------------------------	----------------------------	----------------------	-------------------	-------------------	-------------------	----------------------------	-----------------------------	--

**KEY PART NUMBER**  
095721-31-000

**U/M DESCRIPTION**  
EA LABEL - CONTROL CENTER - 30 AMP - US

A / C C I R C U I T 1	M A I N	A / C C I R C U I T 2	I N V E R T E R / C H A R G E R	R E F F R I G E R A T O R	W A S H E R / D R Y E R	W A T E R H E A T E R	
-----------------------------	------------	-----------------------------	---------------------------------------	------------------------------	----------------------------	-----------------------------	--

**KEY PART NUMBER**  
095721-32-000

**U/M DESCRIPTION**  
EA LABEL - CONTROL CENTER - 30 AMP W/INVERTER

A / C C I R C U I T 1	M A I N	M A I N	A / C C I R C U I T 2	R E F F R I G / C O N V	M I C R O W A V E	R E C P S 1	R E C P S 2	R E C P S 3	W A S H E R / D R Y E R	W A T E R H E A T E R
-----------------------------	------------	------------	-----------------------------	----------------------------	----------------------	-------------------	-------------------	-------------------	----------------------------	-----------------------------

**KEY PART NUMBER**  
095721-33-000

**U/M DESCRIPTION**  
EA LABEL - CONTROL CENTER - 50 AMP - US

A / C C I R C U I T 1	M A I N	M A I N	A / C C I R C U I T 2	I N V E R T E R / C H A R G E R	R E F F R I G E R A T O R	W A S H E R / D R Y E R	W A T E R H E A T E R	
-----------------------------	------------	------------	-----------------------------	---------------------------------------	------------------------------	----------------------------	-----------------------------	--

**KEY PART NUMBER**  
095721-34-000

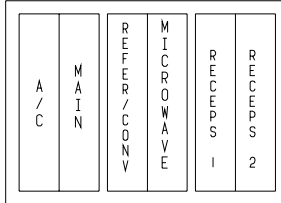
**U/M DESCRIPTION**  
EA LABEL - CONTROL CENTER - 50 AMP

M A I N	M I C R O W A V E	G F I / R E C E P S	R E F F E R / C O N V	W A T E R H T R	A / C
------------	----------------------	------------------------	--------------------------	-----------------------	----------

**KEY PART NUMBER**  
095721-38-000

**U/M DESCRIPTION**  
EA LABEL - CONTROL CENTER - 30 AMP - US

## LABELS GROUP (CONTINUED)



**KEY PART NUMBER U/M DESCRIPTION**  
 095721-40-000 EA LABEL - CONTROL CENTER

AUTOMOTIVE AND COACH  
CIRCUIT BREAKERS

**KEY PART NUMBER U/M DESCRIPTION**  
 098379-01-000 EA LABEL - CIRCUIT BREAKER - FRONT BOX

CIRCUIT BREAKERS  
AND AUTOMOTIVE  
FUSE PANEL

**KEY PART NUMBER U/M DESCRIPTION**  
 098379-03-000 EA LABEL - ELECTRICAL BOX - FRONT

BATTERY MODE  
SOLENOID AND  
RELAYS

**KEY PART NUMBER U/M DESCRIPTION**  
 098379-04-000 EA LABEL - ELECTRICAL BOX - SIDE

UNLEADED  
FUEL ONLY

**KEY PART NUMBER U/M DESCRIPTION**  
 098641-01-000 EA LABEL - FUEL - UNLEADED - DASH

FOR AWNING INSTALLATION  
CONTACT YOUR MOTORHOME  
DEALERSHIP

**KEY PART NUMBER U/M DESCRIPTION**  
 099509-01-000 EA LABEL - AWNING INSTALLATION

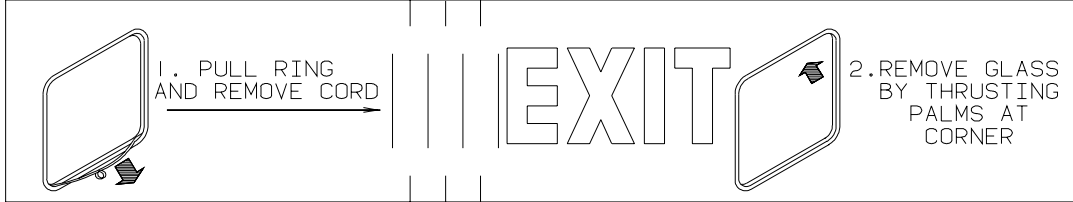
WARNING  
 THIS VEHICLE, LIKE OTHER  
VEHICLES, MAY CONTAIN SMALL  
AMOUNTS OF ONE OR MORE  
SUBSTANCES WHICH ARE LISTED  
BY THE STATE OF CALIFORNIA  
FOR CAUSING CANCER OR  
REPRODUCTIVE TOXICITY.

**KEY PART NUMBER U/M DESCRIPTION**  
 099689-01-000 EA LABEL - WARNING - CANCER/TOXICITY

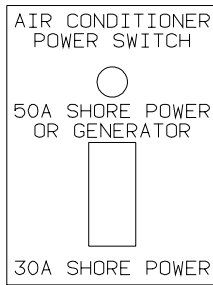
## LABELS GROUP (CONTINUED)

<p>NOTE: TUNE ANTENNA PER MANUFACTURER'S DIRECTIONS. FAILURE TO COMPLY COULD RESULT IN DAMAGE TO CB.</p>	<p>CB POWER PROVISION</p> <p>RED +12 V BLACK GROUND COAX ANTENNA (SEE REVERSE ALSO)</p>
--	---

**KEY PART NUMBER U/M DESCRIPTION**  
104678-01-000 EA LABEL - CB PREP



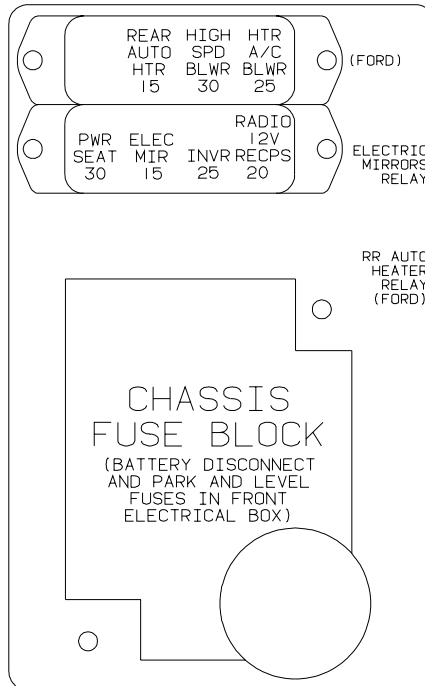
**KEY PART NUMBER U/M DESCRIPTION**  
107571-01-000 EA LABEL - EXIT/ESCAPE WINDOW



**KEY PART NUMBER U/M DESCRIPTION**  
109051-02-000 EA LABEL - SWITCH - 50 AMP POWER

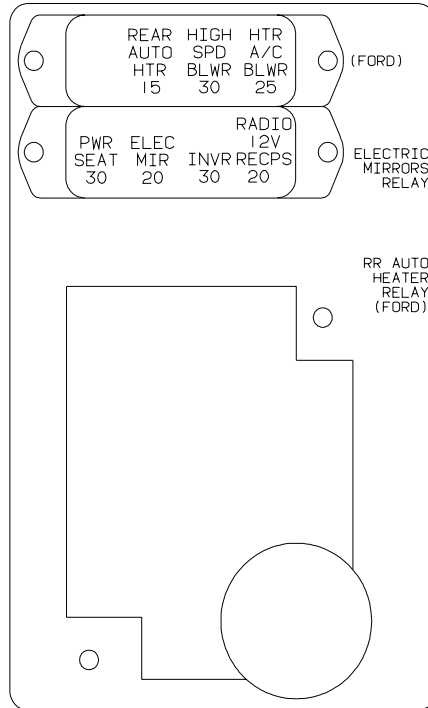


**KEY PART NUMBER U/M DESCRIPTION**  
111104-01-000 EA LABEL - HITCH - READ MANUAL - WHITE



**KEY PART NUMBER U/M DESCRIPTION**  
111537-08-000 EA LABEL - FUSES

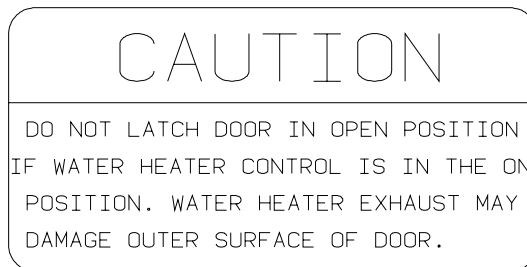
## LABELS GROUP (CONTINUED)



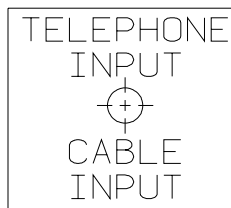
**KEY PART NUMBER U/M DESCRIPTION**  
 111537-09-000 EA LABEL - FUSES

WARNING: CONTAINS "CFC" A SUBSTANCE WHICH HARMS PUBLIC HEALTH AND ENVIRONMENT BY DESTROYING OZONE IN THE UPPER ATMOSPHERE.

**KEY PART NUMBER U/M DESCRIPTION**  
 111802-01-000 EA LABEL - CFC WARNING

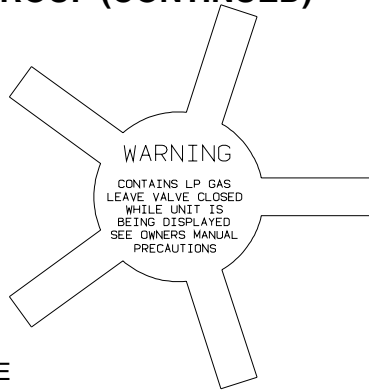


**KEY PART NUMBER U/M DESCRIPTION**  
 113402-01-000 EA LABEL - CAUTION - WATER HEATER EXHAUST



**KEY PART NUMBER U/M DESCRIPTION**  
 114866-02-000 EA LABEL - PHONE & CABLE INPUT - WHITE/CLEAR BACKGROUND  
 114866-03-000 EA LABEL - PHONE & CABLE INPUT - BLACK/CLEAR BACKGROUND

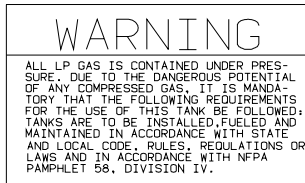
## LABELS GROUP (CONTINUED)



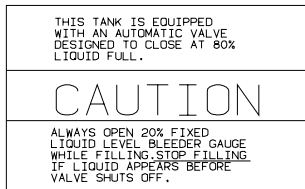
**KEY PART NUMBER U/M DESCRIPTION**  
 115600-01-000 EA LABEL - WARNING LPG VALVE

WARNING: REPLACE TIRE ONLY WITH ONE OF EXACTLY SAME TYPE AND RATING. DO NOT REPLACE WITH PASSENGER CAR TIRE. SEE OPERATOR'S MANUAL FOR MORE INFORMATION CALL WINNEBAGO OWNER RELATIONS AT 1-800-537-1885.

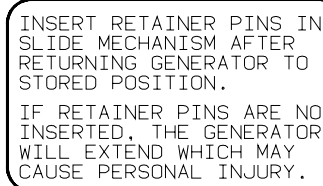
**KEY PART NUMBER U/M DESCRIPTION**  
 115869-01-000 EA LABEL - WARNING - TIRE



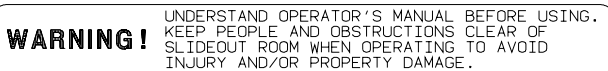
**KEY PART NUMBER U/M DESCRIPTION**  
 116112-01-000 EA LABEL - WARNING - LP



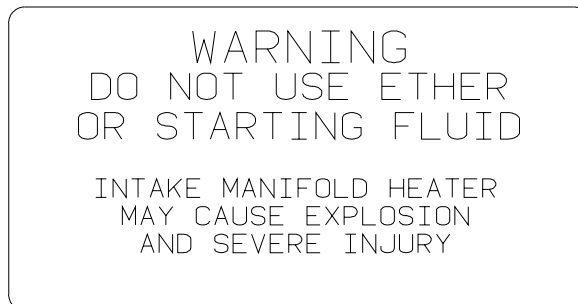
**KEY PART NUMBER U/M DESCRIPTION**  
 116113-01-000 EA LABEL - CAUTION - LP



**KEY PART NUMBER U/M DESCRIPTION**  
 116273-01-000 EA LABEL - WARNING - GENERATOR

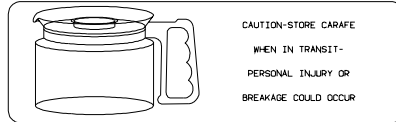


**KEY PART NUMBER U/M DESCRIPTION**  
 116549-01-000 EA LABEL - WARNING - SLIDEOUT



**KEY PART NUMBER U/M DESCRIPTION**  
 116756-02-000 EA LABEL - WARNING - ETHER/STARTING

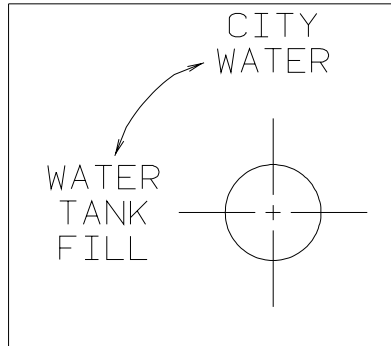
## LABELS GROUP (CONTINUED)



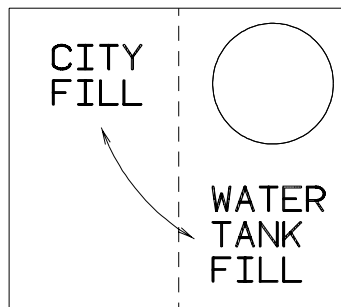
**KEY PART NUMBER U/M DESCRIPTION**  
 116829-02-000 EA LABEL - COFFEEMAKER



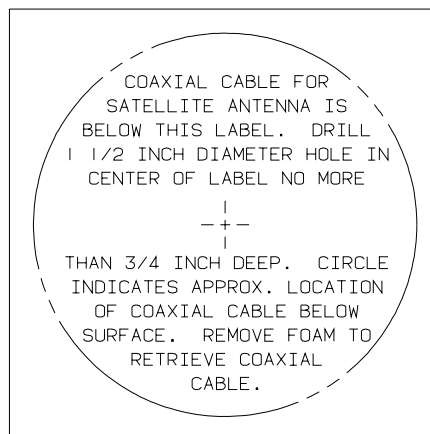
**KEY PART NUMBER U/M DESCRIPTION**  
 117628-02-000 EA LABEL - SWITCH - WATER PUMP/LIGHTS-WHITE/CLEAR BACKGROUND



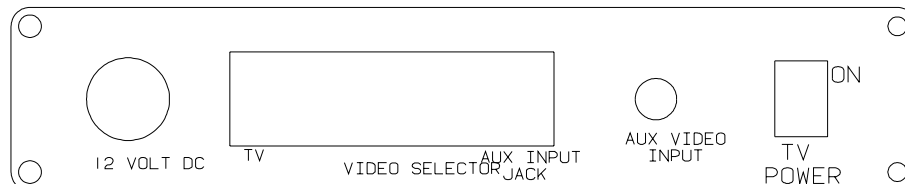
**KEY PART NUMBER U/M DESCRIPTION**  
 117629-03-000 EA LABEL - WATER PUMP/FILL-BLK LETTERS/CLEAR BACKGROUND-.31"



**KEY PART NUMBER U/M DESCRIPTION**  
 117629-04-000 EA LABEL - CITY WATER/TANK FILL



**KEY PART NUMBER U/M DESCRIPTION**  
 120431-01-000 EA LABEL - LOCATION - COAXIAL CABLE/SATELLITE ANTENNA



**KEY PART NUMBER U/M DESCRIPTION**  
 120677-01-000 EA LABEL - TV

## LABELS GROUP (CONTINUED)

KEEP THE SERVICE INLET ACCESS  
IN THE CLOSED POSITION WHEN  
UTILITY CONNECTIONS ARE NOT IN USE

KEY	PART NUMBER	U/M DESCRIPTION
	123562-01-000	EA LABEL - SERVICE/UTILITY ACCESS

WARNING

ALL PILOT LIGHTS, APPLIANCES AND THEIR  
IGNITORS (SEE OPERATING INSTRUCTIONS) SHALL  
BE TURNED OFF DURING REFUELING OF MOTOR  
FUEL TANKS AND/OR LP GAS CONTAINERS

KEY	PART NUMBER	U/M DESCRIPTION
	124519-01-01A	EA LABEL - WARNING/REFUELING - BLACK ON CLEAR
	124519-01-02A	EA LABEL - WARNING/REFUELING - WHITE ON CLEAR

WARNING:

ALL PILOT LIGHTS AND APPLIANCES SHALL BE TURNED  
OFF DURING REFUELING OF MOTOR FUEL TANKS AND/  
OR PROPANE CONTAINERS.

AVERTISSEMENT :

FERMER TOUTES LES VEILLEUSES AINSI QUE TOUS LES  
APPAREILS LORSQU'ON FAIT LE PLEIN DES RESERVOIRS  
À CARBURANT OU À PROPANE.

124519-02

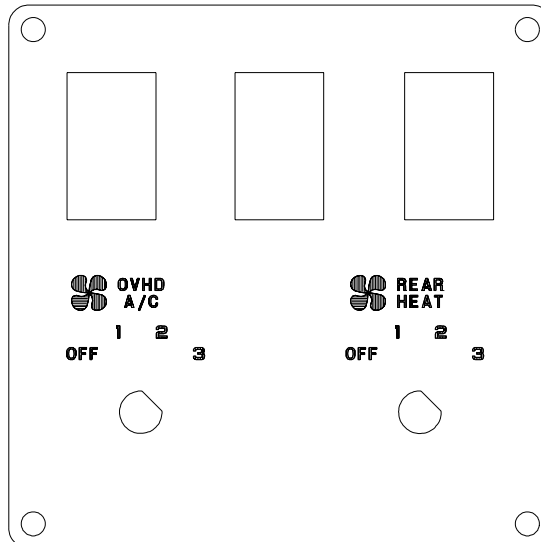
KEY	PART NUMBER	U/M DESCRIPTION
	124519-02-01A	EA LABEL - WARNING/REFUELING - BLACK ON CLEAR - CSA
	124519-02-02A	EA LABEL - WARNING/REFUELING - WHITE ON CLEAR - CSA

LP-GAS SYSTEM  
THIS GAS PIPING SYSTEM IS  
DESIGNED FOR USE OF  
LIQUIFIED PETROLEUM GAS  
ONLY. DO NOT CONNECT  
NATURAL GAS TO THIS  
SYSTEM.

SECURE CAP INLET(S) WHEN NOT  
CONNECTED FOR USE. AFTER TURNING  
ON GAS, EXCEPT AFTER NORMAL  
CONTAINER REPLACEMENT, TEST GAS  
PIPING AND CONNECTIONS TO  
APPLIANCES FOR LEAKAGE WITH SOAPY  
WATER OR BUBBLE SOLUTION. DO NOT  
USE PRODUCTS THAT CONTAIN AMMONIA  
OR CLORINE.

124520

KEY	PART NUMBER	U/M DESCRIPTION
	124520-01-01A	EA LABEL - LP GAS ONLY - BLACK ON CLEAR
	124520-01-02A	EA LABEL - LP GAS ONLY - WHITE ON CLEAR



KEY	PART NUMBER	U/M DESCRIPTION
	124572-01-000	EA LABEL - SWITCHES



## LABELS GROUP (CONTINUED)

THIS CONNECTION IS FOR  
 (B) VOLT AC, 60 HZ (CYCLES)  
 (A) AMPERE SUPPLY

DO NOT CONNECT TO  
 HIGHER VOLTAGE

KEY	PART NUMBER	U/M	DESCRIPTION
	125306-01-01A	EA	LABEL - ELECTRICAL ENTRANCE - 110V 30 AMP - BLACK ON CLEAR
	125306-01-02A	EA	LABEL - ELECTRICAL ENTRANCE - 110V 30 AMP - WHITE ON CLEAR

THIS CONNECTION IS FOR  
 (B) VOLT AC, 3-POLE, 4 WIRE  
 60 HZ (CYCLES), (A) AMPERE SUPPLY

DO NOT CONNECT TO  
 HIGHER VOLTAGE

KEY	PART NUMBER	U/M	DESCRIPTION
	125306-04-01A	EA	LABEL-ELECTRICAL ENTRANCE-120/240V 50 AMP-BLACK ON CLEAR
	125306-04-02A	EA	LABEL - ELECTRICAL ENTRANCE-120/240V 50 AMP-WHITE ON CLEAR



KEY	PART NUMBER	U/M	DESCRIPTION
	125697-07-000	EA	LABEL - CAUTION - FLUSHING SYSTEM

REMOVE PRIMARY TIRE HANGER BEFORE USING  
 SPARE TIRE HOIST-SEE OWNERS MANUAL- PERSONAL  
 INJURY MAY RESULT IF NOT FOLLOWED

KEY	PART NUMBER	U/M	DESCRIPTION
	126024-01-01A	EA	LABEL - TIRE HANGER REMOVAL

# GRAY HOLDING TANK

KEY	PART NUMBER	U/M	DESCRIPTION
	126247-05-000	EA	LABEL - GRAY HOLDING TANK-BLACK LETTERS/CLEAR BACKGROUND

# BLACK HOLDING TANK

KEY	PART NUMBER	U/M	DESCRIPTION
	126247-06-000	EA	LABEL - BLACK HOLDING TANK-BLACK LETTERS/CLEAR BACKGROUND

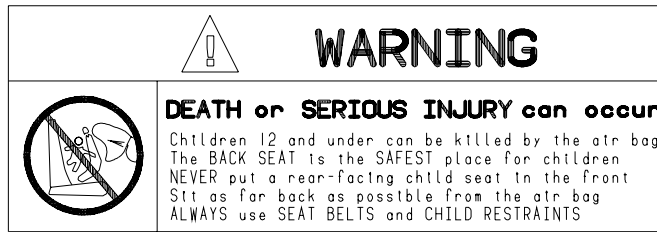
# EXTERIOR SHOWER

KEY	PART NUMBER	U/M	DESCRIPTION
	126248-03-000	EA	LABEL - EXTERIOR SHOWER

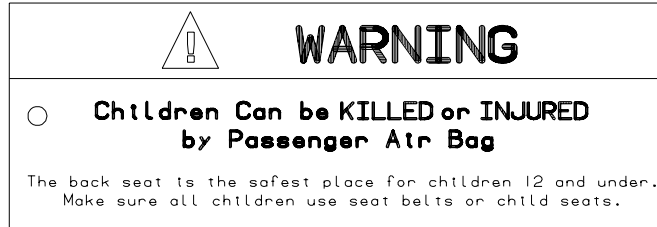
# CITY WATER FILL

KEY	PART NUMBER	U/M	DESCRIPTION
	126249-03-000	EA	LABEL - CITY WATER FILL-BLK LETTERS/CLEAR BACKGROUND .31"

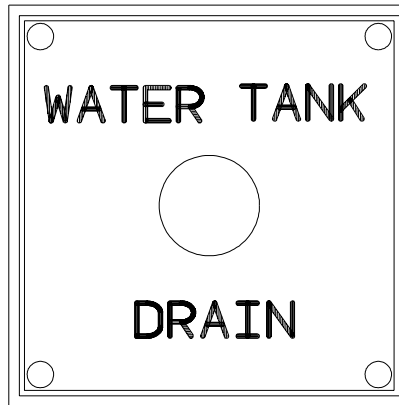
**LABEL GROUP (CONTINUED)**



**KEY PART NUMBER U/M DESCRIPTION**  
 126611-01-000 EA LABEL - AIR BAG - VISOR



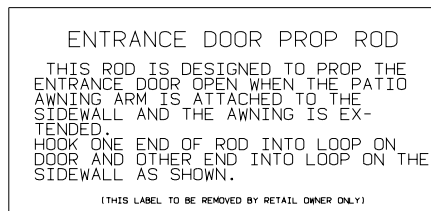
**KEY PART NUMBER U/M DESCRIPTION**  
 126612-01-000 EA LABEL - HANG TAG - AIR BAG - DASH



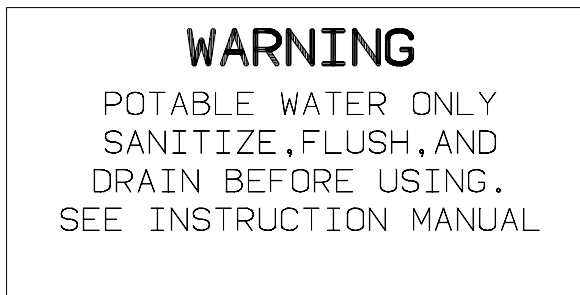
**KEY PART NUMBER U/M DESCRIPTION**  
 127170-01-000 EA LABEL - WATER TANK DRAIN



**KEY PART NUMBER U/M DESCRIPTION**  
 128218-01-01A EA LABEL - WARNING - SLIPPERY ROOF

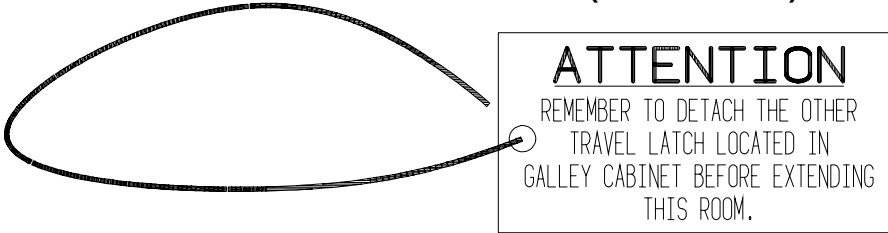


**KEY PART NUMBER U/M DESCRIPTION**  
 128658-01-000 EA LABEL - PROP ROD - ENTRY DOOR



**KEY PART NUMBER U/M DESCRIPTION**  
 128725-01-01A EA LABEL - POTABLE WATER ONLY - BLACK ON CLEAR

**LABELS GROUP (CONTINUED)**



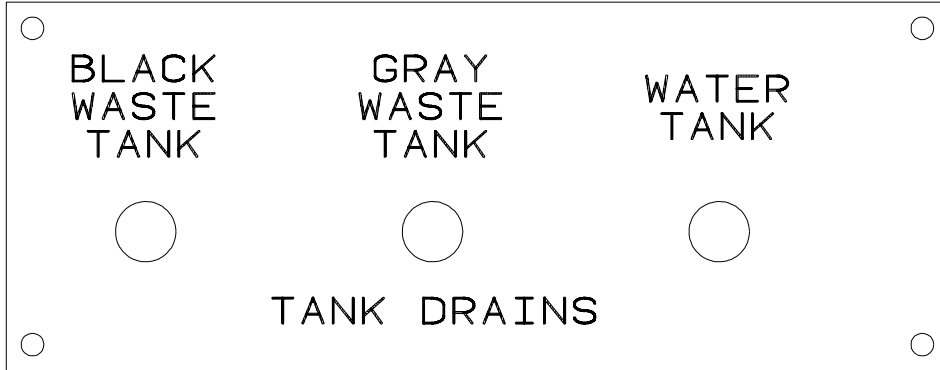
**KEY PART NUMBER U/M DESCRIPTION**  
 129033-01-000 EA LABEL - HANG TAG - TRAVEL LATCH - 1.5" X 3"

TOW VEHICLE RATING MAY BE LESS THAN HITCH RATING.  
 MAXIMUM VERTICAL HITCH LOAD: 350 LBS  
 DO NOT EXCEED REAR AXLE RATING.  
 SEE OWNER'S MANUAL FOR ADDITIONAL INFORMATION.

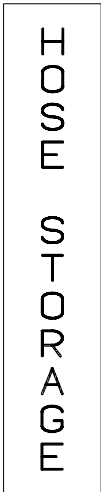
**KEY PART NUMBER U/M DESCRIPTION**  
 129669-01-01A EA LABEL - HITCH/VEHICLE RATE - 350 - WHITE ON CLEAR  
 129669-02-01A EA LABEL - HITCH/VEHICLE RATE - 500- WHITE ON CLEAR  
 129669-02-02A EA LABEL - HITCH/VEHICLE RATE - 500 - BLACK ON CLEAR

TIRE ROTATION  
 SEE RIALTA OWNERS MANUAL  
 SECTION 9

**KEY PART NUMBER U/M DESCRIPTION**  
 129684-01-000 EA LABEL - TIRE ROTATION



**KEY PART NUMBER U/M DESCRIPTION**  
 130166-01-000 EA LABEL - DRAIN



**KEY PART NUMBER U/M DESCRIPTION**  
 130167-02-000 EA LABEL - HOSE STORAGE



**KEY PART NUMBER U/M DESCRIPTION**  
 130168-01-000 EA LABEL - WASTE TANK FLUSH

**LABELS GROUP (CONTINUED)**

MONITOR WATER  
 PANEL LIGHT PUMP

**KEY PART NUMBER U/M DESCRIPTION**  
 130170-01-000 EA LABEL - SWITCH PANEL - BLK/CLEAR BACKGROUND-1.8"H X 5.9"L

LIGHTS WATER  
 PUMP

**KEY PART NUMBER U/M DESCRIPTION**  
 130170-02-000 EA LABEL - SWITCH PANEL-BLK/CLEAR BACKGROUND-1.4"H X 3.9"L

WATER  
 PUMP

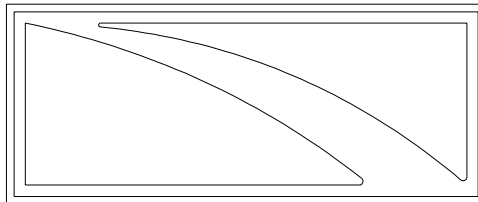
**KEY PART NUMBER U/M DESCRIPTION**  
 130170-03-000 EA LABEL - PANEL SWITCH

CAUTION:  
 OPEN A WINDOW OR VENT WHILE  
 OPERATING DRYER. IT IS DANGEROUS  
 TO CREATE A NEGATIVE AIR PRESSURE  
 INSIDE A VEHICLE CONTAINING  
 FUEL-BURNING APPLIANCES

**KEY PART NUMBER U/M DESCRIPTION**  
 130670-01-01A EA LABEL - CAUTION DRYER VENTING - BLACK ON CLEAR

PUSH TO  
 RELEASE  
 GENERATOR  
 SLIDE ASM

**KEY PART NUMBER U/M DESCRIPTION**  
 131779-01-01A EA LABEL - GENERATOR



**KEY PART NUMBER U/M DESCRIPTION**  
 132651-01-01A EA DECAL - MIRROR/GALLEY

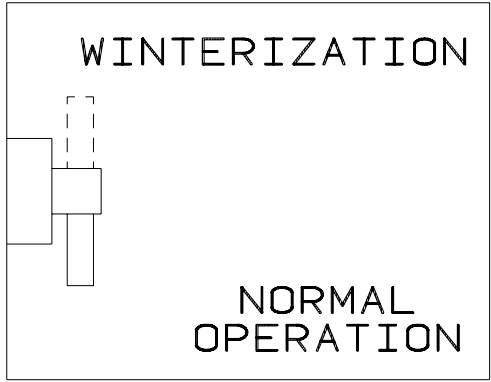
OPEN ○  
 DRAIN  
 CLOSED ○

**KEY PART NUMBER U/M DESCRIPTION**  
 133423-01-01A EA LABEL - DRAIN

**LABELS GROUP (CONTINUED)**



**KEY PART NUMBER U/M DESCRIPTION**  
133424-01-01A EA LABEL - BYPASS - WATER HEATER



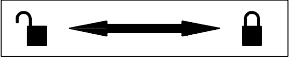
**KEY PART NUMBER U/M DESCRIPTION**  
133425-01-01A EA LABEL - VALVE - WINTERIZATION



**KEY PART NUMBER U/M DESCRIPTION**  
133533-01-01A EA LABEL - JACKS DOWN - CLEAR W/WHITE LETTERING

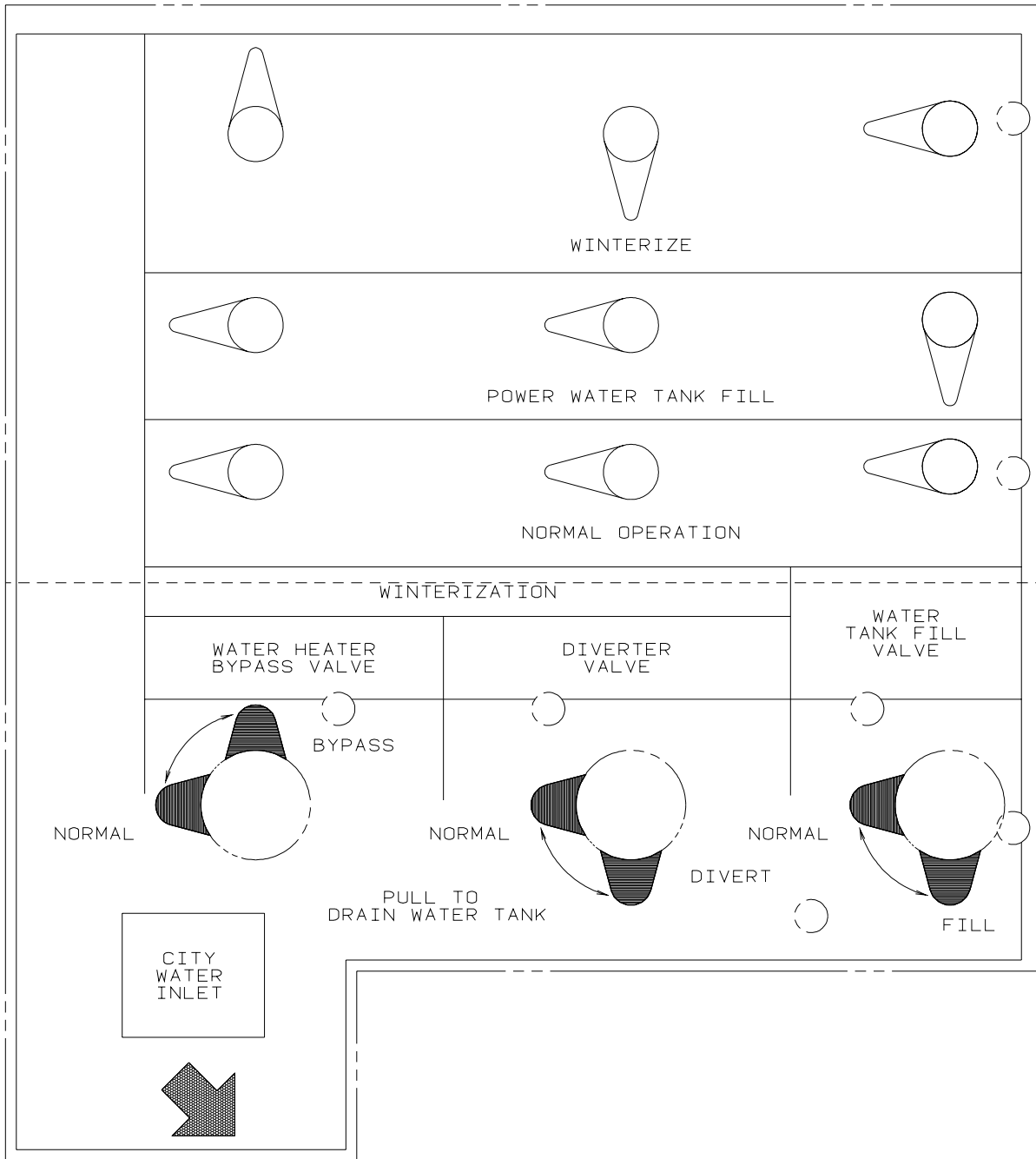


**KEY PART NUMBER U/M DESCRIPTION**  
133533-02-01A EA LABEL - CHECK ANTENNA - CLEAR W/WHITE LETTERING



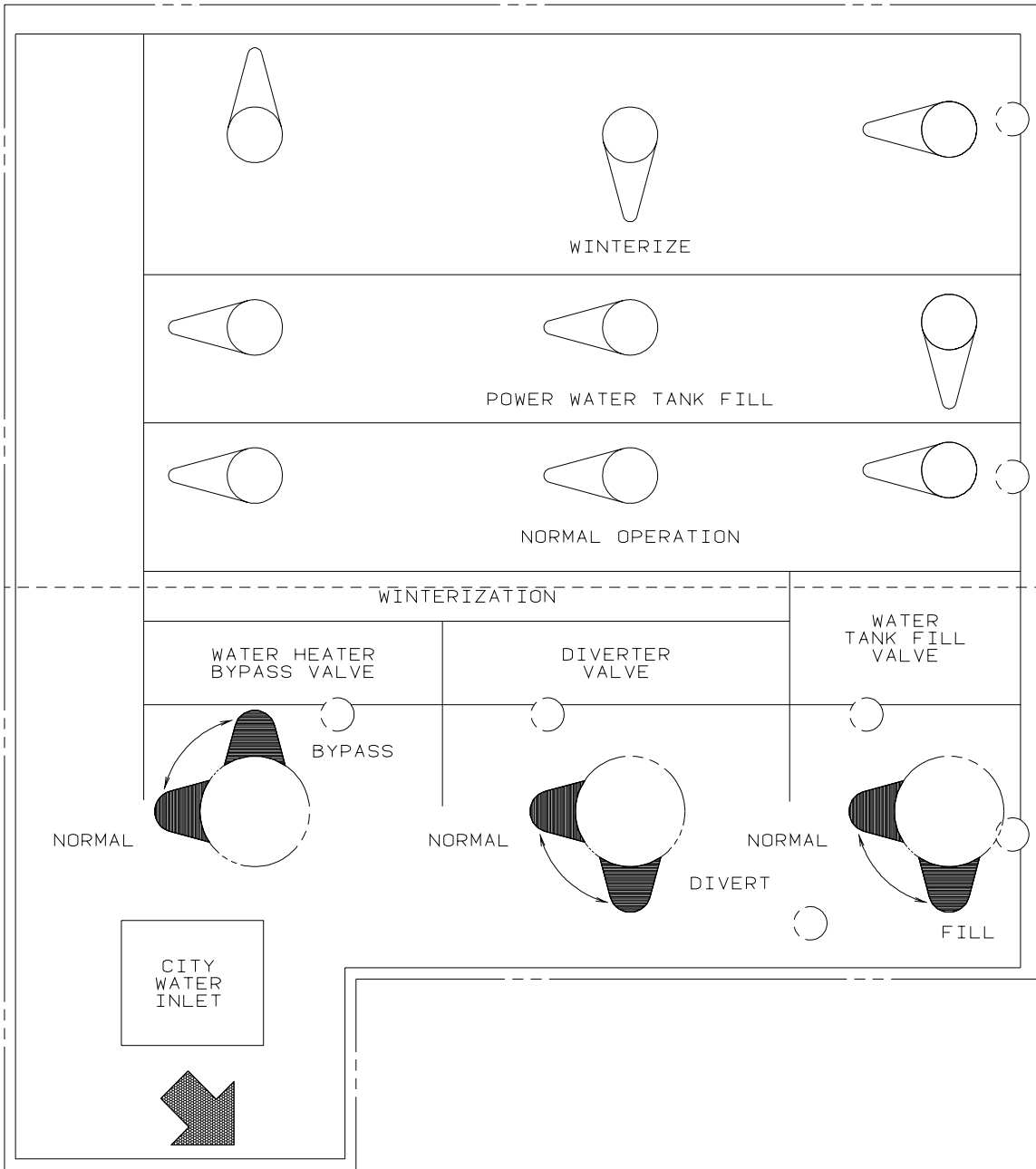
**KEY PART NUMBER U/M DESCRIPTION**  
133533-03-01A EA LABEL - LOCK/UNLOCK - BLACK/WHITE

# LABELS GROUP (CONTINUED)

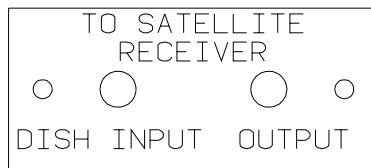


KEY	PART NUMBER	U/M	DESCRIPTION
	133629-01-01A	EA	LABEL - WATER CENTER

## LABELS GROUP (CONTINUED)



KEY	PART NUMBER	U/M	DESCRIPTION
	133629-02-01A	EA	LABEL - WATER CENTER - BLACK/CLEAR



KEY	PART NUMBER	U/M	DESCRIPTION
	134250-01-01A	EA	LABEL - SATELLITE RECEIVER - BLACK/CLEAR

THIS SEAT IS NOT INTENDED  
FOR OCCUPANCY WHEN  
VEHICLE IS IN MOTION

KEY	PART NUMBER	U/M	DESCRIPTION
	134538-01-01A	EA	LABEL - OCCUPANCY - NO SEAT BELT - BLACK ON CLEAR - US

## LABELS GROUP (CONTINUED)

DST ISICE SIEGE N/EST PAS DESTINE A ETRE OCCUPE LORSQUE LE VEHICULE EST IN MOVUEMENT	THIS SEAT IS NOT INTENDED FOR OCCUPANCY WHILE VEHICLE IS IN MOTION
--	--

**KEY PART NUMBER U/M DESCRIPTION**  
134538-02-01A EA LABEL - OCCUPANCY - NO SEAT BELT - BLACK ON CLEAR - CSA

**WARNING**

IT IS NOT SAFE TO USE COOKING  
APPLICANCES FOR COMFORT HEATING

COOKING APPLICANCES NEED FRESH AIR FOR SAFE OPERATION  
BEFORE OPERATION.

1. OPEN OVERHEAD VENT OR TURN ON EXHAUST FAN AND;  
2. OPEN WINDOW.

**KEY PART NUMBER U/M DESCRIPTION**  
134539-01-01A EA LABEL - WARNING - STOVE/HEATING - US - BLACK ON CLEAR

**HOLDING TANK HEATER**

TURN OFF WHEN NOT IN USE  
SEE OPERATOR'S MANUAL

**KEY PART NUMBER U/M DESCRIPTION**  
134563-01-01A EA LABEL - SWITCH - HEATER

THIS VEHICLE MAY INCLUDE MERCURY-CONTAINING DEVICES INSTALLED BY THE MANUFACTURER:

FLUORESCENT TUBES, RANGES WITH OVEN, HWH LEVEL SENSING UNIT.

REMOVE DEVICES BEFORE VEHICLE DISPOSAL UPON REMOVAL OF  
DEVICES: PLEASE REUSE, RECYCLE, OR DISPOSE AS HAZARDOUS WASTE

135869-01A

**KEY PART NUMBER U/M DESCRIPTION**  
135869-01-01A EA LABEL - MERCURY CONTENT - BLACK ON CLEAR

**LIQUID SOAP**

**KEY PART NUMBER U/M DESCRIPTION**  
136047-01-01A EA LABEL - LIQUID SOAP

DOOR LOCK	DOOR UNLOCK	RIGHT COMPT DOOR LOCK	RIGHT COMPT DOOR UNLOCK	LEFT COMPT DOOR LOCK	LEFT COMPT DOOR UNLOCK	AUX START SOLENOID	AMP SOURCE
POWER MIRRORS	HEATER BLOWER	PASS HEATER BLOWER	FOG LAMPS	DOCKING LAMPS	DOCKING LAMPS SWITCH TRIGGER	COOLING FANS	

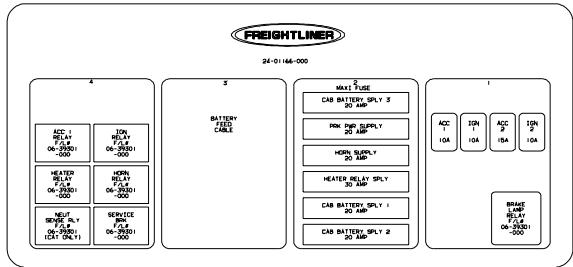
**KEY PART NUMBER U/M DESCRIPTION**  
136161-01-01A EA LABEL - RELAY - MATTE BLACK/WHITE LETTERS



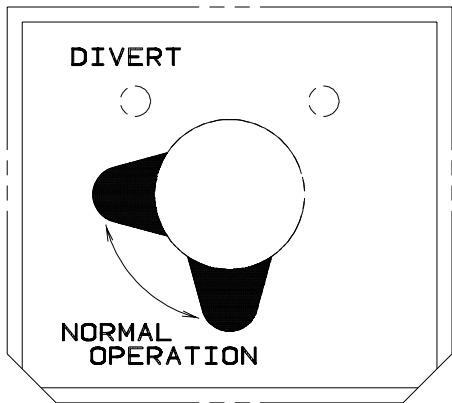
## LABELS GROUP (CONTINUED)



**KEY PART NUMBER**    **U/M DESCRIPTION**  
 136360-01-01A    EA LABEL - AIR BAGS



**KEY PART NUMBER**    **U/M DESCRIPTION**  
 137090-01-000    EA LABEL - ELECTRICAL CENTER



**KEY PART NUMBER**    **U/M DESCRIPTION**  
 137997-01-01A    EA LABEL - WINTERIZATION VALVE - BLACK/CLEAR



**KEY PART NUMBER**    **U/M DESCRIPTION**  
 140190-01-01A    EA DECAL/LOGO - V6 (DOMED) - CYAN/MAGENTA/YELLOW/BLACK

## LABELS GROUP (CONTINUED)

### WARNING

THIS SYSTEM IS DESIGNED FOR USE WITH PROPANE ONLY  
DO NOT CONNECT NATURAL GAS TO THIS SYSTEM

BEFORE TURNING ON PROPANE:

- (A) BE CERTAIN APPLIANCES ARE CERTIFIED FOR PROPANE AND ARE EQUIPPED WITH CORRECT BURNING ORIFICES.
- (B) MAKE CERTAIN ALL PROPANE CONNECTIONS ARE TIGHT BY TESTING WITH SOAPY WATER. ALL APPLIANCE VALVES ARE TURNED OFF, AND ANY UNCONNECTED OUTLETS ARE CAPPED.

AFTER TURNING ON PROPANE:

- (A) LIGHT ALL PILOT LIGHTS
- (B) (B) ALL CONNECTIONS, INCLUDING THOSE AT THE APPLIANCES, REGULATORS AND CYLINDERS SHOULD BE LEAK-TESTED PERIODICALLY WITH SOAPY WATER BY THE OCCUPANT. NEVER USE A LIGHTED MATCH OR OTHER FLAME WHEN CHECKING FOR LEAKS.
- (C) DO NOT LEAVE SYSTEM TURNED ON OF CONTAINERS CONNECTED UNTIL THE SYSTEM HAS BEEN PROVEN TO BE FREE OF LEAKS.
- (D) COOKING APPLIANCES SHOULD NOT BE USED FOR SPACE HEATING.
- (E) WHEN THE CONTAINERS ARE DISCONNECTED THE PROPANE SUPPLY LINE SHOULD BE CAPPED OR PLUGGED.

### AVERTISSEMENT

CETTE INSTALLATION EST CONCUE POUR LE PROPANE SEULEMENT  
NE PAS L'ALIMENTER EN GAZ NATUREL

AVANT LA MISE EN SERVICE:

- (A) S'ASSURER QUE LES APPAREILS SONT CERTIFIES POUR LE PROPANE ET MUNIS D'ORIFICES DE BRULEUR APPROPRIES.
- (B) VERIFIER L'ETANCHEITE DE TOUS LES RACCORDEMENTS AU PROPANE. LA PERMETURE DE TOUS LES ROBINETS D'APPAREILS ET L'OBTURATION DE TOUTES LES SORTIES NON RACCORDEES.

APRES LA MISE EN SERVICE:

- (A) ALLUMER TOUTES LES VEILLEUSES.
- (B) L'OCCUPANT DOIT EPROUVER PERIODIQUEMENT L'ETANCHEITE DE TOUS LES RACCORDEMENTS Y COMPRIS CEUX AUX APPAREILS, AUX DETENDEURS ET AUX BOUTEILLES, EN Y APPLIQUANT DE L'EAU SAVONNEUSE NE JAMA'S SE SERVIR D'UNE ALLUMETTE OU AUTRE POUR LA DETECTION DES FUITES.
- (C) NE PAS LAISSER L'ALIMENTATION OUVERTE NI LES RECIPIENTS RACCORDES AVANT D'AVOIR COMPLETE L'EPREUVE D'ETANCHEITE AU PROPANE DE L'INSTALLATION.
- (D) LES APPAREILS DE CUISSON NE DOIVENT PAS ETRE UTILISES POUR LE CHAUFFAGE DES LOCAUX.
- (E) LORSQUE LES RECIPIENTS SONT DECONNECTES, L'ALIMENTATION DE PROPANE DOIT ETRE OBTUREE OU SCHELLEE.

<b>KEY PART NUMBER</b>	<b>U/M DESCRIPTION</b>
023769-01-000	EA LABEL - WARNING - LPG - CANADIAN

**Winnebago**

EMISSION CONTROL INFORMATION

---

CATALYST

ENGINE FAMILY	XXXXXXX
EVAP. FAMILY	XXXXXXX
EXH.EMISSION CONTR.SYST.	SFI/AIR/TWC/HO2S(2)
DISPL 2792 CC	0BD II CERTIFIED
TUNE UP SPECIFICATIONS: NO ADJUSTMENT NEEDED	
CARB EXH.EMISSION STAND.	STANDARD CATEGORY
CERTIFICATION	XXX
IN-USE	XXX

THIS HEAVY DUTY VEHICLE CONFORMS TO U.S. EPA REGULATIONS APPLICABLE TO XXXX MODEL YEAR LIGHT-DUTYTRUCKS UNDER THE SPECIAL PROVISIONS OF 40 CFR XXXXXX , AND IS CERTIFIED TO MEDIUM-DUTY VEHICLE STANDARDS FOR SALE IN CALIFORNIA.

XXXX

||||| BAR CODE |||||

<b>KEY PART NUMBER</b>	<b>U/M DESCRIPTION</b>
124709-06-000	EA LABEL - EMISSION CONTROL - DUAL

## LABELS GROUP (CONTINUED)

NORMAL  
OPERATION

KEY	PART NUMBER	U/M DESCRIPTION
	133424-02-01A	EA LABEL - NORMAL OPERATION

WTR HTR  
BYPASS

KEY	PART NUMBER	U/M DESCRIPTION
	133424-03-01A	EA LABEL - WATER HEATER BYPASS - BLACK/CLEAR

THIS CHAIR IS NOT INTENDED  
FOR OCCUPANCY WHEN VEHICLE  
IS IN MOTION AND MUST BE  
RETURNED TO STOWED POSITION

DTS ISICE SIEGE N/EST PAS      THIS CHAIR IS NOT INTENDED  
DESTINE A ETRE OCCUPE LORSQUE      FOR OCCUPANCY WHEN VEHICLE  
LE VEHICULE EST IN MOVEMENT      IS IN MOTION AND MUST BE  
ET IL FAUT QUE LE RANGER      RETURNED TO STOWED POSITION

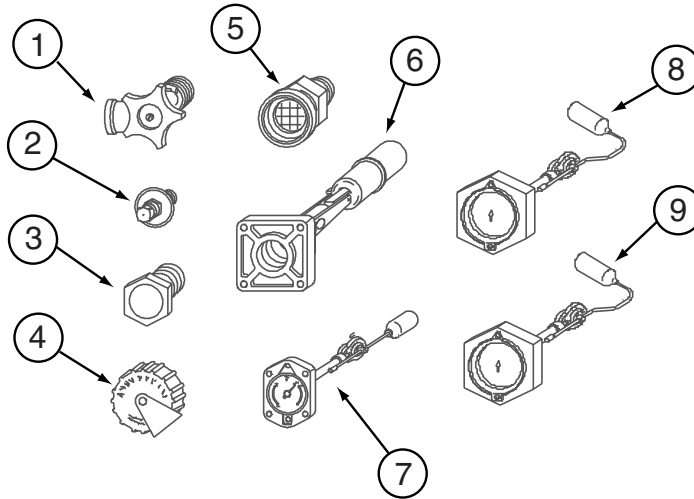
KEY	PART NUMBER	U/M DESCRIPTION
	134537-01-01A	EA LABEL - OCCUPANCY - CHAIR - US

**LP GROUP**  
**LP SYSTEM**

<b>KEY</b>	<b>PART NUMBER</b>	<b>U/M</b>	<b>DESCRIPTION</b>
	010265-01-000	EA	ELBOW - BRASS - 90 DEGREE - 3/8"F X 1/2"FPT
	010326-01-000	EA	ADAPTER - FLARE - W/CONE GASKET - 3/8"F X 1/2"F
	010329-01-000	EA	ADAPTER - BRASS - 1/2"F X 1/2"MPT - L36W
	024250-01-000	EA	ADAPTER - BRASS - 3/8"F X 1/2"FPT - L39
	010377-02-000	EA	NUT - BRASS - 3/8" FLARE - FORGED
	010380-02-000	EA	NUT - BRASS - 1/2" FLARE - FORGED
	010536-02-000	EA	TEE - STEEL - 1/2" - BLACK
	040440-03-000	EA	TRANSMITTER - DIAL/SNAP-ON - 0-90 OHM 2 TERM(POWER/GROUND)
	045703-05-000	EA	HOSE - LP - 3/8"ID X 28" - 3/8"MPT X 1/2"F SWIVEL - U.S.
	045703-06-000	EA	HOSE - LP - 3/8"ID X 28" - 3/8"MPT X 1/2"F SWIVEL - CANADA
	045703-13-000	EA	HOSE - LP - 3/8"ID X 120" - 3/8"F SWIVEL X 1/2"F SWIVEL US - L39
*	088253-03-000	EA	TANK - LP - 100 LB - 16"DIAMETER X 36" LONG - SPL - L36W
*	088253-10-000	EA	TANK - LP - 100 LB - 14" DIAMETER X 47" LONG - L39
	103613-03-000	EA	DETECTOR - LP GAS - W/O SHUT-OFF VALVE
	105658-01-000	EA	COMPARTMENT - LP REGULATOR
	106150-01-000	EA	REGULATOR - TWO STAGE-W/90 DEGREE ELBOW & 3/8" FPT OUTLET

**\*COMPONENT PARTS LISTED LATER IN THIS GROUP**

**LP GROUP (CONTINUED)**  
**COMPONENT PARTS FOR LP SYSTEM**



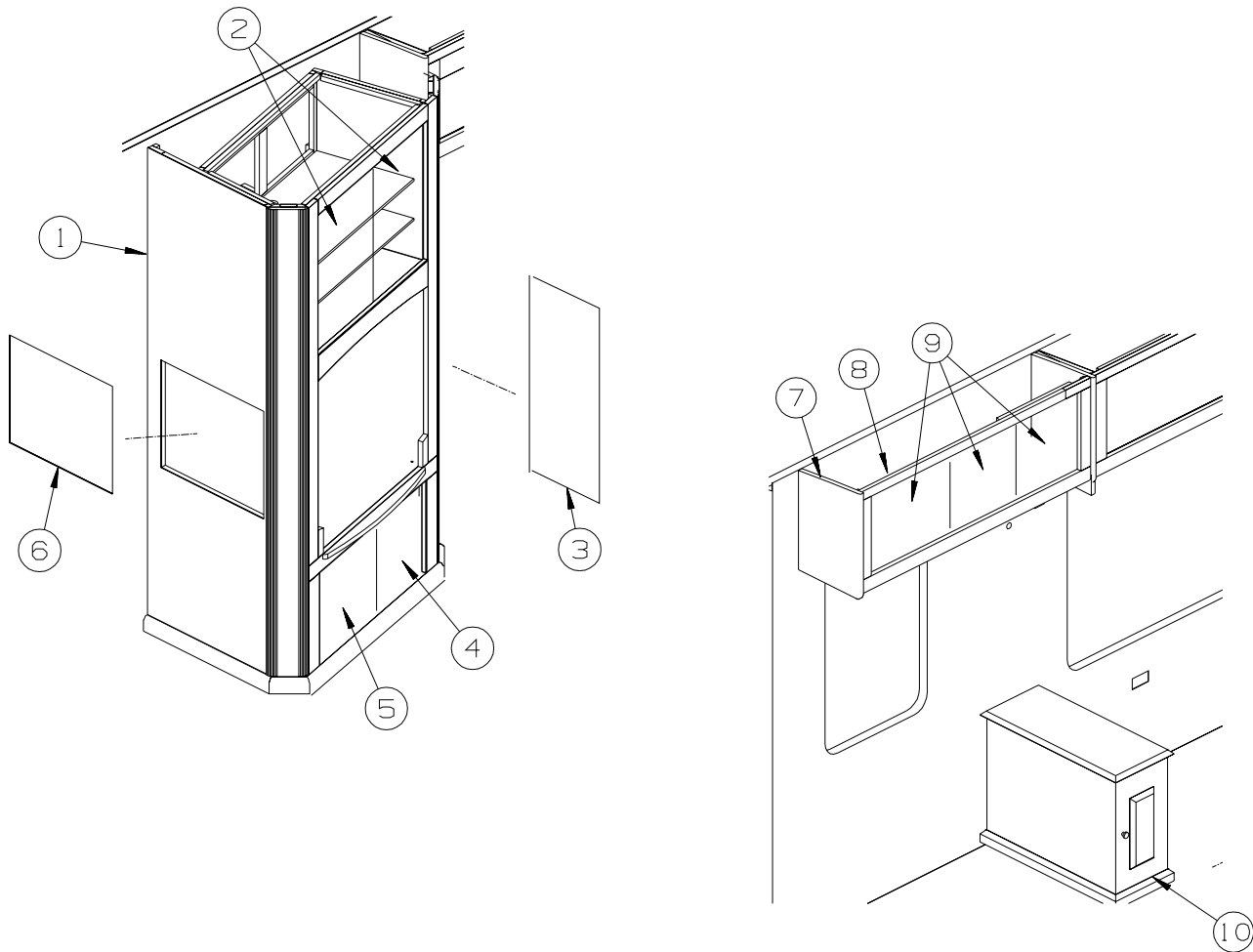
**088253-03-000**

KEY	PART NUMBER	U/M	DESCRIPTION	VENDOR NO.
1	040421-01-708	EA	HANDWHEEL-SERVICE VALVE	G-1015-A
1	040421-01-712	EA	VALVE,SERV. W/O VAPOR RELIEF	29000853
2	040421-01-700	EA	VALVE-LIQUID LEVEL, 20%	G-1013
3	040421-01-713	EA	VALVE-RELIEF 1" W/SPRING 7"	29000587
4	040421-01-702	EA	CAP-FILL VALVE, PLASTIC	G-1014-A
5	040421-01-701	EA	VALVE-FILL-SHORT, LP	7547B
6	040421-01-711	EA	VALVE-80% FILL W/AUTO STOP	LLL/TL3
7			NOT WHAT IS ILLUSTRATED HERE	
8			NOT WHAT IS ILLUSTRATED HERE	
9	088253-01-700	EA	FLOAT/BOLT ON-SCREW ON DIAL	SG16C0000071
9	088253-01-702	EA	FLOAT/SCREW IN-SNAP ON DIAL	SG16C0001442
	040421-01-703	EA	VALVE-SERVICE W/VAPOR RELIEF	G-1015
	040421-01-706	EA	DIAL-VISIBLE FACE, LP TANK	MA-8 ROCHST

**088253-10-000**

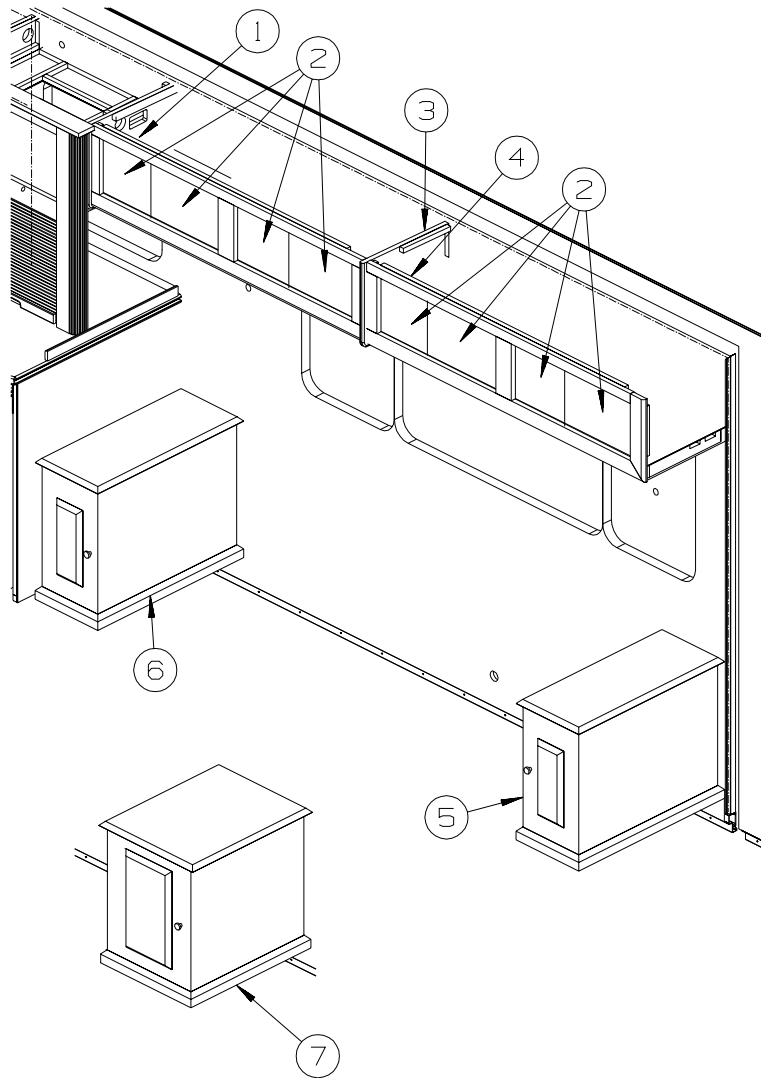
KEY	PART NUMBER	U/M	DESCRIPTION	VENDOR NO.
1	040421-01-708	EA	HANDWHEEL-SERVICE VALVE	G-1015-A
1	040421-01-712	EA	VALVE,SERV. W/O VAPOR RELIEF	29000853
2	040421-01-700	EA	VALVE-LIQUID LEVEL, 20%	G-1013
3	040421-01-713	EA	VALVE-RELIEF 1" W/SPRING 7"	29000587
4	040421-01-702	EA	CAP-FILL VALVE, PLASTIC	G-1014-A
5	040421-01-701	EA	VALVE-FILL-SHORT, LP	7547B
6	040421-01-711	EA	VALVE-80% FILL W/AUTO STOP	LLL/TL3
7	040421-01-707	EA	FLOAT/BOLT ON-SCREW ON DIAL	14C
7	088253-09-700	EA	FLOAT/SCREW IN-SNAP ON DIAL	SG14C0001466
8			NOT WHAT IS ILLUSTRATED HERE	
9			NOT WHAT IS ILLUSTRATED HERE	

## LOUNGE GROUP CABINETS



KEY	PART NUMBER	U/M	DESCRIPTION
1	139495-01-N52	EA	CABINET - TV/RIGHT HAND - W/O DOORS/HARDWARE - SALEM CHERRY
1	139495-01-N53	EA	CABINET - TV/RIGHT HAND - W/O DOORS/HARDWARE - PORTSMOUTH OAK
2	134783-S7-N52	EA	DOOR - RAIL/SOLID PANEL - 14.9" X 21.8" - W/O HARDWARE - SALEM CHERRY
2	134783-S7-N53	EA	DOOR - RAIL/SOLID PANEL - 14.9" X 21.8" - W/O HARDWARE - PORTSMOUTH OAK
3	134783-S1-N52	EA	DOOR - RAIL/SOLID PANEL - 10" X 29.5" - W/O HARDWARE - SALEM CHERRY
3	134783-S1-N53	EA	DOOR - RAIL/SOLID PANEL - 10" X 29.5" - W/O HARDWARE - PORTSMOUTH OAK
4	134783-S5-N52	EA	DOOR - RAIL/SOLID PANEL - 14.3" X 14.3" - W/O HARDWARE - SALEM CHERRY
4	134783-S5-N53	EA	DOOR - RAIL/SOLID PANEL - 14.3" X 14.3" - W/O HARDWARE - PORTSMOUTH OAK
5	134783-S3-N52	EA	DOOR - RAIL/SOLID PANEL - 14.3" X 14.3" - W/O HARDWARE - SALEM CHERRY
5	134783-S3-N53	EA	DOOR - RAIL/SOLID PANEL - 14.3" X 14.3" - W/O HARDWARE - PORTSMOUTH OAK
6	133655-55-N52	EA	COUNTERTOP - LAMINATED - BROWN PLANK CHERRY - SALEM CHERRY
6	133655-55-N53	EA	COUNTERTOP - LAMINATED - PORTSMOUTH OAK
7	P38119-22-N52	EA	ENDCAP - OVERHEAD/CABINET - SALEM CHERRY
7	P38119-22-N53	EA	ENDCAP - OVERHEAD/CABINET - PORTSMOUTH OAK
8	139726-01-N52	EA	CABINET - OVERHEAD/FRONT/RIGHT HAND - W/O DOORS/HARDWARE - SALEM CHERRY
8	139726-01-N53	EA	CABINET - OVERHEAD/FRONT/RIGHT HAND - W/O DOORS/HARDWARE - PORTSMOUTH OAK
9	131995-A1-L52	EA	DOOR - RAIL/SOLID PANEL - 14.3" X 14.3" - W/O HARDWARE - SALEM CHERRY
9	131995-A1-N53	EA	DOOR - RAIL/SOLID PANEL - 14.3" X 14.3" - W/O HARDWARE - PORTSMOUTH OAK
10	139281-02-03A	EA	CABINET/END TABLE - F/COUCH - LEFT HAND - CHERRY - SALEM CHERRY
10	139281-02-04A	EA	CABINET/END TABLE - F/COUCH - LEFT HAND - OAK - PORTSMOUTH OAK
	139804-02-02B	EA	STRAP - TV - E-COATED

## LOUNGE GROUP (CONTINUED) CABINETS (CONTINUED)



KEY	PART NUMBER	U/M	DESCRIPTION
1	139165-01-N52	EA	CABINET - OVERHEAD/FRONT/LEFT HAND - W/O DOORS/HARDWARE - SALEM CHERRY
1	139165-01-N53	EA	CABINET - OVERHEAD/FRONT/LEFT HAND - W/O DOORS/HARDWARE - PORTSMOUTH OAK
2	131995-AL-N52	EA	DOOR - RAIL/SOLID PANEL - 12" X 9.8" - W/O HARDWARE - SALEM CHERRY
2	131995-AL-N53	EA	DOOR - RAIL/SOLID PANEL - 12" X 9.8" - W/O HARDWARE - PORTSMOUTH OAK
3	P38119-15-N52	EA	ENDCAP - OVERHEAD/CABINET - SALEM CHERRY
3	P38119-15-N53	EA	ENDCAP - OVERHEAD/CABINET - PORTSMOUTH OAK
4	139133-01-N52	EA	CABINET - OVERHEAD/FRONT/LEFT HAND - W/O DOORS/HARDWARE - SALEM CHERRY
4	139133-01-N53	EA	CABINET - OVERHEAD/FRONT/LEFT HAND - W/O DOORS/HARDWARE - PORTSMOUTH OAK
5	139281-02-03A	EA	CABINET/END TABLE - F/COUCH - LEFT HAND - CHERRY - SALEM CHERRY - <a href="#">COUCH</a>
5	139281-02-04A	EA	CABINET/END TABLE - F/COUCH - LEFT HAND - OAK - PORTSMOUTH OAK - <a href="#">COUCH</a>
6	139281-01-03A	EA	CABINET/END TABLE - F/COUCH - RIGHT HAND - CHERRY - SALEM CHERRY - <a href="#">COUCH</a>
6	139281-01-04A	EA	CABINET/END TABLE - F/COUCH - RIGHT HAND - OAK - PORTSMOUTH OAK - <a href="#">COUCH</a>
7	139281-03-03A	EA	CABINET/END TABLE - F/COUCH - CENTER - CHERRY - SALEM CHERRY - <a href="#">LOUNGE CHAIR</a>
7	139281-03-04A	EA	CABINET/END TABLE - F/COUCH - CENTER - OAK - PORTSMOUTH OAK - <a href="#">LOUNGE CHAIR</a>

**SEALANTS & FASTENERS GROUP**  
**SEALANTS & ADHESIVES**

KEY	PART NUMBER	U/M	DESCRIPTION
	004001-05-000	EA	ADHESIVE - SCOTCH-WELD - 3M DP100 - CLEAR - 50ML
	004020-01-000	QT	ADHESIVE - ABS CEMENT - QUART
	010405-02-000	EA	TAPE - THREAD SEALING - 3/8"
	034552-15-000	EA	SILICONE - TUBE - W/O NOZZLE - BRIGHT WHITE
	053766-06-000	EA	BEDDING COMPOUND - TUBE - CLEAR
	062917-03-000	EA	ADHESIVE - LOCTITE 242
	063642-01-000	FT	TAPE - ADHESIVE - .4" X 1.5" X 180'
	067788-01-000	EA	ADHESIVE - SPRAY - 3M - 19.5 OZ AEROSOL CAN
	069640-01-000	FT	SEALER - RIBBON - 1/4" DIAMETER X 30' - BLACK
	069640-02-000	FT	SEALER - TAPE - .13"THICK X .5"WIDE X 60' - GRAY
	069640-03-000	FT	SEALER - TAPE - .13"THICK X .75"WIDE X 60' - BLACK
	069640-07-000	FT	SEALER - TAPE - .09" THICK X 2" WIDE X 45' - GRAY
	069640-09-000	FT	SEALER - TAPE - .03" THICK X 2.50"WIDE X 80' - GRAY
	069640-10-000	FT	SEALER - TAPE - .03" THICK X 1.50" WIDE X 90' - GRAY
	069640-11-000	FT	SEALER - TAPE - .19" THICK X .38" WIDE X 40' - BLACK
	069640-13-000	FT	SEALER - TAPE - .03" THICK X 2" WIDE X 45' - BLACK
	069640-14-000	FT	SEALER - TAPE - .06" THICK X 1" WIDE X 100' - GRAY
	069640-15-000	FT	SEALER - TAPE - .06"THICK X .38"WIDE X 100' - GRAY
	069640-17-000	FT	SEALER - TAPE - .03" THICK X 1" WIDE X 90' - GRAY
	069640-18-000	FT	SEALER - TAPE - .50" THICK X .13" WIDE X 60' - BRT WHITE
	069640-19-000	FT	SEALER - TAPE - .75" THICK X .13" WIDE X 60' - BRT WHITE
	069640-20-000	FT	SEALER - TAPE - .50" THICK X 1/8" WIDE X 60' - BLACK
	069640-21-000	FT	SEALER - TAPE - .50" THICK X 1/16" WIDE X 100'-BRIGHT WHT
	069640-22-000	FT	SEALER - TAPE - .25" THICK X 1/32" WIDE X 100'- BRIGHT WHT
	069640-23-000	FT	SEALER - TAPE - .06" THICK X 3/4" WIDE X 100' - BRT WHITE
	069640-25-000	FT	SEALER - TAPE - .06" THICK X 3.5" WIDE X 50' - GRAY
	069640-27-000	FT	SEALER - TAPE - .06" THICK X 2.25" WIDE - BRIGHT WHITE
	069640-28-000	FT	SEALER - TAPE - 1/32" X 2"
	072889-01-000	EA	SEALANT - URETHANE - BLACK - TUBE
	076322-01-000	FT	TAPE-DOUBLE COATED/ADHESIVE BK-.03"THK X .8"W X 216'- WHT
	076322-02-000	FT	TAPE-DOUBLE COATED/ADHESIVE BK-.05"THK X 1"W X 108' - WHT
	076322-03-000	FT	TAPE-DOUBLE COATED/ADHESIVE BK-.05"THK X .5"W X 108' - WHT
	076322-04-000	FT	TAPE-DOUBLE COATED/ADHESIVE BK-.05"THK X .8"W X 108' - WHT
	076322-05-000	FT	TAPE-DOUBLE COATED/ADHESIVE BK-.05"THK X .8"W X 108' - WHT
	076322-07-000	FT	TAPE-DOUBLE COATED/ADHESIVE BK-.05"THK X .5"W X 200' - BLK
	076322-11-000	FT	TAPE-DOUBLE COATED/ADHESIVE BK-.02"THK X 1"W X 216' - CLR
	086276-01-000	EA	TAPE - DOUBLE SIDED - 1/2" WIDE X 108' LONG (SOLD BY ROLL)
	088479-01-000	EA	TAPE - ALUMINUM - 3"
	090340-01-000	FT	SEAL - FOAM - CLOSED CELL - 1/4" X 1/2" X 50'
	091255-02-000	FT	SEAL - ADHESIVE BACKED/FOAM - 3/64" THICK X 3/16"W X 1000'
	091255-03-000	FT	SEAL - ADHESIVE BACKED/FOAM - 1/4" THICK X 1/4"W X 1000'
	094401-03-000	EA	SEALER - BODY SEAM - BLACK
	094401-04-000	EA	SEALER - BODY SEAM - CLEAR
	098408-01-000	FT	SEAL - SPONGE RUBBER - CLOSED CELL
	099069-01-000	FT	SEAL - RUBBER - CLOSED SPONGE - .5" WIDE X .12" THICK -BLK
	099418-01-000	FT	SEAL - D-SECTION/ADHESIVE BACK - .44" X .44"- BLK RUBBER
	099418-02-000	FT	SEAL - D SECTION - WHITE
	099952-01-000	FT	CORE - SEAL - BULB SUPPORT
	100128-02-000	FT	SEAL - FOAM/ADHESIVE BACK - .37" WIDE X .37" THICK
	104692-01-000	FT	SEAL - ADHESIVE BACKED FOAM - 3/4" THICK X 3/4" WIDE X 25'
	104692-03-000	FT	SEAL - ADHESIVE BACKED FOAM - 1" THICK X 1 3/4" WIDE X 15'
	106206-01-000	EA	SEALER - PUMPABLE - TUBE - BLACK - MANUS
	107828-01-000	EA	SEALANT - SB - 190 EVERSEAL
	109506-12-000	EA	FILM/ABRASION-RESISTANT - TRANSPARENT - 1" DIA.
	110274-01-000	FT	TAPE - DOUBLE SIDED/FOAM - .45" X 1" X 216' - BLACK
	112864-01-000	FT	SEAL - FOAM/BUTYL COVERED - 3/8" X 35'
	112864-02-000	FT	FOAM - BUTYL COVERED 5/16" X 44'
	112901-02-000	EA	ADHESIVE - PLEXUS - MA330 - 50ML - GRAY
	112901-03-000	EA	ADHESIVE - PLEXUS - MA300 - 50ML - WHITE
	112902-01-000	EA	NOZZLE - ELEMENT - 3/8 X 24
	112902-02-000	EA	NOZZLE-BELL 3/8X24 - TAH 160-824
	112902-03-000	EA	MIXER NOZZLE - F/GUN #00400102000 - SCOTCH-WELD & PLEXUS
	113366-01-000	EA	ADHESIVE - INSTANT - 1 OZ



## SEALANTS & FASTENERS GROUP (CONTINUED)

### SEALANTS & ADHESIVES (CONTINUED)

KEY	PART NUMBER	U/M	DESCRIPTION
	113452-02-000	FT	SEAL/TRIM - FRONT - VINYL W/WIRE CARRIER - .027"
	120074-02-03A	EA	SILICONE - TUBE - W/O NOZZLE - SMOKEY WHITE
	120074-02-02A	EA	SILICONE - TUBE - W/O NOZZLE - LOW ODOR - SOFT WHITE
	120534-01-01A	EA	TAPE - SCOTCH - 3M - 1/2" FINE LINE
	123244-01-000	FT	TAPE - DOUBLE SIDED/FOAM - 5/64" THICK X 3/4" WIDE
	123244-02-000	FT	TAPE - DOUBLE SIDED/FOAM - 5/64" THICK X 1/2" WIDE X 108'
	123816-01-000	FT	TAPE - DOUBLE SIDED - 1" X 100'
	123816-02-000	FT	TAPE - DOUBLE SIDED - 1/2" X 1 1/3" X 100'
	123816-03-000	FT	TAPE - DOUBLE SIDED - 1/2" X 3/4" X 100'
	123816-04-000	FT	TAPE - DOUBLE SIDED - 6" X 750'
	126427-01-000	EA	ADHESIVE - ALL PURPOSE - ABS/PVC
	126427-02-000	EA	PRIMER - CLEANER - FLEX PIPING
	131264-01-01A	EA	SILICONE - TUBE - W/O NOZZLE - BLACK
	131264-01-02A	EA	SILICONE - TUBE - W/O NOZZLE - CLEAR
	131264-02-01A	EA	SILICONE - TUBE - W/O NOZZLE - VW GRAY - BATH ONLY
	131264-03-01A	EA	SILICONE - TUBE - W/O NOZZLE - SELF LEVELING - BRIGHT WHITE
	131264-04-01A	EA	SILICONE - CLEAR - ADHESIVE
	131384-01-000	EA	ADHESIVE - JETWELD
	900390-01-000	EA	NOZZLE - SILICONE TUBE - 2.5" LONG
	900390-03-000	EA	NOZZLE - SILICONE TUBE - 4.3" LONG

### BOLTS, NUTS AND WASHERS

KEY	PART NUMBER	U/M	DESCRIPTION
	000C12-04-08B	EA	BOLT - HEX - 1/4-20 X 1/2 - GRADE #5 - ZINC
	000C12-04-40B	EA	BOLT - HEX - 1/4-20 X 2 1/2 - GRADE 5 ZINC
	000C12-05-16B	EA	BOLT - HEX - 5/16-18 X 1 - GRADE #5 - ZINC
	000C12-05-12B	EA	BOLT - HEX - 5/16-18 X 3/4 - GRADE #5 - ZINC
	000C12-06-16B	EA	BOLT - HEX - 3/8-16 X 1 - GRADE #5 - ZINC
	000C12-06-44B	EA	BOLT - HEX - 3/8-16 X 2 3/4 - GRADE 5 - ZINC
	000C12-07-20B	EA	BOLT - HEX - 7/16-14 X 1 1/4 - GRADE #5 - ZINC
	000C12-07-24B	EA	BOLT - HEX TAP - 1/2-13NC X 4 - GRADE 5 - FULL THREAD/ZINC
	000C12-08-16B	EA	BOLT - HEX - 1/2-13 X 1 - GRADE #5 - ZINC
	000C12-08-28B	EA	BOLT - HEX - 1/2-13 X 1 3/4 - GRADE #5 - ZINC
	000C12-08-24B	EA	BOLT - HEX - 1/2-13 X 1 1/2 - GRADE #5 - ZINC
	000C12-10-24B	EA	BOLT - HEX - 5/8-11 X 1 1/2 - GRADE #5 - ZINC
	000C13-07-40B	EA	BOLT - HEX - 7/16-20 X 2 1/2 - GRADE #5 - ZINC
	000C13-07-48B	EA	BOLT - HEX - 7/16-20 X 3 - GRADE #5 - ZINC
	000C14-07-28B	EA	BOLT - HEX - 7/16-14 X 1 3/4 - GRADE #8 - ZINC
	000C14-08-64B	EA	BOLT-HEX-1/2-13X4 ZN 8 - 01 431C
	000C14-10-32K	EA	BOLT - HEX - 5/8-11 X 2 - GRADE #8 - ZINC
	000C14-10-24K	EA	BOLT - HEX - 5/8-11 X 1 1/2 - GRADE #8 - ZINC
	000C18-05-40A	EA	BOLT - ELEVATOR - 5/16-18 X 2 1/2 - PL
	000C18-06-48B	EA	BOLT - ELEVATOR - 3/8-16 X 3 - GRADE 5 - ZINC
	000C26-04-14B	EA	BOLT - HEX - SERRATED FLANGE - 1/4-20 X 7/8 - ZINC
	000C26-04-10B	EA	BOLT - HEX - SERRATED FLANGE - 1/4-20 X 5/8 - ZINC
	000C26-04-18B	EA	BOLT - HEX - SERRATED FLANGE - 1/4-20 X 1 1/8 - ZINC
	000C26-05-20B	EA	BOLT - HEX - SERRATED FLANGE - 5/16-18 X 1 1/4 - ZINC
	000C26-05-12B	EA	BOLT - HEX - SERRATED FLANGE - 5/16-18 X 3/4 - ZINC
	000C26-05-249	EA	BOLT - HEX - SERRATED FLANGE - 5/16-18 X 1 1/2
	000C26-06-16B	EA	BOLT - HEX - SERRATED FLANGE - 3/8-16 X 1 - ZINC
	000C26-06-12B	EA	BOLT - HEX - SERRATED FLANGE - 3/8-16 X 3/4 - ZINC
	000C26-06-20B	EA	BOLT - HEX - SERRATED FLANGE - 3/8-16 X 1 1/4 - ZINC
	000C26-06-40B	EA	BOLT - HEX - SERRATED FLANGE - 3/8-16 X 2 1/2 - ZINC
	000C26-06-28B	EA	BOLT - HEX - SERRATED FLANGE - 3/8-16 X 1 3/4 - ZINC
	000C26-08-24B	EA	BOLT - HEX - SERRATED FLANGE - 1/2-13 X 1 1/2 - ZINC
	000C27-04-40B	EA	BOLT - CARRIAGE - 1/4-20 X 2 1/2 - ZINC
	000C27-05-44I	EA	BOLT-CARR,5/16-18X2.75" - BLACK ZINC
	000D16-07-00B	EA	NUT - HEX - 7/16-14 - ZINC
	000D24-10-00B	EA	NUT - HEX - SELF LOCKING - 10-32 ZINC
	000D28-10-00B	EA	NUT - HEX - W/NYLON LOCK - 10-32 ZINC
	000D29-04-00B	EA	NUT - HEX - SELF LOCKING - 1/4 X 20 - ZINC
	000D29-06-00B	EA	NUT - HEX - W/NYLON LOCK - 3/8-16 - ZINC
	000D29-09-00B	EA	NUT - HEX - SELF LOCKING - 9/16-12 - ZINC

**SEALANTS & FASTENERS GROUP (CONTINUED)**  
**BOLTS, NUTS AND WASHERS (CONTINUED)**

<b>KEY</b>	<b>PART NUMBER</b>	<b>U/M</b>	<b>DESCRIPTION</b>
	000D30-07-00B	EA	NUT - HEX LOCK - NYLON 7/16 X 20
	000D34-04-00B	EA	NUT - HEX - LOCKING - 1/4-20 - ZINC
	000D34-06-00B	EA	NUT - HEX - LOCKING - 3/8-16 GRADE C - ZINC
	000D39-04-00B	EA	NUT - HEX - LOCKING W/SERRATED FLANGE - 1/4-20 - ZINC
	000D39-05-00B	EA	NUT - HEX - LOCKING W/SERRATED FLANGE - 5/16-18 - ZINC
	000D39-06-00D	EA	NUT - HEX - LOCKING W/SERRATED FLANGE - 3/8"-16 BLACK
	000D39-06-00B	EA	NUT - HEX - LOCKING W/SERRATED FLANGE - 3/8-18 - ZINC
	000D39-07-00B	EA	NUT - HEX - LOCKING W/SERRATED FLANGE - 7/16-14 - ZINC
	000D39-08-00B	EA	NUT - HEX - LOCKING W/SERRATED FLANGE - 1/2-13 - ZINC
	000D44-04-00B	EA	NUT - HEX - LOCKING W/SERRATED FLANGE - 1/4-28 - ZINC
	000D44-07-00B	EA	NUT - HEX - LOCKING W/SERRATED FLANGE - 7/16-20 - ZINC
	000D44-08-00B	EA	NUT - HEX - SERRATED FLANGE - 1/2-20 - GRADE #5 - ZINC
	000D46-04-00A	EA	NUT - HEX - WELD - 1/4-20 - PLAIN
	000D58-06-00A	EA	NUT - HEX - WELD 3/8-16 - PLAIN
	000D65-08-00B	EA	NUT - HEX - LOCKING W/SERRATED FLANGE - 8-32 - ZINC
	000D67-10-00B	EA	NUT - HEX - LOCK - 5/8-11 - ZINC
	000D73-08-00C	EA	NUT - HEX FLANGE - 1/2-13
	000D75-09-00B	EA	NUT - HEX LOCKING - 9/16-12 - ZINC
	000D76-06-00B	EA	NUT - HEX FLANGE - 3/8-16
	000E11-04-00F	EA	WASHER - LOCKING - 1/4 MED SPLIT - STAINLESS STEEL
	000E11-07-00B	EA	WASHER - LOCKING - 7/16 MED SPLIT - ZINC
	000E11-08-00B	EA	WASHER - LOCKING - 1/2 MED SPLIT - ZINC
	000E13-17-00B	EA	WASHER - FLAT - 3/8 AR - ZINC
	000E13-18-00B	EA	WASHER - FLAT - 3/8 WIDE - ZINC
	000E13-20-00B	EA	WASHER - FLAT - 7/16 WIDE - ZINC
	000E13-22-00B	EA	WASHER - FLAT - 1/2 WIDE - ZINC
	000E13-26-00B	EA	WASHER - FLAT - 5/8 WIDE - ZINC
	000E14-10-00B	EA	WASHER - LOCKING - #10 EXTERNAL TOOTH - ZINC
	000E16-10-00B	EA	WASHER - HARDENED - 5/8 - FLAT - ZINC
	000G45-05-16B	EA	BOLT - LAG - 5/16-9 X 1 - ZINC
	000G62-08-24B	EA	SCREW - SF/DR - 8-18 X 1 1/2 PFH
	040921-03-000	EA	NUT - SPEED - U TYPE - #10
	040921-04-000	EA	NUT - SPEED - U TYPE - #8-.59" LENGTH X .44" WIDTH
	040921-05-000	EA	NUT - SPEED - U-TYPE - 8-.67" X .44" WIDE
	041322-01-000	EA	WASHER - FLANGE - 15/32 ID X 2 3/8 OD - F/SEAT BELT MTG
	044364-02-000	EA	NUT - SPEED - FLAT - ROUND
	044533-01-000	EA	WASHER - PLASTIC - 1 3/8 OD - FOR BUTTONS
	051387-06-000	EA	BOLT - CARRIAGE W/O HOLE - 5/16-18 X 9 1/2 - ZINC
	058716-02-000	EA	WASHER - FLAT NYLON
	058716-03-000	EA	WASHER - FLAT/NYLON - .500 X 1 1/4 X 060
	064081-03-000	EA	NUT - WING 3/8-16 - W/WELD NUT
	077071-01-000	EA	WASHER - FENDER - 3/16 ID X 1 OD
	084406-01-000	EA	NUT - CAPPED - CROSS RECESSED - BLACK - 1/4-20 THD
	087234-01-000	EA	NUT - JACK - 1/4 X 20 THD - MOLLY
	087718-01-000	EA	MONOBOLT - STEEL - 3/16 DIAMETER
	088787-12-000	EA	STUD - WELD - 1/4 - 20 X 1.0 LG - MN
	102333-01-06A	EA	BOLT - CARRIAGE - 7/16-14 STAINLESS STEEL CAP
	102333-02-01A	EA	BOLT - CARRIAGE - 1/4-20
	102540-02-000	EA	SEAL - SCREW
	103020-02-000	EA	BOLT-U - #8-32 - GRADE 5 ZINC
	104369-01-000	EA	NUT - HEX - HEAVY - 5/8-11 UNC
	106166-01-000	EA	BOLT/COLLARED HANGER - 8-32 X 1
	106956-03-000	EA	BOLT - HEX TAP - 1/2-12NC X 3 - GRADE 5 - FULL THREAD/ZINC
	106956-08-000	EA	BOLT - HEX TAP - 1/2-13NC X 4 - GRADE 5 - FULL THREAD/ZINC
	107397-01-000	EA	WASHER - FENDER - 3/4 ID X 1 OD
	108067-03-000	EA	STUD - WELD - 1/4 - 20 X 1/2 CD
	109917-01-000	EA	WASHER - 1.5" X 1.25"
	109917-03-000	EA	WASHER - 1" X .50"
	109917-04-000	EA	WASHER - 1" X .75"
	113985-02-000	EA	BOLT - FLANGE - M10-1 1/2 X 30CL 10.9
	114259-05-000	EA	BOLT - 7/16-20 X 1 1/4 W/WASHER
	120506-01-01A	EA	RIVET - PLASTIC - 3/16 DIAMETER
	128444-01-000	EA	WASHER - SPRING - CONICAL

**SEALANTS & FASTENERS GROUP (CONTINUED)**  
**BOLTS, NUTS AND WASHERS (CONTINUED)**

KEY	PART NUMBER	U/M	DESCRIPTION
	131377-01-000	EA	NUT-HEX HEAD W/WASHER-1/4-20 X 2" STEEL W/3/4" OD WASHER
	135092-01-01A	EA	BOLT - HEX - SERRATED FLANGE - 1/2-20 X 1 3/4-GRADE 5 ZINC
	135092-02-01A	EA	BOLT - HEX - SERRATED FLANGE - 1/2-20 X 2 1/2-GRADE 5 ZINC
	135092-04-01A	EA	BOLT - HEX - SERRATED FLANGE - 1/2-20 X 4 1/2 GRADE 5 ZINC

**SCREWS**

KEY	PART NUMBER	U/M	DESCRIPTION
	0G1106-08-240	EA	SCREW - 6-20 X 1/2 PPH - VW LIGHT GRAY
	0G1108-12-240	EA	SCREW - 8-18 X 3/4 PPH - VW LIGHT GRAY
	0G1208-12-170	EA	SCREW - 8-18 X 3/4 POH - BRIGHT WHITE
	0G1308-10-240	EA	SCREW - 8-18 X 5/8 PFH - VW LIGHT GRAY
	0G3804-22-180	EA	SCREW - MACHINE - 1/4-20 X 1 3/8 PFH - BLACK
	0G3908-08-160	EA	SCREW - SF/DR - 8-18 X 1/2 PPH - VW WHITE
	0G3908-08-170	EA	SCREW - SF/DR - 8-18 X 1/2 PPH - BRIGHT WHITE
	0G3908-12-240	EA	SCREW - SF/DR - 8-18 X .75 PPH - VW LIGHT GRAY
	0G3908-12-250	EA	SCREW - SF/DR - 8-18 X 3/4 PPH - DARK GRAY
	0G3908-24-170	EA	SCREW - SF/DR - 8-18 X 1 1/2 PPH - BRIGHT WHITE
	0G3910-10-240	EA	SCREW - SF/DR - 10-16 X 5/8 PPH - VW LIGHT GRAY
	0G3910-10-320	EA	SCREW - SF/DR - 10-16 X 5/8 PPH - GLACIER
	0G3910-10-330	EA	SCREW - SF/DR - 20-16 X 5/8 PPH - PUTTY
	0G3910-12-170	EA	SCREW - SF/DR - 10-16 X 3/4 PPH - BRIGHT WHITE
	0G3910-12-320	EA	SCREW - SF/DR - 10-16 X .75 PPH - GLACIER
	0G5508-08-250	EA	SCREW - SF/DR - 8-18 X 1/2 PWH - VW DARK GRAY
	0G5508-12-170	EA	SCREW - SF/DR - 8-18 X 3/4 PWH - BRIGHT WHITE
	0G5508-12-240	EA	SCREW - SF/DR - 8-18 X 3/4 PWH - VW LIGHT GRAY
	0G5508-12-330	EA	SCREW - SF/DR - 8-18 X 3/4 PWH - PUTTY
	0G5508-12-320	EA	SCREW - SF/DR - 8-18 X 3/4 PWH - GLACIER
	0G5508-16-260	EA	SCREW - SF/DR - 8-18 X 1 PWH ZINC - INTERIOR ANTELOPE
	0G5508-16-250	EA	SCREW - SF/DR - 8-18 X 1 PWH - VW DARK GRAY
	0G5508-16-310	EA	SCREW - SF/DR - 8-18 X 1 PWH - CADDY CREAM
	0G5508-16-330	EA	SCREW - SF/DR - 8-18 X 1 PWH - PUTTY
	0G6008-16-170	EA	SCREW - SF/DR - 8-18 X 1 POH - BRIGHT WHITE
	0G6710-08-110	EA	SCREW - 10-12 X 1/2 PPH - HAMPTON TAN
	0G6710-08-240	EA	SCREW - 10-12 X 1/2 PPH TAUPE - VW LIGHT GRAY
	0G6710-08-170	EA	SCREW - 10-12 X 1/2 PPH - BRIGHT WHITE
	0G6710-12-170	EA	SCREW - 10-12 X 3/4 PPH - BRIGHT WHITE
	0G6806-16-170	EA	SCREW - 6-18 X 1 POH - BRIGHT WHITE
	0G6810-24-280	EA	SCREW - 10-12 X 1 1/2 POH - SOFT WHITE
	000C20-05-28F	EA	SCREW - 5/16-18 X 1 3/4 FLAT SOC - STAINLESS STEEL
	000C20-06-24T	EA	SCREW - 3/8-16 X 1 1/2 - FLAT SOCKET
	000G11-06-24B	EA	SCREW - 6-20 X 1 1/2 PPH ZINC
	000G11-06-10J	EA	SCREW - 6-20 X 5/8 PPH - BRASS
	000G11-06-10B	EA	SCREW - 6-20 X 5/8 PPH - ZINC
	000G11-06-08B	EA	SCREW - 6-20 X 1/2 PPH - ZINC
	000G11-06-06B	EA	SCREW - 6-20 X 3/8 PPH - ZINC
	000G11-07-08B	EA	SCREW - 7-19 X 1/2 PPH - ZINC
	000G11-08-20B	EA	SCREW - 8-18 X 1 1/4 PPH - ZINC
	000G11-08-20G	EA	SCREW - 8-18 X 1 1/4 - ANTIQUE BRASS
	000G11-08-16B	EA	SCREW - 8-18 X 1 PPH - ZINC
	000G11-08-12T	EA	SCREW - 8-18 X 3/4 PPH - BLACK MAGNESIUM
	000G11-08-12P	EA	SCREW - 8-18 X 3/4 PPH - DARK BROWN
	000G11-08-12D	EA	SCREW - 8-18 X 3/4 PPH - BLACK PHOSPHATE
	000G11-08-12B	EA	SCREW - 8-18 X 3/4 PPH - ZINC
	000G11-08-08T	EA	SCREW - 8-18 X 1/2 PPH - FLUOROCARBON COATING
	000G11-08-06J	EA	SCREW - 8-18 X 3/8 PPH BRASS
	000G11-08-06B	EA	SCREW - 8-18 X 3/8 PPH - ZINC
	000G11-10-12S	EA	SCREW - 10-16 X 3/4 PPH - OFF WHITE
	000G11-10-12D	EA	SCREW - 10-16 X 3/4 PPH - BLACK
	000G12-06-08T	EA	SCREW - 6-20 X 1/2 POH - BLACK
	000G12-08-12S	EA	SCREW - 8-18 X 3/4 POH - OFF WHITE
	000G13-05-10B	EA	SCREW - 5-12 X 5/8 PFH - ZINC
	000G13-06-08B	EA	SCREW - 6-20 X 1/2 PFH - ZINC

**SEALANTS & FASTENERS GROUP (CONTINUED)**  
**SCREWS (CONTINUED)**

KEY	PART NUMBER	U/M	DESCRIPTION
	000G13-06-06I	EA	SCREW - 6-20 X 3/8 PFH - BLACK ZINC
	000G13-06-24J	EA	SCREW - 6-20 X 1 1/2 PFH - BRASS
	000G13-06-16J	EA	SCREW - 6-20 X 1 PFH - BRASS
	000G13-06-16S	EA	SCREW - 6-20 X 1 PFH - OFF WHITE
	000G13-06-10J	EA	SCREW - 6-20 X 5/8 PFH - BRASS
	000G13-06-10G	EA	SCREW - 6-20 X 5/8 PFH - ANTIQUE BRASS
	000G13-06-08G	EA	SCREW - 6-20 X 1/2 PFH - ANTIQUE BRASS
	000G13-07-12B	EA	SCREW - 7-19 X 3/4 PFH - ZINC
	000G13-07-10H	EA	SCREW - 7-19 X 5/8 PFH - BLACK
	000G13-08-24B	EA	SCREW - 8-18 X 1 1/2 PFH - ZINC
	000G13-08-16B	EA	SCREW - 8-18 X 1 PFH - ZINC
	000G13-08-109	EA	SCREW - 8-18 X 5/8 PFH
	000G16-04-24B	EA	SCREW - MACHINE - 1/4-20 X 1 1/2 PPH
	000G18-08-16B	EA	SCREW - MACHINE - 8-32 X 1 PPH - ZINC
	000G18-08-24B	EA	SCREW - MACHINE - 8-32 X 1 1/2 PPH - ZINC
	000G18-08-22B	EA	SCREW - MACHINE - 8-32 X 1 3/8 PPH - ZINC
	000G18-08-12B	EA	SCREW - MACHINE - 8-32 X 3/4 PPH - ZINC
	000G19-10-08B	EA	SCREW - MACHINE - 10-32 X 1/2 PPH - ZINC
	000G19-10-20B	EA	SCREW - MACHINE - 10-32 X 1 1/2 PPH - ZINC
	000G19-10-12F	EA	SCREW - MACHINE - 10-32 X 3/4 PPH - STAINLESS STEEL
	000G19-10-10B	EA	SCREW - MACHINE - 10-32 X 5/8 - PPH - ZINC
	000G32-10-06B	EA	SCREW - 10-32 X 3/8 PPH - ZINC
	000G37-08-089	EA	SCREW - 8 X 18 X 1/2 PPH - FLUOROCARBON SILVER
	000G39-06-10T	EA	SCREW - SF/DR - 6-20 X 5/8 PPH - BLACK
	000G39-06-16T	EA	SCREW - SF/DR - 6-20 X 1 PPH - BLACK
	000G39-08-08B	EA	SCREW - SF/DR - 8-18 X 1/2 PPH - ZINC
	000G39-08-06B	EA	SCREW - SF/DR - 8-18 X 3/8 PPH - ZINC
	000G39-08-32B	EA	SCREW - SF/DR - 8-18 X 2 PPH - ZINC
	000G39-08-24T	EA	SCREW - SF/DR - 8-18 X 1 1/2 PPH - BLACK
	000G39-08-24B	EA	SCREW - SF/DR - 8-18 X 1 1/2 PPH - ZINC
	000G39-08-16T	EA	SCREW - SF/DR - 6-20 X 1 PPH - BLACK
	000G39-08-16B	EA	SCREW - SF/DR - 8-18 X 1 PPH - ZINC
	000G39-08-12T	EA	SCREW - SF/DR - 8-18 X 3/4 PPH - BLACK
	000G39-08-12B	EA	SCREW - SF/DR - 8-18 X 3/4 PPH - ZINC
	000G39-08-08T	EA	SCREW - SF/DR - 8-18 X 1/2 PPH - BLACK
	000G39-08-08S	EA	SCREW - SF/DR - 8-18 X 1/2 PPH - OFF WHITE
	000G39-10-088	EA	SCREW - SF/DR - 10-16 X 1/2 PPH - FLEX FLUOROCARBON
	000G39-10-08B	EA	SCREW - SF/DR - 10-16 X 1/2 PPH - ZINC
	000G39-10-12B	EA	SCREW - SF/DR - 10-16 X 3/4 PPH - ZINC
	000G39-10-10T	EA	SCREW - SF/DR - 10-16 X 5/8 - BLACK
	000G39-10-10B	EA	SCREW - SF/DR - 10-16 X 5/8 - ZINC
	000G39-10-48B	EA	SCREW - SF/DR - 10-16 X 3 - PPH - ZINC
	000G39-10-40D	EA	SCREW - SF/DR - 10-16 X 2 1/2 PPH - BLACK
	000G39-10-32I	EA	SCREW - SELF TAPPING - 10-16 X 2 PPH - BLACK
	000G39-10-32B	EA	SCREW - SF/DR - 10-16 X 2 - PPH - ZINC
	000G39-10-209	EA	SCREW - SF/DR - 10-16 X 1 1/4 PPH - FLUOROCARBON SILVER
	000G39-10-20T	EA	SCREW - SF/DR - 10-16 X 1 1/4 PPH - BLACK
	000G39-10-20B	EA	SCREW - SF/DR - 10-16 X 1 1/4 PPH - ZINC
	000G39-10-169	EA	SCREW - SF/DR - 10-16 X 1 PPH - FLUOROCARBON SILVER
	000G39-10-129	EA	SCREW - SF/DR - 10-16 X 3/4 PPH - FLUOROCARBON SILVER
	000G39-10-12T	EA	SCREW - SF/DR - 10-16 X 3/4 - BLACK
	000G39-10-12S	EA	SCREW - SF/DR - 10-16 X 3/4 PPH - OFF WHITE
	000G39-12-12E	EA	SCREW - SF/DR - 12-14 X 3/4 PPH - CHROME
	000G42-04-24B	EA	SCREW - SF/DR - 1/4-14 X 1 1/2 - ZINC
	000G42-04-16B	EA	SCREW - SF/DR - 1/4-14 X 1 HWH - ZINC
	000G50-04-12B	EA	SCREW - MACHINE - 1/4-20 X 3/4 PPH - ZINC
	000G50-04-06B	EA	SCREW - MACHINE - 1/4-20 X 3/8 PTH - ZINC
	000G51-06-12B	EA	SCREW - 6-20 X 3/4 PTH - ZINC
	000G52-06-06B	EA	SCREW - MACHINE - 6-32 X 3/8 PTN - ZINC
	000G52-06-05B	EA	SCREW - MACHINE - 6-32 X 5/16 PTH ZINC
	000G55-08-16T	EA	SCREW - SF/DR - 8-18 X 1 PWH - BLACK
	000G55-08-12S	EA	SCREW - SF/DR - 8-18 X 3/4 PWH - OFF WHITE
	000G56-12-48B	EA	SCREW - WOOD - 12-11 X 3 POH - SPECIAL HARDENED

**SEALANTS & FASTENERS GROUP (CONTINUED)**  
**SCREWS (CONTINUED)**

KEY	PART NUMBER	U/M	DESCRIPTION
	000G57-14-72B	EA	SCREW-14-10-X4-1/2 PFH ZN            GENERAL MOTORHOMES
	000G57-14-64B	EA	SCREW - 14-10 X 4 PFH ZINC
	000G60-08-22B	EA	SCREW - SF/DR - 8-18 X 1.38 POH - ZINC
	000G60-08-20F	EA	SCREW - SF/DR - 8-19X1.25 POH
	000G60-08-16E	EA	SCREW - SF/DR - 8-1 X 1 POH - CHROME
	000G60-10-20B	EA	SCREW - SF/DR - 10-16 X 1 1/4 POH - ZINC
	000G60-10-28T	EA	SCREW - SF/DR - 10-16 X 1 3/4 - BLACK
	000G60-10-209	EA	SCREW - SF/DR - 10-16 X 1 1/4 POH - SILVER STALGAARD
	000G67-08-32B	EA	SCREW - 8-15 X 2 PPH - ZINC
	000G67-10-08B	EA	SCREW - 10-12 X 1/2 PPH - ZINC
	000G67-10-10S	EA	SCREW - 10-12 X 5/8 PPH - OFF WHITE
	000G67-10-10P	EA	SCREW - 10-12 X 5/8 PPH - DARK BROWN
	000G67-10-10B	EA	SCREW - 10-12 X 5/8 PPH - ZINC - TYPE A
	000G67-10-08S	EA	SCREW - 10-12 X 1/2 PPH - OFF WHITE
	000G67-10-32B	EA	SCREW - 10-12 X 2 PPH - ZINC
	000G67-10-24B	EA	SCREW - 10-12 X 1 1/2 PPH - ZINC
	000G67-10-20D	EA	SCREW - 10-12 X 1 1/4 PPH - BLACK
	000G67-10-16B	EA	SCREW - 10-12 X 1 PPH - ZINC
	000G67-10-12P	EA	SCREW - 10-12 X 3/4 PPH - DARK BROWN
	000G67-10-12B	EA	SCREW - 10-12 X 3/4 PPH - ZINC
	000G67-10-10T	EA	SCREW - 10-12 X 5/8 PPH - BLACK
	000G68-06-10G	EA	SCREW - 6-18 X 5/8 POH - ANTIQUE BRASS
	000G68-06-12J	EA	SCREW - 6-18 X 3/4 POH - BRASS
	000G68-06-12B	EA	SCREW - 6-18 X 3/4 POH - ZINC & CLEAR
	000G68-06-10J	EA	SCREW - 6-18 X 5/8 POH - BRASS
	000G68-10-20I	EA	SCREW - 10-12 X 1 1/4 POH - BLACK
	029130-05-000	EA	SCREW - SNAP STUD - #8-16 X 5/8" LONG
	049465-03-000	EA	SCREW - 10-16 X 1 POH W/WASHER - OFF WHITE
	049465-04-000	EA	SCREW - 10-16 X 1 PTH W/WASHER - BEIGE
	049465-17-000	EA	SCREW - 10-16 X 1 POH W/WASHER - BRIGHT WHITE
	049465-23-000	EA	SCREW - 10-16 X 1.5 POH W/WASHER - VW LIGHT GRAY
	054434-02-000	EA	SCREW - SF/DR - 10-16 X 2 - ZINC
	054434-03-000	EA	SCREW - SF/DR - 10-16 X 2 - PWH - ZINC - W/O WINGS
	075908-01-000	EA	SCREW - MACHINE - 10-32 X .56 PTH - EXTERNAL TOOTH - ZINC
	076790-01-000	EA	SCREW - 6-20 X 1 1/4 PPH - BLACK
	076790-03-000	EA	SCREW - 6-20 X 1 PPH - BLACK
	076790-05-000	EA	SCREW - 6-20 X 1/2 PPH - BLACK - THREAD CUTTING/WOOD
	087721-01-000	EA	SCREW - FLAT HEAD - TAPPING - 1/4 X 1 1/4 LONG - ZINC
	090033-02-000	EA	SCREW - 1/4-20 X 5/8 - ROUND WASHER HEAD - OFF/WHITE
	091230-06-000	EA	SCREW-MACH,8-32X3/4 POH SS - BRIGHT WHITE
	097974-01-000	EA	SCREW - PARTICLE BOARD - 7-9 X 3/4 PPH
	101618-01-000	EA	SCREW - 1/4-20 X 3/4 HEX - TAPPING - STALGARD TYPE F
	105126-01-000	EA	SCREW - MACHINE - 8-32 X 1 PPH TAPTIT
	110460-05-02A	EA	SCREW - MACHINE - 10-24 X 2 1/2 PFH - WHITE
	113563-01-01A	EA	SCREW - 8 X 5/8 LONG SHOULDER/WASHER HEAD
	117478-01-04A	EA	SCREW - 8-18 X 3/4 PPH W/WASHER - VW LIGHT GRAY
	118383-01-09A	EA	RETAINER/RECESSED - F/.22" SCREW - GLACIER
	118383-01-05A	EA	RETAINER/RECESSED - F/.22" SCREW - VW LIGHT GRAY
	118383-01-04A	EA	RETAINER/RECESSED - F/.22" SCREW - BRIGHT WHITE
	118383-02-05A	EA	RETAINER/RECESSED - F/.27" SCREW - VW LIGHT GRAY
	118383-02-09A	EA	RETAINER/RECESSED - F/.27" SCREW - GLACIER
	118383-03-09A	EA	RETAINER/RECESSED - F/.32" SCREW - GLACIER
	118383-03-05A	EA	RETAINER/RECESSED - F/.32" SCREW - VW LT. GRAY
	118383-04-09A	EA	CAP - F/RECESSED RETAINER - GLACIER
	118383-04-05A	EA	CAP - F/RECESSED RETAINER - VW LIGHT GRAY
	118383-04-04A	EA	CAP - F/RECESSED RETAINER - BRIGHT WHITE
	134126-01-01A	EA	SCREW/NAIL - HEX HEAD - 3/4"
	134126-02-01A	EA	SCREW/NAIL - HEX HEAD - 1 1/4"
	140040-01-000	EA	SCREW - 1/4-20X1 - BUTTON HEAD SOCKET - W/LOCTITE

**SEALANTS & FASTENERS GROUP (CONTINUED)**  
**CLAMPS, CLIPS, GROMMETS, RIVETS & PLUGS**

KEY	PART NUMBER	U/M	DESCRIPTION
	000F10-06-32B	EA	PIN - COTTER - 3/16" X 2" - ZINC
	000H14-06-06R	EA	RIVET-MANDREL BLIND,3/16 AL - CHERRY BSP-66
	000H16-04-06R	EA	RIVET - POP ALUMINUM - 1/8 X .313 - .375
	000H16-06-10R	EA	RIVET - POP ALUMINUM - 3/16 X .501-.625
	007161-01-000	EA	CLAMP - HOSE - SPRING TYPE - 1/2"
	008384-01-000	EA	GROMMET - SNAP - 3/4 DIAMETER - NYLON
	008386-01-000	EA	GROMMET - SNAP - 3/8" DIAMETER - NYLON
	010495-01-000	EA	CLAMP - CABLE - 9/16"
	010495-02-000	EA	CLAMP - CABLE - 3/8"
	010495-04-000	EA	CLAMP - CABLE - 11/16" - WHITE
	010497-01-000	EA	CLAMP - CLOSED - 5/8" ID
	010497-03-000	EA	CLAMP - CLOSED - 1" ID - CUSHIONED
	010497-04-000	EA	CLAMP - CLOSED - 1 5/8" ID
	010497-05-000	EA	CLAMP - CLOSED - 1/2" ID
	010497-07-000	EA	CLAMP - CLOSED - 3/8" ID
	010499-01-000	EA	CLAMP - CLOSED - 3/8" ID
	016188-03-000	EA	GROMMET - L/P LINE - 3/8" HOLE X 2 1/2" LONG - RUBBER
	016188-04-000	EA	GROMMET - L/P LINE - 1/2" HOLE X 2 1/2" LONG - RUBBER
	016188-05-000	EA	GROMMET - L/P LINE - 3/8" HOLE X 1 1/4" LONG - RUBBER
	016188-06-000	EA	GROMMET - L/P LINE - 3/8" X 31 1/4" LONG
	016188-07-000	EA	GROMMET - L/P LINE - 1/2" X 3 1/4" LONG
	023942-01-000	EA	GROMMET - RUBBER - 2" OD
	034141-02-000	EA	PLUG/NYLON - .38" - BLACK
	056134-01-000	EA	HOLDER - RING - 3.6" DIAMETER - METAL
	056134-02-000	EA	HOLDER - RING - 1.8" DIAMETER - METAL
	061420-04-000	EA	PLUG/PLASTIC - 1 1/4" DIAMETER
	061420-05-000	EA	PLUG/PLASTIC - 1 1/2" DIAMETER
	061420-08-000	EA	PLUG/PLASTIC - 2 1/2" DIAMETER
	061420-09-000	EA	PLUG/PLASTIC - 1.00" - DIAMETER
	061420-10-000	EA	PLUG/PLASTIC - 1 1/2" DIAMETER - BLACK
	061420-15-000	EA	PLUG/PLASTIC - 2" DIAMETER - BLACK
	062401-01-000	EA	CLAMP - HOSE - WORMGEAR - .25" - 1"
	062401-02-000	EA	CLAMP - HOSE - WORMGEAR - 1.56" - 2.5"
	062401-03-000	EA	CLAMP - HOSE - WORMGEAR - .22" - 1"
	062401-04-000	EA	CLAMP - HOSE - WORMGEAR - .69" - 1.25"
	062401-05-000	EA	CLAMP - HOSE - WORMGEAR - 2" - 3" ID
	062401-06-000	EA	CLAMP - HOSE - WORMGEAR - .22" - .62" ID
	062401-09-000	EA	CLAMP - HOSE - WORMGEAR - 2.8" - 3.75"
	062401-11-000	EA	CLAMP - HOSE - WORMGEAR - 3.50" - 4.50"
	062401-12-000	EA	CLAMP - HOSE - WORMGEAR - .79" X 1.26"
	071015-11-000	EA	GROMMET - RUBBER - 1"ID FITS .12 MATERIAL - BLACK
	071015-19-000	EA	GROMMET - RUBBER - .38 ID - FITS .06 MATERIAL - BLACK
	071015-26-000	EA	GROMMET - RUBBER - 1.5" ID X 2.1" OD W/.06" GROOVE-BLACK
	071015-29-000	EA	GROMMET - RUBBER - .3" ID X 1.3"OD W/.12" GROOVE - BLACK
	071015-30-000	EA	GROMMET - RUBBER - .31" ID X .81" OD W/.12" GROOVE-BLACK
	071015-39-000	EA	GROMMET - .75 ID FITS .06 MTL
	071015-40-000	EA	GROMMET - .38 ID FITS .09 MTL
	071015-41-000	EA	GROMMET - .125 ID FITS .188 MTL
	075148-02-000	EA	CLAMP - GROUNDING - BRONZE SCREWS
	077955-01-000	EA	CLIP/J - 3/8" - VINYL COATED
	080211-03-000	EA	CLIP - XMAS TREE W/PANEL RETAINING HEAD - 3/4" SHANK
	080734-02-000	EA	CLIP - WIRE NYLON
	081211-03-000	EA	PLUG/PLASTIC - .50 DIAMETER - BLACK
	081211-04-000	EA	PLUG/PLASTIC - .46 DIAMETER - BLACK
	083609-01-000	EA	CLAMP - WIRE - DUAL - EQUAL DIAMETERS - 5/8"
	083610-01-000	EA	CLAMP - WIRE - DUAL - UNEQUAL DIAMETERS - 3/4" & 1 1/4"
	083610-02-000	EA	CLAMP - WIRE - DUAL - UNEQUAL DIAMETERS - 3/4" & 2"
	083610-03-000	EA	CLAMP - WIRE - DUAL - EQUAL DIAMETERS - 2"
	088756-01-000	EA	GROMMET - WEB - 1 1/8 " I.D.
	091952-01-000	EA	CLIP - GRIPPER - 1"
	091952-02-000	EA	CLIP - GRIPPER - 3/4"
	094362-02-000	EA	CLIP - XMAS TREE - BINDER HEAD - .9" LONG
	094362-05-000	EA	CLIP - XMAS TREE - ROUND HEAD - 1.4" LONG

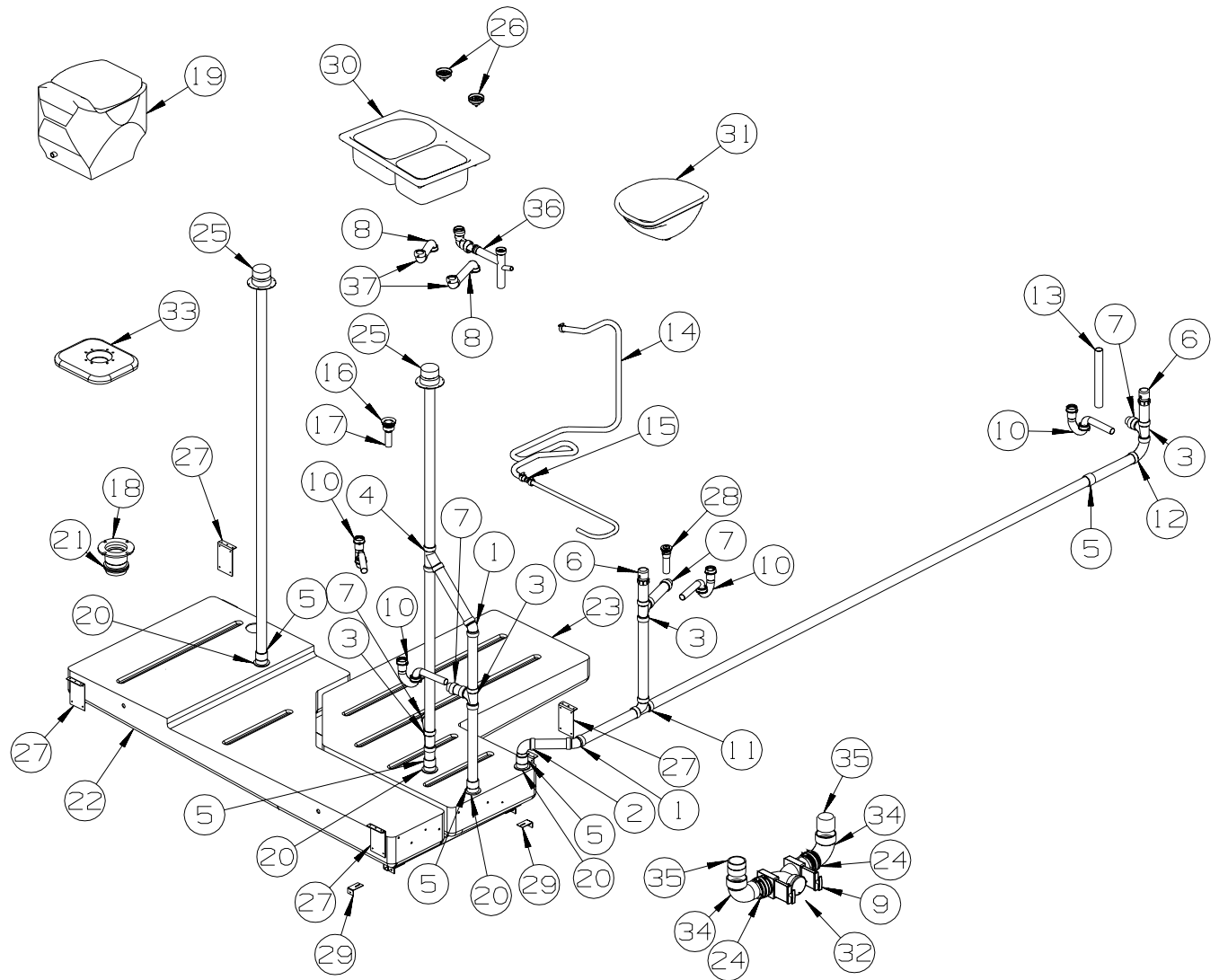
**SEALANTS & FASTENERS GROUP (CONTINUED)**  
**CLAMPS, CLIPS, GROMMETS, RIVETS & PLUGS (CONTINUED)**

KEY	PART NUMBER	U/M	DESCRIPTION
	114208-01-000	EA	GROMMET - EDGE LINER - FITS 1 3/4"
	114208-03-000	EA	GROMMET - EDGE LINER - FITS 2 1/2"
	114208-04-000	EA	GROMMET - EDGE LINER - FITS 1"
	114208-05-000	EA	GROMMET - EDGE LINER - FITS 2"
	118626-01-01A	EA	RIVET - POP - ALUMINUM - 3/16 X .08 - .375
	118626-02-01A	EA	RIVET - POP - ALUMINUM - 3/16 X .500 - .750
	137014-01-02A	EA	GROMMET - CABLE - BROWN
	137014-01-01A	EA	GROMMET - CABLE - ALMOND
	139118-01-01A	EA	GROMMET - PLASTIC/SCREW
	139118-02-01A	EA	GROMMET - SCREW - PLASTIC
	140171-02-000	EA	CLAMP - HOSE - STEPLESS EAR - .250

**MISCELLANEOUS FASTENERS**

KEY	PART NUMBER	U/M	DESCRIPTION
	008343-01-000	EA	TIE - WIRE - 6"
	008343-02-000	EA	TIE - WIRE - 14"
	008343-03-000	EA	TIE - WIRE - 7 1/2" - BLACK
	029094-04-000	YD	VELCRO TAPE - LOOP - 1" WIDE - BLACK
	029096-03-000	YD	VELCRO TAPE - HOOK - 1" WIDE - BLACK
	029096-04-000	YD	VELCRO TAPE - HOOK - 1" WIDE - BLACK
	048394-02-000	YD	VELCRO TAPE - HOOK - ADHESIVE BACK - 3/4" WIDE - BEIGE
	085774-01-000	FT	FASTENER - DUAL LOCK - 1" WIDE - ADHESIVE BACK - BLACK
	085774-02-000	FT	FASTENER - DUAL HOOK - 1" WIDE - ADHESIVE BACK - BLACK
	085774-03-000	FT	FASTENER - DUAL LOCK - 1/2" WIDE - ADHESIVE BACK - BLACK
	085774-04-000	FT	FASTENER - DUAL HOOK - 1/2" WIDE - ADHESIVE BACK - BLACK
	088792-02-000	YD	VELCRO TAPE - LOOP - 3/4" - ADHESIVE BACK - BEIGE
	088792-04-000	YD	VELCRO TAPE - HOOK - 5/8" - NON-ADHESIVE BACK - WHITE
	088792-05-000	YD	VELCRO TAPE - LOOP - 5/8" - NON-ADHESIVE BACK - WHITE
	108046-01-000	EA	CABLE TIE - SCREW MOUNT 8"
	108046-02-000	EA	CABLE TIE - SCREW MOUNT 15"
	110943-02-000	FT	FELT STRIP - 3/8" - ADHESIVE BACK - WHITE
	113133-02-01A	EA	RIVET - POP - ALUMINUM - 3/16 X .252 - .504 - BLACK
	123816-04-000	FT	TAPE - DOUBLE SIDED - 6" X 750'
	127960-01-01A	EA	RETAINER - 3/8" - STAINLESS STEEL

# WATER & SEWAGE GROUP DRAINAGE SYSTEM



KEY	PART NUMBER	U/M	DESCRIPTION
1	010006-01-000	EA	ELBOW - 45 DEGREE - 1 1/2" HUB X HUB - PLASTIC
2	010008-01-000	EA	ELBOW - 90 DEGREE - 1 1/2" HUB X HUB - PLASTIC
3	010071-01-000	EA	TEE - SANITARY - 1 1/2" HUB X HUB X HUB - PLASTIC
4	010073-01-000	EA	WYE - 45 DEGREE - 1 1/2" HUB X HUB X HUB - PLASTIC
5	010115-01-000	EA	COUPLING - 1 1/2" HUB X HUB - PLASTIC
6	079968-01-000	EA	VENT - MECHANICAL/TRAP ARM - ANTI-SIPHON-2" X 7.3" PLASTIC
7	109571-01-000	EA	ADAPTER - P-TRAP - 1 1/2" P X 1 1/4" MPT
8	126588-01-000	EA	ARM - WASTE - 1 1/2" X 9 1/2" - FEMALE
9	136143-01-000	EA	VALVE - DUAL - 3" X 3"
10	107538-01-000	EA	P-TRAP - PLASTIC - 1 1/4" W/EXTENSION ARM
10	011071-01-000	EA	P-TRAP - PLASTIC - 1 1/2" - CSA
11	031365-02-000	EA	TEE - PLASTIC - 1 1/2" EXTRA LONG TURN
12	033761-01-000	EA	ELBOW - 90 DEGREE - TURN - 1 1/2" HUB X 1 1/2" SPIGOT
13	126588-02-000	EA	ARM - WASTE - 1 1/2" X 20" - FEMALE
14	139567-01-000	FT	HOSE - DISHWASHER - 7/8" DIAMETER
15	139571-01-000	EA	COUPLING - REDUCING - 1" X 1 3/4"
16	066440-01-000	EA	STRAINER - SHOWER DRAIN - W/RUBBER WASHER
17	130403-01-000	EA	NUT - SLIP - W/WINGS 1 1/2"
17	011069-06-000	EA	TAILPIECE - 1 1/2" X 1 1/4" X 2 1/2"
	127440-02-01A	EA	WASHER - RUBBER - 1.8" X .1"
18	116644-01-000	EA	FLANGE/CLOSET - 4 BOLT X 3" FEMALE
19*	136729-01-01A	EA	TOILET - CHINA - STANDARD W/SPRAYER - WHITE
20	061607-01-000	EA	GROMMET - HOLDING TANK - 1 1/2" NPS
21	061607-02-000	EA	GROMMET - HOLDING TANK - 3" NPS
22	138265-01-01A	EA	TANK - HOLDING - W/O FITTINGS
	010232-01-000	EA	FITTING - SPINWELD - PLASTIC 3FPT

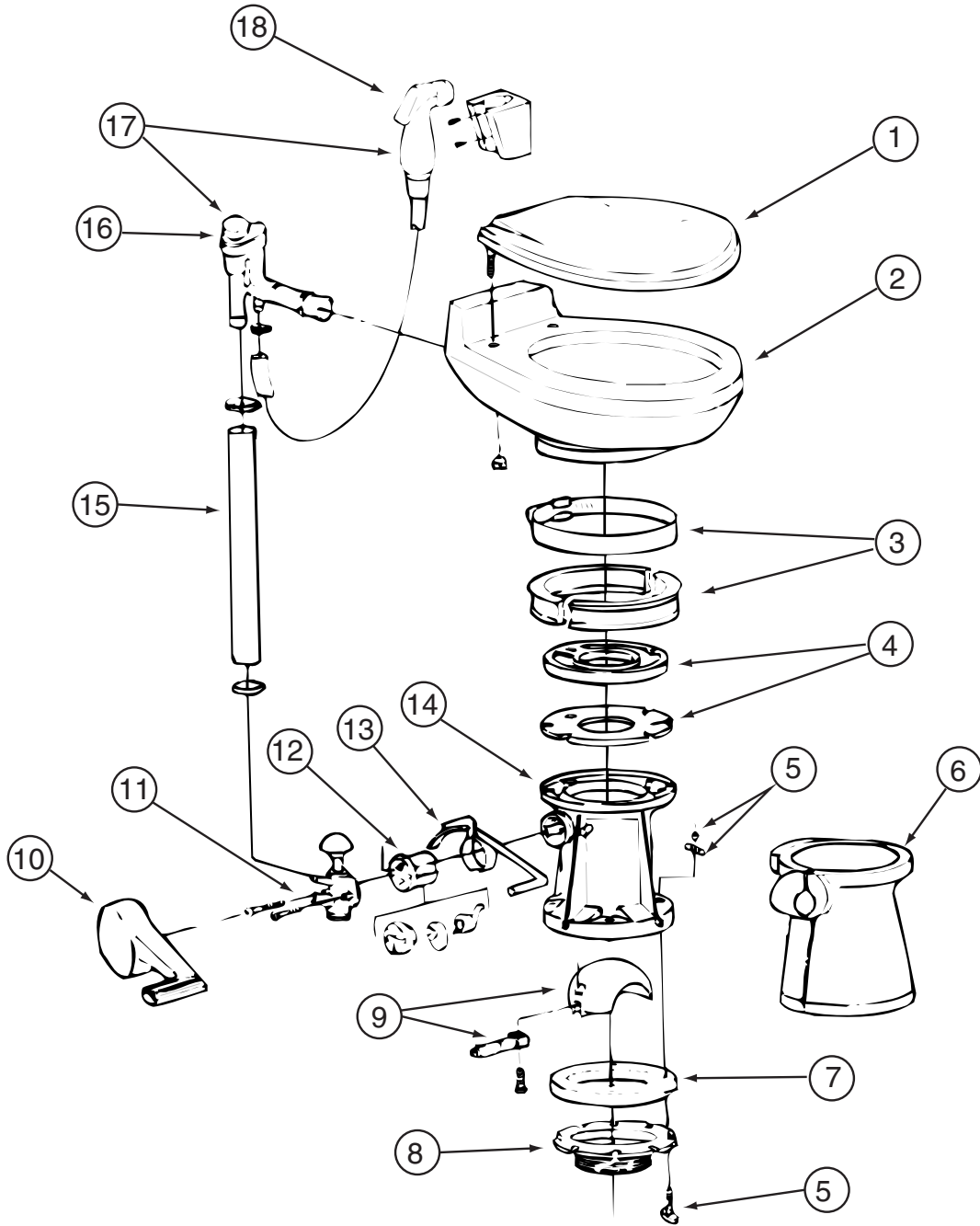


**WATER & SEWAGE GROUP (CONTINUED)**  
**DRAINAGE SYSTEM (CONTINUED)**

<b>KEY</b>	<b>PART NUMBER</b>	<b>U/M</b>	<b>DESCRIPTION</b>
23	138264-01-01A	EA	TANK - HOLDING
	010232-01-000	EA	FITTING - SPINWELD - PLASTIC 3FPT
24	078406-01-000	EA	COUPLER - RUBBER - W/CLAMPS - 3" X 3"
25	083558-03-000	EA	VENT - PLUMBING - ROOF PIPE COVERED - OFF WHITE
26	092303-01-000	EA	STRAINER - W/BASKET - GALLEY SINK - 4" OD
27	094756-02-01A	EA	BRACKET - L - 6.1" LONG X 3.9" WIDE - STEEL
28	106116-01-02A	EA	STRAINER/PLASTIC - STOPPER/TAILPIECE/GASKET & NUT-LAVATORY
	106116-02-01A	EA	GASKET - STRAINER
29	132871-03-02B	EA	BRACKET/L ANGLE W/HOLES - 1.2" X 2.8" - E-COATED
30	134851-01-01A	EA	SINK - DOUBLE/GALLEY - LARGE/SMALL - 25" X 18" X 6.9"D-WHT
31	136639-01-01A	EA	SINK - LAVATORY W/SOAP DISH - WHITE
32	139513-01-000	EA	HOSE - SEWER - 3" X 10' - W/ADAPTER
33	131786-03-01A	EA	SPACER - TOILET - ROUND - 10" DIAM. X 1.3" HIGH - SOFT WHT
34	010062-01-000	EA	ELBOW - ST PLASTIC - 3 90 SPGXH
35	010129-03-000	EA	NIPPLE - PLASTIC - 3" X 3" TO
36	011091-02-000	EA	WASTE - CONTINUOUS - DOUBLE SINK
36	01109104-000	EA	WASTE - CONTINUOUS - DOUBLE SINK - DISHWASHER
37	125569-01-000	EA	ELBOW - 1 1/2" X 90 DEGREE - DOUBLE SLIP

**\*COMPONENT PARTS LISTED LATER IN THIS GROUP**

**WATER & SEWAGE GROUP (CONTINUED)**  
**COMPONENT PARTS FOR DRAINAGE SYSTEM**



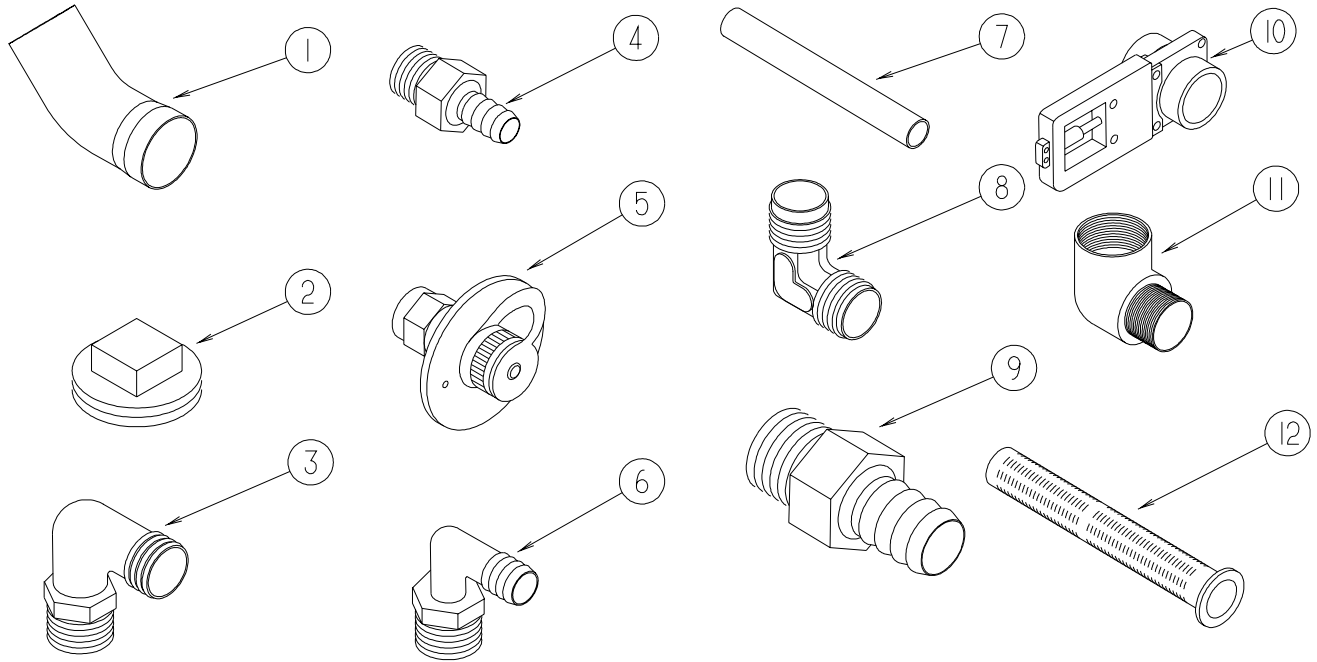
136729-01-01A

**WATER & SEWAGE GROUP (CONTINUED)**  
**COMPONENT PARTS FOR DRAINAGE SYSTEM (CONTINUED)**

**136729-01-01A (CONTINUED)**

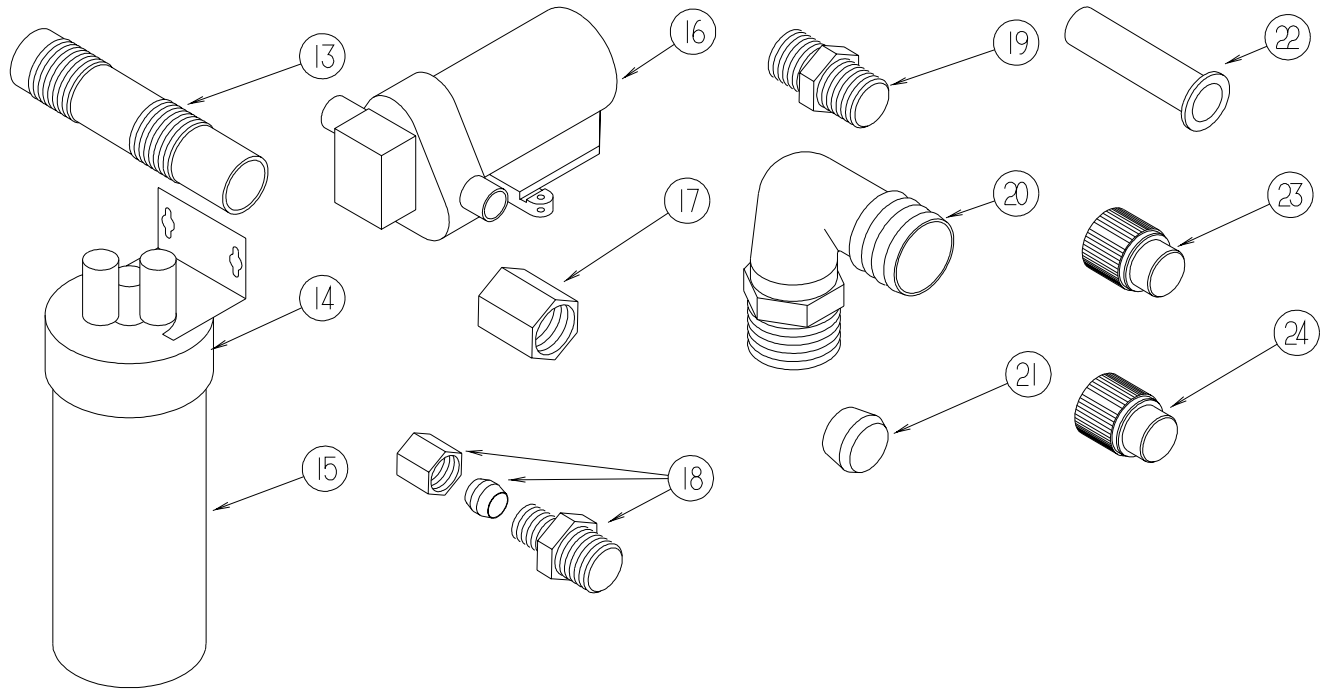
<b>KEY</b>	<b>PART NUMBER</b>	<b>U/M</b>	<b>DESCRIPTION</b>	<b>VENDOR NO.</b>
1	136729-01-700	EA	SEAT ASSEMBLY - WHITE	343829
2	136729-01-701	EA	BOWL/CHINA - WHITE	310739
3	085330-01-703	EA	RING & HALF CLAMPS, BONE	385310048
4	085330-01-704	EA	TEFLON & RUBBER SEAL KIT	385316140
5	085330-01-717	EA	BOLT MOUNTING PACKAGE	3100-64
6	085330-09-704	EA	PEDESTAL COVER - WHITE	310111
7	085330-01-714	EA	SEAL-FLANGE, FLOOR	390343892
8	085330-01-716	EA	FLANGE-FLOOR, 3" MPT	345889
10	085330-09-702	EA	COVER/PEDAL KIT - WHITE	310114
11	085330-01-709	EA	VALVE-WATER	385314349
12	085330-01-707	EA	CARTRIDGE SPRING ASSEMBLY	381236096
13	085330-06-703	EA	LEVER-FLUSH	340873
14	085330-09-703	EA	BASE KIT - BONE	310120
16	085330-06-701	EA	BREAKER-VACUUM/DIVERTER(900)	230335
18	085330-04-701	EA	HAND SPRAY W/HOSE(500 & 900)	340683
			CONTACT WINNEBAGO PART SALES FOR UNLISTED COMPONENTS	

**WATER & SEWAGE GROUP (CONTINUED)**  
**WATER SYSTEM**



KEY	PART NUMBER	U/M	DESCRIPTION
1	010009-01-000	EA	ELBOW - 90 DEGREE - 1/4 BEND - 1 1/2" PLASTIC
2	010166-01-000	EA	PLUG/THREADED - 1 1/4"MPT - PLASTIC - BLACK - UL
3	010219-01-000	EA	ELBOW - 1 1/4 MPT X 1 1/4 BARB - WATER FILL - PLASTIC
4	010224-01-000	EA	ADAPTER - HOSE TO PIPE - 3/8 MPT X 3/8 BARB - PLASTIC
5	010230-06-000	EA	FILL - CITY WATER - W/CHECK VALVE - MPT - BRUSHED ALUM
6	035539-01-000	EA	ELBOW - 3/8 MPT X 3/8 BARB - PLASTIC
7	039800-04-000	FT	TUBING - POLYBUTYL - 1/4"OD
7	074462-02-000	FT	TUBING - VINYL - 3/8 ID X 20' - CLEAR
7	112176-01-000	FT	TUBING - VINYL - REINFORCED - 1/2" ID
7	124188-01-000	FT	TUBING - PEX - 1/2" ID X 20' - BLUE(COLD)
7	124188-02-000	FT	TUBING - PEX - 1/2" ID X 20' - RED(HOT)
8	039808-03-000	EA	ELBOW - 1/2" MPT X 1/2" MPT - PLASTIC
9	044927-01-000	EA	ADAPTER - HOSE TO PIPE-1 1/4 MPTX1 1/4 BARB-BLACK PLASTIC
10	062421-03-000	EA	VALVE/DUMP W/O HANDLE - 1 1/2" X 1 1/2" HUB
11	065318-02-000	EA	ELBOW - 90 DEGREE - 3/8" MPT TO 3/8" FPT
12	077954-02-000	EA	FILTER - WATER TANK - W/SCREEN IN TANK

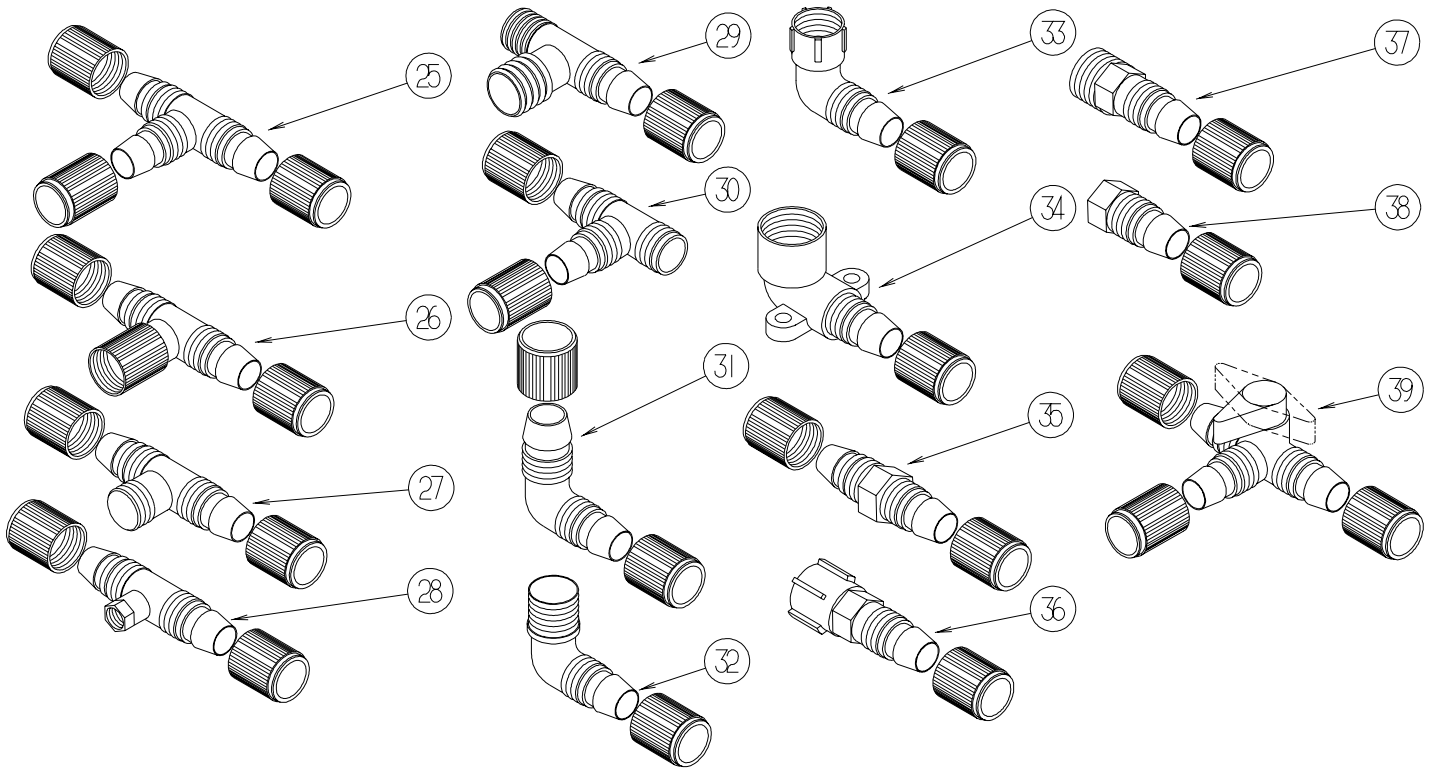
**WATER & SEWAGE GROUP (CONTINUED)**  
**WATER SYSTEM (CONTINUED)**



KEY	PART NUMBER	U/M	DESCRIPTION
13	079381-01-000	FT	TUBING - RIBBED FLEXIBLE - WATER FILL - 1.4" ID
14	087200-01-000	EA	FILTER-WATER PURIFICATION, EVERPURE QC2-AC
15	087200-02-000	EA	CARTRIDGE-WATER FILTER,AC - EVERPURE 9601-11
16*	098607-01-000	EA	PUMP - WATER - W/.5" MPT FITTING - FLOW 2.8 GPM
17	101814-01-000	EA	COUPLING - FEMALE - 1/2" X 1/2" FPT - GRAY
18	103798-01-000	EA	CONNECTOR - 1/4 OD X 3/8 MPT
19	110438-02-000	EA	VALVE - CHECK - BRASS - 1/2 MPT X 1/2 MPT
20	111223-02-000	EA	ELBOW - 1/2" MPT X 3/8" BARB - PLASTIC
20	111223-03-000	EA	ELBOW - 3/4" MPT X 1/2" BARB - PLASTIC
20	111223-04-000	EA	ELBOW - 1/2" MPT X 1/2" BARB - PLASTIC
21	111888-01-000	EA	FERRULE - PLASTIC - .250 ID X .375 OD
22	111888-02-000	EA	INSERT - BRASS - 1/4 COMP
23	113697-01-000	EA	CAP - 3/8"P
24	114427-01-000	EA	CAP - 1/2"P

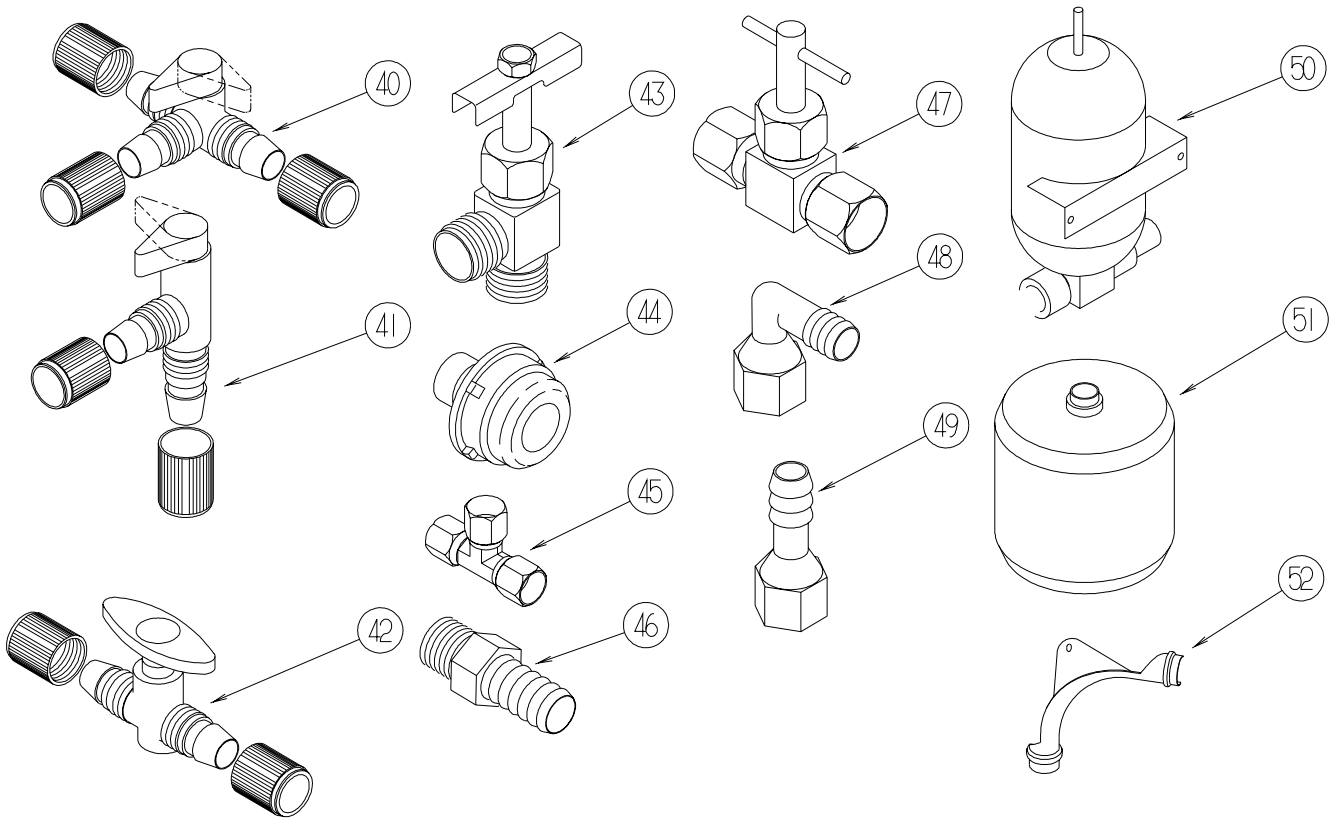
**\*COMPONENT PARTS LISTED LATER IN THIS GROUP**

**WATER & SEWAGE GROUP (CONTINUED)**  
**WATER SYSTEM (CONTINUED)**



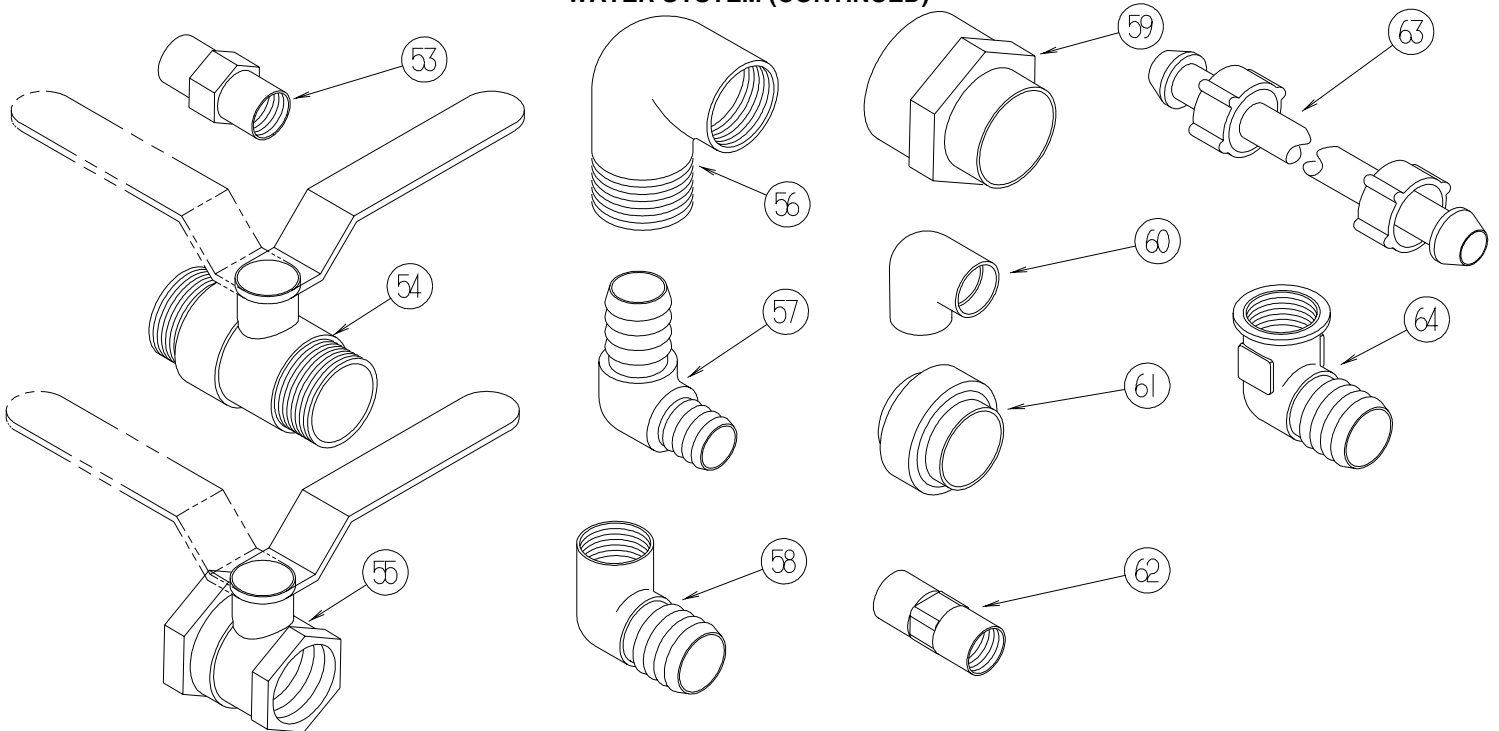
KEY	PART NUMBER	U/M	DESCRIPTION
25	114428-01-000	EA	TEE - 1/2"P X 1/2"P X 1/2"P
26	114428-02-000	EA	TEE - SWIVEL - 1/2"P X 1/2"P X 1/2"FPT
27	114428-03-000	EA	TEE - 1/2"P X 1/2"P X 1/2"MPT
28	114428-04-000	EA	TEE - 1/2"P X 1/2"P X 1/8"FPT
29	114428-06-000	EA	TEE - 1/2" P X 1/2" MPT X 1/2" MPT
30	114428-07-000	EA	TEE - 1/2" P X 1/2" MPT X 1/2" P
31	114429-01-000	EA	ELBOW - 1/2"P X 1/2"P
32	114429-02-000	EA	ELBOW - 1/2"P X 1/2"MPT
32	114429-04-000	EA	ELBOW - 1/2"P X 3/8"MPT
32	114429-05-000	EA	ELBOW - 1/2"P X 3/4"MPT
33	114429-03-000	EA	ELBOW - SWIVEL - 1/2"P X 1/2"FPT
33	114429-06-000	EA	ELBOW - SWIVEL - 1/2"P X 3/4"FPT
33	114429-08-000	EA	ELBOW - SWIVEL - 1/2"P X 1/2"FPT
34	114429-09-000	EA	ELBOW - 1/2"P X 1/2"FPT DROP EAR
35	114430-01-000	EA	ADAPTER - 1/2"P X 1/2"P
36	114430-02-000	EA	ADAPTER - SWIVEL - 1/2"P X 1/2"FPT
37	114430-03-000	EA	ADAPTER - 1/2"P X 1/2"MPT
38	114430-06-000	EA	ADAPTER - 1/2"P X 3/8"FPT
39	114431-01-000	EA	VALVE - 180 DEGREE/CENTER DRAIN - 1/2"P - THREE WAY

**WATER & SEWAGE GROUP (CONTINUED)**  
**WATER SYSTEM (CONTINUED)**



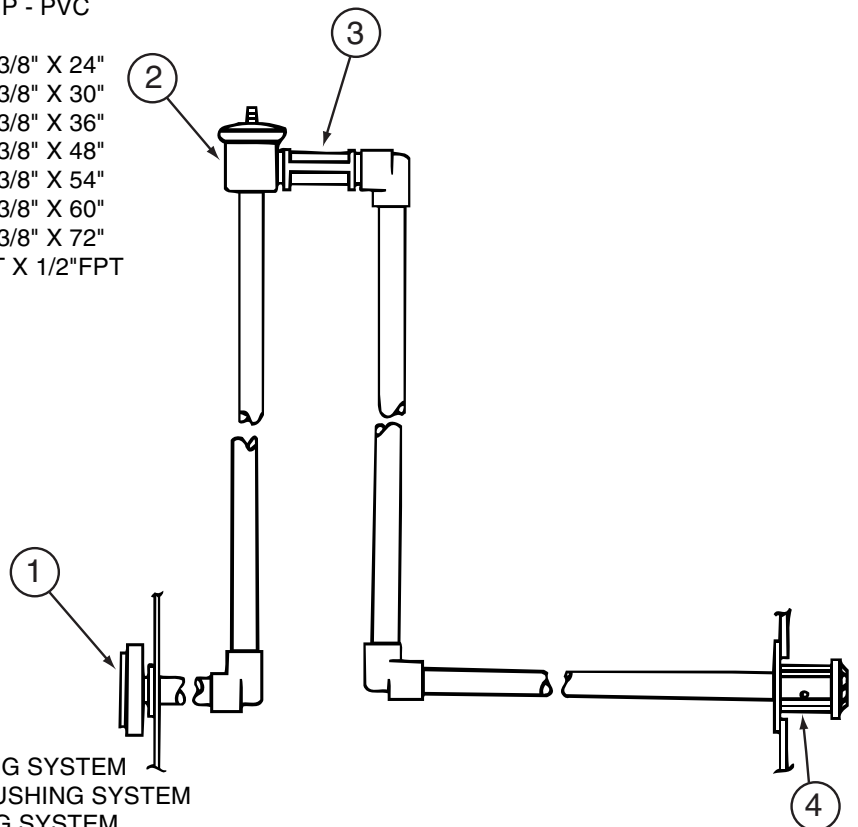
KEY	PART NUMBER	U/M	DESCRIPTION
40	114431-02-000	EA	VALVE - WATER BYPASS - 1/2"P - THREE WAY (WATER HEATER)
41	114431-03-000	EA	VALVE - 90 DEGREE DRAIN - 1/2"P
42	114431-04-000	EA	VALVE - "INLINE SHUT-OFF" - 1/2"P
43	114431-05-000	EA	VALVE - NEEDLE - 1/8" MPT X 1/4" COMPRESSION (ICE MAKER)
44	114966-01-000	EA	FILTER - IN LINE - TWIST ON - 1/2"
45	118423-01-000	EA	FITTING - BRASS-TEE - 1/4C X 1/4C X 1/4C
46	118809-02-000	EA	ADAPTER - 1/2" MPT X 1/2" BARB - PLASTIC
47	120868-01-000	EA	VALVE - NEEDLE - 1/4" COMPRESSION X 1/4" COMPRESSION
48	123150-01-000	EA	ELBOW - 1/2 FPT X 1/2 BARB - SWIVEL
49	123152-01-000	EA	ADAPTER - 1/2 FPT X 1/2 BARB - SWIVEL
50	123243-01-000	EA	TANK - ACCUMULATOR - 24 OZ
51	123317-01-000	EA	TANK - ACCUMULATOR - 2 GALLON
52	124184-01-000	EA	SUPPORT - WATER LINE - BEND

**WATER & SEWAGE GROUP (CONTINUED)**  
**WATER SYSTEM (CONTINUED)**



KEY	PART NUMBER	U/M	DESCRIPTION
53	132148-01-000	EA	CONNECTOR - 1/2" X 1/2"MPT - BRASS
54	132483-01-000	EA	VALVE/BALL - 1" - THREADED ENDS
55	132483-02-000	EA	VALVE/BALL - 1/2" - BRASS - FPT
56	132484-01-000	EA	ELBOW - 90 DEGREE - 1MPT X 1FPT - PLASTIC
57	132781-01-000	EA	ELBOW - 1.3" BARB X 1.3" BARB - 90 DEGREE - PLASTIC
58	132782-01-000	EA	ELBOW - 1"FPT X 1.3" BARB - 90 DEGREE - PLASTIC
59	133835-01-000	EA	ADAPTER - REDUCING - 1 1/2" X 1 1/4"
60	133837-01-000	EA	ELBOW - 1 1/2" X 90 DEGREE - DOUBLE SLIP
61	133889-01-000	EA	UNION - 1 1/2" DOUBLE SLIP - PVC
62	135386-01-000	EA	NIPPLE - 1/2"
63	140821-01-000	EA	TUBE - WATER SUPPLY - 3/8" X 24"
63	140821-02-000	EA	TUBE - WATER SUPPLY - 3/8" X 30"
63	140821-03-000	EA	TUBE - WATER SUPPLY - 3/8" X 36"
63	140821-04-000	EA	TUBE - WATER SUPPLY - 3/8" X 48"
63	140821-05-000	EA	TUBE - WATER SUPPLY - 3/8" X 54"
63	140821-06-000	EA	TUBE - WATER SUPPLY - 3/8" X 60"
63	140821-07-000	EA	TUBE - WATER SUPPLY - 3/8" X 72"
64	142812-01-000	EA	ELBOW - BRASS - 1/2"MPT X 1/2"FPT

\*COMPONENT PARTS LISTED LATER IN THIS GROUP



KEY	PART NUMBER	U/M	DESCRIPTION
1	125697-05-000	EA	INLET - WATER - FLUSHING SYSTEM
2	125697-04-000	EA	BREAKER - VACUUM - FLUSHING SYSTEM
3	125697-03-000	EA	CHECK VALVE - FLUSHING SYSTEM
4	125697-02-000	EA	NOZZLE - WELD-A-FLUSH
	125697-06-000	EA	INSTRUCTIONS - USER - FLUSHING SYSTEM



**WATER & SEWAGE GROUP (CONTINUED)**  
**WATER SYSTEM (CONTINUED)**

KEY	PART NUMBER	U/M	DESCRIPTION
	039861-01-000	EA	SENDING UNIT KIT - W/SCREW-WASHER-WELL NUT/TERMINAL RING
*	051391-05-000	EA	WATER HEATER/MOTOR AID-GAS/ELECT IGN - GCH10A-3E - 10 GAL
	075241-06-000	EA	FAUCET - SHOWER/BRIGHT WHITE - .5" MPT W/1.9" INLET PIPES - EXTERIOR WASH STATION
	098419-01-000	EA	FAUCET - WASHER - 90 DEGREE - W/WASHER/DRYER
	103635-01-000	EA	FAUCET - SINGLE CONTROL/DRINKING WATER
	123744-03-01A	EA	FAUCET - GALLEY/SINGLE CONTROL W/SPRAYER HEAD - CHROME
	128997-01-01A	EA	FAUCET - LAVATORY - SINGLE CONTROL - POLISHED BRASS
*	118569-01-000	EA	WINTERIZATION SYSTEM - L36W
*	118569-03-000	EA	WINTERIZATION SYSTEM - W/O TANK - L39
	125420-01-02A	EA	DOOR - WATER HEATER - 10 GALLON - BRIGHT WHITE
	125420-01-03A	EA	DOOR - WATER HEATER - 10 GALLON - BLACK W/BLACK GRILLE
	128974-01-01A	EA	VALVE - SHOWER HEAD/WATER SAVER (ON/OFF) - BRIGHT BRASS - FIXED SHOWER HEAD
*	131340-01-01A	EA	VALVE - W/SHOWER HEAD - SINGLE LEVER-W/O WATER SAVER-BRASS - FIXED SHOWER HEAD
	131340-02-01A	EA	VALVE/BRASS - W/O SHOWER HEAD/ARM EXTENSION/WALL TEMPLATE - HAND HELD SHWR HEAD
	129041-01-01A	EA	HOLDER - PAPER TOWEL
	129390-03-01A	EA	SHOWER HEAD - W/HOSE & BRACKET - BRASS - HAND HELD SHOWER HEAD
	131383-01-02A	EA	SHOWER HEAD - W/60" HOSE & BRACKET - WHITE - US, EXTERIOR WASH STATION
	131383-02-02A	EA	SHOWER HEAD - W/60" HOSE & BRACKET - WHITE - CSA - EXTERIOR WASH STATION
	130041-01-02A	EA	SPACER/SHOWER HEAD - SOFT WHITE - HAND HELD SHOWER HEAD
	131383-03-02A	EA	BRACKET - SHOWER HEAD - WHITE - EXTERIOR WASH STATION
	131551-01-02B	EA	BRACKET - SHOWER HEAD
	134472-01-02B	EA	BRACKET - FAUCET - WASHER - E-COATED - W/WASHER/DRYER, L36W
	133224-01-02B	EA	PLATE - WATER HEATER - E-COATED
	135028-01-01A	EA	DROP ELL - F/SHOWER HOSE - BRASS - 1/2" - HAND HELD SHOWER HEAD
	136034-06-12B	EA	PANEL - SERVICE CENTER - BRIGHT WHITE - L39
	136034-08-12B	EA	PANEL - SERVICE CENTER - BRIGHT WHITE - L36W
	137169-01-01A	EA	FILL/WATER - GRAVITY - BRIGHT WHITE
	138290-03-000	EA	CASE - W/CAM - W/O CYLINDER/KEY

**LOCK CYLINDER USED UP TO 04-30-01**

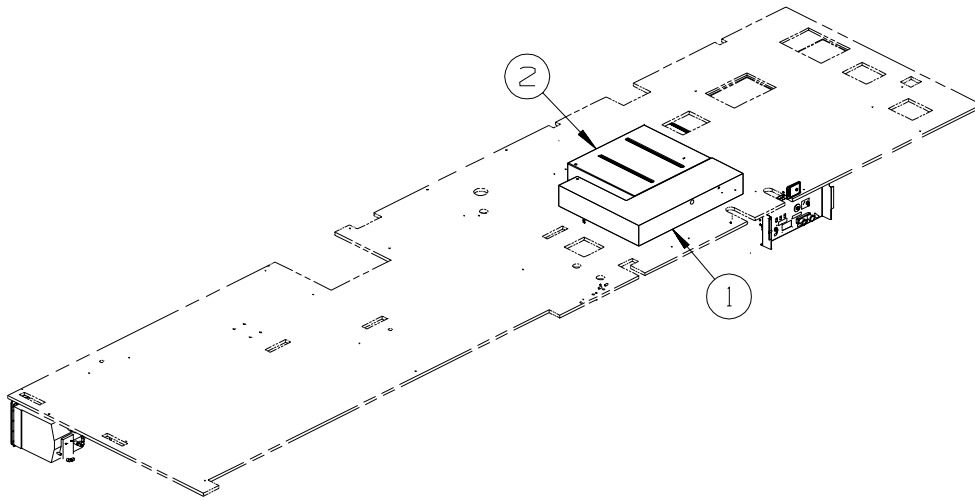
	129686-01-000	EA	CYLINDER - LOCK ASSEMBLY - COMPARTMENT/DRIVER DOOR
	129686-02-000	EA	CYLINDER - LOCK ASSEMBLY - COMPARTMENT/DRIVER DOOR
	129686-03-000	EA	CYLINDER - LOCK ASSEMBLY - COMPARTMENT/DRIVER DOOR
	129686-04-000	EA	CYLINDER - LOCK ASSEMBLY - COMPARTMENT/DRIVER DOOR
	129686-05-000	EA	CYLINDER - LOCK ASSEMBLY - COMPARTMENT/DRIVER DOOR
	129686-06-000	EA	CYLINDER - LOCK ASSEMBLY - COMPARTMENT/DRIVER DOOR
	129686-07-000	EA	CYLINDER - LOCK ASSEMBLY - COMPARTMENT/DRIVER DOOR
	129686-08-000	EA	CYLINDER - LOCK ASSEMBLY - COMPARTMENT/DRIVER DOOR
	129686-09-000	EA	CYLINDER - LOCK ASSEMBLY - COMPARTMENT/DRIVER DOOR
	129686-10-000	EA	CYLINDER - LOCK ASSEMBLY - COMPARTMENT/DRIVER DOOR

**LOCK CYLINDER USED AFTER 05-01-01**

	138289-01-000	EA	CYLINDER - LOCKING
	138289-02-000	EA	CYLINDER - LOCKING
	138289-03-000	EA	CYLINDER - LOCKING
	138289-04-000	EA	CYLINDER - LOCKING
	138289-05-000	EA	CYLINDER - LOCKING
	138289-06-000	EA	CYLINDER - LOCKING
	138289-07-000	EA	CYLINDER - LOCKING
	138289-08-000	EA	CYLINDER - LOCKING
	138289-09-000	EA	CYLINDER - LOCKING
	138289-10-000	EA	CYLINDER - LOCKING

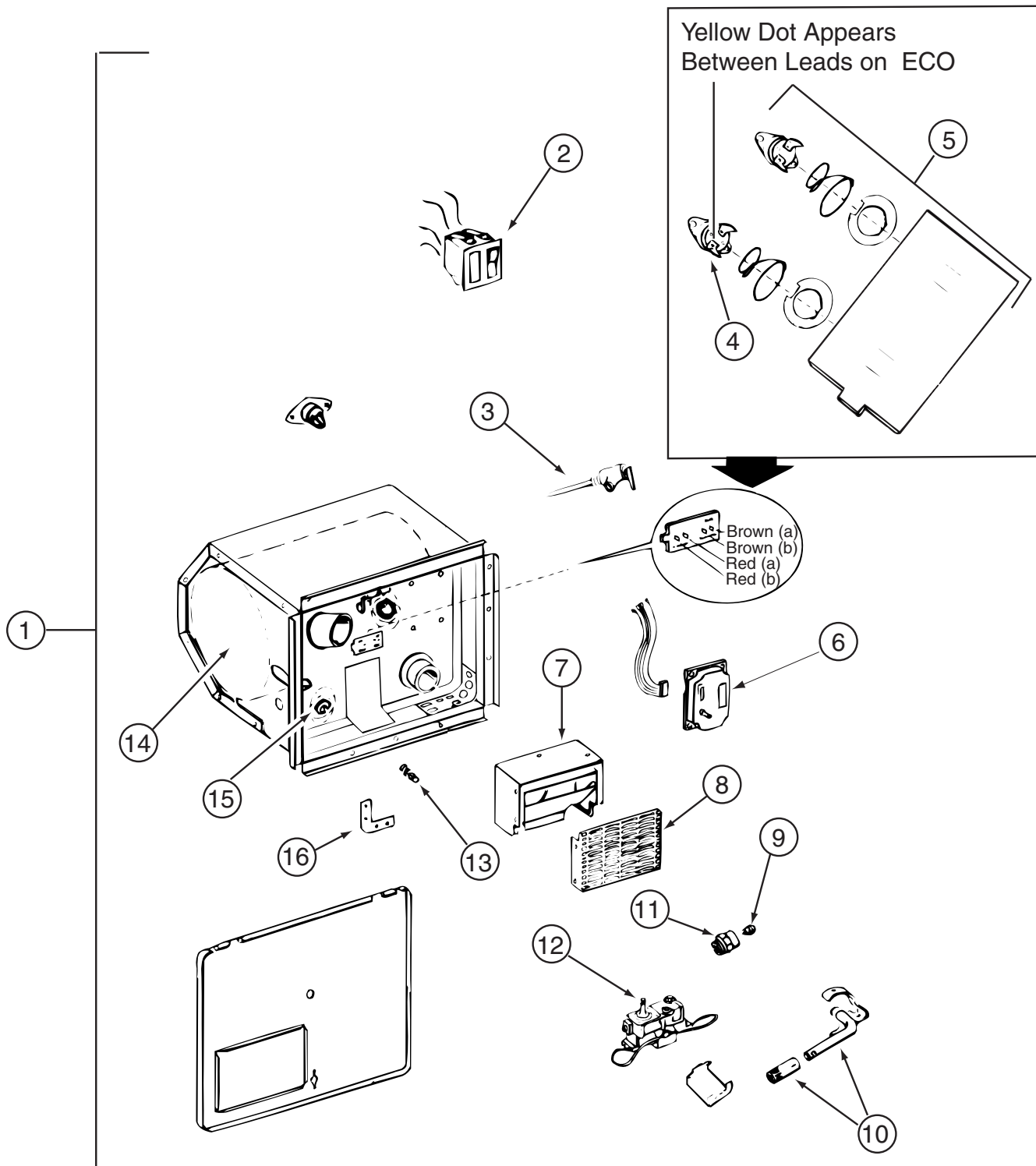
**\*COMPONENT PARTS LISTED LATER IN THIS GROUP**

**WATER & SEWAGE GROUP (CONTINUED)**  
**WATER SYSTEM (CONTINUED)**



KEY	PART NUMBER	U/M	DESCRIPTION
1	132224-13-000	EA	TANK - WATER - 40 GALLONS - W/FITTINGS FROM: 00-00-00 THRU: 08-19-01
1	132224-01-000	EA	TANK - WATER - 40 GALLONS - W/O FITTINGS FROM: 00-00-00 THRU: 08-19-01
	042989-05-000	EA	FITTING - SPINWELD - 1/2"FPT - PLASTIC
	042989-08-000	EA	FITTING - SPINWELD - 1"FPT - PLASTIC
	049032-01-000	EA	PATCH - SPINWELD - 3/8" - PLASTIC
1	140114-03-000	EA	TANK - WATER -30 GALLONS - W/FITTINGS FROM: 08-20-01 THRU: 99-99-99
1	140114-01-000	EA	TANK - WATER - W/O FITTINGS FROM: 08-20-01 THRU: 99-99-99
	042989-03-000	EA	FITTING - SPINWELD - 1 1/4"NPT - PLASTIC
	042989-05-000	EA	FITTING - SPINWELD - 1/2"FPT - PLASTIC
	042989-08-000	EA	FITTING - SPINWELD - 1"FPT - PLASTIC
	049032-01-000	EA	PATCH - SPINWELD - 3/8" - PLASTIC
2	132224-14-000	EA	TANK - WATER - 40 GALLON - W/FITTINGS
2	132224-01-000	EA	TANK - WATER - 40 GALLON - W/O FITTINGS
	042989-05-000	EA	FITTING - SPINWELD - 1/2"FPT - PLASTIC
	042989-08-000	EA	FITTING - SPINWELD - 1"FPT - PLASTIC
	049032-01-000	EA	PATCH - SPINWELD - 3/8" - PLASTIC

**WATER & SEWAGE GROUP (CONTINUED)**  
**COMPONENT PARTS FOR WATER SYSTEM**



051391-05-000

**WATER & SEWAGE GROUP (CONTINUED)**  
**COMPONENT PARTS FOR WATER SYSTEM (CONTINUED)**

**051391-05-000 (CONTINUED)**

<b>KEY</b>	<b>PART NUMBER</b>	<b>U/M</b>	<b>DESCRIPTION</b>	<b>VENDOR NO.</b>
2	051393-01-701	EA	SWITCH - REMOTE - W/LIGHT	91959
3	051391-01-704	EA	VALVE-RELIEF, 1/2" FITTING	91604
4	051391-04-701	EA	THERMOSTAT 12V DC-120 PRESET	91470
5	051391-05-707	EA	THERMOSTAT & ECO - 110 VOLT	91873
6	051393-01-704	EA	BOARD-CIRCUIT	93865
7	051391-04-707	EA	KIT-EXHAUST, (FLUE & GASKET)	90960
8	051391-01-717	EA	GRILLE-WATER HEATER DOOR	92640
9	051391-05-701	EA	ORIFICE-MAIN BURNER	93914
10	051391-05-700	EA	BURNER-MAIN	93221
11	051391-03-700	EA	HOLDER-ORIFICE	91563
12	051393-01-726	EA	VALVE-SOLENOID, W/O BRACKET	93870
13	051391-01-715	EA	PLUG-DRAIN, 1 EA = 2 PER PKG	91857
14	051391-05-704	EA	TANK-INNER	93593
15	051391-05-706	EA	ELEMENT-HEATING 1500 WATT	91160 W/GASKET
16	111129-01-711	EA	BRACKET-CORNER, SET OF FOUR	91928
	051391-05-703	EA	HARDWARE KIT-DOOR	91858
	051391-05-705	EA	SWITCH - ON/OFF SWITCH - BOX	91182
	051393-01-721	EA	THERMOSTAT W/ECO, 140 FRT MT	91447
	051393-01-723	EA	SWITCH - THERMAL CUTOFF 2/PK	93866
	051393-01-725	EA	ELECTRODE-SGL SPADE CONNECT.	93868
	051393-01-730	EA	BRACKET - F/10 GAL SYSTEM	93862

CONTACT WINNEBAGO PARTS SALES FOR UNLISTED COMPONENTS

**098607-01-000**

<b>KEY</b>	<b>PART NUMBER</b>	<b>U/M</b>	<b>DESCRIPTION</b>	<b>VENDOR NO.</b>
	098607-01-702	EA	DIAPHRAGM/DRIVE ASSEMBLY KIT	94-238-04
	098607-01-703	EA	VALVE KIT	94-232-00
	098607-01-705	EA	VALVE-CHECK, KIT	94-237-00
	098607-01-706	EA	HOUSING, W/SWITCH ONLY	94-231-20
	098607-01-707	EA	MOTOR W/BASEPLATE	11-148-04

**118569-01-000**

<b>KEY</b>	<b>PART NUMBER</b>	<b>U/M</b>	<b>DESCRIPTION</b>	<b>VENDOR NO</b>
	118569-01-700	EA	VALVE/SOLENOID-ELECT CONTROL	NO VDR#
	118569-01-701	EA	SWITCH - ELECTRIC	EA1-31
	118569-01-702	EA	PLATE - SWITCH	ERUS-1
	118569-01-703	EA	TANK - 2 GALLON	NO VDR#
	118569-01-704	EA	PLUG - 3/4 MPT	QTP4T
	118569-01-705	EA	PLUG - 1/2 MPT	1P62047
	118569-01-706	EA	SCREEN - WHITE	NO VDR#

**118569-03-000**

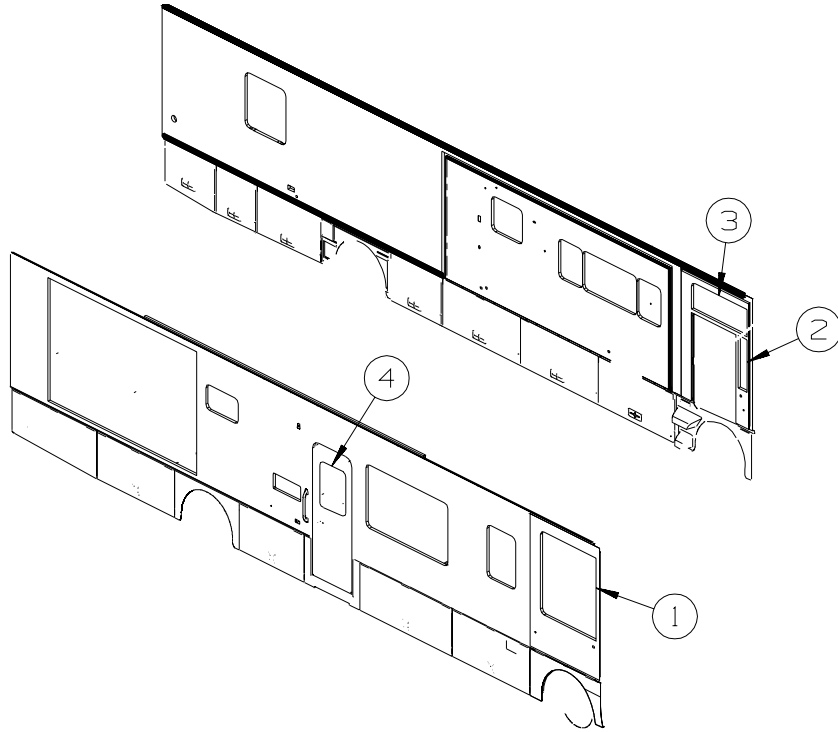
<b>KEY</b>	<b>PART NUMBER</b>	<b>U/M</b>	<b>DESCRIPTION</b>	<b>VENDOR NO</b>
	118569-01-700	EA	VALVE/SOLENOID-ELECT CONTROL	NO VDR#
	118569-01-701	EA	SWITCH - ELECTRIC	EA1-31
	118569-01-702	EA	PLATE - SWITCH	ERUS-1
	118569-01-704	EA	PLUG - 3/4 MPT	NO VDR#
	118569-01-705	EA	PLUG - 1/2 MPT	NO VDR#
	118569-01-706	EA	SCREEN - WHITE	NO VDR#

**131340-01-01A**

<b>KEY</b>	<b>PART NUMBER</b>	<b>U/M</b>	<b>DESCRIPTION</b>	<b>VENDOR NO.</b>
	119677-01-701	EA	SHOWER HEAD ONLY 1/2"	34PB
	131340-01-700	EA	BUTTON - HOT/COLD	N1201-16
	131340-01-701	EA	KNOB - CLEAR	N1201-9

# WINDOW & VENTS GROUP

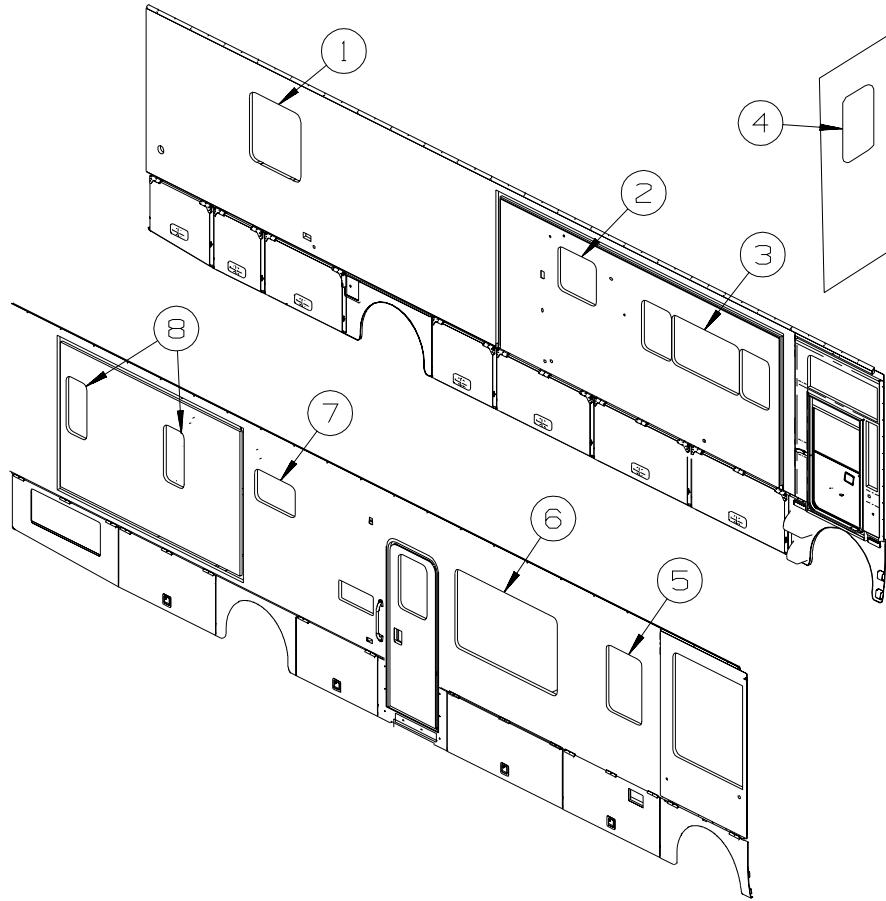
## WINDOW & VENT LAYOUT



KEY	PART NUMBER	U/M	DESCRIPTION
1*	139502-01-01A	EA	WINDOW - SLIDER - PASSENGER/FRONT
2	139500-01-01A	EA	WINDOW - VISTA
3	139501-01-01A	EA	WINDOW - CORNER
4*	113733-10-01A	EA	WINDOW - STATIONARY - THERMO - 26.3" X 17"
	009440-01-000	EA	GEAR/ARM - LIFT - ROOF VENT COVER
	048648-01-000	EA	MOTOR - ROOF VENT - 1/8 SHAFT - 12VOLT
	048649-01-000	EA	FAN BLADE - ROOF VENT - 6 BLADES - 6"
	084073-04-000	EA	BASE/VENT - ROOF/REFRIGERATOR - BLACK - NORCOLD
	084073-07-000	EA	CAP - ROOF/REFRIGERATOR VENT - 10" X 32" - BRIGHT WHITE
	122214-01-02A	EA	PANEL - SKYLITE - INNER - W/ANGLED CORNER - WHITE
	122215-01-02A	EA	PANEL - SKYLITE - OUTER - W/ANGLED CORNER - WHITE
			FROM: 00-00-00 THRU: 08-12-01
	139411-01-01A	EA	PANEL/SKYLITE - OUTER - NEO ANGLE - WHITE
			FROM: 08-13-01 THRU: 99-99-99
	138372-01-12B	EA	TRIM - CORNER - SKYLIGHT - BRIGHT WHITE
			FROM: 08-13-01 THRU: 99-99-99
*	122882-04-01A	EA	VENT - ROOF - W/FAN/POWER LIFT - W/O INSIDE GARNISH - UL - US
*	122882-05-01A	EA	VENT - ROOF - W/FAN/POWER LIFT - W/O INSIDE GARNISH - CSA - CANADA
*	123780-03-01A	EA	FANTASTIC VENT - 3"-4" ROOF - W/FAN - W/O THERM/PWR LIFT - US
*	123780-09-01A	EA	FANTASTIC VENT - 4" ROOF- W/FAN/INSUL - W/O THERM/PWR LIFT - CANADA
*	123780-10-01A	EA	FANTASTIC VENT - 4" ROOF- W/FAN/PWR LIFT/INSUL - W/O THERM - L39
	122882-07-01A	EA	GARNISH - ROOF VENT - 2.5" TO 4.1"

**\*COMPONENT PARTS LISTED LATER IN THIS GROUP**

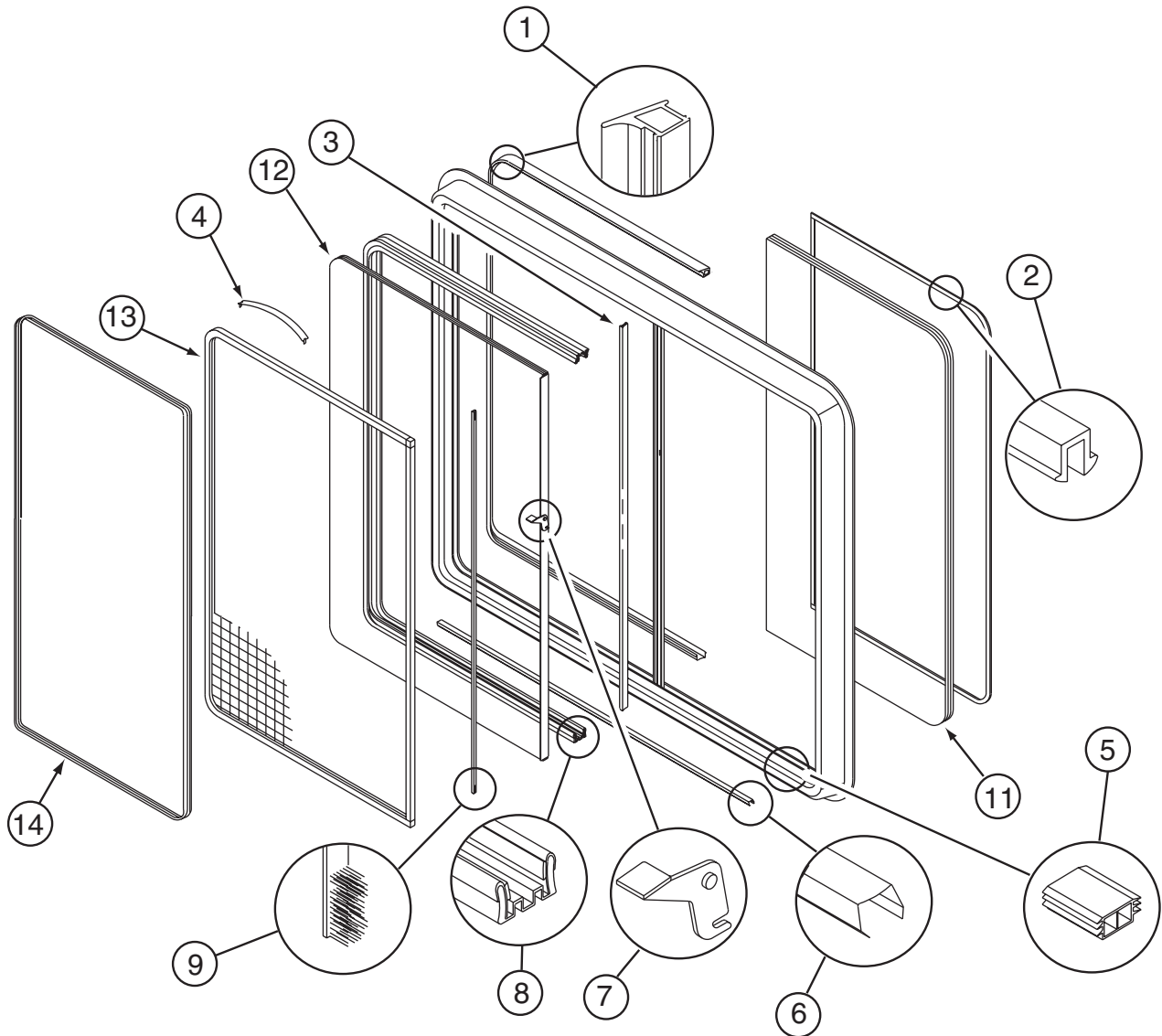
**WINDOW & VENTS GROUP (CONTINUED)**  
**WINDOW & VENT LAYOUT (CONTINUED)**



KEY	PART NUMBER	U/M	DESCRIPTION
1*	129929-10-01A	EA	WINDOW - TORQUE - THERMO/ESCAPE - 30" X 33"
2*	112898-21-01A	EA	WINDOW - VERTICAL SLIDER - THERMOPANE - 21.1" X 22.7"
3*	112795-77-01A	EA	WINDOW - DRIVER HORIZONTAL SLIDER - THERMO - 57.4" X 23.6"
			FROM: 00-00-00 THRU: 02-17-02
3*	112795-81-01A	EA	WINDOW - DRVR HORIZ SLIDER/ESCAPE - THERMO - 23.8" X 57.7"
			FROM: 02-18-02 THRU: 99-99-99
4*	134004-03-01A	EA	WINDOW - VERT SLIDER/FLUSH O/S-THERMO - 21" X 19.8"
5*	112898-26-01A	EA	WINDOW - VERTICAL SLIDER - THERMOPANE - 31.7" X 21.1"
6*	112795-80-01A	EA	WINDOW - PASSENGER HORIZ SLIDER - THERMO - 37.9" X 60.4"
7*	112795-78-01A	EA	WINDOW - PASSENGER HORIZ SLIDER - THERMO - 23.7" X 15"
8*	137867-04-01A	EA	WINDOW - DOUBLE TIPOUT - THERMO - 27.2" X 12.3"

**\*COMPONENT PARTS LISTED LATER IN THIS GROUP**

**WINDOW & VENTS GROUP (CONTINUED)**  
**COMPONENT PARTS FOR WINDOWS & VENT LAYOUT**



112795-77-01A

KEY	PART NUMBER	U/M	DESCRIPTION	VENDOR NO.
1	112795-01-704	FT	PLUG FILLER (DOUBLE GLAZED)	122-018737
2	112795-01-705	FT	VINYL - GLAZING	132-025736
3	098644-01-706	FT	WEATHERSTRIP - GLASS	171-010668
4	098644-01-713	EA	CLIP - SCREEN - METAL	226-016966
4	125582-01-701	EA	CLIP - SCREEN - PLASTIC	130-005153
	098644-01-717	FT	SPLINE - SCREEN	132-004716
5	112795-01-701	EA	SLIDE-STOP	132-019092
6	098644-01-710	FT	TRACK - SCREEN SPACER 12'	132-017135
7	112795-01-700	EA	LATCH ASM., BLK.,(BOLT ON)	DH287-CK
8	112795-01-703	IN	CHANNEL-RUN (INCHES)	122-018736
9	098644-01-711	FT	WEATHERSTRIP - SCREEN BLACK	171-016965
11	112795-77-700	EA	GLASS - STATIONARY	390-28313
12	112795-77-701	EA	GLASS - SLIDING W/SASH LATCH	DH493-G8
13	098647-47-702	EA	SCREEN ASSY - W/SEAL & CLIPS	410-025226
14	098647-47-704	EA	RETAINER - TRIM	H493-66

**WINDOW & VENTS GROUP (CONTINUED)**  
**COMPONENT PARTS FOR WINDOWS & VENT LAYOUT (CONTINUED)**

**112795-78-01A**

<b>KEY</b>	<b>PART NUMBER</b>	<b>U/M</b>	<b>DESCRIPTION</b>	<b>VENDOR NO.</b>
1	112795-01-704	FT	PLUG FILLER (DOUBLE GLAZED)	122-018737
2	112795-01-705	FT	VINYL - GLAZING	132-025736
3	098644-01-706	FT	WEATHERSTRIP - GLASS	171-010668
4	098644-01-713	EA	CLIP - SCREEN - METAL	226-016966
4	125582-01-701	EA	CLIP - SCREEN - PLASTIC	130-005153
	098644-01-717	FT	SPLINE - SCREEN	132-004716
5	112795-01-701	EA	SLIDE-STOP	132-019092
6	098644-01-710	FT	TRACK - SCREEN SPACER 12'	132-017135
7	112795-01-700	EA	LATCH ASM., BLK.,(BOLT ON)	DH287-CK
8	112795-01-703	IN	CHANNEL-RUN (INCHES)	122-018736
9	098644-01-711	FT	WEATHERSTRIP - SCREEN BLACK	171-016965
11	112795-78-700	EA	GLASS - STATIONARY	390-028338
12	112795-78-701	EA	GLASS - SLIDING W/SASH LATCH	DB969-G8
13	112795-56-702	EA	SCREEN ASSY - W/SEAL & CLIPS	410-019414
14	112795-56-704	EA	RETAINER - TRIM	B969-66

**112795-80-01A**

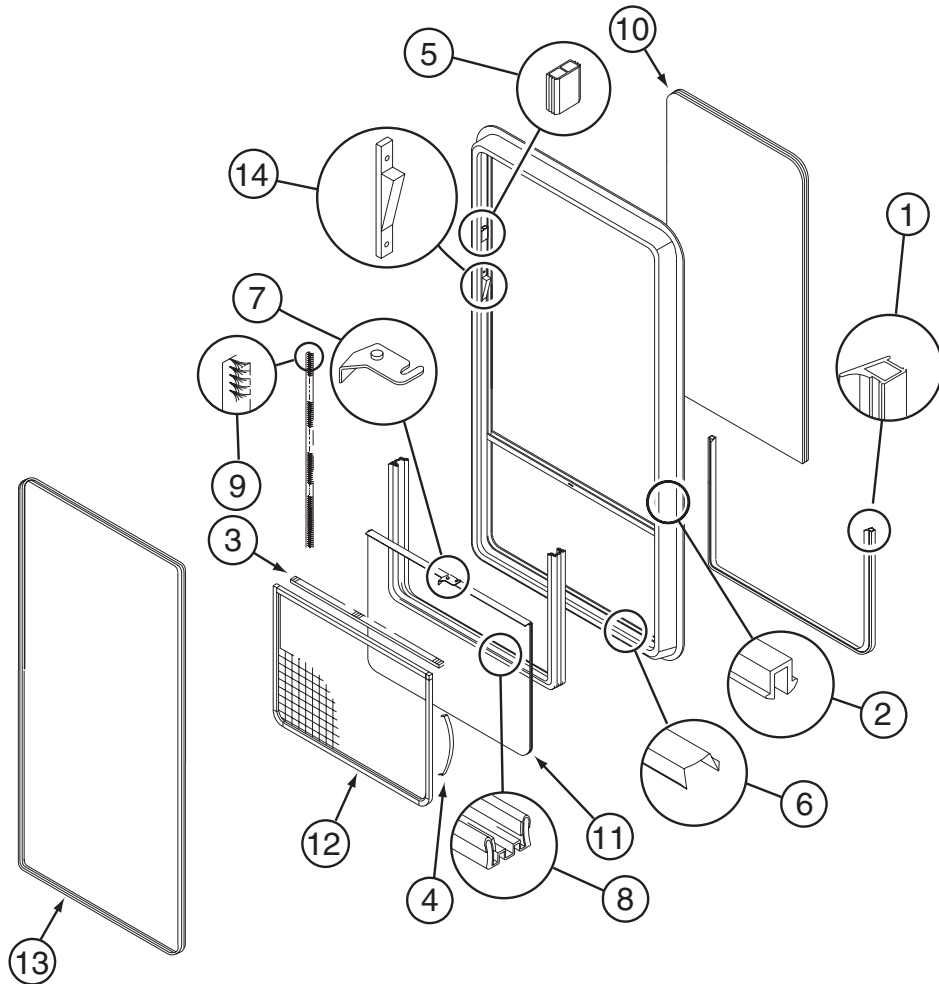
<b>KEY</b>	<b>PART NUMBER</b>	<b>U/M</b>	<b>DESCRIPTION</b>	<b>VENDOR NO.</b>
1	112795-01-704	FT	PLUG FILLER (DOUBLE GLAZED)	122-018737
2	112795-01-705	FT	VINYL - GLAZING	132-025736
3	098644-01-706	FT	WEATHERSTRIP - GLASS	171-010668
4	098644-01-713	EA	CLIP - SCREEN - METAL	226-016966
4	125582-01-701	EA	CLIP - SCREEN - PLASTIC	130-005153
	098644-01-717	FT	SPLINE - SCREEN	132-004716
5	112795-01-701	EA	SLIDE-STOP	132-019092
6	098644-01-710	FT	TRACK - SCREEN SPACER 12'	132-017135
7	112795-01-700	EA	LATCH ASM., BLK.,(BOLT ON)	DH287-CK
8	112795-01-703	IN	CHANNEL-RUN (INCHES)	122-018736
9	098644-01-711	FT	WEATHERSTRIP - SCREEN BLACK	171-016965
11	112795-80-700	EA	GLASS - STATIONARY	390-028379
12	112795-80-701	EA	GLASS - SLIDING W/SASH LATCH	DH442-G8
13	112795-80-702	EA	SCREEN ASSY - W/SEAL & CLIPS	410-019057
14	112795-64-700	EA	RETAINER - TRIM	H442-66

**112795-81-01A**

<b>KEY</b>	<b>PART NUMBER</b>	<b>U/M</b>	<b>DESCRIPTION</b>	<b>VENDOR NO.</b>
1	112795-01-704	FT	PLUG FILLER (DOUBLE GLAZED)	122-018737
2	112795-01-705	FT	VINYL - GLAZING	132-025736
3	098644-01-706	FT	WEATHERSTRIP - GLASS	171-010668
4	098644-01-713	EA	CLIP - SCREEN - METAL	226-016966
4	125582-01-701	EA	CLIP - SCREEN - PLASTIC	130-005153
	098644-01-717	FT	SPLINE - SCREEN	132-004716
5	112795-01-701	EA	SLIDE-STOP	132-019092
6	098644-01-710	FT	TRACK - SCREEN SPACER 12'	132-017135
7	112795-01-700	EA	LATCH ASM., BLK.,(BOLT ON)	DH287-CK
8	112795-01-703	IN	CHANNEL-RUN (INCHES)	122-018736
9	098644-01-711	FT	WEATHERSTRIP - SCREEN BLACK	171-016965
11	112795-77-700	EA	GLASS - STATIONARY	390-28313
12	112795-77-701	EA	GLASS - SLIDING W/SASH LATCH	DH493-G8
13	098647-47-702	EA	SCREEN ASSY - W/SEAL & CLIPS	410-025226
14	098647-47-704	EA	RETAINER - TRIM	H493-66



**WINDOW & VENTS GROUP (CONTINUED)**  
**COMPONENT PARTS FOR WINDOWS & VENT LAYOUT (CONTINUED)**



**112898-21-01A**

KEY	PART NUMBER	U/M	DESCRIPTION	VENDOR NO.
1	112795-01-704	FT	PLUG FILLER (DOUBLE GLAZED)	122-018737
2	112795-01-705	FT	VINYL - GLAZING	132-025736
3	098644-01-706	FT	WEATHERSTRIP - GLASS	171-010668
4	098644-01-713	EA	CLIP - SCREEN - METAL	226-016966
4	125582-01-701	EA	CLIP - SCREEN - PLASTIC	130-005153
5	112795-01-701	EA	SLIDE-STOP	132-019092
6	098644-01-710	FT	TRACK - SCREEN SPACER 12'	132-017135
7	112795-01-700	EA	LATCH ASM., BLK.,(BOLT ON)	DH287-CK
8	112795-01-703	IN	CHANNEL-RUN (INCHES)	122-018736
9	098644-01-711	FT	WEATHERSTRIP - SCREEN BLACK	171-016965
10	112898-21-700	EA	GLASS - STATIONARY	390-028342
11	112898-21-701	EA	GLASS-SLIDING W/SASH & LATCH	DH439-G8
12	112898-07-704	EA	SCREEN ASM - W/SEALS & CLIPS	410-019475
13	112898-07-705	EA	RETAINER - TRIM	CH91-66
14	112898-04-703	EA	VERTICAL LATCH (SASH KIT)	DH343-CK
	098644-01-717	FT	SPLINE - SCREEN	132-004716

**WINDOW & VENTS GROUP (CONTINUED)**  
**COMPONENT PARTS FOR WINDOWS & VENT LAYOUT (CONTINUED)**

**112898-26-01A**

<b>KEY</b>	<b>PART NUMBER</b>	<b>U/M</b>	<b>DESCRIPTION</b>	<b>VENDOR NO.</b>
1	112795-01-704	FT	PLUG FILLER (DOUBLE GLAZED)	122-018737
2	112795-01-705	FT	VINYL - GLAZING	132-025736
3	098644-01-706	FT	WEATHERSTRIP - GLASS	171-010668
4	098644-01-713	EA	CLIP - SCREEN - METAL	226-016966
4	125582-01-701	EA	CLIP - SCREEN - PLASTIC	130-005153
5	112795-01-701	EA	SLIDE-STOP	132-019092
6	098644-01-710	FT	TRACK - SCREEN SPACER 12'	132-017135
7	112795-01-700	EA	LATCH ASM., BLK.,(BOLT ON)	DH287-CK
8	112795-01-703	IN	CHANNEL-RUN (INCHES)	122-018736
9	098644-01-711	FT	WEATHERSTRIP - SCREEN BLACK	171-016965
10	112898-26-700	EA	GLASS - STATIONARY	390-028343
11	112898-26-701	EA	GLASS-SLIDING W/SASH & LATCH	DH332-G8
12	098644-04-703	EA	SCREEN ASM - W/SEALS & CLIPS	410-017955
13	112898-20-702	EA	RETAINER - TRIM	H332-67
14	112898-04-703	EA	VERTICAL LATCH (SASH KIT)	DH343-CK
	098644-01-717	FT	SPLINE - SCREEN	132-004716

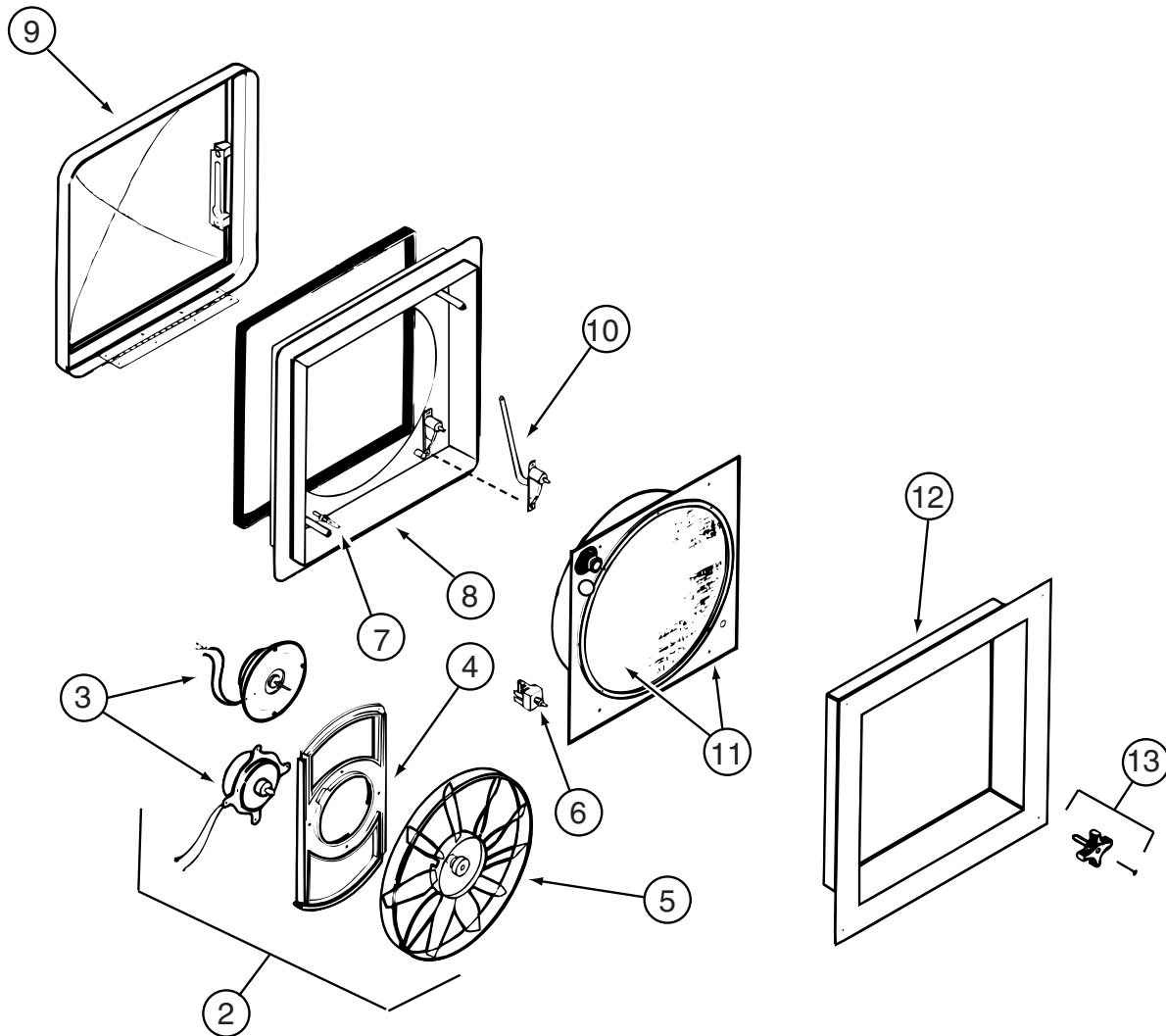
**113733-04-01A, 113733-10-01A, 113733-11-01A**

<b>KEY</b>	<b>PART NUMBER</b>	<b>U/M</b>	<b>DESCRIPTION</b>	<b>VENDOR NO.</b>
	112795-01-705	FT	VINYL - GLAZING	132-025736
	113733-10-700	EA	GLASS-STATIONARY	390-028306
	113733-10-701	EA	RETAINER-TRIM	H416-66

**122882-04-01A, 122882-05-01A**

<b>KEY</b>	<b>PART NUMBER</b>	<b>U/M</b>	<b>DESCRIPTION</b>	<b>VENDOR NO.</b>
	064470-01-700	EA	COVER - VENT - W/O SLIDE BAR	J7291
	064470-01-701	EA	SLIDE BAR - VENT LID	JRP1291B
	064469-03-708	EA	GEAR-DRIVE	RP-1024
	110051-07-701	EA	MOTOR-LIFT, W/BRKT-GEAR 3/16	RP1099B
	122882-04-700	EA	SCREEN	J29-670-01A

**WINDOW & VENTS GROUP (CONTINUED)**  
**COMPONENT PARTS FOR WINDOWS & VENT LAYOUT (CONTINUED)**



**123780-03-01A**

<b>KEY</b>	<b>PART NUMBER</b>	<b>U/M</b>	<b>DESCRIPTION</b>	<b>VENDOR NO.</b>
2	084079-11-700	EA	MOTOR, BRKT., FAN BLADE, KIT	4017K-09
3	084079-01-705	EA	MOTOR	1080-00
4	084079-01-711	EA	H-MOLDING, MOTOR MOUNT	
5	084079-01-704	EA	BLADE-FAN	1070-00
6	084079-01-709	EA	SWITCH - MAIN - 3 SPEED	1031-05
7	084079-01-707	EA	SWITCH - SAFETY	1122.05
8	123780-05-700	EA	BASE - MAIN BRIGHT WHITE	1010K-81
9	123780-01-700	EA	COVER - VENT W/HINGE & SLIDE	1020K-81
10	009440-01-000	EA	GEAR/ARM - LIFT - ROOF VENT COVER	
11	123780-03-701	EA	SCREEN ASM 78-100MM W/SWITCH	1030BT-81
12	123780-03-700	EA	GARNISH - INT. 3"-4" BRT/WHT	2040-81
13	084079-01-703	EA	KNOB-LIFT, W/EXT.	1140K-00
	084079-01-706	EA	PLUG, 12 VOLT	1090
	123780-01-702	EA	SCREEN W/FRAME	103581

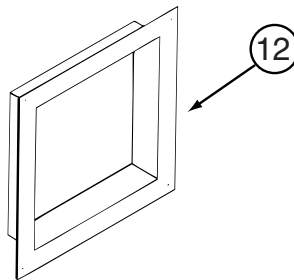
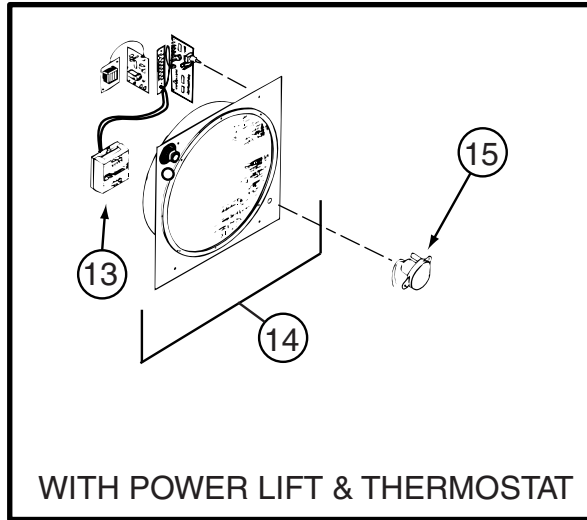
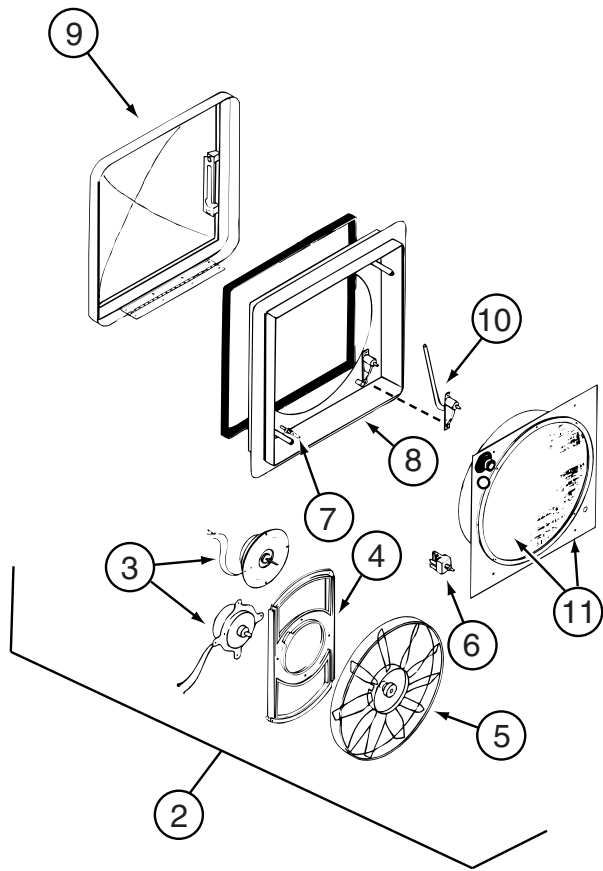
CONTACT WINNEBAGO PART SALES FOR UNLISTED COMPONENTS

**WINDOW & VENTS GROUP (CONTINUED)**  
**COMPONENT PARTS FOR WINDOWS & VENT LAYOUT (CONTINUED)**

123780-09-01A

KEY	PART NUMBER	U/M	DESCRIPTION	VENDOR NO.
2	084079-11-700	EA	MOTOR, BRKT., FAN BLADE, KIT	4017K-09
3	084079-01-705	EA	MOTOR	1080-00
4	084079-01-711	EA	H-MOLDING, MOTOR MOUNT	
5	084079-01-704	EA	BLADE-FAN	1070-00
6	084079-01-709	EA	SWITCH - MAIN - 3 SPEED	1031-05
7	084079-01-707	EA	SWITCH - SAFETY	1122.05
8	123780-05-700	EA	BASE - MAIN BRIGHT WHITE	1010K-81
9	123780-09-700	EA	DOME/WHITE - INSULATED	K2020-82
10	009440-01-000	EA	GEAR/ARM - LIFT - ROOF VENT COVER	
11	123780-03-701	EA	SCREEN ASM 78-100MM W/SWITCH	1030BT-81
12	123780-03-700	EA	GARNISH - INT. 3"-4" BRT/WHT	2040-81
13	084079-01-703	EA	KNOB-LIFT, W/EXT. & SCREW	1140K-00
	123780-01-702	EA	SCREEN W/FRAME	103581
	084079-01-706	EA	PLUG, 12 VOLT	1090
			CONTACT WINNEBAGO PART SALES FOR UNLISTED COMPONENTS	

**WINDOW & VENTS GROUP (CONTINUED)**  
**COMPONENT PARTS FOR WINDOWS & VENT LAYOUT (CONTINUED)**

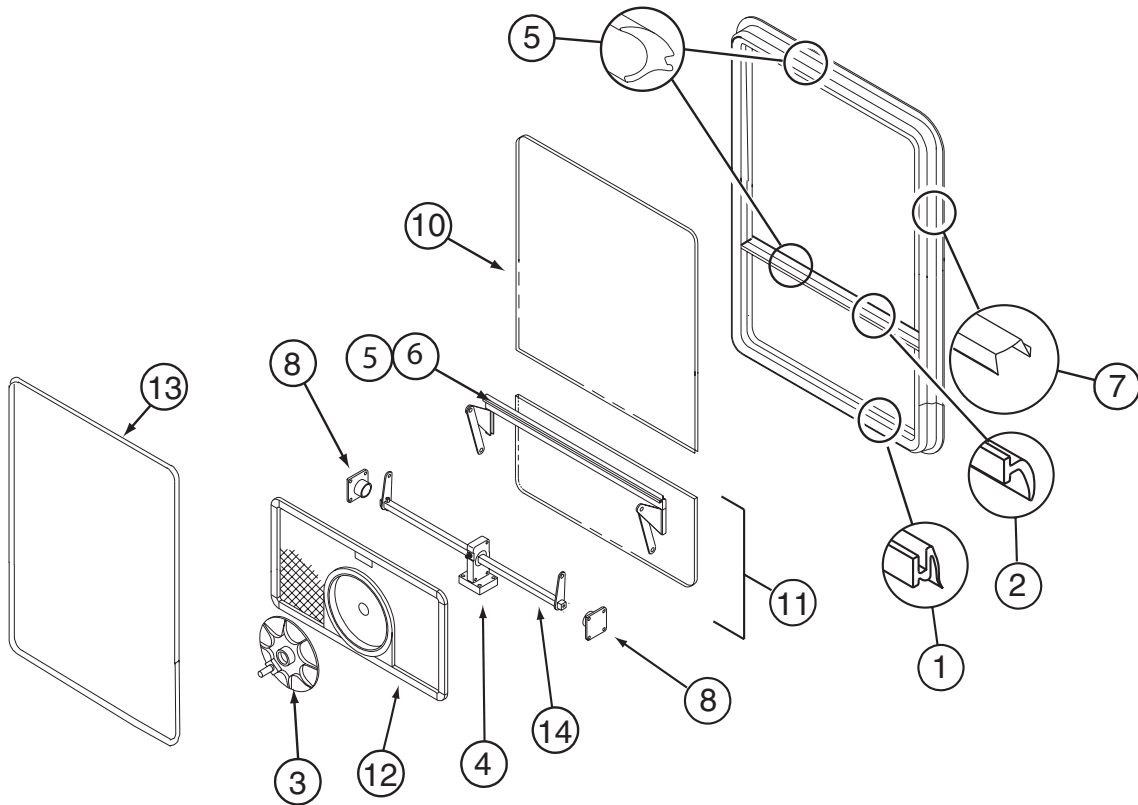


**123780-10-01A**

KEY	PART NUMBER	U/M	DESCRIPTION	VENDOR NO.
2	084079-11-700	EA	MOTOR, BRKT., FAN BLADE, KIT	4017K-09
3	084079-01-705	EA	MOTOR	1080-00
4	084079-01-711	EA	H-MOLDING, MOTOR MOUNT	
5	084079-01-704	EA	BLADE-FAN	1070-00
	084079-01-709	EA	SWITCH - MAIN - 3 SPEED	1031-05
6	084079-01-707	EA	SWITCH - SAFETY	1122.05
8	123780-05-700	EA	BASE - MAIN BRIGHT WHITE	1010K-81
9	123780-09-700	EA	DOME/WHITE - INSULATED	K2020-82
10	009440-01-000	EA	GEAR/ARM - LIFT - ROOF VENT COVER	
11	123780-01-702	EA	SCREEN W/FRAME	103581
12	123780-03-700	EA	GARNISH - INT. 3"-4" BRT/WHT	2040-81
13	084079-01-710	EA	THERMOSTAT, WALL MOUNT	9988-39
14	123780-05-701	EA	SCREEN ASM., INT W/SWITCHES	2000TK-81
15	084079-11-705	EA	MOTOR - LIFT (BC MOTOR)	5050-40
15	084079-11-703	EA	MOTOR-LIFT (AUTOTROL) W/CAP	6050-05

CONTACT WINNEBAGO PART SALES FOR UNLISTED COMPONENTS

**WINDOW & VENTS GROUP (CONTINUED)**  
**COMPONENT PARTS FOR WINDOWS & VENT LAYOUT (CONTINUED)**

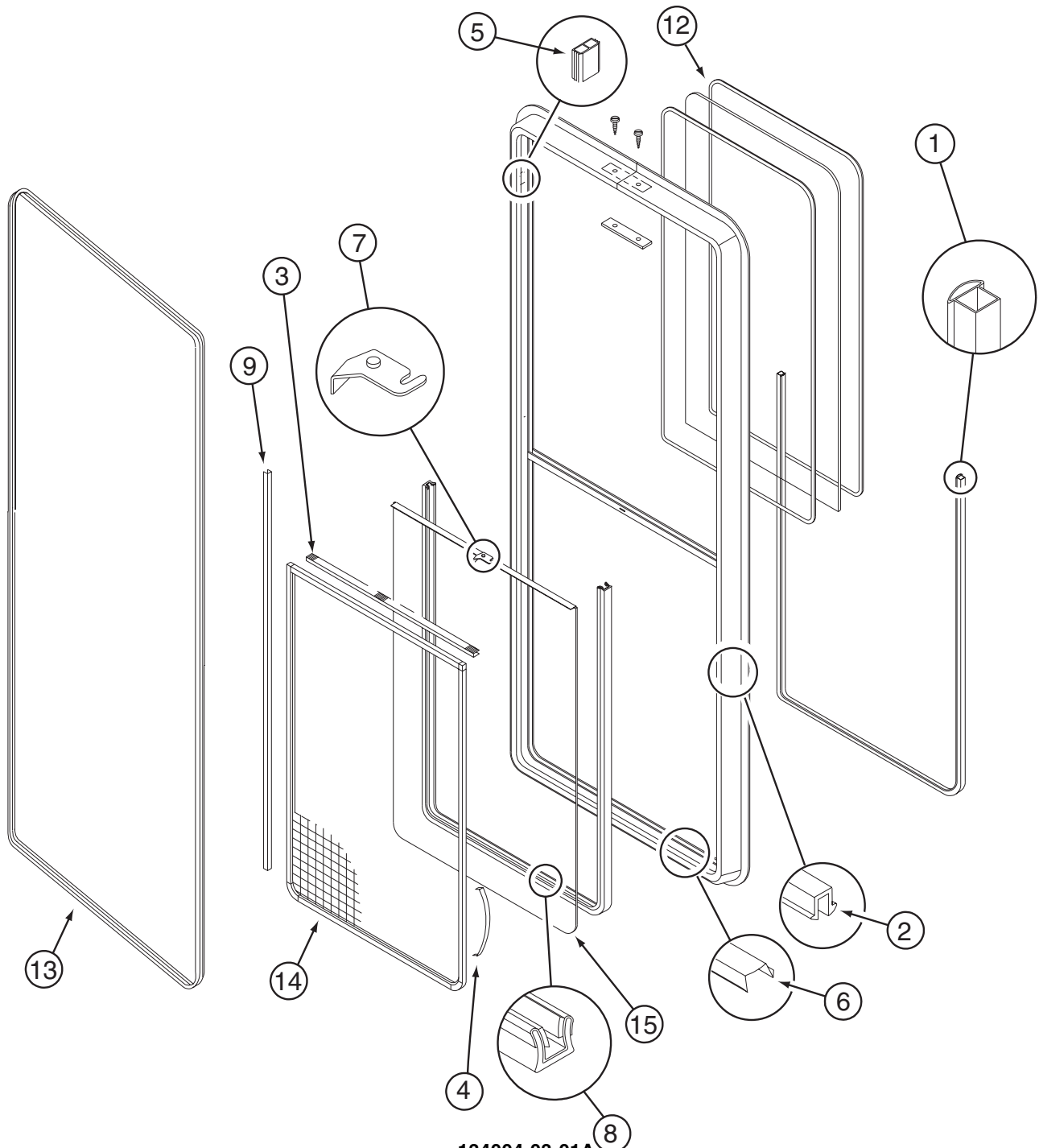


**129929-10-01A**

KEY	PART NUMBER	U/M	DESCRIPTION	VENDOR NO .
1	100322-01-701	FT	SEAL-VENT	122-016071
3	100322-01-718	EA	HANDLE-DIAL	410-016081
4	129929-01-710	EA	TORQUE-CTR SUPPORT (2 HOLE)	410-026806
5	129929-01-705	FT	GLAZING VINYL	132-026811
6	129929-01-707	FT	COVER/SCREW-FILLER STRIP	132-026808
8	129929-01-708	EA	SUPP - TORQUE BAR - RT/LT	130-026804
10	129929-10-700	EA	GLASS - STATIONARY	390-028300
11	129929-10-701	EA	VENT GLASS ASSEMBLY	DTH002-G8
12	129929-02-702	EA	SCREEN ASM - W/SEALS & CLIPS	410-026861
13	129929-02-707	EA	RETAINER - TRIM	CH10162
14	129929-02-704	EA	OPERATOR BAR ASSEMBLY	DTH002-15
	100322-01-717	FT	SEAL - VENT	122-016071
	129929-01-706	FT	SEAL - TOP F/CENTER EGRESS	132-026811
	129929-02-706	FT	SEAL - FOAM	140-027022

CONTACT WINNEBAGO PART SALES FOR UNLISTED COMPONENTS

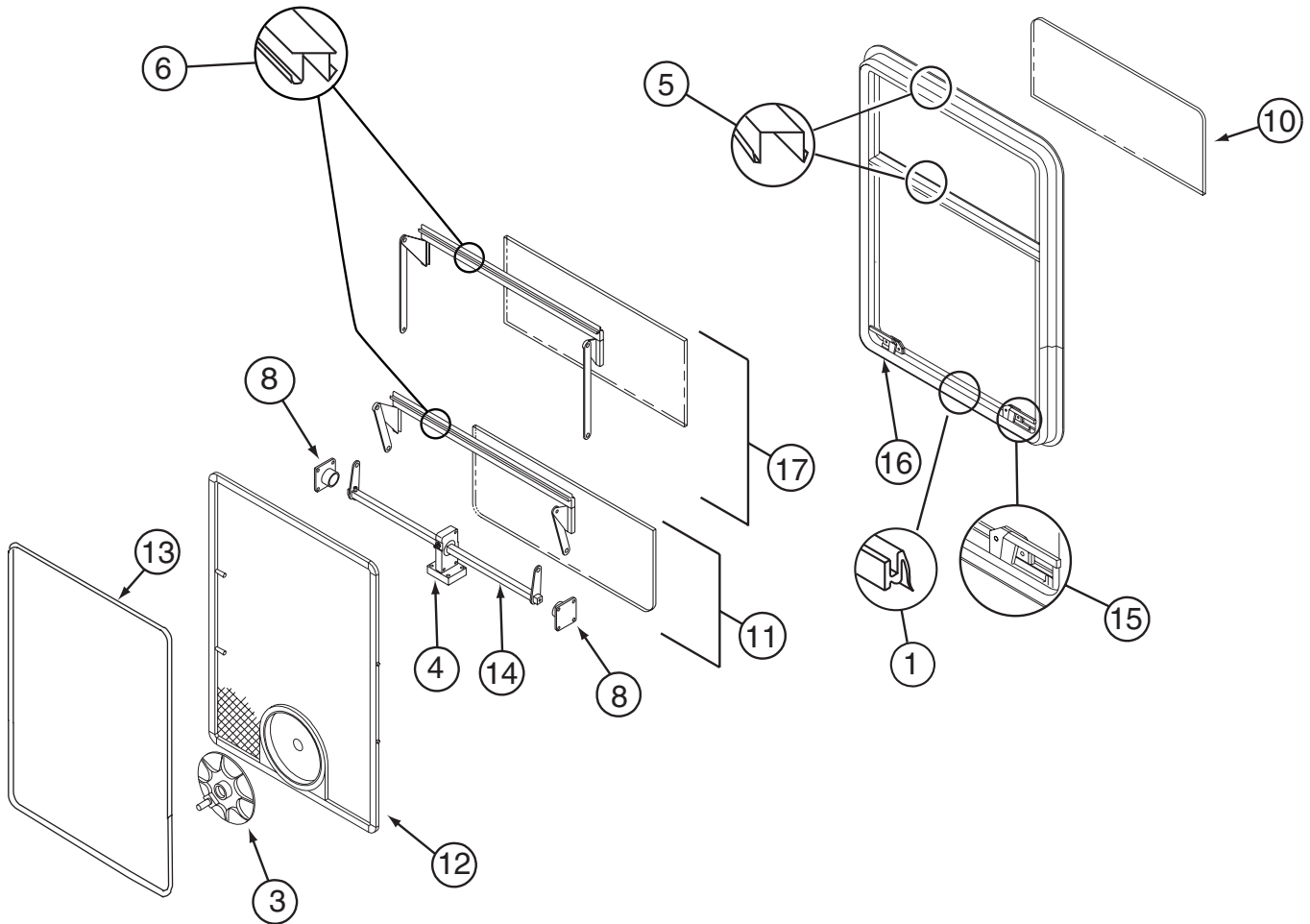
**WINDOW & VENTS GROUP (CONTINUED)**  
**COMPONENT PARTS FOR WINDOWS & VENT LAYOUT (CONTINUED)**



134004-03-01A

KEY	PART NUMBER	U/M	DESCRIPTION	VENDOR NO
1	112795-01-704	FT	PLUG FILLER (DOUBLE GLAZED)	122-018737
2	112795-01-705	FT	VINYL - GLAZING	132-027331
3	098644-01-706	FT	WEATHERSTRIP - GLASS	171-010668
4	125582-01-701	EA	CLIP - SCREEN - PLASTIC	130-005153
4	098644-01-713	EA	CLIP - SCREEN - METAL	226-016966
5	112795-01-701	EA	SLIDE-STOP	132-019092
6	098644-01-710	FT	TRACK - SCREEN SPACER 12'	132-017135
7	112795-01-700	EA	LATCH ASM., BLK.,(BOLT ON)	DH287-CK
8	112795-01-703	IN	CHANNEL-RUN (INCHES)	122-027566
9	098644-01-711	FT	WEATHERSTRIP - SCREEN BLACK	171-016965
12	134004-03-700	EA	GLASS - STATIONARY	390-028662
13	134004-03-702	EA	RETAINER - TRIM	H702-56
14	098644-13-702	EA	SCREEN ASM W/SEALS & CLIPS	410-028663
15	134004-03-701	EA	GLASS-SLIDING W/SASH & LATCH	DH702-G8

**WINDOW & VENTS GROUP (CONTINUED)**  
**COMPONENT PARTS FOR WINDOWS & VENT LAYOUT (CONTINUED)**



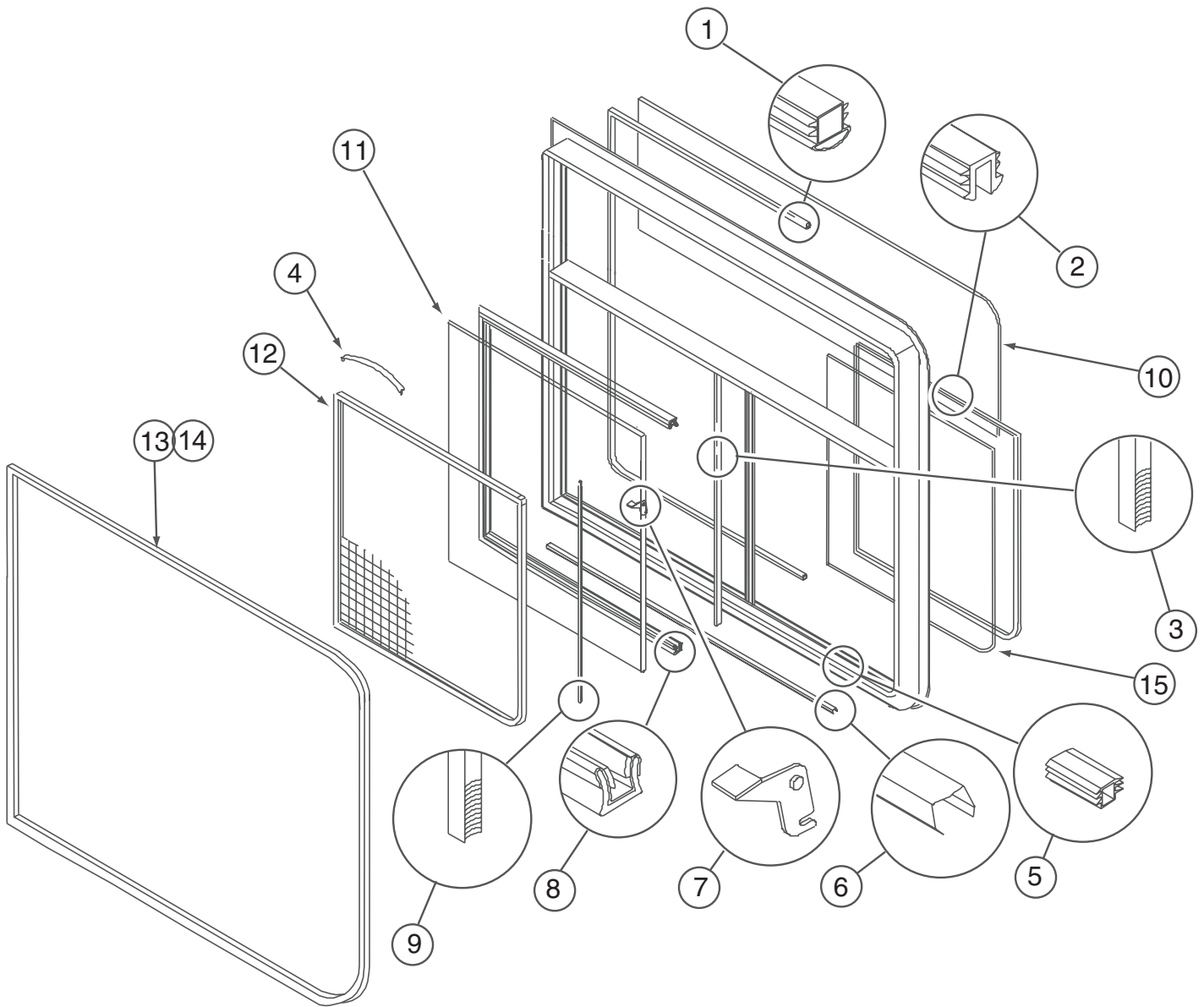
**137867-04-01A**

KEY	PART NUMBER	U/M	DESCRIPTION	VENDOR NO.
1	100322-01-701	FT	SEAL-VENT	122-016071
3	100322-01-718	EA	HANDLE-DIAL	410-016081
4	129929-01-710	EA	TORQUE-CTR SUPPORT (2 HOLE)	410-026806
5	129929-01-705	FT	GLAZING VINYL	132-026811
6	129929-01-707	FT	COVER/SCREW-FILLER STRIP	132-026808
8	129929-01-708	EA	SUPPORT - TORQUE BAR - RT/LT	130-026804
10	137867-04-700	EA	GLASS - STATIONARY (DBL GLZ)	390-029416
11	137867-04-701	EA	VENT ASSEMBLY LWR (DBL GLZ)	DTH025-G8
12	137867-04-703	EA	SCREEN ASSEMBLY W/SEAL/CLIPS	410-029417
13	137867-03-703	EA	RETAINER - TRIM	DTH023-62
14	137867-03-704	EA	OPERATOR BAR ASSEMBLY	DTH025-15
15	NOT USED			
16	NOT USED			
17	137867-04-702	EA	VENT ASSEMBLY UPR (DBL GLZ)	DTH025-G6
	100322-01-717	EA	E-RING	245-015975
	129929-01-706	IN	SEAL - TOP F/CENTER EGRESS	132-026811
	129929-02-706	FT	SEAL - FOAM	140-027022

CONTACT WINNEBAGO PART SALES FOR UNLISTED COMPONENTS



**WINDOW & VENTS GROUP (CONTINUED)**  
**COMPONENT PARTS FOR WINDOWS & VENT LAYOUT (CONTINUED)**

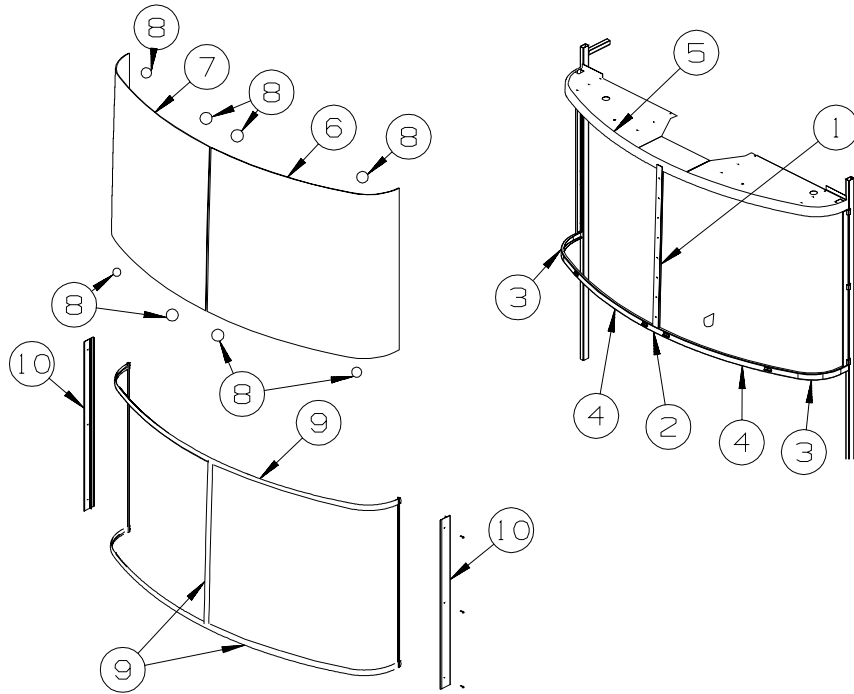


**139502-01-01A**

KEY	PART NUMBER	U/M	DESCRIPTION	VENDOR NO.
1	112795-01-704	FT	PLUG FILLER (DOUBLE GLAZED)	122-018737
2	112795-01-705	FT	VINYL - GLAZING	132-027331
3	098644-01-706	FT	WEATHERSTRIP - GLASS	171-010668
4	125582-01-701	EA	CLIP - SCREEN - PLASTIC	130-005153
4	098644-01-713	EA	CLIP - SCREEN - METAL	226-016966
5	112795-01-701	EA	SLIDE-STOP	132-019092
6	098644-01-710	FT	TRACK - SCREEN SPACER 12'	132-017135
7	112795-01-700	EA	LATCH ASM., BLK.,(BOLT ON)	DH287-CK
8	112795-01-703	IN	CHANNEL-RUN (INCHES)	122-027566
9	098644-01-711	FT	WEATHERSTRIP - SCREEN BLACK	171-016965
10	139502-01-700	EA	GLASS - STATIONARY	390-029245
11	139502-01-701	EA	SLIDE ASM W/SEALS & CLIPS	DH772-A9R
12	139502-01-702	EA	SCREEN ASM W/SEAL & CLIPS	410-029335
13	139502-01-703	EA	RETAINER - TRIM	H772-41
14	139502-01-704	EA	RETAINER - TRIM	H772-42
15	139502-01-705	EA	GLASS - STATIONARY	390-029246
	098644-01-717	FT	SPLINE - SCREEN	132-004716

# WINDSHIELD & WIPER GROUP

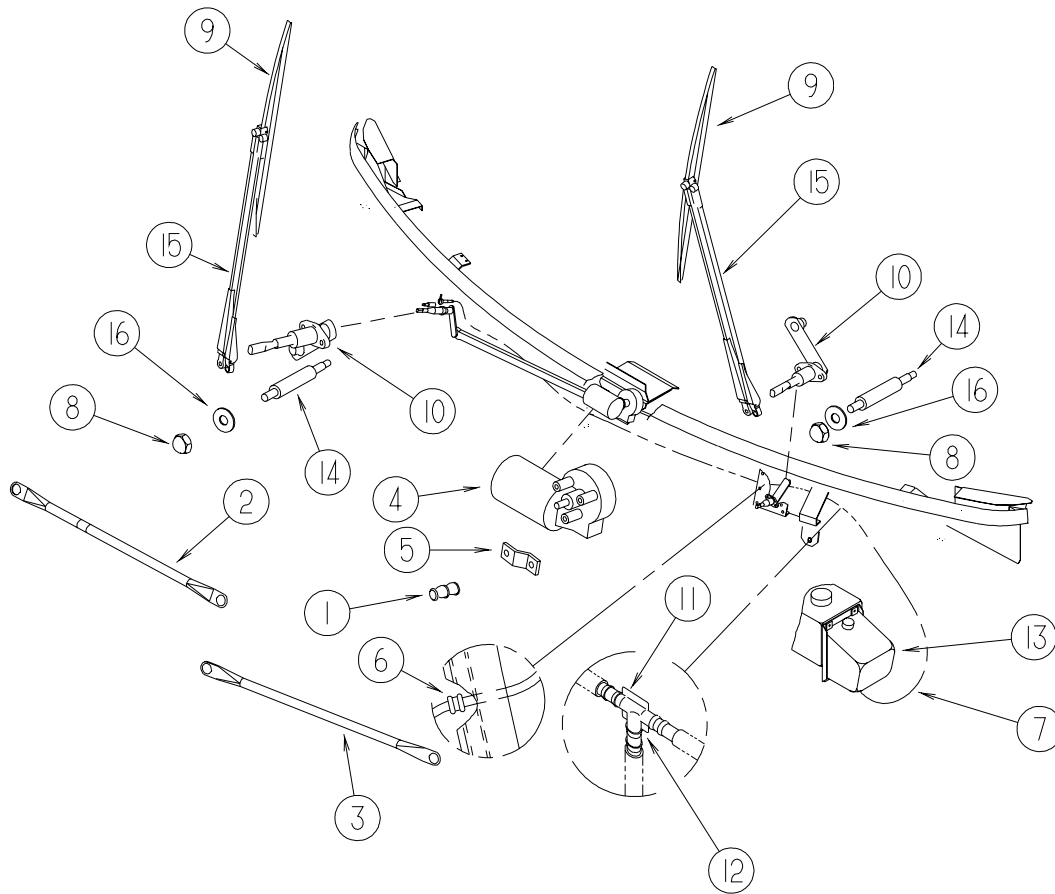
## WINDSHIELD



KEY	PART NUMBER	U/M	DESCRIPTION
1	127862-01-000	EA	CARRIER/REVEAL - WINDSHIELD - 47.2"
2	132375-01-000	EA	CARRIER/REVEAL - WINDSHIELD - 5.5"
3	132375-03-000	EA	CARRIER/REVEAL - WINDSHIELD - 7.5"
4	117335-06-000	EA	CARRIER - REVEAL - 29.8"
5	127862-11-000	EA	CARRIER/REVEAL - WINDSHIELD - 43.7"
6	136688-02-000	EA	WINDSHIELD - DRIVER
7	136688-01-000	EA	WINDSHIELD - PASSENGER
8	081914-02-000	EA	BUMPER - RUBBER - ROUND - 5/16" DIA. X 13/64" THICK
9	120533-01-000	FT	MOLDING - REVEAL - WINDSHIELD
10	138559-01-01A	EA	TRIM - WINDSHIELD - A-PILLAR

# WINDSHIELD & WIPER GROUP (CONTINUED)

## WIPER



KEY	PART NUMBER	U/M	DESCRIPTION
1	067188-01-000	EA	STUD - CRANK - WIPER MOTOR
	117322-01-000	EA	SCREW - 1/4-28 UNFINISHED - 2A - TORX
2	117770-01-000	EA	LINK - CONNECTING - 24" - CLOSED GROMMET/OPEN GROMMET
3	117770-02-000	EA	LINK - CONNECTING - 24" - CLOSED GROMMET/CLOSED GROMMET
4	104346-05-000	EA	WIPER MOTOR - "DYNAMIC PARK" - W/INTERNAL BREAKER
5	104347-04-000	EA	ARM - DRIVE - WIPER MOTOR
6	061603-01-000	EA	GROMMET - SNAP - 3/16"ID - 3/8" HOLE - PLASTIC BLACK
7	045794-01-000	FT	HOSE - WASHER - WINDSHIELD - 5/32" ID - BLACK
8	077049-02-000	EA	NUT - ACORN - 10-32 BLACK/ANODIZED
9*	095964-01-000	EA	BLADE - WINDSHIELD WIPER - 24"
10*	096505-09-000	EA	SHAFT/PIVOT - WINDSHIELD WIPER
11	110605-01-000	EA	TEE - PLASTIC - BARBED - 1/8" X 1/8" X 3/16"
12			NOT USED
13	117766-02-000	EA	RESERVOIR/PUMP - WINDSHIELD WASHER
14	117768-01-000	EA	SHAFT - ADAPTER - PANTOGRAPH ARM
15*	117769-01-000	EA	ARM - WIPER - PANTOGRAPH - 28"
16	110742-02-000	EA	GASKET - NEOPRENE - WIPER ADAPTER SHAFT - .5" ID X .9" OD

\*COMPONENT PARTS LISTED LATER IN THIS GROUP

**WINDSHIELD & WIPER GROUP (CONTINUED)**  
**COMPONENT PARTS FOR WIPER**

**095964-01-000**

<b>KEY</b>	<b>PART NUMBER</b>	<b>U/M</b>	<b>DESCRIPTION</b>	<b>VENDOR NO.</b>
	095964-01-000	EA	BLADE - WINDSHIELD WIPER - 24"	
	095964-01-700	EA	BLADE-REFILL 24" EA= 1 PAIR	12360

**096505-09-000**

<b>KEY</b>	<b>PART NUMBER</b>	<b>U/M</b>	<b>DESCRIPTION</b>	<b>VENDOR NO.</b>
	096505-09-000	EA	SHAFT/PIVOT - WINDSHIELD WIPER	UT 6706220SH25WJ
	096505-02-700	EA	DRIVER-KNURLED,(HD) BRL .687	NT721017
	096505-02-701	EA	NUT-HEX (HD) W/.687 BARREL	NT721021
	096505-02-702	EA	CAP-RUBBER (HD) BARREL .687	CP721084
	096505-02-703	EA	NUT/ACORN - HD W/.687 BRL	51065-40-NT27WC

**117769-01-000**

<b>KEY</b>	<b>PART NUMBER</b>	<b>U/M</b>	<b>DESCRIPTION</b>	<b>VENDOR NO.</b>
	117769-01-000	EA	ARM - WIPER - PANTOGRAPH - 28"	UT 6701620LE25WJ
	096931-01-700	FT	HOSE - WASHER - 1/8" ID	XTU-66-0001
	117769-01-700	EA	RETAINER CLIP - HOSE	