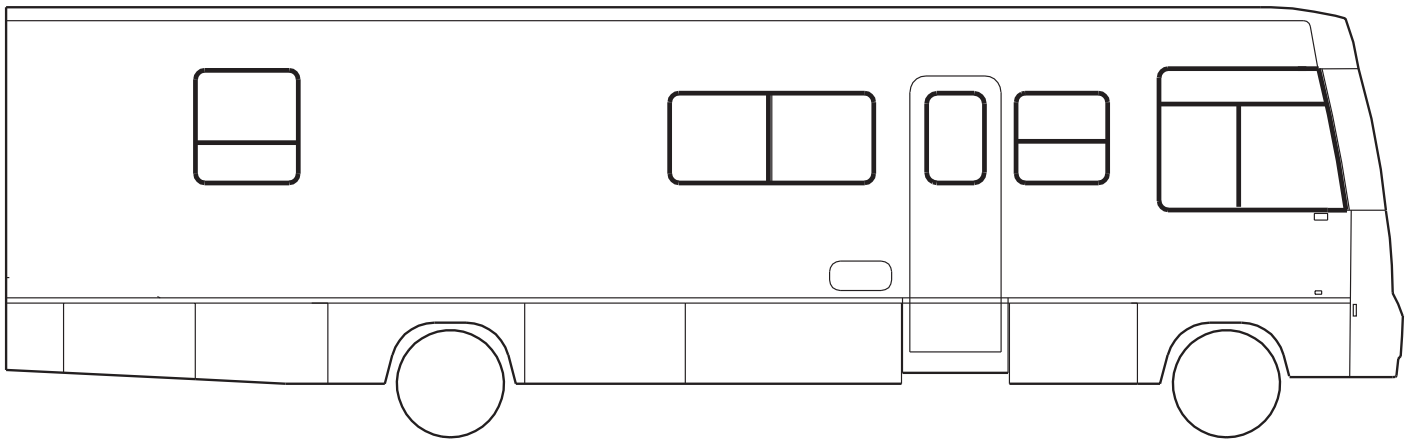
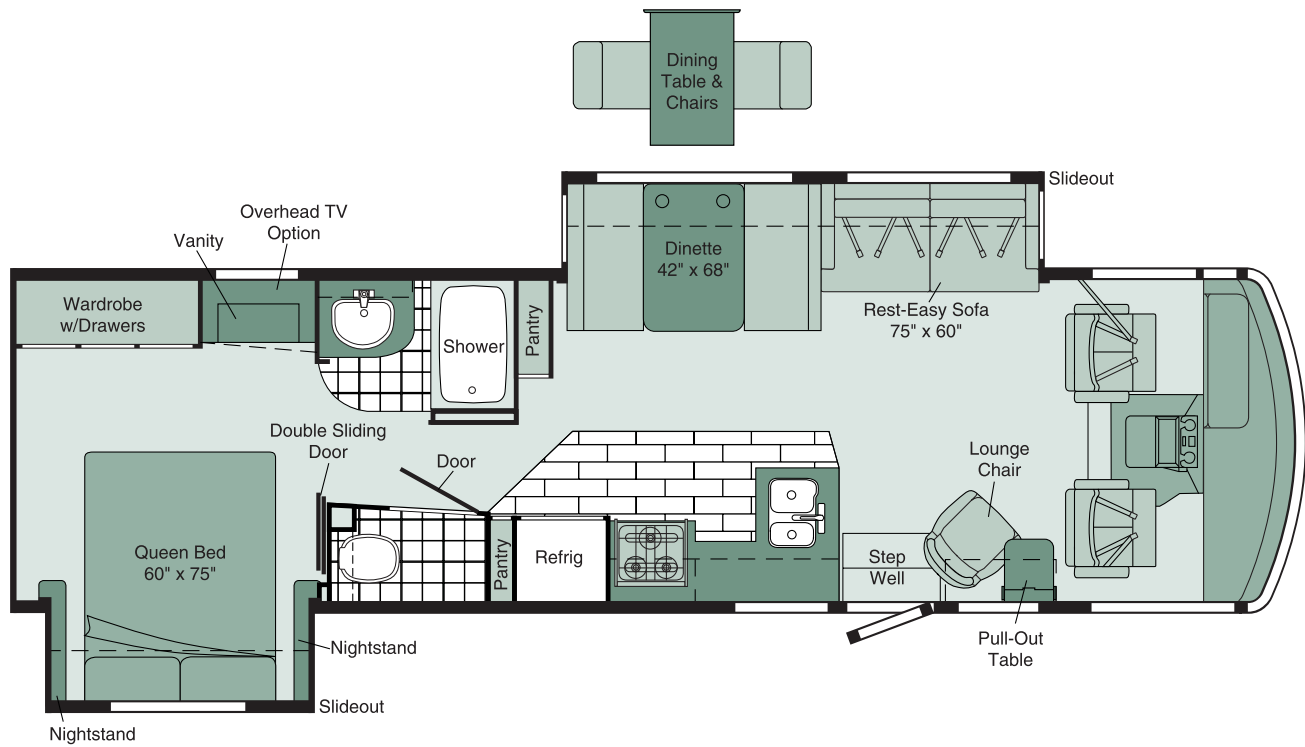


2002
BRAVE
F-SERIES
PORTSMOUTH OAK
N30 GARNET - PLUM FLORAL
N31 SILVERADO - WARM GRAY
N32 BLUESTONE - BLUE



2002 WPF32V



FLOORPLAN

CONTENTS

| | |
|--|-----------|
| FLOORPLAN | 2 |
| ACCESSORIES GROUP | 8 |
| OPERATORS MANUAL | 8 |
| APPLIANCE GROUP | 9 |
| APPLIANCES | 9 |
| COMPONENT PARTS FOR APPLIANCE | 14 |
| 112881-02-03A | 14 |
| 112881-03-01A | 15 |
| 114030-02-01A, 114030-03-01A | 18 |
| 115504-01-000 | 19 |
| 120075-13-01A, 120075-14-01A, 120075-15-01A | 20 |
| 121569-05-01A, 121569-07-01A | 28 |
| 125242-02-01A | 34 |
| 126019-01-01A | 43 |
| 126022-01-01A, 126022-02-01A, 126022-03-01A | 43 |
| 134940-01-01A | 44 |
| 134940-04-01A | 45 |
| AUDIO VIDEO GROUP | 46 |
| RADIO SYSTEM | 46 |
| REAR VIEW MONITOR | 46 |
| COMPONENT PARTS FOR REAR VIEW MONITOR | 47 |
| 093040-10-000 | 47 |
| TELEPHONE | 48 |
| TV & VCR | 48 |
| COMPONENT PARTS FOR TV & VCR | 49 |
| 076319-23-000 | 49 |
| 076319-25-000 | 50 |
| 126696-07-000 | 51 |
| 126697-07-000 | 51 |
| 133377-01-000 | 51 |
| 137135-01-000 | 52 |
| EXTERIOR ENTERTAINMENT | 54 |
| BATH GROUP | 55 |
| CABINETS | 55 |
| SHOWER | 57 |
| COMPONENT PARTS FOR SHOWER | 58 |
| 135615-01-01A, 135615-02-01A, 135615-03-01A, 135615-04-01A & 135615-05-01A | 58 |
| BEDROOM GROUP | 60 |
| QUEEN CABINETS | 60 |

CONTENTS (CONTINUED)

| | |
|---|------------|
| CHASSIS GROUP | 62 |
| FRAME | 62 |
| COMPONENT PARTS FOR FRAME | 64 |
| 132643-01-01A | 64 |
| FRONT END | 65 |
| DRIVETRAIN | 67 |
| EXHAUST | 68 |
| FUEL | 71 |
| HYDRAULIC LEVELING | 73 |
| COMPONENT PARTS FOR HYDRAULIC LEVELING | 76 |
| 100536-11-000 | 76 |
| 128285-01-000 | 76 |
| 128571-03-000 | 77 |
| 131306-02-000 | 78 |
| 131306-06-000 | 80 |
| 131306-19-000 | 82 |
| SUSPENSION | 84 |
| COMPONENT PARTS FOR SUSPENSION | 85 |
| 122756-04-000 | 85 |
| WHEEL, TIRE, COVERS &/OR LINERS | 86 |
| COMPONENT PARTS FOR WHEEL, TIRE, COVERS &/OR LINERS | 87 |
| 110435-15-000 | 87 |
| 134609-01-000 | 87 |
| 134609-02-000 | 87 |
| BRAKELINE | 88 |
| BRAKE | 88 |
| CURTAIN & CUSHION GROUP | 89 |
| NOTICE | 89 |
| CUSHION LAYOUT | 90 |
| BUCKET SEATS | 92 |
| LOUNGE CHAIR | 94 |
| SOFA | 95 |
| WINDOW TREATMENT | 97 |
| HARDWARE | 99 |
| ACCESSORIES | 101 |
| COMPONENT PARTS FOR ACCESSORIES | 102 |
| 091990-04-01A | 102 |
| FABRICS | 103 |
| DINETTE GROUP | 105 |
| CABINETS | 105 |
| TABLE | 106 |
| DRIVERS COMPARTMENT GROUP | 108 |
| DASH | 108 |
| MOTOR COVER | 110 |
| BEVERAGE TRAY | 112 |
| FRONT INTERIOR | 113 |
| CABINETS | 115 |

CONTENTS (CONTINUED)

| | |
|--|------------|
| ELECTRICAL GROUP | 116 |
| 12V BODY WIRING | 116 |
| FRONT END WIRING | 121 |
| COMPONENT PARTS FOR LIGHTS & SWITCHES | 123 |
| 008089-02-000 | 123 |
| 086280-01-000 | 123 |
| 087694-01-000 | 123 |
| 091937-08-000 | 123 |
| 097917-01-06A | 123 |
| 108354-01-01A | 123 |
| 121935-01-01A | 123 |
| 137417-01-01A | 123 |
| 137417-02-01A | 123 |
| 137417-05-01A | 123 |
| 137417-06-01A | 123 |
| CIRCUIT BREAKERS & FUSES | 124 |
| CONVERTER, INVERTER, LOAD CENTERS | 125 |
| 110V WIRING | 126 |
| ENTERTAINMENT WIRING | 127 |
| BOXES & CORDS | 128 |
| WIRE ASSEMBLIES | 128 |
| CONNECTORS & CONDUIT | 129 |
| BOOTS, SOLENOIDS, RELAYS & MISCELLANEOUS | 131 |
| EXTERIOR BODY GROUP | 132 |
| GRAPHICS & PAINT | 132 |
| PANELS & TRIMS | 133 |
| COMPONENT PARTS FOR PANELS & TRIMS | 135 |
| 132442-01-01A | 135 |
| FRONT END | 136 |
| LADDER | 138 |
| MIRRORS | 138 |
| COMPONENT PARTS FOR MIRRORS | 139 |
| 106015-12-01A, 106015-14-01A | 139 |
| 106015-13-01A, 106015-15-01A | 139 |
| STRUCTURAL COMPONENTS | 140 |
| AWNINGS | 140 |
| COMPONENT PARTS FOR AWNINGS | 141 |
| 113874-01-02A | 141 |
| EXTERIOR DOORS & COMPARTMENTS GROUP | 142 |
| DOOR & COMPARTMENT LAYOUT | 142 |
| COMPONENT PARTS FOR DOOR & COMPARTMENT LAYOUT | 146 |
| 084103-08-000 | 146 |
| 094707-03-01A | 146 |
| COMPARTMENT DOOR PIECE PARTS | 147 |
| COMPONENT PARTS FOR COMPARTMENT DOOR PIECE PARTS | 149 |
| 110506-26-000 - 110506-27-000 - 110506-33-000 | 149 |
| ENTRY | 150 |
| COMPONENT PARTS FOR ENTRY | 153 |
| 129676-01-000 THRU 129676-10-000 | 153 |
| SCREEN | 154 |
| LATCH - ENTRY | 155 |
| EXTERIOR SLIDEOUT GROUP | 156 |
| FRONT LEFT | 156 |
| COMPONENT PARTS FOR FRONT LEFT | 161 |
| 100536-42-000 | 161 |
| 132540-01-000 | 161 |
| 140122-01-000 | 161 |
| RIGHT REAR | 162 |
| COMPONENT PARTS FOR RIGHT REAR | 166 |
| 100536-46-000 | 166 |
| 137390-01-000 | 166 |

CONTENTS (CONTINUED)

| | |
|---|------------|
| GALLEY GROUP | 167 |
| CABINETS | 167 |
| GENERATOR GROUP | 169 |
| GAS | 169 |
| HEATING & A/C GROUP | 171 |
| AUTOMOTIVE | 171 |
| COMPONENT PARTS FOR AUTOMOTIVE | 173 |
| 103930-43-000 | 173 |
| 103930-44-000 | 174 |
| 103930-45-000 | 174 |
| 103930-46-000 | 174 |
| 103930-47-000 | 174 |
| 103930-49-000 | 175 |
| FURNACE | 177 |
| COMPONENT PARTS FOR FURNACE | 178 |
| 098668-21-000 | 178 |
| 098668-22-000 | 180 |
| 139980-03-000 | 181 |
| 139980-04-000 | 183 |
| REAR HEATER | 185 |
| COMPONENT PARTS FOR REAR HEATER | 186 |
| 129205-01-000 | 186 |
| ROOF | 187 |
| COMPONENT PARTS FOR ROOF | 188 |
| 131184-01-01A | 188 |
| 131184-05-01A | 189 |
| 131186-01-01A | 190 |
| 131186-02-01A | 191 |
| 131187-01-01A | 192 |
| 131187-02-01A | 193 |
| 131187-03-01A | 194 |
| 131187-04-01A | 195 |
| 131188-01-01A | 196 |
| 131188-02-01A | 197 |
| 131188-03-01A | 198 |
| 131188-04-01A | 199 |
| INTERIOR FINISH GROUP | 200 |
| MOLDINGS & TRIMS | 200 |
| PANELING & LAMINATES | 204 |
| ACCESSORIES | 205 |
| COMPONENT PARTS FOR ACCESSORIES | 206 |
| 094499-02-000 | 206 |
| FLOOR COVERINGS | 207 |
| HARDWARE | 208 |
| LABELS GROUP | 214 |
| LP GROUP | 239 |
| LP SYSTEM | 239 |
| COMPONENT PARTS FOR LP SYSTEM | 240 |
| 088253-08-000 | 240 |
| 088253-10-000 | 240 |
| LOUNGE GROUP | 241 |
| CABINETS | 241 |
| TABLES | 242 |
| SEALANTS & FASTENERS GROUP | 243 |
| SEALANTS & ADHESIVES | 243 |
| BOLTS, NUTS AND WASHERS | 244 |
| SCREWS | 246 |
| CLAMPS, CLIPS, GROMMETS, RIVETS & PLUGS | 249 |
| MISCELLANEOUS FASTENERS | 250 |

CONTENTS (CONTINUED)

| | |
|---|------------|
| WATER & SEWAGE GROUP | 251 |
| DRAINAGE SYSTEM | 251 |
| COMPONENT PARTS FOR DRAINAGE SYSTEM | 253 |
| 131932-02-02A | 253 |
| 140798-01-01A | 254 |
| WATER SYSTEM | 255 |
| COMPONENT PARTS FOR WATER SYSTEM | 263 |
| 051391-07-000 | 263 |
| 051393-01-000 | 265 |
| 098607-01-000 | 266 |
| 110506-26-000 - 110506-27-000 - 110506-33-000 | 266 |
| 131340-01-01A | 266 |
| WINDOW & VENTS GROUP | 267 |
| WINDOW & VENT LAYOUT | 267 |
| COMPONENT PARTS FOR WINDOWS & VENT LAYOUT | 270 |
| 098644-11-02A | 270 |
| 098644-13-01A | 271 |
| 098647-33-02A | 272 |
| 098647-47-02A | 273 |
| 112795-72-01A | 274 |
| 112795-77-01A | 275 |
| 112898-25-01A | 276 |
| 113500-01-02A | 277 |
| 113733-04-01A, 113733-10-01A, 113733-11-01A | 278 |
| 122882-01-01A | 278 |
| 122882-02-01A, 122882-03-01A | 278 |
| 123780-03-01A | 279 |
| 125582-01-01A | 280 |
| 125582-02-01A | 281 |
| 125583-01-01A | 282 |
| 125583-02-01A | 283 |
| 129929-11-01A | 284 |
| 134004-03-01A | 285 |
| WINDSHIELD & WIPER GROUP | 286 |
| WINDSHIELD | 286 |
| WIPER | 287 |
| COMPONENT PARTS FOR WIPER | 288 |
| 095964-01-000 | 288 |
| 096505-09-000 | 288 |
| 117769-01-000 | 288 |

ACCESSORIES GROUP
OPERATORS MANUAL

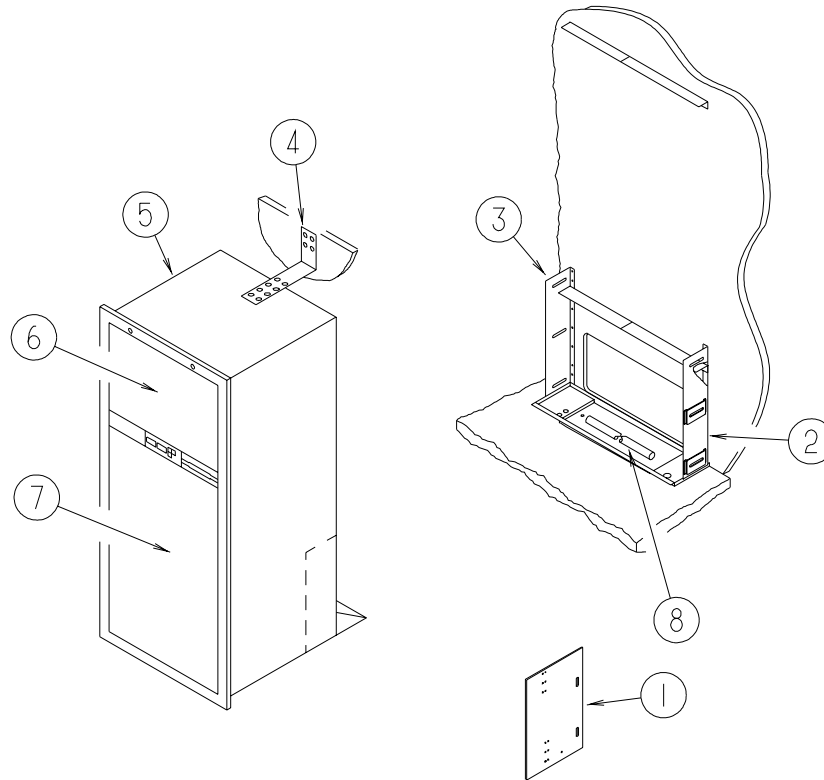
| KEY | PART NUMBER | U/M | DESCRIPTION |
|------------|--------------------|------------|--|
| | 129079-01-01A | EA | CASE - VINYL/BLACK-EXPANDABLE ACCORDION SIDES-7"WX9"HX14"L |
| | 132000-05-002 | EA | MANUAL/OWNER - BRAVE - 2002 |
| | 138007-01-000 | DW | TOP LEVEL-F,2002 |

APPLIANCE GROUP APPLIANCES

| KEY | PART NUMBER | U/M | DESCRIPTION |
|-----|---------------|-----|--|
| * | 112881-02-03A | EA | RANGE - 16" - 3 BURNER - FRONT HI-OUTPUT BRNR - BLK TOP/DR - US |
| * | 112881-03-01A | EA | RANGE - 3 BURNER W/OVEN - 16" - BLACK DOOR/BLACK GLASS - CANADIAN |
| | 140176-03-01B | EA | BRACKET/TIEDOWN - STOVE |
| | 140176-04-01B | EA | BRACKET/TIEDOWN - STOVE |
| * | 126022-03-01A | EA | COVER - RANGE - BIFOLD - 16" - RECESSED/BLACK - RANGE W/OVEN FROM: 10-29-01 THRU: 99-99-99 |
| * | 114030-02-01A | EA | RANGE - 3 BURNER TOP - W/O OVEN - BLACK - UL |
| * | 114030-03-01A | EA | RANGE - 3 BURNER TOP - W/O OVEN - BLACK - CSA |
| | 142139-01-02B | EA | BRACKET/TIEDOWN - STOVE - E-COATED - RH - F30W |
| | 142139-02-02B | EA | BRACKET/TIEDOWN - STOVE - E-COATED - LH - F30W |
| | 142139-03-02B | EA | BRACKET/TIEDOWN - STOVE - E-COATED - RH - F32V, F34D, F36M |
| | 142139-04-02B | EA | BRACKET/TIEDOWN - STOVE - E-COATED - LH - F32V, F34D, F36M |
| * | 126022-03-01A | EA | COVER - RANGE - BIFOLD - 16" - RECESSED/BLACK - RANGE W/O OVEN FROM: 00-00-00 THRU: 10-28-01 |
| * | 126022-02-01A | EA | COVER - RANGE - BI-FOLD - 22" - BLACK TEXTURED - RANGE W/O OVEN FROM: 10-29-01 THRU: 99-99-99 |
| * | 126019-01-01A | EA | COFFEEMAKER - OPTIMA - W/BRACKETS - BLACK & DECKER |
| * | 115504-01-000 | EA | PANEL - SOLAR 10 WATT - 12.2"W X 26.9"L X 1.2"H |
| * | 134940-04-01A | EA | PANEL - MONITOR - 2 TANK - W/GENERATOR - SOLAR CHARGER |
| * | 134940-01-01A | EA | PANEL - MONITOR - 2 TANK - W/GENERATOR SWITCH/HOUR METER |
| | 130818-02-01A | EA | TRASH CONTAINER - 20 QUART ALMOND |

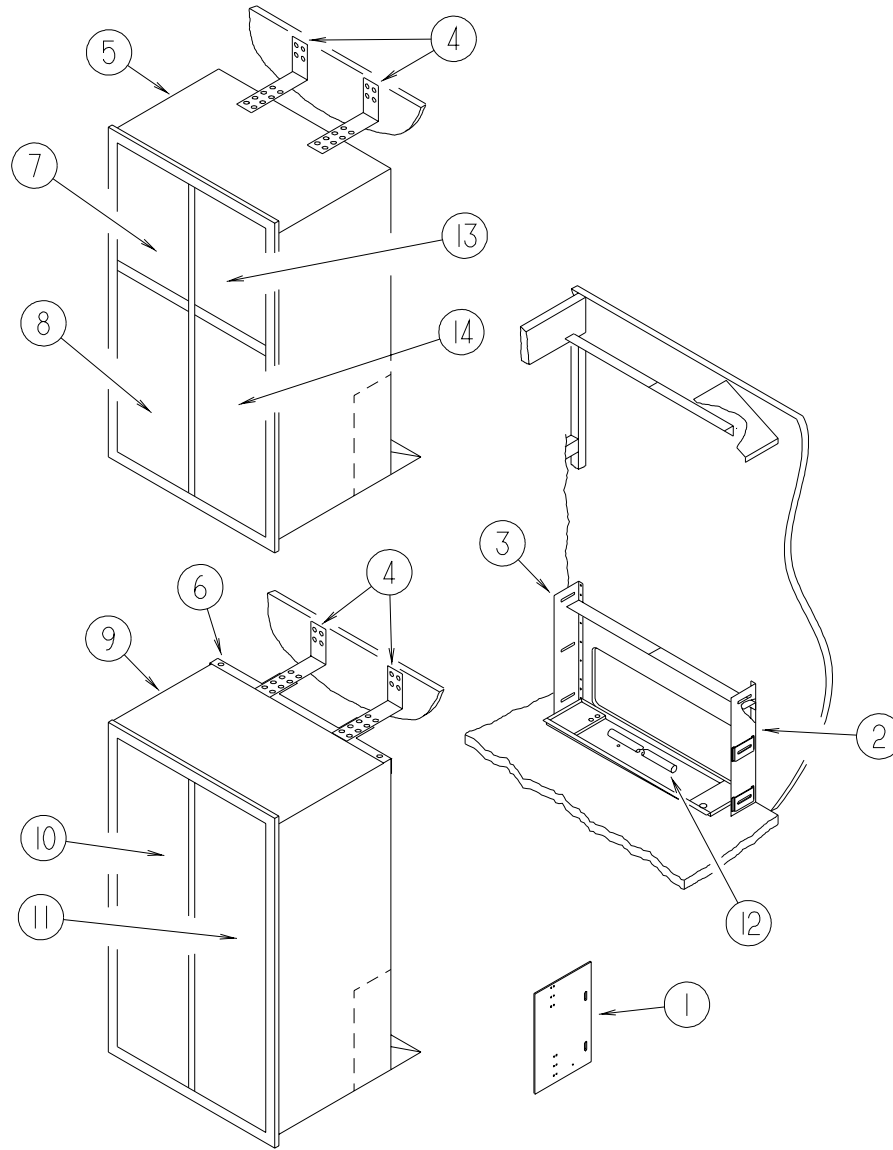
***COMPONENT PARTS LISTED LATER IN THIS GROUP**

APPLIANCE GROUP (CONTINUED)
APPLIANCES (CONTINUED)



| KEY | PART NUMBER | U/M | DESCRIPTION |
|-----|---------------|-----|---|
| 1 | 065225-04-000 | EA | PLATE - TIEDOWN/REFRIGERATOR |
| 2 | 093646-01-000 | EA | BRACKET - TIEDOWN/REFRIGERATOR - RIGHT HAND |
| 3 | 093646-02-000 | EA | BRACKET - TIEDOWN/REFRIGERATOR - LEFT HAND |
| 4 | 093369-02-000 | EA | STRAP - REFRIGERATOR |
| 5* | 121569-05-01A | EA | REFRIGERATOR - LARGE DOUBLE DOOR/RH - 2-WAY - BLACK - F30W , F32V , F34D , F36M |
| 5* | 120075-13-01A | EA | REFRIGERATOR - LARGE DOUBLE DOOR/RH - 2-WAY -ICE MAKER-BLACK - F34D , F36M |
| 6 | N/A | | SEE PANELING IN INTERIOR FINISH GROUP |
| 7 | N/A | | SEE PANELING IN INTERIOR FINISH GROUP |
| 8 | 112176-01-000 | FT | TUBING - VINYL - REINFORCED - 1/2" ID |
| | 054450-01-000 | EA | LEVEL - REFRIGERATOR |
| | 090329-01-000 | FT | SEAL/T - REFRIGERATOR CABINET |
| | 116751-06-01A | EA | TRAY - REFRIGERATOR - BLACK - F30W |
| | 116751-05-01A | EA | TRAY - REFRIGERATOR - BLACK - F32V , F34D , F36M |

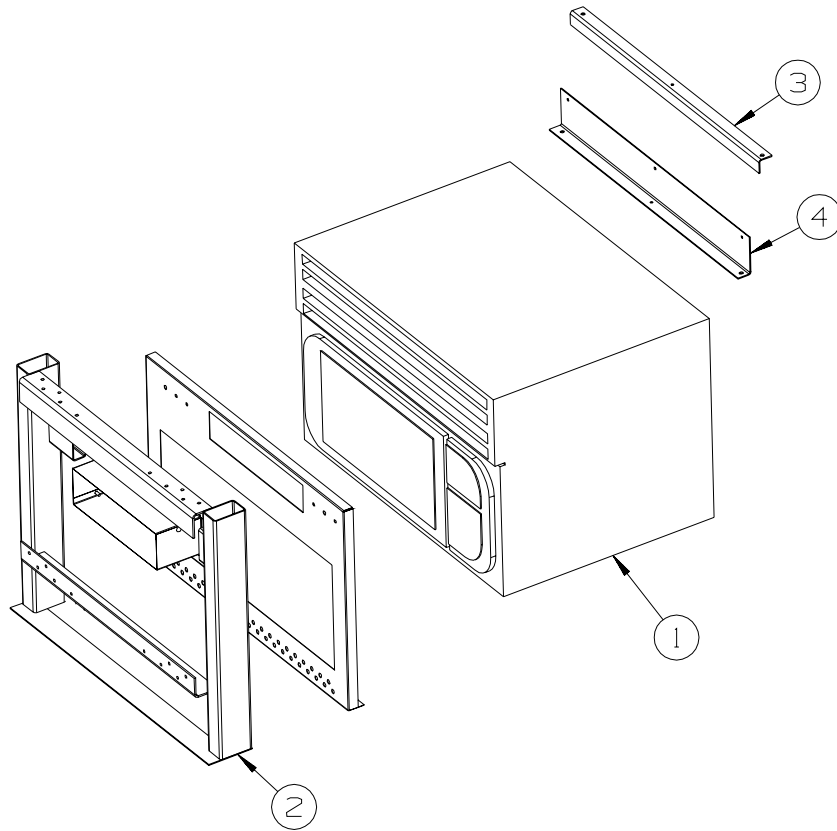
APPLIANCE GROUP (CONTINUED)
APPLIANCES (CONTINUED)



F34D, F36M

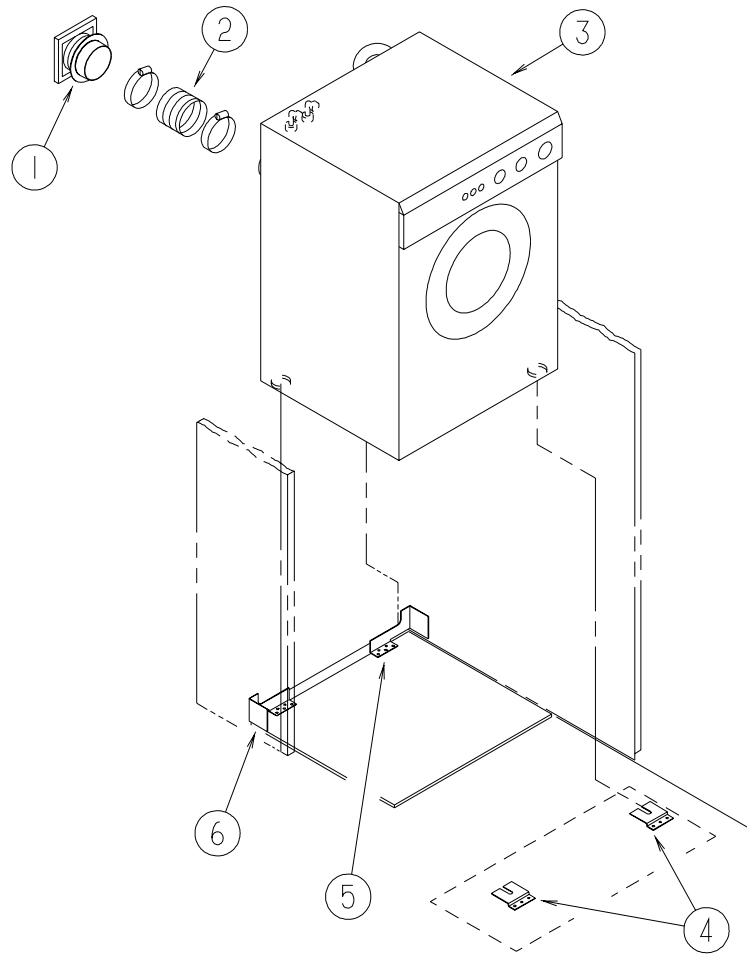
| KEY | PART NUMBER | U/M | DESCRIPTION |
|------------|--------------------|------------|--|
| 1 | 065225-01-000 | EA | PLATE - TIEDOWN/REFRIGERATOR |
| 2 | 093646-01-000 | EA | BRACKET - TIEDOWN/REFRIGERATOR - RIGHT HAND |
| 3 | 093646-02-000 | EA | BRACKET - TIEDOWN/REFRIGERATOR - LEFT HAND |
| 4 | 093369-02-000 | EA | STRAP - REFRIGERATOR |
| 5* | 125242-02-01A | EA | REFRIGERATOR-4 DR-W/ICE MKR-W/CONTOURED HANDLE-NORCOLD1201 |
| 6 | NOT USED | | |
| 7 | N/A | | SEE PANELING IN INTERIOR FINISH GROUP |
| 8 | N/A | | SEE PANELING IN INTERIOR FINISH GROUP |
| 9 | NOT USED | | |
| 10 | NOT USED | | |
| 11 | NOT USED | | |
| 12 | 112176-01-000 | FT | TUBING - VINYL - REINFORCED - 1/2" ID |
| 13 | N/A | | SEE PANELING IN INTERIOR FINISH GROUP |
| 14 | N/A | | SEE PANELING IN INTERIOR FINISH GROUP |
| | 054450-01-000 | EA | LEVEL - REFRIGERATOR |
| | 090329-01-000 | FT | SEAL/T - REFRIGERATOR CABINET |
| | 118871-03-01A | EA | TRAY - REFRIGERATOR - SIDE/SIDE - BLACK |

APPLIANCE GROUP (CONTINUED)
APPLIANCES (CONTINUED)



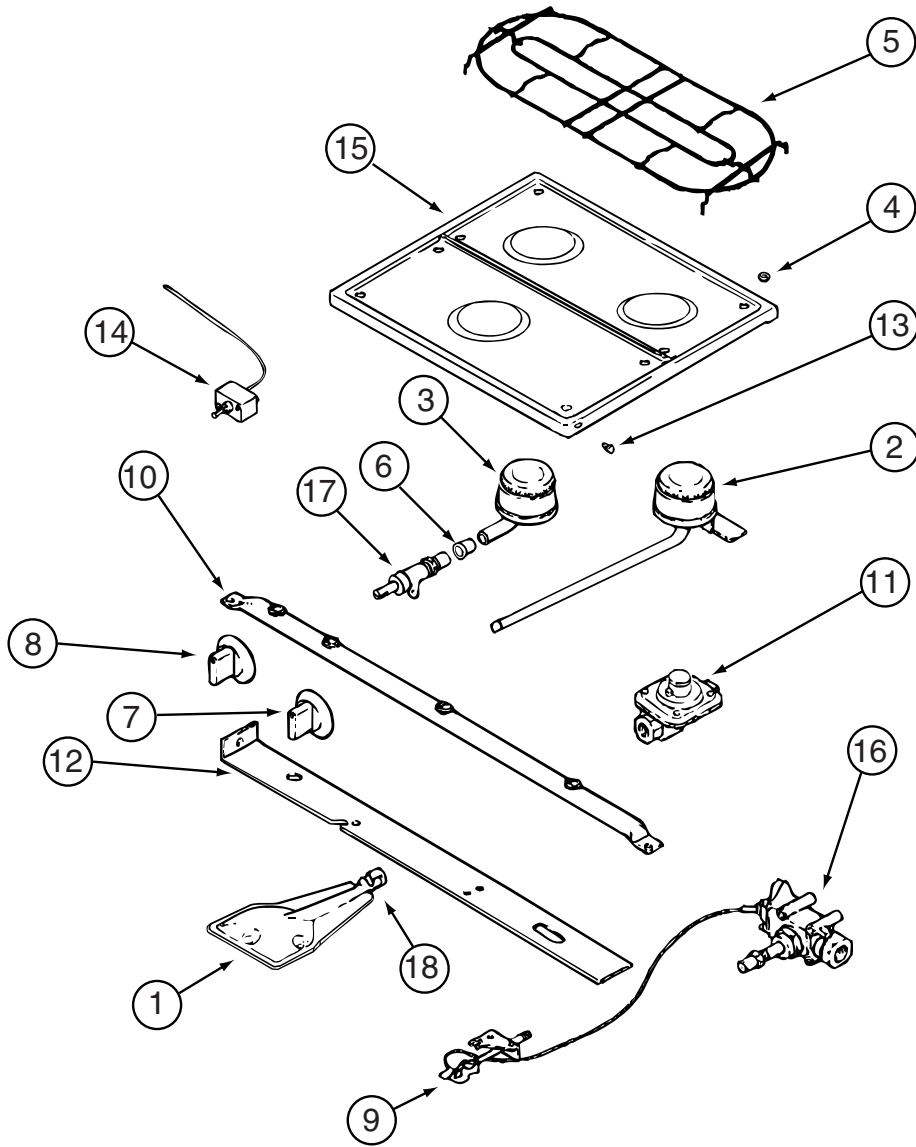
| KEY | PART NUMBER | U/M | DESCRIPTION |
|-----|---------------|-----|---------------------------------------|
| 1 | 137354-01-000 | EA | OVEN - MICROWAVE - 1.2 OTR - W/VENT |
| 2 | 137824-01-02B | EA | BRACKET - MICROWAVE - E-COATED - F30W |
| 3 | 138230-02-02B | EA | ANGLE - W/HOLES - E-COATED - F30W |
| 4 | 138230-01-02B | EA | ANGLE - W/HOLES - E-COATED - F30W |

APPLIANCE GROUP (CONTINUED)
APPLIANCES (CONTINUED)



| KEY | PART NUMBER | U/M | DESCRIPTION |
|-----|---------------|-----|---|
| 1 | 111947-02-01A | EA | VENT - DRYER - 3" |
| 2 | 116653-02-000 | FT | DUCT - FLEXIBLE - 3í COMPRESSED/8í EXTENDED |
| 3 | 107753-03-01A | EA | WASHER - DRYER - VENTED - UL/CSA - WHITE |
| 4 | 111913-01-01A | EA | BRACKET - WASHER - TIEDOWN |
| 5 | 113795-03-02B | EA | BRACKET - WASHER - E-COATED - F36M |
| 5 | 113795-04-02B | EA | BRACKET - WASHER - E-COATED - F34D |
| 6 | 113795-03-02B | EA | BRACKET - WASHER - E-COATED - F34D |
| 6 | 113795-04-02B | EA | BRACKET - WASHER - E-COATED - F36M |

APPLIANCE GROUP (CONTINUED)
COMPONENT PARTS FOR APPLIANCE



112881-02-03A

APPLIANCE GROUP (CONTINUED)
COMPONENT PARTS FOR APPLIANCE (CONTINUED)

112881-02-03A (CONTINUED)

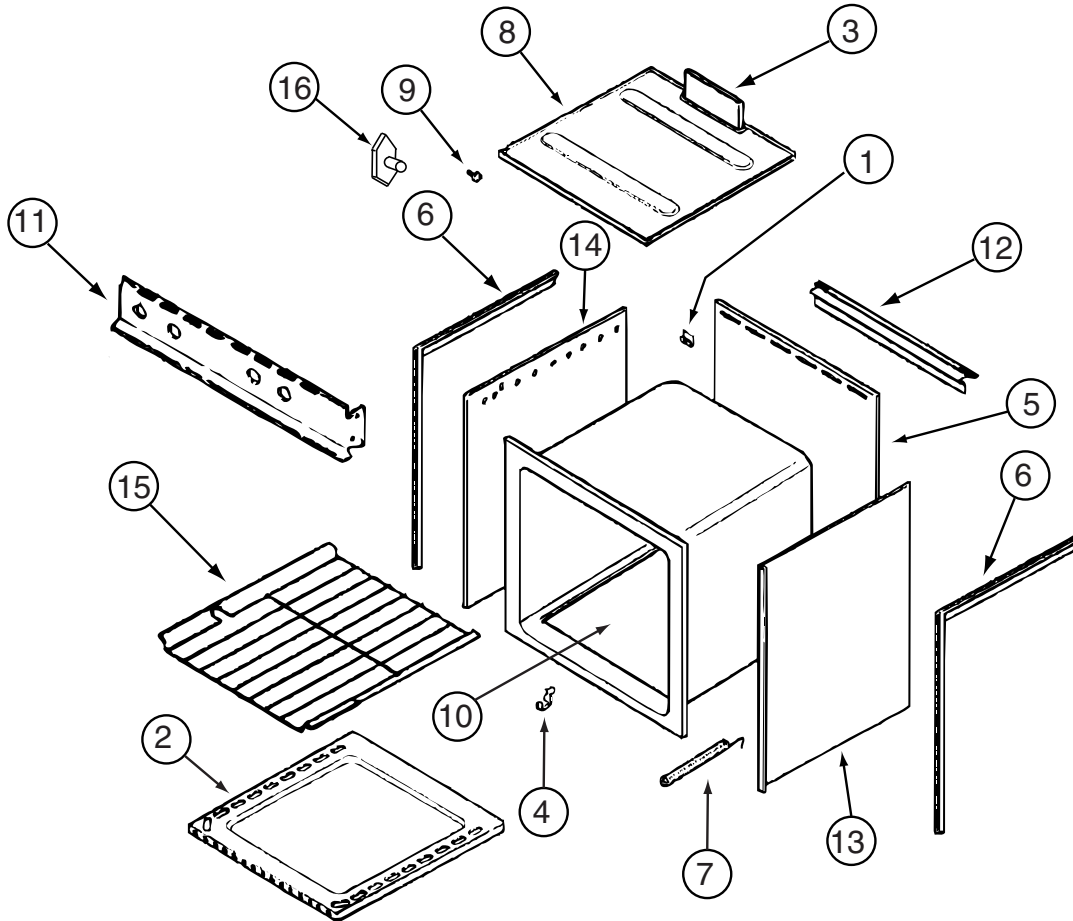
| KEY | PART NUMBER | U/M | DESCRIPTION | VENDOR NO. |
|------------|--------------------|------------|--------------------------------------|---------------------|
| 1 | 126023-01-717 | EA | BURNER - OVEN | 74003343 |
| 2 | 112881-01-717 | EA | BURNER, TOP REAR | 7505P181-60 |
| 3 | 112881-02-703 | EA | BURNER - FRONT HIGH OUTPUT | 7505P142-60 |
| 4 | 102020-01-709 | EA | BUMPER-GRATE | 8007-P020-60 |
| 5 | 126023-01-730 | EA | GRATE - TOP | 74003358 |
| 6 | 098507-02-701 | EA | INSERT-BURNER, SLOTTED VENT | 7214P015-60 |
| 7 | 112881-01-718 | EA | KNOB - TOP BURNER HI-OUTPUT | 74001794 |
| 7 | 112881-01-705 | EA | KNOB-TOP BURNER | 7733P072-60 |
| 8 | 126023-02-700 | EA | KNOB - THERMOSTAT - SERIES 11 | 74004359 |
| 8 | 126023-01-704 | EA | KNOB - THERMOSTAT - SERIES 10 | 7731P109-60 |
| 9 | 126023-02-701 | EA | PILOT - OVEN - SERIES 11 | 74004586 |
| 9 | 102020-01-714 | EA | PILOT-OVEN - SERIES 10 | 968-143 |
| 10 | 126023-02-702 | EA | PIPE - MANIFOLD - SERIES 11 | 74004360 |
| 10 | 126023-01-705 | EA | PIPE - MANIFOLD - SERIES 10 | 7513P161-60 |
| 11 | 126023-02-703 | EA | REGULATOR - PRESSURE - SERIES 11 | 74004235 |
| 11 | 128728-01-712 | EA | FITTING HALF UNION - SERIES 11 | 7507P083-60 |
| 11 | 102022-01-708 | EA | REGULATOR, 1/4 & 1/2 OUT - SERIES 10 | 7510P04160/12001285 |
| 13 | 102020-01-724 | EA | BUMPER-MAIN TOP | 8003P008-60 |
| 14 | 126023-01-734 | EA | THERMOSTAT OVEN - SERIES 11 | 74004361 |
| 14 | 112881-01-722 | EA | THERMOSTAT SER. - SERIES 10 | 7515P029-60K |
| 15 | 126023-01-728 | EA | TOP - MAIN (BLACK) | 74003323 |
| 16 | 126023-02-704 | EA | VALVE/OVEN - MERCURY - SERIES 11 | 74004585 |
| 16 | 112881-02-700 | EA | VALVE - OVEN - SERIES 10 | 7501P056-60 |
| 17 | 126023-02-705 | EA | VALVE -BURNER - REAR - SERIES 11 | 74004362 |
| 17 | 126023-02-706 | EA | VALVE - BURNER -FRONT - SERIES 11 | 74004363 |
| 17 | 126023-01-709 | EA | VALVE - BURNER (REAR) - SERIES 10 | 74003348 |
| 17 | 126023-01-710 | EA | VALVE - BURNER (FRONT) - SERIES 10 | 74003349 |
| 18 | 135656-01-701 | EA | MIXER/AIR | 3411F003-34 |
| | 128728-01-712 | EA | FITTING - HALF UNION | 7507P083-60 |

112881-03-01A

| KEY | PART NUMBER | U/M | DESCRIPTION | VENDOR NO. |
|------------|--------------------|------------|------------------------------|-------------------|
| 1 | 126023-01-717 | EA | BURNER - OVEN | 74003343 |
| 2 | 112881-01-717 | EA | BURNER, TOP REAR | 7505P181-60 |
| 3 | 112881-02-703 | EA | BURNER - FRONT HIGH OUTPUT | 7505P142-60 |
| 4 | 102020-01-709 | EA | BUMPER-GRATE | 8007-P020-60 |
| 5 | 126023-01-730 | EA | GRATE - TOP | 74003358 |
| 6 | 098507-02-701 | EA | INSERT-BURNER, SLOTTED VENT | 7214P015-60 |
| 7 | 112881-01-718 | EA | KNOB - TOP BURNER HI-OUTPUT | 74001794 |
| 7 | 112881-01-705 | EA | KNOB-TOP BURNER | 7733P072-60 |
| 8 | 112881-03-700 | EA | KNOB - THERMOSTAT - BLACK | 74004155 |
| 9 | 102020-01-714 | EA | PILOT-OVEN | 968-143 |
| 10 | 126023-01-705 | EA | PIPE - MANIFOLD | 7513P161-60 |
| 11 | 112881-03-701 | EA | REGULATOR KIT W/FITTINGS | 12001285 |
| 13 | 102020-01-724 | EA | BUMPER-MAIN TOP | 8003P008-60 |
| 14 | 112881-01-722 | EA | THERMOSTAT SER.# CHECK 12/13 | 7515P029-60K |
| 15 | 126023-01-728 | EA | TOP - MAIN (BLACK) | 74003323 |
| 16 | 102020-01-720 | EA | VALVE-MERCURY CONTROL | 7501P056-60 |
| | 128728-01-712 | EA | FITTING - HALF UNION | 7507P083-60 |

CONTACT WINNEBAGO PART SALES FOR UNLISTED COMPONENTS

APPLIANCE GROUP (CONTINUED)
COMPONENT PARTS FOR APPLIANCE (CONTINUED)



112881-02-03A (CONTINUED)

| KEY | PART NUMBER | U/M DESCRIPTION | VENDOR NO. |
|-----|---------------|---------------------------------|-------------|
| 1 | 112881-02-701 | EA CLIP - MAIN TOP (REAR) | 7112P071-60 |
| 2 | 126023-01-731 | EA BOTTOM - OVEN | 2205F016-19 |
| 3 | 126023-01-718 | EA FLUE BOX ASSEMBLY | 4006W075-80 |
| 6 | 112881-01-720 | EA TRIM-FLAT RH BLACK TEXTURED | 4002812 |
| 6 | 112881-01-719 | EA TRIM-FLAT LH BLACK TEXTURED | 74002813 |
| 7 | 112881-02-704 | EA SPRING-OVEN DOOR F/1641 MOD | 7803P052-60 |
| 7 | 112881-02-702 | EA SPRING - OVEN DOOR | 7803P051-60 |
| 11 | 126023-01-715 | EA PANEL - MANIFOLD | 74003350 |
| 12 | 112881-01-721 | EA DEFLECTOR FLUE BLACK TEXTURE | 74002809 |
| 15 | 126023-01-716 | EA RACK - OVEN | 74003106 |
| 16 | 128728-01-703 | EA T-NUT - F/HINGE | 7103P109-60 |
| | 112881-03-702 | EA CLIP - MAIN TOP | 74003998 |

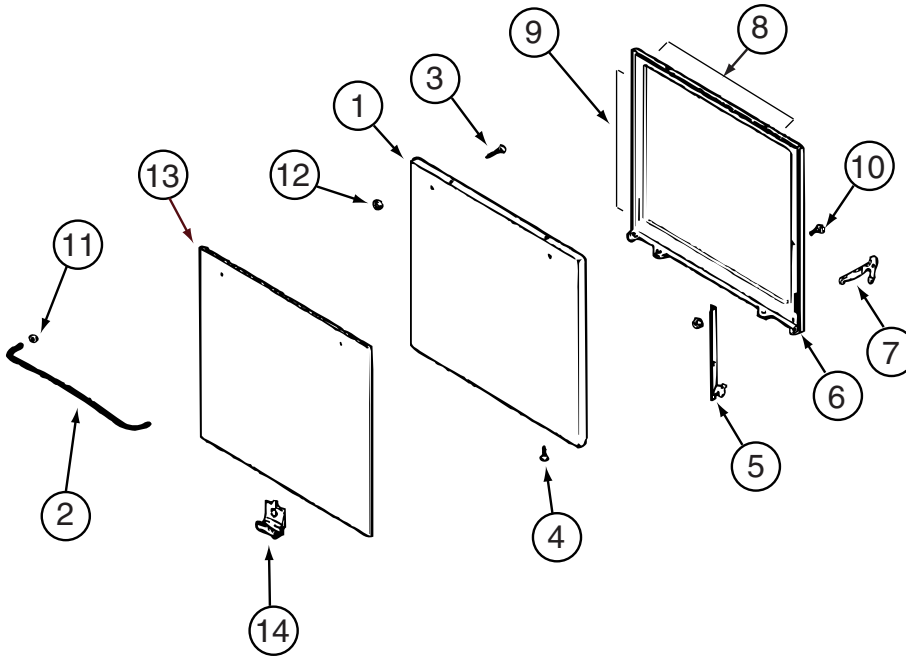
CONTACT WINNEBAGO PART SALES FOR UNLISTED COMPONENTS

112881-03-01A (CONTINUED)

| KEY | PART NUMBER | U/M DESCRIPTION | VENDOR NO. |
|-----|---------------|---------------------------------|-------------|
| 1 | 112881-02-701 | EA CLIP - MAIN TOP (REAR) | 7112P071-60 |
| 2 | 126023-01-731 | EA BOTTOM - OVEN | 2205F016-19 |
| 3 | 126023-01-718 | EA FLUE BOX ASSEMBLY | 4006W075-80 |
| 6 | 112881-01-720 | EA TRIM-FLAT RH BLACK TEXTURED | 4002812 |
| 6 | 112881-01-719 | EA TRIM-FLAT LH BLACK TEXTURED | 74002813 |
| 7 | 112881-02-704 | EA SPRING-OVEN DOOR F/1641 MOD | 7803P052-60 |
| 7 | 112881-02-702 | EA SPRING - OVEN DOOR | 7803P051-60 |
| 11 | 126023-01-715 | EA PANEL - MANIFOLD | 74003350 |
| 12 | 112881-01-721 | EA DEFLECTOR FLUE BLACK TEXTURE | 74002809 |
| 15 | 126023-01-716 | EA RACK - OVEN | 74003106 |
| 16 | 128728-01-703 | EA T-NUT - F/HINGE | 7103P109-60 |
| | 112881-03-702 | EA CLIP - MAIN TOP | 74003998 |

CONTACT WINNEBAGO PART SALES FOR UNLISTED COMPONENTS

APPLIANCE GROUP (CONTINUED)
COMPONENT PARTS FOR APPLIANCE (CONTINUED)



112881-02-03A (CONTINUED)

| KEY | PART NUMBER | U/M | DESCRIPTION | VENDOR NO. |
|-----|---------------|-----|------------------------------|-------------|
| 1 | 112881-02-705 | EA | DOOR/OVEN-TEXT/BLK-F/WINDOW | 74001273 |
| 1 | 112881-01-713 | EA | DOOR/OVEN-TEXT/BLK NO WINDOW | 2401F126-70 |
| 2 | 102020-01-701 | EA | HANDLE,DOOR | 7701P092-60 |
| 8 | 126023-01-732 | EA | SEAL/OVEN DR TOP | 7212P014-60 |
| 9 | 126023-01-733 | EA | SEAL/OVEN DR SIDES(2PCS) | 7212P038-60 |
| 13 | 102022-01-704 | EA | GLASS-OUTER | 7902P261-60 |

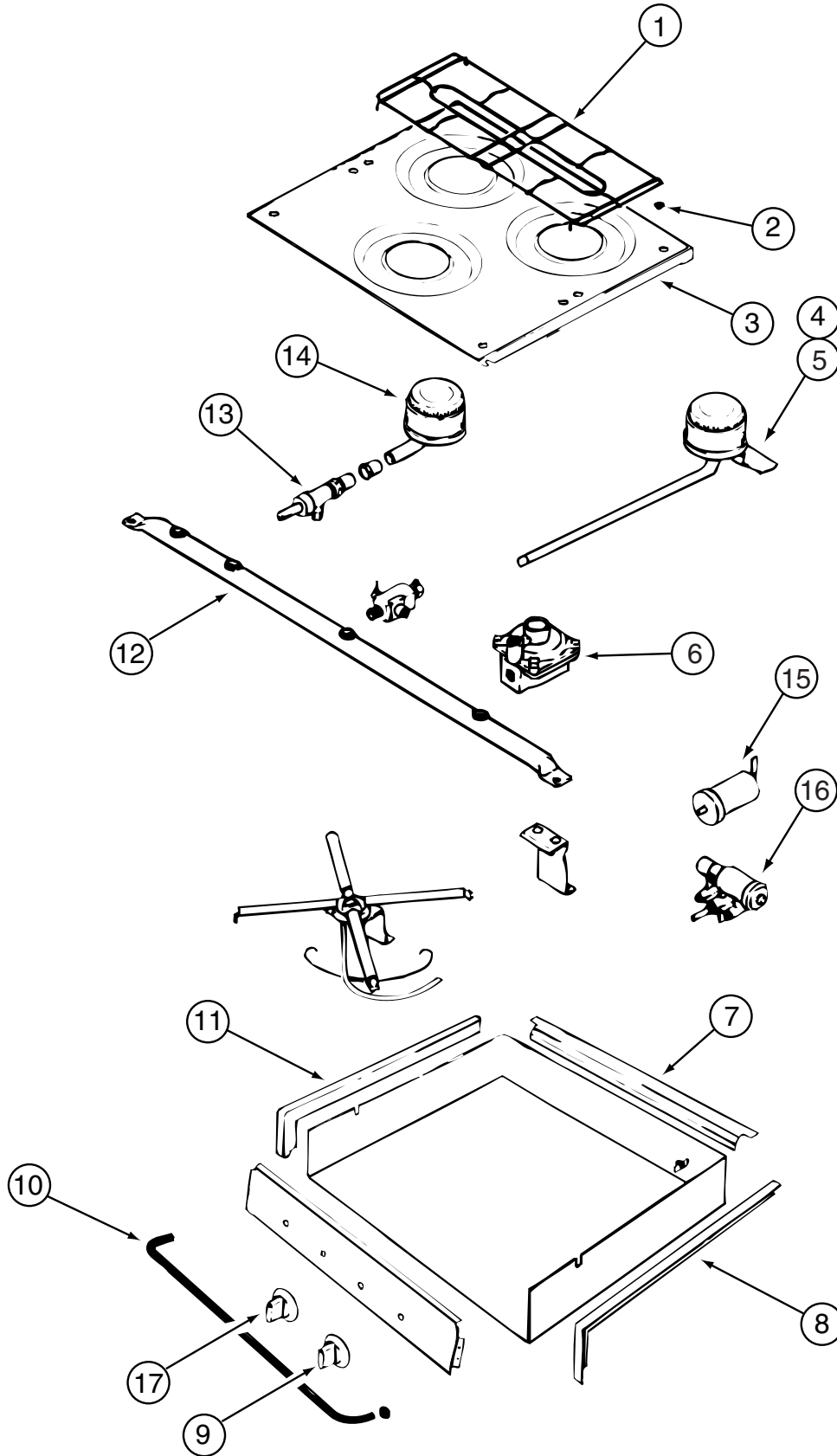
CONTACT WINNEBAGO PART SALES FOR UNLISTED COMPONENTS

112881-03-01A (CONTINUED)

| KEY | PART NUMBER | U/M | DESCRIPTION | VENDOR NO. |
|-----|---------------|-----|------------------------------|-------------|
| 1 | 112881-02-705 | EA | DOOR/OVEN-TEXT/BLK-F/WINDOW | 74001273 |
| 1 | 112881-01-713 | EA | DOOR/OVEN-TEXT/BLK NO WINDOW | 2401F126-70 |
| 2 | 102020-01-701 | EA | HANDLE,DOOR | 7701P092-60 |
| 8 | 126023-01-732 | EA | SEAL/OVEN DR TOP | 7212P014-60 |
| 9 | 126023-01-733 | EA | SEAL/OVEN DR SIDES(2PCS) | 7212P038-60 |
| 13 | 102022-01-704 | EA | GLASS-OUTER | 7902P261-60 |

CONTACT WINNEBAGO PART SALES FOR UNLISTED COMPONENTS

APPLIANCE GROUP (CONTINUED)
COMPONENT PARTS FOR APPLIANCE (CONTINUED)



114030-02-01A, 114030-03-01A

APPLIANCE GROUP (CONTINUED)
COMPONENT PARTS FOR APPLIANCE (CONTINUED)

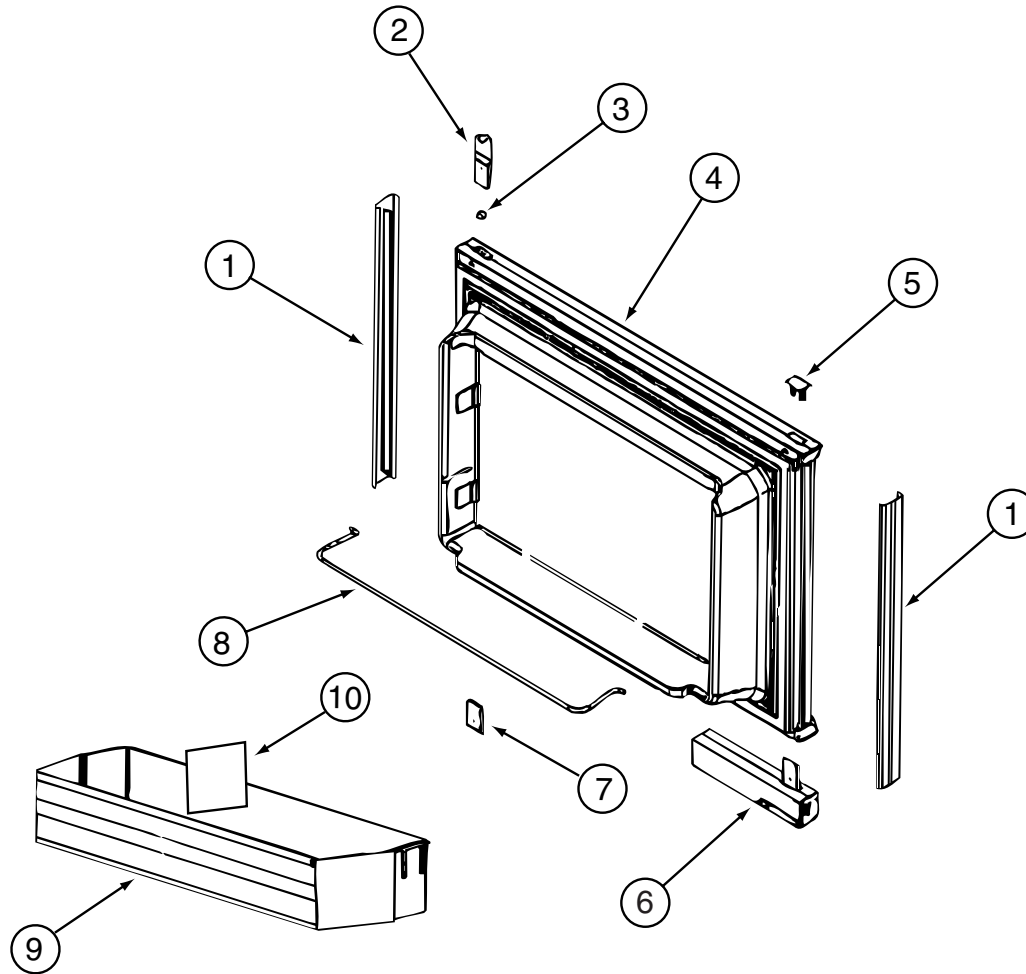
114030-02-01A, 114030-03-01A (CONTINUED)

| KEY | PART NUMBER | U/M | DESCRIPTION | VENDOR NO. |
|------------|--------------------|------------|------------------------------|--------------------|
| 1 | 126023-01-703 | EA | GRATE - TOP | 74003358 |
| 2 | 102020-01-709 | EA | BUMPER - GRATE | 8007-P020-60 |
| 3 | 126023-01-706 | EA | TOP - MAIN (WHITE) | 74003322 |
| 3 | 126023-01-707 | EA | TOP - MAIN (BLACK) | 74003323 |
| 3 | 126023-01-708 | EA | TOP - MAIN (ALMOND) | 74003324 |
| 4 | 126023-01-700 | EA | BURNER - TOP (RT-REAR) | 7505P195-60 |
| 5 | 126023-01-701 | EA | BURNER - TOP (LT-REAR) | 7505P196-60 |
| 6 | 102020-01-729 | EA | REGULATOR - PRESSURE | 7510P043-60 |
| 7 | 114030-01-706 | EA | TRIM - REAR/BLACK TEXTURED | 74002841 |
| 8 | 114030-01-704 | EA | TRIM - RIGHT/BLACK TEXTURED | 74002839 |
| 9 | 126023-01-720 | EA | KNOB - IGNITER | 74002414 |
| 10 | 114030-02-700 | EA | GUARD/FABRIC - TOWEL BAR | 3609F006-70 |
| 11 | 114030-01-705 | EA | TRIM - LEFT/BLACK TEXTURED | 74002840 |
| 12 | 126023-01-705 | EA | PIPE - MANIFOLD | 7513P161-60 |
| 13 | 126023-01-709 | EA | VALVE - BURNER (REAR) | 74003348 |
| 13 | 126023-01-710 | EA | VALVE - BURNER (FRONT) | 74003349 |
| 14 | 126023-01-702 | EA | BURNER - TOP (FRONT) | 7505P144-60 |
| 15 | 126023-01-711 | EA | ELECTRODE - IGNITER | 7432P077-60 |
| 16 | 126023-01-719 | EA | IGNITER - TOP BURNER | 74002413 |
| 17 | 112881-01-705 | EA | KNOB - TOP BURNER | 733P072-60 |
| 17 | 112881-01-718 | EA | KNOB - TOP BURNER HI-OUTPUT | 74001794 |
| | 126023-01-735 | EA | KIT-IGNITOR TOP BRNER & KNOB | 12001296=74002413& |
| | 128728-01-703 | EA | T-NUT - F/HINGE | 7103P109-60 |

115504-01-000

| KEY | PART NUMBER | U/M | DESCRIPTION | VENDOR NO. |
|------------|--------------------|------------|-----------------------------|-------------------|
| | 115504-01-700 | EA | PLUG & CABLE, 10 WATT PANEL | 600-016 |

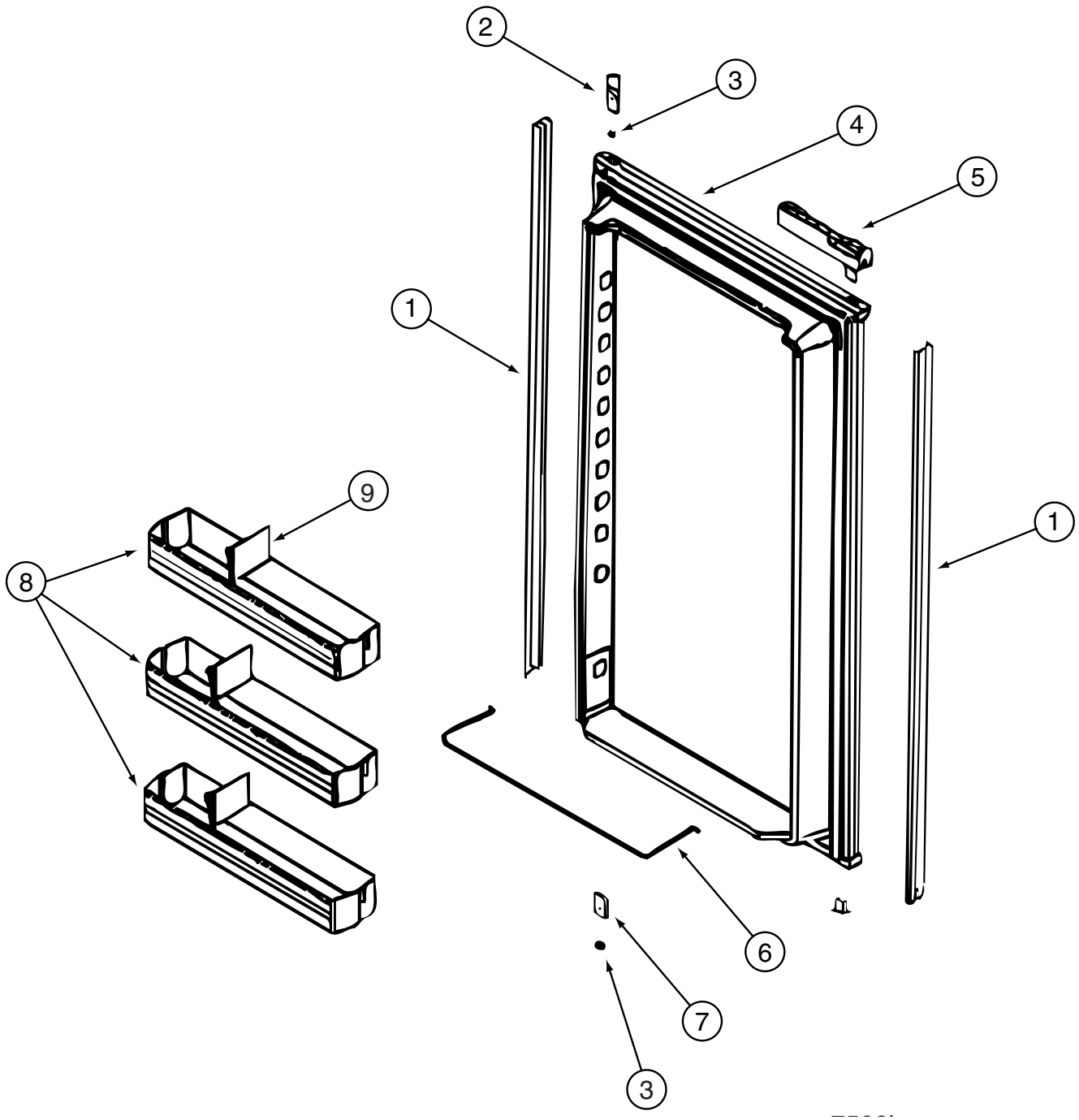
APPLIANCE GROUP (CONTINUED)
COMPONENT PARTS FOR APPLIANCE (CONTINUED)



120075-13-01A, 120075-14-01A, 120075-15-01A

| KEY | PART NUMBER | U/M | DESCRIPTION | VENDOR NO. |
|-----|---------------|-----|------------------------------|---------------------|
| 1 | 121568-03-700 | EA | RETAINER - DOOR PANEL/BLACK | 619558 |
| 2 | 120075-01-701 | EA | HINGE-TOP RH/BOTTOM LH(DOOR) | 618511 |
| 3 | 121568-03-701 | EA | BUSHING - HINGE PIN/GRAY | 619671 |
| 4 | 121568-03-702 | EA | DOOR LINER - W/TRIM/BLACK | 619627 - SMALL DOOR |
| 5 | 120075-01-702 | EA | CAP, (HINGE PLUG) | 618160 |
| 6 | 120075-12-700 | EA | HANDLE(CONTOUR)TOP LH/BTM RH | 621105 |
| | 120075-12-702 | EA | HANDLE/HOUSING-TOP-LH/BTM RH | 618159GEN |
| 6 | 120075-12-701 | EA | HANDLE(CONTOUR)TOP RH/BTM LH | 621104 |
| | 120075-12-709 | EA | HANDLE/HOUSING-BTM LH/TOP RH | 618122GEN |
| | 120075-12-703 | EA | HANDLE - PLASTIC - NEW STYLE | 620928 |
| | 120075-12-704 | EA | SPRING - COMPRESSION | 618182 |
| | 120075-12-705 | EA | LATCH - HANDLE | 618121 |
| | 120075-12-706 | EA | PIN - STEEL | 618622 |
| | 120075-12-707 | EA | LATCH | 619648 |
| | 120075-12-708 | EA | LATCH - SPRING | 620960 |
| 6 | 121568-03-703 | EA | HANDLE/FLUSH-TOP/RH-LWR/LH | 619865 |
| 6 | 121568-03-708 | EA | HANDLE/FLUSH-TOP/LH-LWR/RH | 619866 |
| 7 | 120075-01-705 | EA | HINGE-TOP LH/BOTTOM RH(DOOR) | 618510 |
| 8 | 121568-01-700 | EA | RAIL - DOOR UPPER | 618618 |
| 9 | 120075-07-700 | EA | DOOR BIN - CLEAR | 619006 |
| 10 | 120075-07-701 | EA | DIVIDER/DOOR BIN CLEAR | 619008 |
| | 121568-03-704 | EA | TRAVEL LATCH - GRAY | 619647 |
| | 121568-03-705 | EA | STORAGE LATCH - GRAY | 619648 |

APPLIANCE GROUP (CONTINUED)
COMPONENT PARTS FOR APPLIANCE (CONTINUED)



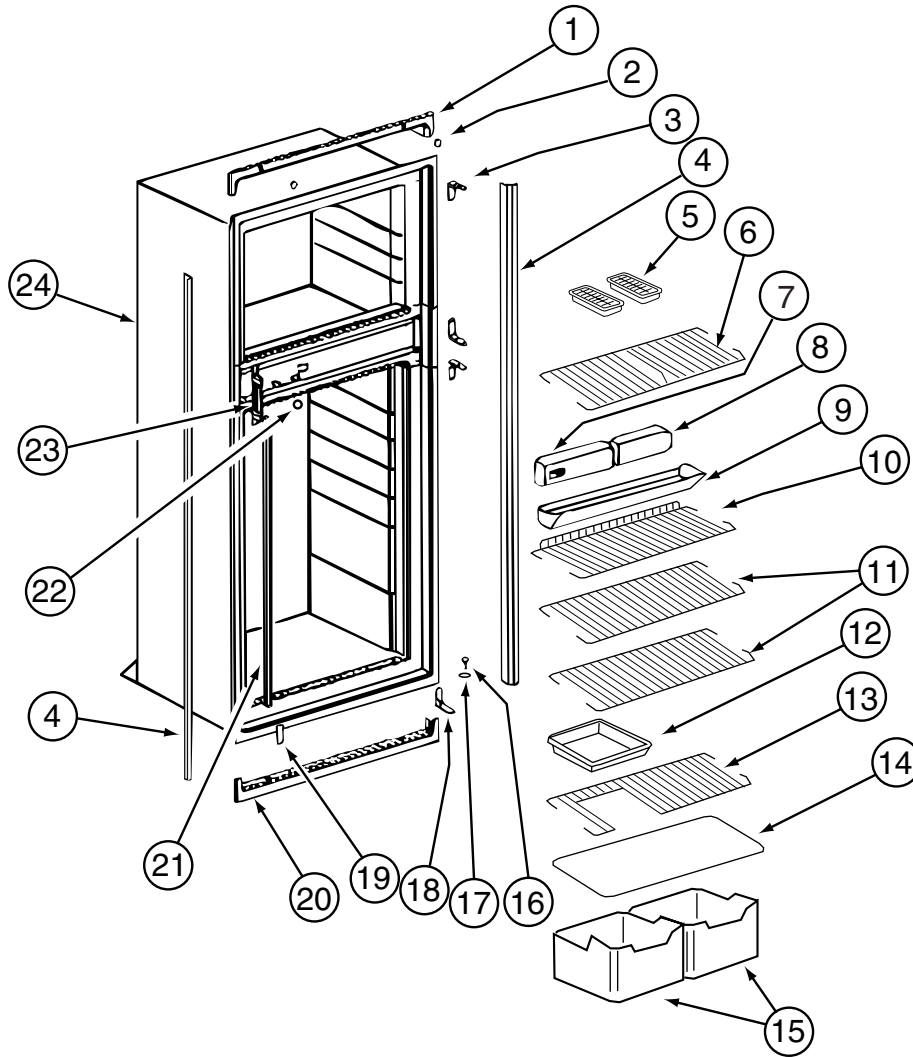
120075-13-01A, 120075-14-01A, 120075-15-01A (CONTINUED)

APPLIANCE GROUP (CONTINUED)
COMPONENT PARTS FOR APPLIANCE (CONTINUED)

120075-13-01A, 120075-14-01A, 120075-15-01A (CONTINUED)

| KEY | PART NUMBER | U/M | DESCRIPTION | VENDOR NO. |
|-----|---------------|-----|------------------------------|---------------------|
| 1 | 120075-07-702 | EA | RETAINER - DOOR PANEL/BLACK | 619560 |
| 2 | 120075-01-701 | EA | HINGE-TOP RH/BOTTOM LH(DOOR) | 618511 |
| 3 | 121568-03-701 | EA | BUSHING - HINGE PIN/GRAY | 619671 |
| 4 | 120075-07-703 | EA | DOOR LINER - BLACK | 619631 - LARGE DOOR |
| 5 | 120075-12-700 | EA | HANDLE(CONTOUR)TOP LH/BTM RH | 621105 |
| | 120075-12-702 | EA | HANDLE/HOUSING-TOP-LH/BTM RH | 618159GEN |
| 5 | 120075-12-701 | EA | HANDLE(CONTOUR)TOP RH/BTM LH | 621104 |
| | 120075-12-709 | EA | HANDLE/HOUSING-BTM LH/TOP RH | 618122GEN |
| | 120075-12-703 | EA | HANDLE - PLASTIC - NEW STYLE | 620928 |
| | 120075-12-704 | EA | SPRING - COMPRESSION | 618182 |
| | 120075-12-705 | EA | LATCH - HANDLE | 618121 |
| | 120075-12-706 | EA | PIN - STEEL | 618622 |
| | 120075-12-707 | EA | LATCH | 619648 |
| | 120075-12-708 | EA | LATCH - SPRING | 620960 |
| 5 | 121568-03-703 | EA | HANDLE/FLUSH-TOP/RH-LWR/LH | 619865 |
| 5 | 121568-03-708 | EA | HANDLE/FLUSH-TOP/LH-LWR/RH | 619866 |
| 6 | 121568-01-704 | EA | RAIL - DOOR LOWER | 618578 |
| 7 | 120075-01-705 | EA | HINGE-TOP LH/BOTTOM RH(DOOR) | 618510 |
| 8 | 120075-07-700 | EA | DOOR BIN - CLEAR | 619006 |
| 8 | 120075-07-704 | EA | DOOR BIN - LARGE/CLEAR | 619005 |
| 9 | 120075-07-701 | EA | DIVIDER/DOOR BIN CLEAR | 619008 |
| | 121568-03-704 | EA | TRAVEL LATCH - GRAY | 619647 |
| | 121568-03-705 | EA | STORAGE LATCH - GRAY | 619648 |

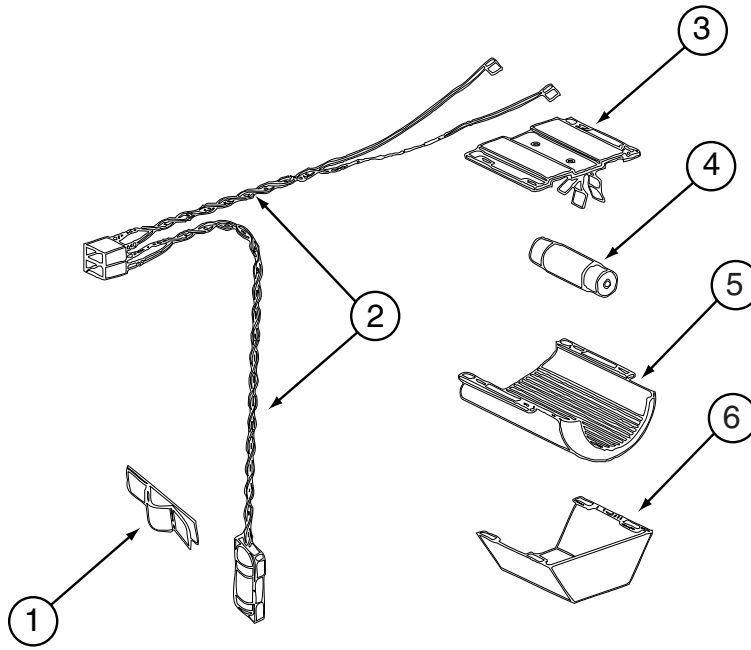
APPLIANCE GROUP (CONTINUED)
COMPONENT PARTS FOR APPLIANCE (CONTINUED)



120075-13-01A, 120075-14-01A, 120075-15-01A (CONTINUED)

| KEY | PART NUMBER | U/M | DESCRIPTION | VENDOR NO. |
|-----|---------------|-----|-----------------------------|------------|
| 1 | 121568-03-709 | EA | TRIM - TOP/BLACK | 619687 |
| 2 | 120075-01-714 | EA | PLUG-HOLE | 618170 |
| 3 | 121568-03-710 | EA | HINGE/CABINET-TOP/RH-LWR/LH | 619335 |
| 4 | 120075-07-705 | EA | TRIM - SIDE - BLACK | 619802 |
| 5 | 104137-06-724 | EA | ICE TRAY | 61630422 |
| 6 | 120075-07-706 | EA | SHELF - WIRE/FREEZER | 620249 |
| 7 | 120075-07-707 | EA | CONTROL BOX - BLACK | 619665 |
| 8 | 121568-03-713 | EA | FRONT BOX/DECORATIVE-BLACK | 619282 |
| 9 | 120075-01-720 | EA | TRAY-DRIP | 618137 |
| 10 | 120075-01-722 | EA | SHELF-WIRE, SHORT | 618239 |
| 11 | 120075-01-723 | EA | SHELF-WIRE | 618114 |
| 12 | 104137-06-718 | EA | SHELF-TRAY, WHITE, W/CUTOUT | 617756 |
| 13 | 120075-01-724 | EA | SHELF-WIRE, W/CUTOUT | 618177 |
| 14 | 120075-01-725 | EA | COVER-CRISPER | 618158 |
| 15 | 120075-07-708 | EA | CRISPER/ICE BIN | 619007 |
| 16 | 120075-01-727 | EA | PIN-HINGE | 618145 |
| 17 | 121568-03-701 | EA | BUSHING - HINGE PIN/GRAY | 619671 |
| 18 | 121568-03-715 | EA | HINGE/CABINET-TOP/LH-LWR/RH | 619336 |
| 19 | 121568-03-716 | EA | COVER - HINGE HOLES | 619301 |
| 20 | 120075-01-729 | EA | TRIM-BOTTOM PIECE | 618136 |
| 21 | 120075-01-730 | EA | RETAINER-SHELF | 618181 |
| 22 | 121568-03-717 | EA | HOLE PLUG - WHITE | 619561 |
| 23 | 120075-01-732 | EA | PLATE-STRIKE | 618167 |
| 24 | 120075-09-700 | EA | CABINET - FOAMED | 619660 |
| | 120075-01-721 | EA | LOUVER-DRIP TRAY | 618176 |

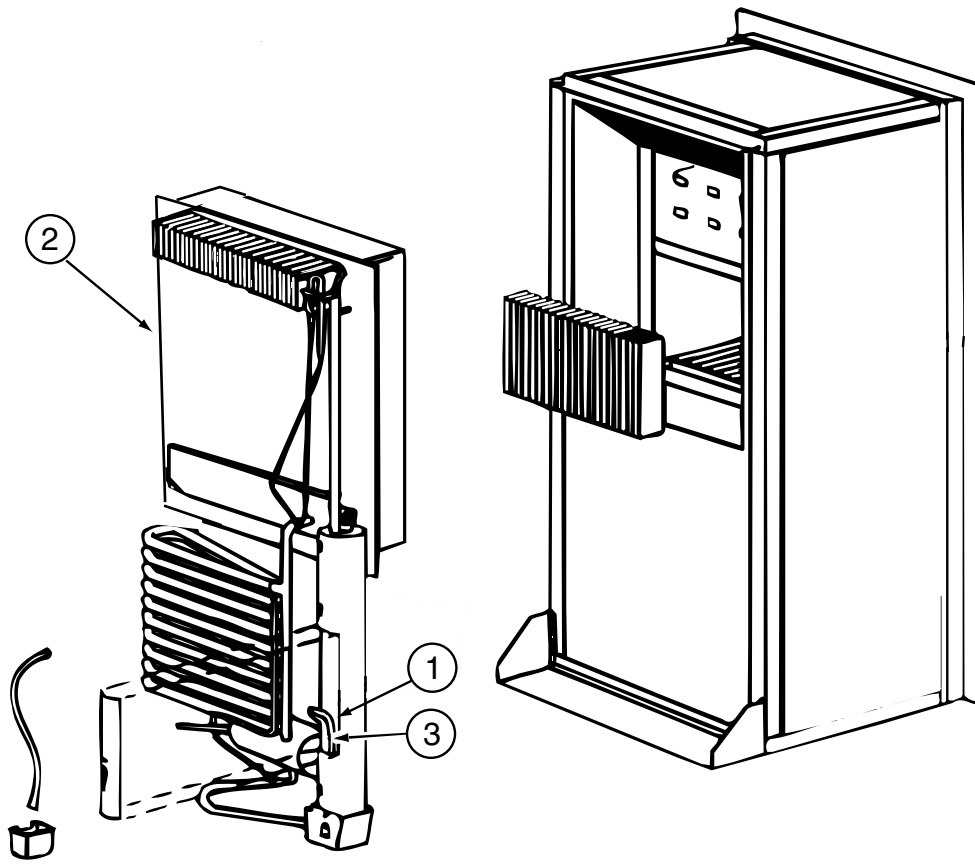
APPLIANCE GROUP (CONTINUED)
COMPONENT PARTS FOR APPLIANCE (CONTINUED)



120075-13-01A, 120075-14-01A, 120075-15-01A (CONTINUED)

| KEY | PART NUMBER | U/M | DESCRIPTION | VENDOR NO. |
|-----|---------------|-----|------------------------------|------------|
| 1 | 084880-01-760 | EA | CLIP (THERMISTER) | 61689122 |
| 2 | 120075-01-735 | EA | THERMISTER W/LAMP & WIRE/ASM | 618548 |
| 3 | 084880-03-705 | EA | BRACKET-LIGHT-INTERIOR | 61629722 |
| 4 | 084880-03-706 | EA | BULB-LAMP | 61628922 |
| 5 | 120075-01-734 | EA | COVER-LENS | 618190 |
| 6 | 084880-03-707 | EA | COVER-LAMP, LENS | 61627922 |

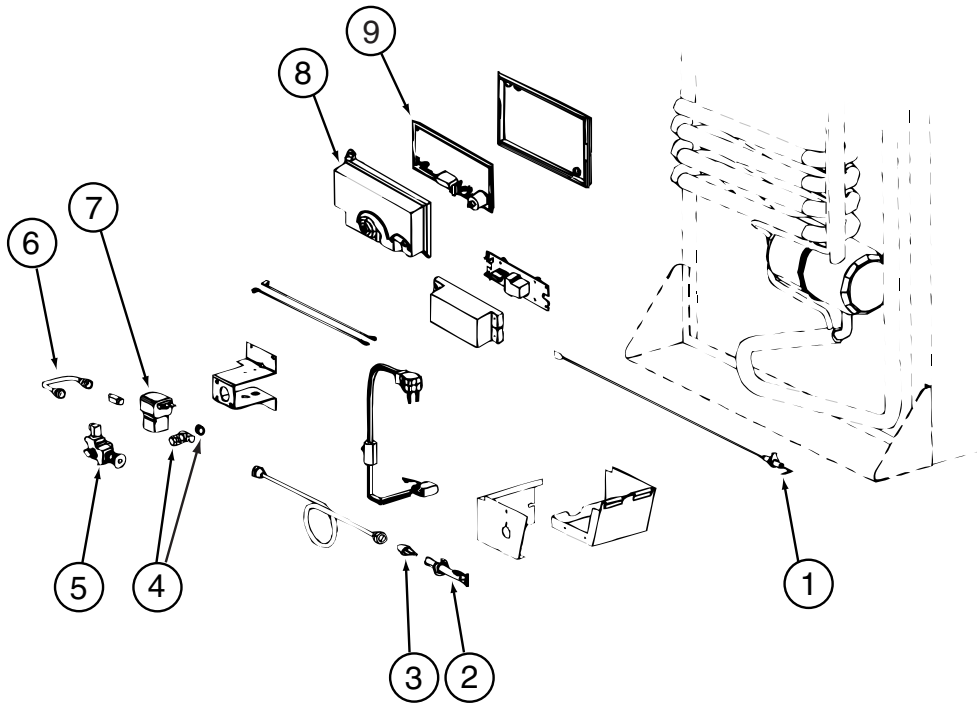
APPLIANCE GROUP (CONTINUED)
COMPONENT PARTS FOR APPLIANCE (CONTINUED)



120075-13-01A, 120075-14-01A, 120075-15-01A (CONTINUED)

| KEY | PART NUMBER | U/M | DESCRIPTION | VENDOR NO. |
|------------|--------------------|------------|----------------------------|-------------------|
| 1 | 088248-01-710 | EA | HEATER DC (HORIZONTAL) | 61562822 |
| 2 | 120075-01-736 | EA | COOLING UNIT, SERVICE PACK | 618542 |
| 3 | 088248-01-709 | EA | HEATER-AC (HORIZONTAL) | 61562722 |

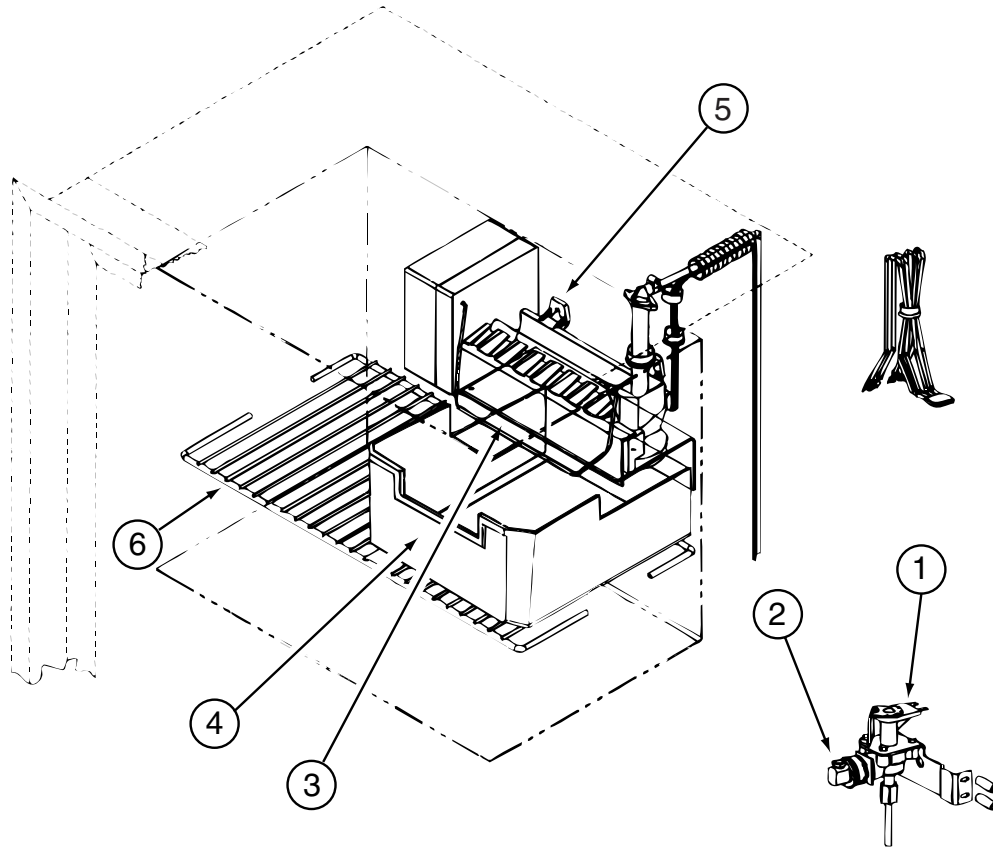
APPLIANCE GROUP (CONTINUED)
COMPONENT PARTS FOR APPLIANCE (CONTINUED)



120075-13-01A, 120075-14-01A, 120075-15-01A (CONTINUED)

| KEY | PART NUMBER | U/M | DESCRIPTION | VENDOR NO. |
|-----|---------------|-----|------------------------------|------------|
| 1 | 104137-06-715 | EA | ELECTRODE-SPARK/SENSOR, SGL | 61692222 |
| 2 | 104137-06-714 | EA | BURNER ASSEMBLY, 5-SLOT | 61705222 |
| 3 | 120075-01-737 | EA | ORIFICE - JEWEL - .0155 | 618284 |
| 4 | 113737-01-702 | EA | PLUG 1/8" F/PRESSURE TAP | 61445322 |
| 4 | 113737-01-716 | EA | TAP-PRESSURE | 61594422 |
| 5 | 104137-06-734 | EA | VALVE-SHUT OFF/MAN-OLD STYLE | 61694922 |
| 6 | 113737-01-750 | EA | TUBE-UNION | 61694622 |
| 7 | 084880-01-718 | EA | VALVE-GAS, (ASCO) | 61551822 |
| 8 | 120075-01-738 | EA | COVER-POWER BOARD | 618185 |
| 9 | 120075-07-710 | EA | POWER - BOARD - 2-WAY | 619360 |
| | 104137-06-734 | EA | VALVE-SHUT OFF/MAN-NEW STYLE | 618696 |
| | 120075-01-744 | EA | KIT - GAS VALVE/BURNER TUBE | 620609 |

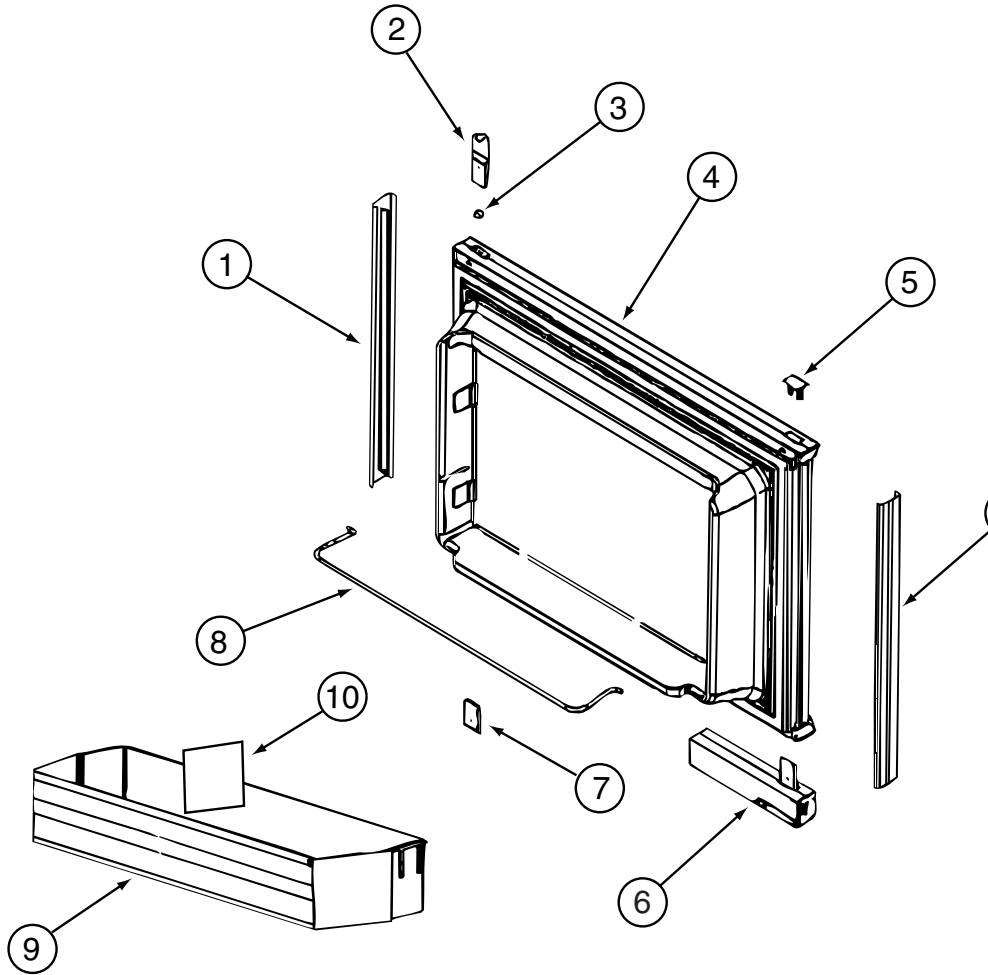
APPLIANCE GROUP (CONTINUED)
COMPONENT PARTS FOR APPLIANCE (CONTINUED)



120075-13-01A, 120075-14-01A (CONTINUED)

| KEY | PART NUMBER | U/M | DESCRIPTION | VENDOR NO. |
|-----|---------------|-----|---------------------------|------------|
| 1 | 120075-09-701 | EA | WATER VALVE W/BRACKET | 618253 |
| 2 | 120075-03-702 | EA | NUT/COMPRESSION - FITTING | 61678722 |
| 3 | 120075-03-703 | EA | ARM-SHUT OFF | 61656922 |
| 4 | 120075-03-704 | EA | BIN-ICE CUBE | 618154 |
| 5 | 094039-07-706 | EA | ICE MAKER W/O PLATES | 61656522 |
| 6 | 120075-01-717 | EA | SHELF-FREEZER, WIRE | 618172 |
| | 120075-09-702 | EA | RELAY - 12 VOLT | 620239 |

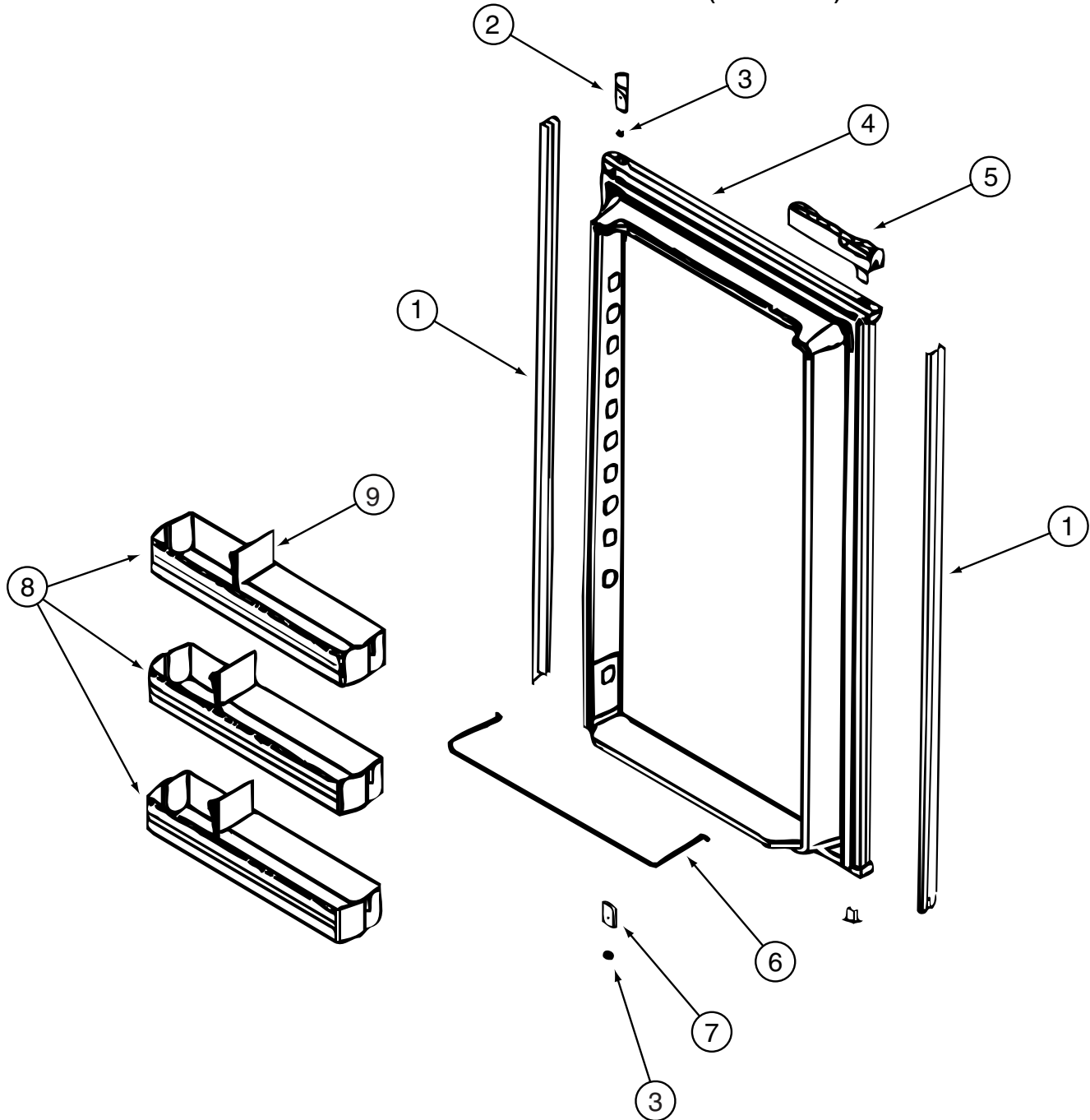
APPLIANCE GROUP (CONTINUED)
COMPONENT PARTS FOR APPLIANCE (CONTINUED)



121569-05-01A, 121569-07-01A

| KEY | PART NUMBER | U/M | DESCRIPTION | VENDOR NO. |
|-----|---------------|-----|------------------------------|---------------------|
| 1 | 121568-03-700 | EA | RETAINER - DOOR PANEL/BLACK | 619558 |
| 2 | 120075-01-701 | EA | HINGE-TOP RH/BOTTOM LH(DOOR) | 618511 |
| 3 | 121568-03-701 | EA | BUSHING - HINGE PIN/GRAY | 619671 |
| 4 | 121568-03-702 | EA | DOOR LINER - W/TRIM/BLACK | 619627 - SMALL DOOR |
| 5 | 120075-01-702 | EA | CAP, (HINGE PLUG) | 618160 |
| 6 | 120075-12-700 | EA | HANDLE(CONTOUR)TOP LH/BTM RH | 621105 |
| | 120075-12-702 | EA | HANDLE/HOUSING-TOP-LH/BTM RH | 618159GEN |
| | 120075-12-703 | EA | HANDLE - PLASTIC - NEW STYLE | 620928 |
| | 120075-12-704 | EA | SPRING - COMPRESSION | 618182 |
| | 120075-12-705 | EA | LATCH - HANDLE | 618121 |
| | 120075-12-706 | EA | PIN - STEEL | 618622 |
| | 120075-12-707 | EA | LATCH | 619648 |
| | 120075-12-708 | EA | LATCH - SPRING | 620960 |
| 7 | 120075-01-705 | EA | HINGE-TOP LH/BOTTOM RH(DOOR) | 618510 |
| 8 | 121568-01-700 | EA | RAIL - DOOR UPPER | 618618 |
| 9 | 120075-07-700 | EA | DOOR BIN - CLEAR | 619006 |
| 10 | 120075-07-701 | EA | DIVIDER/DOOR BIN CLEAR | 619008 |
| | 121568-03-705 | EA | STORAGE LATCH - GRAY | 619648 |

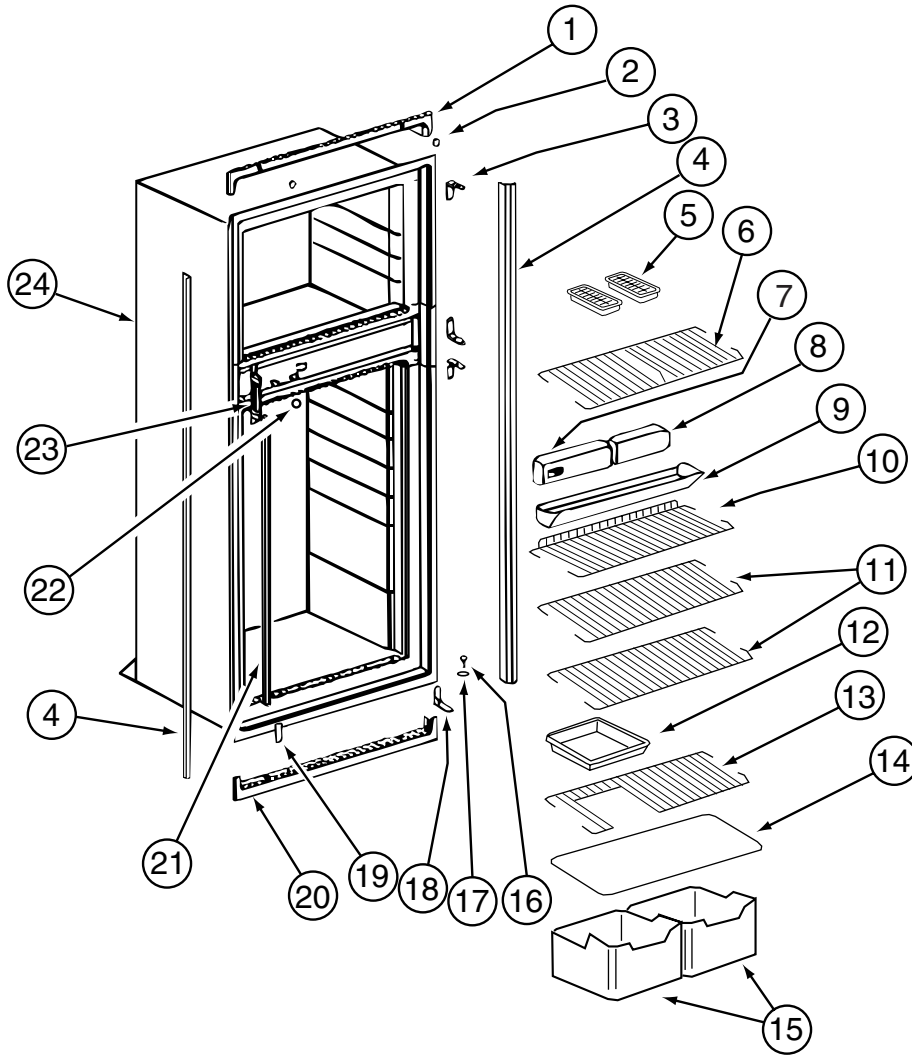
APPLIANCE GROUP (CONTINUED)
COMPONENT PARTS FOR APPLIANCE (CONTINUED)



121569-05-01A, 121569-07-01A (CONTINUED)

| KEY | PART NUMBER | U/M | DESCRIPTION | VENDOR NO. |
|-----|---------------|-----|------------------------------|------------|
| 1 | 120075-07-702 | EA | RETAINER - DOOR PANEL/BLACK | 619560 |
| 2 | 120075-01-701 | EA | HINGE-TOP RH/BOTTOM LH(DOOR) | 618511 |
| 3 | 121568-03-701 | EA | BUSHING - HINGE PIN/GRAY | 619671 |
| 4 | 121568-03-707 | EA | DOOR LINER - W/BLACK TRIM | 619629 |
| 5 | 120075-12-701 | EA | HANDLE(CONTOUR)TOP RH/BTM LH | 621104 |
| | 120075-12-709 | EA | HANDLE/HOUSING-BTM LH/TOP RH | 618122GEN |
| | 120075-12-703 | EA | HANDLE - PLASTIC - NEW STYLE | 620928 |
| | 120075-12-704 | EA | SPRING - COMPRESSION | 618182 |
| | 120075-12-705 | EA | LATCH - HANDLE | 618121 |
| | 120075-12-706 | EA | PIN - STEEL | 618622 |
| | 120075-12-707 | EA | LATCH | 619648 |
| | 120075-12-708 | EA | LATCH - SPRING | 620960 |
| 6 | 121568-01-704 | EA | RAIL - DOOR LOWER | 618578 |
| 7 | 120075-01-705 | EA | HINGE-TOP LH/BOTTOM RH(DOOR) | 618510 |
| 8 | 121568-01-701 | EA | BIN - DOOR WHITE | 618619 |
| 9 | 120075-07-701 | EA | DIVIDER/DOOR BIN CLEAR | 619008 |
| | 121568-03-705 | EA | STORAGE LATCH - GRAY | 619648 |

APPLIANCE GROUP (CONTINUED)
COMPONENT PARTS FOR APPLIANCE (CONTINUED)

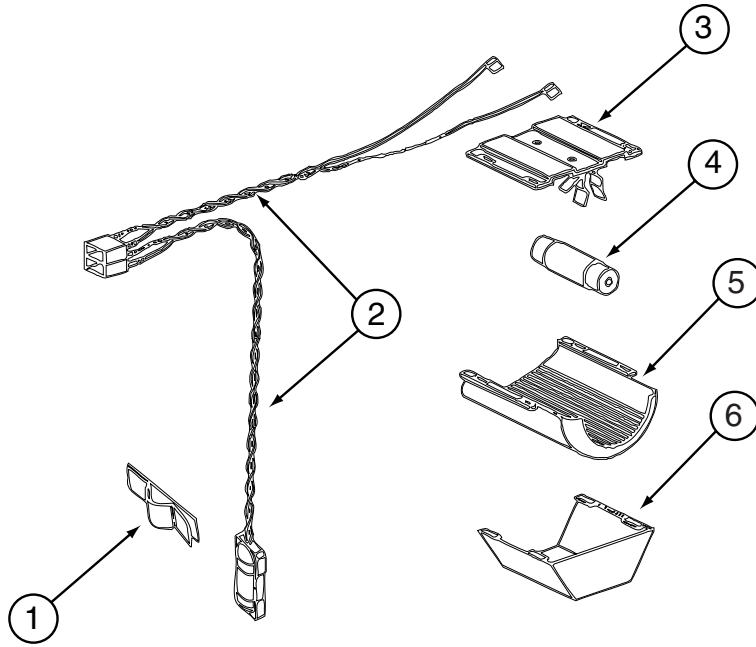


121569-05-01A, 121569-07-01A (CONTINUED)

| KEY | PART NUMBER | U/M | DESCRIPTION | VENDOR NO. |
|-----|---------------|-----|-----------------------------|------------|
| 1 | 121568-03-709 | EA | TRIM - TOP/BLACK | 619687 |
| 2 | 120075-01-714 | EA | PLUG-HOLE | 618170 |
| 3 | 121568-03-710 | EA | HINGE/CABINET-TOP/RH-LWR/LH | 619335 |
| 4 | 120075-07-705 | EA | TRIM - SIDE - BLACK | 619802 |
| 6 | 121568-03-712 | EA | SHELF - WIRE/FREEZER | 620250 |
| 7 | 121568-03-714 | EA | CONTROL ASM - 2 WAY BLACK | 619350 |
| 8 | 121568-03-713 | EA | FRONT BOX/DECORATIVE-BLACK | 619282 |
| 9 | 120075-01-720 | EA | TRAY-DRIP | 618137 |
| 10 | 121568-01-707 | EA | SHELF - WIRE - SHORT | 618624 |
| 11 | 121568-01-708 | EA | SHELF - WIRE | 618589 |
| 14 | 120075-01-725 | EA | COVER-CRISPER | 618158 |
| 15 | 121568-01-709 | EA | CRISPER | 618571 |
| 16 | 120075-01-727 | EA | PIN-HINGE | 618145 |
| 18 | 121568-03-715 | EA | HINGE/CABINET-TOP/LH-LWR/RH | 619336 |
| 19 | 121568-03-716 | EA | COVER - HINGE HOLES | 619301 |
| 20 | 120075-01-729 | EA | TRIM-BOTTOM PIECE | 618136 |
| 21 | 120075-01-730 | EA | RETAINER-SHELF | 618181 |
| 22 | 121568-03-717 | EA | HOLE PLUG - WHITE | 619561 |
| 23 | 120075-01-732 | EA | PLATE-STRIKE | 618167 |
| 24 | 120075-07-709 | EA | CABINET - FOAMED | 619347 |
| | 120075-01-721 | EA | LOUVER-DRIP TRAY | 618176 |

CONTACT WINNEBAGO PART SALES FOR UNLISTED COMPONENTS

APPLIANCE GROUP (CONTINUED)
COMPONENT PARTS FOR APPLIANCE (CONTINUED)

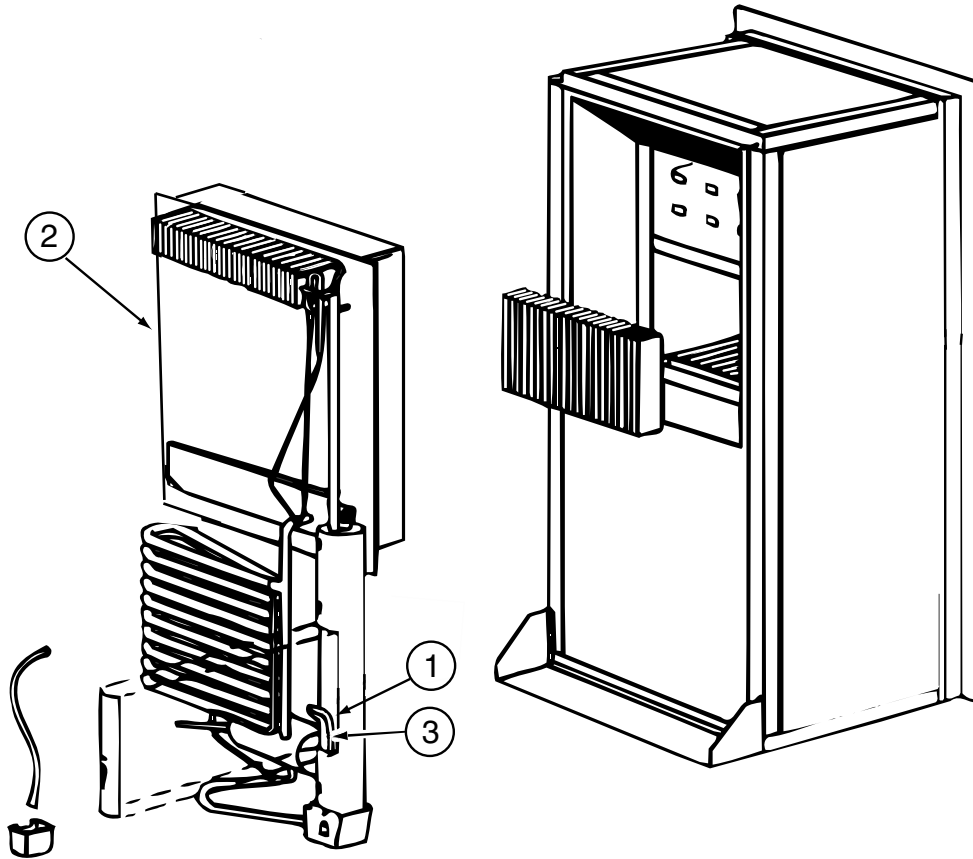


121569-05-01A, 121569-07-01A (CONTINUED)

| KEY | PART NUMBER | U/M | DESCRIPTION | VENDOR NO. |
|------------|--------------------|------------|------------------------------|-------------------|
| 1 | 084880-01-760 | EA | CLIP (THERMISTER) | 61689122 |
| 2 | 120075-01-735 | EA | THERMISTER W/LAMP & WIRE/ASM | 618548 |
| 3 | 084880-03-705 | EA | BRACKET-LIGHT-INTERIOR | 61629722 |
| 4 | 084880-03-706 | EA | BULB-LAMP | 61628922 |
| 6 | 084880-03-707 | EA | COVER-LAMP, LENS | 61627922 |

CONTACT WINNEBAGO PART SALES FOR UNLISTED COMPONENTS

APPLIANCE GROUP (CONTINUED)
COMPONENT PARTS FOR APPLIANCE (CONTINUED)

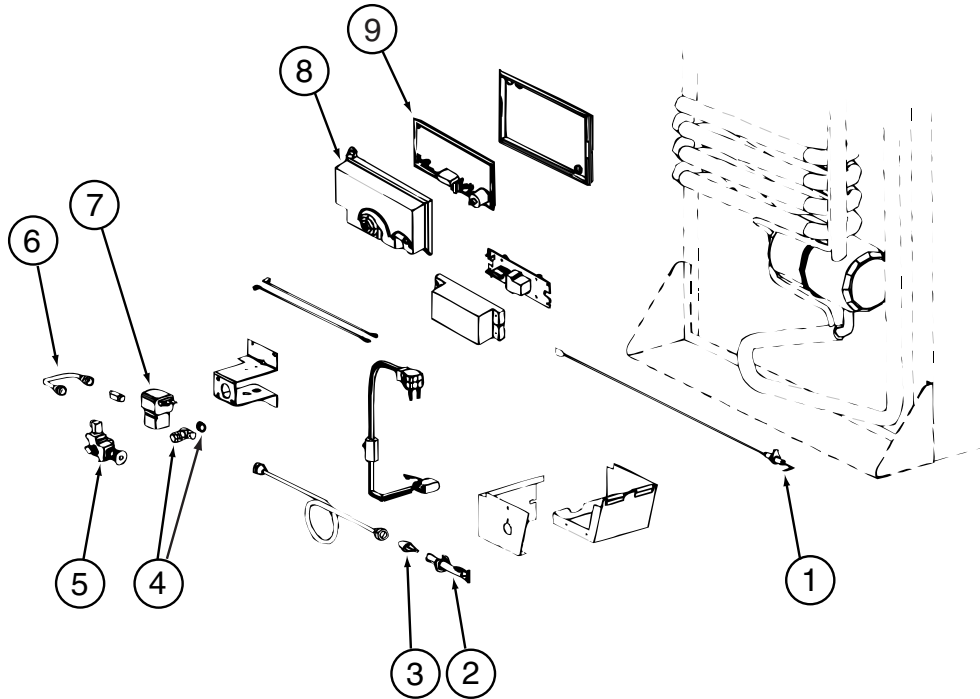


121569-05-01A, 121569-07-01A (CONTINUED)

| KEY | PART NUMBER | U/M | DESCRIPTION | VENDOR NO. |
|-----|---------------|-----|-----------------------------|------------|
| 2 | 120075-01-736 | EA | COOLING UNIT, SERVICE PACK | 618542 |
| 3 | 088248-01-709 | EA | HEATER-AC (HORIZONTAL) | 61562722 |
| | 120075-01-744 | EA | KIT - GAS VALVE/BURNER TUBE | 620609 |

CONTACT WINNEBAGO PART SALES FOR UNLISTED COMPONENTS

APPLIANCE GROUP (CONTINUED)
COMPONENT PARTS FOR APPLIANCE (CONTINUED)

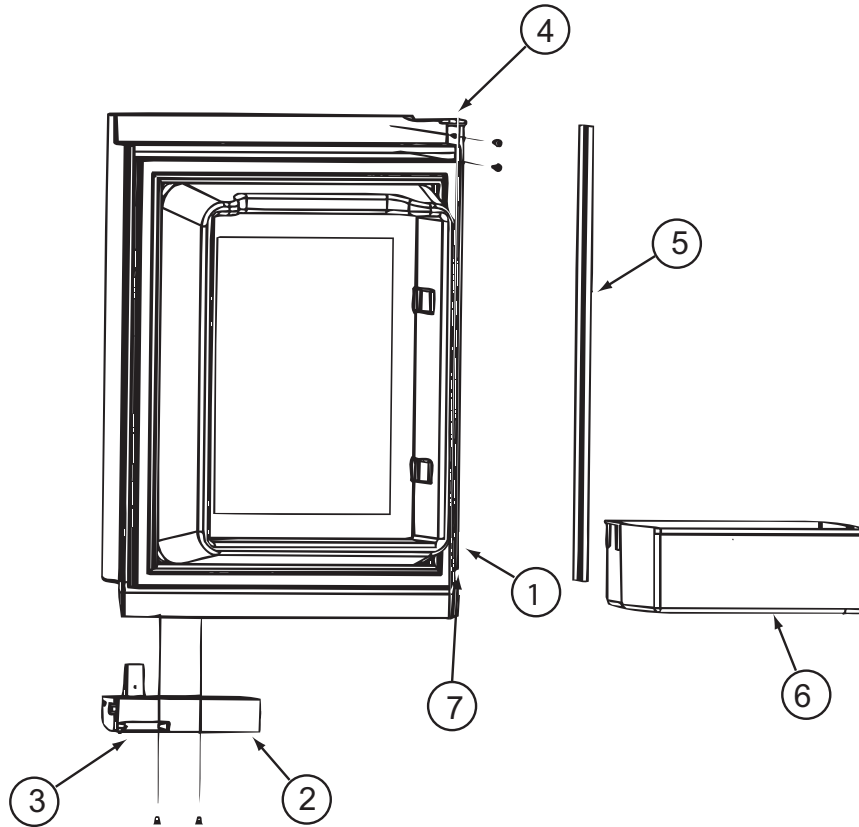


121569-05-01A, 121569-07-01A (CONTINUED)

| KEY | PART NUMBER | U/M | DESCRIPTION | VENDOR NO. |
|-----|---------------|-----|-----------------------------|------------|
| 1 | 104137-06-715 | EA | ELECTRODE-SPARK/SENSOR, SGL | 61692222 |
| 2 | 104137-06-714 | EA | BURNER ASSEMBLY, 5-SLOT | 61705222 |
| 3 | 120075-01-737 | EA | ORIFICE - JEWEL - .0155 | 618284 |
| 4 | 113737-01-702 | EA | PLUG 1/8" F/PRESSURE TAP | 61445322 |
| 4 | 113737-01-716 | EA | TAP-PRESSURE | 61594422 |
| 6 | 113737-01-750 | EA | TUBE-UNION | 61694622 |
| 7 | 084880-01-718 | EA | VALVE-GAS, (ASCO) | 61551822 |
| 8 | 120075-01-738 | EA | COVER-POWER BOARD | 618185 |
| 9 | 121568-03-719 | EA | POWER - BOARD - 2-WAY | 619353 |
| | 121568-03-720 | EA | VALVE/SHUT OF-MANUAL ELECT. | 618696 |

CONTACT WINNEBAGO PART SALES FOR UNLISTED COMPONENTS

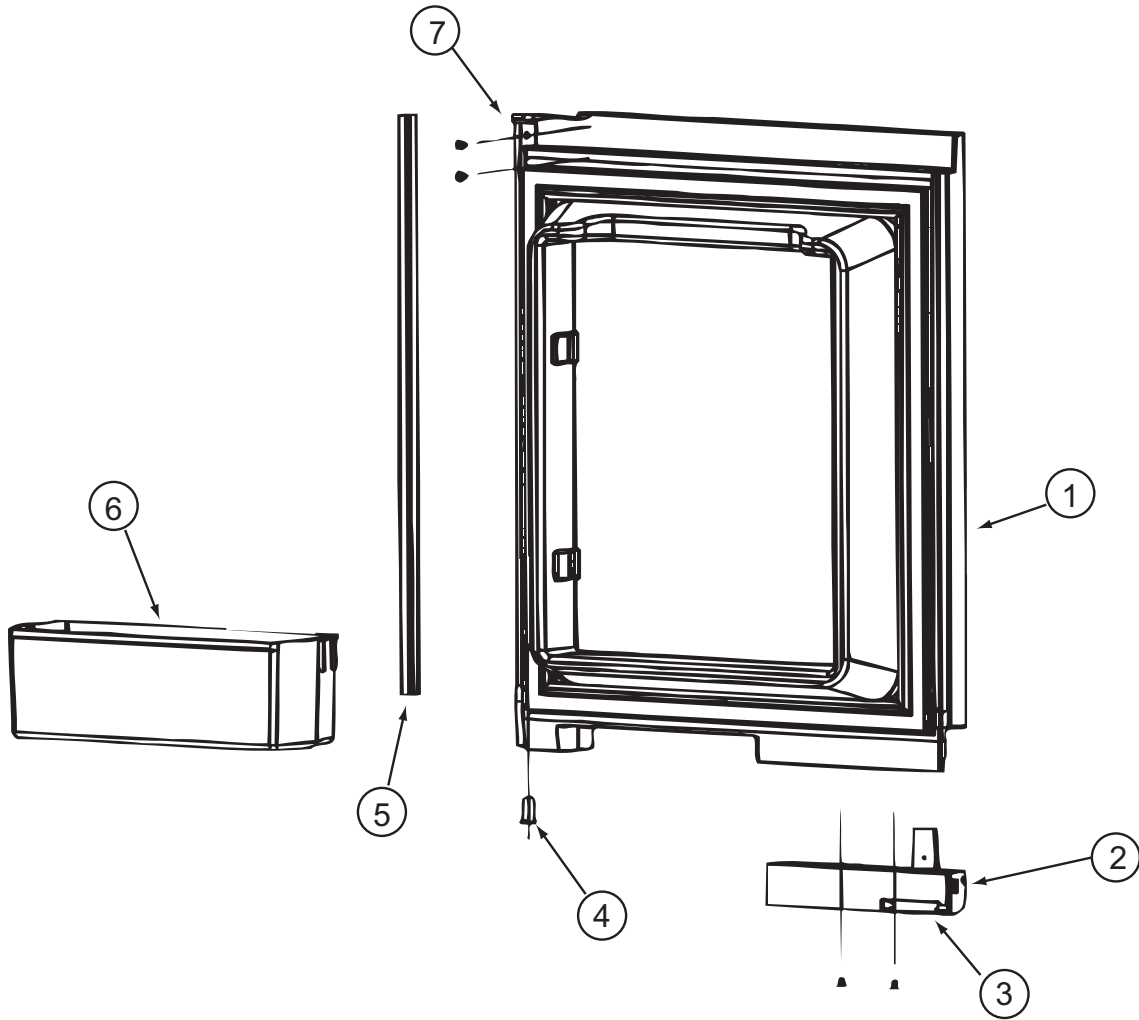
APPLIANCE GROUP (CONTINUED)
COMPONENT PARTS FOR APPLIANCE (CONTINUED)



125242-02-01A

| KEY | PART NUMBER | U/M | DESCRIPTION | VENDOR NO. |
|------------|--------------------|------------|------------------------------|-------------------|
| 1 | 125242-01-762 | EA | LINER/FOAMED-UPPER/LH-WHITE | 619839 |
| 2 | 125242-02-700 | EA | HANDLE(CONTOUR)TOP LH BTM RH | 621107 |
| 3 | 125242-02-722 | EA | LATCH-STORAGE DR/BLK POINTED | 619374 |
| 4 | 125242-02-724 | EA | HINGE - DOOR | 618792 |
| 5 | 125242-02-723 | EA | RETAINER/PANEL-UPPER DOOR | 621974 |
| 6 | 125242-01-711 | EA | DOOR BIN | 618765 |
| 7 | 125242-01-704 | EA | BUSHING-HINGE MIDDLE | 618746 |
| | 125242-02-725 | EA | DOOR ASM/UPR LH/WHITE GASKET | 621148 |

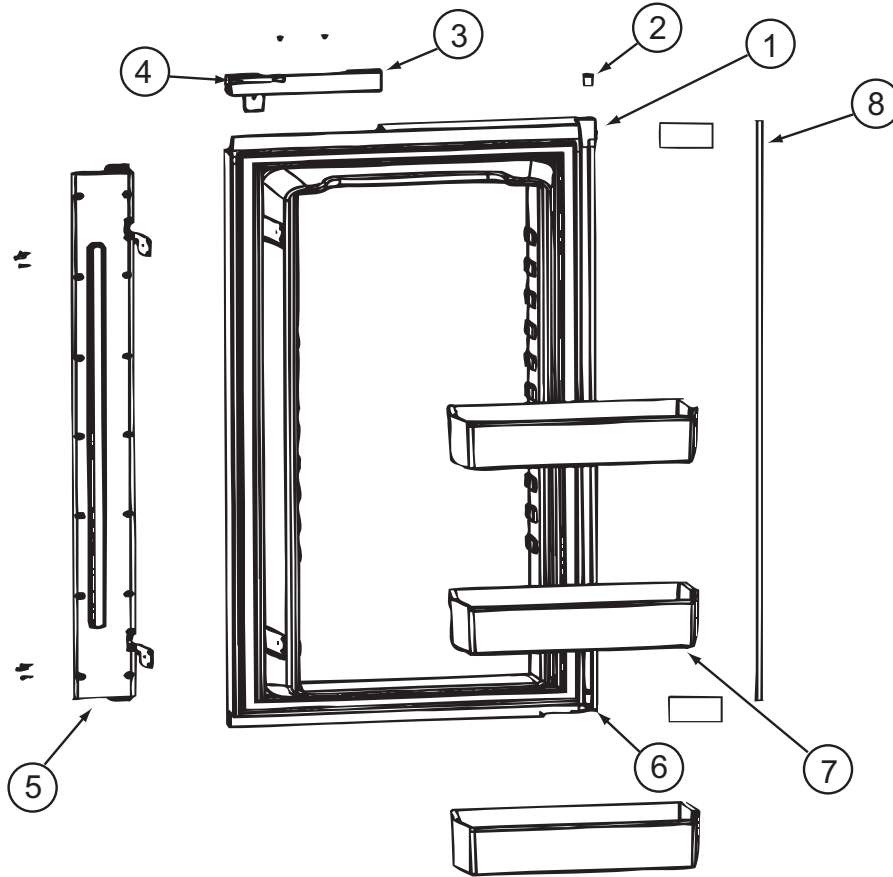
APPLIANCE GROUP (CONTINUED)
COMPONENT PARTS FOR APPLIANCE (CONTINUED)



125242-02-01A (CONTINUED)

| KEY | PART NUMBER | U/M | DESCRIPTION | VENDOR NO. |
|-----|---------------|-----|------------------------------|------------|
| 1 | 125242-01-763 | EA | LINER/FOAMED-UPPER/RH-WHITE | 619840 |
| 2 | 125242-02-701 | EA | HANDLE(CONTOUR)TOP RH LWR LH | 621106 |
| 3 | 125242-02-722 | EA | LATCH-STORAGE DR/BLK POINTED | 619374 |
| 4 | 125242-01-704 | EA | BUSHING-HINGE MIDDLE | 618746 |
| 5 | 125242-02-723 | EA | RETAINER/PANEL-UPPER DOOR | 621974 |
| 6 | 125242-01-711 | EA | DOOR BIN | 618765 |
| 7 | 125242-02-724 | EA | HINGE - DOOR | 618792 |
| | 125242-02-721 | EA | DOOR ASM-UPR/RH/WHITE GASKET | 621149 |

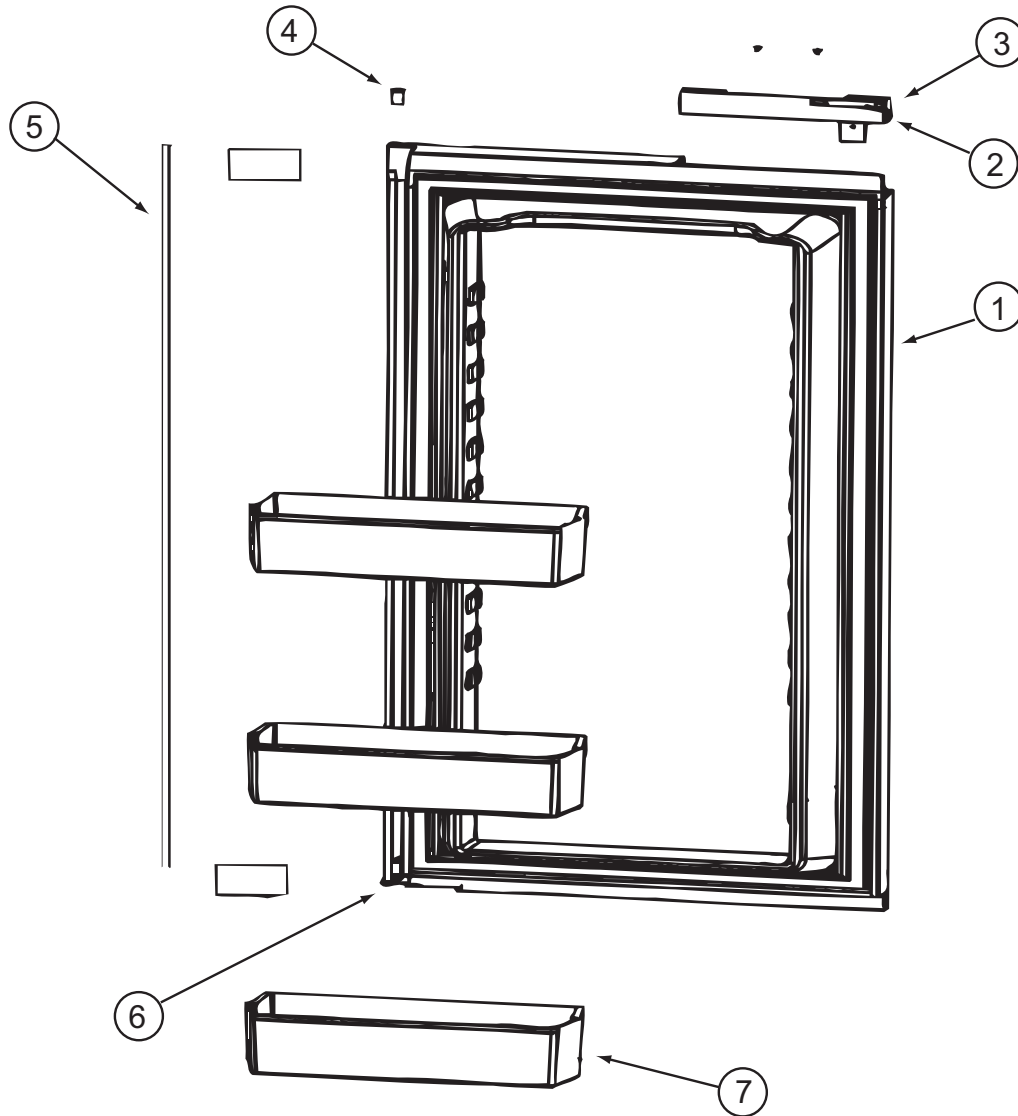
APPLIANCE GROUP (CONTINUED)
COMPONENT PARTS FOR APPLIANCE (CONTINUED)



125242-02-01A (CONTINUED)

| KEY | PART NUMBER | U/M | DESCRIPTION | VENDOR NO. |
|-----|---------------|-----|------------------------------|------------|
| 1 | 125242-01-765 | EA | LINER/FOAMED-LOWER-LH-WHITE | 619837 |
| 2 | 125242-01-704 | EA | BUSHING-HINGE MIDDLE | 618746 |
| 3 | 125242-02-701 | EA | HANDLE(CONTOUR)TOP RH LWR LH | 621106 |
| 4 | 125242-02-722 | EA | LATCH-STORAGE DR/BLK POINTED | 619374 |
| 5 | 125242-02-727 | EA | FLAPPER ASM DOUBLE POLE | 619845 |
| 6 | 125242-02-724 | EA | HINGE - DOOR | 618792 |
| 7 | 125242-01-711 | EA | DOOR BIN | 618765 |
| 8 | 125242-02-728 | EA | RETAINER/PANEL - LOWER | 621973 |
| | 125242-01-736 | EA | CONTACT-PROBE PIN | 618886 |
| | 125242-02-726 | EA | DOOR ASM-LWR LH/WHITE GASKET | 621150 |

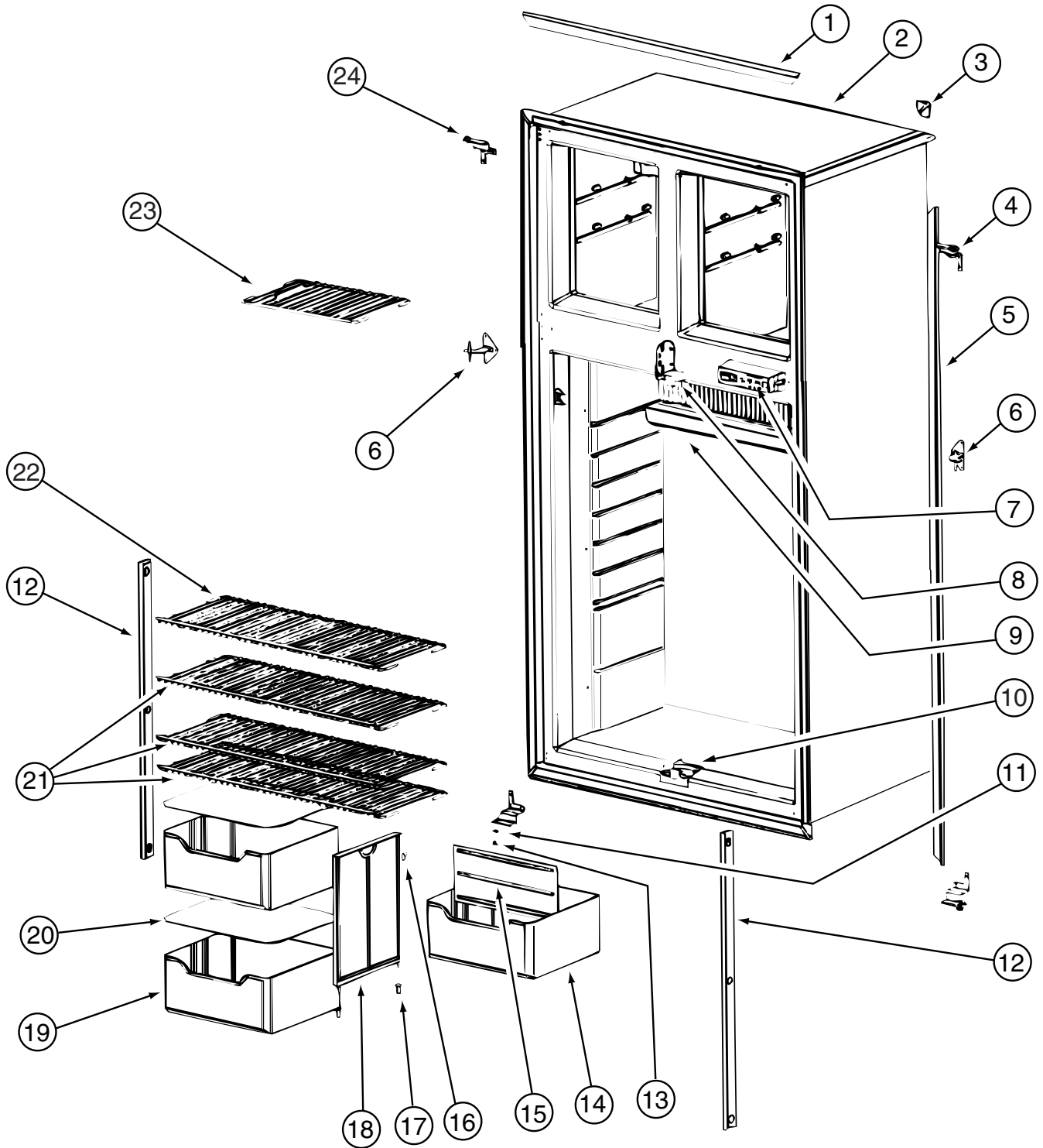
APPLIANCE GROUP (CONTINUED)
COMPONENT PARTS FOR APPLIANCE (CONTINUED)



125242-02-01A (CONTINUED)

| KEY | PART NUMBER | U/M | DESCRIPTION | VENDOR NO. |
|-----|---------------|-----|------------------------------|------------|
| 1 | 125242-01-764 | EA | LINER/FOAMED-LOWER/RH-WHITE | 619838 |
| 2 | 125242-02-700 | EA | HANDLE(CONTOUR)TOP LH BTM RH | 621107 |
| 3 | 125242-02-722 | EA | LATCH-STORAGE DR/BLK POINTED | 619374 |
| 4 | 125242-01-704 | EA | BUSHING-HINGE MIDDLE | 618746 |
| 5 | 125242-02-728 | EA | RETAINER/PANEL - LOWER | 621973 |
| 6 | 125242-02-724 | EA | HINGE - DOOR | 618792 |
| 7 | 125242-01-711 | EA | DOOR BIN | 618765 |
| | 125242-01-729 | EA | FAN-EXTERNAL DC | 618856 |
| | 125242-02-716 | EA | GUIDE ASM LWR(SER#540294 DN) | 620042 |
| | 125242-02-717 | EA | GUIDE ASM LWR(SER#540295 UP) | 620043 |

APPLIANCE GROUP (CONTINUED)
COMPONENT PARTS FOR APPLIANCE (CONTINUED)



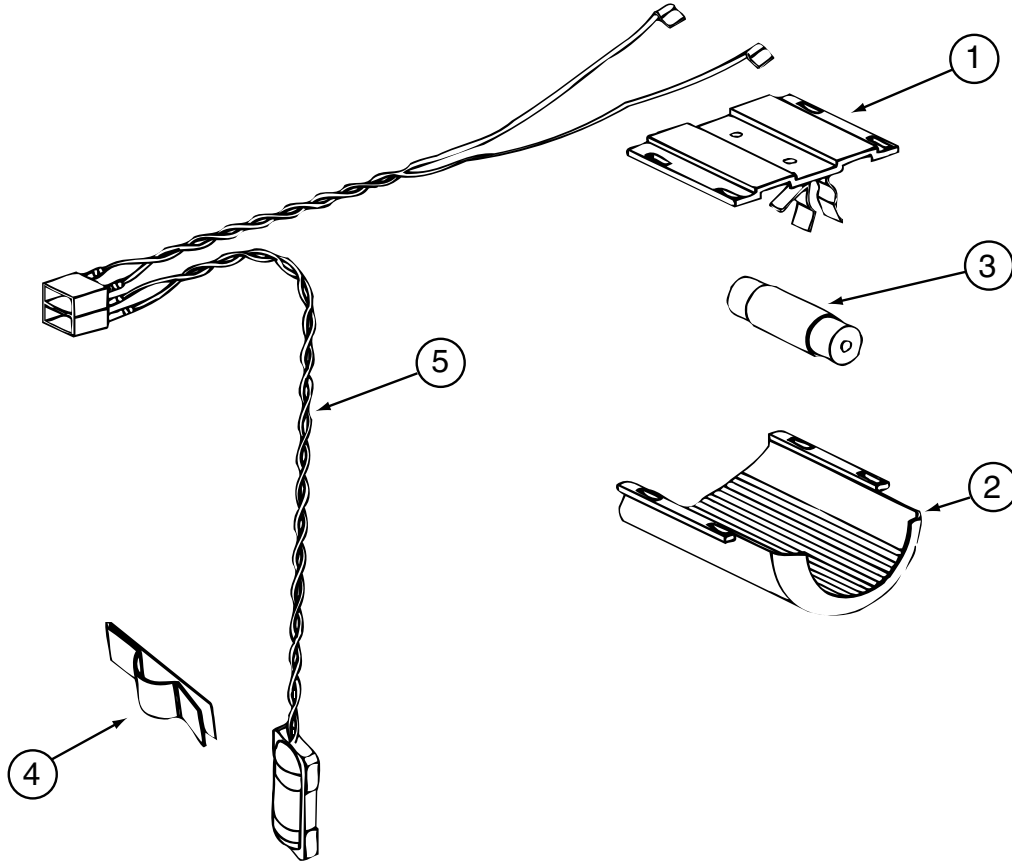
125242-02-01A (CONTINUED)

APPLIANCE GROUP (CONTINUED)
COMPONENT PARTS FOR APPLIANCE (CONTINUED)

125242-02-01A (CONTINUED)

| KEY | PART NUMBER | U/M | DESCRIPTION | VENDOR NO. |
|------------|--------------------|------------|--------------------------|-------------------|
| 1 | 125242-01-723 | EA | TRIM - HORIZONTAL | 618845 |
| 2 | 125242-01-748 | EA | CABINET/FOAMED ASSEMBLY | 618748 |
| 3 | 125242-01-722 | EA | TRIM - CORNER | 618844 |
| 4 | 125242-01-715 | EA | HINGE - TOP RH/BOTTOM LH | 618798 |
| 5 | 125242-01-724 | EA | TRIM - SIDE | 618846 |
| 6 | 125242-01-713 | EA | HINGE-MIDDLE (PAINTED) | 618794 |
| 7 | 125242-02-704 | EA | DISPLAY ASSEMBLY | 621188 |
| 8 | 125242-01-751 | EA | BLOCK - GUIDE - UPPER | 618789 |
| 9 | 125242-01-712 | EA | DRIP TRAY | 618774 |
| 10 | 125242-01-752 | EA | BLOCK - GUIDE - LOWER | 618788 |
| 11 | 120075-01-708 | EA | BUSHING - DOOR HINGE | 618144 |
| 12 | 120075-01-730 | EA | RETAINER - SHELF | 618181 |
| 13 | 120075-01-727 | EA | PIN - HINGE | 618145 |
| 14 | 125242-01-734 | EA | CRISPER/BOTTLE BIN | 618878 |
| 15 | 125242-01-733 | EA | DIVIDER - BOTTLE CRISPER | 618877 |
| 16 | 125242-01-750 | EA | CLIP | 61409622 |
| 17 | 113737-01-701 | EA | BUSHING - HINGE | 61742022 |
| 18 | 125242-01-749 | EA | SUPPORT - WALL | 618840 |
| 19 | 125242-01-734 | EA | CRISPER/BOTTLE BIN | 618878 |
| 20 | 125242-01-706 | EA | COVER - CRISPER | 618757 |
| 21 | 125242-01-726 | EA | SHELF - WIRE (LONG) | 618848 |
| 22 | 125242-01-727 | EA | SHELF - WIRE (SHORT) | 618849 |
| 23 | 125242-01-725 | EA | SHELF - FREEZER (WIRE) | 618847 |
| 24 | 125242-01-714 | EA | HINGE - TOP LH/BOTTOM RH | 618796 |
| | 125242-01-735 | EA | SWITCH - DOOR LIGHT | 618884 |

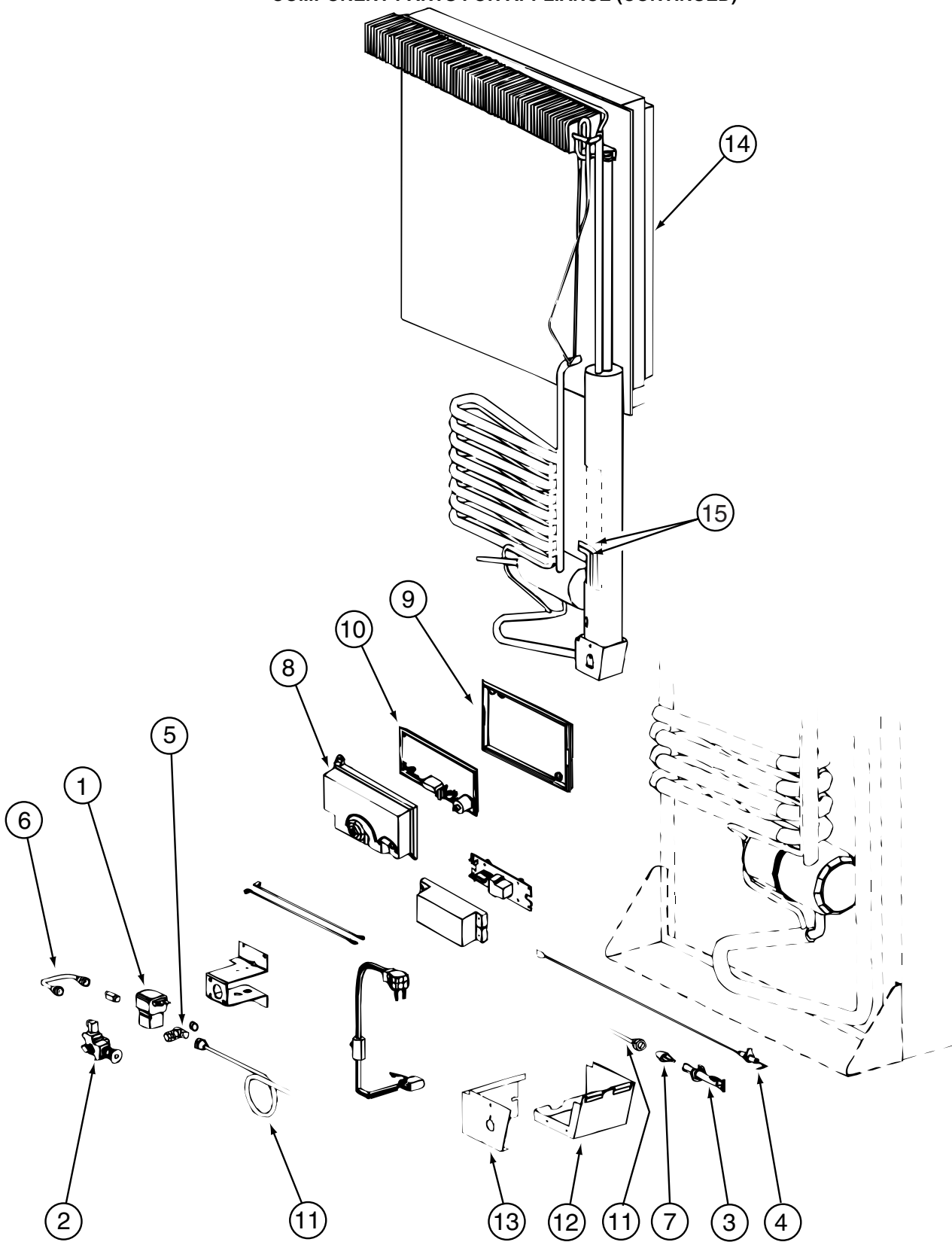
APPLIANCE GROUP (CONTINUED)
COMPONENT PARTS FOR APPLIANCE (CONTINUED)



125242-02-01A (CONTINUED)

| KEY | PART NUMBER | U/M | DESCRIPTION | VENDOR NO. |
|------------|--------------------|------------|------------------------------|-------------------|
| 1 | 084880-03-705 | EA | BRACKET - LIGHT - INTERIOR | 61629722 |
| 2 | 120075-01-734 | EA | COVER - LENS | 618190 |
| 3 | 084880-03-706 | EA | BULB - LAMP | 61628922 |
| 4 | 084880-01-760 | EA | CLIP (THERMISTER) | 61689122 |
| 5 | 120075-01-735 | EA | THERMISTER W/LAMP & WIRE/ASM | 618548 |

APPLIANCE GROUP (CONTINUED)
COMPONENT PARTS FOR APPLIANCE (CONTINUED)



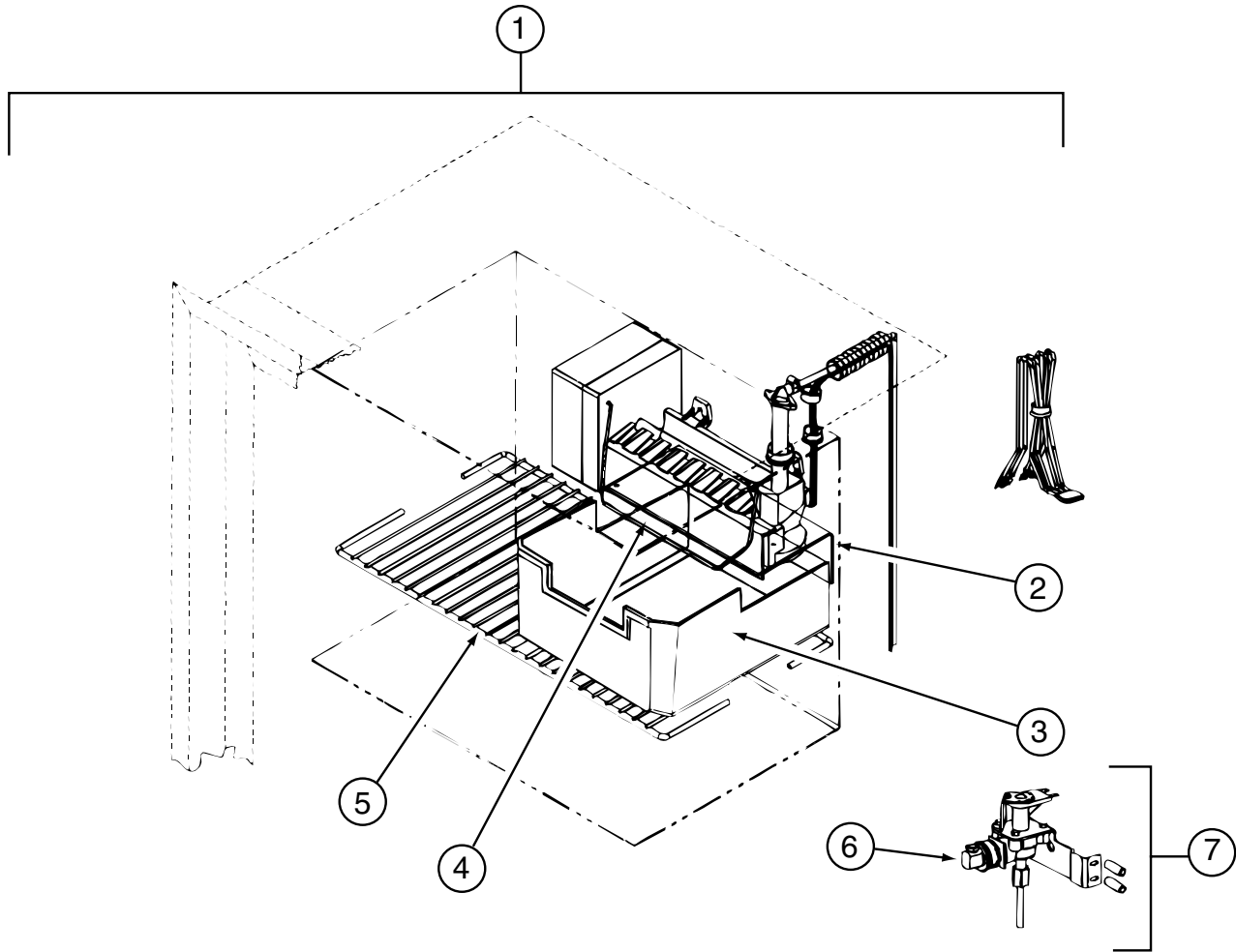
125242-02-01A (CONTINUED)

APPLIANCE GROUP (CONTINUED)
COMPONENT PARTS FOR APPLIANCE (CONTINUED)

125242-02-01A (CONTINUED)

| KEY | PART NUMBER | U/M | DESCRIPTION | VENDOR NO. |
|------------|--------------------|------------|-----------------------------|-------------------|
| 1 | 084880-01-718 | EA | VALVE-GAS, (ASCO) | 61551822 |
| 2 | 121568-03-720 | EA | VALVE/SHUT OF-MANUAL ELECT. | 618696 |
| 3 | 125242-01-743 | EA | BURNER - 8 SLOT | 618932 |
| 4 | 104137-06-715 | EA | ELECTRODE-SPARK/SENSOR, SGL | 61692222 |
| 5 | 113737-01-716 | EA | TAP-PRESSURE | 61594422 |
| 6 | 113737-01-750 | EA | TUBE-UNION | 61694622 |
| 7 | 125242-01-717 | EA | ORIFICE-JEWELED | 618814 |
| 8 | 120075-01-738 | EA | COVER-POWER BOARD | 618185 |
| 9 | 120075-01-740 | EA | COVER-BASE, POWER BOARD | 618186 |
| 10 | 125242-02-703 | EA | POWER BOARD | 621271 |
| 11 | 125242-01-744 | EA | BURNER TUBE | 618937 |
| 12 | 125242-01-739 | EA | BASE-BURNER BOX | 618902 |
| 13 | 125242-02-740 | EA | COVER-BURNER BOX | 618910 |
| 14 | 125242-01-746 | EA | COOLING UNIT - 1200 | 618964 |
| 15 | 125242-01-732 | EA | HEATER AC - 225W/110VAC | 618872 |
| | 125242-01-753 | EA | KIT - GAS VALVE/BURNER TUBE | 620610 |

APPLIANCE GROUP (CONTINUED)
COMPONENT PARTS FOR APPLIANCE (CONTINUED)



125242-02-01A (CONTINUED)

| KEY | PART NUMBER | U/M | DESCRIPTION | VENDOR NO. |
|-----|---------------|-----|--------------------------------|------------|
| 1 | 094039-07-706 | EA | ICE MAKER W/O PLATES | 61656522 |
| 2 | 125242-01-737 | EA | BRACKET - MOUNTING (ICE MAKER) | 618894 |
| 3 | 125242-01-716 | EA | ICE BIN | 618803 |
| 4 | 120075-03-703 | EA | ARM - SHUT OFF | 61656922 |
| 5 | 125242-01-725 | EA | SHELF - FREEZER (WIRE) | 618847 |
| 6 | 120075-03-702 | EA | NUT/COMPRESSION - FITTING | 61678722 |
| 7 | 120075-03-701 | EA | VALVE - WATER - W/BRACKET | 618523 |

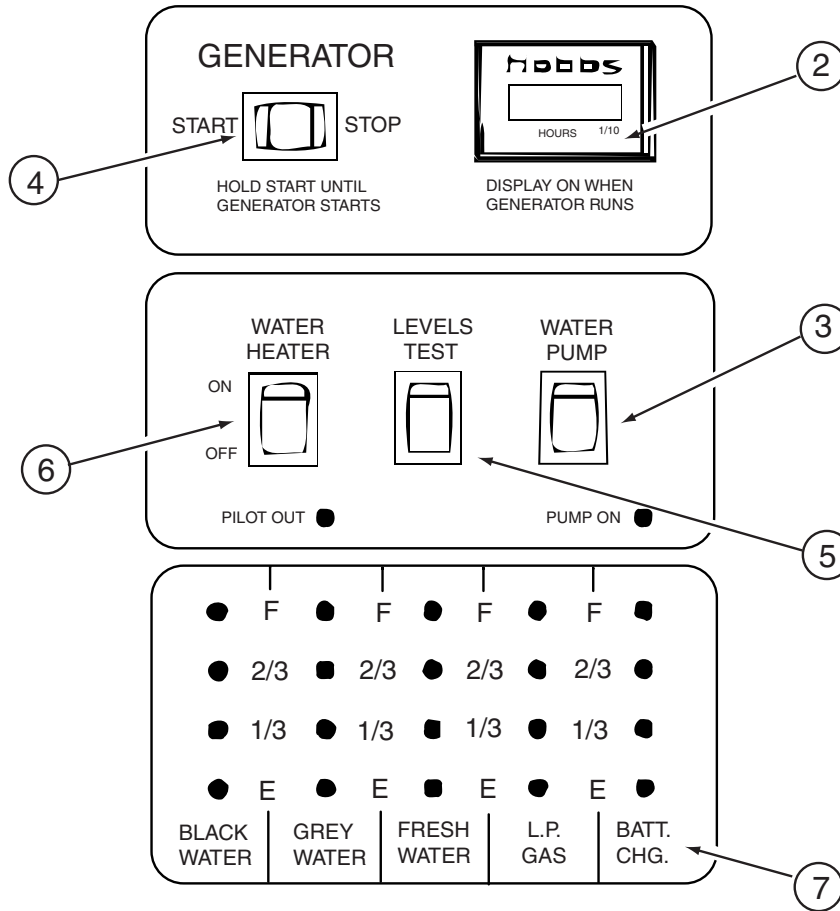
126019-01-01A

| KEY | PART NUMBER | U/M | DESCRIPTION | VENDOR NO. |
|-----|---------------|-----|---------------------|------------|
| | 126019-01-700 | EA | GLASS CARAFE | 172547-00 |
| | 126019-01-701 | EA | RESERVOIR- WATER | 172554 |
| | 126019-01-702 | EA | BASKET - FILTER | 172553-00 |
| | 126019-01-703 | EA | HARDWARE - MOUNTING | 172174-00 |

126022-01-01A, 126022-02-01A, 126022-03-01A

| KEY | PART NUMBER | U/M | DESCRIPTION | VENDOR NO. |
|-----|---------------|-----|------------------------------|-------------------|
| | 114030-01-707 | EA | PLUG BUTTON BLACK | 74002628 |
| | 126022-01-700 | EA | BUMPER - RANGE BIFOLD COVER | MAGIC 8003P007-60 |
| | 126022-01-701 | EA | HINGE-RANGE BIFOLD COVER-22" | MAGIC 3418F067-34 |

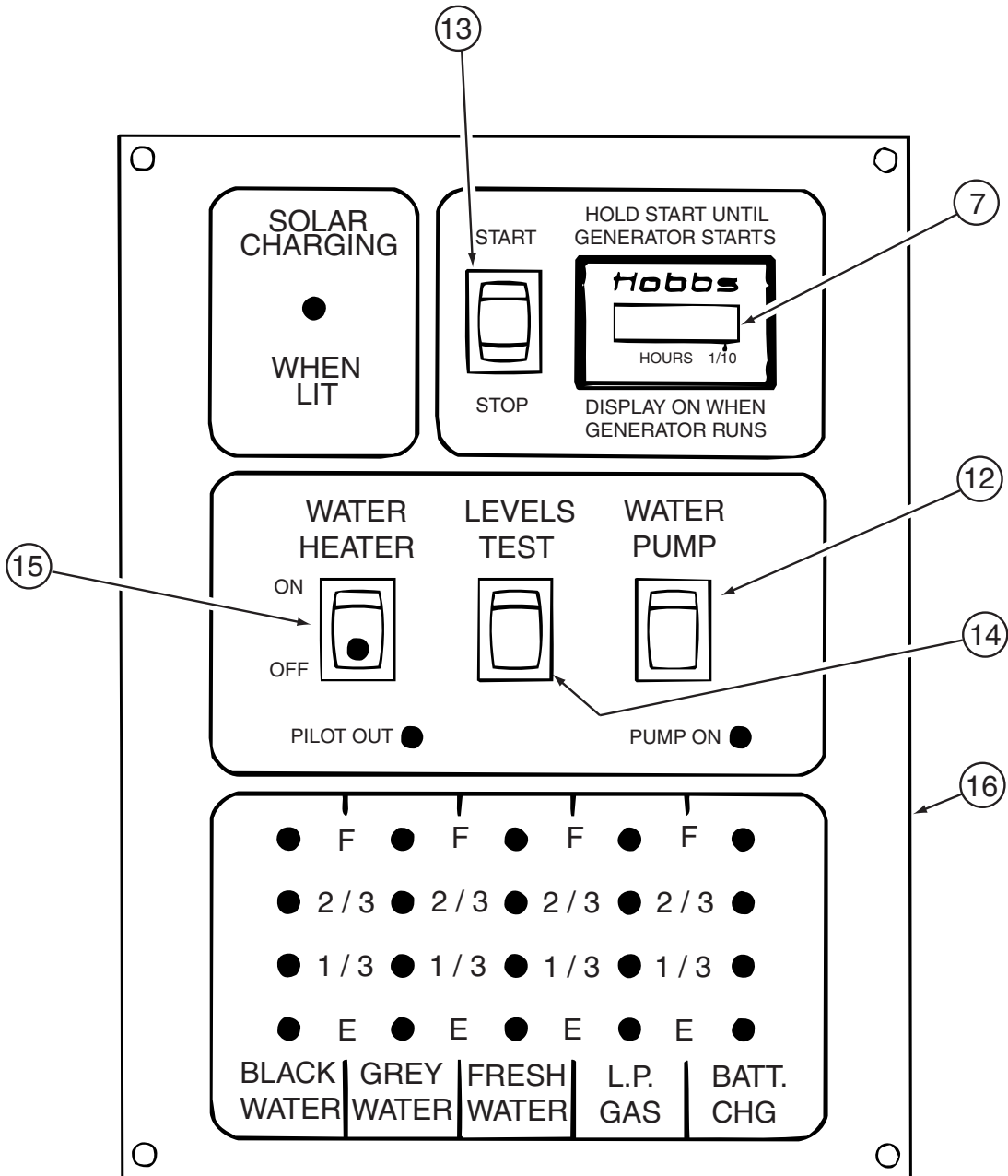
APPLIANCE GROUP (CONTINUED)
COMPONENT PARTS FOR APPLIANCE (CONTINUED)



134940-01-01A

| KEY | PART NUMBER | U/M | DESCRIPTION | VENDOR NO. |
|-----|---------------|-----|------------------------------|------------|
| | 134940-01-700 | EA | BOARD - PC | L5118 |
| 2 | 100258-10-701 | EA | GAUGE-HOUR MTR-CLIP ON (LCD) | L0775-00 |
| 3 | 096983-01-703 | EA | SWITCH - ON/ON | L0115-00 |
| 4 | 096983-01-702 | EA | SWITCH - MOM/OFF/MOM/3 TERM | L0112-00 |
| 5 | 096983-01-701 | EA | SWITCH - SPST/MOM 2 TERMINAL | L0111-00 |
| 6 | 134940-01-701 | EA | SWITCH-SPST/ON-OFF/BLK W/LGT | L0109 |
| 7 | 134940-01-702 | EA | CHASSIS - SILKSCREENED | CC0558-00 |
| | 100258-10-702 | EA | HOUR METER(CLIP ON)SW & WIRE | L4441-00 |

APPLIANCE GROUP (CONTINUED)
COMPONENT PARTS FOR APPLIANCE (CONTINUED)



134940-04-01A

| KEY | PART NUMBER | U/M | DESCRIPTION | VENDOR NO. |
|-----|---------------|-----|------------------------------|------------|
| 7 | 100258-10-701 | EA | GAUGE/HOUR METER-CLIP ON LCD | L0775-00 |
| 12 | 096983-01-703 | EA | SWITCH - ON/ON | L0115-00 |
| 13 | 096983-01-702 | EA | SWITCH - MOM/OFF/MOM/3 TERM | L0112-00 |
| 14 | 096983-01-701 | EA | SWITCH - SPST/MOM 2 TERMINAL | L0111-00 |
| 15 | 134940-01-701 | EA | SWITCH-SPST/ON-OFF/BLK W/LGT | L0109 |
| 16 | 134940-04-700 | EA | CHASSIS - SILKSCREENED | CE0136-00 |

AUDIO VIDEO GROUP
RADIO SYSTEM

| KEY | PART NUMBER | U/M | DESCRIPTION |
|-----|---------------|-----|--|
| | 127517-07-000 | EA | RADIO - AM/FM STEREO/CD PLAYER - CDX-1200 - EXTERIOR CMP - EXTERIOR ENT FROM: 00-00-00 THRU: 08-02-01 |
| | 127517-10-000 | EA | RADIO - AM/FM STEREO/CD PLAYER - CDX-L250 - EXTERIOR ENT FROM: 08-03-01 THRU: 02-10-02 |
| | 127517-11-000 | EA | RADIO - AM/FM STEREO - CD PLAYER - SONY CDX-L300 - EXTERIOR ENT FROM: 02-11-02 THRU: 99-99-99 |
| | 125322-02-000 | EA | RADIO-AM/FM STEREO/CASSETTE-AUDIOVOX-MS-306-EXT ENT W/CASS - EXTERIOR ENT |
| | 135420-01-000 | EA | RADIO - AM/FM CASSETTE/CD COMBO - M9900 - DASH |
| | 135420-07-000 | EA | RADIO - MOUNTING KIT - A-BODY |
| | 123256-01-000 | EA | ANTENNA - CB - W/O CABLE |
| | 123256-02-000 | EA | CABLE - CB - COAX |
| | 090944-01-000 | EA | ANTENNA - RADIO - 16" RUBBER - W/72" LEAD WIRE |
| | 115916-01-01B | EA | BRACKET - ANTENNA MOUNT |
| | 108847-01-000 | EA | BRACKET - ANTENNA GROUND |
| | 109889-04-000 | EA | EXTENDER - ANTENNA SHAFT - 3.7" |
| | 077069-02-000 | EA | CABLE - ANTENNA/EXTENSION - RADIO - 96" |
| | 094097-01-000 | EA | SPEAKER - RADIO/TV - W/O GRILLE - 5.25" DIAMETER |
| | 110469-01-000 | EA | SPEAKER - 4" X 6" OVAL - COAXIAL |
| | 089340-02-000 | EA | GRILLE - SPEAKER - 6.5" SQUARE - F32V, F34D, F36M |
| | 110470-01-01A | EA | GRILLE - 4" X 6" OVAL SPEAKER - BLACK |
| | 132352-01-L32 | EA | GRILL - SPEAKER - FABRIC COVERED FROM: 00-00-00 THRU: 03-19-01 |
| | 139111-01-02A | EA | GRILLE - SPEAKER - 6" ROUND - GLACIER FROM: 03-20-01 THRU: 99-99-99 |

REAR VIEW MONITOR

| KEY | PART NUMBER | U/M | DESCRIPTION |
|-----|---------------|-----|---|
| | 093040-09-000 | EA | CAMERA - REAR VIEW - W/BRACKET - SONY |
| | 133989-01-12B | EA | BRACKET - CAMERA - MONITOR/REAR - BRIGHT WHITE |
| | 093041-01-000 | EA | CABLE - MONITOR/CAMERA - INTERNAL USE - 65.6' |
| * | 093040-10-000 | EA | MONITOR - 7" REAR VIEW - W/BRACKET - SONY |
| | 096717-04-000 | EA | WIRE ASSEMBLY - REAR MONITOR - UPPER |
| | 114870-01-000 | EA | PLUG - AUDIO W/LEADS - 48.5" |
| | 093214-01-01A | EA | GRILL - SPEAKER - 4" - BLACK FROM: 00-00-00 THRU: 11-26-01 |
| | 093214-01-03A | EA | GRILL - SPEAKER - 4" - GLACIER FROM: 11-27-01 THRU: 99-99-99 |
| | 098819-01-000 | EA | SPEAKER - 4" - 2 WATT - 8 OHM |

***COMPONENT PARTS LISTED LATER IN THIS GROUP**

AUDIO VIDEO GROUP (CONTINUED)
COMPONENT PARTS FOR REAR VIEW MONITOR

093040-10-000

| KEY | PART NUMBER | U/M | DESCRIPTION | VENDOR NO. |
|------------|--------------------|------------|------------------------------|-------------------|
| | 093040-10-700 | EA | LENS-MONITOR, REAR VIEW F/7" | 3-708-537-01 |

AUDIO VIDEO GROUP (CONTINUED)

TELEPHONE

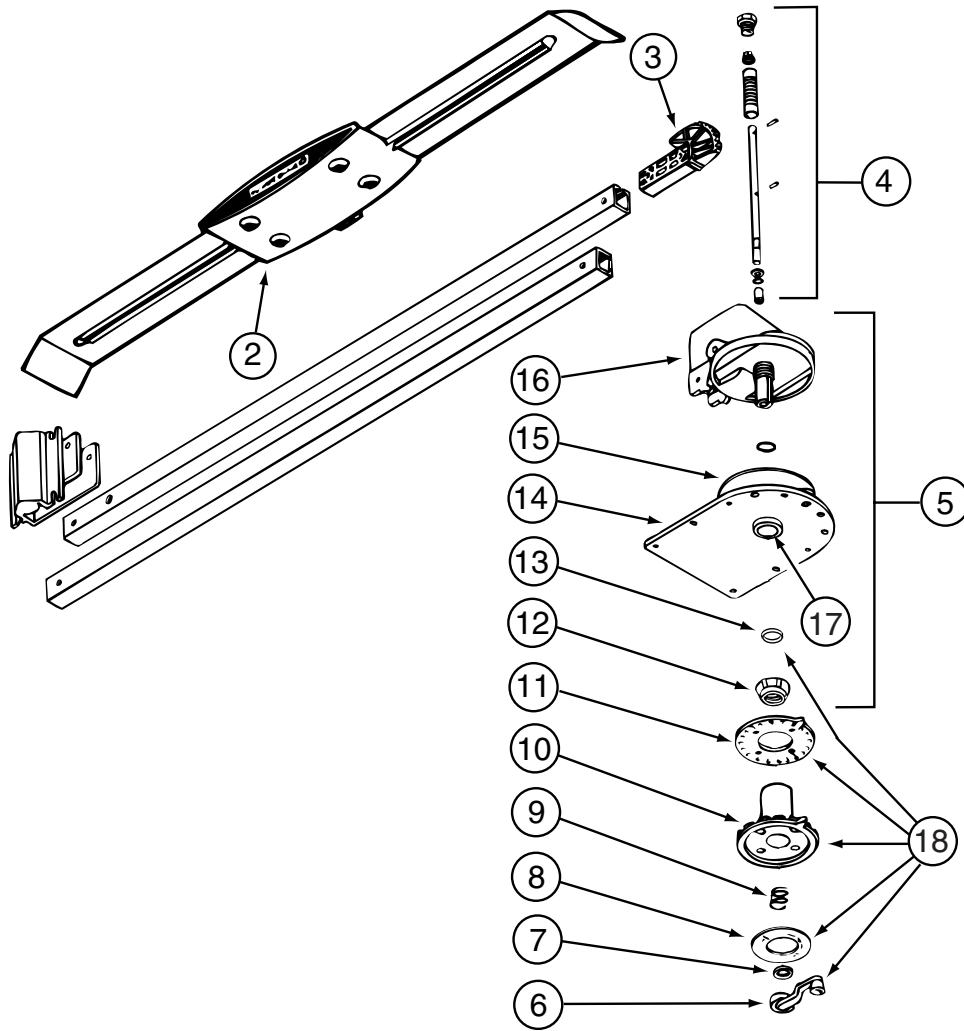
| KEY | PART NUMBER | U/M | DESCRIPTION |
|-----|---------------|-----|---------------------------------------|
| | 093253-01-01A | EA | PLATE - WALL - TELEPHONE - BEIGE |
| | | | FROM: 05-17-01 THRU: 99-99-99 |
| | 130686-01-01A | EA | PLATE - WALL - TELEPHONE/COAX - WHITE |

TV & VCR

| KEY | PART NUMBER | U/M | DESCRIPTION |
|-----|---------------|-----|---|
| | 076319-09-000 | EA | WALLPLATE - CABLE RECEPTACLE - TV - SINGLE - BROWN |
| | 076319-03-000 | FT | CABLE - COAXIAL - 75 OHM |
| | 076319-12-000 | EA | CONNECTOR - COAXIAL - ONE PIECE |
| * | 076319-23-000 | EA | ANTENNA - TV ROOF MOUNT - 44.5" MAST |
| * | 076319-25-000 | EA | KIT - HARDWARE INTERIOR |
| | 120233-03-000 | EA | CERTIFICATE - SATELLITE RECEIVER |
| * | 137135-01-000 | EA | ANTENNA - SATELLITE DSS - W/SENSOR |
| | | | FROM: 00-00-00 THRU: 04-08-02 |
| | 137135-02-000 | EA | ANTENNA - SATELLITE DSS - W/SENSOR |
| | | | FROM: 04-09-02 THRU: 99-99-99 |
| | 086757-04-000 | EA | CONTROL CENTER - SWITCH - VCR/TV - 5 INPUTS |
| * | 126696-07-000 | EA | TV - 19" COLOR - W/O 1/8" JACK - UL/CSA - GE 19GT243 |
| * | 133377-01-000 | EA | TV - 25" - COLOR - W/1/8" JACK - UL/CSA - GE 25GT240M |
| | 126697-06-000 | EA | VCR - VHS/CABLE READY - W/REMOTE - GE VG4060 |
| | | | FROM: 00-00-00 THRU: 05-06-01 |
| * | 126697-07-000 | EA | VCR - VHS/CABLE READY - W/REMOTE - GE VG4045 |
| | | | FROM: 05-07-01 THRU: 99-99-99 |
| | 082134-01-000 | EA | ADAPTER - TV - CABLE TO CABLE |
| | 082136-01-000 | EA | NUT - HEX JAM - 3/8-32 |
| | 086756-01-000 | EA | SPLITTER - TV/2 WAY |
| | 114870-02-000 | EA | PLUG - AUDIO W/LEADS - 10" |
| | 086777-06-000 | EA | WALLPLATE - TV CABLE - ANTENNA BOOSTER/1 OUTPUT - BLACK |
| | 134006-01-03B | EA | PLATE - COAXIAL CABLE/OFF WHITE |
| | 069726-02-000 | EA | BUMPER - .88" OD X .40" THICK - BLACK |

*COMPONENT PARTS LISTED LATER IN THIS GROUP

AUDIO VIDEO GROUP (CONTINUED)
COMPONENT PARTS FOR TV & VCR

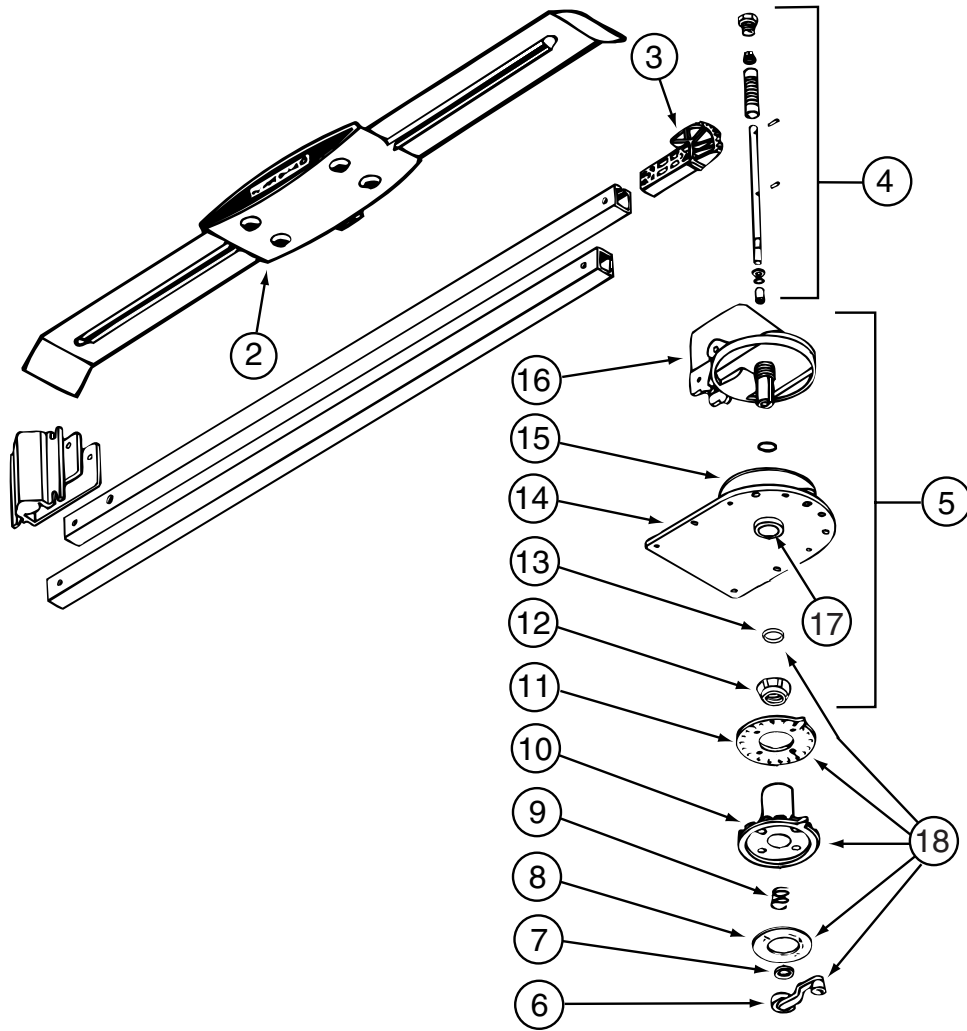


076319-23-000

| KEY | PART NUMBER | U/M | DESCRIPTION | VENDOR NO. |
|------------|--------------------|------------|----------------------------|-------------------|
| 2 | 076319-01-700 | EA | HEAD - ANTENNA - AMPLIFIED | RVSA U/V |
| 3 | 076319-01-701 | EA | GEAR - ELEVATING - PLASTIC | 2200046 |
| 4 | 076319-01-702 | EA | SHAFT ASM - ELEVATING | RVP-400A |
| 5 | 076319-01-711 | EA | BASE & LIFT ASM | 2762802 |
| 7 | 076319-01-705 | EA | BEARING - NYLON - 7/8"ID | 3200658 |
| 8 | 076319-01-708 | EA | DECAL-CRANK | 5413002 |
| 9 | 076319-01-707 | EA | SPRING - HANDLE | 5160822 |
| 11 | 076319-01-709 | EA | PLATE-CEILING (IVORY) | 3200621 |
| 11 | 076319-01-712 | EA | PLATE - CEILING | 3200608 |
| 12 | 076319-01-715 | EA | NUT (GEAR HOUSING) | 2200047 |
| 14 | 076319-01-713 | EA | BASE PLATE | 3100523 |
| 15 | 076319-01-703 | EA | BEARING - NYLON - 5"OD | 3200656 |
| 16 | 076319-01-714 | EA | HOUSING - ROTATING GEAR | 2200049 |
| | 076319-01-716 | EA | TUBING, ELEVATING | RP-2900 |
| 17 | 076319-01-704 | EA | BEARING-NYLON, 1.25"OD | 3200657 |

CONTACT WINNEBAGO PART SALES FOR UNLISTED COMPONENT

AUDIO VIDEO GROUP (CONTINUED)
COMPONENT PARTS FOR TV & VCR (CONTINUED)



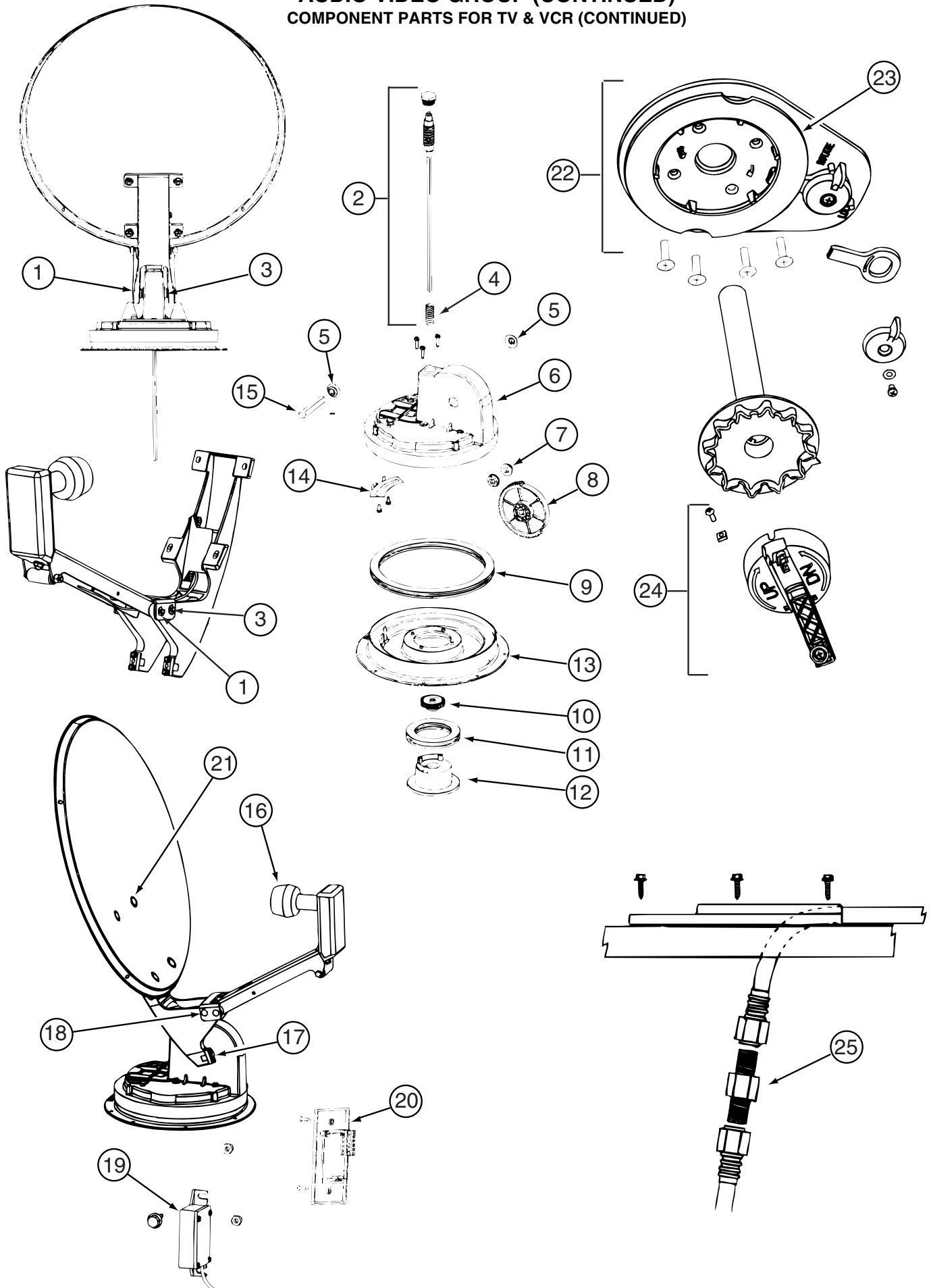
076319-25-000

| KEY | PART NUMBER | U/M | DESCRIPTION | VENDOR NO. |
|--|---------------|-----|-----------------------------|------------|
| 6 | 076319-01-706 | EA | CRANK-ELEVATING W/SET SCREW | 2750897 |
| 6 | 120233-01-710 | EA | HANDLE-CRANK | RP-6795 |
| 8 | 076319-01-708 | EA | DECAL-CRANK | 5413002 |
| 9 | 076319-01-707 | EA | SPRING-HANDLE | 2160822 |
| 10 | 076319-25-700 | EA | DIRECTIONAL HANDLE(WHITE) | 3200612 |
| 11 | 076319-25-701 | EA | PLATE - CEILING(WHITE) | 3200609 |
| 13 | 120233-01-709 | EA | WASHER-NYLON | RP-2658 |
| CONTACT WINNEBAGO PART SALES FOR UNLISTED COMPONENTS | | | | |

AUDIO VIDEO GROUP (CONTINUED)
COMPONENT PARTS FOR TV & VCR (CONTINUED)

| KEY | PART NUMBER | U/M DESCRIPTION | 126696-07-000 | VENDOR NO. |
|------------|--------------------|------------------------|----------------------|-------------------|
| | 133377-01-700 | EA REMOTE | | 240961 |
| KEY | PART NUMBER | U/M DESCRIPTION | 126697-07-000 | VENDOR NO. |
| | 126697-07-700 | EA REMOTE | | 248687 |
| KEY | PART NUMBER | U/M DESCRIPTION | 133377-01-000 | VENDOR NO. |
| | 133377-01-700 | EA REMOTE | | 240961 |

AUDIO VIDEO GROUP (CONTINUED)
COMPONENT PARTS FOR TV & VCR (CONTINUED)



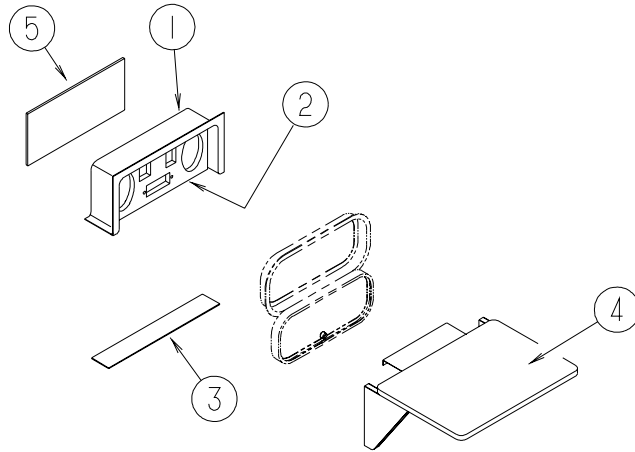
137135-01-000

AUDIO VIDEO GROUP (CONTINUED)
COMPONENT PARTS FOR TV & VCR (CONTINUED)

137135-01-000 (CONTINUED)

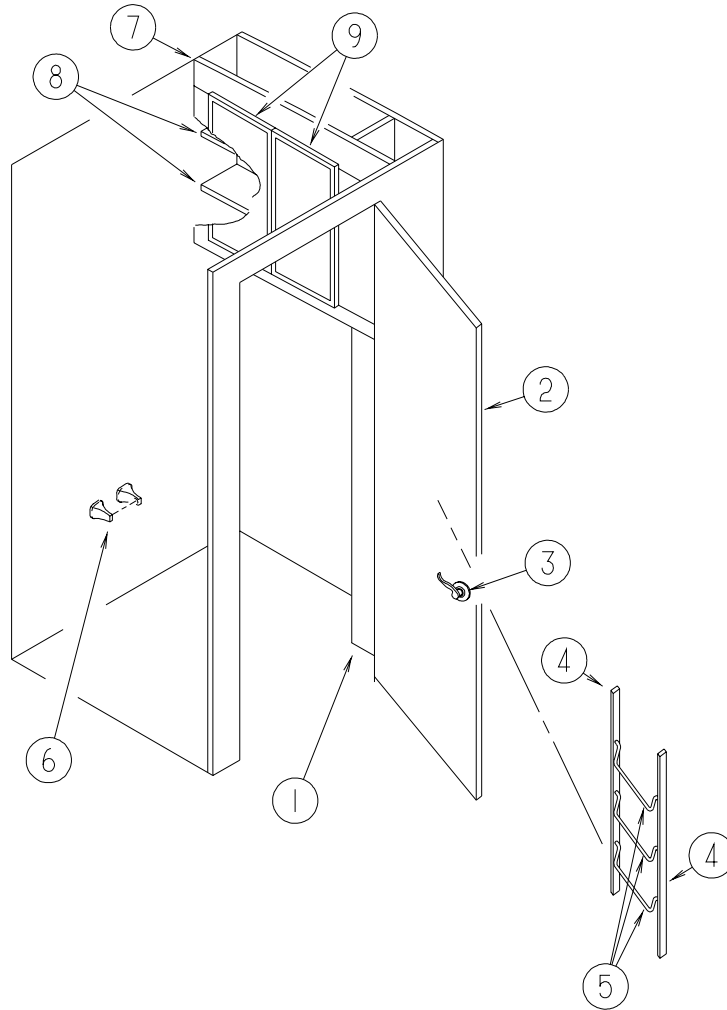
| KEY | PART NUMBER | U/M | DESCRIPTION | VENDOR NO. |
|-----|---------------|-----|------------------------------|------------|
| 1 | 120233-01-714 | EA | CLIP-E | 5160818 |
| 2 | 137135-01-703 | EA | SHAFT-ELEVATING(SPRING/PLUG) | RP-4400 |
| 3 | 137135-01-704 | EA | PIN - 1/4" X 3.25" | 2160813 |
| 4 | 137135-01-705 | EA | SPRING | 2160818 |
| 5 | 137135-01-707 | EA | SEAL - PIVOT SHAFT | 2200852 |
| 6 | 137135-01-708 | EA | TURRET | 3100728 |
| 7 | 137135-01-709 | EA | PIVOT BEARING | 2200470 |
| 8 | 137135-01-711 | EA | GEAR - ELEVATING | 2200464 |
| 9 | 137135-01-712 | EA | BEARING - OUTER | 2590347 |
| 10 | 137135-01-714 | EA | GEAR - ELEVATING SHAFT | 2200465 |
| 11 | 137135-01-715 | EA | BEARING - INNER | 2590348 |
| 12 | 137135-01-716 | EA | HUB | 3100731 |
| 13 | 137135-01-713 | EA | TURRET BASE | 3100730 |
| 14 | 137135-01-710 | EA | PLATE - ROTATE LIMIT | 3720052 |
| 15 | 137135-01-706 | EA | PIVOT SHAFT | 2590344 |
| 16 | 120233-01-734 | EA | LOW NOISE BLOCK FILTER (SGL) | LB10003 |
| 17 | 137135-01-722 | EA | CLAMP | 2590343 |
| 18 | 137135-01-719 | EA | BRACKET - PIVOT | 2744945 |
| 19 | 137135-01-720 | EA | DE-SENSOR UNIT W/43" CABLE | 276342 |
| 20 | 137135-01-721 | EA | WALL PLATE | 3200213 |
| 21 | 137135-01-717 | EA | BOLT - FLAT HEAD | 216032 |
| 22 | 120233-01-722 | EA | PLATE ASSEMBLY (CEILING) | 2762826 |
| 23 | 120233-01-704 | EA | DIAL - DIRECTIONAL | 3200364 |
| 24 | 120233-01-721 | EA | CRANK HANDLE ASSEMBLY | 2762825 |
| 25 | 137135-01-701 | EA | CONNECTOR - F - MALE TO MALE | FS-8100 |
| | 137135-01-700 | EA | ROOF WEDGE W/GASKET | RW-5000 |
| | 137135-01-718 | EA | REFLECTOR/WHITE - 46CM | 2745282 |

AUDIO VIDEO GROUP (CONTINUED)
EXTERIOR ENTERTAINMENT



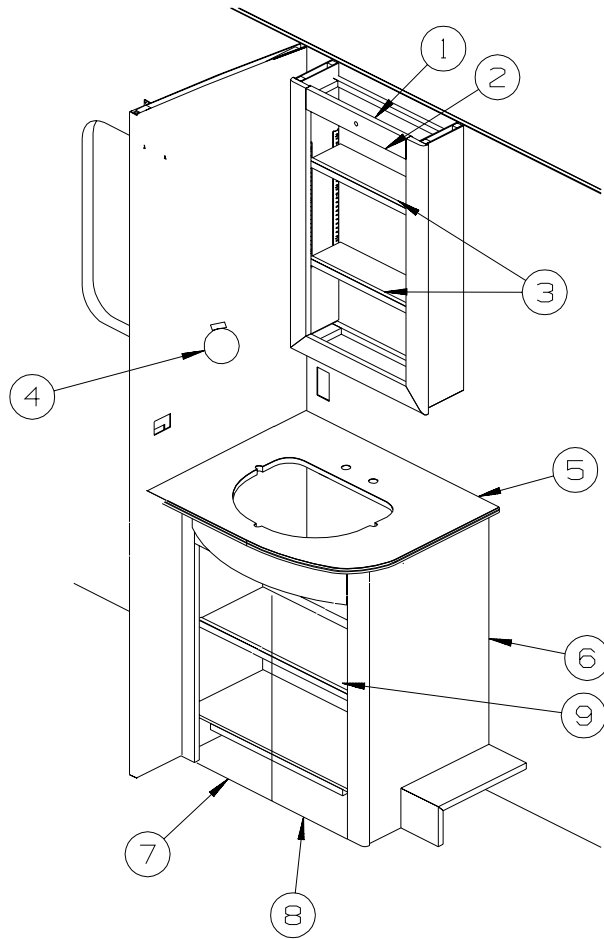
| KEY | PART NUMBER | U/M | DESCRIPTION |
|-----|---------------|-----|--|
| 1 | 124696-01-01A | EA | BOX - ENTERTAINMENT CENTER/EXTERIOR - BRIGHT WHITE |
| 1 | 124696-02-01A | EA | BOX - ENTERTAINMENT CENTER/EXTERIOR - BRIGHT WHITE |
| 2 | 127409-02-L15 | EA | PLATE - RADIO MOUNTING |
| 3 | 104898-01-02A | EA | PLATE - PLASTIC BOTTOM - BRIGHT WHITE |
| 4 | 105230-01-J01 | EA | SHELF - EXTERIOR ENTERTAINMENT CENTER - W/BRKT/HINGE/SUPT FROM: 00-00-00 THRU: 01-15-02 |
| 4 | 142034-01-01A | EA | SHELF - F/EXTERIOR TV FROM: 01-16-02 THRU: 99-99-99 |
| 5 | NOT USED | | |

BATH GROUP CABINETS



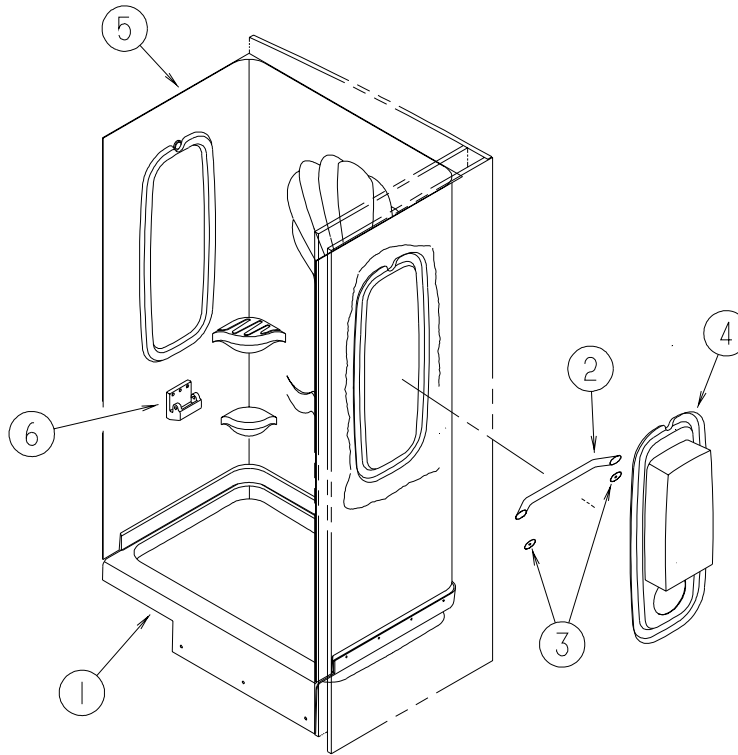
| KEY | PART NUMBER | U/M | DESCRIPTION |
|-----|---------------|-----|--|
| 1 | 138972-01-N30 | EA | CABINET - PIPE COVER |
| 1 | 138972-01-N31 | EA | CABINET - PIPE COVER |
| 1 | 138972-01-N32 | EA | CABINET - PIPE COVER |
| 2 | 131933-08-M42 | EA | DOOR - BATH - W/O HARDWARE |
| 3 | 111155-05-01A | EA | LOCK - PRIVACY/LOCKING - POLISHED BRASS - iSi SHAPE HANDLE |
| 4 | P34509-01-N01 | EA | RAIL END - RH/LH - TOWEL RACK - PORTSMOUTH OAK |
| 5 | 100357-01-000 | EA | ROD - F/TOWEL BAR - BRASS |
| 6 | 075452-02-000 | EA | HOLDER - TOILET TISSUE - BRASS |
| 7 | 138929-01-N30 | EA | CABINET - OVERHEAD/LINEN - W/O DOORS/HARDWARE |
| 8 | 138929-15-N30 | EA | SHELF - W/PLASTIC EDGE MOLDING |
| 9 | 132141-A1-N42 | EA | DOOR - RAIL/VENEER - 10.8" X 21.8" - W/O HARDWARE |

BATH GROUP (CONTINUED)
CABINETS (CONTINUED)



| KEY | PART NUMBER | U/M | DESCRIPTION |
|-----|---------------|-----|--|
| 1 | 139023-01-N30 | EA | CABINET - OVERHEAD/MEDICINE - W/O DOORS/HARDWARE |
| 2 | 132005-20-N42 | EA | DOOR - MIRROR/MITERED CORNERS - 15î X 27î - W/O HARDWARE |
| 3 | 139023-12-N30 | EA | SHELF - W/PLASTIC EDGE MOLDING |
| 4 | 132046-02-01A | EA | RING - TOWEL - BRASS |
| 5 | 133654-14-N30 | EA | COUNTERTOP - LAMINATED - GRAY TRANQUILITY |
| 5 | 133654-14-N31 | EA | COUNTERTOP - LAMINATED - WHITE ETHOS |
| 5 | 133654-14-N32 | EA | COUNTERTOP - LAMINATED - WHITE TALC/PORTSMOUTH OAK |
| 6 | 138515-01-N30 | EA | CABINET - LAVATORY - W/O COUNTERTOP/DOORS/DRAWERS/HARDWARE |
| 7 | 131995-67-N30 | EA | DOOR - RAIL/SOLID PANEL - 12î X 21.8î - W/O HARDWARE |
| | | | FROM: 00-00-00 THRU: 05-21-01 |
| 7 | 131995-R5-N30 | EA | DOOR - RAIL/SOLID PANEL - 12î X 21.8î - W/O HARDWARE |
| | | | FROM: 05-22-01 THRU: 99-99-99 |
| 8 | 131995-69-N30 | EA | DOOR - RAIL/SOLID PANEL - 12î X 21.8î - W/O HARDWARE |
| | | | FROM: 00-00-00 THRU: 05-21-01 |
| 8 | 131995-P8-N30 | EA | DOOR - RAIL/SOLID PANEL - 12î X 21.8î - W/O HARDWARE |
| | | | FROM: 05-22-01 THRU: 99-99-99 |
| 9 | 138515-20-N30 | EA | SHELF - W/PLASTIC EDGE MOLDING |

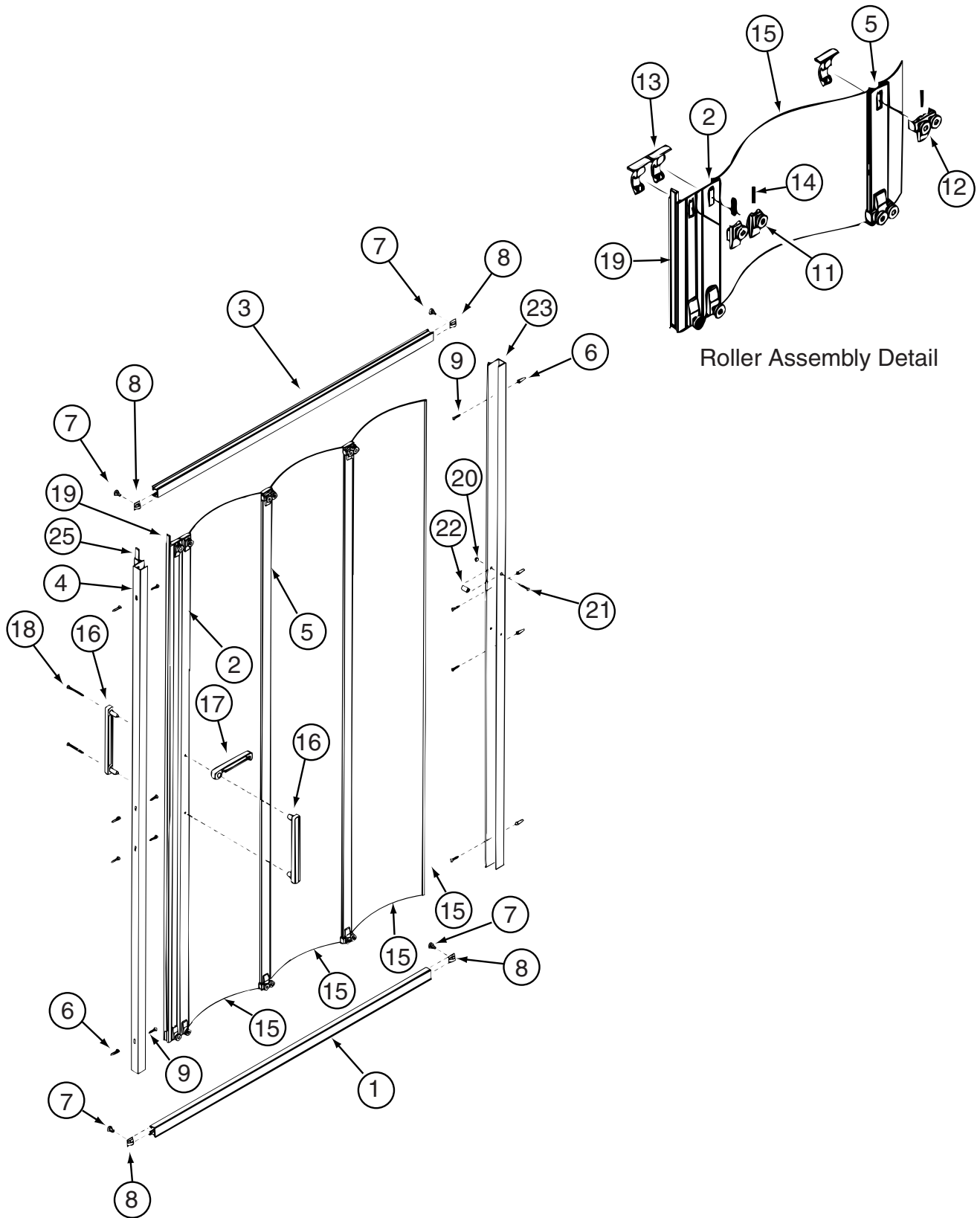
BATH GROUP (CONTINUED) SHOWER



| KEY | PART NUMBER | U/M | DESCRIPTION |
|-----|---------------|-----|---|
| 1 | M02630-42-N30 | EA | SHOWER PAN - W/STRAINER |
| 2 | 132083-01-02A | EA | HANDRAIL/ASSIST - 1" DIAMETER/W/END CAPS - SOFT WHITE |
| 3 | 132083-02-01A | EA | PAD - OVAL - BLACK RUBBER |
| 4 | 132192-01-01A | EA | CADDY - SHOWER - SOFT WHITE |
| 5 | 132216-01-01A | EA | SURROUND - SHOWER - SOFT WHITE |
| 6 | NOT USED | | |
| * | 135615-05-01A | EA | DOOR - SHOWER/FOLDING - 39" X 66" - WHITE/WHITE |

***COMPONENT PARTS LISTED LATER IN THIS GROUP**

BATH GROUP (CONTINUED)
COMPONENT PARTS FOR SHOWER



135615-01-01A, 135615-02-01A, 135615-03-01A, 135615-04-01A & 135615-05-01A

BATH GROUP (CONTINUED)
COMPONENT PARTS FOR SHOWER (CONTINUED)

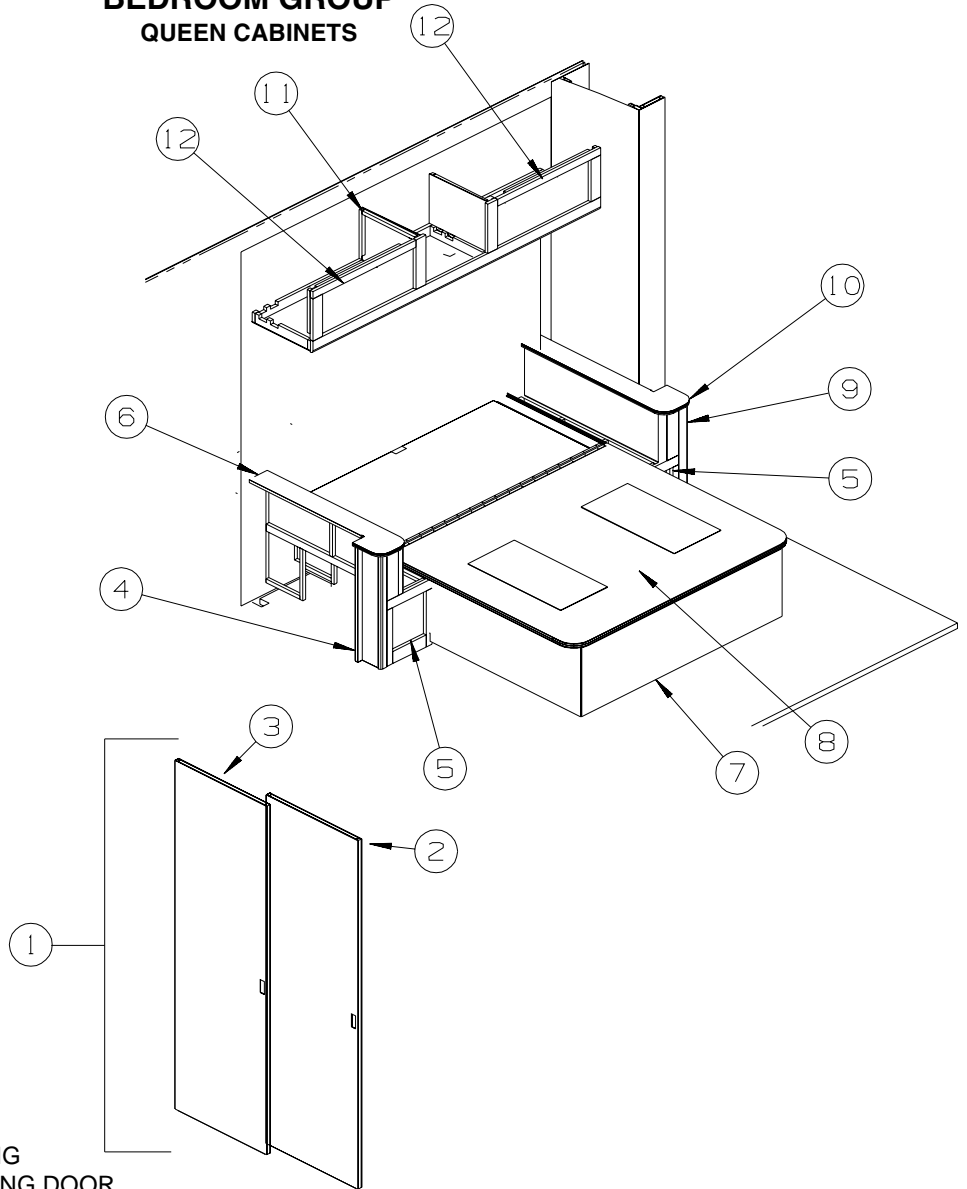
135615-01-01A, 135615-02-01A, 135615-03-01A, 135615-04-01A & 135615-05-01A (CONTINUED)

| KEY | PART NUMBER | U/M | DESCRIPTION | VENDOR NO. |
|------------|--------------------|------------|--------------------------------|-------------------|
| 1 | 135615-01-702 | EA | TRACK - (TOP/BOTTOM) - 40" | 117W |
| 2 | 135615-01-701 | EA | STRIKE ASSEMBLY - 66" | 109W |
| 4 | 135615-01-703 | EA | JAMB/WALL - W/O MAG STRIKE 66" | 112W |
| 11 | 108351-01-703 | EA | BRACKET & ROLLER ASM. SINGLE | GRB1 |
| 12 | 108351-01-704 | EA | BRACKET & ROLLER ASM. DOUBLE | GRB2 |
| 13 | 108351-01-705 | EA | BRACKET-W/RETAINING CLIP | GRC1 |
| 14 | 108351-01-706 | EA | SPRING-ROLLER BRACKET | GS1 |
| 16 | 108351-01-701 | EA | HANDLES-DOOR, SET | SFH |
| 17 | 108351-01-702 | EA | LATCH-DOOR | SFL |
| 23 | 135615-01-704 | EA | JAMB/WALL PANEL RECEIVER 66" | 110W |
| 25 | 135615-01-700 | EA | STRIP-MAGNETIC, 66" | 98-41W |

CONTACT WINNEBAGO PART SALES FOR UNLISTED COMPONENT

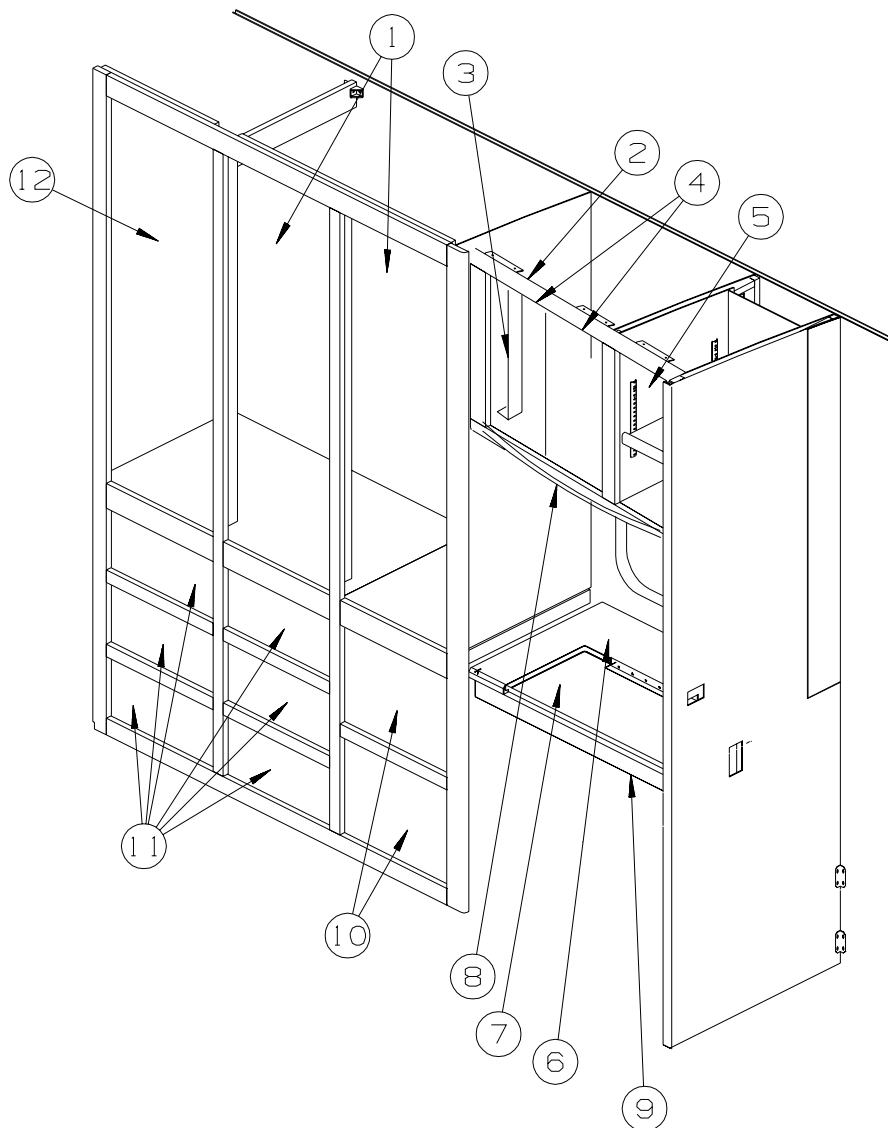
BEDROOM GROUP

QUEEN CABINETS



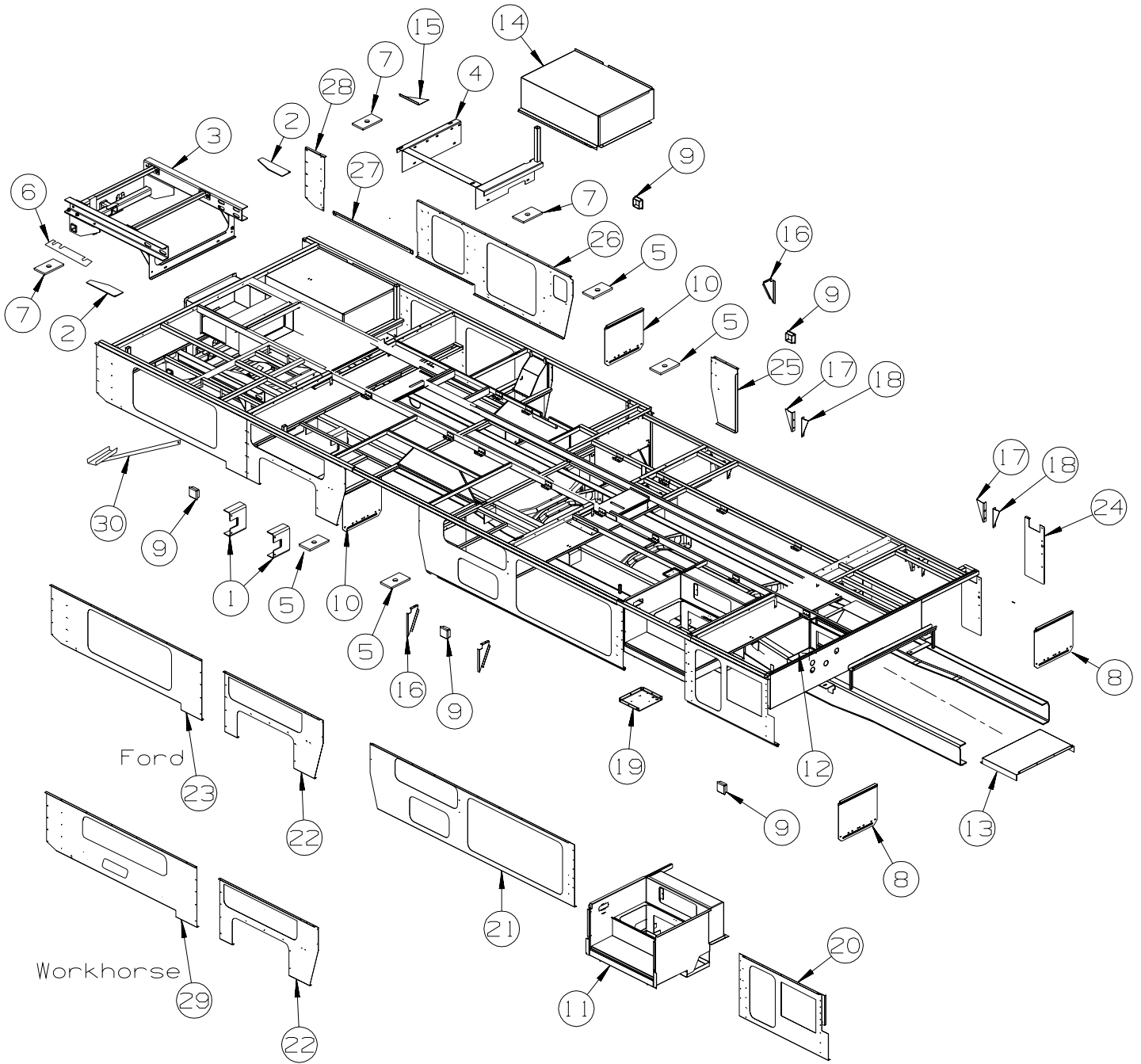
| KEY | PART NUMBER | U/M | DESCRIPTION |
|-------------------------------|---------------|-----|---|
| 1 | 137421-01-N42 | EA | DOOR - SLIDING |
| | 137445-01-N42 | EA | STOP - F/SLIDING DOOR |
| | 137422-01-01A | EA | TRACK/DOOR - OFF WHITE |
| | 136843-01-01A | EA | SPRING - F/SLIDING DOOR |
| FROM: 00-00-00 THRU: 09-04-01 | | | |
| 2 | 137421-11-N42 | EA | PANEL - SLIDING DOOR - W/O HANGER |
| 3 | 137421-14-N42 | EA | PANEL - SLIDING DOOR - W/O HANGER |
| 4 | 136885-03-N42 | EA | CABINET - NIGHTSTAND/LH - W/O COUNTERTOP/DOOR/DRAWER/HDW |
| 5 | M09316-K6-N42 | EA | DRAWER - OGEE EDGE - 7.6iW X 23.6iD - W/O SLIDES/HARDWARE |
| 6 | 133655-25-N44 | EA | COUNTERTOP - LAMINATED - GRAY TRANQUILITY (N30) |
| 6 | 133655-25-N31 | EA | COUNTERTOP - LAMINATED - WHITE ETHOS (N31) |
| 6 | 133655-25-N42 | EA | COUNTERTOP - LAMINATED - WHITE TALC/PORTSMOUTH OAK (N32) |
| 7 | 137388-02-N30 | EA | CABINET/BASE - W/O DOOR/DRAWER/HARDWARE - F/QUEEN BED |
| FROM: 00-00-00 THRU: 11-04-01 | | | |
| 7 | 137388-01-N42 | EA | CABINET/BASE - W/O DOOR/DRAWER/HARDWARE - F/QUEEN BED |
| FROM: 11-05-01 THRU: 99-99-99 | | | |
| | 141260-01-01A | FT | U-CHANNEL - 1" - VILLAGE OAK |
| 8 | 137406-11-000 | EA | BED TOP/RAISED PORTION - W/O SUPPORT HARDWARE |
| | 097872-04-000 | EA | DOWEL - WOOD - 1i DIAMETER X 1.38i LONG - UNFINISHED |
| 9 | 136885-04-N42 | EA | CABINET - NIGHTSTAND/RH - W/O COUNTERTOP/DOOR/DRAWER/HDW |
| 10 | 133655-26-N44 | EA | COUNTERTOP - LAMINATED - GRAY TANQUILITY (N30) |
| 10 | 133655-26-N31 | EA | COUNTERTOP - LAMINATED - WHITE ETHOS (N31) |
| 10 | 133655-26-N42 | EA | COUNTERTOP - LAMINATED - WHITE TALC/PORTSMOUTH OAK (N32) |
| 11 | 137367-02-N30 | EA | CABINET - OVERHEAD/REAR/RIGHT HAND - W/O DOORS/HARDWARE |
| 12 | 132141-28-N42 | EA | DOOR - RAIL/VENEER - 10i X 19.1i - W/O HARDWARE |
| FROM: 00-00-00 THRU: 05-21-01 | | | |
| 12 | 132141-29-N30 | EA | DOOR - RAIL/VENEER - 10i X 25.1i - W/O HARDWARE |
| FROM: 05-22-01 THRU: 99-99-99 | | | |

BEDROOM GROUP (CONTINUED) QUEEN CABINETS (CONTINUED)



| KEY | PART NUMBER | U/M | DESCRIPTION |
|-----|---------------|-----|--|
| 1 | 132005-14-N01 | EA | DOOR - MIRROR/MITERED CORNERS - 16.7î X 47.9î - W/O HDW |
| 2 | 137352-01-N42 | EA | CABINET - OVERHEAD/TV/REAR - W/O DOORS/HARDWARE |
| | | | FROM: 00-00-00 THRU: 05-21-01 |
| 2 | 139849-01-N30 | EA | CABINET - OVERHEAD/REAR - W/O DOORS/HARDWARE - W/O TV - 19î WITH REMOTE |
| | | | FROM: 05-22-01 THRU: 99-99-99 |
| 2 | 139849-02-N30 | EA | CABINET - OVERHEAD/REAR - W/O DOORS/HARDWARE - W/TV - 19î WITH REMOTE |
| | | | FROM: 05-22-01 THRU: 99-99-99 |
| 3 | 115466-28-02B | EA | STRAP - TIEDOWN/TV - E-COATED - W/TV - 19î WITH REMOTE |
| 4 | 132141-74-N42 | EA | DOOR - RAIL/VENEER - 10î X 19.1î - W/O HARDWARE - W/O TV - 19î WITH REMOTE |
| 5 | 132141-74-N42 | EA | DOOR - RAIL/VENEER - 10î X 19.1î - W/O HARDWARE |
| 6 | 133655-23-N44 | EA | COUNTERTOP - LAMINATED - GRAY TRANQUILITY (N30) |
| 6 | 133655-23-N31 | EA | COUNTERTOP - LAMINATED - WHITE ETHOS (N31) |
| 6 | 133655-23-N42 | EA | COUNTERTOP - LAMINATED - WHITE TALC (N32) |
| 7 | 133655-24-N44 | EA | COUNTERTOP - LAMINATED - GRAY TRANQUILITY (N30) |
| 7 | 133655-24-N31 | EA | COUNTERTOP - LAMINATED - WHITE ETHOS (N31) |
| 7 | 133655-24-N42 | EA | COUNTERTOP - LAMINATED - WHITE TALC (N32) |
| 8 | P39390-01-N30 | EA | TRIM - TV/CURVED - W/TV - 19î WITH REMOTE |
| 9 | 136874-01-N42 | EA | DRAWER/VANITY - W/O HARDWARE |
| | 058331-A0-000 | EA | MIRROR - SAFETY GLASS - 10.1" X 18.6" |
| | | | FROM: 00-00-00 THRU: 06-09-02 |
| 10 | M09316-K5-N42 | EA | DRAWER - OGEE EDGE - 14.7îW X 11.8îD - W/O SLIDES/HARDWARE |
| 11 | M09316-K4-N42 | EA | DRAWER - OGEE EDGE - 14.7îW X 11.8îD - W/O SLIDES/HARDWARE |
| 12 | 132141-53-N42 | EA | DOOR - RAIL/VENEER - 16.7î X 48î - W/O HARDWARE |
| | 076767-04-000 | EA | CABLE - STAINLESS STEEL - 5.9î |

CHASSIS GROUP FRAME



| KEY | PART NUMBER | U/M | DESCRIPTION |
|-----|---------------|-----|---|
| 1 | 120867-01-02B | EA | MOUNT - LP TANK |
| 2 | 133095-01-02B | EA | PLATE - CLIP - E-COATED |
| 3* | 132643-01-01A | EA | HITCH/TIRE CARRIER - EXTENSION RAIL(REAR CLIP) - 54" |
| 4 | 138113-01-02B | EA | OUTRIGGER/GENERATOR - E-COATED |
| 5 | 135712-01-02B | EA | PLATE - BODY MOUNT - E-COATED |
| 6 | 136538-01-02B | EA | SHIM - HITCH - E-COATED |
| 7 | 135712-02-02B | EA | PLATE - BODY MOUNT - E-COATED |
| 8 | 136391-01-02B | EA | GUARD/ROCK - STEEL - W/ANGLE - 18"W X 11"H - E-COATED |
| 9 | 119845-01-01A | EA | PLUG/PLASTIC - 1 1/2" SQUARE - BLACK |
| 10 | 136391-02-02B | EA | GUARD/ROCK - STEEL - W/ANGLE - 18"W X 15"H - E-COATED |
| 11 | 132607-06-02B | EA | BOX - ENTRY STEP - E-COATED |
| 12 | 138369-01-02B | EA | COMPARTMENT - AUTO HEATER - E-COATED |
| 13 | 133203-02-02B | EA | COVER - TRANSMISSION - E-COATED |
| 14 | 118968-11-02B | EA | COMPARTMENT - GENERATER - E-COATED |
| 15 | 123440-07-02B | EA | SUPPORT/VALANCE PANEL - 9.9" X 4.7" - E-COATED |

CHASSIS GROUP (CONTINUED)
FRAME (CONTINUED)

| KEY | PART NUMBER | U/M | DESCRIPTION |
|------------|--------------------|------------|---|
| 16 | 123440-02-02B | EA | SUPPORT/VALANCE PANEL - 9.9"/7.6" X 4.7" - E-COATED |
| 17 | 131531-05-02B | EA | GUSSET - SLIDEOUT - E-COATED |
| 18 | 131531-06-02B | EA | GUSSET - SLIDEOUT - E-COATED |
| 19 | 138799-01-02B | EA | SHIM - BODY - E-COATED |
| 20 | 137098-07-02B | EA | PLATE/SEAL - E-COATED |
| 21 | 137098-02-02B | EA | PLATE/SEAL - E-COATED |
| 22 | 137098-05-02B | EA | PLATE/SEAL - E-COATED |
| 23 | 137098-06-02B | EA | PLATE/SEAL - E-COATED - FORD ONLY |
| 24 | 132606-01-02B | EA | PLATE/SEAL - E-COATED |
| 25 | 137103-01-02B | EA | PLATE/SEAL - E-COATED |
| 26 | 137103-05-02B | EA | PLATE/SEAL - E-COATED |
| 27 | 133612-02-02B | EA | ZEE/SEAL PLANE - BOTTOM - E-COATED |
| | | | FROM: 00-00-00 THRU: 06-10-01 |
| 27 | 133612-05-02B | EA | ZEE/SEAL PLANE - BOTTOM - E-COATED |
| | | | FROM: 06-11-01 THRU: 99-99-99 |
| 28 | 137103-03-02B | EA | PLATE/SEAL - E-COATED |
| 29 | 137098-14-02B | EA | PLATE/SEAL - E-COATED - WORKHORSE ONLY |
| 30 | 140160-01-02B | EA | SUPPORT - FLOOR - E-COATED |

***COMPONENT PARTS LISTED LATER IN THIS GROUP**

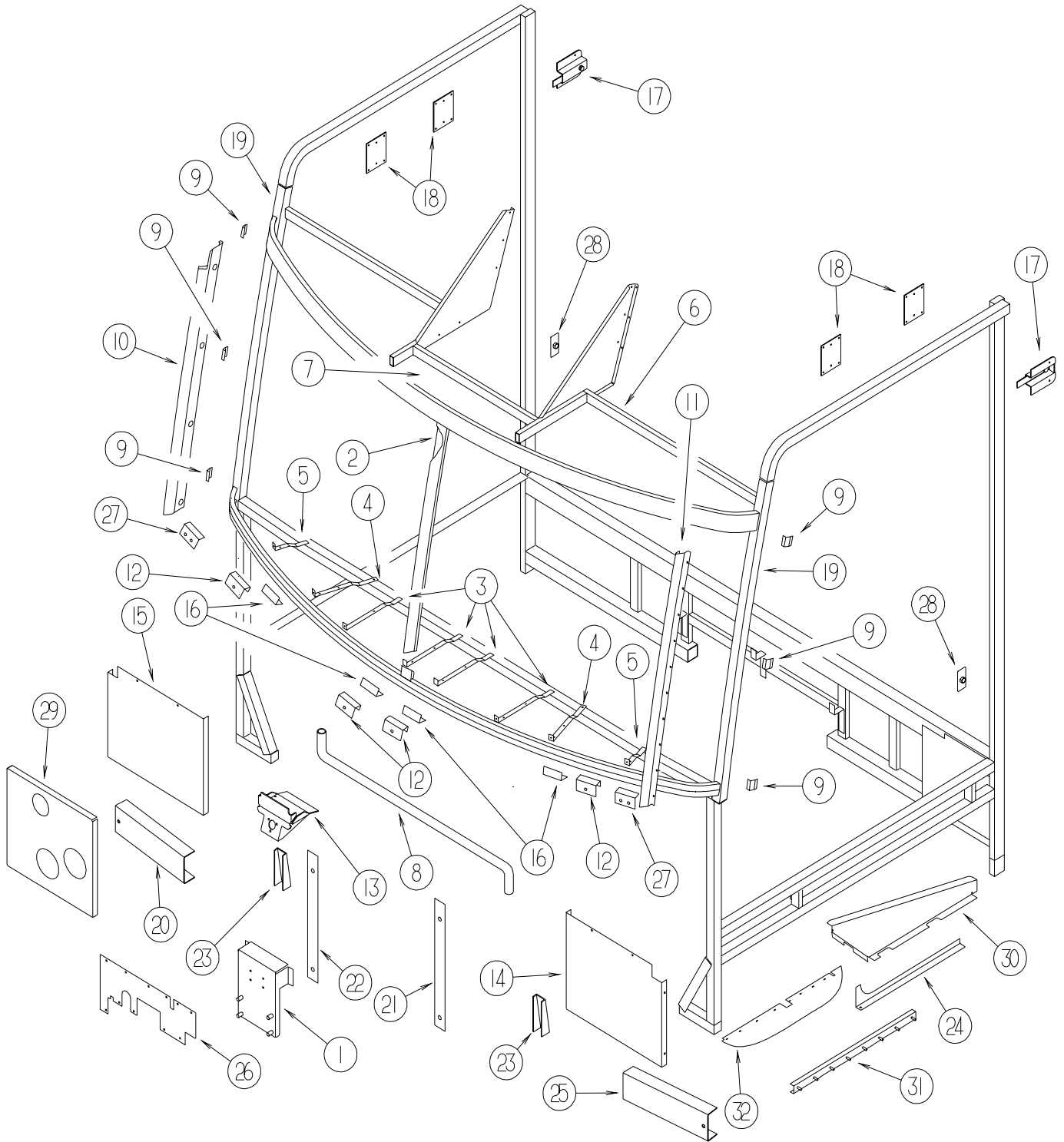
CHASSIS GROUP (CONTINUED)
COMPONENT PARTS FOR FRAME

132643-01-01A

| KEY | PART NUMBER | U/M | DESCRIPTION | VENDOR NO. |
|------------|--------------------|------------|----------------------------|-------------------|
| | 132643-01-700 | EA | HITCH/RECEIVER WELDED ASM. | 72430-47 |
| | 132643-01-701 | EA | TIRE CARRIER COMPLETE | 56610-47 |
| | 132643-01-702 | EA | RETAINER KIT/SPARE TIRE | 55290-47 |

CHASSIS GROUP (CONTINUED)

FRONT END



| KEY | PART NUMBER | U/M | DESCRIPTION |
|-----|---------------|-----|--|
| 1 | 137355-02-02B | EA | BRACKET - RESERVOIR/WASHER - E-COATED - WORKHORSE - F30W, F32V |
| 1 | 119656-02-02B | EA | BRACKET - RESERVOIR/WASHER - E-COATED - WORKHORSE - F34D, F36M |
| 2 | 078249-17-000 | EA | TUBE - SWEEP - CAB FRAME |
| 3 | 104797-03-000 | EA | BRACKET - DEFROSTER |
| 4 | 104797-04-000 | EA | BRACKET - DEFROSTER |
| 5 | 104797-05-000 | EA | BRACKET - DEFROSTER |
| 6 | 133709-51-01B | EA | HEADER - F/TV - MILL |
| 7 | 124904-04-01B | EA | HEADER/WINDSHIELD - CENTER - 27.5" |
| 8 | 044317-01-000 | FT | HOSE - FUEL - 3/8" ID - RADIATOR OVERFLOW |
| 9 | 120363-01-01B | EA | BRACKET - WINDSHIELD |

CHASSIS GROUP (CONTINUED)
FRONT END (CONTINUED)

| KEY | PART NUMBER | U/M | DESCRIPTION |
|-----|---------------|-----|---|
| 10 | 121269-05-01B | EA | FRAME - WINDSHIELD - A-PILLAR - MILL |
| 11 | 121269-06-01B | EA | FRAME - WINDSHIELD - A-PILLAR - MILL |
| 12 | 117462-01-01B | EA | CHANNEL - SUPPORT |
| 13 | 134506-02-01B | EA | BRACKET - WIPER MOTOR |
| 14 | 104147-14-000 | EA | SHIELD/SPLASH - HEADLIGHT - FORD |
| 15 | 121962-02-02B | EA | SHIELD/SPLASH - HEADLIGHT - E-COATED |
| 16 | 076364-57-000 | EA | ANGLE - FORMED |
| 17 | 103318-02-000 | EA | BRACKET/WALL MOUNT - SEATBELT |
| | | | FROM: 00-00-00 THRU: 07-30-01 |
| 17 | 140387-02-01B | EA | MOUNT - SEATBELT/WALL - E-COATED |
| | | | FROM: 07-31-01 THRU: 99-99-99 |
| 18 | 104409-01-000 | EA | PLATE - MOUNTING/SIDEWALL |
| | | | FROM: 00-00-00 THRU: 03-28-01 |
| 18 | 139383-01-02B | EA | PLATE/MOUNT - SIDEWALL - E-COATED |
| | | | FROM: 03-29-01 THRU: 99-99-99 |
| 19 | 117273-01-01A | EA | TUBE - SUPPORT - A-PILLAR |
| 20 | 125744-01-02B | EA | CHANNEL-SUPPORT,FRT END,E-CT - WORKHORSE - F30W, F32V |
| 20 | 137048-02-02B | EA | CHANNEL/SUPPORT - FRONT END - E-COATED - WORKHORSE - F34D, F36M |
| 20 | 125744-02-02B | EA | CHANNEL - SUPPORT - FRONT END - E-COATED - FORD |
| 21 | 134807-01-02B | EA | SUPPORT - FRONT - E-COATED - WORKHORSE |
| 21 | 134807-04-02B | EA | SUPPORT - FRONT - E-COATED - FORD |
| 22 | 134807-01-02B | EA | SUPPORT - FRONT - E-COATED - WORKHORSE |
| 22 | 134807-03-02B | EA | SUPPORT - FRONT - E-COATED - FORD |
| 23 | 117622-01-02B | EA | BRACE - TUBE/BUMPER - VERTICAL - E-COATED - FORD |
| 24 | 137041-01-02B | EA | ANGLE - MOTOR COVER - E-COATED - WORKHORSE |
| | | | FROM: 09-22-01 THRU: 99-99-99 |
| 25 | 125744-01-02B | EA | CHANNEL-SUPPORT,FRT END,E-CT - WORKHORSE - F30W, F32V |
| 25 | 137048-01-02B | EA | CHANNEL/SUPPORT - FRONT END - E-COATED - WORKHORSE - F34D, F36M |
| 25 | 125744-10-02B | EA | CHANNEL-SUPPORT,FRT END,E-CT - FORD |
| 26 | 117749-02-000 | EA | BAFFLE - RADIATOR/TOP |
| 27 | 127997-02-01B | EA | SUPPORT - FRONT END |
| 28 | 133576-02-01B | EA | PLATE/ANCHOR - SEAT BELT - LOWER - MILL |
| 29 | 133144-02-01B | EA | PANEL/SUPPORT |
| 30 | 137306-01-02B | EA | FILLER/BRACKET - LEFT HAND - E-COATED - WORKHORSE - F34D, F36M |
| 31 | 140790-01-02B | EA | ANGLE - SIGHT SHIELD - E-COATED - WORKHORSE - F34D, F36M |
| 32 | 140782-01-02B | EA | SHIELD - SIGHT - BLACK PLASTIC - WORKHORSE - F34D, F36M |

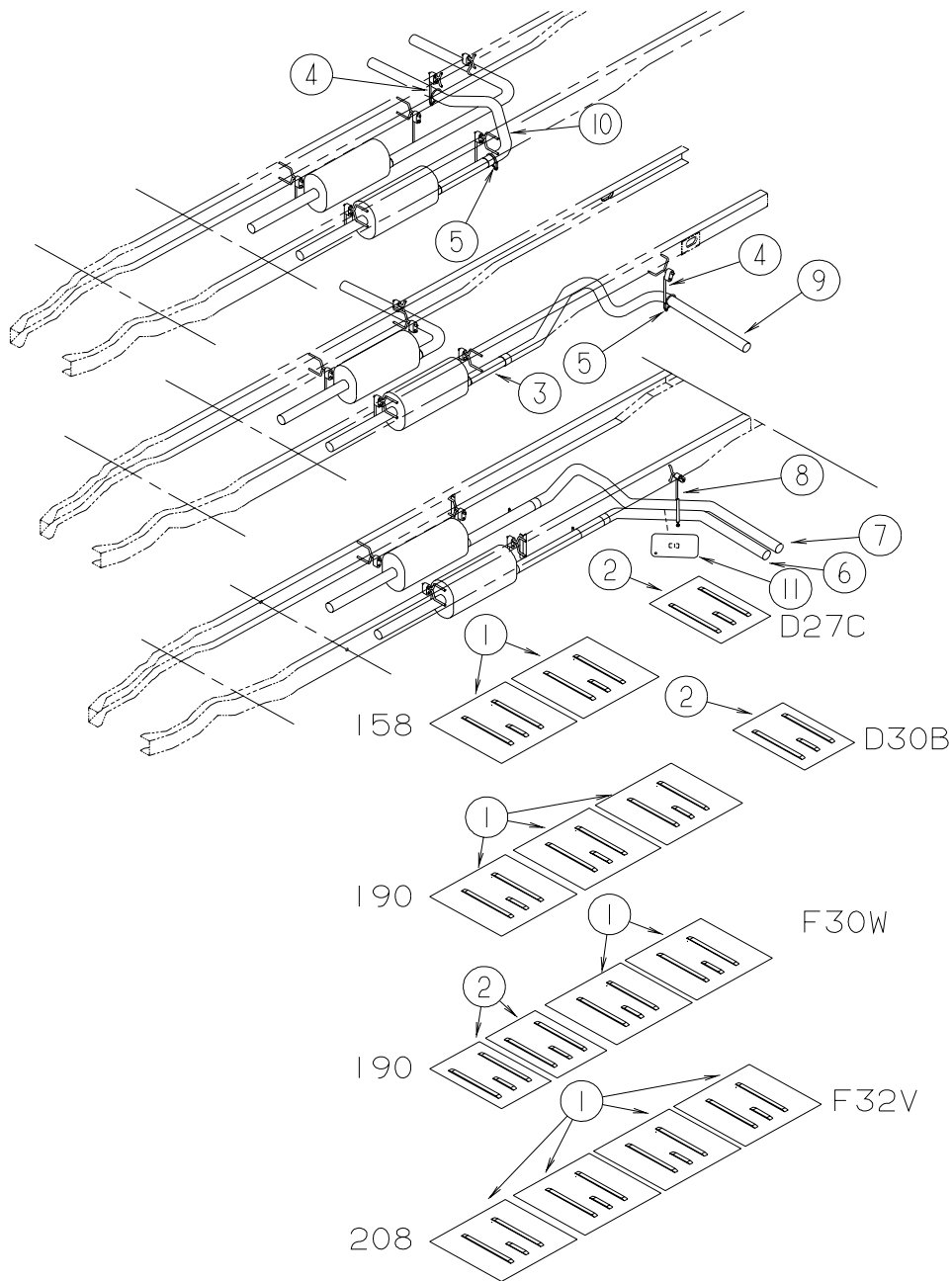
CHASSIS GROUP (CONTINUED)

DRIVETRAIN

| KEY | PART NUMBER | U/M | DESCRIPTION |
|-----|---------------|-----|--|
| | 140691-03-000 | EA | DRIVESHAFT - BALANCED - WORKHORSE 208"-220" STRETCH, F34D |
| | 138616-06-02B | EA | BRACKET - BEARING MOUNT - E-COATED - WORKHORSE 208"-220" STRETCH, F34D |
| | 129580-09-000 | EA | DRIVESHAFT - BALANCED - 220" WB - FORD 208"-220" STRETCH, F34D |
| | 129580-10-000 | EA | DRIVESHAFT - BALANCED - 220" WHEEL BASE - FORD 228"-220" SHRINK, F34D |
| | 129577-07-000 | EA | DRIVESHAFT - FLANGE/BEARING/YOKE - 220" WHEEL BASE - FORD 228"-220" SHRINK, F34D |
| | 129580-04-000 | EA | DRIVESHAFT ASM-3 BALANCED - FORD 228"-208" SHRINK, F32V |
| | 129577-04-000 | EA | DRIVESHAFT ASSEMBLY - FLANGE/BEARING/YOKE - 208" - FORD 228"-208" SHRINK, F32V |

CHASSIS GROUP (CONTINUED)

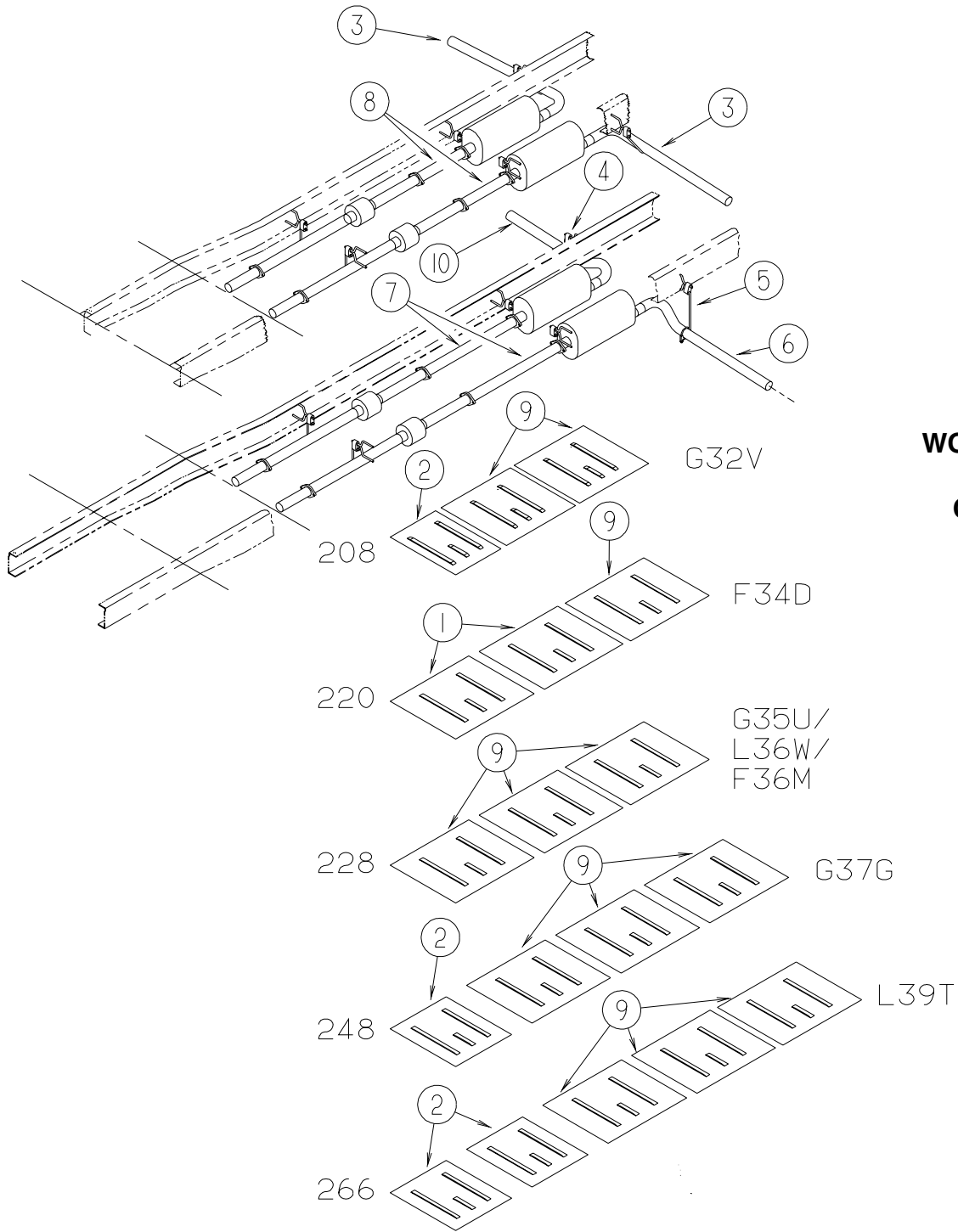
EXHAUST



**WORKHORSE
8.1L ENGINE**

| KEY | PART NUMBER | U/M | DESCRIPTION |
|-----|---------------|-----|--|
| 1 | 101544-02-000 | EA | SHIELD - HEAT/EXHAUST - 30" X 29.1" - E-COATED |
| 2 | 101544-01-000 | EA | SHIELD - HEAT/EXHAUST - 19.7" X 29.1" - E-COATED |
| 3 | NOT USED | | |
| 4 | NOT USED | | |
| 5 | NOT USED | | |
| 6 | 137336-01-000 | EA | PIPE - EXHAUST - SIDE |
| 7 | 137337-01-000 | EA | PIPE - EXHAUST - CROSSOVER |
| 8 | 122392-07-02B | EA | HANGER - TAILPIPE - DOUBLE - E-COATED |
| 9 | NOT USED | | |
| 10 | NOT USED | | |
| 11 | 143138-01-02B | EA | SHIELD - EXHAUST - E-COATED |

CHASSIS GROUP (CONTINUED)
EXHAUST (CONTINUED)

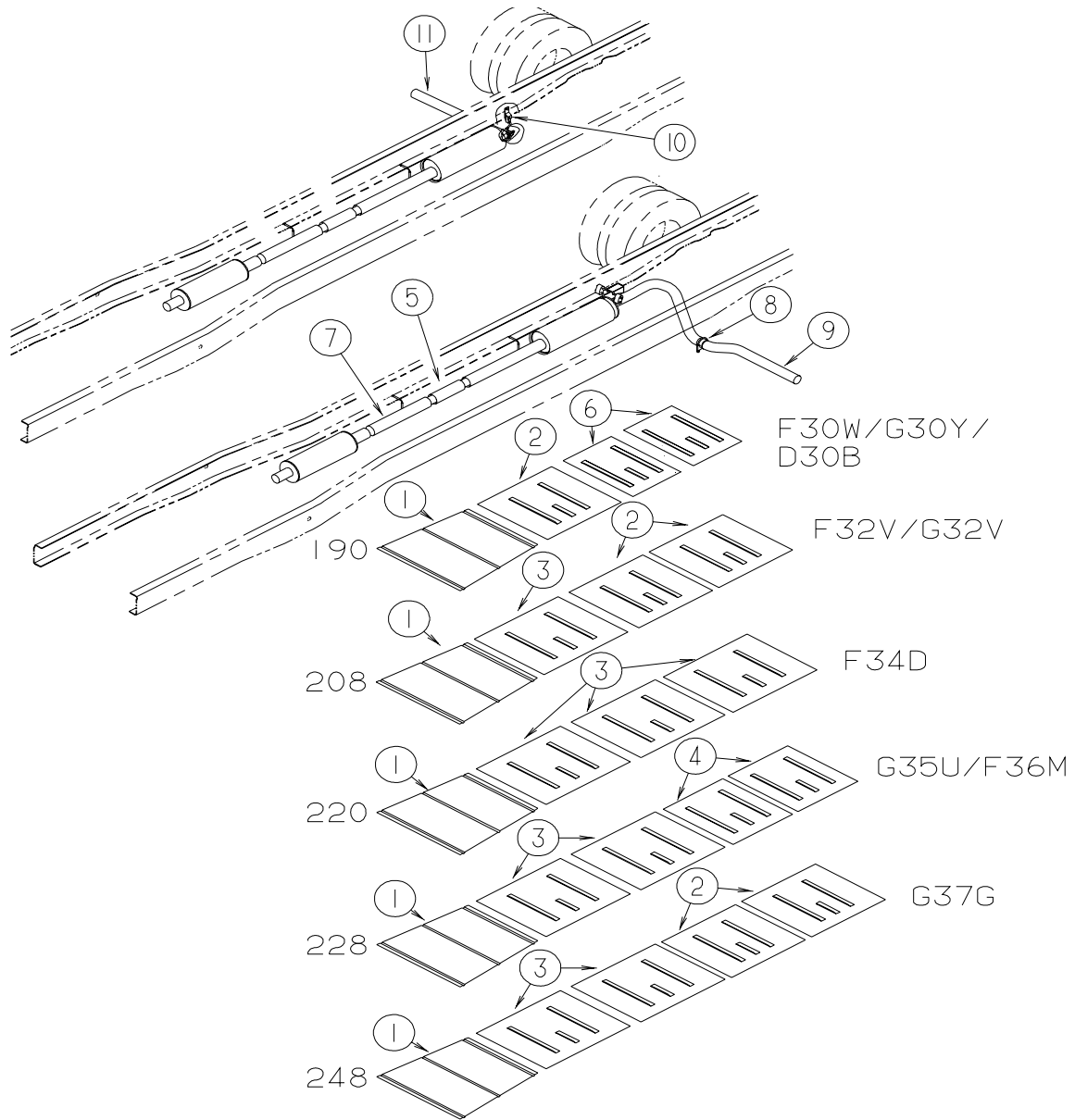


WORKHORSE
22,000#
CHASSIS

| KEY | PART NUMBER | U/M DESCRIPTION |
|-----|---------------|--|
| 1 | 101544-02-000 | EA SHIELD - HEAT/EXHAUST - 30" X 29.1" - E-COATED |
| 2 | NOT USED | |
| 3 | 098762-05-000 | EA EXTENSION - EXHAUST - STRAIGHT - 3" O.D X 7.9" LONG - SST |
| 3 | 094918-01-000 | EA CLAMP - EXHAUST - 3" - GUILLOTINE STYLE |
| 4 | NOT USED | |
| 5 | NOT USED | |
| 6 | NOT USED | |
| 7 | NOT USED | |
| 8 | 137652-03-000 | EA PIPE - EXHAUST - W/FLANGES |
| 9 | 101544-06-000 | EA SHIELD - HEAT/EXHAUST - 33.9" X 29.1" - E-COATED |
| 10 | NOT USED | |

CHASSIS GROUP (CONTINUED)
EXHAUST (CONTINUED)

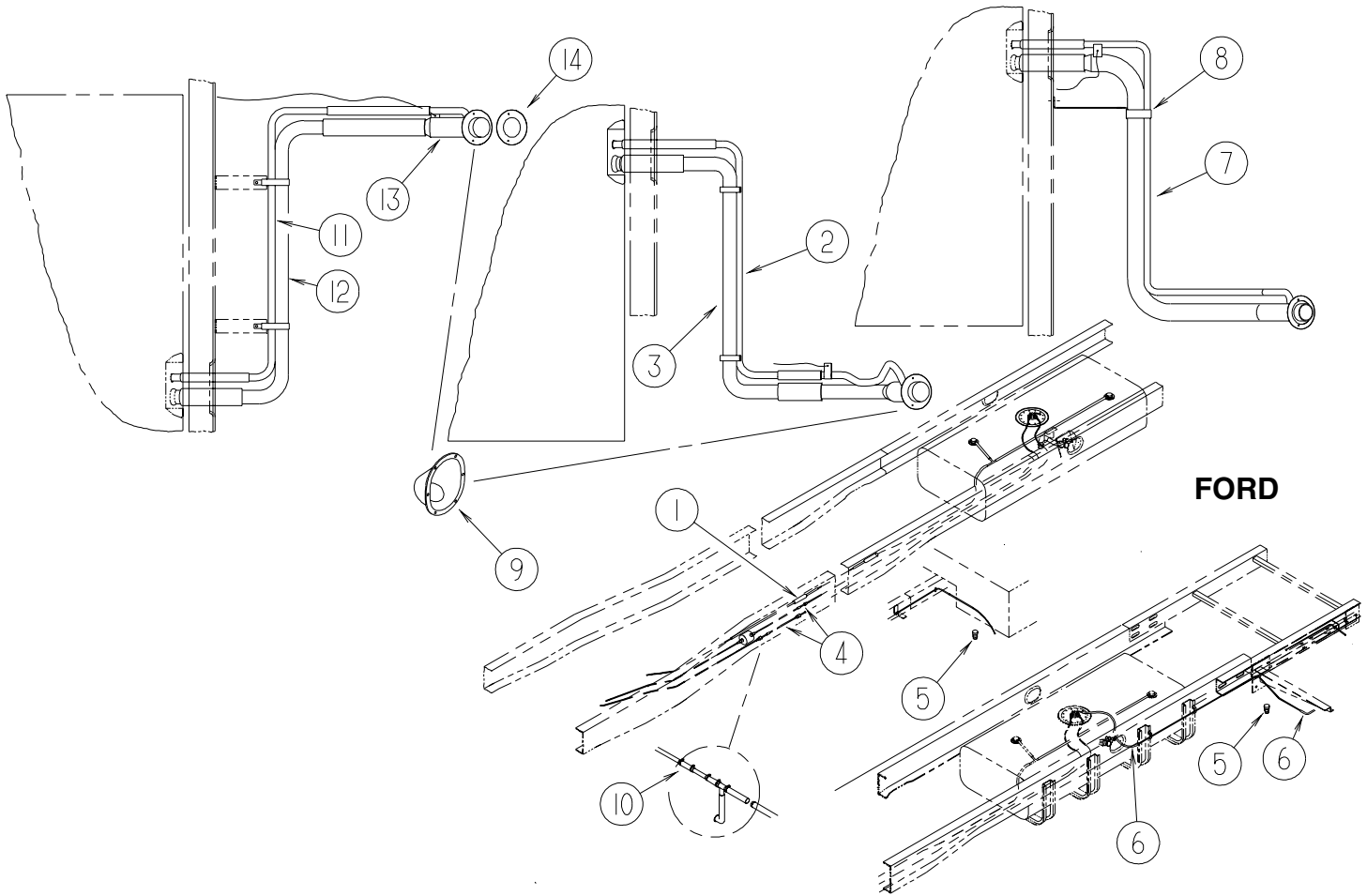
FORD



| KEY | PART NUMBER | U/M | DESCRIPTION |
|-----|---------------|-----|--|
| 1 | 128756-01-02B | EA | SHIELD - HEAT/EXHAUST - 33.9" X 16.9" - E-COATED |
| 2 | 101544-02-000 | EA | SHIELD - HEAT/EXHAUST - 30" X 29.1" - E-COATED |
| 3 | 101544-06-000 | EA | SHIELD - HEAT/EXHAUST - 33.9" X 29.1" - E-COATED |
| 4 | 101544-10-000 | EA | SHIELD - HEAT/EXHAUST - 129.7" X 29.1" - E-COATED - FORD |
| 5 | 112012-02-000 | EA | PIPE - EXHAUST - 3" - FORD CHASSIS |
| 5 | 094918-06-000 | EA | CLAMP - EXHAUST - 3" - HEAVY DUTY |
| 6 | 101544-01-000 | EA | SHIELD - HEAT/EXHAUST - 19.7" X 29.1" - E-COATED |
| 7 | 112012-08-000 | EA | PIPE - EXHAUST - 3" DIAMETER X 25.2" LONG - 228"-208" SHRINK, F32V |
| 8 | NOT USED | | |
| 9 | NOT USED | | |
| 10 | NOT USED | | |
| 11 | NOT USED | | |

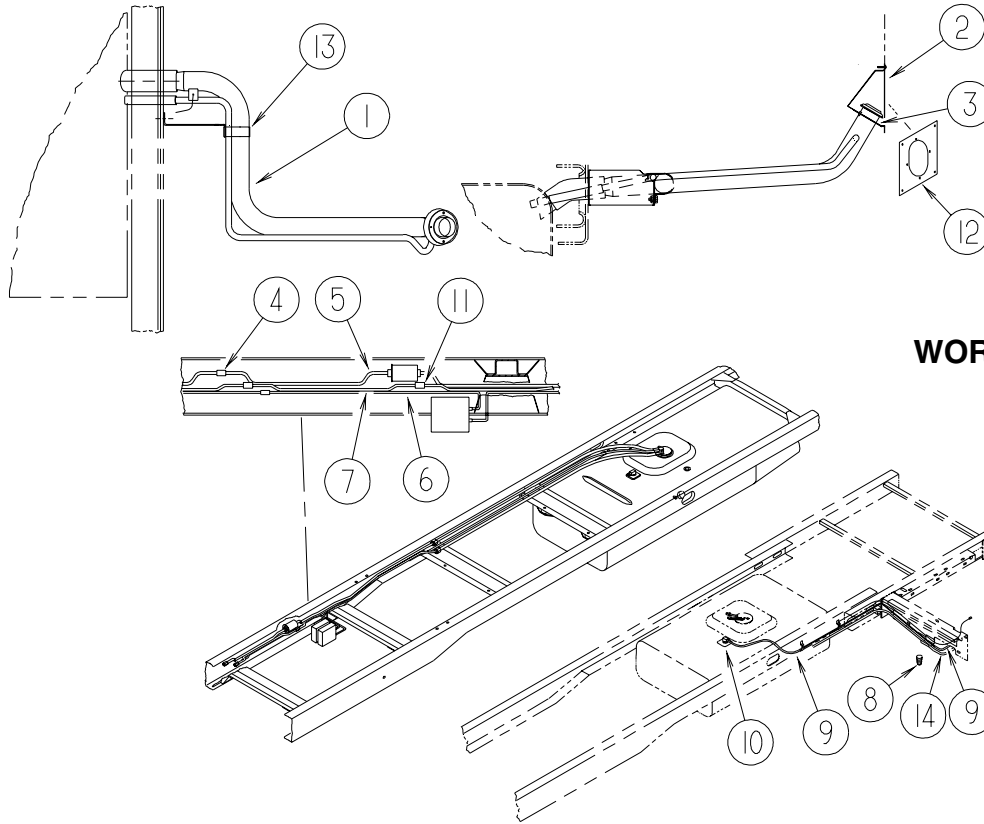
CHASSIS GROUP (CONTINUED)

FUEL



| KEY | PART NUMBER | U/M | DESCRIPTION |
|-----|---------------|-----|---|
| 1 | 128139-02-000 | FT | HOSE - FUEL - LOW PERMEABILITY - 5/8" DIA. - 208"-220" STRETCH, F34D - 228"-208" SHRINK, F32V |
| 2 | 129320-10-000 | EA | PIPE - VENT FILL - F30W, F32V |
| 3 | 129321-10-000 | EA | TUBE - FUEL INLET - F30W, F32V |
| 4 | 129494-02-000 | EA | FUEL LINE - 5/16" X 34.9" - FORD CHASSIS - 208"-220" STRETCH/228"-220" SHRINK, F34D |
| 5 | NOT USED | | |
| 6 | 128139-03-000 | FT | HOSE - FUEL - LOW PERMEABILITY - 1/4" DIAMETER |
| 7 | 135801-01-000 | EA | NECK - FUEL FILL - F34D, F36M |
| 8 | 140728-02-02B | EA | BRACKET - FUEL FILL - E-COATED - F34D, F36M |
| 9 | 127291-02-01A | EA | SHROUD - FUEL FILL - BRIGHT WHITE - F30W, F32V |
| 10 | NOT USED | | |
| 11 | NOT USED | | |
| 12 | NOT USED | | |
| 13 | NOT USED | | |
| 14 | NOT USED | | |

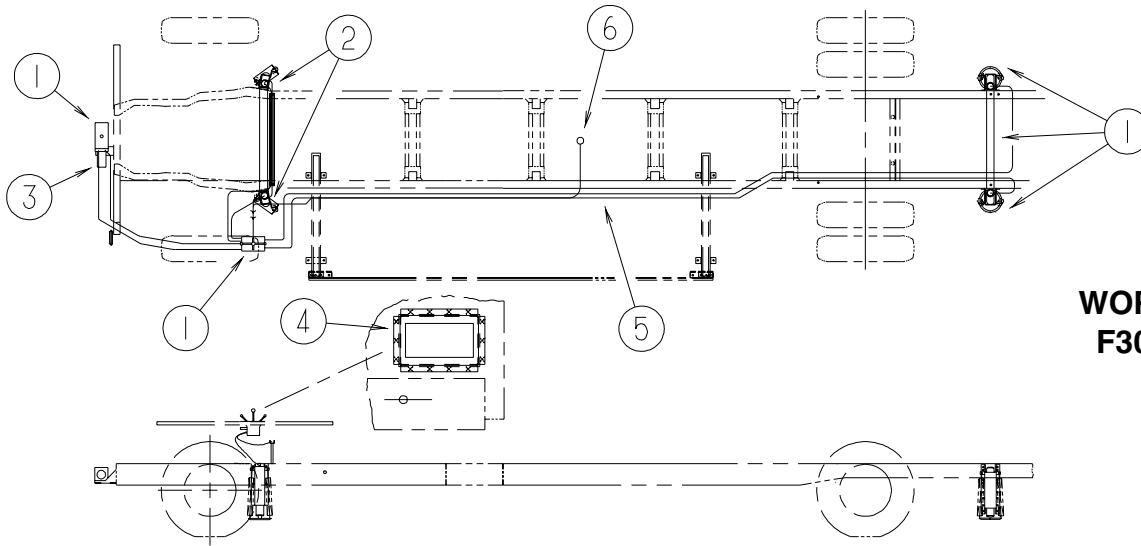
CHASSIS GROUP (CONTINUED)
FUEL (CONTINUED)



WORKHORSE

| KEY | PART NUMBER | U/M | DESCRIPTION |
|-----|---------------|-----|---|
| 1 | 136300-01-000 | EA | NECK - FUEL FILL - F30W, F32V |
| 1 | 136300-02-000 | EA | NECK - FUEL FILL - F34D, F36M |
| 2 | 127291-01-01A | EA | SHROUD - FUEL FILL - BRIGHT WHITE |
| 3 | NOT USED | | |
| 4 | 098779-02-000 | EA | COUPLER - FUEL LINE - 1.2" LONG X 16MM THREAD - 208" - 220" STRETCH, F34D |
| 5 | 098759-01-000 | EA | FUEL LINE/SUPPLY - 3/8" STEEL X 12" LONG W/16MM NUTS - 208" - 220" STRETCH, F34D |
| 6 | 127392-02-000 | EA | HOSE - VAPOR/EMISSION - 5/16" X 36.5" W/ENDS - GM CHASSIS - 208" - 220" STRETCH, F34D |
| 7 | 098758-01-000 | EA | FUEL LINE/RETURN - 5/16" STEEL X 12" LONG W/14MM NUTS - 208" - 220" STRETCH, F34D |
| 8 | 084884-01-000 | EA | PLUG - BRASS - 3/8" |
| 9 | 128139-03-000 | FT | HOSE - FUEL - LOW PERMEABILITY - 1/4" DIAMETER |
| 10 | 068382-06-000 | EA | BUSHING - BRASS - 3/8"MPT X 1/8"FPT |
| 10 | 114254-01-000 | EA | ADAPTER - 1/4 BARB X 1/8 MPT |
| 11 | 098779-01-000 | EA | COUPLER - FUEL LINE - 1.2" LONG X 14MM THREAD - 208" - 220" STRETCH, F34D |
| 12 | NOT USED | | |
| 13 | 140728-01-02B | EA | BRACKET - FUEL FILL - E-COATED |
| 14 | NOT USED | | |

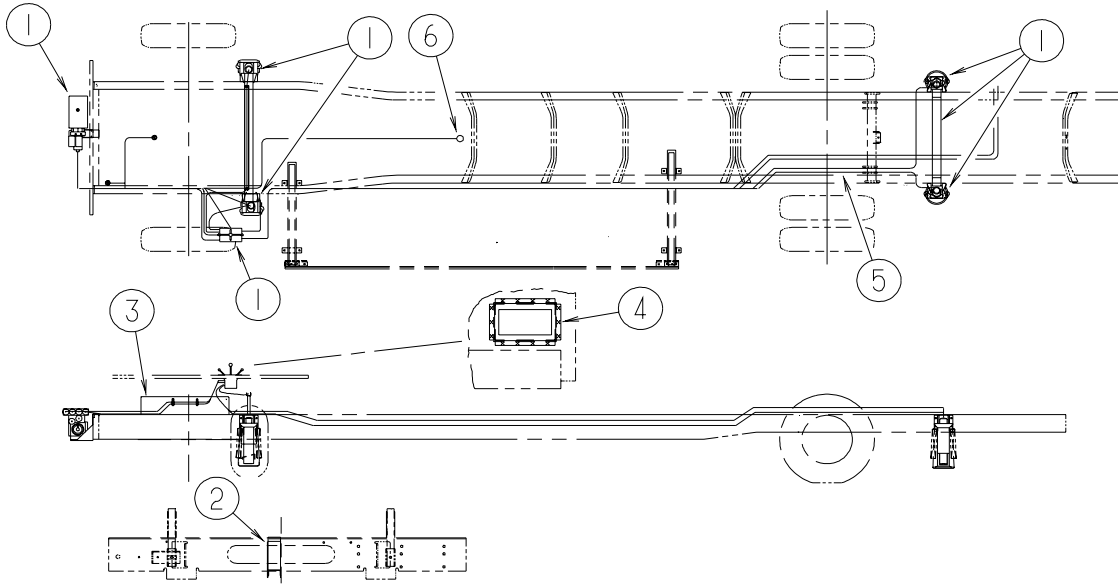
CHASSIS GROUP (CONTINUED)
HYDRAULIC LEVELING



**WORKHORSE
F30W, F32V**

| KEY | PART NUMBER | U/M | DESCRIPTION |
|--|--------------------|------------|--|
| 1* | 131306-19-000 | EA | LEVELING SYSTEM - WORKHORSE CHASSIS W/200 & SLIDEOUT ROOM - F30W |
| 1 | 131306-26-000 | EA | LEVELING SYSTEM - F32V |
| 2* | 128285-01-000 | EA | JACK/CROSSMEMBER ASSEMBLY - FRONT |
| 3 | 129550-03-02B | EA | BRACKET - PUMP - E-COATED |
| | | | FROM: 00-00-00 THRU: 09-18-01 |
| 3 | 129550-04-02B | EA | BRACKET - PUMP - E-COATED |
| | | | FROM: 09-19-01 THRU: 99-99-99 |
| 4 | 117837-02-01B | EA | SUPPORT - LEVELING - CONTROL |
| | | | FROM: 00-00-00 THRU: 05-06-02 |
| 5* | 100536-11-000 | EA | HOSE KIT - HWH #AP0013 |
| 6 | 117183-01-02B | EA | COVER - SENSOR - LEVELING |
| *COMPONENT PARTS LISTED LATER IN THIS GROUP | | | |

CHASSIS GROUP (CONTINUED)
HYDRAULIC LEVELING (CONTINUED)



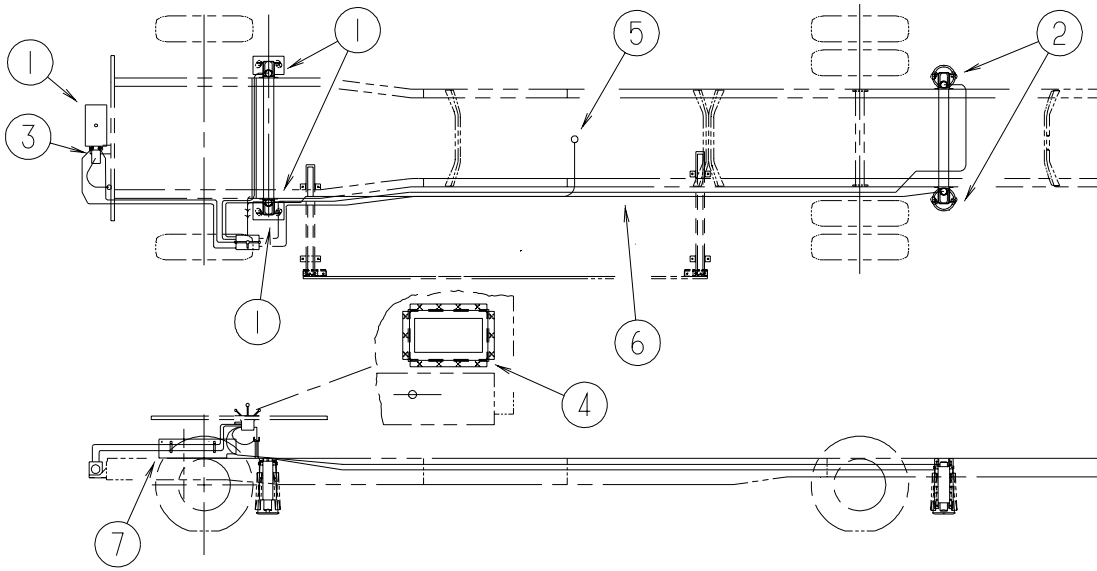
**WORKHORSE
F34D, F36M**

| KEY | PART NUMBER | U/M | DESCRIPTION |
|-----|---------------|-----|---------------------------------------|
| 1 | 131306-29-000 | EA | LEVELING SYSTEM - 200 - W/2 SLIDEOUTS |
| 2 | 129550-01-02B | EA | BRACKET - PUMP - E-COAT |
| 3 | 132999-02-02B | EA | SHIELD - HEAT - E-COATED |
| 4 | 117837-02-01B | EA | SUPPORT - LEVELING - CONTROL |
| 5* | 100536-11-000 | EA | HOSE KIT - HWH #AP0013 |
| 6 | 117183-01-02B | EA | COVER - SENSOR - LEVELING |

FROM: 00-00-00 THRU: 05-06-02

***COMPONENT PARTS LISTED LATER IN THIS GROUP**

CHASSIS GROUP (CONTINUED)
HYDRAULIC LEVELING (CONTINUED)



FORD

| KEY | PART NUMBER | U/M | DESCRIPTION |
|-----|---------------|-----|--|
| 1* | 131306-02-000 | EA | LEVELING SYSTEM - OPERATES SLIDEOUT ROOM W/OUT JACKS DOWN - F30W |
| 1* | 131306-06-000 | EA | LEVELING SYSTEM - OPERATES SLIDEOUT ROOM W/OUT JACKS DOWN - F32V , F34D , F36M |
| 2* | 128571-03-000 | EA | JACK/CROSSMEMBER - 9K - REAR LEVELING - MANUAL |
| 3 | 129550-01-02B | EA | BRACKET - PUMP - E-COAT |
| 4 | 117837-02-01B | EA | SUPPORT - LEVELING - CONTROL |
| 5 | 117183-01-02B | EA | COVER - SENSOR - LEVELING |
| 6* | 100536-11-000 | EA | HOSE KIT - HWH #AP0013 |
| 7 | 132999-01-02B | EA | SHIELD - HEAT - E-COATED |

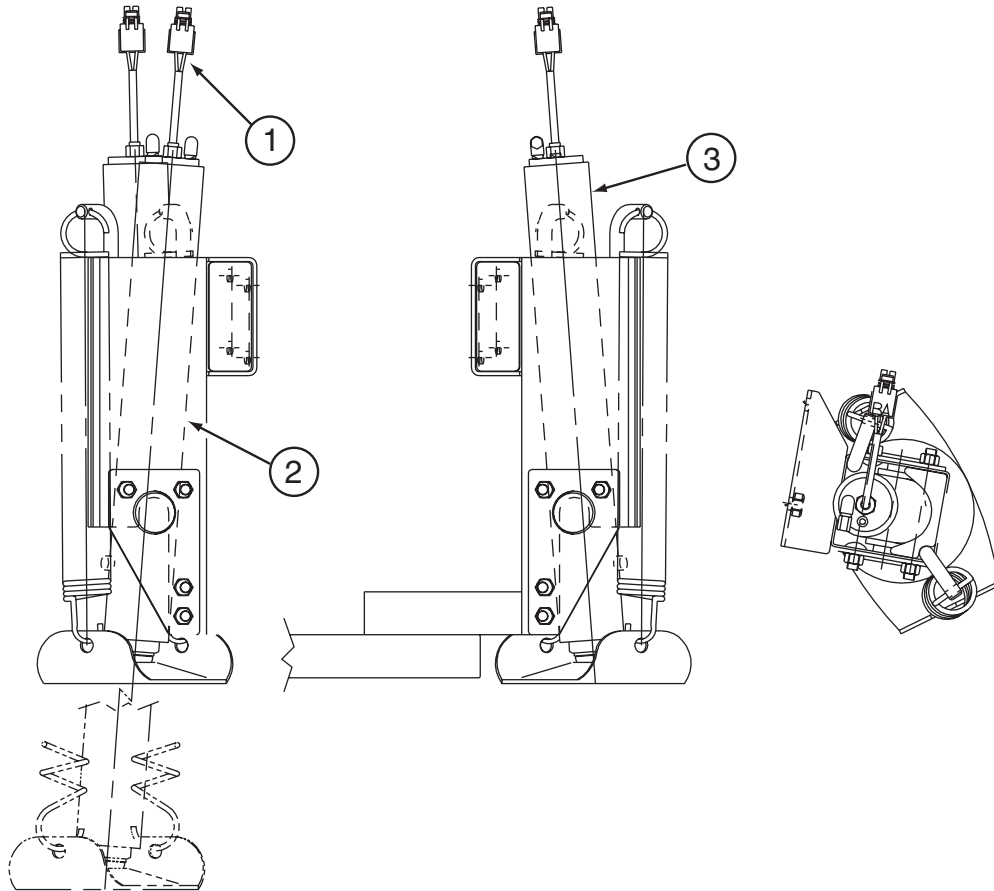
FROM: 00-00-00 THRU: 05-06-02

***COMPONENT PARTS LISTED LATER IN THIS GROUP**

CHASSIS GROUP (CONTINUED)
COMPONENT PARTS FOR HYDRAULIC LEVELING

100536-11-000

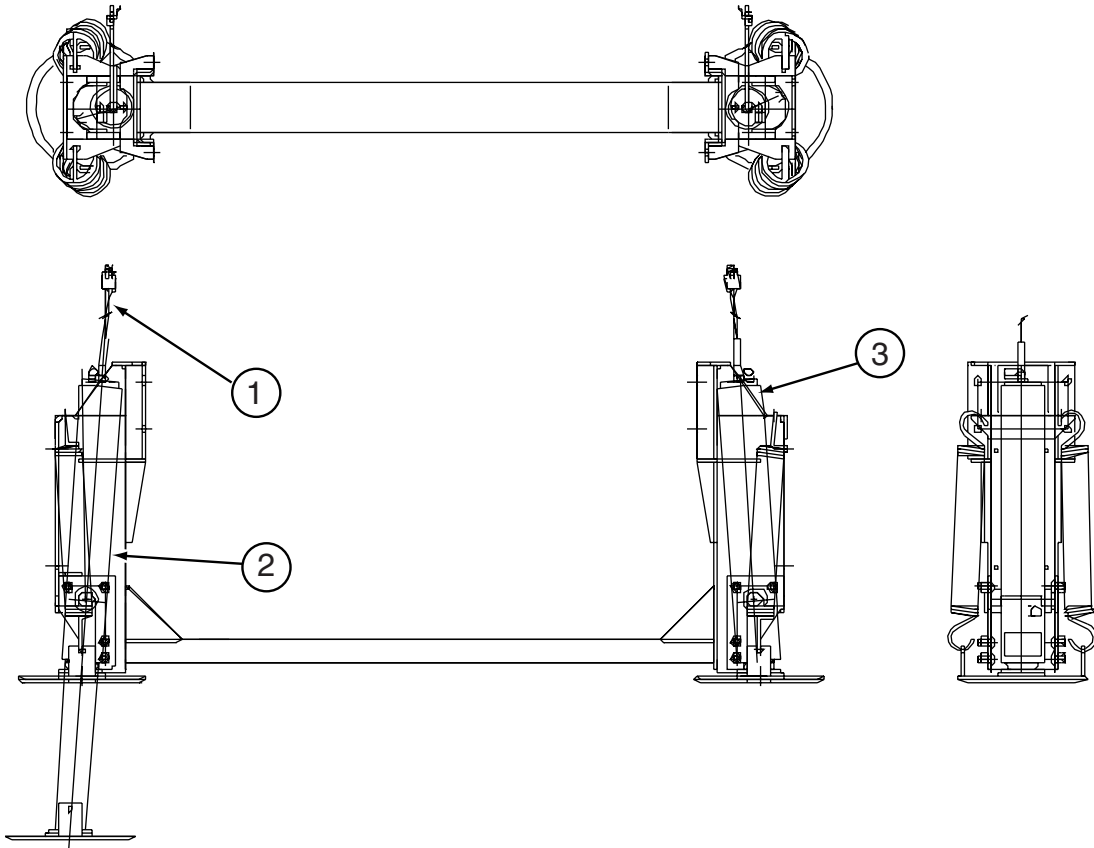
| KEY | PART NUMBER | U/M | DESCRIPTION | VENDOR NO. |
|-----|---------------|-----|-------------------------|------------|
| | 100536-09-701 | EA | HOSE-HYDRAULIC-60" | RAP4073 |
| | 100536-10-700 | EA | HOSE-HYDRAULIC-84" | RAP1412 |
| | 100536-14-701 | EA | HOSE-HYDRAULIC-108" | RAP4074 |
| | 100536-25-701 | EA | HOSE-HYDRAULIC-312" | RAP5216 |
| | 100536-37-701 | EA | HOSE - HYDRAULIC - 336" | RAP5561 |



128285-01-000

| KEY | PART NUMBER | U/M | DESCRIPTION | VENDOR NO. |
|-----|---------------|-----|------------------------------|--------------------|
| 1 | 100532-12-706 | EA | SWITCH - WARNING/MAGNETIC | RAP1008 / RAP90496 |
| 2 | 100532-12-707 | EA | SPRING KIT | R3847 |
| 3 | 100532-45-700 | EA | CYLINDER W/O FOOT - 6K X 13" | RAP90490 |
| | 131306-02-700 | EA | FOOT - 6K JACK | RAP2004 |

CHASSIS GROUP (CONTINUED)
COMPONENT PARTS FOR HYDRAULIC LEVELING (CONTINUED)

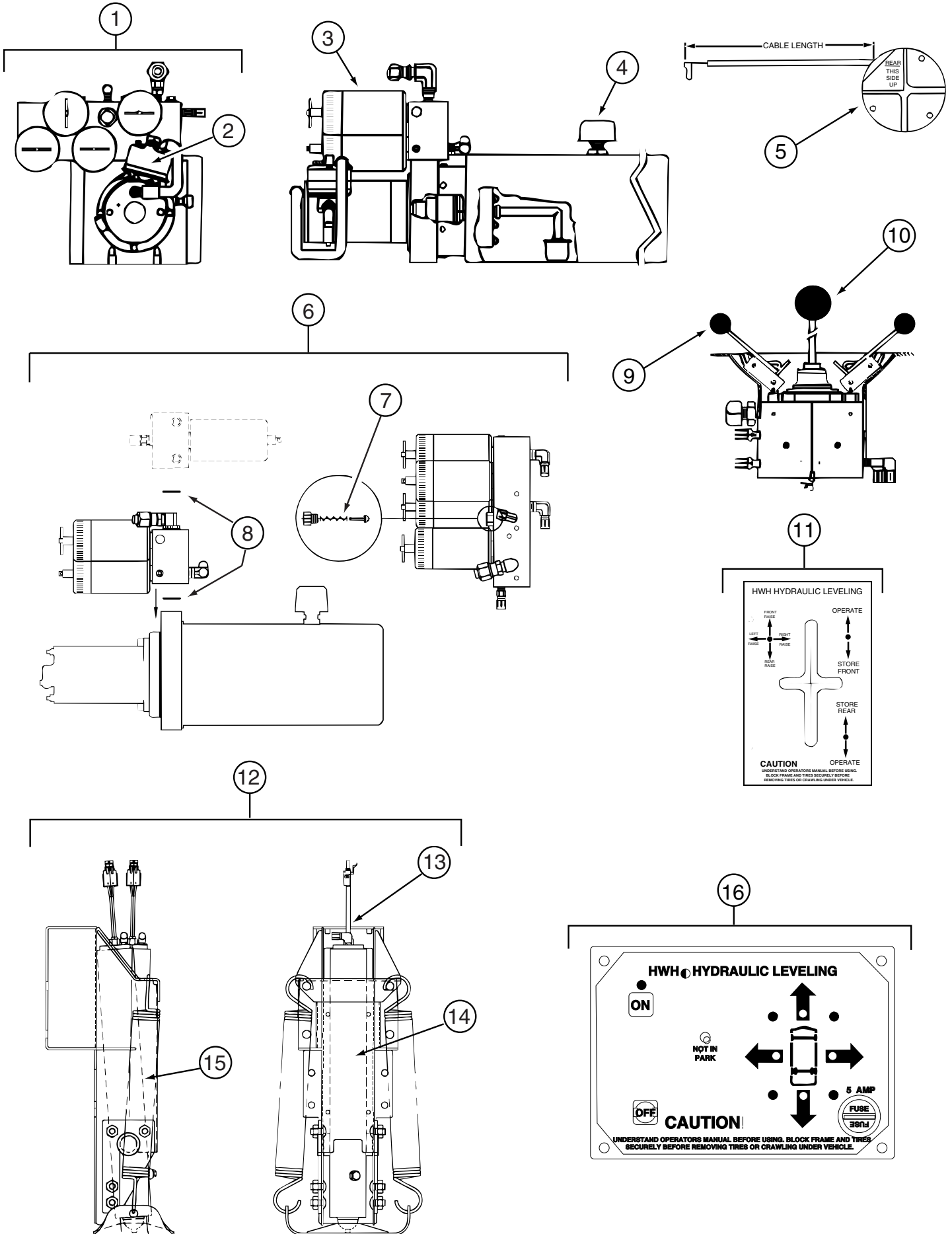


128571-03-000

| KEY | PART NUMBER | U/M | DESCRIPTION | VENDOR NO. |
|------------|--------------------|------------|--|--------------------|
| | 128571-03-000 | EA | JACK/CROSSMEMBER - 9K - REAR LEVELING - MANUAL | |
| 1 | 100532-12-706 | EA | SWITCH - WARNING/MAGNETIC | RAP1008 / RAP90496 |
| 2 | 100532-12-707 | EA | SPRING KIT | R3847 |
| 3 | 100532-53-700 | EA | CYLINDER ASM. - 9K | RAP90491/AP15891 |
| | 131306-02-701 | EA | FOOT - 9K JACK | RAP8464 |

CHASSIS GROUP (CONTINUED)

COMPONENT PARTS FOR HYDRAULIC LEVELING (CONTINUED)



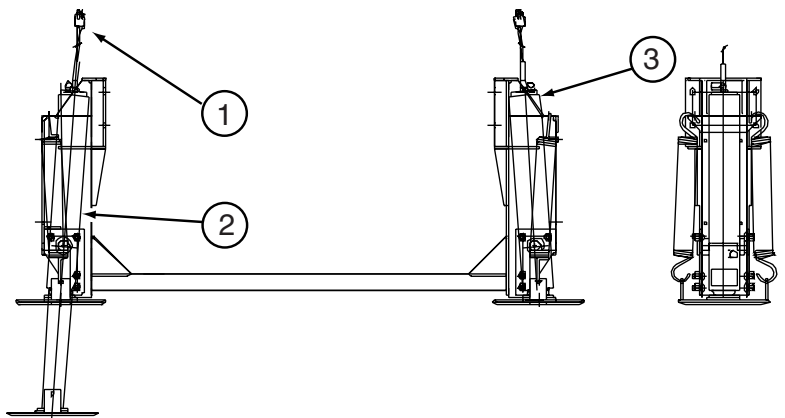
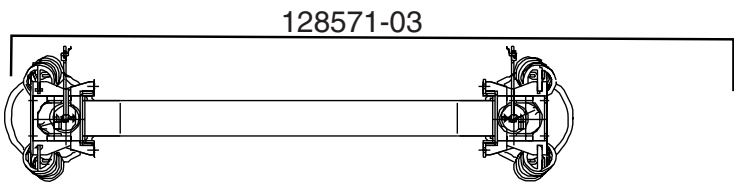
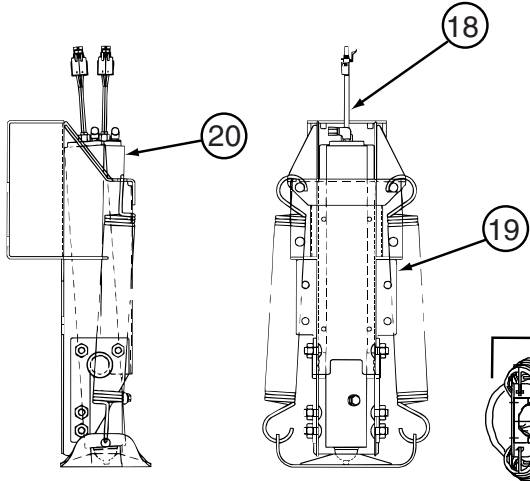
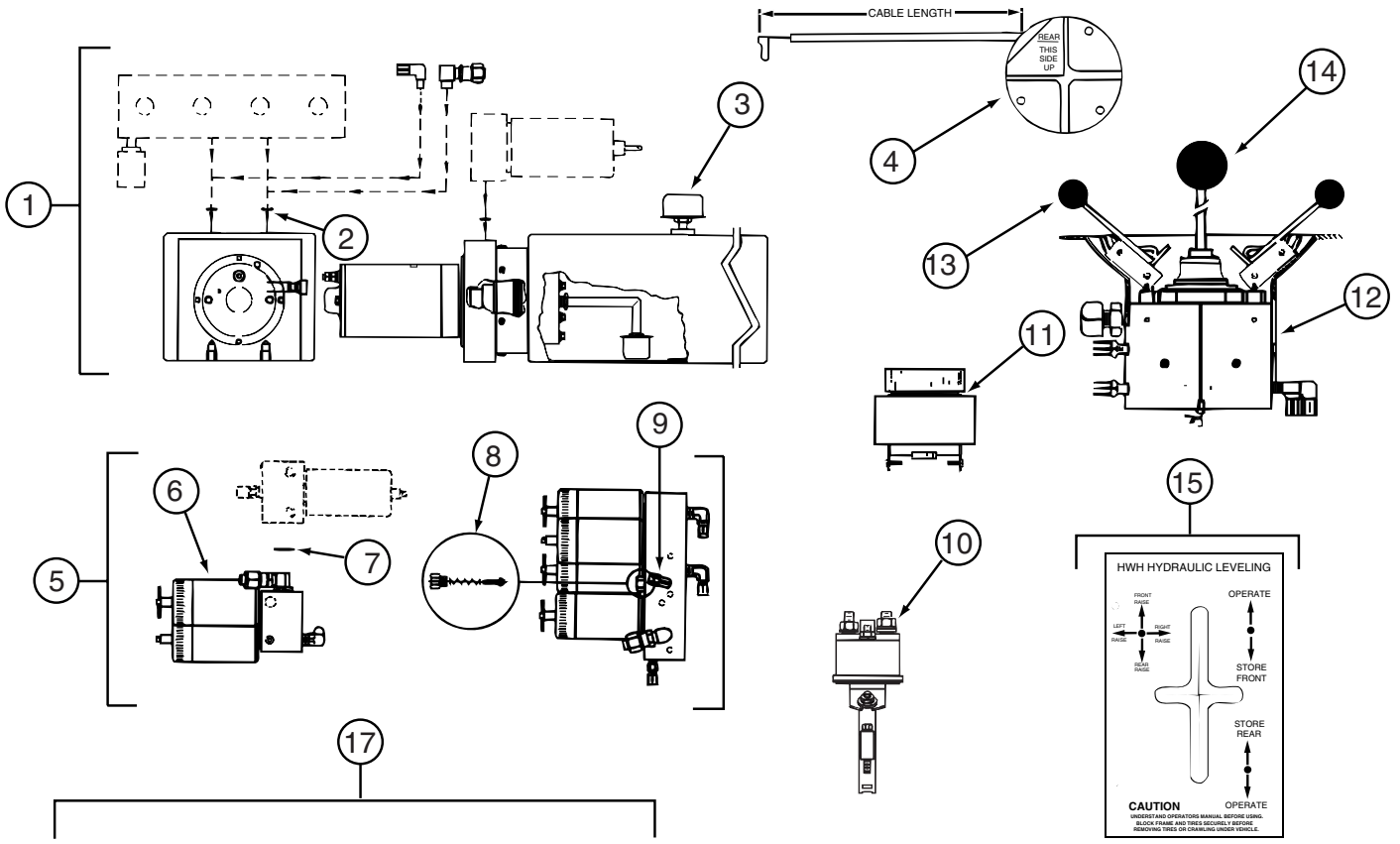
131306-02-000

CHASSIS GROUP (CONTINUED)
COMPONENT PARTS FOR HYDRAULIC LEVELING (CONTINUED)
131306-02-000 (CONTINUED)

| KEY | PART NUMBER | U/M | DESCRIPTION | VENDOR NO. |
|-----|---------------|-----|------------------------------|--------------------|
| 1 | 100532-16-701 | EA | MANIFOLD ASM. F/SLIDE OUT | RAP1716 |
| 2 | 100532-09-710 | EA | SOLENOID-INTERMITENT DUTY | RAP0533 |
| 3 | 100532-09-704 | EA | VALVE-PRESS SOLENOID(LARGE) | RAP0642 |
| 4 | 100532-03-715 | EA | CAP-BREATHER W/DIPSTICK | RAP7876 |
| 5 | 100532-12-703 | EA | SENSING UINT BI-AXIS-27' | RAP6800 |
| 6 | 100532-01-713 | EA | PUMP-RESERVOIR ASM.-MONARCH | RAP90014/AP2260 |
| 7 | 100532-31-701 | EA | CHECK VALVE & KIT | RAP10021 |
| 8 | 100532-31-702 | EA | O-RING/SEAL KIT - MANIFOLD | RAP90127 |
| 9 | 100532-08-705 | EA | KNOB-3/4" BLACK, SET OF FOUR | RAP1379 |
| 10 | 100532-08-706 | EA | KNOB-1 3/16" BLACK | RAP9734 |
| 11 | 100532-08-707 | EA | BEZEL W/GASKET, F/SYSTEM 200 | RAP9592 |
| 12 | 100532-51-700 | EA | JACK - 6K STRAIGHT ACTING | RAP90502 |
| 13 | 100532-12-706 | EA | SWITCH - WARNING/MAGNETIC | RAP1008 / RAP90496 |
| 14 | 100532-53-700 | EA | CYLINDER ASM. - 9K | RAP90491/AP15891 |
| 15 | 100532-12-707 | EA | SPRING KIT | R3847 |
| 16 | 100532-08-703 | EA | PANEL ASM.-200 BI-AXIS SYS. | RAP9755 |
| | 100532-03-722 | EA | O-RING KIT | R7430 |
| | 100532-03-723 | EA | O-RING/SEAL KIT | RAP9171 |
| | 100532-08-702 | EA | VALVE,BI-AXIS | RAP9589 |
| | 100532-32-703 | EA | BUZZER - JACK WARNING | RAP90403 |
| | 100532-45-700 | EA | CYLINDER W/O FOOT - 6K X 13" | RAP90490 |
| | 100532-47-701 | EA | VALVE - BI-AXIS - W/O LEVERS | RAP0367 |
| | 131306-02-700 | EA | FOOT - 6K JACK | RAP2004 |
| | 131306-02-701 | EA | FOOT - 9K JACK | RAP8464 |
| | 100532-32-704 | EA | CHIME - JACK WARNING | RAP90681/AP19812 |

CHASSIS GROUP (CONTINUED)

COMPONENT PARTS FOR HYDRAULIC LEVELING (CONTINUED)



131306-06-000

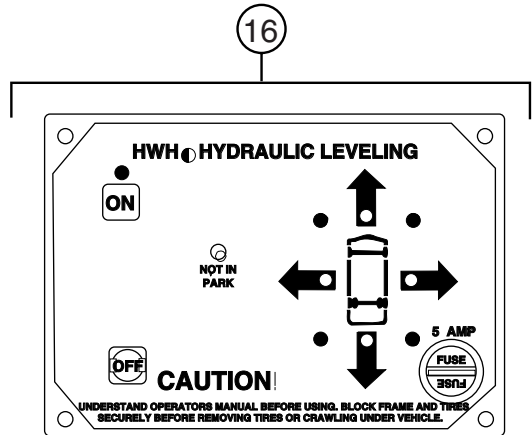
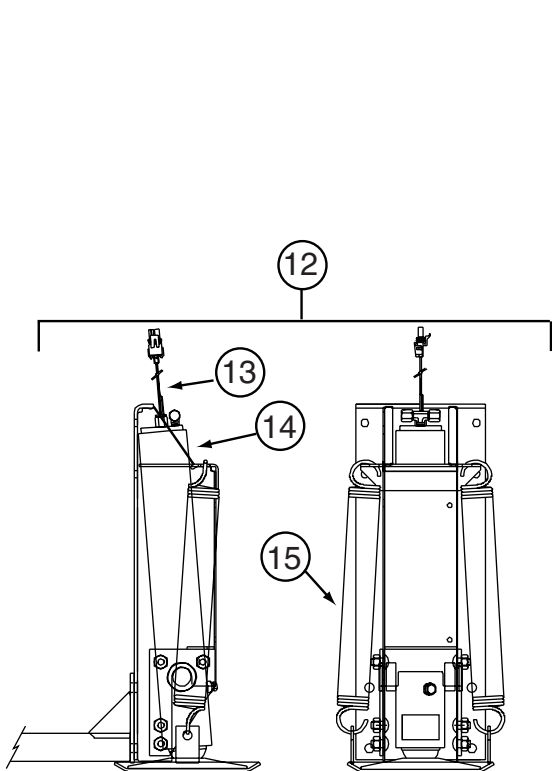
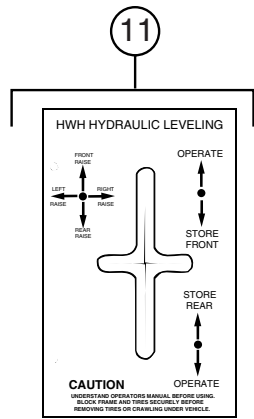
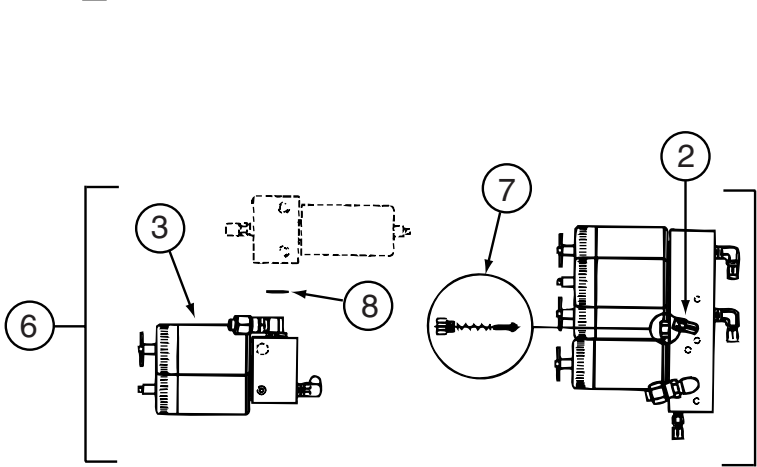
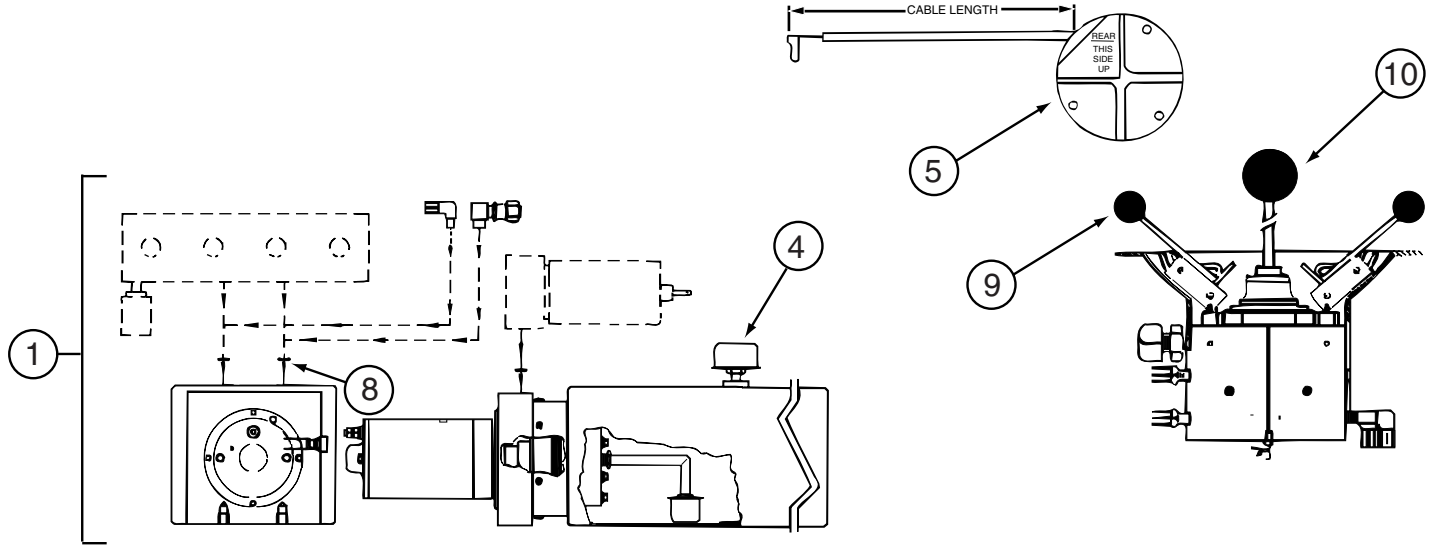
CHASSIS GROUP (CONTINUED)
COMPONENT PARTS FOR HYDRAULIC LEVELING (CONTINUED)

131306-06-000 (CONTINUED)

| KEY | PART NUMBER | U/M | DESCRIPTION | VENDOR NO. |
|------------|--------------------|------------|------------------------------|--------------------|
| 1 | 100532-01-713 | EA | PUMP/MOTOR/TANK - MONARCH | RAP90014/AP2260 |
| 2 | 100532-03-723 | EA | O-RING/SEAL KIT | RAP9171 |
| 3 | 100532-03-715 | EA | CAP-BREATHER W/DIPSTICK | RAP7876 |
| 4 | 100532-12-703 | EA | SENSING UNIT BI-AXIS-27' | RAP6800 |
| 5 | 100532-48-701 | EA | MANIFOLD - ROOM EXT - 2 ROOM | RAP90035 |
| 6 | 100532-09-704 | EA | VALVE-PRESS SOLENOID(LARGE) | RAP0642 |
| 8 | 100532-31-701 | EA | CHECK VALVE & KIT | RAP10021 |
| 9 | 100532-03-722 | EA | O-RING KIT | R7430 |
| 10 | 100532-09-710 | EA | SOLENOID-INTERMITENT DUTY | RAP0533 |
| 11 | 100532-31-702 | EA | O-RING/SEAL KIT - MANIFOLD | RAP90127 |
| 11 | 100532-32-703 | EA | BUZZER - JACK WARNING | RAP90403 |
| 11 | 100532-32-704 | EA | CHIME - JACK WARNING | RAP90681/AP19812 |
| 12 | 100532-47-701 | EA | VALVE - BI-AXIS - W/O LEVERS | RAP0367 |
| 12 | 100532-08-702 | EA | VALVEBI-AXIS | RAP9589 |
| 13 | 100532-08-705 | EA | KNOB-3/4" BLACK SET OF FOUR | RAP1379 |
| 14 | 100532-08-706 | EA | KNOB-1 3/16" BLACK | RAP9734 |
| 15 | 100532-08-707 | EA | BEZEL W/GASKET F/SYSTEM 200 | RAP9592 |
| 16 | 100532-08-703 | EA | PANEL ASM.-200 BI-AXIS SYS. | RAP9755 |
| 17 | 100532-51-700 | EA | JACK - 6K STRAIGHT ACTING | RAP90502/AP16112 |
| 18 | 100532-12-706 | EA | SWITCH - WARNING/MAGNETIC | RAP1008 / RAP90496 |
| 19 | 100532-12-707 | EA | SPRING KIT (PAIR) | R3847 |
| 20 | 100532-45-700 | EA | CYLINDER W/O FOOT - 6K X 13" | RAP90490/AP16112 |
| 21 | 100532-53-700 | EA | CYLINDER ASM. - 9K | RAP90491/AP15900 |
| | 131306-02-700 | EA | FOOT - 6K JACK | RAP2004 |
| | 131306-02-701 | EA | FOOT - 9K JACK | RAP8464 |

CHASSIS GROUP (CONTINUED)

COMPONENT PARTS FOR HYDRAULIC LEVELING (CONTINUED)



131306-19-000

CHASSIS GROUP (CONTINUED)
COMPONENT PARTS FOR HYDRAULIC LEVELING (CONTINUED)
131306-19-000 (CONTINUED)

| KEY | PART NUMBER | U/M | DESCRIPTION | VENDOR NO. |
|-----|---------------|-----|---|--------------------|
| | 131306-19-000 | EA | LEVELING SYSTEM - WORKHORSE CHASSIS W/200 & SLIDEOUT ROOM | |
| 1 | 100532-16-701 | EA | MANIFOLD ASM. F/SLIDE OUT | RAP1716 |
| 2 | 100532-09-710 | EA | SOLENOID-INTERMITENT DUTY | RAP0533 |
| 3 | 100532-09-704 | EA | VALVE-PRESS SOLENOID(LARGE) | RAP0642 |
| 3 | 131306-12-702 | EA | VALVE - PRESSURE SOLENOID - 3.3" LONG X 1.6" DIAMETER | |
| 4 | 100532-03-715 | EA | CAP-BREATHER W/DIPSTICK | RAP7876 |
| 5 | 100532-03-710 | EA | SENSING UNIT 21' MTA | RAP6798 |
| 6 | 100532-01-713 | EA | PUMP-RESERVOIR ASM.-MONARCH | RAP90014/AP2260 |
| 7 | 100532-31-701 | EA | CHECK VALVE & KIT | RAP10021 |
| 8 | 100532-31-702 | EA | O-RING/SEAL KIT - MANIFOLD | RAP90127 |
| 9 | 100532-08-705 | EA | KNOB-3/4" BLACK, SET OF FOUR | RAP1379 |
| 10 | 100532-08-706 | EA | KNOB-1 3/16" BLACK | RAP9734 |
| 11 | 100532-08-707 | EA | BEZEL W/GASKET, F/SYSTEM 200 | RAP9592 |
| 13 | 100532-12-706 | EA | SWITCH - WARNING/MAGNETIC | RAP1008 / RAP90496 |
| 14 | 100532-53-700 | EA | CYLINDER ASM. - 9K | RAP90491/AP15891 |
| 15 | 100532-12-707 | EA | SPRING KIT | R3847 |
| 16 | 100532-08-703 | EA | PANEL ASM.-200 BI-AXIS SYS. | RAP9755 |
| | 100532-03-722 | EA | O-RING KIT | R7430 |
| | 100532-03-723 | EA | O-RING/SEAL KIT | RAP9171 |
| | 100532-08-702 | EA | VALVE,BI-AXIS | RAP9589 |
| | 100532-32-704 | EA | CHIME - JACK WARNING | RAP90681/AP19812 |
| | 100532-45-700 | EA | CYLINDER W/O FOOT - 6K X 13" | RAP90490/AP16112 |
| | 100532-47-701 | EA | VALVE - BI-AXIS - W/O LEVERS | RAP0367 |
| | 131306-02-700 | EA | FOOT - 6K JACK | RAP2004 |
| | 131306-02-701 | EA | FOOT - 9K JACK | RAP8464 |

CHASSIS GROUP (CONTINUED)
SUSPENSION

KEY PART NUMBER U/M DESCRIPTION

* 122756-04-000 EA SHOCK & STABILIZER KIT - WORKHORSE/WIDE BODY CHASSIS - [F30W](#), [F32V](#)

***COMPONENT PARTS LISTED LATER IN THIS GROUP**

CHASSIS GROUP (CONTINUED)
COMPONENT PARTS FOR SUSPENSION

122756-04-000

| KEY | PART NUMBER | U/M | DESCRIPTION | VENDOR NO. |
|------------|--------------------|------------|------------------------------|-------------------|
| | 122756-02-707 | EA | DAMPNER - STEERING | T818SD |
| | 122756-02-708 | EA | BOOT - DAMPNER | T818SDB |
| | 122756-02-709 | EA | BUSHING PKG-STEERING DAMPNER | T818SDBSH |
| | 122756-02-710 | EA | BOLT PKG - STEERING DAMPNER | T818BSD |
| | 122756-03-702 | EA | SHOCK | 557003 |
| | 122756-04-700 | EA | BRACKET ASSEMBLY - DRIVER | T818L-WW |
| | 122756-04-701 | EA | BRACKET ASSEMBLY - PASSENGER | T818R-WW |
| | 122756-04-702 | EA | BOLT PACKAGE KIT | T818B-WW |

CHASSIS GROUP (CONTINUED)

WHEEL, TIRE, COVERS &/OR LINERS

| KEY | PART NUMBER | U/M | DESCRIPTION |
|-----|---------------|-----|---|
| | 080208-02-000 | EA | BAR - LEVERAGE - LUG WRENCH - CHEVY/OSHKOSH - WORKHORSE |
| | 080208-06-000 | EA | LUG WRENCH - 1" X 1.06" W/DEEP SOCKET ENDS - WORKHORSE |
| | N/A | EA | BAR & WRENCH CHASSIS SUPPLIED - FORD |
| | 051377-01-000 | EA | VALVE STEM - WORKHORSE |
| | 064963-02-000 | EA | WHEEL - STEEL - 19.5" X 6" - WORKHORSE |
| | 091673-07-000 | EA | TIRE - 225/70R19.5 LRF - MICHELIN XRV - WORKHORSE |
| | 102340-08-000 | EA | TIRE - 245/70R X 19.5F - GOODYEAR - FORD |
| | 077030-02-000 | EA | EXTENSION - VALVE STEM - 1.25" - WORKHORSE |
| * | 134609-01-000 | EA | LINER - WHEEL - SET OF 4 - 19.5" P30 WORKHORSE CHASSIS - WORKHORSE - F30W , F32V FROM: 00-00-00 THRU: 05-16-02 |
| * | 134609-04-000 | EA | LINER-WHEEL,SET4,19.5P MAXION, KAPER 19-ULTM - WORKHORSE - F30W , F32V FROM: 05-17-02 THRU: 99-99-99 |
| * | 134609-02-000 | EA | LINER - WHEEL - SET OF 4 - 19.5" - WORKHORSE - F34D , F36M |
| | 077030-04-000 | EA | EXTENSION - VALVE STEM - .75" |
| | 095012-07-000 | EA | STABILIZER - VALVE EXTENSION - LIVE - 4" - FORD |
| | 095012-09-000 | EA | EXTENSION - VALVE STEM - LIVE - 7.7" - FORD |
| * | 110435-15-000 | EA | LINER - WHEEL - SET/4 - 19.5" - FORD |

*COMPONENT PARTS LISTED LATER IN THIS GROUP

CHASSIS GROUP (CONTINUED)
COMPONENT PARTS FOR WHEEL, TIRE, COVERS &/OR LINERS

110435-15-000

| KEY | PART NUMBER | U/M | DESCRIPTION | VENDOR NO. |
|------------|--------------------|------------|------------------------------|---------------------|
| | 110435-04-705 | EA | DECAL-CTR HUB 2 3/4" DIAMOND | 2 3/4 DECAL DIAMOND |
| | 110435-10-705 | EA | TOOL - INSTALLATION | V195P7-TOL |
| | 110435-15-700 | EA | LINER - WHEEL - FRONT | V195F9-FWC |
| | 110435-15-701 | EA | LINER - WHEEL - REAR | V195F9-RWC |
| | 110435-15-702 | EA | COVER LUG NUT/JAMB NUT - 14M | V195F9-EJN |

134609-01-000

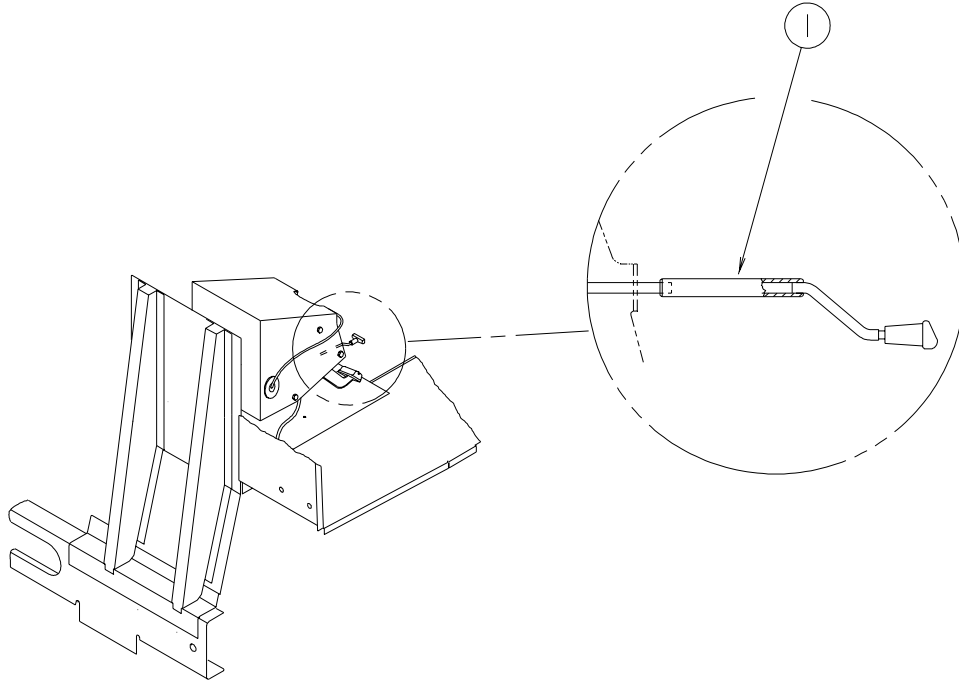
| KEY | PART NUMBER | U/M | DESCRIPTION | VENDOR NO. |
|------------|--------------------|------------|------------------------------|-------------------|
| | 134609-01-700 | EA | LINER/SIMULATOR - FRONT | S-900 |
| | 134609-01-701 | EA | LINER/SIMULATOR - REAR | S-901 |
| | 134609-01-702 | EA | LUG/JAM NUT COVER TALL/REAR | L-250 |
| | 134609-01-703 | EA | LUG/JAM NUT CVR SHORT/FRONT | L-251 |
| | 134609-01-704 | EA | LUG/JAM NUT CVR-PLASTIC | L-252 |
| | 134609-01-705 | EA | EXTENDER - PLASTIC | L-253 |
| | 134609-01-706 | EA | TOOL - F/EXTENDER & JAMB NUT | M9800 |

134609-02-000

| KEY | PART NUMBER | U/M | DESCRIPTION | VENDOR NO. |
|------------|--------------------|------------|------------------------------|-------------------|
| | 091209-13-704 | EA | NUT-JAMB-A20, 22M THREAD FRT | A20 |
| | 091209-13-705 | EA | LINER-WHEEL FRT 1.75"NUT CVR | 507 |
| | 091209-13-706 | EA | LINER-WHEEL RR 1.75" NUT CVR | 508 |
| | 091209-13-708 | EA | CAP-CENTER, STAINLESS | A26 |
| | 091209-13-709 | EA | TOOL/JAMB NUT-ULTG/ULTIëS | M9100 |
| | 091209-16-000 | EA | NUT - JAM/THREADED - 22MM | KAPER II A20 |
| | 134609-02-700 | EA | COVER - LUG NUT 1 3/4" | 302 |
| | 134609-02-701 | EA | COVER - LUG NUT(2"DEEP) | L502 |

CHASSIS GROUP (CONTINUED)
BRAKELINE

| KEY | PART NUMBER | U/M DESCRIPTION |
|------------|--------------------|----------------------------------|
| | 075466-01-000 | EA UNION - INVERTED FLAIR - 1/4" |



BRAKE

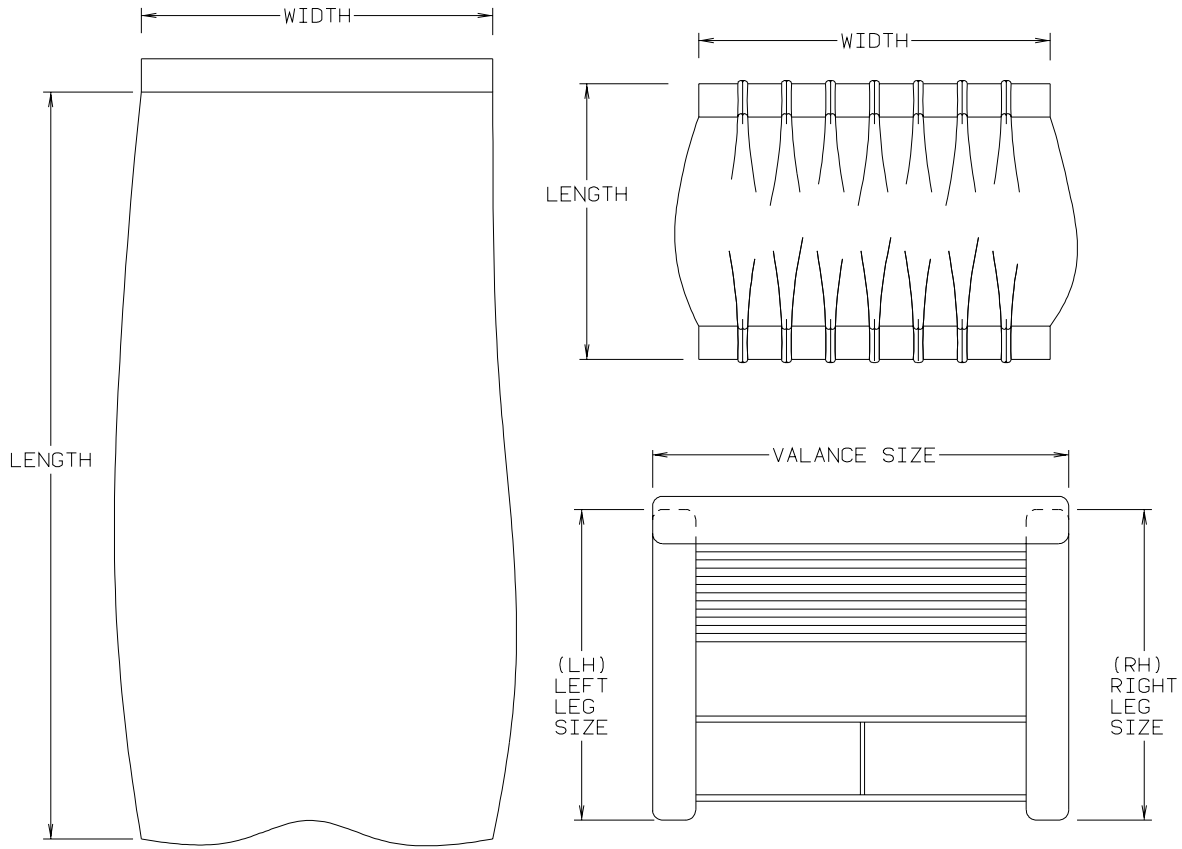
| KEY | PART NUMBER | U/M DESCRIPTION |
|------------|--------------------|------------------------------------|
| 1 | 113007-01-000 | EA PIN - SPRING - .375 X 3" - FORD |

CURTAIN & CUSHION GROUP

NOTICE

IN ORDER TO ASSIST OUR PARTS SALES DEPT. IN PROVIDING INTERIOR SOFTWARE ITEMS, PLEASE INCLUDE THE SERIAL NUMBER AND THE COLOR CODE NUMBER FROM THE VEHICLE CERTIFICATION LABEL WHEN ORDERING. THIS LABEL IS LOCATED ON THE LEFT SIDEWALL AT THE END OF THE DASH (A-BODY), OR ON THE DRIVER'S DOOR LATCH PLATE (C-BODY).

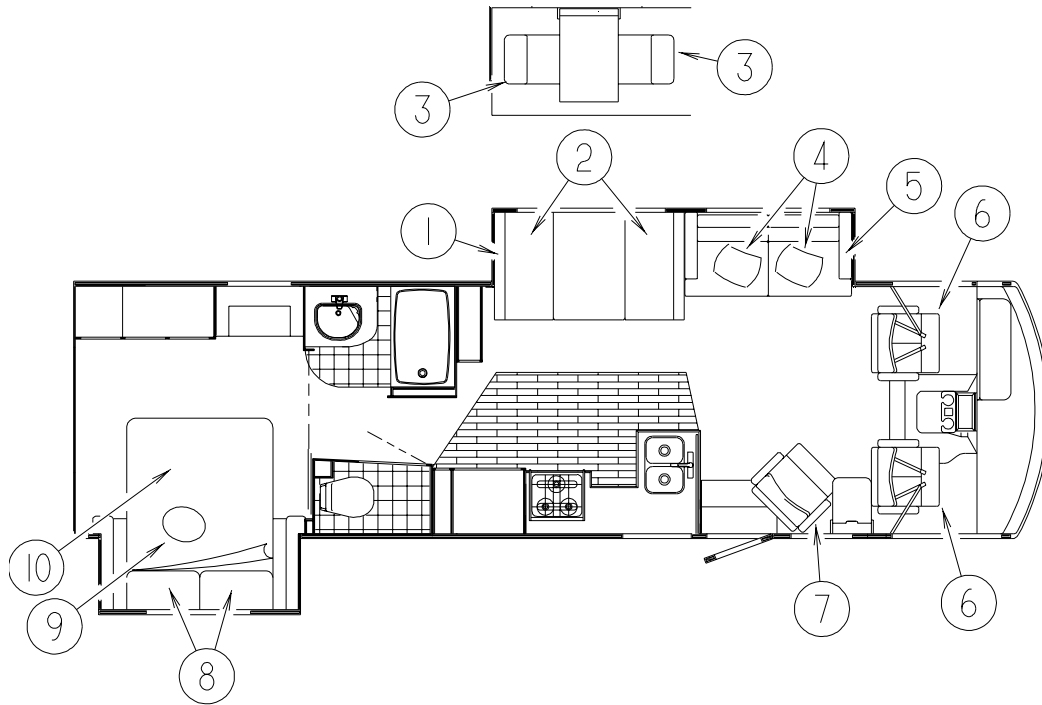
AN EXAMPLE OF A COLOR CODE NUMBER IS B07, WHICH DESIGNATES AN OVERALL COLOR SCHEME OF A PARTICULAR UNIT. THE COLOR LISTED AFTER THE ITEM DESCRIPTION ON THE MICROFICHE, INDICATES THE OVERALL UNIT COLOR. ORDER THE ITEM YOU DESIRE ACCORDING TO UNIT COLOR CODE. IF ALL COLORS USE THE SAME ITEM NO COLOR CODE WILL BE NOTED.



NOTE: USE THIS ILLUSTRATION WHEN DETERMINING LENGTH AND WIDTH MEASUREMENTS FOR CURTAINS. YOU WILL NOTE THE WIDTH MEASUREMENT IS TAKEN ON THE TOP OF THE CURTAIN WITH THE CURTAIN FULLY EXTENDED. THE LENGTH MEASUREMENT IS TAKEN FROM TOP TO BOTTOM. LEFT AND RIGHT WINDOW LEGS ARE DETERMINED WHEN FACING THE WINDOW.

CURTAIN & CUSHION GROUP (CONTINUED)

CUSHION LAYOUT



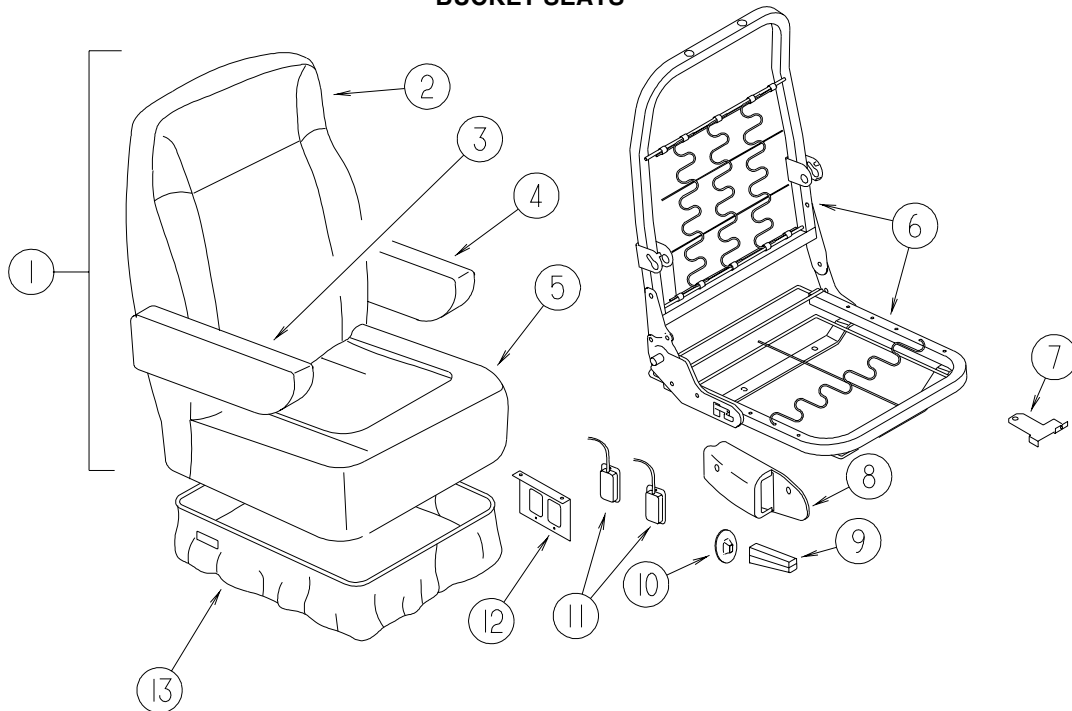
| KEY | PART NUMBER | U/M | DESCRIPTION |
|-----|---------------|-----|---|
| 1 | 111897-05-N30 | EA | CUSHION - BACK - 13.5" X 42" X 5" (N30) |
| 1 | 111897-05-M29 | EA | CUSHION - BACK - 13.5" X 42" X 5" (N31) |
| 1 | 111897-05-N32 | EA | CUSHION - BACK - 13.5" X 42" X 5" (N32) |
| | P11897-05-N30 | EA | COVER - BACK - 13.5" X 42" X 5" (N30) |
| | P11897-05-M29 | EA | COVER - BACK - 13.5" X 42" X 5" (N31) |
| | P11897-05-N32 | EA | COVER - BACK - 13.5" X 42" X 5" (N32) |
| 2 | 105603-23-N30 | EA | CUSHION - SEAT - 21" X 42" X 5" (N30) |
| 2 | 105603-23-M37 | EA | CUSHION - SEAT - 21" X 42" X 5" (N31) |
| 2 | 105603-23-M05 | EA | CUSHION - SEAT - 21" X 42" X 5" (N32) |
| | P05603-23-N30 | EA | COVER - SEAT - 21" X 42" X 5" (N30) |
| | P05603-23-M37 | EA | COVER - SEAT - 21" X 42" X 5" (N31) |
| | P05603-23-M05 | EA | COVER - SEAT - 21" X 42" X 5" (N32) |
| 3 | 134017-49-000 | EA | CHAIR - DINETTE - MAUVE/PORTSMOUTH OAK (N30) |
| 3 | 134017-50-000 | EA | CHAIR - DINETTE - FLANNEL/PORTSMOUTH OAK (N31) |
| 3 | 134017-51-000 | EA | CHAIR - DINETTE - DUSTY BLUE/PORTSMOUTH OAK (N32) |
| 3 | 101604-01-07A | EA | CHAIR - FOLDING/DINETTE - LINEN/PORTSMOUTH OAK |
| | | | FROM: 00-00-00 THRU: 08-19-01 |
| 3 | 135600-73-000 | EA | CHAIR - FOLDING - MAUVE/PORTSMOUTH OAK (N30) |
| | | | FROM: 08-20-01 THRU: 99-99-99 |
| 3 | 135600-72-000 | EA | CHAIR - FOLDING - FLANNEL/PORTSMOUTH OAK (N31) |
| | | | FROM: 08-20-01 THRU: 99-99-99 |
| 3 | 135600-74-000 | EA | CHAIR - FOLDING - DUSTY BLUE/PORTSMOUTH OAK (N32) |
| | | | FROM: 08-20-01 THRU: 99-99-99 |
| | 129529-02-000 | EA | STRAP - CHAIR RETAINING - 81.9" |
| 4 | 132319-41-N30 | EA | PILLOW - 18" - W/CENTER OVERLAY |
| 4 | 132319-41-N31 | EA | PILLOW - 18" - W/CENTER OVERLAY |
| 4 | 132319-41-N32 | EA | PILLOW - 18" - W/CENTER OVERLAY |
| 5 | 135822-15-N30 | EA | SOFA/SLEEPER - RECLINER/POWERED - W/TRUNDLE BED |
| 5 | 135822-15-N31 | EA | SOFA/SLEEPER - RECLINER/POWERED - W/TRUNDLE BED |
| 5 | 135822-15-N32 | EA | SOFA/SLEEPER - RECLINER/POWERED - W/TRUNDLE BED |
| 6 | 135724-01-N30 | EA | BUCKET SEAT - MANUAL RECLINE (N30) |
| 6 | 135724-01-M31 | EA | BUCKET SEAT - MANUAL RECLINE (N31) |
| 6 | 135724-01-N32 | EA | BUCKET SEAT - MANUAL RECLINE (N32) |
| 6 | 135724-03-N30 | EA | BUCKET SEAT - MANUAL RECLINE - LEATHER |

CURTAIN & CUSHION GROUP (CONTINUED)
CUSHION LAYOUT (CONTINUED)

| KEY | PART NUMBER | U/M | DESCRIPTION |
|------------|--------------------|------------|--------------------------------------|
| 7 | 138523-01-N30 | EA | CHAIR - GLIDER - W/SWIVEL & HOOP |
| 7 | 138523-01-N31 | EA | CHAIR - GLIDER - W/SWIVEL & HOOP |
| 7 | 138523-01-N32 | EA | CHAIR - GLIDER - W/SWIVEL & HOOP |
| 8 | 104176-04-N30 | EA | PILLOW SHAM - 30" (N30) |
| 8 | 104176-04-M37 | EA | PILLOW SHAM - 30" (N31) |
| 8 | 104176-04-M05 | EA | PILLOW SHAM - 30" (N32) |
| 9 | 133822-01-N30 | EA | PILLOW - ROUND 16" - W/BUTTONS |
| 9 | 133822-01-N31 | EA | PILLOW - ROUND 16" - W/BUTTONS |
| 9 | 133822-01-N32 | EA | PILLOW - ROUND 16" - W/BUTTONS |
| 10 | 132336-09-N30 | EA | BEDSPREAD/CAP - 60" X 75" (N30) |
| 10 | 132336-09-M37 | EA | BEDSPREAD/CAP - 60" X 75" (N31) |
| 10 | 132336-09-N32 | EA | BEDSPREAD/CAP - 60" X 75" (N32) |
| | 123015-06-000 | EA | MATTRESS - INNERSPRING - 60" X 74.5" |

CURTAIN & CUSHION GROUP (CONTINUED)

BUCKET SEATS

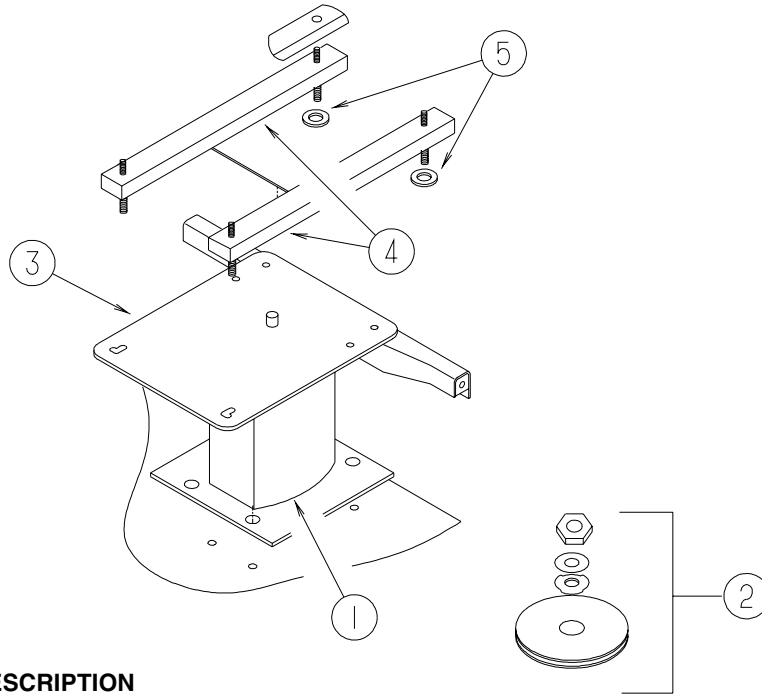


| KEY | PART NUMBER | U/M | DESCRIPTION |
|-----|---------------|-----|---|
| 1 | 135724-01-N30 | EA | BUCKET SEAT - MANUAL RECLINE (N30) |
| 1 | 135724-01-M31 | EA | BUCKET SEAT - MANUAL RECLINE (N31) |
| 1 | 135724-01-N32 | EA | BUCKET SEAT - MANUAL RECLINE (N32) |
| 1 | 135724-03-N30 | EA | BUCKET SEAT - MANUAL RECLINE - LEATHER |
| 2 | M05962-B9-N30 | EA | COVER - BACK (N30) |
| 2 | M05962-B9-M31 | EA | COVER - BACK (N31) |
| 2 | M05962-B9-N32 | EA | COVER - BACK (N32) |
| 2 | M05962-C3-N30 | EA | COVER - BACK - LEATHER |
| 3 | 129666-07-N30 | EA | ARMREST - RIGHT HAND (N30) |
| 3 | 129666-07-M31 | EA | ARMREST - RIGHT HAND (N31) |
| 3 | 129666-07-N02 | EA | ARMREST - RIGHT HAND (N32) |
| 3 | 129666-11-N30 | EA | ARMREST - RIGHT HAND - LEATHER |
| | P29666-07-N30 | EA | COVER - ARMREST/RIGHT HAND (N30) |
| | P29666-07-M31 | EA | COVER - ARMREST/RIGHT HAND (N31) |
| | P29666-07-N02 | EA | COVER - ARMREST/RIGHT HAND (N32) |
| | P29666-11-N30 | EA | COVER - ARMREST/RIGHT HAND - LEATHER |
| | 130698-01-000 | EA | ARMREST/MOLDED - RIGHT - W/O COVER |
| | 130698-01-001 | EA | ARMREST/MOLDED - RIGHT - W/O COVER - F/LEATHER |
| 4 | 129666-08-N30 | EA | ARMREST - LEFT HAND (N30) |
| 4 | 129666-08-M31 | EA | ARMREST - LEFT HAND (N31) |
| 4 | 129666-08-N02 | EA | ARMREST - LEFT HAND (N32) |
| 4 | 129666-12-N30 | EA | ARMREST - LEFT HAND - LEATHER |
| | P29666-08-N30 | EA | COVER - ARMREST/LEFT HAND (N30) |
| | P29666-08-M31 | EA | COVER - ARMREST/LEFT HAND (N31) |
| | P29666-08-N02 | EA | COVER - ARMREST/LEFT HAND (N32) |
| | P29666-12-N30 | EA | COVER - ARMREST/LEFT HAND - LEATHER |
| | 130698-02-000 | EA | ARMREST/MOLDED - LEFT - W/O COVER |
| | 130698-02-002 | EA | ARMREST/MOLDED - LEFT - W/O COVER - F/LEATHER |
| 5 | M05962-C0-N30 | EA | COVER - SEAT (N30) |
| 5 | M05962-C0-M31 | EA | COVER - SEAT (N31) |
| 5 | M05962-C0-N32 | EA | COVER - SEAT (N32) |
| 5 | M05962-C4-N30 | EA | COVER - SEAT - LEATHER |
| 6 | 134532-01-000 | EA | FRAME - SEAT/HIGH BACK |
| 7 | 117125-01-02B | EA | BRACKET - CABLE MOUNT - ADJUSTER W/LOCK |
| 8 | 080730-09-000 | EA | SHIELD - RECLINER HANDLE |
| 9 | 080730-08-000 | EA | HANDLE - RECLINER |
| 10 | 080730-11-000 | EA | SHIELD - RUBBER BOOT |
| 11 | 108049-04-000 | EA | CABLE - W/MINI LEVER ACTION SWITCH - 28" SHEATH/30" CABLE |
| | 108049-02-000 | EA | CLIP - CABLE/PEDESTAL |
| 12 | 127159-02-02B | EA | BRACKET - SEAT RELEASE - DUAL REMOTE - E-COATED |

CURTAIN & CUSHION GROUP (CONTINUED)

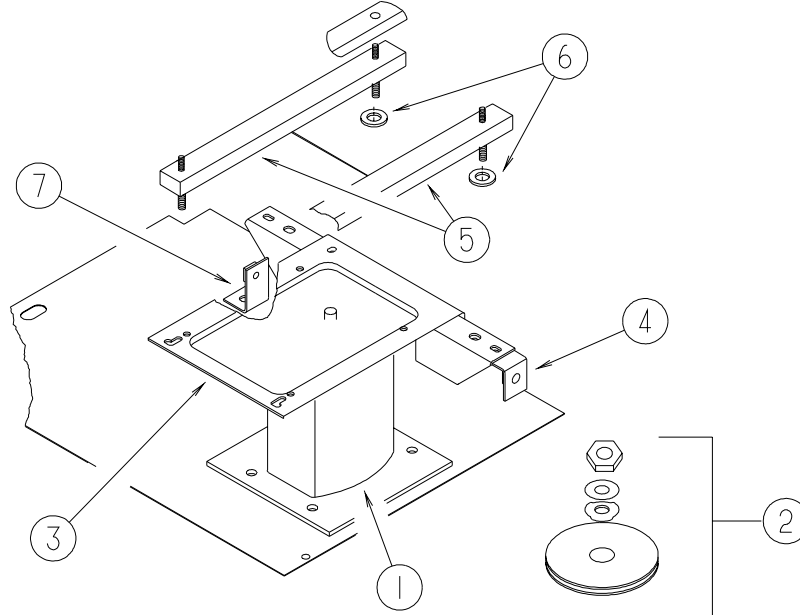
BUCKET SEATS (CONTINUED)

| KEY | PART NUMBER | U/M | DESCRIPTION |
|-----|---------------|-----|--|
| 13 | 071126-68-N30 | EA | SKIRT - 10.5" OPEN CORNER (STANDARD/6-WAY POWER) (N30) |
| 13 | 071126-68-M23 | EA | SKIRT - 10.5" OPEN CORNER (STANDARD/6-WAY POWER) (N31) |
| 13 | 071126-68-N32 | EA | SKIRT - 10.5" OPEN CORNER (STANDARD/6-WAY POWER) (N32) |
| 13 | 071126-77-N74 | EA | SKIRT - 10.5" OPEN CORNER (STANDARD & 6-WAY POWER) LEATHER |



DRIVER

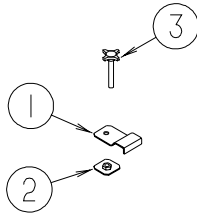
| KEY | PART NUMBER | U/M | DESCRIPTION |
|-----|---------------|-----|--------------------------------------|
| 1 | 133408-01-000 | EA | PEDESTAL - SEAT/DRIVER - 9 3/4" |
| 2 | 107921-06-000 | EA | BEARING KIT - PEDESTAL |
| 3 | 133408-08-000 | EA | TOP PLATE - W/BAR |
| 4 | 131566-04-000 | EA | SLIDE/SEAT - HEAVY DUTY LOCKING - 5" |
| | 119952-07-000 | EA | WIRE - LATCH RELEASE/ROTARY |
| 5 | NOT USED | | |



PASSENGER

| KEY | PART NUMBER | U/M | DESCRIPTION |
|-----|---------------|-----|--------------------------------------|
| 1 | 133408-01-000 | EA | PEDESTAL - SEAT/DRIVER - 9 3/4" |
| 2 | 107921-06-000 | EA | BEARING KIT - PEDESTAL |
| 3 | 133408-02-000 | EA | TOP PLATE - SINGLE SIDE BELT |
| 4 | 133408-03-000 | EA | BRACKET - ANCHORAGE/PEDESTAL |
| 5 | 131566-04-000 | EA | SLIDE/SEAT - HEAVY DUTY LOCKING - 5" |
| | 119952-07-000 | EA | WIRE - LATCH RELEASE/ROTARY |
| 6 | NOT USED | | |
| 7 | 133408-04-000 | EA | BRACKET - ANCHORAGE/FLOOR |

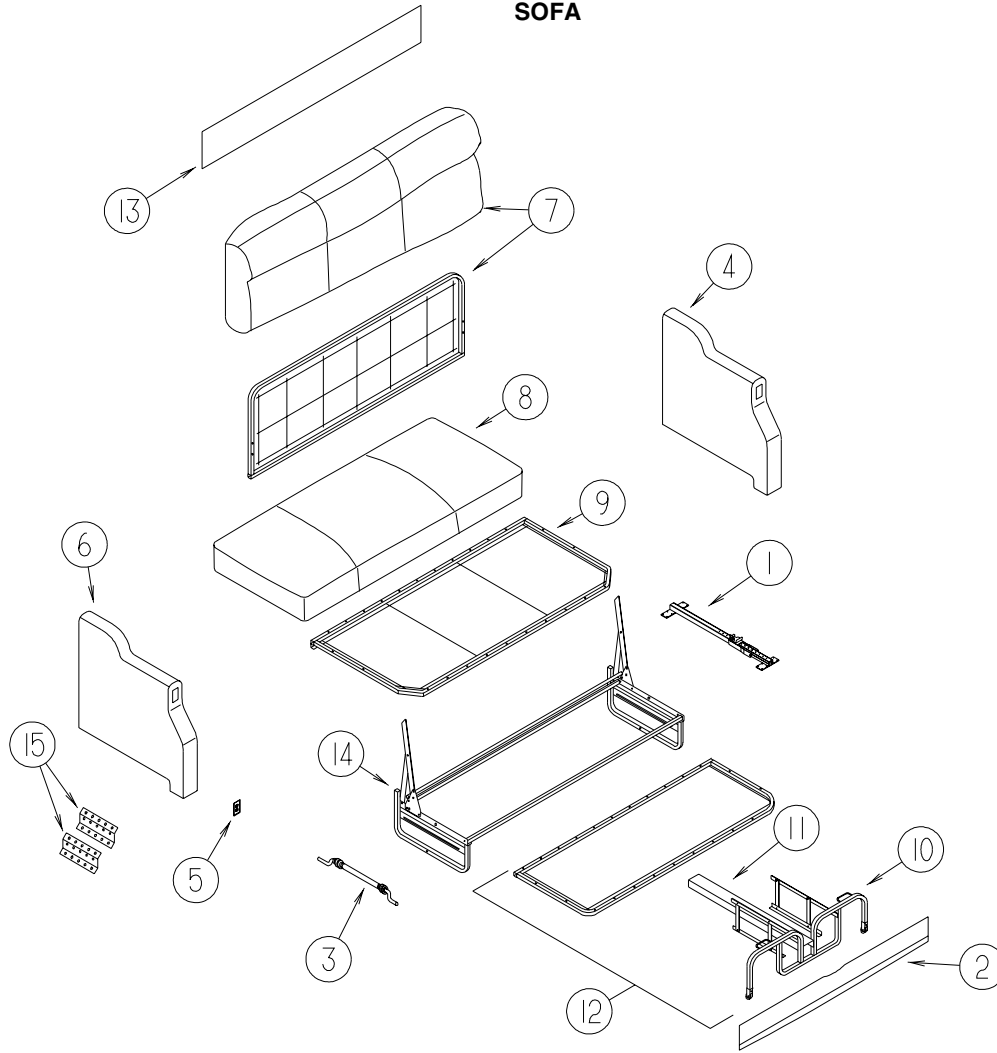
CURTAIN & CUSHION GROUP (CONTINUED)
LOUNGE CHAIR



| KEY | PART NUMBER | U/M | DESCRIPTION |
|-----|---------------|-----|--|
| | 138523-01-N30 | EA | CHAIR - GLIDER - W/SWIVEL & HOOP |
| | 138523-01-N31 | EA | CHAIR - GLIDER - W/SWIVEL & HOOP |
| | 138523-01-N32 | EA | CHAIR - GLIDER - W/SWIVEL & HOOP |
| | P38523-01-N30 | EA | COVER - CHAIR - GLIDER W/SWIVEL & HOOP |
| | P38523-01-N31 | EA | COVER - CHAIR - GLIDER W/SWIVEL & HOOP |
| | P38523-01-N32 | EA | COVER - CHAIR - GLIDER W/SWIVEL & HOOP |
| | 139208-01-000 | EA | SUPPORT BAR - TALL - W/HOOP |
| | 139342-01-000 | EA | BRACKET - ROCKERLOCK |
| | 139083-01-N30 | EA | SKIRT - F/GLIDER CHAIR |
| | 139083-01-N31 | EA | SKIRT - F/GLIDER CHAIR |
| | 139083-01-N32 | EA | SKIRT - F/GLIDER CHAIR |
| 1 | 134057-01-11B | EA | BRACKET - RECLINER - FLAT BLACK |
| 2 | 134128-02-02B | EA | PLATE - W/HOLES - E-COATED |
| 3 | 134194-01-01A | EA | KNOB - HOLD DOWN - RECLINER - BLACK |

CURTAIN & CUSHION GROUP (CONTINUED)

SOFA



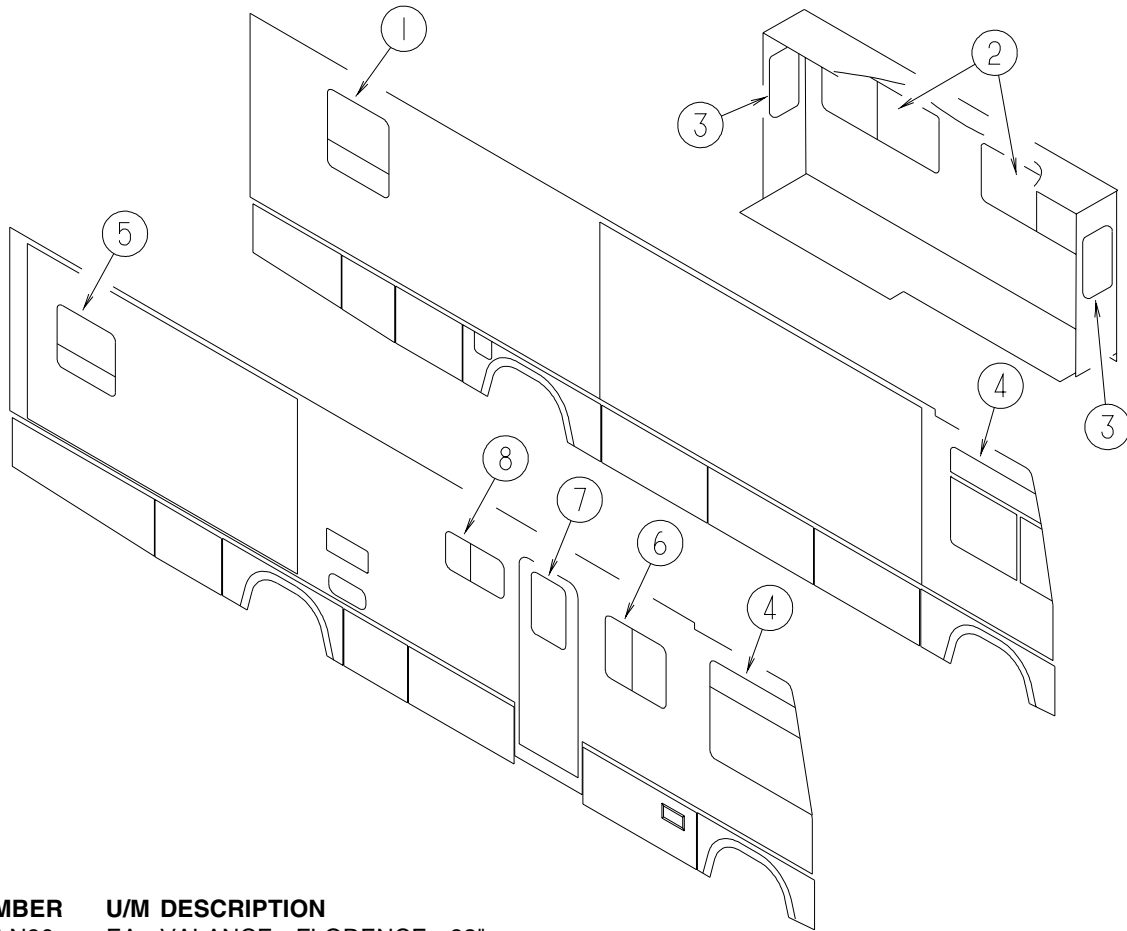
| KEY | PART NUMBER | U/M | DESCRIPTION |
|-----|---------------|-----|--|
| | 135822-15-N30 | EA | SOFA/SLEEPER - RECLINER/POWERED - W/TRUNDLE BED |
| | 135822-15-N31 | EA | SOFA/SLEEPER - RECLINER/POWERED - W/TRUNDLE BED |
| | 135822-15-N32 | EA | SOFA/SLEEPER - RECLINER/POWERED - W/TRUNDLE BED |
| 1 | 136534-14-000 | EA | SLIDE RAIL - W/PLATES & STOP ASSEMBLY |
| 2 | 135824-07-N30 | EA | PANEL/FRONT KICK - SOFA/SLEEPER - 59.5" - FABRIC COVERED |
| 2 | 135824-07-N31 | EA | PANEL/FRONT KICK - SOFA/SLEEPER - 59.5" - FABRIC COVERED |
| 2 | 135824-07-N32 | EA | PANEL/FRONT KICK - SOFA/SLEEPER - 59.5" - FABRIC COVERED |
| | 016604-10-000 | EA | BRACE - SEAT ANGLE - 2.5" - BLACK |
| 3 | 136534-19-000 | EA | CABLE ONLY - REMOTE - 34" W/Z-ENDS (F/LEVER HANDLE -30-) |
| 4 | 135823-08-N30 | EA | ARMREST - LEFT HAND |
| 4 | 135823-08-N31 | EA | ARMREST - LEFT HAND |
| 4 | 135823-08-N32 | EA | ARMREST - LEFT HAND |
| | P35823-08-N30 | EA | COVER/ARMREST - LEFT HAND |
| | P35823-08-N31 | EA | COVER/ARMREST - LEFT HAND |
| | P35823-08-N32 | EA | COVER/ARMREST - LEFT HAND |
| 5 | 136118-01-000 | EA | SWITCH - SOFA/RECLINER |
| 6 | 135823-07-N30 | EA | ARMREST - RIGHT HAND |
| 6 | 135823-07-N31 | EA | ARMREST - RIGHT HAND |
| 6 | 135823-07-N32 | EA | ARMREST - RIGHT HAND |
| | P35823-07-N30 | EA | COVER/ARMREST - RIGHT HAND |
| | P35823-07-N31 | EA | COVER/ARMREST - RIGHT HAND |
| | P35823-07-N32 | EA | COVER/ARMREST - RIGHT HAND |
| 7 | 135822-16-N30 | EA | BACK - SOFA/SLEEPER |
| 7 | 135822-16-N31 | EA | BACK - SOFA/SLEEPER |
| 7 | 135822-16-N32 | EA | BACK - SOFA/SLEEPER |
| | P35822-16-N30 | EA | COVER/BACK - SOFA/SLEEPER - RECLINER/POWERED |
| | P35822-16-N31 | EA | COVER/BACK - SOFA/SLEEPER - RECLINER/POWERED |
| | P35822-16-N32 | EA | COVER/BACK - SOFA/SLEEPER - RECLINER/POWERED |

CURTAIN & CUSHION GROUP (CONTINUED)
SOFA (CONTINUED)

| KEY | PART NUMBER | U/M | DESCRIPTION |
|------------|--------------------|------------|---|
| 7 | 136534-18-000 | EA | BACK - 16.5" X 60" - CL W/O STRAPS |
| 8 | 135822-03-N30 | EA | SEAT - SOFA/SLEEPER - RECLINER/POWERED |
| 8 | 135822-03-N31 | EA | SEAT - SOFA/SLEEPER - RECLINER/POWERED |
| 8 | 135822-03-N32 | EA | SEAT - SOFA/SLEEPER - RECLINER/POWERED |
| | P35822-03-N30 | EA | COVER/SEAT - SOFA/SLEEPER - RECLINER/POWERED |
| | P35822-03-N31 | EA | COVER/SEAT - SOFA/SLEEPER - RECLINER/POWERED |
| | P35822-03-N32 | EA | COVER/SEAT - SOFA/SLEEPER - RECLINER/POWERED |
| 9 | 136534-04-000 | EA | SEAT - 26.5" X 60" CL W/FLEXOLATOR |
| | 127335-10-000 | EA | BRACKET - CANADIAN LATCH |
| 10 | 135822-17-N30 | EA | TRUNDLE - SOFA/SLEEPER |
| 10 | 135822-17-N31 | EA | TRUNDLE - SOFA/SLEEPER |
| 10 | 135822-17-N32 | EA | TRUNDLE - SOFA/SLEEPER |
| | P35822-17-N30 | EA | COVER/TRUNDLE - SOFA/SLEEPER |
| | P35822-17-N31 | EA | COVER/TRUNDLE - SOFA/SLEEPER |
| | P35822-17-N32 | EA | COVER/TRUNDLE - SOFA/SLEEPER |
| 11 | 136534-31-000 | EA | CAP - CABLE COVER |
| 12 | 136534-17-000 | EA | TRUNDLE FRAME - 17.5" X 55" - W/LINKAGE, LATCH & HANDLE |
| 13 | 139716-01-N30 | EA | SIGHT SHIELD - 58" - FULL BACK |
| 13 | 139716-01-N31 | EA | SIGHT SHIELD - 58" - FULL BACK |
| 13 | 139716-01-N32 | EA | SIGHT SHIELD - 58" - FULL BACK |
| 14 | 136534-13-000 | EA | BASE - 27.25" X 60" - POWERED CL - W/8" OVER HANG |
| 15 | 116104-03-02B | EA | BRACKET - ZEE W/HOLES - 5.9" - E-COATED |

CURTAIN & CUSHION GROUP (CONTINUED)

WINDOW TREATMENT

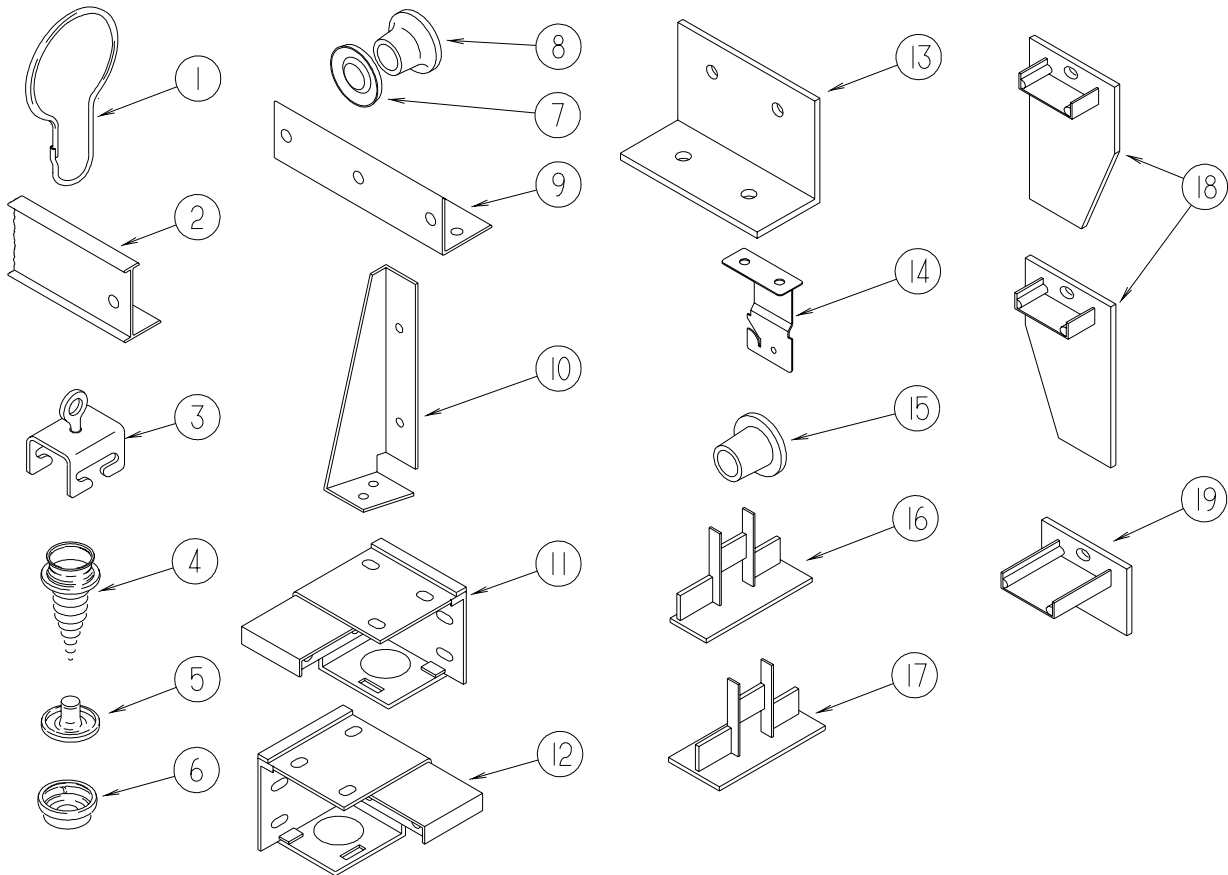


| KEY | PART NUMBER | U/M | DESCRIPTION |
|-----|---------------|-----|--------------------------------------|
| 1 | 132689-07-N30 | EA | VALANCE - FLORENCE - 32" |
| 1 | 132689-07-N31 | EA | VALANCE - FLORENCE - 32" |
| 1 | 132689-07-N32 | EA | VALANCE - FLORENCE - 32" |
| 1 | 111910-59-M37 | EA | BLIND - DAY/NIGHTER - 31" X 28.5" |
| 1 | 140789-01-N31 | EA | BLIND - DAY/NIGHTER - 31" X 28.5" |
| | | | FROM: 00-00-00 THRU: 11-04-01 |
| | | | FROM: 11-05-01 THRU: 99-99-99 |
| 2 | 132349-19-N30 | EA | VALANCE - BUTTON WRAP - 62" (N30) |
| 2 | 132349-19-N31 | EA | VALANCE - BUTTON WRAP - 62" (N31) |
| 2 | 132349-19-N02 | EA | VALANCE - BUTTON WRAP - 62" (N32) |
| 2 | 111910-55-N02 | EA | BLIND - DAY/NIGHTER - 59" X 26.5" |
| | | | FROM: 00-00-00 THRU: 11-04-01 |
| | | | FROM: 11-05-01 THRU: 99-99-99 |
| 2 | 140789-08-N02 | EA | BLIND - DAY/NIGHTER - 59" X 26.5" |
| 2 | 127017-47-N30 | EA | LEG - RIGHT - 23.5" - FABRIC COVERED |
| 2 | 127017-47-N31 | EA | LEG - RIGHT - 23.5" - FABRIC COVERED |
| 2 | 127017-47-N32 | EA | LEG - RIGHT - 23.5" - FABRIC COVERED |
| 2 | 127017-48-N30 | EA | LEG - LEFT - 23.5" - FABRIC COVERED |
| 2 | 127017-48-N31 | EA | LEG - LEFT - 23.5" - FABRIC COVERED |
| 2 | 127017-48-N32 | EA | LEG - LEFT - 23.5" - FABRIC COVERED |
| 3 | 132349-24-N30 | EA | VALANCE - BUTTON WRAP - 26" |
| 3 | 132349-24-N31 | EA | VALANCE - BUTTON WRAP - 26" |
| 3 | 132349-24-N32 | EA | VALANCE - BUTTON WRAP - 26" |
| 3 | 111910-74-N02 | EA | BLIND - DAY/NIGHTER - 22.5" X 23" |
| | | | FROM: 00-00-00 THRU: 11-04-01 |
| | | | FROM: 11-05-01 THRU: 99-99-99 |
| 3 | 140789-07-N02 | EA | BLIND - DAY/NIGHTER - 22.5" X 23" |
| 3 | 136988-33-N30 | EA | LEG - RIGHT - 22" |
| 3 | 136988-33-N31 | EA | LEG - RIGHT - 22" |
| 3 | 136988-33-N32 | EA | LEG - RIGHT - 22" |
| 3 | 136988-34-N30 | EA | LEG - LEFT - 22" |
| 3 | 136988-34-N31 | EA | LEG - LEFT - 22" |
| 3 | 136988-34-N32 | EA | LEG - LEFT - 22" |

CURTAIN & CUSHION GROUP (CONTINUED)
WINDOW TREATMENT (CONTINUED)

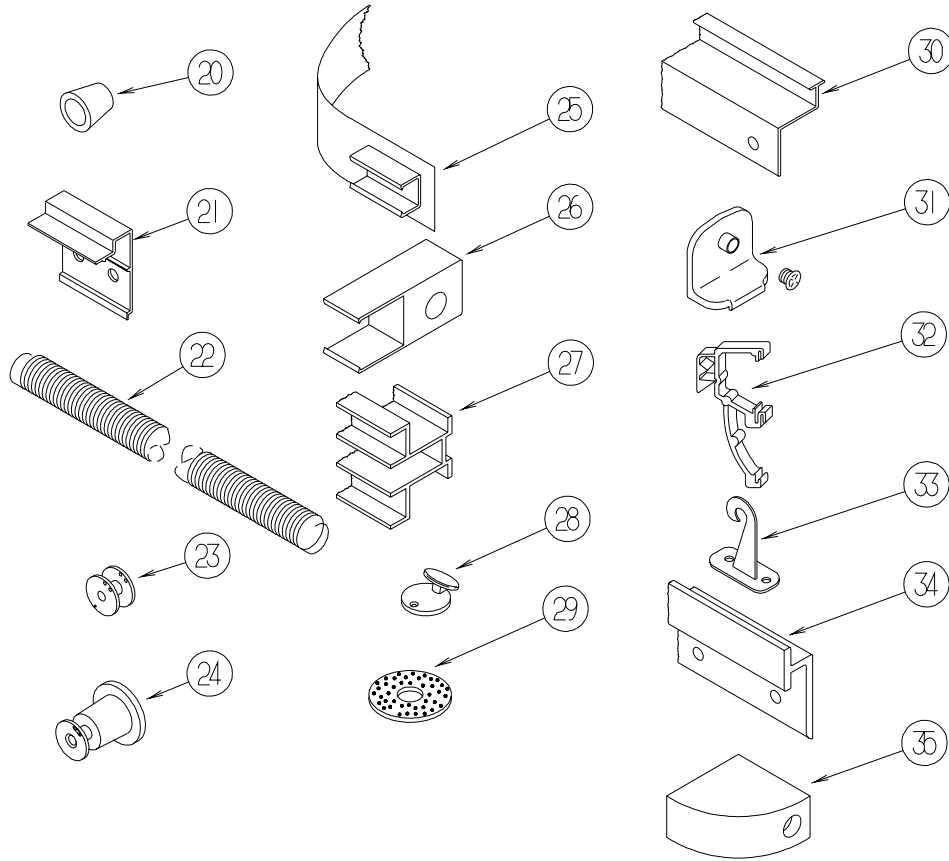
| KEY | PART NUMBER | U/M | DESCRIPTION | |
|-----|---------------|-----|---|-------------------------------|
| 4 | 101668-67-J22 | EA | CURTAIN - RIGHT HAND/LEFT HAND - 42" X 110" | |
| 4 | 073260-42-M22 | EA | TIEBACK - 6" X 18" | |
| 5 | 132689-05-N30 | EA | VALANCE - FLORENCE - 46" (N30) | |
| 5 | 132689-05-N31 | EA | VALANCE - FLORENCE - 46" (N31) | |
| 5 | 132689-05-N02 | EA | VALANCE - FLORENCE - 46" (N32) | |
| 5 | 111910-82-N02 | EA | BLIND - DAY/NIGHTER - 43" X 28" | |
| 5 | 140789-02-N02 | EA | BLIND - DAY/NIGHTER - 43" X 28" | FROM: 00-00-00 THRU: 11-04-01 |
| 5 | 136988-11-N30 | EA | LEG - RIGHT - 26" (N30) | FROM: 11-05-01 THRU: 99-99-99 |
| 5 | 136988-11-N31 | EA | LEG - RIGHT - 26" (N31) | |
| 5 | 136988-11-N02 | EA | LEG - RIGHT - 26" (N32) | |
| 5 | 136988-12-N30 | EA | LEG - LEFT - 26" (N30) | |
| 5 | 136988-12-N31 | EA | LEG - LEFT - 26" (N31) | |
| 5 | 136988-12-N02 | EA | LEG - LEFT - 26" (N32) | |
| 6 | 132349-22-N30 | EA | VALANCE - BUTTON WRAP - 32" | |
| 6 | 132349-22-N31 | EA | VALANCE - BUTTON WRAP - 32" | |
| 6 | 132349-22-N32 | EA | VALANCE - BUTTON WRAP - 32" | |
| 6 | 111910-20-N30 | EA | BLIND - DAY/NIGHTER - 28" X 28" | |
| 6 | 140789-06-N30 | EA | BLIND - DAY/NIGHTER - 28" X 28" | FROM: 00-00-00 THRU: 11-04-01 |
| 6 | 136988-13-N30 | EA | LEG - RIGHT - 26" | FROM: 11-05-01 THRU: 99-99-99 |
| 6 | 136988-13-N31 | EA | LEG - RIGHT - 26" | |
| 6 | 136988-13-N32 | EA | LEG - RIGHT - 26" | |
| 6 | 136988-14-N30 | EA | LEG - LEFT - 26" | |
| 6 | 136988-14-N31 | EA | LEG - LEFT - 26" | |
| 6 | 136988-14-N32 | EA | LEG - LEFT - 26" | |
| 7 | 121410-B5-N30 | EA | VALANCE - MODERATE - 30.5" | |
| 7 | 121410-B5-N31 | EA | VALANCE - MODERATE - 30.5" | |
| 7 | 121410-B5-N32 | EA | VALANCE - MODERATE - 30.5" | |
| 7 | 084755-57-E07 | EA | SHADE - PULL - 27.25" | |
| 8 | 109041-58-03A | EA | BLIND - MINI - 30.5" | |

CURTAIN & CUSHION GROUP (CONTINUED) HARDWARE



| KEY | PART NUMBER | U/M | DESCRIPTION |
|-----|---------------|-----|---|
| 1 | 009136-02-000 | EA | HANGER - RING - PIN TYPE - CURTAIN - BRASS |
| 2 | 009700-04-002 | EA | TRACK - CURTAIN - L SHAPED - 15.5' - OFF WHITE - 400 SERIES |
| 2 | 118896-05-04A | EA | TRACK/WRAPAROUND - PASSENGER - GLACIER - Q-SERIES |
| 2 | 118897-04-04A | EA | TRACK/WRAPAROUND - PASSENGER - GLACIER - Q-SERIES |
| 2 | 126456-03-04A | EA | TRACK/WRAPAROUND - PASSENGER - GLACIER - G-SERIES |
| 2 | 126456-04-04A | EA | TRACK/WRAPAROUND - DRIVER - GLACIER - G-SERIES |
| 3 | 009702-01-000 | EA | END STOP - CURTAIN CARRIER - L ROD |
| 4 | 029130-01-000 | EA | SCREW - SNAP STUD - #8-16 X 3/8" LONG |
| 4 | 029130-03-000 | EA | SCREW - SNAP STUD - #8-16 X 1" LONG |
| 5 | 029155-01-000 | EA | CAP - SNAP - 5/32" OUTSIDE DIAMETER OF PIN |
| 6 | 029156-01-000 | EA | SOCKET - SNAP - 9/16" O.D. |
| 7 | 046867-02-000 | EA | WASHER - HANDY BUTTON #3 |
| 8 | 046867-03-000 | EA | GROMMET - HANDY BUTTON #3 |
| 9 | 075943-10-000 | EA | BRACE - VALANCE - 20" - OFF WHITE |
| 9 | 105648-01-02A | EA | BRACE - VALANCE - OFF/WHITE - 14" |
| 10 | 076827-02-000 | EA | BRACKET/LEG - 2.9" X 1.8" - TRIANGULAR - LEFT/E-COATED |
| 11 | 083170-01-000 | EA | BRACKET/BLIND - LEFT SIDE WHEN FACING WINDOW - CLEAR |
| 12 | 083170-02-000 | EA | BRACKET/BLIND - RIGHT SIDE WHEN FACING WINDOW - CLEAR |
| 13 | 083125-07-000 | EA | BRACE - ANGLE/COUCH - 2.5" - OFF WHITE |
| 13 | 083125-08-000 | EA | BRACE - ANGLE/COUCH - .75" - OFF WHITE |
| 14 | 084434-01-000 | EA | BRACKET - MOUNTING - ROLLER SHADE - 1 3/8" |
| 15 | 094896-02-000 | EA | GROMMET - CORD/PLEATED BLIND - NYLON - GRAY |
| 16 | 094907-02-000 | EA | END CAP - PLEATED BLIND/TOP - RH/LH - GRAY PLASTIC |
| 17 | 094907-04-000 | EA | END CAP - PLEATED BLIND/BOTTOM - RH/LH |
| 18 | 094907-05-000 | EA | END CAP - PLEATED BLIND/BOTTOM - PULL TYPE - PLASTIC |
| 19 | 094907-06-000 | EA | END CAP - PLEATED BLIND/TOP |

CURTAIN & CUSHION GROUP (CONTINUED)
HARDWARE (CONTINUED)

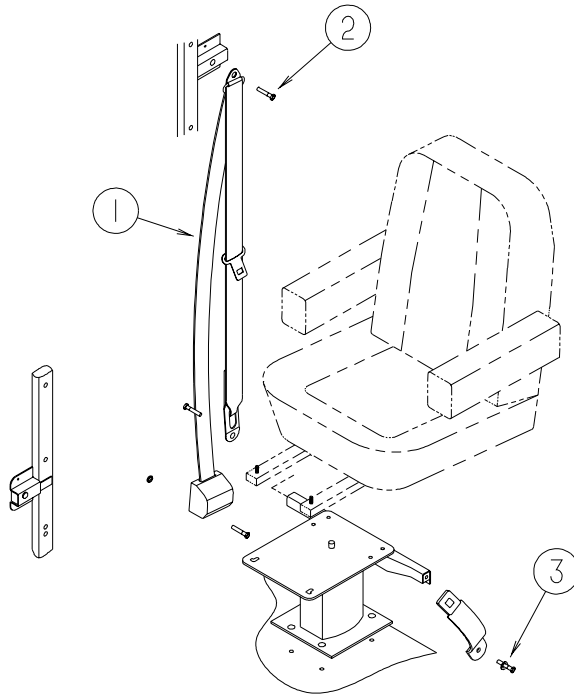


| KEY | PART NUMBER | U/M | DESCRIPTION |
|-----|---------------|-----|---|
| 20 | 097564-03-000 | EA | HANDLE - KNOB - E-Z LIFT SHADE - TAN |
| 20 | 097564-05-000 | EA | HANDLE - KNOB - E-Z LIFT SHADE - TEAL |
| 20 | 097564-06-000 | EA | HANDLE - KNOB - E-Z LIFT SHADE - ALABASTER |
| 21 | 097565-01-000 | EA | BRACKET - MOUNTING - PLEATED BLIND |
| 21 | 097565-02-000 | EA | BRACKET - MOUNTING |
| 22 | 097591-01-000 | EA | SPRING - EXTENSION/PLEATED BLIND |
| 23 | 097592-01-000 | EA | SPOOL - CORD - ELEVATED BLIND HOLDUP - SMALL - CLEAR |
| 24 | 097592-02-000 | EA | SPOOL - CORD - ELEVATED BLIND HOLDUP - LARGE - CLEAR |
| | 097593-02-000 | FT | CORD - BLIND - PLEATED - GRAY |
| | 097593-06-000 | FT | CORD - BLIND - PLEATED - PEWTER |
| | 097593-07-000 | FT | CORD - BLIND - PLEATED - PALE JADE |
| | 097593-10-000 | FT | CORD - BLIND - PLEATED - VANILLA |
| 25 | 101031-01-000 | YD | TAPE/GLIDE - 4.25" SPACING |
| 26 | 101033-02-000 | EA | END CAP - LOW PROFILE TRACK - CLEAR |
| 27 | 101033-08-000 | EA | TRACK/WALL - 75" |
| 27 | 101033-09-000 | EA | TRACK/WALL - 32" |
| 28 | 102555-03-000 | EA | CLEAT - BLIND CORD - MILKY WHITE - PLASTIC |
| 29 | 103242-01-000 | EA | VELCRO HOOK - BEIGE 7/8" ROUND W/CENTER HOLE |
| 29 | 103242-02-000 | EA | VELCRO HOOK - BLACK 7/8" ROUND W/CENTER HOLE |
| 30 | 105450-14-01A | EA | TRACK - CURTAIN - 90" - OFF WHITE - 300-SERIES |
| 30 | 105450-15-01A | EA | TRACK - CURTAIN - 82.3" - OFF WHITE - 200-SERIES |
| 31 | 106544-01-000 | EA | PULL - SHADE/BRASS |
| | 106544-01-001 | EA | SCREW - SHADE/BRASS |
| 32 | 109353-04-000 | EA | CLIP - VALANCE SLAT MOUNTING - CLEAR PLASTIC |
| | 109441-02-000 | EA | SPACER/BACKET - BLIND HOLD DOWN |
| 33 | 109441-03-000 | EA | BRACKET/HOOK - BLIND HOLD DOWN - CLOUDY |
| 34 | 127254-03-05A | EA | TRACK/WRAPAROUND - PASSENGER - GLACIER - D-SERIES |
| 34 | 127254-04-05A | EA | TRACK/WRAPAROUND - DRIVER - GLACIER - D-SERIES & F-SERIES |
| 34 | 127254-14-03A | EA | TRACK/WRAPAROUND - PASSENGER - GLACIER - F-SERIES |
| 34 | 133235-01-04A | EA | TRACK - CURTAIN/LEFT HAND - GLACIER - P-SERIES |
| 34 | 133236-01-04A | EA | TRACK - CURTAIN/RIGHT HAND - GLACIER - P-SERIES |
| 35 | 132504-01-N92 | EA | BRACKET - SHADE |

CURTAIN & CUSHION GROUP (CONTINUED)

ACCESSORIES

| KEY | PART NUMBER | U/M | DESCRIPTION |
|-----|---------------|-----|---|
| | 140221-01-02B | EA | WASHER - SEAT BELT - E-COAT |
| | 056271-01-000 | EA | SEAT BELT - 2" X 102" - BLACK |
| | 007021-01-000 | EA | SEAT BELT - 2" X 90" - BLACK - F30W , F36M |
| | 070578-02-N30 | EA | BUTTON - SCREW - STUD - #30 VINYL |
| | 118337-07-N30 | EA | BUTTON - #60 - DOUBLE SIDED - FABRIC COVERED |
| | 118337-07-N31 | EA | BUTTON - #60 - DOUBLE SIDED - FABRIC COVERED |
| | 118337-07-N32 | EA | BUTTON - #60 - DOUBLE SIDED - FABRIC COVERED |
| | 074494-02-000 | EA | BUTTON - RETAINING PIVOT - #60 |
| | 074494-04-000 | EA | BUTTON - JOINED/PIVOT - W 3/4 TACK |
| | 118337-01-N30 | EA | BUTTON - #60 - FABRIC COVERED (N30) |
| | 118337-01-N31 | EA | BUTTON - #60 - FABRIC COVERED (N31) |
| | 118337-01-N02 | EA | BUTTON - #60 - FABRIC COVERED (N32) |
| | 118337-04-N30 | EA | BUTTON - #60 - FABRIC COVERED (N30) |
| | 118337-04-M29 | EA | BUTTON - #60 - FABRIC COVERED (N31) |
| | 118337-04-M05 | EA | BUTTON - #60 - FABRIC COVERED (N32) |
| | 074494-02-000 | EA | BUTTON - RETAINING PIVOT - #60 |
| | 074494-03-000 | EA | BUTTON - SERRATED PIVOT - W/3/8 TACK |
| | 057534-03-000 | EA | TIEBACK - CLEAR PLASTIC - 7.5" |
| | 129491-01-000 | EA | CATCH - SNAP HOOK - 1" - F32V , F34D , F36M |



| KEY | PART NUMBER | U/M | DESCRIPTION |
|-----|---------------|-----|--|
| 1* | 091990-04-01A | EA | SEAT BELT/SHOULDER HARNESS - DRIVERS/PASSENGER - BLACK |
| 2 | 109146-01-000 | EA | BOLT - SHOULDER/SEAT BELT |
| 3 | 095076-02-000 | EA | WASHER - FL - 7/16"ID X 2"OD X .06 |

CURTAIN & CUSHION GROUP (CONTINUED)
COMPONENT PARTS FOR ACCESSORIES

091990-04-01A

| KEY | PART NUMBER | U/M | DESCRIPTION | VENDOR NO. |
|------------|--------------------|------------|------------------------------|-------------------|
| | 091990-01-701 | EA | EXTENDER 9" FOR A8408 3 PT | I-1331-02 |
| | 091990-01-703 | EA | RECEIVER/FEMALE END-SEATBELT | I-1159-02 |
| | 091990-05-700 | EA | SLEEVE/BUCKLE COVER-PLASTIC | 209S-2 |
| | 091990-05-701 | EA | CAP/COVER - BOLT HOLE COVER | 209SC-02 |
| | 091990-05-702 | EA | SLEEVE/RETRACTABLE COVER | 309C-02 |
| | 091990-05-703 | EA | EXTENDER 12" | I-1442-02 |

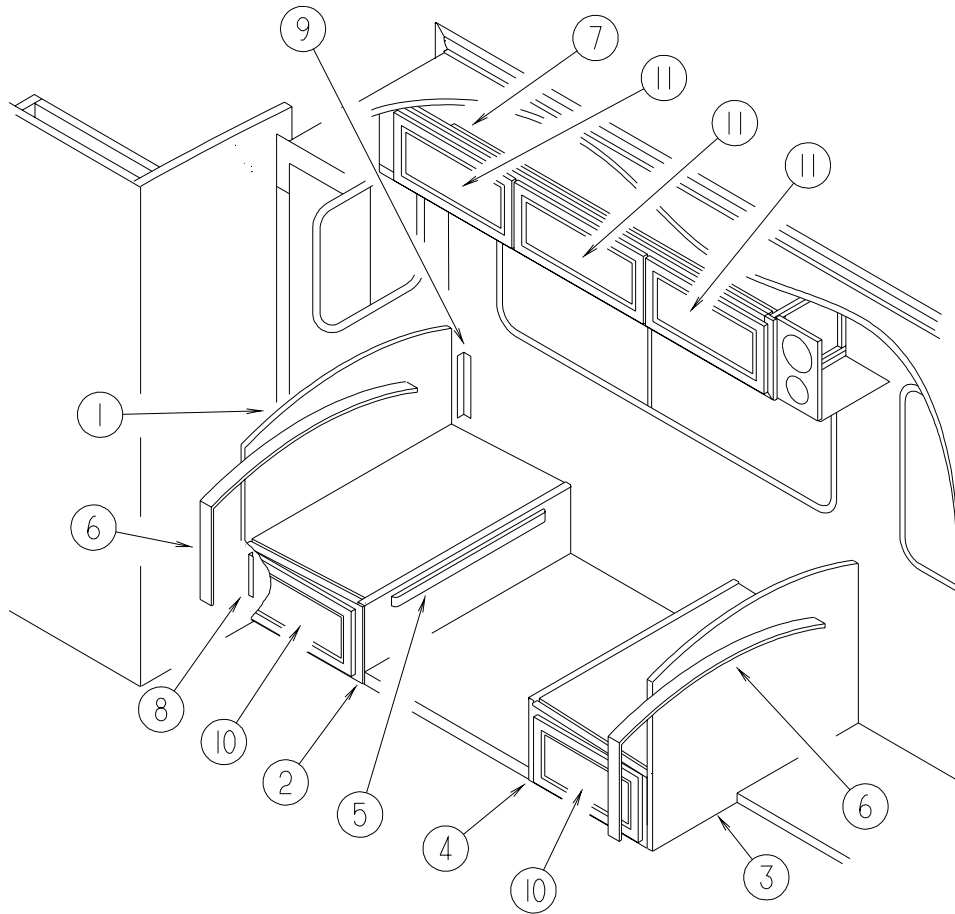
CURTAIN & CUSHION GROUP (CONTINUED)
FABRICS

| FAMILY | N30 GARNET | N31 SILVERADO | N32 BLUESTONE |
|---|--|--|--|
| BRAVE BASEMENT | 570 | 570 | 570 |
| BUCKET | 126883-F6-000 | 126883-B6-000 | 126883-B0-000 |
| | *OPTIONAL LEATHER | *OPTIONAL LEATHER | *OPTIONAL LEATHER |
| | 079680-50-000 | 079680-50-000 | 079680-50-000 |
| DINETTE | CLUB | CLUB | CLUB |
| | 126883-F7-000 | 126883-A3-000 | 126883-A2-000 |
| DINETTE CHAIRS & STACKAMORES | FLEX.C155&STACKAMORES 126883-F6-000 | FLEX.C155&STACKAMORES 126883-B6-000 | FLEX.C155&STACKAMORES 126883-B0-000 |
| DINETTE PADS | 126883-F6-000 | 126883-B6-000 | 126883-B0-000 |
| SOFA | 800/680 FULL ARMS 126883-F7-000 | 800/680 FULL ARMS 126883-A3-000 | 800/680 FULL ARMS 126883-A2-000 |
| LOUNGE CHAIR | 465 126883-F6-000 | 465 126883-B6-000 | 465 126883-B0-000 |
| LOUNGE WINDOWS | BUTTON WRAP VAL. 126883-F7/126883-F6 OVERLAY/UNDERLAY LEGS & BUTTONS 126883-F6-000 | BUTTON WRAP VAL. 126883-A3/126883-B6 OVERLAY/UNDERLAY LEGS & BUTTONS 126883-B6-000 | BUTTON WRAP VAL. 126883-A2/126883-B0 OVERLAY/UNDERLAY LEGS & BUTTONS 126883-B0-000 |
| LOUNGE PILLOWS | 18"SQ.W/CTR.OVLY. CTR. & BCK 126883-F7 SIDES 126883-F6-000 | 18"SQ.W/CTR.OVLY. CTR. & BCK 126883-A3 SIDES 126883-B6-000 | 18"SQ.W/CTR.OVLY. CTR. & BCK 126883-A2 SIDES 126883-B0-000 |
| BEDROOM WINDOWS | FLORENCE VALANCE 105745-W9/105745-X0 FLUSH LEGS 105745-W9 | FLORENCE VALANCE 105745-T7/105745-B5 FLUSH LEGS 105745-T7 | FLORENCE VALANCE 105745-R5/105745-R6 FLUSH LEGS 105745-R5 |
| BEDSPREAD 6" CHANNEL QUILT | BEDCAP W/.5" NON-GATH ACCENT WELT 105745-W9/105745-X0 | BEDCAP W/.5" NON-GATH ACCENT WELT 105745-T7/105745-B5 | BEDCAP W/.5" NON-GATH ACCENT WELT 105745-R5/105745-R6 |
| SHAMS | NON-QUILTED W/.5" NON-GATH. ACCENT WELT 105745-W9/105745-X0 | NON-QUILTED W/.5" NON-GATH. ACCENT WELT 105745-T7/105745-B5 | NON-QUILTED W/.5" NON-GATH. ACCENT WELT 105745-R5/105745-R6 |
| BEDRM. PILLOW | GATHERED ROUND W/CENTER BUTTON 105745-W9-000 | GATHERED ROUND W/CENTER BUTTON 105745-T7-000 | GATHERED ROUND W/CENTER BUTTON 105745-R5-000 |

CURTAIN & CUSHION GROUP (CONTINUED)
FABRICS (CONTINUED)

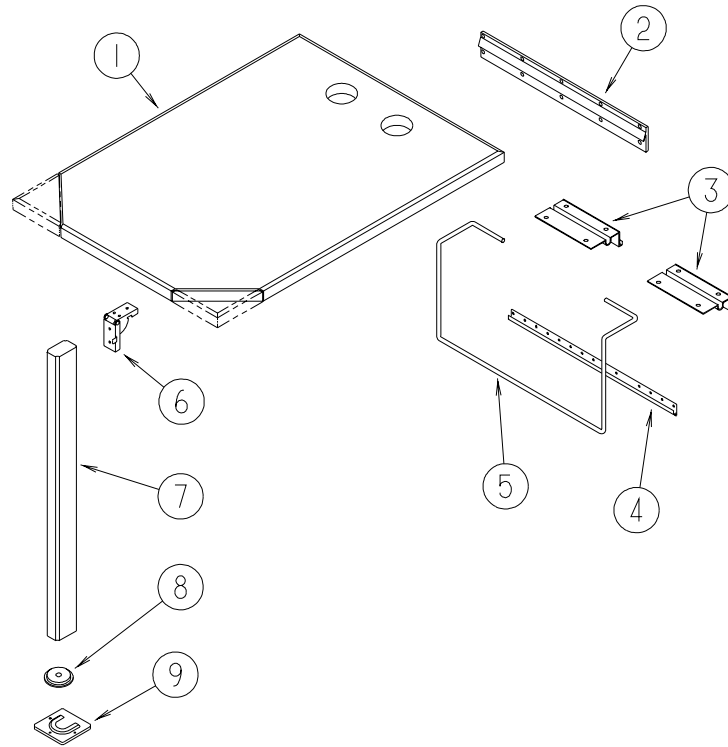
| BRAVE BASEMENT | N30 GARNET | N31 SILVERADO | N32 BLUESTONE |
|----------------------------|----------------------|----------------------|----------------------|
| DAY-NITERS | COTTON/WHT. DECO | COTTON/WHT. DECO | COTTON/WHT. DECO |
| LGE. & BEDROOM | 094911-53/094911-50 | 094911-53/094911-50 | 094911-53/094911-50 |
| GALLEY MINI BLIND | 386 SNOCAP | 386 SNOCAP | 386 SNOCAP |
| OVHD. INSERTS | 126883-F6-000 | 126883-B6-000 | 126883-B0-000 |
| LOUNGE & BEDRM. | 105745-X0-000 | 105745-B5-000 | 105745-R6-000 |
| FLOOR MATS | 096060-G5-000 CARPET | 096060-G7-000 CARPET | 096060-E6-000 CARPET |
| | 102695-06-000 TAPE | 102695-24-000 TAPE | 102695-24-000 TAPE |
| FRONT WRAP | 072333-85-000 | 072333-85-000 | 072333-85-000 |
| | CLOUDS MUSHROOM | CLOUDS MUSHROOM | CLOUDS MUSHROOM |
| SUNVISORS | GLACIER | GLACIER | GLACIER |
| | 123298-04-05A | 123298-04-05A | 123298-04-05A |
| SPEAKER FABRIC | 072333-A2-000 | 072333-A2-000 | 072333-A2-000 |
| DRAPERY LINING | 087272-03-000 | 087272-03-000 | 087272-03-000 |
| CEILING MATERIAL | 113979-12-01A | 113979-12-01A | 113979-12-01A |

DINETTE GROUP CABINETS



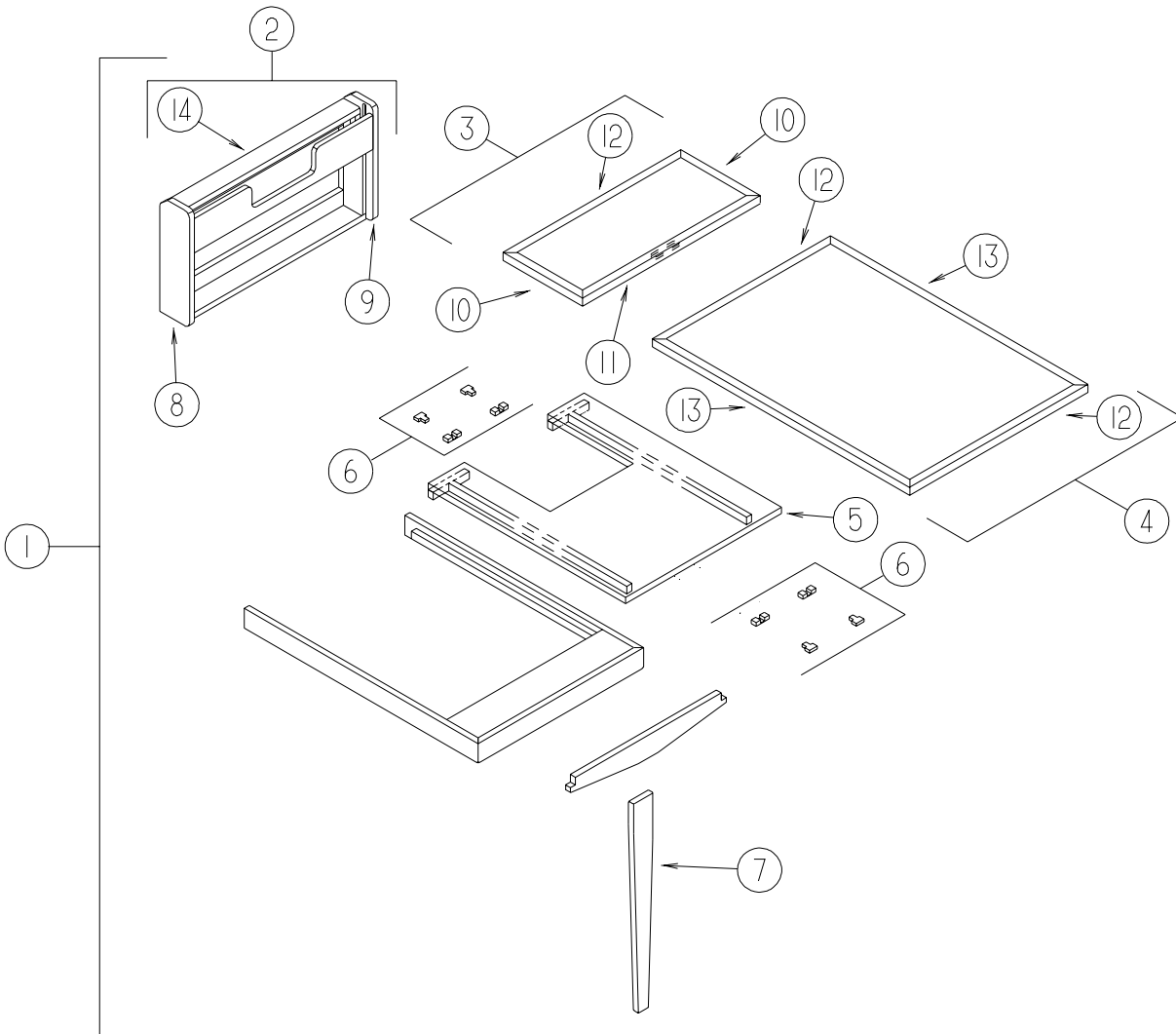
| KEY | PART NUMBER | U/M | DESCRIPTION |
|-----|---------------|-----|--|
| 1 | M08756-18-M30 | EA | CABINET/SEATBASE - LEFT HAND - W/O DOOR/DRAWER/HARDWARE |
| 2 | M08755-06-M30 | EA | CABINET/SEATBACK - LEFT HAND |
| 3 | M08755-05-M42 | EA | CABINET/SEATBACK - RIGHT HAND |
| 4 | M08756-17-N21 | EA | CABINET/SEATBASE - RIGHT HAND - W/O DOOR/DRAWER/HARDWARE |
| 5 | 081295-01-N70 | EA | SUPPORT - BED/DINETTE - 28" LONG |
| 6 | 104787-28-N30 | EA | PAD - DINETTE - 42" (N30) |
| 6 | 104787-28-M31 | EA | PAD - DINETTE - 42" (N31) |
| 6 | 104787-28-N32 | EA | PAD - DINETTE - 42" (N32) |
| 7 | 139122-01-N30 | EA | CABINET - OVERHEAD/DINETTE - W/O DOORS/HARDWARE |
| 8 | 122021-01-02A | EA | ANGLE - W/HOLES - 8.6" LONG - OFF WHITE |
| | | | FROM: 00-00-00 THRU: 08-12-01 |
| 8 | 122021-09-02A | EA | ANGLE - W/HOLES - OFF WHITE |
| | | | FROM: 08-13-01 THRU: 99-99-99 |
| 9 | 122021-02-02A | EA | ANGLE - W/HOLES - 13.7" LONG - OFF WHITE |
| 10 | 131995-G4-N01 | EA | DOOR - RAIL/SOLID PANEL - 10" X 19.1" - W/O HARDWARE |
| 11 | 132141-74-N42 | EA | DOOR - RAIL/VENEER - 10" X 19.1" - W/O HARDWARE |

DINETTE GROUP (CONTINUED) TABLE



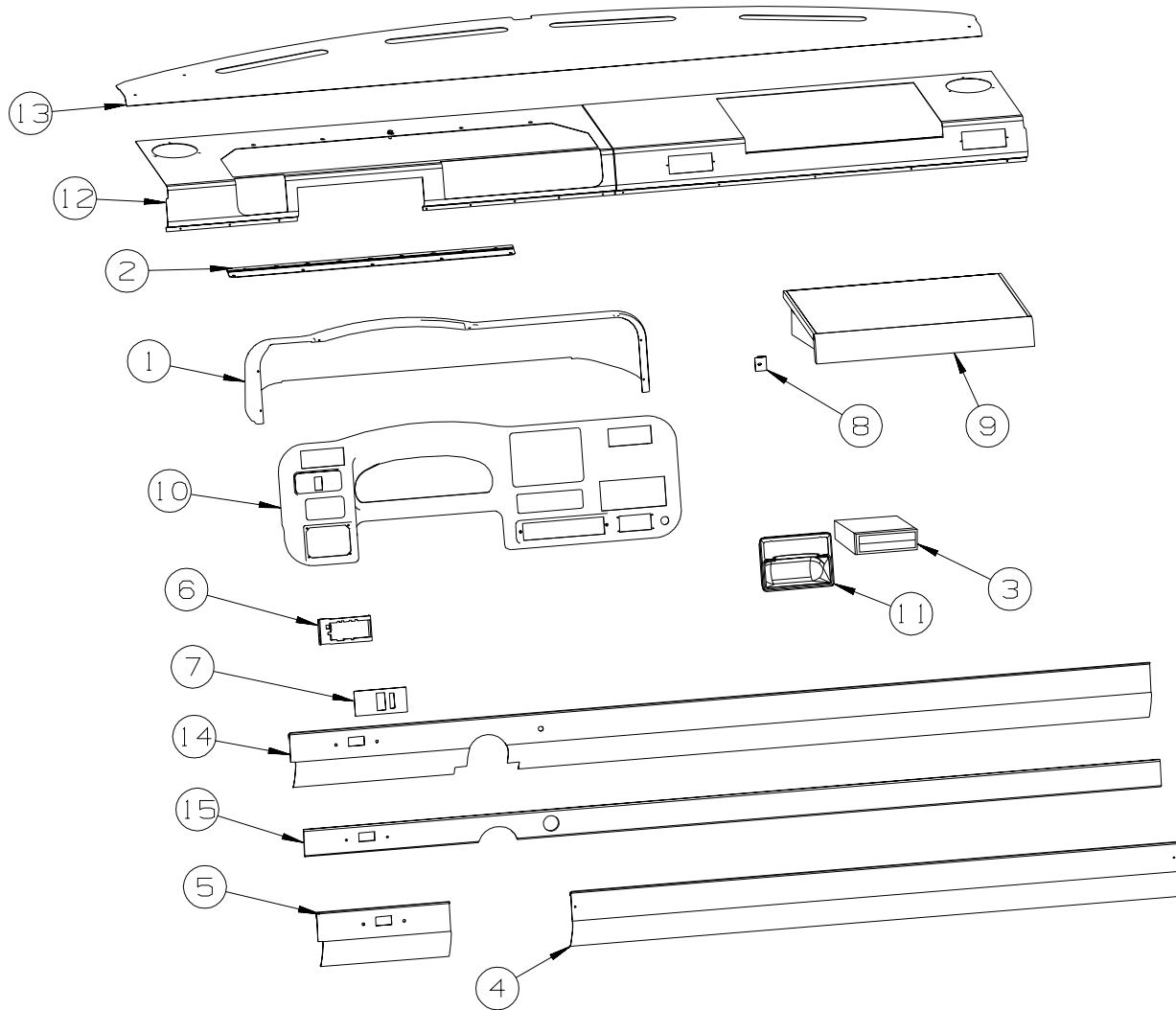
| KEY | PART NUMBER | U/M | DESCRIPTION |
|-----|---------------|-----|---|
| 1 | 132034-14-N30 | EA | TABLE TOP ONLY - 27" X 41" - F30W |
| 1 | 132034-14-N31 | EA | TABLE TOP ONLY - 27" X 41" - F30W |
| 1 | 132034-14-N32 | EA | TABLE TOP ONLY - 27" X 41" - F30W |
| 1 | 132034-12-N30 | EA | TABLE TOP ONLY - 24" X 41.6" - F32V, F34D, F36M |
| 1 | 132034-12-N31 | EA | TABLE TOP ONLY - 24" X 41.6" - F32V, F34D, F36M |
| 1 | 132034-12-N32 | EA | TABLE TOP ONLY - 24" X 41.6" - F32V, F34D, F36M |
| 2 | 053200-13-000 | EA | SUPPORT - TABLE - 18.5" |
| 3 | 088410-02-000 | EA | BRACKET - LIFT - TABLE MOUNTED |
| 4 | 024281-15-000 | EA | BRACKET/TABLE - LIFT ROD/LOWER WALL MOUNTED - 17.1" |
| 5 | 024275-13-000 | EA | ROD - TABLE LIFT - OFF/WHITE |
| 6 | 093550-01-000 | EA | BRACKET - HINGE - MOUNTS TO LEG & TABLE TOP - 1.7" X 2.6" |
| 7 | 092707-04-10A | EA | LEG - TABLE - W/O HARDWARE - 27" - PORTSMOUTH OAK II |
| 8 | 092593-01-05A | EA | CATCH - TABLE LEG - OFF/WHITE |
| 9 | 049493-12-000 | EA | CATCH - TABLE LEG/FLOOR MOUNTED - OFF WHITE |

DINETTE GROUP (CONTINUED)
TABLE (CONTINUED)



| KEY | PART NUMBER | U/M | DESCRIPTION |
|-----|---------------|-----|---|
| 1 | 133856-01-N42 | EA | TABLE COMPLETE - LAMINATED - PORTSMOUTH OAK |
| 2 | 133856-31-N42 | EA | CABINET/WALL - W/O COUNTERTOP - F/PULLOUT TABLE |
| 3 | 133856-12-N42 | EA | TABLE TOP - SMALL HINGED SECTION - LAMINATED PORTSMOUTH OAK |
| 4 | 133856-11-N42 | EA | TABLE TOP - LARGE SECTION - LAMINATED PORTSMOUTH OAK |
| 5 | 133856-17-N42 | EA | SLIDE - TABLE TOP |
| 6 | 009050-02-000 | EA | LEVELER - TABLE TOP - MALE END W/4 SCREWS - PLASTIC |
| 6 | 009050-03-000 | EA | LEVELER - TABLE TOP - FEMALE END W/2 SCREWS - PLASTIC |
| 7 | 133856-28-N42 | EA | LEG - F/TABLE |
| 8 | 133856-27-N42 | EA | END - LEFT HAND - F/TABLE CABINET |
| 9 | 133856-26-N42 | EA | END - RIGHT HAND - F/TABLE CABINET |
| 10 | 133856-15-N42 | EA | TRIM - TABLE MOLDING - 12" |
| 11 | 133856-16-N42 | EA | TRIM - TABLE MOLDING - 23.8" |
| 12 | 133856-14-N42 | EA | TRIM - TABLE MOLDING - 23.8" |
| 13 | 133856-13-N42 | EA | TRIM - TABLE MOLDING - 41.2" |
| 14 | 133856-23-N42 | EA | COUNTERTOP - F/WALL CABINET - LAMINATED - PORTSMOUTH OAK |

DRIVERS COMPARTMENT GROUP DASH

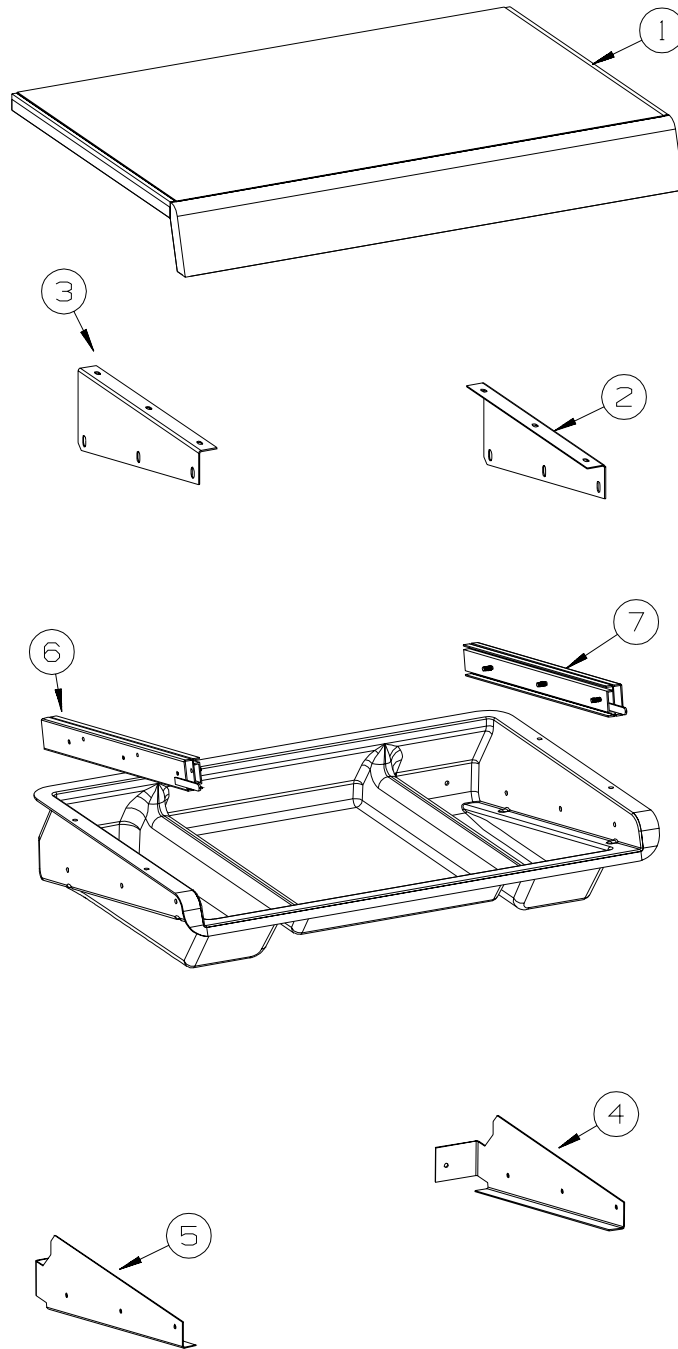


| KEY | PART NUMBER | U/M | DESCRIPTION |
|-----|---------------|-----|--|
| 1 | 132080-01-03A | EA | POD - INSTRUMENT PANEL - W/O HOLE - PUTTY |
| 2 | 129813-02-02A | EA | HINGE - DASH POD - GLACIER |
| 3 | 096776-03-000 | EA | STORAGE BOX - CD'S - 4 DISC HOLDER |
| 4 | 111528-10-05A | EA | TRIM - DASH/LOWER - PASSENGER - GLACIER - FORD |
| 5 | 111528-11-05A | EA | TRIM - DASH/LOWER - DRIVER - GLACIER - FORD |
| 6 | 133849-01-02B | EA | MOUNT - HEADLAMP SWITCH - E-COATED |
| 7 | 134088-01-01A | EA | APPLIQUE - SWITCH - HEADLAMP - BLACK |
| 8 | 134257-02-02B | EA | CLIP - RETAINER - BEZEL - E-COATED |
| 9 | 135298-01-N42 | EA | TABLE COMPLETE - WORKSTATION - PORTSMOUTH OAK |
| 10 | 138611-02-01A | EA | BEZEL - INSTRUMENT PANEL - BLACK - FORD |
| 10 | 138612-02-01A | EA | BEZEL - INSTRUMENT PANEL - BLACK - WORKHORSE |
| 11 | 111350-01-01A | EA | POCKET - INSTRUMENT PANEL - UPPER - BLACK |
| 12 | 132128-01-02B | EA | DASH - E-COATED - FORD W/O WORKSTATION |
| 12 | 132128-03-02B | EA | DASH - E-COATED - WORKHORSE W/O WORKSTATION |
| 12 | 135096-01-02B | EA | DASH - E-COAT - FORD W/WORKSTATION |
| 12 | 135096-03-02B | EA | DASH - E-COAT - WORKHORSE W/WORKSTATION |
| | 106569-11-03A | EA | VINYL - LAMINATE - 1/4" X 25" X 100" - GLACIER |
| 13 | 132126-02-02B | EA | PANEL - DASH TOP - E-COATED |
| 14 | 133776-01-05A | EA | TRIM - DASH/LOWER - DRIVER - GLACIER - WORKHORSE |
| 15 | NOT USED | | |
| | 138620-01-02B | EA | BRACKET - RADIO SUPPORT - E-COATED |

FROM: 00-00-00 THRU: 07-13-01

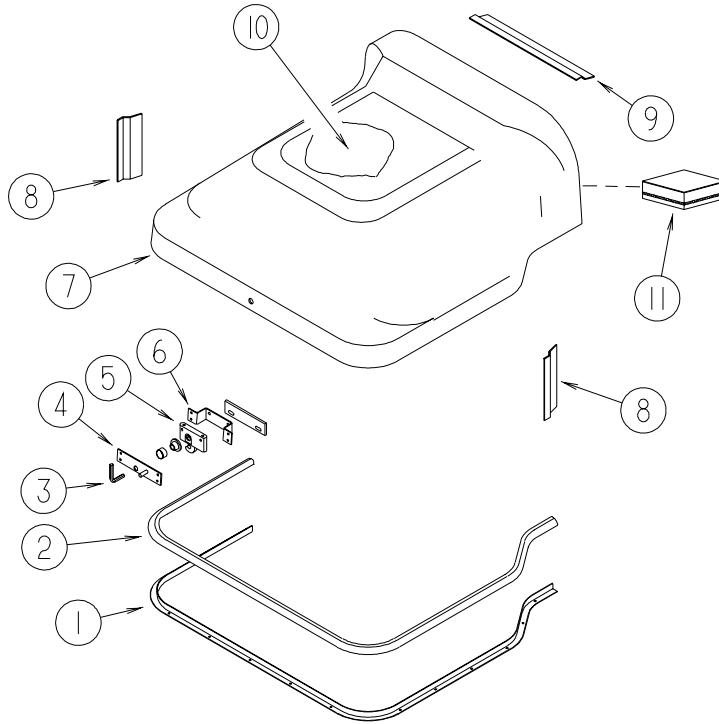
| | | |
|---------------|----|---------------------------------|
| 109235-01-01A | FT | COVER - SCREW - MAT BLACK |
| 115870-01-000 | FT | SEAL - TRIM - EDGE |
| 076767-05-000 | EA | CABLE - STAINLESS STEEL - 15.5" |

DRIVERS COMPARTMENT GROUP (CONTINUED)
DASH (CONTINUED)



| KEY | PART NUMBER | U/M | DESCRIPTION |
|-----|---------------|-----|--|
| 1 | 135122-01-N42 | EA | TABLE TOP - PULLOUT/WORKSTATION - OAK/PORTSMOUTH OAK |
| 2 | 135132-01-02B | EA | ANGLE - SLIDE - RIGHT HAND - E-COATED |
| 3 | 135132-02-02B | EA | ANGLE - SLIDE - LEFT HAND - E-COATED |
| 4 | 135228-01-02B | EA | ANGLE - SLIDE - TRAY/RIGHT HAND - E-COATED |
| 5 | 135228-02-02B | EA | ANGLE - SLIDE - TRAY/LEFT HAND - E-COATED |
| 6 | 135314-01-01A | EA | SLIDE - DASH WORK STATION - RIGHT HAND |
| 7 | 135314-02-01A | EA | SLIDE - DASH WORK STATION - LEFT HAND |

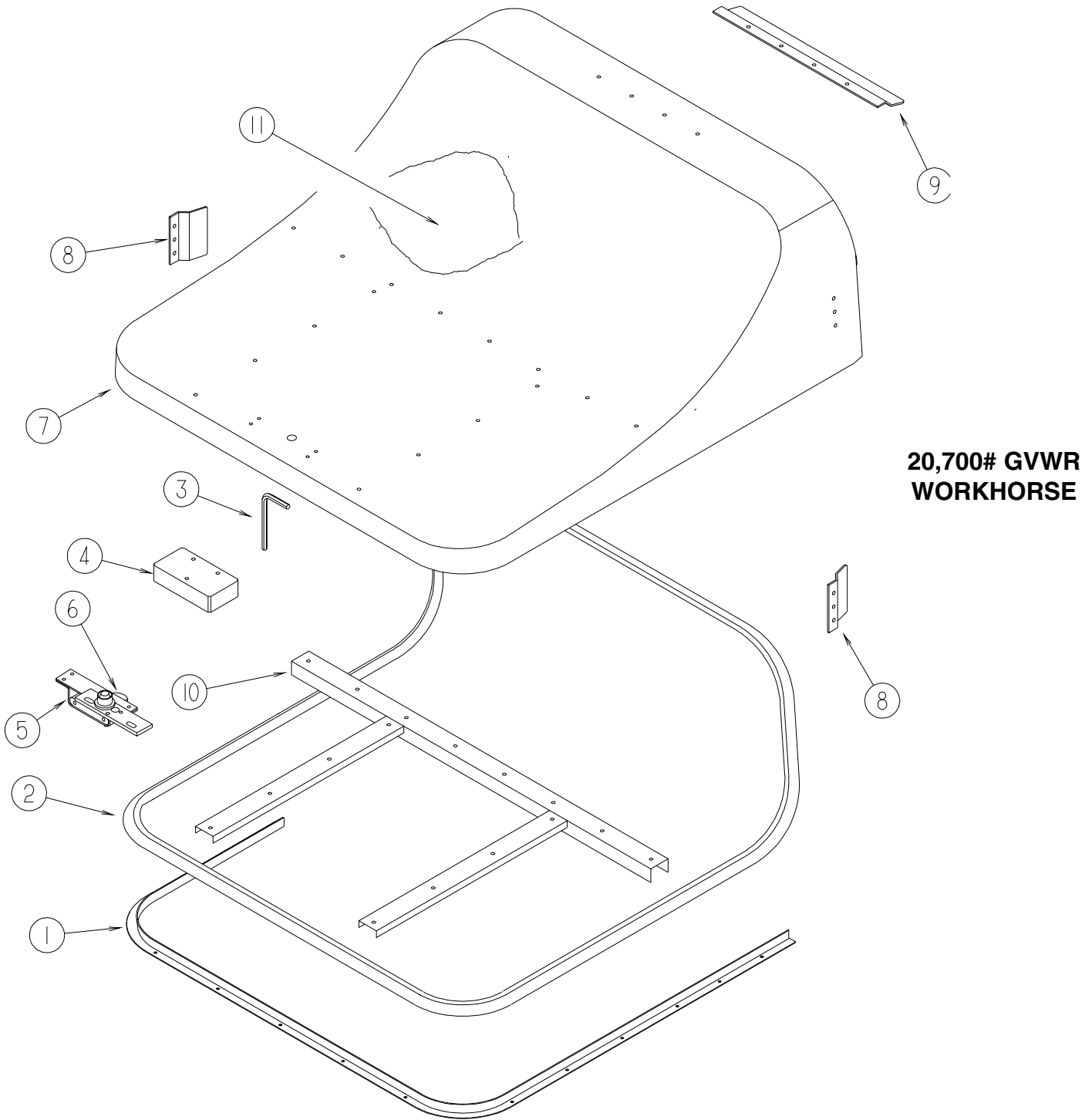
DRIVERS COMPARTMENT GROUP (CONTINUED)
MOTOR COVER



**ALL FORD &
 WORKHORSE
 BUT 20,700#
 GVWR
 WORKHORSE**

| KEY | PART NUMBER | U/M | DESCRIPTION |
|-----|---------------|-----|---|
| 1 | 115860-05-01A | EA | TRIM - MOTOR COVER - MILL FINISH - FORD - FORD |
| 1 | 115860-04-01A | EA | TRIM - MOTOR COVER - WORKHORSE |
| 2 | 039623-01-000 | FT | SEAL - MOTOR COVER - RUBBER BULB TYPE |
| 3 | 116833-01-02B | EA | WRENCH - HEX MOTOR COVER - E-COATED |
| 4 | 115852-01-02B | EA | STRIKE - LATCH - MOTOR COVER - E-COATED |
| 5 | 116581-01-000 | EA | LATCH - W/O STRIKE - MOTOR COVER |
| 6 | 115850-01-02B | EA | RETAINER - LATCH - MOTOR COVER - RIGHT HAND - E-COATED |
| 7 | 129099-04-01A | EA | COVER - MOTOR - W/O CARPET - 00 FORD - FORD |
| 7 | 129099-02-01A | EA | COVER - MOTOR - W/O CARPET - CHEVY P32 CHASSIS - WORKHORSE |
| 8 | 115855-02-02B | EA | RETAINER - MOTOR COVER/SIDE - E-COATED |
| 9 | 115855-03-02B | EA | RETAINER - MOTOR COVER/TOP - E-COATED |
| 9 | 115855-01-02B | EA | RETAINER - MOTOR COVER/TOP - E-COATED FROM: 00-00-00 THRU: 07-08-01 FROM: 07-09-01 THRU: 99-99-99 |
| 10 | NOT USED | | |
| 11 | NOT USED | | |

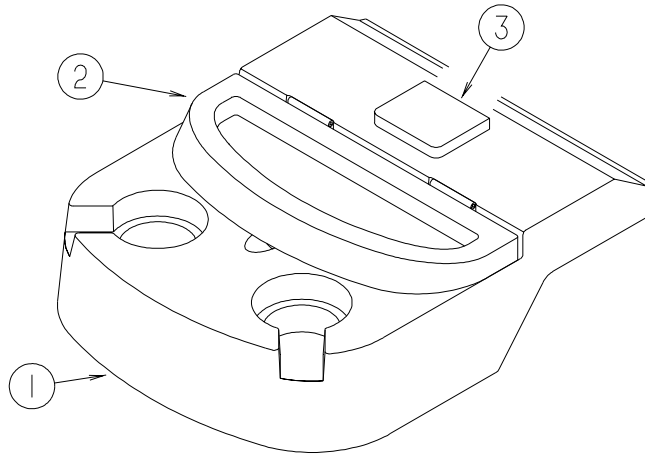
DRIVERS COMPARTMENT GROUP (CONTINUED)
MOTOR COVER (CONTINUED)



| KEY | PART NUMBER | U/M | DESCRIPTION |
|-----|---------------|-----|--|
| 1 | 137332-01-01A | EA | TRIM - MOTOR COVER |
| 2 | 039623-01-000 | FT | SEAL - MOTOR COVER - RUBBER BULB TYPE |
| 3 | 116833-01-02B | EA | WRENCH - HEX MOTOR COVER - E-COATED |
| 4 | 137305-02-02B | EA | BRACKET - STRIKE SUPPORT - E-COATED |
| 5 | 116581-01-000 | EA | LATCH - W/O STRIKE - MOTOR COVER |
| 6 | 115850-01-02B | EA | RETAINER - LATCH - MOTOR COVER - RIGHT HAND - E-COATED |
| 7 | 137096-01-01A | EA | COVER - MOTOR - W/O CARPET |
| 8 | 115855-04-02B | EA | RETAINER - MOTOR COVER - E-COATED |
| 9 | 115855-03-02B | EA | RETAINER - MOTOR COVER/TOP - E-COATED |
| 10 | 130127-02-02B | EA | SUPPORT - MOTOR COVER - E-COATED |
| 11 | 134497-01-000 | SF | FOIL/ALUMINUM - REINFORCED |

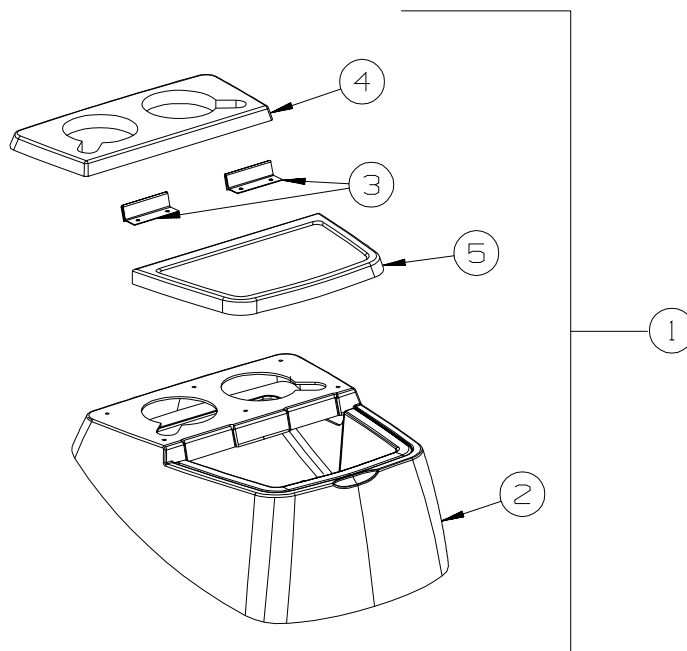
FROM: 09-10-01 THRU: 99-99-99

DRIVERS COMPARTMENT GROUP (CONTINUED)
BEVERAGE TRAY



**ALL FORD &
WORKHORSE
BUT 20,700#
GVWR
WORKHORSE**

| KEY | PART NUMBER | U/M | DESCRIPTION |
|-----|---------------|-----|--|
| 1 | 128114-01-04A | EA | TRAY/BEVERAGE - GLACIER |
| 2 | 128113-01-N21 | EA | LID - BEVERAGE TRAY |
| 3 | 118719-01-01A | EA | ASHTRAY - TOP MOUNT - BLACK PLASTIC |
| | 126010-01-03A | EA | SPACER - BEVERAGE TRAY - GLACIER - 18,000# GVW WORKHORSE |

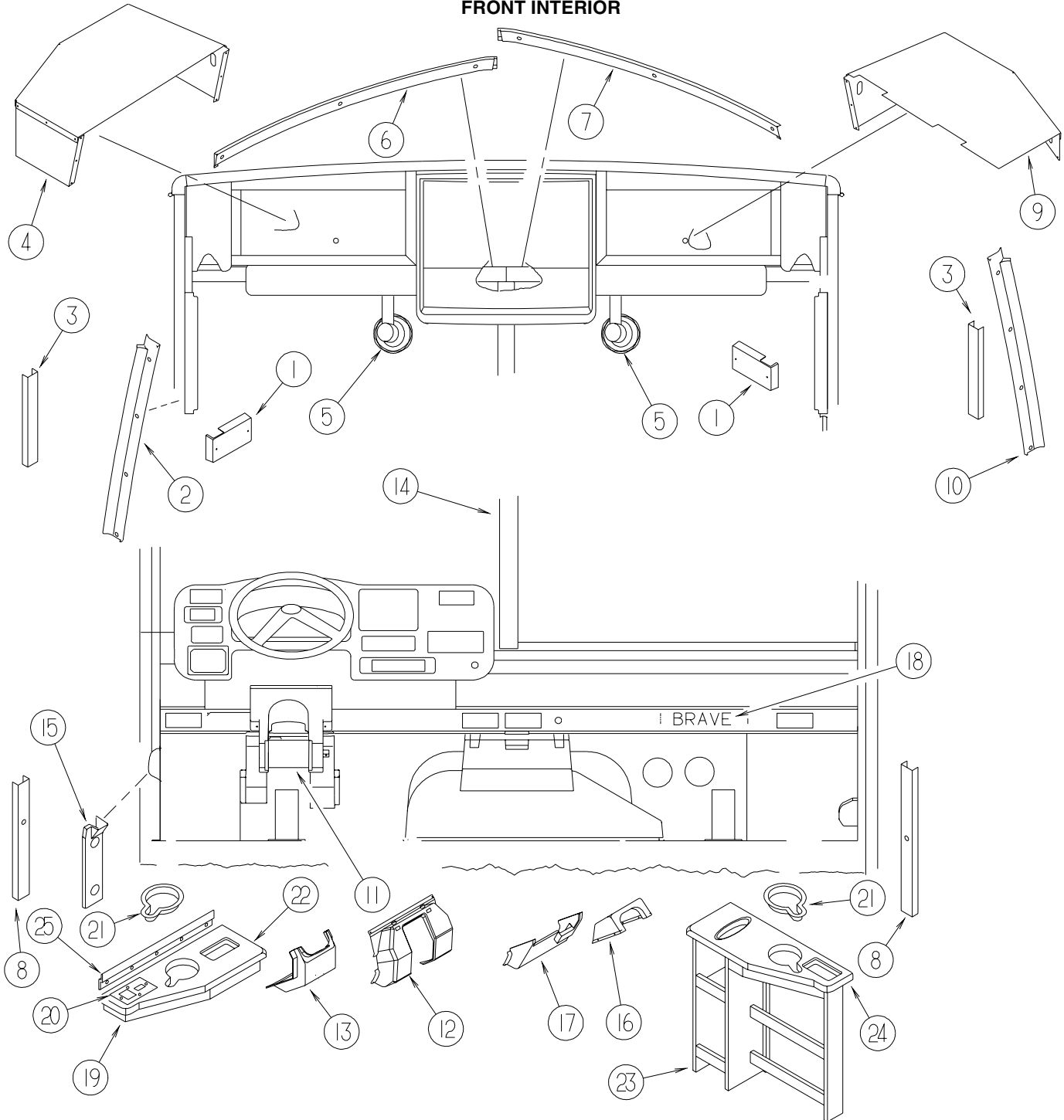


**20,700# GVWR
WORKHORSE**

| KEY | PART NUMBER | U/M | DESCRIPTION |
|-----|---------------|-----|-----------------------------------|
| 1 | 139275-01-N52 | EA | TRAY - BEVERAGE |
| 2 | 139268-01-01A | EA | TRAY - BEVERAGE - GLACIER |
| 3 | 139279-01-04B | EA | HINGE - BLACK |
| 4 | 139296-01-01A | EA | LID - BEVERAGE TRAY - OYSTER GREY |
| 5 | 139285-01-01A | EA | LID/DOOR - OYSTER GREY |

DRIVERS COMPARTMENT GROUP (CONTINUED)

FRONT INTERIOR

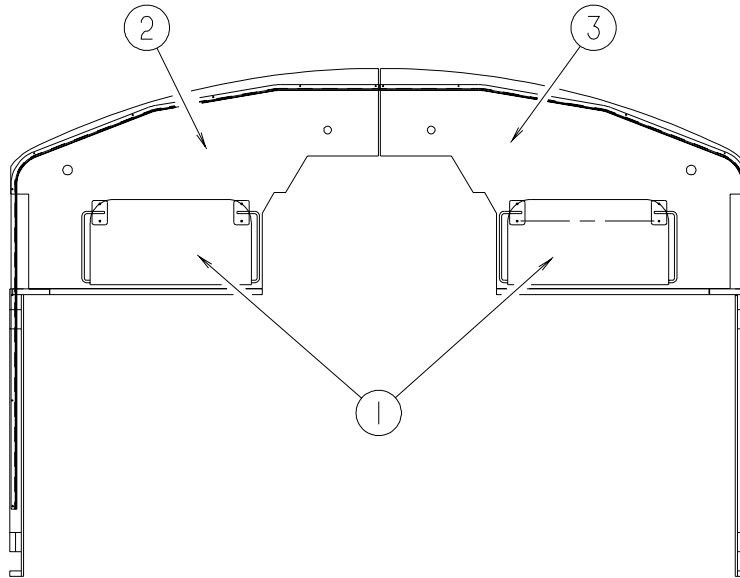


| KEY | PART NUMBER | U/M | DESCRIPTION |
|-----|---------------|-----|--|
| 1 | 103961-03-01A | EA | COVER - BRACKET - SEATBELT/OFF WHITE |
| 2 | 125508-02-03A | EA | TRIM - A-PILLAR - DRIVER/INTERIOR - GLACIER |
| 3 | 024700-38-000 | EA | COVER - ROLL BAR - U-CHANNEL - 15.25" PLASTIC |
| 4 | 126457-07-M42 | EA | PANEL - CLOSEOUT - OVERHEAD/FRONT/DRIVER |
| 5 | 122856-01-01A | EA | FAN-DEFROSTER-2 SPEED W/SWIVEL BASE/NON-OSCILLATING-CHROME |
| 6 | 118453-04-03A | EA | TRIM - WINDSHIELD - INNER/TOP/DRIVER - GLACIER |
| 7 | 118453-03-03A | EA | TRIM - WINDSHIELD - INNER/TOP/PASSENGER - GLACIER |
| 8 | 024700-65-000 | EA | COVER - ROLL BAR - OFF WHITE |
| 9 | 126457-06-M42 | EA | PANEL - CLOSEOUT - OVERHEAD/FRONT/PASSENGER |
| 10 | 125508-01-03A | EA | TRIM - A-PILLAR - PASSENGER/INTERIOR - GLACIER |
| 11 | 103498-09-000 | EA | BOOT - STEERING COLUMN - W/1/2 CIRCLE - WORKHORSE - F30W, F32V |
| 12 | 131804-01-04A | EA | COVER - STEERING COLUMN - UPPER - GLACIER - FORD |
| 13 | 125795-01-04A | EA | COVER - STEERING COLUMN/LOWER - GLACIER - FORD |
| 14 | 118452-04-03A | EA | TRIM - WINDSHIELD - CENTER - GLACIER |
| 15 | 127901-01-03A | EA | PANEL - TOEKICK/LEFT HAND - GLACIER |

DRIVERS COMPARTMENT GROUP (CONTINUED)
FRONT INTERIOR (CONTINUED)

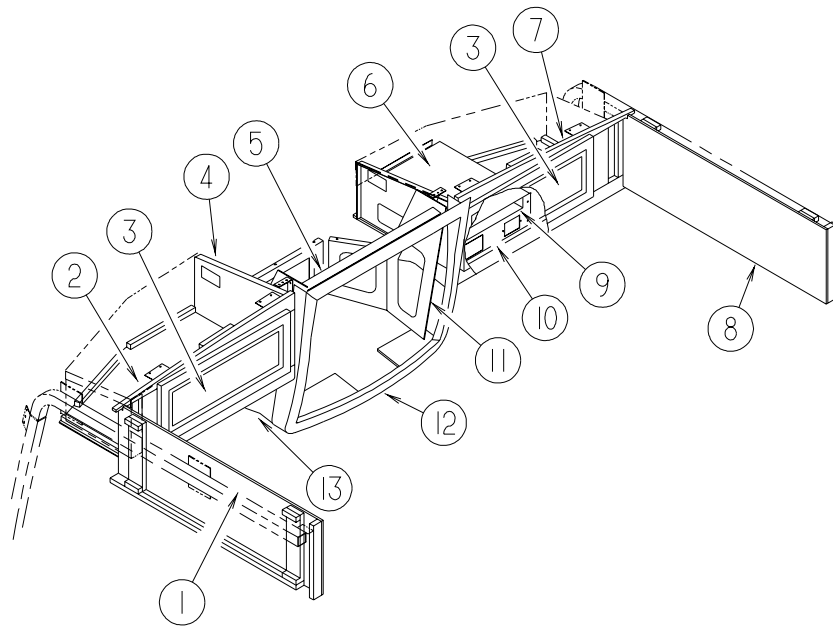
| KEY | PART NUMBER | U/M | DESCRIPTION |
|-----|---------------|-----|---|
| 16 | 137878-01-04A | EA | COVER - STEERING COLUMN - FRONT - GLACIER - WORKHORSE - F34D, F36M FROM: 00-00-00 THRU: 01-07-02 |
| 16 | 137878-02-04A | EA | COVER - STEERING COLUMN - FRONT - GLACIER - WORKHORSE - F34D, F36M FROM: 01-08-02 THRU: 99-99-99 |
| 17 | 137851-01-04A | EA | COVER - STEERING COLUMN - GLACIER - WORKHORSE - F34D, F36M |
| 18 | 126340-01-03A | EA | DECAL - LOGO - BRAVE - 3D - CHAMPAGNE BEIGE |
| 19 | 137645-01-N30 | EA | CABINET/ARMREST - LEFT HAND |
| 20 | 137049-01-02B | EA | PLATE/SWITCH - HEATED/MIRROR - E-COAT |
| 21 | 133831-01-01A | EA | HOLDER - CUP W/THREE CENTERLINE RUBBER FINGERS |
| 22 | 137643-02-01A | EA | COUNTERTOP - WOOD/OYSTER GRAY |
| 23 | 137644-01-N30 | EA | CABINET/ARMREST - RIGHT HAND |
| 24 | 137643-01-01A | EA | COUNTERTOP - WOOD/OYSTER GRAY |
| 25 | 138280-01-02A | EA | SUPPORT - ARMREST - OFF WHITE - 18.7" |
| | 105924-01-N30 | EA | MAT - FLOOR - 18" X 27" (N30) |
| | 105924-01-M23 | EA | MAT - FLOOR - 18" X 27" (N31) |
| | 105924-01-M78 | EA | MAT - FLOOR - 18" X 27" (N32) |

***COMPONENT PARTS LISTED LATER IN THIS GROUP**



| KEY | PART NUMBER | U/M | DESCRIPTION |
|-----|---------------|-----|--|
| 1 | 123298-04-05A | EA | SUNVISOR - 10.5" X 21" - DRIVER/PASSENGER - GLACIER |
| 2 | 126440-17-N30 | EA | PANEL - OVERHEAD/FRONT/BOTTOM/RIGHT HAND - VINYL COVERED |
| 3 | 126440-18-N30 | EA | PANEL - OVERHEAD/FRONT/BOTTOM/LEFT HAND - VINYL COVERED |

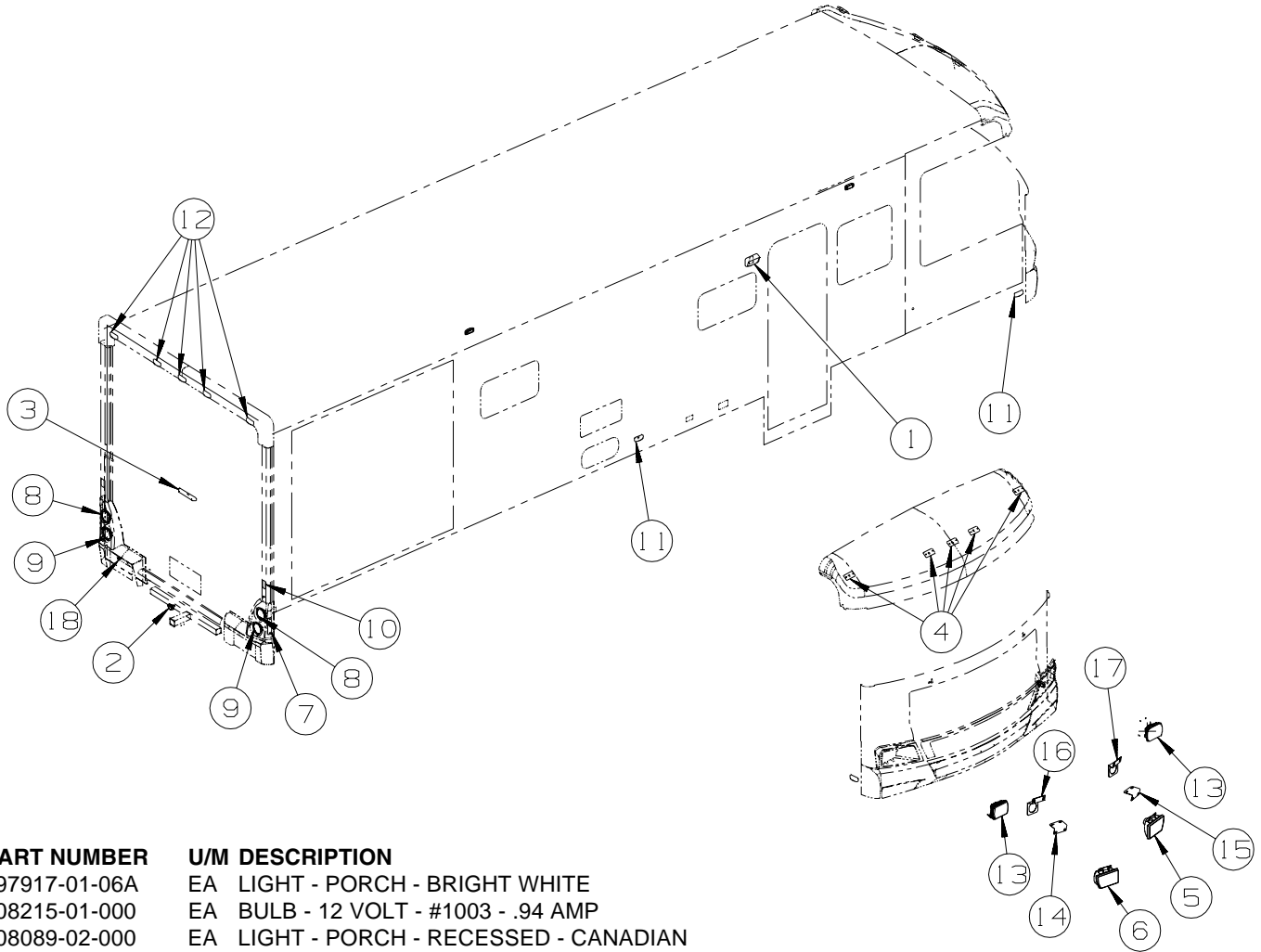
DRIVERS COMPARTMENT GROUP (CONTINUED) CABINETS



| KEY | PART NUMBER | U/M | DESCRIPTION |
|-----|---------------|-----|---|
| 1 | 126765-10-N30 | EA | PANEL - OVERHEAD/DRIVER |
| 2 | 132973-05-N30 | EA | CABINET - OVERHEAD - FRONT - W/O DOORS/HARDWARE |
| 3 | 131995-V1-N42 | EA | DOOR - RAIL/GLASS INSERT - 10.8" X 23.8" - W/O HARDWARE |
| 4 | 132856-01-02B | EA | PANEL/SHELF - E-COATED |
| 5 | 133790-08-02B | EA | STRAP - TIEDOWN - TV - E-COATED |
| 6 | 126270-03-02B | EA | PANEL/SHELF - E-COATED |
| 7 | 132973-04-N30 | EA | CABINET - OVERHEAD - FRONT - W/O DOORS/HARDWARE |
| 8 | 126765-09-N30 | EA | PANEL - OVERHEAD/PASSENGER |
| 9 | 118847-02-02B | EA | MOUNT - SWITCH BOX - E-COATED |
| 10 | 131807-06-N42 | EA | PANEL/SHELF/VINYL COVERED - W/ANTENNA/SWITCHBOX CUTOUT |
| 10 | 131807-11-N42 | EA | PANEL/SHELF/VINYL COVERED-W/ANT/SWITCHBOX/INVERTOR CUTOUT |
| 11 | 130030-02-02B | EA | SUPPORT - TV - E-COATED |
| 12 | 130020-02-03A | EA | COVER - TV/OVERHEAD/FRONT - W/O HARDWARE - GLACIER |
| 13 | P30021-03-N42 | EA | COVER - TV - OVERHEAD/LOWER |

ELECTRICAL GROUP

12V BODY WIRING

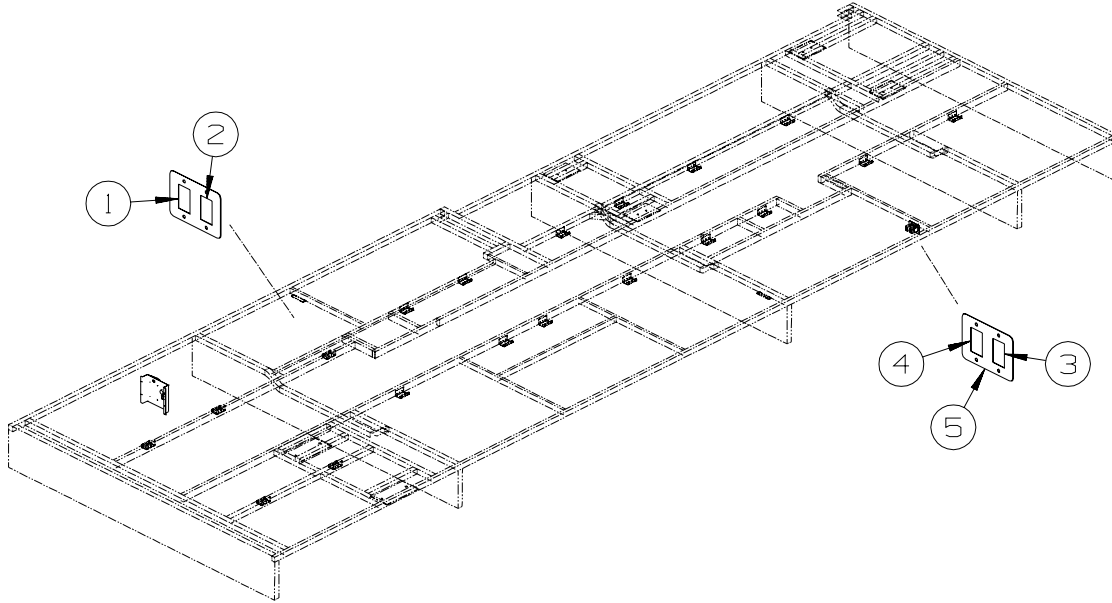


| KEY | PART NUMBER | U/M | DESCRIPTION |
|-----|---------------|-----|--|
| 1* | 097917-01-06A | EA | LIGHT - PORCH - BRIGHT WHITE |
| | 008215-01-000 | EA | BULB - 12 VOLT - #1003 - .94 AMP |
| 1* | 008089-02-000 | EA | LIGHT - PORCH - RECESSED - CANADIAN |
| | 008214-01-000 | EA | BULB - 12 VOLT - #67 - .59 AMP |
| 2 | 113589-01-000 | EA | CONNECTOR - PLUG - TRAILER |
| 2 | 113589-02-000 | EA | CONNECTOR - SOCKET - TRAILER |
| 3 | 136916-01-000 | EA | LIGHT - CENTER BRAKE - L.E.D. |
| 4 | 102520-01-000 | EA | LIGHT - CLEARANCE - W/O SOCKET/HOUSING - AMBER |
| 4 | 102541-01-000 | EA | GASKET - CLEARANCE LIGHT |
| 4 | 036196-01-000 | EA | BULB - 12V - #194 - .27 AMP - BAYONETTE |
| 5 | 138419-02-000 | EA | LAMP - PARK/TURN - DRIVER - AMBER |
| 6 | 138419-01-000 | EA | LAMP - PARK/TURN - PASSENGER - AMBER |
| 7 | 117826-01-000 | EA | SIDE MARKER LAMP ASSEMBLY - RED |
| 7 | 036196-01-000 | EA | BULB - 12V - #194 - .27 AMP - BAYONETTE |
| 8 | 138441-01-000 | EA | LAMP - BRAKE/TAILO/TURN - 4 1/2" ROUND |
| 9 | 138441-02-000 | EA | LAMP - BACKUP - 4 1/2" ROUND |
| 10 | 106646-02-000 | EA | REFLECTOR - STICK ON - RED |
| 11 | 111102-02-000 | EA | LENS - AMBER - MARKER LAMP |
| 11 | 111102-01-000 | EA | BASE - MARKER LAMP |
| 11 | 036196-01-000 | EA | BULB - 12V - #194 - .27 AMP - BAYONETTE |
| 12 | 111102-03-000 | EA | LENS - RED - MARKER LAMP |
| 12 | 111102-01-000 | EA | BASE - MARKER LAMP |
| 12 | 036196-01-000 | EA | BULB - 12V - #194 - .27 AMP - BAYONETTE |
| 13 | 138767-01-000 | EA | HEADLAMP - HIGH/LOW - HALOGEN/BLACK |
| 13 | 049359-01-000 | EA | SPRING - RETAINER - HEADLAMP - GM #496096 |
| 13 | 110750-01-000 | EA | SCREW - HEADLAMP ADJUSTING |
| 14 | 137938-01-02B | EA | BRACKET - SIGNAL LAMP - E-COATED |
| 15 | 137938-02-02B | EA | BRACKET - LAMP - SIGNAL - E-COATED |
| 16 | 139432-01-02B | EA | BRACKET - LAMP/SIGNAL - LOWER - E-COATED |
| 17 | 139432-02-02B | EA | BRACKET - LAMP/SIGNAL - LOWER - E-COATED |
| 18 | 087201-01-000 | EA | LIGHT - HALF ROUND - 1" X 1.7" - PLASTIC - BLACK |
| | 067789-02-000 | EA | SOCKET - LAMP |

*COMPONENT PARTS LISTED LATER IN THIS GROUP

ELECTRICAL GROUP (CONTINUED)

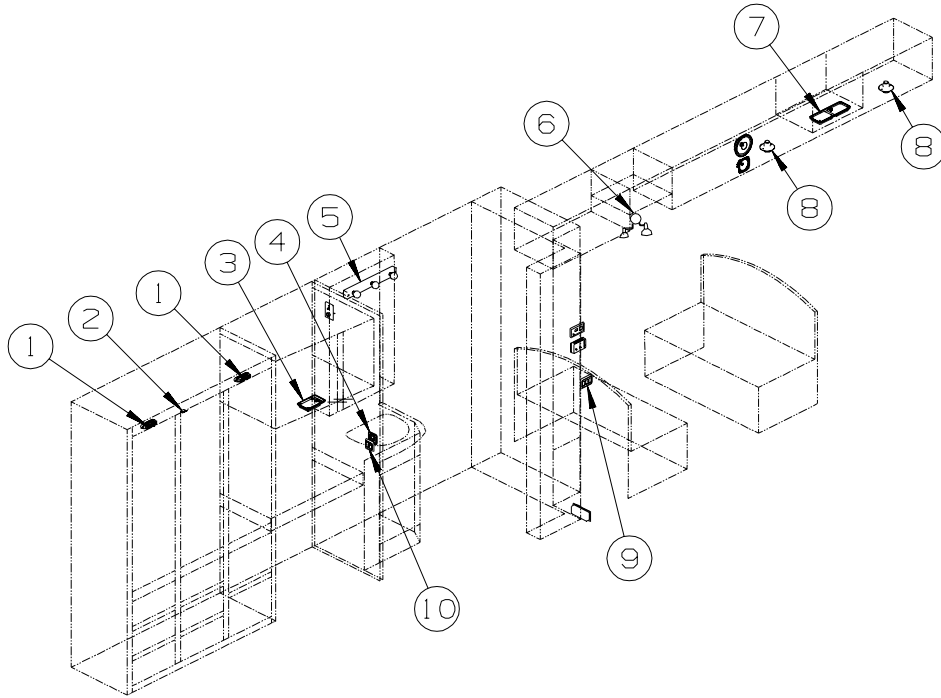
12V BODY WIRING (CONTINUED)



| KEY | PART NUMBER | U/M | DESCRIPTION |
|-----|---------------|-----|--|
| 1 | 108357-01-000 | EA | SWITCH - ROCKER - SPST - ON/OFF - 2 TERMINAL |
| 1 | 108356-02-01A | EA | COVER/ACTUATOR SWITCH - 2 ROWS DIMPLES- CONTURA II - BLACK |
| 1 | 108355-01-000 | EA | HOUSING - SWITCH |
| 2 | 108357-15-000 | EA | SWITCH - ROCKER - DPDT - ON/NONE/ON - LIGHTED |
| 2 | 108356-04-01A | EA | COVER/ACTUATOR SWITCH - 2 ROWS DIMPLES W/LENS-CONTURA-BLK |
| 2 | 108355-01-000 | EA | HOUSING - SWITCH |
| 3 | 108357-01-000 | EA | SWITCH - ROCKER - SPST - ON/OFF - 2 TERMINAL |
| 3 | 108356-14-01A | EA | COVER/ACTUATOR SWITCH - 3 GROOVES |
| 3 | 108355-01-000 | EA | HOUSING - SWITCH |
| 4 | 108357-08-000 | EA | SWITCH - ROCKER - DPDT - ON/NONE/ON - 6 TERMINAL |
| 4 | 108356-11-01A | EA | COVER/ACTUATOR SWITCH - 3 GROOVES - AUX BATT - BLACK |
| 4 | 108355-01-000 | EA | HOUSING - SWITCH |
| 5 | 098351-22-01A | EA | PLATE/SWITCH - 2 GANG - POLISHED BRASS |
| 5 | 135167-01-02B | EA | BRACKET - COVER - SWITCH - E-COATED |

ELECTRICAL GROUP (CONTINUED)

12V BODY WIRING (CONTINUED)

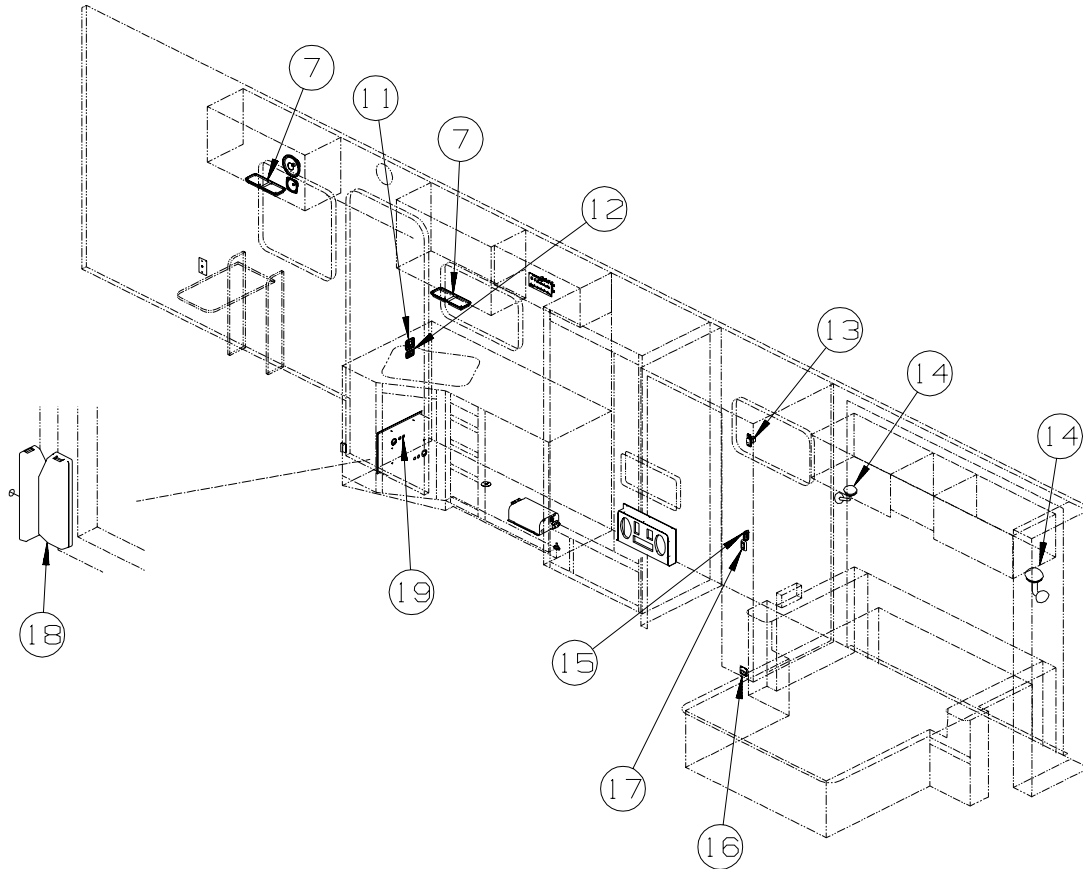


| KEY | PART NUMBER | U/M | DESCRIPTION |
|-----|---------------|-----|---|
| 1* | 087694-01-000 | EA | LIGHT - WARDROBE/CLOSET - W/SWITCH |
| 2 | 056264-01-000 | EA | SWITCH - LEAF ACTUATOR - CABINET DOOR JAMB |
| 3* | 137417-01-01A | EA | LIGHT - DOME - SINGLE - W/SWITCH/FROSTED LENS - WHITE |
| 4 | 135740-01-01A | EA | SWITCH - ROCKER - SPST - ON/OFF - BROWN |
| 4 | 135741-02-01A | EA | SWITCH - BASE - DOUBLE - BROWN |
| 4 | 135742-20-01A | EA | BEZEL - SWITCH - SHOWER/MAKEUP - WHITE |
| 5 | 138116-01-01A | EA | LIGHT/MAKE UP - 3 BULB - CURVED - W/O BULB - BRASS |
| 5 | 123918-01-000 | EA | BULB - 12V - MAKEUP WHITE |
| 6 | 093575-21-01A | EA | LIGHT - CEILING/DOUBLE - UL/CSA |
| 6 | 117805-01-000 | EA | BULB - 12V - # 921F - 1.4 AMPS |
| 7 | 137417-02-01A | EA | LIGHT - DOME - SINGLE - W/SWITCH/OPTIC LENS - WHITE |
| 8 | 132427-01-01A | EA | LIGHT - READING/SWIVEL/ROUND - BRASS |
| 8 | 123917-01-000 | EA | BULB - 12V - HALOGEN SPOT |
| 9 | 135740-01-02A | EA | SWITCH - ROCKER - SPST - ON/OFF - WHITE |
| 9 | 135740-02-02A | EA | SWITCH - ROCKER - SPDT - ON/ON - WHITE |
| 9 | 135741-03-01A | EA | SWITCH - BASE - TRIPLE - BROWN |
| 9 | 135742-27-01A | EA | BEZEL - SWITCH - CEILING/DINETTE/GALLEY - WHITE |
| 10 | 135740-01-01A | EA | SWITCH - ROCKER - SPST - ON/OFF - BROWN |
| 10 | 135741-02-01A | EA | SWITCH - BASE - DOUBLE - BROWN |
| 10 | 135742-16-01A | EA | BEZEL - SWITCH - HALL/CEILING - WHITE |

*COMPONENT PARTS LISTED LATER IN THIS GROUP

ELECTRICAL GROUP (CONTINUED)

12V BODY WIRING (CONTINUED)



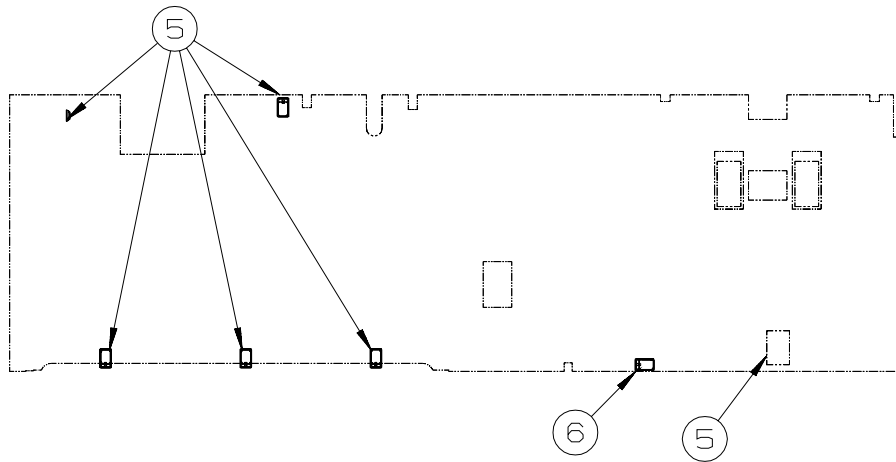
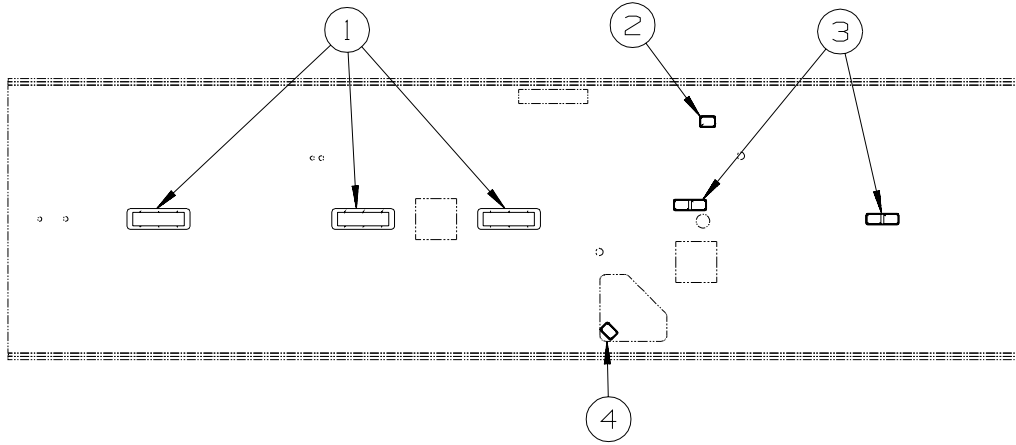
| KEY | PART NUMBER | U/M | DESCRIPTION |
|-----|---------------|-----|--|
| 1* | 087694-01-000 | EA | LIGHT - WARDROBE/CLOSET - W/SWITCH |
| 2 | 056264-01-000 | EA | SWITCH - LEAF ACTUATOR - CABINET DOOR JAMB |
| 3* | 137417-01-01A | EA | LIGHT - DOME - SINGLE - W/SWITCH/FROSTED LENS - WHITE |
| 4 | 135740-01-01A | EA | SWITCH - ROCKER - SPST - ON/OFF - BROWN |
| 4 | 135741-02-01A | EA | SWITCH - BASE - DOUBLE - BROWN |
| 4 | 135742-20-01A | EA | BEZEL - SWITCH - SHOWER/MAKEUP - WHITE |
| 5 | 138116-01-01A | EA | LIGHT/MAKE UP - 3 BULB - CURVED - W/O BULB - BRASS |
| 5 | 123918-01-000 | EA | BULB - 12V - MAKEUP WHITE |
| 6 | 093575-21-01A | EA | LIGHT - CEILING/DOUBLE - UL/CSA |
| 6 | 117805-01-000 | EA | BULB - 12V - # 921F - 1.4 AMPS |
| 7 | 137417-02-01A | EA | LIGHT - DOME - SINGLE - W/SWITCH/OPTIC LENS - WHITE |
| 8 | 132427-01-01A | EA | LIGHT - READING/SWIVEL/ROUND - BRASS |
| 8 | 123917-01-000 | EA | BULB - 12V - HALOGEN SPOT |
| 9 | 135740-01-02A | EA | SWITCH - ROCKER - SPST - ON/OFF - WHITE |
| 9 | 135740-02-02A | EA | SWITCH - ROCKER - SPDT - ON/ON - WHITE |
| 9 | 135741-03-01A | EA | SWITCH - BASE - TRIPLE - BROWN |
| 9 | 135742-27-01A | EA | BEZEL - SWITCH - CEILING/DINETTE/GALLEY - WHITE |
| 10 | 135740-01-01A | EA | SWITCH - ROCKER - SPST - ON/OFF - BROWN |
| 10 | 135741-02-01A | EA | SWITCH - BASE - DOUBLE - BROWN |
| 10 | 135742-16-01A | EA | BEZEL - SWITCH - HALL/CEILING - WHITE |
| 11 | 135740-01-01A | EA | SWITCH - ROCKER - SPST - ON/OFF - BROWN |
| 11 | 135741-02-01A | EA | SWITCH - BASE - DOUBLE - BROWN |
| 11 | 135742-19-02A | EA | BEZEL - SWITCH - PORCH/CEILING - BROWN |
| 12 | 135740-01-01A | EA | SWITCH - ROCKER - SPST - ON/OFF - BROWN |
| 12 | 135741-01-01A | EA | SWITCH - BASE - SINGLE - BROWN |
| 12 | 135742-11-02A | EA | BEZEL - SWITCH - STEP - BROWN |
| 13 | 081994-10-000 | EA | PLATE/SWITCH - SLIDEOUT |
| 13 | 108357-06-000 | EA | SWITCH - ROCKER - DPDT - MOM/OFF/MOM - 6 TERMINAL |
| 13 | 108356-02-01A | EA | COVER/ACTUATOR SWITCH - 2 ROWS DIMPLES- CONTURA II - BLACK |
| 13 | 108355-01-000 | EA | HOUSING - SWITCH |

ELECTRICAL GROUP (CONTINUED)

12V BODY WIRING (CONTINUED)

| KEY | PART NUMBER | U/M | DESCRIPTION |
|-----|---------------|-----|--|
| 14 | 119258-28-01A | EA | LAMP - WALL - BRASS W/GLASS SHADE - UL/CSA |
| 14 | 117805-01-000 | EA | BULB - 12V - # 921F - 1.4 AMPS |
| 15 | 135740-01-02A | EA | SWITCH - ROCKER - SPST - ON/OFF - WHITE |
| 15 | 135741-01-02A | EA | SWITCH - BASE - SINGLE - WHITE |
| 15 | 135742-07-01A | EA | BEZEL - SWITCH - CEILING - WHITE |
| 16* | 108354-01-01A | EA | LIGHT - COURTESY |
| 17 | 135740-01-02A | EA | SWITCH - ROCKER - SPST - ON/OFF - WHITE |
| 17 | 135741-01-02A | EA | SWITCH - BASE - SINGLE - WHITE |
| 17 | 135742-06-01A | EA | BEZEL - SWITCH - AISLE - WHITE |
| 18 | 116995-02-000 | EA | SWITCH/MAGNET - ELECTRIC STEP - BLACK/WHITE-CLOSED CIRCUIT |
| 19 | 061424-01-000 | EA | LIGHT - AISLE - 12 VOLT - RECTANGULAR |

***COMPONENT PARTS LISTED LATER IN THIS GROUP**

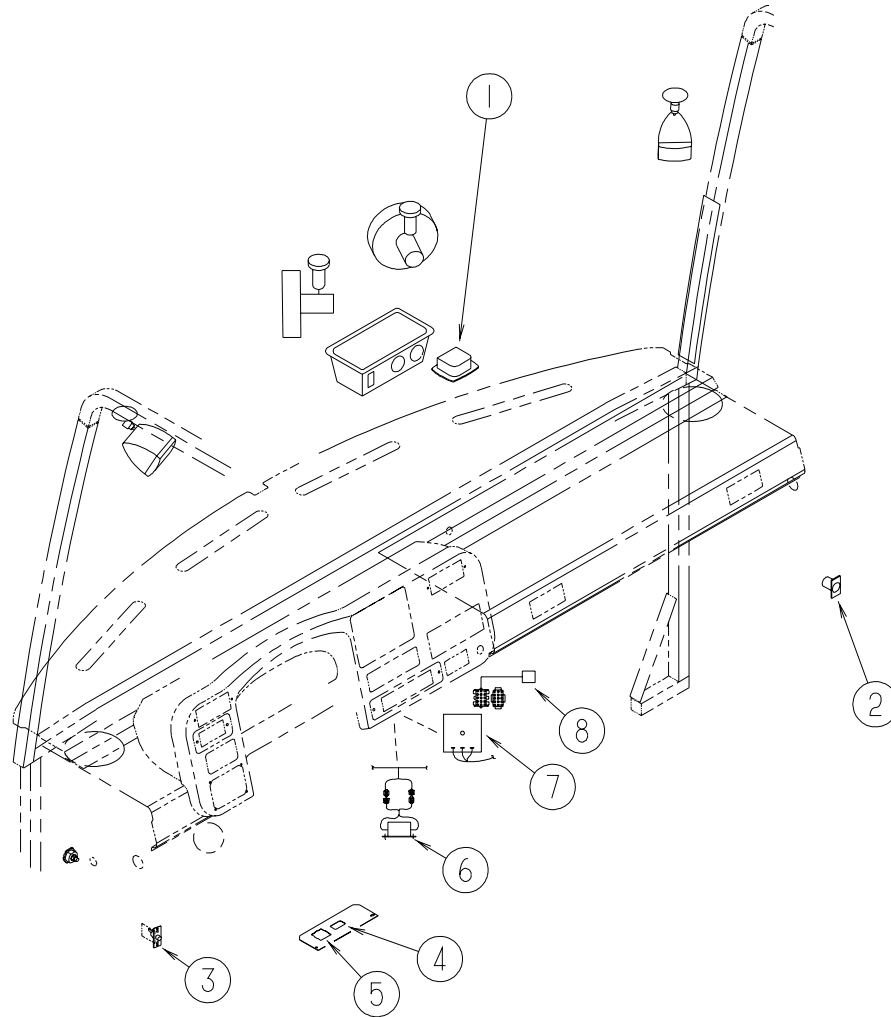


| KEY | PART NUMBER | U/M | DESCRIPTION |
|-----|---------------|-----|---|
| 1* | 091937-08-000 | EA | LIGHT-FLUORESCENT-12V/30 WATT RECESSED - W/O SWITCH |
| 1 | 091937-03-000 | EA | BULB - FLUORESCENT LIGHT - 12 VOLT |
| 2 | 137417-03-01A | EA | LIGHT - DOME - SINGLE - W/FROSTED LENS - W/O SWITCH-WHITE |
| 3* | 137417-06-01A | EA | LIGHT - DOME - DOUBLE - W/FROSTED LENS - W/O SWITCH-WHITE |
| 4* | 121935-01-01A | EA | LIGHT - DOME - SHOWER |
| 5* | 137417-01-01A | EA | LIGHT - DOME - DOUBLE - W/FROSTED LENS - W/O SWITCH-WHITE |
| 6* | 086280-01-000 | EA | LIGHT - SURFACE MOUNT - 12 VOLT |

***COMPONENT PARTS LISTED LATER IN THIS GROUP**

ELECTRICAL GROUP (CONTINUED)

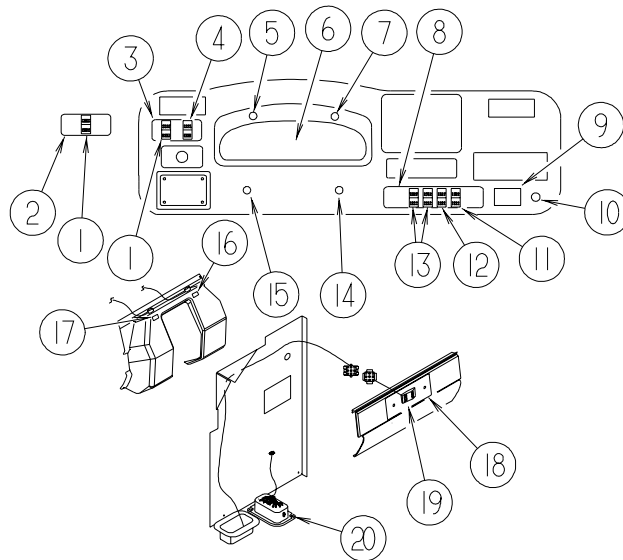
FRONT END WIRING



| KEY | PART NUMBER | U/M | DESCRIPTION |
|-----|---------------|-----|---|
| 1 | 135376-01-01A | EA | LIGHT - DOME - CAB - BLACK |
| 2 | 132958-01-000 | EA | RECEPTACLE - 12 VOLT - MOUNTING FLANGE - BLACK |
| 3 | NOT USED | | |
| 4 | 108357-14-000 | EA | SWITCH - ROCKER - SPST - W/LIGHT - ON/OFF - 4 TERMINAL |
| 4 | 108356-03-01A | EA | COVER/ACTUATOR SWITCH -3 GROOVES W/LIGHT-CONTRA III-BLACK |
| 5 | 088246-01-000 | EA | SWITCH/REMOTE MIRROR - W/2PIN & 6 PIN CONNECTORS/PIGTAIL |
| 6 | NOT USED | | |
| 7 | 133535-01-000 | EA | MODULE - TIMER 20 SECOND - WARNING LIGHT - TS61120P |
| 8 | NOT USED | | |

ELECTRICAL GROUP (CONTINUED)

FRONT END WIRING (CONTINUED)



| KEY | PART NUMBER | U/M | DESCRIPTION |
|-----|---------------|-----|--|
| 1 | 108357-09-000 | EA | SWITCH - ROCKER - SPDT - ON/NONE/MOM - 3 TERMINAL |
| 1 | 108356-02-01A | EA | COVER/ACTUATOR SWITCH - 2 ROWS DIMPLES- CONTURA II - BLACK |
| 1 | 108355-01-000 | EA | HOUSING - SWITCH |
| 2 | 132954-02-01A | EA | APPLIQUE - SWITCH - BATTERY BOOST |
| 3 | 132954-03-01A | EA | APPLIQUE - SWITCH - BOOST/OVERDRIVE - F34D, F36M |
| 4 | 108357-08-000 | EA | SWITCH - ROCKER - DPDT - 0N/NONE/ON - 6 TERMINAL |
| 4 | 108356-02-01A | EA | COVER/ACTUATOR SWITCH - 2 ROWS DIMPLES- CONTURA II - BLACK |
| 4 | 108355-01-000 | EA | HOUSING - SWITCH |
| 5 | NOT USED | | |
| 6 | 127244-10-000 | EA | CLUSTER - INSTRUMENT PANEL - K/M - GAS - CANADIAN - WORKHORSE FROM: 00-00-00 THRU: 09-12-01 |
| 6 | 127244-14-000 | EA | CLUSTER - INSTRUMENT PANEL - KILOMETERS/MILES - GAS - CSA - WORKHORSE FROM: 09-13-01 THRU: 99-99-99 |
| 6 | 094794-06-000 | EA | CLUSTER - INSTRUMENT PANEL - KILO/FORD F53 - F5TD-10849-BB - FORD |
| 7 | NOT USED | | |
| 8 | 132047-02-02B | EA | INSERT - DASH/SWITCH-AUX FANS/RR HTR/RADIO PWR/GEN SW |
| 8 | 132954-01-01A | EA | APPLIQUE - SWITCH - HEATER/RADIO/GENERATOR |
| 9 | NOT USED | | |
| 10 | 089294-01-000 | EA | LIGHTER - CIGARETTE - W/SOCKET & WIRE |
| 11 | 108357-10-000 | EA | SWITCH - ROCKER - SPDT - W/LIGHT - MOM/NONE/MOM-5 TERMINAL |
| 11 | 108356-04-01A | EA | COVER/ACTUATOR SWITCH - 2 ROWS DIMPLES W/LENS-CONTURA-BLK |
| 11 | 108355-01-000 | EA | HOUSING - SWITCH |
| 11 | 096241-03-000 | EA | SWITCH - BLANK - BLACK |
| 12 | 108357-08-000 | EA | SWITCH - ROCKER - DPDT - 0N/NONE/ON - 6 TERMINAL |
| 12 | 108356-02-01A | EA | COVER/ACTUATOR SWITCH - 2 ROWS DIMPLES- CONTURA II - BLACK |
| 12 | 108355-01-000 | EA | HOUSING - SWITCH |
| 13 | 108357-03-000 | EA | SWITCH - ROCKER - SPDT - ON/OFF/ON - 3 TERMINAL |
| 13 | 108356-02-01A | EA | COVER/ACTUATOR SWITCH - 2 ROWS DIMPLES- CONTURA II - BLACK |
| 13 | 108355-01-000 | EA | HOUSING - SWITCH |
| 13 | 096241-03-000 | EA | SWITCH - BLANK - BLACK |
| 14 | 133534-02-000 | EA | LIGHT - AMBER INDICATOR WITH 1/4" TERMINALS - WORKHORSE |
| 15 | 133534-01-000 | EA | LIGHT - RED INDICATOR WITH 1/4" TERMINALS - WORKHORSE |
| 16 | 133534-02-000 | EA | LIGHT - AMBER INDICATOR WITH 1/4" TERMINALS - FORD |
| 17 | 133534-01-000 | EA | LIGHT - RED INDICATOR WITH 1/4" TERMINALS - FORD |
| 18 | 132891-02-02B | EA | PLATE/SWITCH - E-COATED |
| 18 | 132946-01-01A | EA | APPLIQUE - SWITCH - SLIDEOUT |
| 19 | 108357-06-000 | EA | SWITCH - ROCKER - DPDT - MOM/OFF/MOM - 6 TERMINAL |
| 19 | 108356-02-01A | EA | COVER/ACTUATOR SWITCH - 2 ROWS DIMPLES- CONTURA II - BLACK |
| 19 | 108355-01-000 | EA | HOUSING - SWITCH |
| 20 | 118571-03-000 | EA | BRACKET - MOUNTING |
| 20 | 118571-04-000 | EA | GASKET |
| | 077031-03-000 | EA | FILM - WHITE - .75" X 1" |
| | 077031-01-000 | EA | FILM - BLACK - .7"X1.75" |
| | 100138-01-000 | EA | MODULE - DAYTIME/RUNNING LIGHT - HAMSAR DRL #H8005B |

ELECTRICAL GROUP (CONTINUED)
COMPONENT PARTS FOR LIGHTS & SWITCHES

008089-02-000

| | | | |
|------------|--------------------|------------|----------------------------------|
| KEY | PART NUMBER | U/M | DESCRIPTION |
| | 008089-01-700 | EA | LENS-LIGHT, RECESSED, PORCH DECO |

086280-01-000

| | | | | |
|------------|--------------------|------------|--------------------|-------------------|
| KEY | PART NUMBER | U/M | DESCRIPTION | VENDOR NO. |
| | 086280-01-700 | EA | BULB, 12V | ARP1089 |

087694-01-000

| | | | | |
|------------|--------------------|------------|--------------------|-------------------|
| KEY | PART NUMBER | U/M | DESCRIPTION | VENDOR NO. |
| | 087694-01-700 | EA | BULB | GE561 |

091937-08-000

| | | | | |
|------------|--------------------|------------|----------------------------|-------------------|
| KEY | PART NUMBER | U/M | DESCRIPTION | VENDOR NO. |
| | 091937-08-700 | EA | LENS - LIGHT - FLUORESCENT | D-766 |

097917-01-06A

| | | | | |
|------------|--------------------|------------|--------------------|-------------------|
| KEY | PART NUMBER | U/M | DESCRIPTION | VENDOR NO. |
| | 097917-01-700 | EA | LENS-LIGHT, CLEAR | 30-78-021 |

108354-01-01A

| | | | | |
|------------|--------------------|------------|---------------------|-------------------|
| KEY | PART NUMBER | U/M | DESCRIPTION | VENDOR NO. |
| | 108354-01-700 | EA | BULB-COURTESY LIGHT | 395-B |

121935-01-01A

| | | | | |
|------------|--------------------|------------|--------------------|-------------------|
| KEY | PART NUMBER | U/M | DESCRIPTION | VENDOR NO. |
| | 121935-01-700 | EA | LENS ONLY | 809511 |

137417-01-01A

| | | | | |
|------------|--------------------|------------|---------------------|-------------------|
| KEY | PART NUMBER | U/M | DESCRIPTION | VENDOR NO. |
| | 137417-01-700 | EA | LENS - SINGLE WHITE | 810868 |

137417-02-01A

| | | | | |
|------------|--------------------|------------|---------------------|-------------------|
| KEY | PART NUMBER | U/M | DESCRIPTION | VENDOR NO. |
| | 137417-02-700 | EA | LENS - SINGLE OPTIC | 810844 |

137417-05-01A

| | | | | |
|------------|--------------------|------------|---------------------|-------------------|
| KEY | PART NUMBER | U/M | DESCRIPTION | VENDOR NO. |
| | 137417-05-700 | EA | LENS - DOUBLE OPTIC | 810845 |

137417-06-01A

| | | | | |
|------------|--------------------|------------|---------------------|-------------------|
| KEY | PART NUMBER | U/M | DESCRIPTION | VENDOR NO. |
| | 137417-06-700 | EA | LENS - DOUBLE WHITE | 810867 |

ELECTRICAL GROUP (CONTINUED)
CIRCUIT BREAKERS & FUSES

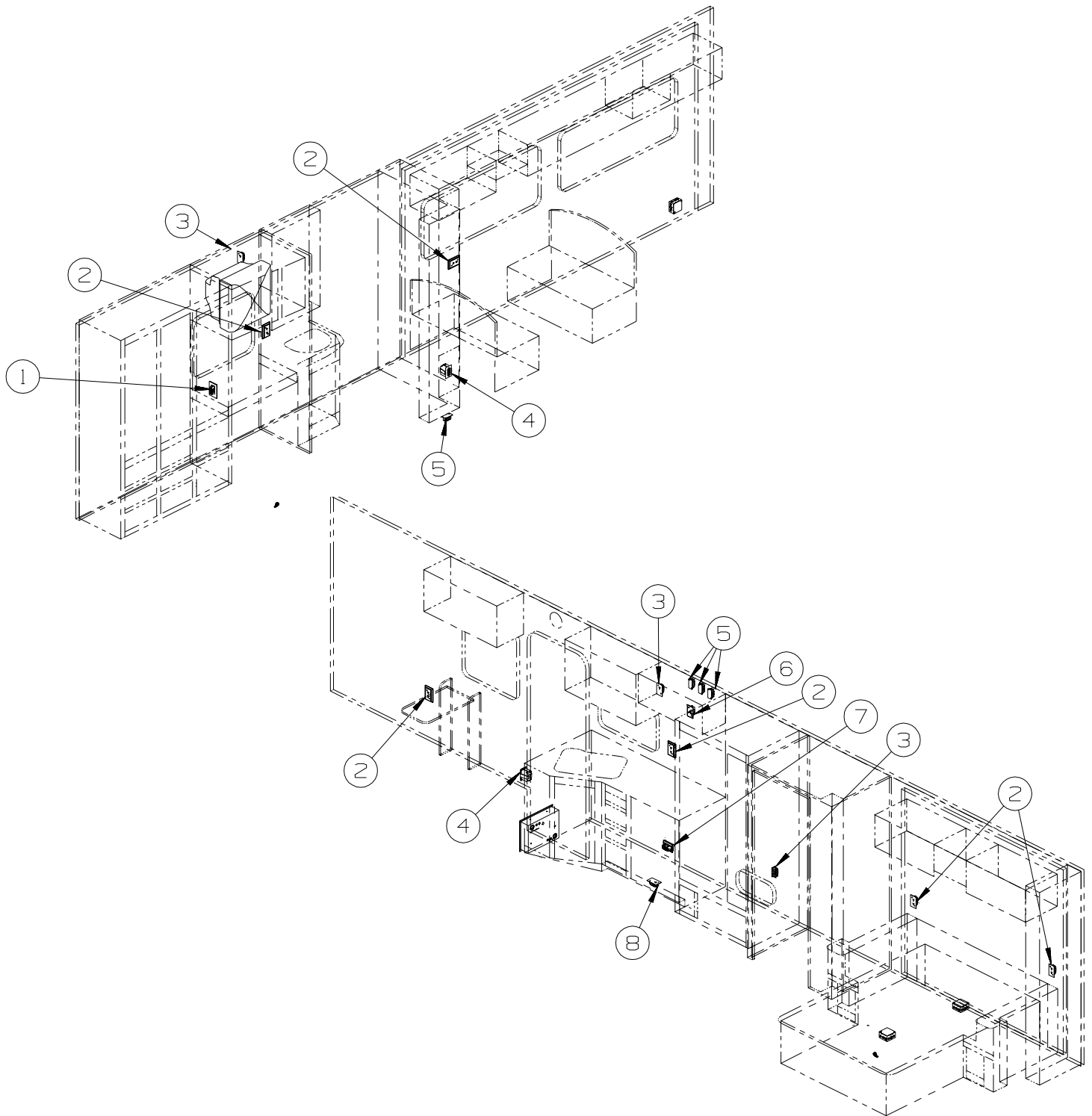
| KEY | PART NUMBER | U/M | DESCRIPTION |
|------------|--------------------|------------|--|
| | 008233-01-000 | EA | FUSE - 12 VOLT - 6 AMP |
| | 008235-01-000 | EA | FUSE - 15 AMP/12VOLT - AUTOMOTIVE |
| | 033573-01-000 | EA | CIRCUIT BREAKER W/MOUNT-20A, 12V - FASCO 1711-2026 |
| | 062037-02-000 | EA | HOUSING - AUTO FUSE - GREEN |
| | 062037-04-000 | EA | HOUSING - AUTO FUSE - BLUE |
| | 062037-07-000 | EA | HOUSING - AUTO FUSE - RED |
| | 062901-02-000 | EA | FUSE - 5 AMP - AUTOMOTIVE |
| | 062901-05-000 | EA | FUSE - 15 AMP - AUTOMOTIVE |
| | 062901-06-000 | EA | FUSE - 20 AMP - AUTOMOTIVE |
| | 062901-07-000 | EA | FUSE - 25 AMP - AUTOMOTIVE |
| | 062901-08-000 | EA | FUSE - 30 AMP - AUTOMOTIVE |
| | 083209-01-000 | EA | CIRCUIT BREAKER - 15 AMP - 120 VOLT - CANADIAN |
| | 083209-02-000 | EA | CIRCUIT BREAKER - 15/15 AMP - 120 VOLT |
| | 083209-03-000 | EA | CIRCUIT BREAKER - 15/20 AMP - 120 VOLT |
| | 083209-04-000 | EA | CIRCUIT BREAKER - 30 AMP - 120 VOLT |
| | 083209-05-000 | EA | CIRCUIT BREAKER - 20 AMP - 120 VOLT |
| | 083209-06-000 | EA | CIRCUIT BREAKER - 30/15 AMP - 120 VOLT |
| | 083209-07-000 | EA | CIRCUIT BREAKER - 20/20 AMP - 120 VOLT |
| | 083209-10-000 | EA | CIRCUIT BREAKER - 20/30 AMP - 120 VOLT |
| | 083209-11-000 | EA | CIRCUIT BREAKER - 20/15 AMP - 120 VOLT |
| | 092786-02-000 | EA | BUSS BAR - 3.3" LONG |
| | 092786-03-000 | EA | BUSS BAR - 6.9" LONG |
| | 092786-06-000 | EA | BUSS BAR |
| | 093654-01-000 | EA | CIRCUIT BREAKER - 6 AMP - 12 VOLT - PUSH BUTTON - WHITE |
| | 093654-02-000 | EA | CIRCUIT BREAKER - 15 AMP - 12 VOLT - PUSH BUTTON - WHITE |
| | 093654-03-000 | EA | CIRCUIT BREAKER - 20 AMP - 12 VOLT - PUSH BUTTON - WHITE |
| | 093654-11-000 | EA | COVER - RESET BUTTON |
| | 093655-01-000 | EA | CIRCUIT BREAKER - 25 AMP - 12 VOLT - PUSH BUTTON - WHITE |
| | 093655-02-000 | EA | CIRCUIT BREAKER - 30 AMP - 12 VOLT - PUSH BUTTON - WHITE |
| | 093655-03-000 | EA | CIRCUIT BREAKER - 40 AMP - 12 VOLT - PUSH BUTTON - WHITE |
| | 093674-01-000 | EA | PLATE - CIRCUIT BREAKER - HOUSE - 8.4" X 4.1" - STEEL |
| | 097611-01-000 | EA | CIRCUIT BREAKER - 10 AMP |
| | 100341-01-000 | EA | FUSE HOLDER - IN LINE TYPE |
| | 106656-01-000 | EA | FUSE BLOCK - 4 CAVITY - AUTOFUSE |
| | 108567-01-000 | EA | CIRCUIT BREAKER - 40 AMP - 12 VOLT - TYPE II |
| | 108669-01-000 | EA | HOUSING - AUTO FUSE HOLDER |
| | 111683-01-000 | EA | FUSE - HOLDER - GLASS - 1/4" X 1 1/4" |
| | 113482-01-000 | EA | CIRCUIT BREAKER - 55 AMP - MANUAL |
| | 115187-01-000 | EA | FUSE - 300 AMP - NON-DELAY |
| | 115187-02-000 | EA | FUSE HOLDER - BUSS ANN/ANL BLOCK |
| | 118531-04-02B | EA | PLATE - CIRCUIT BREAKER - E-COATED |
| | 118531-05-02B | EA | PLATE - CIRCUIT BREAKER - E-COAT |
| | 122811-01-000 | EA | CIRCUIT BREAKER - 20/50/50/20 |
| | 125986-04-000 | EA | FUSE - 10 AMP - AUTO - MINI BLADE |
| | 125986-05-000 | EA | FUSE - 15 AMP - AUTO - MINI BLADE |
| | 134127-01-000 | EA | CIRCUIT BREAKER - 10 AMP - MINI |

ELECTRICAL GROUP (CONTINUED)
CONVERTER, INVERTER, LOAD CENTERS

| KEY | PART NUMBER | U/M | DESCRIPTION |
|-----|---------------|-----|--|
| | 099048-04-000 | EA | INVERTER - 300 WATT |
| | 108915-03-000 | EA | LOAD CENTER - 120/240 VOLT - 100 AMP - F30W, F32V, F34D, F36M FROM: 00-00-00 THRU: 01-06-02 |
| | 141258-01-000 | EA | LOAD CENTER - 120/240 - 50 AMP - F30W, F32V, F34D, F36M FROM: 01-07-02 THRU: 99-99-99 |
| | 141258-02-000 | EA | LOAD CENTER - COVER - F30W, F32V, F34D, F36M FROM: 01-07-02 THRU: 99-99-99 |
| | 109677-01-000 | EA | LOAD CENTER - 120 VOLT - 40 AMP - F30W |
| | 123058-02-000 | EA | CONVERTER - 45 AMP - ELECTRONIC - 4 1/8"H X 7"W X 12 3/8"L |
| | 127002-04-000 | EA | MODULE - EMS CONTROL - W/REMOTE SENSOR FROM: 00-00-00 THRU: 01-06-02 |
| | 127002-08-000 | EA | MODULE - EMS CENTER - W/REMOTE SENSOR FROM: 01-07-02 THRU: 99-99-99 |
| | 127002-05-000 | EA | PANEL/MONITOR - ENERGY MANAGEMENT SYSTEMS CTRL - W/PLUG |
| | 127002-07-000 | EA | SENSOR - CURRENT |

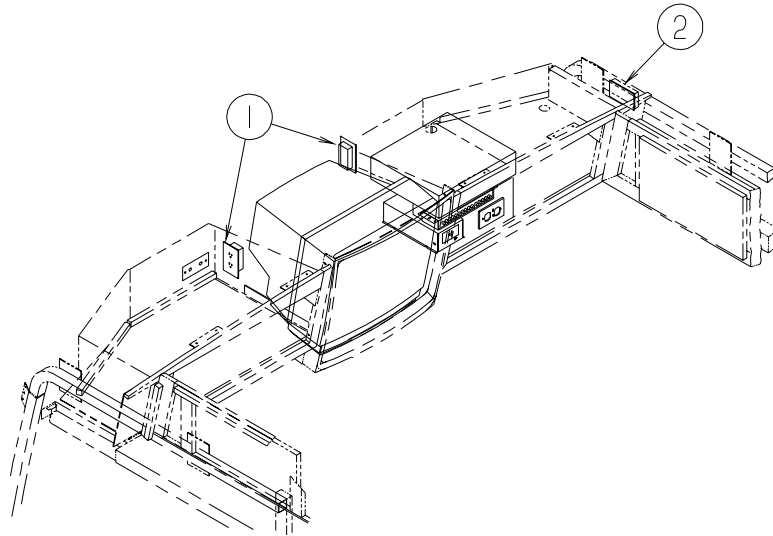
ELECTRICAL GROUP (CONTINUED)

110V WIRING

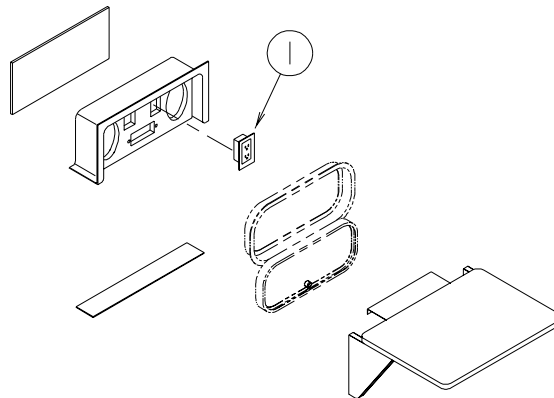


| KEY | PART NUMBER | U/M | DESCRIPTION |
|-----|---------------|-----|--|
| 1 | 058708-01-000 | EA | RECEPTACLE - ELECTRIC - DOUBLE - BROWN |
| 1 | 133713-01-08A | EA | SPACER/RECEPTACLE - VINYL/PORTSMOUTH OAK |
| 2 | 058708-02-000 | EA | RECEPTACLE - ELECTRIC - DOUBLE - IVORY |
| 2 | 133713-01-08A | EA | SPACER/RECEPTACLE - VINYL/PORTSMOUTH OAK |
| 3 | 058708-05-000 | EA | RECEPTACLE - ELECTRIC - SINGLE - BROWN |
| 4 | 084076-02-000 | EA | RECEPTACLE - GFI - 15 AMP/125 VOLT - BROWN - W/COVER |
| 5 | 058707-02-000 | EA | RECEPTACLE - BLANK - JUNCTION BOX |
| 6 | 084420-01-000 | EA | SWITCH - TOGGLE - 15 AMP - 120 VOLT - BROWN |
| 7 | 131826-01-01A | EA | RECEPTACLE - EXTERIOR - W/COVER/GASKET - WHITE |
| 8 | 058707-01-000 | EA | RECEPTACLE - ELECTRIC - SINGLE - BROWN |

ELECTRICAL GROUP (CONTINUED)
ENTERTAINMENT WIRING



| KEY | PART NUMBER | U/M | DESCRIPTION |
|-----|---------------|-----|--|
| 1 | 058708-01-000 | EA | RECEPTACLE - ELECTRIC - DOUBLE - BROWN |
| 2 | 058707-02-000 | EA | RECEPTACLE - BLANK - JUNCTION BOX |



| KEY | PART NUMBER | U/M | DESCRIPTION |
|-----|---------------|-----|--|
| 1 | 058708-01-000 | EA | RECEPTACLE - ELECTRIC - DOUBLE - BROWN |

ELECTRICAL GROUP (CONTINUED)

BOXES & CORDS

| KEY | PART NUMBER | U/M | DESCRIPTION |
|-----|---------------|-----|---|
| | 008054-01-000 | EA | CORD - POWER - 10/3 WIRE - 30 AMP - 25' |
| | 008289-01-000 | EA | BOX - ELECTRIC/STEEL - 1/2" & 3/4" KNOCKOUTS - 4" X 4" |
| | 008294-01-000 | EA | COVER - ELECTRIC BOX - BLANK/STEEL - 4" X 4" - GRAY |
| | 069238-01-000 | EA | COVER - ELECTRICAL BOX - W/HOLE - 4" X 4" - GRAY - F30W , F34D |
| | 092492-11-000 | EA | SEAL - ELECTRIC BOX - 7" X 18.4" |
| | 106071-05-000 | EA | SWITCH - AUTOMATIC TRANSFER - 50/70 - MAGNETEK |
| | 109925-04-000 | EA | DOOR - ELECTRICAL BOX - GM/FORD |
| | 115832-01-000 | FT | CORD - HEAVY DUTY - 14-2W GROUND |
| | 131679-01-000 | EA | BOX-ELEC-WATERPROOF SEALED 4" X 4" W/4 3/4"OUTLETS-UL/CSA - F32V , F36M |
| | 131680-01-000 | EA | COVER - W/GASKET FOR WATERPROOF 4" X 4" BOX - UL/CSA - F32V , F36M |
| | 133070-01-000 | EA | BOX - ELECTRIC/PLASTIC - 3" X 2" X 2.8" - UL |
| | 133070-02-000 | EA | BOX - ELECTRIC/PLASTIC - 3" X 2" X 2.8" - CSA |

WIRE ASSEMBLIES

| KEY | PART NUMBER | U/M | DESCRIPTION |
|-----|---------------|-----|--|
| | 073328-B4-000 | EA | CABLE ASSEMBLY - BATTERY - W/TERMINALS - F30W , F32V |
| | 090986-02-000 | EA | WIRE ASSEMBLY - ELECTRIC STEP - F30W |
| | 093040-06-000 | EA | WIRE ASSEMBLY-MONITOR-F/NON-PRE-WIRED AFTER MARKET INSTALL |
| | 096449-01-000 | EA | WIRE ASSEMBLY - WATER TANK TO MONITOR PANEL |
| | 096450-05-000 | EA | WIRE F/SENSORS - BLACK WATER - 23.6" |
| | 096451-06-000 | EA | WIRE F/SENSORS - GREY WATER - 23.6" - F32V , F34D , F36M |
| | 096451-07-000 | EA | WIRE F/SENSORS - GREY WATER - 3.9" - F30W |
| | 108885-02-000 | EA | WIRE - REAR MONITOR(W/3 PIN HOUSING F/FUSE BLOCK) CHEVY - F30W , F32V |
| | 113134-03-000 | EA | WIRE ASSEMBLY - WIPER/WASHER |
| | 120233-05-000 | EA | WIRE ASSEMBLY - 30" CONNECTS TO WALLPLATE DISPLAY |
| | 124125-02-000 | EA | WIRE - ELECTRICAL BOX |
| | 125266-09-000 | EA | WIRE ASSEMBLY - COMPARTMENT LAMPS - F30W |
| | 125853-01-000 | EA | WIRE LOOM - ENTERTAINMENT CENTER |
| | 125853-04-000 | EA | WIRE LOOM - ENTERTAINMENT CENTER |
| | 127002-06-000 | EA | WIRE ASSEMBLY - EMS - W/PLUG |
| | 129436-02-000 | EA | WIRE ASSEMBLY - INSTRUMENT PANEL/POWER MIRROR |
| | 131386-01-000 | EA | WIRE ASSEMBLY - F/SLIDEOUT CONTROL - F30W |
| | 131386-02-000 | EA | WIRE ASSEMBLY - F/SLIDEOUT CONTROL - F32V , F34D , F36M |
| | 132668-01-000 | EA | WIRE ASSEMBLY - AUXILIARY FANS |
| | 132669-01-000 | EA | WIRE ASSEMBLY - INSTRUMENT PANEL - AUXILIARY FANS |
| | 135420-02-000 | EA | WIRE ASSEMBLY - RADIO |
| | 137651-01-000 | EA | WIRE ASM-DRL |

ELECTRICAL GROUP (CONTINUED)

CONNECTORS & CONDUIT

| KEY | PART NUMBER | U/M | DESCRIPTION |
|-----|---------------|-----|--|
| | 007942-01-000 | EA | TAB - WIRE 10 TO 14 AWG |
| | 007954-01-000 | EA | RECEPTACLE - HOUSING - 6 POSITION |
| | 007956-05-000 | EA | INSULATOR - SHRINK - 1/4" ID X 1 1/2" |
| | 008311-01-000 | EA | CONNECTOR - WIRE NUT - INSULATED - RED |
| | 008312-01-000 | EA | CONNECTOR - WIRE NUT - INSULATED - BLUE |
| | 008313-01-000 | EA | CONNECTOR - WIRE NUT - INSULATED - YELLOW |
| | 008314-01-000 | EA | CONNECTOR - WIRE NUT - INSULATED - GRAY |
| | 008326-01-000 | EA | TERMINAL - RING - 16/14 WIRE - 3/8" STUD |
| | 008328-01-000 | EA | TERMINAL - RING - 12/10 WIRE - #10 STUD FIT |
| | 008331-01-000 | EA | TERMINAL - RING - TONGUE - #4 WIRE - 3/8" STUD - COPPER |
| | 008348-01-000 | EA | TERMINAL - RING - 3/8" STUD 2 GA. WIRE |
| | 008355-01-000 | EA | CONNECTOR - CABLE CLAMPING - 3/4" |
| | 008356-01-000 | EA | CONNECTOR - PLASTIC - 3/8" AVG |
| | 008356-02-000 | EA | CONNECTOR - PLASTIC - 21/32 |
| | 008394-01-000 | FT | CONDUIT - FLEXIBLE - 1/2" |
| | 008398-01-000 | EA | CONNECTOR - 1/2" X 90 DEGREE - FLEX CONDUIT - UL & CSA |
| | 035416-04-000 | EA | TERMINAL - RING - #10 STUD FIT - INSULATED BARREL #16/14 |
| | 041953-01-000 | FT | CONDUIT - CONVOLUTE SLIT - .5" ID - POLYETHYLENE |
| | 041953-03-000 | FT | CONDUIT - CONVOLUTE SLIT - 1" ID (CLOTHES ROD COVER) |
| | 041953-05-000 | FT | CONDUIT - CONVOLUTE SOLID - .62" ID - POLYETHYLENE |
| | 041953-06-000 | FT | CONDUIT - CONVOLUTE SLIT - .4" ID - POLYETHYLENE |
| | 041953-07-000 | FT | CONDUIT - CONVOLUTE SLIT - .25" ID - POLYETHYLENE |
| | 041953-08-000 | FT | CONDUIT - CONVOLUTE SLIT - 1.5" ID - POLYETHYLENE |
| | 041953-09-000 | FT | CONDUIT - CONVOLUTE SLIT - .5" ID - NYLON |
| | 041953-10-000 | FT | CONDUIT - CONVOLUTE SLIT - .75" ID - NYLON |
| | 041953-11-000 | FT | CONDUIT - CONVOLUTE SLIT - 1.06" ID - NYLON |
| | 041953-12-000 | FT | CONDUIT - CONVOLUTE SOLID - 1.1" ID - NYLON |
| | 041953-13-000 | FT | CONDUIT - CONVOLUTE SLIT - 1.25 |
| | 047443-01-000 | EA | TERMINAL - .250 RECEPTACLE FIT - INSULATED - 16/14 AWG |
| | 047443-02-000 | EA | TERMINAL - .250 RECEPTACLE FIT - INSULATED - 12/10 AWG |
| | 058028-01-000 | EA | CONNECTOR - ELECTRICAL PIGTAIL - NYLON - CLEAR |
| | 062036-01-000 | EA | TERMINAL - PACK - CON - 12/10 AWG |
| | 074017-02-000 | EA | HOUSING - 5 POSITION - RIGHT ANGLED |
| | 077479-01-000 | EA | BOOT - BATTERY TERMINAL - DOUBLE CABLE |
| | 077479-02-000 | EA | BOOT - BATTERY TERMINAL - SINGLE CABLE |
| | 080015-02-000 | EA | RECEPTACLE - FLAG - .185 - 16/14 GAUGE |
| | 080015-03-000 | EA | RECEPTACLE - FLAG - .250 - 14/16 GAUGE |
| | 082109-01-000 | EA | HOUSING - CONNECTOR - PACKARD |
| | 082741-01-000 | EA | CONNECTOR BODY - 2 CONNECTOR MALE |
| | 085724-01-000 | EA | SOCKET - DOUBLE CONTACT - TAILLIGHT |
| | 087225-01-000 | FT | SLEEVING - 1/2" - TYPE H |
| | 087949-01-000 | EA | BUSS BAR - 2 POSITION - .6" X 1.5" |
| | 087949-02-000 | EA | BUSS BAR - 3 POSITION - .6" X 2.4" |
| | 087949-03-000 | EA | BUSS BAR - 4 POSITION |
| | 087949-05-000 | EA | BUSS BAR - 7 POSITION |
| | 088473-01-000 | EA | HOUSING - PIN - 12 CAVITY (3 ROWS OF 4) |
| | 088473-02-000 | EA | HOUSING - PIN - 15 CAVITY (3 ROWS OF 5) |
| | 088473-03-000 | EA | HOUSING - PIN - 9 CAVITY (3 ROWS OF 3) |
| | 088473-04-000 | EA | HOUSING - PIN - 8 CAVITY IN-LINE |
| | 088473-06-000 | EA | HOUSING - PIN - 6 CAVITY (2 ROWS OF 3) |
| | 088473-07-000 | EA | HOUSING - PIN - 5 CAVITY - IN-LINE |
| | 088473-08-000 | EA | HOUSING - PIN - 4 CAVITY - IN-LINE |
| | 088473-09-000 | EA | HOUSING - PIN - 3 CAVITY - IN-LINE |
| | 088473-10-000 | EA | HOUSING - PIN - 2 CAVITY - IN LINE |
| | 088474-01-000 | EA | HOUSING - SOCKET - 12 CAVITY |
| | 088474-02-000 | EA | HOUSING - SOCKET - 15 CAVITY |
| | 088474-03-000 | EA | HOUSING - SOCKET - 9 CAVITY |
| | 088474-04-000 | EA | HOUSING - SOCKET - 8 CAVITY |
| | 088474-06-000 | EA | HOUSING - SOCKET - 6 CAVITY |
| | 088474-07-000 | EA | HOUSING - SOCKET - 5 CAVITY |
| | 088474-08-000 | EA | HOUSING - SOCKET - 4 CAVITY |
| | 088474-09-000 | EA | HOUSING - SOCKET - 3 CAVITY |
| | 088474-10-000 | EA | HOUSING - SOCKET - 2 CAVITY |
| | 088475-01-000 | EA | PIN - CONNECTOR - 14-20 AWG |

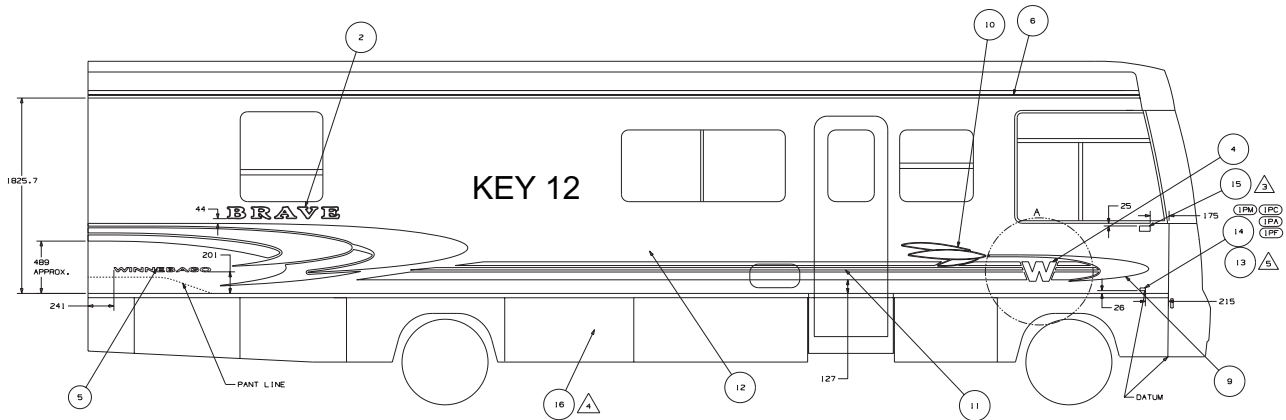
ELECTRICAL GROUP (CONTINUED)
CONNECTORS & CONDUIT (CONTINUED)

| KEY | PART NUMBER | U/M | DESCRIPTION |
|-----|---------------|-----|---|
| | 088475-02-000 | EA | PIN - CONNECTOR - 10-12 AWG |
| | 088476-01-000 | EA | TERMINAL - ELECTRICAL |
| | 088476-02-000 | EA | SOCKET - CONNECTOR - 12-10 GA - PRE-TIN |
| | 098261-02-000 | EA | SOCKET - CONNECTOR - WEATHERPACK - 14-18 AWG |
| | 098262-01-000 | EA | SEAL - CONNECTOR - WEATHERPACK |
| | 098262-05-000 | EA | SEAL - CAVITY |
| | 098263-02-000 | EA | HOUSING - 3 PIN - WEATHER PACK |
| | 098264-01-000 | EA | HOUSING - 2 PIN - WEATHER PACK - MALE W/FEMALE PINS |
| | 098264-02-000 | EA | HOUSING - 2 PIN - WEATHER PACK - FEMALE W/MALE PINS |
| | 098265-02-000 | EA | PIN - CONNECTOR - WEATHER PACK |
| | 102777-02-000 | EA | TERMINAL - RING - #6 STUD - 10 AWG |
| | 104100-01-000 | EA | HOUSING - 1 POSITION - 75 AMPS |
| | 104100-03-000 | EA | TERMINAL - 75 AMP |
| | 106655-01-000 | EA | TERMINAL - FUSE BLOCK - 14-16 AWG |
| | 106655-02-000 | EA | TERMINAL - FUSE BLOCK - 10-12 AWG |
| | 110178-01-000 | EA | HOUSING - WIPER MOTOR |
| | 112823-01-000 | EA | SPLICE - REDUCER - 16-14 TO 18-22 |
| | 113135-01-000 | EA | TERMINAL - FEMALE - M/P - 14-16 - F/SEALED TERMINAL |
| | 113306-01-000 | EA | TERMINAL - FEMALE - M/P - 14-16 - F/NON-SEALED TERMINAL |
| | 113307-01-000 | EA | TERMINAL - FEMALE - M/P - 16-20 |
| | 113308-01-000 | EA | TERMINAL - FEMALE - M/P - 14-16 - 280 |
| | 113452-01-000 | FT | SEAL/TRIM - FRONT - VINYL W/WIRE CARRIER - .020" |
| | 113452-02-000 | FT | SEAL/TRIM - FRONT - VINYL W/WIRE CARRIER - .027" |
| | 113468-01-000 | EA | HOUSING - 2 POSITION-FEMALE-USED ON WIPER/WASHER WIRE ASM |
| | 115556-02-000 | EA | HOUSING - 2 POSITION - FEMALE/PARALLEL |
| | 115931-02-000 | EA | COVER - CONNECTOR - 50 AMP W/LOCKING RING |
| | 115932-02-000 | EA | CONNECTOR - FEMALE - 50 AMP/240 VOLT |
| | 116811-01-000 | EA | TERMINAL - .110 RECEPTACLE - 16-14 AWG |
| | 118571-01-000 | EA | CONNECTOR - 3-WAY - MALE/SEALED |
| | 118571-02-000 | EA | CONNECTOR - 3-WAY - FEMALE/SEALED |
| | 118571-03-000 | EA | BRACKET - MOUNTING |
| | 118571-04-000 | EA | GASKET |
| | 118571-05-000 | EA | LOCK - SECONDARY - FEMALE |
| | 118571-06-000 | EA | LOCK - SECONDARY - MALE |
| | 118597-01-000 | EA | TERMINAL - MALE - M/P - 480 - 14-16 |
| | 118599-01-000 | EA | TERMINAL - MALE - M/P - 280 - 14-16 |
| | 118820-01-000 | EA | INSULATOR - TERMINAL |
| | 119223-01-000 | EA | HOUSING - 6 POSITION - MALE - WEATHERPACK |
| | 119248-02-000 | EA | HOUSING - 7 POSITION - FEMALE |
| | 124625-02-000 | EA | CONNECTOR - 12 VOLT |
| | 125323-02-000 | EA | HOUSING - 8 POSITION - MALE |
| | 125323-03-000 | EA | LOCK - SECONDARY 8 POSITION |
| | 125323-04-000 | EA | LOCK - SECONDARY 10 POSITION |
| | 125323-05-000 | EA | HOUSING - 6 POSITION - MALE |
| | 125323-06-000 | EA | LOCK - SECONDARY 6 POSITION |
| | 125324-01-000 | EA | TERMINAL - MALE - METRI-PACK - 150 |
| | 125325-01-000 | EA | SEAL - CAVITY |
| | 126403-01-000 | EA | CONNECTOR - 2 CIRCUIT |
| | 126403-02-000 | EA | CONNECTOR - 3 CIRCUIT |
| | 129233-01-000 | EA | HOUSING - 2-POSITION/FEMALE - 280-SERIES |
| | 129233-02-000 | EA | HOUSING - 2-POSITION/FEMALE - 280-SERIES |
| | 129234-01-000 | EA | HOUSING - 6-POSITION/FEMALE - 280-SERIES |
| | 129234-02-000 | EA | HOUSING - 6-POSITION/FEMALE - 280-SERIES |
| | 129234-03-000 | EA | LOCK - SECONDARY - 6-POSITION |
| | 129235-01-000 | EA | HOUSING - 2-POSITION/FEMALE - 630-SERIES |
| | 129235-02-000 | EA | LOCK - SECONDARY - 2-POSITION |
| | 129236-01-000 | EA | TERMINAL - FEMALE - M/P - 630 - 10-12 |
| | 131515-01-000 | EA | HOUSING - 2 POSITON JR. POWER TIMER - F/HALOGEN FOG LIGHT |
| | 131681-01-000 | EA | CONNECTOR - 3/4" SO CORD - UL/CS |
| | 137207-01-000 | EA | HOUSING - PIN - 2 CAVITY/HIGH AMP |
| | 137208-01-000 | EA | HOUSING - SOCKET - 2 CAVITY/HIGH AMP |
| | 137209-01-000 | EA | PIN - CONNECTOR - 10AWG/HIGH AMP |
| | 137210-01-000 | EA | SOCKET - CONNECTOR - 10 AWG/HIGH AMP |
| | 138419-03-000 | EA | SOCKET - LAMP - 3 WIRE |

ELECTRICAL GROUP (CONTINUED)
BOOTS, SOLENOIDS, RELAYS & MISCELLANEOUS

| KEY | PART NUMBER | U/M | DESCRIPTION |
|------------|--------------------|------------|---|
| | 007093-01-000 | EA | SIGNAL FLASHER |
| | 008188-01-000 | EA | SOLENOID - 3 POST - BATTERY CHANGE OVER |
| | 063910-01-000 | EA | HOUSING - RELAY |
| | 063912-02-000 | EA | RELAY - CANISTER - SPDT |
| | 065450-05-000 | EA | TIEDOWN - BATTERY - 8.4" TUBE |
| | 086233-01-000 | EA | STUD - ISOLATED - 3/8" X 7/8" LONG |
| | 086273-01-000 | EA | RELAY - BATTERY DISCONNECT |
| | 136481-01-000 | EA | MODULE - AUTO ENERGY SELECTOR |

EXTERIOR BODY GROUP GRAPHICS & PAINT

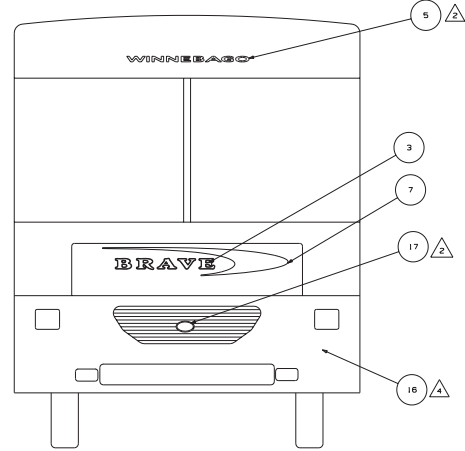
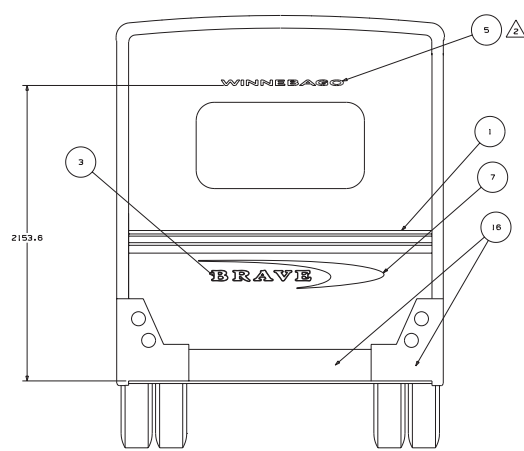


DETAIL A
LINE TOP OF "W" UP WITH
TOP OF MULTISTRIPE!

- (TPD) WORKHORSE - 18,000+ GVWR
- (TPO) WORKHORSE - 15,000+ GVWR
- (TTP) WORKHORSE - 14,800+ GVWR
- (TPA) WORKHORSE - 12,300+ GVWR

| UNIT SIZE | A | B | C | D | E | F | G | H | J | N | PAINT |
|-----------|---|---|---|---|---|---|---|---|---|---|-------|
| 26P | | | | | | | | | | | |
| 29A | | | | | | | | | | | |
| 30# | | | | | | | | | | | YES |
| 31B | | | | | | | | | | | |
| 32T | | | | | | | | | | | YES |
| 33V | | | | | | | | | | | YES |
| 35C | | | | | | | | | | | YES |
| | | | | | | | | | | | |
| | | | | | | | | | | | |

- 6. CONTINUE MULTISTRIPE ONTO SLIDEOUT WING WALLS.
 - ▲ CHEVY CHASSIS, VORTEC.
 - ▲ PAINT TO TOP OF FEATURE TRIM.
 - ▲ USE TWO PER UNIT.
 - ▲ CENTERED ON UNIT.
 - 1. APPLY PROTECTOR 116424-01 TO WATER HEATER DOOR LATCH.
- NOTES:



| KEY | PART NUMBER | U/M | DESCRIPTION |
|-----|---------------------|-----|--|
| 1 | 094443-69-CHT(02A) | EA | MULTISTRIPE-185, 1MM - MYAN GREEN/SPRUCE GREEN/EMPIRE GOLD |
| 2 | 121437-01-CHT(09A) | EA | DEDAL-LOGO, BRAVE, L/G - EMPIRE GOLD/MYAN GREEN |
| 3 | 121437-03-CHT(02A) | EA | DECAL-LOGO, BRAVE, SM, - EMPIRE GOLD/MYAN GREEN |
| 4 | 135381-01-CHT(02A) | EA | DECAL-LOGO, W - SPRUCE GREEN |
| 5 | 120702-03-CHT(29A) | EA | DECAL-LOGO, WINNEBAGO, SM - MYAN GREEN |
| 6 | 105781-34-CHT(03A) | EA | MULTISTRIPE-69, 3MM - MYAN GREEN/EMPIRE GOLD |
| 7 | 135380-01-CHT(02A) | EA | DECAL-HOOK, HOOD - MYAN GREEN |
| 9 | 135377-01-CHT(02A) | EA | DECAL-HOOK, SIDE, RH - MYAN GREEN/SPRUCE GREEN/EMPIRE GOLD |
| 9 | 135377-02-CHT(02A) | EA | DECAL-HOOK, SIDE, LH - MYAN GREEN/SPRUCE GREEN/EMPIRE GOLD |
| 10 | 135379-01-CHT(02A) | EA | DECAL-FEATHERS, RH - EMPIRE GOLD/SPRUCE GOLD |
| 10 | 135379-02-CHT(02A) | EA | DECAL-FEATHERS, LH - EMPIRE GOLD/SPRUCE GOLD |
| 11 | 094443-70-CHT(02A) | EA | MULTISTRIPE-168, 3MM - SPRUCE GREEN/EMPIRE GOLD/MYAN GREEN |
| 12 | 135378-01-CHT(02A) | EA | DECAL-HOOKS, RH - MYAN GREEN/SPRUCE GREEN/EMPIRE GOLD |
| 12 | 135378-02-CHT(02A) | EA | DECAL-HOOKS, LH - MYAN GREEN/SPRUCE GREEN/EMPIRE GOLD |
| 13 | 136280-01-CHT(101A) | EA | EMBLEM-VORTEC, VB - BLACK/SILVER (CHASSIS SUPPLIED) |
| 14 | 129922-01-CHT(01A) | EA | EMBLEM-TRITON V10 - BLACK/SILVER MET/SILVER |
| 15 | 132664-01-CHT(101A) | EA | DECAL-DOME, WINNEBAGO - CHROME/BLACK |
| 16 | 136243-02-000 | GL | PAINT SAHARA MET - M1024HN |
| 17 | 137618-01-CHT(01A) | EA | DECAL-BEZEL-DOME GRILLE, LOGO - BLK/GOLD |

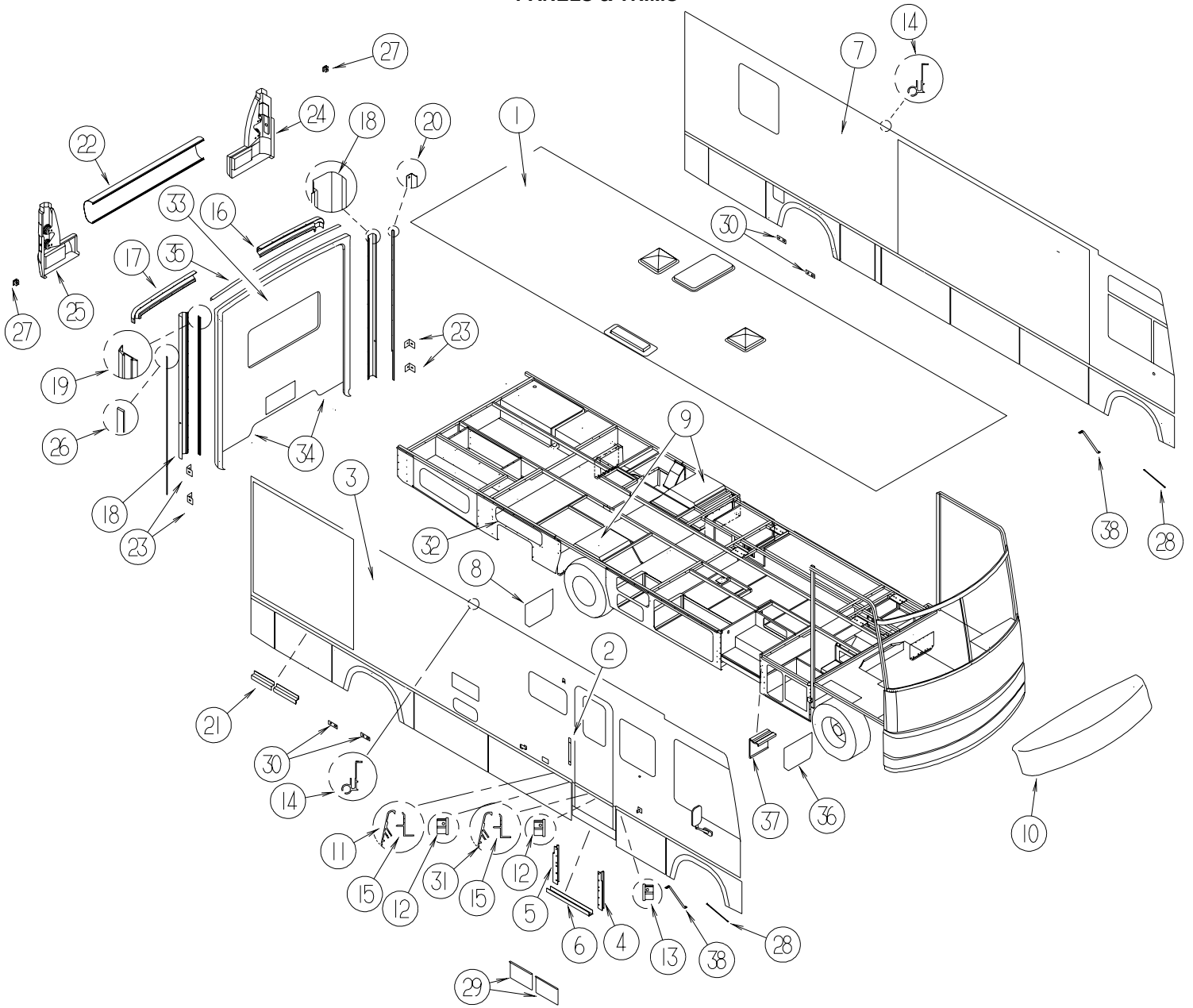
KEY PART NUMBER U/M DESCRIPTION
 041561-03-000 EA PAINT - 16 OUNCE SPRAY - OFF WHITE
 099399-23-700 EA PAINT-SPRAY-BRT WHITE ENAMEL, B8951U DUPONT

DUPONT COLOR CODES

| | |
|-------------------|---------|
| SPRUCE GREEN MET. | P2501 |
| MYAN GREEN MET. | P2500 |
| EMPIRE GOLD MET. | M3375 |
| SAHARA MET. | M1024HN |
| BRIGHT WHITE | B8915 |

EXTERIOR BODY GROUP (CONTINUED)

PANELS & TRIMS



| KEY | PART NUMBER | U/M | DESCRIPTION |
|-----|---------------|-----|---|
| 1 | 138436-01-N30 | EA | ROOF - W/O LIGHTS/VENTS - W/WIRING |
| 2* | 132442-01-01A | EA | HANDLE - ASSIST - WHITE METAL HANDLE W/WHITE ENDS |
| 3 | 138434-01-N30 | EA | SIDEWALL - PASSENGER - W/O WINDOWS/TRIMS |
| 3 | 138434-01-N31 | EA | SIDEWALL - PASSENGER - W/O WINDOWS/TRIMS |
| 3 | 138434-01-N32 | EA | SIDEWALL - PASSENGER - W/O WINDOWS/TRIMS |
| 4 | 133100-01-01A | EA | TRIM - SIDEWALL - BLACK |
| 5 | 133100-02-01A | EA | TRIM - SIDEWALL - BLACK |
| 6 | 137599-01-01A | EA | TRIM - NOTCHED - SIDEWALL - 33.2" - BLACK |
| 7 | 138435-01-N30 | EA | SIDEWALL - DRIVER - W/O WINDOWS/TRIMS |
| 7 | 140136-01-N30 | EA | SIDEWALL - DRIVER - W/O WINDOWS/TRIMS |
| | | | FROM: 00-00-00 THRU: 10-21-01 |
| 7 | 138435-01-N31 | EA | SIDEWALL - DRIVER - W/O WINDOWS/TRIMS |
| | | | FROM: 10-22-01 THRU: 99-99-99 |
| 7 | 140136-01-N31 | EA | SIDEWALL - DRIVER - W/O WINDOWS/TRIMS |
| | | | FROM: 00-00-00 THRU: 10-21-01 |
| 7 | 140136-01-N31 | EA | SIDEWALL - DRIVER - W/O WINDOWS/TRIMS |
| | | | FROM: 10-22-01 THRU: 99-99-99 |
| 7 | 138435-01-N32 | EA | SIDEWALL - DRIVER - W/O WINDOWS/TRIMS |
| | | | FROM: 00-00-00 THRU: 10-21-01 |
| 7 | 140136-01-N32 | EA | SIDEWALL - DRIVER - W/O WINDOWS/TRIMS |
| | | | FROM: 10-22-01 THRU: 99-99-99 |

EXTERIOR BODY GROUP (CONTINUED)
PANELS & TRIMS (CONTINUED)

| KEY | PART NUMBER | U/M | DESCRIPTION |
|-----|---------------|-----|--|
| 8 | 017516-01-000 | EA | MUD FLAP - 14" X 18" - W/O MOUNTING HOLES - BLACK |
| | 140922-01-02B | EA | PLATE - MUD FLAP - E-COATED |
| 9 | 131365-01-000 | EA | WHEELWELL - PLASTIC |
| 10 | 125052-02-J20 | EA | CAP - ROOF - W/O LIGHTS/WIRING |
| 11 | 123993-01-02A | EA | TRIM - COVER - 182" ALUMINUM - BLACK |
| 12 | 126775-01-01A | EA | END CAP - VALANCE TRIM - RIGHT HAND |
| 13 | 126775-02-01A | EA | END CAP - VALANCE TRIM - LEFT HAND |
| 14 | 131483-01-01A | EA | RAIL - AWNING - 192" - BRIGHT WHITE |
| 15 | 133376-01-01A | EA | TRIM - RETAINER - 144" - MILL |
| 16 | 114873-02-02A | EA | TRIM - BACKWALL/TOP - DRIVER SIDE - BRIGHT WHITE |
| 17 | 114872-02-02A | EA | TRIM - BACKWALL/TOP - PASSENGER SIDE - BRIGHT WHITE |
| 18 | 114874-17-12B | EA | TRIM - BACKWALL - 68.4" - BRIGHT WHITE |
| 19 | 092041-05-01A | EA | TRIM - REAR - CAP TO SIDEWALL - BRIGHT WHITE |
| | | | FROM: 04-15-01 THRU: 99-99-99 |
| 20 | 132273-01-02B | EA | BRACKET - REAR TRIM - E-COATED |
| | | | FROM: 04-15-01 THRU: 99-99-99 |
| 21 | 124303-04-02A | EA | TRIM - SIDEWALL - Z - 79.5" - BRIGHT WHITE |
| 22 | 132521-02-01A | EA | BUMPER - REAR - BRIGHT WHITE |
| 23 | 134533-01-02B | EA | BRACKET - MOUNT - TRIM/LOWER - E-COATED |
| 24 | 138062-03-N30 | EA | TRIM - BACKWALL - LOWER/LEFT HAND |
| 25 | 138062-04-N30 | EA | TRIM - BACKWALL - LOWER/RIGHT HAND |
| 26 | 091985-01-07A | FT | INSERT - TRIM - .65" WIDE - BRIGHT WHITE |
| | | | FROM: 04-15-01 THRU: 99-99-99 |
| 27 | 139118-01-01A | EA | GROMMET - PLASTIC/SCREW |
| | | | FROM: 00-00-00 THRU: 04-07-02 |
| 27 | 139118-02-01A | EA | GROMMET - PLASTIC/SCREW |
| | | | FROM: 04-08-02 THRU: 99-99-99 |
| 28 | 107865-06-000 | EA | ROD - SUPPORT - VALANCE PANEL - 15" |
| 29 | 121117-01-02B | EA | ANGLE - W/O SLOTS - 3.7" X 2" - E-COATED |
| 30 | 123512-02-02B | EA | BRACKET/VALANCE DOOR - STRAIGHT - E-COATED |
| 31 | 133045-01-01A | EA | TRIM - W/HOLES - 25.3" - BRIGHT WHITE |
| 32 | 133386-02-02B | EA | PANEL - CLOSEOUT - HOLDING TANK - E-COATED |
| 33 | 137910-03-N30 | EA | BACKWALL - W/O WINDOW/TRIMS |
| 33 | 137910-03-N31 | EA | BACKWALL - W/O WINDOW/TRIMS |
| 33 | 137910-03-N32 | EA | BACKWALL - W/O WINDOW/TRIMS |
| 34 | 103335-05-02A | EA | TRIM - BACKWALL - LOWER - 96.3" - BRIGHT WHITE |
| 35 | 114248-02-01A | EA | ANGLE - PLASTIC - 96.6" |
| | | | FROM: 03-21-02 THRU: 99-99-99 |
| 36 | 017516-01-000 | EA | MUD FLAP - 14" X 18" - W/O MOUNTING HOLES - BLACK |
| | 140922-01-02B | EA | PLATE - MUD FLAP - E-COATED |
| | 132695-01-02B | EA | ANGLE - MUDFLAP - E-COATED |
| | | | FROM: 00-00-00 THRU: 11-21-01 |
| 37 | 093873-01-01A | EA | TRIM - CARPET - L-ANGLE 1.1" X 1.3" X 12' - GRAY VINYL |
| 38 | 107865-19-000 | EA | ROD - SUPPORT - VALANCE PANEL - 16.5" |

***COMPONENT PARTS LISTED LATER IN THIS GROUP**

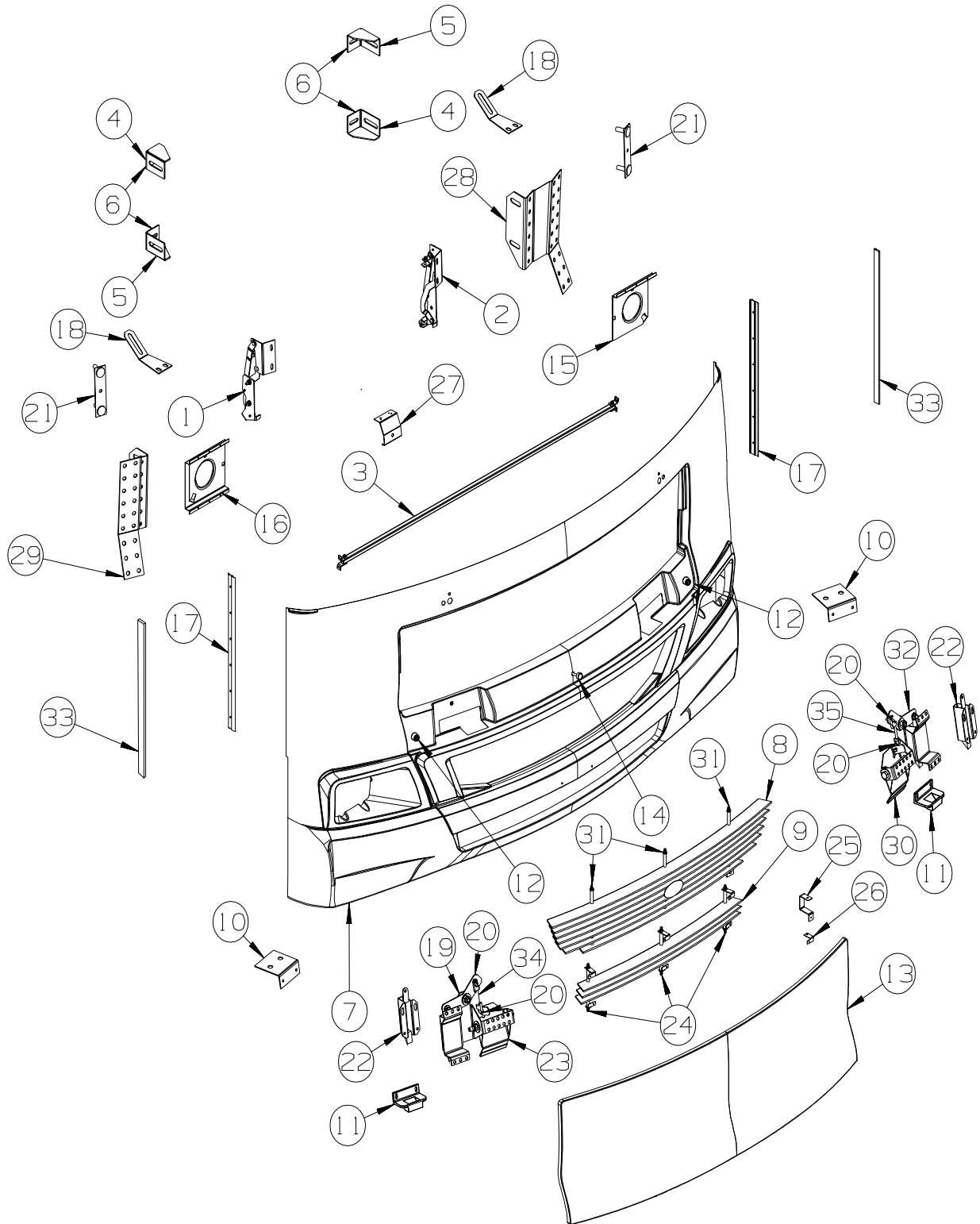
EXTERIOR BODY GROUP (CONTINUED)
COMPONENT PARTS FOR PANELS & TRIMS

132442-01-01A

| KEY | PART NUMBER | U/M | DESCRIPTION | VENDOR NO. |
|------------|--------------------|------------|-----------------------------|-------------------|
| | 132442-01-700 | EA | BULB/ROPE - F/ASSIST HANDLE | ST012-0C/12MLX |

EXTERIOR BODY GROUP (CONTINUED)

FRONT END



| KEY | PART NUMBER | U/M | DESCRIPTION |
|-----|---------------|-----|--|
| 1 | 137072-01-01A | EA | HINGE - HOOD - RIGHT HAND - BLACK FROM: 00-00-00 THRU: 01-28-02 |
| 1 | 137072-03-01A | EA | HINGE - HOOD - RIGHT HAND - BLACK FROM: 01-29-02 THRU: 99-99-99 |
| 2 | 137072-02-01A | EA | HINGE - HOOD - LEFT HAND - BLACK FROM: 00-00-00 THRU: 01-28-02 |
| 2 | 137072-04-01A | EA | HINGE - HOOD - LEFT HAND - BLACK FROM: 01-29-02 THRU: 99-99-99 |

EXTERIOR BODY GROUP (CONTINUED)
FRONT END (CONTINUED)

| KEY | PART NUMBER | U/M | DESCRIPTION |
|-----|---------------|-----|---|
| 3 | 137300-01-02B | EA | TUBE/TIMING - HOOD - E-COATED |
| 4 | 128455-01-02B | EA | BRACKET - BUMPER |
| 5 | 128455-02-02B | EA | BRACKET - BUMPER |
| 6 | 116617-02-02B | EA | SPACER - BUMPER |
| 7 | 137881-02-N30 | EA | PANEL - FRONT/LOWER |
| 8 | 137932-01-N90 | EA | GRILLE - FRONT/UPPER |
| 9 | 137931-01-N90 | EA | GRILLE - FRONT/LOWER |
| 10 | 133802-02-02B | EA | BRACKET - LATCH - ADJUSTING - E-COATED |
| 11 | 130053-02-01A | EA | STRIKER - LUGGAGE DOOR - OFF SET - BLACK |
| 12 | 117047-01-000 | EA | BUMPER - RUBBER - WASHER INSERT |
| 13 | 132370-01-L32 | EA | HOOD - FRONT |
| 14 | 058786-01-000 | EA | BOLT - HOOD ADJUSTMENT - 5/16"X18 X 1.5"-2" - W/BLACK PAD |
| 15 | 138700-01-02B | EA | PLATE - HEADLAMP - DUAL - E-COATED |
| 16 | 138700-02-02B | EA | PLATE - HEADLAMP - DUAL - E-COATED |
| 17 | 125818-02-01A | EA | TRIM - PANEL - FIBERGLASS - BRIGHT WHITE |
| 17 | 092041-06-01A | EA | TRIM - REAR - CAP TO SIDEWALL - BRIGHT WHITE FROM: 00-00-00 THRU: 11-11-01 |
| 18 | 141017-01-02B | EA | SUPPORT/HINGE - FRONT - E-COATED FROM: 11-12-01 THRU: 99-99-99 |
| 19 | 134418-02-02B | EA | PIVOT - LATCH/HOOD - E-COATED - RIGHT HAND FROM: 10-13-01 THRU: 99-99-99 |
| 19 | 134418-06-02B | EA | PIVOT - LATCH/HOOD - E-COATED FROM: 00-00-00 THRU: 04-13-01 |
| 19 | 134418-08-02B | EA | PIVOT - LATCH/HOOD FROM: 04-14-01 THRU: 04-01-02 |
| 20 | 102265-01-000 | EA | CLIP - ROD END - 5/32" - BLACK PLASTIC |
| 21 | 106730-10-000 | EA | PLATE - STUD - F/HOOD |
| 22 | 113908-01-000 | EA | LATCH/PLUNGER - F/HOOD |
| 23 | 134415-01-02B | EA | LATCH/HOOD - PULL - E-COATED - RIGHT HAND |
| 24 | 088771-05-000 | EA | ROD - THREADED - .25 DIAMETER |
| 25 | 138000-01-02B | EA | BRACKET/MOUNT - GRILLE - E-COATED |
| 26 | 132717-04-02B | EA | ANGLE/MOUNT - GRILLE - E-COATED |
| 27 | 133770-02-02B | EA | BRACKET - HOOD SUPPORT - E-COATED |
| 28 | 134530-01-02B | EA | SUPPORT - HINGE LINK - E-COATED |
| 29 | 134530-02-02B | EA | SUPPORT - HOOD LINK - E-COATED |
| 30 | 134415-02-02B | EA | LATCH/HOOD - PULL - E-COATED - LEFT HAND |
| 31 | 088771-04-000 | EA | ROD - THREADED - .25 DIAMETER |
| 32 | 134418-04-02B | EA | PIVOT - LATCH/HOOD - E-COATED - LEFT HAND FROM: 00-00-00 THRU: 04-13-01 |
| 32 | 134418-07-02B | EA | PIVOT - LATCH/HOOD - E-COATED FROM: 04-14-01 THRU: 04-01-02 |
| 32 | 134418-08-02B | EA | PIVOT - LATCH/HOOD FROM: 04-02-02 THRU: 99-99-99 |
| 33 | 091985-01-07A | FT | INSERT - TRIM - .65" WIDE - BRIGHT WHITE |
| 34 | 134416-01-01A | EA | ROD/HOOD LATCH - STAINLESS STEEL - RIGHT HAND |
| 35 | 134416-02-01A | EA | ROD/HOOD LATCH - STAINLESS STEEL - LEFT HAND |

EXTERIOR BODY GROUP (CONTINUED)

LADDER

| KEY | PART NUMBER | U/M | DESCRIPTION |
|-----|---------------|-----|------------------------------------|
| | 129639-03-01A | EA | LADDER - BRUSHED ALUMINUM |
| | 130163-07-01A | EA | LADDER - LOWER - ANODIZED ALUMINUM |
| | 038327-01-000 | EA | TAPE - ANTI-SLIP - 2" X 60' |

MIRRORS

| KEY | PART NUMBER | U/M | DESCRIPTION |
|-----|---------------|-----|---|
| * | 106015-12-01A | EA | MIRROR - EXTERIOR REMOTE/HEAT - PASSENGER |
| * | 106015-13-01A | EA | MIRROR - EXTERIOR REMOTE/HEAT - DRIVER |

*COMPONENT PARTS LISTED LATER IN THIS GROUP

EXTERIOR BODY GROUP (CONTINUED)

COMPONENT PARTS FOR MIRRORS

106015-12-01A, 106015-14-01A

| KEY | PART NUMBER | U/M | DESCRIPTION | VENDOR NO. |
|-----|---------------|-----|------------------------------|------------|
| | 106015-12-700 | EA | MIRROR-FLAT-W/W/O HEAT | 709448 |
| | 106015-12-701 | EA | MIRROR-CONVEX - W/W/O HEAT | 709449 |
| | 106015-12-702 | EA | CAP/SCREW - (PKG OF 4) - BLK | 748329 RND |
| | 106015-12-703 | EA | CONVEX GLASS/HANDSET/HOUSING | 7095892 |
| | 119774-09-700 | EA | PLATE-INNER SUPT/MIRROR HEAD | 709418-7RH |

106015-13-01A, 106015-15-01A

| KEY | PART NUMBER | U/M | DESCRIPTION | VENDOR NO. |
|-----|---------------|-----|------------------------------|------------|
| | 106015-12-700 | EA | MIRROR-FLAT-W/W/O HEAT | 709448 |
| | 106015-12-701 | EA | MIRROR-CONVEX - W/W/O HEAT | 709449 |
| | 106015-12-702 | EA | CAP/SCREW - (PKG OF 4) - BLK | 748329 RND |
| | 106015-12-703 | EA | CONVEX GLASS/HANDSET/HOUSING | 7095892 |
| | 119774-09-701 | EA | PLATE INNER SUPT/MIRROR HEAD | 709419-7LH |

EXTERIOR BODY GROUP (CONTINUED)
STRUCTURAL COMPONENTS

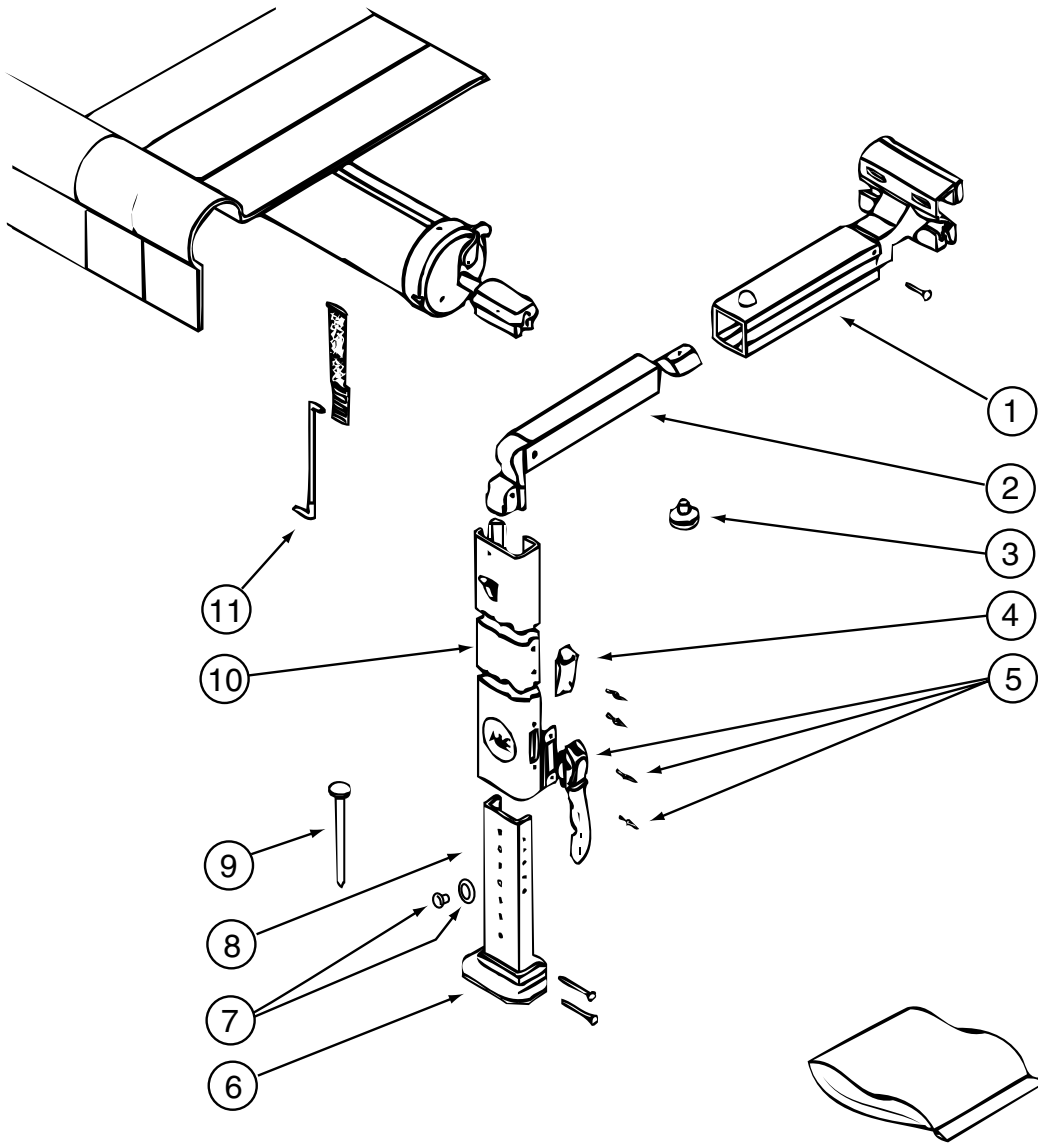
| KEY | PART NUMBER | U/M | DESCRIPTION |
|------------|--------------------|------------|--|
| | 002726-01-001 | EA | GARNISH - U-CHANNEL - 1.38" X 19' - SERRATED |
| | 002766-01-001 | EA | ANGLE - EXTRUDED - 1" X 1 1/2" X 17' |
| | 076054-R9-000 | EA | FIBERGLASS SHEET - 38.1" X 70.6" - BRIGHT WHITE |
| | 076054-U8-000 | EA | FIBERGLASS SHEET - 100" X 105" - BRIGHT WHITE |
| | 076054-W3-000 | EA | FIBERGLASS SHEET - 79" X 361.3" - BRIGHT WHITE |
| | | | FROM: 04-09-01 THRU: 99-99-99 |
| | 076054-X8-000 | EA | FIBERGLASS SHEET - 79.1" X 407.2" - BRIGHT WHITE |
| | 076054-X9-000 | EA | FIBERGLASS SHEET - 22.1" X 70.6" - BRIGHT WHITE |
| | 076054-Y8-000 | EA | FIBERGLASS SHEET - 79" X 342" - BRIGHT WHITE |
| | | | FROM: 00-00-00 THRU: 04-08-01 |
| | 077517-62-000 | EA | FIBERGLASS SHEET - 48" X 96" - BRIGHT WHITE |
| | 089297-01-000 | SF | PLYWOOD - LUAN - OVERLAY GRADE - 4' X 8' |
| | 089297-02-000 | SF | PLYWOOD - LUAN - OVERLAY GRADE - 4' X 9' |
| | 100619-01-000 | BF | FOAM - EXPANDED POLYSTYRENE - 1.34" X 48" X 96" |
| | 100619-02-000 | BF | FOAM - EXPANDED POLYSTYRENE - 1.5" X 48" X 96" |
| | 100619-04-000 | BF | FOAM - EXPANDED POLYSTYRENE - .5" X 48" X 96" |
| | 100619-05-000 | BF | FOAM - EXPANDED POLYSTYRENE - .75" X 48" X 96"-1.5 DENSITY |
| | 100619-13-000 | BF | FOAM - EXPANDED POLYSTYRENE - .34" X 34.65" X 96" |
| | | | FROM: 04-01-01 THRU: 99-99-99 |
| | 100619-16-000 | BF | FOAM - EXPANDED POLYSTYRENE - .75" X 48" X 96"-2.0 DENSITY |
| | 100619-27-000 | BF | FOAM - EXPANDED POLYSTYRENE - 48" X 92.8" X 3" |
| | 100619-28-000 | BF | FOAM - EXPANDED POLYSTYRENE - .77" X 14.25" X 106" |
| | 105077-08-000 | EA | FOAM - PLUG - ROOF CAP |
| | 120107-01-000 | EA | FOAM - ROOF COVE - 2.8" X 96" LONG |
| | 120107-02-000 | EA | FOAM - PLUG - ROOF TUBE - 2.2" X 2.9" X 1.8" LONG |
| | 120107-03-000 | EA | FOAM - PLUG - SIDEWALL TUBE - 1.2" X 2.1" X 1.8" LONG |
| | 108535-05-702 | EA | PFIBERGLASS SHEET - FLAT - 108" X 396" BRIGHT WHITE - ROOF |
| | 128782-01-01A | EA | FIBERGLASS SHEET - 79" X 417"/HIGH GLOSS - BRIGHT WHITE |
| | 128782-01-01A | EA | FIBERGLASS SHEET - 79" X 417"/HIGH GLOSS - BRIGHT WHITE |
| | 128782-02-01A | EA | FIBERGLASS SHEET - 79" X 428" - HIGH GLOSS - BRIGHT WHITE |
| | 128782-03-01A | EA | FIBERGLASS SHEET - 26.1" X 68.2" - HIGH GLOSS/SLIDEOUT-B/W |

AWNINGS

| KEY | PART NUMBER | U/M | DESCRIPTION |
|------------|--------------------|------------|---|
| * | 113874-01-02A | EA | HARDWARE KIT - AWNING - W/O STANDOFF BRACKET-BRIGHT WHITE |
| | 113874-06-45A | EA | AWNING - 16' ALPINE GREEN VINYL/BRIGHT WHITE VINYL WRAP - F30W |
| | 113874-07-45A | EA | AWNING - 18' ALPINE GREEN - BRIGHT WHITE VINYL WRAP - F32V , F34D |
| | 113874-08-45A | EA | AWNING - W/O HARDWARE - 19' VINYL - F36M |
| | 113874-11-01A | EA | SCREW/LAG - AWNING - 1/4" X 1" STAINLESS STEEL |
| | 113874-12-01A | EA | SCREW/LAG - AWNING - 1/4" X 2 3/4" STAINLESS STEEL |
| | 137054-01-02A | EA | BRACKET - AWNING - BRIGHT WHITE |
| | 127960-01-01A | EA | RETAINER - 3/8" - STAINLESS STEEL - F36M |
| | 127647-01-01A | EA | ROD/AWNING GUARD - ENTRY DOOR - 17.8" LONG - F36M |

***COMPONENT PARTS LISTED LATER IN THIS GROUP**

EXTERIOR BODY GROUP (CONTINUED)
COMPONENT PARTS FOR AWNINGS

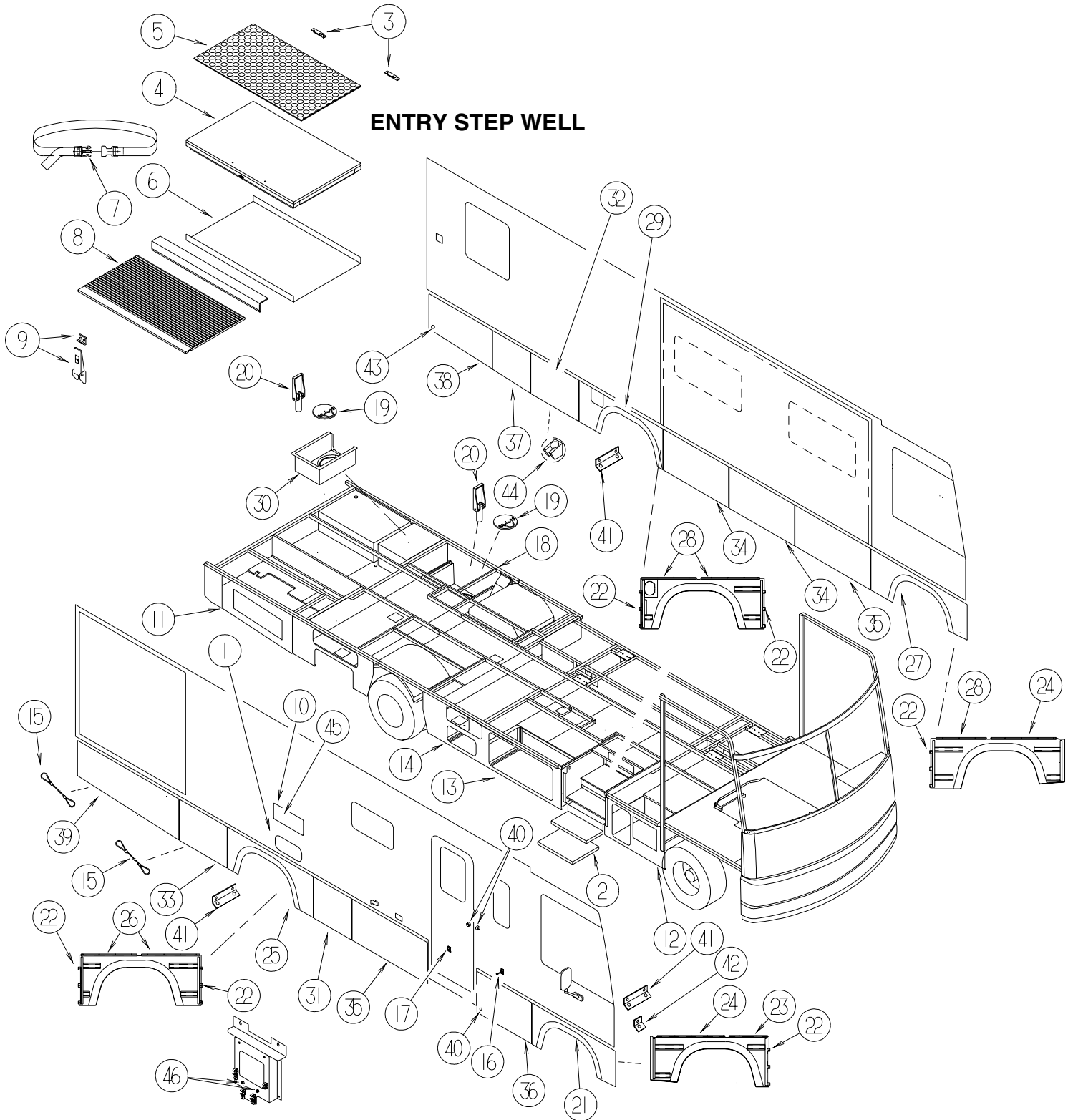


113874-01-02A

| KEY | PART NUMBER | U/M | DESCRIPTION | VENDOR NO. |
|------------|--------------------|------------|-----------------------------|-------------------|
| 1 | 113874-01-714 | EA | RAFTER - MAIN RH/LH BRT/WHT | 830295.536F |
| 2 | 113874-01-715 | EA | RAFTER - SECONDARY BRT/WHT | 830463.511F |
| 3 | 113874-01-702 | EA | KNOB - ADJUSTING | 3105421014 |
| 4 | 113874-01-706 | EA | LOCK - TRAVEL | 830587.001 |
| 5 | 113874-01-707 | EA | HANDLE - LIFT W/RIVETS | 830644 |
| 6 | 113874-01-712 | EA | FOOT - PATIO | 730366-001 |
| 7 | 113874-01-710 | EA | PLUG-STOP KIT | 830456 |
| 8 | 113874-01-717 | EA | ARM - ADJUSTABLE BRT/WHT | 830467.517/F |
| 9 | 113874-01-709 | EA | NAIL-SPIKE, 8" | 113006 |
| 10 | 113874-01-716 | EA | ARM - MAIN SUPPORT BRT/WHT | 3104502.293/F |
| 11 | 113874-01-703 | EA | ROD-CENTER PULL W/ACCESSORY | 830152.102 |

EXTERIOR DOORS & COMPARTMENTS GROUP

DOOR & COMPARTMENT LAYOUT

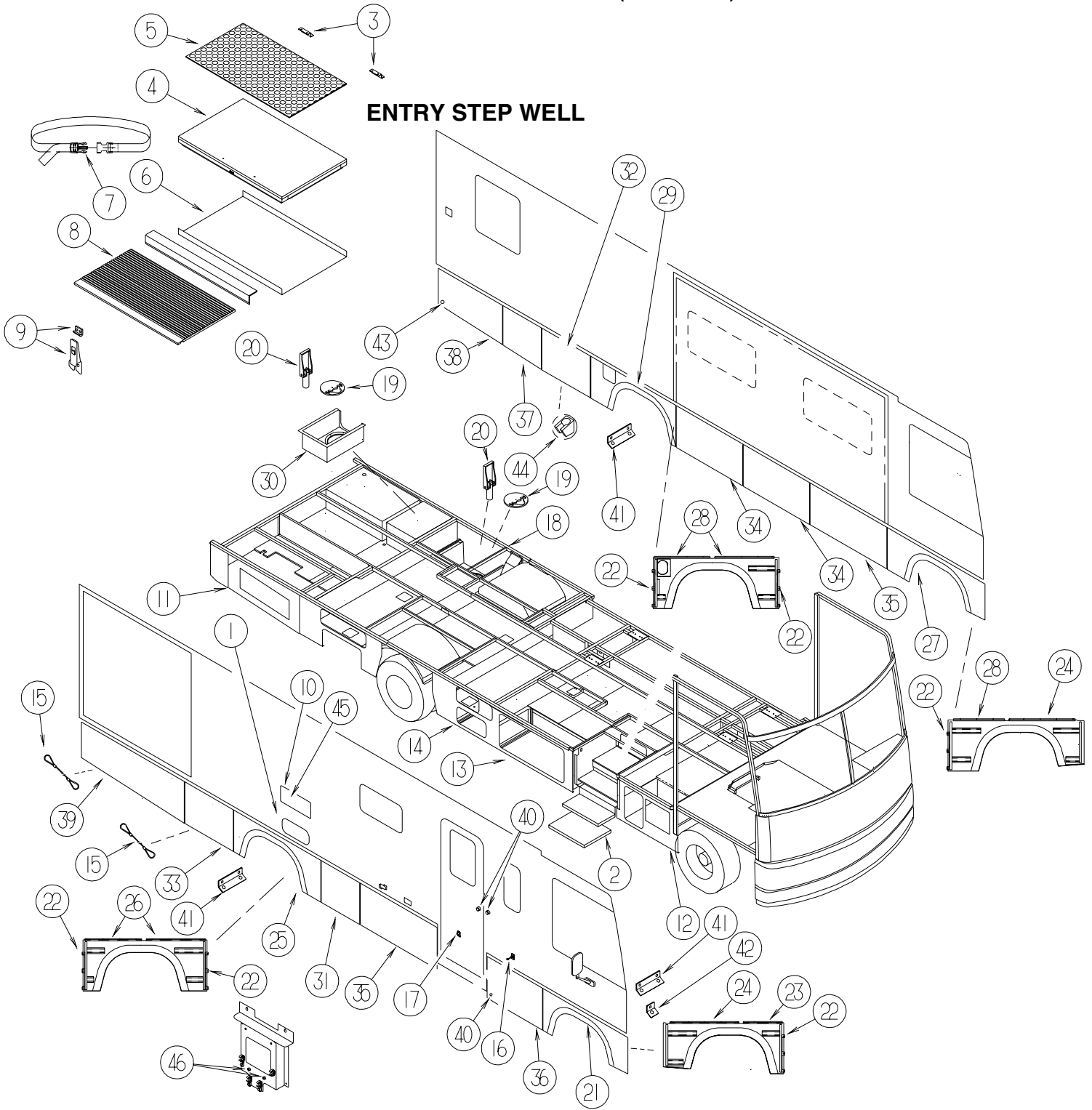


| KEY | PART NUMBER | U/M | DESCRIPTION |
|-----|---------------|-----|---|
| 1 | 126945-09-N42 | EA | DOOR/STORAGE - W/O HARDWARE - 18" X 8.3" |
| | 081801-V3-000 | EA | HINGE - ALUMINUM - 2" X 96" - BRIGHT WHITE |
| 2* | 094707-03-01A | EA | STEP - ELECTRIC DOUBLE - W/BLACK CONTROL BOX - KWIKEE |
| 3 | 101222-01-04A | EA | BRACKET - CATCH - LID - E-COATED |
| 4 | P20256-07-000 | EA | LID/DOOR - ENTRY STEP - W/O CARPET/HARDWARE |
| 5 | 133114-02-03A | EA | TREAD - STEP/RUBBER - 28.4" - GRAY |
| 6 | 123330-03-02B | EA | SUPPORT - ENTRY STEP - E-COATED |
| 7 | 099856-11-000 | EA | STRAP - TIEDOWN - 7.9" |
| 8 | 133114-01-03A | EA | TREAD - STEP/RUBBER - 29.2" - GRAY |
| 9 | 116975-01-01A | EA | LATCH - W/O STRIKE - BLACK - NEW STYLE |

EXTERIOR DOORS & COMPARTMENTS GROUP (CONTINUED)
DOOR & COMPARTMENT LAYOUT (CONTINUED)

| KEY | PART NUMBER | U/M | DESCRIPTION |
|--|---------------|-----|--|
| 10 | 084104-08-000 | EA | JAMB - VENT DOOR/REFRIGERATOR - BRIGHT WHITE |
| 11 | 118413-84-02B | EA | COMPARTMENT - LUGGAGE - E-COATED |
| 12 | 126386-42-L32 | EA | COMPARTMENT - WATER HEATER - 8 GALLON |
| 13 | 126386-46-L76 | EA | COMPARTMENT - LUGGAGE |
| 14 | 126386-52-L32 | EA | COMPARTMENT - LUGGAGE |
| 15 | 076767-14-000 | EA | CABLE - STAINLESS STEEL - 14.9" |
| 16 | 104099-02-04A | EA | CATCH - DOOR HOLDER - RETAINER - BRIGHT WHITE |
| 17 | 104099-03-04A | EA | CATCH - DOOR HOLDER - STRIKE 6" |
| 18 | M08627-11-M42 | EA | COMPARTMENT - ELECTRIC/DRAIN |
| 19 | M08628-01-H17 | EA | HATCH - W/FOAM INSERT |
| 20 | 121175-02-01A | EA | LATCH - SWELL |
| 21 | 132332-03-L32 | EA | VALANCE/WHEEL LIP - PASSENGER - FRONT - 57.5" |
| 22 | 113041-14-02B | EA | ANGLE - BUMPER MOUNT - E-COATED |
| | | | FROM: 00-00-00 THRU: 09-03-01 |
| 22 | 138789-01-02B | EA | ANGLE/MOUNT - WHEEL LIP - E-COATED |
| | | | FROM: 09-04-01 THRU: 99-99-99 |
| 23 | 132654-01-01A | EA | SUPPORT - WHEEL LIP - BLACK - 17.6" |
| 24 | 132654-03-01A | EA | SUPPORT - WHEEL LIP - BLACK - 31.6" |
| 25 | 132332-12-L32 | EA | VALANCE/WHEEL LIP - PASSENGER - REAR - 58.9" |
| 26 | 132654-09-01A | EA | SUPPORT - WHEEL LIP - BLACK - 26.7" |
| 27 | 132332-36-N30 | EA | VALANCE/WHEEL LIP - FRONT/DRIVER |
| 28 | 132654-06-01A | EA | SUPPORT - WHEEL LIP - BLACK - 24.4" |
| 29 | 132332-37-N30 | EA | VALANCE/WHEEL LIP - REAR |
| 30 | 133372-03-M42 | EA | COMPARTMENT - POWERCORD |
| 31 | 140439-02-N42 | EA | VALANCE/DOOR - W/O PADDLE LATCH - 26" X 24.3" |
| | 107796-32-000 | EA | SPRING/GAS - 9.5" COMPRESSED/15" EXTENDED - 90 LB |
| 32 | 140439-03-N42 | EA | VALANCE/DOOR - W/O PADDLE LATCH - 29.3" X 24.3" |
| | 107796-32-000 | EA | SPRING/GAS - 9.5" COMPRESSED/15" EXTENDED - 90 LB |
| 33 | 140439-05-N42 | EA | VALANCE/DOOR - W/O PADDLE LATCH - 32.7" X 24.3" |
| | 107796-32-000 | EA | SPRING/GAS - 9.5" COMPRESSED/15" EXTENDED - 90 LB |
| 34 | 140439-09-N42 | EA | VALANCE/DOOR - W/O PADDLE LATCH - 44.9" X 24.3" |
| | 107796-32-000 | EA | SPRING/GAS - 9.5" COMPRESSED/15" EXTENDED - 90 LB |
| 35 | 140439-10-N42 | EA | VALANCE/DOOR - W/O PADDLE LATCH - 51.9" X 24.3" |
| | 107796-32-000 | EA | SPRING/GAS - 9.5" COMPRESSED/15" EXTENDED - 90 LB |
| 36 | 140439-13-N42 | EA | VALANCE/DOOR - W/O PADDLE LATCH - 37.4" X 24.3" |
| | 107796-32-000 | EA | SPRING/GAS - 9.5" COMPRESSED/15" EXTENDED - 90 LB |
| 37 | 140439-15-N42 | EA | VALANCE/DOOR - DRVR W/O PADDLE LATCH - 23" X 26" X 17" |
| | 107796-27-000 | EA | SPRING/GAS - 8.5" COMPRESSED/12" EXTENDED - 90 LB |
| 38 | 140439-16-N42 | EA | VALANCE/DOOR - DRVR W/O PADDLE LATCH - 23" X 43.4" X 20.8" |
| | 107796-27-000 | EA | SPRING/GAS - 8.5" COMPRESSED/12" EXTENDED - 90 LB |
| 39 | 140439-17-N42 | EA | VALANCE/DOOR - PASS W/O PADDLE LATCH-24.3" X 69.8" X 20.8" |
| | 107796-32-000 | EA | SPRING/GAS - 9.5" COMPRESSED/15" EXTENDED - 90 LB |
| 40 | 120863-02-000 | EA | BUMPER - RUBBER/RADIUS TOP - 1" DIAMETER X 1.50" |
| 41 | 132597-01-02B | EA | ANGLE/SUPPORT/TRIM - E-COATED |
| 42 | 132597-02-02B | EA | ANGLE/SUPPORT/TRIM - E-COATED |
| 43 | 117047-01-000 | EA | BUMPER - RUBBER - WASHER INSERT |
| 44 | 131383-03-02A | EA | BRACKET - SHOWER HEAD - WHITE |
| 45* | 084103-08-000 | EA | DOOR - VENT - REFRIGERATOR - W/O JAMB - BRIGHT WHITE |
| 46 | 120863-05-000 | EA | BUMPER - RUBBER/RADIUS TOP - 3/4" X 3/8" - FLUSH MOUNT |
| LOCK ASSEMBLY USED UP TO 04-30-01 | | | |
| | 129686-01-000 | EA | CYLINDER - LOCK ASSEMBLY - COMPARTMENT/DRIVER DOOR |
| | 129686-02-000 | EA | CYLINDER - LOCK ASSEMBLY - COMPARTMENT/DRIVER DOOR |
| | 129686-03-000 | EA | CYLINDER - LOCK ASSEMBLY - COMPARTMENT/DRIVER DOOR |
| | 129686-04-000 | EA | CYLINDER - LOCK ASSEMBLY - COMPARTMENT/DRIVER DOOR |
| | 129686-05-000 | EA | CYLINDER - LOCK ASSEMBLY - COMPARTMENT/DRIVER DOOR |
| | 129686-06-000 | EA | CYLINDER - LOCK ASSEMBLY - COMPARTMENT/DRIVER DOOR |
| | 129686-07-000 | EA | CYLINDER - LOCK ASSEMBLY - COMPARTMENT/DRIVER DOOR |
| | 129686-08-000 | EA | CYLINDER - LOCK ASSEMBLY - COMPARTMENT/DRIVER DOOR |
| | 129686-09-000 | EA | CYLINDER - LOCK ASSEMBLY - COMPARTMENT/DRIVER DOOR |
| | 129686-10-000 | EA | CYLINDER - LOCK ASSEMBLY - COMPARTMENT/DRIVER DOOR |

EXTERIOR DOORS & COMPARTMENTS GROUP (CONTINUED)
DOOR & COMPARTMENT LAYOUT (CONTINUED)

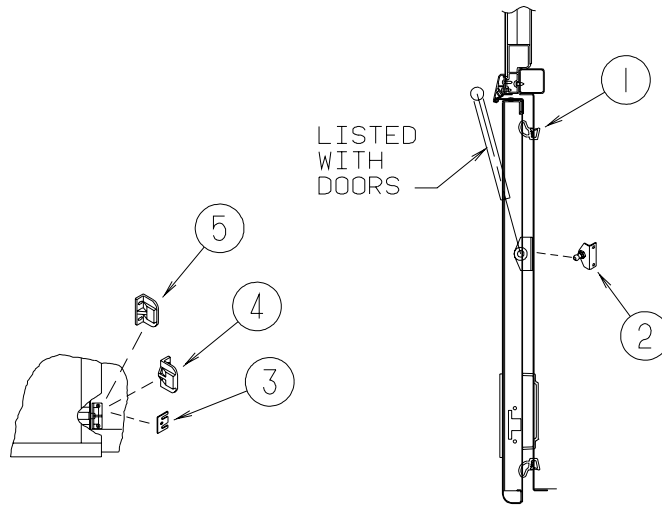


KEY PART NUMBER U/M DESCRIPTION
LOCK ASSEMBLY USED AFTER 05-01-01

| | | |
|---------------|----|--------------------|
| 138289-01-000 | EA | CYLINDER - LOCKING |
| 138289-02-000 | EA | CYLINDER - LOCKING |
| 138289-03-000 | EA | CYLINDER - LOCKING |
| 138289-04-000 | EA | CYLINDER - LOCKING |
| 138289-05-000 | EA | CYLINDER - LOCKING |
| 138289-06-000 | EA | CYLINDER - LOCKING |
| 138289-07-000 | EA | CYLINDER - LOCKING |
| 138289-08-000 | EA | CYLINDER - LOCKING |
| 138289-09-000 | EA | CYLINDER - LOCKING |
| 138289-10-000 | EA | CYLINDER - LOCKING |

***COMPONENT PARTS LISTED LATER IN THIS GROUP**

EXTERIOR DOORS & COMPARTMENTS GROUP (CONTINUED)
DOOR & COMPARTMENT LAYOUT (CONTINUED)

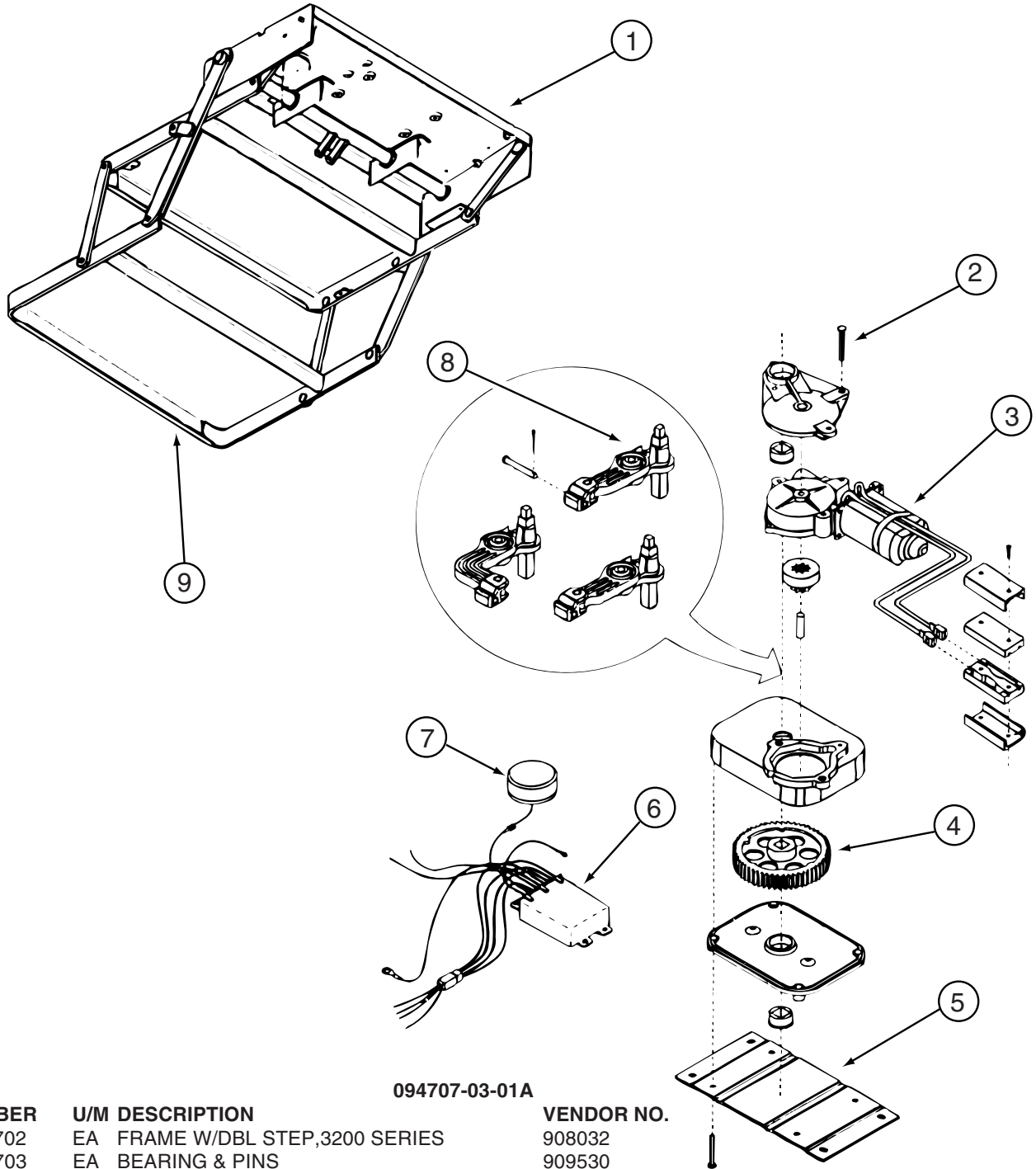


| KEY | PART NUMBER | U/M | DESCRIPTION |
|-----|---------------|-----|--|
| 1 | 132892-02-01A | FT | SEAL - BULB |
| 2 | 126263-02-02B | EA | BRACKET - GAS SPRING W/BALL STUD - E-COATED |
| 3 | 120494-03-02B | EA | SHIM - STRIKER - LUGGAGE DOOR - .20 - E-COATED |
| 4 | 130053-02-01A | EA | STRIKER - LUGGAGE DOOR - OFF SET - BLACK |
| 5 | 130053-01-01A | EA | STRIKER - LUGGAGE DOOR - FLUSH - BLACK |

EXTERIOR DOORS & COMPARTMENTS GROUP (CONTINUED)
COMPONENT PARTS FOR DOOR & COMPARTMENT LAYOUT

084103-08-000

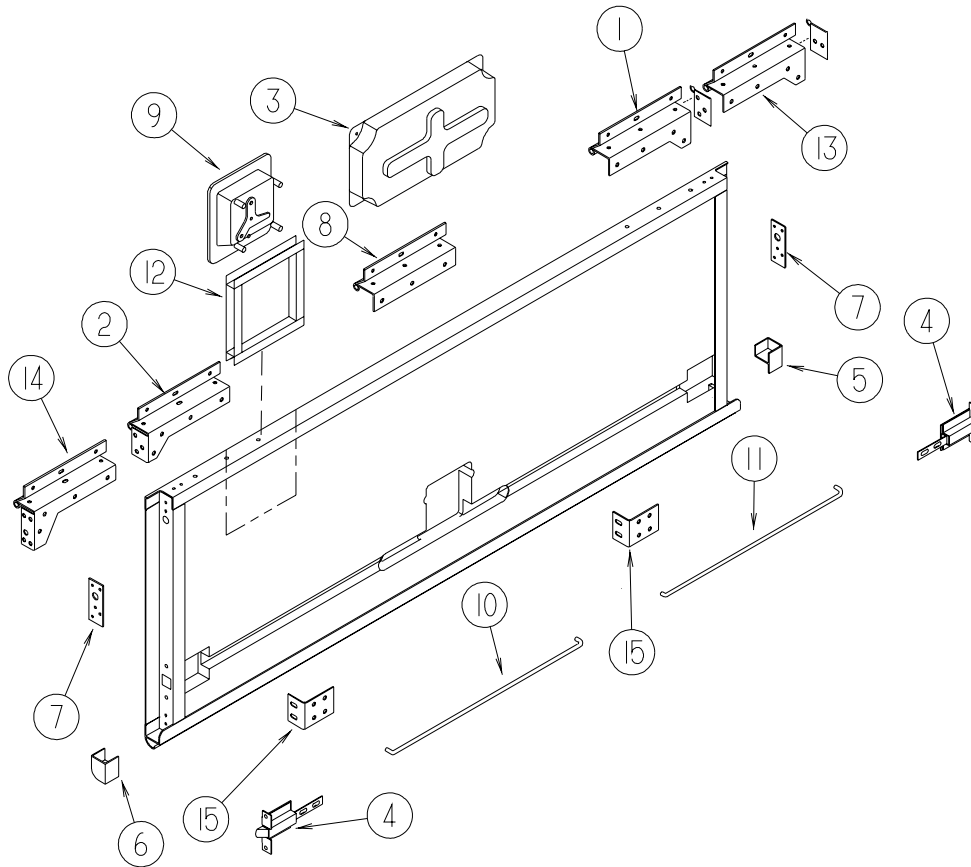
| KEY | PART NUMBER | U/M | DESCRIPTION | VENDOR NO. |
|-----|---------------|-----|-----------------------|-------------|
| | 084104-01-700 | EA | LOCK-MALE, FASTENER | 201-721-010 |
| | 084104-01-701 | EA | LOCK-FEMALE, FASTENER | 201-802-010 |



094707-03-01A

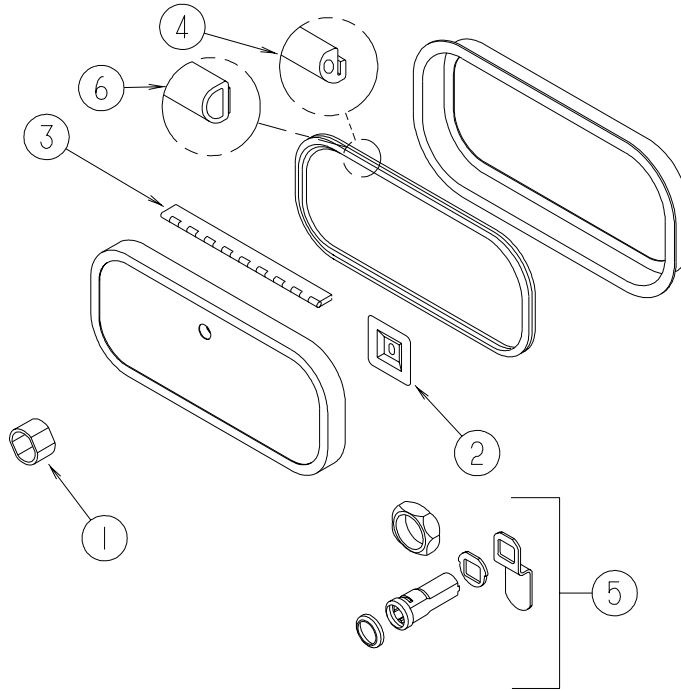
| KEY | PART NUMBER | U/M | DESCRIPTION | VENDOR NO. |
|-----|---------------|-----|------------------------------|------------|
| 1 | 094707-01-702 | EA | FRAME W/DBL STEP,3200 SERIES | 908032 |
| 2 | 094707-02-703 | EA | BEARING & PINS | 909530 |
| 3 | 094707-02-700 | EA | MOTOR ASM.,W/BEARINGS & PINS | 909520 |
| 4 | 094707-02-702 | EA | GEAR KIT(GEAR-BEARING-PINS) | 909525 |
| 5 | 094707-02-704 | EA | CONNECTOR-MOTOR ASM.W/PLATES | 909537 |
| 6 | 094707-03-700 | EA | KIT CONTROL/SWITCH-RETROFIT | 909506005 |
| 7 | 088733-01-700 | EA | BULB | 9004 |
| 7 | 088746-01-705 | EA | LIGHT-UNDER STEP | 9004 |
| 8 | 094707-02-701 | EA | LINKAGE ASM. W/BEARINGS-PINS | 909534 |
| | 094707-02-706 | EA | GEAR BOX ASM. W/O MOTOR | 9524 |
| 9 | 094707-02-707 | EA | TREAD - NON-SKID - BLACK | 909333 |
| | 094707-02-708 | EA | TREAD - NON-SKID - BLACK | 909331 |
| | 094707-03-701 | EA | PLUG - 4-WAY - PACKARD | 909306 |

EXTERIOR DOORS & COMPARTMENTS GROUP (CONTINUED)
COMPARTMENT DOOR PIECE PARTS



| KEY | PART NUMBER | U/M | DESCRIPTION |
|-----|---------------|-----|--|
| 1 | 131790-01-01A | EA | HINGE - SINGLE/PIVOT FROM: 00-00-00 THRU: 11-11-01 |
| 2 | 131790-02-01A | EA | HINGE - SINGLE/PIVOT FROM: 00-00-00 THRU: 11-11-01 |
| 3 | 137359-01-01A | EA | COVER - LATCH - WHITE |
| 4 | 121947-01-01A | EA | BOLT - SLIDE W/PLASTIC PLUNGER |
| 5 | 135276-01-01A | EA | REINFORCEMENT - CORNER - RIGHT HAND |
| 6 | 135276-02-01A | EA | REINFORCEMENT - CORNER - LEFT HAND |
| 7 | 134033-01-04B | EA | PLATE - HINGE - BLACK FROM: 00-00-00 THRU: 11-11-01 |
| 8 | 131790-03-01A | EA | HINGE - SINGLE/PIVOT FROM: 00-00-00 THRU: 11-11-01 |
| 8 | 139793-03-01A | EA | HINGE - CENTER/VALANCE DOOR - W/O BALLSTUD FROM: 11-12-01 THRU: 99-99-99 |
| 9 | 112949-02-04A | EA | LATCH - PADDLE NON-LOCKING - BRIGHT WHITE |
| 9 | 129675-01-01A | EA | LATCH - LOCKING PADDLE - BLACK FROM: 00-00-00 THRU: 04-30-01 |
| 9 | 138277-01-01A | EA | LATCH/PADDLE - COMPARTMENT DOOR - BLACK - KEY ONE FROM: 05-01-01 THRU: 99-99-99 |
| 10 | 132873-01-000 | EA | ROD - LATCH (BLANK) - RIGHT HAND |
| 11 | 132873-02-000 | EA | ROD - LATCH (BLANK) - LEFT HAND |
| 12 | 133049-02-L76 | EA | TRIM - COVER/WATER HEATER |
| 13 | 139793-01-01A | EA | HINGE - RIGHT HAND/VALANCE DOOR - W/BALLSTUD FROM: 11-12-01 THRU: 99-99-99 |
| 14 | 139793-05-01A | EA | HINGE - LEFT HAND/VALANCE DOOR - W/O BALLSTUD FROM: 11-12-01 THRU: 99-99-99 |
| 15 | 119568-01-01A | EA | STANDOFF - VALANCE PANEL - BLACK |

EXTERIOR DOORS & COMPARTMENTS GROUP (CONTINUED)
COMPARTMENT DOOR PIECE PARTS (CONTINUED)



| KEY | PART NUMBER | U/M | DESCRIPTION | |
|--|--------------------|------------|--|-------------------------------|
| 1 | 139325-01-000 | EA | SPACER - LOCK - 6MM | |
| | | | | FROM: 05-01-01 THRU: 99-99-99 |
| | 139337-01-000 | EA | GASKET - LOCK | |
| | | | | FROM: 05-01-01 THRU: 99-99-99 |
| 2 | 097111-02-04A | EA | POCKET - LOCK REAR DOOR BLACK | |
| 3 | 081801-V3-000 | EA | HINGE - ALUMINUM - 2" X 96" - BRIGHT WHITE | |
| 4 | 106850-02-000 | FT | SEAL-E - SPONGE RUBBER - .43" X .75" | |
| LOCK ASSEMBLY USED UP TO 04-30-01 | | | | |
| 5* | 110506-26-000 | EA | LOCK ASM-KEYED,40.26MM- | |
| | 110506-54-000 | EA | CASE/CYLINDER - LOCKING - W/O CAM/KEY - 1.25î - 703170 | |
| | 110506-54-001 | EA | CASE/CYLINDER - LOCKING - W/O CAM/KEY - 1.25î - 703171 | |
| | 110506-54-002 | EA | CASE/CYLINDER - LOCKING - W/O CAM/KEY - 1.25î - 703172 | |
| | 110506-54-003 | EA | CASE/CYLINDER - LOCKING - W/O CAM/KEY - 1.25î - 703173 | |
| | 110506-54-004 | EA | CASE/CYLINDER - LOCKING - W/O CAM/KEY - 1.25î - 703174 | |
| | 110506-54-005 | EA | CASE/CYLINDER - LOCKING - W/O CAM/KEY - 1.25î - 703175 | |
| | 110506-54-006 | EA | CASE/CYLINDER - LOCKING - W/O CAM/KEY - 1.25î - 703176 | |
| | 110506-54-007 | EA | CASE/CYLINDER - LOCKING - W/O CAM/KEY - 1.25î - 703177 | |
| | 110506-54-008 | EA | CASE/CYLINDER - LOCKING - W/O CAM/KEY - 1.25î - 703178 | |
| | 110506-54-009 | EA | CASE/CYLINDER - LOCKING - W/O CAM/KEY - 1.25î - 703179 | |
| | 110506-66-000 | EA | CAM - LATCHING - DOG LEGGED 1.5î LONG | |
| LOCK ASSEMBLY USED AFTER 05-01-01 | | | | |
| 5 | 138290-02-000 | EA | CASE - W/CAM - W/O CYLINDER/KEY | |
| *COMPONENT PARTS LISTED LATER IN THIS GROUP | | | | |

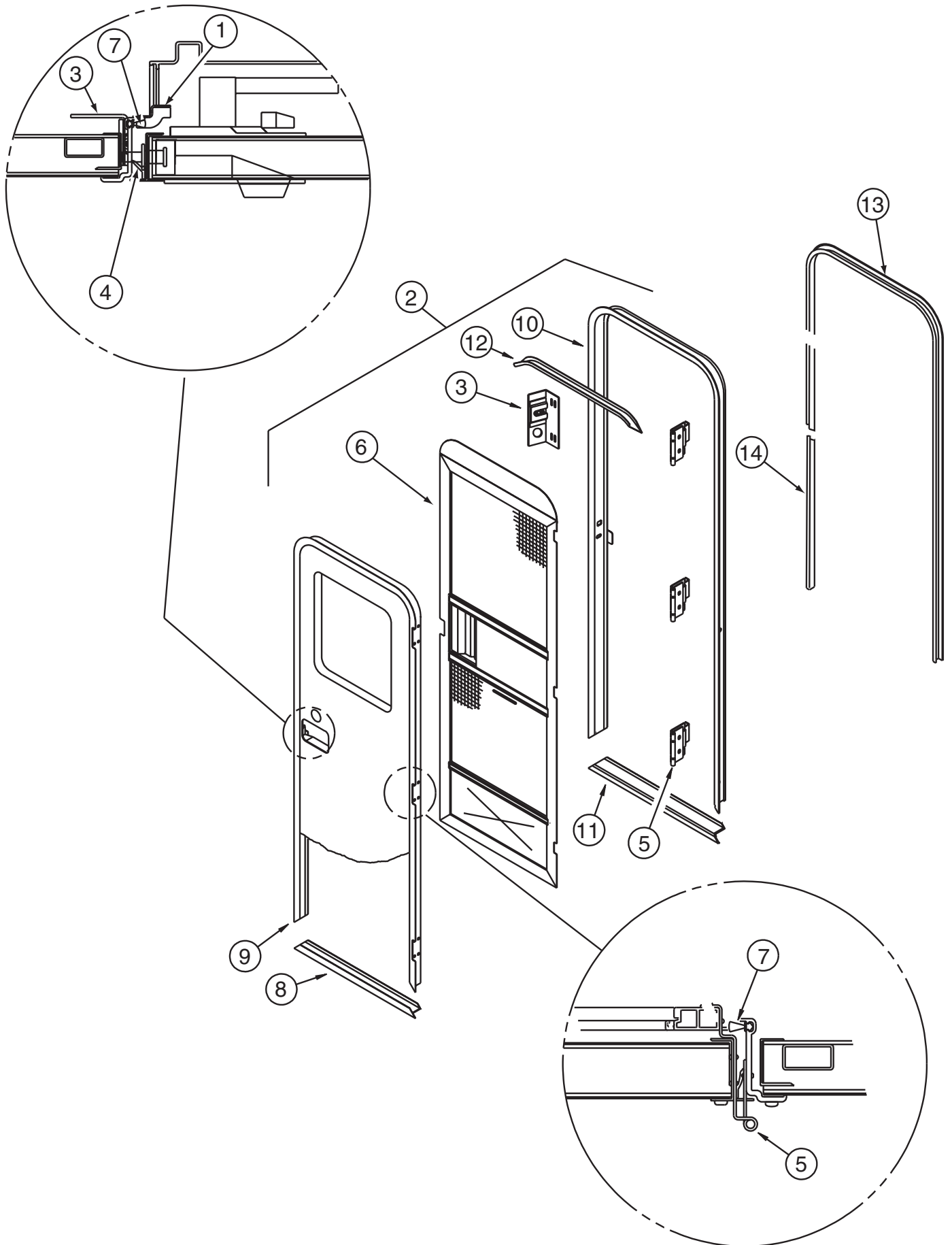
EXTERIOR DOORS & COMPARTMENTS GROUP (CONTINUED)
COMPONENT PARTS FOR COMPARTMENT DOOR PIECE PARTS

110506-26-000 - 110506-27-000 - 110506-33-000

| KEY | PART NUMBER | U/M | DESCRIPTION | VENDOR NO . |
|------------|--------------------|------------|--------------------------------|--------------------|
| | 110506-40-700 | EA | HARDWARE PACKAGE-CYLINDER/CASE | 596950AAL |

EXTERIOR DOORS & COMPARTMENTS GROUP (CONTINUED)

ENTRY



EXTERIOR DOORS & COMPARTMENTS GROUP (CONTINUED)
ENTRY (CONTINUED)

| KEY | PART NUMBER | U/M | DESCRIPTION |
|------------|--------------------|------------|---|
| 1 | 132915-01-01A | EA | LATCH - SCREEN DOOR |
| 2 | P32206-08-N43 | EA | DOOR - ENTRY W/SCREEN DOOR - W/O WINDOW/LATCH (N30) |
| 2 | P32206-08-N31 | EA | DOOR - ENTRY W/SCREEN DOOR - W/O WINDOW/LATCH (N31) |
| 2 | P32206-08-N32 | EA | DOOR - ENTRY W/SCREEN DOOR - W/O WINDOW/LATCH (N32) |
| 3 | 137401-01-03B | EA | BRACKET - DOOR ANGLE - OFF WHITE |
| 4 | 075671-04-000 | FT | SEAL - SPONGE - LAZY T - W/ADHESIVE STRIP - .5" WIDE |
| 5 | 106719-01-05A | EA | HINGE - ENTRY DOOR - BRIGHT WHITE |
| | 106719-01-01A | EA | HINGE - ENTRY DOOR - MILL |
| | 039715-01-000 | EA | NUT-SERT - 1/4" DIAMETER - 20 THREADS |
| | 116111-02-01A | EA | SCREW - TAPTITE - 1/4-20 X 3/8 PPH - ZINC |
| 6 | 132208-02-L32 | EA | DOOR - SCREEN - W/O HARDWARE |
| 7 | 118929-01-01A | FT | SEAL - PILE - PUSH ON |
| 8 | 121893-03-02A | EA | FRAME - ENTRY DOOR/LOWER - BRIGHT WHITE |
| 9 | 121894-16-01A | EA | FRAME - ENTRY DOOR - BRIGHT WHITE |
| 10 | 121898-14-01A | EA | JAMB - ENTRY DOOR |
| 11 | 051049-05-000 | EA | JAMB/DOOR - LOWER - ENTRY DOOR |
| | 075673-05-000 | FT | SEAL - PILE - ADHESIVE BACK - BLACK |
| 12 | 044582-50-000 | EA | CAP - DRIP - JAMB MITERED - BRIGHT WHITE |
| 13 | 137837-01-02A | EA | GARNISH - RADIUS CORNERED - ENTRANCE DOOR - BRIGHT WHITE FROM: 00-00-00 THRU: 04-29-01 |
| 13 | 139100-01-01A | EA | GARNISH/RADIUS - ENTRY DOOR - BRIGHT WHITE FROM: 04-30-01 THRU: 99-99-99 |
| 14 | 137866-01-01A | EA | GARNISH - STRAIGHT/ENTRY DOOR - BRIGHT WHITE - 36" FROM: 00-00-00 THRU: 04-29-01 |
| 14 | 139101-01-01A | EA | GARNISH/STRAIGHT - 36.31" - W/NOTCH - BRIGHT WHITE FROM: 04-30-01 THRU: 99-99-99 |

EXTERIOR DOORS & COMPARTMENTS GROUP (CONTINUED)
ENTRY (CONTINUED)

KEY PART NUMBER U/M DESCRIPTION

LOCK ASSEMBLY USED UP TO 04-30-01

| | | | |
|---|---------------|----|--|
| * | 129676-01-000 | EA | KEY - T/M 14472-07-1431 |
| * | 129676-02-000 | EA | KEY - T/M 14472-07-1432 |
| * | 129676-03-000 | EA | KEY - T/M 14472-07-1433 |
| * | 129676-04-000 | EA | KEY - T/M 14472-07-1434 |
| * | 129676-05-000 | EA | KEY - T/M 14472-07-1435 |
| * | 129676-06-000 | EA | KEY - T/M 14472-07-1436 |
| * | 129676-07-000 | EA | KEY - T/M 14472-07-1437 |
| * | 129676-08-000 | EA | KEY - T/M 14472-07-1438 |
| * | 129676-09-000 | EA | KEY - T/M 14472-07-1439 |
| * | 129676-10-000 | EA | KEY - T/M 14472-07-1440 |
| | 129685-01-000 | EA | CYLINDER - LOCK ASSEMBLY - ENTRANCE DOOR (J) |
| | 129685-02-000 | EA | CYLINDER - LOCK ASSEMBLY - ENTRANCE DOOR (J) |
| | 129685-03-000 | EA | CYLINDER - LOCK ASSEMBLY - ENTRANCE DOOR (J) |
| | 129685-04-000 | EA | CYLINDER - LOCK ASSEMBLY - ENTRANCE DOOR (J) |
| | 129685-05-000 | EA | CYLINDER - LOCK ASSEMBLY - ENTRANCE DOOR (J) |
| | 129685-06-000 | EA | CYLINDER - LOCK ASSEMBLY - ENTRANCE DOOR (J) |
| | 129685-07-000 | EA | CYLINDER - LOCK ASSEMBLY - ENTRANCE DOOR (J) |
| | 129685-08-000 | EA | CYLINDER - LOCK ASSEMBLY - ENTRANCE DOOR (J) |
| | 129685-09-000 | EA | CYLINDER - LOCK ASSEMBLY - ENTRANCE DOOR (J) |
| | 129685-10-000 | EA | CYLINDER - LOCK ASSEMBLY - ENTRANCE DOOR (J) |

LOCK ASSEMBLY USED AFTER 05-01-01

| | | | |
|--|---------------|----|--|
| | 138288-01-000 | EA | KEY - REVERSIBLE - #1151 - T/M 16169-02-3091 |
| | 138288-02-000 | EA | KEY - REVERSIBLE - #1152 - T/M 16169-02-3092 |
| | 138288-03-000 | EA | KEY - REVERSIBLE - #1153 - T/M 16169-02-3093 |
| | 138288-04-000 | EA | KEY - REVERSIBLE - #1154 - T/M 16169-02-3094 |
| | 138288-05-000 | EA | KEY - REVERSIBLE - #1155 - T/M 16169-02-3095 |
| | 138288-06-000 | EA | KEY - REVERSIBLE - #1156 - T/M 16169-02-3096 |
| | 138288-07-000 | EA | KEY - REVERSIBLE - #1157 - T/M 16169-02-3097 |
| | 138288-08-000 | EA | KEY - REVERSIBLE - #1158 - T/M 16169-02-3098 |
| | 138288-09-000 | EA | KEY - REVERSIBLE - #1159 - T/M 16169-02-3099 |
| | 138288-10-000 | EA | KEY - REVERSIBLE - #1150 - T/M 16169-02-3100 |
| | 138292-01-000 | EA | SEAL - LOCK CYLINDER |
| | 138287-01-000 | EA | CYLINDER/LOCK - ENTRY DOOR (MASTER) |
| | 138287-02-000 | EA | CYLINDER/LOCK - ENTRY DOOR (MASTER) |
| | 138287-03-000 | EA | CYLINDER/LOCK - ENTRY DOOR (MASTER) |
| | 138287-04-000 | EA | CYLINDER/LOCK - ENTRY DOOR (MASTER) |
| | 138287-05-000 | EA | CYLINDER/LOCK - ENTRY DOOR (MASTER) |
| | 138287-06-000 | EA | CYLINDER/LOCK - ENTRY DOOR (MASTER) |
| | 138287-07-000 | EA | CYLINDER/LOCK - ENTRY DOOR (MASTER) |
| | 138287-08-000 | EA | CYLINDER/LOCK - ENTRY DOOR (MASTER) |
| | 138287-09-000 | EA | CYLINDER/LOCK - ENTRY DOOR (MASTER) |
| | 138287-10-000 | EA | CYLINDER/LOCK - ENTRY DOOR (MASTER) |

***COMPONENT PARTS LISTED LATER IN THIS GROUP**

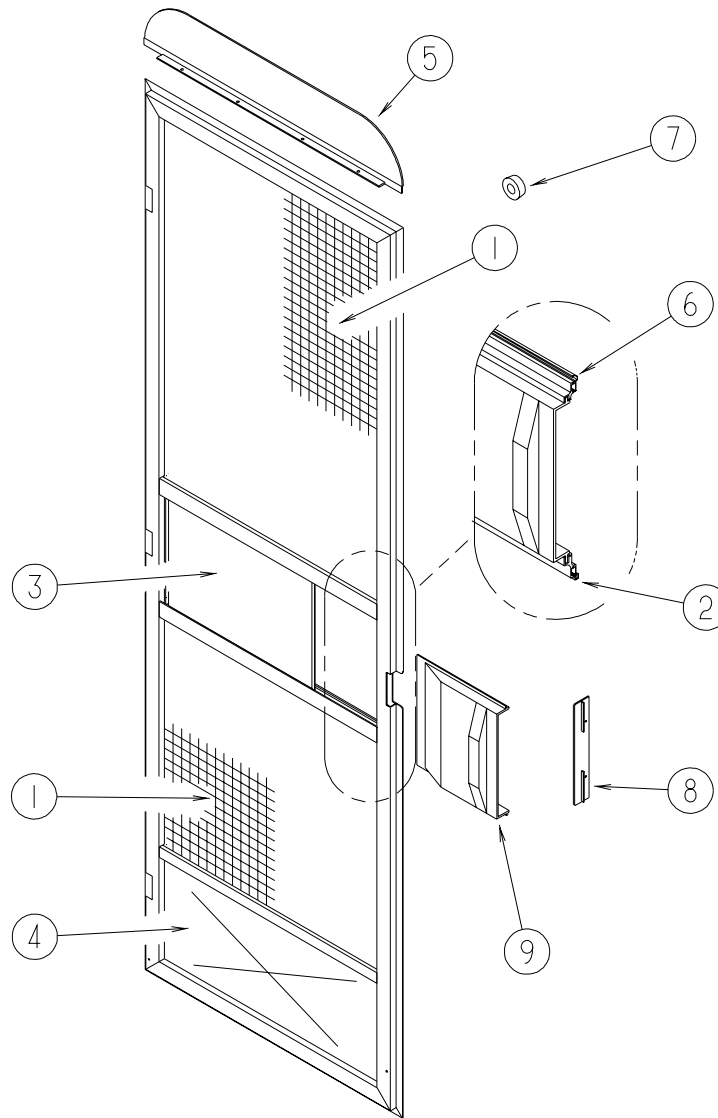
EXTERIOR DOORS & COMPARTMENTS GROUP (CONTINUED)

COMPONENT PARTS FOR ENTRY

129676-01-000 THRU 129676-10-000

| KEY | PART NUMBER | U/M | DESCRIPTION | VENDOR NO . |
|-----|---------------|-----|--------------------|----------------|
| | 129685-01-701 | EA | KEY - BLANK KS 150 | 144472-07-2001 |

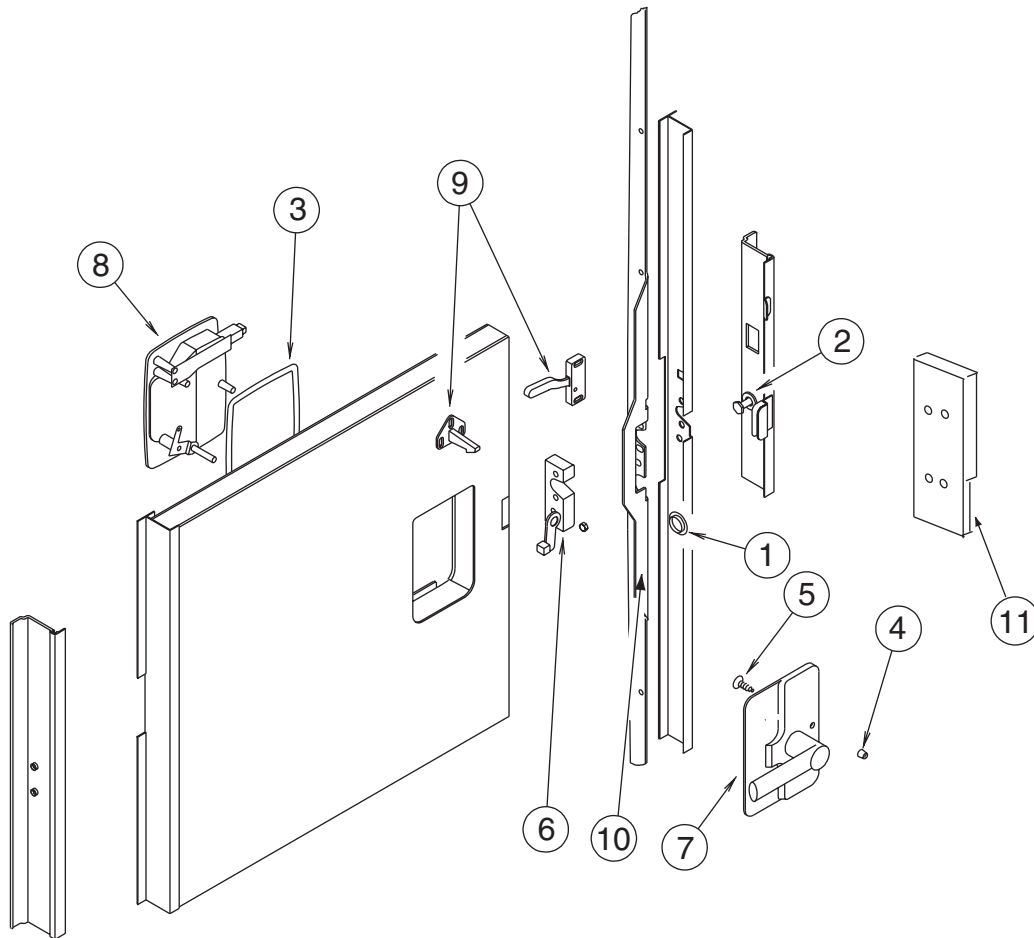
EXTERIOR DOORS & COMPARTMENTS GROUP (CONTINUED)
SCREEN



| KEY | PART NUMBER | U/M | DESCRIPTION |
|-----|---------------|-----|--|
| | 132208-02-L32 | EA | DOOR - SCREEN - W/O HARDWARE |
| 1 | 002293-02-000 | SF | SCREEN - 26" - CHARCOAL |
| 2 | 002294-01-000 | FT | SPLINE - SCREENING - .13" X .14" |
| 3 | 016454-18-000 | EA | INSERT - SCREEN DOOR - CENTER |
| 4 | 078552-09-000 | EA | INSERT - SCREEN DOOR - LOWER |
| 5 | 078595-03-000 | EA | PLATE - SCREEN DOOR |
| 6 | 078777-08-000 | FT | CHANNEL - SLIDER |
| 7 | 120863-06-000 | EA | BUMPER - RUBBER - 3/4" X 3/8" |
| 8 | 132081-01-01A | EA | STRIKE - SLIDER - SCREEN DOOR - BRIGHT WHITE |
| 9 | 132082-01-01A | EA | SLIDER - SCREEN DOOR - BRIGHT WHITE |

EXTERIOR DOORS & COMPARTMENTS GROUP (CONTINUED)

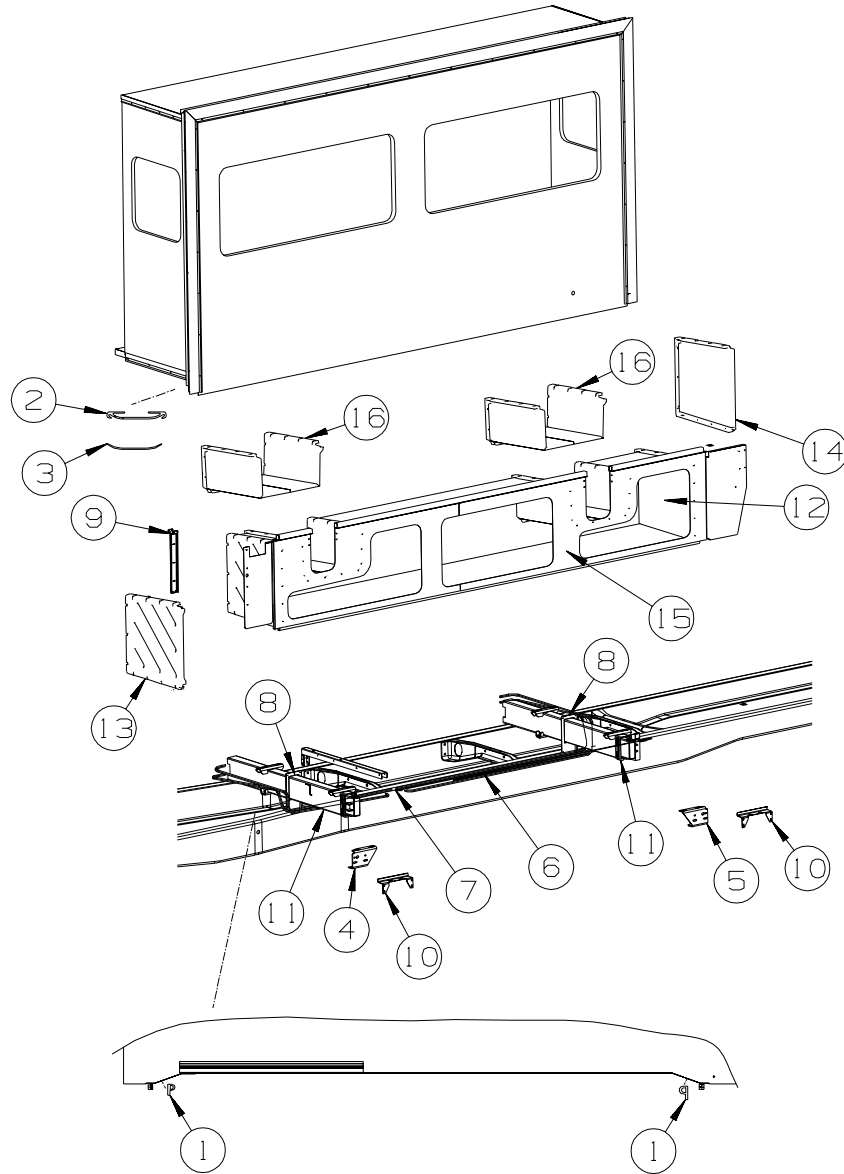
LATCH - ENTRY



| KEY | PART NUMBER | U/M | DESCRIPTION |
|-----|---------------|-----|--|
| 1 | 061420-14-000 | EA | PLUG/PLASTIC - .034" DIAMETER |
| 2 | 092927-14-000 | EA | STRIKER - ROUND - JAMB MOUNTED |
| 3 | 112782-04-01A | EA | GASKET |
| 4 | 112782-05-01A | EA | CAP - VINYL - RED |
| 5 | 112782-08-01A | EA | SCREW - MOUNTING/PLATE - ZINC |
| 6 | 112782-15-01A | EA | LATCH - SINGLE ROTOR |
| 7 | 112782-16-01A | EA | LATCH - INTERIOR PLATE |
| 8 | 112782-17-01A | EA | LATCH - EXTERIOR - W/O CYLINDER - W/ICON |
| | | | FROM: 00-00-00 THRU: 04-30-01 |
| 8 | 112782-18-01A | EA | LATCH - EXTERIOR - W/O LOCK CYLINDER W/ICON-REVERSIBLE KEY |
| | | | FROM: 05-01-01 THRU: 99-99-99 |
| 9 | 132915-01-01A | EA | LATCH - SCREEN DOOR |
| 10 | 132207-01-02B | EA | STIFFENER/DOOR - FORMED - E-COATED |
| | 072893-04-000 | EA | NUTSERT - 10-32 |
| 11 | 077461-07-000 | EA | COVER/BRACKET - STRIKE - OFF WHITE |
| | | | FROM: 00-00-00 THRU: 05-31-01 |
| 11 | 139102-01-01A | EA | COVER - BRACKET - STRIKE - BRIGHT WHITE |
| | | | FROM: 06-01-01 THRU: 99-99-99 |

EXTERIOR SLIDEOUT GROUP

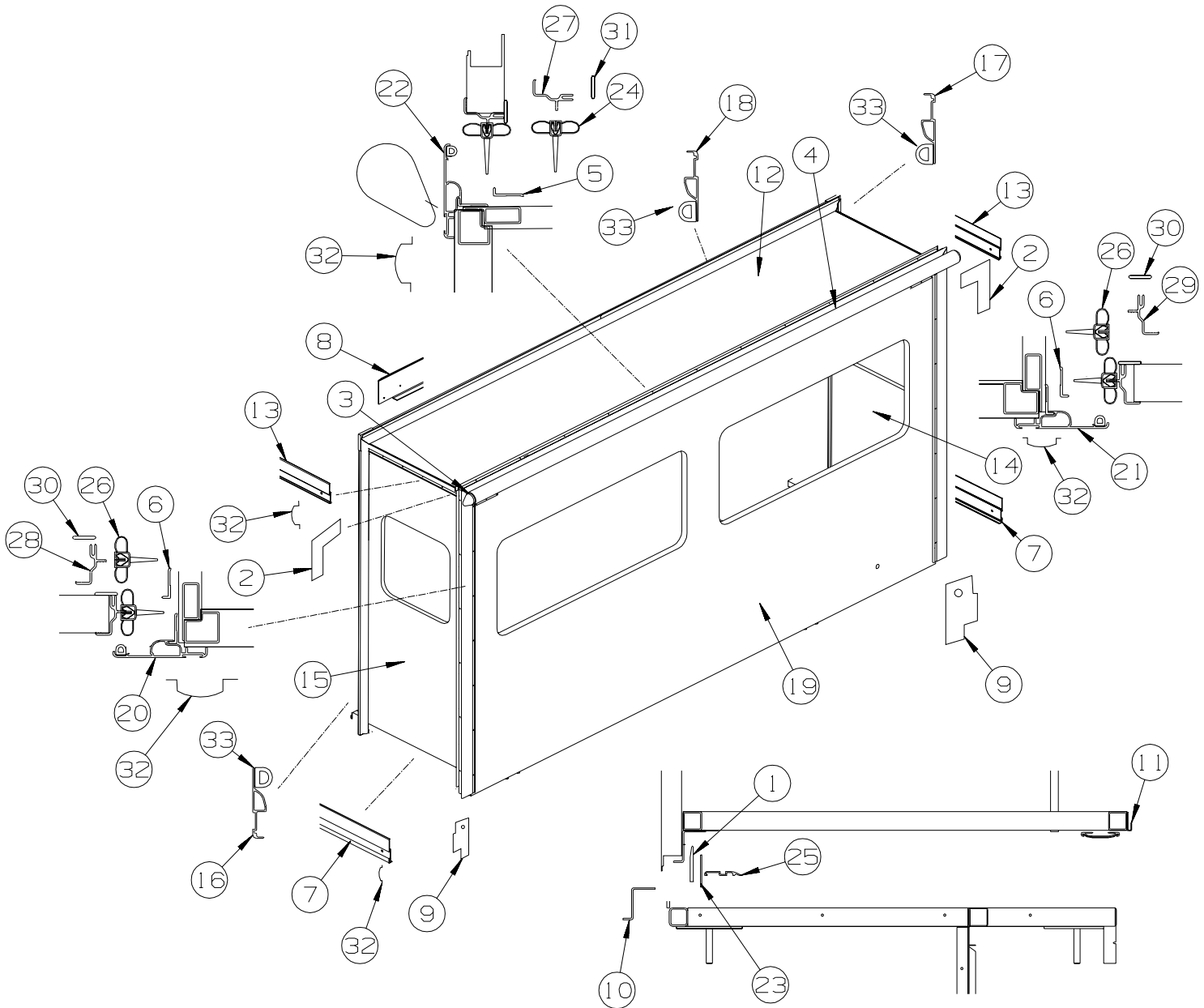
FRONT LEFT



| KEY | PART NUMBER | U/M | DESCRIPTION |
|-----|---------------|-----|--|
| 1 | 121283-01-000 | FT | SEAL - P SHAPED |
| 2 | 115325-04-02A | EA | RAIL - FLOOR/SLIDEOUT ROOM - BLACK |
| 3 | 115661-01-000 | FT | SHOE/GLIDE - SLIDEOUT ROOM - 1/16" X 3" - POLYETHYLENE |
| 4 | 127030-01-02B | EA | BRACKET - INNER FRONT/SLIDEOUT - E-COATED |
| 5 | 127030-02-02B | EA | BRACKET - INNER REAR/MOUNT - E-COATED |
| 6* | 100536-42-000 | EA | HOSE KIT - PUMP TO SLIDE-OUT VALVE |
| 7 | 123264-01-000 | EA | TEE - UNION - 1/4" X 1/4" X 1/4" |
| 8 | 125828-02-02B | EA | FILLER/STEEL - SLIDEOUT - E-COATED |
| 9 | 126591-01-02B | EA | CARRIER - WIRE LOOM - SLIDEOUT |
| 10 | 128386-01-02B | EA | BRACKET - SLIDEOUT/COMPARTMENT - E-COATED |
| | | | FROM: 00-00-00 THRU: 04-09-01 |
| 10 | 128386-02-02B | EA | BRACKET - SLIDEOUT COMPARTMENT - E-COATED |
| | | | FROM: 04-10-01 THRU: 99-99-99 |
| 11* | 132540-01-000 | EA | SLIDEOUT - HYDRAULIC |
| | | | FROM: 00-00-00 THRU: 07-08-01 |
| 11* | 140122-01-000 | EA | SLIDEOUT - HYDRAULIC - 29.12" |
| | | | FROM: 07-09-01 THRU: 99-99-99 |
| 12 | 137172-01-N42 | EA | COMPARTMENT - SLIDEOUT |
| 13 | 137030-01-01A | EA | END CAP - COMPARTMENT/RIGHT HAND |
| 14 | 137030-02-01A | EA | END CAP - COMPARTMENT/LEFT HAND |
| 15 | 137173-01-02B | EA | SEAL PLANE - E-COATED |
| 16 | 137290-01-01A | EA | CAP - COMPARTMENT - FOLDING |

*COMPONENT PARTS LISTED LATER IN THIS GROUP

EXTERIOR SLIDEOUT GROUP (CONTINUED)
FRONT LEFT (CONTINUED)

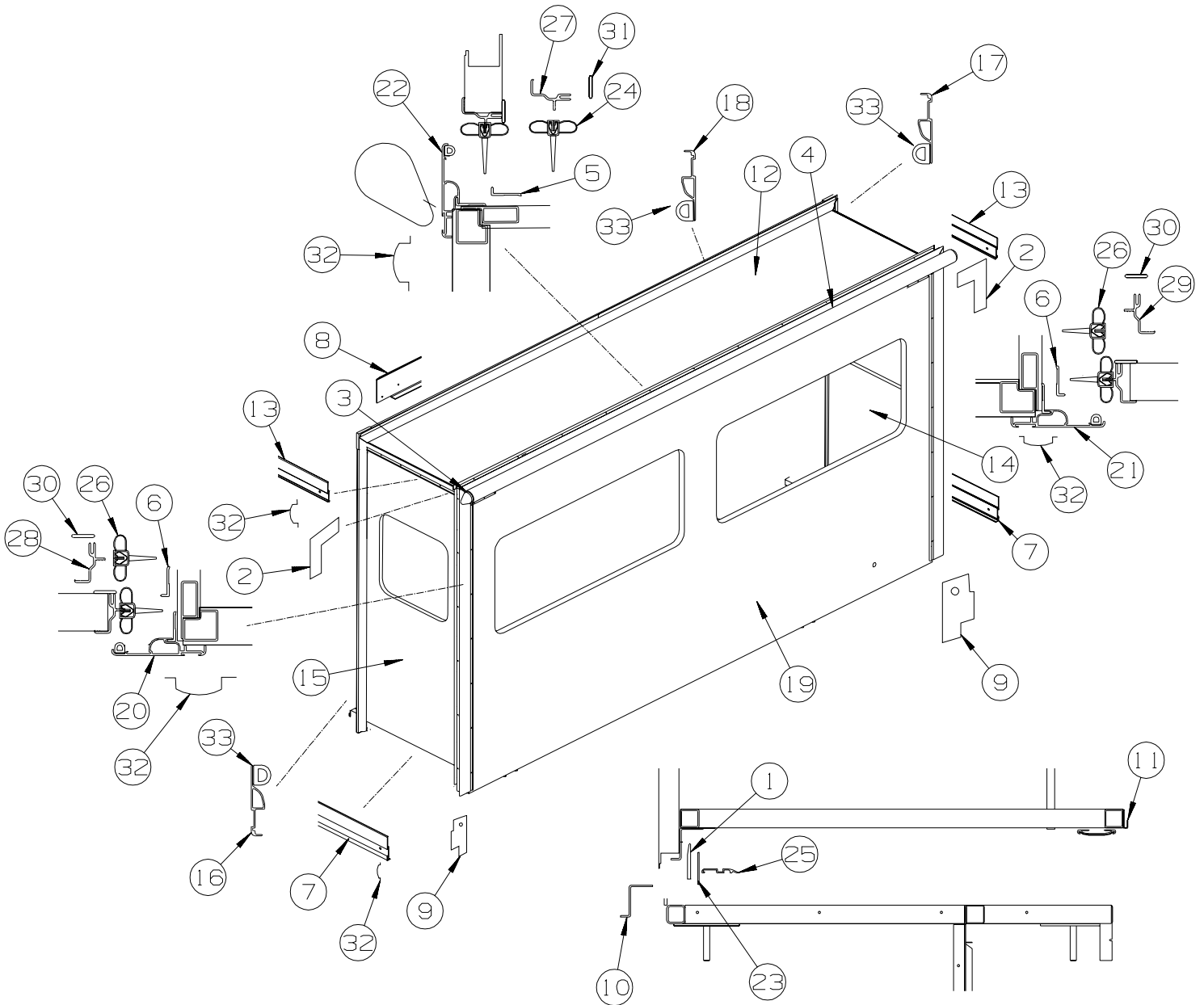


| KEY | PART NUMBER | U/M | DESCRIPTION |
|-----|---------------|-----|---|
| 1 | 115075-03-000 | FT | SEAL - WIPE - .25" X 2.9" |
| | | | FROM: 03-19-01 THRU: 99-99-99 |
| 2 | 116444-02-12B | EA | TRIM/KEY CORNER - SLIDEOUT - 3.1"X3.1" - BRT WHT |
| | | | FROM: 00-00-00 THRU: 04-29-01 |
| 2 | 116444-04-12B | EA | TRIM/KEY CORNER - SLIDEOUT - 3.1"X3.1" - BRT WHT |
| | | | FROM: 04-30-01 THRU: 99-99-99 |
| 3 | 117058-01-01A | FT | TAPE - LOOP - 3/4" WIDE - ADHESIVE BACKED |
| 4 | 122977-07-03A | EA | AWNING/SLIDEOUT W/COVER - 147" - WHITE - VINYL/VINYL WRAP |
| 5 | 133954-07-01A | EA | TRIM/SEAL - W/MITERED ENDS - 141.8" - BRIGHT WHITE |
| 6 | 133954-09-01A | EA | TRIM/SEAL - W/MITERED ENDS - 71.6" - BRIGHT WHITE |
| 7 | 125051-03-01A | EA | STRIP - FEATURE - LOWER - 29.2" - BRIGHT WHITE |
| | 075673-05-000 | FT | SEAL - PILE - ADHESIVE BACK - BLACK |
| 8 | 125466-02-02A | EA | SUPPORT - ROOF/INTERIOR - BRIGHT WHITE |
| 9 | 126546-01-02A | EA | COVER - END/SIDEWALL SLIDEOUT - BRIGHT WHITE |
| 10 | 128621-14-01A | EA | BRACKET/ZEE - SLIDEOUT - 140.4" |
| | | | FROM: 00-00-00 THRU: 04-18-01 |
| 10 | 128621-23-01A | EA | BRACKET/ZEE - SLIDEOUT - 140.4" - MILL |
| | | | FROM: 04-19-01 THRU: 99-99-99 |
| 11 | 136839-03-01A | EA | TRIM-J - CARPET EDGE/SLIDEOUT - 69.6" - BLACK |
| 12 | 137383-01-N42 | EA | ROOF - F/SLIDEOUT |
| 13 | 138659-01-01A | EA | TRIM/FEATURE STRIP - 181.7" - BRIGHT WHITE |

EXTERIOR SLIDEOUT GROUP (CONTINUED)
FRONT LEFT (CONTINUED)

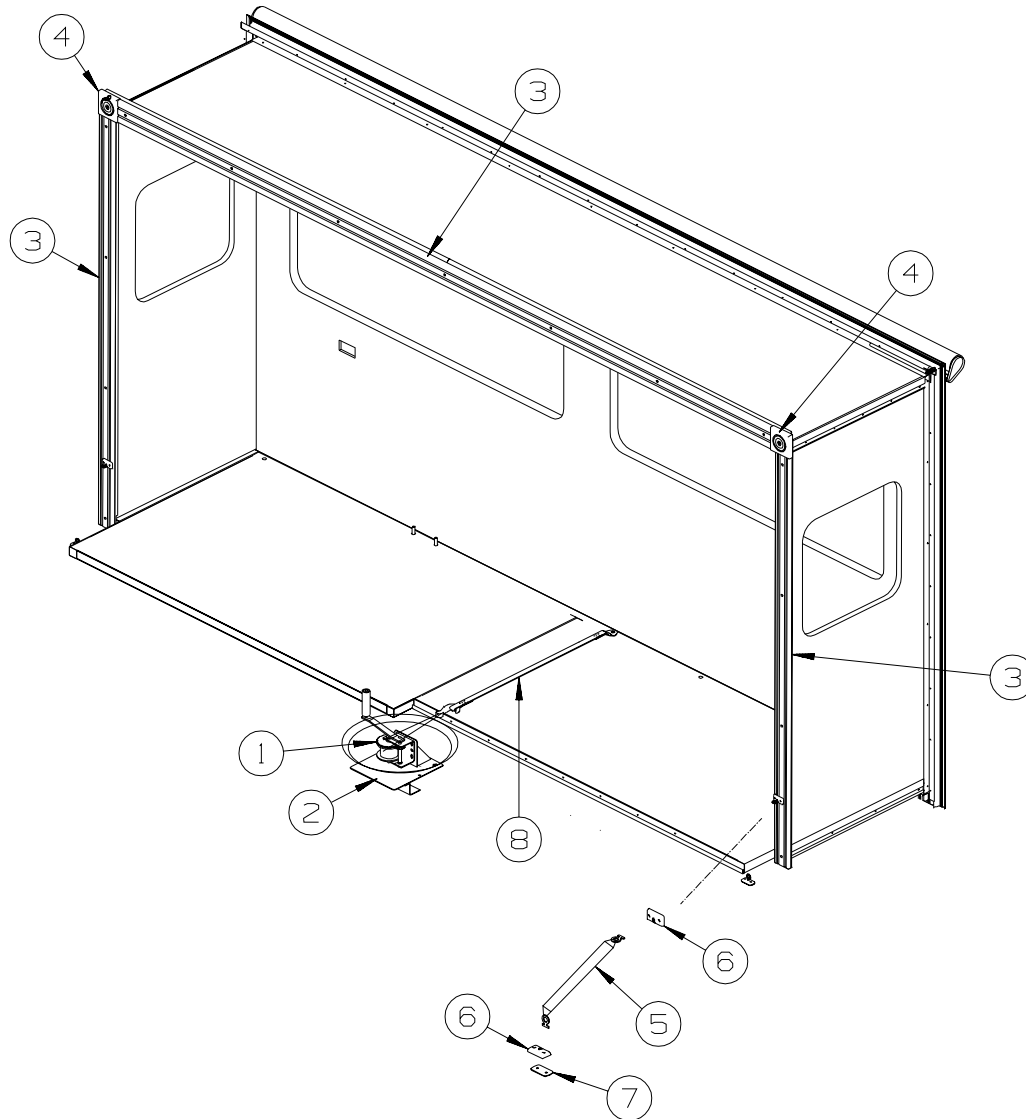
| KEY | PART NUMBER | U/M | DESCRIPTION |
|-----|---------------|-----|--|
| 14 | 139153-01-N30 | EA | PANEL/WALL - SLIDEOUT - FRONT |
| 14 | 139153-01-N31 | EA | PANEL/WALL - SLIDEOUT - FRONT |
| 14 | 139153-01-N32 | EA | PANEL/WALL - SLIDEOUT - FRONT |
| 15 | 139154-01-N30 | EA | PANEL/WALL - SLIDEOUT - REAR |
| 15 | 139154-01-N31 | EA | PANEL/WALL - SLIDEOUT - REAR |
| 15 | 139154-01-N32 | EA | PANEL/WALL - SLIDEOUT - REAR |
| 16 | 117004-01-03A | EA | TRIM - SEAL/INNER/RT HAND-W/MITERED END - 73.5" - BRT/WHT FROM: 00-00-00 THRU: 10-21-01 |
| 16 | 139624-01-01A | EA | TRIM/SEAL - INNER/RIGHT HAND - 73.4" - BRIGHT WHITE FROM: 10-22-01 THRU: 99-99-99 |
| 17 | 117004-02-03A | EA | TRIM - SEAL/INNER/LT HAND-W/MITERED END - 73.5" - BRT/WHT FROM: 00-00-00 THRU: 10-21-01 |
| 17 | 139624-02-01A | EA | TRIM/SEAL - INNER/LEFT HAND - 73.4" - BRIGHT WHITE FROM: 10-22-01 THRU: 99-99-99 |
| 18 | 117004-08-03A | EA | TRIM - SEAL/INNER UPPER-W/MITERED ENDS-145"-BRIGHT WHITE FROM: 00-00-00 THRU: 10-21-01 |
| 18 | 139624-06-01A | EA | TRIM/SEAL - INNER/TOP - 145.2" - BRIGHT WHITE FROM: 10-22-01 THRU: 99-99-99 |
| 19 | 138435-11-N30 | EA | SLUG - SLIDEOUT FROM: 00-00-00 THRU: 10-21-01 |
| 19 | 140136-11-N30 | EA | SLUG - SLIDEOUT FROM: 10-22-01 THRU: 99-99-99 |
| 19 | 138435-11-N31 | EA | SLUG - SLIDEOUT FROM: 00-00-00 THRU: 10-21-01 |
| 19 | 140136-11-N31 | EA | SLUG - SLIDEOUT FROM: 10-22-01 THRU: 99-99-99 |
| 19 | 138435-11-N32 | EA | SLUG - SLIDEOUT FROM: 00-00-00 THRU: 10-21-01 |
| 19 | 140136-11-N32 | EA | SLUG - SLIDEOUT FROM: 10-22-01 THRU: 99-99-99 |
| 20 | 133955-11-01A | EA | TRIM/SEAL - W/MITERED ENDS - 76.4" - BRIGHT WHITE FROM: 00-00-00 THRU: 10-21-01 |
| 20 | 139625-01-01A | EA | TRIM/SEAL - LEFT HAND - 76.4" - BRIGHT WHITE FROM: 10-22-01 THRU: 99-99-99 |
| 21 | 133955-12-01A | EA | TRIM/SEAL - W/MITERED ENDS - 76.4" - BRIGHT WHITE FROM: 00-00-00 THRU: 10-21-01 |
| 21 | 139625-02-01A | EA | TRIM/SEAL - RIGHT HAND - 76.4" - BRIGHT WHITE FROM: 10-22-01 THRU: 99-99-99 |
| 22 | 133955-07-01A | EA | TRIM/SEAL - W/MITERED ENDS - 147" - BRIGHT WHITE FROM: 00-00-00 THRU: 10-21-01 |
| 22 | 139625-06-01A | EA | TRIM/SEAL - TOP/W/MITERED ENDS - 147" - BRIGHT WHITE FROM: 10-22-01 THRU: 99-99-99 |
| 23 | 136824-05-01A | EA | TRIM - SIDEWALL/SLIDEOUT - 146.4" - BRIGHT WHITE |
| 24 | 136978-01-01A | FT | SEAL - SLIDEOUT - BLACK |
| 25 | 142549-01-000 | EA | CLIP - S TYPE FROM: 04-29-02 THRU: 99-99-99 |
| 26 | 136824-01-01A | EA | TRIM - SIDEWALL/SLIDEOUT - 74.9" - BRIGHT WHITE |
| 27 | 115863-12-01A | EA | TRIM - SIDEWALL/SLIDEOUT - TOP - 146" - BRIGHT WHITE FROM: 00-00-00 THRU: 10-21-01 |
| 27 | 136823-04-01A | EA | TRIM - SIDEWALL/SLIDEOUT - 146.7" - BRIGHT WHITE FROM: 10-22-01 THRU: 04-28-02 |
| 27 | 142719-01-01A | EA | TRIM/SIDEWALL - TOP/SLIDEOUT - 146.7" - BRIGHT WHITE FROM: 04-29-02 THRU: 99-99-99 |
| 28 | 115863-18-01A | EA | TRIM - SIDEWALL/SLIDEOUT - RIGHT HAND - 76.1" - BRT WHT FROM: 00-00-00 THRU: 10-21-01 |
| 28 | 139474-01-01A | EA | TRIM - SIDEWALL/SLIDEOUT - 74.9" - BRIGHT WHITE FROM: 10-22-01 THRU: 04-28-02 |
| 28 | 142720-01-01A | EA | TRIM - SIDEWALL/SLIDEOUT - 74.8" - BRIGHT WHITE FROM: 04-29-02 THRU: 99-99-99 |

EXTERIOR SLIDEOUT GROUP (CONTINUED)
FRONT LEFT (CONTINUED)



| KEY | PART NUMBER | U/M | DESCRIPTION |
|-----|---------------|-----|---|
| 29 | 115863-17-01A | EA | TRIM - SIDEWALL/SLIDEOUT - LEFT HAND - 76.1" - BRT WHT FROM: 00-00-00 THRU: 10-21-01 |
| 29 | 139474-02-01A | EA | TRIM - SIDEWALL/SLIDEOUT - 74.9" - BRIGHT WHITE FROM: 10-22-01 THRU: 04-28-02 |
| 29 | 142720-02-01A | EA | TRIM - SIDEWALL/SLIDEOUT - 74.8" - BRIGHT WHITE FROM: 04-29-02 THRU: 99-99-99 |
| 30 | 115886-02-03A | EA | RETAINER - SIDEWALL - BRIGHT WHITE - 73.5" FROM: 00-00-00 THRU: 10-21-01 |
| 30 | 136825-01-01A | EA | RETAINER/SIDEWALL - SLIDEOUT - 72.8" - MILL FROM: 10-22-01 THRU: 04-28-02 |
| 30 | 142718-01-01A | EA | RETAINER - SIDEWALL/SLIDEOUT - 72.8" - MILL FROM: 04-29-02 THRU: 99-99-99 |
| 31 | 115886-05-01A | EA | RETAINER - SIDEWALL - BRIGHT WHITE - 146.5" FROM: 00-00-00 THRU: 10-21-01 |
| 31 | 139476-04-01A | EA | RETAINER - SIDEWALL/SLIDEOUT - 144.9" - MILL FROM: 10-22-01 THRU: 04-28-02 |
| 31 | 142718-02-01A | EA | RETAINER - SIDEWALL/SLIDEOUT - 144.9" - MILL FROM: 04-29-02 THRU: 99-99-99 |
| 32 | 105312-01-07A | FT | INSERT - FEATURE STRIP - VINYL - BRIGHT WHITE |
| 33 | 112091-01-000 | FT | SEAL/D - NEOPRENE - HEAT ACTIVE ADHESIVE - .9" |
| 34 | 134837-01-01A | EA | RAMP - SLIDEOUT - BLACK PVC |

EXTERIOR SLIDEOUT GROUP (CONTINUED)
FRONT LEFT (CONTINUED)



| KEY | PART NUMBER | U/M | DESCRIPTION |
|-----|---------------|-----|---|
| 1 | 115767-02-000 | EA | WINCH - SLIDEOUT W/10' STRAP |
| 2 | 116082-03-02B | EA | BRACKET - WINCH |
| 3 | 132663-03-08A | EA | MOLDING-VINYL WRAP/PRE DRILLED-.6"X3.8"X150.6"PRTSM OAK |
| 4 | 132844-01-08A | EA | BLOCK - CORNER - 3.9" X 3.9" - PORTSMOUTH OAK |
| 5 | 135619-01-01A | EA | STRAP - TIEDOWN - SLIDEOUT ROOM |
| 6 | 135619-02-01A | EA | PLATE - TIEDOWN - SLIDEOUT ROOM |
| 7 | 135622-01-01B | EA | PLATE - TIEDOWN - SLIDEOUT ROOM |
| 8 | 116101-02-F31 | EA | STRAP - WINCH - 34" CENTER BRACKET/STRAP END |

EXTERIOR SLIDEOUT GROUP (CONTINUED)
COMPONENT PARTS FOR FRONT LEFT

100536-42-000

| KEY | PART NUMBER | U/M | DESCRIPTION | VENDOR NO. |
|------------|--------------------|------------|-------------------------|-------------------|
| | 100536-42-700 | EA | HOSE - HYDRAULIC - 168" | RAP6115 |
| | 100536-42-701 | EA | HOSE - HYDRAULIC - 175" | RAP90350 |

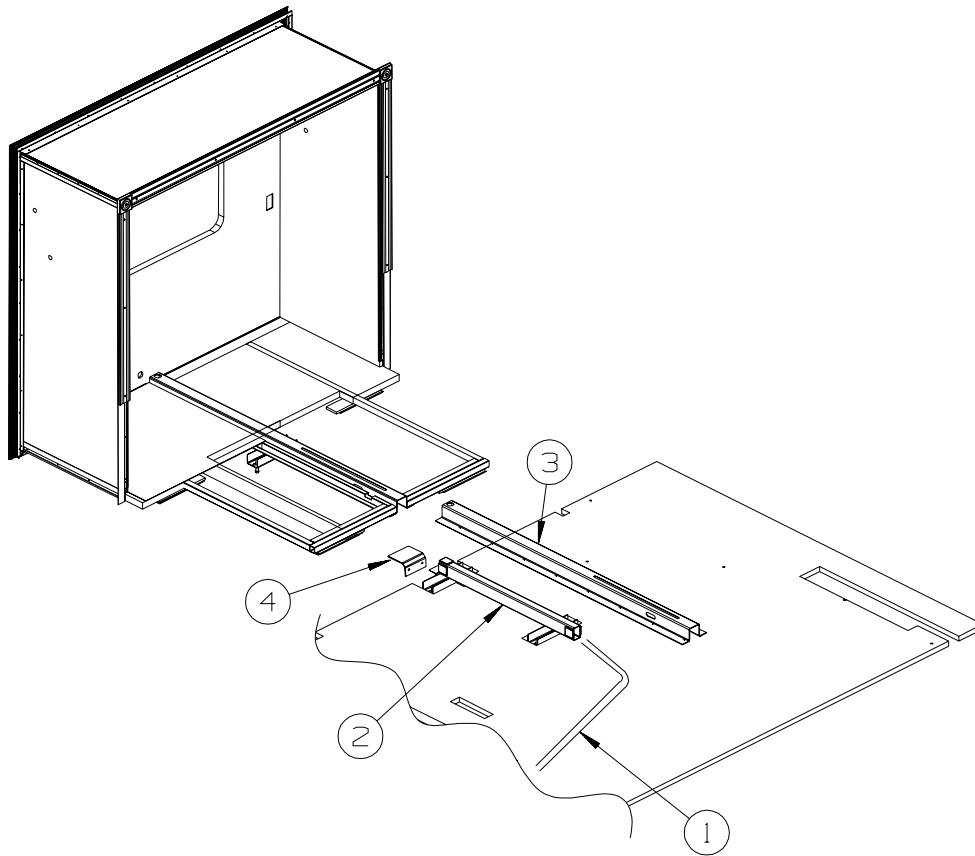
132540-01-000

| KEY | PART NUMBER | U/M | DESCRIPTION | VENDOR NO. |
|------------|--------------------|------------|------------------------------|-------------------|
| | 100536-10-701 | EA | HOSE-HYDRAULIC-1/4" X 116" | RAP90349/AP5384 |
| | 128599-06-702 | EA | BEARING PAD - SLIDE-OUT | P10370 |
| | 128599-06-704 | EA | BEARING PAD - SLIDE-OUT | P14811 |
| | 132540-01-700 | EA | RAM - SLIDEOUT ROOM | RAP90689/AP19616 |
| | 132540-01-701 | EA | CYLINDER - SYNCRONIZING | RAP90690/AP17966 |
| | 132540-01-704 | EA | TUBE ASM - FRONT OF SLIDE | AP19394 |
| | 132540-01-705 | EA | TUBE ASM - REAR OF SLIDE | AP19395 |
| | 132540-01-706 | EA | BOLT - SLIDE ROOM ADJUSTER | RAP90865/P19611 |
| | 137196-01-700 | EA | HOSE-HYDRAULIC - 1/8" X 120" | RAP90428/AP24642 |

140122-01-000

| KEY | PART NUMBER | U/M | DESCRIPTION | VENDOR NO. |
|------------|--------------------|------------|------------------------------|-------------------|
| | 128599-06-703 | EA | BEARING KIT - SLIDE-OUT TUBE | RAP90698 |
| | 128599-06-704 | EA | BEARING PAD - SLIDE-OUT | P14811 |
| | 132540-01-700 | EA | RAM - SLIDEOUT ROOM | RAP90689/AP19616 |
| | 132540-01-701 | EA | CYLINDER - SYNCRONIZING | RAP90690/AP17966 |
| | 132540-01-706 | EA | BOLT - SLIDE ROOM ADJUSTER | RAP90865/P19611 |
| | 137196-01-700 | EA | HOSE-HYDRAULIC - 1/8" X 120" | AP24642 |
| | 137196-01-701 | EA | HOSE-HYDRAULIC - 1/4" X 116" | AP5384 |

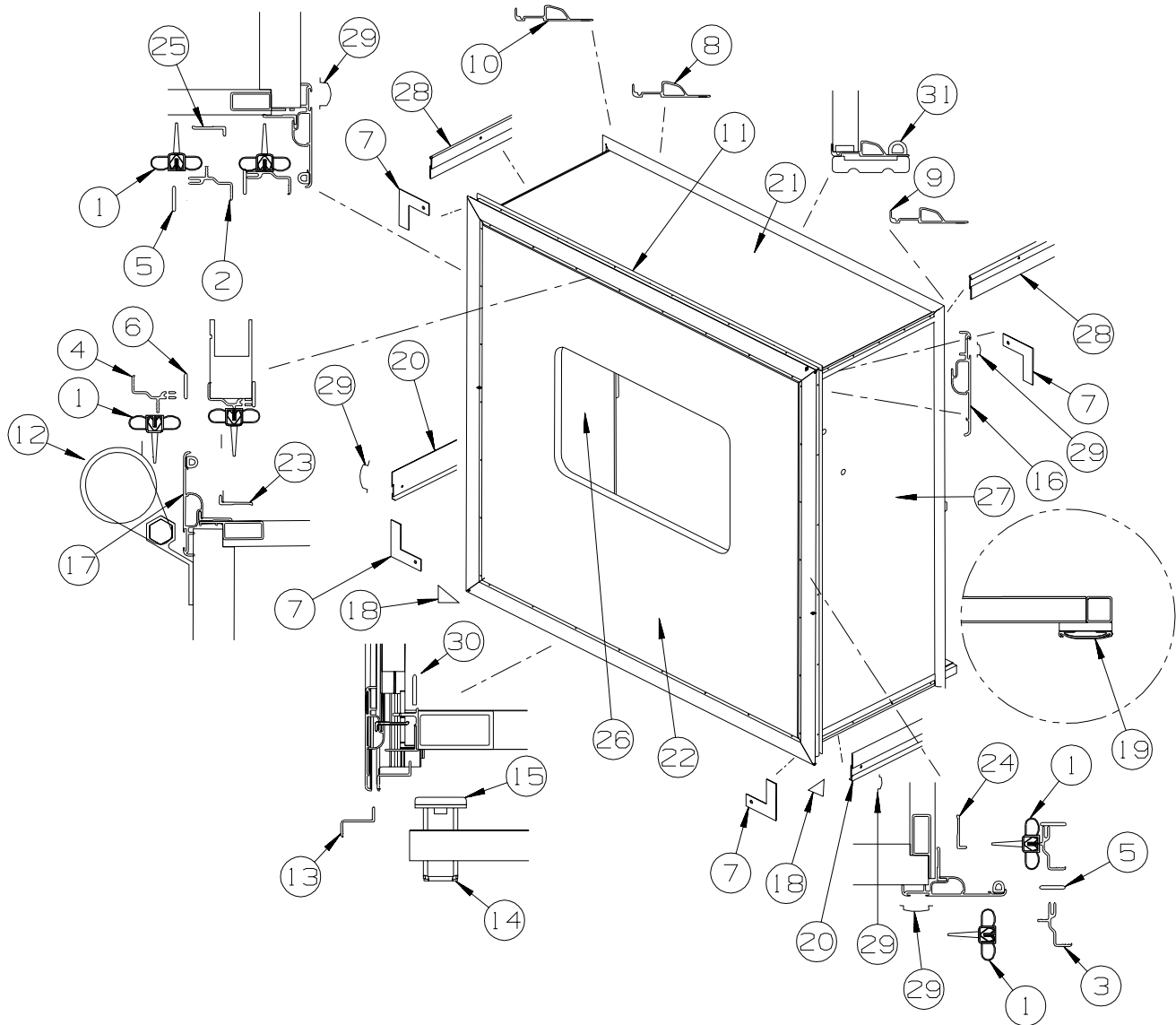
EXTERIOR SLIDEOUT GROUP (CONTINUED)
RIGHT REAR



| KEY | PART NUMBER | U/M | DESCRIPTION |
|-----|---------------|-----|---|
| 1* | 100536-46-000 | EA | HOSE KIT - SLIDEOUT |
| 2* | 137390-01-000 | EA | HYDRAULIC/BED - F/SLIDEOUT |
| 3 | 137390-02-000 | EA | CHANNEL - HYDRAULIC - F/SLIDEOUT |
| 4 | 139953-01-02B | EA | ANGLE - REINFORCEMENT - F/SLIDEOUT - E-COATED |

***COMPONENT PARTS LISTED LATER IN THIS GROUP**

EXTERIOR SLIDEOUT GROUP (CONTINUED)
RIGHT REAR (CONTINUED)

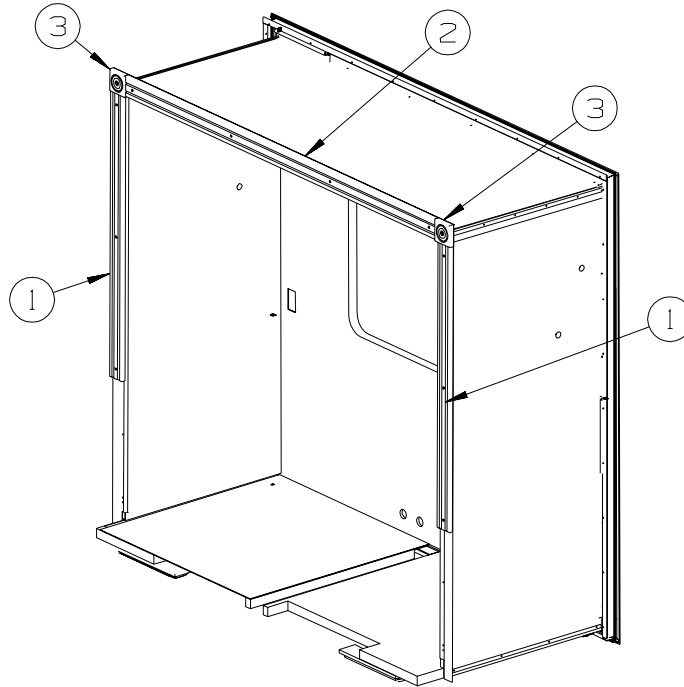


| KEY | PART NUMBER | U/M | DESCRIPTION |
|-----|---------------|-----|--|
| 1 | 115076-01-000 | FT | SEAL - SLIDEOUT |
| 2 | 115863-22-01A | EA | TRIM - SIDEWALL/SLIDEOUT - LEFT HAND - 75.6" - BRT WHT |
| 3 | 115863-23-01A | EA | TRIM - SIDEWALL/SLIDEOUT - RIGHT HAND - 75.6" - BRT WHT |
| 4 | 115863-32-01A | EA | TRIM - SIDEWALL/SLIDEOUT - TOP - 81" - BRIGHT WHITE |
| 5 | 115886-02-03A | EA | RETAINER - SIDEWALL - BRIGHT WHITE - 73.5" |
| 6 | 115886-12-02A | EA | RETAINER - SIDEWALL - BRIGHT WHITE - 81" |
| 7 | 116444-02-12B | EA | TRIM/KEY CORNER - SLIDEOUT - 3.1"X3.1" - BRT WHT |
| | | | FROM: 00-00-00 THRU: 04-29-01 |
| 7 | 116444-04-12B | EA | TRIM/KEY CORNER - SLIDEOUT - 3.1"X3.1" - BRT WHT |
| | | | FROM: 04-30-01 THRU: 99-99-99 |
| 8 | 117004-06-03A | EA | TRIM - SEAL/INNER/LEFT - W/MITERED END/NOTCH- 73.4" BRT/WT |
| | | | FROM: 00-00-00 THRU: 04-30-02 |
| 8 | 139624-10-01A | EA | TRIM/SEAL - INNER/RIGHT HAND - 73.4" - BRIGHT WHITE |
| | | | FROM: 05-01-02 THRU: 99-99-99 |
| 9 | 117004-07-03A | EA | TRIM - SEAL/INNER/RIGHT- W/MITERED END/NOTCH- 73.4" BRT/WT |
| | | | FROM: 00-00-00 THRU: 04-30-02 |
| 9 | 139624-11-01A | EA | TRIM/SEAL - INNER/LEFT HAND - 73.4" - BRIGHT WHITE |
| | | | FROM: 05-01-02 THRU: 99-99-99 |

EXTERIOR SLIDEOUT GROUP (CONTINUED)
RIGHT REAR (CONTINUED)

| KEY | PART NUMBER | U/M | DESCRIPTION |
|-----|---------------|-----|--|
| 10 | 117004-16-01A | EA | TRIM - SEAL/INNER/UPPER-W/MITERED ENDS-80.2"-BRIGHT WHITE FROM: 00-00-00 THRU: 04-30-02 |
| 10 | 139624-04-01A | EA | TRIM/SEAL - INNER/TOP - 80.2" - BRIGHT WHITE FROM: 05-01-02 THRU: 99-99-99 |
| 11 | 117058-01-01A | FT | TAPE - LOOP - 3/4" WIDE - ADHESIVE BACKED |
| 12 | 122977-12-03A | EA | AWNING/SLIDEOUT W/COVER - 81.8" - WHITE - VINYL/VINYL WRAP |
| 13 | 124303-04-02A | EA | TRIM - SIDEWALL - Z - 79.5" - BRIGHT WHITE |
| 14 | 126313-02-02B | EA | SUPPORT - ROLLER - E-COATED |
| 15 | 128599-03-000 | EA | PAD - F/SLIDEOUT |
| 16 | 133955-05-01A | EA | TRIM/SEAL - W/MITERED ENDS - 75.6" - BRIGHT WHITE |
| 17 | 133955-22-01A | EA | TRIM/SEAL - W/MITERED ENDS - 81.8" - BRIGHT WHITE |
| 18 | 135275-01-01A | EA | PROTECTOR - CORNER - SLIDEOUT - WHITE |
| 19 | 115325-08-01A | EA | RAIL - FLOOR/SLIDEOUT ROOM - BLACK |
| 20 | 125051-02-01A | EA | TRIM - LOWER FEATURE - BRIGHT WHITE FROM: 00-00-00 THRU: 06-26-01 |
| 20 | 125051-03-01A | EA | STRIP - FEATURE - LOWER - 29.2" - BRIGHT WHITE FROM: 06-27-01 THRU: 99-99-99 |
| | 075673-05-000 | FT | SEAL - PILE - ADHESIVE BACK - BLACK |
| 21 | 137400-01-N42 | EA | ROOF - W/O LIGHTS/VENTS - W/WIRING - F/REAR SLIDEOUT |
| 22 | 138434-11-N30 | EA | SLUG - SLIDEOUT |
| 22 | 138434-11-N31 | EA | SLUG - SLIDEOUT |
| 22 | 138434-11-N32 | EA | SLUG - SLIDEOUT |
| 23 | 133954-18-01A | EA | TRIM/SEAL - W/MITERED ENDS - 76.5" - BRIGHT WHITE |
| 24 | 133954-05-01A | EA | TRIM/SEAL - W/MITERED ENDS - 67.9" - BRIGHT WHITE FROM: 00-00-00 THRU: 04-10-01 |
| 24 | 133954-24-01A | EA | TRIM/SEAL - W/MITERED END - 70.4" - BRIGHT WHITE FROM: 04-11-01 THRU: 99-99-99 |
| 25 | 133954-05-01A | EA | TRIM/SEAL - W/MITERED ENDS - 67.9" - BRIGHT WHITE FROM: 00-00-00 THRU: 04-10-01 |
| 25 | 133954-25-01A | EA | TRIM/SEAL - W/MITERED END - 70.4" - BRIGHT WHITE FROM: 04-11-01 THRU: 99-99-99 |
| 26 | 139146-01-N30 | EA | PANEL/WALL - REAR SLIDEOUT - REAR |
| 26 | 139146-01-N31 | EA | PANEL/WALL - REAR SLIDEOUT - REAR |
| 26 | 139146-01-N32 | EA | PANEL/WALL - REAR SLIDEOUT - REAR |
| 27 | 139140-01-N30 | EA | PANEL/WALL - REAR SLIDEOUT - FRONT |
| 27 | 139140-01-N31 | EA | PANEL/WALL - REAR SLIDEOUT - FRONT |
| 27 | 139140-01-N32 | EA | PANEL/WALL - REAR SLIDEOUT - FRONT |
| 28 | 138659-01-01A | EA | TRIM/FEATURE STRIP - 181.7" - BRIGHT WHITE |
| 29 | 105312-01-07A | FT | INSERT - FEATURE STRIP - VINYL - BRIGHT WHITE |
| 30 | 123012-01-000 | FT | SEAL - SLIDEOUT - .09"/.13" THICK X 1.25" - W/ADHESIVE |
| 31 | 112091-01-000 | FT | SEAL/D - NEOPRENE - HEAT ACTIVE ADHESIVE - .9" |

EXTERIOR SLIDEOUT GROUP (CONTINUED)
RIGHT REAR (CONTINUED)



| KEY | PART NUMBER | U/M | DESCRIPTION |
|-----|---------------|-----|--|
| 1 | 132663-17-08A | EA | MOLDING-VINYL WRAP/PRE DRILLED-.6"X3"X45.5" - OAK FROM: 00-00-00 THRU: 10-14-01 |
| 1 | 132663-24-08A | EA | MOLDING-VINYL WRAP/PRE DRILLED-.6"X3"X45.8"PORTSMOUTH OAK FROM: 10-15-01 THRU: 99-99-99 |
| 2 | 132663-18-08A | EA | MOLDING-VINYL WRAP/PRE DRILLED-.6"X3.4"X73.1" - OAK |
| 3 | 132844-02-08A | EA | BLOCK - CORNER - 3.5" X 3.5" - PORTSMOUTH OAK |

EXTERIOR SLIDEOUT GROUP (CONTINUED)
COMPONENT PARTS FOR RIGHT REAR

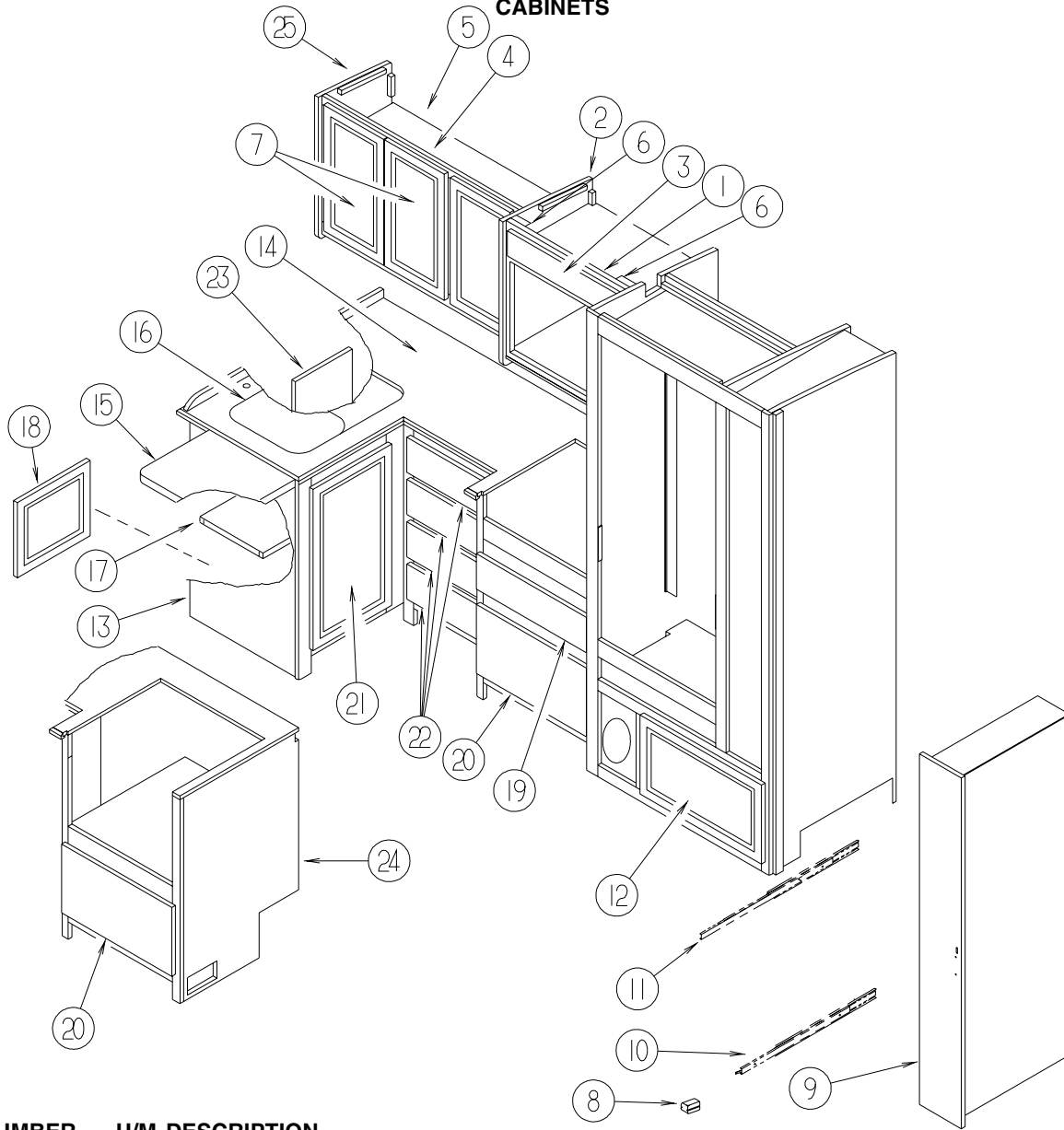
100536-46-000

| KEY | PART NUMBER | U/M | DESCRIPTION | VENDOR NO. |
|------------|--------------------|------------|------------------------------|-------------------|
| | 100536-46-700 | EA | HOSE/HYDRAULIC - 1/4" X 408" | RAP4669/AP4669 |
| | 100536-46-701 | EA | HOSE/HYDRAULIC - 1/4" X 412" | AP7130 |

137390-01-000

| KEY | PART NUMBER | U/M | DESCRIPTION | VENDOR NO. |
|------------|--------------------|------------|------------------------------|-------------------|
| | 128599-06-700 | EA | HOSE/HYDRAULIC -1/8" X 72" | AP24635 |
| | 128599-06-701 | EA | HOSE/HYDRAULIC - 1/8" X 84" | AP24636 |
| | 128599-06-703 | EA | BEARING KIT - SLIDE-OUT TUBE | RAP90698 |
| | 128599-06-704 | EA | BEARING PAD - SLIDE-OUT | P14811 |
| | 137390-01-700 | EA | RAM/CYLINDER - SLIDEOUT ROOM | RAP90876/AP23425 |
| | 137390-01-701 | EA | CYLINDER NUT KIT - SLIDEOUT | RAP90947 |
| | 137390-01-702 | EA | SLOT COVER ASM. - RUBBER | AP26959 |

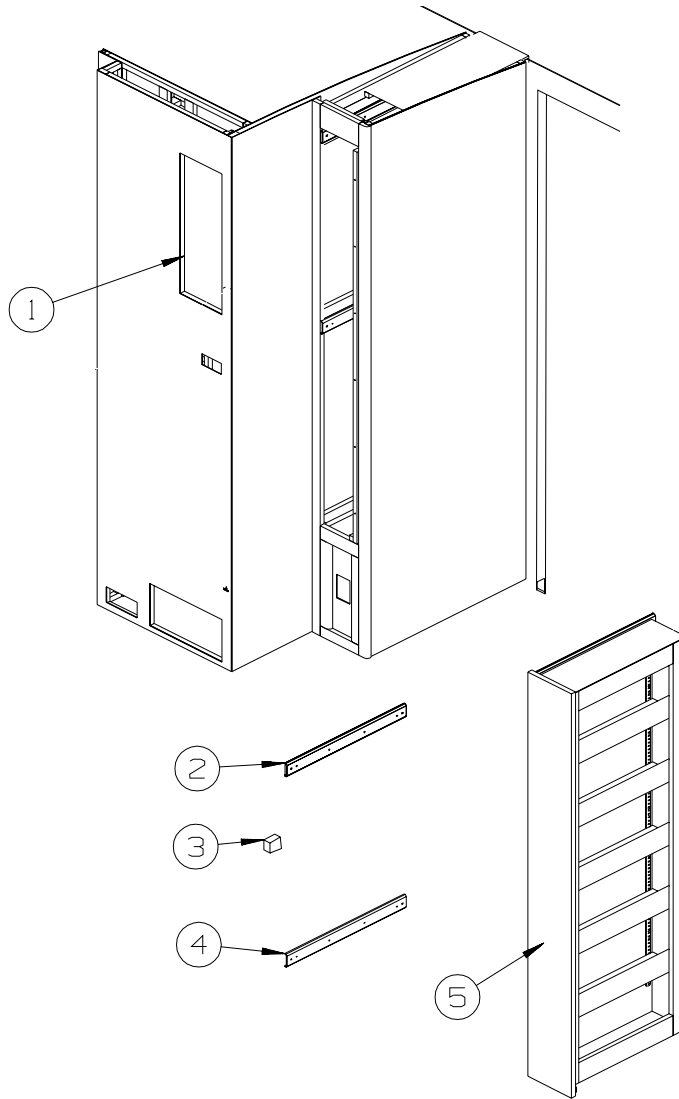
GALLEY GROUP CABINETS



| KEY | PART NUMBER | U/M | DESCRIPTION |
|-----|---------------|-----|--|
| 1 | 139027-01-N30 | EA | CABINET - OVERHEAD/MICROWAVE - W/O DOORS/HARDWARE - W/HEATER HEATER SWITCH |
| 1 | 139027-02-N30 | EA | CABINET - OVERHEAD/MICROWAVE - W/O DOORS/HARDWARE - W/O HEATER HEATER SWITCH |
| 2 | 103128-84-N30 | EA | END CAP - OVERHEAD CABINET |
| 3 | 131995-K2-N30 | EA | DOOR - RAIL/SOLID PANEL - 6.3" X 23.2" - W/O HARDWARE |
| 4 | 139024-01-N30 | EA | CABINET - OVERHEAD/GALLEY - W/O DOORS/HARDWARE |
| 5 | 139024-14-N30 | EA | SHELF - W/PLASTIC EDGE MOLDING |
| 6 | 138425-01-02B | EA | BRACE/MICROWAVE CABINET - RIGHT HAND - E-COATED |
| 7 | 132141-65-N30 | EA | DOOR - RAIL/VENEER - 12" X 21.8" - W/O HARDWARE |
| 8 | 123673-01-01A | EA | KNOB - PANTRY SLIDE |
| 9 | 132141-D7-N42 | EA | DOOR - RAIL/VENEER - 8" X 60.7" - W/O HARDWARE |
| 10 | 122360-03-000 | EA | SLIDE - PANTRY - W/LOCK - RIGHT HAND (FACING PANEL) |
| 11 | 122360-02-000 | EA | SLIDE - PANTRY - W/O LOCK - RIGHT/LEFT HAND |
| 12 | M09316-F6-N42 | EA | DRAWER - OGEE EDGE - 22.1"W X 13.7"D - W/O SLIDES/HARDWARE |
| 13 | 136496-01-N30 | EA | CABINET - GALLEY - W/O COUNTERTOP/DOORS/DRAWERS/HARDWARE |
| 14 | 133653-09-N30 | EA | COUNTERTOP - LAMINATED - GRAY TRANQUILITY |
| 14 | 133653-09-N31 | EA | COUNTERTOP - LAMINATED - WHITE ETHOS |
| 14 | 133653-09-N32 | EA | COUNTERTOP - LAMINATED - WHITE TALC/PORTSMOUTH OAK |
| 15 | 129503-06-N30 | EA | EXTENSION/GALLEY - LAMINATED - GRAY TRANQUILITY - W/O HDW |
| 15 | 129503-06-N31 | EA | EXTENSION/GALLEY - LAMINATED - WHITE ETHOS - W/O HARDWARE |
| 15 | 129503-06-N32 | EA | EXTENSION/GALLEY - LAMINATED - WHITE TALC - W/O HARDWARE |
| 16 | 103610-04-N30 | EA | COVER - SINK - 15.7" X 9.6" - GRAY TRANQUILITY |
| 16 | 103610-04-N31 | EA | COVER - SINK - 15.7" X 13.8" - WHITE ETHOS |
| 16 | 103610-04-N32 | EA | COVER - SINK - 15.7" X 9.6" - WHITE TALC |

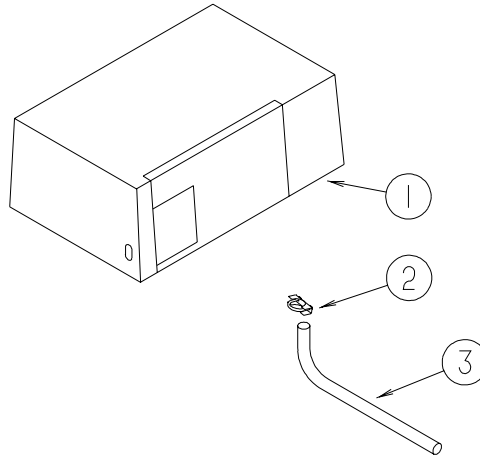
GALLEY GROUP (CONTINUED) CABINETS (CONTINUED)

| KEY | PART NUMBER | U/M | DESCRIPTION |
|-----|---------------|-----|--|
| 17 | 136496-28-N30 | EA | SHELF - W/PLASTIC EDGE MOLDING |
| 18 | 131995-L4-N30 | EA | DOOR - RAIL/SOLID PANEL - 17.9" X 14.3" - W/O HARDWARE |
| 19 | M09316-54-N30 | EA | DRAWER - OGEE EDGE - 19.8"W X 17.7"D - W/O SLIDES/HARDWARE |
| 20 | M09316-K0-N30 | EA | DRAWER - OGEE EDGE - 19.8"W X 13.8"D - W/O SLIDES/HARDWARE |
| 21 | 131995-P3-N30 | EA | DOOR - RAIL/SOLID PANEL - 15.7" X 27.9" - W/O HARDWARE |
| 22 | M09316-J9-N30 | EA | DRAWER - OGEE EDGE - 15.4"W X 11.8"D - W/O SLIDES/HARDWARE |
| 23 | 131995-BC-N30 | EA | DOOR - RAIL/SOLID PANEL - 11.4" X 21.8" - W/O HARDWARE |
| 24 | 139024-02-N30 | EA | CABINET - GALLEY - W/O COUNTERTOP/DOORS/DRAWERS/HARDWARE |
| 25 | 103128-86-N30 | EA | END CAP - OVERHEAD CABINET |



| KEY | PART NUMBER | U/M | DESCRIPTION |
|-----|---------------|-----|--|
| 1 | 137602-04-N30 | EA | POCKET - MONITOR PANEL |
| 2 | 122360-02-000 | EA | SLIDE - PANTRY - W/O LOCK - RIGHT/LEFT HAND |
| 3 | 123673-01-01A | EA | KNOB - PANTRY SLIDE |
| 4 | 122360-03-000 | EA | SLIDE - PANTRY - W/LOCK - RIGHT HAND (FACING PANEL) FROM: 00-00-00 THRU: 09-16-01 |
| 4 | 122360-01-000 | EA | SLIDE - PANTRY - W/LOCK - LEFT HAND (FACING PANEL) FROM: 09-17-01 THRU: 99-99-99 |
| 5 | 131995-J4-N42 | EA | DOOR - RAIL/SOLID PANEL - 8" X 60.7" - W/O HARDWARE FROM: 00-00-00 THRU: 05-21-01 |
| 5 | 132141-D8-N42 | EA | DOOR - RAIL/VENEER - 8" X 60.7" - W/O HARDWARE FROM: 05-22-01 THRU: 99-99-99 |

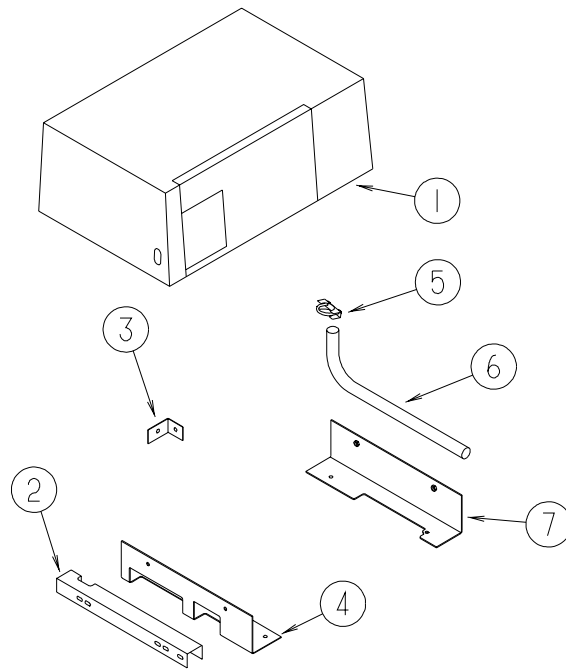
**GENERATOR GROUP
GAS**



MARQUIS GOLD

| KEY | PART NUMBER | U/M | DESCRIPTION |
|-----|---------------|-----|--|
| 1 | 135707-02-000 | EA | GENERATOR - 7.9 - 30/20 - GAS - MARQUIS GOLD |
| 1 | 135707-07-000 | EA | GENERATOR - 5.5 - 30/20 - GAS - MARQUIS GOLD |
| 2 | 007125-03-000 | EA | CLAMP - MUFFLER - 1.5" DIAMETER |
| 3 | 105958-03-000 | EA | PIPE - GENERATOR EXHAUST - 1.5" OD X 4.4" X 15.7" FROM: 00-00-00 THRU: 07-22-01 |
| 3 | 105958-14-000 | EA | PIPE - EXHAUST - 1.4" INLET X 1.5" OD - 4.9" X 18.1" - F30W FROM: 07-23-01 THRU: 99-99-99 |
| 3 | 105958-25-000 | EA | PIPE - EXHAUST - GENERATOR - F32V, F34D, F36M FROM: 07-23-01 THRU: 99-99-99 |

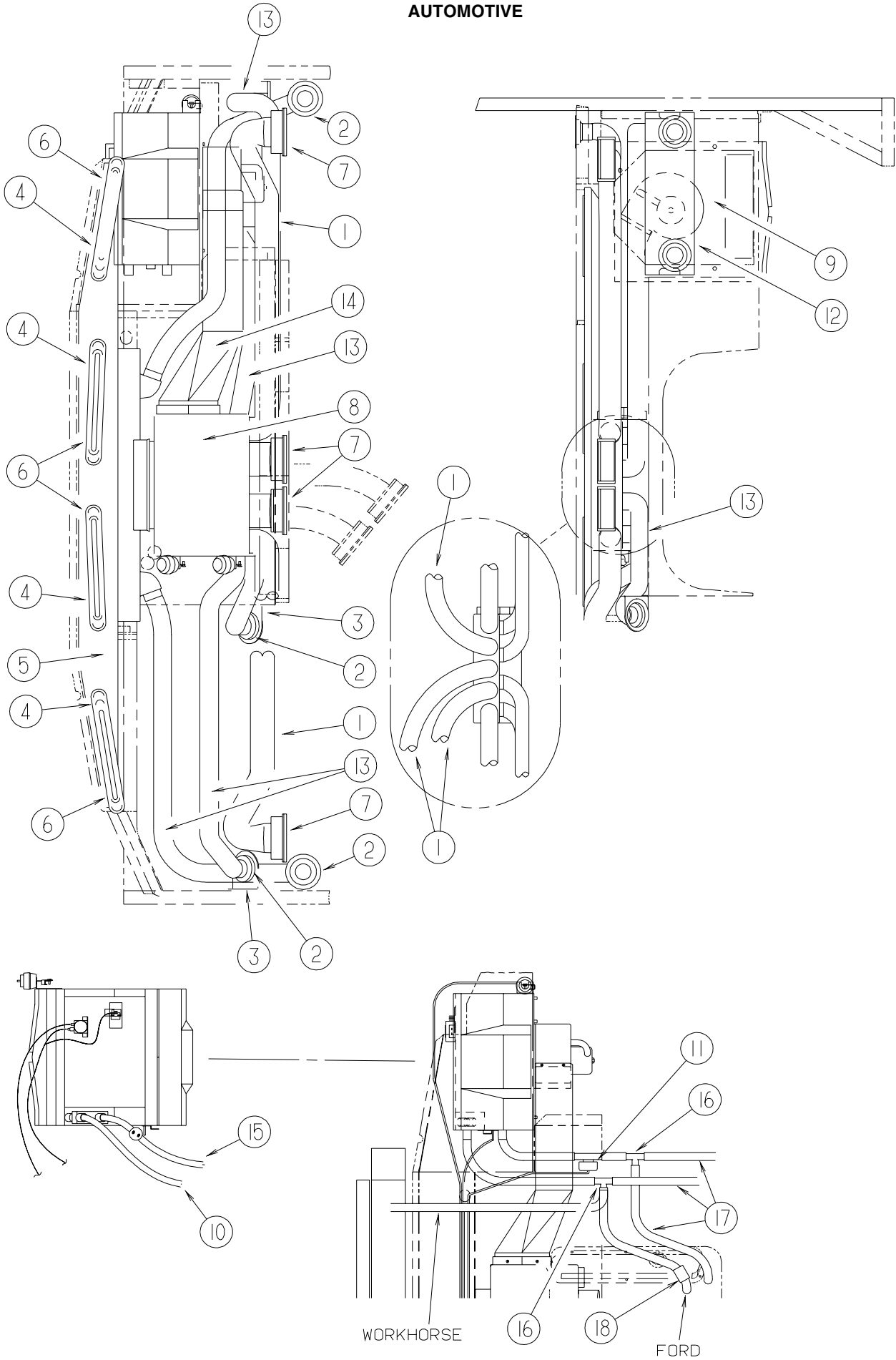
GENERATOR GROUP (CONTINUED)
GAS (CONTINUED)



MICROLITE

| KEY | PART NUMBER | U/M | DESCRIPTION |
|-----|---------------|-----|---|
| 1 | 109982-03-000 | EA | GENERATOR - 4.0 MICROLITE |
| 2 | 135825-01-02B | EA | CHANNEL - SPACER - GENERATOR - E-COATED |
| 3 | 135826-01-02B | EA | ANGLE - SUPPORT - GENERATOR - E-COATED |
| 4 | 114070-02-02B | EA | SUPPORT - GENERATOR - LEFT |
| 5 | 007125-04-000 | EA | CLAMP - MUFFLER - 1.12" DIAMETER |
| 6 | 105958-10-000 | EA | PIPE - GENERATOR EXHAUST - 1.3" OD X 5.9" X 19.7" |
| 7 | 114071-02-02B | EA | SUPPORT - GENERATOR - RIGHT |

HEATING & A/C GROUP AUTOMOTIVE

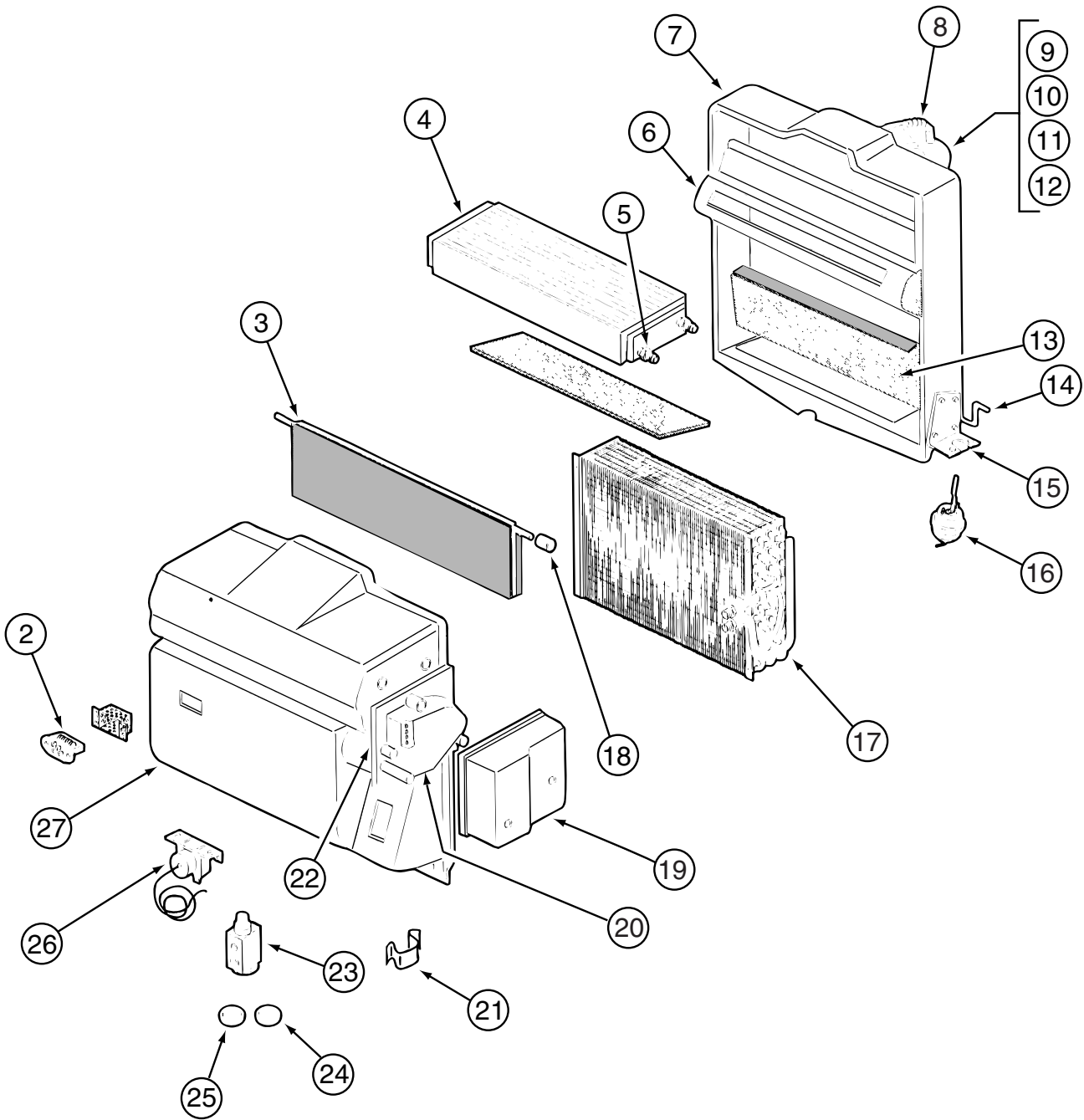


HEATING & A/C GROUP (CONTINUED)
AUTOMOTIVE (CONTINUED)

| KEY | PART NUMBER | U/M | DESCRIPTION |
|-----|---------------|-----|---|
| 1 | 007281-01-000 | EA | HOSE - FLEXIBLE PVC - 2 1/2" ID X 50' |
| 2 | 024990-05-000 | EA | OUTLET - DEFROSTER - W/SWIVEL - 2" SLEEVE/4" OD |
| 3 | 136157-03-02B | EA | BRACKET - HEATER - E-COATED |
| 4 | 077075-01-000 | EA | GASKET - INSTRUMENT PANEL/DEFROSTER PLENUM - .6" X 10.2" |
| 5 | 103017-03-000 | EA | PLENUM - DEFROSTER |
| 6 | 135265-01-04A | EA | VENT - DEFROSTER - PLASTIC - GLACIER |
| 7 | 135803-01-01A | EA | LOUVER - A/C - 2.5" - BLACK - 2 USED |
| 7 | 135803-02-01A | EA | LOUVER - A/C - 2.5" - W/HOLES - 2 USED |
| 8* | 103930-49-000 | EA | CONTROL/PLENUM - LARGE ROTARY |
| 9* | 103930-43-000 | EA | EVAPORATOR/HEATER ASSEMBLY - NON-CHARGED |
| 10* | 103930-46-000 | EA | HOSE - EXPANSION BLOCK (EVAPORATOR) TO COMPRESSOR - WORKHORSE |
| 10* | 103930-45-000 | EA | HOSE - EVAPORATOR/COMPRESSOR - FORD |
| 11 | 103930-23-000 | EA | VALVE - WATER - 2 PORT/VACUUM CONTROLLED |
| 12 | 095757-05-M42 | EA | COVER - HEATER (N30) |
| 12 | 095757-05-M23 | EA | COVER - HEATER (N31) |
| 12 | 095757-05-L56 | EA | COVER - HEATER (N32) |
| 13 | 007076-01-000 | EA | HOSE - FLEXIBLE PVC - 2" ID - INCREMENTS OF 50' |
| 14 | 103016-03-000 | EA | PLENUM - TRANSITION |
| 15* | 103930-47-000 | EA | HOSE - EXPANSION VALVE-EVAPORATOR/DRIER- WORKHORSE |
| 15* | 103930-44-000 | EA | HOSE - EVAPORATOR/DRYER - #6 - FORD |
| 16 | 076776-01-000 | EA | TEE - BEADED - 5/8" X 5/8" X 5/8" |
| 17 | 007108-01-000 | FT | HOSE - HEATER - 5/8" ID - HI-TEMP |
| 18 | 103930-50-000 | EA | RESTRICTOR-WATER - FORD |
| | 103930-37-000 | EA | MANUAL/OWNERS - HEATER-A/C |
| | | | FROM: 00-00-00 THRU: 11-01-01 |
| | 103930-54-000 | EA | MANUAL/OWNERS - HEATER-A/C |
| | | | FROM: 11-02-01 THRU: 99-99-99 |

***COMPONENT PARTS LISTED LATER IN THIS GROUP**

HEATING & A/C GROUP (CONTINUED)
COMPONENT PARTS FOR AUTOMOTIVE



103930-43-000

HEATING & A/C GROUP (CONTINUED)
COMPONENT PARTS FOR AUTOMOTIVE (CONTINUED)

103930-43-000 (CONTINUED)

| KEY | PART NUMBER | U/M | DESCRIPTION | VENDOR NO |
|------------|--------------------|------------|------------------------------|------------------|
| 2 | 103930-01-710 | EA | RESISTOR-FUSED, A/C 4 TERM | 035-0006 |
| 3 | 103930-30-705 | EA | DOOR - AIR BLEND | 071-0568 |
| 4 | 103930-01-703 | EA | CORE-HEATER | 042-0010 |
| 5 | 110279-01-712 | EA | FITTING - HEATER CORE | 050-0076 |
| 6 | 103930-30-707 | EA | DIVIDER ASM. | 086-0061 |
| 7 | 103930-20-711 | EA | CASE-BACK, SUB-ASSEMBLY | 062-0147 |
| 8 | 110279-01-703 | EA | HOSE-VENT F/BLOWER MOTOR | 051-0034 |
| 9 | 103930-20-707 | EA | HOUSING-BLOWER | 062-0145 |
| 10 | 103930-30-706 | EA | MOTOR-BLOWER PM147 W/ADAPTER | 030-0109 |
| 11 | 103930-01-717 | EA | WHEEL-BLOWER, CLOCKWISE | 062-0010 |
| 12 | 103930-20-708 | EA | CLIP-MOTOR SHAFT | 022-0001 |
| 13 | 103930-20-705 | EA | PANEL-DOOR, RECIRCULATING | 071-0213 |
| 14 | 103930-20-704 | EA | ROD-DOOR-RECIRCULATING | 073-0018 |
| 15 | 103930-01-708 | EA | BRACKET-VACUUM MOTOR | 070-0113 |
| 16 | 103930-02-708 | EA | MOTOR-VACUUM SERVO, A/C | 030-0025 |
| 17 | 103930-01-704 | EA | COIL-EVAPORATOR | 041-0017 |
| 18 | 103930-30-702 | EA | BUSHING/DRIVE - BLEND DOOR | 062-00634 |
| 19 | 103930-30-704 | EA | COVER - SERVO | 062-0545 |
| 20 | 103930-30-703 | EA | MOTOR - SERVO | 030-0104 |
| 21 | 103930-20-706 | EA | CLIP-RETAINER - CASE ATTACH | 022-0057 |
| 22 | 103930-30-701 | EA | PLATE - MOTOR MOUNT | 062-0544 |
| 23 | 103930-20-700 | EA | VALVE-EXPANSION-BLOCK, 2 TON | 034-0032 |
| 24 | 103930-17-702 | EA | OIRING #10 | 045-0127 |
| 25 | 113245-01-707 | EA | OIRING #8 | 045-0126 |
| 26 | 103930-01-711 | EA | THERMOSTAT | 033-0003 |
| 27 | 103930-30-700 | EA | CASE - FRONT | 062-0542 |
| | 094831-01-709 | EA | CLAMP-ROD 3/16" | 022-0025 |
| | 103930-02-714 | EA | CLAMP-CLUTCH, BARREL | 022-0006 |
| | 103930-20-713 | EA | GASKET - BLEND AIR DOOR | 045-0160 |
| | 103930-20-714 | EA | GASKET - BLEND AIR DOOR | 045-0161 |
| | 103930-30-708 | EA | BUSHING/IDLER - BLEND DOOR | 062-00167 |
| | 113245-01-718 | FT | HOSE - DRAIN - 1/2" | 051-0002 |

CONTACT WINNEBAGO PART SALES FOR UNLISTED COMPONENTS

103930-44-000

| KEY | PART NUMBER | U/M | DESCRIPTION | VENDOR NO |
|------------|--------------------|------------|------------------------------|------------------|
| | 103930-29-701 | EA | OIRING F/LOW PRESSURE SWITCH | 045-0483 |
| | 103930-44-700 | EA | HOSE ASSEMBLY #6 | 085-0462 |
| | 113245-01-711 | EA | OIRING #6 | 045-0129 |

103930-45-000

| KEY | PART NUMBER | U/M | DESCRIPTION | VENDOR NO. |
|------------|--------------------|------------|--------------------|-------------------|
| | 103930-17-702 | EA | OIRING #10 | 045-0127 |

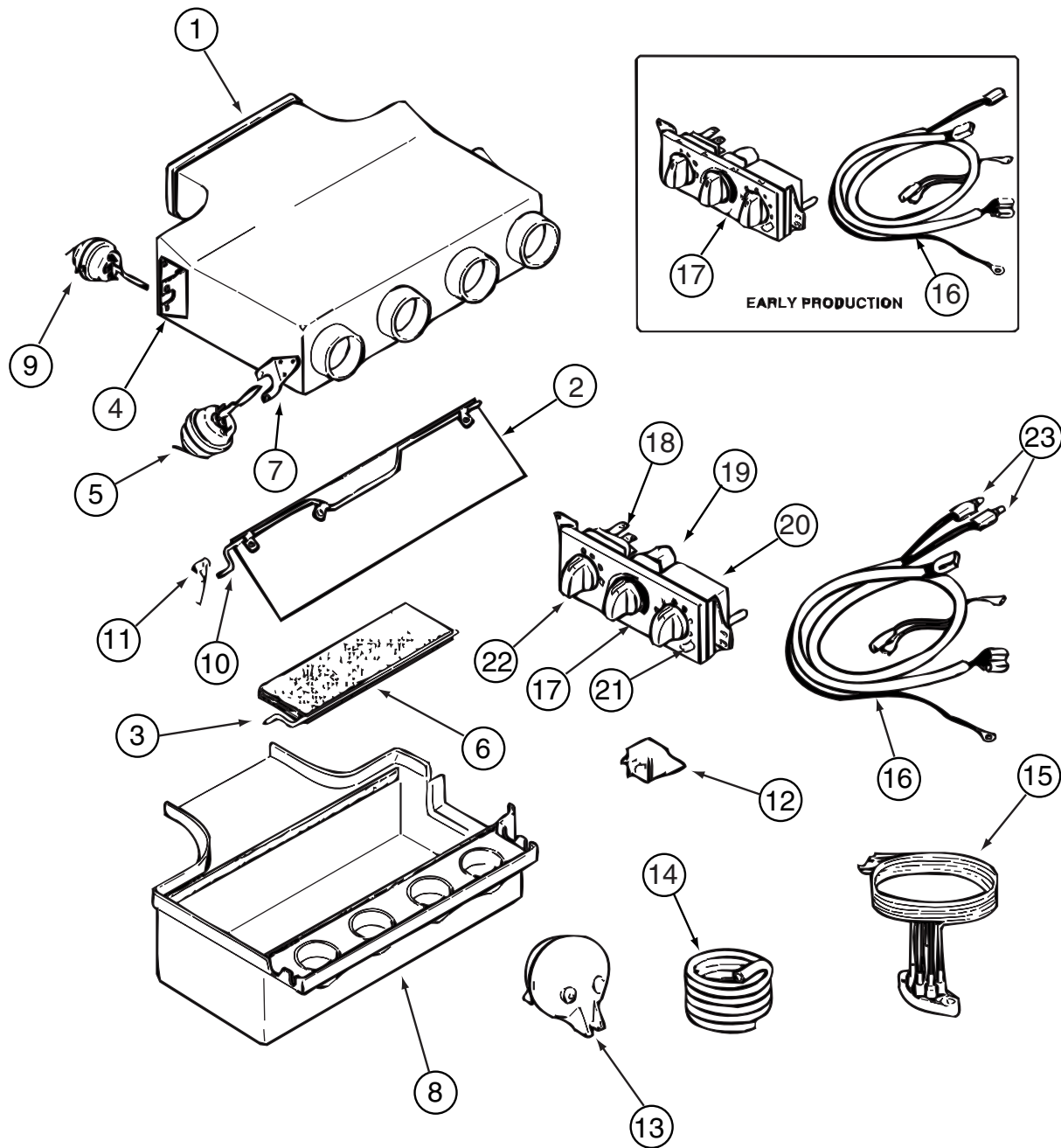
103930-46-000

| KEY | PART NUMBER | U/M | DESCRIPTION | VENDOR NO |
|------------|--------------------|------------|------------------------------|------------------|
| | 103930-17-702 | EA | OIRING #10 | 045-0127 |
| | 103930-29-701 | EA | OIRING F/LOW PRESSURE SWITCH | 045-0483 |

103930-47-000

| KEY | PART NUMBER | U/M | DESCRIPTION | VENDOR NO |
|------------|--------------------|------------|--------------------|------------------|
| | 113245-01-710 | EA | OIRING, #12 | 045-0128 |

HEATING & A/C GROUP (CONTINUED)
COMPONENT PARTS FOR AUTOMOTIVE (CONTINUED)



103930-49-000

HEATING & A/C GROUP (CONTINUED)
COMPONENT PARTS FOR AUTOMOTIVE (CONTINUED)

103930-49-000 (CONTINUED)

| KEY | PART NUMBER | U/M | DESCRIPTION | VENDOR NO. |
|------------|--------------------|------------|------------------------------|-------------------|
| 1 | 103930-39-705 | EA | PLENUM - TOP | 060-0482 |
| 2 | 103930-04-700 | EA | DOOR - DEFROSTER-A/C | 071-0149 |
| 3 | 103930-39-700 | EA | ROD - DOOR - AC/HEAT | 073-067 |
| 5 | 103930-02-708 | EA | MOTOR-VACUUM SERVO, A/C | 030-0025 |
| 6 | 103930-39-706 | EA | PLATE - DOOR - A/C | 071-0623 |
| 8 | 103930-39-707 | EA | PLENUM - BOTTOM | 060-0483 |
| 9 | 103930-33-701 | EA | MOTOR - VACUUM, 3 STAGE | 030-0105 |
| 10 | 103930-39-701 | EA | ROD - DOOR - AC/DEFROST | 073-0069 |
| 11 | 103930-39-704 | EA | SPRING | 022-0119 |
| 12 | 103930-02-707 | EA | RELAY-BOSCH W/RESISTER | 031-0001 |
| 13 | 103930-02-710 | EA | CANISTER-VACUUM | 054-0002 |
| 15 | 103930-33-703 | EA | VACUUM HARNESS | 036-0466 |
| 16 | 103930-49-700 | EA | HARNESS - WIRE | 036-556 |
| 16 | 103930-49-701 | EA | HARNESS - WIRE W/BULBS | 036-0557 |
| 17 | 103930-49-702 | EA | CONTROL PANEL-RECESSED FACE | 032-0054 |
| 17 | 103930-49-703 | EA | CONTROL PANEL - NON RECESSED | 083-0223 |
| 18 | 103930-49-704 | EA | SWITCH - BLOWER | 032-0332 |
| 19 | 103930-49-705 | EA | POTENTIOMETER | 032-0182 |
| 20 | 103930-49-706 | EA | SWITCH - VACUUM | 032-0185 |
| 21 | 103930-49-707 | EA | DECAL CONTROL PANEL-N/RECESS | 058-0144 |
| 22 | 103930-49-708 | EA | KNOB - BLOWER - NONRECESSED | 062-0620 |
| 23 | 103930-33-705 | EA | LIGHT BULBS | 035-0030 |

CONTACT WINNEBAGO PART SALES FOR UNLISTED COMPONENTS

HEATING & A/C GROUP (CONTINUED)

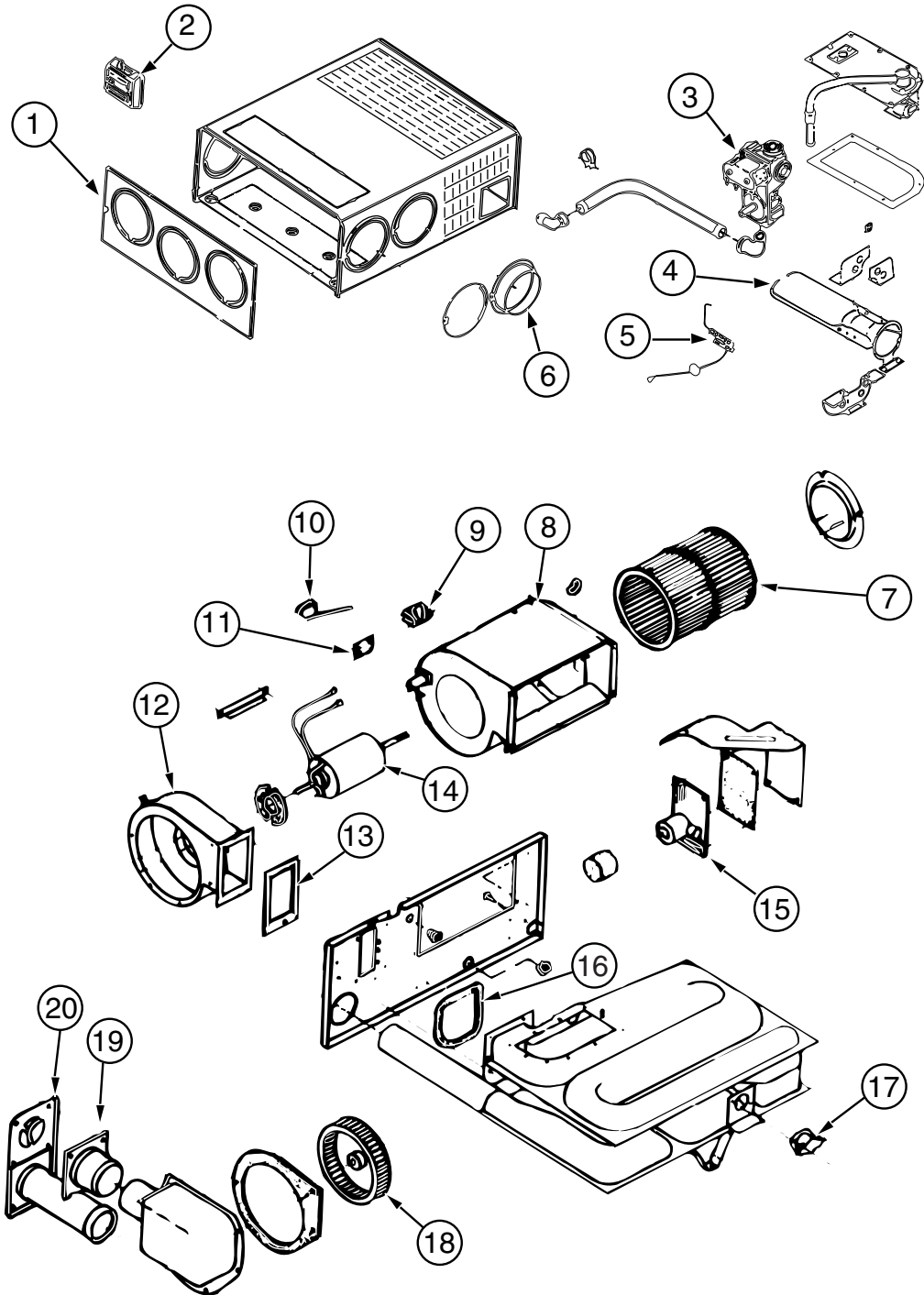
FURNACE

| KEY | PART NUMBER | U/M | DESCRIPTION |
|-----|---------------|-----|--|
| * | 098668-21-000 | EA | FURNACE - 35000 BTU - F30W , F32V FROM: 00-00-00 THRU: 06-03-01 |
| * | 139980-03-000 | EA | FURNACE - 35000 BTU - SF QUIET - SUBURBAN SF-35 2322J - F30W , F32V FROM: 06-04-01 THRU: 99-99-99 |
| * | 098668-22-000 | EA | FURNACE - 40,000 BTU - F34D , F36M FROM: 00-00-00 THRU: 09-30-01 |
| * | 139980-04-000 | EA | FURNACE - 40000 BTU - SF QUIET - SUBURBAN SF-42 2323J - F34D , F36M FROM: 10-01-01 THRU: 99-99-99 |
| | 093614-09-01A | EA | GRILLE - AIR RETURN - 21.9" X 11.9" - BEIGE - F30W |
| | 093614-11-01A | EA | GRILLE - AIR RETURN - 13.9" X 7.9" - BEIGE - F36M |
| | 093614-13-02A | EA | GRILLE - AIR RETURN - 15.9" X 11.9" - BEIGE - F32V , F36M |
| | 098668-14-000 | EA | GASKET - FIBERGLASS - .5" X 18" X 18" |
| | 098668-15-000 | EA | PLATE-FACE |
| | 098668-16-000 | EA | VENT - INTAKE - F30W |
| | 098668-23-000 | EA | DOOR - ACCESS - FURNACE - BRIGHT WHITE |
| | 137965-01-01A | EA | REGISTER - 2.25" X 10" - W/O DAMPER - ANTIQUE BRASS - F30W |
| | 137965-02-01A | EA | REGISTER - 2.25" X 10" - W/DAMPER - ANTIQUE BRASS - F30W |

*COMPONENT PARTS LISTED LATER IN THIS GROUP

HEATING & A/C GROUP (CONTINUED)

COMPONENT PARTS FOR FURNACE



098668-21-000

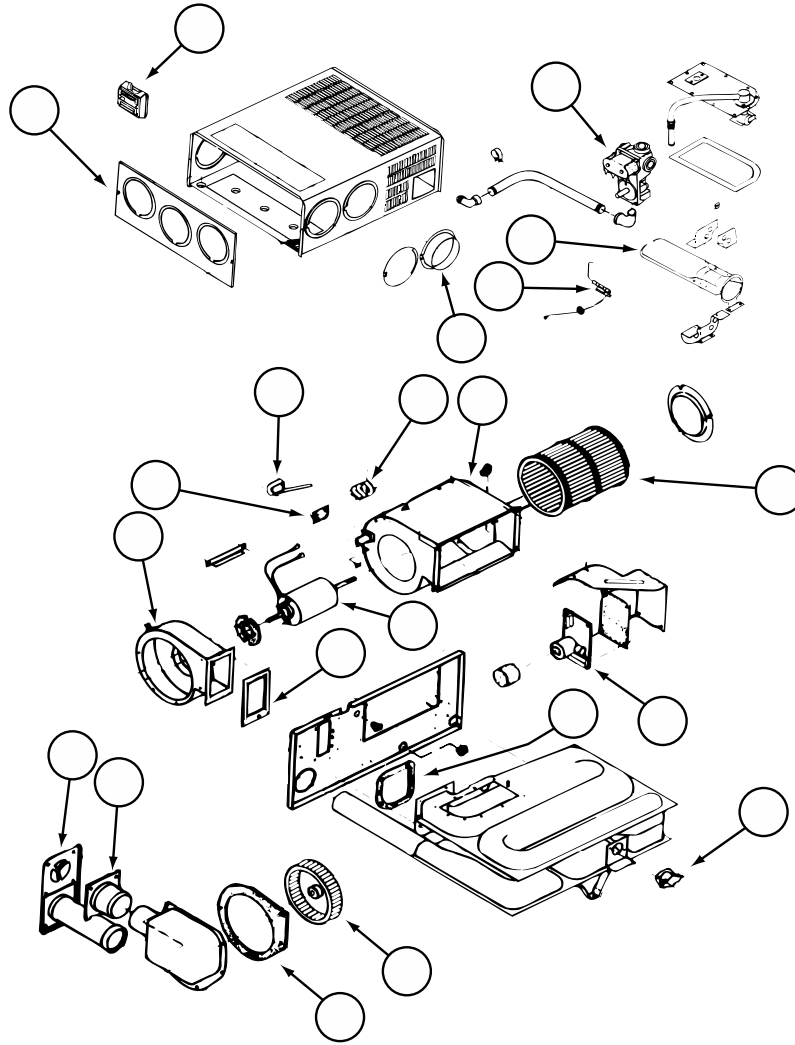
HEATING & A/C GROUP (CONTINUED)
COMPONENT PARTS FOR FURNACE (CONTINUED)

098668-21-000 (CONTINUED)

| KEY | PART NUMBER | U/M | DESCRIPTION | VENDOR NO. |
|-----|---------------|-----|------------------------------|------------|
| 1 | 098668-01-700 | EA | CABINET FRONT | 101242 |
| 3 | 098668-01-714 | EA | VALVE-GAS,SF S.N. 921401821 | 161070 |
| 4 | 098668-02-700 | EA | BURNER ASSEMBLY,SF-30 & SF35 | 010745 |
| 5 | 098668-01-715 | EA | ELECTRODE ASM., SINGLE PROBE | 232166 |
| 6 | 075696-02-703 | EA | COLLAR-DUCT | 050715 |
| 7 | 098668-01-711 | EA | WHEEL-BLOWER, ROOM AIR | 350129 |
| 8 | 098668-01-710 | EA | HOUSING-BLOWER, ROOM AIR | 390440 |
| 9 | 074466-01-702 | EA | RELAY, TIME DELAY | 230625 |
| 10 | 098668-21-700 | EA | SWITCH-MICRO-W/O FLAG 3 1/4" | 232261 |
| 11 | 101990-01-714 | EA | GASKET-MICROSWITCH | 230877 |
| 12 | 098668-01-708 | EA | HOUSING-BLOWER, COMBUSTION | 390441 |
| 13 | 098668-01-717 | EA | GASKET-FIREWALL, BLOWER SIDE | 070809 |
| 14 | 098668-03-700 | EA | MOTOR ASSEMBLY, SF-35 | 231707 |
| 15 | 098668-01-712 | EA | BOARD-MODULE | 520741 |
| 16 | 098668-01-716 | EA | GASKET-FIREWALL,CHAMBER SIDE | 070808 |
| 17 | 098668-21-701 | EA | SWITCH - LIMIT | 231799 |
| 18 | 098668-01-706 | EA | WHEEL-COMBUSTION AIR | 350184 |
| 19 | 098668-01-713 | EA | TUBE ASSEMBLY, INTAKE | 051248 |
| 20 | 098668-01-707 | EA | TUBE ASSEMBLY, EXHAUST W/CAP | 260231 |
| | 098668-08-701 | EA | MODULE BD/FAN CONT-UNITED TE | 232614 |

CONTACT WINNEBAGO PART SALES FOR UNLISTED COMPONENTS

HEATING & A/C GROUP (CONTINUED)
COMPONENT PARTS FOR FURNACE (CONTINUED)

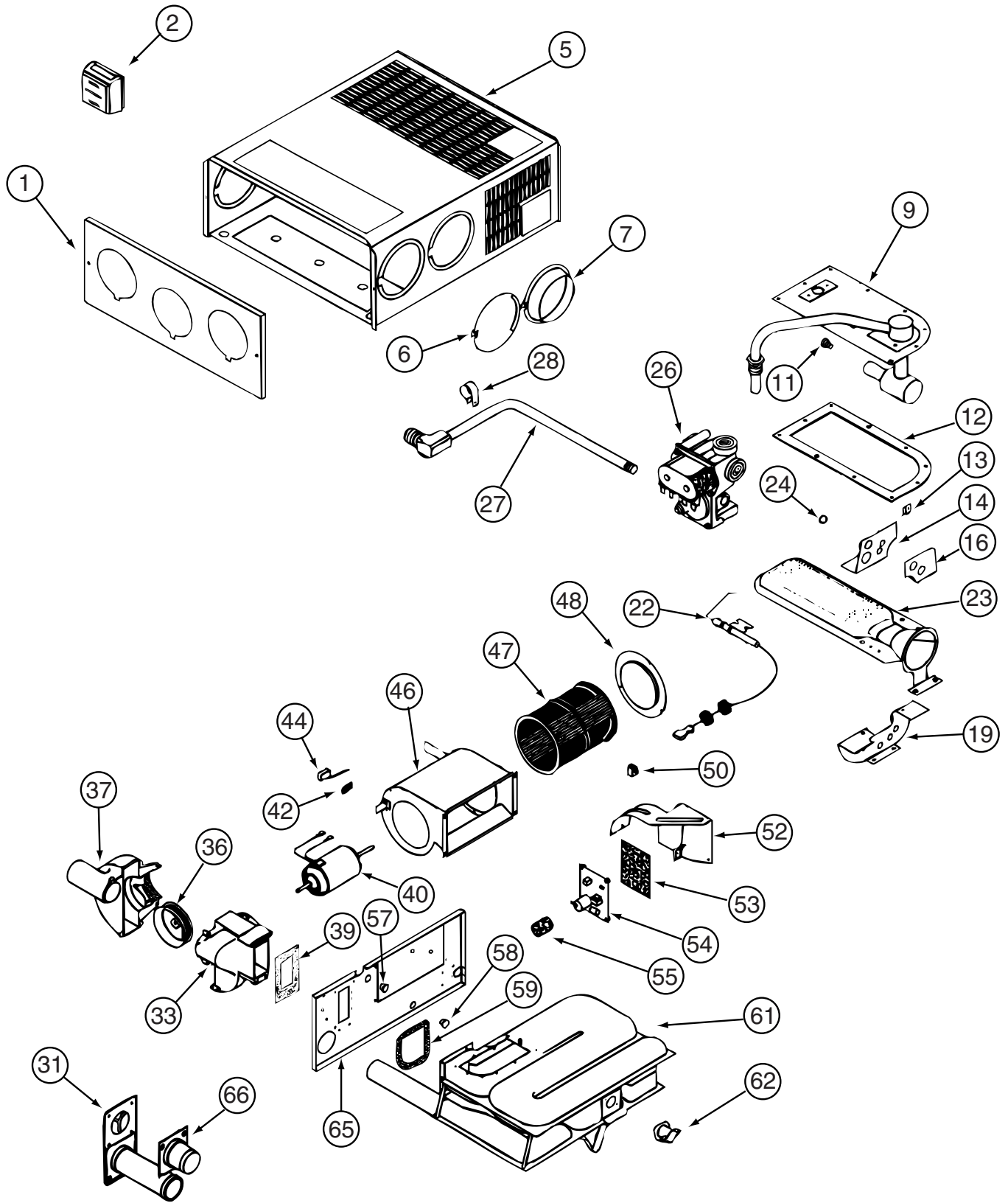


098668-22-000

| KEY | PART NUMBER | U/M | DESCRIPTION | VENDOR NO. |
|-----|---------------|-----|-------------------------------|------------|
| 1 | 098668-01-700 | EA | CABINET FRONT | 101242 |
| 3 | 098668-01-714 | EA | VALVE-GAS, SF | 161070 |
| 4 | 098668-11-701 | EA | BURNER ASSEMBLY, SF-42F | 010799 |
| 5 | 098668-01-715 | EA | ELECTRODE ASM., SINGLE PROBE | 232166 |
| 6 | 075696-02-703 | EA | COLLAR-DUCT | 050715 |
| 7 | 098668-11-704 | EA | BLOWER ASM., ROOM AIR SF-42F | 390698 |
| 8 | 074466-01-702 | EA | RELAY, TIME DELAY | 230625 |
| 9 | 098668-09-700 | EA | SWITCH-MICRO-W/O FLAG 3 1/4" | 232216 |
| 10 | 101990-01-714 | EA | GASKET-MICROSWITCH | 230877 |
| 11 | 098668-01-708 | EA | HOUSING-BLOWER, COMBUSTION | 390441 |
| 12 | 098668-01-707 | EA | TUBE ASSEMBLY, EXHAUST W/CAP | 260231 |
| 13 | 098668-01-713 | EA | TUBE ASSEMBLY, INTAKE | 051248 |
| 14 | 098668-01-717 | EA | GASKET-FIREWALL, BLOWER SIDE | 070809 |
| | 098668-11-700 | EA | ORIFICE-MAIN BURNER, SF-42F | 180216 |
| 15 | 098668-11-702 | EA | MOTOR ASSEMBLY, SF-42F | 232212 |
| 16 | 098668-01-711 | EA | WHEEL-BLOWER, ROOM AIR | 350129 |
| 17 | 098668-01-712 | EA | BOARD-MODULE | 520741 |
| 18 | 098668-01-716 | EA | GASKET-FIREWALL, CHAMBER SIDE | 070808 |
| 19 | 098668-11-706 | EA | SWITCH-LIMIT, SF42 & SF42F | 232217 |
| 20 | 098668-22-702 | EA | WHEEL-COMBUSTION AIR | 350183 |
| 21 | 098668-22-703 | EA | GASKET | 070811 |
| | 098668-08-700 | EA | MODULE BD/FAN CONT - FENWAL | 232613 |
| | 098668-08-701 | EA | MODULE BD/FAN CONT-UNITED TE | 232614 |

CONTACT WINNEBAGO PART SALES FOR UNLISTED COMPONENTS

HEATING & A/C GROUP (CONTINUED)
COMPONENT PARTS FOR FURNACE (CONTINUED)



139980-03-000

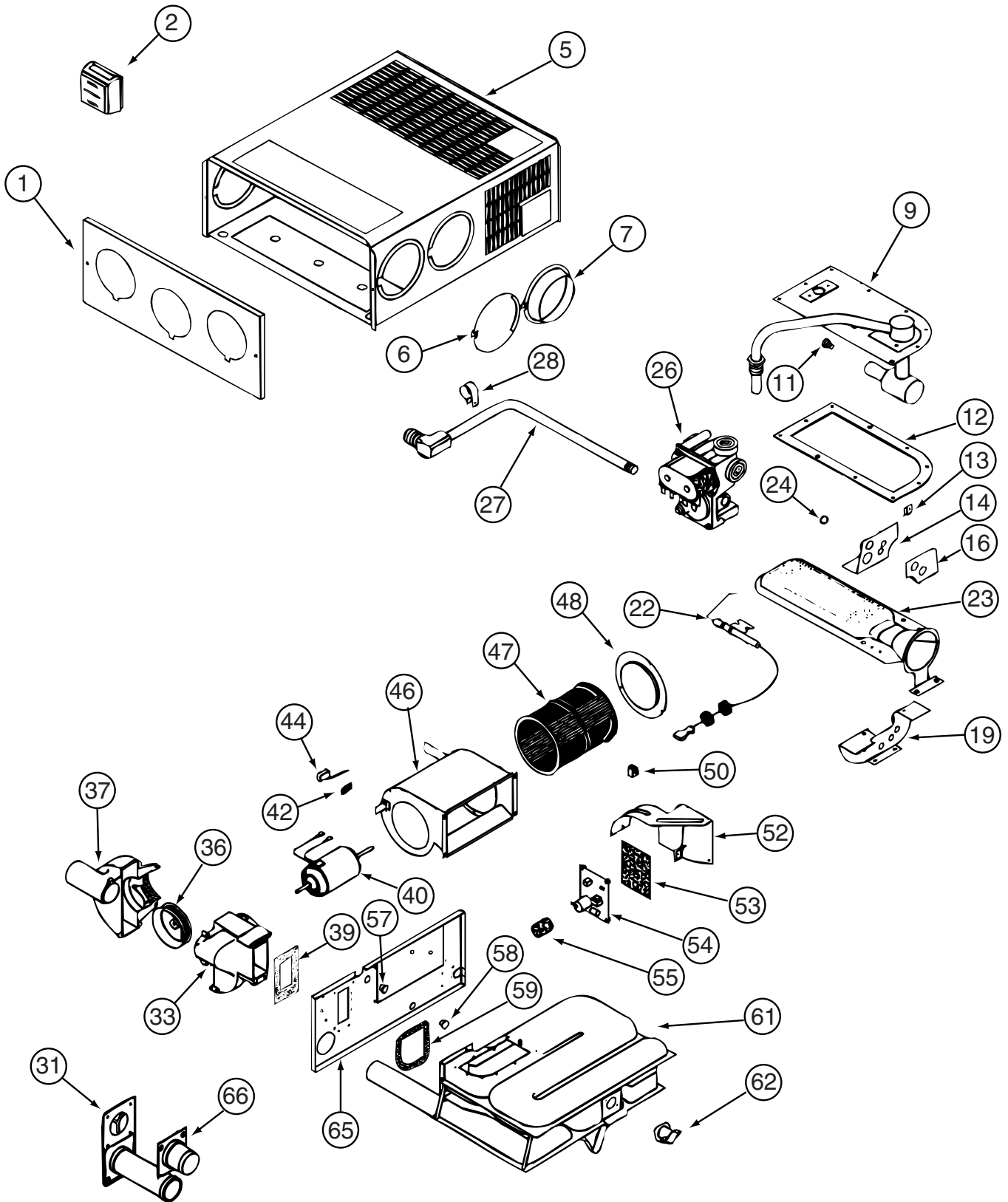
HEATING & A/C GROUP (CONTINUED)
COMPONENT PARTS FOR FURNACE (CONTINUED)

139980-03-000 (CONTINUED)

| KEY | PART NUMBER | U/M | DESCRIPTION | VENDOR NO. |
|-----|---------------|-----|------------------------------|------------|
| 9 | 139980-01-700 | EA | MANIFOLD ASSEMBLY | 171571 |
| 11 | 069634-01-720 | EA | ORIFICE-MAIN BURNER | 180222 |
| 12 | 098668-22-703 | EA | GASKET - BURNER ACCESS COVER | 070811 |
| 22 | 139980-01-701 | EA | ELECTRODE | 232286 |
| 23 | 098668-02-700 | EA | BURNER ASSEMBLY,SF-30 & SF35 | 010745 |
| 26 | 098668-01-718 | EA | VALVE-GAS SF S.N.974903079 | 161122 |
| 27 | 139980-01-702 | EA | PIPE ASSEMBLY/GAS INLET | 171574 |
| 31 | 098668-01-707 | EA | TUBE ASSEMBLY, EXHAUST W/CAP | 260231 |
| 33 | 139980-01-703 | EA | COMBUSTION AIR HOUS FRT/HALF | 390852 |
| 36 | 098668-01-706 | EA | WHEEL-COMBUSTION AIR | 350184 |
| 37 | 139980-01-704 | EA | COMBUSTION AIR HOUS RR HALF | 390848 |
| 39 | 139980-01-705 | EA | GASKET/FIREWALL-COMB AIR | 071084 |
| 40 | 139980-01-707 | EA | MOTOR ASSEMBLY W/GASKET SF35 | 232684 |
| 42 | 101990-01-714 | EA | GASKET-MICROSWITCH | 230877 |
| 44 | 098668-21-700 | EA | SWITCH-MICRO-W/O FLAG 3 1/4" | 232261 |
| 46 | 139980-01-708 | EA | BLOWER ASSEMBLY - ROOM AIR | 390739BK |
| 47 | 098668-01-711 | EA | WHEEL-BLOWER, ROOM AIR | 350129 |
| 48 | 139980-01-709 | EA | ORFICE RING | 390696 |
| 50 | 139980-01-710 | EA | SWITCH - ON/OFF | 232351 |
| 52 | 139980-01-711 | EA | PANEL ASSEMBLY-MODULE BD | 101663 |
| 53 | 139980-01-712 | EA | INSULATOR - MODULE BD | 070807 |
| 54 | 098668-22-705 | EA | MODULE BD W/RELAY TIME DELAY | 520820 |
| 55 | 139980-01-713 | EA | CAP/INSULATOR-MODULE BD | 070973 |
| 57 | 139980-01-714 | EA | BUSHING - UNIVERSAL | 070362 |
| 58 | 139980-01-715 | EA | BUSHING - STRAIN RELIEF | 231809 |
| 59 | 098668-01-716 | EA | GASKET-FIREWALL,CHAMBER SIDE | 070808 |
| 61 | 139980-01-716 | EA | CHAMBER ASSEMBLY - FINAL | 021149BK |
| 62 | 098668-21-701 | EA | SWITCH - LIMIT | 232504 |
| 66 | 098668-01-713 | EA | TUBE ASSEMBLY, INTAKE | 051248 |

CONTACT WINNEBAGO PART SALES FOR UNLISTED COMPONENTS

HEATING & A/C GROUP (CONTINUED)
COMPONENT PARTS FOR FURNACE (CONTINUED)



139980-04-000

HEATING & A/C GROUP (CONTINUED)
COMPONENT PARTS FOR FURNACE (CONTINUED)

139980-04-000 (CONTNUED)

| KEY | PART NUMBER | U/M | DESCRIPTION | VENDOR NO. |
|------------|--------------------|------------|------------------------------|-------------------|
| 9 | 098668-20-700 | EA | MANIFOLD ASM. | 171517 |
| 11 | 139980-04-700 | EA | ORFICE - MAIN BURNER | 180242 |
| 12 | 098668-22-703 | EA | GASKET - BURNER ACCESS COVER | 070811 |
| 22 | 139980-01-701 | EA | ELECTRODE | 232286 |
| 23 | 098668-11-701 | EA | BURNER ASSEMBLY,SF-42F | 010799 |
| 26 | 098668-01-718 | EA | VALVE-GAS SF S.N.974903079 | 161122 |
| 27 | 139980-01-702 | EA | PIPE ASSEMBLY/GAS INLET | 171574 |
| 31 | 098668-01-707 | EA | TUBE ASSEMBLY, EXHAUST W/CAP | 260231 |
| 33 | 139980-01-703 | EA | COMBUSTION AIR HOUS FRT/HALF | 390852 |
| 36 | 098668-22-702 | EA | WHEEL-COMBUSTION AIR | 350183 |
| 37 | 139980-01-704 | EA | COMBUSTION AIR HOUS RR HALF | 390848 |
| 39 | 139980-01-705 | EA | GASKET/FIREWALL-COMB AIR | 071084 |
| 40 | 139980-04-701 | EA | MOTOR ASSEMBLY W/GASKET | 232683 |
| 42 | 101990-01-714 | EA | GASKET-MICROSWITCH | 230877 |
| 44 | 098668-21-700 | EA | SWITCH-MICRO-W/O FLAG 3 1/4" | 232261 |
| 46 | 139980-04-702 | EA | BLOWER ASSEMBLY/ROOM AIR | 390740BK |
| 47 | 098668-01-711 | EA | WHEEL-BLOWER, ROOM AIR | 350129 |
| 48 | 139980-01-709 | EA | ORFICE RING | 390696 |
| 50 | 139980-01-710 | EA | SWITCH - ON/OFF | 232351 |
| 52 | 139980-01-711 | EA | PANEL ASSEMBLY-MODULE BD | 101663 |
| 53 | 139980-01-712 | EA | INSULATOR - MODULE BD | 070807 |
| 54 | 098668-22-705 | EA | MODULE BD W/RELAY TIME DELAY | 520820 |
| 55 | 139980-01-713 | EA | CAP/INSULATOR-MODULE BD | 070973 |
| 57 | 139980-01-714 | EA | BUSHING - UNIVERSAL | 070362 |
| 58 | 139980-01-715 | EA | BUSHING - STRAIN RELIEF | 231809 |
| 59 | 098668-01-716 | EA | GASKET-FIREWALL,CHAMBER SIDE | 070808 |
| 61 | 139980-04-703 | EA | CHAMBER ASSEMBLY FINAL | 021150BK |
| 62 | 098668-22-706 | EA | SWITCH/LIMIT - 195 TRIP TEMP | 232505 |
| 66 | 098668-01-713 | EA | TUBE ASSEMBLY, INTAKE | 051248 |

CONTACT WINNEBAGO PART SALES FOR UNLISTED COMPONENTS

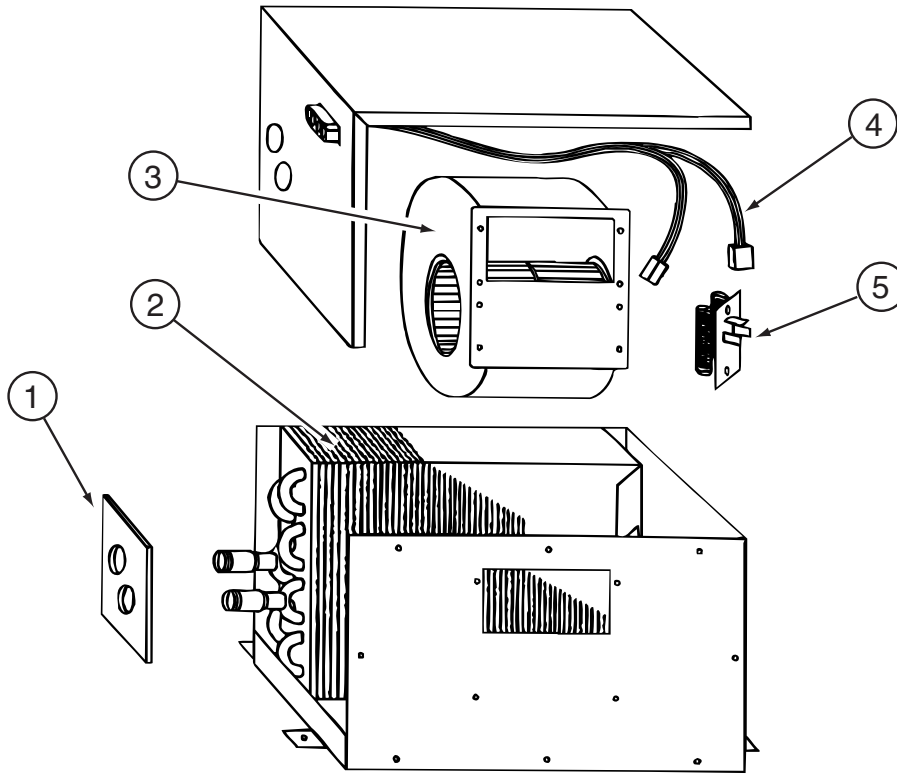
HEATING & A/C GROUP (CONTINUED)

REAR HEATER

| KEY | PART NUMBER | U/M | DESCRIPTION |
|-----|---------------|-----|---|
| | 094600-05-01A | EA | REGISTER W/O DAMPER-3.6" X 11.3" FACE/2.1" X 9.9" - BEIGE |
| | | | FROM: 00-00-00 THRU: 04-29-01 |
| | 007108-01-000 | FT | HOSE - HEATER - 5/8" ID - HI-TEMP |
| | 079059-01-000 | EA | HOSE - 90 DEGREE - 5/8"ID X 4" X 36" |
| * | 129205-01-000 | EA | HEATER - REAR |

***COMPONENT PARTS LISTED LATER IN THIS GROUP**

HEATING & A/C GROUP (CONTINUED)
COMPONENT PARTS FOR REAR HEATER



129205-01-000

| KEY | PART NUMBER | U/M | DESCRIPTION | VENDOR NO. |
|-----|---------------|-----|------------------|------------|
| 1 | 129205-01-700 | EA | SEAL - CORE TUBE | HV218421 |
| 2 | 129205-01-701 | EA | CORE - HEATER | HV218426 |
| 3 | 129205-01-702 | EA | BLOWER ASSEMBLY | HV218419 |
| 4 | 129205-01-703 | EA | WIRE HARNESS | HV218420 |
| 5 | 129205-01-704 | EA | RESISTOR | HV218125 |

HEATING & A/C GROUP (CONTINUED)

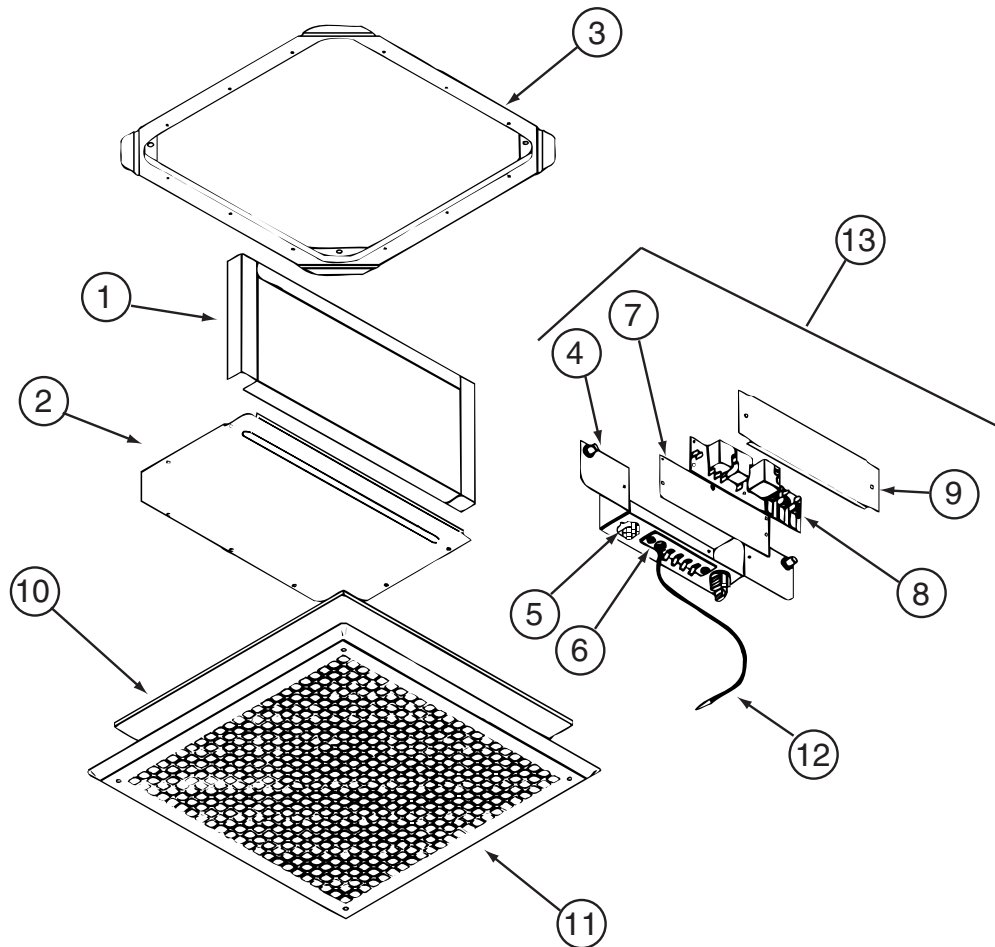
ROOF

| KEY | PART NUMBER | U/M | DESCRIPTION |
|-----|---------------|-----|---|
| | 120134-01-02A | EA | REGISTER - W/DAMPER - 4" PIPE/7" O.D. FACE - WHITE |
| * | 131184-01-01A | EA | CEILING ASSEMBLY - A/C DUCTED - WHITE |
| | 131184-02-01A | EA | BOARD - DIVIDER - SILVER |
| * | 131188-01-01A | EA | A/C - ROOF - 14,800 MACH 15 - WHITE - F30W FROM: 00-00-00 THRU: 11-28-01 |
| * | 131188-03-01A | EA | A/C - ROOF - 14,800 MACH 15 - WHITE - F30W FROM: 11-29-01 THRU: 99-99-99 |
| | 117238-02-01A | EA | THERMOSTAT - A/C ONLY - F30W FROM: 00-00-00 THRU: 03-15-01 |
| | 135618-03-01A | EA | THERMOSTAT - A/C & FURNACE - WHITE FROM: 03-16-01 THRU: 99-99-99 |
| * | 131186-01-01A | EA | A/C - ROOF MACH 1 POWER SAVER - WHITE FROM: 00-00-00 THRU: 01-27-02 |
| * | 131186-02-01A | EA | A/C - ROOF MACH 1 POWER SAVER - WHITE FROM: 01-28-02 THRU: 99-99-99 |
| * | 131187-01-01A | EA | A/C - ROOF MACH 3 POWER SAVER - WHITE FROM: 00-00-00 THRU: 01-27-02 |
| * | 131187-03-01A | EA | A/C - ROOF - MACH 3 POWER SAVER - WHITE FROM: 01-28-02 THRU: 99-99-99 |
| | 135618-04-01A | EA | THERMOSTAT - A/C ONLY - WHITE FROM: 03-16-01 THRU: 05-16-01 |
| | 135618-01-01A | EA | THERMOSTAT - HEAT PUMP/FURNACE - WHITE FROM: 05-17-01 THRU: 99-99-99 |
| * | 131184-05-01A | EA | CEILING - HEAT PUMP - WHITE |
| * | 131188-02-01A | EA | A/C ROOF - 14,500 HEAT PUMP - WHITE - F30W FROM: 00-00-00 THRU: 12-19-01 |
| * | 131188-04-01A | EA | A/C - ROOF - 14,800 BTU - HEAT PUMP - WHITE - F30W FROM: 00-00-00 THRU: 12-19-01 |
| | 131184-02-01A | EA | BOARD - DIVIDER - SILVER |
| | 135618-01-01A | EA | THERMOSTAT - HEAT PUMP/FURNACE - WHITE FROM: 03-16-01 THRU: 99-99-99 |
| * | 131184-05-01A | EA | CEILING - HEAT PUMP - WHITE |
| * | 131187-02-01A | EA | A/C - ROOF - MACH 3 POWER SAVER - WHITE FROM: 00-00-00 THRU: 02-17-02 |
| * | 131187-04-01A | EA | A/C - ROOF - MACH 3 POWER SAVER - WHITE FROM: 02-18-02 THRU: 99-99-99 |
| | 131184-02-01A | EA | BOARD - DIVIDER - SILVER |
| | 117238-01-01A | EA | THERMOSTAT - A/C - FURNACE - F30W FROM: 00-00-00 THRU: 03-15-01 |
| | 135618-01-01A | EA | THERMOSTAT - HEAT PUMP/FURNACE - WHITE FROM: 03-16-01 THRU: 99-99-99 |
| | 135618-03-01A | EA | THERMOSTAT - A/C & FURNACE - WHITE - F30W FROM: 03-16-01 THRU: 99-99-99 |

*COMPONENT PARTS LISTED LATER IN THIS GROUP

HEATING & A/C GROUP (CONTINUED)

COMPONENT PARTS FOR ROOF

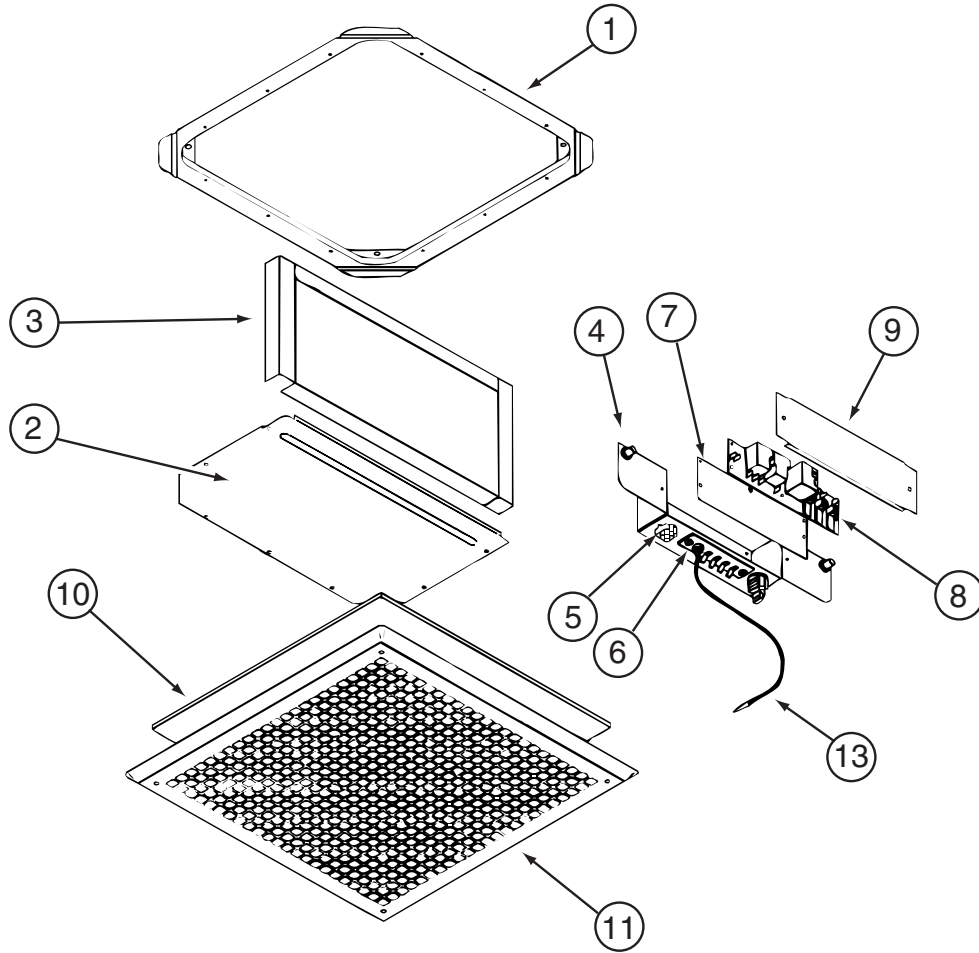


131184-01-01A

| KEY | PART NUMBER | U/M | DESCRIPTION | VENDOR NO. |
|-----|---------------|-----|-----------------------------|------------|
| 5 | 131184-01-700 | EA | PLUG ASSEMBLY | 7330A389 |
| 6 | 131184-01-701 | EA | TERMINAL BOARD | 7330B3201 |
| 7 | 131184-01-702 | EA | ISOLATOR - BLANK | 7330C365 |
| 8 | 108892-01-702 | EA | BOARD-P.C. | 7330A3211 |
| 10 | 108892-01-703 | EA | FILTER | 6798A3761 |
| 11 | 108892-01-704 | EA | GRILLE 16 3/8X16 3/8 RETURN | 6798-3041 |
| 12 | 131184-01-704 | EA | COIL SENSOR | 7330-6111 |
| 13 | 131184-01-705 | EA | JUNCTION BOX ASSEMBLY | 7330B5551 |
| | 131184-01-703 | EA | SMALL PARTS PKG | 8330-5961 |

CONTACT WINNEBAGO PART SALES FOR UNLISTED COMPONENT

HEATING & A/C GROUP (CONTINUED)
COMPONENT PARTS FOR ROOF (CONTINUED)

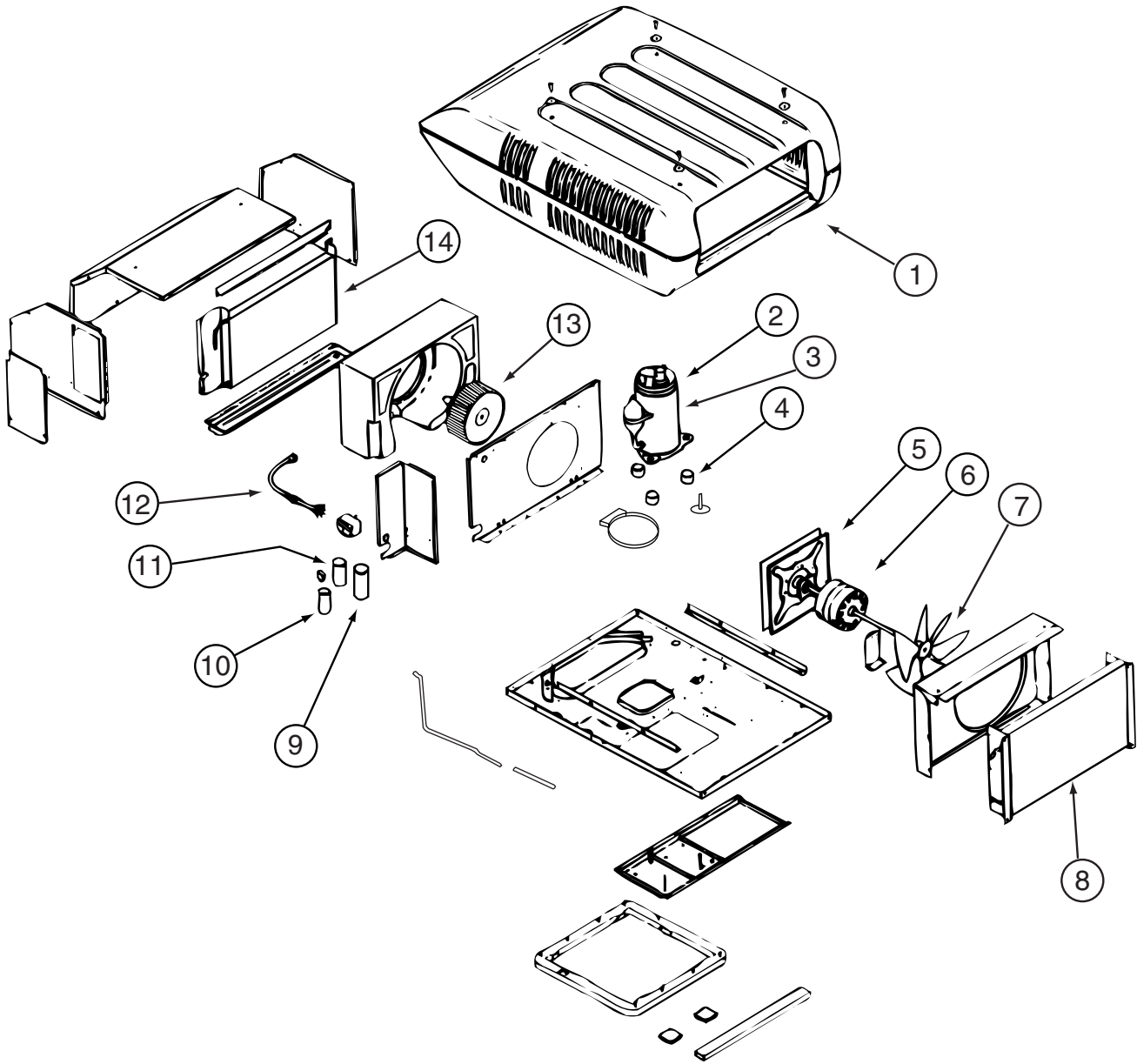


131184-05-01A

| KEY | PART NUMBER | U/M | DESCRIPTION | VENDOR NO. |
|------------|--------------------|------------|-----------------------------|-------------------|
| 4 | 131184-04-703 | EA | BOX - JUNCTION | 7330-113 |
| 5 | 131184-04-700 | EA | PLUG ASSEMBLY | 7530A340 |
| 6 | 131184-04-702 | EA | BOARD - TERMINAL | 7530B3201 |
| 7 | 131184-01-702 | EA | ISOLATOR - BLANK | 7330C365 |
| 8 | 131184-04-705 | EA | BOARD - P.C. | 7330B3311 |
| 10 | 108892-01-703 | EA | FILTER | 6798A3761 |
| 11 | 108892-01-704 | EA | GRILLE 16 3/8X16 3/8 RETURN | 6798-3041 |
| 13 | 105620-12-719 | EA | COIL SENSOR | 7330A3231 |
| | 131184-01-703 | EA | SMALL PARTS PKG | 8330-5961 |

CONTACT WINNEBAGO PART SALES FOR UNLISTED COMPONENT

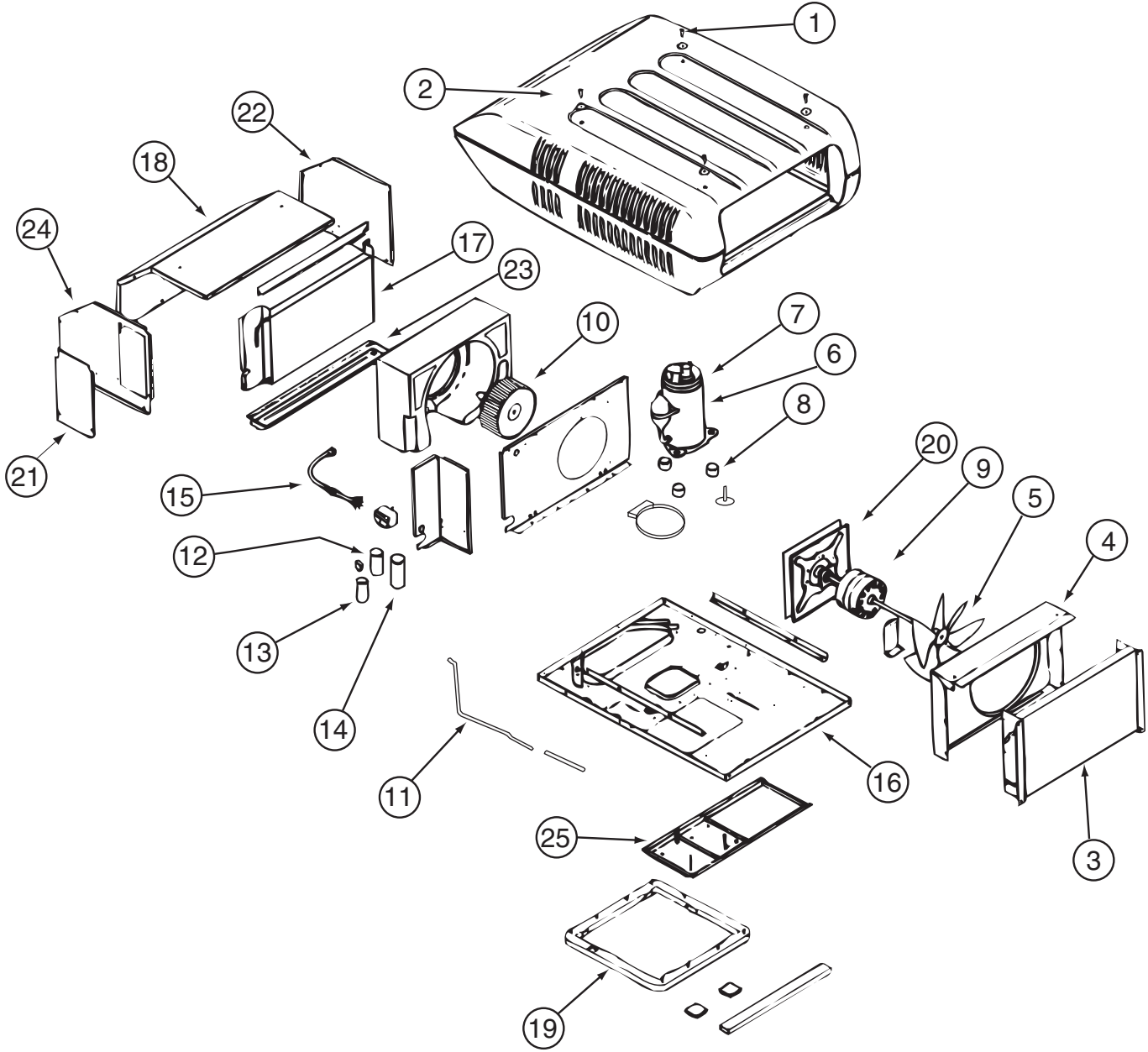
HEATING & A/C GROUP (CONTINUED)
COMPONENT PARTS FOR ROOF (CONTINUED)



131186-01-01A

| KEY | PART NUMBER | U/M | DESCRIPTION | VENDOR NO. |
|-----|---------------|-----|------------------------------|------------|
| 1 | 108889-05-700 | EA | SHROUD-BRIGHT/WHT. W/O LOGO | 7333-4601 |
| 2 | 126859-01-701 | EA | OVERLOAD PROTECTORMRA# 4761 | 1450-0061 |
| 3 | 126859-01-700 | EA | COMPRESSOR RK124AT-001-A4Y | 1450-2109 |
| 4 | 105620-01-706 | EA | MOUNTING PKG.,COMP., 3 PER | 6759-3081 |
| 5 | 131185-01-704 | EA | MOTOR MOUNT & SEAL KIT | 8333-5151 |
| 6 | 131186-01-700 | EA | MOTOR - 115V, 60 HURTZ | 1468-3109 |
| 7 | 093763-01-712 | EA | BLADE-FAN-CONDENSER | 6733-3221 |
| 8 | 115219-01-700 | EA | COIL-CONDENSER | 1452A1321 |
| 9 | 126859-01-703 | EA | CAPACITOR - RUN | 1499-5671 |
| 10 | 093763-01-704 | EA | CAPACITOR-FAN | 1499-5461 |
| 11 | 105620-10-704 | EA | START COMPACITOR | 1497-0861 |
| 12 | 105620-10-705 | EA | PTCR (START DEVICE) - W/CAP. | 8333A9021 |
| 13 | 131185-01-702 | EA | BLOWER WHEEL PACKAGE | 1472-1091 |
| 14 | 131186-01-701 | EA | EVAPORATOR COIL | 1452-1521 |
| | 093306-01-701 | EA | DECAL PACKAGE, LEFT & RIGHT | 6798B3591 |
| | 108889-01-710 | EA | PAD-FILLER, CONDENSER SEAL | 6759B3971 |
| | 126859-01-706 | EA | LINE - SUCTION | 7532A130 |

HEATING & A/C GROUP (CONTINUED)
COMPONENT PARTS FOR ROOF (CONTINUED)

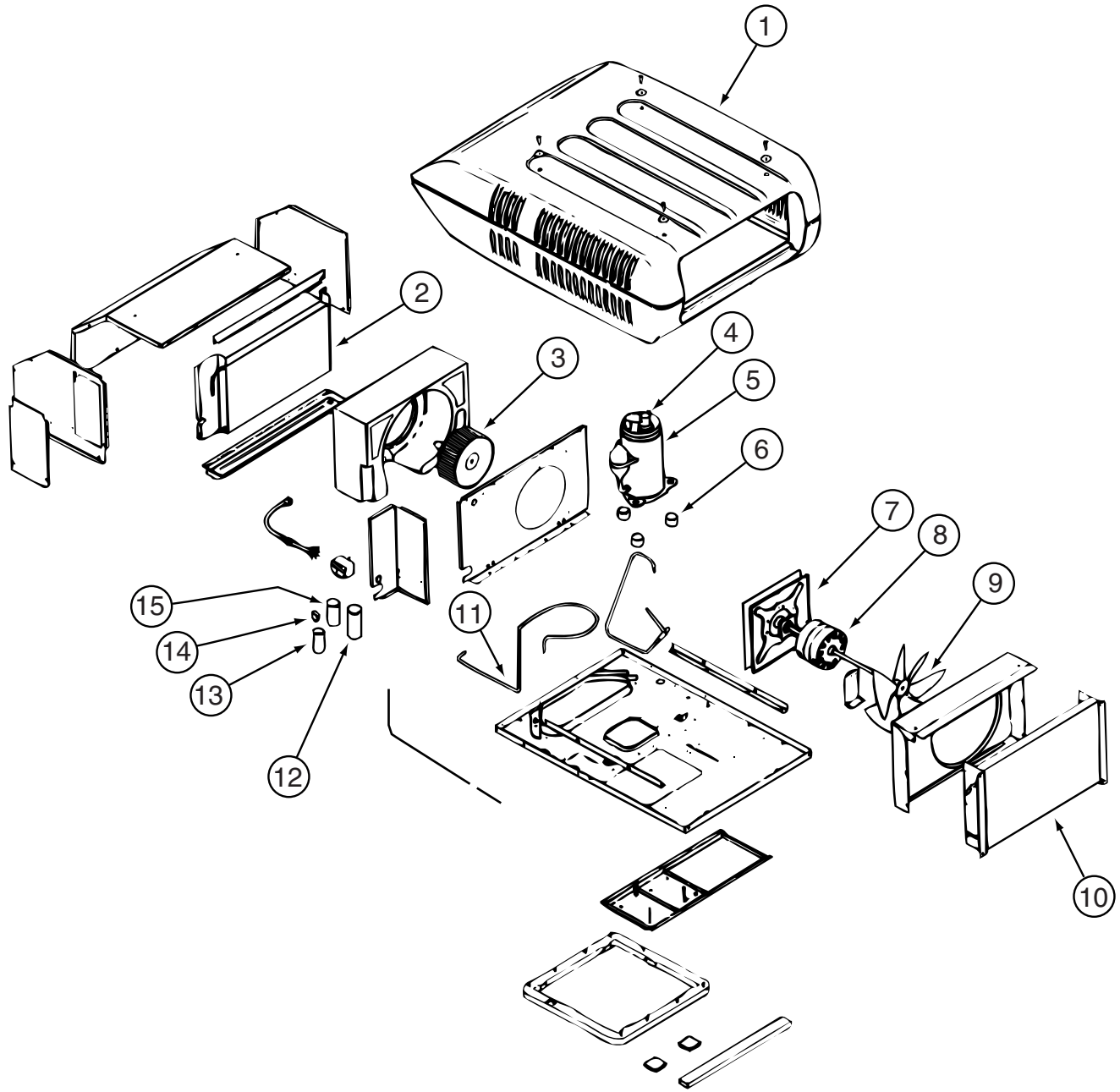


131186-02-01A

| KEY | PART NUMBER | U/M | DESCRIPTION | VENDOR NO. |
|-----|---------------|-----|------------------------------|------------|
| 2 | 131185-03-700 | EA | SHROUD - ROOF AIR | 8333-4161 |
| 3 | 115219-01-700 | EA | COIL-CONDENSER | 1452A1321 |
| 5 | 093763-01-712 | EA | BLADE-FAN-CONDENSER | 6733-3221 |
| 6 | 126859-01-700 | EA | COMPRESSOR RK124AT-001-A4Y | 1450-2109 |
| 7 | 126859-01-701 | EA | OVERLOAD PROTECTORMRA# 4761 | 1450-0061 |
| 8 | 105620-01-706 | EA | MOUNTING PKG.,COMP., 3 PER | 6759-3081 |
| 9 | 131186-01-700 | EA | MOTOR - 115V, 60 HURTZ | 1468-3109 |
| 10 | 131185-01-702 | EA | BLOWER WHEEL PACKAGE | 1472-1091 |
| 12 | 126859-01-703 | EA | CAPACITOR - RUN | 1499-5671 |
| 13 | 093763-01-704 | EA | CAPACITOR-FAN | 1499-5461 |
| 14 | 105620-10-704 | EA | START COMPACITOR | 1497-0861 |
| 15 | 105620-10-705 | EA | PTCR (START DEVICE) - W/CAP. | 8333A9021 |
| 18 | 131186-01-701 | EA | EVAPORATOR COIL | 1452-1521 |
| 21 | 131185-01-704 | EA | MOTOR MOUNT & SEAL KIT | 8333-5151 |
| | 093306-01-701 | EA | DECAL PACKAGE, LEFT & RIGHT | 6798B3591 |
| | 108889-01-710 | EA | PAD-FILLER, CONDENSER SEAL | 6759B3971 |
| | 126859-01-706 | EA | LINE - SUCTION | 7532A130 |

CONTACT WINNEBAGO PART SALES FOR UNLISTED COMPONENT

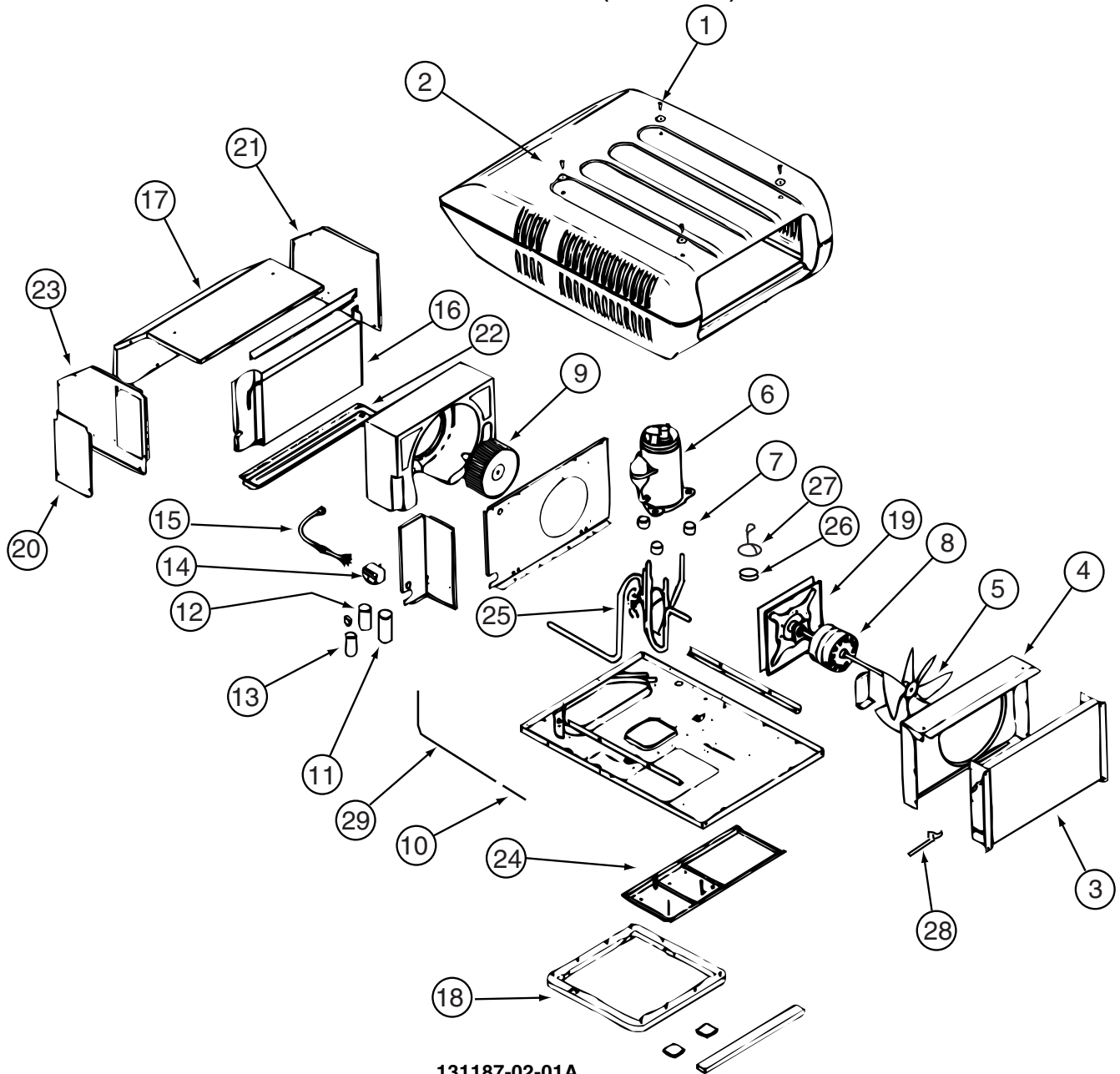
HEATING & A/C GROUP (CONTINUED)
COMPONENT PARTS FOR ROOF (CONTINUED)



131187-01-01A

| KEY | PART NUMBER | U/M | DESCRIPTION | VENDOR NO. |
|-----|---------------|-----|------------------------------|------------|
| 1 | 108889-05-700 | EA | SHROUD-BRIGHT/WHT. W/O LOGO | 7333-4601 |
| 2 | 131186-01-701 | EA | EVAPORATOR COIL | 1452-15 |
| 3 | 131185-01-702 | EA | BLOWER WHEEL PACKAGE | 1472-1091 |
| 4 | 126860-01-701 | EA | OVERLOAD PROTECTOR MRA# 1460 | 1450-0071 |
| 5 | 126860-01-700 | EA | COMPRESSOR RK136AT-002-A4Y | 1450A2119 |
| 6 | 105620-01-706 | EA | MOUNTING PKG.,COMP., 3 PER | 6759-3081 |
| 7 | 131185-01-704 | EA | MOTOR MOUNT & SEAL KIT | 8333-5151 |
| 8 | 131186-01-700 | EA | MOTOR - 115V, 60 HURTZ | 1468-3109 |
| 9 | 093763-01-712 | EA | BLADE-FAN-CONDENSER | 6733-3221 |
| 10 | 115219-01-700 | EA | COIL-CONDENSER | 1452A1321 |
| 11 | 126859-01-706 | EA | LINE - SUCTION | 7532A130 |
| 12 | 126859-01-703 | EA | CAPACITOR - RUN | 1499-5671 |
| 13 | 105620-10-704 | EA | START COMPACITOR | 1497-0861 |
| 14 | 105620-10-705 | EA | PTCR (START DEVICE) - W/CAP. | 8333A9021 |
| 15 | 105620-01-725 | EA | CAPACITOR-BLOWER,I.D. 7.5MFD | 1499-5461 |
| | 093306-01-701 | EA | DECAL PACKAGE, LEFT & RIGHT | 6798B3591 |
| | 108889-01-710 | EA | PAD-FILLER, CONDENSER SEAL | 6759B3971 |

HEATING & A/C GROUP (CONTINUED)
COMPONENT PARTS FOR ROOF (CONTINUED)

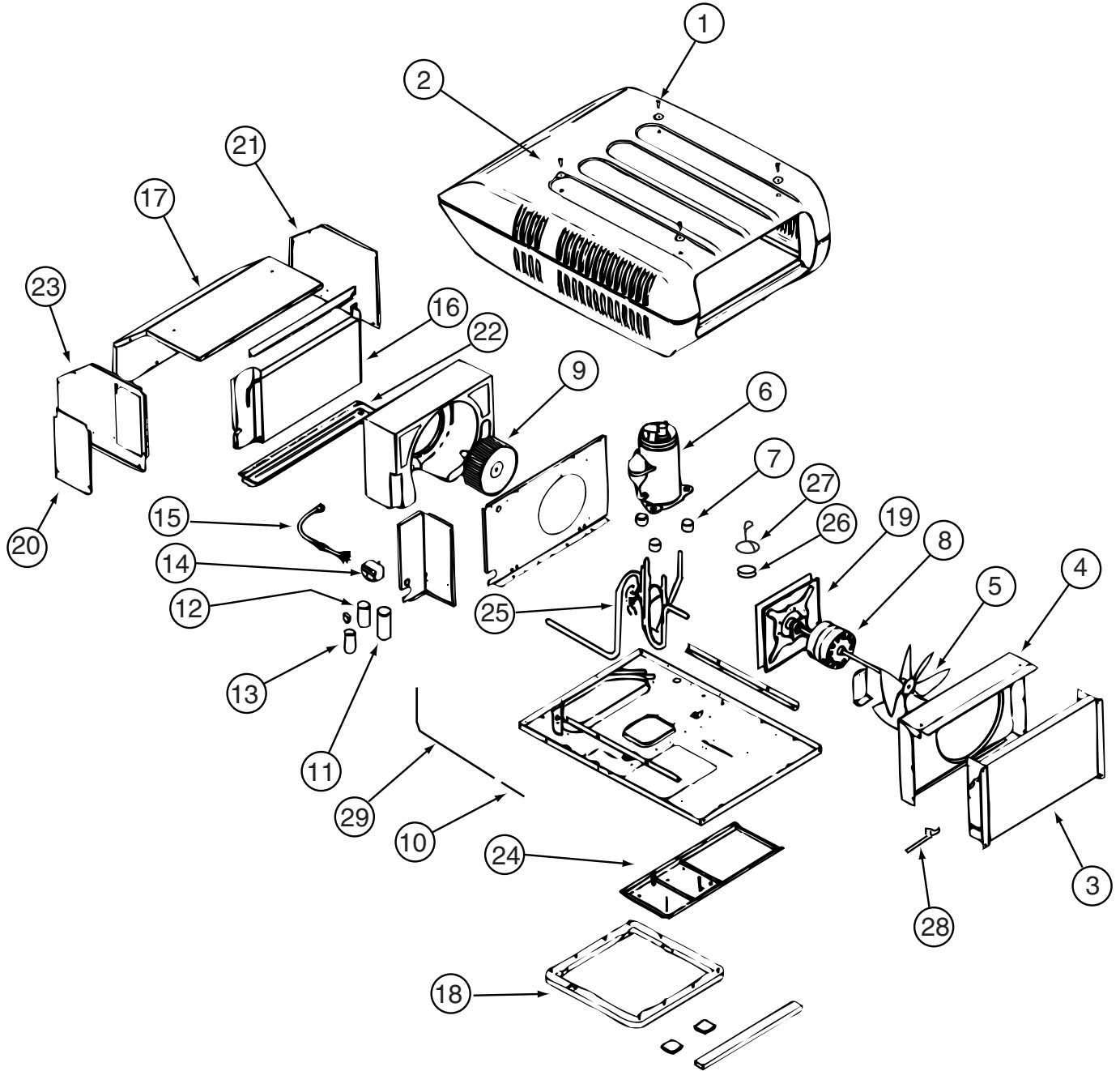


131187-02-01A

| KEY | PART NUMBER | U/M | DESCRIPTION | VENDOR NO. |
|-----|---------------|-----|------------------------------|------------|
| 2 | 108889-05-700 | EA | SHROUD-BRIGHT/WHT. W/O LOGO | 7333-4601 |
| 3 | 131188-02-700 | EA | CONDENSER COIL | 1452-1441 |
| 5 | 093763-01-712 | EA | BLADE-FAN-CONDENSER | 6733-3221 |
| 6 | 126860-01-700 | EA | COMPRESSOR RK136AT-002-A4Y | 1450A2119 |
| 7 | 105620-01-706 | EA | MOUNTING PKG.,COMP., 3 PER | 6759-3081 |
| 8 | 131186-01-700 | EA | MOTOR - 115V, 60 HURTZ | 1468-3109 |
| 9 | 131185-01-702 | EA | BLOWER WHEEL PACKAGE | 1472-1091 |
| 10 | 105620-12-711 | EA | RESTRICTOR - BY FLOW | 1454-2521 |
| 11 | 126859-01-703 | EA | CAPACITOR - RUN | 1499-5671 |
| 12 | 093763-01-704 | EA | CAPACITOR-FAN | 1499-5461 |
| 13 | 105620-10-705 | EA | PTCR (START DEVICE) - W/CAP. | 8333A9021 |
| 16 | 131186-01-701 | EA | EVAPORATOR COIL | 1452-1521 |
| 18 | 037648-01-714 | EA | GASKET PACKAGE | 8332-3301 |
| 19 | 131185-01-704 | EA | MOTOR MOUNT & SEAL KIT | 8333-5151 |
| 25 | 131188-02-704 | EA | VALVE/REVERSE ASSEMBLY | 7535A5301 |
| 26 | 105620-12-708 | EA | COIL - SOLENOID | 1460-1081 |
| 27 | 131188-02-705 | EA | WIRE HARNESS F/SOLENOID | 7535-109 |
| 28 | 131188-02-706 | EA | SWITCH - FREEZE | 1460-2041 |
| 29 | 131188-02-707 | EA | LIQUID LINE | 7535-135 |

CONTACT WINNEBAGO PART SALES FOR UNLISTED COMPONENT

HEATING & A/C GROUP (CONTINUED)
COMPONENT PARTS FOR ROOF (CONTINUED)

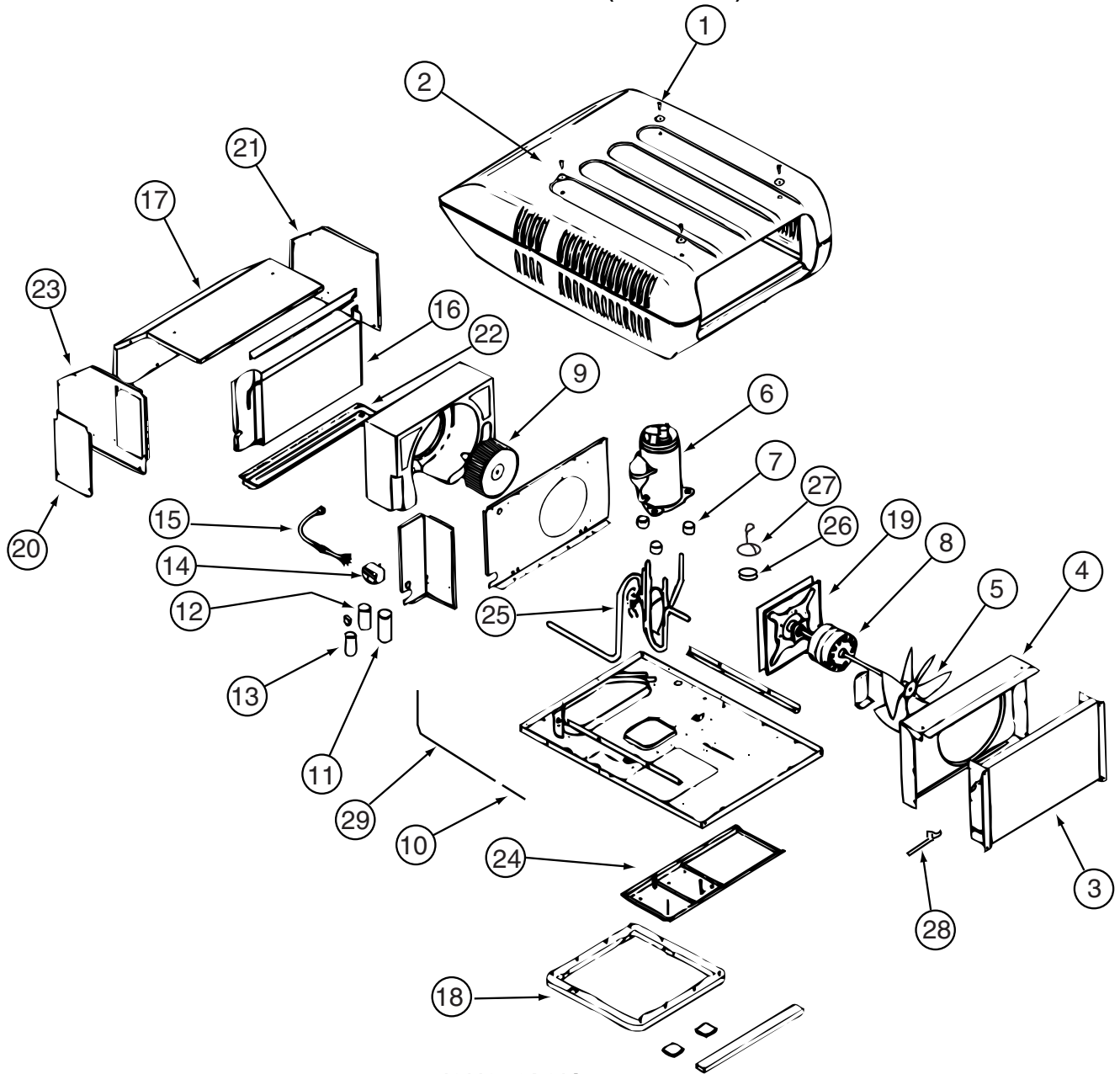


131187-03-01A

| KEY | PART NUMBER | U/M | DESCRIPTION | VENDOR NO. |
|-----|---------------|-----|------------------------------|------------|
| 2 | 131185-03-700 | EA | SHROUD - ROOF AIR | 8333-4161 |
| 3 | 115219-01-700 | EA | COIL-CONDENSER | 1452A1321 |
| 5 | 093763-01-712 | EA | BLADE-FAN-CONDENSER | 6733-3221 |
| 6 | 126860-01-700 | EA | COMPRESSOR RK136AT-002-A4Y | 1450A2119 |
| 7 | 105620-01-706 | EA | MOUNTING PKG.,COMP., 3 PER | 6759-3081 |
| 8 | 131186-01-700 | EA | MOTOR - 115V, 60 HURTZ | 1468-3109 |
| 9 | 131185-01-702 | EA | BLOWER WHEEL PACKAGE | 1472-1091 |
| 11 | 126859-01-703 | EA | CAPACITOR - RUN | 1499-5671 |
| 12 | 105620-01-725 | EA | CAPACITOR-BLOWER,I.D. 7.5MFD | 1499-5461 |
| 13 | 105620-10-705 | EA | PTCR (START DEVICE) - W/CAP. | 8333A9021 |
| 16 | 131186-01-701 | EA | EVAPORATOR COIL | 1452-1521 |
| 19 | 131185-01-704 | EA | MOTOR MOUNT & SEAL KIT | 8333-5151 |
| | 093306-01-701 | EA | DECAL PACKAGE, LEFT & RIGHT | 6798B3591 |
| | 105620-10-704 | EA | START COMPACITOR | 1497-0861 |
| | 108889-01-710 | EA | PAD-FILLER, CONDENSER SEAL | 6759B3971 |
| | 126859-01-706 | EA | LINE - SUCTION | 7532A130 |
| | 126860-01-701 | EA | OVERLOAD PROTECTOR MRA# 1460 | 1450-0071 |

CONTACT WINNEBAGO PART SALES FOR UNLISTED COMPONENT

HEATING & A/C GROUP (CONTINUED)
COMPONENT PARTS FOR ROOF (CONTINUED)

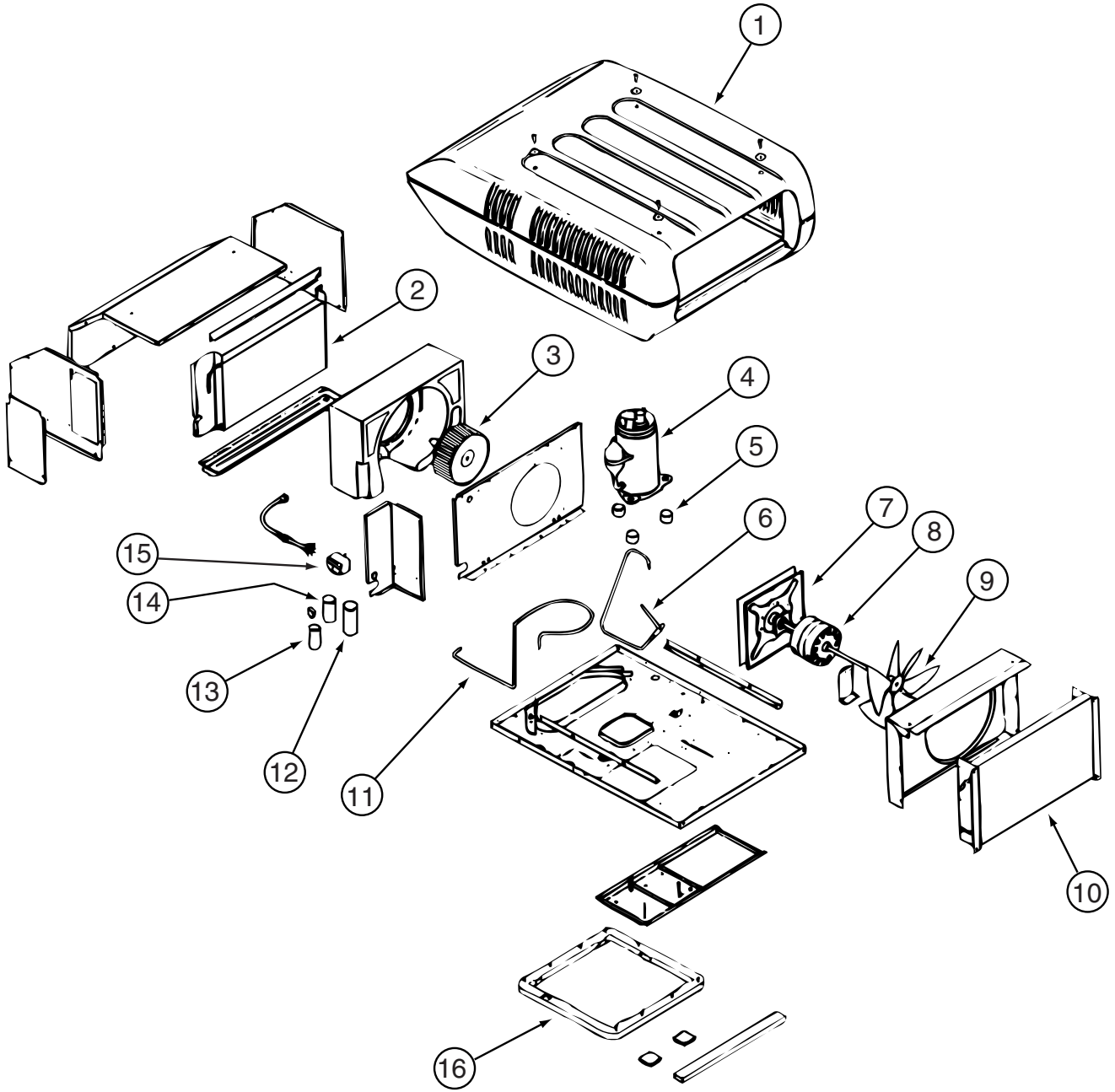


131187-04-01A

| KEY | PART NUMBER | U/M | DESCRIPTION | VENDOR NO. |
|-----|---------------|-----|------------------------------|------------|
| 2 | 131185-03-700 | EA | SHROUD - ROOF AIR | 8333-4161 |
| 3 | 131188-02-700 | EA | CONDENSER COIL | 1452-1441 |
| 5 | 093763-01-712 | EA | BLADE-FAN-CONDENSER | 6733-3221 |
| 6 | 126860-01-700 | EA | COMPRESSOR RK136AT-002-A4Y | 1450A2119 |
| 7 | 105620-01-706 | EA | MOUNTING PKG.,COMP., 3 PER | 6759-3081 |
| 8 | 131186-01-700 | EA | MOTOR - 115V, 60 HURTZ | 1468-3109 |
| 9 | 131185-01-702 | EA | BLOWER WHEEL PACKAGE | 1472-1091 |
| 10 | 105620-12-711 | EA | RESTRICTOR - BY FLOW | 1454-2521 |
| 11 | 126859-01-703 | EA | CAPACITOR - RUN | 1499-5671 |
| 12 | 093763-01-704 | EA | CAPACITOR-FAN | 1499-5461 |
| 13 | 105620-10-705 | EA | PTCR (START DEVICE) - W/CAP. | 8333A9021 |
| 16 | 131186-01-701 | EA | EVAPORATOR COIL | 1452-1521 |
| 18 | 037648-01-714 | EA | GASKET PACKAGE | 8332-3301 |
| 19 | 131185-01-704 | EA | MOTOR MOUNT & SEAL KIT | 8333-5151 |
| 25 | 131188-02-704 | EA | VALVE/REVERSE ASSEMBLY | 7535A5301 |
| 26 | 105620-12-708 | EA | COIL - SOLENOID | 1460-1081 |
| 27 | 131188-02-705 | EA | WIRE HARNESS F/SOLENOID | 7535-109 |
| 28 | 131188-02-706 | EA | SWITCH - FREEZE | 1460-2041 |
| 29 | 131188-02-707 | EA | LIQUID LINE | 7535-135 |

CONTACT WINNEBAGO PART SALES FOR UNLISTED COMPONENT

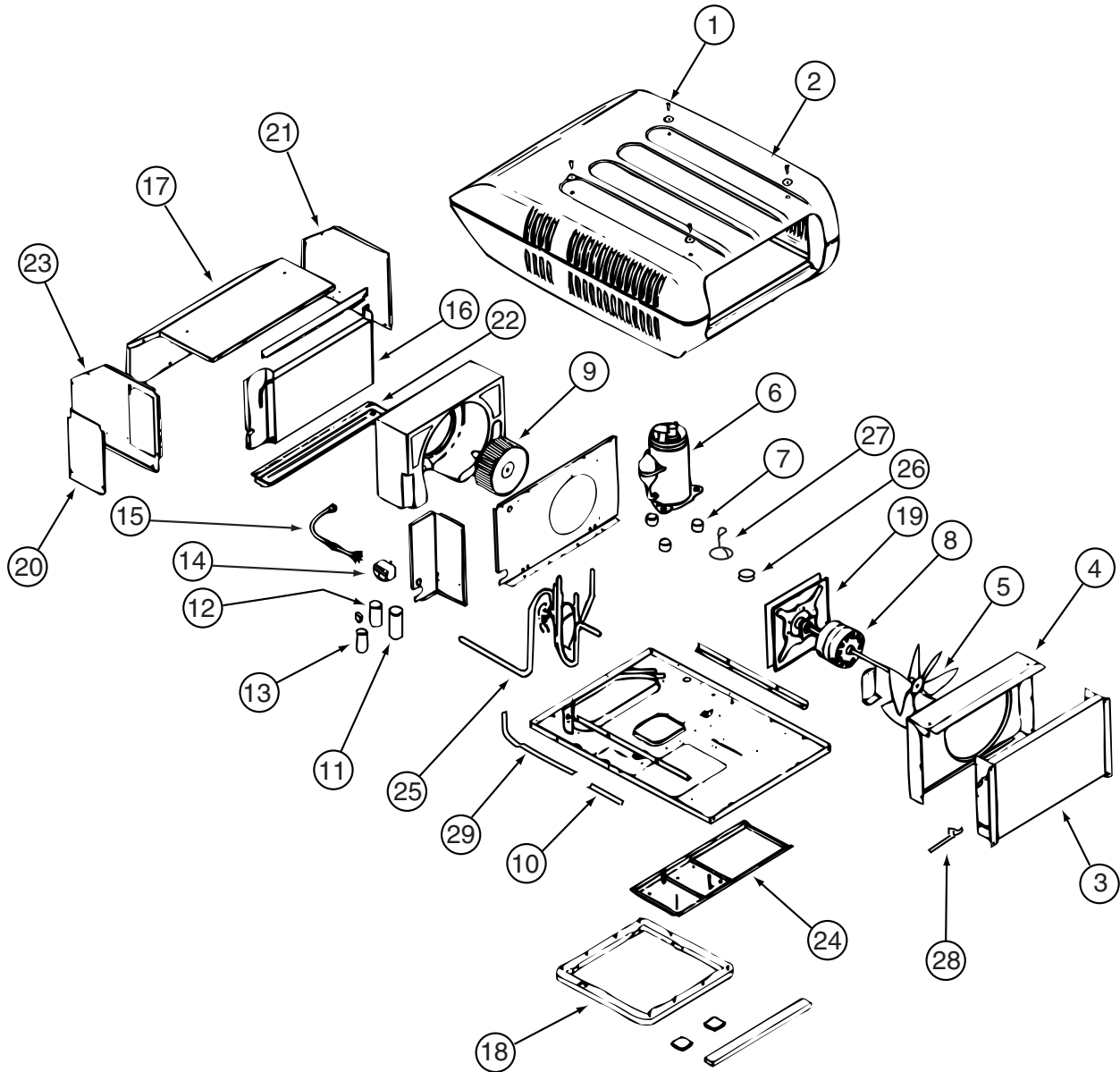
HEATING & A/C GROUP (CONTINUED)
COMPONENT PARTS FOR ROOF (CONTINUED)



131188-01-01A

| KEY | PART NUMBER | U/M | DESCRIPTION | VENDOR NO. |
|-----|---------------|-----|-----------------------------|------------|
| 1 | 108889-05-700 | EA | SHROUD-BRIGHT/WHT. W/O LOGO | 7333-4601 |
| 2 | 131186-01-701 | EA | EVAPORATOR COIL | 1452-1521 |
| 3 | 131185-01-702 | EA | BLOWER WHEEL PACKAGE | 1472-1091 |
| 4 | 131188-01-700 | EA | COMPRESSOR - TECUMSEH | 1450A2609 |
| 5 | 105620-01-706 | EA | MOUNTING PKG.,COMP., 3 PER | 6759-3081 |
| 6 | 131188-01-703 | EA | LINE - DISCHARGE | 7335A135 |
| 7 | 131185-01-704 | EA | MOTOR MOUNT & SEAL KIT | 8333-5151 |
| 8 | 131185-01-701 | EA | MOTOR (115V, 60HZ) | 1468-3069 |
| 9 | 093763-01-712 | EA | BLADE-FAN-CONDENSER | 6733-3221 |
| 10 | 115219-01-700 | EA | COIL-CONDENSER | 1452A1321 |
| 11 | 131188-01-702 | EA | LINE - SUCTION | 7335A134 |
| 12 | 131188-01-701 | EA | RUN CAP. (COMP-40MFD/370V) | 1499-5721 |
| 13 | 126859-01-704 | EA | CAPACITOR - START | 1497-0871 |
| 14 | 108889-01-708 | EA | CAPACITOR-FAN, 7.5MFD. 370U | 1499-5461 |
| 15 | 091225-01-709 | EA | RELAY-START | 1497-4131 |
| 16 | 037648-01-714 | EA | GASKET PACKAGE | 8332-3301 |
| | 093306-01-701 | EA | DECAL PACKAGE, LEFT & RIGHT | 6798B3591 |
| | 108889-01-710 | EA | PAD-FILLER, CONDENSER SEAL | 6759B3971 |

HEATING & A/C GROUP (CONTINUED)
COMPONENT PARTS FOR ROOF (CONTINUED)

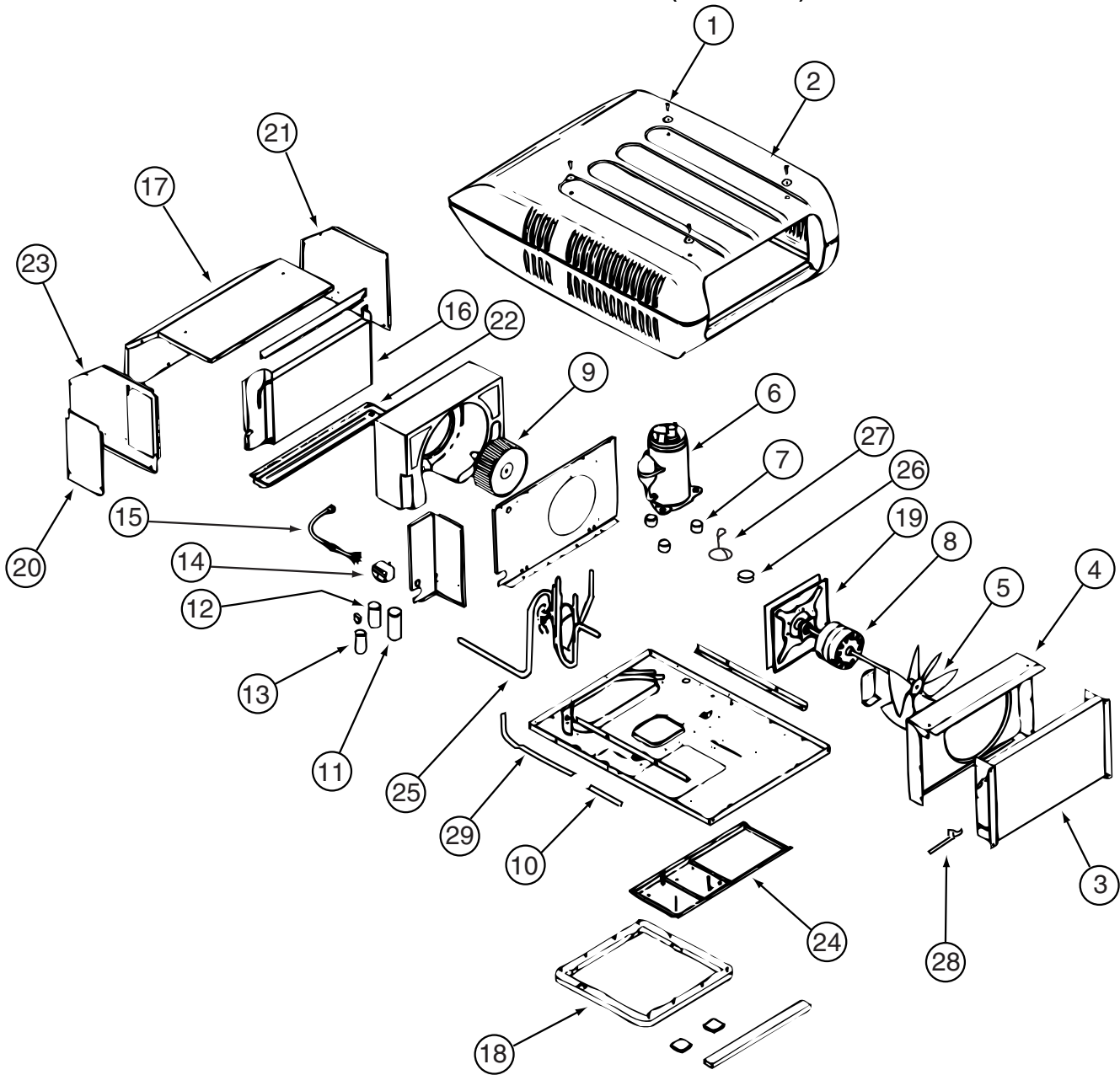


131188-02-01A

| KEY | PART NUMBER | U/M | DESCRIPTION | VENDOR NO. |
|-----|---------------|-----|------------------------------|------------|
| 2 | 108889-05-700 | EA | SHROUD-BRIGHT/WHT. W/O LOGO | 7333-4601 |
| 3 | 131188-02-700 | EA | CONDENSER COIL | 1452-1441 |
| 5 | 093763-01-712 | EA | BLADE-FAN-CONDENSER | 6733-3221 |
| 6 | 131188-02-701 | EA | COMPRESSOR(TECUMSEH-RK225AT) | 1450A2069 |
| 7 | 105620-01-706 | EA | MOUNTING PKG.,COMP., 3 PER | 6759-3081 |
| 8 | 131185-01-701 | EA | MOTOR (115V, 60HZ) | 1468-3069 |
| 9 | 131185-01-702 | EA | BLOWER WHEEL PACKAGE | 1472-1091 |
| 10 | 131188-02-702 | EA | RESTRICTOR - BY FLOW | 1454-2501 |
| 11 | 131188-01-701 | EA | RUN CAP. (COMP-40MFD/370V) | 1499-5721 |
| 12 | 093763-01-704 | EA | CAPACITOR-FAN | 1499-5461 |
| 13 | 131188-02-703 | EA | CAPACITOR-START(21-25MFD) | 1497-0211 |
| 14 | 091225-01-709 | EA | RELAY-START | 1497-4131 |
| 16 | 131186-01-701 | EA | EVAPORATOR COIL | 1452-1521 |
| 18 | 037648-01-714 | EA | GASKET PACKAGE | 8332-3301 |
| 19 | 131185-01-704 | EA | MOTOR MOUNT & SEAL KIT | 8333-5151 |
| 25 | 131188-02-704 | EA | VALVE/REVERSE ASSEMBLY | 7535A5301 |
| 26 | 105620-12-708 | EA | COIL - SOLENOID | 1460-1081 |
| 27 | 131188-02-705 | EA | WIRE HARNESS F/SOLENOID | 7535-109 |
| 28 | 131188-02-706 | EA | SWITCH - FREEZE | 1460-2041 |
| 29 | 131188-02-707 | EA | LIQUID LINE | 7535-135 |

CONTACT WINNEBAGO PART SALES FOR UNLISTED COMPONENT

HEATING & A/C GROUP (CONTINUED)
COMPONENT PARTS FOR ROOF (CONTINUED)



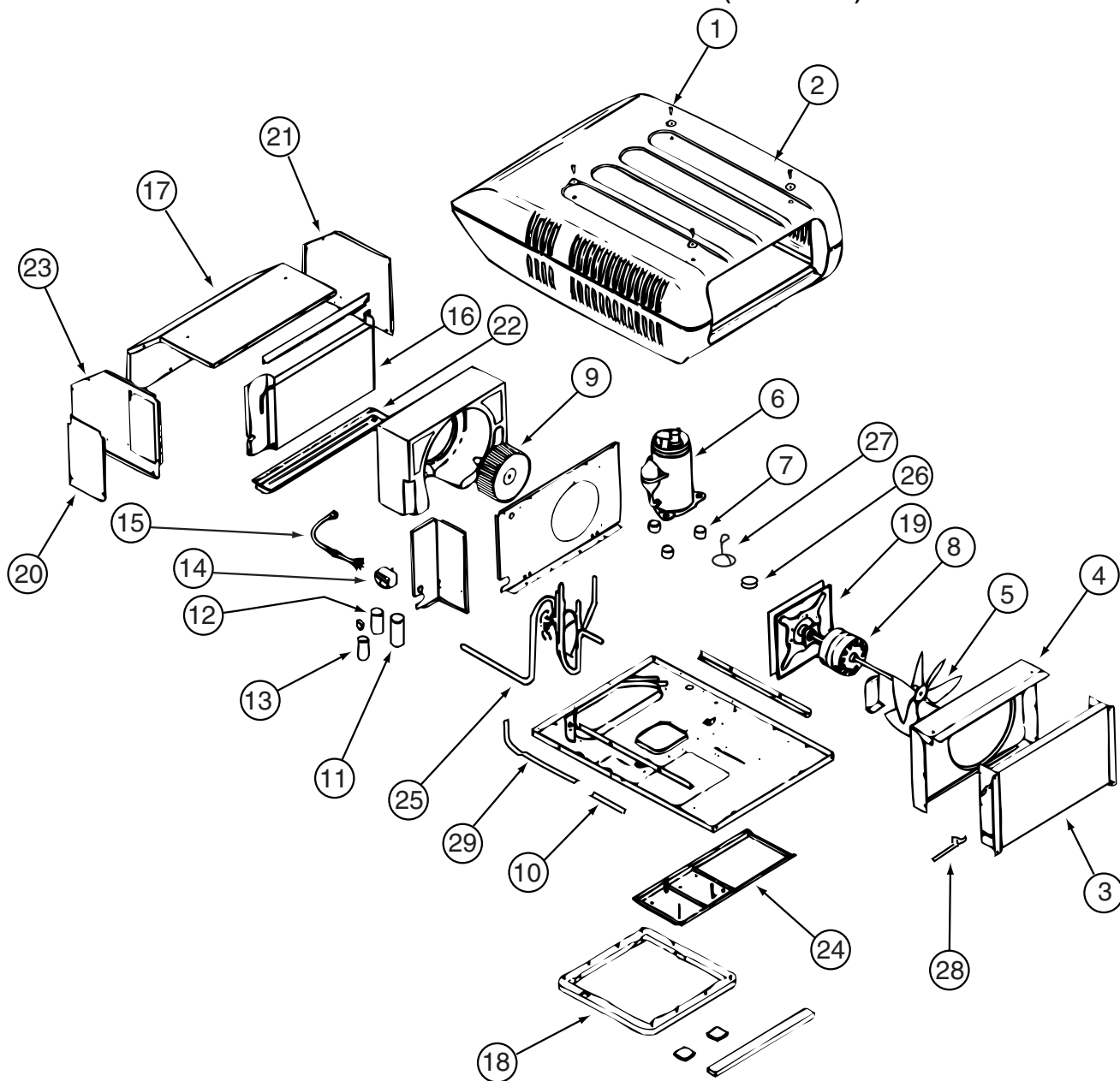
131188-03-01A

| KEY | PART NUMBER | U/M | DESCRIPTION | VENDOR NO. |
|-----|---------------|-----|-----------------------------|------------|
| 2 | 108889-05-700 | EA | SHROUD-BRIGHT/WHT. W/O LOGO | 7333-4601 |
| 3 | 115219-01-700 | EA | COIL-CONDENSER | 1452A1321 |
| 5 | 093763-01-712 | EA | BLADE-FAN-CONDENSER | 6733-3221 |
| 6 | 131188-01-700 | EA | COMPRESSOR - TECUMSEH | 1450A2609 |
| 7 | 105620-01-706 | EA | MOUNTING PKG.,COMP., 3 PER | 6759-3081 |
| 8 | 131185-01-701 | EA | MOTOR (115V, 60HZ) | 1468-3069 |
| 9 | 131185-01-702 | EA | BLOWER WHEEL PACKAGE | 1472-1091 |
| 11 | 131188-01-701 | EA | RUN CAP. (COMP-40MFD/370V) | 1499-5721 |
| 12 | 108889-01-708 | EA | CAPACITOR-FAN, 7.5MFD. 370U | 1499-5461 |
| 13 | 126859-01-704 | EA | CAPACITOR - START | 1497-0871 |
| 14 | 091225-01-709 | EA | RELAY-START | 1497-4131 |
| 16 | 131186-01-701 | EA | EVAPORATOR COIL | 1452-1521 |
| 18 | 037648-01-714 | EA | GASKET PACKAGE | 8332-3301 |
| 19 | 131185-01-704 | EA | MOTOR MOUNT & SEAL KIT | 8333-5151 |
| | 093306-01-701 | EA | DECAL PACKAGE, LEFT & RIGHT | 6798B3591 |
| | 108889-01-710 | EA | PAD-FILLER, CONDENSER SEAL | 6759B3971 |
| | 131188-01-702 | EA | LINE - SUCTION | 7335A134 |
| | 131188-01-703 | EA | LINE - DISCHARGE | 7335A135 |

CONTACT WINNEBAGO PART SALES FOR UNLISTED COMPONENT

HEATING & A/C GROUP (CONTINUED)

COMPONENT PARTS FOR ROOF (CONTINUED)



131188-04-01A

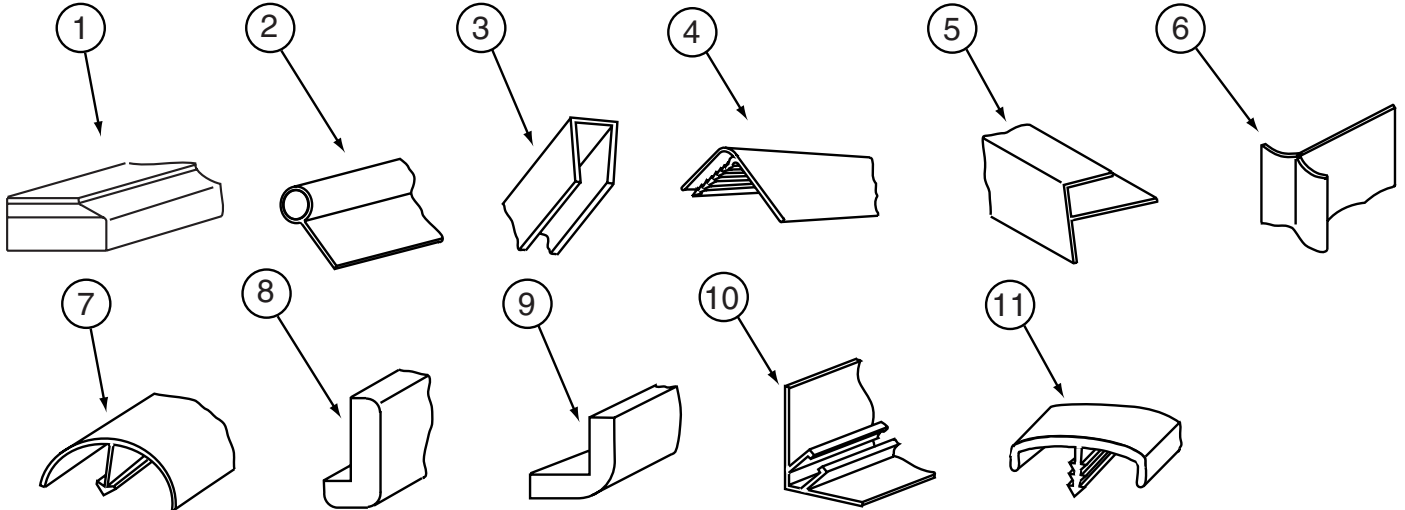
| KEY | PART NUMBER | U/M | DESCRIPTION | VENDOR NO. |
|-----|---------------|-----|------------------------------|------------|
| 3 | 131188-02-700 | EA | CONDENSER COIL | 1452-1441 |
| 5 | 093763-01-712 | EA | BLADE-FAN-CONDENSER | 6733-3221 |
| 6 | 131188-02-701 | EA | COMPRESSOR(TECUMSEH-RK225AT) | 1450A2069 |
| 7 | 105620-01-706 | EA | MOUNTING PKG.,COMP., 3 PER | 6759-3081 |
| 8 | 131185-01-701 | EA | MOTOR (115V, 60HZ) | 1468-3069 |
| 9 | 131185-01-702 | EA | BLOWER WHEEL PACKAGE | 1472-1091 |
| 10 | 131188-02-702 | EA | RESTRICTOR - BY FLOW | 1454-2501 |
| 11 | 131188-01-701 | EA | RUN CAP. (COMP-40MFD/370V) | 1499-5721 |
| 12 | 093763-01-704 | EA | CAPACITOR-FAN | 1499-5461 |
| 13 | 131188-02-703 | EA | CAPACITOR-START(21-25MFD) | 1497-0211 |
| 14 | 091225-01-709 | EA | RELAY-START | 1497-4131 |
| 16 | 131186-01-701 | EA | EVAPORATOR COIL | 1452-1521 |
| 18 | 037648-01-714 | EA | GASKET PACKAGE | 8332-3301 |
| 19 | 131185-01-704 | EA | MOTOR MOUNT & SEAL KIT | 8333-5151 |
| 25 | 131188-02-704 | EA | VALVE/REVERSE ASSEMBLY | 7535A5301 |
| 26 | 105620-12-708 | EA | COIL - SOLENOID | 1460-1081 |
| 27 | 131188-02-705 | EA | WIRE HARNESS F/SOLENOID | 7535-109 |
| 28 | 131188-02-706 | EA | SWITCH - FREEZE | 1460-2041 |
| 29 | 131188-02-707 | EA | LIQUID LINE | 7535-135 |

CONTACT WINNEBAGO PART SALES FOR UNLISTED COMPONENT

INTERIOR FINISH GROUP

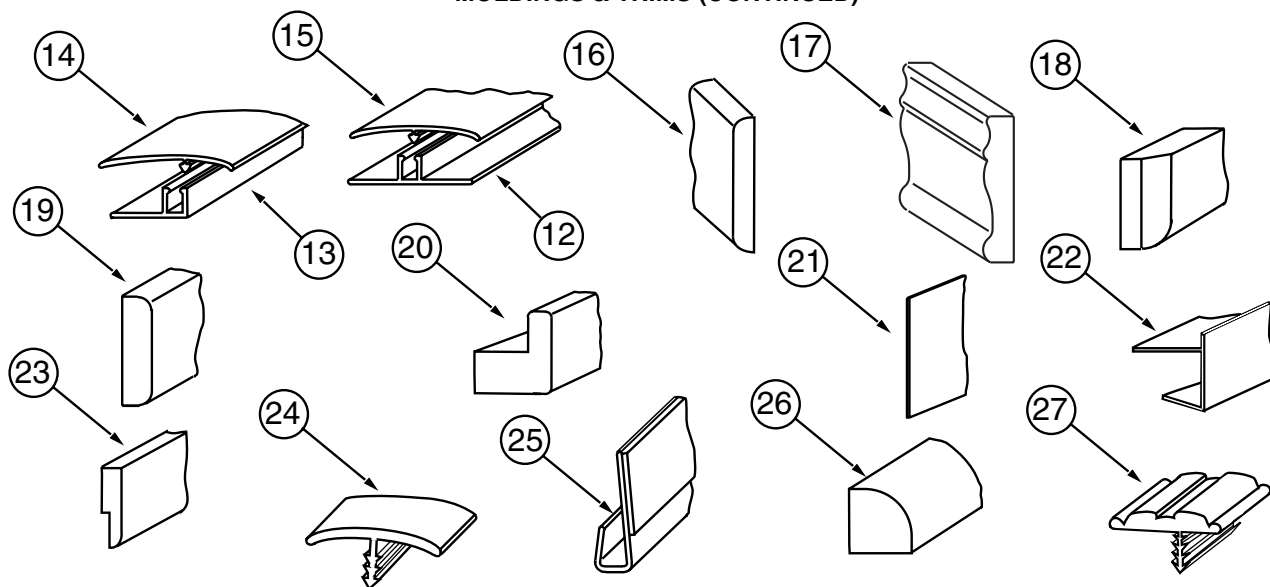
MOLDINGS & TRIMS

PORTSMOUTH OAK



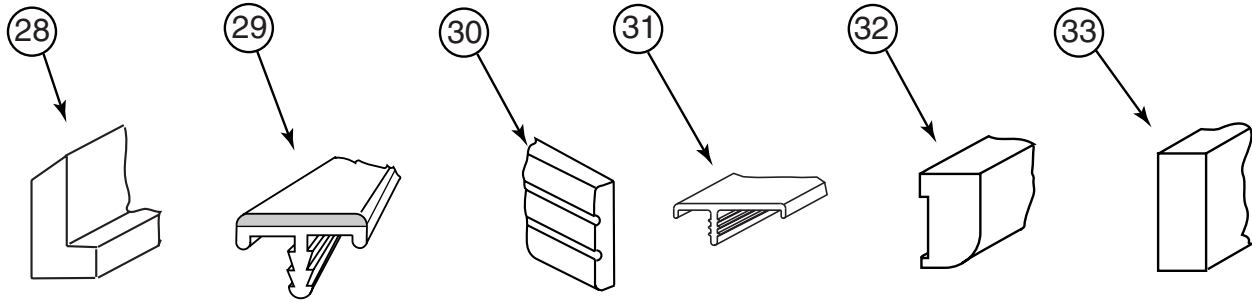
| KEY | PART NUMBER | U/M | DESCRIPTION |
|-----|---------------|-----|---|
| 1 | P34052-01-N75 | EA | TRIM/TABLE - 29.7" - PORTSMOUTH OAK |
| 1 | P34052-01-M84 | EA | TRIM/TABLE - 29.7" - WASHED MAPLE |
| 1 | P34052-01-M52 | EA | TRIM/TABLE - 29.7" - SALEM CHERRY |
| 1 | P34052-02-N47 | EA | TRIM/TABLE - 24" |
| 2 | 009767-12-000 | FT | WELTING - ANTIQUE WHITE |
| 2 | 009767-17-000 | FT | WELTING - PORTSMOUTH OAK |
| 3 | 009778-25-000 | FT | U-CHANNEL - 1" - BEIGE ILLUSION |
| 3 | 009778-27-000 | FT | U-CHANNEL - 1" - WASHED MAPLE |
| 3 | 009778-30-000 | FT | U-CHANNEL - 1" - VILLAGE OAK |
| 3 | 009778-31-000 | FT | U-CHANNEL - 1" - GRADY BROWN |
| 3 | 009778-32-000 | FT | U-CHANNEL - 1" - PORTSMOUTH OAK |
| 3 | 009778-34-000 | FT | U-CHANNEL - 1" - CONCERT CHERRY |
| 3 | 070504-36-000 | FT | U-CHANNEL - PLASTIC - .13" X 96" - WATERFORD OAK |
| 3 | 070504-42-000 | FT | U-CHANNEL - PLASTIC - .13" X 84" - BEIGE ILLUSION |
| 3 | 070504-50-000 | FT | U-CHANNEL - PLASTIC - .13" X 96" - WASHED MAPLE |
| 3 | 070504-51-000 | FT | U-CHANNEL - PLASTIC - .9" X 96" - WASHED MAPLE |
| 3 | 070504-54-000 | FT | U-CHANNEL - PLASTIC - .9" X 96" - VILLAGE OAK |
| 3 | 070504-56-000 | FT | U-CHANNEL - PLASTIC - .8" X 72" - VW LIGHT GRAY |
| 3 | 070504-57-000 | FT | U-CHANNEL - PLASTIC - .6" X 84" - PORTSMOUTH OAK |
| 3 | 070504-58-000 | FT | U-CHANNEL - PLASTIC - .8" X 84" - PORTSMOUTH OAK |
| 3 | 070504-60-000 | FT | EXTRUSION-U CHANNEL,1.65 - CONCERT CHERRY |
| 3 | 070504-61-000 | FT | U-CHANNEL - PLASTIC - .8" X 84" - CONCERT CHERRY |
| 4 | 009809-30-000 | EA | MOLDING - CORNER - OUTSIDE - 1" X 84" - BEIGE ILLUSION |
| 4 | 009809-31-000 | EA | MOLDING - CORNER - OUTSIDE - 1" X 84" - WASHED MAPLE |
| 4 | 009809-32-000 | EA | MOLDING - CORNER - OUTSIDE - 1" X 84" - PORTSMOUTH OAK |
| 4 | 009809-33-000 | EA | MOLDING - CORNER - OUTSIDE - 1" X 84" - WORMY PECAN |
| 5 | 009812-31-000 | EA | MOLDING - CORNER - 1/2" W/1/4"CHAN X 84" - BEIGE ILLUSION |
| 5 | 009812-33-000 | EA | MOLDING - CORNER - 1/2" W/1/4"CHAN X 84" - WASHED MAPLE |
| 5 | 009812-35-000 | EA | MOLDING - CORNER - 1/2" W/1/4"CHAN X 84" - PORTSMOUTH OAK |
| 5 | 009812-36-000 | EA | MOLDING - CORNER - 1/2" W/1/4"CHAN X 84" - CONCERT CHERRY |
| 6 | 022992-14-000 | FT | MOLDING - REVERSE COVE - T-SHAPED - BRIGHT WHITE |
| 6 | 022992-15-000 | FT | MOLDING - REVERSE COVE - T-SHAPED - VW GRAY |
| 7 | 042357-25-000 | EA | MOLDING - CORNER - RADIUS/PLASTIC - WASHED MAPLE |
| 7 | 042357-26-000 | EA | MOLDING - CORNER - RADIUS/PLASTIC - PORTSMOUTH OAK |
| 7 | 042357-27-000 | EA | MOLDING - CORNER - RADIUS/PLASTIC - CONCERT CHERRY |
| 8 | 077840-01-E41 | EA | MOLDING - WALL CAP - 8' - SALEM CHERRY |
| 8 | 077840-01-N30 | EA | MOLDING - WALL CAP - 8' - PORTSMOUTH AOK |
| 8 | 077840-01-M91 | EA | MOLDING - WALL CAP - 8' - WASHED MAPLE |
| 9 | 080176-08-000 | EA | CAP - CORNER - RADIUS MOLDING - PLASTIC - WASHED MAPLE |
| 10 | 081521-02-007 | EA | MOUNT - METAL MOLDING - F/RADIUS CORNER MOLDING - 151.5" |
| 11 | 083620-09-000 | FT | MOLDING-T - W/EDGE LIP - 7/8" FACE - MODERN IVORY |
| 11 | 083620-19-000 | FT | MOLDING-T - W/EDGE LIP - 7/8" FACE - WASHED MAPLE |
| 11 | 083620-20-000 | FT | MOLDING-T - W/EDGE LIP - 7/8" FACE - PORTSMOUTH OAK |
| 11 | 083620-21-000 | FT | MOLDING-T - W/EDGE LIP - 7/8" FACE - CONCERT CHERRY |
| 11 | 104676-02-08A | FT | MOLDING-T - W/EDGE LIP - 11/16" FACE - PORTSMOUTH OAK |
| 11 | 104676-02-06A | FT | MOLDING-T - W/EDGE LIP - 11/16" FACE - WASHED MAPLE |

INTERIOR FINISH GROUP (CONTINUED)
MOLDINGS & TRIMS (CONTINUED)



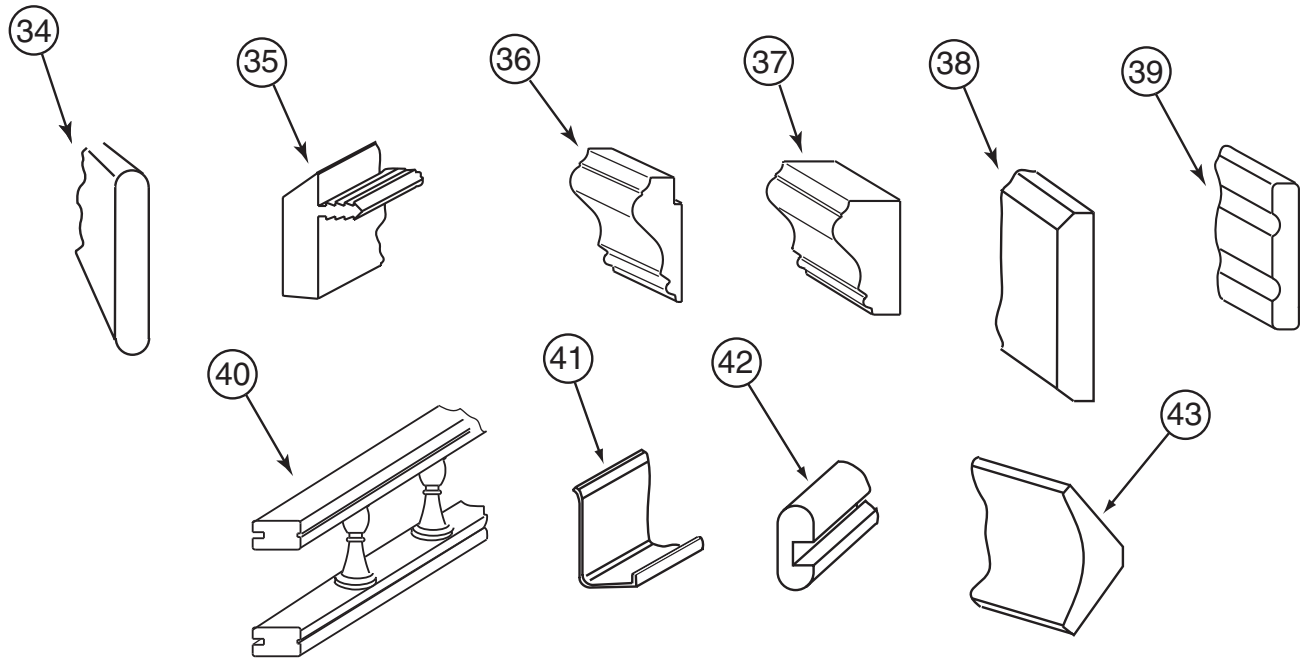
| KEY | PART NUMBER | U/M | DESCRIPTION |
|-----|---------------|-----|--|
| 12 | 086229-01-000 | EA | RETAINER - BATTEN - .75" X 92.1" - ANY COLOR |
| 13 | 086229-11-000 | EA | RETAINER - OFFSET - 97" |
| 14 | 086229-12-000 | EA | BATTEN - 1.5" OFFSET X 97.01" IVORY |
| 14 | 086229-21-000 | EA | BATTEN - 1.5" X 83.9" OFFSET - WHITE |
| 15 | 086229-13-000 | EA | BATTEN - 1" X 96" - IVORY |
| 15 | 086229-19-000 | EA | BATTEN - 1" X 98.4" - OFF WHITE |
| 15 | 086229-20-000 | EA | BATTEN - 1" X 96" - BEIGE |
| 16 | 091985-01-08A | FT | INSERT - TRIM - .65" WIDE - SOFT WHITE |
| 17 | 100182-10-E41 | EA | TRIM - CHAIR RAIL - 2.5" X 8' EACH - WOOD |
| 17 | 100182-10-J70 | EA | TRIM - CHAIR RAIL - 2.5" X 8' EACH - WOOD |
| 17 | 100182-10-K29 | EA | TRIM - CHAIR RAIL - 2.5" X 8' EACH - WOOD |
| 17 | 100182-10-N47 | EA | TRIM/RAIL |
| 18 | 100659-27-M70 | EA | MOLDING/TRIM - VINYL FLOOR - CHERRY III |
| 18 | 100659-30-N75 | EA | MOLDING - TRIM - PORTSMOUTH OAK |
| 18 | 100659-30-N74 | EA | MOLDING - TRIM - CHERRY |
| 18 | 100659-30-M84 | EA | MOLDING-TRIM,VINYL FLOOR - 01 G-SERIES GENERAL |
| 19 | 100818-01-12A | EA | MOLDING - VINYL WRAPPED - 1.6" X .4" X 84"-PORTSMOUTH OAK |
| 19 | 100818-01-10A | EA | MOLDING - VINYL WRAPPED - 1.6" X .4" X 84" - CHERRY |
| 19 | 100818-01-08A | EA | MOLDING - VINYL WRAPPED - 1.6" X .4" X 84"-WASHED MAPLE |
| 20 | 100819-01-08A | EA | MOLDING - VINYL WRAPPED-L-SHAPED-1.5"X1.5"X84"-WASHED MPL |
| 20 | 100819-01-09A | EA | MOLDING - VINYL WRAPPED-L-SHAPED-1.5"X1.5"X84"-PRTSMTH OAK |
| 20 | 100819-01-10A | EA | MOLDING - VINYL WRAPPED-L-SHAPED-1.5"X1.5"X84"-CNCRT CHERR |
| 20 | 100819-01-12A | EA | MOLDING - VINYL WRAPPED-L-SHAPED - 1.5" X 1.5" X 84" - OAK |
| 21 | 101957-01-06A | EA | EXTRUDED - PLASTIC - WASHED MAPLE |
| 22 | 103186-01-10A | FT | MOLDING - PLASTIC - 3/8" U-CHANNEL-3/4"FACE-CONCERT CHERRY |
| 22 | 103186-01-09A | FT | MOLDING - PLASTIC - 3/8" U-CHANNEL-3/4"FACE-PORTSMOUTH OAK |
| 22 | 103186-01-07A | FT | MOLDING - PLASTIC - 3/8" U-CHANNEL-3/4"FACE - BEIGE ILLUS |
| 22 | 103186-02-10A | FT | MOLDING - PLASTIC - 1" U-CHANNEL-1 3/8"FACE-CONCERT CHERRY |
| 22 | 103186-02-09A | FT | MOLDING - PLASTIC - 1" U-CHANNEL-1 3/8"FACE-PORTSMOUTH OAK |
| 22 | 103186-02-08A | FT | MOLDING - PLASTIC - 1" U-CHANNEL-1 3/8"FACE-WASHED MAPLE |
| 22 | 103186-02-07A | FT | MOLDING - PLASTIC - 1" U-CHANNEL-1 3/8"FACE-BEIGE ILLUSION |
| 23 | 105004-01-10A | EA | MOLDING - VINYL WRAPPED 1" X 96" - SALEM CHERRY |
| 23 | 105004-01-08A | EA | MOLDING - VINYL WRAPPED - 1" X 96" - WASHED MAPLE |
| 23 | 105004-01-10A | EA | MOLDING - VINYL WRAPPED 1" X 96" - SALEM CHERRY |
| 23 | 105004-01-12A | EA | MOLDING - VINYL WRAPPED 1" X 96" - PORTSMOUTH OAK |
| 24 | 009815-10-000 | FT | MOLDING-T - WEDGE LIP - 3/4" FACE - BEIGE ILLUSION |
| 24 | 105709-02-000 | FT | MOLDING-T - WEDGE LIP - 3/4" FACE - BEIGE ILLUSION |
| 25 | 109332-02-01A | FT | TRIM-J - W/O ADHESIVE - BRASS |
| 26 | 109410-01-J70 | EA | MOLDING - TRIM - 8' - WHITE MAPLE/WASHED MAPLE |
| 26 | 109410-01-E41 | EA | MOLDING - TRIM - 8' - BLACK CHERRY/SALEM CHERRY |
| 26 | 109410-01-N75 | EA | MOLDING - TRIM - 8' - PORTSMOUTH OAK/PORTSMOUTH OAK |
| 27 | 109736-02-01A | FT | MOLDING-T/OFFSET - WEDGE LIP - 1" FACE - NAT OAK/BRASS |

INTERIOR FINISH GROUP (CONTINUED)
MOLDINGS & TRIMS (CONTINUED)



| KEY | PART NUMBER | U/M | DESCRIPTION |
|-----|---------------|-----|---|
| 28 | 111235-01-E74 | EA | MOLDING - COUNTERTOP - 1.4" X 8' - BLACK CHERRY-UNSTAINED - SALEM CHERRY |
| 28 | 111235-01-N42 | EA | MOLDING - COUNTERTOP - 1.4" X 8' - PORTSMOUTH |
| 28 | 111235-01-H56 | EA | MOLDING - COUNTERTOP - 1.4" X 8' - WHITE MAPLE - UNSTAINED - WASHED MAPLE |
| 29 | 113757-02-01A | FT | T-MOLDING - BULB |
| 30 | 116951-15-N09 | EA | MOLDING - TRIM - 1.7" X 11" - PORTSMOUTH OAK |
| 30 | 116951-15-K09 | EA | MOLDING - TRIM - 1.7" X 11" - WASHED MAPLE |
| 30 | 116951-15-K13 | EA | MOLDING - TRIM - 1.7" X 11" - SALEM CHERRY |
| 31 | 119520-01-01A | FT | MOLDING-T/OFFSET - W/EDGE LIP - 1"FACE - OFF WHITE |
| 31 | 119520-02-01A | FT | MOLDING-T/OFFSET - W/EDGE LIP - 1"FACE |
| 32 | 126204-D2-134 | EA | MOLDING - VINYL WRAPPED - .7" X 1.6" X 84" - WASHED MAPLE |
| 32 | 126204-F2-134 | EA | MOLDING - VINYL WRAPPED - .7" X 2.5" X 84" - WASHED MAPLE |
| 32 | 126204-F2-438 | EA | MOLDING - VINYL WRAPPED - .7" X 2.6" X 96" - WASHED MAPLE |
| 32 | 137895-D2-134 | EA | MOLDING - VINYL WRAPPED - .7" X 1.6" X 84" - PORTSMOUTH OAK |
| 32 | 137895-F2-743 | EA | MOLDING-018X063X2743 MM - PORTSMOUTH OAK |
| 33 | 126205-D2-438 | EA | LUMBER - VINYL WRAPPED - .7" X 1.5" X 96" - WASHED MAPLE |
| 33 | 126205-E2-438 | EA | LUMBER - VINYL WRAPPED - .7" X 2" X 96" - WASHED MAPLE |
| 33 | 126205-F2-438 | EA | LUMBER - VINYL WRAPPED - .7" X 2.5" X 96" - WASHED MAPLE |
| 33 | 126205-G2-438 | EA | LUMBER - STAINED - .7" X 3" X 96" - WASHED MAPLE |
| 33 | 126205-J2-438 | EA | LUMBER - VINYL WRAPPED - .7" X 5.5" X 96" - WASHED MAPLE |
| 33 | 136030-F2-743 | EA | MOLDING-018X065X2743MM PAPER WRAPPED-CHERRY - SALEM CHERRY FROM: 00-00-00 THRU: 09-03-01 |
| 33 | 136045-D2-438 | EA | LUMBER - PAPER WRAPPED - .7" X 1.5" X 96" - CHERRY FROM: 00-00-00 THRU: 09-03-01 |
| 33 | 136045-E2-438 | EA | LUMBER - PAPER WRAPPED - .7" X 2" X 96" - CHERRY FROM: 00-00-00 THRU: 09-03-01 |
| 33 | 136045-F2-438 | EA | LUMBER - PAPER WRAPPED - .7" X 2.6" X 96" - CHERRY FROM: 00-00-00 THRU: 09-03-01 |
| 33 | 136045-G2-438 | EA | LUMBER - PAPER WRAPPED - .7" X 3" X 96" - CHERRY FROM: 00-00-00 THRU: 09-03-01 |
| 33 | 136045-H2-438 | EA | LUMBER - PAPER WRAPPED - .7" X 3.5" X 96" - CHERRY FROM: 00-00-00 THRU: 09-03-01 |
| 33 | 136045-J2-438 | EA | LUMBER - PAPER WRAPPED - .7" X 5.5" X 96" - CHERRY FROM: 00-00-00 THRU: 09-03-01 |
| 33 | 136045-R2-438 | EA | LUMBER - PAPER WRAPPED - .7" X 3" X 96" - CHERRY FROM: 00-00-00 THRU: 09-03-01 |
| 33 | 137894-A2-438 | EA | LUMBER - VINYL WRAPPED - .7" X .75 X 96" - PORTSMOUTH OAK |
| 33 | 137894-D2-022 | EA | LUMBER-018X038X2022 MM - WRAPPED - PORTSMOUTH OAK |
| 33 | 137894-D2-014 | EA | LUMBER-018X038X2014 MM - WRAPPED - PORTSMOUTH OAK |
| 33 | 137894-D2-001 | EA | LUMBER-018X038X2000 MM - WRAPPED - PORTSMOUTH OAK |
| 33 | 137894-D2-438 | EA | LUMBER - VINYL WRAPPED - .7" X 1.5" X 96" - PORTSMOUTH OAK |
| 33 | 137894-D2-134 | EA | LUMBER-018X038X2134 MM - WRAPPED - PORTSMOUTH OAK |
| 33 | 137894-D2-026 | EA | LUMBER-018X038X2026 MM - WRAPPED - PORTSMOUTH OAK |
| 33 | 137894-D2-024 | EA | LUMBER-018X038X2024 MM - WRAPPED - PORTSMOUTH OAK |
| 33 | 137894-E2-438 | EA | LUMBER - VINYL WRAPPED - .7" X 2" X 96" - PORTSMOUTH OAK |
| 33 | 137894-F2-438 | EA | LUMBER - VINYL WRAPPED - .7" X 2.5" X 96" - PORTSMOUTH OAK |
| 33 | 137894-G2-438 | EA | LUMBER - VINYL WRAPPED - .7" X 3" X 96" - PORTSMOUTH OAK |
| 33 | 137894-H2-438 | EA | LUMBER - VINYL WRAPPED - .7" X 3.5" X 96" - PORTSMOUTH OAK |
| 33 | 137894-J2-438 | EA | LUMBER - VINYL WRAPPED - .7" X 5.5" X 96" - PORTSMOUTH OAK |
| 33 | 137894-J2-743 | EA | LUMBER-018X140X2743 MM - PORTSMOUTH OAK |
| 33 | 137894-R2-438 | EA | LUMBER - VINYL WRAPPED - .7" X 3" X 96" - PORTSMOUTH OAK |

INTERIOR FINISH GROUP (CONTINUED)
MOLDINGS & TRIMS (CONTINUED)



| KEY | PART NUMBER | U/M | DESCRIPTION |
|-----|---------------|-----|--|
| 34 | 127842-01-01A | FT | SEAL - SIGHT SHIELD - 2" BLACK |
| 35 | 130247-01-05A | FT | MOLDING-T/OFF SET - 1.3" FACE - CONCERT CHERRY - SALEM CHERRY |
| 35 | 130247-01-04A | FT | MOLDING-T/OFF SET - 1.3" FACE - PORTSMOUTH OAK |
| 35 | 130247-01-02A | FT | MOLDING-T/OFF SET - 1.3" FACE - WASHED MAPLE |
| 36 | 131923-02-02A | FT | MOLDING - PICTURE - CHERRY - SALEM CHERRY |
| 36 | 131923-02-03A | FT | MOLDING - PICTURE - HARD WHITE MAPLE - WASHED MAPLE |
| 36 | 131923-02-04A | FT | MOLDING - PICTURE - 42.8" - PORTSMOUTH |
| 37 | 131923-03-02A | FT | MOLDING - CROWN - DIVIDER - CHERRY - SALEM CHERRY |
| 37 | 131923-03-03A | FT | MOLDING - CROWN - DIVIDER - HARD WHITE MAPLE - WASHED MAPLE |
| 37 | 131923-03-04A | FT | MOLDING - MOLDING - CROWN - DIVIDER - OAK - PORTSMOUTH |
| 38 | 132647-01-05A | EA | MOLDING/TRIM - DASH - PORTSMOUTH OAK |
| 39 | 134156-01-03A | EA | MOLDING - VINYL WRAP - .7" X 3.8" X 33.8" - WASHED MAPLE |
| 39 | 134156-01-05A | EA | MOLDING - PAPER WRAP - .7" X 3.8" X 33.8" - CONCERT CHERRY - SALEM CHERRY FROM: 00-00-00 THRU: 09-03-01 |
| 39 | 134156-01-07A | EA | MOLDING - VINYL WRAP - .7" X 3.8" X 33.8" - CONCERT CHERRY - SALEM CHERRY FROM: 09-04-01 THRU: 00-00-00 |
| 39 | 134156-01-08A | EA | MOLDING - VINYL WRAP - .7" X 3.8" X 33.8" - PORTSMOUTH OAK |
| 39 | 134156-03-03A | EA | MOLDING - VINYL WRAP - .7" X 3.4" X 28.3" - WASHED MAPLE |
| 39 | 134156-03-05A | EA | MOLDING - PAPER WRAP - .7" X 3.4" X 28.3" - CONCERT CHERRY - SALEM CHERRY FROM: 00-00-00 THRU: 09-03-01 |
| 39 | 134156-03-07A | EA | MOLDING - VINYL WRAP - .7" X 3.4" X 28.3" - CONCERT CHERRY - SALEM CHERRY FROM: 09-04-01 THRU: 00-00-00 |
| 39 | 134156-03-08A | EA | MOLDING - VINYL WRAP - .7" X 3.4" X 28.3" - PORTSMOUTH OAK |
| 39 | 134156-05-05A | EA | MOLDING - PAPER WRAP - .7" X 3.8" X 34.4" - SALEM CHERRY FROM: 00-00-00 THRU: 09-03-01 |
| 39 | 134156-05-07A | EA | MOLDING - VINYL WRAP - .7" X 3.8" X 34.4" - CONCERT CHERRY - SALEM CHERRY FROM: 09-04-01 THRU: 00-00-00 |
| 39 | 134156-05-08A | EA | MOLDING - VINYL WRAP - .7" X 3.8" X 33.8" - PORTSMOUTH OAK |
| 40 | 137108-01-07A | EA | RAIL - DECORATIVE - PORTSMOUTH OAK |
| 40 | 137108-01-03A | EA | RAIL - DECORATIVE - WASHED MAPLE |
| 40 | 137108-01-02A | EA | RAIL - DECORATIVE - SALEM CHERRY |
| 41 | 085746-04-000 | EA | TRIM-J - CARPET 1.2" X .5" ANGLE - 10' LONG - OFF WHITE |
| 42 | M09412-62-M52 | EA | MOLDING/SHELF EDGE - W/.4" NOTCH - CHERRY IV |
| 42 | M09412-62-M62 | EA | MOLDING/SHELF EDGE - W/.4" NOTCH - WASHED MAPLE |
| 42 | M09412-62-N42 | EA | MOLDING/SHELF EDGE - W/.4" NOTCH - PORTSMOUTH II |
| 43 | Y00074-22-438 | EA | MOLDING/CROWN - VINYL WRAPPED - MAPLE - 96" |
| 43 | Y00074-62-438 | EA | MOLDING/CROWN - VINYL WRAPPED - CONCERT CHERRY - 96" |
| 43 | Y00074-72-438 | EA | MOLDING/CROWN - VINYL WRAPPED - PORTSMOUTH OAK - 96" |

INTERIOR FINISH GROUP (CONTINUED)
PANELING & LAMINATES

| KEY | PART NUMBER | U/M | DESCRIPTION |
|-----|---------------|-----|--|
| | 000846-01-000 | SF | PLYWOOD - 5/16" X 48" X 96" - CD GRADE |
| | 000846-02-000 | SF | PLYWOOD/UNDERLAYMENT - 5/16" X 48" X 96" |
| | 000885-A5-000 | SF | PARTICLE BOARD - 3/8" X 4' X 8' - WHT PEB EMBOSSED-1 SIDED |
| | 000885-93-000 | SF | PARTICLE BOARD - 3/8" X 4' X 8' - PORTSMOUTH OAK - 2-SIDED |
| | 000885-95-000 | SF | PARTICLE BOARD - 3/4" X 4' X 8' - PORTSMOUTH OAK - 2-SIDED |
| | 057882-04-000 | EA | TAMBOUR - 48" X 96" SHEET - UNFINISHED |
| | 074497-42-000 | SF | PANELING - PORTSMOUTH OAK - 4' X 8' |
| | 074498-95-000 | SF | LAMINATE - PLASTIC - PORTSMOUTH OAK 4' X 8' |
| | 074498-97-000 | SF | LAMINATE - PLASTIC - GRAY TRANQUILITY - 4' X 8' (N30) |
| | 074498-52-000 | SF | LAMINATE - PLASTIC - WHITE ETHOS - 4' X 8' (N31) |
| | 074498-84-000 | SF | LAMINATE - PLASTIC - WHITE TALC - 4' X 8' (N32) |
| | 076325-39-000 | FT | MOLDING - EDGE BAND - 1 5/16" X .030" - ALMOND |
| | 076325-40-000 | FT | MOLDING - EDGE BAND - .93" X .024" - ALMOND |
| | 076325-78-000 | FT | MOLDING - EDGE BAND - .93" X .024" - PORTSMOUTH OAK |
| | 076773-15-000 | SF | PANELING - WOODGRAINED - 2 SIDED/PORTSMOUTH OAK - 4' X 8' |
| | 080215-14-000 | SF | PANELING - 2 SIDED - 3/16" X 4' X 8' - PORTSMOUTH OAK |
| | 085284-G5-000 | FT | BATT TAPE - ADHESIVE BACKED - DECORATIVE - CIRRUS (N30) |
| | 085284-H1-000 | FT | BATT TAPE - ADHESIVE BACKED - DECORATIVE - GRAY (N31) |
| | 085284-H4-000 | FT | BATT TAPE - ADHESIVE BACKED - DECORATIVE - STARLIGHT (N32) |
| | 088272-H9-000 | SF | PANELING - PEBBLE EMBOSSED - WHITE - 4' X 7' |
| | 088272-J6-000 | SF | PANELING - CIRRUS - 4' X 7' (N30) |
| | 088272-K1-000 | SF | PANELING - GRAY - 4' X 7' (N31) |
| | 088272-K3-000 | SF | PANELING - STARLIGHT - 4' X 7' (N32) |
| | 126339-01-000 | SF | BOARD - WHEAT - 60" X 72" |
| | 132610-10-01A | FT | WALLPAPER - BORDER - 5 3/4" - SELF ADHESIVE (N30) |
| | 132610-08-01A | FT | WALLPAPER - BORDER - 4 3/4" - SELF-ADHESIVE (N31) |
| | 132610-06-10A | FT | WALLPAPER - BORDER - 5 1/4" - SELF-ADHESIVE (N31) |
| | 132610-02-04A | FT | WALLPAPER - BORDER - 6 3/4" - SELF-ADHESIVE (N32) |
| | 132610-02-07A | FT | WALLPAPER - BORDER - 6 3/4" - SELF-ADHESIVE (N32) |

FROM: 00-00-00 THRU: 09-03-01

FROM: 09-04-01 THRU: 99-99-99

FROM: 00-00-00 THRU: 07-08-01

FROM: 07-09-01 THRU: 99-99-99

INTERIOR FINISH GROUP (CONTINUED)
ACCESSORIES

| KEY | PART NUMBER | U/M | DESCRIPTION |
|------------|--------------------|------------|--|
| | 072852-01-000 | EA | DETECTOR - SMOKE - W/9 VOLT BATTERY - US |
| | 072852-02-000 | EA | DETECTOR - SMOKE - W/9 VOLT BATTERY - CANADIAN |
| | 094499-03-000 | EA | EXTINGUISHER/FIRE - DRY - 10BC - W/GAUGE - W/O BRACKET |
| * | 094499-02-000 | EA | EXTINGUISHER/FIRE - DRY - 10BC - W/GAUGE - CANADIAN |
| | 094499-04-000 | EA | STRAP - FIRE EXTINGUISHER MOUNTING - METAL |
| | 064781-06-000 | EA | HOLDER/CUP - TWO STEP - OFF WHITE |
| | 133831-01-01A | EA | HOLDER - CUP W/THREE CENTERLINE RUBBER FINGERS |
| | 131494-09-01A | EA | MIRROR - ARCHED/W/V-GROOVE - 24" X 32" |
| | 058331-08-000 | EA | MIRROR ONLY - SAFETY GLASS - 24" X 30" |
| | 088742-16-000 | EA | BEVELED/SAFETY GLASS - 14.4" X 18.5" |
| | 129779-03-N42 | EA | FRAME - W/O MIRROR - 29.9"W X 35.9"H |
| | 140374-30-000 | EA | MIRROR - SAFETY GLASS - 25.6" X 31.5" |
| | 091261-01-000 | FT | SLIPNOT - ANTISLIP - 1' WIDE X 12' - BLACK |
| | 096764-02-000 | FT | SLIPNOT - ANTISLIP - 1"WIDE (180' ROLLS) - WHITE |
| | 118081-03-01A | EA | CLOCK - WALL - ROUND 8" - BRASS |
| | 125136-02-000 | EA | CO DETECTOR - GAS MODEL - 9 VOLT |
| | 131058-03-02A | EA | HAND RAIL - INTERIOR ENTRY DOOR - BLACK |
| | 131493-02-07A | EA | PICTURE - DECORATIVE - 13" X 15" - ORIENTAL FLORAL (N30) |
| | | | FROM: 00-00-00 THRU: 02-03-02 |
| | 131493-02-14A | EA | PICTURE - DECORATIVE - 13" X 15" - WINTER WHITE (N30) |
| | | | FROM: 02-04-02 THRU: 99-99-99 |
| | 131493-02-10A | EA | PICTURE - DECORATIVE - 13" X 15" - HYDRANGEA (N31) |
| | 131493-02-06A | EA | PICTURE - DECORATIVE - 13" X 15" - TOPAZ BOTANICAL (N32) |

***COMPONENT PARTS LISTED LATER IN THIS GROUP**

INTERIOR FINISH GROUP (CONTINUED)
COMPONENT PARTS FOR ACCESSORIES

094499-02-000

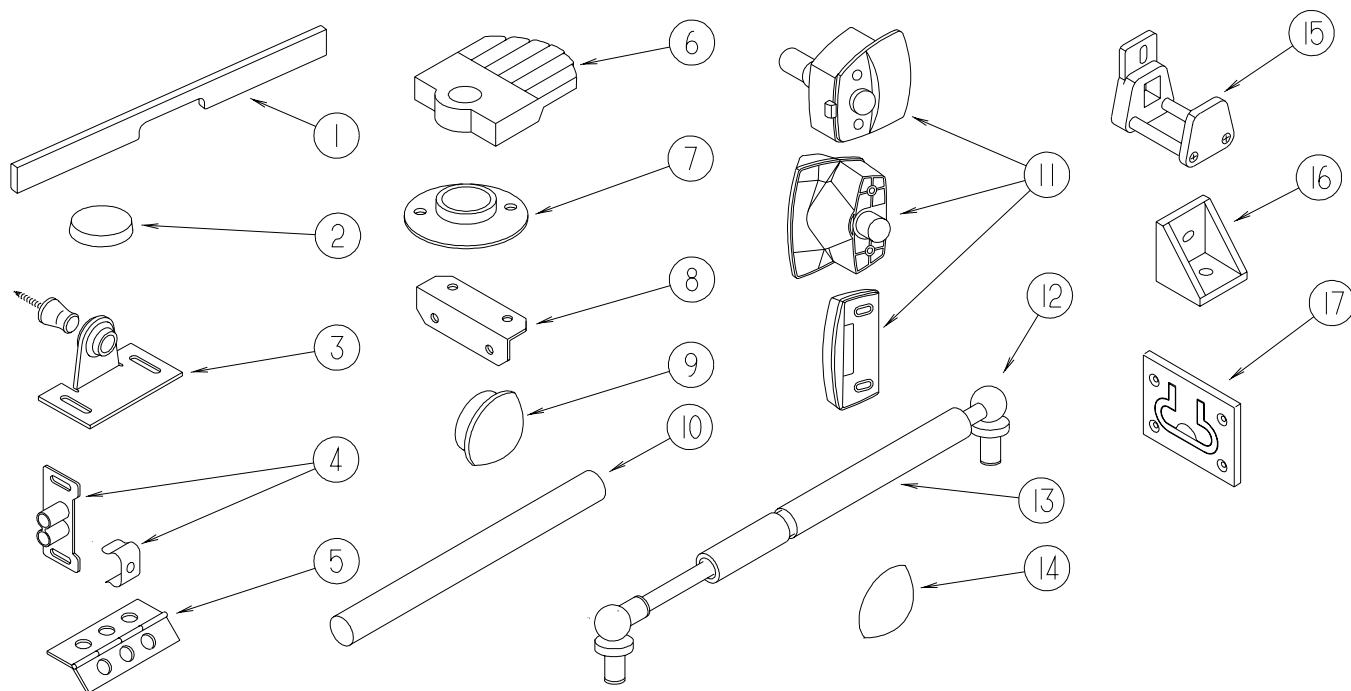
| KEY | PART NUMBER | U/M | DESCRIPTION | VENDOR NO |
|------------|--------------------|------------|----------------------------|------------------|
| | 094499-01-700 | EA | BRACKET MTG. W/PLAS. STRAP | 294039 |

INTERIOR FINISH GROUP (CONTINUED)
FLOOR COVERINGS

| KEY | PART NUMBER | U/M | DESCRIPTION |
|------------|--------------------|------------|---|
| | 042720-29-000 | SY | VINYL - FLOOR COVERING - 7.5' WIDE - DIAMOND |
| | 093486-01-000 | SY | CARPET - COMPARTMENT - 72" WIDE - DARK GRAY |
| | | | FROM: 00-00-00 THRU: 08-19-01 |
| | 093486-02-000 | SY | CARPET - COMPARTMENT - 72" WIDE - LIGHT GRAY |
| | | | FROM: 08-20-01 THRU: 99-99-99 |
| | 096060-G5-000 | SY | CARPET - PURPLE MAZE - INCREMENTS OF 4 SQ YDS (N30) |
| | 096060-G7-000 | SY | CARPET - DOVE GRAY - INCREMENTS OF 4 SY YDS (N31) |
| | 096060-E6-000 | SY | CARPET - OASIS - INCREMENTS OF 4 SQ YDS (N32) |
| | 124253-01-02A | EA | VINYL - FLOOR PLANK - 3" X 12" - MAPLE |

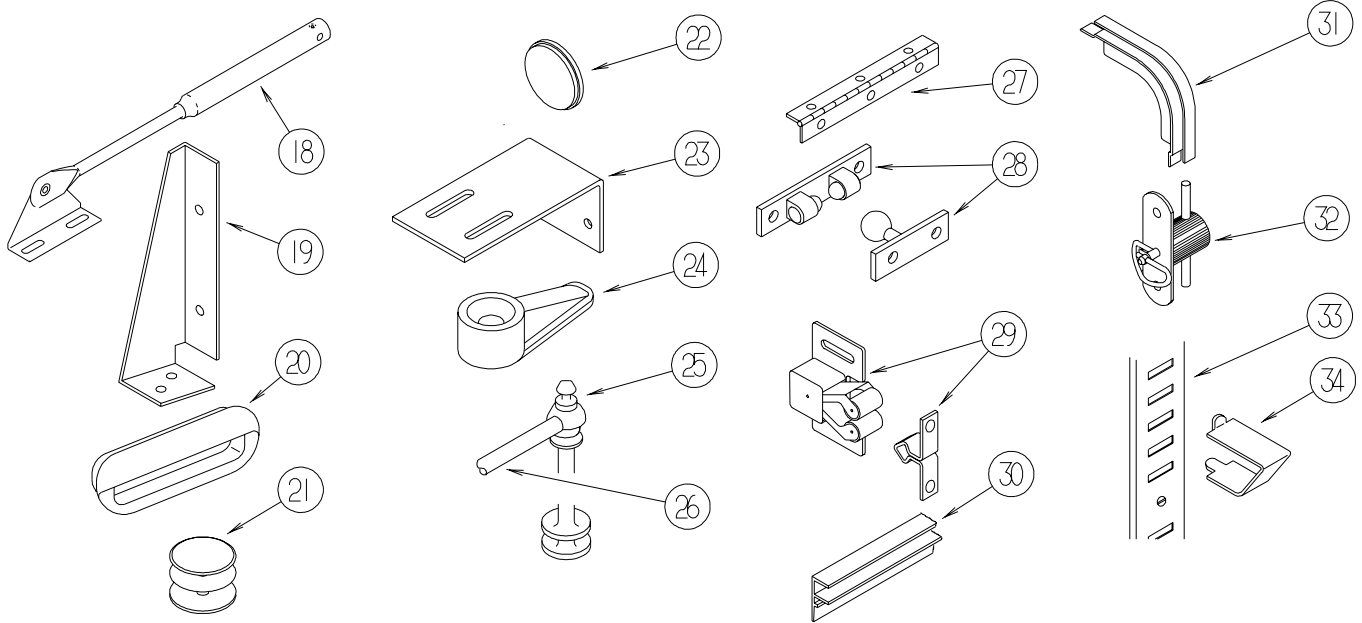
INTERIOR FINISH GROUP (CONTINUED)

HARDWARE



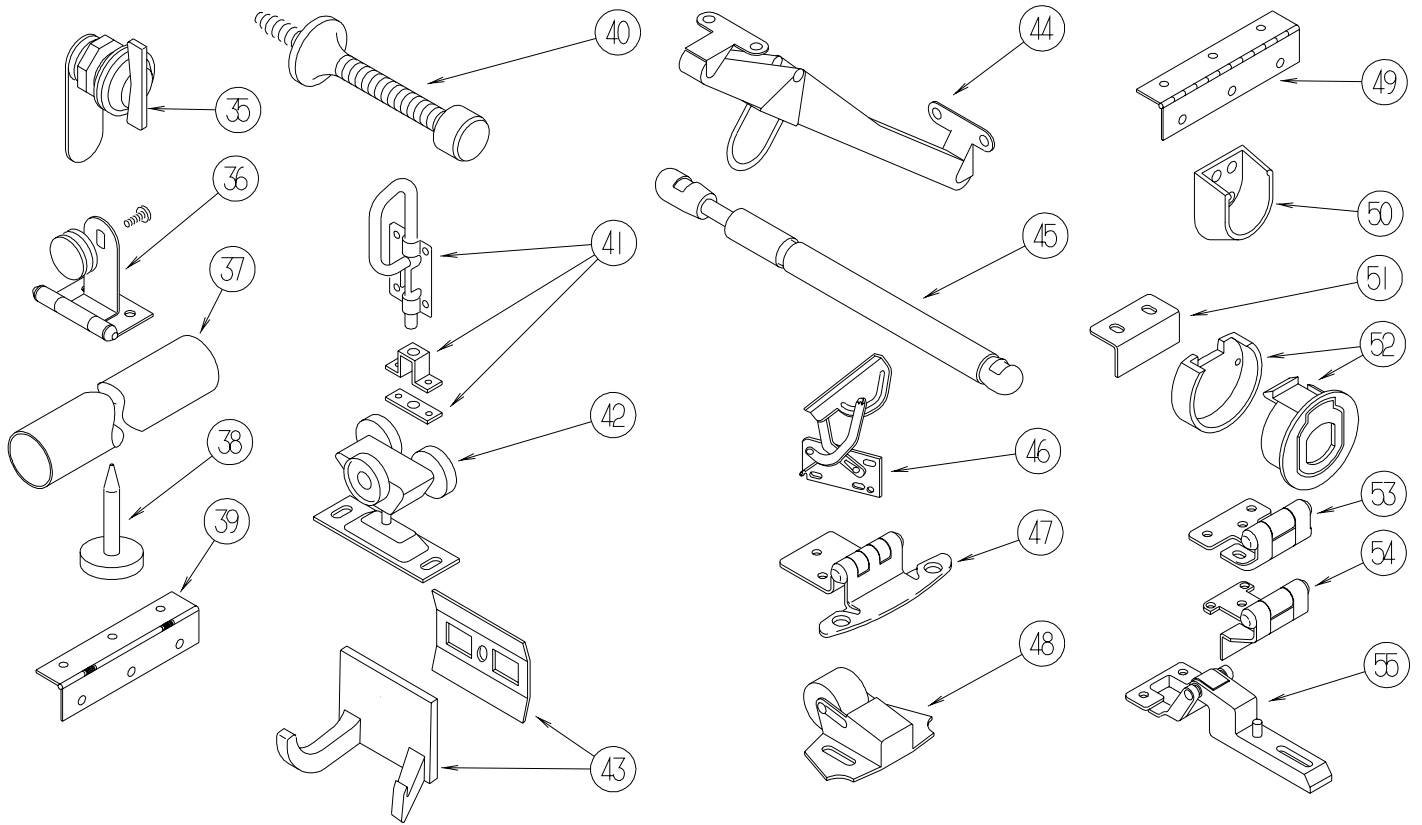
| KEY | PART NUMBER | U/M | DESCRIPTION |
|-----|---------------|-----|---|
| 1 | P26866-09-KQ1 | EA | HANDLE - DOOR/TAMBOUR - 14.7" - CHERRY/CHERRY III |
| 1 | P26866-10-K09 | EA | HANDLE - DOOR/TAMBOUR - 11.6" - MAPLE/WASHED MAPLE |
| 1 | P26866-10-M07 | EA | HANDLE - DOOR/TAMBOUR - 11.6" - ASH/PORTSMOUTH OAK - PORTSMOUTH OAK |
| 2 | 004354-01-000 | EA | BUMPER - RUBBER - .5" DIA - BROWN |
| 2 | 023320-01-000 | EA | PAD - FELT 3/8" DIAMETER |
| 3 | 009013-01-000 | EA | CATCH - BULLDOG - MALE/FEMALE |
| 4 | 009021-01-000 | EA | CATCH - GRILLE - NYLON |
| 4 | 009021-02-000 | EA | STRIKE - SPRING STEEL - .68" |
| 5 | 009059-01-000 | EA | HINGE - DOOR - 2" X 1.4" - BRASS |
| 5 | 009059-02-000 | EA | HINGE - DOOR - 2" X 2.7" - BRASS |
| 5 | 009059-03-000 | EA | HINGE - BRASS - 1.75" |
| 5 | 041389-25-000 | EA | HINGE - PIANO - 1 1/2" X 55" - UNPAINTED |
| 6 | 009089-01-000 | EA | CLIP - MIRROR |
| 7 | 009112-01-000 | EA | FLANGE - PLASTIC - 1" CLOTHES ROD - OFF WHITE |
| 8 | 016604-01-000 | EA | BRACE - ANGLE - 2 1/2" - UNPAINTED METAL |
| 8 | 016604-05-000 | EA | BRACE - ANGLE - 2 1/2" - OFF WHITE METAL |
| 8 | 016604-07-000 | EA | BRACE - ANGLE - 2 1/2" - VW GRAY |
| 8 | 016604-09-000 | EA | BRACE - ANGLE - VW LIGHT GRAY |
| 9 | 042356-01-000 | EA | PLUG - MAHOGANY - 3/8" DOWEL X 1/2" HEAD |
| 9 | 074045-08-000 | EA | PLUG - OAK - 3/8" DOWEL-1/2" HEAD - SALEM CHERRY |
| 9 | 074045-12-000 | EA | PLUG - OAK - 3/8" DOWEL-1/2" HEAD - WASHED MAPLE |
| 9 | 074045-13-000 | EA | PLUG - OAK - 3/8" DOWEL-1/2" HEAD - PORTSMOUTH OAK |
| 10 | 042438-01-000 | EA | DOWEL - WOOD - CLOTHES ROD - 1" X 4' |
| 10 | 042438-02-000 | EA | DOWEL - WOOD - CLOTHES ROD - 2" X 2' |
| 10 | 042438-06-000 | EA | DOWEL - WOOD - 1.5" X 26" |
| 11 | 058335-03-000 | EA | LATCH W/O LOCK - BATHROOM DOOR BLACK - RIALTA, 200-SERIES |
| 12 | 057460-02-000 | EA | BALL STUD - F/GAS SPRING .39" - 5/16"-18 |
| 13 | 057460-04-000 | EA | SPRING/GAS - BALL STUD STYLE - 120 PI - iSPD6209" |
| 14 | 057671-01-000 | EA | COVER - SCREW - OFF WHITE - #8 |
| 14 | 057671-13-000 | EA | COVER - SCREW - DARK GRAY - #8 |
| 14 | 057671-15-000 | EA | COVER - SCREW - #8 - BRIGHT WHITE |
| 14 | 057671-16-000 | EA | COVER - SCREW - #8 - SOFT WHITE |
| 14 | 057671-17-000 | EA | COVER - SCREW - VW LT GRAY - #8 |
| 15 | 064467-01-000 | EA | GUIDE - POCKET - SLIDING DOOR - WALL MOUNTED |
| 16 | 065740-01-000 | EA | BRACE - CABINET/CORNER - PLASTIC |
| 17 | 072871-01-000 | EA | PULL - FLUSH - CHROME - RIALTA, 200-SERIES |

INTERIOR FINISH GROUP (CONTINUED)
HARDWARE (CONTINUED)



| KEY | PART NUMBER | U/M | DESCRIPTION |
|-----|---------------|-----|--|
| 18 | 074493-02-000 | EA | SUPPORT - PISTON SPRING - CABINET DOOR - 26 LBS |
| 18 | 074493-03-000 | EA | SUPPORT - PISTON SPRING - CABINET DOOR - 12 LBS |
| 18 | 074493-04-000 | EA | SUPPORT - PISTON SPRING - CABINET DOOR - 32 LBS |
| 19 | 076827-02-000 | EA | BRACKET/LEG - 2.9" X 1.8" - TRIANGULAR - LEFT/E-COATED |
| 20 | 080736-01-000 | EA | PULL - RECESSED - 1.25" X 4" - OAK |
| 21 | 081114-02-000 | EA | CAP - INSERT - ROUND - 1" DIAMETER - WHITE PLASTIC |
| 22 | 081914-01-000 | EA | BUMPER - RUBBER - ROUND - 1/2" DIA. X 1/8" THICK |
| 22 | 120760-01-000 | EA | RUBBER BUMPER - CLEAR - .1" THICK X .8" DIAMETER |
| 23 | 083125-07-000 | EA | BRACE - ANGLE/COUCH - 2.5" - OFF WHITE |
| 23 | 132871-02-02B | EA | BRACKET/L-ANGLE W/HOLES - 1.9" X 2.8" - E-COATED |
| 24 | 083204-03-000 | EA | BUTTON - RETAINING MIRROR 5/16" TIP |
| 25 | 084070-03-000 | EA | POST - END - 2.4" - SHINY BRASS |
| 26 | 084071-05-000 | EA | ROD - BRASS - 15" |
| 26 | 084071-08-000 | EA | ROD - BRASS - 9.3" |
| 26 | 084071-19-000 | EA | ROD - BRASS - 7.1" |
| 26 | 084071-20-000 | EA | ROD - BRASS - 9.8" |
| 26 | 084071-23-000 | EA | ROD - BRASS - 13.1" |
| 26 | 084071-24-000 | EA | ROD - BRASS - 3.8" |
| 26 | 084071-28-000 | EA | ROD - BRASS - 6" |
| 26 | 084071-30-000 | EA | ROD - BRASS - 11.6" |
| 26 | 084071-31-000 | EA | ROD - BRASS - 14.8" |
| 26 | 084071-33-000 | EA | ROD - BRASS - 20.4" |
| 27 | 084413-01-000 | EA | HINGE - 1" X 72" - ALUMINUM - W/HOLES |
| 27 | 084625-07-000 | EA | HINGE - ALUMINUM - W/HOLES - 13" - OFF/WHITE |
| 27 | 084625-11-000 | EA | HINGE - ALUMINUM - W/HOLES - 22" - OFF/WHITE |
| 27 | 114278-02-000 | EA | HINGE - CONTINUOUS - 3" WIDE |
| 28 | 084451-01-000 | EA | CATCH & LATCH - 1.7" - BRASS |
| 29 | 093586-03-000 | EA | CATCH - SPRING ROLLER - .377" |
| 29 | 093586-04-000 | EA | STRIKE - SPRING STEEL - 1.14" |
| 29 | 093586-05-000 | EA | STRIKE - SPRING STEEL - .943" |
| 29 | 093586-06-000 | EA | CATCH - SPRING ROLLER - .236" |
| 30 | 093622-01-000 | EA | TRACK - DOOR - TAMBOUR - PLASTIC - 8' LENGTHS |
| 31 | 093623-01-000 | EA | CORNER - TRACK - TAMBOUR DOOR |
| 32 | 098196-01-000 | EA | LATCH - 1/4 TURN - T-BAR |
| 33 | 098979-01-000 | EA | CLIP - ADJUSTABLE SHELF |
| 34 | 098980-01-000 | EA | PILASTER - ADJUSTABLE SHELF - 18" |
| 34 | 098980-02-000 | EA | PILASTER - ADJUSTABLE SHELF - 12" |
| 34 | 098980-03-000 | EA | PILASTER - ADJUSTABLE SHELF - 9" |
| 34 | 098980-04-000 | EA | PILASTER - ADJUSTABLE SHELF - 48" |
| 34 | 098980-05-000 | EA | PILASTER - ADJUSTABLE SHELF - 15" |
| 34 | 098980-06-000 | EA | PILASTER - ADJUSTABLE SHELF - 24" |

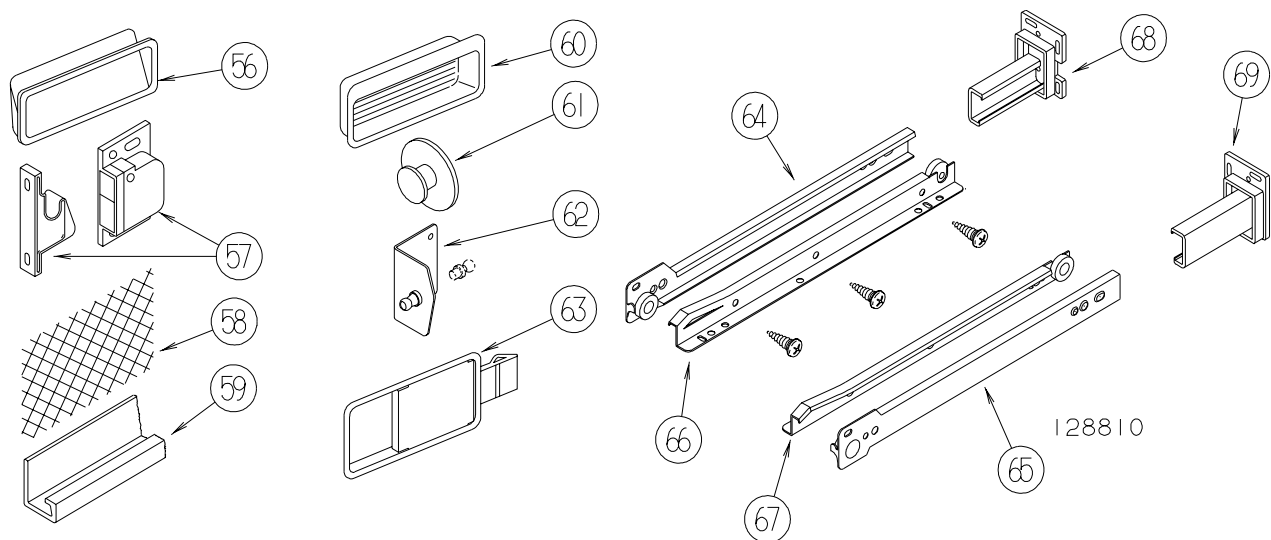
INTERIOR FINISH GROUP (CONTINUED) HARDWARE (CONTINUED)



| KEY | PART NUMBER | U/M | DESCRIPTION |
|-----|---------------|-----|---|
| 35 | 100710-01-01A | EA | LOCK - GLASS DOOR/TWIST TYPE - BRASS |
| 36 | 100711-01-01A | EA | HINGE - GLASS DOOR |
| 37 | 102075-06-02A | EA | ROD - SHOWER CURTAIN - 1" OD X 33.5" - SOFT WHITE |
| 37 | 102075-09-02A | EA | ROD - SHOWER CURTAIN - 3/4"OD X 29.5" - SOFT WHITE |
| 37 | 102075-16-02A | EA | ROD - SHOWER CURTAIN - 3/4"OD X 34.2" - SOFT WHITE |
| 37 | 102075-18-02A | EA | ROD - SHOWER CURTAIN - 1" OD X 38.9" - SOFT WHITE |
| 38 | 102194-01-000 | EA | GUIDE - PLASTIC - 1" (HEAD/PIN) |
| 39 | 102920-01-01A | EA | HINGE - SPRING LOADED - BRASS |
| 40 | 103194-01-000 | EA | STOP - BATH DOOR |
| 41 | 103256-01-000 | EA | LATCH COMPLETE (SLIDE) |
| 42 | 103874-01-000 | EA | HANGER - SLIDING DOOR |
| 43 | 104174-01-000 | EA | HOOK - ROBE - DOUBLE |
| 44 | 104181-01-01A | EA | SUPPORT - LEAF 5.3" EXTENDS TO 7.5" - SAFETY RING - METAL |
| 45 | 107796-05-000 | EA | BRACKET - SUPPORT - GAS SPRING TO BED - FLAT (LOWER) |
| 45 | 107796-06-000 | EA | SPRING/GAS - 12" COMPRESSED/20" EXTENDED - 120 LB. |
| 45 | 107796-08-000 | EA | SPRING/GAS - 11" COMPRESSED/17" EXTENDED - 60 LB |
| 45 | 107796-09-000 | EA | SPRING/GAS - 5.5" COMPRESSED/7.5" EXTENDED - 40 LB. |
| 45 | 107796-15-000 | EA | SPRING/GAS - 24" COMPRESSED/40" EXTENDED - 15 LB. |
| 45 | 107796-16-000 | EA | SPRING/GAS - 6.4" COMPRESSED/9.6" EXTENDED - 65 LB. |
| 46 | 108126-01-000 | EA | TRAY HINGE SET (QTY. 2 PER SET) |
| 47 | 107327-01-000 | EA | HINGE - BURNISHED BRASS - SPRING SELF CLOSING - WHEN CATCH & STRIKE ARE NOT USED |
| 47 | 108138-01-000 | EA | HINGE - CABINET DOOR - BURNISHED BRASS - ULTIMATE ADVANTAGE & FREEDOM, Q-SERIES |
| 47 | 108138-03-000 | EA | HINGE - BRIGHT BRASS |
| 48 | 109403-01-000 | EA | CATCH - SINGLE ROLLER - SCREEN DOOR |
| 49 | 110496-01-01A | EA | HINGE - BRASS |
| 50 | 113236-01-01A | EA | BRACKET - CLOTHES - ROD |
| 51 | 113375-02-01A | EA | STRIKE - DOOR - CHROME - RIALTA, 200-SERIES |
| 52 | 113375-05-01A | EA | LATCH - SLAM - BACK - .8" THICK - RIALTA, 200-SERIES |
| 52 | 113375-06-01A | EA | LATCH - SLAM - FACE - .7" THICK - RIALTA, 200-SERIES |
| 53 | 113676-01-01A | EA | HINGE - OVERLAY - VARIABLE - BURNISHED BRASS - RIALTA, 200-SERIES |
| 54 | 113677-01-01A | EA | HINGE - SELF CLOSING - RIALTA, 200-SERIES |
| 55 | 114443-01-01A | EA | HINGE - CABINET DOOR |

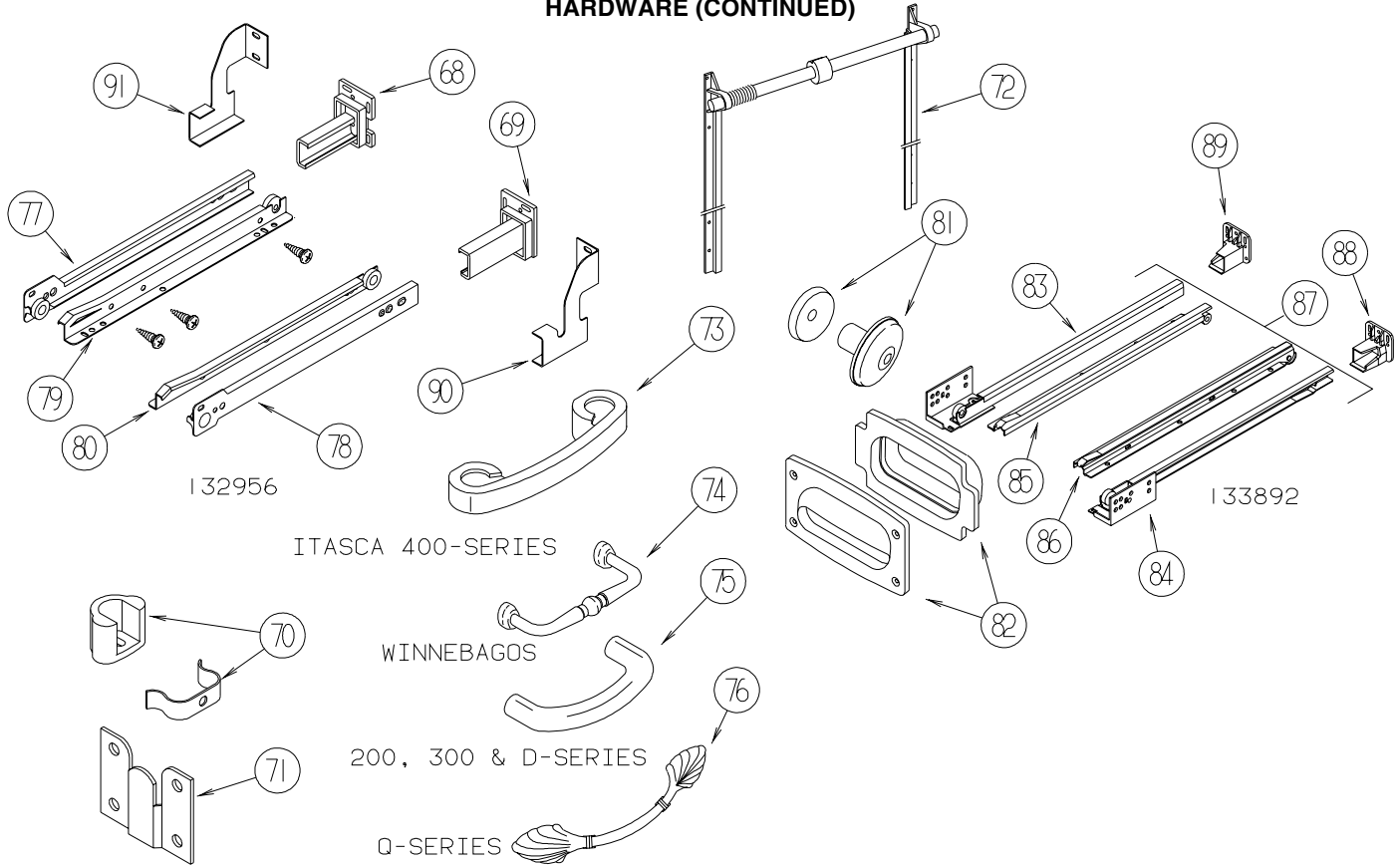
INTERIOR FINISH GROUP (CONTINUED)

HARDWARE (CONTINUED)



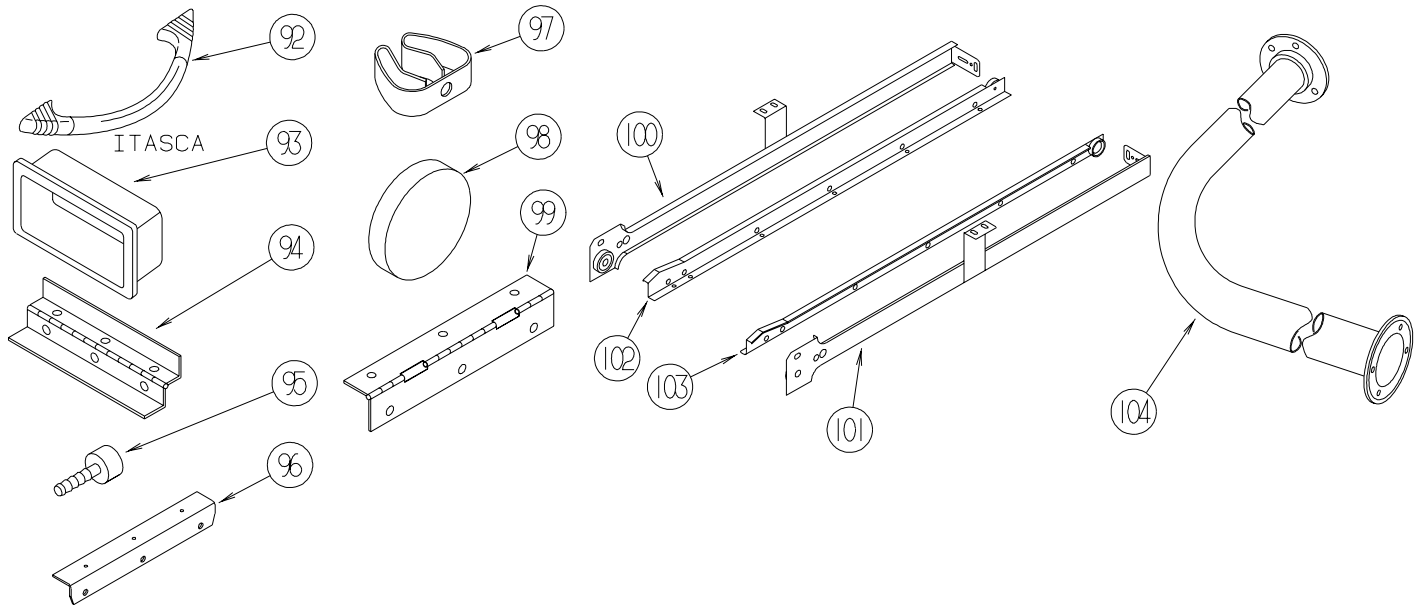
| KEY | PART NUMBER | U/M | DESCRIPTION |
|-----|---------------|-----|---|
| 56 | 115994-01-01A | EA | HANDLE - POCKET - RIALTA, 200-SERIES |
| 57 | 117095-01-01A | EA | LATCH - DOOR - GRABBER W/KEEPER - PLASTIC - BLK-5 LB PULL |
| 58 | 118200-01-01A | SF | MESH - PLASTIC 1/2" - 48" X LENGTH = SF - BLACK |
| 58 | 118200-07-01A | SF | MESH - PLASTIC 1/2" - 10.5" X 24.7" - BLACK |
| 59 | 118933-01-01A | EA | SUPPORT - HINGE LOCK |
| 60 | 124311-01-01A | EA | HANDLE - RECESSED - BRASS |
| 61 | 125221-01-01A | EA | PULL - MIRROR - W/ROUND HANDLE |
| 62 | 126263-06-02B | EA | BRACKET - GAS SPRING W/INSIDE BALL STUD - E-COATED |
| 63 | 127349-01-01A | EA | LATCH - PADDLE - RIALTA, 200-SERIES |
| 64 | 128810-01-01A | EA | SLIDE - DRAWER - 12" - LEFT CABINET |
| 64 | 128810-05-01A | EA | SLIDE - DRAWER - 14" - LEFT CABINET |
| 64 | 128810-09-01A | EA | SLIDE - DRAWER - 16" - LEFT CABINET |
| 64 | 128810-13-01A | EA | SLIDE - DRAWER - 18" - LEFT CABINET |
| 64 | 128810-17-01A | EA | SLIDE - DRAWER - 20" - LEFT CABINET |
| 64 | 128810-21-01A | EA | SLIDE - DRAWER - 22" - LEFT CABINET |
| 64 | 128810-25-01A | EA | SLIDE - DRAWER - 24" - LEFT CABINET |
| 64 | 128810-29-01A | EA | SLIDE - DRAWER - 9" - LEFT CABINET |
| 65 | 128810-02-01A | EA | SLIDE - DRAWER - 12" - RIGHT CABINET |
| 65 | 128810-06-01A | EA | SLIDE - DRAWER - 14" - RIGHT CABINET |
| 65 | 128810-10-01A | EA | SLIDE - DRAWER - 16" - RIGHT CABINET |
| 65 | 128810-10-01A | EA | SLIDE - DRAWER - 16" - RIGHT CABINET |
| 65 | 128810-14-01A | EA | SLIDE - DRAWER - 18" - RIGHT CABINET |
| 65 | 128810-18-01A | EA | SLIDE - DRAWER - 20" - RIGHT CABINET |
| 65 | 128810-22-01A | EA | SLIDE - DRAWER - 22" - RIGHT CABINET |
| 65 | 128810-26-01A | EA | SLIDE - DRAWER - 24" - RIGHT CABINET |
| 65 | 128810-30-01A | EA | SLIDE - DRAWER - 9" - RIGHT CABINET |
| 66 | 128810-03-01A | EA | SLIDE - DRAWER - 12" - LEFT DRAWER |
| 66 | 128810-07-01A | EA | SLIDE - DRAWER - 14" - LEFT DRAWER |
| 66 | 128810-11-01A | EA | SLIDE - DRAWER - 16" - LEFT DRAWER |
| 66 | 128810-15-01A | EA | SLIDE - DRAWER - 18" - LEFT DRAWER |
| 66 | 128810-19-01A | EA | SLIDE - DRAWER - 20" - LEFT DRAWER |
| 66 | 128810-23-01A | EA | SLIDE - DRAWER - 22" - LEFT DRAWER |
| 66 | 128810-27-01A | EA | SLIDE - DRAWER - 24" - LEFT DRAWER |
| 66 | 128810-31-01A | EA | SLIDE - DRAWER - 9" - LEFT DRAWER |
| 67 | 128810-04-01A | EA | SLIDE - DRAWER - 12" - RIGHT DRAWER |
| 67 | 128810-08-01A | EA | SLIDE - DRAWER - 14" - RIGHT DRAWER |
| 67 | 128810-12-01A | EA | SLIDE - DRAWER - 16" - RIGHT DRAWER |
| 67 | 128810-16-01A | EA | SLIDE - DRAWER - 18" - RIGHT DRAWER |
| 67 | 128810-20-01A | EA | SLIDE - DRAWER - 20" - RIGHT DRAWER |
| 67 | 128810-24-01A | EA | SLIDE - DRAWER - 22" - RIGHT DRAWER |
| 67 | 128810-28-01A | EA | SLIDE - DRAWER - 24" - RIGHT DRAWER |
| 67 | 128810-32-01A | EA | SLIDE - DRAWER - 9" - RIGHT DRAWER |
| 68 | 128811-01-01A | EA | BACKSOCKET - ADJUSTABLE - LEFT |
| 69 | 128811-02-01A | EA | BACKSOCKET - ADJUSTABLE - RIGHT |

INTERIOR FINISH GROUP (CONTINUED)
HARDWARE (CONTINUED)



| KEY | PART NUMBER | U/M | DESCRIPTION |
|-----|---------------|-----|---|
| 68 | 128811-01-01A | EA | BACKSOCKET - ADJUSTABLE - LEFT |
| 69 | 128811-02-01A | EA | BACKSOCKET - ADJUSTABLE - RIGHT |
| 70 | 129703-01-01A | EA | CATCH ASSEMBLY (SPRING) |
| 71 | 130120-01-01A | EA | BRACKET - MIRROR |
| 72 | 130787-01-000 | EA | TRACK - TAMBOUR DOOR/SPRING - 15.9" |
| 72 | 130787-02-000 | EA | TRACK - TAMBOUR DOOR/SPRING - 24" |
| 72 | 130787-04-000 | EA | TRACK - TAMBOUR DOOR - SPRING |
| 73 | 131962-01-01A | EA | PULL - DOOR/DRAWER - POLISHED BRASS - SUNDANCER, ITASCA 400-SERIES ONLY |
| 74 | 131963-01-01A | EA | PULL - DOOR/DRAWER - POLISHED BRASS - F, G, L, P & 400-SERIES WINNEBAGOS |
| 75 | 131964-01-01A | EA | PULL - DOOR/DRAWER - POLISHED BRASS - 200, 300 & D-SERIES |
| 76 | 131965-01-01A | EA | PULL - DOOR/DRAWER - 6.3" - BURNISHED BRASS - ULTIMATE ADVANTAGE & FREEDOM, Q-SERIES |
| 77 | 132956-01-01A | EA | SLIDE - DRAWER - LEFT CABINET - 37.5" |
| 77 | 132956-05-01A | EA | SLIDE - DRAWER - LEFT CABINET - 32" |
| 78 | 132956-02-01A | EA | SLIDE - DRAWER - RIGHT CABINET - 37.5" |
| 78 | 132956-06-01A | EA | SLIDE - DRAWER - RIGHT CABINET - 32" |
| 79 | 132956-03-01A | EA | SLIDE - DRAWER - LEFT DRAWER - 37.5" |
| 79 | 132956-07-01A | EA | SLIDE - DRAWER - LEFT DRAWER - 32" |
| 80 | 132956-04-01A | EA | SLIDE - DRAWER - RIGHT DRAWER - 37.5" |
| 80 | 132956-08-01A | EA | SLIDE - DRAWER - RIGHT DRAWER - 32" |
| 81 | 133313-01-01A | EA | PULL - DOOR/DRAWER - BURNISHED BRASS |
| 81 | 133313-01-02A | EA | PULL - DOOR/DRAWER - BRIGHT BRASS |
| 82 | 133607-01-01A | EA | PULL - LATCH - BLACK PLASTIC |
| 83 | 133892-01-01A | EA | SLIDE - DRAWER - LEFT CABINET - 16" |
| 83 | 133892-06-01A | EA | SLIDE - DRAWER - LEFT CABINET - 22" |
| 84 | 133892-02-01A | EA | SLIDE - DRAWER - RIGHT CABINET - 16" |
| 84 | 133892-07-01A | EA | SLIDE - DRAWER - RIGHT CABINET - 22" |
| 85 | 133892-03-01A | EA | SLIDE - DRAWER - LEFT DRAWER - 16" |
| 85 | 133892-08-01A | EA | SLIDE - DRAWER - LEFT DRAWER - 22" |
| 86 | 133892-04-01A | EA | SLIDE - DRAWER - RIGHT DRAWER - 16" |
| 86 | 133892-09-01A | EA | SLIDE - DRAWER - RIGHT DRAWER - 22" |
| 87 | 133892-05-01A | EA | SLIDE - DRAWER - FULL SET - 9" |
| 88 | 133907-01-01A | EA | BACKSOCKET - RIGHT HAND |
| 89 | 133907-02-01A | EA | BACKSOCKET - LEFT HAND |
| 90 | 134649-01-02B | EA | SUPPORT - BACKSOCKET - E-COATED |
| 91 | 134649-02-02B | EA | SUPPORT - BACKSOCKET - E-COATED |

INTERIOR FINISH GROUP (CONTINUED)
HARDWARE (CONTINUED)



| KEY | PART NUMBER | U/M | DESCRIPTION |
|-----|---------------|-----|--|
| 92 | 137446-01-01A | EA | PULL - CABINET - CHROME/BRASS - F, G, L, P-SERIES ITASCAS |
| 93 | 139136-01-01A | EA | HANDLE - RECESSED - 2.9" X 1.3"/2.7" X 1" X .7" C/O- BRASS |
| 93 | 139136-02-01A | EA | HANDLE - RECESSED - 2.9" X 1.3"/2.7" X 1" X .4" C/O- BRASS |
| 94 | 135538-01-01A | EA | HINGE - PIANO - FULL WRAP - BRASS PLATED |
| 94 | 135538-02-01A | EA | HINGE - PIANO - FULL WRAP - STOCKER BRASS |
| 94 | 135538-03-01A | EA | HINGE - PIANO - FULL WRAP - STOCKER BRASS |
| 94 | 135538-04-01A | EA | HINGE - PIANO - FULL WRAP |
| 94 | 135538-05-01A | EA | HINGE - PIANO - FULL WRAP |
| 95 | 079921-01-000 | EA | ROLLER - NYLON - W/STEEL SHAFT - BARBED |
| 96 | 089025-01-000 | EA | SUPPORT - SPRING TO BED - ANGLE 1.5" X 11.8" |
| 97 | 091952-01-000 | EA | CLIP - GRIPPER - 1" |
| 98 | 122717-01-01A | EA | PAD - NON SKID - 4" DIAMETER ROUND |
| 99 | 129753-01-01A | EA | HINGE - SPRING LOADED - 19" X 19" - BLACK |
| 100 | 139566-01-01A | EA | SLIDE - DRAWER - 37.5" - LEFT CABINET |
| 100 | 139566-05-01A | EA | SLIDE - DRAWER - 32" - LEFT CABINET |
| 101 | 139566-02-01A | EA | SLIDE - DRAWER - 37.5" - RIGHT CABINET |
| 101 | 139566-06-01A | EA | SLIDE - DRAWER - 32" - RIGHT CABINET |
| 102 | 139566-03-01A | EA | SLIDE - DRAWER - 37.5" - LEFT DRAWER |
| 102 | 139566-07-01A | EA | SLIDE - DRAWER - 32" - LEFT DRAWER |
| 103 | 139566-04-01A | EA | SLIDE - DRAWER - 37.5" - RIGHT DRAWER |
| 103 | 139566-08-01A | EA | SLIDE - DRAWER - 32" - RIGHT DRAWER |
| 104 | 140494-01-02A | EA | ROD - SHOWER - SOFT WHITE |
| 104 | 140494-01-01A | EA | ROD - SHOWER |

LABELS GROUP

SEWAGE

KEY PART NUMBER U/M DESCRIPTION
006187-01-000 EA LABEL - SEWAGE

WASTE WATER

KEY PART NUMBER U/M DESCRIPTION
006188-01-000 EA LABEL - WASTE WATER

EXIT

KEY PART NUMBER U/M DESCRIPTION
039290-01-000 EA LABEL - WARNING - EXIT

↑
OPEN

KEY PART NUMBER U/M DESCRIPTION
040944-01-000 EA LABEL - ENTRANCE DOOR - "OPEN"

CAUTION

THIS MOTOR HOME HAS BEEN DESIGNED, MANUFACTURED AND TESTED WITH CONCERN FOR THE PROTECTION OF IT'S OCCUPANTS. WE RECOMMEND YOU PERFORM THE FOLLOWING INSPECTIONS FOR YOUR SAFETY AND THE SAFETY OF YOUR PASSENGERS BEFORE STARTING YOUR VEHICLE.

1. LP GAS SYSTEM- TURN OFF AT TANK FOR TRAVELING. TEST FOR LEAKS UPON ARRIVAL AT DESTINATION. BEFORE LIGHTING PILOTS.
2. WHEELS- INSPECT FOR DAMAGE AND CHECK LUG NUTS FOR TIGHTNESS.
3. TIRES- INSPECT FOR WEAR AND DAMAGE AND CHECK FOR RECOMMENDED AIR PRESSURE.
4. LIGHTING- TEST FOR PROPER OPERATION OF ALL INTERIOR AND EXTERIOR LIGHTS INCLUDING DASH LIGHTS, HEADLIGHTS, TAIL LIGHTS, BRAKE LIGHTS, CLEARANCE LIGHTS AND TURN SIGNALS.
5. EXITS- INSPECT RELEASE MECHANISM ON EMERGENCY EXIT WINDOW, TEST BOTH LOCKS ON MAIN ENTRANCE DOOR FOR EASE OF OPERATION AND INSTRUCT PASSENGERS HOW TO USE BOTH MEANS OF EXIT.
6. SEAT BELTS- DIRECT PASSENGERS TO DESIGNATED SEATS AND REQUIRE USE OF SEAT BELTS.
7. APPLIANCES- TURN OFF AND LATCH OR LOCK DOORS WHERE PROVIDED.
8. LOOSE PARCELS- STORE SECURELY.
9. UTILITY SUPPLY LINES- DISCONNECT ALL ELECTRIC, SEWER AND WATER LINES AND SECURE PROPERLY.
10. ENTRANCE DOOR STEP- PLACE IN RETRACTED POSITION FOR TRAVELING.

READ YOUR MOTOR HOME AND CHASSIS OWNER'S
MANUAL FOR FURTHER PRECAUTIONS

KEY PART NUMBER U/M DESCRIPTION
056259-01-000 EA LABEL - SAFETY CHECK LIST

UNLEADED FUEL ONLY

KEY PART NUMBER U/M DESCRIPTION
062043-01-000 EA LABEL - FUEL - UNLEADED

LABELS GROUP (CONTINUED)

WARNING DISCONNECT BATTERIES BEFORE
CONNECTING EXTERNAL CHARGING EQUIPMENT.

KEY PART NUMBER U/M DESCRIPTION
065748-01-000 EA LABEL - CAUTION - BATTERY CHARGING

AVERTISSEMENT : DEBRANCHER LES BATTERIES AVANT
DE BRANCHER TOUT EQUIPEMENT DE CHARGE EXTERIEUR.

KEY PART NUMBER U/M DESCRIPTION
065748-02-000 EA LABEL - WARNING - BATTERY/FRENCH - CANADIAN

DIESEL FUEL ONLY

KEY PART NUMBER U/M DESCRIPTION
068383-01-000 EA LABEL - DIESEL FUEL

VEHICLE EMISSION CONTROL INFORMATION
THIS VEHICLE CONFORMS TO U.S. EPA
REGULATIONS APPLICABLE TO XXXX MODEL
YEAR NEW VEHICLES.

072887-01-000-2 CATALYST

KEY PART NUMBER U/M DESCRIPTION
072887-13-000 EA LABEL - EPA - 2001 MODEL YEAR

IF YOU SMELL GAS

1. EXTINGUISH ANY OPEN FLAME, PILOT LIGHTS AND ALL SMOKING MATERIALS.
2. DO NOT TOUCH ELECTRICAL SWITCHES.
3. SHUT OFF THE GAS SUPPLY AT THE TANK VALVE(S) OR GAS SUPPLY CONNECTION.
4. OPEN DOORS AND OTHER VENTILATING OPENINGS.
5. LEAVE THE AREA UNTIL ODOR CLEARS.
6. HAVE THE GAS SYSTEM CHECKED AND LEAKAGE SOURCE CORRECTED BEFORE USING AGAIN.

KEY PART NUMBER U/M DESCRIPTION
073998-01-000 EA LABEL - LPG ODOR WARNING

WARNING: TEST SMOKE DETECTOR
OPERATION AFTER VEHICLE HAS BEEN IN
STORAGE, BEFORE EACH TRIP AND AT
LEAST ONCE PER WEEK DURING USE.

KEY PART NUMBER U/M DESCRIPTION
077956-01-000 EA LABEL - WARNING - SMOKE DETECTOR

WARNING
MUST BE STOWED
IN LATCHED POSITION
WHILE VEHICLE IS IN MOTION

KEY PART NUMBER U/M DESCRIPTION
079966-01-000 EA LABEL - WARNING - STOWED - MOTION

LABELS GROUP (CONTINUED)



KEY PART NUMBER U/M DESCRIPTION
 083588-01-000 EA LABEL - ON/OFF - WATER HEATER



KEY PART NUMBER U/M DESCRIPTION
 083588-02-000 EA LABEL - ON/OFF - ENGINE HEATER

| | |
|---|--|
| <p style="text-align: center; margin: 0;">CAUTION</p> <p style="margin: 5px 0 0 0;">FUEL SPRAY MAY CAUSE PERSONAL INJURY</p> | <p>TO HELP AVOID PERSONAL INJURY DURING REMOVAL OF FUEL FILLER CAP, SLOWLY LOOSEN CAP 1/2 TURN TO ALLOW ANY FUEL PRESSURE TO BE RELIEVED BEFORE TURNING CAP FURTHER.</p> <p>STOP ADDING FUEL AFTER FIRST SHUTOFF BY AUTOMATIC NOZZLE WHEN TANK IS NEARLY FULL. DO NOT OVERFILL FUEL TANK.</p> <p>SEE OWNERS MANUAL FOR ADDITIONAL INFORMATION.</p> <p style="font-size: small; margin-top: 5px;">PRINTED IN U.S.A. WLC PT NO 15611763</p> |
|---|--|

KEY PART NUMBER U/M DESCRIPTION
 087207-05-000 EA LABEL - FUEL CAP REMOVAL



KEY PART NUMBER U/M DESCRIPTION
 087236-01-000 EA LABEL - CABLE - INPUT

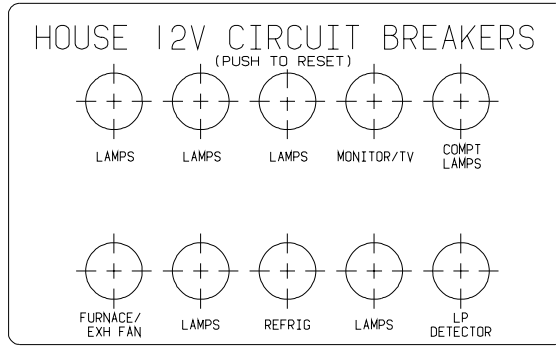


KEY PART NUMBER U/M DESCRIPTION
 087236-02-000 EA LABEL - TV OUTLET

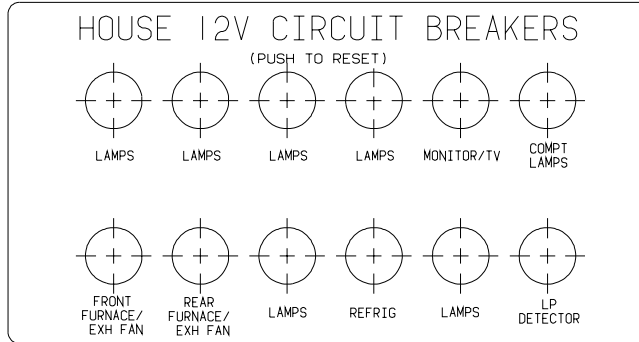
AIR CONDITIONING CIRCUIT.
 THIS CONNECTION IS FOR
 AIR CONDITIONERS RATED 110-
 125 VOLT AC, 60 HZ, 16
 AMPERES MAXIMUM. DO NOT
 EXCEED CIRCUIT RATING.

KEY PART NUMBER U/M DESCRIPTION
 091243-01-000 EA LABEL - A/C COVER (AIR CONDITIONING CIRCUIT ETC.)

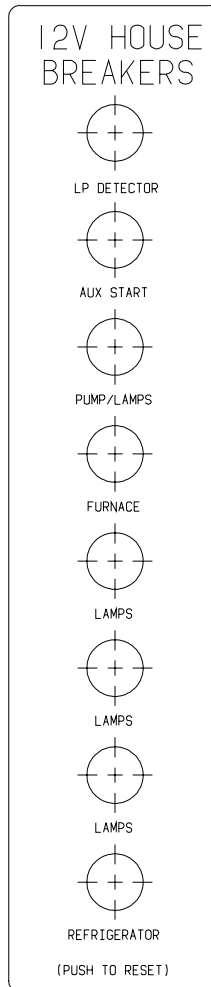
LABELS GROUP (CONTINUED)



KEY PART NUMBER **U/M DESCRIPTION**
 092547-06-000 EA LABEL - CIRCUIT BREAKER

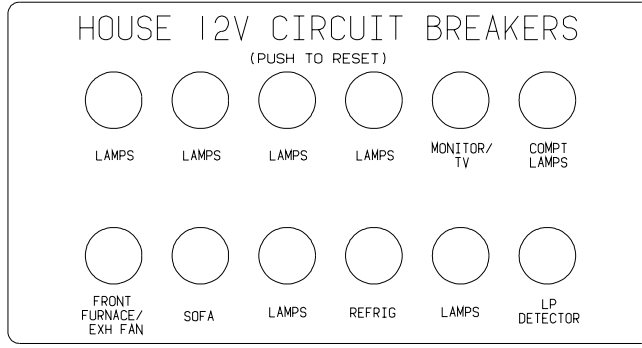


KEY PART NUMBER **U/M DESCRIPTION**
 092547-07-000 EA LABEL - CIRCUIT BREAKER

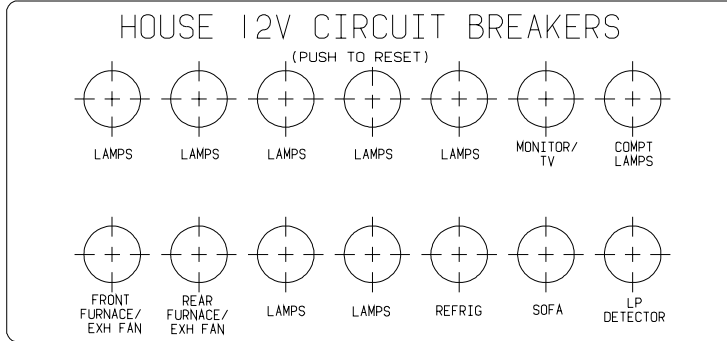


KEY PART NUMBER **U/M DESCRIPTION**
 092547-08-000 EA LABEL - CIRCUIT BREAKER

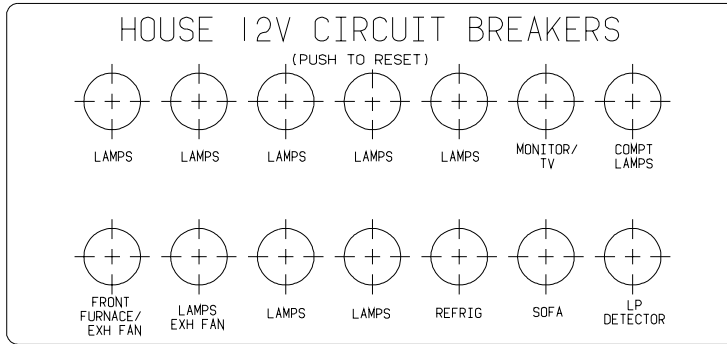
LABELS GROUP (CONTINUED)



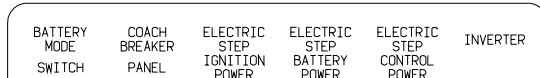
KEY PART NUMBER U/M DESCRIPTION
 092547-10-000 EA LABEL - CIRCUIT BREAKER



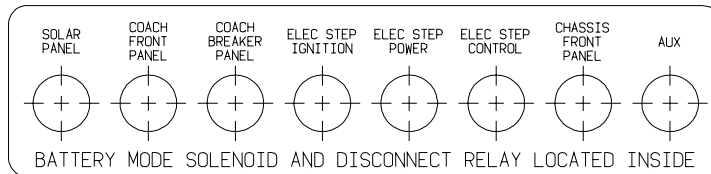
KEY PART NUMBER U/M DESCRIPTION
 092547-11-000 EA LABEL - CIRCUIT BREAKER



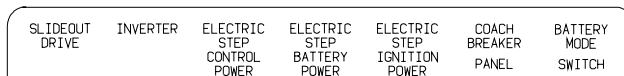
KEY PART NUMBER U/M DESCRIPTION
 092547-12-000 EA LABEL - CIRCUIT BREAKER



KEY PART NUMBER U/M DESCRIPTION
 093236-08-000 EA LABEL - CIRCUIT BREAKER



KEY PART NUMBER U/M DESCRIPTION
 093236-13-000 EA LABEL - CIRCUIT BREAKER

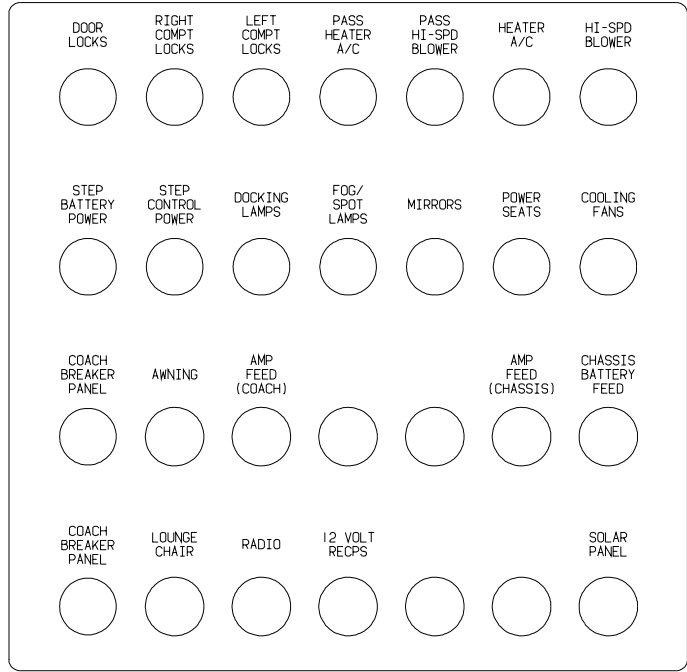


KEY PART NUMBER U/M DESCRIPTION
 093236-15-000 EA LABEL - CIRCUIT BREAKER

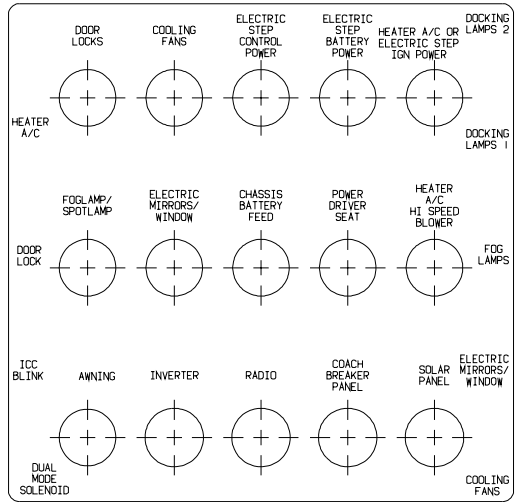
LABELS GROUP (CONTINUED)

| | | | | | | |
|------------------|---------------------|---------------------|------------------------------|-----------------------------|-----------------------------|----------|
| SLIDEOUT CONTROL | BATTERY MODE SWITCH | COACH BREAKER PANEL | ELECTRIC STEP IGNITION POWER | ELECTRIC STEP BATTERY POWER | ELECTRIC STEP CONTROL POWER | INVERTER |
|------------------|---------------------|---------------------|------------------------------|-----------------------------|-----------------------------|----------|

KEY PART NUMBER U/M DESCRIPTION
 093236-21-000 EA LABEL - CIRCUIT BREAKER

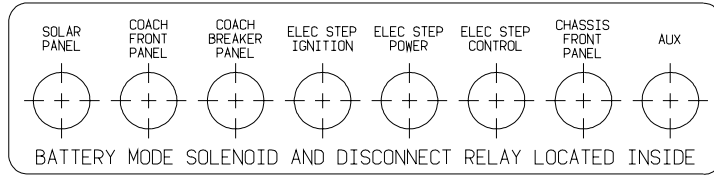


KEY PART NUMBER U/M DESCRIPTION
 093236-22-000 EA LABEL - CIRCUIT BREAKER



KEY PART NUMBER U/M DESCRIPTION
 093236-23-000 EA LABEL - CIRCUIT BREAKER - MAIN

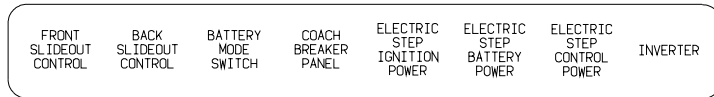
LABELS GROUP (CONTINUED)



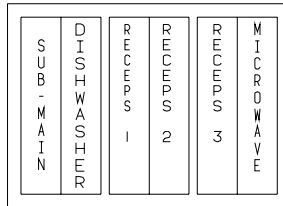
KEY PART NUMBER U/M DESCRIPTION
 093236-24-000 EA LABEL - CIRCUIT BREAKER



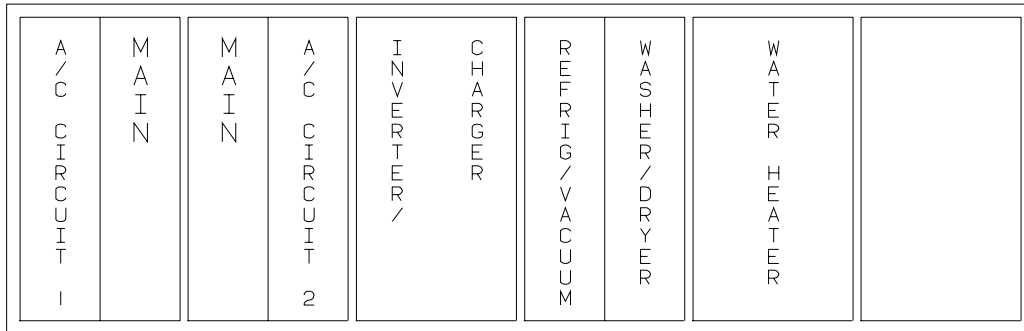
KEY PART NUMBER U/M DESCRIPTION
 093236-25-000 EA LABEL - CIRCUIT BREAKER



KEY PART NUMBER U/M DESCRIPTION
 093236-28-000 EA LABEL - CIRCUIT BREAKER



KEY PART NUMBER U/M DESCRIPTION
 095721-20-000 EA LABEL - CONTROL CENTER W/INVERTER



KEY PART NUMBER U/M DESCRIPTION
 095721-22-000 EA LABEL - CONTROL CENTER - 50 AMP

LABELS GROUP (CONTINUED)

| | | | | | | | | | | |
|-----------------------------|---------|-----------------------------|-------------------------|-------------------|----------------|----------------|----------------|-------------------------|--------------------------|--|
| A / C C I R C U I T 1 | M A I N | A / C C I R C U I T 2 | R E F F R I G / C O N V | M I C R O W A V E | R E C P S 1 | R E C P S 2 | R E C P S 3 | W A S H E R / D R Y E R | W A T E R H E A T E R | |
|-----------------------------|---------|-----------------------------|-------------------------|-------------------|----------------|----------------|----------------|-------------------------|--------------------------|--|

KEY PART NUMBER 095721-31-000 **U/M DESCRIPTION** EA LABEL - CONTROL CENTER - 30 AMP - US

| | | | | | | | |
|-----------------------------|---------|-----------------------------|------------------------------------|---------------------------|-------------------------|--------------------------|--|
| A / C C I R C U I T 1 | M A I N | A / C C I R C U I T 2 | I N V E R T E R / C H A R G E R | R E F F R I G E R A T O R | W A S H E R / D R Y E R | W A T E R H E A T E R | |
|-----------------------------|---------|-----------------------------|------------------------------------|---------------------------|-------------------------|--------------------------|--|

KEY PART NUMBER 095721-32-000 **U/M DESCRIPTION** EA LABEL - CONTROL CENTER - 30 AMP W/INVERTER

| | | | | | | | | | | |
|-----------------------------|---------|---------|-----------------------------|-------------------------|-------------------|----------------|----------------|----------------|-------------------------|--------------------------|
| A / C C I R C U I T 1 | M A I N | M A I N | A / C C I R C U I T 2 | R E F F R I G / C O N V | M I C R O W A V E | R E C P S 1 | R E C P S 2 | R E C P S 3 | W A S H E R / D R Y E R | W A T E R H E A T E R |
|-----------------------------|---------|---------|-----------------------------|-------------------------|-------------------|----------------|----------------|----------------|-------------------------|--------------------------|

KEY PART NUMBER 095721-33-000 **U/M DESCRIPTION** EA LABEL - CONTROL CENTER - 50 AMP - US

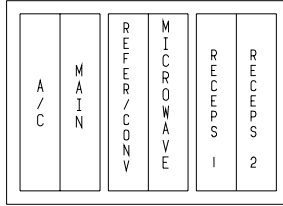
| | | | | | | | | |
|-----------------------------|---------|---------|-----------------------------|------------------------------------|---------------------------|-------------------------|--------------------------|--|
| A / C C I R C U I T 1 | M A I N | M A I N | A / C C I R C U I T 2 | I N V E R T E R / C H A R G E R | R E F F R I G E R A T O R | W A S H E R / D R Y E R | W A T E R H E A T E R | |
|-----------------------------|---------|---------|-----------------------------|------------------------------------|---------------------------|-------------------------|--------------------------|--|

KEY PART NUMBER 095721-34-000 **U/M DESCRIPTION** EA LABEL - CONTROL CENTER - 50 AMP

| | | | | | |
|---------|-------------------|---------------------|-------------------------|--------------------|-------|
| M A I N | M I C R O W A V E | G F I / R E C E P S | R E F F R I G / C O N V | W A T E R H T R | A / C |
|---------|-------------------|---------------------|-------------------------|--------------------|-------|

KEY PART NUMBER 095721-38-000 **U/M DESCRIPTION** EA LABEL - CONTROL CENTER - 30 AMP - US

LABELS GROUP (CONTINUED)



KEY PART NUMBER U/M DESCRIPTION
 095721-40-000 EA LABEL - CONTROL CENTER

AUTOMOTIVE AND COACH
CIRCUIT BREAKERS

KEY PART NUMBER U/M DESCRIPTION
 098379-01-000 EA LABEL - CIRCUIT BREAKER - FRONT BOX

CIRCUIT BREAKERS
AND AUTOMOTIVE
FUSE PANEL

KEY PART NUMBER U/M DESCRIPTION
 098379-03-000 EA LABEL - ELECTRICAL BOX - FRONT

BATTERY MODE
SOLENOID AND
RELAYS

KEY PART NUMBER U/M DESCRIPTION
 098379-04-000 EA LABEL - ELECTRICAL BOX - SIDE

UNLEADED
FUEL ONLY

KEY PART NUMBER U/M DESCRIPTION
 098641-01-000 EA LABEL - FUEL - UNLEADED - DASH

FOR AWNING INSTALLATION
CONTACT YOUR MOTORHOME
DEALERSHIP

KEY PART NUMBER U/M DESCRIPTION
 099509-01-000 EA LABEL - AWNING INSTALLATION

WARNING
 THIS VEHICLE, LIKE OTHER
VEHICLES, MAY CONTAIN SMALL
AMOUNTS OF ONE OR MORE
SUBSTANCES WHICH ARE LISTED
BY THE STATE OF CALIFORNIA
FOR CAUSING CANCER OR
REPRODUCTIVE TOXICITY.

KEY PART NUMBER U/M DESCRIPTION
 099689-01-000 EA LABEL - WARNING - CANCER/TOXICITY

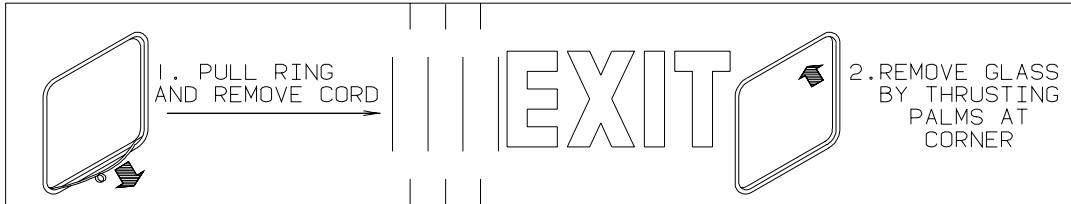
LABELS GROUP (CONTINUED)

NOTE: TUNE ANTENNA
PER MANUFACTURER'S
DIRECTIONS. FAILURE TO
COMPLY COULD RESULT IN
DAMAGE TO CB.

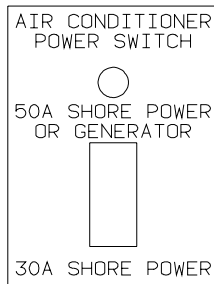
CB POWER PROVISION

RED +12 V
BLACK GROUND
COAX ANTENNA
(SEE REVERSE ALSO)

KEY PART NUMBER U/M DESCRIPTION
104678-01-000 EA LABEL - CB PREP



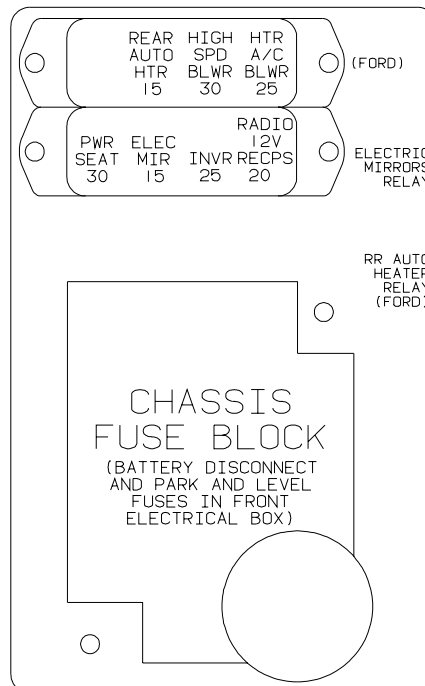
KEY PART NUMBER U/M DESCRIPTION
107571-01-000 EA LABEL - EXIT/ESCAPE WINDOW



KEY PART NUMBER U/M DESCRIPTION
109051-02-000 EA LABEL - SWITCH - 50 AMP POWER

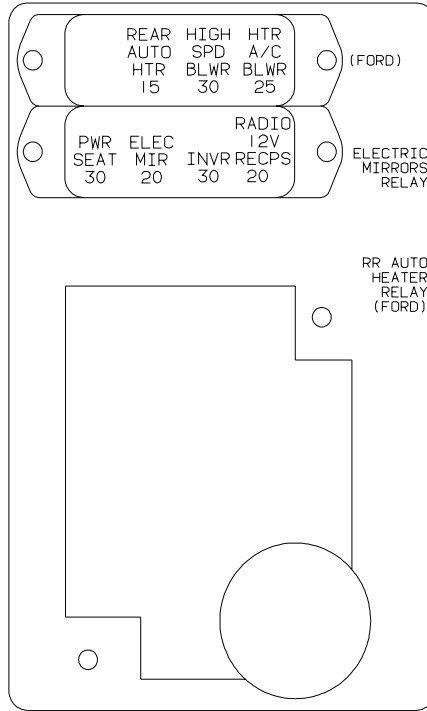


KEY PART NUMBER U/M DESCRIPTION
111104-01-000 EA LABEL - HITCH - READ MANUAL - WHITE



KEY PART NUMBER U/M DESCRIPTION
111537-08-000 EA LABEL - FUSES

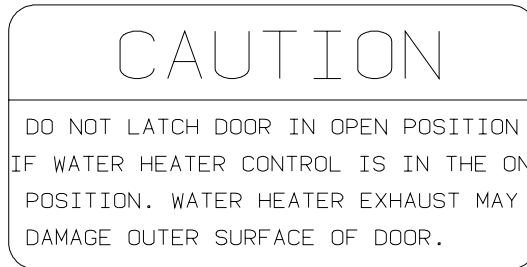
LABELS GROUP (CONTINUED)



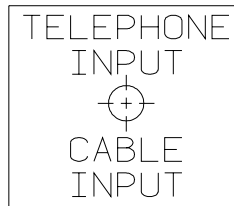
KEY PART NUMBER U/M DESCRIPTION
 111537-09-000 EA LABEL - FUSES

WARNING: CONTAINS "CFC" A SUBSTANCE WHICH HARMS PUBLIC HEALTH AND ENVIRONMENT BY DESTROYING OZONE IN THE UPPER ATMOSPHERE.

KEY PART NUMBER U/M DESCRIPTION
 111802-01-000 EA LABEL - CFC WARNING

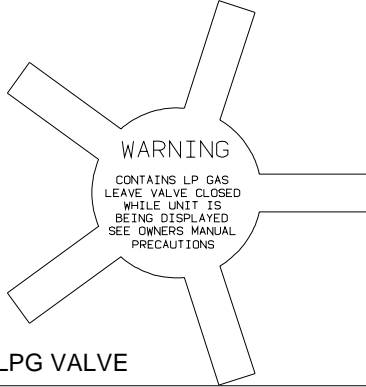


KEY PART NUMBER U/M DESCRIPTION
 113402-01-000 EA LABEL - CAUTION - WATER HEATER EXHAUST



KEY PART NUMBER U/M DESCRIPTION
 114866-02-000 EA LABEL - PHONE & CABLE INPUT - WHITE/CLEAR BACKGROUND
 114866-03-000 EA LABEL - PHONE & CABLE INPUT - BLACK/CLEAR BACKGROUND

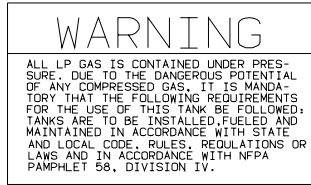
LABELS GROUP (CONTINUED)



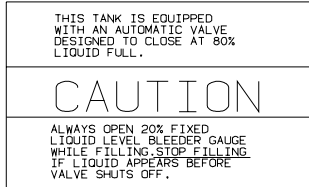
KEY PART NUMBER U/M DESCRIPTION
 115600-01-000 EA LABEL - WARNING LPG VALVE

WARNING: REPLACE TIRE ONLY WITH ONE OF EXACTLY SAME TYPE AND RATING. DO NOT REPLACE WITH PASSENGER CAR TIRE. SEE OPERATOR'S MANUAL FOR MORE INFORMATION CALL WINNEBAGO OWNER RELATIONS AT 1-800-537-1885.

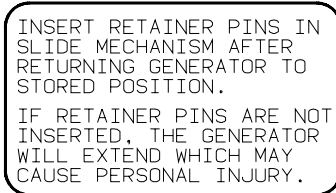
KEY PART NUMBER U/M DESCRIPTION
 115869-01-000 EA LABEL - WARNING - TIRE



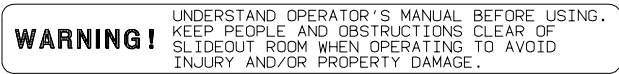
KEY PART NUMBER U/M DESCRIPTION
 116112-01-000 EA LABEL - WARNING - LP



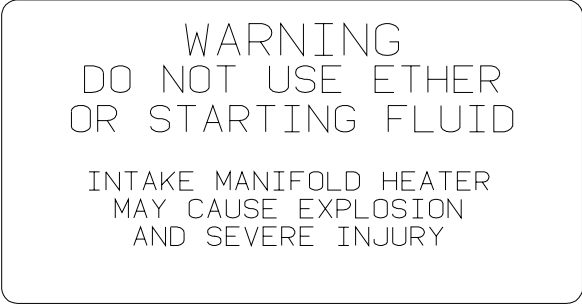
KEY PART NUMBER U/M DESCRIPTION
 116113-01-000 EA LABEL - CAUTION - LP



KEY PART NUMBER U/M DESCRIPTION
 116273-01-000 EA LABEL - WARNING - GENERATOR

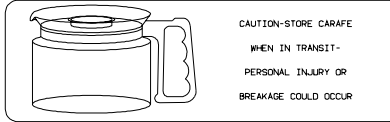


KEY PART NUMBER U/M DESCRIPTION
 116549-01-000 EA LABEL - WARNING - SLIDEOUT



KEY PART NUMBER U/M DESCRIPTION
 116756-02-000 EA LABEL - WARNING - ETHER/STARTING

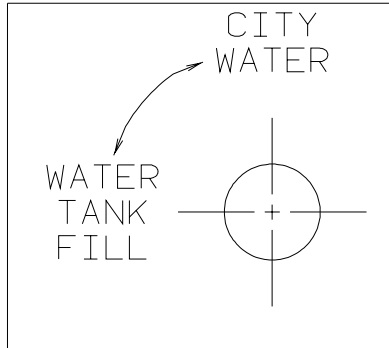
LABELS GROUP (CONTINUED)



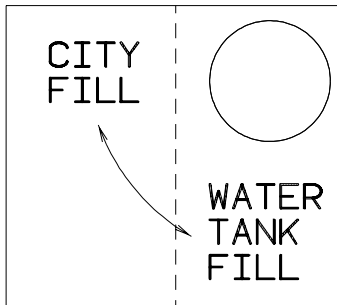
KEY PART NUMBER 116829-02-000 **U/M DESCRIPTION**
EA LABEL - COFFEEMAKER



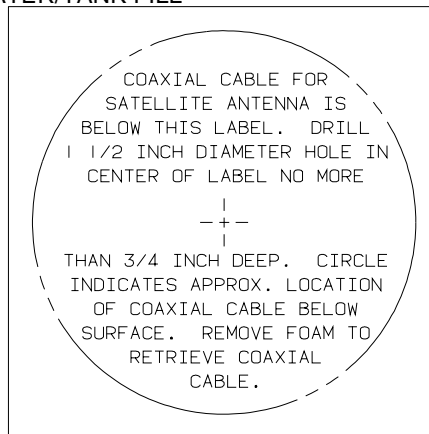
KEY PART NUMBER 117628-02-000 **U/M DESCRIPTION**
EA LABEL - SWITCH - WATER PUMP/LIGHTS-WHITE/CLEAR BACKGROUND



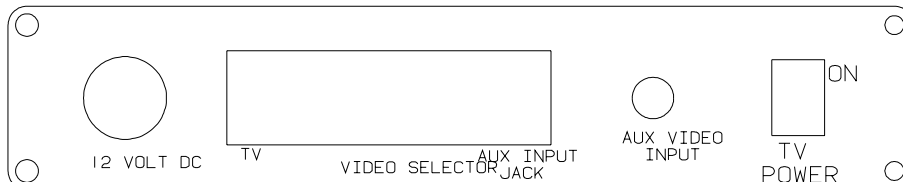
KEY PART NUMBER 117629-03-000 **U/M DESCRIPTION**
EA LABEL - WATER PUMP/FILL-BLK LETTERS/CLEAR BACKGROUND-.31"



KEY PART NUMBER 117629-04-000 **U/M DESCRIPTION**
EA LABEL - CITY WATER/TANK FILL



KEY PART NUMBER 120431-01-000 **U/M DESCRIPTION**
EA LABEL - LOCATION - COAXIAL CABLE/SATELLITE ANTENNA



KEY PART NUMBER 120677-01-000 **U/M DESCRIPTION**
EA LABEL - TV

LABELS GROUP (CONTINUED)

KEEP THE SERVICE INLET ACCESS
IN THE CLOSED POSITION WHEN
UTILITY CONNECTIONS ARE NOT IN USE

KEY PART NUMBER U/M DESCRIPTION
123562-01-000 EA LABEL - SERVICE/UTILITY ACCESS

WARNING
ALL PILOT LIGHTS, APPLIANCES AND THIER
IGNITORS (SEE OPERATING INSTRUCTIONS) SHALL
BE TURNED OFF DURING REFUELING OF MOTOR
FUEL TANKS AND/OR LP GAS CONTAINERS

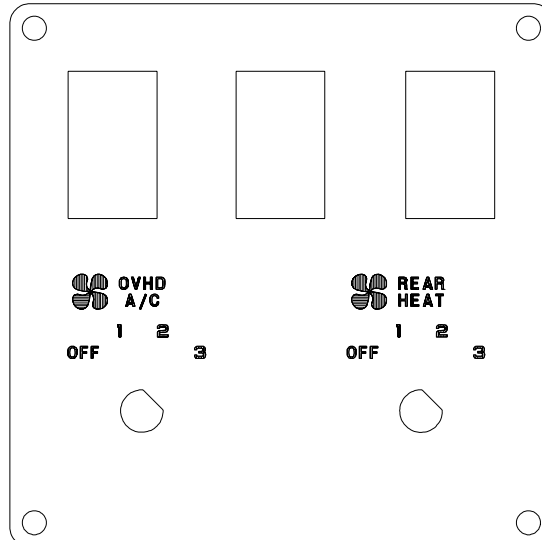
KEY PART NUMBER U/M DESCRIPTION
124519-01-01A EA LABEL - WARNING/REFUELING - BLACK ON CLEAR
124519-01-02A EA LABEL - WARNING/REFUELING - WHITE ON CLEAR

WARNING:
ALL PILOT LIGHTS AND APPLIANCES SHALL BE TURNED
OFF DURING REFUELING OF MOTOR FUEL TANKS AND/
OR PROPANE CONTAINERS.
AVERTISSEMENT:
FERMER TOUTES LES VEILLEUSES AINSI QUE TOUS LES
APPAREILS LORSQU'ON FAIT LE PLEIN DES RESERVOIRS
À CARBURANT OU À PROPANE.
124519-02

KEY PART NUMBER U/M DESCRIPTION
124519-02-01A EA LABEL - WARNING/REFUELING - BLACK ON CLEAR - CSA
124519-02-02A EA LABEL - WARNING/REFUELING - WHITE ON CLEAR - CSA

LP-GAS SYSTEM
THIS GAS PIPING SYSTEM IS
DESIGNED FOR USE OF
LIQUIFIED PETROLEUM GAS
ONLY. DO NOT CONNECT
NATURAL GAS TO THIS
SYSTEM.
SECURE CAP INLET(S) WHEN NOT
CONNECTED FOR USE. AFTER TURNING
ON GAS, EXCEPT AFTER NORMAL
CONTAINER REPLACEMENT, TEST GAS
PIPING AND CONNECTIONS TO
APPLIANCES FOR LEAKAGE WITH SOAPY
WATER OR BUBBLE SOLUTION. DO NOT
USE PRODUCTS THAT CONTAIN AMMONIA
OR CLORINE.
124520

KEY PART NUMBER U/M DESCRIPTION
124520-01-01A EA LABEL - LP GAS ONLY - BLACK ON CLEAR
124520-01-02A EA LABEL - LP GAS ONLY - WHITE ON CLEAR



KEY PART NUMBER U/M DESCRIPTION
124572-01-000 EA LABEL - SWITCHES

LABELS GROUP (CONTINUED)

THIS CONNECTION IS FOR
(B) VOLT AC,60 HZ(CYCLES)
(A) AMPERE SUPPLY

DO NOT CONNECT TO
HIGHER VOLTAGE

| KEY | PART NUMBER | U/M DESCRIPTION |
|-----|---------------|---|
| | 125306-01-01A | EA LABEL - ELECTRICAL ENTRANCE - 110V 30 AMP - BLACK ON CLEAR |
| | 125306-01-02A | EA LABEL - ELECTRICAL ENTRANCE - 110V 30 AMP - WHITE ON CLEAR |

THIS CONNECTION IS FOR
(B) VOLT AC,3-POLE,4 WIRE
60 HZ(CYCLES),(A) AMPERE SUPPLY

DO NOT CONNECT TO
HIGHER VOLTAGE

| KEY | PART NUMBER | U/M DESCRIPTION |
|-----|---------------|---|
| | 125306-04-01A | EA LABEL-ELECTRICAL ENTRANCE-120/240V 50 AMP-BLACK ON CLEAR |
| | 125306-04-02A | EA LABEL - ELECTRICAL ENTRANCE-120/240V 50 AMP-WHITE ON CLEAR |



| KEY | PART NUMBER | U/M DESCRIPTION |
|-----|---------------|--------------------------------------|
| | 125697-07-000 | EA LABEL - CAUTION - FLUSHING SYSTEM |

REMOVE PRIMARY TIRE HANGER BEFORE USING
SPARE TIRE HOIST-SEE OWNERS MANUAL - PERSONAL
INJURY MAY RESULT IF NOT FOLLOWED

| KEY | PART NUMBER | U/M DESCRIPTION |
|-----|---------------|--------------------------------|
| | 126024-01-01A | EA LABEL - TIRE HANGER REMOVAL |

GRAY HOLDING TANK

| KEY | PART NUMBER | U/M DESCRIPTION |
|-----|---------------|---|
| | 126247-05-000 | EA LABEL - GRAY HOLDING TANK-BLACK LETTERS/CLEAR BACKGROUND |

BLACK HOLDING TANK

| KEY | PART NUMBER | U/M DESCRIPTION |
|-----|---------------|--|
| | 126247-06-000 | EA LABEL - BLACK HOLDING TANK-BLACK LETTERS/CLEAR BACKGROUND |

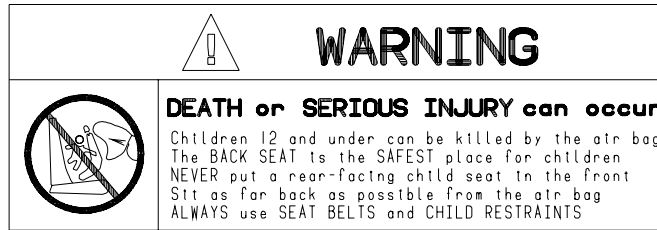
EXTERIOR SHOWER

| KEY | PART NUMBER | U/M DESCRIPTION |
|-----|---------------|----------------------------|
| | 126248-03-000 | EA LABEL - EXTERIOR SHOWER |

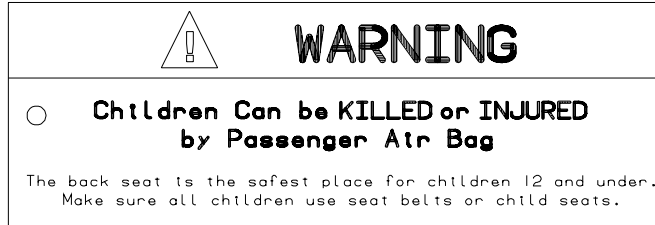
CITY WATER FILL

| KEY | PART NUMBER | U/M DESCRIPTION |
|-----|---------------|--|
| | 126249-03-000 | EA LABEL - CITY WATER FILL-BLK LETTERS/CLEAR BACKGROUND .31" |

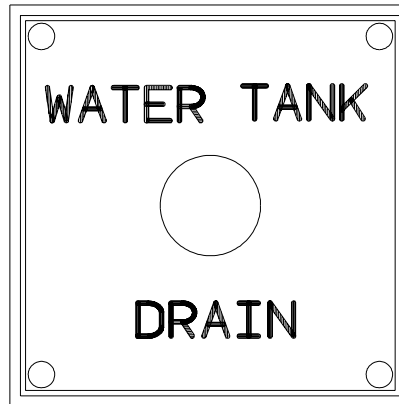
LABEL GROUP (CONTINUED)



KEY PART NUMBER U/M DESCRIPTION
 126611-01-000 EA LABEL - AIR BAG - VISOR



KEY PART NUMBER U/M DESCRIPTION
 126612-01-000 EA LABEL - HANG TAG - AIR BAG - DASH



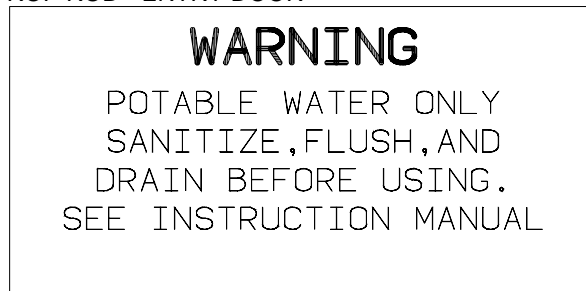
KEY PART NUMBER U/M DESCRIPTION
 127170-01-000 EA LABEL - WATER TANK DRAIN



KEY PART NUMBER U/M DESCRIPTION
 128218-01-01A EA LABEL - WARNING - SLIPPERY ROOF

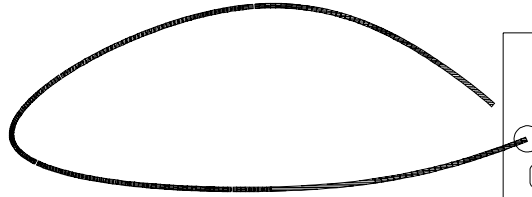


KEY PART NUMBER U/M DESCRIPTION
 128658-01-000 EA LABEL - PROP ROD - ENTRY DOOR



KEY PART NUMBER U/M DESCRIPTION
 128725-01-01A EA LABEL - POTABLE WATER ONLY - BLACK ON CLEAR

LABELS GROUP (CONTINUED)



ATTENTION
 REMEMBER TO DETACH THE OTHER
 TRAVEL LATCH LOCATED IN
 GALLEY CABINET BEFORE EXTENDING
 THIS ROOM.

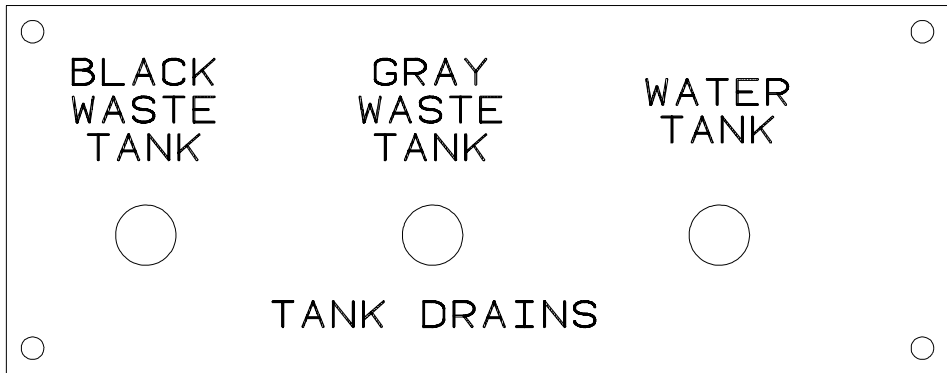
KEY PART NUMBER U/M DESCRIPTION
 129033-01-000 EA LABEL - HANG TAG - TRAVEL LATCH - 1.5" X 3"

TOW VEHICLE RATING MAY BE LESS THAN HITCH RATING.
 MAXIMUM VERTICAL HITCH LOAD: 350 LBS
 DO NOT EXCEED REAR AXLE RATING.
 SEE OWNER'S MANUAL FOR ADDITIONAL INFORMATION.

KEY PART NUMBER U/M DESCRIPTION
 129669-01-01A EA LABEL - HITCH/VEHICLE RATE - 350 - WHITE ON CLEAR
 129669-02-01A EA LABEL - HITCH/VEHICLE RATE - 500- WHITE ON CLEAR
 129669-02-02A EA LABEL - HITCH/VEHICLE RATE - 500 - BLACK ON CLEAR

TIRE ROTATION
 SEE RIALTA OWNERS MANUAL
 SECTION 9

KEY PART NUMBER U/M DESCRIPTION
 129684-01-000 EA LABEL - TIRE ROTATION



KEY PART NUMBER U/M DESCRIPTION
 130166-01-000 EA LABEL - DRAIN



KEY PART NUMBER U/M DESCRIPTION
 130167-02-000 EA LABEL - HOSE STORAGE



KEY PART NUMBER U/M DESCRIPTION
 130168-01-000 EA LABEL - WASTE TANK FLUSH

LABELS GROUP (CONTINUED)



MONITOR PANEL LIGHT WATER PUMP

KEY PART NUMBER U/M DESCRIPTION
 130170-01-000 EA LABEL - SWITCH PANEL - BLK/CLEAR BACKGROUND-1.8"H X 5.9"L



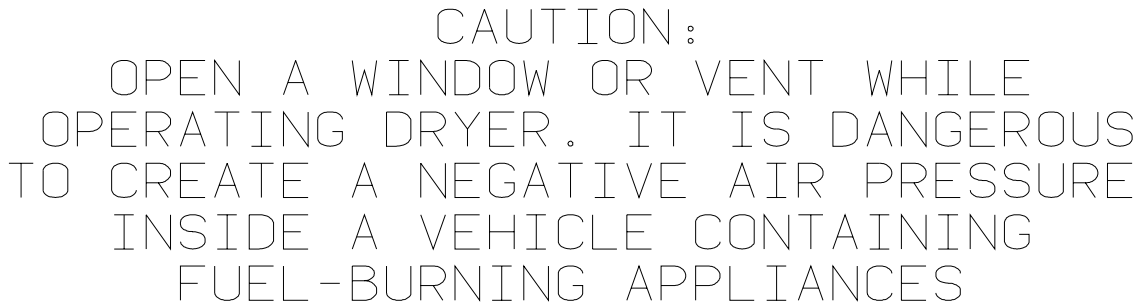
LIGHTS WATER PUMP

KEY PART NUMBER U/M DESCRIPTION
 130170-02-000 EA LABEL - SWITCH PANEL-BLK/CLEAR BACKGROUND-1.4"H X 3.9"L



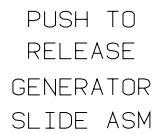
WATER PUMP

KEY PART NUMBER U/M DESCRIPTION
 130170-03-000 EA LABEL - PANEL SWITCH



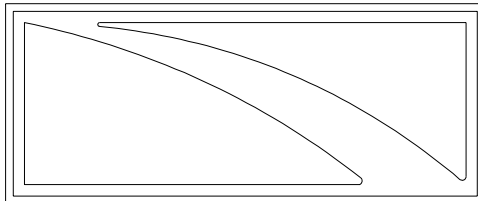
CAUTION:
 OPEN A WINDOW OR VENT WHILE OPERATING DRYER. IT IS DANGEROUS TO CREATE A NEGATIVE AIR PRESSURE INSIDE A VEHICLE CONTAINING FUEL-BURNING APPLIANCES

KEY PART NUMBER U/M DESCRIPTION
 130670-01-01A EA LABEL - CAUTION DRYER VENTING - BLACK ON CLEAR

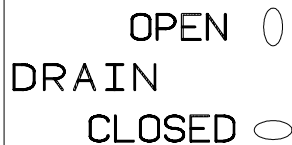


PUSH TO RELEASE GENERATOR SLIDE ASM

KEY PART NUMBER U/M DESCRIPTION
 131779-01-01A EA LABEL - GENERATOR



KEY PART NUMBER U/M DESCRIPTION
 132651-01-01A EA DECAL - MIRROR/GALLEY



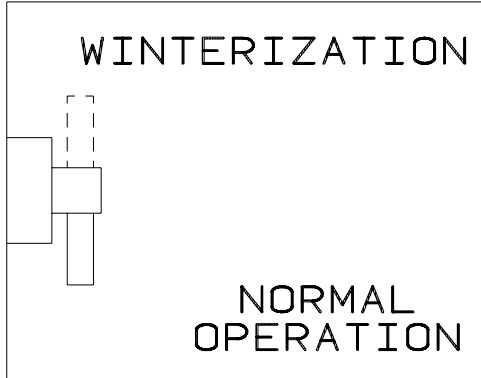
OPEN 0
 DRAIN
 CLOSED O

KEY PART NUMBER U/M DESCRIPTION
 133423-01-01A EA LABEL - DRAIN

LABELS GROUP (CONTINUED)



KEY PART NUMBER U/M DESCRIPTION
133424-01-01A EA LABEL - BYPASS - WATER HEATER



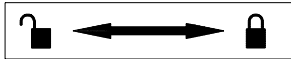
KEY PART NUMBER U/M DESCRIPTION
133425-01-01A EA LABEL - VALVE - WINTERIZATION



KEY PART NUMBER U/M DESCRIPTION
133533-01-01A EA LABEL - JACKS DOWN - CLEAR W/WHITE LETTERING

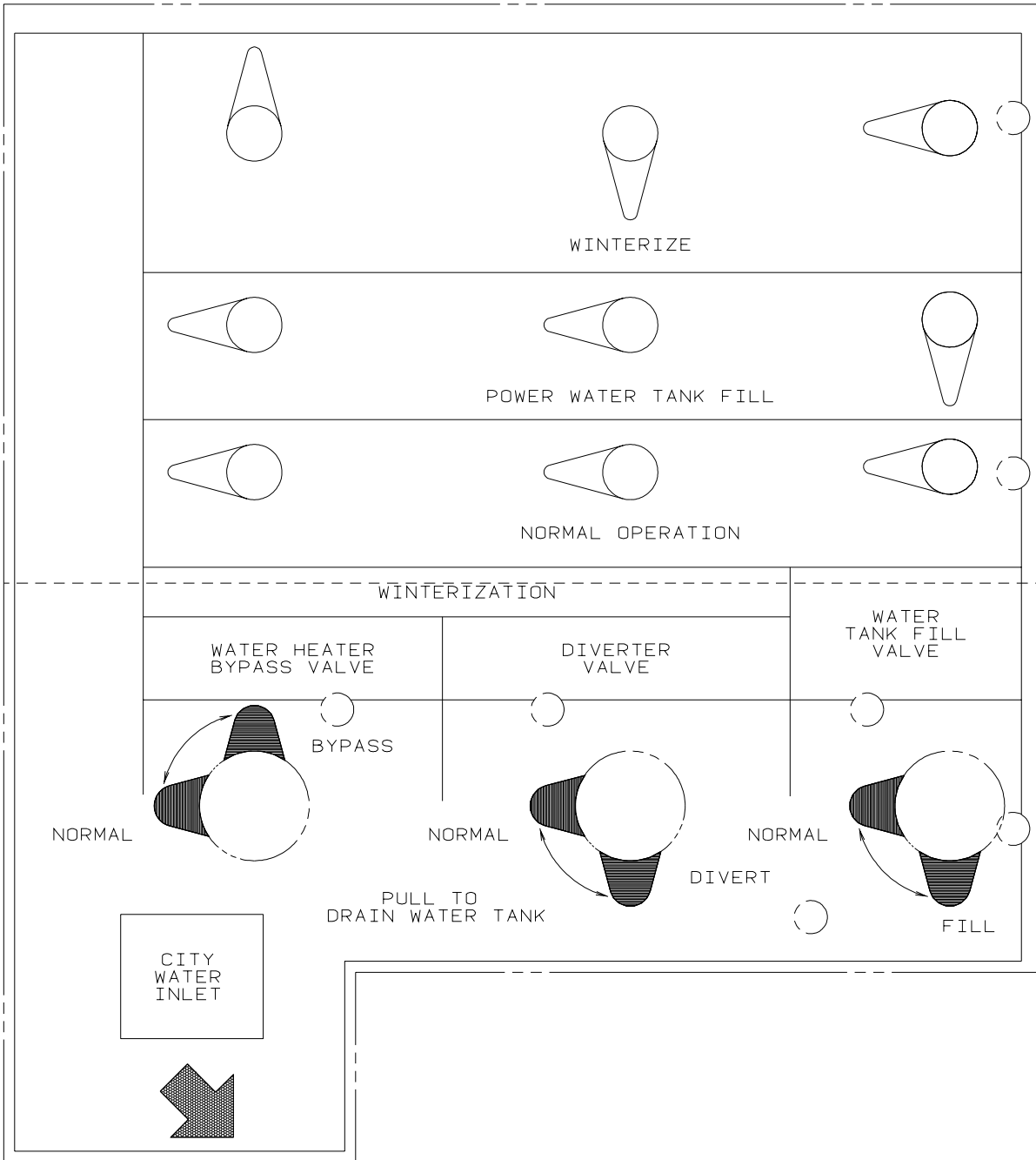


KEY PART NUMBER U/M DESCRIPTION
133533-02-01A EA LABEL - CHECK ANTENNA - CLEAR W/WHITE LETTERING



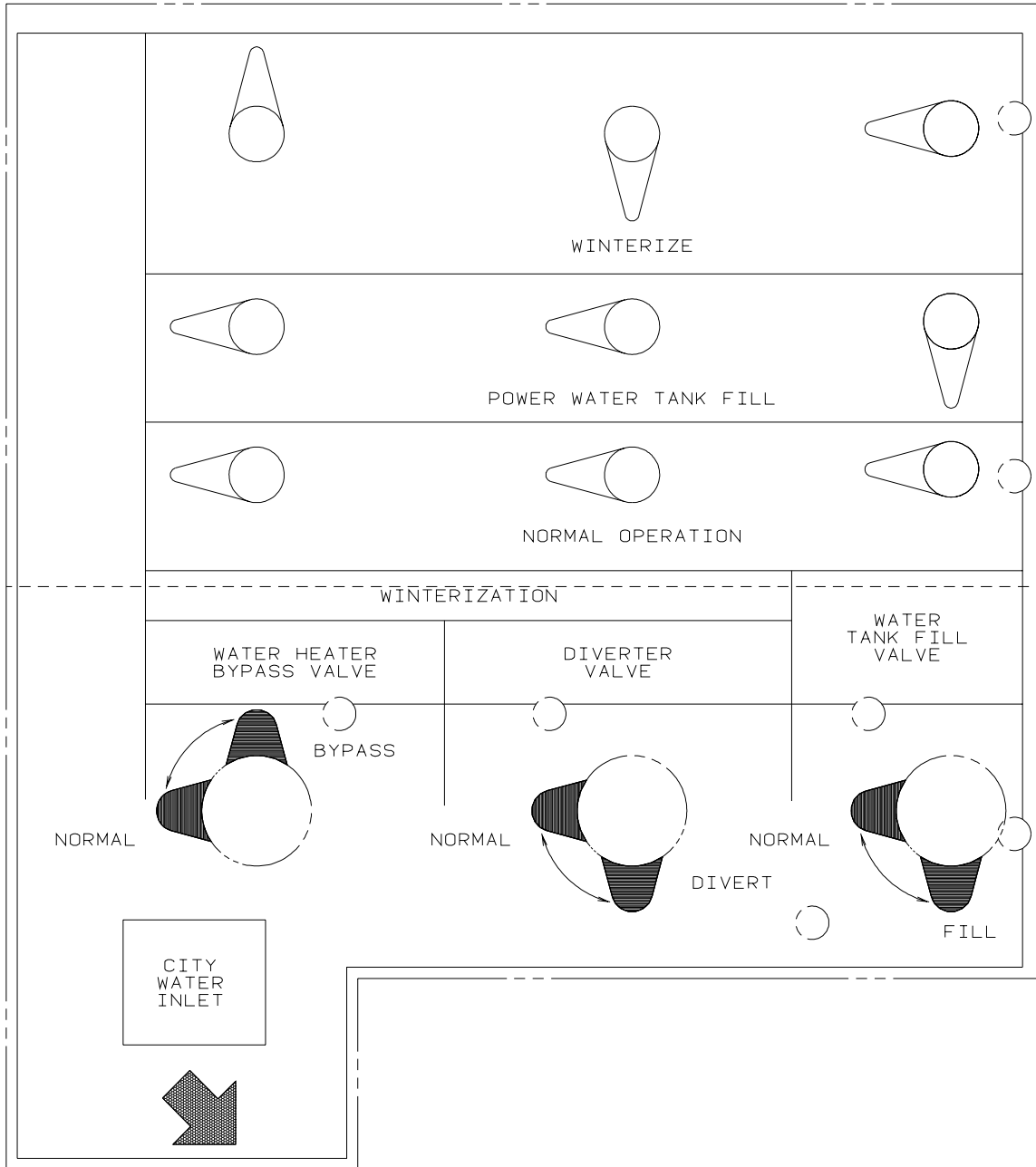
KEY PART NUMBER U/M DESCRIPTION
133533-03-01A EA LABEL - LOCK/UNLOCK - BLACK/WHITE

LABELS GROUP (CONTINUED)

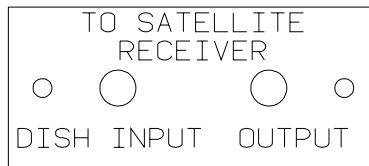


| KEY | PART NUMBER | U/M | DESCRIPTION |
|-----|---------------|-----|----------------------|
| | 133629-01-01A | EA | LABEL - WATER CENTER |

LABELS GROUP (CONTINUED)



| KEY | PART NUMBER | U/M DESCRIPTION |
|-----|---------------|---------------------------------------|
| | 133629-02-01A | EA LABEL - WATER CENTER - BLACK/CLEAR |



| KEY | PART NUMBER | U/M DESCRIPTION |
|-----|---------------|---|
| | 134250-01-01A | EA LABEL - SATELLITE RECEIVER - BLACK/CLEAR |

THIS SEAT IS NOT INTENDED
FOR OCCUPANCY WHEN
VEHICLE IS IN MOTION

| KEY | PART NUMBER | U/M DESCRIPTION |
|-----|---------------|---|
| | 134538-01-01A | EA LABEL - OCCUPANCY - NO SEAT BELT - BLACK ON CLEAR - US |

LABELS GROUP (CONTINUED)

| | |
|-------------------------------|---------------------------|
| DST ISICE SIEGE N/EST PAS | THIS SEAT IS NOT INTENDED |
| DESTINE A ETRE OCCUPE LORSQUE | FOR OCCUPANCY WHILE |
| LE VEHICULE EST IN MOVUEMENT | VEHICLE IS IN MOTION |

KEY PART NUMBER U/M DESCRIPTION
 134538-02-01A EA LABEL - OCCUPANCY - NO SEAT BELT - BLACK ON CLEAR - CSA

WARNING

IT IS NOT SAFE TO USE COOKING
 APPLICANCES FOR COMFORT HEATING

COOKING APPLICANCES NEED FRESH AIR FOR SAFE OPERATION
 BEFORE OPERATION.

1. OPEN OVERHEAD VENT OR TURN ON EXHAUST FAN AND;
2. OPEN WINDOW.

KEY PART NUMBER U/M DESCRIPTION
 134539-01-01A EA LABEL - WARNING - STOVE/HEATING - US - BLACK ON CLEAR

| |
|----------------------------|
| HOLDING TANK HEATER |
| TURN OFF WHEN NOT IN USE |
| SEE OPERATOR'S MANUAL |

KEY PART NUMBER U/M DESCRIPTION
 134563-01-01A EA LABEL - SWITCH - HEATER

THIS VEHICLE MAY INCLUDE MERCURY-CONTAINING DEVICES INSTALLED BY THE MANUFACTURER:

FLUORESCENT TUBES, RANGES WITH OVEN, HWH LEVEL SENSING UNIT.

REMOVE DEVICES BEFORE VEHICLE DISPOSAL UPON REMOVAL OF
 DEVICES: PLEASE REUSE, RECYCLE, OR DISPOSE AS HAZARDOUS WASTE

135869-01A

KEY PART NUMBER U/M DESCRIPTION
 135869-01-01A EA LABEL - MERCURY CONTENT - BLACK ON CLEAR

LIQUID SOAP

KEY PART NUMBER U/M DESCRIPTION
 136047-01-01A EA LABEL - LIQUID SOAP

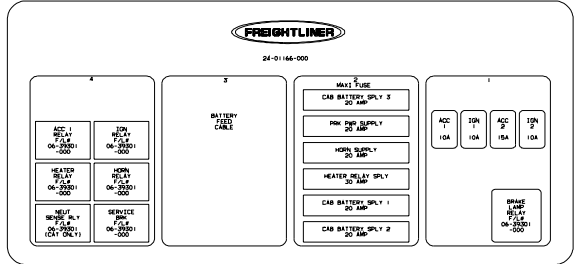
| | | | | | | | |
|------------------|------------------|--------------------------------|----------------------------------|-------------------------------|---------------------------------------|--------------------------|---------------|
| DOOR LOCK | DOOR UNLOCK | RIGHT COMPT DOOR LOCK | RIGHT COMPT DOOR UNLOCK | LEFT COMPT DOOR LOCK | LEFT COMPT DOOR UNLOCK | AUX START SOLENOID | AMP SOURCE |
| POWER MIRRORS | HEATER BLOWER | PASS HEATER BLOWER | FOG LAMPS | DOCKING LAMPS | DOCKING LAMPS SWITCH TRIGGER | COOLING FANS | |

KEY PART NUMBER U/M DESCRIPTION
 136161-01-01A EA LABEL - RELAY - MATTE BLACK/WHITE LETTERS

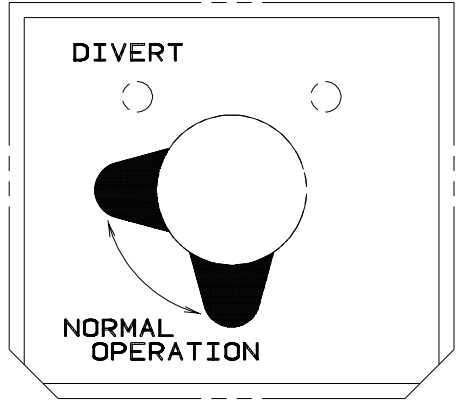
LABELS GROUP (CONTINUED)

LT - AIR BAGS - RT

KEY PART NUMBER **U/M DESCRIPTION**
 136360-01-01A EA LABEL - AIR BAGS



KEY PART NUMBER **U/M DESCRIPTION**
 137090-01-000 EA LABEL - ELECTRICAL CENTER



KEY PART NUMBER **U/M DESCRIPTION**
 137997-01-01A EA LABEL - WINTERIZATION VALVE - BLACK/CLEAR



KEY PART NUMBER **U/M DESCRIPTION**
 140190-01-01A EA DECAL/LOGO - V6 (DOMED) - CYAN/MAGENTA/YELLOW/BLACK

LABELS GROUP (CONTINUED)

WARNING

THIS SYSTEM IS DESIGNED FOR USE WITH PROPANE ONLY
DO NOT CONNECT NATURAL GAS TO THIS SYSTEM

BEFORE TURNING ON PROPANE:

- (A) BE CERTAIN APPLIANCES ARE CERTIFIED FOR PROPANE AND ARE EQUIPPED WITH CORRECT BURNING ORIFICES.
- (B) MAKE CERTAIN ALL PROPANE CONNECTIONS ARE TIGHT BY TESTING WITH SOAPY WATER. ALL APPLIANCE VALVES ARE TURNED OFF, AND ANY UNCONNECTED OUTLETS ARE CAPPED.

AFTER TURNING ON PROPANE:

- (A) LIGHT ALL PILOT LIGHTS
- (B) (B) ALL CONNECTIONS, INCLUDING THOSE AT THE APPLIANCES, REGULATORS AND CYLINDERS SHOULD BE LEAK-TESTED PERIODICALLY WITH SOAPY WATER BY THE OCCUPANT. NEVER USE A LIGHTED MATCH OR OTHER FLAME WHEN CHECKING FOR LEAKS.
- (C) DO NOT LEAVE SYSTEM TURNED ON OF CONTAINERS CONNECTED UNTIL THE SYSTEM HAS BEEN PROVEN TO BE FREE OF LEAKS.
- (D) COOKING APPLIANCES SHOULD NOT BE USED FOR SPACE HEATING.
- (E) WHEN THE CONTAINERS ARE DISCONNECTED THE PROPANE SUPPLY LINE SHOULD BE CAPPED OR PLUGGED.

AVERTISSEMENT

CETTE INSTALLATION EST CONCUE POUR LE PROPANE SEULEMENT
NE PAS L'ALIMENTER EN GAZ NATUREL

AVANT LA MISE EN SERVICE:

- (A) S'ASSURER QUE LES APPAREILS SONT CERTIFIES POUR LE PROPANE ET MUNIS D'ORIFICES DE BRULEUR APPROPRIES.
- (B) VERIFIER L'ETANCHEITE DE TOUS LES RACCORDEMENTS AU PROPANE. LA PERMUTURE DE TOUS LES ROBINETS D'APPAREILS ET L'OBTUTATION DE TOUTES LES SORTIES NON RACCORDEES.

APRES LA MISE EN SERVICE:

- (A) ALLUMER TOUTES LES VEILLEUSES.
- (B) L'OCCUPANT DOIT EPROUVER PERIODIQUEMENT L'ETANCHEITE DE TOUS LES RACCORDEMENTS Y COMPRIS CEUX AUX APPAREILS, AUX DETENDEURS ET AUX BOUTEILLES, EN Y APPLIQUANT DE L'EAU SAVONNEUSE NE JAMA'S SE SERVIR D'UNE ALLUMETTE OU AUTRE POUR LA DETECTION DES FUITES.
- (C) NE PAS LAISSER L'ALIMENTATION OUVERTE NI LES RECIPIENTS RACCORDES AVANT D'AVOIR COMPLETE L'EPREUVE D'ETANCHEITE AU PROPANE DE L'INSTALLATION.
- (D) LES APPAREILS DE CUISSON NE DOIVENT PAS ETRE UTILISES POUR LE CHAUFFAGE DES LOCAUX.
- (E) LORSQUE LES RECIPIENTS SONT DECONNECTES, L'ALIMENTATION DE PROPANE DOIT ETRE OBTUREE OU SCELLEE.

KEY PART NUMBER U/M DESCRIPTION
023769-01-000 EA LABEL - WARNING - LPG - CANADIAN

| WINNEBAGO | |
|---|---------------------|
| EMISSION CONTROL INFORMATION | |
| CATALYST | |
| ENGINE FAMILY | XXXXXXX |
| EVAP. FAMILY | XXXXXXX |
| EXH.EMISSION CONTR.SYST. | SFI/AIR/TWC/HO2S(2) |
| DISPL 2792 CC | OBD II CERTIFIED |
| TUNE UP SPECIFICATIONS: NO ADJUSTMENT NEEDED | |
| CARB EXH.EMISSION STAND. | STANDARD CATEGORY |
| CERTIFICATION | XXX |
| IN-USE | XXX |
| THIS HEAVY DUTY VEHICLE CONFORMS TO U.S. EPA REGULATIONS APPLICABLE TO XXXX MODEL YEAR LIGHT-DUTYTRUCKS UNDER THE SPECIAL PROVISIONS OF 40 CFR XXXXXX , AND IS CERTIFIED TO MEDIUM-DUTY VEHICLE STANDARDS FOR SALE IN CALIFORNIA. | |
| XXXX | |
| BAR CODE | |

KEY PART NUMBER U/M DESCRIPTION
124709-06-000 EA LABEL - EMISSION CONTROL - DUAL

LABELS GROUP (CONTINUED)

NORMAL
OPERATION

| KEY | PART NUMBER | U/M | DESCRIPTION |
|-----|---------------|-----|--------------------------|
| | 133424-02-01A | EA | LABEL - NORMAL OPERATION |

WTR HTR
BYPASS

| KEY | PART NUMBER | U/M | DESCRIPTION |
|-----|---------------|-----|---|
| | 133424-03-01A | EA | LABEL - WATER HEATER BYPASS - BLACK/CLEAR |

THIS CHAIR IS NOT INTENDED
FOR OCCUPANCY WHEN VEHICLE
IS IN MOTION AND MUST BE
RETURNED TO STOWED POSITION

DTS ISICE SIEGE N/EST PAS THIS CHAIR IS NOT INTENDED
DESTINE A ETRE OCCUPE LORSQUE FOR OCCUPANCY WHEN VEHICLE
LE VEHICULE EST IN MOVEMENT IS IN MOTION AND MUST BE
ET IL FAUT QUE LE RANGER RETURNED TO STOWED POSITION

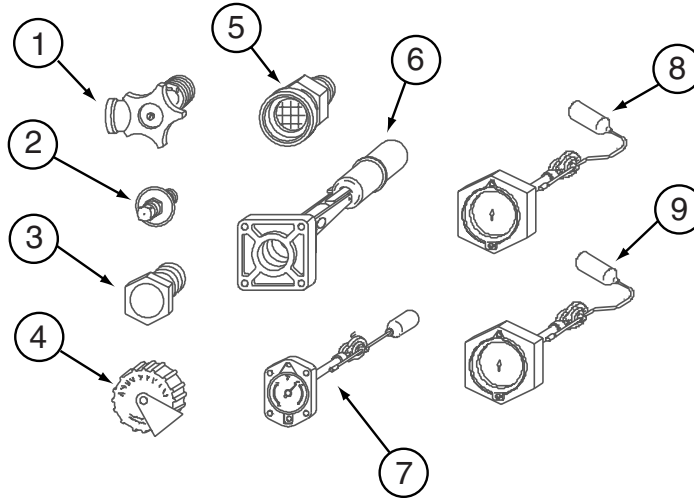
| KEY | PART NUMBER | U/M | DESCRIPTION |
|-----|---------------|-----|--------------------------------|
| | 134537-01-01A | EA | LABEL - OCCUPANCY - CHAIR - US |

LP GROUP
LP SYSTEM

| KEY | PART NUMBER | U/M | DESCRIPTION |
|------------|--------------------|------------|---|
| | 065318-02-000 | EA | ELBOW - 90 DEGREE - 3/8" MPT TO 3/8" FPT |
| | 105658-01-000 | EA | COMPARTMENT - LP REGULATOR |
| | 103613-03-000 | EA | DETECTOR - LP GAS - W/O SHUT-OFF VALVE |
| | 106150-01-000 | EA | REGULATOR - TWO STAGE-W/90 DEGREE ELBOW & 3/8" FPT OUTLET |
| | 045703-05-000 | EA | HOSE - LP - 3/8"ID X 28" - 3/8"MPT X 1/2"F SWIVEL - U.S - F32V , F34D , F36M |
| | 045703-06-000 | EA | HOSE - LP - 3/8"ID X 28" - 3/8"MPT X 1/2"F SWIVEL - CANADA - F32V , F34D , F36M |
| | 045703-15-000 | EA | HOSE - LP - 3/8"ID X 142" - 1/2"F SWIVEL X 3/8"F SWIVEL - U.S - F30W |
| | 045703-14-000 | EA | HOSE - LP - 3/8"ID X 157.5" - 1/2"F SWIVEL X 1/2"F SWIVEL - CANADA - F30W |
| | 010326-01-000 | EA | ADAPTER - FLARE - W/CONE GASKET - 3/8"F X 1/2"F |
| | 010323-01-000 | EA | ADAPTER - BRASS - 3/8"F X 1/2"MPT - F30W , F32V |
| | 010329-01-000 | EA | ADAPTER - BRASS - 1/2"F X 1/2"MPT |
| | 024250-01-000 | EA | ADAPTER - BRASS - 3/8"F X 1/2"FPT |
| | 010265-01-000 | EA | ELBOW - BRASS - 90 DEGREE - 3/8"F X 1/2"FPT - F32V , F34D |
| | 010536-02-000 | EA | TEE - STEEL BLACK - 1/2" - F34D |
| | 040440-03-000 | EA | TRANSMITTER - DIAL/SNAP-ON - 0-90 OHM 2 TERM(POWER/GROUND) |
| * | 088253-08-000 | EA | TANK - LP/80 LB - 16" DIAMETER X 30" LONG - F30W |
| * | 088253-10-000 | EA | TANK - LP - 100 LB - 14" DIAMETER X 47" LONG - F32V , F34D , F36M |
| | 010377-02-000 | EA | NUT - BRASS - 3/8" FLARE - FORGED |
| | 010380-02-000 | EA | NUT - BRASS - 1/2" FLARE - FORGED |

***COMPONENT PARTS LISTED LATER IN THIS GROUP**

LP GROUP (CONTINUED)
COMPONENT PARTS FOR LP SYSTEM



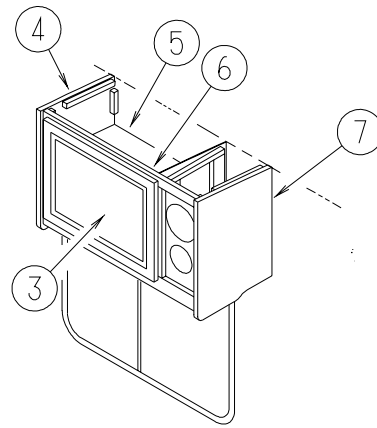
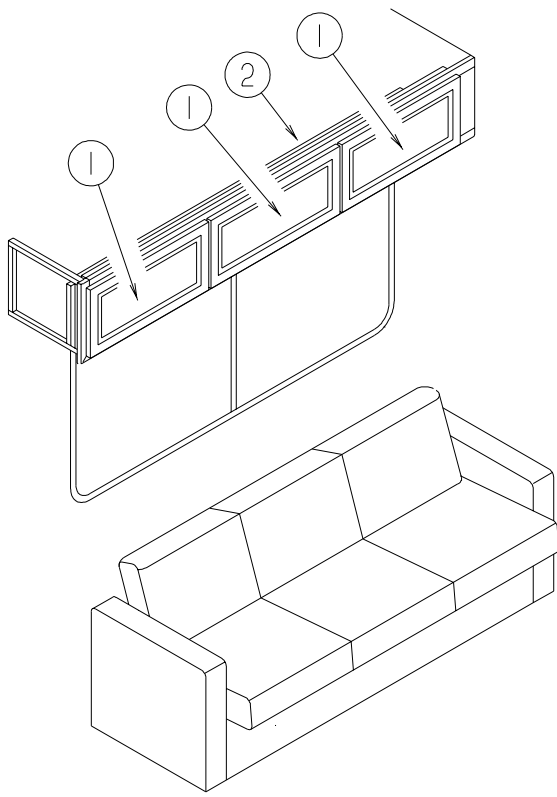
088253-08-000

| KEY | PART NUMBER | U/M | DESCRIPTION | VENDOR NO. |
|-----|---------------|-----|------------------------------|--------------|
| 1 | 040421-01-708 | EA | HANDWHEEL-SERVICE VALVE | G-1015-A |
| 1 | 040421-01-712 | EA | VALVE,SERV. W/O VAPOR RELIEF | 29000853 |
| 2 | 040421-01-700 | EA | VALVE-LIQUID LEVEL, 20% | G-1013 |
| 3 | 040421-01-713 | EA | VALVE-RELIEF 1" W/SPRING 7" | 29000587 |
| 4 | 040421-01-702 | EA | CAP-FILL VALVE, PLASTIC | G-1014-A |
| 5 | 040421-01-701 | EA | VALVE-FILL-SHORT, LP | 7547B |
| 6 | 040421-01-711 | EA | VALVE-80% FILL W/AUTO STOP | LLL/TL3 |
| 7 | | | NOT WHAT IS ILLUSTRATED HERE | |
| 8 | | | NOT WHAT IS ILLUSTRATED HERE | |
| 9 | 088253-01-700 | EA | FLOAT/BOLT ON-SCREW ON DIAL | SG16C0000071 |
| 9 | 088253-01-702 | EA | FLOAT/SCREW IN-SNAP ON DIAL | SG16C0001442 |

088253-10-000

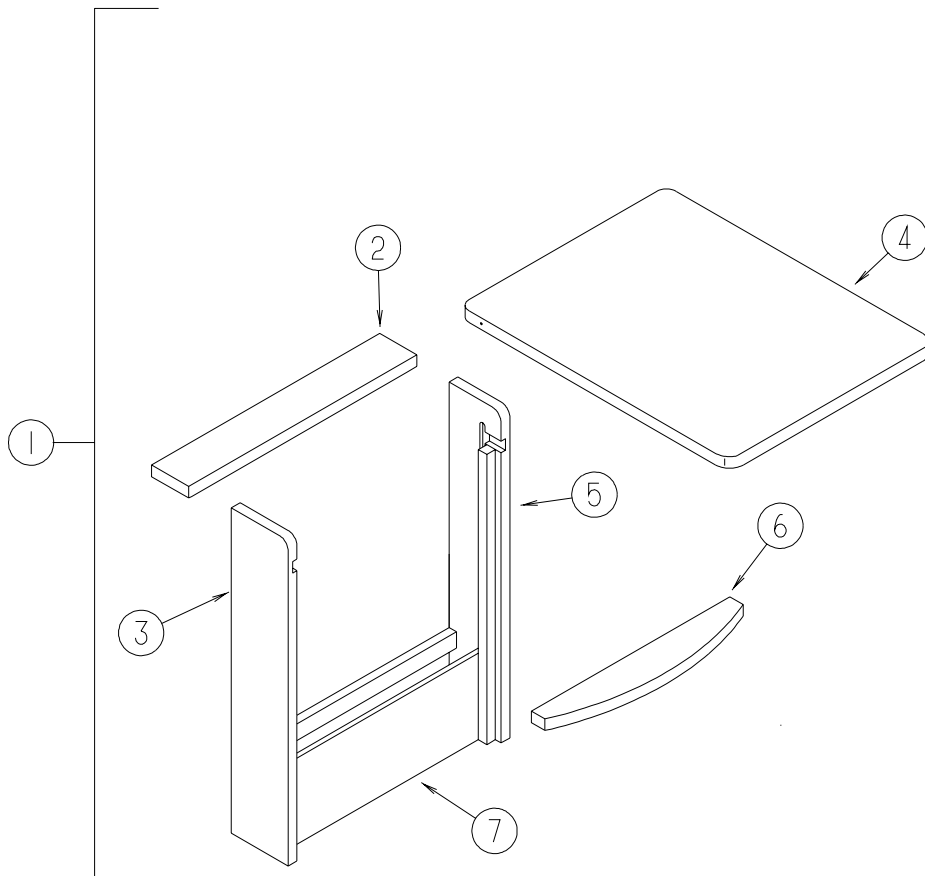
| KEY | PART NUMBER | U/M | DESCRIPTION | VENDOR NO. |
|-----|---------------|-----|------------------------------|--------------|
| 1 | 040421-01-708 | EA | HANDWHEEL-SERVICE VALVE | G-1015-A |
| 1 | 040421-01-712 | EA | VALVE,SERV. W/O VAPOR RELIEF | 29000853 |
| 2 | 040421-01-700 | EA | VALVE-LIQUID LEVEL, 20% | G-1013 |
| 3 | 040421-01-713 | EA | VALVE-RELIEF 1" W/SPRING 7" | 29000587 |
| 4 | 040421-01-702 | EA | CAP-FILL VALVE, PLASTIC | G-1014-A |
| 5 | 040421-01-701 | EA | VALVE-FILL-SHORT, LP | 7547B |
| 6 | 040421-01-711 | EA | VALVE-80% FILL W/AUTO STOP | LLL/TL3 |
| 7 | 040421-01-707 | EA | FLOAT/BOLT ON-SCREW ON DIAL | 14C |
| 7 | 088253-09-700 | EA | FLOAT/SCREW IN-SNAP ON DIAL | SG14C0001466 |
| 8 | | | NOT WHAT IS ILLUSTRATED HERE | |
| 9 | | | NOT WHAT IS ILLUSTRATED HERE | |

LOUNGE GROUP CABINETS



| KEY | PART NUMBER | U/M | DESCRIPTION |
|-----|---------------|-----|--|
| 1 | 132141-74-N42 | EA | DOOR - RAIL/VENEER - 10" X 19.1" - W/O HARDWARE |
| 2 | 139026-01-N30 | EA | CABINET - OVERHEAD/COUCH - W/O DOORS/HARDWARE |
| 3 | 132141-B6-N42 | EA | DOOR - RAIL/VENEER - 14.9" X 21.8" - W/O HARDWARE |
| 4 | 103128-38-M30 | EA | END CAP - OVERHEAD CABINET - LEFT HAND |
| 5 | 139032-15-N30 | EA | SHELF - W/PLASTIC EDGE MOLDING |
| 6 | 139032-01-N30 | EA | CABINET - OVERHEAD/FRONT/RIGHT HAND - W/O DOORS/HARDWARE |
| 7 | 103128-10-M30 | EA | END CAP - OVERHEAD CABINET - RIGHT HAND |

LOUNGE GROUP (CONTINUED) TABLES



| KEY | PART NUMBER | U/M | DESCRIPTION |
|-----|---------------|-----|---|
| 1 | 136683-02-N42 | EA | CABINET ONLY - F/PULLOUT TABLE |
| 2 | 136683-20-M53 | EA | TOP ONLY - F/PULLOUT CABINET |
| 3 | 136683-12-M53 | EA | CABINET/LEFT SIDE - F/PULLOUT TABLE - 5.7" X 28.7" |
| 4 | 136683-22-M42 | EA | TABLE TOP ONLY - F/PULLOUT TABLE - PORTSMOUTH OAK |
| 5 | 136683-11-M53 | EA | CABINET/RIGHT SIDE - F/PULLOUT TABLE - 5.7" X 28.7" |
| 6 | 136683-19-M53 | EA | SHELF - TABLE STABILIZER W/EDGE MOLDING |
| 7 | 136683-21-M53 | EA | PANEL - LOWER/FRONT - WASHED MAPLE |

SEALANTS & FASTENERS GROUP
SEALANTS & ADHESIVES

| KEY | PART NUMBER | U/M | DESCRIPTION |
|------------|--------------------|------------|--|
| | 004001-05-000 | EA | ADHESIVE - SCOTCH-WELD - 3M DP100 - CLEAR - 50ML |
| | 004020-01-000 | QT | ADHESIVE - ABS CEMENT - QUART |
| | 010405-02-000 | EA | TAPE - THREAD SEALING - 3/8" |
| | 034552-15-000 | EA | SILICONE - TUBE - W/O NOZZLE - BRIGHT WHITE |
| | 053766-06-000 | EA | BEDDING COMPOUND - TUBE - CLEAR |
| | 062917-03-000 | EA | ADHESIVE - LOCTITE 242 |
| | 063642-01-000 | FT | TAPE - ADHESIVE - .4" X 1.5" X 180' |
| | 067788-01-000 | EA | ADHESIVE - SPRAY - 3M - 19.5 OZ AEROSOL CAN |
| | 069640-01-000 | FT | SEALER - RIBBON - 1/4" DIAMETER X 30' - BLACK |
| | 069640-02-000 | FT | SEALER - TAPE - .13"THICK X .5"WIDE X 60' - GRAY |
| | 069640-03-000 | FT | SEALER - TAPE - .13"THICK X .75"WIDE X 60' - BLACK |
| | 069640-07-000 | FT | SEALER - TAPE - .09" THICK X 2" WIDE X 45' - GRAY |
| | 069640-09-000 | FT | SEALER - TAPE - .03" THICK X 2.50"WIDE X 80' - GRAY |
| | 069640-10-000 | FT | SEALER - TAPE - .03" THICK X 1.50" WIDE X 90' - GRAY |
| | 069640-11-000 | FT | SEALER - TAPE - .19" THICK X .38" WIDE X 40' - BLACK |
| | 069640-13-000 | FT | SEALER - TAPE - .03" THICK X 2" WIDE X 45' - BLACK |
| | 069640-14-000 | FT | SEALER - TAPE - .06" THICK X 1" WIDE X 100' - GRAY |
| | 069640-15-000 | FT | SEALER - TAPE - .06"THICK X .38"WIDE X 100' - GRAY |
| | 069640-17-000 | FT | SEALER - TAPE - .03" THICK X 1" WIDE X 90' - GRAY |
| | 069640-18-000 | FT | SEALER - TAPE - .50" THICK X .13" WIDE X 60' - BRT WHITE |
| | 069640-19-000 | FT | SEALER - TAPE - .75" THICK X .13" WIDE X 60' - BRT WHITE |
| | 069640-20-000 | FT | SEALER - TAPE - .50" THICK X 1/8" WIDE X 60' - BLACK |
| | 069640-21-000 | FT | SEALER - TAPE - .50" THICK X 1/16" WIDE X 100'-BRIGHT WHT |
| | 069640-22-000 | FT | SEALER - TAPE - .25" THICK X 1/32" WIDE X 100'- BRIGHT WHT |
| | 069640-23-000 | FT | SEALER - TAPE - .06" THICK X 3/4" WIDE X 100' - BRT WHITE |
| | 069640-25-000 | FT | SEALER - TAPE - .06" THICK X 3.5" WIDE X 50' - GRAY |
| | 069640-27-000 | FT | SEALER - TAPE - .06" THICK X 2.25" WIDE - BRIGHT WHITE |
| | 069640-28-000 | FT | SEALER - TAPE - 1/32" X 2" |
| | 072889-01-000 | EA | SEALANT - URETHANE - BLACK - TUBE |
| | 076322-01-000 | FT | TAPE-DOUBLE COATED/ADHESIVE BK-.03"THK X .8"W X 216'- WHT |
| | 076322-02-000 | FT | TAPE-DOUBLE COATED/ADHESIVE BK-.05"THK X 1"W X 108' - WHT |
| | 076322-03-000 | FT | TAPE-DOUBLE COATED/ADHESIVE BK-.05"THK X .5"W X 108' - WHT |
| | 076322-04-000 | FT | TAPE-DOUBLE COATED/ADHESIVE BK-.05"THK X .8"W X 108' - WHT |
| | 076322-05-000 | FT | TAPE-DOUBLE COATED/ADHESIVE BK-.05"THK X .8"W X 108' - WHT |
| | 076322-07-000 | FT | TAPE-DOUBLE COATED/ADHESIVE BK-.05"THK X .5"W X 200' - BLK |
| | 076322-11-000 | FT | TAPE-DOUBLE COATED/ADHESIVE BK-.02"THK X 1"W X 216' - CLR |
| | 086276-01-000 | EA | TAPE - DOUBLE SIDED - 1/2" WIDE X 108' LONG (SOLD BY ROLL) |
| | 088479-01-000 | EA | TAPE - ALUMINUM - 3" |
| | 090340-01-000 | FT | SEAL - FOAM - CLOSED CELL - 1/4" X 1/2" X 50' |
| | 091255-02-000 | FT | SEAL - ADHESIVE BACKED/FOAM - 3/64" THICK X 3/16"W X 1000' |
| | 091255-03-000 | FT | SEAL - ADHESIVE BACKED/FOAM - 1/4" THICK X 1/4"W X 1000' |
| | 094401-03-000 | EA | SEALER - BODY SEAM - BLACK |
| | 094401-04-000 | EA | SEALER - BODY SEAM - CLEAR |
| | 098408-01-000 | FT | SEAL - SPONGE RUBBER - CLOSED CELL |
| | 099069-01-000 | FT | SEAL - RUBBER - CLOSED SPONGE - .5" WIDE X .12" THICK -BLK |
| | 099418-01-000 | FT | SEAL - D-SECTION/ADHESIVE BACK - .44" X .44"- BLK RUBBER |
| | 099418-02-000 | FT | SEAL - D SECTION - WHITE |
| | 099952-01-000 | FT | CORE - SEAL - BULB SUPPORT |
| | 100128-02-000 | FT | SEAL - FOAM/ADHESIVE BACK - .37" WIDE X .37" THICK |
| | 104692-01-000 | FT | SEAL - ADHESIVE BACKED FOAM - 3/4" THICK X 3/4" WIDE X 25' |
| | 104692-03-000 | FT | SEAL - ADHESIVE BACKED FOAM - 1" THICK X 1 3/4" WIDE X 15' |
| | 106206-01-000 | EA | SEALER - PUMPABLE - TUBE - BLACK - MANUS |
| | 107828-01-000 | EA | SEALANT - SB - 190 EVERSEAL |
| | 109506-12-000 | EA | FILM/ABRASION-RESISTANT - TRANSPARENT - 1" DIA. |
| | 110274-01-000 | FT | TAPE - DOUBLE SIDED/FOAM - .45" X 1" X 216' - BLACK |
| | 112864-01-000 | FT | SEAL - FOAM/BUTYL COVERED - 3/8" X 35' |
| | 112864-02-000 | FT | FOAM - BUTYL COVERED 5/16" X 44' |
| | 112901-02-000 | EA | ADHESIVE - PLEXUS - MA330 - 50ML - GRAY |
| | 112901-03-000 | EA | ADHESIVE - PLEXUS - MA300 - 50ML - WHITE |
| | 112902-01-000 | EA | NOZZLE - ELEMENT - 3/8 X 24 |
| | 112902-02-000 | EA | NOZZLE-BELL 3/8X24 - TAH 160-824 |
| | 112902-03-000 | EA | MIXER NOZZLE - F/GUN #00400102000 - SCOTCH-WELD & PLEXUS |
| | 113366-01-000 | EA | ADHESIVE - INSTANT - 1 OZ |

SEALANTS & FASTENERS GROUP (CONTINUED)

SEALANTS & ADHESIVES (CONTINUED)

| KEY | PART NUMBER | U/M | DESCRIPTION |
|-----|---------------|-----|---|
| | 113452-02-000 | FT | SEAL/TRIM - FRONT - VINYL W/WIRE CARRIER - .027" |
| | 120074-02-03A | EA | SILICONE - TUBE - W/O NOZZLE - SMOKEY WHITE |
| | 120074-02-02A | EA | SILICONE - TUBE - W/O NOZZLE - LOW ODOR - SOFT WHITE |
| | 120534-01-01A | EA | TAPE - SCOTCH - 3M - 1/2" FINE LINE |
| | 123244-01-000 | FT | TAPE - DOUBLE SIDED/FOAM - 5/64" THICK X 3/4" WIDE |
| | 123244-02-000 | FT | TAPE - DOUBLE SIDED/FOAM - 5/64" THICK X 1/2" WIDE X 108' |
| | 123816-01-000 | FT | TAPE - DOUBLE SIDED - 1" X 100' |
| | 123816-02-000 | FT | TAPE - DOUBLE SIDED - 1/2" X 1 1/3" X 100' |
| | 123816-03-000 | FT | TAPE - DOUBLE SIDED - 1/2" X 3/4" X 100' |
| | 123816-04-000 | FT | TAPE - DOUBLE SIDED - 6" X 750' |
| | 126427-01-000 | EA | ADHESIVE - ALL PURPOSE - ABS/PVC |
| | 126427-02-000 | EA | PRIMER - CLEANER - FLEX PIPING |
| | 131264-01-01A | EA | SILICONE - TUBE - W/O NOZZLE - BLACK |
| | 131264-01-02A | EA | SILICONE - TUBE - W/O NOZZLE - CLEAR |
| | 131264-02-01A | EA | SILICONE - TUBE - W/O NOZZLE - VW GRAY - BATH ONLY |
| | 131264-03-01A | EA | SILICONE - TUBE - W/O NOZZLE - SELF LEVELING - BRIGHT WHITE |
| | 131264-04-01A | EA | SILICONE - CLEAR - ADHESIVE |
| | 131384-01-000 | EA | ADHESIVE - JETWELD |
| | 900390-01-000 | EA | NOZZLE - SILICONE TUBE - 2.5" LONG |
| | 900390-03-000 | EA | NOZZLE - SILICONE TUBE - 4.3" LONG |

BOLTS, NUTS AND WASHERS

| KEY | PART NUMBER | U/M | DESCRIPTION |
|-----|---------------|-----|--|
| | 000C12-04-08B | EA | BOLT - HEX - 1/4-20 X 1/2 - GRADE #5 - ZINC |
| | 000C12-04-40B | EA | BOLT - HEX - 1/4-20 X 2 1/2 - GRADE 5 ZINC |
| | 000C12-05-16B | EA | BOLT - HEX - 5/16-18 X 1 - GRADE #5 - ZINC |
| | 000C12-05-12B | EA | BOLT - HEX - 5/16-18 X 3/4 - GRADE #5 - ZINC |
| | 000C12-06-16B | EA | BOLT - HEX - 3/8-16 X 1 - GRADE #5 - ZINC |
| | 000C12-06-44B | EA | BOLT - HEX - 3/8-16 X 2 3/4 - GRADE 5 - ZINC |
| | 000C12-07-20B | EA | BOLT - HEX - 7/16-14 X 1 1/4 - GRADE #5 - ZINC |
| | 000C12-07-24B | EA | BOLT - HEX TAP - 1/2-13NC X 4 - GRADE 5 - FULL THREAD/ZINC |
| | 000C12-08-16B | EA | BOLT - HEX - 1/2-13 X 1 - GRADE #5 - ZINC |
| | 000C12-08-28B | EA | BOLT - HEX - 1/2-13 X 1 3/4 - GRADE #5 - ZINC |
| | 000C12-08-24B | EA | BOLT - HEX - 1/2-13 X 1 1/2 - GRADE #5 - ZINC |
| | 000C12-10-24B | EA | BOLT - HEX - 5/8-11 X 1 1/2 - GRADE #5 - ZINC |
| | 000C13-07-40B | EA | BOLT - HEX - 7/16-20 X 2 1/2 - GRADE #5 - ZINC |
| | 000C13-07-48B | EA | BOLT - HEX - 7/16-20 X 3 - GRADE #5 - ZINC |
| | 000C14-07-28B | EA | BOLT - HEX - 7/16-14 X 1 3/4 - GRADE #8 - ZINC |
| | 000C14-08-64B | EA | BOLT-HEX-1/2-13X4 ZN 8 - 01 431C |
| | 000C14-10-32K | EA | BOLT - HEX - 5/8-11 X 2 - GRADE #8 - ZINC |
| | 000C14-10-24K | EA | BOLT - HEX - 5/8-11 X 1 1/2 - GRADE #8 - ZINC |
| | 000C18-05-40A | EA | BOLT - ELEVATOR - 5/16-18 X 2 1/2 - PL |
| | 000C18-06-48B | EA | BOLT - ELEVATOR - 3/8-16 X 3 - GRADE 5 - ZINC |
| | 000C26-04-14B | EA | BOLT - HEX - SERRATED FLANGE - 1/4-20 X 7/8 - ZINC |
| | 000C26-04-10B | EA | BOLT - HEX - SERRATED FLANGE - 1/4-20 X 5/8 - ZINC |
| | 000C26-04-18B | EA | BOLT - HEX - SERRATED FLANGE - 1/4-20 X 1 1/8 - ZINC |
| | 000C26-05-20B | EA | BOLT - HEX - SERRATED FLANGE - 5/16-18 X 1 1/4 - ZINC |
| | 000C26-05-12B | EA | BOLT - HEX - SERRATED FLANGE - 5/16-18 X 3/4 - ZINC |
| | 000C26-05-249 | EA | BOLT - HEX - SERRATED FLANGE - 5/16-18 X 1 1/2 |
| | 000C26-06-16B | EA | BOLT - HEX - SERRATED FLANGE - 3/8-16 X 1 - ZINC |
| | 000C26-06-12B | EA | BOLT - HEX - SERRATED FLANGE - 3/8-16 X 3/4 - ZINC |
| | 000C26-06-20B | EA | BOLT - HEX - SERRATED FLANGE - 3/8-16 X 1 1/4 - ZINC |
| | 000C26-06-40B | EA | BOLT - HEX - SERRATED FLANGE - 3/8-16 X 2 1/2 - ZINC |
| | 000C26-06-28B | EA | BOLT - HEX - SERRATED FLANGE - 3/8-16 X 1 3/4 - ZINC |
| | 000C26-08-24B | EA | BOLT - HEX - SERRATED FLANGE - 1/2-13 X 1 1/2 - ZINC |
| | 000C27-04-40B | EA | BOLT - CARRIAGE - 1/4-20 X 2 1/2 - ZINC |
| | 000C27-05-44I | EA | BOLT-CARR,5/16-18X2.75" - BLACK ZINC |
| | 000D16-07-00B | EA | NUT - HEX - 7/16-14 - ZINC |
| | 000D24-10-00B | EA | NUT - HEX - SELF LOCKING - 10-32 ZINC |
| | 000D28-10-00B | EA | NUT - HEX - W/NYLON LOCK - 10-32 ZINC |
| | 000D29-04-00B | EA | NUT - HEX - SELF LOCKING - 1/4 X 20 - ZINC |
| | 000D29-06-00B | EA | NUT - HEX - W/NYLON LOCK - 3/8-16 - ZINC |
| | 000D29-09-00B | EA | NUT - HEX - SELF LOCKING - 9/16-12 - ZINC |

SEALANTS & FASTENERS GROUP (CONTINUED)
BOLTS, NUTS AND WASHERS (CONTINUED)

| KEY | PART NUMBER | U/M | DESCRIPTION |
|-----|---------------|-----|--|
| | 000D30-07-00B | EA | NUT - HEX LOCK - NYLON 7/16 X 20 |
| | 000D34-04-00B | EA | NUT - HEX - LOCKING - 1/4-20 - ZINC |
| | 000D34-06-00B | EA | NUT - HEX - LOCKING - 3/8-16 GRADE C - ZINC |
| | 000D39-04-00B | EA | NUT - HEX - LOCKING W/SERRATED FLANGE - 1/4-20 - ZINC |
| | 000D39-05-00B | EA | NUT - HEX - LOCKING W/SERRATED FLANGE - 5/16-18 - ZINC |
| | 000D39-06-00D | EA | NUT - HEX - LOCKING W/SERRATED FLANGE - 3/8"-16 BLACK |
| | 000D39-06-00B | EA | NUT - HEX - LOCKING W/SERRATED FLANGE - 3/8-18 - ZINC |
| | 000D39-07-00B | EA | NUT - HEX - LOCKING W/SERRATED FLANGE - 7/16-14 - ZINC |
| | 000D39-08-00B | EA | NUT - HEX - LOCKING W/SERRATED FLANGE - 1/2-13 - ZINC |
| | 000D44-04-00B | EA | NUT - HEX - LOCKING W/SERRATED FLANGE - 1/4-28 - ZINC |
| | 000D44-07-00B | EA | NUT - HEX - LOCKING W/SERRATED FLANGE - 7/16-20 - ZINC |
| | 000D44-08-00B | EA | NUT - HEX - SERRATED FLANGE - 1/2-20 - GRADE #5 - ZINC |
| | 000D46-04-00A | EA | NUT - HEX - WELD - 1/4-20 - PLAIN |
| | 000D58-06-00A | EA | NUT - HEX - WELD 3/8-16 - PLAIN |
| | 000D65-08-00B | EA | NUT - HEX - LOCKING W/SERRATED FLANGE - 8-32 - ZINC |
| | 000D67-10-00B | EA | NUT - HEX - LOCK - 5/8-11 - ZINC |
| | 000D73-08-00C | EA | NUT - HEX FLANGE - 1/2-13 |
| | 000D75-09-00B | EA | NUT - HEX LOCKING - 9/16-12 - ZINC |
| | 000D76-06-00B | EA | NUT - HEX FLANGE - 3/8-16 |
| | 000E11-04-00F | EA | WASHER - LOCKING - 1/4 MED SPLIT - STAINLESS STEEL |
| | 000E11-07-00B | EA | WASHER - LOCKING - 7/16 MED SPLIT - ZINC |
| | 000E11-08-00B | EA | WASHER - LOCKING - 1/2 MED SPLIT - ZINC |
| | 000E13-17-00B | EA | WASHER - FLAT - 3/8 AR - ZINC |
| | 000E13-18-00B | EA | WASHER - FLAT - 3/8 WIDE - ZINC |
| | 000E13-20-00B | EA | WASHER - FLAT - 7/16 WIDE - ZINC |
| | 000E13-22-00B | EA | WASHER - FLAT - 1/2 WIDE - ZINC |
| | 000E13-26-00B | EA | WASHER - FLAT - 5/8 WIDE - ZINC |
| | 000E14-10-00B | EA | WASHER - LOCKING - #10 EXTERNAL TOOTH - ZINC |
| | 000E16-10-00B | EA | WASHER - HARDENED - 5/8 - FLAT - ZINC |
| | 000G45-05-16B | EA | BOLT - LAG - 5/16-9 X 1 - ZINC |
| | 000G62-08-24B | EA | SCREW - SF/DR - 8-18 X 1 1/2 PFH |
| | 040921-03-000 | EA | NUT - SPEED - U TYPE - #10 |
| | 040921-04-000 | EA | NUT - SPEED - U TYPE - #8-.59" LENGTH X .44" WIDTH |
| | 040921-05-000 | EA | NUT - SPEED - U-TYPE - 8-.67" X .44" WIDE |
| | 041322-01-000 | EA | WASHER - FLANGE - 15/32 ID X 2 3/8 OD - F/SEAT BELT MTG |
| | 044364-02-000 | EA | NUT - SPEED - FLAT - ROUND |
| | 044533-01-000 | EA | WASHER - PLASTIC - 1 3/8 OD - FOR BUTTONS |
| | 051387-06-000 | EA | BOLT - CARRIAGE W/O HOLE - 5/16-18 X 9 1/2 - ZINC |
| | 058716-02-000 | EA | WASHER - FLAT NYLON |
| | 058716-03-000 | EA | WASHER - FLAT/NYLON - .500 X 1 1/4 X 060 |
| | 064081-03-000 | EA | NUT - WING 3/8-16 - W/WELD NUT |
| | 077071-01-000 | EA | WASHER - FENDER - 3/16 ID X 1 OD |
| | 084406-01-000 | EA | NUT - CAPPED - CROSS RECESSED - BLACK - 1/4-20 THD |
| | 087234-01-000 | EA | NUT - JACK - 1/4 X 20 THD - MOLLY |
| | 087718-01-000 | EA | MONOBOLT - STEEL - 3/16 DIAMETER |
| | 088787-12-000 | EA | STUD - WELD - 1/4 - 20 X 1.0 LG - MN |
| | 102333-01-06A | EA | BOLT - CARRIAGE - 7/16-14 STAINLESS STEEL CAP |
| | 102333-02-01A | EA | BOLT - CARRIAGE - 1/4-20 |
| | 102540-02-000 | EA | SEAL - SCREW |
| | 103020-02-000 | EA | BOLT-U - #8-32 - GRADE 5 ZINC |
| | 104369-01-000 | EA | NUT - HEX - HEAVY - 5/8-11 UNC |
| | 106166-01-000 | EA | BOLT/COLLARED HANGER - 8-32 X 1 |
| | 106956-03-000 | EA | BOLT - HEX TAP - 1/2-12NC X 3 - GRADE 5 - FULL THREAD/ZINC |
| | 106956-08-000 | EA | BOLT - HEX TAP - 1/2-13NC X 4 - GRADE 5 - FULL THREAD/ZINC |
| | 107397-01-000 | EA | WASHER - FENDER - 3/4 ID X 1 OD |
| | 108067-03-000 | EA | STUD - WELD - 1/4 - 20 X 1/2 CD |
| | 109917-01-000 | EA | WASHER - 1.5" X 1.25" |
| | 109917-03-000 | EA | WASHER - 1" X .50" |
| | 109917-04-000 | EA | WASHER - 1" X .75" |
| | 113985-02-000 | EA | BOLT - FLANGE - M10-1 1/2 X 30CL 10.9 |
| | 114259-05-000 | EA | BOLT - 7/16-20 X 1 1/4 W/WASHER |
| | 120506-01-01A | EA | RIVET - PLASTIC - 3/16 DIAMETER |
| | 128444-01-000 | EA | WASHER - SPRING - CONICAL |

SEALANTS & FASTENERS GROUP (CONTINUED)
BOLTS, NUTS AND WASHERS (CONTINUED)

| KEY | PART NUMBER | U/M | DESCRIPTION |
|-----|---------------|-----|--|
| | 131377-01-000 | EA | NUT-HEX HEAD W/WASHER-1/4-20 X 2" STEEL W/3/4" OD WASHER |
| | 135092-01-01A | EA | BOLT - HEX - SERRATED FLANGE - 1/2-20 X 1 3/4-GRADE 5 ZINC |
| | 135092-02-01A | EA | BOLT - HEX - SERRATED FLANGE - 1/2-20 X 2 1/2-GRADE 5 ZINC |
| | 135092-04-01A | EA | BOLT - HEX - SERRATED FLANGE - 1/2-20 X 4 1/2 GRADE 5 ZINC |

SCREWS

| KEY | PART NUMBER | U/M | DESCRIPTION |
|-----|---------------|-----|---|
| | 0G1106-08-240 | EA | SCREW - 6-20 X 1/2 PPH - VW LIGHT GRAY |
| | 0G1108-12-240 | EA | SCREW - 8-18 X 3/4 PPH - VW LIGHT GRAY |
| | 0G1208-12-170 | EA | SCREW - 8-18 X 3/4 POH - BRIGHT WHITE |
| | 0G1308-10-240 | EA | SCREW - 8-18 X 5/8 PFH - VW LIGHT GRAY |
| | 0G3804-22-180 | EA | SCREW - MACHINE - 1/4-20 X 1 3/8 PFH - BLACK |
| | 0G3908-08-160 | EA | SCREW - SF/DR - 8-18 X 1/2 PPH - VW WHITE |
| | 0G3908-08-170 | EA | SCREW - SF/DR - 8-18 X 1/2 PPH - BRIGHT WHITE |
| | 0G3908-12-240 | EA | SCREW - SF/DR - 8-18 X .75 PPH - VW LIGHT GRAY |
| | 0G3908-12-250 | EA | SCREW - SF/DR - 8-18 X 3/4 PPH - DARK GRAY |
| | 0G3908-24-170 | EA | SCREW - SF/DR - 8-18 X 1 1/2 PPH - BRIGHT WHITE |
| | 0G3910-10-240 | EA | SCREW - SF/DR - 10-16 X 5/8 PPH - VW LIGHT GRAY |
| | 0G3910-10-320 | EA | SCREW - SF/DR - 10-16 X 5/8 PPH - GLACIER |
| | 0G3910-10-330 | EA | SCREW - SF/DR - 20-16 X 5/8 PPH - PUTTY |
| | 0G3910-12-170 | EA | SCREW - SF/DR - 10-16 X 3/4 PPH - BRIGHT WHITE |
| | 0G3910-12-320 | EA | SCREW - SF/DR - 10-16 X .75 PPH - GLACIER |
| | 0G5508-08-250 | EA | SCREW - SF/DR - 8-18 X 1/2 PWH - VW DARK GRAY |
| | 0G5508-12-170 | EA | SCREW - SF/DR - 8-18 X 3/4 PWH - BRIGHT WHITE |
| | 0G5508-12-240 | EA | SCREW - SF/DR - 8-18 X 3/4 PWH - VW LIGHT GRAY |
| | 0G5508-12-330 | EA | SCREW - SF/DR - 8-18 X 3/4 PWH - PUTTY |
| | 0G5508-12-320 | EA | SCREW - SF/DR - 8-18 X 3/4 PWH - GLACIER |
| | 0G5508-16-260 | EA | SCREW - SF/DR - 8-18 X 1 PWH ZINC - INTERIOR ANTELOPE |
| | 0G5508-16-250 | EA | SCREW - SF/DR - 8-18 X 1 PWH - VW DARK GRAY |
| | 0G5508-16-310 | EA | SCREW - SF/DR - 8-18 X 1 PWH - CADDY CREAM |
| | 0G5508-16-330 | EA | SCREW - SF/DR - 8-18 X 1 PWH - PUTTY |
| | 0G6008-16-170 | EA | SCREW - SF/DR - 8-18 X 1 POH - BRIGHT WHITE |
| | 0G6710-08-110 | EA | SCREW - 10-12 X 1/2 PPH - HAMPTON TAN |
| | 0G6710-08-240 | EA | SCREW - 10-12 X 1/2 PPH TAUPE - VW LIGHT GRAY |
| | 0G6710-08-170 | EA | SCREW - 10-12 X 1/2 PPH - BRIGHT WHITE |
| | 0G6710-12-170 | EA | SCREW - 10-12 X 3/4 PPH - BRIGHT WHITE |
| | 0G6806-16-170 | EA | SCREW - 6-18 X 1 POH - BRIGHT WHITE |
| | 0G6810-24-280 | EA | SCREW - 10-12 X 1 1/2 POH - SOFT WHITE |
| | 000C20-05-28F | EA | SCREW - 5/16-18 X 1 3/4 FLAT SOC - STAINLESS STEEL |
| | 000C20-06-24T | EA | SCREW - 3/8-16 X 1 1/2 - FLAT SOCKET |
| | 000G11-06-24B | EA | SCREW - 6-20 X 1 1/2 PPH ZINC |
| | 000G11-06-10J | EA | SCREW - 6-20 X 5/8 PPH - BRASS |
| | 000G11-06-10B | EA | SCREW - 6-20 X 5/8 PPH - ZINC |
| | 000G11-06-08B | EA | SCREW - 6-20 X 1/2 PPH - ZINC |
| | 000G11-06-06B | EA | SCREW - 6-20 X 3/8 PPH - ZINC |
| | 000G11-07-08B | EA | SCREW - 7-19 X 1/2 PPH - ZINC |
| | 000G11-08-20B | EA | SCREW - 8-18 X 1 1/4 PPH - ZINC |
| | 000G11-08-20G | EA | SCREW - 8-18 X 1 1/4 - ANTIQUE BRASS |
| | 000G11-08-16B | EA | SCREW - 8-18 X 1 PPH - ZINC |
| | 000G11-08-12T | EA | SCREW - 8-18 X 3/4 PPH - BLACK MAGNESIUM |
| | 000G11-08-12P | EA | SCREW - 8-18 X 3/4 PPH - DARK BROWN |
| | 000G11-08-12D | EA | SCREW - 8-18 X 3/4 PPH - BLACK PHOSPHATE |
| | 000G11-08-12B | EA | SCREW - 8-18 X 3/4 PPH - ZINC |
| | 000G11-08-08T | EA | SCREW - 8-18 X 1/2 PPH - FLUOROCARBON COATING |
| | 000G11-08-06J | EA | SCREW - 8-18 X 3/8 PPH BRASS |
| | 000G11-08-06B | EA | SCREW - 8-18 X 3/8 PPH - ZINC |
| | 000G11-10-12S | EA | SCREW - 10-16 X 3/4 PPH - OFF WHITE |
| | 000G11-10-12D | EA | SCREW - 10-16 X 3/4 PPH - BLACK |
| | 000G12-06-08T | EA | SCREW - 6-20 X 1/2 POH - BLACK |
| | 000G12-08-12S | EA | SCREW - 8-18 X 3/4 POH - OFF WHITE |
| | 000G13-05-10B | EA | SCREW - 5-12 X 5/8 PFH - ZINC |
| | 000G13-06-08B | EA | SCREW - 6-20 X 1/2 PFH - ZINC |

SEALANTS & FASTENERS GROUP (CONTINUED)
SCREWS (CONTINUED)

| KEY | PART NUMBER | U/M | DESCRIPTION |
|------------|--------------------|------------|---|
| | 000G13-06-06I | EA | SCREW - 6-20 X 3/8 PFH - BLACK ZINC |
| | 000G13-06-24J | EA | SCREW - 6-20 X 1 1/2 PFH - BRASS |
| | 000G13-06-16J | EA | SCREW - 6-20 X 1 PFH - BRASS |
| | 000G13-06-16S | EA | SCREW - 6-20 X 1 PFH - OFF WHITE |
| | 000G13-06-10J | EA | SCREW - 6-20 X 5/8 PFH - BRASS |
| | 000G13-06-10G | EA | SCREW - 6-20 X 5/8 PFH - ANTIQUE BRASS |
| | 000G13-06-08G | EA | SCREW - 6-20 X 1/2 PFH - ANTIQUE BRASS |
| | 000G13-07-12B | EA | SCREW - 7-19 X 3/4 PFH - ZINC |
| | 000G13-07-10H | EA | SCREW - 7-19 X 5/8 PFH - BLACK |
| | 000G13-08-24B | EA | SCREW - 8-18 X 1 1/2 PFH - ZINC |
| | 000G13-08-16B | EA | SCREW - 8-18 X 1 PFH - ZINC |
| | 000G13-08-109 | EA | SCREW - 8-18 X 5/8 PFH |
| | 000G16-04-24B | EA | SCREW - MACHINE - 1/4-20 X 1 1/2 PPH |
| | 000G18-08-16B | EA | SCREW - MACHINE - 8-32 X 1 PPH - ZINC |
| | 000G18-08-24B | EA | SCREW - MACHINE - 8-32 X 1 1/2 PPH - ZINC |
| | 000G18-08-22B | EA | SCREW - MACHINE - 8-32 X 1 3/8 PPH - ZINC |
| | 000G18-08-12B | EA | SCREW - MACHINE - 8-32 X 3/4 PPH - ZINC |
| | 000G19-10-08B | EA | SCREW - MACHINE - 10-32 X 1/2 PPH - ZINC |
| | 000G19-10-20B | EA | SCREW - MACHINE - 10-32 X 1 1/2 PPH - ZINC |
| | 000G19-10-12F | EA | SCREW - MACHINE - 10-32 X 3/4 PPH - STAINLESS STEEL |
| | 000G19-10-10B | EA | SCREW - MACHINE - 10-32 X 5/8 - PPH - ZINC |
| | 000G32-10-06B | EA | SCREW - 10-32 X 3/8 PPH - ZINC |
| | 000G37-08-089 | EA | SCREW - 8 X 18 X 1/2 PPH - FLUOROCARBON SILVER |
| | 000G39-06-10T | EA | SCREW - SF/DR - 6-20 X 5/8 PPH - BLACK |
| | 000G39-06-16T | EA | SCREW - SF/DR - 6-20 X 1 PPH - BLACK |
| | 000G39-08-08B | EA | SCREW - SF/DR - 8-18 X 1/2 PPH - ZINC |
| | 000G39-08-06B | EA | SCREW - SF/DR - 8-18 X 3/8 PPH - ZINC |
| | 000G39-08-32B | EA | SCREW - SF/DR - 8-18 X 2 PPH - ZINC |
| | 000G39-08-24T | EA | SCREW - SF/DR - 8-18 X 1 1/2 PPH - BLACK |
| | 000G39-08-24B | EA | SCREW - SF/DR - 8-18 X 1 1/2 PPH - ZINC |
| | 000G39-08-16T | EA | SCREW - SF/DR - 6-20 X 1 PPH - BLACK |
| | 000G39-08-16B | EA | SCREW - SF/DR - 8-18 X 1 PPH - ZINC |
| | 000G39-08-12T | EA | SCREW - SF/DR - 8-18 X 3/4 PPH - BLACK |
| | 000G39-08-12B | EA | SCREW - SF/DR - 8-18 X 3/4 PPH - ZINC |
| | 000G39-08-08T | EA | SCREW - SF/DR - 8-18 X 1/2 PPH - BLACK |
| | 000G39-08-08S | EA | SCREW - SF/DR - 8-18 X 1/2 PPH - OFF WHITE |
| | 000G39-10-088 | EA | SCREW - SF/DR - 10-16 X 1/2 PPH - FLEX FLUOROCARBON |
| | 000G39-10-08B | EA | SCREW - SF/DR - 10-16 X 1/2 PPH - ZINC |
| | 000G39-10-12B | EA | SCREW - SF/DR - 10-16 X 3/4 PPH - ZINC |
| | 000G39-10-10T | EA | SCREW - SF/DR - 10-16 X 5/8 - BLACK |
| | 000G39-10-10B | EA | SCREW - SF/DR - 10-16 X 5/8 - ZINC |
| | 000G39-10-48B | EA | SCREW - SF/DR - 10-16 X 3 - PPH - ZINC |
| | 000G39-10-40D | EA | SCREW - SF/DR - 10-16 X 2 1/2 PPH - BLACK |
| | 000G39-10-32I | EA | SCREW - SELF TAPPING - 10-16 X 2 PPH - BLACK |
| | 000G39-10-32B | EA | SCREW - SF/DR - 10-16 X 2 - PPH - ZINC |
| | 000G39-10-209 | EA | SCREW - SF/DR - 10-16 X 1 1/4 PPH - FLUOROCARBON SILVER |
| | 000G39-10-20T | EA | SCREW - SF/DR - 10-16 X 1 1/4 PPH - BLACK |
| | 000G39-10-20B | EA | SCREW - SF/DR - 10-16 X 1 1/4 PPH - ZINC |
| | 000G39-10-169 | EA | SCREW - SF/DR - 10-16 X 1 PPH - FLUOROCARBON SILVER |
| | 000G39-10-129 | EA | SCREW - SF/DR - 10-16 X 3/4 PPH - FLUOROCARBON SILVER |
| | 000G39-10-12T | EA | SCREW - SF/DR - 10-16 X 3/4 - BLACK |
| | 000G39-10-12S | EA | SCREW - SF/DR - 10-16 X 3/4 PPH - OFF WHITE |
| | 000G39-12-12E | EA | SCREW - SF/DR - 12-14 X 3/4 PPH - CHROME |
| | 000G42-04-24B | EA | SCREW - SF/DR - 1/4-14 X 1 1/2 - ZINC |
| | 000G42-04-16B | EA | SCREW - SF/DR - 1/4-14 X 1 HWH - ZINC |
| | 000G50-04-12B | EA | SCREW - MACHINE - 1/4-20 X 3/4 PPH - ZINC |
| | 000G50-04-06B | EA | SCREW - MACHINE - 1/4-20 X 3/8 PTH - ZINC |
| | 000G51-06-12B | EA | SCREW - 6-20 X 3/4 PTH - ZINC |
| | 000G52-06-06B | EA | SCREW - MACHINE - 6-32 X 3/8 PTN - ZINC |
| | 000G52-06-05B | EA | SCREW - MACHINE - 6-32 X 5/16 PTH ZINC |
| | 000G55-08-16T | EA | SCREW - SF/DR - 8-18 X 1 PWH - BLACK |
| | 000G55-08-12S | EA | SCREW - SF/DR - 8-18 X 3/4 PWH - OFF WHITE |
| | 000G56-12-48B | EA | SCREW - WOOD - 12-11 X 3 POH - SPECIAL HARDENED |

SEALANTS & FASTENERS GROUP (CONTINUED)
SCREWS (CONTINUED)

| KEY | PART NUMBER | U/M | DESCRIPTION |
|------------|--------------------|------------|---|
| | 000G57-14-72B | EA | SCREW-14-10-X4-1/2 PFH ZN GENERAL MOTORHOMES |
| | 000G57-14-64B | EA | SCREW - 14-10 X 4 PFH ZINC |
| | 000G60-08-22B | EA | SCREW - SF/DR - 8-18 X 1.38 POH - ZINC |
| | 000G60-08-20F | EA | SCREW - SF/DR - 8-19X1.25 POH |
| | 000G60-08-16E | EA | SCREW - SF/DR - 8-1 X 1 POH - CHROME |
| | 000G60-10-20B | EA | SCREW - SF/DR - 10-16 X 1 1/4 POH - ZINC |
| | 000G60-10-28T | EA | SCREW - SF/DR - 10-16 X 1 3/4 - BLACK |
| | 000G60-10-209 | EA | SCREW - SF/DR - 10-16 X 1 1/4 POH - SILVER STALGAARD |
| | 000G67-08-32B | EA | SCREW - 8-15 X 2 PPH - ZINC |
| | 000G67-10-08B | EA | SCREW - 10-12 X 1/2 PPH - ZINC |
| | 000G67-10-10S | EA | SCREW - 10-12 X 5/8 PPH - OFF WHITE |
| | 000G67-10-10P | EA | SCREW - 10-12 X 5/8 PPH - DARK BROWN |
| | 000G67-10-10B | EA | SCREW - 10-12 X 5/8 PPH - ZINC - TYPE A |
| | 000G67-10-08S | EA | SCREW - 10-12 X 1/2 PPH - OFF WHITE |
| | 000G67-10-32B | EA | SCREW - 10-12 X 2 PPH - ZINC |
| | 000G67-10-24B | EA | SCREW - 10-12 X 1 1/2 PPH - ZINC |
| | 000G67-10-20D | EA | SCREW - 10-12 X 1 1/4 PPH - BLACK |
| | 000G67-10-16B | EA | SCREW - 10-12 X 1 PPH - ZINC |
| | 000G67-10-12P | EA | SCREW - 10-12 X 3/4 PPH - DARK BROWN |
| | 000G67-10-12B | EA | SCREW - 10-12 X 3/4 PPH - ZINC |
| | 000G67-10-10T | EA | SCREW - 10-12 X 5/8 PPH - BLACK |
| | 000G68-06-10G | EA | SCREW - 6-18 X 5/8 POH - ANTIQUE BRASS |
| | 000G68-06-12J | EA | SCREW - 6-18 X 3/4 POH - BRASS |
| | 000G68-06-12B | EA | SCREW - 6-18 X 3/4 POH - ZINC & CLEAR |
| | 000G68-06-10J | EA | SCREW - 6-18 X 5/8 POH - BRASS |
| | 000G68-10-20I | EA | SCREW - 10-12 X 1 1/4 POH - BLACK |
| | 029130-05-000 | EA | SCREW - SNAP STUD - #8-16 X 5/8" LONG |
| | 049465-03-000 | EA | SCREW - 10-16 X 1 POH W/WASHER - OFF WHITE |
| | 049465-04-000 | EA | SCREW - 10-16 X 1 PTH W/WASHER - BEIGE |
| | 049465-17-000 | EA | SCREW - 10-16 X 1 POH W/WASHER - BRIGHT WHITE |
| | 049465-23-000 | EA | SCREW - 10-16 X 1.5 POH W/WASHER - VW LIGHT GRAY |
| | 054434-02-000 | EA | SCREW - SF/DR - 10-16 X 2 - ZINC |
| | 054434-03-000 | EA | SCREW - SF/DR - 10-16 X 2 - PWH - ZINC - W/O WINGS |
| | 075908-01-000 | EA | SCREW - MACHINE - 10-32 X .56 PTH - EXTERNAL TOOTH - ZINC |
| | 076790-01-000 | EA | SCREW - 6-20 X 1 1/4 PPH - BLACK |
| | 076790-03-000 | EA | SCREW - 6-20 X 1 PPH - BLACK |
| | 076790-05-000 | EA | SCREW - 6-20 X 1/2 PPH - BLACK - THREAD CUTTING/WOOD |
| | 087721-01-000 | EA | SCREW - FLAT HEAD - TAPPING - 1/4 X 1 1/4 LONG - ZINC |
| | 090033-02-000 | EA | SCREW - 1/4-20 X 5/8 - ROUND WASHER HEAD - OFF/WHITE |
| | 091230-06-000 | EA | SCREW-MACH,8-32X3/4 POH SS - BRIGHT WHITE |
| | 097974-01-000 | EA | SCREW - PARTICLE BOARD - 7-9 X 3/4 PPH |
| | 101618-01-000 | EA | SCREW - 1/4-20 X 3/4 HEX - TAPPING - STALGARD TYPE F |
| | 105126-01-000 | EA | SCREW - MACHINE - 8-32 X 1 PPH TAPTIT |
| | 110460-05-02A | EA | SCREW - MACHINE - 10-24 X 2 1/2 PFH - WHITE |
| | 113563-01-01A | EA | SCREW - 8 X 5/8 LONG SHOULDER/WASHER HEAD |
| | 117478-01-04A | EA | SCREW - 8-18 X 3/4 PPH W/WASHER - VW LIGHT GRAY |
| | 118383-01-09A | EA | RETAINER/RECESSED - F/.22" SCREW - GLACIER |
| | 118383-01-05A | EA | RETAINER/RECESSED - F/.22" SCREW - VW LIGHT GRAY |
| | 118383-01-04A | EA | RETAINER/RECESSED - F/.22" SCREW - BRIGHT WHITE |
| | 118383-02-05A | EA | RETAINER/RECESSED - F/.27" SCREW - VW LIGHT GRAY |
| | 118383-02-09A | EA | RETAINER/RECESSED - F/.27" SCREW - GLACIER |
| | 118383-03-09A | EA | RETAINER/RECESSED - F/.32" SCREW - GLACIER |
| | 118383-03-05A | EA | RETAINER/RECESSED - F/.32" SCREW - VW LT. GRAY |
| | 118383-04-09A | EA | CAP - F/RECESSED RETAINER - GLACIER |
| | 118383-04-05A | EA | CAP - F/RECESSED RETAINER - VW LIGHT GRAY |
| | 118383-04-04A | EA | CAP - F/RECESSED RETAINER - BRIGHT WHITE |
| | 134126-01-01A | EA | SCREW/NAIL - HEX HEAD - 3/4" |
| | 134126-02-01A | EA | SCREW/NAIL - HEX HEAD - 1 1/4" |
| | 140040-01-000 | EA | SCREW - 1/4-20X1 - BUTTON HEAD SOCKET - W/LOCTITE |

SEALANTS & FASTENERS GROUP (CONTINUED)

CLAMPS, CLIPS, GROMMETS, RIVETS & PLUGS

| KEY | PART NUMBER | U/M | DESCRIPTION |
|-----|---------------|-----|--|
| | 000F10-06-32B | EA | PIN - COTTER - 3/16" X 2" - ZINC |
| | 000H14-06-06R | EA | RIVET-MANDREL BLIND,3/16 AL - CHERRY BSP-66 |
| | 000H16-04-06R | EA | RIVET - POP ALUMINUM - 1/8 X .313 - .375 |
| | 000H16-06-10R | EA | RIVET - POP ALUMINUM - 3/16 X .501-.625 |
| | 007161-01-000 | EA | CLAMP - HOSE - SPRING TYPE - 1/2" |
| | 008384-01-000 | EA | GROMMET - SNAP - 3/4 DIAMETER - NYLON |
| | 008386-01-000 | EA | GROMMET - SNAP - 3/8" DIAMETER - NYLON |
| | 010495-01-000 | EA | CLAMP - CABLE - 9/16" |
| | 010495-02-000 | EA | CLAMP - CABLE - 3/8" |
| | 010495-04-000 | EA | CLAMP - CABLE - 11/16" - WHITE |
| | 010497-01-000 | EA | CLAMP - CLOSED - 5/8" ID |
| | 010497-03-000 | EA | CLAMP - CLOSED - 1" ID - CUSHIONED |
| | 010497-04-000 | EA | CLAMP - CLOSED - 1 5/8" ID |
| | 010497-05-000 | EA | CLAMP - CLOSED - 1/2" ID |
| | 010497-07-000 | EA | CLAMP - CLOSED - 3/8" ID |
| | 010499-01-000 | EA | CLAMP - CLOSED - 3/8" ID |
| | 016188-03-000 | EA | GROMMET - L/P LINE - 3/8" HOLE X 2 1/2" LONG - RUBBER |
| | 016188-04-000 | EA | GROMMET - L/P LINE - 1/2" HOLE X 2 1/2" LONG - RUBBER |
| | 016188-05-000 | EA | GROMMET - L/P LINE - 3/8" HOLE X 1 1/4" LONG - RUBBER |
| | 016188-06-000 | EA | GROMMET - L/P LINE - 3/8" X 31 1/4" LONG |
| | 016188-07-000 | EA | GROMMET - L/P LINE - 1/2" X 3 1/4" LONG |
| | 023942-01-000 | EA | GROMMET - RUBBER - 2" OD |
| | 034141-02-000 | EA | PLUG/NYLON - .38" - BLACK |
| | 056134-01-000 | EA | HOLDER - RING - 3.6" DIAMETER - METAL |
| | 056134-02-000 | EA | HOLDER - RING - 1.8" DIAMETER - METAL |
| | 061420-04-000 | EA | PLUG/PLASTIC - 1 1/4" DIAMETER |
| | 061420-05-000 | EA | PLUG/PLASTIC - 1 1/2" DIAMETER |
| | 061420-08-000 | EA | PLUG/PLASTIC - 2 1/2" DIAMETER |
| | 061420-09-000 | EA | PLUG/PLASTIC - 1.00" - DIAMETER |
| | 061420-10-000 | EA | PLUG/PLASTIC - 1 1/2" DIAMETER - BLACK |
| | 061420-15-000 | EA | PLUG/PLASTIC - 2" DIAMETER - BLACK |
| | 062401-01-000 | EA | CLAMP - HOSE - WORMGEAR - .25" - 1" |
| | 062401-02-000 | EA | CLAMP - HOSE - WORMGEAR - 1.56" - 2.5" |
| | 062401-03-000 | EA | CLAMP - HOSE - WORMGEAR - .22" - 1" |
| | 062401-04-000 | EA | CLAMP - HOSE - WORMGEAR - .69" - 1.25" |
| | 062401-05-000 | EA | CLAMP - HOSE - WORMGEAR - 2" - 3" ID |
| | 062401-06-000 | EA | CLAMP - HOSE - WORMGEAR - .22" - .62" ID |
| | 062401-09-000 | EA | CLAMP - HOSE - WORMGEAR - 2.8" - 3.75" |
| | 062401-11-000 | EA | CLAMP - HOSE - WORMGEAR - 3.50" - 4.50" |
| | 062401-12-000 | EA | CLAMP - HOSE - WORMGEAR - .79" X 1.26" |
| | 071015-11-000 | EA | GROMMET - RUBBER - 1"ID FITS .12 MATERIAL - BLACK |
| | 071015-19-000 | EA | GROMMET - RUBBER - .38 ID - FITS .06 MATERIAL - BLACK |
| | 071015-26-000 | EA | GROMMET - RUBBER - 1.5" ID X 2.1" OD W/.06" GROOVE-BLACK |
| | 071015-29-000 | EA | GROMMET - RUBBER - .3" ID X 1.3"OD W/.12" GROOVE - BLACK |
| | 071015-30-000 | EA | GROMMET - RUBBER - .31" ID X .81" OD W/.12" GROOVE-BLACK |
| | 071015-39-000 | EA | GROMMET - .75 ID FITS .06 MTL |
| | 071015-40-000 | EA | GROMMET - .38 ID FITS .09 MTL |
| | 071015-41-000 | EA | GROMMET - .125 ID FITS .188 MTL |
| | 075148-02-000 | EA | CLAMP - GROUNDING - BRONZE SCREWS |
| | 077955-01-000 | EA | CLIP/J - 3/8" - VINYL COATED |
| | 080211-03-000 | EA | CLIP - XMAS TREE W/PANEL RETAINING HEAD - 3/4" SHANK |
| | 080734-02-000 | EA | CLIP - WIRE NYLON |
| | 081211-03-000 | EA | PLUG/PLASTIC - .50 DIAMETER - BLACK |
| | 081211-04-000 | EA | PLUG/PLASTIC - .46 DIAMETER - BLACK |
| | 083609-01-000 | EA | CLAMP - WIRE - DUAL - EQUAL DIAMETERS - 5/8" |
| | 083610-01-000 | EA | CLAMP - WIRE - DUAL - UNEQUAL DIAMETERS - 3/4" & 1 1/4" |
| | 083610-02-000 | EA | CLAMP - WIRE - DUAL - UNEQUAL DIAMETERS - 3/4" & 2" |
| | 083610-03-000 | EA | CLAMP - WIRE - DUAL - EQUAL DIAMETERS - 2" |
| | 088756-01-000 | EA | GROMMET - WEB - 1 1/8 i.I.D. |
| | 091952-01-000 | EA | CLIP - GRIPPER - 1" |
| | 091952-02-000 | EA | CLIP - GRIPPER - 3/4" |
| | 094362-02-000 | EA | CLIP - XMAS TREE - BINDER HEAD - .9" LONG |
| | 094362-05-000 | EA | CLIP - XMAS TREE - ROUND HEAD - 1.4" LONG |

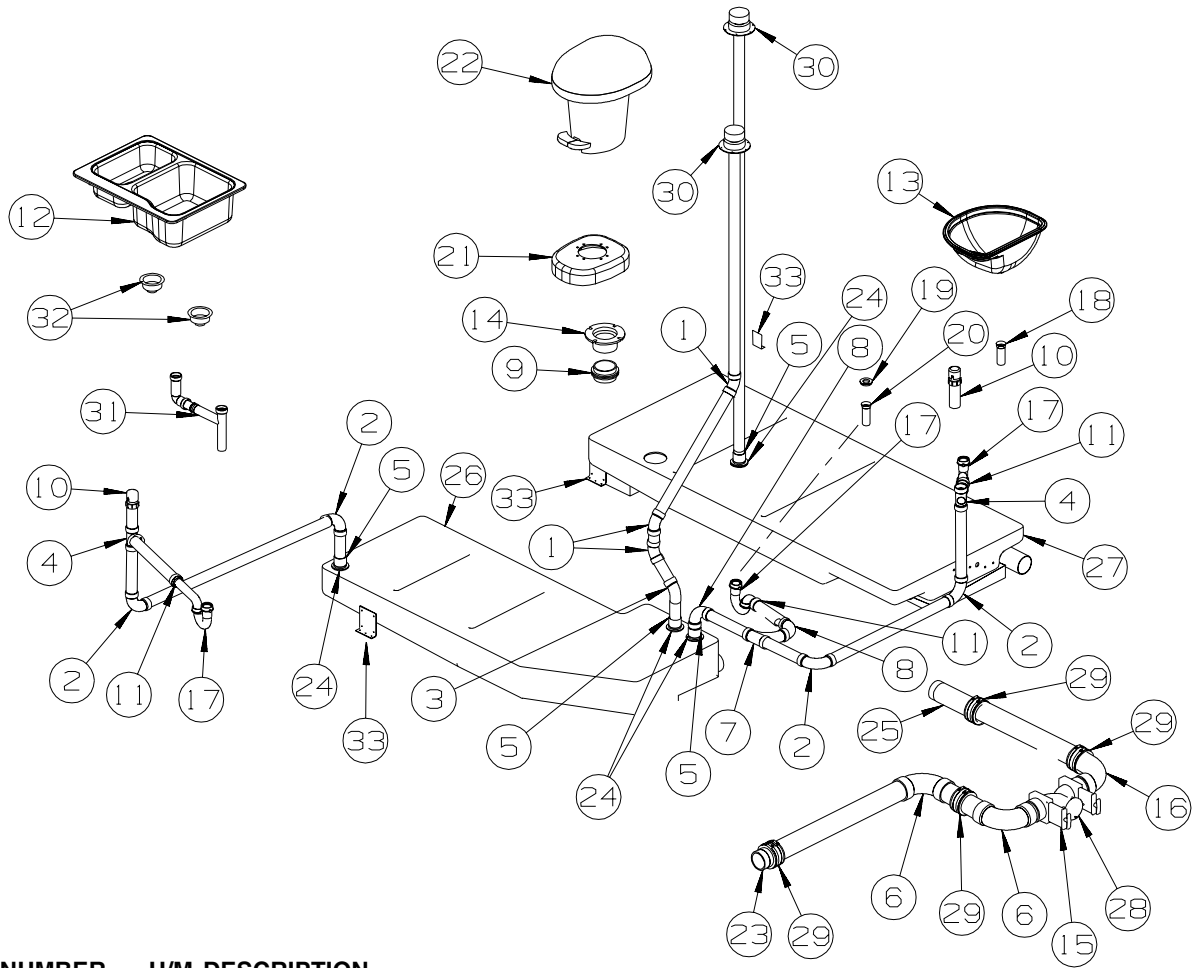
SEALANTS & FASTENERS GROUP (CONTINUED)
CLAMPS, CLIPS, GROMMETS, RIVETS & PLUGS (CONTINUED)

| KEY | PART NUMBER | U/M | DESCRIPTION |
|------------|--------------------|------------|---|
| | 114208-01-000 | EA | GROMMET - EDGE LINER - FITS 1 3/4" |
| | 114208-03-000 | EA | GROMMET - EDGE LINER - FITS 2 1/2" |
| | 114208-04-000 | EA | GROMMET - EDGE LINER - FITS 1" |
| | 114208-05-000 | EA | GROMMET - EDGE LINER - FITS 2" |
| | 118626-01-01A | EA | RIVET - POP - ALUMINUM - 3/16 X .08 - .375 |
| | 118626-02-01A | EA | RIVET - POP - ALUMINUM - 3/16 X .500 - .750 |
| | 137014-01-02A | EA | GROMMET - CABLE - BROWN |
| | 137014-01-01A | EA | GROMMET - CABLE - ALMOND |
| | 139118-01-01A | EA | GROMMET - PLASTIC/SCREW |
| | 139118-02-01A | EA | GROMMET - SCREW - PLASTIC |
| | 140171-02-000 | EA | CLAMP - HOSE - STEPLESS EAR - .250 |

MISCELLANEOUS FASTENERS

| KEY | PART NUMBER | U/M | DESCRIPTION |
|------------|--------------------|------------|--|
| | 008343-01-000 | EA | TIE - WIRE - 6" |
| | 008343-02-000 | EA | TIE - WIRE - 14" |
| | 008343-03-000 | EA | TIE - WIRE - 7 1/2" - BLACK |
| | 029094-04-000 | YD | VELCRO TAPE - LOOP - 1" WIDE - BLACK |
| | 029096-03-000 | YD | VELCRO TAPE - HOOK - 1" WIDE - BLACK |
| | 029096-04-000 | YD | VELCRO TAPE - HOOK - 1" WIDE - BLACK |
| | 048394-02-000 | YD | VELCRO TAPE - HOOK - ADHESIVE BACK - 3/4" WIDE - BEIGE |
| | 085774-01-000 | FT | FASTENER - DUAL LOCK - 1" WIDE - ADHESIVE BACK - BLACK |
| | 085774-02-000 | FT | FASTENER - DUAL HOOK - 1" WIDE - ADHESIVE BACK - BLACK |
| | 085774-03-000 | FT | FASTENER - DUAL LOCK - 1/2" WIDE - ADHESIVE BACK - BLACK |
| | 085774-04-000 | FT | FASTENER - DUAL HOOK - 1/2" WIDE - ADHESIVE BACK - BLACK |
| | 088792-02-000 | YD | VELCRO TAPE - LOOP - 3/4" - ADHESIVE BACK - BEIGE |
| | 088792-04-000 | YD | VELCRO TAPE - HOOK - 5/8" - NON-ADHESIVE BACK - WHITE |
| | 088792-05-000 | YD | VELCRO TAPE - LOOP - 5/8" - NON-ADHESIVE BACK - WHITE |
| | 108046-01-000 | EA | CABLE TIE - SCREW MOUNT 8" |
| | 108046-02-000 | EA | CABLE TIE - SCREW MOUNT 15" |
| | 110943-02-000 | FT | FELT STRIP - 3/8" - ADHESIVE BACK - WHITE |
| | 113133-02-01A | EA | RIVET - POP - ALUMINUM - 3/16 X .252 - .504 - BLACK |
| | 123816-04-000 | FT | TAPE - DOUBLE SIDED - 6" X 750' |
| | 127960-01-01A | EA | RETAINER - 3/8" - STAINLESS STEEL |

WATER & SEWAGE GROUP DRAINAGE SYSTEM



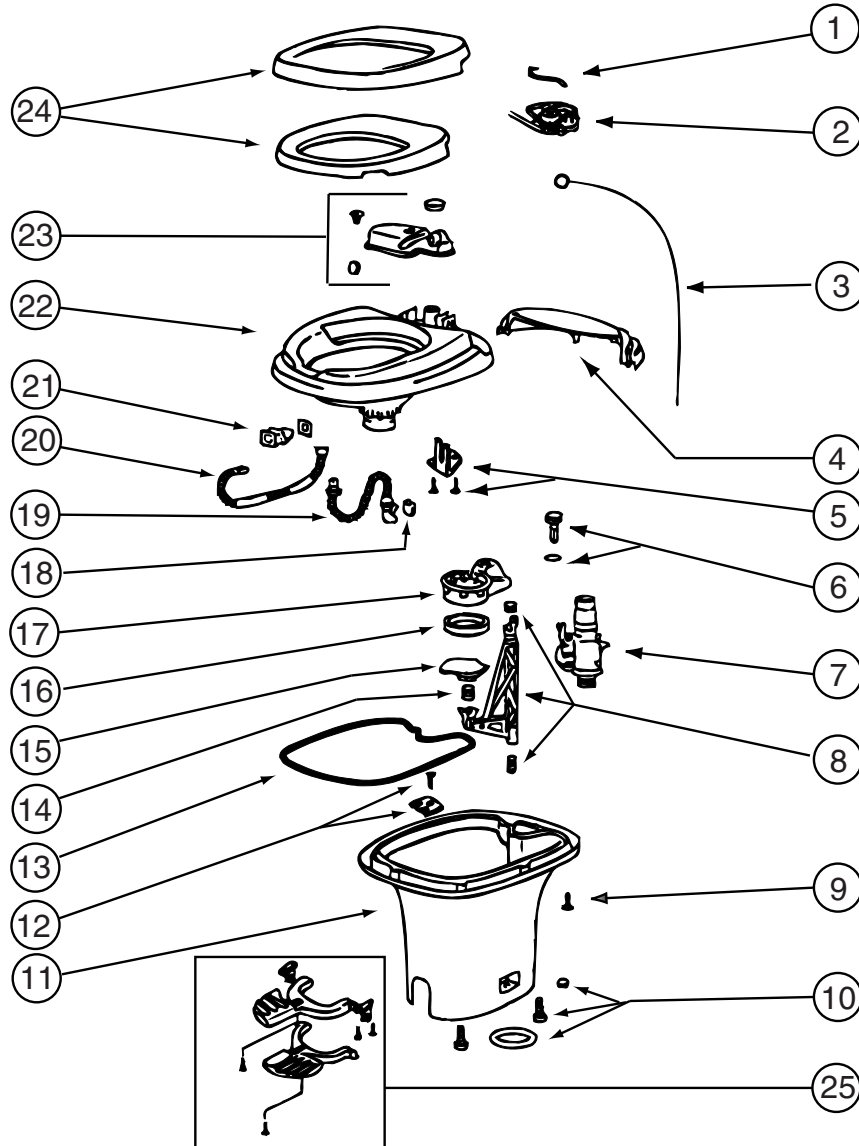
| KEY | PART NUMBER | U/M | DESCRIPTION |
|-----|---------------|-----|--|
| 1 | 010006-01-000 | EA | ELBOW - 45 DEGREE - 1 1/2" HUB X HUB - PLASTIC |
| 2 | 010008-01-000 | EA | ELBOW - 90 DEGREE - 1 1/2" HUB X HUB - PLASTIC |
| 3 | 010051-01-000 | EA | ELBOW - 45 DEGREE - 1 1/2" SPIGOT X HUB - PLASTIC |
| 4 | 010071-01-000 | EA | TEE - SANITARY - 1 1/2" HUB X HUB X HUB - PLASTIC |
| 5 | 010115-01-000 | EA | COUPLING - 1 1/2" HUB X HUB - PLASTIC |
| 6 | 031126-01-000 | EA | ELBOW - 1/4 BEND - 3" X 90° XLT - BLACK PLASTIC |
| 7 | 031365-02-000 | EA | TEE - PLASTIC - 1 1/2" EXTRA LONG TURN |
| 8 | 033761-01-000 | EA | ELBOW - 90 DEGREE - TURN - 1 1/2" HUB X 1 1/2" SPIGOT |
| | | | FROM: 07-13-01 THRU: 99-99-99 |
| 9 | 061607-02-000 | EA | GROMMET - HOLDING TANK - 3" NPS |
| 10 | 079968-01-000 | EA | VENT - MECHANICAL/TRAP ARM - ANTI-SIPHON-2" X 7.3" PLASTIC |
| 11 | 109571-01-000 | EA | ADAPTER - P-TRAP - 1 1/2" P X 1 1/4" MPT |
| 12 | 136828-01-01A | EA | SINK/DBL - LGE/SM BASIN-25"X19"X7" W/O NOTCH/FAUCET HOLES |
| 13 | 136639-01-01A | EA | SINK - LAVATORY W/SOAP DISH - WHITE |
| 14 | 116644-01-000 | EA | FLANGE/CLOSET - 4 BOLT X 3" FEMALE |
| 15 | 136143-01-000 | EA | VALVE - DUAL - 3" X 3" |
| 16 | 041956-01-000 | EA | ELBOW - 3" STREET - 90 DEGREE PLASTIC |
| 17 | 107538-01-000 | EA | P-TRAP - PLASTIC - 1 1/4" W/EXTENSION ARM |
| 17 | 011071-01-000 | EA | P-TRAP - PLASTIC - 1 1/2" - CSA |
| 18 | 106116-01-02A | EA | STRAINER/PLASTIC - STOPPER/TAIPIECE/GASKET & NUT-LAVATORY |
| | | | FROM: 06-27-01 THRU: 99-99-99 |
| | 106116-02-01A | EA | GASKET - STRAINER |
| | | | FROM: 06-27-01 THRU: 99-99-99 |
| 19 | 066440-01-000 | EA | STRAINER - SHOWER DRAIN - W/RUBBER WASHER |
| | 130403-01-000 | EA | NUT - SLIP - W/WINGS 1 1/2" |
| | | | FROM: 07-13-01 THRU: 99-99-99 |
| | 127440-02-01A | EA | WASHER - RUBBER - 1.8" X .1" |
| 20 | 011069-06-000 | EA | TAIPIECE - 1 1/2" X 1 1/4" X 2 1/2" |
| 21 | 131786-02-01A | EA | SPACER - TOILET - OVAL - 13.5" LONG X 2.8" HIGH - SOFT WHT |

WATER & SEWAGE GROUP (CONTINUED)
DRAINAGE SYSTEM (CONTINUED)

| KEY | PART NUMBER | U/M | DESCRIPTION |
|------------|--------------------|------------|---|
| 22* | 131932-02-02A | EA | TOILET - AQUA MAGIC 4 - HIGH - FOOT FLUSH - WHITE |
| 23 | 010129-03-000 | EA | NIPPLE - PLASTIC - 3" X 3" TOE |
| 24 | 061607-01-000 | EA | GROMMET - HOLDING TANK - 1 1/2" NPS |
| 25 | 010129-03-000 | EA | NIPPLE - PLASTIC - 3" X 3" TOE |
| | | | FROM: 00-00-00 THRU: 08-19-01 |
| 25 | 010129-05-000 | EA | NIPPLE - PLASTIC - 3" X 10" |
| | | | FROM: 08-20-01 THRU: 99-99-99 |
| 26 | 137487-01-000 | EA | TANK - HOLDING - W/O FITTINGS |
| 27 | 139423-01-01A | EA | TANK - HOLDING - W/O FITTINGS |
| 28 | 010201-02-000 | EA | HOSE - SEWER - 3" ID X 20 FEET |
| | | | FROM: 00-00-00 THRU: 06-10-01 |
| 28 | 062416-01-000 | EA | ADAPTER - SEWER HOSE TO 3" PIPE |
| | | | FROM: 00-00-00 THRU: 06-10-01 |
| 28 | 139513-01-000 | EA | HOSE - SEWER - 3" X 10' - W/ADAPTER |
| | | | FROM: 06-11-01 THRU: 99-99-99 |
| 29 | 078406-01-000 | EA | COUPLER - RUBBER - W/CLAMPS - 3" X 3" |
| 30 | 083558-03-000 | EA | VENT - PLUMBING - ROOF PIPE COVERED - OFF WHITE |
| 31 | 091980-01-000 | EA | WASTE - CONTINUOUS |
| 32 | 092303-01-000 | EA | STRAINER - W/BASKET - GALLEY SINK - 4" OD |
| | 127440-02-01A | EA | WASHER - RUBBER - 1.8" X .1" |
| 33 | 094756-02-01A | EA | BRACKET - L - 6.1" LONG X 3.9" WIDE - STEEL |

***COMPONENT PARTS LISTED LATER IN THIS GROUP**

WATER & SEWAGE GROUP (CONTINUED)
COMPONENT PARTS FOR DRAINAGE SYSTEM



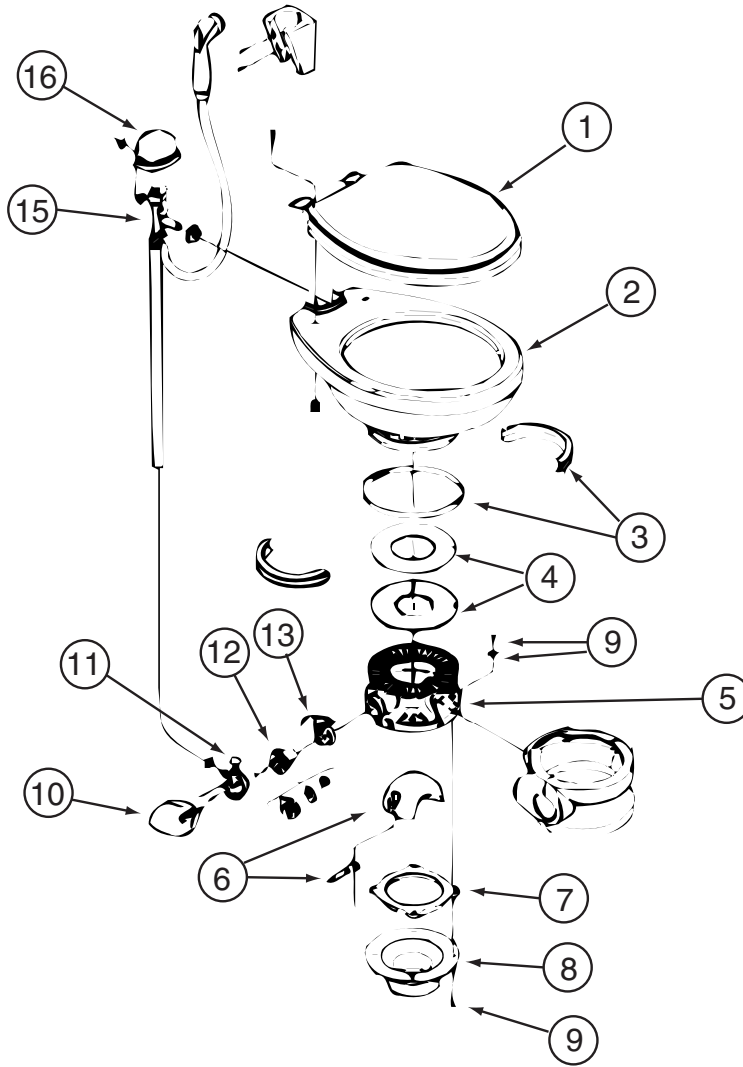
F30W, F32V

131932-02-02A

| KEY | PART NUMBER | U/M | DESCRIPTION | VENDOR NO. |
|-----|---------------|-----|-----------------------------|----------------|
| 2 | 063740-02-703 | EA | KIT-LEVER/WIRE ASSM FOOT FL | 24571 |
| 4 | 131932-02-701 | EA | COVER -MECHANISM- WHITE | 2086562 |
| 7 | 063740-01-714 | EA | VALVE ASM (VALVE-BALL SEAL) | 13168 |
| 10 | 063740-01-706 | EA | BOLT PACKAGE-FLOOR FLANGE | 12524 THETFORD |
| 15 | 063740-01-721 | EA | BLADE ONLY | 1248262 |
| 16 | 063740-01-722 | EA | SEAL - BLADE | 12481 |
| 23 | 063740-02-701 | EA | RESERVOIR (TANK ASM.) | 24630 |
| 24 | 131932-01-701 | EA | SEAT/COVER ASSMBLY - WHITE | 2464162 |
| 25 | 131932-02-702 | EA | PEDAL PACKAGE(WHITE) | 2082162 |

CONTACT WINNEBAGO PART SALES FOR UNLISTED COMPONENT

WATER & SEWAGE GROUP (CONTINUED)
COMPONENT PARTS FOR DRAINAGE SYSTEM (CONTINUED)



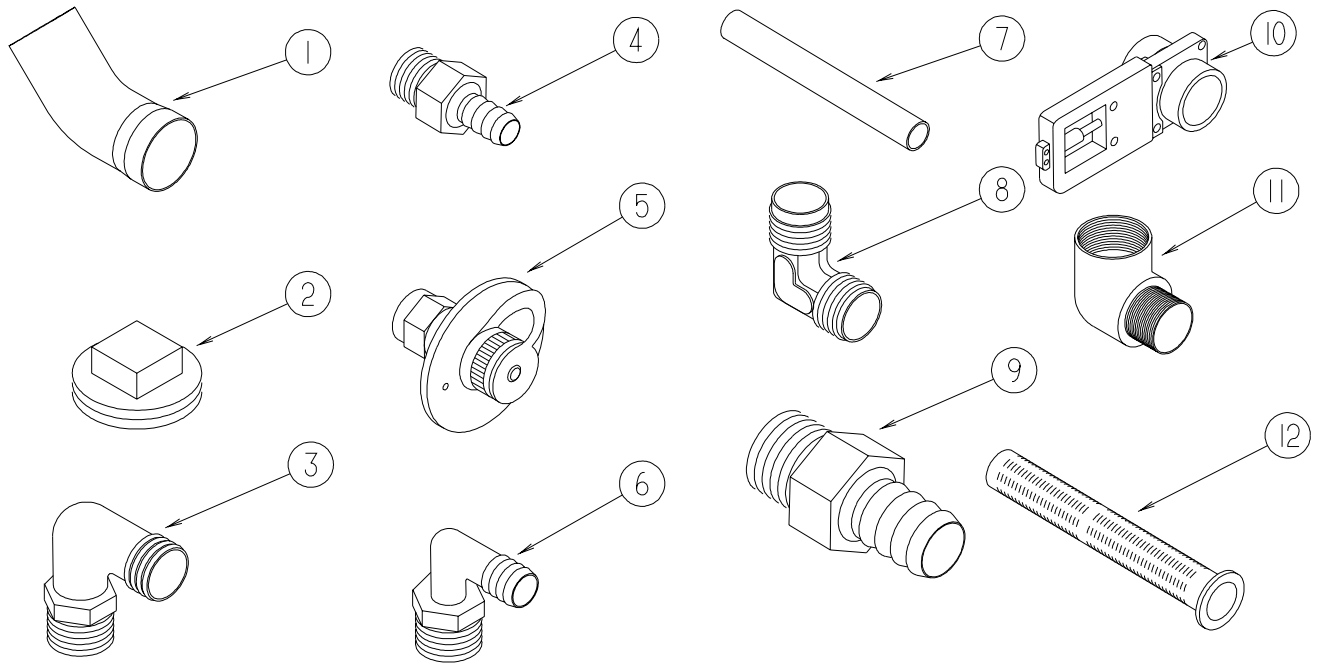
F34D, F36M

140798-01-01A

| KEY | PART NUMBER | U/M | DESCRIPTION | VENDOR NO. |
|-----|---------------|-----|------------------------------|------------|
| 1 | 140798-01-700 | EA | SEAT ASSEMBLY - WHITE | 344089 |
| 2 | 140798-01-701 | EA | BOWL/CHINA - WHITE | 310790 |
| 3 | 140798-01-702 | EA | RING & HALF CLAMP KIT-WHITE | 310025 |
| 4 | 140798-01-703 | EA | TEFLON & RUBBER SEAL KIT | 316140 |
| 5 | 140798-01-704 | EA | BASE KIT - WHITE | 310123 |
| 6 | 140798-01-705 | EA | BALL/SHAFT/CARTRIDGE KIT | 318162 |
| 7 | 085330-01-723 | EA | SEAL - FLOOR FLANGE | 341549 |
| 8 | 085330-01-716 | EA | FLANGE-FLOOR, 3" MPT | 345889 |
| 9 | 085330-01-717 | EA | BOLT MOUNTING PACKAGE | 3100-64 |
| 10 | 140798-01-706 | EA | PEDAL COVER KIT - WHITE | 310117 |
| 11 | 140798-01-707 | EA | WATER VALVE KIT | 314349 |
| 12 | 140798-01-708 | EA | SPRING CARTRIDGE KIT | 236096 |
| 13 | 140798-01-709 | EA | FLUSH LEVER | 340425 |
| 15 | 140798-01-710 | EA | VACUUM BREAKER KIT W/O SPRAY | 310687 |
| 16 | 140798-01-711 | EA | VACUUM BREAKER COVER KIT WHT | 310795 |
| | 085330-04-701 | EA | HAND SPRAY W/HOSE(500 & 900) | 340683 |
| | 085330-06-701 | EA | BREAKER-VACUUM/DIVERTER(900) | 230335 |

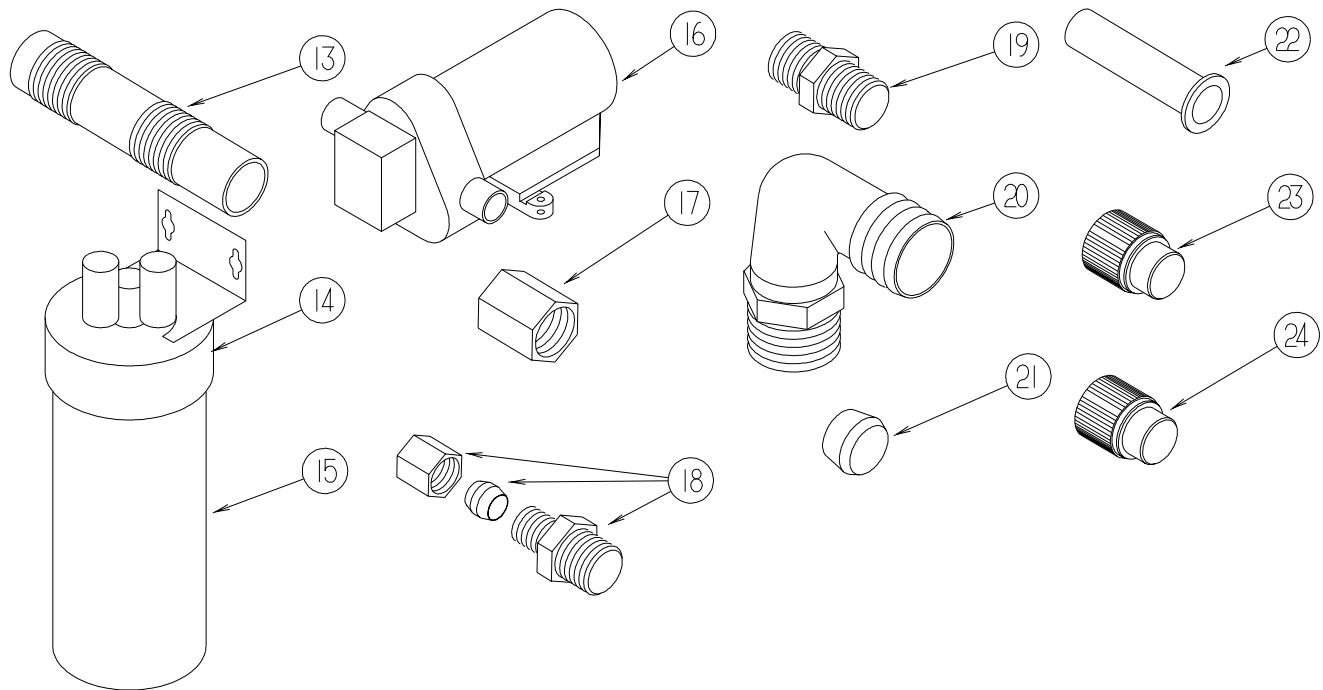
WATER & SEWAGE GROUP (CONTINUED)

WATER SYSTEM



| KEY | PART NUMBER | U/M | DESCRIPTION |
|-----|---------------|-----|---|
| 1 | 010009-01-000 | EA | ELBOW - 90 DEGREE - 1/4 BEND - 1 1/2" PLASTIC |
| 2 | 010166-01-000 | EA | PLUG/THREADED - 1 1/4"MPT - PLASTIC - BLACK - UL |
| 3 | 010219-01-000 | EA | ELBOW - 1 1/4 MPT X 1 1/4 BARB - WATER FILL - PLASTIC |
| 4 | 010224-01-000 | EA | ADAPTER - HOSE TO PIPE - 3/8 MPT X 3/8 BARB - PLASTIC |
| 5 | 010230-06-000 | EA | FILL - CITY WATER - W/CHECK VALVE - MPT - BRUSHED ALUM |
| 6 | 035539-01-000 | EA | ELBOW - 3/8 MPT X 3/8 BARB - PLASTIC |
| 7 | 039800-04-000 | FT | TUBING - POLYBUTYL - 1/4"OD |
| 7 | 074462-02-000 | FT | TUBING - VINYL - 3/8 ID X 20' - CLEAR |
| 7 | 112176-01-000 | FT | TUBING - VINYL - REINFORCED - 1/2" ID |
| 7 | 124188-01-000 | FT | TUBING - PEX - 1/2" ID X 20' - BLUE(COLD) |
| 7 | 124188-02-000 | FT | TUBING - PEX - 1/2" ID X 20' - RED(HOT) |
| 8 | 039808-03-000 | EA | ELBOW - 1/2" MPT X 1/2" MPT - PLASTIC |
| 9 | 044927-01-000 | EA | ADAPTER - HOSE TO PIPE-1 1/4 MPTX1 1/4 BARB-BLACK PLASTIC |
| 10 | 062421-03-000 | EA | VALVE/DUMP W/O HANDLE - 1 1/2" X 1 1/2" HUB |
| 11 | 065318-02-000 | EA | ELBOW - 90 DEGREE - 3/8" MPT TO 3/8" FPT |
| 12 | 077954-02-000 | EA | FILTER - WATER TANK - W/SCREEN IN TANK |

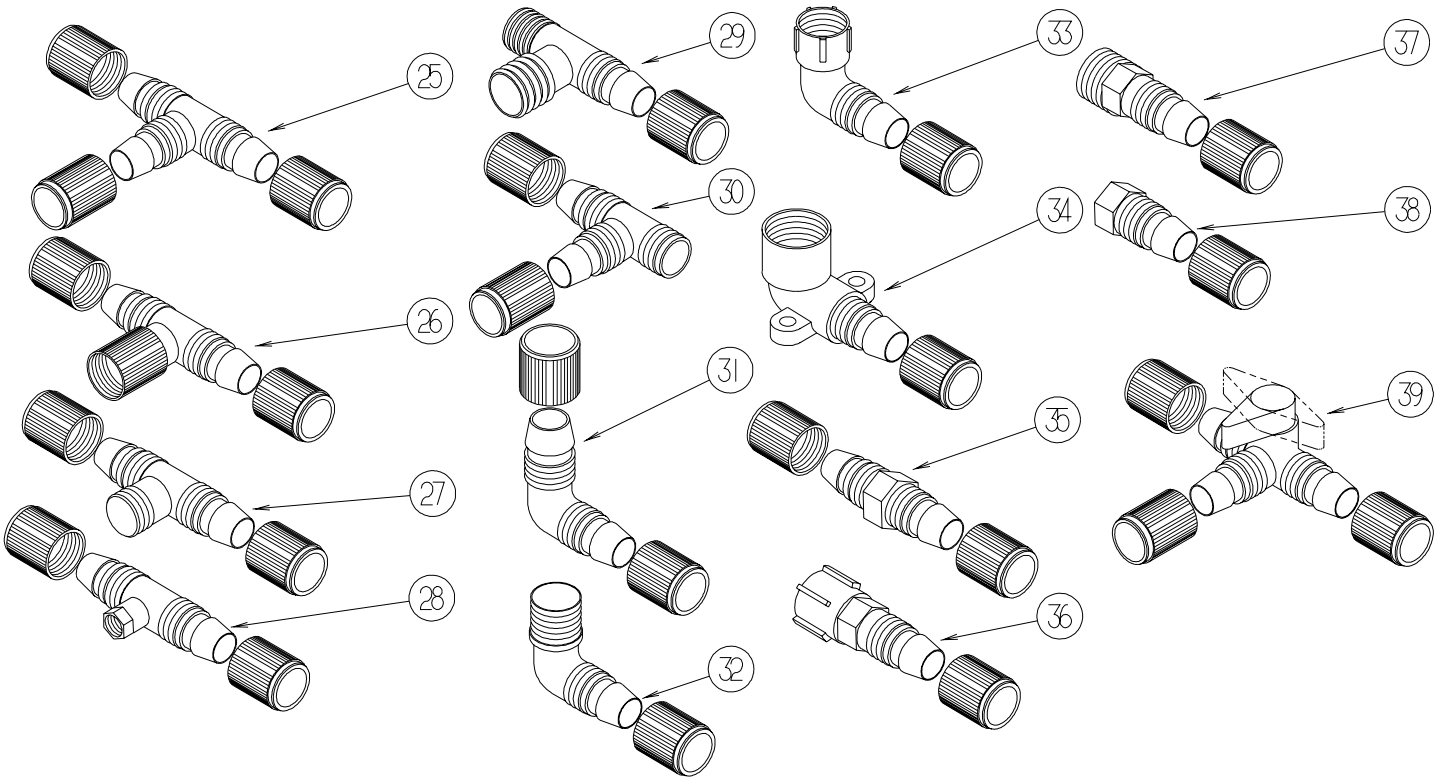
WATER & SEWAGE GROUP (CONTINUED)
WATER SYSTEM (CONTINUED)



| KEY | PART NUMBER | U/M | DESCRIPTION |
|-----|---------------|-----|---|
| 13 | 079381-01-000 | FT | TUBING - RIBBED FLEXIBLE - WATER FILL - 1.4" ID |
| 14 | 087200-01-000 | EA | FILTER-WATER PURIFICATION, EVERPURE QC2-AC |
| 15 | 087200-02-000 | EA | CARTRIDGE-WATER FILTER,AC - EVERPURE 9601-11 |
| 16* | 098607-01-000 | EA | PUMP - WATER - W/.5" MPT FITTING - FLOW 2.8 GPM |
| 17 | 101814-01-000 | EA | COUPLING - FEMALE - 1/2" X 1/2" FPT - GRAY |
| 18 | 103798-01-000 | EA | CONNECTOR - 1/4 OD X 3/8 MPT |
| 19 | 110438-02-000 | EA | VALVE - CHECK - BRASS - 1/2 MPT X 1/2 MPT |
| 20 | 111223-02-000 | EA | ELBOW - 1/2" MPT X 3/8" BARB - PLASTIC |
| 20 | 111223-03-000 | EA | ELBOW - 3/4" MPT X 1/2" BARB - PLASTIC |
| 20 | 111223-04-000 | EA | ELBOW - 1/2" MPT X 1/2" BARB - PLASTIC |
| 21 | 111888-01-000 | EA | FERRULE - PLASTIC - .250 ID X .375 OD |
| 22 | 111888-02-000 | EA | INSERT - BRASS - 1/4 COMP |
| 23 | 113697-01-000 | EA | CAP - 3/8"P |
| 24 | 114427-01-000 | EA | CAP - 1/2"P |

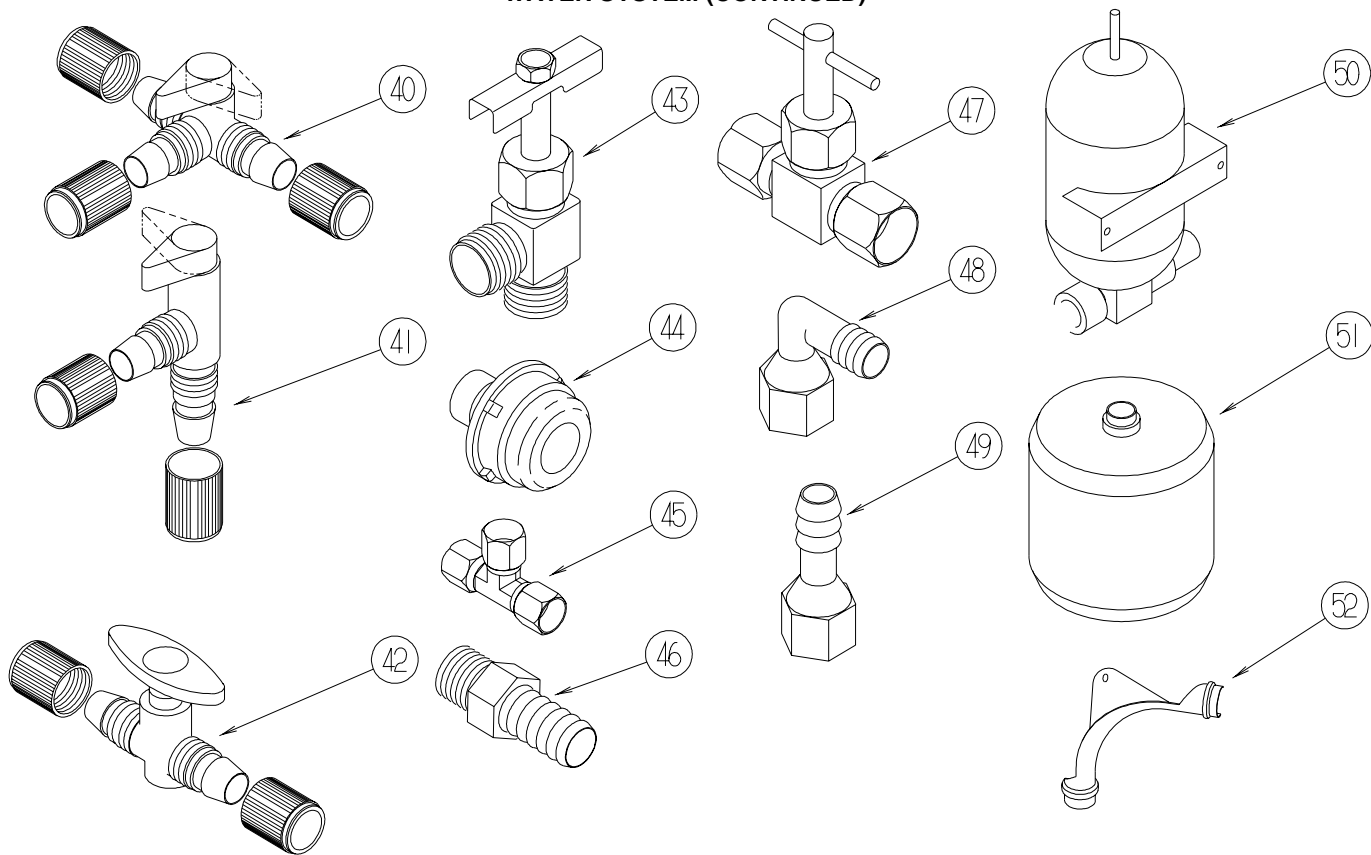
***COMPONENT PARTS LISTED LATER IN THIS GROUP**

WATER & SEWAGE GROUP (CONTINUED)
WATER SYSTEM (CONTINUED)



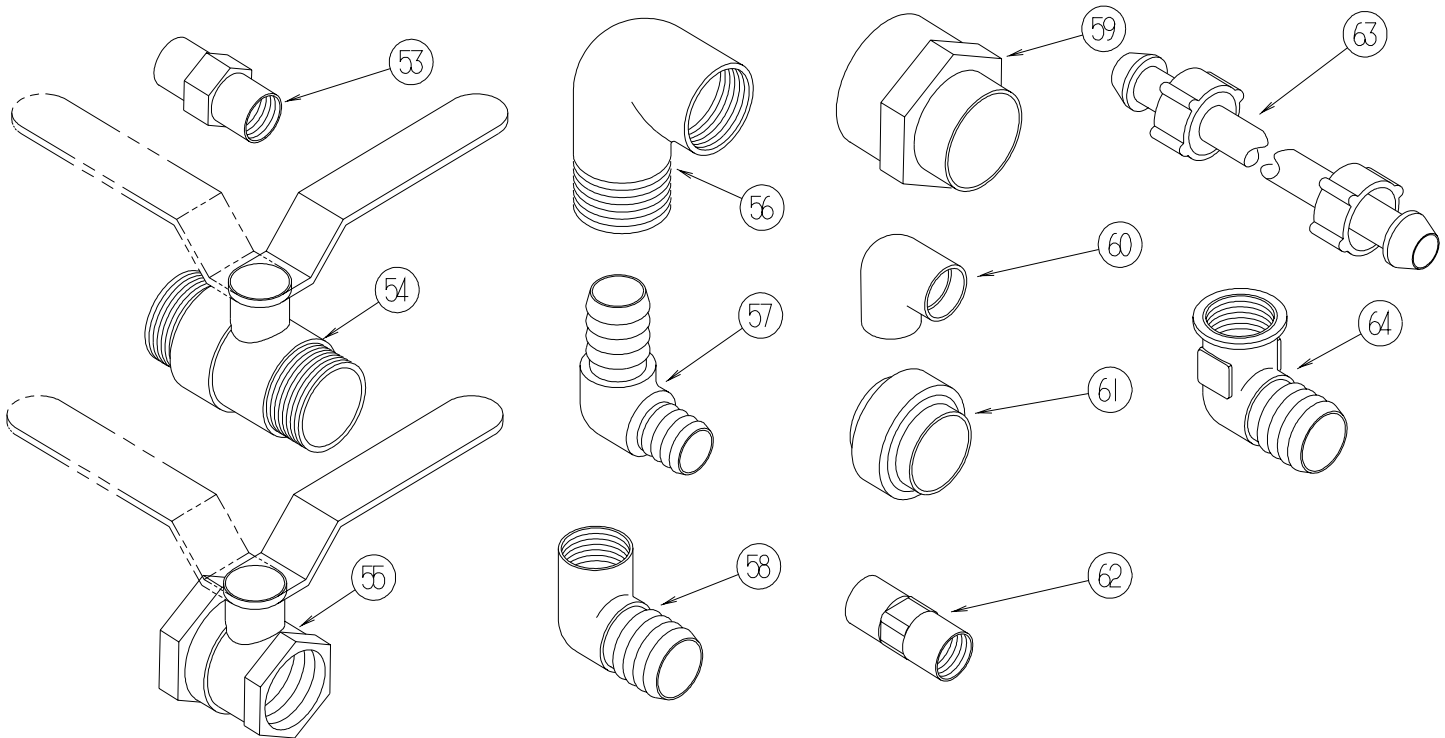
| KEY | PART NUMBER | U/M | DESCRIPTION |
|-----|---------------|-----|---|
| 25 | 114428-01-000 | EA | TEE - 1/2"P X 1/2"P X 1/2"P |
| 26 | 114428-02-000 | EA | TEE - SWIVEL - 1/2"P X 1/2"P X 1/2"FPT |
| 27 | 114428-03-000 | EA | TEE - 1/2"P X 1/2"P X 1/2"MPT |
| 28 | 114428-04-000 | EA | TEE - 1/2"P X 1/2"P X 1/8"FPT |
| 29 | 114428-06-000 | EA | TEE - 1/2" P X 1/2" MPT X 1/2" MPT |
| 30 | 114428-07-000 | EA | TEE - 1/2" P X 1/2" MPT X 1/2" P |
| 31 | 114429-01-000 | EA | ELBOW - 1/2"P X 1/2"P |
| 32 | 114429-02-000 | EA | ELBOW - 1/2"P X 1/2"MPT |
| 32 | 114429-04-000 | EA | ELBOW - 1/2"P X 3/8"MPT |
| 32 | 114429-05-000 | EA | ELBOW - 1/2"P X 3/4"MPT |
| 33 | 114429-03-000 | EA | ELBOW - SWIVEL - 1/2"P X 1/2"FPT |
| 33 | 114429-06-000 | EA | ELBOW - SWIVEL - 1/2"P X 3/4"FPT |
| 33 | 114429-08-000 | EA | ELBOW - SWIVEL - 1/2"P X 1/2"FPT |
| 34 | 114429-09-000 | EA | ELBOW - 1/2"P X 1/2"FPT DROP EAR |
| 35 | 114430-01-000 | EA | ADAPTER - 1/2"P X 1/2"P |
| 36 | 114430-02-000 | EA | ADAPTER - SWIVEL - 1/2"P X 1/2"FPT |
| 37 | 114430-03-000 | EA | ADAPTER - 1/2"P X 1/2"MPT |
| 38 | 114430-06-000 | EA | ADAPTER - 1/2"P X 3/8"FPT |
| 39 | 114431-01-000 | EA | VALVE - 180 DEGREE/CENTER DRAIN - 1/2"P - THREE WAY |

WATER & SEWAGE GROUP (CONTINUED)
WATER SYSTEM (CONTINUED)



| KEY | PART NUMBER | U/M | DESCRIPTION |
|-----|---------------|-----|--|
| 40 | 114431-02-000 | EA | VALVE - WATER BYPASS - 1/2"P - THREE WAY (WATER HEATER) |
| 41 | 114431-03-000 | EA | VALVE - 90 DEGREE DRAIN - 1/2"P |
| 42 | 114431-04-000 | EA | VALVE - ìINLINE SHUT-OFF" - 1/2"P |
| 43 | 114431-05-000 | EA | VALVE - NEEDLE - 1/8" MPT X 1/4" COMPRESSION (ICE MAKER) |
| 44 | 114966-01-000 | EA | FILTER - IN LINE - TWIST ON - 1/2" |
| 45 | 118423-01-000 | EA | FITTING - BRASS-TEE - 1/4C X 1/4C X 1/4C |
| 46 | 118809-02-000 | EA | ADAPTER - 1/2" MPT X 1/2" BARB - PLASTIC |
| 47 | 120868-01-000 | EA | VALVE - NEEDLE - 1/4" COMPRESSION X 1/4" COMPRESSION |
| 48 | 123150-01-000 | EA | ELBOW - 1/2 FPT X 1/2 BARB - SWIVEL |
| 49 | 123152-01-000 | EA | ADAPTER - 1/2 FPT X 1/2 BARB - SWIVEL |
| 50 | 123243-01-000 | EA | TANK - ACCUMULATOR - 24 OZ |
| 51 | 123317-01-000 | EA | TANK - ACCUMULATOR - 2 GALLON |
| 52 | 124184-01-000 | EA | SUPPORT - WATER LINE - BEND |

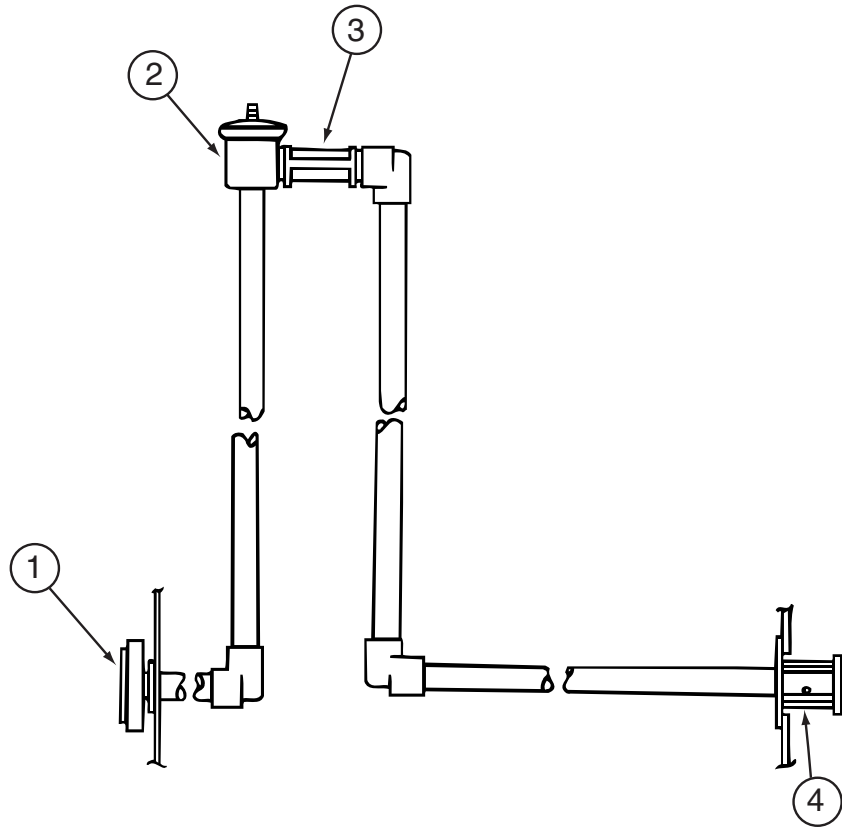
WATER & SEWAGE GROUP (CONTINUED)
WATER SYSTEM (CONTINUED)



| KEY | PART NUMBER | U/M | DESCRIPTION |
|-----|---------------|-----|---|
| 53 | 132148-01-000 | EA | CONNECTOR - 1/2" X 1/2"MPT - BRASS |
| 54 | 132483-01-000 | EA | VALVE/BALL - 1" - THREADED ENDS |
| 55 | 132483-02-000 | EA | VALVE/BALL - 1/2" - BRASS - FPT |
| 56 | 132484-01-000 | EA | ELBOW - 90 DEGREE - 1MPT X 1FPT - PLASTIC |
| 57 | 132781-01-000 | EA | ELBOW - 1.3" BARB X 1.3" BARB - 90 DEGREE - PLASTIC |
| 58 | 132782-01-000 | EA | ELBOW - 1"FPT X 1.3" BARB - 90 DEGREE - PLASTIC |
| 59 | 133835-01-000 | EA | ADAPTER - REDUCING - 1 1/2" X 1 1/4" |
| 60 | 133837-01-000 | EA | ELBOW - 1 1/2" X 90 DEGREE - DOUBLE SLIP |
| 61 | 133889-01-000 | EA | UNION - 1 1/2 DOUBLE SLIP - PVC |
| 62 | 135386-01-000 | EA | NIPPLE - 1/2" |
| 63 | 140821-01-000 | EA | TUBE - WATER SUPPLY - 3/8" X 24" |
| 63 | 140821-02-000 | EA | TUBE - WATER SUPPLY - 3/8" X 30" |
| 63 | 140821-03-000 | EA | TUBE - WATER SUPPLY - 3/8" X 36" |
| 63 | 140821-04-000 | EA | TUBE - WATER SUPPLY - 3/8" X 48" |
| 63 | 140821-05-000 | EA | TUBE - WATER SUPPLY - 3/8" X 54" |
| 63 | 140821-06-000 | EA | TUBE - WATER SUPPLY - 3/8" X 60" |
| 63 | 140821-07-000 | EA | TUBE - WATER SUPPLY - 3/8" X 72" |
| 64 | 142812-01-000 | EA | ELBOW - BRASS - 1/2"MPT X 1/2"FPT |

***COMPONENT PARTS LISTED LATER IN THIS GROUP**

WATER & SEWAGE GROUP (CONTINUED)
WATER SYSTEM (CONTINUED)



| KEY | PART NUMBER | U/M | DESCRIPTION |
|-----|---------------|-----|---------------------------------------|
| 1 | 125697-05-000 | EA | INLET - WATER - FLUSHING SYSTEM |
| 2 | 125697-04-000 | EA | BREAKER - VACUUM - FLUSHING SYSTEM |
| 3 | 125697-03-000 | EA | CHECK VALVE - FLUSHING SYSTEM |
| 4 | 125697-02-000 | EA | NOZZLE - WELD-A-FLUSH |
| | 125697-06-000 | EA | INSTRUCTIONS - USER - FLUSHING SYSTEM |

WATER & SEWAGE GROUP (CONTINUED)
WATER SYSTEM (CONTINUED)

| KEY | PART NUMBER | U/M | DESCRIPTION |
|-----|---------------|-----|---|
| | 039861-01-000 | EA | SENDING UNIT - W/SCREW - WASHER - WELL NUT/TERMINAL RING |
| * | 098607-01-000 | EA | PUMP - WATER - W/.5" MPT FITTING - FLOW 2.8 GPM |
| | 125420-04-03A | EA | DOOR - WATER HEATER - BLACK |
| | 075240-05-000 | EA | FAUCET - LAVATORY/BRASS |
| | 104114-02-01A | EA | FAUCET - GALLEY - SINGLE CONTROL |
| | 098419-01-000 | EA | FAUCET - WASHER - 90 DEGREE - F34D, F36M |
| | 134472-01-02B | EA | BRACKET - FAUCET - WASHER - E-COATED - F34D, F36M |
| | 075241-06-000 | EA | FAUCET - SHOWER/BRIGHT WHITE - .5" MPT W/1.9" INLET PIPES - EXTERIOR SHOWER |
| | 131383-01-02A | EA | SHOWER HEAD - W/60" HOSE & BRACKET - WHITE - EXTERIOR SHOWER |
| | 131383-02-02A | EA | SHOWER HEAD - W/60" HOSE & BRACKET - WHITE - CSA - EXTERIOR SHOWER |
| * | 131340-01-01A | EA | VALVE - W/SHOWER HEAD - SINGLE LEVER-W/O WATER SAVER-BRASS |
| | 128974-01-01A | EA | VALVE - SHOWER HEAD/WATER SAVER (ON/OFF) - BRIGHT BRASS |
| | 131551-01-02B | EA | BRACKET - SHOWER HEAD - BATHROOM, F30W, F36M |
| | 130041-02-02A | EA | SPACER/SHOWER HEAD - SOFT WHITE - BATHROOM, F32V, F34D |
| | 133721-01-02B | EA | BRACKET - SHOWER CONTROL - E-COATED - BATHROOM, F32V, F34D |
| | 133727-01-02B | EA | BRACKET - SHOWER HEAD - E-COATED - BATHROOM, F32V, F34D |
| | 065318-02-000 | EA | ELBOW - 90 DEGREE - 3/8" MPT TO 3/8" FPT - WATER PURIFIER |
| * | 051391-07-000 | EA | WATER HEATER - 6 GALLON-110 VOLT-GAS-W/ELECTRIC IGNITION |
| * | 051393-01-000 | EA | WATER HEATER - GH6-8E - ELECTRONIC IGNITION W/MOTOR AID |
| | 137410-01-12B | EA | BRACKET - VALVE - WINTERIZATION - BRIGHT WHITE |
| | 138618-01-12B | EA | COVER - VALVE - BYPASS - BRIGHT WHITE |
| | 081240-20-000 | EA | WATER FILL - W/DOOR - LOCKABLE - W/O LOCK - BRT WHT |
| | | | FROM: 00-00-00 THRU: 04-02-01 |
| | 137169-01-01A | EA | FILL/WATER - GRAVITY - BRIGHT WHITE |
| | | | FROM: 04-03-01 THRU: 99-99-99 |
| | 137169-02-01A | EA | ADAPTER/LOCK - (WASHER) F/GRAVITY WATERFILL - F30W |
| | | | FROM: 04-03-01 THRU: 04-30-01 |
| | 138290-03-000 | EA | CASE - W/CAM - W/O CYLINDER/KEY |
| | | | FROM: 05-01-01 THRU: 99-99-99 |

LOCK ASSEMBLY USED UP TO 04-30-01

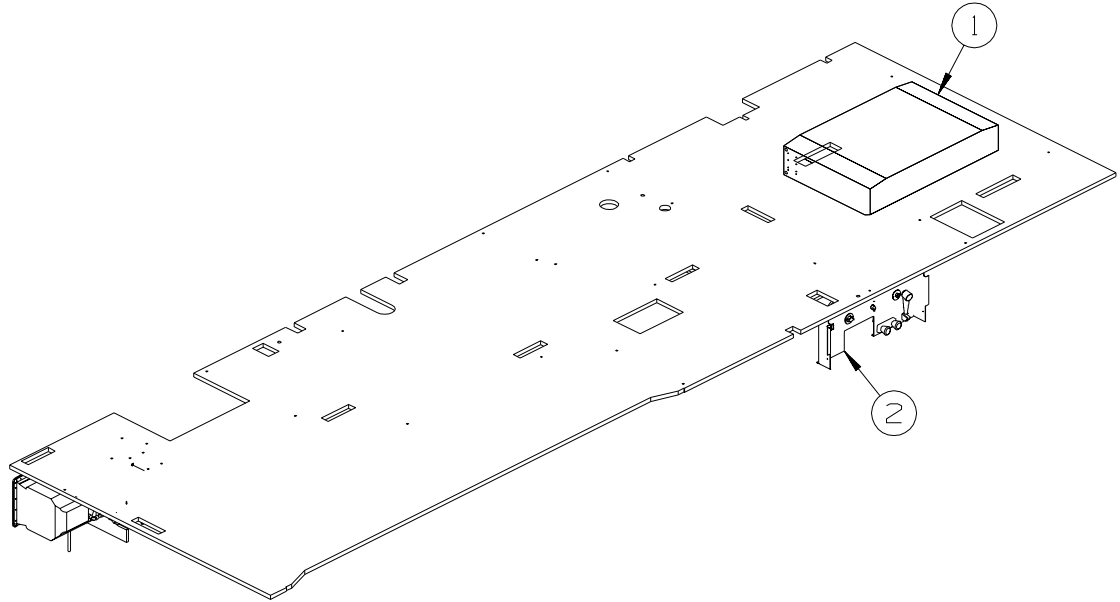
| | | | |
|---|---------------|----|---|
| * | 110506-33-000 | EA | LOCK ASM-KEYED,14.58MM |
| | 110506-52-000 | EA | CASE/CYLINDER - LOCKING - W/O CAM/KEY - .65" - 702370 |
| | 110506-52-001 | EA | CASE/CYLINDER - LOCKING - W/O CAM/KEY - .65" - 702371 |
| | 110506-52-002 | EA | CASE/CYLINDER - LOCKING - W/O CAM/KEY - .65" - 702372 |
| | 110506-52-003 | EA | CASE/CYLINDER - LOCKING - W/O CAM/KEY - .65" - 702373 |
| | 110506-52-004 | EA | CASE/CYLINDER - LOCKING - W/O CAM/KEY - .65" - 702374 |
| | 110506-52-005 | EA | CASE/CYLINDER - LOCKING - W/O CAM/KEY - .65" - 702375 |
| | 110506-52-006 | EA | CASE/CYLINDER - LOCKING - W/O CAM/KEY - .65" - 702376 |
| | 110506-52-007 | EA | CASE/CYLINDER - LOCKING - W/O CAM/KEY - .65" - 702377 |
| | 110506-52-008 | EA | CASE/CYLINDER - LOCKING - W/O CAM/KEY - .65" - 702378 |
| | 110506-52-009 | EA | CASE/CYLINDER - LOCKING - W/O CAM/KEY - .65" - 702379 |
| | 110506-59-000 | EA | KEYS - SET OF TWO 596720 |
| | 110506-59-001 | EA | KEYS - SET OF TWO 596721 |
| | 110506-59-002 | EA | KEYS - SET OF TWO 596722 |
| | 110506-59-003 | EA | KEYS - SET OF TWO 596723 |
| | 110506-59-004 | EA | KEYS - SET OF TWO 596724 |
| | 110506-59-005 | EA | KEYS - SET OF TWO 596725 |
| | 110506-59-006 | EA | KEYS - SET OF TWO 596726 |
| | 110506-59-007 | EA | KEYS - SET OF TWO 596727 |
| | 110506-59-008 | EA | KEYS - SET OF TWO 596728 |
| | 110506-59-009 | EA | KEYS - SET OF TWO 596729 |
| | 110506-76-000 | EA | CAM - LOCK |

LOCK CYLINDER USED AFTER 05-01-01

| | | | |
|--|---------------|----|--------------------|
| | 138289-01-000 | EA | CYLINDER - LOCKING |
| | 138289-02-000 | EA | CYLINDER - LOCKING |
| | 138289-03-000 | EA | CYLINDER - LOCKING |
| | 138289-04-000 | EA | CYLINDER - LOCKING |
| | 138289-05-000 | EA | CYLINDER - LOCKING |
| | 138289-06-000 | EA | CYLINDER - LOCKING |
| | 138289-07-000 | EA | CYLINDER - LOCKING |
| | 138289-08-000 | EA | CYLINDER - LOCKING |
| | 138289-09-000 | EA | CYLINDER - LOCKING |
| | 138289-10-000 | EA | CYLINDER - LOCKING |

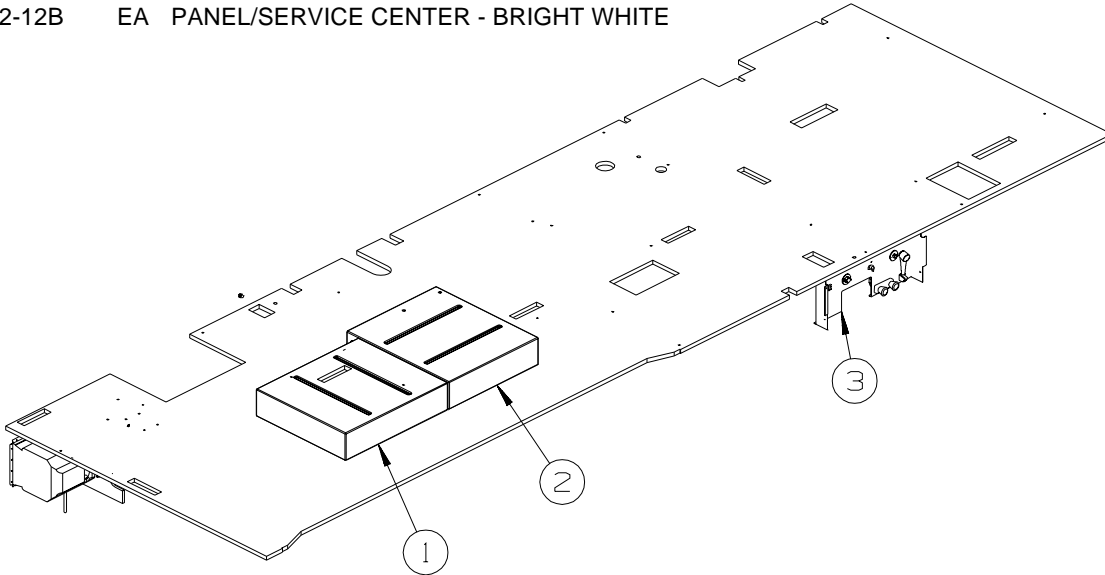
***COMPONENT PARTS LISTED LATER IN THIS GROUP**

WATER & SEWAGE GROUP (CONTINUED)
WATER SYSTEM (CONTINUED)



WORKHOSRE

| KEY | PART NUMBER | U/M | DESCRIPTION |
|-----|---------------|-----|--|
| 1 | 089180-06-000 | EA | TANK - WATER - 58 GALLONS - W/FITTINGS |
| 1 | 089180-01-000 | EA | TANK - WATER - 58 GAL - W/O FITTINGS-31.9"X 47.2" X 9.4" |
| | 042989-03-000 | EA | FITTING - SPINWELD - 1 1/4"NPT - PLASTIC |
| | 042989-05-000 | EA | FITTING - SPINWELD - 1/2"FPT - PLASTIC |
| | 042989-08-000 | EA | FITTING - SPINWELD - 1"FPT - PLASTIC |
| | 049032-01-000 | EA | PATCH - SPINWELD - 3/8" - PLASTIC |
| 2 | 136034-02-12B | EA | PANEL/SERVICE CENTER - BRIGHT WHITE |

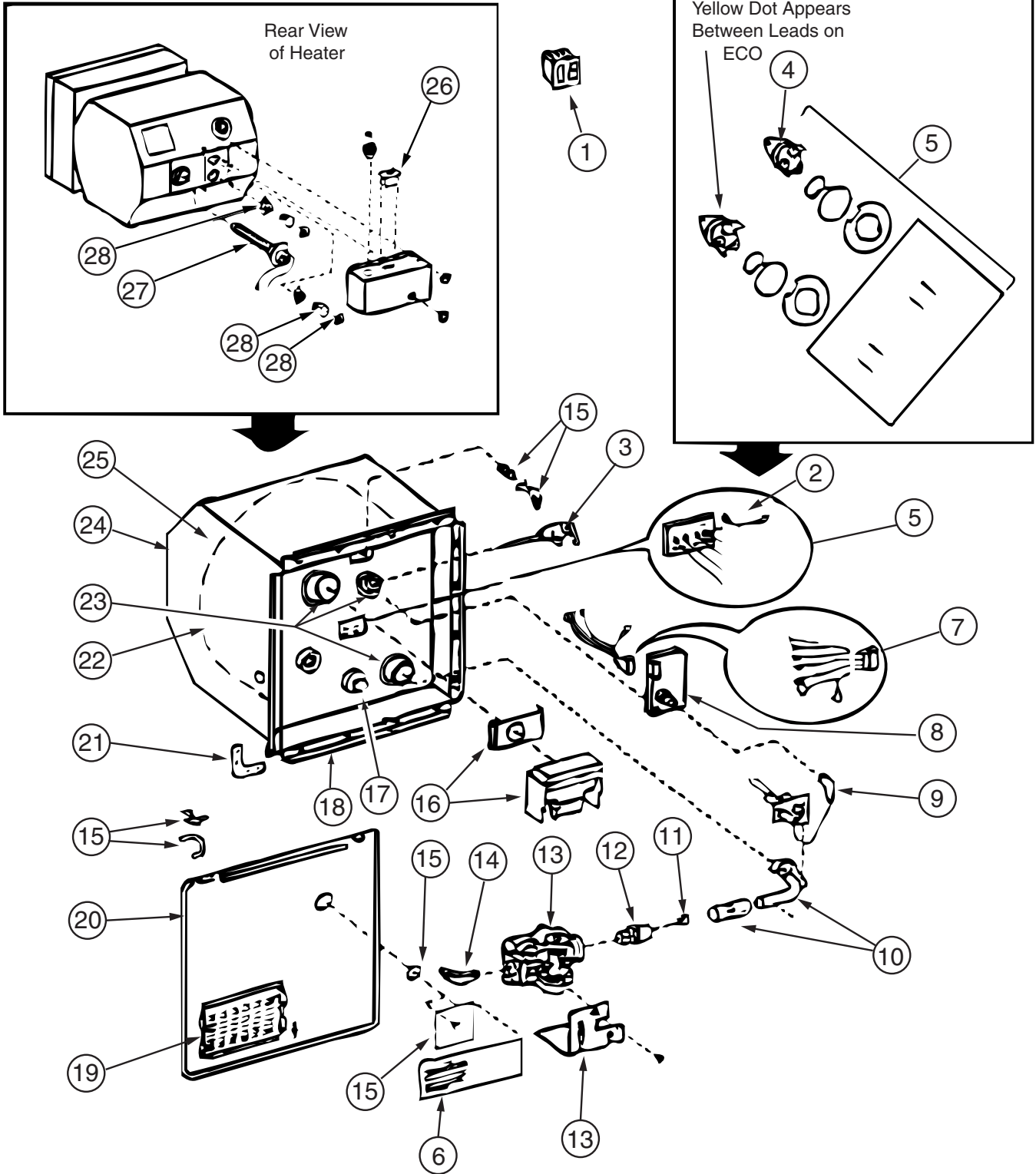


FORD

| KEY | PART NUMBER | U/M | DESCRIPTION |
|-----|---------------|-----|--|
| 1 | 132224-05-000 | EA | TANK - WATER - 40 GAL - W/FITTINGS - SECONDARY |
| 1 | 132224-01-000 | EA | TANK - WATER - 40 GALLON - W/O FITTINGS |
| | 042989-03-000 | EA | FITTING - SPINWELD - 1 1/4"NPT - PLASTIC |
| | 042989-05-000 | EA | FITTING - SPINWELD - 1/2"FPT - PLASTIC |
| | 049032-01-000 | EA | PATCH - SPINWELD - 3/8" - PLASTIC |
| 2 | 132224-09-000 | EA | TANK - WATER - 40 GAL - W/FITTINGS - SECONDARY |
| | 132224-01-000 | EA | TANK - WATER - 40 GALLON - W/O FITTINGS |
| | 042989-03-000 | EA | FITTING - SPINWELD - 1 1/4"NPT - PLASTIC |
| | 042989-05-000 | EA | FITTING - SPINWELD - 1/2"FPT - PLASTIC |
| | 042989-08-000 | EA | FITTING - SPINWELD - 1"FPT - PLASTIC |
| | 049032-01-000 | EA | PATCH - SPINWELD - 3/8" - PLASTIC |
| 3 | 136034-02-12B | EA | PANEL/SERVICE CENTER - BRIGHT WHITE |

WATER & SEWAGE GROUP (CONTINUED)

COMPONENT PARTS FOR WATER SYSTEM



051391-07-000

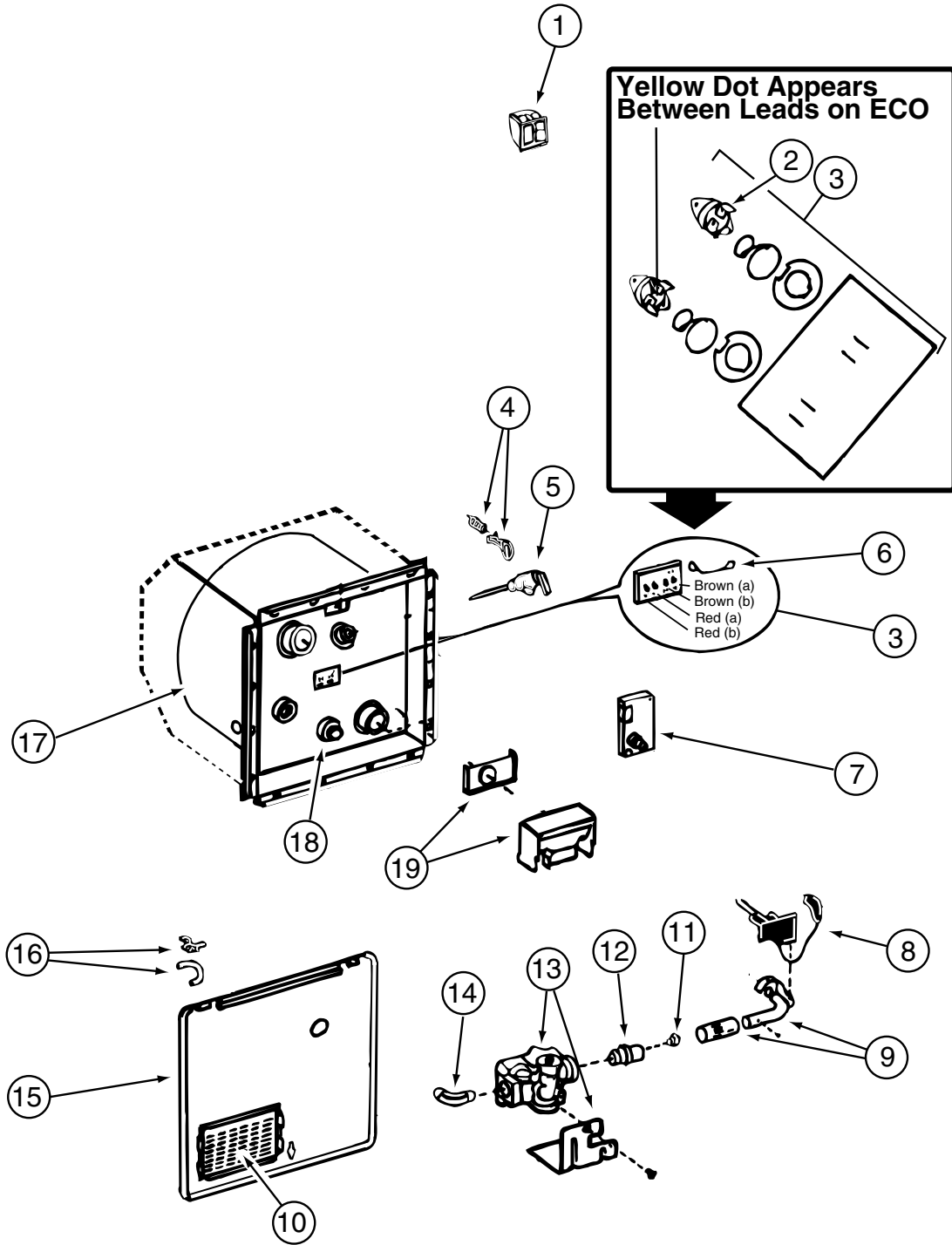
WATER & SEWAGE GROUP (CONTINUED)
COMPONENT PARTS FOR WATER SYSTEM (CONTINUED)

051391-07-000 (CONTINUED)

| KEY | PART NUMBER | U/M | DESCRIPTION | VENDOR NO. |
|------------|--------------------|------------|------------------------------|-------------------|
| 1 | 051393-01-701 | EA | SWITCH - REMOTE - W/LIGHT | 91959 |
| 2 | 051393-01-723 | EA | SWITCH - THERMAL CUTOUT 2/PK | 93866 |
| 3 | 051391-01-704 | EA | VALVE-RELIEF, 1/2" FITTING | 91604 |
| 4 | 051391-04-701 | EA | THERMOSTAT 12V DC-120 PRESET | 91470 |
| 5 | 051393-01-721 | EA | THERMOSTAT W/ECO, 140 FRT MT | 91447 |
| 9 | 051393-01-725 | EA | ELECTRODE-SGL SPADE CONNECT. | 93868 |
| 10 | 051391-04-703 | EA | BURNER-MAIN/ELECTRONIC IG | 91638 |
| 11 | 051391-01-710 | EA | ORIFICE-MAIN BURNER | 92742 |
| 12 | 051391-03-700 | EA | HOLDER-ORIFICE | 91563 |
| 13 | 051393-01-726 | EA | VALVE-SOLENOID, W/O BRACKET | 93870 |
| 15 | 051391-05-703 | EA | HARDWARE KIT-DOOR | 91858 |
| 16 | 051391-04-707 | EA | KIT-EXHAUST, (FLUE & GASKET) | 90960 |
| 17 | 051391-01-715 | EA | PLUG-DRAIN, 1 EA = 2 PER PKG | 91857 |
| 19 | 051391-01-717 | EA | GRILLE-WATER HEATER DOOR | 92640 |
| 21 | 111129-01-711 | EA | BRACKET-CORNER, SET OF FOUR | 91928 |
| 22 | 051391-07-701 | EA | TANK-INNER W/JACKET/INSUL | 91592 |
| 26 | 051391-07-700 | EA | SWITCH 0N/OFF - 110 VAC | 92857 |
| 27 | 051391-05-706 | EA | ELEMENT-HEATING 1500 WATT | 91160 W/GASKET |
| 28 | 051391-05-707 | EA | THERMOSTAT & ECO - 110 VOLT | 91873 |

CONTACT WINNEBAGO PART SALES FOR UNLISTED COMPONENT

WATER & SEWAGE GROUP (CONTINUED)
COMPONENT PARTS FOR WATER SYSTEM (CONTINUED)



051393-01-000

WATER & SEWAGE GROUP (CONTINUED)
COMPONENT PARTS FOR WATER SYSTEM (CONTINUED)

051393-01-000 (CONTINUED)

| KEY | PART NUMBER | U/M | DESCRIPTION | VENDOR NO. |
|------------|--------------------|------------|--|-------------------|
| 1 | 051393-01-701 | EA | SWITCH PACKAGE | 91959 |
| 2 | 051391-04-701 | EA | THERMOSTAT 12V DC-120 PRESET | 91470 |
| 3 | 051393-01-721 | EA | ECO & THERMOSTAT ASM - FRT MT - 140 | 91447 |
| 4 | 051391-01-705 | EA | FASTENER - CAMLOC | 92609 |
| 5 | 051391-01-704 | EA | VALVE - RELIEF - 1/2" FITTING | 91604 |
| 6 | 051393-01-723 | EA | SWITCH - ENERGY CUT-OFF | 93866 |
| 7 | 051393-01-724 | EA | CIRCUIT BOARD - W/ SPADE TERMINAL | 93867 |
| 8 | 051393-01-725 | EA | ELECTRODE - SINGLE SPADE CNT | 93868 |
| 9 | 051391-04-703 | EA | BURNER - MAIN | 91638 |
| 10 | 051391-01-717 | EA | GRILLE | 92640 |
| 11 | 051391-01-710 | EA | ORIFICE - MAIN BURNER | 92742 |
| 12 | 051391-03-700 | EA | ORIFICE HOLDER | 91563 |
| 13 | 051393-01-726 | EA | SOLENOID VALVE & BRACKET | 93870 |
| 14 | 051391-01-714 | EA | ELBOW - 45 DEGREE - 3/8"F X 3/8"MPT | 91044 |
| 15 | | EA | DOOR-WATER HEATER - SEE EXTERIOR DOOR & COMPARTMENT GROUP BY MODEL | |
| 16 | 051391-01-700 | EA | HINGE KIT - W/CLIP | 92568 & 92559 |
| 17 | 051391-04-704 | EA | TANK - INNER | 91642 |
| 18 | 051391-01-715 | EA | DRAIN PLUG | 91857 |
| 19 | 051391-04-707 | EA | FLUE & GASKET | 90960 |
| | 111129-01-711 | EA | BRACKET-CORNER, SET OF FOUR | 91928 |

098607-01-000

| KEY | PART NUMBER | U/M | DESCRIPTION | VENDOR NO. |
|------------|--------------------|------------|------------------------------|-------------------|
| | 098607-01-702 | EA | DIAPHRAGM/DRIVE ASSEMBLY KIT | 94-238-04 |
| | 098607-01-703 | EA | VALVE KIT | 94-232-00 |
| | 098607-01-705 | EA | VALVE-CHECK, KIT | 94-237-00 |
| | 098607-01-706 | EA | HOUSING, W/SWITCH ONLY | 94-231-20 |
| | 098607-01-707 | EA | MOTOR W/BASEPLATE | 11-148-04 |

110506-26-000 - 110506-27-000 - 110506-33-000

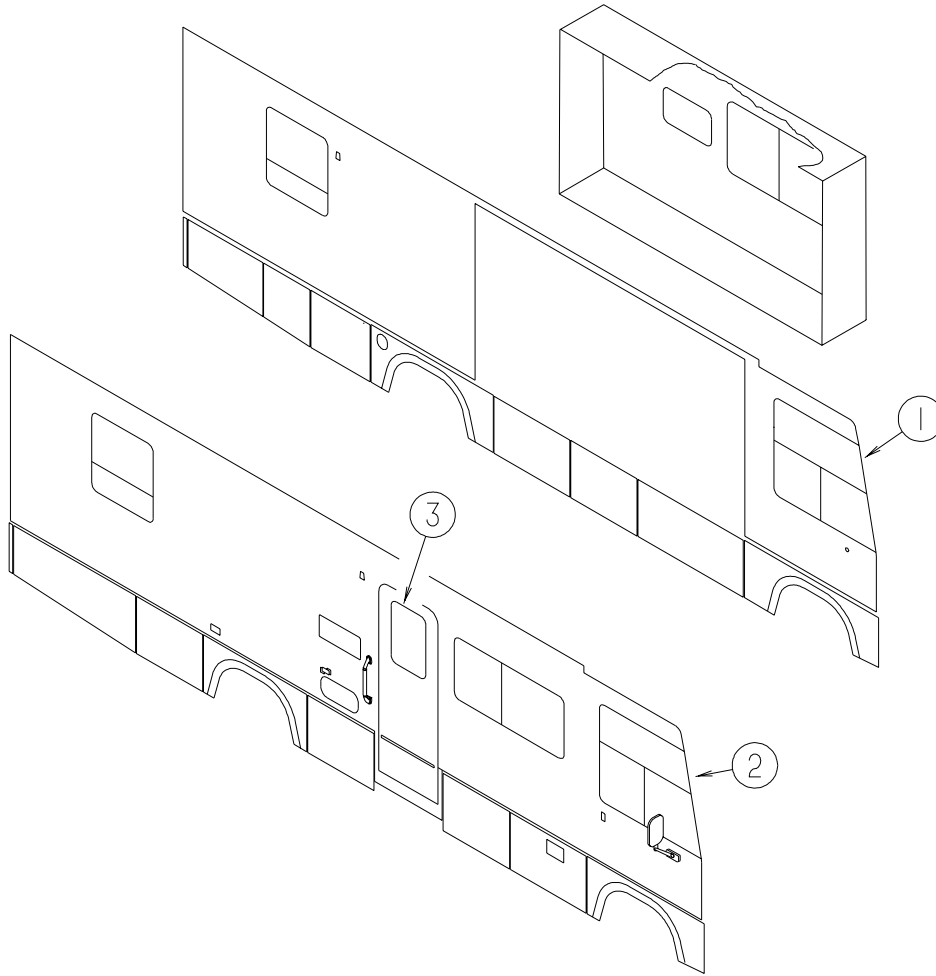
| KEY | PART NUMBER | U/M | DESCRIPTION | VENDOR NO . |
|------------|--------------------|------------|--------------------------------|--------------------|
| | 110506-40-700 | EA | HARDWARE PACKAGE-CYLINDER/CASE | 596950AAL |

131340-01-01A

| KEY | PART NUMBER | U/M | DESCRIPTION | VENDOR NO. |
|------------|--------------------|------------|-----------------------|-------------------|
| | 119677-01-701 | EA | SHOWER HEAD ONLY 1/2" | 34PB |
| | 131340-01-700 | EA | BUTTON - HOT/COLD | N1201-16 |
| | 131340-01-701 | EA | KNOB - CLEAR | N1201-9 |

WINDOW & VENTS GROUP

WINDOW & VENT LAYOUT



| KEY | PART NUMBER | U/M | DESCRIPTION |
|-----|---------------|-----|--|
| 1* | 125582-02-01A | EA | WINDOW - DRIVER CAB/3 WINDOW - 42.9"T X 42.6"H X 51.2"B |
| 1* | 125583-02-01A | EA | WINDOW - CAB DRVR-3 GLASS THERMO-42.9"T X 51.2"B X 42.6"H |
| 2* | 125582-01-01A | EA | WINDOW - PASSENGER CAB/3 WINDOW - 42.9"T X 42.6"H X 51.2"B |
| 2* | 125583-01-01A | EA | WINDOW - CAB PASS-3 GLASS THERMO- 42.9"T X 51.2"B X 42.6"H |
| 3 | 117053-02-F36 | EA | WINDOW - PICTURE - 60% TINTING - 26.4" X 17" |
| | 002181-25-000 | EA | GLASS - PICTURE WINDOW - 25.8"W X 16.4"H |
| | 087561-01-000 | FT | SEAL - GLASS - EXTERIOR - .5" WIDE - VINYL BLACK |
| | 117054-02-02A | EA | RETAINER - TRIM - BRIGHT WHITE |
| 3* | 113733-10-01A | EA | WINDOW - STATIONARY - THERMO - 26.3" X 17" |
| | 084073-04-000 | EA | BASE/VENT - ROOF/REFRIGERATOR - BLACK - NORCOLD |
| | 084073-07-000 | EA | VENT - ROOF/REFRIGERATOR - BRIGHT WHITE - NORCOLD |
| * | 122882-01-01A | EA | VENT - ROOF - NONPOWERED - W/O INSIDE GARNISH |
| | 009440-01-000 | EA | GEAR/ARM - LIFT - ROOF VENT COVER |
| | 122882-07-01A | EA | GARNISH - ROOF VENT - 2.5" TO 4.1" |
| * | 122882-02-01A | EA | VENT - ROOF - W/FAN - W/O INSIDE GARNISH - UL |
| | 009440-01-000 | EA | GEAR/ARM - LIFT - ROOF VENT COVER |
| | 048648-01-000 | EA | MOTOR - ROOF VENT - 1/8 SHAFT - 12VOLT |
| | 048649-01-000 | EA | FAN BLADE - ROOF VENT - 6 BLADES - 6" |
| | 122882-07-01A | EA | GARNISH - ROOF VENT - 2.5" TO 4.1" |
| * | 122882-03-01A | EA | VENT - ROOF - W/FAN - W/O INSIDE GARNISH - CSA |
| | 009440-01-000 | EA | GEAR/ARM - LIFT - ROOF VENT COVER |
| | 048648-01-000 | EA | MOTOR - ROOF VENT - 1/8 SHAFT - 12VOLT |
| | 048649-01-000 | EA | FAN BLADE - ROOF VENT - 6 BLADES - 6" |
| | 122882-07-01A | EA | GARNISH - ROOF VENT - 2.5" TO 4.1" |
| * | 123780-03-01A | EA | FANTASTIC VENT - 3"-4" ROOF - W/FAN - W/O THERM/PWR LIFT |

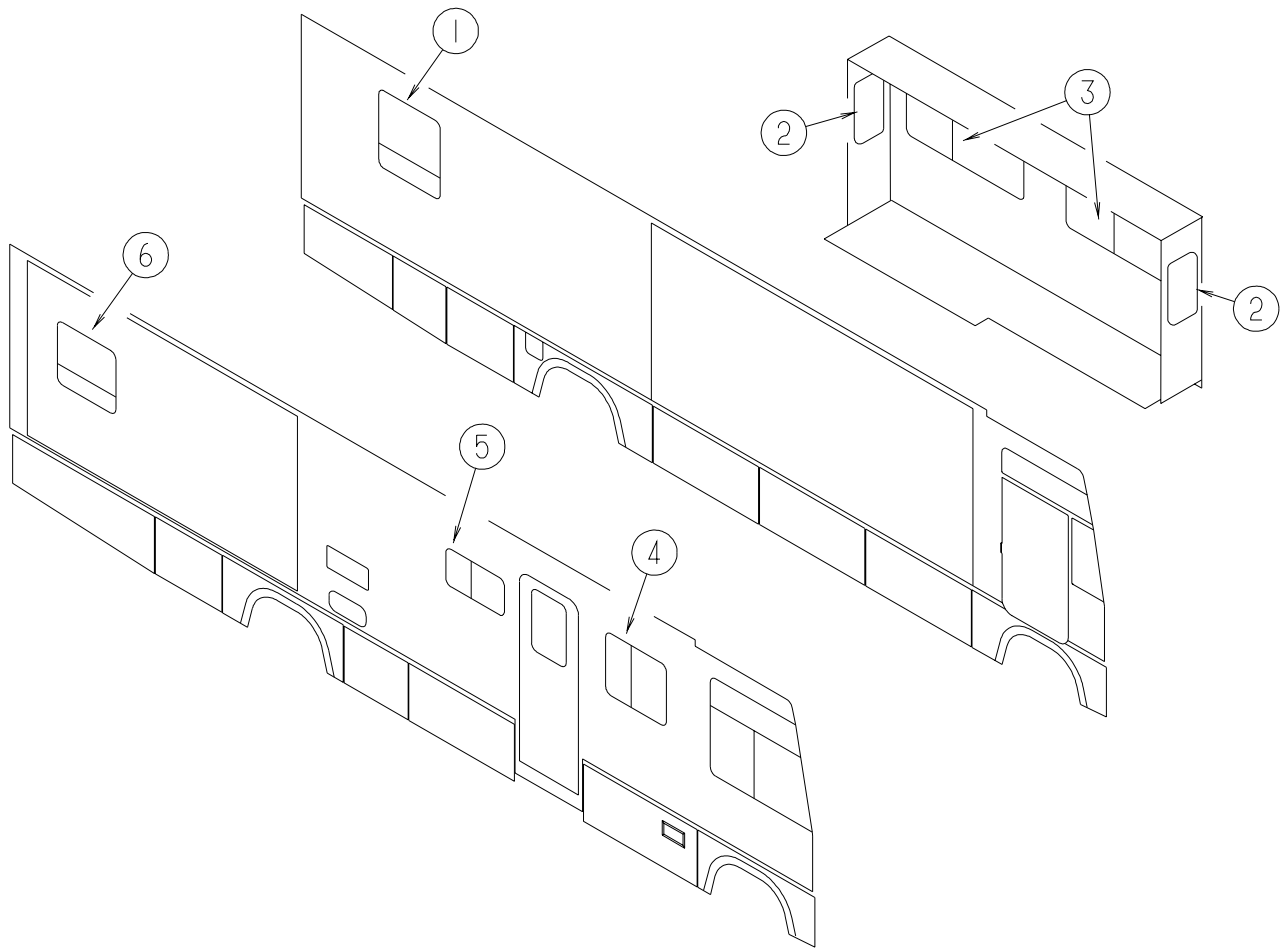
*COMPONENT PARTS LISTED LATER IN THIS GROUP

WINDOW & VENTS GROUP (CONTINUED)

WINDOW & VENT LAYOUT (CONTINUED)

| KEY | PART NUMBER | U/M | DESCRIPTION |
|-----|---------------|-----|--|
| | 122214-01-02A | EA | PANEL - SKYLITE - INNER - W/ANGLED CORNER - WHITE - F30W, F36M |
| | 122215-01-02A | EA | PANEL - SKYLITE - OUTER - W/ANGLED CORNER - WHITE - F30W, F36M FROM: 00-00-00 THRU: 08-12-01 |
| | 139411-01-01A | EA | PANEL - SKYLITE - OUTER - NEO ANGLE - WHITE - F30W, F36M FROM: 08-13-01 THRU: 99-99-99 |
| | 122191-01-02A | EA | PANEL - SKYLIGHT - INNER W/LIGHT CUTOUT - 20.7" X 35.4" - F32V, F34D |
| | 114496-01-02A | EA | PANEL - OUTER SKYLIGHT - 22" X 37" - F32V, F34D FROM: 00-00-00 THRU: 08-12-01 |
| | 138380-01-01A | EA | PANEL - SKYLIGHT - LARGE OUTER - RECTANGULAR - WHITE - F32V, F34D FROM: 08-13-01 THRU: 99-99-99 |
| | 138372-01-12B | EA | TRIM - CORNER - SKYLIGHT - BRIGHT WHITE - F30W, F32V, F34D, F36M FROM: 08-13-01 THRU: 99-99-99 |
| | 138983-01-01A | EA | VENT - MICROWAVE OUTER - BRIGHT WHITE |
| | 138983-02-01A | EA | COVER - VENT MICROWAVE OUTER - BRIGHT WHITE |

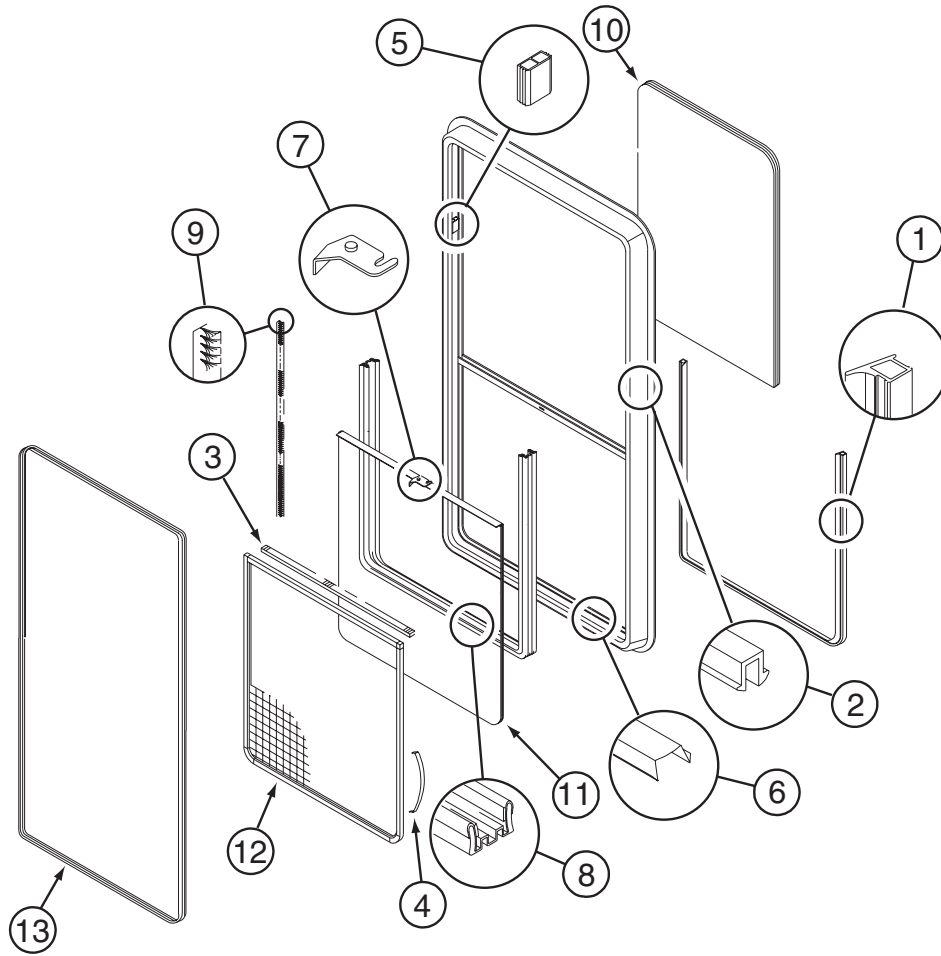
WINDOW & VENTS GROUP (CONTINUED)
WINDOW & VENT LAYOUT (CONTINUED)



| KEY | PART NUMBER | U/M | DESCRIPTION |
|-----|---------------|-----|--|
| 1 | 113500-07-02A | EA | WINDOW - DOUBLE TIPOUT ESCAPE - TINTED - 24.2" X 30.2" |
| 1* | 137867-03-01A | EA | WINDOW - DOUBLE TIPOUT ESCAPE/THERMO - 24.2" X 30.2" |
| 2* | 098644-13-01A | EA | WINDOW - VERTICAL SLIDER W/TRIM - 19.8" X 20.9" |
| 2* | 134004-03-01A | EA | WINDOW - VERT SLIDER/FLUSH O/S-THERMO - 21" X 19.8" |
| 3* | 098647-47-02A | EA | WINDOW - DRVR HORIZ SLIDER TINTED W/RETAINER-23.6" X 57.5" |
| 3* | 112795-77-01A | EA | WINDOW - DRIVER HORIZONTAL SLIDER - THERMO - 57.5" X 23.6" |
| 4* | 098644-11-02A | EA | WINDOW - VERTICAL SLIDER W/TRIM - TINTED - 26.4" X 27" |
| 4* | 112898-25-01A | EA | WINDOW - VERTICAL SLIDER - THERMOPANE - 26.3" X 26.9" |
| 5* | 098647-33-02A | EA | WINDOW - PASS HORIZ SLIDER W/TRIM - CLEAR - 15.7" X 28.5" |
| 5* | 112795-72-01A | EA | WINDOW - PASSENGER HORIZ SLIDER - THERMO - 28.5" X 15.7" |
| 6* | 113500-01-02A | EA | WINDOW - DOUBLE TIPOUT - TINTED - 24.5" X 41.3" |
| 6* | 129929-11-01A | EA | WINDOW - TORQUE - THERMO - 24.4" X 41.3" |

***COMPONENT PARTS LISTED LATER IN THIS GROUP**

WINDOW & VENTS GROUP (CONTINUED)
COMPONENT PARTS FOR WINDOWS & VENT LAYOUT



098644-11-02A

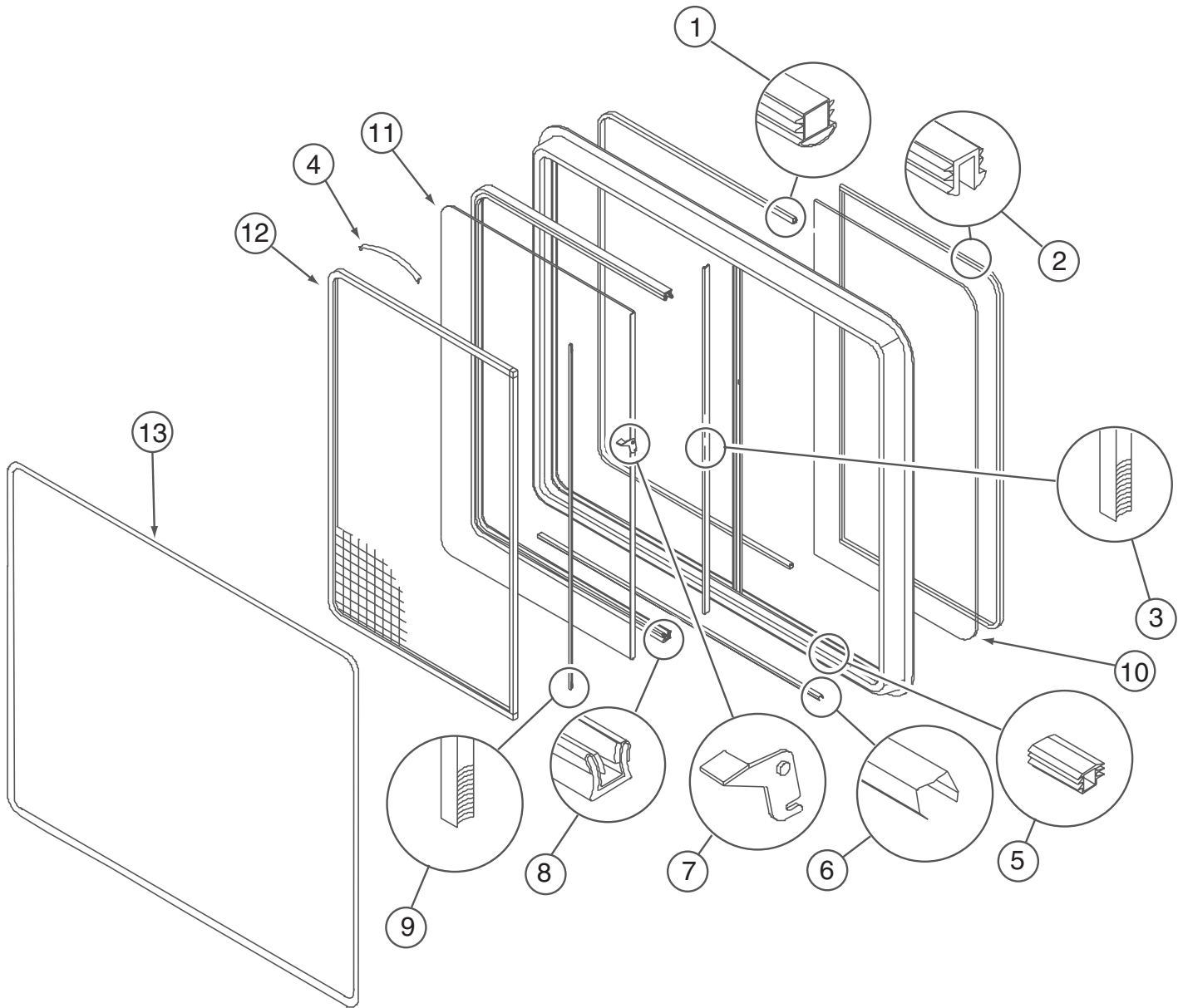
| KEY | PART NUMBER | U/M | DESCRIPTION | VENDOR NO. |
|-----|---------------|-----|------------------------------|------------|
| 1 | 098644-01-716 | FT | PLUG - FILLER | 132-014470 |
| 2 | 098644-01-705 | FT | GLAZING - STRIP | 132-010231 |
| 3 | 098644-01-706 | FT | WEATHERSTRIP - GLASS | 171-010668 |
| 4 | 098644-01-713 | EA | CLIP - SCREEN - METAL | 226-016966 |
| 4 | 125582-01-701 | EA | CLIP - SCREEN - PLASTIC | 130-005153 |
| 5 | 098644-01-719 | EA | STOP - SLIDER GLASS | 132-014203 |
| 6 | 098644-01-710 | FT | TRACK - SCREEN SPACER 12' | 132-017135 |
| 7 | 098644-01-700 | EA | LATCH - REPAIR KIT (BLACK) | B801-CK |
| 8 | 098644-01-708 | FT | CHANNEL - RUN PIERCED | 122-016543 |
| 9 | 098644-01-711 | FT | WEATHERSTRIP - SCREEN BLACK | 171-016965 |
| 10 | 098644-11-700 | EA | GLASS - STATIONARY | 106-026280 |
| 11 | 098644-11-701 | EA | GLASS-SLIDING W/SASH & LATCH | H564-G9 |
| 12 | 112898-19-702 | EA | SCREEN ASM - W/SEALS & CLIPS | 410-026279 |
| 13 | 098644-11-702 | EA | RETAINER - TRIM | H564-66 |
| | 098644-01-717 | FT | SPLINE - SCREEN | 132-004716 |

WINDOW & VENTS GROUP (CONTINUED)
COMPONENT PARTS FOR WINDOWS & VENT LAYOUT (CONTINUED)

098644-13-01A

| KEY | PART NUMBER | U/M | DESCRIPTION | VENDOR NO. |
|-----|---------------|-----|------------------------------|------------|
| 1 | 098644-01-716 | FT | PLUG - FILLER | 132-014470 |
| 2 | 098644-01-705 | FT | GLAZING - STRIP | 132-010231 |
| 3 | 098644-01-706 | FT | WEATHERSTRIP - GLASS | 171-010668 |
| 4 | 098644-01-713 | EA | CLIP - SCREEN - METAL | 226-016966 |
| 4 | 125582-01-701 | EA | CLIP - SCREEN - PLASTIC | 130-005153 |
| 5 | 098644-01-719 | EA | STOP - SLIDER GLASS | 132-014203 |
| 6 | 098644-01-710 | FT | TRACK - SCREEN SPACER 12' | 132-017135 |
| 7 | 098644-01-700 | EA | LATCH - REPAIR KIT (BLACK) | B801-CK |
| 8 | 098644-01-708 | FT | CHANNEL - RUN PIERCED | 122-016543 |
| 9 | 098644-01-711 | FT | WEATHERSTRIP - SCREEN BLACK | 171-016965 |
| 10 | 098644-13-700 | EA | GLASS - STATIONARY | 106-028698 |
| 11 | 098644-13-701 | EA | GLASS - SLIDING W/SASH/LATCH | H702-G9 |
| 12 | 098644-13-702 | EA | SCREEN ASM - W/SEALS/CLIPS | 410-028663 |
| 13 | 098644-13-703 | EA | RETAINER - TRIM | H702-60 |
| | 098644-01-717 | FT | SPLINE - SCREEN | 132-004716 |

WINDOW & VENTS GROUP (CONTINUED)
COMPONENT PARTS FOR WINDOWS & VENT LAYOUT (CONTINUED)



098647-33-02A

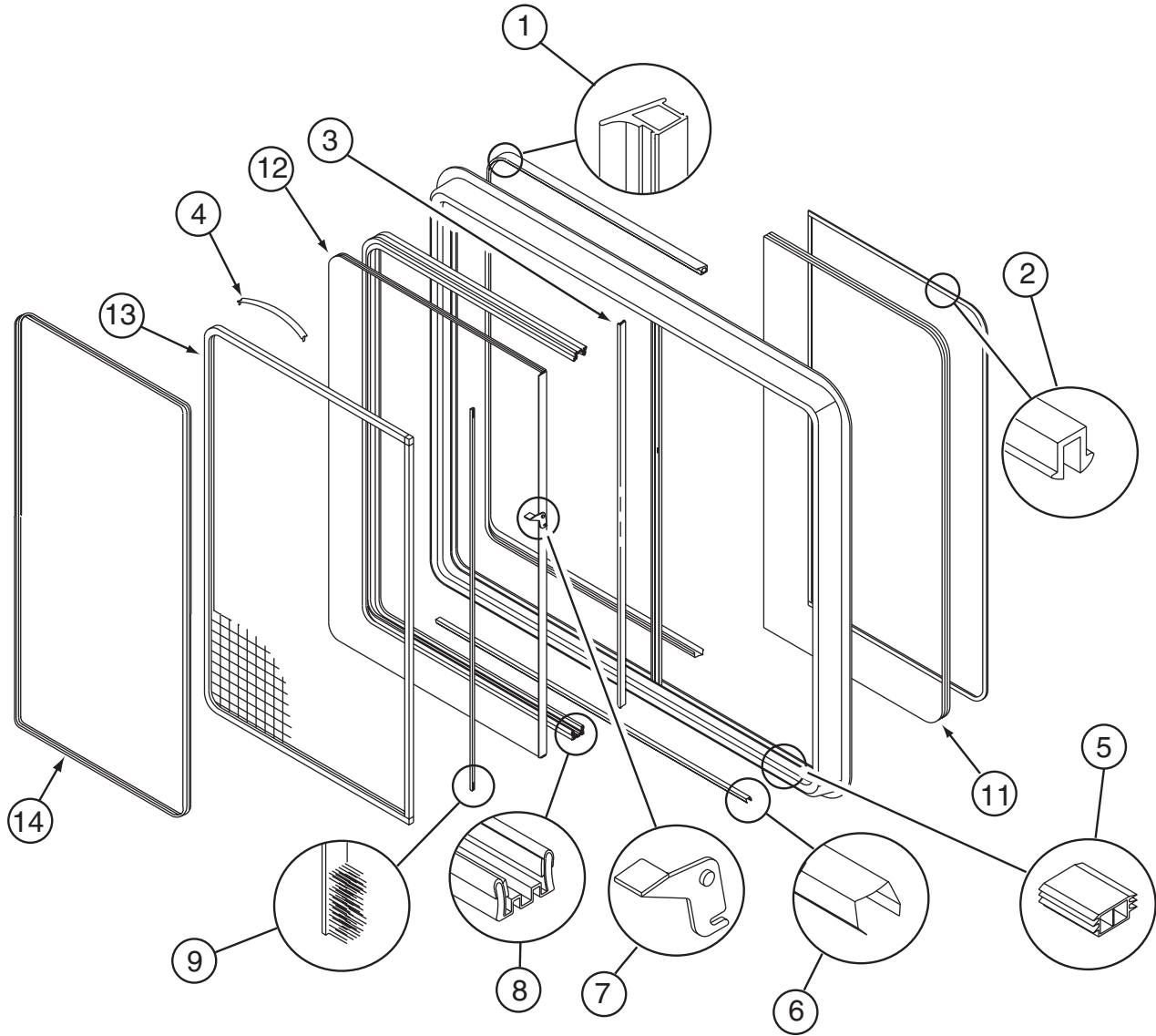
| KEY | PART NUMBER | U/M | DESCRIPTION | VENDOR NO. |
|-----|---------------|-----|------------------------------|------------|
| 1 | 098644-01-716 | FT | PLUG - FILLER | 132-014470 |
| 2 | 098644-01-705 | FT | GLAZING - STRIP | 132-010231 |
| 3 | 098644-01-706 | FT | WEATHERSTRIP - GLASS | 171-010668 |
| 4 | 098644-01-713 | EA | CLIP - SCREEN - METAL | 226-016966 |
| 4 | 125582-01-701 | EA | CLIP - SCREEN - PLASTIC | 130-0 |
| 5 | 098644-01-719 | EA | STOP - SLIDER GLASS | 132-014203 |
| 6 | 098644-01-710 | FT | TRACK - SCREEN SPACER 12' | 132-017135 |
| 7 | 098644-01-700 | EA | LATCH - REPAIR KIT (BLACK) | B801-CK |
| 8 | 098644-01-708 | FT | CHANNEL - RUN PIERCED | 122-016543 |
| 9 | 098644-01-711 | FT | WEATHERSTRIP - SCREEN BLACK | 171-016965 |
| 10 | 098647-33-702 | EA | GLASS - STATIONARY | 106-019297 |
| 11 | 098647-33-703 | EA | GLASS-SLIDING W/SASH & LATCH | H425-G9 |
| 12 | 098647-33-704 | EA | SCREEN ASM - W/SEALS & CLIPS | 410-019134 |
| 13 | 098647-31-705 | EA | RETAINER - TRIM | CH29-66 |
| | 098644-01-717 | FT | SPLINE - SCREEN | 132-004716 |

WINDOW & VENTS GROUP (CONTINUED)
COMPONENT PARTS FOR WINDOWS & VENT LAYOUT (CONTINUED)

098647-47-02A

| KEY | PART NUMBER | U/M | DESCRIPTION | VENDOR NO. |
|-----|---------------|-----|------------------------------|------------|
| 1 | 098644-01-716 | FT | PLUG - FILLER | 132-014470 |
| 2 | 098644-01-705 | FT | GLAZING - STRIP | 132-010231 |
| 3 | 098644-01-706 | FT | WEATHERSTRIP - GLASS | 171-010668 |
| 4 | 098644-01-713 | EA | CLIP - SCREEN - METAL | 226-016966 |
| 4 | 125582-01-701 | EA | CLIP - SCREEN - PLASTIC | 130-0 |
| 5 | 098644-01-719 | EA | STOP - SLIDER GLASS | 132-014203 |
| 6 | 098644-01-710 | FT | TRACK - SCREEN SPACER 12' | 132-017135 |
| 7 | 098644-01-700 | EA | LATCH - REPAIR KIT (BLACK) | B801-CK |
| 8 | 098644-01-708 | FT | CHANNEL - RUN PIERCED | 122-016543 |
| 9 | 098644-01-711 | FT | WEATHERSTRIP - SCREEN BLACK | 171-016965 |
| 10 | 098647-47-700 | EA | GLASS - STATIONARY | 106-025224 |
| 11 | 098647-47-701 | EA | GLASS-SLIDING W/SASH & LATCH | H493-G9 |
| 12 | 098647-47-702 | EA | SCREEN ASM - W/SEALS & CLIPS | 410-025226 |
| 13 | 098647-47-704 | EA | RETAINER - TRIM | H493-66 |
| | 098644-01-717 | FT | SPLINE - SCREEN | 132-004716 |

WINDOW & VENTS GROUP (CONTINUED)
COMPONENT PARTS FOR WINDOWS & VENT LAYOUT (CONTINUED)



112795-72-01A

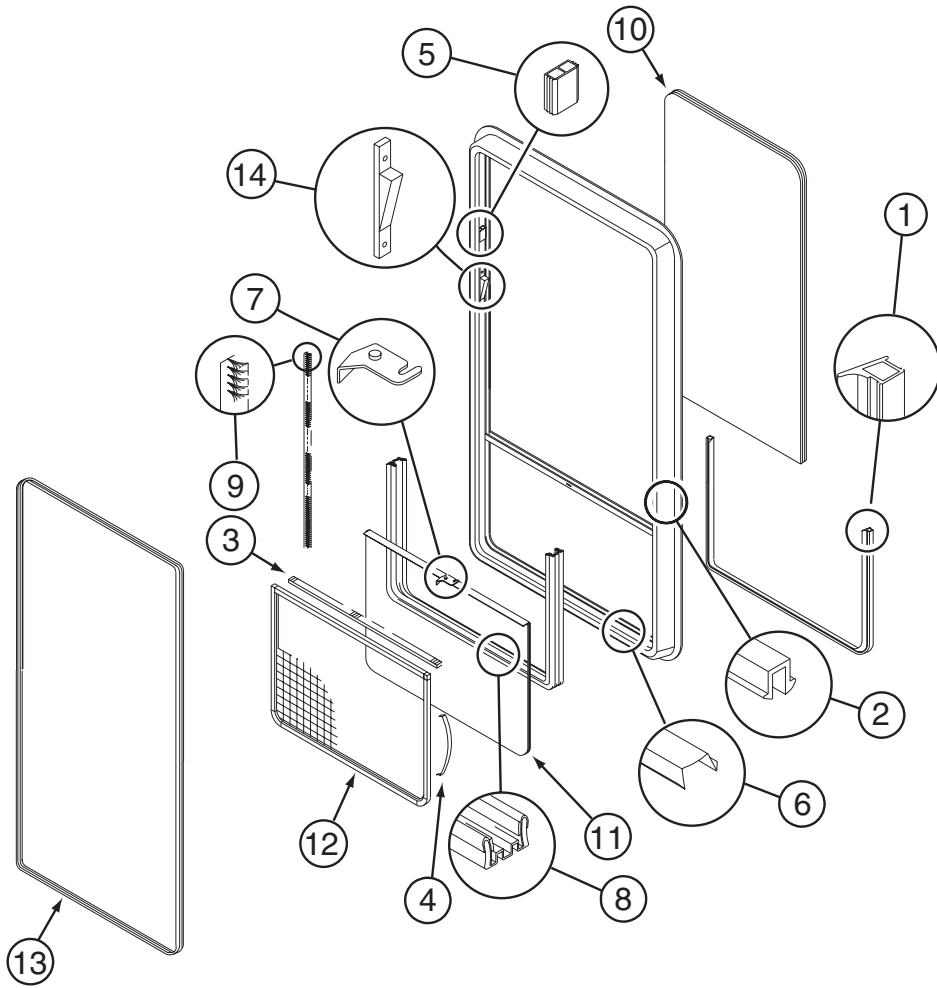
| KEY | PART NUMBER | U/M | DESCRIPTION | VENDOR NO. |
|-----|---------------|-----|------------------------------|------------|
| 1 | 112795-01-704 | FT | PLUG FILLER (DOUBLE GLAZED) | 122-018737 |
| 2 | 112795-01-705 | FT | VINYL - GLAZING | 132-025736 |
| 3 | 098644-01-706 | FT | WEATHERSTRIP - GLASS | 171-010668 |
| 4 | 098644-01-713 | EA | CLIP - SCREEN - METAL | 226-016966 |
| 4 | 125582-01-701 | EA | CLIP - SCREEN - PLASTIC | 130-005153 |
| | 098644-01-717 | FT | SPLINE - SCREEN | 132-004716 |
| 5 | 112795-01-701 | EA | SLIDE-STOP | 132-019092 |
| 6 | 098644-01-710 | FT | TRACK - SCREEN SPACER 12' | 132-017135 |
| 7 | 112795-01-700 | EA | LATCH ASM., BLK.,(BOLT ON) | DH287-CK |
| 8 | 112795-01-703 | IN | CHANNEL-RUN (INCHES) | 122-018736 |
| 9 | 098644-01-711 | FT | WEATHERSTRIP - SCREEN BLACK | 171-016965 |
| 11 | 112795-72-700 | EA | GLASS - STATIONARY | 390-028307 |
| 12 | 112795-72-701 | EA | GLASS - SLIDING W/SASH LATCH | DC29-G8 |
| 13 | 098647-31-704 | EA | SCREEN ASSY - W/SEAL & CLIPS | 410-019128 |
| 14 | 098647-31-705 | EA | RETAINER - TRIM | CH29-66 |

WINDOW & VENTS GROUP (CONTINUED)
COMPONENT PARTS FOR WINDOWS & VENT LAYOUT (CONTINUED)

112795-77-01A

| KEY | PART NUMBER | U/M | DESCRIPTION | VENDOR NO. |
|------------|--------------------|------------|------------------------------|-------------------|
| 1 | 112795-01-704 | FT | PLUG FILLER (DOUBLE GLAZED) | 122-018737 |
| 2 | 112795-01-705 | FT | VINYL - GLAZING | 132-025736 |
| 3 | 098644-01-706 | FT | WEATHERSTRIP - GLASS | 171-010668 |
| 4 | 098644-01-713 | EA | CLIP - SCREEN - METAL | 226-016966 |
| 4 | 125582-01-701 | EA | CLIP - SCREEN - PLASTIC | 130-005153 |
| | 098644-01-717 | FT | SPLINE - SCREEN | 132-004716 |
| 5 | 112795-01-701 | EA | SLIDE-STOP | 132-019092 |
| 6 | 098644-01-710 | FT | TRACK - SCREEN SPACER 12' | 132-017135 |
| 7 | 112795-01-700 | EA | LATCH ASM., BLK.,(BOLT ON) | DH287-CK |
| 8 | 112795-01-703 | IN | CHANNEL-RUN (INCHES) | 122-018736 |
| 9 | 098644-01-711 | FT | WEATHERSTRIP - SCREEN BLACK | 171-016965 |
| 11 | 112795-77-700 | EA | GLASS - STATIONARY | 390-28313 |
| 12 | 112795-77-701 | EA | GLASS - SLIDING W/SASH LATCH | DH493-G8 |
| 13 | 098647-47-702 | EA | SCREEN ASSY - W/SEAL & CLIPS | 410-025226 |
| 14 | 098647-47-704 | EA | RETAINER - TRIM | H493-66 |

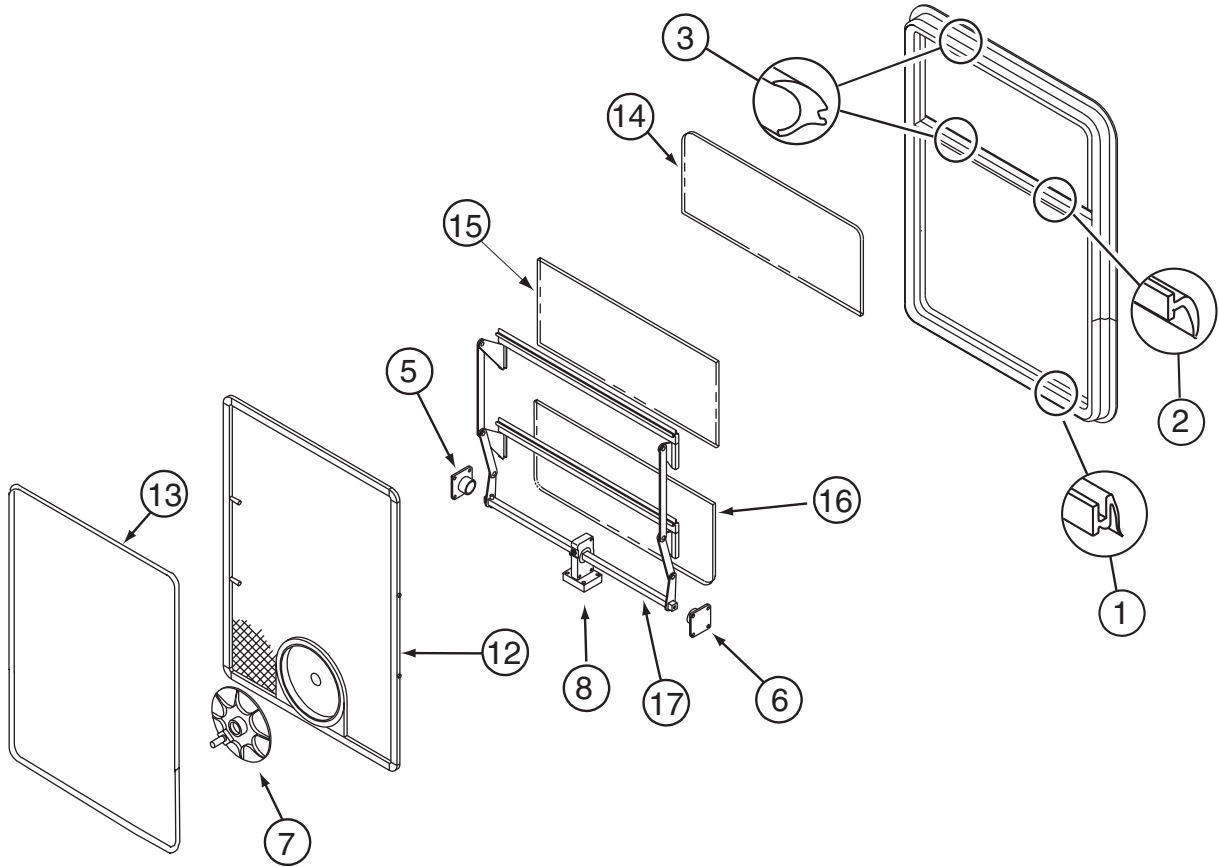
WINDOW & VENTS GROUP (CONTINUED)
COMPONENT PARTS FOR WINDOWS & VENT LAYOUT (CONTINUED)



112898-25-01A

| KEY | PART NUMBER | U/M | DESCRIPTION | VENDOR NO. |
|-----|---------------|-----|------------------------------|------------|
| 1 | 112795-01-704 | FT | PLUG FILLER (DOUBLE GLAZED) | 122-018737 |
| 2 | 112795-01-705 | FT | VINYL - GLAZING | 132-025736 |
| 3 | 098644-01-706 | FT | WEATHERSTRIP - GLASS | 171-010668 |
| 4 | 098644-01-713 | EA | CLIP - SCREEN - METAL | 226-016966 |
| 4 | 125582-01-701 | EA | CLIP - SCREEN - PLASTIC | 130-005153 |
| 5 | 112795-01-701 | EA | SLIDE-STOP | 132-019092 |
| 6 | 098644-01-710 | FT | TRACK - SCREEN SPACER 12' | 132-017135 |
| 7 | 112795-01-700 | EA | LATCH ASM., BLK.,(BOLT ON) | DH287-CK |
| 8 | 112795-01-703 | IN | CHANNEL-RUN (INCHES) | 122-018736 |
| 9 | 098644-01-711 | FT | WEATHERSTRIP - SCREEN BLACK | 171-016965 |
| 10 | 112898-25-700 | EA | GLASS - STATIONARY | 390-028310 |
| 11 | 112898-25-701 | EA | GLASS-SLIDING W/SASH & LATCH | DH564-G8 |
| 12 | 112898-19-702 | EA | SCREEN ASM - W/SEALS & CLIPS | 410-026279 |
| 13 | 112898-19-703 | EA | RETAINER - TRIM | W564-66 |
| 14 | 112898-04-703 | EA | VERTICAL LATCH (SASH KIT) | DH343-CK |
| | 098644-01-717 | FT | SPLINE - SCREEN | 132-004716 |

WINDOW & VENTS GROUP (CONTINUED)
COMPONENT PARTS FOR WINDOWS & VENT LAYOUT (CONTINUED)



113500-01-02A

| KEY | PART NUMBER | U/M | DESCRIPTION | VENDOR NO. |
|-----|---------------|-----|------------------------------|------------|
| 1 | 116976-01-702 | FT | FILLER PLUG | 132-016065 |
| 2 | 100322-01-701 | FT | SEAL-VENT | 122-016071 |
| 3 | 100322-01-702 | EA | WEATHERSTRIP-HORIZ RAIL-148" | 132-019631 |
| | 100322-01-703 | FT | VINYL-GLAZING, BUTYL | 132-010723 |
| 5 | 100322-01-714 | EA | SUPPORT-TORQUE BAR, LH | 130-015978 |
| 6 | 100322-01-715 | EA | SUPPORT-TORQUE BAR, RH | 130-015979 |
| 7 | 100322-01-718 | EA | HANDLE-DIAL | 410-016081 |
| 8 | 112519-01-702 | EA | OPERATOR-VENT-CENTER SUPPORT | 410-016123 |
| 12 | 113500-01-700 | EA | SCREEN ASM - W/SEALS & CLIPS | 410-016020 |
| 13 | 113500-01-709 | EA | RETAINER - TRIM | CB04-59 |
| 14 | 113500-01-703 | EA | GLASS - TOP STATIONARY | 106-015970 |
| 15 | 113500-01-704 | EA | GLASS - UPPER VENT ASSEMBLY | CH04-G7 |
| 16 | 113500-01-705 | EA | GLASS - LOWER VENT ASSEMBLY | CH04-G9 |
| 17 | 113500-01-706 | EA | OPERATOR & BAR ASSEMBLY | CH04-15 |
| | 100322-01-717 | EA | E-RING | 245-015975 |
| | 112463-02-706 | FT | SEAL - FOAM RUBBER | 140-014727 |

CONTACT WINNEBAGO PART SALES FOR UNLISTED COMPONENTS

WINDOW & VENTS GROUP (CONTINUED)
COMPONENT PARTS FOR WINDOWS & VENT LAYOUT (CONTINUED)

113733-04-01A, 113733-10-01A, 113733-11-01A

| KEY | PART NUMBER | U/M | DESCRIPTION | VENDOR NO. |
|------------|--------------------|------------|--------------------|-------------------|
| | 112795-01-705 | FT | VINYL - GLAZING | 132-025736 |
| | 113733-10-700 | EA | GLASS-STATIONARY | 390-028306 |
| | 113733-10-701 | EA | RETAINER-TRIM | H416-66 |

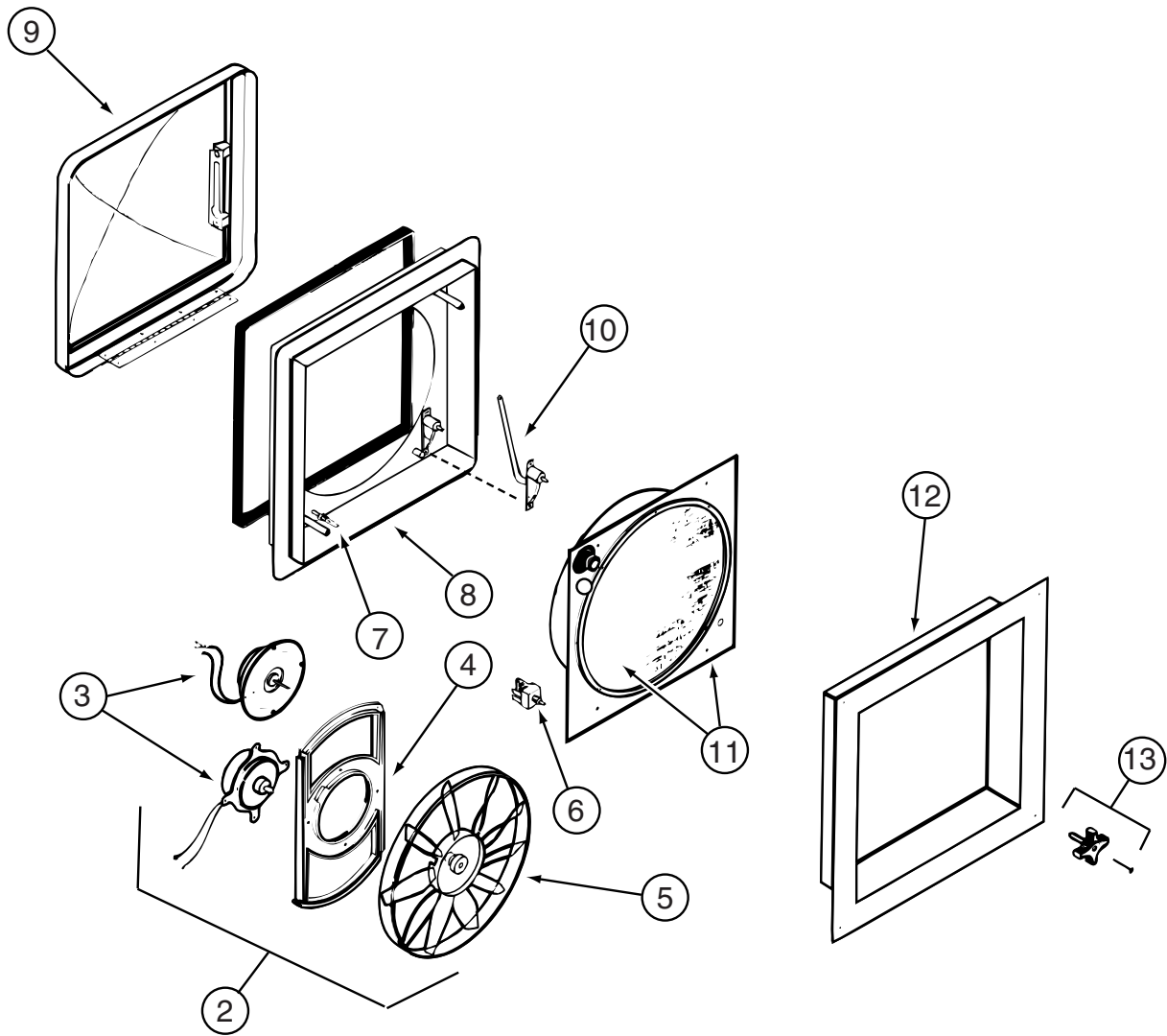
122882-01-01A

| KEY | PART NUMBER | U/M | DESCRIPTION | VENDOR NO. |
|------------|--------------------|------------|------------------------------|-------------------|
| | 009440-01-000 | EA | GEAR-ARM-ROOF VENT | 705221K38 |
| | 064470-01-700 | EA | COVER - VENT - W/O SLIDE BAR | J7291 |
| | 064470-01-701 | EA | SLIDE BAR - VENT LID | JRP1291B |
| | 122882-01-701 | EA | SCREEN | JRP-1124-B |
| | 122882-01-702 | EA | HANDLE - CRANK - WHITE | JRP1031B |

122882-02-01A, 122882-03-01A

| KEY | PART NUMBER | U/M | DESCRIPTION | VENDOR NO. |
|------------|--------------------|------------|------------------------------|-------------------|
| | 064470-01-700 | EA | COVER - VENT - W/O SLIDE BAR | J7291 |
| | 009440-01-000 | EA | GEAR-ARM-ROOF VENT | 705221K38 |
| | 048648-01-000 | EA | MOTOR-12V NONVENTED 1/8 SFT | |
| | 048649-01-000 | EA | FAN-PLAS-6 IN 6 BLADED | |
| | 122882-01-701 | EA | SCREEN | JRP-1124-B |
| | 122882-01-702 | EA | HANDLE - CRANK - WHITE | JRP1031B |
| | 064470-01-701 | EA | SLIDE BAR - VENT LID | JRP1291B |
| | 110051-03-700 | EA | SWITCH-BLACK/PUSH BUTTON | 27-0164 |

WINDOW & VENTS GROUP (CONTINUED)
COMPONENT PARTS FOR WINDOWS & VENT LAYOUT (CONTINUED)

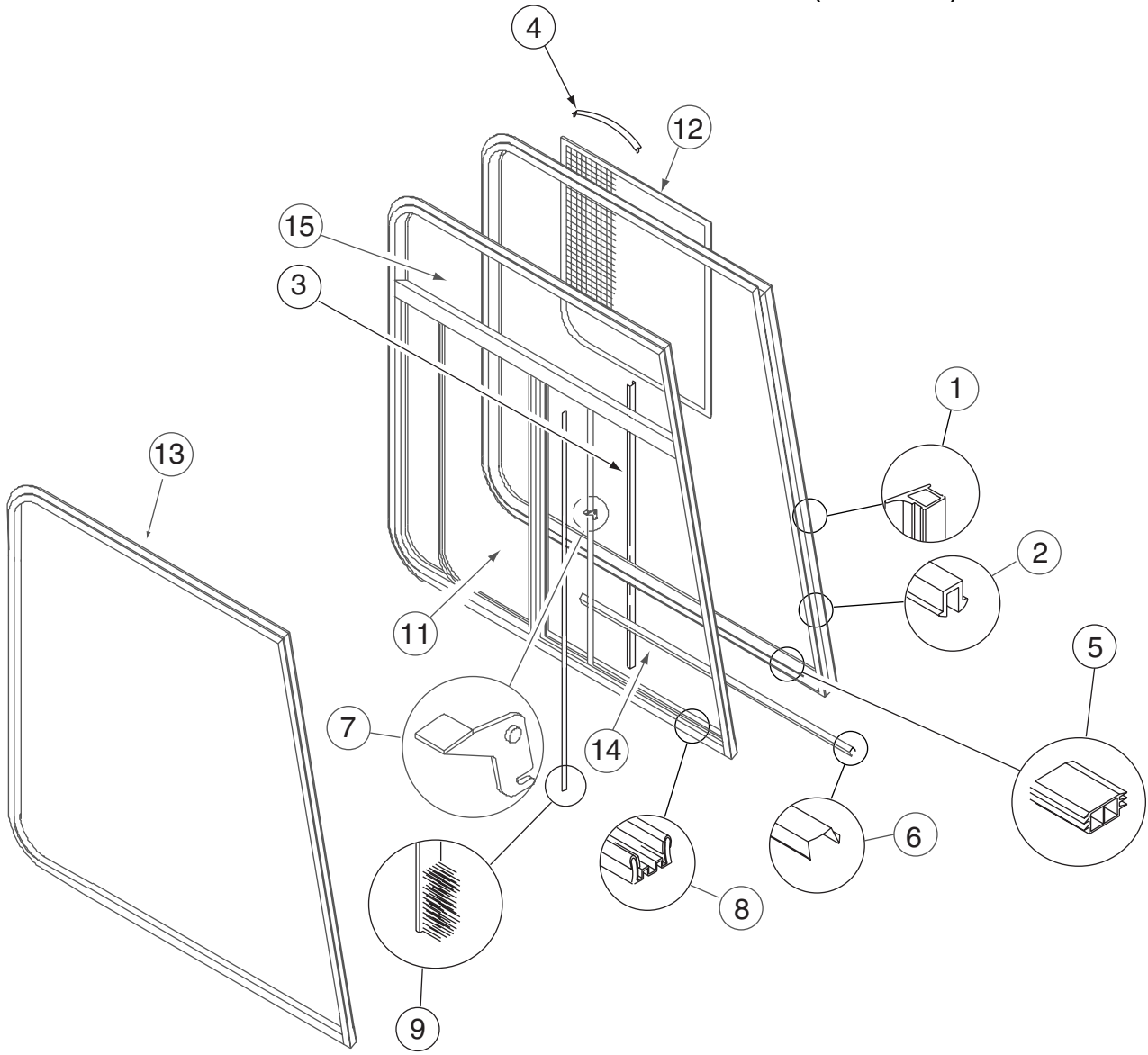


123780-03-01A

| KEY | PART NUMBER | U/M | DESCRIPTION | VENDOR NO. |
|------------|--------------------|------------|-----------------------------------|-------------------|
| 2 | 084079-11-700 | EA | MOTOR, BRKT., FAN BLADE, KIT | 4017K-09 |
| 3 | 084079-01-705 | EA | MOTOR | 1080-00 |
| 4 | 084079-01-711 | EA | H-MOLDING, MOTOR MOUNT | |
| 5 | 084079-01-704 | EA | BLADE-FAN | 1070-00 |
| 6 | 084079-01-709 | EA | SWITCH - MAIN - 3 SPEED | 1031-05 |
| 7 | 084079-01-707 | EA | SWITCH - SAFETY | 1122.05 |
| 8 | 123780-05-700 | EA | BASE - MAIN BRIGHT WHITE | 1010K-81 |
| 9 | 123780-01-700 | EA | COVER - VENT W/HINGE & SLIDE | 1020K-81 |
| 10 | 009440-01-000 | EA | GEAR/ARM - LIFT - ROOF VENT COVER | |
| 11 | 123780-03-701 | EA | SCREEN ASM 78-100MM W/SWITCH | 1030BT-81 |
| 12 | 123780-03-700 | EA | GARNISH - INT. 3"-4" BRT/WHT | 2040-81 |
| 13 | 084079-01-703 | EA | KNOB-LIFT, W/EXT. | 1140K-00 |
| | 084079-01-706 | EA | PLUG, 12 VOLT | 1090 |
| | 123780-01-702 | EA | SCREEN W/FRAME | 103581 |

CONTACT WINNEBAGO PART SALES FOR UNLISTED COMPONENTS

WINDOW & VENTS GROUP (CONTINUED)
COMPONENT PARTS FOR WINDOWS & VENT LAYOUT (CONTINUED)



125582-01-01A

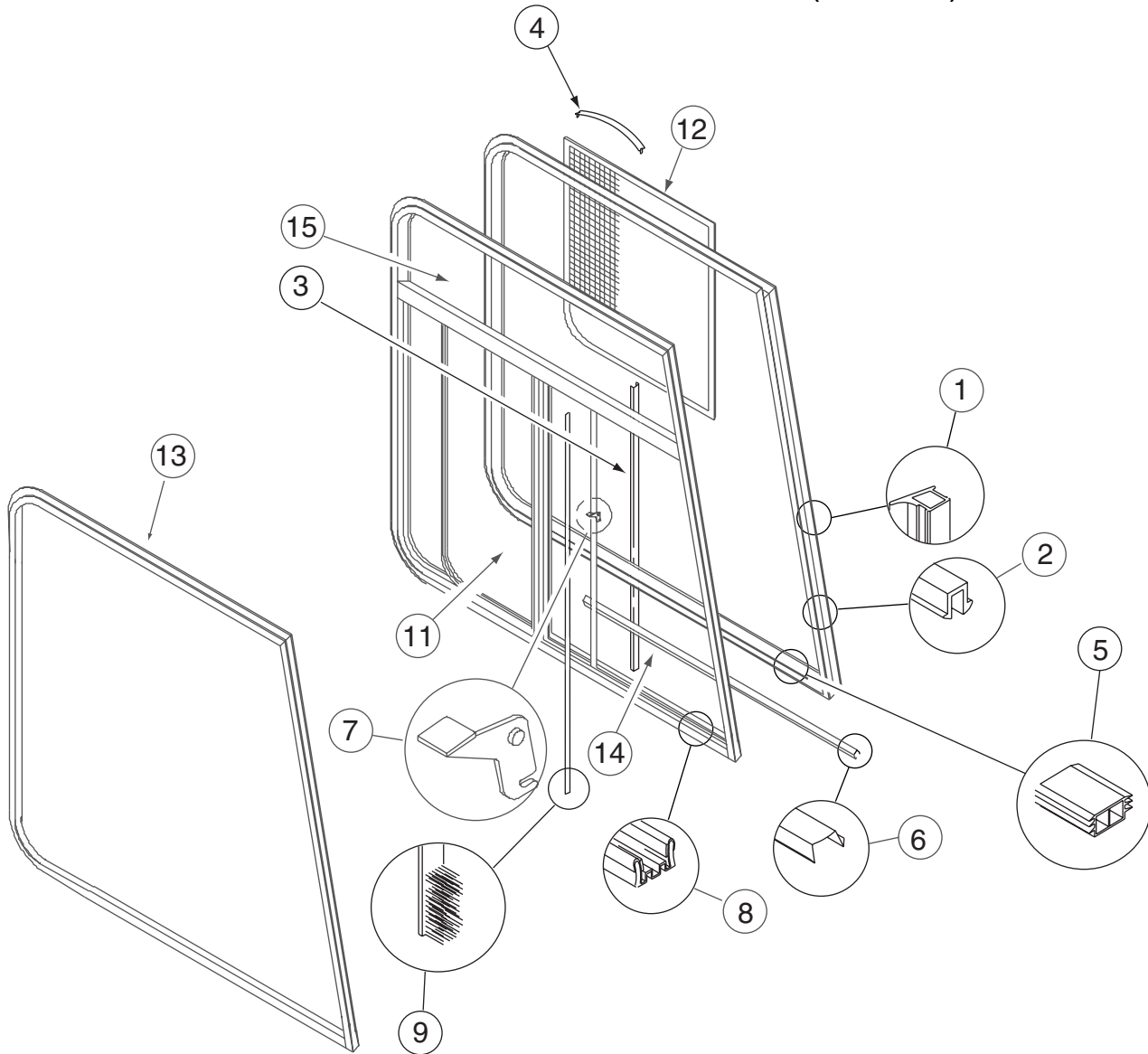
| KEY | PART NUMBER | U/M | DESCRIPTION | VENDOR NO. |
|-----|---------------|-----|--------------------------------------|------------|
| 1 | 098644-01-716 | FT | PLUG - FILLER | 132-014470 |
| 2 | 098644-01-705 | FT | GLAZING - STRIP | 132-010231 |
| 3 | 098644-01-706 | FT | WEATHERSTRIP - GLASS | 171-010668 |
| 4 | 098644-01-713 | EA | CLIP - SCREEN - METAL | 226-016966 |
| 4 | 125582-01-701 | EA | CLIP - SCREEN - PLASTIC | 130-005153 |
| 5 | 098644-01-719 | EA | STOP - SLIDER GLASS | 132-014203 |
| 6 | 098644-01-710 | FT | TRACK - SCREEN SPACER 12' | 132-017135 |
| 7 | 098644-01-700 | EA | LATCH - REPAIR KIT (BLACK) | B801-CK |
| 8 | 098644-01-708 | FT | CHANNEL - RUN PIERCED | 122-016543 |
| 9 | 098644-01-711 | FT | WEATHERSTRIP - SCREEN BLACK | 171-016965 |
| 11 | 125582-01-704 | EA | GLASS-SLIDING W/SASH & LATCH | H573-A9R |
| 12 | 125582-01-705 | EA | SCREEN - PASSENGER - W/SEALS & CLIPS | 410-026545 |
| 13 | 125582-01-706 | EA | RETAINER - TRIM | H573-27R |
| 14 | 125582-01-703 | EA | GLASS - STATIONARY - LOWER | 106-026083 |
| 15 | 125582-01-702 | EA | GLASS - STATIONARY - UPPER | 106-026082 |
| | 098644-01-717 | FT | SPLINE - SCREEN | 132-004716 |
| | 112520-01-706 | EA | WEATHERSTRIP-SCREEN, (FUZZY) | 171-017245 |
| | 125582-01-708 | EA | WEEPHOLE COVER - RIGHT HAND | 130-026598 |
| | 125582-01-709 | EA | WEEPHOLE COVER - LEFT HAND | 130-026599 |

WINDOW & VENTS GROUP (CONTINUED)
COMPONENT PARTS FOR WINDOWS & VENT LAYOUT (CONTINUED)

125582-02-01A

| KEY | PART NUMBER | U/M | DESCRIPTION | VENDOR NO. |
|-----|---------------|-----|-----------------------------------|------------|
| 1 | 098644-01-716 | FT | PLUG - FILLER | 132-014470 |
| 2 | 098644-01-705 | FT | GLAZING - STRIP | 132-010231 |
| 3 | 098644-01-706 | FT | WEATHERSTRIP - GLASS | 171-010668 |
| 4 | 098644-01-713 | EA | CLIP - SCREEN - METAL | 226-016966 |
| 4 | 125582-01-701 | EA | CLIP - SCREEN - PLASTIC | 130-005153 |
| 5 | 098644-01-719 | EA | STOP - SLIDER GLASS | 132-014203 |
| 6 | 098644-01-710 | FT | TRACK - SCREEN SPACER 12' | 132-017135 |
| 7 | 098644-01-700 | EA | LATCH - REPAIR KIT (BLACK) | B801-CK |
| 8 | 098644-01-708 | FT | CHANNEL - RUN PIERCED | 122-016543 |
| 9 | 098644-01-711 | FT | WEATHERSTRIP - SCREEN BLACK | 171-016965 |
| 11 | 125582-02-700 | EA | GLASS-SLIDING W/SASH & LATCH | H573-A9L |
| 12 | 125582-02-701 | EA | SCREEN - DRIVER - W/SEALS & CLIPS | 410-026546 |
| 13 | 125582-02-702 | EA | RETAINER - TRIM | H573-27L |
| 14 | 125582-01-703 | EA | GLASS - STATIONARY - LOWER | 106-026083 |
| 15 | 125582-01-702 | EA | GLASS - STATIONARY - UPPER | 106-026082 |
| | 098644-01-717 | FT | SPLINE - SCREEN | 132-004716 |
| | 112520-01-706 | EA | WEATHERSTRIP-SCREEN, (FUZZY) | 171-017245 |
| | 125582-01-708 | EA | WEEPHOLE COVER - RIGHT HAND | 130-026598 |
| | 125582-01-709 | EA | WEEPHOLE COVER - LEFT HAND | 130-026599 |

WINDOW & VENTS GROUP (CONTINUED)
COMPONENT PARTS FOR WINDOWS & VENT LAYOUT (CONTINUED)



125583-01-01A

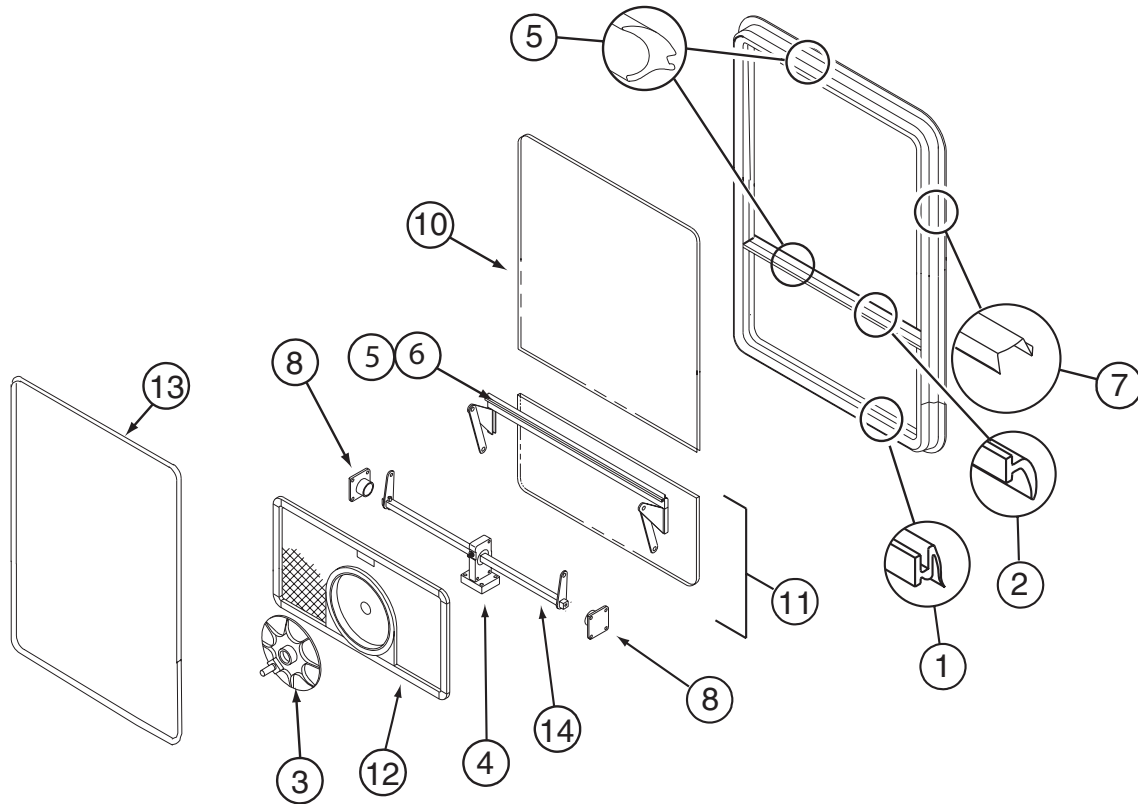
| KEY | PART NUMBER | U/M | DESCRIPTION | VENDOR NO. |
|-----|---------------|-----|--------------------------------------|------------|
| 1 | 112795-01-704 | FT | PLUG FILLER (DOUBLE GLAZED) | 122-018737 |
| 2 | 112795-01-705 | FT | VINYL-GLAZING | 132-027331 |
| 3 | 098644-01-706 | FT | WEATHERSTRIP - GLASS | 171-010668 |
| 4 | 098644-01-713 | EA | CLIP - SCREEN - METAL | 226-016966 |
| 4 | 125582-01-701 | EA | CLIP - SCREEN - PLASTIC | 130-005153 |
| 5 | 112795-01-701 | EA | SLIDE-STOP | 132-019092 |
| 6 | 098644-01-710 | FT | TRACK - SCREEN SPACER 12' | 32-017135 |
| 7 | 112795-01-700 | EA | LATCH ASM., BLK.,(BOLT ON) | DH287-CK |
| 8 | 112795-01-703 | IN | CHANNEL-RUN (INCHES) | 122-027566 |
| 9 | 098644-01-711 | FT | WEATHERSTRIP - SCREEN BLACK | 171-016965 |
| 11 | 125583-01-700 | EA | GLASS-SLIDING W/SASH & LATCH | DH573-A9R |
| 12 | 125582-01-705 | EA | SCREEN - PASSENGER - W/SEALS & CLIPS | 410-026545 |
| 13 | 125582-01-706 | EA | RETAINER - TRIM | H573-27R |
| 14 | 125583-01-702 | EA | GLASS - STATIONARY - R.H. | 390-026101 |
| 15 | 125583-01-701 | EA | GLASS - STATIONARY - UPPER | 390-026100 |
| | 125582-01-708 | EA | WEEPHOLE COVER - RIGHT HAND | 130-026598 |
| | 125582-01-709 | EA | WEEPHOLE COVER - LEFT HAND | 130-026599 |
| | 098644-01-717 | EA | SPLINE - SCREEN | 132-004716 |

WINDOW & VENTS GROUP (CONTINUED)
COMPONENT PARTS FOR WINDOWS & VENT LAYOUT (CONTINUED)

125583-02-01A

| KEY | PART NUMBER | U/M | DESCRIPTION | VENDOR NO. |
|-----|---------------|-----|-----------------------------------|------------|
| 1 | 112795-01-704 | FT | PLUG FILLER (DOUBLE GLAZED) | 122-018737 |
| 2 | 112795-01-705 | FT | VINYL-GLAZING | 132-027331 |
| 3 | 098644-01-706 | FT | WEATHERSTRIP - GLASS | 171-010668 |
| 4 | 098644-01-713 | EA | CLIP - SCREEN - METAL | 226-016966 |
| 4 | 125582-01-701 | EA | CLIP - SCREEN - PLASTIC | 130-005153 |
| 5 | 112795-01-701 | EA | SLIDE-STOP | 132-019092 |
| 6 | 098644-01-710 | FT | TRACK - SCREEN SPACER 12' | 132-017135 |
| 7 | 112795-01-700 | EA | LATCH ASM., BLK.,(BOLT ON) | DH287-CK |
| 8 | 112795-01-703 | IN | CHANNEL-RUN (INCHES) | 122-027566 |
| 9 | 098644-01-711 | FT | WEATHERSTRIP - SCREEN BLACK | 171-016965 |
| 11 | 125583-02-700 | EA | GLASS-SLIDING W/SASH & LATCH | DH573-A9L |
| 12 | 125582-02-701 | EA | SCREEN - DRIVER - W/SEALS & CLIPS | 410-026546 |
| 13 | 125582-02-702 | EA | RETAINER - TRIM | H573-27L |
| 14 | 125583-02-701 | EA | GLASS - STATIONARY | 390-026102 |
| 15 | 125583-01-701 | EA | GLASS - STATIONARY - UPPER | 390-026100 |
| | 125582-01-708 | EA | WEEPHOLE COVER - RIGHT HAND | 130-026598 |
| | 125582-01-709 | EA | WEEPHOLE COVER - LEFT HAND | 130-026599 |
| | 098644-01-717 | FT | SPLINE - SCREEN | 132-004716 |

WINDOW & VENTS GROUP (CONTINUED)
COMPONENT PARTS FOR WINDOWS & VENT LAYOUT (CONTINUED)

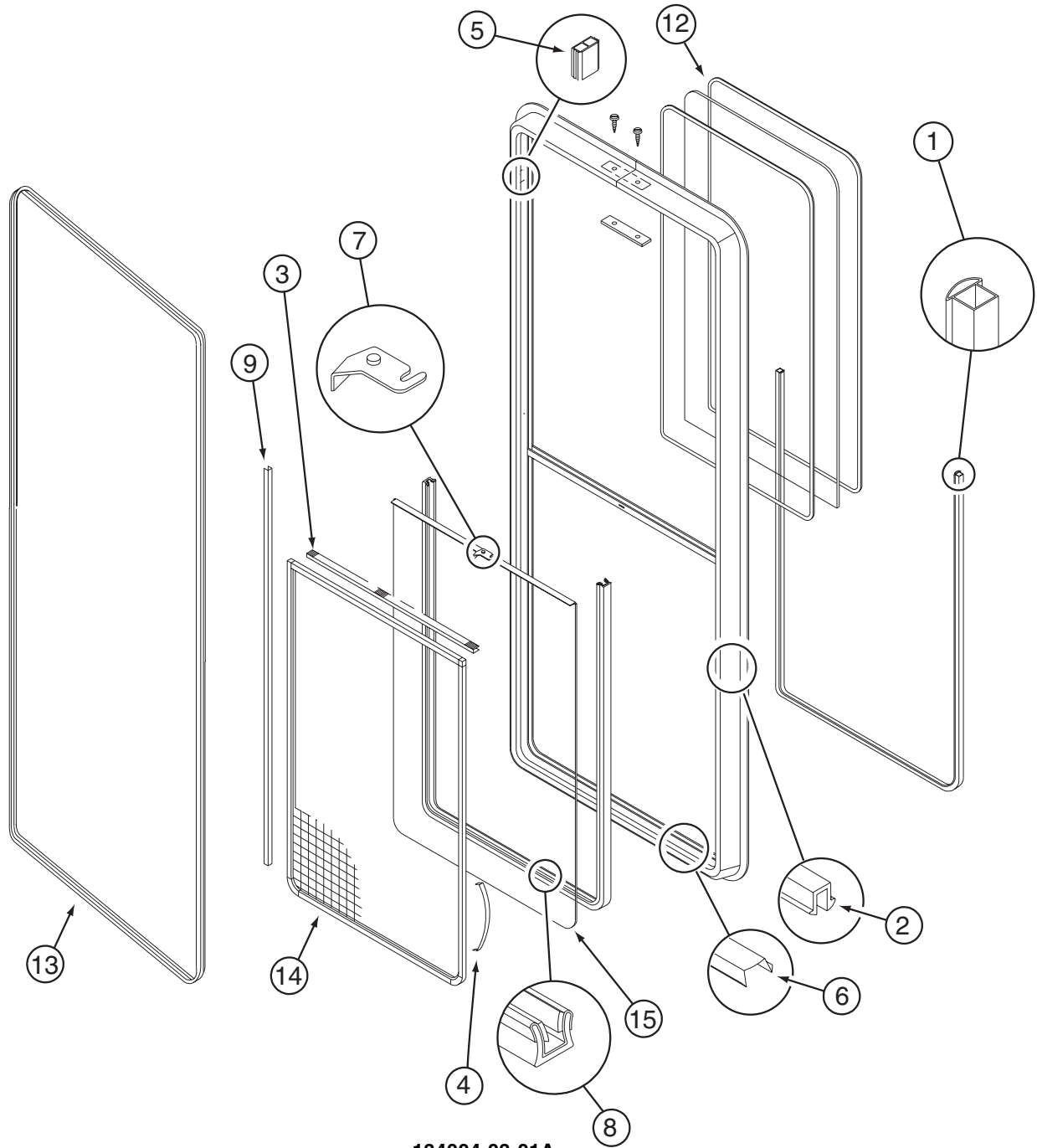


129929-11-01A

| KEY | PART NUMBER | U/M | DESCRIPTION | VENDOR NO. |
|------------|--------------------|------------|------------------------------|-------------------|
| 1 | 100322-01-701 | FT | SEAL-VENT | 122-016071 |
| 3 | 100322-01-718 | EA | HANDLE-DIAL | 410-016081 |
| 4 | 129929-01-710 | EA | TORQUE-CTR SUPPORT (2 HOLE) | 410-026806 |
| 5 | 129929-01-705 | FT | GLAZING VINYL | 132-026811 |
| 6 | 129929-01-707 | FT | COVER/SCREW-FILLER STRIP | 132-026808 |
| 8 | 129929-01-708 | EA | SUPPORT - TORQUE BAR - RT/LT | 130-026804 |
| 10 | 129929-11-700 | EA | GLASS - STATIONARY | 390-028304 |
| 11 | 129929-11-701 | EA | VENT GLASS ASSEMBLY | DTH005-G8 |
| 12 | 129929-05-702 | EA | SCREEN ASM - W/SEALS & CLIPS | 410-026909 |
| 13 | 129929-05-705 | EA | RETAINER - TRIM | CH05-62 |
| 14 | 129929-05-704 | EA | OPERATOR BAR ASSEMBLY | DTH005-15 |
| | 100322-01-717 | FT | SEAL - VENT | 122-016071 |
| | 129929-01-706 | FT | SEAL - TOP F/CENTER EGRESS | 132-026811 |
| | 129929-02-706 | FT | SEAL - FOAM | 140-027022 |

CONTACT WINNEBAGO PART SALES FOR UNLISTED COMPONENTS

WINDOW & VENTS GROUP (CONTINUED)
COMPONENT PARTS FOR WINDOWS & VENT LAYOUT (CONTINUED)

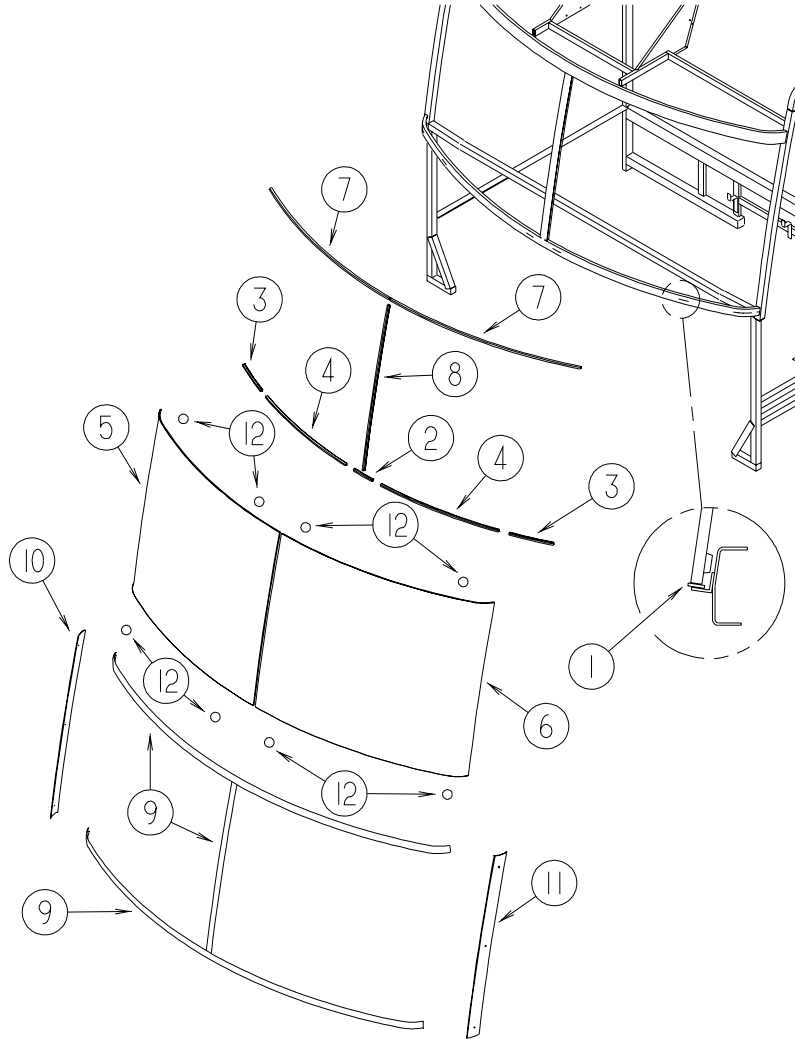


134004-03-01A

| KEY | PART NUMBER | U/M | DESCRIPTION | VENDOR NO |
|-----|---------------|-----|------------------------------|------------|
| 1 | 112795-01-704 | FT | PLUG FILLER (DOUBLE GLAZED) | 122-018737 |
| 2 | 112795-01-705 | FT | VINYL - GLAZING | 132-027331 |
| 3 | 098644-01-706 | FT | WEATHERSTRIP - GLASS | 171-010668 |
| 4 | 125582-01-701 | EA | CLIP - SCREEN - PLASTIC | 130-005153 |
| 4 | 098644-01-713 | EA | CLIP - SCREEN - METAL | 226-016966 |
| 5 | 112795-01-701 | EA | SLIDE-STOP | 132-019092 |
| 6 | 098644-01-710 | FT | TRACK - SCREEN SPACER 12' | 132-017135 |
| 7 | 112795-01-700 | EA | LATCH ASM., BLK.,(BOLT ON) | DH287-CK |
| 8 | 112795-01-703 | IN | CHANNEL-RUN (INCHES) | 122-027566 |
| 9 | 098644-01-711 | FT | WEATHERSTRIP - SCREEN BLACK | 171-016965 |
| 12 | 134004-03-700 | EA | GLASS - STATIONARY | 390-028662 |
| 13 | 134004-03-702 | EA | RETAINER - TRIM | H702-56 |
| 14 | 098644-13-702 | EA | SCREEN ASM W/SEALS & CLIPS | 410-028663 |
| 15 | 134004-03-701 | EA | GLASS-SLIDING W/SASH & LATCH | DH702-G8 |
| | 112898-04-703 | EA | VERTICAL LATCH (SASH KIT) | DH343-CK |
| | 098644-01-717 | FT | SPLINE - SCREEN | 132-004716 |

WINDSHIELD & WIPER GROUP

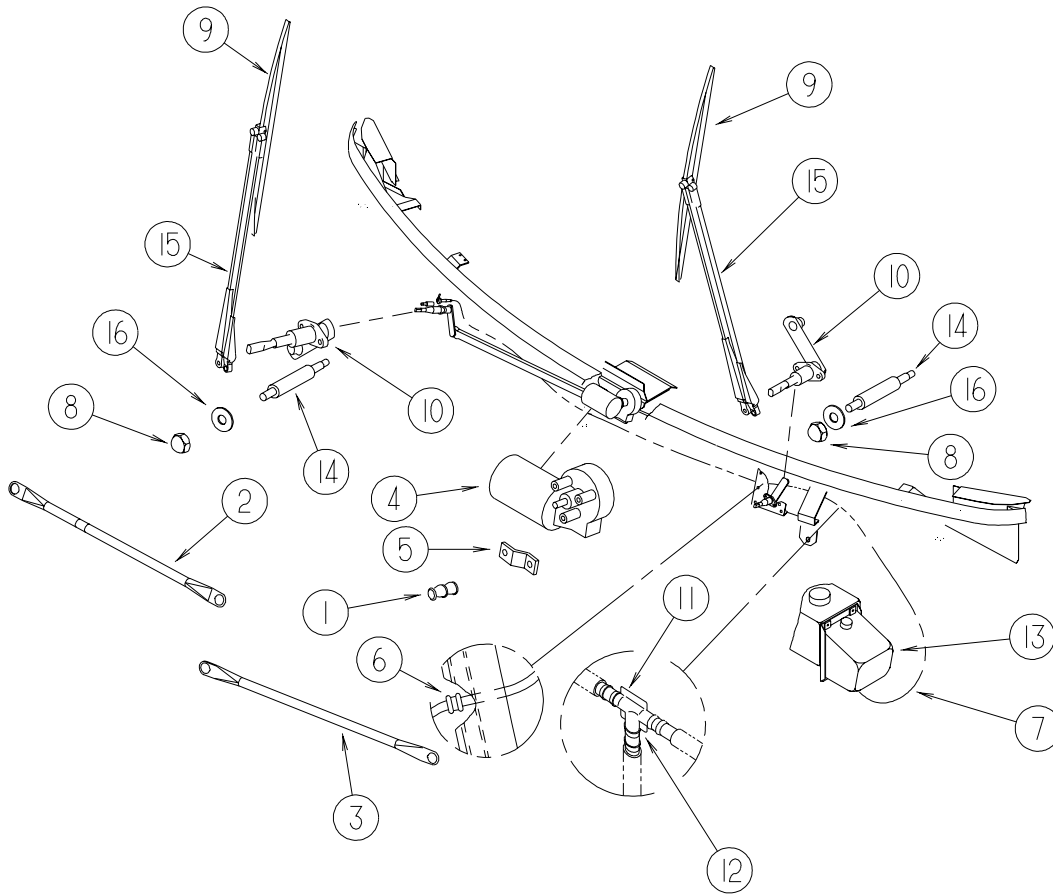
WINDSHIELD



| KEY | PART NUMBER | U/M | DESCRIPTION |
|-----|---------------|-----|---|
| 1 | 002328-02-000 | EA | BLOCK - WINDSHIELD - .062" X .5" X .98" |
| 2 | 132375-01-000 | EA | CARRIER/REVEAL - WINDSHIELD - 5.5" |
| | | | FROM: 00-00-00 THRU: 01-15-02 |
| 2 | 142036-01-000 | EA | CARRIER/REVEAL - WINDSHIELD |
| | | | FROM: 01-16-02 THRU: 99-99-99 |
| 3 | 132375-02-000 | EA | CARRIER/REVEAL - WINDSHIELD - 10" |
| | | | FROM: 00-00-00 THRU: 01-15-02 |
| 3 | 142036-02-000 | EA | CARRIER/REVEAL - WINDSHIELD |
| | | | FROM: 01-16-02 THRU: 99-99-99 |
| 4 | 117335-06-000 | EA | CARRIER - REVEAL - 29.8" |
| | | | FROM: 00-00-00 THRU: 01-15-02 |
| 4 | 132375-04-000 | EA | CARRIER/REVEAL - WINDSHIELD |
| | | | FROM: 01-16-02 THRU: 99-99-99 |
| 5 | 124328-01-000 | EA | WINDSHIELD - PASSENGER - 52" X 41" (CURVED) |
| 6 | 124328-02-000 | EA | WINDSHIELD - DRIVER - 52" X 41" (CURVED) |
| 7 | 127862-01-000 | EA | CARRIER/REVEAL - WINDSHIELD - 47.2" |
| 8 | 127862-09-000 | EA | CARRIER/REVEAL - WINDSHIELD - 38.6" |
| 9 | 120533-01-000 | FT | MOLDING - REVEAL - WINDSHIELD |
| 10 | 125384-01-02A | EA | TRIM - WINDSHIELD - A-PILLAR - PASSENGER - BLACK |
| 11 | 125384-02-02A | EA | TRIM - WINDSHIELD - A-PILLAR - DRIVER - BLACK |
| 12 | 081914-02-000 | EA | BUMPER - RUBBER - ROUND - 5/16" DIA. X 13/64" THICK |

WINDSHIELD & WIPER GROUP (CONTINUED)

WIPER



| KEY | PART NUMBER | U/M | DESCRIPTION |
|-----|---------------|-----|---|
| 1 | 067188-01-000 | EA | STUD - CRANK - WIPER MOTOR |
| | 117322-01-000 | EA | SCREW - 1/4-28 UNFINISHED - 2A - TORX |
| 2 | 117770-01-000 | EA | LINK - CONNECTING - 24" - CLOSED GROMMET/OPEN GROMMET |
| 3 | 117770-02-000 | EA | LINK - CONNECTING - 24" - CLOSED GROMMET/CLOSED GROMMET |
| 4 | 104346-04-000 | EA | WIPER MOTOR - "COAST TO PARK" W/BKR - W/GRN/RED/WHITE WIRE - WORKHORSE F30W, F32V |
| 4 | 104346-05-000 | EA | WIPER MOTOR - "DYNAMIC PARK" - W/INTERNAL BREAKER - FORD AND WORKHORSE F34D, F36M |
| 5 | 104347-04-000 | EA | ARM - DRIVE - WIPER MOTOR |
| 6 | 061603-01-000 | EA | GROMMET - SNAP - 3/16"ID - 3/8" HOLE - PLASTIC BLACK |
| 7 | 045794-01-000 | FT | HOSE - WASHER - WINDSHIELD - 5/32" ID - BLACK |
| 8 | 077049-02-000 | EA | NUT - ACORN - 10-32 BLACK/ANODIZED |
| 9* | 095964-01-000 | EA | BLADE - WINDSHIELD WIPER - 24" |
| 10* | 096505-09-000 | EA | SHAFT/PIVOT - WINDSHIELD WIPER |
| 11 | 110605-01-000 | EA | TEE - PLASTIC - BARBED - 1/8" X 1/8" X 3/16" |
| 12 | 117765-03-000 | EA | CONNECTOR - 5/32" - WINDSHIELD WASHER |
| 13 | 117766-02-000 | EA | RESERVOIR/PUMP - WINDSHIELD WASHER |
| 14 | 117768-01-000 | EA | SHAFT - ADAPTER - PANTOGRAPH ARM |
| 15* | 117769-01-000 | EA | ARM - WIPER - PANTOGRAPH - 28" |
| 16 | 110742-02-000 | EA | GASKET - NEOPRENE - WIPER ADAPTER SHAFT - .5" ID X .9" OD |

*COMPONENT PARTS LISTED LATER IN THIS GROUP

WINDSHIELD & WIPER GROUP (CONTINUED)
COMPONENT PARTS FOR WIPER

095964-01-000

| KEY | PART NUMBER | U/M | DESCRIPTION | VENDOR NO. |
|------------|--------------------|------------|--------------------------------|-------------------|
| | 095964-01-000 | EA | BLADE - WINDSHIELD WIPER - 24" | |
| | 095964-01-700 | EA | BLADE-REFILL 24" EA= 1 PAIR | 12360 |

096505-09-000

| KEY | PART NUMBER | U/M | DESCRIPTION | VENDOR NO. |
|------------|--------------------|------------|--------------------------------|-------------------|
| | 096505-09-000 | EA | SHAFT/PIVOT - WINDSHIELD WIPER | UT 6706220SH25WJ |
| | 096505-02-700 | EA | DRIVER-KNURLED,(HD) BRL .687 | NT721017 |
| | 096505-02-701 | EA | NUT-HEX (HD) W/.687 BARREL | NT721021 |
| | 096505-02-702 | EA | CAP-RUBBER (HD) BARREL .687 | CP721084 |
| | 096505-02-703 | EA | NUT/ACORN - HD W/.687 BRL | 51065-40-NT27WC |

117769-01-000

| KEY | PART NUMBER | U/M | DESCRIPTION | VENDOR NO. |
|------------|--------------------|------------|--------------------------------|-------------------|
| | 117769-01-000 | EA | ARM - WIPER - PANTOGRAPH - 28" | UT 6701620LE25WJ |
| | 096931-01-700 | FT | HOSE - WASHER - 1/8" ID | XTU-66-0001 |
| | 117769-01-700 | EA | RETAINER CLIP - HOSE | |