

2002

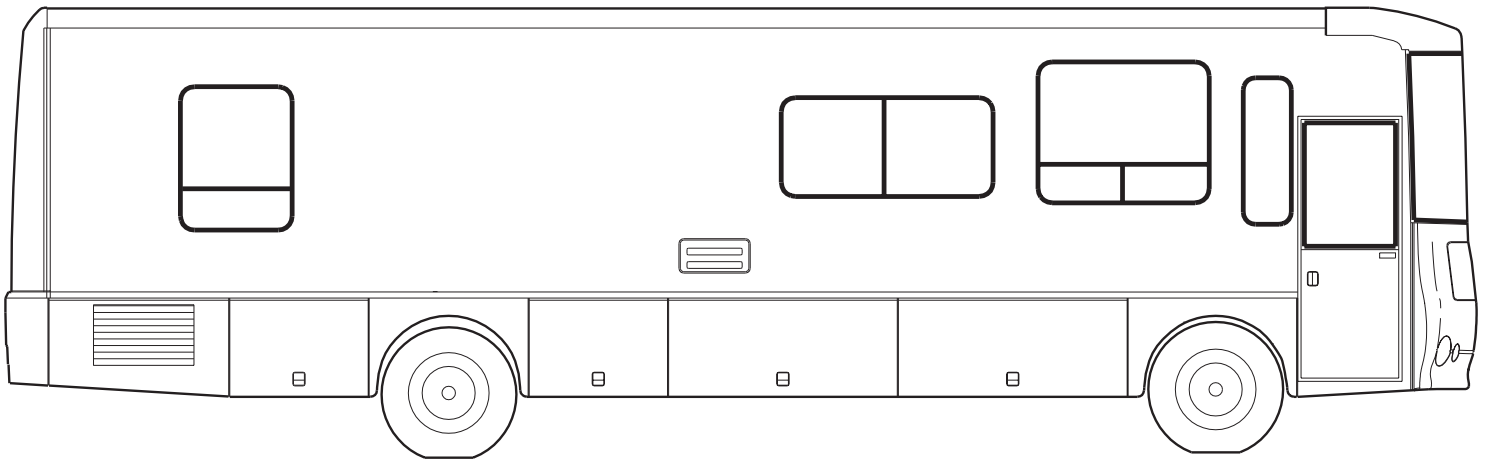
JOURNEY

PORTSMOUTH OAK

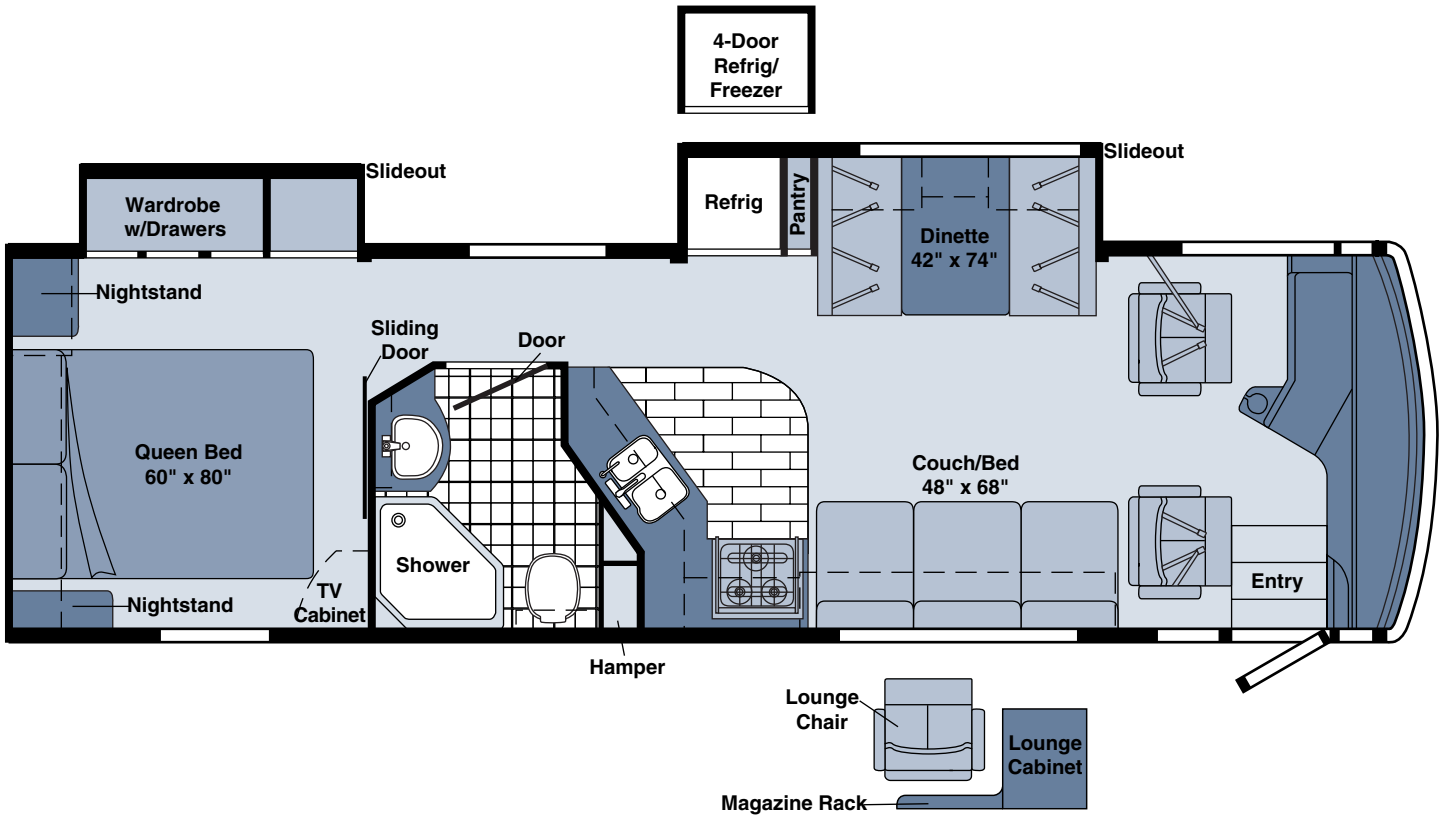
N70 STONEGATE - GRAY

N71 IMPERIAL BEIGE - NEUTRAL

N72 COTTAGE BLUE - BLUE



2002 WKP32T



FLOORPLAN

CONTENTS

FLOORPLAN	2
ACCESSORIES GROUP	8
OPERATORS MANUAL	8
APPLIANCE GROUP	9
APPLIANCES	9
COMPONENT PARTS FOR APPLIANCE	15
115504-01-000	15
119267-04-01A	15
119267-06-01A	15
119267-07-01A	15
120075-13-01A, 120075-14-01A, 120075-15-01A	16
121569-05-01A, 121569-07-01A	24
125242-02-01A	30
126019-01-01A	40
126022-01-01A, 126022-02-01A, 126022-03-01A	40
133004-02-01A	41
135065-01-01A & 135065-02-01A	42
135066-01-01A	44
135066-02-01A	48
AUDIO VIDEO GROUP	52
RADIO SYSTEM	52
COMPONENT PARTS FOR RADIO SYSTEM	53
102080-15-000	53
REAR VIEW MONITOR	54
COMPONENT PARTS FOR REAR VIEW MONITOR	55
093040-10-000	55
TELEPHONE	56
TV & VCR	56
COMPONENT PARTS FOR TV & VCR	57
076319-23-000	57
076319-25-000	57
124073-10-000	58
124073-11-000	58
126696-07-000	58
126697-06-000	58
126697-07-000	58
130121-05-000	58
133377-01-000	58
137135-01-000	59
EXTERIOR ENTERTAINMENT	61
BATH GROUP	62
CABINETS	62
SHOWER	64
COMPONENT PARTS FOR SHOWER	65
139047-01-01A, 139047-01-02A, 139047-02-01A, 139047-02-02A, 139047-03-01A, 139047-03-02A, 139047-04-02A	65
BEDROOM GROUP	66
QUEEN CABINETS	66
TV & RADIO CABINETS	68

CONTENTS (CONTINUED)

CHASSIS GROUP	69
FRAME	69
FRONT END	71
AIR INTAKE	72
INSULATION	73
STEPWELL COVER	74
COMPONENT PARTS FOR STEPWELL COVER	75
124628-01-000	75
131281-01-000	75
EXHAUST	76
HITCH	76
REAR BUMPER	77
FUEL OR FUEL FILL OR EMISSIONS	78
HYDRAULIC LEVELING	79
COMPONENT PARTS FOR HYDRAULIC LEVELING	80
100536-45-000	80
131306-27-000	80
WHEEL, TIRE, COVERS &/OR LINERS	81
COMPONENT PARTS FOR WHEEL, TIRE, COVERS &/OR LINERS	82
110435-17-000	82
CURTAIN & CUSHION GROUP	83
NOTICE	83
CUSHION LAYOUT	84
BUCKET SEATS	85
COMPONENT PARTS FOR BUCKET SEATS	89
081373-03-000	89
LOUNGE CHAIR	90
SOFA	91
WINDOW TREATMENT	93
HARDWARE	95
ACCESSORIES	97
COMPONENT PARTS FOR ACCESSORIES	98
091990-08-01A	98
FABRICS	99
DINETTE GROUP	103
CABINETS	103
TABLE	104
DRIVERS COMPARTMENT GROUP	105
DASH	105
BEVERAGE TRAY	106
FRONT INTERIOR	107
CABINETS	111

CONTENTS (CONTINUED)

ELECTRICAL GROUP	113
12V BODY WIRING	113
FRONT END WIRING	118
COMPONENT PARTS FOR LIGHTS & SWITCHES	122
008089-02-000	122
087694-01-000	122
091206-04-000	122
097917-01-06A	122
091937-08-000	122
091937-09-000	122
098024-01-03A	122
108354-01-01A	122
121935-01-01A	122
133054-03-000	122
133054-04-000	122
137417-01-01A	122
137417-06-01A	122
139134-01-01A	122
CIRCUIT BREAKERS & FUSES	123
CONVERTER, INVERTER, LOAD CENTERS	124
110V WIRING	125
ENTERTAINMENT WIRING	126
BOXES & CORDS	127
WIRE ASSEMBLIES	127
CONNECTORS & CONDUIT	128
BOOTS, SOLENOIDS, RELAYS & MISCELLANEOUS	130
COMPONENT PARTS FOR BOOTS, SOLENOIDS, RELAYS & MISCELLANEOUS	131
113832-02-01A	131
113832-03-01A	131
EXTERIOR BODY GROUP	132
AIR HORN	132
COMPONENT PARTS FOR AIR HORN	133
077497-03-000	133
077497-06-000	133
077497-09-000	133
GRAPHICS & PAINT	134
PANELS & TRIMS	139
FRONT END	142
LADDER	144
MIRRORS	144
COMPONENT PARTS FOR MIRRORS	145
106015-18-01A & 106015-19-01A	145
131431-06-01A & 02A	145
STRUCTURAL COMPONENTS	146
AWNINGS	146
COMPONENT PARTS FOR AWNINGS	147
113874-01-02A	147
EXTERIOR DOORS & COMPARTMENTS GROUP	148
DOOR & COMPARTMENT LAYOUT	148
COMPARTMENT DOOR PIECE PARTS	152
COMPONENT PARTS FOR DOOR & COMPARTMENT LAYOUT	153
094708-03-01A	153
110506-A2-000	153
ENTRY	154
COMPONENT PARTS FOR ENTRY	155
129676-01-000 THRU 129676-10-000	155
128913-05-02A, 128913-09-01A & 128913-11-01A	155

CONTENTS (CONTINUED)

EXTERIOR SLIDEOUT GROUP	162
FRONT LEFT	162
COMPONENT PARTS FOR FRONT SLIDEOUT	167
125687-01-000	167
140121-01-000	167
REAR LEFT	168
COMPONENT PARTS FOR REAR LEFT	172
100536-52-000	172
139507-01-000	172
GALLEY GROUP	173
CABINETS	173
GENERATOR GROUP	175
LP	175
DIESEL	176
HEATING & A/C GROUP	177
AUTOMOTIVE	177
COMPONENT PARTS FOR AUTOMOTIVE	179
072342-15-000	179
072342-16-000	180
072342-17-000	180
072342-18-000	180
103930-36-000	181
103930-41-000	182
103930-43-000	182
103930-51-000	183
FURNACE	184
COMPONENT PARTS FOR FURNACE	185
098668-21-000	185
098668-22-000	187
139980-03-000	188
139980-04-000	190
CENTRAL	192
COMPONENT PARTS FOR CENTRAL	194
105620-11-000	194
105620-12-000	196
INTERIOR FINISH GROUP	198
MOLDINGS & TRIMS	198
PANELING & LAMINATES	202
ACCESSORIES	203
COMPONENT PARTS FOR ACCESSORIES	204
094499-02-000	204
FLOOR COVERINGS	205
HARDWARE	206
LABELS GROUP	212
LP GROUP	237
LP SYSTEM	237
COMPONENT PARTS FOR LP SYSTEM	238
088253-05-000	238
088253-06-000	238
LOUNGE GROUP	239
CABINETS	239
SEALANTS & FASTENERS GROUP	240
SEALANTS & ADHESIVES	240
BOLTS, NUTS AND WASHERS	241
SCREWS	243
CLAMPS, CLIPS, GROMMETS, RIVETS & PLUGS	246
MISCELLANEOUS FASTENERS	247

CONTENTS (CONTINUED)

WATER & SEWAGE GROUP	248
DRAINAGE SYSTEM	248
COMPONENT PARTS FOR DRAINAGE SYSTEM	250
134789-01-01A	250
136729-01-01A	251
WATER SYSTEM	253
COMPONENT PARTS FOR WATER SYSTEM	261
051391-05-000	261
098607-01-000	262
118569-03-000	262
131340-01-01A	262
WINDOW & VENTS GROUP	263
WINDOW & VENT LAYOUT	263
COMPONENT PARTS FOR WINDOWS & VENT LAYOUT	265
098647-23-02A	265
098647-54-01A	266
106466-13-01A	267
106466-14-01A	267
112463-03-02A	268
112463-06-01A	268
112795-69-01A	269
112795-81-01A	270
122882-01-01A	270
122882-04-01A, 122882-05-01A	270
123780-03-01A	271
129929-08-01A	272
129929-09-01A	273
WINDSHIELD & WIPER GROUP	274
WINDSHIELD	274
WIPER	275
COMPONENT PARTS FOR WIPER	276
095964-01-000	276
096505-09-000	276
117769-01-000	276

ACCESSORIES GROUP
OPERATORS MANUAL

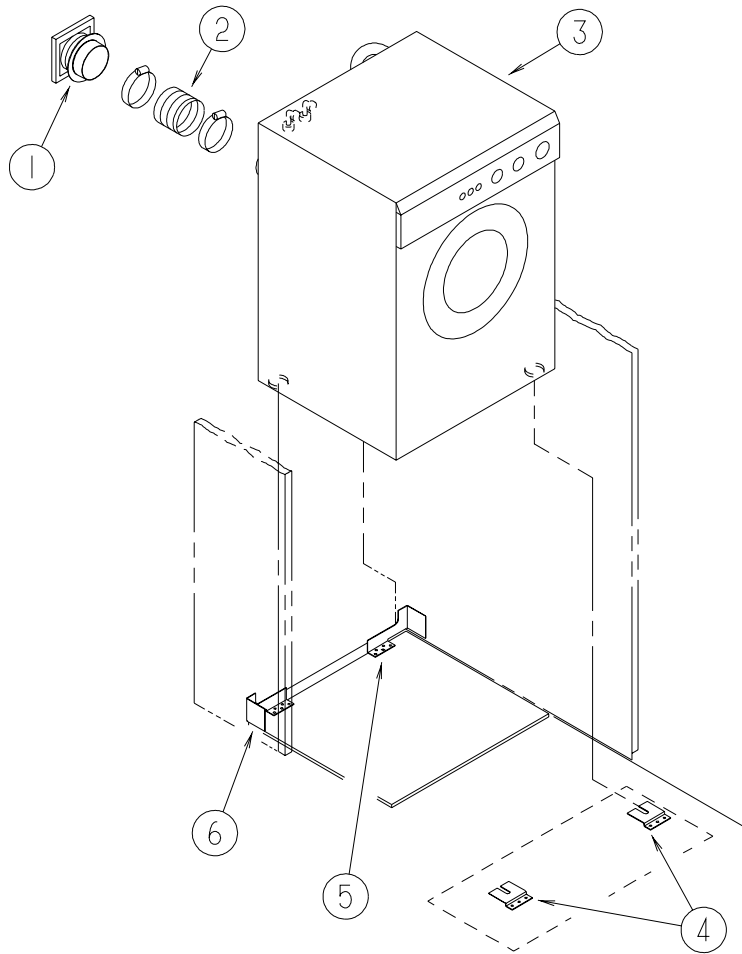
KEY	PART NUMBER	U/M	DESCRIPTION
	129079-04-01A	EA	CASE - VINYL/BLK-EXPANDABLE ACCORDION SIDES-11"WX9"HX14"L
	132000-19-002	EA	MANUAL/OWNER - JOURNEY - 2002
	132000-09-002	EA	MANUAL/OWNER - JOURNEY DL - 2002
	137659-01-000	DW	TOP LEVEL-P,2002

APPLIANCE GROUP APPLIANCES

KEY	PART NUMBER	U/M	DESCRIPTION
*	135066-01-01A	EA	RANGE - 3 BURNER W/OVEN - SEALED BURNERS - 22"/BLACK
*	135066-02-01A	EA	RANGE - 3 BURNER W/OVEN - SEALED BURNERS - 22"/BLACK-CSA
	136382-01-04B	EA	BRACKET - TIEDOWN/OVEN - BLACK - FRONT - P34H , P36L , P34HD , P36LD
	136382-02-04B	EA	BRACKET - TIEDOWN/OVEN - BLACK - BACK - P34H , P36L , P34HD , P36LD
	136382-05-04B	EA	BRACKET - TIEDOWN/OVEN - FRONT - BLACK - P36C , P36GD , P39QD
	136382-06-04B	EA	BRACKET - TIEDOWN/OVEN - REAR - BLACK - P36C , P36GD , P39QD
	136382-08-04B	EA	BRACKET - TIEDOWN - OVEN - BLACK - P32T , P32TD
*	135065-01-01A	EA	RANGE - 3 BURNER W/O OVEN - SEALED BURNERS - BLACK TOP
*	135065-02-01A	EA	RANGE - 3 BURNER W/O OVEN - SEALED BURNERS - CSA
	106936-21-04B	EA	BRACKET - STOVE TIEDOWN/FRONT - BLACK - P34H , P36L , P34HD , P36LD
	106936-22-04B	EA	BRACKET - STOVE TIEDOWN/REAR - BLACK - P34H , P36L , P34HD , P36LD
	106936-35-04B	EA	BRACKET - STOVE TIEDOWN/FRONT - BLACK - P36C , P36GD , P39QD
	106936-36-04B	EA	BRACKET - STOVE TIEDOWN/REAR - BLACK - P36C , P36GD , P39QD
	137915-01-04B	EA	BRACKET - TIEDOWN - BLACK - P32T , P32TD
	137915-02-04B	EA	BRACKET - TIEDOWN - BLACK - P32T , P32TD
	139031-01-04B	EA	BRACKET - TIEDOWN - STOVE - BLACK - P32T , P32TD
*	126022-01-01A	EA	COVER - RANGE/BI-FOLD - 16" & 22" - BLACK TEXTURED
	130816-01-01A	EA	COUNTERTOP/STOVE LID - 1/4" VENDURA - JAMAICAN SAND - P34H , 36C , 36L , 34HD , 36LD , 36GD , 39QD
	130816-02-01A	EA	COUNTERTOP/STOVE LID - 1/4" VENDURA - JAMAICAN SAND - P34H , 36C , 36L , 34HD , 36LD , 36GD , 39QD
	130816-03-01A	EA	COUNTERTOP/STOVE LID - 1/4" VENDURA - JAMAICAN SAND - P32T , P32TD
*	126019-01-01A	EA	COFFEEMAKER - OPTIMA - W/BRACKETS - BLACK & DECKER
*	115504-01-000	EA	PANEL - SOLAR 10 WATT - 12.2"W X 26.9"L X 1.2"H
*	133004-02-01A	EA	PANEL - MONITOR - 2 TANK DIGITAL VOLT METER - SOLAR
	133068-01-000	EA	HAIR DRYER - 3 SPEED W/NIGHT LIGHT - WALL MOUNT
	133139-01-000	EA	VACUUM CLEANER - RECHARGEABLE DUST-BUSTER - BLACK & DECKER
	143733-01-000	EA	VACUUM CLEANER - RECHARGEABLE - EUREKA 79A
	133140-01-000	EA	FLASHLIGHT - RECHARGEABLE - BLACK & DECKER
	130818-02-01A	EA	TRASH CONTAINER - 20 QUART ALMOND

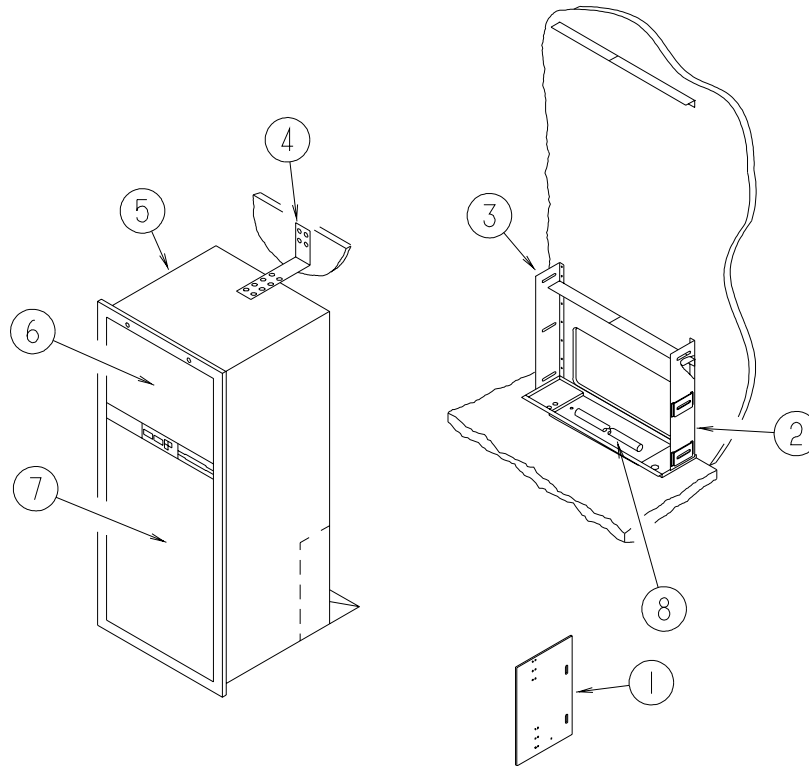
*COMPONENT PARTS LISTED LATER IN THIS GROUP

APPLIANCE GROUP (CONTINUED)
APPLIANCES (CONTINUED)



KEY	PART NUMBER	U/M	DESCRIPTION
1	111947-02-01A	EA	VENT - DRYER - 3"
2	116653-02-000	FT	DUCT - FLEXIBLE - 3' COMPRESSED/8' EXTENDED
	062401-09-000	EA	CLAMP - HOSE - WORMGEAR - 2.8" - 3.75"
3	107753-03-01A	EA	WASHER - DRYER - VENTED - UL/CSA - WHITE
4	111913-01-01A	EA	BRACKET - WASHER - TIE DOWN
5	113795-01-02B	EA	BRACKET - WASHER - E-COATED
6	113795-02-02B	EA	BRACKET - WASHER - E-COATED

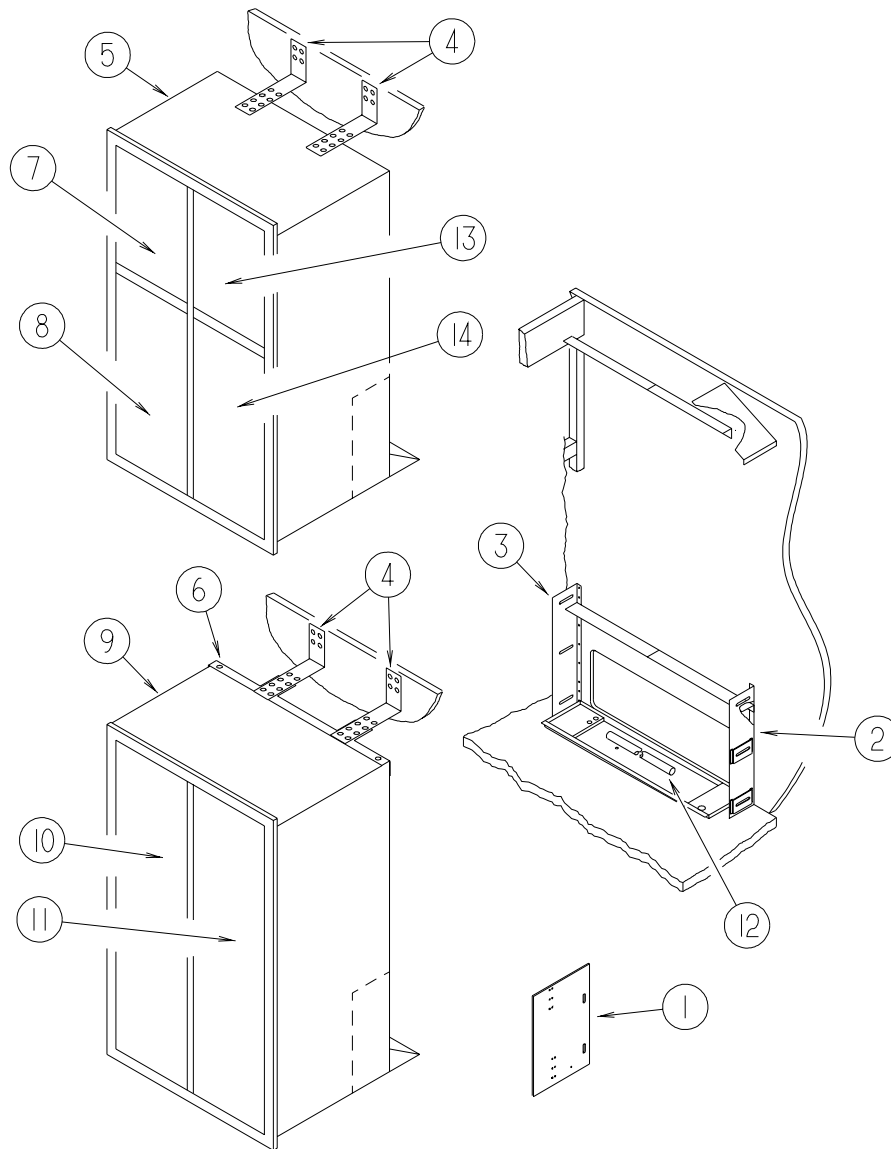
APPLIANCE GROUP (CONTINUED)
APPLIANCES (CONTINUED)



KEY	PART NUMBER	U/M	DESCRIPTION
1	065225-04-000	EA	PLATE - TIEDOWN/REFRIGERATOR
2	093646-01-000	EA	BRACKET - TIEDOWN/REFRIGERATOR - RIGHT HAND
3	093646-02-000	EA	BRACKET - TIEDOWN/REFRIGERATOR - LEFT HAND
4	093369-02-000	EA	STRAP - REFRIGERATOR
5*	120075-13-01A	EA	REFRIGERATOR-LARGE DOUBLE DOOR/RH - 2-WAY -ICE MAKER-BLACK
5*	121569-05-01A	EA	REFRIGERATOR - LARGE DOUBLE DOOR/RH - 2-WAY - BLACK - P34H, P36C, P36L
6	P34457-03-L85	EA	PANEL - INSERT RAISED MEMBRANE - 21.5" X 14.5" - SALEM CHERRY - P34HD,P36LD,P36GD,P39QD
6	P34457-03-N47	EA	PANEL - INSERT RAISED MEMBRANE - 21.5" X 14.5" - PORTSMOUTHN OAK - P34HD,36LD,36GD,39QD
6	103251-07-01A	EA	INSERT/REFRIGERATOR DOOR - 21.6" X 14.5" - BLACK ACRYLIC - P34H, P36C, P36L
7	P34457-04-L85	EA	PANEL - INSERT RAISED MEMBRANE - 21.5" X 38.5" - SALEM CHERRY - P34HD,P36LD,P36GD,P39QD
7	P34457-04-N47	EA	PANEL - INSERT RAISED MEMBRANE - 21.5" X 38.5" - PORTSMOUTHN OAK - P34HD,36LD,36GD,39QD
7	103251-09-01A	EA	INSERT/REFRIGERATOR DOOR - 21.6" X 38.6" - BLACK ACRYLIC - P34H, P36C, P36L
8	112176-01-000	FT	TUBING - VINYL - REINFORCED - 1/2" ID
	090329-01-000	FT	SEAL/T - REFRIGERATOR CABINET
	116751-02-01A	EA	TRAY - REFRIGERATOR - BLACK - P34H,P36C,P34HD,P36LD,P36GD,P39QD
	116751-01-01A	EA	TRAY - REFRIGERATOR - P36L
	054450-01-000	EA	LEVEL - REFRIGERATOR

***COMPONENT PARTS LISTED LATER IN THIS GROUP**

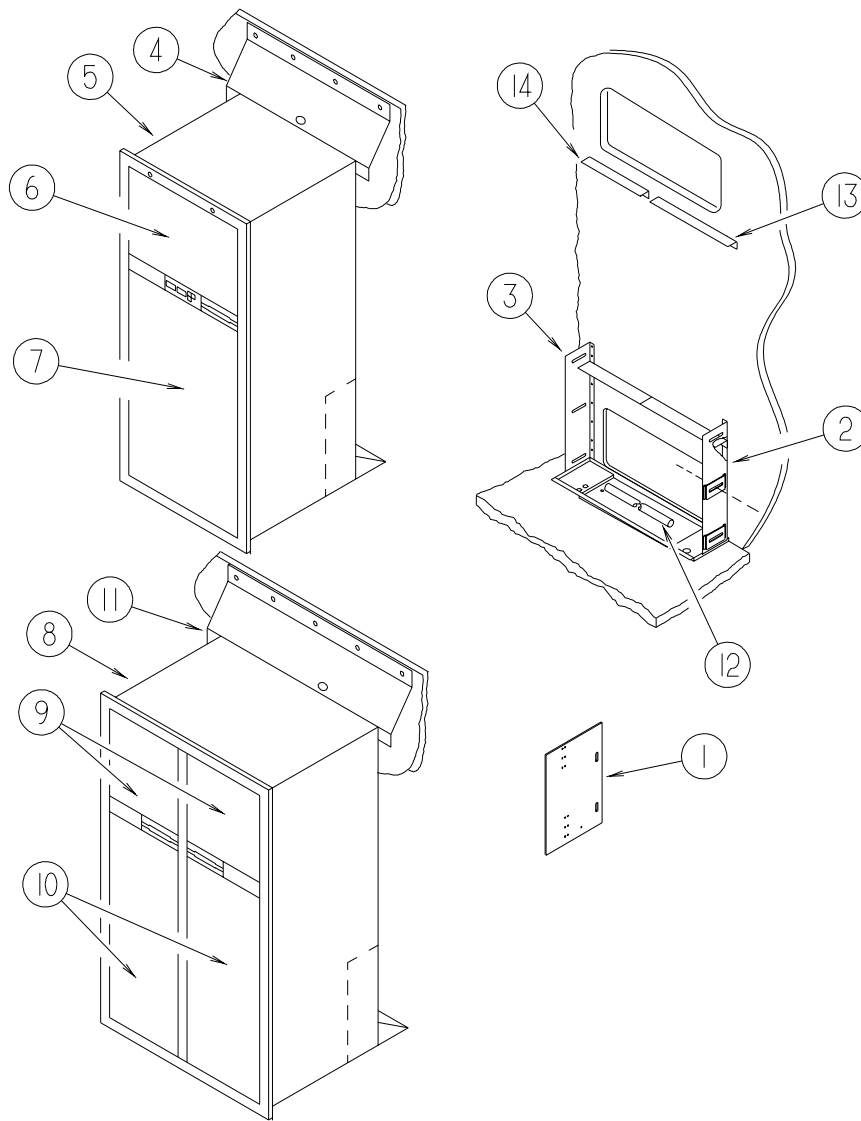
APPLIANCE GROUP (CONTINUED)
APPLIANCES (CONTINUED)



KEY	PART NUMBER	U/M	DESCRIPTION
1	065225-01-000	EA	PLATE - TIEDOWN/REFRIGERATOR
2	093646-01-000	EA	BRACKET - TIEDOWN/REFRIGERATOR - RIGHT HAND
3	093646-02-000	EA	BRACKET - TIEDOWN/REFRIGERATOR - LEFT HAND
4	093369-02-000	EA	STRAP - REFRIGERATOR
5*	125242-02-01A	EA	REFRIGERATOR-4 DR-W/ICE MKR-W/CONTOURED HANDLENORCOLD1201
6	NOT USED		
7	P34457-01-LQ1	EA	PANEL - INSERT RAISED MEMBRANE - 16.1" X 18.3" - SALEM CHERRY - P34HD,P36LD,P36GD,P39QD
7	P34457-01-N75	EA	PANEL - INSERT RAISED MEMBRANE - 16.1" X 18.3" - PORTSMOUTH OAK - P34HD,36LD,36GD,39QD
7	103251-10-01A	EA	INSERT/REFRIGERATOR DOOR - 16.2" X 18.4" - BLACK ACRYLIC - P34H, P36C, P36L
8	P34457-02-LQ1	EA	PANEL - INSERT RAISED MEMBRANE - 16.1" X 41.1" - SALEM CHERRY - P34HD,P36LD,P36GD,P39QD
8	P34457-02-N75	EA	PANEL - INSERT RAISED MEMBRANE - 16.1" X 41.1" - PORTSMOUTH OAK - P34HD,36LD,36GD,39QD
8	103251-11-01A	EA	INSERT/REFRIGERATOR DOOR - 16.2" X 41.2" - BLACK ACRYLIC - P34H, P36C, P36L
9	NOT USED		
10	NOT USED		
11	NOT USED		
12	112176-01-000	FT	TUBING - VINYL - REINFORCED - 1/2" ID
13	SAME AS #7		
14	SAME AS #8		
	118871-02-01A	EA	TRAY - REFRIGERATOR - SIDE/SIDE - BLACK - 34.4" LONG - P34H,P36C,P34HD,P36LD,P39QD,P36GD
	118871-01-01A	EA	TRAY - REFRIGERATOR - SIDE/SIDE - P36L
	090329-01-000	EA	SEAL/T - REFRIGERATOR CABINET
	054450-01-000	EA	LEVEL - REFRIGERATOR

*COMPONENT PARTS LISTED LATER IN THIS GROUP

APPLIANCE GROUP (CONTINUED)
APPLIANCES (CONTINUED)



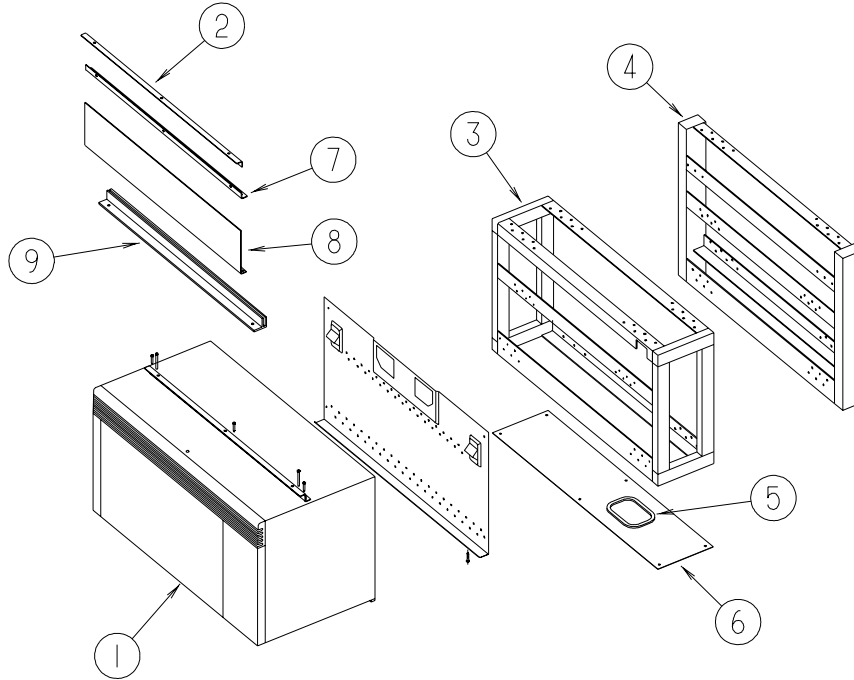
KEY	PART NUMBER	U/M	DESCRIPTION
1	065225-04-000	EA	PLATE - TIEDOWN/REFRIGERATOR
2	093646-01-000	EA	BRACKET - TIEDOWN/REFRIGERATOR - RIGHT HAND
3	093646-02-000	EA	BRACKET - TIEDOWN/REFRIGERATOR - LEFT HAND
4	136966-01-02B	EA	BAFFLE - REFRIGERATOR - E-COATED
5*	120075-14-01A	EA	REFRIGERATOR - LARGE DOUBLE/DOOR/RH- 2-WAY-ICE MAKER-BLACK - P32T, P32TD
5*	120075-15-01A	EA	REFRIGERATOR - LARGE DOUBLE DOOR/LH - 2-WAY - BLACK - P32T
6	P34457-03-L85	EA	PANEL - INSERT RAISED MEMBRANE - 21.5" X 14.5" - SALEM CHERRY - P32TD
6	P34457-03-N47	EA	PANEL - INSERT RAISED MEMBRANE - 21.5" X 14.5" - PORTSMOUTH OAK - P32TD
6	103251-07-01A	EA	INSERT/REFRIGERATOR DOOR - 21.6" X 14.5" - BLACK ACRYLIC - P32T
7	P34457-04-L85	EA	PANEL - INSERT RAISED MEMBRANE - 21.5" X 38.5" - SALEM CHERRY - P32TD
7	P34457-04-N47	EA	PANEL - INSERT RAISED MEMBRANE - 21.5" X 38.5" - PORTSMOUTH OAK - P32TD
7	103251-09-01A	EA	INSERT/REFRIGERATOR DOOR - 21.6" X 38.6" - BLACK ACRYLIC - P32T
8*	125242-02-01A	EA	REFRIGERATOR-4 DR-W/ICE MKR-W/CONTOURED HANDLE-NORCOLD1201 - P32T, P32TD
9	P34457-01-LQ1	EA	PANEL - INSERT RAISED MEMBRANE - 16.1" X 18.3" - SALEM CHERRY - P32TD
9	P34457-01-N75	EA	PANEL - INSERT RAISED MEMBRANE - 16.1" X 18.3" - PORTSMOUTH OAK - P32TD
9	103251-10-01A	EA	INSERT/REFRIGERATOR DOOR - 16.2" X 18.4" - BLACK ACRYLIC - P32T
10	P34457-02-LQ1	EA	PANEL - INSERT RAISED MEMBRANE - 16.1" X 41.1" - SALEM CHERRY - P32TD
10	P34457-02-N75	EA	PANEL - INSERT RAISED MEMBRANE - 16.1" X 41.1" - PORTSMOUTH OAK - P32TD
10	103251-11-01A	EA	INSERT/REFRIGERATOR DOOR - 16.2" X 41.2" - BLACK ACRYLIC - P32T
11	136966-03-02B	EA	BAFFLE - REFRIGERATOR - E-COATED
12	112176-01-000	FT	TUBING - VINYL - REINFORCED - 1/2" ID

APPLIANCE GROUP (CONTINUED)

APPLIANCES (CONTINUED)

KEY	PART NUMBER	U/M	DESCRIPTION
13	143195-01-02B	EA	BAFFLE - REFRIGERATOR - E-COATED FROM: 04-29-02 THRU: 99-99-99
14	143195-02-02B	EA	BAFFLE - REFRIGERATOR - E-COATED FROM: 04-29-02 THRU: 99-99-99
	136907-01-01A	EA	TRAY - REFRIGERATOR - BLACK - DOUBLE DOOR
	137495-01-01A	EA	TRAY - REFRIGERATOR - BLACK - 4 DOOR
	090329-01-000	EA	SEAL/T - REFRIGERATOR CABINET
	054450-01-000	EA	LEVEL - REFRIGERATOR

***COMPONENT PARTS LISTED LATER IN THIS GROUP**



KEY	PART NUMBER	U/M	DESCRIPTION
1*	119267-04-01A	EA	OVEN - MICROWAVE/CONVECTION W/HOOD - SHARP-#1850A/#1855 - CONVECTION
1*	119267-06-01A	EA	OVEN - MICROWAVE/CONVECTION W/HOOD - CSA - CONVECTION
1*	119267-07-01A	EA	OVEN - MICROWAVE/NON/CONVECTION W/HOOD - US
2	129836-02-02B	EA	ANGLE - W/HOLES - .7" X 1" X 28.3" - E-COATED - LH - P34H, P34HD, P36L, P36LD
3	129552-01-02B	EA	BRACKET - MICROWAVE - P34H, P34HD
4	129552-03-02B	EA	BRACKET - MICROWAVE - P36L, P36LD
5	093305-01-01A	FT	TRIM - EDGE C-TYPE - WIRE CARRIER - .35" X .24" - VINYL - P34H, P34HD
6	129547-04-02B	EA	PLATE - COVER - MICROWAVE - E-COATED - P34H, P34HD
7		EA	NOT USED
8	129836-03-02B	EA	ANGLE - W/HOLES - 3.3" X 2.9" X 28.3" - E-COATED - LH - P36L, P36LD
8	129836-01-02B	EA	ANGLE - W/HOLES - .7" X 1" X 28.3" - E-COATED - P34H, P34HD
9	137785-01-01A	EA	SPACER-W/HOLES MILL - P32T, P36C
	119267-05-000	EA	FILTER - HOOD - CHARCOAL - SHARP #RK220

***COMPONENT PARTS LISTED LATER IN THIS GROUP**

APPLIANCE GROUP (CONTINUED)
COMPONENT PARTS FOR APPLIANCE

115504-01-000

KEY	PART NUMBER	U/M	DESCRIPTION	VENDOR NO.
	115504-01-700	EA	PLUG & CABLE, 10 WATT PANEL	600-016

119267-04-01A

KEY	PART NUMBER	U/M	DESCRIPTION	VENDOR NO.
	119267-04-700	EA	FILTER-GREASE	BOO2
	119267-04-704	EA	LIGHT COVER	FANGKB009MRYO
	119267-04-706	EA	BULB/LIGHT (CARDED)	
	119267-04-708	EA	PAN-BOTTOM (MICROWAVE)	

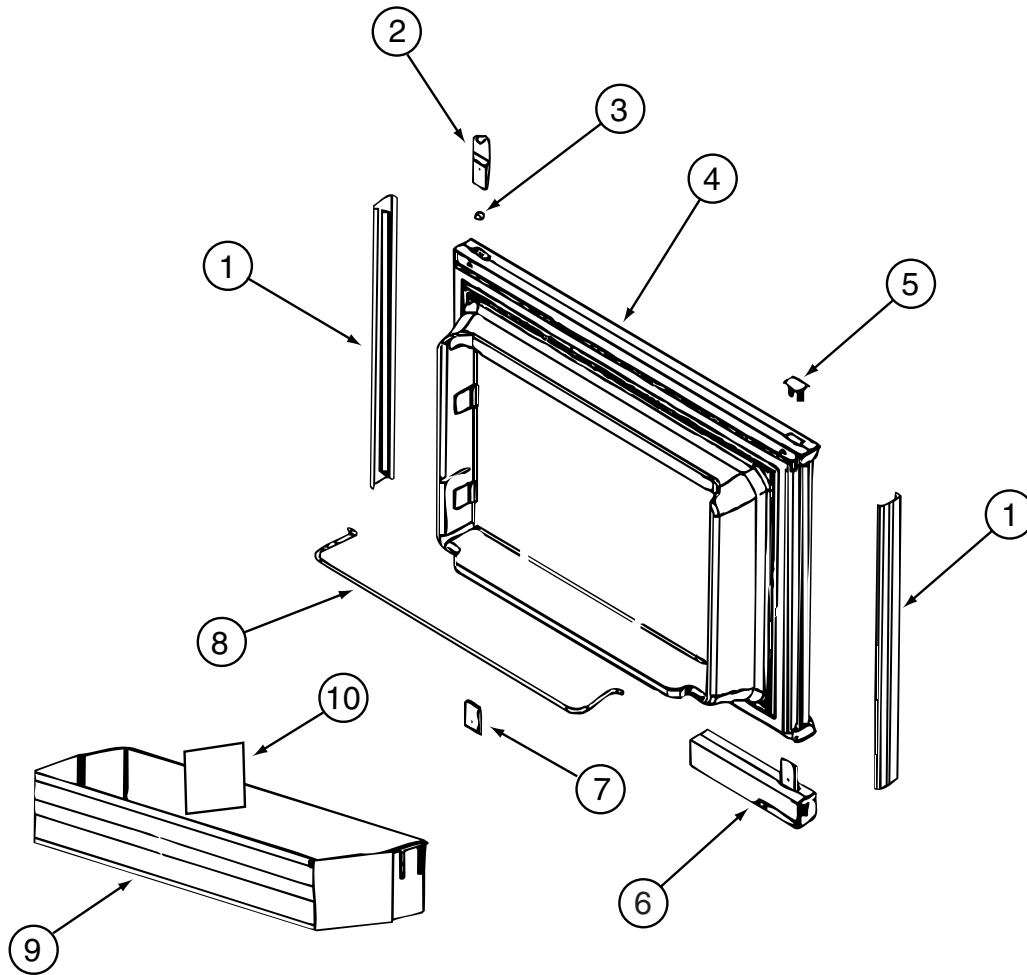
119267-06-01A

KEY	PART NUMBER	U/M	DESCRIPTION	VENDOR NO.
	119267-04-700	EA	FILTER-GREASE	BOO2
	119267-04-703	EA	PLATE-MOUNTING W/2 SCREWS	FANGTB003MRV0

119267-07-01A

KEY	PART NUMBER	U/M	DESCRIPTION	VENDOR NO.
	119267-04-700	EA	FILTER-GREASE	BOO2
	119267-04-704	EA	LIGHT COVER	FANGKB009MRYO
	119267-07-701	EA	LOUVER-EXHAUST	PDIFB018MRFO
	119267-07-702	EA	PLATE - MOUNTING	LANGTB036MRPO

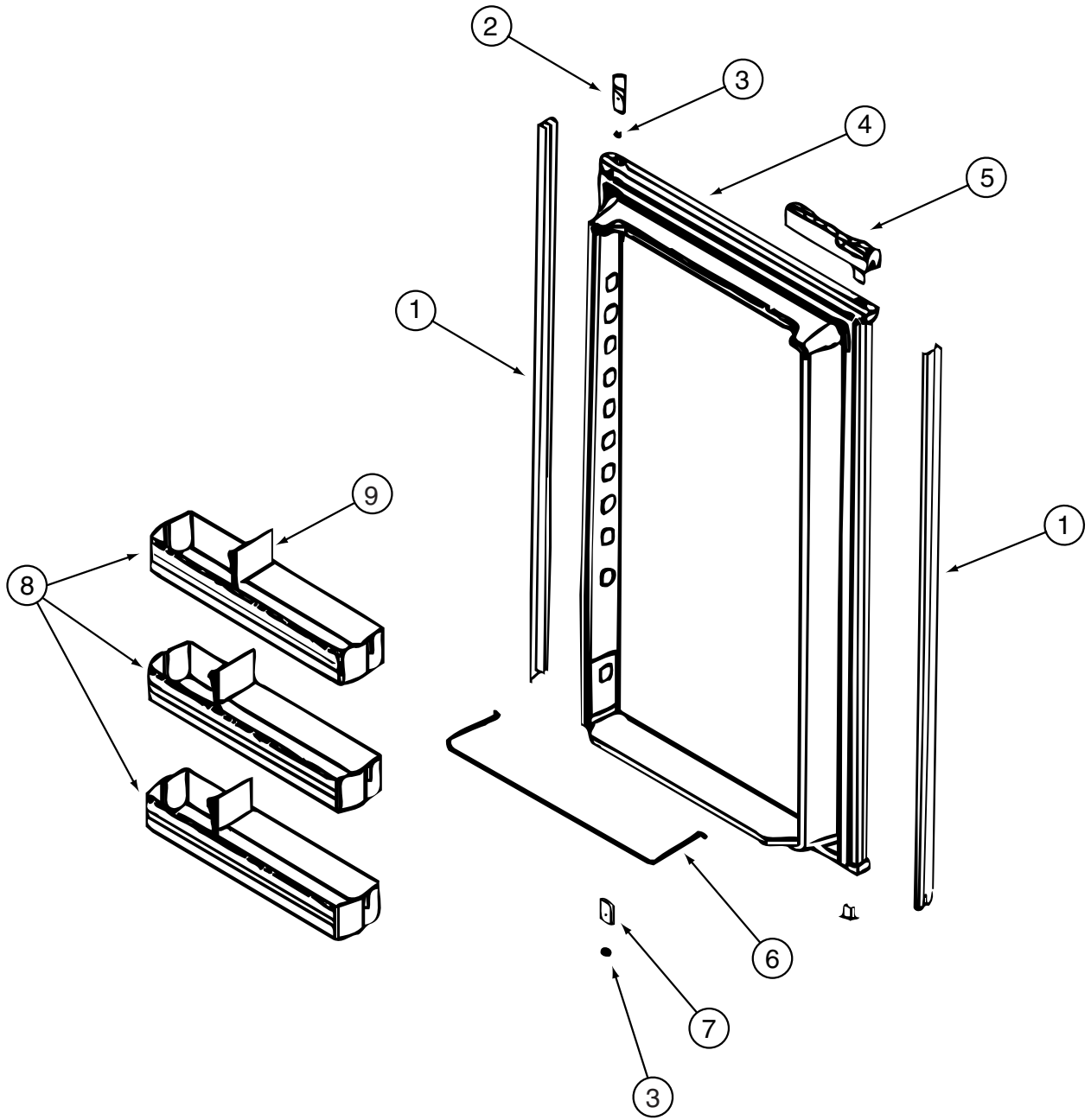
APPLIANCE GROUP (CONTINUED)
COMPONENTS PARTS FOR APPLIANCE (CONTINUED)



120075-13-01A, 120075-14-01A, 120075-15-01A

KEY	PART NUMBER	U/M	DESCRIPTION	VENDOR NO.
1	121568-03-700	EA	RETAINER - DOOR PANEL/BLACK	619558
2	120075-01-701	EA	HINGE-TOP RH/BOTTOM LH(DOOR)	618511
3	121568-03-701	EA	BUSHING - HINGE PIN/GRAY	619671
4	121568-03-702	EA	DOOR LINER - W/TRIM/BLACK	619627 - SMALL DOOR
5	120075-01-702	EA	CAP, (HINGE PLUG)	618160
6	120075-12-700	EA	HANDLE(CONTOUR)TOP LH/BTM RH	621105
	120075-12-702	EA	HANDLE/HOUSING-TOP-LH/BTM RH	618159GEN
6	120075-12-701	EA	HANDLE(CONTOUR)TOP RH/BTM LH	621104
	120075-12-709	EA	HANDLE/HOUSING-BTM LH/TOP RH	618122GEN
	120075-12-703	EA	HANDLE - PLASTIC - NEW STYLE	620928
	120075-12-704	EA	SPRING - COMPRESSION	618182
	120075-12-705	EA	LATCH - HANDLE	618121
	120075-12-706	EA	PIN - STEEL	618622
	120075-12-707	EA	LATCH	619648
	120075-12-708	EA	LATCH - SPRING	620960
6	121568-03-703	EA	HANDLE/FLUSH-TOP/RH-LWR/LH	619865
6	121568-03-708	EA	HANDLE/FLUSH-TOP/LH-LWR/RH	619866
7	120075-01-705	EA	HINGE-TOP LH/BOTTOM RH(DOOR)	618510
8	121568-01-700	EA	RAIL - DOOR UPPER	618618
9	120075-07-700	EA	DOOR BIN - CLEAR	619006
10	120075-07-701	EA	DIVIDER/DOOR BIN CLEAR	619008
	121568-03-704	EA	TRAVEL LATCH - GRAY	619647
	121568-03-705	EA	STORAGE LATCH - GRAY	619648

APPLIANCE GROUP (CONTINUED)
COMPONENTS PARTS FOR APPLIANCE (CONTINUED)



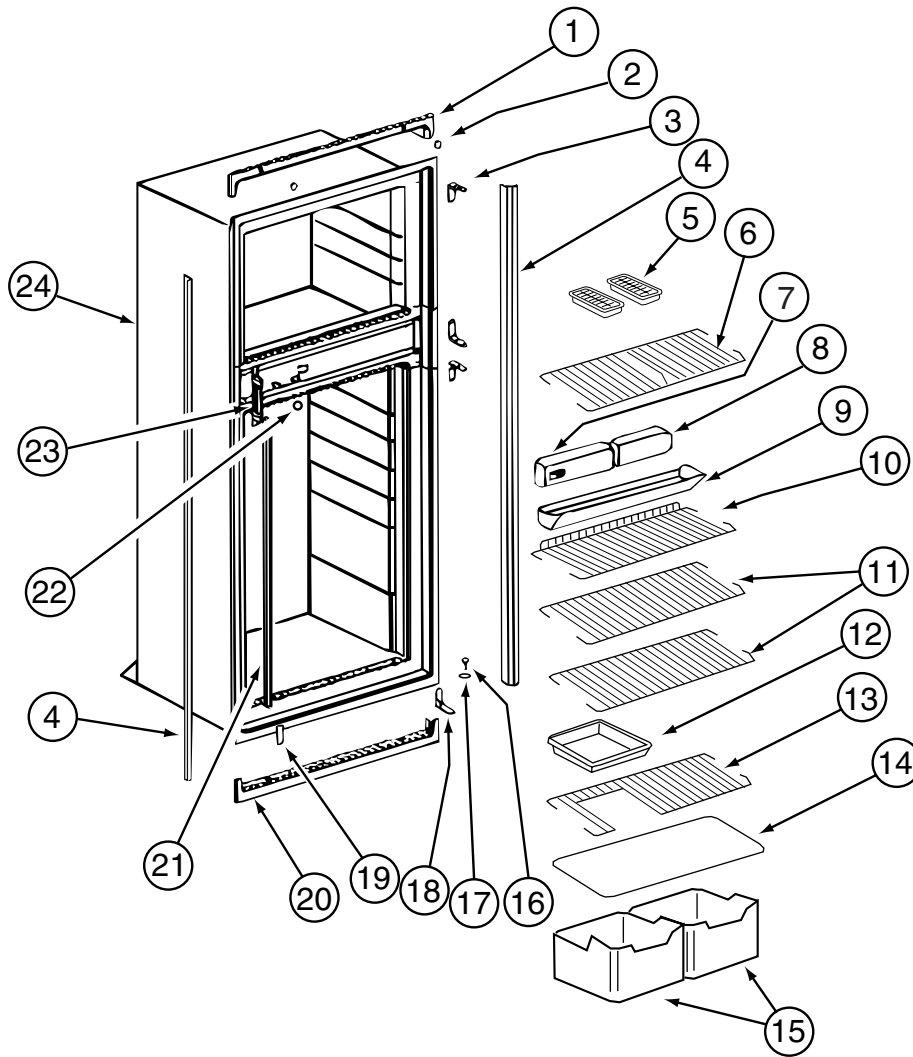
120075-13-01A, 120075-14-01A, 120075-15-01A (CONTINUED)

APPLIANCE GROUP (CONTINUED)
COMPONENTS PARTS FOR APPLIANCE (CONTINUED)

120075-13-01A, 120075-14-01A, 120075-15-01A (CONTINUED)

KEY	PART NUMBER	U/M	DESCRIPTION	VENDOR NO.
1	120075-07-702	EA	RETAINER - DOOR PANEL/BLACK	619560
2	120075-01-701	EA	HINGE-TOP RH/BOTTOM LH(DOOR)	618511
3	121568-03-701	EA	BUSHING - HINGE PIN/GRAY	619671
4	120075-07-703	EA	DOOR LINER - BLACK	619631 - LARGE DOOR
5	120075-12-700	EA	HANDLE(CONTOUR)TOP LH/BTM RH	621105
	120075-12-702	EA	HANDLE/HOUSING-TOP-LH/BTM RH	618159GEN
5	120075-12-701	EA	HANDLE(CONTOUR)TOP RH/BTM LH	621104
	120075-12-709	EA	HANDLE/HOUSING-BTM LH/TOP RH	618122GEN
	120075-12-703	EA	HANDLE - PLASTIC - NEW STYLE	620928
	120075-12-704	EA	SPRING - COMPRESSION	618182
	120075-12-705	EA	LATCH - HANDLE	618121
	120075-12-706	EA	PIN - STEEL	618622
	120075-12-707	EA	LATCH	619648
	120075-12-708	EA	LATCH - SPRING	620960
5	121568-03-703	EA	HANDLE/FLUSH-TOP/RH-LWR/LH	619865
5	121568-03-708	EA	HANDLE/FLUSH-TOP/LH-LWR/RH	619866
6	121568-01-704	EA	RAIL - DOOR LOWER	618578
7	120075-01-705	EA	HINGE-TOP LH/BOTTOM RH(DOOR)	618510
8	120075-07-700	EA	DOOR BIN - CLEAR	619006
8	120075-07-704	EA	DOOR BIN - LARGE/CLEAR	619005
9	120075-07-701	EA	DIVIDER/DOOR BIN CLEAR	619008
	121568-03-704	EA	TRAVEL LATCH - GRAY	619647
	121568-03-705	EA	STORAGE LATCH - GRAY	619648

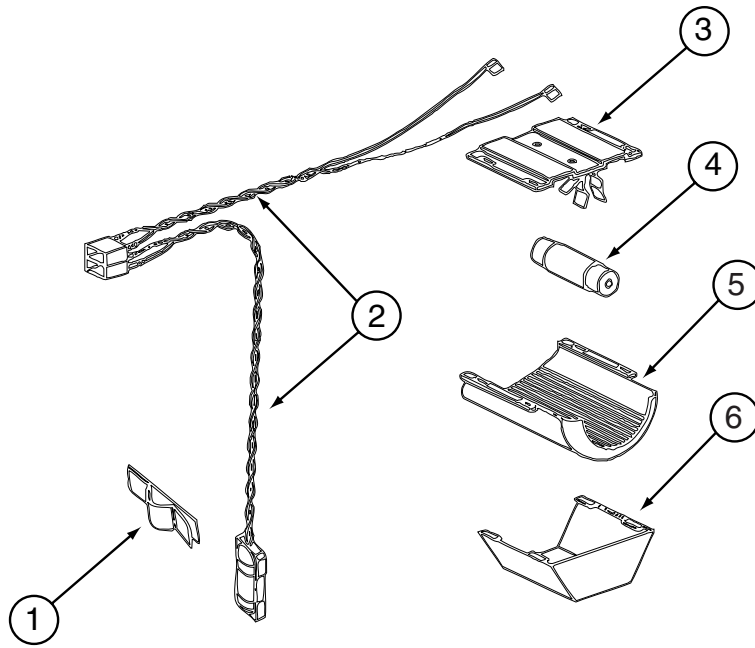
APPLIANCE GROUP (CONTINUED)
COMPONENTS PARTS FOR APPLIANCE (CONTINUED)



120075-13-01A, 120075-14-01A, 120075-15-01A (CONTINUED)

KEY	PART NUMBER	U/M	DESCRIPTION	VENDOR NO.
1	121568-03-709	EA	TRIM - TOP/BLACK	619687
2	120075-01-714	EA	PLUG-HOLE	618170
3	121568-03-710	EA	HINGE/CABINET-TOP/RH-LWR/LH	619335
4	120075-07-705	EA	TRIM - SIDE - BLACK	619802
5	104137-06-724	EA	ICE TRAY	61630422
6	120075-07-706	EA	SHELF - WIRE/FREEZER	620249
7	120075-07-707	EA	CONTROL BOX - BLACK	619665
8	121568-03-713	EA	FRONT BOX/DECORATIVE-BLACK	619282
9	120075-01-720	EA	TRAY-DRIP	618137
10	120075-01-722	EA	SHELF-WIRE, SHORT	618239
11	120075-01-723	EA	SHELF-WIRE	618114
12	104137-06-718	EA	SHELF-TRAY, WHITE, W/CUTOUT	617756
13	120075-01-724	EA	SHELF-WIRE, W/CUTOUT	618177
14	120075-01-725	EA	COVER-CRISPER	618158
15	120075-07-708	EA	CRISPER/ICE BIN	619007
16	120075-01-727	EA	PIN-HINGE	618145
17	121568-03-701	EA	BUSHING - HINGE PIN/GRAY	619671
18	121568-03-715	EA	HINGE/CABINET-TOP/LH-LWR/RH	619336
19	121568-03-716	EA	COVER - HINGE HOLES	619301
20	120075-01-729	EA	TRIM-BOTTOM PIECE	618136
21	120075-01-730	EA	RETAINER-SHELF	618181
22	121568-03-717	EA	HOLE PLUG - WHITE	619561
23	120075-01-732	EA	PLATE-STRIKE	618167
24	120075-09-700	EA	CABINET - FOAMED	619660
	120075-01-721	EA	LOUVER-DRIP TRAY	618176

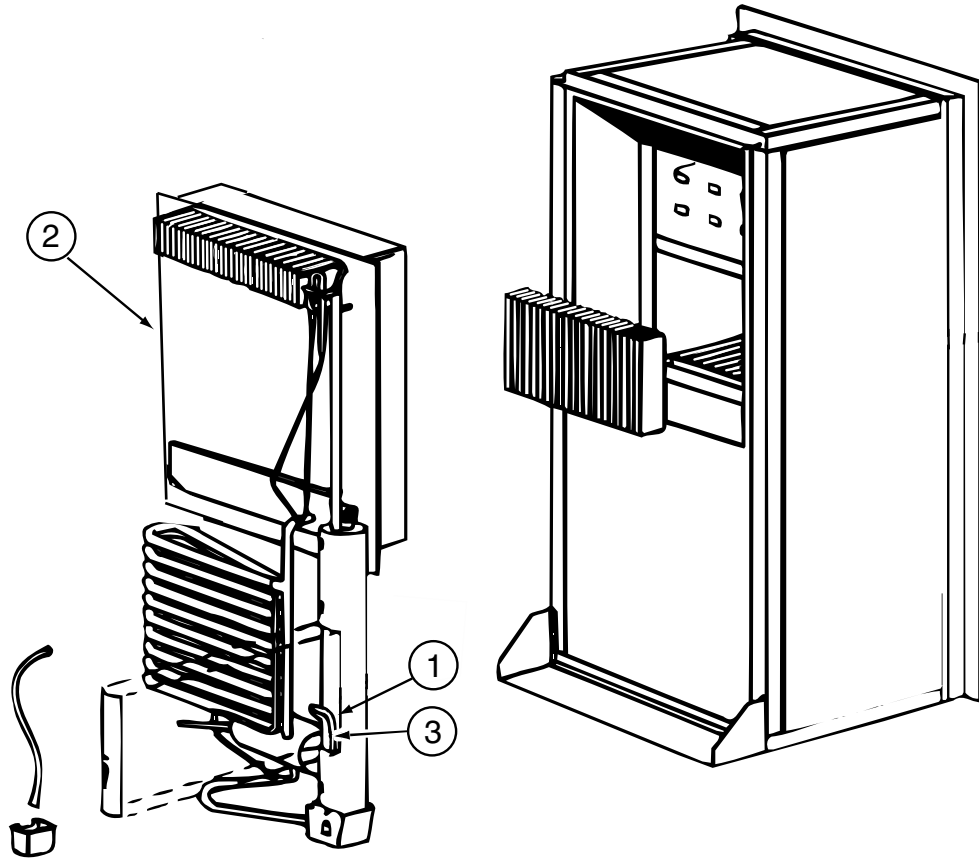
APPLIANCE GROUP (CONTINUED)
COMPONENTS PARTS FOR APPLIANCE (CONTINUED)



120075-13-01A, 120075-14-01A, 120075-15-01A (CONTINUED)

KEY	PART NUMBER	U/M	DESCRIPTION	VENDOR NO.
1	084880-01-760	EA	CLIP (THERMISTER)	61689122
2	120075-01-735	EA	THERMISTER W/LAMP & WIRE/ASM	618548
3	084880-03-705	EA	BRACKET-LIGHT-INTERIOR	61629722
4	084880-03-706	EA	BULB-LAMP	61628922
5	120075-01-734	EA	COVER-LENS	618190
6	084880-03-707	EA	COVER-LAMP, LENS	61627922

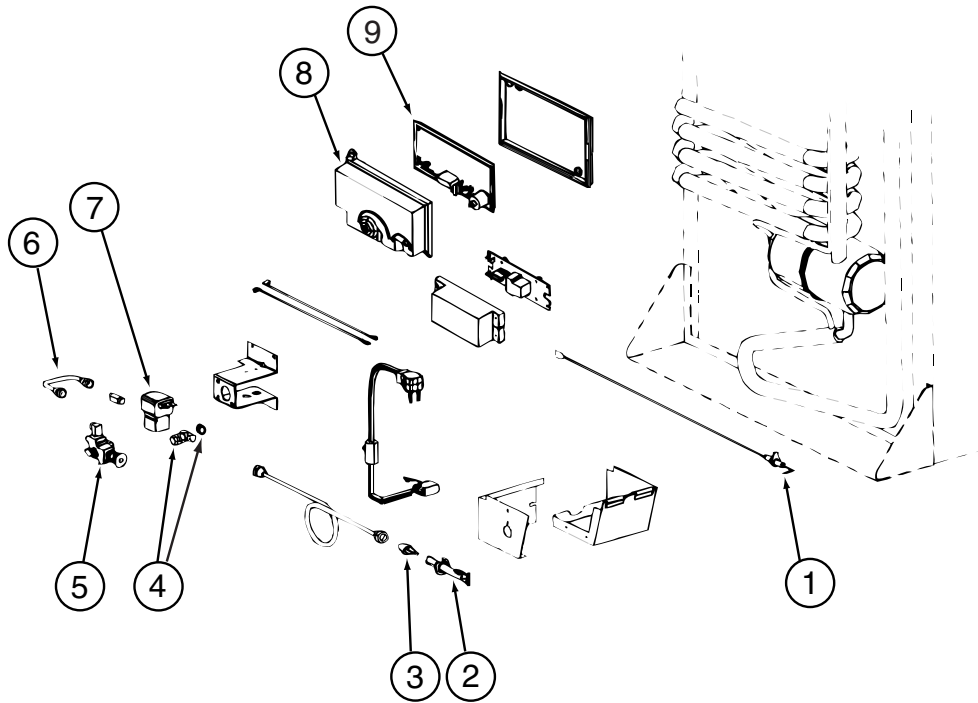
APPLIANCE GROUP (CONTINUED)
COMPONENTS PARTS FOR APPLIANCE (CONTINUED)



120075-13-01A, 120075-14-01A, 120075-15-01A (CONTINUED)

KEY	PART NUMBER	U/M	DESCRIPTION	VENDOR NO.
1	088248-01-710	EA	HEATER DC (HORIZONTAL)	61562822
2	120075-01-736	EA	COOLING UNIT, SERVICE PACK	618542
3	088248-01-709	EA	HEATER-AC (HORIZONTAL)	61562722

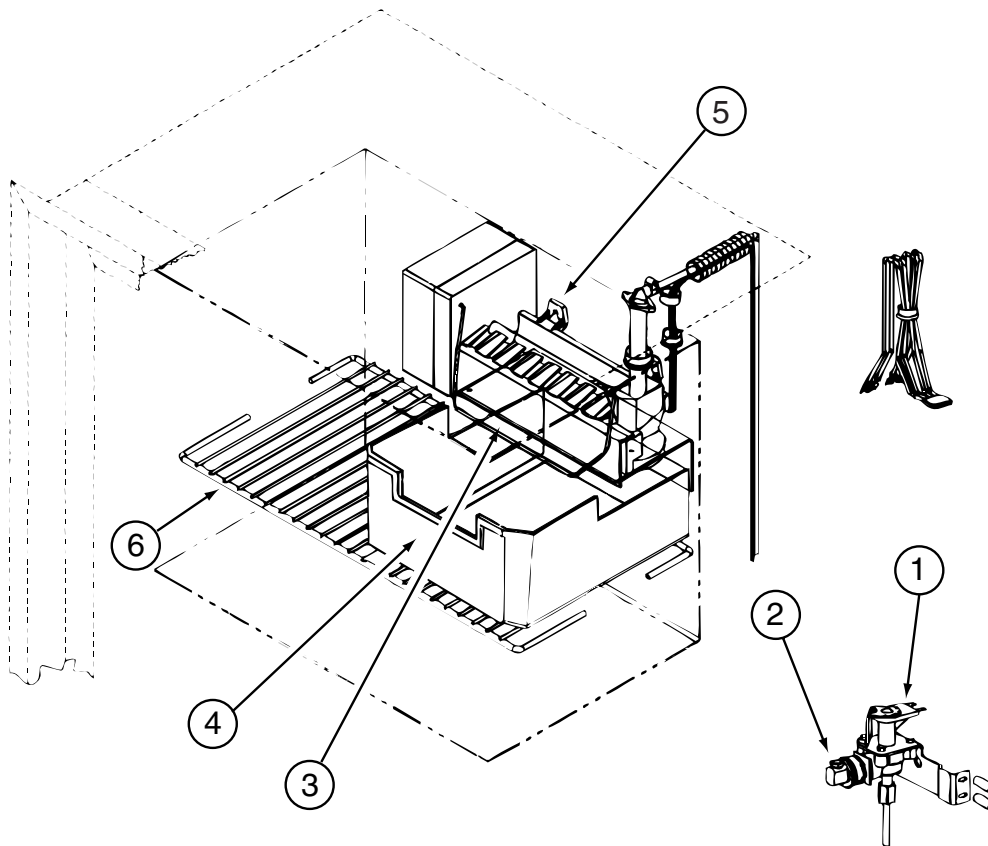
APPLIANCE GROUP (CONTINUED)
COMPONENTS PARTS FOR APPLIANCE (CONTINUED)



120075-13-01A, 120075-14-01A, 120075-15-01A (CONTINUED)

KEY	PART NUMBER	U/M	DESCRIPTION	VENDOR NO.
1	104137-06-715	EA	ELECTRODE-SPARK/SENSOR, SGL	61692222
2	104137-06-714	EA	BURNER ASSEMBLY, 5-SLOT	61705222
3	120075-01-737	EA	ORIFICE - JEWEL - .0155	618284
4	113737-01-702	EA	PLUG 1/8" F/PRESSURE TAP	61445322
4	113737-01-716	EA	TAP-PRESSURE	61594422
5	104137-06-734	EA	VALVE-SHUT OFF/MAN-OLD STYLE	61694922
6	113737-01-750	EA	TUBE-UNION	61694622
7	084880-01-718	EA	VALVE-GAS, (ASCO)	61551822
8	120075-01-738	EA	COVER-POWER BOARD	618185
9	120075-07-710	EA	POWER - BOARD - 2-WAY	619360
	104137-06-734	EA	VALVE-SHUT OFF/MAN-NEW STYLE	618696
	120075-01-744	EA	KIT - GAS VALVE/BURNER TUBE	620609

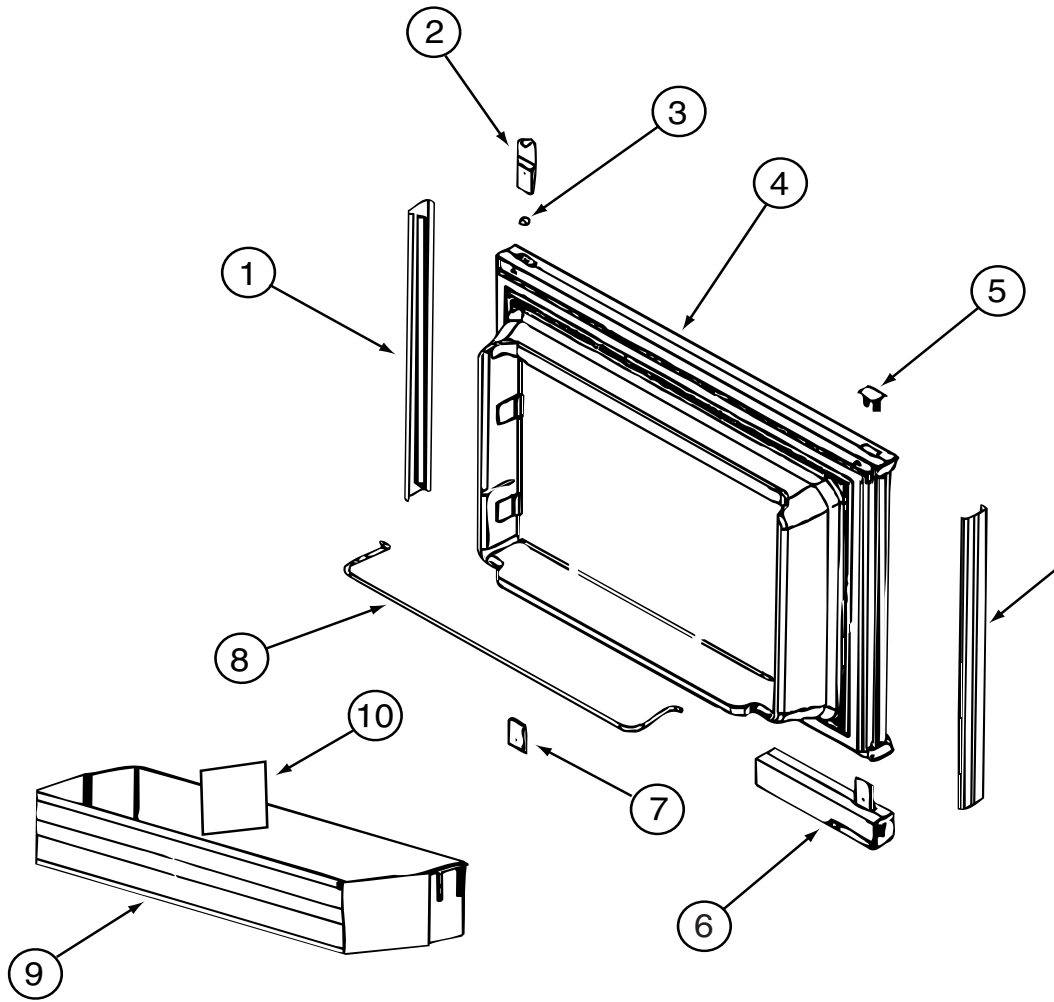
APPLIANCE GROUP (CONTINUED)
COMPONENTS PARTS FOR APPLIANCE (CONTINUED)



120075-13-01A, 120075-14-01A (CONTINUED)

KEY	PART NUMBER	U/M	DESCRIPTION	VENDOR NO.
1	120075-09-701	EA	WATER VALVE W/BRACKET	618253
2	120075-03-702	EA	NUT/COMPRESSION - FITTING	61678722
3	120075-03-703	EA	ARM-SHUT OFF	61656922
4	120075-03-704	EA	BIN-ICE CUBE	618154
5	094039-07-706	EA	ICE MAKER W/O PLATES	61656522
6	120075-01-717	EA	SHELF-FREEZER, WIRE	618172
	120075-09-702	EA	RELAY - 12 VOLT	620239

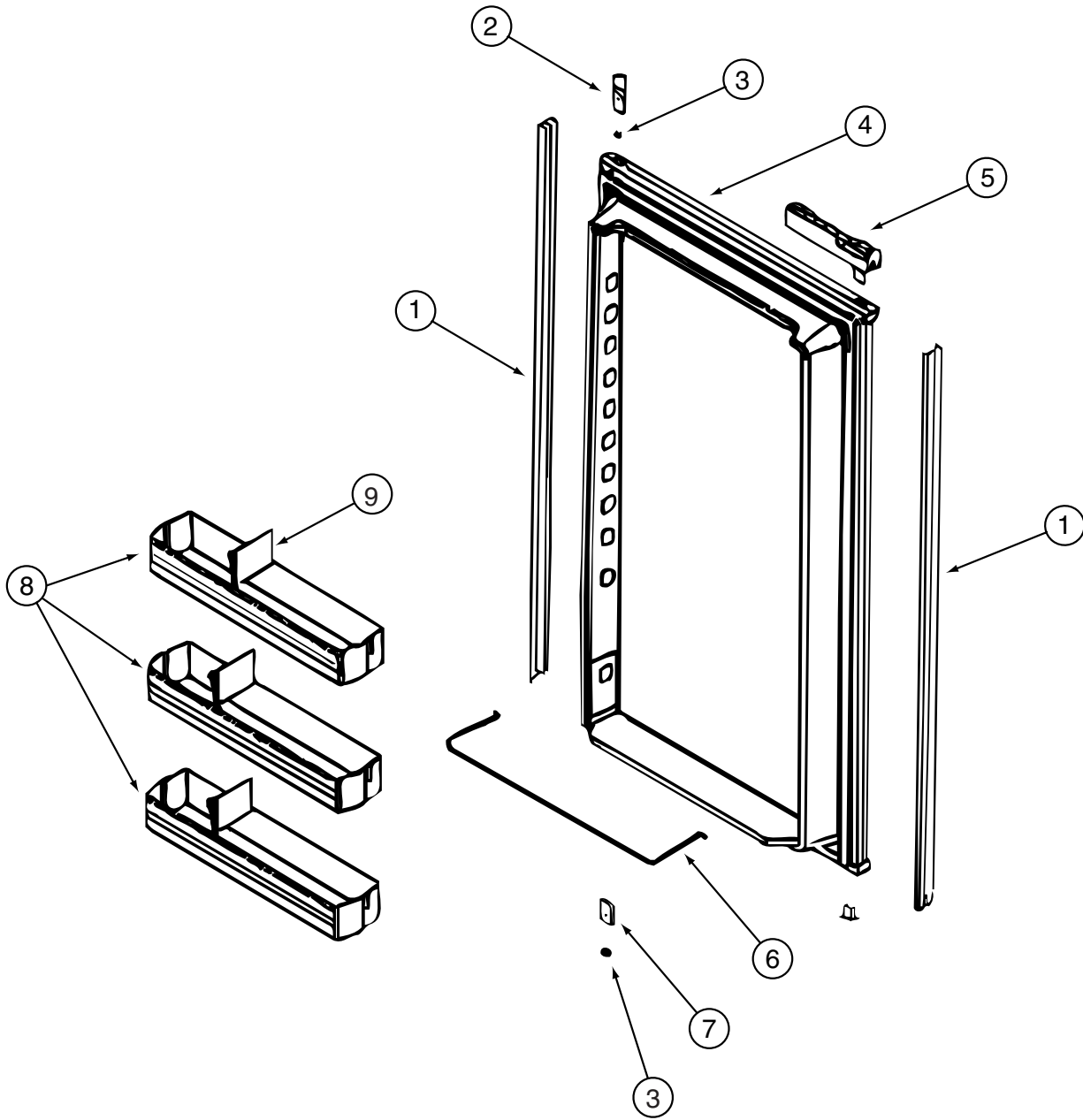
APPLIANCE GROUP (CONTINUED)
COMPONENTS PARTS FOR APPLIANCE (CONTINUED)



121569-05-01A, 121569-07-01A

KEY	PART NUMBER	U/M	DESCRIPTION	VENDOR NO.
1	121568-03-700	EA	RETAINER - DOOR PANEL/BLACK	619558
2	120075-01-701	EA	HINGE-TOP RH/BOTTOM LH(DOOR)	618511
3	121568-03-701	EA	BUSHING - HINGE PIN/GRAY	619671
4	121568-03-702	EA	DOOR LINER - W/TRIM/BLACK	619627 - SMALL DOOR
5	120075-01-702	EA	CAP, (HINGE PLUG)	618160
6	120075-12-700	EA	HANDLE(CONTOUR)TOP LH/BTM RH	621105
	120075-12-702	EA	HANDLE/HOUSING-TOP-LH/BTM RH	618159GEN
	120075-12-703	EA	HANDLE - PLASTIC - NEW STYLE	620928
	120075-12-704	EA	SPRING - COMPRESSION	618182
	120075-12-705	EA	LATCH - HANDLE	618121
	120075-12-706	EA	PIN - STEEL	618622
	120075-12-707	EA	LATCH	619648
	120075-12-708	EA	LATCH - SPRING	620960
7	120075-01-705	EA	HINGE-TOP LH/BOTTOM RH(DOOR)	618510
8	121568-01-700	EA	RAIL - DOOR UPPER	618618
9	120075-07-700	EA	DOOR BIN - CLEAR	619006
10	120075-07-701	EA	DIVIDER/DOOR BIN CLEAR	619008
	121568-03-705	EA	STORAGE LATCH - GRAY	619648

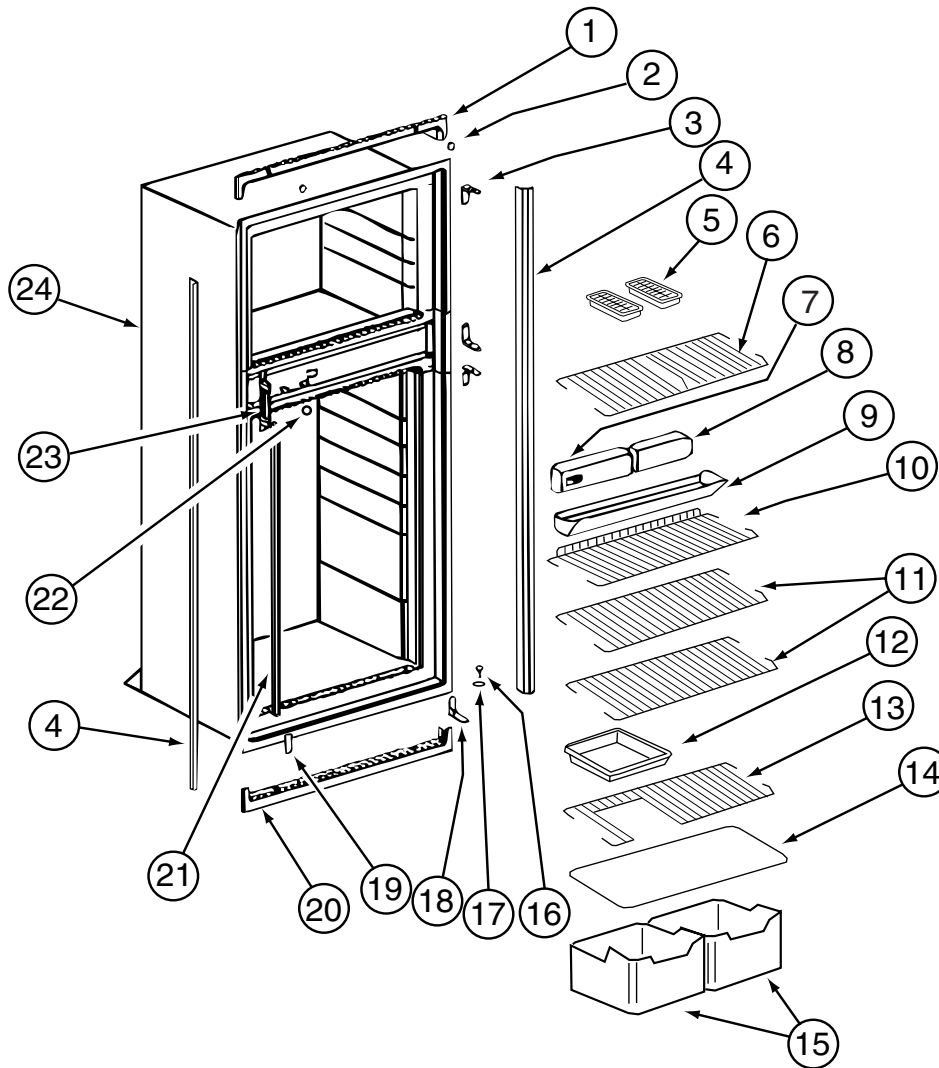
APPLIANCE GROUP (CONTINUED)
COMPONENTS PARTS FOR APPLIANCE (CONTINUED)



121569-05-01A, 121569-07-01A (CONTINUED)

KEY	PART NUMBER	U/M	DESCRIPTION	VENDOR NO.
1	120075-07-702	EA	RETAINER - DOOR PANEL/BLACK	619560
2	120075-01-701	EA	HINGE-TOP RH/BOTTOM LH(DOOR)	618511
3	121568-03-701	EA	BUSHING - HINGE PIN/GRAY	619671
4	121568-03-707	EA	DOOR LINER - W/BLACK TRIM	619629
5	120075-12-701	EA	HANDLE(CONTOUR)TOP RH/BTM LH	621104
	120075-12-709	EA	HANDLE/HOUSING-BTM LH/TOP RH	618122GEN
	120075-12-703	EA	HANDLE - PLASTIC - NEW STYLE	620928
	120075-12-704	EA	SPRING - COMPRESSION	618182
	120075-12-705	EA	LATCH - HANDLE	618121
	120075-12-706	EA	PIN - STEEL	618622
	120075-12-707	EA	LATCH	619648
	120075-12-708	EA	LATCH - SPRING	620960
6	121568-01-704	EA	RAIL - DOOR LOWER	618578
7	120075-01-705	EA	HINGE-TOP LH/BOTTOM RH(DOOR)	618510
8	121568-01-701	EA	BIN - DOOR WHITE	618619
9	120075-07-701	EA	DIVIDER/DOOR BIN CLEAR	619008
	121568-03-705	EA	STORAGE LATCH - GRAY	619648

APPLIANCE GROUP (CONTINUED)
COMPONENTS PARTS FOR APPLIANCE (CONTINUED)

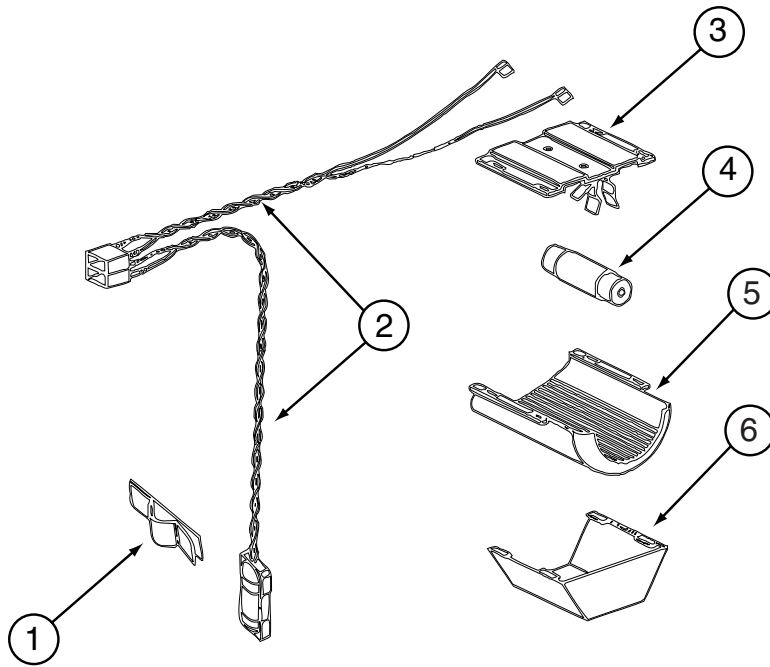


121569-05-01A, 121569-07-01A (CONTINUED)

KEY	PART NUMBER	U/M	DESCRIPTION	VENDOR NO.
1	121568-03-709	EA	TRIM - TOP/BLACK	619687
2	120075-01-714	EA	PLUG-HOLE	618170
3	121568-03-710	EA	HINGE/CABINET-TOP/RH-LWR/LH	619335
4	120075-07-705	EA	TRIM - SIDE - BLACK	619802
6	121568-03-712	EA	SHELF - WIRE/FREEZER	620250
7	121568-03-714	EA	CONTROL ASM - 2 WAY BLACK	619350
8	121568-03-713	EA	FRONT BOX/DECORATIVE-BLACK	619282
9	120075-01-720	EA	TRAY-DRIP	618137
10	121568-01-707	EA	SHELF - WIRE - SHORT	618624
11	121568-01-708	EA	SHELF - WIRE	618589
14	120075-01-725	EA	COVER-CRISPER	618158
15	121568-01-709	EA	CRISPER	618571
16	120075-01-727	EA	PIN-HINGE	618145
18	121568-03-715	EA	HINGE/CABINET-TOP/LH-LWR/RH	619336
19	121568-03-716	EA	COVER - HINGE HOLES	619301
20	120075-01-729	EA	TRIM-BOTTOM PIECE	618136
21	120075-01-730	EA	RETAINER-SHELF	618181
22	121568-03-717	EA	HOLE PLUG - WHITE	619561
23	120075-01-732	EA	PLATE-STRIKE	618167
24	120075-07-709	EA	CABINET - FOAMED	619347
	120075-01-721	EA	LOUVER-DRIP TRAY	618176

CONTACT WINNEBAGO PART SALES FOR UNLISTED COMPONENTS

APPLIANCE GROUP (CONTINUED)
COMPONENTS PARTS FOR APPLIANCE (CONTINUED)

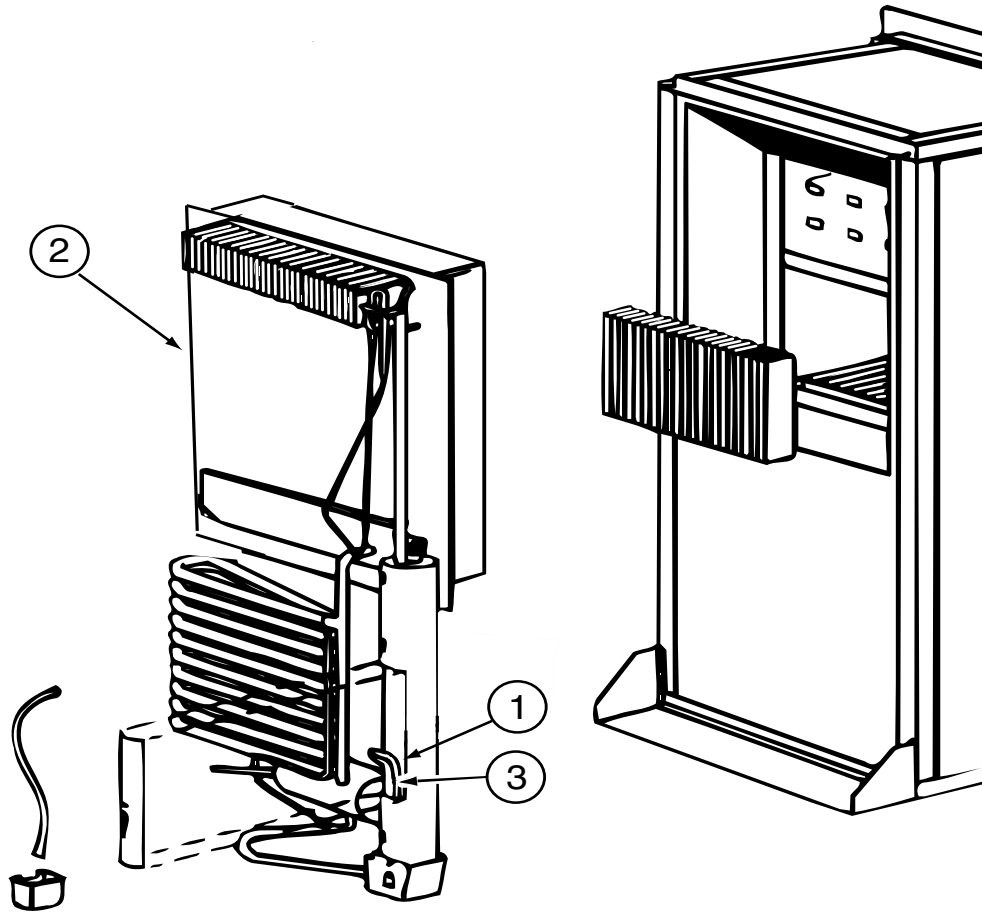


121569-05-01A, 121569-07-01A (CONTINUED)

KEY	PART NUMBER	U/M	DESCRIPTION	VENDOR NO.
1	084880-01-760	EA	CLIP (THERMISTER)	61689122
2	120075-01-735	EA	THERMISTER W/LAMP & WIRE/ASM	618548
3	084880-03-705	EA	BRACKET-LIGHT-INTERIOR	61629722
4	084880-03-706	EA	BULB-LAMP	61628922
6	084880-03-707	EA	COVER-LAMP, LENS	61627922

CONTACT WINNEBAGO PART SALES FOR UNLISTED COMPONENTS

APPLIANCE GROUP (CONTINUED)
COMPONENTS PARTS FOR APPLIANCE (CONTINUED)

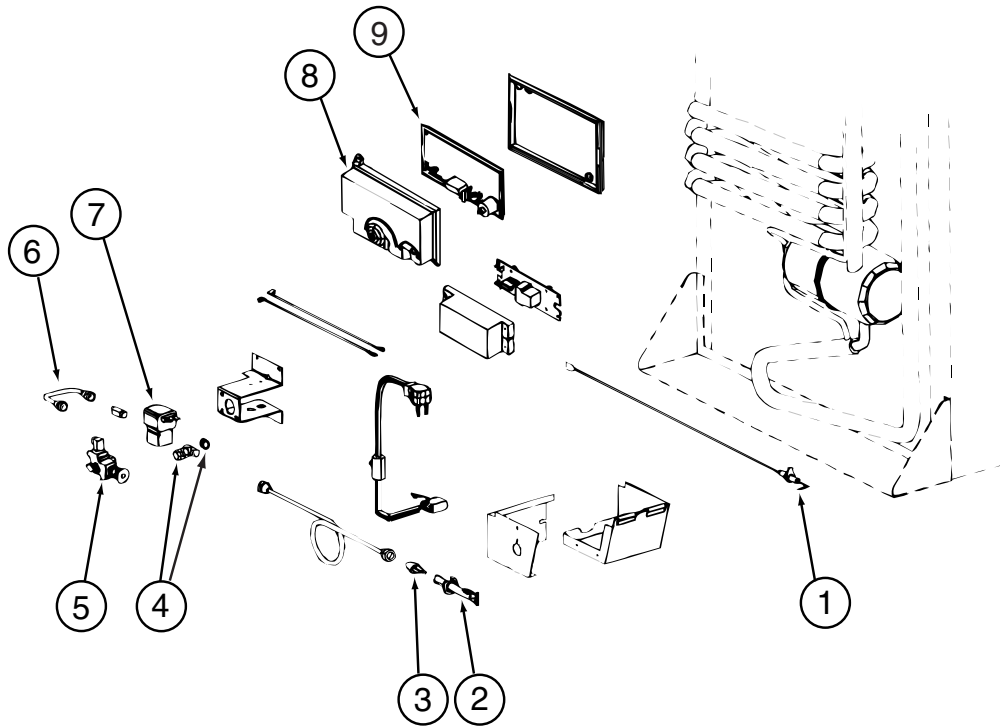


121569-05-01A, 121569-07-01A (CONTINUED)

KEY	PART NUMBER	U/M DESCRIPTION	VENDOR NO.
2	120075-01-736	EA COOLING UNIT, SERVICE PACK	618542
3	088248-01-709	EA HEATER-AC (HORIZONTAL)	61562722
	120075-01-744	EA KIT - GAS VALVE/BURNER TUBE	620609

CONTACT WINNEBAGO PART SALES FOR UNLISTED COMPONENTS

APPLIANCE GROUP (CONTINUED)
COMPONENTS PARTS FOR APPLIANCE (CONTINUED)

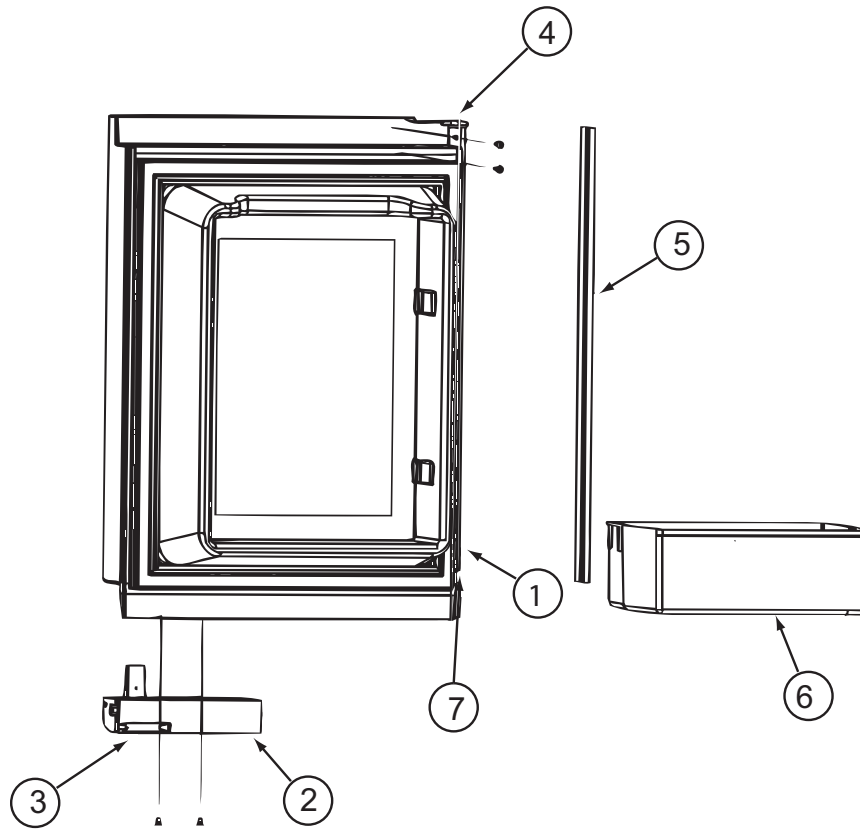


121569-05-01A, 121569-07-01A (CONTINUED)

KEY	PART NUMBER	U/M	DESCRIPTION	VENDOR NO.
1	104137-06-715	EA	ELECTRODE-SPARK/SENSOR, SGL	61692222
2	104137-06-714	EA	BURNER ASSEMBLY, 5-SLOT	61705222
3	120075-01-737	EA	ORIFICE - JEWEL - .0155	618284
4	113737-01-702	EA	PLUG 1/8" F/PRESSURE TAP	61445322
4	113737-01-716	EA	TAP-PRESSURE	61594422
6	113737-01-750	EA	TUBE-UNION	61694622
7	084880-01-718	EA	VALVE-GAS, (ASCO)	61551822
8	120075-01-738	EA	COVER-POWER BOARD	618185
9	121568-03-719	EA	POWER - BOARD - 2-WAY	619353
	121568-03-720	EA	VALVE/SHUT OF-MANUAL ELECT.	618696

CONTACT WINNEBAGO PART SALES FOR UNLISTED COMPONENTS

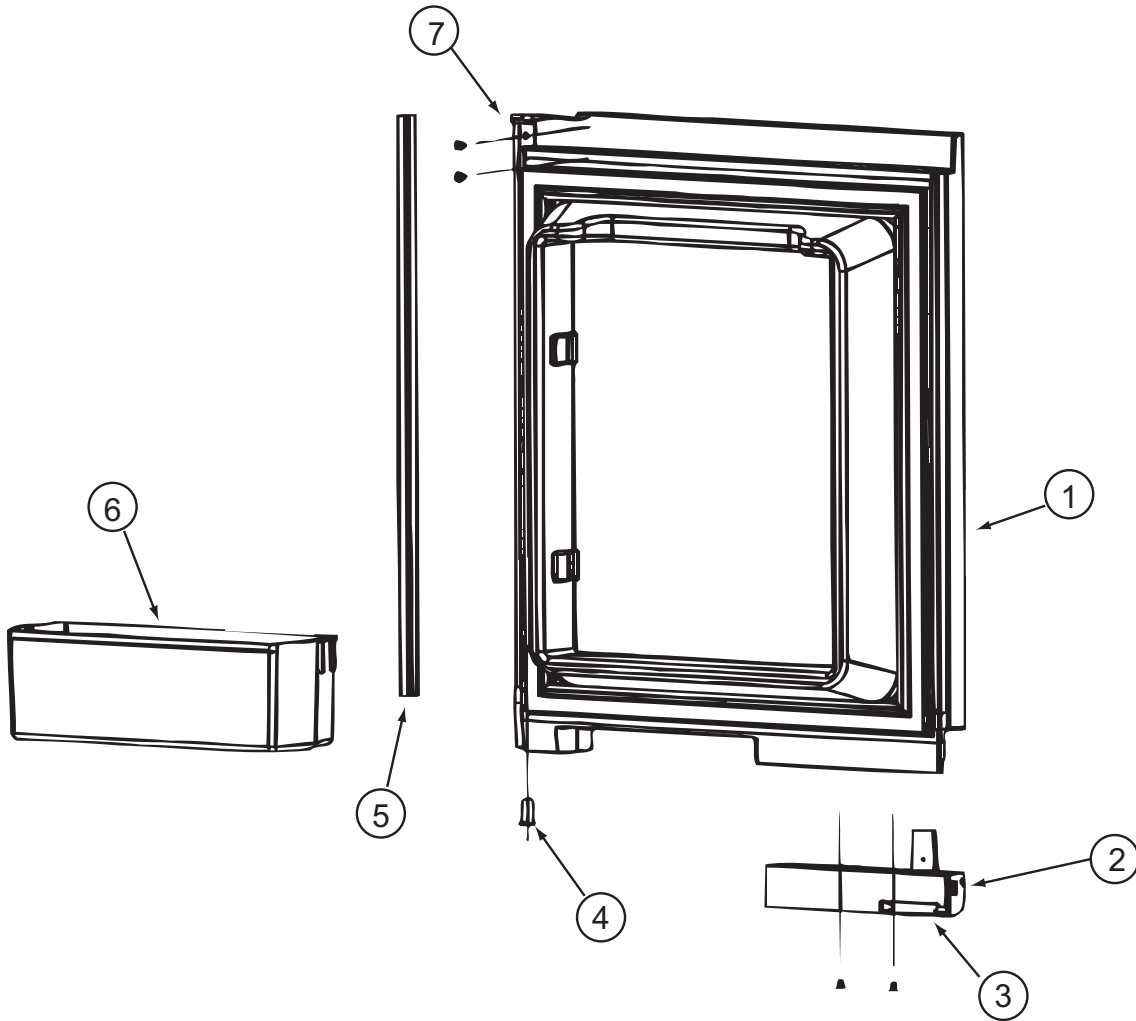
APPLIANCE GROUP (CONTINUED)
COMPONENTS PARTS FOR APPLIANCE (CONTINUED)



125242-02-01A

KEY	PART NUMBER	U/M	DESCRIPTION	VENDOR NO.
1	125242-01-762	EA	LINER/FOAMED-UPPER/LH-WHITE	619839
2	125242-02-700	EA	HANDLE(CONTOUR)TOP LH BTM RH	621107
3	125242-02-722	EA	LATCH-STORAGE DR/BLK POINTED	619374
4	125242-02-724	EA	HINGE - DOOR	618792
5	125242-02-723	EA	RETAINER/PANEL-UPPER DOOR	621974
6	125242-01-711	EA	DOOR BIN	618765
7	125242-01-704	EA	BUSHING-HINGE MIDDLE	618746
	125242-02-725	EA	DOOR ASM/UPR LH/WHITE GASKET	621148

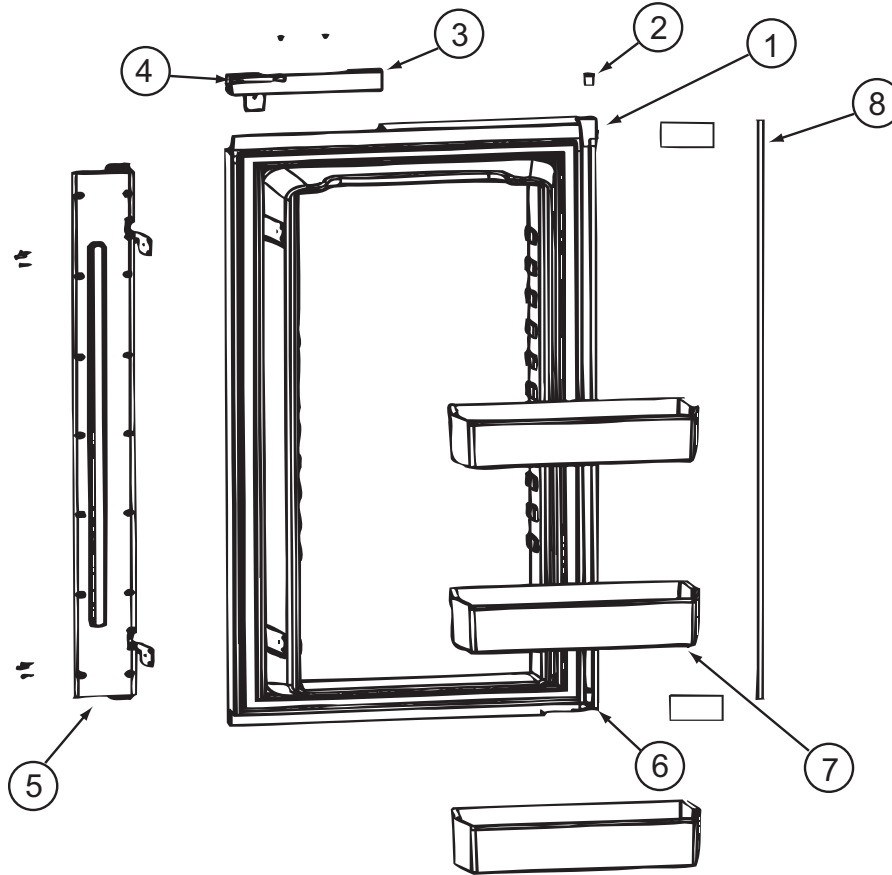
APPLIANCE GROUP (CONTINUED)
COMPONENTS PARTS FOR APPLIANCE (CONTINUED)



125242-02-01A (CONTINUED)

KEY	PART NUMBER	U/M	DESCRIPTION	VENDOR NO.
1	125242-01-763	EA	LINER/FOAMED-UPPER/RH-WHITE	619840
2	125242-02-701	EA	HANDLE(CONTOUR)TOP RH LWR LH	621106
3	125242-02-722	EA	LATCH-STORAGE DR/BLK POINTED	619374
4	125242-01-704	EA	BUSHING-HINGE MIDDLE	618746
5	125242-02-723	EA	RETAINER/PANEL-UPPER DOOR	621974
6	125242-01-711	EA	DOOR BIN	618765
7	125242-02-724	EA	HINGE - DOOR	618792
	125242-02-721	EA	DOOR ASM-UPR/RH/WHITE GASKET	621149

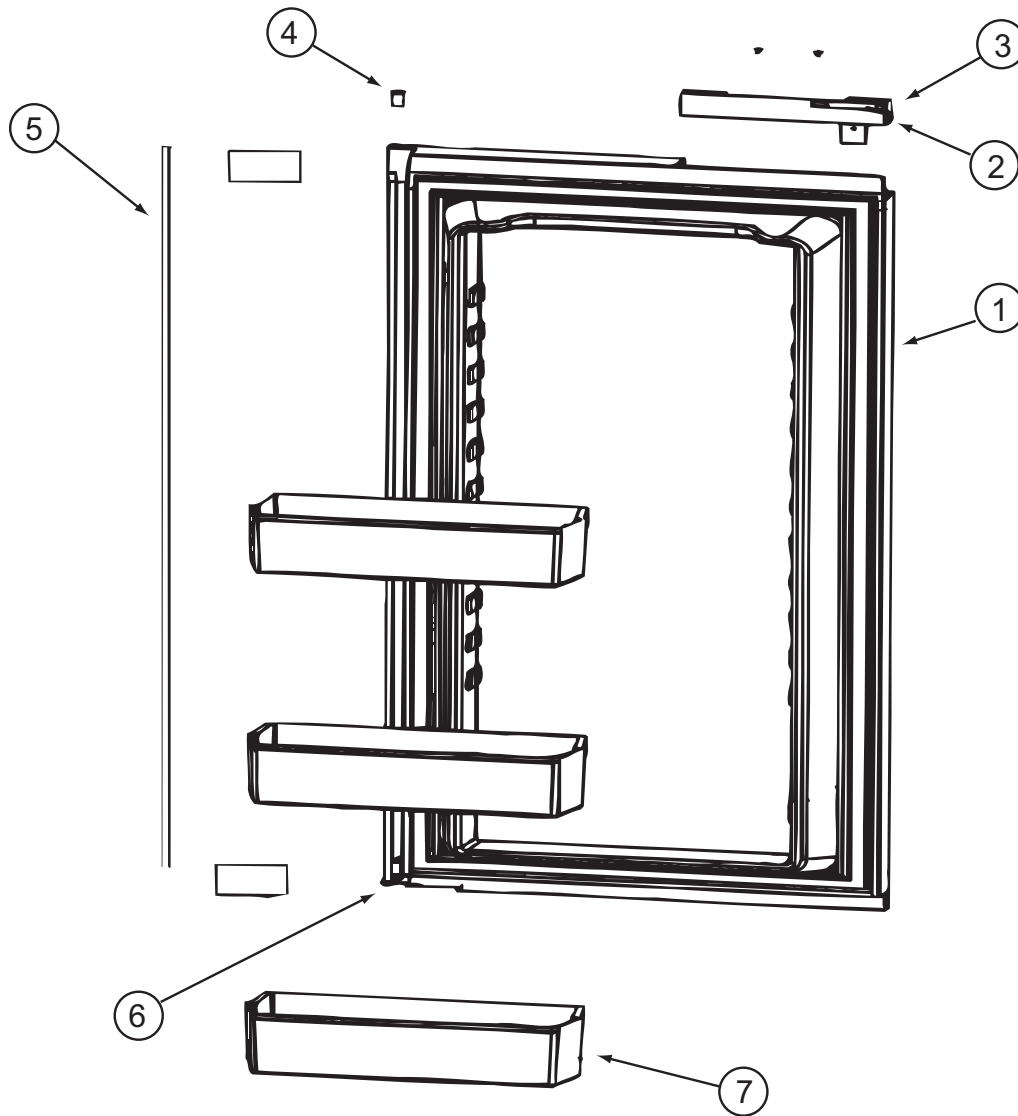
APPLIANCE GROUP (CONTINUED)
COMPONENTS PARTS FOR APPLIANCE (CONTINUED)



125242-02-01A (CONTINUED)

KEY	PART NUMBER	U/M	DESCRIPTION	VENDOR NO.
1	125242-01-765	EA	LINER/FOAMED-LOWER-LH-WHITE	619837
2	125242-01-704	EA	BUSHING-HINGE MIDDLE	618746
3	125242-02-701	EA	HANDLE(CONTOUR)TOP RH LWR LH	621106
4	125242-02-722	EA	LATCH-STORAGE DR/BLK POINTED	619374
5	125242-02-727	EA	FLAPPER ASM DOUBLE POLE	619845
6	125242-02-724	EA	HINGE - DOOR	618792
7	125242-01-711	EA	DOOR BIN	618765
8	125242-02-728	EA	RETAINER/PANEL - LOWER	621973
	125242-01-736	EA	CONTACT-PROBE PIN	618886
	125242-02-726	EA	DOOR ASM-LWR LH/WHITE GASKET	621150

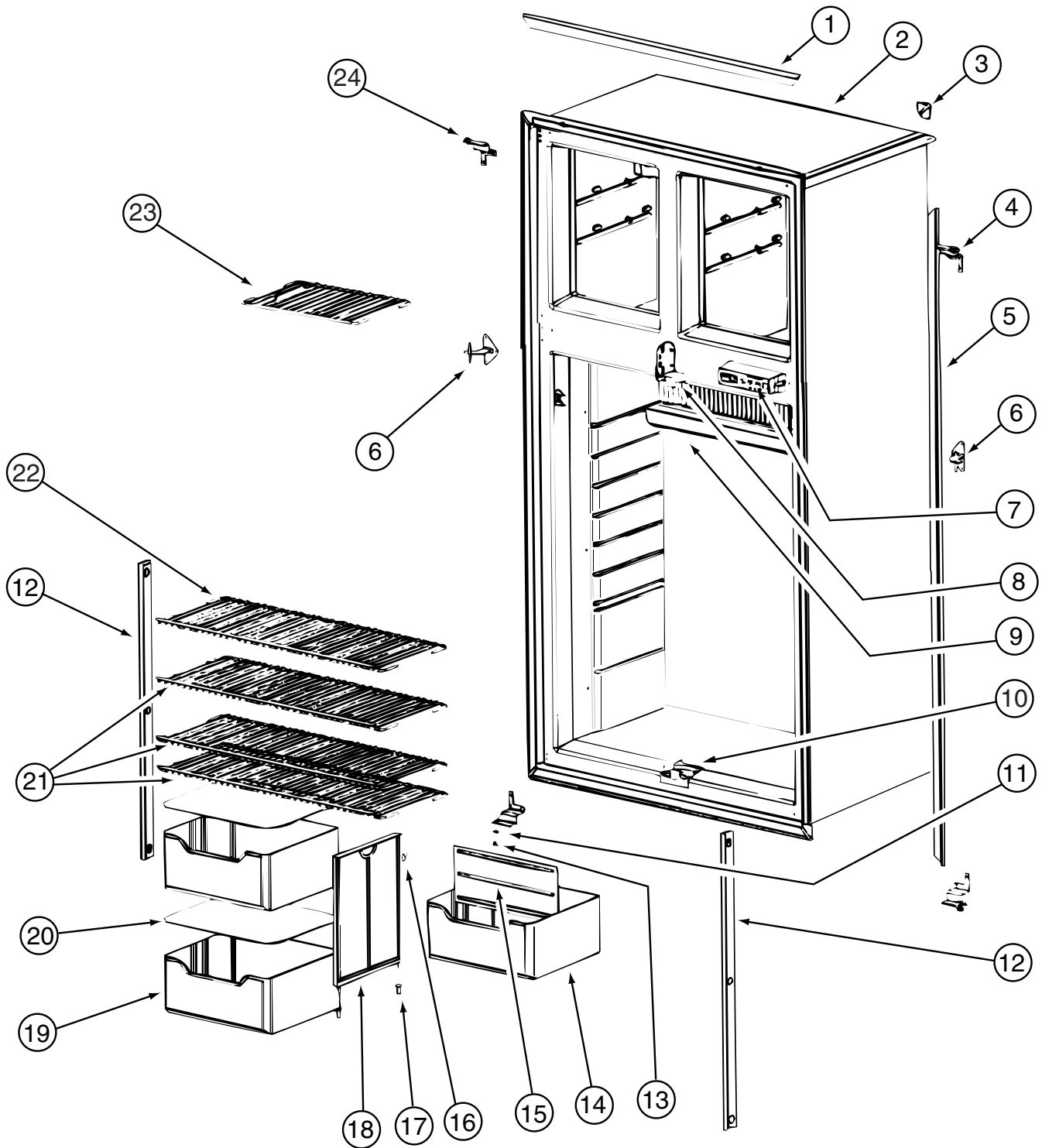
APPLIANCE GROUP (CONTINUED)
COMPONENTS PARTS FOR APPLIANCE (CONTINUED)



125242-02-01A (CONTINUED)

KEY	PART NUMBER	U/M	DESCRIPTION	VENDOR NO.
1	125242-01-764	EA	LINER/FOAMED-LOWER/RH-WHITE	619838
2	125242-02-700	EA	HANDLE(CONTOUR)TOP LH BTM RH	621107
3	125242-02-722	EA	LATCH-STORAGE DR/BLK POINTED	619374
4	125242-01-704	EA	BUSHING-HINGE MIDDLE	618746
5	125242-02-728	EA	RETAINER/PANEL - LOWER	621973
6	125242-02-724	EA	HINGE - DOOR	618792
7	125242-01-711	EA	DOOR BIN	618765
	125242-01-729	EA	FAN-EXTERNAL DC	618856
	125242-02-716	EA	GUIDE ASM LWR(SER#540294 DN)	620042
	125242-02-717	EA	GUIDE ASM LWR(SER#540295 UP)	620043

APPLIANCE GROUP (CONTINUED)
COMPONENTS PARTS FOR APPLIANCE (CONTINUED)



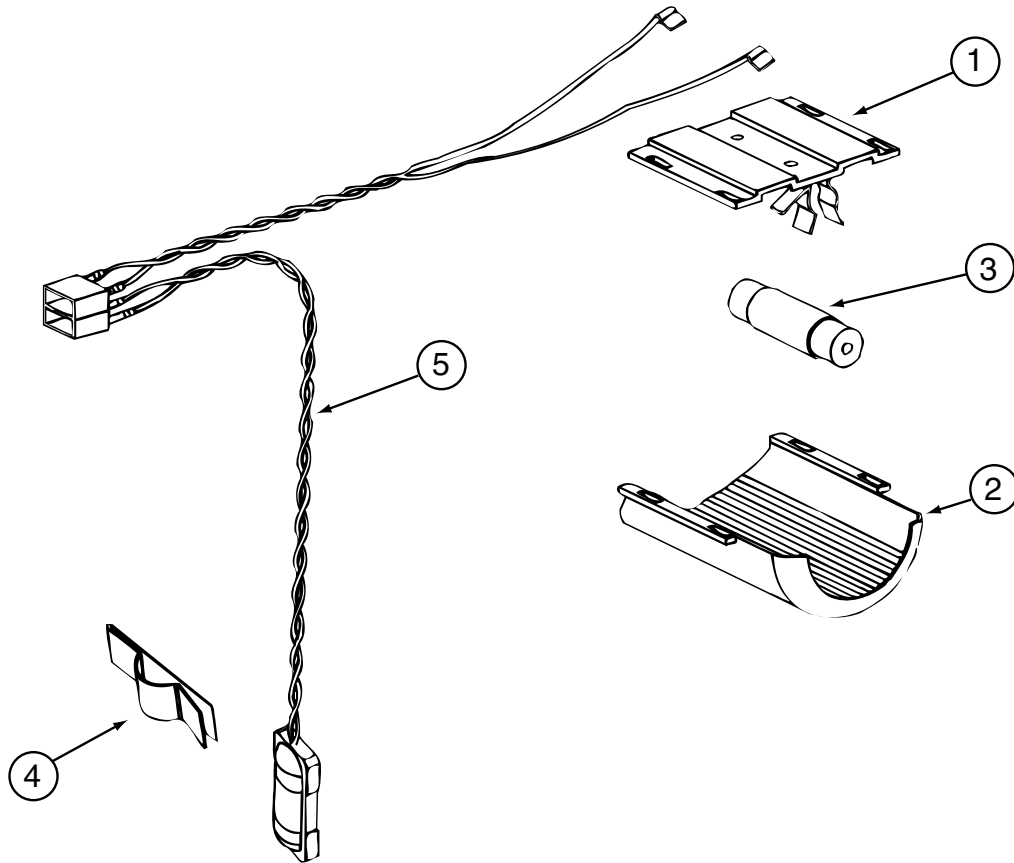
125242-02-01A (CONTINUED)

APPLIANCE GROUP (CONTINUED)
COMPONENTS PARTS FOR APPLIANCE (CONTINUED)

125242-02-01A (CONTINUED)

KEY	PART NUMBER	U/M	DESCRIPTION	VENDOR NO.
1	125242-01-723	EA	TRIM - HORIZONTAL	618845
2	125242-01-748	EA	CABINET/FOAMED ASSEMBLY	618748
3	125242-01-722	EA	TRIM - CORNER	618844
4	125242-01-715	EA	HINGE - TOP RH/BOTTOM LH	618798
5	125242-01-724	EA	TRIM - SIDE	618846
6	125242-01-713	EA	HINGE-MIDDLE (PAINTED)	618794
7	125242-02-704	EA	DISPLAY ASSEMBLY	621188
8	125242-01-751	EA	BLOCK - GUIDE - UPPER	618789
9	125242-01-712	EA	DRIP TRAY	618774
10	125242-01-752	EA	BLOCK - GUIDE - LOWER	618788
11	120075-01-708	EA	BUSHING - DOOR HINGE	618144
12	120075-01-730	EA	RETAINER - SHELF	618181
13	120075-01-727	EA	PIN - HINGE	618145
14	125242-01-734	EA	CRISPER/BOTTLE BIN	618878
15	125242-01-733	EA	DIVIDER - BOTTLE CRISPER	618877
16	125242-01-750	EA	CLIP	61409622
17	113737-01-701	EA	BUSHING - HINGE	61742022
18	125242-01-749	EA	SUPPORT - WALL	618840
19	125242-01-734	EA	CRISPER/BOTTLE BIN	618878
20	125242-01-706	EA	COVER - CRISPER	618757
21	125242-01-726	EA	SHELF - WIRE (LONG)	618848
22	125242-01-727	EA	SHELF - WIRE (SHORT)	618849
23	125242-01-725	EA	SHELF - FREEZER (WIRE)	618847
24	125242-01-714	EA	HINGE - TOP LH/BOTTOM RH	618796
	125242-01-735	EA	SWITCH - DOOR LIGHT	618884

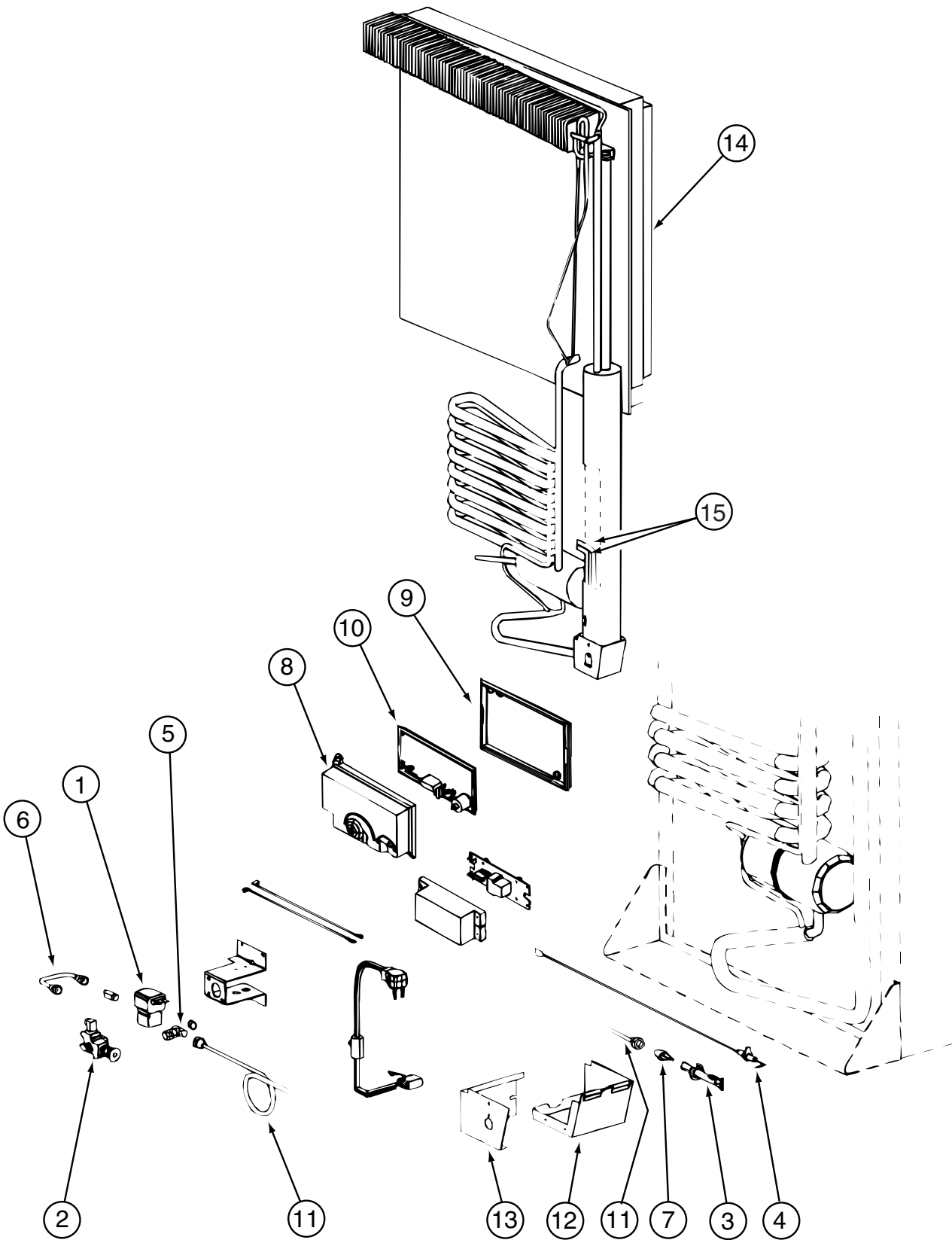
APPLIANCE GROUP (CONTINUED)
COMPONENTS PARTS FOR APPLIANCE (CONTINUED)



125242-02-01A (CONTINUED)

KEY	PART NUMBER	U/M	DESCRIPTION	VENDOR NO.
1	084880-03-705	EA	BRACKET - LIGHT - INTERIOR	61629722
2	120075-01-734	EA	COVER - LENS	618190
3	084880-03-706	EA	BULB - LAMP	61628922
4	084880-01-760	EA	CLIP (THERMISTER)	61689122
5	120075-01-735	EA	THERMISTER W/LAMP & WIRE/ASM	618548

APPLIANCE GROUP (CONTINUED)
COMPONENTS PARTS FOR APPLIANCE (CONTINUED)



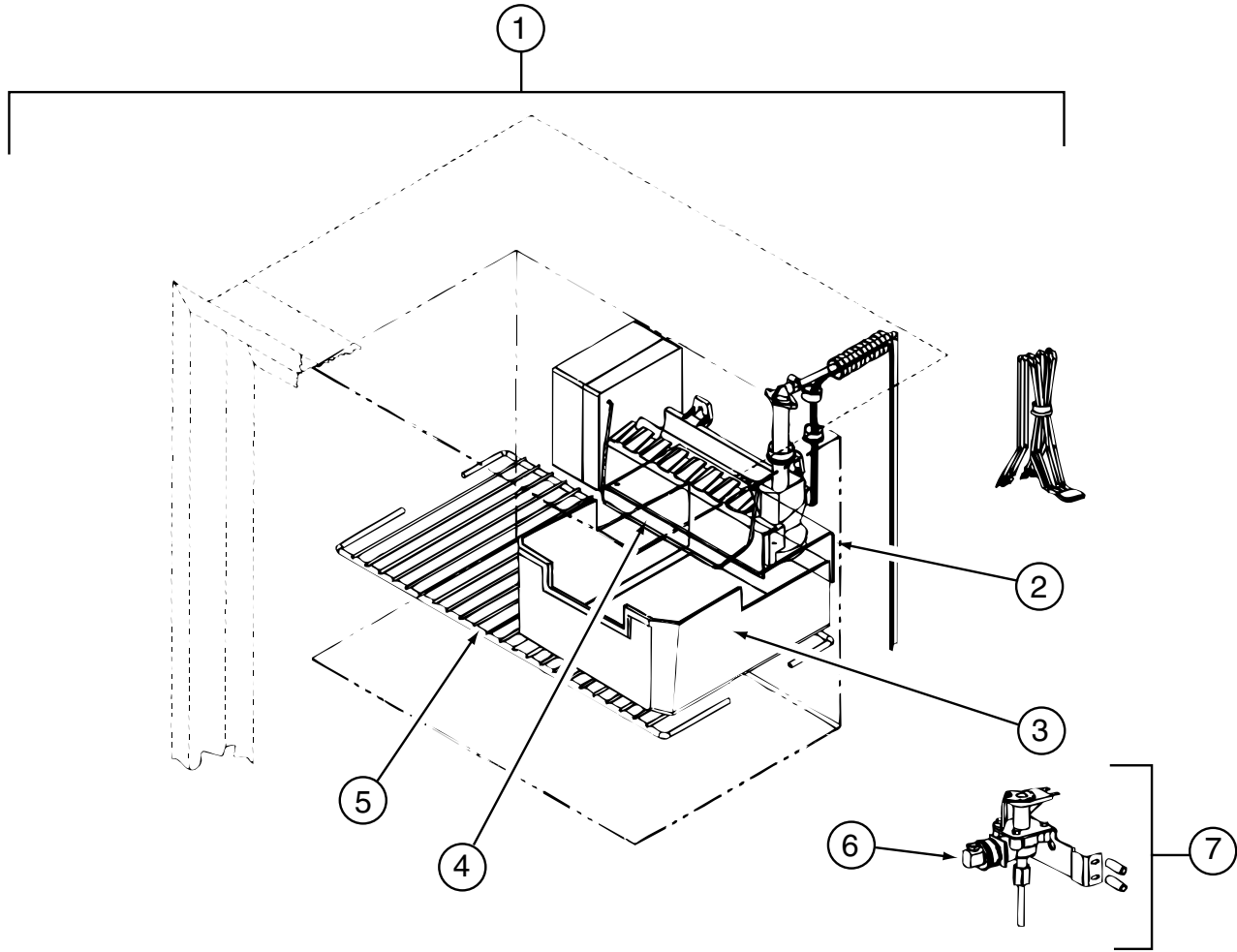
125242-02-01A (CONTINUED)

APPLIANCE GROUP (CONTINUED)
COMPONENTS PARTS FOR APPLIANCE (CONTINUED)

125242-02-01A (CONTINUED)

KEY	PART NUMBER	U/M	DESCRIPTION	VENDOR NO.
1	084880-01-718	EA	VALVE-GAS, (ASCO)	61551822
2	121568-03-720	EA	VALVE/SHUT OF-MANUAL ELECT.	618696
3	125242-01-743	EA	BURNER - 8 SLOT	618932
4	104137-06-715	EA	ELECTRODE-SPARK/SENSOR, SGL	61692222
5	113737-01-716	EA	TAP-PRESSURE	61594422
6	113737-01-750	EA	TUBE-UNION	61694622
7	125242-01-717	EA	ORIFICE-JEWELED	618814
8	120075-01-738	EA	COVER-POWER BOARD	618185
9	120075-01-740	EA	COVER-BASE, POWER BOARD	618186
10	125242-02-703	EA	POWER BOARD	621271
11	125242-01-744	EA	BURNER TUBE	618937
12	125242-01-739	EA	BASE-BURNER BOX	618902
13	125242-02-740	EA	COVER-BURNER BOX	618910
14	125242-01-746	EA	COOLING UNIT - 1200	618964
15	125242-01-732	EA	HEATER AC - 225W/110VAC	618872
	125242-01-753	EA	KIT - GAS VALVE/BURNER TUBE	620610

APPLIANCE GROUP (CONTINUED)
COMPONENTS PARTS FOR APPLIANCE (CONTINUED)



125242-02-01A (CONTINUED)

KEY	PART NUMBER	U/M	DESCRIPTION	VENDOR NO.
1	094039-07-706	EA	ICE MAKER W/O PLATES	61656522
2	125242-01-737	EA	BRACKET - MOUNTING (ICE MAKER)	618894
3	125242-01-716	EA	ICE BIN	618803
4	120075-03-703	EA	ARM - SHUT OFF	61656922
5	125242-01-725	EA	SHELF - FREEZER (WIRE)	618847
6	120075-03-702	EA	NUT/COMPRESSION - FITTING	61678722
7	120075-03-701	EA	VALVE - WATER - W/BRACKET	618523

APPLIANCE GROUP (CONTINUED)
COMPONENTS PARTS FOR APPLIANCE (CONTINUED)

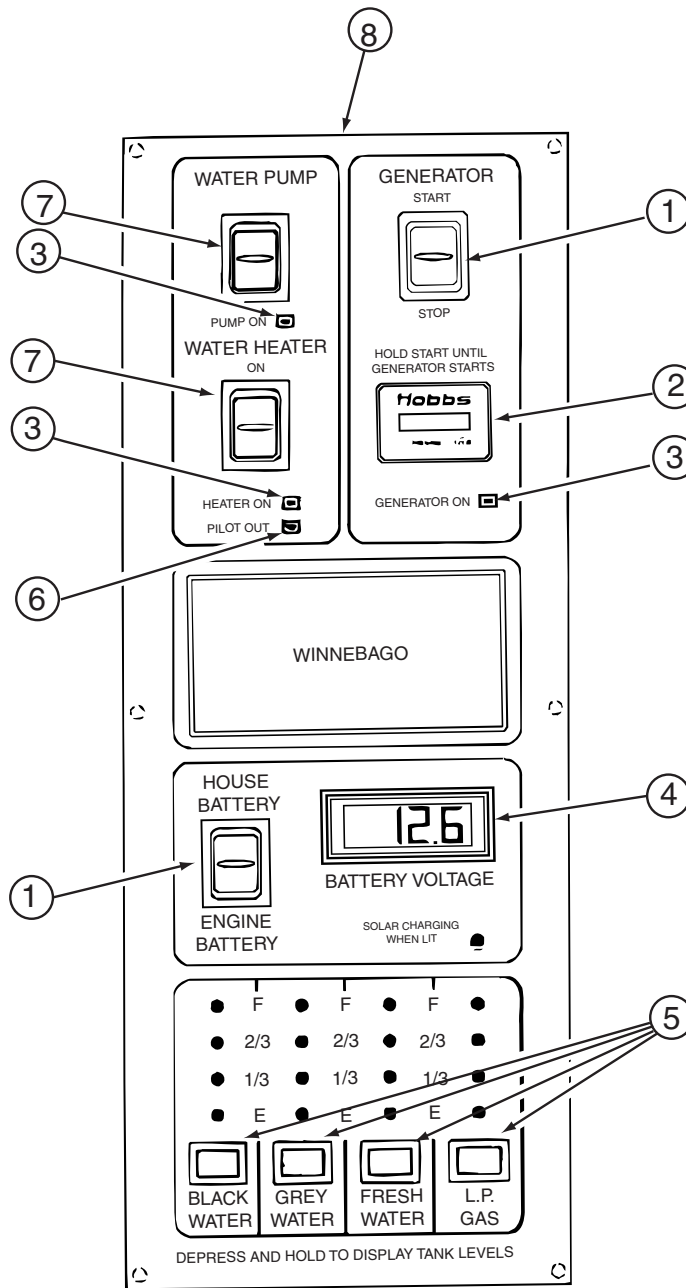
126019-01-01A

KEY	PART NUMBER	U/M	DESCRIPTION	VENDOR NO.
	126019-01-700	EA	GLASS CARAFE	172547-00
	126019-01-701	EA	RESERVOIR- WATER	172554
	126019-01-702	EA	BASKET - FILTER	172553-00
	126019-01-703	EA	HARDWARE - MOUNTING	172174-00

126022-01-01A, 126022-02-01A, 126022-03-01A

KEY	PART NUMBER	U/M	DESCRIPTION	VENDOR NO.
	114030-01-707	EA	PLUG BUTTON BLACK	74002628
	126022-01-700	EA	BUMPER - RANGE BIFOLD COVER MAGIC	8003P007-60
	126022-01-701	EA	HINGE-RANGE BIFOLD COVER-22" MAGIC	3418F067-34

APPLIANCE GROUP (CONTINUED)
COMPONENTS PARTS FOR APPLIANCE (CONTINUED)



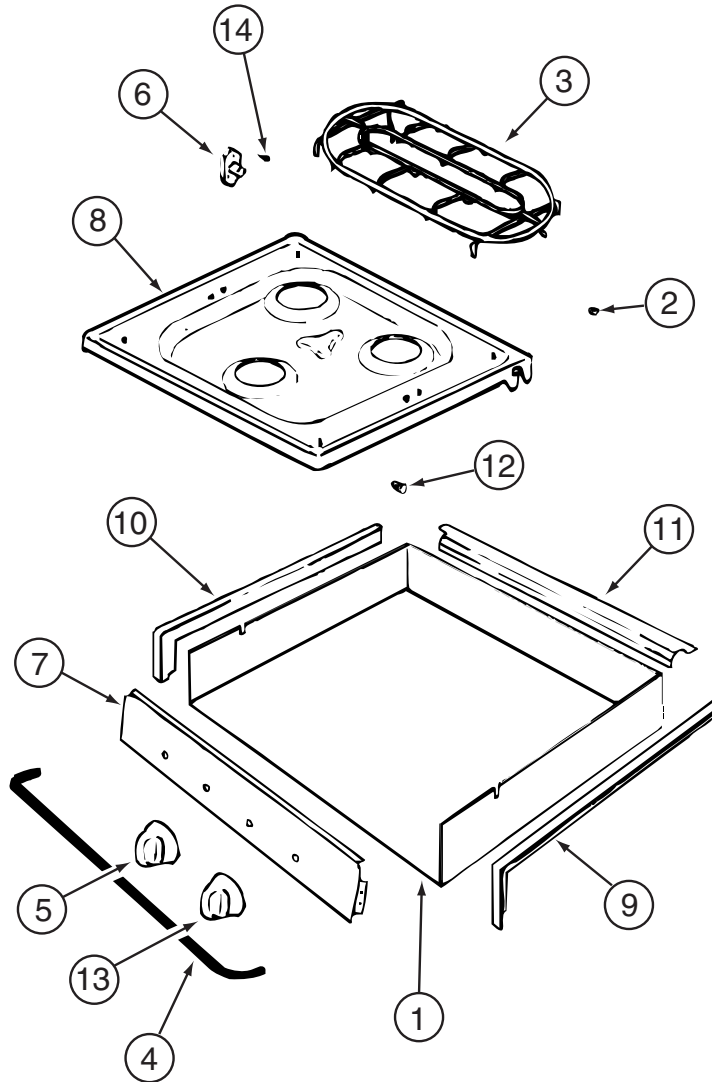
133004-02-01A

KEY	PART NUMBER	U/M	DESCRIPTION	VENDOR NO.
1	133004-01-702	EA	SWITCH/DPDT MOM=ON-OFF-ON	L1011-00
2	100258-10-701	EA	GAUGE-HOUR MTR-CLIP ON (LCD)	L0775-00
3	133004-01-706	EA	LED - GREEN - PANEL MOUNT	L0785
4	133004-01-704	EA	METER/VOLT-DIGITAL - LCD	L1008-00
5	133004-01-705	EA	SWITCH/MOM ON - PUSH BUTTON	L0950-00
6	133004-01-703	EA	LED - RED - PANEL MOUNT	L1009-00
7	133004-01-701	EA	SWITCH/DPDT ON-ON/MAINTAINED	L1025-00
8	133004-02-701	EA	SCREENED - CHASSIS	CC0547-00
	133004-02-700	EA	BOARD - PC	L5113-03

APPLIANCE GROUP (CONTINUED)
COMPONENTS PARTS FOR APPLIANCE (CONTINUED)

135065-01-01A & 135065-02-01A

KEY	PART NUMBER	U/M	DESCRIPTION	VENDOR NO.
	128728-01-705	EA	TOP - MAIN - BLACK	74003928

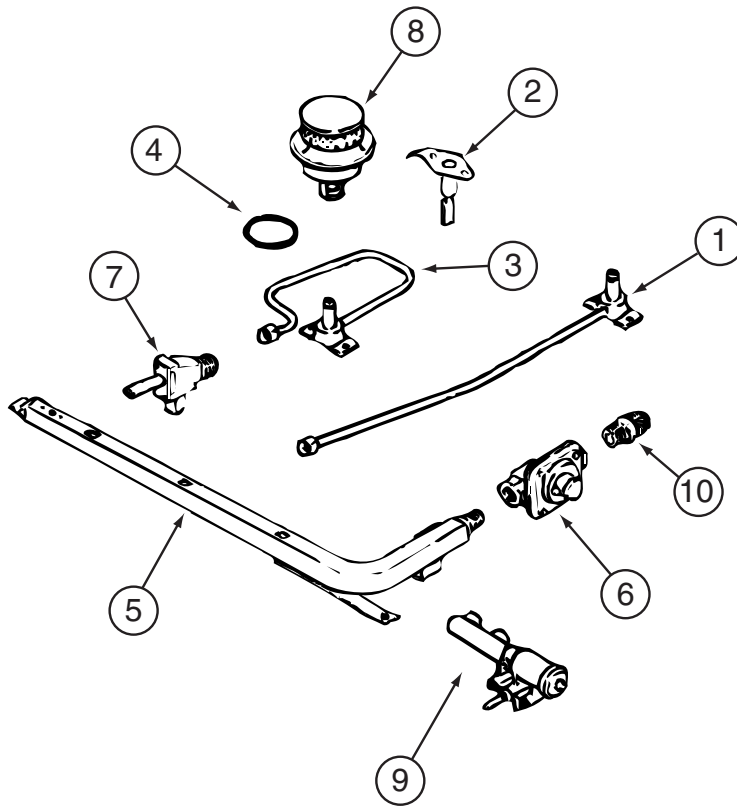


135065-01-01A, 135065-01-02A & 135065-02-01A (CONTINUED)

KEY	PART NUMBER	U/M	DESCRIPTION	VENDOR NO.
2	102020-01-709	EA	BUMPER-GRATE	8007-P020-60
3	128728-01-700	EA	GRATE - BURNER	74003948
4	114030-02-700	EA	GUARD/FABRIC - TOWEL BAR	3609F006-70
5	112881-01-705	EA	KNOB-TOP BURNER	7733P072-60
5	112881-01-718	EA	KNOB - TOP BURNER HI-OUTPUT	74001794
6	128728-01-703	EA	PIN/T-NUT F/HINGE	7103P109-60
7	135065-01-700	EA	PANEL/MANIFOLD	74003354
8	135066-01-700	EA	TOP - MAIN - BISQUE	74005332
9	114030-01-704	EA	TRIM - RIGHT/BLACK TEXTURED	74002839
10	114030-01-705	EA	TRIM - LEFT/BLACK TEXTURED	74002840
11	114030-01-706	EA	TRIM - REAR/BLACK TEXTURED	74002841
12	102020-01-724	EA	BUMPER-MAIN TOP	8003P008-60
13	126023-01-720	EA	KNOB - IGNITER	74002414

CONTACT WINNEBAGO PART SALES FOR UNLISTED COMPONENTS

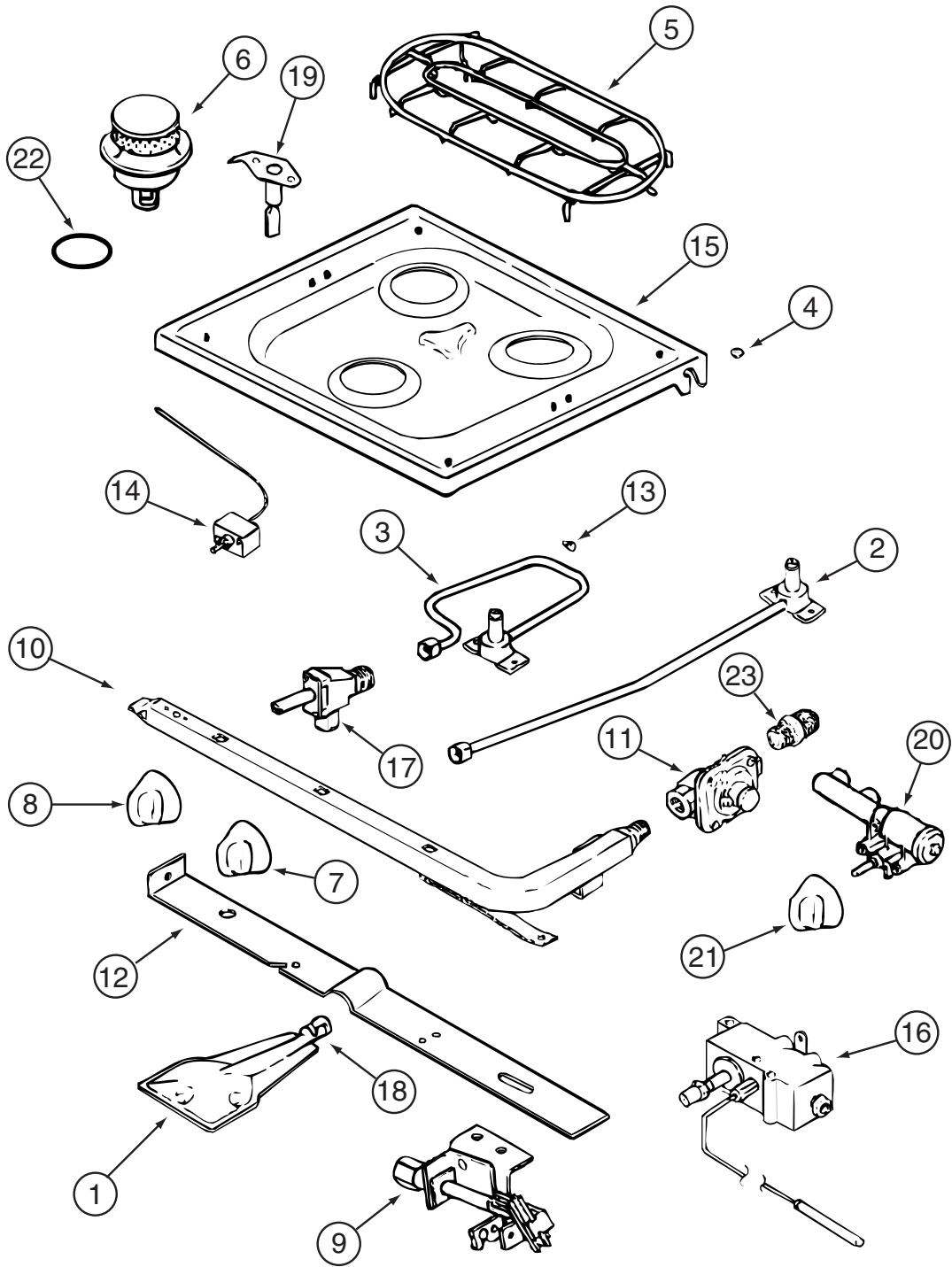
APPLIANCE GROUP (CONTINUED)
COMPONENTS PARTS FOR APPLIANCE (CONTINUED)



135065-01-01A, 135065-01-02A, 135065-02-01A (CONTINUED)

KEY	PART NUMBER	U/M	DESCRIPTION	VENDOR NO.
1	128728-01-708	EA	FITTING W/ORFICE/TUBE - REAR	74003931
2	135065-01-701	EA	IGNITOR/TOP BURNER	74004053
3	128728-01-710	EA	FITTING W/ORFICE/TUBE - FRT	74003930
4	128728-01-711	EA	GASKET - BURNER	74002745
5	135065-01-702	EA	PIPE/MANIFOLD	74004642
6	126023-02-703	EA	REGULATOR - PRESSURE	74004235
7	135065-01-703	EA	VALVE/BURNER - REAR	74004643
7	135065-01-704	EA	VALVE/BURNER-FRT-HI	74004644
8	135065-01-705	EA	BURNER/SEALED ASSEMBLY	12001497
9	128728-01-716	EA	BURNER - IGNITOR	74003946
9	128728-01-717	EA	WIRES - IGNITOR	74003947

APPLIANCE GROUP (CONTINUED)
COMPONENTS PARTS FOR APPLIANCE (CONTINUED)



135066-01-01A

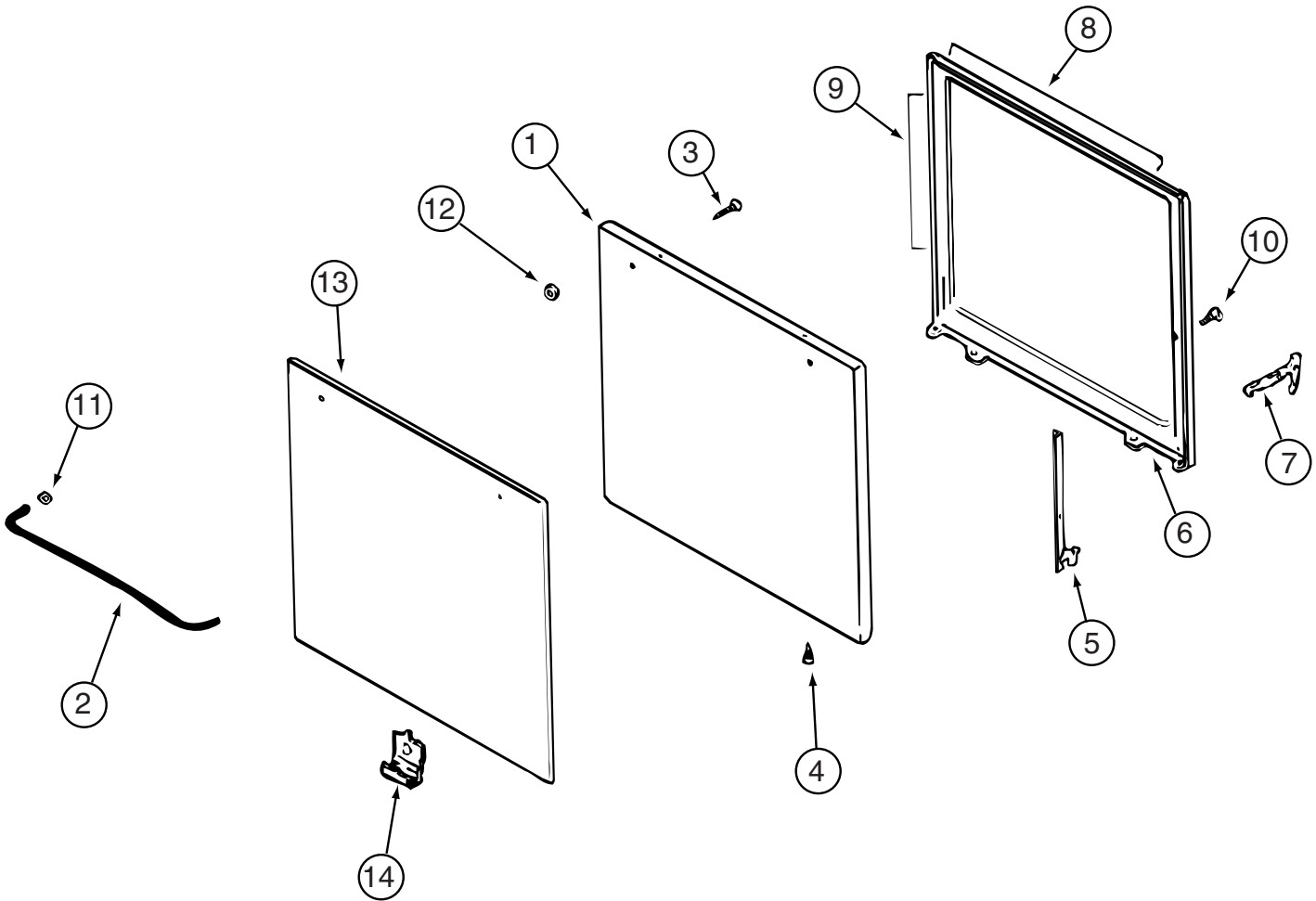
APPLIANCE GROUP (CONTINUED)
COMPONENTS PARTS FOR APPLIANCE (CONTINUED)

135066-01-01A (CONTINUED)

KEY	PART NUMBER	U/M	DESCRIPTION	VENDOR NO.
1	126023-01-717	EA	BURNER - OVEN	74003343
2	128728-01-708	EA	FITTING W/ORFICE TUBE - REAR	74003931
3	128728-01-710	EA	FITTING W/ORFICE TUBE - FRT	74003930
4	102020-01-709	EA	BUMPER-GRATE	8007-P020-60
5	128728-01-700	EA	GRATE - BURNER	74003948
6	135065-01-705	EA	BURNER/SEALED ASSEMBLY	12001497
7	112881-01-705	EA	KNOB-TOP BURNER	7733P072-60
7	112881-01-718	EA	KNOB - TOP BURNER HI-OUTPUT	74001794
8	126023-02-700	EA	KNOB - THERMOSTAT	74004359
9	126023-02-701	EA	PILOT - OVEN	74004586
10	126023-02-702	EA	PIPE - MANIFOLD	74004360
11	126023-02-703	EA	REGULATOR - PRESSURE	74004235
13	102020-01-724	EA	BUMPER-MAIN TOP	8003P008-60
14	126023-01-734	EA	THERMOSTAT OVEN 11/CLY MODEL	74004361
15	128728-01-705	EA	TOP - MAIN - BLACK	74003928
16	126023-02-704	EA	VALVE - OVEN - MERCURY	74004585
17	135065-01-703	EA	VALVE/BURNER - REAR	74004643
17	135065-01-704	EA	VALVE/BURNER-FRT-HI	74004644
18	135656-01-701	EA	MIXER/AIR	3411F003-34
19	135065-01-701	EA	IGNITOR/TOP BURNER	74004053
20	128728-01-716	EA	BURNER - IGNITOR	74003946
20	128728-01-717	EA	WIRES - IGNITOR	74003947
21	126023-01-720	EA	KNOB - IGNITER	74002414
22	128728-01-711	EA	GASKET - BURNER	74002745

CONTACT WINNEBAGO PART SALES FOR UNLISTED COMPONENTS

APPLIANCE GROUP (CONTINUED)
COMPONENTS PARTS FOR APPLIANCE (CONTINUED)

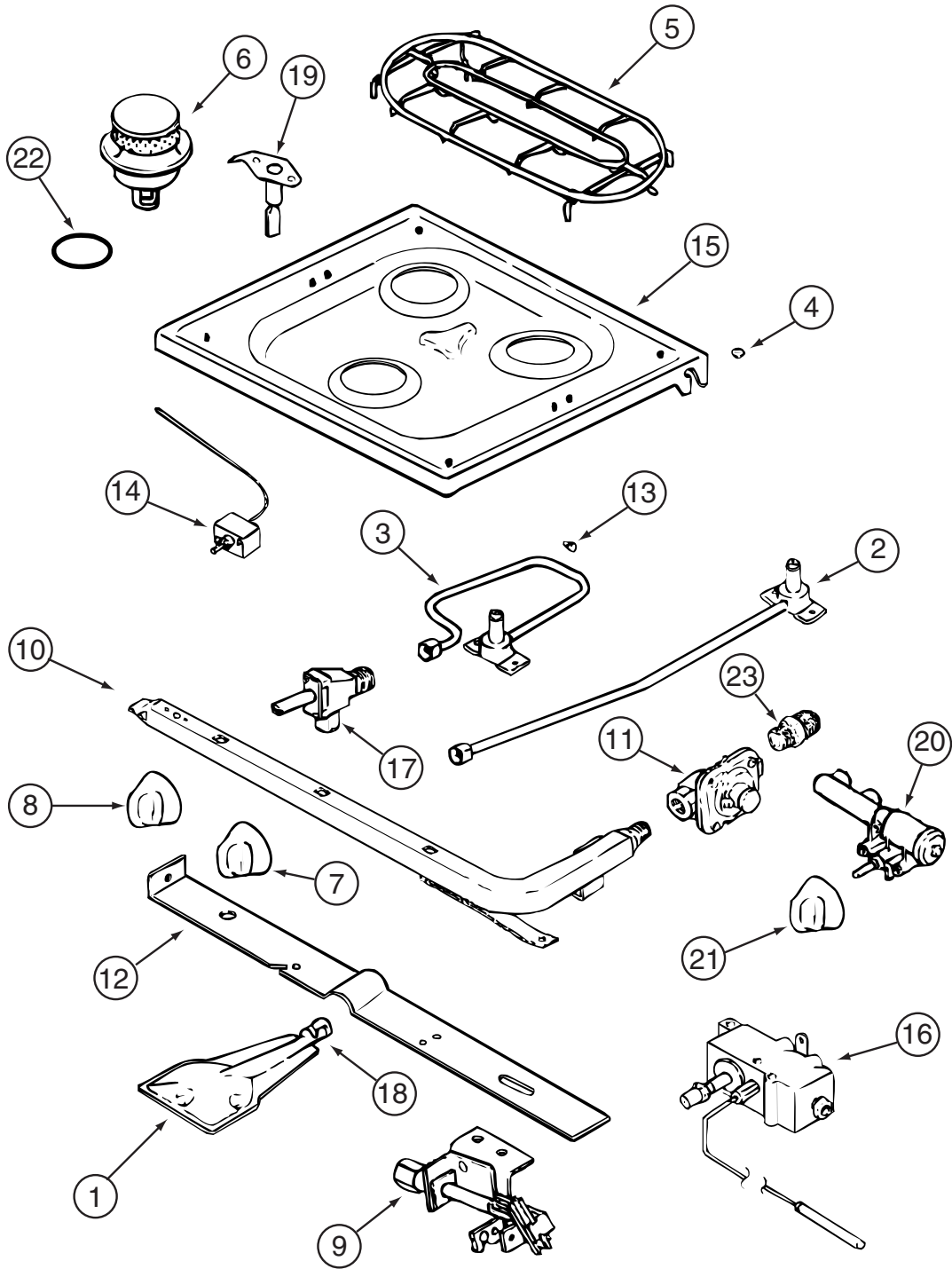


135066-01-01A, 135066-01-02A, 135066-02-01A (CONTINUED)

KEY	PART NUMBER	U/M	DESCRIPTION	VENDOR NO.
1	126023-01-712	EA	PANEL - DOOR (BLACK)	74001190
2	102020-01-701	EA	HANDLE,DOOR	7701P092-60
8	126023-01-732	EA	SEAL/OVEN DR TOP	7212P014-60
9	126023-01-733	EA	SEAL/OVEN DR SIDES(2PCS)	7212P038-60
13	102020-01-725	EA	GLASS OUTER	7902P266-60

CONTACT WINNEBAGO PART SALES FOR UNLISTED COMPONENTS

APPLIANCE GROUP (CONTINUED)
COMPONENTS PARTS FOR APPLIANCE (CONTINUED)



135066-02-01A

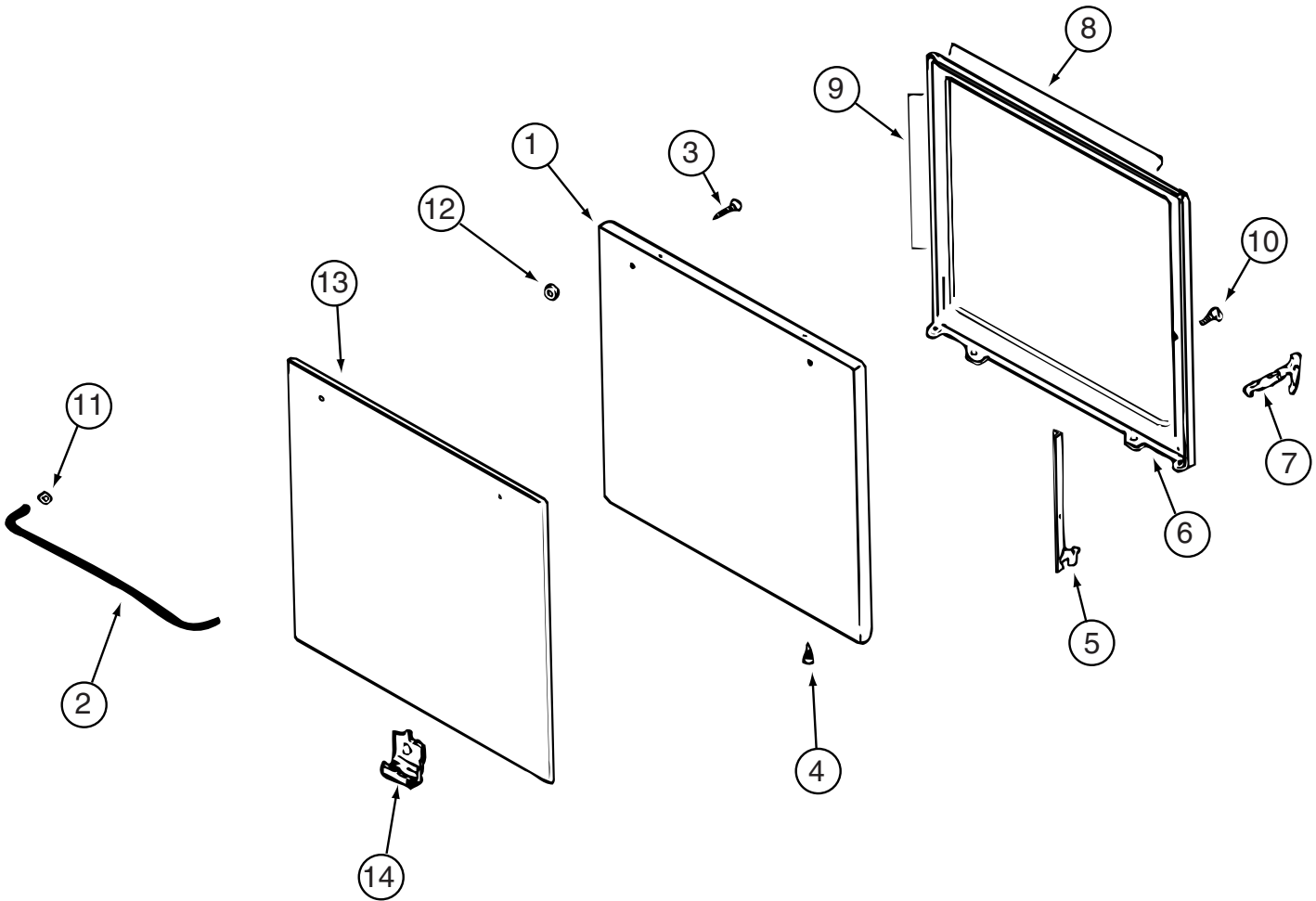
APPLIANCE GROUP (CONTINUED)
COMPONENTS PARTS FOR APPLIANCE (CONTINUED)

135066-02-01A (CONTINUED)

KEY	PART NUMBER	U/M	DESCRIPTION	VENDOR NO.
1	126023-01-717	EA	BURNER - OVEN	74003343
2	128728-01-708	EA	FITTING W/ORFICE TUBE - REAR	74003931
3	128728-01-710	EA	FITTING W/ORFICE TUBE - FRT	74003930
4	102020-01-709	EA	BUMPER-GRATE	8007-P020-60
5	128728-01-700	EA	GRATE - BURNER	74003948
6	135065-01-705	EA	BURNER/SEALED ASSEMBLY	12001497
7	112881-01-705	EA	KNOB-TOP BURNER	7733P072-60
7	112881-01-718	EA	KNOB - TOP BURNER HI-OUTPUT	74001794
8	135656-01-700	EA	KNOB/THERMOSTAT	74002529
9	126023-02-701	EA	PILOT - OVEN	74004586
10	126023-02-702	EA	PIPE - MANIFOLD	74004360
11	135066-02-700	EA	REGULATOR - PRESSURE	74004236
13	102020-01-724	EA	BUMPER-MAIN TOP	8003P008-60
14	126023-01-734	EA	THERMOSTAT OVEN 11/CLY MODEL	74004361
15	128728-01-705	EA	TOP - MAIN - BLACK	74003928
16	126023-02-704	EA	VALVE - OVEN - MERCURY	74004585
17	135065-01-703	EA	VALVE/BURNER - REAR	74004643
17	135065-01-704	EA	VALVE/BURNER-FRT-HI	74004644
18	135656-01-701	EA	MIXER/AIR	3411F003-34
19	135065-01-701	EA	IGNITOR/TOP BURNER	74004053
20	128728-01-716	EA	BURNER - IGNITOR	74003946
20	128728-01-717	EA	WIRES - IGNITOR	74003947
21	126023-01-720	EA	KNOB - IGNITER	74002414

CONTACT WINNEBAGO PART SALES FOR UNLISTED COMPONENTS

APPLIANCE GROUP (CONTINUED)
COMPONENTS PARTS FOR APPLIANCE (CONTINUED)



135066-01-01A, 135066-01-02A, 135066-02-01A (CONTINUED)

KEY	PART NUMBER	U/M	DESCRIPTION	VENDOR NO.
1	126023-01-712	EA	PANEL - DOOR (BLACK)	74001190
2	102020-01-701	EA	HANDLE,DOOR	7701P092-60
8	126023-01-732	EA	SEAL/OVEN DR TOP	7212P014-60
9	126023-01-733	EA	SEAL/OVEN DR SIDES(2PCS)	7212P038-60
13	102020-01-725	EA	GLASS OUTER	7902P266-60

CONTACT WINNEBAGO PART SALES FOR UNLISTED COMPONENTS

AUDIO VIDEO GROUP
RADIO SYSTEM

KEY	PART NUMBER	U/M	DESCRIPTION
	110469-01-000	EA	SPEAKER - 4" X 6" OVAL - COAXIAL
	110470-01-01A	EA	GRILLE - 4" X 6" OVAL SPEAKER - BLACK
	127517-07-000	EA	RADIO - AM/FM STEREO/CD PLAYER - CDX-1200 - EXTERIOR ENTERTAINMENT W/CD FROM: 00-00-00 THRU: 08-02-01
	127517-10-000	EA	RADIO - AM/FM STEREO/CD PLAYER - CDX-L250 - EXTERIOR ENTERTAINMENT W/CD FROM: 08-03-01 THRU: 02-03-02
	127517-11-000	EA	RADIO - AM/FM STEREO - CD PLAYER - SONY CDX-L300 - EXTERIOR ENTERTAINMENT W/CD FROM: 02-04-02 THRU: 99-99-99
	125322-02-000	EA	RADIO-AM/FM STEREO/CASSETTE-AUDIOVOX-MS-306-EXT ENT W/CASS - EXTERIOR ENT.
	133307-02-000	EA	RADIO - WALL MOUNT - CD W/ALARM - AUDIOVOX AWN-930 - REAR STEREO CD W/ALARM
	133307-01-000	EA	RADIO - WALL MOUNT - CASSETTE W/ALARM - AUDIOVOX AWM-820 - REAR STEREO CASS.W/ALARM
	135420-01-000	EA	RADIO - AM/FM CASSETTE/CD COMBO - M9900 - DASH
	135420-07-000	EA	RADIO - MOUNTING KIT - A-BODY
	077069-02-000	EA	CABLE - ANTENNA/EXTENSION - RADIO - 96"
	090944-01-000	EA	ANTENNA - RADIO - 16" RUBBER - W/72" LEAD WIRE
	108847-01-000	EA	BRACKET - ANTENNA GROUND
	109889-04-000	EA	EXTENDER - ANTENNA SHAFT - 3.7"
	124883-02-000	EA	SPEAKER - CUBE - W/BRACKET - DELUXE SOUND
	124884-01-000	EA	SPEAKER - 6" X 9" - SUB-WOOFER - DELUXE SOUND
	124885-01-000	EA	GRILLE - SPEAKER - 6" X 9" - SUB-WOOFER - DELUXE SOUND
	094097-01-000	EA	SPEAKER - RADIO/TV - W/O GRILLE - 5.25" DIAMETER
	133089-01-000	EA	CONTROL - VOLUME - SPEAKER
	089340-02-000	EA	GRILLE - SPEAKER - 6.5" SQUARE
	123256-01-000	EA	ANTENNA - CB - W/O CABLE
	123256-02-000	EA	CABLE - CB - COAX
	102080-11-000	EA	CHANGER - COMPACT DISC - CDX-530RF FROM: 00-00-00 THRU: 05-10-01
	102080-14-000	EA	CHANGER - COMPACT DISC - CDX-540RF FROM: 05-11-01 THRU: 01-24-02
	102080-17-000	EA	CHANGER - COMPACT DISC - SONY CDX-555RF FROM: 01-25-02 THRU: 99-99-99
	102080-12-000	EA	CHANGER - REMOTE CONTROL-F/M MODULATOR - CDX-530RF FROM: 00-00-00 THRU: 05-08-01
*	102080-15-000	EA	CHANGER - CONTROL/FM MODULE & REMOTE - CDX-540RF KIT FROM: 05-09-01 THRU: 01-24-02
	102080-18-000	EA	CHANGER - CONTROL/FM MODULE & REMOTE - SONY CDX-555RF KIT FROM: 01-25-02 THRU: 99-99-99
	077069-02-000	EA	CABLE - ANTENNA/EXTENSION - RADIO - 96"
	124881-02-000	EA	AMPLIFIER - AUDIO - MTS Q SURROUND - ORANGE LABEL (LATEST)

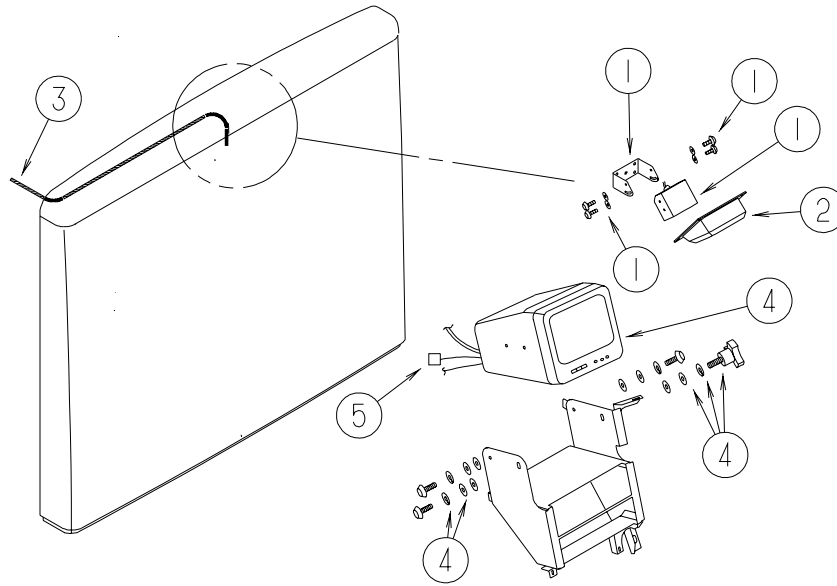
***COMPONENT PARTS LISTED LATER IN THIS GROUP**

AUDIO VIDEO GROUP (CONTINUED)
COMPONENT PARTS FOR RADIO SYSTEM

102080-15-000

KEY	PART NUMBER	U/M	DESCRIPTION	VENDOR NO.
	102080-15-700	EA	REMOTE	1-476-488-11

AUDIO VIDEO GROUP (CONTINUED)
REAR VIEW MONITOR



KEY	PART NUMBER	U/M	DESCRIPTION
1	093040-09-000	EA	CAMERA - REAR VIEW - W/BRACKET - SONY
2	123281-01-01A	EA	SHROUD - CAMERA/OUTER - BRIGHT WHITE
4*	093040-10-000	EA	MONITOR - 7" REAR VIEW - W/BRACKET - SONY
3	093041-01-000	EA	CABLE - MONITOR/CAMERA - INTERNAL USE - 65.6'
5	096717-04-000	EA	WIRE ASSEMBLY - REAR MONITOR - UPPER
	114870-01-000	EA	PLUG - AUDIO W/LEADS - 48.5"
	098819-01-000	EA	SPEAKER - 4" - 2 WATT - 8 OHM
	093214-01-03A	EA	GRILLE - SPEAKER - 4" - GLACIER

***COMPONENT PARTS LISTED LATER IN THIS GROUP**

AUDIO VIDEO GROUP (CONTINUED)
COMPONENT PARTS FOR REAR VIEW MONITOR

093040-10-000

KEY	PART NUMBER	U/M	DESCRIPTION	VENDOR NO.
	093040-10-700	EA	LENS-MONITOR, REAR VIEW F/7"	3-708-537-01

AUDIO VIDEO GROUP (CONTINUED)

TELEPHONE

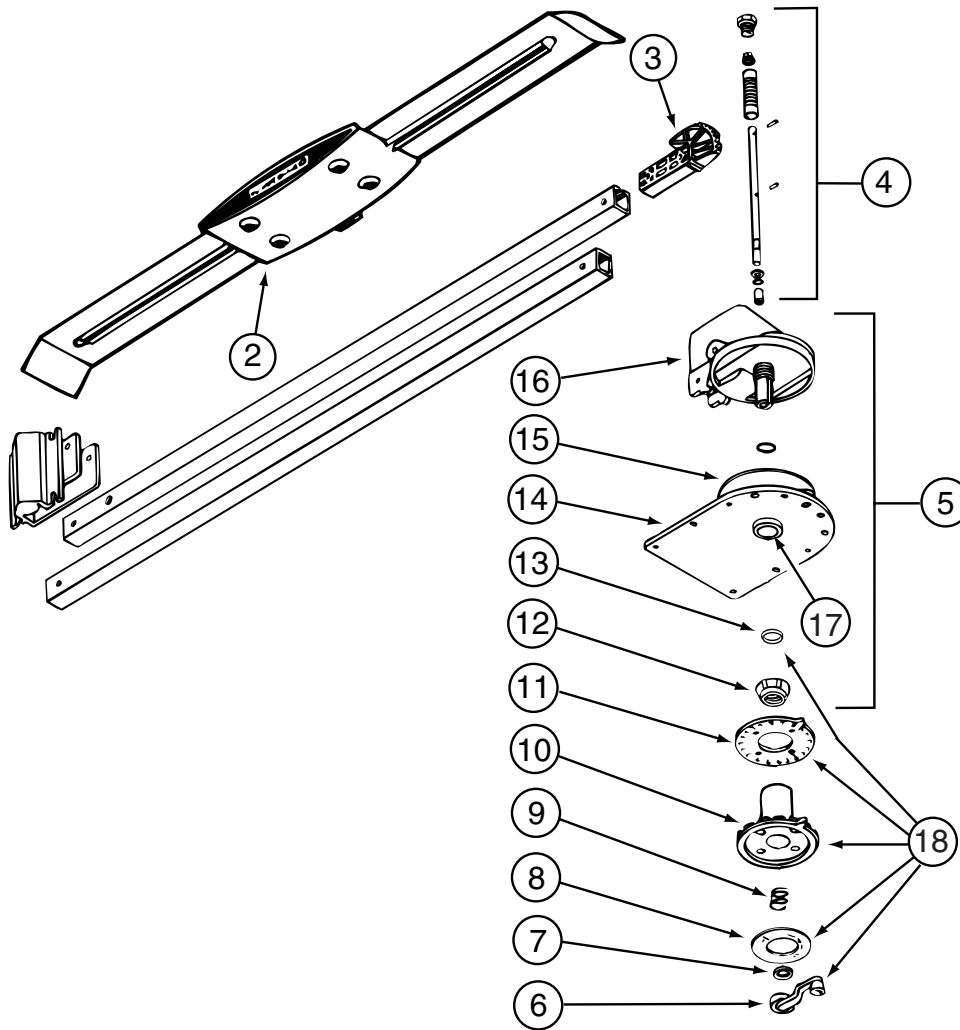
KEY	PART NUMBER	U/M	DESCRIPTION
	093253-01-01A	EA	PLATE - WALL - TELEPHONE - BEIGE
	130686-01-01A	EA	PLATE - WALL - TELEPHONE/COAX - WHITE

TV & VCR

KEY	PART NUMBER	U/M	DESCRIPTION
	086777-06-000	EA	WALLPLATE - TV CABLE - ANTENNA BOOSTER/1 OUTPUT - BLACK
	123324-01-000	EA	FILTER - GROUND LOOP
	115540-01-000	EA	AMPLIFIER - TV SPEAKERS - W/O DELUXE SOUND
	136764-01-000	EA	DVD PLAYER - RCA RC5225P
	136764-02-000	EA	DVD PLAYER - RCA RC5240P
			FROM: 00-00-00 THRU: 07-15-01
			FROM: 07-16-01 THRU: 99-99-99
	086757-04-000	EA	CONTROL CENTER - SWITCH - VCR/TV - 5 INPUTS
	086756-01-000	EA	SPLITTER - TV/2 WAY
*	126696-07-000	EA	TV - 19" COLOR - W/O 1/8" JACK - UL/CSA - GE 19GT243 - REAR TV
*	133377-01-000	EA	TV - 25" - COLOR - W/1/8" JACK - UL/CSA - GE 25GT240M - FRONT TV - W/O DELUXE SOUND
*	130121-05-000	EA	TV - 25" - COLOR/STEREO W/5 JACKS - RCA F25648 - BLACK - FRONT TV - W/DELUXE SOUND
			FROM: 00-00-00 THRU: 09-26-01
	130121-06-000	EA	TV - 25" - COLOR/STEREO W/5 JACKS - RCA F25649 - FRONT TV - W/DELUXE SOUND
			FROM: 09-27-01 THRU: 99-99-99
*	126697-06-000	EA	VCR - VHS/CABLE READY - W/REMOTE - GE VG4060 - W/O DELUXE SOUND
			FROM: 00-00-00 THRU: 05-06-01
*	126697-07-000	EA	VCR - VHS/CABLE READY - W/REMOTE - GE VG4045 - W/O DELUXE SOUND
			FROM: 05-07-01 THRU: 99-99-99
*	124073-10-000	EA	VCR-VHS/HI-FI STEREO - SILVER CASE - RCA VR651HF- W/DELUXE SOUND
			FROM: 00-00-00 THRU: 04-08-01
*	124073-11-000	EA	VCR-VHS/HI-FI STEREO - SILVER CASE - RCA VR651HF- W/DELUXE SOUND
			FROM: 04-09-01 THRU: 06-16-02
	124073-12-000	EA	VCR-VHS/HI-FI STEREO - SILVER CASE - RCA VR637HF- W/DELUXE SOUND
			FROM: 06-17-02 THRU: 99-99-99
	082134-01-000	EA	ADAPTER - TV - CABLE TO CABLE
	082136-01-000	EA	NUT - HEX JAM - 3/8-32
	134006-01-03B	EA	PLATE - COAXIAL CABLE/OFF WHITE
	076319-09-000	EA	WALLPLATE - CABLE RECEPTACLE - TV - SINGLE - BROWN
	076319-03-000	FT	CABLE - COAXIAL - 75 OHM
	076319-12-000	EA	CONNECTOR - COAXIAL - ONE PIECE
*	076319-23-000	EA	ANTENNA - TV ROOF MOUNT - 44.5" MAST
*	076319-25-000	EA	KIT - HARDWARE INTERIOR
	136860-01-000	EA	CABLE - RCA - #3 MALE TO #12F MALE CONNECTOR
*	137135-01-000	EA	ANTENNA - SATELLITE DSS - W/SENSOR
			FROM: 00-00-00 THRU: 04-08-02
	137135-02-000	EA	ANTENNA - SATELLITE DSS - W/SENSOR
			FROM: 04-09-02 THRU: 99-99-99
	069726-02-000	EA	BUMPER - .88" OD X .40" THICK - BLACK

***COMPONENT PARTS LISTED LATER IN THIS GROUP**

AUDIO VIDEO GROUP (CONTINUED)
COMPONENT PARTS FOR TV & VCR



076319-23-000

KEY	PART NUMBER	U/M	DESCRIPTION	VENDOR NO.
2	076319-01-700	EA	HEAD - ANTENNA - AMPLIFIED	RVSA U/V
3	076319-01-701	EA	GEAR - ELEVATING - PLASTIC	2200046
4	076319-01-702	EA	SHAFT ASM - ELEVATING	RVP-400A
5	076319-01-711	EA	BASE & LIFT ASM	2762802
7	076319-01-705	EA	BEARING - NYLON - 7/8"ID	3200658
8	076319-01-708	EA	DECAL-CRANK	5413002
9	076319-01-707	EA	SPRING - HANDLE	5160822
11	076319-01-709	EA	PLATE-CEILING (IVORY)	3200621
11	076319-01-712	EA	PLATE - CEILING	3200608
12	076319-01-715	EA	NUT (GEAR HOUSING)	2200047
14	076319-01-713	EA	BASE PLATE	3100523
15	076319-01-703	EA	BEARING - NYLON - 5"OD	3200656
16	076319-01-714	EA	HOUSING - ROTATING GEAR	2200049
	076319-01-716	EA	TUBING, ELEVATING	RP-2900
17	076319-01-704	EA	BEARING-NYLON, 1.25"OD	3200657

CONTACT WINNEBAGO PART SALES FOR UNLISTED COMPONENT

076319-25-000

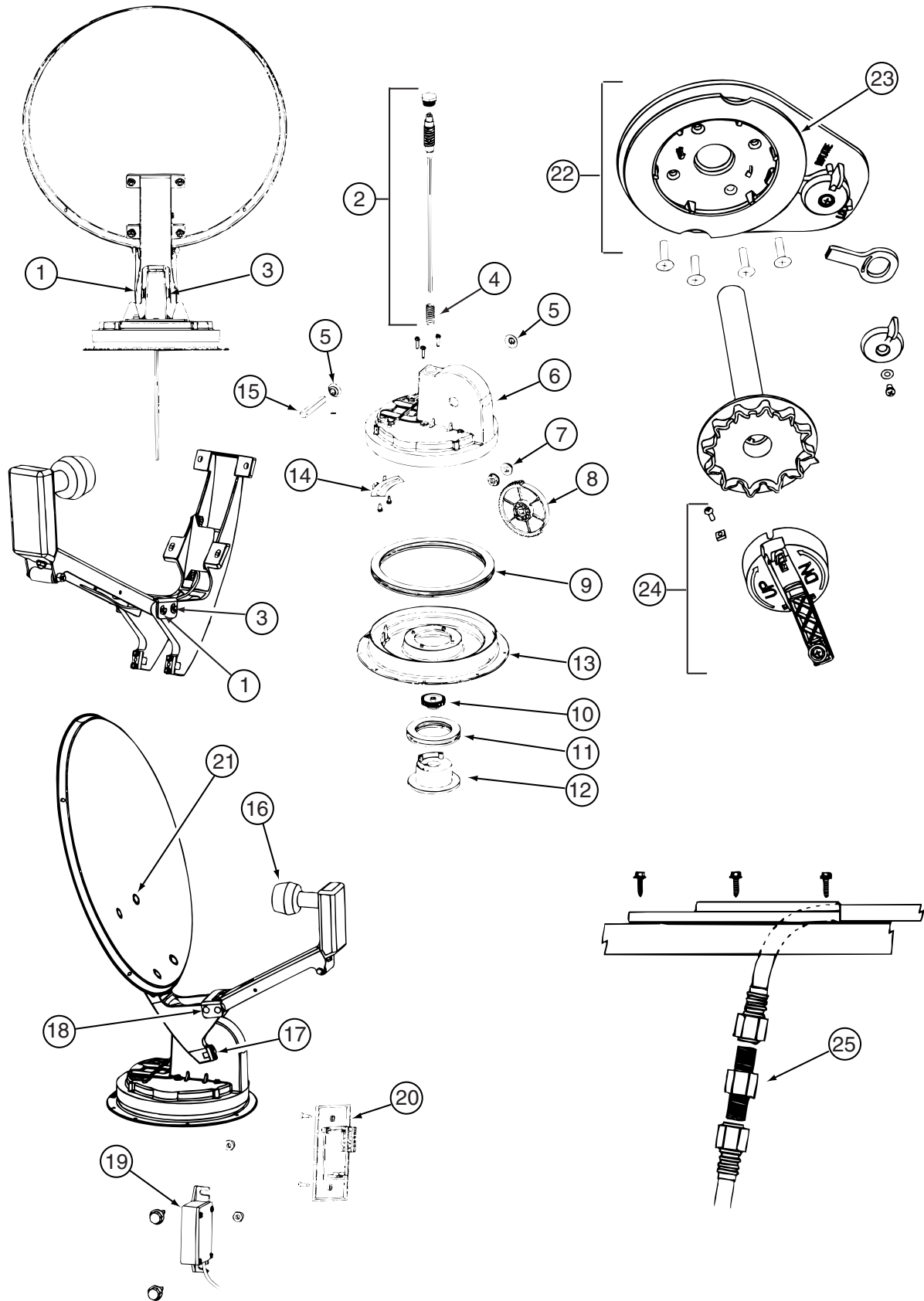
KEY	PART NUMBER	U/M	DESCRIPTION	VENDOR NO.
6	076319-01-706	EA	CRANK-ELEVATING W/SET SCREW	2750897
6	120233-01-710	EA	HANDLE-CRANK	RP-6795
8	076319-01-708	EA	DECAL-CRANK	5413002
9	076319-01-707	EA	SPRING-HANDLE	2160822
10	076319-25-700	EA	DIRECTIONAL HANDLE(WHITE)	3200612
11	076319-25-701	EA	PLATE - CEILING(WHITE)	3200609
13	120233-01-709	EA	WASHER-NYLON	RP-2658

CONTACT WINNEBAGO PART SALES FOR UNLISTED COMPONENTS

AUDIO VIDEO GROUP (CONTINUED)
COMPONENT PARTS FOR TV & VCR (CONTINUED)

			124073-10-000	
KEY	PART NUMBER	U/M DESCRIPTION		VENDOR NO.
	124073-10-700	EA REMOTE		241772
			124073-11-000	
KEY	PART NUMBER	U/M DESCRIPTION		VENDOR NO.
	126697-04-700	EA REMOTE		239040
			126696-07-000	
KEY	PART NUMBER	U/M DESCRIPTION		VENDOR NO.
	133377-01-700	EA REMOTE		240961
			126697-06-000	
KEY	PART NUMBER	U/M DESCRIPTION		VENDOR NO.
	126697-06-700	EA REMOTE		248791
			126697-07-000	
KEY	PART NUMBER	U/M DESCRIPTION		VENDOR NO.
	126697-07-700	EA REMOTE		248687
			130121-05-000	
KEY	PART NUMBER	U/M DESCRIPTION		VENDOR NO.
	130121-05-700	EA REMOTE		242524
			133377-01-000	
KEY	PART NUMBER	U/M DESCRIPTION		VENDOR NO.
	133377-01-700	EA REMOTE		240961

AUDIO VIDEO GROUP (CONTINUED)
COMPONENT PARTS FOR TV & VCR (CONTINUED)



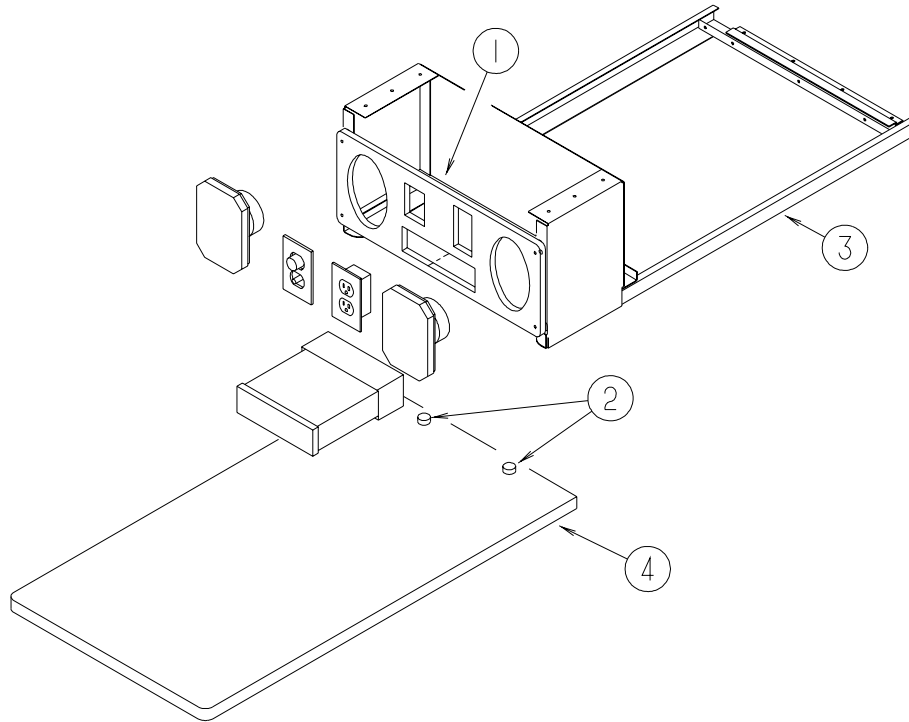
137135-01-000

AUDIO VIDEO GROUP (CONTINUED)
COMPONENT PARTS FOR TV & VCR (CONTINUED)

137135-01-000 (CONTINUED)

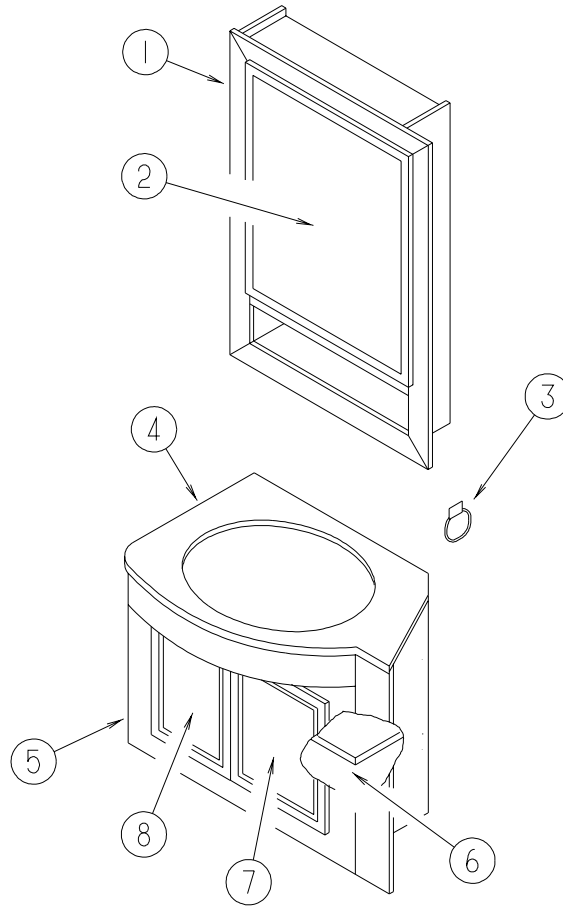
KEY	PART NUMBER	U/M	DESCRIPTION	VENDOR NO.
1	120233-01-714	EA	CLIP-E	5160818
2	137135-01-703	EA	SHAFT-ELEVATING(SPRING/PLUG)	RP-4400
3	137135-01-704	EA	PIN - 1/4" X 3.25"	2160813
4	137135-01-705	EA	SPRING	2160818
5	137135-01-707	EA	SEAL - PIVOT SHAFT	2200852
6	137135-01-708	EA	TURRET	3100728
7	137135-01-709	EA	PIVOT BEARING	2200470
8	137135-01-711	EA	GEAR - ELEVATING	2200464
9	137135-01-712	EA	BEARING - OUTER	2590347
10	137135-01-714	EA	GEAR - ELEVATING SHAFT	2200465
11	137135-01-715	EA	BEARING - INNER	2590348
12	137135-01-716	EA	HUB	3100731
13	137135-01-713	EA	TURRET BASE	3100730
14	137135-01-710	EA	PLATE - ROTATE LIMIT	3720052
15	137135-01-706	EA	PIVOT SHAFT	2590344
16	120233-01-734	EA	LOW NOISE BLOCK FILTER (SGL)	LB10003
17	137135-01-722	EA	CLAMP	2590343
18	137135-01-719	EA	BRACKET - PIVOT	2744945
19	137135-01-720	EA	DE-SENSOR UNIT W/43" CABLE	276342
20	137135-01-721	EA	WALL PLATE	3200213
21	137135-01-717	EA	BOLT - FLAT HEAD	216032
22	120233-01-722	EA	PLATE ASSEMBLY (CEILING)	2762826
23	120233-01-704	EA	DIAL - DIRECTIONAL	3200364
24	120233-01-721	EA	CRANK HANDLE ASSEMBLY	2762825
25	137135-01-701	EA	CONNECTOR - F - MALE TO MALE	FS-8100
	137135-01-700	EA	ROOF WEDGE W/GASKET	RW-5000
	137135-01-718	EA	REFLECTOR/WHITE - 46CM	2745282

AUDIO VIDEO GROUP (CONTINUED)
EXTERIOR ENTERTAINMENT



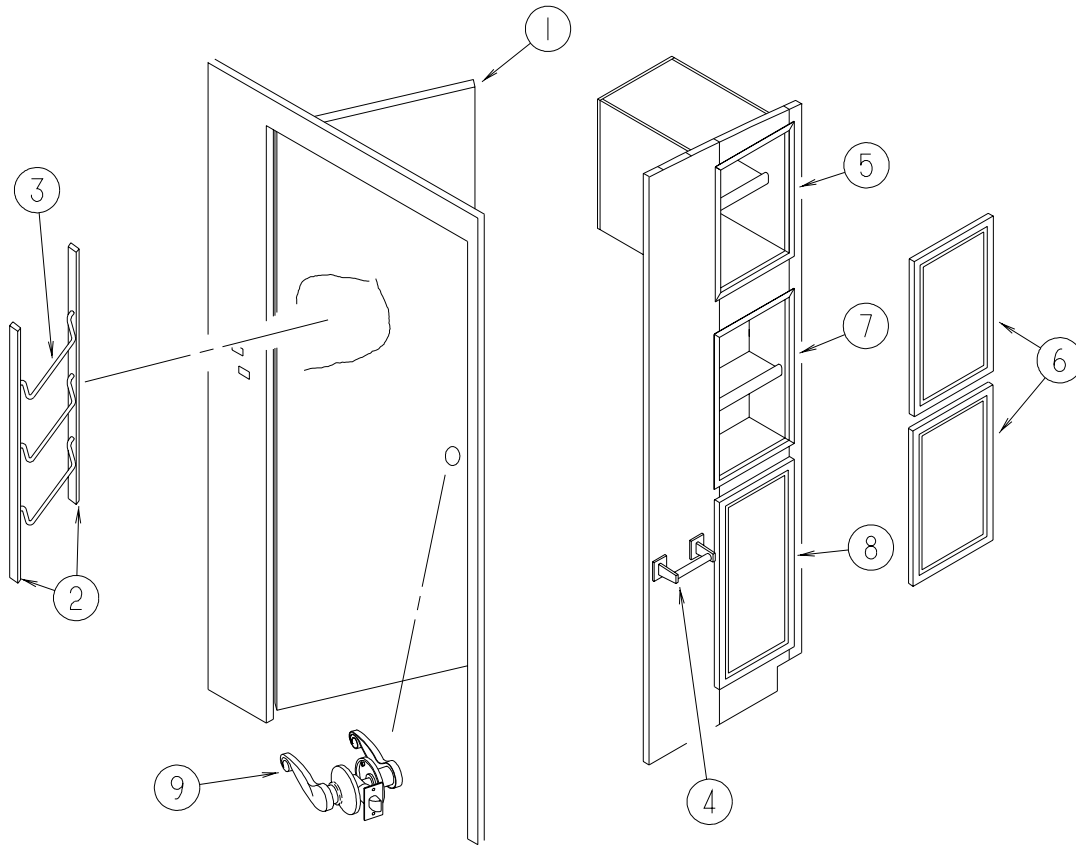
KEY	PART NUMBER	U/M	DESCRIPTION
1	126123-01-K30	EA	PLATE - RADIO MOUNTING - WHITE LAMINATE
2	069726-02-000	EA	BUMPER - .88" OD X .40" THICK - BLACK
3	126119-03-02B	EA	FRAME/ENTERTAINMENT CENTER - 24.6" X 10.3" - E-COATED
4	126125-01-K30	EA	TABLE - ENTERTAINMENT CENTER

BATH GROUP CABINETS



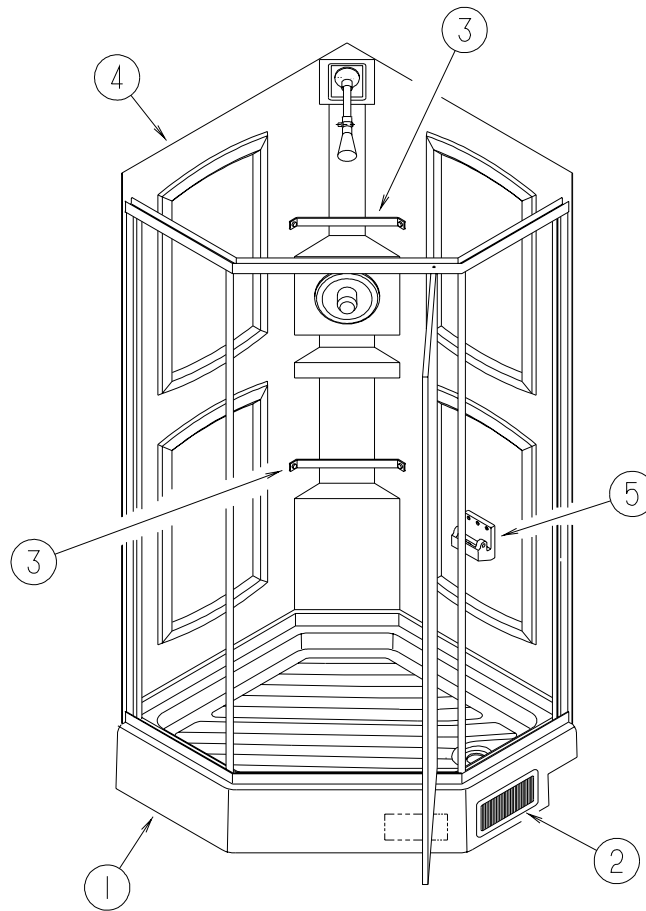
KEY	PART NUMBER	U/M	DESCRIPTION
1	136897-01-N70	EA	CABINET - OVERHEAD/MEDICINE - W/O DOORS/HARDWARE
1	136897-01-N71	EA	CABINET - OVERHEAD/MEDICINE - W/O DOORS/HARDWARE
1	136897-01-N72	EA	CABINET - OVERHEAD/MEDICINE - W/O DOORS/HARDWARE
2	115237-16-M42	EA	DOOR - MIRROR/MEDICINE CABINET - W/O HARDWARE
2	076767-04-000	EA	CABLE - STAINLESS STEEL - 5.9"
	093606-28-000	EA	MIRROR - BEVELED EDGE - 17.5" X 27.9"
	137463-01-01A	EA	LIFT - HOOK - SATIN BRASS
3	132046-02-01A	EA	RING - TOWEL - BRASS
4	133654-13-N70	EA	COUNTERTOP - LAMINATED - WHITE ETHOS/PORTSMOUTH OAK (N70, N72)
4	133654-13-N71	EA	COUNTERTOP - LAMINATED - BEIGE PAMPAS/PORTSMOUTH OAK (N71)
4	137162-04-01A	EA	COUNTERTOP - LAVATORY - 1/4" VENDURA - JAMAICAN SAND
5	136880-01-N70	EA	CABINET - LAVATORY - W/O COUNTERTOP/DOORS/DRAWERS/HARDWARE
6	136880-23-M76	EA	SHELF - W/PLASTIC EDGE MOLDING
7	132141-A2-N70	EA	DOOR - RAIL/VENEER - 10.8" X 21.8" - W/O HARDWARE
8	132141-A0-N70	EA	DOOR - RAIL/VENEER - 10.8" X 21.8" - W/O HARDWARE

BATH GROUP (CONTINUED)
CABINETS (CONTINUED)



KEY	PART NUMBER	U/M	DESCRIPTION
1	131933-07-L81	EA	DOOR - BATH - W/O HARDWARE
2	P34509-01-N01	EA	RAIL END - RH/LH - TOWEL RACK - PORTSMOUTH OAK
3	100357-01-000	EA	ROD - F/TOWEL BAR - BRASS
4	075452-02-000	EA	HOLDER - TOILET TISSUE - BRASS
5	131556-03-N70	EA	CABINET - STORAGE - W/O DOORS/HARDWARE
6	132141-A4-N70	EA	DOOR - RAIL/VENEER - 12" X 18.7" - W/O HARDWARE
7	131556-02-N70	EA	CABINET - STORAGE - W/O DOORS/HARDWARE
8	137356-01-N70	EA	CABINET - HAMPER - W/DOOR - W/O HARDWARE
9	111155-05-01A	EA	LOCK - PRIVACY/LOCKING - POLISHED BRASS - "S" SHAPE HANDLE

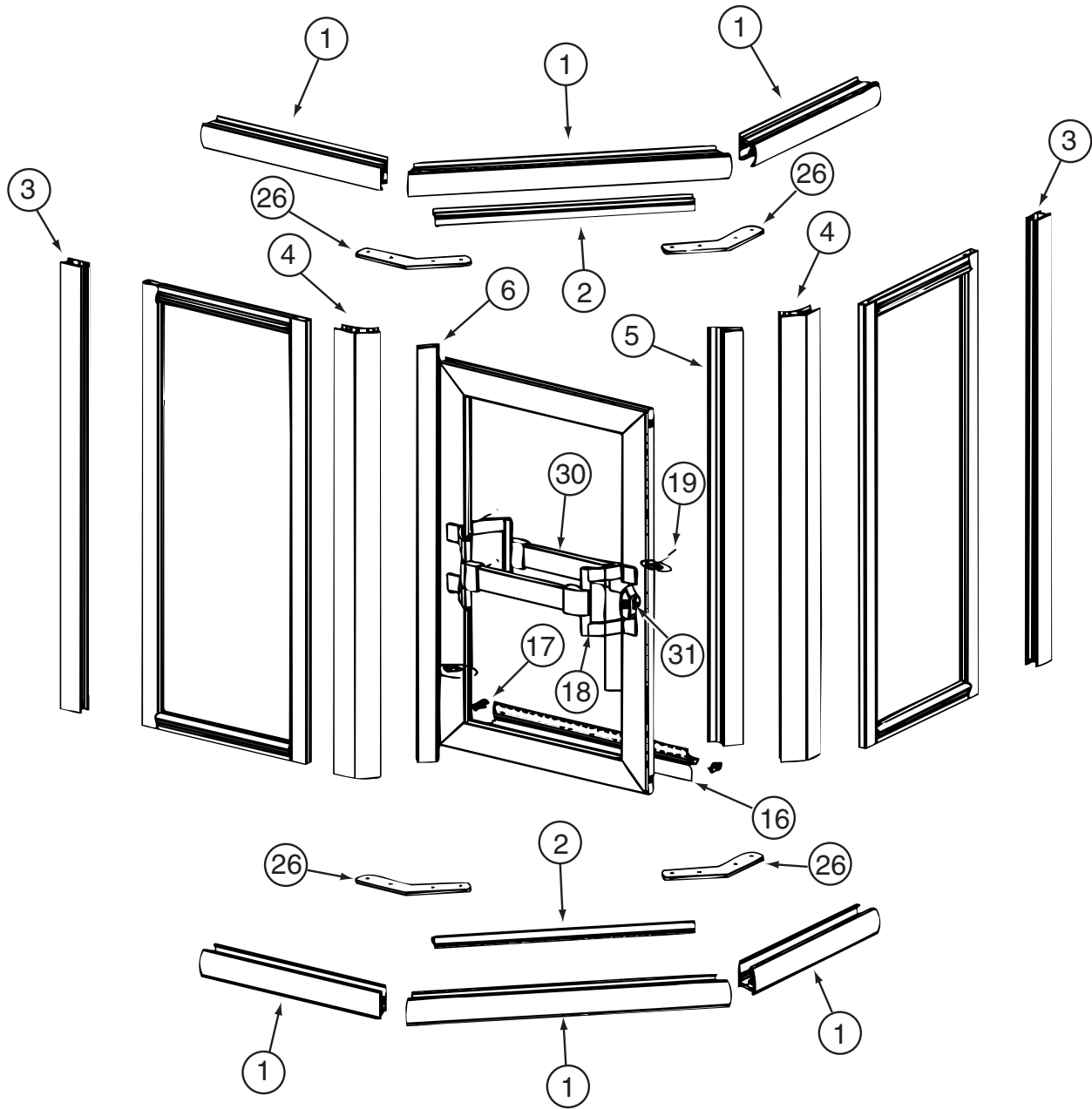
BATH GROUP (CONTINUED) SHOWER



KEY	PART NUMBER	U/M	DESCRIPTION
1	M02630-61-N42	EA	SHOWER PAN - W/STRAINER
2	089326-02-000	EA	GRILLE - FLOOR - HEATING - 9.3" X 5.3" - SOFT WHITE
3	113714-02-02A	EA	RETAINER - SHELF/SHOWER - SOFT WHITE
4	131311-01-01A	EA	ENCLOSURE - SHOWER - SIDES/BACK - 1 PIECE
5	135607-03-01A	EA	SEAT - SHOWER/FOLDING
*	139047-03-01A	EA	DOOR - SHOWER - NEO ANGLE - GOLD/AQUA - 66.4" TALL

***COMPONENT PARTS LISTED LATER IN THIS GROUP**

BATH GROUP (CONTINUED)
COMPONENT PARTS FOR SHOWER

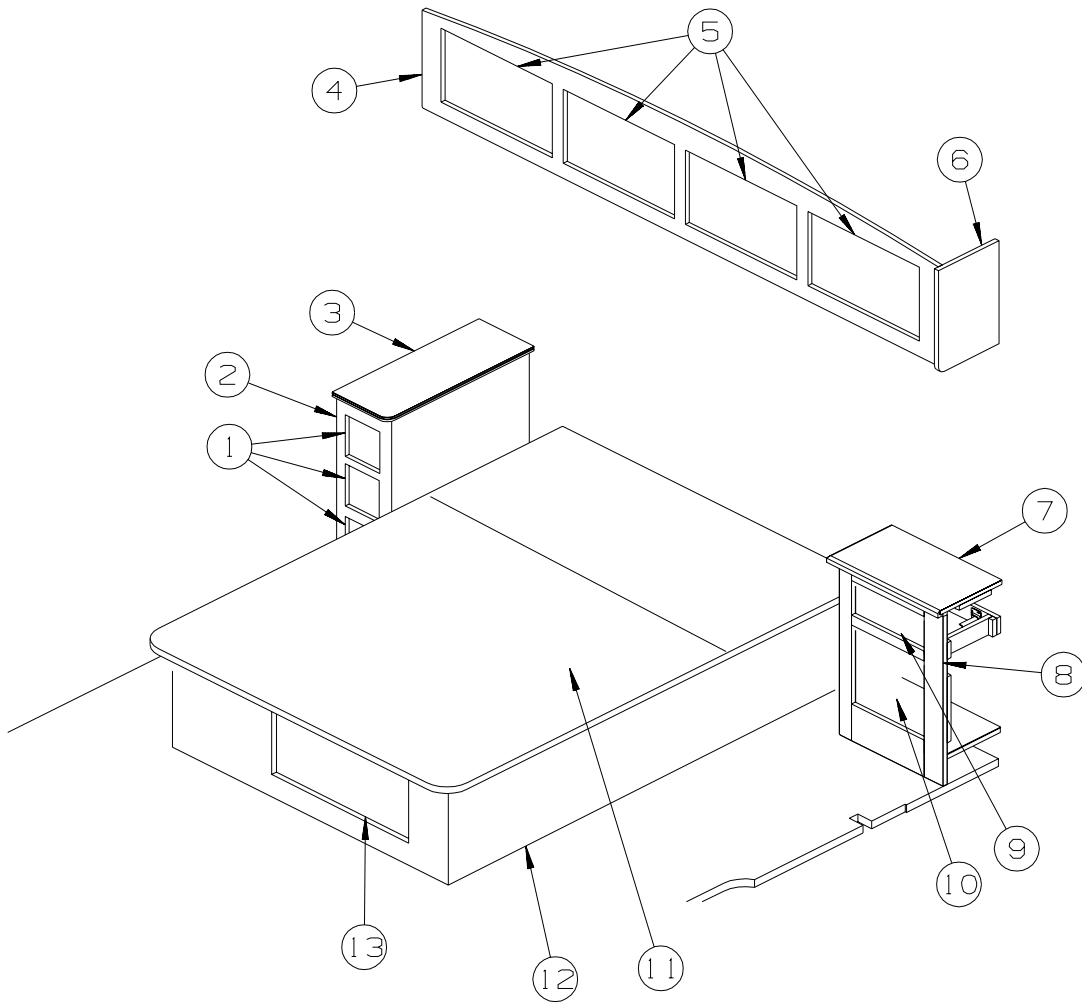


139047-01-01A, 139047-01-02A, 139047-02-01A, 139047-02-02A, 139047-03-01A, 139047-03-02A, 139047-04-02A

KEY	PART NUMBER	U/M	DESCRIPTION	VENDOR NO.
1	139047-01-700	EA	HEADER/SILL - 30" (PAIR)	900
2	139047-01-701	EA	DAM STRIP-TOP/BOTTOM-35.4"	901
3	139047-01-702	EA	JAMB - WALL - 65.9"	903
4	139047-01-703	EA	CORNER POST-45 DEGREE- 65.9"	909
5	139047-01-704	EA	STRIKE - JAMB - 64.6"	926
6	139047-01-705	EA	HINGE/POST - DOOR - 64.5"	920
16	139047-01-710	FT	VINYL SWEEP	C176G
17	139047-01-711	EA	PLUG - DRIP CAP (SET)	CP933
18	092574-01-701	EA	BRACKET-STUD, TOWEL BAR, GOLD	8141G
19	092574-01-710	EA	SCREW-GOLD, FOR TOWEL BAR	83212G
26	139047-01-712	EA	HEADER - CORNER BRACKET	313.45C
30	116814-01-700	EA	BAR-TOWEL 17 5/16"	68G
31	089318-01-707	EA	LATCH/CATCH - SAFETY - BLACK	9730B
	139047-01-706	EA	HINGE PINS	CP932
	139047-01-707	EA	WASHERS - HINGE	CP148TW
	139047-01-708	EA	HINGE - SLEEVE - 61.5"	C921B
	139047-01-709	EA	STRIP - MAGNETIC- 55"	98-42
	139047-01-713	EA	RAIL DRIP - 31.6"	927G

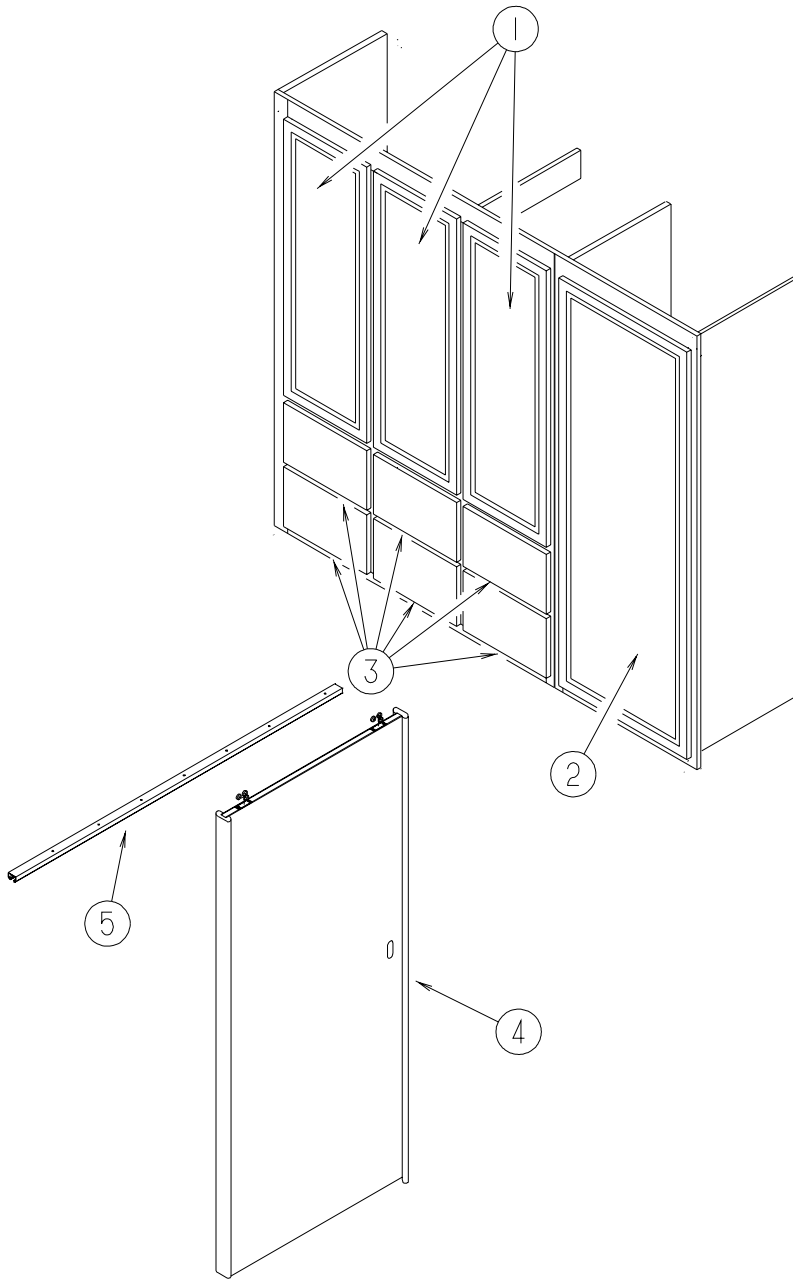
CONTACT WINNEBAGO PART SALES FOR UNLISTED COMPONENT

BEDROOM GROUP QUEEN CABINETS



KEY	PART NUMBER	U/M	DESCRIPTION
1	M09316-58-N21	EA	DRAWER - OGEE EDGE - 5.2"W X 19.6"D - W/O SLIDES/HARDWARE
2	134910-01-M95	EA	CABINET - NIGHTSTAND/RH - W/O COUNTERTOP/DOOR/DRAWER/HDW
3	133655-16-M78	EA	COUNTERTOP - LAMINATED - WHITE ETHOS/PORTSMOUTH OAK (N70, N72)
3	133655-16-N71	EA	COUNTERTOP - LAMINATED - BEIGE PAMPAS/PORTSMOUTH OAK (N71)
4	138574-01-N70	EA	CABINET - OVERHEAD/REAR - W/O DOORS/HARDWARE
5	132141-89-N70	EA	DOOR - RAIL/VENEER - 12.8" X 21.8" - W/O HARDWARE
6	P38119-02-N75	EA	END CAP - OVERHEAD/CABINET
7	133655-49-N70	EA	COUNTERTOP - LAMINATED - WHITE ETHOS/PORTSMOUTH OAK (N70, N72)
7	133655-49-N71	EA	COUNTERTOP - LAMINATED - BEIGE PAMPAS/PORTSMOUTH OAK (N71)
8	138076-01-N75	EA	CABINET - NIGHTSTAND/LH - W/O COUNTERTOP/DOOR/DRAWER/HDW
9	M09316-L4-N75	EA	DRAWER - OGEE EDGE - 12.3"W X 7.9"D - W/O SLIDES/HARDWARE
10	132141-B9-N70	EA	DOOR - RAIL/VENEER - 14.3" X 14.3" - W/O HARDWARE
11	M07571-14-000	EA	TOP ASM-BED DTL J W/O SUPPRT, *00 MHP
11	097872-04-000	EA	DOWEL - WOOD - 1" DIAMETER X 1.38" LONG - UNFINISHED
	126066-01-01A	EA	SUPPORT - BEDBOARD - BLACK
12	P37425-01-M76	EA	CABINET/BASE - QUEEN BED - W/O DOOR/DRAWER/HARDWARE - W/O INVERTER/CHARGER
12	P37425-02-M76	EA	CABINET/BASE - QUEEN BED - W/O DOOR/DRAWER/HARDWARE - W/INVERTER/CHARGER
	141260-01-01A	FT	U-CHANNEL - 1" - VILLAGE OAK
	109216-05-000	EA	ANGLE - FURNACE DOOR
			FROM: 00-00-00 THRU: 08-10-01
	140309-05-02B	EA	ANGLE - FURNACE DOOR - E-COATED
			FROM: 08-11-01 THRU: 05-14-02
	132871-02-02B	EA	BRACKET/L-ANGLE W/HOLES - 1.9" X 2.8" - E-COATED
			FROM: 05-13-02 THRU: 99-99-99
13	132141-56-N30	EA	DOOR - RAIL/VENEER - 14.3" X 26.7" - W/O HARDWARE

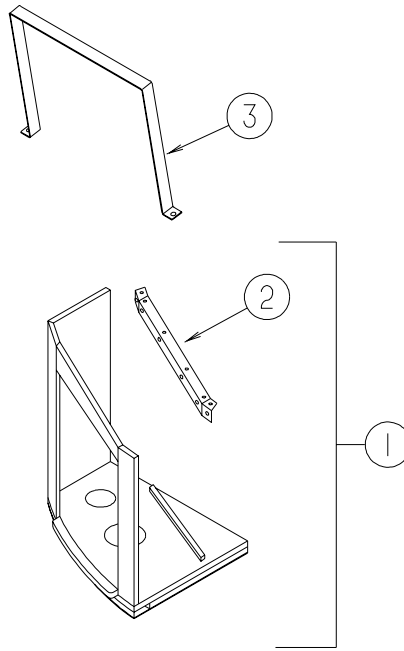
BEDROOM GROUP (CONTINUED)
QUEEN CABINETS (CONTINUED)



KEY	PART NUMBER	U/M	DESCRIPTION
1	132141-35-N70	EA	DOOR - RAIL/VENEER - 15.5" X 45.4" - W/O HARDWARE
2	132005-13-N01	EA	DOOR - MIRROR/MITERED RAIL - 16.1" X 65.2" - W/O HARDWARE
2	076767-04-000	EA	CABLE - STAINLESS STEEL - 5.9"
	140374-11-000	EA	MIRROR - SAFETY GLASS - 12.9" X 62"
3	M09316-D8-N75	EA	DRAWER - OGEE EDGE - 13.4"W X 17.6"D - W/O SLIDES/HARDWARE
4	104013-24-M76	EA	DOOR - SLIDING - W/HANGERS/HANDLE
	136843-01-01A	EA	SPRING - F/SLIDING DOOR
			FROM: 05-14-01 THRU: 09-04-01
5	103868-21-01A	EA	TRACK - SLIDING DOOR - 73.5" - OFF WHITE
			FROM: 00-00-00 THRU: 05-13-01
5	137422-09-01A	EA	TRACK/DOOR - OFF WHITE
			FROM: 05-14-01 THRU: 99-99-99

BEDROOM GROUP (CONTINUED)

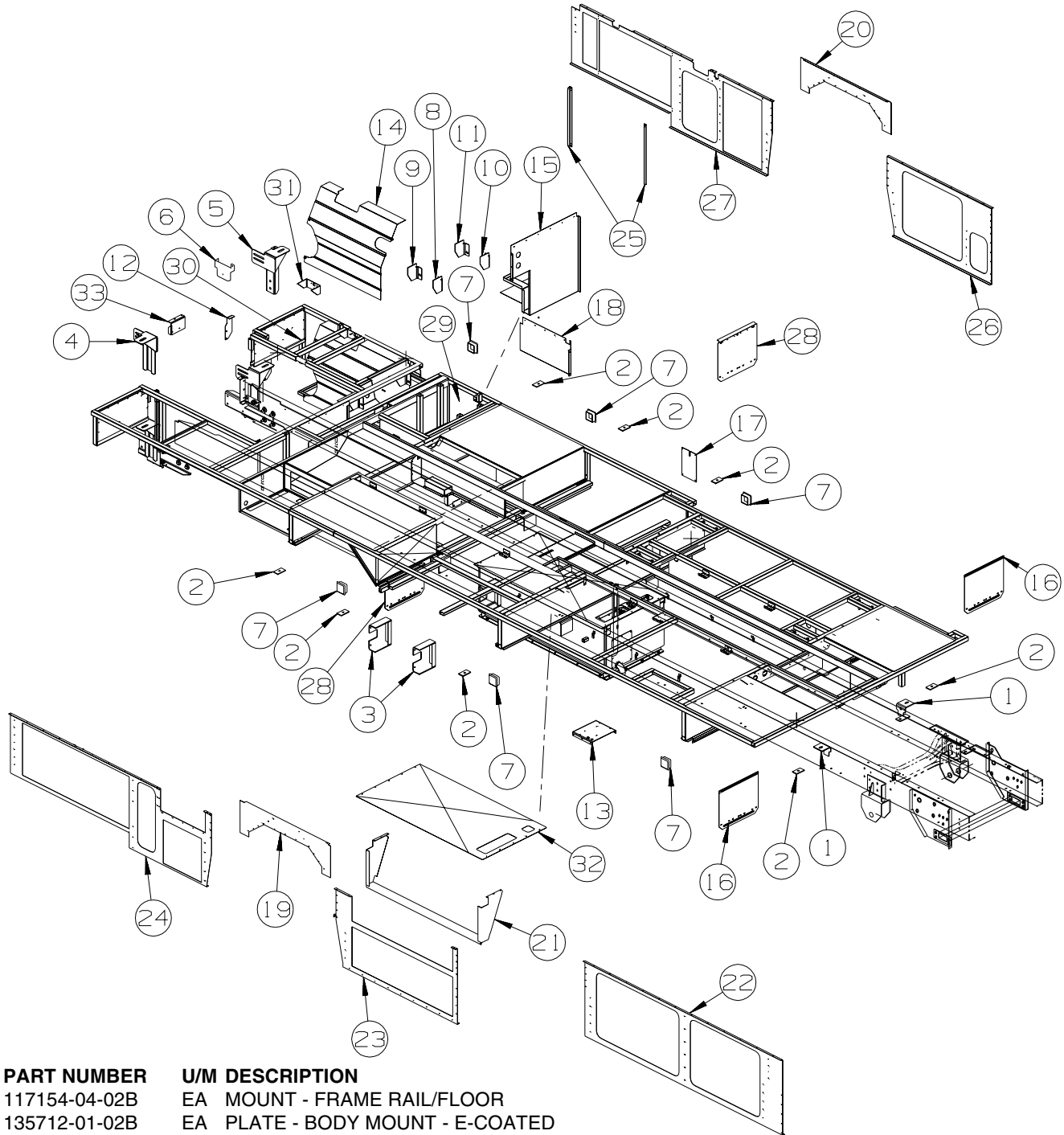
TV & RADIO CABINETS



KEY	PART NUMBER	U/M	DESCRIPTION
1	135309-01-N75	EA	CABINET - OVERHEAD - F/19" TV
2	136518-01-02B	EA	BRACKET - TV FACE - E-COATED
3	115466-28-02B	EA	STRAP - TIEDOWN/TV - E-COATED

CHASSIS GROUP

FRAME



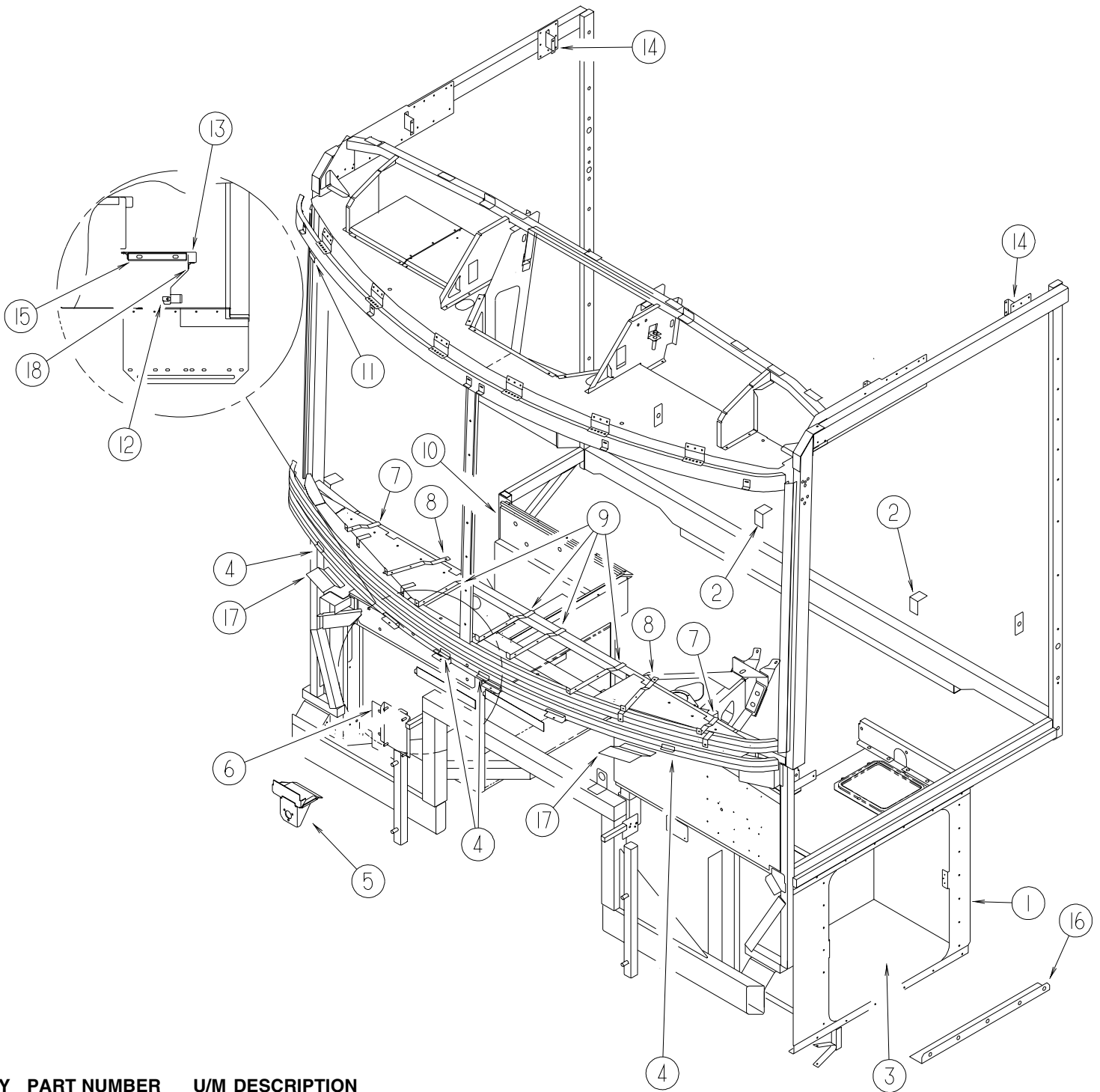
KEY	PART NUMBER	U/M	DESCRIPTION
1	117154-04-02B	EA	MOUNT - FRAME RAIL/FLOOR
2	135712-01-02B	EA	PLATE - BODY MOUNT - E-COATED
3	120867-01-02B	EA	MOUNT - LP TANK
4	131328-03-02B	EA	SUPPORT - REAR RISER - RIGHT HAND - E-COATED
5	131328-04-02B	EA	SUPPORT - REAR RISER - LEFT HAND - E-COATED
6	138237-01-02B	EA	PLATE/RESERVOIR ADAPTER - E-COAT
FROM: 00-00-00 THRU: 08-05-01			
7	119845-01-01A	EA	PLUG/PLASTIC - 1 1/2" SQUARE - BLACK
8	136910-03-02B	EA	BRACKET - CYLINDER (RAM) - E-COATED
FROM: 08-23-01 THRU: 99-99-99			
9	136910-04-02B	EA	BRACKET - CYLINDER (RAM) - E-COATED
FROM: 08-23-01 THRU: 99-99-99			
10	136910-01-02B	EA	BRACKET - CYLINDER/RAM - RIGHT HAND - E-COATED
11	136910-02-02B	EA	BRACKET - CYLINDER/RAM - LEFT HAND - E-COATED
12	141728-01-02B	EA	HANGER - EXHAUST - E-COATED
FROM: 11-19-01 THRU: 99-99-99			
13	138799-01-02B	EA	SHIM - BODY - E-COATED
14	139420-01-02B	EA	SHIELD - A/C CONDENSOR - E-COATED

CHASSIS GROUP (CONTINUED)
FRAME (CONTINUED)

KEY	PART NUMBER	U/M	DESCRIPTION
15	136868-01-02B	EA	COMPARTMENT - POWER CORD - E-COATED FROM: 00-00-00 THRU: 05-21-01
15	136868-02-02B	EA	COMPARTMENT - POWERCORD - E-COATED FROM: 05-22-01 THRU: 08-26-01
15	136868-03-02B	EA	COMPARTMENT - POWER CORD - E-COATED FROM: 08-27-01 THRU: 99-99-99
	136871-02-01B	EA	PANEL/COMPARTMENT - SIDE/FRONT
16	136391-02-02B	EA	GUARD/ROCK - STEEL - W/ANGLE - 18"W X 15"H - E-COATED
17	137492-01-02B	EA	PANEL/ACCESS - HOLDING TANK - E-COATED
18	136889-02-02B	EA	PANEL - CLOSEOUT - E-COATED FROM: 05-22-01 THRU: 99-99-99
19	119750-04-02B	EA	SEAL PLANE/WHEEL WELL - RIGHT HAND - E-COATED
20	119750-05-02B	EA	SEAL PLANE/WHEEL WELL - LEFT HAND - E-COATED
21	140166-01-02B	EA	SUPPORT - SEAL PLANE - E-COATED FROM: 06-21-01 THRU: 99-99-99
22	136830-02-02B	EA	PLATE - SEAL - E-COATED
23	135642-01-02B	EA	PLATE - SEAL - E-COATED
24	136895-01-02B	EA	SEAL PLANE - E-COATED
25	137702-01-02B	EA	ANGLE - SUPPORT - CONDENSOR - E-COATED
26	137063-01-02B	EA	PLATE - SEAL - E-COATED
27	136867-02-02B	EA	PLATE - SEAL - E-COATED
28	136391-01-02B	EA	GUARD/ROCK - STEEL - W/ANGLE - 18"W X 11"H - E-COATED
29	138866-01-01A	EA	SLIDE - BATTERY TRAY FROM: 04-28-01 THRU: 07-22-01
29	132568-01-02B	EA	SUPPORT - BATTERY TRAY - E-COATED FROM: 07-23-01 THRU: 99-99-99
30	134225-01-02B	EA	SUPPORT - CONDENSOR SHIELD - E-COATED
31	139409-02-02B	EA	BRACKET - MOUNTING - CYLINDER - E-COATED
32	133352-01-02B	EA	PANEL - ACCESS - WATER TANK - E-COATED
	062421-08-000	EA	CABLE/ROD - F/DUMP VALVE - W/HANDLE - 108"
33	137431-01-02B	EA	BRACKET - FUEL FILTER - E-COATED - FREIGHTLINER CHASSIS GVW 24350
33	138490-01-02B	EA	BRACKET - FUEL FILTER - E-COATED - FREIGHTLINER CHASSIS GVW 26850

CHASSIS GROUP (CONTINUED)

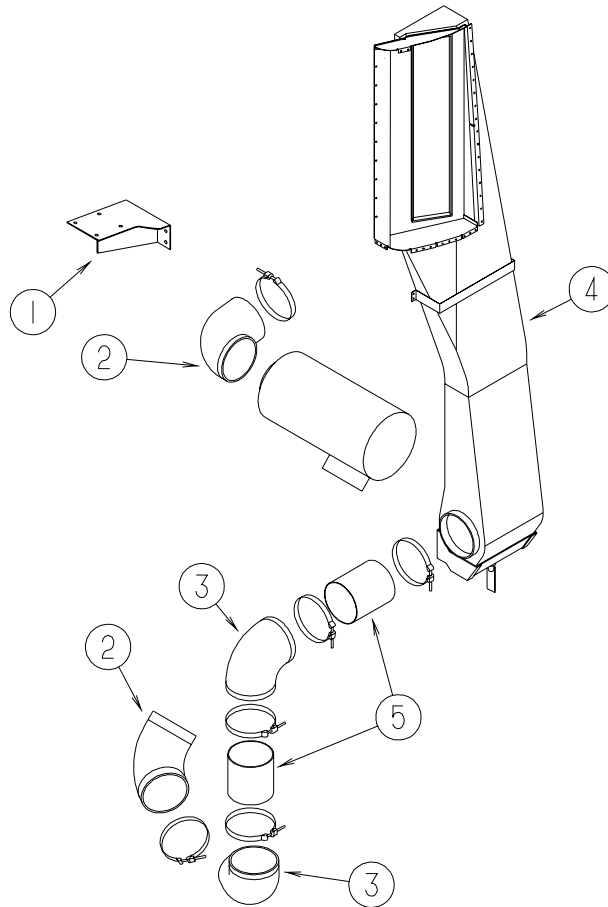
FRONT END



KEY	PART NUMBER	U/M	DESCRIPTION
1	136332-01-02B	EA	SEAL PLANE - FRONT/LEFT HAND - E-COATED
2	117154-04-02B	EA	MOUNT-BODY,E-COAT
3	123764-04-02B	EA	COMPARTMENT - LUGGAGE - E- COATED
			FROM: 00-00-00 THRU: 11-11-01
3	123764-05-02B	EA	COMPARTMENT/LUGGAGE - E-COATED
			FROM: 11-12-01 THRU: 99-99-99
4	076364-57-000	EA	ANGLE - FORMED
5	134506-01-01B	EA	BRACKET - WIPER MOTOR
6	115024-01-01B	EA	BRACKET - TANK - AIR HORN
7	104797-05-000	EA	BRACKET-DEFROSTER
8	104797-04-000	EA	BRACKET-DEFROSTER
9	104797-03-000	EA	BRACKET-DEFROSTER
10	131471-01-02B	EA	STEP - ENTRY DOOR - E-COATED
11	120363-01-01B	EA	BRACKET - WINDSHIELD

CHASSIS GROUP (CONTINUED) FRONT END (CONTINUED)

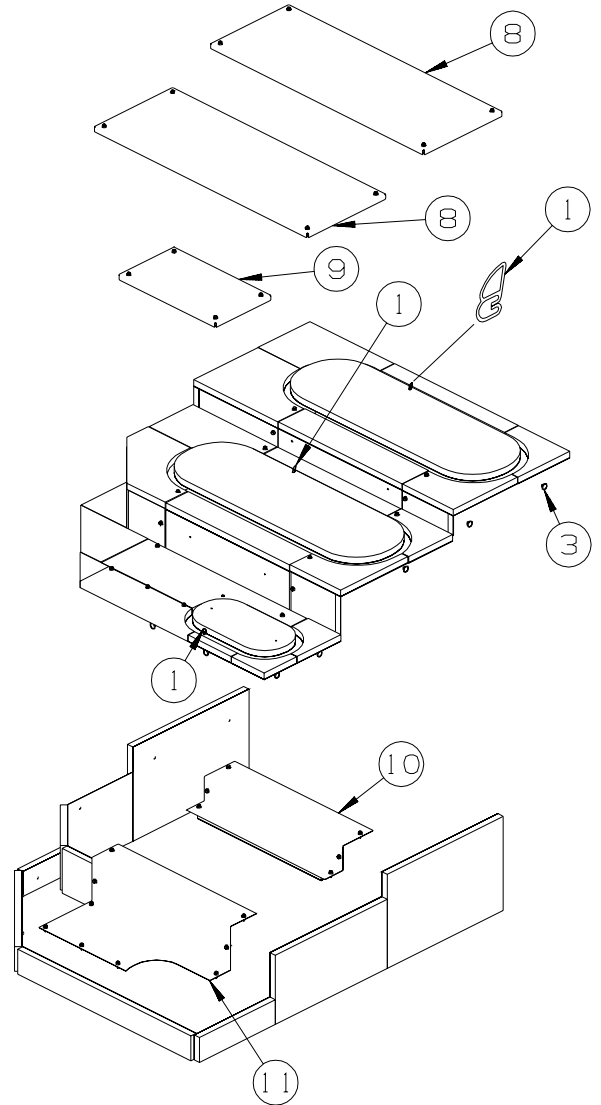
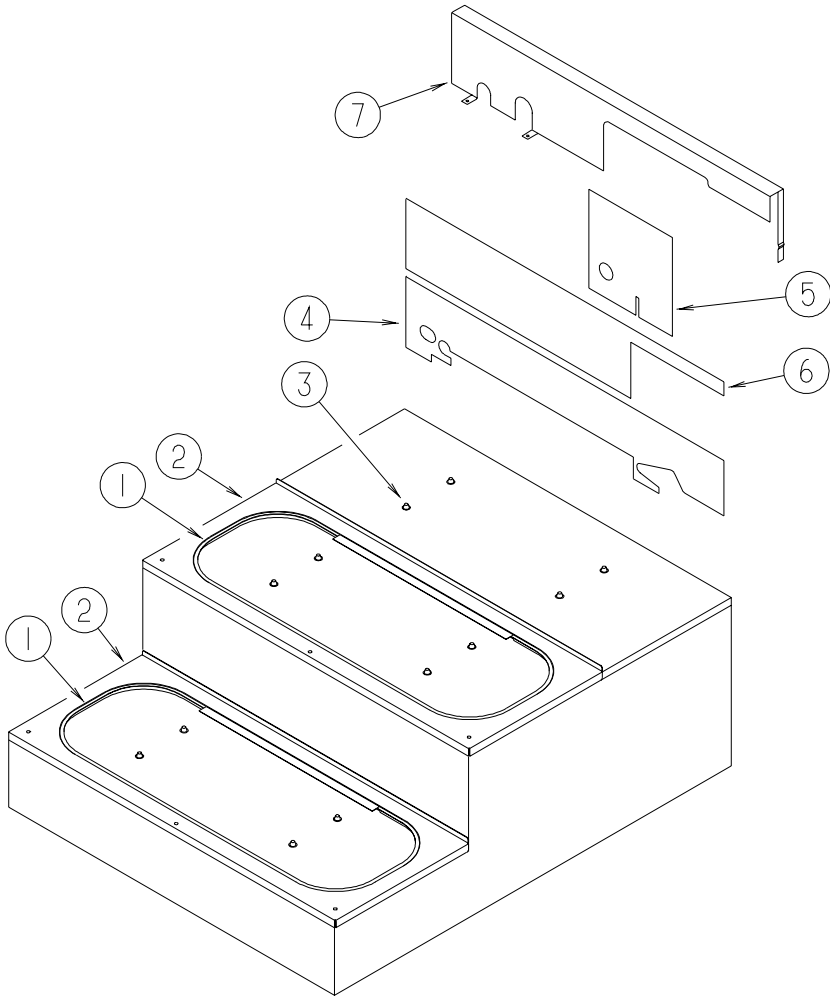
KEY	PART NUMBER	U/M	DESCRIPTION
12	120863-08-000	EA	BUMPER - RUBBER - W/INSERT
13	131519-01-L76	EA	STEP - FOLD UP/ENTRY DOOR - MANUAL
13	131519-02-L94	EA	STEP - FOLD UP/ENTRY DOOR - ELECTRIC
	131539-02-02B	EA	SUPPORT - STEP/FOLD UP - E-COATED
14	104409-01-000	EA	PLATE-MOUNT, SIDEWALL
			FROM: 00-00-00 THRU: 03-28-01
14	139383-01-02B	EA	PLATE/MOUNT - SIDEWALL - E-COATED
			FROM: 03-29-01 THRU: 99-99-99
15	129753-01-01A	EA	HINGE - SPRING LOADED - 19" X 19" - BLACK
16	134864-02-02B	EA	ANGLE - FORMED - COMPARTMENT - E-COATED
			FROM: 00-00-00 THRU: 11-11-01
16	134864-04-02B	EA	ANGLE - FORMED - COMPARTMENT - E-COATED
			FROM: 00-00-00 THRU: 11-11-01
17	134202-01-01B	EA	REINFORCEMENT - SUPPORT - LOWER WINDSHIELD/MIDDLE
18	132987-01-02B	EA	STEP - ENTRY DOOR - E-COATED - ELECTRIC
			FROM: 00-00-00 THRU: 10-14-01
18	132987-02-02B	EA	STEP - ENTRY DOOR - E-COATED - ELECTRIC
			FROM: 10-15-01 THRU: 99-99-99



AIR INTAKE

KEY	PART NUMBER	U/M	DESCRIPTION
1	136817-01-02B	EA	BRACKET/AIR FILTER - E-COATED - P32T, P32TD
2	123362-03-000	EA	ELBOW - RUBBER - 68 DEGREE 6" ID
3	123362-02-000	EA	ELBOW - AIR INTAKE - RUBBER - 90 DEGREE 6" ID
4	129514-02-01A	EA	DUCT - INTAKE AIR - W/FITTING
	129514-01-01A	EA	DUCT - INTAKE AIR
5	129839-02-01A	EA	TUBE-6" OD, BEAD ONE END, MILL
	135386-01-000	EA	NIPPLE - 1/2"

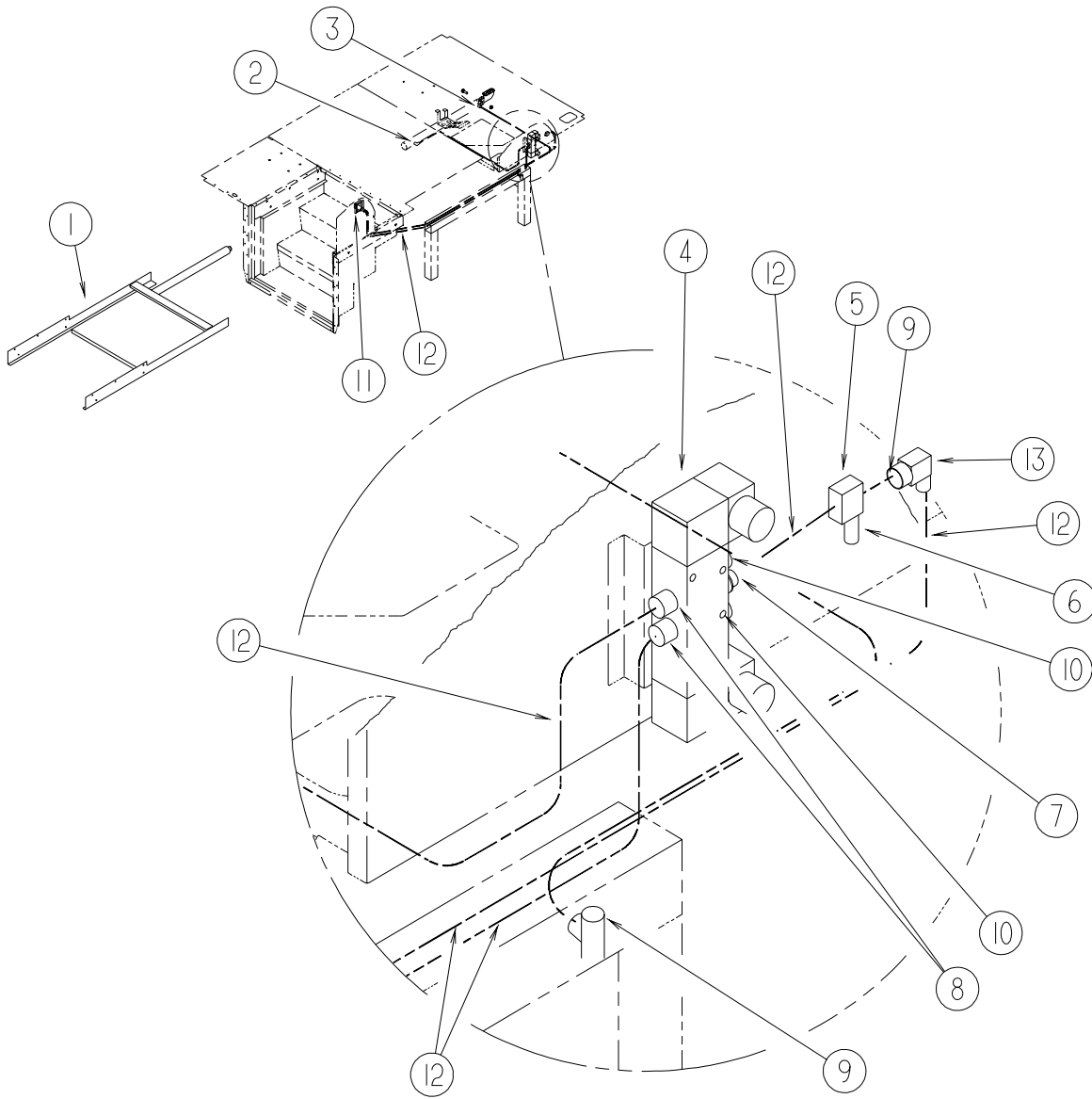
CHASSIS GROUP (CONTINUED) INSULATION



P39QD ONLY

KEY	PART NUMBER	U/M	DESCRIPTION
1	039623-01-000	FT	SEAL - MOTOR COVER - RUBBER BULB TYPE
2	134340-01-02B	EA	COVER - ENGINE - E-COATED
3	106648-01-000	EA	CAP - STUD - .120 TO .130 DIAMETER
4	131292-03-000	EA	BAFFLE - RADIATOR - TOP/REAR - P34H, P36L
			FROM: 00-00-00 THRU: 11-04-01
4	131292-09-000	EA	BAFFLE - RADIATOR - TOP - P34H, P36L, P36C
5	131292-07-000	EA	BAFFLE - RADIATOR - UPPER/RIGHT - P36C, P34H, P36L
6	131292-08-000	EA	BAFFLE - RADIATOR - TOP - P32T, P32TD
7	134068-02-02B	EA	ANGLE - BAFFLE/TOP - E-COATED - P34HD, P36GD, P36LD
8	140399-01-02B	EA	COVER - ENGINE - E-COATED
9	140420-01-02B	EA	COVER - ENGINE - E-COATED
10	140351-02-02B	EA	PANEL - ACCESS/COMPARTMENT - E-COATED
11	140564-02-02B	EA	PANEL/ACCESS - ENGINE COMPARTMENT - E-COATED
	072877-03-000	EA	INSULATION - SOUND BARRIER- 1" X 36" X 57" - ADHESIVE BACK
	107721-07-000	FT	SEAL - ACCESS DOOR - .9" WIDE X 1.1" HIGH

CHASSIS GROUP (CONTINUED) STEPWELL COVER



KEY	PART NUMBER	U/M	DESCRIPTION
1*	131281-01-000	EA	STEP COVER - SLIDING - W/AIR CYLINDER
2	071387-07-000	EA	ELBOW - MALE - BRAKE TUBE - 1/4" X 1/8"
3	071386-03-000	EA	CONNECTOR-MALE,1/4TUBEX1/8
4	124625-01-000	EA	VALVE - AIR - DOUBLE SOLENOID
5	124382-01-000	EA	REGULATOR - AIR/MINIATURE
6	086241-02-000	EA	VALVE - AIR - 1/8" MPT - TANK
7	124625-04-000	EA	FITTING - STRAIGHT REDUCER
8	124625-05-000	EA	FITTING - ELBOW REDUCER
9	071386-06-000	EA	CONNECTOR - MALE - 1/4 TUBE X 1/4
10	124625-03-000	EA	SILENCERS - AIR VALVE
11*	124628-01-000	EA	VALVE - AIR - OVERRIDE - 3-WAY
11	124628-02-000	EA	KNOB - F/MANUAL OVERRIDE VALVE
11	124039-01-01A	EA	APPLIQUE - MANUAL VALVE
11	127452-01-02B	EA	PLATE - AIR VALVE - E-COAT
12	071390-04-000	FT	TUBING - AIR BRAKE - 1/4" OD-BLK WEATHERHEAD(BRKS & HORN)
13	071387-05-000	EA	ELBOW - MALE - BRAKE TUBE - 1/4 X 1/4

*COMPONENT PARTS LISTED LATER IN THIS GROUP

CHASSIS GROUP (CONTINUED)
COMPONENTS PARTS FOR STEPWELL COVER

124628-01-000

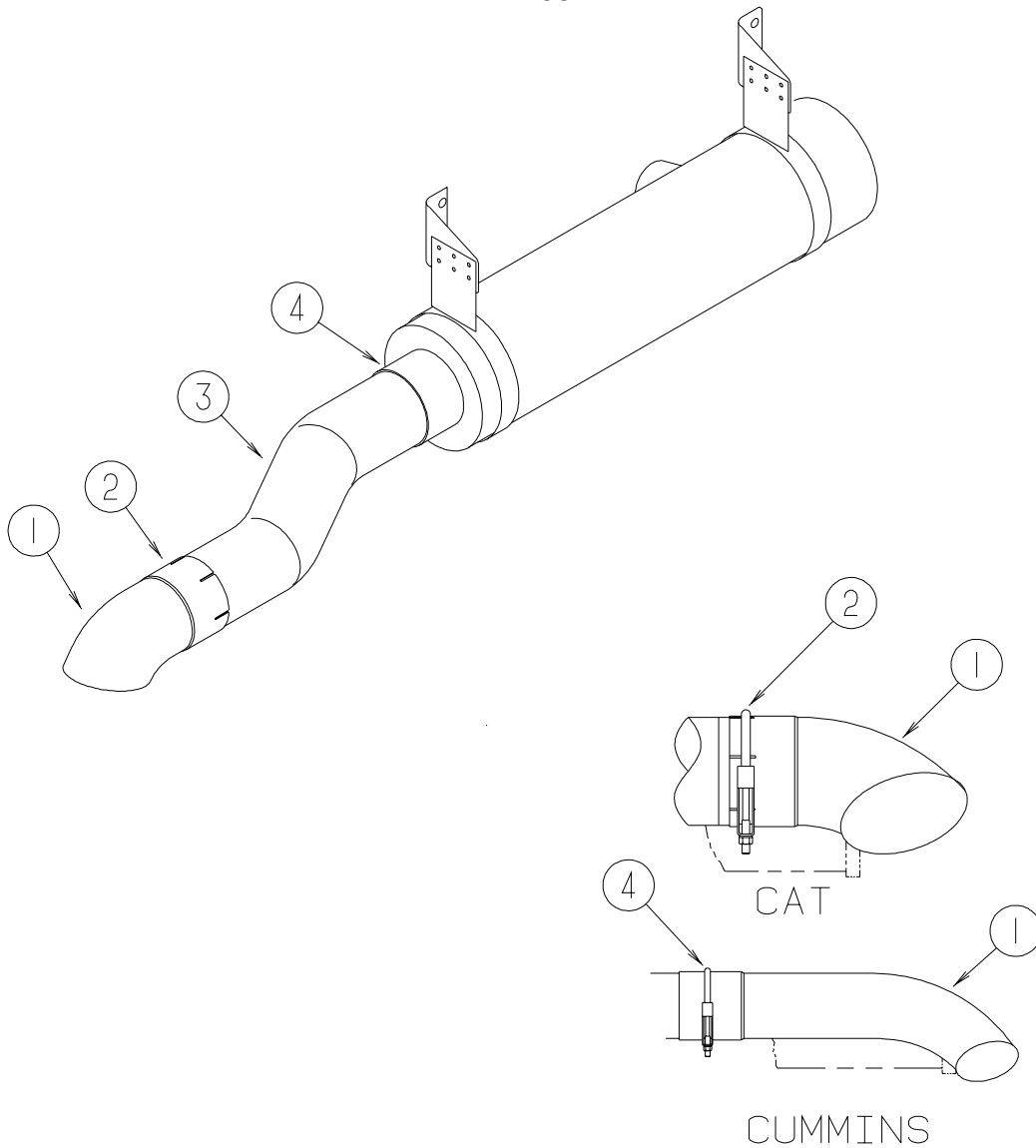
KEY	PART NUMBER	U/M	DESCRIPTION	VENDOR NO.
	124628-01-700	EA	TUBE NUT KIT (2 PC.)	P-069594-K0000

131281-01-000

KEY	PART NUMBER	U/M	DESCRIPTION	VENDOR NO.
	131281-01-700	EA	SLIDER BLOCK	1912105 - KWIKEE
	131281-01-701	EA	CYLINDER - SLIDING STEP	1501212 - KWIKEE

CHASSIS GROUP (CONTINUED)

EXHAUST



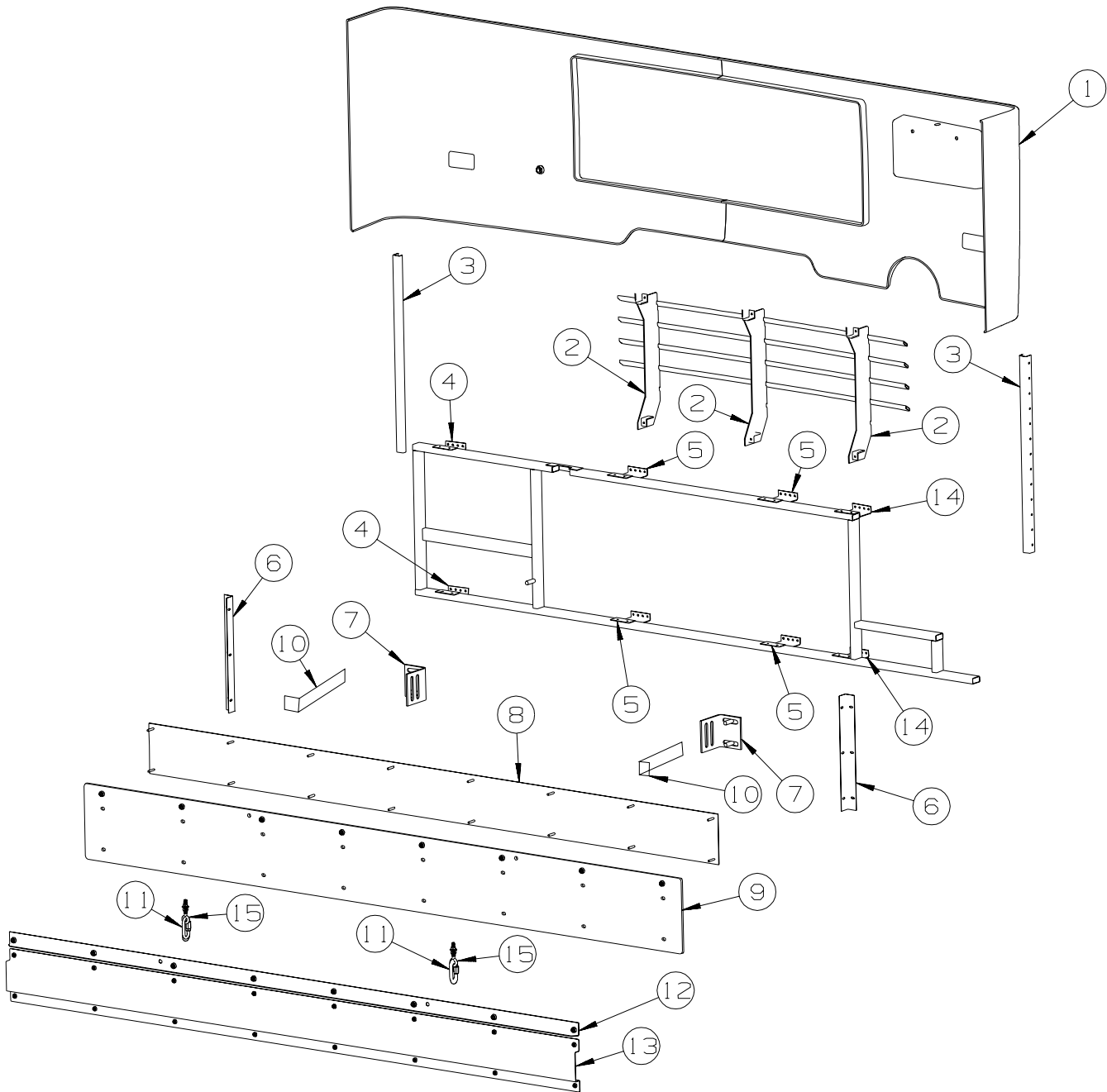
KEY	PART NUMBER	U/M	DESCRIPTION
1	116425-03-000	EA	EXTENSION - EXHAUST - CHROMED - 4" - CUMMINS
1	116425-02-000	EA	EXTENSION - EXHAUST - CHROMED - 5" - CAT
2	094918-05-000	EA	CLAMP - EXHAUST - 4 7/16" - GUILLOTINE STYLE - CUMMINS
2	094918-08-000	EA	CLAMP - EXHAUST - 5" - CAT
3	114869-06-000	EA	PIPE - EXHAUST - CUMMINS
3	114869-09-000	EA	PIPE - EXHAUST - CUMMINS - P32T
3	114869-12-000	EA	PIPE - EXHAUST - CUMMINS - P32T
			FROM: 00-00-00 THRU: 09-02-01
3	114869-05-000	EA	PIPE - EXHAUST - 5"OD X 38" - CAT
			FROM: 09-03-01 THRU: 99-99-99
3	114869-10-000	EA	PIPE - EXHAUST - CAT
			FROM: 00-00-00 THRU: 04-30-01
			FROM: 05-01-01 THRU: 99-99-99
4	094918-08-000	EA	CLAMP - EXHAUST - 5"

HITCH

KEY	PART NUMBER	U/M	DESCRIPTION
	130339-03-000	EA	HITCH RECEIVER - BOLT ON CLASS III
			FROM: 00-00-00 THRU: 06-23-02
	130339-09-000	EA	DRAWBAR ASM-HITCH,CLASS 3
			FROM: 06-24-02 THRU: 99-99-99

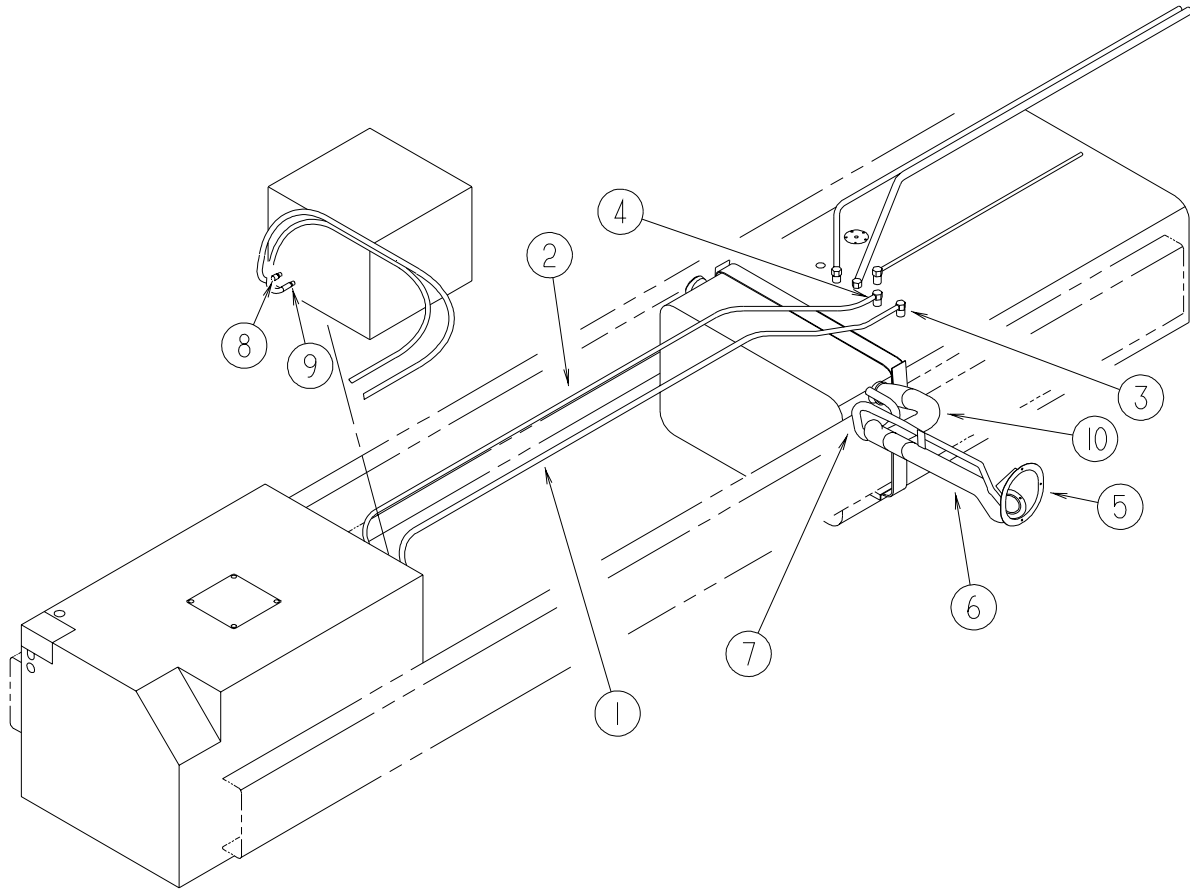
CHASSIS GROUP (CONTINUED)

REAR BUMPER



KEY	PART NUMBER	U/M	DESCRIPTION
1	P31898-02-L76	EA	PANEL ASM-BUMPER RR,P SG WIN
2	132447-01-L76	EA	GRILL ASSEMBLY - REAR BUMPER
3	132071-01-02B	EA	BRACKET - BUMPER - E-COATED
4	132070-01-02B	EA	BRACKET - BUMPER SUPPORT - E-COATED
5	132070-03-02B	EA	BRACKET - BUMPER SUPPORT
6	113041-03-02B	EA	ANGLE - BUMPER MOUNT - 14.9"
7	107524-03-000	EA	ANGLE - BUMPER - INNER/RIGHT & LEFT HAND
8		EA	NOT USED
9		EA	NOT USED
10	134007-01-02B	EA	BRACE - BUMPER - E-COATED
11		EA	NOT USED
12		EA	NOT USED
13		EA	NOT USED
14	132070-09-02B	EA	BRACKET - BUMPER SUPPORT - E-COATED
15		EA	NOT USED

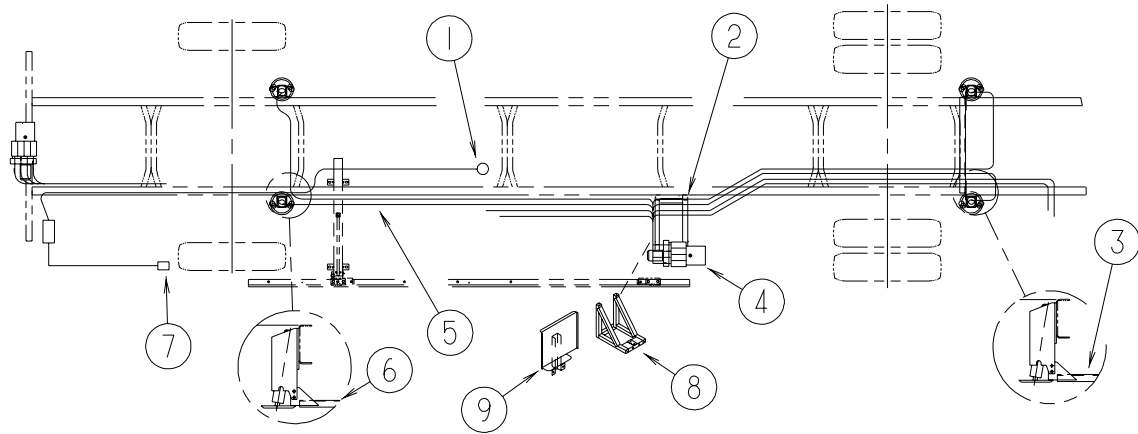
CHASSIS GROUP (CONTINUED)
FUEL OR FUEL FILL OR EMISSIONS



KEY	PART NUMBER	U/M	DESCRIPTION
1	024138-01-000	FT	HOSE - FUEL - 5/16" ID
2	128139-03-000	FT	HOSE - FUEL - LOW PERMEABILITY - 1/4" DIAMETER
3	114253-02-000	EA	ELBOW - 5/16 SINGLE BARB X 1/4 MPT
4	114253-01-000	EA	ELBOW - 1/4 SINGLE BARB X 1/8 MPT
4	068382-06-000	EA	BUSHING - BRASS - 3/8"MPT X 1/8"FPT
5	128299-01-01A	EA	SHROUD - FUEL FILL
			FROM: 00-00-00 THRU: 02-28-02
5	128299-02-01A	EA	SHROUD - FUEL FILL
			FROM: 03-01-02 THRU: 99-99-99
6	132108-01-000	EA	NECK ASSEMBLY - FUEL FILL/DRIVER
7	066732-01-000	FT	HOSE - FUEL - .62"ID
8	114254-02-000	EA	ADAPTER - 5/16 SINGLE BARB X 1/8 MPT
9	114254-01-000	EA	ADAPTER - 1/4 BARB X 1/8 MPT
10	132405-01-000	EA	TUBE - FUEL INLET

CHASSIS GROUP (CONTINUED)

HYDRAULIC LEVELING



KEY	PART NUMBER	U/M	DESCRIPTION
1	117183-01-02B	EA	COVER - SENSOR - LEVELING
2	133495-01-02B	EA	BRACKET - PUMP - LEVELING - E-COATED
			FROM: 00-00-00 THRU: 09-23-01
2	133495-02-02B	EA	BRACKET - PUMP/LEVELING - E-COATED
			FROM: 09-24-01 THRU: 99-99-99
3	114748-08-02B	EA	BRACKET - JACKS/REAR - E-COATED
4*	131306-27-000	EA	LEVELING SYSTEM - 2 S/O
5*	100536-45-000	EA	HOSE KIT - LEVELING JACKS
6	114748-02-02B	EA	CROSSMEMBER - REAR JACK MOUNTING
7	107889-04-000	EA	PANEL - CONTROL - 310 AIR DUMP
8	133494-02-01B	EA	CHANNEL - PUMP/LEVELING - MILL
			FROM: 09-21-01 THRU: 99-99-99
9	140830-01-02B	EA	SHIELD - PUMP/LEVELING SYSTEM - E-COATED
	134092-02-000	EA	CHIME KIT - LEVELING SYSTEM - 310

***COMPONENT PARTS LISTED LATER IN THIS GROUP**

CHASSIS GROUP (CONTINUED)
COMPONENT PARTS FOR HYDRAULIC LEVELING

100536-45-000

KEY	PART NUMBER	U/M	DESCRIPTION	VENDOR NO.
	100536-36-702	EA	HOSE/HYDRAULIC - 1/4" X 408"	RAP4669/AP4669
	100536-42-701	EA	HOSE - HYDRAULIC - 175"	RAP90350
	100536-45-700	EA	HOSE/HYDRAULIC - 1/4" X 204"	AP4310
	100536-45-701	EA	HOSE/HYDRAULIC - 1/4" X 198"	AP6601

131306-27-000

KEY	PART NUMBER	U/M	DESCRIPTION	VENDOR NO.
	100532-01-713	EA	PUMP/MOTOR/TANK - MONARCH	RAP90014/AP2260

CHASSIS GROUP (CONTINUED)

WHEEL, TIRE, COVERS &/OR LINERS

KEY	PART NUMBER	U/M	DESCRIPTION
	129058-10-000	EA	COVER - NUT - 1.9"H X 2"BASE X 1.4" NUT
	129058-11-000	EA	COVER - NUT - 2.24"H X 2" BASE X 1.4" NUT (REAR WHEELS)
	134439-01-000	EA	WHEEL - ALUMINUM - 7.5" X 22.5"/10 BOLT - FRONT
	134439-02-000	EA	WHEEL - ALUMINUM - 7.5" X 22.5"/10 BOLT - REAR
	077030-07-000	EA	EXTENSION - VALVE STEM - 5.9" LONG
*	110435-17-000	EA	LINER - WHEEL - SET/4 - 22.5" - 10 BOLT
	080208-04-000	EA	LUG WRENCH - 1 3/16" - OSHKOSH/SPARTAN
	080208-05-000	EA	BAR - LEVERAGE - LUG WRENCH - .75"DIA. - OSHKOSH/SPARTAN

*COMPONENT PARTS LISTED LATER IN THIS GROUP

CHASSIS GROUP (CONTINUED)
COMPONENT PARTS FOR WHEEL, TIRE, COVERS &/OR LINERS

110435-17-000

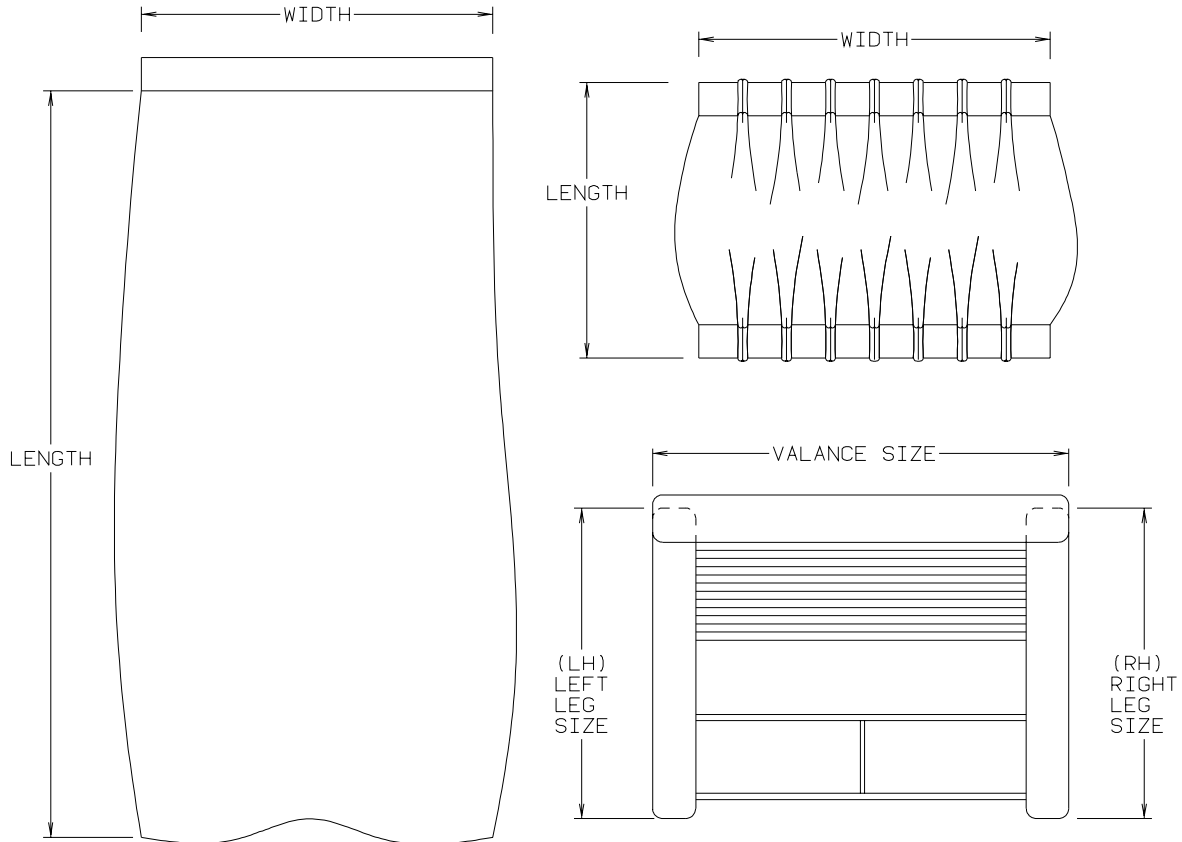
KEY	PART NUMBER	U/M	DESCRIPTION	VENDOR NO.
	110435-04-705	EA	DECAL-CTR HUB 2 3/4" DIAMO	2 3/4 DECAL DIAMOND
	110435-05-700	EA	CAP-CENTER, POP-OUT 4 1/2"	V22510-POC
	110435-05-710	EA	NUT-JAMB-RIGHT HAND THREAD	V22506-RJN
	110435-05-711	EA	COVER-LUG NUT	V22506-LNC
	110435-05-712	EA	TOOL INSTALLATION	V22506-TOL
	110435-17-700	EA	LINER - WHEEL - FRONT	V22515-FWC
	110435-17-701	EA	COVER - HUB - FRONT	V22510-FHC
	110435-17-702	EA	LINER - WHEEL - REAR	V22515-RWC
	110435-17-703	EA	COVER - HUB - REAR	V22510-RHC
	110435-17-704	EA	STUD EXTENDER - 22MM	V22582-STX
	110435-17-705	EA	COVER - HUB FRT/NEW W/O DECAL	V22515-FHC
	110435-17-706	EA	COVER - HUB REAR/NEW W/O DECAL	V22515-RHC
	110435-17-707	EA	TOOL/JAMB NUT - STUD EXTENDER	PN205-T0L
	110435-17-708	EA	STUD EXTENDER - TUBE STYLE	NH1422-TSX
	110435-17-709	EA	NUT/JAMB - W/O STUD EXTENDER	V19582-JNT

CURTAIN & CUSHION GROUP

NOTICE

IN ORDER TO ASSIST OUR PARTS SALES DEPT. IN PROVIDING INTERIOR SOFTWARE ITEMS, PLEASE INCLUDE THE SERIAL NUMBER AND THE COLOR CODE NUMBER FROM THE VEHICLE CERTIFICATION LABEL WHEN ORDERING. THIS LABEL IS LOCATED ON THE LEFT SIDEWALL AT THE END OF THE DASH (A-BODY), OR ON THE DRIVER'S DOOR LATCH PLATE (C-BODY).

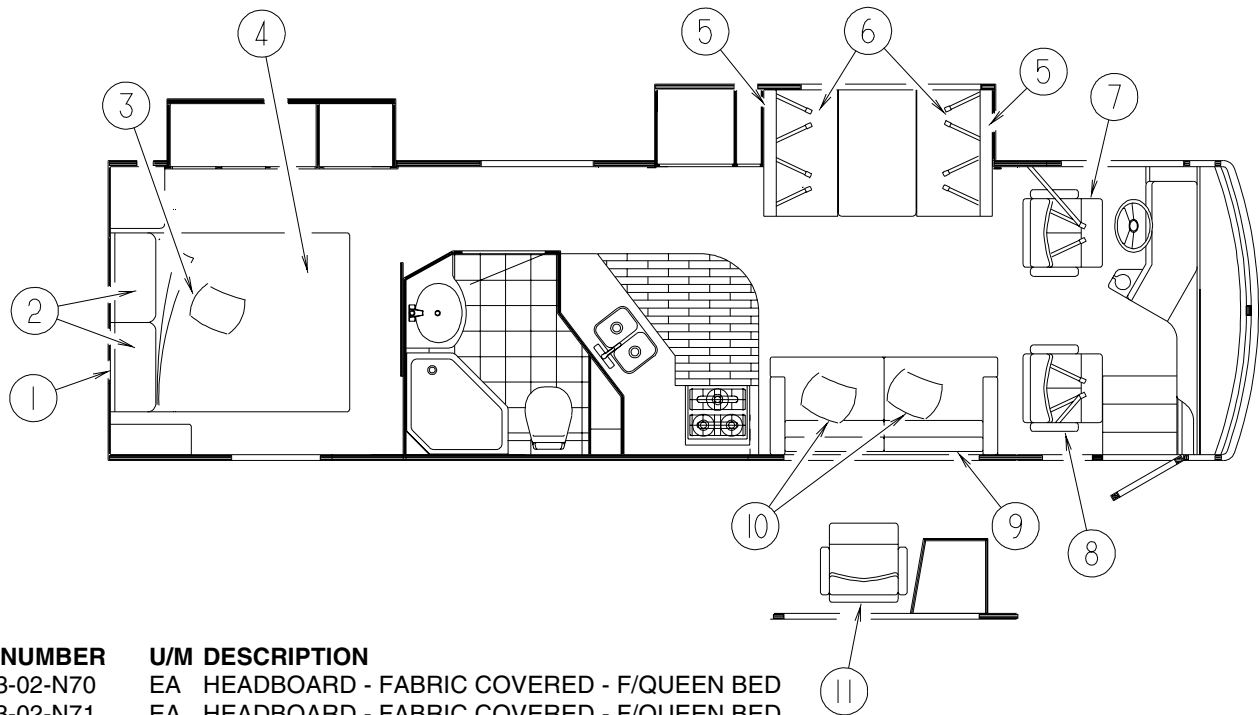
AN EXAMPLE OF A COLOR CODE NUMBER IS B07, WHICH DESIGNATES AN OVERALL COLOR SCHEME OF A PARTICULAR UNIT. THE COLOR LISTED AFTER THE ITEM DESCRIPTION ON THE MICROFICHE, INDICATES THE OVERALL UNIT COLOR. ORDER THE ITEM YOU DESIRE ACCORDING TO UNIT COLOR CODE. IF ALL COLORS USE THE SAME ITEM NO COLOR CODE WILL BE NOTED.



NOTE: USE THIS ILLUSTRATION WHEN DETERMINING LENGTH AND WIDTH MEASUREMENTS FOR CURTAINS. YOU WILL NOTE THE WIDTH MEASUREMENT IS TAKEN ON THE TOP OF THE CURTAIN WITH THE CURTAIN FULLY EXTENDED. THE LENGTH MEASUREMENT IS TAKEN FROM TOP TO BOTTOM. LEFT AND RIGHT WINDOW LEGS ARE DETERMINED WHEN FACING THE WINDOW.

CURTAIN & CUSHION GROUP (CONTINUED)

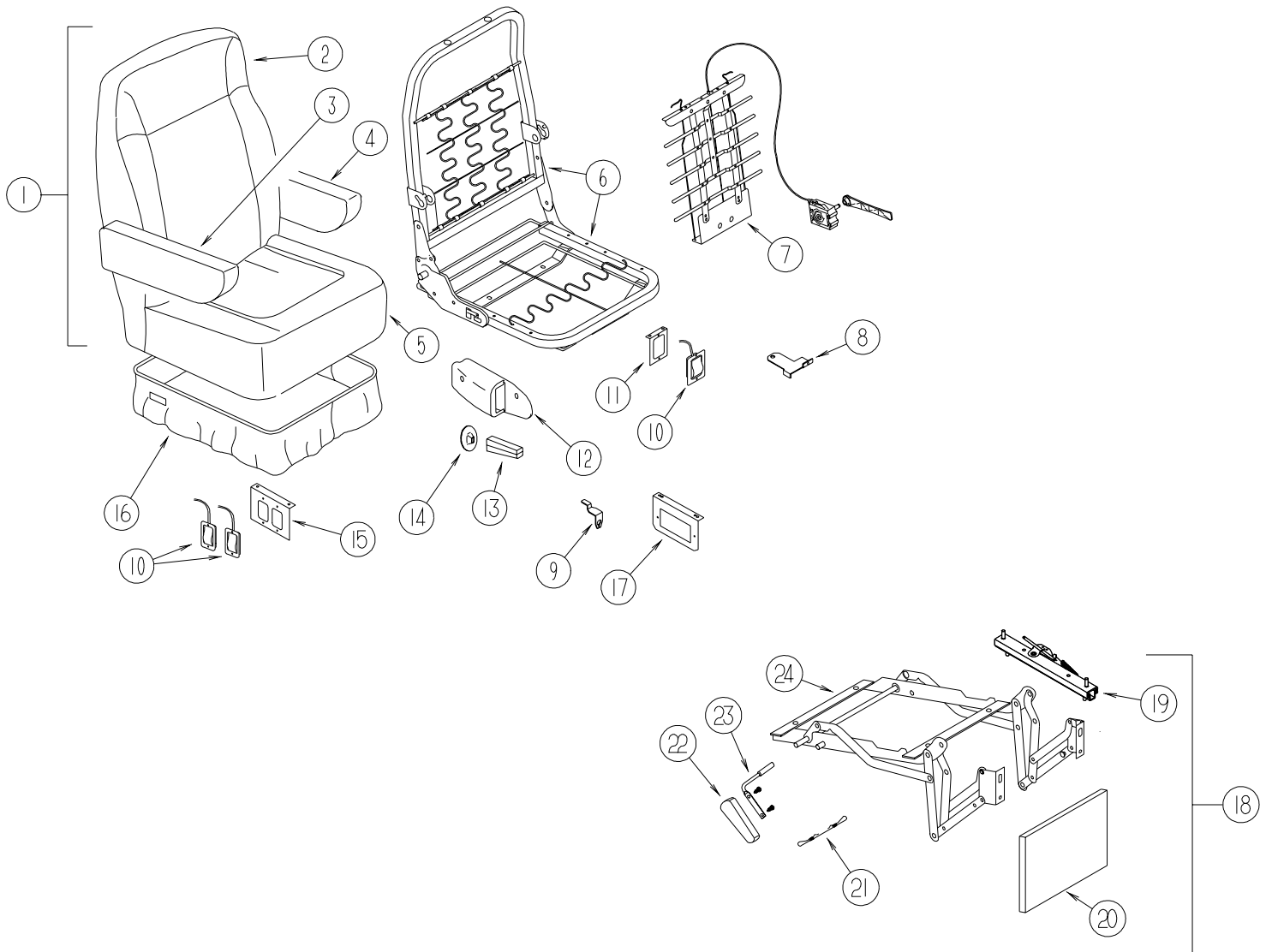
CUSHION LAYOUT



KEY	PART NUMBER	U/M	DESCRIPTION
1	133443-02-N70	EA	HEADBOARD - FABRIC COVERED - F/QUEEN BED
1	133443-02-N71	EA	HEADBOARD - FABRIC COVERED - F/QUEEN BED
1	133443-02-N72	EA	HEADBOARD - FABRIC COVERED - F/QUEEN BED
2	136057-02-N70	EA	PILLOW SHAM - 20" X 33" (N70)
2	136057-02-N71	EA	PILLOW SHAM - 20" X 33" (N71)
2	136057-02-M78	EA	PILLOW SHAM - 20" X 33" (N72)
3	132338-24-N70	EA	PILLOW - 12" X 24" - W/19" OVERLAY
3	132338-24-N71	EA	PILLOW - 12" X 24" - W/19" OVERLAY
3	132338-24-N72	EA	PILLOW - 12" X 24" - W/19" OVERLAY
4	132336-24-N70	EA	BEDSPREAD/CAP - 60" X 80"
4	132336-24-N71	EA	BEDSPREAD/CAP - 60" X 80"
4	132336-24-N72	EA	BEDSPREAD/CAP - 60" X 80"
	123015-07-000	EA	MATTRESS - INNERSPRING - 60" X 79.5"
5	111897-05-M52	EA	CUSHION - BACK - 13.5" X 42" X 5" (N70)
5	111897-05-N71	EA	CUSHION - BACK - 13.5" X 42" X 5" (N71)
5	111897-05-M57	EA	CUSHION - BACK - 13.5" X 42" X 5" (N72)
	P11897-05-M52	EA	COVER - BACK - 13.5" X 42" X 5" (N70)
	P11897-05-N71	EA	COVER - BACK - 13.5" X 42" X 5" (N71)
	P11897-05-M57	EA	COVER - BACK - 13.5" X 42" X 5" (N72)
6	105603-15-M52	EA	CUSHION - SEAT - 23" X 42" X 5" (N70)
6	105603-15-N71	EA	CUSHION - SEAT - 23" X 42" X 5" (N71)
6	105603-15-M57	EA	CUSHION - SEAT - 23" X 42" X 5" (N72)
	P05603-15-M52	EA	COVER - SEAT - 23" X 42" X 5" (N70)
	P05603-15-N71	EA	COVER - SEAT - 23" X 42" X 5" (N71)
	P05603-15-M57	EA	COVER - SEAT - 23" X 42" X 5" (N72)
7	135473-14-N70	EA	BUCKET SEAT - DRIVER - W/LUMBAR/ARMRESTS
7	135473-14-N71	EA	BUCKET SEAT - DRIVER - W/LUMBAR/ARMRESTS
7	135473-14-N72	EA	BUCKET SEAT - DRIVER - W/LUMBAR/ARMRESTS
7	135473-09-N70	EA	BUCKET SEAT - W/LUMBAR - DRIVER - LEATHER
8	135473-15-N70	EA	BUCKET SEAT - PASSENGER - W/ARMRESTS
8	135473-15-N71	EA	BUCKET SEAT - PASSENGER - W/ARMRESTS
8	135473-15-N72	EA	BUCKET SEAT - PASSENGER - W/ARMRESTS
8	135473-10-N70	EA	BUCKET SEAT - W/ARMREST - PASSENGER - LEATHER
9			SOFA - SEE SOFA AREA
10	132319-37-N70	EA	PILLOW - 17" - W/SIDE BUTTONS
10	132319-37-N71	EA	PILLOW - 17" - W/SIDE BUTTONS
10	132319-37-N72	EA	PILLOW - 17" - W/SIDE BUTTONS
11	135675-01-N70	EA	CHAIR - RECLINER/ROCKER/GLIDER - W/FOOTREST (N70)
11	135675-01-N71	EA	CHAIR - RECLINER/ROCKER/GLIDER - W/FOOTREST (N71)
11	135675-01-M78	EA	CHAIR - RECLINER/ROCKER/GLIDER - W/FOOTREST (N72)
11	135675-04-N70	EA	CHAIR - RECLINER/ROCKER/GLIDER - W/FOOTREST - LEATHER

CURTAIN & CUSHION GROUP (CONTINUED)

BUCKET SEATS



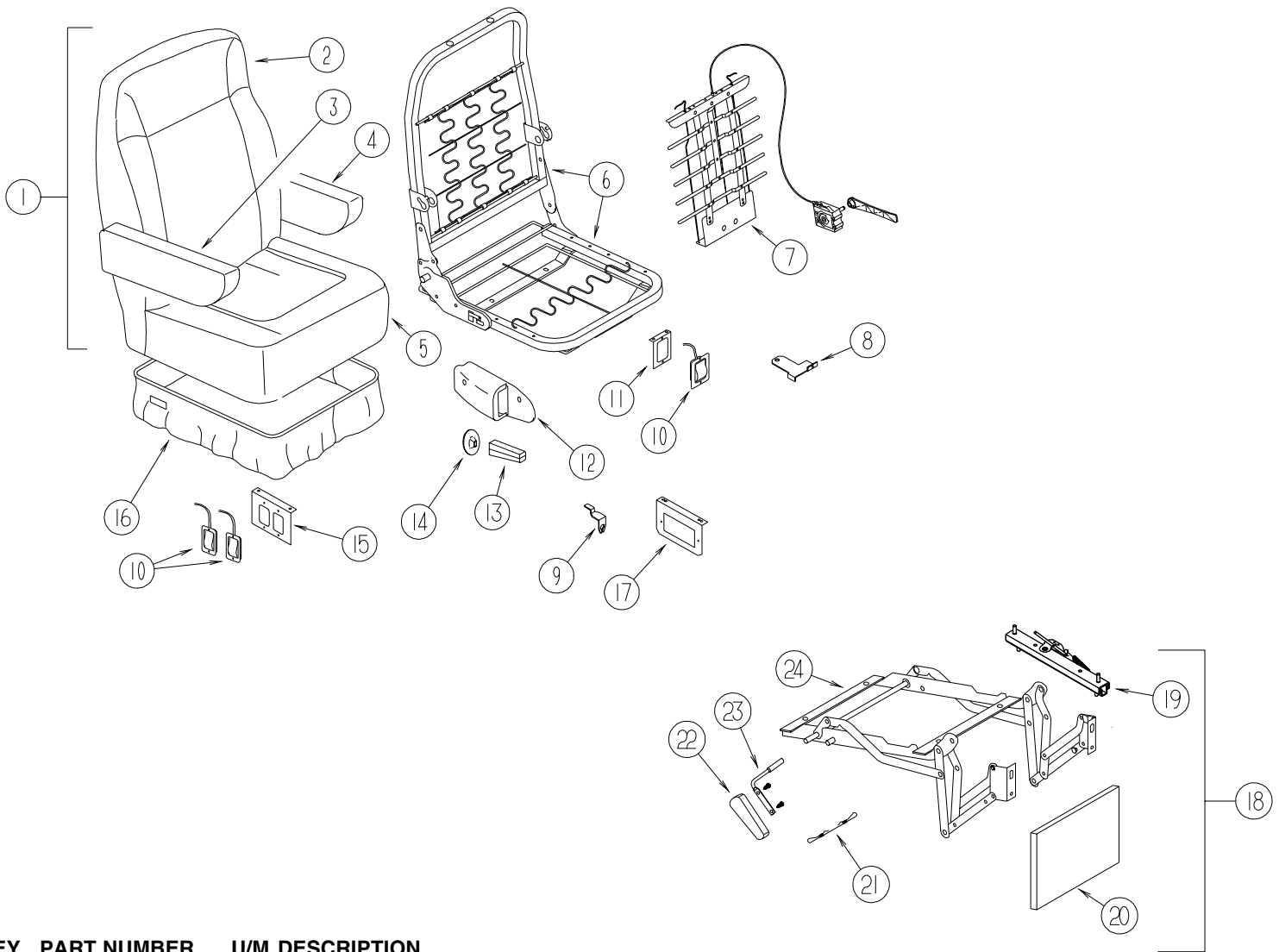
KEY	PART NUMBER	U/M	DESCRIPTION
1	135473-14-N70	EA	BUCKET SEAT - DRIVER - W/LUMBAR/ARMRESTS
1	135473-14-N71	EA	BUCKET SEAT - DRIVER - W/LUMBAR/ARMRESTS
1	135473-14-N72	EA	BUCKET SEAT - DRIVER - W/LUMBAR/ARMRESTS
1	135799-01-N74	EA	BUCKET SEAT - W/ARMRESTS/LUMBAR/MANUAL RECLINE (N74,N75) - DRIVER
1	135799-01-N76	EA	BUCKET SEAT - W/ARMRESTS/LUMBAR/MANUAL RECLINE (N76,N77) - DRIVER
1	135799-01-N79	EA	BUCKET SEAT - W/ARMRESTS/LUMBAR/MANUAL RECLINE (N78,N79) - DRIVER
1	135473-09-N70	EA	BUCKET SEAT - W/LUMBAR - DRIVER (N70,N71,N72) - LEATHER
1	135799-07-N74	EA	BUCKET SEAT - W/ARMRESTS/LUMBAR (N74,N75) - DRIVER - LEATHER
1	135799-07-N76	EA	BUCKET SEAT - W/ARMRESTS/LUMBAR (N76,N77) - DRIVER - LEATHER
1	135799-07-N79	EA	BUCKET SEAT - W/ARMRESTS/LUMBAR (N78,N79) - DRIVER - LEATHER
1	135473-15-N70	EA	BUCKET SEAT - PASSENGER - W/ARMRESTS
1	135473-15-N71	EA	BUCKET SEAT - PASSENGER - W/ARMRESTS
1	135473-15-N72	EA	BUCKET SEAT - PASSENGER - W/ARMRESTS
1	135799-02-N74	EA	BUCKET SEAT - W/ARMRESTS/MANUAL RECLINE (N74,N75) - PASSENGER
1	135799-02-N76	EA	BUCKET SEAT - W/ARMRESTS/MANUAL RECLINE (N76,N77) - PASSENGER
1	135799-02-N79	EA	BUCKET SEAT - W/ARMRESTS/MANUAL RECLINE (N78,N79) - PASSENGER
1	135473-10-N70	EA	BUCKET SEAT - W/ARMREST - PASSENGER (N70,N71,N72) - LEATHER
1	135799-08-N74	EA	BUCKET SEAT - W/ARMRESTS (N74,N75) - PASSENGER - LEATHER
1	135799-08-N76	EA	BUCKET SEAT - W/ARMRESTS (N76,N77) - PASSENGER - LEATHER
1	135799-08-N79	EA	BUCKET SEAT - W/ARMRESTS (N78,N79) - PASSENGER - LEATHER
2	M05962-B5-N70	EA	COVER - BACK
2	M05962-B5-N71	EA	COVER - BACK
2	M05962-B5-N72	EA	COVER - BACK
2	M05962-C5-N74	EA	COVER - BACK (N74,N75)

CURTAIN & CUSHION GROUP (CONTINUED)
BUCKET SEATS (CONTINUED)

KEY	PART NUMBER	U/M	DESCRIPTION
2	M05962-C5-N76	EA	COVER - BACK (N76,N77)
2	M05962-C5-N79	EA	COVER - BACK (N78,N79)
2	M05962-D7-N70	EA	COVER - BACK (N70,N71,N72) - LEATHER
2	M05962-C9-N74	EA	COVER - BACK (N74,N75) - LEATHER
2	M05962-C9-N76	EA	COVER - BACK (N76,N77) - LEATHER
2	M05962-C9-N79	EA	COVER - BACK (N78,N79) - LEATHER
3	129666-05-N70	EA	ARMREST - RIGHT HAND
3	129666-05-N71	EA	ARMREST - RIGHT HAND
3	129666-05-N72	EA	ARMREST - RIGHT HAND
3	129666-13-N74	EA	ARMREST - RIGHT HAND (N74,N75)
3	129666-13-N76	EA	ARMREST - RIGHT HAND (N76,N77)
3	129666-13-N79	EA	ARMREST - RIGHT HAND (N78,N79)
3	129666-17-N42	EA	ARMREST - RIGHT HAND - LEATHER
3	P29666-05-N70	EA	COVER - ARMREST/RIGHT HAND
3	P29666-05-N71	EA	COVER - ARMREST/RIGHT HAND
3	P29666-05-N72	EA	COVER - ARMREST/RIGHT HAND
3	P29666-13-N74	EA	COVER - ARMREST/RIGHT HAND (N74,N75)
3	P29666-13-N76	EA	COVER - ARMREST/RIGHT HAND (N76,N77)
3	P29666-13-N79	EA	COVER - ARMREST/RIGHT HAND (N78,N79)
3	P29666-17-N42	EA	COVER - ARMREST/RIGHT HAND - LEATHER
3	122622-04-000	EA	BRACKET - ARMREST/RIGHT HAND
3	122622-06-000	EA	KNOB - W/3/8" THREAD INSERT
3	130699-01-000	EA	ARMREST - MOLDED - RIGHT HAND W/O COVER
4	129666-06-N70	EA	ARMREST - LEFT HAND
4	129666-06-N71	EA	ARMREST - LEFT HAND
4	129666-06-N72	EA	ARMREST - LEFT HAND
4	129666-14-N74	EA	ARMREST - LEFT HAND (N74,N75)
4	129666-14-N76	EA	ARMREST - LEFT HAND (N76,N77)
4	129666-14-N79	EA	ARMREST - LEFT HAND (N78,N79)
4	129666-18-N42	EA	ARMREST - LEFT HAND - LEATHER
4	P29666-06-N70	EA	COVER - ARMREST - LEFT HAND
4	P29666-06-N71	EA	COVER - ARMREST - LEFT HAND
4	P29666-06-N72	EA	COVER - ARMREST - LEFT HAND
4	P29666-14-N74	EA	COVER - ARMREST - LEFT HAND (N74,N75)
4	P29666-14-N76	EA	COVER - ARMREST - LEFT HAND (N76,N77)
4	P29666-14-N79	EA	COVER - ARMREST - LEFT HAND (N78,N79)
4	P29666-18-N42	EA	COVER - ARMREST - LEFT HAND - LEATHER
4	122622-05-000	EA	BRACKET - ARMREST/LEFT HAND
4	122622-06-000	EA	KNOB - W/3/8" THREAD INSERT
4	130699-02-000	EA	ARMREST - MOLDED - LEFT HAND W/O COVER
5	M05962-B6-N70	EA	COVER - SEAT
5	M05962-B6-N71	EA	COVER - SEAT
5	M05962-B6-N72	EA	COVER - SEAT
5	M05962-C6-N74	EA	COVER - SEAT (N74,N75)
5	M05962-C6-N76	EA	COVER - SEAT (N76,N77)
5	M05962-C6-N79	EA	COVER - SEAT (N78,N79)
5	M05962-D8-N70	EA	COVER - SEAT (N70,N71,N72) - LEATHER
5	M05962-D0-N74	EA	COVER - SEAT (N74,N75) - LEATHER
5	M05962-D0-N76	EA	COVER - SEAT (N76,N77) - LEATHER
5	M05962-D0-N79	EA	COVER - SEAT (N78,N79) - LEATHER
6	134532-01-000	EA	FRAME - SEAT/HIGH BACK
7	122611-02-000	EA	LUMBAR - W/LEVER
8	117125-01-02B	EA	BRACKET - CABLE MOUNT - ADJUSTER W/LOCK
9	108049-02-000	EA	CLIP - CABLE/PEDESTAL
10	108049-04-000	EA	CABLE - W/MINI LEVER ACTION SWITCH - 28" SHEATH/30" CABLE
11	127159-01-02B	EA	BRACKET - SEAT RELEASE - SINGLE REMOTE
12	080730-09-000	EA	SHIELD - RECLINER HANDLE
13	080730-08-000	EA	HANDLE - RECLINER
14	080730-11-000	EA	SHIELD - RUBBER BOOT
15	127159-02-02B	EA	BRACKET - SEAT RELEASE - DUAL REMOTE
16	071126-68-N70	EA	SKIRT - 10.5" OPEN CORNER (STANDARD/6-WAY POWER) (N70)
16	071126-68-N71	EA	SKIRT - 10.5" OPEN CORNER (STANDARD/6-WAY POWER) (N71)
16	071126-68-M22	EA	SKIRT - 10.5" OPEN CORNER (STANDARD/6-WAY POWER) (N72)
16	071126-82-N74	EA	SKIRT - 10.5" - OPEN CORNER (N74,N75)

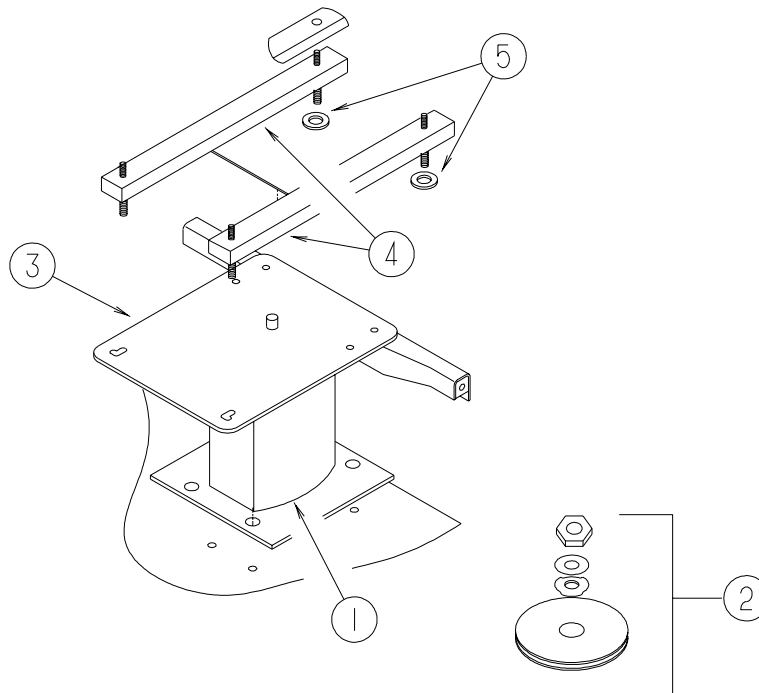
CURTAIN & CUSHION GROUP (CONTINUED)

BUCKET SEATS (CONTINUED)



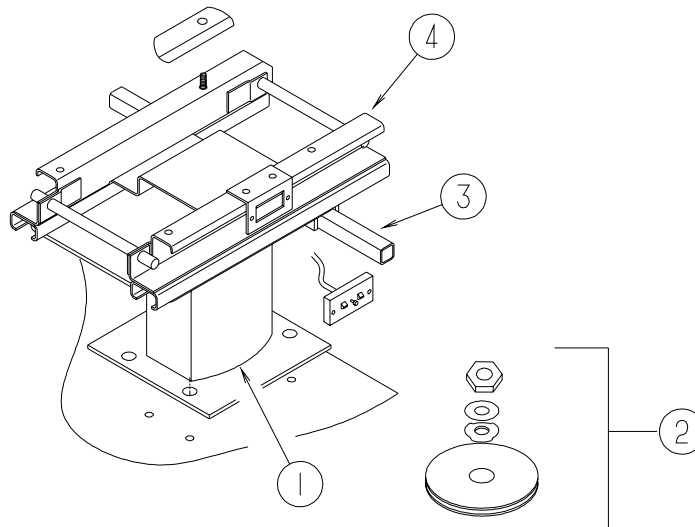
KEY	PART NUMBER	U/M	DESCRIPTION
16	071126-82-N76	EA	SKIRT - 10.5" - OPEN CORNER (N76,N77)
16	071126-82-N79	EA	SKIRT - 10.5" - OPEN CORNER (N78,N79)
16	071126-77-N74	EA	SKIRT - 10.5" OPEN CORNER (STANDARD/6-WAY POWER) LEATHER
16	071126-72-N70	EA	SKIRT - 10.5" (FOOTREST) - PASSENGER
16	071126-72-N71	EA	SKIRT - 10.5" (FOOTREST) - PASSENGER
16	071126-72-N72	EA	SKIRT - 10.5" (FOOTREST) - PASSENGER
16	071126-83-N74	EA	SKIRT - 10.5" - W/FOOTREST (N74,N75) - PASSENGER
16	071126-83-N76	EA	SKIRT - 10.5" - W/FOOTREST (N76,N77) - PASSENGER
16	071126-83-N70	EA	SKIRT - 10.5" - W/FOOTREST (N78,N79) - PASSENGER
16	071126-79-N74	EA	SKIRT - 10.5" (FOOTREST) LEATHER - PASSENGER
17	128699-01-02B	EA	BRACKET - SEAT SWITCH - E-COATED
18	131613-01-N70	EA	FOOTREST - BUCKET SEAT/PASSENGER
18	131613-01-N71	EA	FOOTREST - BUCKET SEAT/PASSENGER
18	131613-01-N72	EA	FOOTREST - BUCKET SEAT/PASSENGER
18	131613-05-N74	EA	FOOTREST - BUCKET SEAT/PASSENGER (N74,N75)
18	131613-05-N76	EA	FOOTREST - BUCKET SEAT/PASSENGER (N76,N77)
18	131613-05-N79	EA	FOOTREST - BUCKET SEAT/PASSENGER (N78,N79)
18	131613-04-N74	EA	FOOTREST - BUCKET SEAT/PASSENGER - LEATHER
19	131566-04-000	EA	SLIDE/SEAT - HEAVY DUTY LOCKING - 5"
	131566-05-000	EA	WASHER - SLIDE SPACER
	131566-07-000	EA	5" DOUBLE LOCKING SLIDE W/TAB
20	131613-99-000	EA	FOOTREST/WOOD - W/T-NUT
21	131566-06-000	EA	WIRE - LATCH/RELEASE - 5"
22	131566-03-000	EA	WOOD HANDLE
23	131566-02-000	EA	ROD/LEVER - FOOT-REST EXTENSION
24	131566-01-000	EA	FOOTREST - MECHANICAL

CURTAIN & CUSHION GROUP (CONTINUED)
BUCKET SEATS (CONTINUED)



NON-POWER

KEY	PART NUMBER	U/M	DESCRIPTION
1	133408-01-000	EA	PEDESTAL/SEAT - 9 3/4"
	133408-03-000	EA	BRACKET - ANCHORAGE/PEDESTAL
2	107921-06-000	EA	BEARING KIT - PEDESTAL
3	133408-08-000	EA	TOP PLATE - W/BAR
4	131566-04-000	EA	SLIDE/SEAT - HEAVY DUTY LOCKING - 5"
4	119952-07-000	EA	WIRE - LATCH RELEASE/ROTARY
5	131566-05-000	EA	WASHER - SLIDE SPACER
	133408-04-000	EA	BRACKET - ANCHORAGE/FLOOR

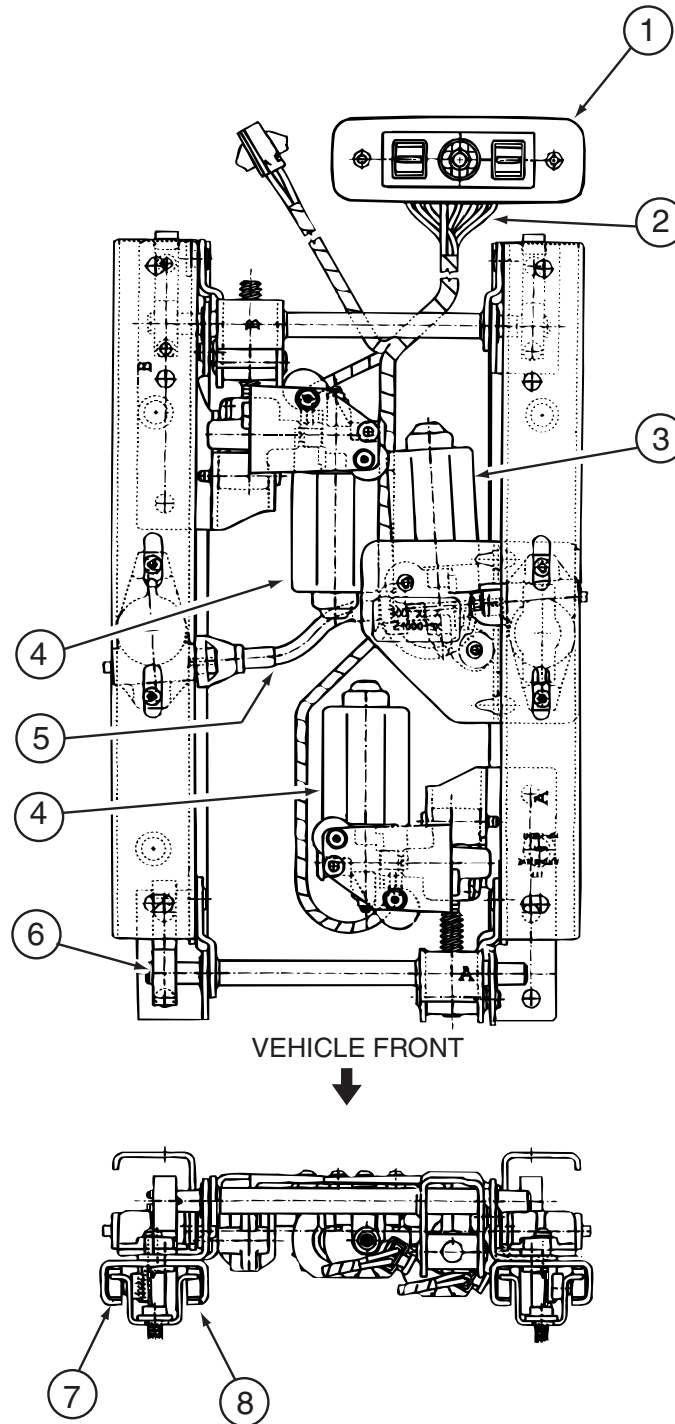


POWER

KEY	PART NUMBER	U/M	DESCRIPTION
1	133408-05-000	EA	PEDESTAL - SEAT/PASSENGER - 5.75"
	133408-03-000	EA	BRACKET - ANCHORAGE/PEDESTAL
2	107921-06-000	EA	BEARING KIT - PEDESTAL
3	133408-02-000	EA	TOP PLATE - SINGLE SIDE BELT
4*	081373-03-000	EA	SEAT - POWER 6 WAY

***COMPONENT PARTS LISTED LATER IN THIS GROUP**

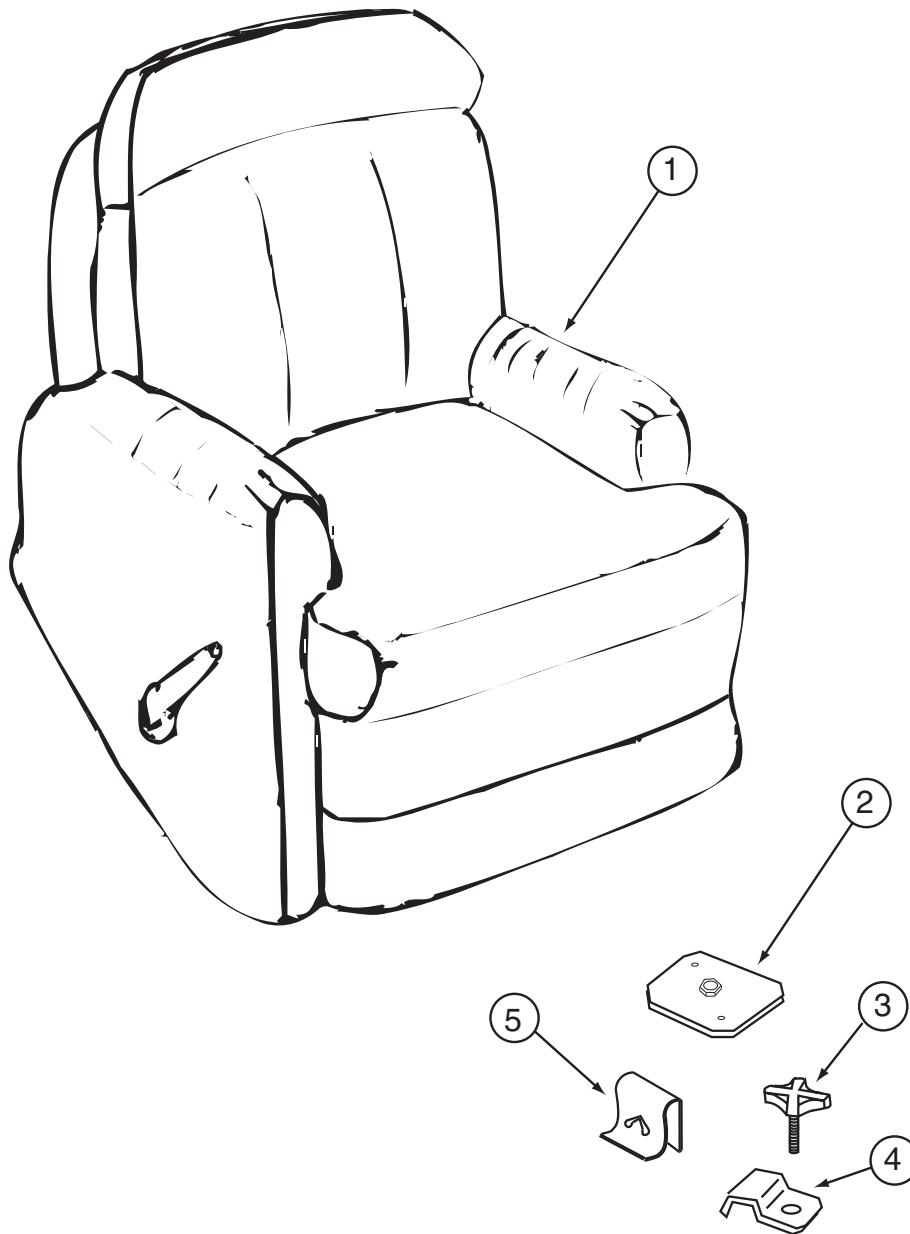
CURTAIN & CUSHION GROUP (CONTINUED)
COMPONENT PARTS FOR BUCKET SEATS



081373-03-000

KEY	PART NUMBER	U/M	DESCRIPTION	VENDOR NO.
1	081373-03-700	EA	SWITCH POWER	22137945
2	081373-03-701	EA	WIRE HARNESS ASM., LT. SIDE	22138093
2	081373-03-702	EA	WIRE HARNESS ASM., RT. SIDE	22138094
3	081373-02-703	EA	MOTOR PKG. ADJ. HORIZONTAL	22063237 & H-195
4	081373-02-704	EA	MOTOR PKG. ADJ. VERTICAL	22063238 & H-196
5	081373-03-704	EA	DRIVE CABLE	22143984
6	081373-03-705	EA	SPRING	22048978
7	081373-03-706	EA	SHOE GUIDE (WHITE)	22048993
8	081373-03-707	EA	SHOE GUIDE (BLACK)	22048994
	081373-03-700	EA	SWITCH POWER	22137945

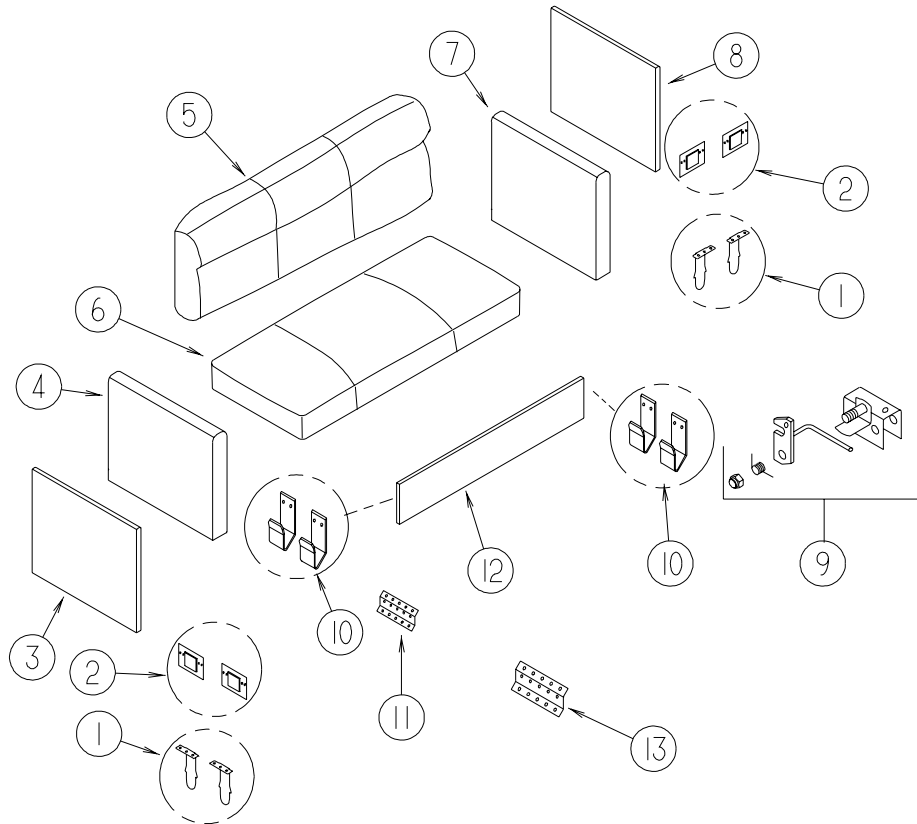
CURTAIN & CUSHION GROUP (CONTINUED)
LOUNGE CHAIR



KEY	PART NUMBER	U/M DESCRIPTION
1	135675-01-N70	EA CHAIR - RECLINER/ROCKER/GLIDER - W/FOOTREST (N70)
1	135675-01-N71	EA CHAIR - RECLINER/ROCKER/GLIDER - W/FOOTREST (N71)
1	135675-01-M78	EA CHAIR - RECLINER/ROCKER/GLIDER - W/FOOTREST (N72)
1	135675-04-N70	EA CHAIR - RECLINER/ROCKER/GLIDER - W/FOOTREST - LEATHER
	P35675-01-N70	EA COVER - RECLINER W/FOOTREST (N70)
	P35675-01-N71	EA COVER - RECLINER W/FOOTREST (N71)
	P35675-01-M78	EA COVER - RECLINER W/FOOTREST (N72)
	P35675-04-N70	EA COVER - RECLINER W/FOOTREST - LEATHER
1	135477-01-N74	EA CHAIR - RECLINER W/FOOTREST (N74,N75)
1	135477-01-N76	EA CHAIR - RECLINER W/FOOTREST (N76,N77)
1	135477-01-N79	EA CHAIR - RECLINER W/FOOTREST (N78,N79)
1	135477-04-N74	EA CHAIR - RECLINER W/FOOTREST - LEATHER
	P35477-01-N74	EA COVER - RECLINER W/FOOTREST (N74,N75)
	P35477-01-N76	EA COVER - RECLINER W/FOOTREST (N76,N77)
	P35477-01-N79	EA COVER - RECLINER W/FOOTREST (N78,N79)
	P35477-04-N74	EA COVER - RECLINER W/FOOTREST - LEATHER
2	134128-02-02B	EA PLATE ASM-W/HOLES,E-COAT
3	134194-01-01A	EA KNOB - HOLD DOWN - RECLINER - BLACK
4	134057-01-11B	EA BRACKET - RECLINER - FLAT BLACK
5	029134-01-000	EA CLIP-FINISH-K2915-UPHOLSTERY
	134324-01-000	EA E-CLIP - PHOSPHORUS FINISH

CURTAIN & CUSHION GROUP (CONTINUED)

SOFA

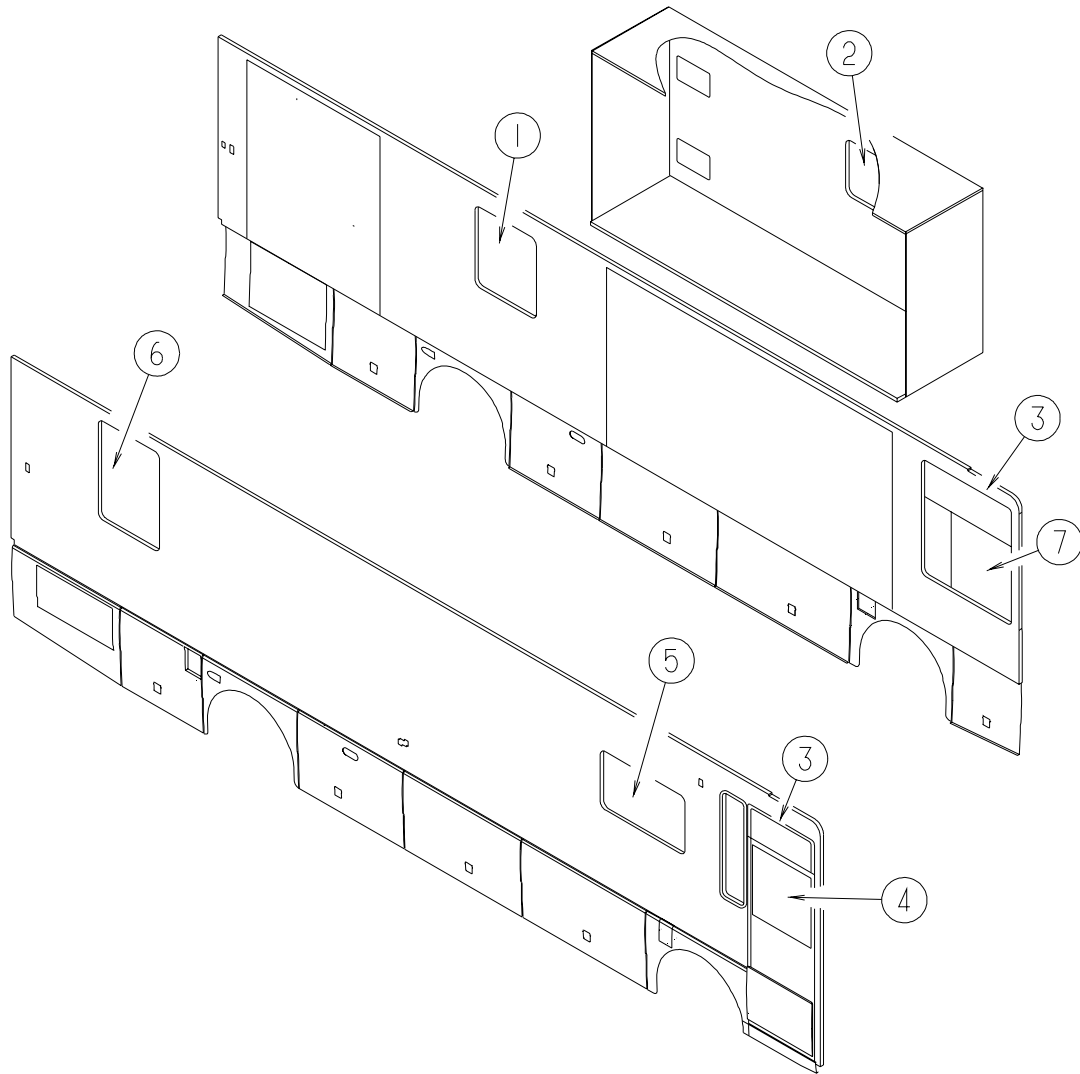


KEY	PART NUMBER	U/M	DESCRIPTION
1	127335-09-000	EA	BRACKET - REMOVABLE ARMREST/CUSHION
2	127335-08-000	EA	BRACKET - REMOVABLE ARMREST/SOFA
3	134282-04-N70	EA	PANEL/RIGHT END/TALL - SOFA/BED - FABRIC COVERED (N70)
3	134282-04-N71	EA	PANEL/RIGHT END/TALL - SOFA/BED - FABRIC COVERED (N71)
3	134282-04-M78	EA	PANEL/RIGHT END/TALL - SOFA/BED - FABRIC COVERED (N72)
3	134282-23-N70	EA	PANEL - RIGHT END/TALL - SOFA/BED - FABRIC COVERED - LEATHER
4	130718-01-N70	EA	ARMREST - RIGHT HAND (N70)
4	130718-01-N71	EA	ARMREST - RIGHT HAND (N71)
4	130718-01-M78	EA	ARMREST - RIGHT HAND (N72)
4	130718-05-N70	EA	ARMREST - RIGHT HAND - LEATHER
	P30718-01-N70	EA	COVER - ARMREST/RIGHT HAND (N70)
	P30718-01-N71	EA	COVER - ARMREST/RIGHT HAND (N71)
	P30718-01-M78	EA	COVER - ARMREST/RIGHT HAND (N72)
	P30718-05-N70	EA	COVER - ARMREST/RIGHT HAND - LEATHER
5	135138-12-N70	EA	BACK - SOFA/BED - 70" (N70)
5	135138-12-N71	EA	BACK - SOFA/BED - 70" (N71)
5	135138-12-M78	EA	BACK - SOFA/BED - 70" (N72)
5	135138-14-N70	EA	BACK - SOFA/BED - 70" - LEATHER
	P35138-12-N70	EA	COVER/BACK - SOFA/BED (N70)
	P35138-12-N71	EA	COVER/BACK - SOFA/BED (N71)
	P35138-12-M78	EA	COVER/BACK - SOFA/BED (N72)
	P35138-14-N70	EA	COVER/BACK - SOFA/BED - LEATHER
6	135138-11-N70	EA	SEAT - SOFA/BED - 70" (N70)
6	135138-11-N70	EA	SEAT - SOFA/BED - 70" (N71)
6	135138-11-N70	EA	SEAT - SOFA/BED - 70" (N72)
6	135138-13-N70	EA	SEAT - SOFA/BED - 70" - LEATHER
	P35138-11-N70	EA	COVER/SEAT - SOFA/BED (N70)
	P35138-11-N71	EA	COVER/SEAT - SOFA/BED (N71)
	P35138-11-M78	EA	COVER/SEAT - SOFA/BED (N72)
	P35138-13-N70	EA	COVER/SEAT - SOFA/BED - LEATHER
	132870-03-000	EA	FRAME - 70" SOFA BASE - CUSTOM LOUNGE

CURTAIN & CUSHION GROUP (CONTINUED)
SOFA (CONTINUED)

KEY	PART NUMBER	U/M	DESCRIPTION
7	130718-02-N70	EA	ARMREST - LEFT HAND (N70)
7	130718-02-N71	EA	ARMREST - LEFT HAND (N71)
7	130718-02-M78	EA	ARMREST - LEFT HAND (N72)
7	130718-06-N70	EA	ARMREST - LEFT HAND - LEATHER
	P30718-02-N70	EA	COVER - ARMREST/LEFT HAND (N70)
	P30718-02-N71	EA	COVER - ARMREST/LEFT HAND (N71)
	P30718-02-M78	EA	COVER - ARMREST/LEFT HAND (N72)
	P30718-06-N70	EA	COVER - ARMREST/LEFT HAND - LEATHER
8	134282-05-N70	EA	PANEL - LEFT END/TALL - SOFA/BED - FABRIC COVERED (N70)
8	134282-05-N71	EA	PANEL - LEFT END/TALL - SOFA/BED - FABRIC COVERED (N71)
8	134282-05-M78	EA	PANEL - LEFT END/TALL - SOFA/BED - FABRIC COVERED (N72)
8	134282-24-N70	EA	PANEL - LEFT END/TALL - SOFA/BED - FABRIC COVERED - LEATHER
9	124656-96-000	EA	LOCK - CANADIAN
10	121906-01-02B	EA	BRACKET - KICKBOARD - E-COATED
11	101926-01-02A	EA	BRACKET - ZEE - 2" - BLACK
12	120992-18-M52	EA	PANEL/FRONT KICK - SOFA/BED - 70" - FABRIC COVERED (N70)
12	120992-18-N71	EA	PANEL/FRONT KICK - SOFA/BED - 70" - FABRIC COVERED (N71)
12	120992-18-M78	EA	PANEL/FRONT KICK - SOFA/BED - 70" - FABRIC COVERED (N72)
12	120992-31-N70	EA	PANEL/FRONT KICK - SOFA/BED - FABRIC COVERED - LEATHER
13	116104-04-02B	EA	BRACKET - ZEE W/HOLES - 3.2" - E-COATED

CURTAIN & CUSHION GROUP (CONTINUED)
WINDOW TREATMENT

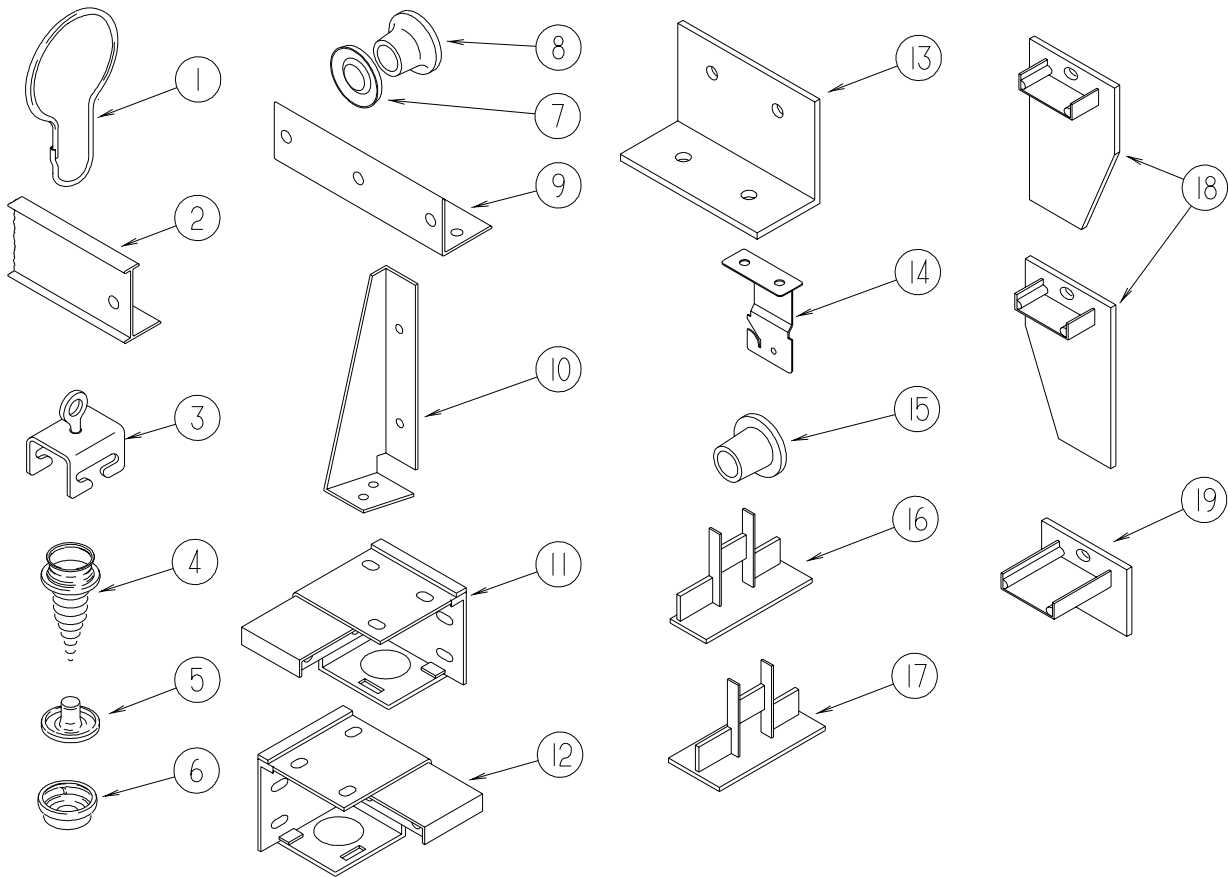


KEY	PART NUMBER	U/M	DESCRIPTION
1	134783-P2-N70	EA	DOOR - RAIL/SOLID PANEL - 10.8" X 36.4" - W/O HARDWARE
1	121410-A7-N70	EA	VALANCE - MODERATE - 55.5" (N70)
1	121410-A7-N71	EA	VALANCE - MODERATE - 55.5" (N71)
1	121410-A7-M78	EA	VALANCE - MODERATE - 55.5" (N72)
1	111910-75-N70	EA	BLIND - DAY/NIGHTER - 33" X 37" (N70, N71)
			FROM: 00-00-00 THRU: 07-10-01
1	111910-75-N72	EA	BLIND - DAY/NIGHTER - 33" X 37" (N70, N71)
			FROM: 07-11-01 THRU: 08-12-01
1	111910-75-N70	EA	BLIND - DAY/NIGHTER - 33" X 37" (N70, N71)
			FROM: 08-13-01 THRU: 11-04-01
1	140789-15-N70	EA	BLIND - DAY/NIGHTER - 33" X 37" (N70, N71)
			FROM: 11-05-01 THRU: 99-99-99
1	111910-75-N72	EA	BLIND - DAY/NIGHTER - 33" X 37" (N72)
			FROM: 00-00-00 THRU: 11-04-01
1	140789-15-N72	EA	BLIND - DAY/NIGHTER - 33" X 37" (N72)
			FROM: 11-05-01 THRU: 99-99-99

CURTAIN & CUSHION GROUP (CONTINUED)
WINDOW TREATMENT (CONTINUED)

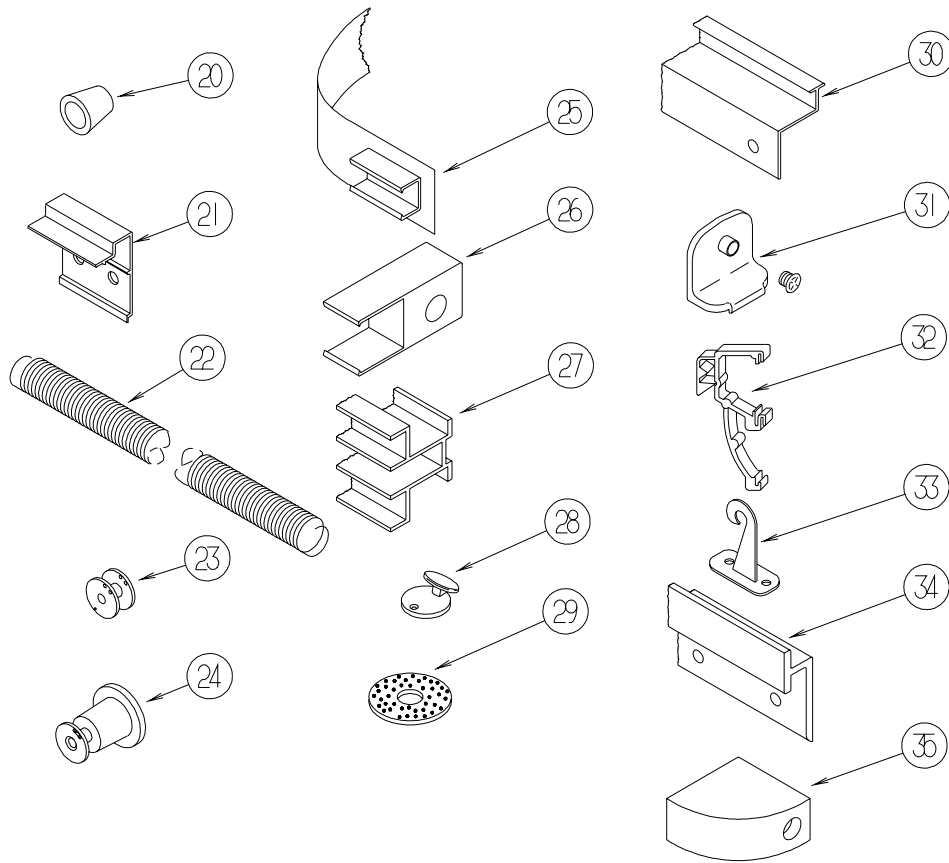
KEY	PART NUMBER	U/M	DESCRIPTION
2	135483-17-N70	EA	LAMBREQUIN - TUSCANY - 61" X 27"
2	135483-17-N71	EA	LAMBREQUIN - TUSCANY - 61" X 27"
2	135483-17-N72	EA	LAMBREQUIN - TUSCANY - 61" X 27"
2	111910-57-N09	EA	BLIND - DAY/NIGHTER - 61" X 28.5" (N70, N71) FROM: 00-00-00 THRU: 07-10-01
2	111910-57-N72	EA	BLIND - DAY/NIGHTER - 61" X 28.5" (N70, N71) FROM: 07-11-01 THRU: 08-12-01
2	111910-57-N74	EA	BLIND - DAY/NIGHTER - 61" X 28.5" (N70, N71) FROM: 08-13-01 THRU: 11-04-01
2	140789-14-N09	EA	BLIND - DAY/NIGHTER - 61" X 28.5" (N70, N71) FROM: 11-05-01 THRU: 99-99-99
2	111910-57-N72	EA	BLIND - DAY/NIGHTER - 61" X 28.5" (N72) FROM: 00-00-00 THRU: 11-04-01
2	140789-14-N72	EA	BLIND - DAY/NIGHTER - 61" X 28.5" (N72) FROM: 11-05-01 THRU: 99-99-99
3	126841-03-000	EA	SHADE - PULL - CHARCOAL MESH - 40.3" X 60"
4	093487-25-02A	EA	CURTAIN - WRAPAROUND/PRIVACY/PLEATED - 42" X 75" - PASS FRT
4	093487-26-02A	EA	CURTAIN - WRAPAROUND/PRIVACY/PLEATED - 45" X 75" - PASS RR
5	135483-04-N70	EA	LAMBREQUIN - TUSCANY - 63" - W/COUCH
5	135483-04-N71	EA	LAMBREQUIN - TUSCANY - 63" - W/COUCH
5	135483-04-N72	EA	LAMBREQUIN - TUSCANY - 63" - W/COUCH
5	135483-10-N70	EA	LAMBREQUIN - TUSCANY - 63" X 27" (N70) - W/LOUNGE CHAIR
5	135483-10-N71	EA	LAMBREQUIN - TUSCANY - 63" X 27" (N71) - W/LOUNGE CHAIR
5	135483-10-M78	EA	LAMBREQUIN - TUSCANY - 63" X 27" (N72) - W/LOUNGE CHAIR
5	111910-55-N09	EA	BLIND - DAY/NIGHTER - 59" X 26.5" (N70, N71) FROM: 00-00-00 THRU: 07-10-01
5	111910-55-N44	EA	BLIND - DAY/NIGHTER - 59" X 26.5" (N70, N71) FROM: 07-11-01 THRU: 08-12-01
5	111910-55-N11	EA	BLIND - DAY/NIGHTER - 59" X 26.5" (N70, N71) FROM: 08-13-01 THRU: 11-04-01
5	140789-08-N09	EA	BLIND - DAY/NIGHTER - 59" X 26.5" (N70, N71) FROM: 11-05-01 THRU: 99-99-99
5	111910-55-N44	EA	BLIND - DAY/NIGHTER - 59" X 26.5" (N72) FROM: 00-00-00 THRU: 11-04-01
5	140789-08-N44	EA	BLIND - DAY/NIGHTER - 59" X 26.5" (N72) FROM: 11-05-01 THRU: 99-99-99
6	135490-11-N70	EA	VALANCE - ROMANESQUE - 35"
6	135490-11-N71	EA	VALANCE - ROMANESQUE - 35"
6	135490-11-N72	EA	VALANCE - ROMANESQUE - 35"
6	111910-81-N70	EA	BLIND - DAY/NIGHTER - 32" X 46" (N70, N71) FROM: 00-00-00 THRU: 07-10-01
6	111910-81-N72	EA	BLIND - DAY/NIGHTER - 32" X 46" (N70, N71) FROM: 07-11-01 THRU: 08-12-01
6	111910-81-N71	EA	BLIND - DAY/NIGHTER - 32" X 46" (N70, N71) FROM: 08-13-01 THRU: 11-04-01
6	140789-12-N70	EA	BLIND - DAY/NIGHTER - 32" X 46" (N70, N71) FROM: 11-05-01 THRU: 99-99-99
6	111910-81-N72	EA	BLIND - DAY/NIGHTER - 32" X 46" (N72) FROM: 00-00-00 THRU: 11-04-01
6	140789-12-N72	EA	BLIND - DAY/NIGHTER - 32" X 46" (N72) FROM: 11-05-01 THRU: 99-99-99
6	136988-35-N70	EA	LEG - RIGHT - 42" - FABRIC COVERED
6	136988-35-N71	EA	LEG - RIGHT - 42" - FABRIC COVERED
6	136988-35-N72	EA	LEG - RIGHT - 42" - FABRIC COVERED
6	136988-36-N70	EA	LEG - LEFT - 42" - FABRIC COVERED
6	136988-36-N71	EA	LEG - LEFT - 42" - FABRIC COVERED
6	136988-36-N72	EA	LEG - LEFT - 42" - FABRIC COVERED
7	093487-18-02A	EA	CURTAIN - WRAPAROUND/PRIVACY/PLEATED - 45" X 112"- DRVR

CURTAIN & CUSHION GROUP (CONTINUED) HARDWARE



KEY	PART NUMBER	U/M	DESCRIPTION
1	009136-02-000	EA	HANGER - RING - PIN TYPE - CURTAIN - BRASS
2	009700-04-002	EA	TRACK - CURTAIN - L SHAPED - 15.5' - OFF WHITE - 400 SERIES
2	118896-05-04A	EA	TRACK/WRAPAROUND - PASSENGER - GLACIER - Q-SERIES
2	118897-04-04A	EA	TRACK/WRAPAROUND - PASSENGER - GLACIER - Q-SERIES
2	126456-03-04A	EA	TRACK/WRAPAROUND - PASSENGER - GLACIER - G-SERIES
2	126456-04-04A	EA	TRACK/WRAPAROUND - DRIVER - GLACIER - G-SERIES
3	009702-01-000	EA	END STOP - CURTAIN CARRIER - L ROD
4	029130-01-000	EA	SCREW - SNAP STUD - #8-16 X 3/8" LONG
4	029130-03-000	EA	SCREW - SNAP STUD - #8-16 X 1" LONG
5	029155-01-000	EA	CAP - SNAP - 5/32" OUTSIDE DIAMETER OF PIN
6	029156-01-000	EA	SOCKET - SNAP - 9/16" O.D.
7	046867-02-000	EA	WASHER - HANDY BUTTON #3
8	046867-03-000	EA	GROMMET - HANDY BUTTON #3
9	075943-10-000	EA	BRACE - VALANCE - 20" - OFF WHITE
9	105648-01-02A	EA	BRACE - VALANCE - OFF/WHITE - 14"
10	076827-02-000	EA	BRACKET/LEG - 2.9" X 1.8" - TRIANGULAR - LEFT/E-COATED
11	083170-01-000	EA	BRACKET/BLIND - LEFT SIDE WHEN FACING WINDOW - CLEAR
12	083170-02-000	EA	BRACKET/BLIND - RIGHT SIDE WHEN FACING WINDOW - CLEAR
13	083125-07-000	EA	BRACE - ANGLE/COUCH - 2.5" - OFF WHITE
13	083125-08-000	EA	BRACE - ANGLE/COUCH - .75" - OFF WHITE
14	084434-01-000	EA	BRACKET - MOUNTING - ROLLER SHADE - 1 3/8"
15	094896-02-000	EA	GROMMET - CORD/PLEATED BLIND - NYLON - GRAY
16	094907-02-000	EA	END CAP - PLEATED BLIND/TOP - RH/LH - GRAY PLASTIC
17	094907-04-000	EA	END CAP - PLEATED BLIND/BOTTOM - RH/LH
18	094907-05-000	EA	END CAP - PLEATED BLIND/BOTTOM - PULL TYPE - PLASTIC
19	094907-06-000	EA	END CAP - PLEATED BLIND/TOP

CURTAIN & CUSHION GROUP (CONTINUED)
HARDWARE (CONTINUED)



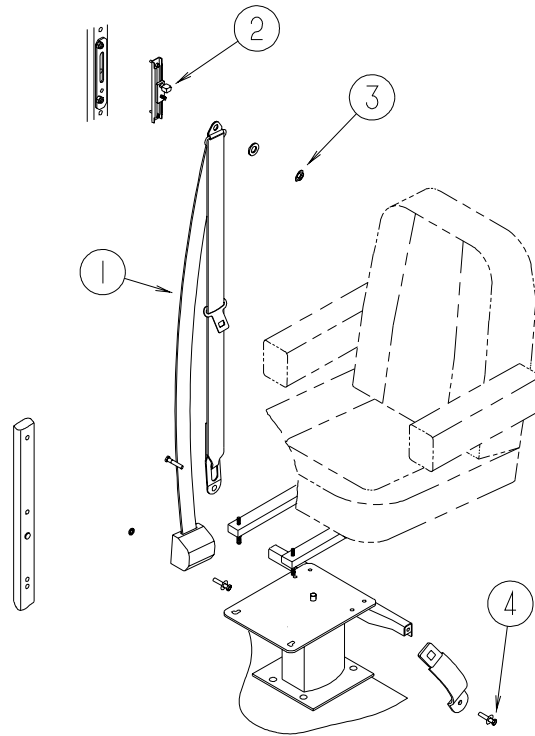
KEY	PART NUMBER	U/M	DESCRIPTION
20	097564-03-000	EA	HANDLE - KNOB - E-Z LIFT SHADE - TAN
20	097564-05-000	EA	HANDLE - KNOB - E-Z LIFT SHADE - TEAL
20	097564-06-000	EA	HANDLE - KNOB - E-Z LIFT SHADE - ALABASTER
21	097565-01-000	EA	BRACKET - MOUNTING - PLEATED BLIND
21	097565-02-000	EA	BRACKET - MOUNTING
22	097591-01-000	EA	SPRING - EXTENSION/PLEATED BLIND
23	097592-01-000	EA	SPOOL - CORD - ELEVATED BLIND HOLDUP - SMALL - CLEAR
24	097592-02-000	EA	SPOOL - CORD - ELEVATED BLIND HOLDUP - LARGE - CLEAR
	097593-02-000	FT	CORD - BLIND - PLEATED - GRAY
	097593-06-000	FT	CORD - BLIND - PLEATED - PEWTER
	097593-07-000	FT	CORD - BLIND - PLEATED - PALE JADE
	097593-10-000	FT	CORD - BLIND - PLEATED - VANILLA
25	101031-01-000	YD	TAPE/GLIDE - 4.25" SPACING
26	101033-02-000	EA	END CAP - LOW PROFILE TRACK - CLEAR
27	101033-08-000	EA	TRACK/WALL - 75"
27	101033-09-000	EA	TRACK/WALL - 32"
28	102555-03-000	EA	CLEAT - BLIND CORD - MILKY WHITE - PLASTIC
29	103242-01-000	EA	VELCRO HOOK - BEIGE 7/8" ROUND W/CENTER HOLE
29	103242-02-000	EA	VELCRO HOOK - BLACK 7/8" ROUND W/CENTER HOLE
30	105450-14-01A	EA	TRACK - CURTAIN - 90" - OFF WHITE - 300-SERIES
30	105450-15-01A	EA	TRACK - CURTAIN - 82.3" - OFF WHITE - 200-SERIES
31	106544-01-000	EA	PULL - SHADE/BRASS
	106544-01-001	EA	SCREW - SHADE/BRASS
32	109353-04-000	EA	CLIP - VALANCE SLAT MOUNTING - CLEAR PLASTIC
	109441-02-000	EA	SPACER/BRACKET - BLIND HOLD DOWN
33	109441-03-000	EA	BRACKET/HOOK - BLIND HOLD DOWN - CLOUDY
34	127254-03-05A	EA	TRACK/WRAPAROUND - PASSENGER - GLACIER - D-SERIES
34	127254-04-05A	EA	TRACK/WRAPAROUND - DRIVER - GLACIER - D-SERIES & F-SERIES
34	127254-14-03A	EA	TRACK/WRAPAROUND - PASSENGER - GLACIER - F-SERIES
34	133235-01-04A	EA	TRACK - CURTAIN/LEFT HAND - GLACIER - P-SERIES
34	133236-01-04A	EA	TRACK - CURTAIN/RIGHT HAND - GLACIER - P-SERIES
35	132504-01-N92	EA	BRACKET - SHADE

CURTAIN & CUSHION GROUP (CONTINUED)

ACCESSORIES

KEY	PART NUMBER	U/M	DESCRIPTION
	056271-01-000	EA	SEAT BELT - 2" X 102" - BLACK
	057534-08-000	EA	TIEBACK - CLEAR PLASTIC - 16"
	118337-15-N74	EA	BUTTON - #60 - FABRIC COVERED (N75,N75)
	118337-15-N76	EA	BUTTON - #60 - FABRIC COVERED (N76,N77)
	118337-15-N79	EA	BUTTON - #60 - DOUBLE SIDED - FABRIC COVERED (N78,N79)
	118337-04-N70	EA	BUTTON - #60 - FABRIC COVERED (N70)
	118337-04-N71	EA	BUTTON - #60 - FABRIC COVERED (N71)
	118337-04-M78	EA	BUTTON - #60 - FABRIC COVERED (N72)
	070578-14-N70	EA	BUTTON - #30 - FABRIC COVERED (N70)
	070578-14-N71	EA	BUTTON - #30 - FABRIC COVERED (N71)
	070578-14-M78	EA	BUTTON - #30 - FABRIC COVERED (N72)
	074494-02-000	EA	BUTTON - RETAINING PIVOT - #60
	074494-04-000	EA	BUTTON - JOINED/PIVOT - W 3/4 TACK
	129491-01-000	EA	CATCH - SNAP HOOK - 1"
	084415-D8-000	YD	TRIM-BRAID,CD-23088,.5"MIXED
	057534-03-000	EA	TIEBACK - CLEAR PLASTIC - 7.5"

FROM: 09-05-01 THRU: 99-99-99



KEY	PART NUMBER	U/M	DESCRIPTION
1*	091990-08-01A	EA	SEAT BELT - 3 POINT - .766" DIAMETER HOLE IN D-LOOP BRKT
2	127598-01-01A	EA	ADJUSTER - SEATBELT - D-LOOP - ADJUSTER
3	127598-02-000	EA	NUT - HEX FLANGE - M10 X 1.5 - CLASS 10
4	095076-02-000	EA	WASHER - FL - 7/16"ID X 2"OD X .06

***COMPONENT PARTS LISTED LATER IN THIS GROUP**

CURTAIN & CUSHION GROUP (CONTINUED)
COMPONENT PARTS FOR ACCESSORIES

091990-08-01A

KEY	PART NUMBER	U/M	DESCRIPTION	VENDOR NO.
	091990-01-701	EA	EXTENDER 9" FOR A8408 3 PT	I-1331-02
	091990-01-703	EA	RECEIVER/FEMALE END-SEATBELT	I-1159-02
	091990-05-700	EA	SLEEVE/BUCKLE COVER-PLASTIC	209S-2
	091990-05-701	EA	CAP/COVER - BOLT HOLE COVER	209SC-02
	091990-05-702	EA	SLEEVE/RETRACTABLE COVER	309C-02

CURTAIN & CUSHION GROUP (CONTINUED)
FABRICS

FAMILY	N70 STONEGATE	N71 IMPERIAL BEIGE	N72 COTTAGE BLUE
JOURNEY BUCKET	580 W/ADJ. ARMS	580 W/ADJ. ARMS	580 W/ADJ. ARMS
	DRIVER'S W/LUMBAR	DRIVER'S W/LUMBAR	DRIVER'S W/LUMBAR
	126883-C0-000	126883-H6-000	126883-42-000
	*OPT. LEATHER GLACIER 079680-50-000	*OPT. LEATHER GLACIER 079680-50-000	*OPT. LEATHER GLACIER 079680-50-000
DINETTE	CLUB	CLUB	CLUB
	126883-B9-000	126883-H5-000	126883-A9-000
DINETTE WRAP (PARTIAL WRAP)	126883-C0-000	126883-H6-000	126883-42-000
DINETTE CHAIRS	FLEXSTEEL C155 CHAIRS	FLEXSTEEL C155 CHAIRS	FLEXSTEEL C155 CHAIRS
	FC 200 REM FOLDING	FC 200 REM FOLDING	FC 200 REM FOLDING
	126883-C0-000	126883-H6-000	126883-42-000
SOFA	695 W/FULL ARMS OR	695 W/FULL ARMS OR	695 W/FULL ARMS OR
	810 ELECTRIC	810 ELECTRIC	810 ELECTRIC
	126883-B9-000	126883-H5-000	126883-A9-000
	*OPT. LEATHER GLACIER 079680-50-000	*OPT. LEATHER GLACIER 079680-50-000	*OPT. LEATHER GLACIER 079680-50-000
BANQUETTE	676 W/676FULL ARMS (810 sytle)	676 W/676FULL ARMS (810 sytle)	676 W/676FULL ARMS (810 sytle)
	126883-B9-000	126883-H5-000	126883-A9-000
	*OPT. LEATHER GLACIER	*OPT. LEATHER GLACIER	*OPT. LEATHER GLACIER
	079680-50-000	079680-50-000	079680-50-000
LOUNGE CHAIR	460 HOOP W/FOOTREST	460 HOOP W/FOOTREST	460 HOOP W/FOOTREST
	126883-C0-000	126883-H6-000	126883-42-000
	*OPT. LEATHER GLACIER	*OPT. LEATHER GLACIER	*OPT. LEATHER GLACIER
	079680-50-000	079680-50-000	079680-50-000
LOUNGE WINDOWS	TUSCANY LAMBREQUIN	TUSCANY LAMBREQUIN	TUSCANY LAMBREQUIN
	126883-B9/126883-C0	126883-H5/126883-H6	126883-A9/126883-42
	UNDERLAY/OVERLAY	UNDERLAY/OVERLAY	UNDERLAY/OVERLAY
	BRAID 084415-E3-000	BRAID 084415-F2-000	BRAID 084415-A9-000
	BUTTON 126883-B9-000	BUTTON 126883-H5-000	BUTTON 126883-A9-000
LOUNGE PILLOWS 2 PER SOFA	SIDE BUTTON CLOSURE	SIDE BUTTON CLOSURE	SIDE BUTTON CLOSURE
	PILLOW 126883-C0-000	PILLOW 126883-H6-000	PILLOW 126883-42-000
	CUFF 126883-B9-000	CUFF 126883-H5-000	CUFF 126883-A9-000
	BUTTONS 126883-C0-000	BUTTONS 126883-H6-000	BUTTONS 126883-42-000
BEDROOM WINDOWS	ROMANESQUE VALANCE	ROMANESQUE VALANCE	ROMANESQUE VALANCE
	TOP 2/3 105745-U0-000	TOP 2/3 105745-Y6-000	TOP 2/3 105745-T0-000
	BTM. 1/3 105745-T6-000	BTM. 1/3 105745-Y7-000	BTM. 1/3 105745-T1-000
	FLUSH LEGS 105745-T6-000	FLUSH LEGS 105745-Y7-000	FLUSH LEGS 105745-T1-000

CURTAIN & CUSHION GROUP (CONTINUED)
FABRICS (CONTINUED)

JOURNEY	N70 STONEGATE	N71 IMPERIAL BEIGE	N72 COTTAGE BLUE
BEDSPREAD	BEDCAP W/.5" NON-GATH.	BEDCAP W/.5" NON-GATH.	BEDCAP W/.5" NON-GATH.
CHANNEL QUILT	WELT	WELT	WELT
	BODY 105745-T6-000	BODY 105745-Y7-000	BODY 105745-T1-000
	WELT 105745-U0-000	WELT 105745-Y6	WELT 105745-T0
SHAMS	W/CORD & OVERLAY	W/CORD & OVERLAY	W/CORD & OVERLAY
	BODY 105745-U0-000	BODY 105745-Y6-000	BODY 105745-T0-000
	OVERLAY 105745-T6-000	OVERLAY 105745-Y7-000	OVERLAY 105745-T1-000
	BRAID 084415-E3-000	BRAID 084415-F2-000	BRAID 084415-A9-000
BEDRM. PILLOW 1 PER MATTRESS	BODY 105745-T6-000	BODY 105745-Y7-000	BODY 105745-T1-000
	OVERLAY/.5"WELT 105745-U0-000	OVERLAY & .5"WELT 105745-Y6-000	OVERLAY & .5"WELT 105745-T0-000
	BRAID 084415-E3-000	BRAID 084415-F2-000	BRAID 084415-A9-000
HEADBOARD *IF NEEDED	HORIZON	HORIZON	HORIZON
	TOP 2 SECTIONS 105745-U0-000	TOP 2 SECTIONS 105745-Y6-000	TOP 2 SECTIONS 105745-T0-000
	BTM. SECTION 105745-T6-000	BTM. SECTION 105745-Y7-000	BTM. SECTION 105745-T1
*P32T ONLY HALLWAY	VALANCE & FRAME INSERTS	VALANCE & FRAME INSERTS	VALANCE & FRAME INSERTS
	126883-B9-000	126883-H5-000	126883-A9-000
DAY-NITERS LGE. & BEDROOM	PUTTY/WHITE DECO	PUTTY/WHITE DECO	EGGSHELL/WHITE DECO
	094911-58-000/094911-50-000	094911-58-000/094911-50-000	094911-56-000/094911-50-000
BATH VALANCE	MODERATE VALANCE	MODERATE VALANCE	MODERATE VALANCE
	105745-U0-000	105745-Y6-000	105745-T0-000
GALLEY/BATH	386 SNOCAP	C011 BEIGE	386 SNOCAP
OVHD. INSERTS LGE. & BEDRM.	126883-C0-000	126883-H6-000	126883-42-000
	105745-T6-000	105745-Y7-000	105745-T1-000
FRONT WRAP	PURCHASED PLEATED	PURCHASED PLEATED	PURCHASED PLEATED
	SILK SLUB	SILK SLUB	SILK SLUB
FLOOR MAT	096060-H5-000 CARPET	096060-K1-000 CARPET	096060-E6-000 CARPET
	102695-24-000 TAPE	102695-24-000 TAPE	102695-22-000 TAPE
SUNVISORS	123298-04-05A	123298-04-05A	123298-04-05A
	GLACIER	GLACIER	GLACIER
CEILING FABRIC	113979-12-01A	113979-12-01A	113979-12-01A

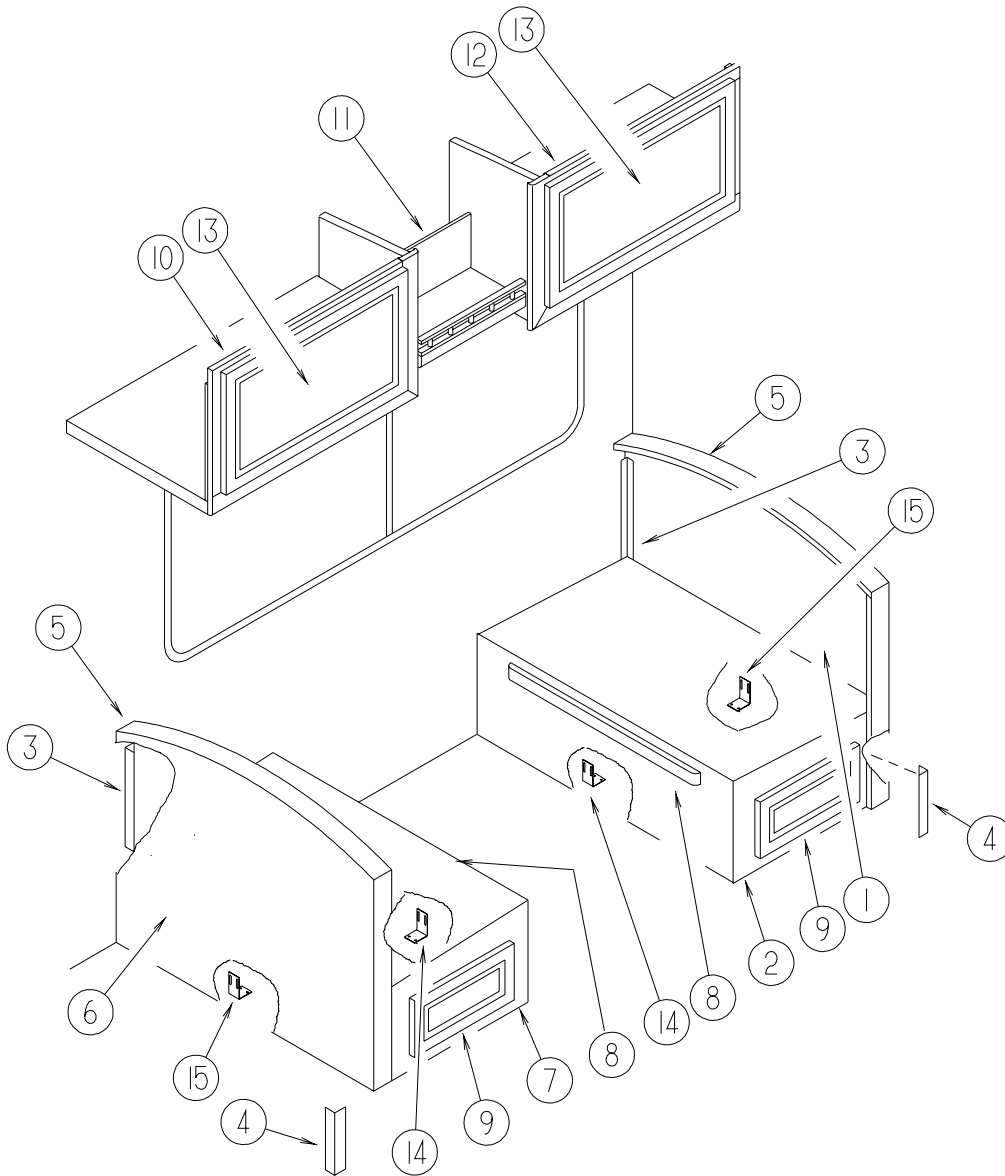
CURTAIN & CUSHION GROUP (CONTINUED)
FABRICS (CONTINUED)

FAMILY	N74/N75 SARATOGA	N76/N77 VENICE GREEN	N78/N79 SILVER BROCADE
JOURNEY DL BUCKET	575 W/ADJ. ARMS	575 W/ADJ. ARMS	575 W/ADJ. ARMS
	DRIVER'S W/LUMBAR	DRIVER'S W/LUMBAR	DRIVER'S W/LUMBAR
	126883-F9-000	126883-G1-000	126883-G3-000
	*OPT. GLACIER W/PUTTY WELT	*OPT. GLACIER W/CIRRUS W.	*OPT. GLACIER W/TITANIUM WELT
	079680-50-000/079680-43-000	079680-50-000/079680-45-000	079680-50-000/103907-01-08A
DINETTE	CLUB	CLUB	CLUB
	126883-F8-000	126883-G0-000	126883-G2-000
DINETTE WRAP	126883-F8-000	126883-G1-000	126883-G2-000
DINETTE CHAIRS	FLEXSTEEL C155 CHAIRS	FLEXSTEEL C155 CHAIRS	FLEXSTEEL C155 CHAIRS
	FC 200 REM FOLDING	FC 200 REM FOLDING	FC 200 REM FOLDING
	126883-F9-000	126883-G1-000	126883-G3-000
SOFA	815 4WAY/685 COMFORT LGE.	815 4WAY/685 COMFORT LGE.	815 4WAY/685 COMFORT LGE.
	126883-F8-000	126883-G0-000	126883-G2-000
	*OPT. GLACIER W/PUTTY WELT	*OPT. GLACIER W/CIRRUS W.	*OPT. GLACIER W/TITANIUM WELT
	079680-50-000/079680-43-000	079680-50-000/079680-45-000	079680-50-000/103907-01-08A
BANQUETTE	676 BANQ. W/815 BANQ. ARMS	676 BANQ. W/815 BANQ. ARMS	676 BANQ. W/815 BANQ. ARMS
	126883-F9-000	126883-G1-000	126883-G3-000
	*OPT. GLACIER W/PUTTY WELT	*OPT. GLACIER W/CIRRUS W.	*OPT. GLACIER W/TITANIUM WELT
	079680-50-000/079680-43-000	079680-50-000/079680-45-000	079680-50-000/103907-01-08A
LOUNGE CHAIR	455 HOOP W/FOOTREST	455 HOOP W/FOOTREST	455 HOOP W/FOOTREST
	126883-F9-000	126883-G1-000	126883-G3-000
	*OPT. GLACIER	*OPT. GLACIER	*OPT. GLACIER
	079680-50-000	079680-50-000	079680-50-000
LOUNGE WINDOWS	DYNASTY LAMBREQUIN	DYNASTY LAMBREQUIN	DYNASTY LAMBREQUIN
	126883-F8-000/126883-D0-000	126883-G0-000/105745-R4-000	126883-G2-000/105745-V4-000
	UNDERLAY/OVERLAY	UNDERLAY/OVERLAY	UNDERLAY/OVERLAY
LOUNGE PILLOWS 2 PER SOFA	18X18 W/CTR. BUTTON & BRAID	18X18 W/CTR. BUTTON & BRAID	18X18 W/CTR. BUTTON & BRAID
	126883-F9-000/084415-E2-000	126883-G1-000/084415-F3-000	126883-G3-000/084415-G0-000
BEDROOM WINDOWS	KINGSTON VALANCE	KINGSTON VALANCE	KINGSTON VALANCE
	SWAGGED OVLY 105745-V8-000	SWAGGED OVLY. 105745-V1	SWAGGED OVLY. 105745-V3-000
	BELLS/LINING 126883-D0-000	BELLS/LINING 105745-R4-000	BELLS/LINING 105745-V4-000
	WRAPPED BOARD 126883-D0-000	WRAPPED BOARD 105745-R4-000	WRAPPED BOARD 105745-V4-000
	LEGS 126883-D0-000	LEGS 105745-R4-000	LEGS 105745-V4-000

CURTAIN & CUSHION GROUP (CONTINUED)
FABRICS (CONTINUED)

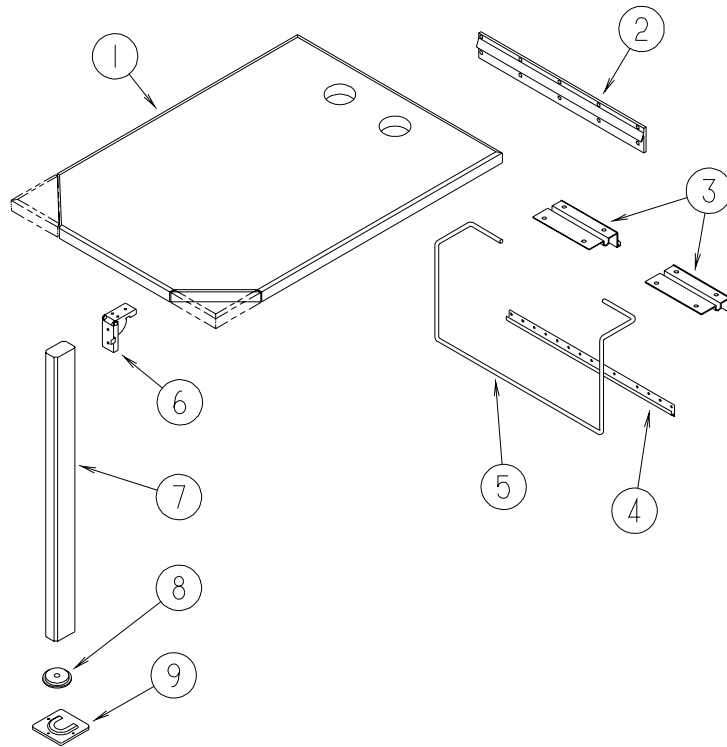
JOURNEY DL'S	N74/N75 SARATOGA	N76/N77 VENICE GREEN	N78/N79 SILVER BROCADE
BEDSPREAD	BEDCAP W/.25" ACCENT WELT	BEDCAP W/.25" ACCENT WELT	BEDCAP W/.25" ACCENT WELT
CHANNEL QUILT	105745-V8-000/126883-D0-000	105745-V1-000/105645-R4-000	105745-V3-000/105745-V4-000
SHAMS	DBL. FLANGED W/BRAID	DBL. FLANGED W/BRAID	DBL. FLANGED W/BRAID
	105745-V0-000/084415-D8-000	105745-R4-000/084415-F2-000	105745-V5-000/084415-F9-000
BEDRM. PILLOW 1 PER MATTRESS	12X24 W/OVLY. & .25" WELT BODY 126883-D0-000	12X24 W/OVLY. & .25" WELT BODY 105745-R4-000	12X24 W/OVLY. & .25" WELT BODY 105745-V4-000
	OVERLAY 105745-V0-000	OVERLAY 105745-V1-000	OVERLAY 105745-V5-000
	WELT 105745-V8-000	WELT 105745-V1-000	WELT 105745-V3-000
HEADBOARD *IF NEEDED	BROOKWOOD	BROOKWOOD	BROOKWOOD
	TOP EDGE 126883-D0-000	TOP EDGE 105745-R4-000	TOP EDGE 105745-V4-000
	CENTER 105745-V8-000	CENTER 105745-V1-000	CENTER 105745-V3-000
	BRAID 084415-D8-000	BRAID 084415-F2-000	BRAID 084415-F9-000
DAY-NITERS LGE. & BEDROOM	PUTTY/WHITE DECO	EGGSHELL/WHITE DECO	PUTTY/WHITE DECO
	094911-58-000/094911-50-000	094911-56-000/094911-50-000	094911-58-000/094911-50-000
BATH VALANCE	MODERATE VALANCE	MODERATE VALANCE	MODERATE VALANCE
	105745-V8-000	105745-V1-000	105745-V3-000
GALLEY/BATH	C011 BEIGE	386 SNOCAP	386 SNOCAP
P32TD HALL WINDOW	VALANCE/HALL TRIM	VALANCE/HALL TRIM	VALANCE/HALL TRIM
	126883-F8-000	126883-G0-000	126883-G2-000
OVHD. INSERTS LGE. & BEDRM.	LOUNGE 126883-F9-000	LOUNGE 126883-G1-000	LOUNGE 126883-G3-000
	BEDROOM 105745-V0-000	BEDROOM105745-R4-000	BEDROOM105745-V4-000
FRONT WRAP	PURCHASED PLEATED	PURCHASED PLEATED	PURCHASED PLEATED
	SILK SLUB	SILK SLUB	SILK SLUB
FLOOR MAT	096060-J5-000 CARPET	096060-J6-000 CARPET	096060-J7-000 CARPET
	TAPE 102695-12-000	TAPE 102695-28-000	TAPE 102695-24-000
SUNVISORS	123298-04-05A	123298-04-05A	123298-04-05A
	GLACIER	GLACIER	GLACIER
CEILING FABRIC	113979-12-01A	113979-12-01A	113979-12-01A

DINETTE GROUP CABINETS



KEY	PART NUMBER	U/M	DESCRIPTION
1	137092-77-N70	EA	DINETTE SEAT BACK - W/O HARDWARE
2	P37092-05-N70	EA	CABINET/SEATBASE - W/O DOOR/DRAWER/HARDWARE
3	122021-02-02A	EA	ANGLE - W/HOLES - 13.7" LONG - OFF WHITE
4	122021-01-02A	EA	ANGLE - W/HOLES - 8.6" LONG - OFF WHITE
			FROM: 00-00-00 THRU: 08-12-01
4	122021-09-02A	EA	ANGLE - W/HOLES - OFF WHITE
			FROM: 08-13-01 THRU: 99-99-99
5	111338-12-N70	EA	PAD - DINETTE - 42.9"
5	111338-12-N71	EA	PAD - DINETTE - 42.9"
5	111338-12-N72	EA	PAD - DINETTE - 42.9"
6	137092-62-N42	EA	DINETTE SEAT BACK - W/O HARDWARE
7	P37092-06-N70	EA	CABINET/SEATBASE - W/O DOOR/DRAWER/HARDWARE
8	081295-01-N70	EA	SUPPORT - BED/DINETTE - 28" LONG
9	P38873-05-N70	EA	DRAWER - FABRIC WRAPPED - 16.6" X 37.3" - W/O HARDWARE
10	137340-01-N70	EA	CABINET - OVERHEAD/DINETTE - W/O DOORS/HARDWARE - W/DELUXE SOUND
10	137340-02-N70	EA	CABINET - OVERHEAD/DINETTE - W/O DOORS/HARDWARE - W/O DELUXE SOUND
11	134918-01-M42	EA	CABINET - OVERHEAD/COFFEE - W/O DOORS/HARDWARE
12	136941-01-N70	EA	CABINET - OVERHEAD/DINETTE - W/O DOORS/HARDWARE
13	132141-20-N42	EA	DOOR - RAIL/VENEER - 10.8" X 27.9" - W/O HARDWARE
14	132871-01-02B	EA	BRACKET/L-ANGLE W/HOLES - 1.3" X 2.8" - E-COATED
15	132871-02-02B	EA	BRACKET/L-ANGLE W/HOLES - 1.3" X 2.8" - E-COATED

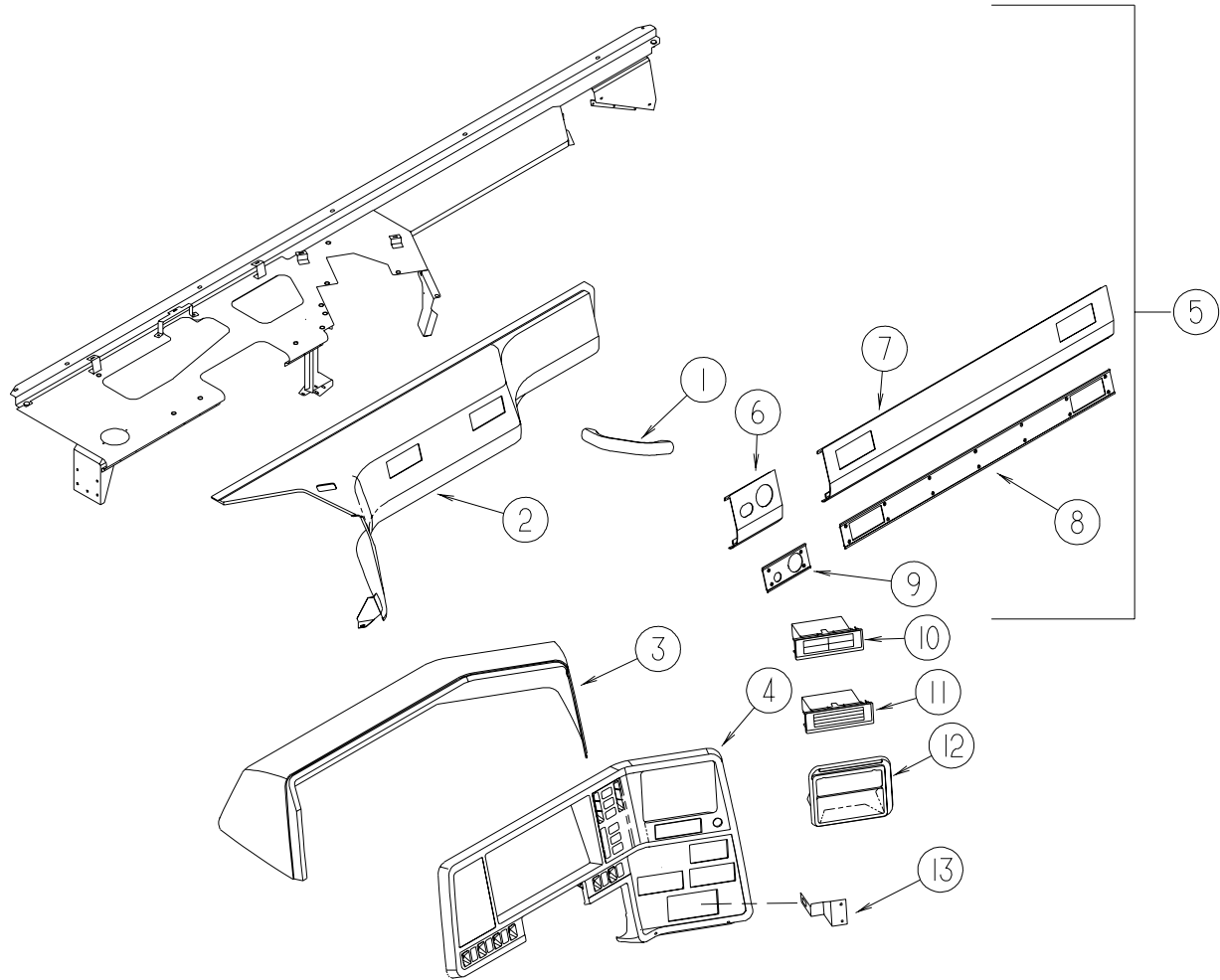
DINETTE GROUP (CONTINUED) TABLE



KEY	PART NUMBER	U/M	DESCRIPTION
1	132783-01-07A	EA	TABLE/WOOD EDGE - 29.8" X 41.7" - WHITE ETHOS/PORTSMOUTH
2	053200-13-000	EA	SUPPORT - TABLE - 18.5"
3	088410-02-000	EA	BRACKET - LIFT - TABLE MOUNTED
4	024281-15-000	EA	BRACKET/TABLE - LIFT ROD/LOWER WALL MOUNTED - 17.1"
5	024275-13-000	EA	ROD - TABLE LIFT - OFF/WHITE
6	093550-01-000	EA	BRACKET - HINGE - MOUNTS TO LEG & TABLE TOP - 1.7" X 2.6"
7	092707-04-10A	EA	LEG - TABLE - W/O HARDWARE - 27" - PORTSMOUTH OAK II
8	092593-01-05A	EA	CATCH - TABLE LEG - OFF/WHITE
9	049493-12-000	EA	CATCH - TABLE LEG/FLOOR MOUNTED - OFF WHITE

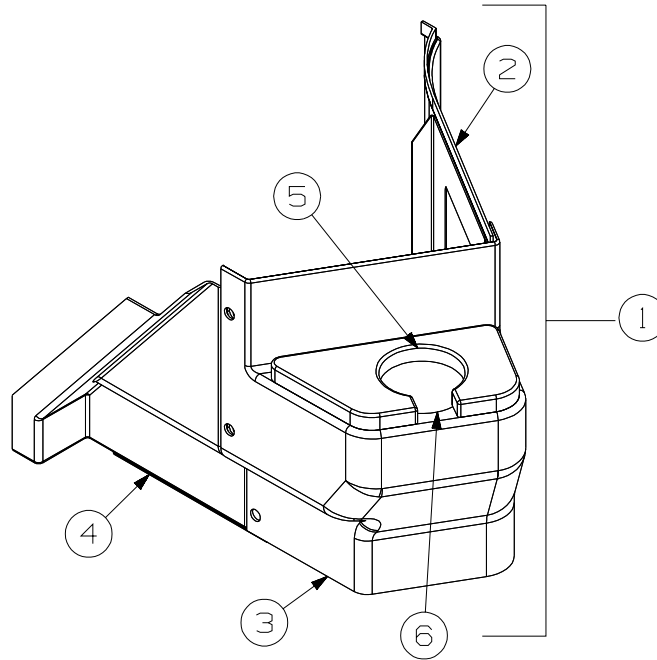
DRIVERS COMPARTMENT GROUP

DASH



KEY	PART NUMBER	U/M	DESCRIPTION
1	123246-01-05A	EA	HANDLE - GRAB - GLACIER
2	122853-02-N74	EA	TRIM - DASH PANEL/RIGHT HAND - GLACIER
3	107263-03-N74	EA	POD - INSTRUMENT PANEL - GLACIER
4	107031-15-01A	EA	BEZEL - INSTRUMENT PANEL
5	P23278-01-000	EA	DASH COMPLETE W/O VINYL
	106569-09-05A	EA	VINYL - LAMINATE - 1/4" X 25" X 100" - GLACIER
6	117991-06-01A	EA	EXTENSION - DASH - DRIVER - LOWER/RIGHT HAND
7	117991-05-01A	EA	EXTENSION - DASH - DRIVER - LOWER/LEFT HAND
8	118024-05-06A	EA	TRIM - DASH - DRIVER/LOWER/LEFT HAND - GLACIER
9	118024-06-06A	EA	TRIM - DASH - DRIVER/LOWER/RIGHT HAND - GLACIER
10	096776-02-000	EA	STORAGE BOX - CASSETTE - 4 TAPE HOLDER
11	096776-03-000	EA	STORAGE BOX - CD'S - 4 DISC HOLDER
12	111350-01-01A	EA	POCKET - INSTRUMENT PANEL - UPPER - BLACK
13	138721-01-02B	EA	BRACKET/SUPPORT - RADIO - E-COATED

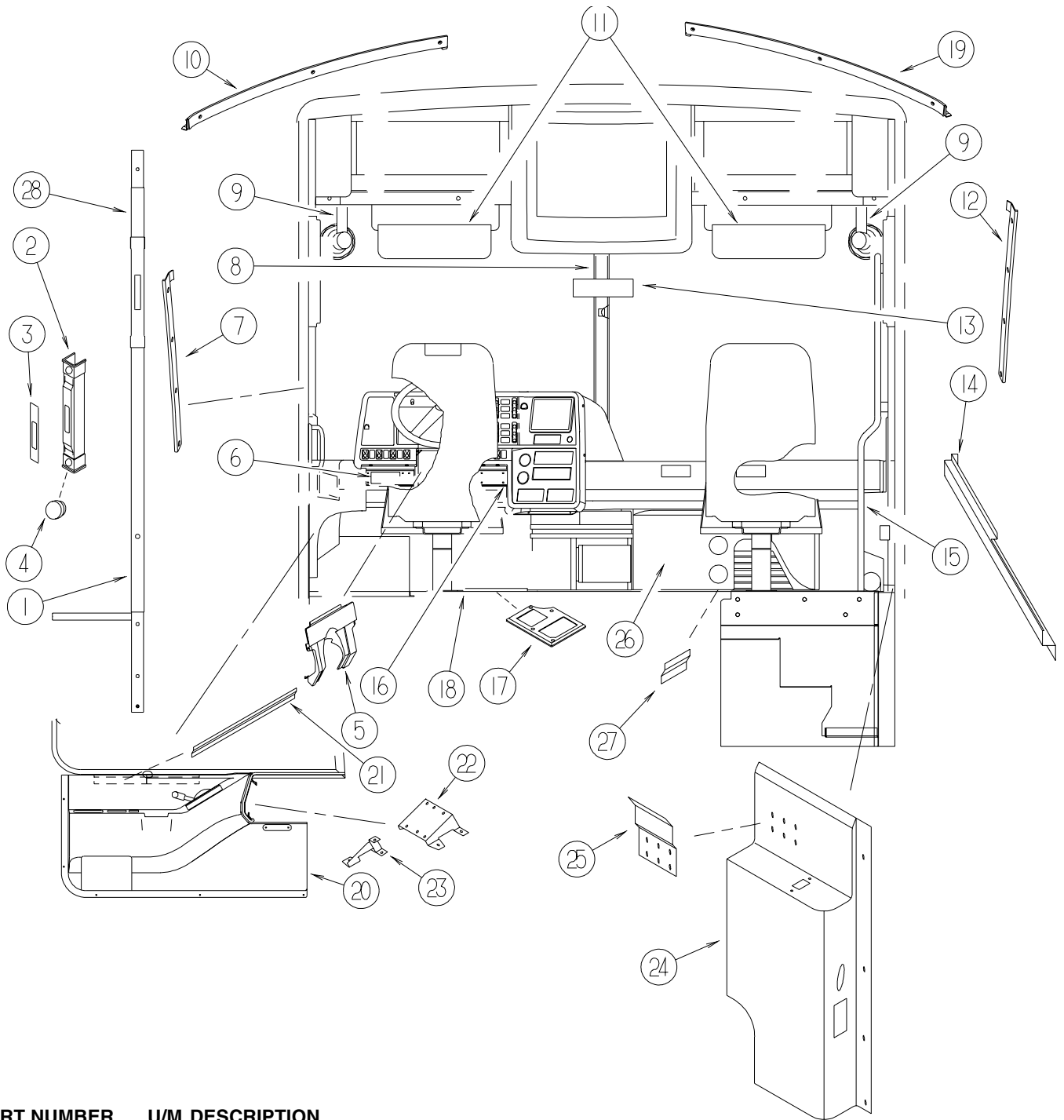
DRIVERS COMPARTMENT GROUP (CONTINUED)
BEVERAGE TRAY



KEY	PART NUMBER	U/M	DESCRIPTION
1	132964-01-N74	EA	TRAY - BEVERAGE
2	M09393-01-N74	EA	PANEL - TRAY/BEVERAGE - RIGHT HAND SIDE
3	M09393-03-N74	EA	PANEL - TRAY/CUPHOLDER
	132963-01-04A	EA	PANEL - BEVERAGE TRAY - GLACIER
4	M09393-02-N74	EA	PANEL - TRAY/BEVERAGE - LEFT HAND SIDE
5	P32962-02-N75	EA	PANEL - BEVERAGE TRAY - PORTSMOUTH OAK
5	132962-02-03A	EA	PANEL/BEVERAGE TRAY - SALEM CHERRY
5	132962-02-02A	EA	PANEL/BEVERAGE TRAY - WASHED MAPLE
6	134566-01-01A	EA	HOLDER - CUP - TWO STEP - BLACK

DRIVERS COMPARTMENT GROUP (CONTINUED)

FRONT INTERIOR

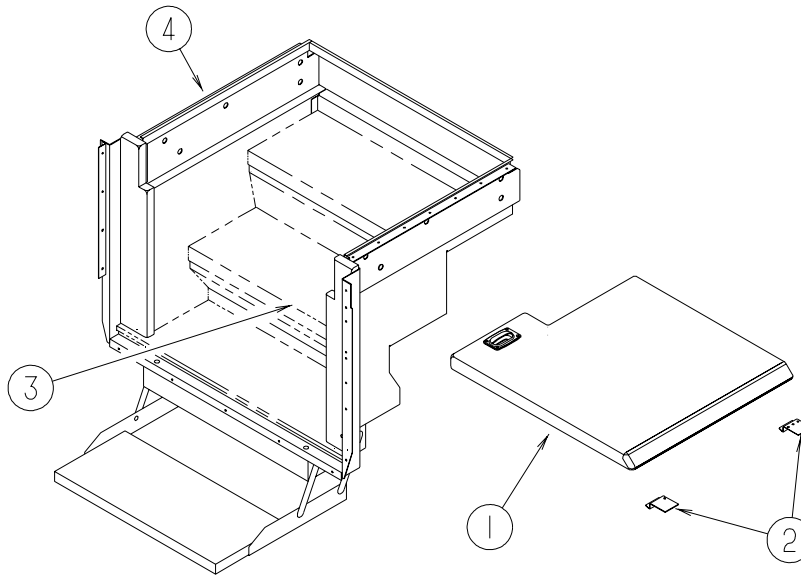


KEY	PART NUMBER	U/M	DESCRIPTION
1	024700-59-000	EA	COVER - ROLL BAR - SIDEWALL - 44.1" - OFF WHITE
2	127721-01-01A	EA	COVER - SLIDE - OFF WHITE
			FROM: 00-00-00 THRU: 10-07-01
2	140151-01-01A	EA	COVER - SEAT BELT - OFF WHITE
			FROM: 10-08-01 THRU: 99-99-99
3	127798-01-01A	EA	COVER - SLIDE - INNER - 1.5" X 11.4" - BLACK
			FROM: 00-00-00 THRU: 10-07-01
3	140151-03-01A	EA	COVER - SLIDE/SEAT BELT - BLACK
			FROM: 10-08-01 THRU: 99-99-99
4	140151-02-01A	EA	COVER - SCREW - OFF WHITE
			FROM: 10-08-01 THRU: 99-99-99
5	109832-03-03A	EA	COVER - STEERING COLUMN - BLACK
6	118377-06-09A	EA	APPLIQUE - LOWER DASH - GM/OSH KOSH/SPARTAN - GLACIER
7	131792-01-04A	EA	TRIM - A-PILLAR - INTERIOR/DRIVER - GLACIER
8	118452-09-04A	EA	TRIM - WINDSHIELD/CENTER - GLACIER

DRIVERS COMPARTMENT GROUP (CONTINUED)
FRONT INTERIOR (CONTINUED)

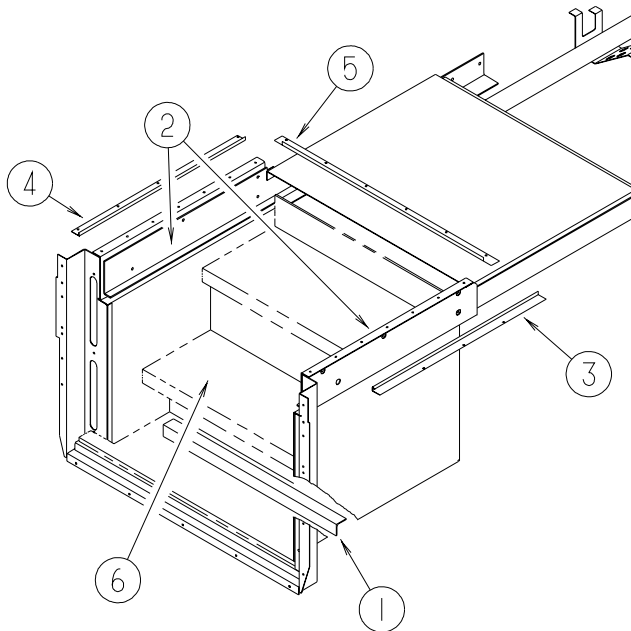
KEY	PART NUMBER	U/M	DESCRIPTION
9	122856-01-01A	EA	FAN-DEFROSTER-2 SPEED W/SWIVEL BASE/NON-OSCILLATING-CHROME
10	129004-02-05A	EA	TRIM - WINDSHIELD - INTERIOR/DRIVER TOP - GLACIER
11	123298-04-05A	EA	SUNVISOR - 10.5" X 21" - DRIVER/PASSENGER - GLACIER
12	131791-01-04A	EA	TRIM - A-PILLAR - INTERIOR/PASSENGER - GLACIER
13	134154-01-000	EA	MIRROR - CONVEX - 4" X 11.8"
14	129657-01-05A	EA	TRIM - A-PILLAR - INTERIOR/PASSENGER/LOWER - GLACIER
15	123577-01-01A	EA	HANDRAIL - ASSIST - ENTRY
16	118377-05-09A	EA	APPLIQUE - LOWER DASH - FREIGHTLINER - GLACIER
17	116993-01-01A	EA	COVER - PEDALS - BLACK
18	105924-01-N74	EA	MAT - FLOOR - 18" X 27" (N74,N75)
18	105924-01-AA6	EA	MAT - FLOOR - 18" X 27" (N74,N75) - CARPET EXCHANGE
18	105924-01-N76	EA	MAT - FLOOR - 18" X 27" (N76,N77)
18	105924-01-AA8	EA	MAT - FLOOR - 18" X 27" (N76,N77) - CARPET EXCHANGE
18	105924-01-N79	EA	MAT - FLOOR - 18" X 27" (N78,N79)
18	105924-01-N70	EA	MAT - FLOOR - 18" X 27" (N70)
18	105924-01-N71	EA	MAT - FLOOR - 18" X 27" (N71)
18	105924-01-AA5	EA	MAT - FLOOR - 18" X 27" (N71) - CARPET EXCHANGE
18	105924-01-N72	EA	MAT - FLOOR - 18" X 27" (N72)
19	129004-01-05A	EA	TRIM - WINDSHIELD - INTERIOR/PASSENGER TOP - GLACIER
20	132846-11-N70	EA	PANEL - TRIM - INNER/LEFT HAND - W/O DELUXE SOUND - P34H, P36C, P32T, P36L FROM: 00-00-00 THRU: 12-02-01
20	140578-05-N70	EA	PANEL - TRIM - INNER/LEFT HAND - W/O DELUXE SOUND - P34H, P36C, P32T, P36L FROM: 12-03-01 THRU: 99-99-99
20	132846-12-N70	EA	PANEL - TRIM - INNER/LEFT HAND - W/DELUXE SOUND - P34H, P36C, P32T, P36L FROM: 00-00-00 THRU: 12-02-01
20	140578-07-N70	EA	PANEL - TRIM - INNER/LEFT HAND - W/DELUXE SOUND - P34H, P36C, P32T, P36L FROM: 12-03-01 THRU: 99-99-99
20	132846-05-N74	EA	PANEL - TRIM - INNER/LEFT HAND - W/O DELUXE SOUND - P32TD, P34HD, P36LD, P36GD, P39QD FROM: 00-00-00 THRU: 12-02-01
20	140578-06-N74	EA	PANEL - TRIM - INNER/LEFT HAND - W/O DELUXE SOUND - P32TD, P34HD, P36LD, P36GD, P39QD FROM: 12-03-01 THRU: 99-99-99
20	132846-06-N74	EA	PANEL - TRIM - INNER/LEFT HAND - W/DELUXE SOUND - P32TD, P34HD, P36LD, P36GD, P39QD FROM: 00-00-00 THRU: 12-02-01
20	140578-08-N74	EA	PANEL - TRIM - INNER/LEFT HAND - W/DELUXE SOUND - P32TD, P34HD, P36LD, P36GD, P39QD FROM: 12-03-01 THRU: 99-99-99
21	106105-03-000	EA	CLIP - MOUNTING - UNIVERSAL
22	133449-01-02B	EA	SUPPORT - SHIFTER - 4-SPEED - E-COATED - P34H, P36C, P32T, P36L FROM: 00-00-00 THRU: 07-22-01
22	139973-01-02B	EA	SUPPORT - SHIFTER - E-COATED - P34H, P36C, P32T, P36L FROM: 07-23-01 THRU: 99-99-99
23	139975-01-02B	EA	BRACKET - SHIFTER - E-COATED - P34H, P36C, P32T, P36L FROM: 07-23-01 THRU: 99-99-99
24	135913-02-N74	EA	PANEL - TRIM - INNER/RIGHT HAND
24	135913-03-N74	EA	PANEL - TRIM - INNER/RIGHT HAND - ELECTRIC AWNING
25	130034-03-02B	EA	CLIP - TRIM - E-COATED - CLIP FOR TRIM
26	133037-01-04A	EA	PANEL - TRIM - HEATER/AC - RIGHT HAND - GLACIER
27	106105-02-000	EA	CLIP - MOUNTING - UNIVERSAL
28	024700-58-000	EA	COVER - ROLL BAR - SIDEWALL - 16.5" - OFF WHITE

DRIVERS COMPARTMENT GROUP (CONTINUED)
FRONT INTERIOR (CONTINUED)



MANUAL STEP COVER

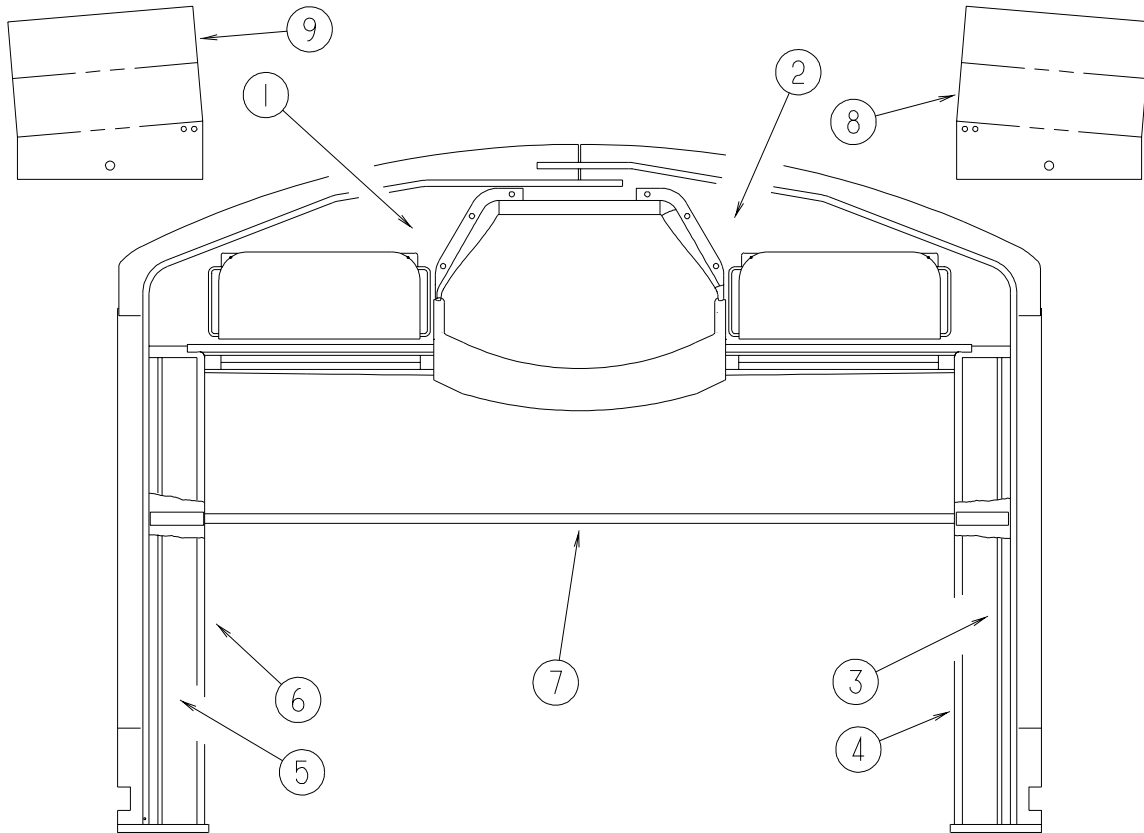
KEY	PART NUMBER	U/M DESCRIPTION
1	P31458-01-000	EA COVER - ENTRANCE STEP - W/O CARPET/LATCH
2	131459-01-02B	EA RETAINER/COVER - STEP BOX - E-COAT
3	120231-01-02A	EA FLOORING - RUBBER - 66.4" X 19.8"
4	137109-01-01A	EA ANGLE/TRIM - CARPET - 23.9" - BLACK



ELECTRIC STEP COVER

KEY	PART NUMBER	U/M DESCRIPTION
1	136002-63-02A	EA ANGLE - W/HOLES - BRIGHT WHITE
2	137109-06-01A	EA ANGLE/TRIM - CARPET - 5.6" - BLACK
3	137109-05-01A	EA ANGLE/TRIM - CARPET - 25.4" - BLACK
4	137109-04-01A	EA ANGLE/TRIM - CARPET - 25.4" - BLACK
5	137109-03-01A	EA ANGLE/TRIM - CARPET - 30.3" - BLACK
6	120231-01-02A	EA FLOORING - RUBBER - 66.4" X 19.8"

DRIVERS COMPARTMENT GROUP (CONTINUED)
FRONT INTERIOR (CONTINUED)

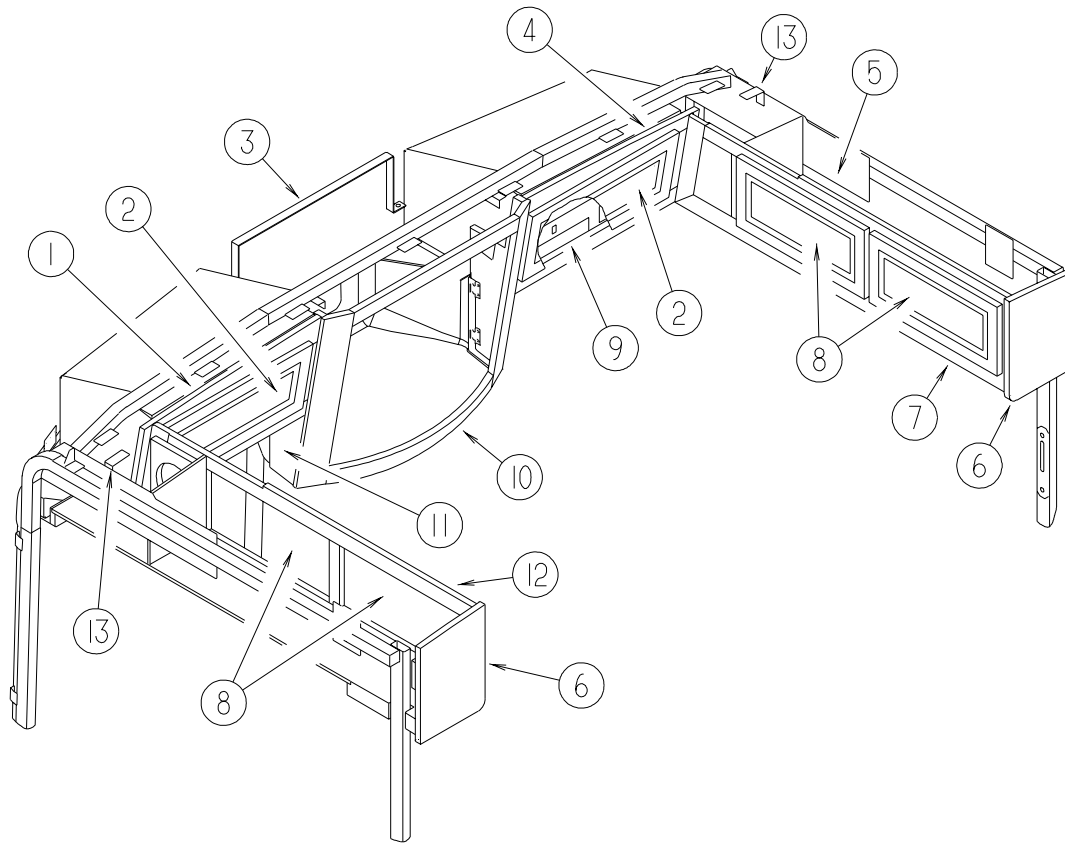


KEY	PART NUMBER	U/M	DESCRIPTION
1	133017-01-N74	EA	PANEL - OVERHEAD/FRONT - BOTTOM/RIGHT HAND
2	133017-02-N74	EA	PANEL - OVERHEAD/FRONT - BOTTOM/LEFT HAND
3	132694-04-N74	EA	PANEL - OVERHEAD/FRONT/LEFT HAND
4	133230-02-N74	EA	PANEL - OVERHEAD/LEFT HAND - W/O HARDWARE
5	132694-03-N74	EA	PANEL - OVERHEAD/FRONT/RIGHT HAND
6	133230-01-N74	EA	PANEL - OVERHEAD/RIGHT HAND - W/O HARDWARE
7	133771-01-L85	EA	MOLDING - CAP - SALEM CHERRY
7	133771-01-N75	EA	MOLDING - CAP - PORTSMOUTH OAK
8	132909-01-N70	EA	PANEL - VINYL COVERED
9	132909-02-N70	EA	PANEL - VINYL COVERED
9	132909-03-N70	EA	PANEL - VINYL COVERED

FROM: 00-00-00 THRU: 02-17-02

FROM: 02-18-02 THRU: 99-99-99

DRIVERS COMPARTMENT GROUP (CONTINUED) CABINETS



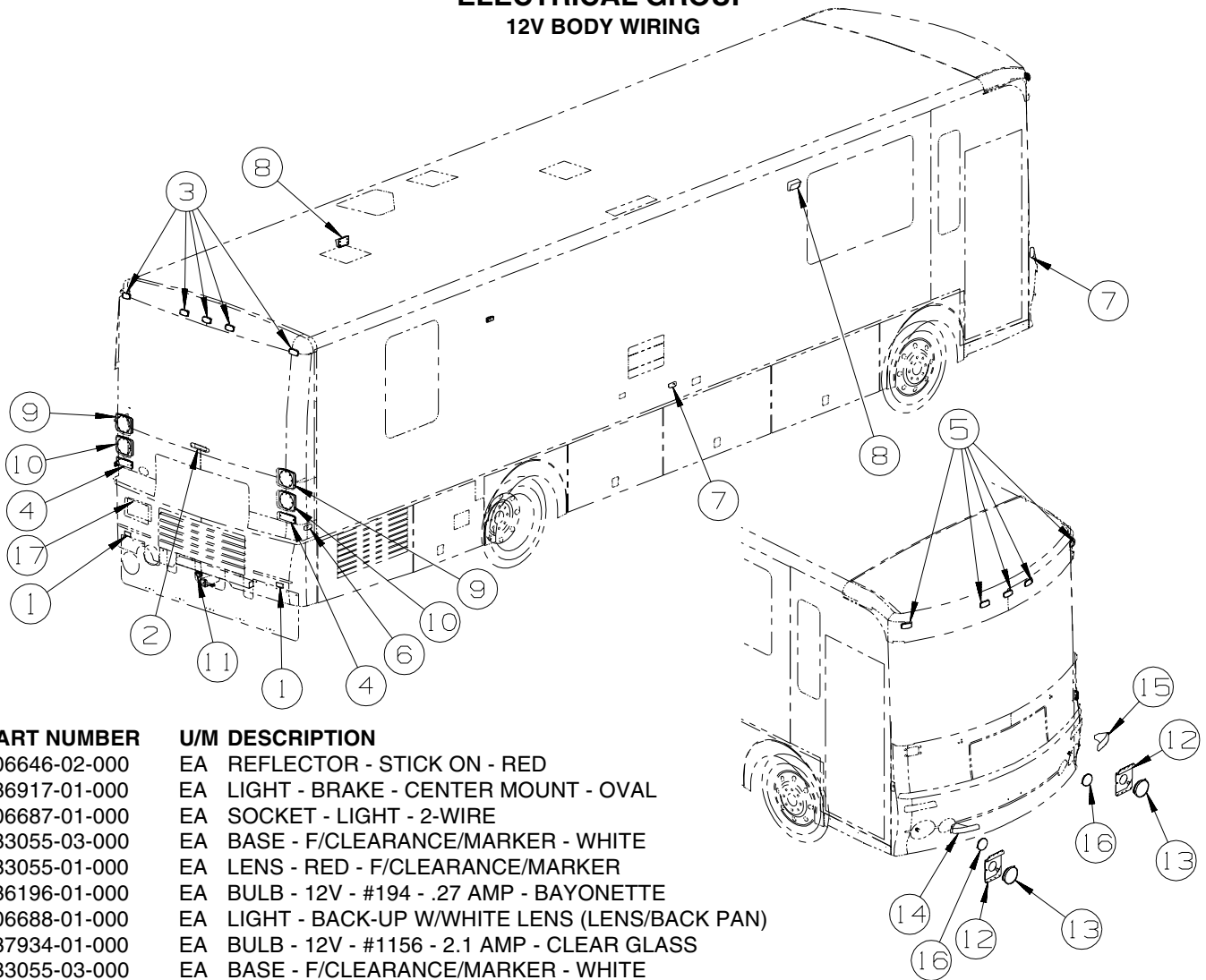
KEY	PART NUMBER	U/M	DESCRIPTION
1	132778-01-M85	EA	CABINET - OVERHEAD - FRONT/LEFT HAND - W/O DOORS/HARDWARE - SALEM CHERRY
1	132778-01-N75	EA	CABINET - OVERHEAD - FRONT/LEFT HAND - W/O DOORS/HARDWARE - PORTSMOUTH OAK
2	131995-V4-M70	EA	DOOR - RAIL/SOLID PANEL - 9.2" X 21.8" - W/O HARDWARE - SALEM CHERRY
2	131995-V4-N75	EA	DOOR - RAIL/SOLID PANEL - 9.2" X 21.8" - W/O HARDWARE - PORTSMOUTH OAK
2	100708-24-000	EA	DOOR/GLASS - TV CABINET - 6.5" X 19.1" - W/O HARDWARE
3	133790-02-02B	EA	STRAP - TIEDOWN/TV - E-COATED
4	132779-01-M85	EA	CABINET - OVERHEAD - FRONT/RIGHT HAND - W/O DOORS/HARDWARE - SALEM CHERRY
4	132779-01-N75	EA	CABINET - OVERHEAD - FRONT/RIGHT HAND - W/O DOORS/HARDWARE - PORTSMOUTH OAK
5	126681-10-N74	EA	PANEL - CLOSEOUT/RIGHT HAND - W/O HARDWARE
6	P38119-08-N74	EA	END CAP - OVERHEAD/CABINET - SALEM CHERRY
6	P38119-08-N75	EA	END CAP - OVERHEAD/CABINET - PORTSMOUTH OAK
7	138377-01-N70	EA	CABINET - OVERHEAD/SIDE/FRONT/RIGHT HAND - W/O DOORS/HDW - PORTSMOUTH OAK - W/O CD
7	138377-01-N71	EA	CABINET - OVERHEAD/SIDE/FRONT/RIGHT HAND - W/O DOORS/HDW - PORTSMOUTH OAK - W/O CD
7	138377-01-N72	EA	CABINET - OVERHEAD/SIDE/FRONT/RIGHT HAND - W/O DOORS/HDW - PORTSMOUTH OAK - W/O CD
7	138377-01-N74	EA	CABINET - OVERHEAD/SIDE/FRONT/RIGHT HAND - W/O DOORS/HDW - SALEM CHERRY - W/O CD
7	138377-01-N75	EA	CABINET - OVERHEAD/SIDE/FRONT/RIGHT HAND - W/O DOORS/HDW - PORTSMOUTH OAK - W/O CD
7	138377-01-N76	EA	CABINET - OVERHEAD/SIDE/FRONT/RIGHT HAND - W/O DOORS/HDW - SALEM CHERRY - W/O CD
7	138377-01-N77	EA	CABINET - OVERHEAD/SIDE/FRONT/RIGHT HAND - W/O DOORS/HDW - PORTSMOUTH OAK - W/O CD
7	138377-01-N78	EA	CABINET - OVERHEAD/SIDE/FRONT/RIGHT HAND - W/O DOORS/HDW - SALEM CHERRY - W/O CD
7	138377-01-N79	EA	CABINET - OVERHEAD/SIDE/FRONT/RIGHT HAND - W/O DOORS/HDW - PORTSMOUTH OAK - W/O CD
7	138377-02-N70	EA	CABINET - OVERHEAD/SIDE/FRONT/RIGHT HAND - W/O DOORS/HDW - PORTSMOUTH OAK - W/CD
7	138377-02-N71	EA	CABINET - OVERHEAD/SIDE/FRONT/RIGHT HAND - W/O DOORS/HDW - PORTSMOUTH OAK - W/CD
7	138377-02-N72	EA	CABINET - OVERHEAD/SIDE/FRONT/RIGHT HAND - W/O DOORS/HDW - PORTSMOUTH OAK - W/CD
7	138377-02-N74	EA	CABINET - OVERHEAD/SIDE/FRONT/RIGHT HAND - W/O DOORS/HDW - SALEM CHERRY - W/CD
7	138377-02-N75	EA	CABINET - OVERHEAD/SIDE/FRONT/RIGHT HAND - W/O DOORS/HDW - PORTSMOUTH OAK - W/CD
7	138377-02-N76	EA	CABINET - OVERHEAD/SIDE/FRONT/RIGHT HAND - W/O DOORS/HDW - SALEM CHERRY - W/CD
7	138377-02-N77	EA	CABINET - OVERHEAD/SIDE/FRONT/RIGHT HAND - W/O DOORS/HDW - PORTSMOUTH OAK - W/CD
7	138377-02-N78	EA	CABINET - OVERHEAD/SIDE/FRONT/RIGHT HAND - W/O DOORS/HDW - SALEM CHERRY - W/CD
7	138377-02-N79	EA	CABINET - OVERHEAD/SIDE/FRONT/RIGHT HAND - W/O DOORS/HDW - PORTSMOUTH OAK - W/CD

DRIVERS COMPARTMENT GROUP (CONTINUED)
CABINETS (CONTINUED)

KEY	PART NUMBER	U/M	DESCRIPTION
8	131995-23-L14	EA	DOOR-RAIL/SOLID PANEL-10"X19.1"-W/O HDW-SALEM CHERRY-P32TD,34HD,36LD,36GD,39QD
8	131995-23-N75	EA	DOOR-RAIL/SOLID PANEL-10"X19.1"-W/O HDW-PORTSMOUTH OAK-P32TD,34HD,36LD,36GD,39QD
8	132141-74-N42	EA	DOOR - RAIL/VENEER - 10" X 19.1" - W/O HARDWARE - PORTSMOUTH OAK - P32T,P34H,P36C,P36L
9	133026-02-N74	EA	PANEL - VINYL COVERED - W/O NOTCH
9	133026-03-N74	EA	PANEL - VINYL COVERED - W/NOTCH
10	133544-01-L85	EA	CABINET FACE - OVERHEAD/TV - SALEM CHERRY
10	133544-01-N75	EA	CABINET FACE - OVERHEAD/TV - PORTSMOUTH OAK
	132796-01-01B	EA	SUPPORT - CABINET/TV - FRONT MIDDLE
	132792-01-01B	EA	SUPPORT - TV - MILL
	073050-03-000	EA	MOUNTING CLIP - VALANCE PANEL
11	133029-01-04A	EA	COVER-TV,OVHD FRT,GLACIER
12	138378-01-N70	EA	CABINET - OVERHEAD/SIDE/FRONT/LEFT HAND - W/O DOORS/HDW - PORTSMOUTH OAK
12	138378-01-N71	EA	CABINET - OVERHEAD/SIDE/FRONT/LEFT HAND - W/O DOORS/HDW - PORTSMOUTH OAK
12	138378-01-N72	EA	CABINET - OVERHEAD/SIDE/FRONT/LEFT HAND - W/O DOORS/HDW - PORTSMOUTH OAK
12	138378-01-N74	EA	CABINET - OVERHEAD/SIDE/FRONT/LEFT HAND - W/O DOORS/HDW - SALEM CHERRY
12	138378-01-N75	EA	CABINET - OVERHEAD/SIDE/FRONT/LEFT HAND - W/O DOORS/HDW - PORTSMOUTH OAK
12	138378-01-N76	EA	CABINET - OVERHEAD/SIDE/FRONT/LEFT HAND - W/O DOORS/HDW - SALEM CHERRY
12	138378-01-N77	EA	CABINET - OVERHEAD/SIDE/FRONT/LEFT HAND - W/O DOORS/HDW - PORTSMOUTH OAK
12	138378-01-N78	EA	CABINET - OVERHEAD/SIDE/FRONT/LEFT HAND - W/O DOORS/HDW - SALEM CHERRY
12	138378-01-N79	EA	CABINET - OVERHEAD/SIDE/FRONT/LEFT HAND - W/O DOORS/HDW - PORTSMOUTH OAK
13	109216-03-000	EA	ANGLE - DOOR/FURNACE

ELECTRICAL GROUP

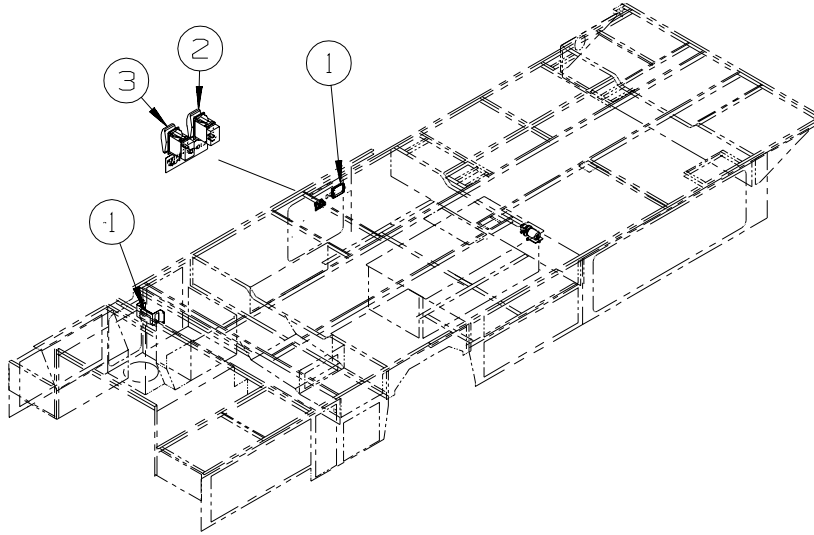
12V BODY WIRING



KEY	PART NUMBER	U/M	DESCRIPTION
1	106646-02-000	EA	REFLECTOR - STICK ON - RED
2	136917-01-000	EA	LIGHT - BRAKE - CENTER MOUNT - OVAL
2	106687-01-000	EA	SOCKET - LIGHT - 2-WIRE
3	133055-03-000	EA	BASE - F/CLEARANCE/MARKER - WHITE
3	133055-01-000	EA	LENS - RED - F/CLEARANCE/MARKER
3	036196-01-000	EA	BULB - 12V - #194 - .27 AMP - BAYONETTE
4	106688-01-000	EA	LIGHT - BACK-UP W/WHITE LENS (LENS/BACK PAN)
4	037934-01-000	EA	BULB - 12V - #1156 - 2.1 AMP - CLEAR GLASS
5	133055-03-000	EA	BASE - F/CLEARANCE/MARKER - WHITE
5	133055-02-000	EA	LENS - AMBER - F/CLEARANCE/MARKER
5	036196-01-000	EA	BULB - 12V - #194 - .27 AMP - BAYONETTE
6	111102-01-000	EA	BASE - MARKER LAMP
6	111102-03-000	EA	LENS - RED - MARKER LAMP
6	127536-02-000	EA	SOCKET - LIGHT - 194 WEDGE
7	111102-01-000	EA	BASE - MARKER LAMP
7	111102-02-000	EA	LENS - AMBER - MARKER LAMP
7	127536-02-000	EA	SOCKET - LIGHT - 194 WEDGE
8*	097917-01-06A	EA	LIGHT - PORCH - BRIGHT WHITE
8	008215-01-000	EA	BULB - 12 VOLT - #1003 - .94 AMP
8*	008089-02-000	EA	LIGHT - PORCH - RECESSED - CANADIAN
8	008214-01-000	EA	BULB - 12 VOLT - #67 - .59 AMP
9*	133054-03-000	EA	LIGHT - STOP/TURN/TAILLIGHT - RED
10*	133054-04-000	EA	LIGHT - TURN - AMBER
11	113589-01-000	EA	CONNECTOR - PLUG - TRAILER
11	113589-02-000	EA	CONNECTOR - SOCKET - TRAILER
12	137765-01-04B	EA	PLATE - HEADLAMP - 7" ROUND - RIGHT HAND
13	135625-02-000	EA	HEADLAMP - HIGH/LOW - ROUND - 7" - BLACK
13	049359-01-000	EA	SPRING - RETAINER - HEADLAMP - GM #496096
13	110750-01-000	EA	SCREW - HEADLAMP ADJUSTING
14	133069-01-000	EA	LENS - PARK/TURN W/O SOCKET - AMBER - PASSENGER
14	037935-01-000	EA	BULB - 12V - #1157 OR #2057 - 2.1 AMP - CLEAR GLASS
14	133069-03-000	EA	SOCKET - LAMP - 3 WIRE
15	133069-02-000	EA	LENS - PARK/TURN W/O SOCKET - AMBER - DRIVER
15	037935-01-000	EA	BULB - 12V - #1157 OR #2057 - 2.1 AMP - CLEAR GLASS
16	133115-01-000	EA	LAMP - FOG - CLEAR ROUND
17	087201-01-000	EA	LIGHT - HALF ROUND - 1" X 1.7" - PLASTIC - BLACK
	130672-01-01A	EA	SPOTLIGHT - POWER - REMOTE - WHITE

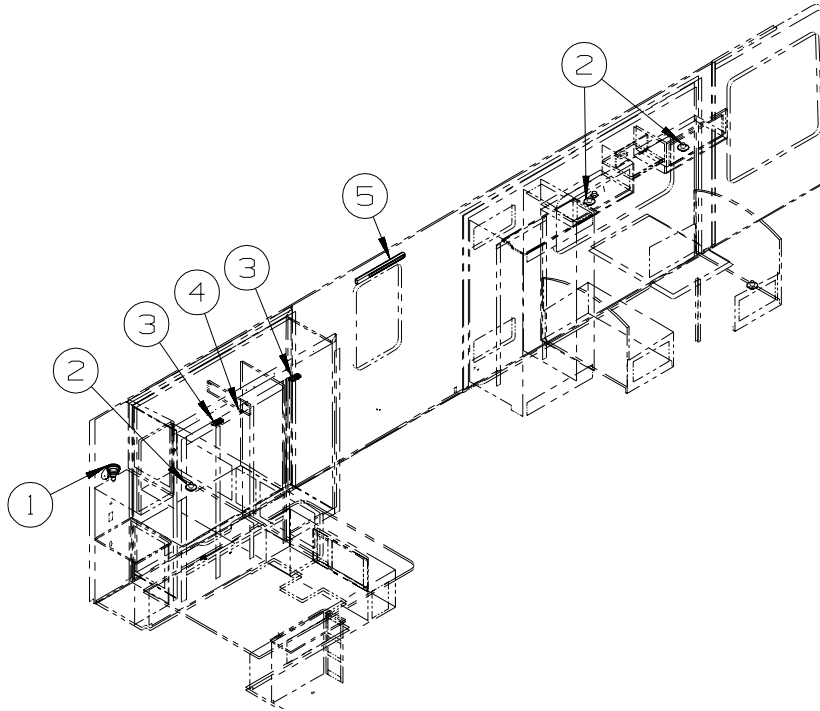
*COMPONENT PARTS LISTED LATER IN THIS GROUP

ELECTRICAL GROUP (CONTINUED)
12V BODY WIRING (CONTINUED)



KEY	PART NUMBER	U/M	DESCRIPTION
1	137417-03-01A	EA	LIGHT - DOME - SINGLE - W/FROSTED LENS - W/O SWITCH-WHITE
2	108357-01-000	EA	SWITCH - ROCKER - SPST - ON/OFF - 2 TERMINAL
2	108356-02-01A	EA	COVER/ACTUATOR SWITCH - 2 ROWS DIMPLES- CONTURA II - BLACK
2	108355-01-000	EA	HOUSING - SWITCH
3	108357-15-000	EA	SWITCH - ROCKER - DPDT - ON/NONE/ON
3	108356-04-01A	EA	COVER/ACTUATOR SWITCH - 2 ROWS DIMPLES W/LENS-CONTURA-BLK
3	108355-01-000	EA	HOUSING - SWITCH

ELECTRICAL GROUP (CONTINUED)
12V BODY WIRING (CONTINUED)

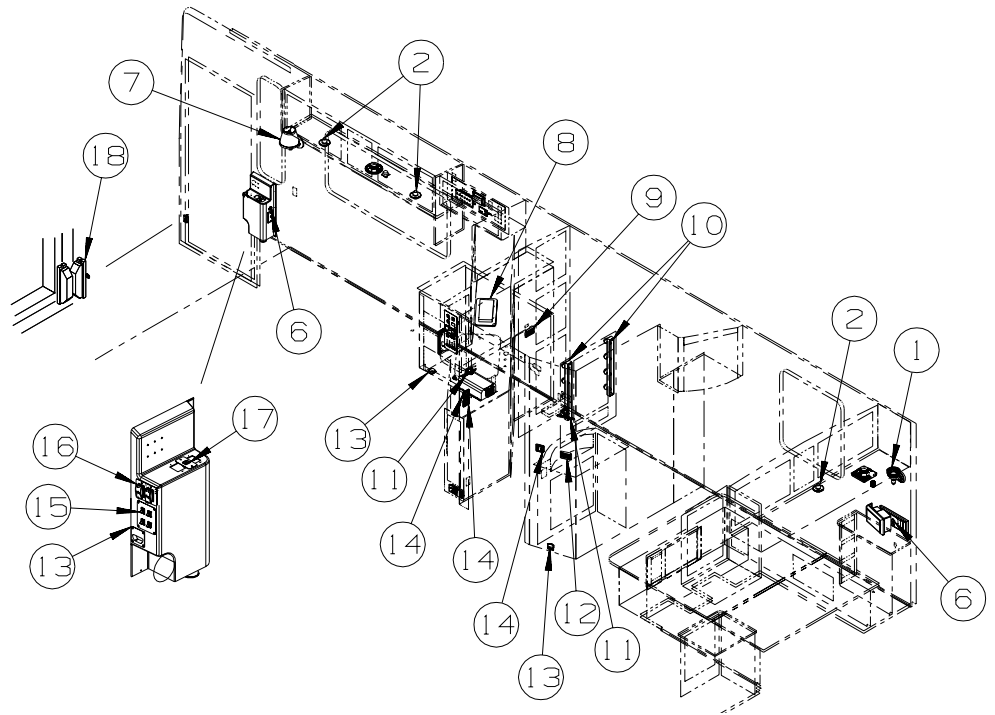


KEY	PART NUMBER	U/M	DESCRIPTION
1	119258-08-01A	EA	LAMP - WALL - BRASS - UL/CSA
2	132427-01-01A	EA	LIGHT - READING/SWIVEL/ROUND - BRASS
2	123917-01-000	EA	BULB - 12V - HALOGEN SPOT
3*	087694-01-000	EA	LIGHT - WARDROBE/CLOSET - W/SWITCH
4	056264-01-000	EA	SWITCH - LEAF ACTUATOR - CABINET DOOR JAMB
5	113371-02-000	EA	LIGHT-FLUORESCENT 24",STRIP , THIN-LITE 143 UL/C

***COMPONENT PARTS LISTED LATER IN THIS GROUP**

ELECTRICAL GROUP (CONTINUED)

12V BODY WIRING (CONTINUED)



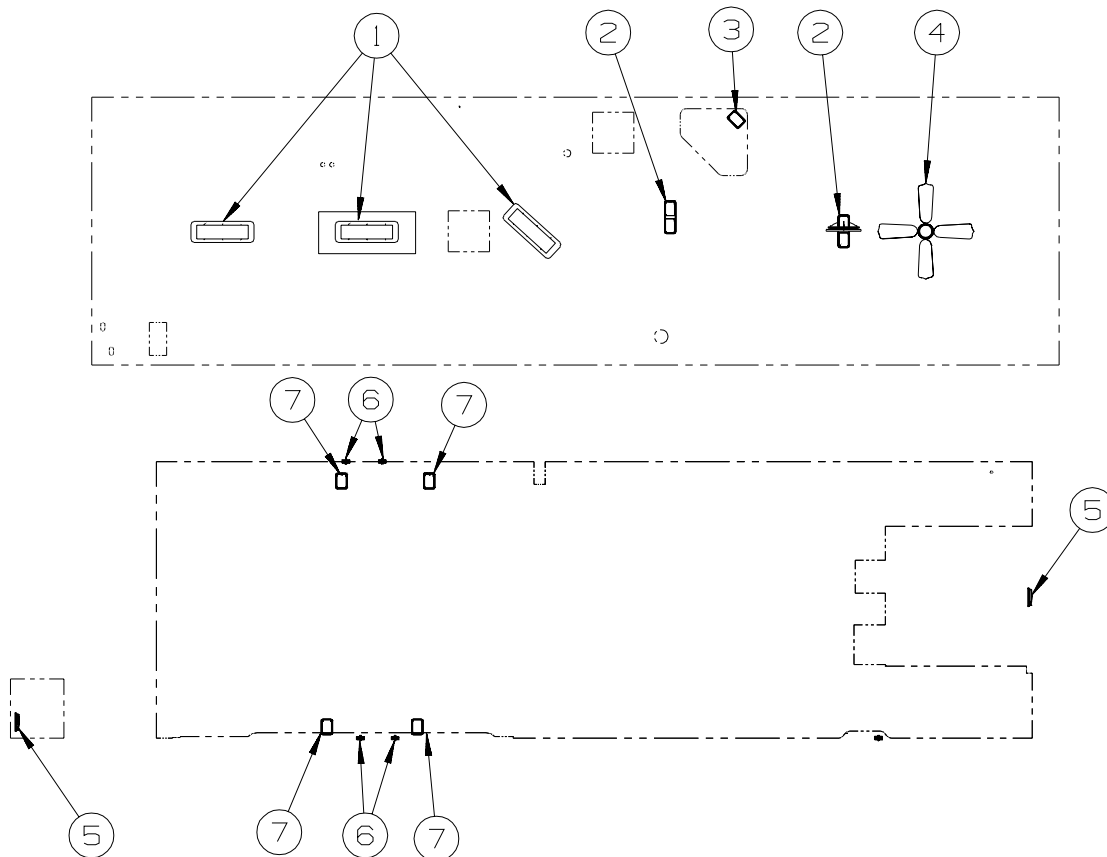
KEY	PART NUMBER	U/M	DESCRIPTION
1	119258-08-01A	EA	LAMP - WALL - BRASS - UL/CSA
2	132427-01-01A	EA	LIGHT - READING/SWIVEL/ROUND - BRASS
2	123917-01-000	EA	BULB - 12V - HALOGEN SPOT
3*	087694-01-000	EA	LIGHT - WARDROBE/CLOSET - W/SWITCH
4	056264-01-000	EA	SWITCH - LEAF ACTUATOR - CABINET DOOR JAMB
5	113371-02-000	EA	LIGHT-FLUORESCENT 24",STRIP , THIN-LITE 143 UL/C
6	132958-01-000	EA	RECEPTACLE - 12 VOLT - MOUNTING FLANGE - BLACK
7	119258-18-01A	EA	LAMP - WALL - BRASS - UL/CSA
7	119257-11-01A	EA	SHADE - LAMP - LINEN/SLUB SATIN (TAN)
8*	091937-09-000	EA	LIGHT-FLOURESCENT-12V/30 WATT RECESSED - W/SWITCH
9	135740-01-02A	EA	SWITCH - ROCKER - SPST - ON/OFF - WHITE - VENT/FAN, SHOWER LAMP
9	135740-03-02A	EA	SWITCH - ROCKER - DPDT - MOM/OFF/MOM - OFF WHITE - VENT/RAISE/LOWER
9	135741-03-02A	EA	SWITCH - BASE - TRIPLE - WHITE
9	135742-03-02A	EA	SWITCH/BEZEL - TRIPLE - WHITE
10	138116-02-01A	EA	LIGHT/MAKE UP - 4 BULB - CURVED - W/O BULB - BRASS
10	123918-01-000	EA	BULB - 12V - MAKEUP WHITE
11	081994-10-000	EA	PLATE/SWITCH - SLIDEOUT
11	108357-06-000	EA	SWITCH - ROCKER - DPDT - MOM/OFF/MOM - 6 TERMINAL
11	108356-02-01A	EA	COVER/ACTUATOR SWITCH - 2 ROWS DIMPLES- CONTURA II - BLACK
11	108355-01-000	EA	HOUSING - SWITCH
12	137889-01-000	EA	SWITCH - LIGHT DIMMER
12	135740-03-02A	EA	SWITCH - ROCKER - DPDT - MOM/OFF/MOM - OFF WHITE
12	135741-01-02A	EA	SWITCH - BASE - SINGLE - WHITE
12	135742-01-02A	EA	SWITCH - BEZEL - SINGLE - WHITE
13*	108354-01-01A	EA	LIGHT - COURTESY
14	135740-01-02A	EA	SWITCH - ROCKER - SPST - ON/OFF - WHITE
14	135741-02-02A	EA	SWITCH - BASE - DOUBLE - WHITE
14	135742-02-02A	EA	SWITCH - BEZEL - DOUBLE - WHITE
14	135742-17-01A	EA	BEZEL - SWITCH - UP/DOWN FAN - WHITE
			FROM: 00-00-00 THRU: 06-17-01
			FROM: 06-18-01 THRU: 99-99-99
15	132180-01-01A	EA	SWITCH - PADDLE - SPST - ON/OFF - BLACK
15	132180-02-01A	EA	SWITCH - PADDLE - SPDT - ON/ON - BLACK
15	098351-08-01A	EA	PLATE/SWITCH - 4 GANG/BRASS-PORCH/CEILING/STEP/COMPT LAMPS
16	098351-22-01A	EA	PLATE/SWITCH - 2 GANG - POLISHED BRASS
16	108357-06-000	EA	SWITCH - ROCKER - DPDT - MOM/OFF/MOM - 6 TERMINAL - AWNING CONTROL
16	108356-12-01A	EA	COVER/ACTUATOR SWITCH - 3 GROOVES
16	108357-08-000	EA	SWITCH - ROCKER - DPDT - 0N/NONE/ON - 6 TERMINAL - AWNING SELECTOR
16	108356-13-01A	EA	COVER/ACTUATOR SWITCH - 3 GROOVES
16	108355-01-000	EA	HOUSING - SWITCH

ELECTRICAL GROUP (CONTINUED)

12V BODY WIRING (CONTINUED)

KEY	PART NUMBER	U/M	DESCRIPTION
17	079364-04-000	EA	SWITCH - ON/OFF ROCKER - 2 TERMINAL - BLACK - W/MAP LIGHT & STEP COVER
17	079364-07-000	EA	SWITCH - MOM/OFF/MOM ROCKER - BLACK - W/MAP LIGHT & STEP COVER
17	098351-12-01A	EA	PLATE/SWITCH - 2 GANG - POLISHED BRASS - STEP COVER/LAMP - W/MAP LIGHT & STEP COVER
18	116995-02-000	EA	SWITCH/MAGNET - ELECTRIC STEP - BLACK/WHITE-CLOSED CIRCUIT

***COMPONENT PARTS LISTED LATER IN THIS GROUP**

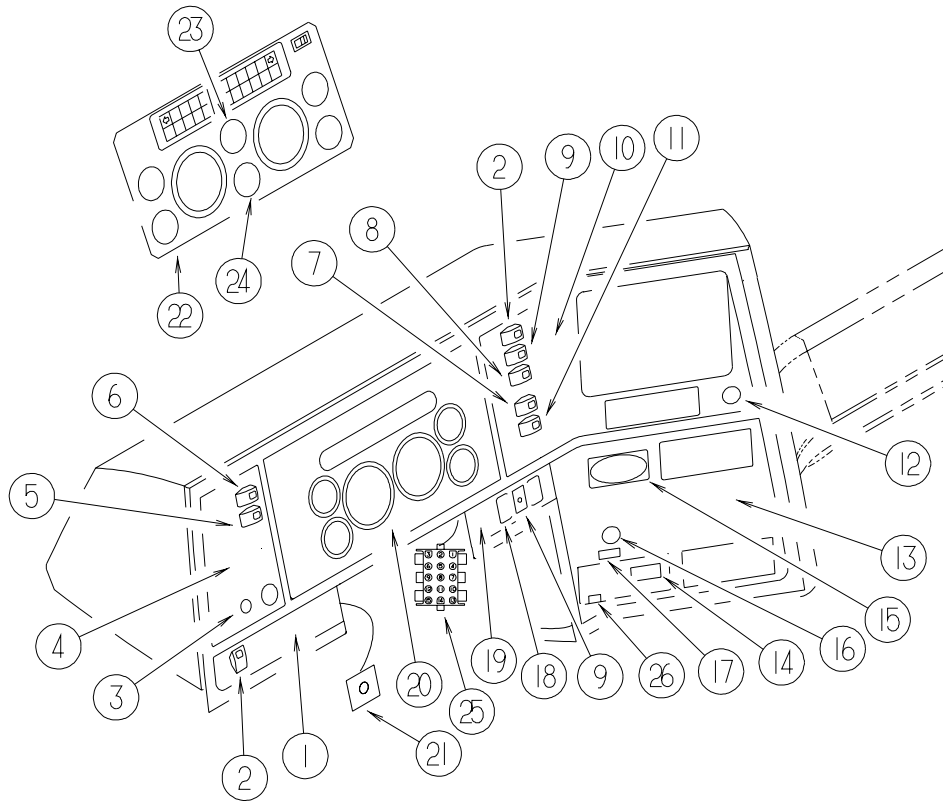


KEY	PART NUMBER	U/M	DESCRIPTION
1*	091937-08-000	EA	LIGHT-FLOURESCENT-12V/30 WATT RECESSED - W/O SWITCH
	091937-03-000	EA	BULB - FLUORESCENT LIGHT - 12 VOLT
2*	137417-06-01A	EA	LIGHT - DOME - DOUBLE - W/FROSTED LENS - W/O SWITCH-WHITE
3*	121935-01-01A	EA	LIGHT - DOME - SHOWER
4*	139134-01-01A	EA	FAN - CEILING - 35"
5*	098024-01-03A	EA	LIGHT - DOME - 1 BULB - WHITE
5*	137417-01-01A	EA	LIGHT - DOME - SINGLE - W/SWITCH/FROSTED LENS - WHITE
			FROM: 00-00-00 THRU: 08-10-01
			FROM: 08-11-01 THRU: 99-99-99
6	P01713-01-000	EA	SWITCH - PUSH BUTTON - ELECTRIC STEP
	138494-01-02B	EA	BRACKET - SWITCH/LIGHT - E-COATED
7	137417-03-01A	EA	LIGHT - DOME - SINGLE - W/FROSTED LENS - W/O SWITCH-WHITE

***COMPONENT PARTS LISTED LATER IN THIS GROUP**

ELECTRICAL GROUP (CONTINUED)

FRONT END WIRING



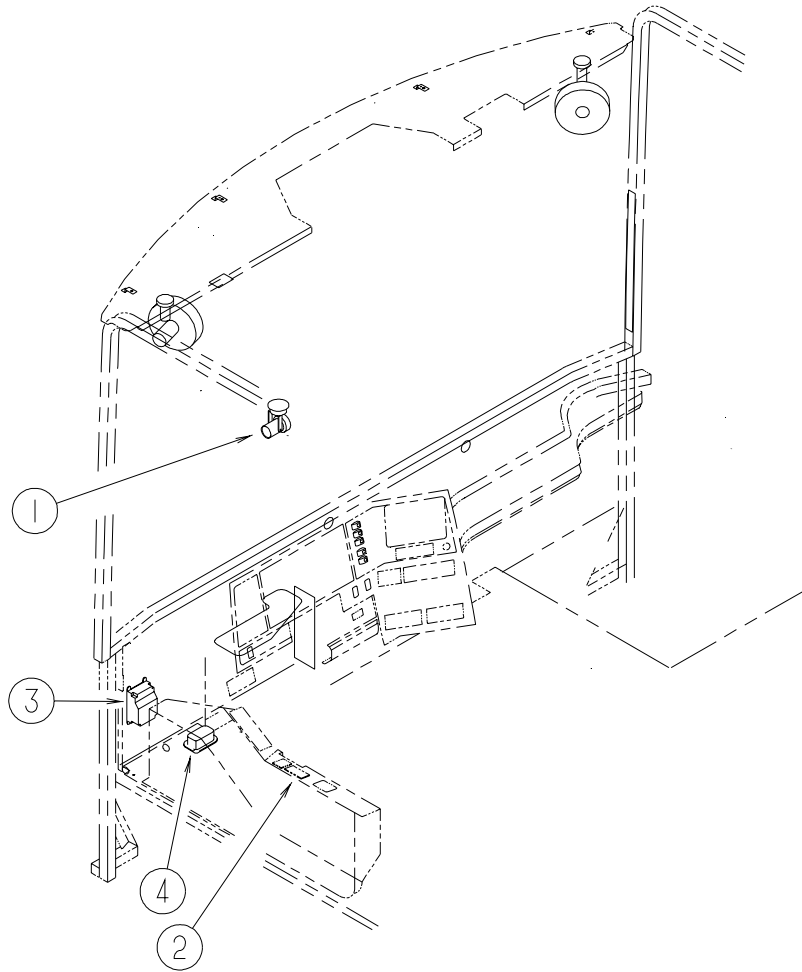
KEY	PART NUMBER	U/M	DESCRIPTION
1	104056-32-01A	EA	APPLIQUE - BEZEL - DRIVER/LOWER - BLACK VELVET
2	108357-08-000	EA	SWITCH - ROCKER DPDT - ON/NONE/ON - 6 TERMINAL
2	108356-01-01A	EA	COVER/ACTUATOR SWITCH - 3 GROOVES - CONTURA III - BLACK
2	108355-01-000	EA	HOUSING - SWITCH
3*	091206-04-000	EA	MODULE/WIPER CONTROL KIT - DYNAMIC PARK
4	104056-50-01A	EA	APPLIQUE - BEZEL - DRIVER SIDEWALL
5	108357-01-000	EA	SWITCH - ROCKER SPST - ON/OFF - 2 TERMINAL
5	108356-01-01A	EA	COVER/ACTUATOR SWITCH - 3 GROOVES - CONTURA III - BLACK
5	108355-01-000	EA	HOUSING - SWITCH
6	108357-09-000	EA	SWITCH - ROCKER SPDT - ON/NONE/MOM - 3 TERMINAL
6	108356-01-01A	EA	COVER/ACTUATOR SWITCH - 3 GROOVES - CONTURA III - BLACK
6	108355-01-000	EA	HOUSING - SWITCH
7	108357-03-000	EA	SWITCH - ROCKER SPDT - ON/OFF/ON - 3 TERMINAL
7	108356-01-01A	EA	COVER/ACTUATOR SWITCH - 3 GROOVES - CONTURA III - BLACK
7	108355-01-000	EA	HOUSING - SWITCH
7	096241-03-000	EA	SWITCH - BLANK - BLACK
8	108357-10-000	EA	SWITCH - ROCKER SPDT - W/LIGHT - MOM/NONE/MOM - 5 TERMINAL
8	108356-03-01A	EA	COVER/ACTUATOR SWITCH - 3 GROOVES W/LIGHT-CONTRA III-BLACK
8	108355-01-000	EA	HOUSING - SWITCH
9	108357-06-000	EA	SWITCH - ROCKER DPDT - MOM/OFF/MOM - 6 TERMINAL
9	108356-01-01A	EA	COVER/ACTUATOR SWITCH - 3 GROOVES - CONTURA III - BLACK
9	108355-01-000	EA	HOUSING - SWITCH
10	104056-40-01A	EA	APPLIQUE - BEZEL - PASSENGER/UPPER - 6-SWITCH
11	108357-01-000	EA	SWITCH - ROCKER SPST - ON/OFF - 2 TERMINAL
11	108356-01-01A	EA	COVER/ACTUATOR SWITCH - 3 GROOVES - CONTURA III - BLACK
11	108355-01-000	EA	HOUSING - SWITCH
11	096241-03-000	EA	SWITCH - BLANK - BLACK
12	089294-01-000	EA	LIGHTER - CIGARETTE - W/SOCKET & WIRE
13	104056-52-01A	EA	APPLIQUE - BEZEL - LOWER/RIGHT WING
14	133535-01-000	EA	MODULE - TIMER 20 SECOND
15	136119-01-000	EA	COMPASS/THERMOMETER - ELECTRONIC

ELECTRICAL GROUP (CONTINUED)
FRONT END WIRING (CONTINUED)

KEY	PART NUMBER	U/M	DESCRIPTION
16	133534-02-000	EA	LIGHT - AMBER INDICATOR WITH 1/4" TERMINALS
17	133533-02-01A	EA	LABEL - CHECK ANTENNA - CLEAR W/WHITE LETTERING
18	116220-01-000	EA	APPLIQUE - SWITCH/SLIDEOUT
19	104056-42-01A	EA	APPLIQUE - BEZEL - PASSENGER/LOWER - F/SLIDEOUT & JACKS
20	107031-15-01A	EA	BEZEL - INSTRUMENT PANEL
21	134090-02-000	EA	MODULE - DAY TIME RUNNING LIGHT
22	133196-05-000	EA	SPEEDOMETER - FREIGHTLINER - KILOMETERS
23	133197-05-000	EA	GAUGE-AIR,KPA FRONT 01 FTLNR KYSOR 7559-08100-0
24	133197-07-000	EA	GAUGE-AIR,KPA REAR 01 FTLNR KYSOR 7559-09100-0
25	115539-01-000	EA	RELAY - RADIO/TV SPEAKER - SWITCH
26	128074-02-000	EA	FILTER - NOISE - 12 VOLT DC W/PLUGS
	077031-03-000	EA	FILM - WHITE - .75" X 1"
	103603-01-000	EA	BULB - 12 VOLT - #74 - .12A WEDGE - GE 22-25 USED IN DASH
	103608-01-000	EA	SOCKET - WEDGE BASE W/LEADS

***COMPONENT PARTS LISTED LATER IN THIS GROUP**

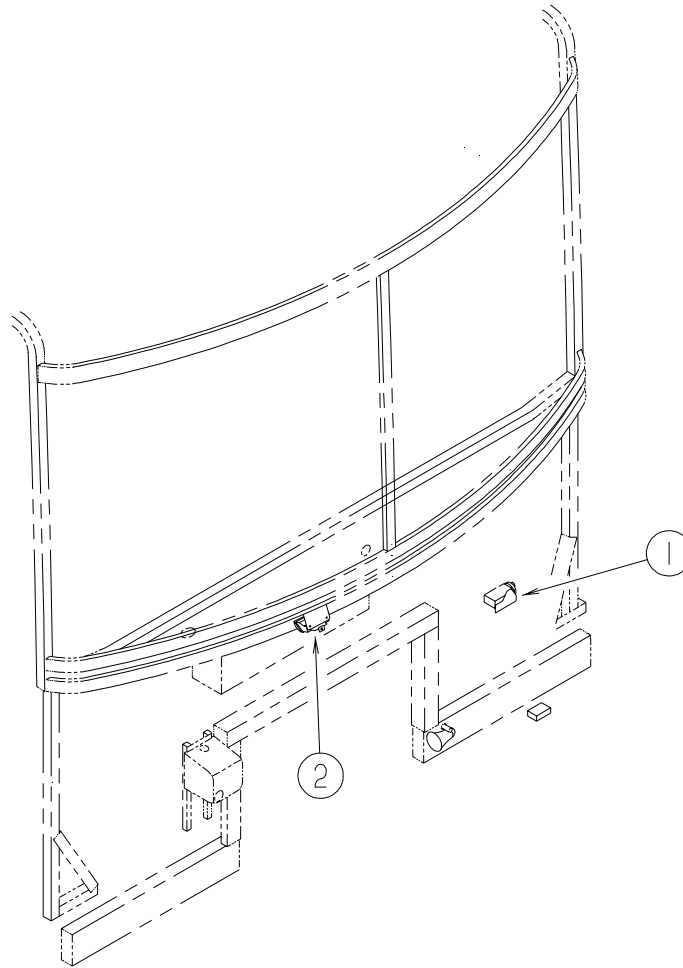
ELECTRICAL GROUP (CONTINUED)
FRONT END WIRING (CONTINUED)



KEY	PART NUMBER	U/M	DESCRIPTION
1	128786-01-01A	EA	LIGHT - READING/SWIVEL
1	123917-01-000	EA	BULB - 12V - HALOGEN SPOT
2	118662-12-02B	EA	PLATE - SWITCH - MIRROR - E-COATED
2	088246-01-000	EA	SWITCH/REMOTE MIRROR - W/2PIN & 6 PIN CONNECTORS/PIGTAIL
2	108357-14-000	EA	SWITCH - ROCKER SPDT - W/LIGHT - ON/OFF - 4 TERMINAL
2	108356-03-01A	EA	COVER/ACTUATOR SWITCH -3 GROOVES W/LIGHT-CONTRA III-BLACK
3*	091206-04-000	EA	MODULE KIT - WIPER CONTROL - DYNAMIC PARK
4	118571-03-000	EA	BRACKET - MOUNTING
4	118571-04-000	EA	GASKET

***COMPONENT PARTS LISTED LATER IN THIS GROUP**

ELECTRICAL GROUP (CONTINUED)
FRONT END WIRING (CONTINUED)



KEY	PART NUMBER	U/M	DESCRIPTION	
1	114802-01-000	EA	PUMP - VACUUM - 12V	
2*	098024-01-03A	EA	LIGHT - DOME - 1 BULB - WHITE	
	008218-01-000	EA	BULB - 12 VOLT - #1141 - 1.44 AMP	FROM: 00-00-00 THRU: 08-10-01
2*	137417-01-01A	EA	LIGHT - DOME - SINGLE - W/SWITCH/FROSTED LENS - WHITE	FROM: 08-11-01 THRU: 99-99-99

***COMPONENT PARTS LISTED LATER IN THIS GROUP**

ELECTRICAL GROUP (CONTINUED)
COMPONENT PARTS FOR LIGHTS & SWITCHES

008089-02-000

KEY	PART NUMBER	U/M DESCRIPTION	
	008089-01-700	EA LENS-LIGHT, RECESSED, PORCH DECO	
			087694-01-000
KEY	PART NUMBER	U/M DESCRIPTION	VENDOR NO.
	087694-01-700	EA BULB	GE561
			091206-04-000
KEY	PART NUMBER	U/M DESCRIPTION	VENDOR NO.
	091206-02-700	EA KNOB-INNER	66C-00019
	091206-02-701	EA KNOB-OUTER	66C-00020
	091206-04-700	EA SWITCH ASSEM. ONLY	250-6623
	102362-03-700	EA MODULE-WIPER CONT., DYNAMIC	66D-00093
			097917-01-06A
KEY	PART NUMBER	U/M DESCRIPTION	VENDOR NO.
	097917-01-700	EA LENS-LIGHT, CLEAR	30-78-021
			091937-08-000
KEY	PART NUMBER	U/M DESCRIPTION	VENDOR NO.
	091937-08-700	EA LENS - LIGHT - FLUORESCENT	D-766
			091937-09-000
KEY	PART NUMBER	U/M DESCRIPTION	VENDOR NO.
	091937-09-700	EA LENS - LIGHT - FLUORESCENT	D-762
			098024-01-03A
KEY	PART NUMBER	U/M DESCRIPTION	VENDOR NO.
	098024-01-700	EA LENS-LIGHT	807877
			108354-01-01A
KEY	PART NUMBER	U/M DESCRIPTION	VENDOR NO.
	108354-01-700	EA BULB-COURTESY LIGHT	395-B
			121935-01-01A
KEY	PART NUMBER	U/M DESCRIPTION	VENDOR NO.
	121935-01-700	EA LENS ONLY	809511
			133054-03-000
KEY	PART NUMBER	U/M DESCRIPTION	VENDOR NO
	133054-03-700	EA LENS	2011-0000-10
	133054-03-701	EA GASKET - LIGHT MOUNTING	2004-0000-00
	133054-03-702	EA GASKET - LENS	2003-0000-00
			133054-04-000
KEY	PART NUMBER	U/M DESCRIPTION	VENDOR NO
	133054-03-701	EA GASKET - LIGHT MOUNTING	2004-0000-00
	133054-03-702	EA GASKET - LENS	2003-0000-00
	133054-04-700	EA LENS	2011-0000-20
			137417-01-01A
KEY	PART NUMBER	U/M DESCRIPTION	VENDOR NO.
	137417-01-700	EA LENS - SINGLE WHITE	810868
			137417-06-01A
KEY	PART NUMBER	U/M DESCRIPTION	VENDOR NO.
	137417-06-700	EA LENS - DOUBLE WHITE	810867
			139134-01-01A
KEY	PART NUMBER	U/M DESCRIPTION	VENDOR NO.
	139134-01-700	EA BLADE 36" WHT MATT(4 PC SET)	A70070
	139134-01-701	EA MOTOR - REVERSIBLE	A70071
	139134-01-702	EA HOLDER/BLADES- (4 PC SET)	A70073AS
	139134-01-703	EA HOUSING-MOTOR SLIDE SWITCH	A70074
	139134-01-704	EA HOUSING - MOTOR	A70075AS
	139134-01-705	EA HARDWARE PACKAGE	A70076

ELECTRICAL GROUP (CONTINUED)
CIRCUIT BREAKERS & FUSES

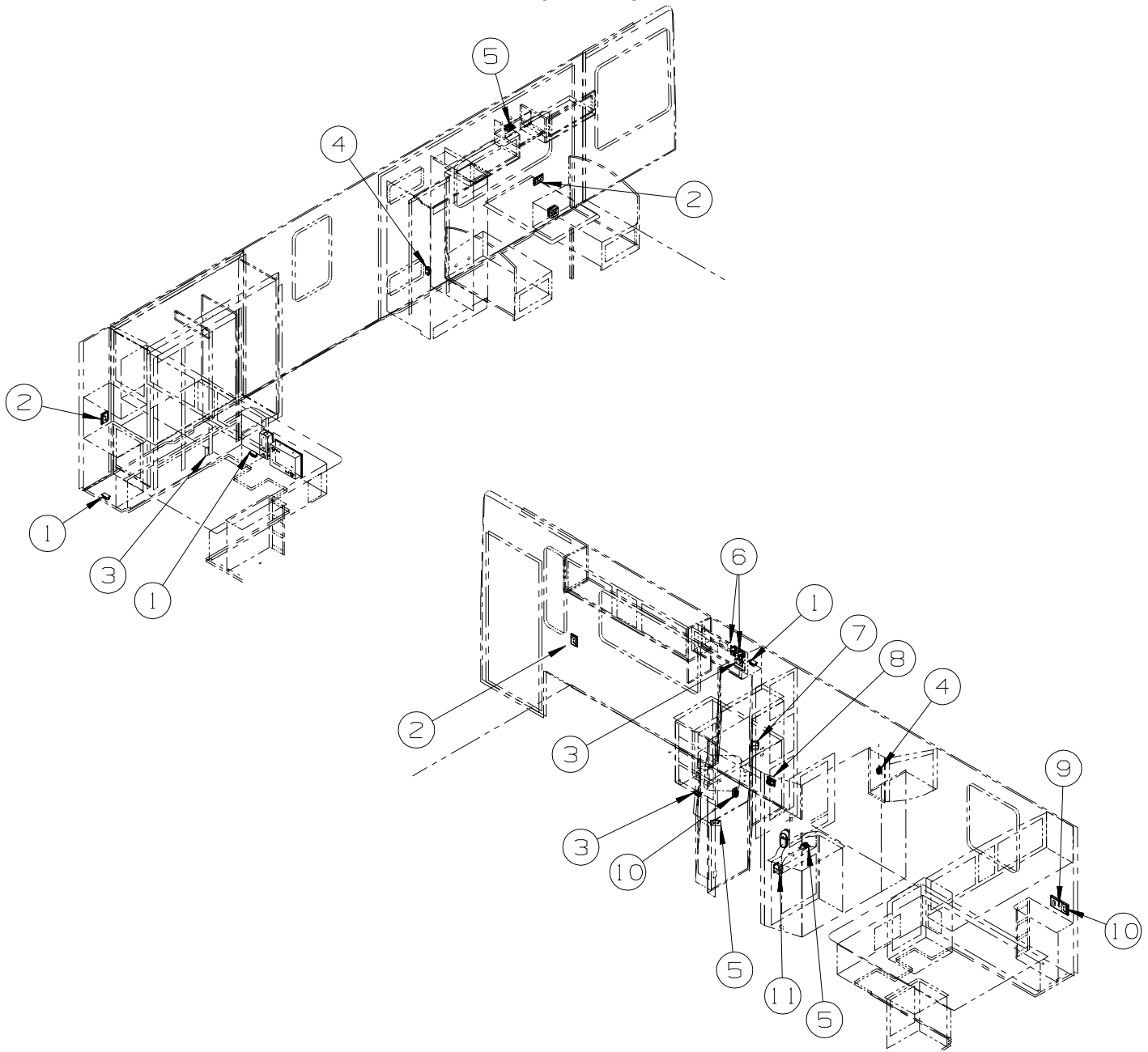
KEY	PART NUMBER	U/M	DESCRIPTION
	008233-01-000	EA	FUSE - 12 VOLT - 6 AMP
	008235-01-000	EA	FUSE - 15 AMP/12VOLT - AUTOMOTIVE
	033573-01-000	EA	CIRCUIT BREAKER W/MOUNT-20A, 12V - FASCO 1711-2026
	062037-02-000	EA	HOUSING - AUTO FUSE - GREEN
	062037-04-000	EA	HOUSING - AUTO FUSE - BLUE
	062037-07-000	EA	HOUSING - AUTO FUSE - RED
	062901-02-000	EA	FUSE - 5 AMP - AUTOMOTIVE
	062901-05-000	EA	FUSE - 15 AMP - AUTOMOTIVE
	062901-06-000	EA	FUSE - 20 AMP - AUTOMOTIVE
	062901-07-000	EA	FUSE - 25 AMP - AUTOMOTIVE
	062901-08-000	EA	FUSE - 30 AMP - AUTOMOTIVE
	083209-01-000	EA	CIRCUIT BREAKER - 15 AMP - 120 VOLT - CANADIAN
	083209-02-000	EA	CIRCUIT BREAKER - 15/15 AMP - 120 VOLT
	083209-03-000	EA	CIRCUIT BREAKER - 15/20 AMP - 120 VOLT
	083209-04-000	EA	CIRCUIT BREAKER - 30 AMP - 120 VOLT
	083209-05-000	EA	CIRCUIT BREAKER - 20 AMP - 120 VOLT
	083209-06-000	EA	CIRCUIT BREAKER - 30/15 AMP - 120 VOLT
	083209-07-000	EA	CIRCUIT BREAKER - 20/20 AMP - 120 VOLT
	083209-10-000	EA	CIRCUIT BREAKER - 20/30 AMP - 120 VOLT
	083209-11-000	EA	CIRCUIT BREAKER - 20/15 AMP - 120 VOLT
	092786-02-000	EA	BUSS BAR - 3.3" LONG
	092786-03-000	EA	BUSS BAR - 6.9" LONG
	092786-06-000	EA	BUSS BAR
	093654-01-000	EA	CIRCUIT BREAKER - 6 AMP - 12 VOLT - PUSH BUTTON - WHITE
	093654-02-000	EA	CIRCUIT BREAKER - 15 AMP - 12 VOLT - PUSH BUTTON - WHITE
	093654-03-000	EA	CIRCUIT BREAKER - 20 AMP - 12 VOLT - PUSH BUTTON - WHITE
	093654-11-000	EA	COVER - RESET BUTTON
	093655-01-000	EA	CIRCUIT BREAKER - 25 AMP - 12 VOLT - PUSH BUTTON - WHITE
	093655-02-000	EA	CIRCUIT BREAKER - 30 AMP - 12 VOLT - PUSH BUTTON - WHITE
	093655-03-000	EA	CIRCUIT BREAKER - 40 AMP - 12 VOLT - PUSH BUTTON - WHITE
	093674-01-000	EA	PLATE - CIRCUIT BREAKER - HOUSE - 8.4" X 4.1" - STEEL
	097611-01-000	EA	CIRCUIT BREAKER - 10 AMP
	100341-01-000	EA	FUSE HOLDER - IN LINE TYPE
	106656-01-000	EA	FUSE BLOCK - 4 CAVITY - AUTOFUSE
	108567-01-000	EA	CIRCUIT BREAKER - 40 AMP - 12 VOLT - TYPE II
	108669-01-000	EA	HOUSING - AUTO FUSE HOLDER
	111683-01-000	EA	FUSE - HOLDER - GLASS - 1/4" X 1 1/4"
	113482-01-000	EA	CIRCUIT BREAKER - 55 AMP - MANUAL
	115187-01-000	EA	FUSE - 300 AMP - NON-DELAY
	115187-02-000	EA	FUSE HOLDER - BUSS ANN/ANL BLOCK
	118531-04-02B	EA	PLATE - CIRCUIT BREAKER - E-COATED
	118531-05-02B	EA	PLATE - CIRCUIT BREAKER - E-COAT
	122811-01-000	EA	CIRCUIT BREAKER - 20/50/50/20
	125986-04-000	EA	FUSE - 10 AMP - AUTO - MINI BLADE
	125986-05-000	EA	FUSE - 15 AMP - AUTO - MINI BLADE
	134127-01-000	EA	CIRCUIT BREAKER - 10 AMP - MINI

ELECTRICAL GROUP (CONTINUED)
CONVERTER, INVERTER, LOAD CENTERS

KEY	PART NUMBER	U/M	DESCRIPTION
	099048-04-000	EA	INVERTER - 300 WATT
	108915-03-000	EA	LOAD CENTER - 120/240 VOLT - 100 AMP
	109677-01-000	EA	LOAD CENTER - 120 VOLT - 40 AMP
	113685-04-000	EA	INVERTER - CHARGER - 1500W AC
			FROM: 00-00-00 THRU: 07-22-01
	113685-07-000	EA	INVERTER/CHARGER - 1500W AC
			FROM: 07-23-01 THRU: 99-99-99
	113685-05-000	EA	REMOTE PANEL - INVERTER/CHARGER
	113685-06-000	EA	CABLE - MODULAR JACK - 50'
	123058-01-000	EA	CONVERTER - 55 AMP - ELECTRONIC - 4 1/8"H X 7"W X 12 3/8"L
	127002-01-000	EA	MODULE/CIRCUIT BOARD - ENERGY MANAGEMENT SYSTEM CONTROL
			FROM: 00-00-00 THRU: 01-28-01
	127002-04-000	EA	MODULE - EMS CONTROL - W/REMOTE SENSOR
			FROM: 01-29-01 THRU: 99-99-99
	127002-05-000	EA	PANEL/MONITOR - ENERGY MANAGEMENT SYSTEMS CTRL - W/PLUG
	127002-07-000	EA	SENSOR - CURRENT
			FROM: 01-29-01 THRU: 99-99-99
	135120-01-02B	EA	BRACKET - INVERTER - E-COATED - P34HD , P34H

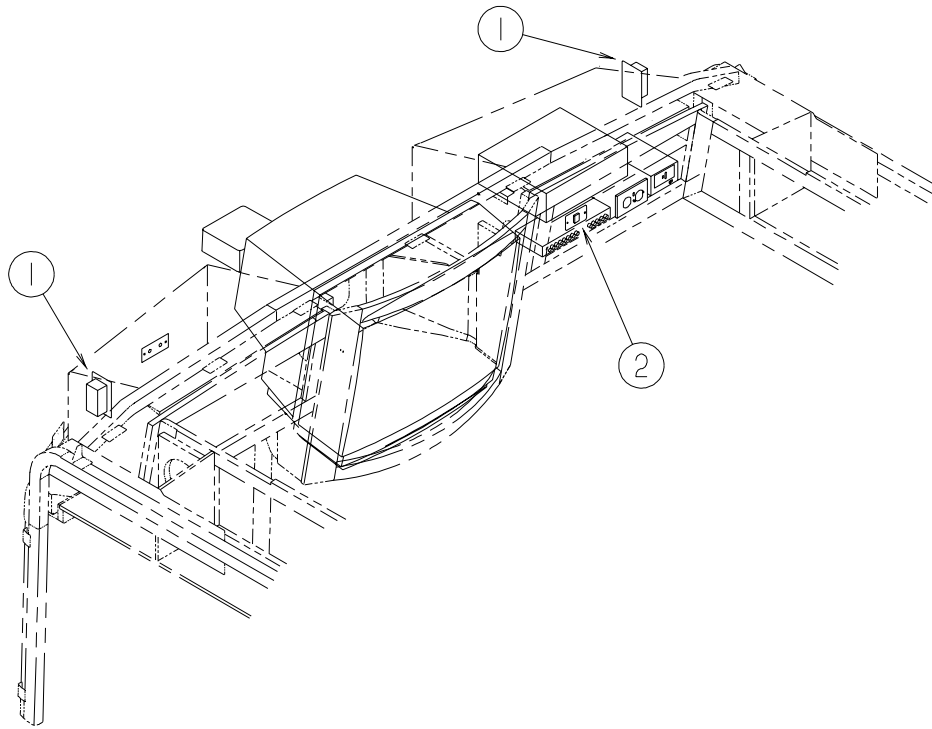
ELECTRICAL GROUP (CONTINUED)

110V WIRING

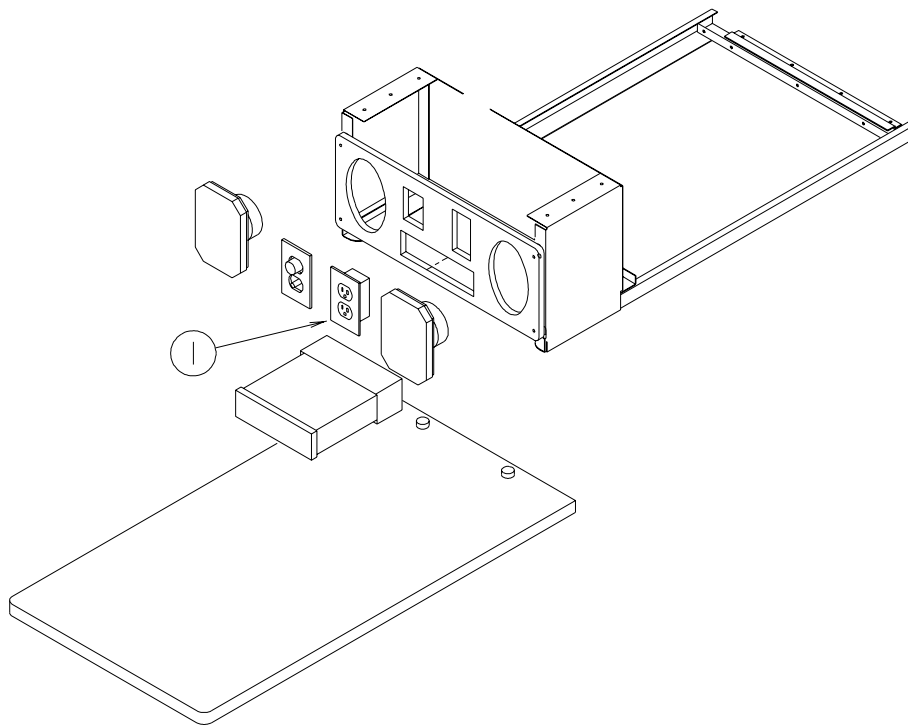


KEY	PART NUMBER	U/M	DESCRIPTION
1	058707-02-000	EA	RECEPTACLE - BLANK - JUNCTION BOX
2	058708-02-000	EA	RECEPTACLE - ELECTRIC - DOUBLE - IVORY
2	133713-01-08A	EA	SPACER/RECEPTACLE - VINYL/PORTSMOUTH OAK
3	058708-05-000	EA	RECEPTACLE - ELECTRIC - SINGLE - BROWN
4	058707-01-000	EA	RECEPTACLE - ELECTRIC - SINGLE - BROWN
5	058708-01-000	EA	RECEPTACLE - ELECTRIC - DOUBLE - BROWN
6	084420-01-000	EA	SWITCH - TOGGLE - 15 AMP - 120 VOLT - BROWN
7	084076-01-000	EA	RECEPTACLE - GFI - 15 AMP/125 VOLT - IVORY - W/COVER
8	131826-01-01A	EA	RECEPTACLE - EXTERIOR - W/COVER/GASKET - WHITE
9	133713-06-08A	EA	SPACER/RECEPTACLE - PHONE - VINYL/PORTSMOUTH OAK
10	058708-02-000	EA	RECEPTACLE - ELECTRIC - DOUBLE - IVORY
11	084076-02-000	EA	RECEPTACLE - GFI - 15 AMP/125 VOLT - BROWN - W/COVER

ELECTRICAL GROUP (CONTINUED)
ENTERTAINMENT WIRING



KEY	PART NUMBER	U/M	DESCRIPTION
1	058708-01-000	EA	RECEPTACLE - ELECTRIC - DOUBLE - BROWN
2	079364-04-000	EA	SWITCH - ON/OFF ROCKER - 2 TERMINAL - BLACK
2	098351-09-01A	EA	PLATE/SWITCH - 1 GANG - POLISHED BRASS - SPEAKER SELECT/TV



KEY	PART NUMBER	U/M	DESCRIPTION
1	058708-01-000	EA	RECEPTACLE - ELECTRIC - DOUBLE - BROWN

ELECTRICAL GROUP (CONTINUED)

BOXES & CORDS

KEY	PART NUMBER	U/M	DESCRIPTION
	008054-01-000	EA	CORD - POWER - 10/3 WIRE - 30 AMP - 25'
	008289-01-000	EA	BOX - ELECTRIC/STEEL - 1/2" & 3/4" KNOCKOUTS - 4" X 4"
	008294-01-000	EA	COVER - ELECTRIC BOX - BLANK/STEEL - 4" X 4" - GRAY
	092492-14-000	EA	SEAL - ELECTRICAL BOX
	106071-05-000	EA	SWITCH - AUTOMATIC TRANSFER - 50/70 - MAGNETEK
	108934-02-000	EA	CORD - POWER - 50 AMP - 4-WIRE - 36'
	109925-05-000	EA	DOOR - ELECTRICAL BOX
	110080-05-000	EA	SEAL - ELECTRICAL BOX
	113029-05-02B	EA	PANEL - ELECTRICAL BOX - FRONT - E-COATED
	131679-01-000	EA	BOX-ELEC-WATERPROOF SEALED 4" X 4" W/4 3/4"OUTLETS-UL/CSA
	131680-01-000	EA	COVER - W/GASKET FOR WATERPROOF 4" X 4" BOX - UL/CSA
	133070-01-000	EA	BOX - ELECTRIC/PLASTIC - 3" X 2" X 2.8" - UL
	133070-02-000	EA	BOX - ELECTRIC/PLASTIC - 3" X 2" X 2.8" - CSA
	091910-01-000	EA	BOX - ELECTRIC - 3.8" X 3.5" X 1.8" - PLASTIC - P36GD
	091910-02-000	EA	BOX - ELECTRIC - 2.2" X 3.5" X 1.8" - PLASTIC - P36GD

WIRE ASSEMBLIES

KEY	PART NUMBER	U/M	DESCRIPTION
	090986-01-000	EA	WIRE ASSEMBLY - ELECTRIC STEP - P39QD
	090986-02-000	EA	WIRE ASSEMBLY - ELECTRIC STEP - P32TD, P32T
	093040-06-000	EA	WIRE ASSEMBLY-MONITOR-F/NON-PRE-WIRED AFTER MARKET INSTALL
	096449-02-000	EA	WIRE ASSEMBLY - WATER TANK TO MONITOR PANEL
	096450-05-000	EA	WIRE F/SENSORS - BLACK WATER - 23.6"
	096451-07-000	EA	WIRE F/SENSORS - GREY WATER - 3.9"
	096451-05-000	EA	WIRE F/SENSORS - GREY WATER - 43.2" - P39QD
	108029-01-000	EA	WIRE ASSEMBLY - POWER DRIVER SEAT
	108029-04-000	EA	WIRE ASSEMBLY - POWER PASSENGER SEAT
	120233-05-000	EA	WIRE ASSEMBLY - 30" CONNECTS TO WALLPLATE DISPLAY
	124336-01-000	EA	WIRE - REAR STEREO - 12 PIN
	124843-07-000	EA	WIRE ASSEMBLY - SPEAKER ADAPTER
	124843-08-000	EA	WIRE ASSEMBLY - SPEAKER ADAPTER
	124882-08-000	EA	WIRE LOOM - AMPLIFIER - Q SURROUND
	125853-01-000	EA	WIRE LOOM - ENTERTAINMENT CENTER
	125853-04-000	EA	WIRE LOOM - ENTERTAINMENT CENTER
	127002-06-000	EA	WIRE ASSEMBLY - EMS - W/PLUG
	129888-01-000	EA	WIRE LOOM - INSTRUMENT PANEL - AIR HORN
	133817-02-000	EA	WIRE ASSEMBLY - SPEAKER/ADAPTER - 117.9" LONG - P39QD, P36GD, P36C
	135131-01-000	EA	WIRE ASSEMBLY - THERMOSTAT
	139297-01-000	EA	RESISTOR - 10 OHM/10W CERAMIC - P36L, P34H, P36C, P32T
	139583-01-000	EA	WIRE LOOM - SOFA/DOUBLE REST EASY
	139583-02-000	EA	WIRE LOOM - SOFA/REAR SWITCH
	140195-01-000	EA	WIRE LOOM - RESISTOR/FAN - P36L, P34H, P36C, P32T

ELECTRICAL GROUP (CONTINUED)
CONNECTORS & CONDUIT

KEY	PART NUMBER	U/M	DESCRIPTION
	007942-01-000	EA	TAB - WIRE 10 TO 14 AWG
	007954-01-000	EA	RECEPTACLE - HOUSING - 6 POSITION
	007956-05-000	EA	INSULATOR - SHRINK - 1/4" ID X 1 1/2"
	008311-01-000	EA	CONNECTOR - WIRE NUT - INSULATED - RED
	008312-01-000	EA	CONNECTOR - WIRE NUT - INSULATED - BLUE
	008313-01-000	EA	CONNECTOR - WIRE NUT - INSULATED - YELLOW
	008314-01-000	EA	CONNECTOR - WIRE NUT - INSULATED - GRAY
	008326-01-000	EA	TERMINAL - RING - 16/14 WIRE - 3/8" STUD
	008328-01-000	EA	TERMINAL - RING - 12/10 WIRE - #10 STUD FIT
	008331-01-000	EA	TERMINAL - RING - TONGUE - #4 WIRE - 3/8" STUD - COPPER
	008348-01-000	EA	TERMINAL - RING - 3/8" STUD 2 GA. WIRE
	008355-01-000	EA	CONNECTOR - CABLE CLAMPING - 3/4"
	008356-01-000	EA	CONNECTOR - PLASTIC - 3/8" AVG
	008356-02-000	EA	CONNECTOR - PLASTIC - 21/32
	008394-01-000	FT	CONDUIT - FLEXIBLE - 1/2"
	008398-01-000	EA	CONNECTOR - 1/2" X 90 DEGREE - FLEX CONDUIT - UL & CSA
	035416-04-000	EA	TERMINAL - RING - #10 STUD FIT - INSULATED BARREL #16/14
	041953-01-000	FT	CONDUIT - CONVOLUTE SLIT - .5" ID - POLYETHYLENE
	041953-03-000	FT	CONDUIT - CONVOLUTE SLIT - 1" ID (CLOTHES ROD COVER)
	041953-05-000	FT	CONDUIT - CONVOLUTE SOLID - .62" ID - POLYETHYLENE
	041953-06-000	FT	CONDUIT - CONVOLUTE SLIT - .4" ID - POLYETHYLENE
	041953-07-000	FT	CONDUIT - CONVOLUTE SLIT - .25" ID - POLYETHYLENE
	041953-08-000	FT	CONDUIT - CONVOLUTE SLIT - 1.5" ID - POLYETHYLENE
	041953-09-000	FT	CONDUIT - CONVOLUTE SLIT - .5" ID - NYLON
	041953-10-000	FT	CONDUIT - CONVOLUTE SLIT - .75" ID - NYLON
	041953-11-000	FT	CONDUIT - CONVOLUTE SLIT - 1.06" ID - NYLON
	041953-12-000	FT	CONDUIT - CONVOLUTE SOLID - 1.1" ID - NYLON
	041953-13-000	FT	CONDUIT - CONVOLUTE SLIT - 1.25
	047443-01-000	EA	TERMINAL - .250 RECEPTACLE FIT - INSULATED - 16/14 AWG
	047443-02-000	EA	TERMINAL - .250 RECEPTACLE FIT - INSULATED - 12/10 AWG
	058028-01-000	EA	CONNECTOR - ELECTRICAL PIGTAIL - NYLON - CLEAR
	062036-01-000	EA	TERMINAL - PACK - CON - 12/10 AWG
	074017-02-000	EA	HOUSING - 5 POSITION - RIGHT ANGLED
	077479-01-000	EA	BOOT - BATTERY TERMINAL - DOUBLE CABLE
	077479-02-000	EA	BOOT - BATTERY TERMINAL - SINGLE CABLE
	080015-02-000	EA	RECEPTACLE - FLAG - .185 - 16/14 GAUGE
	080015-03-000	EA	RECEPTACLE - FLAG - .250 - 14/16 GAUGE
	082109-01-000	EA	HOUSING - CONNECTOR - PACKARD
	082741-01-000	EA	CONNECTOR BODY - 2 CONNECTOR MALE
	085724-01-000	EA	SOCKET - DOUBLE CONTACT - TAILLIGHT
	087225-01-000	FT	SLEEVING - 1/2" - TYPE H
	087949-01-000	EA	BUSS BAR - 2 POSITION - .6" X 1.5"
	087949-02-000	EA	BUSS BAR - 3 POSITION - .6" X 2.4"
	087949-03-000	EA	BUSS BAR - 4 POSITION
	087949-05-000	EA	BUSS BAR - 7 POSITION
	088473-01-000	EA	HOUSING - PIN - 12 CAVITY (3 ROWS OF 4)
	088473-02-000	EA	HOUSING - PIN - 15 CAVITY (3 ROWS OF 5)
	088473-03-000	EA	HOUSING - PIN - 9 CAVITY (3 ROWS OF 3)
	088473-04-000	EA	HOUSING - PIN - 8 CAVITY IN-LINE
	088473-06-000	EA	HOUSING - PIN - 6 CAVITY (2 ROWS OF 3)
	088473-07-000	EA	HOUSING - PIN - 5 CAVITY - IN-LINE
	088473-08-000	EA	HOUSING - PIN - 4 CAVITY - IN-LINE
	088473-09-000	EA	HOUSING - PIN - 3 CAVITY - IN-LINE
	088473-10-000	EA	HOUSING - PIN - 2 CAVITY - IN LINE
	088474-01-000	EA	HOUSING - SOCKET - 12 CAVITY
	088474-02-000	EA	HOUSING - SOCKET - 15 CAVITY
	088474-03-000	EA	HOUSING - SOCKET - 9 CAVITY
	088474-04-000	EA	HOUSING - SOCKET - 8 CAVITY
	088474-06-000	EA	HOUSING - SOCKET - 6 CAVITY
	088474-07-000	EA	HOUSING - SOCKET - 5 CAVITY
	088474-08-000	EA	HOUSING - SOCKET - 4 CAVITY
	088474-09-000	EA	HOUSING - SOCKET - 3 CAVITY
	088474-10-000	EA	HOUSING - SOCKET - 2 CAVITY
	088475-01-000	EA	PIN - CONNECTOR - 14-20 AWG

ELECTRICAL GROUP (CONTINUED)
CONNECTORS & CONDUIT (CONTINUED)

KEY	PART NUMBER	U/M	DESCRIPTION
	088475-02-000	EA	PIN - CONNECTOR - 10-12 AWG
	088476-01-000	EA	TERMINAL - ELECTRICAL
	088476-02-000	EA	SOCKET - CONNECTOR - 12-10 GA - PRE-TIN
	098261-02-000	EA	SOCKET - CONNECTOR - WEATHERPACK - 14-18 AWG
	098262-01-000	EA	SEAL - CONNECTOR - WEATHERPACK
	098262-05-000	EA	SEAL - CAVITY
	098263-02-000	EA	HOUSING - 3 PIN - WEATHER PACK
	098264-01-000	EA	HOUSING - 2 PIN - WEATHER PACK - MALE W/FEMALE PINS
	098264-02-000	EA	HOUSING - 2 PIN - WEATHER PACK - FEMALE W/MALE PINS
	098265-02-000	EA	PIN - CONNECTOR - WEATHER PACK
	102777-02-000	EA	TERMINAL - RING - #6 STUD - 10 AWG
	104100-01-000	EA	HOUSING - 1 POSITION - 75 AMPS
	104100-03-000	EA	TERMINAL - 75 AMP
	106655-01-000	EA	TERMINAL - FUSE BLOCK - 14-16 AWG
	106655-02-000	EA	TERMINAL - FUSE BLOCK - 10-12 AWG
	110178-01-000	EA	HOUSING - WIPER MOTOR
	112823-01-000	EA	SPLICE - REDUCER - 16-14 TO 18-22
	113135-01-000	EA	TERMINAL - FEMALE - M/P - 14-16 - F/SEALED TERMINAL
	113306-01-000	EA	TERMINAL - FEMALE - M/P - 14-16 - F/NON-SEALED TERMINAL
	113307-01-000	EA	TERMINAL - FEMALE - M/P - 16-20
	113308-01-000	EA	TERMINAL - FEMALE - M/P - 14-16 - 280
	113452-01-000	FT	SEAL/TRIM - FRONT - VINYL W/WIRE CARRIER - .020"
	113452-02-000	FT	SEAL/TRIM - FRONT - VINYL W/WIRE CARRIER - .027"
	113468-01-000	EA	HOUSING - 2 POSITION-FEMALE-USED ON WIPER/WASHER WIRE ASM
	115556-02-000	EA	HOUSING - 2 POSITION - FEMALE/PARALLEL
	115931-02-000	EA	COVER - CONNECTOR - 50 AMP W/LOCKING RING
	115932-02-000	EA	CONNECTOR - FEMALE - 50 AMP/240 VOLT
	116811-01-000	EA	TERMINAL - .110 RECEPTACLE - 16-14 AWG
	118571-01-000	EA	CONNECTOR - 3-WAY - MALE/SEALED
	118571-02-000	EA	CONNECTOR - 3-WAY - FEMALE/SEALED
	118571-03-000	EA	BRACKET - MOUNTING
	118571-04-000	EA	GASKET
	118571-05-000	EA	LOCK - SECONDARY - FEMALE
	118571-06-000	EA	LOCK - SECONDARY - MALE
	118597-01-000	EA	TERMINAL - MALE - M/P - 480 - 14-16
	118599-01-000	EA	TERMINAL - MALE - M/P - 280 - 14-16
	118820-01-000	EA	INSULATOR - TERMINAL
	119223-01-000	EA	HOUSING - 6 POSITION - MALE - WEATHERPACK
	119248-02-000	EA	HOUSING - 7 POSITION - FEMALE
	124625-02-000	EA	CONNECTOR - 12 VOLT
	125323-02-000	EA	HOUSING - 8 POSITION - MALE
	125323-03-000	EA	LOCK - SECONDARY 8 POSITION
	125323-04-000	EA	LOCK - SECONDARY 10 POSITION
	125323-05-000	EA	HOUSING - 6 POSITION - MALE
	125323-06-000	EA	LOCK - SECONDARY 6 POSITION
	125324-01-000	EA	TERMINAL - MALE - METRI-PACK - 150
	125325-01-000	EA	SEAL - CAVITY
	126403-01-000	EA	CONNECTOR - 2 CIRCUIT
	126403-02-000	EA	CONNECTOR - 3 CIRCUIT
	129233-01-000	EA	HOUSING - 2-POSITION/FEMALE - 280-SERIES
	129233-02-000	EA	HOUSING - 2-POSITION/FEMALE - 280-SERIES
	129234-01-000	EA	HOUSING - 6-POSITION/FEMALE - 280-SERIES
	129234-02-000	EA	HOUSING - 6-POSITION/FEMALE - 280-SERIES
	129234-03-000	EA	LOCK - SECONDARY - 6-POSITION
	129235-01-000	EA	HOUSING - 2-POSITION/FEMALE - 630-SERIES
	129235-02-000	EA	LOCK - SECONDARY - 2-POSITION
	129236-01-000	EA	TERMINAL - FEMALE - M/P - 630 - 10-12
	131515-01-000	EA	HOUSING - 2 POSITON JR. POWER TIMER - F/HALOGEN FOG LIGHT
	131681-01-000	EA	CONNECTOR - 3/4" SO CORD - UL/CS
	137207-01-000	EA	HOUSING - PIN - 2 CAVITY/HIGH AMP
	137208-01-000	EA	HOUSING - SOCKET - 2 CAVITY/HIGH AMP
	137209-01-000	EA	PIN - CONNECTOR - 10AWG/HIGH AMP
	137210-01-000	EA	SOCKET - CONNECTOR - 10 AWG/HIGH AMP
	138419-03-000	EA	SOCKET - LAMP - 3 WIRE

ELECTRICAL GROUP (CONTINUED)
BOOTS, SOLENOIDS, RELAYS & MISCELLANEOUS

KEY	PART NUMBER	U/M	DESCRIPTION
	008188-02-000	EA	SOLENOID - VENTED - HEAVY DUTY
	063910-01-000	EA	HOUSING - RELAY
	063912-02-000	EA	RELAY - CANISTER - SPDT
	086233-01-000	EA	STUD - ISOLATED - 3/8" X 7/8" LONG
	086273-01-000	EA	RELAY - BATTERY DISCONNECT
*	113832-02-01A	EA	SLIDE - BATTERY TRAY - HEAVY DUTY - P32TD, P32T
*	113832-03-01A	EA	SLIDE - BATTERY TRAY - P32TD, P32T
	138914-01-02B	EA	STRAP - BATTERY TIE DOWN - E-COATED

FROM: 00-00-00 THRU: 03-28-02

***COMPONENT PARTS LISTED LATER IN THIS GROUP**

ELECTRICAL GROUP (CONTINUED)
COMPONENT PARTS FOR BOOTS, SOLENOIDS, RELAYS & MISCELLANEOUS

113832-02-01A

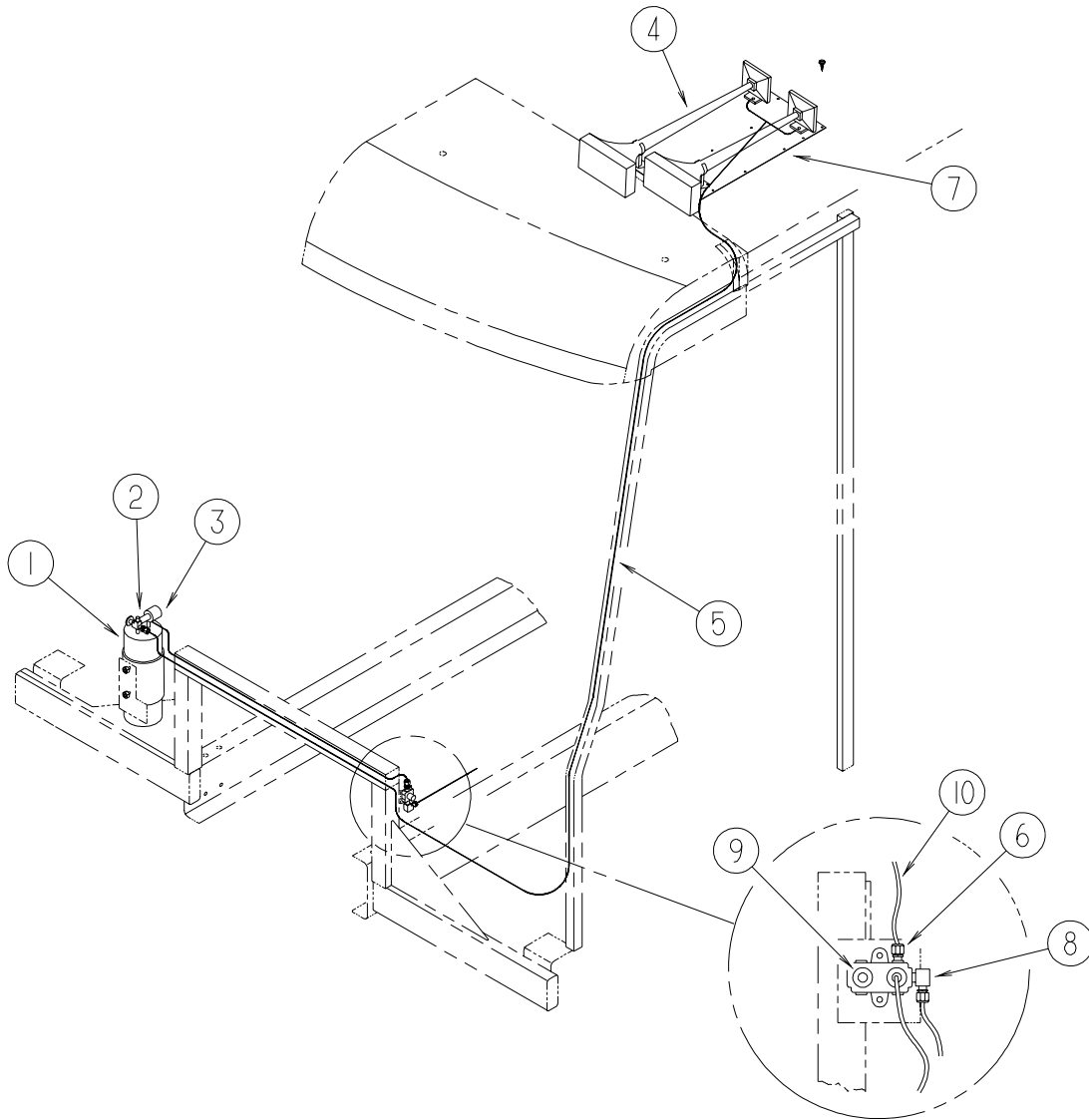
KEY	PART NUMBER	U/M DESCRIPTION	VENDOR NO.
	113832-01-700	EA STRAP-FLAT W/J-HOOK & LATCH	8323

113832-03-01A

KEY	PART NUMBER	U/M DESCRIPTION	VENDOR NO.
	113832-01-700	EA STRAP-FLAT W/J-HOOK & LATCH	8323

EXTERIOR BODY GROUP

AIR HORN



KEY	PART NUMBER	U/M	DESCRIPTION
1*	077497-09-000	EA	TANK - AIR - SOLENOID KIT - AUXILIARY HORN
2	071387-07-000	EA	ELBOW - MALE - BRAKE TUBE - 1/4" X 1/8"
3*	077497-03-000	EA	FITTING KIT - HOSE/HOSE FITTING/AIR GAUGE - F/AUX HORN
4*	077497-06-000	EA	HORN - AIR - CHROME - TWIN
5	071390-04-000	FT	TUBING - AIR BRAKE - 1/4" OD-BLK WEATHERHEAD (BRKS & HORN)
6	071386-06-000	EA	CONNECTOR - MALE - 1/4 TUBE X 1/4
7	125123-01-12B	EA	PLATE/MOUNTING - AIR HORN - 25" X 13" - BRIGHT WHITE
8	071387-04-000	EA	ELBOW - MALE - BRAKE TUBE 3/8 X 1/4
9	086241-01-000	EA	VALVE - AIR - 1/4 MPT X TIRE STEM
10	077497-02-000	EA	HOSE - AUXILIARY AIR HORN

***COMPONENT PARTS LISTED LATER IN THIS GROUP**

EXTERIOR BODY GROUP (CONTINUED)
COMPONENT PARTS FOR AIR HORN

077497-03-000

KEY	PART NUMBER	U/M	DESCRIPTION	VENDOR NO.
	077497-01-710	EA	GAUGE-AIR PRESSURE	14212S

077497-06-000

KEY	PART NUMBER	U/M	DESCRIPTION	VENDOR NO.
	077497-01-701	EA	SWITCH - COMPRESSOR	13940-S
	077497-01-702	EA	SWITCH - TOGGLE - W/WIRE	12949-S

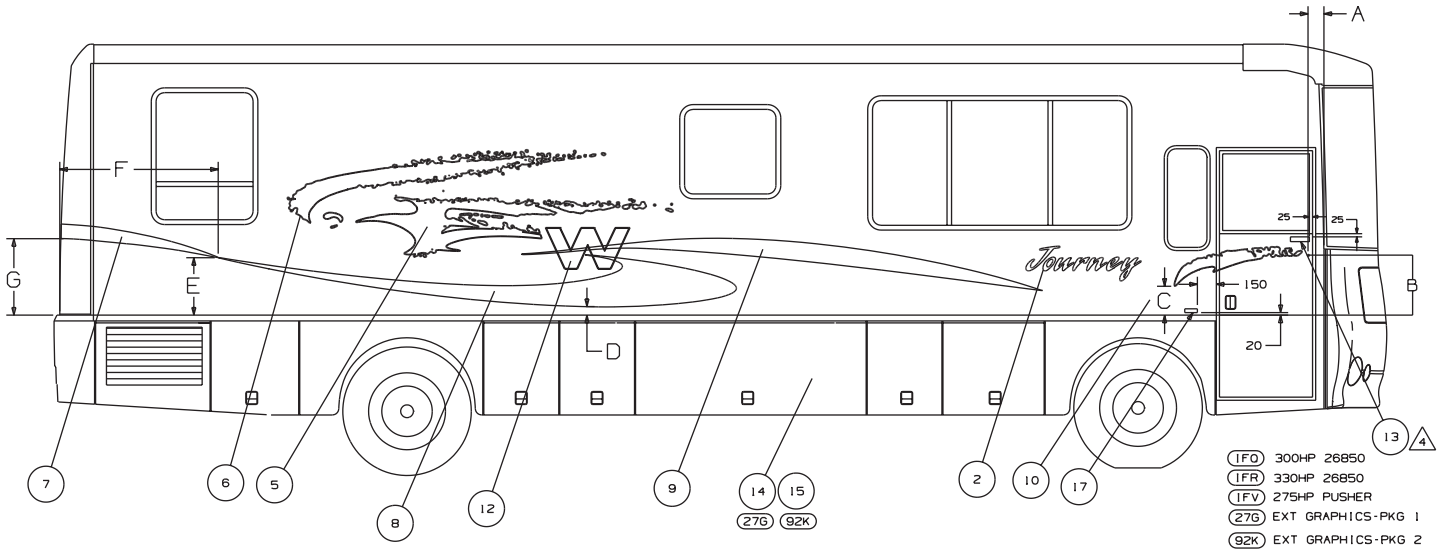
077497-09-000

KEY	PART NUMBER	U/M	DESCRIPTION	VENDOR NO.
	077497-01-700	EA	SOLENOID-AIR TANK	550B
	077497-01-703	EA	TANK-AIR	751-N
	077497-01-709	EA	PLUNGER & SPRING F/SOLENOID	H136215

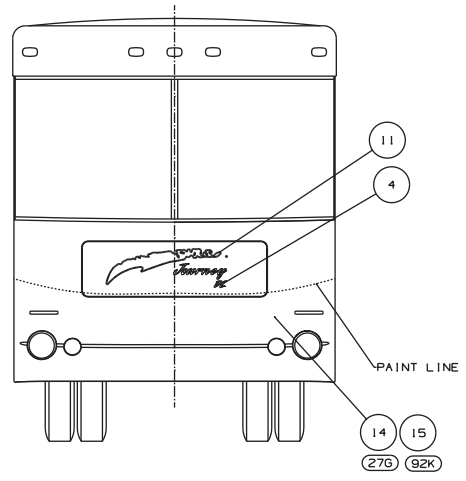
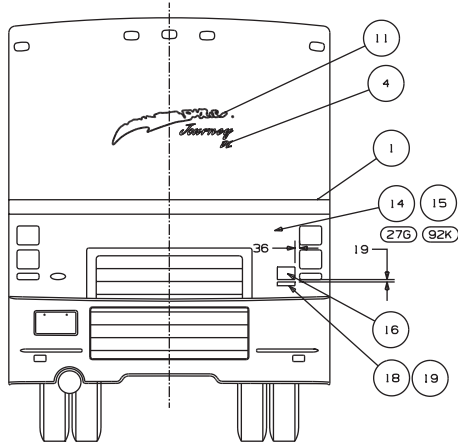
EXTERIOR BODY GROUP (CONTINUED)

GRAPHICS & PAINT

UP TO 9-03-01



- (IFD) 300HP 26850
- (IFR) 330HP 26850
- (IFV) 275HP 26850
- (27G) EXT GRAPHICS-PKG 1
- (92K) EXT GRAPHICS-PKG 2

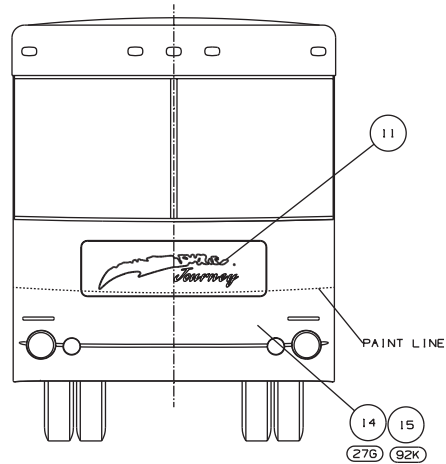
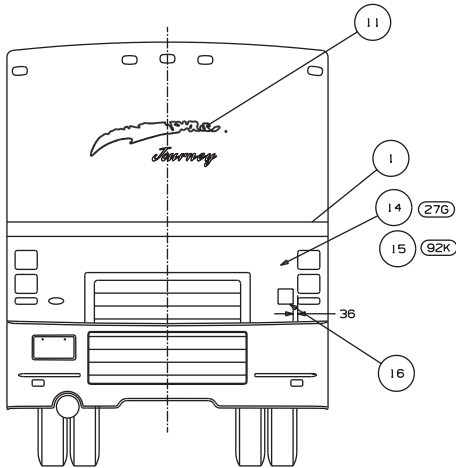
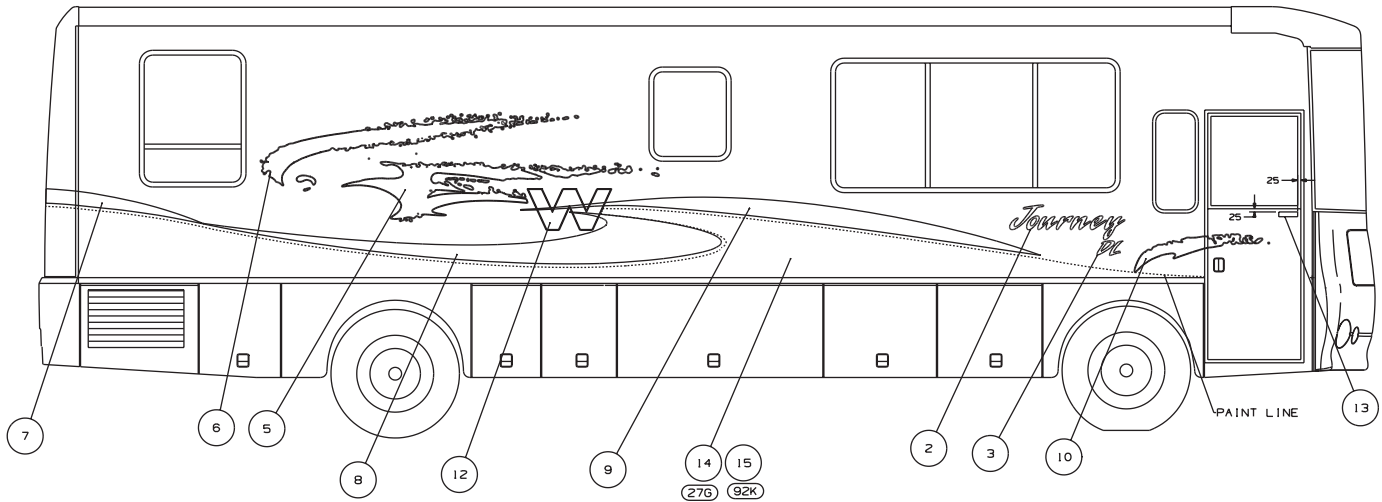


KEY	PART NO.	U/M	DESCRIPTION
	1	93881-46-CHT(02A)	FT FILM-114.3 - COPPER
	2	131947-03-CHT(01A)	EA DECAL - JOURNEY - MOSS GREEN
	3	135782-03-CHT(01A)	EA DECAL - DL, LG - MOSS GREEN
	4	135782-04-CHT(01A)	EA DECAL - DL, SML - MOSS GREEN
	5	138796-01-CHT(01A)	EA DECAL - DRYBRUSH, LOWER, RH - BRT. WHITE/MOSS GREEN
	5	138796-02-CHT(01A)	EA DECAL - DRYBRUSH, LOWER, LH - BRT. WHITE/MOSS GREEN
	6	138800-01-CHT(01A)	EA DECAL - DRYBRUSH, UPPER, RH - BRT. WHITE/DK. SAPPHIRE BLUE
	6	138800-02-CHT(01A)	EA DECAL - DRYBRUSH, UPPER, LH - BRT. WHITE/DK. SAPPHIRE BLUE
	7	138801-01-CHT(01A)	EA DECAL - SWEEP, RR, RH - COPPER
	7	138801-02-CHT(01A)	EA DECAL - SWEEP, RR, LH - COPPER
	8	138802-01-CHT(01A)	EA DECAL - SWEEP, MID, RH - DK. COPPER
	8	138802-02-CHT(01A)	EA DECAL - SWEEP, MID, LH - DK. COPPER
	9	138803-01-CHT(01A)	EA DECAL - SWEEP, FRT, RH - COPPER
	9	138803-02-CHT(01A)	EA DECAL - SWEEP, FRT, LH - COPPER
	10	138804-01-CHT(01A)	EA DECAL - DRYBRUSH, SML, RH - BRT. WHITE/MOSS GREEN
	10	138804-02-CHT(01A)	EA DECAL - DRYBRUSH, SML, LH - BRT. WHITE/MOSS GREEN
	11	138805-01-CHT(01A)	EA DECAL HOOD, JOURNEY, W/DRYBRUSH - BRT. WHITE/MOSS GREEN
	12	138806-01-CHT(01A)	EA DECAL - W - BRT. WHITE/DK. COPPER
	13	132664-01-CHT(01A)	EA DECAL - DOMED, WINNEBAGO - GOLD CHROME/BLACK
(27G)	14	136243-02-000	GL PAINT - MOSS GREEN MET - DUPONT #P0035HN
(92K)	15	136243-10-000	GL PAINT - SAHARA MET - DUPONT #M1024HN
	16	EA PLATE - FREIGHTLINER, LG - (CHASSIS SUPPLIED)
	17	EA PLATE - FREIGHTLINER, SML - (CHASSIS SUPPLIED)
(IFR)	18	135089-02-CHT(01A)	EA DECAL - DOMED, HORSEPOWER, 330
(IFO)	19	135089-03-CHT(01A)	EA DECAL - DOMED, HORSEPOWER, 300

EXTERIOR BODY GROUP (CONTINUED)

GRAPHICS & PAINT (CONTINUED)

UP TO 9-03-01

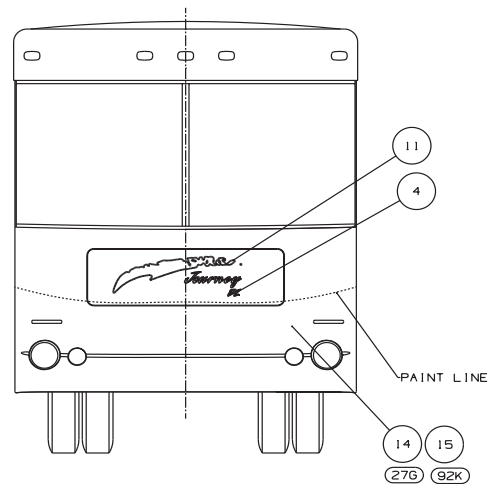
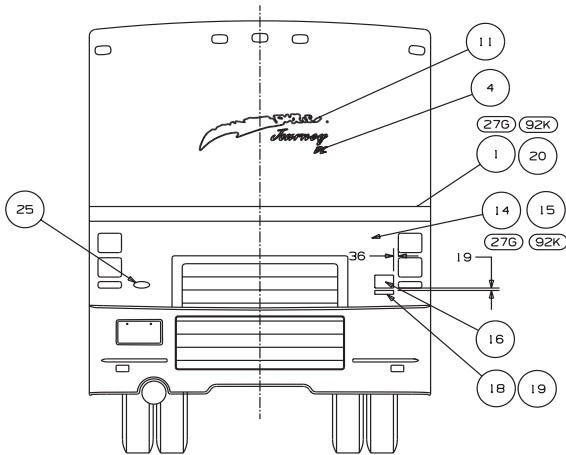


KEY	PART NO.	U/M	DESCRIPTION
	1	93881-46-CHT(02A)	FT FILM-114.3 - COPPER
	2	131947-03-CHT(01A)	EA DECAL-JOURNEY - MOSS GREEN
	3	135782-03-CHT(01A)	EA DECAL-DL,LG - MOSS GREEN
	4	135782-04-CHT(01A)	EA DECAL-DL,SML - MOSS GREEN
	5	138796-01-CHT(01A)	EA DECAL-DRYBRUSH,LOWER,RH - BRT.WH/TE/MOSS GREEN
	5	138796-02-CHT(01A)	EA DECAL-DRYBRUSH,LOWER,LH - BRT.WH/TE/MOSS GREEN
	6	138800-01-CHT(01A)	EA DECAL-DRYBRUSH,UPPER,RH - BRT.WH/TE/DK.SAPPHIRE BLUE
	6	138800-02-CHT(01A)	EA DECAL-DRYBRUSH,UPPER,LH - BRT.WH/TE/DK.SAPPHIRE BLUE
	7	138801-01-CHT(01A)	EA DECAL-SWEEP,RR,RH - COPPER
	7	138801-02-CHT(01A)	EA DECAL-SWEEP,RR,LH - COPPER
	8	138802-01-CHT(01A)	EA DECAL-SWEEP,MID,RH - DK COPPER
	8	138802-02-CHT(01A)	EA DECAL-SWEEP,MID,LH - DK COPPER
	9	138803-01-CHT(01A)	EA DECAL-SWEEP,FRT,RH - COPPER
	9	138803-02-CHT(01A)	EA DECAL-SWEEP,FRT,LH - COPPER
	10	138804-01-CHT(01A)	EA DECAL-DRYBRUSH,SML,RH - BRT.WH/TE/MOSS GREEN
	10	138804-02-CHT(01A)	EA DECAL-DRYBRUSH,SML,LH - BRT.WH/TE/MOSS GREEN
	11	138805-01-CHT(01A)	EA DECAL HOOD,JOURNEY,W/DRYBRUSH - BRT.WH/TE/MOSS GREEN
	12	138806-01-CHT(01A)	EA DECAL-W - BRT.WH/TE/DK COPPER
	13	132664-01-CHT(01A)	EA DECAL-DOMED,W/INNEBAGO - GOLD CHROME/BLACK
(27G)	14	136243-02-000	GL PAINT-MOSS GREEN MET - DUPONT #P0035HN
(92K)	15	136243-10-000	GL PAINT-SAHARA MET - DUPONT #M1024HN
	16	EA PLATE-FREIGHTLINER,LG - (CHASSIS SUPPLIED)
	17	EA PLATE-FREIGHTLINER,SML - (CHASSIS SUPPLIED)
(IFR)	18	135089-02-CHT(01A)	EA DECAL-DOMED,HORSEPOWER,330
(IFO)	19	135089-03-CHT(01A)	EA DECAL-DOMED,HORSEPOWER,300

EXTERIOR BODY GROUP (CONTINUED)

GRAPHICS & PAINT (CONTINUED)

USED FROM 9-04-01



KEY	PART NO.	U/M	DESCRIPTION	
(27G)	1	93681-46-CHT102A1	FT	FILM-114.3 - COPPER
	2	131947-03-CHT101A1	EA	DECAL-JOURNEY - MOSS GREEN
	3	135782-03-CHT101A1	EA	DECAL-DL, LG - MOSS GREEN
	4	135782-04-CHT101A1	EA	DECAL-DL, SML - MOSS GREEN
	5	138796-01-CHT101A1	EA	DECAL-DRYBRUSH, LOWER, RH - BRT. WHITE/MOSS GREEN
	5	138796-02-CHT101A1	EA	DECAL-DRYBRUSH, LOWER, LH - BRT. WHITE/MOSS GREEN
	6	138800-01-CHT101A1	EA	DECAL-DRYBRUSH, UPPER, RH - BRT. WHITE/DK. SAPPHIRE BLUE
	6	138800-02-CHT101A1	EA	DECAL-DRYBRUSH, UPPER, LH - BRT. WHITE/DK. SAPPHIRE BLUE
(27G)	7	138801-01-CHT101A1	EA	DECAL-SWEEP, RR, RH - COPPER
(27G)	7	138801-02-CHT101A1	EA	DECAL-SWEEP, RR, LH - COPPER
(27G)	8	138802-01-CHT101A1	EA	DECAL-SWEEP, MID, RH - DK COPPER
(27G)	8	138802-02-CHT101A1	EA	DECAL-SWEEP, MID, LH - DK. COPPER
(27G)	9	138803-01-CHT101A1	EA	DECAL-SWEEP, FRT, RH - COPPER
(27G)	9	138803-02-CHT101A1	EA	DECAL-SWEEP, FRT, LH - COPPER
(27G)	10	138804-01-CHT101A1	EA	DECAL-DRYBRUSH, SML, RH - BRT. WHITE/MOSS GREEN
	10	138804-02-CHT101A1	EA	DECAL-DRYBRUSH, SML, LH - BRT. WHITE/MOSS GREEN
	11	138805-01-CHT101A1	EA	DECAL HOOD, JOURNEY, W/DRYBRUSH - BRT. WHITE/MOSS GREEN
(27G)	12	138806-01-CHT101A1	EA	DECAL-W - BRT. WHITE/DK COPPER
	13	132664-01-CHT101A1	EA	DECAL-DOMED, WINNEBAGO - GOLD CHROME/BLACK
(27G)	14	136243-02-000	GL	PAINT-MOSS GREEN MET - DUPONT #P0035HN
(92K)	15	136243-10-000	GL	PAINT-SAHARA MET - DUPONT #M1024HN
	16	-----	EA	PLATE-FREIGHTLINER, LG - (CHASSIS SUPPLIED)
	17	-----	EA	PLATE-FREIGHTLINER, SML - (CHASSIS SUPPLIED)
(IFR)	18	135089-02-CHT101A1	EA	DECAL-DOMED, HORSEPOWER, 330
(IFQ)	19	135089-03-CHT101A1	EA	DECAL-DOMED, HORSEPOWER, 300
(92K)	20	93681-46-CHT103A1	EA	FILM-114.3 - DK. SAPPHIRE BLUE
(92K)	21	138801-01-CHT102A1	EA	DECAL-SWEEP, RR, RH - DK. SAPPHIRE BLUE
(92K)	21	138801-02-CHT102A1	EA	DECAL-SWEEP, RR, LH - DK. SAPPHIRE BLUE
(92K)	22	138802-01-CHT102A1	EA	DECAL-SWEEP, MID, RH - CANYON RED
(92K)	22	138802-02-CHT102A1	EA	DECAL-SWEEP, MID, LH - CANYON RED
(92K)	23	138803-01-CHT102A1	EA	DECAL-SWEEP, FRT, RH - DK. SAPPHIRE BLUE
(92K)	23	138803-02-CHT102A1	EA	DECAL-SWEEP, FRT, LH - DK. SAPPHIRE BLUE
(92K)	24	138806-01-CHT102A1	EA	DECAL-W - BRT. WHITE/CANYON RED
	25	137618-01-CHT101A1	EA	DECAL/BEZEL-DOMED GRILLE.LOGO - BLK/GOLD

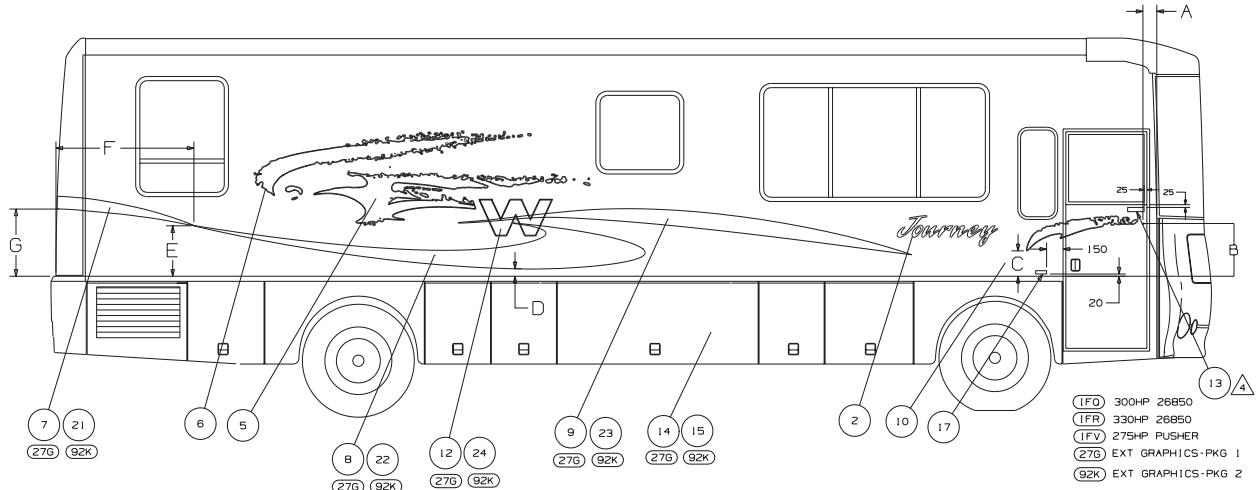
DUPONT COLOR CODES

DARK COPPER MET.	#N8260
MOSS GREEN MET.	#P0035
COPPER MET.	#B8450
DARK SAPPHIRE BLUE MET.	#BM595
SAHARA MET.	#M1024HN

EXTERIOR BODY GROUP (CONTINUED)

GRAPHICS & PAINT (CONTINUED)

USED FROM 9-04-01

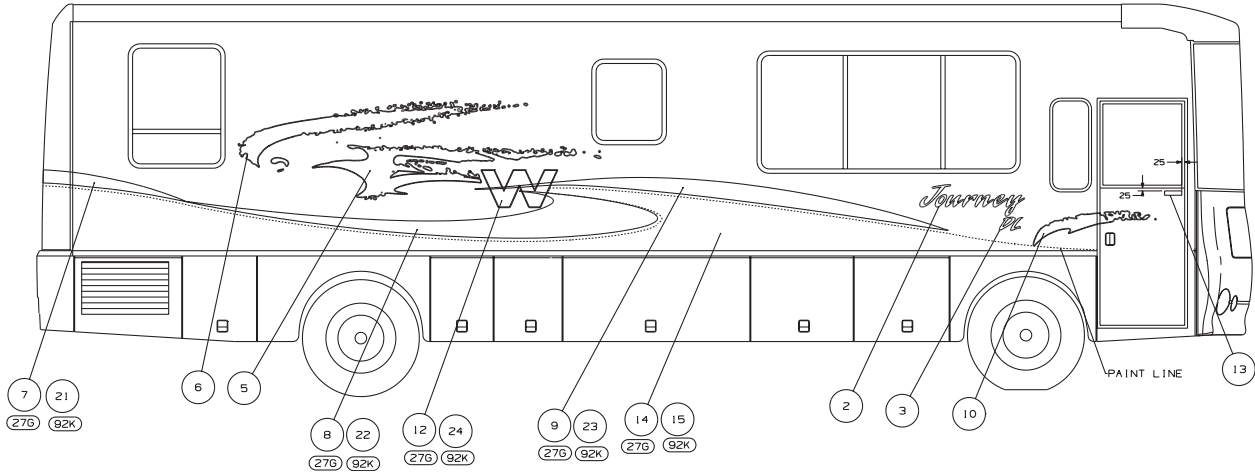


JOURNEY

KEY	PART NO.	U/M	DESCRIPTION
(27G)	1 93681-46-CHT(02A)	FT	FILM-114.3 - COPPER
	2 131947-03-CHT(01A)	EA	DECAL - JOURNEY - MOSS GREEN
	3 135782-03-CHT(01A)	EA	DECAL - DL, LG - MOSS GREEN
	4 135782-04-CHT(01A)	EA	DECAL - DL, SML - MOSS GREEN
	5 138796-01-CHT(01A)	EA	DECAL - DRYBRUSH, LOWER, RH - BRT. WHITE/MOSS GREEN
	5 138796-02-CHT(01A)	EA	DECAL - DRYBRUSH, LOWER, LH - BRT. WHITE/MOSS GREEN
	6 138800-01-CHT(01A)	EA	DECAL - DRYBRUSH, UPPER, RH - BRT. WHITE/DK. SAPPHIRE BLUE
	6 138800-02-CHT(01A)	EA	DECAL - DRYBRUSH, UPPER, LH - BRT. WHITE/DK. SAPPHIRE BLUE
(27G)	7 138801-01-CHT(01A)	EA	DECAL - SWEEP, RR, RH - COPPER
(27G)	7 138801-02-CHT(01A)	EA	DECAL - SWEEP, RR, LH - COPPER
(27G)	8 138802-01-CHT(01A)	EA	DECAL - SWEEP, MID, RH - DK COPPER
(27G)	8 138802-02-CHT(01A)	EA	DECAL - SWEEP, MID, LH - DK. COPPER
(27G)	9 138803-01-CHT(01A)	EA	DECAL - SWEEP, FRT, RH - COPPER
(27G)	9 138803-02-CHT(01A)	EA	DECAL - SWEEP, FRT, LH - COPPER
	10 138804-01-CHT(01A)	EA	DECAL - DRYBRUSH, SML, RH - BRT. WHITE/MOSS GREEN
	10 138804-02-CHT(01A)	EA	DECAL - DRYBRUSH, SML, LH - BRT. WHITE/MOSS GREEN
	11 138805-01-CHT(01A)	EA	DECAL HOOD, JOURNEY, W/DRYBRUSH - BRT. WHITE/MOSS GREEN
(27G)	12 138806-01-CHT(01A)	EA	DECAL - W - BRT. WHITE/DK COPPER
	13 132664-01-CHT(01A)	EA	DECAL - DOMED, WINNEBAGO - GOLD CHROME/BLACK
(27G)	14 136243-02-000	GL	PAINT - MOSS GREEN MET - DUPONT #P0035HN
(92K)	15 136243-10-000	GL	PAINT - SAHARA MET - DUPONT #M1024HN
	16	EA	PLATE - FREIGHTLINER, LG - (CHASSIS SUPPLIED)
	17	EA	PLATE - FREIGHTLINER, SML - (CHASSIS SUPPLIED)
(1FR)	18 135089-02-CHT(01A)	EA	DECAL - DOMED, HORSEPOWER, 330
(1FO)	19 135089-03-CHT(01A)	EA	DECAL - DOMED, HORSEPOWER, 300
(92K)	20 93681-46-CHT(03A)	EA	FILM-114.3 - DK. SAPPHIRE BLUE
(92K)	21 138801-01-CHT(02A)	EA	DECAL - SWEEP, RR, RH - DK. SAPPHIRE BLUE
(92K)	21 138801-02-CHT(02A)	EA	DECAL - SWEEP, RR, LH - DK. SAPPHIRE BLUE
(92K)	22 138802-01-CHT(02A)	EA	DECAL - SWEEP, MID, RH - CANYON RED
(92K)	22 138802-02-CHT(02A)	EA	DECAL - SWEEP, MID, LH - CANYON RED
(92K)	23 138803-01-CHT(02A)	EA	DECAL - SWEEP, FRT, RH - DK. SAPPHIRE BLUE
(92K)	23 138803-02-CHT(02A)	EA	DECAL - SWEEP, FRT, LH - DK. SAPPHIRE BLUE
(92K)	24 138806-01-CHT(02A)	EA	DECAL - W - BRT. WHITE/CANYON RED
	25 137618-01-CHT(01A)	EA	DECAL/BEZEL - DOMED GRILLE.LOGO - BLK/GOLD

EXTERIOR BODY GROUP (CONTINUED)
GRAPHICS & PAINT (CONTINUED)

USED FROM 9-04-01



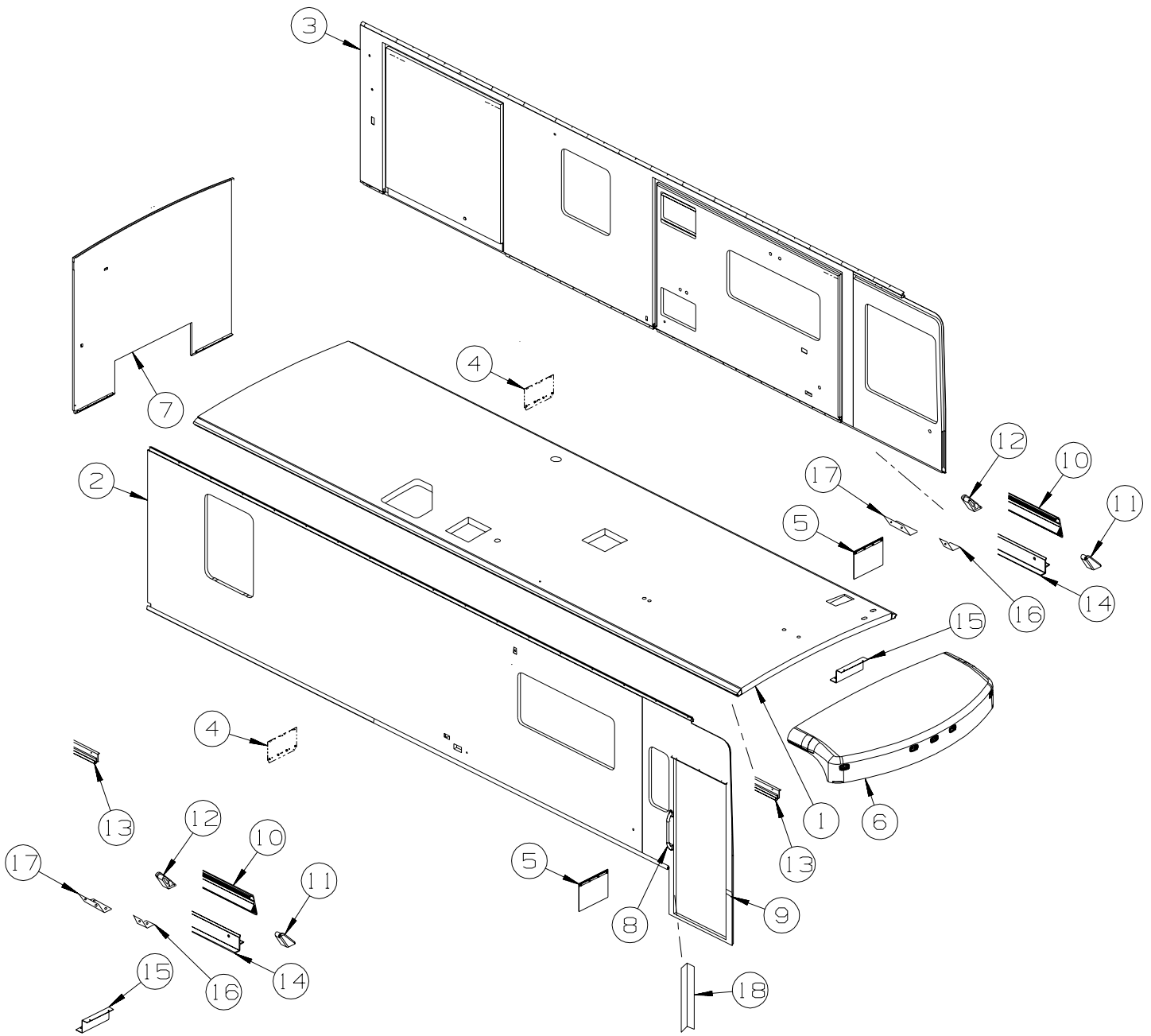
JOURNEY DL

KEY	PART NO.	U/M	DESCRIPTION
(27G)	1 93681-46-CHT(02A)	FT	FILM-114.3 - COPPER
	2 131947-03-CHT(01A)	EA	DECAL-JOURNEY - MOSS GREEN
	3 135782-03-CHT(01A)	EA	DECAL-DL,LG - MOSS GREEN
	4 135782-04-CHT(01A)	EA	DECAL-DL,SML - MOSS GREEN
	5 138796-01-CHT(01A)	EA	DECAL-DRYBRUSH,LOWER,RH - BRT.WHITE/MOSS GREEN
	5 138796-02-CHT(01A)	EA	DECAL-DRYBRUSH,LOWER,LH - BRT.WHITE/MOSS GREEN
	6 138800-01-CHT(01A)	EA	DECAL-DRYBRUSH,UPPER,RH - BRT.WHITE/DK.SAPPHIRE BLUE
	6 138800-02-CHT(01A)	EA	DECAL-DRYBRUSH,UPPER,LH - BRT.WHITE/DK.SAPPHIRE BLUE
(27G)	7 138801-01-CHT(01A)	EA	DECAL-SWEEP,RR,RH - COPPER
(27G)	7 138801-02-CHT(01A)	EA	DECAL-SWEEP,RR,LH - COPPER
(27G)	8 138802-01-CHT(01A)	EA	DECAL-SWEEP,MID,RH - DK COPPER
(27G)	8 138802-02-CHT(01A)	EA	DECAL-SWEEP,MID,LH - DK.COPPER
(27G)	9 138803-01-CHT(01A)	EA	DECAL-SWEEP,FRT,RH - COPPER
(27G)	9 138803-02-CHT(01A)	EA	DECAL-SWEEP,FRT,LH - COPPER
(27G)	10 138804-01-CHT(01A)	EA	DECAL-DRYBRUSH,SML,RH - BRT.WHITE/MOSS GREEN
	10 138804-02-CHT(01A)	EA	DECAL-DRYBRUSH,SML,LH - BRT.WHITE/MOSS GREEN
	11 138805-01-CHT(01A)	EA	DECAL HOOD,JOURNEY,W/DRYBRUSH - BRT.WHITE/MOSS GREEN
(27G)	12 138806-01-CHT(01A)	EA	DECAL-W - BRT.WHITE/DK COPPER
	13 132664-01-CHT(01A)	EA	DECAL-DOMED,WINNEBAGO - GOLD CHROME/BLACK
(27G)	14 136243-02-000	GL	PAINT-MOSS GREEN MET - DUPONT #P0035HN
(92K)	15 136243-10-000	GL	PAINT-SAHARA MET - DUPONT #M1024HN
	16 - - - - -	EA	PLATE-FREIGHTLINER,LG - (CHASSIS SUPPLIED)
	17 - - - - -	EA	PLATE-FREIGHTLINER,SML - (CHASSIS SUPPLIED)
(1FR)	18 135089-02-CHT(01A)	EA	DECAL-DOMED,HORSEPOWER,330
(1FO)	19 135089-03-CHT(01A)	EA	DECAL-DOMED,HORSEPOWER,300
(92K)	20 93681-46-CHT(03A)	EA	FILM-114.3 - DK.SAPPHIRE BLUE
(92K)	21 138801-01-CHT(02A)	EA	DECAL-SWEEP,RR,RH - DK.SAPPHIRE BLUE
(92K)	21 138801-02-CHT(02A)	EA	DECAL-SWEEP,RR,LH - DK. SAPPHIRE BLUE
(92K)	22 138802-01-CHT(02A)	EA	DECAL-SWEEP,MID,RH - CANYON RED
(92K)	22 138802-02-CHT(02A)	EA	DECAL-SWEEP,MID,LH - CANYON RED
(92K)	23 138803-01-CHT(02A)	EA	DECAL-SWEEP,FRT,RH - DK. SAPPHIRE BLUE
(92K)	23 138803-02-CHT(02A)	EA	DECAL-SWEEP,FRT,LH - DK.SAPPHIRE BLUE
(92K)	24 138806-01-CHT(02A)	EA	DECAL-W - BRT.WHITE/CANYON RED
	25 137618-01-CHT(01A)	EA	DECAL/BEZEL-DOMED GRILLE.LOGO - BLK/GOLD

KEY	PART NUMBER	U/M	DESCRIPTION
	041561-03-000	EA	PAINT - 16 OUNCE SPRAY - OFF WHITE
	099399-23-700	EA	PAINT-SPRAY-BRT WHITE ENAMEL , B8951U DUPONT

EXTERIOR BODY GROUP (CONTINUED)

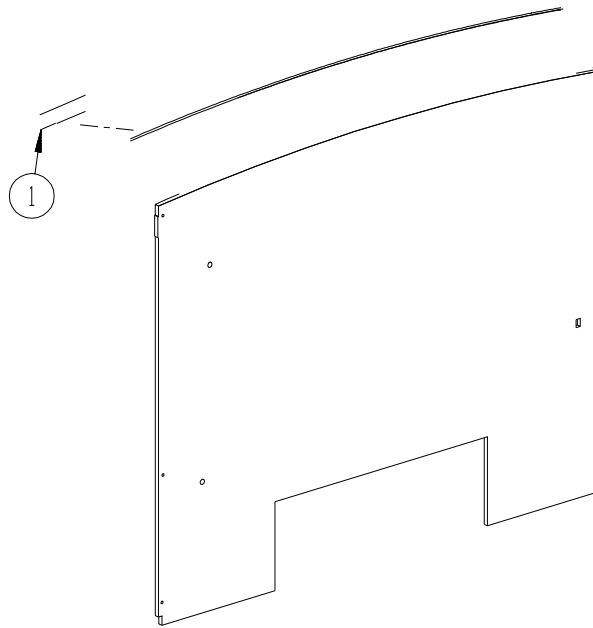
PANELS & TRIMS



KEY	PART NUMBER	U/M DESCRIPTION
1	139077-01-N70	EA ROOF - W/O LIGHTS/VENTS - W/WIRING
2	138981-01-N70	EA SIDEWALL - PASSENGER - W/O WINDOWS/TRIMS
2	138981-01-N71	EA SIDEWALL - PASSENGER - W/O WINDOWS/TRIMS
2	138981-01-N72	EA SIDEWALL - PASSENGER - W/O WINDOWS/TRIMS
3	138982-01-N70	EA SIDEWALL - DRIVER - W/O WINDOWS/TRIMS
3	138982-01-N71	EA SIDEWALL - DRIVER - W/O WINDOWS/TRIMS
3	138982-01-N72	EA SIDEWALL - DRIVER - W/O WINDOWS/TRIMS
4	017516-07-000	EA MUD FLAP - 23.5"W X 14"H - BLACK RUBBER
4	140922-01-02B	EA PLATE - MUD FLAP - E-COATED
5	017516-01-000	EA MUD FLAP - 14" X 18" - W/O MOUNTING HOLES - BLACK
5	140922-01-02B	EA PLATE - MUD FLAP - E-COATED
6	131635-02-L76	EA CAP - ROOF
7	139950-01-N70	EA BACKWALL - W/O WINDOWS/TRIMS
7	139950-01-N71	EA BACKWALL - W/O WINDOWS/TRIMS
7	139950-01-N72	EA BACKWALL - W/O WINDOWS/TRIMS
8	132442-02-01A	EA HANDLE - ASSIST - CLEAR W/CHROME ENDS

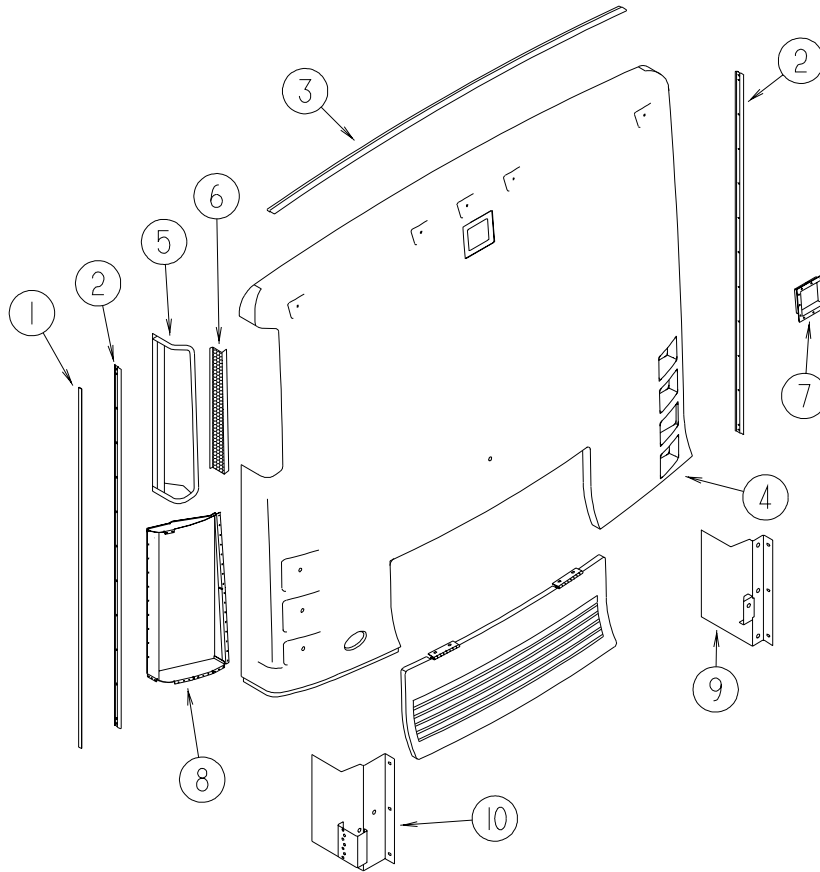
EXTERIOR BODY GROUP (CONTINUED)
PANELS & TRIMS (CONTINUED)

KEY	PART NUMBER	U/M	DESCRIPTION
9	093673-01-06A	FT	TRIM/MOLDING - 1.4" X 8' LONG - BRIGHT WHITE
10	123993-01-03A	EA	TRIM - COVER - 182" ALUMINUM - BRIGHT WHITE
11	126775-01-01A	EA	END CAP - VALANCE TRIM - RIGHT HAND
12	126775-02-01A	EA	END CAP - VALANCE TRIM - LEFT HAND
13	131483-01-01A	EA	RAIL - AWNING - 192" - BRIGHT WHITE
14	133376-01-01A	EA	TRIM - RETAINER - 144" - MILL
15	134774-01-02B	EA	BRACKET - CAB ATTACHMENT - E-COATED
16	132597-02-02B	EA	ANGLE/SUPPORT/TRIM - E-COATED
17	132597-01-02B	EA	ANGLE/SUPPORT/TRIM - E-COATED
18	113041-15-02B	EA	ANGLE - BUMPER MOUNT - E-COATED



KEY	PART NUMBER	U/M	DESCRIPTION
1	114248-02-01A	EA	ANGLE - PLASTIC - 96.6"

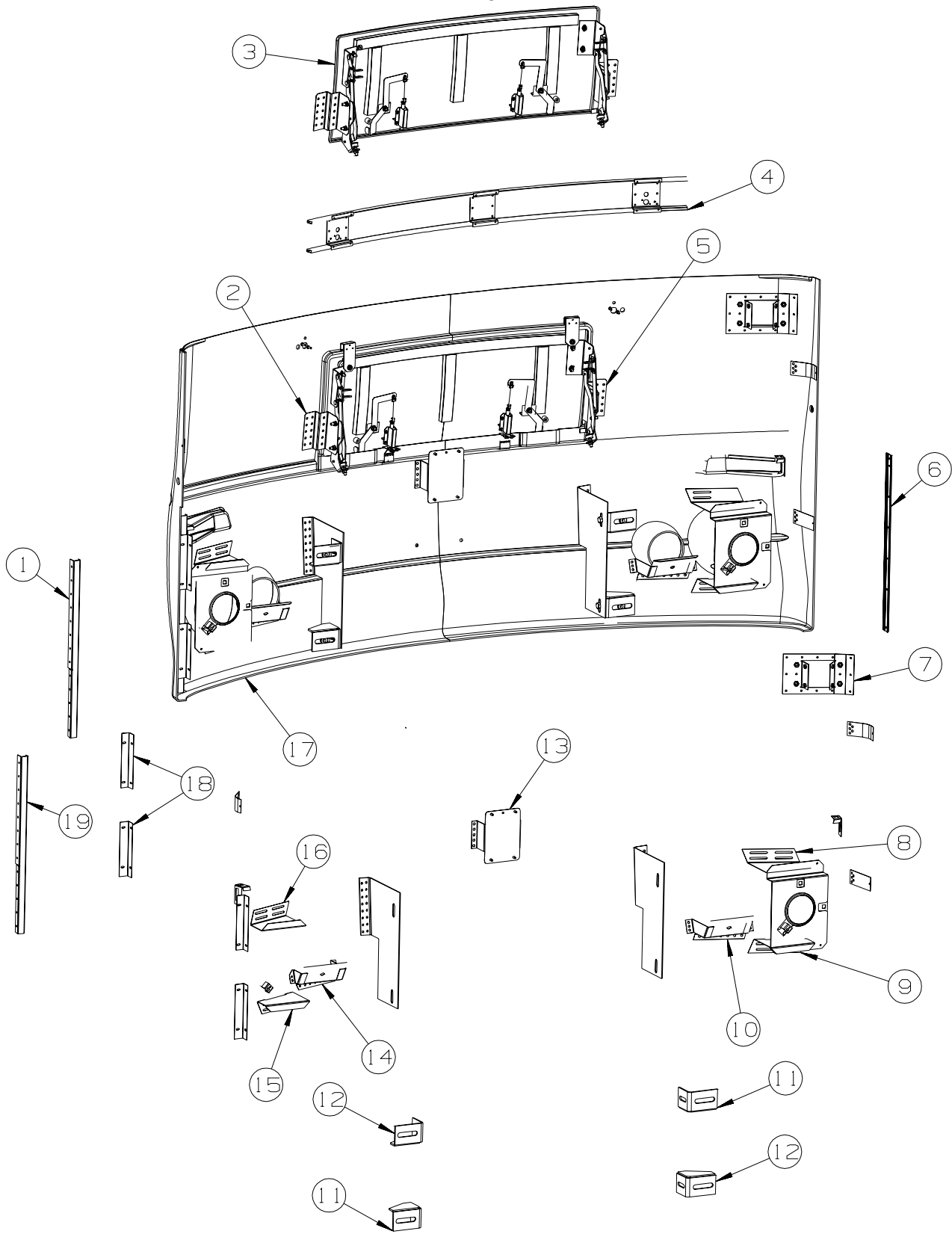
EXTERIOR BODY GROUP (CONTINUED)
PANELS & TRIMS (CONTINUED)



KEY	PART NUMBER	U/M	DESCRIPTION
1	091985-01-07A	FT	INSERT - TRIM - BRIGHT WHITE - 1"
2	092041-05-01A	EA	TRIM - REAR - CAP TO SIDEWALL - BRIGHT WHITE
3	083805-23-000	EA	TRIM - ROOF CAP - 92.1" - BRIGHT WHITE
4	131897-04-M76	EA	PANEL - REAR CAP - JOURNEY
4	131897-02-L76	EA	PANEL - REAR CAP - JOURNEY DL
5	131896-01-01A	EA	PANEL/AIR SCOOP - BRIGHT WHITE
6	129683-01-02A	EA	PANEL - AIR INTAKE - BLACK
7	P23280-01-01A	EA	SHROUD - CAMERA - INNER
8	132239-01-02B	EA	PANEL/AIR INTAKE - E-COATED
9	134572-01-02B	EA	SHIELD/SIDE - ENGINE - RIGHT HAND - E-COATED
10	132636-02-02B	EA	SHIELD/SIDE - ENGINE - LEFT HAND - E-COATED

EXTERIOR BODY GROUP (CONTINUED)

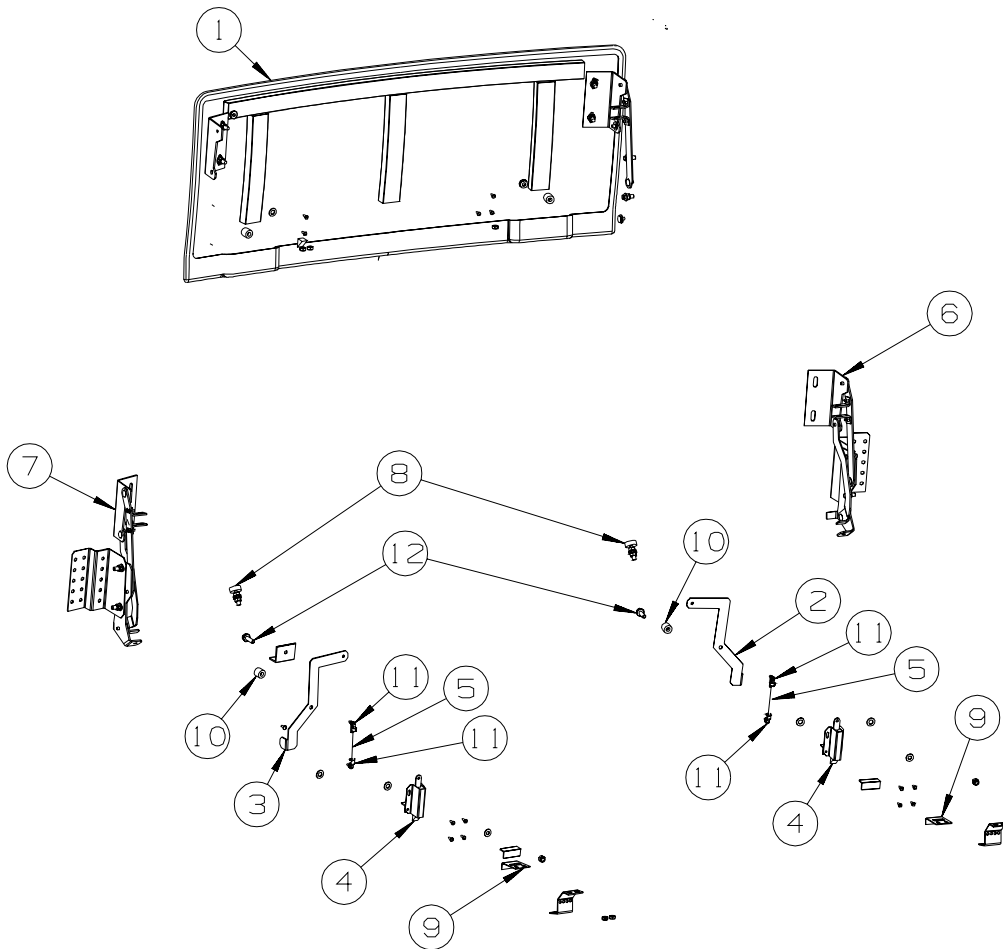
FRONT END



KEY	PART NUMBER	U/M DESCRIPTION
1	092041-06-01A	EA TRIM - REAR - CAP TO SIDEWALL - BRIGHT WHITE
2	137703-02-02B	EA SUPPORT - HINGE - LEFT HAND - E-COATED
3	137771-01-M76	EA HOOD - FRONT
4	130270-02-L76	EA SUPPORT - WIPER
5	137703-01-02B	EA SUPPORT - HINGE - RIGHT HAND - E-COATED

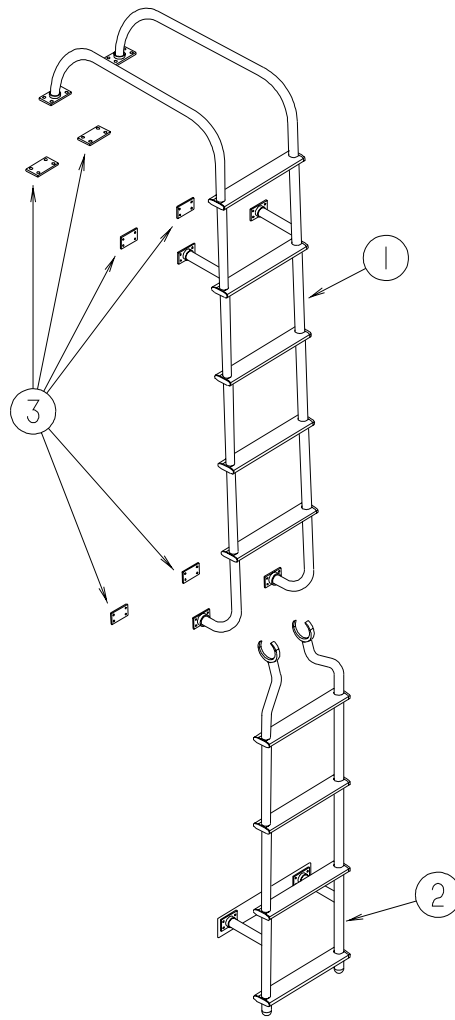
EXTERIOR BODY GROUP (CONTINUED) FRONT END (CONTINUED)

KEY	PART NUMBER	U/M	DESCRIPTION
6	092041-07-01A	EA	TRIM - REAR - CAP TO SIDEWALL - BRIGHT WHITE
7	120850-04-02B	EA	PLATE - SUPPORT/MIRROR - E-COATED
8	137700-01-02B	EA	BRACKET - HEADLAMP - UPPER/RIGHT HAND - E-COATED
9	137701-01-02B	EA	BRACKET - HEADLAMP - LOWER/RIGHT HAND - E-COATED
10	134058-01-02B	EA	BRACKET - FOG LAMP - RIGHT HAND - E-COATED
11	128455-03-02B	EA	BRACKET - BUMPER - RIGHT HAND UPPER/LEFT HAND LOWER
12	128455-04-02B	EA	BRACKET - BUMPER - LEFT HAND UPPER/RIGHT HAND LOWER
13	136446-02-02B	EA	BRACKET - WASHER TANK - E-COATED
14	134058-02-02B	EA	BRACKET - FOG LAMP - LEFT HAND - E-COATED
15	137701-02-02B	EA	BRACKET - HEADLAMP - LOWER/LEFT HAND - E-COATED
16	137700-02-02B	EA	BRACKET - HEADLAMP - UPPER/LEFT HAND - E-COATED
17	137774-02-M76	EA	PANEL - FRONT/LOWER
18	113041-10-02B	EA	ANGLE-MOUNT,E-COAT
19	132071-02-02B	EA	BRACKET - BUMPER - REAR - E-COATED



KEY	PART NUMBER	U/M	DESCRIPTION
1	137771-01-M76	EA	HOOD - FRONT
2	131545-01-02B	EA	LATCH-HANDLE,HOOD,RH,E-CT
3	131545-02-02B	EA	LATCH-HANDLE,HOOD,LH,E-CT
4	113908-01-000	EA	LATCH/PLUNGER - F/HOOD
5	131606-01-01A	EA	ROD - HOOD LATCH
6	137761-01-01A	EA	PLATE - HOOD - MOUNTING - RIGHT HAND
7	137761-02-01A	EA	PLATE - HOOD - MOUNTING - LEFT HAND
8	058786-01-000	EA	BOLT - HOOD ADJUSTMENT - 5/16"-18 X 1.5"-2"- W/BLACK PAD
9	134190-01-02B	EA	BRACKET - STRIKER/HOOD - E-COATED
10	120863-07-000	EA	BUMPER - RUBBER - .7" DIA X .7" THICK
11	102265-01-000	EA	CLIP - ROD END - 5/32" - BLACK PLASTIC
12	106730-10-000	EA	PLATE - STUD - F/HOOD

EXTERIOR BODY GROUP (CONTINUED)
LADDER



KEY	PART NUMBER	U/M	DESCRIPTION
1	132804-01-01A	EA	LADDER - UPPER - ANODIZED ALUMINUM
2	130163-04-01A	EA	LADDER ASSEMBLY - LOWER - ALUMINUM ANODIZED
3	129375-02-000	EA	SEAL - LADDER BRACKET

MIRRORS

KEY	PART NUMBER	U/M	DESCRIPTION
*	106015-19-01A	EA	MIRROR - EXTERIOR/REMOTE/HEAT - DRIVER
*	131431-06-01A	EA	MIRROR - EXTERIOR REMOTE/HEAT - PASSENGER
	108825-03-000	EA	GASKET - MIRROR
	133379-01-01A	EA	SCREW - MACHINE - 5/16-18 X 2.00 - TORX
	120850-04-02B	EA	PLATE - SUPPORT/MIRROR - E-COATED

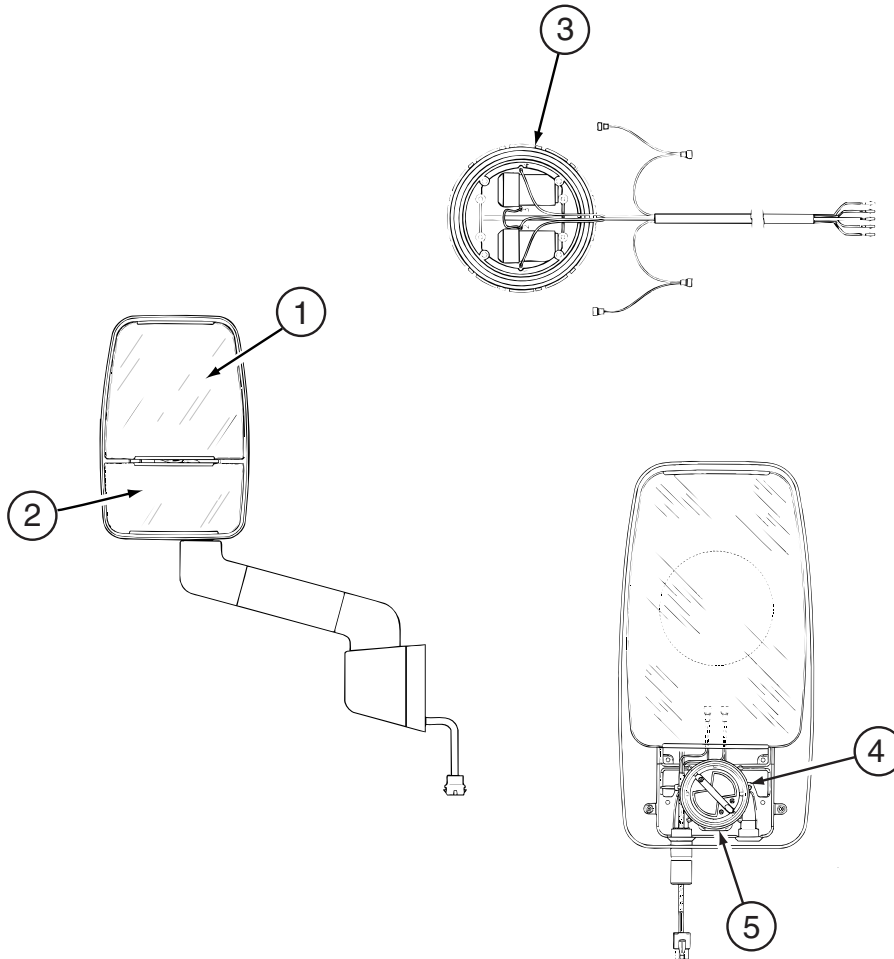
***COMPONENT PARTS LISTED LATER IN THIS GROUP**

EXTERIOR BODY GROUP (CONTINUED)

COMPONENT PARTS FOR MIRRORS

106015-18-01A & 106015-19-01A

KEY	PART NUMBER	U/M	DESCRIPTION	VENDOR NO.
	106015-16-700	EA	GLASS-FLAT W/HEAT ELEMENT	709450
	106015-18-700	EA	GLASS/CONVEX-KIT W/CLIP	709650
	106015-18-701	EA	ACTUATOR - CONVEX GLAS	7475410
	106015-18-702	EA	MOTOR - FLAT GLASS	747118
	106015-18-703	EA	CONVEX REBUILT KIT	709651
	106015-19-700	EA	VIBRATION KIT - MIRROR GLASS, VELVAC	709645



131431-06-01A & 02A

KEY	PART NUMBER	U/M	DESCRIPTION	VENDOR NO.
1	106015-16-700	EA	GLASS-FLAT W/HEAT ELEMENT	709450
2	106015-18-700	EA	GLASS - CONVEX/21"RADIUS	7021220
3	106015-18-702	EA	MOTOR - FLAT GLASS	7476730
5	106015-18-701	EA	ACTUATOR - CONVEX GLASS	7475410
	131431-01-702	EA	KIT(SCREW COVER)ROUND & OVAL	748345

CONTACT WINNEBAGO PART SALES FOR THIS COMPONENT

EXTERIOR BODY GROUP (CONTINUED)
STRUCTURAL COMPONENTS

KEY	PART NUMBER	U/M	DESCRIPTION
	002766-01-001	EA	ANGLE - EXTRUDED - 1" X 1 1/2" X 17'
	002754-01-001	EA	ANGLE - EXTRUDED - 3/4" X 3/4" X 16' - MILL ALUMINUM
	068716-01-001	EA	BRACE - 90 DEGREE - L-ANGLE - 16'
	089297-01-000	SF	PLYWOOD - LUAN - OVERLAY GRADE - 4' X 8'
	100619-01-000	BF	FOAM - EXPANDED POLYSTYRENE - 1.34" X 48" X 96"
	100619-02-000	BF	FOAM - EXPANDED POLYSTYRENE - 1.5" X 48" X 96"
	100619-05-000	BF	FOAM - EXPANDED POLYSTYRENE - .75" X 48" X 96"-1.5 DENSITY
	100619-13-000	BF	FOAM - EXPANDED POLYSTYRENE - .34" X 34.65" X 96"
	100619-16-000	BF	FOAM - EXPANDED POLYSTYRENE - .75" X 48" X 96"-2.0 DENSITY
	100619-27-000	BF	FOAM - EXPANDED POLYSTYRENE - 48" X 92.8" X 3"
	120107-01-000	EA	FOAM - ROOF COVE - 2.8" X 96" LONG
	120107-02-000	EA	FOAM - PLUG - ROOF TUBE - 2.2" X 2.9" X 1.8" LONG
	120107-03-000	EA	FOAM - PLUG - SIDEWALL TUBE - 1.2" X 2.1" X 1.8" LONG
	128782-01-01A	EA	FIBERGLASS SHEET - 79" X 417"/HIGH GLOSS - BRIGHT WHITE
	128782-02-01A	EA	FIBERGLASS SHEET - 79" X 428" - HIGH GLOSS - BRIGHT WHITE
	128782-03-01A	EA	FIBERGLASS SHEET - 26.1" X 68.2" - HIGH GLOSS/SLIDEOUT-B/W
	128782-07-01A	EA	FIBERGLASS SHEET - 79" X 456" - HIGH GLOSS - BRIGHT WHITE
	128782-08-01A	EA	FIBERGLASS SHEET - 22" X 68.3" - HIGH GLOSS - BRIGHT WHITE
	128782-09-01A	EA	FIBERGLASS-SHT,HG 787X1736 ,*BRT WHT VETROLIGHT
	108535-05-702	EA	FIBERGLASS SHEET - FLAT - 108" X 396" BRIGHT WHITE - ROOF

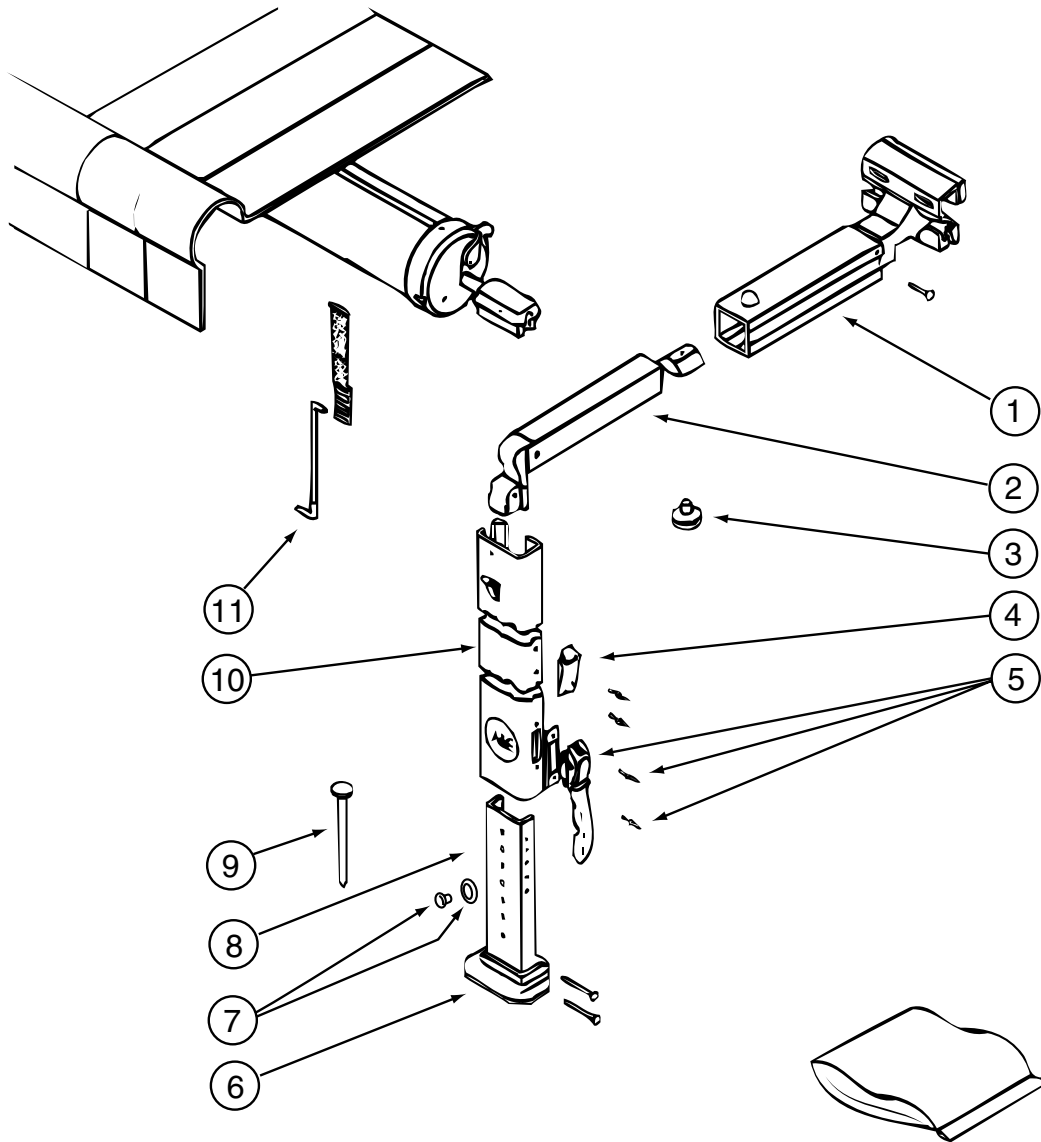
AWNINGS

KEY	PART NUMBER	U/M	DESCRIPTION
*	113874-01-02A	EA	HARDWARE KIT - AWNING - W/O STANDOFF BRACKET-BRIGHT WHITE
	113874-09-46A	EA	AWNING - W/O HDW - 20' - MOSS TRAN/METAL WRAP/BRTWHT - P36LD,P39QD,P36GD,P36L,P36C
	113874-07-46A	EA	AWNING - 18' - VINYL - W/O HARDWARE - P32TD,P34HD,P34H,P32T
	137084-09-46A	EA	AWNING-20' 1 STEP-MOSS TRAN VINYL-METAL WRAP/BRT WHT- P36LD,39QD,36GD,36C,36L-ELEC.
	137084-07-46A	EA	AWNING-18' 1 STEP-MOSS TRAN VINYL-METAL WRAP/BRT WHT- P32TD,P34HD,P34H,P32T-ELEC.
	113874-11-01A	EA	SCREW/LAG - AWNING - 1/4" X 1" STAINLESS STEEL
	113874-12-01A	EA	SCREW/LAG - AWNING - 1/4" X 2 3/4" STAINLESS STEEL
	137054-01-02A	EA	BRACKET - AWNING - BRIGHT WHITE
	136767-01-01A	EA	AWNING/DOOR - 56" - MANUAL - WHITE VINYL
	136767-02-01A	EA	AWNING/DOOR - 56" - ELECTRIC - WHITE VINYL
	136770-03-01A	EA	SPACER - AWNING - 2" - BRIGHT WHITE - ENTRY DOOR AWNING
	137084-01-01A	EA	HARDWARE KIT - F/1-STEP AWNING - BRIGHT WHITE - ELECTRIC
	137084-02-01A	EA	AWNING - 1-STEP/ELECTRICAL KIT - ELECTRIC
	137171-01-01A	EA	BRACKET - AWNING - BRIGHT WHITE - ELECTRIC
	137029-01-01A	EA	BRACKET - AWNING - BRIGHT WHITE
	113874-12-01A	EA	SCREW/LAG - AWNING - 1/4" X 2 3/4" STAINLESS STEEL
	127960-01-01A	EA	RETAINER - 3/8" - STAINLESS STEEL

FROM: 00-00-00 THRU: 01-13-02

*COMPONENT PARTS LISTED LATER IN THIS GROUP

EXTERIOR BODY GROUP (CONTINUED)
COMPONENT PARTS FOR AWNINGS

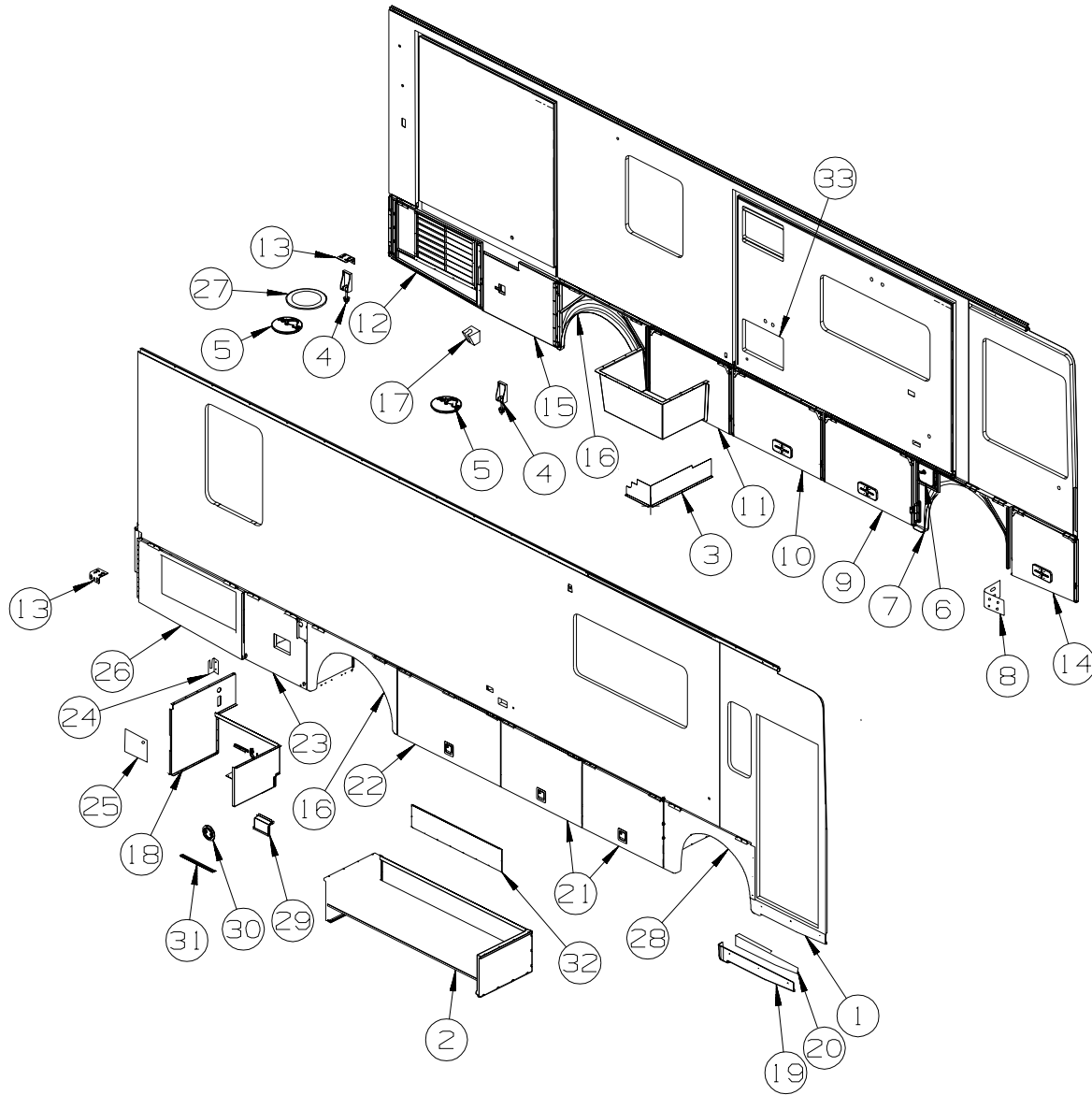


113874-01-02A

KEY	PART NUMBER	U/M	DESCRIPTION	VENDOR NO.
1	113874-01-714	EA	RAFTER - MAIN RH/LH BRT/WHT	830295.536F
2	113874-01-715	EA	RAFTER - SECONDARY BRT/WHT	830463.511F
3	113874-01-702	EA	KNOB - ADJUSTING	3105421014
4	113874-01-706	EA	LOCK - TRAVEL	830587.001
5	113874-01-707	EA	HANDLE - LIFT W/RIVETS	830644
6	113874-01-712	EA	FOOT - PATIO	730366-001
7	113874-01-710	EA	PLUG-STOP KIT	830456
8	113874-01-717	EA	ARM - ADJUSTABLE BRT/WHT	830467.517/F
9	113874-01-709	EA	NAIL-SPIKE, 8"	113006
10	113874-01-716	EA	ARM - MAIN SUPPORT BRT/WHT	3104502.293/F
11	113874-01-703	EA	ROD-CENTER PULL W/ACCESSORY	830152.102

EXTERIOR DOORS & COMPARTMENTS GROUP

DOOR & COMPARTMENT LAYOUT



KEY	PART NUMBER	U/M	DESCRIPTION
1*	094708-03-01A	EA	STEP - ELECTRIC - SINGLE - BLACK CONTROL BOX - KWIKEE
2	135927-10-N70	EA	COMPARTMENT - LUGGAGE
3	134811-01-02B	EA	PANEL - COVER - WATER SYSTEM - E-COATED
4	M08628-01-H17	EA	HATCH - W/FOAM INSERT
5	121175-02-01A	EA	LATCH - SWELL
6	131905-05-N70	EA	PANEL ASM-DOOR,FUEL FILL
7	138290-01-000	EA	CASE - W/CAM - W/O CYLINDER/KEY
7	131922-04-N70	EA	PANEL/WHEEL LIP - FRONT/DRIVER - 49" - BLACK
8	119568-01-01A	EA	STANDOFF - VALANCE PANEL - BLACK
FROM: 00-00-00 THRU: 02-18-02			
9	140442-10-N52	EA	VALANCE/DOOR - W/O PADDLE LATCH - 47" X 28"
	107796-31-000	EA	SPRING/GAS - 12" COMPRESSED/20" EXTENDED - 100 LB
10	140442-15-N70	EA	VALANCE/DOOR - W/O PADDLE LATCH - 47" X 28"
	107796-31-000	EA	SPRING/GAS - 12" COMPRESSED/20" EXTENDED - 100 LB
11	140442-13-N70	EA	VALANCE/DOOR - W/O PADDLE LATCH - 43" X 28"
	107796-26-000	EA	SPRING/GAS - 12" COMPRESSED/20" EXTENDED - 100 LB
12	132197-03-M76	EA	VALANCE/DOOR - DRVR W/GRILLE W/O HDW-25.7" X 47.2" X 28.4"
13	140309-03-02B	EA	ANGLE - FURNACE DOOR - E-COATED

EXTERIOR DOORS & COMPARTMENTS GROUP (CONTINUED)
DOOR & COMPARTMENT LAYOUT (CONTINUED)

KEY	PART NUMBER	U/M	DESCRIPTION
14	140442-08-N70	EA	VALANCE/DOOR - PASS W/O PADDLE LATCH - 28" X 34" X 26"
	107796-31-000	EA	SPRING/GAS - 12" COMPRESSED/20" EXTENDED - 100 LB
15	138269-14-N70	EA	VALANCE/DOOR - W/O LATCH/HINGE - 39.8" X 28.3"
	076767-11-000	EA	CABLE - STAINLESS STEEL - 5.9"
16	131922-03-L76	EA	PANEL/WHEEL LIP - REAR - 47.2"
17	131383-03-02A	EA	BRACKET - SHOWER HEAD - WHITE
18	136958-01-M76	EA	COMPARTMENT - WATER
19	131900-01-01A	EA	PANEL/VALANCE - BUS DOOR
20	134125-02-02B	EA	SUPPORT - VALANCE - E-COATED
21	140442-11-N70	EA	VALANCE/DOOR - W/O PADDLE LATCH - 42" X 28"
	107796-31-000	EA	SPRING/GAS - 12" COMPRESSED/20" EXTENDED - 100 LB
22	140442-05-N70	EA	VALANCE/DOOR - W/O PADDLE LATCH - 54" X 28"
	107796-31-000	EA	SPRING/GAS - 12" COMPRESSED/20" EXTENDED - 100 LB
23	140442-12-N70	EA	VALANCE/DOOR - W/O PADDLE LATCH - 32" X 28" W/NOTCH & VENT
	107796-31-000	EA	SPRING/GAS - 12" COMPRESSED/20" EXTENDED - 100 LB
*	110506-A2-000	EA	LOCK ASM-TWIST
	110506-50-000	EA	CASE/CYLINDER - TWIST LATCH - W/O CAM - .65" - 596952
	110506-76-000	EA	CAM - LOCK
24	132585-02-02B	EA	BRACKET - CATCH - VALANCE DOOR - E-COATED
25	115620-01-12B	EA	PLATE - BACKING - BRIGHT WHITE
26	132198-01-L76	EA	VALANCE/PANEL - PASSENGER W/GRILLE - 27.8" X 52.6" X 52.2"
27	129015-01-K80	EA	PORT W/HATCH - F/ELECTRICAL/DRAIN
28	131922-01-M70	EA	PANEL/WHEEL LIP - FRONT/PASSENGER - 48.1"
29	140352-01-02B	EA	PANEL - CLOSEOUT - WATER HEATER - E-COATED
			FROM: 07-16-01 THRU: 99-99-99
30	092887-03-000	EA	HATCH/PLATE - 6.1" FLANGE/4.5" R.O. - BLACK
			FROM: 07-24-01 THRU: 99-99-99
31	130034-08-02B	EA	CLIP - TRIM - E-COATED
			FROM: 02-16-02 THRU: 99-99-99
32	133386-01-02B	EA	PANEL - CLOSEOUT - HOLDING TANK - E-COATED
33	137395-01-01A	EA	DOOR - REFRIGERATOR VENT - 21.6" X 13.9" - BRIGHT WHITE
	105290-01-000	SF	INSULATION - AIR POCKET W/FOIL
	089329-02-000	EA	CLIP - SPRING
			FROM: 00-00-00 THRU: 10-23-01

LOCK CYLINDER USED UP TO 04-30-01

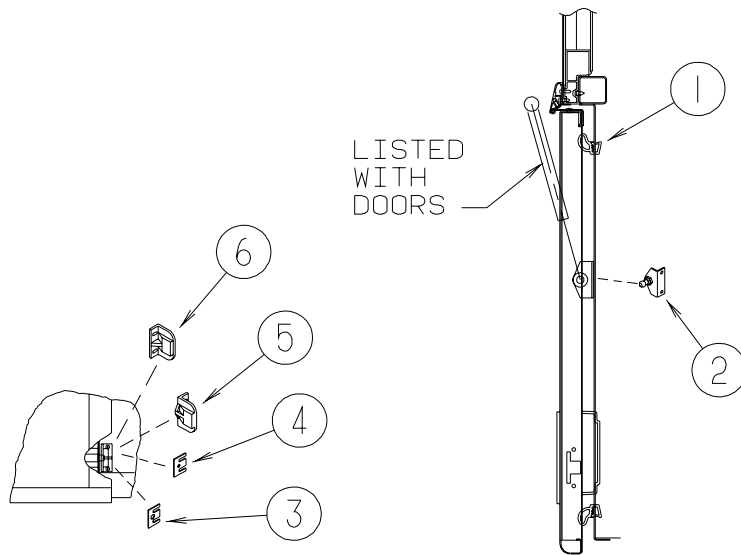
129686-01-000	EA	CYLINDER - LOCK ASSEMBLY - COMPARTMENT/DRIVER DOOR
129686-02-000	EA	CYLINDER - LOCK ASSEMBLY - COMPARTMENT/DRIVER DOOR
129686-03-000	EA	CYLINDER - LOCK ASSEMBLY - COMPARTMENT/DRIVER DOOR
129686-04-000	EA	CYLINDER - LOCK ASSEMBLY - COMPARTMENT/DRIVER DOOR
129686-05-000	EA	CYLINDER - LOCK ASSEMBLY - COMPARTMENT/DRIVER DOOR
129686-06-000	EA	CYLINDER - LOCK ASSEMBLY - COMPARTMENT/DRIVER DOOR
129686-07-000	EA	CYLINDER - LOCK ASSEMBLY - COMPARTMENT/DRIVER DOOR
129686-08-000	EA	CYLINDER - LOCK ASSEMBLY - COMPARTMENT/DRIVER DOOR
129686-09-000	EA	CYLINDER - LOCK ASSEMBLY - COMPARTMENT/DRIVER DOOR
129686-10-000	EA	CYLINDER - LOCK ASSEMBLY - COMPARTMENT/DRIVER DOOR

LOCK CYLINDER USED AFTER 05-01-01

138289-01-000	EA	CYLINDER - LOCKING
138289-02-000	EA	CYLINDER - LOCKING
138289-03-000	EA	CYLINDER - LOCKING
138289-04-000	EA	CYLINDER - LOCKING
138289-05-000	EA	CYLINDER - LOCKING
138289-06-000	EA	CYLINDER - LOCKING
138289-07-000	EA	CYLINDER - LOCKING
138289-08-000	EA	CYLINDER - LOCKING
138289-09-000	EA	CYLINDER - LOCKING
138289-10-000	EA	CYLINDER - LOCKING

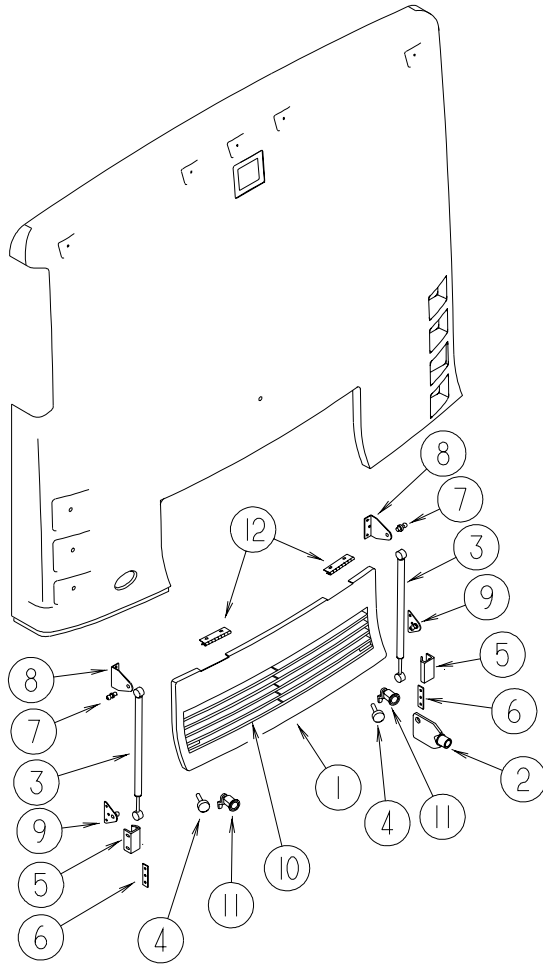
***COMPONENT PARTS LISTED LATER IN THIS GROUP**

EXTERIOR DOORS & COMPARTMENTS GROUP (CONTINUED)
DOOR & COMPARTMENT LAYOUT (CONTINUED)



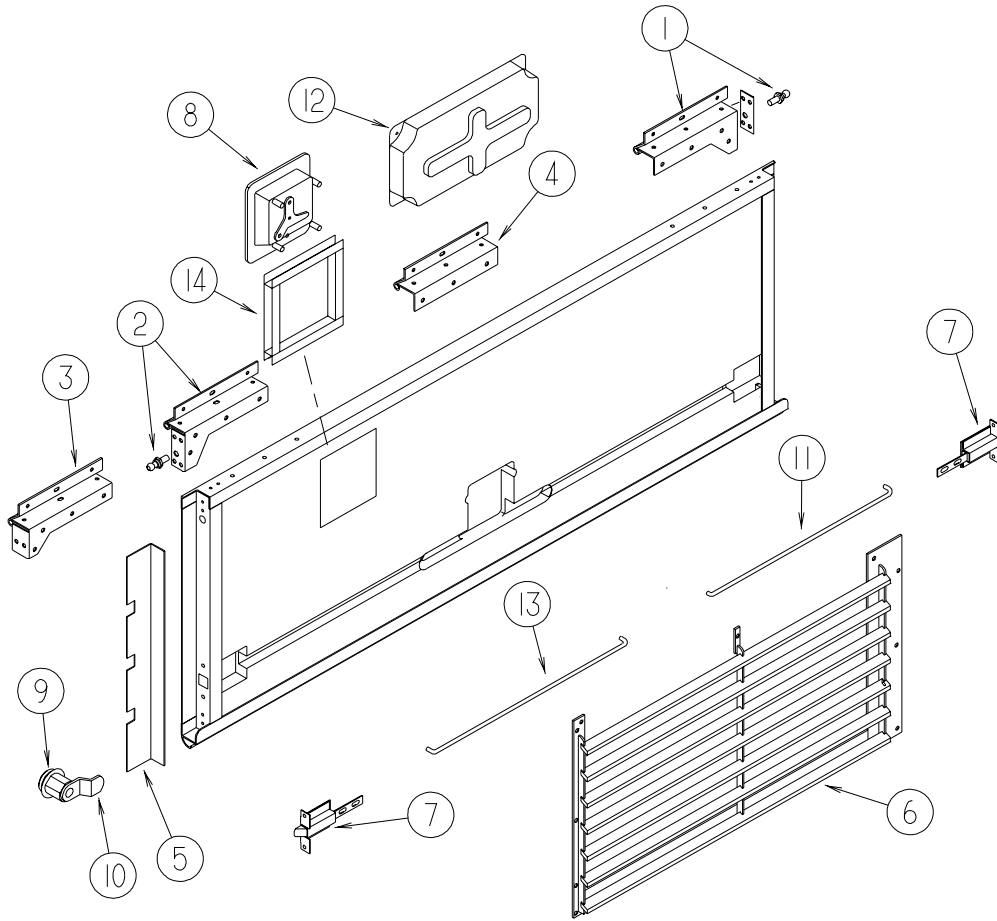
KEY	PART NUMBER	U/M	DESCRIPTION
1	132892-02-01A	FT	SEAL - BULB
2	126263-02-02B	EA	BRACKET - GAS SPRING W/BALL STUD - E-COATED
3	120494-04-02B	EA	SHIM - STRIKER - LUGGAGE DOOR - .27 - E-COATED
4	120494-03-02B	EA	SHIM - STRIKER - LUGGAGE DOOR - .20 - E-COATED
5	130053-02-01A	EA	STRIKER - LUGGAGE DOOR - OFF SET - BLACK
6	130053-01-01A	EA	STRIKER - LUGGAGE DOOR - FLUSH - BLACK

EXTERIOR DOORS & COMPARTMENTS GROUP (CONTINUED)
DOOR & COMPARTMENT LAYOUT (CONTINUED)



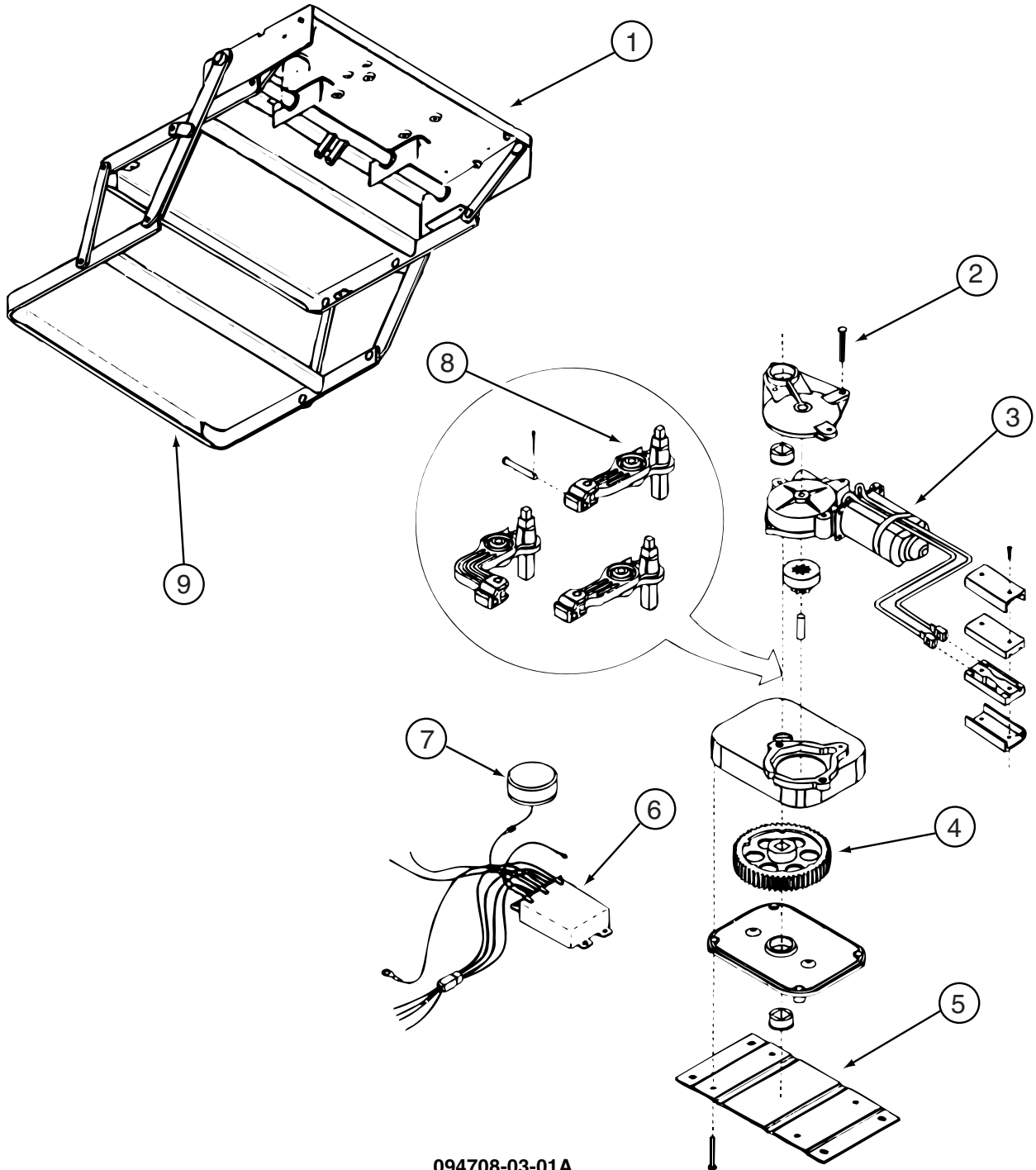
KEY	PART NUMBER	U/M	DESCRIPTION
1	132182-01-L76	EA	DOOR - REAR ENGINE - W/O HARDWARE
2	102328-01-000	EA	KEY - BARREL - NICKEL PLATED
3	107796-23-000	EA	SPRING/GAS - 11.3" COMPRESSED/18.5" EXTENDED - 45 LB.
4	058786-01-000	EA	BOLT - HOOD ADJUSTMENT - 5/16"-18 X 1.5"-2" - W/BLACK PAD
5	107719-01-01A	EA	STRIKE - VALANCE DOOR
6	118931-01-02B	EA	SHIM - STRIKER - DOOR
7		EA	NOT USED
8	126263-10-02B	EA	BRACKET - GAS SPRING W/BALL STUD - E-COATED
9	126263-08-02B	EA	BRACKET - GAS SPRING W/CENTERED BALL STUD - E-COATED
10	132412-01-L76	EA	GRILLE/DOOR - TRUNK
11	102330-02-000	EA	LATCH - VISE ACTION/KEY OPERATED
12	102325-02-07A	EA	HINGE/TRUNK DOOR - 6" W/6" OFF SET - BRIGHT WHITE

EXTERIOR DOORS & COMPARTMENTS GROUP (CONTINUED)
COMPARTMENT DOOR PIECE PARTS



KEY	PART NUMBER	U/M	DESCRIPTION
1	131790-01-01A	EA	HINGE - SINGLE/PIVOT FROM: 00-00-00 THRU: 11-11-01
1	139793-01-01A	EA	HINGE - RIGHT HAND/VALANCE DOOR - W/BALLSTUD FROM: 11-12-01 THRU: 99-99-99
2	131790-02-01A	EA	HINGE - SINGLE/PIVOT FROM: 00-00-00 THRU: 11-11-01
2	139793-02-01A	EA	HINGE - LEFT HAND/VALANCE DOOR - W/BALLSTUD FROM: 11-12-01 THRU: 99-99-99
3	139793-05-01A	EA	HINGE - LEFT HAND/VALANCE DOOR - W/O BALLSTUD FROM: 11-12-01 THRU: 99-99-99
4	131790-03-01A	EA	HINGE - SINGLE/PIVOT FROM: 00-00-00 THRU: 11-11-01
4	139793-03-01A	EA	HINGE - CENTER/VALANCE DOOR - W/O BALLSTUD FROM: 11-12-01 THRU: 99-99-99
5	139207-01-02B	EA	PANEL - SUPPORT - A/C DOOR - E-COATED
6	113333-06-L76	EA	GRILLE/DOOR - A/C
7	121947-01-01A	EA	BOLT - SLIDE W/PLASTIC PLUNGER
8	129675-01-01A	EA	LATCH - LOCKING PADDLE - BLACK FROM: 00-00-00 THRU: 04-30-01
8	138277-01-01A	EA	LATCH/PADDLE - COMPARTMENT DOOR - BLACK - KEY ONE FROM: 05-01-01 THRU: 99-99-99
8	112949-02-04A	EA	LATCH - PADDLE NON-LOCKING - BRIGHT WHITE
9	110506-50-000	EA	CASE/CYLINDER - TWIST LATCH - W/O CAM - .65" - 596952
10	110506-76-000	EA	CAM - LOCK
11	132873-01-000	EA	ROD - LATCH (BLANK) - RIGHT HAND
12	137359-01-01A	EA	COVER - LATCH - WHITE
13	132873-02-000	EA	ROD - LATCH (BLANK) - LEFT HAND
14	133049-01-L76	EA	TRIM - COVER - WATER HEATER

EXTERIOR DOORS & COMPARTMENTS GROUP (CONTINUED)
COMPONENT PARTS FOR DOOR & COMPARTMENT LAYOUT



094708-03-01A

KEY	PART NUMBER	U/M	DESCRIPTION	VENDOR NO.
1	088746-01-709	EA	FRAME W/SGL STEP,2800 SERIES	908028
2	094707-02-703	EA	BEARING & PINS	909530
3	094707-02-700	EA	MOTOR ASM.,W/BEARINGS & PINS	909520
4	094707-02-702	EA	GEAR KIT(GEAR-BEARING-PINS)	909525
5	094707-02-704	EA	CONNECTOR-MOTOR ASM.W/PLATES	909537
6	094707-03-700	EA	KIT CONTROL/SWITCH-RETROFIT	909506005
7	088733-01-700	EA	BULB	9004
7	088746-01-705	EA	LIGHT-UNDER STEP	9004
8	094708-03-700	EA	LINKAGE ASSEMBLY-SERIES 28	909533
9	094707-02-707	EA	TREAD - NON-SKID - BLACK	909333
	094707-03-701	EA	PLUG - 4-WAY - PACKARD	909306

110506-A2-000

KEY	PART NUMBER	U/M	DESCRIPTION	VENDOR NO.
	110506-40-700	EA	HARDWARE PACKAGE-CYLINDER/CASE	596950AAL

EXTERIOR DOORS & COMPARTMENTS GROUP (CONTINUED)

ENTRY

KEY	PART NUMBER	U/M	DESCRIPTION
*	128913-05-02A	EA	DOOR - ENTRY/FRONT - MANUAL LOCK - GLACIER FROM: 00-00-00 THRU: 04-30-01
*	128913-09-01A	EA	DOOR - ENTRY/FRONT - MANUAL LOCK - BRIGHT WHITE FROM: 05-01-01 THRU: 08-21-01
*	128913-11-01A	EA	DOOR - ENTRY/FRONT - MANUAL LOCK FROM: 08-22-01 THRU: 99-99-99
	075673-05-000	FT	SEAL - PILE - ADHESIVE BACK - BLACK
	039715-01-000	EA	NUT-SERT - 1/4" DIAMETER - 20 THREADS
	112782-04-01A	EA	GASKET
	112782-05-01A	EA	CAP - VINYL - RED
	112782-16-01A	EA	LATCH - INTERIOR PLATE
	112782-18-01A	EA	LATCH - EXTERIOR - W/O LOCK CYLINDER W/ICON-REVERSIBLE KEY
	092927-14-000	EA	STRIKER - ROUND - JAMB MOUNTED

LOCK ASSEMBLY USED UP TO 04-30-01

*	129676-01-000	EA	KEY - T/M 14472-07-1431
*	129676-02-000	EA	KEY - T/M 14472-07-1432
*	129676-03-000	EA	KEY - T/M 14472-07-1433
*	129676-04-000	EA	KEY - T/M 14472-07-1434
*	129676-05-000	EA	KEY - T/M 14472-07-1435
*	129676-06-000	EA	KEY - T/M 14472-07-1436
*	129676-07-000	EA	KEY - T/M 14472-07-1437
*	129676-08-000	EA	KEY - T/M 14472-07-1438
*	129676-09-000	EA	KEY - T/M 14472-07-1439
*	129676-10-000	EA	KEY - T/M 14472-07-1440
	129685-01-000	EA	CYLINDER - LOCK ASSEMBLY - ENTRANCE DOOR (J)
	129685-02-000	EA	CYLINDER - LOCK ASSEMBLY - ENTRANCE DOOR (J)
	129685-03-000	EA	CYLINDER - LOCK ASSEMBLY - ENTRANCE DOOR (J)
	129685-04-000	EA	CYLINDER - LOCK ASSEMBLY - ENTRANCE DOOR (J)
	129685-05-000	EA	CYLINDER - LOCK ASSEMBLY - ENTRANCE DOOR (J)
	129685-06-000	EA	CYLINDER - LOCK ASSEMBLY - ENTRANCE DOOR (J)
	129685-07-000	EA	CYLINDER - LOCK ASSEMBLY - ENTRANCE DOOR (J)
	129685-08-000	EA	CYLINDER - LOCK ASSEMBLY - ENTRANCE DOOR (J)
	129685-09-000	EA	CYLINDER - LOCK ASSEMBLY - ENTRANCE DOOR (J)
	129685-10-000	EA	CYLINDER - LOCK ASSEMBLY - ENTRANCE DOOR (J)

LOCK ASSEMBLY USED AFTER 05-01-01

	138287-01-000	EA	CYLINDER/LOCK - ENTRY DOOR (MASTER)
	138287-02-000	EA	CYLINDER/LOCK - ENTRY DOOR (MASTER)
	138287-03-000	EA	CYLINDER/LOCK - ENTRY DOOR (MASTER)
	138287-04-000	EA	CYLINDER/LOCK - ENTRY DOOR (MASTER)
	138287-05-000	EA	CYLINDER/LOCK - ENTRY DOOR (MASTER)
	138287-06-000	EA	CYLINDER/LOCK - ENTRY DOOR (MASTER)
	138287-07-000	EA	CYLINDER/LOCK - ENTRY DOOR (MASTER)
	138287-08-000	EA	CYLINDER/LOCK - ENTRY DOOR (MASTER)
	138287-09-000	EA	CYLINDER/LOCK - ENTRY DOOR (MASTER)
	138287-10-000	EA	CYLINDER/LOCK - ENTRY DOOR (MASTER)
	138288-01-000	EA	KEY - REVERSIBLE - #1151 - T/M 16169-02-3091
	138288-02-000	EA	KEY - REVERSIBLE - #1152 - T/M 16169-02-3092
	138288-03-000	EA	KEY - REVERSIBLE - #1153 - T/M 16169-02-3093
	138288-04-000	EA	KEY - REVERSIBLE - #1154 - T/M 16169-02-3094
	138288-05-000	EA	KEY - REVERSIBLE - #1155 - T/M 16169-02-3095
	138288-06-000	EA	KEY - REVERSIBLE - #1156 - T/M 16169-02-3096
	138288-07-000	EA	KEY - REVERSIBLE - #1157 - T/M 16169-02-3097
	138288-08-000	EA	KEY - REVERSIBLE - #1158 - T/M 16169-02-3098
	138288-09-000	EA	KEY - REVERSIBLE - #1159 - T/M 16169-02-3099
	138288-10-000	EA	KEY - REVERSIBLE - #1150 - T/M 16169-02-3100
	134450-02-01A	EA	TAPE - ANTI SLIP - 1.25" X 29.9" - BLACK
	138292-01-000	EA	SEAL - LOCK CYLINDER

*COMPONENT PARTS LISTED LATER IN THIS GROUP

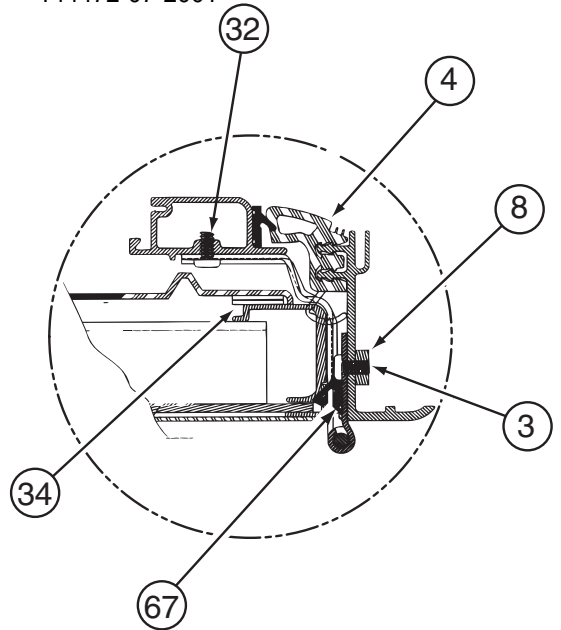
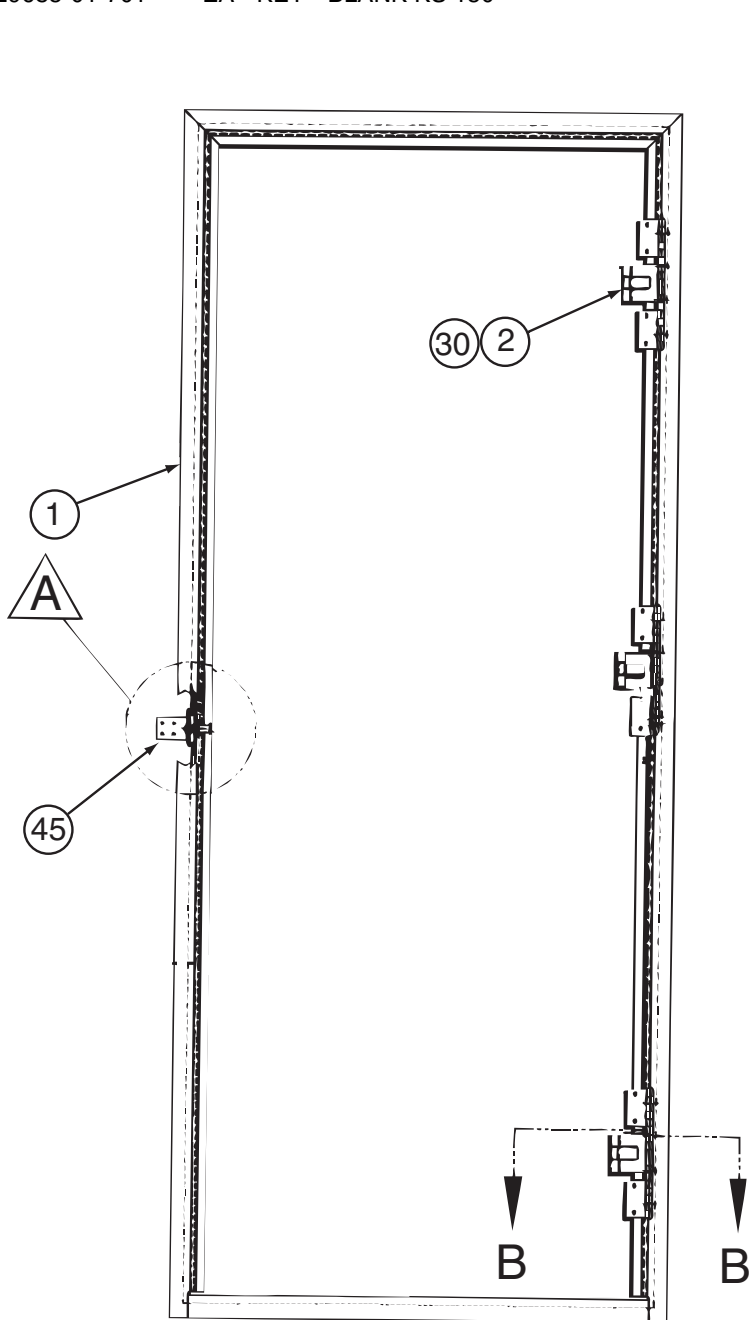
EXTERIOR DOORS & COMPARTMENTS GROUP (CONTINUED)

COMPONENT PARTS FOR ENTRY
129676-01-000 THRU 129676-10-000

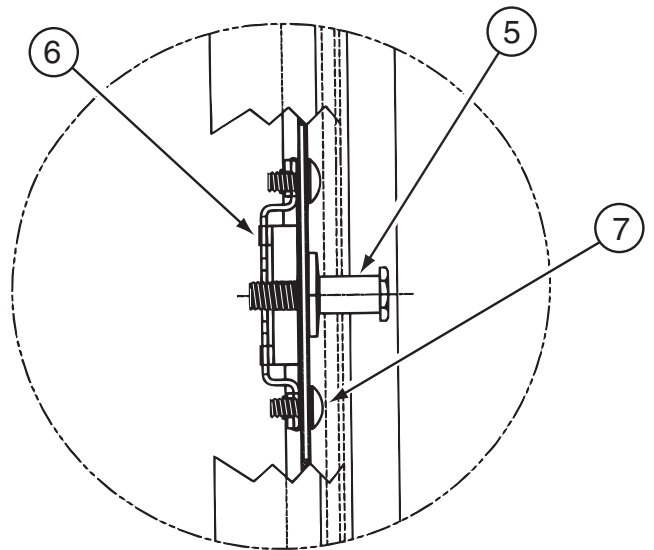
KEY PART NUMBER
129685-01-701

U/M DESCRIPTION
EA KEY - BLANK KS 150

VENDOR NO.
144472-07-2001



SECTION B-B



VIEW A

128913-05-02A, 128913-09-01A & 128913-11-01A

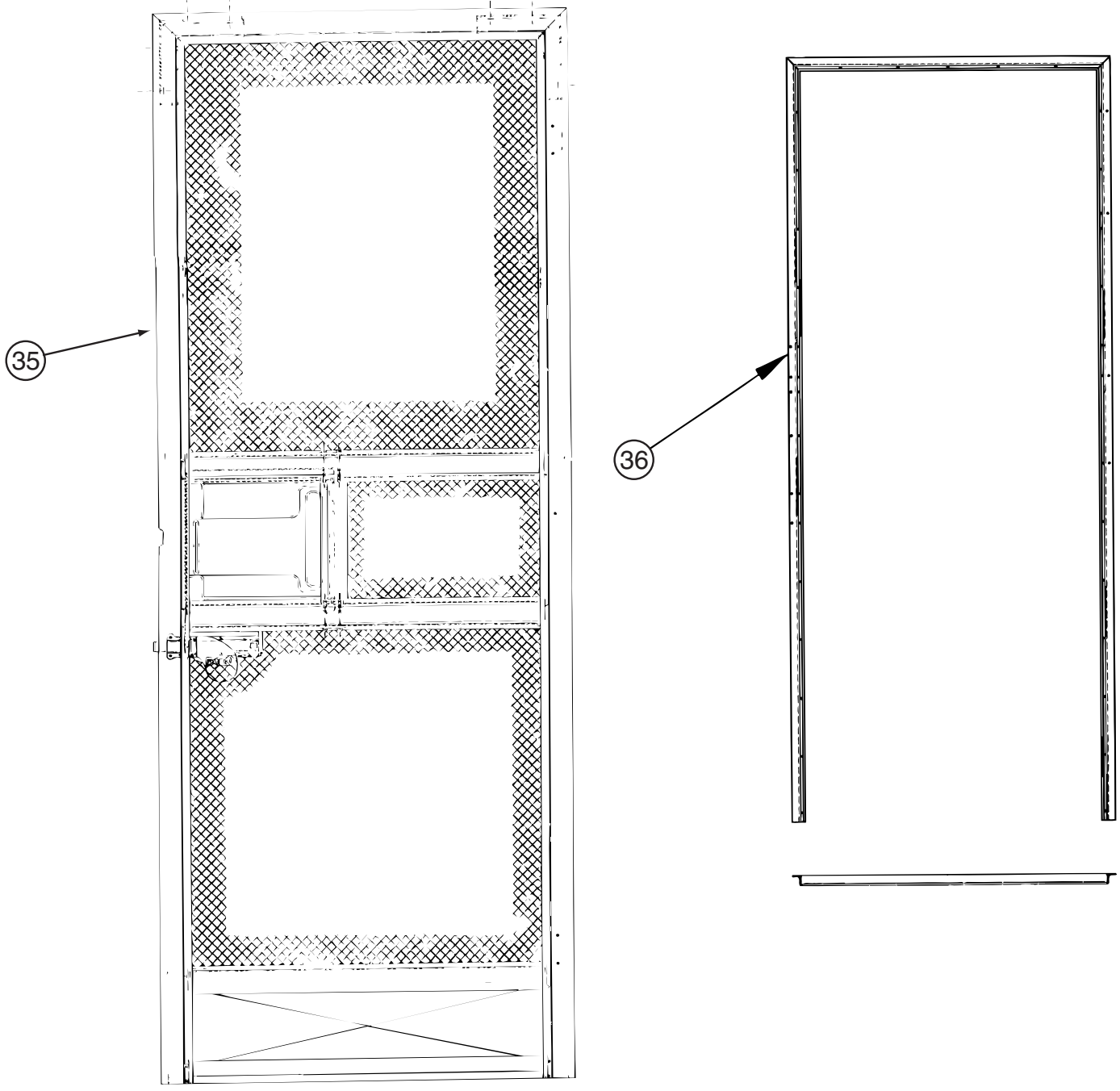
KEY PART NUMBER
2 128913-01-729
4 128913-01-728
5 128913-01-727
6 106469-04-704
45 128913-02-700

U/M DESCRIPTION
EA HINGE
EA SEAL - DOOR/CORNER- MITERED
EA STRIKER - BOLT - LONG
EA NUT ASSEMBLY-CAGED W/STRIKER
EA LATCH - BRACKET

VENDOR NO.
211-041740
122-041917
11628-16
11920-16
210-042215

CONTACT WINNEBAGO PARTS SALES FOR UNLISTED COMPONENTS

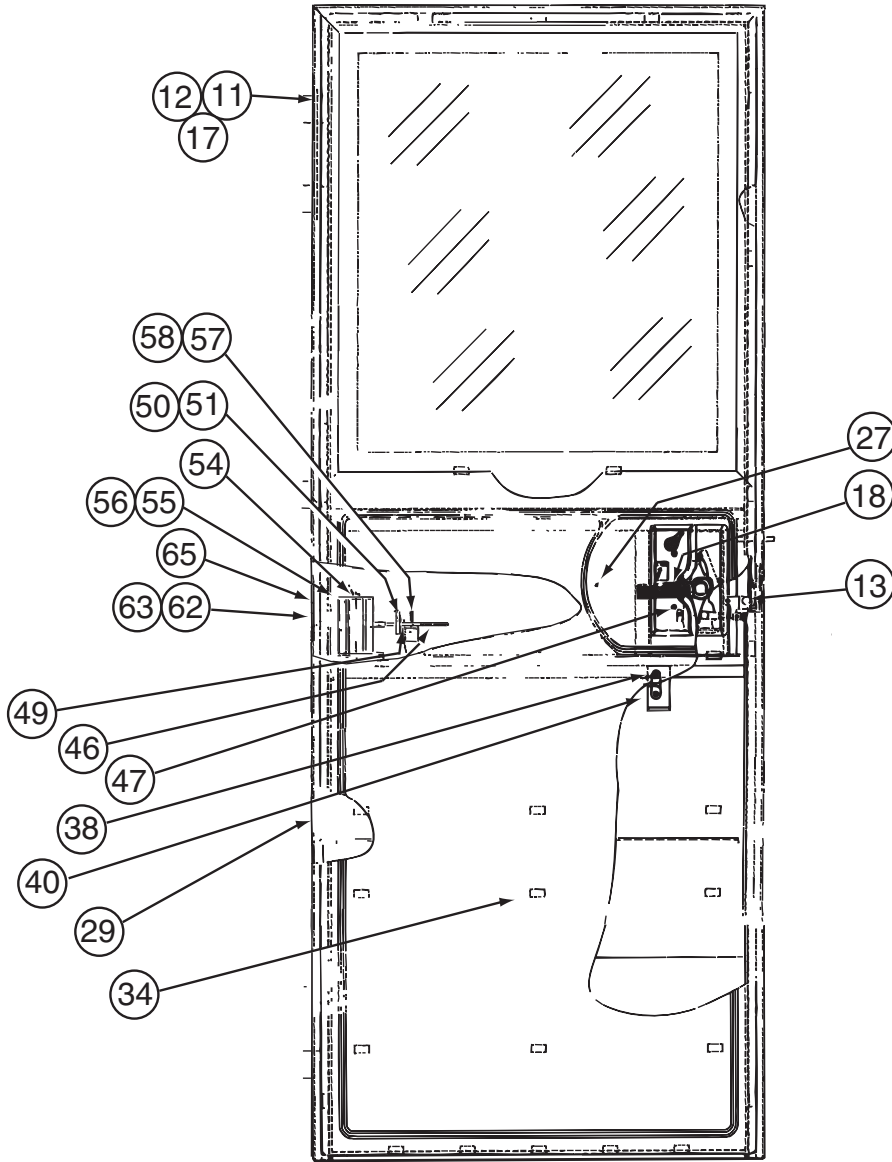
EXTERIOR DOORS & COMPARTMENTS GROUP (CONTINUED)
COMPONENT PARTS FOR ENTRY (CONTINUED)



128913-05-02A, 128913-09-01A & 128913-11-01A (CONTINUED)

KEY	PART NUMBER	U/M	DESCRIPTION	VENDOR NO.
35*	128913-09-700	EA	SCREEN DOOR ASSEMBLY	490056
36	128913-04-701	EA	FRAME/CLAMP - WELD ASSM	V266-25

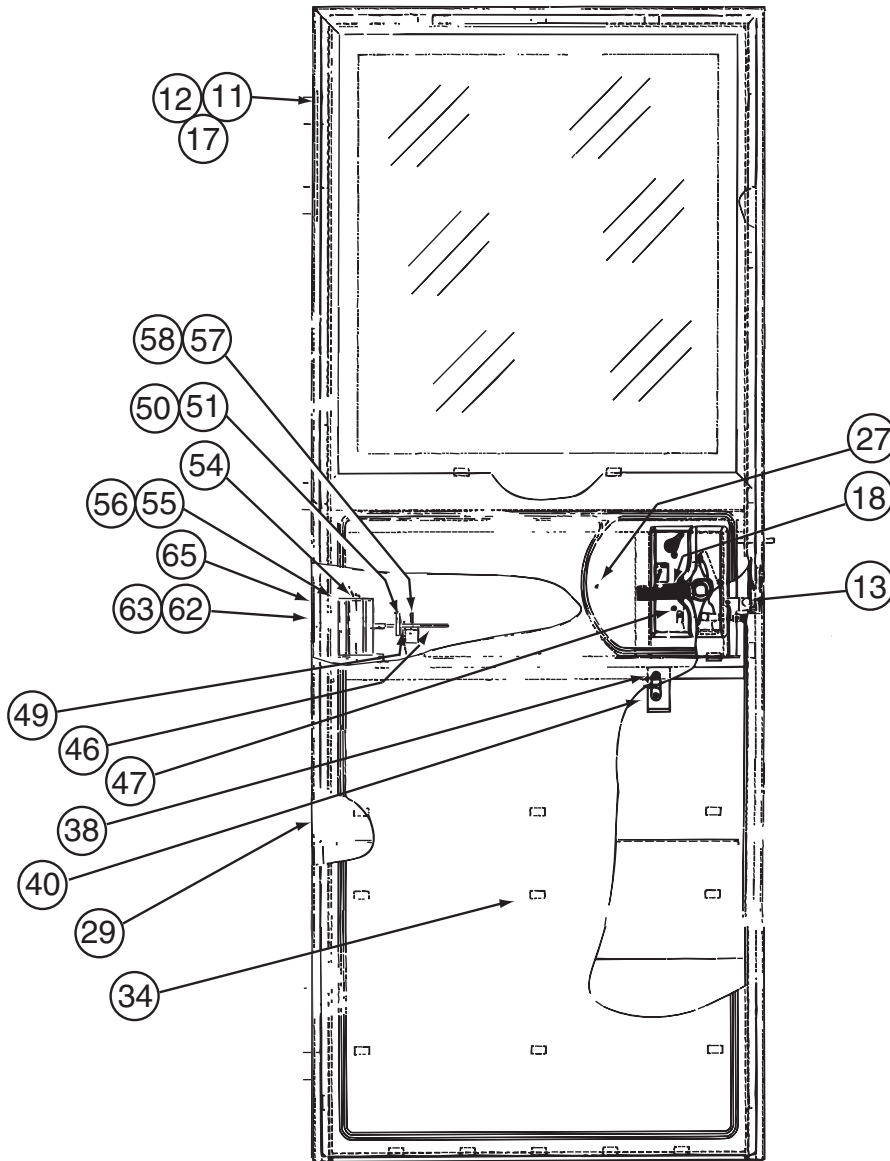
EXTERIOR DOORS & COMPARTMENTS GROUP (CONTINUED)
COMPONENT PARTS FOR ENTRY (CONTINUED)



128913-05-02A (CONTINUED)

KEY	PART NUMBER	U/M	DESCRIPTION	VENDOR NO.
40	128913-01-710	EA	STRIKER - LATCH/SCREEN DOOR	130-041815
46	128913-02-711	EA	SLIDE BAR ASSEMBLY	V196-29
47	128913-01-746	EA	SCREW #8 X 3/4" OVAL HEAD	276-042030
49	128913-02-712	EA	PIN - COILED SPRING	248-042237
50	128913-02-713	EA	BUMPER STOP	V196-24
54	128913-01-733	EA	DOOR CHECK-SUB ASM ADJUST	V196-04
57	128913-01-705	EA	BOLT - SHOULDER - #10 X 1/4	268-042011
62	128913-02-714	EA	GUIDE BLOCK - DOOR CHECK	146-042045
65	128913-04-709	EA	PIN/CLEVIS-GROOVED W/E-RING	245-042260
	128913-01-745	EA	FASTNER (1 1/2")MALE/FEMALE	V196-42
CONTACT WINNEBAGO PARTS SALES FOR UNLISTED COMPONENTS				

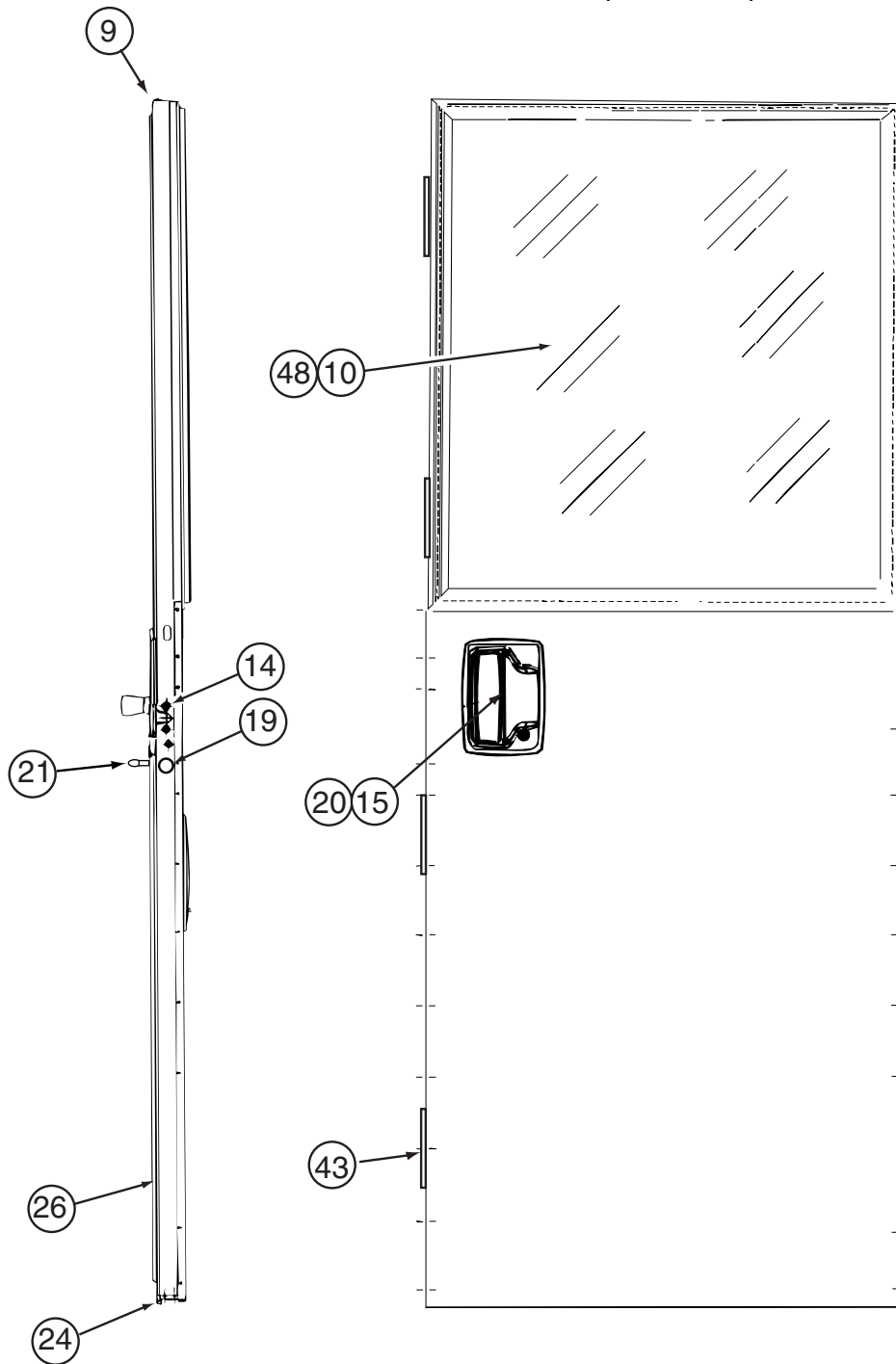
EXTERIOR DOORS & COMPARTMENTS GROUP (CONTINUED)
COMPONENT PARTS FOR ENTRY (CONTINUED)



128913-09-01A & 128913-11-01A (CONTINUED)

KEY	PART NUMBER	U/M	DESCRIPTION	VENDOR NO.
13	128913-04-706	EA	LATCH/ROTARY - W/LINKAGE RH	B248-041726/T/M179
40	128913-01-710	EA	STRIKER - LATCH/SCREEN DOOR	130-041815
46	128913-02-711	EA	SLIDE BAR ASSEMBLY	V196-29
47	128913-01-746	EA	SCREW #8 X 3/4" OVAL HEAD	276-042030
49	128913-02-712	EA	PIN - COILED SPRING	248-042237
50	128913-02-713	EA	BUMPER STOP	V196-24
54	128913-01-733	EA	DOOR CHECK-SUB ASM ADJUST	V196-04
57	128913-01-705	EA	BOLT - SHOULDER - #10 X 1/4	268-042011
62	128913-02-714	EA	GUIDE BLOCK - DOOR CHECK	146-042045
65	128913-04-709	EA	PIN/CLEVIS-GROOVED W/E-RING	245-042260
	128913-01-745	EA	FASTNER (1 1/2")MALE/FEMALE	V196-42
	106469-05-700	EA	ROD CLIP	231-041095
	128913-01-748	FT	SEAL - SOLID BULB W/ADHESIVE BACK - SOLD PER FOOT	
			CONTACT WINNEBAGO PARTS SALES FOR UNLISTED COMPONENTS	

EXTERIOR DOORS & COMPARTMENTS GROUP (CONTINUED)
COMPONENT PARTS FOR ENTRY (CONTINUED)

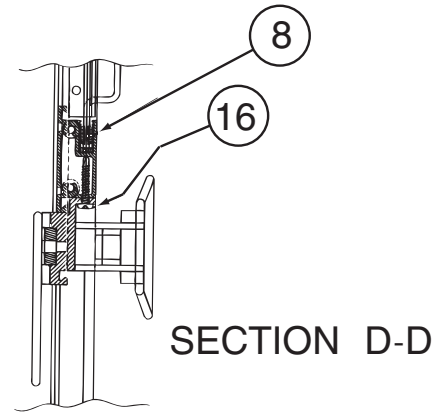
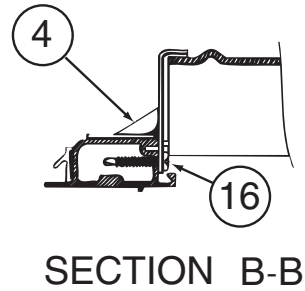
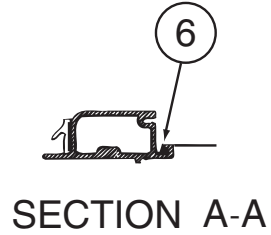
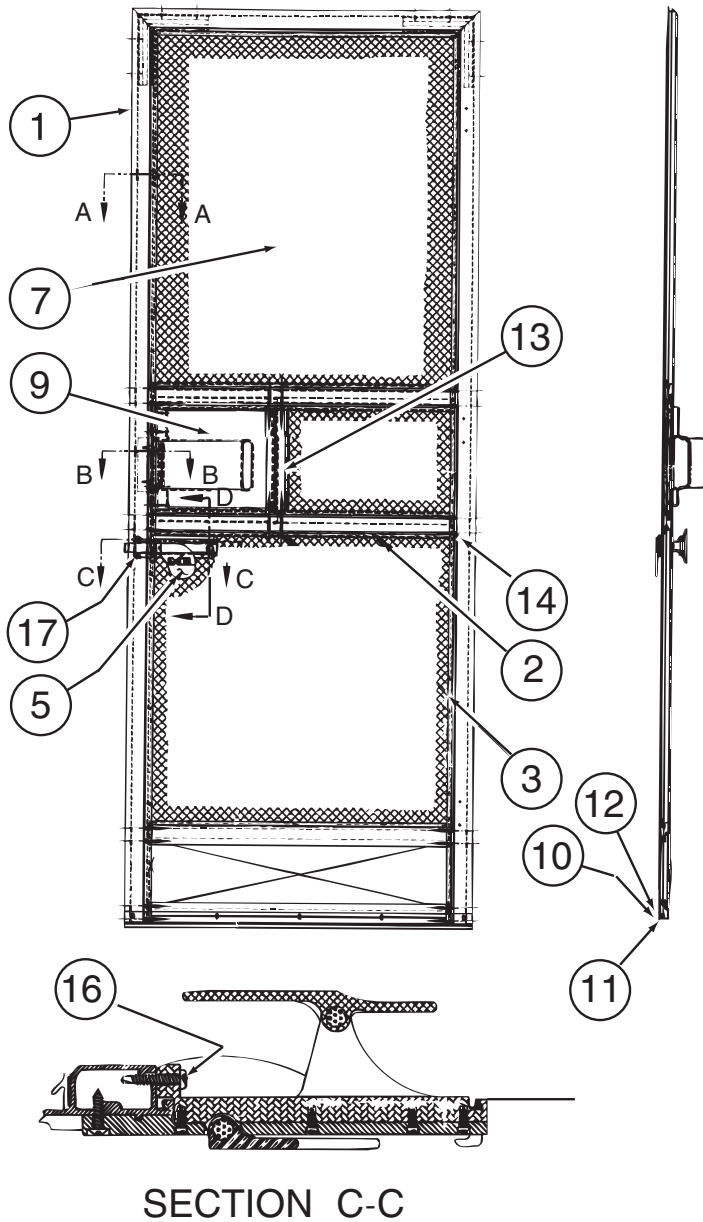


128913-05-02A, 128913-09-01A & 128913-11-01A (CONTINUED)

KEY	PART NUMBER	U/M	DESCRIPTION	VENDOR NO.
9	128913-05-700	EA	FRAME/DOOR - SUB ASS'Y WHITE	V272-90
10	128913-04-707	EA	WINDOW-DUAL PANE	V231-85
14	128913-03-713	EA	BOLT-ROTARY LATCH-1/4"-20	81066-01
20	112782-04-01A	EA	GASKET	
21	112782-05-01A	EA	CAP - VINYL - RED	
24	128913-01-744	EA	SEAL/BULB-STICK ON/THRESHOLD	122-042230
26	128913-04-712	EA	PANEL - INNER PLASTIC	490057
48	128913-04-700	FT	TAPE/BUTYL - FOAM CORE	154-041549

CONTACT WINNEBAGO PARTS SALES FOR UNLISTED COMPONENTS

EXTERIOR DOORS & COMPARTMENTS GROUP (CONTINUED)
COMPONENT PARTS FOR ENTRY (CONTINUED)



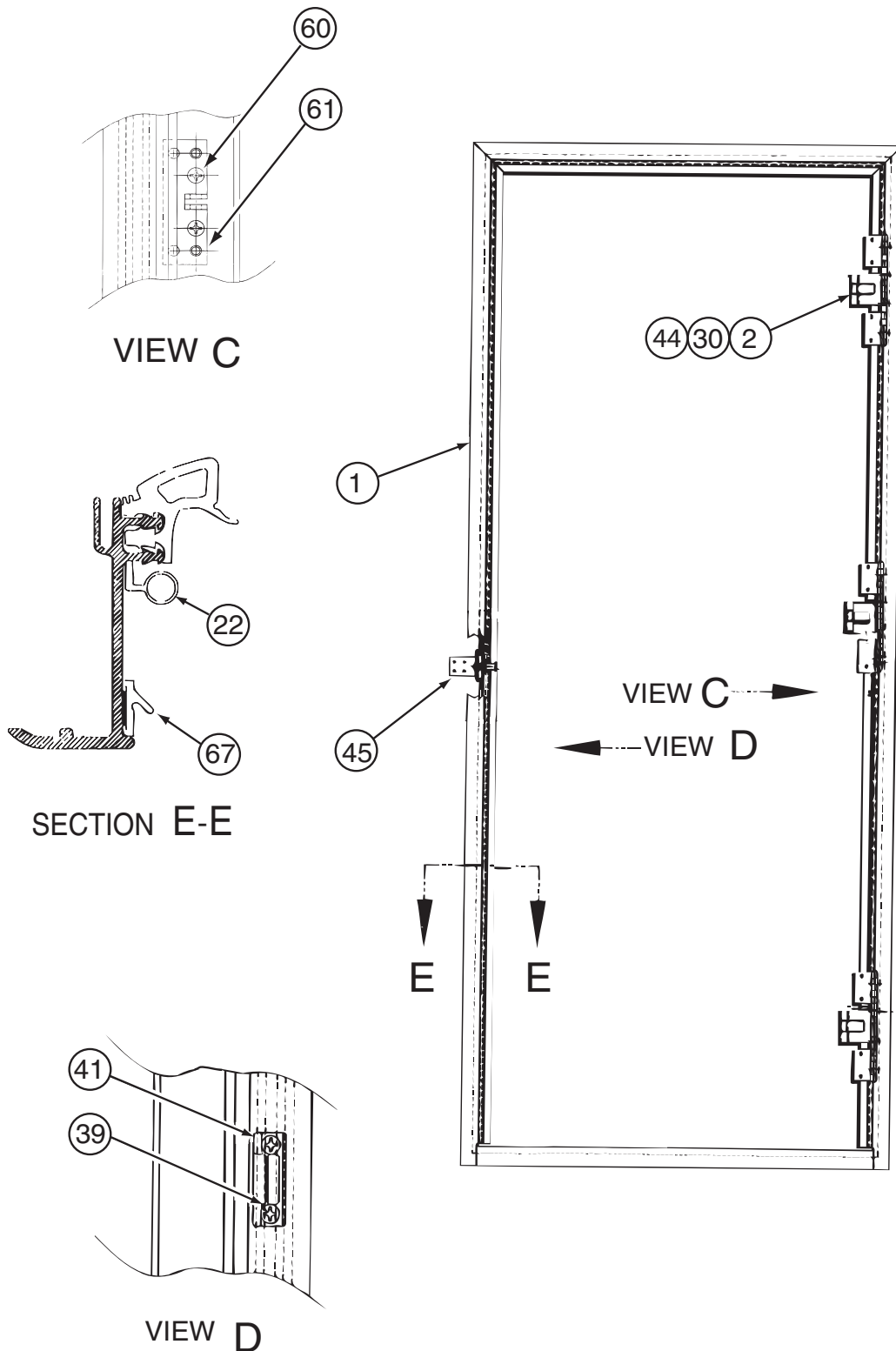
SECTION C-C

128913-05-02A, 128913-09-01A & 128913-11-01A (CONTINUED)

KEY	PART NUMBER	U/M	DESCRIPTION	VENDOR NO.
2	128913-09-704	EA	RAIL/MID SCREEN-GLACIER BEIG	490054
4	128913-09-703	EA	END CAP - GLACIER BEIGE	490061
5	128913-01-731	EA	LATCH - SCREEN DOOR	146-041950
6	128913-01-742	FT	SPLINE - SCREEN	132-041775
7	128913-01-741	EA	SCREEN ONLY - SCREENDOOR	110-041928
8	128913-01-740	FT	RUN CHANNEL-SCREEN DR SLIDER	170-041263
9	128913-09-702	EA	SLIDER/SCREENDOOR-GLACIER BE	490059
10	128913-09-701	EA	SWEEPER/SCREENDOOR- GLACIER	490052
11	128913-01-736	FT	WEATHERSTRIP-SCREEN DOOR	171-041284
13	128913-01-738	FT	WEATHERSTRIP - SLIDER	171-041285

CONTACT WINNEBAGO PARTS SALES FOR UNLISTED COMPONENTS

EXTERIOR DOORS & COMPARTMENTS GROUP (CONTINUED)
COMPONENT PARTS FOR ENTRY (CONTINUED)



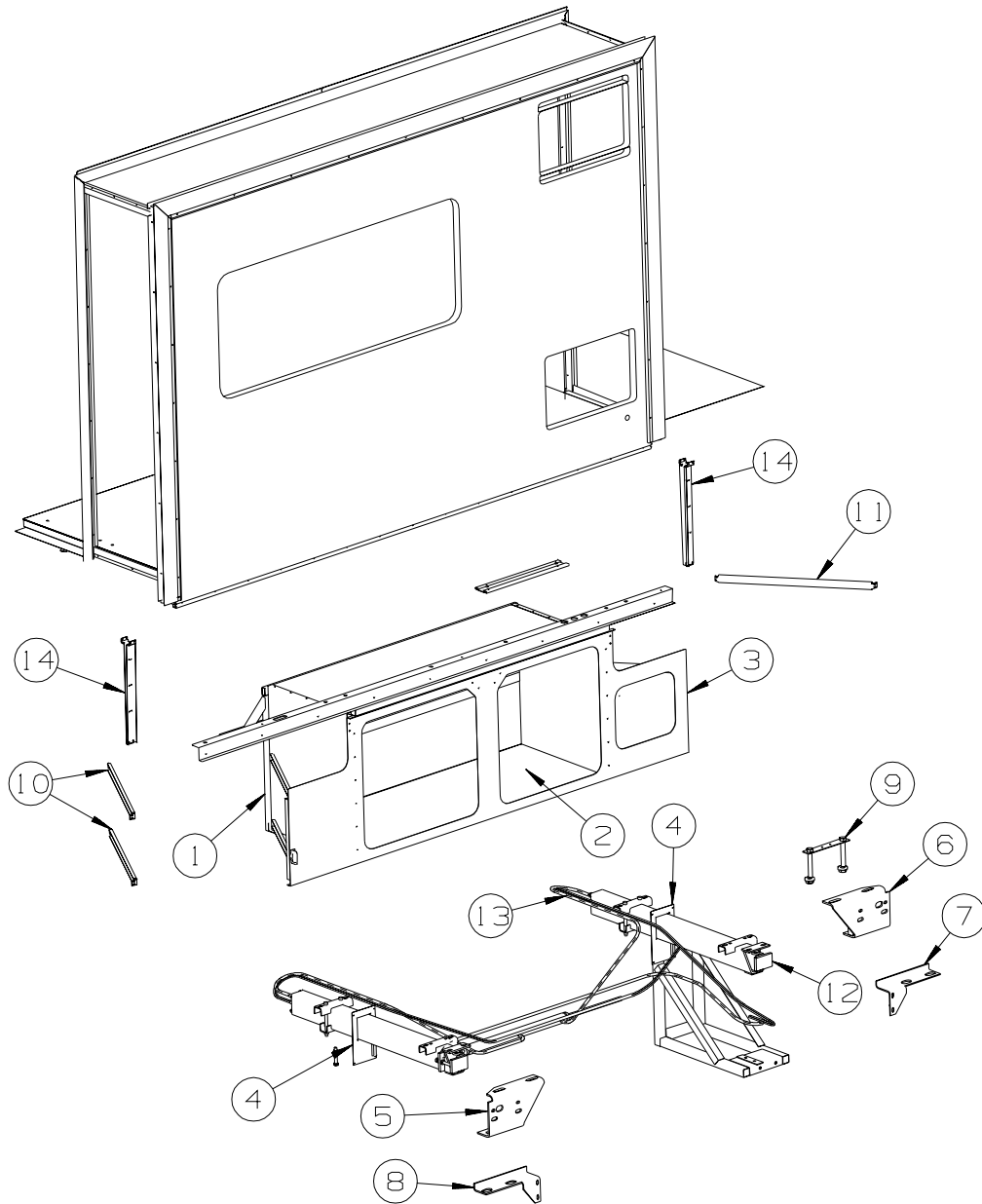
128913-02-02A, 128913-09-01A 128913-11-01A (CONTINUED)

KEY	PART NUMBER	U/M	DESCRIPTION	VENDOR NO.
1	128913-05-701	EA	FRAME/OUTER-SUB ASS'Y-WHITE	V272-19
2	128913-01-729	EA	HINGE	211-041740
22	128913-01-747	EA	SEAL/BULB-CUT PC/VULCANIZED	133-042557
41	128913-01-709	EA	STRIKER-SCREEN DR/FRAME MT	130-041824
44	128913-03-708	EA	SEAL/HINGE (3 PER DOOR)	124-042236
45	128913-02-700	EA	LATCH - BRACKET	210-042215
61	128913-01-704	EA	BRACKET - PIVOT/BRASS	370-042315
67	128913-01-732	FT	SEAL - LAZY T	122-041986

CONTACT WINNEBAGO PARTS SALES FOR UNLISTED COMPONENTS

EXTERIOR SLIDEOUT GROUP

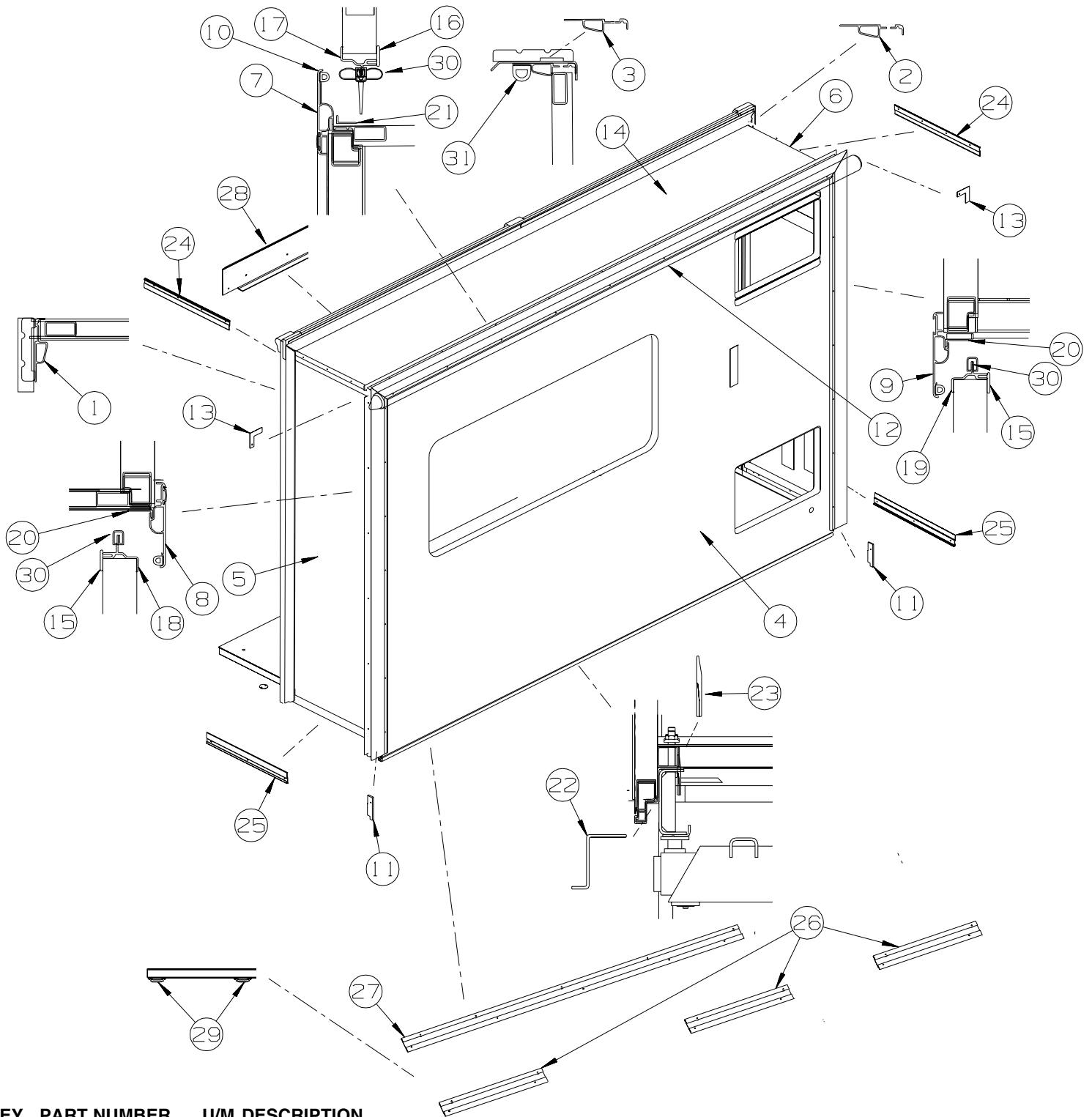
FRONT LEFT



KEY	PART NUMBER	U/M	DESCRIPTION
1	135792-02-M76	EA	SUPPORT - F/SLIDEOUT COMPARTMENT - 80.7"
2	135553-04-M76	EA	COMPARTMENT - SLIDEOUT
3	137015-01-02B	EA	SEAL PLANE - SLIDEOUT - E-COATED
4	125828-03-02B	EA	FILLER/STEEL - SLIDEOUT - E-COATED
5	127030-01-02B	EA	BRACKET - INNER FRONT/SLIDEOUT - E-COATED
6	127030-02-02B	EA	BRACKET - INNER REAR/MOUNT - E-COATED
7	125888-01-02B	EA	BRACKET/SLIDEOUT COMPARTMENT - RIGHT HAND - E-COATED
8	125888-02-02B	EA	BRACKET/SLIDEOUT COMPARTMENT - LEFT HAND - E-COATED
9	136995-05-02B	EA	PLATE - E-COATED
FROM: 00-00-00 THRU: 07-22-01			
10	126497-09-02B	EA	SUPPORT - VALANCE - E-COATED
11	135788-01-02B	EA	SUPPORT - VALANCE PANEL - 30.5" - E-COATED
12*	125687-01-000	EA	SLIDEOUT - HYDRAULIC
FROM: 00-00-00 THRU: 07-08-01			
12*	140121-01-000	EA	SLIDEOUT - HYDRAULIC - 20"
FROM: 07-09-01 THRU: 99-99-99			
13	100536-49-000	EA	HOSE KIT - F/SLIDEOUT - F/PUMP TO S/O ROOM CYLINDER
14	126591-02-02B	EA	CARRIER - WIRE ASM - SLIDEOUT

***COMPONENT PARTS LISTED LATER IN THIS GROUP**

EXTERIOR SLIDEOUT GROUP (CONTINUED)
FRONT LEFT (CONTINUED)

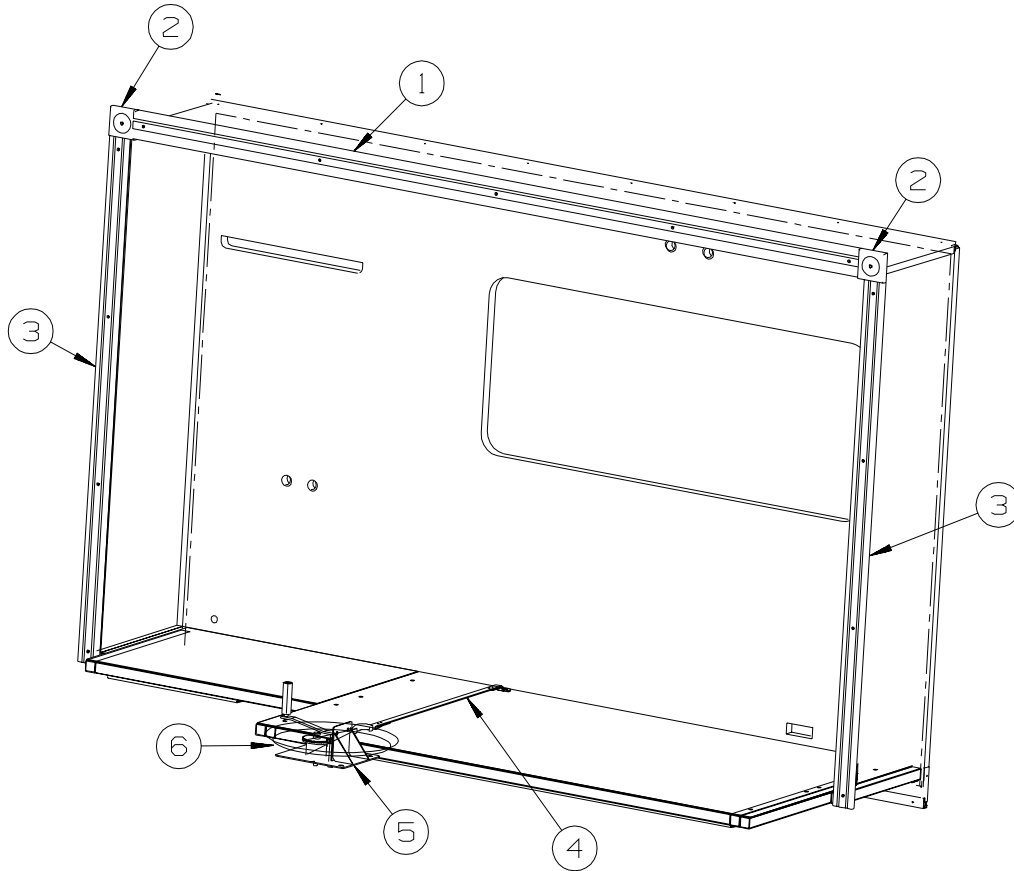


KEY	PART NUMBER	U/M	DESCRIPTION
1	117004-01-03A	EA	TRIM - SEAL/INNER/RT HAND-W/MITERED END - 73.5" - BRT/WHT FROM: 00-00-00 THRU: 05-05-02
1	139624-01-01A	EA	TRIM/SEAL - INNER/RIGHT HAND - 73.4" - BRIGHT WHITE FROM: 05-06-02 THRU: 99-99-99
2	117004-02-03A	EA	TRIM - SEAL/INNER/LT HAND-W/MITERED END - 73.5" - BRT/WHT FROM: 00-00-00 THRU: 05-05-02
2	139624-02-01A	EA	TRIM/SEAL - INNER/LEFT HAND - 73.4" - BRIGHT WHITE FROM: 05-06-02 THRU: 99-99-99
3	117004-15-01A	EA	TRIM/SEAT - INNER/UPPER-W/MITERED ENDS-117.7"-BRIGHT WHITE FROM: 00-00-00 THRU: 05-05-02
3	139624-03-01A	EA	TRIM/SEAL - INNER/TOP - 117.7" - BRIGHT WHITE FROM: 05-06-02 THRU: 99-99-99

EXTERIOR SLIDEOUT GROUP (CONTINUED)
FRONT LEFT (CONTINUED)

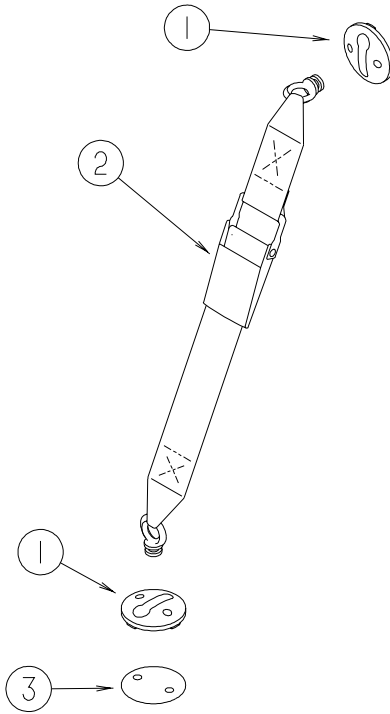
KEY	PART NUMBER	U/M	DESCRIPTION
4	138982-11-N70	EA	SLUG - SLIDEOUT - FRONT
4	138982-11-N71	EA	SLUG - SLIDEOUT - FRONT
4	138982-11-N72	EA	SLUG - SLIDEOUT - FRONT
5	134728-02-N78	EA	PANEL - SLIDEOUT - FRONT (N70)
5	134728-02-M76	EA	PANEL - SLIDEOUT - FRONT (N71)
5	134728-02-N84	EA	PANEL - SLIDEOUT - FRONT (N72)
6	134729-02-N78	EA	PANEL - SLIDEOUT - REAR (N70)
6	134729-02-M76	EA	PANEL - SLIDEOUT - REAR (N71)
6	134729-02-N84	EA	PANEL - SLIDEOUT - REAR (N72)
7	133955-23-01A	EA	TRIM/SEAL - W/MITERED ENDS - 119.5" - BRIGHT WHITE
	105312-01-07A	FT	INSERT - FEATURE STRIP - VINYL - BRIGHT WHITE
8	133955-11-01A	EA	TRIM/SEAL - W/MITERED ENDS - 76.4" - BRIGHT WHITE
	105312-01-07A	FT	INSERT - FEATURE STRIP - VINYL - BRIGHT WHITE
9	133955-12-01A	EA	TRIM/SEAL - W/MITERED ENDS - 76.4" - BRIGHT WHITE
	105312-01-07A	FT	INSERT - FEATURE STRIP - VINYL - BRIGHT WHITE
10	117058-01-01A	FT	TAPE - LOOP - 3/4" WIDE - ADHESIVE BACKED
11	126546-01-02A	EA	COVER - END/SIDEWALL SLIDEOUT - BRIGHT WHITE
12	122977-11-01A	EA	AWNING/SLIDEOUT W/COVER - 120" - BRIGHT WHITE
			FROM: 00-00-00 THRU: 04-15-01
12	122977-11-03A	EA	AWNING/SLIDEOUT W/COVER - 120" - WHITE - VINYL/VINYL WRAP
			FROM: 04-16-01 THRU: 99-99-99
13	116444-02-12B	EA	TRIM/KEY CORNER - SLIDEOUT - 3.1"X3.1" - BRT WHT
			FROM: 00-00-00 THRU: 04-29-01
13	116444-04-12B	EA	TRIM/KEY CORNER - SLIDEOUT - 3.1"X3.1" - BRT WHT
			FROM: 04-30-01 THRU: 99-99-99
14	136559-01-M76	EA	ROOF - W/O LIGHTS/VENTS - W/WIRING - F/SLIDEOUT
15	115886-02-03A	EA	RETAINER - SIDEWALL - BRIGHT WHITE - 73.5"
16	115886-13-02A	EA	RETAINER - SIDEWALL - BRIGHT WHITE - 118.7"
17	115863-31-01A	EA	TRIM - SIDEWALL/SLIDEOUT - TOP - 118.9" - BRIGHT WHITE
18	115863-17-01A	EA	TRIM - SIDEWALL/SLIDEOUT - LEFT HAND - 76.1" - BRT WHT
19	115863-18-01A	EA	TRIM - SIDEWALL/SLIDEOUT - RIGHT HAND - 76.1" - BRT WHT
20	133954-09-01A	EA	TRIM/SEAL - W/MITERED ENDS - 71.6" - BRIGHT WHITE
21	133954-21-01A	EA	TRIM/SEAL - W/MITERED ENDS - 113.4" - BRIGHT WHITE
22	128621-15-01A	EA	BRACKET/ZEE - SLIDEOUT - 112.9"
23	115075-02-000	FT	SEAL - WIPE - .25" X 2.9"
			FROM: 00-00-00 THRU: 08-26-01
23	115075-03-000	FT	SEAL - WIPE - .25" X 2.9"
			FROM: 08-27-01 THRU: 99-99-99
24	138659-01-01A	EA	TRIM/FEATURE STRIP - 181.7" - BRIGHT WHITE
	105312-01-07A	FT	INSERT - FEATURE STRIP - VINYL - BRIGHT WHITE
25	125051-01-01A	EA	STRIP - FEATURE - LOWER - 20.2" - BRIGHT WHITE
	105312-01-07A	FT	INSERT - FEATURE STRIP - VINYL - BRIGHT WHITE
	075673-05-000	FT	SEAL - PILE - ADHESIVE BACK - BLACK
26	115325-06-02A	EA	RAIL - FLOOR/SLIDEOUT ROOM - BLACK - 19.6" LONG
27	115325-03-02A	EA	RAIL - FLOOR/SLIDEOUT ROOM - BLACK - 64.5" LONG
28	125466-07-02A	EA	SUPPORT - ROOF/INTERIOR - BRIGHT WHITE
29	115661-01-000	FT	SHOE/GLIDE - SLIDEOUT ROOM - 1/16" X 3" - POLYETHYLENE
30	115076-01-000	FT	SEAL - SLIDEOUT
31	112091-01-000	FT	SEAL/D - NEOPRENE - HEAT ACTIVE ADHESIVE - .9"

EXTERIOR SLIDEOUT GROUP (CONTINUED)
FRONT LEFT (CONTINUED)



KEY	PART NUMBER	U/M	DESCRIPTION
1	132663-11-04A	EA	MOLDING-PAPER WRAP/PRE DRILLED-.6"X3.8"X110.4"PORTSMOUTH - PORTSMOUTH OAK FROM: 00-00-00 THRU: 05-13-01
1	132663-11-08A	EA	MOLDING-VINYL WRAP/PRE DRILLED-.6"X3.8"X110.5" - OAK - PORTSMOUTH OAK FROM: 05-14-01 THRU: 99-99-99
2	132844-01-08A	EA	BLOCK - CORNER - 3.9" X 3.9" - PORTSMOUTH OAK
3	132663-04-04A	EA	MOLDING - PAPER WRAP/PRE DRILLED - .6" X 3" X 70.4" - OAK - PORTSMOUTH OAK FROM: 00-00-00 THRU: 05-13-01
3	132663-04-08A	EA	MOLDING - VINYL WRAP/PRE DRILLED - .6" X 3" X 70.4" - OAK - PORTSMOUTH OAK FROM: 05-14-01 THRU: 99-99-99
4	116101-02-F31	EA	STRAP - WINCH - 34" CENTER BRACKET/STRAP END
5	116082-03-02B	EA	BRACKET - WINCH
	069726-02-000	EA	BUMPER - .88" OD X .40" THICK - BLACK
6	115767-02-000	EA	WINCH - SLIDEOUT W/10' STRAP

EXTERIOR SLIDEOUT GROUP (CONTINUED)
FRONT LEFT (CONTINUED)



KEY	PART NUMBER	U/M	DESCRIPTION
1	135619-02-01A	EA	PLATE - TIEDOWN - SLIDEOUT ROOM
2	135619-01-01A	EA	STRAP - TIEDOWN - SLIDEOUT ROOM
3	135622-01-01B	EA	PLATE - TIEDOWN - SLIDEOUT ROOM

EXTERIOR SLIDEOUT GROUP (CONTINUED)
COMPONENT PARTS FOR FRONT SLIDEOUT

125687-01-000

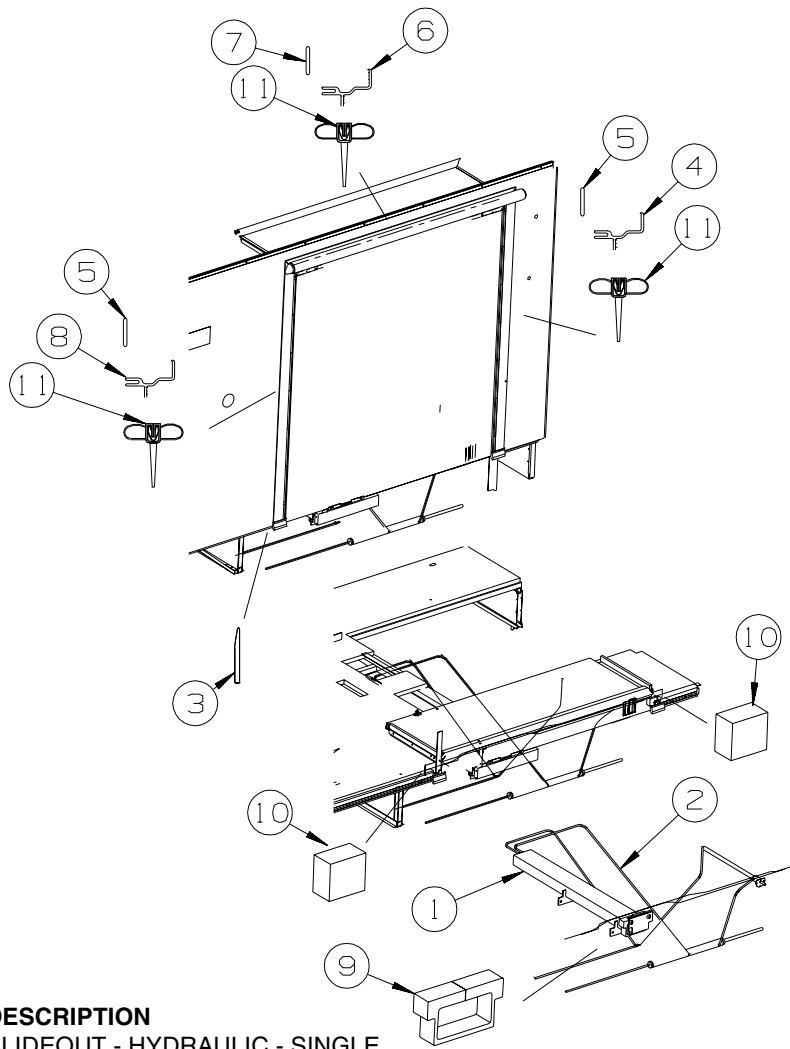
KEY	PART NUMBER	U/M	DESCRIPTION	VENDOR NO.
	100536-10-701	EA	HOSE-HYDRAULIC-116"	RAP90349
	125687-01-700	EA	CYLINDER/RAM - 21" STROKE	RAP90512
	125687-01-701	EA	HOSE - HYDRAULIC - 120"	AP13772
	125687-01-702	EA	CYLINDER - SYNCHRONIZING	RAP90471
	125687-01-703	EA	TUBE/STEEL - HYDRAULIC 31"	RAP90526/AP13592
	125687-01-704	EA	BOLT - SLIDE ROOM ADJUSTER	RAP90864/P13685
	132540-01-702	EA	HOSE-HYD-3/16" X 12'	AP18016

140121-01-000

KEY	PART NUMBER	U/M	DESCRIPTION	VENDOR NO.
	125687-01-700	EA	CYLINDER/RAM - 21" STROKE	RAP90512
	125687-01-702	EA	CYLINDER - SYNCHRONIZING	RAP90471
	137196-01-700	EA	HOSE-HYDRAULIC - HP X 120"	AP24642
	137196-01-701	EA	HOSE-HYDRAULIC - 1/2" X 116"	AP5384

EXTERIOR SLIDEOUT GROUP (CONTINUED)

REAR LEFT



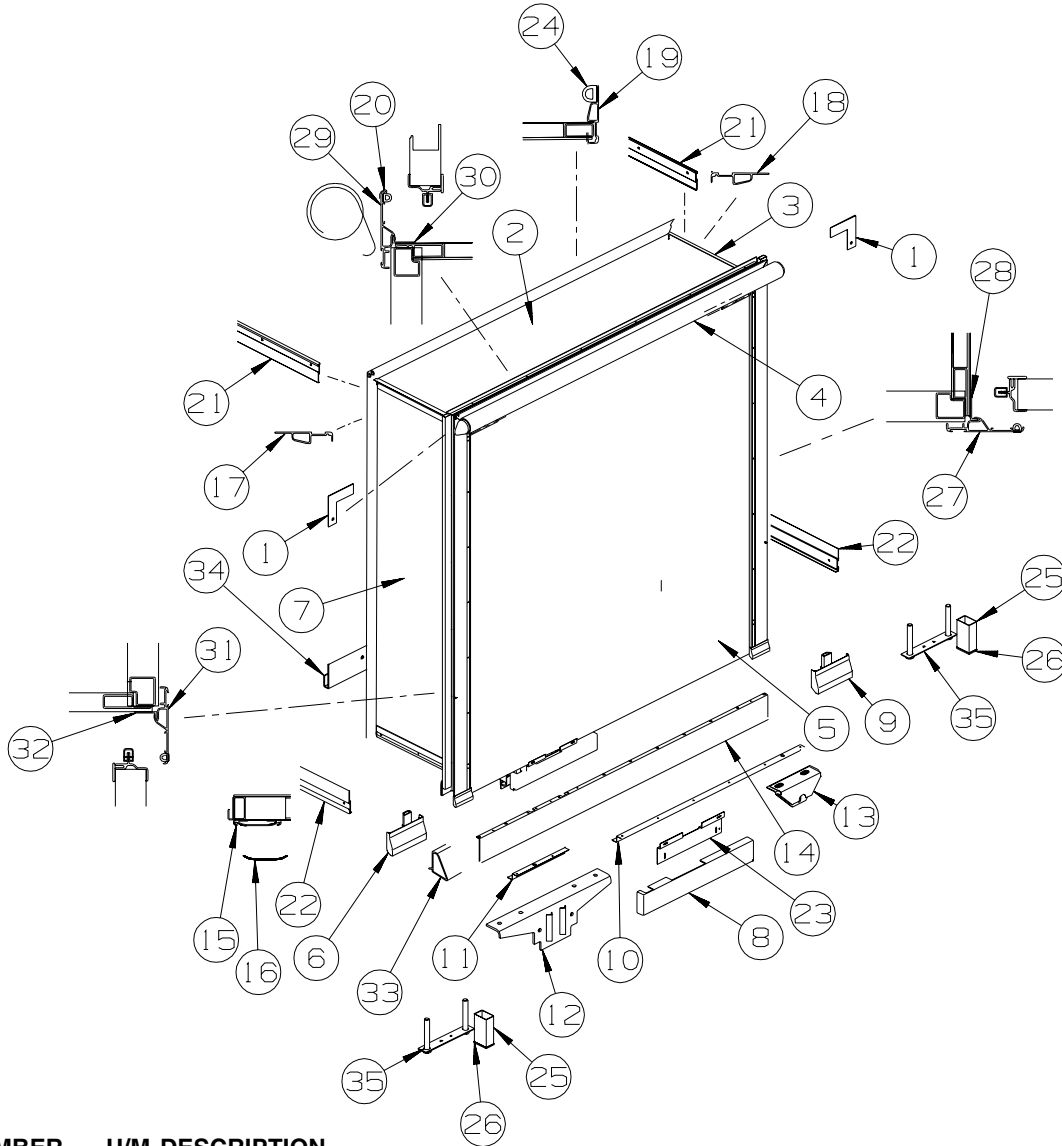
KEY	PART NUMBER	U/M	DESCRIPTION
1	137199-01-000	EA	SLIDEOUT - HYDRAULIC - SINGLE FROM: 00-00-00 THRU: 04-01-01
1*	139507-01-000	EA	SLIDEOUT - HYDRAULIC - REAR/DUAL FROM: 04-02-01 THRU: 99-99-99
2*	100536-52-000	EA	HOSE KIT - F/SLIDEOUT
3	089275-02-000	FT	STRIP - 3/4" X 84" BLACK POLYETHYLENE FROM: 00-00-00 THRU: 12-09-01
3	115075-02-000	FT	SEAL - WIPE - .25" X 2.9" FROM: 00-00-00 THRU: 12-09-01
3	115075-03-000	FT	SEAL - WIPE - .25" X 2.9" FROM: 12-10-01 THRU: 99-99-99
4	115863-18-01A	EA	TRIM - SIDEWALL/SLIDEOUT - RIGHT HAND - 76.1" - BRT WHT FROM: 00-00-00 THRU: 03-31-02
4	115863-48-01A	EA	TRIM - SIDEWALL/SLIDEOUT - 76" - BRIGHT WHITE FROM: 04-01-02 THRU: 99-99-99
5	115886-02-03A	EA	RETAINER - SIDEWALL - BRIGHT WHITE - 73.5" FROM: 00-00-00 THRU: 03-31-02
5	115886-23-01A	EA	RETAINER - SIDEWALL - BRIGHT WHITE - 73.2" FROM: 04-01-02 THRU: 99-99-99
6	115863-36-01A	EA	TRIM - SIDEWALL/SLIDEOUT - RIGHT HAND - 76.6" - BRT WHT FROM: 00-00-00 THRU: 04-01-01
6	115863-37-01A	EA	TRIM - SIDEWALL/SLIDEOUT - REAR - 95.8" - BRT WHT FROM: 04-02-01 THRU: 03-31-02
6	115863-49-01A	EA	TRIM - SIDEWALL/SLIDEOUT - 75.9" - BRIGHT WHITE FROM: 04-01-02 THRU: 99-99-99
7	115886-15-02A	EA	RETAINER - SIDEWALL - BRIGHT WHITE - 76.1" FROM: 00-00-00 THRU: 03-31-02
7	115886-24-01A	EA	RETAINER - SIDEWALL - BRIGHT WHITE - 76.1" FROM: 04-01-02 THRU: 99-99-99

* COMPONENT PARTS LISTED LATER IN THIS GROUP

EXTERIOR SLIDEOUT GROUP (CONTINUED)

REAR LEFT (CONTINUED)

KEY	PART NUMBER	U/M	DESCRIPTION
8	115863-17-01A	EA	TRIM - SIDEWALL/SLIDEOUT - LEFT HAND - 76.1" - BRT WHT FROM: 00-00-00 THRU: 03-31-02
8	115863-47-01A	EA	TRIM - SIDEWALL/SLIDEOUT - 76" - BRIGHT WHITE FROM: 04-01-02 THRU: 99-99-99
9	140664-01-01A	EA	SEAL/RAM - F/SLIDEOUT FROM: 09-10-01 THRU: 99-99-99
10	137408-01-000	EA	SEAL - BLOCK - F/SLIDEOUT - 2.2"
11	115076-01-000	FT	SEAL - SLIDEOUT

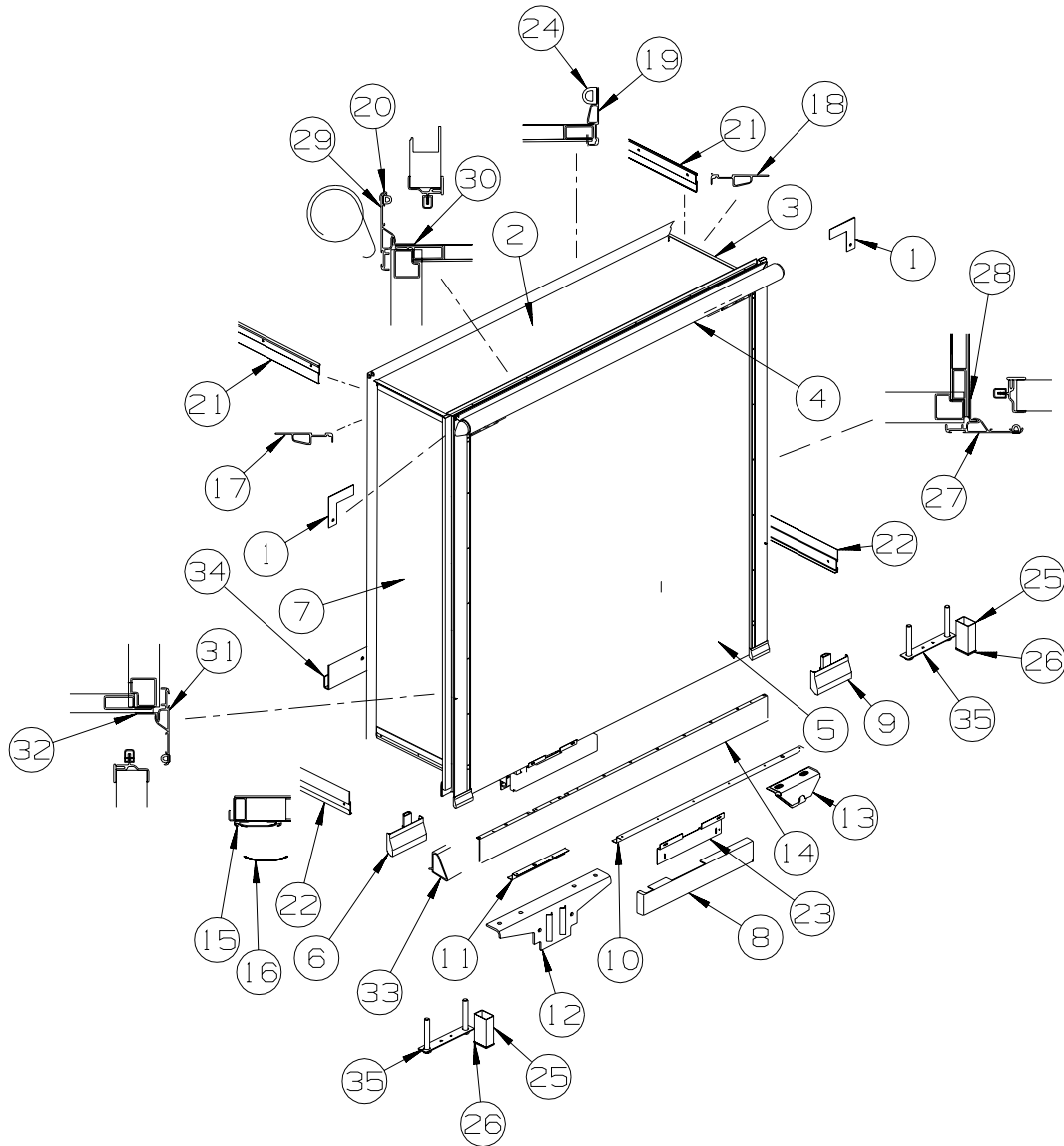


KEY	PART NUMBER	U/M	DESCRIPTION
1	116444-02-12B	EA	TRIM/KEY CORNER - SLIDEOUT - 3.1"X3.1" - BRT WHT FROM: 00-00-00 THRU: 04-29-01
1	116444-04-12B	EA	TRIM/KEY CORNER - SLIDEOUT - 3.1"X3.1" - BRT WHT FROM: 04-30-01 THRU: 99-99-99
2	138332-01-N74	EA	ROOF - W/O LIGHTS/VENTS - W/WIRING - F/SLIDEOUT
3	134729-02-M76	EA	PANEL - SLIDEOUT - REAR (N74, N75, N76, N77)
3	134729-02-N78	EA	PANEL - SLIDEOUT - REAR (N78, N79)
4	122977-14-03A	EA	AWNING/SLIDEOUT W/COVER - 76.9" - WHITE
5	138982-12-N71	EA	SLUG - SLIDEOUT (N74, N75, N76, N77)
5	138982-12-N70	EA	SLUG - SLIDEOUT (N78, N79)
6	139182-01-01A	EA	CAP - TRIM - F/SLIDEOUT - BRIGHT WHITE FROM: 06-04-01 THRU: 99-99-99
7	134728-02-M76	EA	PANEL - SLIDEOUT - FRONT (N74, N75, N76, N77)
7	134728-02-N78	EA	PANEL - SLIDEOUT - FRONT (N78, N79)

EXTERIOR SLIDEOUT GROUP (CONTINUED)
REAR LEFT (CONTINUED)

KEY	PART NUMBER	U/M	DESCRIPTION
8	137125-04-N74	EA	COVER - RAM - F/SLIDEOUT FROM: 00-00-00 THRU: 06-24-01
8	137125-02-M76	EA	COVER - RAM - F/SLIDEOUT FROM: 06-25-01 THRU: 99-99-99
9	139182-02-01A	EA	CAP - TRIM - F/SLIDEOUT - BRIGHT WHITE FROM: 06-04-01 THRU: 99-99-99
10	136968-05-02B	EA	ZEE - F/SLIDEOUT - E-COATED
11	136968-02-02B	EA	ZEE - F/SLIDEOUT - 9.6" - E-COATED
12	136963-01-02B	EA	BRACKET - SLIDEOUT - E-COATED
13	139407-01-02B	EA	BRACKET/MOUNT - F/SLIDEOUT - E-COATED FROM: 00-00-00 THRU: 07-22-01
13	139407-02-02B	EA	BRACKET/MOUNT - F/SLIDEOUT - E-COATED FROM: 07-23-01 THRU: 99-99-99
14	136967-03-02B	EA	ANGLE - SLIDEOUT - W/HOLES - E-COATED FROM: 00-00-00 THRU: 11-11-01
14	136967-02-02B	EA	ANGLE - SLIDEOUT - W/HOLES - 70.8" - E-COATED FROM: 11-12-01 THRU: 99-99-99
15	115325-01-02A	EA	RAIL - FLOOR/SLIDEOUT ROOM - BLACK FROM: 00-00-00 THRU: 09-23-01
16	115661-01-000	FT	SHOE/GLIDE - SLIDEOUT ROOM - 1/16" X 3" - POLYETHYLENE
17	117004-01-03A	EA	TRIM - SEAL/INNER/RT HAND-W/MITERED END - 73.5" - BRT/WHT FROM: 00-00-00 THRU: 05-05-02
17	139624-01-01A	EA	TRIM/SEAL - INNER/RIGHT HAND - 73.4" - BRIGHT WHITE FROM: 05-06-02 THRU: 99-99-99
18	117004-02-03A	EA	TRIM - SEAL/INNER/LT HAND-W/MITERED END - 73.5" - BRT/WHT FROM: 00-00-00 THRU: 05-05-02
18	139624-02-01A	EA	TRIM/SEAL - INNER/LEFT HAND - 73.4" - BRIGHT WHITE FROM: 05-06-02 THRU: 99-99-99
19	117004-20-01A	EA	TRIM - SEAL/INNER/UPPER - W/MITERED ENDS - 75.3" - BRT/WHT FROM: 00-00-00 THRU: 05-05-02
19	139624-05-01A	EA	TTRIM/SEAL - INNER/TOP - 75.3" - BRIGHT WHITE FROM: 05-06-02 THRU: 99-99-99
20	117058-01-01A	FT	TAPE - LOOP - 3/4" WIDE - ADHESIVE BACKED
21	138659-01-01A	EA	TRIM/FEATURE STRIP - 181.7" - BRIGHT WHITE
	105312-01-07A	FT	INSERT - FEATURE STRIP - VINYL - BRIGHT WHITE
22	125051-01-01A	EA	STRIP - FEATURE - LOWER - 20.2" - BRIGHT WHITE
	105312-01-07A	FT	INSERT - FEATURE STRIP - VINYL - BRIGHT WHITE
	075673-05-000	FT	SEAL - PILE - ADHESIVE BACK - BLACK
23	137112-01-02B	EA	BRACKET - COVER - SLIDEOUT - E-COATED FROM: 00-00-00 THRU: 07-29-01
23	137112-02-02B	EA	BRACKET - COVER - SLIDEOUT - E-COATED FROM: 07-30-01 THRU: 99-99-99
24	112091-01-000	FT	SEAL/D - NEOPRENE - HEAT ACTIVE ADHESIVE - .9"
25	126313-07-02B	EA	SUPPORT - ROLLER - E-COATED FROM: 00-00-00 THRU: 09-09-01
25	126313-09-02B	EA	SUPPORT - ROLLER - E-COATED FROM: 09-10-01 THRU: 99-99-99
26	134855-01-000	EA	KIT - BEARING PAD - NARROW
27	133955-12-01A	EA	TRIM/SEAL - W/MITERED ENDS - 76.4" - BRIGHT WHITE FROM: 00-00-00 THRU: 06-17-01
27	139625-02-01A	EA	TRIM/SEAL - RIGHT HAND - 76.4" - BRIGHT WHITE FROM: 06-18-01 THRU: 99-99-99
	105312-01-07A	FT	INSERT - FEATURE STRIP - VINYL - BRIGHT WHITE
28	133954-05-01A	EA	TRIM/SEAL - W/MITERED ENDS - 67.9" - BRIGHT WHITE FROM: 00-00-00 THRU: 04-10-01
28	133954-25-01A	EA	TRIM/SEAL - W/MITERED END - 70.4" - BRIGHT WHITE FROM: 04-11-01 THRU: 99-99-99
29	133955-26-01A	EA	TRIM/SEAL - W/MITERED ENDS - 76.9" - BRIGHT WHITE FROM: 00-00-00 THRU: 06-17-01
29	139625-05-01A	EA	TRIM/SEAL - TOP/W/MITERED ENDS - 76.9" - BRIGHT WHITE FROM: 06-18-01 THRU: 99-99-99
	105312-01-07A	FT	INSERT - FEATURE STRIP - VINYL - BRIGHT WHITE

EXTERIOR SLIDEOUT GROUP (CONTINUED)
REAR LEFT (CONTINUED)



KEY	PART NUMBER	U/M	DESCRIPTION
30	133954-22-01A	EA	TRIM/SEAL - W/MITERED ENDS - 71.6" - BRIGHT WHITE FROM: 00-00-00 THRU: 06-24-01
30	133954-09-01A	EA	TRIM/SEAL - W/MITERED ENDS - 71.6" - BRIGHT WHITE FROM: 06-25-01 THRU: 99-99-99
31	133955-11-01A	EA	TRIM/SEAL - W/MITERED ENDS - 76.4" - BRIGHT WHITE FROM: 00-00-00 THRU: 06-17-01
31	139625-01-01A	EA	TRIM/SEAL - LEFT HAND - 76.4" - BRIGHT WHITE FROM: 06-18-01 THRU: 99-99-99
	105312-01-07A	FT	INSERT - FEATURE STRIP - VINYL - BRIGHT WHITE
32	133954-05-01A	EA	TRIM/SEAL - W/MITERED ENDS - 67.9" - BRIGHT WHITE FROM: 00-00-00 THRU: 04-10-01
32	133954-24-01A	EA	TRIM/SEAL - W/MITERED END - 70.4" - BRIGHT WHITE FROM: 04-11-01 THRU: 99-99-99
33	137527-02-01A	EA	TRIM-SLIDEOUT, SIDEWALL B/W FROM: 00-00-00 THRU: 06-03-01
	137532-01-01A	EA	END CAP/TRIM - RIGHT HAND FROM: 00-00-00 THRU: 06-03-01
	137532-02-01A	EA	END CAP/TRIM - LEFT HAND FROM: 00-00-00 THRU: 06-03-01
34	136839-05-01A	EA	TRIM-J - CARPET EDGE/SLIDEOUT - 67.8" - BLACK FROM: 07-16-01 THRU: 99-99-99
35	136995-05-02B	EA	PLATE - E-COATED FROM: 00-00-00 THRU: 07-22-01

EXTERIOR SLIDEOUT GROUP (CONTINUED)
COMPONENT PARTS FOR REAR LEFT

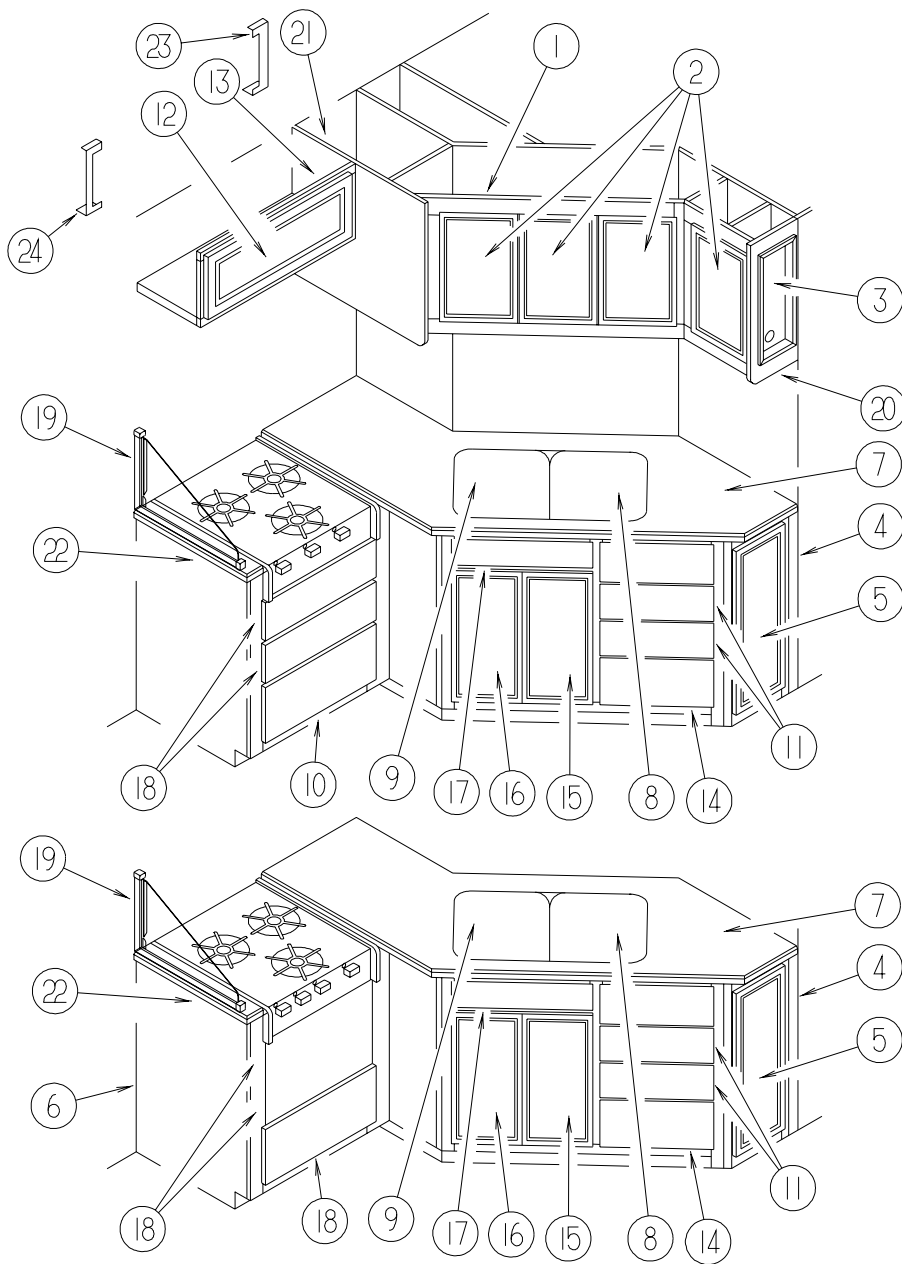
100536-52-000

KEY	PART NUMBER	U/M	DESCRIPTION	VENDOR NO.
	100536-36-702	EA	HOSE/HYDRAULIC - 1/4" X 216"	RAP4061/AP4061
	100536-52-700	EA	HOSE-HYDRAULIC - 1/4" X 207"	RAP90119/AP11212

139507-01-000

KEY	PART NUMBER	U/M	DESCRIPTION	VENDOR NO.
	139507-01-700	EA	CYLINDER - SYNCRONIZING	RAP90879/AP24825
	139507-01-701	EA	HOSE - HYDRAULIC 1/8" X 102"	AP23738
	139507-01-702	EA	CYLINDER - ASSIST	RAP90878/AP25743
	139507-01-703	EA	CYLINDER/RAM - MAIN	RAP90877/AP23286

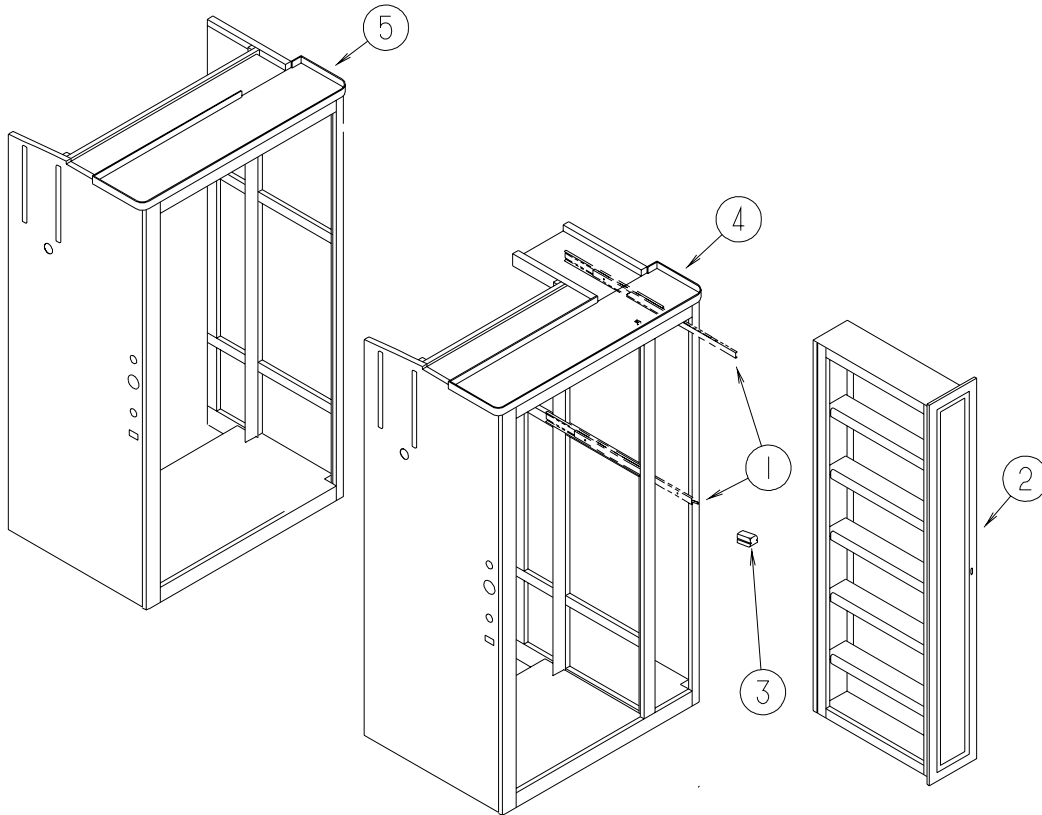
GALLEY GROUP CABINETS



KEY	PART NUMBER	U/M	DESCRIPTION
1	136873-02-N70	EA	CABINET - OVERHEAD - GALLEY - W/O DOORS/HARDWARE
2	132141-68-N70	EA	DOOR - RAIL/VENEER - 11.2" X 19.6" - W/O HARDWARE
3	131096-06-N70	EA	WALL POCKET - MONITOR PANEL
4	136838-01-N70	EA	CABINET - GALLEY - W/O COUNTERTOP/DRS/DRAWERS/HDW - W/RANGE TOP-W/O DELUXE SOUND
4	136838-02-N70	EA	CABINET - GALLEY - W/O COUNTERTOP/DRS/DRAWERS/HDW - W/RANGE TOP-W/DELUXE SOUND
5	131995-AE-N70	EA	DOOR - RAIL/SOLID PANEL - 10.8" X 30.6" - W/O HARDWARE
6	136838-03-N70	EA	CABINET - GALLEY - W/O COUNTERTOP/DRS/DRAWERS/HDW - W/O OVEN - W/O DELUXE SOUND
6	136838-04-N70	EA	CABINET - GALLEY - W/O COUNTERTOP/DRS/DRAWERS/HDW - W/O OVEN - W/DELUXE SOUND
7	137258-02-01A	EA	COUNTERTOP - VENDURA - JAMAICAN SAND
8	137489-01-01A	EA	COVER - SINK/LARGE - 13.8" X 17" - VENDURA/JAMAICAN SAND
9	137489-02-01A	EA	COVER - SINK/SMALL - 9.6" X 15.7" - 1/4" VENDURA/JAMICAN SAND
10	133890-04-N42	EA	DRAWER - OGEE EDGE - 20.2"W X 15.7"D - W/O SLIDES/HARDWARE
11	133890-12-N70	EA	DRAWER - OGEE EDGE - 11.9"W X 9.8"D - W/O SLIDES/HARDWARE
12	132141-20-N42	EA	DOOR - RAIL/VENEER - 10.8" X 27.9" - W/O HARDWARE

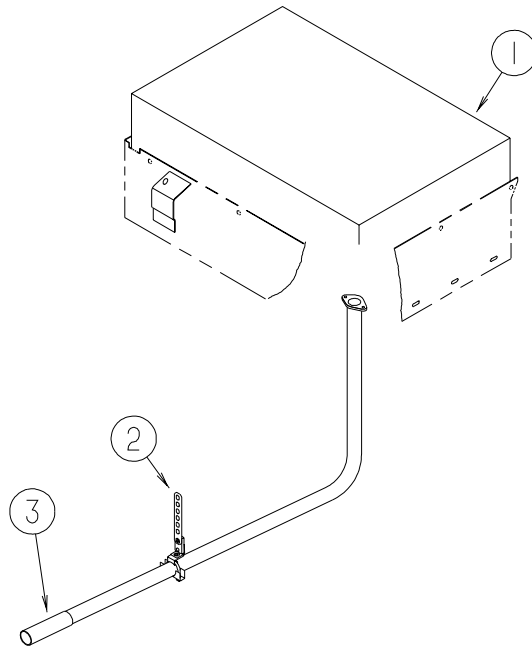
GALLEY GROUP (CONTINUED) CABINETS (CONTINUED)

KEY	PART NUMBER	U/M	DESCRIPTION
13	136989-02-N70	EA	CABINET - OVERHEAD - MICROWAVE - W/O DOORS/HARDWARE - INVERTER/CHARGER - W/DC/AC
13	136989-03-N70	EA	CABINET - OVERHEAD - MICROWAVE - W/O DOORS/HARDWARE - INVERTER/CHARGER - W/O DC/AC
14	133890-13-N70	EA	DRAWER - OGEE EDGE - 11.9"W X 9.8"D - W/O SLIDES/HARDWARE
15	132141-88-N70	EA	DOOR - RAIL/VENEER - 12.8" X 21.8" - W/O HARDWARE
16	132141-90-N70	EA	DOOR - RAIL/VENEER - 12.8" X 21.8" - W/O HARDWARE
17	110941-26-N70	EA	DRAWER - TIPOUT - W/HIDDEN TRAY
	108127-01-01A	EA	CAP - TRAY
	108128-01-01A	EA	TRAY - HIDDEN
18	133890-03-N42	EA	DRAWER - OGEE EDGE - 20.2"W X 15.7"D - W/O SLIDES/HARDWARE
19	126875-02-N70	EA	FRAME ONLY - F/SPLASHGUARD
	127117-02-01A	EA	GLASS - STATIONARY - SPLASHGUARD
20	P38119-12-N70	EA	END CAP - OVERHEAD CABINET
21	P38119-13-N70	EA	END CAP - OVERHEAD CABINET
22	137376-01-01A	EA	COUNTERTOP - 1/4" VENDURA - JAMAICAN SAND
	137444-01-02B	EA	SPACER - COUNTERTOP - GALLEY - E-COATED
23	130736-01-02B	EA	BRACKET - MICROWAVE - RH - E-COATED
24	130736-02-02B	EA	BRACKET - MICROWAVE - LH - E-COATED



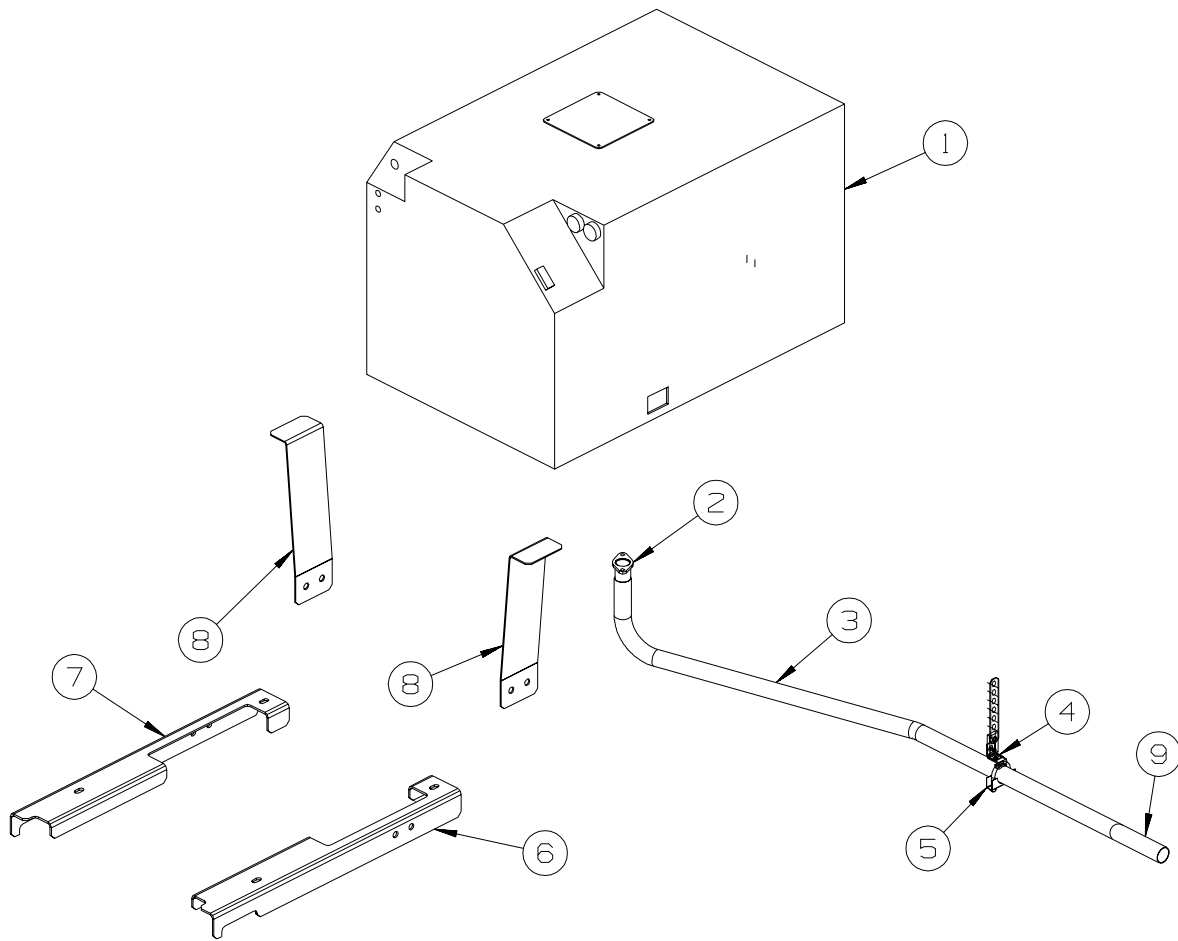
KEY	PART NUMBER	U/M	DESCRIPTION
1	122360-02-000	EA	SLIDE - PANTRY - W/O LOCK - RIGHT/LEFT HAND
1	122360-03-000	EA	SLIDE - PANTRY - W/LOCK - RIGHT HAND (FACING PANEL)
2	132141-D7-N42	EA	DOOR - RAIL/VENEER - 8" X 60.7" - W/O HARDWARE
3	123673-01-01A	EA	KNOB - PANTRY SLIDE
4	136762-22-M07	EA	SHELF - W/T-MOLDING
5	136997-17-M76	EA	SHELF - W/EDGE MOLDING

GENERATOR GROUP LP



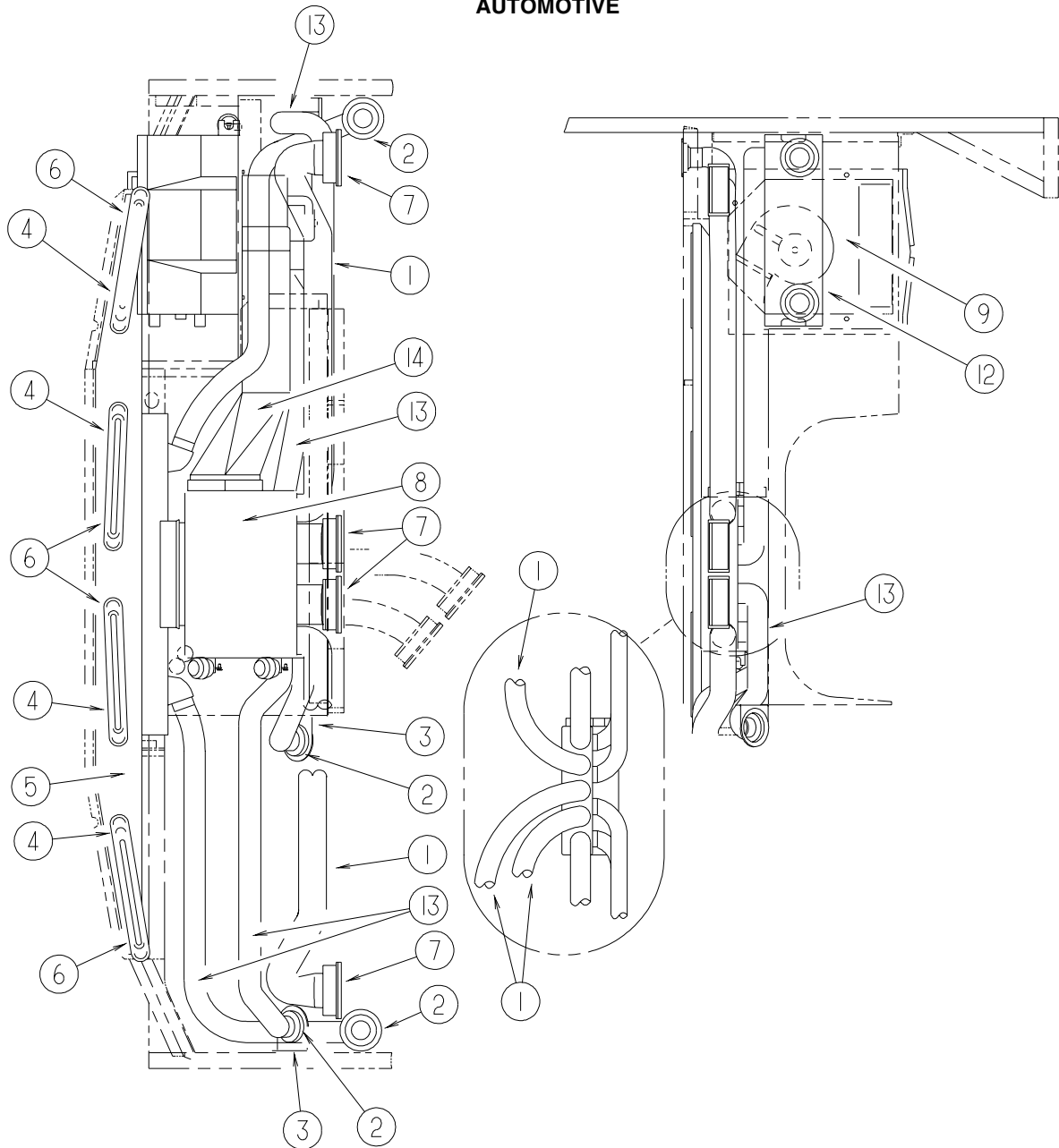
KEY	PART NUMBER	U/M	DESCRIPTION	
1	135707-03-000	EA	GENERATOR - 6.5 - 30/30 - LIQUID LP - MARQUIS GOLD	
1	135707-04-000	EA	GENERATOR - 6.5 - 30/20 - LIQUID LP - MARQUIS GOLD	
2	007131-01-000	EA	HANGER - TAILPIPE - 6 SLOTS	
	007125-03-000	EA	CLAMP - MUFFLER - 1.5" DIAMETER	
3	138246-01-01A	EA	EXTENSION - TAILPIPE - 1.6" I.D.	
4	105958-21-000	EA	PIPE - EXHAUST - GENERATOR	FROM: 00-00-00 THRU: 09-19-01
4	137330-02-000	EA	PIPE - EXHAUST - GENERATOR/LP	FROM: 09-20-01 THRU: 99-99-99

GENERATOR GROUP (CONTINUED) DIESEL



KEY	PART NUMBER	U/M	DESCRIPTION
1	122425-01-000	EA	GENERATOR - DIESEL - 7.5
2	106235-01-000	EA	ADAPTOR - GENERATOR EXHAUST
3	137330-01-000	EA	PIPE - EXHAUST - GENERATOR
4	007131-01-000	EA	HANGER - TAILPIPE - 6 SLOTS
5	007125-03-000	EA	CLAMP - MUFFLER - 1.5" DIAMETER
6	137328-02-02B	EA	SUPPORT - GENERATOR - LH - E-COATED
7	137328-01-02B	EA	SUPPORT - GENERATOR - RH - E-COATED
8	137329-01-02B	EA	BRACKET - HANGER - E-COATED
9	138246-01-01A	EA	EXTENSION - TAILPIPE - 1.6" I.D.

HEATING & A/C GROUP AUTOMOTIVE



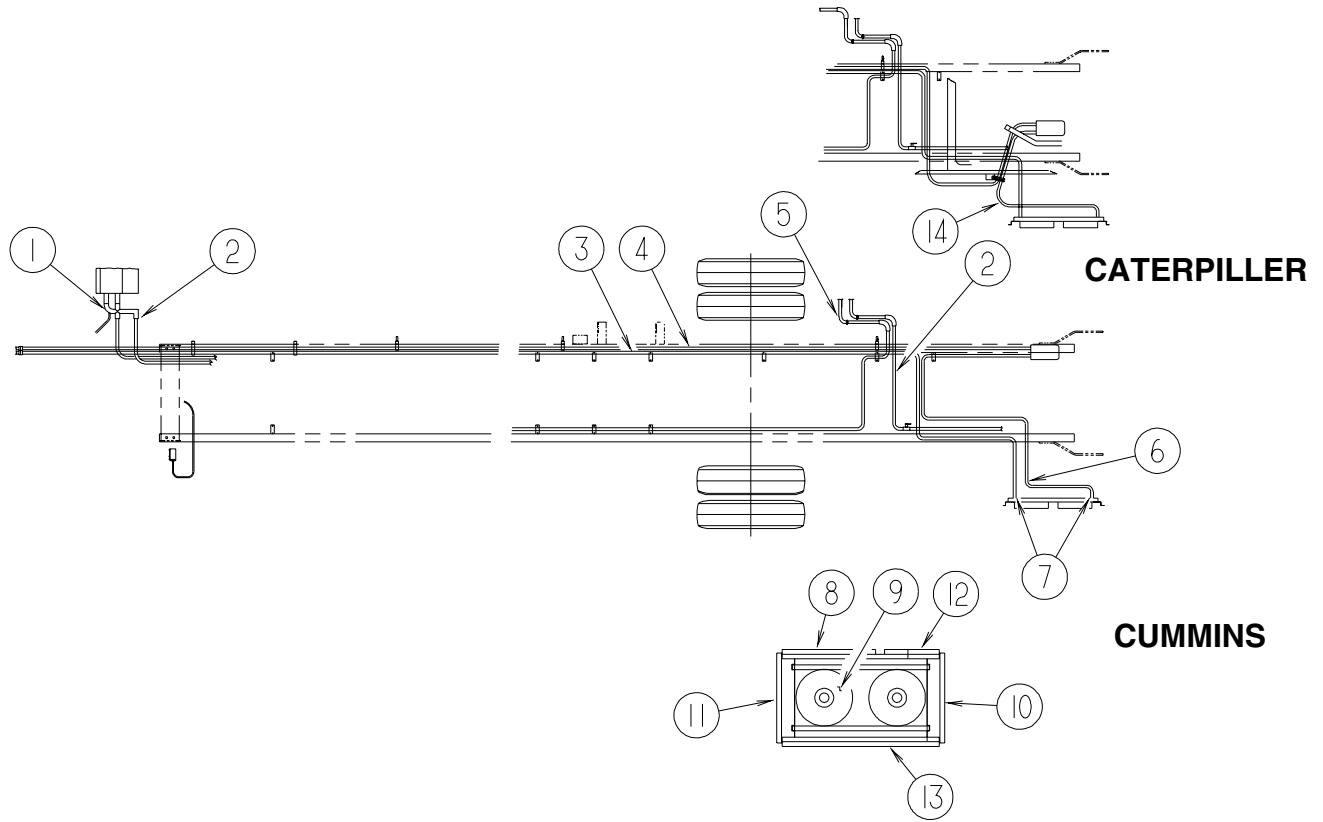
KEY	PART NUMBER	U/M	DESCRIPTION
1	007281-01-000	EA	HOSE - FLEXIBLE PVC - 2 1/2" ID X 50'
2	024990-12-000	EA	OUTLET - DEFROSTER - W/SWIVEL - 4" OD X 3" RO - GLACIER
3		EA	NOT USED
4	077075-01-000	EA	GASKET - INSTRUMENT PANEL/DEFROSTER PLENUM - .6" X 10.2"
5	103017-03-000	EA	PLENUM - DEFROSTER
6	135265-01-04A	EA	VENT - DEFROSTER - PLASTIC - GLACIER
7	135803-01-01A	EA	LOUVER - A/C - 2.5" - BLACK
7	135803-02-01A	EA	LOUVER - A/C - 2.5" - W/HOLES
8*	103930-36-000	EA	CONTROL/PLENUM - ROTARY CONTROL HEAD
9*	103930-43-000	EA	EVAPORATOR/HEATER ASSEMBLY - NON-CHARGED
10		EA	NOT USED
11		EA	NOT USED
12		EA	NOT USED
13	007076-01-000	EA	HOSE - FLEXIBLE PVC - 2" ID - INCREMENTS OF 50'
14	122822-01-01A	EA	PLENUM - TRANSITION
	103930-37-000	EA	MANUAL/OWNERS - HEATER-A/C
	103930-54-000	EA	MANUAL - OWNERS - HEATER/AC

FROM: 00-00-00 THRU: 10-26-01

FROM: 10-27-01 THRU: 99-99-99

***COMPONENT PARTS LISTED LATER IN THIS GROUP**

HEATING & A/C GROUP (CONTINUED) AUTOMOTIVE (CONTINUED)

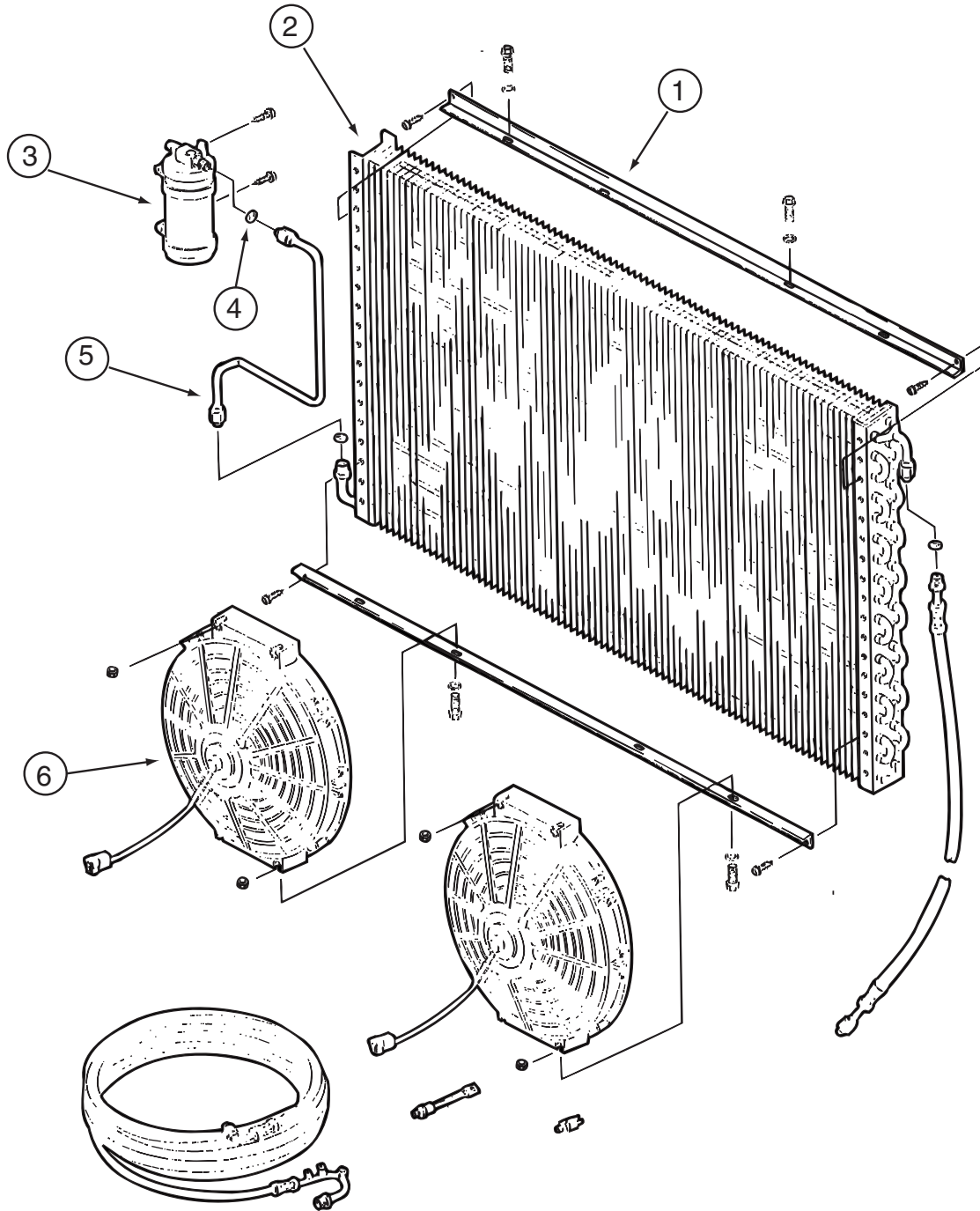


KEY	PART NUMBER	U/M	DESCRIPTION
1	103930-24-000	EA	VALVE - WATER CONTROL - 4 PORT VACUUM CONTROLLED
2	007108-01-000	FT	HOSE - HEATER - 5/8" ID - HI-TEMP
3*	072342-18-000	EA	HOSE - #6 - CONDENSER/EVAPORATOR - 514"
4*	103930-41-000	EA	HOSE KIT - #12 PRE-CHARGED R134 W/O'RING - 496" LONG - CATERPILLER
4*	103930-51-000	EA	HOSE KIT - #12 496" 90 DEGREE BEND - COMPRESSOR/EVAPORATOR - CUMMINS
5	079059-01-000	EA	HOSE - 90 DEGREE - 5/8"ID X 4" X 36"
6*	072342-16-000	EA	HOSE - #8 - STRAIGHT END - CONDENSER/COMPRESSOR - 62" - CATERPILLER
7	072368-02-000	EA	TRIM - VINYL - EDGE - BLACK
8	113572-01-02B	EA	BRACKET - CONDENSER - E-COAT
			FROM: 00-00-00 THRU: 03-15-01
8	113572-02-02B	EA	BRACKET - CONDENSER - E-COAT
			FROM: 03-16-01 THRU: 99-99-99
9*	072342-15-000	EA	CONDENSER - W/FAN SIDE - NO HOSE
10	113574-01-02B	EA	BRACKET - CONDENSER/SIDE - E-COAT
11	113574-02-02B	EA	BRACKET - CONDENSER/SIDE - E-COAT
12	113572-01-02B	EA	BRACKET - CONDENSER - E-COAT
			FROM: 00-00-00 THRU: 03-15-01
12	113572-03-02B	EA	BRACKET - CONDENSER - E-COAT
			FROM: 03-16-01 THRU: 99-99-99
13	113572-01-02B	EA	BRACKET - CONDENSER - E-COAT
14*	072342-17-000	EA	HOSE - #8 - 90 DEGREE END - CONDENSER/COMPRESSOR - 95" - CUMMINS

*COMPONENT PARTS LISTED LATER IN THIS GROUP

HEATING & A/C GROUP (CONTINUED)

COMPONENT PARTS FOR AUTOMOTIVE



072342-15-000

KEY	PART NUMBER	U/M	DESCRIPTION	VENDOR NO.
1	072342-13-700	EA	BRACKET - CONDENSER FAN	070-0148
2	072342-12-700	EA	COIL-CONDENSER	040-0027
3	072342-12-703	EA	RECEIVER DRIER	054-0001
4	113245-01-711	EA	O'RING #6	045-0129
5	072342-13-703	EA	TUBE ASM. #6	052-0040
6	072342-08-703	EA	FAN BLADE/MOTOR & SHROUD 11"	062-0097

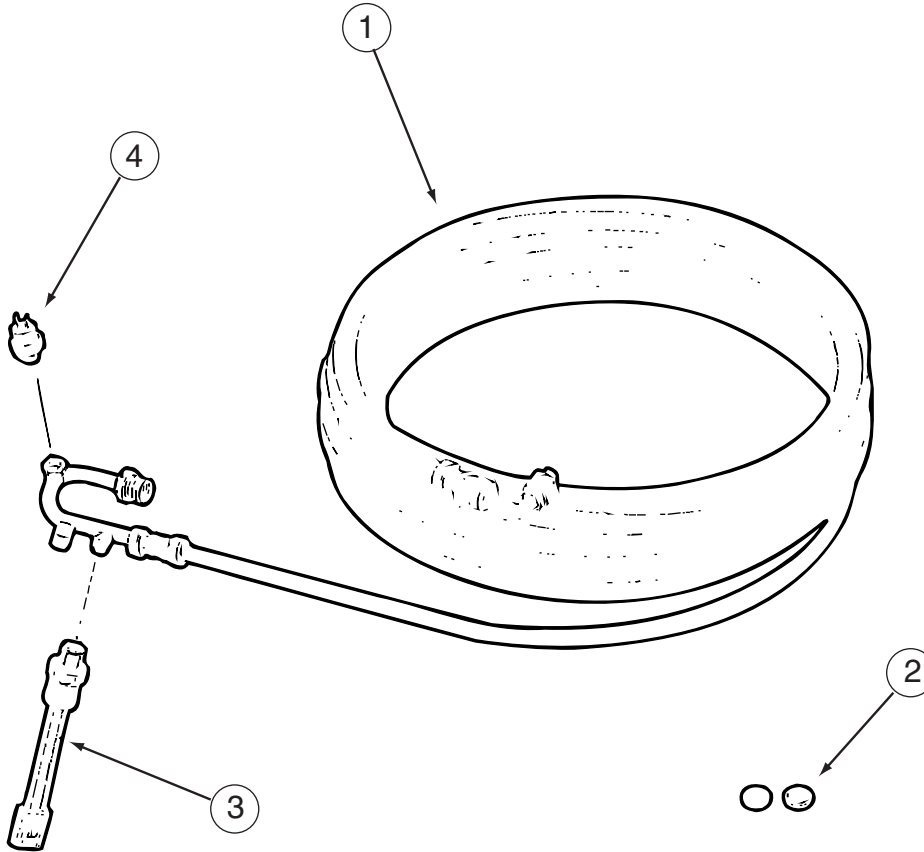
HEATING & A/C GROUP (CONTINUED)
COMPONENT PARTS FOR AUTOMOTIVE (CONTINUED)

072342-16-000

KEY	PART NUMBER	U/M	DESCRIPTION	VENDOR NO.
	072342-13-701	EA	HOSE ASM. #8	085-0459
	113245-01-707	EA	O'RING #8	045-0126

072342-17-000

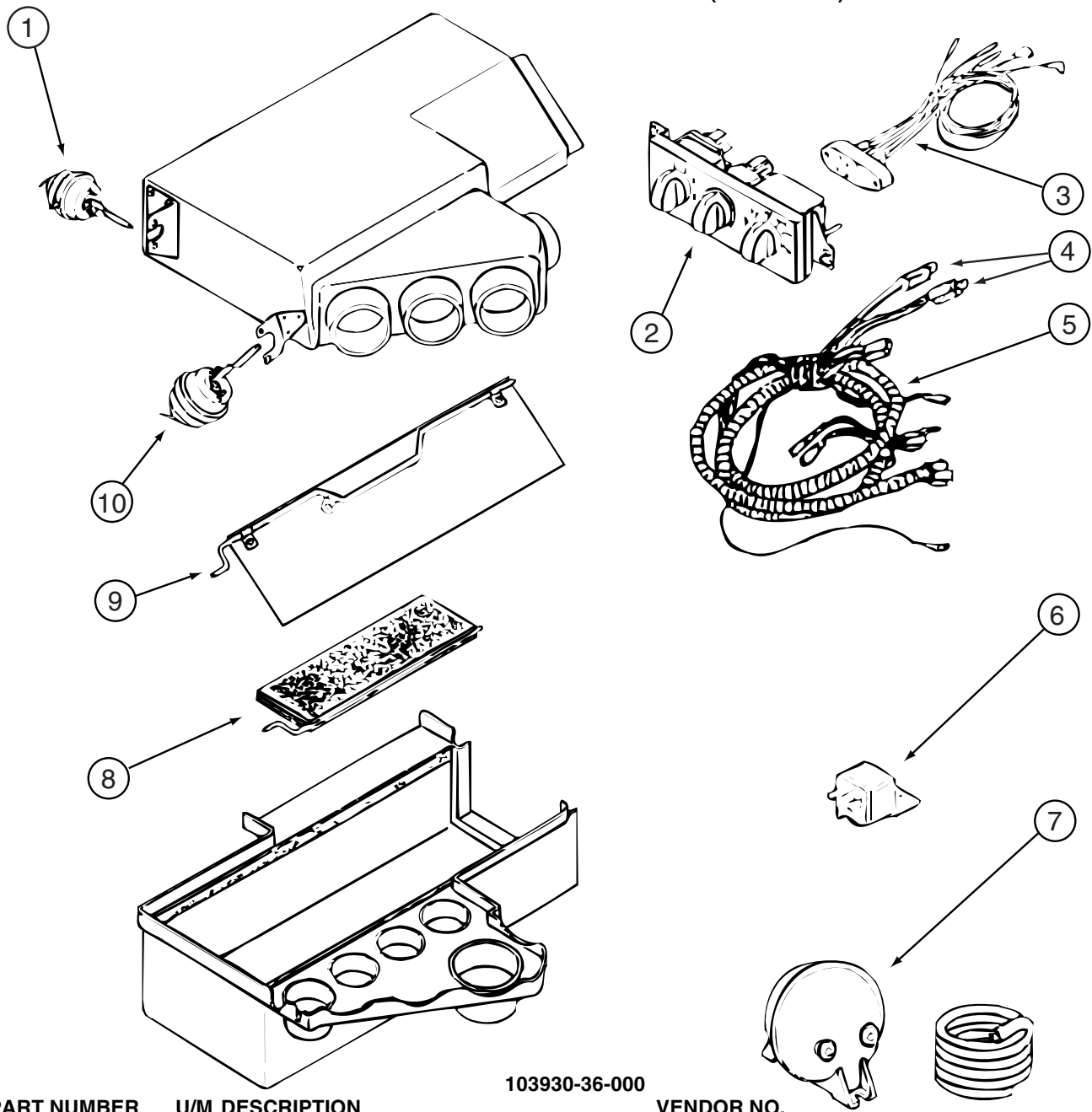
KEY	PART NUMBER	U/M	DESCRIPTION	VENDOR NO.
	072342-12-701	EA	HOSE ASM #8 CONDENSER/COMP	085-0142
	113245-01-707	EA	O'RING #8	045-0126



072342-18-000

KEY	PART NUMBER	U/M	DESCRIPTION	VENDOR NO.
1	072342-13-702	EA	HOSE ASM. #6	085-0460
2	113245-01-711	EA	O'RING #6	045-0129
3	103930-01-716	EA	SWITCH - PRESSURE - FAN	032-0036
4	103930-12-708	EA	SWITCH-BINARY-HI/LOW CUTOUT	032-0048

HEATING & A/C GROUP (CONTINUED)
COMPONENT PARTS FOR AUTOMOTIVE (CONTINUED)



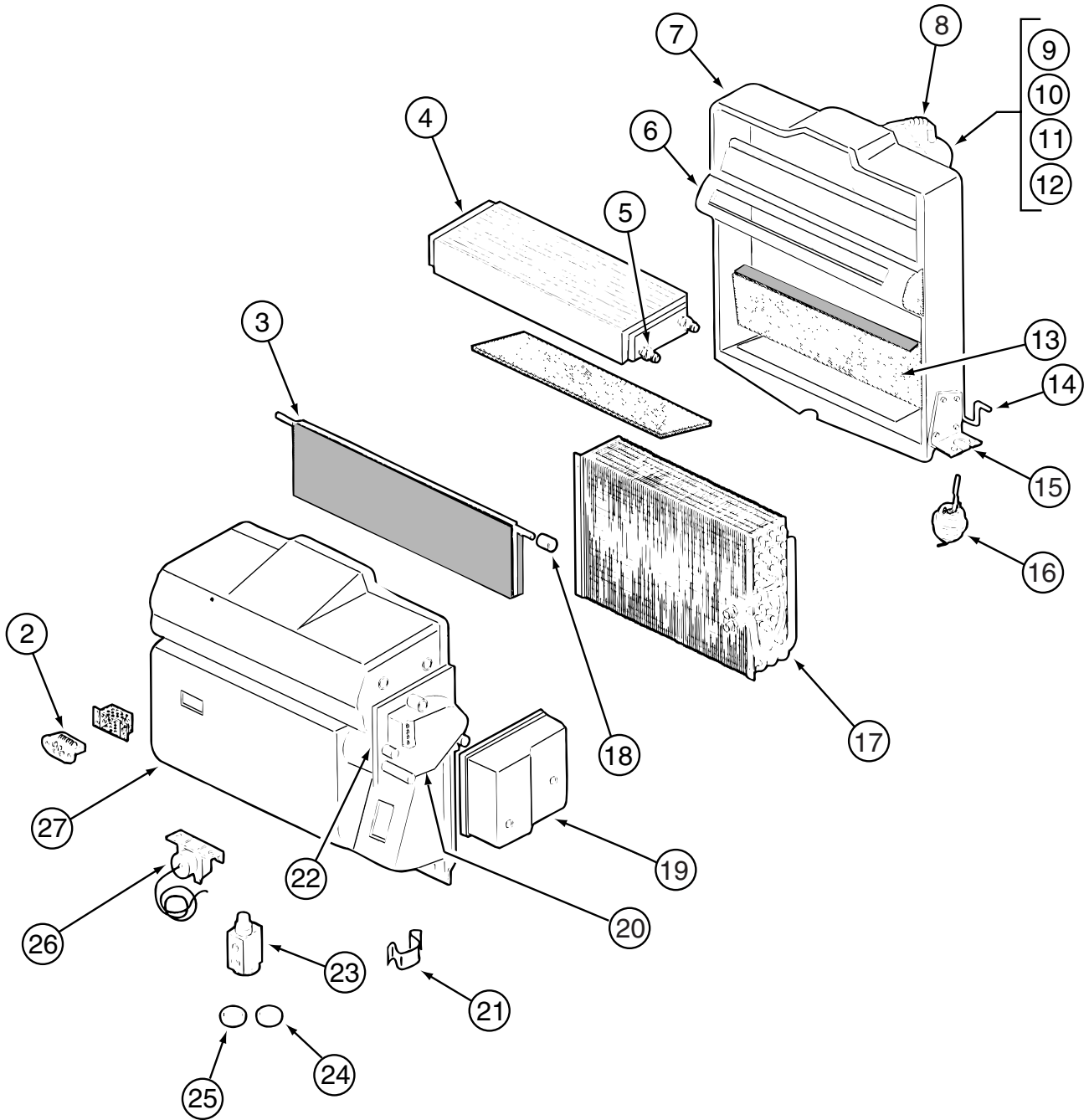
103930-36-000

KEY	PART NUMBER	U/M	DESCRIPTION	VENDOR NO.
	103930-36-000	EA	CONTROL/PLENUM - ROTARY CONTROL HEAD	
1	103930-33-701	EA	MOTOR - VACUUM, 3 STAGE	030-0105
2	103930-33-702	EA	CONTROL PANEL	083-0169
3	103930-33-703	EA	VACUUM HARNESS	036-0466
4	103930-33-705	EA	LIGHT BULBS	035-0030
5	103930-33-711	EA	WIRE HARNESS-W/BULBS(CAVITY)	036-0496
6	103930-02-707	EA	RELAY-BOSCH W/RESISTER	031-0001
7	103930-02-710	EA	CANISTER-VACUUM	054-0002
8	103930-36-701	EA	ROD - DOOR, AC	073-0062
9	103930-36-700	EA	ROD - DOOR, DEFROST	073-0061
10	103930-02-708	EA	MOTOR-VACUUM SERVO, A/C	030-0025
	103930-33-707	EA	SWITCH - BLOWER	032-00066
	103930-33-708	EA	SWITCH - POTENTIOMETER	032-0184
	103930-33-709	EA	SWITCH - VACUUM	032-0183
	103930-33-710	EA	DECAL F/CONTROL HEAD	058-0102
	103930-33-712	EA	KNOB - BLOWER	062-00539
	103930-33-713	EA	KNOB	062-0540
	103930-36-702	EA	PLENUM CASE - UPPER	060-0442
	103930-36-703	EA	PLENUM CASE - LOWER	060-0443
	103930-36-704	EA	SPRING	022-0119

HEATING & A/C GROUP (CONTINUED)
COMPONENT PARTS FOR AUTOMOTIVE (CONTINUED)

103930-41-000

KEY	PART NUMBER	U/M	DESCRIPTION	VENDOR NO.
	103930-17-702	EA	O'RING #10	045-0127



103930-43-000

HEATING & A/C GROUP (CONTINUED)
COMPONENT PARTS FOR AUTOMOTIVE (CONTINUED)

103930-43-000 (CONTINUED)

KEY	PART NUMBER	U/M	DESCRIPTION	VENDOR NO
2	103930-01-710	EA	RESISTOR-FUSED, A/C 4 TERM	035-0006
3	103930-30-705	EA	DOOR - AIR BLEND	071-0568
4	103930-01-703	EA	CORE-HEATER	042-0010
5	110279-01-712	EA	FITTING - HEATER CORE	050-0076
6	103930-30-707	EA	DIVIDER ASM.	086-0061
7	103930-20-711	EA	CASE-BACK, SUB-ASSEMBLY	062-0147
8	110279-01-703	EA	HOSE-VENT F/BLOWER MOTOR	051-0034
9	103930-20-707	EA	HOUSING-BLOWER	062-0145
10	103930-30-706	EA	MOTOR-BLOWER PM147 W/ADAPTER	030-0109
11	103930-01-717	EA	WHEEL-BLOWER, CLOCKWISE	062-0010
12	103930-20-708	EA	CLIP-MOTOR SHAFT	022-0001
13	103930-20-705	EA	PANEL-DOOR, RECIRCULATING	071-0213
14	103930-20-704	EA	ROD-DOOR-RECIRCULATING	073-0018
15	103930-01-708	EA	BRACKET-VACUUM MOTOR	070-0113
16	103930-02-708	EA	MOTOR-VACUUM SERVO, A/C	030-0025
17	103930-01-704	EA	COIL-EVAPORATOR	041-0017
18	103930-30-702	EA	BUSHING/DRIVE - BLEND DOOR	062-00634
19	103930-30-704	EA	COVER - SERVO	062-0545
20	103930-30-703	EA	MOTOR - SERVO	030-0104
21	103930-20-706	EA	CLIP-RETAINER - CASE ATTACH	022-0057
22	103930-30-701	EA	PLATE - MOTOR MOUNT	062-0544
23	103930-20-700	EA	VALVE-EXPANSION-BLOCK, 2 TON	034-0032
24	103930-17-702	EA	O'RING #10	045-0127
25	113245-01-707	EA	O'RING #8	045-0126
26	103930-01-711	EA	THERMOSTAT	033-0003
27	103930-30-700	EA	CASE - FRONT	062-0542
	094831-01-709	EA	CLAMP-ROD 3/16"	022-0025
	103930-02-714	EA	CLAMP-CLUTCH, BARREL	022-0006
	103930-20-713	EA	GASKET - BLEND AIR DOOR	045-0160
	103930-20-714	EA	GASKET - BLEND AIR DOOR	045-0161
	103930-30-708	EA	BUSHING/IDLER - BLEND DOOR	062-00167
	113245-01-718	FT	HOSE - DRAIN - 1/2"	051-0002
			CONTACT WINNEBAGO PART SALES FOR UNLISTED COMPONENTS	

103930-51-000

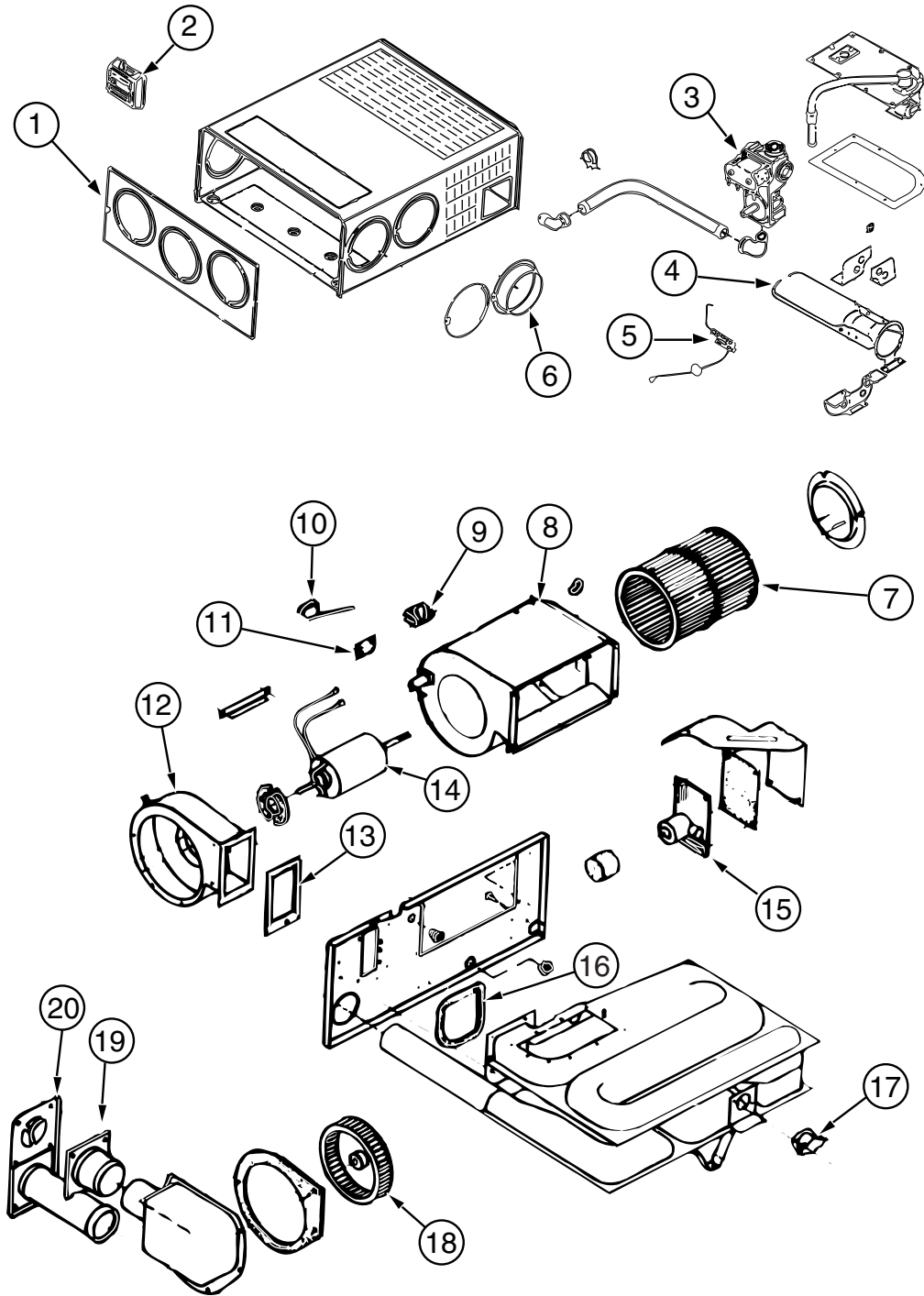
KEY	PART NUMBER	U/M	DESCRIPTION	VENDOR NO.
	103930-17-702	EA	O'RING #10	045-0127

HEATING & A/C GROUP (CONTINUED)
FURNACE

KEY	PART NUMBER	U/M	DESCRIPTION
*	098668-22-000	EA	FURNACE - 40,000 BTU FROM: 00-00-00 THRU: 09-30-01
*	139980-04-000	EA	FURNACE - 40000 BTU - SF QUIET - SUBURBAN SF-42 2323J FROM: 10-01-01 THRU: 99-99-99
*	098668-21-000	EA	FURNACE - 35000 BTU - P32TD , P32T FROM: 00-00-00 THRU: 06-03-01
*	139980-03-000	EA	FURNACE - 35000 BTU - SF QUIET - SUBURBAN SF-35 2322J - P32TD , P32T FROM: 06-04-01 THRU: 99-99-99
	009198-02-000	FT	DUCT - HEAT - FLEXIBLE - 2" ID X 25'
	092776-01-000	EA	ADAPTER - DUCT - 2"
	093614-08-01A	EA	GRILLE - AIR RETURN - 9.8" X 13.9" - WHITE
	093614-08-02A	EA	GRILLE - AIR RETURN - 9.8" X 13.9" - BEIGE
	098668-14-000	EA	GASKET - FIBERGLASS - .5" X 18" X 18"
	098668-15-000	EA	PLATE-FACE
	098668-16-000	EA	VENT - INTAKE
	133322-01-02B	EA	PANEL - EXHAUST - FURNACE - E-COATED
	133323-01-01A	EA	SHROUD - FURNACE - BRIGHT WHITE
	137965-03-01A	EA	REGISTER - 2.25" X 10" - W/O DAMPER - ANTIQUE BRASS - W/CERAMIC FLOOR
	137965-01-01A	EA	REGISTER - 2.25" X 10" - W/O DAMPER - ANTIQUE BRASS
	137965-02-01A	EA	REGISTER - 2.25" X 10" - W/DAMPER - ANTIQUE BRASS
	137965-06-01A	EA	REGISTER - 2.25" X 14" - W/O DAMPER - ANTIQUE BRASS

***COMPONENT PARTS LISTED LATER IN THIS GROUP**

HEATING & A/C GROUP (CONTINUED)
COMPONENT PARTS FOR FURNACE



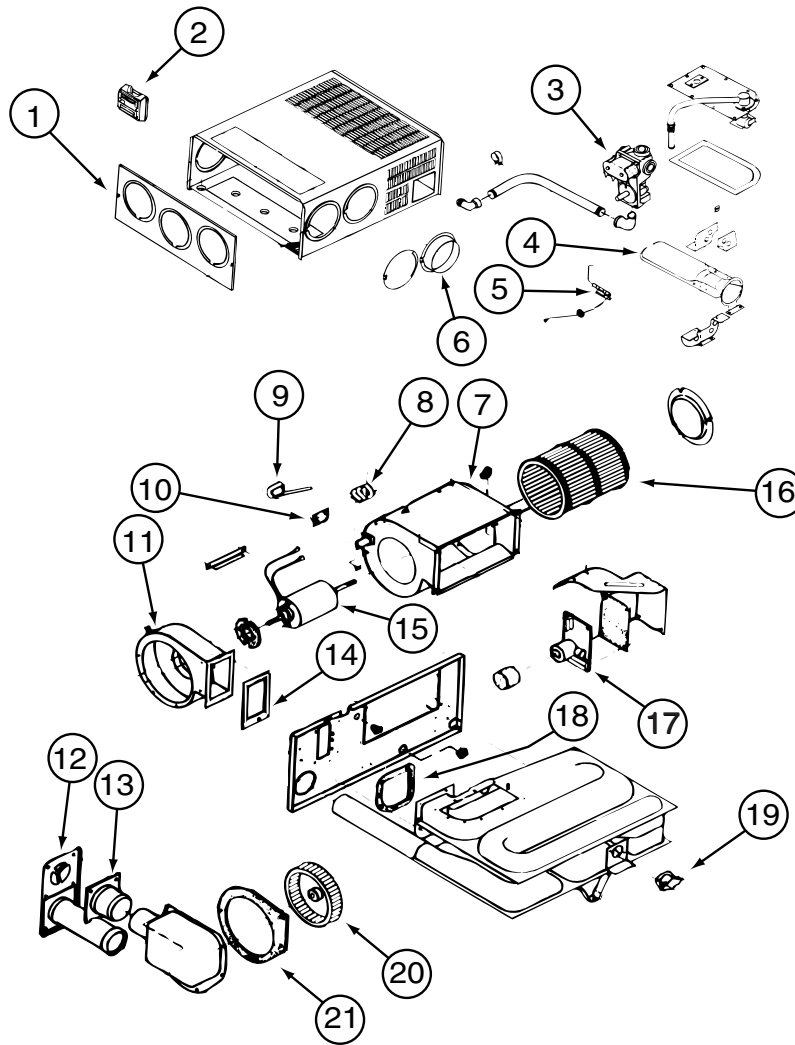
098668-21-000

HEATING & A/C GROUP (CONTINUED)
COMPONENT PARTS FOR FURNACE (CONTINUED)

098668-21-000 (CONTINUED)

KEY	PART NUMBER	U/M	DESCRIPTION	VENDOR NO.
1	098668-01-700	EA	CABINET FRONT	101242
3	098668-01-714	EA	VALVE-GAS,SF S.N. 921401821	161070
4	098668-02-700	EA	BURNER ASSEMBLY,SF-30 & SF35	010745
5	098668-01-715	EA	ELECTRODE ASM., SINGLE PROBE	232166
6	075696-02-703	EA	COLLAR-DUCT	050715
7	098668-01-711	EA	WHEEL-BLOWER, ROOM AIR	350129
8	098668-01-710	EA	HOUSING-BLOWER, ROOM AIR	390440
9	074466-01-702	EA	RELAY, TIME DELAY	230625
10	098668-21-700	EA	SWITCH-MICRO-W/O FLAG 3 1/4"	232261
11	101990-01-714	EA	GASKET-MICROSWITCH	230877
12	098668-01-708	EA	HOUSING-BLOWER, COMBUSTION	390441
13	098668-01-717	EA	GASKET-FIREWALL, BLOWER SIDE	070809
14	098668-03-700	EA	MOTOR ASSEMBLY, SF-35	231707
15	098668-01-712	EA	BOARD-MODULE	520741
16	098668-01-716	EA	GASKET-FIREWALL,CHAMBER SIDE	070808
17	098668-21-701	EA	SWITCH - LIMIT	231799
18	098668-01-706	EA	WHEEL-COMBUSTION AIR	350184
19	098668-01-713	EA	TUBE ASSEMBLY, INTAKE	051248
20	098668-01-707	EA	TUBE ASSEMBLY, EXHAUST W/CAP	260231
	098668-08-701	EA	MODULE BD/FAN CONT-UNITED TE	232614
CONTACT WINNEBAGO PART SALES FOR UNLISTED COMPONENTS				

HEATING & A/C GROUP (CONTINUED)
COMPONENT PARTS FOR FURNACE (CONTINUED)

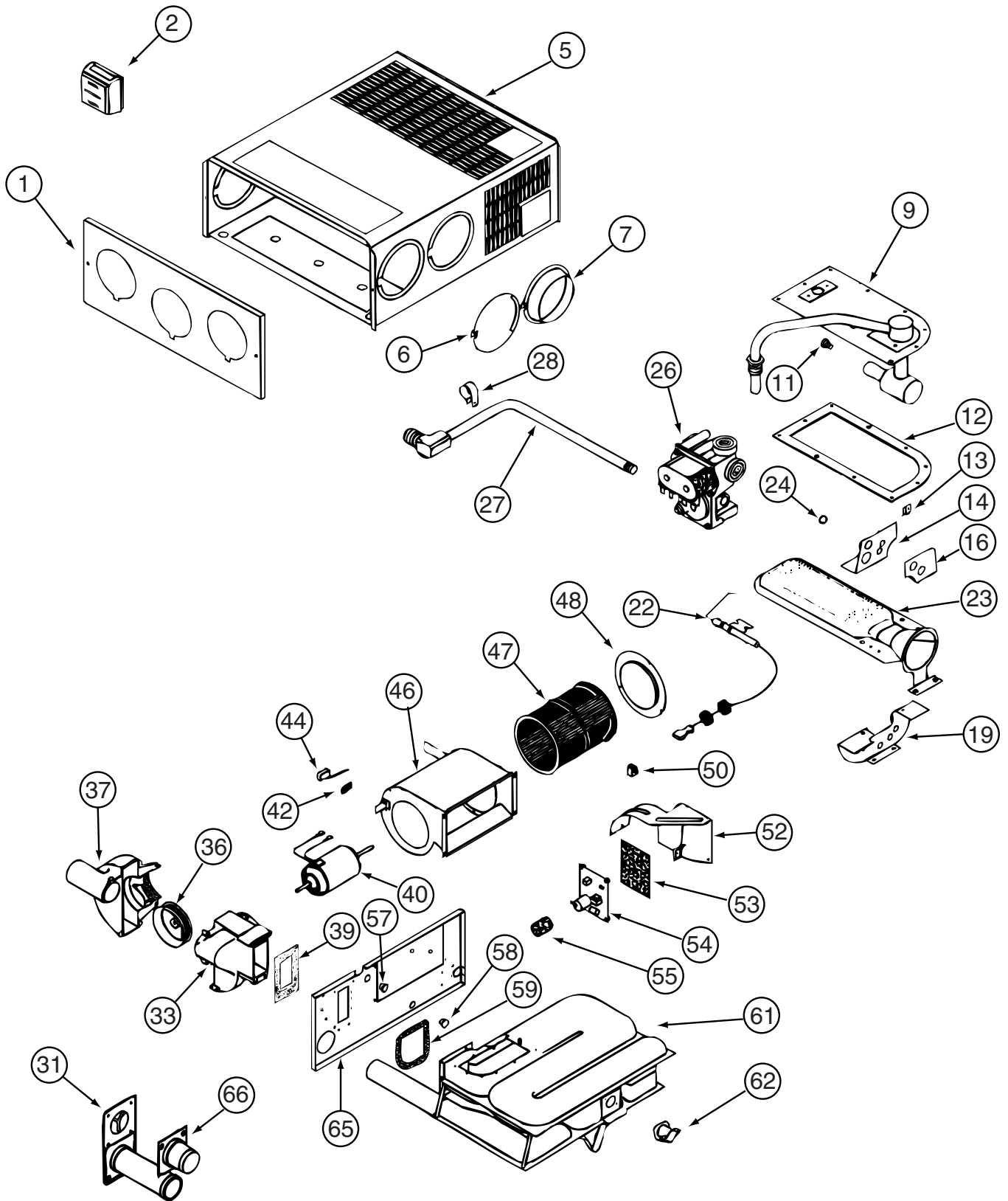


098668-22-000

KEY	PART NUMBER	U/M	DESCRIPTION	VENDOR NO.
1	098668-01-700	EA	CABINET FRONT	101242
3	098668-01-714	EA	VALVE-GAS, SF	161070
4	098668-11-701	EA	BURNER ASSEMBLY, SF-42F	010799
5	098668-01-715	EA	ELECTRODE ASM., SINGLE PROBE	232166
6	075696-02-703	EA	COLLAR-DUCT	050715
7	098668-11-704	EA	BLOWER ASM., ROOM AIR SF-42F	390698
8	074466-01-702	EA	RELAY, TIME DELAY	230625
9	098668-09-700	EA	SWITCH-MICRO-W/O FLAG 3 1/4"	232216
10	101990-01-714	EA	GASKET-MICROSWITCH	230877
11	098668-01-708	EA	HOUSING-BLOWER, COMBUSTION	390441
12	098668-01-707	EA	TUBE ASSEMBLY, EXHAUST W/CAP	260231
13	098668-01-713	EA	TUBE ASSEMBLY, INTAKE	051248
14	098668-01-717	EA	GASKET-FIREWALL, BLOWER SIDE	070809
	098668-11-700	EA	ORIFICE-MAIN BURNER, SF-42F	180216
15	098668-11-702	EA	MOTOR ASSEMBLY, SF-42F	232212
16	098668-01-711	EA	WHEEL-BLOWER, ROOM AIR	350129
17	098668-01-712	EA	BOARD-MODULE	520741
18	098668-01-716	EA	GASKET-FIREWALL, CHAMBER SIDE	070808
19	098668-11-706	EA	SWITCH-LIMIT, SF42 & SF42F	232217
20	098668-22-702	EA	WHEEL-COMBUSTION AIR	350183
21	098668-22-703	EA	GASKET	070811
	098668-08-700	EA	MODULE BD/FAN CONT - FENWAL	232613
	098668-08-701	EA	MODULE BD/FAN CONT-UNITED TE	232614

CONTACT WINNEBAGO PART SALES FOR UNLISTED COMPONENTS

HEATING & A/C GROUP (CONTINUED)
COMPONENT PARTS FOR FURNACE (CONTINUED)



139980-03-000

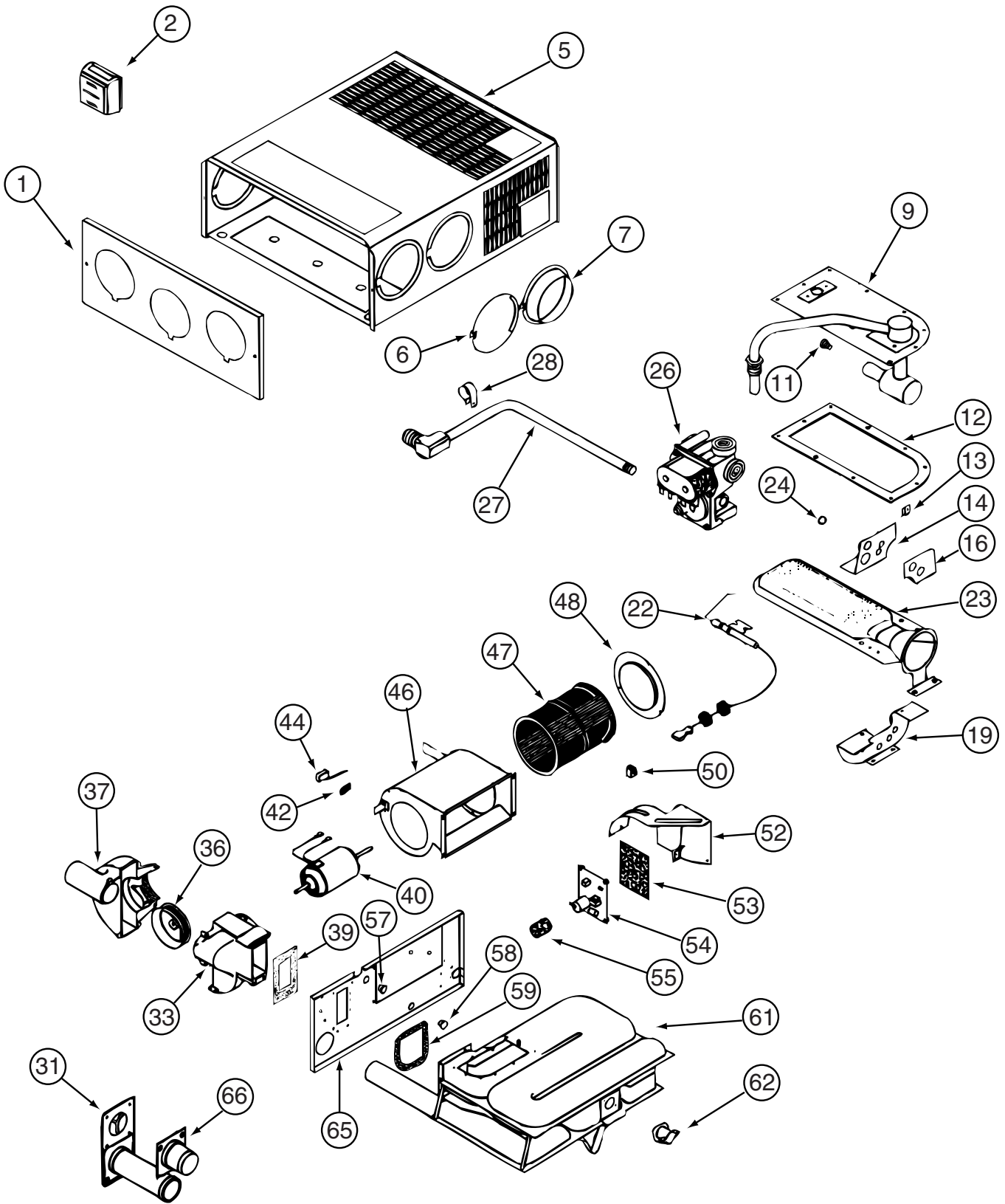
HEATING & A/C GROUP (CONTINUED)
COMPONENT PARTS FOR FURNACE (CONTINUED)

139980-03-000 (CONTINUED)

KEY	PART NUMBER	U/M	DESCRIPTION	VENDOR NO.
9	139980-01-700	EA	MANIFOLD ASSEMBLY	171571
11	069634-01-720	EA	ORIFICE-MAIN BURNER	180222
12	098668-22-703	EA	GASKET - BURNER ACCESS COVER	070811
22	139980-01-701	EA	ELECTRODE	232286
23	098668-02-700	EA	BURNER ASSEMBLY,SF-30 & SF35	010745
26	098668-01-718	EA	VALVE-GAS SF S.N.974903079	161122
27	139980-01-702	EA	PIPE ASSEMBLY/GAS INLET	171574
31	098668-01-707	EA	TUBE ASSEMBLY, EXHAUST W/CAP	260231
33	139980-01-703	EA	COMBUSTION AIR HOUS FRT/HALF	390852
36	098668-01-706	EA	WHEEL-COMBUSTION AIR	350184
37	139980-01-704	EA	COMBUSTION AIR HOUS RR HALF	390848
39	139980-01-705	EA	GASKET/FIREWALL-COMB AIR	071084
40	139980-01-707	EA	MOTOR ASSEMBLY W/GASKET SF35	232684
42	101990-01-714	EA	GASKET-MICROSWITCH	230877
44	098668-21-700	EA	SWITCH-MICRO-W/O FLAG 3 1/4"	232261
46	139980-01-708	EA	BLOWER ASSEMBLY - ROOM AIR	390739BK
47	098668-01-711	EA	WHEEL-BLOWER, ROOM AIR	350129
48	139980-01-709	EA	ORFICE RING	390696
50	139980-01-710	EA	SWITCH - ON/OFF	232351
52	139980-01-711	EA	PANEL ASSEMBLY-MODULE BD	101663
53	139980-01-712	EA	INSULATOR - MODULE BD	070807
54	098668-22-705	EA	MODULE BD W/RELAY TIME DELAY	520820
55	139980-01-713	EA	CAP/INSULATOR-MODULE BD	070973
57	139980-01-714	EA	BUSHING - UNIVERSAL	070362
58	139980-01-715	EA	BUSHING - STRAIN RELIEF	231809
59	098668-01-716	EA	GASKET-FIREWALL,CHAMBER SIDE	070808
61	139980-01-716	EA	CHAMBER ASSEMBLY - FINAL	021149BK
62	098668-21-701	EA	SWITCH - LIMIT	232504
66	098668-01-713	EA	TUBE ASSEMBLY, INTAKE	051248

CONTACT WINNEBAGO PART SALES FOR UNLISTED COMPONENTS

HEATING & A/C GROUP (CONTINUED)
COMPONENT PARTS FOR FURNACE (CONTINUED)



139980-04-000

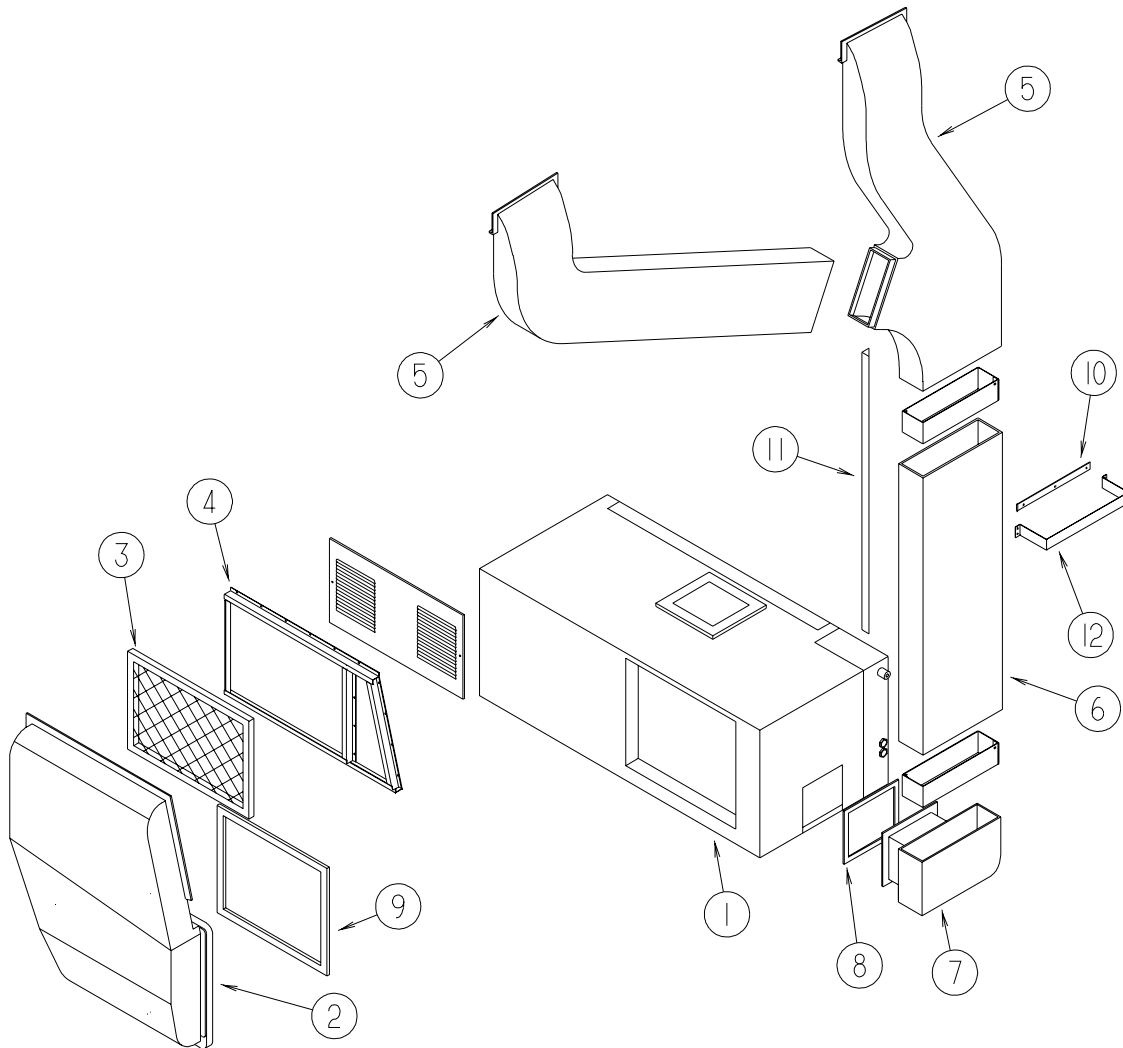
HEATING & A/C GROUP (CONTINUED)
COMPONENT PARTS FOR FURNACE (CONTINUED)

139980-04-000 (CONTNUED)

KEY	PART NUMBER	U/M	DESCRIPTION	VENDOR NO.
9	098668-20-700	EA	MANIFOLD ASM.	171517
11	139980-04-700	EA	ORFICE - MAIN BURNER	180242
12	098668-22-703	EA	GASKET - BURNER ACCESS COVER	070811
22	139980-01-701	EA	ELECTRODE	232286
23	098668-11-701	EA	BURNER ASSEMBLY,SF-42F	010799
26	098668-01-718	EA	VALVE-GAS SF S.N.974903079	161122
27	139980-01-702	EA	PIPE ASSEMBLY/GAS INLET	171574
31	098668-01-707	EA	TUBE ASSEMBLY, EXHAUST W/CAP	260231
33	139980-01-703	EA	COMBUSTION AIR HOUS FRT/HALF	390852
36	098668-22-702	EA	WHEEL-COMBUSTION AIR	350183
37	139980-01-704	EA	COMBUSTION AIR HOUS RR HALF	390848
39	139980-01-705	EA	GASKET/FIREWALL-COMB AIR	071084
40	139980-04-701	EA	MOTOR ASSEMBLY W/GASKET	232683
42	101990-01-714	EA	GASKET-MICROSWITCH	230877
44	098668-21-700	EA	SWITCH-MICRO-W/O FLAG 3 1/4"	232261
46	139980-04-702	EA	BLOWER ASSEMBLY/ROOM AIR	390740BK
47	098668-01-711	EA	WHEEL-BLOWER, ROOM AIR	350129
48	139980-01-709	EA	ORFICE RING	390696
50	139980-01-710	EA	SWITCH - ON/OFF	232351
52	139980-01-711	EA	PANEL ASSEMBLY-MODULE BD	101663
53	139980-01-712	EA	INSULATOR - MODULE BD	070807
54	098668-22-705	EA	MODULE BD W/RELAY TIME DELAY	520820
55	139980-01-713	EA	CAP/INSULATOR-MODULE BD	070973
57	139980-01-714	EA	BUSHING - UNIVERSAL	070362
58	139980-01-715	EA	BUSHING - STRAIN RELIEF	231809
59	098668-01-716	EA	GASKET-FIREWALL,CHAMBER SIDE	070808
61	139980-04-703	EA	CHAMBER ASSEMBLY FINAL	021150BK
62	098668-22-706	EA	SWITCH/LIMIT - 195 TRIP TEMP	232505
66	098668-01-713	EA	TUBE ASSEMBLY, INTAKE	051248

CONTACT WINNEBAGO PART SALES FOR UNLISTED COMPONENTS

HEATING & A/C GROUP (CONTINUED) CENTRAL

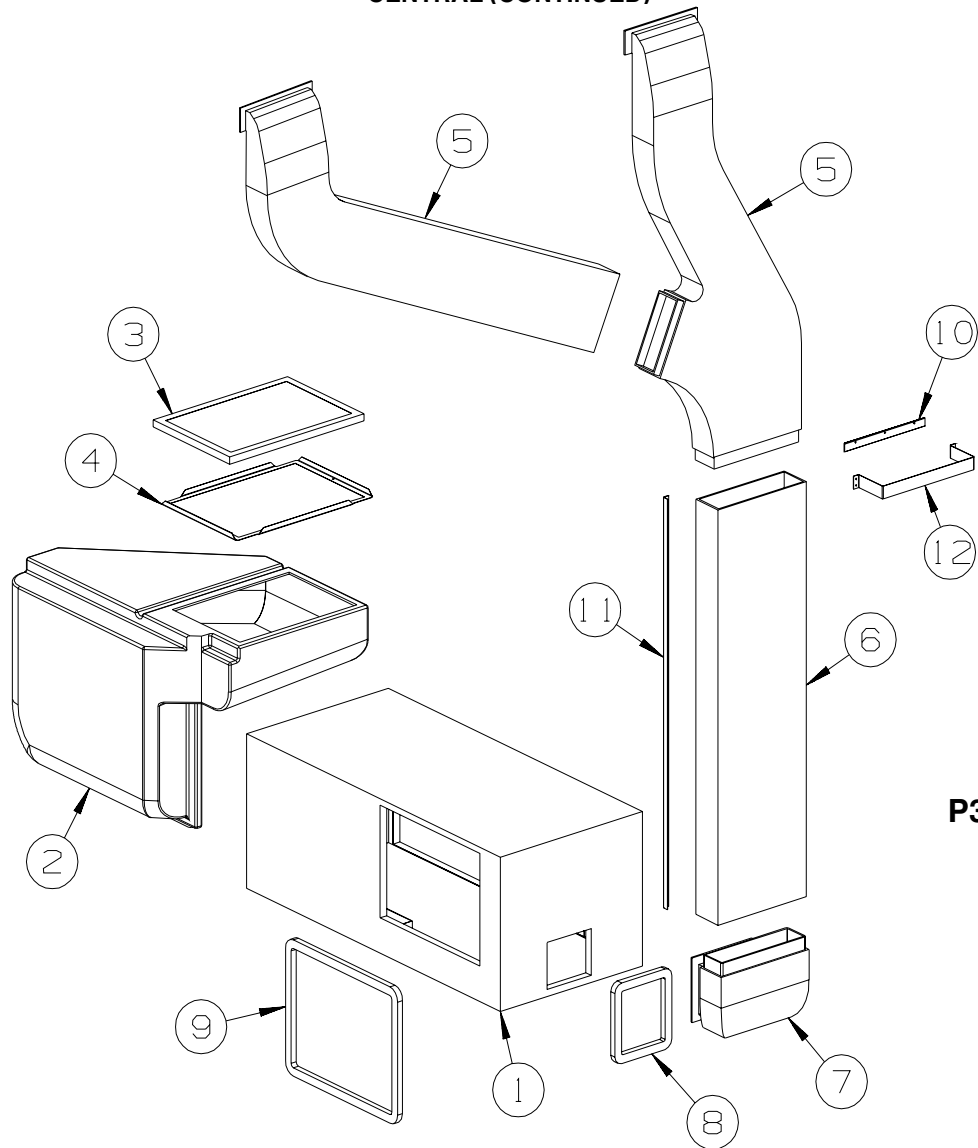


ALL EXCEPT P39QD

KEY	PART NUMBER	U/M	DESCRIPTION
1*	105620-11-000	EA	A/C CENTRAL PACKAGE - RIGHT HAND POWER SAVER/LARGE BLOWER
1*	105620-12-000	EA	A/C - CONTROL PACK RIGHT HAND/HEAT PUMP - 12,000BTU COMP
2	135036-01-000	EA	DUCT - CENTRAL AIR - RETURN
3	109050-02-000	EA	FILTER - FIBERGLASS - 1" X 14" X 20"
4	129604-01-KQ0	EA	FRAME - A/C FILTER
5	M09204-01-000	EA	DUCT/AC - UPPER RIGHT HAND & LEFT HAND
5	105290-01-000	EA	INSULATION - AIR POCKET W/FOIL
6	117870-03-01A	EA	PLENUM - A/C
7	P28855-01-000	EA	DUCT/CENTRAL AIR - LOWER
7	105290-01-000	EA	INSULATION - AIR POCKET W/FOIL
8	134588-02-000	EA	GASKET - DUCT - 6.4" X 7.4" IS - 8.3" X 9.4" OS
9	134588-01-000	EA	GASKET - DUCT - 15.5" X 18.2" IS - 17.4" X 20.2" OS
10	115886-11-02A	EA	RETAINER - SIDEWALL - BRIGHT WHITE - 11.8"
11	130262-01-000	EA	PROTECTOR - CORNER SAVER - .7" X .7" X 48"
12	129047-01-02B	EA	STRAP/MOUNTING - AIR DUCT - E-COATED
	120134-01-02A	EA	REGISTER - W/DAMPER - 4" PIPE/7" O.D. FACE - WHITE
	105620-14-000	EA	THERMOSTAT - A/C AND FURNACE
	105620-15-000	EA	THERMOSTAT - FURNACE/HEAT PUMP

***COMPONENT PARTS LISTED LATER IN THIS GROUP**

HEATING & A/C GROUP (CONTINUED) CENTRAL (CONTINUED)

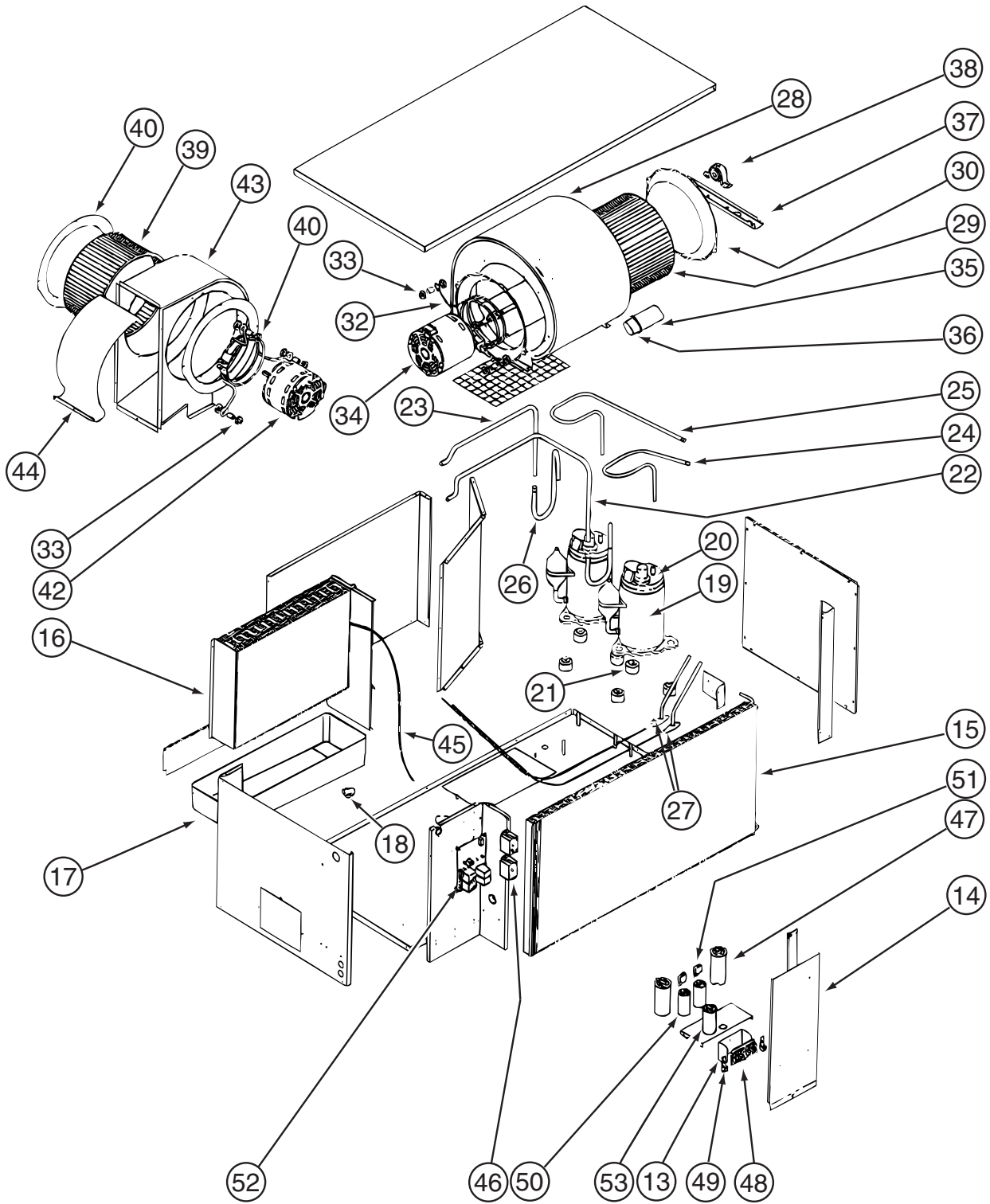


P39QD ONLY

KEY	PART NUMBER	U/M	DESCRIPTION
1*	105620-11-000	EA	A/C CENTRAL PACKAGE - RIGHT HAND POWER SAVER/LARGE BLOWER
1*	105620-12-000	EA	A/C - CONTROL PACK RIGHT HAND/HEAT PUMP - 12,000BTU COMP
2	138052-01-01A	EA	DUCT - CENTRAL AIR RETURN
3	109050-02-000	EA	FILTER - FIBERGLASS - 1" X 14" X 20"
4	139757-01-02B	EA	PANEL - TRAY - A/C FILTER - E-COATED
5	M09204-01-000	EA	DUCT/AC - UPPER RIGHT HAND & LEFT HAND
	128862-01-000	EA	DUCT/AIR - UPPER LEFT HAND
	128868-01-000	EA	DUCT/AIR - UPPER RIGHT HAND
5	105290-01-000	EA	INSULATION - AIR POCKET W/FOIL
6	117870-10-01A	EA	PLENUM - A/C - 48.5"
7	P28855-01-000	EA	DUCT/CENTRAL AIR - LOWER
	128855-01-000	EA	DUCT/LOWER - CENTRAL FORCED AIR
8	134588-04-000	EA	GASKET - DUCT - 13.9" X 18.2" IS - 15.9" X 20.2" OS
			FROM: 06-01-01 THRU: 99-99-99
9	134588-02-000	EA	GASKET - DUCT - 6.4" X 7.4" IS - 8.3" X 9.4" OS
			FROM: 06-01-01 THRU: 99-99-99
10	115886-11-02A	EA	RETAINER - SIDEWALL - BRIGHT WHITE - 11.8"
	120134-01-02A	EA	REGISTER - W/DAMPER - 4" PIPE/7" O.D. FACE - WHITE
	105620-14-000	EA	THERMOSTAT - A/C AND FURNACE
*	105620-15-000	EA	THERMOSTAT - FURNACE/HEAT PUMP
11	130262-01-000	EA	PROTECTOR - CORNER SAVER - .7" X .7" X 48"
12	129047-01-02B	EA	STRAP/MOUNTING - AIR DUCT - E-COATED
	120863-06-000	EA	BUMPER - RUBBER/RADIUS TOP - 3/4" X 3/8"

***COMPONENT PARTS LISTED LATER IN THIS GROUP**

HEATING & A/C GROUP (CONTINUED)
COMPONENT PARTS FOR CENTRAL



105620-11-000

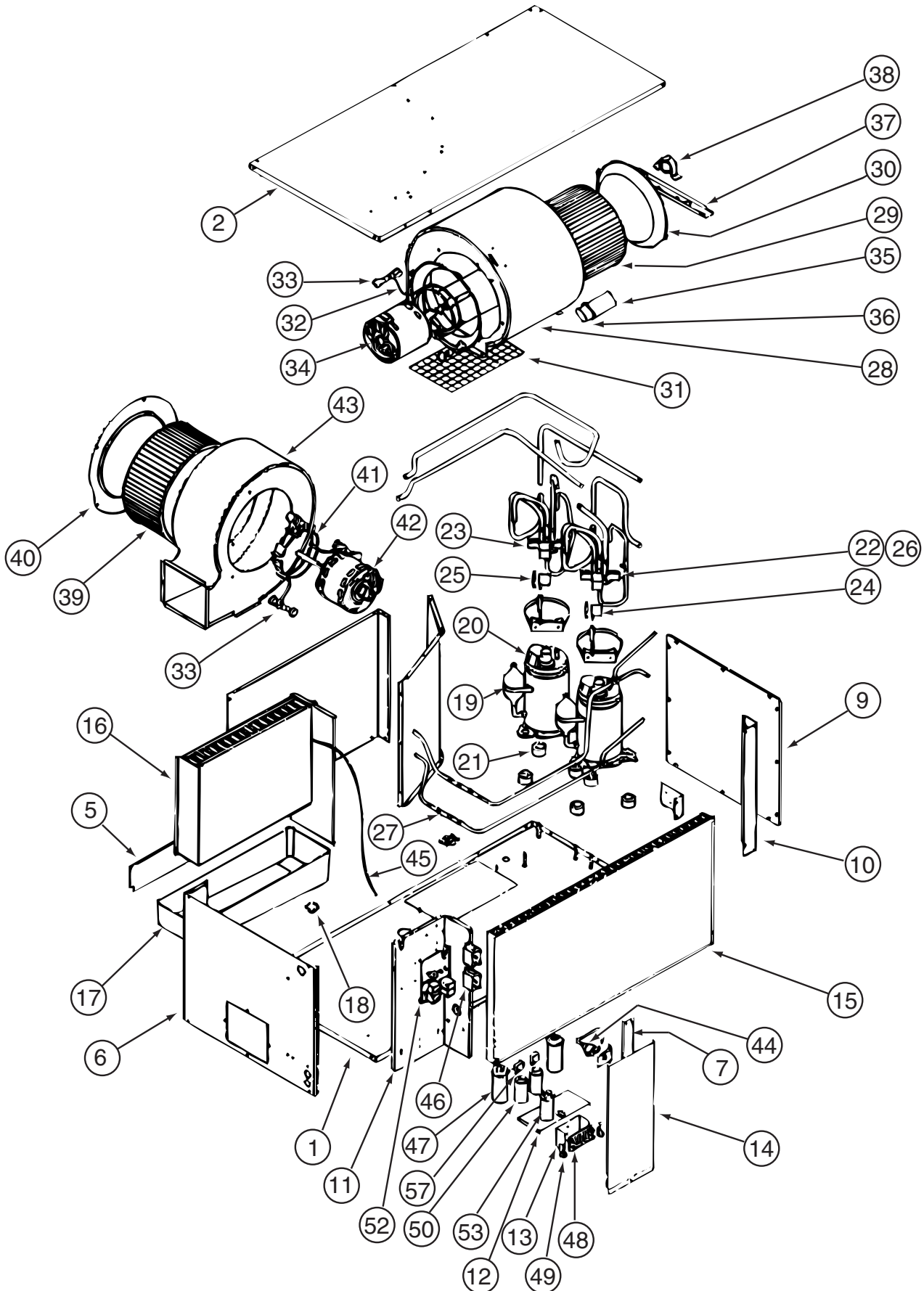
HEATING & A/C GROUP (CONTINUED)
COMPONENT PARTS FOR CENTRAL (CONTINUED)

105620-11-000 (CONTINUED)

KEY	PART NUMBER	U/M	DESCRIPTION	VENDOR NO.
15	105620-10-707	EA	CONDENSER COIL	1452-1541
16	105620-10-708	EA	EVAPORATOR COIL	1452A1531
17	105620-10-709	EA	DRAIN PAN	6636-304
18	105620-10-717	EA	VALVE - DRAIN	6531-503
19	126860-01-700	EA	COMPRESSOR RK136AT-002-A4Y	1450A2119
20	126860-01-701	EA	OVERLOAD PROTECTOR MRA# 1460	1450-0071
21	105620-01-706	EA	MOUNTING PKG.,COMP., 3 PER	6759-3081
22	105620-10-710	EA	SUCTION LINE ASSY COIL#1	6636-131
23	105620-10-711	EA	SUCTION LINE ASSY COIL#2	6636-129
24	105620-10-712	EA	DISCHARGE LINE ASSEMBLY#1	6636-126
25	105620-10-713	EA	DISCHARGE LINE ASSEMBLY#2	6636-125
26	105620-10-714	EA	SUCTION LINE ASSY COMP#1&2	6636-130
27	105620-10-719	EA	LIQUID LINE ASSEMBLY COMP.	6636-520
28	105620-10-718	EA	BLOWER HOUSING/OUTSIDE AIR	6536-515
29	105620-01-713	EA	WHEEL-BLOWER/OUTSIDE AIR	1472-1011
32	105620-01-715	EA	MOUNT-BLOWER/OUTSIDE AIR	6795A3011
34	105620-10-721	EA	MOTOR/BLOWER-8 3/4" SHAFT	1468A3029
35	105620-01-718	EA	CAPACITOR-FAN, 12.5 MFD/370V	1499-5631
36	105620-10-715	EA	RUBBER CAPACITOR BOOT	1499-951
37	105620-10-700	EA	BEARING BRACKET/OUTSIDE AIR	6536-574
38	105620-10-701	EA	BEARING/PILLOW BLOCK-O/S AIR	6536-3011
39	105620-11-701	EA	BLOWER WHEEL/INSIDE AIR	1472-1121
40	105620-11-702	EA	BLOWER VENTURI/INSIDE AIR	6535-287
41	105620-01-723	EA	MOUNT-BLOWER MOTOR - I/S AIR	6795-3021
42	105620-11-703	EA	BLOWER MOTOR/INSIDE AIR	1468-3219
43	105620-11-704	EA	BLOWER HOUSING/INSIDE AIR	6535-589
46	105620-01-729	EA	RELAY-COMPRESSOR -4 TERMINAL	1460-1131
47	126859-01-703	EA	CAPACITOR - RUN	1499-5671
48	105620-01-738	EA	BOARD-TERMINAL, HIGH VOLTAGE	6795-315
51	105620-10-705	EA	PTCR (START DEVICE) - W/CAP.	8333A9021
52	105620-05-700	EA	BOARD-PRINTED CIRCUIT, 2 TON	6795A3201
53	093763-01-704	EA	CAPACITOR-FAN	1499-5461
	105620-10-720	EA	FUSE/BUSS(8AMP/250V) 2 PKG	6535-3081

CONTACT WINNEBAGO PARTS SALES FOR UNLISTED COMPONENTS

HEATING & A/C GROUP (CONTINUED)
COMPONENT PARTS FOR CENTRAL (CONTINUED)



105620-12-000

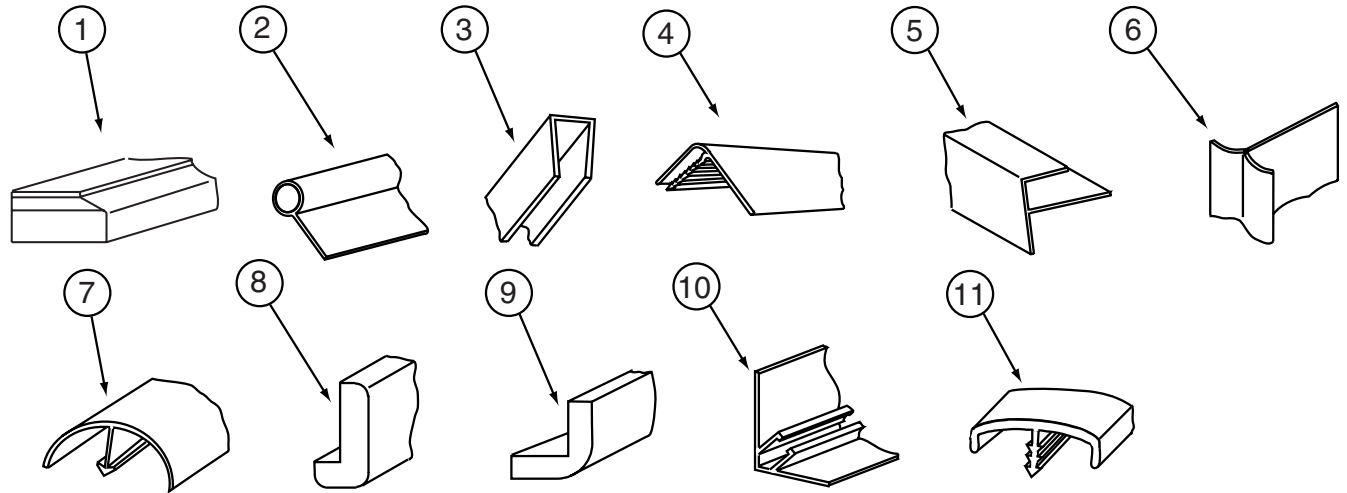
HEATING & A/C GROUP (CONTINUED)
COMPONENT PARTS FOR CENTRAL (CONTINUED)

105620-12-000 (CONTINUED)

KEY	PART NUMBER	U/M	DESCRIPTION	VENDOR NO.
15	105620-12-701	EA	COIL - CONDENSER	1452-1621
16	105620-12-702	EA	COIL - EVAPORATOR	1452A1611
17	105620-10-709	EA	DRAIN PAN	6636-304
18	105620-01-703	EA	VALVE-DRAIN, RH & LH	6795-200
18	105620-12-703	EA	VALVE - DRAIN	6795-200
19	105620-12-704	EA	COMPRESSOR	1450-2149
21	105620-01-706	EA	MOUNTING PKG.,COMP., 3 PER	6759-3081
22	105620-12-706	EA	REVERSING VALVE ASSEMBLY #1	6535A533
23	105620-12-707	EA	REVERSING VALVE ASSEMBLY #2	6535-5321
24	105620-12-708	EA	COIL - SOLENOID	1460-1081
25	105620-12-709	EA	WIRE HARNESS-REVERSING VALVE	6536-111
26	105620-12-710	EA	VALVE - REVERSE ONLY	1454A350
27	105620-12-711	EA	RESTRICTOR - BY FLOW	1454-2521
28	105620-12-712	EA	BLOWER HOUSING/OUTSIDE AIR	6536-515
29	105620-01-713	EA	WHEEL-BLOWER/OUTSIDE AIR	1472-1011
32	105620-01-715	EA	MOUNT-BLOWER/OUTSIDE AIR	6795A3011
34	105620-10-721	EA	MOTOR/BLOWER-8 3/4" SHAFT	1468A3029
35	105620-01-718	EA	CAPACITOR-FAN, 12.5 MFD/370V	1499-5631
37	105620-12-713	EA	BRACKET/BEARING-O/S AIR BLWR	6536-514
38	105620-10-701	EA	BEARING/PILLOW BLOCK-O/S AIR	6536-3011
39	105620-11-701	EA	BLOWER WHEEL/INSIDE AIR	1472-1121
40	105620-12-715	EA	BLOWER VENTURI/INSIDE AIR	6535A287
41	105620-01-723	EA	MOUNT-BLOWER MOTOR - I/S AIR	6795-3021
42	105620-12-716	EA	BLOWER MOTOR-REVERSIBLE-I/S	1468-3219
43	105620-12-717	EA	BLOWER HOUSING/INSIDE AIR	6535A589
44	105620-12-718	EA	SWITCH ASSM. - HIGH PRESSURE	6535-5291
45	105620-12-719	EA	COIL SENSOR	7330A3231
46	105620-01-729	EA	RELAY-COMPRESSOR -4 TERMINAL	1460-1131
48	105620-01-738	EA	BOARD-TERMINAL, HIGH VOLTAGE	6795-315
51	105620-10-705	EA	PTCR (START DEVICE) - W/CAP.	8333A9021
52	105620-12-720	EA	KIT-CIRCUIT BD (6535-SERIES)	6535-3209
52	105620-12-721	EA	CIRCUIT BD(6535 A SERIES)	6535-3201
53	093763-01-704	EA	CAPACITOR-FAN	1499-5461
	105620-10-720	EA	FUSE/BUSS(8AMP/250V) 2 PKG	6535-3081

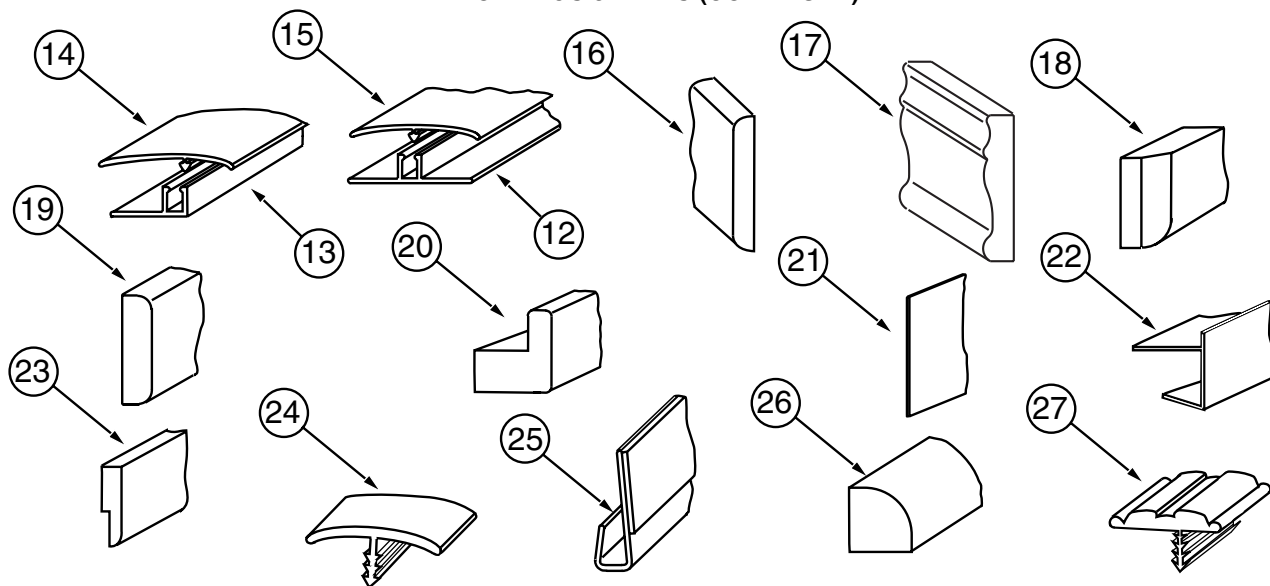
CONTACT WINNEBAGO PART SALES FOR UNLISTED COMPONENTS

INTERIOR FINISH GROUP
MOLDINGS & TRIMS
PORTSMOUTH OAK



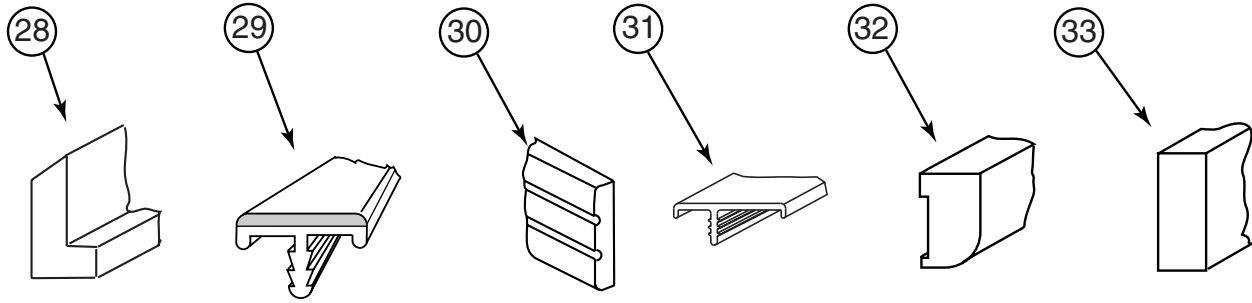
KEY	PART NUMBER	U/M	DESCRIPTION
1	P34052-01-N75	EA	TRIM/TABLE - 29.7" - PORTSMOUTH OAK
1	P34052-01-M84	EA	TRIM/TABLE - 29.7" - WASHED MAPLE
1	P34052-01-M52	EA	TRIM/TABLE - 29.7" - SALEM CHERRY
1	P34052-02-N47	EA	TRIM/TABLE - 24"
2	009767-12-000	FT	WELTING - ANTIQUE WHITE
2	009767-17-000	FT	WELTING - PORTSMOUTH OAK
3	009778-25-000	FT	U-CHANNEL - 1" - BEIGE ILLUSION
3	009778-27-000	FT	U-CHANNEL - 1" - WASHED MAPLE
3	009778-30-000	FT	U-CHANNEL - 1" - VILLAGE OAK
3	009778-31-000	FT	U-CHANNEL - 1" - GRADY BROWN
3	009778-32-000	FT	U-CHANNEL - 1" - PORTSMOUTH OAK
3	009778-34-000	FT	U-CHANNEL - 1" - CONCERT CHERRY
3	070504-36-000	FT	U-CHANNEL - PLASTIC - .13" X 96" - WATERFORD OAK
3	070504-42-000	FT	U-CHANNEL - PLASTIC - .13" X 84" - BEIGE ILLUSION
3	070504-50-000	FT	U-CHANNEL - PLASTIC - .13" X 96" - WASHED MAPLE
3	070504-51-000	FT	U-CHANNEL - PLASTIC - .9" X 96" - WASHED MAPLE
3	070504-54-000	FT	U-CHANNEL - PLASTIC - .9" X 96" - VILLAGE OAK
3	070504-56-000	FT	U-CHANNEL - PLASTIC - .8" X 72" - VW LIGHT GRAY
3	070504-57-000	FT	U-CHANNEL - PLASTIC - .6" X 84" - PORTSMOUTH OAK
3	070504-58-000	FT	U-CHANNEL - PLASTIC - .8" X 84" - PORTSMOUTH OAK
3	070504-60-000	FT	EXTRUSION-U CHANNEL,1.65 - CONCERT CHERRY
3	070504-61-000	FT	U-CHANNEL - PLASTIC - .8" X 84" - CONCERT CHERRY
4	009809-30-000	EA	MOLDING - CORNER - OUTSIDE - 1" X 84" - BEIGE ILLUSION
4	009809-31-000	EA	MOLDING - CORNER - OUTSIDE - 1" X 84" - WASHED MAPLE
4	009809-32-000	EA	MOLDING - CORNER - OUTSIDE - 1" X 84" - PORTSMOUTH OAK
4	009809-33-000	EA	MOLDING - CORNER - OUTSIDE - 1" X 84" - WORMY PECAN
5	009812-31-000	EA	MOLDING - CORNER - 1/2" W/1/4"CHAN X 84" - BEIGE ILLUSION
5	009812-33-000	EA	MOLDING - CORNER - 1/2" W/1/4"CHAN X 84" - WASHED MAPLE
5	009812-35-000	EA	MOLDING - CORNER - 1/2" W/1/4"CHAN X 84" - PORTSMOUTH OAK
5	009812-36-000	EA	MOLDING - CORNER - 1/2" W/1/4"CHAN X 84" - CONCERT CHERRY
6	022992-14-000	FT	MOLDING - REVERSE COVE - T-SHAPED - BRIGHT WHITE
6	022992-15-000	FT	MOLDING - REVERSE COVE - T-SHAPED - VW GRAY
7	042357-25-000	EA	MOLDING - CORNER - RADIUS/PLASTIC - WASHED MAPLE
7	042357-26-000	EA	MOLDING - CORNER - RADIUS/PLASTIC - PORTSMOUTH OAK
7	042357-27-000	EA	MOLDING - CORNER - RADIUS/PLASTIC - CONCERT CHERRY
8	077840-01-E41	EA	MOLDING - WALL CAP - 8' - SALEM CHERRY
8	077840-01-N30	EA	MOLDING - WALL CAP - 8' - PORTSMOUTH AOK
8	077840-01-M91	EA	MOLDING - WALL CAP - 8' - WASHED MAPLE
9	080176-08-000	EA	CAP - CORNER - RADIUS MOLDING - PLASTIC - WASHED MAPLE
10	081521-02-007	EA	MOUNT - METAL MOLDING - F/RADIUS CORNER MOLDING - 151.5"
11	083620-09-000	FT	MOLDING-T - W/EDGE LIP - 7/8" FACE - MODERN IVORY
11	083620-19-000	FT	MOLDING-T - W/EDGE LIP - 7/8" FACE - WASHED MAPLE
11	083620-20-000	FT	MOLDING-T - W/EDGE LIP - 7/8" FACE - PORTSMOUTH OAK
11	083620-21-000	FT	MOLDING-T - W/EDGE LIP - 7/8" FACE - CONCERT CHERRY
11	104676-02-08A	FT	MOLDING-T - W/EDGE LIP - 11/16" FACE - PORTSMOUTH OAK
11	104676-02-06A	FT	MOLDING-T - W/EDGE LIP - 11/16" FACE - WASHED MAPLE

INTERIOR FINISH GROUP (CONTINUED)
MOLDINGS & TRIMS (CONTINUED)



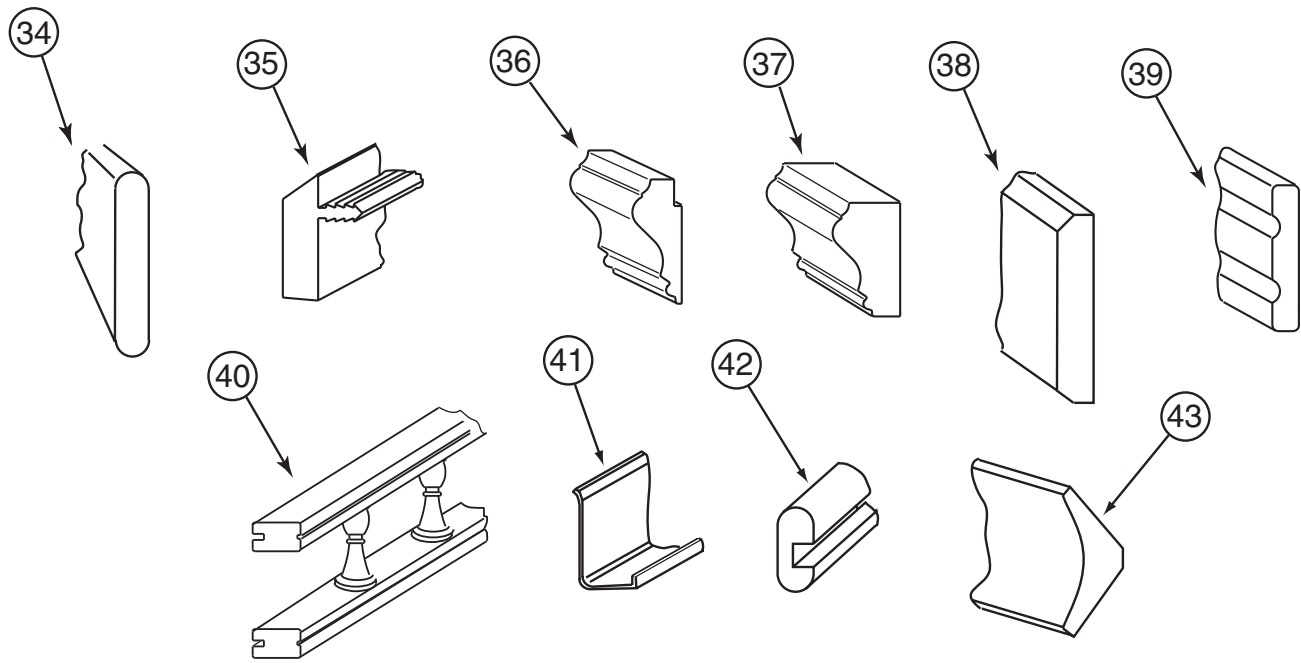
KEY	PART NUMBER	U/M	DESCRIPTION
12	086229-01-000	EA	RETAINER - BATTEN - .75" X 92.1" - ANY COLOR
13	086229-11-000	EA	RETAINER - OFFSET - 97"
14	086229-12-000	EA	BATTEN - 1.5" OFFSET X 97.01" IVORY
14	086229-21-000	EA	BATTEN - 1.5" X 83.9" OFFSET - WHITE
15	086229-13-000	EA	BATTEN - 1" X 96" - IVORY
15	086229-19-000	EA	BATTEN - 1" X 98.4" - OFF WHITE
15	086229-20-000	EA	BATTEN - 1" X 96" - BEIGE
16	091985-01-08A	FT	INSERT - TRIM - .65" WIDE - SOFT WHITE
17	100182-10-E41	EA	TRIM - CHAIR RAIL - 2.5" X 8' EACH - WOOD
17	100182-10-J70	EA	TRIM - CHAIR RAIL - 2.5" X 8' EACH - WOOD
17	100182-10-K29	EA	TRIM - CHAIR RAIL - 2.5" X 8' EACH - WOOD
17	100182-10-N47	EA	TRIM/RAIL
18	100659-27-M70	EA	MOLDING/TRIM - VINYL FLOOR - CHERRY III
18	100659-30-N75	EA	MOLDING - TRIM - PORTSMOUTH OAK
18	100659-30-N74	EA	MOLDING - TRIM - CHERRY
18	100659-30-M84	EA	MOLDING-TRIM,VINYL FLOOR - 01 G-SERIES GENERAL
19	100818-01-12A	EA	MOLDING - VINYL WRAPPED - 1.6" X .4" X 84"-PORTSMOUTH OAK
19	100818-01-10A	EA	MOLDING - VINYL WRAPPED - 1.6" X .4" X 84" - CHERRY
19	100818-01-08A	EA	MOLDING - VINYL WRAPPED - 1.6" X .4" X 84"-WASHED MAPLE
20	100819-01-08A	EA	MOLDING - VINYL WRAPPED-L-SHAPED-1.5"X1.5"X84"-WASHED MPL
20	100819-01-09A	EA	MOLDING - VINYL WRAPPED-L-SHAPED-1.5"X1.5"X84"-PRTSMTH OAK
20	100819-01-10A	EA	MOLDING - VINYL WRAPPED-L-SHAPED-1.5"X1.5"X84"-CNCRT CHERR
20	100819-01-12A	EA	MOLDING - VINYL WRAPPED-L-SHAPED - 1.5" X 1.5" X 84" - OAK
21	101957-01-06A	EA	EXTRUDED - PLASTIC - WASHED MAPLE
22	103186-01-10A	FT	MOLDING - PLASTIC - 3/8" U-CHANNEL-3/4"FACE-CONCERT CHERRY
22	103186-01-09A	FT	MOLDING - PLASTIC - 3/8" U-CHANNEL-3/4"FACE-PORTSMOUTH OAK
22	103186-01-07A	FT	MOLDING - PLASTIC - 3/8" U-CHANNEL-3/4"FACE - BEIGE ILLUS
22	103186-02-10A	FT	MOLDING - PLASTIC - 1" U-CHANNEL-1 3/8"FACE-CONCERT CHERRY
22	103186-02-09A	FT	MOLDING - PLASTIC - 1" U-CHANNEL-1 3/8"FACE-PORTSMOUTH OAK
22	103186-02-08A	FT	MOLDING - PLASTIC - 1" U-CHANNEL-1 3/8"FACE-WASHED MAPLE
22	103186-02-07A	FT	MOLDING - PLASTIC - 1" U-CHANNEL-1 3/8"FACE-BEIGE ILLUSION
23	105004-01-10A	EA	MOLDING - VINYL WRAPPED 1" X 96" - SALEM CHERRY
23	105004-01-08A	EA	MOLDING - VINYL WRAPPED - 1" X 96" - WASHED MAPLE
23	105004-01-10A	EA	MOLDING - VINYL WRAPPED 1" X 96" - SALEM CHERRY
23	105004-01-12A	EA	MOLDING - VINYL WRAPPED 1" X 96" - PORTSMOUTH OAK
24	009815-10-000	FT	MOLDING-T - W/EDGE LIP - 3/4" FACE - BEIGE ILLUSION
24	105709-02-000	FT	MOLDING-T - W/EDGE LIP - 3/4" FACE - BEIGE ILLUSION
25	109332-02-01A	FT	TRIM-J - W/O ADHESIVE - BRASS
26	109410-01-J70	EA	MOLDING - TRIM - 8' - WHITE MAPLE/WASHED MAPLE
26	109410-01-E41	EA	MOLDING - TRIM - 8' - BLACK CHERRY/SALEM CHERRY
26	109410-01-N75	EA	MOLDING - TRIM - 8' - PORTSMOUTH OAK/PORTSMOUTH OAK
27	109736-02-01A	FT	MOLDING-T/OFFSET - W/EDGE LIP - 1" FACE - NAT OAK/BRASS

INTERIOR FINISH GROUP (CONTINUED)
MOLDINGS & TRIMS (CONTINUED)



KEY	PART NUMBER	U/M	DESCRIPTION
28	111235-01-E74	EA	MOLDING - COUNTERTOP - 1.4" X 8' - BLACK CHERRY-UNSTAINED - SALEM CHERRY
28	111235-01-N42	EA	MOLDING - COUNTERTOP - 1.4" X 8' - PORTSMOUTH
28	111235-01-H56	EA	MOLDING - COUNTERTOP - 1.4" X 8' - WHITE MAPLE - UNSTAINED - WASHED MAPLE
29	113757-02-01A	FT	T-MOLDING - BULB
30	116951-15-N09	EA	MOLDING - TRIM - 1.7" X 11" - PORTSMOUTH OAK
30	116951-15-K09	EA	MOLDING - TRIM - 1.7" X 11" - WASHED MAPLE
30	116951-15-K13	EA	MOLDING - TRIM - 1.7" X 11" - SALEM CHERRY
31	119520-01-01A	FT	MOLDING-T/OFFSET - W/EDGE LIP - 1"FACE - OFF WHITE
31	119520-02-01A	FT	MOLDING-T/OFFSET - W/EDGE LIP - 1"FACE
32	126204-D2-134	EA	MOLDING - VINYL WRAPPED - .7" X 1.6" X 84" - WASHED MAPLE
32	126204-F2-134	EA	MOLDING - VINYL WRAPPED - .7" X 2.5" X 84" - WASHED MAPLE
32	126204-F2-438	EA	MOLDING - VINYL WRAPPED - .7" X 2.6" X 96" - WASHED MAPLE
32	137895-D2-134	EA	MOLDING - VINYL WRAPPED - .7" X 1.6" X 84" - PORTSMOUTH OAK
32	137895-F2-743	EA	MOLDING-018X063X2743 MM - PORTSMOUTH OAK
33	126205-D2-438	EA	LUMBER - VINYL WRAPPED - .7" X 1.5" X 96" - WASHED MAPLE
33	126205-E2-438	EA	LUMBER - VINYL WRAPPED - .7" X 2" X 96" - WASHED MAPLE
33	126205-F2-438	EA	LUMBER - VINYL WRAPPED - .7" X 2.5" X 96" - WASHED MAPLE
33	126205-G2-438	EA	LUMBER - STAINED - .7" X 3" X 96" - WASHED MAPLE
33	126205-J2-438	EA	LUMBER - VINYL WRAPPED - .7" X 5.5" X 96" - WASHED MAPLE
33	136030-F2-743	EA	MOLDING-018X065X2743MM PAPER WRAPPED-CHERRY - SALEM CHERRY FROM: 00-00-00 THRU: 09-03-01
33	136045-D2-438	EA	LUMBER - PAPER WRAPPED - .7" X 1.5" X 96" - CHERRY FROM: 00-00-00 THRU: 09-03-01
33	136045-E2-438	EA	LUMBER - PAPER WRAPPED - .7" X 2" X 96" - CHERRY FROM: 00-00-00 THRU: 09-03-01
33	136045-F2-438	EA	LUMBER - PAPER WRAPPED - .7" X 2.6" X 96" - CHERRY FROM: 00-00-00 THRU: 09-03-01
33	136045-G2-438	EA	LUMBER - PAPER WRAPPED - .7" X 3" X 96" - CHERRY FROM: 00-00-00 THRU: 09-03-01
33	136045-H2-438	EA	LUMBER - PAPER WRAPPED - .7" X 3.5" X 96" - CHERRY FROM: 00-00-00 THRU: 09-03-01
33	136045-J2-438	EA	LUMBER - PAPER WRAPPED - .7" X 5.5" X 96" - CHERRY FROM: 00-00-00 THRU: 09-03-01
33	136045-R2-438	EA	LUMBER - PAPER WRAPPED - .7" X 3" X 96" - CHERRY FROM: 00-00-00 THRU: 09-03-01
33	137894-A2-438	EA	LUMBER - VINYL WRAPPED - .7" X .75 X 96" - PORTSMOUTH OAK
33	137894-D2-022	EA	LUMBER-018X038X2022 MM - WRAPPED - PORTSMOUTH OAK
33	137894-D2-014	EA	LUMBER-018X038X2014 MM - WRAPPED - PORTSMOUTH OAK
33	137894-D2-001	EA	LUMBER-018X038X2000 MM - WRAPPED - PORTSMOUTH OAK
33	137894-D2-438	EA	LUMBER - VINYL WRAPPED - .7" X 1.5" X 96" - PORTSMOUTH OAK
33	137894-D2-134	EA	LUMBER-018X038X2134 MM - WRAPPED - PORTSMOUTH OAK
33	137894-D2-026	EA	LUMBER-018X038X2026 MM - WRAPPED - PORTSMOUTH OAK
33	137894-D2-024	EA	LUMBER-018X038X2024 MM - WRAPPED - PORTSMOUTH OAK
33	137894-E2-438	EA	LUMBER - VINYL WRAPPED - .7" X 2" X 96" - PORTSMOUTH OAK
33	137894-F2-438	EA	LUMBER - VINYL WRAPPED - .7" X 2.5" X 96" - PORTSMOUTH OAK
33	137894-G2-438	EA	LUMBER - VINYL WRAPPED - .7" X 3" X 96" - PORTSMOUTH OAK
33	137894-H2-438	EA	LUMBER - VINYL WRAPPED - .7" X 3.5" X 96" - PORTSMOUTH OAK
33	137894-J2-438	EA	LUMBER - VINYL WRAPPED - .7" X 5.5" X 96" - PORTSMOUTH OAK
33	137894-J2-743	EA	LUMBER-018X140X2743 MM - PORTSMOUTH OAK
33	137894-R2-438	EA	LUMBER - VINYL WRAPPED - .7" X 3" X 96" - PORTSMOUTH OAK

INTERIOR FINISH GROUP (CONTINUED)
MOLDINGS & TRIMS (CONTINUED)



KEY	PART NUMBER	U/M	DESCRIPTION
34	127842-01-01A	FT	SEAL - SIGHT SHIELD - 2" BLACK
35	130247-01-05A	FT	MOLDING-T/OFF SET - 1.3" FACE - CONCERT CHERRY - SALEM CHERRY
35	130247-01-04A	FT	MOLDING-T/OFF SET - 1.3" FACE - PORTSMOUTH OAK
35	130247-01-02A	FT	MOLDING-T/OFF SET - 1.3" FACE - WASHED MAPLE
36	131923-02-02A	FT	MOLDING - PICTURE - CHERRY - SALEM CHERRY
36	131923-02-03A	FT	MOLDING - PICTURE - HARD WHITE MAPLE - WASHED MAPLE
36	131923-02-04A	FT	MOLDING - PICTURE - 42.8" - PORTSMOUTH
37	131923-03-02A	FT	MOLDING - CROWN - DIVIDER - CHERRY - SALEM CHERRY
37	131923-03-03A	FT	MOLDING - CROWN - DIVIDER - HARD WHITE MAPLE - WASHED MAPLE
37	131923-03-04A	FT	MOLDING - MOLDING - CROWN - DIVIDER - OAK - PORTSMOUTH
38	132647-01-05A	EA	MOLDING/TRIM - DASH - PORTSMOUTH OAK
39	134156-01-03A	EA	MOLDING - VINYL WRAP - .7" X 3.8" X 33.8" - WASHED MAPLE
39	134156-01-05A	EA	MOLDING - PAPER WRAP - .7" X 3.8" X 33.8" - CONCERT CHERRY - SALEM CHERRY
39	134156-01-07A	EA	MOLDING - VINYL WRAP - .7" X 3.8" X 33.8" - CONCERT CHERRY - SALEM CHERRY
			FROM: 00-00-00 THRU: 09-03-01
39	134156-01-08A	EA	MOLDING - VINYL WRAP - .7" X 3.8" X 33.8" - PORTSMOUTH OAK
39	134156-03-03A	EA	MOLDING - VINYL WRAP - .7" X 3.4" X 28.3" - WASHED MAPLE
39	134156-03-05A	EA	MOLDING - PAPER WRAP - .7" X 3.4" X 28.3" - CONCERT CHERRY - SALEM CHERRY
			FROM: 00-00-00 THRU: 09-03-01
39	134156-03-07A	EA	MOLDING - VINYL WRAP - .7" X 3.4" X 28.3" - CONCERT CHERRY - SALEM CHERRY
			FROM: 09-04-01 THRU: 00-00-00
39	134156-03-08A	EA	MOLDING - VINYL WRAP - .7" X 3.4" X 28.3" - PORTSMOUTH OAK
39	134156-05-05A	EA	MOLDING - PAPER WRAP - .7" X 3.8" X 34.4" - SALEM CHERRY
			FROM: 00-00-00 THRU: 09-03-01
39	134156-05-07A	EA	MOLDING - VINYL WRAP - .7" X 3.8" X 34.4" - CONCERT CHERRY - SALEM CHERRY
			FROM: 09-04-01 THRU: 00-00-00
39	134156-05-08A	EA	MOLDING - VINYL WRAP - .7" X 3.8" X 33.8" - PORTSMOUTH OAK
40	137108-01-07A	EA	RAIL - DECORATIVE - PORTSMOUTH OAK
40	137108-01-03A	EA	RAIL - DECORATIVE - WASHED MAPLE
40	137108-01-02A	EA	RAIL - DECORATIVE - SALEM CHERRY
41	085746-04-000	EA	TRIM-J - CARPET 1.2" X .5" ANGLE - 10' LONG - OFF WHITE
42	M09412-62-M52	EA	MOLDING/SHELF EDGE - W/.4" NOTCH - CHERRY IV
42	M09412-62-M62	EA	MOLDING/SHELF EDGE - W/.4" NOTCH - WASHED MAPLE
42	M09412-62-N42	EA	MOLDING/SHELF EDGE - W/.4" NOTCH - PORTSMOUTH II
43	Y00074-22-438	EA	MOLDING/CROWN - VINYL WRAPPED - MAPLE - 96"
43	Y00074-62-438	EA	MOLDING/CROWN - VINYL WRAPPED - CONCERT CHERRY - 96"
43	Y00074-72-438	EA	MOLDING/CROWN - VINYL WRAPPED - PORTSMOUTH OAK - 96"

INTERIOR FINISH GROUP (CONTINUED)
PANELING & LAMINATES

KEY	PART NUMBER	U/M	DESCRIPTION
	000846-01-000	SF	PLYWOOD - 5/16" X 48" X 96" - CD GRADE
	000885-A1-000	SF	PARTICLE BOARD - 1/2" X 4' X 8' - SALEM CHERRY - 2 SIDED
	000885-A3-000	SF	PARTICLE BOARD - 3/4" X 4' X 8' - SALEM CHERRY - 2 SIDED
	000885-A5-000	SF	PARTICLE BOARD - 3/8" X 4' X 8'- WHT PEB EMBOSSED-1 SIDED
	000885-92-000	SF	PARTICLE BOARD-3/8" X 4' X 8'-PORTSMOUTH OAK-VINYL 1 SIDED
	000885-93-000	SF	PARTICLE BOARD - 3/8" X 4' X 8' - PORTSMOUTH OAK - 2-SIDE
	000885-94-000	SF	PARTICLE BOARD - 1/2" X 4' X 8' - PORTSMOUTH OAK - 2-SIDED
	000885-95-000	SF	PARTICLE BOARD - 3/4" X 4' X 8' - PORTSMOUTH OAK - 2-SIDED
	000885-98-000	SF	PARTICLE BOARD - 3/8" X 4' X 8' - SALEM CHERRY - 2 SIDED
	057882-04-000	SF	TAMBOUR - 48" X 96" SHEET - UNFINISHED
	057882-06-000	SF	TAMBOUR/ROLL UP - 4' X 8'
	074497-43-000	SF	PANELING - SALEM CHERRY - 4' X 8'
	074497-42-000	SF	PANELING - PORTSMOUTH OAK - 4' X 8'
	074498-40-000	SF	LAMINATE - PLASTIC - OFF WHITE - 5' X 8' - EXTERIOR ENTERTAINMENT
	074498-96-000	SF	LAMINATE - PLASTIC - CHERRY - 4' X 8'
	074498-95-000	SF	LAMINATE - PLASTIC - PORTSMOUTH OAK - 4' X 8'
	074498-84-000	SF	LAMINATE - PLASTIC - WHITE TALC - 4' X 8' - N74, N75, N76, N77
	074498-87-000	SF	LAMINATE - PLASTIC - BEIGE PAMPAS - 5' X 8' - N71
	074498-52-000	SF	LAMINATE - PLASTIC - WHITE ETHOS - 4' X 8' - N70, N72, N78, N79
	074498-96-000	SF	LAMINATE - PLASTIC - CHERRY - 4' X 8'
	074498-95-000	SF	LAMINATE - PLASTIC - PORTSMOUTH OAK 4' X 8'
	076325-39-000	FT	MOLDING - EDGE BAND - 1 5/16" X .030" - ALMOND
	076325-73-000	FT	MOLDING - EDGE BAND - .93" X .024" - OFF WHITE - EXTERIOR ENTERTAINMENT
	076325-79-000	FT	MOLDING - EDGE BAND - .93" X .024" - CONCERT CHERRY
	076325-78-000	FT	MOLDING - EDGE BAND - .93" X .024" - PORTSMOUTH OAK
	076773-16-000	SF	PANELING - WOODGRAINED - 2 SIDED/SALEM CHERRY - 4' X 8'
	076773-15-000	SF	PANELING - WOODGRAINED - 2 SIDED/PORTSMOUTH OAK - 4' X 8'
	085284-G9-000	FT	BATT TAPE - ADHESIVE BACKED - DECORATIVE - ALABASTER - N71, N74, N75, N76, N77
	085284-H1-000	FT	BATT TAPE - ADHESIVE BACKED - DECORATIVE - GRAY - N70, N78, N79
	085284-H4-000	FT	BATT TAPE - ADHESIVE BACKED - DECORATIVE - STARLIGHT - N72
	085284-G8-000	FT	BATT TAPE - ADHESIVE BACKED - PORTSMOUTH OAK
	085284-H2000	FT	BATT TAPE - ADHESIVE BACKED - SALEM CHERRY
	088263-G9-000	EA	BATT STRIP - DECORATIVE - CORK/ALABASTER - 8' - N71, N74, N75, N76, N77
	088263-H0-000	EA	BATT STRIP - DECORATIVE - VILLA/GRAY - 8' LONG - N70, N78, N79
	088263-H1-000	EA	BATT STRIP - DECORATIVE - STARLIGHT - 8' LONG - N72
	069733-87-000	EA	BATT STRIP - WOODGRAINED/PORTSMOUTH OAK - 8'
	069733-88-000	EA	BATT STRIP - WOODGRAINED/SALEM CHERRY - 8'
	088272-H9-000	SF	PANELING - PEBBLE EMBOSSED - WHITE - 4' X 7'
	088272-J9-000	SF	PANELING - ALABASTER - 4' X 7' - N71, N74, N75, N76, N77
	088272-K1-000	SF	PANELING - GRAY - 4' X 7' - N70, N78, N79
	088272-K3-000	SF	PANELING - STARLIGHT - 4' X 7' - N72
	132610-05-08A	FT	WALLPAPER - BORDER - 7" - SELF-ADHESIVE - N71,N74, N75 FROM: 00-00-00 THRU: 06-24-01
	132610-05-18A	FT	WALLPAPER - BORDER - 7" - SELF-ADHESIVE - N71,N74, N75 FROM: 06-25-01 THRU: 99-99-99
	132610-05-15A	FT	WALLPAPER - BORDER - 7" - SELF-ADHESIVE - N76, N77
	132610-05-12A	FT	WALLPAPER - BORDER - 7" - SELF-ADHESIVE - N78, N79
	132610-05-07A	FT	WALLPAPER - BORDER - 7" - SELF-ADHESIVE - N70
	132610-06-03A	FT	WALLPAPER - BORDER - 7" - SELF-ADHESIVE - N72

INTERIOR FINISH GROUP (CONTINUED)
ACCESSORIES

KEY	PART NUMBER	U/M	DESCRIPTION
	072852-01-000	EA	DETECTOR - SMOKE - W/9 VOLT BATTERY - US
	072852-02-000	EA	DETECTOR - SMOKE - W/9 VOLT BATTERY - CANADIAN
	094499-03-000	EA	EXTINGUISHER/FIRE - DRY - 10BC - W/GAUGE - W/O BRACKET
*	094499-02-000	EA	EXTINGUISHER/FIRE - DRY - 10BC - W/GAUGE - CANADIAN
	094499-04-000	EA	STRAP - FIRE EXTINGUISHER MOUNTING - METAL
	096764-02-000	FT	SLIPNOT - ANTISLIP - 1'WIDE (180' ROLLS) - WHITE
	091261-01-000	FT	SLIPNOT - ANTISLIP - 1' WIDE X 12' - BLACK
	131493-02-11A	EA	PICTURE - DECORATIVE - 13" X 15" - RHODODENDRON
	131493-02-05A	EA	PICTURE - DECORATIVE - 13" X 15" - VIOLIN - N71, N74, N75
	131493-02-09A	EA	PICTURE - DECORATIVE - 13" X 15" - MEDITERRANEAN - N70, N76, N77
	131493-02-10A	EA	PICTURE - DECORATIVE - 13" X 15" - HYDRANGEA - N78, N79
	131493-02-06A	EA	PICTURE - DECORATIVE - 13" X 15" - TOPAZ BOTANICAL - N72
	112515-05-01A	EA	PICTURE - DECORATIVE - 12" X 15" - PALM TREE - P32T , P32TD
	131494-03-01A	EA	MIRROR - BEVELED/GLASS - OCTAGON - 1" X 20" X 36"
	133485-01-03A	EA	MIRROR - BEVELED GLASS - W/VERTICAL GROOVE - 20" X 20.9"
	133485-02-03A	EA	MIRROR - BEVELED GLASS W/2 VERTICAL GROOVES - 44.9"X 20.9"
	133485-03-03A	EA	MIRROR - BEVELED GLASS-W/2 VERTICAL GROOVES - 30" X 20.9"
	093606-28-000	EA	MIRROR - BEVELED EDGE - 17.5" X 27.9"
	093606-36-000	EA	MIRROR - BEVELED GLASS - 16" X 26"
	093606-39-000	EA	MIRROR - BEVELED EDGE - 13" X 34"
	058331-K0-000	EA	MIRROR - SAFETY GLASS - 10.3" X 14.1"
	058331-J9-000	EA	MIRROR - SAFETY GLASS - 10.3" X 18.2"
	058331-J8-000	EA	MIRROR - SAFETY GLASS - 20.9" X 25.2"
	058331-H4-000	EA	MIRROR - SAFETY GLASS - 25.6" X 31.5"
	058331-K3-000	EA	MIRROR - SAFETY GLASS - 12" X 24"
	113195-17-01A	EA	MIRROR - BEVELED SAFETY GLASS - CLEAR - 16.6" X 26.2"
	113195-25-01A	EA	MIRROR - BEVELED SAFETY GLASS - 15.7" X 31.4"
	140374-35-000	EA	MIRROR - SAFETY GLASS - 9" X 14.9"
	140374-57-000	EA	MIRROR - SAFETY GLASS - 34.7" X 57.9"
	129779-05-N42	EA	FRAME - W/O MIRROR - PORTSMOUTH OAK
	129779-05-N85	EA	FRAME - W/O MIRROR - SALEM CHERRY
	129779-03-N42	EA	FRAME - W/O MIRROR - 29.9"W X 35.9"H - PORTSMOUTH OAK
	129779-03-K37	EA	FRAME - W/O MIRROR - 29.9"W X 35.9"H - SALEM CHERRY
	125136-02-000	EA	CO DETECTOR - GAS MODEL - 9 VOLT
	064781-06-000	EA	HOLDER/CUP - TWO STEP - OFF WHITE
	131333-01-01A	EA	HOLDER - CUP - VERTICAL DROP/FLUSH MOUNT - BLACK
	134566-01-01A	EA	HOLDER - CUP - TWO STEP - BLACK
	118718-01-01A	EA	HOLDER/DRINK - COLLAPSIBLE MUG - BLACK PLASTIC
	133713-02-02A	EA	SPACER/CUPHOLDER - VINYL/WASHED MAPLE
	133713-02-03A	EA	SPACER/CUPHOLDER - VINYL/SALEM CHERRY
	133713-02-08A	EA	SPACER/CUPHOLDER - VINYL/PORTSMOUTH OAK
	P02786-04-N95	EA	HAND-RAIL ONLY - W/O BRACKET - P36C
	099682-01-01A	EA	BRACKET - MOUNTING/HAND RAIL - ROUND BASE - P36C

*COMPONENT PARTS LISTED LATER IN THIS GROUP

INTERIOR FINISH GROUP (CONTINUED)
COMPONENT PARTS FOR ACCESSORIES

094499-02-000

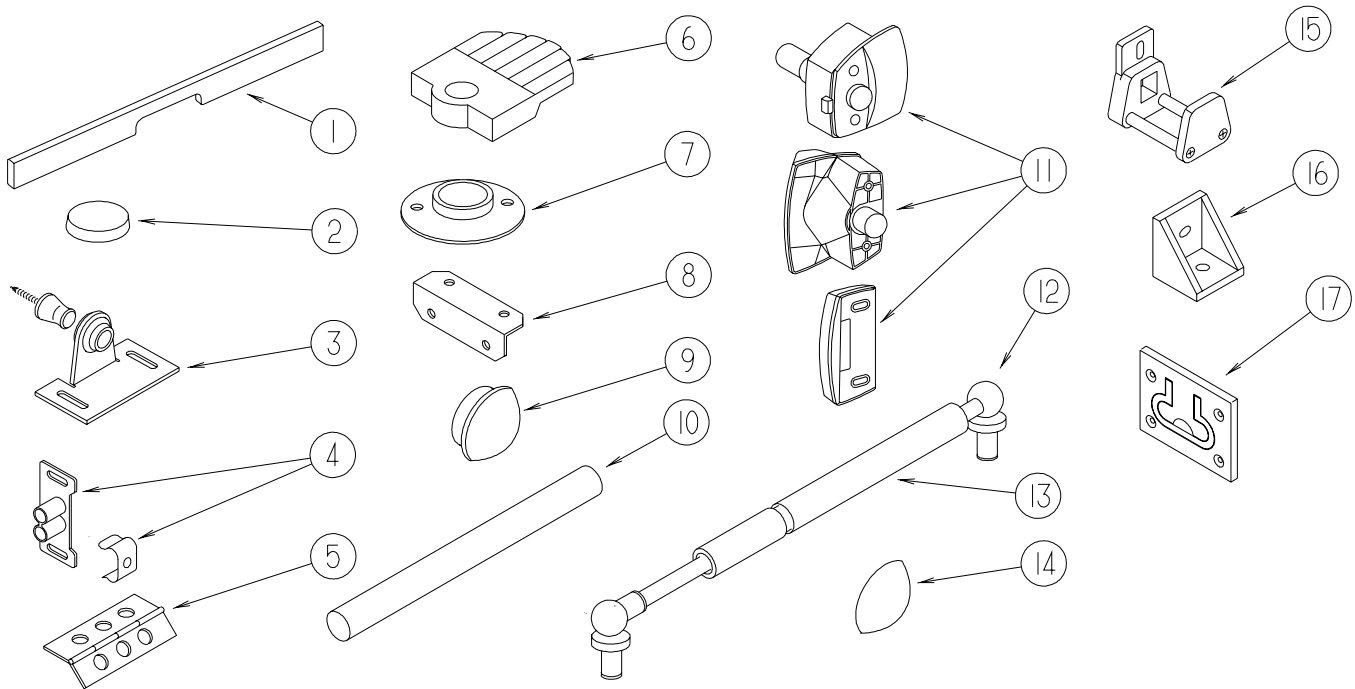
KEY	PART NUMBER	U/M	DESCRIPTION	VENDOR NO
	094499-01-700	EA	BRACKET MTG. W/PLAS. STRAP	294039

INTERIOR FINISH GROUP (CONTINUED)
FLOOR COVERINGS

KEY	PART NUMBER	U/M	DESCRIPTION
	093486-01-000	SY	CARPET - COMPARTMENT - 72" WIDE - DARK GRAY FROM: 00-00-00 THRU: 08-19-01
	093486-02-000	SY	CARPET - COMPARTMENT - 72" WIDE - LIGHT GRAY FROM: 08-20-01 THRU: 99-99-99
	096060-J5-000	SY	CARPET - MUSLIN - INCREMENTS OF 4 SQ YDS - N74, N75
	096060-J8-000	SY	CARPET - NUTMEG - INCREMENTS OF 4 SQ YARDS - N74, N75 - CARPET EXCHANGE
	096060-J6-000	SY	CARPET - PINEGROVE - INCREMENTS OF 4 SQ YDS - N76, N77
	139056-07-000	SY	CARPET - PINE GROVE - 4 SQUARE YARD INCREMENTS - N76, N77 - CARPET EXCHANGE
	096060-J7-000	SY	CARPET - SAHARA DESERT - INCREMENTS OF 4 SQ YDS - N78, N79
	096060-H5-000	SY	CARPET - CHARCOAL - INCREMENTS OF 4 SQ YARDS - N70
	096060-K1-000	SY	CARPET - WICKER - INCREMENTS OF 4 SQ YARDS - N71
	096060-G8-000	SY	CARPET - CAMEL - INCREMENTS OF 4 SQ YDS - N71 - CARPET EXCHANGE
	096060-E6-000	SY	CARPET - PEWTER BLUE - INCREMENTS OF 4 SQ YDS - N72
	124253-01-02A	EA	VINYL - FLOOR PLANK - 3" X 12" - MAPLE - N70, N71, N72 - GALLEY FLOOR
	042720-25-000	EA	VINYL - FLOOR COVERING - 8' WIDE - MODULATION - N70, N71, N72 - BATH FLOOR
	123994-07-01A	EA	TILE - FLOOR - CERAMIC - 6" X 12"
	123994-08-01A	EA	TILE - FLOOR - CERAMIC - 6" X 6"

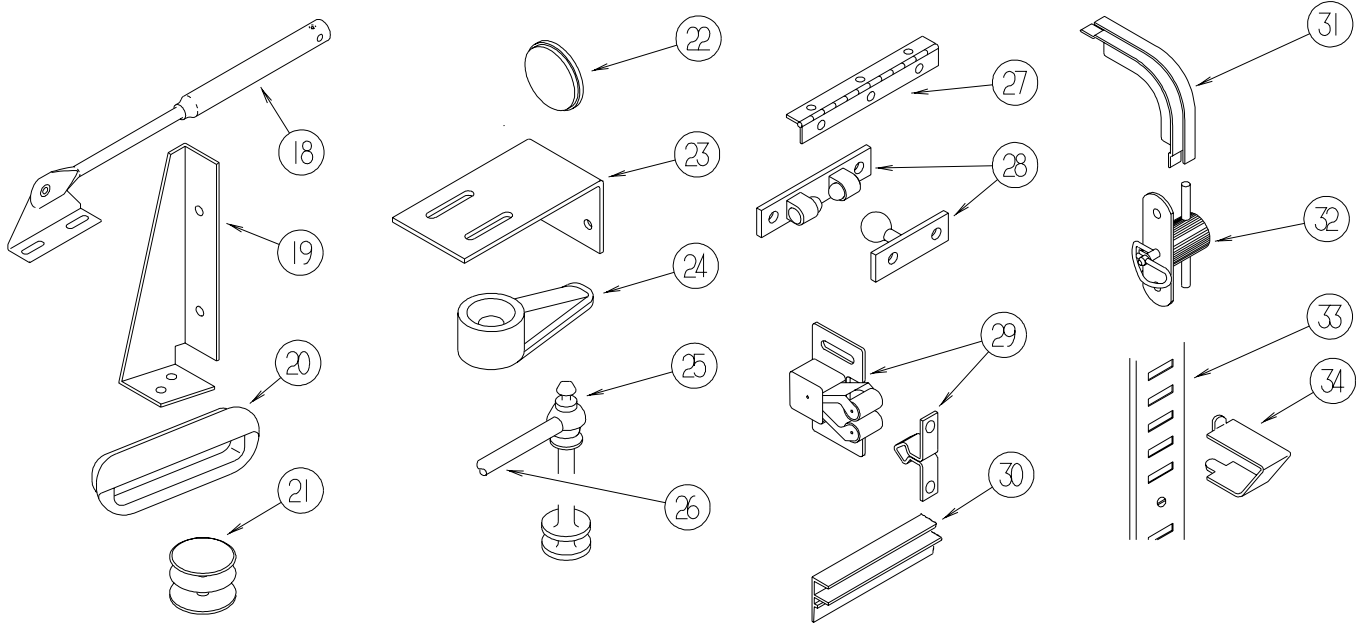
INTERIOR FINISH GROUP (CONTINUED)

HARDWARE



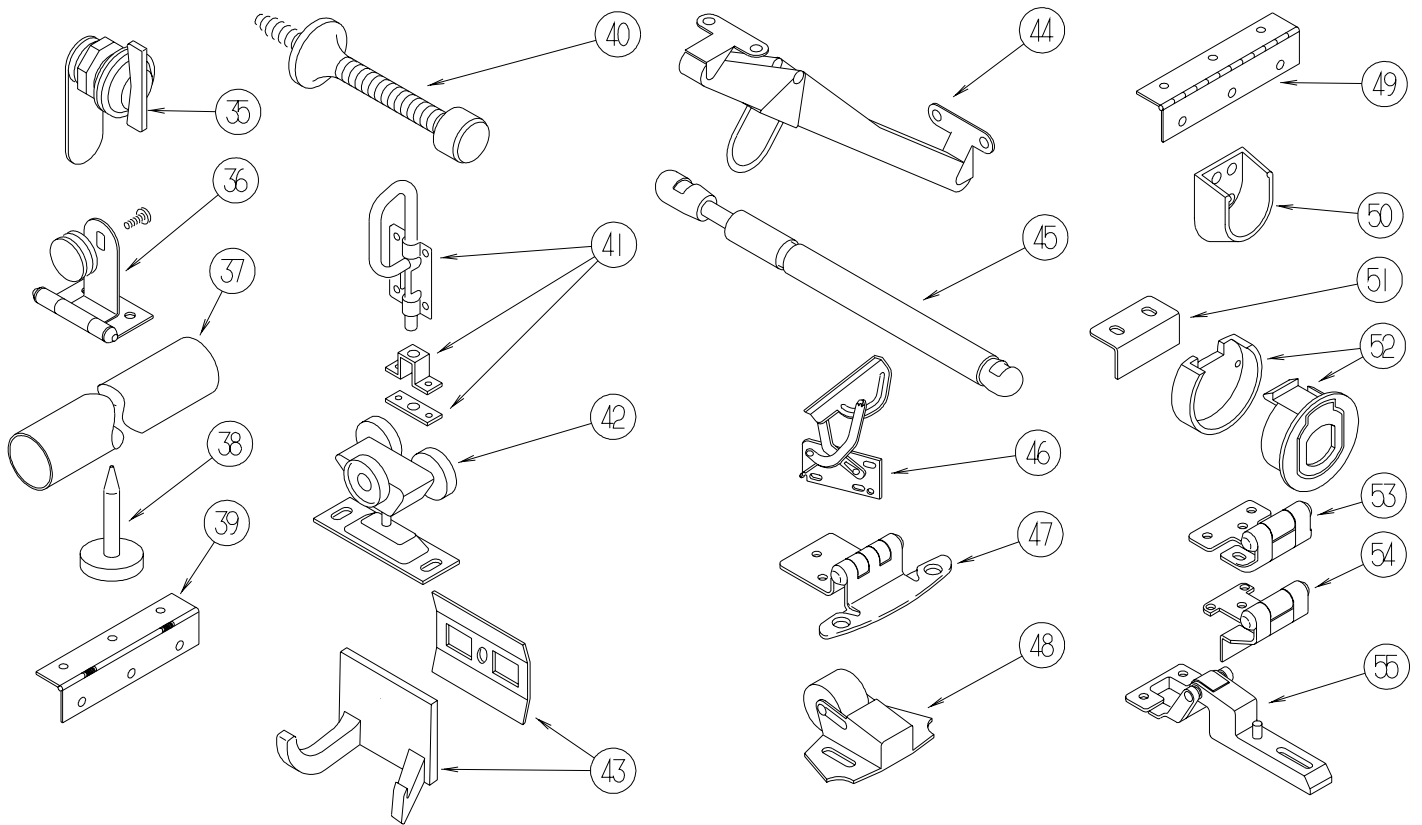
KEY	PART NUMBER	U/M	DESCRIPTION
1	P26866-09-KQ1	EA	HANDLE - DOOR/TAMBOUR - 14.7" - CHERRY/CHERRY III
1	P26866-10-K09	EA	HANDLE - DOOR/TAMBOUR - 11.6" - MAPLE/WASHED MAPLE
1	P26866-10-M07	EA	HANDLE - DOOR/TAMBOUR - 11.6" - ASH/PORTSMOUTH OAK - PORTSMOUTH OAK
2	004354-01-000	EA	BUMPER - RUBBER - .5" DIA - BROWN
2	023320-01-000	EA	PAD - FELT 3/8" DIAMETER
3	009013-01-000	EA	CATCH - BULLDOG - MALE/FEMALE
4	009021-01-000	EA	CATCH - GRILLE - NYLON
4	009021-02-000	EA	STRIKE - SPRING STEEL - .68"
5	009059-01-000	EA	HINGE - DOOR - 2" X 1.4" - BRASS
5	009059-02-000	EA	HINGE - DOOR - 2" X 2.7" - BRASS
5	009059-03-000	EA	HINGE - BRASS - 1.75"
5	041389-25-000	EA	HINGE - PIANO - 1 1/2" X 55" - UNPAINTED
6	009089-01-000	EA	CLIP - MIRROR
7	009112-01-000	EA	FLANGE - PLASTIC - 1" CLOTHES ROD - OFF WHITE
8	016604-01-000	EA	BRACE - ANGLE - 2 1/2" - UNPAINTED METAL
8	016604-05-000	EA	BRACE - ANGLE - 2 1/2" - OFF WHITE METAL
8	016604-07-000	EA	BRACE - ANGLE - 2 1/2" - VW GRAY
8	016604-09-000	EA	BRACE - ANGLE - VW LIGHT GRAY
9	042356-01-000	EA	PLUG - MAHOGANY - 3/8" DOWEL X 1/2" HEAD
9	074045-08-000	EA	PLUG - OAK - 3/8" DOWEL-1/2" HEAD - SALEM CHERRY
9	074045-12-000	EA	PLUG - OAK - 3/8" DOWEL-1/2" HEAD - WASHED MAPLE
9	074045-13-000	EA	PLUG - OAK - 3/8" DOWEL-1/2" HEAD - PORTSMOUTH OAK
10	042438-01-000	EA	DOWEL - WOOD - CLOTHES ROD - 1" X 4'
10	042438-02-000	EA	DOWEL - WOOD - CLOTHES ROD - 2" X 2'
10	042438-06-000	EA	DOWEL - WOOD - 1.5" X 26"
11	058335-03-000	EA	LATCH W/O LOCK - BATHROOM DOOR BLACK - RIALTA, 200-SERIES
12	057460-02-000	EA	BALL STUD - F/GAS SPRING .39" - 5/16"-18
13	057460-04-000	EA	SPRING/GAS - BALL STUD STYLE - 120 PI - "SPD6209"
14	057671-01-000	EA	COVER - SCREW - OFF WHITE - #8
14	057671-13-000	EA	COVER - SCREW - DARK GRAY - #8
14	057671-15-000	EA	COVER - SCREW - #8 - BRIGHT WHITE
14	057671-16-000	EA	COVER - SCREW - #8 - SOFT WHITE
14	057671-17-000	EA	COVER - SCREW - VW LT GRAY - #8
15	064467-01-000	EA	GUIDE - POCKET - SLIDING DOOR - WALL MOUNTED
16	065740-01-000	EA	BRACE - CABINET/CORNER - PLASTIC
17	072871-01-000	EA	PULL - FLUSH - CHROME - RIALTA, 200-SERIES

INTERIOR FINISH GROUP (CONTINUED)
HARDWARE (CONTINUED)



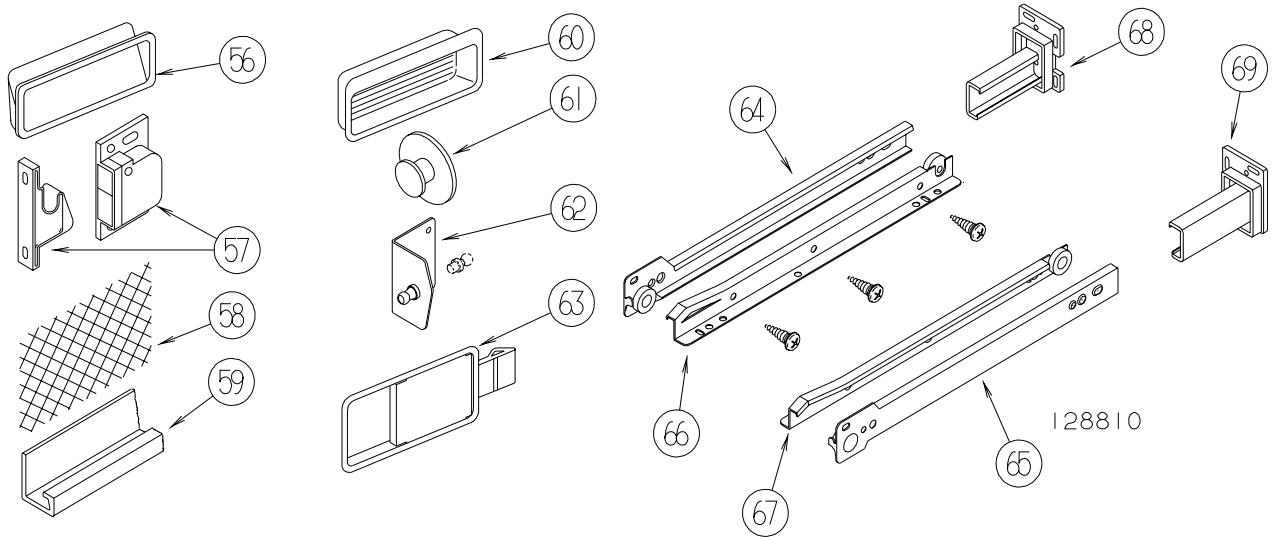
KEY	PART NUMBER	U/M	DESCRIPTION
18	074493-02-000	EA	SUPPORT - PISTON SPRING - CABINET DOOR - 26 LBS
18	074493-03-000	EA	SUPPORT - PISTON SPRING - CABINET DOOR - 12 LBS
18	074493-04-000	EA	SUPPORT - PISTON SPRING - CABINET DOOR - 32 LBS
19	076827-02-000	EA	BRACKET/LEG - 2.9" X 1.8" - TRIANGULAR - LEFT/E-COATED
20	080736-01-000	EA	PULL - RECESSED - 1.25" X 4" - OAK
21	081114-02-000	EA	CAP - INSERT - ROUND - 1" DIAMETER - WHITE PLASTIC
22	081914-01-000	EA	BUMPER - RUBBER - ROUND - 1/2" DIA. X 1/8" THICK
22	120760-01-000	EA	RUBBER BUMPER - CLEAR - .1" THICK X .8" DIAMETER
23	083125-07-000	EA	BRACE - ANGLE/COUCH - 2.5" - OFF WHITE
23	132871-02-02B	EA	BRACKET/L-ANGLE W/HOLES - 1.9" X 2.8" - E-COATED
24	083204-03-000	EA	BUTTON - RETAINING MIRROR 5/16" TIP
25	084070-03-000	EA	POST - END - 2.4" - SHINY BRASS
26	084071-05-000	EA	ROD - BRASS - 15"
26	084071-08-000	EA	ROD - BRASS - 9.3"
26	084071-19-000	EA	ROD - BRASS - 7.1"
26	084071-20-000	EA	ROD - BRASS - 9.8"
26	084071-23-000	EA	ROD - BRASS - 13.1"
26	084071-24-000	EA	ROD - BRASS - 3.8"
26	084071-28-000	EA	ROD - BRASS - 6"
26	084071-30-000	EA	ROD - BRASS - 11.6"
26	084071-31-000	EA	ROD - BRASS - 14.8"
26	084071-33-000	EA	ROD - BRASS - 20.4"
27	084413-01-000	EA	HINGE - 1" X 72" - ALUMINUM - W/HOLES
27	084625-07-000	EA	HINGE - ALUMINUM - W/HOLES - 13" - OFF/WHITE
27	084625-11-000	EA	HINGE - ALUMINUM - W/HOLES - 22" - OFF/WHITE
27	114278-02-000	EA	HINGE - CONTINUOUS - 3" WIDE
28	084451-01-000	EA	CATCH & LATCH - 1.7" - BRASS
29	093586-03-000	EA	CATCH - SPRING ROLLER - .377"
29	093586-04-000	EA	STRIKE - SPRING STEEL - 1.14"
29	093586-05-000	EA	STRIKE - SPRING STEEL - .943"
29	093586-06-000	EA	CATCH - SPRING ROLLER - .236"
30	093622-01-000	EA	TRACK - DOOR - TAMBOUR - PLASTIC - 8' LENGTHS
31	093623-01-000	EA	CORNER - TRACK - TAMBOUR DOOR
32	098196-01-000	EA	LATCH - 1/4 TURN - T-BAR
33	098979-01-000	EA	CLIP - ADJUSTABLE SHELF
34	098980-01-000	EA	PILASTER - ADJUSTABLE SHELF - 18"
34	098980-02-000	EA	PILASTER - ADJUSTABLE SHELF - 12"
34	098980-03-000	EA	PILASTER - ADJUSTABLE SHELF - 9"
34	098980-04-000	EA	PILASTER - ADJUSTABLE SHELF - 48"
34	098980-05-000	EA	PILASTER - ADJUSTABLE SHELF - 15"
34	098980-06-000	EA	PILASTER - ADJUSTABLE SHELF - 24"

INTERIOR FINISH GROUP (CONTINUED)
HARDWARE (CONTINUED)



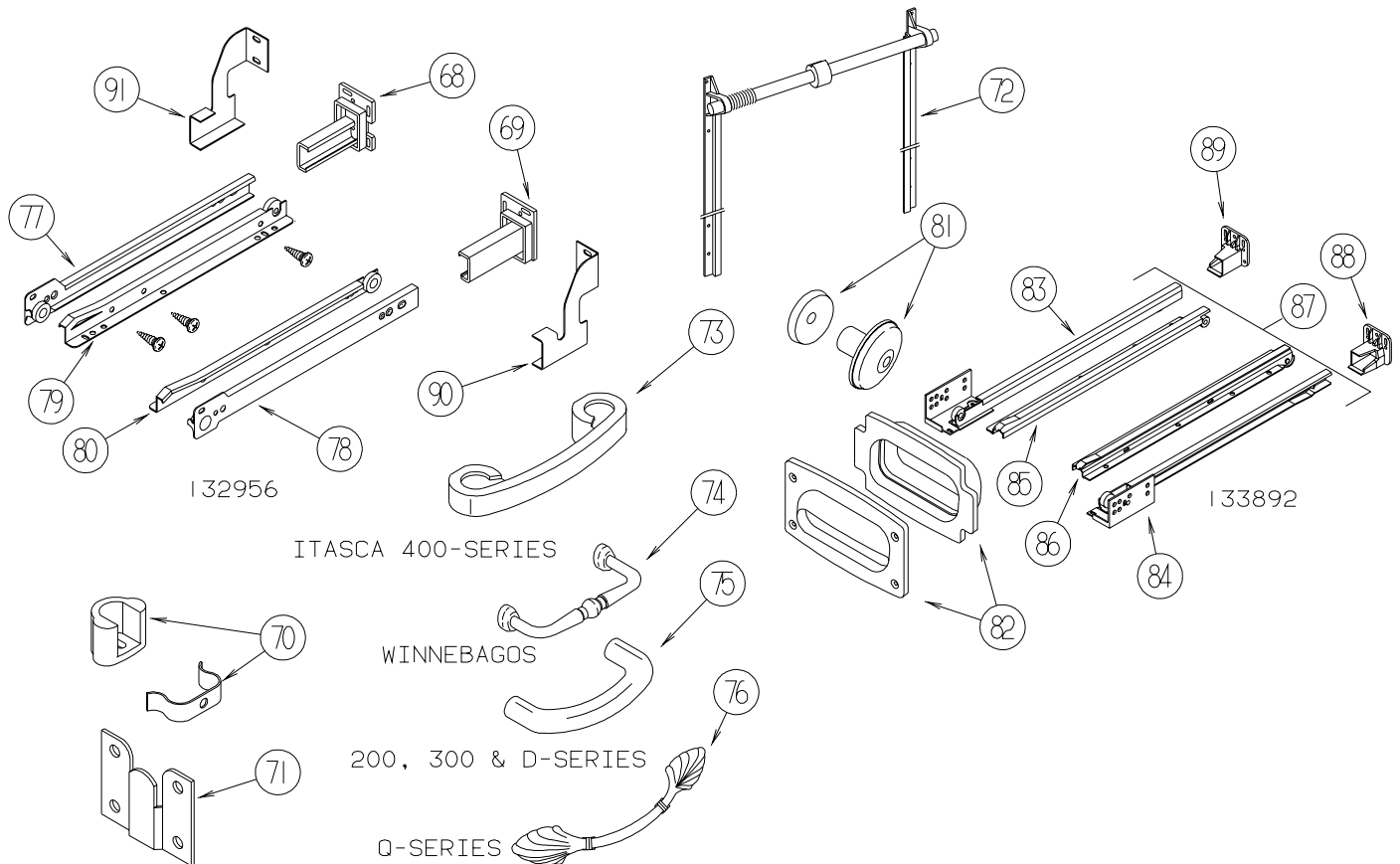
KEY	PART NUMBER	U/M	DESCRIPTION
35	100710-01-01A	EA	LOCK - GLASS DOOR/TWIST TYPE - BRASS
36	100711-01-01A	EA	HINGE - GLASS DOOR
37	102075-06-02A	EA	ROD - SHOWER CURTAIN - 1" OD X 33.5" - SOFT WHITE
37	102075-09-02A	EA	ROD - SHOWER CURTAIN - 3/4"OD X 29.5" - SOFT WHITE
37	102075-16-02A	EA	ROD - SHOWER CURTAIN - 3/4"OD X 34.2" - SOFT WHITE
37	102075-18-02A	EA	ROD - SHOWER CURTAIN - 1" OD X 38.9" - SOFT WHITE
38	102194-01-000	EA	GUIDE - PLASTIC - 1" (HEAD/PIN)
39	102920-01-01A	EA	HINGE - SPRING LOADED - BRASS
40	103194-01-000	EA	STOP - BATH DOOR
41	103256-01-000	EA	LATCH COMPLETE (SLIDE)
42	103874-01-000	EA	HANGER - SLIDING DOOR
43	104174-01-000	EA	HOOK - ROBE - DOUBLE
44	104181-01-01A	EA	SUPPORT - LEAF 5.3" EXTENDS TO 7.5" - SAFETY RING - METAL
45	107796-05-000	EA	BRACKET - SUPPORT - GAS SPRING TO BED - FLAT (LOWER)
45	107796-06-000	EA	SPRING/GAS - 12" COMPRESSED/20" EXTENDED - 120 LB.
45	107796-08-000	EA	SPRING/GAS - 11" COMPRESSED/17" EXTENDED - 60 LB
45	107796-09-000	EA	SPRING/GAS - 5.5" COMPRESSED/7.5" EXTENDED - 40 LB.
45	107796-15-000	EA	SPRING/GAS - 24" COMPRESSED/40" EXTENDED - 15 LB.
45	107796-16-000	EA	SPRING/GAS - 6.4" COMPRESSED/9.6" EXTENDED - 65 LB.
46	108126-01-000	EA	TRAY HINGE SET (QTY. 2 PER SET)
47	107327-01-000	EA	HINGE - BURNISHED BRASS - SPRING SELF CLOSING - WHEN CATCH & STRIKE ARE NOT USED
47	108138-01-000	EA	HINGE - CABINET DOOR - BURNISHED BRASS - ULTIMATE ADVANTAGE & FREEDOM, Q-SERIES
47	108138-03-000	EA	HINGE - BRIGHT BRASS
48	109403-01-000	EA	CATCH - SINGLE ROLLER - SCREEN DOOR
49	110496-01-01A	EA	HINGE - BRASS
50	113236-01-01A	EA	BRACKET - CLOTHES - ROD
51	113375-02-01A	EA	STRIKE - DOOR - CHROME - RIALTA, 200-SERIES
52	113375-05-01A	EA	LATCH - SLAM - BACK - .8" THICK - RIALTA, 200-SERIES
52	113375-06-01A	EA	LATCH - SLAM - FACE - .7" THICK - RIALTA, 200-SERIES
53	113676-01-01A	EA	HINGE - OVERLAY - VARIABLE - BURNISHED BRASS - RIALTA, 200-SERIES
54	113677-01-01A	EA	HINGE - SELF CLOSING - RIALTA, 200-SERIES
55	114443-01-01A	EA	HINGE - CABINET DOOR

INTERIOR FINISH GROUP (CONTINUED)
HARDWARE (CONTINUED)



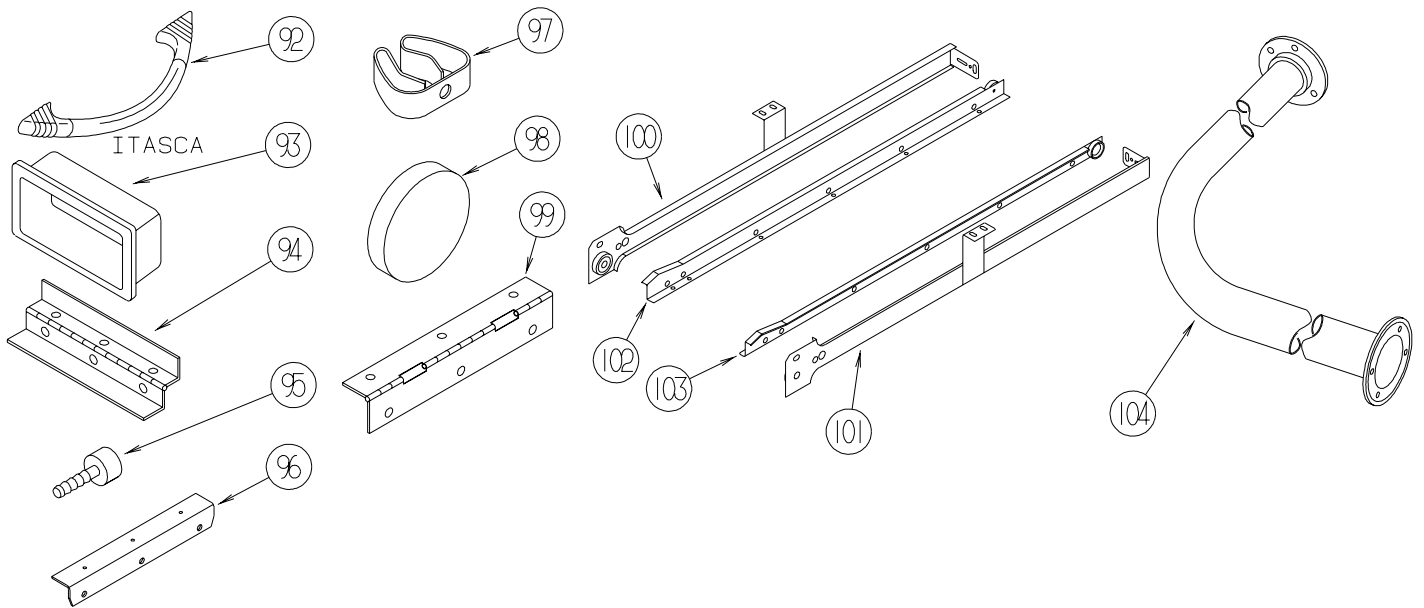
KEY	PART NUMBER	U/M	DESCRIPTION
56	115994-01-01A	EA	HANDLE - POCKET - RIALTA, 200-SERIES
57	117095-01-01A	EA	LATCH - DOOR - GRABBER W/KEEPER - PLASTIC - BLK-5 LB PULL
58	118200-01-01A	SF	MESH - PLASTIC 1/2" - 48" X LENGTH = SF - BLACK
58	118200-07-01A	SF	MESH - PLASTIC 1/2" - 10.5" X 24.7" - BLACK
59	118933-01-01A	EA	SUPPORT - HINGE LOCK
60	124311-01-01A	EA	HANDLE - RECESSED - BRASS
61	125221-01-01A	EA	PULL - MIRROR - W/ROUND HANDLE
62	126263-06-02B	EA	BRACKET - GAS SPRING W/INSIDE BALL STUD - E-COATED
63	127349-01-01A	EA	LATCH - PADDLE - RIALTA, 200-SERIES
64	128810-01-01A	EA	SLIDE - DRAWER - 12" - LEFT CABINET
64	128810-05-01A	EA	SLIDE - DRAWER - 14" - LEFT CABINET
64	128810-09-01A	EA	SLIDE - DRAWER - 16" - LEFT CABINET
64	128810-13-01A	EA	SLIDE - DRAWER - 18" - LEFT CABINET
64	128810-17-01A	EA	SLIDE - DRAWER - 20" - LEFT CABINET
64	128810-21-01A	EA	SLIDE - DRAWER - 22" - LEFT CABINET
64	128810-25-01A	EA	SLIDE - DRAWER - 24" - LEFT CABINET
64	128810-29-01A	EA	SLIDE - DRAWER - 9" - LEFT CABINET
65	128810-02-01A	EA	SLIDE - DRAWER - 12" - RIGHT CABINET
65	128810-06-01A	EA	SLIDE - DRAWER - 14" - RIGHT CABINET
65	128810-10-01A	EA	SLIDE - DRAWER - 16" - RIGHT CABINET
65	128810-10-01A	EA	SLIDE - DRAWER - 16" - RIGHT CABINET
65	128810-14-01A	EA	SLIDE - DRAWER - 18" - RIGHT CABINET
65	128810-18-01A	EA	SLIDE - DRAWER - 20" - RIGHT CABINET
65	128810-22-01A	EA	SLIDE - DRAWER - 22" - RIGHT CABINET
65	128810-26-01A	EA	SLIDE - DRAWER - 24" - RIGHT CABINET
65	128810-30-01A	EA	SLIDE - DRAWER - 9" - RIGHT CABINET
66	128810-03-01A	EA	SLIDE - DRAWER - 12" - LEFT DRAWER
66	128810-07-01A	EA	SLIDE - DRAWER - 14" - LEFT DRAWER
66	128810-11-01A	EA	SLIDE - DRAWER - 16" - LEFT DRAWER
66	128810-15-01A	EA	SLIDE - DRAWER - 18" - LEFT DRAWER
66	128810-19-01A	EA	SLIDE - DRAWER - 20" - LEFT DRAWER
66	128810-23-01A	EA	SLIDE - DRAWER - 22" - LEFT DRAWER
66	128810-27-01A	EA	SLIDE - DRAWER - 24" - LEFT DRAWER
66	128810-31-01A	EA	SLIDE - DRAWER - 9" - LEFT DRAWER
67	128810-04-01A	EA	SLIDE - DRAWER - 12" - RIGHT DRAWER
67	128810-08-01A	EA	SLIDE - DRAWER - 14" - RIGHT DRAWER
67	128810-12-01A	EA	SLIDE - DRAWER - 16" - RIGHT DRAWER
67	128810-16-01A	EA	SLIDE - DRAWER - 18" - RIGHT DRAWER
67	128810-20-01A	EA	SLIDE - DRAWER - 20" - RIGHT DRAWER
67	128810-24-01A	EA	SLIDE - DRAWER - 22" - RIGHT DRAWER
67	128810-28-01A	EA	SLIDE - DRAWER - 24" - RIGHT DRAWER
67	128810-32-01A	EA	SLIDE - DRAWER - 9" - RIGHT DRAWER
68	128811-01-01A	EA	BACKSOCKET - ADJUSTABLE - LEFT
69	128811-02-01A	EA	BACKSOCKET - ADJUSTABLE - RIGHT

INTERIOR FINISH GROUP (CONTINUED)
HARDWARE (CONTINUED)



KEY	PART NUMBER	U/M	DESCRIPTION
68	128811-01-01A	EA	BACKSOCKET - ADJUSTABLE - LEFT
69	128811-02-01A	EA	BACKSOCKET - ADJUSTABLE - RIGHT
70	129703-01-01A	EA	CATCH ASSEMBLY (SPRING)
71	130120-01-01A	EA	BRACKET - MIRROR
72	130787-01-000	EA	TRACK - TAMBOUR DOOR/SPRING - 15.9"
72	130787-02-000	EA	TRACK - TAMBOUR DOOR/SPRING - 24"
72	130787-04-000	EA	TRACK - TAMBOUR DOOR - SPRING
73	131962-01-01A	EA	PULL - DOOR/DRAWER - POLISHED BRASS - SUNDANCER, ITASCA 400-SERIES ONLY
74	131963-01-01A	EA	PULL - DOOR/DRAWER - POLISHED BRASS - F, G, L, P & 400-SERIES WINNEBAGOS
75	131964-01-01A	EA	PULL - DOOR/DRAWER - POLISHED BRASS - 200, 300 & D-SERIES
76	131965-01-01A	EA	PULL - DOOR/DRAWER - 6.3" - BURNISHED BRASS - ULTIMATE ADVANTAGE & FREEDOM, Q-SERIES
77	132956-01-01A	EA	SLIDE - DRAWER - LEFT CABINET - 37.5"
77	132956-05-01A	EA	SLIDE - DRAWER - LEFT CABINET - 32"
78	132956-02-01A	EA	SLIDE - DRAWER - RIGHT CABINET - 37.5"
78	132956-06-01A	EA	SLIDE - DRAWER - RIGHT CABINET - 32"
79	132956-03-01A	EA	SLIDE - DRAWER - LEFT DRAWER - 37.5"
79	132956-07-01A	EA	SLIDE - DRAWER - LEFT DRAWER - 32"
80	132956-04-01A	EA	SLIDE - DRAWER - RIGHT DRAWER - 37.5"
80	132956-08-01A	EA	SLIDE - DRAWER - RIGHT DRAWER - 32"
81	133313-01-01A	EA	PULL - DOOR/DRAWER - BURNISHED BRASS
81	133313-01-02A	EA	PULL - DOOR/DRAWER - BRIGHT BRASS
82	133607-01-01A	EA	PULL - LATCH - BLACK PLASTIC
83	133892-01-01A	EA	SLIDE - DRAWER - LEFT CABINET - 16"
83	133892-06-01A	EA	SLIDE - DRAWER - LEFT CABINET - 22"
84	133892-02-01A	EA	SLIDE - DRAWER - RIGHT CABINET - 16"
84	133892-07-01A	EA	SLIDE - DRAWER - RIGHT CABINET - 22"
85	133892-03-01A	EA	SLIDE - DRAWER - LEFT DRAWER - 16"
85	133892-08-01A	EA	SLIDE - DRAWER - LEFT DRAWER - 22"
86	133892-04-01A	EA	SLIDE - DRAWER - RIGHT DRAWER - 16"
86	133892-09-01A	EA	SLIDE - DRAWER - RIGHT DRAWER - 22"
87	133892-05-01A	EA	SLIDE - DRAWER - FULL SET - 9"
88	133907-01-01A	EA	BACKSOCKET - RIGHT HAND
89	133907-02-01A	EA	BACKSOCKET - LEFT HAND
90	134649-01-02B	EA	SUPPORT - BACKSOCKET - E-COATED
91	134649-02-02B	EA	SUPPORT - BACKSOCKET - E-COATED

INTERIOR FINISH GROUP (CONTINUED)
HARDWARE (CONTINUED)



KEY	PART NUMBER	U/M	DESCRIPTION
92	137446-01-01A	EA	PULL - CABINET - CHROME/BRASS - F, G, L, P-SERIES ITASCAS
93	139136-01-01A	EA	HANDLE - RECESSED - 2.9" X 1.3"/2.7" X 1" X .7" C/O- BRASS
93	139136-02-01A	EA	HANDLE - RECESSED - 2.9" X 1.3"/2.7" X 1" X .4" C/O- BRASS
94	135538-01-01A	EA	HINGE - PIANO - FULL WRAP - BRASS PLATED
94	135538-02-01A	EA	HINGE - PIANO - FULL WRAP - STOCKER BRASS
94	135538-03-01A	EA	HINGE - PIANO - FULL WRAP - STOCKER BRASS
94	135538-04-01A	EA	HINGE - PIANO - FULL WRAP
94	135538-05-01A	EA	HINGE - PIANO - FULL WRAP
95	079921-01-000	EA	ROLLER - NYLON - W/STEEL SHAFT - BARBED
96	089025-01-000	EA	SUPPORT - SPRING TO BED - ANGLE 1.5" X 11.8"
97	091952-01-000	EA	CLIP - GRIPPER - 1"
98	122717-01-01A	EA	PAD - NON SKID - 4" DIAMETER ROUND
99	129753-01-01A	EA	HINGE - SPRING LOADED - 19" X 19" - BLACK
100	139566-01-01A	EA	SLIDE - DRAWER - 37.5" - LEFT CABINET
100	139566-05-01A	EA	SLIDE - DRAWER - 32" - LEFT CABINET
101	139566-02-01A	EA	SLIDE - DRAWER - 37.5" - RIGHT CABINET
101	139566-06-01A	EA	SLIDE - DRAWER - 32" - RIGHT CABINET
102	139566-03-01A	EA	SLIDE - DRAWER - 37.5" - LEFT DRAWER
102	139566-07-01A	EA	SLIDE - DRAWER - 32" - LEFT DRAWER
103	139566-04-01A	EA	SLIDE - DRAWER - 37.5" - RIGHT DRAWER
103	139566-08-01A	EA	SLIDE - DRAWER - 32" - RIGHT DRAWER
104	140494-01-02A	EA	ROD - SHOWER - SOFT WHITE
104	140494-01-01A	EA	ROD - SHOWER

LABELS GROUP

SEWAGE

KEY PART NUMBER U/M DESCRIPTION
006187-01-000 EA LABEL - SEWAGE

WASTE WATER

KEY PART NUMBER U/M DESCRIPTION
006188-01-000 EA LABEL - WASTE WATER

EXIT

KEY PART NUMBER U/M DESCRIPTION
039290-01-000 EA LABEL - WARNING - EXIT

↑
OPEN

KEY PART NUMBER U/M DESCRIPTION
040944-01-000 EA LABEL - ENTRANCE DOOR - "OPEN"

CAUTION

THIS MOTOR HOME HAS BEEN DESIGNED, MANUFACTURED AND TESTED WITH CONCERN FOR THE PROTECTION OF IT'S OCCUPANTS. WE RECOMMEND YOU PERFORM THE FOLLOWING INSPECTIONS FOR YOUR SAFETY AND THE SAFETY OF YOUR PASSENGERS BEFORE STARTING YOUR VEHICLE.

1. LP GAS SYSTEM- TURN OFF AT TANK FOR TRAVELING. TEST FOR LEAKS UPON ARRIVAL AT DESTINATION. BEFORE LIGHTING PILOTS.
2. WHEELS- INSPECT FOR DAMAGE AND CHECK LUG NUTS FOR TIGHTNESS.
3. TIRES- INSPECT FOR WEAR AND DAMAGE AND CHECK FOR RECOMMENDED AIR PRESSURE.
4. LIGHTING- TEST FOR PROPER OPERATION OF ALL INTERIOR AND EXTERIOR LIGHTS INCLUDING DASH LIGHTS, HEADLIGHTS, TAIL LIGHTS, BRAKE LIGHTS, CLEARANCE LIGHTS AND TURN SIGNALS.
5. EXITS- INSPECT RELEASE MECHANISM ON EMERGENCY EXIT WINDOW. TEST BOTH LOCKS ON MAIN ENTRANCE DOOR FOR EASE OF OPERATION AND INSTRUCT PASSENGERS HOW TO USE BOTH MEANS OF EXIT.
6. SEAT BELTS- DIRECT PASSENGERS TO DESIGNATED SEATS AND REQUIRE USE OF SEAT BELTS.
7. APPLIANCES- TURN OFF AND LATCH OR LOCK DOORS WHERE PROVIDED.
8. LOOSE PARCELS- STORE SECURELY.
9. UTILITY SUPPLY LINES- DISCONNECT ALL ELECTRIC, SEWER AND WATER LINES AND SECURE PROPERLY.
10. ENTRANCE DOOR STEP- PLACE IN RETRACTED POSITION FOR TRAVELING.

READ YOUR MOTOR HOME AND CHASSIS OWNER'S
MANUAL FOR FURTHER PRECAUTIONS

KEY PART NUMBER U/M DESCRIPTION
056259-01-000 EA LABEL - SAFETY CHECK LIST

UNLEADED FUEL ONLY

KEY PART NUMBER U/M DESCRIPTION
062043-01-000 EA LABEL - FUEL - UNLEADED

LABELS GROUP (CONTINUED)

WARNING DISCONNECT BATTERIES BEFORE
CONNECTING EXTERNAL CHARGING EQUIPMENT.

KEY PART NUMBER U/M DESCRIPTION
065748-01-000 EA LABEL - CAUTION - BATTERY CHARGING

AVERTISSEMENT : DEBRANCHER LES BATTERIES AVANT
DE BRANCHER TOUT EQUIPEMENT DE CHARGE EXTERIEUR.

KEY PART NUMBER U/M DESCRIPTION
065748-02-000 EA LABEL - WARNING - BATTERY/FRENCH - CANADIAN

DIESEL FUEL ONLY

KEY PART NUMBER U/M DESCRIPTION
068383-01-000 EA LABEL - DIESEL FUEL

VEHICLE EMISSION CONTROL INFORMATION

THIS VEHICLE CONFORMS TO U.S. EPA
REGULATIONS APPLICABLE TO XXXX MODEL
YEAR NEW VEHICLES.

072887-01-000-2 CATALYST

KEY PART NUMBER U/M DESCRIPTION
072887-13-000 EA LABEL - EPA - 2001 MODEL YEAR

IF YOU SMELL GAS

1. EXTINGUISH ANY OPEN FLAME, PILOT LIGHTS AND ALL SMOKING MATERIALS.
2. DO NOT TOUCH ELECTRICAL SWITCHES.
3. SHUT OFF THE GAS SUPPLY AT THE TANK VALVE(S) OR GAS SUPPLY CONNECTION.
4. OPEN DOORS AND OTHER VENTILATING OPENINGS.
5. LEAVE THE AREA UNTIL ODOR CLEARS.
6. HAVE THE GAS SYSTEM CHECKED AND LEAKAGE SOURCE CORRECTED BEFORE USING AGAIN.

KEY PART NUMBER U/M DESCRIPTION
073998-01-000 EA LABEL - LPG ODOR WARNING

WARNING: TEST SMOKE DETECTOR
OPERATION AFTER VEHICLE HAS BEEN IN
STORAGE, BEFORE EACH TRIP AND AT
LEAST ONCE PER WEEK DURING USE.

KEY PART NUMBER U/M DESCRIPTION
077956-01-000 EA LABEL - WARNING - SMOKE DETECTOR

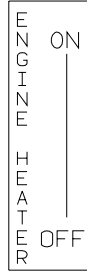
WARNING
MUST BE STOWED
IN LATCHED POSITION
WHILE VEHICLE IS IN MOTION

KEY PART NUMBER U/M DESCRIPTION
079966-01-000 EA LABEL - WARNING - STOWED - MOTION

LABELS GROUP (CONTINUED)



KEY PART NUMBER U/M DESCRIPTION
 083588-01-000 EA LABEL - ON/OFF - WATER HEATER



KEY PART NUMBER U/M DESCRIPTION
 083588-02-000 EA LABEL - ON/OFF - ENGINE HEATER

CAUTION	TO HELP AVOID PERSONAL INJURY DURING REMOVAL OF FUEL FILLER CAP, SLOWLY LOOSEN CAP 1/2 TURN TO ALLOW ANY FUEL PRESSURE TO BE RELIEVED BEFORE TURNING CAP FURTHER.
FUEL SPRAY MAY CAUSE PERSONAL INJURY	STOP ADDING FUEL AFTER FIRST SHUTOFF BY AUTOMATIC NOZZLE WHEN TANK IS NEARLY FULL. DO NOT OVERFILL FUEL TANK. SEE OWNERS MANUAL FOR ADDITIONAL INFORMATION. PRINTED IN U.S.A. WLC PT NO 15611763

KEY PART NUMBER U/M DESCRIPTION
 087207-05-000 EA LABEL - FUEL CAP REMOVAL



KEY PART NUMBER U/M DESCRIPTION
 087236-01-000 EA LABEL - CABLE - INPUT

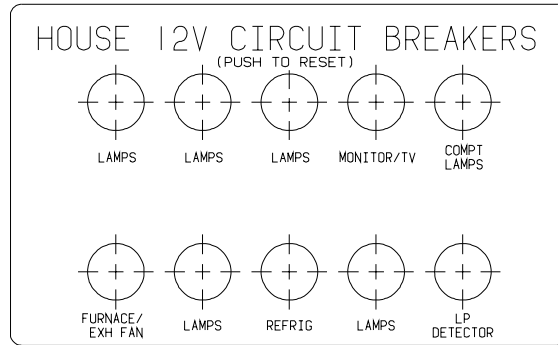


KEY PART NUMBER U/M DESCRIPTION
 087236-02-000 EA LABEL - TV OUTLET

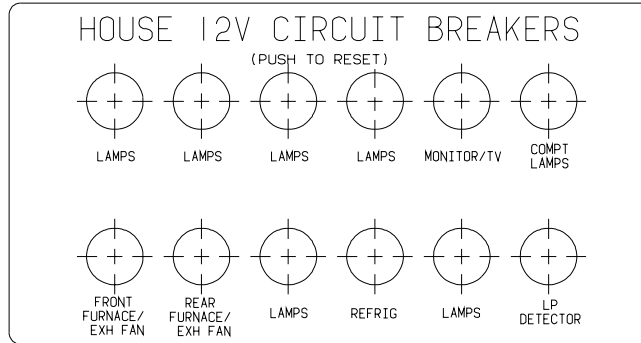
AIR CONDITIONING CIRCUIT.
 THIS CONNECTION IS FOR
 AIR CONDITIONERS RATED 110-
 125 VOLT AC, 60 HZ, 16
 AMPERES MAXIMUM. DO NOT
 EXCEED CIRCUIT RATING.

KEY PART NUMBER U/M DESCRIPTION
 091243-01-000 EA LABEL - A/C COVER "AIR CONDITIONING CIRCUIT ETC."

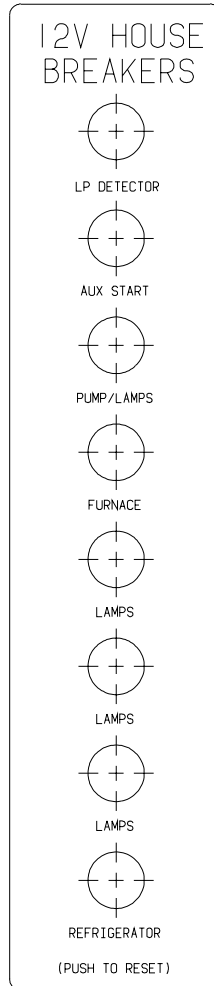
LABELS GROUP (CONTINUED)



KEY PART NUMBER U/M DESCRIPTION
 092547-06-000 EA LABEL - CIRCUIT BREAKER

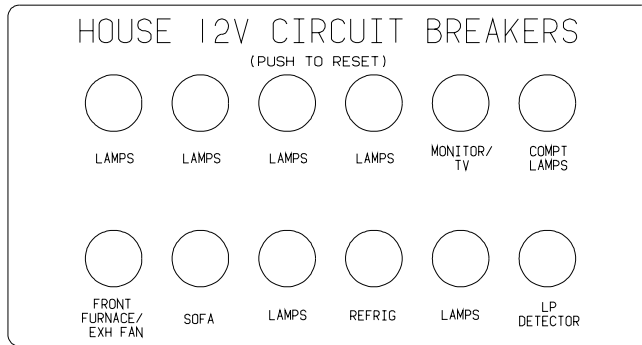


KEY PART NUMBER U/M DESCRIPTION
 092547-07-000 EA LABEL - CIRCUIT BREAKER

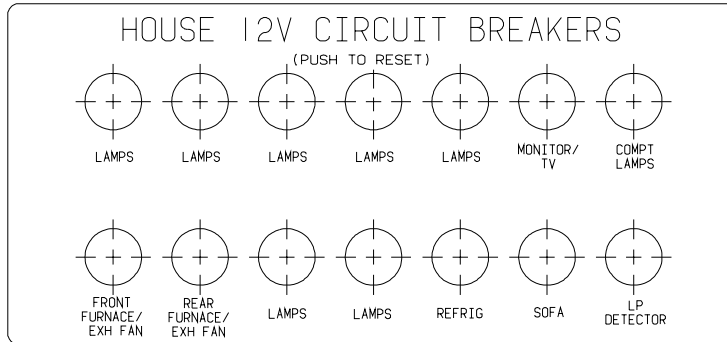


KEY PART NUMBER U/M DESCRIPTION
 092547-08-000 EA LABEL - CIRCUIT BREAKER

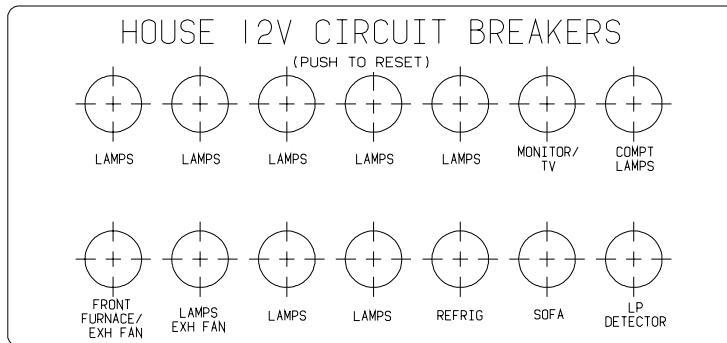
LABELS GROUP (CONTINUED)



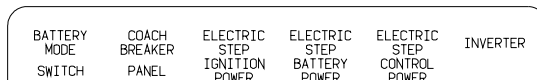
KEY PART NUMBER 092547-10-000 **U/M DESCRIPTION**
EA LABEL - CIRCUIT BREAKER



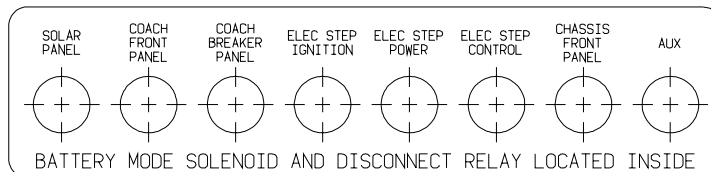
KEY PART NUMBER 092547-11-000 **U/M DESCRIPTION**
EA LABEL - CIRCUIT BREAKER



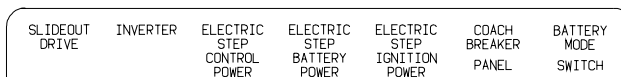
KEY PART NUMBER 092547-12-000 **U/M DESCRIPTION**
EA LABEL - CIRCUIT BREAKER



KEY PART NUMBER 093236-08-000 **U/M DESCRIPTION**
EA LABEL - CIRCUIT BREAKER

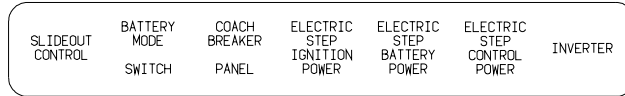


KEY PART NUMBER 093236-13-000 **U/M DESCRIPTION**
EA LABEL - CIRCUIT BREAKER

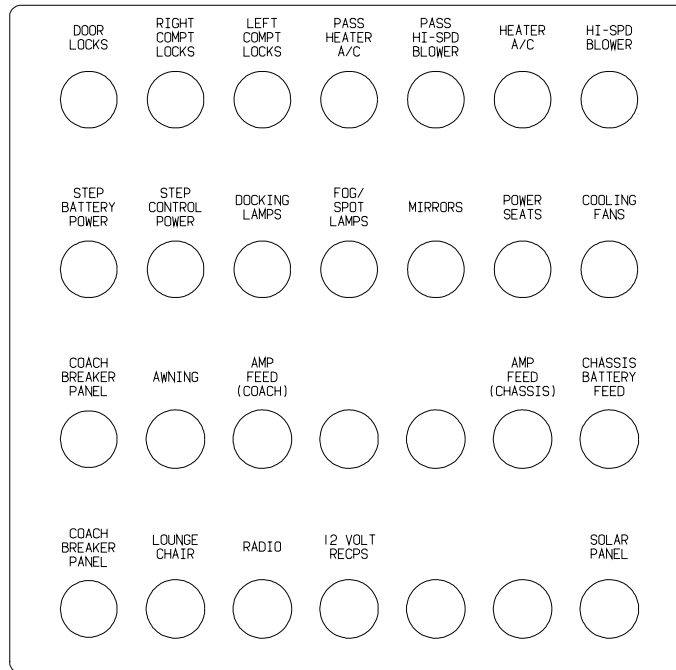


KEY PART NUMBER 093236-15-000 **U/M DESCRIPTION**
EA LABEL - CIRCUIT BREAKER

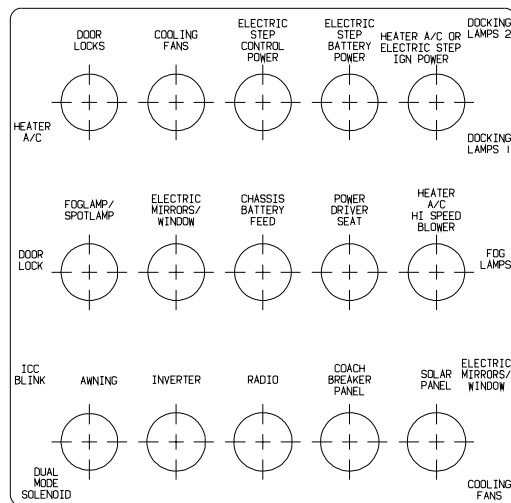
LABELS GROUP (CONTINUED)



KEY PART NUMBER U/M DESCRIPTION
 093236-21-000 EA LABEL - CIRCUIT BREAKER

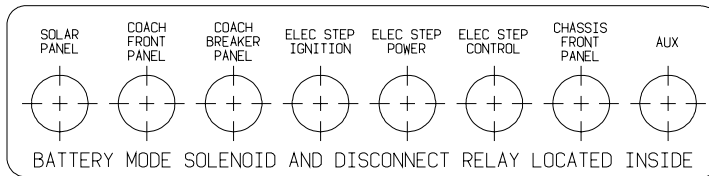


KEY PART NUMBER U/M DESCRIPTION
 093236-22-000 EA LABEL - CIRCUIT BREAKER



KEY PART NUMBER U/M DESCRIPTION
 093236-23-000 EA LABEL - CIRCUIT BREAKER - MAIN

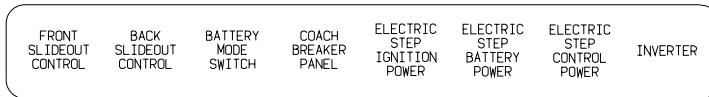
LABELS GROUP (CONTINUED)



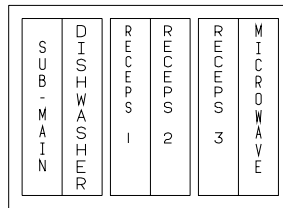
KEY PART NUMBER **U/M DESCRIPTION**
 093236-24-000 EA LABEL - CIRCUIT BREAKER



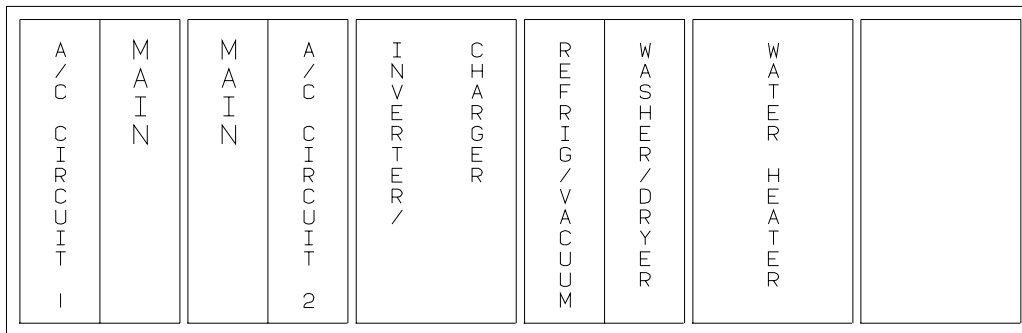
KEY PART NUMBER **U/M DESCRIPTION**
 093236-25-000 EA LABEL - CIRCUIT BREAKER



KEY PART NUMBER **U/M DESCRIPTION**
 093236-28-000 EA LABEL - CIRCUIT BREAKER



KEY PART NUMBER **U/M DESCRIPTION**
 095721-20-000 EA LABEL - CONTROL CENTER W/INVERTER



KEY PART NUMBER **U/M DESCRIPTION**
 095721-22-000 EA LABEL - CONTROL CENTER - 50 AMP

LABELS GROUP (CONTINUED)

A / C C I R C U I T 1	M A I N	A / C C I R C U I T 2	R E F F R I G / C O N V	M I C R O W A V E	R E C P S 1	R E C P S 2	R E C P S 3	W A S H E R / D R Y E R	W A T E R H E A T E R	
-----------------------------	------------	-----------------------------	-------------------------------	----------------------	-------------------	-------------------	-------------------	-------------------------------	--------------------------------	--

KEY PART NUMBER 095721-31-000 **U/M DESCRIPTION**
EA LABEL - CONTROL CENTER - 30 AMP - US

A / C C I R C U I T 1	M A I N	A / C C I R C U I T 2	I N V E R T E R /	C H A R G E R	R E F F R I G E R A T O R	W A S H E R / D R Y E R	W A T E R H E A T E R	
-----------------------------	------------	-----------------------------	----------------------	------------------	------------------------------	-------------------------------	--------------------------------	--

KEY PART NUMBER 095721-32-000 **U/M DESCRIPTION**
EA LABEL - CONTROL CENTER - 30 AMP W/INVERTER

A / C C I R C U I T 1	M A I N	M A I N	A / C C I R C U I T 2	R E F F R I G / C O N V	M I C R O W A V E	R E C P S 1	R E C P S 2	R E C P S 3	W A S H E R / D R Y E R	W A T E R H E A T E R
-----------------------------	------------	------------	-----------------------------	-------------------------------	----------------------	-------------------	-------------------	-------------------	-------------------------------	--------------------------------

KEY PART NUMBER 095721-33-000 **U/M DESCRIPTION**
EA LABEL - CONTROL CENTER - 50 AMP - US

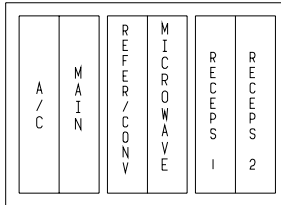
A / C C I R C U I T 1	M A I N	M A I N	A / C C I R C U I T 2	I N V E R T E R /	C H A R G E R	R E F F R I G E R A T O R	W A S H E R / D R Y E R	W A T E R H E A T E R	
-----------------------------	------------	------------	-----------------------------	----------------------	------------------	------------------------------	-------------------------------	--------------------------------	--

KEY PART NUMBER 095721-34-000 **U/M DESCRIPTION**
EA LABEL - CONTROL CENTER - 50 AMP

M A I N	M I C R O W A V E	G F I / R E C E P S	R E F F E R / C O N V	W A T E R H T R	A / C
------------	----------------------	---------------------------	-----------------------------	--------------------------	----------

KEY PART NUMBER 095721-38-000 **U/M DESCRIPTION**
EA LABEL - CONTROL CENTER - 30 AMP - US

LABELS GROUP (CONTINUED)



KEY PART NUMBER U/M DESCRIPTION
095721-40-000 EA LABEL - CONTROL CENTER

AUTOMOTIVE AND COACH
CIRCUIT BREAKERS

KEY PART NUMBER U/M DESCRIPTION
098379-01-000 EA LABEL - CIRCUIT BREAKER - FRONT BOX

CIRCUIT BREAKERS
AND AUTOMOTIVE
FUSE PANEL

KEY PART NUMBER U/M DESCRIPTION
098379-03-000 EA LABEL - ELECTRICAL BOX - FRONT

BATTERY MODE
SOLENOID AND
RELAYS

KEY PART NUMBER U/M DESCRIPTION
098379-04-000 EA LABEL - ELECTRICAL BOX - SIDE

UNLEADED
FUEL ONLY

KEY PART NUMBER U/M DESCRIPTION
098641-01-000 EA LABEL - FUEL - UNLEADED - DASH

FOR AWNING INSTALLATION
CONTACT YOUR MOTORHOME
DEALERSHIP

KEY PART NUMBER U/M DESCRIPTION
099509-01-000 EA LABEL - AWNING INSTALLATION

WARNING
THIS VEHICLE, LIKE OTHER
VEHICLES, MAY CONTAIN SMALL
AMOUNTS OF ONE OR MORE
SUBSTANCES WHICH ARE LISTED
BY THE STATE OF CALIFORNIA
FOR CAUSING CANCER OR
REPRODUCTIVE TOXICITY.

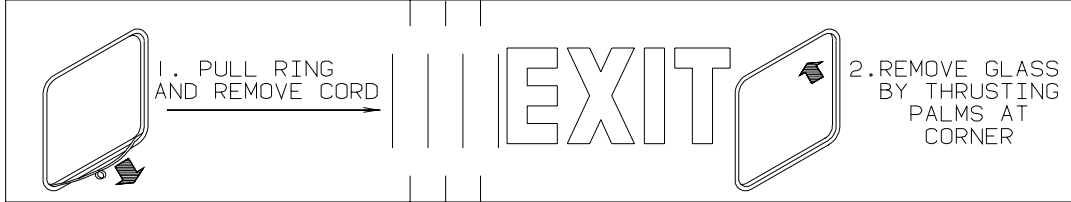
KEY PART NUMBER U/M DESCRIPTION
099689-01-000 EA LABEL - WARNING - CANCER/TOXICITY

LABELS GROUP (CONTINUED)

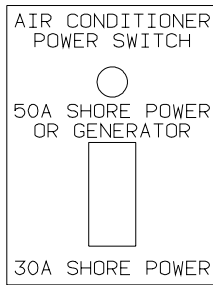
NOTE: TUNE ANTENNA PER MANUFACTURER'S DIRECTIONS. FAILURE TO COMPLY COULD RESULT IN DAMAGE TO CB.

CB POWER PROVISION
 RED +12 V
 BLACK GROUND
 COAX ANTENNA
 (SEE REVERSE ALSO)

KEY PART NUMBER U/M DESCRIPTION
 104678-01-000 EA LABEL - CB PREP



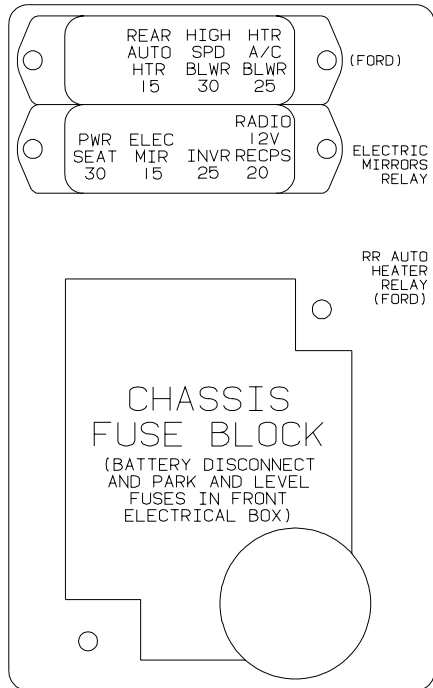
KEY PART NUMBER U/M DESCRIPTION
 107571-01-000 EA LABEL - EXIT/ESCAPE WINDOW



KEY PART NUMBER U/M DESCRIPTION
 109051-02-000 EA LABEL - SWITCH - 50 AMP POWER

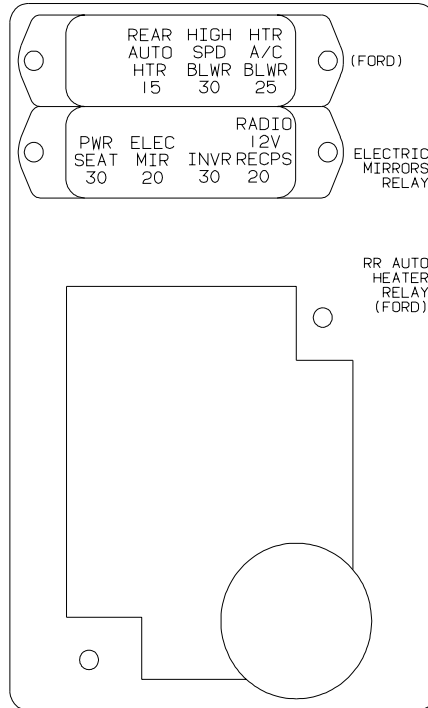


KEY PART NUMBER U/M DESCRIPTION
 111104-01-000 EA LABEL - HITCH - READ MANUAL - WHITE



KEY PART NUMBER U/M DESCRIPTION
 111537-08-000 EA LABEL - FUSES

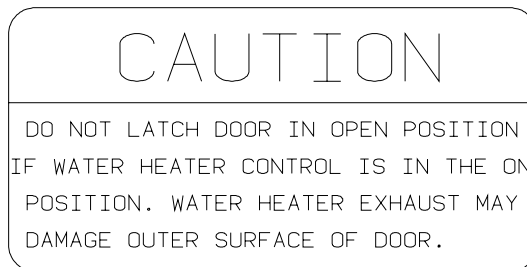
LABELS GROUP (CONTINUED)



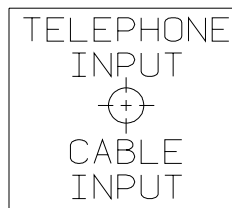
KEY PART NUMBER U/M DESCRIPTION
 111537-09-000 EA LABEL - FUSES

WARNING: CONTAINS "CFC" A SUBSTANCE WHICH HARMS PUBLIC HEALTH AND ENVIRONMENT BY DESTROYING OZONE IN THE UPPER ATMOSPHERE.

KEY PART NUMBER U/M DESCRIPTION
 111802-01-000 EA LABEL - CFC WARNING

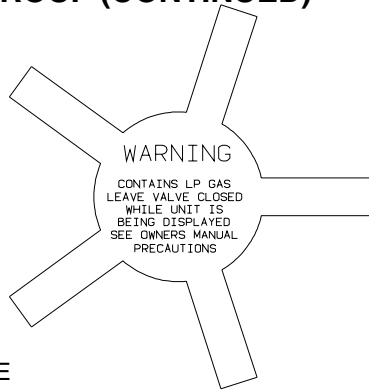


KEY PART NUMBER U/M DESCRIPTION
 113402-01-000 EA LABEL - CAUTION - WATER HEATER EXHAUST



KEY PART NUMBER U/M DESCRIPTION
 114866-02-000 EA LABEL - PHONE & CABLE INPUT - WHITE/CLEAR BACKGROUND
 114866-03-000 EA LABEL - PHONE & CABLE INPUT - BLACK/CLEAR BACKGROUND

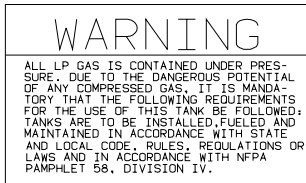
LABELS GROUP (CONTINUED)



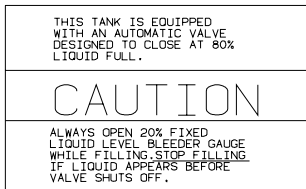
KEY PART NUMBER U/M DESCRIPTION
 115600-01-000 EA LABEL - WARNING LPG VALVE

WARNING: REPLACE TIRE ONLY WITH ONE OF EXACTLY SAME TYPE AND RATING. DO NOT REPLACE WITH PASSENGER CAR TIRE. SEE OPERATOR'S MANUAL FOR MORE INFORMATION CALL WINNEBAGO OWNER RELATIONS AT 1-800-537-1885.

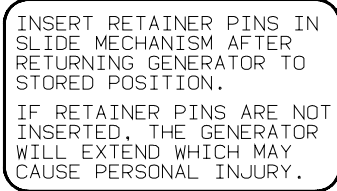
KEY PART NUMBER U/M DESCRIPTION
 115869-01-000 EA LABEL - WARNING - TIRE



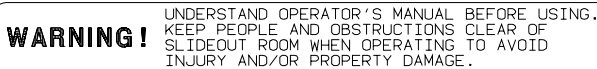
KEY PART NUMBER U/M DESCRIPTION
 116112-01-000 EA LABEL - WARNING - LP



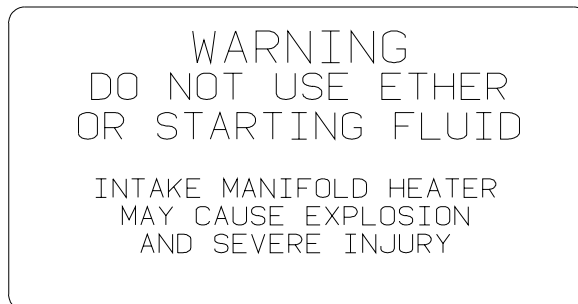
KEY PART NUMBER U/M DESCRIPTION
 116113-01-000 EA LABEL - CAUTION - LP



KEY PART NUMBER U/M DESCRIPTION
 116273-01-000 EA LABEL - WARNING - GENERATOR

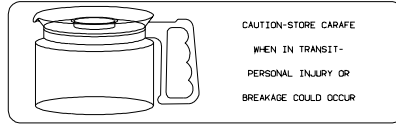


KEY PART NUMBER U/M DESCRIPTION
 116549-01-000 EA LABEL - WARNING - SLIDEOUT



KEY PART NUMBER U/M DESCRIPTION
 116756-02-000 EA LABEL - WARNING - ETHER/STARTING

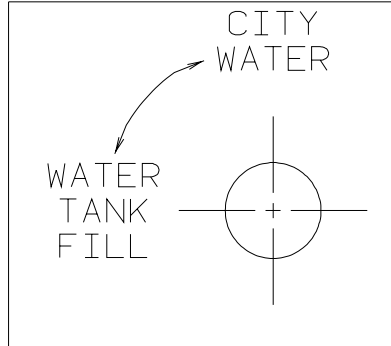
LABELS GROUP (CONTINUED)



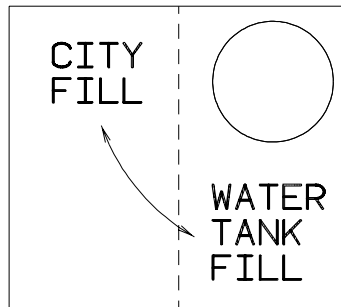
KEY PART NUMBER U/M DESCRIPTION
116829-02-000 EA LABEL - COFFEEMAKER



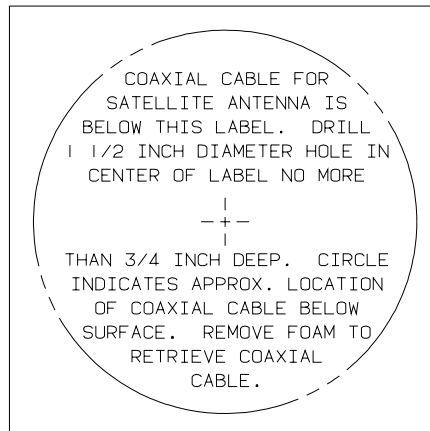
KEY PART NUMBER U/M DESCRIPTION
117628-02-000 EA LABEL - SWITCH - WATER PUMP/LIGHTS-WHITE/CLEAR BACKGROUND



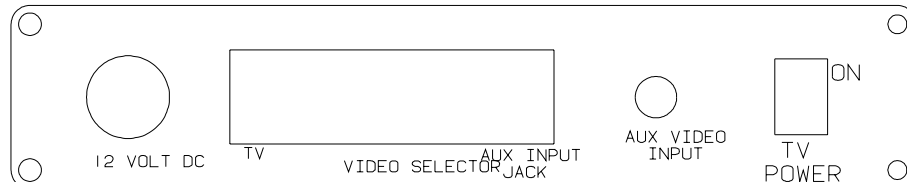
KEY PART NUMBER U/M DESCRIPTION
117629-03-000 EA LABEL - WATER PUMP/FILL-BLK LETTERS/CLEAR BACKGROUND-.31"



KEY PART NUMBER U/M DESCRIPTION
117629-04-000 EA LABEL - CITY WATER/TANK FILL



KEY PART NUMBER U/M DESCRIPTION
120431-01-000 EA LABEL - LOCATION - COAXIAL CABLE/SATELLITE ANTENNA



KEY PART NUMBER U/M DESCRIPTION
120677-01-000 EA LABEL - TV

LABELS GROUP (CONTINUED)

KEEP THE SERVICE INLET ACCESS
IN THE CLOSED POSITION WHEN
UTILITY CONNECTIONS ARE NOT IN USE

KEY	PART NUMBER	U/M DESCRIPTION
	123562-01-000	EA LABEL - SERVICE/UTILITY ACCESS

WARNING

ALL PILOT LIGHTS, APPLIANCES AND THIER
IGNITORS (SEE OPERATING INSTRUCTIONS) SHALL
BE TURNED OFF DURING REFUELING OF MOTOR
FUEL TANKS AND/OR LP GAS CONTAINERS

KEY	PART NUMBER	U/M DESCRIPTION
	124519-01-01A	EA LABEL - WARNING/REFUELING - BLACK ON CLEAR
	124519-01-02A	EA LABEL - WARNING/REFUELING - WHITE ON CLEAR

WARNING:

ALL PILOT LIGHTS AND APPLIANCES SHALL BE TURNED
OFF DURING REFUELING OF MOTOR FUEL TANKS AND/
OR PROPANE CONTAINERS.

AVERTISSEMENT :

FERMER TOUTES LES VEILLEUSES AINSI QUE TOUS LES
APPAREILS LORSQU'ON FAIT LE PLEIN DES RESERVOIRS
À CARBURANT OU À PROPANE.

124519-02

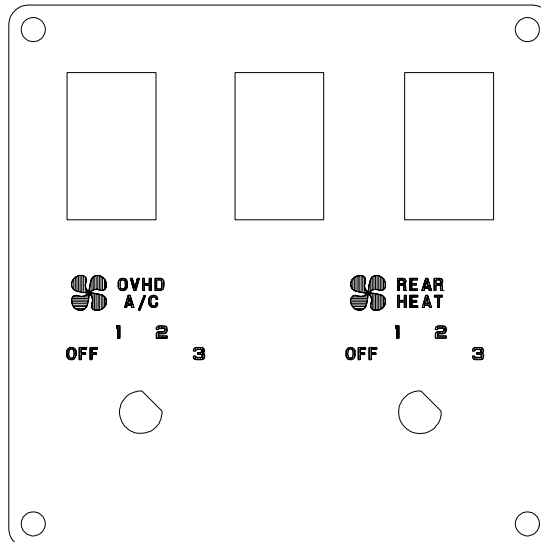
KEY	PART NUMBER	U/M DESCRIPTION
	124519-02-01A	EA LABEL - WARNING/REFUELING - BLACK ON CLEAR - CSA
	124519-02-02A	EA LABEL - WARNING/REFUELING - WHITE ON CLEAR - CSA

LP-GAS SYSTEM
THIS GAS PIPING SYSTEM IS
DESIGNED FOR USE OF
LIQUIFIED PETROLEUM GAS
ONLY. DO NOT CONNECT
NATURAL GAS TO THIS
SYSTEM.

SECURE CAP INLET(S) WHEN NOT
CONNECTED FOR USE. AFTER TURNING
ON GAS, EXCEPT AFTER NORMAL
CONTAINER REPLACEMENT, TEST GAS
PIPING AND CONNECTIONS TO
APPLIANCES FOR LEAKAGE WITH SOAPY
WATER OR BUBBLE SOLUTION. DO NOT
USE PRODUCTS THAT CONTAIN AMMONIA
OR CLORINE.

124520

KEY	PART NUMBER	U/M DESCRIPTION
	124520-01-01A	EA LABEL - LP GAS ONLY - BLACK ON CLEAR
	124520-01-02A	EA LABEL - LP GAS ONLY - WHITE ON CLEAR



KEY	PART NUMBER	U/M DESCRIPTION
	124572-01-000	EA LABEL - SWITCHES

LABELS GROUP (CONTINUED)

THIS CONNECTION IS FOR
(B) VOLT AC, 60 HZ (CYCLES)
(A) AMPERE SUPPLY

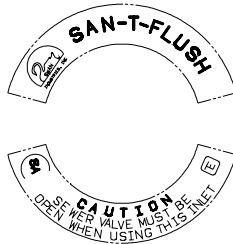
DO NOT CONNECT TO
HIGHER VOLTAGE

KEY	PART NUMBER	U/M DESCRIPTION
	125306-01-01A	EA LABEL - ELECTRICAL ENTRANCE - 110V 30 AMP - BLACK ON CLEAR
	125306-01-02A	EA LABEL - ELECTRICAL ENTRANCE - 110V 30 AMP - WHITE ON CLEAR

THIS CONNECTION IS FOR
(B) VOLT AC, 3-POLE, 4 WIRE
60 HZ (CYCLES), (A) AMPERE SUPPLY

DO NOT CONNECT TO
HIGHER VOLTAGE

KEY	PART NUMBER	U/M DESCRIPTION
	125306-04-01A	EA LABEL-ELECTRICAL ENTRANCE-120/240V 50 AMP-BLACK ON CLEAR
	125306-04-02A	EA LABEL - ELECTRICAL ENTRANCE-120/240V 50 AMP-WHITE ON CLEAR



KEY	PART NUMBER	U/M DESCRIPTION
	125697-07-000	EA LABEL - CAUTION - FLUSHING SYSTEM

REMOVE PRIMARY TIRE HANGER BEFORE USING
SPARE TIRE HOIST-SEE OWNERS MANUAL- PERSONAL
INJURY MAY RESULT IF NOT FOLLOWED

KEY	PART NUMBER	U/M DESCRIPTION
	126024-01-01A	EA LABEL - TIRE HANGER REMOVAL

GRAY HOLDING TANK

KEY	PART NUMBER	U/M DESCRIPTION
	126247-05-000	EA LABEL - GRAY HOLDING TANK-BLACK LETTERS/CLEAR BACKGROUND

BLACK HOLDING TANK

KEY	PART NUMBER	U/M DESCRIPTION
	126247-06-000	EA LABEL - BLACK HOLDING TANK-BLACK LETTERS/CLEAR BACKGROUND

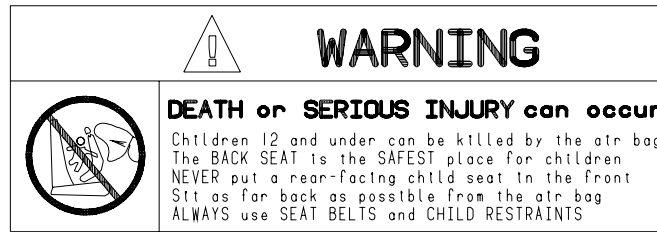
EXTERIOR SHOWER

KEY	PART NUMBER	U/M DESCRIPTION
	126248-03-000	EA LABEL - EXTERIOR SHOWER

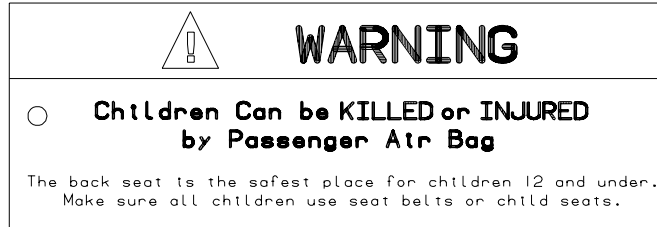
CITY WATER FILL

KEY	PART NUMBER	U/M DESCRIPTION
	126249-03-000	EA LABEL - CITY WATER FILL-BLK LETTERS/CLEAR BACKGROUND .31"

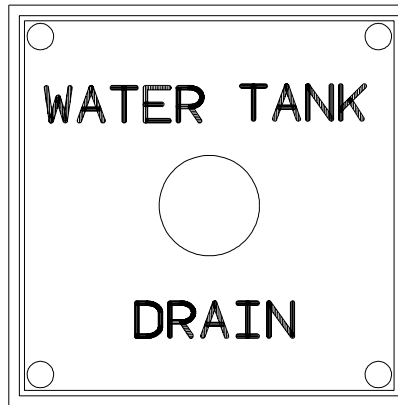
LABEL GROUP (CONTINUED)



KEY PART NUMBER U/M DESCRIPTION
 126611-01-000 EA LABEL - AIR BAG - VISOR



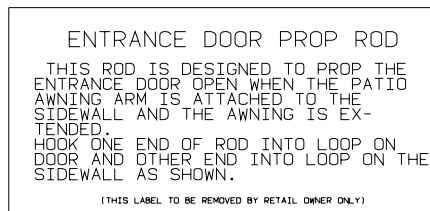
KEY PART NUMBER U/M DESCRIPTION
 126612-01-000 EA LABEL - HANG TAG - AIR BAG - DASH



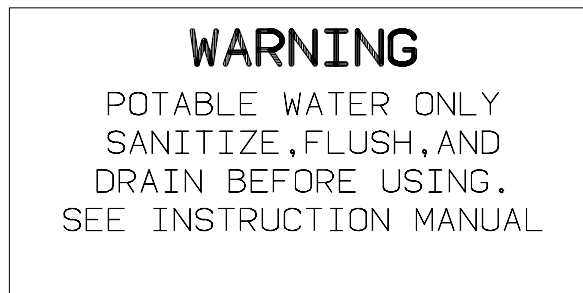
KEY PART NUMBER U/M DESCRIPTION
 127170-01-000 EA LABEL - WATER TANK DRAIN



KEY PART NUMBER U/M DESCRIPTION
 128218-01-01A EA LABEL - WARNING - SLIPPERY ROOF

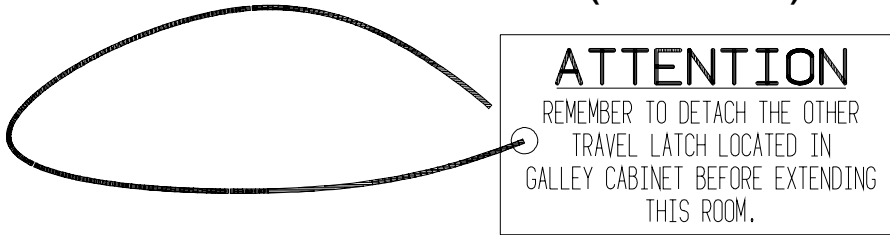


KEY PART NUMBER U/M DESCRIPTION
 128658-01-000 EA LABEL - PROP ROD - ENTRY DOOR



KEY PART NUMBER U/M DESCRIPTION
 128725-01-01A EA LABEL - POTABLE WATER ONLY - BLACK ON CLEAR

LABELS GROUP (CONTINUED)



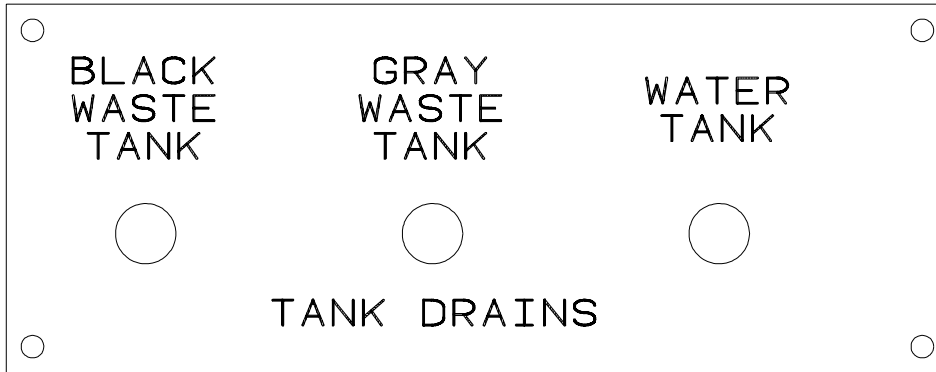
KEY PART NUMBER U/M DESCRIPTION
 129033-01-000 EA LABEL - HANG TAG - TRAVEL LATCH - 1.5" X 3"

TOW VEHICLE RATING MAY BE LESS THAN HITCH RATING.
 MAXIMUM VERTICAL HITCH LOAD: 350 LBS
 DO NOT EXCEED REAR AXLE RATING.
 SEE OWNER'S MANUAL FOR ADDITIONAL INFORMATION.

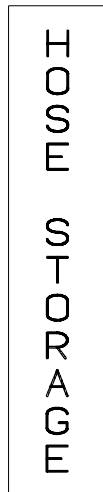
KEY PART NUMBER U/M DESCRIPTION
 129669-01-01A EA LABEL - HITCH/VEHICLE RATE - 350 - WHITE ON CLEAR
 129669-02-01A EA LABEL - HITCH/VEHICLE RATE - 500- WHITE ON CLEAR
 129669-02-02A EA LABEL - HITCH/VEHICLE RATE - 500 - BLACK ON CLEAR

TIRE ROTATION
 SEE RIALTA OWNERS MANUAL
 SECTION 9

KEY PART NUMBER U/M DESCRIPTION
 129684-01-000 EA LABEL - TIRE ROTATION



KEY PART NUMBER U/M DESCRIPTION
 130166-01-000 EA LABEL - DRAIN



KEY PART NUMBER U/M DESCRIPTION
 130167-02-000 EA LABEL - HOSE STORAGE



KEY PART NUMBER U/M DESCRIPTION
 130168-01-000 EA LABEL - WASTE TANK FLUSH

LABELS GROUP (CONTINUED)

MONITOR WATER
 PANEL LIGHT PUMP

KEY PART NUMBER U/M DESCRIPTION
 130170-01-000 EA LABEL - SWITCH PANEL - BLK/CLEAR BACKGROUND-1.8"H X 5.9"L

LIGHTS WATER
 PUMP

KEY PART NUMBER U/M DESCRIPTION
 130170-02-000 EA LABEL - SWITCH PANEL-BLK/CLEAR BACKGROUND-1.4"H X 3.9"L

WATER
 PUMP

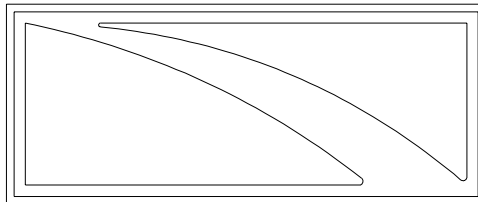
KEY PART NUMBER U/M DESCRIPTION
 130170-03-000 EA LABEL - PANEL SWITCH

CAUTION:
 OPEN A WINDOW OR VENT WHILE
 OPERATING DRYER. IT IS DANGEROUS
 TO CREATE A NEGATIVE AIR PRESSURE
 INSIDE A VEHICLE CONTAINING
 FUEL-BURNING APPLIANCES

KEY PART NUMBER U/M DESCRIPTION
 130670-01-01A EA LABEL - CAUTION DRYER VENTING - BLACK ON CLEAR

PUSH TO
 RELEASE
 GENERATOR
 SLIDE ASM

KEY PART NUMBER U/M DESCRIPTION
 131779-01-01A EA LABEL - GENERATOR



KEY PART NUMBER U/M DESCRIPTION
 132651-01-01A EA DECAL - MIRROR/GALLEY

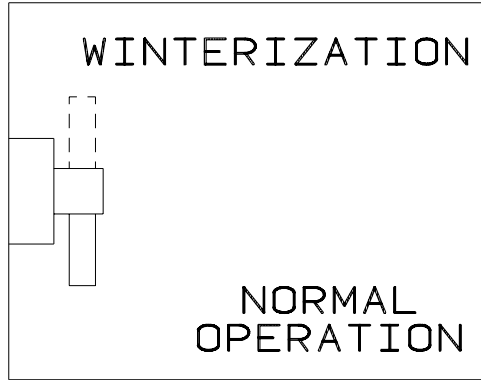
OPEN ○
 DRAIN
 CLOSED ○

KEY PART NUMBER U/M DESCRIPTION
 133423-01-01A EA LABEL - DRAIN

LABELS GROUP (CONTINUED)



KEY PART NUMBER U/M DESCRIPTION
133424-01-01A EA LABEL - BYPASS - WATER HEATER



KEY PART NUMBER U/M DESCRIPTION
133425-01-01A EA LABEL - VALVE - WINTERIZATION



KEY PART NUMBER U/M DESCRIPTION
133533-01-01A EA LABEL - JACKS DOWN - CLEAR W/WHITE LETTERING

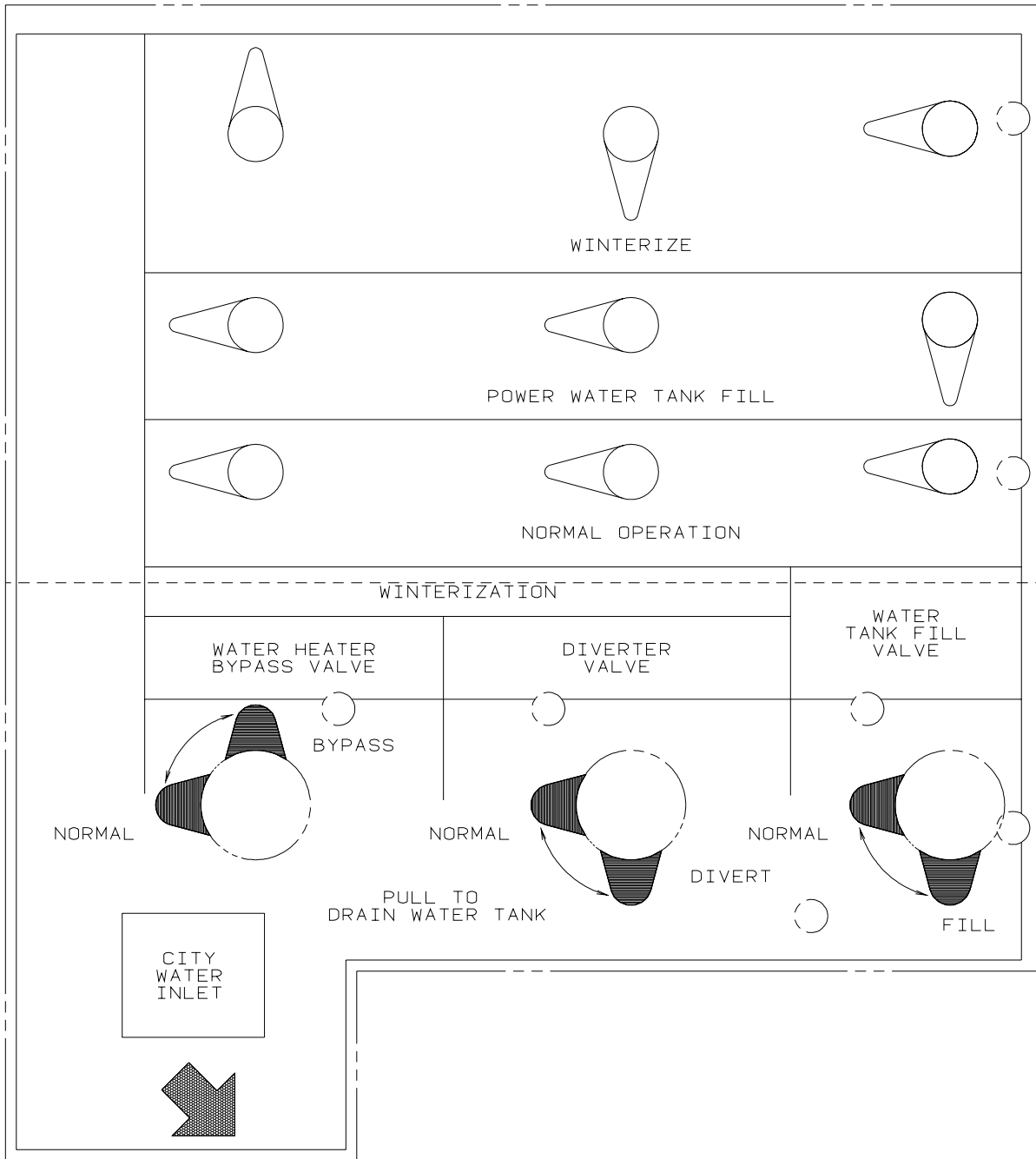


KEY PART NUMBER U/M DESCRIPTION
133533-02-01A EA LABEL - CHECK ANTENNA - CLEAR W/WHITE LETTERING



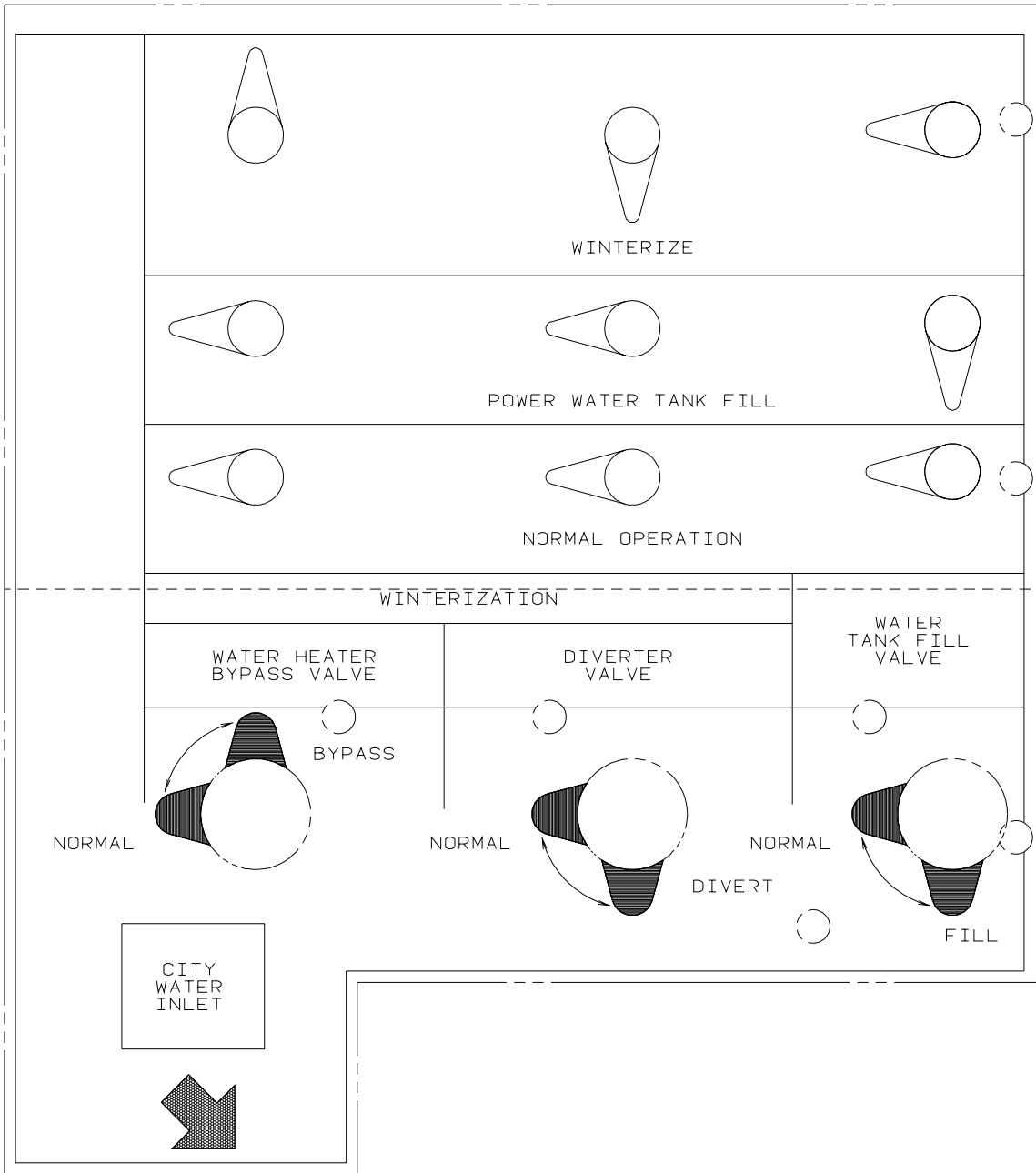
KEY PART NUMBER U/M DESCRIPTION
133533-03-01A EA LABEL - LOCK/UNLOCK - BLACK/WHITE

LABELS GROUP (CONTINUED)

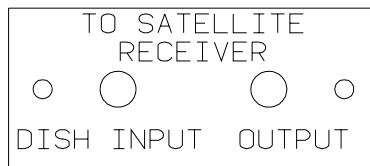


KEY	PART NUMBER	U/M	DESCRIPTION
	133629-01-01A	EA	LABEL - WATER CENTER

LABELS GROUP (CONTINUED)



KEY	PART NUMBER	U/M DESCRIPTION
	133629-02-01A	EA LABEL - WATER CENTER - BLACK/CLEAR



KEY	PART NUMBER	U/M DESCRIPTION
	134250-01-01A	EA LABEL - SATELLITE RECEIVER - BLACK/CLEAR

THIS SEAT IS NOT INTENDED
FOR OCCUPANCY WHEN
VEHICLE IS IN MOTION

KEY	PART NUMBER	U/M DESCRIPTION
	134538-01-01A	EA LABEL - OCCUPANCY - NO SEAT BELT - BLACK ON CLEAR - US

LABELS GROUP (CONTINUED)

DST ISICE SIEGE N/EST PAS DESTINE A ETRE OCCUPE LORSQUE LE VEHICULE EST IN MOVUEMENT	THIS SEAT IS NOT INTENDED FOR OCCUPANCY WHILE VEHICLE IS IN MOTION
--	--

KEY PART NUMBER U/M DESCRIPTION
134538-02-01A EA LABEL - OCCUPANCY - NO SEAT BELT - BLACK ON CLEAR - CSA

WARNING

IT IS NOT SAFE TO USE COOKING
APPLICANCES FOR COMFORT HEATING

COOKING APPLICANCES NEED FRESH AIR FOR SAFE OPERATION
BEFORE OPERATION.

1. OPEN OVERHEAD VENT OR TURN ON EXHAUST FAN AND;
2. OPEN WINDOW.

KEY PART NUMBER U/M DESCRIPTION
134539-01-01A EA LABEL - WARNING - STOVE/HEATING - US - BLACK ON CLEAR

HOLDING TANK HEATER

TURN OFF WHEN NOT IN USE
SEE OPERATOR'S MANUAL

KEY PART NUMBER U/M DESCRIPTION
134563-01-01A EA LABEL - SWITCH - HEATER

THIS VEHICLE MAY INCLUDE MERCURY-CONTAINING DEVICES INSTALLED BY THE MANUFACTURER:

FLUORESCENT TUBES, RANGES WITH OVEN, HWH LEVEL SENSING UNIT.

REMOVE DEVICES BEFORE VEHICLE DISPOSAL UPON REMOVAL OF
DEVICES: PLEASE REUSE, RECYCLE, OR DISPOSE AS HAZARDOUS WASTE

135869-01A

KEY PART NUMBER U/M DESCRIPTION
135869-01-01A EA LABEL - MERCURY CONTENT - BLACK ON CLEAR

LIQUID SOAP

KEY PART NUMBER U/M DESCRIPTION
136047-01-01A EA LABEL - LIQUID SOAP

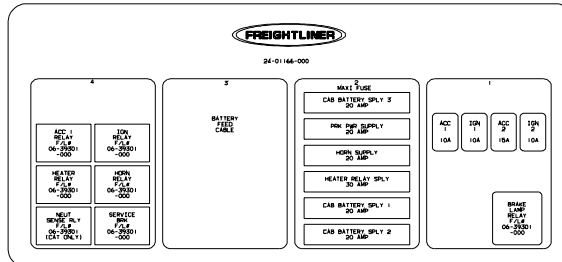
DOOR LOCK	DOOR UNLOCK	RIGHT COMPT DOOR LOCK	RIGHT COMPT DOOR UNLOCK	LEFT COMPT DOOR LOCK	LEFT COMPT DOOR UNLOCK	AUX START SOLENOID	AMP SOURCE
POWER MIRRORS	HEATER BLOWER	PASS HEATER BLOWER	FOG LAMPS	DOCKING LAMPS	DOCKING LAMPS SWITCH TRIGGER	COOLING FANS	

KEY PART NUMBER U/M DESCRIPTION
136161-01-01A EA LABEL - RELAY - MATTE BLACK/WHITE LETTERS

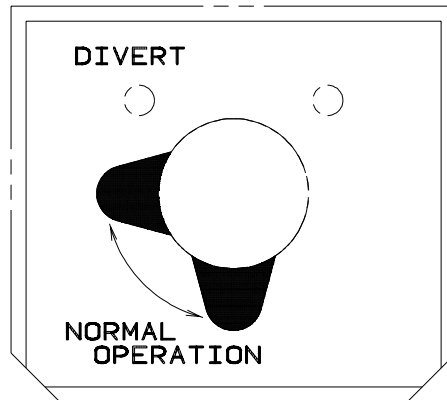
LABELS GROUP (CONTINUED)

LT - AIR BAGS - RT

KEY PART NUMBER U/M DESCRIPTION
 136360-01-01A EA LABEL - AIR BAGS



KEY PART NUMBER U/M DESCRIPTION
 137090-01-000 EA LABEL - ELECTRICAL CENTER



KEY PART NUMBER U/M DESCRIPTION
 137997-01-01A EA LABEL - WINTERIZATION VALVE - BLACK/CLEAR



KEY PART NUMBER U/M DESCRIPTION
 140190-01-01A EA DECAL/LOGO - V6 (DOMED) - CYAN/MAGENTA/YELLOW/BLACK

LABELS GROUP (CONTINUED)

WARNING

THIS SYSTEM IS DESIGNED FOR USE WITH PROPANE ONLY
DO NOT CONNECT NATURAL GAS TO THIS SYSTEM

BEFORE TURNING ON PROPANE:

- (A) BE CERTAIN APPLIANCES ARE CERTIFIED FOR PROPANE AND ARE EQUIPPED WITH CORRECT BURNING ORIFICES.
- (B) MAKE CERTAIN ALL PROPANE CONNECTIONS ARE TIGHT BY TESTING WITH SOAPY WATER. ALL APPLIANCE VALVES ARE TURNED OFF, AND ANY UNCONNECTED OUTLETS ARE CAPPED.

AFTER TURNING ON PROPANE:

- (A) LIGHT ALL PILOT LIGHTS
- (B) (B) ALL CONNECTIONS, INCLUDING THOSE AT THE APPLIANCES, REGULATORS AND CYLINDERS SHOULD BE LEAK-TESTED PERIODICALLY WITH SOAPY WATER BY THE OCCUPANT. NEVER USE A LIGHTED MATCH OR OTHER FLAME WHEN CHECKING FOR LEAKS.
- (C) DO NOT LEAVE SYSTEM TURNED ON OF CONTAINERS CONNECTED UNTIL THE SYSTEM HAS BEEN PROVEN TO BE FREE OF LEAKS.
- (D) COOKING APPLIANCES SHOULD NOT BE USED FOR SPACE HEATING.
- (E) WHEN THE CONTAINERS ARE DISCONNECTED THE PROPANE SUPPLY LINE SHOULD BE CAPPED OR PLUGGED.

AVERTISSEMENT

CETTE INSTALLATION EST CONÇUE POUR LE PROPANE SEULEMENT
NE PAS L'ALIMENTER EN GAZ NATUREL

AVANT LA MISE EN SERVICE:

- (A) S'ASSURER QUE LES APPAREILS SONT CERTIFIÉS POUR LE PROPANE ET MUNIS D'ORIFICES DE BRÛLEUR APPROPRIÉS.
- (B) VÉRIFIER L'ÉTANCHEITÉ DE TOUS LES RACCORDEMENTS AU PROPANE. LA PERMÉABILITÉ DE TOUS LES ROBINETS D'APPAREILS ET L'OBTURATION DE TOUTES LES SORTIES NON RACCORDEES.

APRÈS LA MISE EN SERVICE:

- (A) ALLUMER TOUTES LES VEILLEUSES.
- (B) L'OCCUPANT DOIT ÉPROUVER PÉRIODIQUEMENT L'ÉTANCHEITÉ DE TOUS LES RACCORDEMENTS Y COMPRIS CEUX AUX APPAREILS, AUX DÉTENDEURS ET AUX BOUTEILLES, EN Y APPLIQUANT DE L'EAU SAVONNEUSE NE JAMAIS SE SERVIR D'UNE ALLUMETTE OU AUTRE POUR LA DÉTECTION DES FUITES.
- (C) NE PAS LAISSER L'ALIMENTATION OUVERTE NI LES RÉCIPIENTS RACCORDES AVANT D'AVOIR COMPLÉTÉ L'ÉPREUVE D'ÉTANCHEITÉ AU PROPANE DE L'INSTALLATION.
- (D) LES APPAREILS DE CUISSON NE DOIVENT PAS ÊTRE UTILISÉS POUR LE CHAUFFAGE DES LOCAUX.
- (E) LORSQUE LES RÉCIPIENTS SONT DÉCONNECTÉS, L'ALIMENTATION DE PROPANE DOIT ÊTRE OBTURÉE OU SCELLÉE.

KEY PART NUMBER **U/M DESCRIPTION**
023769-01-000 EA LABEL - WARNING - LPG - CANADIAN

WINNEBAGO	
EMISSION CONTROL INFORMATION	
CATALYST	
ENGINE FAMILY	XXXXXXX
EVAP. FAMILY	XXXXXXX
EXH.EMISSION CONTR.SYST.	SFI/AIR/TWC/HO2S(2)
DISPL 2792 CC	OBD II CERTIFIED
TUNE UP SPECIFICATIONS:	NO ADJUSTMENT NEEDED
CARB EXH.EMISSION STAND.	STANDARD CATEGORY
CERTIFICATION	XXX
IN-USE	XXX
<small>THIS HEAVY DUTY VEHICLE CONFORMS TO U.S. EPA REGULATIONS APPLICABLE TO XXXX MODEL YEAR LIGHT-DUTY TRUCKS UNDER THE SPECIAL PROVISIONS OF 40 CFR XXXXX, AND IS CERTIFIED TO MEDIUM-DUTY VEHICLE STANDARDS FOR SALE IN CALIFORNIA.</small>	
XXXX	
BAR CODE	

KEY PART NUMBER **U/M DESCRIPTION**
124709-06-000 EA LABEL - EMISSION CONTROL - DUAL

LABELS GROUP (CONTINUED)

NORMAL
OPERATION

KEY	PART NUMBER	U/M	DESCRIPTION
	133424-02-01A	EA	LABEL - NORMAL OPERATION

WTR HTR
BYPASS

KEY	PART NUMBER	U/M	DESCRIPTION
	133424-03-01A	EA	LABEL - WATER HEATER BYPASS - BLACK/CLEAR

THIS CHAIR IS NOT INTENDED
FOR OCCUPANCY WHEN VEHICLE
IS IN MOTION AND MUST BE
RETURNED TO STOWED POSITION

DTS ISICE SIEGE N'EST PAS DESTINE A ETRE OCCUPE LORSQUE
LE VEHICULE EST EN MOUVEMENT
ET IL FAUT QUE LE RANGER
THIS CHAIR IS NOT INTENDED
FOR OCCUPANCY WHEN VEHICLE
IS IN MOTION AND MUST BE
RETURNED TO STOWED POSITION

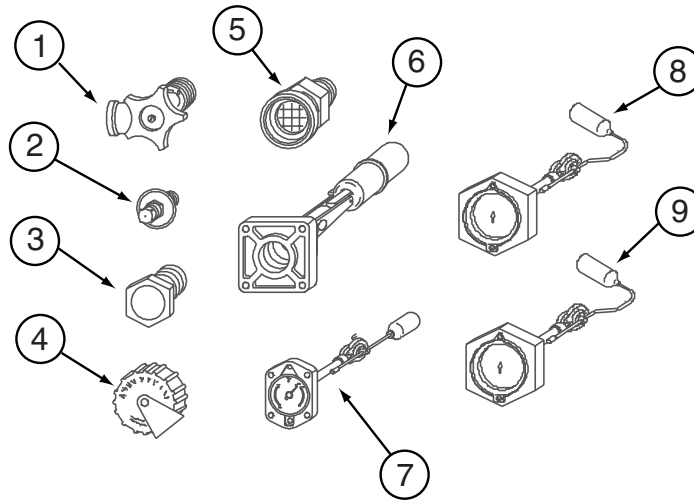
KEY	PART NUMBER	U/M	DESCRIPTION
	134537-01-01A	EA	LABEL - OCCUPANCY - CHAIR - US

LP GROUP
LP SYSTEM

KEY	PART NUMBER	U/M	DESCRIPTION
	045703-03-000	EA	HOSE - LP - 3/8"ID X 18" - 3/8"MPT X 1/2"F SWIVEL - U.S.
	105658-01-000	EA	COMPARTMENT - LP REGULATOR
	106150-01-000	EA	REGULATOR - TWO STAGE-W/90 DEGREE ELBOW & 3/8" FPT OUTLET
	045703-16-000	EA	HOSE - LP - 3/8"ID X 109" - 1/2" F SWIV FLR X 3/8" M FLR
	045703-12-000	EA	HOSE - LP - 3/8"ID X 18" - 3/8"MPT X 1/2"F SWIVEL - CANADA
	045703-13-000	EA	HOSE - LP - 3/8"ID X 120" - 3/8"F SWIVEL X 1/2"F SWIVEL US
	010326-01-000	EA	ADAPTER - FLARE - W/CONE GASKET - 3/8"F X 1/2"F
	010252-01-000	EA	ELBOW - BRASS - 90 DEGREE - 3/8"F X 1/2"MPT
	010323-01-000	EA	ADAPTER - BRASS - 3/8"F X 1/2"MPT
	010329-01-000	EA	ADAPTER - BRASS - 1/2"F X 1/2"MPT
	010515-03-000	EA	ELBOW - BLACK - 1/2 X 90 DEGREE STEEL
	010536-02-000	EA	TEE - STEEL BLACK - 1/2"
	106846-01-000	EA	VALVE - RELIEF
	106871-01-000	EA	BUSHING - 1/2 X 1/4 - BLACK
	040440-03-000	EA	TRANSMITTER - DIAL/SNAP-ON - 0-90 OHM 2 TERM(POWER/GROUND)
*	088253-05-000	EA	TANK - LP - 130 LB - LIQUID DRAW - LP GENERATOR
*	088253-06-000	EA	TANK - LP - 130 LB - DIESEL GENERATOR
	010377-02-000	EA	NUT - BRASS - 3/8" FLARE - FORGED
	010380-02-000	EA	NUT - BRASS - 1/2" FLARE - FORGED
	033759-01-000	EA	ELBOW - 90 DEGREE - 3/8" F X 3/8" F
	045703-09-000	EA	HOSE - LP - 3/8"ID X 24" - 3/8"ID F SWIVEL X 3/8"ID F SWIV
	103613-03-000	EA	DETECTOR - LP GAS - W/O SHUT-OFF VALVE

***COMPONENT PARTS LISTED LATER IN THIS GROUP**

LP GROUP (CONTINUED)
COMPONENT PARTS FOR LP SYSTEM



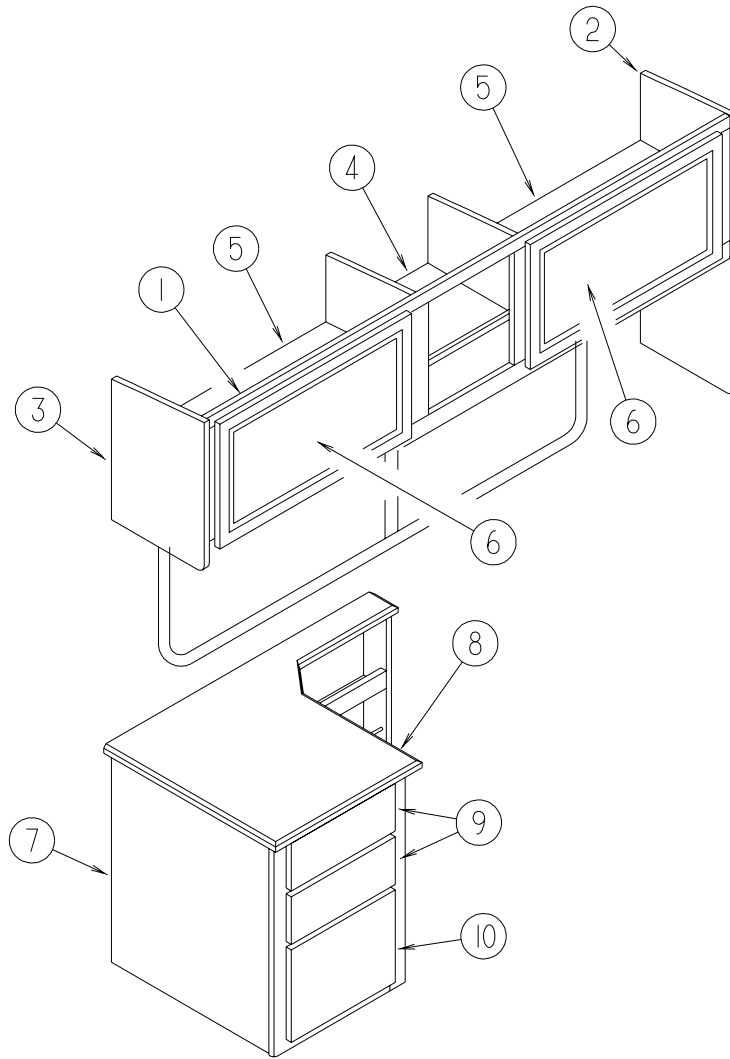
088253-05-000

KEY	PART NUMBER	U/M	DESCRIPTION	VENDOR NO.
1	040421-01-708	EA	HANDWHEEL-SERVICE VALVE	G-1015-A
1	040421-01-710	EA	VALVE-SERVICE, LIQUID	910145
1	040421-01-712	EA	VALVE,SERV. W/O VAPOR RELIEF	29000853
2	040421-01-700	EA	VALVE-LIQUID LEVEL, 20%	G-1013
3	040421-01-713	EA	VALVE-RELIEF 1" W/SPRING 7"	29000587
4	040421-01-702	EA	CAP-FILL VALVE, PLASTIC	G-1014-A
5	040421-01-701	EA	VALVE-FILL-SHORT, LP	7547B
6	040421-01-711	EA	VALVE-80% FILL W/AUTO STOP	LLL/TL3
7			NOT WHAT IS ILLUSTRATED HERE	
8			NOT WHAT IS ILLUSTRATED HERE	
9	088253-01-700	EA	FLOAT/BOLT ON-SCREW ON DIAL	SG16C0000071
9	088253-01-702	EA	FLOAT/SCREW IN-SNAP ON DIAL	SG16C0001442

088253-06-000

KEY	PART NUMBER	U/M	DESCRIPTION	VENDOR NO.
1	040421-01-708	EA	HANDWHEEL-SERVICE VALVE	G-1015-A
1	040421-01-712	EA	VALVE,SERV. W/O VAPOR RELIEF	29000853
2	040421-01-700	EA	VALVE-LIQUID LEVEL, 20%	G-1013
3	040421-01-713	EA	VALVE-RELIEF 1" W/SPRING 7"	29000587
4	040421-01-702	EA	CAP-FILL VALVE, PLASTIC	G-1014-A
5	040421-01-701	EA	VALVE-FILL-SHORT, LP	7547B
6	040421-01-711	EA	VALVE-80% FILL W/AUTO STOP	LLL/TL3
7			NOT WHAT IS ILLUSTRATED HERE	
8			NOT WHAT IS ILLUSTRATED HERE	
9	088253-01-700	EA	FLOAT/BOLT ON-SCREW ON DIAL	SG16C0000071
9	088253-01-702	EA	FLOAT/SCREW IN-SNAP ON DIAL	SG16C0001442

LOUNGE GROUP CABINETS



KEY	PART NUMBER	U/M	DESCRIPTION
1	136859-04-N70	EA	CABINET - OVERHEAD/FRONT/RIGHT HAND - W/O DOORS/HARDWARE - W/DELUXE SOUND
1	136859-03-N70	EA	CABINET - OVERHEAD/FRONT/RIGHT HAND - W/O DOORS/HARDWARE - W/O DELUXE SOUND
2	P38119-14-N70	EA	END CAP - OVERHEAD CABINET
3	P38119-11-N70	EA	END CAP - OVERHEAD/CABINET
4	136859-23-N70	EA	SHELF - W/EDGE MOLDING
5	136859-21-N70	EA	SHELF - W/EDGE MOLDING
6	132141-14-N30	EA	DOOR - RAIL/VENEER - 15.7" X 27.9" - W/O HARDWARE
7	139401-01-N70	EA	CABINET - LOUNGE - W/O COUNTERTOP/DOORS/DRAWERS/HARDWARE - W/LOUNGE CHAIR
8	133655-46-N70	EA	COUNTERTOP - LAMINATED - PORTSMOUTH OAK - W/LOUNGE CHAIR
9	M09316-M6-N70	EA	DRAWER - OGEE EDGE - 12.7"W X 19.7"D - W/O SLIDES/HARDWARE - W/LOUNGE CHAIR
10	M09316-M7-N70	EA	DRAWER - OGEE EDGE - 12.7"W X 19.7"D - W/O SLIDES/HARDWARE - W/LOUNGE CHAIR

SEALANTS & FASTENERS GROUP

SEALANTS & ADHESIVES

KEY	PART NUMBER	U/M	DESCRIPTION
	004001-05-000	EA	ADHESIVE - SCOTCH-WELD - 3M DP100 - CLEAR - 50ML
	004020-01-000	QT	ADHESIVE - ABS CEMENT - QUART
	010405-02-000	EA	TAPE - THREAD SEALING - 3/8"
	034552-15-000	EA	SILICONE - TUBE - W/O NOZZLE - BRIGHT WHITE
	053766-06-000	EA	BEDDING COMPOUND - TUBE - CLEAR
	062917-03-000	EA	ADHESIVE - LOCTITE 242
	063642-01-000	FT	TAPE - ADHESIVE - .4" X 1.5" X 180'
	067788-01-000	EA	ADHESIVE - SPRAY - 3M - 19.5 OZ AEROSOL CAN
	069640-01-000	FT	SEALER - RIBBON - 1/4" DIAMETER X 30' - BLACK
	069640-02-000	FT	SEALER - TAPE - .13"THICK X .5"WIDE X 60' - GRAY
	069640-03-000	FT	SEALER - TAPE - .13"THICK X .75"WIDE X 60' - BLACK
	069640-07-000	FT	SEALER - TAPE - .09" THICK X 2" WIDE X 45' - GRAY
	069640-09-000	FT	SEALER - TAPE - .03" THICK X 2.50"WIDE X 80' - GRAY
	069640-10-000	FT	SEALER - TAPE - .03" THICK X 1.50" WIDE X 90' - GRAY
	069640-11-000	FT	SEALER - TAPE - .19" THICK X .38" WIDE X 40' - BLACK
	069640-13-000	FT	SEALER - TAPE - .03" THICK X 2" WIDE X 45' - BLACK
	069640-14-000	FT	SEALER - TAPE - .06" THICK X 1" WIDE X 100' - GRAY
	069640-15-000	FT	SEALER - TAPE - .06"THICK X .38"WIDE X 100' - GRAY
	069640-17-000	FT	SEALER - TAPE - .03" THICK X 1" WIDE X 90' - GRAY
	069640-18-000	FT	SEALER - TAPE - .50" THICK X .13" WIDE X 60' - BRT WHITE
	069640-19-000	FT	SEALER - TAPE - .75" THICK X .13" WIDE X 60' - BRT WHITE
	069640-20-000	FT	SEALER - TAPE - .50" THICK X 1/8" WIDE X 60' - BLACK
	069640-21-000	FT	SEALER - TAPE - .50" THICK X 1/16" WIDE X 100'-BRIGHT WHT
	069640-22-000	FT	SEALER - TAPE - .25" THICK X 1/32" WIDE X 100'- BRIGHT WHT
	069640-23-000	FT	SEALER - TAPE - .06" THICK X 3/4" WIDE X 100' - BRT WHITE
	069640-25-000	FT	SEALER - TAPE - .06" THICK X 3.5" WIDE X 50' - GRAY
	069640-27-000	FT	SEALER - TAPE - .06" THICK X 2.25" WIDE - BRIGHT WHITE
	069640-28-000	FT	SEALER - TAPE - 1/32" X 2"
	072889-01-000	EA	SEALANT - URETHANE - BLACK - TUBE
	076322-01-000	FT	TAPE-DOUBLE COATED/ADHESIVE BK-.03"THK X .8"W X 216'- WHT
	076322-02-000	FT	TAPE-DOUBLE COATED/ADHESIVE BK-.05"THK X 1"W X 108' - WHT
	076322-03-000	FT	TAPE-DOUBLE COATED/ADHESIVE BK-.05"THK X .5"W X 108' - WHT
	076322-04-000	FT	TAPE-DOUBLE COATED/ADHESIVE BK-.05"THK X .8"W X 108' - WHT
	076322-05-000	FT	TAPE-DOUBLE COATED/ADHESIVE BK-.05"THK X .8"W X 108' - WHT
	076322-07-000	FT	TAPE-DOUBLE COATED/ADHESIVE BK-.05"THK X .5"W X 200' - BLK
	076322-11-000	FT	TAPE-DOUBLE COATED/ADHESIVE BK-.02"THK X 1"W X 216' - CLR
	086276-01-000	EA	TAPE - DOUBLE SIDED - 1/2" WIDE X 108' LONG (SOLD BY ROLL)
	088479-01-000	EA	TAPE - ALUMINUM - 3"
	090340-01-000	FT	SEAL - FOAM - CLOSED CELL - 1/4" X 1/2" X 50'
	091255-02-000	FT	SEAL - ADHESIVE BACKED/FOAM - 3/64" THICK X 3/16"W X 1000'
	091255-03-000	FT	SEAL - ADHESIVE BACKED/FOAM - 1/4" THICK X 1/4"W X 1000'
	094401-03-000	EA	SEALER - BODY SEAM - BLACK
	094401-04-000	EA	SEALER - BODY SEAM - CLEAR
	098408-01-000	FT	SEAL - SPONGE RUBBER - CLOSED CELL
	099069-01-000	FT	SEAL - RUBBER - CLOSED SPONGE - .5" WIDE X .12" THICK -BLK
	099418-01-000	FT	SEAL - D-SECTION/ADHESIVE BACK - .44" X .44"- BLK RUBBER
	099418-02-000	FT	SEAL - D SECTION - WHITE
	099952-01-000	FT	CORE - SEAL - BULB SUPPORT
	100128-02-000	FT	SEAL - FOAM/ADHESIVE BACK - .37" WIDE X .37" THICK
	104692-01-000	FT	SEAL - ADHESIVE BACKED FOAM - 3/4" THICK X 3/4" WIDE X 25'
	104692-03-000	FT	SEAL - ADHESIVE BACKED FOAM - 1" THICK X 1 3/4" WIDE X 15'
	106206-01-000	EA	SEALER - PUMPABLE - TUBE - BLACK - MANUS
	107828-01-000	EA	SEALANT - SB - 190 EVERSEAL
	109506-12-000	EA	FILM/ABRASION-RESISTANT - TRANSPARENT - 1" DIA.
	110274-01-000	FT	TAPE - DOUBLE SIDED/FOAM - .45" X 1" X 216' - BLACK
	112864-01-000	FT	SEAL - FOAM/BUTYL COVERED - 3/8" X 35'
	112864-02-000	FT	FOAM - BUTYL COVERED 5/16" X 44'
	112901-02-000	EA	ADHESIVE - PLEXUS - MA330 - 50ML - GRAY
	112901-03-000	EA	ADHESIVE - PLEXUS - MA300 - 50ML - WHITE
	112902-01-000	EA	NOZZLE - ELEMENT - 3/8 X 24
	112902-02-000	EA	NOZZLE-BELL 3/8X24 - TAH 160-824
	112902-03-000	EA	MIXER NOZZLE - F/GUN #00400102000 - SCOTCH-WELD & PLEXUS
	113366-01-000	EA	ADHESIVE - INSTANT - 1 OZ

SEALANTS & FASTENERS GROUP (CONTINUED)

SEALANTS & ADHESIVES (CONTINUED)

KEY	PART NUMBER	U/M	DESCRIPTION
	113452-02-000	FT	SEAL/TRIM - FRONT - VINYL W/WIRE CARRIER - .027"
	120074-02-03A	EA	SILICONE - TUBE - W/O NOZZLE - SMOKEY WHITE
	120074-02-02A	EA	SILICONE - TUBE - W/O NOZZLE - LOW ODOR - SOFT WHITE
	120534-01-01A	EA	TAPE - SCOTCH - 3M - 1/2" FINE LINE
	123244-01-000	FT	TAPE - DOUBLE SIDED/FOAM - 5/64" THICK X 3/4" WIDE
	123244-02-000	FT	TAPE - DOUBLE SIDED/FOAM - 5/64" THICK X 1/2" WIDE X 108'
	123816-01-000	FT	TAPE - DOUBLE SIDED - 1" X 100'
	123816-02-000	FT	TAPE - DOUBLE SIDED - 1/2" X 1 1/3" X 100'
	123816-03-000	FT	TAPE - DOUBLE SIDED - 1/2" X 3/4" X 100'
	123816-04-000	FT	TAPE - DOUBLE SIDED - 6" X 750'
	126427-01-000	EA	ADHESIVE - ALL PURPOSE - ABS/PVC
	126427-02-000	EA	PRIMER - CLEANER - FLEX PIPING
	131264-01-01A	EA	SILICONE - TUBE - W/O NOZZLE - BLACK
	131264-01-02A	EA	SILICONE - TUBE - W/O NOZZLE - CLEAR
	131264-02-01A	EA	SILICONE - TUBE - W/O NOZZLE - VW GRAY - BATH ONLY
	131264-03-01A	EA	SILICONE - TUBE - W/O NOZZLE- SELF LEVELING - BRIGHT WHITE
	131264-04-01A	EA	SILICONE - CLEAR - ADHESIVE
	131384-01-000	EA	ADHESIVE - JETWELD
	900390-01-000	EA	NOZZLE - SILICONE TUBE - 2.5" LONG
	900390-03-000	EA	NOZZLE - SILICONE TUBE - 4.3" LONG

BOLTS, NUTS AND WASHERS

KEY	PART NUMBER	U/M	DESCRIPTION
	000C12-04-08B	EA	BOLT - HEX - 1/4-20 X 1/2 - GRADE #5 - ZINC
	000C12-04-40B	EA	BOLT - HEX - 1/4-20 X 2 1/2 - GRADE 5 ZINC
	000C12-05-16B	EA	BOLT - HEX - 5/16-18 X 1 - GRADE #5 - ZINC
	000C12-05-12B	EA	BOLT - HEX - 5/16-18 X 3/4 - GRADE #5 - ZINC
	000C12-06-16B	EA	BOLT - HEX - 3/8-16 X 1 - GRADE #5 - ZINC
	000C12-06-44B	EA	BOLT - HEX - 3/8-16 X 2 3/4 - GRADE 5 - ZINC
	000C12-07-20B	EA	BOLT - HEX - 7/16-14 X 1 1/4 - GRADE #5 - ZINC
	000C12-07-24B	EA	BOLT - HEX TAP - 1/2-13NC X 4 - GRADE 5 - FULL THREAD/ZINC
	000C12-08-16B	EA	BOLT - HEX - 1/2-13 X 1 - GRADE #5 - ZINC
	000C12-08-28B	EA	BOLT - HEX - 1/2-13 X 1 3/4 - GRADE #5 - ZINC
	000C12-08-24B	EA	BOLT - HEX - 1/2-13 X 1 1/2 - GRADE #5 - ZINC
	000C12-10-24B	EA	BOLT - HEX - 5/8-11 X 1 1/2 - GRADE #5 - ZINC
	000C13-07-40B	EA	BOLT - HEX - 7/16-20 X 2 1/2 - GRADE #5 - ZINC
	000C13-07-48B	EA	BOLT - HEX - 7/16-20 X 3 - GRADE #5 - ZINC
	000C14-07-28B	EA	BOLT - HEX - 7/16-14 X 1 3/4 - GRADE #8 - ZINC
	000C14-08-64B	EA	BOLT-HEX-1/2-13X4 ZN 8 - 01 431C
	000C14-10-32K	EA	BOLT - HEX - 5/8-11 X 2 - GRADE #8 - ZINC
	000C14-10-24K	EA	BOLT - HEX - 5/8-11 X 1 1/2 - GRADE #8 - ZINC
	000C18-05-40A	EA	BOLT - ELEVATOR - 5/16-18 X 2 1/2 - PL
	000C18-06-48B	EA	BOLT - ELEVATOR - 3/8-16 X 3 - GRADE 5 - ZINC
	000C26-04-14B	EA	BOLT - HEX - SERRATED FLANGE - 1/4-20 X 7/8 - ZINC
	000C26-04-10B	EA	BOLT - HEX - SERRATED FLANGE - 1/4-20 X 5/8 - ZINC
	000C26-04-18B	EA	BOLT - HEX - SERRATED FLANGE - 1/4-20 X 1 1/8 - ZINC
	000C26-05-20B	EA	BOLT - HEX - SERRATED FLANGE - 5/16-18 X 1 1/4 - ZINC
	000C26-05-12B	EA	BOLT - HEX - SERRATED FLANGE - 5/16-18 X 3/4 - ZINC
	000C26-05-249	EA	BOLT - HEX - SERRATED FLANGE - 5/16-18 X 1 1/2
	000C26-06-16B	EA	BOLT - HEX - SERRATED FLANGE - 3/8-16 X 1 - ZINC
	000C26-06-12B	EA	BOLT - HEX - SERRATED FLANGE - 3/8-16 X 3/4 - ZINC
	000C26-06-20B	EA	BOLT - HEX - SERRATED FLANGE - 3/8-16 X 1 1/4 - ZINC
	000C26-06-40B	EA	BOLT - HEX - SERRATED FLANGE - 3/8-16 X 2 1/2 - ZINC
	000C26-06-28B	EA	BOLT - HEX - SERRATED FLANGE - 3/8-16 X 1 3/4 - ZINC
	000C26-08-24B	EA	BOLT - HEX - SERRATED FLANGE - 1/2-13 X 1 1/2 - ZINC
	000C27-04-40B	EA	BOLT - CARRIAGE - 1/4-20 X 2 1/2 - ZINC
	000C27-05-44I	EA	BOLT-CARR,5/16-18X2.75" - BLACK ZINC
	000D16-07-00B	EA	NUT - HEX - 7/16-14 - ZINC
	000D24-10-00B	EA	NUT - HEX - SELF LOCKING - 10-32 ZINC
	000D28-10-00B	EA	NUT - HEX - W/NYLON LOCK - 10-32 ZINC
	000D29-04-00B	EA	NUT - HEX - SELF LOCKING - 1/4 X 20 - ZINC
	000D29-06-00B	EA	NUT - HEX - W/NYLON LOCK - 3/8-16 - ZINC
	000D29-09-00B	EA	NUT - HEX - SELF LOCKING - 9/16-12 - ZINC

SEALANTS & FASTENERS GROUP (CONTINUED)
BOLTS, NUTS AND WASHERS (CONTINUED)

KEY	PART NUMBER	U/M	DESCRIPTION
	000D30-07-00B	EA	NUT - HEX LOCK - NYLON 7/16 X 20
	000D34-04-00B	EA	NUT - HEX - LOCKING - 1/4-20 - ZINC
	000D34-06-00B	EA	NUT - HEX - LOCKING - 3/8-16 GRADE C - ZINC
	000D39-04-00B	EA	NUT - HEX - LOCKING W/SERRATED FLANGE - 1/4-20 - ZINC
	000D39-05-00B	EA	NUT - HEX - LOCKING W/SERRATED FLANGE - 5/16-18 - ZINC
	000D39-06-00D	EA	NUT - HEX - LOCKING W/SERRATED FLANGE - 3/8"-16 BLACK
	000D39-06-00B	EA	NUT - HEX - LOCKING W/SERRATED FLANGE - 3/8-18 - ZINC
	000D39-07-00B	EA	NUT - HEX - LOCKING W/SERRATED FLANGE - 7/16-14 - ZINC
	000D39-08-00B	EA	NUT - HEX - LOCKING W/SERRATED FLANGE - 1/2-13 - ZINC
	000D44-04-00B	EA	NUT - HEX - LOCKING W/SERRATED FLANGE - 1/4-28 - ZINC
	000D44-07-00B	EA	NUT - HEX - LOCKING W/SERRATED FLANGE - 7/16-20 - ZINC
	000D44-08-00B	EA	NUT - HEX - SERRATED FLANGE - 1/2-20 - GRADE #5 - ZINC
	000D46-04-00A	EA	NUT - HEX - WELD - 1/4-20 - PLAIN
	000D58-06-00A	EA	NUT - HEX - WELD 3/8-16 - PLAIN
	000D65-08-00B	EA	NUT - HEX - LOCKING W/SERRATED FLANGE - 8-32 - ZINC
	000D67-10-00B	EA	NUT - HEX - LOCK - 5/8-11 - ZINC
	000D73-08-00C	EA	NUT - HEX FLANGE - 1/2-13
	000D75-09-00B	EA	NUT - HEX LOCKING - 9/16-12 - ZINC
	000D76-06-00B	EA	NUT - HEX FLANGE - 3/8-16
	000E11-04-00F	EA	WASHER - LOCKING - 1/4 MED SPLIT - STAINLESS STEEL
	000E11-07-00B	EA	WASHER - LOCKING - 7/16 MED SPLIT - ZINC
	000E11-08-00B	EA	WASHER - LOCKING - 1/2 MED SPLIT - ZINC
	000E13-17-00B	EA	WASHER - FLAT - 3/8 AR - ZINC
	000E13-18-00B	EA	WASHER - FLAT - 3/8 WIDE - ZINC
	000E13-20-00B	EA	WASHER - FLAT - 7/16 WIDE - ZINC
	000E13-22-00B	EA	WASHER - FLAT - 1/2 WIDE - ZINC
	000E13-26-00B	EA	WASHER - FLAT - 5/8 WIDE - ZINC
	000E14-10-00B	EA	WASHER - LOCKING - #10 EXTERNAL TOOTH - ZINC
	000E16-10-00B	EA	WASHER - HARDENED - 5/8 - FLAT - ZINC
	000G45-05-16B	EA	BOLT - LAG - 5/16-9 X 1 - ZINC
	000G62-08-24B	EA	SCREW - SF/DR - 8-18 X 1 1/2 PFH
	040921-03-000	EA	NUT - SPEED - U TYPE - #10
	040921-04-000	EA	NUT - SPEED - U TYPE - #8-.59" LENGTH X .44" WIDTH
	040921-05-000	EA	NUT - SPEED - U-TYPE - 8-.67" X .44" WIDE
	041322-01-000	EA	WASHER - FLANGE - 15/32 ID X 2 3/8 OD - F/SEAT BELT MTG
	044364-02-000	EA	NUT - SPEED - FLAT - ROUND
	044533-01-000	EA	WASHER - PLASTIC - 1 3/8 OD - FOR BUTTONS
	051387-06-000	EA	BOLT - CARRIAGE W/O HOLE - 5/16-18 X 9 1/2 - ZINC
	058716-02-000	EA	WASHER - FLAT NYLON
	058716-03-000	EA	WASHER - FLAT/NYLON - .500 X 1 1/4 X 060
	064081-03-000	EA	NUT - WING 3/8-16 - W/WELD NUT
	077071-01-000	EA	WASHER - FENDER - 3/16 ID X 1 OD
	084406-01-000	EA	NUT - CAPPED - CROSS RECESSED - BLACK - 1/4-20 THD
	087234-01-000	EA	NUT - JACK - 1/4 X 20 THD - MOLLY
	087718-01-000	EA	MONOBOLT - STEEL - 3/16 DIAMETER
	088787-12-000	EA	STUD - WELD - 1/4 - 20 X 1.0 LG - MN
	102333-01-06A	EA	BOLT - CARRIAGE - 7/16-14 STAINLESS STEEL CAP
	102333-02-01A	EA	BOLT - CARRIAGE - 1/4-20
	102540-02-000	EA	SEAL - SCREW
	103020-02-000	EA	BOLT-U - #8-32 - GRADE 5 ZINC
	104369-01-000	EA	NUT - HEX - HEAVY - 5/8-11 UNC
	106166-01-000	EA	BOLT/COLLARED HANGER - 8-32 X 1
	106956-03-000	EA	BOLT - HEX TAP - 1/2-12NC X 3 - GRADE 5 - FULL THREAD/ZINC
	106956-08-000	EA	BOLT - HEX TAP - 1/2-13NC X 4 - GRADE 5 - FULL THREAD/ZINC
	107397-01-000	EA	WASHER - FENDER - 3/4 ID X 1 OD
	108067-03-000	EA	STUD - WELD - 1/4 - 20 X 1/2 CD
	109917-01-000	EA	WASHER - 1.5" X 1.25"
	109917-03-000	EA	WASHER - 1" X .50"
	109917-04-000	EA	WASHER - 1" X .75"
	113985-02-000	EA	BOLT - FLANGE - M10-1 1/2 X 30CL 10.9
	114259-05-000	EA	BOLT - 7/16-20 X 1 1/4 W/WASHER
	120506-01-01A	EA	RIVET - PLASTIC - 3/16 DIAMETER
	128444-01-000	EA	WASHER - SPRING - CONICAL

SEALANTS & FASTENERS GROUP (CONTINUED)

BOLTS, NUTS AND WASHERS (CONTINUED)

KEY	PART NUMBER	U/M	DESCRIPTION
	131377-01-000	EA	NUT-HEX HEAD W/WASHER-1/4-20 X 2" STEEL W/3/4" OD WASHER
	135092-01-01A	EA	BOLT - HEX - SERRATED FLANGE - 1/2-20 X 1 3/4-GRADE 5 ZINC
	135092-02-01A	EA	BOLT - HEX - SERRATED FLANGE - 1/2-20 X 2 1/2-GRADE 5 ZINC
	135092-04-01A	EA	BOLT - HEX - SERRATED FLANGE - 1/2-20 X 4 1/2 GRADE 5 ZINC

SCREWS

KEY	PART NUMBER	U/M	DESCRIPTION
	0G1106-08-240	EA	SCREW - 6-20 X 1/2 PPH - VW LIGHT GRAY
	0G1108-12-240	EA	SCREW - 8-18 X 3/4 PPH - VW LIGHT GRAY
	0G1208-12-170	EA	SCREW - 8-18 X 3/4 POH - BRIGHT WHITE
	0G1308-10-240	EA	SCREW - 8-18 X 5/8 PFH - VW LIGHT GRAY
	0G3804-22-180	EA	SCREW - MACHINE - 1/4-20 X 1 3/8 PFH - BLACK
	0G3908-08-160	EA	SCREW - SF/DR - 8-18 X 1/2 PPH - VW WHITE
	0G3908-08-170	EA	SCREW - SF/DR - 8-18 X 1/2 PPH - BRIGHT WHITE
	0G3908-12-240	EA	SCREW - SF/DR - 8-18 X .75 PPH - VW LIGHT GRAY
	0G3908-12-250	EA	SCREW - SF/DR - 8-18 X 3/4 PPH - DARK GRAY
	0G3908-24-170	EA	SCREW - SF/DR - 8-18 X 1 1/2 PPH - BRIGHT WHITE
	0G3910-10-240	EA	SCREW - SF/DR - 10-16 X 5/8 PPH - VW LIGHT GRAY
	0G3910-10-320	EA	SCREW - SF/DR - 10-16 X 5/8 PPH - GLACIER
	0G3910-10-330	EA	SCREW - SF/DR - 20-16 X 5/8 PPH - PUTTY
	0G3910-12-170	EA	SCREW - SF/DR - 10-16 X 3/4 PPH - BRIGHT WHITE
	0G3910-12-320	EA	SCREW - SF/DR - 10-16 X .75 PPH - GLACIER
	0G5508-08-250	EA	SCREW - SF/DR - 8-18 X 1/2 PWH - VW DARK GRAY
	0G5508-12-170	EA	SCREW - SF/DR - 8-18 X 3/4 PWH - BRIGHT WHITE
	0G5508-12-240	EA	SCREW - SF/DR - 8-18 X 3/4 PWH - VW LIGHT GRAY
	0G5508-12-330	EA	SCREW - SF/DR - 8-18 X 3/4 PWH - PUTTY
	0G5508-12-320	EA	SCREW - SF/DR - 8-18 X 3/4 PWH - GLACIER
	0G5508-16-260	EA	SCREW - SF/DR - 8-18 X 1 PWH ZINC - INTERIOR ANTELOPE
	0G5508-16-250	EA	SCREW - SF/DR - 8-18 X 1 PWH - VW DARK GRAY
	0G5508-16-310	EA	SCREW - SF/DR - 8-18 X 1 PWH - CADDY CREAM
	0G5508-16-330	EA	SCREW - SF/DR - 8-18 X 1 PWH - PUTTY
	0G6008-16-170	EA	SCREW - SF/DR - 8-18 X 1 POH - BRIGHT WHITE
	0G6710-08-110	EA	SCREW - 10-12 X 1/2 PPH - HAMPTON TAN
	0G6710-08-240	EA	SCREW - 10-12 X 1/2 PPH TAUPE - VW LIGHT GRAY
	0G6710-08-170	EA	SCREW - 10-12 X 1/2 PPH - BRIGHT WHITE
	0G6710-12-170	EA	SCREW - 10-12 X 3/4 PPH - BRIGHT WHITE
	0G6806-16-170	EA	SCREW - 6-18 X 1 POH - BRIGHT WHITE
	0G6810-24-280	EA	SCREW - 10-12 X 1 1/2 POH - SOFT WHITE
	000C20-05-28F	EA	SCREW - 5/16-18 X 1 3/4 FLAT SOC - STAINLESS STEEL
	000C20-06-24T	EA	SCREW - 3/8-16 X 1 1/2 - FLAT SOCKET
	000G11-06-24B	EA	SCREW - 6-20 X 1 1/2 PPH ZINC
	000G11-06-10J	EA	SCREW - 6-20 X 5/8 PPH - BRASS
	000G11-06-10B	EA	SCREW - 6-20 X 5/8 PPH - ZINC
	000G11-06-08B	EA	SCREW - 6-20 X 1/2 PPH - ZINC
	000G11-06-06B	EA	SCREW - 6-20 X 3/8 PPH - ZINC
	000G11-07-08B	EA	SCREW - 7-19 X 1/2 PPH - ZINC
	000G11-08-20B	EA	SCREW - 8-18 X 1 1/4 PPH - ZINC
	000G11-08-20G	EA	SCREW - 8-18 X 1 1/4 - ANTIQUE BRASS
	000G11-08-16B	EA	SCREW - 8-18 X 1 PPH - ZINC
	000G11-08-12T	EA	SCREW - 8-18 X 3/4 PPH - BLACK MAGNESIUM
	000G11-08-12P	EA	SCREW - 8-18 X 3/4 PPH - DARK BROWN
	000G11-08-12D	EA	SCREW - 8-18 X 3/4 PPH - BLACK PHOSPHATE
	000G11-08-12B	EA	SCREW - 8-18 X 3/4 PPH - ZINC
	000G11-08-08T	EA	SCREW - 8-18 X 1/2 PPH - FLUOROCARBON COATING
	000G11-08-06J	EA	SCREW - 8-18 X 3/8 PPH BRASS
	000G11-08-06B	EA	SCREW - 8-18 X 3/8 PPH - ZINC
	000G11-10-12S	EA	SCREW - 10-16 X 3/4 PPH - OFF WHITE
	000G11-10-12D	EA	SCREW - 10-16 X 3/4 PPH - BLACK
	000G12-06-08T	EA	SCREW - 6-20 X 1/2 POH - BLACK
	000G12-08-12S	EA	SCREW - 8-18 X 3/4 POH - OFF WHITE
	000G13-05-10B	EA	SCREW - 5-12 X 5/8 PFH - ZINC
	000G13-06-08B	EA	SCREW - 6-20 X 1/2 PFH - ZINC

SEALANTS & FASTENERS GROUP (CONTINUED)
SCREWS (CONTINUED)

KEY	PART NUMBER	U/M	DESCRIPTION
	000G13-06-06I	EA	SCREW - 6-20 X 3/8 PFH - BLACK ZINC
	000G13-06-24J	EA	SCREW - 6-20 X 1 1/2 PFH - BRASS
	000G13-06-16J	EA	SCREW - 6-20 X 1 PFH - BRASS
	000G13-06-16S	EA	SCREW - 6-20 X 1 PFH - OFF WHITE
	000G13-06-10J	EA	SCREW - 6-20 X 5/8 PFH - BRASS
	000G13-06-10G	EA	SCREW - 6-20 X 5/8 PFH - ANTIQUE BRASS
	000G13-06-08G	EA	SCREW - 6-20 X 1/2 PFH - ANTIQUE BRASS
	000G13-07-12B	EA	SCREW - 7-19 X 3/4 PFH - ZINC
	000G13-07-10H	EA	SCREW - 7-19 X 5/8 PFH - BLACK
	000G13-08-24B	EA	SCREW - 8-18 X 1 1/2 PFH - ZINC
	000G13-08-16B	EA	SCREW - 8-18 X 1 PFH - ZINC
	000G13-08-109	EA	SCREW - 8-18 X 5/8 PFH
	000G16-04-24B	EA	SCREW - MACHINE - 1/4-20 X 1 1/2 PPH
	000G18-08-16B	EA	SCREW - MACHINE - 8-32 X 1 PPH - ZINC
	000G18-08-24B	EA	SCREW - MACHINE - 8-32 X 1 1/2 PPH - ZINC
	000G18-08-22B	EA	SCREW - MACHINE - 8-32 X 1 3/8 PPH - ZINC
	000G18-08-12B	EA	SCREW - MACHINE - 8-32 X 3/4 PPH - ZINC
	000G19-10-08B	EA	SCREW - MACHINE - 10-32 X 1/2 PPH - ZINC
	000G19-10-20B	EA	SCREW - MACHINE - 10-32 X 1 1/2 PPH - ZINC
	000G19-10-12F	EA	SCREW - MACHINE - 10-32 X 3/4 PPH - STAINLESS STEEL
	000G19-10-10B	EA	SCREW - MACHINE - 10-32 X 5/8 - PPH - ZINC
	000G32-10-06B	EA	SCREW - 10-32 X 3/8 PPH - ZINC
	000G37-08-089	EA	SCREW - 8 X 18 X 1/2 PPH - FLUOROCARBON SILVER
	000G39-06-10T	EA	SCREW - SF/DR - 6-20 X 5/8 PPH - BLACK
	000G39-06-16T	EA	SCREW - SF/DR - 6-20 X 1 PPH - BLACK
	000G39-08-08B	EA	SCREW - SF/DR - 8-18 X 1/2 PPH - ZINC
	000G39-08-06B	EA	SCREW - SF/DR - 8-18 X 3/8 PPH - ZINC
	000G39-08-32B	EA	SCREW - SF/DR - 8-18 X 2 PPH - ZINC
	000G39-08-24T	EA	SCREW - SF/DR - 8-18 X 1 1/2 PPH - BLACK
	000G39-08-24B	EA	SCREW - SF/DR - 8-18 X 1 1/2 PPH - ZINC
	000G39-08-16T	EA	SCREW - SF/DR - 6-20 X 1 PPH - BLACK
	000G39-08-16B	EA	SCREW - SF/DR - 8-18 X 1 PPH - ZINC
	000G39-08-12T	EA	SCREW - SF/DR - 8-18 X 3/4 PPH - BLACK
	000G39-08-12B	EA	SCREW - SF/DR - 8-18 X 3/4 PPH - ZINC
	000G39-08-08T	EA	SCREW - SF/DR - 8-18 X 1/2 PPH - BLACK
	000G39-08-08S	EA	SCREW - SF/DR - 8-18 X 1/2 PPH - OFF WHITE
	000G39-10-088	EA	SCREW - SF/DR - 10-16 X 1/2 PPH - FLEX FLUOROCARBON
	000G39-10-08B	EA	SCREW - SF/DR - 10-16 X 1/2 PPH - ZINC
	000G39-10-12B	EA	SCREW - SF/DR - 10-16 X 3/4 PPH - ZINC
	000G39-10-10T	EA	SCREW - SF/DR - 10-16 X 5/8 - BLACK
	000G39-10-10B	EA	SCREW - SF/DR - 10-16 X 5/8 - ZINC
	000G39-10-48B	EA	SCREW - SF/DR - 10-16 X 3 - PPH - ZINC
	000G39-10-40D	EA	SCREW - SF/DR - 10-16 X 2 1/2 PPH - BLACK
	000G39-10-32I	EA	SCREW - SELF TAPPING - 10-16 X 2 PPH - BLACK
	000G39-10-32B	EA	SCREW - SF/DR - 10-16 X 2 - PPH - ZINC
	000G39-10-209	EA	SCREW - SF/DR - 10-16 X 1 1/4 PPH - FLUOROCARBON SILVER
	000G39-10-20T	EA	SCREW - SF/DR - 10-16 X 1 1/4 PPH - BLACK
	000G39-10-20B	EA	SCREW - SF/DR - 10-16 X 1 1/4 PPH - ZINC
	000G39-10-169	EA	SCREW - SF/DR - 10-16 X 1 PPH - FLUOROCARBON SILVER
	000G39-10-129	EA	SCREW - SF/DR - 10-16 X 3/4 PPH - FLUOROCARBON SILVER
	000G39-10-12T	EA	SCREW - SF/DR - 10-16 X 3/4 - BLACK
	000G39-10-12S	EA	SCREW - SF/DR - 10-16 X 3/4 PPH - OFF WHITE
	000G39-12-12E	EA	SCREW - SF/DR - 12-14 X 3/4 PPH - CHROME
	000G42-04-24B	EA	SCREW - SF/DR - 1/4-14 X 1 1/2 - ZINC
	000G42-04-16B	EA	SCREW - SF/DR - 1/4-14 X 1 HWH - ZINC
	000G50-04-12B	EA	SCREW - MACHINE - 1/4-20 X 3/4 PPH - ZINC
	000G50-04-06B	EA	SCREW - MACHINE - 1/4-20 X 3/8 PTH - ZINC
	000G51-06-12B	EA	SCREW - 6-20 X 3/4 PTH - ZINC
	000G52-06-06B	EA	SCREW - MACHINE - 6-32 X 3/8 PTN - ZINC
	000G52-06-05B	EA	SCREW - MACHINE - 6-32 X 5/16 PTH ZINC
	000G55-08-16T	EA	SCREW - SF/DR - 8-18 X 1 PWH - BLACK
	000G55-08-12S	EA	SCREW - SF/DR - 8-18 X 3/4 PWH - OFF WHITE
	000G56-12-48B	EA	SCREW - WOOD - 12-11 X 3 POH - SPECIAL HARDENED

SEALANTS & FASTENERS GROUP (CONTINUED)
SCREWS (CONTINUED)

KEY	PART NUMBER	U/M	DESCRIPTION
	000G57-14-72B	EA	SCREW-14-10-X4-1/2 PFH ZN GENERAL MOTORHOMES
	000G57-14-64B	EA	SCREW - 14-10 X 4 PFH ZINC
	000G60-08-22B	EA	SCREW - SF/DR - 8-18 X 1.38 POH - ZINC
	000G60-08-20F	EA	SCREW - SF/DR - 8-19X1.25 POH
	000G60-08-16E	EA	SCREW - SF/DR - 8-1 X 1 POH - CHROME
	000G60-10-20B	EA	SCREW - SF/DR - 10-16 X 1 1/4 POH - ZINC
	000G60-10-28T	EA	SCREW - SF/DR - 10-16 X 1 3/4 - BLACK
	000G60-10-209	EA	SCREW - SF/DR - 10-16 X 1 1/4 POH - SILVER STALGAARD
	000G67-08-32B	EA	SCREW - 8-15 X 2 PPH - ZINC
	000G67-10-08B	EA	SCREW - 10-12 X 1/2 PPH - ZINC
	000G67-10-10S	EA	SCREW - 10-12 X 5/8 PPH - OFF WHITE
	000G67-10-10P	EA	SCREW - 10-12 X 5/8 PPH - DARK BROWN
	000G67-10-10B	EA	SCREW - 10-12 X 5/8 PPH - ZINC - TYPE A
	000G67-10-08S	EA	SCREW - 10-12 X 1/2 PPH - OFF WHITE
	000G67-10-32B	EA	SCREW - 10-12 X 2 PPH - ZINC
	000G67-10-24B	EA	SCREW - 10-12 X 1 1/2 PPH - ZINC
	000G67-10-20D	EA	SCREW - 10-12 X 1 1/4 PPH - BLACK
	000G67-10-16B	EA	SCREW - 10-12 X 1 PPH - ZINC
	000G67-10-12P	EA	SCREW - 10-12 X 3/4 PPH - DARK BROWN
	000G67-10-12B	EA	SCREW - 10-12 X 3/4 PPH - ZINC
	000G67-10-10T	EA	SCREW - 10-12 X 5/8 PPH - BLACK
	000G68-06-10G	EA	SCREW - 6-18 X 5/8 POH - ANTIQUE BRASS
	000G68-06-12J	EA	SCREW - 6-18 X 3/4 POH - BRASS
	000G68-06-12B	EA	SCREW - 6-18 X 3/4 POH - ZINC & CLEAR
	000G68-06-10J	EA	SCREW - 6-18 X 5/8 POH - BRASS
	000G68-10-20I	EA	SCREW - 10-12 X 1 1/4 POH - BLACK
	029130-05-000	EA	SCREW - SNAP STUD - #8-16 X 5/8" LONG
	049465-03-000	EA	SCREW - 10-16 X 1 POH W/WASHER - OFF WHITE
	049465-04-000	EA	SCREW - 10-16 X 1 PTH W/WASHER - BEIGE
	049465-17-000	EA	SCREW - 10-16 X 1 POH W/WASHER - BRIGHT WHITE
	049465-23-000	EA	SCREW - 10-16 X 1.5 POH W/WASHER - VW LIGHT GRAY
	054434-02-000	EA	SCREW - SF/DR - 10-16 X 2 - ZINC
	054434-03-000	EA	SCREW - SF/DR - 10-16 X 2 - PWH - ZINC - W/O WINGS
	075908-01-000	EA	SCREW - MACHINE - 10-32 X .56 PTH - EXTERNAL TOOTH - ZINC
	076790-01-000	EA	SCREW - 6-20 X 1 1/4 PPH - BLACK
	076790-03-000	EA	SCREW - 6-20 X 1 PPH - BLACK
	076790-05-000	EA	SCREW - 6-20 X 1/2 PPH - BLACK - THREAD CUTTING/WOOD
	087721-01-000	EA	SCREW - FLAT HEAD - TAPPING - 1/4 X 1 1/4 LONG - ZINC
	090033-02-000	EA	SCREW - 1/4-20 X 5/8 - ROUND WASHER HEAD - OFF/WHITE
	091230-06-000	EA	SCREW-MACH,8-32X3/4 POH SS - BRIGHT WHITE
	097974-01-000	EA	SCREW - PARTICLE BOARD - 7-9 X 3/4 PPH
	101618-01-000	EA	SCREW - 1/4-20 X 3/4 HEX - TAPPING - STALGARD TYPE F
	105126-01-000	EA	SCREW - MACHINE - 8-32 X 1 PPH TAPTIT
	110460-05-02A	EA	SCREW - MACHINE - 10-24 X 2 1/2 PFH - WHITE
	113563-01-01A	EA	SCREW - 8 X 5/8 LONG SHOULDER/WASHER HEAD
	117478-01-04A	EA	SCREW - 8-18 X 3/4 PPH W/WASHER - VW LIGHT GRAY
	118383-01-09A	EA	RETAINER/RECESSED - F/.22" SCREW - GLACIER
	118383-01-05A	EA	RETAINER/RECESSED - F/.22" SCREW - VW LIGHT GRAY
	118383-01-04A	EA	RETAINER/RECESSED - F/.22" SCREW - BRIGHT WHITE
	118383-02-05A	EA	RETAINER/RECESSED - F/.27" SCREW - VW LIGHT GRAY
	118383-02-09A	EA	RETAINER/RECESSED - F/.27" SCREW - GLACIER
	118383-03-09A	EA	RETAINER/RECESSED - F/.32" SCREW - GLACIER
	118383-03-05A	EA	RETAINER/RECESSED - F/.32" SCREW - VW LT. GRAY
	118383-04-09A	EA	CAP - F/RECESSED RETAINER - GLACIER
	118383-04-05A	EA	CAP - F/RECESSED RETAINER - VW LIGHT GRAY
	118383-04-04A	EA	CAP - F/RECESSED RETAINER - BRIGHT WHITE
	134126-01-01A	EA	SCREW/NAIL - HEX HEAD - 3/4"
	134126-02-01A	EA	SCREW/NAIL - HEX HEAD - 1 1/4"
	140040-01-000	EA	SCREW - 1/4-20X1 - BUTTON HEAD SOCKET - W/LOCTITE

SEALANTS & FASTENERS GROUP (CONTINUED)

CLAMPS, CLIPS, GROMMETS, RIVETS & PLUGS

KEY	PART NUMBER	U/M	DESCRIPTION
	000F10-06-32B	EA	PIN - COTTER - 3/16" X 2" - ZINC
	000H14-06-06R	EA	RIVET-MANDREL BLIND,3/16 AL - CHERRY BSP-66
	000H16-04-06R	EA	RIVET - POP ALUMINUM - 1/8 X .313 - .375
	000H16-06-10R	EA	RIVET - POP ALUMINUM - 3/16 X .501-.625
	007161-01-000	EA	CLAMP - HOSE - SPRING TYPE - 1/2"
	008384-01-000	EA	GROMMET - SNAP - 3/4 DIAMETER - NYLON
	008386-01-000	EA	GROMMET - SNAP - 3/8" DIAMETER - NYLON
	010495-01-000	EA	CLAMP - CABLE - 9/16"
	010495-02-000	EA	CLAMP - CABLE - 3/8"
	010495-04-000	EA	CLAMP - CABLE - 11/16" - WHITE
	010497-01-000	EA	CLAMP - CLOSED - 5/8" ID
	010497-03-000	EA	CLAMP - CLOSED - 1" ID - CUSHIONED
	010497-04-000	EA	CLAMP - CLOSED - 1 5/8" ID
	010497-05-000	EA	CLAMP - CLOSED - 1/2" ID
	010497-07-000	EA	CLAMP - CLOSED - 3/8" ID
	010499-01-000	EA	CLAMP - CLOSED - 3/8" ID
	016188-03-000	EA	GROMMET - L/P LINE - 3/8" HOLE X 2 1/2" LONG - RUBBER
	016188-04-000	EA	GROMMET - L/P LINE - 1/2" HOLE X 2 1/2" LONG - RUBBER
	016188-05-000	EA	GROMMET - L/P LINE - 3/8" HOLE X 1 1/4" LONG - RUBBER
	016188-06-000	EA	GROMMET - L/P LINE - 3/8" X 31 1/4" LONG
	016188-07-000	EA	GROMMET - L/P LINE - 1/2" X 3 1/4" LONG
	023942-01-000	EA	GROMMET - RUBBER - 2" OD
	034141-02-000	EA	PLUG/NYLON - .38" - BLACK
	056134-01-000	EA	HOLDER - RING - 3.6" DIAMETER - METAL
	056134-02-000	EA	HOLDER - RING - 1.8" DIAMETER - METAL
	061420-04-000	EA	PLUG/PLASTIC - 1 1/4" DIAMETER
	061420-05-000	EA	PLUG/PLASTIC - 1 1/2" DIAMETER
	061420-08-000	EA	PLUG/PLASTIC - 2 1/2" DIAMETER
	061420-09-000	EA	PLUG/PLASTIC - 1.00" - DIAMETER
	061420-10-000	EA	PLUG/PLASTIC - 1 1/2" DIAMETER - BLACK
	061420-15-000	EA	PLUG/PLASTIC - 2" DIAMETER - BLACK
	062401-01-000	EA	CLAMP - HOSE - WORMGEAR - .25" - 1"
	062401-02-000	EA	CLAMP - HOSE - WORMGEAR - 1.56" - 2.5"
	062401-03-000	EA	CLAMP - HOSE - WORMGEAR - .22" - 1"
	062401-04-000	EA	CLAMP - HOSE - WORMGEAR - .69" - 1.25"
	062401-05-000	EA	CLAMP - HOSE - WORMGEAR - 2" - 3" ID
	062401-06-000	EA	CLAMP - HOSE - WORMGEAR - .22" - .62" ID
	062401-09-000	EA	CLAMP - HOSE - WORMGEAR - 2.8" - 3.75"
	062401-11-000	EA	CLAMP - HOSE - WORMGEAR - 3.50" - 4.50"
	062401-12-000	EA	CLAMP - HOSE - WORMGEAR - .79" X 1.26"
	071015-11-000	EA	GROMMET - RUBBER - 1"ID FITS .12 MATERIAL - BLACK
	071015-19-000	EA	GROMMET - RUBBER - .38 ID - FITS .06 MATERIAL - BLACK
	071015-26-000	EA	GROMMET - RUBBER - 1.5" ID X 2.1" OD W/.06" GROOVE-BLACK
	071015-29-000	EA	GROMMET - RUBBER - .3" ID X 1.3"OD W/.12" GROOVE - BLACK
	071015-30-000	EA	GROMMET - RUBBER - .31" ID X .81" OD W/.12" GROOVE-BLACK
	071015-39-000	EA	GROMMET - .75 ID FITS .06 MTL
	071015-40-000	EA	GROMMET - .38 ID FITS .09 MTL
	071015-41-000	EA	GROMMET - .125 ID FITS .188 MTL
	075148-02-000	EA	CLAMP - GROUNDING - BRONZE SCREWS
	077955-01-000	EA	CLIP/J - 3/8" - VINYL COATED
	080211-03-000	EA	CLIP - XMAS TREE W/PANEL RETAINING HEAD - 3/4" SHANK
	080734-02-000	EA	CLIP - WIRE NYLON
	081211-03-000	EA	PLUG/PLASTIC - .50 DIAMETER - BLACK
	081211-04-000	EA	PLUG/PLASTIC - .46 DIAMETER - BLACK
	083609-01-000	EA	CLAMP - WIRE - DUAL - EQUAL DIAMETERS - 5/8"
	083610-01-000	EA	CLAMP - WIRE - DUAL - UNEQUAL DIAMETERS - 3/4" & 1 1/4"
	083610-02-000	EA	CLAMP - WIRE - DUAL - UNEQUAL DIAMETERS - 3/4" & 2"
	083610-03-000	EA	CLAMP - WIRE - DUAL - EQUAL DIAMETERS - 2"
	088756-01-000	EA	GROMMET - WEB - 1 1/8 " I.D.
	091952-01-000	EA	CLIP - GRIPPER - 1"
	091952-02-000	EA	CLIP - GRIPPER - 3/4"
	094362-02-000	EA	CLIP - XMAS TREE - BINDER HEAD - .9" LONG
	094362-05-000	EA	CLIP - XMAS TREE - ROUND HEAD - 1.4" LONG

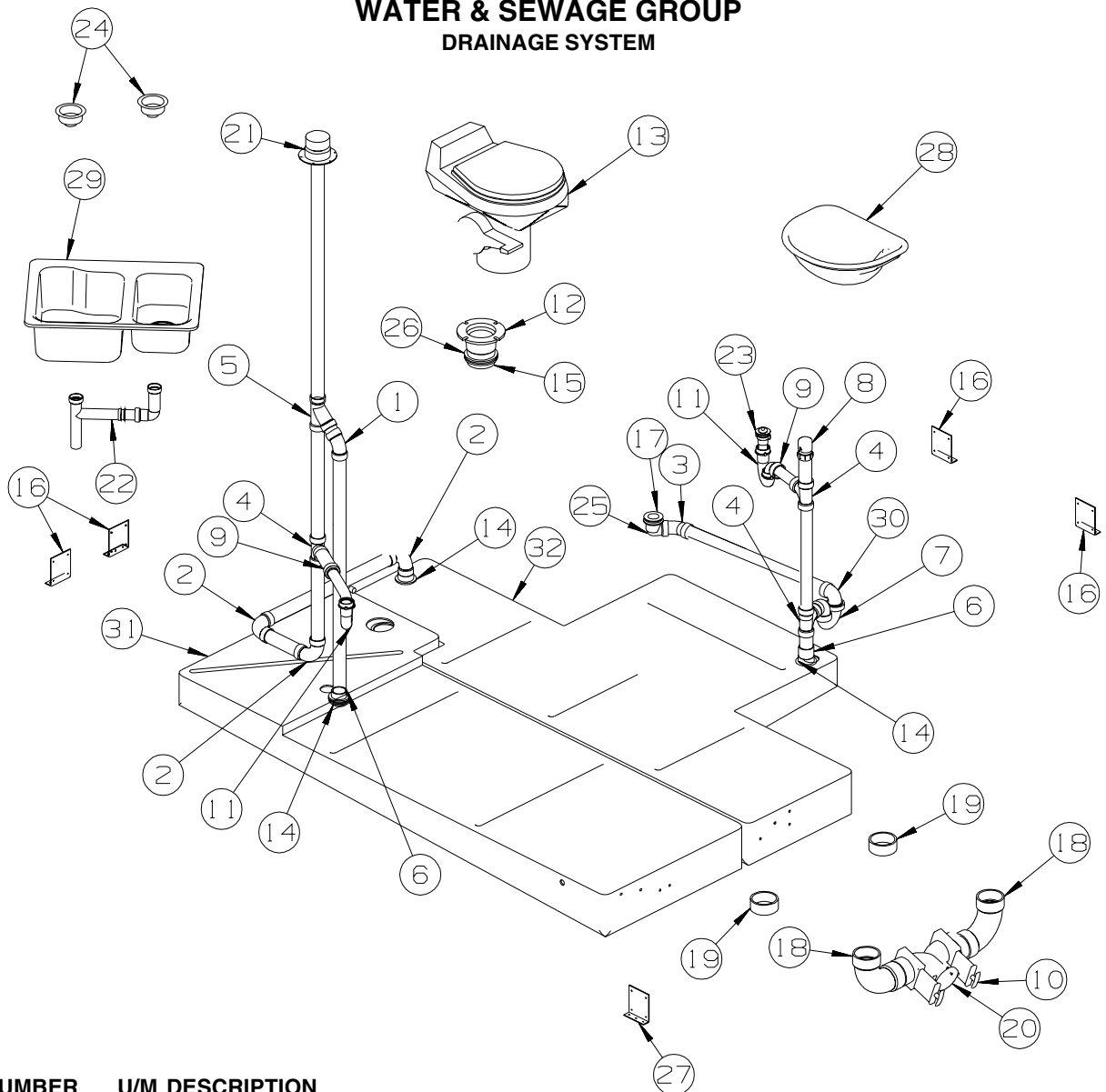
SEALANTS & FASTENERS GROUP (CONTINUED)
CLAMPS, CLIPS, GROMMETS, RIVETS & PLUGS (CONTINUED)

KEY	PART NUMBER	U/M	DESCRIPTION
	114208-01-000	EA	GROMMET - EDGE LINER - FITS 1 3/4"
	114208-03-000	EA	GROMMET - EDGE LINER - FITS 2 1/2"
	114208-04-000	EA	GROMMET - EDGE LINER - FITS 1"
	114208-05-000	EA	GROMMET - EDGE LINER - FITS 2"
	118626-01-01A	EA	RIVET - POP - ALUMINUM - 3/16 X .08 - .375
	118626-02-01A	EA	RIVET - POP - ALUMINUM - 3/16 X .500 - .750
	137014-01-02A	EA	GROMMET - CABLE - BROWN
	137014-01-01A	EA	GROMMET - CABLE - ALMOND
	139118-01-01A	EA	GROMMET - PLASTIC/SCREW
	139118-02-01A	EA	GROMMET - SCREW - PLASTIC
	140171-02-000	EA	CLAMP - HOSE - STEPLESS EAR - .250

MISCELLANEOUS FASTENERS

KEY	PART NUMBER	U/M	DESCRIPTION
	008343-01-000	EA	TIE - WIRE - 6"
	008343-02-000	EA	TIE - WIRE - 14"
	008343-03-000	EA	TIE - WIRE - 7 1/2" - BLACK
	029094-04-000	YD	VELCRO TAPE - LOOP - 1" WIDE - BLACK
	029096-03-000	YD	VELCRO TAPE - HOOK - 1" WIDE - BLACK
	029096-04-000	YD	VELCRO TAPE - HOOK - 1" WIDE - BLACK
	048394-02-000	YD	VELCRO TAPE - HOOK - ADHESIVE BACK - 3/4" WIDE - BEIGE
	085774-01-000	FT	FASTENER - DUAL LOCK - 1" WIDE - ADHESIVE BACK - BLACK
	085774-02-000	FT	FASTENER - DUAL HOOK - 1" WIDE - ADHESIVE BACK - BLACK
	085774-03-000	FT	FASTENER - DUAL LOCK - 1/2" WIDE - ADHESIVE BACK - BLACK
	085774-04-000	FT	FASTENER - DUAL HOOK - 1/2" WIDE - ADHESIVE BACK - BLACK
	088792-02-000	YD	VELCRO TAPE - LOOP - 3/4" - ADHESIVE BACK - BEIGE
	088792-04-000	YD	VELCRO TAPE - HOOK - 5/8" - NON-ADHESIVE BACK - WHITE
	088792-05-000	YD	VELCRO TAPE - LOOP - 5/8" - NON-ADHESIVE BACK - WHITE
	108046-01-000	EA	CABLE TIE - SCREW MOUNT 8"
	108046-02-000	EA	CABLE TIE - SCREW MOUNT 15"
	110943-02-000	FT	FELT STRIP - 3/8" - ADHESIVE BACK - WHITE
	113133-02-01A	EA	RIVET - POP - ALUMINUM - 3/16 X .252 - .504 - BLACK
	123816-04-000	FT	TAPE - DOUBLE SIDED - 6" X 750'
	127960-01-01A	EA	RETAINER - 3/8" - STAINLESS STEEL

WATER & SEWAGE GROUP DRAINAGE SYSTEM



KEY	PART NUMBER	U/M	DESCRIPTION
1	010006-01-000	EA	ELBOW - 45 DEGREE - 1 1/2" HUB X HUB - PLASTIC
2	010008-01-000	EA	ELBOW - 90 DEGREE - 1 1/2" HUB X HUB - PLASTIC
3	010051-01-000	EA	ELBOW - 45 DEGREE - 1 1/2" SPIGOT X HUB - PLASTIC
4	010071-01-000	EA	TEE - SANITARY - 1 1/2" HUB X HUB X HUB - PLASTIC
5	010073-01-000	EA	WYE - 45 DEGREE - 1 1/2" HUB X HUB X HUB - PLASTIC
6	010115-01-000	EA	COUPLING - 1 1/2" HUB X HUB - PLASTIC
7	037763-01-000	EA	P-TRAP - PLASTIC - 1 1/2" HXH W/UNION
8	079968-01-000	EA	VENT - MECHANICAL/TRAP ARM - ANTI-SIPHON-2" X 7.3" PLASTIC
9	109571-01-000	EA	ADAPTER - P-TRAP - 1 1/2" P X 1 1/4" MPT
10	136143-01-000	EA	VALVE - DUAL - 3" X 3"
11	107538-01-000	EA	P-TRAP - PLASTIC - 1 1/4" W/EXTENSION ARM
11	011071-01-000	EA	P-TRAP - PLASTIC - 1 1/2" - CSA
12	116644-01-000	EA	FLANGE/CLOSET - 4 BOLT X 3" FEMALE
13*	134789-01-01A	EA	TOILET W/SPRAYER - SHORT - CHINA - WHITE
14	061607-01-000	EA	GROMMET - HOLDING TANK - 1 1/2" NPS
15	061607-02-000	EA	GROMMET - HOLDING TANK - 3" NPS
16	094756-01-01A	EA	BRACKET/ANGLE - W/HOLES
17	066440-01-000	EA	STRAINER - SHOWER DRAIN - W/RUBBER WASHER
	132376-01-01A	EA	GASKET - FOAM - 1 1/2" - TUB STRAINER
18	010062-01-000	EA	ELBOW - ST PLASTIC - 3 90 SPGXH
19	010129-03-000	EA	NIPPLE - PLASTIC - 3" X 3" TOE
20	010201-01-000	EA	HOSE - SEWER - 3" ID X 8'

FROM: 00-00-00 THRU: 06-10-01

062416-01-000 EA ADAPTER - SEWER HOSE TO 3" PIPE

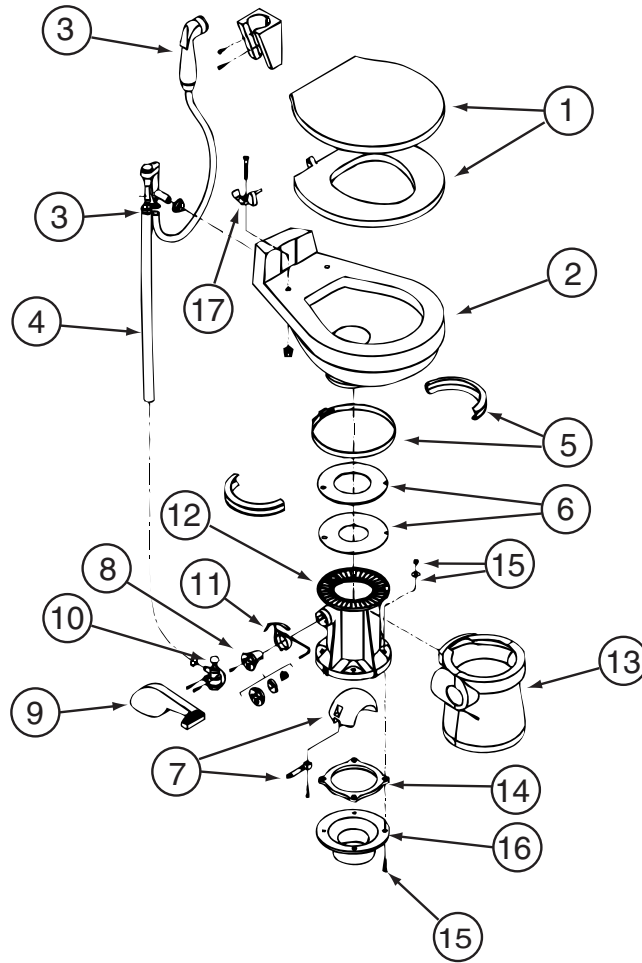
FROM: 00-00-00 THRU: 06-10-01

WATER & SEWAGE GROUP (CONTINUED)
DRAINAGE SYSTEM (CONTINUED)

KEY	PART NUMBER	U/M	DESCRIPTION
20	139513-01-000	EA	HOSE - SEWER - 3" X 10' - W/ADAPTER FROM: 06-11-01 THRU: 99-99-99
21	083558-06-000	EA	VENT - ROOF PLUMBING PIPE - COVERED
22	091980-01-000	EA	WASTE - CONTINUOUS
23	106116-01-02A	EA	STRAINER/PLASTIC - STOPPER/TAILPIECE/GASKET & NUT-LAVATORY
	106116-02-01A	EA	GASKET - STRAINER FROM: 06-29-01 THRU: 99-99-99
24	092303-01-000	EA	STRAINER - W/BASKET - GALLEY SINK - 4" OD
	127440-02-01A	EA	WASHER - RUBBER - 1.8" X .1"
25	131486-01-000	EA	ELBOW - DRAIN - 1 1/2 LOW PROFILE - TUB DRAIN
26	131786-03-01A	EA	SPACER - TOILET - ROUND - 10" DIAM. X 1.3" HIGH - SOFT WHT
27	132871-03-02B	EA	BRACKET/L ANGLE W/HOLES - 1.2" X 2.8" - E-COATED
28	136639-01-01A	EA	SINK - LAVATORY W/SOAP DISH - WHITE
29	136828-01-01A	EA	SINK/DBL - LGE/SM BASIN-25"X19"X7" W/O NOTCH/FAUCET HOLES
30	010009-01-000	EA	ELBOW - 90 DEGREE - 1/4 BEND - 1 1/2" PLASTIC
31	136973-01-700	EA	TANK - HOLDING - 52 GAL
	010232-01-000	EA	FITTING - SPINWELD - PLASTIC 3FPT
32	136950-01-700	EA	TANK - HOLDING- 42 GAL
	010232-01-000	EA	FITTING - SPINWELD - PLASTIC 3FPT

***COMPONENT PARTS LISTED LATER IN THIS GROUP**

WATER & SEWAGE GROUP (CONTINUED)
COMPONENT PARTS FOR DRAINAGE SYSTEM

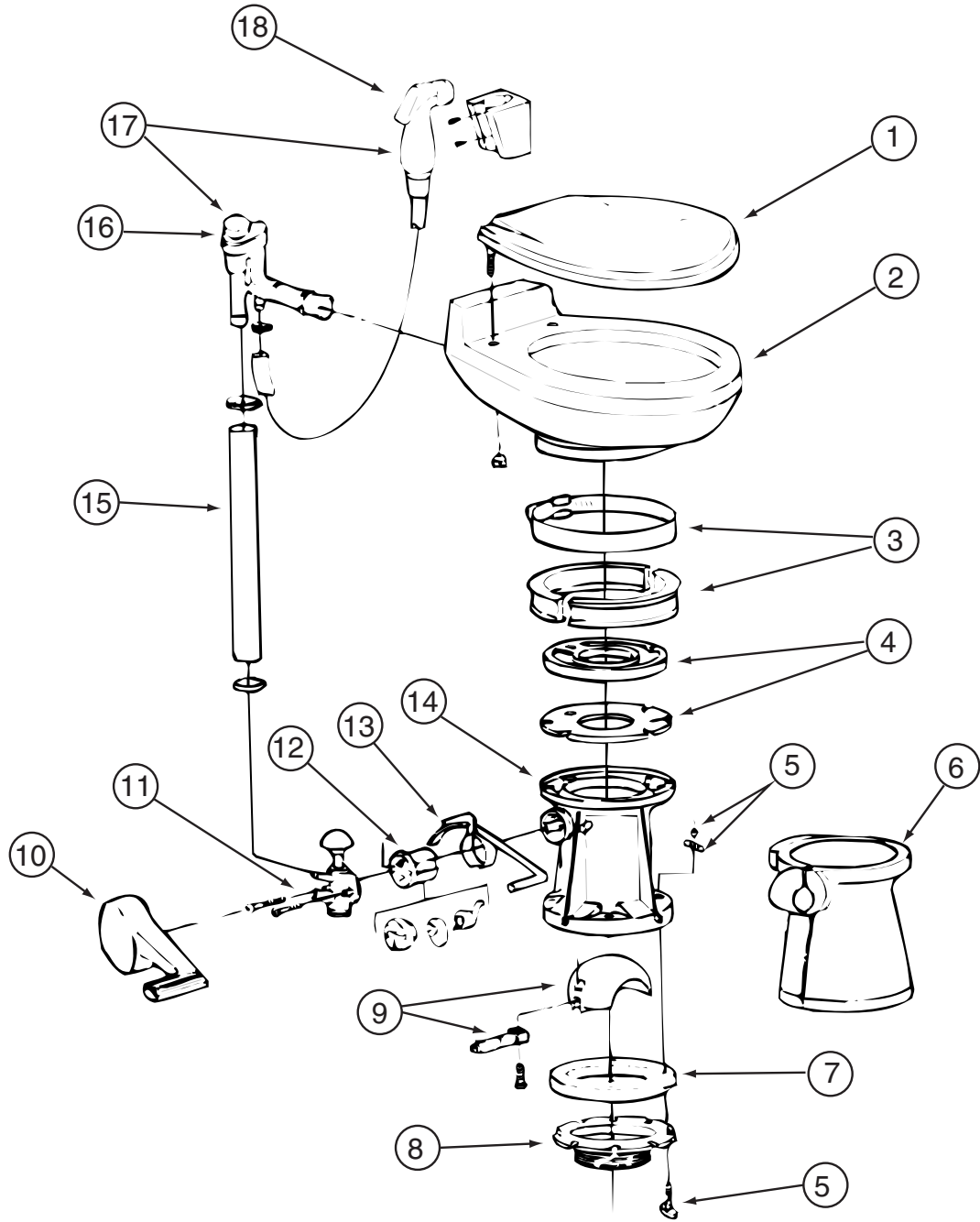


134789-01-01A

KEY	PART NUMBER	U/M	DESCRIPTION	VENDOR NO.
1	085330-09-700	EA	SEAT ASSEMBLY WHITE	340590
2	134789-01-700	EA	BOWL/CHINA	310615
3	085330-04-701	EA	HAND SPRAY W/HOSE(500 & 900)	340683
3	085330-06-701	EA	BREAKER-VACUUM/DIVERTER(900)	230335
5	085330-01-703	EA	RING & HALF CLAMPS, BONE	385310048
6	085330-01-704	EA	TEFLON & RUBBER SEAL KIT	385316140
7	085330-01-706	EA	BALL (FLAPPER) SHAFT/CARTRIDGE	385318162
8	085330-01-707	EA	CARTRIDGE SPRING ASSEMBLY	381236096
9	085330-09-702	EA	COVER/PEDAL KIT - WHITE	310114
10	085330-01-709	EA	VALVE-WATER	385314349
11	085330-06-703	EA	LEVER-FLUSH	340873
12	085330-09-703	EA	BASE KIT - BONE	310120
13	085330-09-704	EA	PEDESTAL COVER - WHITE	310111
14	085330-01-723	EA	SEAL - FLOOR FLANGE	341549
15	085330-01-717	EA	BOLT MOUNTING PACKAGE	3100-64
16	085330-01-716	EA	FLANGE-FLOOR, 3" MPT	345889
17	085330-09-705	EA	HINGE-HARDWARE SET - (WHITE)	342130

CONTACT WINNEBAGO PART SALES FOR UNLISTED COMPONENTS

WATER & SEWAGE GROUP (CONTINUED)
COMPONENT PARTS FOR DRAINAGE SYSTEM (CONTINUED)



136729-01-01A

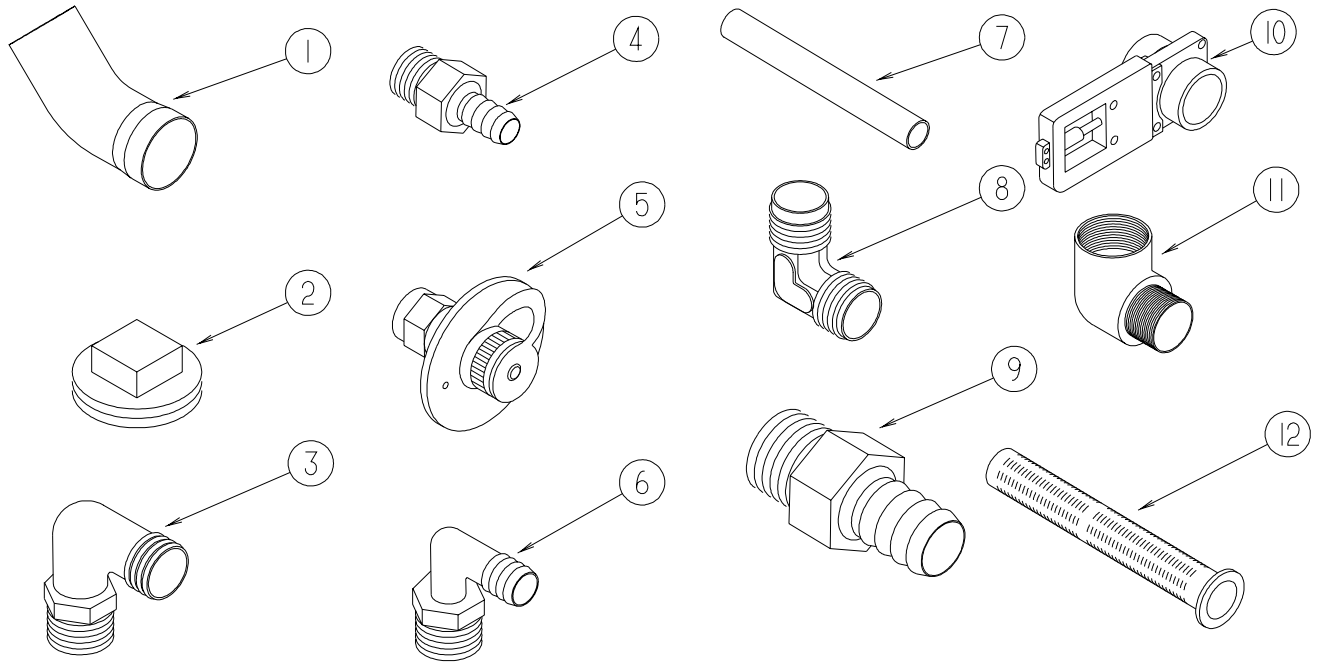
WATER & SEWAGE GROUP (CONTINUED)
COMPONENT PARTS FOR DRAINAGE SYSTEM (CONTINUED)

136729-01-01A (CONTINUED)

KEY	PART NUMBER	U/M	DESCRIPTION	VENDOR NO.
1	136729-01-700	EA	SEAT ASSEMBLY - WHITE	343829
2	136729-01-701	EA	BOWL/CHINA - WHITE	310739
3	085330-01-703	EA	RING & HALF CLAMPS, BONE	385310048
4	085330-01-704	EA	TEFLON & RUBBER SEAL KIT	385316140
5	085330-01-717	EA	BOLT MOUNTING PACKAGE	3100-64
6	085330-09-704	EA	PEDESTAL COVER - WHITE	310111
7	085330-01-714	EA	SEAL-FLANGE, FLOOR	390343892
8	085330-01-716	EA	FLANGE-FLOOR, 3" MPT	345889
10	085330-09-702	EA	COVER/PEDAL KIT - WHITE	310114
11	085330-01-709	EA	VALVE-WATER	385314349
12	085330-01-707	EA	CARTRIDGE SPRING ASSEMBLY	381236096
13	085330-06-703	EA	LEVER-FLUSH	340873
14	085330-09-703	EA	BASE KIT - BONE	310120
16	085330-06-701	EA	BREAKER-VACUUM/DIVERTER(900)	230335
18	085330-04-701	EA	HAND SPRAY W/HOSE(500 & 900)	340683

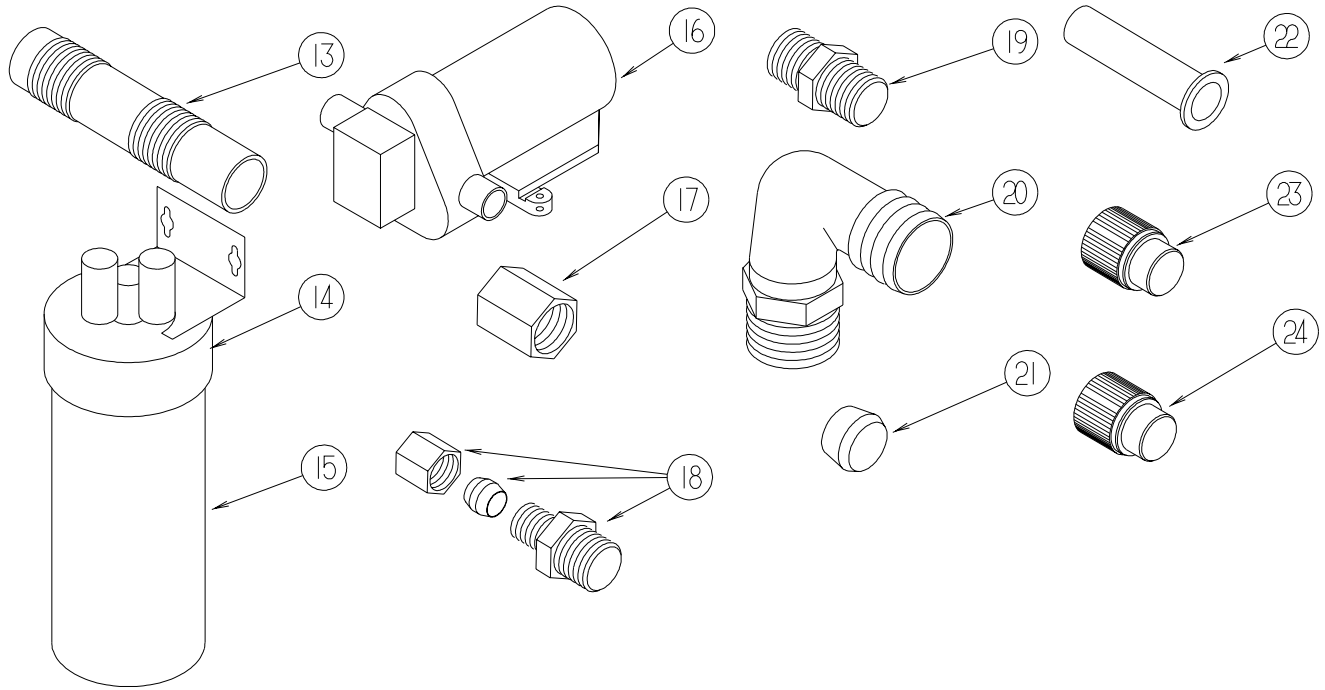
CONTACT WINNEBAGO PART SALES FOR UNLISTED COMPONENTS

WATER & SEWAGE GROUP (CONTINUED)
WATER SYSTEM



KEY	PART NUMBER	U/M	DESCRIPTION
1	010009-01-000	EA	ELBOW - 90 DEGREE - 1/4 BEND - 1 1/2" PLASTIC
2	010166-01-000	EA	PLUG/THREADED - 1 1/4"MPT - PLASTIC - BLACK - UL
3	010219-01-000	EA	ELBOW - 1 1/4 MPT X 1 1/4 BARB - WATER FILL - PLASTIC
4	010224-01-000	EA	ADAPTER - HOSE TO PIPE - 3/8 MPT X 3/8 BARB - PLASTIC
5	010230-06-000	EA	FILL - CITY WATER - W/CHECK VALVE - MPT - BRUSHED ALUM
6	035539-01-000	EA	ELBOW - 3/8 MPT X 3/8 BARB - PLASTIC
7	039800-04-000	FT	TUBING - POLYBUTYL - 1/4"OD
7	074462-02-000	FT	TUBING - VINYL - 3/8 ID X 20' - CLEAR
7	112176-01-000	FT	TUBING - VINYL - REINFORCED - 1/2" ID
7	124188-01-000	FT	TUBING - PEX - 1/2" ID X 20' - BLUE(COLD)
7	124188-02-000	FT	TUBING - PEX - 1/2" ID X 20' - RED(HOT)
8	039808-03-000	EA	ELBOW - 1/2" MPT X 1/2" MPT - PLASTIC
9	044927-01-000	EA	ADAPTER - HOSE TO PIPE-1 1/4 MPTX1 1/4 BARB-BLACK PLASTIC
10	062421-03-000	EA	VALVE/DUMP W/O HANDLE - 1 1/2" X 1 1/2" HUB
11	065318-02-000	EA	ELBOW - 90 DEGREE - 3/8" MPT TO 3/8" FPT
12	077954-02-000	EA	FILTER - WATER TANK - W/SCREEN IN TANK

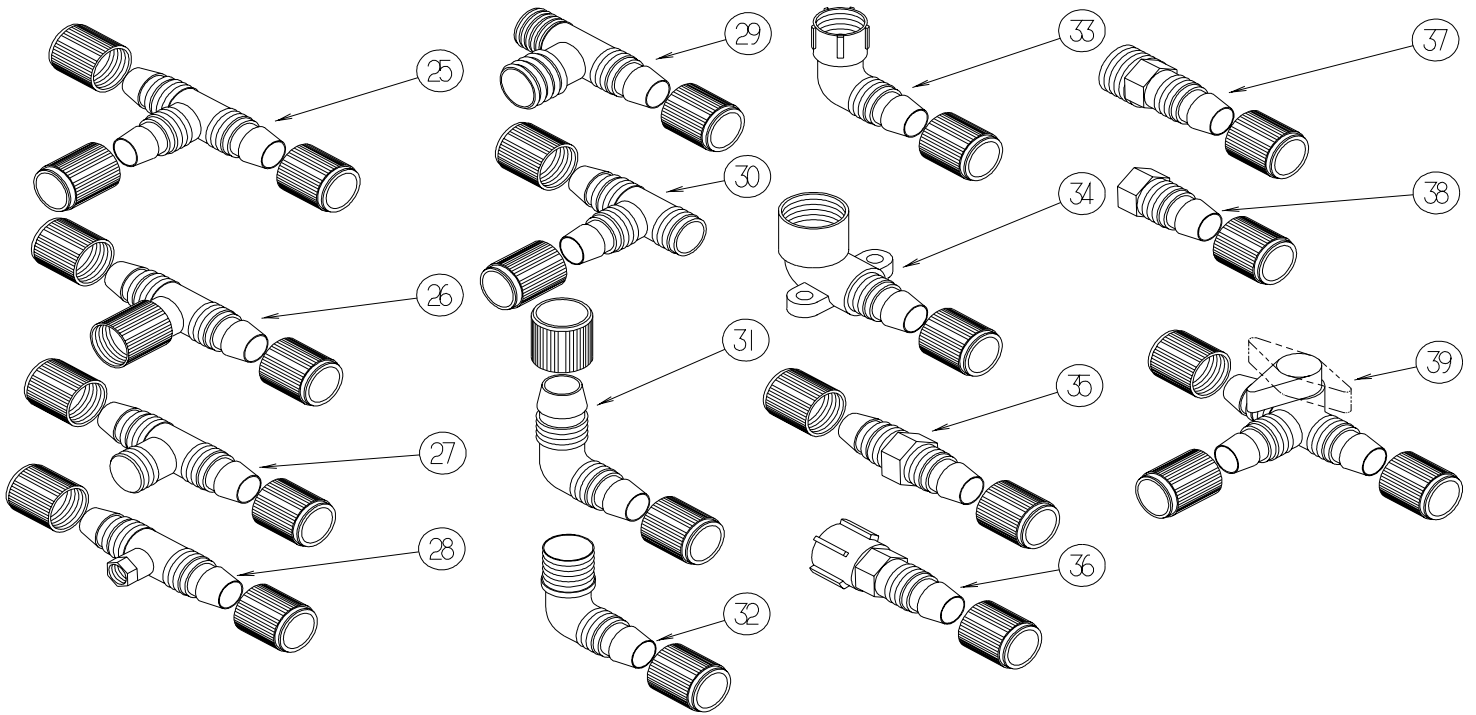
WATER & SEWAGE GROUP (CONTINUED)
WATER SYSTEM (CONTINUED)



KEY	PART NUMBER	U/M	DESCRIPTION
13	079381-01-000	FT	TUBING - RIBBED FLEXIBLE - WATER FILL - 1.4" ID
14	087200-01-000	EA	FILTER-WATER PURIFICATION, EVERPURE QC2-AC
15	087200-02-000	EA	CARTRIDGE-WATER FILTER,AC - EVERPURE 9601-11
16*	098607-01-000	EA	PUMP - WATER - W/.5" MPT FITTING - FLOW 2.8 GPM
17	101814-01-000	EA	COUPLING - FEMALE - 1/2" X 1/2" FPT - GRAY
18	103798-01-000	EA	CONNECTOR - 1/4 OD X 3/8 MPT
19	110438-02-000	EA	VALVE - CHECK - BRASS - 1/2 MPT X 1/2 MPT
20	111223-02-000	EA	ELBOW - 1/2" MPT X 3/8" BARB - PLASTIC
20	111223-03-000	EA	ELBOW - 3/4" MPT X 1/2" BARB - PLASTIC
20	111223-04-000	EA	ELBOW - 1/2" MPT X 1/2" BARB - PLASTIC
21	111888-01-000	EA	FERRULE - PLASTIC - .250 ID X .375 OD
22	111888-02-000	EA	INSERT - BRASS - 1/4 COMP
23	113697-01-000	EA	CAP - 3/8"P
24	114427-01-000	EA	CAP - 1/2"P

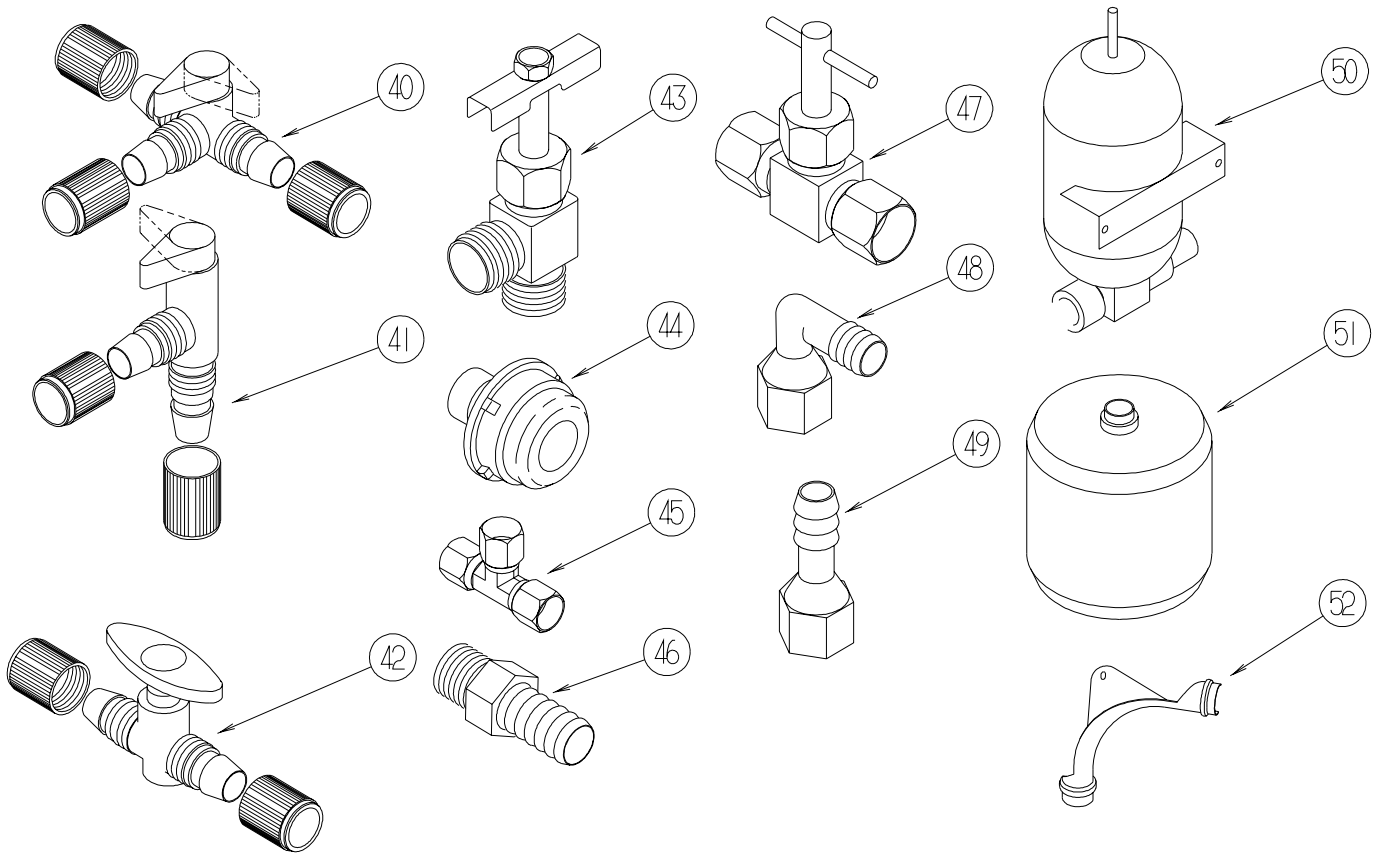
***COMPONENT PARTS LISTED LATER IN THIS GROUP**

WATER & SEWAGE GROUP (CONTINUED)
WATER SYSTEM (CONTINUED)



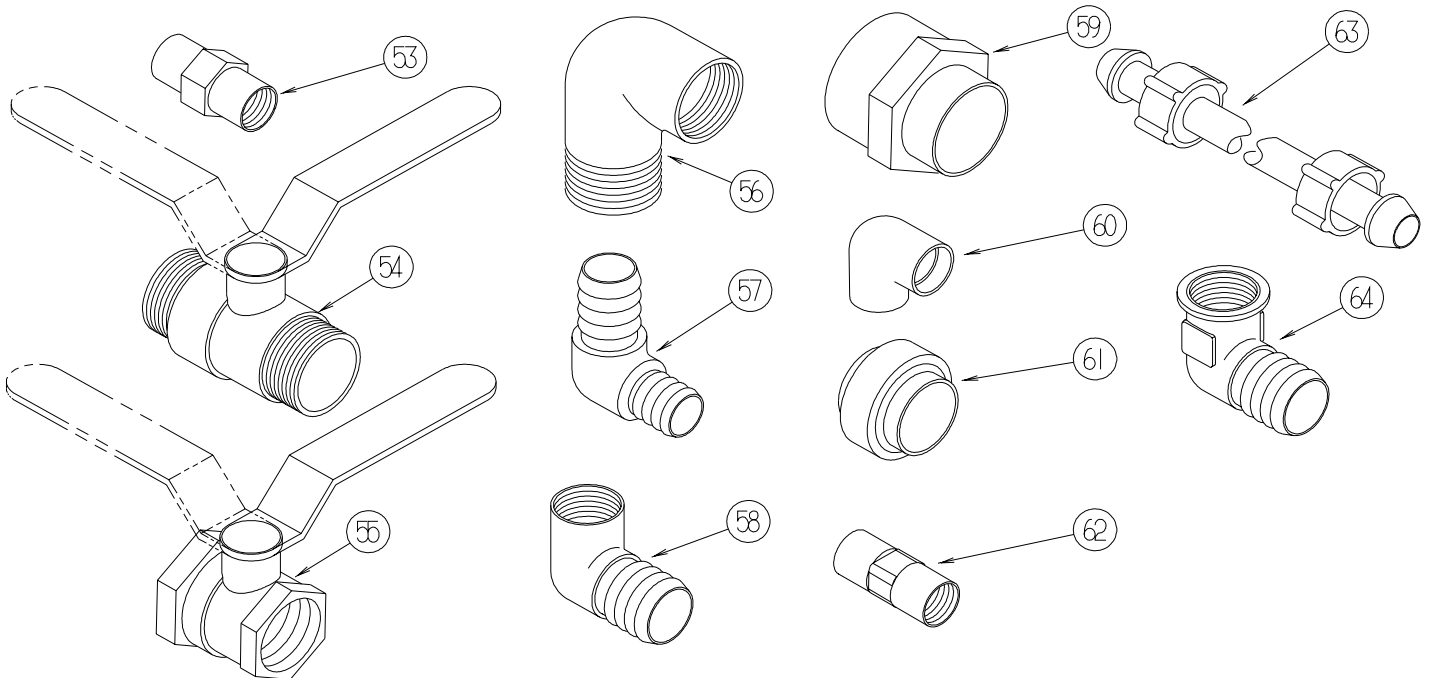
KEY	PART NUMBER	U/M	DESCRIPTION
25	114428-01-000	EA	TEE - 1/2"P X 1/2"P X 1/2"P
26	114428-02-000	EA	TEE - SWIVEL - 1/2"P X 1/2"P X 1/2"FPT
27	114428-03-000	EA	TEE - 1/2"P X 1/2"P X 1/2"MPT
28	114428-04-000	EA	TEE - 1/2"P X 1/2"P X 1/8"FPT
29	114428-06-000	EA	TEE - 1/2" P X 1/2" MPT X 1/2" MPT
30	114428-07-000	EA	TEE - 1/2" P X 1/2" MPT X 1/2" P
31	114429-01-000	EA	ELBOW - 1/2"P X 1/2"P
32	114429-02-000	EA	ELBOW - 1/2"P X 1/2"MPT
32	114429-04-000	EA	ELBOW - 1/2"P X 3/8"MPT
32	114429-05-000	EA	ELBOW - 1/2"P X 3/4"MPT
33	114429-03-000	EA	ELBOW - SWIVEL - 1/2"P X 1/2"FPT
33	114429-06-000	EA	ELBOW - SWIVEL - 1/2"P X 3/4"FPT
33	114429-08-000	EA	ELBOW - SWIVEL - 1/2"P X 1/2"FPT
34	114429-09-000	EA	ELBOW - 1/2"P X 1/2"FPT DROP EAR
35	114430-01-000	EA	ADAPTER - 1/2"P X 1/2"P
36	114430-02-000	EA	ADAPTER - SWIVEL - 1/2"P X 1/2"FPT
37	114430-03-000	EA	ADAPTER - 1/2"P X 1/2"MPT
38	114430-06-000	EA	ADAPTER - 1/2"P X 3/8"FPT
39	114431-01-000	EA	VALVE - 180 DEGREE/CENTER DRAIN - 1/2"P - THREE WAY

WATER & SEWAGE GROUP (CONTINUED)
WATER SYSTEM (CONTINUED)



KEY	PART NUMBER	U/M	DESCRIPTION
40	114431-02-000	EA	VALVE - WATER BYPASS - 1/2"P - THREE WAY (WATER HEATER)
41	114431-03-000	EA	VALVE - 90 DEGREE DRAIN - 1/2"P
42	114431-04-000	EA	VALVE - "INLINE SHUT-OFF" - 1/2"P
43	114431-05-000	EA	VALVE - NEEDLE - 1/8" MPT X 1/4" COMPRESSION (ICE MAKER)
44	114966-01-000	EA	FILTER - IN LINE - TWIST ON - 1/2"
45	118423-01-000	EA	FITTING - BRASS-TEE - 1/4C X 1/4C X 1/4C
46	118809-02-000	EA	ADAPTER - 1/2" MPT X 1/2" BARB - PLASTIC
47	120868-01-000	EA	VALVE - NEEDLE - 1/4" COMPRESSION X 1/4" COMPRESSION
48	123150-01-000	EA	ELBOW - 1/2 FPT X 1/2 BARB - SWIVEL
49	123152-01-000	EA	ADAPTER - 1/2 FPT X 1/2 BARB - SWIVEL
50	123243-01-000	EA	TANK - ACCUMULATOR - 24 OZ
51	123317-01-000	EA	TANK - ACCUMULATOR - 2 GALLON
52	124184-01-000	EA	SUPPORT - WATER LINE - BEND

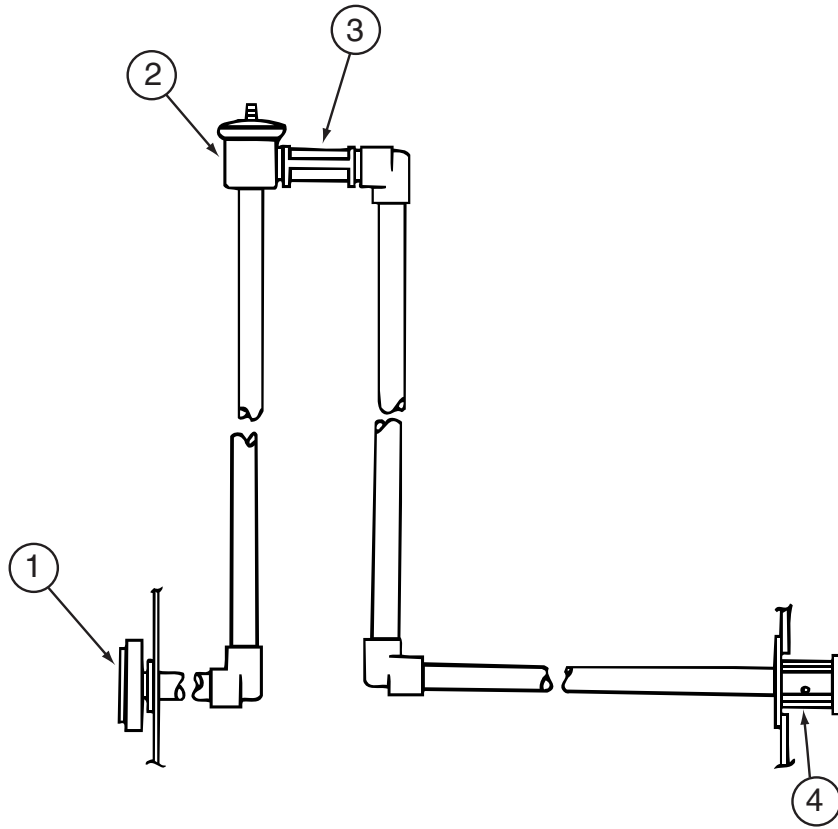
WATER & SEWAGE GROUP (CONTINUED)
WATER SYSTEM (CONTINUED)



KEY	PART NUMBER	U/M	DESCRIPTION
53	132148-01-000	EA	CONNECTOR - 1/2" X 1/2"MPT - BRASS
54	132483-01-000	EA	VALVE/BALL - 1" - THREADED ENDS
55	132483-02-000	EA	VALVE/BALL - 1/2" - BRASS - FPT
56	132484-01-000	EA	ELBOW - 90 DEGREE - 1MPT X 1FPT - PLASTIC
57	132781-01-000	EA	ELBOW - 1.3" BARB X 1.3" BARB - 90 DEGREE - PLASTIC
58	132782-01-000	EA	ELBOW - 1"FPT X 1.3" BARB - 90 DEGREE - PLASTIC
59	133835-01-000	EA	ADAPTER - REDUCING - 1 1/2" X 1 1/4"
60	133837-01-000	EA	ELBOW - 1 1/2" X 90 DEGREE - DOUBLE SLIP
61	133889-01-000	EA	UNION - 1 1/2 DOUBLE SLIP - PVC
62	135386-01-000	EA	NIPPLE - 1/2"
63	140821-01-000	EA	TUBE - WATER SUPPLY - 3/8" X 24"
63	140821-02-000	EA	TUBE - WATER SUPPLY - 3/8" X 30"
63	140821-03-000	EA	TUBE - WATER SUPPLY - 3/8" X 36"
63	140821-04-000	EA	TUBE - WATER SUPPLY - 3/8" X 48"
63	140821-05-000	EA	TUBE - WATER SUPPLY - 3/8" X 54"
63	140821-06-000	EA	TUBE - WATER SUPPLY - 3/8" X 60"
63	140821-07-000	EA	TUBE - WATER SUPPLY - 3/8" X 72"
64	142812-01-000	EA	ELBOW - BRASS - 1/2"MPT X 1/2"FPT

***COMPONENT PARTS LISTED LATER IN THIS GROUP**

WATER & SEWAGE GROUP (CONTINUED)
WATER SYSTEM (CONTINUED)



KEY	PART NUMBER	U/M	DESCRIPTION
1	125697-05-000	EA	INLET - WATER - FLUSHING SYSTEM
2	125697-04-000	EA	BREAKER - VACUUM - FLUSHING SYSTEM
3	125697-03-000	EA	CHECK VALVE - FLUSHING SYSTEM
4	125697-02-000	EA	NOZZLE - WELD-A-FLUSH
	125697-06-000	EA	INSTRUCTIONS - USER - FLUSHING SYSTEM

WATER & SEWAGE GROUP (CONTINUED)
WATER SYSTEM (CONTINUED)

KEY	PART NUMBER	U/M	DESCRIPTION
	098419-01-000	EA	FAUCET - WASHER - 90 DEGREE - WASHER/DRYER
	103635-01-000	EA	FAUCET - SINGLE CONTROL/DRINKING WATER - WATER PURIFICATION
	075241-06-000	EA	FAUCET - SHOWER/BRIGHT WHITE - .5" MPT W/1.9" INLET PIPES - EXTERIOR SHOWER
	123744-03-01A	EA	FAUCET - GALLEY/SINGLE CONTROL W/SPRAYER HEAD - CHROME
	104114-03-01A	EA	FAUCET - GALLEY - SINGLE CONTROL - CHROME - P32T, P36C, P34H, P36L
	111842-02-02B	EA	BRACKET - FAUCET - WASHER - P36C
	128997-01-01A	EA	FAUCET - LAVATORY - SINGLE CONTROL - POLISHED BRASS
	128974-01-01A	EA	VALVE - SHOWER HEAD/WATER SAVER (ON/OFF) - BRIGHT BRASS
*	131340-01-01A	EA	VALVE - W/SHOWER HEAD - SINGLE LEVER-W/O WATER SAVER-BRASS
	129390-03-01A	EA	SHOWER HEAD - W/HOSE & BRACKET - BRASS
	130041-01-02A	EA	SPACER/SHOWER HEAD - SOFT WHITE
	131340-02-01A	EA	VALVE/BRASS - W/O SHOWER HEAD/ARM EXTENSION/WALL TEMPLATE
	135028-01-01A	EA	DROP ELL - F/SHOWER HOSE - BRASS - 1/2"
	133523-01-12B	EA	PANEL - SERVICE CENTER - BRIGHT WHITE
*	118569-03-000	EA	WINTERIZATION SYSTEM - W/O TANK
	131383-01-02A	EA	SHOWER HEAD - W/60" HOSE & BRACKET - WHITE
	133047-01-12B	EA	BRACKET - SHOWER - EXTERIOR - BRIGHT WHITE
	131383-02-02A	EA	SHOWER HEAD - W/60" HOSE & BRACKET - WHITE - CSA
	077954-02-000	EA	FILTER - WATER TANK - W/SCREEN IN TANK
	137169-01-01A	EA	FILL/WATER - GRAVITY - BRIGHT WHITE
	131551-01-02B	EA	BRACKET - SHOWER HEAD
*	051391-05-000	EA	WATER HEATER/MOTOR AID-GAS/ELECT IGN - GCH10A-3E - 10 GAL
	125420-01-03A	EA	DOOR - WATER HEATER - 10 GALLON - BLACK W/BLACK GRILLE
	133224-01-02B	EA	PLATE - WATER HEATER - E-COATED
	039861-01-000	EA	SENDING UNIT KIT - W/SCREW-WASHER-WELL NUT/TERMINAL RING
	140309-05-02B	EA	ANGLE - FURNACE DOOR - E-COATED
	137169-01-01A	EA	FILL/WATER - GRAVITY - BRIGHT WHITE

LOCK CYLINDER USED UP TO 04-30-01

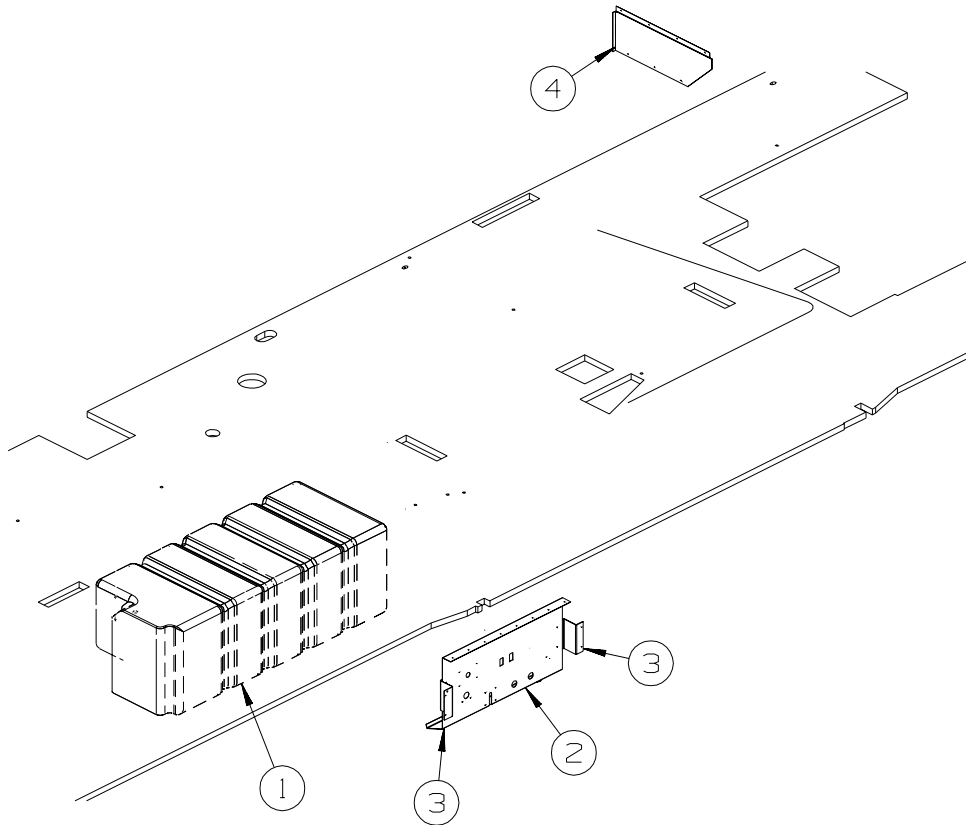
	129686-01-000	EA	CYLINDER - LOCK ASSEMBLY - COMPARTMENT/DRIVER DOOR
	129686-02-000	EA	CYLINDER - LOCK ASSEMBLY - COMPARTMENT/DRIVER DOOR
	129686-03-000	EA	CYLINDER - LOCK ASSEMBLY - COMPARTMENT/DRIVER DOOR
	129686-04-000	EA	CYLINDER - LOCK ASSEMBLY - COMPARTMENT/DRIVER DOOR
	129686-05-000	EA	CYLINDER - LOCK ASSEMBLY - COMPARTMENT/DRIVER DOOR
	129686-06-000	EA	CYLINDER - LOCK ASSEMBLY - COMPARTMENT/DRIVER DOOR
	129686-07-000	EA	CYLINDER - LOCK ASSEMBLY - COMPARTMENT/DRIVER DOOR
	129686-08-000	EA	CYLINDER - LOCK ASSEMBLY - COMPARTMENT/DRIVER DOOR
	129686-09-000	EA	CYLINDER - LOCK ASSEMBLY - COMPARTMENT/DRIVER DOOR
	129686-10-000	EA	CYLINDER - LOCK ASSEMBLY - COMPARTMENT/DRIVER DOOR

LOCK CYLINDER USED AFTER 05-01-01

	138290-03-000	EA	CASE - W/CAM - W/O CYLINDER/KEY
	138289-01-000	EA	CYLINDER - LOCKING
	138289-02-000	EA	CYLINDER - LOCKING
	138289-03-000	EA	CYLINDER - LOCKING
	138289-04-000	EA	CYLINDER - LOCKING
	138289-05-000	EA	CYLINDER - LOCKING
	138289-06-000	EA	CYLINDER - LOCKING
	138289-07-000	EA	CYLINDER - LOCKING
	138289-08-000	EA	CYLINDER - LOCKING
	138289-09-000	EA	CYLINDER - LOCKING
	138289-10-000	EA	CYLINDER - LOCKING

***COMPONENT PARTS LISTED LATER IN THIS GROUP**

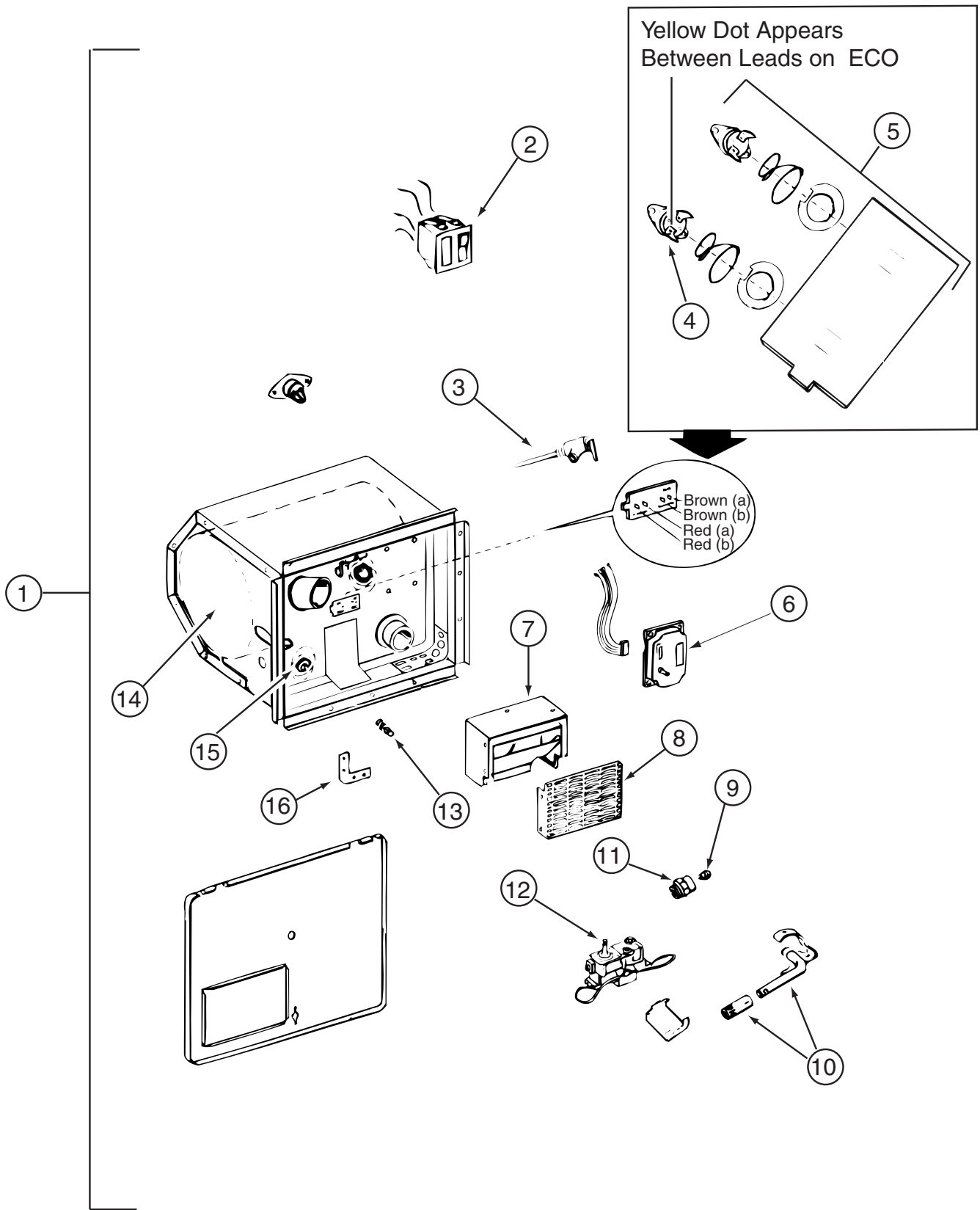
WATER & SEWAGE GROUP (CONTINUED)
WATER SYSTEM (CONTINUED)



KEY	PART NUMBER	U/M	DESCRIPTION
1	132678-02-000	EA	TANK - WATER - 85 GALLON - W/FITTINGS
	132678-01-000	EA	TANK - WATER - 85 GALLON - W/O FITTINGS
	042989-03-000	EA	FITTING - SPINWELD - 1 1/4"NPT - PLASTIC
	042989-05-000	EA	FITTING - SPINWELD - 1/2"FPT - PLASTIC
	049032-01-000	EA	PATCH - SPINWELD - 3/8" - PLASTIC
2	137005-01-12B	EA	PANEL/SERVICE CENTER - F/EXTERIOR WASH STATION - BRT WHT
3	137389-01-02B	EA	BRACKET - WATER CENTER - E-COATED
4	137204-01-02B	EA	PANEL - CLOSEOUT/WATER - E-COATED

WATER & SEWAGE GROUP (CONTINUED)

COMPONENT PARTS FOR WATER SYSTEM



051391-05-000

WATER & SEWAGE GROUP (CONTINUED)
COMPONENT PARTS FOR WATER SYSTEM (CONTINUED)

051391-05-000 (CONTINUED)

KEY	PART NUMBER	U/M	DESCRIPTION	VENDOR NO.
2	051393-01-701	EA	SWITCH - REMOTE - W/LIGHT	91959
3	051391-01-704	EA	VALVE-RELIEF, 1/2" FITTING	91604
4	051391-04-701	EA	THERMOSTAT 12V DC-120 PRESET	91470
5	051391-05-707	EA	THERMOSTAT & ECO - 110 VOLT	91873
6	051393-01-704	EA	BOARD-CIRCUIT	93865
7	051391-04-707	EA	KIT-EXHAUST, (FLUE & GASKET)	90960
8	051391-01-717	EA	GRILLE-WATER HEATER DOOR	92640
9	051391-05-701	EA	ORIFICE-MAIN BURNER	93914
10	051391-05-700	EA	BURNER-MAIN	93221
11	051391-03-700	EA	HOLDER-ORIFICE	91563
12	051393-01-726	EA	VALVE-SOLENOID, W/O BRACKET	93870
13	051391-01-715	EA	PLUG-DRAIN, 1 EA = 2 PER PKG	91857
14	051391-05-704	EA	TANK-INNER	93593
15	051391-05-706	EA	ELEMENT-HEATING 1500 WATT	91160 W/GASKET
16	111129-01-711	EA	BRACKET-CORNER, SET OF FOUR	91928
	051391-05-703	EA	HARDWARE KIT-DOOR	91858
	051391-05-705	EA	SWITCH - ON/OFF SWITCH - BOX	91182
	051393-01-721	EA	THERMOSTAT W/ECO, 140 FRT MT	91447
	051393-01-723	EA	SWITCH - THERMAL CUTOUT 2/PK	93866
	051393-01-725	EA	ELECTRODE-SGL SPADE CONNECT.	93868
	051393-01-730	EA	BRACKET - F/10 GAL SYSTEM	93862
			CONTACT WINNEBAGO PARTS SALES FOR UNLISTED COMPONENTS	

098607-01-000

KEY	PART NUMBER	U/M	DESCRIPTION	VENDOR NO.
	098607-01-702	EA	DIAPHRAGM/DRIVE ASSEMBLY KIT	94-238-04
	098607-01-703	EA	VALVE KIT	94-232-00
	098607-01-705	EA	VALVE-CHECK, KIT	94-237-00
	098607-01-706	EA	HOUSING, W/SWITCH ONLY	94-231-20
	098607-01-707	EA	MOTOR W/BASEPLATE	11-148-04

118569-03-000

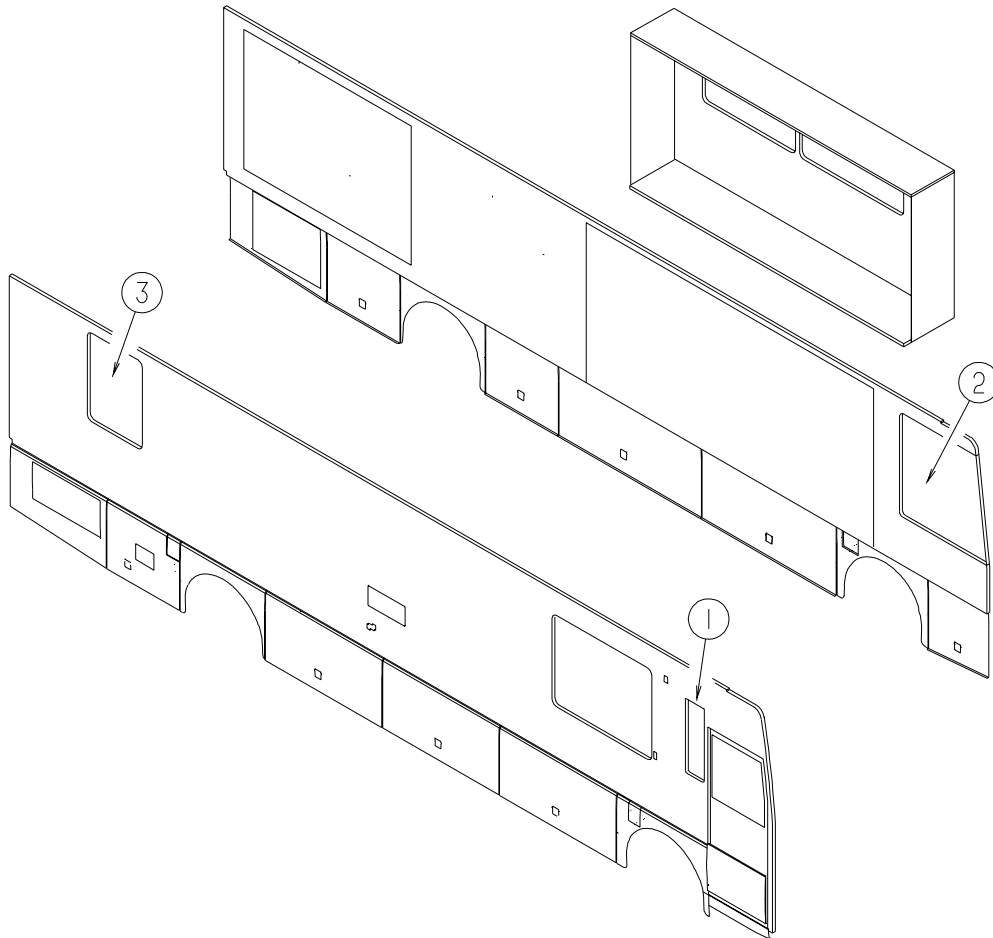
KEY	PART NUMBER	U/M	DESCRIPTION	VENDOR NO
	118569-01-700	EA	VALVE/SOLENOID-ELECT CONTROL	NO VDR#
	118569-01-701	EA	SWITCH - ELECTRIC	EA1-31
	118569-01-702	EA	PLATE - SWITCH	ERUS-1
	118569-01-704	EA	PLUG - 3/4 MPT	NO VDR#
	118569-01-705	EA	PLUG - 1/2 MPT	NO VDR#
	118569-01-706	EA	SCREEN - WHITE	NO VDR#

131340-01-01A

KEY	PART NUMBER	U/M	DESCRIPTION	VENDOR NO.
	119677-01-701	EA	SHOWER HEAD ONLY 1/2"	34PB
	131340-01-700	EA	BUTTON - HOT/COLD	N1201-16
	131340-01-701	EA	KNOB - CLEAR	N1201-9

WINDOW & VENTS GROUP

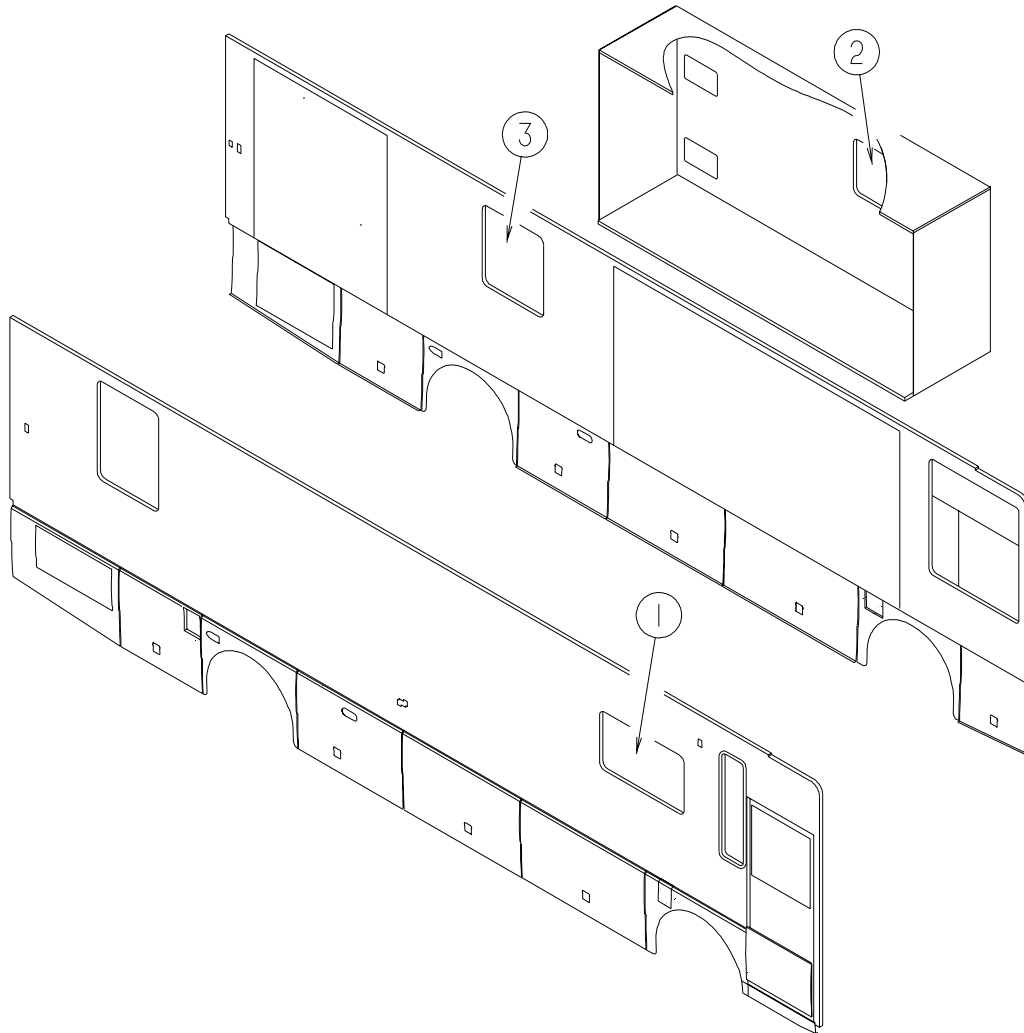
WINDOW & VENT LAYOUT



KEY	PART NUMBER	U/M	DESCRIPTION
1	112898-27-01A	EA	WINDOW - VERTICAL SLIDER - THERMO - 12" X 29.4" - BLACK
1	113733-13-01A	EA	WINDOW - STATIONARY - THERMO - 12" X 29.4" - BLACK
2*	106466-13-01A	EA	WINDOW - CAB/DRIVER W/RETAINER - 44.6"T X 44.7"H X 46"B
2*	106466-14-01A	EA	WINDOW - CAB/DRVR THERMO W/RETAINER-44.6"T X 44.7"H X 46"B
3*	112463-06-01A	EA	WINDOW - TIPOUT/ESCAPE W/RETAINER - 42.2" X 30.1"
3*	129929-08-01A	EA	WINDOW - TORQUE - THERMO/ESCAPE - 42.2" X 30.2"
*	122882-01-01A	EA	VENT - ROOF - NONPOWERED - W/O INSIDE GARNISH
*	123780-03-01A	EA	FANTASTIC VENT - 3"-4" ROOF - W/FAN - W/O THERM/PWR LIFT
	009440-01-000	EA	GEAR/ARM - LIFT - ROOF VENT COVER
	122882-07-01A	EA	GARNISH - ROOF VENT - 2.5" TO 4.1"
*	122882-04-01A	EA	VENT - ROOF - W/FAN/POWER LIFT - W/O INSIDE GARNISH - UL
*	122882-05-01A	EA	VENT - ROOF - W/FAN/POWER LIFT - W/O INSIDE GARNISH - CSA
	048648-01-000	EA	MOTOR - ROOF VENT - 1/8 SHAFT - 12VOLT
	048649-01-000	EA	FAN BLADE - ROOF VENT - 6 BLADES - 6"
	122882-07-01A	EA	GARNISH - ROOF VENT - 2.5" TO 4.1"
	122214-01-02A	EA	PANEL - SKYLITE - INNER - W/ANGLED CORNER - WHITE
	122215-01-02A	EA	PANEL - SKYLITE - OUTER - W/ANGLED CORNER - WHITE
	138372-01-12B	EA	TRIM - CORNER - SKYLIGHT - BRIGHT WHITE
	139411-01-01A	EA	PANEL - SKYLITE - OUTER - NEO ANGLE - WHITE
	084073-04-000	EA	BASE/VENT - ROOF/REFRIGERATOR - BLACK - NORCOLD
	084073-07-000	EA	CAP - ROOF/REFRIGERATOR VENT - 10" X 32" - BRIGHT WHITE

*COMPONENT PARTS LISTED LATER IN THIS GROUP

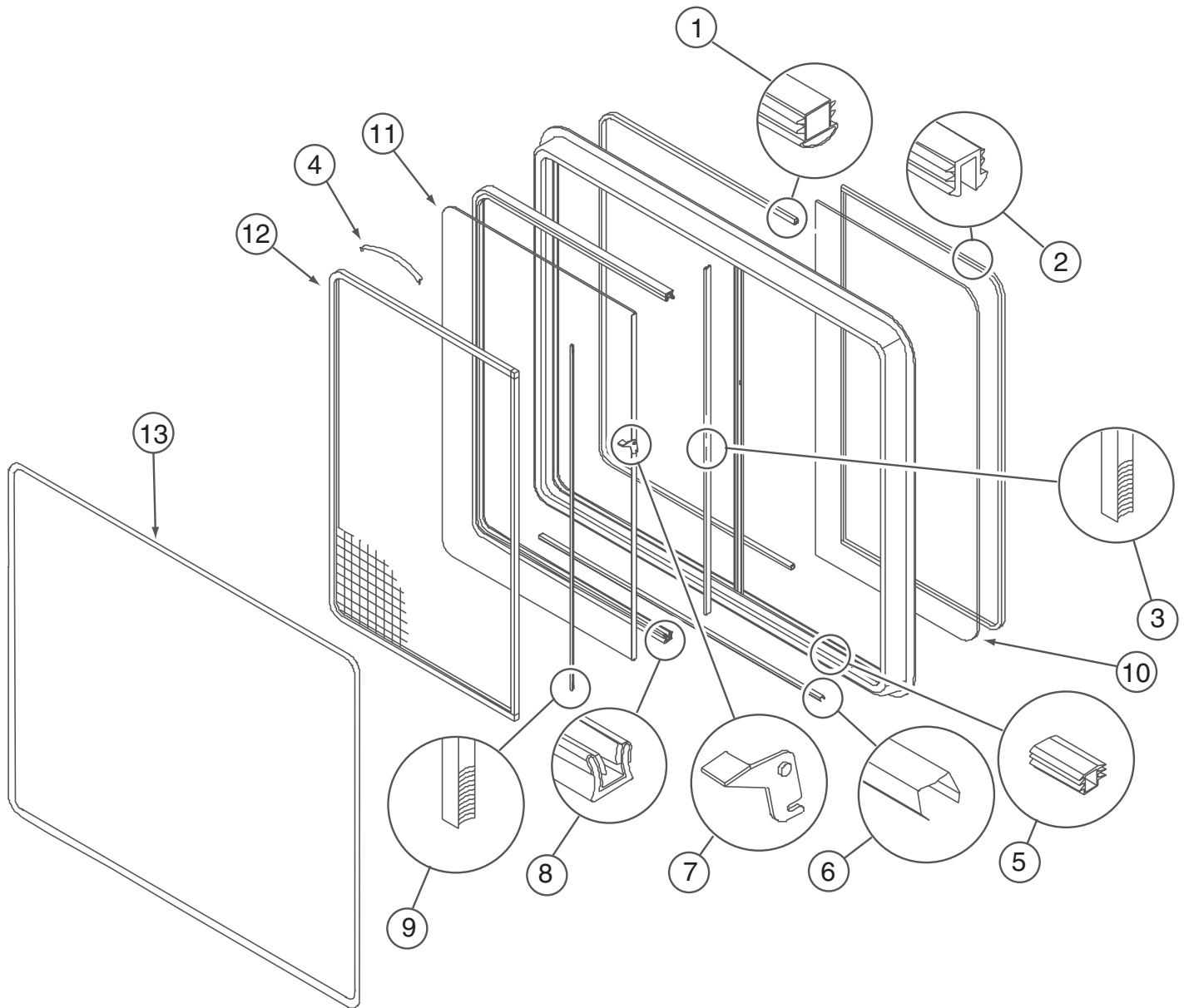
WINDOW & VENTS GROUP (CONTINUED)
WINDOW & VENT LAYOUT (CONTINUED)



KEY	PART NUMBER	U/M	DESCRIPTION
1*	098647-23-02A	EA	WINDOW - PASS HORIZ SLIDER TINTED W/RETAINER-26.1" X 59.7"
1*	112795-69-01A	EA	WINDOW - PASSENGER HORIZ SLIDER - THERMO - 26.3" X 60"
2*	098647-54-01A	EA	WINDOW - DRIVER HORIZONTAL SLIDER - 57.5"W X 23.6"H
2*	112795-81-01A	EA	WINDOW - DRVR HORIZ SLIDER/ESCAPE - THERMO - 23.8" X 57.7"
3*	112463-03-02A	EA	WINDOW - TIPOUT W/RETAINER - 33.3" X 30.2"
3*	129929-09-01A	EA	WINDOW - TORQUE - THERMO - 30" X 33"

***COMPONENT PARTS LISTED LATER IN THIS GROUP**

WINDOW & VENTS GROUP (CONTINUED)
COMPONENT PARTS FOR WINDOWS & VENT LAYOUT



098647-23-02A

KEY	PART NUMBER	U/M	DESCRIPTION	VENDOR NO.
1	098644-01-716	FT	PLUG - FILLER	132-014470
2	098644-01-705	FT	GLAZING - STRIP	132-010231
3	098644-01-706	FT	WEATHERSTRIP - GLASS	171-010668
4	098644-01-713	EA	CLIP - SCREEN - METAL	226-016966
4	125582-01-701	EA	CLIP - SCREEN - PLASTIC	130-005153
5	098644-01-719	EA	STOP - SLIDER GLASS	132-014203
6	098644-01-710	FT	TRACK - SCREEN SPACER 12'	132-017135
7	098644-01-700	EA	LATCH - REPAIR KIT (BLACK)	B801-CK
8	098644-01-708	FT	CHANNEL - RUN PIERCED	122-016543
9	098644-01-711	FT	WEATHERSTRIP - SCREEN BLACK	171-016965
10	098647-23-703	EA	GLASS - STATIONARY	106-017622
11	098647-23-700	EA	GLASS SLIDING W/SASH & LATCH	H287-G9
12	098647-23-704	EA	SCREEN ASM - W/SEALS & CLIPS	410-019066
13	098647-22-701	EA	RETAINER - TRIM	H287-67
	098644-01-717	FT	SPLINE - SCREEN	132-004716

WINDOW & VENTS GROUP (CONTINUED)
COMPONENT PARTS FOR WINDOWS & VENT LAYOUT (CONTINUED)

098647-54-01A

KEY	PART NUMBER	U/M	DESCRIPTION	VENDOR NO.
1	098644-01-716	FT	PLUG - FILLER	132-014470
2	098644-01-705	FT	GLAZING - STRIP	132-010231
3	098644-01-706	FT	WEATHERSTRIP - GLASS	171-010668
4	098644-01-713	EA	CLIP - SCREEN - METAL	226-016966
4	125582-01-701	EA	CLIP - SCREEN - PLASTIC	130-0
5	098644-01-719	EA	STOP - SLIDER GLASS	132-014203
6	098644-01-710	FT	TRACK - SCREEN SPACER 12'	132-017135
7	098644-01-700	EA	LATCH - REPAIR KIT (BLACK)	B801-CK
8	098644-01-708	FT	CHANNEL - RUN PIERCED	122-016543
9	098644-01-711	FT	WEATHERSTRIP - SCREEN BLACK	171-016965
10	098647-47-700	EA	GLASS - STATIONARY	106-025224
11	098647-54-700	EA	GLASS-SLIDING W/SASH & LATCH	H666-G9
12	098647-47-702	EA	SCREEN ASM - W/SEALS & CLIPS	410-025226
13	098647-47-704	EA	RETAINER - TRIM	H493-66
	098644-01-717	FT	SPLINE - SCREEN	132-004716

WINDOW & VENTS GROUP (CONTINUED)
COMPONENT PARTS FOR WINDOWS & VENT LAYOUT (CONTINUED)

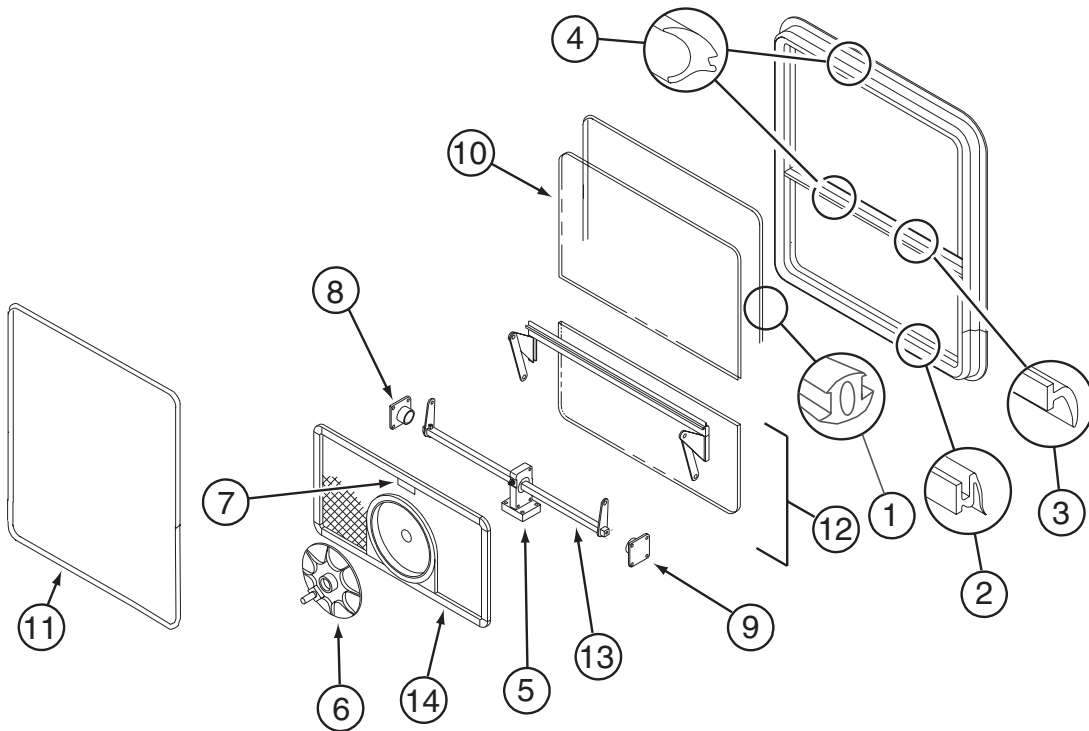
106466-13-01A

KEY	PART NUMBER	U/M	DESCRIPTION	VENDOR NO.
	098644-01-700	EA	LATCH - REPAIR KIT (BLACK)	B801-CK
	098644-01-705	FT	GLAZING - STRIP	132-010231
	098644-01-706	FT	WEATHERSTRIP - GLASS	171-010668
	098644-01-708	FT	CHANNEL - RUN PIERCED	122-016543
	098644-01-710	FT	TRACK - SCREEN SPACER 12'	132-017135
	098644-01-713	EA	CLIP - SCREEN - METAL	226-016966
	098644-01-716	FT	PLUG - FILLER	132-014470
	098644-01-717	FT	SPLINE - SCREEN	132-004716
	098644-01-719	EA	STOP - SLIDER GLASS	132-014203
	125582-01-701	EA	CLIP - SCREEN - PLASTIC	130-005153
	106466-13-700	EA	GLASS - STATIONERY - UPPER	106-027475
	106466-13-701	EA	GLASS - STATIONERY - LOWER	106-027476
	106466-13-702	EA	GLASS/SLIDING-W/SASH & LATCH	H567-A9L
	106466-13-703	EA	RETAINER - TRIM	H671-66L
	125582-01-708	EA	WEEPHOLE COVER - RIGHT HAND	130-026598
	125582-01-709	EA	WEEPHOLE COVER - LEFT HAND	130-026599
	125582-04-701	EA	SCREEN ASM - W/SEALS & CLIPS	410-026544

106466-14-01A

KEY	PART NUMBER	U/M	DESCRIPTION	VENDOR NO.
	106466-13-703	EA	RETAINER - TRIM	H671-66L
	106466-14-700	EA	GLASS - STATIONERY - UPPER	390-027477
	106466-14-701	EA	GLASS - STATIONERY - LOWER	390-027478
	106466-14-702	EA	GLASS/SLIDING W/SASH & LATCH	DH567-A9L
	098644-01-706	FT	WEATHERSTRIP - GLASS	171-010668
	098644-01-710	FT	TRACK - SCREEN SPACER 12'	132-017135
	098644-01-713	EA	CLIP - SCREEN - METAL	226-016966
	098644-01-717	FT	SPLINE - SCREEN	132-004716
	112795-01-700	EA	LATCH ASM., BLK.,(BOLT ON)	DH287-CK
	112795-01-701	EA	SLIDE-STOP	132-019092
	112795-01-703	IN	CHANNEL-RUN (INCHES)	122-027566
	112795-01-704	FT	PLUG FILLER (DOUBLE GLAZED)	122-018737
	112795-01-705	FT	VINYL - GLAZING	132-027331
	125582-01-701	EA	CLIP - SCREEN - PLASTIC	130-005153
	125582-01-708	EA	WEEPHOLE COVER - RIGHT HAND	130-026598
	125582-01-709	EA	WEEPHOLE COVER - LEFT HAND	130-026599
	125582-04-701	EA	SCREEN ASM - W/SEALS & CLIPS	410-026544

WINDOW & VENTS GROUP (CONTINUED)
COMPONENT PARTS FOR WINDOWS & VENT LAYOUT (CONTINUED)



112463-03-02A

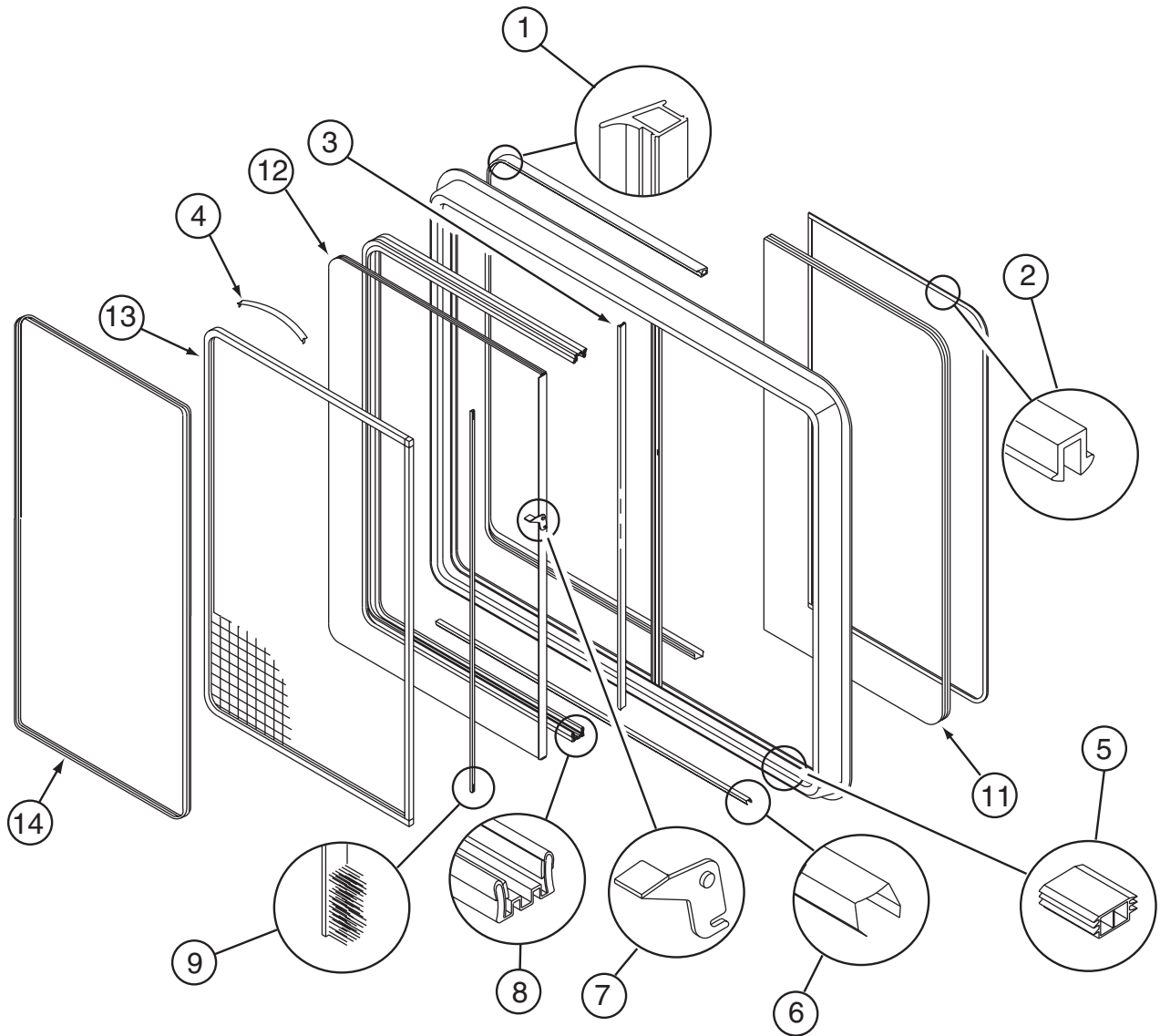
KEY	PART NUMBER	U/M	DESCRIPTION	VENDOR NO.
1	116976-01-702	FT	FILLER PLUG	132-016065
2	100322-01-701	FT	SEAL-VENT	122-016071
3	100322-01-702	EA	WEATHERSTRIP-HORIZ RAIL-148"	132-019631
4	100322-01-703	FT	VINYL-GLAZING, BUTYL	132-010723
5	100322-01-716	EA	SUPPORT-TORQUE BAR, CTR RAIL	130-015980
6	100322-01-718	EA	HANDLE-DIAL	410-016081
7	112519-01-706	EA	CLIP-SCREEN	CH21-50
8	113500-01-707	EA	SUPPORT - TORQUE BAR RH	130-015979
9	113500-01-708	EA	SUPPORT - TORQUE BAR LH	130-015978
10	112463-03-701	EA	GLASS - STATIONARY	106-025377
11	112463-03-704	EA	RETAINER - TRIM	CB100-59
12	112463-03-700	EA	VENT ASSEMBLY	CH100-G9
13	113500-05-703	EA	OPERATOR & BAR ASSEMBLY	CH10-15
14	112463-03-703	EA	SCREEN ASM - W/SEALS & CLIPS	410-018439
	100322-01-717	EA	E-RING	245-015975

112463-06-01A

KEY	PART NUMBER	U/M	DESCRIPTION	VENDOR NO.
1	116976-01-702	FT	FILLER PLUG	132-016065
2	100322-01-701	FT	SEAL-VENT	122-016071
3	100322-01-702	EA	WEATHERSTRIP-HORIZ RAIL-148"	132-019631
4	100322-01-703	FT	VINYL-GLAZING, BUTYL	132-010723
5	100322-01-716	EA	SUPPORT-TORQUE BAR, CTR RAIL	130-015980
6	100322-01-718	EA	HANDLE-DIAL	410-016081
7	112519-01-706	EA	CLIP-SCREEN	CH21-50
8	113500-01-707	EA	SUPPORT - TORQUE BAR RH	130-015979
9	113500-01-708	EA	SUPPORT - TORQUE BAR LH	130-015978
10	112463-06-700	EA	GLASS - STATIONARY	106-018413
11	112463-06-701	EA	RETAINER - TRIM	CH65-59
13	112463-05-702	EA	OPERATOR & BAR ASSEMBLY	CH65-15
14	112463-05-701	EA	SCREEN ASM - W/SEALS & CLIPS	410-018441

CONTACT WINNEBAGO PART SALES FOR UNLISTED COMPONENTS

WINDOW & VENTS GROUP (CONTINUED)
COMPONENT PARTS FOR WINDOWS & VENT LAYOUT (CONTINUED)



112795-69-01A

KEY	PART NUMBER	U/M	DESCRIPTION	VENDOR NO.
1	112795-01-704	FT	PLUG FILLER (DOUBLE GLAZED)	122-018737
2	112795-01-705	FT	VINYL - GLAZING	132-025736
3	098644-01-706	FT	WEATHERSTRIP - GLASS	171-010668
4	098644-01-713	EA	CLIP - SCREEN - METAL	226-016966
4	125582-01-701	EA	CLIP - SCREEN - PLASTIC	130-005153
	098644-01-717	FT	SPLINE - SCREEN	132-004716
5	112795-01-701	EA	SLIDE-STOP	132-019092
6	098644-01-710	FT	TRACK - SCREEN SPACER 12'	132-017135
7	112795-01-700	EA	LATCH ASM., BLK.,(BOLT ON)	DH287-CK
8	112795-01-703	IN	CHANNEL-RUN (INCHES)	122-018736
9	098644-01-711	FT	WEATHERSTRIP - SCREEN BLACK	171-016965
11	112795-68-700	EA	GLASS - STATIONARY	390-028353
12	112795-68-701	EA	GLASS - SLIDING W/SASH LATCH	390-028353
13	098647-23-704	EA	SCREEN ASSY - W/SEAL & CLIPS	410-019066
14	098647-27-704	EA	RETAINER - TRIM	H287-66

WINDOW & VENTS GROUP (CONTINUED)
COMPONENT PARTS FOR WINDOWS & VENT LAYOUT (CONTINUED)

112795-81-01A

KEY	PART NUMBER	U/M	DESCRIPTION	VENDOR NO.
1	112795-01-704	FT	PLUG FILLER (DOUBLE GLAZED)	122-018737
2	112795-01-705	FT	VINYL - GLAZING	132-025736
3	098644-01-706	FT	WEATHERSTRIP - GLASS	171-010668
4	098644-01-713	EA	CLIP - SCREEN - METAL	226-016966
4	125582-01-701	EA	CLIP - SCREEN - PLASTIC	130-005153
	098644-01-717	FT	SPLINE - SCREEN	132-004716
5	112795-01-701	EA	SLIDE-STOP	132-019092
6	098644-01-710	FT	TRACK - SCREEN SPACER 12'	132-017135
7	112795-01-700	EA	LATCH ASM., BLK.,(BOLT ON)	DH287-CK
8	112795-01-703	IN	CHANNEL-RUN (INCHES)	122-018736
9	098644-01-711	FT	WEATHERSTRIP - SCREEN BLACK	171-016965
11	112795-77-700	EA	GLASS - STATIONARY	390-28313
12	112795-77-701	EA	GLASS - SLIDING W/SASH LATCH	DH493-G8
13	098647-47-702	EA	SCREEN ASSY - W/SEAL & CLIPS	410-025226
14	098647-47-704	EA	RETAINER - TRIM	H493-66

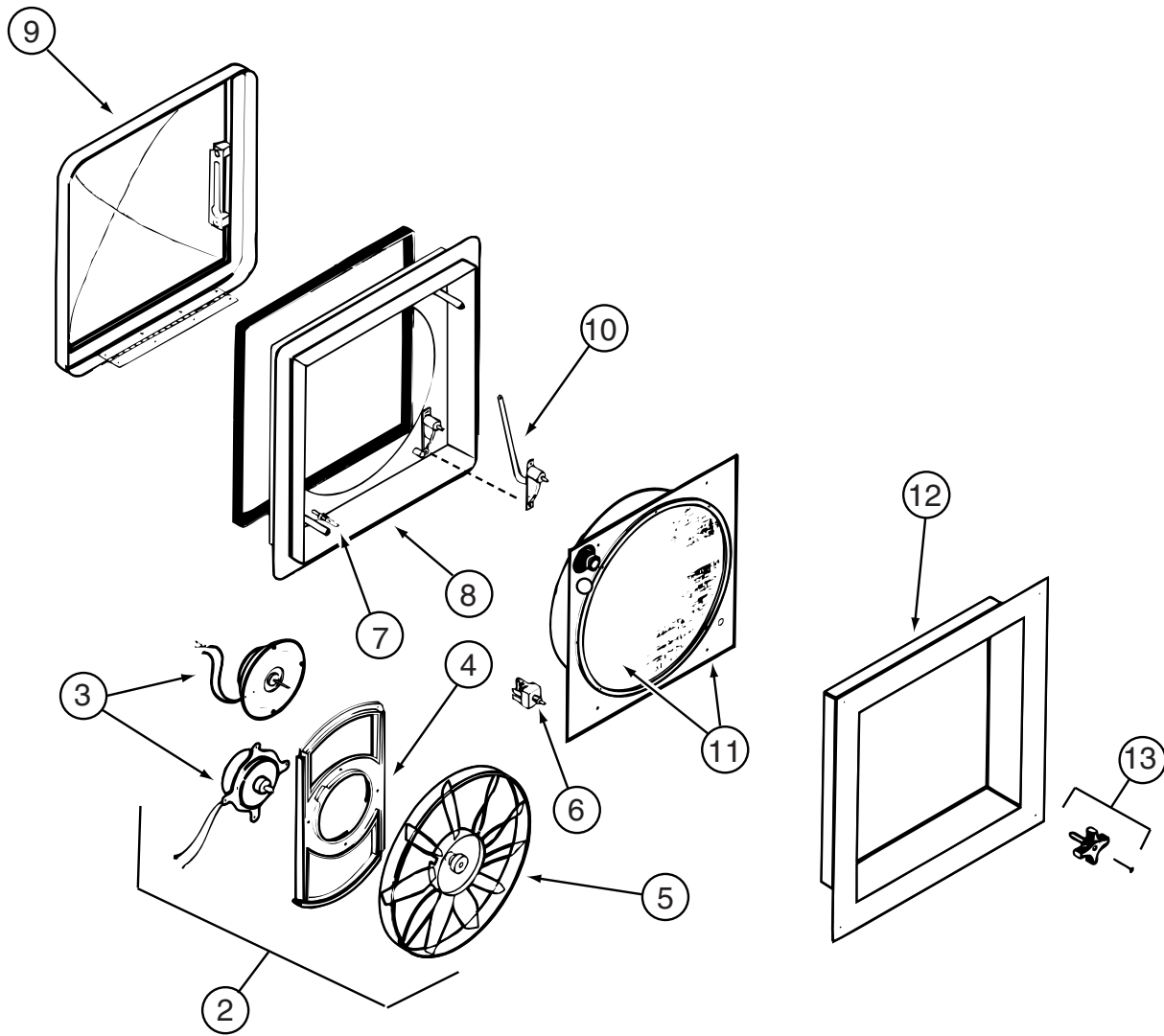
122882-01-01A

KEY	PART NUMBER	U/M	DESCRIPTION	VENDOR NO.
	009440-01-000	EA	GEAR-ARM-ROOF VENT	705221K38
	064470-01-700	EA	COVER - VENT - W/O SLIDE BAR	J7291
	064470-01-701	EA	SLIDE BAR - VENT LID	JRP1291B
	122882-01-701	EA	SCREEN	JRP-1124-B
	122882-01-702	EA	HANDLE - CRANK - WHITE	JRP1031B

122882-04-01A, 122882-05-01A

KEY	PART NUMBER	U/M	DESCRIPTION	VENDOR NO.
	064470-01-700	EA	COVER - VENT - W/O SLIDE BAR	J7291
	064470-01-701	EA	SLIDE BAR - VENT LID	JRP1291B
	064469-03-708	EA	GEAR-DRIVE	RP-1024
	110051-07-701	EA	MOTOR-LIFT, W/BRKT-GEAR 3/16	RP1099B
	122882-04-700	EA	SCREEN	J29-670-01A

WINDOW & VENTS GROUP (CONTINUED)
COMPONENT PARTS FOR WINDOWS & VENT LAYOUT (CONTINUED)

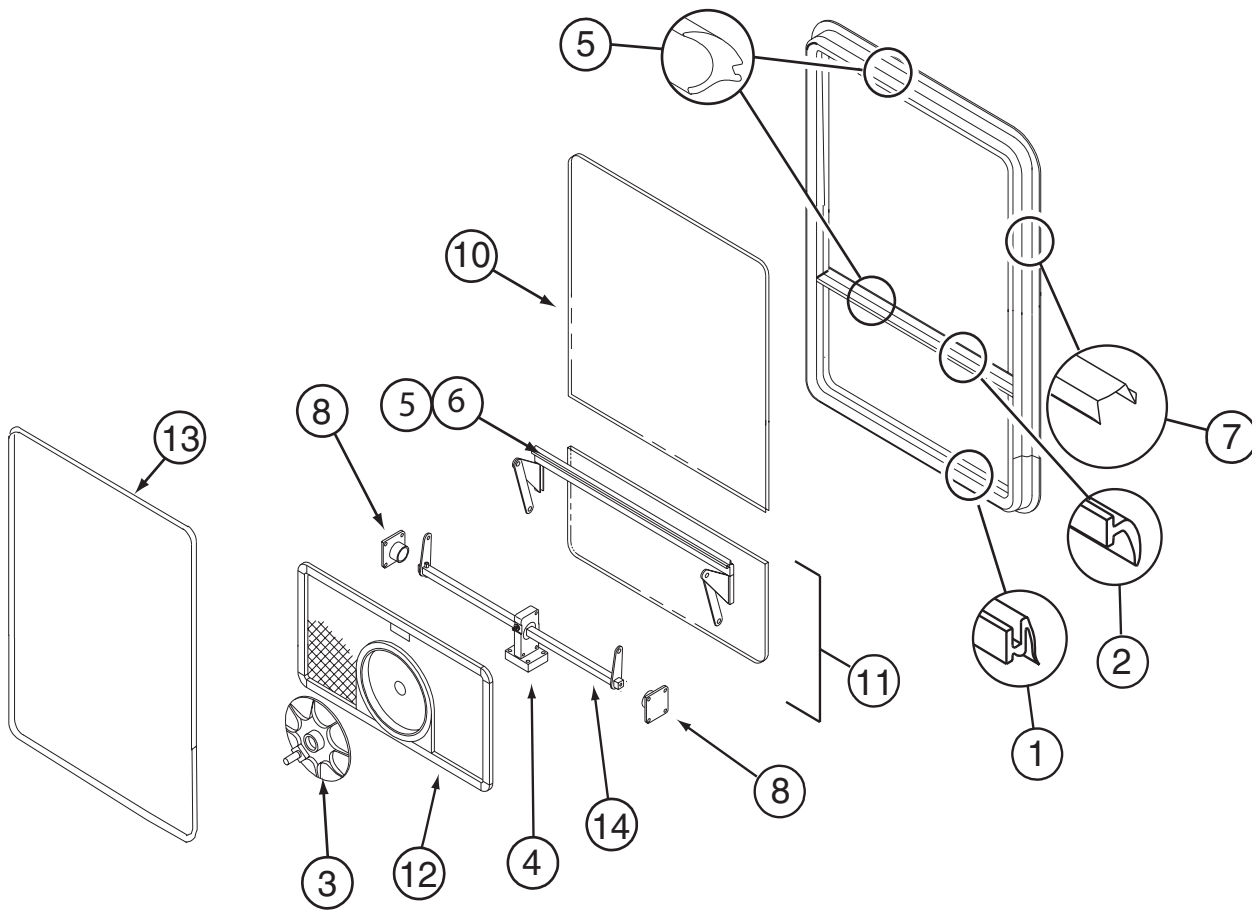


123780-03-01A

KEY	PART NUMBER	U/M	DESCRIPTION	VENDOR NO.
2	084079-11-700	EA	MOTOR, BRKT., FAN BLADE, KIT	4017K-09
3	084079-01-705	EA	MOTOR	1080-00
4	084079-01-711	EA	H-MOLDING, MOTOR MOUNT	
5	084079-01-704	EA	BLADE-FAN	1070-00
6	084079-01-709	EA	SWITCH - MAIN - 3 SPEED	1031-05
7	084079-01-707	EA	SWITCH - SAFETY	1122.05
8	123780-05-700	EA	BASE - MAIN BRIGHT WHITE	1010K-81
9	123780-01-700	EA	COVER - VENT W/HINGE & SLIDE	1020K-81
10	009440-01-000	EA	GEAR/ARM - LIFT - ROOF VENT COVER	
11	123780-03-701	EA	SCREEN ASM 78-100MM W/SWITCH	1030BT-81
12	123780-03-700	EA	GARNISH - INT. 3"-4" BRT/WHT	2040-81
13	084079-01-703	EA	KNOB-LIFT, W/EXT.	1140K-00
	084079-01-706	EA	PLUG, 12 VOLT	1090
	123780-01-702	EA	SCREEN W/FRAME	103581

CONTACT WINNEBAGO PART SALES FOR UNLISTED COMPONENTS

WINDOW & VENTS GROUP (CONTINUED)
COMPONENT PARTS FOR WINDOWS & VENT LAYOUT (CONTINUED)



129929-08-01A

KEY	PART NUMBER	U/M	DESCRIPTION	VENDOR NO .
1	100322-01-701	FT	SEAL-VENT	122-016071
3	100322-01-718	EA	HANDLE-DIAL	410-016081
4	129929-01-710	EA	TORQUE-CTR SUPPORT (2 HOLE)	410-026806
5	129929-01-705	FT	GLAZING VINYL	132-026811
6	129929-01-707	FT	COVER/SCREW-FILLER STRIP	132-026808
8	129929-01-708	EA	SUPPORT - TORQUE BAR - RT/LT	130-026804
10	129929-08-700	EA	GLASS - STATIONARY	390-028303
11	129929-10-701	EA	VENT GLASS ASSEMBLY	DTH002-G8
12	129929-02-702	EA	SCREEN ASM - W/SEALS & CLIPS	410-026861
13	129929-02-707	EA	RETAINER - TRIM	CH10162
14	129929-02-704	EA	OPERATOR BAR ASSEMBLY	DTH002-15
	100322-01-717	FT	SEAL - VENT	122-016071
	129929-01-706	FT	SEAL - TOP F/CENTER EGRESS	132-026811
	129929-02-706	FT	SEAL - FOAM	140-027022

CONTACT WINNEBAGO PART SALES FOR UNLISTED COMPONENTS

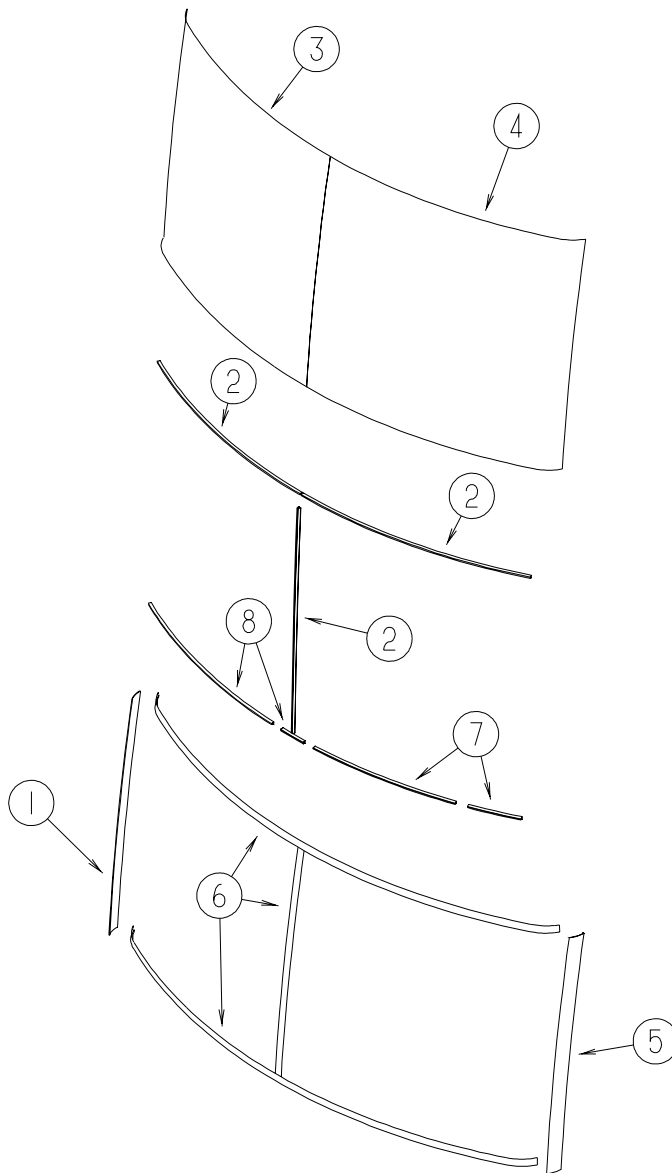
WINDOW & VENTS GROUP (CONTINUED)
COMPONENT PARTS FOR WINDOWS & VENT LAYOUT (CONTINUED)

129929-09-01A

KEY	PART NUMBER	U/M	DESCRIPTION	VENDOR NO.
1	100322-01-701	FT	SEAL-VENT	122-016071
2	100322-01-702	EA	WEATHERSTRIP-HORIZ RAIL-148"	132-019631
3	129929-01-705	FT	GLAZING VINYL	132-026811
4	129929-01-710	EA	TORQUE - CENTER SUPPORT	410-026806
5	100322-01-718	EA	HANDLE-DIAL	410-016081
6	129929-01-706	FT	SEAL - TOP F/CENTER EGRESS	132-026811
7	129929-01-707	FT	FILLER STRIP - DOUBLE GLAZED	132-026808
8	129929-01-708	EA	SUPPORT - TORQUE BAR - RT/LT	130-026804
10	129929-09-700	EA	GLASS - STATIONARY	390-028298
11	129929-09-701	EA	VENT GLASS ASSEMBLY	DTH001-G8
12	129929-01-702	EA	SCREEN ASM - W/SEALS & CLIPS	410-026858
13	129920-01-709	EA	RETAINER - TRIM	CH10062
14	129929-01-704	EA	OPERATOR BAR ASSEMBLY	DTH001-15
	129929-02-706	FT	SEAL - FOAM	140-027022

WINDSHIELD & WIPER GROUP

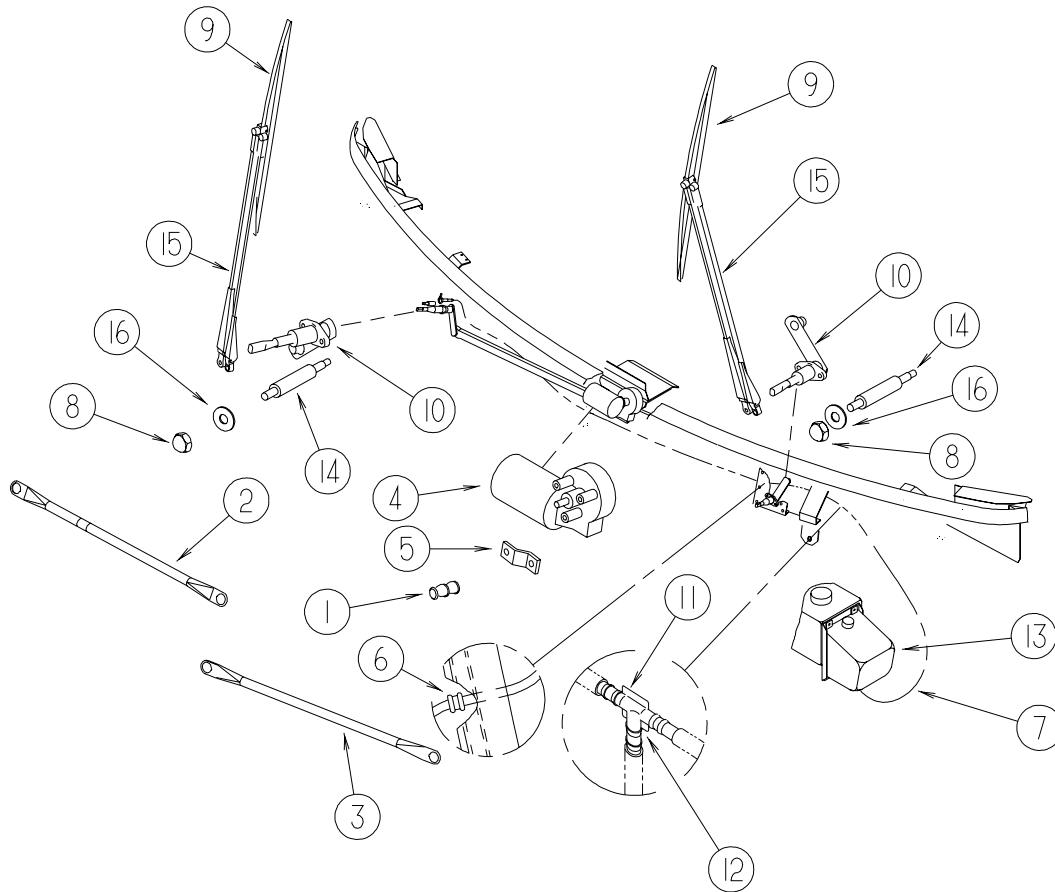
WINDSHIELD



KEY	PART NUMBER	U/M	DESCRIPTION
1	129497-05-03A	EA	TRIM - WINDSHIELD - PASSENGER A-PILLAR - BRIGHT WHITE
2	127862-01-000	EA	CARRIER - REVEAL - WINDSHIELD - 47.2"
3	131244-01-000	EA	WINDSHIELD - PASSENGER - 52.5" X 44.4" (CURVED)
4	131244-02-000	EA	WINDSHIELD - DRIVER - 52.5" X 44.4" (CURVED)
5	129497-06-03A	EA	TRIM - WINDSHIELD - DRIVER A-PILLAR - BRIGHT WHITE
6	120533-01-000	FT	MOLDING - REVEAL - WINDSHIELD
7	117335-01-000	EA	CARRIER/REVEAL - 94.6" W/ADHESIVE BACKING
8	132375-02-000	EA	CARRIER - REVEAL/WINDSHIELD - 10
	081914-02-000	EA	BUMPER - RUBBER - ROUND - 5/16" DIA. X 13/64" THICK

WINDSHIELD & WIPER GROUP (CONTINUED)

WIPER



KEY	PART NUMBER	U/M	DESCRIPTION
1	067188-01-000	EA	STUD - CRANK - WIPER MOTOR
	117322-01-000	EA	SCREW - 1/4-28 UNFINISHED - 2A - TORX
2	117770-01-000	EA	LINK - CONNECTING - 24" - CLOSED GROMMET/OPEN GROMMET
3	117770-02-000	EA	LINK - CONNECTING - 24" - CLOSED GROMMET/CLOSED GROMMET
4	104346-05-000	EA	WIPER MOTOR - W/INTERNAL BREAKER - DYNAMIC PARK - FORD
5	104347-04-000	EA	ARM - DRIVE - WIPER MOTOR
6	061603-01-000	EA	GROMMET - SNAP - 3/16"ID - 3/8" HOLE - PLASTIC BLACK
7	045794-01-000	FT	HOSE - WASHER - WINDSHIELD - 5/32" ID - BLACK
8	077049-02-000	EA	NUT - ACORN - 10-32 BLACK/ANODIZED
9*	095964-01-000	EA	BLADE - WINDSHIELD WIPER - 24"
10*	096505-09-000	EA	SHAFT/PIVOT - WINDSHIELD WIPER
11	110605-01-000	EA	TEE - PLASTIC - BARBED - 1/8" X 1/8" X 3/16"
12	117765-03-000	EA	CONNECTOR - 5/32" - WINDSHIELD WASHER
13	117766-02-000	EA	RESERVOIR/PUMP - WINDSHIELD WASHER
14	117768-01-000	EA	SHAFT - ADAPTER - PANTOGRAPH ARM
15*	117769-01-000	EA	ARM - WIPER - PANTOGRAPH - 28"
16	110742-02-000	EA	GASKET - NEOPRENE - WIPER ADAPTER SHAFT - .5" ID X .9" OD

*COMPONENT PARTS LISTED LATER IN THIS GROUP

WINDSHIELD & WIPER GROUP (CONTINUED)
COMPONENT PARTS FOR WIPER

095964-01-000

KEY	PART NUMBER	U/M	DESCRIPTION	VENDOR NO.
	095964-01-000	EA	BLADE - WINDSHIELD WIPER - 24"	
	095964-01-700	EA	BLADE-REFILL 24" EA= 1 PAIR	12360

096505-09-000

KEY	PART NUMBER	U/M	DESCRIPTION	VENDOR NO.
	096505-09-000	EA	SHAFT/PIVOT - WINDSHIELD WIPER	UT 6706220SH25WJ
	096505-02-700	EA	DRIVER-KNURLED,(HD) BRL .687	NT721017
	096505-02-701	EA	NUT-HEX (HD) W/.687 BARREL	NT721021
	096505-02-702	EA	CAP-RUBBER (HD) BARREL .687	CP721084
	096505-02-703	EA	NUT/ACORN - HD W/.687 BRL	51065-40-NT27WC

117769-01-000

KEY	PART NUMBER	U/M	DESCRIPTION	VENDOR NO.
	117769-01-000	EA	ARM - WIPER - PANTOGRAPH - 28"	UT 6701620LE25WJ
	096931-01-700	FT	HOSE - WASHER - 1/8" ID	XTU-66-0001
	117769-01-700	EA	RETAINER CLIP - HOSE	