

# 2002 ADVENTURER

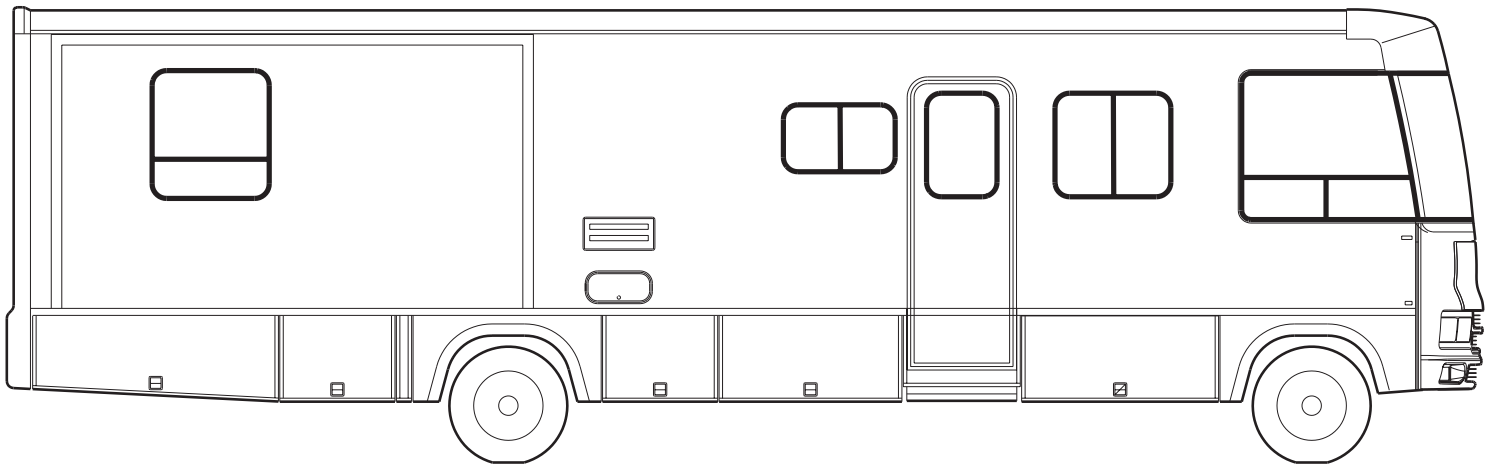
**G - SERIES**

**PORTSMOUTH OAK**

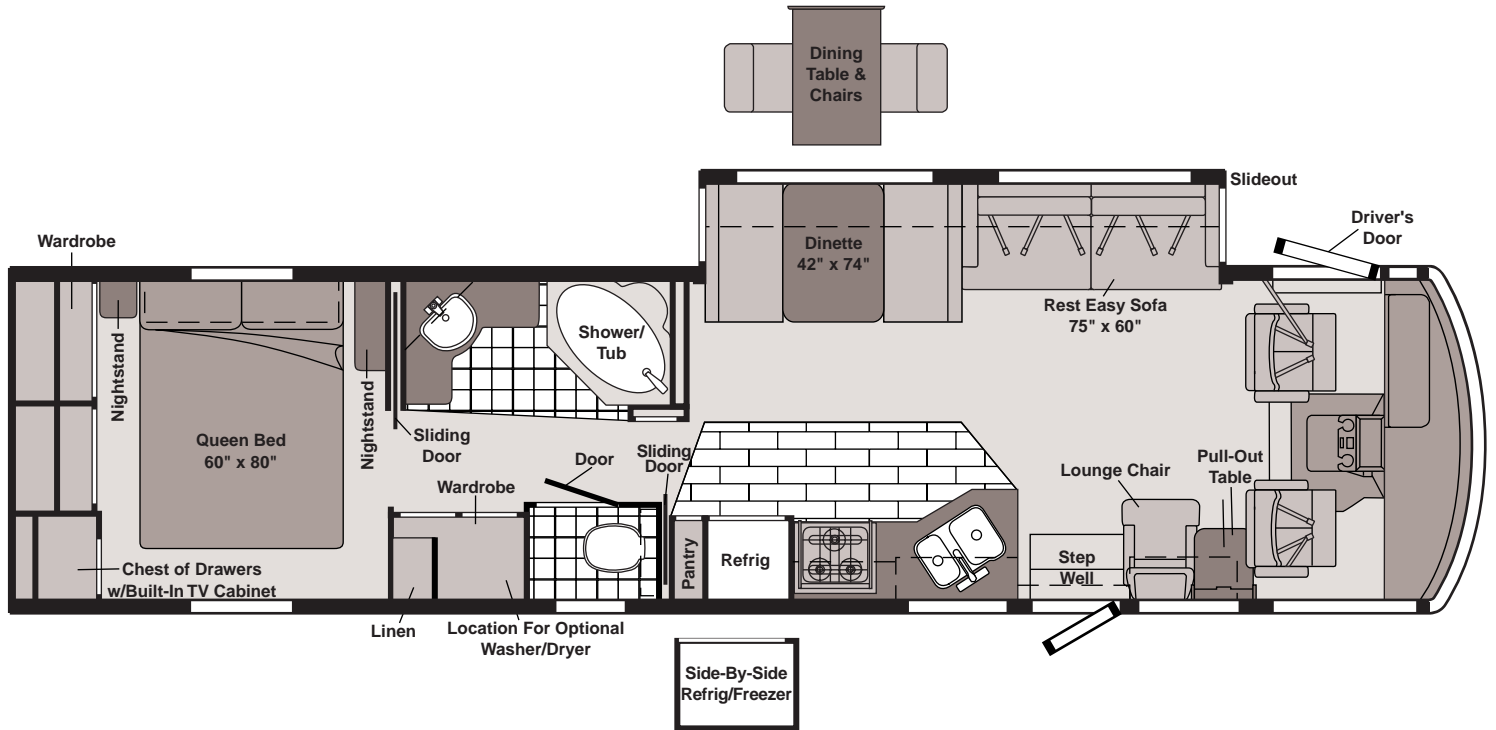
**N42 SORRENTO IVORY - NEUTRAL**

**N43 GARDEN GATE - GREEN**

**N44 BLUE SHADOW - BLUE**



# 2002 WFG37G



FLOORPLAN

# CONTENTS

<b>FLOORPLAN</b> .....	<b>2</b>
<b>ACCESSORIES GROUP</b> .....	<b>8</b>
OPERATORS MANUAL .....	8
<b>APPLIANCE GROUP</b> .....	<b>9</b>
APPLIANCES .....	9
COMPONENT PARTS FOR APPLIANCES .....	13
115504-01-000 .....	13
119267-04-01A .....	13
119267-06-01A .....	13
119267-07-01A .....	13
120075-13-01A, 120075-14-01A, 120075-15-01A .....	14
121569-05-01A, 121569-07-01A .....	21
126019-01-01A .....	26
126022-01-01A, 126022-02-01A, 126022-03-01A .....	26
133004-02-01A .....	27
135066-01-01A .....	30
<b>AUDIO VIDEO GROUP</b> .....	<b>34</b>
RADIO SYSTEM .....	34
COMPONENT PARTS FOR RADIO SYSTEM .....	35
102080-15-000 .....	35
REAR VIEW MONITOR .....	36
COMPONENT PARTS FOR REAR VIEW MONITOR .....	37
093040-10-000 .....	37
TELEPHONE .....	38
TV & VCR .....	38
COMPONENT PARTS FOR TV & VCR .....	39
076319-23-000 .....	39
076319-25-000 .....	39
124073-10-000 .....	40
124073-11-000 .....	40
126696-07-000 .....	40
126697-06-000 .....	40
126697-07-000 .....	40
130121-05-000 .....	40
133377-01-000 .....	40
137135-01-000 .....	41
EXTERIOR ENTERTAINMENT .....	43
<b>BATH GROUP</b> .....	<b>44</b>
CABINETS .....	44
SHOWER .....	47
COMPONENT PARTS FOR SHOWER .....	48
123242-01-01A & 123242-01-02A .....	48
139047-01-01A, 139047-01-02A, 139047-02-01A, 139047-02-02A, 139047-03-01A, 139047-03-02A, 139047-04-02A .....	49
<b>BEDROOM GROUP</b> .....	<b>50</b>
QUEEN CABINETS .....	50
TV & RADIO CABINETS .....	52

# CONTENTS (CONTINUED)

<b>CHASSIS GROUP</b> .....	<b>53</b>
FRAME .....	53
COMPONENT PARTS FOR FRAME .....	55
132643-02-01A .....	55
FRONT END .....	56
DRIVETRAIN .....	57
EXHAUST .....	58
FUEL .....	60
HYDRAULIC LEVELING .....	62
COMPONENT PARTS FOR HYDRAULIC LEVELING .....	63
100536-48-000 .....	63
128571-03-000 .....	63
131306-11-000 .....	64
131306-12-000 .....	66
131306-21-000 .....	67
131306-22-000 .....	68
SUSPENSION .....	69
COMPONENT PARTS FOR SUSPENSION .....	70
122756-04-000 .....	70
WHEEL, TIRE, COVERS &/OR LINERS .....	71
COMPONENT PARTS FOR WHEEL, TIRE, COVERS &/OR LINERS .....	72
110435-15-000 .....	72
134609-02-000 .....	72
BRAKE .....	73
BRAKELINE .....	73
<b>CURTAIN &amp; CUSHION GROUP</b> .....	<b>74</b>
NOTICE .....	74
CUSHION LAYOUT .....	75
BUCKET SEATS .....	77
COMPONENT PARTS FOR BUCKET SEATS .....	81
081373-03-000 .....	81
LOUNGE CHAIR .....	82
SOFA .....	83
WINDOW TREATMENT .....	86
HARDWARE .....	88
ACCESSORIES .....	90
COMPONENT PARTS FOR ACCESSORIES .....	91
091990-08-01A .....	91
FABRICS .....	92
<b>DINETTE GROUP</b> .....	<b>94</b>
CABINETS .....	94
DOORS & DRAWERS .....	95
TABLE .....	96
<b>DRIVERS COMPARTMENT GROUP</b> .....	<b>98</b>
DASH .....	98
MOTOR COVER .....	100
FRONT INTERIOR .....	102
CABINETS .....	105



# CONTENTS (CONTINUED)

<b>ELECTRICAL GROUP</b> .....	<b>106</b>
12V BODY WIRING .....	106
FRONT END WIRING .....	111
COMPONENT PARTS FOR LIGHTS & SWITCHES .....	113
008089-02-000 .....	113
086280-01-000 .....	113
091937-08-000 .....	113
091937-09-000 .....	113
097917-01-06A .....	113
108354-01-01A .....	113
115632-01-02A .....	113
115632-03-02A .....	113
121935-01-01A .....	113
137417-01-01A .....	113
137417-06-01A .....	113
CIRCUIT BREAKERS & FUSES .....	114
CONVERTER, INVERTER, LOAD CENTERS .....	114
110V WIRING .....	115
DRIVERS DOOR WIRING .....	116
ENTERTAINMENT WIRING .....	117
BOXES & CORDS .....	117
WIRE ASSEMBLIES .....	118
CONNECTORS & CONDUIT .....	119
BOOTS, SOLENOIDS, RELAYS & MISCELLANEOUS .....	121
<b>EXTERIOR BODY GROUP</b> .....	<b>122</b>
GRAPHICS & PAINT .....	122
PANELS & TRIMS .....	124
FRONT END .....	127
LADDER .....	129
MIRRORS .....	129
COMPONENT PARTS FOR MIRRORS .....	130
106015-18-01A & 106015-19-01A .....	130
STRUCTURAL COMPONENTS .....	131
AWNINGS .....	131
COMPONENT PARTS FOR AWNINGS .....	132
113874-01-02A .....	132
<b>EXTERIOR DOORS &amp; COMPARTMENTS GROUP</b> .....	<b>133</b>
DOOR & COMPARTMENT LAYOUT .....	133
COMPONENT PARTS FOR DOOR & COMPARTMENT LAYOUT .....	137
084103-08-000 .....	137
094707-03-01A .....	137
110506-A2-000 .....	138
COMPARTMENT DOOR PIECE PARTS .....	139
DRIVERS .....	142
COMPONENT PARTS FOR DRIVERS .....	143
125581-08-01A .....	143
125581-09-01A .....	145
ENTRY .....	147
COMPONENT PARTS FOR ENTRY .....	151
129676-01-000 THRU 129676-10-000 .....	151
SCREEN .....	152
LATCH - ENTRY .....	153
<b>EXTERIOR SLIDEOUT GROUP</b> .....	<b>154</b>
FRONT LEFT .....	154
COMPONENT PARTS FOR FRONT LEFT .....	159
100536-42-000 .....	159
<b>GALLEY GROUP</b> .....	<b>160</b>
CABINETS .....	160
DOORS AND DRAWERS .....	161
<b>GENERATOR GROUP</b> .....	<b>162</b>
GAS .....	162

# CONTENTS (CONTINUED)

<b>HEATING &amp; A/C GROUP</b> .....	<b>163</b>
AUTOMOTIVE .....	163
COMPONENT PARTS FOR AUTOMOTIVE .....	165
103930-43-000 .....	165
103930-44-000 .....	166
103930-45-000 .....	166
103930-46-000 .....	166
103930-47-000 .....	166
103930-49-000 .....	167
FURNACE .....	169
COMPONENT PARTS FOR FURNACE .....	170
098668-21-000 .....	170
098668-22-000 .....	172
139980-03-000 .....	173
139980-04-000 .....	175
REAR HEATER .....	177
COMPONENT PARTS FOR REAR HEATER .....	178
129205-01-000 .....	178
CENTRAL .....	179
COMPONENT PARTS FOR CENTRAL .....	180
105620-11-000 .....	180
105620-12-000 .....	182
<b>INTERIOR FINISH GROUP</b> .....	<b>184</b>
MOLDINGS & TRIMS .....	184
PANELING & LAMINATES .....	188
ACCESSORIES .....	188
COMPONENT PARTS FOR ACCESSORIES .....	189
094499-02-000 .....	189
FLOOR COVERINGS .....	190
HARDWARE .....	191
<b>LABELS GROUP</b> .....	<b>197</b>
<b>LP GROUP</b> .....	<b>222</b>
LP SYSTEM .....	222
COMPONENT PARTS FOR LP SYSTEM .....	223
088253-09-000 .....	223
088253-10-000 .....	223
<b>LOUNGE GROUP</b> .....	<b>224</b>
CABINETS .....	224
TABLES .....	225
<b>SEALANTS &amp; FASTENERS GROUP</b> .....	<b>226</b>
SEALANTS & ADHESIVES .....	226
BOLTS, NUTS AND WASHERS .....	227
SCREWS .....	229
CLAMPS, CLIPS, GROMMETS, RIVETS & PLUGS .....	232
MISCELLANEOUS FASTENERS .....	233
<b>WATER &amp; SEWAGE GROUP</b> .....	<b>234</b>
DRAINAGE SYSTEM .....	234
COMPONENT PARTS FOR DRAINAGE SYSTEM .....	236
134789-01-01A .....	236
WATER SYSTEM .....	237
COMPONENT PARTS FOR WATER SYSTEM .....	244
051391-05-000 .....	244
098607-01-000 .....	245
131340-01-01A .....	245
135027-01-01A .....	246

# CONTENTS (CONTINUED)

<b>WINDOW &amp; VENTS GROUP .....</b>	<b>247</b>
WINDOW & VENT LAYOUT .....	247
COMPONENT PARTS FOR WINDOW & VENT LAYOUT .....	249
098644-11-02A .....	249
098644-13-01A .....	250
098647-33-02A .....	251
098647-47-02A .....	252
112463-03-02A .....	253
112463-05-02A .....	253
112795-72-01A .....	254
112795-77-01A .....	255
112898-25-01A .....	256
113733-04-01A, 113733-10-01A, 113733-11-01A .....	257
122882-04-01A, 122882-05-01A .....	257
123780-03-01A .....	258
123780-09-01A .....	259
123780-10-01A .....	260
125582-01-01A .....	261
125583-01-01A .....	262
125584-01-01A .....	263
125585-01-01A .....	263
125586-01-01A .....	263
125600-01-01A .....	263
129929-09-01A .....	264
129929-10-01A .....	264
134004-03-01A .....	265
<b>WINDSHIELD &amp; WIPER GROUP .....</b>	<b>266</b>
WINDSHIELD .....	266
WIPER .....	267
COMPONENT PARTS FOR WIPER .....	268
095964-01-000 .....	268
096505-09-000 .....	268
117769-01-000 .....	268

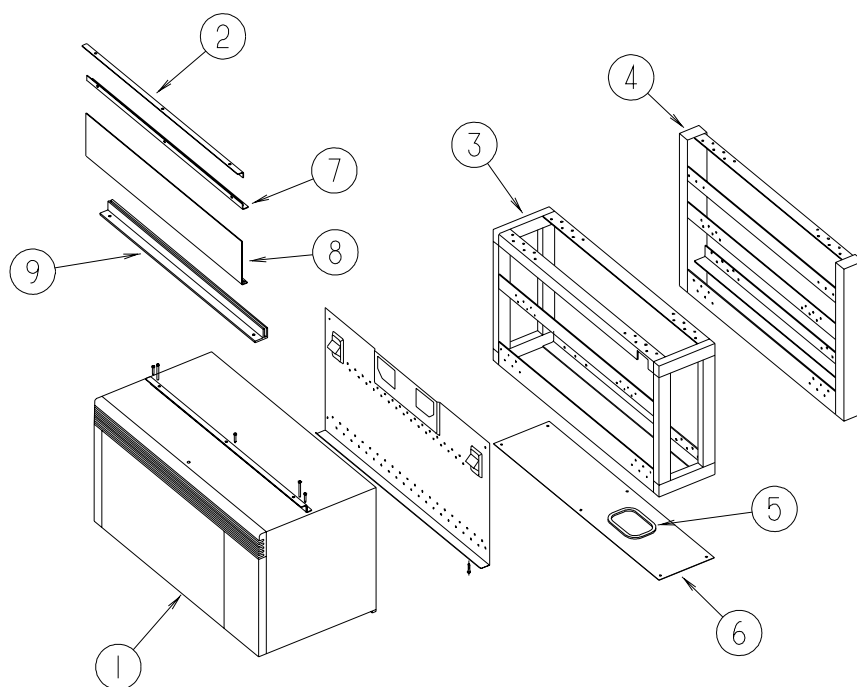
**ACCESSORIES GROUP**  
**OPERATORS MANUAL**

<b>KEY</b>	<b>PART NUMBER</b>	<b>U/M</b>	<b>DESCRIPTION</b>
	129079-01-01A	EA	CASE - VINYL/BLACK-EXPANDABLE ACCORDION SIDES-7"WX9"HX14"L
	132000-06-002	EA	MANUAL/OWNER - ADVENTURER - 2002
	137003-01-000	EA	TOP LEVEL-G,2002

## APPLIANCE GROUP APPLIANCES

KEY	PART NUMBER	U/M	DESCRIPTION
*	135065-01-01A	EA	RANGE - 3 BURNER W/O OVEN - SEALED BURNERS - BLACK TOP
*	135066-01-01A	EA	RANGE - 3 BURNER W/OVEN - SEALED BURNERS - 22"/BLACK
	106936-35-04B	EA	BRACKET - STOVE TIEDOWN/FRONT - BLACK - <a href="#">RANGE</a>
	106936-36-04B	EA	BRACKET - STOVE TIEDOWN/REAR - BLACK - <a href="#">RANGE</a>
	136382-05-04B	EA	BRACKET - TIEDOWN/OVEN - FRONT - BLACK - <a href="#">RANGE W/OVEN</a>
	136382-06-04B	EA	BRACKET - TIEDOWN/OVEN - REAR - BLACK - <a href="#">RANGE W/OVEN</a>
*	126022-01-01A	EA	COVER - RANGE/BI-FOLD - 16" & 22" - BLACK TEXTURED
	130816-01-01A	EA	COUNTERTOP/STOVE LID - 1/4" VENDURA - JAMAICAN SAND
	130816-02-01A	EA	COUNTERTOP/STOVE LID - 1/4" VENDURA - JAMAICAN SAND
*	115504-01-000	EA	PANEL - SOLAR 10 WATT - 12.2"W X 26.9"L X 1.2"H
*	133004-02-01A	EA	PANEL - MONITOR - 2 TANK DIGITAL VOLT METER - SOLAR
*	126019-01-01A	EA	COFFEEMAKER - OPTIMA - W/BRACKETS - BLACK & DECKER
	130818-02-01A	EA	TRASH CONTAINER - 20 QUART ALMOND
	133068-01-000	EA	HAIR DRYER - 3 SPEED W/NIGHT LIGHT - WALL MOUNT
	133139-01-000	EA	VACUUM CLEANER - RECHARGEABLE DUST-BUSTER - BLACK & DECKER
	133140-01-000	EA	FLASHLIGHT - RECHARGEABLE - BLACK & DECKER

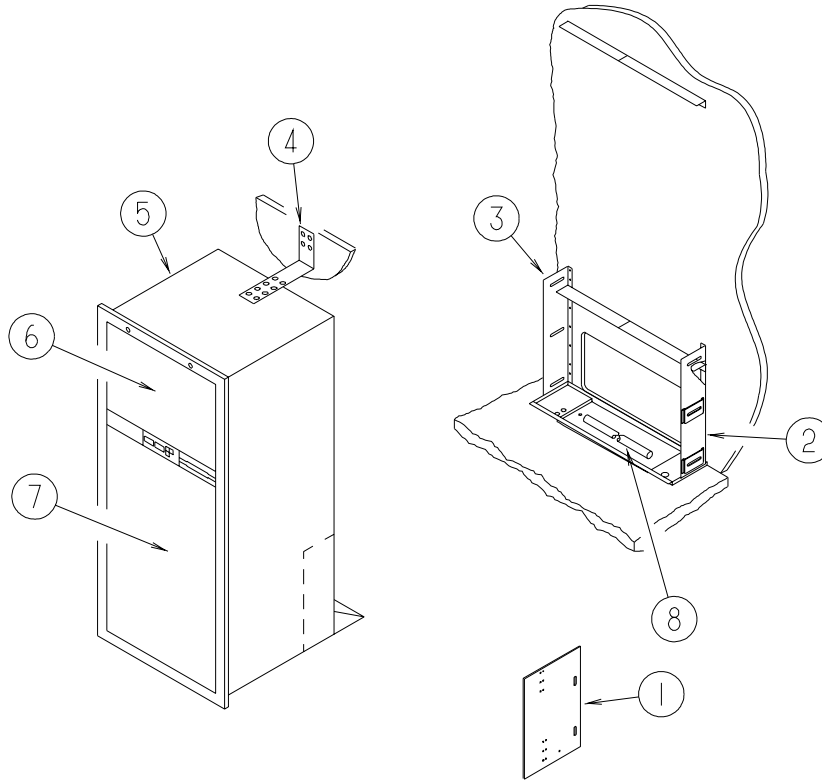
**\*COMPONENT PARTS LISTED LATER IN THIS GROUP**



KEY	PART NUMBER	U/M	DESCRIPTION
1*	119267-04-01A	EA	OVEN - MICROWAVE/CONVECTION W/HOOD - SHARP-#1850A/#1855 - <a href="#">US</a>
1*	119267-06-01A	EA	OVEN - MICROWAVE/CONVECTION W/HOOD - CSA
1*	119267-07-01A	EA	OVEN - MICROWAVE/NON/CONVECTION W/HOOD - US
2	NOT USED		
3	NOT USED		
4	NOT USED		
5	NOT USED		
6	NOT USED		
7	NOT USED		
8	NOT USED		
9	122021-07-01A	EA	ANGLE - W/HOLES - 29.9" LONG - BLACK FROM: 00-00-00 THRU: 04-29-01
9	137785-01-01A	EA	SPACER-W/HOLES MILL FROM: 04-30-01 THRU: 99-99-99
	119267-05-000	EA	FILTER - HOOD - CHARCOAL - SHARP #RK220 - <a href="#">CONVECTION</a>

**\*COMPONENT PARTS LISTED LATER IN THIS GROUP**

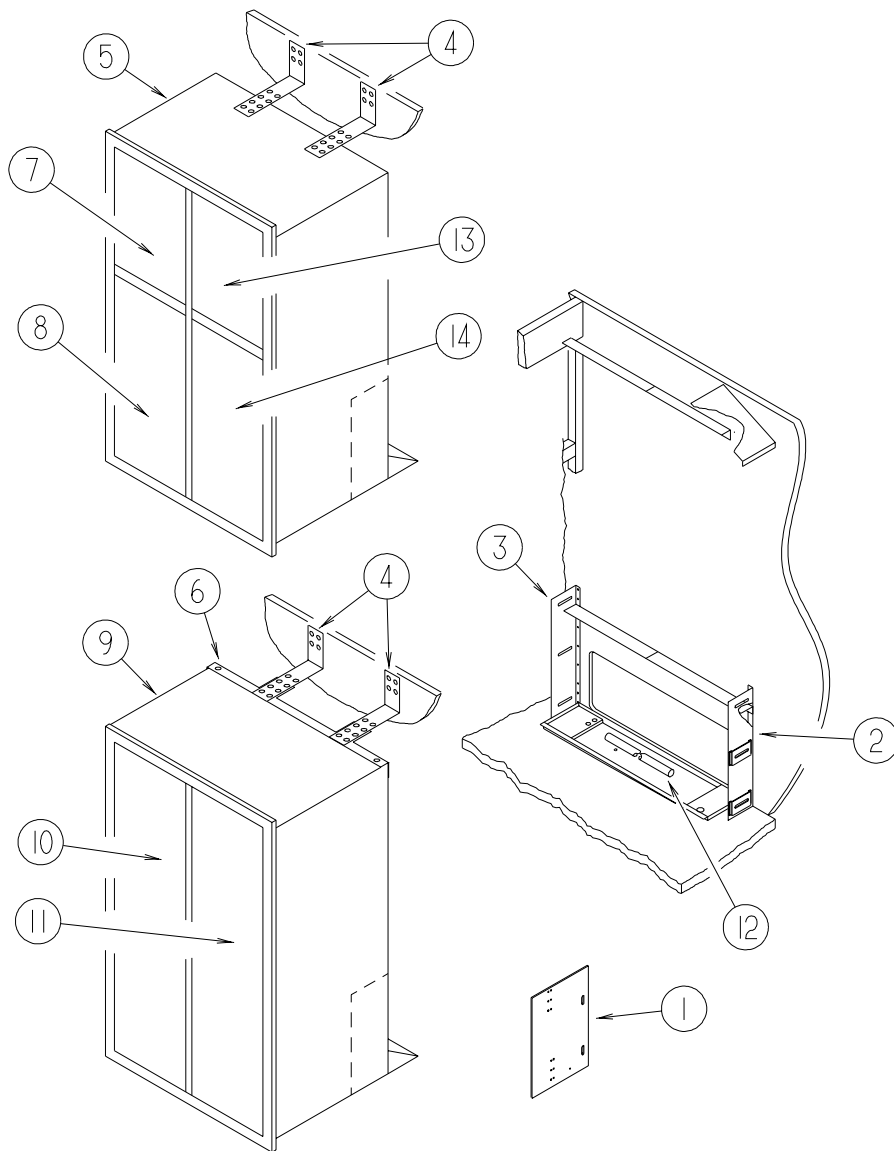
**APPLIANCE GROUP (CONTINUED)**  
**APPLIANCES (CONTINUED)**



KEY	PART NUMBER	U/M	DESCRIPTION
1	065225-04-000	EA	PLATE - TIEDOWN/REFRIGERATOR
2	093646-01-000	EA	BRACKET - TIEDOWN/REFRIGERATOR - RIGHT HAND
3	093646-02-000	EA	BRACKET - TIEDOWN/REFRIGERATOR - LEFT HAND
4	093369-02-000	EA	STRAP - REFRIGERATOR
5*	121569-05-01A	EA	REFRIGERATOR - LARGE DOUBLE DOOR/RH - 2-WAY - BLACK
5*	120075-13-01A	EA	REFRIGERATOR-LARGE DOUBLE DOOR/RH - 2-WAY -ICE MAKER-BLACK
6	103251-07-01A	EA	INSERT/REFRIGERATOR DOOR - 21.6" X 14.5" - BLACK ACRYLIC
7	103251-09-01A	EA	INSERT/REFRIGERATOR DOOR - 21.6" X 38.6" - BLACK ACRYLIC
8	112176-01-000	FT	TUBING - VINYL - REINFORCED - 1/2" ID
	054450-01-000	EA	LEVEL - REFRIGERATOR
	090329-01-000	FT	SEAL/T - REFRIGERATOR CABINET
	116751-02-01A	EA	TRAY - REFRIGERATOR - BLACK - G37G
	116751-05-01A	EA	TRAY - REFRIGERATOR - BLACK - G35U, G32V
	116751-06-01A	EA	TRAY - REFRIGERATOR - BLACK - G30Y

**\*COMPONENT PARTS LISTED LATER IN THIS GROUP**

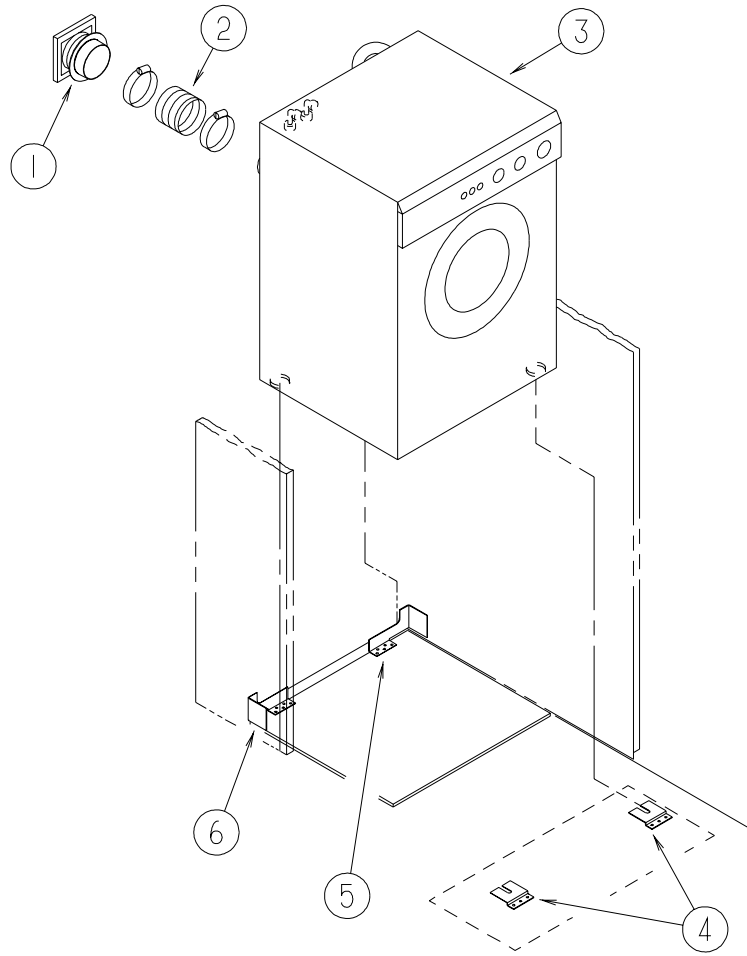
**APPLIANCE GROUP (CONTINUED)**  
**APPLIANCES (CONTINUED)**



<b>KEY</b>	<b>PART NUMBER</b>	<b>U/M</b>	<b>DESCRIPTION</b>
1	065225-04-000	EA	PLATE - TIEDOWN/REFRIGERATOR
2	093646-06-000	EA	BRACKET - TIEDOWN
3	093646-07-000	EA	BRACKET - TIEDOWN
4	093369-02-000	EA	STRAP - REFRIGERATOR
5	NOT USED		
6	133263-01-02B	EA	BRACKET - SUPPORT - REFRIGERATOR - E-COATED
7	NOT USED		
8	NOT USED		
9	118367-02-01A	EA	REFRIGERATOR - SIDE BY SIDE - W/ICE MAKER - 12 VOLT 2-WAY
10	103251-06-01A	EA	INSERT/REFRIGERATOR DOOR - 10.4" X 55.1" - BLACK ACRYLIC
11	103251-05-01A	EA	INSERT/REFRIGERATOR DOOR - 16.8" X 55.1" - BLACK ACRYLIC
12	112176-01-000	FT	TUBING - VINYL - REINFORCED - 1/2" ID
13	NOT USED		
14	NOT USED		
	054450-01-000	EA	LEVEL - REFRIGERATOR
	090329-01-000	FT	SEAL/T - REFRIGERATOR CABINET
	118871-06-01A	EA	TRAY/PAN - F/SIDE BY SIDE REFRIGERATOR - BLACK

**\*COMPONENT PARTS LISTED LATER IN THIS GROUP**

**APPLIANCE GROUP (CONTINUED)**  
**APPLIANCES (CONTINUED)**



KEY	PART NUMBER	U/M	DESCRIPTION
1	111947-02-01A	EA	VENT - DRYER - 3"
2	116653-02-000	FT	DUCT - FLEXIBLE - 3' COMPRESSED/8' EXTENDED
3	107753-03-01A	EA	WASHER - DRYER - VENTED - UL/CSA - WHITE
4	111913-01-01A	EA	BRACKET - WASHER - TIE DOWN
5	113795-01-02B	EA	BRACKET - WASHER - E-COATED
6	113795-02-02B	EA	BRACKET - WASHER - E-COATED
	134270-01-01A	EA	BAG - SHOE (WASHER/DRYER) INSTALLATION



**APPLIANCE GROUP (CONTINUED)**  
**COMPONENT PARTS FOR APPLIANCES**

**115504-01-000**

<b>KEY</b>	<b>PART NUMBER</b>	<b>U/M</b>	<b>DESCRIPTION</b>	<b>VENDOR NO.</b>
	115504-01-700	EA	PLUG & CABLE, 10 WATT PANEL	600-016

**119267-04-01A**

<b>KEY</b>	<b>PART NUMBER</b>	<b>U/M</b>	<b>DESCRIPTION</b>	<b>VENDOR NO.</b>
	119267-04-700	EA	FILTER-GREASE	BOO2
	119267-04-704	EA	LIGHT COVER	FANGKB009MRYO
	119267-04-706	EA	BULB/LIGHT (CARDED)	
	119267-04-708	EA	PAN-BOTTOM (MICROWAVE)	

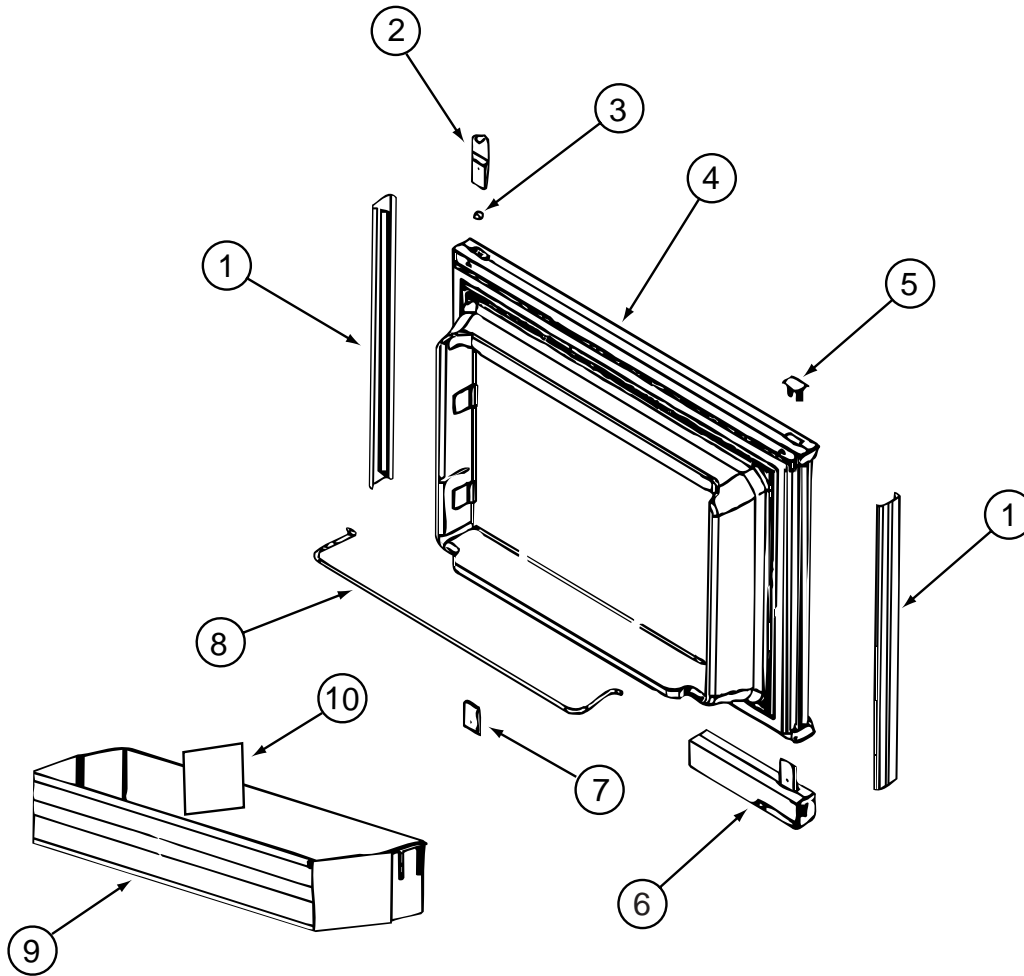
**119267-06-01A**

<b>KEY</b>	<b>PART NUMBER</b>	<b>U/M</b>	<b>DESCRIPTION</b>	<b>VENDOR NO.</b>
	119267-04-700	EA	FILTER-GREASE	BOO2
	119267-04-703	EA	PLATE-MOUNTING W/2 SCREWS	FANGTB003MRV0

**119267-07-01A**

<b>KEY</b>	<b>PART NUMBER</b>	<b>U/M</b>	<b>DESCRIPTION</b>	<b>VENDOR NO.</b>
	119267-04-700	EA	FILTER-GREASE	BOO2
	119267-04-704	EA	LIGHT COVER	FANGKB009MRYO
	119267-07-701	EA	LOUVER-EXHAUST	PDIFB018MRFO
	119267-07-702	EA	PLATE - MOUNTING	LANGTB036MRPO

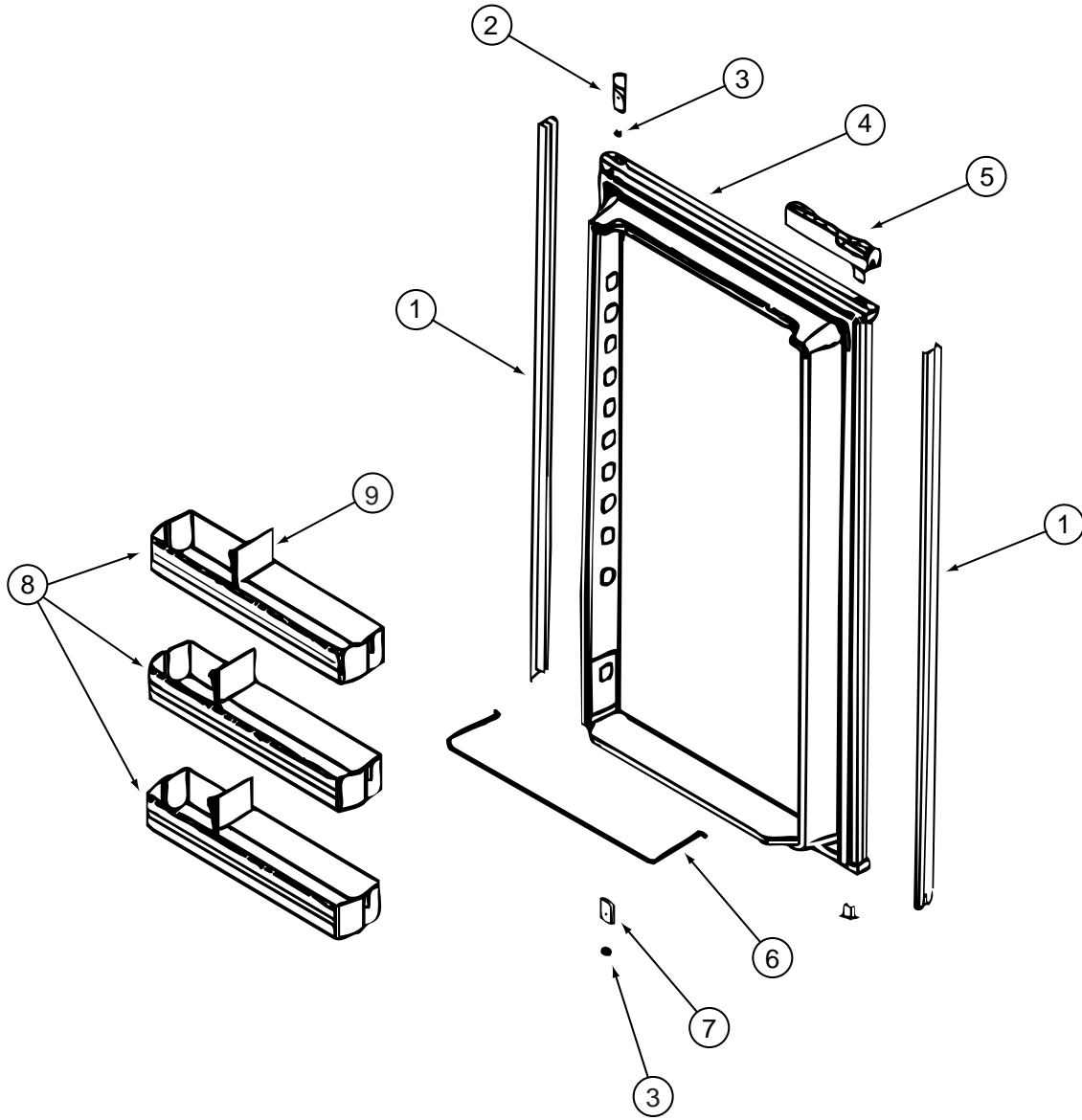
**APPLIANCE GROUP (CONTINUED)**  
**COMPONENT PARTS FOR APPLIANCES (CONTINUED)**



**120075-13-01A, 120075-14-01A, 120075-15-01A**

KEY	PART NUMBER	U/M	DESCRIPTION	VENDOR NO.
1	121568-03-700	EA	RETAINER - DOOR PANEL/BLACK	619558
2	120075-01-701	EA	HINGE-TOP RH/BOTTOM LH(DOOR)	618511
3	121568-03-701	EA	BUSHING - HINGE PIN/GRAY	619671
4	121568-03-702	EA	DOOR LINER - W/TRIM/BLACK	619627 - SMALL DOOR
5	120075-01-702	EA	CAP, (HINGE PLUG)	618160
6	120075-12-700	EA	HANDLE(CONTOUR)TOP LH/BTM RH	621105
	120075-12-702	EA	HANDLE/HOUSING-TOP-LH/BTM RH	618159GEN
6	120075-12-701	EA	HANDLE(CONTOUR)TOP RH/BTM LH	621104
	120075-12-709	EA	HANDLE/HOUSING-BTM LH/TOP RH	618122GEN
	120075-12-703	EA	HANDLE - PLASTIC - NEW STYLE	620928
	120075-12-704	EA	SPRING - COMPRESSION	618182
	120075-12-705	EA	LATCH - HANDLE	618121
	120075-12-706	EA	PIN - STEEL	618622
	120075-12-707	EA	LATCH	619648
	120075-12-708	EA	LATCH - SPRING	620960
6	121568-03-703	EA	HANDLE/FLUSH-TOP/RH-LWR/LH	619865
6	121568-03-708	EA	HANDLE/FLUSH-TOP/LH-LWR/RH	619866
7	120075-01-705	EA	HINGE-TOP LH/BOTTOM RH(DOOR)	618510
8	121568-01-700	EA	RAIL - DOOR UPPER	618618
9	120075-07-700	EA	DOOR BIN - CLEAR	619006
10	120075-07-701	EA	DIVIDER/DOOR BIN CLEAR	619008
	121568-03-704	EA	TRAVEL LATCH - GRAY	619647
	121568-03-705	EA	STORAGE LATCH - GRAY	619648

**APPLIANCE GROUP (CONTINUED)**  
**COMPONENT PARTS FOR APPLIANCES (CONTINUED)**



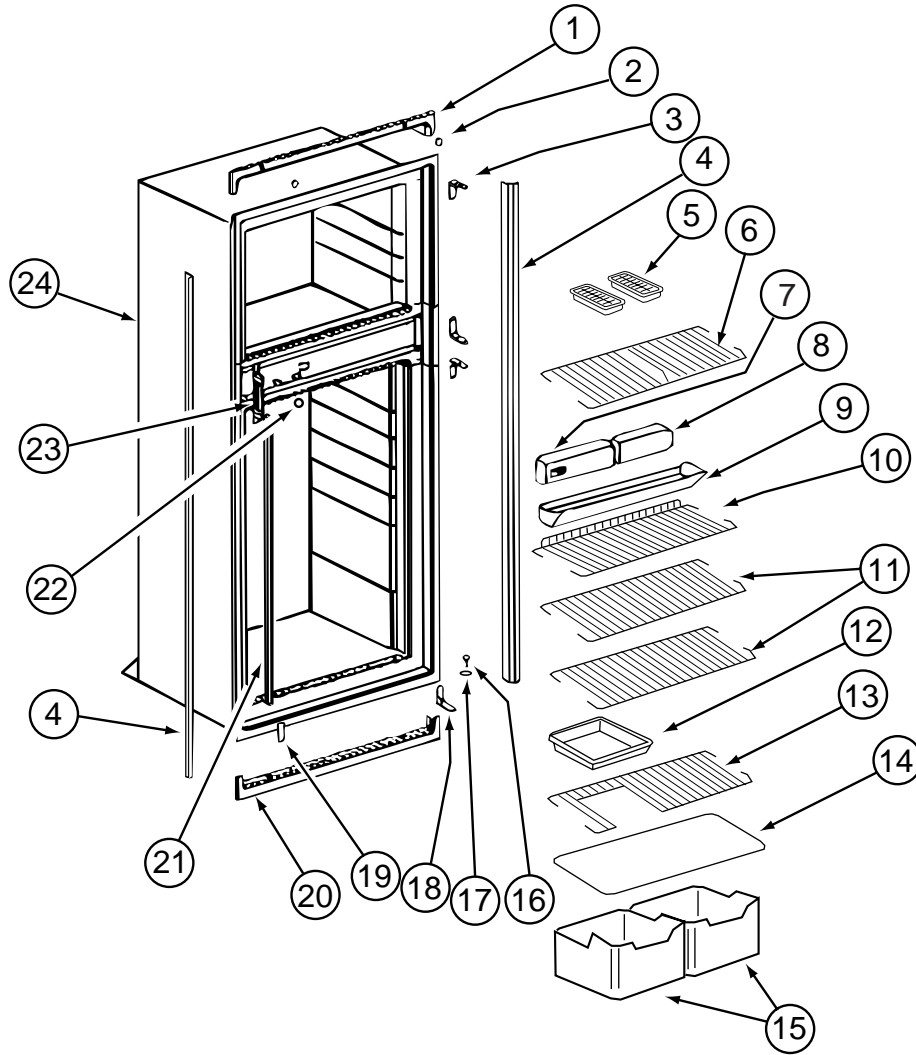
120075-13-01A, 120075-14-01A, 120075-15-01A (CONTINUED)

**APPLIANCE GROUP (CONTINUED)**  
**COMPONENT PARTS FOR APPLIANCES (CONTINUED)**

120075-13-01A, 120075-14-01A, 120075-15-01A (CONTINUED)

KEY	PART NUMBER	U/M	DESCRIPTION	VENDOR NO.
1	120075-07-702	EA	RETAINER - DOOR PANEL/BLACK	619560
2	120075-01-701	EA	HINGE-TOP RH/BOTTOM LH(DOOR)	618511
3	121568-03-701	EA	BUSHING - HINGE PIN/GRAY	619671
4	120075-07-703	EA	DOOR LINER - BLACK	619631 - LARGE DOOR
5	120075-12-700	EA	HANDLE(CONTOUR)TOP LH/BTM RH	621105
	120075-12-702	EA	HANDLE/HOUSING-TOP-LH/BTM RH	618159GEN
5	120075-12-701	EA	HANDLE(CONTOUR)TOP RH/BTM LH	621104
	120075-12-709	EA	HANDLE/HOUSING-BTM LH/TOP RH	618122GEN
	120075-12-703	EA	HANDLE - PLASTIC - NEW STYLE	620928
	120075-12-704	EA	SPRING - COMPRESSION	618182
	120075-12-705	EA	LATCH - HANDLE	618121
	120075-12-706	EA	PIN - STEEL	618622
	120075-12-707	EA	LATCH	619648
	120075-12-708	EA	LATCH - SPRING	620960
5	121568-03-703	EA	HANDLE/FLUSH-TOP/RH-LWR/LH	619865
5	121568-03-708	EA	HANDLE/FLUSH-TOP/LH-LWR/RH	619866
6	121568-01-704	EA	RAIL - DOOR LOWER	618578
7	120075-01-705	EA	HINGE-TOP LH/BOTTOM RH(DOOR)	618510
8	120075-07-700	EA	DOOR BIN - CLEAR	619006
8	120075-07-704	EA	DOOR BIN - LARGE/CLEAR	619005
9	120075-07-701	EA	DIVIDER/DOOR BIN CLEAR	619008
	121568-03-704	EA	TRAVEL LATCH - GRAY	619647
	121568-03-705	EA	STORAGE LATCH - GRAY	619648

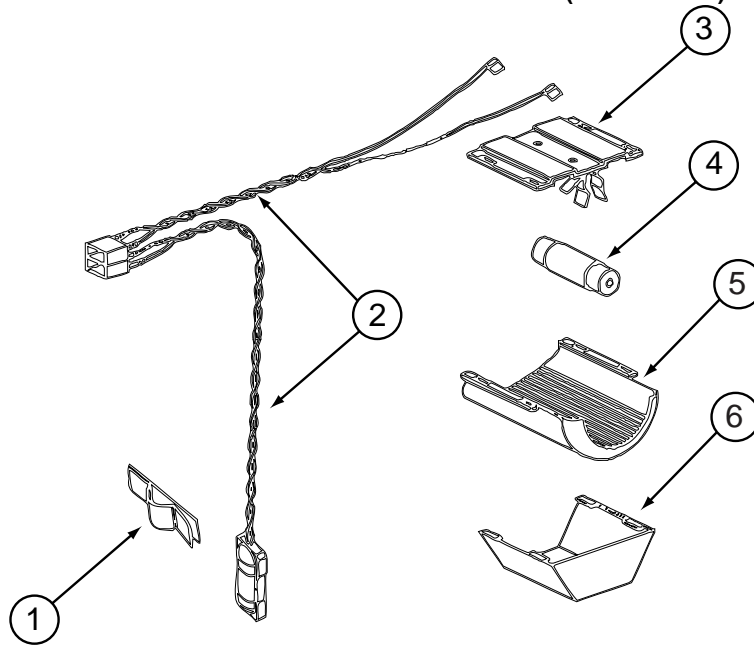
**APPLIANCE GROUP (CONTINUED)**  
**COMPONENT PARTS FOR APPLIANCES (CONTINUED)**



**120075-13-01A, 120075-14-01A, 120075-15-01A (CONTINUED)**

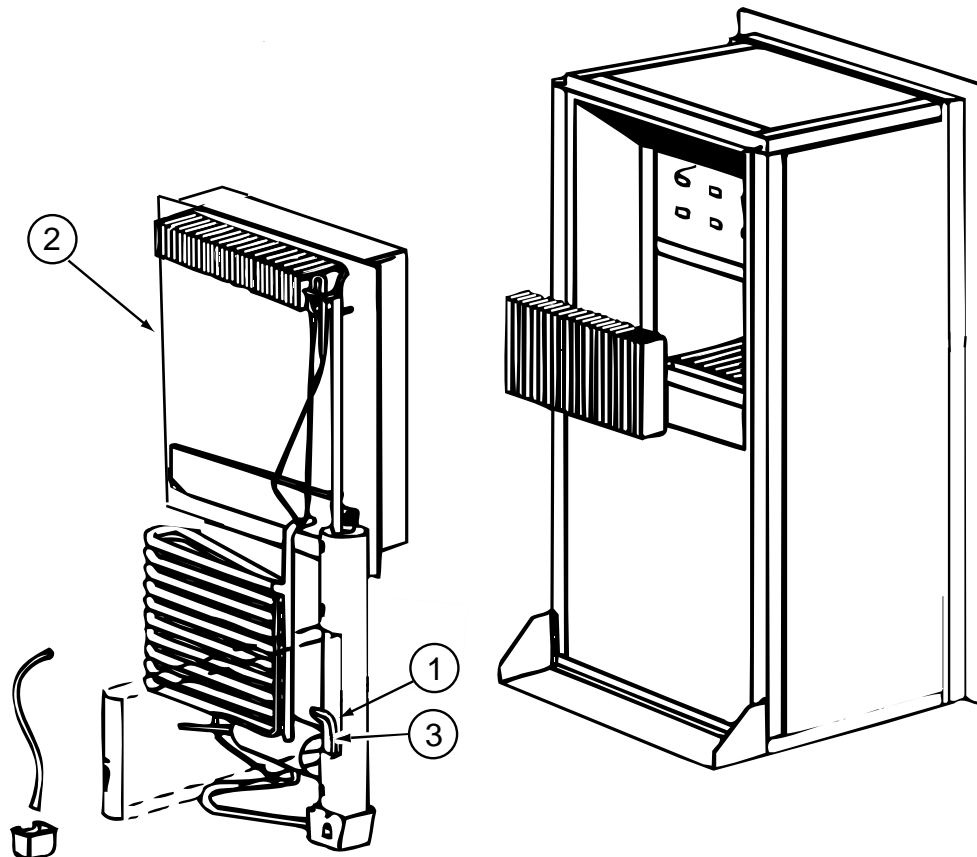
KEY	PART NUMBER	U/M DESCRIPTION	VENDOR NO.
1	121568-03-709	EA TRIM - TOP/BLACK	619687
2	120075-01-714	EA PLUG-HOLE	618170
3	121568-03-710	EA HINGE/CABINET-TOP/RH-LWR/LH	619335
4	120075-07-705	EA TRIM - SIDE - BLACK	619802
5	104137-06-724	EA ICE TRAY	61630422
6	120075-07-706	EA SHELF - WIRE/FREEZER	620249
7	120075-07-707	EA CONTROL BOX - BLACK	619665
8	121568-03-713	EA FRONT BOX/DECORATIVE-BLACK	619282
9	120075-01-720	EA TRAY-DRIP	618137
10	120075-01-722	EA SHELF-WIRE, SHORT	618239
11	120075-01-723	EA SHELF-WIRE	618114
12	104137-06-718	EA SHELF-TRAY, WHITE, W/CUTOUT	617756
13	120075-01-724	EA SHELF-WIRE, W/CUTOUT	618177
14	120075-01-725	EA COVER-CRISPER	618158
15	120075-07-708	EA CRISPER/ICE BIN	619007
16	120075-01-727	EA PIN-HINGE	618145
17	121568-03-701	EA BUSHING - HINGE PIN/GRAY	619671
18	121568-03-715	EA HINGE/CABINET-TOP/LH-LWR/RH	619336
19	121568-03-716	EA COVER - HINGE HOLES	619301
20	120075-01-729	EA TRIM-BOTTOM PIECE	618136
21	120075-01-730	EA RETAINER-SHELF	618181
22	121568-03-717	EA HOLE PLUG - WHITE	619561
23	120075-01-732	EA PLATE-STRIKE	618167
24	120075-09-700	EA CABINET - FOAMED	619660
	120075-01-721	EA LOUVER-DRIP TRAY	618176

**APPLIANCE GROUP (CONTINUED)**  
**COMPONENT PARTS FOR APPLIANCES (CONTINUED)**



120075-13-01A, 120075-14-01A, 120075-15-01A (CONTINUED)

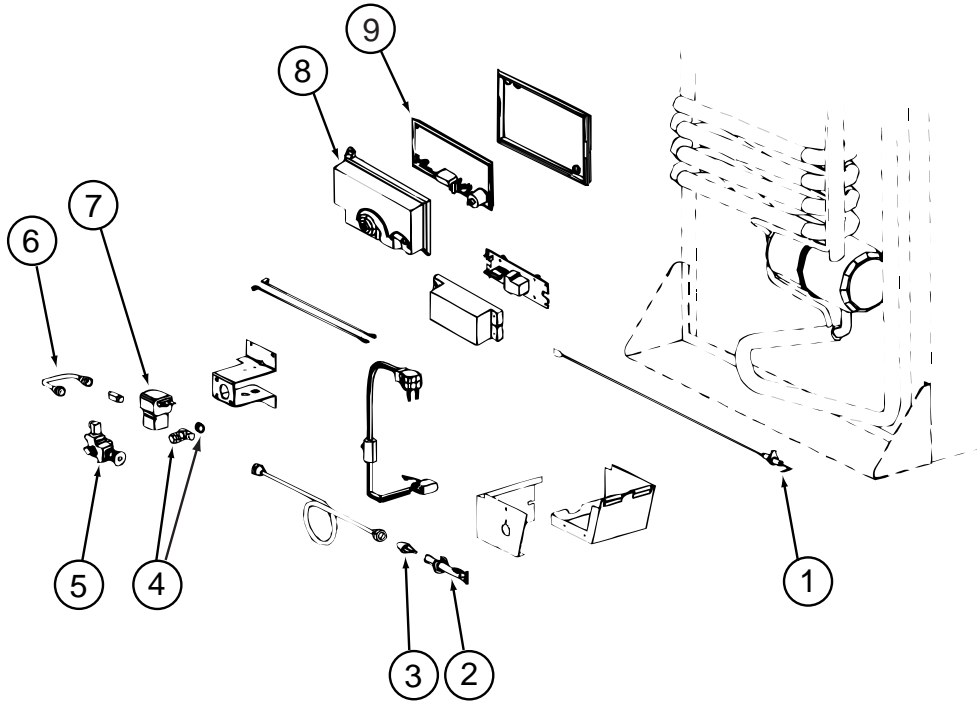
KEY	PART NUMBER	U/M	DESCRIPTION	VENDOR NO.
1	084880-01-760	EA	CLIP (THERMISTER)	61689122
2	120075-01-735	EA	THERMISTER W/LAMP & WIRE/ASM	618548
3	084880-03-705	EA	BRACKET-LIGHT-INTERIOR	61629722
4	084880-03-706	EA	BULB-LAMP	61628922
5	120075-01-734	EA	COVER-LENS	618190
6	084880-03-707	EA	COVER-LAMP, LENS	61627922



120075-13-01A, 120075-14-01A, 120075-15-01A (CONTINUED)

KEY	PART NUMBER	U/M	DESCRIPTION	VENDOR NO.
1	088248-01-710	EA	HEATER DC (HORIZONTAL)	61562822
2	120075-01-736	EA	COOLING UNIT, SERVICE PACK	618542
3	088248-01-709	EA	HEATER-AC (HORIZONTAL)	61562722

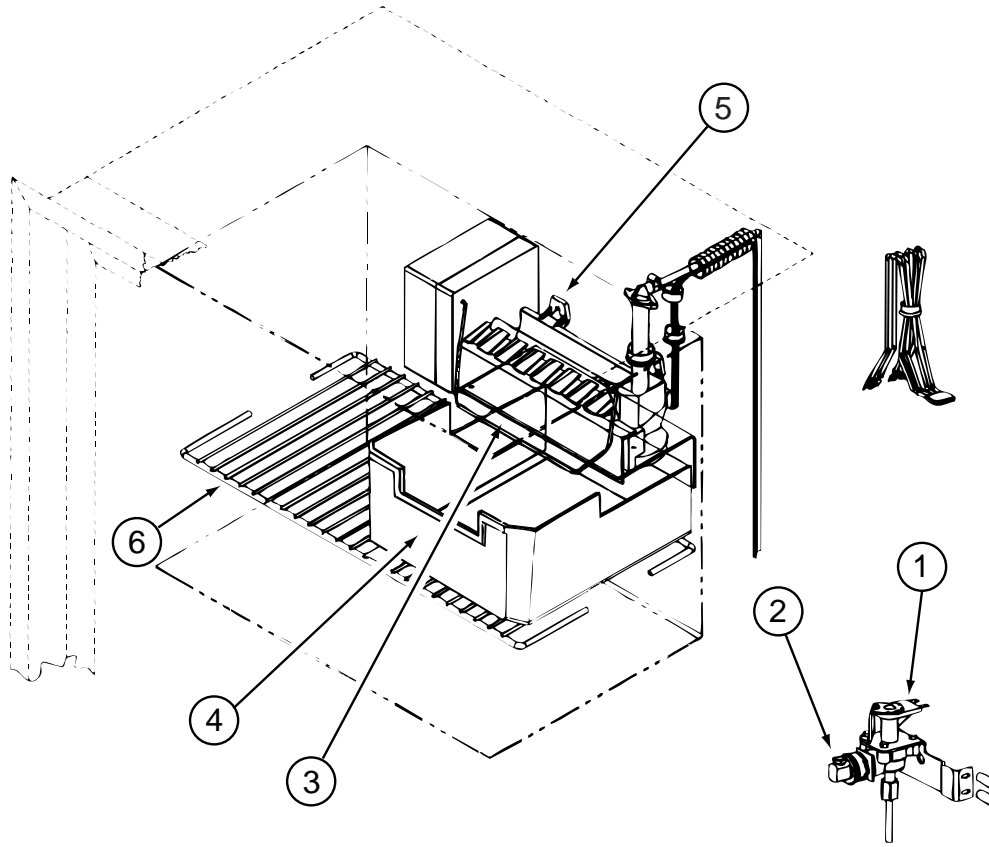
**APPLIANCE GROUP (CONTINUED)**  
**COMPONENT PARTS FOR APPLIANCES (CONTINUED)**



**120075-13-01A, 120075-14-01A, 120075-15-01A (CONTINUED)**

KEY	PART NUMBER	U/M	DESCRIPTION	VENDOR NO.
1	104137-06-715	EA	ELECTRODE-SPARK/SENSOR, SGL	61692222
2	104137-06-714	EA	BURNER ASSEMBLY, 5-SLOT	61705222
3	120075-01-737	EA	ORIFICE - JEWEL - .0155	618284
4	113737-01-702	EA	PLUG 1/8" F/PRESSURE TAP	61445322
4	113737-01-716	EA	TAP-PRESSURE	61594422
5	104137-06-734	EA	VALVE-SHUT OFF/MAN-OLD STYLE	61694922
6	113737-01-750	EA	TUBE-UNION	61694622
7	084880-01-718	EA	VALVE-GAS, (ASCO)	61551822
8	120075-01-738	EA	COVER-POWER BOARD	618185
9	120075-07-710	EA	POWER - BOARD - 2-WAY	619360
	104137-06-734	EA	VALVE-SHUT OFF/MAN-NEW STYLE	618696
	120075-01-744	EA	KIT - GAS VALVE/BURNER TUBE	620609

**APPLIANCE GROUP (CONTINUED)**  
**COMPONENT PARTS FOR APPLIANCES (CONTINUED)**

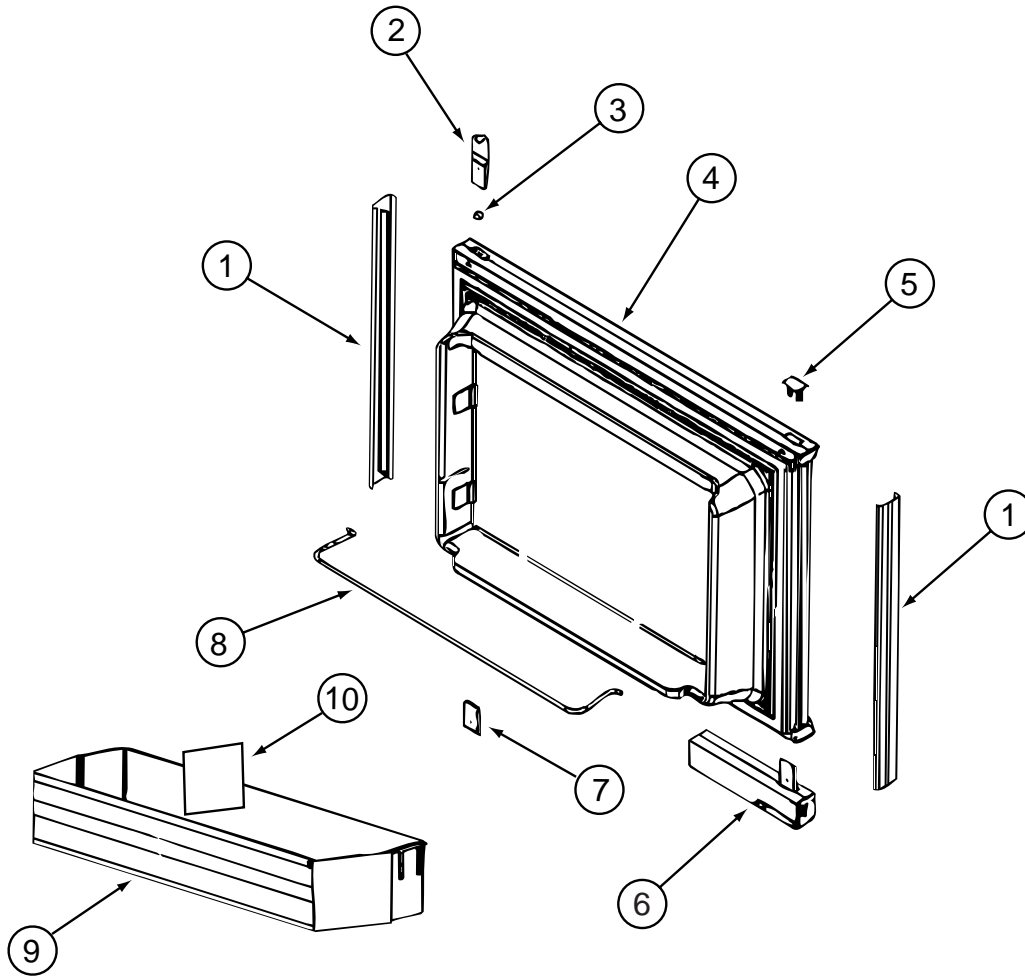


**120075-13-01A, 120075-14-01A (CONTINUED)**

KEY	PART NUMBER	U/M	DESCRIPTION	VENDOR NO.
1	120075-09-701	EA	WATER VALVE W/BRACKET	618253
2	120075-03-702	EA	NUT/COMPRESSION - FITTING	61678722
3	120075-03-703	EA	ARM-SHUT OFF	61656922
4	120075-03-704	EA	BIN-ICE CUBE	618154
5	094039-07-706	EA	ICE MAKER W/O PLATES	61656522
6	120075-01-717	EA	SHELF-FREEZER, WIRE	618172
	120075-09-702	EA	RELAY - 12 VOLT	620239



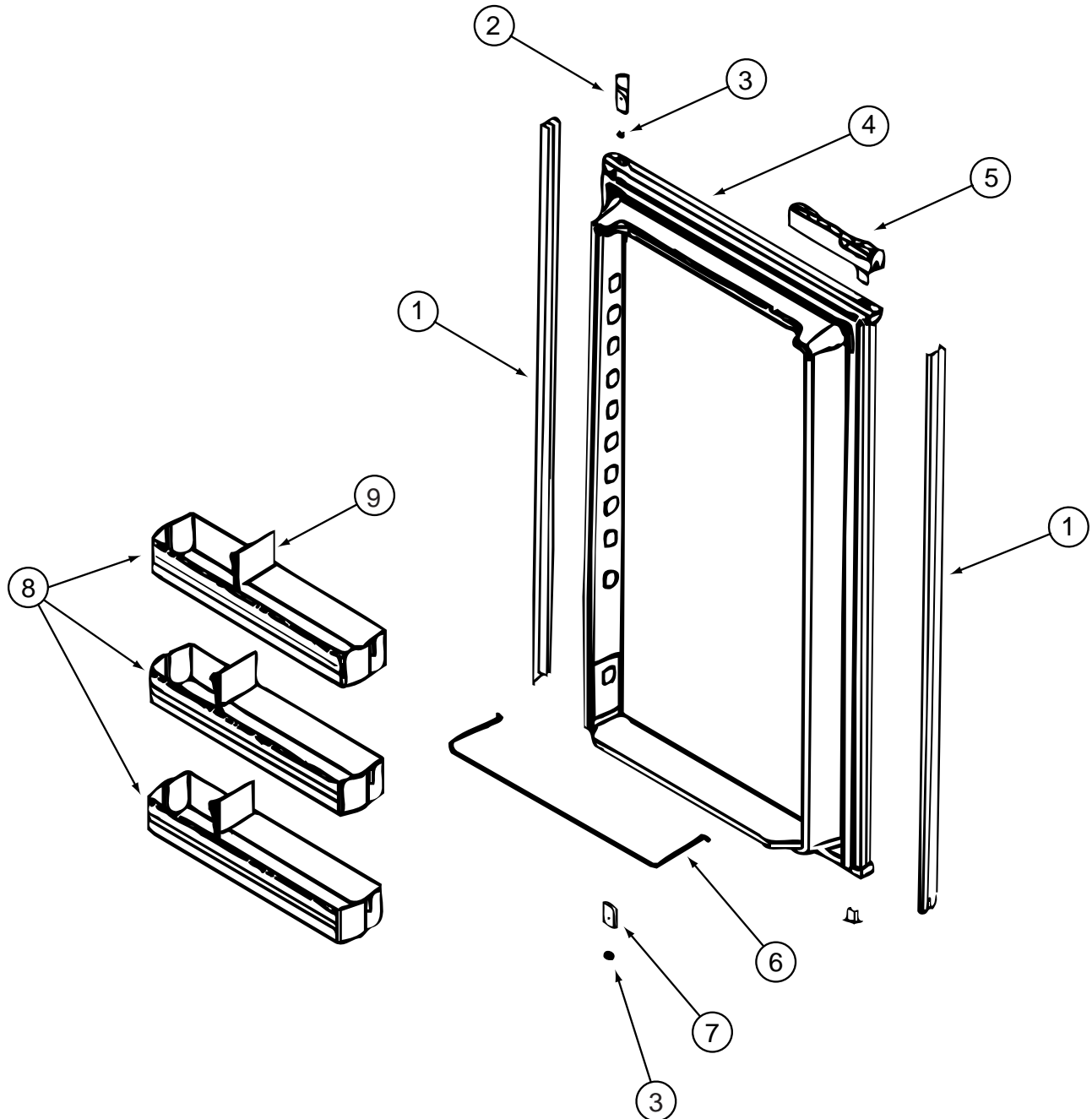
**APPLIANCE GROUP (CONTINUED)**  
**COMPONENT PARTS FOR APPLIANCES (CONTINUED)**



121569-05-01A, 121569-07-01A

KEY	PART NUMBER	U/M	DESCRIPTION	VENDOR NO.
1	121568-03-700	EA	RETAINER - DOOR PANEL/BLACK	619558
2	120075-01-701	EA	HINGE-TOP RH/BOTTOM LH(DOOR)	618511
3	121568-03-701	EA	BUSHING - HINGE PIN/GRAY	619671
4	121568-03-702	EA	DOOR LINER - W/TRIM/BLACK	619627 - SMALL DOOR
5	120075-01-702	EA	CAP, (HINGE PLUG)	618160
6	120075-12-700	EA	HANDLE(CONTOUR)TOP LH/BTM RH	621105
	120075-12-702	EA	HANDLE/HOUSING-TOP-LH/BTM RH	618159GEN
	120075-12-703	EA	HANDLE - PLASTIC - NEW STYLE	620928
	120075-12-704	EA	SPRING - COMPRESSION	618182
	120075-12-705	EA	LATCH - HANDLE	618121
	120075-12-706	EA	PIN - STEEL	618622
	120075-12-707	EA	LATCH	619648
	120075-12-708	EA	LATCH - SPRING	620960
7	120075-01-705	EA	HINGE-TOP LH/BOTTOM RH(DOOR)	618510
8	121568-01-700	EA	RAIL - DOOR UPPER	618618
9	120075-07-700	EA	DOOR BIN - CLEAR	619006
10	120075-07-701	EA	DIVIDER/DOOR BIN CLEAR	619008
	121568-03-705	EA	STORAGE LATCH - GRAY	619648

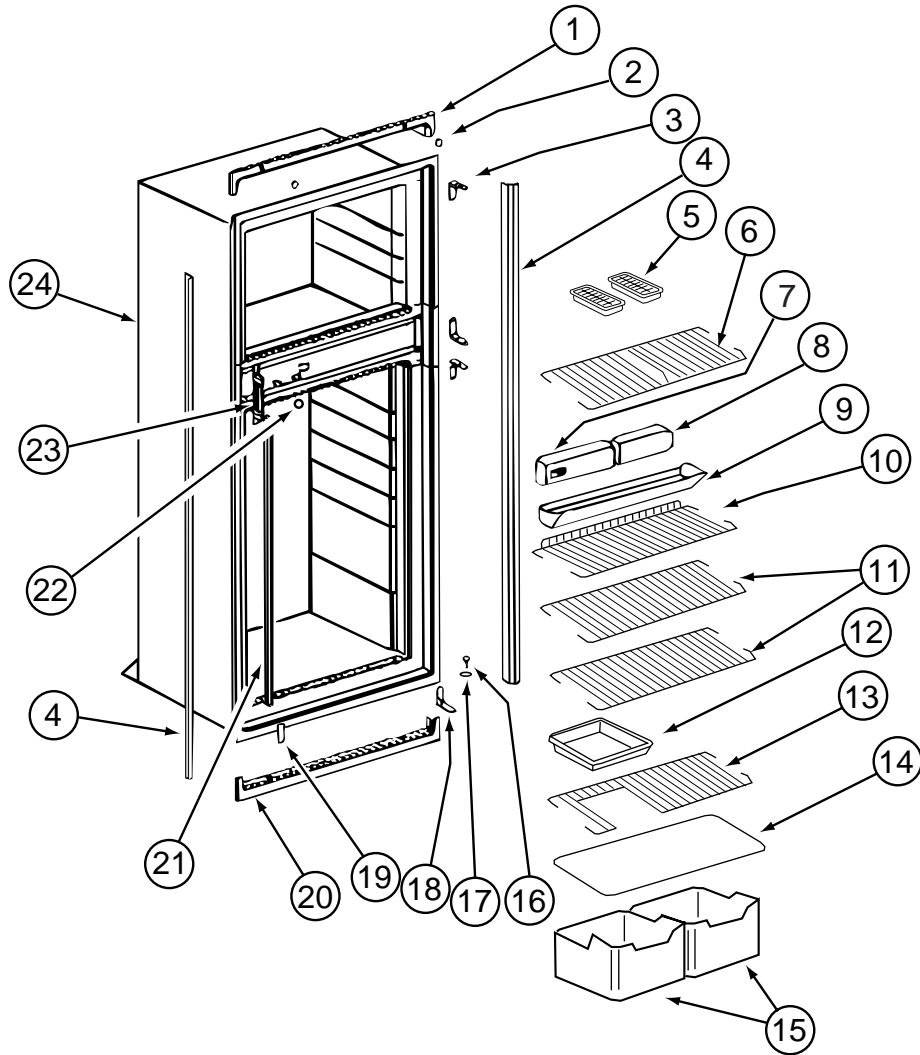
**APPLIANCE GROUP (CONTINUED)**  
**COMPONENT PARTS FOR APPLIANCES (CONTINUED)**



**121569-05-01A, 121569-07-01A (CONTINUED)**

KEY	PART NUMBER	U/M	DESCRIPTION	VENDOR NO.
1	120075-07-702	EA	RETAINER - DOOR PANEL/BLACK	619560
2	120075-01-701	EA	HINGE-TOP RH/BOTTOM LH(DOOR)	618511
3	121568-03-701	EA	BUSHING - HINGE PIN/GRAY	619671
4	121568-03-707	EA	DOOR LINER - W/BLACK TRIM	619629
5	120075-12-701	EA	HANDLE(CONTOUR)TOP RH/BTM LH	621104
	120075-12-709	EA	HANDLE/HOUSING-BTM LH/TOP RH	618122GEN
	120075-12-703	EA	HANDLE - PLASTIC - NEW STYLE	620928
	120075-12-704	EA	SPRING - COMPRESSION	618182
	120075-12-705	EA	LATCH - HANDLE	618121
	120075-12-706	EA	PIN - STEEL	618622
	120075-12-707	EA	LATCH	619648
	120075-12-708	EA	LATCH - SPRING	620960
6	121568-01-704	EA	RAIL - DOOR LOWER	618578
7	120075-01-705	EA	HINGE-TOP LH/BOTTOM RH(DOOR)	618510
8	121568-01-701	EA	BIN - DOOR WHITE	618619
9	120075-07-701	EA	DIVIDER/DOOR BIN CLEAR	619008
	121568-03-705	EA	STORAGE LATCH - GRAY	619648

**APPLIANCE GROUP (CONTINUED)**  
**COMPONENT PARTS FOR APPLIANCES (CONTINUED)**

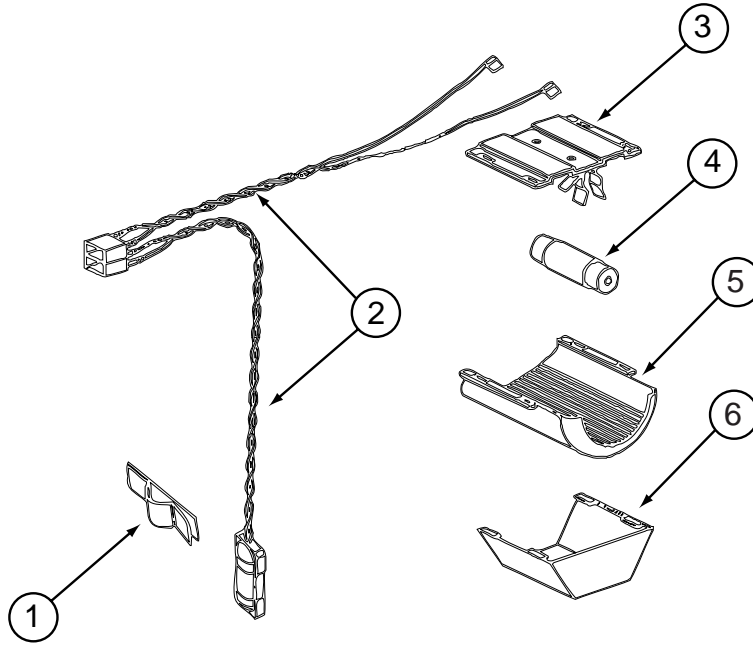


**121569-05-01A, 121569-07-01A (CONTINUED)**

KEY	PART NUMBER	U/M	DESCRIPTION	VENDOR NO.
1	121568-03-709	EA	TRIM - TOP/BLACK	619687
2	120075-01-714	EA	PLUG-HOLE	618170
3	121568-03-710	EA	HINGE/CABINET-TOP/RH-LWR/LH	619335
4	120075-07-705	EA	TRIM - SIDE - BLACK	619802
6	121568-03-712	EA	SHELF - WIRE/FREEZER	620250
7	121568-03-714	EA	CONTROL ASM - 2 WAY BLACK	619350
8	121568-03-713	EA	FRONT BOX/DECORATIVE-BLACK	619282
9	120075-01-720	EA	TRAY-DRIP	618137
10	121568-01-707	EA	SHELF - WIRE - SHORT	618624
11	121568-01-708	EA	SHELF - WIRE	618589
14	120075-01-725	EA	COVER-CRISPER	618158
15	121568-01-709	EA	CRISPER	618571
16	120075-01-727	EA	PIN-HINGE	618145
18	121568-03-715	EA	HINGE/CABINET-TOP/LH-LWR/RH	619336
19	121568-03-716	EA	COVER - HINGE HOLES	619301
20	120075-01-729	EA	TRIM-BOTTOM PIECE	618136
21	120075-01-730	EA	RETAINER-SHELF	618181
22	121568-03-717	EA	HOLE PLUG - WHITE	619561
23	120075-01-732	EA	PLATE-STRIKE	618167
24	120075-07-709	EA	CABINET - FOAMED	619347
	120075-01-721	EA	LOUVER-DRIP TRAY	618176

CONTACT WINNEBAGO PART SALES FOR UNLISTED COMPONENTS

**APPLIANCE GROUP (CONTINUED)**  
**COMPONENT PARTS FOR APPLIANCES (CONTINUED)**

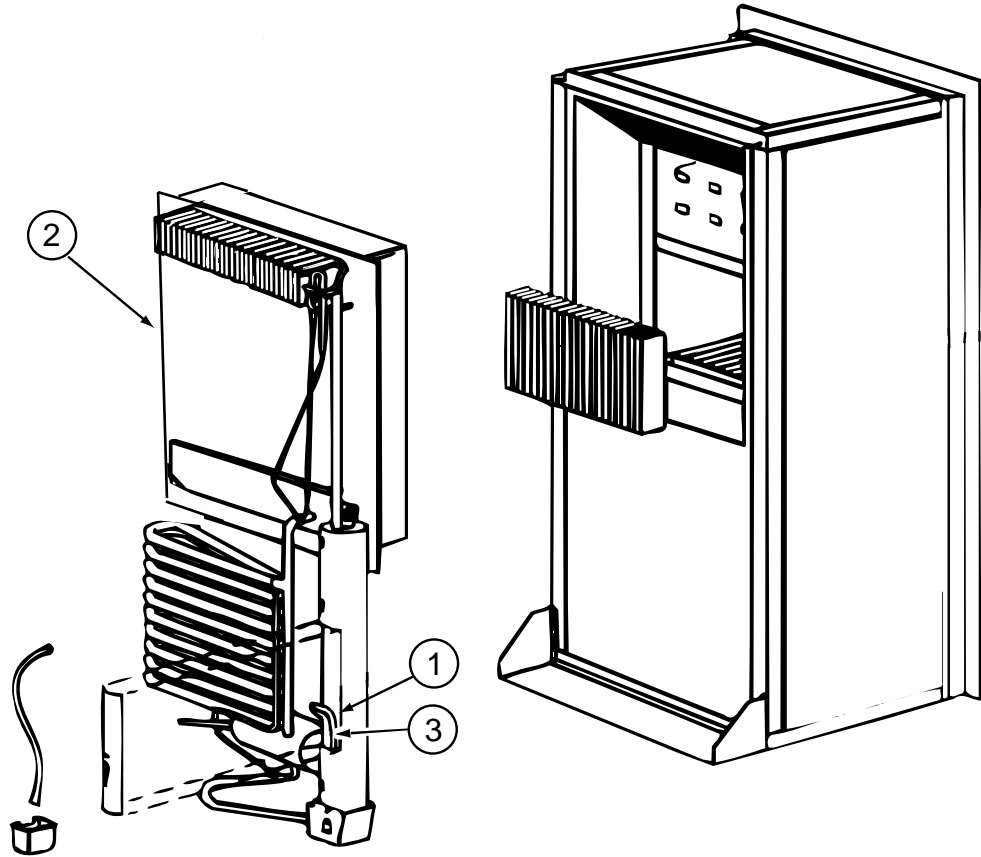


**121569-05-01A, 121569-07-01A (CONTINUED)**

KEY	PART NUMBER	U/M	DESCRIPTION	VENDOR NO.
1	084880-01-760	EA	CLIP (THERMISTER)	61689122
2	120075-01-735	EA	THERMISTER W/LAMP & WIRE/ASM	618548
3	084880-03-705	EA	BRACKET-LIGHT-INTERIOR	61629722
4	084880-03-706	EA	BULB-LAMP	61628922
6	084880-03-707	EA	COVER-LAMP, LENS	61627922

CONTACT WINNEBAGO PART SALES FOR UNLISTED COMPONENTS

**APPLIANCE GROUP (CONTINUED)**  
**COMPONENT PARTS FOR APPLIANCES (CONTINUED)**

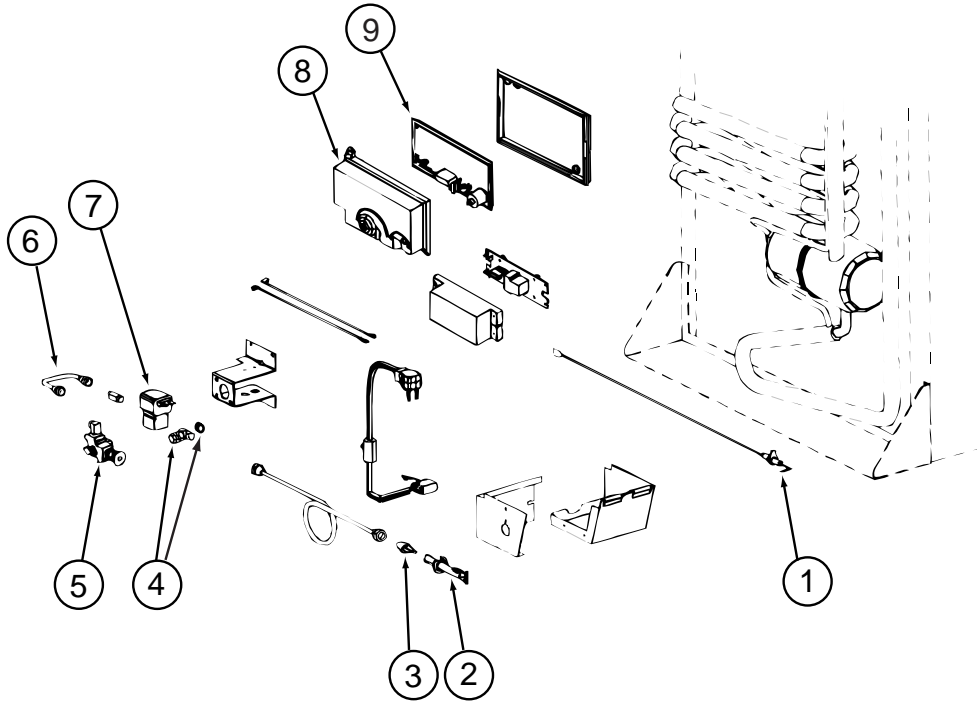


121569-05-01A, 121569-07-01A (CONTINUED)

KEY	PART NUMBER	U/M	DESCRIPTION	VENDOR NO.
2	120075-01-736	EA	COOLING UNIT, SERVICE PACK	618542
3	088248-01-709	EA	HEATER-AC (HORIZONTAL)	61562722
	120075-01-744	EA	KIT - GAS VALVE/BURNER TUBE	620609

CONTACT WINNEBAGO PART SALES FOR UNLISTED COMPONENTS

**APPLIANCE GROUP (CONTINUED)**  
**COMPONENT PARTS FOR APPLIANCES (CONTINUED)**



**121569-05-01A, 121569-07-01A (CONTINUED)**

KEY	PART NUMBER	U/M	DESCRIPTION	VENDOR NO.
1	104137-06-715	EA	ELECTRODE-SPARK/SENSOR, SGL	61692222
2	104137-06-714	EA	BURNER ASSEMBLY, 5-SLOT	61705222
3	120075-01-737	EA	ORIFICE - JEWEL - .0155	618284
4	113737-01-702	EA	PLUG 1/8" F/PRESSURE TAP	61445322
4	113737-01-716	EA	TAP-PRESSURE	61594422
6	113737-01-750	EA	TUBE-UNION	61694622
7	084880-01-718	EA	VALVE-GAS, (ASCO)	61551822
8	120075-01-738	EA	COVER-POWER BOARD	618185
9	121568-03-719	EA	POWER - BOARD - 2-WAY	619353
	121568-03-720	EA	VALVE/SHUT OF-MANUAL ELECT.	618696

CONTACT WINNEBAGO PART SALES FOR UNLISTED COMPONENTS

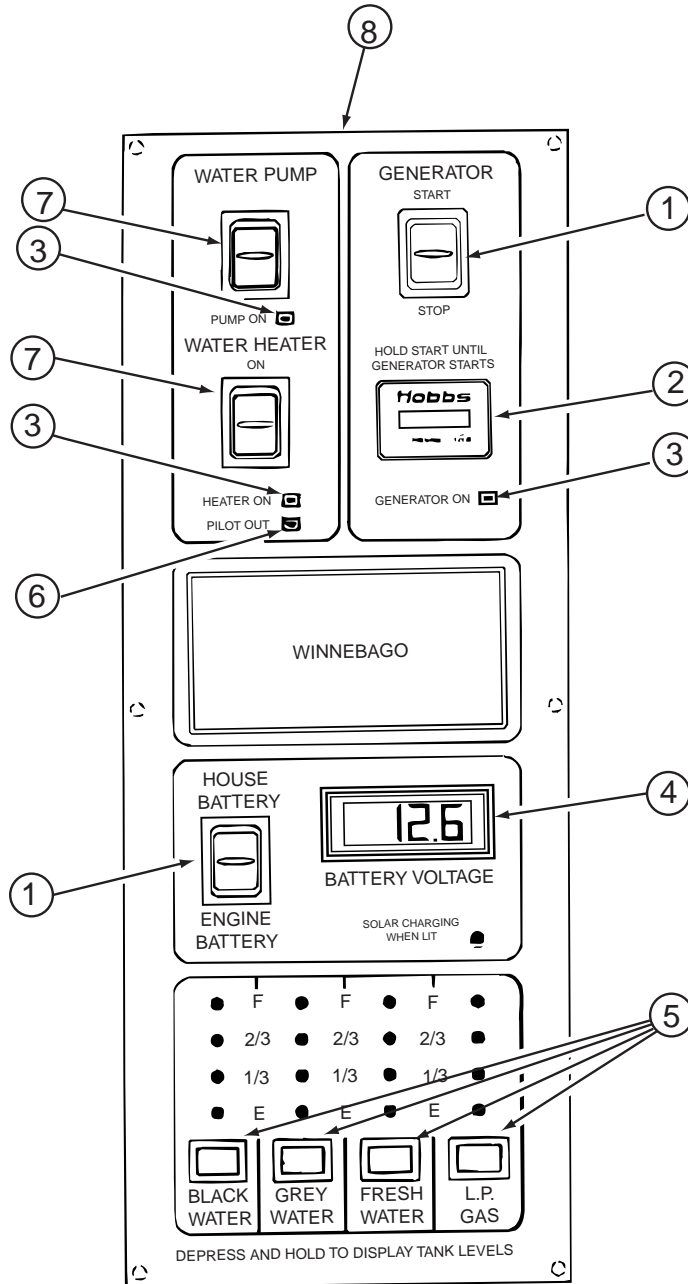
**126019-01-01A**

KEY	PART NUMBER	U/M	DESCRIPTION	VENDOR NO.
	126019-01-700	EA	GLASS CARAFE	172547-00
	126019-01-701	EA	RESERVOIR- WATER	172554
	126019-01-702	EA	BASKET - FILTER	172553-00
	126019-01-703	EA	HARDWARE - MOUNTING	172174-00

**126022-01-01A, 126022-02-01A, 126022-03-01A**

KEY	PART NUMBER	U/M	DESCRIPTION	VENDOR NO.
	114030-01-707	EA	PLUG BUTTON BLACK	74002628
	126022-01-700	EA	BUMPER - RANGE BIFOLD COVER	MAGIC 8003P007-60
	126022-01-701	EA	HINGE-RANGE BIFOLD COVER-22"	MAGIC 3418F067-34

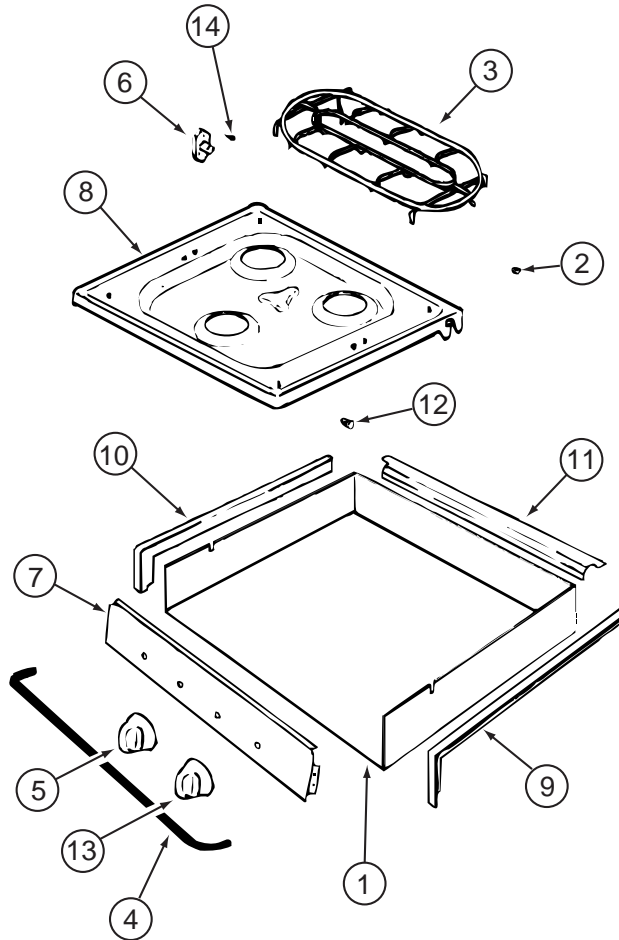
**APPLIANCE GROUP (CONTINUED)**  
**COMPONENT PARTS FOR APPLIANCES (CONTINUED)**



**133004-02-01A**

KEY	PART NUMBER	U/M	DESCRIPTION	VENDOR NO.
1	133004-01-702	EA	SWITCH/DPDT MOM=ON-OFF-ON	L1011-00
2	100258-10-701	EA	GAUGE-HOUR MTR-CLIP ON (LCD)	L0775-00
3	133004-01-706	EA	LED - GREEN - PANEL MOUNT	L0785
4	133004-01-704	EA	METER/VOLT-DIGITAL - LCD	L1008-00
5	133004-01-705	EA	SWITCH/MOM ON - PUSH BUTTON	L0950-00
6	133004-01-703	EA	LED - RED - PANEL MOUNT	L1009-00
7	133004-01-701	EA	SWITCH/DPDT ON-ON/MAINTAINED	L1025-00
8	133004-02-701	EA	SCREENED - CHASSIS	CC0547-00
	133004-02-700	EA	BOARD - PC	L5113-03

**APPLIANCE GROUP (CONTINUED)**  
**COMPONENT PARTS FOR APPLIANCES (CONTINUED)**



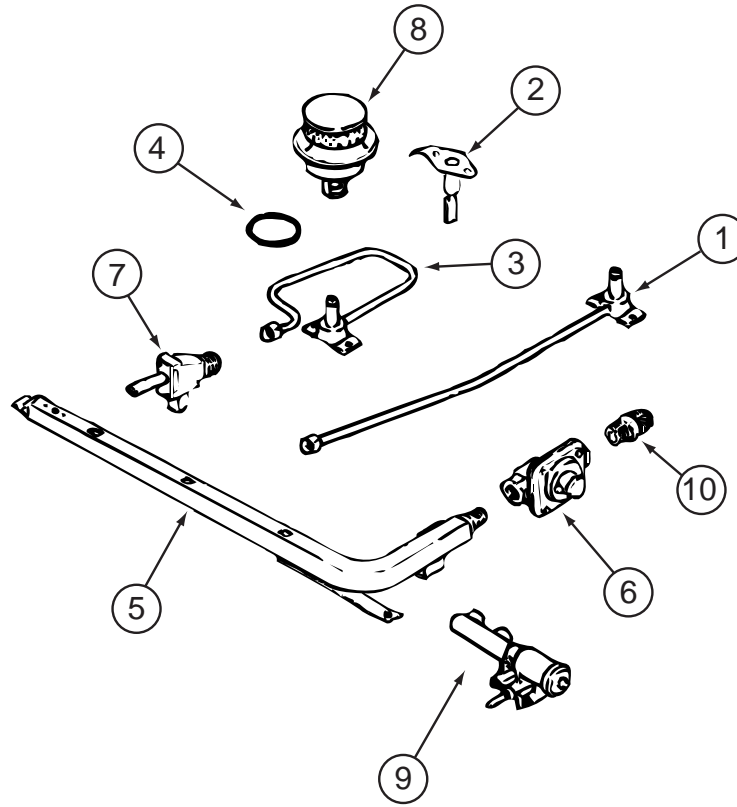
**135065-01-01A, 135065-01-02A & 135065-02-01A (CONTINUED)**

KEY	PART NUMBER	U/M	DESCRIPTION	VENDOR NO.
2	102020-01-709	EA	BUMPER-GRATE	8007-P020-60
3	128728-01-700	EA	GRATE - BURNER	74003948
4	114030-02-700	EA	GUARD/FABRIC - TOWEL BAR	3609F006-70
5	112881-01-705	EA	KNOB-TOP BURNER	7733P072-60
5	112881-01-718	EA	KNOB - TOP BURNER HI-OUTPUT	74001794
6	128728-01-703	EA	PIN/T-NUT F/HINGE	7103P109-60
7	135065-01-700	EA	PANEL/MANIFOLD	74003354
8	135066-01-700	EA	TOP - MAIN - BISQUE	74005332
9	114030-01-704	EA	TRIM - RIGHT/BLACK TEXTURED	74002839
10	114030-01-705	EA	TRIM - LEFT/BLACK TEXTURED	74002840
11	114030-01-706	EA	TRIM - REAR/BLACK TEXTURED	74002841
12	102020-01-724	EA	BUMPER-MAIN TOP	8003P008-60
13	126023-01-720	EA	KNOB - IGNITER	74002414

CONTACT WINNEBAGO PART SALES FOR UNLISTED COMPONENTS



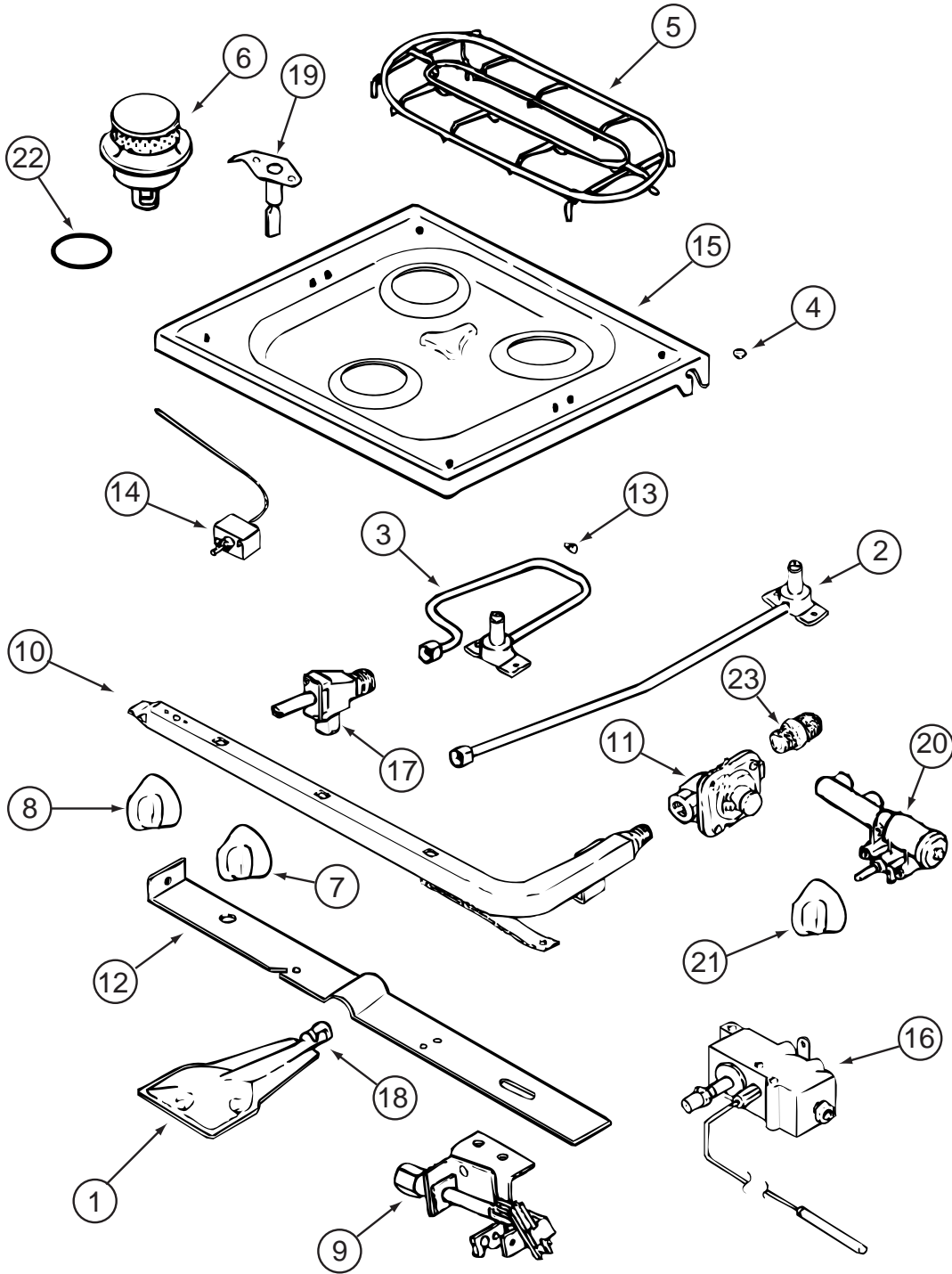
**APPLIANCE GROUP (CONTINUED)**  
**COMPONENT PARTS FOR APPLIANCES (CONTINUED)**



**135065-01-01A, 135065-01-02A, 135065-02-01A (CONTINUED)**

KEY	PART NUMBER	U/M	DESCRIPTION	VENDOR NO.
1	128728-01-708	EA	FITTING W/ORFICE/TUBE - REAR	74003931
2	135065-01-701	EA	IGNITOR/TOP BURNER	74004053
3	128728-01-710	EA	FITTING W/ORFICE/TUBE - FRT	74003930
4	128728-01-711	EA	GASKET - BURNER	74002745
5	135065-01-702	EA	PIPE/MANIFOLD	74004642
6	126023-02-703	EA	REGULATOR - PRESSURE	74004235
7	135065-01-703	EA	VALVE/BURNER - REAR	74004643
7	135065-01-704	EA	VALVE/BURNER-FRT-HI	74004644
8	135065-01-705	EA	BURNER/SEALED ASSEMBLY	12001497
9	128728-01-716	EA	BURNER - IGNITOR	74003946
9	128728-01-717	EA	WIRES - IGNITOR	74003947

**APPLIANCE GROUP (CONTINUED)**  
**COMPONENT PARTS FOR APPLIANCES (CONTINUED)**



135066-01-01A

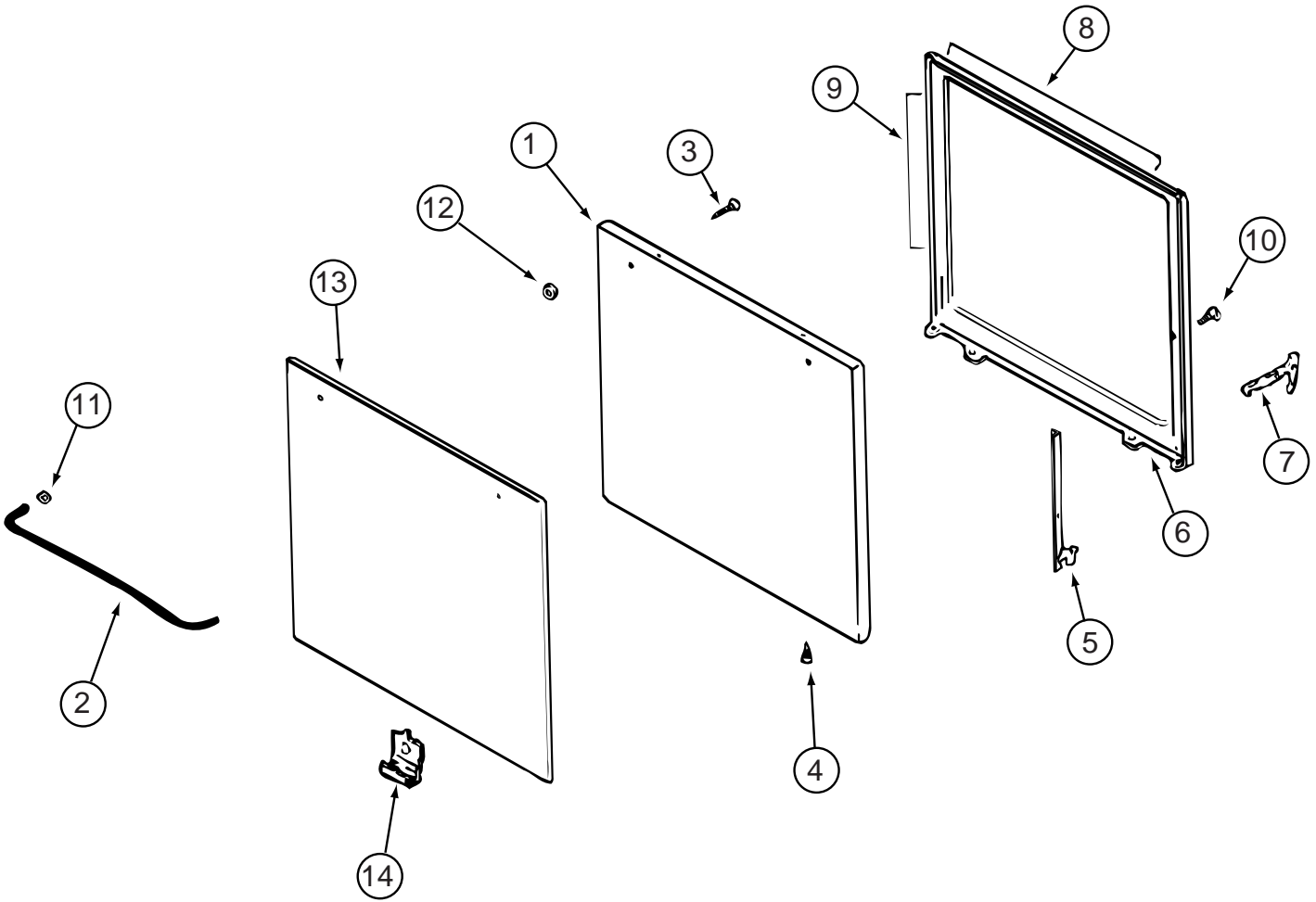
**APPLIANCE GROUP (CONTINUED)**  
**COMPONENT PARTS FOR APPLIANCES (CONTINUED)**

**135066-01-01A (CONTINUED)**

<b>KEY</b>	<b>PART NUMBER</b>	<b>U/M</b>	<b>DESCRIPTION</b>	<b>VENDOR NO.</b>
1	126023-01-717	EA	BURNER - OVEN	74003343
2	128728-01-708	EA	FITTING W/ORFICE TUBE - REAR	74003931
3	128728-01-710	EA	FITTING W/ORFICE TUBE - FRT	74003930
4	102020-01-709	EA	BUMPER-GRATE	8007-P020-60
5	128728-01-700	EA	GRATE - BURNER	74003948
6	135065-01-705	EA	BURNER/SEALED ASSEMBLY	12001497
7	112881-01-705	EA	KNOB-TOP BURNER	7733P072-60
7	112881-01-718	EA	KNOB - TOP BURNER HI-OUTPUT	74001794
8	126023-02-700	EA	KNOB - THERMOSTAT	74004359
9	126023-02-701	EA	PILOT - OVEN	74004586
10	126023-02-702	EA	PIPE - MANIFOLD	74004360
11	126023-02-703	EA	REGULATOR - PRESSURE	74004235
13	102020-01-724	EA	BUMPER-MAIN TOP	8003P008-60
14	126023-01-734	EA	THERMOSTAT OVEN 11/CLY MODEL	74004361
15	128728-01-705	EA	TOP - MAIN - BLACK	74003928
16	126023-02-704	EA	VALVE - OVEN - MERCURY	74004585
17	135065-01-703	EA	VALVE/BURNER - REAR	74004643
17	135065-01-704	EA	VALVE/BURNER-FRT-HI	74004644
18	135656-01-701	EA	MIXER/AIR	3411F003-34
19	135065-01-701	EA	IGNITOR/TOP BURNER	74004053
20	128728-01-716	EA	BURNER - IGNITOR	74003946
20	128728-01-717	EA	WIRES - IGNITOR	74003947
21	126023-01-720	EA	KNOB - IGNITER	74002414
22	128728-01-711	EA	GASKET - BURNER	74002745

CONTACT WINNEBAGO PART SALES FOR UNLISTED COMPONENTS

**APPLIANCE GROUP (CONTINUED)**  
**COMPONENT PARTS FOR APPLIANCES (CONTINUED)**

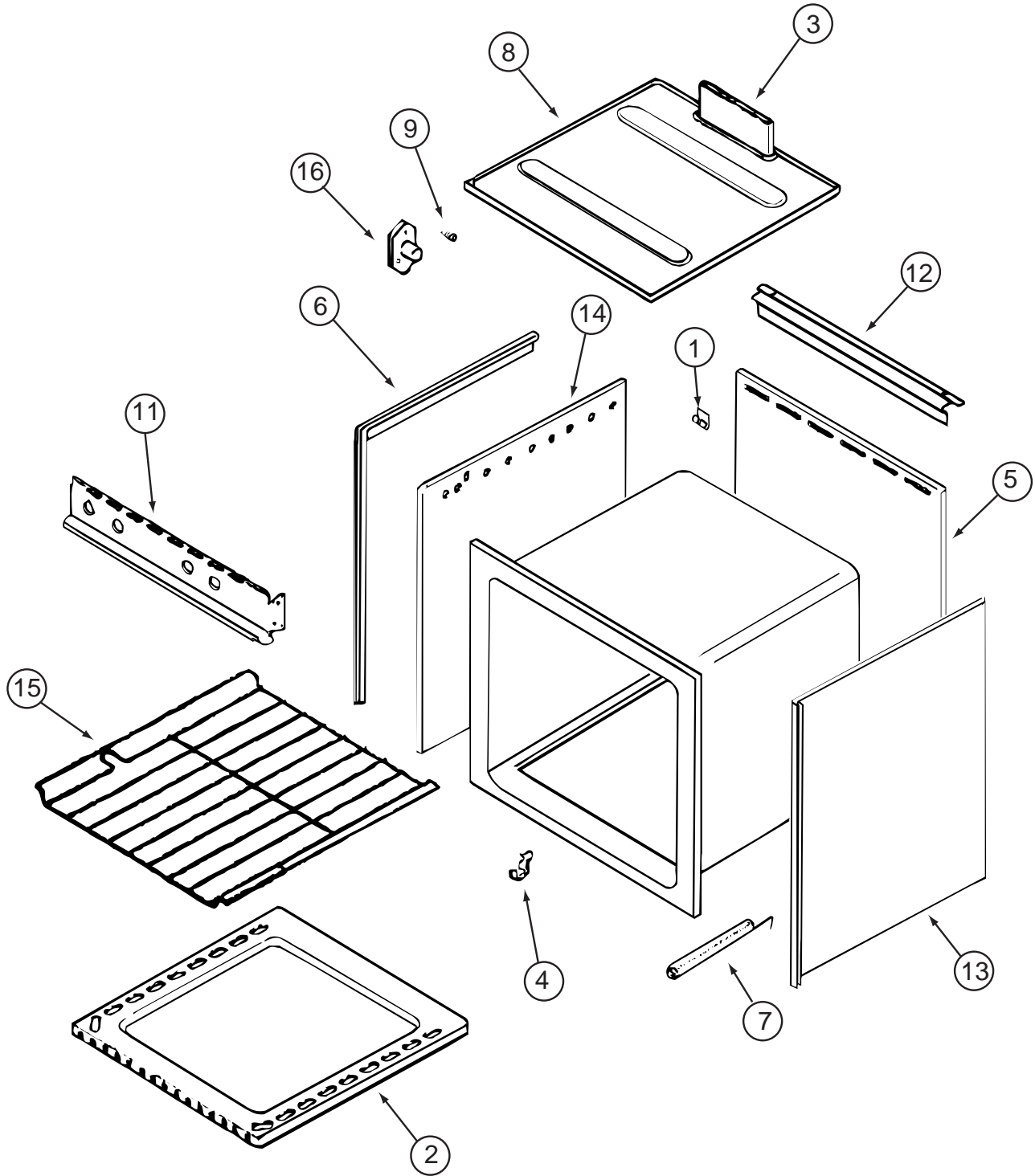


**135066-01-01A, 135066-01-02A, 135066-02-01A (CONTINUED)**

KEY	PART NUMBER	U/M	DESCRIPTION	VENDOR NO.
1	126023-01-712	EA	PANEL - DOOR (BLACK)	74001190
2	102020-01-701	EA	HANDLE,DOOR	7701P092-60
8	126023-01-732	EA	SEAL/OVEN DR TOP	7212P014-60
9	126023-01-733	EA	SEAL/OVEN DR SIDES(2PCS)	7212P038-60
13	102020-01-725	EA	GLASS OUTER	7902P266-60

CONTACT WINNEBAGO PART SALES FOR UNLISTED COMPONENTS

**APPLIANCE GROUP (CONTINUED)**  
**COMPONENT PARTS FOR APPLIANCES (CONTINUED)**



**135066-01-01A, 135066-01-02A, 135066-02-01A (CONTINUED)**

KEY	PART NUMBER	U/M	DESCRIPTION	VENDOR NO.
1	112881-03-702	EA	CLIP - MAIN TOP	74003998
2	126023-01-731	EA	BOTTOM - OVEN	2205F016-19
3	126023-01-718	EA	FLUE BOX ASSEMBLY	4006W075-80
6	126023-01-713	EA	TRIM - SIDE (RIGHT)	74002827
6	126023-01-714	EA	TRIM - SIDE (LEFT)	74002828
11	126023-01-729	EA	PANEL - MANIFOLD	74003351
15	126023-01-716	EA	RACK - OVEN	74003106

CONTACT WINNEBAGO PART SALES FOR UNLISTED COMPONENTS

**AUDIO VIDEO GROUP**  
**RADIO SYSTEM**

KEY	PART NUMBER	U/M	DESCRIPTION
	077069-02-000	EA	CABLE - ANTENNA/EXTENSION - RADIO - 96"
	123256-02-000	EA	CABLE - CB - COAX
	089340-02-000	EA	GRILLE - SPEAKER - 6.5" SQUARE
	110470-01-01A	EA	GRILLE - 4" X 6" OVAL SPEAKER - BLACK
	124885-01-000	EA	GRILLE - SPEAKER - 6" X 9" - SUB-WOOFER - <a href="#">W/DELUXE SOUND</a>
	132352-01-L32	EA	GRILLE - SPEAKER - FABRIC COVERED - <a href="#">W/O DELUXE SOUND, G35U, G32V, G30Y</a> FROM: 00-00-00 THRU: 03-19-01
	139111-01-02A	EA	GRILLE - SPEAKER - 6" ROUND - GLACIER - <a href="#">W/O DELUXE SOUND, G35U, G32V, G30Y</a> FROM: 03-20-01 THRU: 99-99-99
	139111-01-02A	EA	GRILLE - SPEAKER - 6" ROUND - GLACIER - <a href="#">W/O DELUXE SOUND, G37G</a>
	090944-01-000	EA	ANTENNA - RADIO - 16" RUBBER - W/72" LEAD WIRE
	123256-01-000	EA	ANTENNA - CB - W/O CABLE
	094097-01-000	EA	SPEAKER - RADIO/TV - W/O GRILLE - 5.25" DIAMETER
	110469-01-000	EA	SPEAKER - 4" X 6" OVAL - COAXIAL
	124883-02-000	EA	SPEAKER - CUBE - W/BRACKET - <a href="#">W/DELUXE SOUND</a>
	124884-01-000	EA	SPEAKER - 6" X 9" - SUB-WOOFER - <a href="#">W/DELUXE SOUND</a>
	102080-11-000	EA	CHANGER - COMPACT DISC - CDX-530RF FROM: 00-00-00 THRU: 05-10-01
	102080-14-000	EA	CHANGER - COMPACT DISC - CDX-540RF FROM: 05-11-01 THRU: 01-31-02
	102080-17-000	EA	CHANGER - COMPACT DISC - SONY CDX-555RF FROM: 02-01-02 THRU: 99-99-99
	102080-12-000	EA	CHANGER - REMOTE CONTROL-F/M MODULATOR - CDX-530RF FROM: 00-00-00 THRU: 05-08-01
*	102080-15-000	EA	CHANGER - CONTROL/FM MODULE & REMOTE - CDX-540RF KIT FROM: 05-09-01 THRU: 01-24-02
	102080-18-000	EA	CHANGER - CONTROL/FM MODULE & REMOTE - SONY CDX-555RF KIT FROM: 01-25-02 THRU: 99-99-99
	108847-01-000	EA	BRACKET - ANTENNA GROUND
	115916-01-01B	EA	BRACKET - ANTENNA MOUNT
	109889-04-000	EA	EXTENDER - ANTENNA SHAFT - 3.7"
	124881-02-000	EA	AMPLIFIER - AUDIO - MTS Q SURROUND - ORANGE LABEL (LATEST)
	125322-02-000	EA	RADIO-AM/FM STEREO/CASSETTE-AUDIOVOX-MS-306-EXT ENT W/CASS - <a href="#">EXT ENTERTAINMENT</a>
	127517-07-000	EA	RADIO - AM/FM STEREO/CD PLAYER - CDX-1200 - EXTERIOR CMP - <a href="#">EXT ENTERTAINMENT W/CD</a> FROM: 00-00-00 THRU: 08-02-01
	127517-10-000	EA	RADIO - AM/FM STEREO/CD PLAYER - CDX-L250 - <a href="#">EXT ENTERTAINMENT W/CD</a> FROM: 08-03-01 THRU: 02-10-02
	127517-11-000	EA	RADIO - AM/FM STEREO - CD PLAYER - SONY CDX-L300 - <a href="#">EXT ENTERTAINMENT W/CD</a> FROM: 02-11-02 THRU: 99-99-99
	135420-01-000	EA	RADIO - AM/FM CASSETTE/CD COMBO - M9900 - <a href="#">DASH</a>
	135420-07-000	EA	RADIO - MOUNTING KIT - A-BODY - <a href="#">DASH</a>
	133089-01-000	EA	CONTROL - VOLUME - SPEAKER

**\*COMPONENT PARTS LISTED LATER IN THIS GROUP**

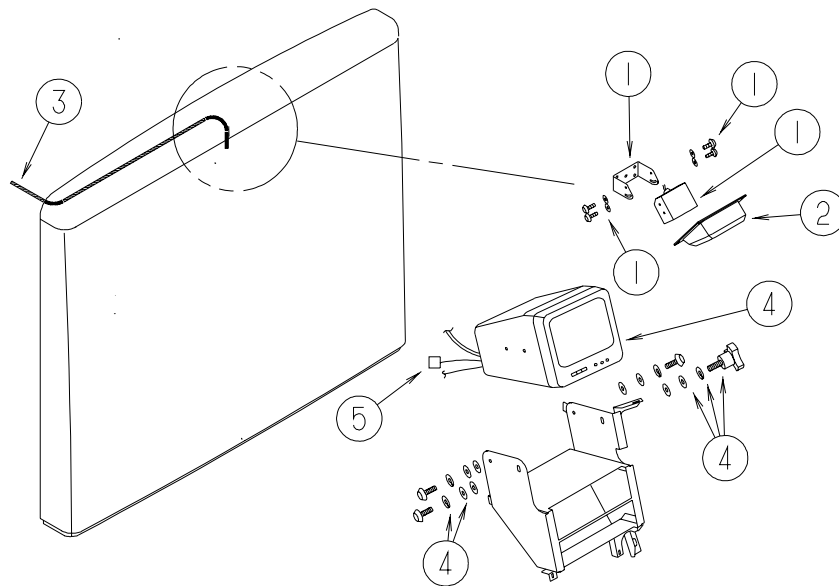
**AUDIO VIDEO GROUP (CONTINUED)**  
**COMPONENT PARTS FOR RADIO SYSTEM**

102080-15-000

<b>KEY</b>	<b>PART NUMBER</b>	<b>U/M</b>	<b>DESCRIPTION</b>	<b>VENDOR NO.</b>
	102080-15-700	EA	REMOTE	1-476-488-11

## AUDIO VIDEO GROUP (CONTINUED)

### REAR VIEW MONITOR



KEY	PART NUMBER	U/M	DESCRIPTION
1	093040-09-000	EA	CAMERA - REAR VIEW - W/BRACKET - SONY
2	NOT USED		
3	093041-01-000	EA	CABLE - MONITOR/CAMERA - INTERNAL USE - 65.6'
4*	093040-10-000	EA	MONITOR - 7" REAR VIEW - W/BRACKET - SONY
5	096717-04-000	EA	WIRE ASSEMBLY - REAR MONITOR - UPPER
	093214-01-01A	EA	GRILL - SPEAKER - 4" - BLACK
			FROM: 00-00-00 THRU: 11-26-01
	093214-01-03A	EA	GRILLE - SPEAKER - 4" - GLACIER
			FROM: 11-27-01 THRU: 99-99-99
	098819-01-000	EA	SPEAKER - 4" - 2 WATT - 8 OHM
	114870-01-000	EA	PLUG - AUDIO W/LEADS - 48.5"
	133989-01-12B	EA	BRACKET - CAMERA - MONITOR/REAR - BRIGHT WHITE

**\*COMPONENT PARTS LISTED LATER IN THIS GROUP**



**AUDIO VIDEO GROUP (CONTINUED)**  
**COMPONENT PARTS FOR REAR VIEW MONITOR**

**093040-10-000**

<b>KEY</b>	<b>PART NUMBER</b>	<b>U/M DESCRIPTION</b>	<b>VENDOR NO.</b>
	093040-10-700	EA LENS-MONITOR, REAR VIEW F/7"	3-708-537-01

## AUDIO VIDEO GROUP (CONTINUED)

### TELEPHONE

KEY	PART NUMBER	U/M	DESCRIPTION
	093253-01-01A	EA	PLATE - WALL - TELEPHONE - BEIGE
	130686-01-01A	EA	PLATE - WALL - TELEPHONE/COAX - WHITE
	133713-06-08A	EA	SPACER/RECEPTACLE - PHONE - VINYL/PORTSMOUTH OAK

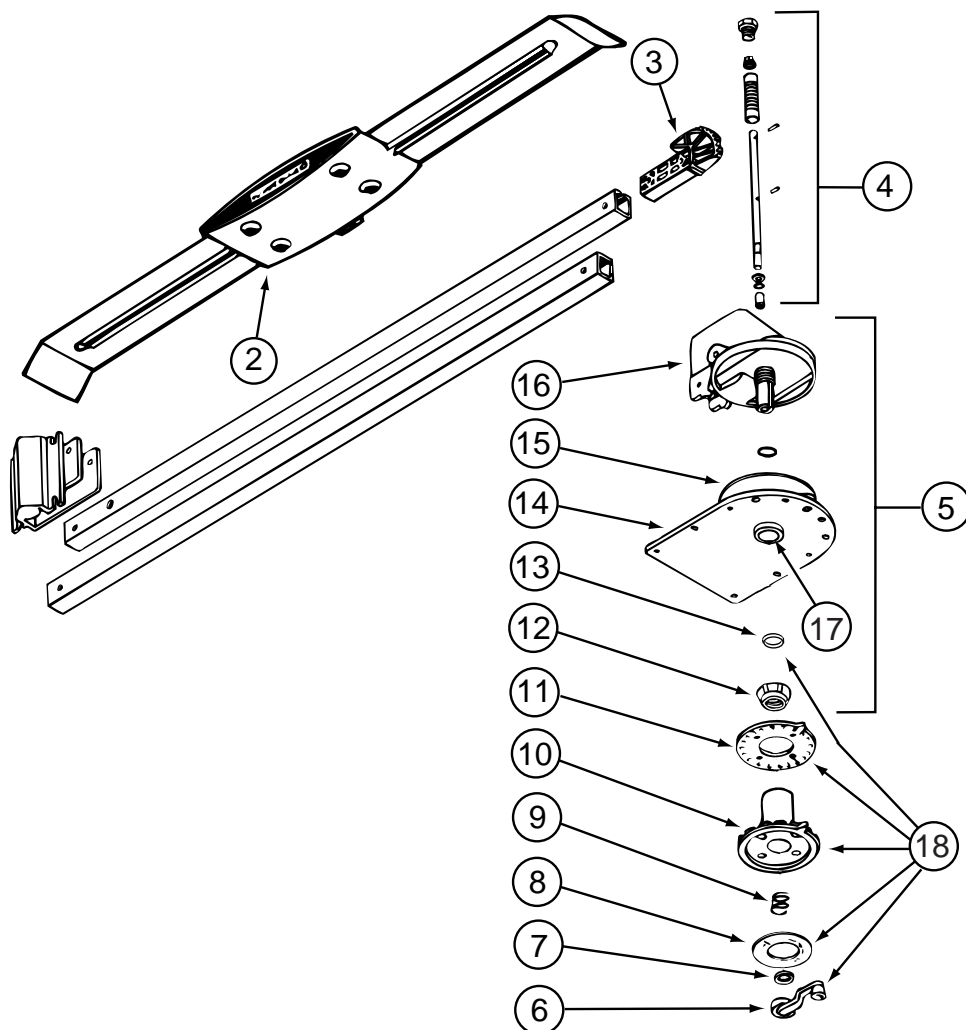
### TV & VCR

KEY	PART NUMBER	U/M	DESCRIPTION
	076319-03-000	FT	CABLE - COAXIAL - 75 OHM
	136860-01-000	EA	CABLE - RCA - #3 MALE TO #12F MALE CONNECTOR
	076319-09-000	EA	WALLPLATE - CABLE RECEPTACLE - TV - SINGLE - BROWN
	086777-06-000	EA	WALLPLATE - TV CABLE - ANTENNA BOOSTER/1 OUTPUT - BLACK
	076319-12-000	EA	CONNECTOR - COAXIAL - ONE PIECE
*	076319-23-000	EA	ANTENNA - TV ROOF MOUNT - 44.5" MAST
*	137135-01-000	EA	ANTENNA - SATELLITE DSS - W/SENSOR
			FROM: 00-00-00 THRU: 04-08-02
	137135-02-000	EA	ANTENNA - SATELLITE DSS - W/SENSOR
			FROM: 04-09-02 THRU: 99-99-99
*	076319-25-000	EA	KIT - HARDWARE INTERIOR
	069726-02-000	EA	BUMPER - .88" OD X .40" THICK - BLACK
	082134-01-000	EA	ADAPTER - TV - CABLE TO CABLE
	082136-01-000	EA	NUT - HEX JAM - 3/8-32
	086756-01-000	EA	SPLITTER - TV/2 WAY
	086757-04-000	EA	CONTROL CENTER - SWITCH - VCR/TV - 5 INPUTS
	115540-01-000	EA	AMPLIFIER - TV SPEAKERS - <a href="#">W/O DELUXE SOUND</a>
	123324-01-000	EA	FILTER - GROUND LOOP
*	124073-10-000	EA	VCR-VHS/HI-FI STEREO - BLACK CASE - RCA VR623HF - <a href="#">W/DELUXE SOUND</a>
			FROM: 00-00-00 THRU: 04-08-01
*	124073-11-000	EA	VCR-VHS/HI-FI STEREO - SILVER CASE - RCA VR651HF - <a href="#">W/DELUXE SOUND</a>
			FROM: 04-09-01 THRU: 06-16-02
*	124073-12-000	EA	VCR-VHS/HI-FI STEREO - SILVER CASE - RCA VR651HF - <a href="#">W/DELUXE SOUND</a>
			FROM: 06-17-02 THRU: 99-99-99
*	126697-06-000	EA	VCR - VHS/CABLE READY - W/REMOTE - GE VG4060 - <a href="#">W/O DELUXE SOUND</a>
			FROM: 00-00-00 THRU: 05-06-01
*	126697-07-000	EA	VCR - VHS/CABLE READY - W/REMOTE - GE VG4045 - <a href="#">W/O DELUXE SOUND</a>
			FROM: 05-07-01 THRU: 99-99-99
*	126696-07-000	EA	TV - 19" COLOR - W/O 1/8" JACK - UL/CSA - GE 19GT243 - <a href="#">REAR TV</a>
*	130121-05-000	EA	TV - 25" - COLOR/STEREO W/5 JACKS - RCA F25648 - BLACK - <a href="#">W/DELUXE SOUND, FRONT TV</a>
			FROM: 00-00-00 THRU: 09-26-01
	130121-06-000	EA	TV - 25" - COLOR/STEREO W/5 JACKS - RCA F25649 - <a href="#">W/DELUXE SOUND, FRONT TV</a>
			FROM: 09-27-01 THRU: 99-99-99
*	133377-01-000	EA	TV - 25" - COLOR - W/1/8" JACK - UL/CSA - GE 25GT240M - <a href="#">W/O DELUXE SOUND, FRONT TV</a>
	134006-01-03B	EA	PLATE - COAXIAL CABLE/OFF WHITE
	136764-01-000	EA	DVD PLAYER - RCA RC5225P
			FROM: 00-00-00 THRU: 07-15-01
	136764-02-000	EA	DVD PLAYER - RCA RC5240P
			FROM: 07-16-01 THRU: 99-99-99

\*COMPONENT PARTS LISTED LATER IN THIS GROUP

## AUDIO VIDEO GROUP (CONTINUED)

### COMPONENT PARTS FOR TV & VCR



#### 076319-23-000

KEY	PART NUMBER	U/M	DESCRIPTION	VENDOR NO.
2	076319-01-700	EA	HEAD - ANTENNA - AMPLIFIED	RVSA U/V
3	076319-01-701	EA	GEAR - ELEVATING - PLASTIC	2200046
4	076319-01-702	EA	SHAFT ASM - ELEVATING	RVP-400A
5	076319-01-711	EA	BASE & LIFT ASM	2762802
7	076319-01-705	EA	BEARING - NYLON - 7/8"ID	3200658
8	076319-01-708	EA	DECAL-CRANK	5413002
9	076319-01-707	EA	SPRING - HANDLE	5160822
11	076319-01-709	EA	PLATE-CEILING (IVORY)	3200621
11	076319-01-712	EA	PLATE - CEILING	3200608
12	076319-01-715	EA	NUT (GEAR HOUSING)	2200047
14	076319-01-713	EA	BASE PLATE	3100523
15	076319-01-703	EA	BEARING - NYLON - 5"OD	3200656
16	076319-01-714	EA	HOUSING - ROTATING GEAR	2200049
	076319-01-716	EA	TUBING, ELEVATING	RP-2900
17	076319-01-704	EA	BEARING-NYLON, 1.25"OD	3200657

CONTACT WINNEBAGO PART SALES FOR UNLISTED COMPONENT

#### 076319-25-000

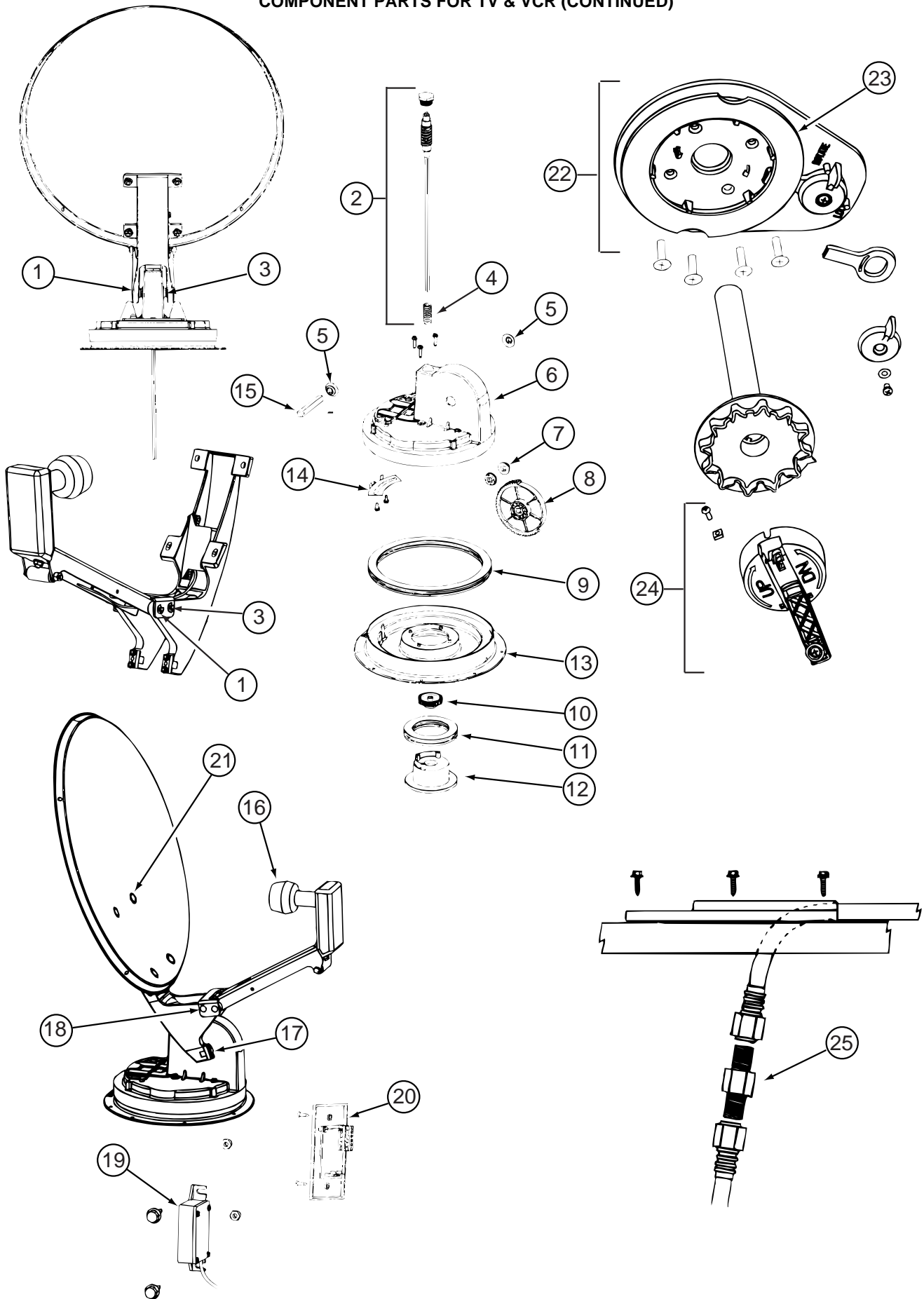
KEY	PART NUMBER	U/M	DESCRIPTION	VENDOR NO.
6	076319-01-706	EA	CRANK-ELEVATING W/SET SCREW	2750897
6	120233-01-710	EA	HANDLE-CRANK	RP-6795
8	076319-01-708	EA	DECAL-CRANK	5413002
9	076319-01-707	EA	SPRING-HANDLE	2160822
10	076319-25-700	EA	DIRECTIONAL HANDLE(WHITE)	3200612
11	076319-25-701	EA	PLATE - CEILING(WHITE)	3200609
13	120233-01-709	EA	WASHER-NYLON	RP-2658

CONTACT WINNEBAGO PART SALES FOR UNLISTED COMPONENTS

**AUDIO VIDEO GROUP (CONTINUED)**  
**COMPONENT PARTS FOR TV & VCR (CONTINUED)**

			<b>124073-10-000</b>	
<b>KEY</b>	<b>PART NUMBER</b>	<b>U/M DESCRIPTION</b>		<b>VENDOR NO.</b>
	124073-10-700	EA REMOTE		241772
			<b>124073-11-000</b>	
<b>KEY</b>	<b>PART NUMBER</b>	<b>U/M DESCRIPTION</b>		<b>VENDOR NO.</b>
	126697-04-700	EA REMOTE		239040
			<b>126696-07-000</b>	
<b>KEY</b>	<b>PART NUMBER</b>	<b>U/M DESCRIPTION</b>		<b>VENDOR NO.</b>
	133377-01-700	EA REMOTE		240961
			<b>126697-06-000</b>	
<b>KEY</b>	<b>PART NUMBER</b>	<b>U/M DESCRIPTION</b>		<b>VENDOR NO.</b>
	126697-06-700	EA REMOTE		248791
			<b>126697-07-000</b>	
<b>KEY</b>	<b>PART NUMBER</b>	<b>U/M DESCRIPTION</b>		<b>VENDOR NO.</b>
	126697-07-700	EA REMOTE		248687
			<b>130121-05-000</b>	
<b>KEY</b>	<b>PART NUMBER</b>	<b>U/M DESCRIPTION</b>		<b>VENDOR NO.</b>
	130121-05-700	EA REMOTE		242524
			<b>133377-01-000</b>	
<b>KEY</b>	<b>PART NUMBER</b>	<b>U/M DESCRIPTION</b>		<b>VENDOR NO.</b>
	133377-01-700	EA REMOTE		240961

**AUDIO VIDEO GROUP (CONTINUED)**  
**COMPONENT PARTS FOR TV & VCR (CONTINUED)**



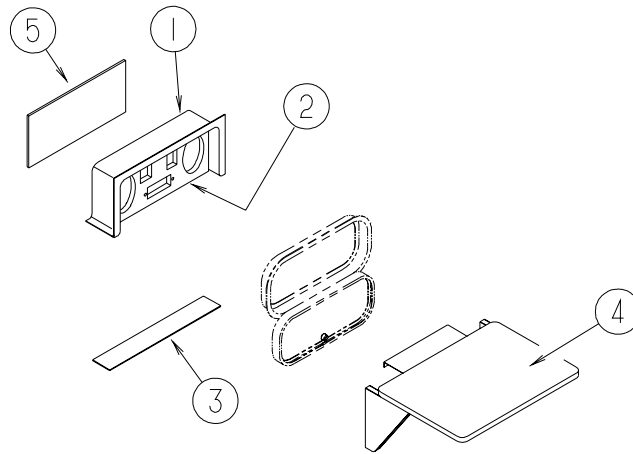
137135-01-000

**AUDIO VIDEO GROUP (CONTINUED)**  
**COMPONENT PARTS FOR TV & VCR (CONTINUED)**

**137135-01-000 (CONTINUED)**

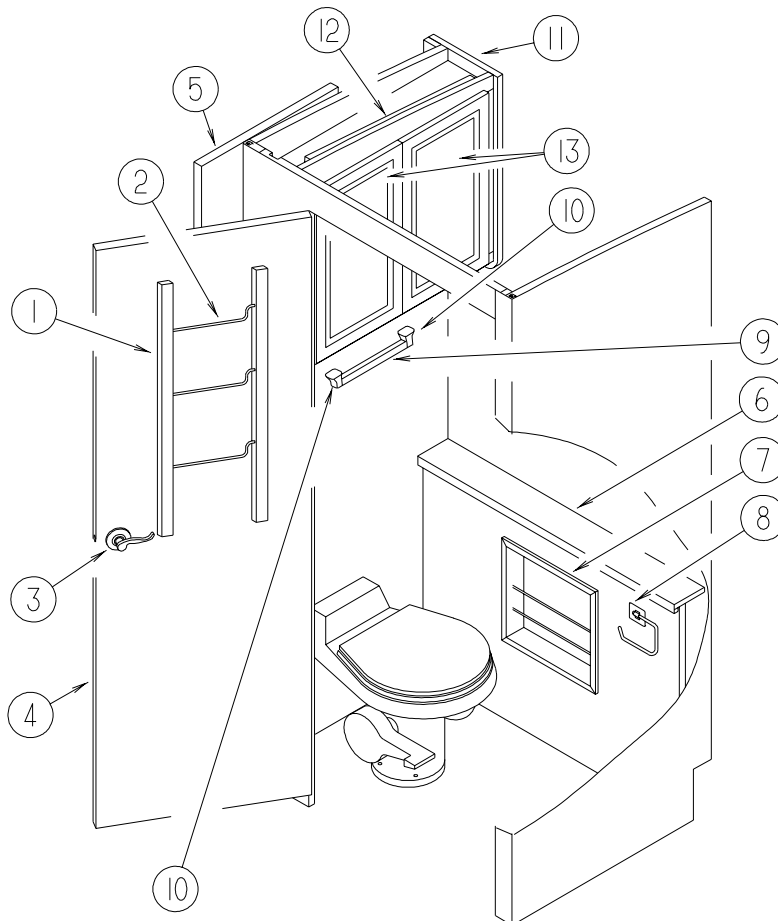
<b>KEY</b>	<b>PART NUMBER</b>	<b>U/M</b>	<b>DESCRIPTION</b>	<b>VENDOR NO.</b>
1	120233-01-714	EA	CLIP-E	5160818
2	137135-01-703	EA	SHAFT-ELEVATING(SPRING/PLUG)	RP-4400
3	137135-01-704	EA	PIN - 1/4" X 3.25"	2160813
4	137135-01-705	EA	SPRING	2160818
5	137135-01-707	EA	SEAL - PIVOT SHAFT	2200852
6	137135-01-708	EA	TURRET	3100728
7	137135-01-709	EA	PIVOT BEARING	2200470
8	137135-01-711	EA	GEAR - ELEVATING	2200464
9	137135-01-712	EA	BEARING - OUTER	2590347
10	137135-01-714	EA	GEAR - ELEVATING SHAFT	2200465
11	137135-01-715	EA	BEARING - INNER	2590348
12	137135-01-716	EA	HUB	3100731
13	137135-01-713	EA	TURRET BASE	3100730
14	137135-01-710	EA	PLATE - ROTATE LIMIT	3720052
15	137135-01-706	EA	PIVOT SHAFT	2590344
16	120233-01-734	EA	LOW NOISE BLOCK FILTER (SGL)	LB10003
17	137135-01-722	EA	CLAMP	2590343
18	137135-01-719	EA	BRACKET - PIVOT	2744945
19	137135-01-720	EA	DE-SENSOR UNIT W/43" CABLE	276342
20	137135-01-721	EA	WALL PLATE	3200213
21	137135-01-717	EA	BOLT - FLAT HEAD	216032
22	120233-01-722	EA	PLATE ASSEMBLY (CEILING)	2762826
23	120233-01-704	EA	DIAL - DIRECTIONAL	3200364
24	120233-01-721	EA	CRANK HANDLE ASSEMBLY	2762825
25	137135-01-701	EA	CONNECTOR - F - MALE TO MALE	FS-8100
	137135-01-700	EA	ROOF WEDGE W/GASKET	RW-5000
	137135-01-718	EA	REFLECTOR/WHITE - 46CM	2745282

**AUDIO VIDEO GROUP (CONTINUED)**  
**EXTERIOR ENTERTAINMENT**



KEY	PART NUMBER	U/M	DESCRIPTION
1	124696-01-01A	EA	BOX - ENTERTAINMENT CENTER/EXTERIOR - BRIGHT WHITE
1	124696-02-01A	EA	BOX - ENTERTAINMENT CENTER/EXTERIOR - BRIGHT WHITE
2	127409-02-L15	EA	PLATE - RADIO MOUNTING
3	104898-01-02A	EA	PLATE - PLASTIC BOTTOM - BRIGHT WHITE
4	105230-01-J01	EA	SHELF - EXTERIOR ENTERTAINMENT CENTER - W/BRKT/HINGE/SUPT FROM: 00-00-00 THRU: 01-15-02
4	142034-01-01A	EA	SHELF - F/EXTERIOR TV - G37G, G35U, G32V FROM: 01-16-02 THRU: 99-99-99
4	142034-02-01A	EA	SHELF - F/EXTERIOR TV - G30Y FROM: 01-16-02 THRU: 99-99-99
5	NOT USED		

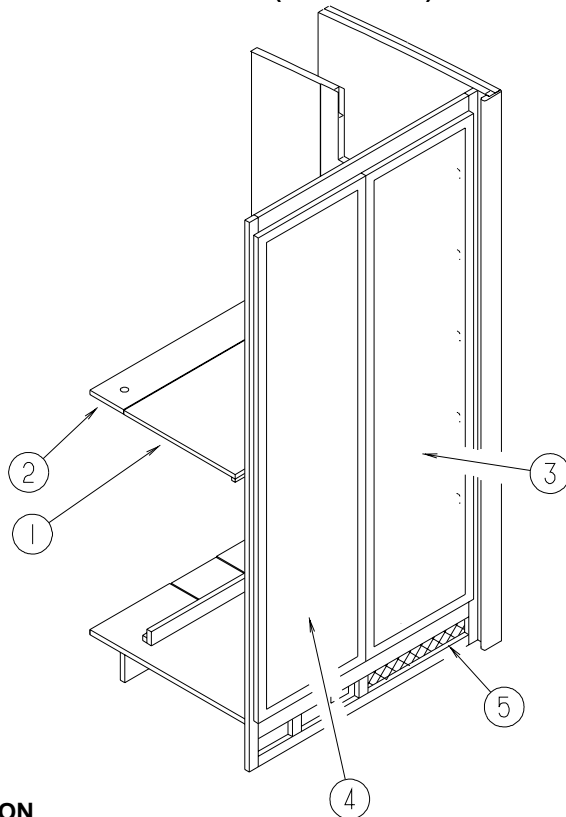
## BATH GROUP CABINETS



KEY	PART NUMBER	U/M	DESCRIPTION
1	P34509-01-N01	EA	RAIL END - RH/LH - TOWEL RACK - PORTSMOUTH OAK
2	100357-01-000	EA	ROD - F/TOWEL BAR - BRASS
3	111155-05-01A	EA	LOCK - PRIVACY/LOCKING - POLISHED BRASS - iSt SHAPE HANDLE
4	131933-08-M42	EA	DOOR - BATH - W/O HARDWARE
5	104013-14-M42	EA	DOOR - SLIDING - W/O HARDWARE
	113114-07-N95	EA	HEADER - DOOR
	137422-05-01A	EA	TRACK/DOOR - OFF WHITE
	136843-01-01A	EA	SPRING - F/SLIDING DOOR
FROM: 00-00-00 THRU: 09-04-01			
6	133655-02-N42	EA	COUNTERTOP - LAMINATED - WHITE TALC/PORTSMOUTH OAK (N42)
6	133655-02-M44	EA	COUNTERTOP - LAMINATED - NATURAL LEGACY/PORTSMOUTH OAK (N43)
6	133655-02-N44	EA	COUNTERTOP - LAMINATED - GRAY TRANQUILITY/PORTSMOUTH OAK (N44)
7	131096-02-N75	EA	WALL POCKET - MAGAZINE RACK
8	132533-01-01A	EA	HOLDER - TOILET PAPER - EURO STYLE - BRASS
9	075453-04-000	EA	ROD - F/TOWEL BAR - 18" BRASS - W/O END BRACKETS
10	075453-03-000	EA	BRACKET - TOWEL BAR - BRASS - 2 PER PACK
11	137462-04-N42	EA	END CAP - OVERHEAD CABINET
FROM: 00-00-00 THRU: 05-28-01			
11	137462-11-N42	EA	END CAP - OVERHEAD CABINET
FROM: 05-29-01 THRU: 99-99-99			
12	138384-01-N42	EA	CABINET - OVERHEAD/LINEN - W/O DOORS/HARDWARE
13	132141-A1-N42	EA	DOOR - RAIL/VENEER - 10.8" X 21.8" - W/O HARDWARE

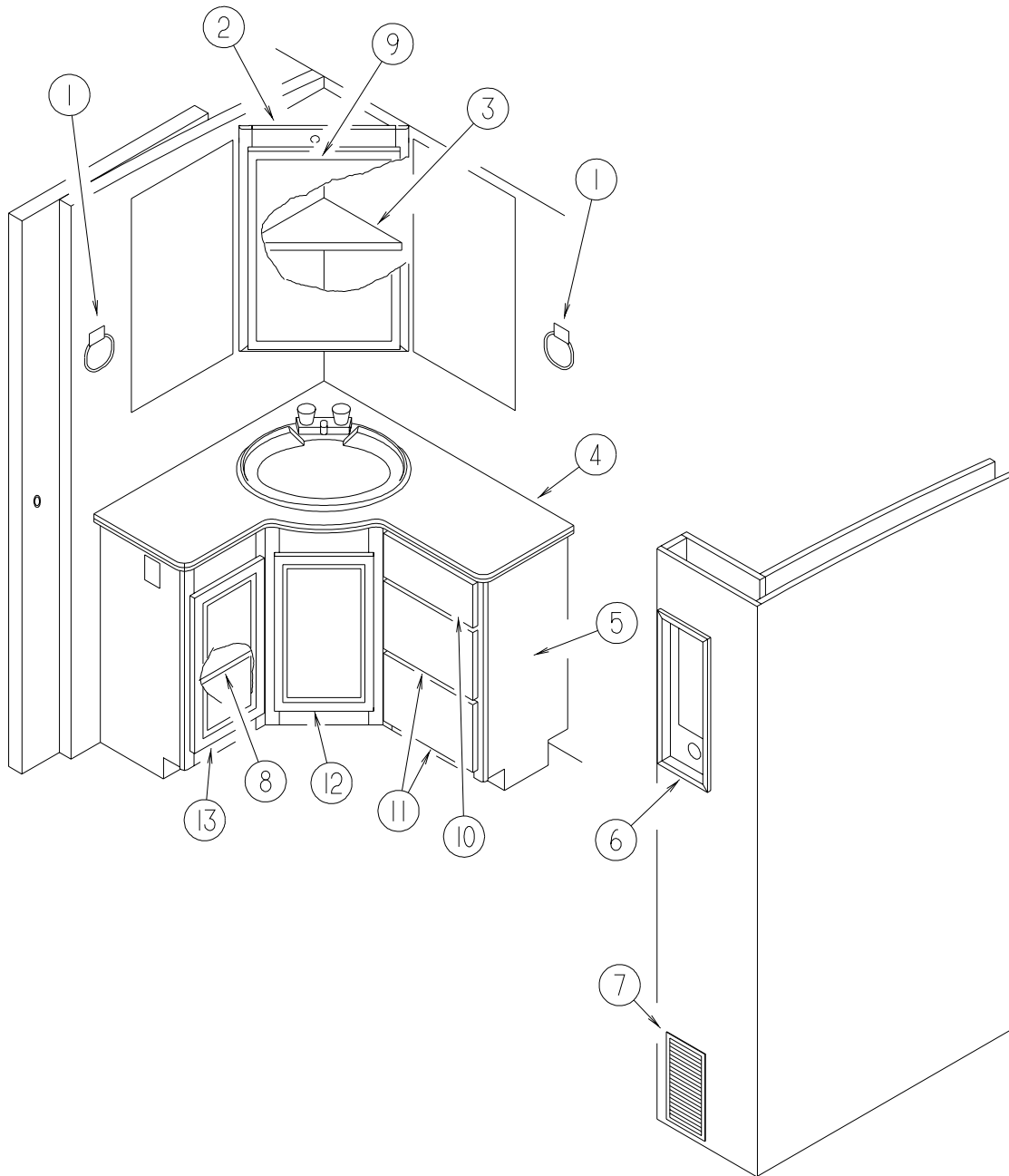


**BATH GROUP (CONTINUED)**  
**CABINETS (CONTINUED)**



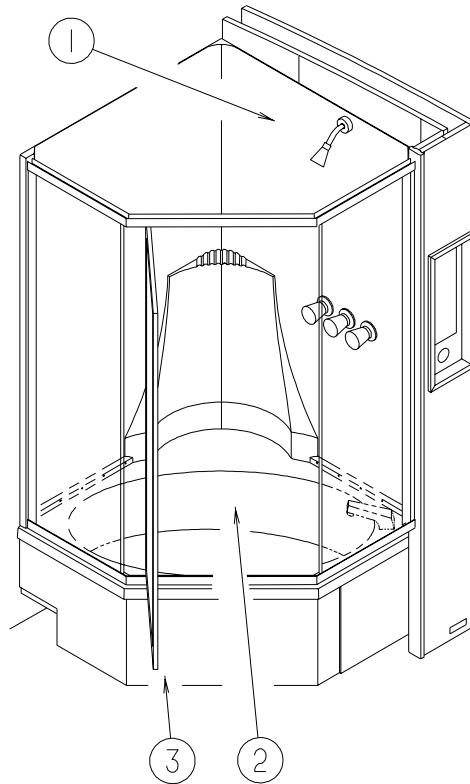
KEY	PART NUMBER	U/M	DESCRIPTION
1	138411-17-N42	EA	COUNTERTOP - LAMINATED - WHITE TALC FROM: 00-00-00 THRU: 06-10-01
1	133655-57-N42	EA	COUNTERTOP - LAMINATED - WHITE TALC/ALMOND FROM: 06-11-01 THRU: 99-99-99
1	138411-17-N43	EA	COUNTERTOP - LAMINATED - NATURAL LEGACY FROM: 00-00-00 THRU: 06-10-01
1	133655-57-N43	EA	COUNTERTOP - LAMINATED - NATURAL LEGACY/ALMOND FROM: 06-11-01 THRU: 99-99-99
1	138411-17-N44	EA	COUNTERTOP - LAMINATED - GRAY TRANQUILITY FROM: 00-00-00 THRU: 06-10-01
1	133655-57-N44	EA	COUNTERTOP - LAMINATED - GRAY TRANQUILITY/ALMOND FROM: 06-11-01 THRU: 99-99-99
2	138411-16-N42	EA	COUNTERTOP - LAMINATED - WHITE TALC FROM: 00-00-00 THRU: 06-10-01
2	133655-56-N42	EA	COUNTERTOP - LAMINATED - WHITE TALC FROM: 06-11-01 THRU: 99-99-99
2	138411-16-N43	EA	COUNTERTOP - LAMINATED - NATURAL LEGACY FROM: 00-00-00 THRU: 06-10-01
2	133655-56-N43	EA	COUNTERTOP - LAMINATED - NATURAL LEGACY FROM: 06-11-01 THRU: 99-99-99
2	138411-16-N44	EA	COUNTERTOP - LAMINATED - GRAY TRANQUILITY FROM: 00-00-00 THRU: 06-10-01
2	133655-56-N44	EA	COUNTERTOP - LAMINATED - GRAY TRANQUILITY FROM: 06-11-01 THRU: 99-99-99
3	127466-06-K28	EA	DOOR - MIRRORED - LEFT HAND
	058331-H7-000	EA	MIRROR - SAFETY GLASS - 17.4" X 68.7"
	127463-02-01A	EA	RAIL - DOOR - TERRATONE - 17.1"
	128832-01-000	EA	WASHER - SHOULDER - NYLON
	128695-01-04B	EA	BRACKET - MIRRORED DOOR - BLACK
	076767-01-000	EA	CABLE - STAINLESS STEEL - 12"
4	127466-05-K28	EA	DOOR - MIRRORED - RIGHT HAND
	058331-H7-000	EA	MIRROR - SAFETY GLASS - 17.4" X 68.7"
	127463-02-01A	EA	RAIL - DOOR - TERRATONE - 17.1"
	128832-01-000	EA	WASHER - SHOULDER - NYLON
	128695-02-04B	EA	BRACKET - MIRRORED DOOR - BLACK
	076767-01-000	EA	CABLE - STAINLESS STEEL - 12"
5	104314-14-01A	EA	GRILLE - MESH - BLACK

## BATH GROUP (CONTINUED) CABINETS (CONTINUED)



KEY	PART NUMBER	U/M	DESCRIPTION
1	132046-02-01A	EA	RING - TOWEL - BRASS
2	132992-01-N30	EA	CABINET - OVERHEAD/MEDICINE - W/O DOORS/HARDWARE
3	132992-13-N30	EA	SHELF - W/PLASTIC EDGE MOLDING
4	133654-10-N42	EA	COUNTERTOP - LAMINATED - WHITE TALC/PORTSMOUTH OAK
4	133654-10-N43	EA	COUNTERTOP - LAMINATED - NATURAL LEGACY/PORTSMOUTH OAK
4	133654-10-N44	EA	COUNTERTOP - LAMINATED - GRAY TRANQUILITY/PORTSMOUTH OAK
5	138417-01-N42	EA	CABINET - LAVATORY - W/O COUNTERTOP/DOORS/DRAWERS/HARDWARE
6	137602-01-N42	EA	POCKET - MONITOR PANEL
7	093614-14-01A	EA	GRILLE - AIR RETURN - 7.9î X 13.9î - WHITE
8	138417-17-N42	EA	SHELF - W/PLASTIC EDGE MOLDING
9	132005-20-N42	EA	DOOR - MIRRORED/MITERED RAIL - 15" X 27" - W/O HARDWARE
10	M09316-47-N42	EA	DRAWER - OGEE EDGE - 12.4îW X 11.8îD - W/O SLIDES/HARDWARE
11	M09316-46-N42	EA	DRAWER - OGEE EDGE - 12.3îW X 11.8îD - W/O SLIDES/HARDWARE
12	132141-87-N42	EA	DOOR - RAIL/VENEER - 11.4î X 28.1î - W/O HARDWARE
13	132141-85-N42	EA	DOOR - RAIL/VENEER - 11.4î X 28.1î - W/O HARDWARE

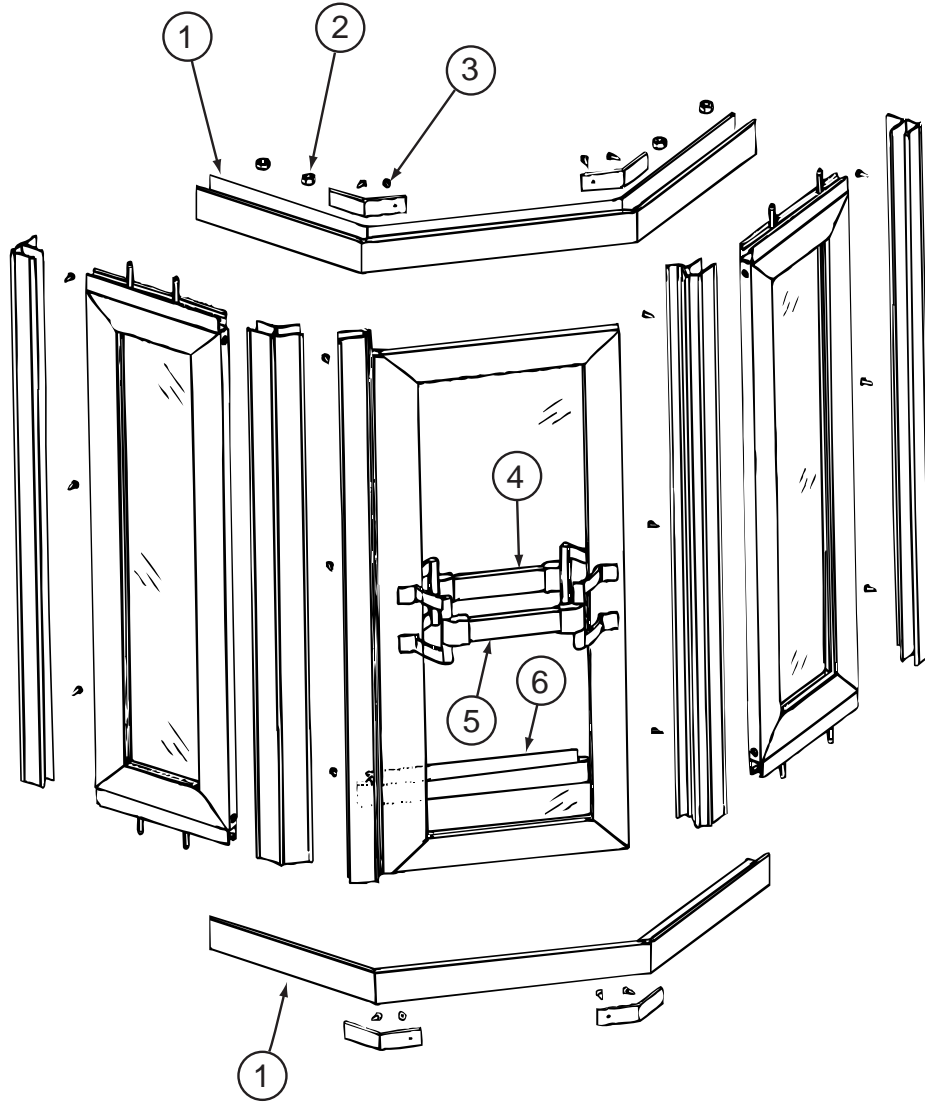
## BATH GROUP (CONTINUED) SHOWER



KEY	PART NUMBER	U/M	DESCRIPTION
1	126604-02-01A	EA	SHOWER ENCLOSURE - W/O TUB - SOFT WHITE
2	M02630-45-K80	EA	SHOWER PAN - W/TIP-TOE (SPRING LOADED) DRAIN PLUNGER
3*	123242-01-02A	EA	DOOR-TUB/SHOWER-58.4"H-GOLD-GOLD/AQUATEX GLASS (GLAZED) FROM: 00-00-00 THRU: 05-13-01
3*	139047-01-02A	EA	DOOR - SHOWER - NEO ANGLE - GOLD/AQUA - 58.4" TALL FROM: 05-14-01 THRU: 99-99-99

\*COMPONENT PARTS LISTED LATER IN THIS GROUP

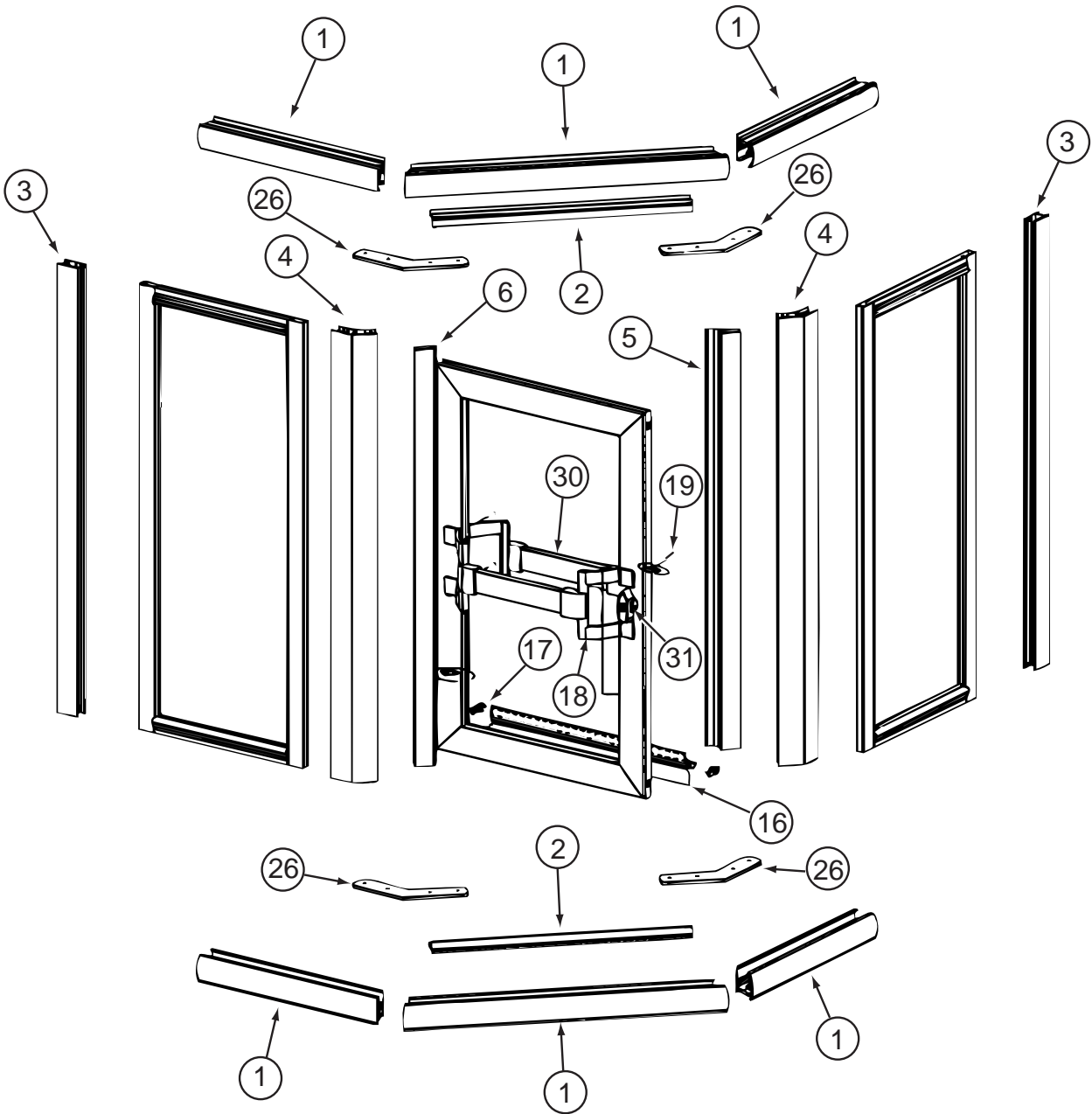
**BATH GROUP (CONTINUED)**  
**COMPONENT PARTS FOR SHOWER**



**123242-01-01A & 123242-01-02A**

KEY	PART NUMBER	U/M	DESCRIPTION	VENDOR NO.
1	123242-01-700	EA	HEADER/SILL - (WINNEBAGO 34)	CST 70
2	089318-01-704	EA	BOLT-PIVOT, TOP OR BOTTOM	1428B
3	092574-01-704	EA	SCREW-GOLD #6 3/8	638G
4	092574-01-701	EA	BRACKET-STUD, TOWEL BAR, GOLD	8141G
5	116814-01-700	EA	BAR-TOWEL 17 5/16"	68G
6	092574-01-708	EA	DRIP RAIL - (SWEEP)	34G
	089318-01-707	EA	LATCH/CATCH - SAFETY - GOLD	9730G
	092574-01-705	EA	STRIP-MAGNETIC, 66"	98-41G
	107878-01-703	EA	CAP-DRIP, PLUG SET	DCP2

**BATH GROUP (CONTINUED)**  
**COMPONENT PARTS FOR SHOWER (CONTINUED)**

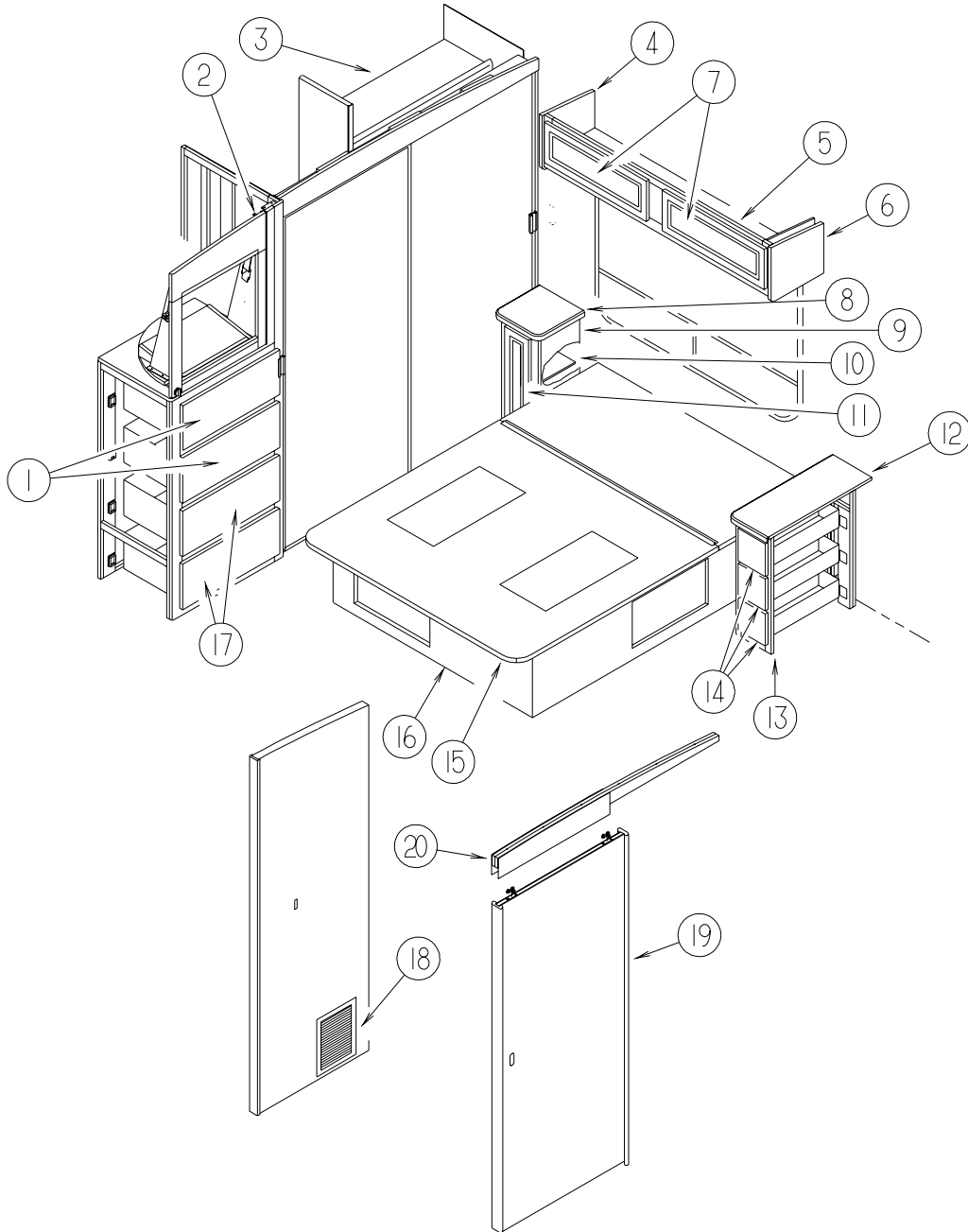


139047-01-01A, 139047-01-02A, 139047-02-01A, 139047-02-02A, 139047-03-01A, 139047-03-02A, 139047-04-02A

KEY	PART NUMBER	U/M	DESCRIPTION	VENDOR NO.
1	139047-01-700	EA	HEADER/SILL - 30" (PAIR)	900
2	139047-01-701	EA	DAM STRIP-TOP/BOTTOM-35.4"	901
3	139047-01-702	EA	JAMB - WALL - 65.9"	903
4	139047-01-703	EA	CORNER POST-45 DEGREE- 65.9"	909
5	139047-01-704	EA	STRIKE - JAMB - 64.6"	926
6	139047-01-705	EA	HINGE/POST - DOOR - 64.5"	920
16	139047-01-710	FT	VINYL SWEEP	C176G
17	139047-01-711	EA	PLUG - DRIP CAP (SET)	CP933
18	092574-01-701	EA	BRACKET-STUD, TOWEL BAR, GOLD	8141G
19	092574-01-710	EA	SCREW-GOLD, FOR TOWEL BAR	83212G
26	139047-01-712	EA	HEADER - CORNER BRACKET	313.45C
30	116814-01-700	EA	BAR-TOWEL 17 5/16"	68G
31	089318-01-707	EA	LATCH/CATCH - SAFETY - BLACK	9730B
	139047-01-706	EA	HINGE PINS	CP932
	139047-01-707	EA	WASHERS - HINGE	CP148TW
	139047-01-708	EA	HINGE - SLEEVE - 61.5"	C921B
	139047-01-709	EA	STRIP - MAGNETIC- 55"	98-42
	139047-01-713	EA	RAIL DRIP - 31.6"	927G

CONTACT WINNEBAGO PART SALES FOR UNLISTED COMPONENT

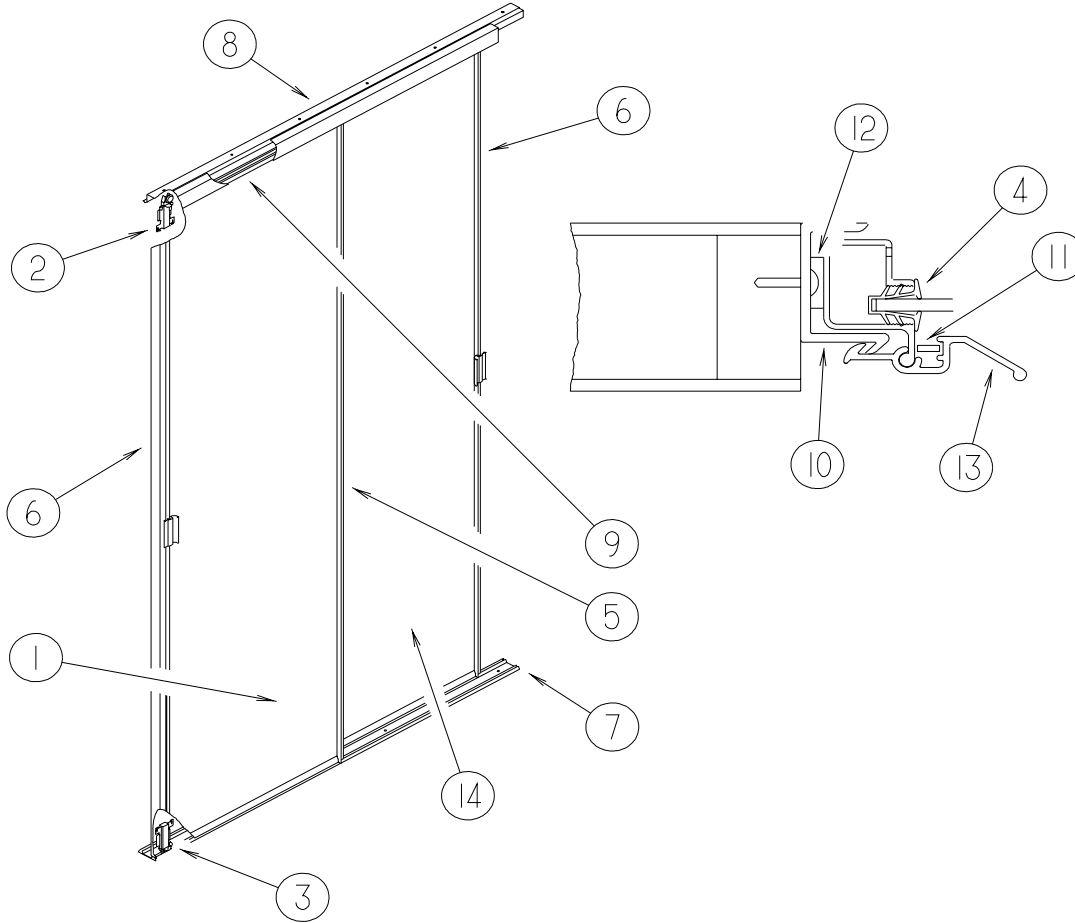
## BEDROOM GROUP QUEEN CABINETS



KEY	PART NUMBER	U/M	DESCRIPTION
1	M09316-A8-N42	EA	DRAWER - OGEE EDGE - 22.9" W X 15.7" D - W/O SLIDES/HARDWARE
2	137123-01-02B	EA	BRACKET - CABINET - E-COATED
3	119897-01-N42	EA	SHelf/WARDROBE
	099717-04-000	EA	STRAP - W/21.2" FEMALE STRAP AND 27.1" MALE STRAP
4	137462-06-N42	EA	END CAP - OVERHEAD CABINET
5	138385-01-N42	EA	CABINET - OVERHEAD/REAR/LEFT HAND - W/O DOORS/HARDWARE
6	137462-10-N42	EA	END CAP - OVERHEAD CABINET
7	132141-62-N42	EA	DOOR - RAIL/VENEER - 9" X 26.5" - W/O HARDWARE
8	133131-01-N42	EA	COUNTERTOP - LAMINATED - WHITE TALC/PORTSMOUTH OAK (N42)
8	133131-01-M44	EA	COUNTERTOP - LAMINATED - NATURAL LEGACY/PORTSMOUTH OAK (N43)
8	133131-01-N44	EA	COUNTERTOP - LAMINATED - GRAY TRANQUILITY/PORTSMOUTH OAK (N44)
9	132469-01-N42	EA	CABINET - NIGHTSTAND - W/O COUNTERTOP/DOOR/DRAWER/HARDWARE
10	132469-11-M42	EA	SHelf - W/PLASTIC EDGE MOLDING
11	131995-K1-N42	EA	DOOR - RAIL/SOLID PANEL - 6.3" X 23.2" - W/O HARDWARE
12	133655-03-M32	EA	COUNTERTOP - LAMINATED - WHITE TALC/PORTSMOUTH OAK (N42)
12	133655-03-M44	EA	COUNTERTOP - LAMINATED - NATURAL LEGACY/PORTSMOUTH OAK (N43)
12	133655-03-N30	EA	COUNTERTOP - LAMINATED - GRAY TRANQUILITY/PORTSMOUTH OAK (N44)
13	134910-02-M30	EA	CABINET - NIGHTSTAND/LH - W/O COUNTERTOP/DOOR/DRAWER/HDW
14	M09316-58-N21	EA	DRAWER - OGEE EDGE - 5.2" W X 19.6" D - W/O SLIDES/HARDWARE

**BEDROOM GROUP (CONTINUED)**  
**QUEEN CABINETS (CONTINUED)**

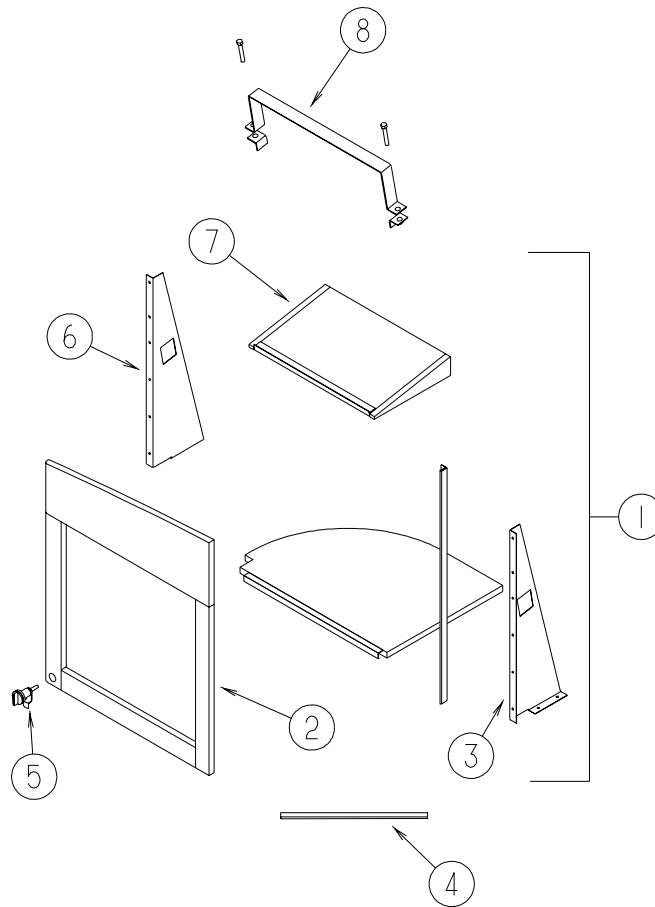
KEY	PART NUMBER	U/M	DESCRIPTION
15	M07571-14-000	EA	TOP ASM-BED DTL J W/O SUPPRT
	097872-04-000	EA	DOWEL - WOOD - 1" DIAMETER X 1.38" LONG - UNFINISHED
16	P32988-01-M42	EA	CABINET/BASE - QUEEN BED - W/O DOOR/DRAWER/HARDWARE
17	M09316-A9-N75	EA	DRAWER - OGEE EDGE - 22.9"W X 19.6"D - W/O SLIDES/HARDWARE
18	093614-08-01A	EA	GRILLE - AIR RETURN - 9.8" X 13.9" - WHITE
19	104013-05-L81	EA	DOOR - SLIDING - W/O HARDWARE
	137422-04-01A	EA	TRACK/DOOR - OFF WHITE
	136843-01-01A	EA	SPRING - F/SLIDING DOOR
FROM: 00-00-00 THRU: 09-04-01			
20	113114-08-N42	EA	HEADER - DOOR



KEY	PART NUMBER	U/M	DESCRIPTION
1	136681-03-M42	EA	DOOR-MIRRORED/WARDROBE-LH-W/HANGARS/GUIDES/LATCH-74.4"X35"
2	107390-02-000	EA	CORNER HANGER (DOUBLE ROLLER W/BRACKET) (SOLD AS 1 EACH)
3	107391-01-000	EA	GUIDE - BOTTOM - BY-PASS (4 USED PER DOOR)
4	111575-01-01A	FT	CHANNEL - GLAZING - SWING DOOR
5	114104-03-01A	EA	STILE - DOOR - SLIDING - 74.5" - TERRATONE
6	114104-07-01A	EA	STILE - DOOR - SLIDING - 74.5" - TERRATONE
7	114105-18-01A	EA	TRACK - SLIDING DOOR - LOWER - 67.2" - TERRATONE
8	114106-18-01A	EA	TRACK - SLIDING DOOR - UPPER - 67.2" - TERRATONE
9	114107-03-01A	EA	RAIL - DOOR/SLIDING - UPPER/LOWER - 34.1" - TERRATONE
10	115538-03-01A	EA	JAMB - DOOR - WARDROBE/MIRRORED
11	115541-01-000	EA	SPRING - DOOR - SLIDING
12	123655-01-000	EA	SEAL - CLOSED CELL/FOAM
13	132038-01-01A	EA	LATCH - DOOR/WARDROBE - TERRATONE
14	136680-03-M42	EA	DOOR-MIRRORED/WARDROBE-RH-W/HANGARS/GUIDES/LATCH-74.4"X35"

## BEDROOM GROUP (CONTINUED)

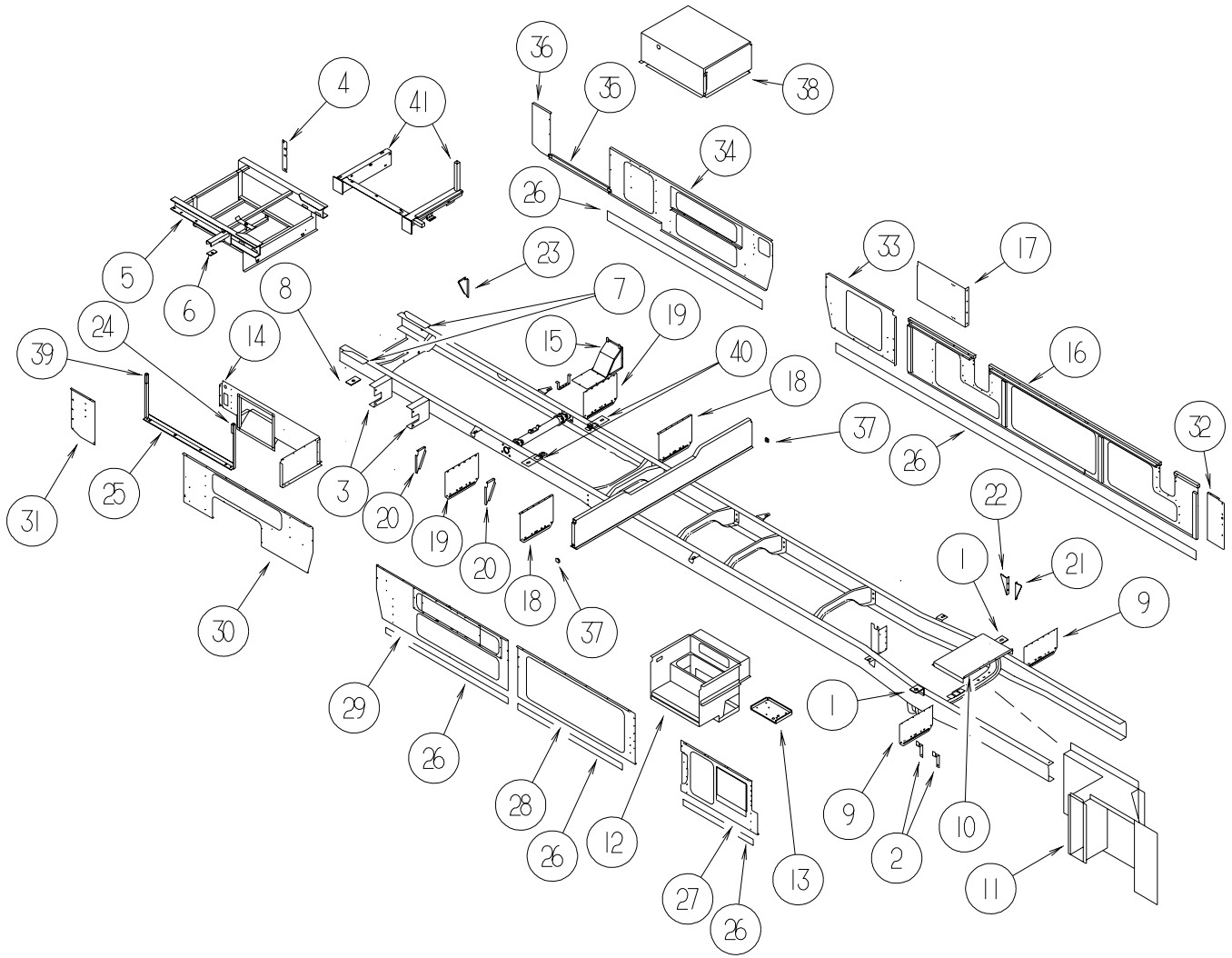
### TV & RADIO CABINETS



KEY	PART NUMBER	U/M	DESCRIPTION
1	134984-01-N42	EA	CABINET - OVERHEAD/TV/SWINGOUT - W/O DOORS/HARDWARE
2	135233-01-N42	EA	CABINET - FACE - 19" TV
3	134937-01-02B	EA	SUPPORT - TV - E-COATED
4	113797-08-01A	EA	STRIP-RECT 6.35 THK X 390 - *CADILLAC PLASTIC
5	135231-01-01A	EA	LATCH - COMPRESSION - BLACK
6	134937-02-02B	EA	SUPPORT - TV - E-COATED
7	133023-03-N42	EA	WEDGE - TV SHELF
8	133790-04-02B	EA	STRAP - TIEDOWN/TV - E-COATED



# CHASSIS GROUP FRAME



KEY	PART NUMBER	U/M	DESCRIPTION
1	117287-01-02B	EA	BRACKET - MOUNTING/CABLE - E-COAT
2	117154-04-02B	EA	MOUNT - FRAME RAIL/FLOOR
3	120867-01-02B	EA	MOUNT - LP TANK
4	136538-01-02B	EA	SHIM - HITCH - E-COATED
5	132643-06-01A	EA	HITCH/TIRE CARRIER - EXTENSION RAIL(REAR CLIP) - 43.1" - <b>WORKHORSE</b>
5*	132643-02-01A	EA	TIRE CARRIER - F/EXTENSION RAIL - <b>FORD</b>
6	135712-02-02B	EA	PLATE - BODY MOUNT - E-COATED
7	133095-01-02B	EA	PLATE - CLIP - E-COATED
8	135712-01-02B	EA	PLATE - BODY MOUNT - E-COATED
9	136391-01-02B	EA	GUARD/ROCK - STEEL - W/ANGLE - 18"W X 11"H - E-COATED
10	133203-02-02B	EA	COVER - TRANSMISSION - E-COATED - <b>WITH HOME COMFORT PLUS</b>
11	138369-01-02B	EA	COMPARTMENT - AUTO HEATER - E-COATED - <b>WITH HOME COMFORT PLUS</b>
12	132607-06-02B	EA	BOX ASM-ENTRANCE,STEP,E-COAT
13	138799-01-02B	EA	SHIM - BODY - E-COATED
14	132146-02-02B	EA	FRAME - RETURN AIR/AC - E-COATED
15	116374-07-02B	EA	PANEL - FUEL FILL - E-COATED
16	128007-08-02B	EA	PANEL - CLOSEOUT - E-COATED
17	128007-07-02B	EA	PANEL - CLOSEOUT - E-COATED
18	134191-01-02B	EA	GUARD/ROCK - STEEL - W/BEND - 18"W X 14.9"H - E-COATED
19	136391-02-02B	EA	GUARD/ROCK - STEEL - W/ANGLE - 18"W X 15"H - E-COATED
20	123440-06-02B	EA	SUPPORT/VALANCE PANEL - 9.9" X 5.5" X 4.7" - E-COATED
21	131531-06-02B	EA	GUSSET - SLIDEOUT - E-COATED
22	131531-05-02B	EA	GUSSET - SLIDEOUT - E-COATED
23	123440-07-02B	EA	SUPPORT/VALANCE PANEL - 9.9" X 4.7" - E-COATED
24	133833-01-02B	EA	HANGER - A/C - E-COATED
25	129328-02-02B	EA	HANGER - A/C - COACH

**CHASSIS GROUP (CONTINUED)**  
**FRAME (CONTINUED)**

KEY	PART NUMBER	U/M	DESCRIPTION
26	126516-01-01A	FT	TRIM - VINYL/EXTRUDED - 8'
27	132486-07-02B	EA	PLATE/SEAL - E-COATED - 10 GALLON WATER HEATER
28	132486-09-02B	EA	PLATE/SEAL - E-COATED
29	132486-10-02B	EA	PLATE/SEAL - E-COATED
30	132486-11-02B	EA	PLATE/SEAL - E-COATED
31	132486-06-02B	EA	PLATE/SEAL - RIGHT HAND/REAR - E-COATED
32	132606-01-02B	EA	PLATE/SEAL - E-COATED
33	132485-32-02B	EA	PLATE/SEAL - E-COATED
34	132485-26-02B	EA	PLATE/SEAL - E-COATED
35	133612-05-02B	EA	ZEE/SEAL PLANE - BOTTOM - E-COATED
36	132485-23-02B	EA	PLATE/SEAL - E-COATED
			FROM: 00-00-00 THRU: 09-21-01
36	137103-03-02B	EA	PLATE/SEAL - E-COATED
			FROM: 09-22-01 THRU: 99-99-99
37	119845-01-01A	EA	PLUG/PLASTIC - 1 1/2" SQUARE - BLACK
38	118968-11-02B	EA	COMPARTMENT -GENERATER - E-COATED
39	133833-02-02B	EA	HANGER - A/C - E-COATED
40	135712-01-02B	EA	PLATE - BODY MOUNT - E-COATED - FORD
41	138113-01-02B	EA	OUTRIGGER - GENERATOR - E-COATED

**\*COMPONENT PARTS LISTED LATER IN THIS GROUP**

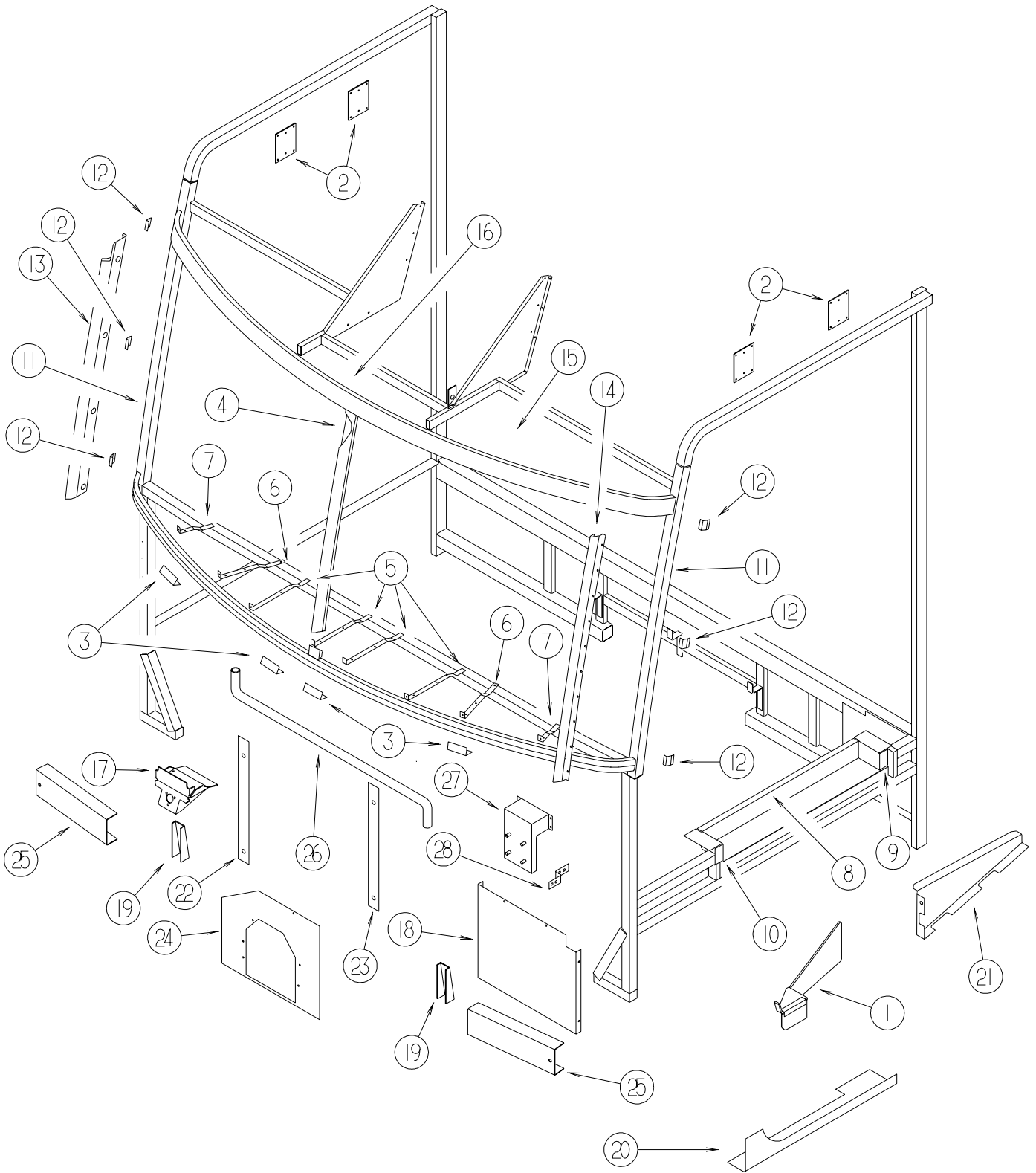
**CHASSIS GROUP (CONTINUED)**  
**COMPONENT PARTS FOR FRAME**

132643-02-01A

<b>KEY</b>	<b>PART NUMBER</b>	<b>U/M</b>	<b>DESCRIPTION</b>	<b>VENDOR NO.</b>
	132643-01-700	EA	HITCH/RECEIVER WELDED ASM.	72430-47
	132643-01-701	EA	TIRE CARRIER COMPLETE	56610-47
	132643-01-702	EA	RETAINER KIT/SPARE TIRE	55290-47

# CHASSIS GROUP (CONTINUED)

## FRONT END



KEY	PART NUMBER	U/M	DESCRIPTION
1	128255-01-04B	EA	STEP - DRIVER DOOR - BLACK - FORD
1	128255-03-04B	EA	STEP - DRIVER DOOR - BLACK - WORKHORSE
2	104409-01-000	EA	PLATE - MOUNTING/SIDEWALL
2	139383-01-02B	EA	PLATE/MOUNT - SIDEWALL - E-COATED
3	076364-57-000	EA	ANGLE - FORMED
4	078249-17-000	EA	TUBE - SWEEP - CAB FRAME
5	104797-03-000	EA	BRACKET - DEFROSTER

FROM: 00-00-00 THRU: 03-28-01  
FROM: 03-29-01 THRU: 99-99-99

**CHASSIS GROUP (CONTINUED)**  
**FRONT END (CONTINUED)**

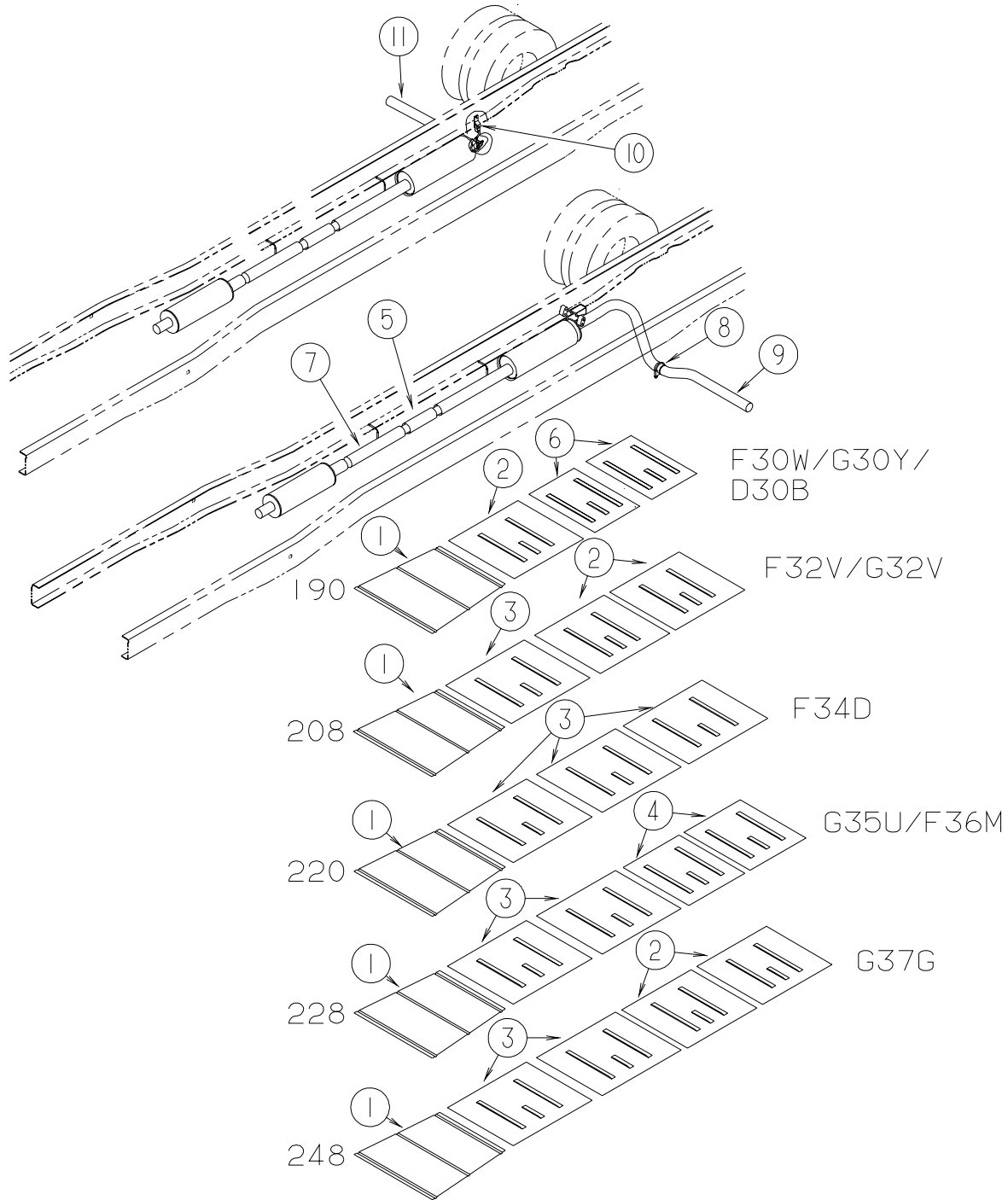
KEY	PART NUMBER	U/M	DESCRIPTION
6	104797-04-000	EA	BRACKET - DEFROSTER
7	104797-05-000	EA	BRACKET - DEFROSTER
8	106746-02-000	EA	PANEL - STEPWELL
9	106747-03-000	EA	PANEL - STEPWELL - RIGHT HAND END
10	106747-04-000	EA	PANEL - STEPWELL - LEFT HAND END
11	117273-01-01A	EA	TUBE - SUPPORT - A-PILLAR
12	120363-01-01B	EA	BRACKET - WINDSHIELD
13	121269-05-01B	EA	FRAME - WINDSHIELD - A-PILLAR - MILL
14	121269-06-01B	EA	FRAME - WINDSHIELD - A-PILLAR - MILL
15	133709-51-01B	EA	HEADER - F/TV - MILL - FORD
16	124904-04-01B	EA	HEADER/WINDSHIELD - CENTER - 27.5"
17	134506-02-01B	EA	BRACKET - WIPER MOTOR
18	104147-14-000	EA	SHIELD/SPLASH - HEADLIGHT - FORD
18	121962-02-02B	EA	SHIELD/SPLASH - HEADLIGHT - E-COATED - WORKHORSE
19	117622-01-02B	EA	BRACE - TUBE/BUMPER - VERTICAL - E-COATED - FORD
20	137041-01-02B	EA	ANGLE - MOTOR COVER - E-COATED - WORKHORSE
21	137306-01-02B	EA	BRACKET - STRIKE SUPPORT - E-COATED - WORKHORSE
22	134807-03-02B	EA	SUPPORT - FRONT - E-COATED - FORD
23	134807-04-02B	EA	SUPPORT - FRONT - E-COATED - FORD
24	134807-01-02B	EA	SUPPORT - FRONT - E-COATED - WORKHORSE
25	125744-02-02B	EA	CHANNEL - SUPPORT - FRONT END - E-COATED - RH, FORD
25	125744-10-02B	EA	CHANNEL-SUPPORT,FRT END,E-CT - LH, FORD
25	137048-02-02B	EA	CHANNEL - SUPPORT - FRONT - E-COATED - RH, WORKHORSE
25	137048-01-02B	EA	CHANNEL/SUPPORT - FRONT - E-COATED - LH, WORKHORSE
26	044317-01-000	FT	HOSE - FUEL - 3/8" ID - WORKHORSE
27	119656-02-02B	EA	BRACKET - RESERVOIR/WASHER - E-COATED - WORKHORSE
28	137386-01-02B	EA	BRACKET - OVERFLOW BOTTLE - E-COATED - WORKHORSE
			FROM: 00-00-00 THRU: 02-16-01
	140782-01-01A	EA	SHIELD - SIGHT - BLACK PLASTIC - WORKHORSE
			FROM: 12-04-01 THRU: 99-99-99
	140790-01-02B	EA	ANGLE - SIGHT SHIELD - E-COATED - WORKHORSE
			FROM: 11-24-01 THRU: 99-99-99

**DRIVETRAIN**

KEY	PART NUMBER	U/M	DESCRIPTION
	115043-03-000	EA	BUSHING - DRIVESHAFT - WORKHORSE, G37G
	128528-03-000	EA	BOLT - U-JOINT - 3/8-24 X 3/4 - WORKHORSE, G37G
	128528-04-000	EA	STRAP - BEARING - 1480 JOINT - WORKHORSE, G37G
	129577-04-000	EA	DRIVESHAFT ASSEMBLY - FLANGE/BEARING/YOKE - 208" - FORD, 228î-208î SHRINK, G32V
	129580-03-000	EA	DRIVESHAFT - BALANCED - 99 F53 - 248" WB - FORD, G37G
	129580-04-000	EA	DRIVESHAFT ASM-3 BALANCED, 01 F53 208 - FORD, 228î-208î SHRINK, G32V
	129580-06-000	EA	DRIVESHAFT - BALANCED - 190î WB - FORD, G30Y
	140691-04-000	EA	DRIVESHAFT - BALANCED - 4 SECTION - WORKHORSE, G37G
			FROM: 01-21-02 THRU: 99-99-99
	138616-01-02B	EA	BRACKET - BEARING MOUNT - 43 - WORKHORSE - E-COATED - G37G
			FROM: 00-00-00 THRU: 01-20-02
	138616-09-02B	EA	BRACKET ASM-BEARING MNT,E-CT,*WH W22 - G37G
			FROM: 01-21-02 THRU: 99-99-99
	138616-02-02B	EA	BRACKET - BEARING MOUNT - 155 - WORKHORSE - E-COATED - G37G
			FROM: 00-00-00 THRU: 01-20-02
	138616-10-02B	EA	BRACKET ASM-BEARING MNT,E-CT,*WH W22 - G37G
			FROM: 01-21-02 THRU: 99-99-99

# CHASSIS GROUP (CONTINUED)

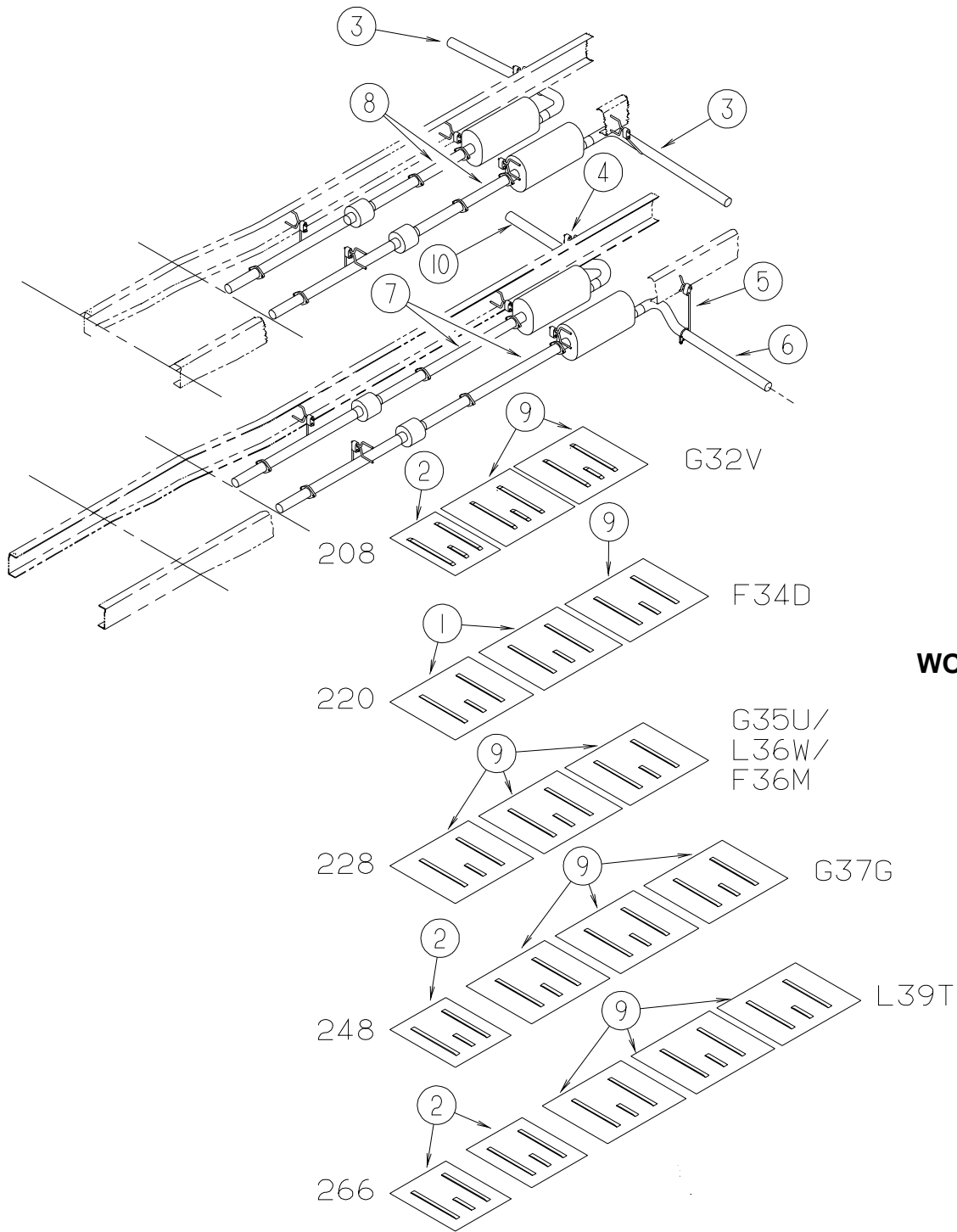
## EXHAUST



**FORD**

KEY	PART NUMBER	U/M	DESCRIPTION
1	128756-01-02B	EA	SHIELD - HEAT/EXHAUST - 33.9" X 16.9" - E-COATED
2	101544-02-000	EA	SHIELD - HEAT/EXHAUST - 30" X 29.1" - E-COATED
3	101544-06-000	EA	SHIELD - HEAT/EXHAUST - 33.9" X 29.1" - E-COATED
4	101544-10-000	EA	SHIELD - HEAT/EXHAUST - 19.7" X 29.1" - E-COATED - FORD
5	112012-03-000	EA	PIPE - EXHAUST - 3" DIAMETER - FORD CHASSIS - 228"-248" STRETCH, G37G
5	094918-06-000	EA	CLAMP - EXHAUST - 3" - HEAVY DUTY
6	101544-01-000	EA	SHIELD - HEAT/EXHAUST - 19.7" X 29.1" - E-COATED
7	112012-08-000	EA	PIPE - EXHAUST - 3" DIAMETER X 25.2" LONG - 228"-208" SHRINK, G32V
7	112012-09-000	EA	PIPE - EXHAUST - 3" DIAMETER X 7.5" LONG - 208"-190" SHRINK, G30Y
8	NOT USED		
9	NOT USED		
10	122392-02-02B	EA	HANGAR - TAILPIPE - E-COATED - G30Y
11	122529-03-000	EA	PIPE - EXHAUST - G30Y

**CHASSIS GROUP (CONTINUED)**  
**EXHAUST (CONTINUED)**

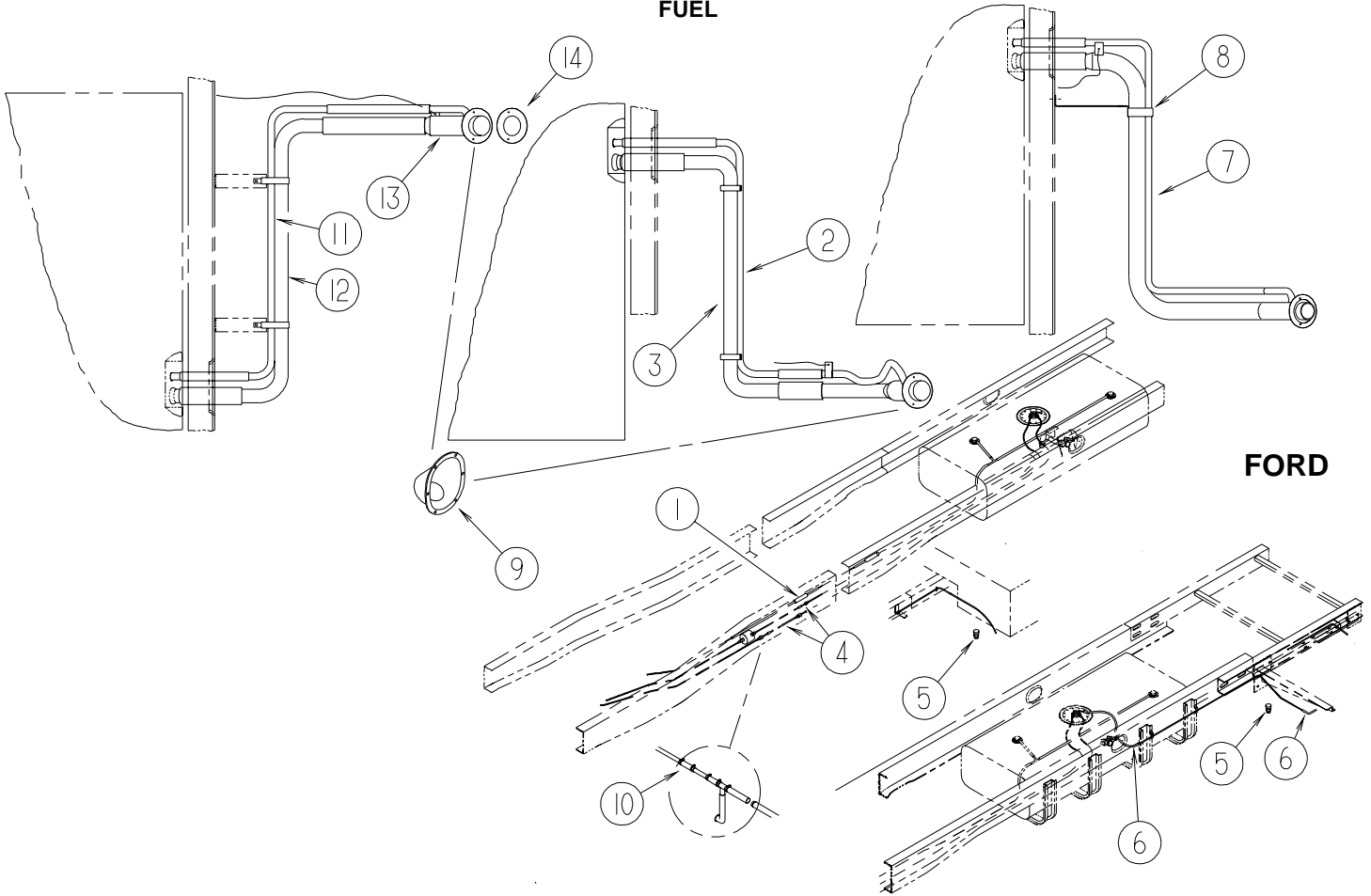


**WORKHORSE**

KEY	PART NUMBER	U/M	DESCRIPTION
1	NOT USED		
2	101544-01-000	EA	SHIELD - HEAT/EXHAUST - 19.7" X 29.1" - E-COATED
3	098762-05-000	EA	EXTENSION - EXHAUST - STRAIGHT - 3" O.D X 7.9" LONG - SST
3	094918-01-000	EA	CLAMP - EXHAUST - 3" - GUILLOTINE STYLE FROM: 07-30-01 THRU: 99-99-99
4	NOT USED		
5	NOT USED		
6	NOT USED		
7	NOT USED		
8	137652-01-000	EA	PIPE - EXHAUST - W/FLANGES
9	101544-06-000	EA	SHIELD - HEAT/EXHAUST - 33.9" X 29.1" - E-COATED
10	NOT USED		

# CHASSIS GROUP (CONTINUED)

## FUEL

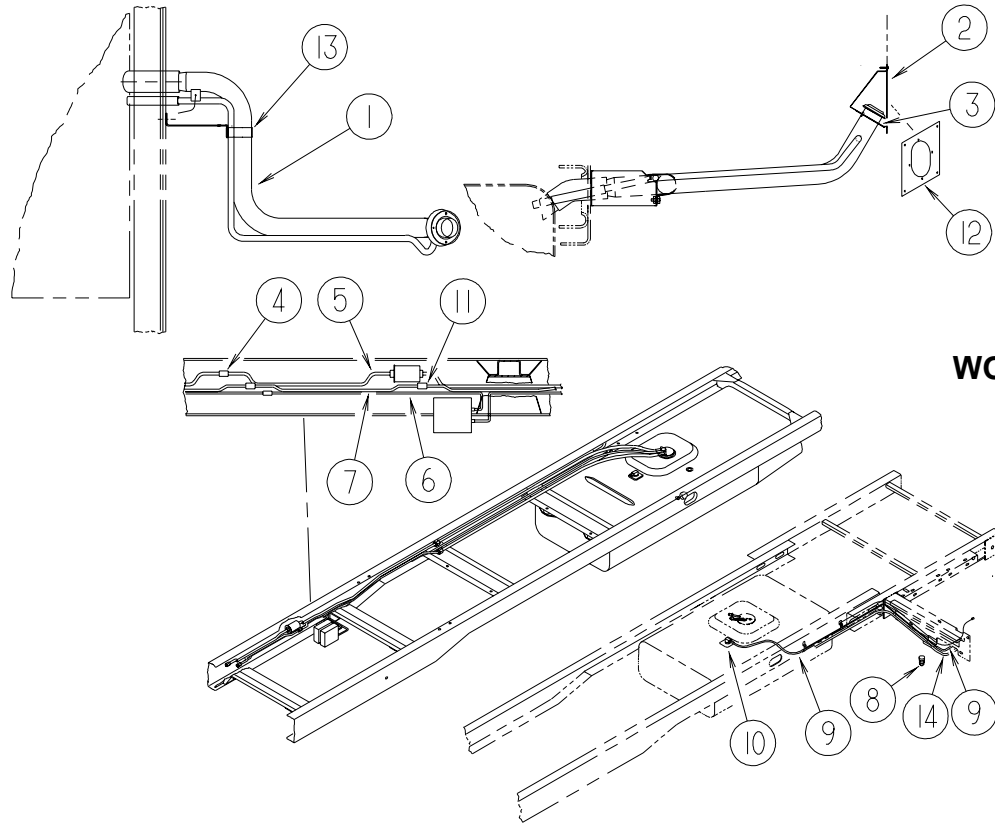


**FORD**

KEY	PART NUMBER	U/M	DESCRIPTION
1	128139-02-000	FT	HOSE - FUEL - LOW PERMEABILITY - 5/8" DIAMETER - G30Y, 228î-208î SHRINK G32V
2	NOT USED		
3	NOT USED		
4	129494-03-000	EA	FUEL LINE - 5/16" X 21.2" - FORD CHASSIS - 228î-248î STRETCH, G37G
5	084884-01-000	EA	PLUG - BRASS - 3/8"
6	128139-03-000	FT	HOSE - FUEL - LOW PERMEABILITY - 1/4" DIAMETER
7	135801-01-000	EA	NECK - FUEL FILL
8	136483-01-02B	EA	BRACKET - FUEL FILL - E-COATED
			FROM: 00-00-00 THRU: 09-16-01
8	140728-02-02B	EA	BRACKET - FUEL FILL - E-COATED
			FROM: 09-17-01 THRU: 99-99-99
9	NOT USED - CHASSIS SUPPLIED		
10	125187-02-000	FT	HOSE - FUEL - LOW PERMEABILITY - 12.7" ID - FORD - 208î-190î SHRINK, G30Y
			FROM: 00-00-00 THRU: 08-22-01
11	NOT USED		
12	NOT USED		
13	NOT USED		
14	NOT USED		



**CHASSIS GROUP (CONTINUED)**  
**FUEL (CONTINUED)**

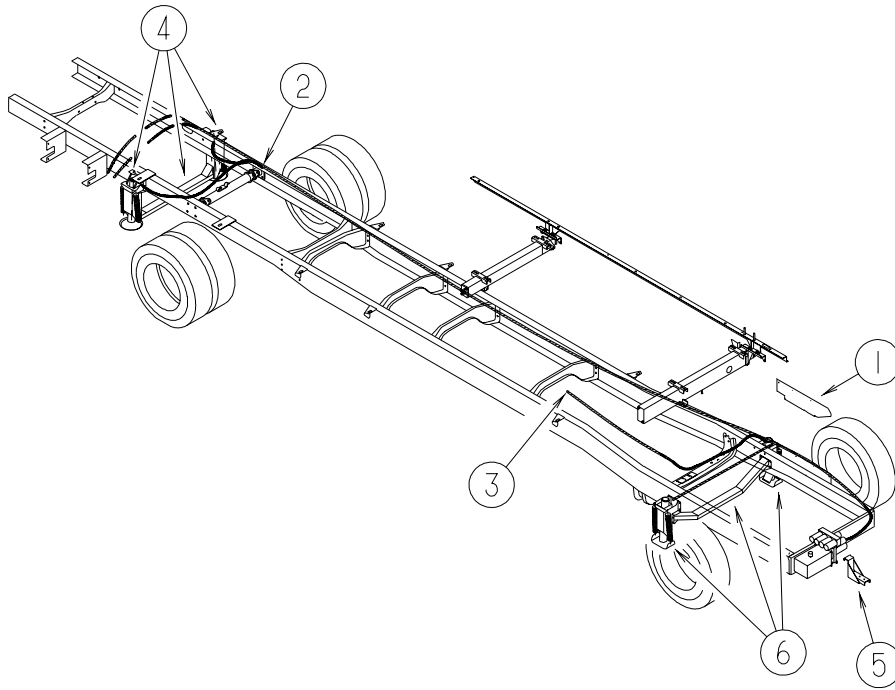


**WORKHORSE**

KEY	PART NUMBER	U/M	DESCRIPTION
1	136300-02-000	EA	NECK - FUEL FILL
2	NOT USED	-	CHASSIS SUPPLIED
3	098779-02-000	EA	COUPLER - FUEL LINE - 1.2" LONG X 16MM THREAD - <b>ALTERED LENGTH CHASSIS ON G38G</b>
4	127392-03-000	EA	HOSE - VAPOR/EMISSION - 5/16" X 44.5" W/ENDS - WORKHORSE - <b>228î-248î STRETCH ON G38G</b>
5	084884-01-000	EA	PLUG - BRASS - 3/8"
6	128139-03-000	FT	HOSE - FUEL - LOW PERMEABILITY - 1/4" DIAMETER
7	068382-06-000	EA	BUSHING - BRASS - 3/8"MPT X 1/8"FPT
7	114254-01-000	EA	ADAPTER - 1/4 BARB X 1/8 MPT
8	098779-01-000	EA	COUPLER - FUEL LINE - 1.2" LONG X 14MM THREAD - <b>228î-248î STRETCH ON G38G</b>
9	139138-01-02B	EA	PLATE - FUEL FILL - E-COATED
10	140728-01-02B	EA	BRACKET - FUEL FILL - E-COATED
11	NOT USED	-	

## CHASSIS GROUP (CONTINUED)

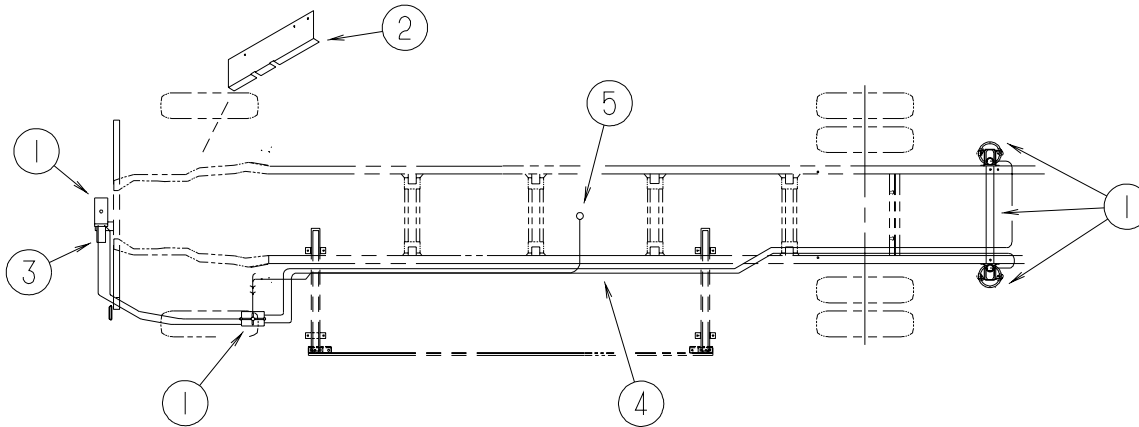
### HYDRAULIC LEVELING



**FORD**

KEY	PART NUMBER	U/M	DESCRIPTION
1	132999-01-02B	EA	SHIELD - HEAT - E-COATED
2	100536-47-000	EA	HOSE KIT - LEVELING JACKS - <a href="#">G37G</a>
2*	100536-48-000	EA	HOSE KIT - LEVELING JACKS - <a href="#">G35U, G32V, G30Y</a>
3	117183-01-02B	EA	COVER - SENSOR - LEVELING
4*	128571-03-000	EA	JACK/CROSSMEMBER - 9K - REAR LEVELING - MANUAL
5	129550-01-02B	EA	BRACKET - PUMP - E-COAT
6*	131306-11-000	EA	LEVELING SYSTEM - FORD CHASS. - 310 SYSTEM - F/SLIDE-OUT - <a href="#">G37G</a>
6*	131306-12-000	EA	LEVELING SYSTEM - FORD CHASSIS W/310 SYS-2 ROOM SLIDEOUT - <a href="#">G35U, G32V, G30Y</a>

**\*COMPONENT PARTS LISTED LATER IN THIS GROUP**



**WORKHORSE**

KEY	PART NUMBER	U/M	DESCRIPTION
1*	131306-21-000	EA	LEVELING SYSTEM - WORKHORSE CHASSIS W/310 & SLIDEOUT ROOM - <a href="#">G37G</a>
1*	131306-22-000	EA	LEVELING SYSTEM - WORKHORSE CHASSIS W/310 - 2 ROOM SLIDEOUT - <a href="#">G35U, G32V</a>
2	132999-01-02B	EA	SHIELD - HEAT - E-COATED
2	132999-02-02B	EA	SHIELD - HEAT - E-COATED
3	129550-01-02B	EA	BRACKET - PUMP - E-COAT
4	117183-01-02B	EA	COVER - SENSOR - LEVELING
5	100536-47-000	EA	HOSE KIT - LEVELING JACKS - <a href="#">G37G</a>
5*	100536-48-000	EA	HOSE KIT - LEVELING JACKS - <a href="#">G35U, G32V</a>

FROM: 00-00-00 THRU: 06-01-01

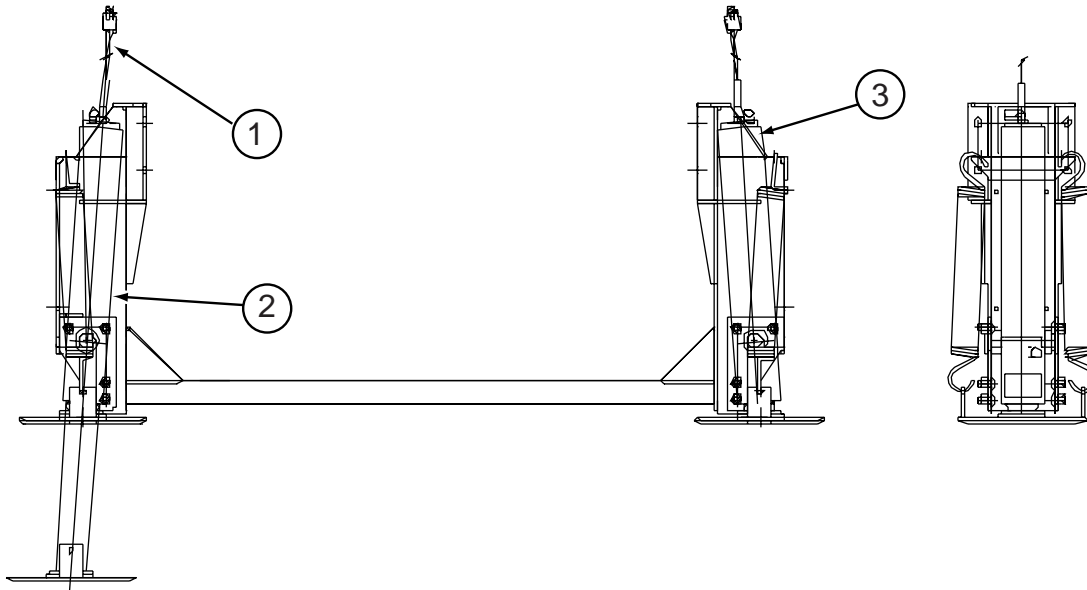
FROM: 06-02-01 THRU: 99-99-99

**\*COMPONENT PARTS LISTED LATER IN THIS GROUP**

**CHASSIS GROUP (CONTINUED)**  
**COMPONENT PARTS FOR HYDRAULIC LEVELING**

100536-48-000

KEY	PART NUMBER	U/M	DESCRIPTION	VENDOR NO.
	100536-31-700	EA	HOSE - HYDRAULIC - 360"	RAP4163
	100536-31-701	EA	HOSE - HYDRAULIC - 96"	RAP5352
	100536-39-700	EA	HOSE - HYDRAULIC - 384"	RAP4164
	100536-48-700	EA	HOSE - 146"	RAP2443

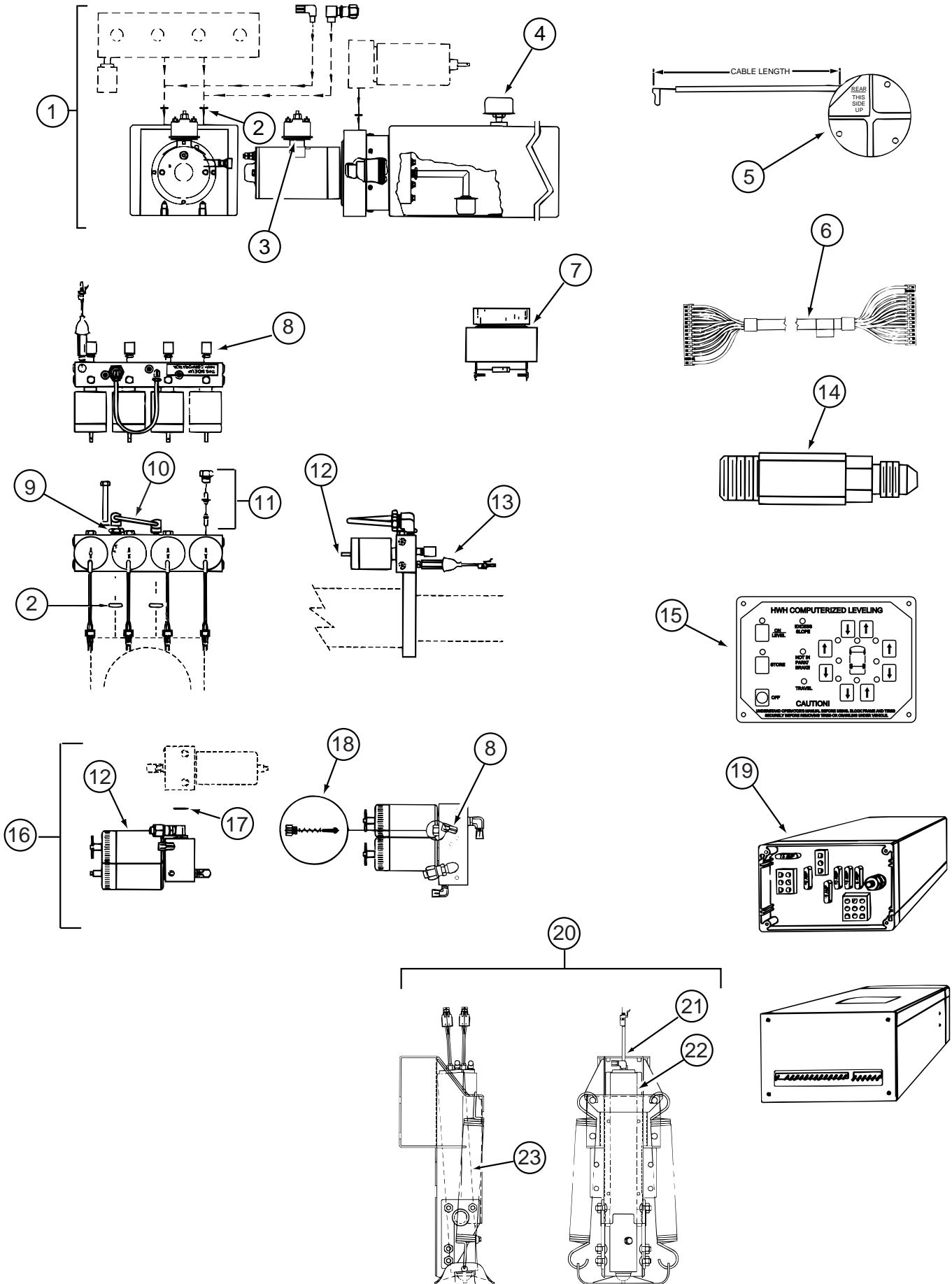


128571-03-000

KEY	PART NUMBER	U/M	DESCRIPTION	VENDOR NO.
1	100532-12-706	EA	SWITCH - WARNING/MAGNETIC	RAP1008 / RAP90496
2	100532-12-707	EA	SPRING KIT	R3847
3	100532-53-700	EA	CYLINDER ASM. - 9K	RAP90491/AP15891
	131306-02-701	EA	FOOT - 9K JACK	RAP8464

# CHASSIS GROUP (CONTINUED)

## COMPONENT PARTS FOR HYDRAULIC LEVELING (CONTINUED)



131306-11-000

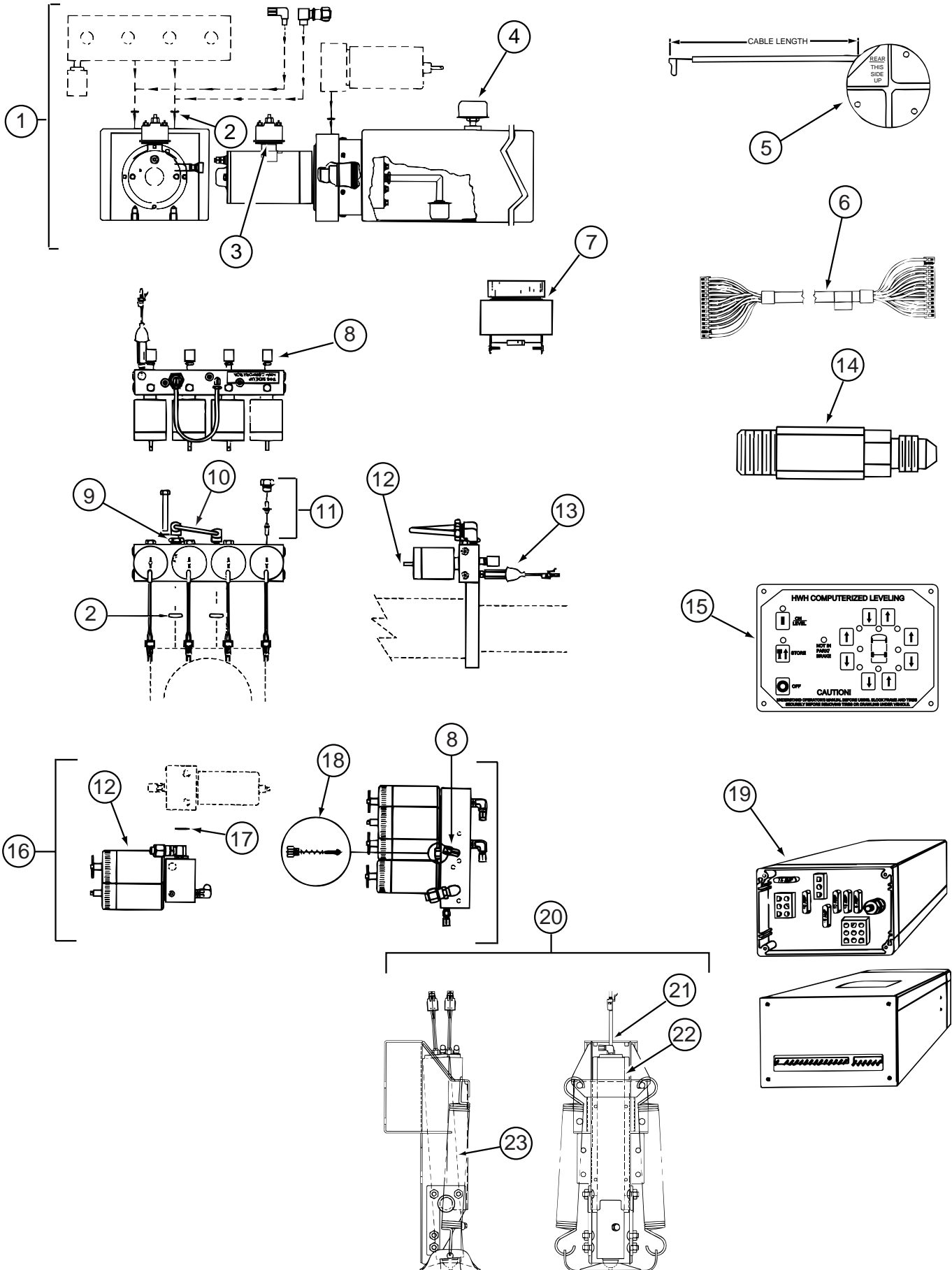
**CHASSIS GROUP (CONTINUED)**  
**COMPONENT PARTS FOR HYDRAULIC LEVELING (CONTINUED)**

**131306-11-000 (CONTINUED)**

<b>KEY</b>	<b>PART NUMBER</b>	<b>U/M</b>	<b>DESCRIPTION</b>	<b>VENDOR NO.</b>
1	100532-01-713	EA	PUMP/MOTOR/TANK - MONARCH	RAP90014/AP2260
2	100532-03-723	EA	O-RING/SEAL KIT	RAP9171
3	100532-09-710	EA	SOLENOID-INTERMITENT DUTY	RAP0533
4	100532-03-715	EA	CAP-BREATHER W/DIPSTICK	RAP7876
5	100532-12-703	EA	SENSING UINT BI-AXIS-27'	RAP6800
6	131306-11-702	EA	CONTROL CABLE-12'-310 SYSTEM	RAP90047/AP10619
7	100532-32-703	EA	BUZZER - JACK WARNING	RAP90403
7	100532-32-704	EA	CHIME - JACK WARNING	RAP90681/AP19812
8	100532-03-722	EA	O-RING KIT	R7430
9	100532-03-717	EA	VALVE-PRESS., RETURN SHUTTLE RAP	7964
10	100532-03-719	EA	TUBE ASM. (SHORT SHUTTLE)	RAP8088
11	100532-03-721	EA	VALVE-CHECK KIT (SGL)	RAP7944
12	100532-09-704	EA	VALVE-PRESSURE SOLENOID(LARGE)	RAP0642
13	131306-11-704	EA	PRESSURE SWITCH - 50 PSI	RAP2082
14	131306-09-700	EA	VELOCITY VALVE ASM.W/4 VALVE	RAP90280
14	131306-09-701	EA	VELOCITY VALVE - SINGLE	RAP90279/AP11578
15	131306-11-700	EA	TOUCH PANEL - 310 SERIES	RAP90056/AP10215
16	100532-16-701	EA	MANIFOLD ASM. F/SLIDE OUT	RAP1716
17	100532-31-702	EA	O-RING/SEAL KIT - MANIFOLD	RAP90127
18	100532-31-701	EA	CHECK VALVE & KIT	RAP10021
19	131306-11-701	EA	CONTROL BOX - 310 SYSTEM	RAP90019/AP10086
20	100532-51-700	EA	JACK - 6K STRAIGHT ACTING	RAP90502/AP16112
21	100532-12-706	EA	SWITCH - WARNING/MAGNETIC	RAP1008 / RAP90496
22	100532-45-700	EA	CYLINDER W/O FOOT - 6K X 13"	RAP90490/AP16112
23	100532-12-707	EA	SPRING KIT (PAIR)	R3847
	100532-53-700	EA	CYLINDER ASM. - 9K	RAP90491/AP15900
	131306-02-700	EA	FOOT - 6K JACK	RAP2004
	131306-02-701	EA	FOOT - 9K JACK	RAP8464
	131306-11-703	EA	PUMP/TANK/MANIFOLD ASM.	AP19561
	131306-12-702	EA	VALVE-PRESS SOLENOID (SMALL)	RAP90729

# CHASSIS GROUP (CONTINUED)

## COMPONENT PARTS FOR HYDRAULIC LEVELING (CONTINUED)



131306-12-000

**CHASSIS GROUP (CONTINUED)**  
**COMPONENT PARTS FOR HYDRAULIC LEVELING (CONTINUED)**

**131306-12-000 (CONTINUED)**

<b>KEY</b>	<b>PART NUMBER</b>	<b>U/M</b>	<b>DESCRIPTION</b>	<b>VENDOR NO.</b>
1	100532-01-713	EA	PUMP-RESERVOIR ASM.-MONARCH	RAP90014/AP2260
2	100532-03-723	EA	O-RING/SEAL KIT	RAP9171
3	100532-09-710	EA	SOLENOID-INTERMITENT DUTY	RAP0533
4	100532-03-715	EA	CAP-BREATHER W/DIPSTICK	RAP7876
5	100532-12-703	EA	SENSING UINT BI-AXIS-27'	RAP6800
6	131306-11-702	EA	CONTROL CABLE-12'-310 SYSTEM	RAP90047/AP10619
7	100532-32-703	EA	BUZZER - JACK WARNING	RAP90403
7	100532-32-704	EA	CHIME - JACK WARNING	RAP90681/AP19812
8	100532-03-722	EA	O-RING KIT	R7430
9	100532-03-717	EA	VALVE-PRESS., RETURN SHUTTLE	RAP7964
10	100532-03-719	EA	TUBE ASM. (SHORT SHUTTLE)	RAP8088
11	100532-03-721	EA	VALVE-CHECK KIT (SGL)	RAP7944
12	100532-09-704	EA	VALVE-PRESS SOLENOID(LARGE)	RAP0642
13	131306-11-704	EA	PRESSURE SWITCH - 50 PSI	RAP2082
14	131306-09-700	EA	VELOCITY VALVE ASM.W/4 VALVE	RAP90280
14	131306-09-701	EA	VELOCITY VALVE - SINGLE	RAP90279/AP11578
15	131306-12-700	EA	TOUCH PANEL - 310	RAP90056/AP10215
16	100532-48-701	EA	MANIFOLD - ROOM EXT - 2 ROOM	RAP90035
17	100532-31-702	EA	O-RING/SEAL KIT - MANIFOLD	RAP90127
18	100532-31-701	EA	CHECK VALVE & KIT	RAP10021
19	131306-11-701	EA	CONTROL BOX - 310 SYSTEM	RAP90019/AP10086
20	100532-51-700	EA	JACK - 6K STRAIGHT ACTING	RAP90502/AP16112
21	100532-12-706	EA	SWITCH - WARNING/MAGNETIC	RAP1008 / RAP90496
22	100532-45-700	EA	CYLINDER W/O FOOT - 6K X 13"	RAP90490/AP16112
23	100532-12-707	EA	SPRING KIT	R3847
	100532-53-700	EA	CYLINDER ASM. - 9K	RAP90491/AP15891
	131306-02-700	EA	FOOT - 6K JACK	RAP2004
	131306-02-701	EA	FOOT - 9K JACK	RAP8464
	131306-12-701	EA	PUMP/TANK/MANIFOLD-2 ROOM	AP19501
	131306-12-702	EA	VALVE-PRESS SOLENOID (SMALL), RAP90729	

**131306-21-000**

<b>KEY</b>	<b>PART NUMBER</b>	<b>U/M</b>	<b>DESCRIPTION</b>	<b>VENDOR NO.</b>
	100532-53-700	EA	CYLINDER ASM. - 9K	RAP90491/AP15900
	131306-12-702	EA	VALVE-PRESS SOLENOID (SMALL)	RAP90729

**CHASSIS GROUP (CONTINUED)**  
**COMPONENT PARTS FOR HYDRAULIC LEVELING (CONTINUED)**

131306-22-000

KEY	PART NUMBER	U/M	DESCRIPTION	VENDOR NO.
	100532-01-713	EA	PUMP/MOTOR/TANK - MONARCH	RAP90014/AP2260
	100532-03-715	EA	CAP-BREATHING W/DIPSTICK	RAP7876
	100532-03-717	EA	VALVE-PRESS., RETURN SHUTTL	RAP7964
	100532-03-719	EA	TUBE ASM. (SHORT SHUTTLE)	RAP8088
	100532-03-721	EA	VALVE-CHECK KIT (SGL)	RAP7944
	100532-03-722	EA	O-RING KIT	R7430
	100532-03-723	EA	O-RING/SEAL KIT	RAP9171
	100532-09-704	EA	VALVE-PRESS SOLENOID(LARGE)	RAP0642
	100532-09-710	EA	SOLENOID-INTERMITENT DUTY	RAP0533
	100532-12-703	EA	SENSING UNIT BI-AXIS-27'	RAP6800
	100532-12-706	EA	SWITCH - WARNING/MAGNETIC	RAP1008
	100532-12-707	EA	SPRING KIT (PAIR)	R3847
	100532-31-701	EA	CHECK VALVE & KIT	RAP10021
	100532-31-702	EA	O-RING/SEAL KIT - MANIFOLD	RAP90127
	100532-32-704	EA	CHIME - JACK WARNING	RAP90681/AP19812
	100532-53-700	EA	CYLINDER ASM. - 9K	RAP90491/AP15891
	131306-02-701	EA	FOOT - 9K JACK	RAP8464/AP17525
	131306-09-700	EA	VELOCITY VALVE ASM.W/4 VALVE	RAP90280
	131306-09-701	EA	VELOCITY VALVE - SINGLE	RAP90279/AP11578
	131306-11-701	EA	CONTROL BOX - 310 SYSTEM	RAP90019/AP10086
	131306-11-704	EA	PRESSURE SWITCH - 50 PSI	RAP2082
	131306-12-700	EA	TOUCH PANEL - 310	RAP90056/AP10215
	131306-12-702	EA	VALVE-PRESS SOLENOID (SMALL)	RAP90729/AP24604
	131306-22-700	EA	CABLE/CONTROL - 5'- 310 SYST	RAP90048/AP10524
	131306-26-700	EA	MANIFOLD ASM. - 2 ROOM	RAP90870/AP20550
	131306-29-700	EA	JACK - 9K - W/SWITCHES	RAP90851/AP22657
	131306-29-701	EA	JACK - 9K - W/SWITCHES	RAP90852/AP22802



## CHASSIS GROUP (CONTINUED)

### SUSPENSION

**KEY PART NUMBER U/M DESCRIPTION**

\* 122756-04-000 EA SHOCK & STABILIZER KIT - WORKHORSE/WIDE BODY CHASSIS

**\*COMPONENT PARTS LISTED LATER IN THIS GROUP**

**CHASSIS GROUP (CONTINUED)**  
**COMPONENT PARTS FOR SUSPENSION**

122756-04-000

<b>KEY</b>	<b>PART NUMBER</b>	<b>U/M</b>	<b>DESCRIPTION</b>	<b>VENDOR NO.</b>
	122756-02-707	EA	DAMPNER - STEERING	T818SD
	122756-02-708	EA	BOOT - DAMPNER	T818SDB
	122756-02-709	EA	BUSHING PKG-STEERING DAMPNER	T818SDBSH
	122756-02-710	EA	BOLT PKG - STEERING DAMPNER	T818BSD
	122756-03-702	EA	SHOCK	557003
	122756-04-700	EA	BRACKET ASSEMBLY - DRIVER	T818L-WW
	122756-04-701	EA	BRACKET ASSEMBLY - PASSENGER	T818R-WW
	122756-04-702	EA	BOLT PACKAGE KIT	T818B-WW

## CHASSIS GROUP (CONTINUED)

### WHEEL, TIRE, COVERS &/OR LINERS

KEY	PART NUMBER	U/M	DESCRIPTION
	051377-06-000	EA	VALVE STEM ASM-VS-12223R - <a href="#">WORKHORSE</a>
	077030-04-000	EA	EXTENSION - VALVE STEM - .75" - <a href="#">FORD</a>
	095012-09-000	EA	EXTENSION - VALVE STEM - LIVE - 7.7"
	095012-07-000	EA	STABILIZER - VALVE EXTENSION - LIVE - 4"
	080208-04-000	EA	LUG WRENCH - 1 3/16" - OSHKOSH/SPARTAN - <a href="#">WORKHORSE</a>
	080208-05-000	EA	BAR - LEVERAGE - LUG WRENCH - .75"DIA. - OSHKOSH/SPARTAN - <a href="#">WORKHORSE</a>
	091209-16-000	EA	NUT - JAM/THREADED - 22MM - <a href="#">WORKHORSE</a>
	102340-07-000	EA	TIRE - 245/70R X 19.5 - LOAD RANGE F - MICHELIN XRV - <a href="#">WORKHORSE</a> , <a href="#">G35U</a> , <a href="#">G32V</a>
	102340-08-000	EA	TIRE - 245/70R X 19.5F - GOODYEAR - <a href="#">FORD</a>
	102340-09-000	EA	TIRE - 245/70R X 19.5G - GOODYEAR - <a href="#">WORKHORSE</a> , <a href="#">G37G</a>
*	110435-15-000	EA	LINER - WHEEL - SET/4 - 19.5" - <a href="#">FORD</a>
*	134609-02-000	EA	LINER - WHEEL - SET OF 4 - 19.5" - <a href="#">WORKHORSE</a>
	118814-02-000	EA	WHEEL - STEEL - 19.5" X 6.75" - GRAY - <a href="#">WORKHORSE</a>

\*COMPONENT PARTS LISTED LATER IN THIS GROUP

**CHASSIS GROUP (CONTINUED)**  
**COMPONENT PARTS FOR WHEEL, TIRE, COVERS &/OR LINERS**

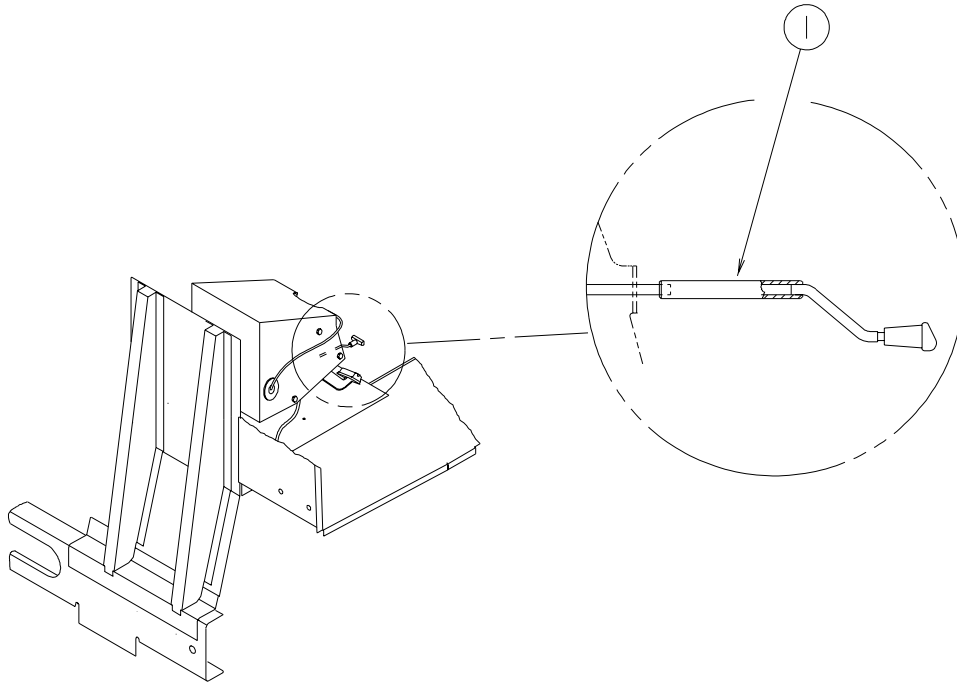
**110435-15-000**

<b>KEY</b>	<b>PART NUMBER</b>	<b>U/M</b>	<b>DESCRIPTION</b>	<b>VENDOR NO.</b>
	110435-04-705	EA	DECAL-CTR HUB 2 3/4" DIAMOND	2 3/4 DECAL DIAMOND
	110435-10-705	EA	TOOL - INSTALLATION	V195P7-TOL
	110435-15-700	EA	LINER - WHEEL - FRONT	V195F9-FWC
	110435-15-701	EA	LINER - WHEEL - REAR	V195F9-RWC
	110435-15-702	EA	COVER LUG NUT/JAMB NUT - 14M	V195F9-EJN

**134609-02-000**

<b>KEY</b>	<b>PART NUMBER</b>	<b>U/M</b>	<b>DESCRIPTION</b>	<b>VENDOR NO.</b>
	091209-13-704	EA	NUT-JAMB-A20, 22M THREAD FRT	A20
	091209-13-705	EA	LINER-WHEEL FRT 1.75"NUT CVR	507
	091209-13-706	EA	LINER-WHEEL RR 1.75" NUT CVR	508
	091209-13-708	EA	CAP-CENTER, STAINLESS	A26
	091209-13-709	EA	TOOL/JAMB NUT-ULTG/ULTI&S	M9100
	091209-16-000	EA	NUT - JAM/THREADED - 22MM	KAPER II A20
	134609-02-700	EA	COVER - LUG NUT 1 3/4"	302
	134609-02-701	EA	COVER - LUG NUT(2"DEEP)	L502

**CHASSIS GROUP (CONTINUED)**  
**BRAKE**



<b>KEY</b>	<b>PART NUMBER</b>	<b>U/M</b>	<b>DESCRIPTION</b>
1	113007-01-000	EA	PIN - SPRING - .375 X 3"

**BRAKELINE**

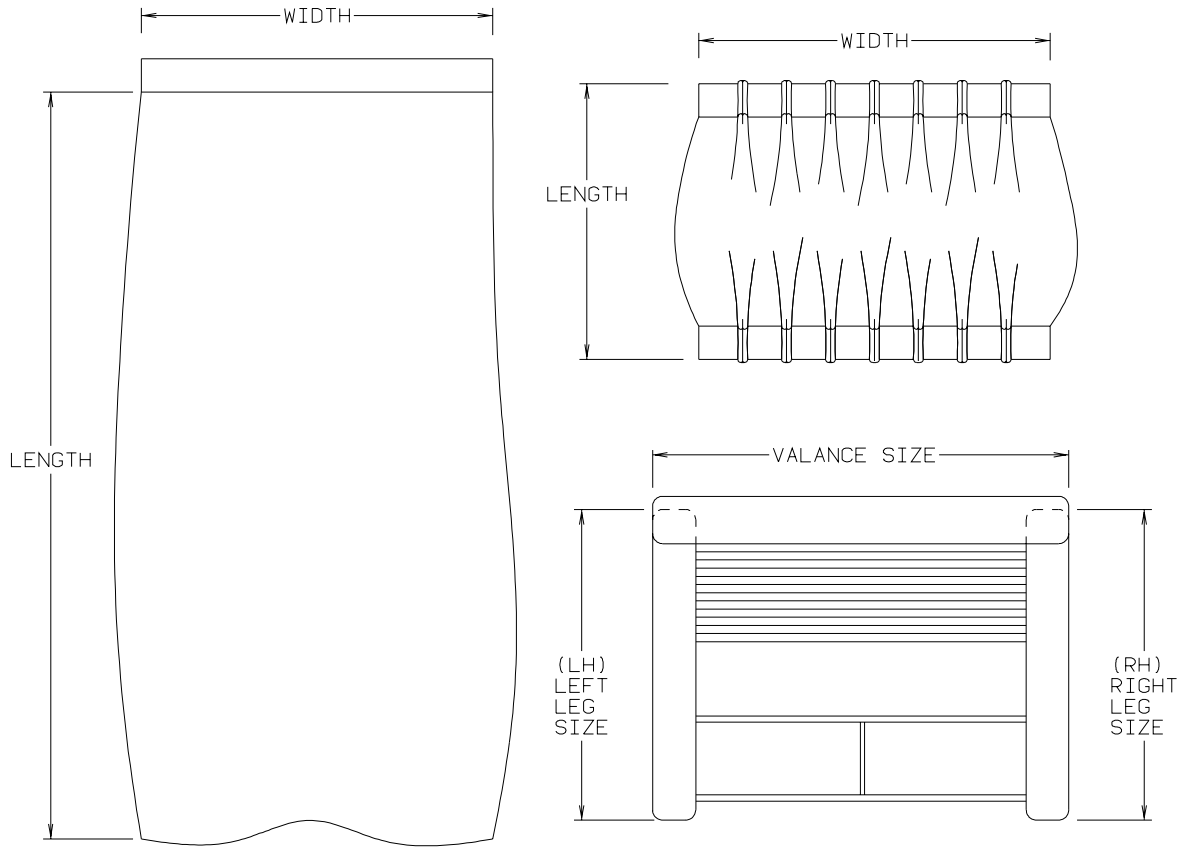
<b>KEY</b>	<b>PART NUMBER</b>	<b>U/M</b>	<b>DESCRIPTION</b>
	075466-01-000	EA	UNION - INVERTED FLAIR - 1/4"

## CURTAIN & CUSHION GROUP

### NOTICE

IN ORDER TO ASSIST OUR PARTS SALES DEPT. IN PROVIDING INTERIOR SOFTWARE ITEMS, PLEASE INCLUDE THE SERIAL NUMBER AND THE COLOR CODE NUMBER FROM THE VEHICLE CERTIFICATION LABEL WHEN ORDERING. THIS LABEL IS LOCATED ON THE LEFT SIDEWALL AT THE END OF THE DASH (A-BODY), OR ON THE DRIVER'S DOOR LATCH PLATE (C-BODY).

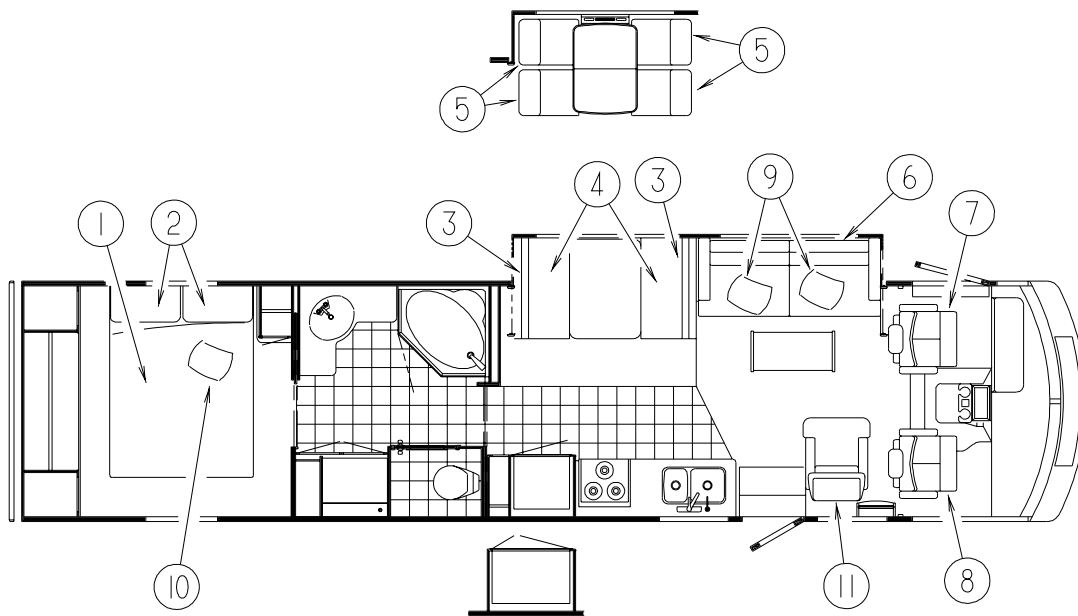
AN EXAMPLE OF A COLOR CODE NUMBER IS B07, WHICH DESIGNATES AN OVERALL COLOR SCHEME OF A PARTICULAR UNIT. THE COLOR LISTED AFTER THE ITEM DESCRIPTION ON THE MICROFICHE, INDICATES THE OVERALL UNIT COLOR. ORDER THE ITEM YOU DESIRE ACCORDING TO UNIT COLOR CODE. IF ALL COLORS USE THE SAME ITEM NO COLOR CODE WILL BE NOTED.



NOTE: USE THIS ILLUSTRATION WHEN DETERMINING LENGTH AND WIDTH MEASUREMENTS FOR CURTAINS. YOU WILL NOTE THE WIDTH MEASUREMENT IS TAKEN ON THE TOP OF THE CURTAIN WITH THE CURTAIN FULLY EXTENDED. THE LENGTH MEASUREMENT IS TAKEN FROM TOP TO BOTTOM. LEFT AND RIGHT WINDOW LEGS ARE DETERMINED WHEN FACING THE WINDOW.

## CURTAIN & CUSHION GROUP (CONTINUED)

### CUSHION LAYOUT



KEY	PART NUMBER	U/M	DESCRIPTION
1	132336-11-N42	EA	BEDSPREAD/CAP - 60" X 80" (N42)
1	132336-11-M40	EA	BEDSPREAD/CAP - 60" X 80" (N43)
1	132336-11-N44	EA	BEDSPREAD/CAP - 60" X 80" (N44)
	123015-07-000	EA	MATTRESS - INNERSPRING - 60" X 79.5"
2	104565-23-N42	EA	PILLOW SHAM
2	104565-23-N43	EA	PILLOW SHAM
2	104565-23-N44	EA	PILLOW SHAM
3	111897-05-N42	EA	CUSHION - BACK - 13.5" X 42" X 5" (N42)
3	111897-05-M40	EA	CUSHION - BACK - 13.5" X 42" X 5" (N43)
3	111897-05-N44	EA	CUSHION - BACK - 13.5" X 42" X 5" (N44)
	P11897-05-N42	EA	COVER - BACK - 13.5" X 42" X 5" (N42)
	P11897-05-M40	EA	COVER - BACK - 13.5" X 42" X 5" (N43)
	P11897-05-N44	EA	COVER - BACK - 13.5" X 42" X 5" (N44)
4	105603-15-N42	EA	CUSHION - SEAT - 23" X 42" X 5"
4	105603-15-N43	EA	CUSHION - SEAT - 23" X 42" X 5"
4	105603-15-N44	EA	CUSHION - SEAT - 23" X 42" X 5"
	P05603-15-N42	EA	COVER - SEAT - 23" X 42" X 5"
	P05603-15-N43	EA	COVER - SEAT - 23" X 42" X 5"
	P05603-15-N44	EA	COVER - SEAT - 23" X 42" X 5"
5	134017-37-000	EA	CHAIR - DINETTE - SANDSTONE/PORTSMOUTH OAK (N42)
5	134017-15-000	EA	CHAIR - DINETTE - LINORITH/PORTSMOUTH OAK (N43)
5	134017-38-000	EA	CHAIR - DINETTE - RAFFIA/PORTSMOUTH OAK (N44)
5	135600-49-000	EA	CHAIR - FOLDING - SANDSTONE/PORTSMOUTH OAK (N42)
5	135600-08-000	EA	CHAIR - FOLDING - LINORITH/PORTSMOUTH OAK (N43)
5	135600-50-000	EA	CHAIR - FOLDING - RAFFIA/PORTSMOUTH OAK (N44)
	129529-02-000	EA	STRAP - CHAIR RETAINING - 81.9"

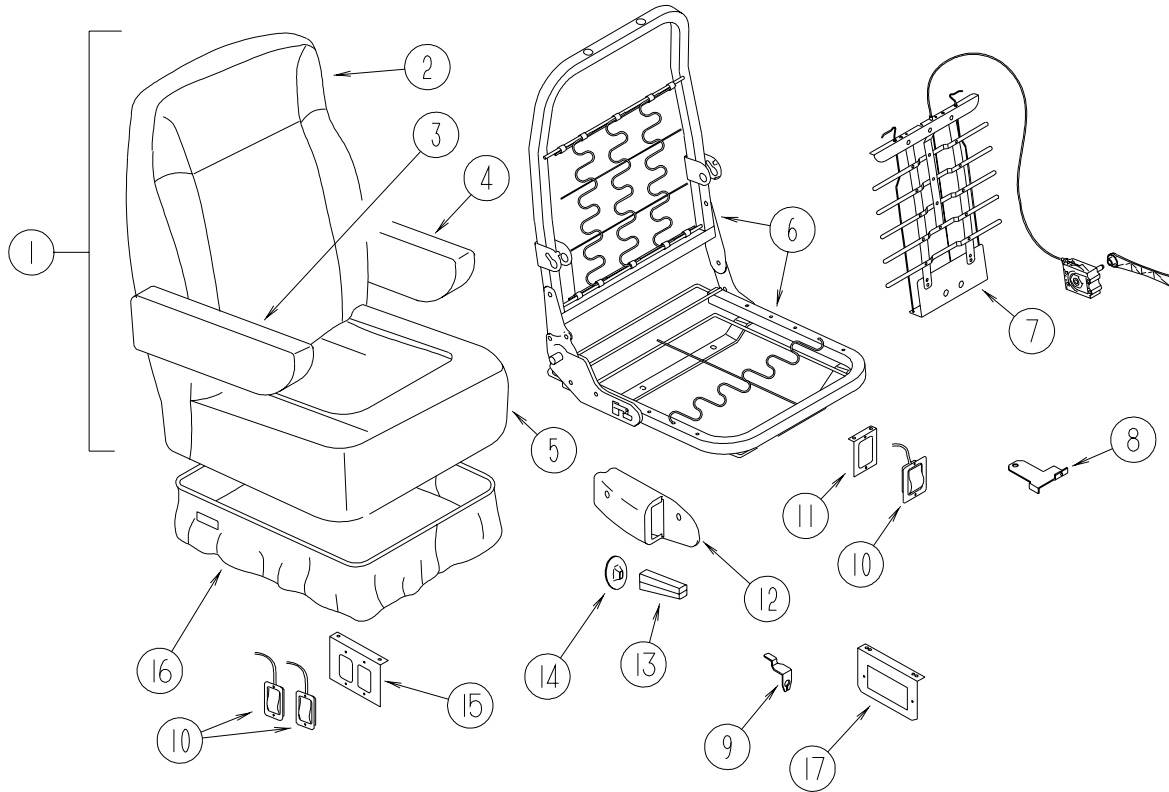
**CURTAIN & CUSHION GROUP (CONTINUED)**  
**CUSHION LAYOUT (CONTINUED)**

<b>KEY</b>	<b>PART NUMBER</b>	<b>U/M</b>	<b>DESCRIPTION</b>
6	138657-01-N42	EA	SOFA/SLEEPER - RECLINER/POWERED - W/TRUNDLE BED
6	138657-01-N43	EA	SOFA/SLEEPER - RECLINER/POWERED - W/TRUNDLE BED
6	138657-01-N44	EA	SOFA/SLEEPER - RECLINER/POWERED - W/TRUNDLE BED
6	138657-05-N42	EA	SOFA/SLEEPER - RECLINER/POWERED - W/TRUNDLE BED - LEATHER
6	138657-05-N43	EA	SOFA/SLEEPER - RECLINER/POWERED - W/TRUNDLE BED - LEATHER
6	138657-05-N44	EA	SOFA/SLEEPER - RECLINER/POWERED - W/TRUNDLE BED - LEATHER
7	135473-01-N42	EA	BUCKET SEAT - W/LUMBAR (N42)
7	135473-01-M40	EA	BUCKET SEAT - W/LUMBAR (N43)
7	135473-01-N44	EA	BUCKET SEAT - W/LUMBAR (N44)
7	135473-16-N42	EA	BUCKET SEAT - W/LUMBAR/ARMRESTS - LEATHER
7	135473-16-N43	EA	BUCKET SEAT - W/LUMBAR/ARMRESTS - LEATHER
7	135473-16-N44	EA	BUCKET SEAT - W/LUMBAR/ARMRESTS - LEATHER
8	135473-02-N42	EA	BUCKET SEAT - PASSENGER (N42)
8	135473-02-M40	EA	BUCKET SEAT - PASSENGER (N43)
8	135473-02-N44	EA	BUCKET SEAT - PASSENGER (N44)
8	135473-17-N42	EA	BUCKET SEAT - PASSENGER - W/ARMRESTS - LEATHER
8	135473-17-N43	EA	BUCKET SEAT - PASSENGER - W/ARMRESTS - LEATHER
8	135473-17-N44	EA	BUCKET SEAT - PASSENGER - W/ARMRESTS - LEATHER
9	132319-38-N42	EA	PILLOW - 17" - W/OVERLAY
9	132319-38-N43	EA	PILLOW - 17" - W/OVERLAY
9	132319-38-N44	EA	PILLOW - 17" - W/OVERLAY
10	132319-39-N42	EA	PILLOW - 17" - W/CENTER OVERLAY
10	132319-39-N43	EA	PILLOW - 17" - W/CENTER OVERLAY
10	132319-39-N44	EA	PILLOW - 17" - W/CENTER OVERLAY
11	135675-01-N42	EA	CHAIR - RECLINER/ROCKER/GLIDER - W/FOOTREST (N42)
11	135675-01-M40	EA	CHAIR - RECLINER/ROCKER/GLIDER - W/FOOTREST (N43)
11	135675-01-N44	EA	CHAIR - RECLINER/ROCKER/GLIDER - W/FOOTREST (N44)
11	135675-02-N42	EA	CHAIR - RECLINER/ROCKER/GLIDER - W/FOOTREST- LEATHER



## CURTAIN & CUSHION GROUP (CONTINUED)

### BUCKET SEATS

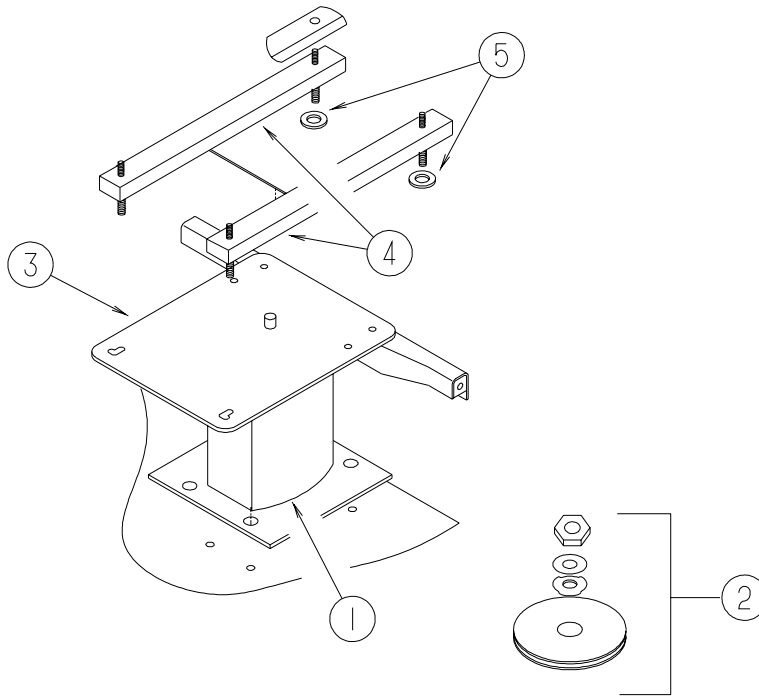


KEY	PART NUMBER	U/M	DESCRIPTION
1	135473-01-N42	EA	BUCKET SEAT - W/LUMBAR (N42) - DRIVER
1	135473-01-M40	EA	BUCKET SEAT - W/LUMBAR (N43) - DRIVER
1	135473-01-N44	EA	BUCKET SEAT - W/LUMBAR (N44) - DRIVER
1	135473-16-N42	EA	BUCKET SEAT - W/LUMBAR/ARMRESTS - LEATHER - DRIVER
1	135473-16-N43	EA	BUCKET SEAT - W/LUMBAR/ARMRESTS - LEATHER - DRIVER
1	135473-16-N44	EA	BUCKET SEAT - W/LUMBAR/ARMRESTS - LEATHER - DRIVER
1	135473-02-N42	EA	BUCKET SEAT - PASSENGER (N42)
1	135473-02-M40	EA	BUCKET SEAT - PASSENGER (N43)
1	135473-02-N44	EA	BUCKET SEAT - PASSENGER (N44)
1	135473-17-N42	EA	BUCKET SEAT - PASSENGER - W/ARMRESTS - LEATHER
1	135473-17-N43	EA	BUCKET SEAT - PASSENGER - W/ARMRESTS - LEATHER
1	135473-17-N44	EA	BUCKET SEAT - PASSENGER - W/ARMRESTS - LEATHER
2	M05962-B5-N42	EA	COVER - BACK (N42)
2	M05962-B5-M40	EA	COVER - BACK (N43)
2	M05962-B5-N44	EA	COVER - BACK (N44)
2	M05962-B7-N42	EA	COVER - BACK - LEATHER
2	M05962-B7-N43	EA	COVER - BACK - LEATHER
2	M05962-B7-N44	EA	COVER - BACK - LEATHER
3	129666-01-N42	EA	ARMREST - RIGHT HAND (N42)
3	129666-01-M40	EA	ARMREST - RIGHT HAND (N43)
3	129666-01-N44	EA	ARMREST - RIGHT HAND (N44)
3	129666-17-N42	EA	ARMREST - RIGHT HAND - LEATHER
	P29666-01-N42	EA	COVER - ARMREST/RIGHT HAND (N42)
	P29666-01-M40	EA	COVER - ARMREST/RIGHT HAND (N43)
	P29666-01-N44	EA	COVER - ARMREST/RIGHT HAND (N44)
	P29666-17-N42	EA	COVER - ARMREST/RIGHT HAND - LEATHER
	130698-01-000	EA	ARMREST/MOLDED - RIGHT - W/O COVER
	130699-01-000	EA	ARMREST/MOLDED - RIGHT - W/O COVER - LEATHER
	122622-04-000	EA	BRACKET - ARMREST/RIGHT HAND - LEATHER
	122622-06-000	EA	KNOB - W/3/8" THREAD INSERT - LEATHER
4	129666-02-N42	EA	ARMREST - LEFT HAND (N42)
4	129666-02-M40	EA	ARMREST - LEFT HAND (N43)
4	129666-02-N44	EA	ARMREST - LEFT HAND (N44)
4	129666-18-N42	EA	ARMREST - LEFT HAND - LEATHER

**CURTAIN & CUSHION GROUP (CONTINUED)**  
**BUCKET SEATS (CONTINUED)**

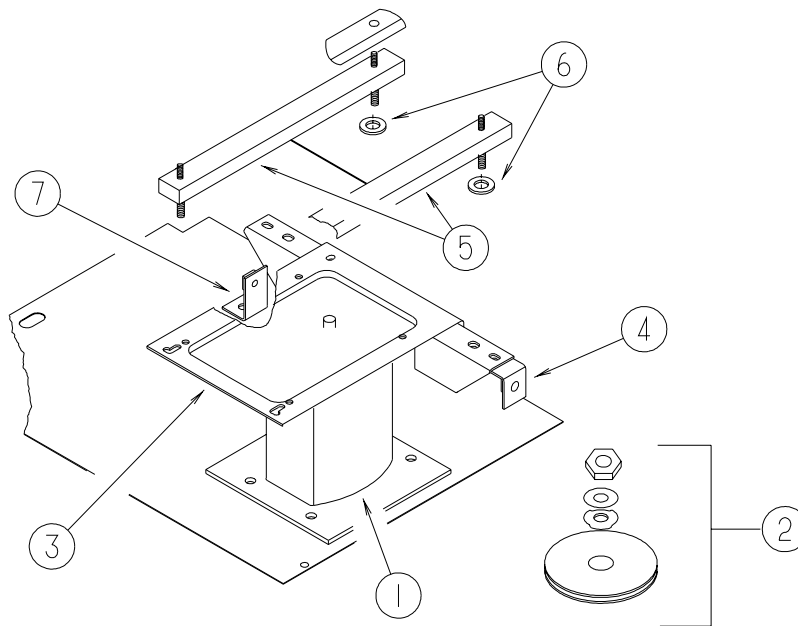
<b>KEY</b>	<b>PART NUMBER</b>	<b>U/M</b>	<b>DESCRIPTION</b>
	P29666-02-N42	EA	COVER - ARMREST/LEFT HAND (N42)
	P29666-02-M40	EA	COVER - ARMREST/LEFT HAND (N43)
	P29666-02-N44	EA	COVER - ARMREST/LEFT HAND (N44)
	P29666-18-N42	EA	COVER - ARMREST/LEFT HAND - LEATHER
	130698-02-000	EA	ARMREST/MOLDED - LEFT - W/O COVER
	130699-02-000	EA	ARMREST/MOLDED - LEFT - W/O COVER - LEATHER
	122622-05-000	EA	BRACKET - ARMREST/LEFT HAND - LEATHER
	122622-06-000	EA	KNOB - W/3/8" THREAD INSERT - LEATHER
5	M05962-B6-N42	EA	COVER - SEAT (N42)
5	M05962-B6-M40	EA	COVER - SEAT (N43)
5	M05962-B6-N44	EA	COVER - SEAT (N44)
5	M05962-B8-N42	EA	COVER - SEAT - LEATHER
5	M05962-B8-N43	EA	COVER - SEAT - LEATHER
5	M05962-B8-N44	EA	COVER - SEAT - LEATHER
6	134532-01-000	EA	FRAME - SEAT/HIGH BACK
	116104-04-02B	EA	BRACKET - ZEE W/HOLES - 3.2" - E-COATED
7	122611-02-000	EA	LUMBAR - W/LEVER
8	117125-01-02B	EA	BRACKET - CABLE MOUNT - ADJUSTER W/LOCK
9	108049-02-000	EA	CLIP - CABLE/PEDESTAL
10	108049-04-000	EA	CABLE - W/MINI LEVER ACTION SWITCH - 28" SHEATH/30" CABLE
11	127159-01-02B	EA	BRACKET - SEAT RELEASE - SINGLE REMOTE - E-COATED
12	080730-09-000	EA	SHIELD - RECLINER HANDLE
13	080730-08-000	EA	HANDLE - RECLINER
14	080730-11-000	EA	SHIELD - RUBBER BOOT
15	127159-02-02B	EA	BRACKET - SEAT RELEASE - DUAL REMOTE - E-COATED
16	071126-68-N42	EA	SKIRT - 10.5" OPEN CORNER (STANDARD/6-WAY POWER) (N42)
16	071126-68-M40	EA	SKIRT - 10.5" OPEN CORNER (STANDARD/6-WAY POWER) (N43)
16	071126-68-N44	EA	SKIRT - 10.5" OPEN CORNER (STANDARD/6-WAY POWER) (N44)
16	071126-70-N42	EA	SKIRT - 10.5" OPEN CORNER (STANDARD/6 WAY POWER) - LEATHER
17	128699-01-02B	EA	BRACKET - SEAT SWITCH - E-COATED

**CURTAIN & CUSHION GROUP (CONTINUED)**  
**BUCKET SEATS (CONTINUED)**



**MANUAL DRIVER**

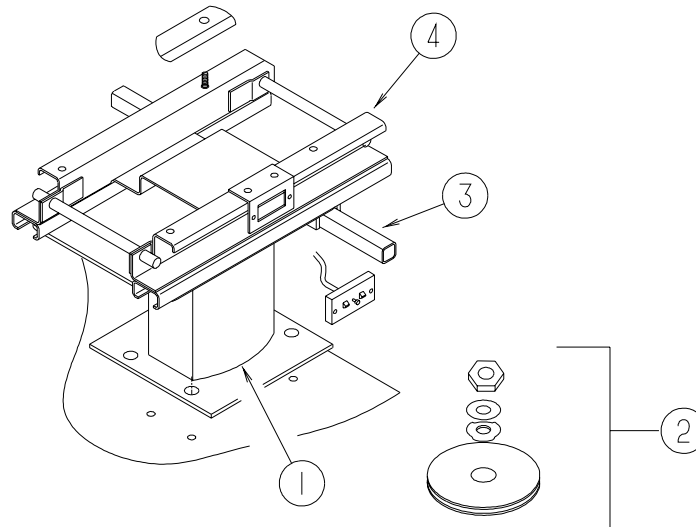
KEY	PART NUMBER	U/M	DESCRIPTION
1	133408-01-000	EA	PEDESTAL - SEAT/DRIVER - 9 3/4"
2	107921-06-000	EA	BEARING KIT - PEDESTAL
3	133408-08-000	EA	TOP PLATE - W/BAR
4	131566-04-000	EA	SLIDE/SEAT - HEAVY DUTY LOCKING - 5"
	119952-07-000	EA	WIRE - LATCH RELEASE/ROTARY
5	NOT USED		



**MANUAL PASSENGER**

KEY	PART NUMBER	U/M	DESCRIPTION
1	133408-01-000	EA	PEDESTAL - SEAT/DRIVER - 9 3/4"
2	107921-06-000	EA	BEARING KIT - PEDESTAL
3	133408-02-000	EA	TOP PLATE - SINGLE SIDE BELT
4	133408-03-000	EA	BRACKET - ANCHORAGE/PEDESTAL
5	131566-04-000	EA	SLIDE/SEAT - HEAVY DUTY LOCKING - 5"
	119952-07-000	EA	WIRE - LATCH RELEASE/ROTARY
6	NOT USED		
7	133408-04-000	EA	BRACKET - ANCHORAGE/FLOOR

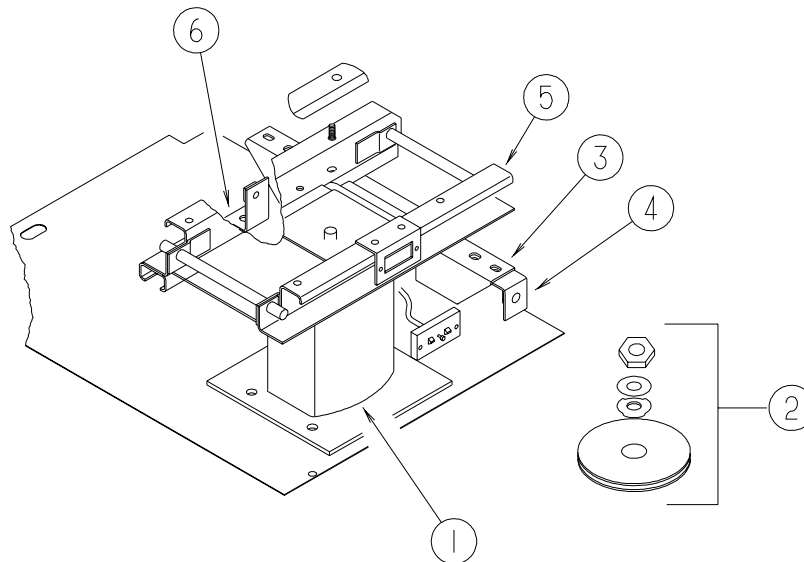
**CURTAIN & CUSHION GROUP (CONTINUED)**  
**BUCKET SEATS (CONTINUED)**



**POWER DRIVER**

KEY	PART NUMBER	U/M	DESCRIPTION
1	133408-05-000	EA	PEDESTAL - SEAT - 5.75"
2	107921-06-000	EA	BEARING KIT - PEDESTAL
3	133408-14-000	EA	TOP PLATE - W/BAR
4*	081373-03-000	EA	SEAT - POWER 6 WAY

**\*COMPONENT PARTS LISTED LATER IN THIS GROUP**

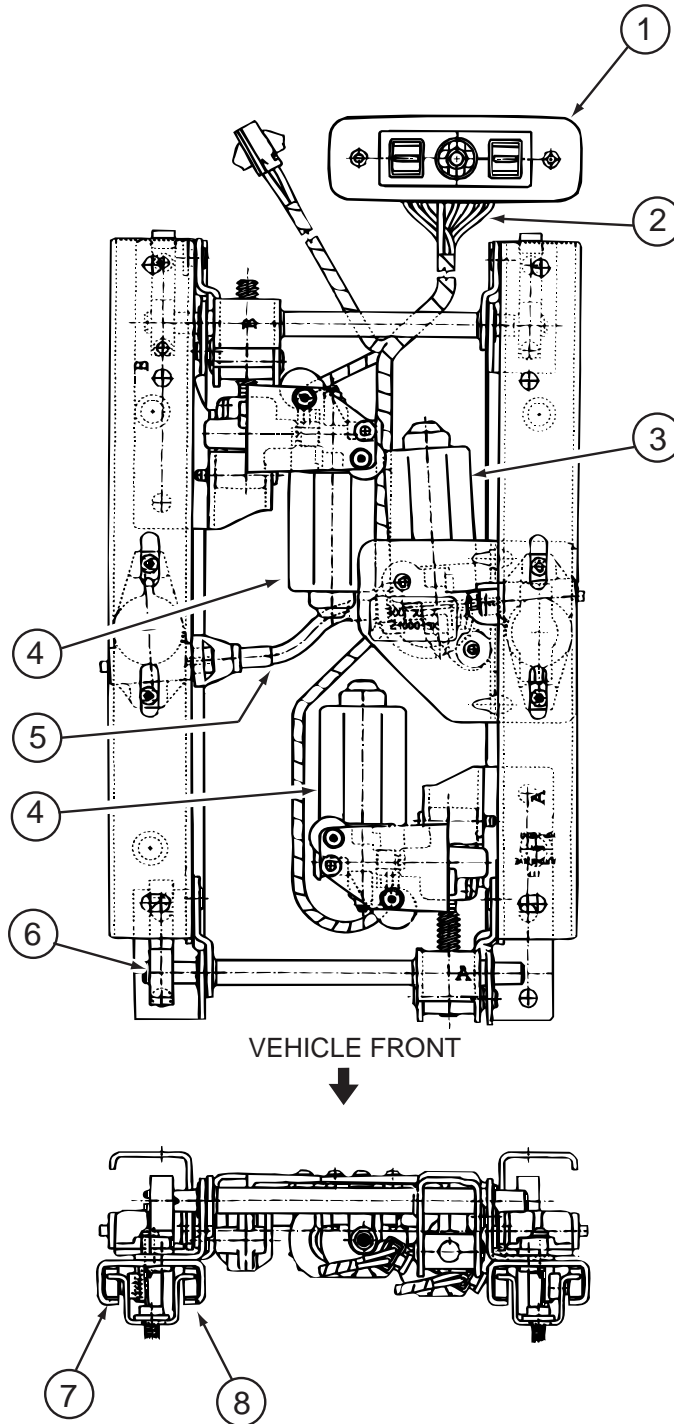


**POWER PASSENGER**

KEY	PART NUMBER	U/M	DESCRIPTION
1	133408-05-000	EA	PEDESTAL - SEAT - 5.75"
2	107921-06-000	EA	BEARING KIT - PEDESTAL
3	133408-02-000	EA	TOP PLATE - SINGLE SIDE BELT
4	133408-03-000	EA	BRACKET - ANCHORAGE/PEDESTAL
5*	081373-03-000	EA	SEAT - POWER 6 WAY
6	133408-04-000	EA	BRACKET - ANCHORAGE/FLOOR

**\*COMPONENT PARTS LISTED LATER IN THIS GROUP**

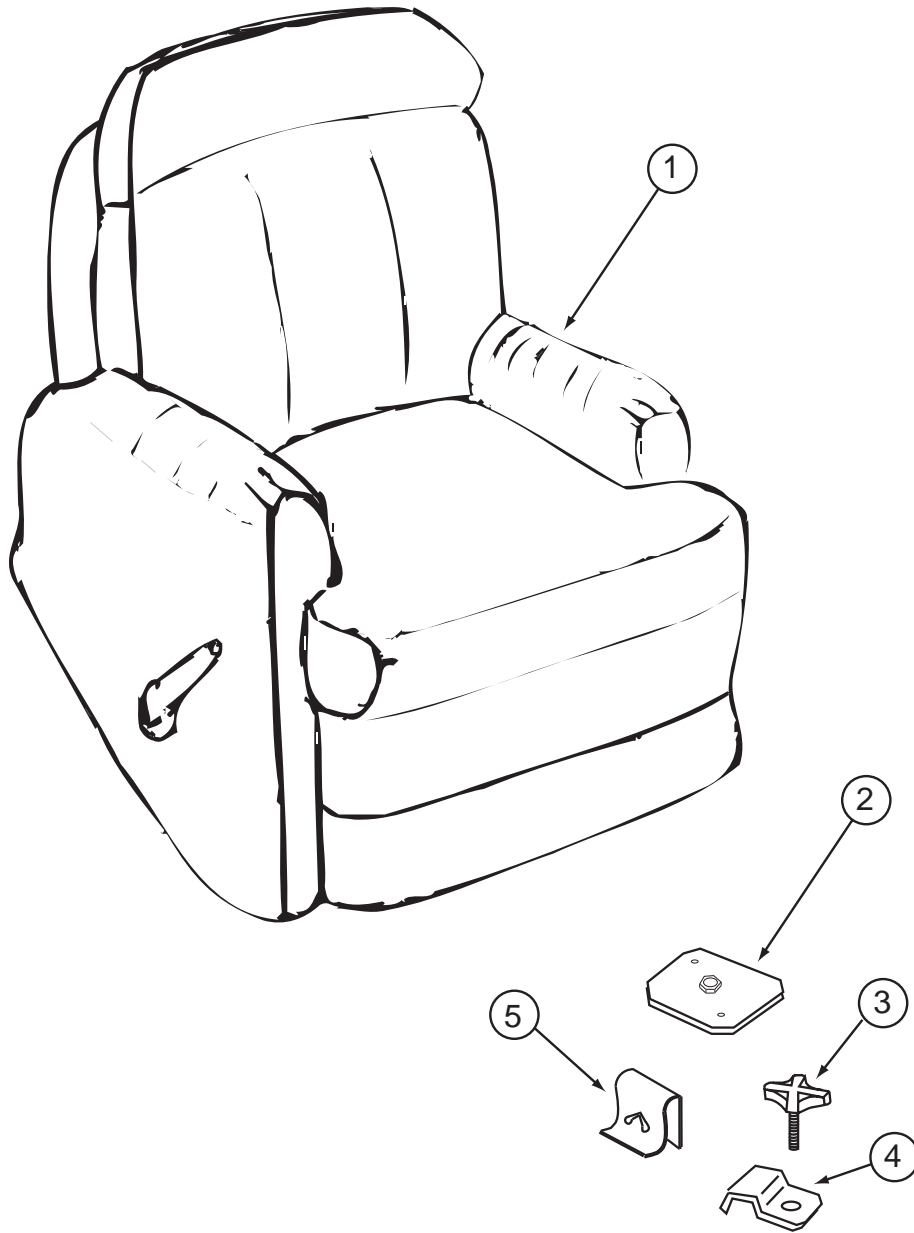
**CURTAIN & CUSHION GROUP (CONTINUED)**  
**COMPONENT PARTS FOR BUCKET SEATS**



**081373-03-000**

KEY	PART NUMBER	U/M	DESCRIPTION	VENDOR NO.
1	081373-03-700	EA	SWITCH POWER	22137945
2	081373-03-701	EA	WIRE HARNESS ASM., LT. SIDE	22138093
2	081373-03-702	EA	WIRE HARNESS ASM., RT. SIDE	22138094
3	081373-02-703	EA	MOTOR PKG. ADJ. HORIZONTAL	22063237 & H-195
4	081373-02-704	EA	MOTOR PKG. ADJ. VERTICAL	22063238 & H-196
5	081373-03-704	EA	DRIVE CABLE	22143984
6	081373-03-705	EA	SPRING	22048978
7	081373-03-706	EA	SHOE GUIDE (WHITE)	22048993
8	081373-03-707	EA	SHOE GUIDE (BLACK)	22048994
	081373-03-700	EA	SWITCH POWER	22137945

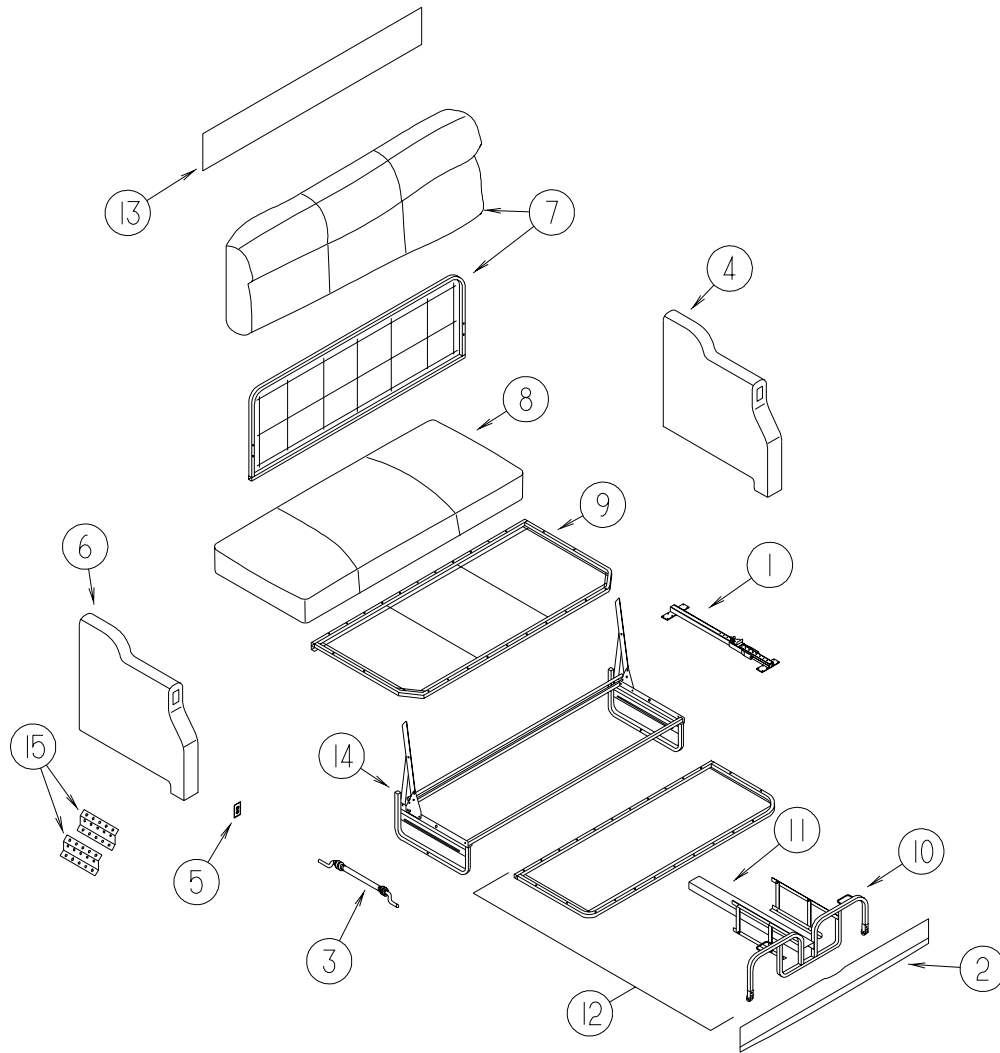
**CURTAIN & CUSHION GROUP (CONTINUED)**  
**LOUNGE CHAIR**



KEY	PART NUMBER	U/M	DESCRIPTION
1	135675-01-N42	EA	CHAIR - RECLINER/ROCKER/GLIDER - W/FOOTREST (N42)
1	135675-01-M40	EA	CHAIR - RECLINER/ROCKER/GLIDER - W/FOOTREST (N43)
1	135675-01-N44	EA	CHAIR - RECLINER/ROCKER/GLIDER - W/FOOTREST (N44)
1	135675-02-N42	EA	CHAIR - RECLINER/ROCKER/GLIDER - W/FOOTREST- LEATHER
	P35675-01-N42	EA	COVER - RECLINER W/FOOTREST (N42)
	P35675-01-M40	EA	COVER - RECLINER W/FOOTREST (N43)
	P35675-01-N44	EA	COVER - RECLINER W/FOOTREST (N44)
	P35675-02-N42	EA	COVER - RECLINER W/FOOTREST - LEATHER
2	134128-02-02B	EA	PLATE - W/HOLES - E-COATED
3	134194-01-01A	EA	KNOB - HOLD DOWN - RECLINER - BLACK
4	134057-01-11B	EA	BRACKET - RECLINER - FLAT BLACK
5	029134-01-000	EA	CLIP-FINISH-K2915-UPHOLSTERY

## CURTAIN & CUSHION GROUP (CONTINUED)

### SOFA



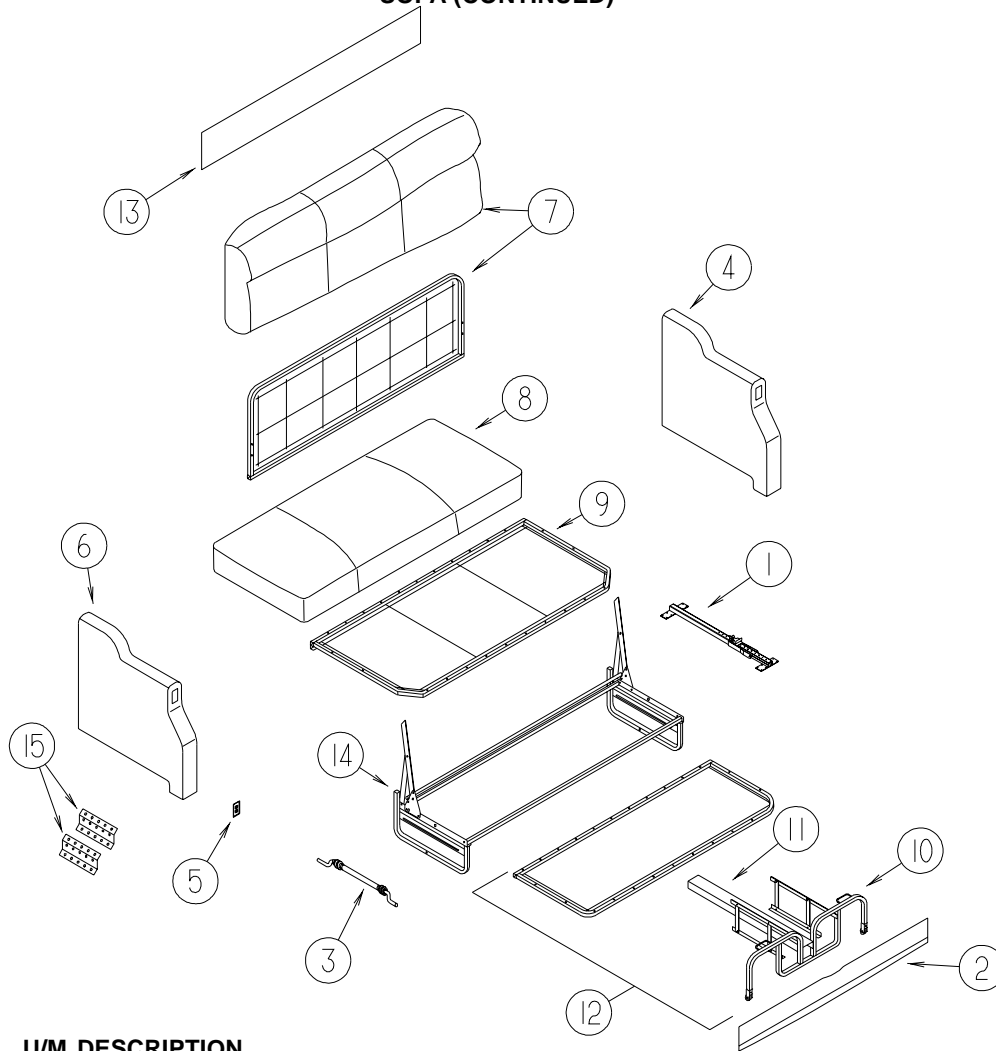
KEY	PART NUMBER	U/M	DESCRIPTION
	138657-01-N42	EA	SOFA/SLEEPER - RECLINER/POWERED - W/TRUNDLE BED - G37G, G35U
	138657-01-N43	EA	SOFA/SLEEPER - RECLINER/POWERED - W/TRUNDLE BED - G37G, G35U
	138657-01-N44	EA	SOFA/SLEEPER - RECLINER/POWERED - W/TRUNDLE BED - G37G, G35U
	138657-13-N42	EA	SOFA/SLEEPER - RECLINER/POWERED - W/TRUNDLE BED - G32V, G30Y
	138657-13-N43	EA	SOFA/SLEEPER - RECLINER/POWERED - W/TRUNDLE BED - G32V, G30Y
	138657-13-N44	EA	SOFA/SLEEPER - RECLINER/POWERED - W/TRUNDLE BED - G32V, G30Y
	138657-05-N42	EA	SOFA/SLEEPER - RECLINER/POWERED - W/TRUNDLE BED - LEATHER, G37G, G35U
	138657-05-N43	EA	SOFA/SLEEPER - RECLINER/POWERED - W/TRUNDLE BED - LEATHER, G37G, G35U
	138657-05-N44	EA	SOFA/SLEEPER - RECLINER/POWERED - W/TRUNDLE BED - LEATHER, G37G, G35U
	138657-14-N42	EA	SOFA/SLEEPER - RECLINER/POWERED - W/TRUNDLE BED - LEATHER, G32V, G30Y
	138657-14-N43	EA	SOFA/SLEEPER - RECLINER/POWERED - W/TRUNDLE BED - LEATHER, G32V, G30Y
	138657-14-N44	EA	SOFA/SLEEPER - RECLINER/POWERED - W/TRUNDLE BED - LEATHER, G32V, G30Y
1	136534-14-000	EA	SLIDE RAIL-W/PLATES&STOP ASY
2	135824-07-N42	EA	PANEL/FRONT KICK - SOFA/SLEEPER - 59.5" - FABRIC COVERED
2	135824-07-N43	EA	PANEL/FRONT KICK - SOFA/SLEEPER - 59.5" - FABRIC COVERED
2	135824-07-N44	EA	PANEL/FRONT KICK - SOFA/SLEEPER - 59.5" - FABRIC COVERED
2	135824-08-N42	EA	PANEL/FRONT KICK - SOFA/SLEEPER - 59.5" - FABRIC COVERED - LEATHER
2	135824-08-N43	EA	PANEL/FRONT KICK - SOFA/SLEEPER - 59.5" - FABRIC COVERED - LEATHER
2	135824-08-N44	EA	PANEL/FRONT KICK - SOFA/SLEEPER - 59.5" - FABRIC COVERED - LEATHER
3	136534-19-000	EA	CABLE - REMOTE - 34" W/Z-ENDS (NO LEVER)

**CURTAIN & CUSHION GROUP (CONTINUED)**  
**SOFA (CONTINUED)**

KEY	PART NUMBER	U/M	DESCRIPTION
4	138683-02-N42	EA	ARMREST/LEFT HAND - G37G, G35U
4	138683-02-N43	EA	ARMREST/LEFT HAND - G37G, G35U
4	138683-02-N44	EA	ARMREST/LEFT HAND - G37G, G35U
4	135823-08-N42	EA	ARMREST - LEFT HAND - G32V, G30Y
4	135823-08-N43	EA	ARMREST - LEFT HAND - G32V, G30Y
4	135823-08-N44	EA	ARMREST - LEFT HAND - G32V, G30Y
4	138683-04-N42	EA	ARMREST/LEFT HAND - SOFA/SLEEPER - LEATHER, G37G, G35U
4	138683-04-N43	EA	ARMREST/LEFT HAND - SOFA/SLEEPER - LEATHER, G37G, G35U
4	138683-04-N44	EA	ARMREST/LEFT HAND - SOFA/SLEEPER - LEATHER, G37G, G35U
4	135823-10-N42	EA	ARMREST - LEFT HAND - LEATHER, G32V, G30Y
4	135823-10-N43	EA	ARMREST - LEFT HAND - LEATHER, G32V, G30Y
4	135823-10-N44	EA	ARMREST - LEFT HAND - LEATHER, G32V, G30Y
	P38683-02-N42	EA	COVER/ARMREST - LEFT HAND - G37G, G35U
	P38683-02-N43	EA	COVER/ARMREST - LEFT HAND - G37G, G35U
	P38683-02-N44	EA	COVER/ARMREST - LEFT HAND - G37G, G35U
	P35823-08-N42	EA	COVER/ARMREST - LEFT HAND - G32V, G30Y
	P35823-08-N43	EA	COVER/ARMREST - LEFT HAND - G32V, G30Y
	P35823-08-N44	EA	COVER/ARMREST - LEFT HAND - G32V, G30Y
	P38683-04-N42	EA	COVER/ARMREST - LEFT HAND - LEATHER, G37G, G35U
	P38683-04-N43	EA	COVER/ARMREST - LEFT HAND - LEATHER, G37G, G35U
	P38683-04-N44	EA	COVER/ARMREST - LEFT HAND - LEATHER, G37G, G35U
	P35823-10-N42	EA	COVER/ARMREST - LEFT HAND - LEATHER, G32V, G30Y
	P35823-10-N43	EA	COVER/ARMREST - LEFT HAND - LEATHER, G32V, G30Y
	P35823-10-N44	EA	COVER/ARMREST - LEFT HAND - LEATHER, G32V, G30Y
	112436-02-000	FT	TRIM-3/4" TRIM-FLEX
5	136118-01-000	EA	SWITCH - SOFA/RECLINER
6	138683-01-N42	EA	ARMREST/RIGHT HAND - G37G, G35U
6	138683-01-N43	EA	ARMREST/RIGHT HAND - G37G, G35U
6	138683-01-N44	EA	ARMREST/RIGHT HAND - G37G, G35U
6	135823-07-N42	EA	ARMREST - RIGHT HAND - G32V, G30Y
6	135823-07-N43	EA	ARMREST - RIGHT HAND - G32V, G30Y
6	135823-07-N44	EA	ARMREST - RIGHT HAND - G32V, G30Y
6	138683-03-N42	EA	ARMREST/RIGHT HAND - SOFA/SLEEPER - LEATHER, G37G, G35U
6	138683-03-N43	EA	ARMREST/RIGHT HAND - SOFA/SLEEPER - LEATHER, G37G, G35U
6	138683-03-N44	EA	ARMREST/RIGHT HAND - SOFA/SLEEPER - LEATHER, G37G, G35U
6	135823-09-N42	EA	ARMREST - RIGHT HAND - LEATHER, G32V, G30Y
6	135823-09-N43	EA	ARMREST - RIGHT HAND - LEATHER, G32V, G30Y
6	135823-09-N44	EA	ARMREST - RIGHT HAND - LEATHER, G32V, G30Y
	P38683-01-N42	EA	COVER/ARMREST - RIGHT HAND - G37G, G35U
	P38683-01-N43	EA	COVER/ARMREST - RIGHT HAND - G37G, G35U
	P38683-01-N44	EA	COVER/ARMREST - RIGHT HAND - G37G, G35U
	P35823-07-N42	EA	COVER/ARMREST - RIGHT HAND - G32V, G30Y
	P35823-07-N43	EA	COVER/ARMREST - RIGHT HAND - G32V, G30Y
	P35823-07-N44	EA	COVER/ARMREST - RIGHT HAND - G32V, G30Y
	P38683-03-N42	EA	COVER/ARMREST - RIGHT HAND - LEATHER, G37G, G35U
	P38683-03-N43	EA	COVER/ARMREST - RIGHT HAND - LEATHER, G37G, G35U
	P38683-03-N44	EA	COVER/ARMREST - RIGHT HAND - LEATHER, G37G, G35U
	P35823-09-N42	EA	COVER/ARMREST - RIGHT HAND - LEATHER, G32V, G30Y
	P35823-09-N43	EA	COVER/ARMREST - RIGHT HAND - LEATHER, G32V, G30Y
	P35823-09-N44	EA	COVER/ARMREST - RIGHT HAND - LEATHER, G32V, G30Y
	112436-02-000	FT	TRIM-3/4" TRIM-FLEX
7	138657-02-N42	EA	BACK - SOFA/SLEEPER - RECLINER/POWERED
7	138657-02-N43	EA	BACK - SOFA/SLEEPER - RECLINER/POWERED
7	138657-02-N44	EA	BACK - SOFA/SLEEPER - RECLINER/POWERED
7	138657-06-N42	EA	BACK - SOFA/SLEEPER - RECLINER/POWERED - LEATHER
	P38657-02-N42	EA	COVER/BACK - SOFA/SLEEPER
	P38657-02-N43	EA	COVER/BACK - SOFA/SLEEPER
	P38657-02-N44	EA	COVER/BACK - SOFA/SLEEPER
	P38657-06-N42	EA	COVER/BACK - SOFA/SLEEPER - LEATHER

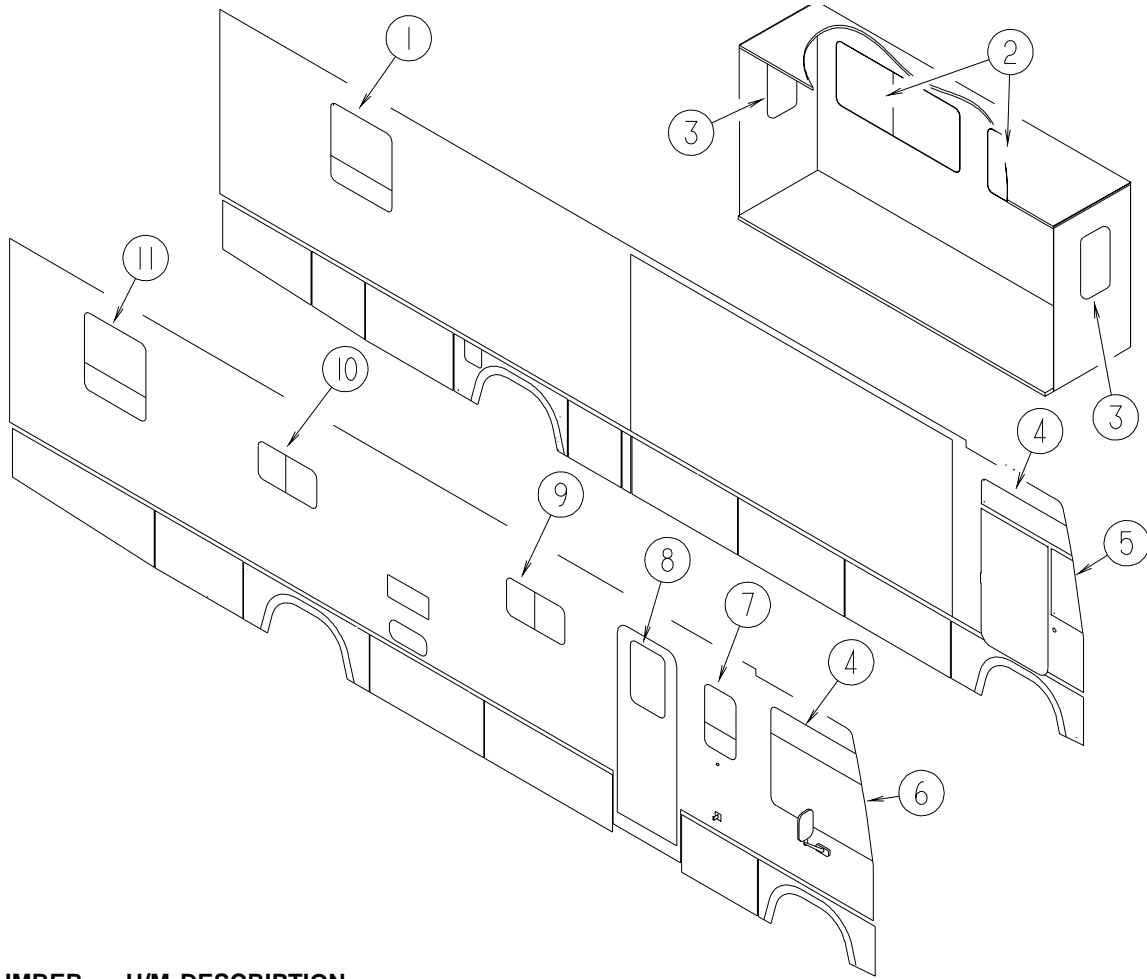


**CURTAIN & CUSHION GROUP (CONTINUED)**  
**SOFA (CONTINUED)**



KEY	PART NUMBER	U/M	DESCRIPTION
8	138657-03-N42	EA	SEAT - SOFA/SLEEPER - RECLINER/POWERED
8	138657-03-N43	EA	SEAT - SOFA/SLEEPER - RECLINER/POWERED
8	138657-03-N44	EA	SEAT - SOFA/SLEEPER - RECLINER/POWERED
8	138657-07-N42	EA	SEAT - SOFA/SLEEPER - RECLINER/POWERED - LEATHER
8	138657-07-N43	EA	SEAT - SOFA/SLEEPER - RECLINER/POWERED - LEATHER
8	138657-07-N44	EA	SEAT - SOFA/SLEEPER - RECLINER/POWERED - LEATHER
	P38657-03-N42	EA	COVER/SEAT - SOFA/SLEEPER
	P38657-03-N43	EA	COVER/SEAT - SOFA/SLEEPER
	P38657-03-N44	EA	COVER/SEAT - SOFA/SLEEPER
	P38657-07-N42	EA	COVER/SEAT - SOFA/SLEEPER - LEATHER
	P38657-07-N43	EA	COVER/SEAT - SOFA/SLEEPER - LEATHER
	P38657-07-N44	EA	COVER/SEAT - SOFA/SLEEPER - LEATHER
9	136534-04-000	EA	SEAT - 26.5" X 60" CL W/FLEXOLATOR
10	138657-04-N42	EA	TRUNDLE - SOFA/SLEEPER
10	138657-04-N43	EA	TRUNDLE - SOFA/SLEEPER
10	138657-04-N44	EA	TRUNDLE - SOFA/SLEEPER
10	138657-08-N42	EA	TRUNDLE - SOFA/SLEEPER - LEATHER
	P38657-04-N42	EA	COVER/TRUNDLE - SOFA/SLEEPER
	P38657-04-N43	EA	COVER/TRUNDLE - SOFA/SLEEPER
	P38657-04-N44	EA	COVER/TRUNDLE - SOFA/SLEEPER
	P38657-08-N42	EA	COVER/TRUNDLE - SOFA/SLEEPER - LEATHER
11	136534-31-000	EA	CABLE-COVER CAP
12	136534-17-000	EA	TRUNDLE-17.5X55"W/LINKAGE, 0CLTN123
13	139716-01-N42	EA	SIGHT SHIELD ASM-58"FULL BCK
13	139716-01-N43	EA	SIGHT SHIELD ASM-58"FULL BCK
13	139716-01-N44	EA	SIGHT SHIELD ASM-58"FULL BCK
13	139716-02-N42	EA	SIGHT SHIELD - 58" - FULL BACK - LEATHER
14	136534-13-000	EA	BASE - 27.25" X 60" - POWERED CL - W/8" OVER HANG
15	116104-04-02B	EA	BRACKET - ZEE W/HOLES - 3.2î - E-COATED

**CURTAIN & CUSHION GROUP (CONTINUED)**  
**WINDOW TREATMENT**

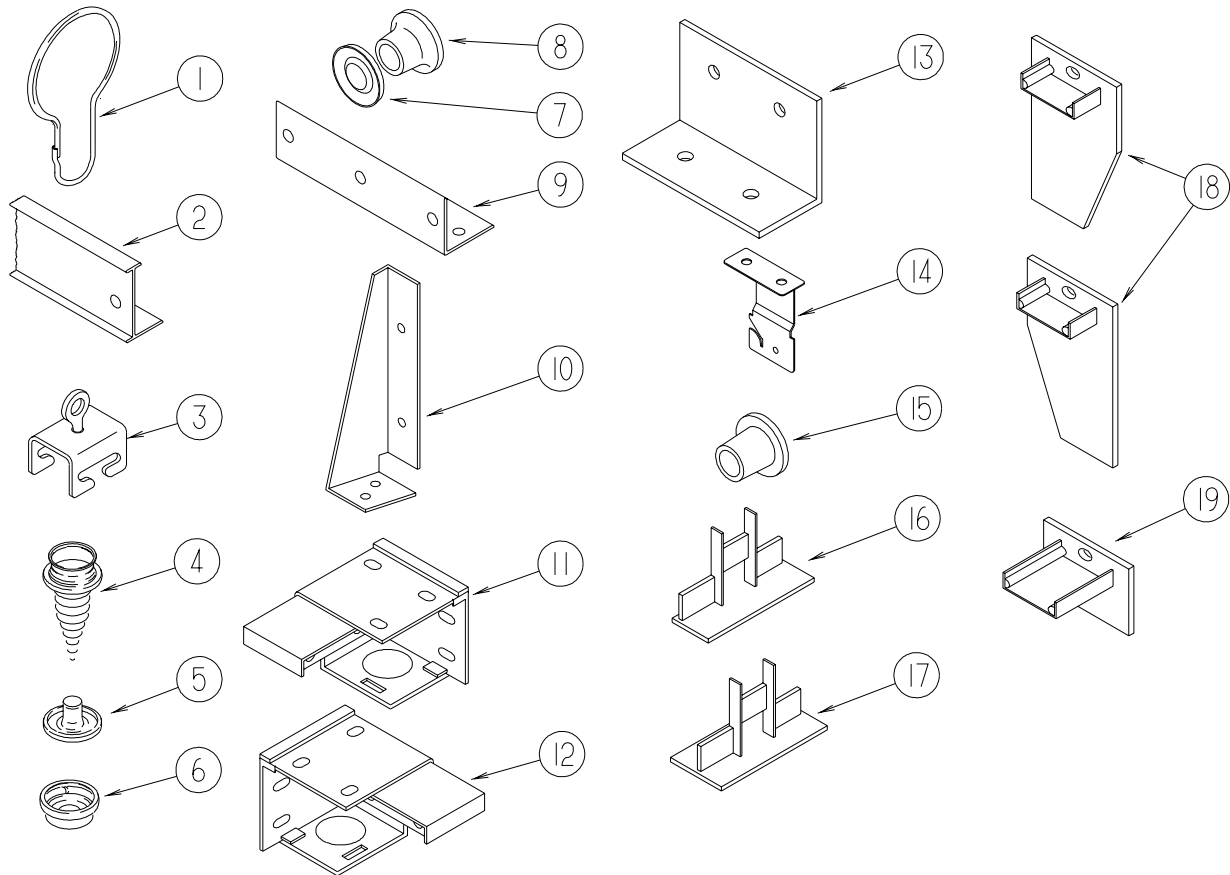


KEY	PART NUMBER	U/M	DESCRIPTION
1	135490-11-N42	EA	VALANCE - ROMANESQUE - 35"
1	135490-11-N43	EA	VALANCE - ROMANESQUE - 35"
1	135490-11-N44	EA	VALANCE - ROMANESQUE - 35"
1	111910-78-N42	EA	BLIND - DAY/NIGHTER - 32" X 35" (N42, N43) FROM: 00-00-00 THRU: 11-04-01
1	140789-22-N42	EA	BLIND - DAY/NIGHTER - 32" X 36" (N42, N43) FROM: 11-05-01 THRU: 99-99-99
1	111910-78-N44	EA	BLIND - DAY/NIGHTER - 32" X 35" (N44) FROM: 00-00-00 THRU: 11-04-01
1	140789-22-N44	EA	BLIND - DAY/NIGHTER - 32" X 36" (N44) FROM: 11-05-01 THRU: 99-99-99
1	136988-29-N42	EA	LEG - RIGHT - 34" - FABRIC COVERED
1	136988-29-N43	EA	LEG - RIGHT - 34" - FABRIC COVERED
1	136988-29-N44	EA	LEG - RIGHT - 34" - FABRIC COVERED
1	136988-30-N42	EA	LEG - LEFT - 34" - FABRIC COVERED
1	136988-30-N43	EA	LEG - LEFT - 34" - FABRIC COVERED
1	136988-30-N44	EA	LEG - LEFT - 34" - FABRIC COVERED
2	135483-01-N42	EA	LAMBREQUIN - TUSCANY - 61"
2	135483-01-N43	EA	LAMBREQUIN - TUSCANY - 61"
2	135483-01-N44	EA	LAMBREQUIN - TUSCANY - 61"
2	111910-55-N09	EA	BLIND - DAY/NIGHTER - 59" X 26.5" (N42, N43) FROM: 00-00-00 THRU: 11-04-01
2	140789-08-N09	EA	BLIND - DAY/NIGHTER - 59" X 26.5" (N42, N43) FROM: 11-05-01 THRU: 99-99-99
2	111910-55-N44	EA	BLIND - DAY/NIGHTER - 59" X 26.5" (N44) FROM: 00-00-00 THRU: 11-04-01
2	140789-08-N44	EA	BLIND - DAY/NIGHTER - 59" X 26.5" (N44) FROM: 11-05-01 THRU: 99-99-99

**CURTAIN & CUSHION GROUP (CONTINUED)**  
**WINDOW TREATMENT (CONTINUED)**

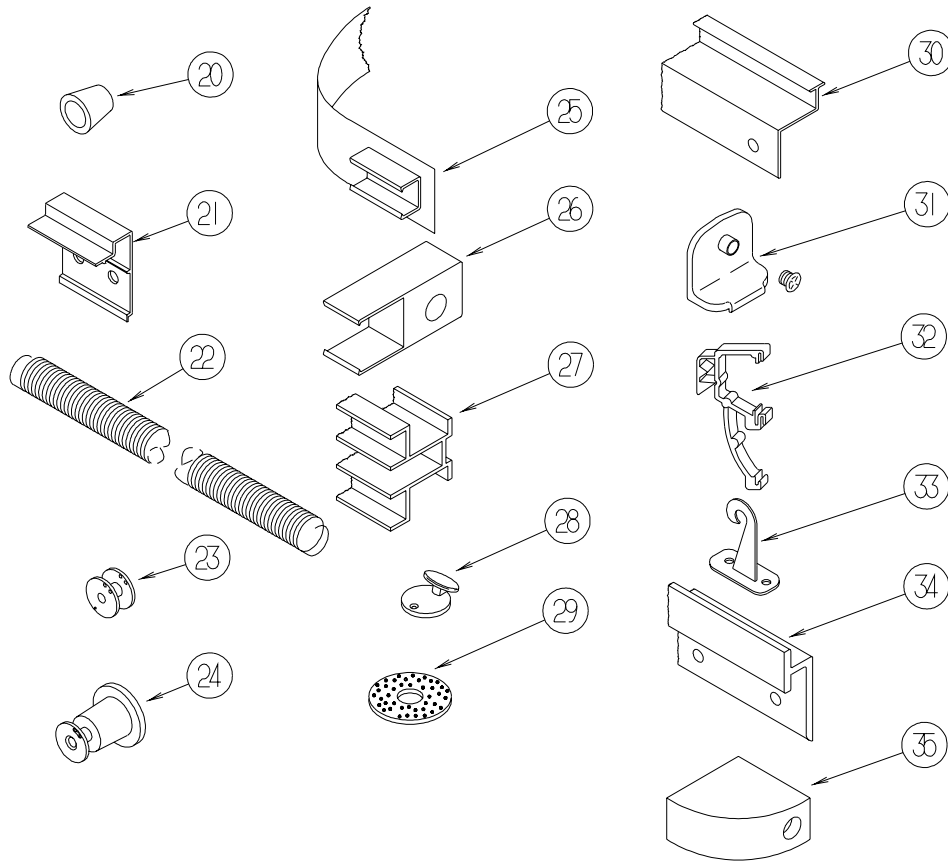
KEY	PART NUMBER	U/M	DESCRIPTION
3	135483-12-N42	EA	LAMBREQUIN - TUSCANY - 26"
3	135483-12-N43	EA	LAMBREQUIN - TUSCANY - 26"
3	135483-12-N44	EA	LAMBREQUIN - TUSCANY - 26"
3	111910-74-N42	EA	BLIND - DAY/NIGHTER - 22.5" X 23" (N42, N43) FROM: 00-00-00 THRU: 11-04-01
3	140789-07-N42	EA	BLIND - DAY/NIGHTER - 22.5" X 23" (N42, N43) FROM: 11-05-01 THRU: 99-99-99
3	111910-74-N44	EA	BLIND - DAY/NIGHTER - 22.5" X 23" (N44) FROM: 00-00-00 THRU: 11-04-01
3	140789-07-N44	EA	BLIND - DAY/NIGHTER - 22.5" X 23" (N44) FROM: 11-05-01 THRU: 99-99-99
3	136988-21-N42	EA	LEG - RIGHT - 22" - FABRIC COVERED
3	136988-21-N43	EA	LEG - RIGHT - 22" - FABRIC COVERED
3	136988-21-N44	EA	LEG - RIGHT - 22" - FABRIC COVERED
3	136988-22-N42	EA	LEG - LEFT - 22" - FABRIC COVERED
3	136988-22-N43	EA	LEG - LEFT - 22" - FABRIC COVERED
3	136988-22-N44	EA	LEG - LEFT - 22" - FABRIC COVERED
4	126841-03-000	EA	SHADE - PULL - CHARCOAL MESH - 40.3" X 60"
5	093487-22-02A	EA	CURTAIN - WRAPAROUND/PRIVACY/PLEATED - 42.5" X 112" - DR
6	093487-21-02A	EA	CURTAIN - WRAPAROUND/PRIVACY/PLEATED - 42.5" X 112" - PASS
7	135483-14-N42	EA	VALANCE - TUSCANY - 32"
7	135483-14-N43	EA	VALANCE - TUSCANY - 32"
7	135483-14-N44	EA	VALANCE - TUSCANY - 32"
7	111910-20-N09	EA	BLIND - DAY/NIGHTER - 28" X 28" (N42, N43) FROM: 00-00-00 THRU: 11-04-01
7	140789-06-N44	EA	BLIND - DAY/NIGHTER - 28" X 28" (N42, N43) FROM: 11-05-01 THRU: 99-99-99
7	111910-20-N09	EA	BLIND - DAY/NIGHTER - 28" X 28" (N44) FROM: 00-00-00 THRU: 11-04-01
7	140789-06-N44	EA	BLIND - DAY/NIGHTER - 28" X 28" (N44) FROM: 11-05-01 THRU: 99-99-99
7	136988-27-N42	EA	LEG - RIGHT - 26" - FABRIC COVERED
7	136988-27-N43	EA	LEG - RIGHT - 26" - FABRIC COVERED
7	136988-27-N44	EA	LEG - RIGHT - 26" - FABRIC COVERED
7	136988-28-N42	EA	LEG - LEFT - 26" - FABRIC COVERED
7	136988-28-N43	EA	LEG - LEFT - 26" - FABRIC COVERED
7	136988-28-N44	EA	LEG - LEFT - 26" - FABRIC COVERED
8	084755-57-E07	EA	SHADE - PULL - 27.25"
9	109041-58-03A	EA	BLIND - MINI - 30.5" FROM: 00-00-00 THRU: 07-29-01
9	109041-44-04A	EA	BLIND - MINI - 30.5" X 18" FROM: 07-30-01 THRU: 99-99-99
10	121410-A2-N42	EA	VALANCE - MODERATE - 32"
10	121410-A2-N43	EA	VALANCE - MODERATE - 32"
10	121410-A2-N44	EA	VALANCE - MODERATE - 32"
10	109041-59-03A	EA	BLIND - MINI - 30.5"
11	135490-11-N42	EA	VALANCE - ROMANESQUE - 35"
11	135490-11-N43	EA	VALANCE - ROMANESQUE - 35"
11	135490-11-N44	EA	VALANCE - ROMANESQUE - 35"
11	111910-78-N42	EA	BLIND - DAY/NIGHTER - 32" X 35" (N42, N43) FROM: 00-00-00 THRU: 11-04-01
11	140789-22-N42	EA	BLIND - DAY/NIGHTER - 32" X 36" (N42, N43) FROM: 11-05-01 THRU: 99-99-99
11	111910-78-N44	EA	BLIND - DAY/NIGHTER - 32" X 35" (N44) FROM: 00-00-00 THRU: 11-04-01
11	140789-22-N44	EA	BLIND - DAY/NIGHTER - 32" X 36" (N44) FROM: 11-05-01 THRU: 99-99-99
11	136988-25-N42	EA	LEG - RIGHT - 34" - FABRIC COVERED
11	136988-25-N43	EA	LEG - RIGHT - 34" - FABRIC COVERED
11	136988-25-N44	EA	LEG - RIGHT - 34" - FABRIC COVERED
11	136988-26-N42	EA	LEG - LEFT - 34" - FABRIC COVERED
11	136988-26-N43	EA	LEG - LEFT - 34" - FABRIC COVERED
11	136988-26-N44	EA	LEG - LEFT - 34" - FABRIC COVERED

## CURTAIN & CUSHION GROUP (CONTINUED) HARDWARE



KEY	PART NUMBER	U/M	DESCRIPTION
1	009136-02-000	EA	HANGER - RING - PIN TYPE - CURTAIN - BRASS
2	009700-04-002	EA	TRACK - CURTAIN - L SHAPED - 15.5' - OFF WHITE - <a href="#">400 SERIES</a>
2	118896-05-04A	EA	TRACK/WRAPAROUND - PASSENGER - GLACIER - <a href="#">Q-SERIES</a>
2	118897-04-04A	EA	TRACK/WRAPAROUND - PASSENGER - GLACIER - <a href="#">Q-SERIES</a>
2	126456-03-04A	EA	TRACK/WRAPAROUND - PASSENGER - GLACIER - <a href="#">G-SERIES</a>
2	126456-04-04A	EA	TRACK/WRAPAROUND - DRIVER - GLACIER - <a href="#">G-SERIES</a>
3	009702-01-000	EA	END STOP - CURTAIN CARRIER - L ROD
4	029130-01-000	EA	SCREW - SNAP STUD - #8-16 X 3/8" LONG
4	029130-03-000	EA	SCREW - SNAP STUD - #8-16 X 1" LONG
5	029155-01-000	EA	CAP - SNAP - 5/32" OUTSIDE DIAMETER OF PIN
6	029156-01-000	EA	SOCKET - SNAP - 9/16" O.D.
7	046867-02-000	EA	WASHER - HANDY BUTTON #3
8	046867-03-000	EA	GROMMET - HANDY BUTTON #3
9	075943-10-000	EA	BRACE - VALANCE - 20" - OFF WHITE
9	105648-01-02A	EA	BRACE - VALANCE - OFF/WHITE - 14"
10	076827-02-000	EA	BRACKET/LEG - 2.9" X 1.8" - TRIANGULAR - LEFT/E-COATED
11	083170-01-000	EA	BRACKET/BLIND - LEFT SIDE WHEN FACING WINDOW - CLEAR
12	083170-02-000	EA	BRACKET/BLIND - RIGHT SIDE WHEN FACING WINDOW - CLEAR
13	083125-07-000	EA	BRACE - ANGLE/COUCH - 2.5" - OFF WHITE
13	083125-08-000	EA	BRACE - ANGLE/COUCH - .75" - OFF WHITE
14	084434-01-000	EA	BRACKET - MOUNTING - ROLLER SHADE - 1 3/8"
15	094896-02-000	EA	GROMMET - CORD/PLEATED BLIND - NYLON - GRAY
16	094907-02-000	EA	END CAP - PLEATED BLIND/TOP - RH/LH - GRAY PLASTIC
17	094907-04-000	EA	END CAP - PLEATED BLIND/BOTTOM - RH/LH
18	094907-05-000	EA	END CAP - PLEATED BLIND/BOTTOM - PULL TYPE - PLASTIC
19	094907-06-000	EA	END CAP - PLEATED BLIND/TOP

## CURTAIN & CUSHION GROUP (CONTINUED) HARDWARE (CONTINUED)

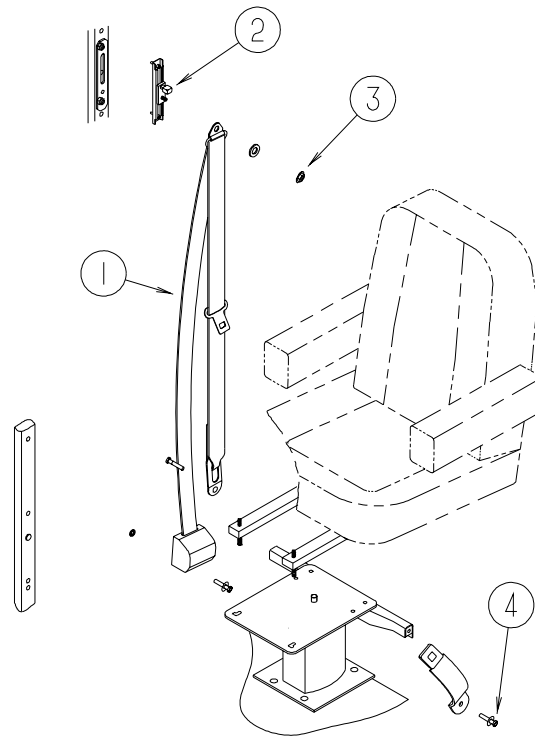


KEY	PART NUMBER	U/M	DESCRIPTION
20	097564-03-000	EA	HANDLE - KNOB - E-Z LIFT SHADE - TAN
20	097564-05-000	EA	HANDLE - KNOB - E-Z LIFT SHADE - TEAL
20	097564-06-000	EA	HANDLE - KNOB - E-Z LIFT SHADE - ALABASTER
21	097565-01-000	EA	BRACKET - MOUNTING - PLEATED BLIND
21	097565-02-000	EA	BRACKET - MOUNTING
22	097591-01-000	EA	SPRING - EXTENSION/PLEATED BLIND
23	097592-01-000	EA	SPOOL - CORD - ELEVATED BLIND HOLDUP - SMALL - CLEAR
24	097592-02-000	EA	SPOOL - CORD - ELEVATED BLIND HOLDUP - LARGE - CLEAR
	097593-02-000	FT	CORD - BLIND - PLEATED - GRAY
	097593-06-000	FT	CORD - BLIND - PLEATED - PEWTER
	097593-07-000	FT	CORD - BLIND - PLEATED - PALE JADE
	097593-10-000	FT	CORD - BLIND - PLEATED - VANILLA
25	101031-01-000	YD	TAPE/GLIDE - 4.25" SPACING
26	101033-02-000	EA	END CAP - LOW PROFILE TRACK - CLEAR
27	101033-08-000	EA	TRACK/WALL - 75"
27	101033-09-000	EA	TRACK/WALL - 32"
28	102555-03-000	EA	CLEAT - BLIND CORD - MILKY WHITE - PLASTIC
29	103242-01-000	EA	VELCRO HOOK - BEIGE 7/8" ROUND W/CENTER HOLE
29	103242-02-000	EA	VELCRO HOOK - BLACK 7/8" ROUND W/CENTER HOLE
30	105450-14-01A	EA	TRACK - CURTAIN - 90" - OFF WHITE - <a href="#">300-SERIES</a>
30	105450-15-01A	EA	TRACK - CURTAIN - 82.3" - OFF WHITE - <a href="#">200-SERIES</a>
31	106544-01-000	EA	PULL - SHADE/BRASS
	106544-01-001	EA	SCREW - SHADE/BRASS
32	109353-04-000	EA	CLIP - VALANCE SLAT MOUNTING - CLEAR PLASTIC
	109441-02-000	EA	SPACER/BRACKET - BLIND HOLD DOWN
33	109441-03-000	EA	BRACKET/HOOK - BLIND HOLD DOWN - CLOUDY
34	127254-03-05A	EA	TRACK/WRAPAROUND - PASSENGER - GLACIER - <a href="#">D-SERIES</a>
34	127254-04-05A	EA	TRACK/WRAPAROUND - DRIVER - GLACIER - <a href="#">D-SERIES &amp; F-SERIES</a>
34	127254-14-03A	EA	TRACK/WRAPAROUND - PASSENGER - GLACIER - <a href="#">F-SERIES</a>
34	133235-01-04A	EA	TRACK - CURTAIN/LEFT HAND - GLACIER - <a href="#">P-SERIES</a>
34	133236-01-04A	EA	TRACK - CURTAIN/RIGHT HAND - GLACIER - <a href="#">P-SERIES</a>
35	132504-01-N92	EA	BRACKET - SHADE

## CURTAIN & CUSHION GROUP (CONTINUED)

### ACCESSORIES

KEY	PART NUMBER	U/M	DESCRIPTION
	056271-01-000	EA	SEAT BELT - 2" X 102" - BLACK
	057534-03-000	EA	TIEBACK - CLEAR PLASTIC - 7.5"
FROM: 09-05-01 THRU: 99-99-99			
	074494-02-000	EA	BUTTON - RETAINING PIVOT - #60
	074494-03-000	EA	BUTTON - SERRATED PIVOT - W/3/8 TACK
	118337-04-N42	EA	BUTTON - #60 - FABRIC COVERED (N42)
	118337-04-M40	EA	BUTTON - #60 - FABRIC COVERED (N43)
	118337-04-N44	EA	BUTTON - #60 - FABRIC COVERED (N44)
	118337-08-N42	EA	BUTTON - #60 - FABRIC COVERED (N42)
	118337-08-M40	EA	BUTTON - #60 - FABRIC COVERED (N43)
	118337-08-N44	EA	BUTTON - #60 - FABRIC COVERED (N44)
	099717-04-000	EA	STRAP - W/21.2" FEMALE STRAP AND 27.1" MALE STRAP
	129529-02-000	EA	STRAP - CHAIR RETAINING - 81.9"
	127038-01-01A	EA	TIEDOWN STRAP - W/VELCRO ENDS
	129491-01-000	EA	CATCH - SNAP HOOK - 1"



KEY	PART NUMBER	U/M	DESCRIPTION
1*	091990-08-01A	EA	SEAT BELT - 3 POINT - .766" DIAMETER HOLE IN D-LOOP BRKT
2	127598-01-01A	EA	ADJUSTER - SEATBELT - D-LOOP
3	127598-02-000	EA	NUT - HEX FLANGE - M10 X 1.5 - CLASS 10
4	095076-02-000	EA	WASHER - FL - 7/16"ID X 2"OD X .06

\*COMPONENT PARTS LISTED LATER IN THIS GROUP

**CURTAIN & CUSHION GROUP (CONTINUED)**  
**COMPONENT PARTS FOR ACCESSORIES**

091990-08-01A

<b>KEY</b>	<b>PART NUMBER</b>	<b>U/M</b>	<b>DESCRIPTION</b>	<b>VENDOR NO.</b>
	091990-01-701	EA	EXTENDER 9" FOR A8408 3 PT	I-1331-02
	091990-01-703	EA	RECEIVER/FEMALE END-SEATBELT	I-1159-02
	091990-05-700	EA	SLEEVE/BUCKLE COVER-PLASTIC	209S-2
	091990-05-701	EA	CAP/COVER - BOLT HOLE COVER	209SC-02
	091990-05-702	EA	SLEEVE/RETRACTABLE COVER	309C-02

**CURTAIN & CUSHION GROUP (CONTINUED)**  
FABRICS

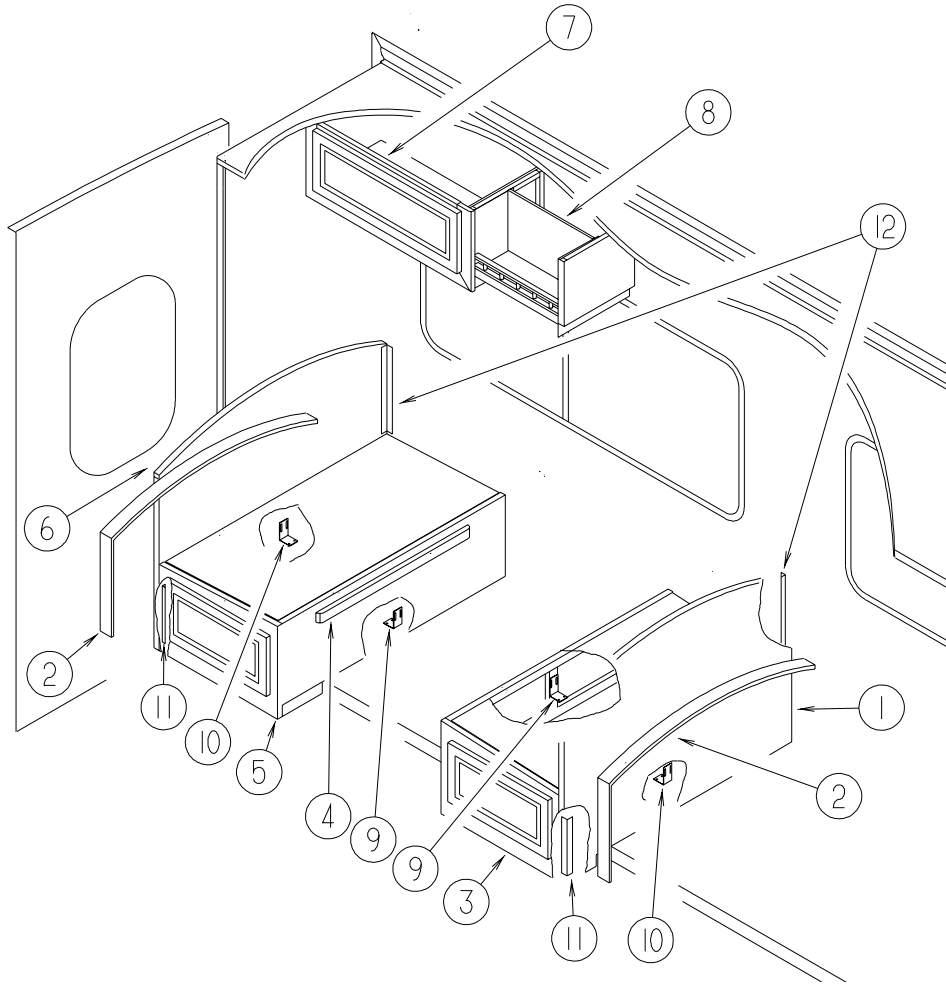
<b>2002 FAMILY</b>	<b>N42 SORRENTO IVORY</b>	<b>N43 GARDEN GATE</b>	<b>N44 BLUE SHADOW</b>
<b>BUCKET</b>	580 STYLE	580 STYLE	580 STYLE
	126883-H0-000	126883-F4-000	105745-T4-000
	*OPT. LEATHER-GLACIER	*OPT. LEATHER-GLACIER	*OPT. LEATHER-GLACIER
	WELT - 079680-44-000/DRIFTWOOD	WELT - 079680-45-000/CIRRUS	WELT - 079680-46-000/CAMB. BLUE
<b>DINETTE</b>	CLUB	CLUB	CLUB
	126883-G9-000	126883-F3-000	126883-G8-000
<b>BOMERAND/ TRIM</b>	126883-H0-000	126883-F4-000	105745-T4-000
<b>DINING CHAIRS</b>	(2) FLEXSTEEL #C155	(2) FLEXSTEEL #C155	(2) FLEXSTEEL #C155
	126883-H0-000	126883-F3-000	105745-T4-000
<b>FOLDING CHAIRS</b>	REM	REM	REM
	126883-H0-000	126883-F3-000	105745-T4-000
<b>SOFA</b>	810 STYLE	810 STYLE	810 STYLE
	126883-G9-000	126883-F3-000	126883-G8-000
	*OPT. LEATHER-GLACIER	*OPT. LEATHER-GLACIER	*OPT. LEATHER-GLACIER
	WELT - 079680-44-000/DRIFTWOOD	WELT - 079680-45-000/CIRRUS	WELT - 079680-46-000/CAMB. BLUE
<b>LOUNGE PILLOW</b>	(2) 17" ENVELOPE STYLE	(2) 17" ENVELOPE STYLE	(2) 17" ENVELOPE STYLE
	126883-H0-000/126883-G9-000	126883-F4-000/126883-F3-000	105745-T4-000/126883-G8-000
	BUTTON - 126883-H0-000	BUTTON - 126883-F4-000	BUTTON - 105745-T4-000
<b>LOUNGE CHAIR</b>	460 RECLINER	460 RECLINER	460 RECLINER
	126883-H0-000	126883-F4-000	105745-T4-000
	OPT. ***GLACIER (NO WELT)	OPT. ***GLACIER (NO WELT)	OPT. ***GLACIER (NO WELT)
<b>LOUNGE WINDOWS</b>	TUSCANY LAMBREQUIN	TUSCANY LAMBREQUIN	TUSCANY LAMBREQUIN
	126883-G9-000/126883-H0-000	126883-F3-000/126883-F4-000	126883-G8-000/105745-T4-000
	UNDERLAY/OVERLAY	UNDERLAY/OVERLAY	UNDERLAY/OVERLAY
	BUTTONS - 126883-G9-000	BUTTONS - 126883-F3-000	BUTTONS - 126883-G8-000
	TRIM - 084415-D8-000	TRIM - 084415-F2-000	TRIM - 084415-D3-000
<b>FRONT WRAP</b>	PURCHASED PLEATED	PURCHASED PLEATED	PURCHASED PLEATED
<b>DAY/NIGHTER</b>	094911-58-000/126883-50-000	094911-58-000/126883-50-000	094911-56-000/126883-50-000
	PUTTY/WT. DECO	PUTTY/WT. DECO	EGGSHELL/WT. DECO
<b>GALLEY BLINDS</b>	386 SNOCAP	386 SNOCAP	386 SNOCAP



**CURTAIN & CUSHION GROUP (CONTINUED)**  
**FABRICS (CONTINUED)**

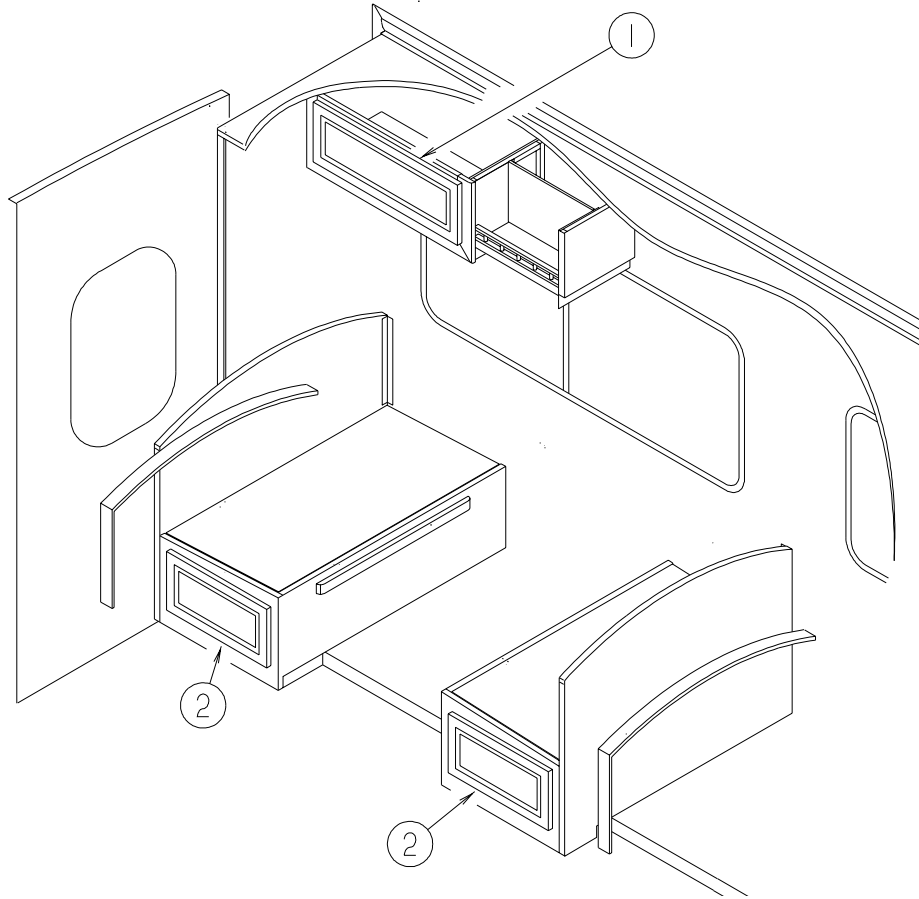
<b>2002 FAMILY</b>	<b>N42 SORRENTO IVORY</b>	<b>N43 GARDEN GATE</b>	<b>N44 BLUE SHADOW</b>
<b>BATH WINDOW</b>	MODERATE 105745-X5-000	MODERATE 105745-W7-000	MODERATE 105745-X7-000
<b>BEDROOM WINDOW TREATMENT</b>	ROMANESQUE VALANCE 105745-X5-000/105745-X6-000	ROMANESQUE VALANCE 105745-W7-000/105745-V2-000	ROMANESQUE VALANCE 105745-X7-000/105745-X8-000
	LEGS - 105745-X6-000	LEGS - 105745-V2-000	LEGS - 105745-X8-000
<b>BEDCOVER</b>	BEDCAP W/½ N-G WELT 105745-X5-000/105745-X6-000	BEDCAP W/½ N-G WELT 105745-W7-000/105745-V2-000	BEDCAP W/½ N-G WELT 105745-X7-000/105745-X8-000
<b>QUILT PATTERN</b>	6" CHANNEL	6" CHANNEL	6" CHANNEL
<b>SHAMS</b>	1/2" NON-GATH. WELT 105745-X6-000/105745-X5-000	1/2" NON-GATH. WELT 105745-V2-000/105745-W7-000	1/2" NON-GATH. WELT 105745-X8-000/105745-X7-000
<b>BED PILLOW</b>	(1) 17" W/BAND & WELT 105745-X6-000/105745-X5-000	(1) 17" W/BAND & WELT 105745-V2-000/105745-W7-000	(1) 17" W/BAND & WELT 105745-X8-000/105745-X7-000
	CORD - 084415-D8-000	CORD - 084415-F2-000	CORD - 084415-D3-000
<b>HEADBOARD</b>	HORIZON STYLE 105745-X5-000/105745-X6-000	HORIZON STYLE 105745-W7-000/105745-V2-000	HORIZON STYLE 105745-X7-000/105745-X8-000
<b>CARPET</b>	096060-J8-000 NUTMEG	096060-F0-000 PALE SAGE	096060-E6-000 OASIS
<b>VINYL</b>	079680-50-000/DOESKIN WELT - 079680-44-000/DRIFTWOOD	079680-50-000/DOESKIN WELT - 079680-45-000/CIRRUS	079680-50-000/DOESKIN WELT - 079680-46-000/CAMB. BLUE
<b>CEILING MATERIAL</b>	113979-12-01A/SOFT CLOUD	113979-12-01A/SOFT CLOUD	113979-12-01A/SOFT CLOUD
<b>SPEAKER</b>	072333-A2-000/DARK BROWN	072333-A2-000/DARK BROWN	072333-A2-000/DARK BROWN

## DINETTE GROUP CABINETS



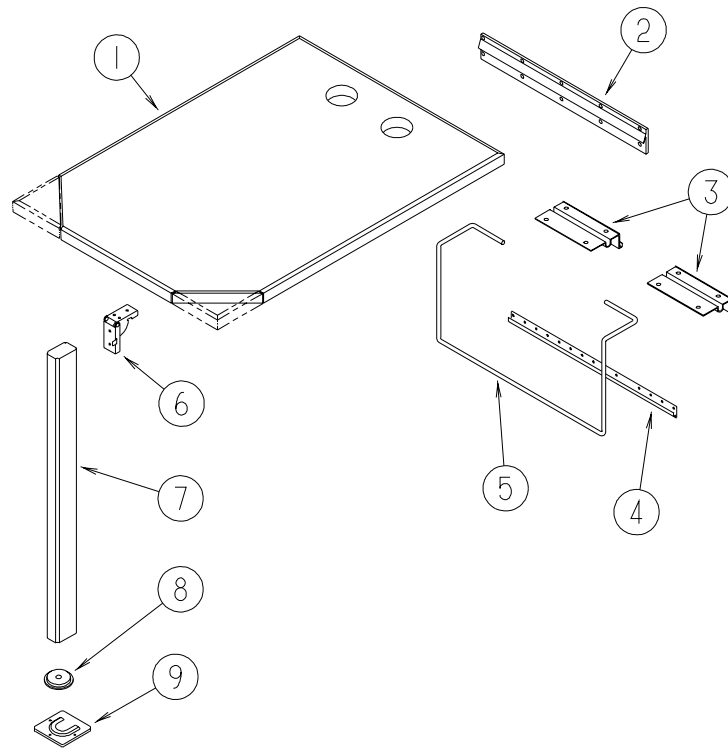
KEY	PART NUMBER	U/M	DESCRIPTION
1	137092-54-N42	EA	DINETTE SEAT BACK - W/O HARDWARE
2	111338-12-N42	EA	PAD - DINETTE - 43.5"
2	111338-12-N43	EA	PAD - DINETTE - 43.5"
2	111338-12-N44	EA	PAD - DINETTE - 43.5"
3	P37092-01-N42	EA	CABINET/SEATBASE - W/O DOOR/DRAWER/HARDWARE
4	081295-01-N70	EA	SUPPORT - BED/DINETTE - 28" LONG
5	P37092-02-N42	EA	CABINET/SEATBASE - W/O DOOR/DRAWER/HARDWARE
6	137092-62-N42	EA	DINETTE SEAT BACK - W/O HARDWARE
7	134919-01-N42	EA	CABINET - OVERHEAD/DINETTE - W/O DOORS/HARDWARE - W/O DELUXE SOUND
7	134919-02-N42	EA	CABINET - OVERHEAD/DINETTE - W/O DOORS/HARDWARE - W/DELUXE SOUND
8	136894-01-N42	EA	CABINET - OVERHEAD/COFFEE - W/O DOORS/HARDWARE
9	132871-01-02B	EA	BRACKET/L-ANGLE W/HOLES - 1.3" X 2.8" - E-COATED
10	132871-02-02B	EA	BRACKET/L-ANGLE W/HOLES - 1.9" X 2.8" - E-COATED
11	122021-01-02A	EA	ANGLE - W/HOLES - 8.6" LONG - OFF WHITE
			FROM: 00-00-00 THRU: 08-12-01
11	122021-09-02A	EA	ANGLE - W/HOLES - OFF WHITE
			FROM: 08-13-01 THRU: 99-99-99
12	122021-02-02A	EA	ANGLE - W/HOLES - 13.7" LONG - OFF WHITE

**DINETTE GROUP (CONTINUED)**  
**DOORS & DRAWERS**



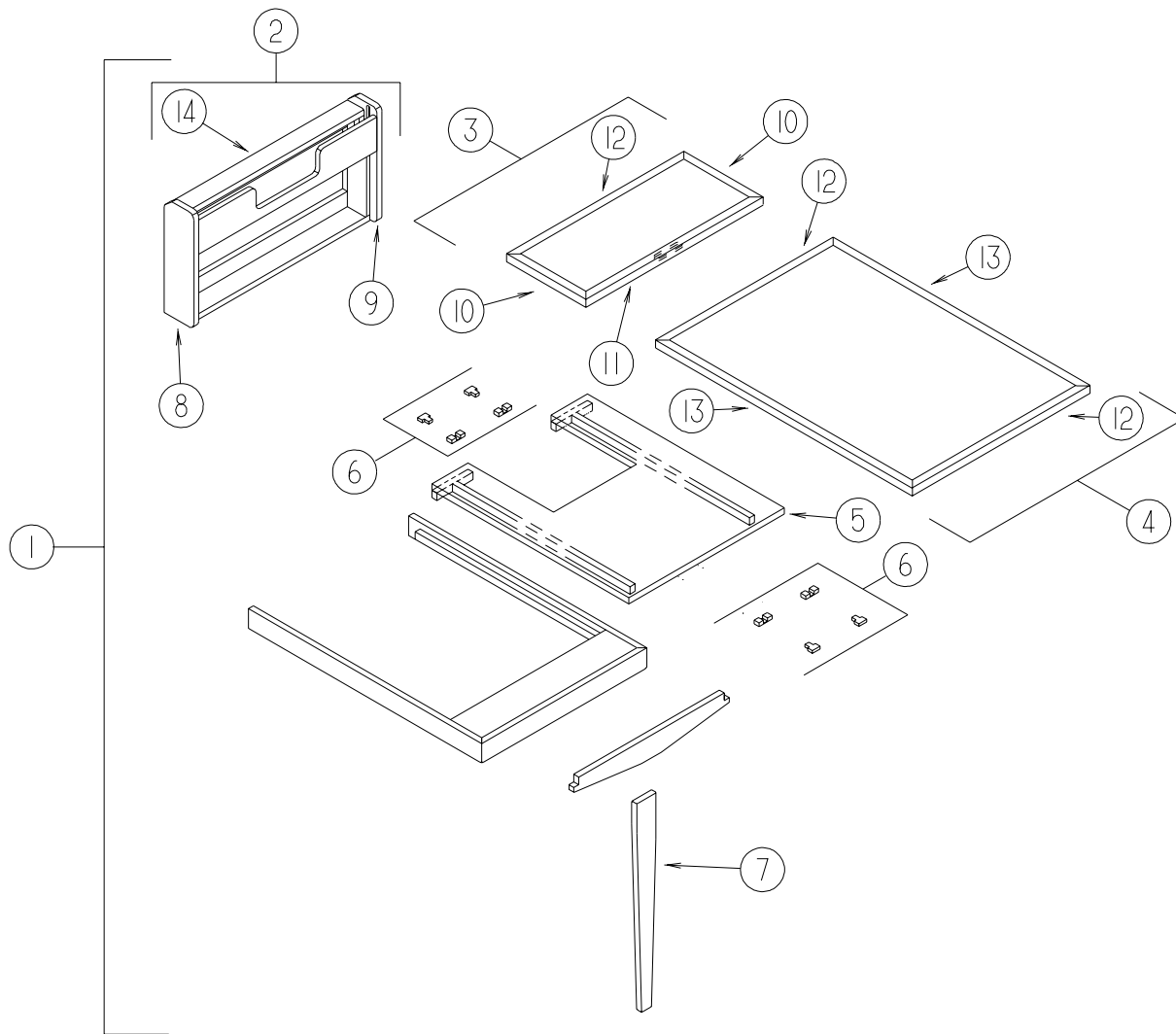
KEY	PART NUMBER	U/M	DESCRIPTION
1	132141-20-N42	EA	DOOR - RAIL/VENEER - 10.8" X 27.9" - W/O HARDWARE
2	P38873-05-N70	EA	DRAWER - FABRIC WRAPPED - 16.6" X 37.3" - W/O HARDWARE

## DINETTE GROUP (CONTINUED) TABLE



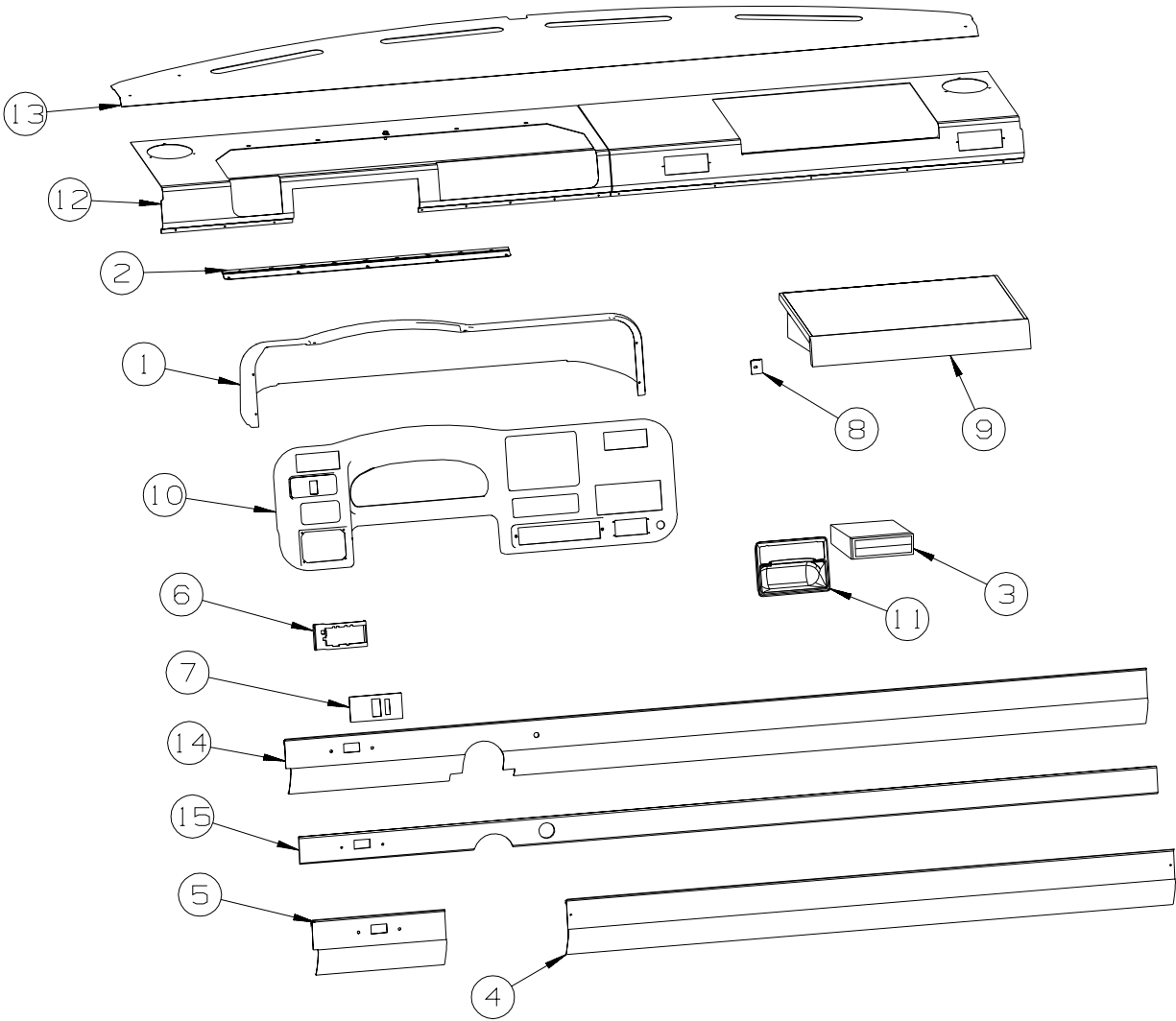
KEY	PART NUMBER	U/M	DESCRIPTION
1	132783-01-14A	EA	TABLE/WOOD EDGE - 29.8" X 41.7" - WHITE TALC/PORTSMOUTH (N42)
1	132783-01-12A	EA	TABLE/WOOD EDGE - 29.8" X 41.7" - NATURAL LEGACY/PORTSMOUTH (N43)
1	132783-01-15A	EA	TABLE/WOOD EDGE - 29.8" X 41.7" - GREY/PORTSMOUTH OAK (N44)
2	053200-13-000	EA	SUPPORT - TABLE - 18.5"
3	088410-02-000	EA	BRACKET - LIFT - TABLE MOUNTED
4	024281-15-000	EA	BRACKET/TABLE - LIFT ROD/LOWER WALL MOUNTED - 17.1"
5	024275-13-000	EA	ROD - TABLE LIFT - OFF/WHITE
6	093550-01-000	EA	BRACKET - HINGE - MOUNTS TO LEG & TABLE TOP - 1.7" X 2.6"
7	092707-04-10A	EA	LEG - TABLE - W/O HARDWARE - 27" - PORTSMOUTH OAK II
8	092593-01-05A	EA	CATCH - TABLE LEG - OFF/WHITE
9	049493-12-000	EA	CATCH - TABLE LEG/FLOOR MOUNTED - OFF WHITE

**DINETTE GROUP (CONTINUED)**  
**TABLE (CONTINUED)**



KEY	PART NUMBER	U/M	DESCRIPTION
1	133856-01-N42	EA	TABLE COMPLETE - LAMINATED - PORTSMOUTH OAK
2	133856-31-N42	EA	CABINET/WALL - W/O COUNTERTOP - F/PULLOUT TABLE
3	133856-12-N42	EA	TABLE TOP - SMALL HINGED SECTION-LAMINATED-PORTSMOUTH OAK
4	133856-11-N42	EA	TABLE TOP ONLY - LARGE SECTION - LAMINATED-PORTSMOUTH OAK
5	133856-17-N42	EA	SLIDE - TABLE TOP
6	009050-02-000	EA	LEVELER - TABLE TOP - MALE END W/4 SCREWS - PLASTIC
6	009050-03-000	EA	LEVELER - TABLE TOP - FEMALE END W/2 SCREWS - PLASTIC
7	133856-28-N42	EA	LEG - F/TABLE
8	133856-26-N42	EA	END - LEFT HAND - F/TABLE CABINET
9	133856-27-N42	EA	END - RIGHT HAND - F/TABLE CABINET
10	133856-15-N42	EA	TRIM - TABLE MOLDING - 12"
11	133856-16-N42	EA	TRIM - TABLE MOLDING - 23.8"
12	133856-14-N42	EA	TRIM - TABLE MOLDING - 23.8"
13	133856-13-N42	EA	TRIM - TABLE MOLDING - 41.2"
14	133856-23-N42	EA	COUNTERTOP - F/WALL CABINET - LAMINATED - PORTSMOUTH OAK

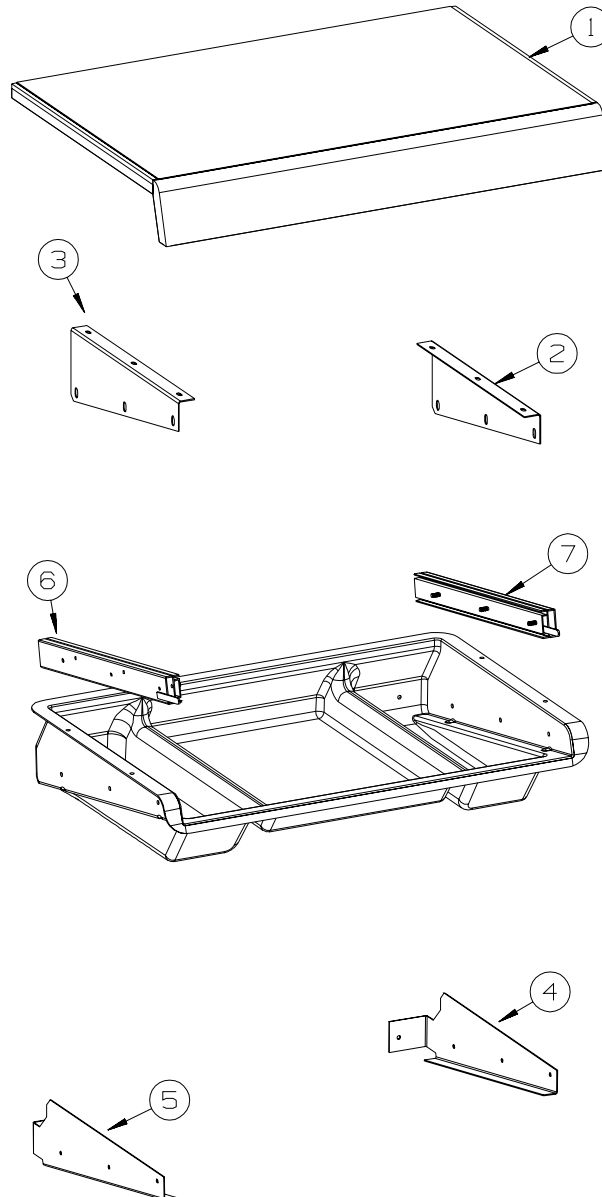
## DRIVERS COMPARTMENT GROUP DASH



KEY	PART NUMBER	U/M	DESCRIPTION
1	132080-01-03A	EA	POD - INSTRUMENT PANEL - W/O HOLE - GLACIER
2	129813-02-02A	EA	HINGE - DASH POD - PUTTY
3	096776-03-000	EA	STORAGE BOX - CD/D - 4 DISC HOLDER
4	111528-10-04A	EA	TRIM - DASH/LOWER - PASSENGER - PUTTY (N42, N43) - FORD
4	111528-10-03A	EA	TRIM - DASH/LOWER - PASSENGER - TITANIUM (N44) - FORD
5	111528-11-04A	EA	TRIM - DASH/LOWER - DRIVER - PUTTY (N42, N43) - FORD
5	111528-11-03A	EA	TRIM - DASH/LOWER - DRIVER - TITANIUM (N44) - FORD
6	133849-01-04B	EA	MOUNT - HEADLAMP SWITCH - BLACK - WORKHORSE
6	133849-01-02B	EA	MOUNT - HEADLAMP SWITCH - E-COATED - WORKHORSE
			FROM: 00-00-00 THRU: 02-20-01
6	133849-01-02B	EA	MOUNT - HEADLAMP SWITCH - E-COATED - WORKHORSE
			FROM: 02-21-01 THRU: 99-99-99
7	134088-01-01A	EA	APPLIQUE - SWITCH - HEADLAMP - BLACK - WORKHORSE
8	134257-02-02B	EA	CLIP - RETAINER - BEZEL - E-COATED
9	135298-01-N42	EA	TABLE COMPLETE - WORKSTATION - GLACIER/PORTSMOUTH OAK
10	138611-01-02A	EA	BEZEL - INSTRUMENT PANEL - PUTTY (N42, N43) - FORD
10	138611-01-03A	EA	BEZEL - INSTRUMENT PANEL - TITANIUM (N44) - FORD
10	137806-02-02A	EA	BEZEL - INSTRUMENT PANEL - PUTTY (N42, N43) - WORKHORSE
10	137806-02-03A	EA	BEZEL - INSTRUMENT PANEL - TITANIUM (N44) - WORKHORSE
11	111350-01-01A	EA	POCKET - INSTRUMENT PANEL - UPPER - BLACK
12	132128-01-02B	EA	DASH - E-COATED - FORD W/O WORKSTATION
12	132128-04-02B	EA	DASH - E-COATED - WORKHORSE HD - WORKHORSE W/O WORKSTATION
	106569-11-03A	EA	VINYL - LAMINATE - 1/4" X 25" X 100" - GLACIER
12	135096-01-02B	EA	DASH - E-COAT - FORD W/WORKSTATION
12	135096-04-02B	EA	DASH - WORKHORSE CHASSIS - F/WORKSTATION - E-COAT - WORKHORSE W/WORKSTATION
	106569-11-03A	EA	VINYL - LAMINATE - 1/4" X 25" X 100" - GLACIER
	109235-01-01A	FT	COVER - SCREW - MAT BLACK

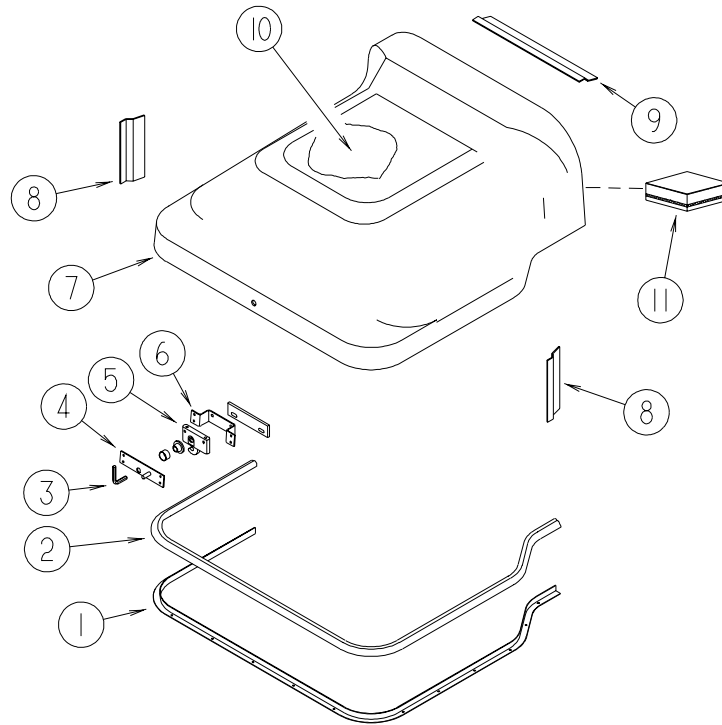
## DRIVERS COMPARTMENT GROUP (CONTINUED) DASH (CONTINUED)

KEY	PART NUMBER	U/M	DESCRIPTION
13	132126-02-02B	EA	PANEL - DASH TOP - E-COATED
	106569-11-04A	EA	VINYL - LAMINATE - 1/4" X 25" X 100" - PUTTY (N42, N43)
	106569-11-02A	EA	VINYL - LAMINATE - 1/4" X 25" X 100" - TITANIUM (N44)
14	137928-01-03A	EA	TRIM - DASH - LOWER - PUTTY (N42, N43) - <b>WORKHORSE</b>
14	137928-01-04A	EA	TRIM - DASH - LOWER - TITANIUM (N44) - <b>WORKHORSE</b>
15	132647-01-04A	EA	MOLDING/TRIM - DASH - PORTSMOUTH OAK FROM: 00-00-00 THRU: 05-13-01
15	132647-01-05A	EA	MOLDING/TRIM - DASH FROM: 05-14-01 THRU: 99-99-99
	076767-05-000	EA	CABLE - STAINLESS STEEL - 15.5"
	115870-01-000	FT	SEAL - TRIM - EDGE - <b>WORKHORSE</b>
	138620-01-02B	EA	BRACKET - RADIO SUPPORT - E-COATED FROM: 00-00-00 THRU: 07-13-01



KEY	PART NUMBER	U/M	DESCRIPTION
1	135122-01-N42	EA	TABLE TOP - PULLOUT/WORKSTATION - OAK/PORTSMOUTH OAK
2	135132-01-02B	EA	ANGLE - SLIDE - RIGHT HAND - E-COATED
3	135132-02-02B	EA	ANGLE - SLIDE - LEFT HAND - E-COATED
4	135228-01-02B	EA	ANGLE - SLIDE - TRAY/RIGHT HAND - E-COATED
5	135228-02-02B	EA	ANGLE - SLIDE - TRAY/LEFT HAND - E-COATED
6	135314-01-01A	EA	SLIDE - DASH WORK STATION - RIGHT HAND
7	135314-02-01A	EA	SLIDE - DASH WORK STATION - LEFT HAND

**DRIVERS COMPARTMENT GROUP (CONTINUED)**  
**MOTOR COVER**

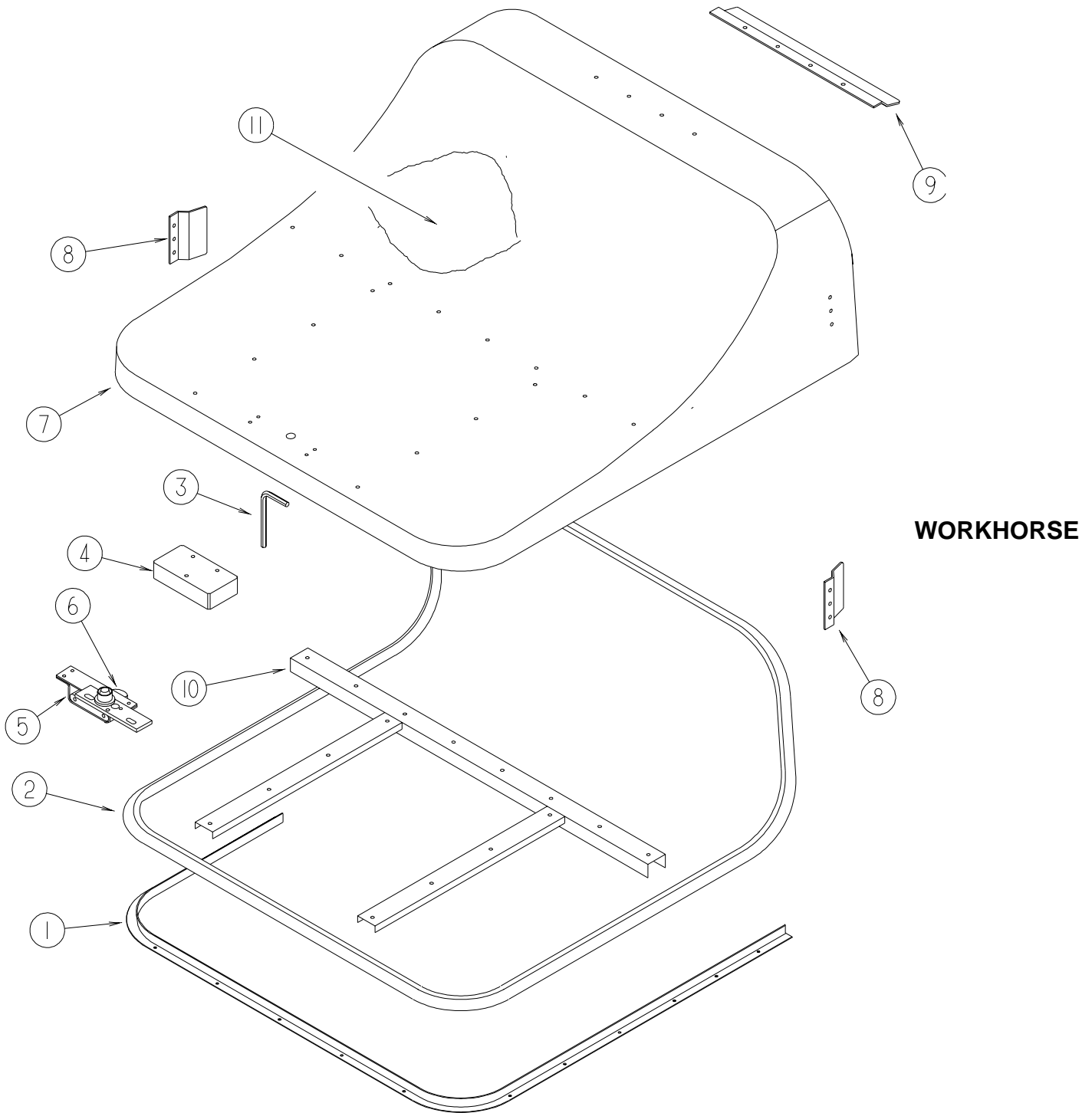


**FORD**

KEY	PART NUMBER	U/M	DESCRIPTION
1	115860-05-01A	EA	TRIM - MOTOR COVER - MILL FINISH - FORD
2	039623-01-000	FT	SEAL - MOTOR COVER - RUBBER BULB TYPE
3	116833-01-02B	EA	WRENCH - HEX MOTOR COVER - E-COATED
4	115852-01-02B	EA	STRIKE - LATCH - MOTOR COVER - E-COATED
5	116581-01-000	EA	LATCH - W/O STRIKE - MOTOR COVER
6	115850-01-02B	EA	RETAINER - LATCH - MOTOR COVER - RIGHT HAND - E-COATED
7	129099-04-01A	EA	COVER - MOTOR - W/O CARPET - 00 FORD
8	115855-02-02B	EA	RETAINER - MOTOR COVER/SIDE - E-COATED
9	115855-03-02B	EA	RETAINER - MOTOR COVER/TOP - E-COATED
9	115855-01-02B	EA	RETAINER - MOTOR COVER/TOP - E-COATED FROM: 00-00-00 THRU: 07-08-01 FROM: 07-09-01 THRU: 99-99-99
10	134497-01-000	SF	FOIL/ALUMINUM - REINFORCED
11	NOT USED		



**DRIVERS COMPARTMENT GROUP (CONTINUED)**  
**MOTOR COVER (CONTINUED)**

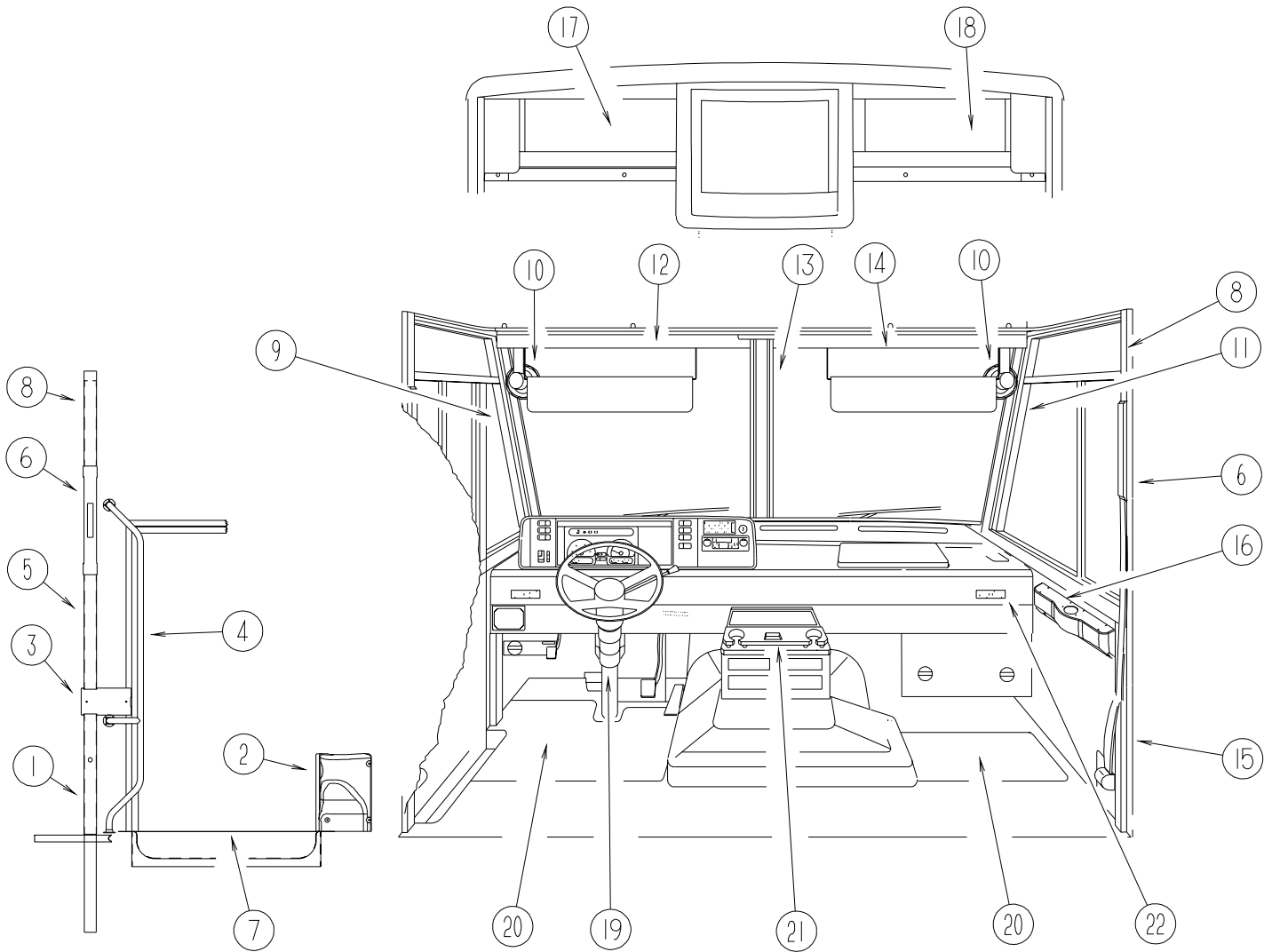


KEY	PART NUMBER	U/M	DESCRIPTION
1	137332-01-01A	EA	TRIM - MOTOR COVER
2	039623-01-000	FT	SEAL - MOTOR COVER - RUBBER BULB TYPE
3	116833-01-02B	EA	WRENCH - HEX MOTOR COVER - E-COATED
4	137305-02-02B	EA	BRACKET - STRIKE SUPPORT - E-COATED
5	116581-01-000	EA	LATCH - W/O STRIKE - MOTOR COVER
6	115850-01-02B	EA	RETAINER - LATCH - MOTOR COVER - RIGHT HAND - E-COATED
7	137096-01-01A	EA	COVER - MOTOR - W/O CARPET
8	115855-04-02B	EA	RETAINER - MOTOR COVER - E-COATD
9	115855-03-02B	EA	RETAINER - MOTOR COVER/TOP - E-COATED
10	130127-02-02B	EA	SUPPORT - MOTOR COVER - E-COATED
11	134497-01-000	SF	FOIL/ALUMINUM - REINFORCED

FROM: 10-08-01 THRU: 99-99-99

# DRIVERS COMPARTMENT GROUP (CONTINUED)

## FRONT INTERIOR

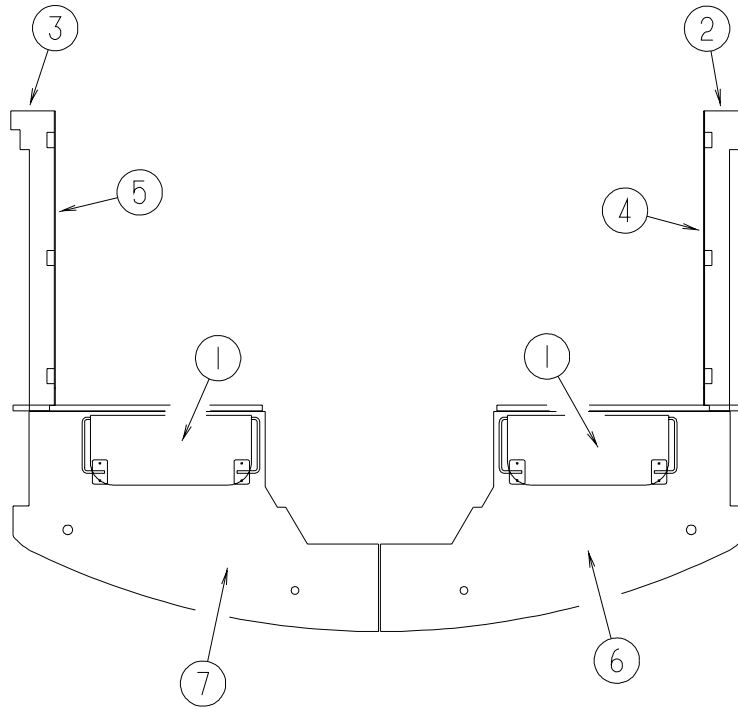


KEY	PART NUMBER	U/M	DESCRIPTION
1	024700-67-000	EA	COVER - SIDEWALL ROLL BAR - 20.1" - OFF WHITE
2	132296-01-03A	EA	PANEL/TRIM - DASH/CAB DOOR - LOW MOUNT MIRRORS - PUTTY (N42, N43)
2	132296-01-02A	EA	PANEL/TRIM - DASH/CAB DOOR - TITANIUM (N44)
3	103961-07-01A	EA	COVER - BRACKET - LATCH - OFF WHITE
3	141072-01-01A	EA	COVER - BRACKET/LATCH - OFF WHITE
			FROM: 00-00-00 THRU: 01-06-02
	140151-02-01A	EA	COVER - SCREW - OFF WHITE
			FROM: 01-07-02 THRU: 99-99-99
			FROM: 01-07-02 THRU: 99-99-99
4	131058-04-02A	EA	HAND RAIL - INTERIOR CAB DOOR - BLACK
5	024700-66-000	EA	COVER - SIDEWALL ROLL BAR - 20.6" - OFF WHITE
6	127721-01-01A	EA	COVER - SLIDE - OFF WHITE
			FROM: 00-00-00 THRU: 10-07-01
6	140151-01-01A	EA	COVER - SEAT BELT - OFF WHITE
			FROM: 10-08-01 THRU: 99-99-99
6	127798-01-01A	EA	COVER - SLIDE - INNER - 1.5" X 11.4" - BLACK
			FROM: 00-00-00 THRU: 10-07-01
6	140151-03-01A	EA	COVER - SEAT BELT SLIDE - BLACK
			FROM: 10-08-01 THRU: 99-99-99
	140151-02-01A	EA	COVER - SCREW - OFF WHITE
			FROM: 10-08-01 THRU: 99-99-99
7	131849-02-04A	EA	TRIM ASM-STEP,DR PUTTY (N42, N43)
7	131849-02-02A	EA	TRIM - DRIVER STEP - TITANIUM (N44)
	102569-02-000	EA	MAT - ANTI SLIP - LOWER
8	024700-58-000	EA	COVER - ROLL BAR - SIDEWALL - 16.5" - OFF WHITE

**DRIVERS COMPARTMENT GROUP (CONTINUED)**  
**FRONT INTERIOR (CONTINUED)**

KEY	PART NUMBER	U/M	DESCRIPTION
9	125508-02-03A	EA	TRIM - A-PILLAR - DRIVER/INTERIOR - GLACIER
10	122856-01-01A	EA	FAN-DEFROSTER-2 SPEED W/SWIVEL BASE/NON-OSCILLATING-CHROME
11	125508-01-03A	EA	TRIM - A-PILLAR - PASSENGER/INTERIOR - GLACIER
12	118453-04-03A	EA	TRIM - WINDSHIELD - INNER/TOP/DRIVER - GLACIER
13	118452-04-03A	EA	TRIM - WINDSHIELD - CENTER - GLACIER
14	118453-03-03A	EA	TRIM - WINDSHIELD - INNER/TOP/PASSENGER - GLACIER
15	024700-59-000	EA	COVER - ROLL BAR - SIDEWALL - 44.1" - OFF WHITE
16	132354-04-06A	EA	PANEL/TRIM - INNER/PASSENGER - W/O BEVERAGE TRAY - PUTTY (N42, N43)
16	132354-04-02A	EA	PANEL/TRIM - INNER/PASSENGER - W/O BEVERAGE TRAY - TITANIUM (N44)
16	122717-06-01A	FT	PAD - NON-SKID - PSA - 5"W
16	106105-03-000	EA	CLIP - MOUNTING - UNIVERSAL
16	P32297-05-N42	EA	BEVERAGE TRAY - PASSENGER/DRIVER
16	132595-01-02B	EA	BRACKET - BEVERAGE TRAY HOLDER
			FROM: 00-00-00 THRU: 07-22-01
16	132595-02-02B	EA	BRACKET - BEVERAGE TRAY HOLDER
			FROM: 07-23-01 THRU: 99-99-99
17	126457-07-M42	EA	PANEL - CLOSEOUT - OVERHEAD/FRONT/DRIVER
18	126457-06-M42	EA	PANEL - CLOSEOUT - OVERHEAD/FRONT/PASSENGER
19	131804-01-02A	EA	COVER - STEERING COLUMN - UPPER - PUTTY (N42, N43) - FORD
19	131804-01-03A	EA	COVER - STEERING COLUMN - UPPER - TITANIUM (N44) - FORD
19	125795-01-02A	EA	COVER - STEERING COLUMN/LOWER - PUTTY (N42, N43) - FORD
19	125795-01-03A	EA	COVER - STEERING COLUMN/LOWER - TITANIUM (N44) - FORD
19	137851-01-02A	EA	COVER - STEERING COLUMN - PUTTY (N42, N43) - WORKHORSE
19	137851-01-03A	EA	COVER - STEERING COLUMN - TITANIUM (N44) - WORKHORSE
19	137878-01-02A	EA	COVER - STEERING COLUMN - FRONT - PUTTY (N42, N43) - WORKHORSE
19	137878-01-03A	EA	COVER - STEERING COLUMN - FRONT - TITANIUM (N44) - WORKHORSE
20	105924-01-N42	EA	MAT - FLOOR - 18" X 27" (N42)
20	105924-01-N43	EA	MAT - FLOOR - 18" X 27" (N43)
20	105924-01-M78	EA	MAT - FLOOR - 18" X 27" (N44)
21	132975-01-M42	EA	TRAY - BEVERAGE - FORD
21	137936-01-M42	EA	TRAY - BEVERAGE - WORKHORSE
22	133417-01-01A	EA	DECAL - LOGO - DOMED - ADVENTURER

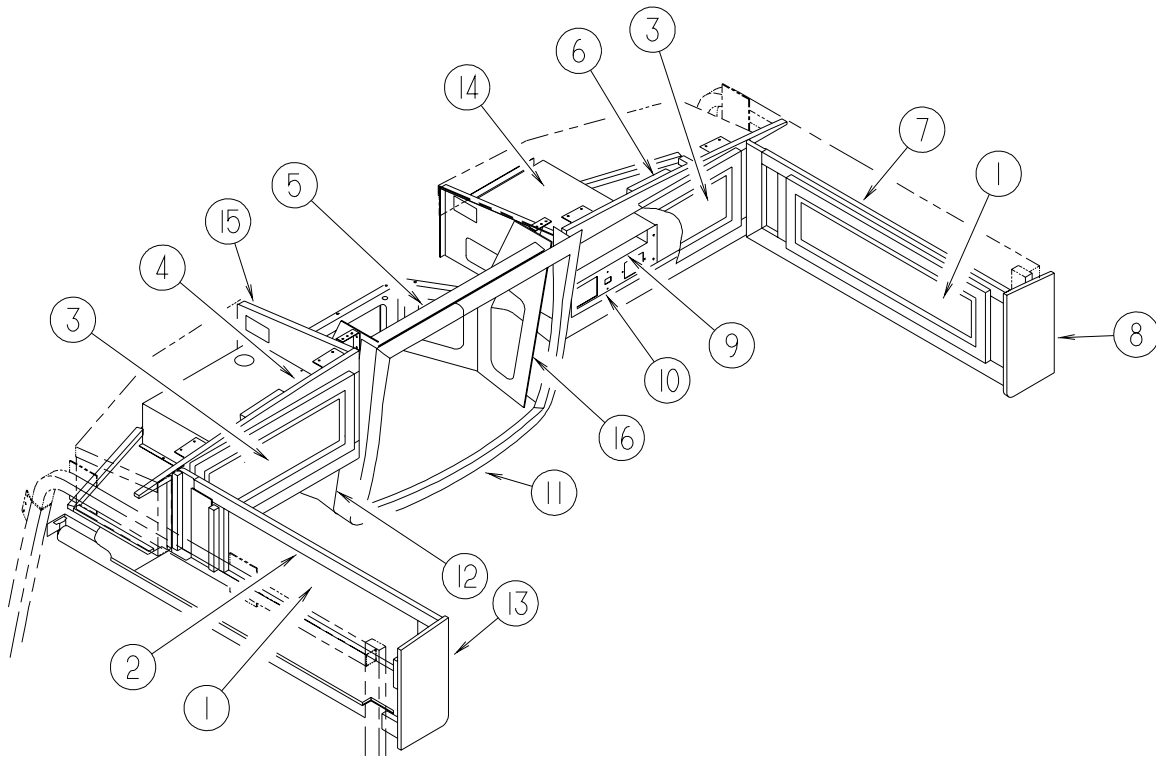
**DRIVERS COMPARTMENT GROUP (CONTINUED)**  
**FRONT INTERIOR (CONTINUED)**



KEY	PART NUMBER	U/M	DESCRIPTION
1	123298-04-05A	EA	SUNVISOR - 10.5" X 21" - DRIVER/PASSENGER - GLACIER
2	126443-16-N42	EA	PANEL - OVERHEAD/FRONT/PASSENGER
3	126443-17-N42	EA	PANEL - OVERHEAD/FRONT/DRIVER
4	132694-01-N42	EA	PANEL - OVERHEAD/FRONT/PASSENGER
5	132694-02-N42	EA	PANEL - OVERHEAD/FRONT/DRIVER
6	126440-11-N42	EA	PANEL - OVERHEAD/FRONT/BOTTOM/PASSENGER
7	126440-12-N42	EA	PANEL - OVERHEAD/FRONT/BOTTOM/DRIVER

**\*COMPONENT PARTS LISTED LATER IN THIS GROUP**

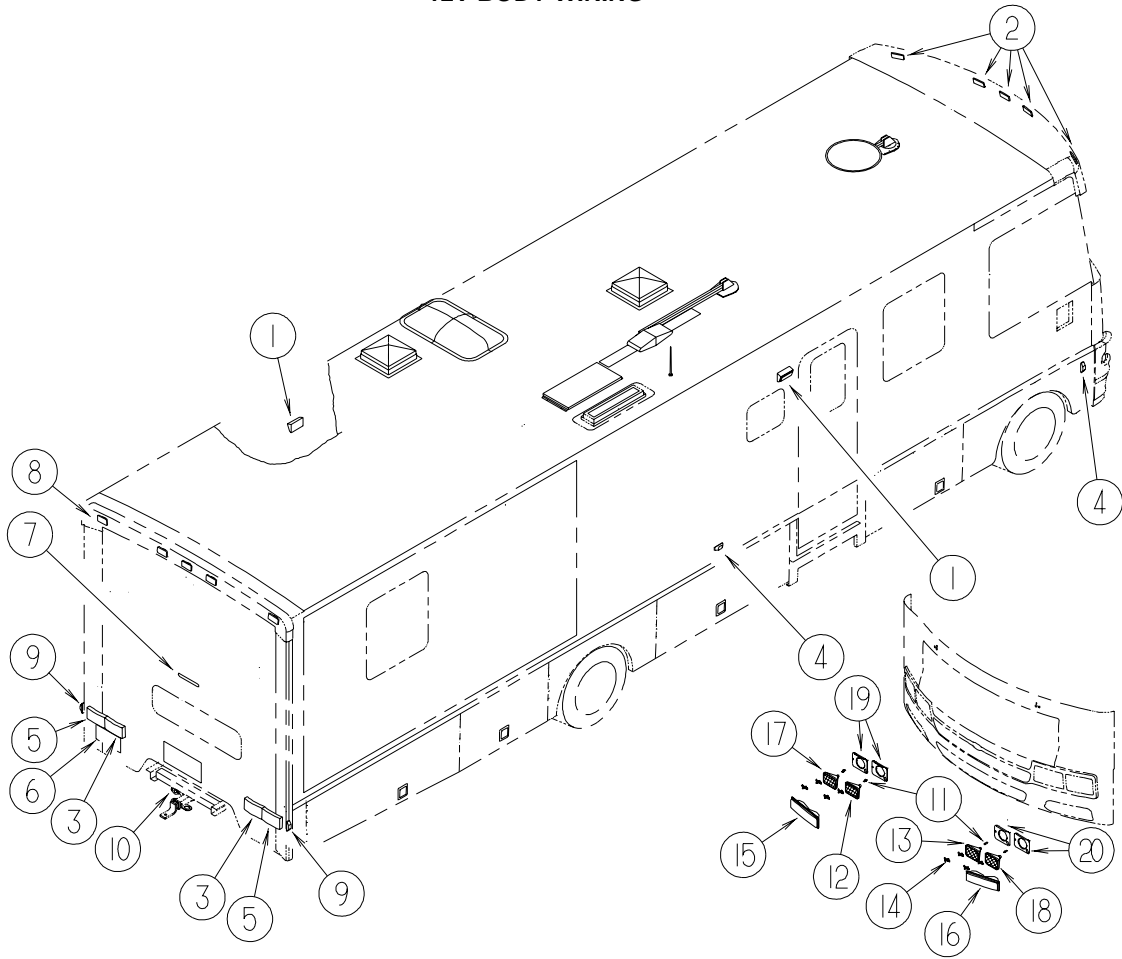
## DRIVERS COMPARTMENT GROUP (CONTINUED) CABINETS



KEY	PART NUMBER	U/M	DESCRIPTION
1	132141-B7-N42	EA	DOOR - RAIL/VENEER - 10 $\frac{1}{2}$ " X 29.5 $\frac{1}{2}$ " - W/O HARDWARE
2	132880-04-N42	EA	CABINET - OVERHEAD/FRONT/LEFT HAND - W/O DOORS/HARDWARE
3	131995-V1-N42	EA	DOOR - RAIL/GLASS INSERT - 10.8" X 23.8" - W/O HARDWARE
	100708-21-000	EA	DOOR/GLASS - TV CABINET - 8.1 $\frac{1}{2}$ " X 21 $\frac{1}{2}$ " - W/O HARDWARE
4	132973-02-N42	EA	CABINET - OVERHEAD/FRONT - W/O DOORS/HARDWARE
5	133790-08-02B	EA	STRAP - TIEDOWN - TV - E-COATED
6	132973-01-N42	EA	CABINET - OVERHEAD/FRONT - W/O DOORS/HARDWARE
7	132880-03-N42	EA	CABINET - OVERHEAD/FRONT/RIGHT HAND - W/O DOORS/HARDWARE
8	137462-05-N42	EA	END CAP - OVERHEAD/CABINET
9	118847-02-02B	EA	MOUNT - SWITCH BOX - E-COATED
10	131807-06-N42	EA	PANEL/SHELF/VINYL COVERED - W/ANTENNA/SWITCHBOX CUTOUT
10	131807-11-N42	EA	PANEL/SHELF/VINYL COVERED-W/ANT/SWITCHBOX/INVERTOR CUTOUT
11	130020-02-03A	EA	COVER - TV/OVERHEAD/FRONT - W/O HARDWARE - GLACIER
12	P30021-03-N42	EA	COVER - TV - OVERHEAD/LOWER
13	137462-05-N42	EA	END CAP - OVERHEAD/CABINET
			FROM: 00-00-00 THRU: 05-28-01
13	137462-09-N42	EA	END CAP - OVERHEAD CABINET
			FROM: 05-29-01 THRU: 99-99-99
14	126270-03-02B	EA	PANEL/SHELF - E-COATED
15	132856-01-02B	EA	PANEL/SHELF - E-COATED
16	130030-02-02B	EA	SUPPORT - TV - E-COATED

# ELECTRICAL GROUP

## 12V BODY WIRING



KEY	PART NUMBER	U/M	DESCRIPTION
1*	097917-01-06A	EA	LIGHT - PORCH - BRIGHT WHITE - US
	008215-01-000	EA	BULB - 12 VOLT - #1003 - .94 AMP
1*	008089-02-000	EA	LIGHT - PORCH - RECESSED - CANADIAN - CANADIAN
	008214-01-000	EA	BULB - 12 VOLT - #67 - .59 AMP
2	102520-01-000	EA	LIGHT - CLEARANCE - W/O SOCKET/HOUSING - AMBER
	036196-01-000	EA	BULB - 12V - #194 - .27 AMP - BAYONETTE
	102541-01-000	EA	GASKET - CLEARANCE LIGHT
3*	115632-01-02A	EA	LIGHT - STOP/TURN/TAILO RED
4	111102-02-000	EA	LENS - AMBER - MARKER LAMP
	111102-01-000	EA	BASE - MARKER LAMP
	036196-01-000	EA	BULB - 12V - #194 - .27 AMP - BAYONETTE
5*	115632-03-02A	EA	LIGHT - STOP/TAILO/BACKUP
6	087201-01-000	EA	LIGHT - HALF ROUND - 1" X 1.7" - PLASTIC - BLACK
7	136916-01-000	EA	LIGHT - CENTER BRAKE - L.E.D.
8	133055-01-000	EA	LENS - RED - F/CLEARANCE/MARKER
	036196-01-000	EA	BULB - 12V - #194 - .27 AMP - BAYONETTE
	133055-03-000	EA	BASE - F/CLEARANCE/MARKER - WHITE
9	111102-03-000	EA	LENS - RED - MARKER LAMP
	111102-01-000	EA	BASE - MARKER LAMP
	036196-01-000	EA	BULB - 12V - #194 - .27 AMP - BAYONETTE
10	113589-01-000	EA	CONNECTOR - PLUG - TRAILER
	113589-02-000	EA	CONNECTOR - SOCKET - TRAILER
11	049359-01-000	EA	SPRING - RETAINER - HEADLAMP - GM #496096
12	049187-04-000	EA	HEADLAMP - PASSENGER - HIGH BEAM - HALOGEN
13	049188-04-000	EA	HEADLAMP - DRIVER - HIGH BEAM - HALOGEN
14	110750-01-000	EA	SCREW - HEADLAMP ADJUSTING

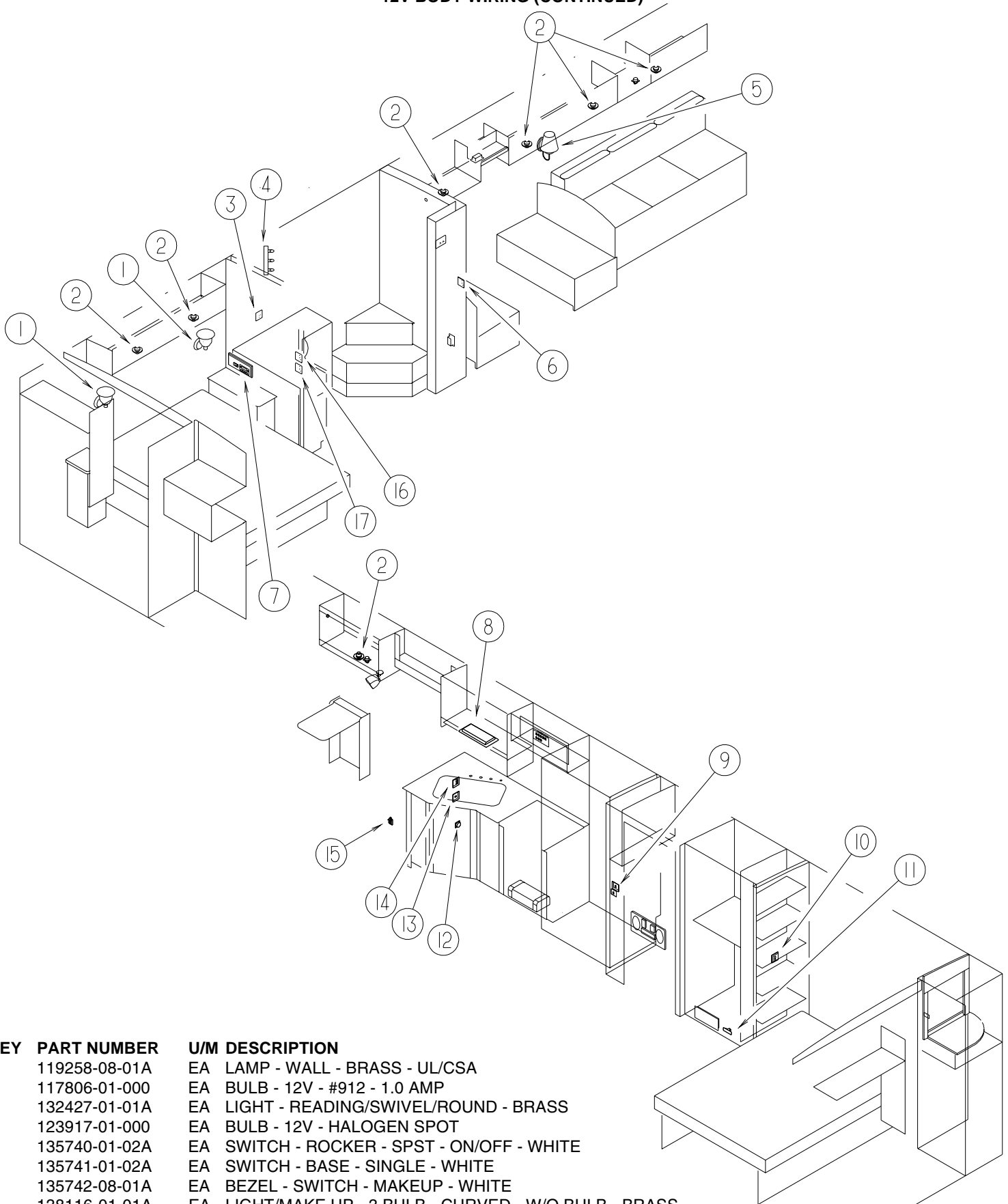
**ELECTRICAL GROUP (CONTINUED)**  
**12V BODY WIRING (CONTINUED)**

<b>KEY</b>	<b>PART NUMBER</b>	<b>U/M</b>	<b>DESCRIPTION</b>
15	113294-03-000	EA	LAMP - PARK/TURN - AMBER - PASSENGER
15	037935-01-000	EA	BULB - 12V - #1157 OR #2057 - 2.1 AMP - CLEAR GLASS
16	113294-04-000	EA	LAMP - PARK/TURN - AMBER - DRIVER
16	037935-01-000	EA	BULB - 12V - #1157 OR #2057 - 2.1 AMP - CLEAR GLASS
17	049185-04-000	EA	HEADLAMP - PASSENGER - HIGH/LOW - HALOGEN
18	049186-04-000	EA	HEADLAMP - DRIVER - HIGH/LOW - HALOGEN
19	110690-01-D18	EA	PLATE - HEADLAMP - QUAD/RIGHT HAND - PASSENGER
20	110690-02-D18	EA	PLATE - HEADLAMP - QUAD/LEFT HAND - DRIVER

**\*COMPONENT PARTS LISTED LATER IN THIS GROUP**

## ELECTRICAL GROUP (CONTINUED)

### 12V BODY WIRING (CONTINUED)



KEY	PART NUMBER	U/M	DESCRIPTION
1	119258-08-01A	EA	LAMP - WALL - BRASS - UL/CSA
1	117806-01-000	EA	BULB - 12V - #912 - 1.0 AMP
2	132427-01-01A	EA	LIGHT - READING/SWIVEL/ROUND - BRASS
	123917-01-000	EA	BULB - 12V - HALOGEN SPOT
3	135740-01-02A	EA	SWITCH - ROCKER - SPST - ON/OFF - WHITE
3	135741-01-02A	EA	SWITCH - BASE - SINGLE - WHITE
3	135742-08-01A	EA	BEZEL - SWITCH - MAKEUP - WHITE
4	138116-01-01A	EA	LIGHT/MAKE UP - 3 BULB - CURVED - W/O BULB - BRASS
4	123918-01-000	EA	BULB - 12V - MAKEUP WHITE
5	119258-18-01A	EA	LAMP - WALL - BRASS - UL/CSA
5	119257-11-01A	EA	SHADE - LAMP - LINEN/SLUB SATIN (TAN)
5	067479-01-000	EA	BULB - 12V - #1076 - 1.80 AMP



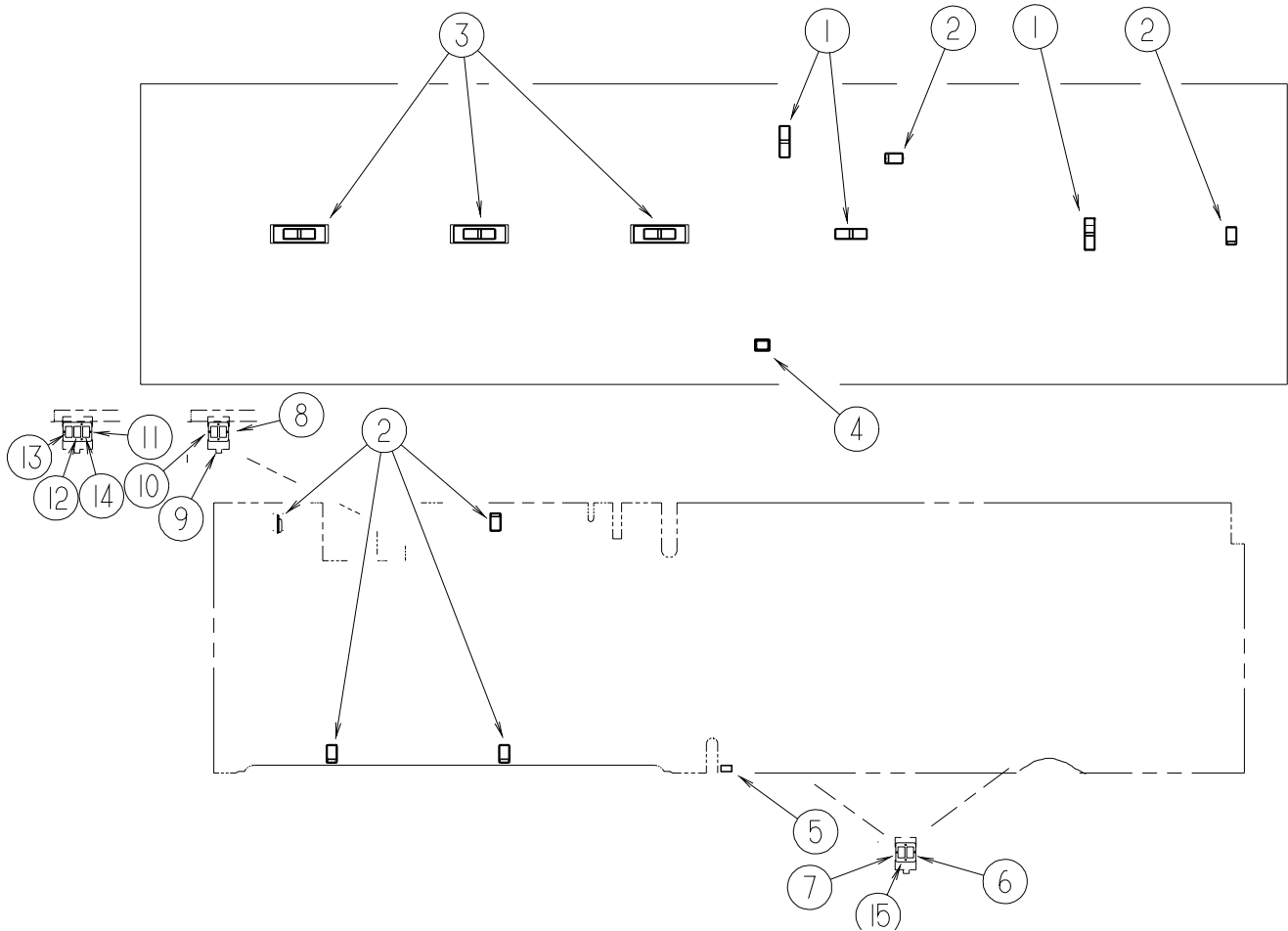
**ELECTRICAL GROUP (CONTINUED)**  
**12V BODY WIRING (CONTINUED)**

<b>KEY</b>	<b>PART NUMBER</b>	<b>U/M</b>	<b>DESCRIPTION</b>
6	135740-01-02A	EA	SWITCH - ROCKER - SPST - ON/OFF - WHITE
6	135740-02-02A	EA	SWITCH - ROCKER - SPDT - ON/ON - WHITE
6	135741-02-02A	EA	SWITCH - BASE - DOUBLE - WHITE
6	135742-16-01A	EA	BEZEL - SWITCH - HALL/CEILING - WHITE
7	132958-01-000	EA	RECEPTACLE - 12 VOLT - MOUNTING FLANGE - BLACK
7	133713-04-08A	EA	SPACER/RECEPTACLE - VINYL/PORTSMOUTH OAK
8*	091937-09-000	EA	LIGHT-FLOURESCENT-12V/30 WATT RECESSED - W/SWITCH
9	135740-01-02A	EA	SWITCH - ROCKER - SPST - ON/OFF - WHITE
9	135741-01-02A	EA	SWITCH - BASE - SINGLE - WHITE
9	135742-07-01A	EA	BEZEL - SWITCH - CEILING - WHITE
10	135740-01-02A	EA	SWITCH - ROCKER - SPST - ON/OFF - WHITE
10	135740-02-02A	EA	SWITCH - ROCKER - SPDT - ON/ON - WHITE
10	135741-02-02A	EA	SWITCH - BASE - DOUBLE - WHITE
10	135742-13-01A	EA	BEZEL - SWITCH - CEILING/AISLE - WHITE
11	061424-01-000	EA	LIGHT - AISLE - 12 VOLT - RECTANGULAR
12*	108354-01-01A	EA	LIGHT - COURTESY
13	135740-01-01A	EA	SWITCH - ROCKER - SPST - ON/OFF - BROWN
13	135741-01-01A	EA	SWITCH - BASE - SINGLE BROWN
13	135742-11-02A	EA	BEZEL - SWITCH - STEP - BROWN
14	135740-01-01A	EA	SWITCH - ROCKER - SPST - ON/OFF - BROWN
14	135740-02-01A	EA	SWITCH - ROCKER - SPDT - ON/ON - BROWN
14	135741-02-01A	EA	SWITCH - BASE - DOUBLE - BROWN
14	135742-19-02A	EA	BEZEL - SWITCH - PORCH/CEILING - BROWN
15	116995-02-000	EA	SWITCH/MAGNET - ELECTRIC STEP - BLACK/WHITE-CLOSED CIRCUIT
16	135740-01-02A	EA	SWITCH - ROCKER - SPST - ON/OFF - WHITE
16	135740-02-02A	EA	SWITCH - ROCKER - SPDT - ON/ON - WHITE
16	135741-02-02A	EA	SWITCH - BASE - DOUBLE - WHITE
16	135742-15-01A	EA	BEZEL - SWITCH - CEILING/SHOWER - WHITE
17	135740-01-02A	EA	SWITCH - ROCKER - SPST - ON/OFF - WHITE - <a href="#">W/POWER VENTILATOR</a>
17	138253-01-01A	EA	SWITCH - BLANK - WHITE - <a href="#">W/POWER VENTILATOR</a>
17	135741-02-02A	EA	SWITCH - BASE - DOUBLE - WHITE
17	135742-17-01A	EA	BEZEL - SWITCH - UP/DOWN FAN - WHITE
17	135740-03-02A	EA	SWITCH - ROCKER - DPDT - MOM/OFF/MOM - OFF WHITE - <a href="#">W/INSULATED POWER VENTILATOR</a>

**\*COMPONENT PARTS LISTED LATER IN THIS GROUP**

## ELECTRICAL GROUP (CONTINUED)

### 12V BODY WIRING (CONTINUED)

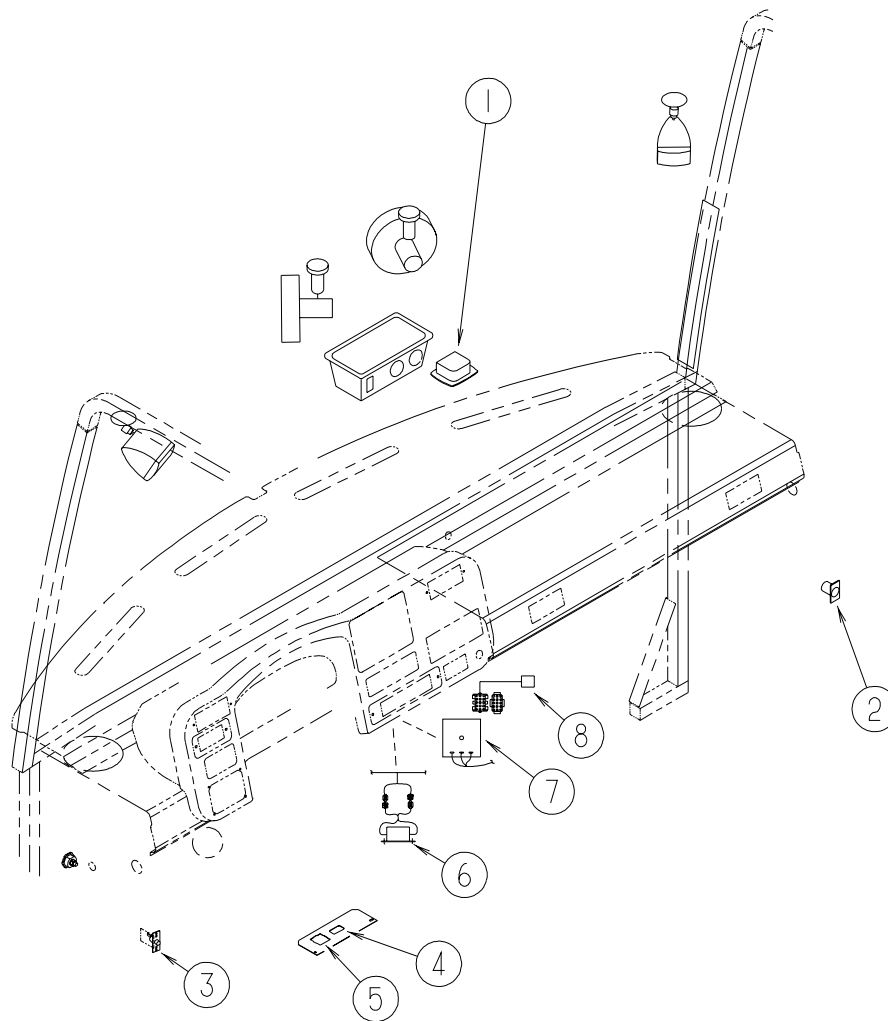


KEY	PART NUMBER	U/M	DESCRIPTION
1*	137417-06-01A	EA	LIGHT - DOME - DOUBLE - W/FROSTED LENS - W/O SWITCH-WHITE
2*	137417-01-01A	EA	LIGHT - DOME - SINGLE - W/SWITCH/FROSTED LENS - WHITE
3*	091937-08-000	EA	LIGHT-FLOURESCENT-12V/30 WATT RECESSED - W/O SWITCH
	091937-03-000	EA	BULB - FLUORESCENT LIGHT - 12 VOLT
4*	121935-01-01A	EA	LIGHT - DOME - SHOWER
5*	086280-01-000	EA	LIGHT - SURFACE MOUNT - 12 VOLT
6	108357-01-000	EA	SWITCH - ROCKER - SPST - ON/OFF - 2 TERMINAL
6	108356-02-01A	EA	COVER/ACTUATOR SWITCH - 2 ROWS DIMPLES- CONTURA II - BLACK
6	108355-01-000	EA	HOUSING - SWITCH
7	108357-15-000	EA	SWITCH - ROCKER - DPDT - ON/NONE/ON
7	108356-04-01A	EA	COVER/ACTUATOR SWITCH - 2 ROWS DIMPLES W/LENS-CONTURA-BLK
7	108355-01-000	EA	HOUSING - SWITCH
8	098351-22-01A	EA	PLATE/SWITCH - 2 GANG - POLISHED BRASS
9	108357-01-000	EA	SWITCH - ROCKER - SPST - ON/OFF - 2 TERMINAL
9	108356-14-01A	EA	COVER/ACTUATOR SWITCH - 3 GROOVES
9	108355-01-000	EA	HOUSING - SWITCH
10	108357-06-000	EA	SWITCH - ROCKER - DPDT - MOM/OFF/MOM - 6 TERMINAL
10	108356-11-01A	EA	COVER/ACTUATOR SWITCH - 3 GROOVES - AUX BATT - BLACK
10	108355-01-000	EA	HOUSING - SWITCH
11	098351-23-01A	EA	PLATE - SWITCH - 3 GANG - POLISHED BRASS - <a href="#">W/ELECTRIC AWNING</a>
12	108357-06-000	EA	SWITCH - ROCKER - DPDT - MOM/OFF/MOM - 6 TERMINAL - <a href="#">W/ELECTRIC AWNING</a>
12	108356-11-01A	EA	COVER/ACTUATOR SWITCH - 3 GROOVES - AUX BATT - BLACK - <a href="#">W/ELECTRIC AWNING</a>
12	108355-01-000	EA	HOUSING - SWITCH - <a href="#">W/ELECTRIC AWNING</a>
13	108357-07-000	EA	SWITCH - ROCKER - SPDT - MOM/OFF/MOM - 3 TERMINAL - <a href="#">W/ELECTRIC AWNING</a>
13	108356-12-01A	EA	COVER/ACTUATOR SWITCH - 3 GROOVES - <a href="#">W/ELECTRIC AWNING</a>
13	108355-01-000	EA	HOUSING - SWITCH - <a href="#">W/ELECTRIC AWNING</a>
14	108357-01-000	EA	SWITCH - ROCKER - SPST - ON/OFF - 2 TERMINAL
14	108356-14-01A	EA	COVER/ACTUATOR SWITCH - 3 GROOVES
14	108355-01-000	EA	HOUSING - SWITCH
15	135167-01-02B	EA	BRACKET - COVER - SWITCH - E-COATED

**\*COMPONENT PARTS LISTED LATER IN THIS GROUP**

## ELECTRICAL GROUP (CONTINUED)

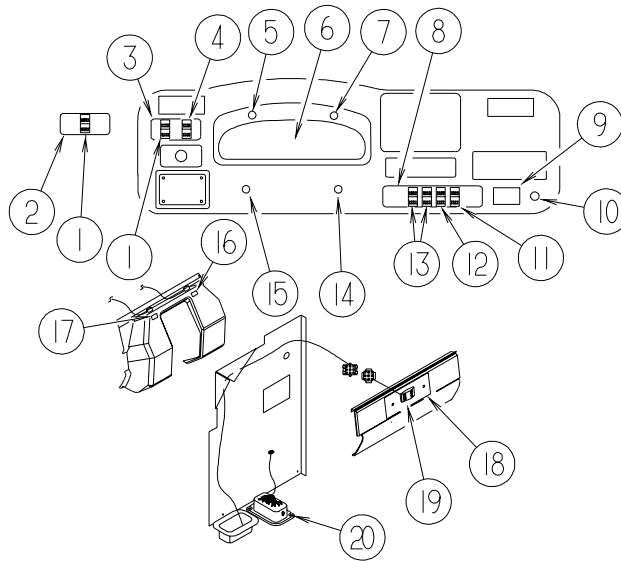
### FRONT END WIRING



KEY	PART NUMBER	U/M	DESCRIPTION
1	135376-01-01A	EA	LIGHT - DOME - CAB - BLACK
2	132958-01-000	EA	RECEPTACLE - 12 VOLT - MOUNTING FLANGE - BLACK
3	041250-01-000	EA	SWITCH-PUSH BUTTON, IN DOOR JAMB - METAL - CHROME
4	NOT USED		
5	NOT USED		
6	128074-02-000	EA	FILTER - NOISE - 12 VOLT DC W/PLUGS - <a href="#">W/DELUXE SOUND SYSTEM</a>
7	133535-01-000	EA	MODULE - TIMER 20 SECOND - WARNING LIGHT - TS61120P
8	115539-01-000	EA	RELAY - RADIO/TV SPEAKER - SWITCH - <a href="#">W/O DELUXE SOUND SYSTEM</a>

## ELECTRICAL GROUP (CONTINUED)

### FRONT END WIRING (CONTINUED)



KEY	PART NUMBER	U/M	DESCRIPTION
1	108357-09-000	EA	SWITCH - ROCKER - SPDT - ON/NONE/MOM - 3 TERMINAL
1	108356-02-01A	EA	COVER/ACTUATOR SWITCH - 2 ROWS DIMPLES- CONTURA II - BLACK
1	108355-01-000	EA	HOUSING - SWITCH
2	132954-02-01A	EA	APPLIQUE - SWITCH - BATTERY BOOST - FORD
3	132954-03-01A	EA	APPLIQUE - SWITCH - BOOST/OVERDRIVE - WORKHORSE
4	108357-08-000	EA	SWITCH - ROCKER - DPDT - 0N/NONE/ON - 6 TERMINAL - WORKHORSE
4	108356-02-01A	EA	COVER/ACTUATOR SWITCH - 2 ROWS DIMPLES- CONTURA II - BLACK - WORKHORSE
4	108355-01-000	EA	HOUSING - SWITCH - WORKHORSE
5	133534-01-000	EA	LIGHT - RED INDICATOR WITH 1/4" TERMINALS - WORKHORSE
6	127244-12-000	EA	CLUSTER - INSTRUMENT PANEL - K/M - GAS - CANADIAN - CANADA, WORKHORSE
6	094794-06-000	EA	CLUSTER - INSTRUMENT PANEL - KILO/FORD F53 - F5TD-10849-BB - CANADA, FORD
7	133534-02-000	EA	LIGHT - AMBER INDICATOR WITH 1/4" TERMINALS - WORKHORSE
8	132047-02-02B	EA	INSERT - DASH/SWITCH-AUX FANS/RR HTR/RADIO PWR/GEN SW
8	132954-01-01A	EA	APPLIQUE - SWITCH - HEATER/RADIO/GENERATOR
9	136119-01-000	EA	COMPASS/THERMOMETER - ELECTRONIC
10	089294-01-000	EA	LIGHTER - CIGARETTE - W/SOCKET & WIRE
11	108357-10-000	EA	SWITCH - ROCKER - SPDT - W/LIGHT - MOM/NONE/MOM-5 TERMINAL
11	108356-04-01A	EA	COVER/ACTUATOR SWITCH - 2 ROWS DIMPLES W/LENS-CONTURA-BLK
11	108355-01-000	EA	HOUSING - SWITCH
11	096241-03-000	EA	SWITCH - BLANK - BLACK
12	108357-08-000	EA	SWITCH - ROCKER - DPDT - 0N/NONE/ON - 6 TERMINAL
12	108356-02-01A	EA	COVER/ACTUATOR SWITCH - 2 ROWS DIMPLES- CONTURA II - BLACK
12	108355-01-000	EA	HOUSING - SWITCH
13	108357-03-000	EA	SWITCH - ROCKER - SPDT - ON/OFF/ON - 3 TERMINAL
13	108356-02-01A	EA	COVER/ACTUATOR SWITCH - 2 ROWS DIMPLES- CONTURA II - BLACK
13	108355-01-000	EA	HOUSING - SWITCH
13	096241-03-000	EA	SWITCH - BLANK - BLACK
14	133534-02-000	EA	LIGHT - AMBER INDICATOR WITH 1/4" TERMINALS - WORKHORSE
15	133534-01-000	EA	LIGHT - RED INDICATOR WITH 1/4" TERMINALS - WORKHORSE
16	133534-02-000	EA	LIGHT - AMBER INDICATOR WITH 1/4" TERMINALS - FORD
17	133534-01-000	EA	LIGHT - RED INDICATOR WITH 1/4" TERMINALS - FORD
18	132946-01-01A	EA	APPLIQUE - SWITCH - SLIDEOUT
19	108357-06-000	EA	SWITCH - ROCKER - DPDT - MOM/OFF/MOM - 6 TERMINAL
19	108356-02-01A	EA	COVER/ACTUATOR SWITCH - 2 ROWS DIMPLES- CONTURA II - BLACK
19	108355-01-000	EA	HOUSING - SWITCH
20	118571-03-000	EA	BRACKET - MOUNTING
20	118571-04-000	EA	GASKET
	100138-01-000	EA	MODULE - DAYTIME/RUNNING LIGHT - HAMSAR DRL #H8005B
	077031-01-000	EA	FILM - BLACK - .7"X1.75"
	077031-03-000	EA	FILM - WHITE - .75" X 1"

**ELECTRICAL GROUP (CONTINUED)**  
**COMPONENT PARTS FOR LIGHTS & SWITCHES**

**008089-02-000**

<b>KEY</b>	<b>PART NUMBER</b>	<b>U/M</b>	<b>DESCRIPTION</b>
	008089-01-700	EA	LENS-LIGHT, RECESSED, PORCH DECO

**086280-01-000**

<b>KEY</b>	<b>PART NUMBER</b>	<b>U/M</b>	<b>DESCRIPTION</b>	<b>VENDOR NO.</b>
	086280-01-700	EA	BULB, 12V	ARP1089

**091937-08-000**

<b>KEY</b>	<b>PART NUMBER</b>	<b>U/M</b>	<b>DESCRIPTION</b>	<b>VENDOR NO.</b>
	091937-08-700	EA	LENS - LIGHT - FLUORESCENT	D-766

**091937-09-000**

<b>KEY</b>	<b>PART NUMBER</b>	<b>U/M</b>	<b>DESCRIPTION</b>	<b>VENDOR NO.</b>
	091937-09-700	EA	LENS - LIGHT - FLUORESCENT	D-762

**097917-01-06A**

<b>KEY</b>	<b>PART NUMBER</b>	<b>U/M</b>	<b>DESCRIPTION</b>	<b>VENDOR NO.</b>
	097917-01-700	EA	LENS-LIGHT, CLEAR	30-78-021

**108354-01-01A**

<b>KEY</b>	<b>PART NUMBER</b>	<b>U/M</b>	<b>DESCRIPTION</b>	<b>VENDOR NO.</b>
	108354-01-700	EA	BULB-COURTESY LIGHT	395-B

**115632-01-02A**

<b>KEY</b>	<b>PART NUMBER</b>	<b>U/M</b>	<b>DESCRIPTION</b>	<b>VENDOR NO.</b>
	115632-01-700	EA	LENS-RED-(STOP/TURN/TAIL)	3092-012

**115632-03-02A**

<b>KEY</b>	<b>PART NUMBER</b>	<b>U/M</b>	<b>DESCRIPTION</b>	<b>VENDOR NO.</b>
	115632-03-700	EA	LENS - RED-(STOP/TAIL/BACK)	3092-704

**121935-01-01A**

<b>KEY</b>	<b>PART NUMBER</b>	<b>U/M</b>	<b>DESCRIPTION</b>	<b>VENDOR NO.</b>
	121935-01-700	EA	LENS ONLY	809511

**137417-01-01A**

<b>KEY</b>	<b>PART NUMBER</b>	<b>U/M</b>	<b>DESCRIPTION</b>	<b>VENDOR NO.</b>
	137417-01-700	EA	LENS - SINGLE WHITE	810868

**137417-06-01A**

<b>KEY</b>	<b>PART NUMBER</b>	<b>U/M</b>	<b>DESCRIPTION</b>	<b>VENDOR NO.</b>
	137417-06-700	EA	LENS - DOUBLE WHITE	810867

**ELECTRICAL GROUP (CONTINUED)**  
**CIRCUIT BREAKERS & FUSES**

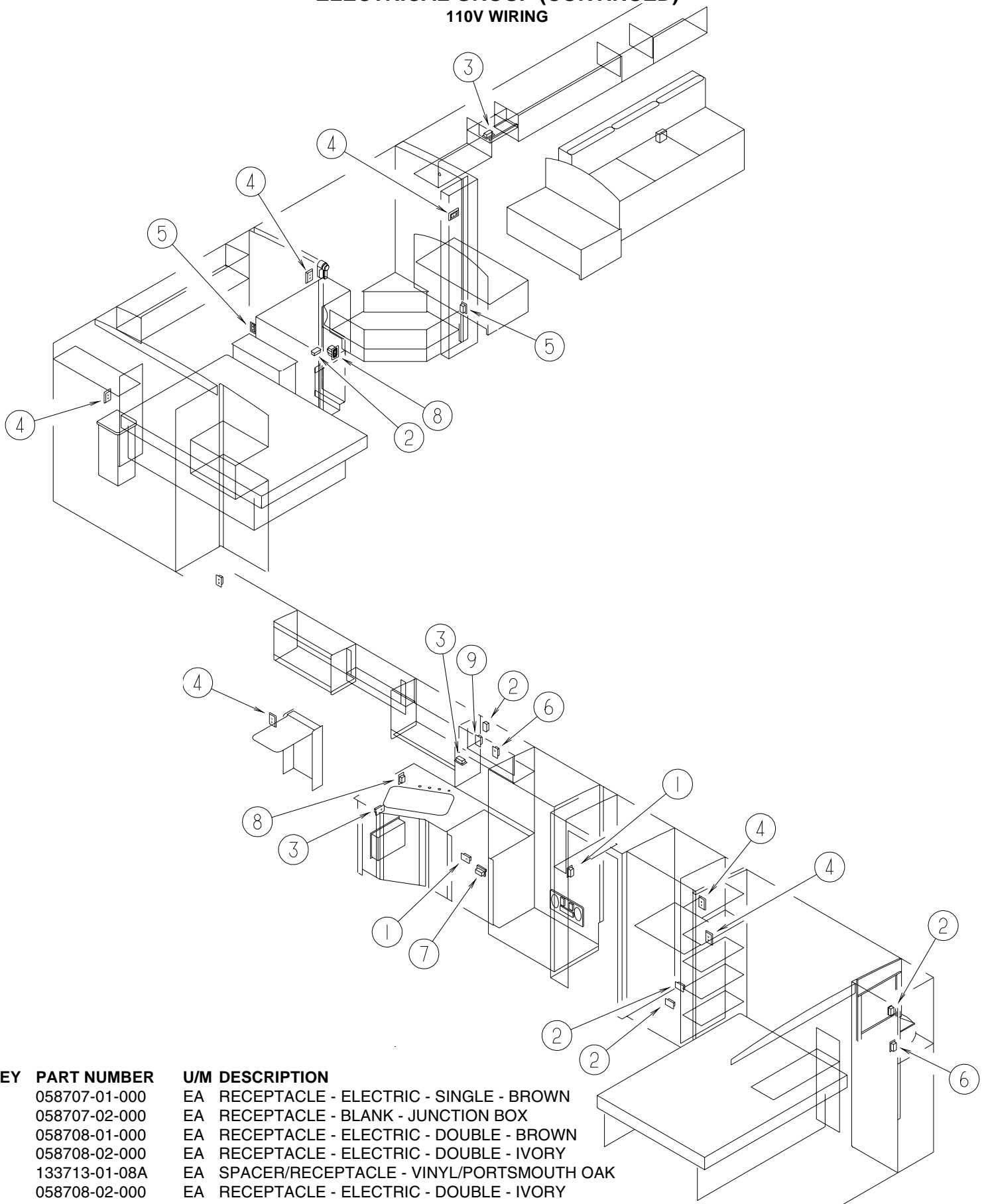
KEY	PART NUMBER	U/M	DESCRIPTION
	008233-01-000	EA	FUSE - 12 VOLT - 6 AMP
	008235-01-000	EA	FUSE - 15 AMP/12VOLT - AUTOMOTIVE
	033573-01-000	EA	CIRCUIT BREAKER W/MOUNT-20A, 12V - FASCO 1711-2026
	062037-02-000	EA	HOUSING - AUTO FUSE - GREEN
	062037-04-000	EA	HOUSING - AUTO FUSE - BLUE
	062037-07-000	EA	HOUSING - AUTO FUSE - RED
	062901-02-000	EA	FUSE - 5 AMP - AUTOMOTIVE
	062901-05-000	EA	FUSE - 15 AMP - AUTOMOTIVE
	062901-06-000	EA	FUSE - 20 AMP - AUTOMOTIVE
	062901-07-000	EA	FUSE - 25 AMP - AUTOMOTIVE
	062901-08-000	EA	FUSE - 30 AMP - AUTOMOTIVE
	083209-01-000	EA	CIRCUIT BREAKER - 15 AMP - 120 VOLT - CANADIAN
	083209-02-000	EA	CIRCUIT BREAKER - 15/15 AMP - 120 VOLT
	083209-03-000	EA	CIRCUIT BREAKER - 15/20 AMP - 120 VOLT
	083209-04-000	EA	CIRCUIT BREAKER - 30 AMP - 120 VOLT
	083209-05-000	EA	CIRCUIT BREAKER - 20 AMP - 120 VOLT
	083209-06-000	EA	CIRCUIT BREAKER - 30/15 AMP - 120 VOLT
	083209-07-000	EA	CIRCUIT BREAKER - 20/20 AMP - 120 VOLT
	083209-10-000	EA	CIRCUIT BREAKER - 20/30 AMP - 120 VOLT
	083209-11-000	EA	CIRCUIT BREAKER - 20/15 AMP - 120 VOLT
	092786-02-000	EA	BUSS BAR - 3.3" LONG
	092786-03-000	EA	BUSS BAR - 6.9" LONG
	092786-06-000	EA	BUSS BAR
	093654-01-000	EA	CIRCUIT BREAKER - 6 AMP - 12 VOLT - PUSH BUTTON - WHITE
	093654-02-000	EA	CIRCUIT BREAKER - 15 AMP - 12 VOLT - PUSH BUTTON - WHITE
	093654-03-000	EA	CIRCUIT BREAKER - 20 AMP - 12 VOLT - PUSH BUTTON - WHITE
	093654-11-000	EA	COVER - RESET BUTTON
	093655-01-000	EA	CIRCUIT BREAKER - 25 AMP - 12 VOLT - PUSH BUTTON - WHITE
	093655-02-000	EA	CIRCUIT BREAKER - 30 AMP - 12 VOLT - PUSH BUTTON - WHITE
	093655-03-000	EA	CIRCUIT BREAKER - 40 AMP - 12 VOLT - PUSH BUTTON - WHITE
	093674-01-000	EA	PLATE - CIRCUIT BREAKER - HOUSE - 8.4" X 4.1" - STEEL
	097611-01-000	EA	CIRCUIT BREAKER - 10 AMP
	100341-01-000	EA	FUSE HOLDER - IN LINE TYPE
	106656-01-000	EA	FUSE BLOCK - 4 CAVITY - AUTOFUSE
	108567-01-000	EA	CIRCUIT BREAKER - 40 AMP - 12 VOLT - TYPE II
	108669-01-000	EA	HOUSING - AUTO FUSE HOLDER
	111683-01-000	EA	FUSE - HOLDER - GLASS - 1/4" X 1 1/4"
	113482-01-000	EA	CIRCUIT BREAKER - 55 AMP - MANUAL
	115187-01-000	EA	FUSE - 300 AMP - NON-DELAY
	115187-02-000	EA	FUSE HOLDER - BUSS ANN/ANL BLOCK
	118531-04-02B	EA	PLATE - CIRCUIT BREAKER - E-COATED
	118531-05-02B	EA	PLATE - CIRCUIT BREAKER - E-COAT
	122811-01-000	EA	CIRCUIT BREAKER - 20/50/50/20
	125986-04-000	EA	FUSE - 10 AMP - AUTO - MINI BLADE
	125986-05-000	EA	FUSE - 15 AMP - AUTO - MINI BLADE
	134127-01-000	EA	CIRCUIT BREAKER - 10 AMP - MINI

**CONVERTER, INVERTER, LOAD CENTERS**

KEY	PART NUMBER	U/M	DESCRIPTION
	099048-04-000	EA	INVERTER - 300 WATT
	108915-03-000	EA	LOAD CENTER - 120/240 VOLT - 100 AMP
			FROM: 00-00-00 THRU: 01-06-02
	141258-01-000	EA	LOAD CENTER - 120/240 - 50 AMP
			FROM: 01-07-02 THRU: 99-99-99
	141258-02-000	EA	LOAD CENTER - COVER
			FROM: 01-07-02 THRU: 99-99-99
	123058-02-000	EA	CONVERTER - 45 AMP - ELECTRONIC - 4 1/8"H X 7"W X 12 3/8"L
	127002-04-000	EA	MODULE - EMS CONTROL - W/REMOTE SENSOR
			FROM: 00-00-00 THRU: 01-06-02
	127002-08-000	EA	MODULE - EMS CENTER - W/REMOTE SENSOR
			FROM: 01-07-02 THRU: 99-99-99
	127002-05-000	EA	PANEL/MONITOR - ENERGY MANAGEMENT SYSTEMS CTRL - W/PLUG
	127002-07-000	EA	SENSOR - CURRENT

# ELECTRICAL GROUP (CONTINUED)

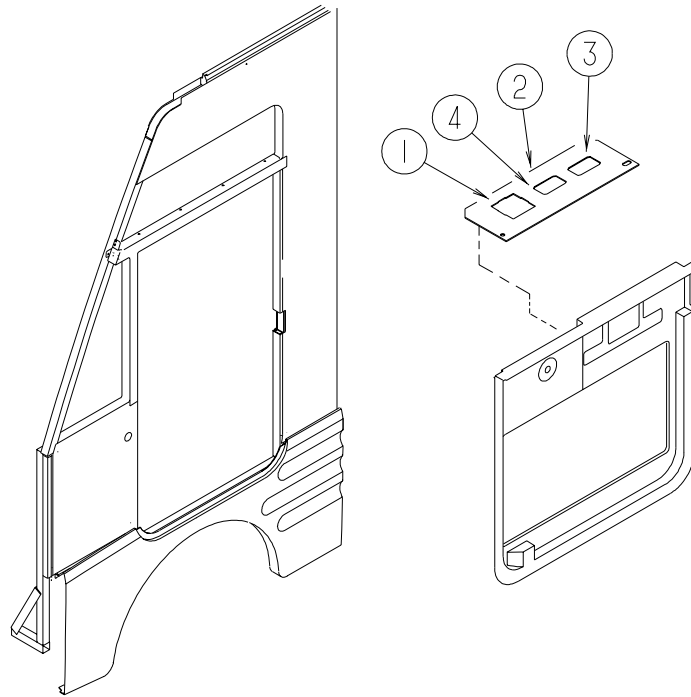
## 110V WIRING



KEY	PART NUMBER	U/M	DESCRIPTION
1	058707-01-000	EA	RECEPTACLE - ELECTRIC - SINGLE - BROWN
2	058707-02-000	EA	RECEPTACLE - BLANK - JUNCTION BOX
3	058708-01-000	EA	RECEPTACLE - ELECTRIC - DOUBLE - BROWN
4	058708-02-000	EA	RECEPTACLE - ELECTRIC - DOUBLE - IVORY
4	133713-01-08A	EA	SPACER/RECEPTACLE - VINYL/PORTSMOUTH OAK
5	058708-02-000	EA	RECEPTACLE - ELECTRIC - DOUBLE - IVORY
6	058708-05-000	EA	RECEPTACLE - ELECTRIC - SINGLE - BROWN
7	131826-01-01A	EA	RECEPTACLE - EXTERIOR - W/COVER/GASKET - WHITE
8	084076-02-000	EA	RECEPTACLE - GFI - 15 AMP/125 VOLT - BROWN - W/COVER
9	084420-01-000	EA	SWITCH - TOGGLE - 15 AMP - 120 VOLT - BROWN

## ELECTRICAL GROUP (CONTINUED)

### DRIVERS DOOR WIRING

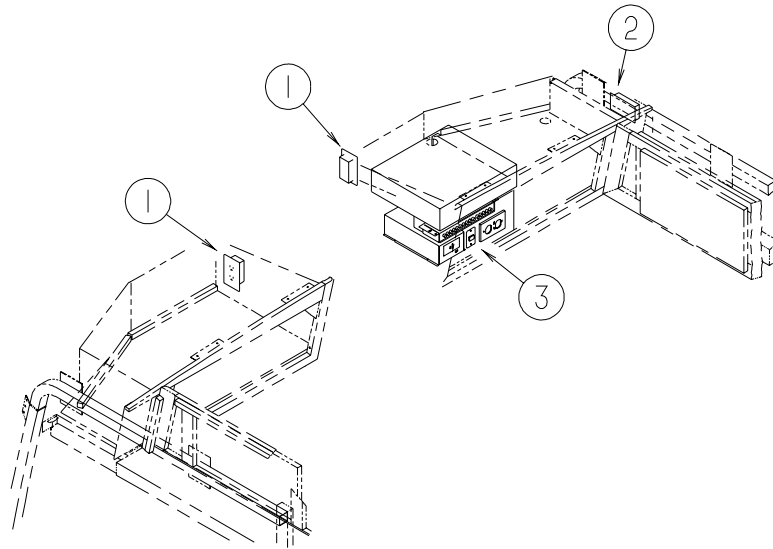


KEY	PART NUMBER	U/M	DESCRIPTION
1	093132-01-000	EA	SWITCH - ROCKER/POWER WINDOWS - 5 TERM - (ARROWS)
2	132514-02-02B	EA	PLATE - SWITCH - HEATED MIRROR - E-COATED
3	088246-01-000	EA	SWITCH/REMOTE MIRROR - W/2PIN & 6 PIN CONNECTORS/PIGTAIL
4	108357-14-000	EA	SWITCH - ROCKER - SPST - W/LIGHT - ON/OFF - 4 TERMINAL
4	108356-03-01A	EA	COVER/ACTUATOR SWITCH -3 GROOVES W/LIGHT-CONTRA III-BLACK

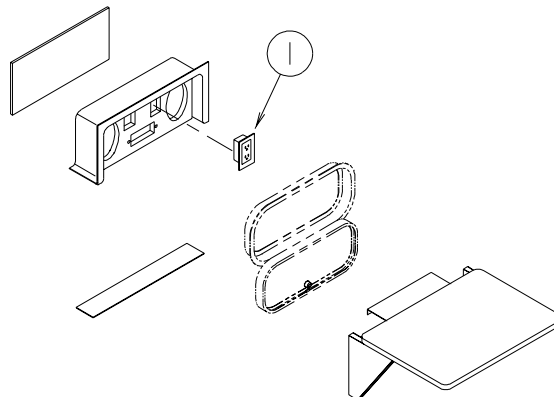


## ELECTRICAL GROUP (CONTINUED)

### ENTERTAINMENT WIRING



KEY	PART NUMBER	U/M	DESCRIPTION
1	058708-01-000	EA	RECEPTACLE - ELECTRIC - DOUBLE - BROWN
2	058707-02-000	EA	RECEPTACLE - BLANK - JUNCTION BOX
3	079364-04-000	EA	SWITCH - ON/OFF ROCKER - 2 TERMINAL - BLACK
3	098351-16-01A	EA	PLATE/SWITCH - 1 GANG W/LABEL



KEY	PART NUMBER	U/M	DESCRIPTION
1	058708-01-000	EA	RECEPTACLE - ELECTRIC - DOUBLE - BROWN
1	058708-02-000	EA	RECEPTACLE - ELECTRIC - DOUBLE - IVORY

### BOXES & CORDS

KEY	PART NUMBER	U/M	DESCRIPTION
	008054-01-000	EA	CORD - POWER - 10/3 WIRE - 30 AMP - 25'
	008289-01-000	EA	BOX - ELECTRIC/STEEL - 1/2" & 3/4" KNOCKOUTS - 4" X 4"
	008294-01-000	EA	COVER - ELECTRIC BOX - BLANK/STEEL - 4" X 4" - GRAY
	091910-01-000	EA	BOX - ELECTRIC - 3.8" X 3.5" X 1.8" - PLASTIC - G30Y
	091910-02-000	EA	BOX - ELECTRIC - 2.2" X 3.5" X 1.8" - PLASTIC - G30Y
	092492-11-000	EA	SEAL - ELECTRIC BOX - 7" X 18.4"
	106071-05-000	EA	SWITCH - AUTOMATIC TRANSFER - 50/70 - MAGNETEK
	108934-02-000	EA	CORD - POWER - 50 AMP - 4-WIRE - 36'
	109925-04-000	EA	DOOR - ELECTRICAL BOX - GM/FORD
	115832-01-000	FT	CORD-HEAVY DUTY, 14-2W/GROUND, EXCEL SOW-A/SO
	131679-01-000	EA	BOX-ELEC-WATERPROOF SEALED 4" X 4" W/4 3/4"OUTLETS-UL/CSA
	131680-01-000	EA	COVER - W/GASKET FOR WATERPROOF 4" X 4" BOX - UL/CSA
	133070-01-000	EA	BOX - ELECTRIC/PLASTIC - 3" X 2" X 2.8" - UL
	133070-02-000	EA	BOX - ELECTRIC/PLASTIC - 3" X 2" X 2.8" - CSA

## ELECTRICAL GROUP (CONTINUED)

### WIRE ASSEMBLIES

KEY	PART NUMBER	U/M	DESCRIPTION
	090986-02-000	EA	WIRE ASSEMBLY - ELECTRIC STEP - <a href="#">G37G</a>
	093040-06-000	EA	WIRE ASSEMBLY-MONITOR-F/NON-PRE-WIRED AFTER MARKET INSTALL
	096449-01-000	EA	WIRE ASSEMBLY - WATER TANK TO MONITOR PANEL
	096450-05-000	EA	WIRE F/SENSORS - BLACK WATER - 23.6"
	096451-06-000	EA	WIRE F/SENSORS - GREY WATER - 23.6"
	120233-05-000	EA	WIRE ASSEMBLY - 30" CONNECTS TO WALLPLATE DISPLAY
	124125-02-000	EA	WIRE - ELECTRICAL BOX
	124843-02-000	EA	WIRE ASSEMBLY - SPEAKER ADAPTER
	124843-03-000	EA	WIRE ASSEMBLY - SPEAKER ADAPTER
	124882-08-000	EA	WIRE LOOM - AMPLIFIER - Q SURROUND
	125853-01-000	EA	WIRE LOOM - ENTERTAINMENT CENTER
	125853-04-000	EA	WIRE LOOM - ENTERTAINMENT CENTER
	127002-03-000	EA	WIRE ASSEMBLY - ENERGY MANAGEMENT SYSTEM - <a href="#">G35U</a>
	127002-06-000	EA	WIRE ASSEMBLY - EMS - W/PLUG - <a href="#">G32V</a> , <a href="#">G30Y</a>
	128138-02-000	EA	WIRE - F/SATELLITE - AUTOMATIC - <a href="#">G37G</a>
			FROM: 00-00-00 THRU: 12-09-01
	141454-02-000	EA	WIRE LOOM - SATELLITE - AUTOMATIC - <a href="#">G37G</a>
			FROM: 12-10-01 THRU: 99-99-99
	129436-04-000	EA	WIRE ASSEMBLY - INSTRUMENT PANEL - POWER MIRROR
	131279-02-000	EA	WIRE LOOM - POWER SEAT - DRIVER
	131279-03-000	EA	WIRE LOOM - POWER SEAT - PASSENGER
	131386-01-000	EA	WIRE ASSEMBLY - F/SLIDEOUT CONTROL - <a href="#">G37G</a>
	131386-02-000	EA	WIRE ASSEMBLY - F/SLIDEOUT CONTROL - <a href="#">G35U</a> , <a href="#">G32V</a> , <a href="#">G30Y</a>
	132668-01-000	EA	WIRE ASSEMBLY - AUXILIARY FANS
	132669-01-000	EA	WIRE ASSEMBLY - INSTRUMENT PANEL - AUXILIARY FANS
	133817-01-000	EA	WIRE ASSEMBLY - SPEAKER/ADAPTER - 11.8" LONG
	133817-02-000	EA	WIRE ASSEMBLY - SPEAKER/ADAPTER - 117.9" LONG
	135131-01-000	EA	WIRE ASSEMBLY - THERMOSTAT
	135420-02-000	EA	WIRE ASSEMBLY - RADIO
	137626-01-000	EA	WIRE - OVERDRIVE SWITCH - <a href="#">G37G</a> , <a href="#">G35U</a> , <a href="#">G32V</a>
	137651-01-000	EA	WIRE ASM-DRL - <a href="#">G37G</a> , <a href="#">G35U</a> , <a href="#">G30Y</a>

**ELECTRICAL GROUP (CONTINUED)**  
**CONNECTORS & CONDUIT**

KEY	PART NUMBER	U/M	DESCRIPTION
	007942-01-000	EA	TAB - WIRE 10 TO 14 AWG
	007954-01-000	EA	RECEPTACLE - HOUSING - 6 POSITION
	007956-05-000	EA	INSULATOR - SHRINK - 1/4" ID X 1 1/2"
	008311-01-000	EA	CONNECTOR - WIRE NUT - INSULATED - RED
	008312-01-000	EA	CONNECTOR - WIRE NUT - INSULATED - BLUE
	008313-01-000	EA	CONNECTOR - WIRE NUT - INSULATED - YELLOW
	008314-01-000	EA	CONNECTOR - WIRE NUT - INSULATED - GRAY
	008326-01-000	EA	TERMINAL - RING - 16/14 WIRE - 3/8" STUD
	008328-01-000	EA	TERMINAL - RING - 12/10 WIRE - #10 STUD FIT
	008331-01-000	EA	TERMINAL - RING - TONGUE - #4 WIRE - 3/8" STUD - COPPER
	008348-01-000	EA	TERMINAL - RING - 3/8" STUD 2 GA. WIRE
	008355-01-000	EA	CONNECTOR - CABLE CLAMPING - 3/4"
	008356-01-000	EA	CONNECTOR - PLASTIC - 3/8" AVG
	008356-02-000	EA	CONNECTOR - PLASTIC - 21/32
	008394-01-000	FT	CONDUIT - FLEXIBLE - 1/2"
	008398-01-000	EA	CONNECTOR - 1/2" X 90 DEGREE - FLEX CONDUIT - UL & CSA
	035416-04-000	EA	TERMINAL - RING - #10 STUD FIT - INSULATED BARREL #16/14
	041953-01-000	FT	CONDUIT - CONVOLUTE SLIT - .5" ID - POLYETHYLENE
	041953-03-000	FT	CONDUIT - CONVOLUTE SLIT - 1" ID (CLOTHES ROD COVER)
	041953-05-000	FT	CONDUIT - CONVOLUTE SOLID - .62" ID - POLYETHYLENE
	041953-06-000	FT	CONDUIT - CONVOLUTE SLIT - .4" ID - POLYETHYLENE
	041953-07-000	FT	CONDUIT - CONVOLUTE SLIT - .25" ID - POLYETHYLENE
	041953-08-000	FT	CONDUIT - CONVOLUTE SLIT - 1.5" ID - POLYETHYLENE
	041953-09-000	FT	CONDUIT - CONVOLUTE SLIT - .5" ID - NYLON
	041953-10-000	FT	CONDUIT - CONVOLUTE SLIT - .75" ID - NYLON
	041953-11-000	FT	CONDUIT - CONVOLUTE SLIT - 1.06" ID - NYLON
	041953-12-000	FT	CONDUIT - CONVOLUTE SOLID - 1.1" ID - NYLON
	041953-13-000	FT	CONDUIT - CONVOLUTE SLIT - 1.25
	047443-01-000	EA	TERMINAL - .250 RECEPTACLE FIT - INSULATED - 16/14 AWG
	047443-02-000	EA	TERMINAL - .250 RECEPTACLE FIT - INSULATED - 12/10 AWG
	058028-01-000	EA	CONNECTOR - ELECTRICAL PIGTAIL - NYLON - CLEAR
	062036-01-000	EA	TERMINAL - PACK - CON - 12/10 AWG
	074017-02-000	EA	HOUSING - 5 POSITION - RIGHT ANGLED
	077479-01-000	EA	BOOT - BATTERY TERMINAL - DOUBLE CABLE
	077479-02-000	EA	BOOT - BATTERY TERMINAL - SINGLE CABLE
	080015-02-000	EA	RECEPTACLE - FLAG - .185 - 16/14 GAUGE
	080015-03-000	EA	RECEPTACLE - FLAG - .250 - 14/16 GAUGE
	082109-01-000	EA	HOUSING - CONNECTOR - PACKARD
	082741-01-000	EA	CONNECTOR BODY - 2 CONNECTOR MALE
	085724-01-000	EA	SOCKET - DOUBLE CONTACT - TAILLIGHT
	087225-01-000	FT	SLEEVING - 1/2" - TYPE H
	087949-01-000	EA	BUSS BAR - 2 POSITION - .6" X 1.5"
	087949-02-000	EA	BUSS BAR - 3 POSITION - .6" X 2.4"
	087949-03-000	EA	BUSS BAR - 4 POSITION
	087949-05-000	EA	BUSS BAR - 7 POSITION
	088473-01-000	EA	HOUSING - PIN - 12 CAVITY (3 ROWS OF 4)
	088473-02-000	EA	HOUSING - PIN - 15 CAVITY (3 ROWS OF 5)
	088473-03-000	EA	HOUSING - PIN - 9 CAVITY (3 ROWS OF 3)
	088473-04-000	EA	HOUSING - PIN - 8 CAVITY IN-LINE
	088473-06-000	EA	HOUSING - PIN - 6 CAVITY (2 ROWS OF 3)
	088473-07-000	EA	HOUSING - PIN - 5 CAVITY - IN-LINE
	088473-08-000	EA	HOUSING - PIN - 4 CAVITY - IN-LINE
	088473-09-000	EA	HOUSING - PIN - 3 CAVITY - IN-LINE
	088473-10-000	EA	HOUSING - PIN - 2 CAVITY - IN LINE
	088474-01-000	EA	HOUSING - SOCKET - 12 CAVITY
	088474-02-000	EA	HOUSING - SOCKET - 15 CAVITY
	088474-03-000	EA	HOUSING - SOCKET - 9 CAVITY
	088474-04-000	EA	HOUSING - SOCKET - 8 CAVITY
	088474-06-000	EA	HOUSING - SOCKET - 6 CAVITY
	088474-07-000	EA	HOUSING - SOCKET - 5 CAVITY
	088474-08-000	EA	HOUSING - SOCKET - 4 CAVITY
	088474-09-000	EA	HOUSING - SOCKET - 3 CAVITY
	088474-10-000	EA	HOUSING - SOCKET - 2 CAVITY
	088475-01-000	EA	PIN - CONNECTOR - 14-20 AWG

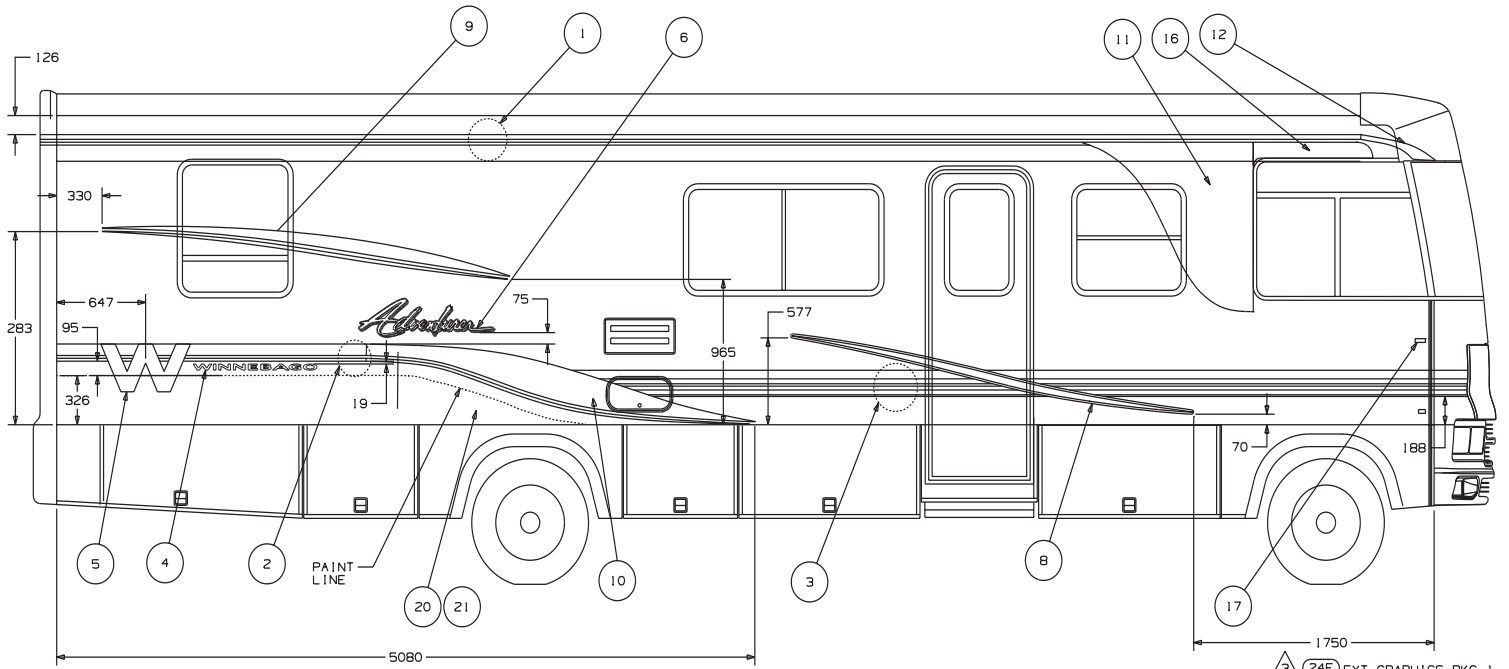
**ELECTRICAL GROUP (CONTINUED)**  
**CONNECTORS & CONDUIT (CONTINUED)**

<b>KEY</b>	<b>PART NUMBER</b>	<b>U/M</b>	<b>DESCRIPTION</b>
	088475-02-000	EA	PIN - CONNECTOR - 10-12 AWG
	088476-01-000	EA	TERMINAL - ELECTRICAL
	088476-02-000	EA	SOCKET - CONNECTOR - 12-10 GA - PRE-TIN
	098261-02-000	EA	SOCKET - CONNECTOR - WEATHERPACK - 14-18 AWG
	098262-01-000	EA	SEAL - CONNECTOR - WEATHERPACK
	098262-05-000	EA	SEAL - CAVITY
	098263-02-000	EA	HOUSING - 3 PIN - WEATHER PACK
	098264-01-000	EA	HOUSING - 2 PIN - WEATHER PACK - MALE W/FEMALE PINS
	098264-02-000	EA	HOUSING - 2 PIN - WEATHER PACK - FEMALE W/MALE PINS
	098265-02-000	EA	PIN - CONNECTOR - WEATHER PACK
	102777-02-000	EA	TERMINAL - RING - #6 STUD - 10 AWG
	104100-01-000	EA	HOUSING - 1 POSITION - 75 AMPS
	104100-03-000	EA	TERMINAL - 75 AMP
	106655-01-000	EA	TERMINAL - FUSE BLOCK - 14-16 AWG
	106655-02-000	EA	TERMINAL - FUSE BLOCK - 10-12 AWG
	110178-01-000	EA	HOUSING - WIPER MOTOR
	112823-01-000	EA	SPLICE - REDUCER - 16-14 TO 18-22
	113135-01-000	EA	TERMINAL - FEMALE - M/P - 14-16 - F/SEALED TERMINAL
	113306-01-000	EA	TERMINAL - FEMALE - M/P - 14-16 - F/NON-SEALED TERMINAL
	113307-01-000	EA	TERMINAL - FEMALE - M/P - 16-20
	113308-01-000	EA	TERMINAL - FEMALE - M/P - 14-16 - 280
	113452-01-000	FT	SEAL/TRIM - FRONT - VINYL W/WIRE CARRIER - .020"
	113452-02-000	FT	SEAL/TRIM - FRONT - VINYL W/WIRE CARRIER - .027"
	113468-01-000	EA	HOUSING - 2 POSITION-FEMALE-USED ON WIPER/WASHER WIRE ASM
	115556-02-000	EA	HOUSING - 2 POSITION - FEMALE/PARALLEL
	115931-02-000	EA	COVER - CONNECTOR - 50 AMP W/LOCKING RING
	115932-02-000	EA	CONNECTOR - FEMALE - 50 AMP/240 VOLT
	116811-01-000	EA	TERMINAL - .110 RECEPTACLE - 16-14 AWG
	118571-01-000	EA	CONNECTOR - 3-WAY - MALE/SEALED
	118571-02-000	EA	CONNECTOR - 3-WAY - FEMALE/SEALED
	118571-03-000	EA	BRACKET - MOUNTING
	118571-04-000	EA	GASKET
	118571-05-000	EA	LOCK - SECONDARY - FEMALE
	118571-06-000	EA	LOCK - SECONDARY - MALE
	118597-01-000	EA	TERMINAL - MALE - M/P - 480 - 14-16
	118599-01-000	EA	TERMINAL - MALE - M/P - 280 - 14-16
	118820-01-000	EA	INSULATOR - TERMINAL
	119223-01-000	EA	HOUSING - 6 POSITION - MALE - WEATHERPACK
	119248-02-000	EA	HOUSING - 7 POSITION - FEMALE
	124625-02-000	EA	CONNECTOR - 12 VOLT
	125323-02-000	EA	HOUSING - 8 POSITION - MALE
	125323-03-000	EA	LOCK - SECONDARY 8 POSITION
	125323-04-000	EA	LOCK - SECONDARY 10 POSITION
	125323-05-000	EA	HOUSING - 6 POSITION - MALE
	125323-06-000	EA	LOCK - SECONDARY 6 POSITION
	125324-01-000	EA	TERMINAL - MALE - METRI-PACK - 150
	125325-01-000	EA	SEAL - CAVITY
	126403-01-000	EA	CONNECTOR - 2 CIRCUIT
	126403-02-000	EA	CONNECTOR - 3 CIRCUIT
	129233-01-000	EA	HOUSING - 2-POSITION/FEMALE - 280-SERIES
	129233-02-000	EA	HOUSING - 2-POSITION/FEMALE - 280-SERIES
	129234-01-000	EA	HOUSING - 6-POSITION/FEMALE - 280-SERIES
	129234-02-000	EA	HOUSING - 6-POSITION/FEMALE - 280-SERIES
	129234-03-000	EA	LOCK - SECONDARY - 6-POSITION
	129235-01-000	EA	HOUSING - 2-POSITION/FEMALE - 630-SERIES
	129235-02-000	EA	LOCK - SECONDARY - 2-POSITION
	129236-01-000	EA	TERMINAL - FEMALE - M/P - 630 - 10-12
	131515-01-000	EA	HOUSING - 2 POSITON JR. POWER TIMER - F/HALOGEN FOG LIGHT
	131681-01-000	EA	CONNECTOR - 3/4" SO CORD - UL/CS
	137207-01-000	EA	HOUSING - PIN - 2 CAVITY/HIGH AMP
	137208-01-000	EA	HOUSING - SOCKET - 2 CAVITY/HIGH AMP
	137209-01-000	EA	PIN - CONNECTOR - 10AWG/HIGH AMP
	137210-01-000	EA	SOCKET - CONNECTOR - 10 AWG/HIGH AMP
	138419-03-000	EA	SOCKET - LAMP - 3 WIRE

**ELECTRICAL GROUP (CONTINUED)**  
**BOOTS, SOLENOIDS, RELAYS & MISCELLANEOUS**

<b>KEY</b>	<b>PART NUMBER</b>	<b>U/M</b>	<b>DESCRIPTION</b>
	007093-01-000	EA	SIGNAL FLASHER
	008188-01-000	EA	SOLENOID - 3 POST - BATTERY CHANGE OVER
	063910-01-000	EA	HOUSING - RELAY
	063912-02-000	EA	RELAY - CANISTER - SPDT
	065450-05-000	EA	TIEDOWN - BATTERY - 8.4" TUBE
	086233-01-000	EA	STUD - ISOLATED - 3/8" X 7/8" LONG
	086273-01-000	EA	RELAY - BATTERY DISCONNECT

# EXTERIOR BODY GROUP GRAPHICS & PAINT



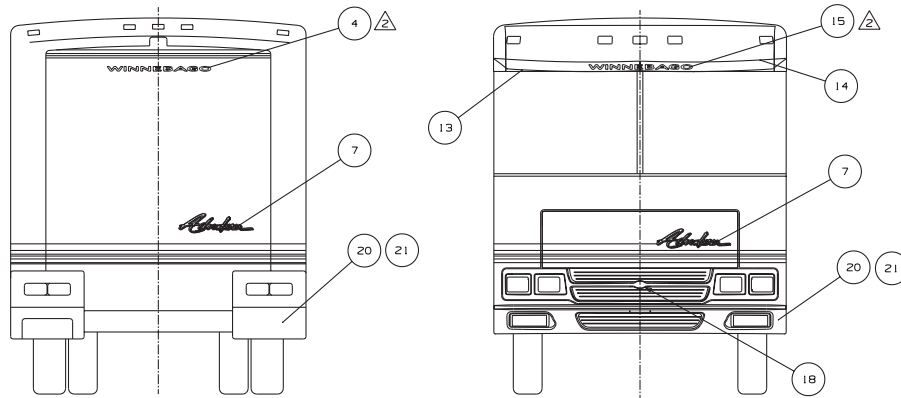
3 (24E) EXT GRAPHICS PKG-1  
 92K EXT GRAPHICS PKG-2  
 276 EXT GRAPHICS PKG-1

3 COLOR OPTION FOR GRAPHICS PKG 1.

2 CENTERED ON UNIT.

1. APPLY PROTECTOR 116424-01 TO WATER HEATER DOOR LATCH.

NOTES:



KEY	PART NO.	U/M	DESCRIPTION (276) OR (24E)
1	105781-78-CHT105A	FT	MULTISTRIPES-63.5 MM - MOSS GREEN/KHAKI
2	105781-74-CHT105A	FT	MULTISTRIPES-114.3MM - CHAMPAGNE STAR/LT.GOLD
3	93689-29-CHT105A	FT	MULTISTRIPES-173.0 MM - MOSS GREEN/KHAKI/LT.GOLD/CHAMPAGNE STAR
4	120702-03-CHT106A	EA	DECAL-LOGO,WINNEBAGO - CHAMPAGNE STAR
5	120700-05-CHT106A	EA	DECAL-LOGO,W - CHAMPAGNE STAR
6	130201-01-CHT106A	EA	DECAL-LOGO,ADVENTURER,LG - BRT.WHITE/MOSS GREEN/KHAKI/LT.GOLD
7	130201-02-CHT106A	EA	DECAL-LOGO,ADVENTURER,SML - BRT.WHITE/MOSS GREEN/KHAKI/LT.GOLD
8	137621-01-CHT101A	EA	DECAL-SLASH,FRONT,RH - BRT.WHITE/KHAKI/CHAMPAGNE STAR
9	137623-01-CHT101A	EA	DECAL-SLASH,FRONT,LH - BRT.WHITE/KHAKI/CHAMPAGNE STAR
8	137621-02-CHT101A	EA	DECAL-SLASH,REAR,RH - MOSS GREEN/CHAMPAGNE STAR/LT.GOLD
9	137623-02-CHT101A	EA	DECAL-SLASH,REAR,LH - MOSS GREEN/CHAMPAGNE STAR/LT.GOLD
10	137622-01-CHT101A	EA	DECAL-HOCKEY STICK,RH - MOSS GREEN/CHAMPAGNE STAR/LT.GOLD
10	137622-02-CHT101A	EA	DECAL-HOCKEY STICK,LH - MOSS GREEN/CHAMPAGNE STAR/LT.GOLD
11	137620-01-CHT101A	EA	DECAL-WINDOW MASK,RH - CHAMPAGNE STAR
11	137620-02-CHT101A	EA	DECAL-WINDOW MASK,LH - CHAMPAGNE STAR
12	133141-01-CHT105A	EA	DECAL-CORNER SWEEP,RH - MOSS GREEN
12	133141-02-CHT105A	EA	DECAL-CORNER SWEEP,LH - MOSS GREEN
13	133127-01-CHT105A	EA	DECAL-ROOF CAP SWEEP,RH - CHAMPAGNE STAR
14	133127-02-CHT105A	EA	DECAL-ROOF CAP SWEEP,LH - CHAMPAGNE STAR
15	121510-01-CHT101A	EA	DECAL-WINNEBAGO,SWEEP - BRIGHT WHITE
16	138018-01-CHT101A	EA	DECAL-WINDOW MASK,UPPER,RH - CHAMPAGNE STAR
16	138018-02-CHT101A	EA	DECAL-WINDOW MASK,UPPER,LH - CHAMPAGNE STAR
17	132664-01-CHT101A	EA	DECAL-DOME WINNEBAGO - GOLD CHROME/BLACK
18	137618-01-CHT101A	EA	DECAL/BEZEL-DOME GRILLE,LOGO - BLK/GOLD

276  
24E

20 136243-10-000 GL PAINT - MOSS GREEN MET - DUPONT #P0039HH  
 21 136243-02-000 GL PAINT - SAHARA MET - DUPONT #M1024HN

KEY	PART NO.	U/M	DESCRIPTION (92K)
1	105781-78-CHT106A	FT	MULTISTRIPES-63.5 MM - LAV FROST/PALE RED
2	105781-74-CHT106A	FT	MULTISTRIPES-114.3MM - STAR MYTH PLUM/SILVER
3	93689-29-CHT106A	FT	MULTISTRIPES-173.0 MM - LAV FROST/PALE RED/SILVER
4	120702-03-CHT107A	EA	DECAL-LOGO,WINNEBAGO - PALE RED
5	120700-05-CHT107A	EA	DECAL-LOGO,W - STAR MYTH PLUM
6	130201-01-CHT107A	EA	DECAL-LOGO,ADVENTURER,LG - BRT.WHITE/LAV FROST/STAR MYTH/SILVER
7	130201-02-CHT107A	EA	DECAL-LOGO,ADVENTURER,SML - BRT.WHITE/LAV FROST/STAR MYTH/SILVER
8	137621-01-CHT102A	EA	DECAL-SLASH,FRONT,RH - BRT.WHITE/LAV FROST/STAR MYTH PLUM
9	137623-01-CHT102A	EA	DECAL-SLASH,FRONT,LH - BRT.WHITE/LAV FROST/STAR MYTH PLUM
8	137621-02-CHT102A	EA	DECAL-SLASH,REAR,RH - LAV FROST/STAR MYTH PLUM/SILVER
9	137623-02-CHT102A	EA	DECAL-SLASH,REAR,LH - LAV FROST/STAR MYTH PLUM/SILVER
10	137622-01-CHT102A	EA	DECAL-HOCKEY STICK,RH - LAV FROST/STAR MYTH PLUM/SILVER
10	137622-02-CHT102A	EA	DECAL-HOCKEY STICK,LH - LAV FROST/STAR MYTH PLUM/SILVER
11	137620-01-CHT102A	EA	DECAL-WINDOW MASK,RH - STAR MYTH PLUM
11	137620-02-CHT102A	EA	DECAL-WINDOW MASK,LH - STAR MYTH PLUM
12	133141-01-CHT106A	EA	DECAL-CORNER SWEEP,RH - LAV FROST
12	133141-02-CHT106A	EA	DECAL-CORNER SWEEP,LH - LAV FROST
13	133127-01-CHT106A	EA	DECAL-ROOF CAP SWEEP,RH - STAR MYTH PLUM
14	133127-02-CHT106A	EA	DECAL-ROOF CAP SWEEP,LH - STAR MYTH PLUM
15	121510-01-CHT101A	EA	DECAL-WINNEBAGO,SWEEP - BRIGHT WHITE
16	138018-01-CHT102A	EA	DECAL-WINDOW MASK,UPPER,RH - STAR MYTH PLUM
16	138018-02-CHT102A	EA	DECAL-WINDOW MASK,UPPER,LH - STAR MYTH PLUM
17	132664-01-CHT101A	EA	DECAL-DOME WINNEBAGO - GOLD CHROME/BLACK
18	137618-01-CHT101A	EA	DECAL/BEZEL-DOME GRILLE,LOGO - BLK/GOLD

20 136243-10-000 GL PAINT - WILD ORCHID MET - DUPONT #P0085

## EXTERIOR BODY GROUP (CONTINUED)

### GRAPHICS & PAINT (CONTINUED)

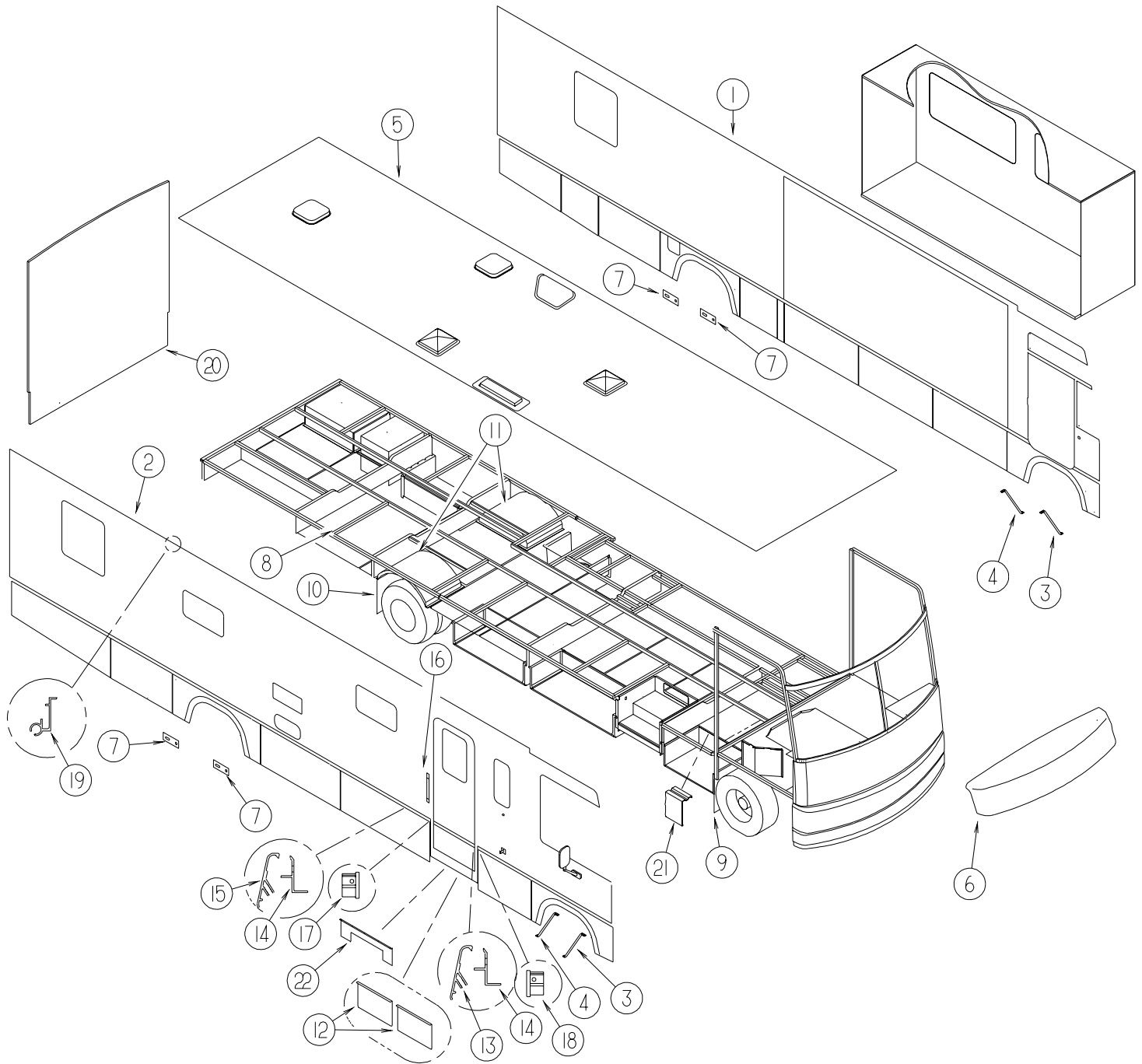
KEY	PART NUMBER	U/M	DESCRIPTION
	041561-03-000	EA	PAINT - 16 OUNCE SPRAY - OFF WHITE

#### DUPONT COLOR CODES

LAVENDAR FROST MET.	#MM002
PALE RED MET.	#F9632
STAR MYTH PLUM MET.	#RM392
SILVER MET.	#F2573
DK. CHARCOAL MET.	#F5641
KHAKI MET.	#F4574
LT. GOLD MET.	#YM209
CHAMPAGNE STAR MET.	#MM081
MOSS GREEN MET.	#P0035
WILD ORCHID MET.	#P0085HN
BRIGHT WHITE	#B8951

## EXTERIOR BODY GROUP (CONTINUED)

### PANELS & TRIMS

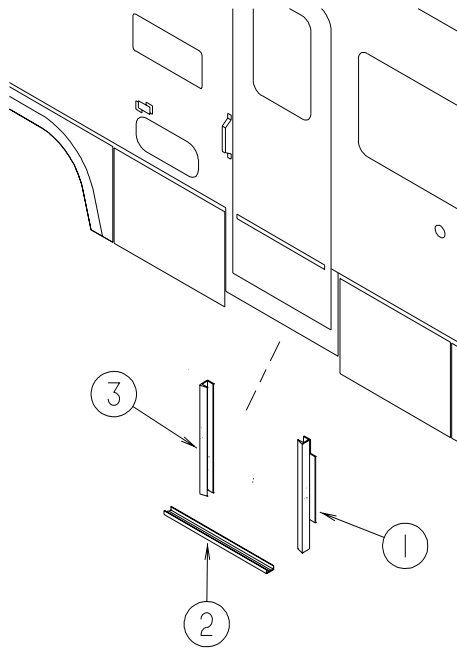


KEY	PART NUMBER	U/M	DESCRIPTION
1	138341-01-N42	EA	SIDEWALL - DRIVER - W/O WINDOWS/TRIMS
1	138341-01-N43	EA	SIDEWALL - DRIVER - W/O WINDOWS/TRIMS
1	138341-01-N44	EA	SIDEWALL - DRIVER - W/O WINDOWS/TRIMS
2	138342-01-N42	EA	SIDEWALL - PASSENGER - W/O WINDOWS/TRIMS
2	138342-01-N43	EA	SIDEWALL - PASSENGER - W/O WINDOWS/TRIMS
2	138342-01-N44	EA	SIDEWALL - PASSENGER - W/O WINDOWS/TRIMS
3	107865-06-000	EA	ROD - SUPPORT - VALANCE PANEL - 15"
4	107865-19-000	EA	ROD - SUPPORT - VALANCE PANEL - 16.5"
5	138343-01-N42	EA	ROOF - W/O LIGHTS/VENTS - W/WIRING
6	125052-02-J20	EA	CAP - ROOF - W/O LIGHTS/WIRING
7	123512-02-02B	EA	BRACKET - VALANCE DOOR - STRAIGHT - E-COATED
8	120524-01-02B	EA	U-CHANNEL/STEEL - 1.8" X 38.2" - E-COATED
9	017516-01-000	EA	MUD FLAP - 14" X 18" - W/O MOUNTING HOLES - BLACK
	140922-01-02B	EA	PLATE - MUD FLAP - E-COATED
	132695-01-02B	EA	ANGLE - MUDFLAP - E-COATED



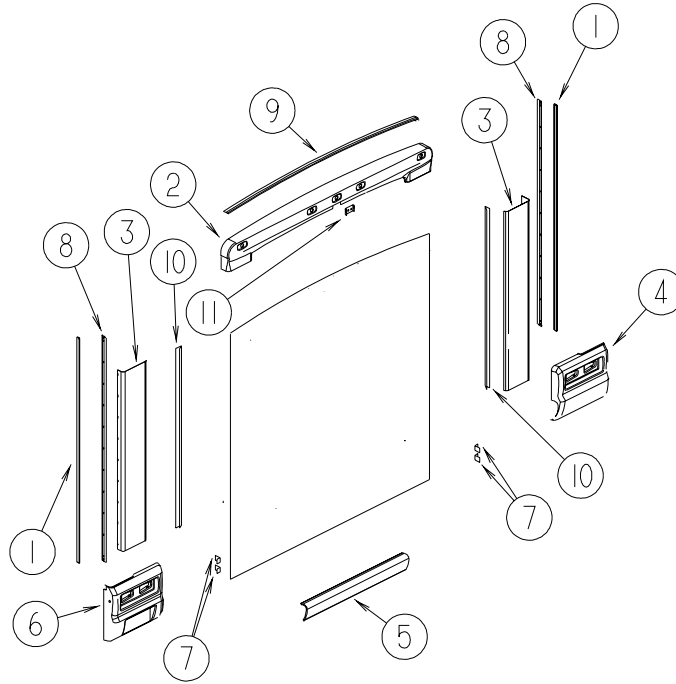
**EXTERIOR BODY GROUP (CONTINUED)**  
**PANELS & TRIMS (CONTINUED)**

KEY	PART NUMBER	U/M	DESCRIPTION
10	017516-01-000	EA	MUD FLAP - 14" X 18" - W/O MOUNTING HOLES - BLACK
	140922-01-02B	EA	PLATE - MUD FLAP - E-COATED
11	131365-01-000	EA	WHEELWELL - PLASTIC
12	121117-01-02B	EA	ANGLE - W/O SLOTS - 3.7" X 2" - E-COATED - FORD
13	133045-01-01A	EA	TRIM - W/HOLES - 25.3" - BRIGHT WHITE
14	133376-01-01A	EA	TRIM - RETAINER - 144" - MILL
15	123993-01-02A	EA	TRIM - COVER - 182" ALUMINUM - BLACK
16	132442-02-01A	EA	HANDLE - ASSIST - CLEAR W/CHROME ENDS
17	126775-01-01A	EA	END CAP - VALANCE TRIM - RIGHT HAND
18	126775-02-01A	EA	END CAP - VALANCE TRIM - LEFT HAND
19	131483-01-01A	EA	RAIL - AWNING - 192" - BRIGHT WHITE
20	137143-04-N42	EA	BACKWALL - W/O WINDOW/TRIMS
20	137143-04-N43	EA	BACKWALL - W/O WINDOW/TRIMS
20	137143-04-N44	EA	BACKWALL - W/O WINDOW/TRIMS
21	093873-01-01A	EA	TRIM - CARPET - L-ANGLE 1.1" X 1.3" X 12' - GRAY VINYL
22	138021-01-02B	EA	ANGLE - W/HOLES - 3.7" X 37.1" - E-COATED - WORKHORSE

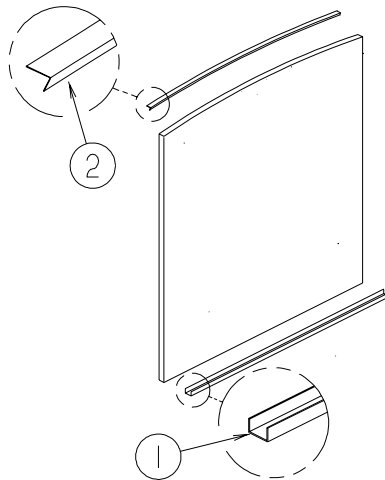


KEY	PART NUMBER	U/M	DESCRIPTION
1	133100-01-01A	EA	TRIM - SIDEWALL - BLACK
2	137599-01-01A	EA	TRIM - NOTCHED- SIDEWALL - 33.2" - BLACK
3	133100-02-01A	EA	TRIM - SIDEWALL - BLACK

**EXTERIOR BODY GROUP (CONTINUED)**  
**PANELS & TRIMS (CONTINUED)**



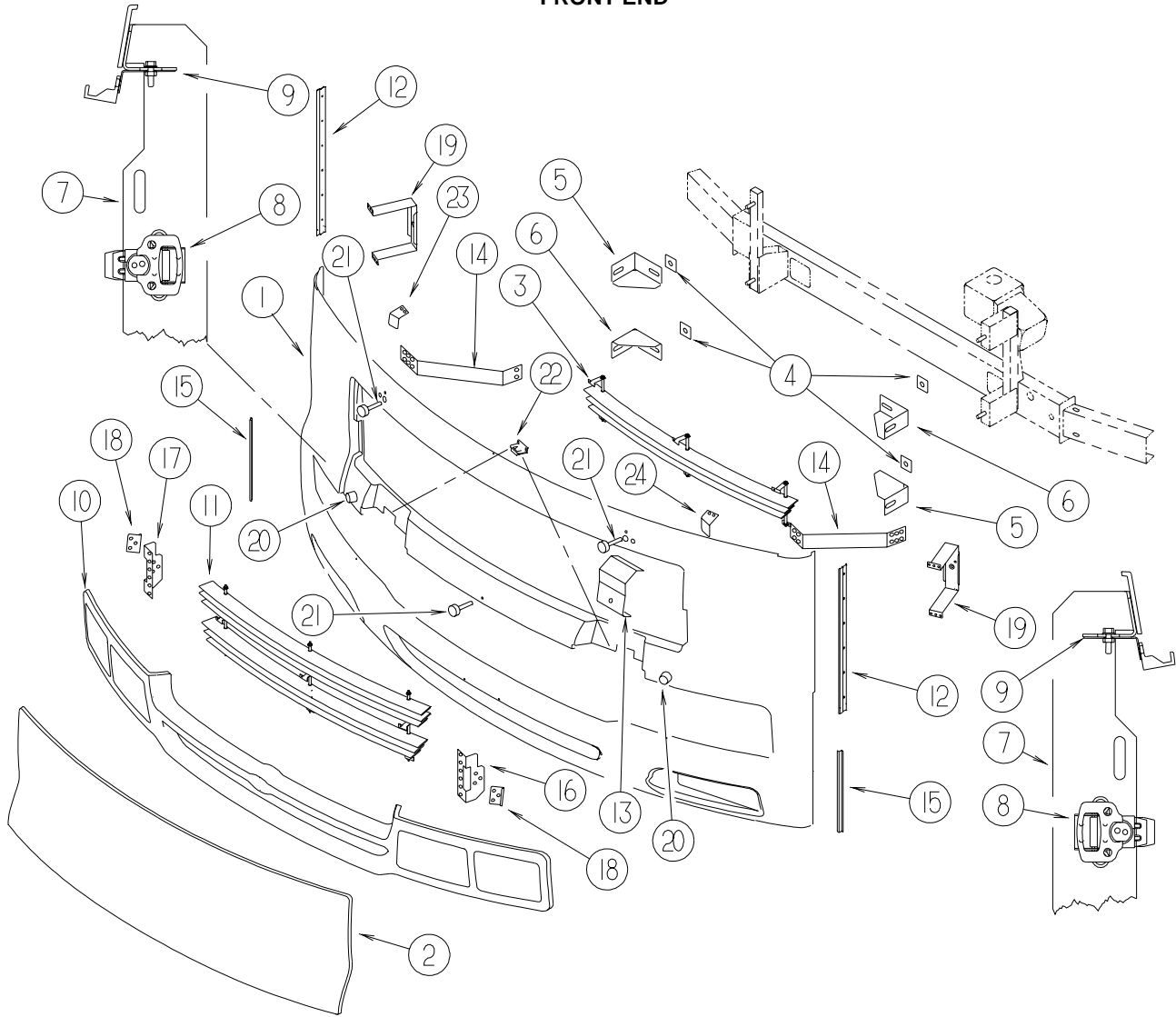
KEY	PART NUMBER	U/M	DESCRIPTION
1	091985-01-07A	FT	INSERT - TRIM - .65" WIDE - BRIGHT WHITE
2	132136-02-L32	EA	TRIM - BACKWALL/TOP - BRIGHT WHITE
3	132135-01-12B	EA	TRIM - BACKWALL/SIDEWALL - RH/LH - BRIGHT WHITE
4	132311-02-L32	EA	TRIM - BACKWALL - LOWER/RIGHT HAND - BRIGHT WHITE
5	132521-01-02A	EA	BUMPER - REAR - BLACK
6	132311-04-L32	EA	TRIM - BACKWALL - LOWER/LEFT HAND - BRIGHT WHITE
7	134533-01-02B	EA	BRACKET - MOUNT - TRIM/LOWER - E-COATED
8	132523-01-01A	EA	TRIM - BACKWALL - VERTICAL/OUTER - RH/LH - BRIGHT WHITE
9	083805-23-000	EA	TRIM - ROOF CAP - 92.1" - BRIGHT WHITE
10	132519-01-01A	EA	TRIM - BACKWALL - VERTICAL/INNER - RH/LH - BRIGHT WHITE
11	132266-01-12B	EA	BRACKET - MOUNT - BRIGHT WHITE



KEY	PART NUMBER	U/M	DESCRIPTION
1	103335-05-02A	EA	TRIM - BACKWALL - LOWER - 96.3" - BRIGHT WHITE
2	114248-02-01A	EA	ANGLE - PLASTIC - 96.6"

# EXTERIOR BODY GROUP (CONTINUED)

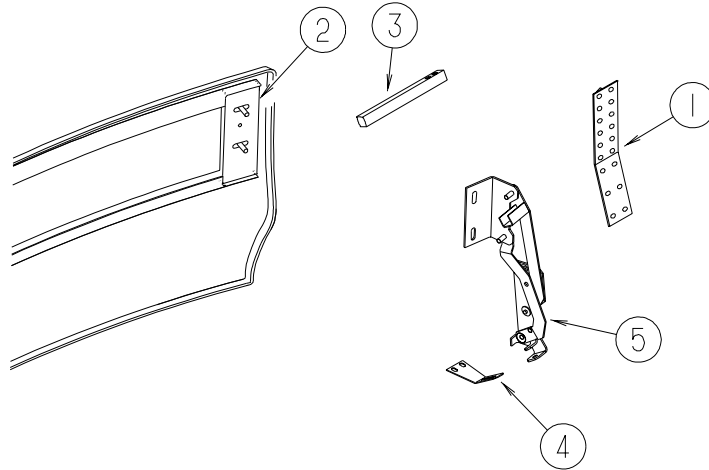
## FRONT END



KEY	PART NUMBER	U/M	DESCRIPTION
1	132356-02-L32	EA	PANEL - FRONT/LOWER - BRIGHT WHITE
2	132370-01-L32	EA	HOOD - FRONT
3	132712-01-M42	EA	GRILLE - FRONT/LOWER
	088771-04-000	EA	ROD - THREADED - .25 DIAMETER
4	116617-02-02B	EA	SPACER - BUMPER
5	128455-01-02B	EA	BRACKET - BUMPER
6	128455-02-02B	EA	BRACKET - BUMPER
7	132553-01-02B	EA	BRACKET - FRONT - RIGHT HAND MOUNT - E-COATED
7	132553-02-02B	EA	BRACKET - FRONT - LEFT HAND MOUNT - E-COATED
8	133701-01-01A	EA	LATCH - DRAW - MILL
9	133802-02-02B	EA	BRACKET - LATCH - ADJUSTING - E-COATED
10	P32355-02-L32	EA	PANEL - FRONT/INSERT W/GRILLE - W/O HARDWARE
11	132711-01-L32	EA	GRILLE - FRONT/UPPER
	088771-03-000	EA	ROD - THREADED - .25 DIAMETER
			FROM: 00-00-00 THRU: 04-22-01
	088771-05-000	EA	ROD - THREADED - .25 DIAMETER
			FROM: 04-23-01 THRU: 99-99-99
12	125818-02-01A	EA	TRIM - PANEL - FIBERGLASS - BRIGHT WHITE
			FROM: 00-00-00 THRU: 08-05-01
12	092041-06-01A	EA	TRIM - PANEL - FIBERGLASS - BRIGHT WHITE
			FROM: 08-06-01 THRU: 99-99-99
	091985-01-07A	FT	INSERT - TRIM - .65" WIDE - BRIGHT WHITE
13	133770-02-02B	EA	BRACKET - HOOD SUPPORT - E-COATED
14	134562-01-02B	EA	SUPPORT - FRONT - E-COATED
15	134066-01-02B	EA	BRACKET - ZEE - W/HOLES - E-COATED

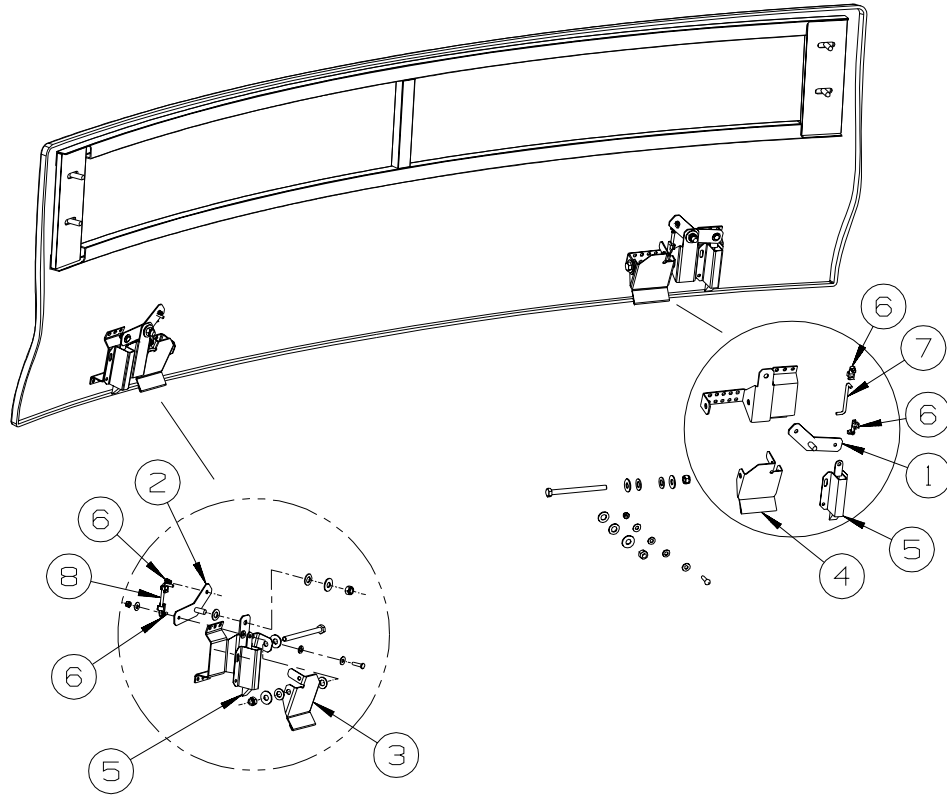
**EXTERIOR BODY GROUP (CONTINUED)**  
**FRONT END (CONTINUED)**

KEY	PART NUMBER	U/M	DESCRIPTION
16	134675-01-02B	EA	BRACKET/CLAMP INSERT - RIGHT HAND - E-COAT
17	134675-02-02B	EA	BRACKET/CLAMP INSERT - LEFT HAND - E-COAT
18	133701-02-01A	EA	KEEPER - DRAW LATCH - MILL
19	134595-01-02B	EA	BRACKET - INSERT - CLAMP - E-COATED
20	117047-01-000	EA	BUMPER - RUBBER - WASHER INSERT
21	058786-01-000	EA	BOLT - HOOD ADJUSTMENT - 5/16"-18 X 1.5"-2"- W/BLACK PAD
22	130053-02-01A	EA	STRIKER - LUGGAGE DOOR - OFF SET - BLACK
23	141018-01-02B	EA	BRACKET/HINGE - FRONT/PASSENGER - E-COATED FROM: 10-13-01 THRU: 99-99-99
24	141018-02-02B	EA	BRACKET/HINGE - FRONT/LEFT HAND - E-COATED FROM: 10-13-01 THRU: 99-99-99



KEY	PART NUMBER	U/M	DESCRIPTION
1	134530-01-02B	EA	SUPPORT - HINGE LINK - E-COATED
	134530-02-02B	EA	SUPPORT - HOOD LINK - E-COATED
2	106730-10-000	EA	PLATE - STUD - F/HOOD
3	137300-01-02B	EA	TUBE/TIMING - HOOD - E-COATED
4	141017-01-02B	EA	SUPPORT/HINGE - FRONT - E-COATED FROM: 10-13-01 THRU: 99-99-99
5	137072-01-01A	EA	HINGE - HOOD - RIGHT HAND - BLACK FROM: 00-00-00 THRU: 01-28-02
5	137072-03-01A	EA	HINGE - HOOD FROM: 01-29-02 THRU: 99-99-99
	137072-02-01A	EA	HINGE - HOOD - LEFT HAND - BLACK FROM: 00-00-00 THRU: 01-28-02
	137072-04-01A	EA	HINGE - HOOD FROM: 01-29-02 THRU: 99-99-99

**EXTERIOR BODY GROUP (CONTINUED)**  
**FRONT END (CONTINUED)**



KEY	PART NUMBER	U/M	DESCRIPTION
1	134418-02-02B	EA	PIVOT - LATCH/HOOD - E-COATED - RIGHT HAND FROM: 00-00-00 THRU: 04-13-01
1	134418-06-02B	EA	PIVOT - LATCH/HOOD - E-COATED FROM: 04-14-01 THRU: 99-99-99
2	134418-04-02B	EA	PIVOT - LATCH/HOOD - E-COATED - LEFT HAND FROM: 00-00-00 THRU: 04-13-01
2	134418-07-02B	EA	PIVOT - LATCH/HOOD - E-COATED FROM: 04-14-01 THRU: 99-99-99
3	134415-02-02B	EA	LATCH/HOOD - PULL - E-COATED - LEFT HAND
4	134415-01-02B	EA	LATCH/HOOD - PULL - E-COATED - RIGHT HAND
5	113908-01-000	EA	LATCH/PLUNGER - F/HOOD
6	102265-01-000	EA	CLIP - ROD END - 5/32" - BLACK PLASTIC
7	134416-01-01A	EA	ROD/HOOD LATCH - STAINLESS STEEL - RIGHT HAND
8	134416-02-01A	EA	ROD/HOOD LATCH - STAINLESS STEEL - LEFT HAND

**LADDER**

KEY	PART NUMBER	U/M	DESCRIPTION
	129639-03-01A	EA	LADDER - BRUSHED ALUMINUM
	130163-05-01A	EA	LADDER - LOWER - ANODIZED ALUMINUM

**MIRRORS**

KEY	PART NUMBER	U/M	DESCRIPTION
*	106015-18-01A	EA	MIRROR - EXTERIOR/REMOTE/HEAT - PASSENGER
*	106015-19-01A	EA	MIRROR - EXTERIOR/REMOTE/HEAT - DRIVER

\*COMPONENT PARTS LISTED LATER IN THIS GROUP

**EXTERIOR BODY GROUP (CONTINUED)**  
**COMPONENT PARTS FOR MIRRORS**

**106015-18-01A & 106015-19-01A**

<b>KEY</b>	<b>PART NUMBER</b>	<b>U/M</b>	<b>DESCRIPTION</b>	<b>VENDOR NO.</b>
	106015-16-700	EA	GLASS-FLAT W/HEAT ELEMENT	709450
	106015-18-700	EA	GLASS/CONVEX-KIT W/CLIP	709650
	106015-18-701	EA	ACTUATOR - CONVEX GLAS	7475410
	106015-18-702	EA	MOTOR - FLAT GLASS	747118
	106015-18-703	EA	CONVEX REBUILT KIT	709651
	106015-19-700	EA	VIBRATION KIT - MIRROR GLASS, VELVAC	709645

## EXTERIOR BODY GROUP (CONTINUED)

### STRUCTURAL COMPONENTS

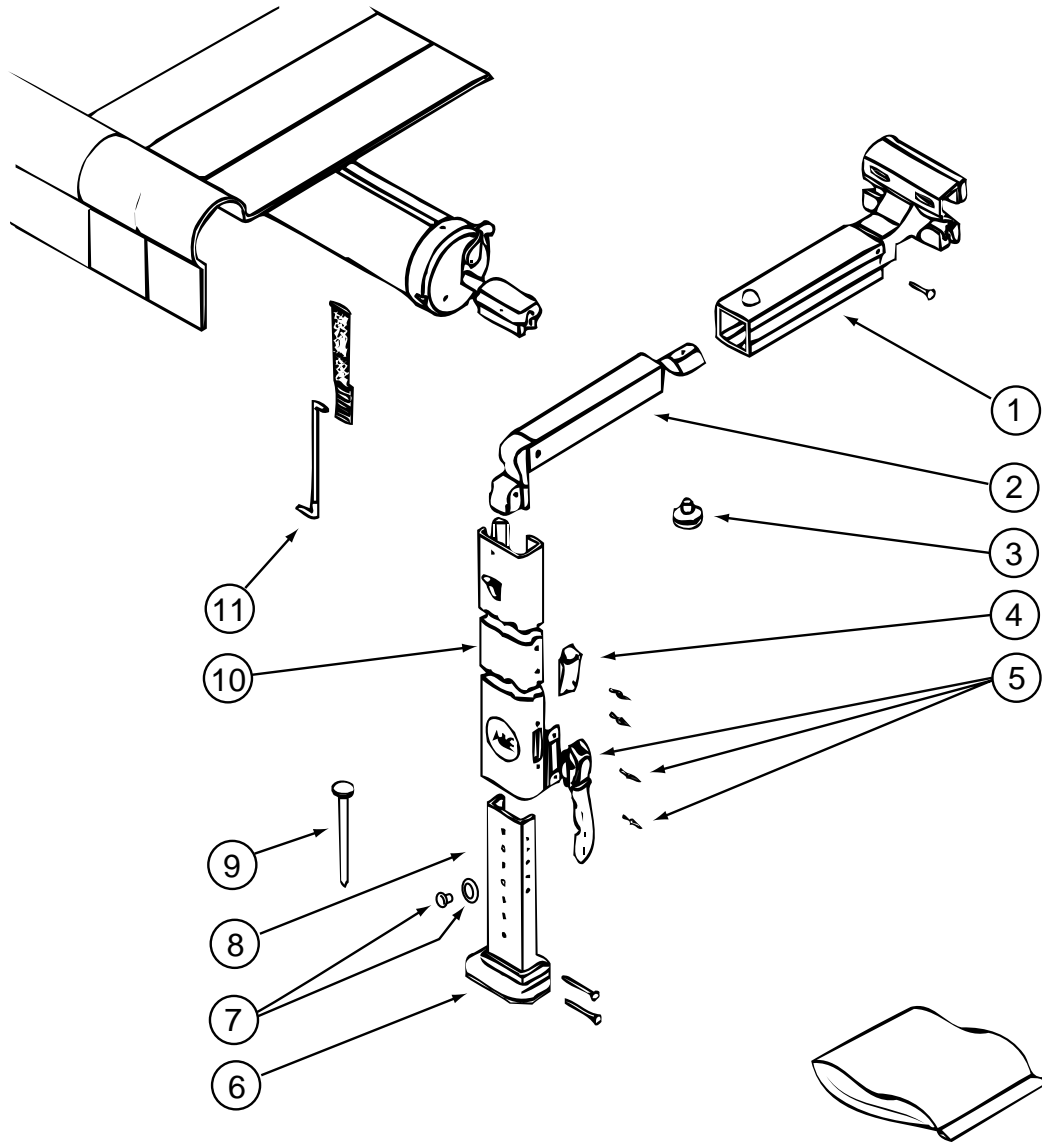
KEY	PART NUMBER	U/M	DESCRIPTION
	002726-01-001	EA	GARNISH - U-CHANNEL - 1.38" X 19' - SERRATED
	002766-01-001	EA	ANGLE - EXTRUDED - 1" X 1 1/2" X 17'
	068716-01-001	EA	BRACE - 90 DEGREE - L-ANGLE - 16í
	076054-U6-000	EA	FIBERGLASS SHEET - 102" X 361" - BRIGHT WHITE
	077517-62-000	EA	FIBERGLASS SHEET - 48" X 96" - BRIGHT WHITE
	089297-01-000	SF	PLYWOOD - LUAN - OVERLAY GRADE - 4' X 8'
	089297-02-000	SF	PLYWOOD - LUAN - OVERLAY GRADE - 4' X 9'
	100619-01-000	BF	FOAM - EXPANDED POLYSTYRENE - 1.34" X 48" X 96"
	100619-02-000	BF	FOAM - EXPANDED POLYSTYRENE - 1.5" X 48" X 96"
	100619-04-000	BF	FOAM - EXPANDED POLYSTYRENE - .5" X 48" X 96"
	100619-05-000	BF	FOAM - EXPANDED POLYSTYRENE - .75" X 48" X 96"-1.5 DENSITY
	100619-13-000	BF	FOAM - EXPANDED POLYSTYRENE - .34" X 34.65" X 96"
	100619-16-000	BF	FOAM - EXPANDED POLYSTYRENE - .75" X 48" X 96"-2.0 DENSITY
	100619-27-000	BF	FOAM - EXPANDED POLYSTYRENE - 48" X 92.8" X 3"
	100619-28-000	BF	FOAM - EXPANDED POLYSTYRENE - .77" X 14.25" X 106"
	105077-08-000	EA	FOAM - PLUG - ROOF CAP
	108535-05-702	EA	FIBERGLASS SHEET - FLAT - 108" X 396" BRIGHT WHITE - ROOF
	120107-01-000	EA	FOAM - ROOF COVE - 2.8" X 96" LONG
	120107-02-000	EA	FOAM - PLUG - ROOF TUBE - 2.2" X 2.9" X 1.8" LONG
	120107-03-000	EA	FOAM - PLUG - SIDEWALL TUBE - 1.2" X 2.1" X 1.8" LONG
	125838-02-002	EA	PLEXIDR-SHEET.125X47.0X53.0 - DR#13175E2 WHT SM
	128782-01-01A	EA	FIBERGLASS SHEET - 79" X 417"/HIGH GLOSS - BRIGHT WHITE
	128782-02-01A	EA	FIBERGLASS SHEET - 79" X 428" - HIGH GLOSS - BRIGHT WHITE
	128782-03-01A	EA	FIBERGLASS SHEET - 26.1" X 68.2" - HIGH GLOSS/SLIDEOUT-B/W
	128782-05-01A	EA	FIBERGLASS SHEET - 79" X 428" - HIGH GLOSS - BRIGHT WHITE
	128782-06-01A	EA	FIBERGLASS SHEET - 99.2" X 102.4" - HIGH GLOSS - BRT WHITE
	128782-09-01A	EA	FIBERGLASS-SHT,HG 787X1736, *BRT WHT VETROLIGHT

### AWNINGS

KEY	PART NUMBER	U/M	DESCRIPTION
*	113874-01-02A	EA	HARDWARE KIT - AWNING - W/O STANDOFF BRACKET-BRIGHT WHITE
	137084-01-01A	EA	HARDWARE KIT - F/1-STEP AWNING - BRIGHT WHITE - <b>ELECTRIC</b>
	113874-06-34A	EA	AWNING - 16' BURGUNDY ROSE VINYL - BRT/WHT VINYL WRAP - <b>WILD ORCHID, G35U/G30Y</b>
	113874-06-46A	EA	AWNING - W/O HARDWARE - 16' - VINYL - <b>MOSS GREEN/SAHARA, G35U/G30Y</b>
	113874-07-34A	EA	AWNING - 18' BURGUNDY/ROSE VINYL - BRT/WHT METAL WRAP - <b>WILD ORCHID, G32V</b>
	113874-07-46A	EA	AWNING - 18' - VINYL - W/O HARDWARE - <b>MOSS GREEN/SAHARA, G32V</b>
	113874-08-34A	EA	AWNING - 19' BURGUNDY/ROSE VINYL - BRT/WHT VINYL WRAP - <b>WILD ORCHID, G37G</b>
	113874-08-46A	EA	AWNING - 19' MOSS TRAN VINYL - BRT/WHT VINYL WRAP - <b>MOSS GREEN/SAHARA, G37G</b>
	137084-02-01A	EA	AWNING - 1-STEP/ELECTRICAL KIT - <b>ELECTRIC</b>
	137084-06-34A	EA	AWNING - 16' 1 STEP - BURG/ROSE VINYL -METAL WRAP/BRT WHT - <b>ELEC, WLD ORCHID, G35U/G30Y</b>
	137084-06-46A	EA	AWNING-16' 1 STEP-MOSS TRAN VINYL-MTL WRP/BRT WHT - <b>ELEC, MOSS GRN/SAHARA, G35U/G30Y</b>
	137084-07-34A	EA	AWNING - 18' 1 STEP - BURG/ROSE VINYL - METAL WRAP/BRT WHT - <b>ELECTRIC, WILD ORCHID, G32V</b>
	137084-07-46A	EA	AWNING - 18' 1 STEP - MOSS TRAN VINYL-METAL WRAP/BRT WHT - <b>ELEC, MOSS GRN/SAHARA, G32V</b>
	137084-08-34A	EA	AWNING - 19' 1 STEP - BURG ROSE VINYL - METAL WRAP/BRT WHT - <b>ELECTRIC, WILD ORCHID, G37G</b>
	137084-08-46A	EA	AWNING - 16' 1 STEP -MOSS TRAN VINYL-METAL WRAP/BRT WHT - <b>ELEC, MOSS GRN/SAHARA, G37G</b>
	113874-11-01A	EA	SCREW/LAG - AWNING - 1/4" X 1" STAINLESS STEEL
	113874-12-01A	EA	SCREW/LAG - AWNING - 1/4" X 2 3/4" STAINLESS STEEL
	137054-01-02A	EA	BRACKET - AWNING - BRIGHT WHITE
	137171-01-01A	EA	BRACKET - AWNING - BRIGHT WHITE - <b>ELECTRIC</b>

\*COMPONENT PARTS LISTED LATER IN THIS GROUP

**EXTERIOR BODY GROUP (CONTINUED)**  
**COMPONENT PARTS FOR AWNINGS**



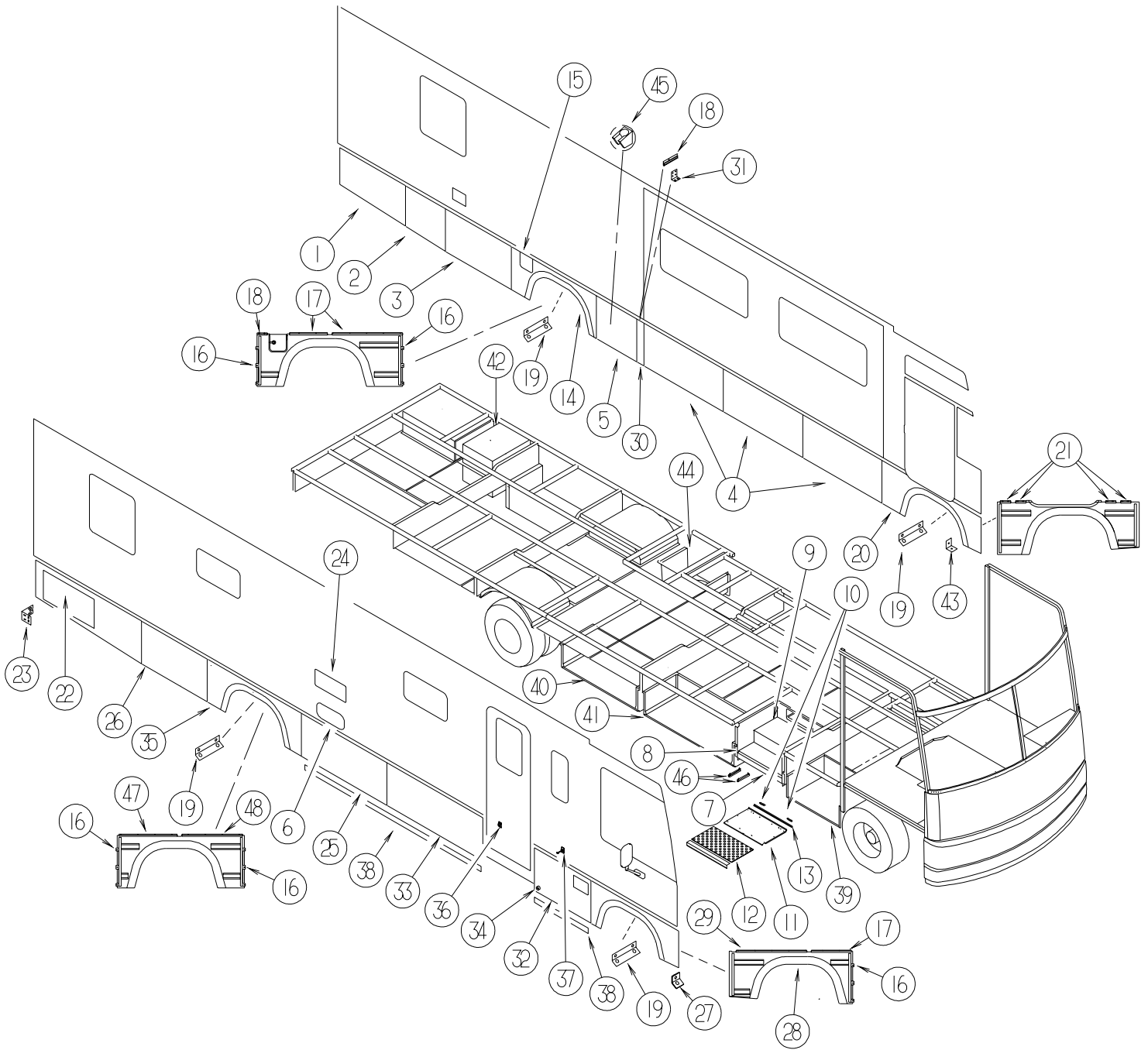
**113874-01-02A**

<b>KEY</b>	<b>PART NUMBER</b>	<b>U/M</b>	<b>DESCRIPTION</b>	<b>VENDOR NO.</b>
1	113874-01-714	EA	RAFTER - MAIN RH/LH BRT/WHT	830295.536F
2	113874-01-715	EA	RAFTER - SECONDARY BRT/WHT	830463.511F
3	113874-01-702	EA	KNOB - ADJUSTING	3105421014
4	113874-01-706	EA	LOCK - TRAVEL	830587.001
5	113874-01-707	EA	HANDLE - LIFT W/RIVETS	830644
6	113874-01-712	EA	FOOT - PATIO	730366-001
7	113874-01-710	EA	PLUG-STOP KIT	830456
8	113874-01-717	EA	ARM - ADJUSTABLE BRT/WHT	830467.517/F
9	113874-01-709	EA	NAIL-SPIKE, 8"	113006
10	113874-01-716	EA	ARM - MAIN SUPPORT BRT/WHT	3104502.293/F
11	113874-01-703	EA	ROD-CENTER PULL W/ACCESSORY	830152.102



# EXTERIOR DOORS & COMPARTMENTS GROUP

## DOOR & COMPARTMENT LAYOUT

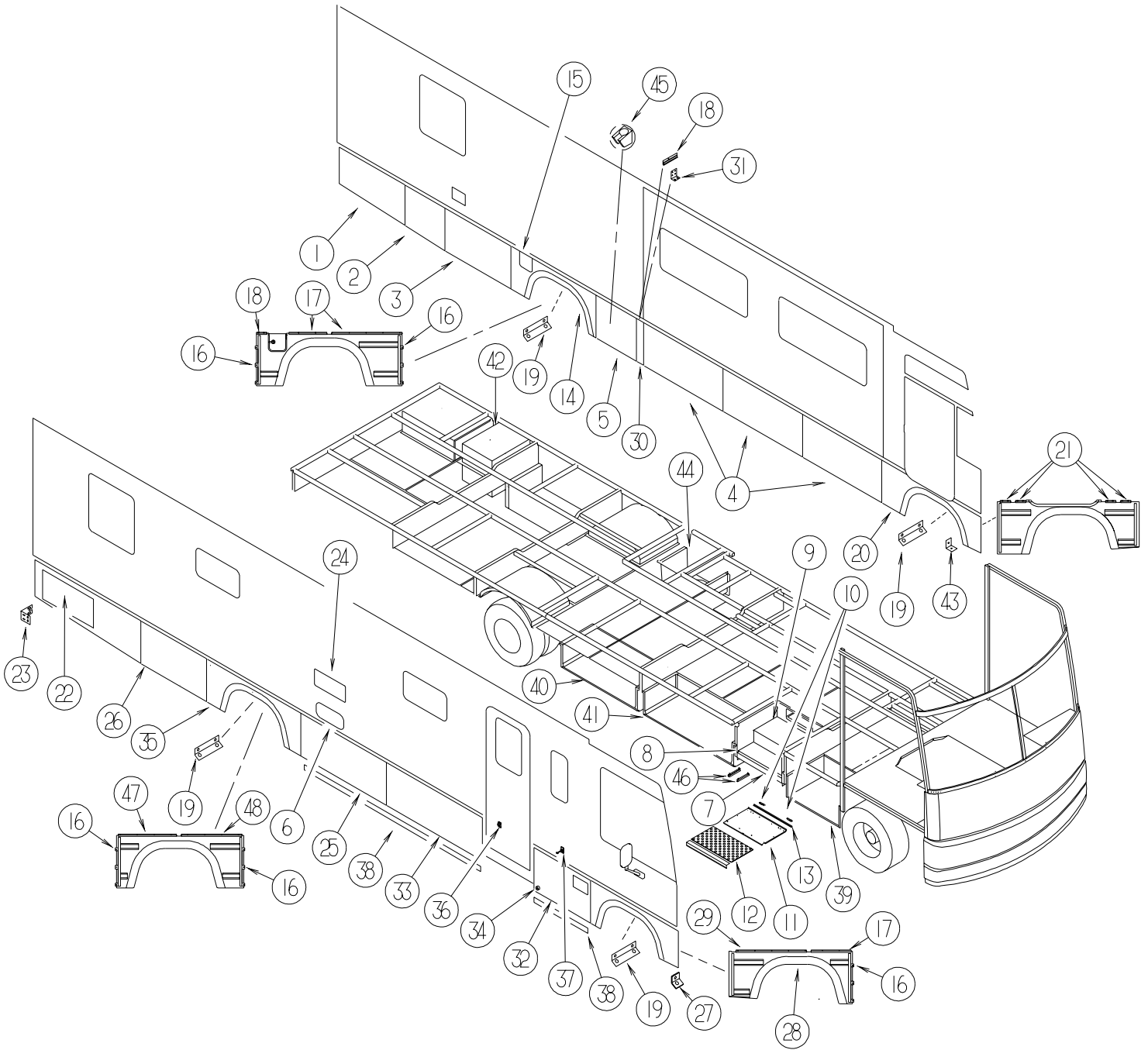


KEY	PART NUMBER	U/M	DESCRIPTION	
1	140439-16-N42	EA	VALANCE/DOOR - DRVR W/O PADDLE LATCH - 23" X 43.4" X 20.8"	
	117047-01-000	EA	BUMPER - RUBBER - WASHER INSERT	
	107796-27-000	EA	SPRING/GAS - 8.5" COMPRESSED/12" EXTENDED - 90 LB	
2	140439-15-N42	EA	VALANCE/DOOR - DRVR W/O PADDLE LATCH - 23" X 26" X 17"	
	107796-27-000	EA	SPRING/GAS - 8.5" COMPRESSED/12" EXTENDED - 90 LB	
	140439-07-N42	EA	VALANCE/DOOR - W/O PADDLE LATCH - 43.1" X 24.3"	
3	107796-32-000	EA	SPRING/GAS - 9.5" COMPRESSED/15" EXTENDED - 90 LB	
	4	140439-10-N42	EA	VALANCE/DOOR - W/O PADDLE LATCH - 51.9" X 24.3"
		107796-32-000	EA	SPRING/GAS - 9.5" COMPRESSED/15" EXTENDED - 90 LB
5		140439-02-N42	EA	VALANCE/DOOR - W/O PADDLE LATCH - 26" X 24.3"
	107796-32-000	EA	SPRING/GAS - 9.5" COMPRESSED/15" EXTENDED - 90 LB	
	6	126945-08-K28	EA	DOOR/STORAGE - W/O HARDWARE - 18" X 8.3"
			FROM: 00-00-00 THRU: 04-30-01	
6	126945-09-N42	EA	DOOR/STORAGE - W/O HARDWARE - 18" X 8.3"	
			FROM: 05-01-01 THRU: 99-99-99	
7*	094707-03-01A	EA	STEP - ELECTRIC DOUBLE - W/BLACK CONTROL BOX - KWIKEE	
8	133114-01-01A	EA	TREAD - STEP/RUBBER - 29.3" - TAUPE	

**EXTERIOR DOORS & COMPARTMENTS GROUP (CONTINUED)**  
**DOOR & COMPARTMENT LAYOUT (CONTINUED)**

KEY	PART NUMBER	U/M	DESCRIPTION
9	P20256-07-000	EA	LID/DOOR - ENTRY STEP - W/O CARPET/HARDWARE
10	101222-01-04A	EA	BRACKET - CATCH - LID - E-COATED
11	123330-03-02B	EA	SUPPORT - ENTRY STEP - E-COATED
12	133114-02-01A	EA	TREAD - STEP/RUBBER - 28.4" - TAUPE
13	099856-11-000	EA	STRAP - TIEDOWN - 7.9"
14	132332-05-L32	EA	VALANCE/WHEEL LIP - DRIVER - REAR - 56.4" - FORD
14	139481-02-N42	EA	WHEEL LIP - REAR/DRIVER - W/FUEL FILL DOOR - WORKHORSE
15	131905-03-L32	EA	DOOR - FUEL FILL W/O LOCK - BLACK
*	110506-A2-000	EA	LOCK ASM-TWIST
	110506-51-000	EA	CASE/CYLINDER - TWIST LATCH - W/O CAM - 1" - 596669
	110506-60-000	EA	CAM - LATCHING - STRAIGHT 2.4"
			FROM: 00-00-00 THRU: 07-07-01
	110506-78-000	EA	CAM - LOCK
			FROM: 07-08-01 THRU: 99-99-99
	009065-01-000	EA	HINGE - ALUMINUM - 1 1/2" X 96" - UNPAINTED
16	113041-14-02B	EA	ANGLE - BUMPER MOUNT - E-COATED
			FROM: 00-00-00 THRU: 09-03-01
16	138789-01-02B	EA	ANGLE/MOUNT - WHEEL LIP - E-COATED
			FROM: 09-04-01 THRU: 99-99-99
17	132654-01-01A	EA	SUPPORT - WHEEL LIP - BLACK - 17.6"
18	132654-11-01A	EA	SUPPORT - WHEEL LIP - BLACK - 3.1"
19	132597-01-02B	EA	ANGLE/SUPPORT/TRIM - E-COATED
20	132332-04-L32	EA	VALANCE/WHEEL LIP - DRIVER - FRONT - 66.3" - FORD
20	139430-01-N42	EA	WHEEL LIP - FRONT/LEFT HAND/DRIVER DOOR - WORKHORSE
21	132654-07-01A	EA	SUPPORT - WHEEL LIP - BLACK - 4.5"
22	140554-01-01A	EA	PANEL/VALANCE - PASSENGER - 24" X 69" X 20" - A/C - BLACK
	107721-07-000	FT	SEAL - ACCESS DOOR - .9" WIDE X 1.1" HIGH
23	109216-03-000	EA	ANGLE - FURNACE DOOR
24	125481-01-02A	EA	DOOR - VENT/REFRIGERATOR - 28.5"W X 13.8"H - BRIGHT WHITE - REFR/FREEZER SIDE BY SIDE
	125481-02-000	EA	Z-BRACKET - VENT DOOR - REFR/FREEZER SIDE BY SIDE
24*	084103-08-000	EA	DOOR - VENT - REFRIGERATOR - W/O JAMB - BRIGHT WHITE - REFRIGERATOR DOUBLE DOOR
	084104-08-000	EA	JAMB - VENT DOOR/REFRIGERATOR - BRIGHT WHITE - REFRIGERATOR DOUBLE DOOR
25	140439-11-N42	EA	VALANCE/DOOR - W/O PADDLE LATCH - 55.9" X 24.3"
	107796-32-000	EA	SPRING/GAS - 9.5" COMPRESSED/15" EXTENDED - 90 LB
26	140439-08-N42	EA	VALANCE/DOOR - W/O PADDLE LATCH - 43.1" X 24.3"
	107796-32-000	EA	SPRING/GAS - 9.5" COMPRESSED/15" EXTENDED - 90 LB
27	132597-02-02B	EA	ANGLE/SUPPORT/TRIM - E-COATED
28	132332-03-L32	EA	VALANCE/WHEEL LIP - PASSENGER - FRONT - 57.5" - FORD
28	139505-01-N42	EA	WHEEL LIP - FRONT/PASSENGER - WORKHORSE
29	132654-03-01A	EA	SUPPORT - WHEEL LIP - BLACK - 31.6"
30	135306-01-M42	EA	VALANCE/PANEL - 4.3" X 24.5"
31	119568-01-01A	EA	STANDOFF - VALANCE PANEL - BLACK
32	140439-13-N42	EA	VALANCE/DOOR - W/O PADDLE LATCH - 37.4" X 24.3"
	107796-32-000	EA	SPRING/GAS - 9.5" COMPRESSED/15" EXTENDED - 90 LB
33	140439-12-N42	EA	VALANCE/DOOR - W/O PADDLE LATCH - 63" X 24.3"
	107796-32-000	EA	SPRING/GAS - 9.5" COMPRESSED/15" EXTENDED - 90 LB
34	120863-02-000	EA	BUMPER - RUBBER - 1" DIAMETER X 1.50"
35	132332-06-L32	EA	VALANCE/WHEEL LIP - PASSENGER - REAR - 61.9" - FORD
35	139471-02-N42	EA	WHEEL LIP - REAR/PASSENGER - WORKHORSE
36	104099-03-04A	EA	CATCH - DOOR HOLDER - STRIKE 6"
37	104099-02-04A	EA	CATCH - DOOR HOLDER - RETAINER - BRIGHT WHITE
38	126516-01-01A	FT	TRIM - VINYL/EXTRUDED - 8'
39	126386-37-L32	EA	COMPARTMENT - WATER HEATER - 10 GALLON
40	126386-40-L32	EA	COMPARTMENT - LUGGAGE
41	126386-07-J22	EA	COMPARTMENT - LUGGAGE
	120863-05-000	EA	BUMPER - RUBBER - 3/4" X 3/8"
42	133372-03-M42	EA	COMPARTMENT - POWERCORD
43	113041-09-02B	EA	ANGLE - BUMPER MOUNT - E-COATED
			FROM: 00-00-00 THRU: 10-21-01
43	113904-13-02B	EA	ANGLE - ATTACHMENT/WHEEL LIP - 15.7" - E-COAT
			FROM: 10-22-01 THRU: 99-99-99

**EXTERIOR DOORS & COMPARTMENTS GROUP (CONTINUED)**  
**DOOR & COMPARTMENT LAYOUT (CONTINUED)**



KEY	PART NUMBER	U/M	DESCRIPTION
44	M08627-11-M42	EA	COMPARTMENT - ELECTRIC/DRAIN
	M08628-01-H17	EA	HATCH - W/FOAM INSERT
	121175-02-01A	EA	LATCH - SWELL
45	131383-03-02A	EA	BRACKET - SHOWER HEAD - WHITE
46	138787-02-02B	EA	CHANNEL/MOUNT - E-COAT - <b>WORKHORSE</b>
47	132654-02-01A	EA	SUPPORT - WHEEL LIP - BLACK - 28.3"
48	132654-06-01A	EA	SUPPORT - WHEEL LIP - BLACK - 24.4"

**EXTERIOR DOORS & COMPARTMENTS GROUP (CONTINUED)**  
**DOOR & COMPARTMENT LAYOUT (CONTINUED)**

**KEY PART NUMBER U/M DESCRIPTION**

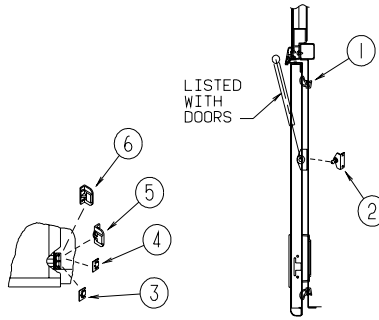
**LOCK CYLINDER USED UP TO 04-30-01**

129686-01-000	EA	CYLINDER - LOCK ASSEMBLY - COMPARTMENT/DRIVER DOOR
129686-02-000	EA	CYLINDER - LOCK ASSEMBLY - COMPARTMENT/DRIVER DOOR
129686-03-000	EA	CYLINDER - LOCK ASSEMBLY - COMPARTMENT/DRIVER DOOR
129686-04-000	EA	CYLINDER - LOCK ASSEMBLY - COMPARTMENT/DRIVER DOOR
129686-05-000	EA	CYLINDER - LOCK ASSEMBLY - COMPARTMENT/DRIVER DOOR
129686-06-000	EA	CYLINDER - LOCK ASSEMBLY - COMPARTMENT/DRIVER DOOR
129686-07-000	EA	CYLINDER - LOCK ASSEMBLY - COMPARTMENT/DRIVER DOOR
129686-08-000	EA	CYLINDER - LOCK ASSEMBLY - COMPARTMENT/DRIVER DOOR
129686-09-000	EA	CYLINDER - LOCK ASSEMBLY - COMPARTMENT/DRIVER DOOR
129686-10-000	EA	CYLINDER - LOCK ASSEMBLY - COMPARTMENT/DRIVER DOOR

**LOCK CYLINDER USED AFTER 05-01-01**

138289-01-000	EA	CYLINDER - LOCKING
138289-02-000	EA	CYLINDER - LOCKING
138289-03-000	EA	CYLINDER - LOCKING
138289-04-000	EA	CYLINDER - LOCKING
138289-05-000	EA	CYLINDER - LOCKING
138289-06-000	EA	CYLINDER - LOCKING
138289-07-000	EA	CYLINDER - LOCKING
138289-08-000	EA	CYLINDER - LOCKING
138289-09-000	EA	CYLINDER - LOCKING
138289-10-000	EA	CYLINDER - LOCKING

**\*COMPONENT PARTS LISTED LATER IN THIS GROUP**



**KEY PART NUMBER U/M DESCRIPTION**

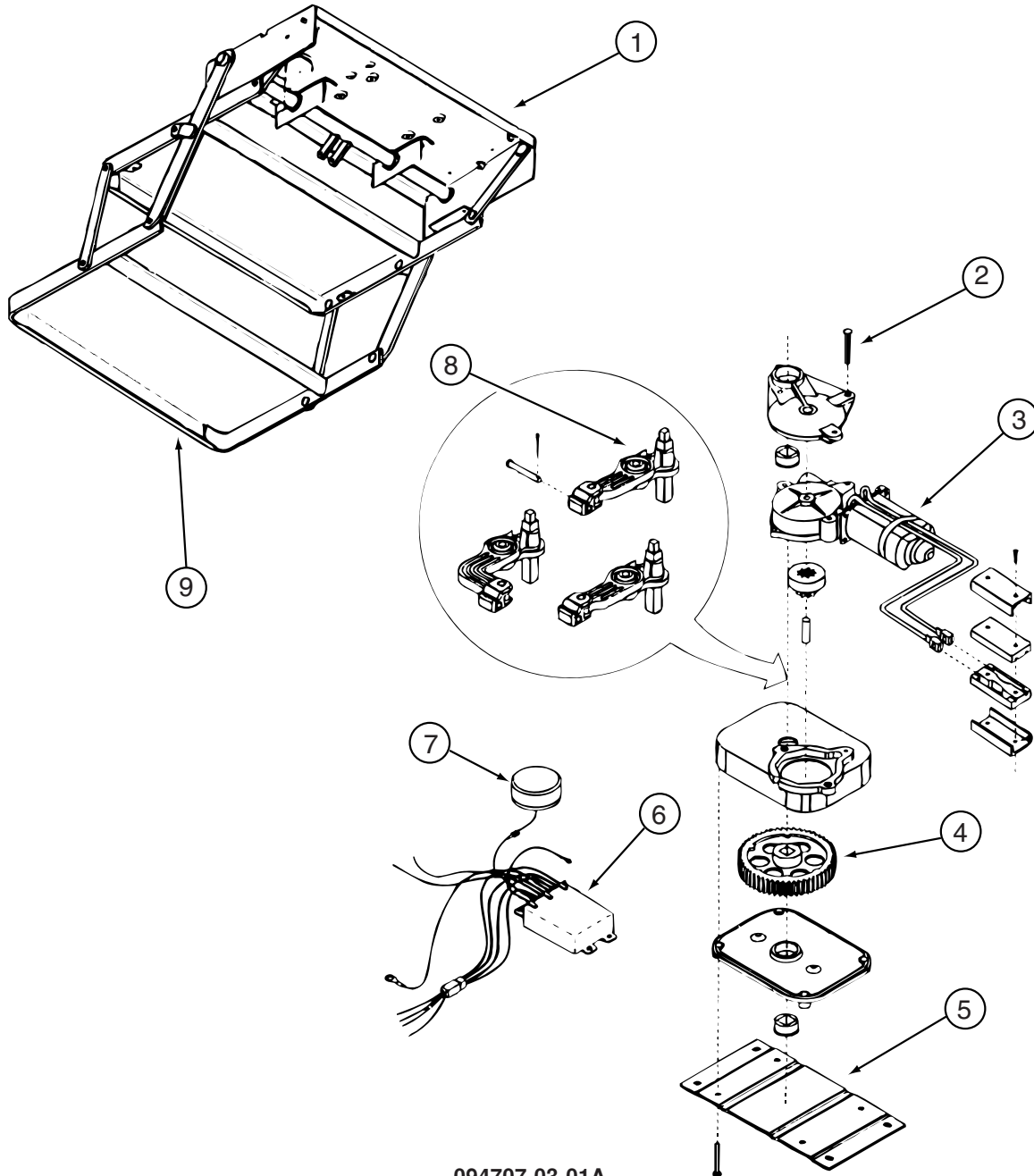
1	132892-02-01A	FT SEAL - BULB
2	126263-02-02B	EA BRACKET - GAS SPRING W/BALL STUD - E-COATED
3	120494-04-02B	EA SHIM - STRIKER - LUGGAGE DOOR - .27 - E-COATED
4	120494-03-02B	EA SHIM - STRIKER - LUGGAGE DOOR - .20 - E-COATED
5	130053-02-01A	EA STRIKER - LUGGAGE DOOR - OFF SET - BLACK
6	130053-01-01A	EA STRIKER - LUGGAGE DOOR - FLUSH - BLACK

# EXTERIOR DOORS & COMPARTMENTS GROUP (CONTINUED)

## COMPONENT PARTS FOR DOOR & COMPARTMENT LAYOUT

084103-08-000

KEY	PART NUMBER	U/M DESCRIPTION	VENDOR NO.
	084104-01-700	EA LOCK-MALE, FASTENER	201-721-010
	084104-01-701	EA LOCK-FEMALE, FASTENER	201-802-010



094707-03-01A

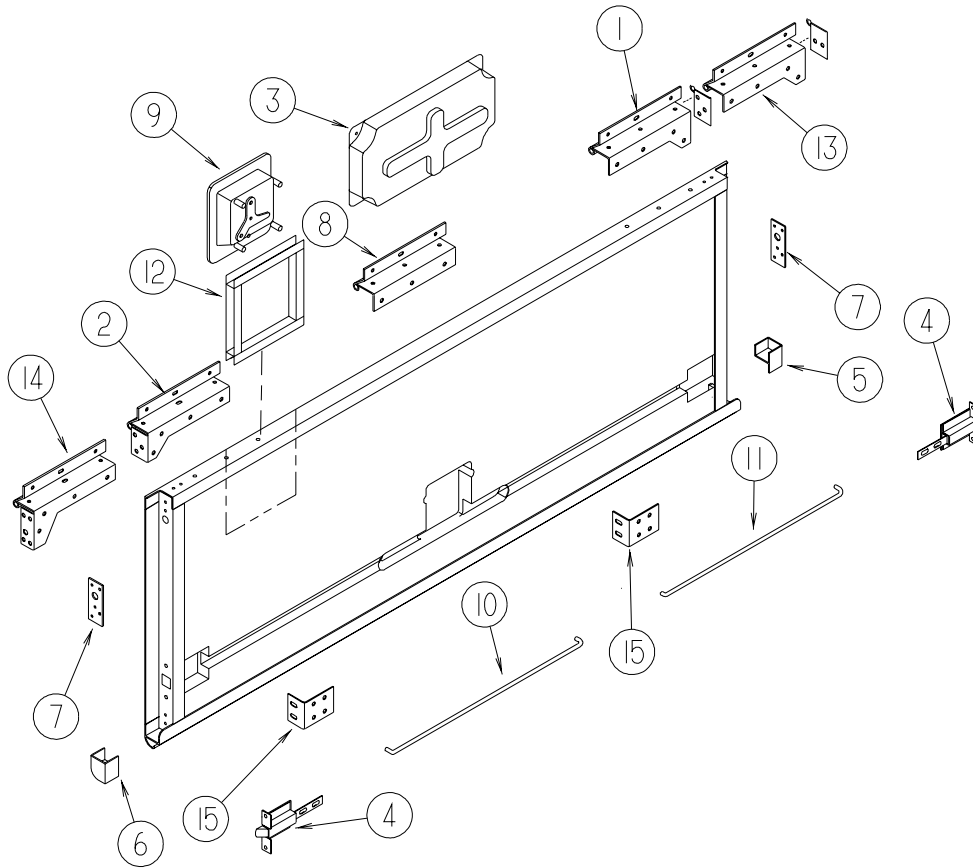
KEY	PART NUMBER	U/M DESCRIPTION	VENDOR NO.
1	094707-01-702	EA FRAME W/DBL STEP,3200 SERIES	908032
2	094707-02-703	EA BEARING & PINS	909530
3	094707-02-700	EA MOTOR ASM.,W/BEARINGS & PINS	909520
4	094707-02-702	EA GEAR KIT(GEAR-BEARING-PINS)	909525
5	094707-02-704	EA CONNECTOR-MOTOR ASM.W/PLATES	909537
6	094707-03-700	EA KIT CONTROL/SWITCH-RETROFIT	909506005
7	088733-01-700	EA BULB	9004
7	088746-01-705	EA LIGHT-UNDER STEP	9004
8	094707-02-701	EA LINKAGE ASM. W/BEARINGS-PINS	909534
	094707-02-706	EA GEAR BOX ASM. W/O MOTOR	9524
9	094707-02-707	EA TREAD - NON-SKID - BLACK	909333
	094707-02-708	EA TREAD - NON-SKID - BLACK	909331
	094707-03-701	EA PLUG - 4-WAY - PACKARD	909306

**EXTERIOR DOORS & COMPARTMENTS GROUP (CONTINUED)**  
**COMPONENT PARTS FOR DOOR & COMPARTMENT LAYOUT (CONTINUED)**

110506-A2-000

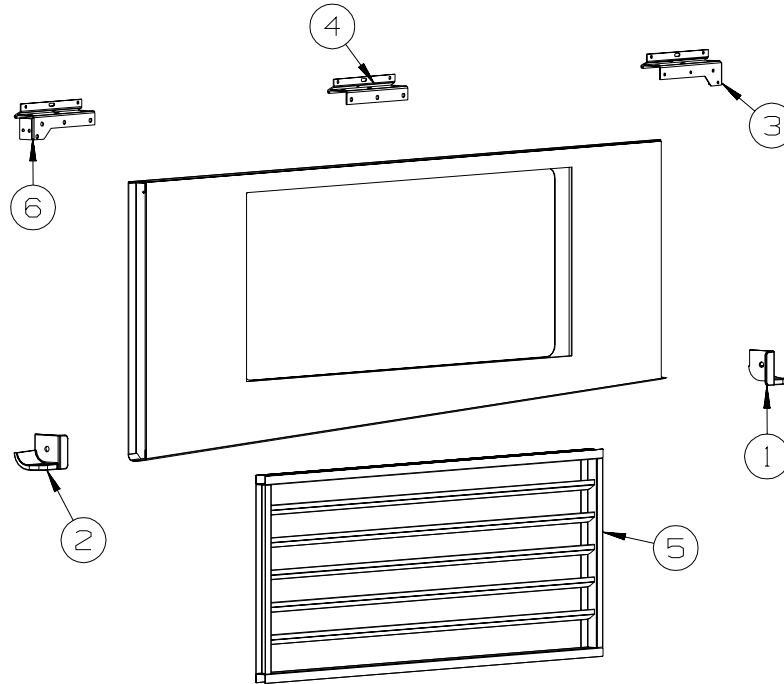
KEY	PART NUMBER	U/M	DESCRIPTION	VENDOR NO .
	110506-40-700	EA	HARDWARE PACKAGE-CYLINDER/CASE	596950AAL

**EXTERIOR DOORS & COMPARTMENTS GROUP (CONTINUED)**  
**COMPARTMENT DOOR PIECE PARTS**



KEY	PART NUMBER	U/M	DESCRIPTION	
1	131790-01-01A	EA	HINGE - SINGLE/PIVOT	
2	131790-02-01A	EA	HINGE - SINGLE/PIVOT	FROM: 00-00-00 THRU: 11-11-01
3	137359-01-01A	EA	COVER - LATCH - WHITE	
4	121947-01-01A	EA	BOLT - SLIDE W/PLASTIC PLUNGER	
5	135276-01-01A	EA	REINFORCEMENT - CORNER - RIGHT HAND	
6	135276-02-01A	EA	REINFORCEMENT - CORNER - LEFT HAND	
7	134033-01-04B	EA	PLATE - HINGE - BLACK	
8	131790-03-01A	EA	HINGE - SINGLE/PIVOT	FROM: 00-00-00 THRU: 11-11-01
8	139793-03-01A	EA	HINGE - CENTER/VALANCE DOOR - W/O BALLSTUD	FROM: 11-12-01 THRU: 99-99-99
9	129675-01-01A	EA	LATCH - LOCKING PADDLE - BLACK	FROM: 00-00-00 THRU: 04-30-01
9	138277-01-01A	EA	LATCH/PADDLE - COMPARTMENT DOOR - BLACK - KEY ONE	FROM: 05-01-01 THRU: 99-99-99
9	112949-02-04A	EA	LATCH - PADDLE NON-LOCKING - BRIGHT WHITE	
10	132873-01-000	EA	ROD - LATCH (BLANK) - RIGHT HAND	
11	132873-02-000	EA	ROD - LATCH (BLANK) - LEFT HAND	
12	133049-02-L76	EA	TRIM - COVER/WATER HEATER	
13	139793-01-01A	EA	HINGE - RIGHT HAND/VALANCE DOOR - W/BALLSTUD	FROM: 11-12-01 THRU: 99-99-99
14	139793-05-01A	EA	HINGE - LEFT HAND/VALANCE DOOR - W/O BALLSTUD	FROM: 11-12-01 THRU: 99-99-99
15	119568-01-01A	EA	STANDOFF - VALANCE PANEL - BLACK	

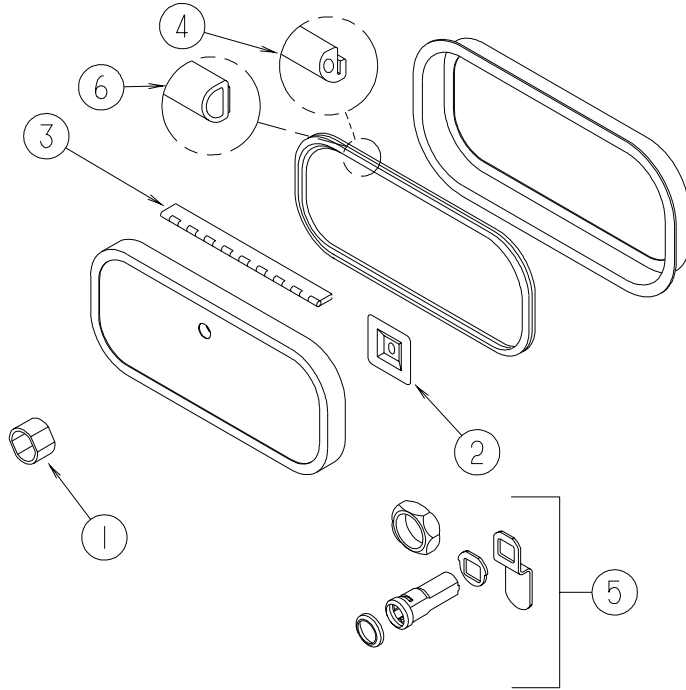
**EXTERIOR DOORS & COMPARTMENTS GROUP (CONTINUED)**  
**COMPARTMENT DOOR PIECE PARTS (CONTINUED)**



KEY	PART NUMBER	U/M	DESCRIPTION
1	135276-01-01A	EA	REINFORCEMENT - CORNER - RIGHT HAND
2	135276-02-01A	EA	REINFORCEMENT - CORNER - LEFT HAND
3	139793-04-01A	EA	HINGE - RIGHT HAND/VALANCE DOOR - W/O BALLSTUD
4	139793-03-01A	EA	HINGE - CENTER/VALANCE DOOR - W/O BALLSTUD
5	113333-10-M42	EA	GRILL/DOOR - A/C
6	139793-05-01A	EA	HINGE - LEFT HAND/VALANCE DOOR - W/O BALLSTUD



**EXTERIOR DOORS & COMPARTMENTS GROUP (CONTINUED)**  
**COMPARTMENT DOOR PIECE PARTS (CONTINUED)**



KEY	PART NUMBER	U/M	DESCRIPTION	
1	139325-01-000	EA	SPACER - LOCK - 6MM	
	139337-01-000	EA	GASKET - LOCK	FROM: 05-01-01 THRU: 99-99-99
2	097111-01-04A	EA	POCKET - LOCK - VALANCE - BRIGHT WHITE	FROM: 05-01-01 THRU: 99-99-99
				FROM: 00-00-00 THRU: 04-30-01
2	097111-02-04A	EA	POCKET - LOCK - REAR DOOR - BLACK	FROM: 05-01-01 THRU: 99-99-99
3	081801-V3-000	EA	HINGE - ALUMINUM - 2 $\frac{1}{2}$ X 96 $\frac{1}{8}$ - BRIGHT WHITE	
4	106850-02-000	FT	SEAL-E - SPONGE RUBBER - .43 $\frac{1}{8}$ X .75 $\frac{1}{8}$	
5	130005-02-000	EA	LOCK - W/O CYLINDER & KEYS - W/CAM - F/KEY ONE SYSTEM	FROM: 00-00-00 THRU: 04-30-01
5	138290-02-000	EA	CASE - W/CAM - W/O CYLINDER/KEY	FROM: 05-01-01 THRU: 99-99-99
6	NOT USED			

**LOCK CYLINDER USED UP TO 04-30-01**

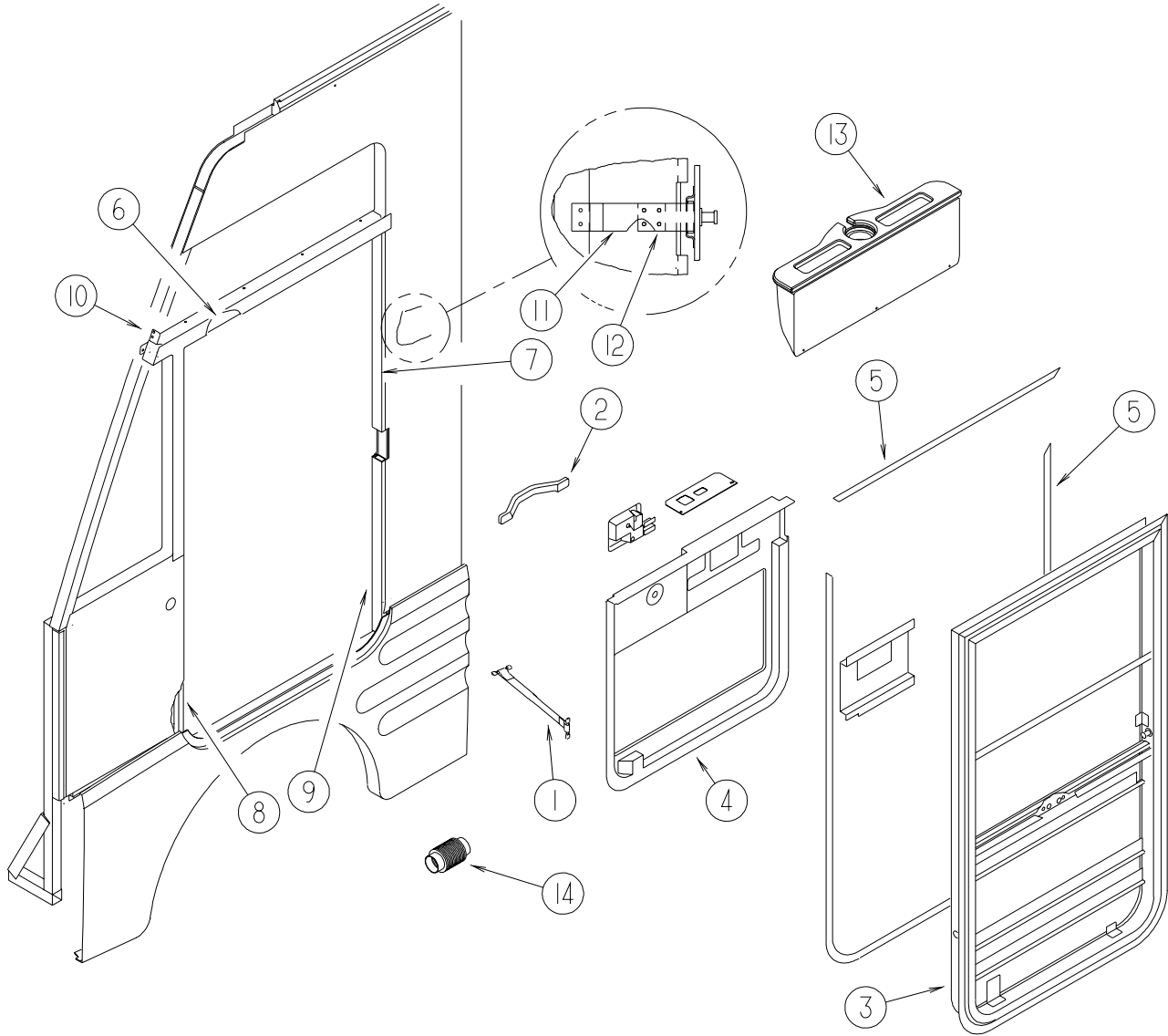
129686-01-000	EA	CYLINDER - LOCK ASSEMBLY - COMPARTMENT/DRIVER DOOR
129686-02-000	EA	CYLINDER - LOCK ASSEMBLY - COMPARTMENT/DRIVER DOOR
129686-03-000	EA	CYLINDER - LOCK ASSEMBLY - COMPARTMENT/DRIVER DOOR
129686-04-000	EA	CYLINDER - LOCK ASSEMBLY - COMPARTMENT/DRIVER DOOR
129686-05-000	EA	CYLINDER - LOCK ASSEMBLY - COMPARTMENT/DRIVER DOOR
129686-06-000	EA	CYLINDER - LOCK ASSEMBLY - COMPARTMENT/DRIVER DOOR
129686-07-000	EA	CYLINDER - LOCK ASSEMBLY - COMPARTMENT/DRIVER DOOR
129686-08-000	EA	CYLINDER - LOCK ASSEMBLY - COMPARTMENT/DRIVER DOOR
129686-09-000	EA	CYLINDER - LOCK ASSEMBLY - COMPARTMENT/DRIVER DOOR
129686-10-000	EA	CYLINDER - LOCK ASSEMBLY - COMPARTMENT/DRIVER DOOR

**LOCK CYLINDER USED AFTER 05-01-01**

138289-01-000	EA	CYLINDER - LOCKING
138289-02-000	EA	CYLINDER - LOCKING
138289-03-000	EA	CYLINDER - LOCKING
138289-04-000	EA	CYLINDER - LOCKING
138289-05-000	EA	CYLINDER - LOCKING
138289-06-000	EA	CYLINDER - LOCKING
138289-07-000	EA	CYLINDER - LOCKING
138289-08-000	EA	CYLINDER - LOCKING
138289-09-000	EA	CYLINDER - LOCKING
138289-10-000	EA	CYLINDER - LOCKING

# EXTERIOR DOORS & COMPARTMENTS GROUP (CONTINUED)

## DRIVERS

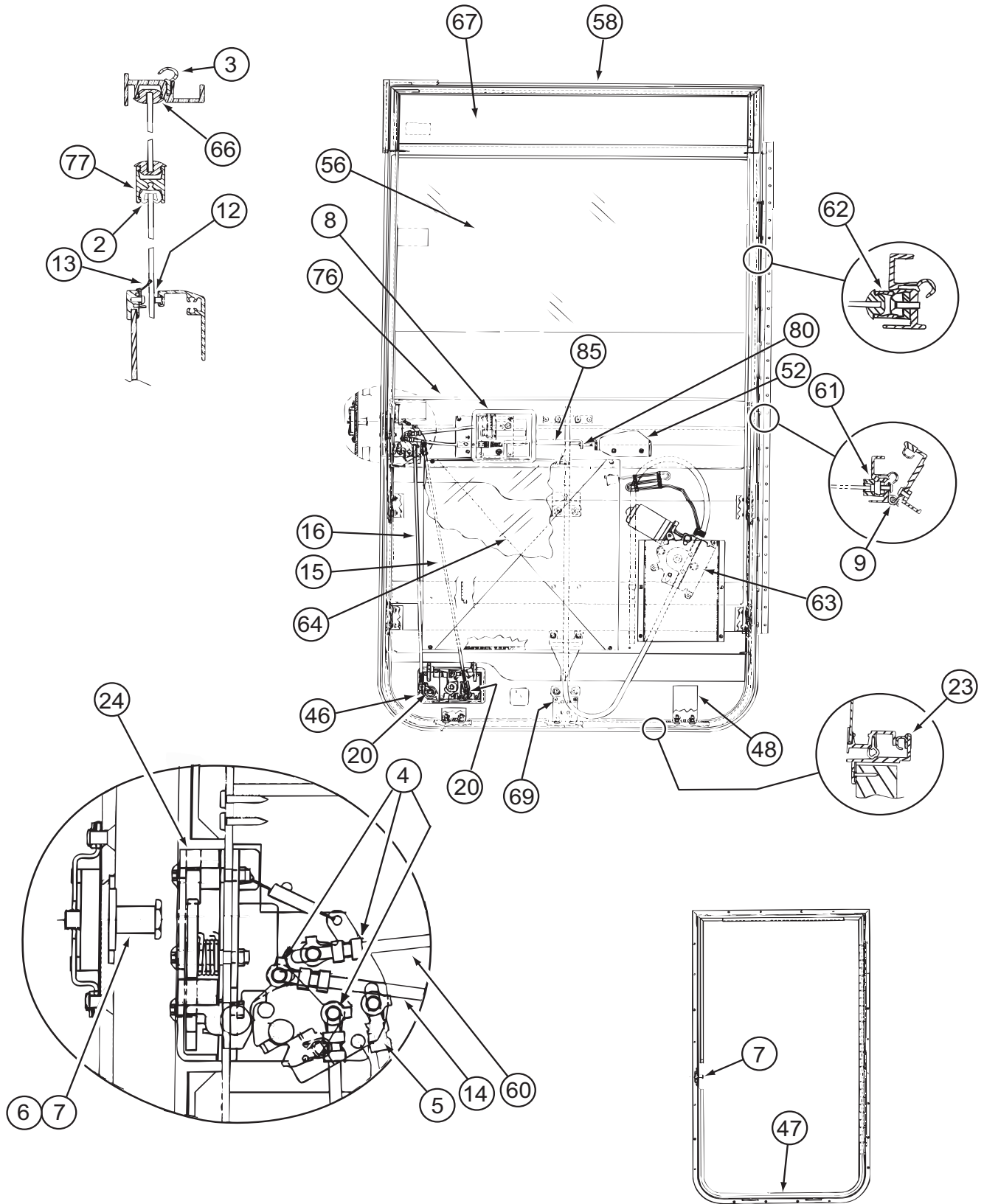


KEY	PART NUMBER	U/M	DESCRIPTION
1	109378-01-000	EA	STRAP - CHECK - DRIVER DOOR - 12.8"
2	110604-01-01A	EA	HANDLE - ASSIST - DRIVER DOOR - 10.8" LONG - BLACK
3*	125581-08-01A	EA	DOOR - DRIVER - POWER WINDOW/LOCK
			FROM: 00-00-00 THRU: 04-30-01
3*	125581-09-01A	EA	DOOR - DRIVER - POWER WINDOW/LOCK
			FROM: 05-01-01 THRU: 99-99-99
4	132298-01-03A	EA	PANEL/DOOR - INNER/DRIVER - W/O BEVERAGE TRAY - PUTTY (N42, N43)
4	132298-01-02A	EA	PANEL/DOOR - INNER/DRIVER - W/O BEVERAGE TRAY - TITANIUM (N44)
5	109235-01-01A	FT	COVER - SCREW - MAT BLACK
5	109235-01-05A	FT	COVER - SCREW - BRIGHT WHITE
6	125725-01-01A	EA	FRAME - DRIVER DOOR - 33.5" - BLACK
7	125725-03-01A	EA	FRAME - DRIVER DOOR - 27.8" - BLACK
8	125725-07-01A	EA	FRAME - DRIVER DOOR - 53.3" - BLACK
9	125725-08-01A	EA	FRAME - DRIVER DOOR - 21.4" - BLACK
10	125804-02-02B	EA	ANGLE - DOOR SUPPORT - E-COATED
11	126506-01-02B	EA	BRACKET - STRIKE - DRIVER DOOR - E-COATED
12	126534-01-02B	EA	SPACER - STRIKE - DRIVER DOOR - E-COATED
13	P32297-05-N42	EA	BEVERAGE TRAY - PASSENGER/DRIVER
	122717-06-01A	FT	PAD - NON-SKID - PSA - 5"W
14	117802-01-000	EA	GROMMET - CONVOLUTED - 2"
	128131-01-01A	EA	SPACER/SWITCH - DOME - BLACK

\*COMPONENT PARTS LISTED LATER IN THIS GROUP

# EXTERIOR DOORS & COMPARTMENTS GROUP (CONTINUED)

## COMPONENT PARTS FOR DRIVERS



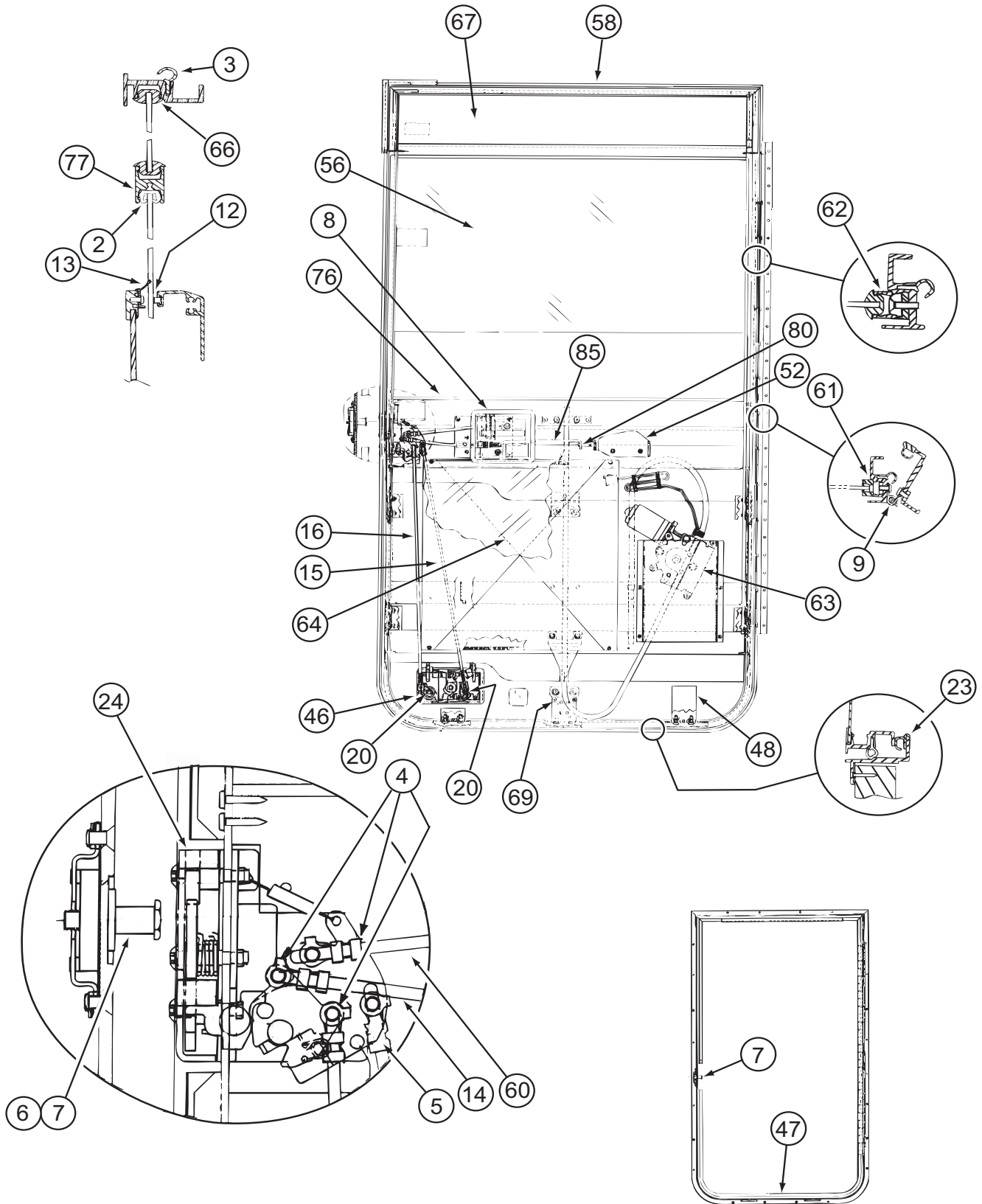
125581-08-01A

**EXTERIOR DOORS & COMPARTMENTS GROUP (CONTINUED)**  
**COMPONENT PARTS FOR DRIVERS (CONTINUED)**

**125581-08-01A (CONTINUED)**

<b>KEY</b>	<b>PART NUMBER</b>	<b>U/M</b>	<b>DESCRIPTION</b>	<b>VENDOR NO.</b>
2	106469-01-705	FT	CHANNEL-RUN, SLIDING	122-010850
3	106469-01-702	EA	SEAL-DOOR FRAME (DOOR)EA=1	122-040984
4	106469-04-714	EA	ROD-CLIP, RH	80801
5	106469-04-713	EA	ROD-CLIP, LH	80802
6	106469-04-704	EA	NUT ASSEMBLY-CAGED W/STRIKER	11920-16
7	106469-04-703	EA	BOLT-STRIKER, W/WASHER	10335-16
9	106469-05-702	EA	HINGE - 42"	211-041194
12	106469-01-709	FT	WEATHERSTRIP FUZZY	171-040630
13	125581-03-703	EA	WEATHERSTRIP - BELTING	132-041069
15	125581-04-700	EA	ROD - LATCH/VERTICAL ADJUST.	203-041767
16	125581-04-701	EA	ROD - LOCK/VERTICAL ADJUST.	203-041768
20	128913-01-707	EA	NUT - HEX/NYLOCK - 1/4 - 20	233-062447
23	106469-01-723	EA	SEAL-BULB ASM. (DOOR JAMB)	171-040985
24	106469-05-706	EA	LATCH-ROTARY, W/LINKAGE	16512-01
46	125581-03-704	EA	PADDLE - W/O LOCK/RH - KEY 1	TRI/MARK #14312-02
47	125581-04-703	EA	FRAME - MOUNTING - BLACK	V180-35L
48	125581-07-703	EA	BRACKET-ALUMINUM iLi(INSIDE)	N135-55
56	125581-08-703	EA	GLASS-ROLL-UP	106-042081
58	125581-08-702	EA	FRAME/DOOR - SUB ASSY-BLACK	V220-98L
60	106469-04-705	EA	ROD-LATCH, HORIZONTAL	203-041139
62	125581-08-700	EA	CHANNEL/VERT STA GLASS-BLACK	V220-61
63	125581-03-702	EA	REGULATOR-ELECTRIC-SPEC RH	410-040966
64	125581-06-700	EA	PANEL/INTERIOR	V164-97
66	125581-04-710	FT	VINYL - GLAZING	132-041484
69	125581-04-711	EA	CHANNEL-GLASS - LIFT BRKT	N135-66
67	125581-07-701	EA	GLASS-STATIONERY/4.95"X29.5"	106-042082
69	106469-04-711	EA	ROD-LOCK, HORIZONTAL	15508-01
76	125581-03-701	EA	SILL - INNER - BLACK	V123-68L
77	125581-03-700	EA	MULLION RAIL- BLACK	V123-84
	125581-07-704	EA	BRACKET - STRAP/JAMB & DOOR	248-080394
	125581-07-705	EA	BRACKET (L) F/SEAL PROTECT	490201
	125581-10-701	EA	CLIP - CABLE	130-042047
			CONTACT WINNEBAGO PART SALES FOR UNLISTED COMPONENT	

**EXTERIOR DOORS & COMPARTMENTS GROUP (CONTINUED)**  
**COMPONENT PARTS FOR DRIVERS (CONTINUED)**



125581-09-01A

**EXTERIOR DOORS & COMPARTMENTS GROUP (CONTINUED)**  
**COMPONENT PARTS FOR DRIVERS (CONTINUED)**

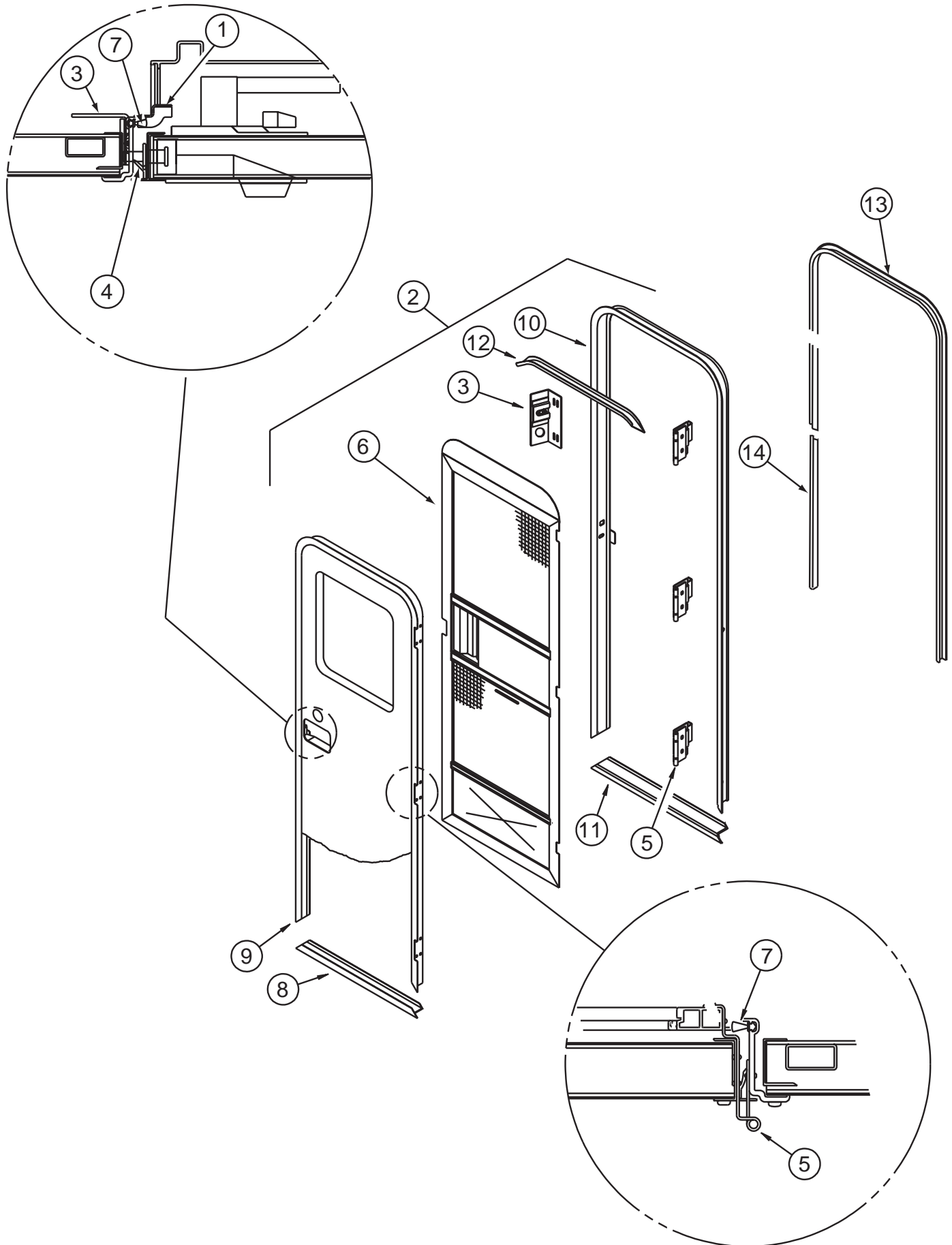
**125581-09-01A (CONTINUED)**

<b>KEY</b>	<b>PART NUMBER</b>	<b>U/M</b>	<b>DESCRIPTION</b>	<b>VENDOR NO.</b>
2	106469-01-705	FT	CHANNEL-RUN, SLIDING	122-010850
3	106469-01-702	EA	SEAL-DOOR FRAME (DOOR)EA=1	122-040984
4	106469-04-714	EA	ROD-CLIP, RH	80801
5	106469-04-713	EA	ROD-CLIP, LH	80802
6	106469-04-704	EA	NUT ASSEMBLY-CAGED W/STRIKER	11920-16
7	106469-04-703	EA	BOLT-STRIKER, W/WASHER	10335-16
8	106469-04-712	EA	HANDLE/DOOR-INNER W/HARDWARE	11297-01
9	106469-05-702	EA	HINGE - 42"	211-041194
12	106469-01-709	FT	WEATHERSTRIP FUZZY	171-040630
13	125581-03-703	EA	WEATHERSTRIP - BELTING	132-041069
14	106469-04-711	EA	ROD-LOCK, HORIZONTAL	15508-01
15	125581-04-700	EA	ROD - LATCH/VERTICAL ADJUST.	203-041767
16	125581-04-701	EA	ROD - LOCK/VERTICAL ADJUST.	203-041768
20	128913-01-707	EA	NUT - HEX/NYLOCK - 1/4 - 20	233-062447
23	106469-01-723	EA	SEAL-BULB ASM. (DOOR JAMB)	171-040985
24	106469-05-706	EA	LATCH-ROTARY, W/LINKAGE	16512-01
46	125581-09-700	EA	PADDLE-W/O LOCK RH (REV KEY)	17191-02
46	125581-09-701	EA	LATCH/LOCK-DRVR DR (REV KEY)	PARTS DEPT
46	125581-09-702	EA	LATCH/LOCK-DRVR DR (REV KEY)	PARTS DEPT
46	125581-09-703	EA	LATCH/LOCK-DRVR DR (REV KEY)	PARTS DEPT
46	125581-09-704	EA	LATCH/LOCK-DRVR DR (REV KEY)	PARTS DEPT
46	125581-09-705	EA	LATCH/LOCK-DRVR DR (REV KEY)	PARTS DEPT
46	125581-09-706	EA	LATCH/LOCK-DRVR DR (REV KEY)	PARTS DEPT
46	125581-09-707	EA	LATCH/LOCK-DRVR DR (REV KEY)	PARTS DEPT
46	125581-09-708	EA	LATCH/LOCK-DRVR DR (REV KEY)	PARTS DEPT
46	125581-09-709	EA	LATCH/LOCK-DRVR DR (REV KEY)	PARTS DEPT
46	125581-09-710	EA	LATCH/LOCK-DRVR DR (REV KEY)	PARTS DEPT
47	125581-04-703	EA	FRAME - MOUNTING - BLACK	V180-35L
48	125581-07-703	EA	BRACKET-ALUMINUM iLl(INSIDE)	N135-55
56	125581-08-703	EA	GLASS-ROLL-UP	106-042081
58	125581-08-702	EA	FRAME/DOOR - SUB ASSY-BLACK	V220-98L
60	106469-04-705	EA	ROD-LATCH, HORIZONTAL	203-041139
61	125581-08-701	EA	GLASS-STATIONERY/4.95"X29.5"	106-042082
62	125581-08-700	EA	CHANNEL/VERT STA GLASS-BLACK	V220-61
63	125581-03-702	EA	REGULATOR-ELECTRIC-SPEC RH	410-040966
64	125581-06-700	EA	PANEL/INTERIOR	V164-97
66	125581-04-710	FT	VINYL - GLAZING	132-041484
67	125581-07-701	EA	GLASS-STATIONERY/4.95"X29.5"	106-042082
69	125581-04-711	EA	CHANNEL-GLASS - LIFT BRKT	N135-66
74	125581-07-704	EA	BRACKET - STRAP/JAMB & DOOR	248-080394
76	125581-03-701	EA	SILL - INNER - BLACK	V123-68L
77	125581-03-700	EA	MULLION RAIL- BLACK	V123-84
	125581-07-705	EA	BRACKET (L) F/SEAL PROTECT	490201

CONTACT WINNEBAGO PART SALES FOR UNLISTED COMPONENT

# EXTERIOR DOORS & COMPARTMENTS GROUP (CONTINUED)

## ENTRY



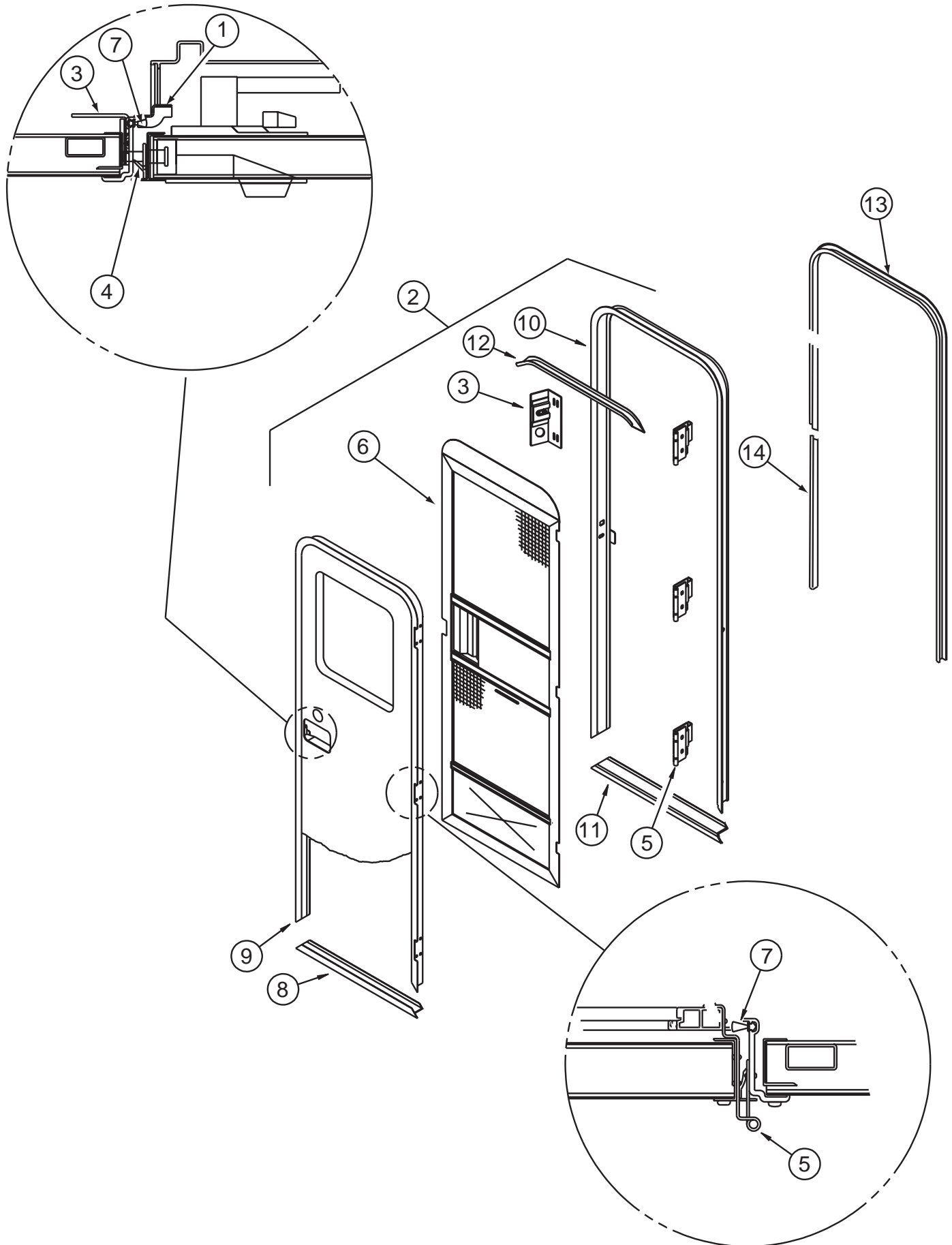
## EXTERIOR DOORS & COMPARTMENTS GROUP (CONTINUED)

### ENTRY (CONTINUED)

KEY	PART NUMBER	U/M	DESCRIPTION
1	132915-01-01A	EA	LATCH - SCREEN DOOR
2	P32206-08-N42	EA	DOOR - ENTRY W/SCREEN DOOR - W/O WINDOW/LATCH
2	P32206-08-N43	EA	DOOR - ENTRY W/SCREEN DOOR - W/O WINDOW/LATCH
2	P32206-08-N44	EA	DOOR - ENTRY W/SCREEN DOOR - W/O WINDOW/LATCH
	039715-01-000	EA	NUT-SERT - 1/4" DIAMETER - 20 THREADS
3	137401-01-03B	EA	BRACKET - DOOR ANGLE - OFF WHITE
4	075671-04-000	FT	SEAL - SPONGE - LAZY T - W/ADHESIVE STRIP - .5" WIDE
5	106719-01-05A	EA	HINGE - ENTRY DOOR - BRIGHT WHITE
	106719-01-01A	EA	HINGE - ENTRY DOOR - MILL
	116111-02-01A	EA	SCREW - TAPTITE - 1/4-20 X 3/8 PPH - ZINC
6	132208-02-L32	EA	DOOR - SCREEN - W/O HARDWARE
7	118929-01-01A	FT	SEAL - PILE - PUSH ON
8	121893-03-02A	EA	FRAME - ENTRY DOOR/LOWER - BRIGHT WHITE
9	121894-16-01A	EA	FRAME - ENTRY DOOR - BRIGHT WHITE
10	121898-14-01A	EA	JAMB - ENTRY DOOR
11	051049-05-000	EA	JAMB/DOOR - LOWER - ENTRY DOOR
	075673-05-000	FT	SEAL - PILE - ADHESIVE BACK - BLACK
	038327-01-000	EA	TAPE - ANTI-SLIP - 2" X 60'
12	044582-50-000	EA	CAP - DRIP - JAMB MITERED - BRIGHT WHITE
13	137837-01-02A	EA	GARNISH - RADIUS CORNED - ENTRANCE DOOR - BRIGHT WHITE
			FROM: 00-00-00 THRU: 04-29-01
13	139100-01-01A	EA	GARNISH/RADIUS - ENTRY DOOR - BRIGHT WHITE
			FROM: 04-30-01 THRU: 99-99-99
14	137866-01-01A	EA	GARNISH - STRAIGHT/ENTRY DOOR - BRIGHT WHITE - 36"
			FROM: 00-00-00 THRU: 04-29-01
14	139101-01-01A	EA	GARNISH/STRAIGHT - 36.31" - W/NOTCH - BRIGHT WHITE
			FROM: 04-30-01 THRU: 99-99-99



EXTERIOR DOORS & COMPARTMENTS GROUP (CONTINUED)  
ENTRY (CONTINUED)



**EXTERIOR DOORS & COMPARTMENTS GROUP (CONTINUED)**  
**ENTRY (CONTINUED)**

**KEY PART NUMBER U/M DESCRIPTION**

**LOCK ASSEMBLY USED UP TO 04-30-01**

*	129676-01-000	EA	KEY - T/M 14472-07-1431
*	129676-02-000	EA	KEY - T/M 14472-07-1432
*	129676-03-000	EA	KEY - T/M 14472-07-1433
*	129676-04-000	EA	KEY - T/M 14472-07-1434
*	129676-05-000	EA	KEY - T/M 14472-07-1435
*	129676-06-000	EA	KEY - T/M 14472-07-1436
*	129676-07-000	EA	KEY - T/M 14472-07-1437
*	129676-08-000	EA	KEY - T/M 14472-07-1438
*	129676-09-000	EA	KEY - T/M 14472-07-1439
*	129676-10-000	EA	KEY - T/M 14472-07-1440
	129685-01-000	EA	CYLINDER - LOCK ASSEMBLY - ENTRANCE DOOR (J)
	129685-02-000	EA	CYLINDER - LOCK ASSEMBLY - ENTRANCE DOOR (J)
	129685-03-000	EA	CYLINDER - LOCK ASSEMBLY - ENTRANCE DOOR (J)
	129685-04-000	EA	CYLINDER - LOCK ASSEMBLY - ENTRANCE DOOR (J)
	129685-05-000	EA	CYLINDER - LOCK ASSEMBLY - ENTRANCE DOOR (J)
	129685-06-000	EA	CYLINDER - LOCK ASSEMBLY - ENTRANCE DOOR (J)
	129685-07-000	EA	CYLINDER - LOCK ASSEMBLY - ENTRANCE DOOR (J)
	129685-08-000	EA	CYLINDER - LOCK ASSEMBLY - ENTRANCE DOOR (J)
	129685-09-000	EA	CYLINDER - LOCK ASSEMBLY - ENTRANCE DOOR (J)
	129685-10-000	EA	CYLINDER - LOCK ASSEMBLY - ENTRANCE DOOR (J)
	138292-01-000	EA	SEAL - LOCK CYLINDER

**LOCK ASSEMBLY USED AFTER 05-01-01**

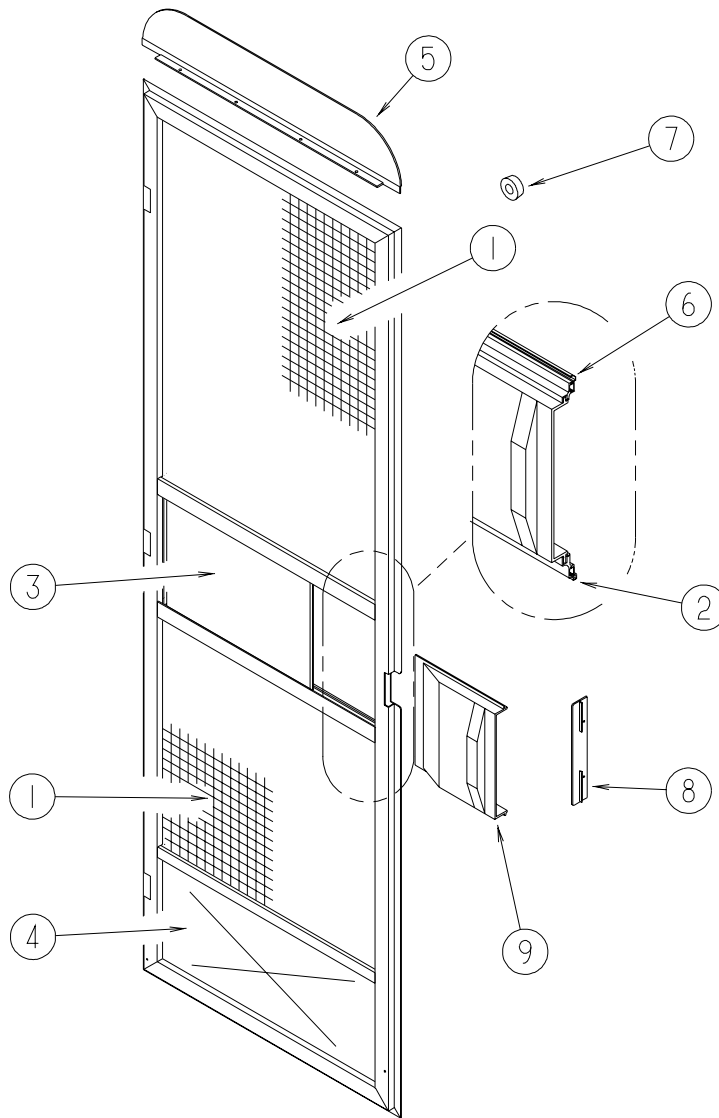
	138288-01-000	EA	KEY - REVERSIBLE - #1151 - T/M 16169-02-3091
	138288-02-000	EA	KEY - REVERSIBLE - #1152 - T/M 16169-02-3092
	138288-03-000	EA	KEY - REVERSIBLE - #1153 - T/M 16169-02-3093
	138288-04-000	EA	KEY - REVERSIBLE - #1154 - T/M 16169-02-3094
	138288-05-000	EA	KEY - REVERSIBLE - #1155 - T/M 16169-02-3095
	138288-06-000	EA	KEY - REVERSIBLE - #1156 - T/M 16169-02-3096
	138288-07-000	EA	KEY - REVERSIBLE - #1157 - T/M 16169-02-3097
	138288-08-000	EA	KEY - REVERSIBLE - #1158 - T/M 16169-02-3098
	138288-09-000	EA	KEY - REVERSIBLE - #1159 - T/M 16169-02-3099
	138288-10-000	EA	KEY - REVERSIBLE - #1150 - T/M 16169-02-3100
	138287-01-000	EA	CYLINDER/LOCK - ENTRY DOOR (MASTER)
	138287-02-000	EA	CYLINDER/LOCK - ENTRY DOOR (MASTER)
	138287-03-000	EA	CYLINDER/LOCK - ENTRY DOOR (MASTER)
	138287-04-000	EA	CYLINDER/LOCK - ENTRY DOOR (MASTER)
	138287-05-000	EA	CYLINDER/LOCK - ENTRY DOOR (MASTER)
	138287-06-000	EA	CYLINDER/LOCK - ENTRY DOOR (MASTER)
	138287-07-000	EA	CYLINDER/LOCK - ENTRY DOOR (MASTER)
	138287-08-000	EA	CYLINDER/LOCK - ENTRY DOOR (MASTER)
	138287-09-000	EA	CYLINDER/LOCK - ENTRY DOOR (MASTER)
	138287-10-000	EA	CYLINDER/LOCK - ENTRY DOOR (MASTER)
	138292-01-000	EA	SEAL - LOCK CYLINDER

**EXTERIOR DOORS & COMPARTMENTS GROUP (CONTINUED)**  
**COMPONENT PARTS FOR ENTRY**

**129676-01-000 THRU 129676-10-000**

<b>KEY</b>	<b>PART NUMBER</b>	<b>U/M</b>	<b>DESCRIPTION</b>	<b>VENDOR NO .</b>
	129685-01-701	EA	KEY - BLANK KS 150	144472-07-2001

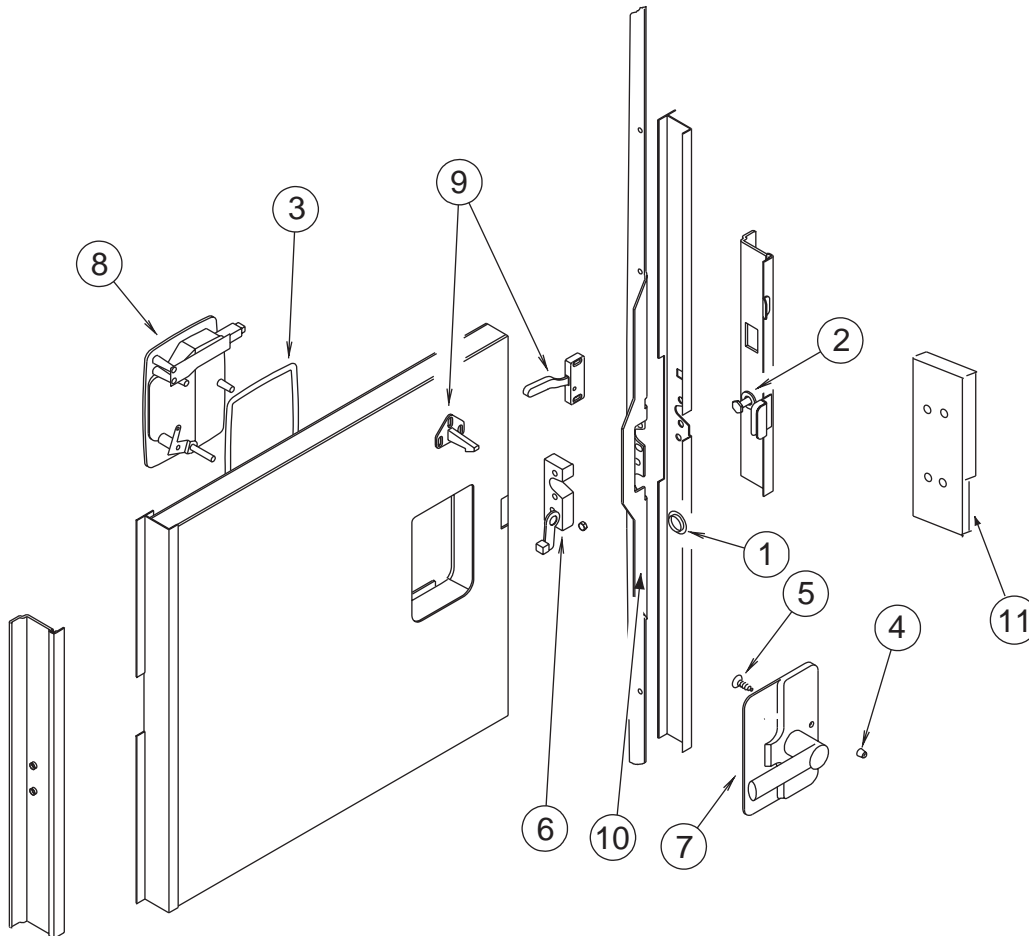
**EXTERIOR DOORS & COMPARTMENTS GROUP (CONTINUED)**  
**SCREEN**



KEY	PART NUMBER	U/M	DESCRIPTION
	132208-02-L32	EA	DOOR - SCREEN - W/O HARDWARE
1	002293-02-000	SF	SCREEN - 26" - CHARCOAL
2	002294-01-000	FT	SPLINE - SCREENING - .13" X .14"
3	016454-18-000	EA	INSERT - SCREEN DOOR - CENTER
4	078552-09-000	EA	INSERT - SCREEN DOOR - LOWER
5	078595-03-000	EA	PLATE - SCREEN DOOR
6	078777-08-000	FT	CHANNEL - SLIDER
7	120863-06-000	EA	BUMPER - RUBBER - 3/4" X 3/8"
8	132081-01-01A	EA	STRIKE - SLIDER - SCREEN DOOR - BRIGHT WHITE
9	132082-01-01A	EA	SLIDER - SCREEN DOOR - BRIGHT WHITE

# EXTERIOR DOORS & COMPARTMENTS GROUP (CONTINUED)

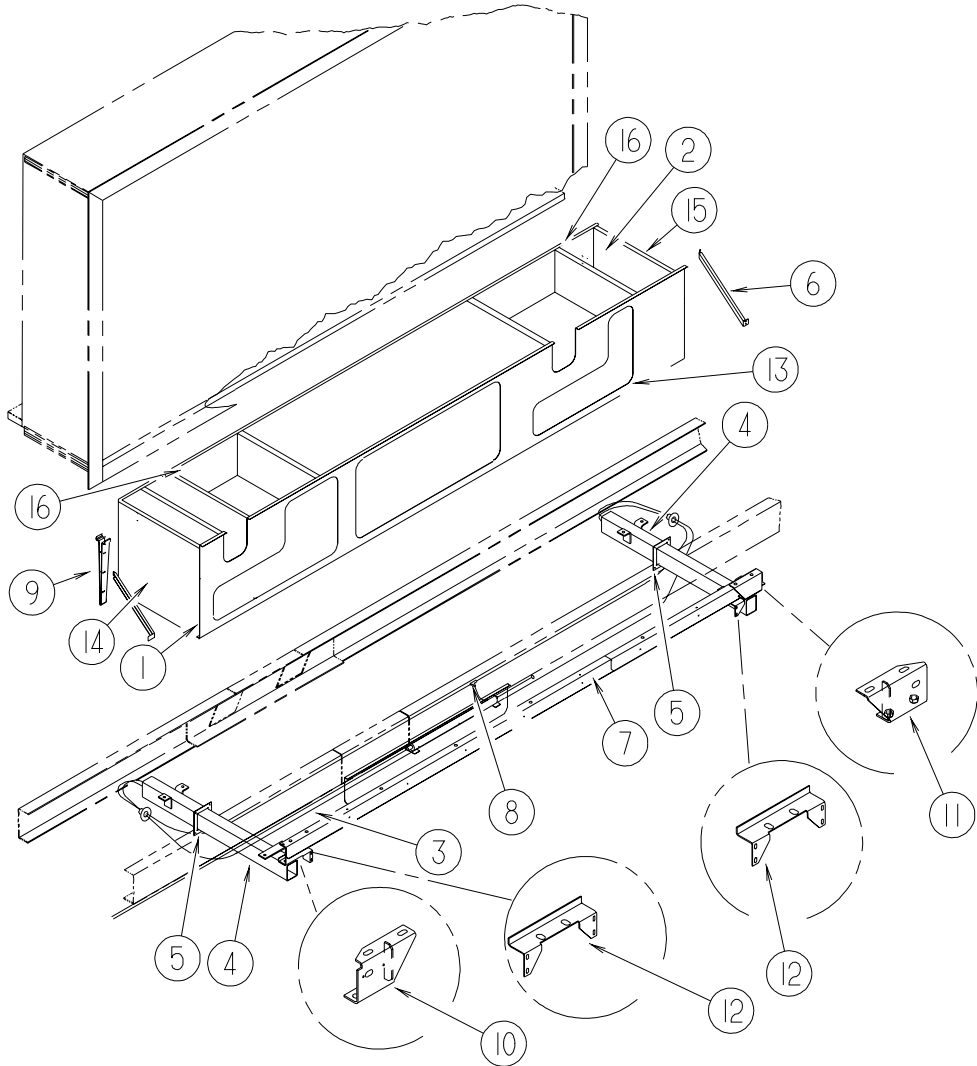
## LATCH - ENTRY



KEY	PART NUMBER	U/M	DESCRIPTION
1	061420-14-000	EA	PLUG/PLASTIC - .034" DIAMETER
2	092927-14-000	EA	STRIKER - ROUND - JAMB MOUNTED
3	112782-04-01A	EA	GASKET
4	112782-05-01A	EA	CAP - VINYL - RED
5	112782-08-01A	EA	SCREW - MOUNTING/PLATE - ZINC
6	112782-15-01A	EA	LATCH - SINGLE ROTOR
7	112782-16-01A	EA	LATCH - INTERIOR PLATE
8	112782-17-01A	EA	LATCH - EXTERIOR - W/O CYLINDER - W/ICON
			FROM: 00-00-00 THRU: 04-30-01
8	112782-18-01A	EA	LATCH - EXTERIOR - W/O LOCK CYLINDER W/ICON-REVERSIBLE KEY
			FROM: 05-01-01 THRU: 99-99-99
9	132915-01-01A	EA	LATCH - SCREEN DOOR
10	132207-01-02B	EA	STIFFENER/DOOR - FORMED - E-COATED
	072893-04-000	EA	NUTSERT - 10-32
11	077461-07-000	EA	COVER/BACKET - STRIKE - OFF WHITE - <a href="#">G37G</a> , <a href="#">G35U</a> , <a href="#">G32V</a>
			FROM: 00-00-00 THRU: 05-31-01
11	139102-01-01A	EA	COVER - BRACKET - STRIKE - BRIGHT WHITE - <a href="#">G37G</a> , <a href="#">G35U</a> , <a href="#">G32V</a>
			FROM: 06-01-01 THRU: 99-99-99
11	139102-01-01A	EA	COVER - BRACKET - STRIKE - BRIGHT WHITE - <a href="#">G30Y</a>

# EXTERIOR SLIDEOUT GROUP

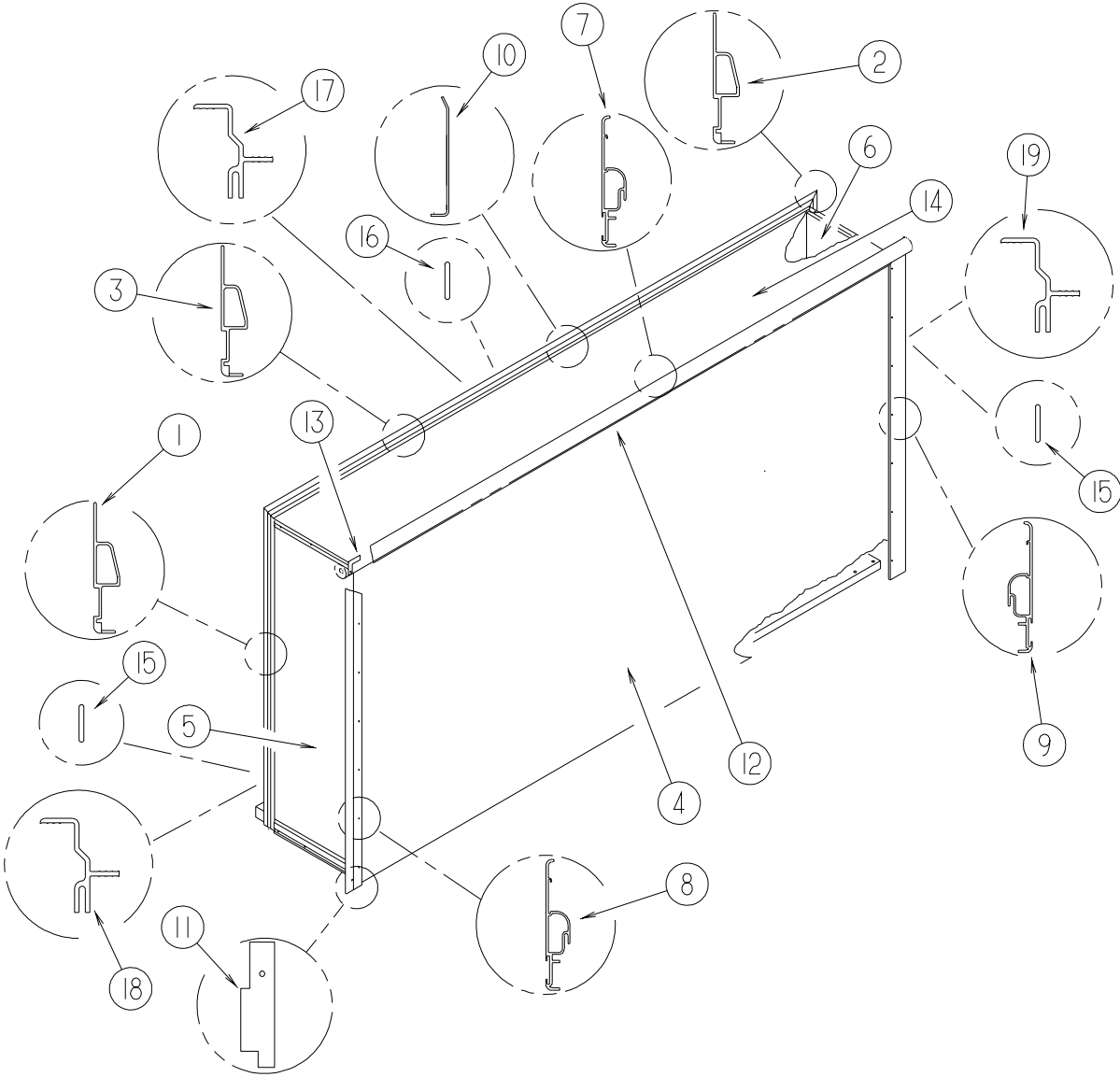
## FRONT LEFT



KEY	PART NUMBER	U/M	DESCRIPTION
1	137173-04-02B	EA	SEAL PLANE - E-COATED
2	137172-04-N42	EA	COMPARTMENT - F/SLIDEOUT
3*	100536-42-000	EA	HOSE KIT - PUMP TO SLIDE-OUT VALVE
4	140122-01-000	EA	SLIDEOUT - HYDRAULIC - 29.12"
5	125828-03-02B	EA	FILLER/STEEL - SLIDEOUT - E-COATED
6	126497-01-02B	EA	SUPPORT - VALANCE - E-COATED
7	128621-21-01A	EA	ZEE-SLIDEOUT, W/HOLES, MILL
8	123264-01-000	EA	TEE - UNION - 1/4" X 1/4" X 1/4"
9	126591-01-02B	EA	CARRIER - WIRE ASM - SLIDEOUT
10	127030-01-02B	EA	BRACKET - INNER FRONT/SLIDEOUT - E-COATED
11	127030-02-02B	EA	BRACKET - INNER REAR/MOUNT - E-COATED
12	128386-01-02B	EA	BRACKET - SLIDEOUT/COMPARTMENT - E-COATED
			FROM: 00-00-00 THRU: 04-22-01
12	128386-02-02B	EA	BRACKET - SLIDEOUT COMPARTMENT - E-COATED
			FROM: 04-23-01 THRU: 99-99-99
13	126516-01-01A	FT	TRIM - VINYL/EXTRUDED - 8'
14	137030-01-01A	EA	END CAP - COMPARTMENT/RIGHT HAND
15	137030-02-01A	EA	END CAP - COMPARTMENT/LEFT HAND
16	137290-01-01A	EA	CAP - COMPARTMENT - FOLDING

\*COMPONENT PARTS LISTED LATER IN THIS GROUP

**EXTERIOR SLIDEOUT GROUP (CONTINUED)**  
**FRONT LEFT (CONTINUED)**



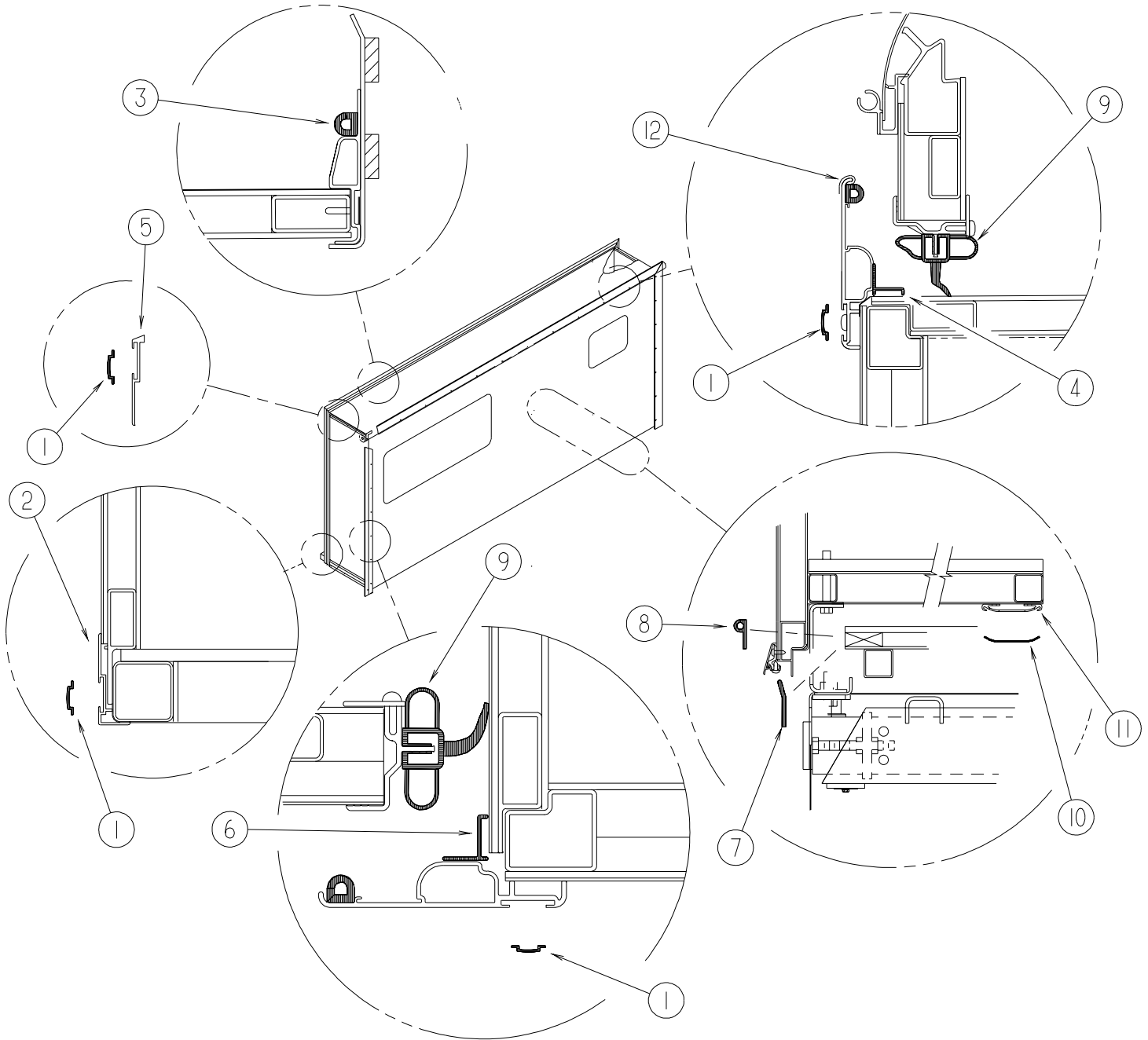
KEY	PART NUMBER	U/M	DESCRIPTION
1	117004-01-03A	EA	TRIM - SEAL/INNER/RT HAND-W/MITERED END - 73.5" - BRT/WHT FROM: 00-00-00 THRU: 05-05-02
1	139624-01-01A	EA	TRIM/SEAL - INNER/RIGHT HAND - 73.4" - BRIGHT WHITE FROM: 05-06-02 THRU: 99-99-99
2	117004-02-03A	EA	TRIM - SEAL/INNER/LT HAND-W/MITERED END - 73.5" - BRT/WHT FROM: 00-00-00 THRU: 05-05-02
2	139624-02-01A	EA	TRIM/SEAL - INNER/LEFT HAND - 73.4" - BRIGHT WHITE FROM: 05-06-02 THRU: 99-99-99
3	117004-03-03A	EA	TRIM - SEAL/INNER/UPPER - W/MITERED END - 158 $\hat{1}$ - BRT/WHT FROM: 00-00-00 THRU: 05-05-02
3	139624-09-01A	EA	TRIM/SEAL - INNER/TOP - 158.2" - BRIGHT WHITE FROM: 05-06-02 THRU: 99-99-99
4	138341-11-N42	EA	SLUG - SLIDEOUT
4	138341-11-N43	EA	SLUG - SLIDEOUT
4	138341-11-N44	EA	SLUG - SLIDEOUT
5	134928-01-M43	EA	PANEL - SLIDEOUT/FRONT (N42)
5	134928-01-M42	EA	PANEL - SLIDEOUT/FRONT (N43)
5	134928-01-N44	EA	PANEL - SLIDEOUT/FRONT (N44)
6	134927-01-M43	EA	PANEL - SLIDEOUT/REAR (N42)
6	134927-01-M42	EA	PANEL - SLIDEOUT/REAR (N43)
6	134927-01-N44	EA	PANEL - SLIDEOUT/REAR (N44)

**EXTERIOR SLIDEOUT GROUP (CONTINUED)**  
**FRONT LEFT (CONTINUED)**

KEY	PART NUMBER	U/M	DESCRIPTION
7	133955-01-01A	EA	TRIM/SEAL - W/MITERED ENDS - 160" - BRIGHT WHITE
8	133955-11-01A	EA	TRIM/SEAL - W/MITERED ENDS - 76.4" - BRIGHT WHITE
9	133955-12-01A	EA	TRIM/SEAL - W/MITERED ENDS - 76.4" - BRIGHT WHITE
10	125466-01-01A	EA	SUPPORT - ROOF/INTERIOR - OFF WHITE
11	126546-01-02A	EA	COVER - END/SIDEWALL SLIDEOUT - BRIGHT WHITE
12	122977-06-01A	EA	AWNING/SLIDEOUT W/COVER - 160.24" - BRIGHT WHITE
			FROM: 00-00-00 THRU: 04-15-01
12	122977-06-03A	EA	AWNING/SLIDEOUT W/COVER - 160.24" - WHITE
			FROM: 04-16-01 THRU: 99-99-99
13	116444-04-12B	EA	TRIM/KEY CORNER - SLIDEOUT - 3.1"X3.1" - BRT WHT
14	134929-01-M42	EA	ROOF - W/O LIGHTS/VENTS - W/WIRING - F/SLIDEOUT
15	115886-02-03A	EA	RETAINER - SIDEWALL - BRIGHT WHITE - 73.5"
16	115886-01-03A	EA	RETAINER - SIDEWALL - BRIGHT WHITE - 159.4"
17	115863-03-03A	EA	TRIM - SIDEWALL/SLIDEOUT - TOP - 159.4" - BRT WHT
18	115863-17-01A	EA	TRIM - SIDEWALL/SLIDEOUT - LEFT HAND - 76.1" - BRT WHT
19	115863-18-01A	EA	TRIM - SIDEWALL/SLIDEOUT - RIGHT HAND - 76.1" - BRT WHT

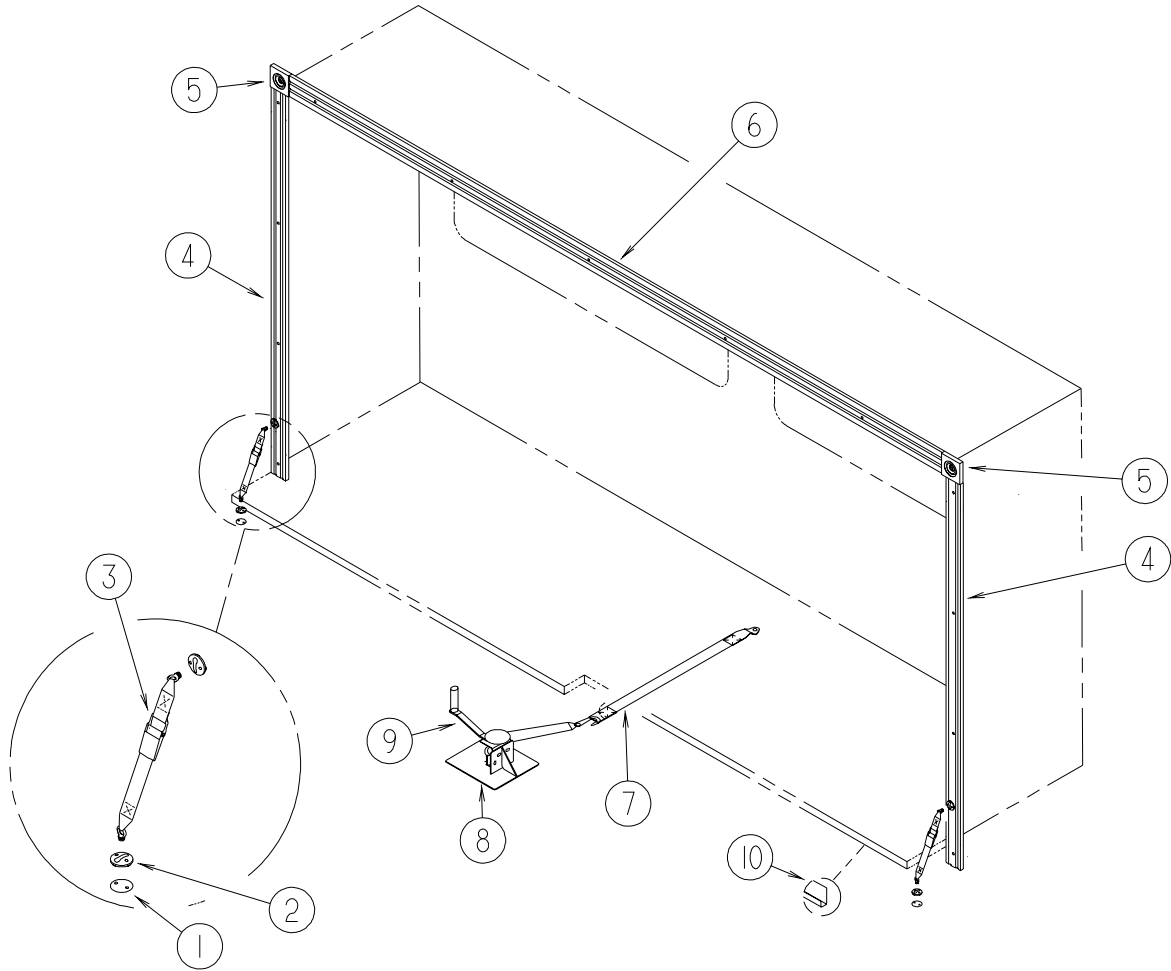


**EXTERIOR SLIDEOUT GROUP (CONTINUED)**  
**FRONT LEFT (CONTINUED)**



KEY	PART NUMBER	U/M	DESCRIPTION
1	105312-01-07A	FT	INSERT - FEATURE STRIP - VINYL - BRIGHT WHITE
2	125051-03-01A	EA	STRIP - FEATURE - LOWER - 29.2' - BRIGHT WHITE
	075673-05-000	FT	SEAL - PILE - ADHESIVE BACK - BLACK
3	112091-01-000	FT	SEAL/D - NEOPRENE - HEAT ACTIVE ADHESIVE - .9"
4	133954-01-01A	EA	TRIM/SEAL - W/MITERED ENDS - 154.3" - BRIGHT WHITE
5	138659-01-01A	EA	TRIM/FEATURE STRIP - 181.7" - BRIGHT WHITE
6	133954-09-01A	EA	TRIM/SEAL - W/MITERED ENDS - 71.6' - BRIGHT WHITE
7	089275-02-000	FT	STRIP - 3/4" X 84" BLACK POLYETHYLENE
			FROM: 00-00-00 THRU: 08-26-01
7	115075-02-000	FT	SEAL - WIPE - .25" X 2.9"
			FROM: 00-00-00 THRU: 08-26-01
7	115075-03-000	FT	SEAL - WIPE - .25" X 2.9"
			FROM: 08-27-01 THRU: 99-99-99
8	121283-01-000	FT	SEAL - P SHAPED
9	115076-01-000	FT	SEAL - SLIDEOUT
10	115661-01-000	FT	SHOE/GLIDE - SLIDEOUT ROOM - 1/16" X 3" - POLYETHYLENE
11	115325-01-02A	EA	RAIL - FLOOR/SLIDEOUT ROOM - BLACK
12	117058-01-01A	FT	TAPE - LOOP - 3/4" WIDE - ADHESIVE BACKED

**EXTERIOR SLIDEOUT GROUP (CONTINUED)**  
**FRONT LEFT (CONTINUED)**



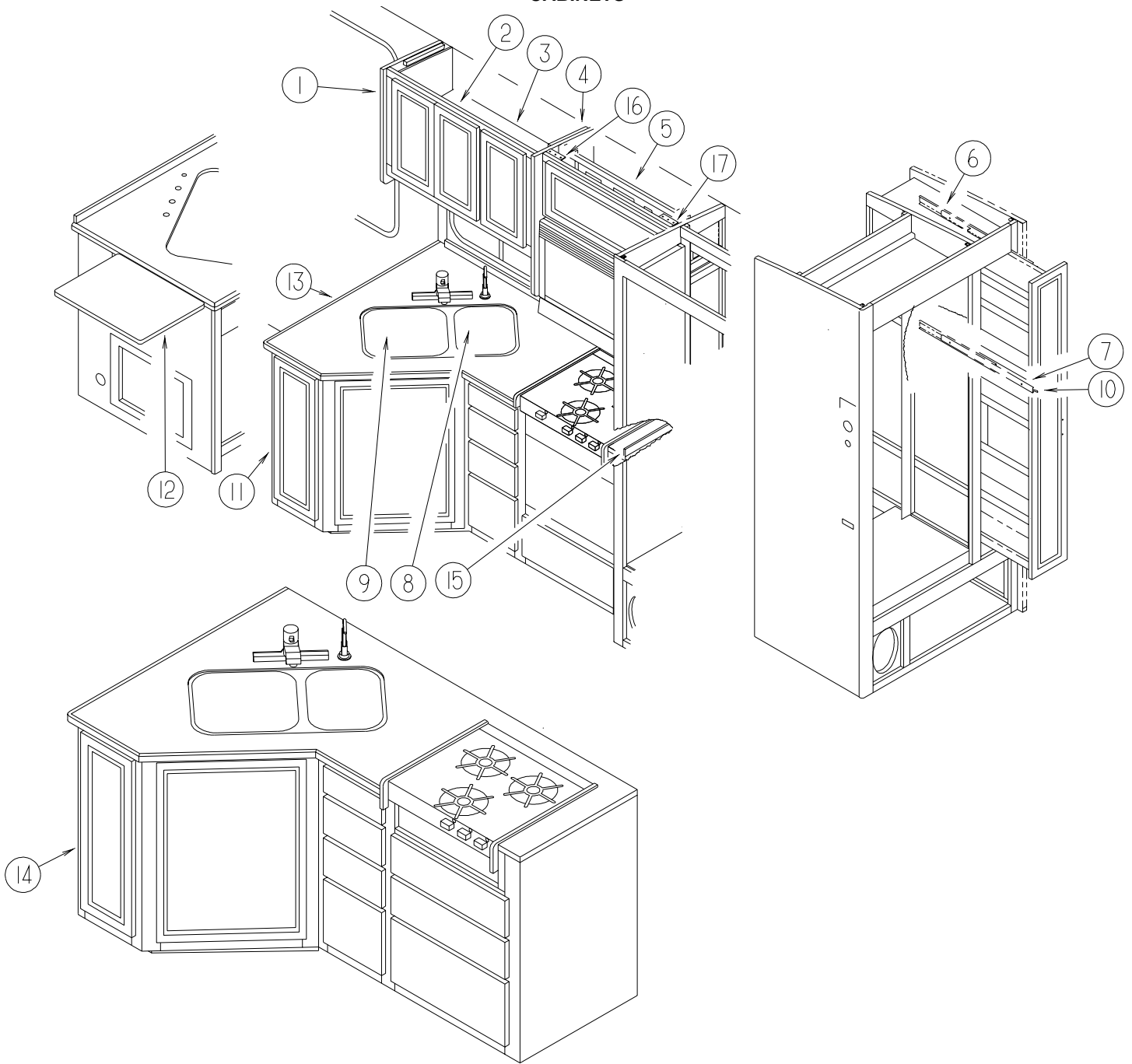
KEY	PART NUMBER	U/M	DESCRIPTION
1	135622-01-01B	EA	PLATE - TIEDOWN - SLIDEOUT ROOM
2	135619-02-01A	EA	PLATE - TIEDOWN - SLIDEOUT ROOM
3	135619-01-01A	EA	STRAP - TIEDOWN - SLIDEOUT ROOM
4	132663-04-04A	EA	MOLDING - PAPER WRAP/PRE DRILLED - .6" X 3" X 70.4" - OAK
			FROM: 00-00-00 THRU: 05-13-01
4	132663-04-08A	EA	MOLDING - VINYL WRAP/PRE DRILLED - .6" X 3" X 70.4" - OAK
			FROM: 05-14-01 THRU: 99-99-99
5	132844-01-08A	EA	BLOCK - CORNER - 3.9" X 3.9" - PORTSMOUTH OAK
6	132663-03-04A	EA	MOLDING-VINLY WRAP/PRE DRILLED-.6"X3.8"X150.6"-OAK
			FROM: 00-00-00 THRU: 05-13-01
6	132663-03-08A	EA	MOLDING-VINYL WRAP/PRE DRILLED-.6"X3.8"X80.8" - OAK
			FROM: 05-14-01 THRU: 99-99-99
7	116101-02-F31	EA	STRAP - WINCH - 34" CENTER BRACKET/STRAP END
8	116082-03-02B	EA	BRACKET - WINCH
9	115767-02-000	EA	WINCH - SLIDEOUT W/10' STRAP
10	136839-02-01A	EA	TRIM-J - CARPET EDGE/SLIDEOUT - 76.8" - BLACK

**EXTERIOR SLIDEOUT GROUP (CONTINUED)**  
**COMPONENT PARTS FOR FRONT LEFT**

**100536-42-000**

<b>KEY</b>	<b>PART NUMBER</b>	<b>U/M</b>	<b>DESCRIPTION</b>	<b>VENDOR NO.</b>
	100536-42-700	EA	HOSE - HYDRAULIC - 168"	RAP6115
	100536-42-701	EA	HOSE - HYDRAULIC - 175"	RAP90350

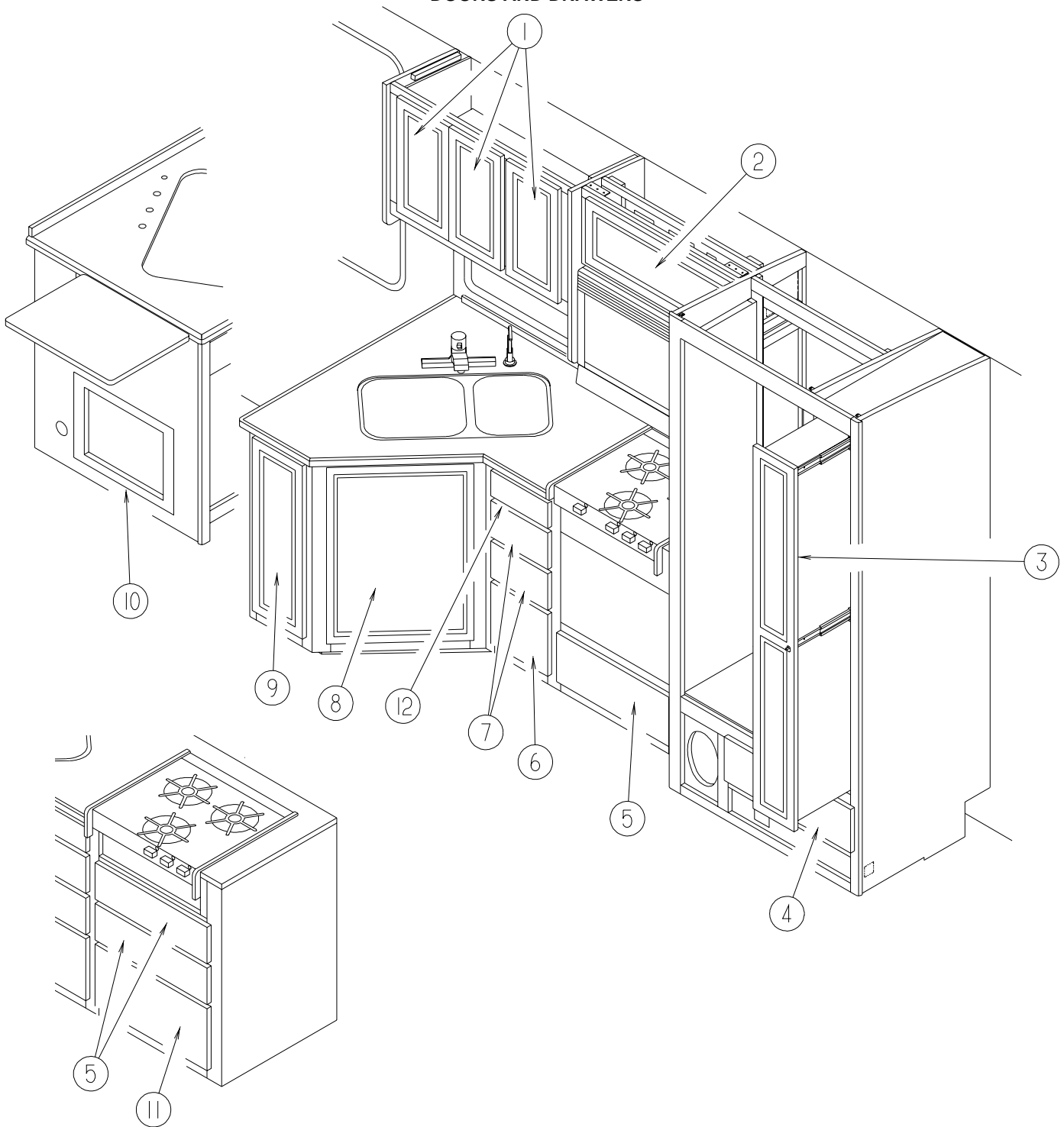
## GALLEY GROUP CABINETS



KEY	PART NUMBER	U/M	DESCRIPTION
1	137462-02-N42	EA	END CAP - OVERHEAD CABINET
2	136979-01-N42	EA	CABINET - OVERHEAD - GALLEY - W/O DOORS/HARDWARE
3	136979-14-N42	EA	SHELF - W/PLASTIC EDGE MOLDING
4	137462-03-N42	EA	END CAP - OVERHEAD CABINET
5	136989-01-N42	EA	CABINET - OVERHEAD - MICROWAVE - W/O DOORS/HARDWARE
6	122360-02-000	EA	SLIDE - PANTRY - W/O LOCK - RIGHT/LEFT HAND
7	122360-03-000	EA	SLIDE - PANTRY - W/LOCK - RIGHT HAND (FACING PANEL)
8	137489-02-01A	EA	COVER - SINK/SMALL - 9.6" X 15.7" - VENDURA/JAMAICAN SAND
9	137489-01-01A	EA	COVER - SINK/LARGE - 13.8" X 17" - VENDURA/JAMAICAN SAND
10	123673-01-01A	EA	KNOB - PANTRY SLIDE
11	136517-01-N42	EA	CABINET - GALLEY - W/O COUNTERTOP/DOORS/DRAWERS/HARDWARE
12	130812-05-01A	EA	EXTENSION - GALLEY - 1/4" VENDURA - JAMAICAN SAND
13	137475-01-01A	EA	COUNTERTOP - GALLEY - 1/4" VENDURA - JAMAICAN SAND
14	136517-02-N42	EA	CABINET - GALLEY - W/O COUNTERTOP/DOORS/DRAWERS/HARDWARE
15	130813-04-01A	EA	BACKSPLASH - COUNTERTOP - JAMAICAN SAND - 1/2" VENDURA
16	130736-02-02B	EA	BRACKET - MICROWAVE - LH - E-COATED
17	130736-01-02B	EA	BRACKET - MICROWAVE - RH - E-COATED

## GALLEY GROUP (CONTINUED)

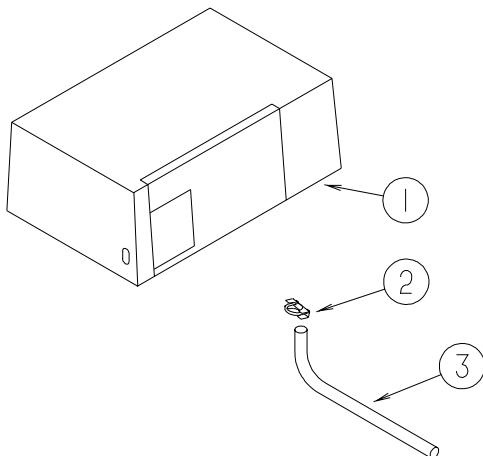
### DOORS AND DRAWERS



KEY	PART NUMBER	U/M	DESCRIPTION
1	132141-74-N42	EA	DOOR - RAIL/VENEER - 10" X 19.1" - W/O HARDWARE
2	132141-20-N42	EA	DOOR - RAIL/VENEER - 10.8" X 27.9" - W/O HARDWARE
3	132141-D7-N42	EA	DOOR - RAIL/VENEER - 8" X 60.7" - W/O HARDWARE
4	M09316-F6-N42	EA	DRAWER - OGEE EDGE - 22.1"W X 13.7"D - W/O SLIDES/HARDWARE
5	133890-03-N42	EA	DRAWER - OGEE EDGE - 20.2"W X 15.7"D - W/O SLIDES/HARDWARE
6	133890-02-N42	EA	DRAWER - OGEE EDGE - 9.6"W X 15.7"D - W/O SLIDES/HARDWARE
7	133890-01-N42	EA	DRAWER - OGEE EDGE - 9.6"W X 15.7"D - W/O SLIDES/HARDWARE
8	132141-B4-N42	EA	DOOR - RAIL/VENEER - 15.5" X 29.5" - W/O HARDWARE
9	132141-B1-N42	EA	DOOR - RAIL/VENEER - 10" X 29.5" - W/O HARDWARE
10	132141-B5-N42	EA	DOOR - RAIL/VENEER - 11.4" X 28.1" - W/O HARDWARE
11	133890-04-N42	EA	DRAWER - OGEE EDGE - 20.2"W X 15.7"D - W/O SLIDES/HARDWARE
12	132052-68-N42	EA	FACE-DRAWER

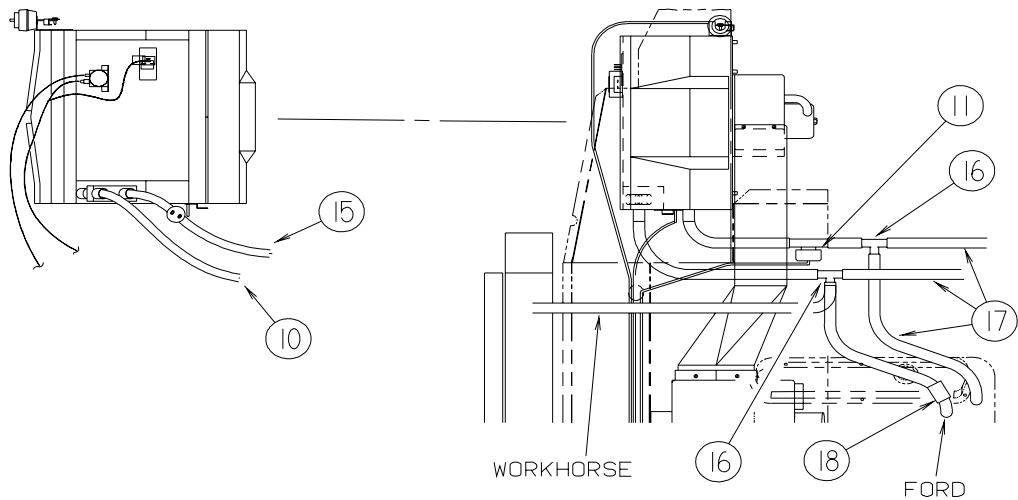
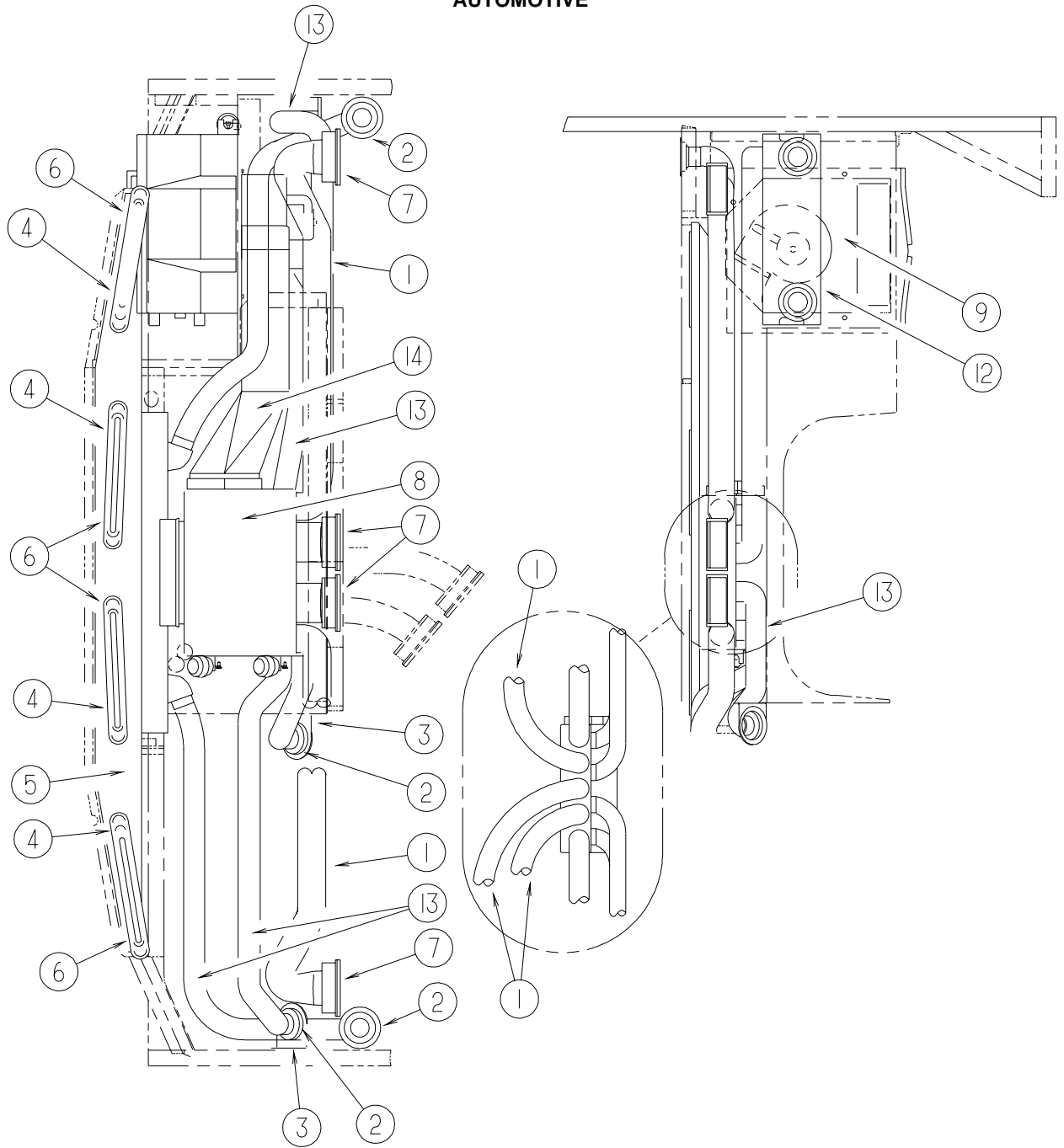
# GENERATOR GROUP

## GAS



KEY	PART NUMBER	U/M	DESCRIPTION
1	135707-01-000	EA	GENERATOR - 7.9 - 30/30 - GAS - MARQUIS GOLD - 50 AMP SYSTEM
1	135707-02-000	EA	GENERATOR - 7.9 - 30/20 - GAS - MARQUIS GOLD - 30 AMP SYSTEM
1	135707-06-000	EA	GENERATOR - 5.5 - 30/30 - GAS - MARQUIS GOLD - 50 AMP SYSTEM
1	135707-07-000	EA	GENERATOR - 5.5 - 30/20 - GAS - MARQUIS GOLD - 30 AMP SYSTEM
2	007125-03-000	EA	CLAMP - MUFFLER - 1.5" DIAMETER
3	105958-03-000	EA	PIPE - GENERATOR EXHAUST - 1.5" OD X 4.4" X 15.7"

# HEATING & A/C GROUP AUTOMOTIVE



**HEATING & A/C GROUP (CONTINUED)**  
**AUTOMOTIVE (CONTINUED)**

KEY	PART NUMBER	U/M	DESCRIPTION
1	007281-01-000	EA	HOSE - FLEXIBLE PVC - 2 1/2" ID X 50'
2	024990-05-000	EA	OUTLET - DEFROSTER - W/SWIVEL - 2" SLEEVE/4" OD
3	136157-03-02B	EA	BRACKET - HEATER - E-COATED
4	077075-01-000	EA	GASKET - INSTRUMENT PANEL/DEFROSTER PLENUM - .6" X 10.2"
5	103017-03-000	EA	PLENUM - DEFROSTER
6	135265-01-05A	EA	VENT - DEFROSTER - PLASTIC - PUTTY (N42, N43)
6	135265-01-02A	EA	VENT - DEFROSTER - PLASTIC/2" X 14.3" - TITANIUM (N44)
7	135803-01-01A	EA	LOUVER - A/C - 2.5" - BLACK - <a href="#">MOUNTS IN DASH BEZEL</a>
7	135803-02-01A	EA	LOUVER - A/C - 2.5" - W/HOLES - <a href="#">MOUNTS IN DASH FACE</a>
8*	103930-49-000	EA	CONTROL/PLENUM - LARGE ROTARY
9*	103930-43-000	EA	EVAPORATOR/HEATER ASSEMBLY - NON-CHARGED
10*	103930-45-000	EA	HOSE - EVAPORATOR/COMPRESSOR - FORD
10*	103930-46-000	EA	HOSE - EXPANSION BLOCK (EVAPORATOR) TO COMPRESSOR - <a href="#">WORKHORSE</a>
11	103930-23-000	EA	VALVE - WATER - 2 PORT/VACUUM CONTROLLED
12	095757-05-N42	EA	COVER - HEATER (N42)
12	095757-05-L44	EA	COVER - HEATER (N43)
12	095757-05-L56	EA	COVER - HEATER (N44)
13	007076-01-000	EA	HOSE - FLEXIBLE PVC - 2" ID - INCREMENTS OF 50'
14	103016-03-000	EA	PLENUM - TRANSITION
15*	103930-44-000	EA	HOSE - EVAPORATOR/DRYER - #6 - <a href="#">FORD</a>
15*	103930-47-000	EA	HOSE - EXPANSION VALVE-EVAPORATOR/DRYER - <a href="#">WORKHORSE</a>
16	076776-01-000	EA	TEE - BEADED - 5/8" X 5/8" X 5/8"
17	007108-01-000	FT	HOSE - HEATER - 5/8" ID - HI-TEMP
18	103930-50-000	EA	RESTRICTOR-WATER
	103930-37-000	EA	MANUAL/OWNERS - HEATER-A/C
	103930-54-000	EA	MANUAL/OWNERS - HEATER-A/C

FROM: 00-00-00 THRU: 10-09-01

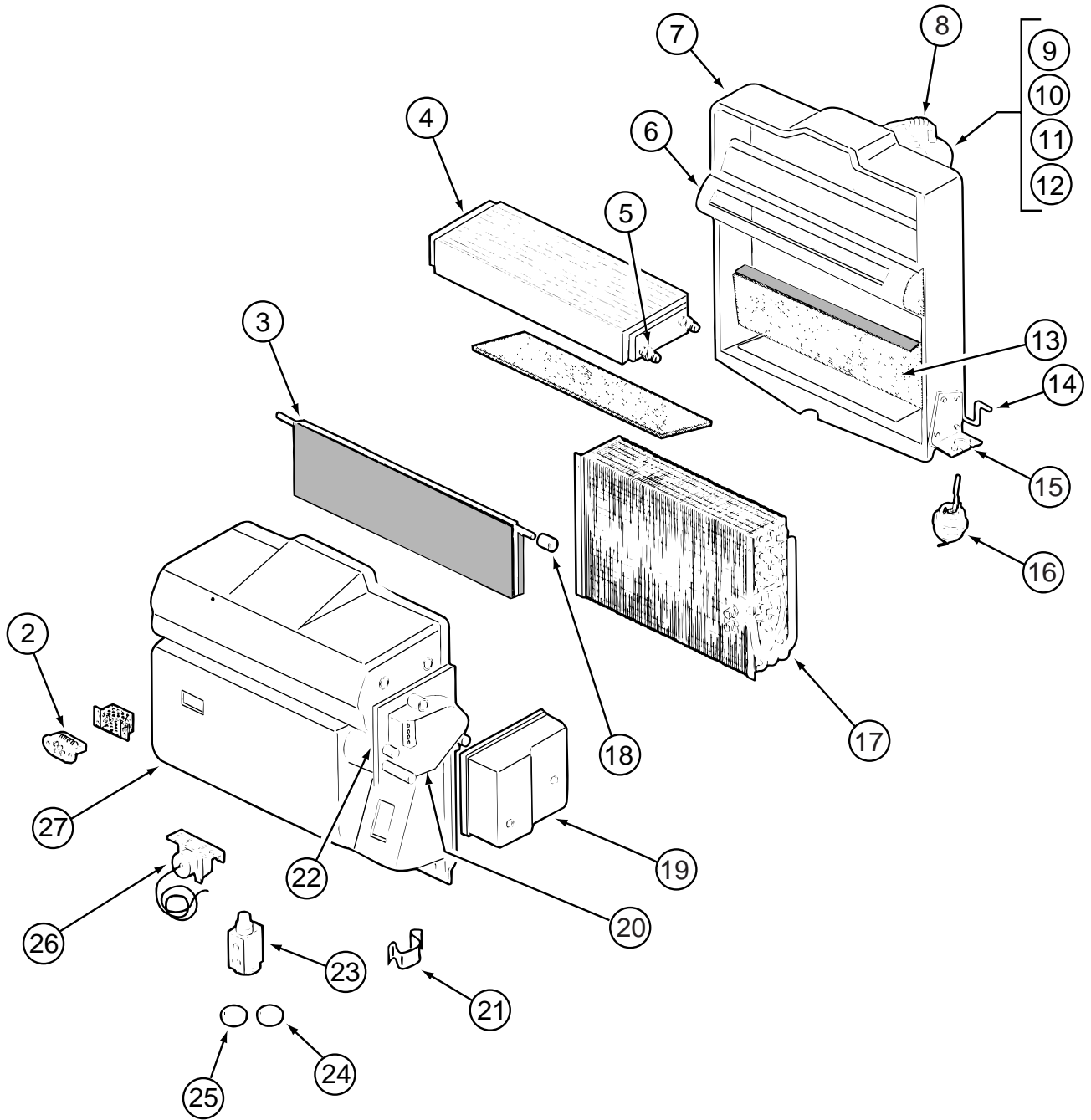
FROM: 10-10-01 THRU: 99-99-99

**\*COMPONENT PARTS LISTED LATER IN THIS GROUP**



# HEATING & A/C GROUP (CONTINUED)

## COMPONENT PARTS FOR AUTOMOTIVE



103930-43-000

**HEATING & A/C GROUP (CONTINUED)**  
**COMPONENT PARTS FOR AUTOMOTIVE (CONTINUED)**

**103930-43-000 (CONTINUED)**

<b>KEY</b>	<b>PART NUMBER</b>	<b>U/M</b>	<b>DESCRIPTION</b>	<b>VENDOR NO</b>
2	103930-01-710	EA	RESISTOR-FUSED, A/C 4 TERM	035-0006
3	103930-30-705	EA	DOOR - AIR BLEND	071-0568
4	103930-01-703	EA	CORE-HEATER	042-0010
5	110279-01-712	EA	FITTING - HEATER CORE	050-0076
6	103930-30-707	EA	DIVIDER ASM.	086-0061
7	103930-20-711	EA	CASE-BACK, SUB-ASSEMBLY	062-0147
8	110279-01-703	EA	HOSE-VENT F/BLOWER MOTOR	051-0034
9	103930-20-707	EA	HOUSING-BLOWER	062-0145
10	103930-30-706	EA	MOTOR-BLOWER PM147 W/ADAPTER	030-0109
11	103930-01-717	EA	WHEEL-BLOWER, CLOCKWISE	062-0010
12	103930-20-708	EA	CLIP-MOTOR SHAFT	022-0001
13	103930-20-705	EA	PANEL-DOOR, RECIRCULATING	071-0213
14	103930-20-704	EA	ROD-DOOR-RECIRCULATING	073-0018
15	103930-01-708	EA	BRACKET-VACUUM MOTOR	070-0113
16	103930-02-708	EA	MOTOR-VACUUM SERVO, A/C	030-0025
17	103930-01-704	EA	COIL-EVAPORATOR	041-0017
18	103930-30-702	EA	BUSHING/DRIVE - BLEND DOOR	062-00634
19	103930-30-704	EA	COVER - SERVO	062-0545
20	103930-30-703	EA	MOTOR - SERVO	030-0104
21	103930-20-706	EA	CLIP-RETAINER - CASE ATTACH	022-0057
22	103930-30-701	EA	PLATE - MOTOR MOUNT	062-0544
23	103930-20-700	EA	VALVE-EXPANSION-BLOCK, 2 TON	034-0032
24	103930-17-702	EA	OíRING #10	045-0127
25	113245-01-707	EA	OíRING #8	045-0126
26	103930-01-711	EA	THERMOSTAT	033-0003
27	103930-30-700	EA	CASE - FRONT	062-0542
	094831-01-709	EA	CLAMP-ROD 3/16"	022-0025
	103930-02-714	EA	CLAMP-CLUTCH, BARREL	022-0006
	103930-20-713	EA	GASKET - BLEND AIR DOOR	045-0160
	103930-20-714	EA	GASKET - BLEND AIR DOOR	045-0161
	103930-30-708	EA	BUSHING/IDLER - BLEND DOOR	062-00167
	113245-01-718	FT	HOSE - DRAIN - 1/2"	051-0002

CONTACT WINNEBAGO PART SALES FOR UNLISTED COMPONENTS

**103930-44-000**

<b>KEY</b>	<b>PART NUMBER</b>	<b>U/M</b>	<b>DESCRIPTION</b>	<b>VENDOR NO</b>
	103930-29-701	EA	OíRING F/LOW PRESSURE SWITCH	045-0483
	103930-44-700	EA	HOSE ASSEMBLY #6	085-0462
	113245-01-711	EA	OíRING #6	045-0129

**103930-45-000**

<b>KEY</b>	<b>PART NUMBER</b>	<b>U/M</b>	<b>DESCRIPTION</b>	<b>VENDOR NO.</b>
	103930-17-702	EA	OíRING #10	045-0127

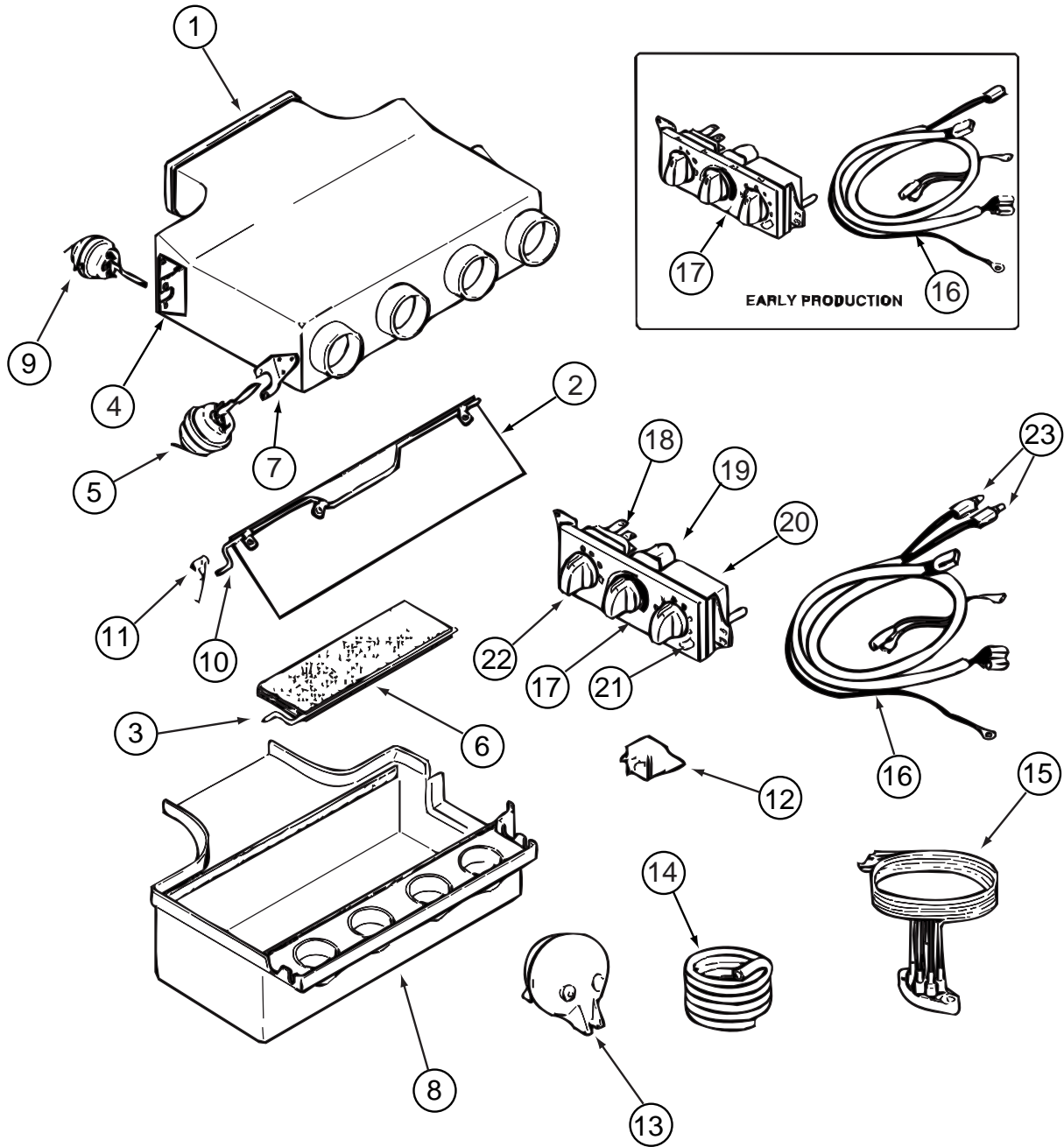
**103930-46-000**

<b>KEY</b>	<b>PART NUMBER</b>	<b>U/M</b>	<b>DESCRIPTION</b>	<b>VENDOR NO</b>
	103930-17-702	EA	OíRING #10	045-0127
	103930-29-701	EA	OíRING F/LOW PRESSURE SWITCH	045-0483

**103930-47-000**

<b>KEY</b>	<b>PART NUMBER</b>	<b>U/M</b>	<b>DESCRIPTION</b>	<b>VENDOR NO</b>
	113245-01-710	EA	OíRING, #12	045-0128

**HEATING & A/C GROUP (CONTINUED)**  
**COMPONENT PARTS FOR AUTOMOTIVE (CONTINUED)**



103930-49-000

**HEATING & A/C GROUP (CONTINUED)**  
**COMPONENT PARTS FOR AUTOMOTIVE (CONTINUED)**

**103930-49-000 (CONTINUED)**

<b>KEY</b>	<b>PART NUMBER</b>	<b>U/M</b>	<b>DESCRIPTION</b>	<b>VENDOR NO.</b>
1	103930-39-705	EA	PLENUM - TOP	060-0482
2	103930-04-700	EA	DOOR - DEFROSTER-A/C	071-0149
3	103930-39-700	EA	ROD - DOOR - AC/HEAT	073-067
5	103930-02-708	EA	MOTOR-VACUUM SERVO, A/C	030-0025
6	103930-39-706	EA	PLATE - DOOR - A/C	071-0623
8	103930-39-707	EA	PLENUM - BOTTOM	060-0483
9	103930-33-701	EA	MOTOR - VACUUM, 3 STAGE	030-0105
10	103930-39-701	EA	ROD - DOOR - AC/DEFROST	073-0069
11	103930-39-704	EA	SPRING	022-0119
12	103930-02-707	EA	RELAY-BOSCH W/RESISTER	031-0001
13	103930-02-710	EA	CANISTER-VACUUM	054-0002
15	103930-33-703	EA	VACUUM HARNESS	036-0466
16	103930-49-700	EA	HARNESS - WIRE	036-556
16	103930-49-701	EA	HARNESS - WIRE W/BULBS	036-0557
17	103930-49-702	EA	CONTROL PANEL-RECESSED FACE	032-0054
17	103930-49-703	EA	CONTROL PANEL - NON RECESSED	083-0223
18	103930-49-704	EA	SWITCH - BLOWER	032-0332
19	103930-49-705	EA	POTENTIOMETER	032-0182
20	103930-49-706	EA	SWITCH - VACUUM	032-0185
21	103930-49-707	EA	DECAL CONTROL PANEL-N/RECESS	058-0144
22	103930-49-708	EA	KNOB - BLOWER - NONRECESSED	062-0620
23	103930-33-705	EA	LIGHT BULBS	035-0030

CONTACT WINNEBAGO PART SALES FOR UNLISTED COMPONENTS

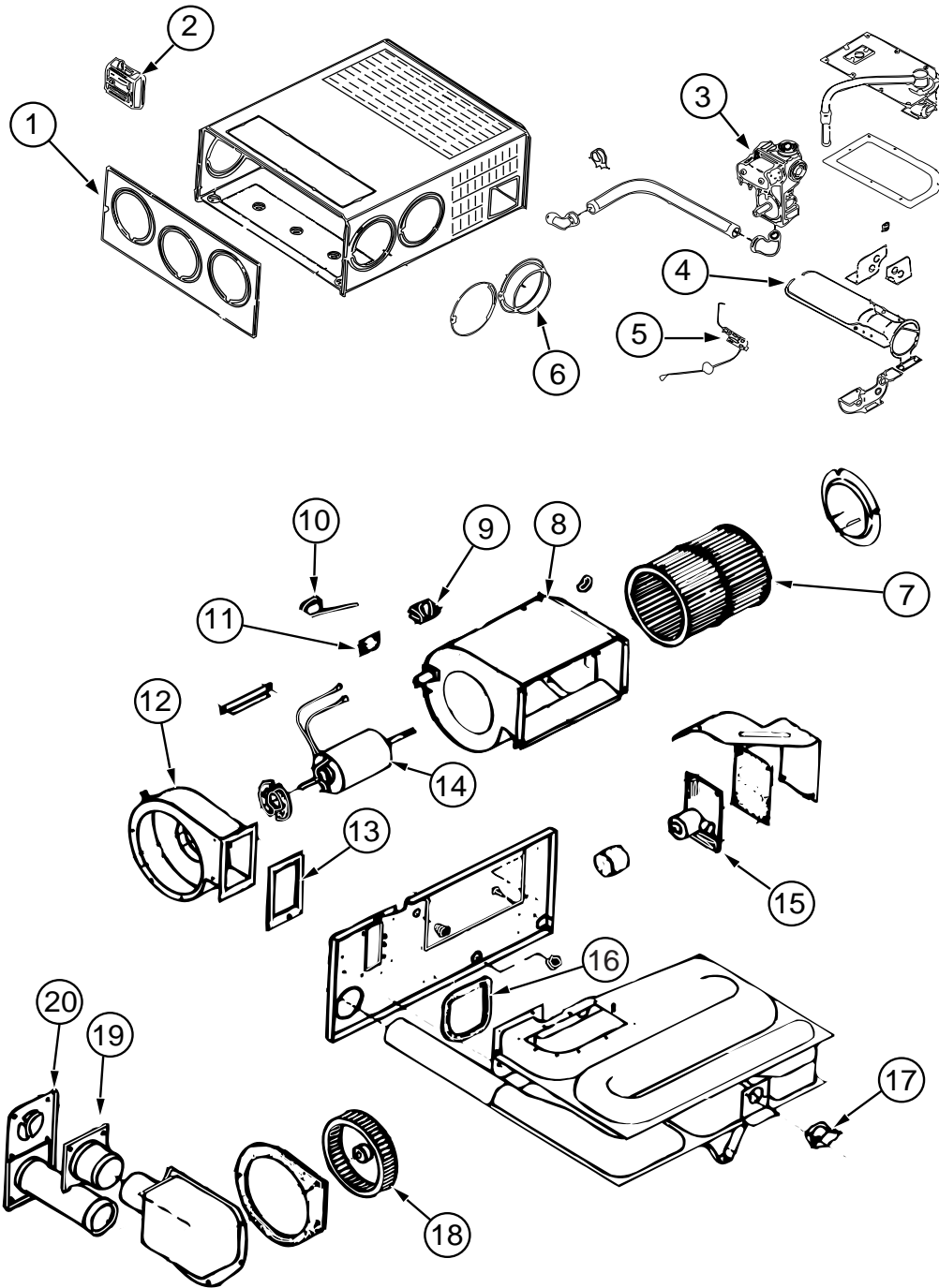
## HEATING & A/C GROUP (CONTINUED)

### FURNACE

KEY	PART NUMBER	U/M	DESCRIPTION
	093614-01-02A	EA	GRILLE - AIR RETURN - 15.9" X 7.9" - BEIGE
	093614-09-01A	EA	GRILLE - AIR RETURN - 21.9" X 11.9" - BEIGE
	093614-13-02A	EA	GRILLE - AIR RETURN - 15.9" X 11.9" - BEIGE
	098668-14-000	EA	GASKET - FIBERGLASS - .5" X 18" X 18"
	137965-01-01A	EA	REGISTER - 2.25" X 10" - W/O DAMPER - ANTIQUE BRASS
	137965-02-01A	EA	REGISTER - 2.25" X 10" - W/ DAMPER - ANTIQUE BRASS
	098668-15-000	EA	PLATE-FACE
*	098668-21-000	EA	FURNACE - 35000 BTU - <a href="#">G32V</a> , <a href="#">G30Y</a> FROM: 00-00-00 THRU: 06-03-01
*	139980-03-000	EA	FURNACE - 35000 BTU - SF QUIET - SUBURBAN SF-35 2322J - <a href="#">G32V</a> , <a href="#">G30Y</a> FROM: 06-04-01 THRU: 99-99-99
*	098668-22-000	EA	FURNACE - 40,000 BTU - <a href="#">G37G</a> , <a href="#">G35U</a> FROM: 00-00-00 THRU: 09-30-01
*	139980-04-000	EA	FURNACE - 40000 BTU - SF QUIET - SUBURBAN SF-42 2323J - <a href="#">G37G</a> , <a href="#">G35U</a> FROM: 10-01-01 THRU: 99-99-99
	098668-23-000	EA	DOOR - ACCESS - FURNACE - BRIGHT WHITE

\*COMPONENT PARTS LISTED LATER IN THIS GROUP

**HEATING & A/C GROUP (CONTINUED)**  
**COMPONENT PARTS FOR FURNACE**



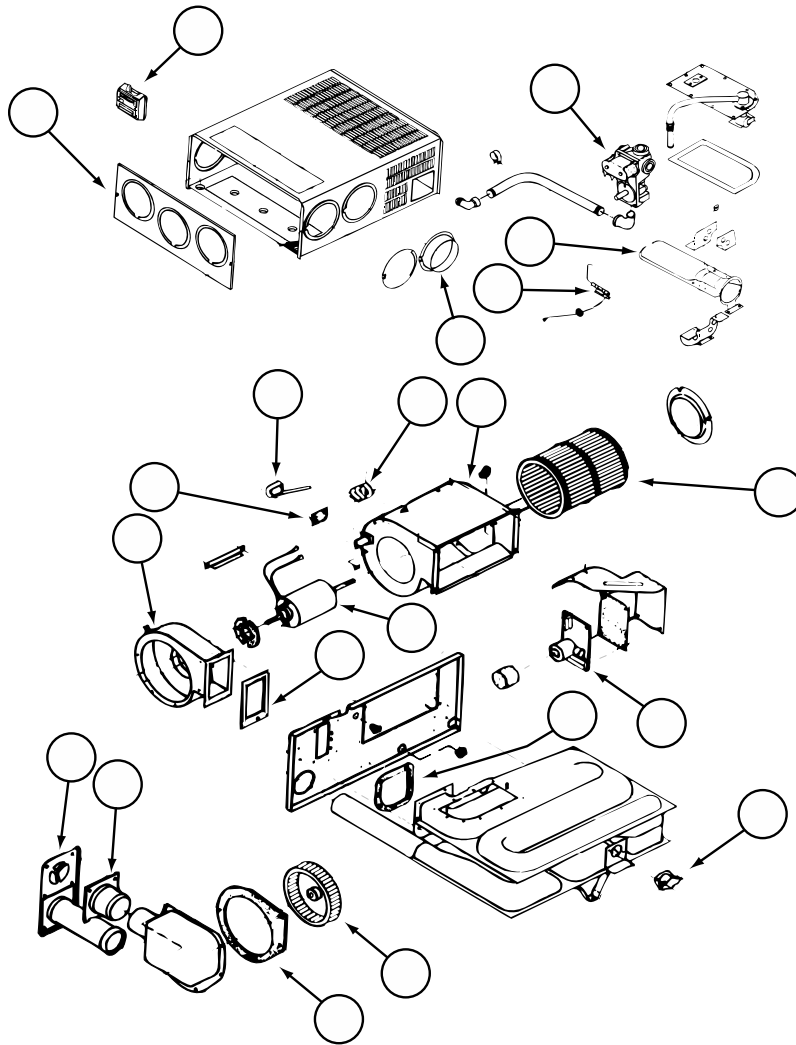
098668-21-000

**HEATING & A/C GROUP (CONTINUED)**  
**COMPONENT PARTS FOR FURNACE (CONTINUED)**

**098668-21-000 (CONTINUED)**

<b>KEY</b>	<b>PART NUMBER</b>	<b>U/M</b>	<b>DESCRIPTION</b>	<b>VENDOR NO.</b>
1	098668-01-700	EA	CABINET FRONT	101242
3	098668-01-714	EA	VALVE-GAS,SF S.N. 921401821	161070
4	098668-02-700	EA	BURNER ASSEMBLY,SF-30 & SF35	010745
5	098668-01-715	EA	ELECTRODE ASM., SINGLE PROBE	232166
6	075696-02-703	EA	COLLAR-DUCT	050715
7	098668-01-711	EA	WHEEL-BLOWER, ROOM AIR	350129
8	098668-01-710	EA	HOUSING-BLOWER, ROOM AIR	390440
9	074466-01-702	EA	RELAY, TIME DELAY	230625
10	098668-21-700	EA	SWITCH-MICRO-W/O FLAG 3 1/4"	232261
11	101990-01-714	EA	GASKET-MICROSWITCH	230877
12	098668-01-708	EA	HOUSING-BLOWER, COMBUSTION	390441
13	098668-01-717	EA	GASKET-FIREWALL, BLOWER SIDE	070809
14	098668-03-700	EA	MOTOR ASSEMBLY, SF-35	231707
15	098668-01-712	EA	BOARD-MODULE	520741
16	098668-01-716	EA	GASKET-FIREWALL,CHAMBER SIDE	070808
17	098668-21-701	EA	SWITCH - LIMIT	231799
18	098668-01-706	EA	WHEEL-COMBUSTION AIR	350184
19	098668-01-713	EA	TUBE ASSEMBLY, INTAKE	051248
20	098668-01-707	EA	TUBE ASSEMBLY, EXHAUST W/CAP	260231
	098668-08-701	EA	MODULE BD/FAN CONT-UNITED TE	232614
			CONTACT WINNEBAGO PART SALES FOR UNLISTED COMPONENTS	

**HEATING & A/C GROUP (CONTINUED)**  
**COMPONENT PARTS FOR FURNACE (CONTINUED)**



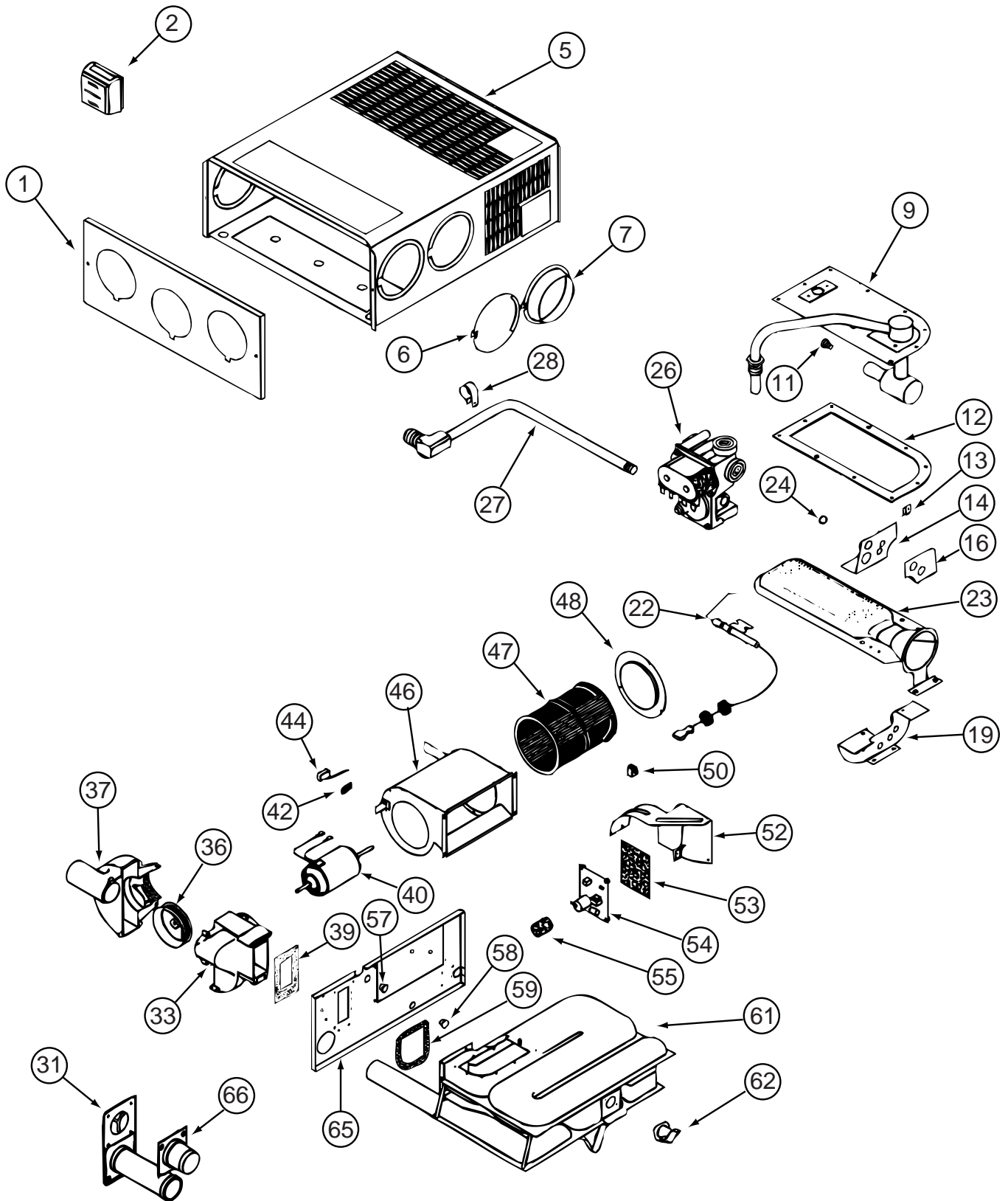
**098668-22-000**

KEY	PART NUMBER	U/M	DESCRIPTION	VENDOR NO.
1	098668-01-700	EA	CABINET FRONT	101242
3	098668-01-714	EA	VALVE-GAS, SF	161070
4	098668-11-701	EA	BURNER ASSEMBLY, SF-42F	010799
5	098668-01-715	EA	ELECTRODE ASM., SINGLE PROBE	232166
6	075696-02-703	EA	COLLAR-DUCT	050715
7	098668-11-704	EA	BLOWER ASM., ROOM AIR SF-42F	390698
8	074466-01-702	EA	RELAY, TIME DELAY	230625
9	098668-09-700	EA	SWITCH-MICRO-W/O FLAG 3 1/4"	232216
10	101990-01-714	EA	GASKET-MICROSWITCH	230877
11	098668-01-708	EA	HOUSING-BLOWER, COMBUSTION	390441
12	098668-01-707	EA	TUBE ASSEMBLY, EXHAUST W/CAP	260231
13	098668-01-713	EA	TUBE ASSEMBLY, INTAKE	051248
14	098668-01-717	EA	GASKET-FIREWALL, BLOWER SIDE	070809
	098668-11-700	EA	ORIFICE-MAIN BURNER, SF-42F	180216
15	098668-11-702	EA	MOTOR ASSEMBLY, SF-42F	232212
16	098668-01-711	EA	WHEEL-BLOWER, ROOM AIR	350129
17	098668-01-712	EA	BOARD-MODULE	520741
18	098668-01-716	EA	GASKET-FIREWALL, CHAMBER SIDE	070808
19	098668-11-706	EA	SWITCH-LIMIT, SF42 & SF42F	232217
20	098668-22-702	EA	WHEEL-COMBUSTION AIR	350183
21	098668-22-703	EA	GASKET	070811
	098668-08-700	EA	MODULE BD/FAN CONT - FENWAL	232613
	098668-08-701	EA	MODULE BD/FAN CONT-UNITED TE	232614

CONTACT WINNEBAGO PART SALES FOR UNLISTED COMPONENTS



**HEATING & A/C GROUP (CONTINUED)**  
**COMPONENT PARTS FOR FURNACE (CONTINUED)**



139980-03-000

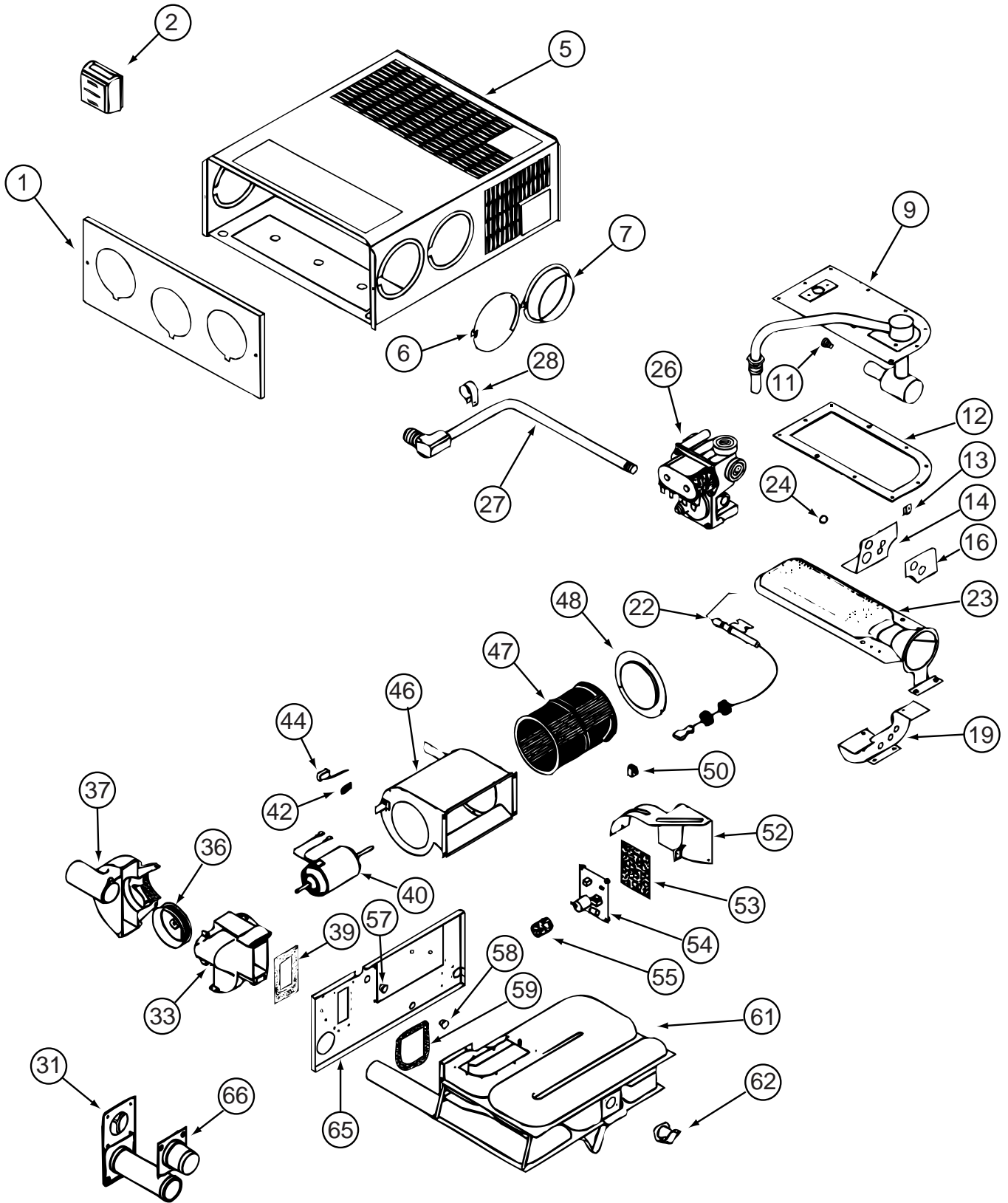
**HEATING & A/C GROUP (CONTINUED)**  
**COMPONENT PARTS FOR FURNACE (CONTINUED)**

**139980-03-000 (CONTINUED)**

<b>KEY</b>	<b>PART NUMBER</b>	<b>U/M</b>	<b>DESCRIPTION</b>	<b>VENDOR NO.</b>
9	139980-01-700	EA	MANIFOLD ASSEMBLY	171571
11	069634-01-720	EA	ORIFICE-MAIN BURNER	180222
12	098668-22-703	EA	GASKET - BURNER ACCESS COVER	070811
22	139980-01-701	EA	ELECTRODE	232286
23	098668-02-700	EA	BURNER ASSEMBLY,SF-30 & SF35	010745
26	098668-01-718	EA	VALVE-GAS SF S.N.974903079	161122
27	139980-01-702	EA	PIPE ASSEMBLY/GAS INLET	171574
31	098668-01-707	EA	TUBE ASSEMBLY, EXHAUST W/CAP	260231
33	139980-01-703	EA	COMBUSTION AIR HOUS FRT/HALF	390852
36	098668-01-706	EA	WHEEL-COMBUSTION AIR	350184
37	139980-01-704	EA	COMBUSTION AIR HOUS RR HALF	390848
39	139980-01-705	EA	GASKET/FIREWALL-COMB AIR	071084
40	139980-01-707	EA	MOTOR ASSEMBLY W/GASKET SF35	232684
42	101990-01-714	EA	GASKET-MICROSWITCH	230877
44	098668-21-700	EA	SWITCH-MICRO-W/O FLAG 3 1/4"	232261
46	139980-01-708	EA	BLOWER ASSEMBLY - ROOM AIR	390739BK
47	098668-01-711	EA	WHEEL-BLOWER, ROOM AIR	350129
48	139980-01-709	EA	ORFICE RING	390696
50	139980-01-710	EA	SWITCH - ON/OFF	232351
52	139980-01-711	EA	PANEL ASSEMBLY-MODULE BD	101663
53	139980-01-712	EA	INSULATOR - MODULE BD	070807
54	098668-22-705	EA	MODULE BD W/RELAY TIME DELAY	520820
55	139980-01-713	EA	CAP/INSULATOR-MODULE BD	070973
57	139980-01-714	EA	BUSHING - UNIVERSAL	070362
58	139980-01-715	EA	BUSHING - STRAIN RELIEF	231809
59	098668-01-716	EA	GASKET-FIREWALL,CHAMBER SIDE	070808
61	139980-01-716	EA	CHAMBER ASSEMBLY - FINAL	021149BK
62	098668-21-701	EA	SWITCH - LIMIT	232504
66	098668-01-713	EA	TUBE ASSEMBLY, INTAKE	051248

CONTACT WINNEBAGO PART SALES FOR UNLISTED COMPONENTS

**HEATING & A/C GROUP (CONTINUED)**  
**COMPONENT PARTS FOR FURNACE (CONTINUED)**



139980-04-000

**HEATING & A/C GROUP (CONTINUED)**  
**COMPONENT PARTS FOR FURNACE (CONTINUED)**

**139980-04-000 (CONTNUED)**

<b>KEY</b>	<b>PART NUMBER</b>	<b>U/M</b>	<b>DESCRIPTION</b>	<b>VENDOR NO.</b>
9	098668-20-700	EA	MANIFOLD ASM.	171517
11	139980-04-700	EA	ORFICE - MAIN BURNER	180242
12	098668-22-703	EA	GASKET - BURNER ACCESS COVER	070811
22	139980-01-701	EA	ELECTRODE	232286
23	098668-11-701	EA	BURNER ASSEMBLY,SF-42F	010799
26	098668-01-718	EA	VALVE-GAS SF S.N.974903079	161122
27	139980-01-702	EA	PIPE ASSEMBLY/GAS INLET	171574
31	098668-01-707	EA	TUBE ASSEMBLY, EXHAUST W/CAP	260231
33	139980-01-703	EA	COMBUSTION AIR HOUS FRT/HALF	390852
36	098668-22-702	EA	WHEEL-COMBUSTION AIR	350183
37	139980-01-704	EA	COMBUSTION AIR HOUS RR HALF	390848
39	139980-01-705	EA	GASKET/FIREWALL-COMB AIR	071084
40	139980-04-701	EA	MOTOR ASSEMBLY W/GASKET	232683
42	101990-01-714	EA	GASKET-MICROSWITCH	230877
44	098668-21-700	EA	SWITCH-MICRO-W/O FLAG 3 1/4"	232261
46	139980-04-702	EA	BLOWER ASSEMBLY/ROOM AIR	390740BK
47	098668-01-711	EA	WHEEL-BLOWER, ROOM AIR	350129
48	139980-01-709	EA	ORFICE RING	390696
50	139980-01-710	EA	SWITCH - ON/OFF	232351
52	139980-01-711	EA	PANEL ASSEMBLY-MODULE BD	101663
53	139980-01-712	EA	INSULATOR - MODULE BD	070807
54	098668-22-705	EA	MODULE BD W/RELAY TIME DELAY	520820
55	139980-01-713	EA	CAP/INSULATOR-MODULE BD	070973
57	139980-01-714	EA	BUSHING - UNIVERSAL	070362
58	139980-01-715	EA	BUSHING - STRAIN RELIEF	231809
59	098668-01-716	EA	GASKET-FIREWALL,CHAMBER SIDE	070808
61	139980-04-703	EA	CHAMBER ASSEMBLY FINAL	021150BK
62	098668-22-706	EA	SWITCH/LIMIT - 195 TRIP TEMP	232505
66	098668-01-713	EA	TUBE ASSEMBLY, INTAKE	051248

CONTACT WINNEBAGO PART SALES FOR UNLISTED COMPONENTS

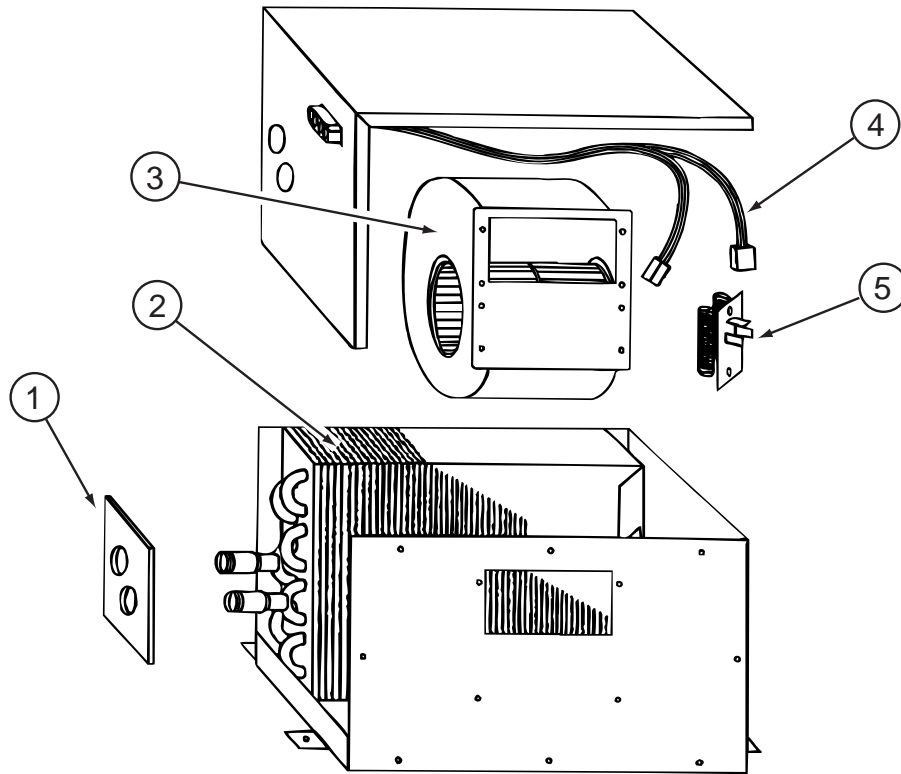
## HEATING & A/C GROUP (CONTINUED)

### REAR HEATER

KEY	PART NUMBER	U/M	DESCRIPTION
	007108-01-000	FT	HOSE - HEATER - 5/8" ID - HI-TEMP
	079059-01-000	EA	HOSE - 90 DEGREE - 5/8"ID X 4" X 36"
	137965-01-01A	EA	REGISTER - 2.25" X 10" - W/O DAMPER - ANTIQUE BRASS
	137965-02-01A	EA	REGISTER - 2.25" X 10" - W/DAMPER - ANTIQUE BRASS
*	129205-01-000	EA	HEATER - REAR

\*COMPONENT PARTS LISTED LATER IN THIS GROUP

**HEATING & A/C GROUP (CONTINUED)**  
**COMPONENT PARTS FOR REAR HEATER**

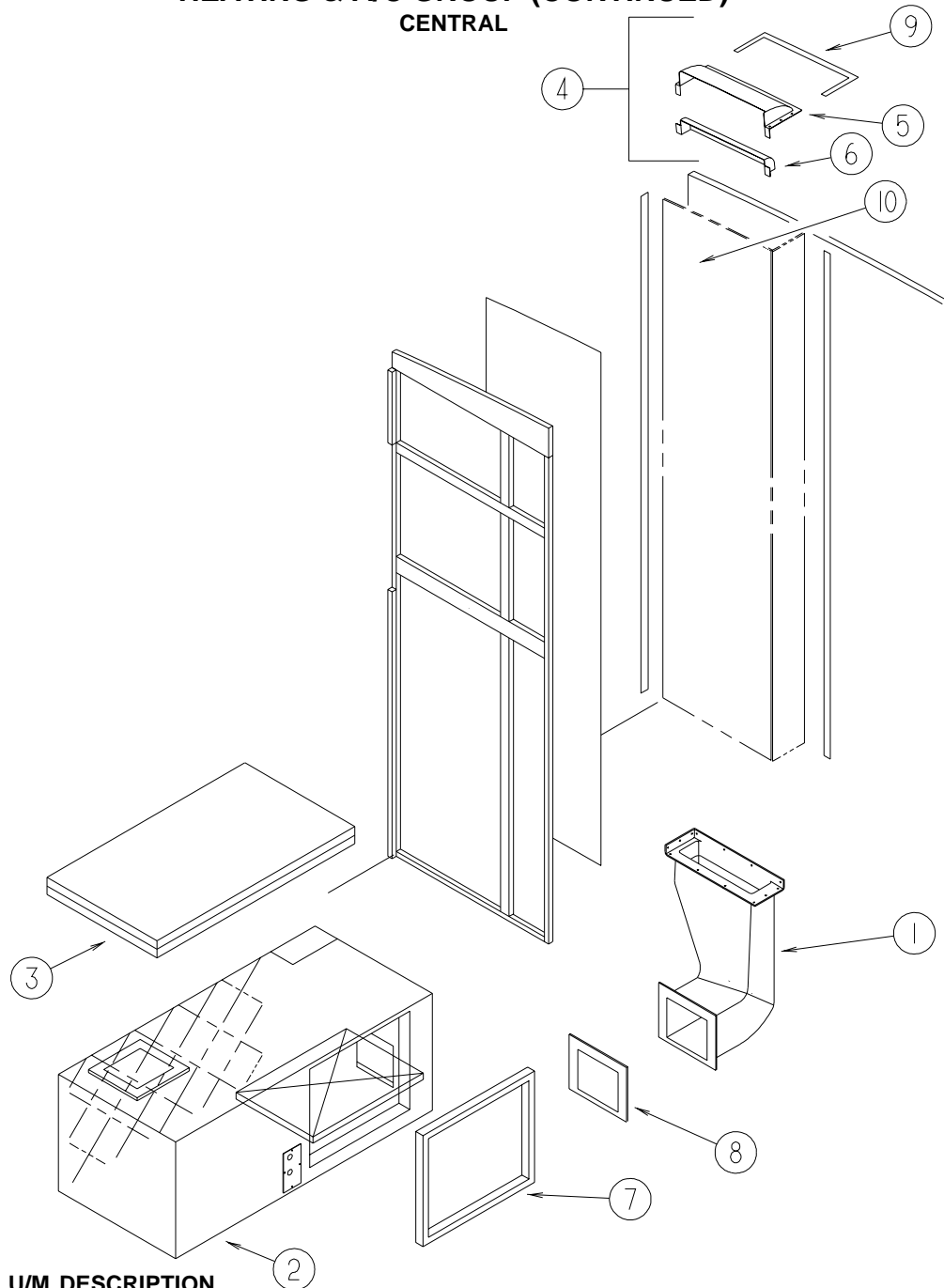


129205-01-000

KEY	PART NUMBER	U/M	DESCRIPTION	VENDOR NO.
1	129205-01-700	EA	SEAL - CORE TUBE	HV218421
2	129205-01-701	EA	CORE - HEATER	HV218426
3	129205-01-702	EA	BLOWER ASSEMBLY	HV218419
4	129205-01-703	EA	WIRE HARNESS	HV218420
5	129205-01-704	EA	RESISTOR	HV218125

# HEATING & A/C GROUP (CONTINUED)

## CENTRAL

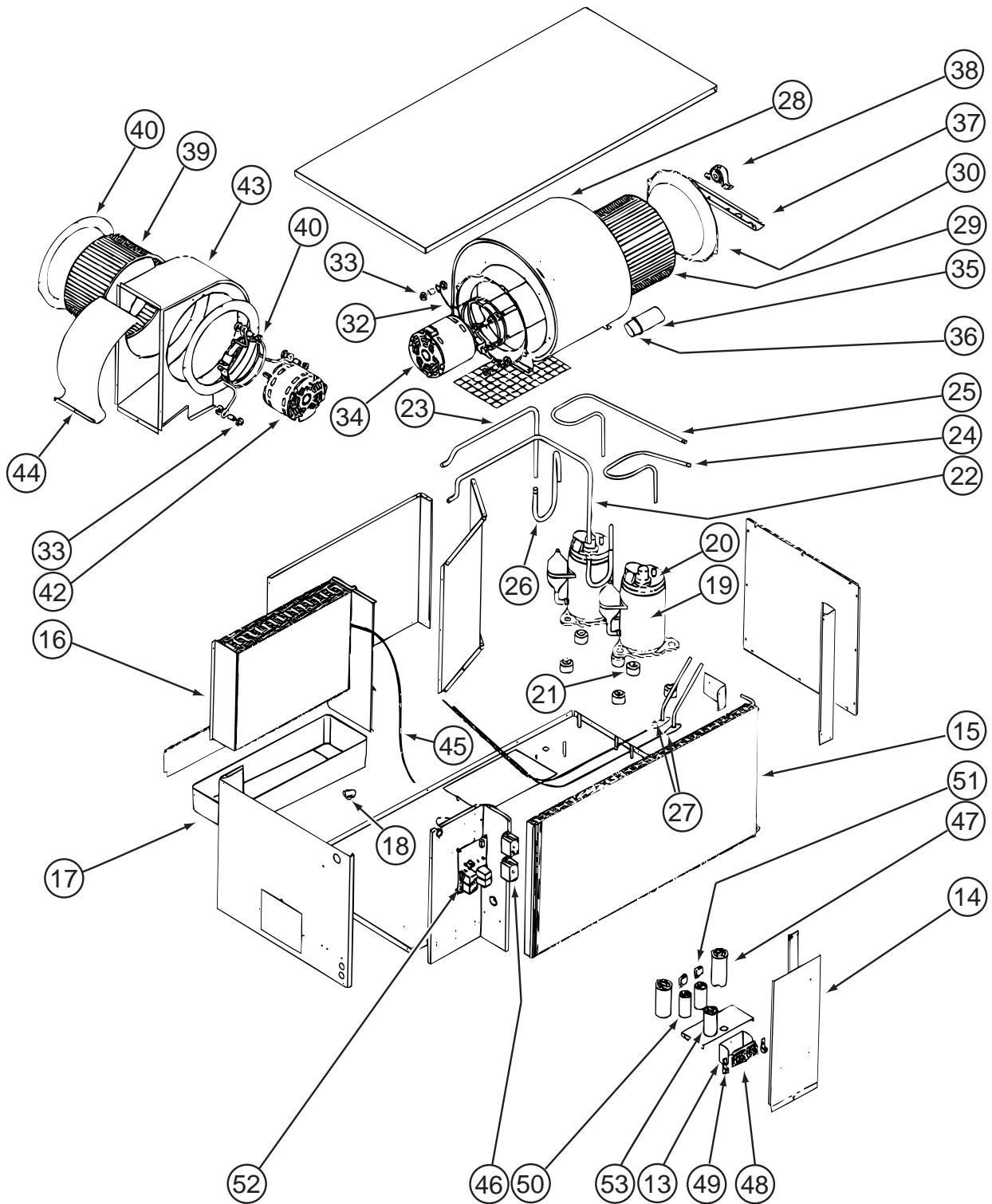


KEY	PART NUMBER	U/M	DESCRIPTION
1	133767-01-01A	EA	DUCT - CENTRAL AIR/FORCED/LOWER
	105290-01-000	SF	INSULATION - AIR POCKET W/FOIL
2*	105620-11-000	EA	A/C CENTRAL PACKAGE - RIGHT HAND POWER SAVER/LARGE BLOWER
2*	105620-12-000	EA	A/C - CENTRAL - RIGHT HAND/HEAT PUMP - 12,000 BTU COMP - W/HEAT PUMP
3	109050-02-000	EA	FILTER/FURNACE-AC - FIBERGLASS - 1" X 14" X 20" - G35U, G37G
3	109050-03-000	EA	FILTER/FURNACE-AC - FIBERGLASS - 1" X 10" X 20" - G30Y, G32V
4	131936-03-L32	EA	DEFLECTOR - A/C - ROOF - 30.11"
5	131936-01-01A	EA	DEFLECTOR - A/C - ROOF - 14.3"
6	131936-02-01A	EA	DEFLECTOR - A/C - ROOF - 16.8"
6	134651-01-000	FT	SEAL - 1/2" X 3/4" PSA 1 SIDE
7	134588-01-000	EA	GASKET - DUCT - 15.5" X 18.2" IS - 17.4" X 20.2" OS
8	134588-02-000	EA	GASKET - DUCT - 6.4" X 7.4" IS - 8.3" X 9.4" OS
9	134650-01-000	EA	GASKET - CABINET
10	117870-04-01A	EA	PLENUM - A/C - 79.4"
	105620-14-000	EA	THERMOSTAT - A/C AND FURNACE
	105620-15-000	EA	THERMOSTAT - FURNACE/HEAT PUMP-A/C - W/HEAT PUMP
	120134-01-02A	EA	REGISTER - W/DAMPER - 4" PIPE/7" O.D. FACE - WHITE
	122717-06-01A	FT	PAD - NON-SKID - PSA - 5"W

\*COMPONENT PARTS LISTED LATER IN THIS GROUP

# HEATING & A/C GROUP (CONTINUED)

## COMPONENT PARTS FOR CENTRAL



105620-11-000

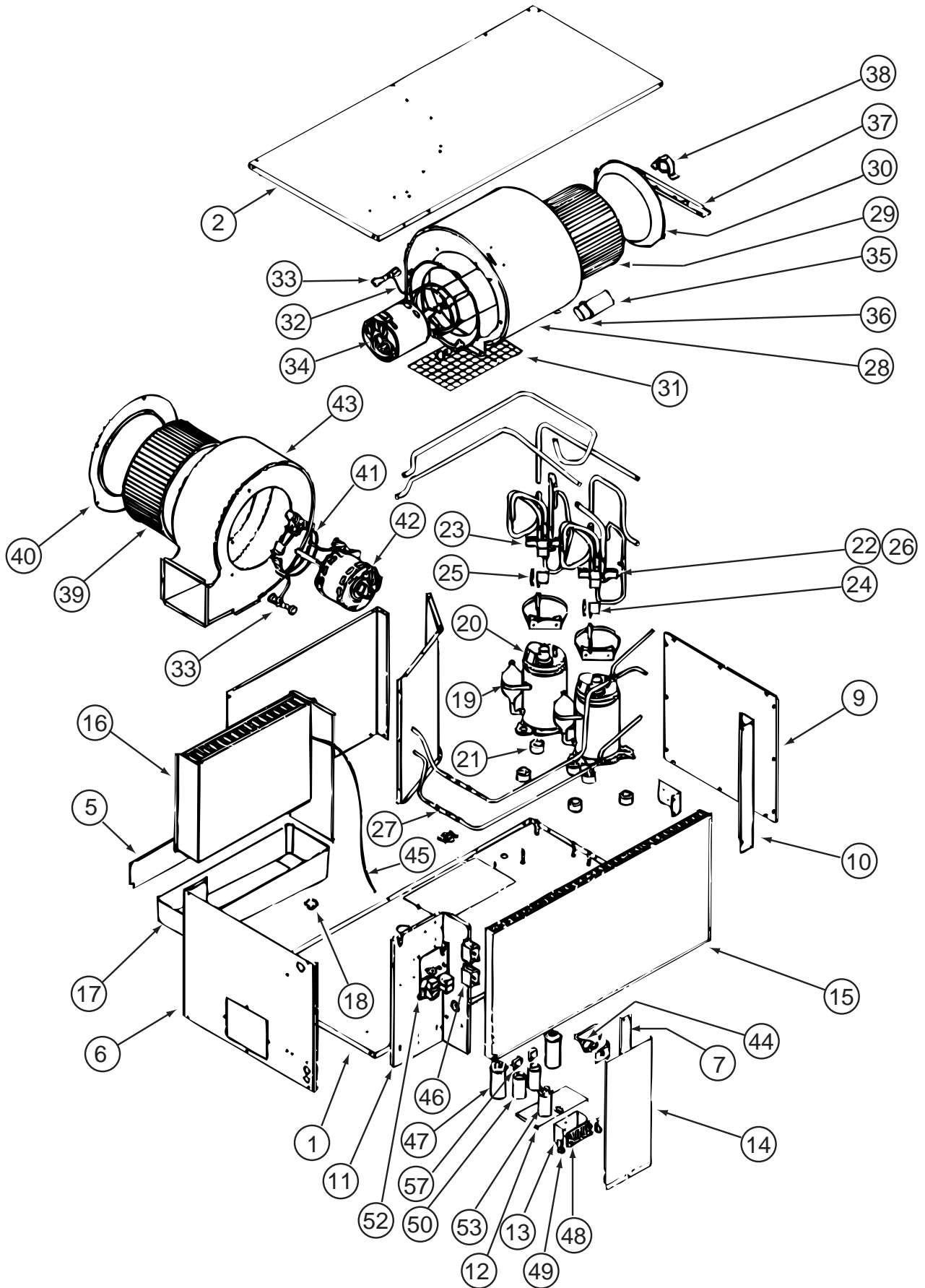


**HEATING & A/C GROUP (CONTINUED)**  
**COMPONENT PARTS FOR CENTRAL (CONTINUED)**

**105620-11-000 (CONTINUED)**

<b>KEY</b>	<b>PART NUMBER</b>	<b>U/M</b>	<b>DESCRIPTION</b>	<b>VENDOR NO.</b>
15	105620-10-707	EA	CONDENSER COIL	1452-1541
16	105620-10-708	EA	EVAPORATOR COIL	1452A1531
17	105620-10-709	EA	DRAIN PAN	6636-304
18	105620-10-717	EA	VALVE - DRAIN	6531-503
19	126860-01-700	EA	COMPRESSOR RK136AT-002-A4Y	1450A2119
20	126860-01-701	EA	OVERLOAD PROTECTOR MRA# 1460	1450-0071
21	105620-01-706	EA	MOUNTING PKG.,COMP., 3 PER	6759-3081
22	105620-10-710	EA	SUCTION LINE ASSY COIL#1	6636-131
23	105620-10-711	EA	SUCTION LINE ASSY COIL#2	6636-129
24	105620-10-712	EA	DISCHARGE LINE ASSEMBLY#1	6636-126
25	105620-10-713	EA	DISCHARGE LINE ASSEMBLY#2	6636-125
26	105620-10-714	EA	SUCTION LINE ASSY COMP#1&2	6636-130
27	105620-10-719	EA	LIQUID LINE ASSEMBLY COMP.	6636-520
28	105620-10-718	EA	BLOWER HOUSING/OUTSIDE AIR	6536-515
29	105620-01-713	EA	WHEEL-BLOWER/OUTSIDE AIR	1472-1011
32	105620-01-715	EA	MOUNT-BLOWER/OUTSIDE AIR	6795A3011
34	105620-10-721	EA	MOTOR/BLOWER-8 3/4" SHAFT	1468A3029
35	105620-01-718	EA	CAPACITOR-FAN, 12.5 MFD/370V	1499-5631
36	105620-10-715	EA	RUBBER CAPACITOR BOOT	1499-951
37	105620-10-700	EA	BEARING BRACKET/OUTSIDE AIR	6536-574
38	105620-10-701	EA	BEARING/PILLOW BLOCK-O/S AIR	6536-3011
39	105620-11-701	EA	BLOWER WHEEL/INSIDE AIR	1472-1121
40	105620-11-702	EA	BLOWER VENTURI/INSIDE AIR	6535-287
41	105620-01-723	EA	MOUNT-BLOWER MOTOR - I/S AIR	6795-3021
42	105620-11-703	EA	BLOWER MOTOR/INSIDE AIR	1468-3219
43	105620-11-704	EA	BLOWER HOUSING/INSIDE AIR	6535-589
46	105620-01-729	EA	RELAY-COMPRESSOR -4 TERMINAL	1460-1131
47	126859-01-703	EA	CAPACITOR - RUN	1499-5671
48	105620-01-738	EA	BOARD-TERMINAL, HIGH VOLTAGE	6795-315
51	105620-10-705	EA	PTCR (START DEVICE) - W/CAP.	8333A9021
52	105620-05-700	EA	BOARD-PRINTED CIRCUIT, 2 TON	6795A3201
53	093763-01-704	EA	CAPACITOR-FAN	1499-5461
	105620-10-720	EA	FUSE/BUSS(8AMP/250V) 2 PKG	6535-3081
			CONTACT WINNEBAGO PARTS SALES FOR UNLISTED COMPONENTS	

**HEATING & A/C GROUP (CONTINUED)**  
**COMPONENT PARTS FOR CENTRAL (CONTINUED)**



105620-12-000

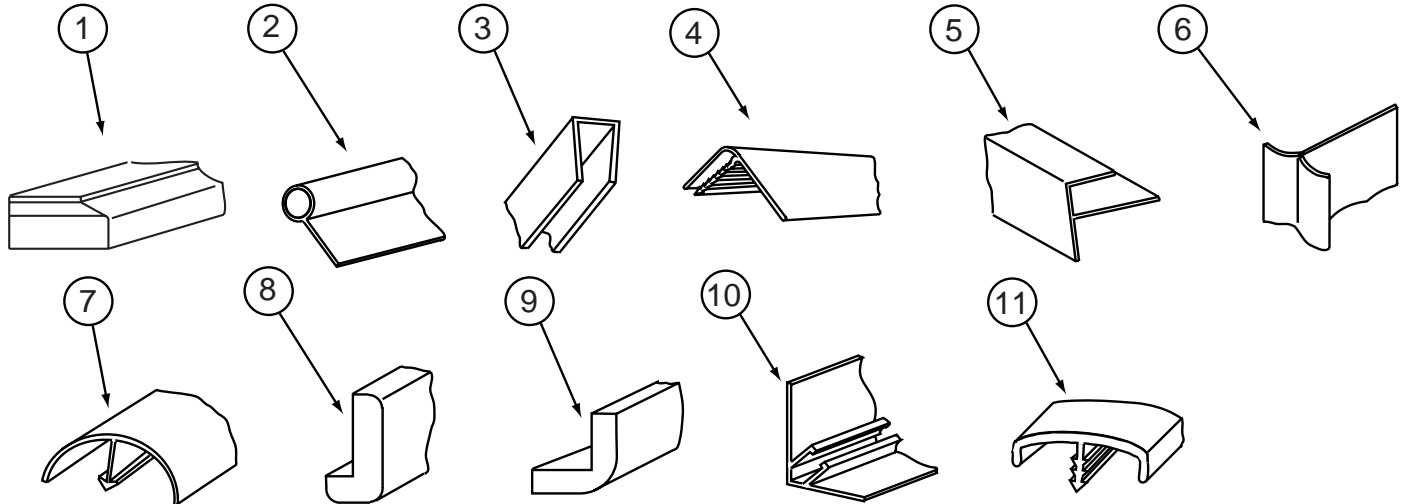
**HEATING & A/C GROUP (CONTINUED)**  
**COMPONENT PARTS FOR CENTRAL (CONTINUED)**

**105620-12-000 (CONTINUED)**

<b>KEY</b>	<b>PART NUMBER</b>	<b>U/M</b>	<b>DESCRIPTION</b>	<b>VENDOR NO.</b>
15	105620-12-701	EA	COIL - CONDENSER	1452-1621
16	105620-12-702	EA	COIL - EVAPORATOR	1452A1611
17	105620-10-709	EA	DRAIN PAN	6636-304
18	105620-01-703	EA	VALVE-DRAIN, RH & LH	6795-200
18	105620-12-703	EA	VALVE - DRAIN	6795-200
19	105620-12-704	EA	COMPRESSOR	1450-2149
21	105620-01-706	EA	MOUNTING PKG.,COMP., 3 PER	6759-3081
22	105620-12-706	EA	REVERSING VALVE ASSEMBLY #1	6535A533
23	105620-12-707	EA	REVERSING VALVE ASSEMBLY #2	6535-5321
24	105620-12-708	EA	COIL - SOLENOID	1460-1081
25	105620-12-709	EA	WIRE HARNESS-REVERSING VALVE	6536-111
26	105620-12-710	EA	VALVE - REVERSE ONLY	1454A350
27	105620-12-711	EA	RESTRICTOR - BY FLOW	1454-2521
28	105620-12-712	EA	BLOWER HOUSING/OUTSIDE AIR	6536-515
29	105620-01-713	EA	WHEEL-BLOWER/OUTSIDE AIR	1472-1011
32	105620-01-715	EA	MOUNT-BLOWER/OUTSIDE AIR	6795A3011
34	105620-10-721	EA	MOTOR/BLOWER-8 3/4" SHAFT	1468A3029
35	105620-01-718	EA	CAPACITOR-FAN, 12.5 MFD/370V	1499-5631
37	105620-12-713	EA	BRACKET/BEARING-O/S AIR BLWR	6536-514
38	105620-10-701	EA	BEARING/PILLOW BLOCK-O/S AIR	6536-3011
39	105620-11-701	EA	BLOWER WHEEL/INSIDE AIR	1472-1121
40	105620-12-715	EA	BLOWER VENTURI/INSIDE AIR	6535A287
41	105620-01-723	EA	MOUNT-BLOWER MOTOR - I/S AIR	6795-3021
42	105620-12-716	EA	BLOWER MOTOR-REVERSIBLE-I/S	1468-3219
43	105620-12-717	EA	BLOWER HOUSING/INSIDE AIR	6535A589
44	105620-12-718	EA	SWITCH ASSM. - HIGH PRESSURE	6535-5291
45	105620-12-719	EA	COIL SENSOR	7330A3231
46	105620-01-729	EA	RELAY-COMPRESSOR -4 TERMINAL	1460-1131
48	105620-01-738	EA	BOARD-TERMINAL, HIGH VOLTAGE	6795-315
51	105620-10-705	EA	PTCR (START DEVICE) - W/CAP.	8333A9021
52	105620-12-720	EA	KIT-CIRCUIT BD (6535-SERIES)	6535-3209
52	105620-12-721	EA	CIRCUIT BD(6535 A SERIES)	6535-3201
53	093763-01-704	EA	CAPACITOR-FAN	1499-5461
	105620-10-720	EA	FUSE/BUSS(8AMP/250V) 2 PKG	6535-3081

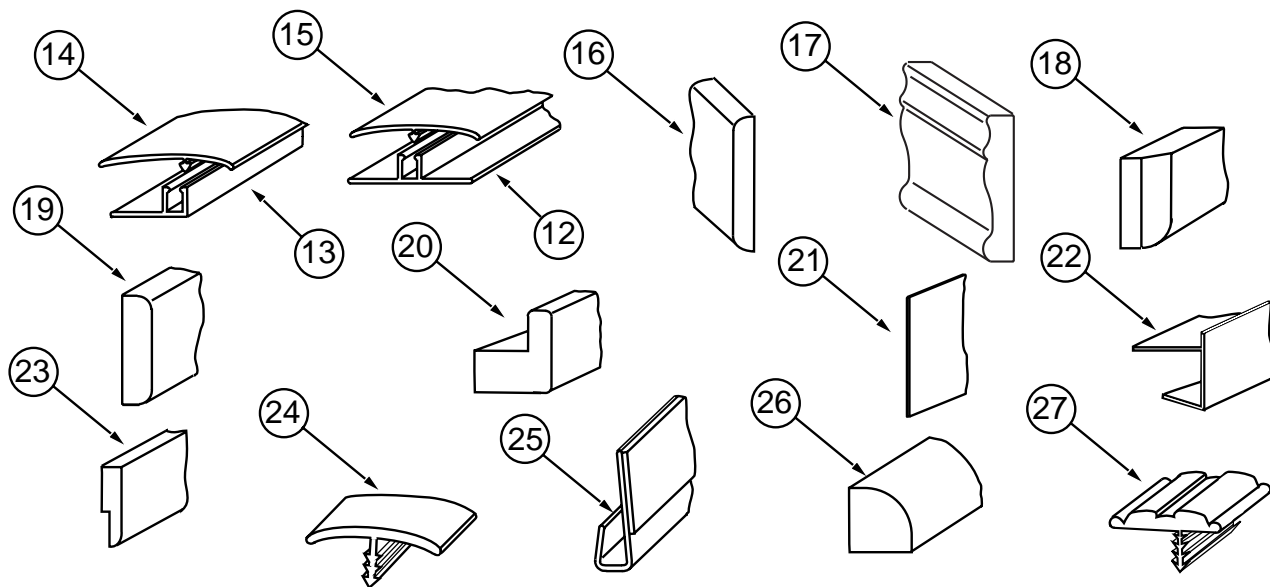
CONTACT WINNEBAGO PART SALES FOR UNLISTED COMPONENTS

**INTERIOR FINISH GROUP**  
**MOLDINGS & TRIMS**  
**PORTSMOUTH OAK**



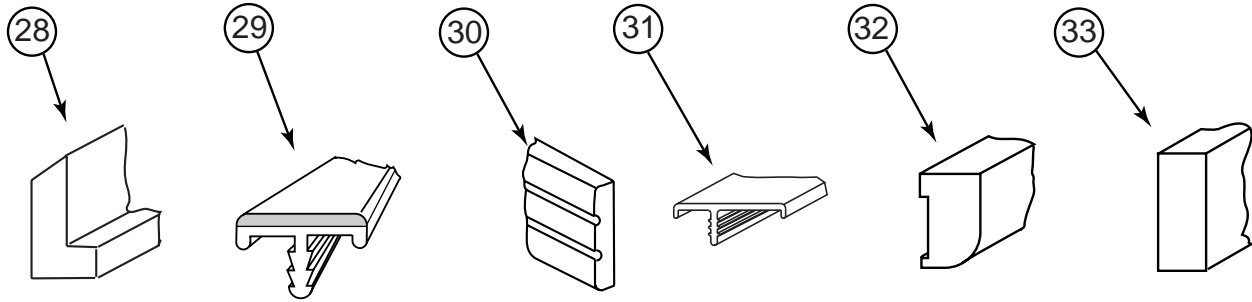
KEY	PART NUMBER	U/M	DESCRIPTION
1	P34052-01-N75	EA	TRIM/TABLE - 29.7" - PORTSMOUTH OAK
1	P34052-01-M84	EA	TRIM/TABLE - 29.7" - WASHED MAPLE
1	P34052-01-M52	EA	TRIM/TABLE - 29.7" - SALEM CHERRY
1	P34052-02-N47	EA	TRIM/TABLE - 24"
2	009767-12-000	FT	WELTING - ANTIQUE WHITE
2	009767-17-000	FT	WELTING - PORTSMOUTH OAK
3	009778-25-000	FT	U-CHANNEL - 1" - BEIGE ILLUSION
3	009778-27-000	FT	U-CHANNEL - 1" - WASHED MAPLE
3	009778-30-000	FT	U-CHANNEL - 1" - VILLAGE OAK
3	009778-31-000	FT	U-CHANNEL - 1" - GRADY BROWN
3	009778-32-000	FT	U-CHANNEL - 1" - PORTSMOUTH OAK
3	009778-34-000	FT	U-CHANNEL - 1" - CONCERT CHERRY
3	070504-36-000	FT	U-CHANNEL - PLASTIC - .13" X 96" - WATERFORD OAK
3	070504-42-000	FT	U-CHANNEL - PLASTIC - .13" X 84" - BEIGE ILLUSION
3	070504-50-000	FT	U-CHANNEL - PLASTIC - .13" X 96" - WASHED MAPLE
3	070504-51-000	FT	U-CHANNEL - PLASTIC - .9" X 96" - WASHED MAPLE
3	070504-54-000	FT	U-CHANNEL - PLASTIC - .9" X 96" - VILLAGE OAK
3	070504-56-000	FT	U-CHANNEL - PLASTIC - .8" X 72" - VW LIGHT GRAY
3	070504-57-000	FT	U-CHANNEL - PLASTIC - .6" X 84" - PORTSMOUTH OAK
3	070504-58-000	FT	U-CHANNEL - PLASTIC - .8" X 84" - PORTSMOUTH OAK
3	070504-60-000	FT	EXTRUSION-U CHANNEL,1.65 - CONCERT CHERRY
3	070504-61-000	FT	U-CHANNEL - PLASTIC - .8" X 84" - CONCERT CHERRY
4	009809-30-000	EA	MOLDING - CORNER - OUTSIDE - 1" X 84" - BEIGE ILLUSION
4	009809-31-000	EA	MOLDING - CORNER - OUTSIDE - 1" X 84" - WASHED MAPLE
4	009809-32-000	EA	MOLDING - CORNER - OUTSIDE - 1" X 84" - PORTSMOUTH OAK
4	009809-33-000	EA	MOLDING - CORNER - OUTSIDE - 1" X 84" - WORMY PECAN
5	009812-31-000	EA	MOLDING - CORNER - 1/2" W/1/4"CHAN X 84" - BEIGE ILLUSION
5	009812-33-000	EA	MOLDING - CORNER - 1/2" W/1/4"CHAN X 84" - WASHED MAPLE
5	009812-35-000	EA	MOLDING - CORNER - 1/2" W/1/4"CHAN X 84" - PORTSMOUTH OAK
5	009812-36-000	EA	MOLDING - CORNER - 1/2" W/1/4"CHAN X 84" - CONCERT CHERRY
6	022992-14-000	FT	MOLDING - REVERSE COVE - T-SHAPED - BRIGHT WHITE
6	022992-15-000	FT	MOLDING - REVERSE COVE - T-SHAPED - VW GRAY
7	042357-25-000	EA	MOLDING - CORNER - RADIUS/PLASTIC - WASHED MAPLE
7	042357-26-000	EA	MOLDING - CORNER - RADIUS/PLASTIC - PORTSMOUTH OAK
7	042357-27-000	EA	MOLDING - CORNER - RADIUS/PLASTIC - CONCERT CHERRY
8	077840-01-E41	EA	MOLDING - WALL CAP - 8' - SALEM CHERRY
8	077840-01-N30	EA	MOLDING - WALL CAP - 8' - PORTSMOUTH AOK
8	077840-01-M91	EA	MOLDING - WALL CAP - 8' - WASHED MAPLE
9	080176-08-000	EA	CAP - CORNER - RADIUS MOLDING - PLASTIC - WASHED MAPLE
10	081521-02-007	EA	MOUNT - METAL MOLDING - F/RADIUS CORNER MOLDING - 151.5"
11	083620-09-000	FT	MOLDING-T - W/EDGE LIP - 7/8" FACE - MODERN IVORY
11	083620-19-000	FT	MOLDING-T - W/EDGE LIP - 7/8" FACE - WASHED MAPLE
11	083620-20-000	FT	MOLDING-T - W/EDGE LIP - 7/8" FACE - PORTSMOUTH OAK
11	083620-21-000	FT	MOLDING-T - W/EDGE LIP - 7/8" FACE - CONCERT CHERRY
11	104676-02-08A	FT	MOLDING-T - W/EDGE LIP - 11/16" FACE - PORTSMOUTH OAK
11	104676-02-06A	FT	MOLDING-T - W/EDGE LIP - 11/16" FACE - WASHED MAPLE

**INTERIOR FINISH GROUP (CONTINUED)**  
**MOLDINGS & TRIMS (CONTINUED)**



KEY	PART NUMBER	U/M	DESCRIPTION
12	086229-01-000	EA	RETAINER - BATTEN - .75" X 92.1" - ANY COLOR
13	086229-11-000	EA	RETAINER - OFFSET - 97"
14	086229-12-000	EA	BATTEN - 1.5" OFFSET X 97.01" IVORY
14	086229-21-000	EA	BATTEN - 1.5" X 83.9" OFFSET - WHITE
15	086229-13-000	EA	BATTEN - 1" X 96" - IVORY
15	086229-19-000	EA	BATTEN - 1" X 98.4" - OFF WHITE
15	086229-20-000	EA	BATTEN - 1" X 96" - BEIGE
16	091985-01-08A	FT	INSERT - TRIM - .65" WIDE - SOFT WHITE
17	100182-10-E41	EA	TRIM - CHAIR RAIL - 2.5" X 8' EACH - WOOD
17	100182-10-J70	EA	TRIM - CHAIR RAIL - 2.5" X 8' EACH - WOOD
17	100182-10-K29	EA	TRIM - CHAIR RAIL - 2.5" X 8' EACH - WOOD
17	100182-10-N47	EA	TRIM/RAIL
18	100659-27-M70	EA	MOLDING/TRIM - VINYL FLOOR - CHERRY III
18	100659-30-N75	EA	MOLDING - TRIM - PORTSMOUTH OAK
18	100659-30-N74	EA	MOLDING - TRIM - CHERRY
18	100659-30-M84	EA	MOLDING-TRIM,VINYL FLOOR - 01 G-SERIES GENERAL
19	100818-01-12A	EA	MOLDING - VINYL WRAPPED - 1.6" X .4" X 84"-PORTSMOUTH OAK
19	100818-01-10A	EA	MOLDING - VINYL WRAPPED - 1.6" X .4" X 84" - CHERRY
19	100818-01-08A	EA	MOLDING - VINYL WRAPPED - 1.6" X .4" X 84"-WASHED MAPLE
20	100819-01-08A	EA	MOLDING - VINYL WRAPPED-L-SHAPED-1.5"X1.5"X84"-WASHED MPL
20	100819-01-09A	EA	MOLDING - VINYL WRAPPED-L-SHAPED-1.5"X1.5"X84"-PRTSMTH OAK
20	100819-01-10A	EA	MOLDING - VINYL WRAPPED-L-SHAPED-1.5"X1.5"X84"-CNCRT CHERR
20	100819-01-12A	EA	MOLDING - VINYL WRAPPED-L-SHAPED - 1.5" X 1.5" X 84" - OAK
21	101957-01-06A	EA	EXTRUDED - PLASTIC - WASHED MAPLE
22	103186-01-10A	FT	MOLDING - PLASTIC - 3/8" U-CHANNEL-3/4"FACE-CONCERT CHERRY
22	103186-01-09A	FT	MOLDING - PLASTIC - 3/8" U-CHANNEL-3/4"FACE-PORTSMOUTH OAK
22	103186-01-07A	FT	MOLDING - PLASTIC - 3/8" U-CHANNEL-3/4"FACE - BEIGE ILLUS
22	103186-02-10A	FT	MOLDING - PLASTIC - 1" U-CHANNEL-1 3/8"FACE-CONCERT CHERRY
22	103186-02-09A	FT	MOLDING - PLASTIC - 1" U-CHANNEL-1 3/8"FACE-PORTSMOUTH OAK
22	103186-02-08A	FT	MOLDING - PLASTIC - 1" U-CHANNEL-1 3/8"FACE-WASHED MAPLE
22	103186-02-07A	FT	MOLDING - PLASTIC - 1" U-CHANNEL-1 3/8"FACE-BEIGE ILLUSION
23	105004-01-10A	EA	MOLDING - VINYL WRAPPED 1" X 96" - SALEM CHERRY
23	105004-01-08A	EA	MOLDING - VINYL WRAPPED - 1" X 96" - WASHED MAPLE
23	105004-01-10A	EA	MOLDING - VINYL WRAPPED 1" X 96" - SALEM CHERRY
23	105004-01-12A	EA	MOLDING - VINYL WRAPPED 1" X 96" - PORTSMOUTH OAK
24	009815-10-000	FT	MOLDING-T - W/EDGE LIP - 3/4" FACE - BEIGE ILLUSION
24	105709-02-000	FT	MOLDING-T - W/EDGE LIP - 3/4" FACE - BEIGE ILLUSION
25	109332-02-01A	FT	TRIM-J - W/O ADHESIVE - BRASS
26	109410-01-J70	EA	MOLDING - TRIM - 8' - WHITE MAPLE/WASHED MAPLE
26	109410-01-E41	EA	MOLDING - TRIM - 8' - BLACK CHERRY/SALEM CHERRY
26	109410-01-N75	EA	MOLDING - TRIM - 8' - PORTSMOUTH OAK/PORTSMOUTH OAK
27	109736-02-01A	FT	MOLDING-T/OFFSET - W/EDGE LIP - 1" FACE - NAT OAK/BRASS

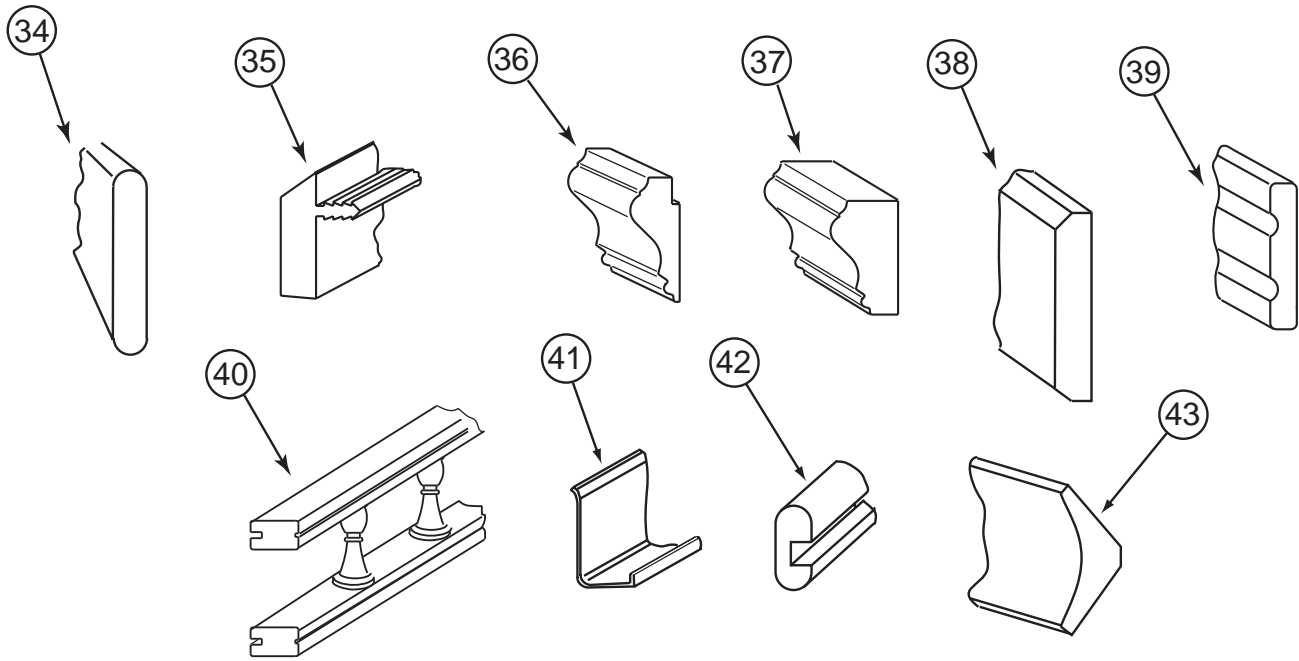
**INTERIOR FINISH GROUP (CONTINUED)**  
**MOLDINGS & TRIMS (CONTINUED)**



KEY	PART NUMBER	U/M	DESCRIPTION
28	111235-01-E74	EA	MOLDING - COUNTERTOP - 1.4" X 8' - BLACK CHERRY-UNSTAINED - SALEM CHERRY
28	111235-01-N42	EA	MOLDING - COUNTERTOP - 1.4" X 8' - PORTSMOUTH
28	111235-01-H56	EA	MOLDING - COUNTERTOP - 1.4" X 8' - WHITE MAPLE - UNSTAINED - WASHED MAPLE
29	113757-02-01A	FT	T-MOLDING - BULB
30	116951-15-N09	EA	MOLDING - TRIM - 1.7" X 11" - PORTSMOUTH OAK
30	116951-15-K09	EA	MOLDING - TRIM - 1.7" X 11" - WASHED MAPLE
30	116951-15-K13	EA	MOLDING - TRIM - 1.7" X 11" - SALEM CHERRY
31	119520-01-01A	FT	MOLDING-T/OFFSET - W/EDGE LIP - 1"FACE - OFF WHITE
31	119520-02-01A	FT	MOLDING-T/OFFSET - W/EDGE LIP - 1"FACE
32	126204-D2-134	EA	MOLDING - VINYL WRAPPED - .7" X 1.6" X 84" - WASHED MAPLE
32	126204-F2-134	EA	MOLDING - VINYL WRAPPED - .7" X 2.5" X 84" - WASHED MAPLE
32	126204-F2-438	EA	MOLDING - VINYL WRAPPED - .7" X 2.6" X 96" - WASHED MAPLE
32	137895-D2-134	EA	MOLDING - VINYL WRAPPED - .7" X 1.6" X 84" - PORTSMOUTH OAK
32	137895-F2-743	EA	MOLDING-018X063X2743 MM - PORTSMOUTH OAK
33	126205-D2-438	EA	LUMBER - VINYL WRAPPED - .7" X 1.5" X 96" - WASHED MAPLE
33	126205-E2-438	EA	LUMBER - VINYL WRAPPED - .7" X 2" X 96" - WASHED MAPLE
33	126205-F2-438	EA	LUMBER - VINYL WRAPPED - .7" X 2.5" X 96" - WASHED MAPLE
33	126205-G2-438	EA	LUMBER - STAINED - .7" X 3" X 96" - WASHED MAPLE
33	126205-J2-438	EA	LUMBER - VINYL WRAPPED - .7" X 5.5" X 96" - WASHED MAPLE
33	136030-F2-743	EA	MOLDING-018X065X2743MM PAPER WRAPPED-CHERRY - SALEM CHERRY
33	136045-D2-438	EA	LUMBER - PAPER WRAPPED - .7" X 1.5" X 96" - CHERRY
			FROM: 00-00-00 THRU: 09-03-01
33	136045-E2-438	EA	LUMBER - PAPER WRAPPED - .7" X 2" X 96" - CHERRY
			FROM: 00-00-00 THRU: 09-03-01
33	136045-F2-438	EA	LUMBER - PAPER WRAPPED - .7" X 2.6" X 96" - CHERRY
			FROM: 00-00-00 THRU: 09-03-01
33	136045-G2-438	EA	LUMBER - PAPER WRAPPED - .7" X 3" X 96" - CHERRY
			FROM: 00-00-00 THRU: 09-03-01
33	136045-H2-438	EA	LUMBER - PAPER WRAPPED - .7" X 3.5" X 96" - CHERRY
			FROM: 00-00-00 THRU: 09-03-01
33	136045-J2-438	EA	LUMBER - PAPER WRAPPED - .7" X 5.5" X 96" - CHERRY
			FROM: 00-00-00 THRU: 09-03-01
33	136045-R2-438	EA	LUMBER - PAPER WRAPPED - .7" X 3" X 96" - CHERRY
			FROM: 00-00-00 THRU: 09-03-01
33	137894-A2-438	EA	LUMBER - VINYL WRAPPED - .7" X .75" X 96" - PORTSMOUTH OAK
33	137894-D2-022	EA	LUMBER-018X038X2022 MM - WRAPPED - PORTSMOUTH OAK
33	137894-D2-014	EA	LUMBER-018X038X2014 MM - WRAPPED - PORTSMOUTH OAK
33	137894-D2-001	EA	LUMBER-018X038X2000 MM - WRAPPED - PORTSMOUTH OAK
33	137894-D2-438	EA	LUMBER - VINYL WRAPPED - .7" X 1.5" X 96" - PORTSMOUTH OAK
33	137894-D2-134	EA	LUMBER-018X038X2134 MM - WRAPPED - PORTSMOUTH OAK
33	137894-D2-026	EA	LUMBER-018X038X2026 MM - WRAPPED - PORTSMOUTH OAK
33	137894-D2-024	EA	LUMBER-018X038X2024 MM - WRAPPED - PORTSMOUTH OAK
33	137894-E2-438	EA	LUMBER - VINYL WRAPPED - .7" X 2" X 96" - PORTSMOUTH OAK
33	137894-F2-438	EA	LUMBER - VINYL WRAPPED - .7" X 2.5" X 96" - PORTSMOUTH OAK
33	137894-G2-438	EA	LUMBER - VINYL WRAPPED - .7" X 3" X 96" - PORTSMOUTH OAK
33	137894-H2-438	EA	LUMBER - VINYL WRAPPED - .7" X 3.5" X 96" - PORTSMOUTH OAK
33	137894-J2-438	EA	LUMBER - VINYL WRAPPED - .7" X 5.5" X 96" - PORTSMOUTH OAK
33	137894-J2-743	EA	LUMBER-018X140X2743 MM - PORTSMOUTH OAK
33	137894-R2-438	EA	LUMBER - VINYL WRAPPED - .7" X 3" X 96" - PORTSMOUTH OAK



**INTERIOR FINISH GROUP (CONTINUED)**  
**MOLDINGS & TRIMS (CONTINUED)**



KEY	PART NUMBER	U/M	DESCRIPTION
34	127842-01-01A	FT	SEAL - SIGHT SHIELD - 2" BLACK
35	130247-01-05A	FT	MOLDING-T/OFF SET - 1.3" FACE - CONCERT CHERRY - SALEM CHERRY
35	130247-01-04A	FT	MOLDING-T/OFF SET - 1.3" FACE - PORTSMOUTH OAK
35	130247-01-02A	FT	MOLDING-T/OFF SET - 1.3" FACE - WASHED MAPLE
36	131923-02-02A	FT	MOLDING - PICTURE - CHERRY - SALEM CHERRY
36	131923-02-03A	FT	MOLDING - PICTURE - HARD WHITE MAPLE - WASHED MAPLE
36	131923-02-04A	FT	MOLDING - PICTURE - 42.8" - PORTSMOUTH
37	131923-03-02A	FT	MOLDING - CROWN - DIVIDER - CHERRY - SALEM CHERRY
37	131923-03-03A	FT	MOLDING - CROWN - DIVIDER - HARD WHITE MAPLE - WASHED MAPLE
37	131923-03-04A	FT	MOLDING - MOLDING - CROWN - DIVIDER - OAK - PORTSMOUTH
38	132647-01-05A	EA	MOLDING/TRIM - DASH - PORTSMOUTH OAK
39	134156-01-03A	EA	MOLDING - VINYL WRAP - .7" X 3.8" X 33.8" - WASHED MAPLE
39	134156-01-05A	EA	MOLDING - PAPER WRAP - .7" X 3.8" X 33.8" - CONCERT CHERRY - SALEM CHERRY
39	134156-01-07A	EA	MOLDING - VINYL WRAP - .7" X 3.8" X 33.8" - CONCERT CHERRY - SALEM CHERRY FROM: 00-00-00 THRU: 09-03-01 FROM: 09-04-01 THRU: 00-00-00
39	134156-01-08A	EA	MOLDING - VINYL WRAP - .7" X 3.8" X 33.8" - PORTSMOUTH OAK
39	134156-03-03A	EA	MOLDING - VINYL WRAP - .7" X 3.4" X 28.3" - WASHED MAPLE
39	134156-03-05A	EA	MOLDING - PAPER WRAP - .7" X 3.4" X 28.3" - CONCERT CHERRY - SALEM CHERRY FROM: 00-00-00 THRU: 09-03-01
39	134156-03-07A	EA	MOLDING - VINYL WRAP - .7" X 3.4" X 28.3" - CONCERT CHERRY - SALEM CHERRY FROM: 09-04-01 THRU: 00-00-00
39	134156-03-08A	EA	MOLDING - VINYL WRAP - .7" X 3.4" X 28.3" - PORTSMOUTH OAK
39	134156-05-05A	EA	MOLDING - PAPER WRAP - .7" X 3.8" X 34.4" - SALEM CHERRY FROM: 00-00-00 THRU: 09-03-01
39	134156-05-07A	EA	MOLDING - VINYL WRAP - .7" X 3.8" X 34.4" - CONCERT CHERRY - SALEM CHERRY FROM: 09-04-01 THRU: 00-00-00
39	134156-05-08A	EA	MOLDING - VINYL WRAP - .7" X 3.8" X 33.8" - PORTSMOUTH OAK
40	137108-01-07A	EA	RAIL - DECORATIVE - PORTSMOUTH OAK
40	137108-01-03A	EA	RAIL - DECORATIVE - WASHED MAPLE
40	137108-01-02A	EA	RAIL - DECORATIVE - SALEM CHERRY
41	085746-04-000	EA	TRIM-J - CARPET 1.2" X .5" ANGLE - 10' LONG - OFF WHITE
42	M09412-62-M52	EA	MOLDING/SHELF EDGE - W/.4" NOTCH - CHERRY IV
42	M09412-62-M62	EA	MOLDING/SHELF EDGE - W/.4" NOTCH - WASHED MAPLE
42	M09412-62-N42	EA	MOLDING/SHELF EDGE - W/.4" NOTCH - PORTSMOUTH II
43	Y00074-22-438	EA	MOLDING/CROWN - VINYL WRAPPED - MAPLE - 96"
43	Y00074-62-438	EA	MOLDING/CROWN - VINYL WRAPPED - CONCERT CHERRY - 96"
43	Y00074-72-438	EA	MOLDING/CROWN - VINYL WRAPPED - PORTSMOUTH OAK - 96"

**INTERIOR FINISH GROUP (CONTINUED)**  
**PANELING & LAMINATES**

KEY	PART NUMBER	U/M	DESCRIPTION
	000846-01-000	SF	PLYWOOD - 5/16" X 48" X 96" - CD GRADE
	000846-02-000	SF	PLYWOOD/UNDERLAYMENT - 5/16" X 48" X 96"
	000885-A5-000	SF	PARTICLE BOARD - 3/8" X 4' X 8'- WHT PEB EMBOSSED-1 SIDED
	000885-92-000	SF	PARTICLE BOARD-3/8" X 4' X 8'-PORTSMOUTH OAK-VINYL 1 SIDED
	000885-93-000	SF	PARTICLE BOARD - 3/8" X 4' X 8' - PORTSMOUTH OAK - 2-SIDED
	000885-95-000	SF	PARTICLE BOARD - 3/4" X 4' X 8' - PORTSMOUTH OAK - 2-SIDED
	057882-04-700	SF	TAMBOUR - 48" X 48" SHEET - UNFINISHED
	074497-42-000	SF	PANELING - PORTSMOUTH OAK - 4' X 8'
	074498-84-000	SF	LAMINATE - PLASTIC - WHITE TALC - 4' X 8' (N42)
	074498-83-000	SF	LAMINATE - PLASTIC - NATURAL LEGACY - 5' X 8' (N43)
	074498-97-000	SF	LAMINATE - PLASTIC - GRAY TRANQUILITY - 4' X 8' (N44)
	074498-95-000	SF	LAMINATE - PLASTIC - PORTSMOUTH OAK 4' X 8'
	076325-39-000	FT	MOLDING - EDGE BAND - 1 5/16" X .030" - ALMOND
	076325-78-000	FT	MOLDING - EDGE BAND - .93" X .024" - PORTSMOUTH OAK
	076773-15-000	SF	PANELING - WOODGRAINED - 2 SIDED/PORTSMOUTH OAK - 4' X 8'
	080215-14-000	SF	PANELING - 2 SIDED - 3/16" X 4' X 8' - PORTSMOUTH OAK
	085284-F7-000	FT	TAPE/STRIP - TRUE GRIP - 1 1/2" WIDE - ADHESIVE BACKED
	085284-G9-000	FT	BATT TAPE - ADHESIVE BACKED - DECORATIVE - ALABASTER (N42)
	085284-G5-000	FT	BATT TAPE - ADHESIVE BACKED - DECORATIVE - CIRRUS (N43)
	085284-H4-000	FT	BATT TAPE - ADHESIVE BACKED - DECORATIVE - STARLIGHT (N44)
	088272-H9-000	SF	PANELING - PEBBLE EMBOSSED - WHITE - 4' X 7'
	088272-J9-000	SF	PANELING - ALABASTER - 4' X 7' (N42)
	088272-J6-000	SF	PANELING - CIRRUS - 4' X 7' (N43)
	088272-K3-000	SF	PANELING - STARLIGHT - 4' X 7' (N44)
	126339-01-000	SF	BOARD - WHEAT - 60" X 72"
	132610-05-08A	FT	WALLPAPER - BORDER - 7" - SELF-ADHESIVE (N42) FROM: 00-00-00 THRU: 06-24-01
	132610-05-18A	FT	WALLPAPER - BORDER - 7" - SELF-ADHESIVE (N42) FROM: 06-25-01 THRU: 99-99-99
	132610-05-13A	FT	WALLPAPER - BORDER - 7" - SELF-ADHESIVE (N43)
	132610-06-03A	FT	WALLPAPER - BORDER - 7" - SELF-ADHESIVE (N44)

**ACCESSORIES**

KEY	PART NUMBER	U/M	DESCRIPTION
	058331-H4-000	EA	MIRROR - SAFETY GLASS - 25.6" X 31.5"
	058331-J8-000	EA	MIRROR - SAFETY GLASS - 20.9" X 25.5"
	064781-07-000	EA	HOLDER/CUP - TWO STEP - BLACK
	072852-01-000	EA	DETECTOR - SMOKE - W/9 VOLT BATTERY - US
	072852-02-000	EA	DETECTOR - SMOKE - W/9 VOLT BATTERY - CANADIAN
	091261-01-000	FT	SLIPNOT - ANTISLIP - 1' WIDE X 12' - BLACK
*	094499-02-000	EA	EXTINGUISHER/FIRE - DRY - 10BC - W/GAUGE - CANADIAN
	094499-03-000	EA	EXTINGUISHER/FIRE - DRY - 10BC - W/GAUGE - W/O BRACKET
	094499-04-000	EA	STRAP - FIRE EXTINGUISHER MOUNTING - METAL
	096764-02-000	FT	SLIPNOT - ANTISLIP - 1" WIDE (180' ROLLS) - WHITE
	113195-25-01A	EA	MIRROR - BEVELED SAFETY GLASS - 15.7" X 31.4"
	118081-03-01A	EA	CLOCK - WALL - ROUND 8" - BRASS
	125136-02-000	EA	CO DETECTOR - GAS MODEL - 9 VOLT
	129779-03-N42	EA	FRAME - W/O MIRROR - 29.9" W X 35.9" H
	129779-05-N42	EA	FRAME - W/O MIRROR
	131058-03-02A	EA	HAND RAIL - INTERIOR ENTRY DOOR - BLACK
	131493-02-07A	EA	PICTURE - DECORATIVE - 13" X 15" - ORIENTAL FLORAL
	131494-02-01A	EA	MIRROR - BEVELED/OVAL - 24" X 40"
	133426-01-02B	EA	BRACKET - MIRROR - MOUNTING - E-COATED
	134566-01-01A	EA	HOLDER - CUP - TWO STEP - BLACK

\*COMPONENT PARTS LISTED LATER IN THIS GROUP



**INTERIOR FINISH GROUP (CONTINUED)**  
**COMPONENT PARTS FOR ACCESSORIES**

094499-02-000

<b>KEY</b>	<b>PART NUMBER</b>	<b>U/M</b>	<b>DESCRIPTION</b>	<b>VENDOR NO</b>
	094499-01-700	EA	BRACKET MTG. W/PLAS. STRAP	294039

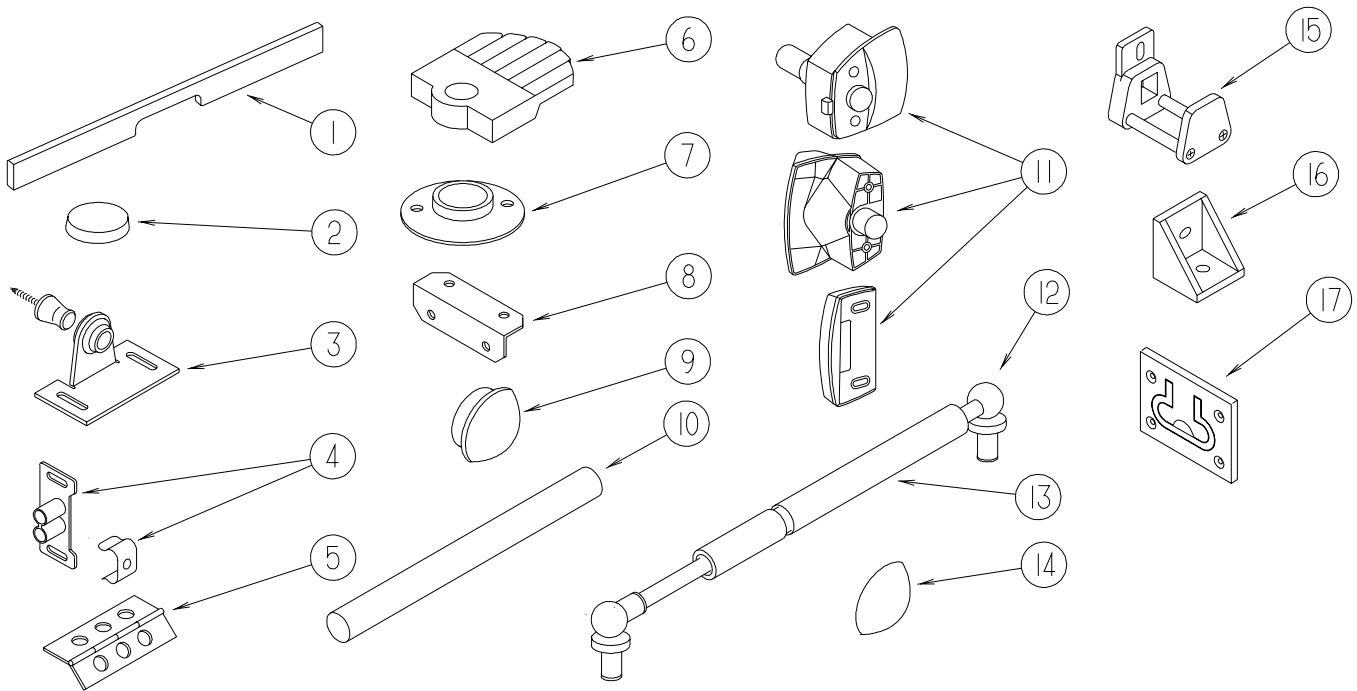
## INTERIOR FINISH GROUP (CONTINUED)

### FLOOR COVERINGS

KEY	PART NUMBER	U/M	DESCRIPTION
	042720-29-000	SY	VINYL - FLOOR COVERING - 7.5' WIDE - DIAMOND
	093486-01-000	SY	CARPET - COMPARTMENT - 72" WIDE - DARK GRAY
			FROM: 00-00-00 THRU: 08-19-01
	093486-02-000	SY	CARPET - COMPARTMENT - 72" WIDE - LIGHT GRAY
			FROM: 08-20-01 THRU: 99-99-99
	096060-J8-000	SY	CARPET - NUTMEG - INCREMENTS OF 4 SQ YARDS (N42)
	096060-F0-000	SY	CARPET - PALE SAGE - INCREMENTS OF 4 SQ YARDS (N43)
	096060-E6-000	SY	CARPET - OASIS - INCREMENTS OF 4 SQ YARDS (N44)
	124253-01-02A	EA	VINYL - FLOOR PLANK - 3" X 12" - MAPLE

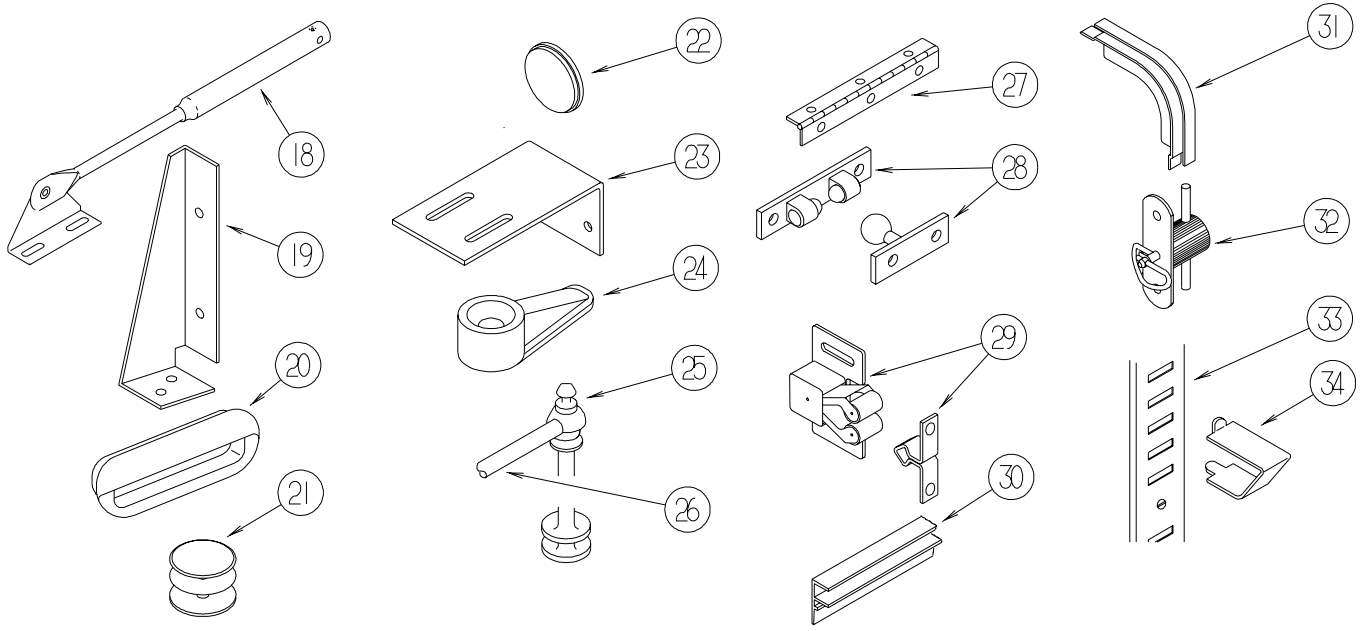
## INTERIOR FINISH GROUP (CONTINUED)

### HARDWARE



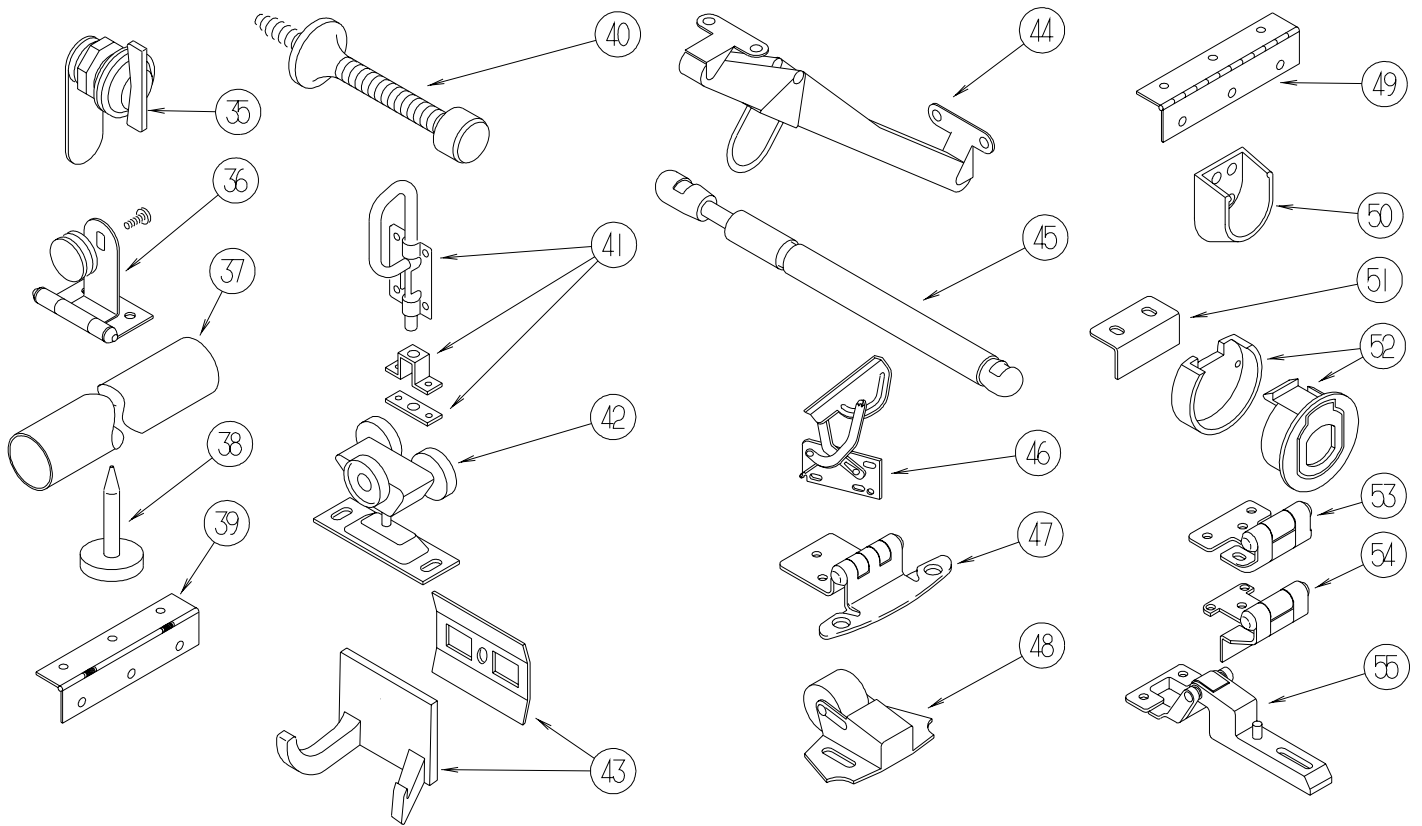
KEY	PART NUMBER	U/M	DESCRIPTION
1	P26866-09-KQ1	EA	HANDLE - DOOR/TAMBOUR - 14.7" - CHERRY/CHERRY III
1	P26866-10-K09	EA	HANDLE - DOOR/TAMBOUR - 11.6" - MAPLE/WASHED MAPLE
1	P26866-10-M07	EA	HANDLE - DOOR/TAMBOUR - 11.6" - ASH/PORTSMOUTH OAK - PORTSMOUTH OAK
2	004354-01-000	EA	BUMPER - RUBBER - .5" DIA - BROWN
2	023320-01-000	EA	PAD - FELT 3/8" DIAMETER
3	009013-01-000	EA	CATCH - BULLDOG - MALE/FEMALE
4	009021-01-000	EA	CATCH - GRILLE - NYLON
4	009021-02-000	EA	STRIKE - SPRING STEEL - .68"
5	009059-01-000	EA	HINGE - DOOR - 2" X 1.4" - BRASS
5	009059-02-000	EA	HINGE - DOOR - 2" X 2.7" - BRASS
5	009059-03-000	EA	HINGE - BRASS - 1.75"
5	041389-25-000	EA	HINGE - PIANO - 1 1/2" X 55" - UNPAINTED
6	009089-01-000	EA	CLIP - MIRROR
7	009112-01-000	EA	FLANGE - PLASTIC - 1" CLOTHES ROD - OFF WHITE
8	016604-01-000	EA	BRACE - ANGLE - 2 1/2" - UNPAINTED METAL
8	016604-05-000	EA	BRACE - ANGLE - 2 1/2" - OFF WHITE METAL
8	016604-07-000	EA	BRACE - ANGLE - 2 1/2" - VW GRAY
8	016604-09-000	EA	BRACE - ANGLE - VW LIGHT GRAY
9	042356-01-000	EA	PLUG - MAHOGANY - 3/8" DOWEL X 1/2" HEAD
9	074045-08-000	EA	PLUG - OAK - 3/8" DOWEL-1/2" HEAD - SALEM CHERRY
9	074045-12-000	EA	PLUG - OAK - 3/8" DOWEL-1/2" HEAD - WASHED MAPLE
9	074045-13-000	EA	PLUG - OAK - 3/8" DOWEL-1/2" HEAD - PORTSMOUTH OAK
10	042438-01-000	EA	DOWEL - WOOD - CLOTHES ROD - 1" X 4'
10	042438-02-000	EA	DOWEL - WOOD - CLOTHES ROD - 2" X 2'
10	042438-06-000	EA	DOWEL - WOOD - 1.5" X 26"
11	058335-03-000	EA	LATCH W/O LOCK - BATHROOM DOOR BLACK - <a href="#">RIALTA, 200-SERIES</a>
12	057460-02-000	EA	BALL STUD - F/GAS SPRING .39" - 5/16"-18
13	057460-04-000	EA	SPRING/GAS - BALL STUD STYLE - 120 PI - iSPD6209i
14	057671-01-000	EA	COVER - SCREW - OFF WHITE - #8
14	057671-13-000	EA	COVER - SCREW - DARK GRAY - #8
14	057671-15-000	EA	COVER - SCREW - #8 - BRIGHT WHITE
14	057671-16-000	EA	COVER - SCREW - #8 - SOFT WHITE
14	057671-17-000	EA	COVER - SCREW - VW LT GRAY - #8
15	064467-01-000	EA	GUIDE - POCKET - SLIDING DOOR - WALL MOUNTED
16	065740-01-000	EA	BRACE - CABINET/CORNER - PLASTIC
17	072871-01-000	EA	PULL - FLUSH - CHROME - <a href="#">RIALTA, 200-SERIES</a>

**INTERIOR FINISH GROUP (CONTINUED)**  
**HARDWARE (CONTINUED)**



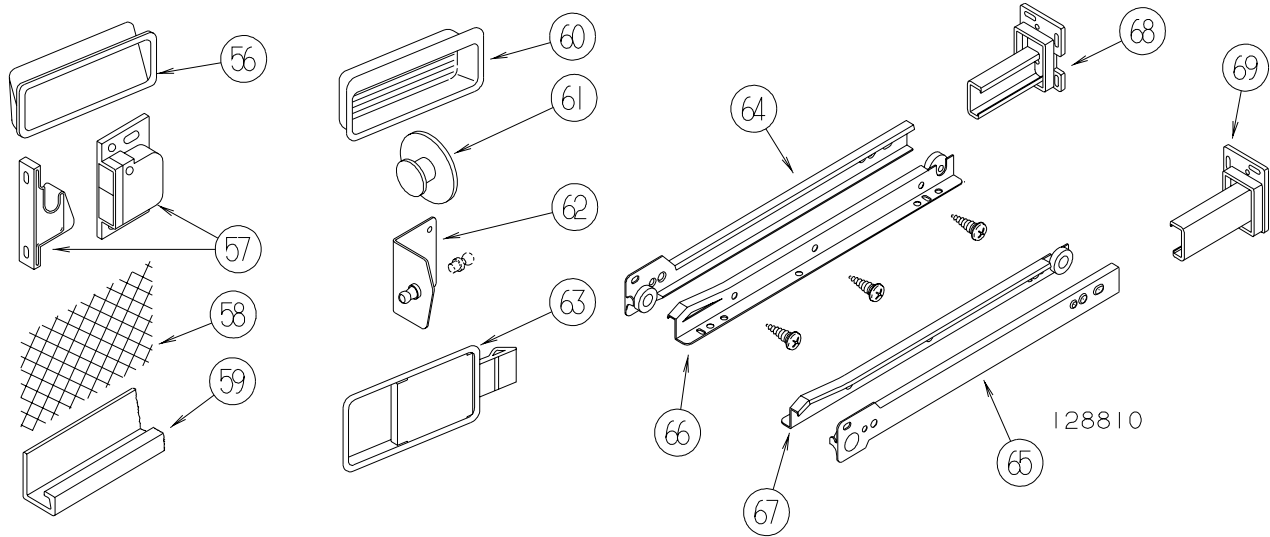
KEY	PART NUMBER	U/M	DESCRIPTION
18	074493-02-000	EA	SUPPORT - PISTON SPRING - CABINET DOOR - 26 LBS
18	074493-03-000	EA	SUPPORT - PISTON SPRING - CABINET DOOR - 12 LBS
18	074493-04-000	EA	SUPPORT - PISTON SPRING - CABINET DOOR - 32 LBS
19	076827-02-000	EA	BRACKET/LEG - 2.9" X 1.8" - TRIANGULAR - LEFT/E-COATED
20	080736-01-000	EA	PULL - RECESSED - 1.25" X 4" - OAK
21	081114-02-000	EA	CAP - INSERT - ROUND - 1" DIAMETER - WHITE PLASTIC
22	081914-01-000	EA	BUMPER - RUBBER - ROUND - 1/2" DIA. X 1/8" THICK
22	120760-01-000	EA	RUBBER BUMPER - CLEAR - .1" THICK X .8" DIAMETER
23	083125-07-000	EA	BRACE - ANGLE/COUCH - 2.5" - OFF WHITE
23	132871-02-02B	EA	BRACKET/L-ANGLE W/HOLES - 1.9" X 2.8" - E-COATED
24	083204-03-000	EA	BUTTON - RETAINING MIRROR 5/16" TIP
25	084070-03-000	EA	POST - END - 2.4" - SHINY BRASS
26	084071-05-000	EA	ROD - BRASS - 15"
26	084071-08-000	EA	ROD - BRASS - 9.3"
26	084071-19-000	EA	ROD - BRASS - 7.1"
26	084071-20-000	EA	ROD - BRASS - 9.8"
26	084071-23-000	EA	ROD - BRASS - 13.1"
26	084071-24-000	EA	ROD - BRASS - 3.8"
26	084071-28-000	EA	ROD - BRASS - 6"
26	084071-30-000	EA	ROD - BRASS - 11.6"
26	084071-31-000	EA	ROD - BRASS - 14.8"
26	084071-33-000	EA	ROD - BRASS - 20.4"
27	084413-01-000	EA	HINGE - 1" X 72" - ALUMINUM - W/HOLES
27	084625-07-000	EA	HINGE - ALUMINUM - W/HOLES - 13" - OFF/WHITE
27	084625-11-000	EA	HINGE - ALUMINUM - W/HOLES - 22" - OFF/WHITE
27	114278-02-000	EA	HINGE - CONTINUOUS - 3 1/2" WIDE
28	084451-01-000	EA	CATCH & LATCH - 1.7" - BRASS
29	093586-03-000	EA	CATCH - SPRING ROLLER - .377"
29	093586-04-000	EA	STRIKE - SPRING STEEL - 1.14"
29	093586-05-000	EA	STRIKE - SPRING STEEL - .943"
29	093586-06-000	EA	CATCH - SPRING ROLLER - .236"
30	093622-01-000	EA	TRACK - DOOR - TAMBOUR - PLASTIC - 8' LENGTHS
31	093623-01-000	EA	CORNER - TRACK - TAMBOUR DOOR
32	098196-01-000	EA	LATCH - 1/4 TURN - T-BAR
33	098979-01-000	EA	CLIP - ADJUSTABLE SHELF
34	098980-01-000	EA	PILASTER - ADJUSTABLE SHELF - 18"
34	098980-02-000	EA	PILASTER - ADJUSTABLE SHELF - 12"
34	098980-03-000	EA	PILASTER - ADJUSTABLE SHELF - 9"
34	098980-04-000	EA	PILASTER - ADJUSTABLE SHELF - 48"
34	098980-05-000	EA	PILASTER - ADJUSTABLE SHELF - 15"
34	098980-06-000	EA	PILASTER - ADJUSTABLE SHELF - 24"

## INTERIOR FINISH GROUP (CONTINUED) HARDWARE (CONTINUED)



KEY	PART NUMBER	U/M	DESCRIPTION
35	100710-01-01A	EA	LOCK - GLASS DOOR/TWIST TYPE - BRASS
36	100711-01-01A	EA	HINGE - GLASS DOOR
37	102075-06-02A	EA	ROD - SHOWER CURTAIN - 1" OD X 33.5" - SOFT WHITE
37	102075-09-02A	EA	ROD - SHOWER CURTAIN - 3/4"OD X 29.5" - SOFT WHITE
37	102075-16-02A	EA	ROD - SHOWER CURTAIN - 3/4"OD X 34.2" - SOFT WHITE
37	102075-18-02A	EA	ROD - SHOWER CURTAIN - 1" OD X 38.9" - SOFT WHITE
38	102194-01-000	EA	GUIDE - PLASTIC - 1" (HEAD/PIN)
39	102920-01-01A	EA	HINGE - SPRING LOADED - BRASS
40	103194-01-000	EA	STOP - BATH DOOR
41	103256-01-000	EA	LATCH COMPLETE (SLIDE)
42	103874-01-000	EA	HANGER - SLIDING DOOR
43	104174-01-000	EA	HOOK - ROBE - DOUBLE
44	104181-01-01A	EA	SUPPORT - LEAF 5.3" EXTENDS TO 7.5" - SAFETY RING - METAL
45	107796-05-000	EA	BRACKET - SUPPORT - GAS SPRING TO BED - FLAT (LOWER)
45	107796-06-000	EA	SPRING/GAS - 12" COMPRESSED/20" EXTENDED - 120 LB.
45	107796-08-000	EA	SPRING/GAS - 11" COMPRESSED/17" EXTENDED - 60 LB.
45	107796-09-000	EA	SPRING/GAS - 5.5" COMPRESSED/7.5" EXTENDED - 40 LB.
45	107796-15-000	EA	SPRING/GAS - 24" COMPRESSED/40" EXTENDED - 15 LB.
45	107796-16-000	EA	SPRING/GAS - 6.4" COMPRESSED/9.6" EXTENDED - 65 LB.
46	108126-01-000	EA	TRAY HINGE SET (QTY. 2 PER SET)
47	107327-01-000	EA	HINGE - BURNISHED BRASS - SPRING SELF CLOSING - <b>WHEN CATCH &amp; STRIKE ARE NOT USED</b>
47	108138-01-000	EA	HINGE - CABINET DOOR - BURNISHED BRASS - <b>ULTIMATE ADVANTAGE &amp; FREEDOM, Q-SERIES</b>
47	108138-03-000	EA	HINGE - BRIGHT BRASS
48	109403-01-000	EA	CATCH - SINGLE ROLLER - SCREEN DOOR
49	110496-01-01A	EA	HINGE - BRASS
50	113236-01-01A	EA	BRACKET - CLOTHES - ROD
51	113375-02-01A	EA	STRIKE - DOOR - CHROME - <b>RIALTA, 200-SERIES</b>
52	113375-05-01A	EA	LATCH - SLAM - BACK - .8" THICK - <b>RIALTA, 200-SERIES</b>
52	113375-06-01A	EA	LATCH - SLAM - FACE - .7" THICK - <b>RIALTA, 200-SERIES</b>
53	113676-01-01A	EA	HINGE - OVERLAY - VARIABLE - BURNISHED BRASS - <b>RIALTA, 200-SERIES</b>
54	113677-01-01A	EA	HINGE - SELF CLOSING - <b>RIALTA, 200-SERIES</b>
55	114443-01-01A	EA	HINGE - CABINET DOOR

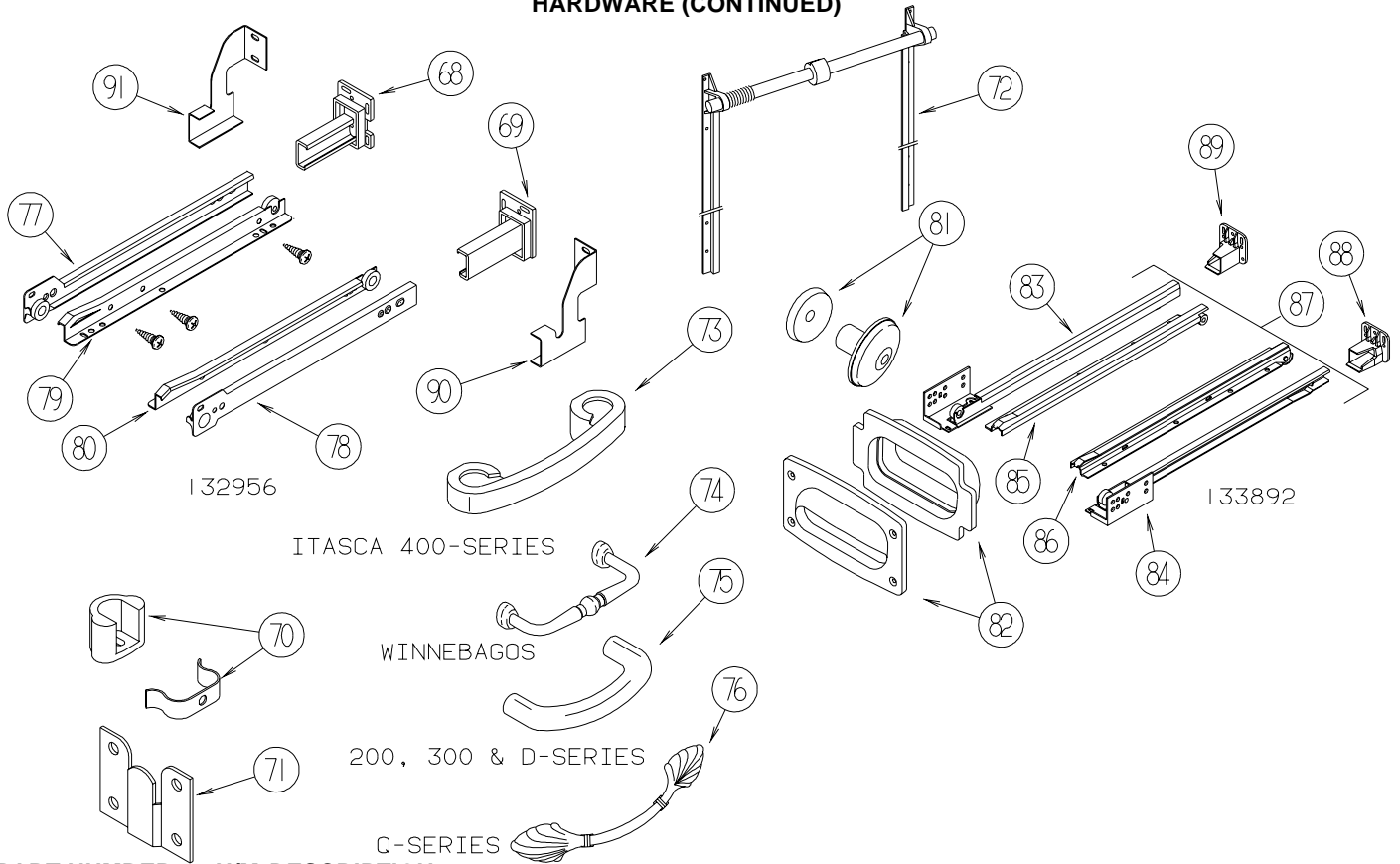
**INTERIOR FINISH GROUP (CONTINUED)**  
**HARDWARE (CONTINUED)**



KEY	PART NUMBER	U/M	DESCRIPTION
56	115994-01-01A	EA	HANDLE - POCKET - <a href="#">RIALTA, 200-SERIES</a>
57	117095-01-01A	EA	LATCH - DOOR - GRABBER W/KEEPER - PLASTIC - BLK-5 LB PULL
58	118200-01-01A	SF	MESH - PLASTIC 1/2" - 48" X LENGTH = SF - BLACK
58	118200-07-01A	SF	MESH - PLASTIC 1/2" - 10.5" X 24.7" - BLACK
59	118933-01-01A	EA	SUPPORT - HINGE LOCK
60	124311-01-01A	EA	HANDLE - RECESSED - BRASS
61	125221-01-01A	EA	PULL - MIRROR - W/ROUND HANDLE
62	126263-06-02B	EA	BRACKET - GAS SPRING W/INSIDE BALL STUD - E-COATED
63	127349-01-01A	EA	LATCH - PADDLE - <a href="#">RIALTA, 200-SERIES</a>
64	128810-01-01A	EA	SLIDE - DRAWER - 12" - LEFT CABINET
64	128810-05-01A	EA	SLIDE - DRAWER - 14" - LEFT CABINET
64	128810-09-01A	EA	SLIDE - DRAWER - 16" - LEFT CABINET
64	128810-13-01A	EA	SLIDE - DRAWER - 18" - LEFT CABINET
64	128810-17-01A	EA	SLIDE - DRAWER - 20" - LEFT CABINET
64	128810-21-01A	EA	SLIDE - DRAWER - 22" - LEFT CABINET
64	128810-25-01A	EA	SLIDE - DRAWER - 24" - LEFT CABINET
64	128810-29-01A	EA	SLIDE - DRAWER - 9" - LEFT CABINET
65	128810-02-01A	EA	SLIDE - DRAWER - 12" - RIGHT CABINET
65	128810-06-01A	EA	SLIDE - DRAWER - 14" - RIGHT CABINET
65	128810-10-01A	EA	SLIDE - DRAWER - 16" - RIGHT CABINET
65	128810-10-01A	EA	SLIDE - DRAWER - 16" - RIGHT CABINET
65	128810-14-01A	EA	SLIDE - DRAWER - 18" - RIGHT CABINET
65	128810-18-01A	EA	SLIDE - DRAWER - 20" - RIGHT CABINET
65	128810-22-01A	EA	SLIDE - DRAWER - 22" - RIGHT CABINET
65	128810-26-01A	EA	SLIDE - DRAWER - 24" - RIGHT CABINET
65	128810-30-01A	EA	SLIDE - DRAWER - 9" - RIGHT CABINET
66	128810-03-01A	EA	SLIDE - DRAWER - 12" - LEFT DRAWER
66	128810-07-01A	EA	SLIDE - DRAWER - 14" - LEFT DRAWER
66	128810-11-01A	EA	SLIDE - DRAWER - 16" - LEFT DRAWER
66	128810-15-01A	EA	SLIDE - DRAWER - 18" - LEFT DRAWER
66	128810-19-01A	EA	SLIDE - DRAWER - 20" - LEFT DRAWER
66	128810-23-01A	EA	SLIDE - DRAWER - 22" - LEFT DRAWER
66	128810-27-01A	EA	SLIDE - DRAWER - 24" - LEFT DRAWER
66	128810-31-01A	EA	SLIDE - DRAWER - 9" - LEFT DRAWER
67	128810-04-01A	EA	SLIDE - DRAWER - 12" - RIGHT DRAWER
67	128810-08-01A	EA	SLIDE - DRAWER - 14" - RIGHT DRAWER
67	128810-12-01A	EA	SLIDE - DRAWER - 16" - RIGHT DRAWER
67	128810-16-01A	EA	SLIDE - DRAWER - 18" - RIGHT DRAWER
67	128810-20-01A	EA	SLIDE - DRAWER - 20" - RIGHT DRAWER
67	128810-24-01A	EA	SLIDE - DRAWER - 22" - RIGHT DRAWER
67	128810-28-01A	EA	SLIDE - DRAWER - 24" - RIGHT DRAWER
67	128810-32-01A	EA	SLIDE - DRAWER - 9" - RIGHT DRAWER
68	128811-01-01A	EA	BACKSOCKET - ADJUSTABLE - LEFT
69	128811-02-01A	EA	BACKSOCKET - ADJUSTABLE - RIGHT

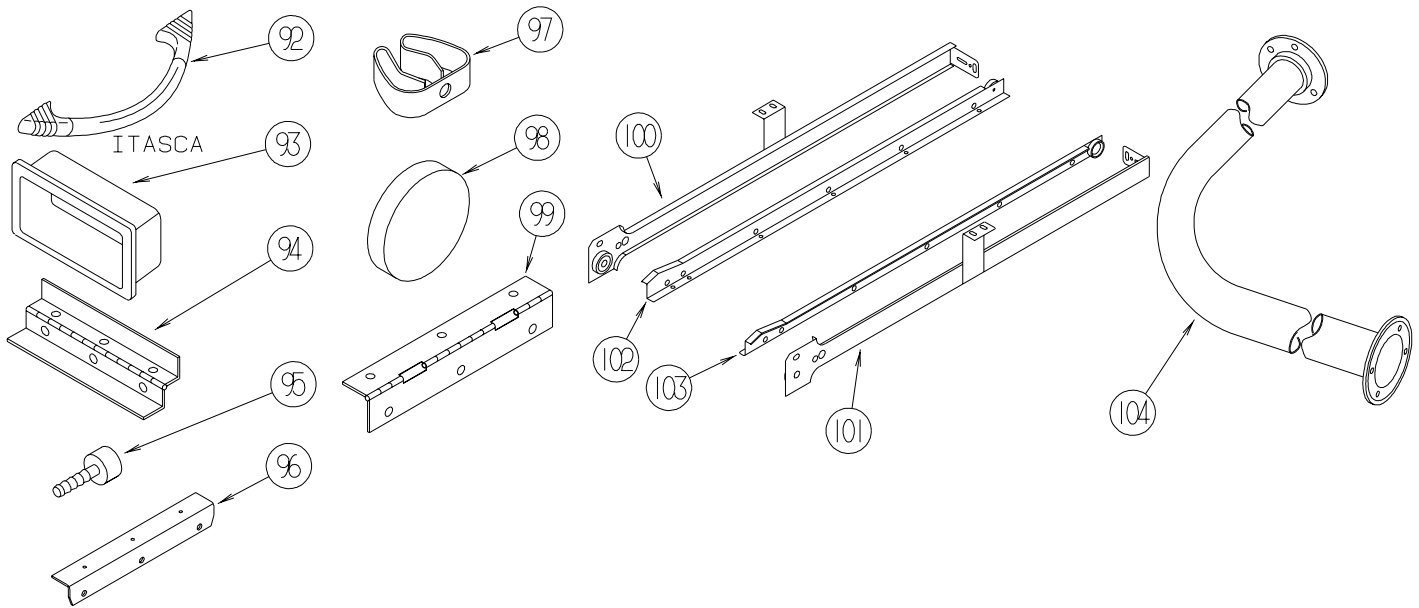
## INTERIOR FINISH GROUP (CONTINUED)

### HARDWARE (CONTINUED)



KEY	PART NUMBER	U/M	DESCRIPTION
68	128811-01-01A	EA	BACKSOCKET - ADJUSTABLE - LEFT
69	128811-02-01A	EA	BACKSOCKET - ADJUSTABLE - RIGHT
70	129703-01-01A	EA	CATCH ASSEMBLY (SPRING)
71	130120-01-01A	EA	BRACKET - MIRROR
72	130787-01-000	EA	TRACK - TAMBOUR DOOR/SPRING - 15.9"
72	130787-02-000	EA	TRACK - TAMBOUR DOOR/SPRING - 24"
72	130787-04-000	EA	TRACK - TAMBOUR DOOR - SPRING
73	131962-01-01A	EA	PULL - DOOR/DRAWER - POLISHED BRASS - <b>SUNDANCER, ITASCA 400-SERIES ONLY</b>
74	131963-01-01A	EA	PULL - DOOR/DRAWER - POLISHED BRASS - <b>F, G, L, P &amp; 400-SERIES WINNEBAGOS</b>
75	131964-01-01A	EA	PULL - DOOR/DRAWER - POLISHED BRASS - <b>200, 300 &amp; D-SERIES</b>
76	131965-01-01A	EA	PULL - DOOR/DRAWER - 6.3" - BURNISHED BRASS - <b>ULTIMATE ADVANTAGE &amp; FREEDOM, Q-SERIES</b>
77	132956-01-01A	EA	SLIDE - DRAWER - LEFT CABINET - 37.5"
77	132956-05-01A	EA	SLIDE - DRAWER - LEFT CABINET - 32"
78	132956-02-01A	EA	SLIDE - DRAWER - RIGHT CABINET - 37.5"
78	132956-06-01A	EA	SLIDE - DRAWER - RIGHT CABINET - 32"
79	132956-03-01A	EA	SLIDE - DRAWER - LEFT DRAWER - 37.5"
79	132956-07-01A	EA	SLIDE - DRAWER - LEFT DRAWER - 32"
80	132956-04-01A	EA	SLIDE - DRAWER - RIGHT DRAWER - 37.5"
80	132956-08-01A	EA	SLIDE - DRAWER - RIGHT DRAWER - 32"
81	133313-01-01A	EA	PULL - DOOR/DRAWER - BURNISHED BRASS
81	133313-01-02A	EA	PULL - DOOR/DRAWER - BRIGHT BRASS
82	133607-01-01A	EA	PULL - LATCH - BLACK PLASTIC
83	133892-01-01A	EA	SLIDE - DRAWER - LEFT CABINET - 16"
83	133892-06-01A	EA	SLIDE - DRAWER - LEFT CABINET - 22"
84	133892-02-01A	EA	SLIDE - DRAWER - RIGHT CABINET - 16"
84	133892-07-01A	EA	SLIDE - DRAWER - RIGHT CABINET - 22"
85	133892-03-01A	EA	SLIDE - DRAWER - LEFT DRAWER - 16"
85	133892-08-01A	EA	SLIDE - DRAWER - LEFT DRAWER - 22"
86	133892-04-01A	EA	SLIDE - DRAWER - RIGHT DRAWER - 16"
86	133892-09-01A	EA	SLIDE - DRAWER - RIGHT DRAWER - 22"
87	133892-05-01A	EA	SLIDE - DRAWER - FULL SET - 9"
88	133907-01-01A	EA	BACKSOCKET - RIGHT HAND
89	133907-02-01A	EA	BACKSOCKET - LEFT HAND
90	134649-01-02B	EA	SUPPORT - BACKSOCKET - E-COATED
91	134649-02-02B	EA	SUPPORT - BACKSOCKET - E-COATED

**INTERIOR FINISH GROUP (CONTINUED)**  
**HARDWARE (CONTINUED)**



KEY	PART NUMBER	U/M	DESCRIPTION
92	137446-01-01A	EA	PULL - CABINET - CHROME/BRASS - F, G, L, P-SERIES ITASCAS
93	139136-01-01A	EA	HANDLE - RECESSED - 2.9" X 1.3"/2.7" X 1" X .7" C/O- BRASS
93	139136-02-01A	EA	HANDLE - RECESSED - 2.9" X 1.3"/2.7" X 1" X .4" C/O- BRASS
94	135538-01-01A	EA	HINGE - PIANO - FULL WRAP - BRASS PLATED
94	135538-02-01A	EA	HINGE - PIANO - FULL WRAP - STOCKER BRASS
94	135538-03-01A	EA	HINGE - PIANO - FULL WRAP - STOCKER BRASS
94	135538-04-01A	EA	HINGE - PIANO - FULL WRAP
94	135538-05-01A	EA	HINGE - PIANO - FULL WRAP
95	079921-01-000	EA	ROLLER - NYLON - W/STEEL SHAFT - BARBED
96	089025-01-000	EA	SUPPORT - SPRING TO BED - ANGLE 1.5" X 11.8"
97	091952-01-000	EA	CLIP - GRIPPER - 1"
98	122717-01-01A	EA	PAD - NON SKID - 4" DIAMETER ROUND
99	129753-01-01A	EA	HINGE - SPRING LOADED - 19" X 19" - BLACK
100	139566-01-01A	EA	SLIDE - DRAWER - 37.5" - LEFT CABINET
100	139566-05-01A	EA	SLIDE - DRAWER - 32" - LEFT CABINET
101	139566-02-01A	EA	SLIDE - DRAWER - 37.5" - RIGHT CABINET
101	139566-06-01A	EA	SLIDE - DRAWER - 32" - RIGHT CABINET
102	139566-03-01A	EA	SLIDE - DRAWER - 37.5" - LEFT DRAWER
102	139566-07-01A	EA	SLIDE - DRAWER - 32" - LEFT DRAWER
103	139566-04-01A	EA	SLIDE - DRAWER - 37.5" - RIGHT DRAWER
103	139566-08-01A	EA	SLIDE - DRAWER - 32" - RIGHT DRAWER
104	140494-01-02A	EA	ROD - SHOWER - SOFT WHITE
104	140494-01-01A	EA	ROD - SHOWER



## LABELS GROUP

SEWAGE

**KEY PART NUMBER U/M DESCRIPTION**  
006187-01-000 EA LABEL - SEWAGE

WASTE WATER

**KEY PART NUMBER U/M DESCRIPTION**  
006188-01-000 EA LABEL - WASTE WATER

EXIT

**KEY PART NUMBER U/M DESCRIPTION**  
039290-01-000 EA LABEL - WARNING - EXIT

↑  
OPEN

**KEY PART NUMBER U/M DESCRIPTION**  
040944-01-000 EA LABEL - ENTRANCE DOOR - "OPEN"

### CAUTION

THIS MOTOR HOME HAS BEEN DESIGNED, MANUFACTURED AND TESTED WITH CONCERN FOR THE PROTECTION OF IT'S OCCUPANTS. WE RECOMMEND YOU PERFORM THE FOLLOWING INSPECTIONS FOR YOUR SAFETY AND THE SAFETY OF YOUR PASSENGERS BEFORE STARTING YOUR VEHICLE.

1. LP GAS SYSTEM- TURN OFF AT TANK FOR TRAVELING. TEST FOR LEAKS UPON ARRIVAL AT DESTINATION. BEFORE LIGHTING PILOTS.
2. WHEELS- INSPECT FOR DAMAGE AND CHECK LUG NUTS FOR TIGHTNESS.
3. TIRES- INSPECT FOR WEAR AND DAMAGE AND CHECK FOR RECOMMENDED AIR PRESSURE.
4. LIGHTING- TEST FOR PROPER OPERATION OF ALL INTERIOR AND EXTERIOR LIGHTS INCLUDING DASH LIGHTS, HEADLIGHTS, TAIL LIGHTS, BRAKE LIGHTS, CLEARANCE LIGHTS AND TURN SIGNALS.
5. EXITS- INSPECT RELEASE MECHANISM ON EMERGENCY EXIT WINDOW. TEST BOTH LOCKS ON MAIN ENTRANCE DOOR FOR EASE OF OPERATION AND INSTRUCT PASSENGERS HOW TO USE BOTH MEANS OF EXIT.
6. SEAT BELTS- DIRECT PASSENGERS TO DESIGNATED SEATS AND REQUIRE USE OF SEAT BELTS.
7. APPLIANCES- TURN OFF AND LATCH OR LOCK DOORS WHERE PROVIDED.
8. LOOSE PARCELS- STORE SECURELY.
9. UTILITY SUPPLY LINES- DISCONNECT ALL ELECTRIC, SEWER AND WATER LINES AND SECURE PROPERLY.
10. ENTRANCE DOOR STEP- PLACE IN RETRACTED POSITION FOR TRAVELING.

READ YOUR MOTOR HOME AND CHASSIS OWNER'S MANUAL FOR FURTHER PRECAUTIONS

**KEY PART NUMBER U/M DESCRIPTION**  
056259-01-000 EA LABEL - SAFETY CHECK LIST

UNLEADED FUEL ONLY

**KEY PART NUMBER U/M DESCRIPTION**  
062043-01-000 EA LABEL - FUEL - UNLEADED

## LABELS GROUP (CONTINUED)

**WARNING** DISCONNECT BATTERIES BEFORE  
CONNECTING EXTERNAL CHARGING EQUIPMENT.

**KEY PART NUMBER U/M DESCRIPTION**  
065748-01-000 EA LABEL - CAUTION - BATTERY CHARGING

AVERTISSEMENT : DEBRANCHER LES BATTERIES AVANT  
DE BRANCHER TOUT EQUIPEMENT DE CHARGE EXTERIEUR.

**KEY PART NUMBER U/M DESCRIPTION**  
065748-02-000 EA LABEL - WARNING - BATTERY/FRENCH - CANADIAN

DIESEL FUEL ONLY

**KEY PART NUMBER U/M DESCRIPTION**  
068383-01-000 EA LABEL - DIESEL FUEL

VEHICLE EMISSION CONTROL INFORMATION  
THIS VEHICLE CONFORMS TO U.S. EPA  
REGULATIONS APPLICABLE TO XXXX MODEL  
YEAR NEW VEHICLES.

072887-07-000-7 CATALYST

**KEY PART NUMBER U/M DESCRIPTION**  
072887-13-000 EA LABEL - EPA - 2001 MODEL YEAR

### IF YOU SMELL GAS

1. EXTINGUISH ANY OPEN FLAME, PILOT LIGHTS AND ALL SMOKING MATERIALS.
2. DO NOT TOUCH ELECTRICAL SWITCHES.
3. SHUT OFF THE GAS SUPPLY AT THE TANK VALVE(S) OR GAS SUPPLY CONNECTION.
4. OPEN DOORS AND OTHER VENTILATING OPENINGS.
5. LEAVE THE AREA UNTIL ODOR CLEARS.
6. HAVE THE GAS SYSTEM CHECKED AND LEAKAGE SOURCE CORRECTED BEFORE USING AGAIN.

**KEY PART NUMBER U/M DESCRIPTION**  
073998-01-000 EA LABEL - LPG ODOR WARNING

WARNING: TEST SMOKE DETECTOR  
OPERATION AFTER VEHICLE HAS BEEN IN  
STORAGE, BEFORE EACH TRIP AND AT  
LEAST ONCE PER WEEK DURING USE.

**KEY PART NUMBER U/M DESCRIPTION**  
077956-01-000 EA LABEL - WARNING - SMOKE DETECTOR

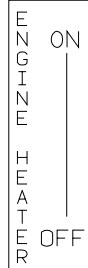
WARNING  
MUST BE STOWED  
IN LATCHED POSITION  
WHILE VEHICLE IS IN MOTION

**KEY PART NUMBER U/M DESCRIPTION**  
079966-01-000 EA LABEL - WARNING - STOWED - MOTION

## LABELS GROUP (CONTINUED)



**KEY PART NUMBER U/M DESCRIPTION**  
 083588-01-000 EA LABEL - ON/OFF - WATER HEATER



**KEY PART NUMBER U/M DESCRIPTION**  
 083588-02-000 EA LABEL - ON/OFF - ENGINE HEATER

<b>CAUTION</b>	TO HELP AVOID PERSONAL INJURY DURING REMOVAL OF FUEL FILLER CAP, SLOWLY LOOSEN CAP 1/2 TURN TO ALLOW ANY FUEL PRESSURE TO BE RELIEVED BEFORE TURNING CAP FURTHER.
FUEL SPRAY MAY CAUSE PERSONAL INJURY	STOP ADDING FUEL AFTER FIRST SHUTOFF BY AUTOMATIC NOZZLE WHEN TANK IS NEARLY FULL. DO NOT OVERFILL FUEL TANK.  SEE OWNERS MANUAL FOR ADDITIONAL INFORMATION.  PRINTED IN U.S.A. <span style="float: right;">WLC PT NO 15611763</span>

**KEY PART NUMBER U/M DESCRIPTION**  
 087207-05-000 EA LABEL - FUEL CAP REMOVAL



**KEY PART NUMBER U/M DESCRIPTION**  
 087236-01-000 EA LABEL - CABLE - INPUT

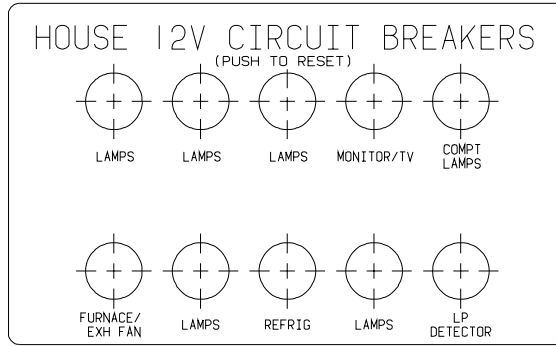


**KEY PART NUMBER U/M DESCRIPTION**  
 087236-02-000 EA LABEL - TV OUTLET

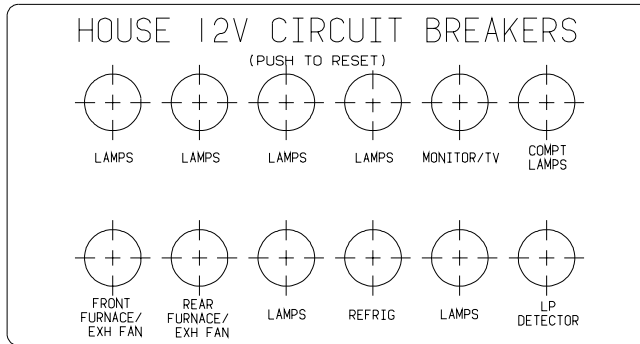
AIR CONDITIONING CIRCUIT.  
 THIS CONNECTION IS FOR  
 AIR CONDITIONERS RATED 110-  
 125 VOLT AC, 60 HZ, 16  
 AMPERES MAXIMUM. DO NOT  
 EXCEED CIRCUIT RATING.

**KEY PART NUMBER U/M DESCRIPTION**  
 091243-01-000 EA LABEL - A/C COVER (AIR CONDITIONING CIRCUIT ETC.)

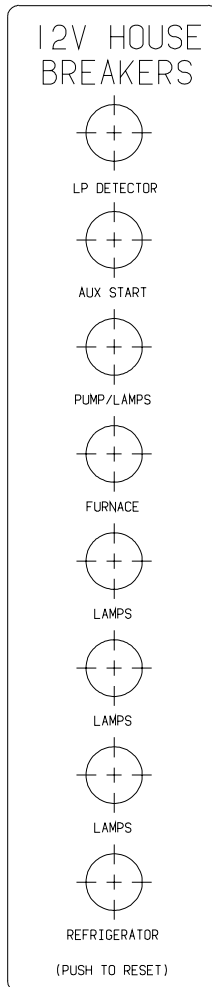
## LABELS GROUP (CONTINUED)



**KEY PART NUMBER U/M DESCRIPTION**  
 092547-06-000 EA LABEL - CIRCUIT BREAKER

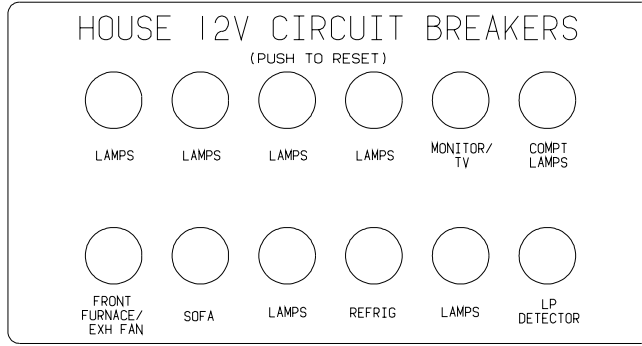


**KEY PART NUMBER U/M DESCRIPTION**  
 092547-07-000 EA LABEL - CIRCUIT BREAKER

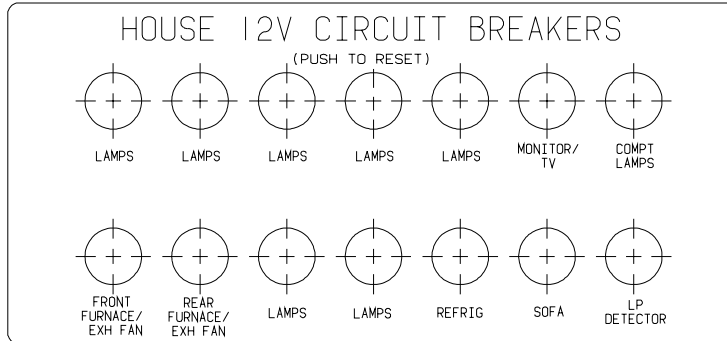


**KEY PART NUMBER U/M DESCRIPTION**  
 092547-08-000 EA LABEL - CIRCUIT BREAKER

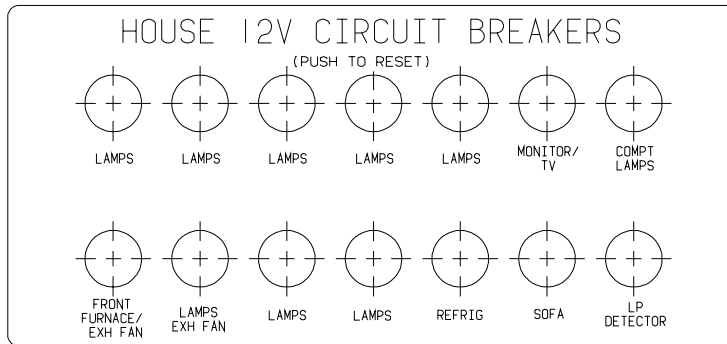
## LABELS GROUP (CONTINUED)



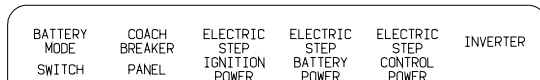
**KEY PART NUMBER U/M DESCRIPTION**  
 092547-10-000 EA LABEL - CIRCUIT BREAKER



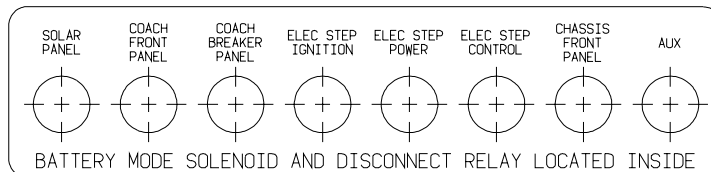
**KEY PART NUMBER U/M DESCRIPTION**  
 092547-11-000 EA LABEL - CIRCUIT BREAKER



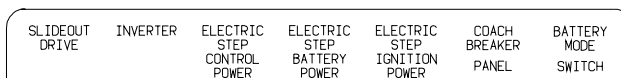
**KEY PART NUMBER U/M DESCRIPTION**  
 092547-12-000 EA LABEL - CIRCUIT BREAKER



**KEY PART NUMBER U/M DESCRIPTION**  
 093236-08-000 EA LABEL - CIRCUIT BREAKER

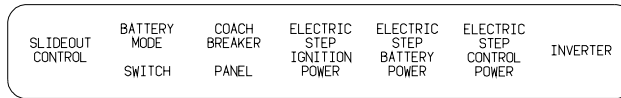


**KEY PART NUMBER U/M DESCRIPTION**  
 093236-13-000 EA LABEL - CIRCUIT BREAKER

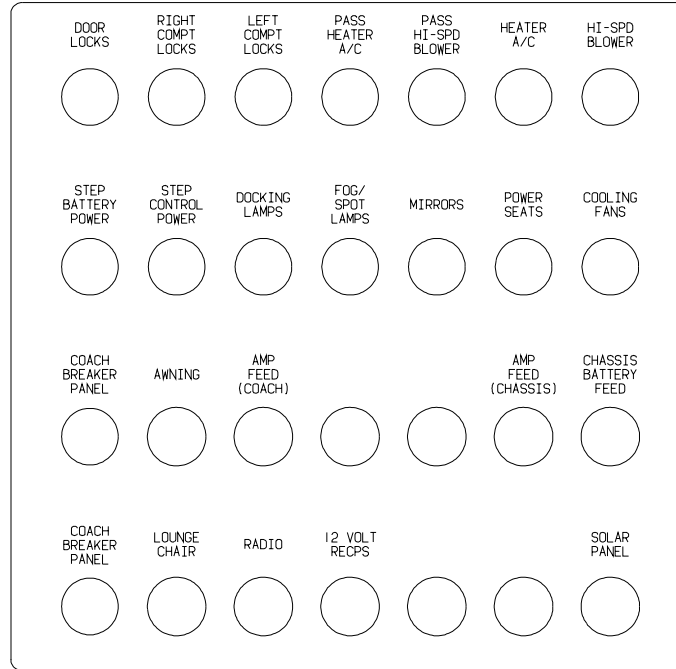


**KEY PART NUMBER U/M DESCRIPTION**  
 093236-15-000 EA LABEL - CIRCUIT BREAKER

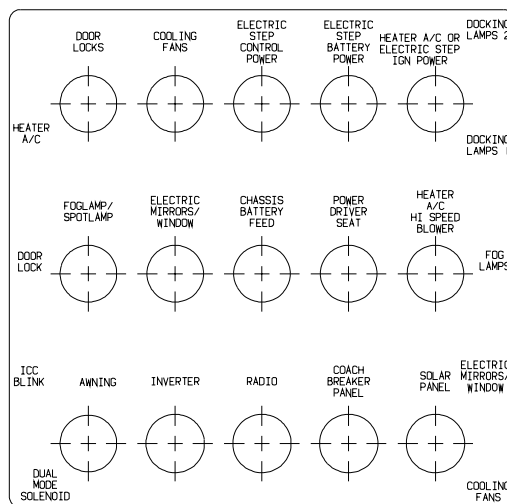
## LABELS GROUP (CONTINUED)



**KEY PART NUMBER U/M DESCRIPTION**  
 093236-21-000 EA LABEL - CIRCUIT BREAKER

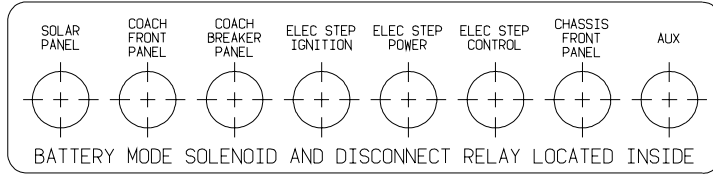


**KEY PART NUMBER U/M DESCRIPTION**  
 093236-22-000 EA LABEL - CIRCUIT BREAKER

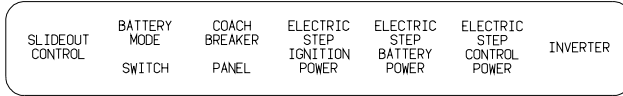


**KEY PART NUMBER U/M DESCRIPTION**  
 093236-23-000 EA LABEL - CIRCUIT BREAKER - MAIN

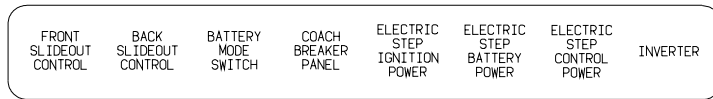
## LABELS GROUP (CONTINUED)



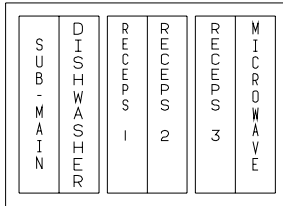
**KEY PART NUMBER**      **U/M DESCRIPTION**  
 093236-24-000      EA LABEL - CIRCUIT BREAKER



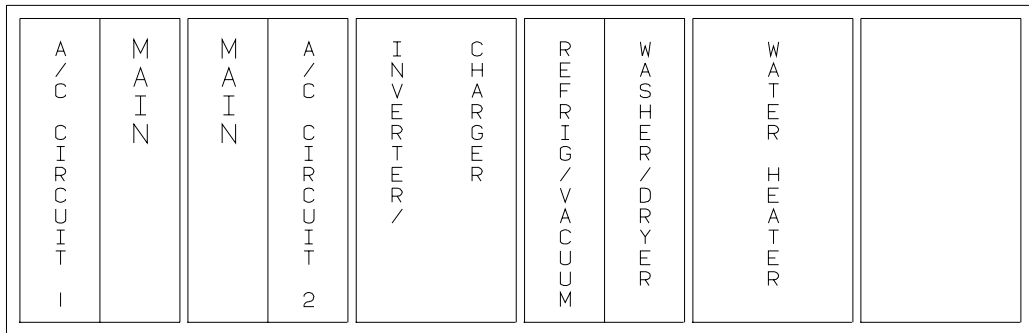
**KEY PART NUMBER**      **U/M DESCRIPTION**  
 093236-25-000      EA LABEL - CIRCUIT BREAKER



**KEY PART NUMBER**      **U/M DESCRIPTION**  
 093236-28-000      EA LABEL - CIRCUIT BREAKER



**KEY PART NUMBER**      **U/M DESCRIPTION**  
 095721-20-000      EA LABEL - CONTROL CENTER W/INVERTER



**KEY PART NUMBER**      **U/M DESCRIPTION**  
 095721-22-000      EA LABEL - CONTROL CENTER - 50 AMP

## LABELS GROUP (CONTINUED)

A / C C I R C U I T 1	M A I N	A / C C I R C U I T 2	R E F F R I G / C O N V	M I C R O W A V E	R E C P S 1	R E C P S 2	R E C P S 3	W A S H E R / D R Y E R	W A T E R H E A T E R	
-----------------------------	------------	-----------------------------	----------------------------	----------------------	-------------------	-------------------	-------------------	----------------------------	--------------------------------	--

**KEY PART NUMBER**  
095721-31-000

**U/M DESCRIPTION**  
EA LABEL - CONTROL CENTER - 30 AMP - US

A / C C I R C U I T 1	M A I N	A / C C I R C U I T 2	I N V E R T E R / C H A R G E R	R E F F R I G E R A T O R	W A S H E R / D R Y E R	W A T E R H E A T E R	
-----------------------------	------------	-----------------------------	--	------------------------------	----------------------------	--------------------------------	--

**KEY PART NUMBER**  
095721-32-000

**U/M DESCRIPTION**  
EA LABEL - CONTROL CENTER - 30 AMP W/INVERTER

A / C C I R C U I T 1	M A I N	M A I N	A / C C I R C U I T 2	R E F F R I G / C O N V	M I C R O W A V E	R E C P S 1	R E C P S 2	R E C P S 3	W A S H E R / D R Y E R	W A T E R H E A T E R
-----------------------------	------------	------------	-----------------------------	----------------------------	----------------------	-------------------	-------------------	-------------------	----------------------------	--------------------------------

**KEY PART NUMBER**  
095721-33-000

**U/M DESCRIPTION**  
EA LABEL - CONTROL CENTER - 50 AMP - US

A / C C I R C U I T 1	M A I N	M A I N	A / C C I R C U I T 2	I N V E R T E R / C H A R G E R	R E F F R I G E R A T O R	W A S H E R / D R Y E R	W A T E R H E A T E R	
-----------------------------	------------	------------	-----------------------------	--	------------------------------	----------------------------	--------------------------------	--

**KEY PART NUMBER**  
095721-34-000

**U/M DESCRIPTION**  
EA LABEL - CONTROL CENTER - 50 AMP

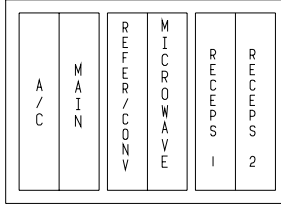
M A I N	M I C R O W A V E	G F I / R E C E P S	R E F F R I G / C O N V	W A T E R H E A T E R	A / C
------------	----------------------	------------------------	----------------------------	--------------------------------	----------

**KEY PART NUMBER**  
095721-38-000

**U/M DESCRIPTION**  
EA LABEL - CONTROL CENTER - 30 AMP - US



## LABELS GROUP (CONTINUED)



**KEY PART NUMBER U/M DESCRIPTION**  
 095721-40-000 EA LABEL - CONTROL CENTER

AUTOMOTIVE AND COACH  
CIRCUIT BREAKERS

**KEY PART NUMBER U/M DESCRIPTION**  
 098379-01-000 EA LABEL - CIRCUIT BREAKER - FRONT BOX

CIRCUIT BREAKERS  
AND AUTOMOTIVE  
FUSE PANEL

**KEY PART NUMBER U/M DESCRIPTION**  
 098379-03-000 EA LABEL - ELECTRICAL BOX - FRONT

BATTERY MODE  
SOLENOID AND  
RELAYS

**KEY PART NUMBER U/M DESCRIPTION**  
 098379-04-000 EA LABEL - ELECTRICAL BOX - SIDE

UNLEADED  
FUEL ONLY

**KEY PART NUMBER U/M DESCRIPTION**  
 098641-01-000 EA LABEL - FUEL - UNLEADED - DASH

FOR AWNING INSTALLATION  
CONTACT YOUR MOTORHOME  
DEALERSHIP

**KEY PART NUMBER U/M DESCRIPTION**  
 099509-01-000 EA LABEL - AWNING INSTALLATION

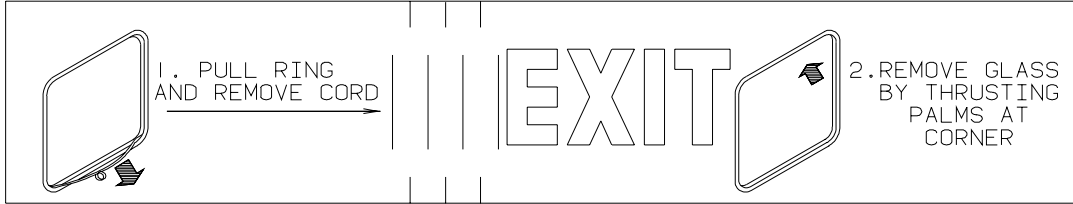
WARNING  
THIS VEHICLE, LIKE OTHER  
VEHICLES, MAY CONTAIN SMALL  
AMOUNTS OF ONE OR MORE  
SUBSTANCES WHICH ARE LISTED  
BY THE STATE OF CALIFORNIA  
FOR CAUSING CANCER OR  
REPRODUCTIVE TOXICITY.

**KEY PART NUMBER U/M DESCRIPTION**  
 099689-01-000 EA LABEL - WARNING - CANCER/TOXICITY

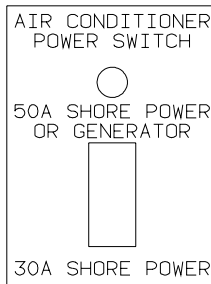
## LABELS GROUP (CONTINUED)

<p>NOTE: TUNE ANTENNA PER MANUFACTURER'S DIRECTIONS. FAILURE TO COMPLY COULD RESULT IN DAMAGE TO CB.</p>	<p style="text-align: center;">CB POWER PROVISION</p> <p>RED        +12 V          BLACK    GROUND          COAX      ANTENNA          (SEE REVERSE ALSO)</p>
--	---

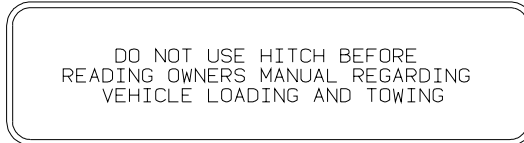
**KEY PART NUMBER U/M DESCRIPTION**  
 104678-01-000 EA LABEL - CB PREP



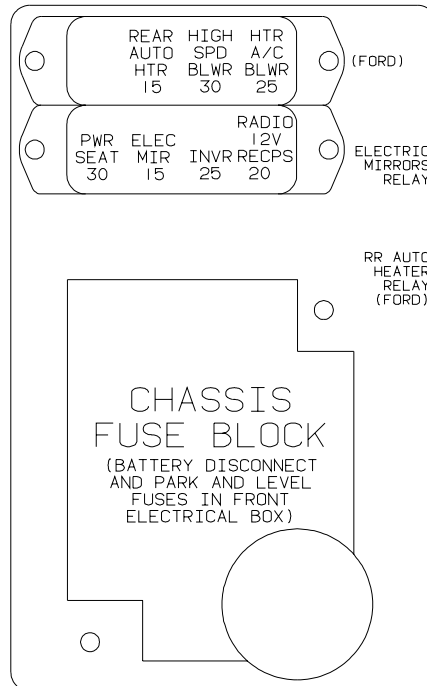
**KEY PART NUMBER U/M DESCRIPTION**  
 107571-01-000 EA LABEL - EXIT/ESCAPE WINDOW



**KEY PART NUMBER U/M DESCRIPTION**  
 109051-02-000 EA LABEL - SWITCH - 50 AMP POWER

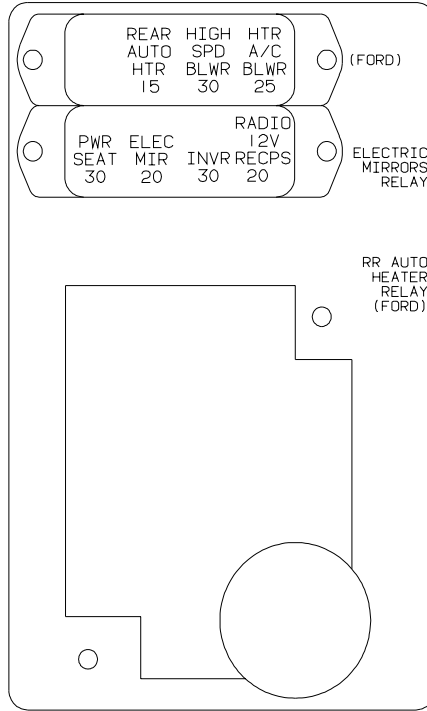


**KEY PART NUMBER U/M DESCRIPTION**  
 111104-01-000 EA LABEL - HITCH - READ MANUAL - WHITE



**KEY PART NUMBER U/M DESCRIPTION**  
 111537-08-000 EA LABEL - FUSES

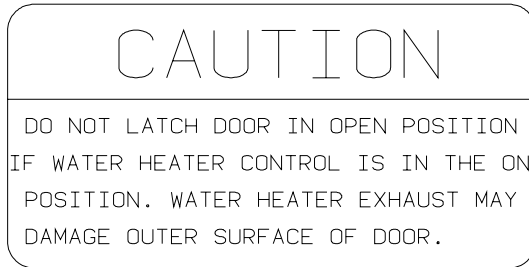
## LABELS GROUP (CONTINUED)



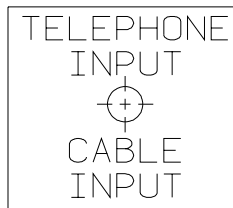
**KEY PART NUMBER U/M DESCRIPTION**  
 111537-09-000 EA LABEL - FUSES

WARNING: CONTAINS "CFC" A SUBSTANCE WHICH HARMS PUBLIC HEALTH AND ENVIRONMENT BY DESTROYING OZONE IN THE UPPER ATMOSPHERE.

**KEY PART NUMBER U/M DESCRIPTION**  
 111802-01-000 EA LABEL - CFC WARNING

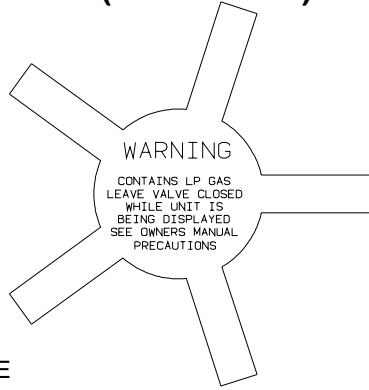


**KEY PART NUMBER U/M DESCRIPTION**  
 113402-01-000 EA LABEL - CAUTION - WATER HEATER EXHAUST



**KEY PART NUMBER U/M DESCRIPTION**  
 114866-02-000 EA LABEL - PHONE & CABLE INPUT - WHITE/CLEAR BACKGROUND  
 114866-03-000 EA LABEL - PHONE & CABLE INPUT - BLACK/CLEAR BACKGROUND

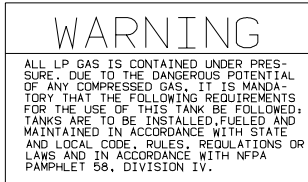
## LABELS GROUP (CONTINUED)



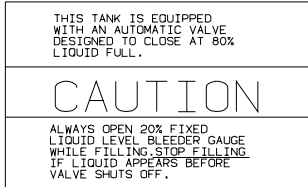
**KEY PART NUMBER U/M DESCRIPTION**  
 115600-01-000 EA LABEL - WARNING LPG VALVE

WARNING: REPLACE TIRE ONLY WITH ONE OF EXACTLY SAME TYPE AND RATING. DO NOT REPLACE WITH PASSENGER CAR TIRE. SEE OPERATOR'S MANUAL FOR MORE INFORMATION CALL WINNEBAGO OWNER RELATIONS AT 1-800-537-1885.

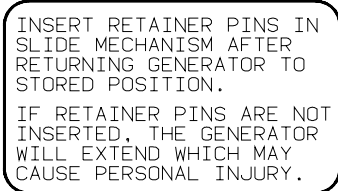
**KEY PART NUMBER U/M DESCRIPTION**  
 115869-01-000 EA LABEL - WARNING - TIRE



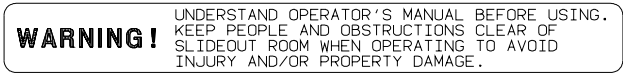
**KEY PART NUMBER U/M DESCRIPTION**  
 116112-01-000 EA LABEL - WARNING - LP



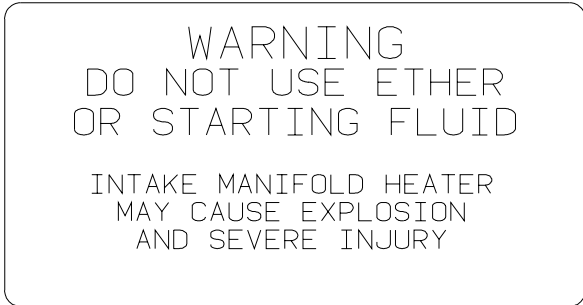
**KEY PART NUMBER U/M DESCRIPTION**  
 116113-01-000 EA LABEL - CAUTION - LP



**KEY PART NUMBER U/M DESCRIPTION**  
 116273-01-000 EA LABEL - WARNING - GENERATOR

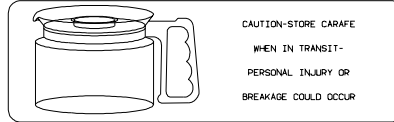


**KEY PART NUMBER U/M DESCRIPTION**  
 116549-01-000 EA LABEL - WARNING - SLIDEOUT



**KEY PART NUMBER U/M DESCRIPTION**  
 116756-02-000 EA LABEL - WARNING - ETHER/STARTING

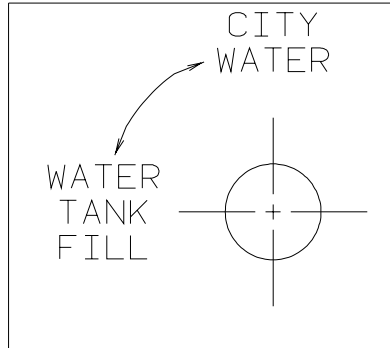
## LABELS GROUP (CONTINUED)



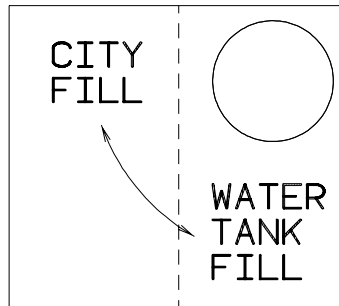
**KEY PART NUMBER U/M DESCRIPTION**  
116829-02-000 EA LABEL - COFFEEMAKER



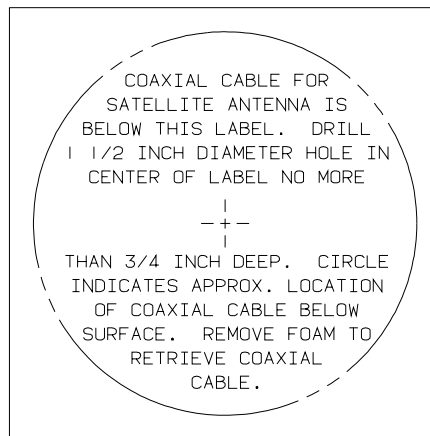
**KEY PART NUMBER U/M DESCRIPTION**  
117628-02-000 EA LABEL - SWITCH - WATER PUMP/LIGHTS-WHITE/CLEAR BACKGROUND



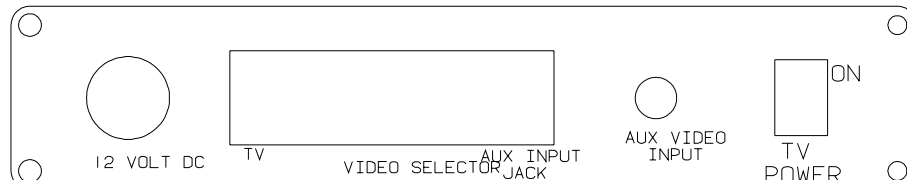
**KEY PART NUMBER U/M DESCRIPTION**  
117629-03-000 EA LABEL - WATER PUMP/FILL-BLK LETTERS/CLEAR BACKGROUND-.31"



**KEY PART NUMBER U/M DESCRIPTION**  
117629-04-000 EA LABEL - CITY WATER/TANK FILL



**KEY PART NUMBER U/M DESCRIPTION**  
120431-01-000 EA LABEL - LOCATION - COAXIAL CABLE/SATELLITE ANTENNA



**KEY PART NUMBER U/M DESCRIPTION**  
120677-01-000 EA LABEL - TV

## LABELS GROUP (CONTINUED)

KEEP THE SERVICE INLET ACCESS  
IN THE CLOSED POSITION WHEN  
UTILITY CONNECTIONS ARE NOT IN USE

**KEY PART NUMBER U/M DESCRIPTION**  
123562-01-000 EA LABEL - SERVICE/UTILITY ACCESS

WARNING  
ALL PILOT LIGHTS, APPLIANCES AND THIER  
IGNITORS (SEE OPERATING INSTRUCTIONS) SHALL  
BE TURNED OFF DURING REFUELING OF MOTOR  
FUEL TANKS AND/OR LP GAS CONTAINERS

**KEY PART NUMBER U/M DESCRIPTION**  
124519-01-01A EA LABEL - WARNING/REFUELING - BLACK ON CLEAR  
124519-01-02A EA LABEL - WARNING/REFUELING - WHITE ON CLEAR

WARNING:  
ALL PILOT LIGHTS AND APPLIANCES SHALL BE TURNED  
OFF DURING REFUELING OF MOTOR FUEL TANKS AND/  
OR PROPANE CONTAINERS.  
  
AVERTISSEMENT :  
FERMER TOUTES LES VEILLEUSES AINSI QUE TOUS LES  
APPAREILS LORSQU'ON FAIT LE PLEIN DES RESERVOIRS  
À CARBURANT OU À PROPANE.

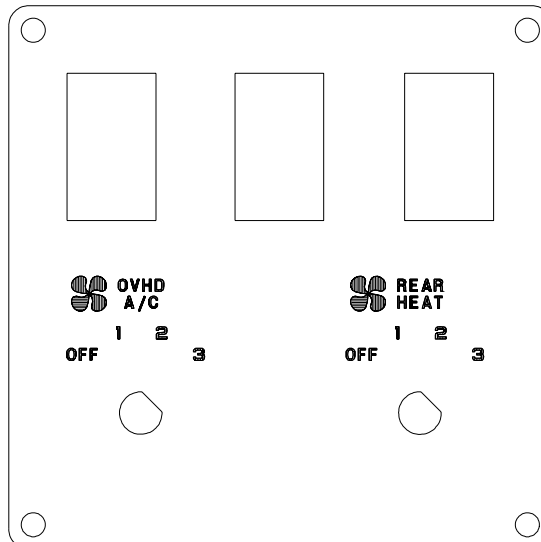
124519-02

**KEY PART NUMBER U/M DESCRIPTION**  
124519-02-01A EA LABEL - WARNING/REFUELING - BLACK ON CLEAR - CSA  
124519-02-02A EA LABEL - WARNING/REFUELING - WHITE ON CLEAR - CSA

LP-GAS SYSTEM  
THIS GAS PIPING SYSTEM IS  
DESIGNED FOR USE OF  
LIQUIFIED PETROLEUM GAS  
ONLY. DO NOT CONNECT  
NATURAL GAS TO THIS  
SYSTEM.  
SECURE CAP INLET(S) WHEN NOT  
CONNECTED FOR USE. AFTER TURNING  
ON GAS, EXCEPT AFTER NORMAL  
CONTAINER REPLACEMENT, TEST GAS  
PIPING AND CONNECTIONS TO  
APPLIANCES FOR LEAKAGE WITH SOAPY  
WATER OR BUBBLE SOLUTION. DO NOT  
USE PRODUCTS THAT CONTAIN AMMONIA  
OR CLORINE.

124520

**KEY PART NUMBER U/M DESCRIPTION**  
124520-01-01A EA LABEL - LP GAS ONLY - BLACK ON CLEAR  
124520-01-02A EA LABEL - LP GAS ONLY - WHITE ON CLEAR



**KEY PART NUMBER U/M DESCRIPTION**  
124572-01-000 EA LABEL - SWITCHES

## LABELS GROUP (CONTINUED)

THIS CONNECTION IS FOR  
(B) VOLT AC,60 HZ(CYCLES)  
(A) AMPERE SUPPLY

DO NOT CONNECT TO  
HIGHER VOLTAGE

KEY	PART NUMBER	U/M	DESCRIPTION
	125306-01-01A	EA	LABEL - ELECTRICAL ENTRANCE - 110V 30 AMP - BLACK ON CLEAR
	125306-01-02A	EA	LABEL - ELECTRICAL ENTRANCE - 110V 30 AMP - WHITE ON CLEAR

THIS CONNECTION IS FOR  
(B) VOLT AC,3-POLE,4 WIRE  
60 HZ(CYCLES),(A) AMPERE SUPPLY

DO NOT CONNECT TO  
HIGHER VOLTAGE

KEY	PART NUMBER	U/M	DESCRIPTION
	125306-04-01A	EA	LABEL-ELECTRICAL ENTRANCE-120/240V 50 AMP-BLACK ON CLEAR
	125306-04-02A	EA	LABEL - ELECTRICAL ENTRANCE-120/240V 50 AMP-WHITE ON CLEAR



KEY	PART NUMBER	U/M	DESCRIPTION
	125697-07-000	EA	LABEL - CAUTION - FLUSHING SYSTEM

REMOVE PRIMARY TIRE HANGER BEFORE USING  
SPARE TIRE HOIST-SEE OWNERS MANUAL - PERSONAL  
INJURY MAY RESULT IF NOT FOLLOWED

KEY	PART NUMBER	U/M	DESCRIPTION
	126024-01-01A	EA	LABEL - TIRE HANGER REMOVAL

GRAY HOLDING TANK

KEY	PART NUMBER	U/M	DESCRIPTION
	126247-05-000	EA	LABEL - GRAY HOLDING TANK-BLACK LETTERS/CLEAR BACKGROUND

BLACK HOLDING TANK

KEY	PART NUMBER	U/M	DESCRIPTION
	126247-06-000	EA	LABEL - BLACK HOLDING TANK-BLACK LETTERS/CLEAR BACKGROUND

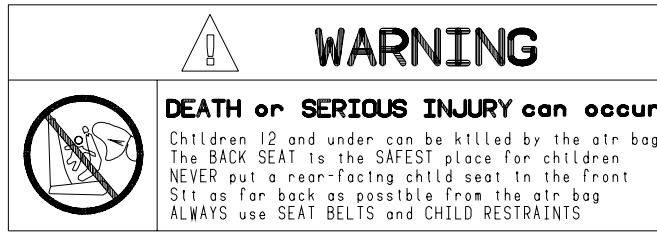
EXTERIOR SHOWER

KEY	PART NUMBER	U/M	DESCRIPTION
	126248-03-000	EA	LABEL - EXTERIOR SHOWER

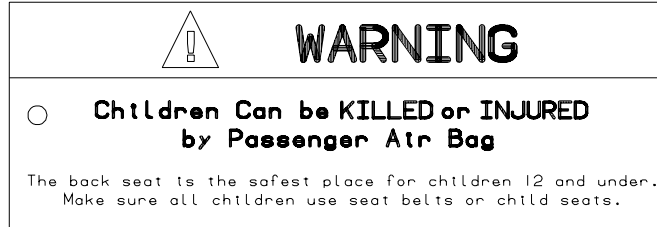
CITY WATER FILL

KEY	PART NUMBER	U/M	DESCRIPTION
	126249-03-000	EA	LABEL - CITY WATER FILL-BLK LETTERS/CLEAR BACKGROUND .31"

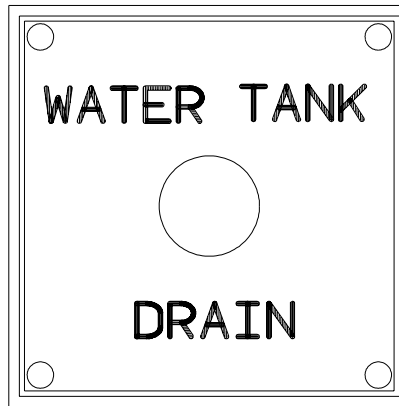
**LABEL GROUP (CONTINUED)**



**KEY PART NUMBER U/M DESCRIPTION**  
 126611-01-000 EA LABEL - AIR BAG - VISOR



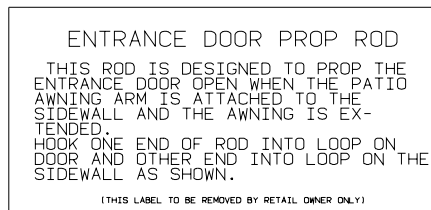
**KEY PART NUMBER U/M DESCRIPTION**  
 126612-01-000 EA LABEL - HANG TAG - AIR BAG - DASH



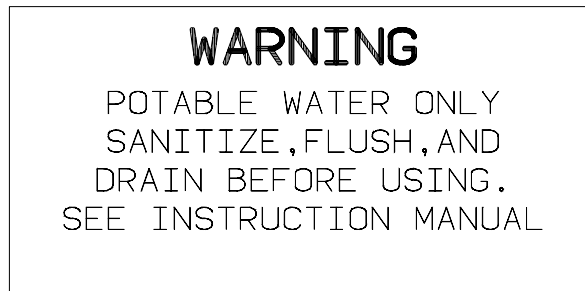
**KEY PART NUMBER U/M DESCRIPTION**  
 127170-01-000 EA LABEL - WATER TANK DRAIN



**KEY PART NUMBER U/M DESCRIPTION**  
 128218-01-01A EA LABEL - WARNING - SLIPPERY ROOF



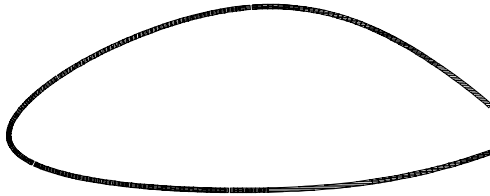
**KEY PART NUMBER U/M DESCRIPTION**  
 128658-01-000 EA LABEL - PROP ROD - ENTRY DOOR



**KEY PART NUMBER U/M DESCRIPTION**  
 128725-01-01A EA LABEL - POTABLE WATER ONLY - BLACK ON CLEAR



**LABELS GROUP (CONTINUED)**



**ATTENTION**  
 REMEMBER TO DETACH THE OTHER TRAVEL LATCH LOCATED IN GALLEY CABINET BEFORE EXTENDING THIS ROOM.

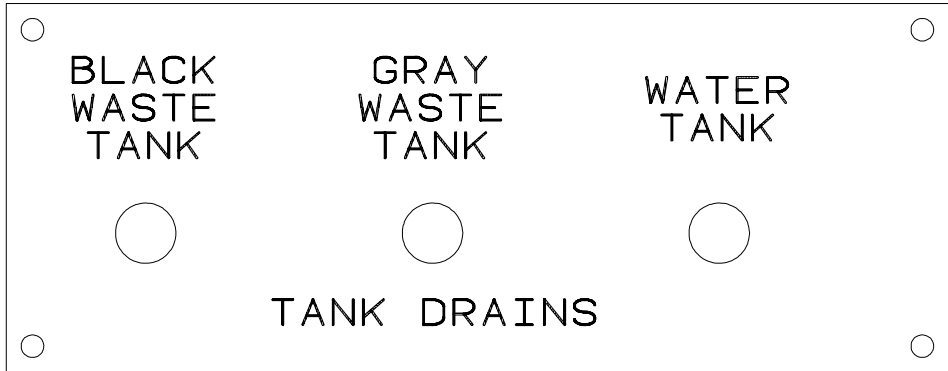
**KEY PART NUMBER U/M DESCRIPTION**  
 129033-01-000 EA LABEL - HANG TAG - TRAVEL LATCH - 1.5" X 3"

TOW VEHICLE RATING MAY BE LESS THAN HITCH RATING.  
 MAXIMUM VERTICAL HITCH LOAD: 350 LBS  
 DO NOT EXCEED REAR AXLE RATING.  
 SEE OWNER'S MANUAL FOR ADDITIONAL INFORMATION.

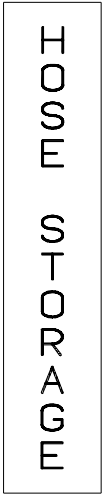
**KEY PART NUMBER U/M DESCRIPTION**  
 129669-01-01A EA LABEL - HITCH/VEHICLE RATE - 350 - WHITE ON CLEAR  
 129669-02-01A EA LABEL - HITCH/VEHICLE RATE - 500- WHITE ON CLEAR  
 129669-02-02A EA LABEL - HITCH/VEHICLE RATE - 500 - BLACK ON CLEAR

TIRE ROTATION  
 SEE RIALTA OWNERS MANUAL  
 SECTION 9

**KEY PART NUMBER U/M DESCRIPTION**  
 129684-01-000 EA LABEL - TIRE ROTATION



**KEY PART NUMBER U/M DESCRIPTION**  
 130166-01-000 EA LABEL - DRAIN



**KEY PART NUMBER U/M DESCRIPTION**  
 130167-02-000 EA LABEL - HOSE STORAGE



**KEY PART NUMBER U/M DESCRIPTION**  
 130168-01-000 EA LABEL - WASTE TANK FLUSH

**LABELS GROUP (CONTINUED)**



MONITOR PANEL LIGHT WATER PUMP

**KEY PART NUMBER U/M DESCRIPTION**  
 130170-01-000 EA LABEL - SWITCH PANEL - BLK/CLEAR BACKGROUND-1.8"H X 5.9"L



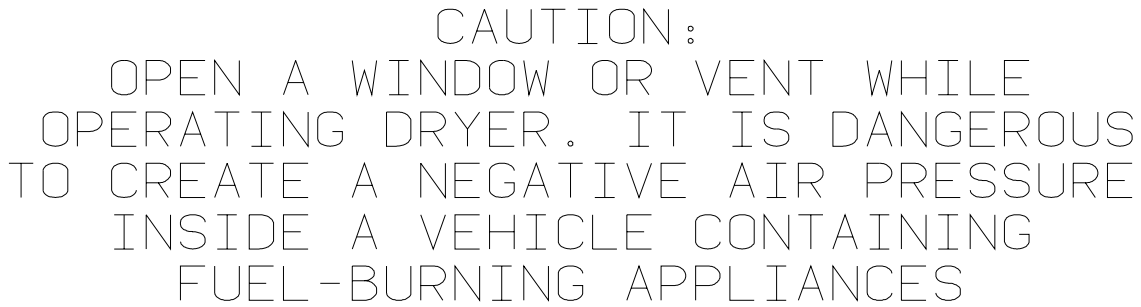
LIGHTS WATER PUMP

**KEY PART NUMBER U/M DESCRIPTION**  
 130170-02-000 EA LABEL - SWITCH PANEL-BLK/CLEAR BACKGROUND-1.4"H X 3.9"L



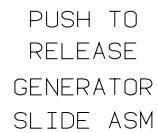
WATER PUMP

**KEY PART NUMBER U/M DESCRIPTION**  
 130170-03-000 EA LABEL - PANEL SWITCH



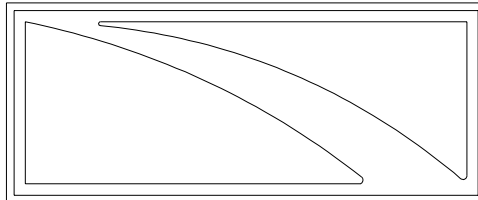
CAUTION:  
 OPEN A WINDOW OR VENT WHILE OPERATING DRYER. IT IS DANGEROUS TO CREATE A NEGATIVE AIR PRESSURE INSIDE A VEHICLE CONTAINING FUEL-BURNING APPLIANCES

**KEY PART NUMBER U/M DESCRIPTION**  
 130670-01-01A EA LABEL - CAUTION DRYER VENTING - BLACK ON CLEAR

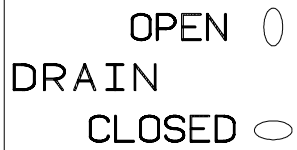


PUSH TO RELEASE GENERATOR SLIDE ASM

**KEY PART NUMBER U/M DESCRIPTION**  
 131779-01-01A EA LABEL - GENERATOR



**KEY PART NUMBER U/M DESCRIPTION**  
 132651-01-01A EA DECAL - MIRROR/GALLEY



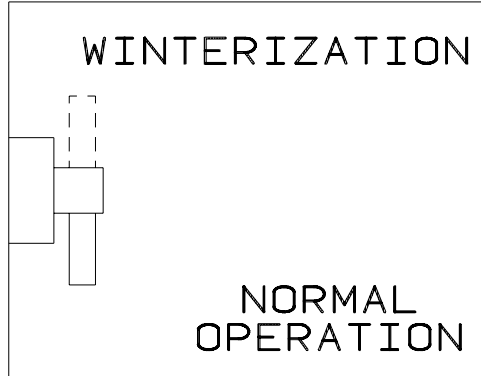
OPEN 0  
 DRAIN  
 CLOSED O

**KEY PART NUMBER U/M DESCRIPTION**  
 133423-01-01A EA LABEL - DRAIN

## LABELS GROUP (CONTINUED)

WATER HEATER BY-PASS	NORMAL OPERATION
-------------------------	---------------------

**KEY PART NUMBER U/M DESCRIPTION**  
133424-01-01A EA LABEL - BYPASS - WATER HEATER



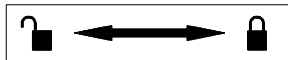
**KEY PART NUMBER U/M DESCRIPTION**  
133425-01-01A EA LABEL - VALVE - WINTERIZATION

JACKS DOWN
------------

**KEY PART NUMBER U/M DESCRIPTION**  
133533-01-01A EA LABEL - JACKS DOWN - CLEAR W/WHITE LETTERING

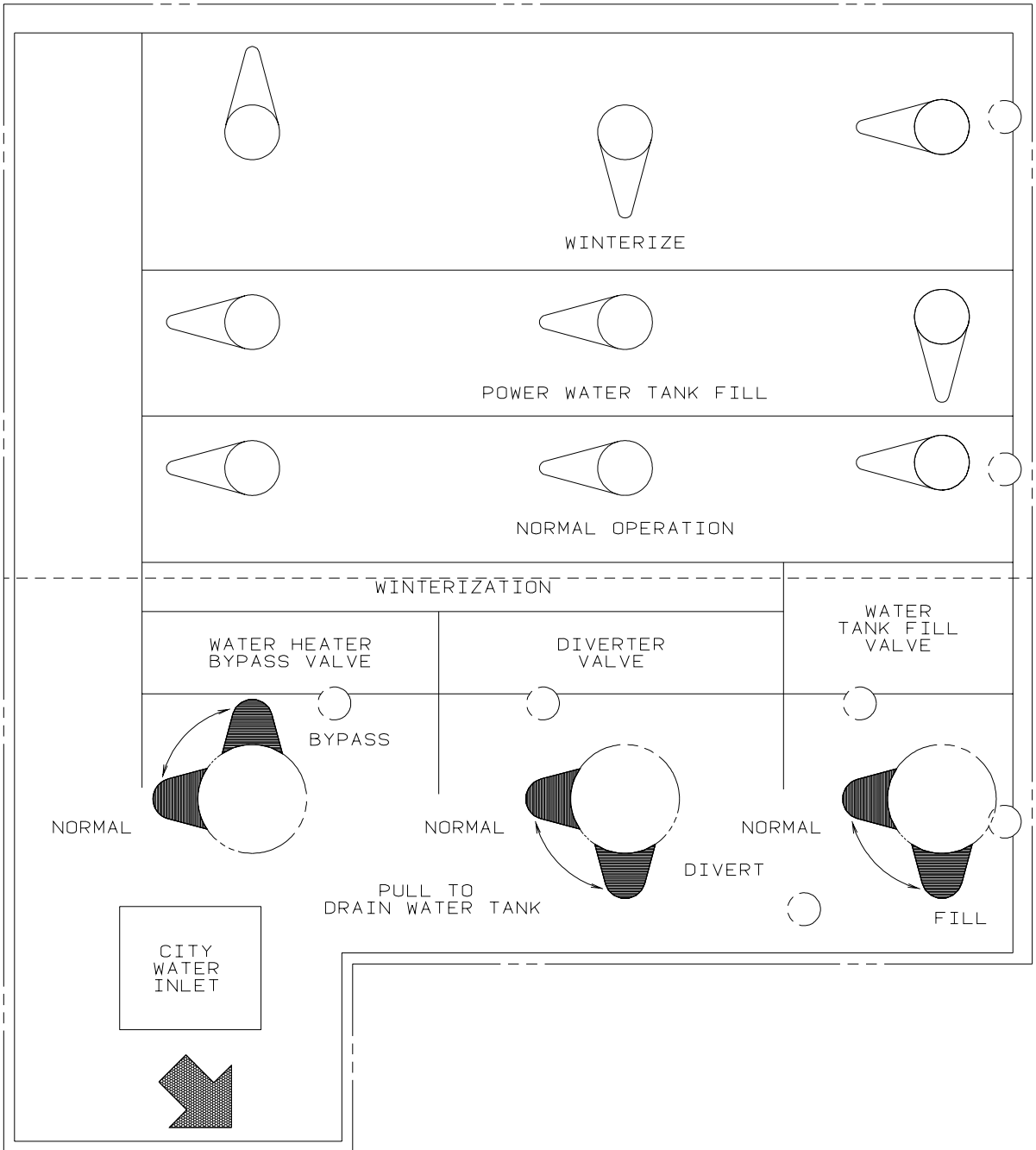
CHECK ANTENNA
---------------

**KEY PART NUMBER U/M DESCRIPTION**  
133533-02-01A EA LABEL - CHECK ANTENNA - CLEAR W/WHITE LETTERING



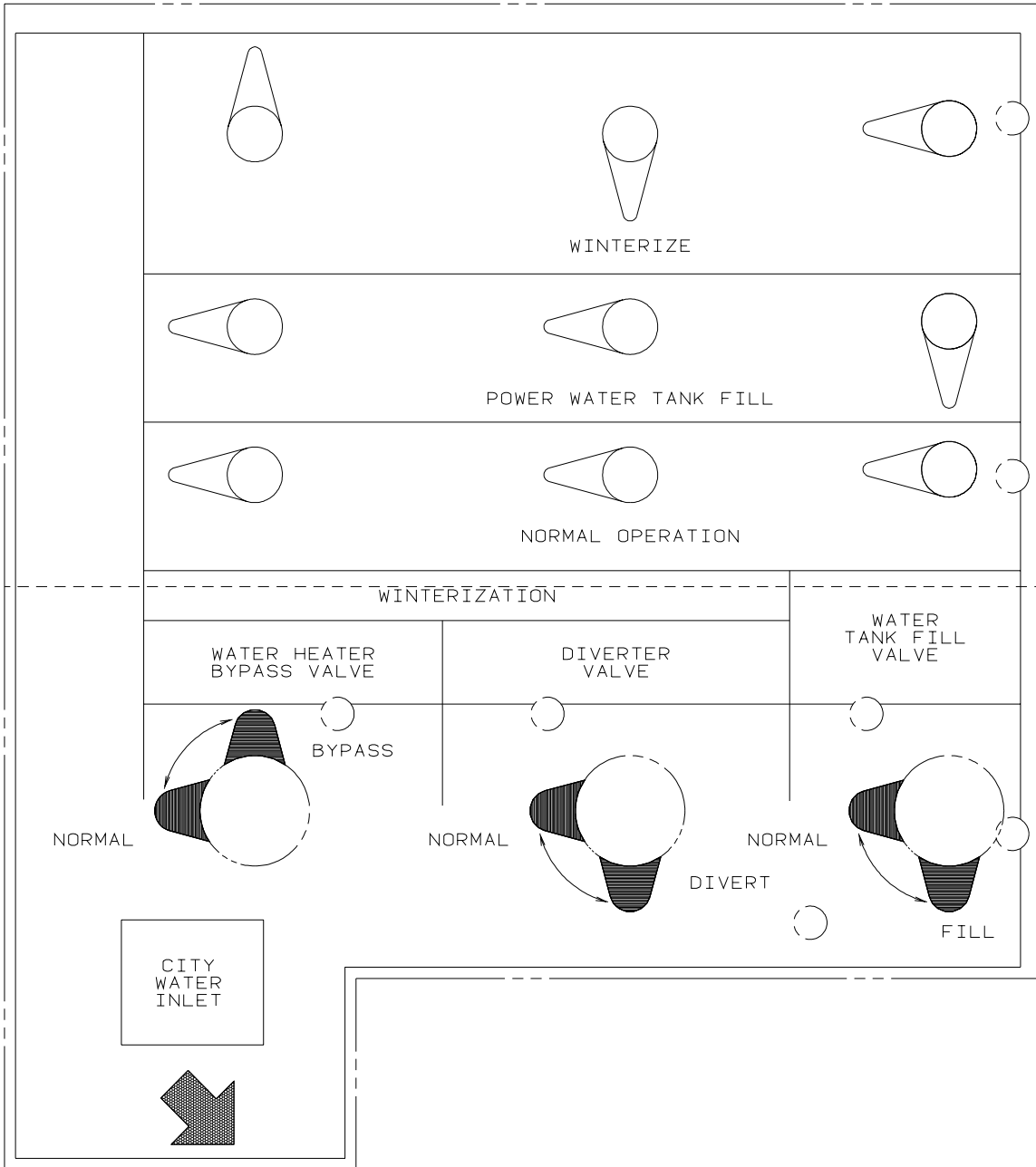
**KEY PART NUMBER U/M DESCRIPTION**  
133533-03-01A EA LABEL - LOCK/UNLOCK - BLACK/WHITE

# LABELS GROUP (CONTINUED)

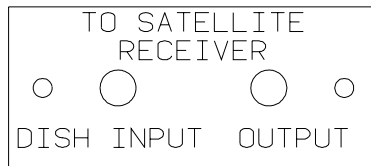


KEY	PART NUMBER	U/M	DESCRIPTION
	133629-01-01A	EA	LABEL - WATER CENTER

# LABELS GROUP (CONTINUED)



KEY	PART NUMBER	U/M DESCRIPTION
	133629-02-01A	EA LABEL - WATER CENTER - BLACK/CLEAR



KEY	PART NUMBER	U/M DESCRIPTION
	134250-01-01A	EA LABEL - SATELLITE RECEIVER - BLACK/CLEAR

THIS SEAT IS NOT INTENDED  
FOR OCCUPANCY WHEN  
VEHICLE IS IN MOTION

KEY	PART NUMBER	U/M DESCRIPTION
	134538-01-01A	EA LABEL - OCCUPANCY - NO SEAT BELT - BLACK ON CLEAR - US

## LABELS GROUP (CONTINUED)

DST ISICE SIEGE N/EST PAS	THIS SEAT IS NOT INTENDED
DESTINE A ETRE OCCUPE LORSQUE	FOR OCCUPANCY WHILE
LE VEHICULE EST IN MOVUEMENT	VEHICLE IS IN MOTION

**KEY PART NUMBER U/M DESCRIPTION**  
 134538-02-01A EA LABEL - OCCUPANCY - NO SEAT BELT - BLACK ON CLEAR - CSA

**WARNING**

IT IS NOT SAFE TO USE COOKING  
 APPLICANCES FOR COMFORT HEATING

COOKING APPLICANCES NEED FRESH AIR FOR SAFE OPERATION  
 BEFORE OPERATION.

1. OPEN OVERHEAD VENT OR TURN ON EXHAUST FAN AND;  
 2. OPEN WINDOW.

**KEY PART NUMBER U/M DESCRIPTION**  
 134539-01-01A EA LABEL - WARNING - STOVE/HEATING - US - BLACK ON CLEAR

**HOLDING TANK HEATER**

TURN OFF WHEN NOT IN USE

SEE OPERATOR'S MANUAL

**KEY PART NUMBER U/M DESCRIPTION**  
 134563-01-01A EA LABEL - SWITCH - HEATER

THIS VEHICLE MAY INCLUDE MERCURY-CONTAINING DEVICES INSTALLED BY THE MANUFACTURER:

FLUORESCENT TUBES, RANGES WITH OVEN, HWH LEVEL SENSING UNIT.

REMOVE DEVICES BEFORE VEHICLE DISPOSAL UPON REMOVAL OF  
 DEVICES: PLEASE REUSE, RECYCLE, OR DISPOSE AS HAZARDOUS WASTE

135869-01A

**KEY PART NUMBER U/M DESCRIPTION**  
 135869-01-01A EA LABEL - MERCURY CONTENT - BLACK ON CLEAR

**LIQUID SOAP**

**KEY PART NUMBER U/M DESCRIPTION**  
 136047-01-01A EA LABEL - LIQUID SOAP

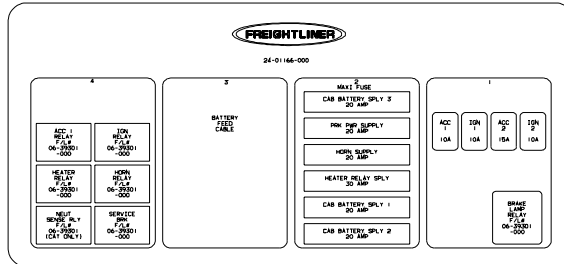
DOOR LOCK	DOOR UNLOCK	RIGHT COMPT DOOR LOCK	RIGHT COMPT DOOR UNLOCK	LEFT COMPT DOOR LOCK	LEFT COMPT DOOR UNLOCK	AUX START SOLENOID	AMP SOURCE
POWER MIRRORS	HEATER BLOWER	PASS HEATER BLOWER	FOG LAMPS	DOCKING LAMPS	DOCKING LAMPS SWITCH TRIGGER	COOLING FANS	

**KEY PART NUMBER U/M DESCRIPTION**  
 136161-01-01A EA LABEL - RELAY - MATTE BLACK/WHITE LETTERS

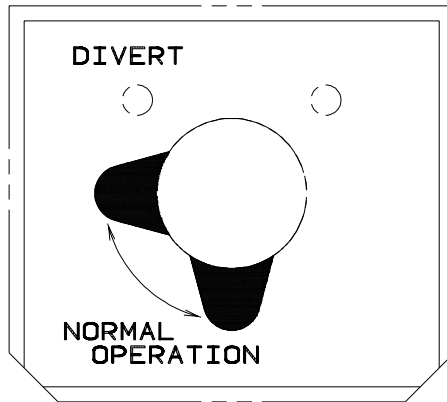
## LABELS GROUP (CONTINUED)



**KEY PART NUMBER** 136360-01-01A  
**U/M DESCRIPTION** EA LABEL - AIR BAGS



**KEY PART NUMBER** 137090-01-000  
**U/M DESCRIPTION** EA LABEL - ELECTRICAL CENTER



**KEY PART NUMBER** 137997-01-01A  
**U/M DESCRIPTION** EA LABEL - WINTERIZATION VALVE - BLACK/CLEAR



**KEY PART NUMBER** 140190-01-01A  
**U/M DESCRIPTION** EA DECAL/LOGO - V6 (DOMED) - CYAN/MAGENTA/YELLOW/BLACK

## LABELS GROUP (CONTINUED)

### WARNING

THIS SYSTEM IS DESIGNED FOR USE WITH PROPANE ONLY  
DO NOT CONNECT NATURAL GAS TO THIS SYSTEM

**BEFORE TURNING ON PROPANE:**

- (A) BE CERTAIN APPLIANCES ARE CERTIFIED FOR PROPANE AND ARE EQUIPPED WITH CORRECT BURNING ORIFICES.
- (B) MAKE CERTAIN ALL PROPANE CONNECTIONS ARE TIGHT BY TESTING WITH SOAPY WATER. ALL APPLIANCE VALVES ARE TURNED OFF, AND ANY UNCONNECTED OUTLETS ARE CAPPED.

**AFTER TURNING ON PROPANE:**

- (A) LIGHT ALL PILOT LIGHTS
- (B) (B) ALL CONNECTIONS, INCLUDING THOSE AT THE APPLIANCES, REGULATORS AND CYLINDERS SHOULD BE LEAK-TESTED PERIODICALLY WITH SOAPY WATER BY THE OCCUPANT. NEVER USE A LIGHTED MATCH OR OTHER FLAME WHEN CHECKING FOR LEAKS.
- (C) DO NOT LEAVE SYSTEM TURNED ON OF CONTAINERS CONNECTED UNTIL THE SYSTEM HAS BEEN PROVEN TO BE FREE OF LEAKS.
- (D) COOKING APPLIANCES SHOULD NOT BE USED FOR SPACE HEATING.
- (E) WHEN THE CONTAINERS ARE DISCONNECTED THE PROPANE SUPPLY LINE SHOULD BE CAPPED OR PLUGGED.

### AVERTISSEMENT

CETTE INSTALLATION EST CONÇUE POUR LE PROPANE SEULEMENT  
NE PAS L'ALIMENTER EN GAZ NATUREL

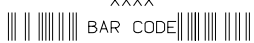
**AVANT LA MISE EN SERVICE:**

- (A) S'ASSURER QUE LES APPAREILS SONT CERTIFIÉS POUR LE PROPANE ET MUNIS D'ORIFICES DE BRÛLEUR APPROPRIÉS.
- (B) VÉRIFIER L'ÉTANCHEITÉ DE TOUTS LES RACCORDEMENTS AU PROPANE. LA PERMÉABILITÉ DE TOUTS LES ROBINETS D'APPAREILS ET L'OBTURATION DE TOUTES LES SORTIES NON RACCORDEES.

**APRÈS LA MISE EN SERVICE:**

- (A) ALLUMER TOUTES LES VEILLEUSES.
- (B) L'OCCUPANT DOIT ÉPROUVER PÉRIODIQUEMENT L'ÉTANCHEITÉ DE TOUTS LES RACCORDEMENTS Y COMPRIS CEUX AUX APPAREILS, AUX DÉTENDEURS ET AUX BOUTEILLES, EN Y APPLIQUANT DE L'EAU SAVONNEUSE. NE JAMAIS SE SERVIR D'UNE ALLUMETTE OU AUTRE POUR LA DÉTECTION DES FUITES.
- (C) NE PAS LAISSER L'ALIMENTATION OUVERTE NI LES RÉCIPIENTS RACCORDES AVANT D'AVOIR COMPLÉTÉ L'ÉPREUVE D'ÉTANCHEITÉ AU PROPANE DE L'INSTALLATION.
- (D) LES APPAREILS DE CUISSON NE DOIVENT PAS ÊTRE UTILISÉS POUR LE CHAUFFAGE DES LOCAUX.
- (E) LORSQUE LES RÉCIPIENTS SONT DÉCONNECTÉS, L'ALIMENTATION DE PROPANE DOIT ÊTRE OBTURÉE OU SCELLÉE.

**KEY PART NUMBER U/M DESCRIPTION**  
023769-01-000 EA LABEL - WARNING - LPG - CANADIAN

<b>WINNEBAGO</b>	
EMISSION CONTROL INFORMATION	
<b>CATALYST</b>	
ENGINE FAMILY	XXXXXXX
EVAP. FAMILY	XXXXXXX
EXH.EMISSION CONTR.SYST.	SFI/AIR/TWC/HO2S(2)
DISPL 2792 CC	OBD II CERTIFIED
TUNE UP SPECIFICATIONS: NO ADJUSTMENT NEEDED	
CARB EXH.EMISSION STAND. _____ STANDARD CATEGORY	
CERTIFICATION	XXX
IN-USE	XXX
<small>THIS HEAVY DUTY VEHICLE CONFORMS TO U.S. EPA REGULATIONS APPLICABLE TO XXXX MODEL YEAR LIGHT-DUTY TRUCKS UNDER THE SPECIAL PROVISIONS OF 40 CFR XXXXXX, AND IS CERTIFIED TO MEDIUM-DUTY VEHICLE STANDARDS FOR SALE IN CALIFORNIA.</small>	
XXXX	
 BAR CODE	

**KEY PART NUMBER U/M DESCRIPTION**  
124709-06-000 EA LABEL - EMISSION CONTROL - DUAL



## LABELS GROUP (CONTINUED)

NORMAL  
OPERATION

KEY	PART NUMBER	U/M	DESCRIPTION
	133424-02-01A	EA	LABEL - NORMAL OPERATION

WTR HTR  
BYPASS

KEY	PART NUMBER	U/M	DESCRIPTION
	133424-03-01A	EA	LABEL - WATER HEATER BYPASS - BLACK/CLEAR

THIS CHAIR IS NOT INTENDED  
FOR OCCUPANCY WHEN VEHICLE  
IS IN MOTION AND MUST BE  
RETURNED TO STOWED POSITION

DTS ISICE SIEGE N/EST PAS      THIS CHAIR IS NOT INTENDED  
DESTINE A ETRE OCCUPE LORSQUE      FOR OCCUPANCY WHEN VEHICLE  
LE VEHICULE EST IN MOVEMENT      IS IN MOTION AND MUST BE  
ET IL FAUT QUE LE RANGER      RETURNED TO STOWED POSITION

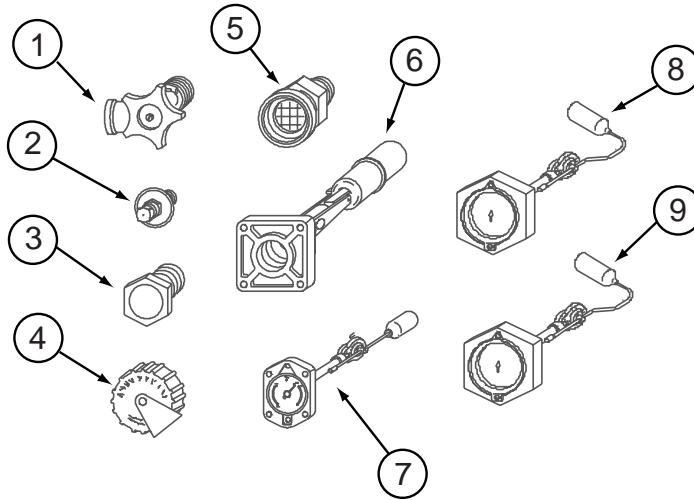
KEY	PART NUMBER	U/M	DESCRIPTION
	134537-01-01A	EA	LABEL - OCCUPANCY - CHAIR - US

**LP GROUP**  
**LP SYSTEM**

KEY	PART NUMBER	U/M	DESCRIPTION
	010252-01-000	EA	ELBOW - BRASS - 90 DEGREE - 3/8"F X 1/2"MPT
	065318-02-000	EA	ELBOW - 90 DEGREE - 3/8" MPT TO 3/8" FPT
	010326-01-000	EA	ADAPTER - FLARE - W/CONE GASKET - 3/8"F X 1/2"F
	010329-01-000	EA	ADAPTER - BRASS - 1/2"F X 1/2"MPT
	024250-01-000	EA	ADAPTER - BRASS - 3/8"F X 1/2"FPT
	010377-02-000	EA	NUT - BRASS - 3/8" FLARE - FORGED
	010380-02-000	EA	NUT - BRASS - 1/2" FLARE - FORGED
	040440-03-000	EA	TRANSMITTER - DIAL/SNAP-ON - 0-90 OHM 2 TERM(POWER/GROUND)
	045703-05-000	EA	HOSE - LP - 3/8"ID X 28" - 3/8"MPT X 1/2"F SWIVEL - U.S.
	045703-11-000	EA	HOSE - LP - 3/8"ID X 36" - 3/8"MPT X 3/8"F SWIVEL - UL/CSA
	045703-06-000	EA	HOSE - LP - 3/8"ID X 28" - 3/8"MPT X 1/2"F SWIVEL - CANADA
*	088253-09-000	EA	TANK - LP - 100 LB - 14" DIAMETER X 47" LONG - <a href="#">G37G</a>
*	088253-10-000	EA	TANK - LP - 100 LB - 14" DIAMETER X 47" LONG - <a href="#">G30Y</a> , <a href="#">G32V</a> , <a href="#">G35U</a>
	103613-03-000	EA	DETECTOR - LP GAS - W/O SHUT-OFF VALVE
	105658-01-000	EA	COMPARTMENT - LP REGULATOR
	106150-01-000	EA	REGULATOR - TWO STAGE-W/90 DEGREE ELBOW & 3/8" FPT OUTLET

\*COMPONENT PARTS LISTED LATER IN THIS GROUP

**LP GROUP (CONTINUED)**  
**COMPONENT PARTS FOR LP SYSTEM**



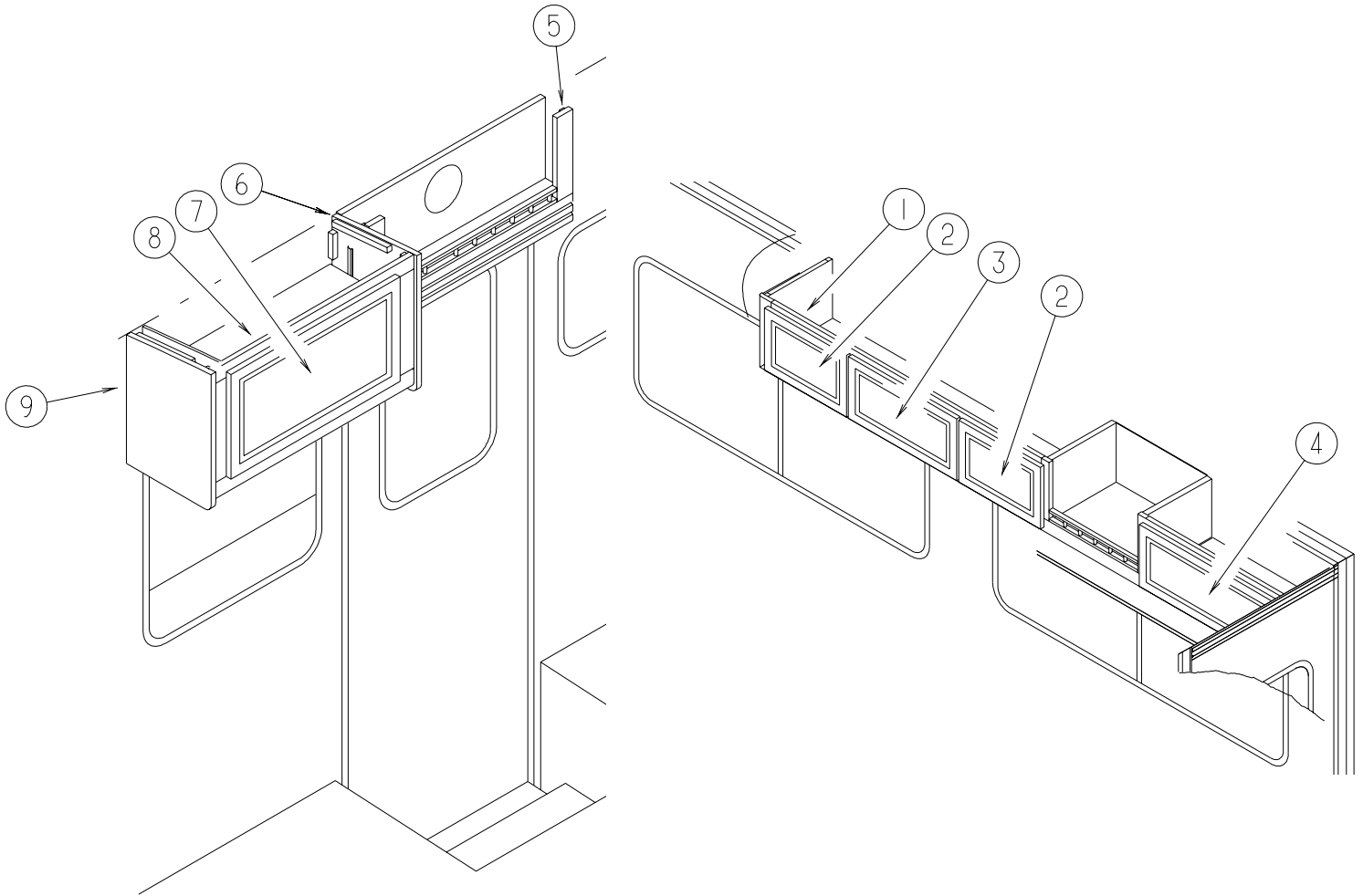
**088253-09-000**

KEY	PART NUMBER	U/M	DESCRIPTION	VENDOR NO.
1	040421-01-708	EA	HANDWHEEL-SERVICE VALVE	G-1015-A
1	040421-01-712	EA	VALVE,SERV. W/O VAPOR RELIEF	29000853
2	040421-01-700	EA	VALVE-LIQUID LEVEL, 20%	G-1013
3	040421-01-713	EA	VALVE-RELIEF 1" W/SPRING 7"	29000587
4	040421-01-702	EA	CAP-FILL VALVE, PLASTIC	G-1014-A
5	040421-01-701	EA	VALVE-FILL-SHORT, LP	7547B
6	040421-01-711	EA	VALVE-80% FILL W/AUTO STOP	LLL/TL3
7	040421-01-707	EA	FLOAT/BOLT ON-SCREW ON DIAL	14C
7	088253-09-700	EA	FLOAT/SCREW IN-SNAP ON DIAL	SG14C0001466
8			NOT WHAT IS ILLUSTRATED HERE	
9			NOT WHAT IS ILLUSTRATED HERE	

**088253-10-000**

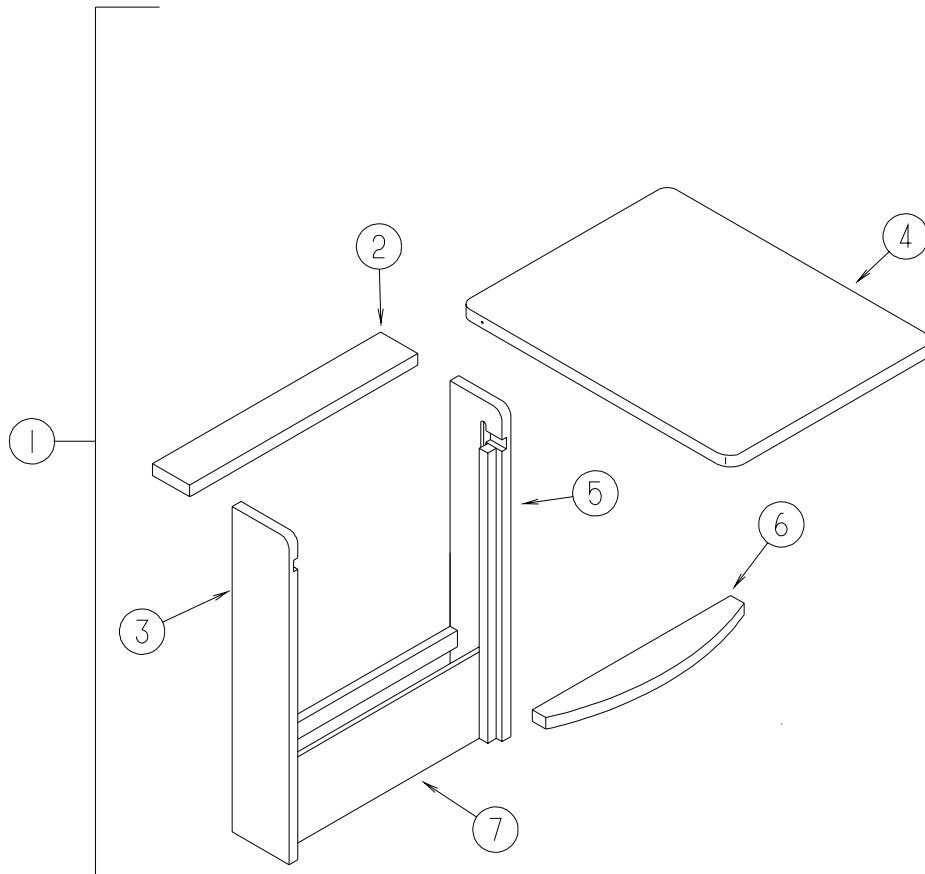
KEY	PART NUMBER	U/M	DESCRIPTION	VENDOR NO.
1	040421-01-708	EA	HANDWHEEL-SERVICE VALVE	G-1015-A
1	040421-01-712	EA	VALVE,SERV. W/O VAPOR RELIEF	29000853
2	040421-01-700	EA	VALVE-LIQUID LEVEL, 20%	G-1013
3	040421-01-713	EA	VALVE-RELIEF 1" W/SPRING 7"	29000587
4	040421-01-702	EA	CAP-FILL VALVE, PLASTIC	G-1014-A
5	040421-01-701	EA	VALVE-FILL-SHORT, LP	7547B
6	040421-01-711	EA	VALVE-80% FILL W/AUTO STOP	LLL/TL3
7	040421-01-707	EA	FLOAT/BOLT ON-SCREW ON DIAL	14C
7	088253-09-700	EA	FLOAT/SCREW IN-SNAP ON DIAL	SG14C0001466
8			NOT WHAT IS ILLUSTRATED HERE	
9			NOT WHAT IS ILLUSTRATED HERE	

## LOUNGE GROUP CABINETS



KEY	PART NUMBER	U/M	DESCRIPTION
1	134920-01-N42	EA	CABINET - OVERHEAD/COUCH - W/O DOORS/HARDWARE - W/O DELUXE SOUND
1	134920-02-N42	EA	CABINET - OVERHEAD/COUCH - W/O DOORS/HARDWARE - W/DELUXE SOUND
	058331-J9-000	EA	MIRROR - SAFETY GLASS - 10.3" X 18.2"
2	132141-B2-N42	EA	DOOR - RAIL/VENEER - 10.8" X 16.5" - W/O HARDWARE
3	132141-A1-N42	EA	DOOR - RAIL/VENEER - 10.8" X 21.8" - W/O HARDWARE
4	132141-20-N42	EA	DOOR - RAIL/VENEER - 10.8" X 27.9" - W/O HARDWARE
5	137006-01-N42	EA	CABINET - OVERHEAD/ENTRY DOOR - W/O DOORS/HARDWARE
6	137462-12-N42	EA	END CAP - OVERHEAD CABINET
7	132141-B3-N42	EA	DOOR - RAIL/VENEER - 15.5" X 29.5" - W/O HARDWARE
8	136971-01-N42	EA	CABINET - OVERHEAD/FRONT - W/O DOORS/HARDWARE - W/O DELUXE SOUND
8	136971-02-N42	EA	CABINET - OVERHEAD/FRONT - W/O DOORS/HARDWARE - W/DELUXE SOUND
9	137462-07-N42	EA	END CAP - OVERHEAD CABINET

## LOUNGE GROUP (CONTINUED) TABLES



KEY	PART NUMBER	U/M	DESCRIPTION
1	136683-02-N42	EA	CABINET ONLY - F/PULLOUT TABLE
2	136683-20-M53	EA	TOP ONLY - F/PULLOUT CABINET
3	136683-12-M53	EA	CABINET/LEFT SIDE - F/PULLOUT TABLE - 5.7" X 28.7"
4	136683-22-N42	EA	TABLE TOP ONLY - F/PULLOUT TABLE
5	136683-11-M53	EA	CABINET/RIGHT SIDE - F/PULLOUT TABLE - 5.7" X 28.7"
6	136683-19-M53	EA	SHELF - TABLE STABILIZER W/EDGE MOLDING
7	136683-21-M53	EA	PANEL - LOWER/FRONT

**SEALANTS & FASTENERS GROUP**  
**SEALANTS & ADHESIVES**

KEY	PART NUMBER	U/M	DESCRIPTION
	004001-05-000	EA	ADHESIVE - SCOTCH-WELD - 3M DP100 - CLEAR - 50ML
	004020-01-000	QT	ADHESIVE - ABS CEMENT - QUART
	010405-02-000	EA	TAPE - THREAD SEALING - 3/8"
	034552-15-000	EA	SILICONE - TUBE - W/O NOZZLE - BRIGHT WHITE
	053766-06-000	EA	BEDDING COMPOUND - TUBE - CLEAR
	062917-03-000	EA	ADHESIVE - LOCTITE 242
	063642-01-000	FT	TAPE - ADHESIVE - .4" X 1.5" X 180'
	067788-01-000	EA	ADHESIVE - SPRAY - 3M - 19.5 OZ AEROSOL CAN
	069640-01-000	FT	SEALER - RIBBON - 1/4" DIAMETER X 30' - BLACK
	069640-02-000	FT	SEALER - TAPE - .13"THICK X .5"WIDE X 60' - GRAY
	069640-03-000	FT	SEALER - TAPE - .13"THICK X .75"WIDE X 60' - BLACK
	069640-07-000	FT	SEALER - TAPE - .09" THICK X 2" WIDE X 45' - GRAY
	069640-09-000	FT	SEALER - TAPE - .03" THICK X 2.50"WIDE X 80' - GRAY
	069640-10-000	FT	SEALER - TAPE - .03" THICK X 1.50" WIDE X 90' - GRAY
	069640-11-000	FT	SEALER - TAPE - .19" THICK X .38" WIDE X 40' - BLACK
	069640-13-000	FT	SEALER - TAPE - .03" THICK X 2" WIDE X 45' - BLACK
	069640-14-000	FT	SEALER - TAPE - .06" THICK X 1" WIDE X 100' - GRAY
	069640-15-000	FT	SEALER - TAPE - .06"THICK X .38"WIDE X 100' - GRAY
	069640-17-000	FT	SEALER - TAPE - .03" THICK X 1" WIDE X 90' - GRAY
	069640-18-000	FT	SEALER - TAPE - .50" THICK X .13" WIDE X 60' - BRT WHITE
	069640-19-000	FT	SEALER - TAPE - .75" THICK X .13" WIDE X 60' - BRT WHITE
	069640-20-000	FT	SEALER - TAPE - .50" THICK X 1/8" WIDE X 60' - BLACK
	069640-21-000	FT	SEALER - TAPE - .50" THICK X 1/16" WIDE X 100'-BRIGHT WHT
	069640-22-000	FT	SEALER - TAPE - .25" THICK X 1/32" WIDE X 100'- BRIGHT WHT
	069640-23-000	FT	SEALER - TAPE - .06" THICK X 3/4" WIDE X 100' - BRT WHITE
	069640-25-000	FT	SEALER - TAPE - .06" THICK X 3.5" WIDE X 50' - GRAY
	069640-27-000	FT	SEALER - TAPE - .06" THICK X 2.25" WIDE - BRIGHT WHITE
	069640-28-000	FT	SEALER - TAPE - 1/32" X 2"
	072889-01-000	EA	SEALANT - URETHANE - BLACK - TUBE
	076322-01-000	FT	TAPE-DOUBLE COATED/ADHESIVE BK-.03"THK X .8"W X 216'- WHT
	076322-02-000	FT	TAPE-DOUBLE COATED/ADHESIVE BK-.05"THK X 1"W X 108' - WHT
	076322-03-000	FT	TAPE-DOUBLE COATED/ADHESIVE BK-.05"THK X .5"W X 108' - WHT
	076322-04-000	FT	TAPE-DOUBLE COATED/ADHESIVE BK-.05"THK X .8"W X 108' - WHT
	076322-05-000	FT	TAPE-DOUBLE COATED/ADHESIVE BK-.05"THK X .8"W X 108' - WHT
	076322-07-000	FT	TAPE-DOUBLE COATED/ADHESIVE BK-.05"THK X .5"W X 200' - BLK
	076322-11-000	FT	TAPE-DOUBLE COATED/ADHESIVE BK-.02"THK X 1"W X 216' - CLR
	086276-01-000	EA	TAPE - DOUBLE SIDED - 1/2" WIDE X 108' LONG (SOLD BY ROLL)
	088479-01-000	EA	TAPE - ALUMINUM - 3"
	090340-01-000	FT	SEAL - FOAM - CLOSED CELL - 1/4" X 1/2" X 50'
	091255-02-000	FT	SEAL - ADHESIVE BACKED/FOAM - 3/64" THICK X 3/16"W X 1000'
	091255-03-000	FT	SEAL - ADHESIVE BACKED/FOAM - 1/4" THICK X 1/4"W X 1000'
	094401-03-000	EA	SEALER - BODY SEAM - BLACK
	094401-04-000	EA	SEALER - BODY SEAM - CLEAR
	098408-01-000	FT	SEAL - SPONGE RUBBER - CLOSED CELL
	099069-01-000	FT	SEAL - RUBBER - CLOSED SPONGE - .5" WIDE X .12" THICK -BLK
	099418-01-000	FT	SEAL - D-SECTION/ADHESIVE BACK - .44" X .44"- BLK RUBBER
	099418-02-000	FT	SEAL - D SECTION - WHITE
	099952-01-000	FT	CORE - SEAL - BULB SUPPORT
	100128-02-000	FT	SEAL - FOAM/ADHESIVE BACK - .37" WIDE X .37" THICK
	104692-01-000	FT	SEAL - ADHESIVE BACKED FOAM - 3/4" THICK X 3/4" WIDE X 25'
	104692-03-000	FT	SEAL - ADHESIVE BACKED FOAM - 1" THICK X 1 3/4" WIDE X 15'
	106206-01-000	EA	SEALER - PUMPABLE - TUBE - BLACK - MANUS
	107828-01-000	EA	SEALANT - SB - 190 EVERSEAL
	109506-12-000	EA	FILM/ABRASION-RESISTANT - TRANSPARENT - 1î DIA.
	110274-01-000	FT	TAPE - DOUBLE SIDED/FOAM - .45" X 1" X 216' - BLACK
	112864-01-000	FT	SEAL - FOAM/BUTYL COVERED - 3/8" X 35'
	112864-02-000	FT	FOAM - BUTYL COVERED 5/16" X 44'
	112901-02-000	EA	ADHESIVE - PLEXUS - MA330 - 50ML - GRAY
	112901-03-000	EA	ADHESIVE - PLEXUS - MA300 - 50ML - WHITE
	112902-01-000	EA	NOZZLE - ELEMENT - 3/8 X 24
	112902-02-000	EA	NOZZLE-BELL 3/8X24 - TAH 160-824
	112902-03-000	EA	MIXER NOZZLE - F/GUN #00400102000 - SCOTCH-WELD & PLEXUS
	113366-01-000	EA	ADHESIVE - INSTANT - 1 OZ

## SEALANTS & FASTENERS GROUP (CONTINUED)

### SEALANTS & ADHESIVES (CONTINUED)

KEY	PART NUMBER	U/M	DESCRIPTION
	113452-02-000	FT	SEAL/TRIM - FRONT - VINYL W/WIRE CARRIER - .027"
	120074-02-03A	EA	SILICONE - TUBE - W/O NOZZLE - SMOKEY WHITE
	120074-02-02A	EA	SILICONE - TUBE - W/O NOZZLE - LOW ODOR - SOFT WHITE
	120534-01-01A	EA	TAPE - SCOTCH - 3M - 1/2" FINE LINE
	123244-01-000	FT	TAPE - DOUBLE SIDED/FOAM - 5/64" THICK X 3/4" WIDE
	123244-02-000	FT	TAPE - DOUBLE SIDED/FOAM - 5/64" THICK X 1/2" WIDE X 108'
	123816-01-000	FT	TAPE - DOUBLE SIDED - 1" X 100'
	123816-02-000	FT	TAPE - DOUBLE SIDED - 1/2" X 1 1/3" X 100'
	123816-03-000	FT	TAPE - DOUBLE SIDED - 1/2" X 3/4" X 100'
	123816-04-000	FT	TAPE - DOUBLE SIDED - 6" X 750'
	126427-01-000	EA	ADHESIVE - ALL PURPOSE - ABS/PVC
	126427-02-000	EA	PRIMER - CLEANER - FLEX PIPING
	131264-01-01A	EA	SILICONE - TUBE - W/O NOZZLE - BLACK
	131264-01-02A	EA	SILICONE - TUBE - W/O NOZZLE - CLEAR
	131264-02-01A	EA	SILICONE - TUBE - W/O NOZZLE - VW GRAY - BATH ONLY
	131264-03-01A	EA	SILICONE - TUBE - W/O NOZZLE- SELF LEVELING - BRIGHT WHITE
	131264-04-01A	EA	SILICONE - CLEAR - ADHESIVE
	131384-01-000	EA	ADHESIVE - JETWELD
	900390-01-000	EA	NOZZLE - SILICONE TUBE - 2.5" LONG
	900390-03-000	EA	NOZZLE - SILICONE TUBE - 4.3" LONG

### BOLTS, NUTS AND WASHERS

KEY	PART NUMBER	U/M	DESCRIPTION
	000C12-04-08B	EA	BOLT - HEX - 1/4-20 X 1/2 - GRADE #5 - ZINC
	000C12-04-40B	EA	BOLT - HEX - 1/4-20 X 2 1/2 - GRADE 5 ZINC
	000C12-05-16B	EA	BOLT - HEX - 5/16-18 X 1 - GRADE #5 - ZINC
	000C12-05-12B	EA	BOLT - HEX - 5/16-18 X 3/4 - GRADE #5 - ZINC
	000C12-06-16B	EA	BOLT - HEX - 3/8-16 X 1 - GRADE #5 - ZINC
	000C12-06-44B	EA	BOLT - HEX - 3/8-16 X 2 3/4 - GRADE 5 - ZINC
	000C12-07-20B	EA	BOLT - HEX - 7/16-14 X 1 1/4 - GRADE #5 - ZINC
	000C12-07-24B	EA	BOLT - HEX TAP - 1/2-13NC X 4 - GRADE 5 - FULL THREAD/ZINC
	000C12-08-16B	EA	BOLT - HEX - 1/2-13 X 1 - GRADE #5 - ZINC
	000C12-08-28B	EA	BOLT - HEX - 1/2-13 X 1 3/4 - GRADE #5 - ZINC
	000C12-08-24B	EA	BOLT - HEX - 1/2-13 X 1 1/2 - GRADE #5 - ZINC
	000C12-10-24B	EA	BOLT - HEX - 5/8-11 X 1 1/2 - GRADE #5 - ZINC
	000C13-07-40B	EA	BOLT - HEX - 7/16-20 X 2 1/2 - GRADE #5 - ZINC
	000C13-07-48B	EA	BOLT - HEX - 7/16-20 X 3 - GRADE #5 - ZINC
	000C14-07-28B	EA	BOLT - HEX - 7/16-14 X 1 3/4 - GRADE #8 - ZINC
	000C14-08-64B	EA	BOLT-HEX-1/2-13X4 ZN 8 - 01 431C
	000C14-10-32K	EA	BOLT - HEX - 5/8-11 X 2 - GRADE #8 - ZINC
	000C14-10-24K	EA	BOLT - HEX - 5/8-11 X 1 1/2 - GRADE #8 - ZINC
	000C18-05-40A	EA	BOLT - ELEVATOR - 5/16-18 X 2 1/2 - PL
	000C18-06-48B	EA	BOLT - ELEVATOR - 3/8-16 X 3 - GRADE 5 - ZINC
	000C26-04-14B	EA	BOLT - HEX - SERRATED FLANGE - 1/4-20 X 7/8 - ZINC
	000C26-04-10B	EA	BOLT - HEX - SERRATED FLANGE - 1/4-20 X 5/8 - ZINC
	000C26-04-18B	EA	BOLT - HEX - SERRATED FLANGE - 1/4-20 X 1 1/8 - ZINC
	000C26-05-20B	EA	BOLT - HEX - SERRATED FLANGE - 5/16-18 X 1 1/4 - ZINC
	000C26-05-12B	EA	BOLT - HEX - SERRATED FLANGE - 5/16-18 X 3/4 - ZINC
	000C26-05-249	EA	BOLT - HEX - SERRATED FLANGE - 5/16-18 X 1 1/2
	000C26-06-16B	EA	BOLT - HEX - SERRATED FLANGE - 3/8-16 X 1 - ZINC
	000C26-06-12B	EA	BOLT - HEX - SERRATED FLANGE - 3/8-16 X 3/4 - ZINC
	000C26-06-20B	EA	BOLT - HEX - SERRATED FLANGE - 3/8-16 X 1 1/4 - ZINC
	000C26-06-40B	EA	BOLT - HEX - SERRATED FLANGE - 3/8-16 X 2 1/2 - ZINC
	000C26-06-28B	EA	BOLT - HEX - SERRATED FLANGE - 3/8-16 X 1 3/4 - ZINC
	000C26-08-24B	EA	BOLT - HEX - SERRATED FLANGE - 1/2-13 X 1 1/2 - ZINC
	000C27-04-40B	EA	BOLT - CARRIAGE - 1/4-20 X 2 1/2 - ZINC
	000C27-05-44I	EA	BOLT-CARR,5/16-18X2.75" - BLACK ZINC
	000D16-07-00B	EA	NUT - HEX - 7/16-14 - ZINC
	000D24-10-00B	EA	NUT - HEX - SELF LOCKING - 10-32 ZINC
	000D28-10-00B	EA	NUT - HEX - W/NYLON LOCK - 10-32 ZINC
	000D29-04-00B	EA	NUT - HEX - SELF LOCKING - 1/4 X 20 - ZINC
	000D29-06-00B	EA	NUT - HEX - W/NYLON LOCK - 3/8-16 - ZINC
	000D29-09-00B	EA	NUT - HEX - SELF LOCKING - 9/16-12 - ZINC

**SEALANTS & FASTENERS GROUP (CONTINUED)**  
**BOLTS, NUTS AND WASHERS (CONTINUED)**

KEY	PART NUMBER	U/M	DESCRIPTION
	000D30-07-00B	EA	NUT - HEX LOCK - NYLON 7/16 X 20
	000D34-04-00B	EA	NUT - HEX - LOCKING - 1/4-20 - ZINC
	000D34-06-00B	EA	NUT - HEX - LOCKING - 3/8-16 GRADE C - ZINC
	000D39-04-00B	EA	NUT - HEX - LOCKING W/SERRATED FLANGE - 1/4-20 - ZINC
	000D39-05-00B	EA	NUT - HEX - LOCKING W/SERRATED FLANGE - 5/16-18 - ZINC
	000D39-06-00D	EA	NUT - HEX - LOCKING W/SERRATED FLANGE - 3/8"-16 BLACK
	000D39-06-00B	EA	NUT - HEX - LOCKING W/SERRATED FLANGE - 3/8-18 - ZINC
	000D39-07-00B	EA	NUT - HEX - LOCKING W/SERRATED FLANGE - 7/16-14 - ZINC
	000D39-08-00B	EA	NUT - HEX - LOCKING W/SERRATED FLANGE - 1/2-13 - ZINC
	000D44-04-00B	EA	NUT - HEX - LOCKING W/SERRATED FLANGE - 1/4-28 - ZINC
	000D44-07-00B	EA	NUT - HEX - LOCKING W/SERRATED FLANGE - 7/16-20 - ZINC
	000D44-08-00B	EA	NUT - HEX - SERRATED FLANGE - 1/2-20 - GRADE #5 - ZINC
	000D46-04-00A	EA	NUT - HEX - WELD - 1/4-20 - PLAIN
	000D58-06-00A	EA	NUT - HEX - WELD 3/8-16 - PLAIN
	000D65-08-00B	EA	NUT - HEX - LOCKING W/SERRATED FLANGE - 8-32 - ZINC
	000D67-10-00B	EA	NUT - HEX - LOCK - 5/8-11 - ZINC
	000D73-08-00C	EA	NUT - HEX FLANGE - 1/2-13
	000D75-09-00B	EA	NUT - HEX LOCKING - 9/16-12 - ZINC
	000D76-06-00B	EA	NUT - HEX FLANGE - 3/8-16
	000E11-04-00F	EA	WASHER - LOCKING - 1/4 MED SPLIT - STAINLESS STEEL
	000E11-07-00B	EA	WASHER - LOCKING - 7/16 MED SPLIT - ZINC
	000E11-08-00B	EA	WASHER - LOCKING - 1/2 MED SPLIT - ZINC
	000E13-17-00B	EA	WASHER - FLAT - 3/8 AR - ZINC
	000E13-18-00B	EA	WASHER - FLAT - 3/8 WIDE - ZINC
	000E13-20-00B	EA	WASHER - FLAT - 7/16 WIDE - ZINC
	000E13-22-00B	EA	WASHER - FLAT - 1/2 WIDE - ZINC
	000E13-26-00B	EA	WASHER - FLAT - 5/8 WIDE - ZINC
	000E14-10-00B	EA	WASHER - LOCKING - #10 EXTERNAL TOOTH - ZINC
	000E16-10-00B	EA	WASHER - HARDENED - 5/8 - FLAT - ZINC
	000G45-05-16B	EA	BOLT - LAG - 5/16-9 X 1 - ZINC
	000G62-08-24B	EA	SCREW - SF/DR - 8-18 X 1 1/2 PFH
	040921-03-000	EA	NUT - SPEED - U TYPE - #10
	040921-04-000	EA	NUT - SPEED - U TYPE - #8-.59" LENGTH X .44" WIDTH
	040921-05-000	EA	NUT - SPEED - U-TYPE - 8-.67" X .44" WIDE
	041322-01-000	EA	WASHER - FLANGE - 15/32 ID X 2 3/8 OD - F/SEAT BELT MTG
	044364-02-000	EA	NUT - SPEED - FLAT - ROUND
	044533-01-000	EA	WASHER - PLASTIC - 1 3/8 OD - FOR BUTTONS
	051387-06-000	EA	BOLT - CARRIAGE W/O HOLE - 5/16-18 X 9 1/2 - ZINC
	058716-02-000	EA	WASHER - FLAT NYLON
	058716-03-000	EA	WASHER - FLAT/NYLON - .500 X 1 1/4 X 060
	064081-03-000	EA	NUT - WING 3/8-16 - W/WELD NUT
	077071-01-000	EA	WASHER - FENDER - 3/16 ID X 1 OD
	084406-01-000	EA	NUT - CAPPED - CROSS RECESSED - BLACK - 1/4-20 THD
	087234-01-000	EA	NUT - JACK - 1/4 X 20 THD - MOLLY
	087718-01-000	EA	MONOBOLT - STEEL - 3/16 DIAMETER
	088787-12-000	EA	STUD - WELD - 1/4 - 20 X 1.0 LG - MN
	102333-01-06A	EA	BOLT - CARRIAGE - 7/16-14 STAINLESS STEEL CAP
	102333-02-01A	EA	BOLT - CARRIAGE - 1/4-20
	102540-02-000	EA	SEAL - SCREW
	103020-02-000	EA	BOLT-U - #8-32 - GRADE 5 ZINC
	104369-01-000	EA	NUT - HEX - HEAVY - 5/8-11 UNC
	106166-01-000	EA	BOLT/COLLARED HANGER - 8-32 X 1
	106956-03-000	EA	BOLT - HEX TAP - 1/2-12NC X 3 - GRADE 5 - FULL THREAD/ZINC
	106956-08-000	EA	BOLT - HEX TAP - 1/2-13NC X 4 - GRADE 5 - FULL THREAD/ZINC
	107397-01-000	EA	WASHER - FENDER - 3/4 ID X 1 OD
	108067-03-000	EA	STUD - WELD - 1/4 - 20 X 1/2 CD
	109917-01-000	EA	WASHER - 1.5" X 1.25"
	109917-03-000	EA	WASHER - 1" X .50"
	109917-04-000	EA	WASHER - 1" X .75"
	113985-02-000	EA	BOLT - FLANGE - M10-1 1/2 X 30CL 10.9
	114259-05-000	EA	BOLT - 7/16-20 X 1 1/4 W/WASHER
	120506-01-01A	EA	RIVET - PLASTIC - 3/16 DIAMETER
	128444-01-000	EA	WASHER - SPRING - CONICAL



**SEALANTS & FASTENERS GROUP (CONTINUED)**  
**BOLTS, NUTS AND WASHERS (CONTINUED)**

KEY	PART NUMBER	U/M	DESCRIPTION
	131377-01-000	EA	NUT-HEX HEAD W/WASHER-1/4-20 X 2" STEEL W/3/4" OD WASHER
	135092-01-01A	EA	BOLT - HEX - SERRATED FLANGE - 1/2-20 X 1 3/4-GRADE 5 ZINC
	135092-02-01A	EA	BOLT - HEX - SERRATED FLANGE - 1/2-20 X 2 1/2-GRADE 5 ZINC
	135092-04-01A	EA	BOLT - HEX - SERRATED FLANGE - 1/2-20 X 4 1/2 GRADE 5 ZINC

**SCREWS**

KEY	PART NUMBER	U/M	DESCRIPTION
	0G1106-08-240	EA	SCREW - 6-20 X 1/2 PPH - VW LIGHT GRAY
	0G1108-12-240	EA	SCREW - 8-18 X 3/4 PPH - VW LIGHT GRAY
	0G1208-12-170	EA	SCREW - 8-18 X 3/4 POH - BRIGHT WHITE
	0G1308-10-240	EA	SCREW - 8-18 X 5/8 PFH - VW LIGHT GRAY
	0G3804-22-180	EA	SCREW - MACHINE - 1/4-20 X 1 3/8 PFH - BLACK
	0G3908-08-160	EA	SCREW - SF/DR - 8-18 X 1/2 PPH - VW WHITE
	0G3908-08-170	EA	SCREW - SF/DR - 8-18 X 1/2 PPH - BRIGHT WHITE
	0G3908-12-240	EA	SCREW - SF/DR - 8-18 X .75 PPH - VW LIGHT GRAY
	0G3908-12-250	EA	SCREW - SF/DR - 8-18 X 3/4 PPH - DARK GRAY
	0G3908-24-170	EA	SCREW - SF/DR - 8-18 X 1 1/2 PPH - BRIGHT WHITE
	0G3910-10-240	EA	SCREW - SF/DR - 10-16 X 5/8 PPH - VW LIGHT GRAY
	0G3910-10-320	EA	SCREW - SF/DR - 10-16 X 5/8 PPH - GLACIER
	0G3910-10-330	EA	SCREW - SF/DR - 20-16 X 5/8 PPH - PUTTY
	0G3910-12-170	EA	SCREW - SF/DR - 10-16 X 3/4 PPH - BRIGHT WHITE
	0G3910-12-320	EA	SCREW - SF/DR - 10-16 X .75 PPH - GLACIER
	0G5508-08-250	EA	SCREW - SF/DR - 8-18 X 1/2 PWH - VW DARK GRAY
	0G5508-12-170	EA	SCREW - SF/DR - 8-18 X 3/4 PWH - BRIGHT WHITE
	0G5508-12-240	EA	SCREW - SF/DR - 8-18 X 3/4 PWH - VW LIGHT GRAY
	0G5508-12-330	EA	SCREW - SF/DR - 8-18 X 3/4 PWH - PUTTY
	0G5508-12-320	EA	SCREW - SF/DR - 8-18 X 3/4 PWH - GLACIER
	0G5508-16-260	EA	SCREW - SF/DR - 8-18 X 1 PWH ZINC - INTERIOR ANTELOPE
	0G5508-16-250	EA	SCREW - SF/DR - 8-18 X 1 PWH - VW DARK GRAY
	0G5508-16-310	EA	SCREW - SF/DR - 8-18 X 1 PWH - CADDY CREAM
	0G5508-16-330	EA	SCREW - SF/DR - 8-18 X 1 PWH - PUTTY
	0G6008-16-170	EA	SCREW - SF/DR - 8-18 X 1 POH - BRIGHT WHITE
	0G6710-08-110	EA	SCREW - 10-12 X 1/2 PPH - HAMPTON TAN
	0G6710-08-240	EA	SCREW - 10-12 X 1/2 PPH TAUPE - VW LIGHT GRAY
	0G6710-08-170	EA	SCREW - 10-12 X 1/2 PPH - BRIGHT WHITE
	0G6710-12-170	EA	SCREW - 10-12 X 3/4 PPH - BRIGHT WHITE
	0G6806-16-170	EA	SCREW - 6-18 X 1 POH - BRIGHT WHITE
	0G6810-24-280	EA	SCREW - 10-12 X 1 1/2 POH - SOFT WHITE
	000C20-05-28F	EA	SCREW - 5/16-18 X 1 3/4 FLAT SOC - STAINLESS STEEL
	000C20-06-24T	EA	SCREW - 3/8-16 X 1 1/2 - FLAT SOCKET
	000G11-06-24B	EA	SCREW - 6-20 X 1 1/2 PPH ZINC
	000G11-06-10J	EA	SCREW - 6-20 X 5/8 PPH - BRASS
	000G11-06-10B	EA	SCREW - 6-20 X 5/8 PPH - ZINC
	000G11-06-08B	EA	SCREW - 6-20 X 1/2 PPH - ZINC
	000G11-06-06B	EA	SCREW - 6-20 X 3/8 PPH - ZINC
	000G11-07-08B	EA	SCREW - 7-19 X 1/2 PPH - ZINC
	000G11-08-20B	EA	SCREW - 8-18 X 1 1/4 PPH - ZINC
	000G11-08-20G	EA	SCREW - 8-18 X 1 1/4 - ANTIQUE BRASS
	000G11-08-16B	EA	SCREW - 8-18 X 1 PPH - ZINC
	000G11-08-12T	EA	SCREW - 8-18 X 3/4 PPH - BLACK MAGNESIUM
	000G11-08-12P	EA	SCREW - 8-18 X 3/4 PPH - DARK BROWN
	000G11-08-12D	EA	SCREW - 8-18 X 3/4 PPH - BLACK PHOSPHATE
	000G11-08-12B	EA	SCREW - 8-18 X 3/4 PPH - ZINC
	000G11-08-08T	EA	SCREW - 8-18 X 1/2 PPH - FLUOROCARBON COATING
	000G11-08-06J	EA	SCREW - 8-18 X 3/8 PPH BRASS
	000G11-08-06B	EA	SCREW - 8-18 X 3/8 PPH - ZINC
	000G11-10-12S	EA	SCREW - 10-16 X 3/4 PPH - OFF WHITE
	000G11-10-12D	EA	SCREW - 10-16 X 3/4 PPH - BLACK
	000G12-06-08T	EA	SCREW - 6-20 X 1/2 POH - BLACK
	000G12-08-12S	EA	SCREW - 8-18 X 3/4 POH - OFF WHITE
	000G13-05-10B	EA	SCREW - 5-12 X 5/8 PFH - ZINC
	000G13-06-08B	EA	SCREW - 6-20 X 1/2 PFH - ZINC

**SEALANTS & FASTENERS GROUP (CONTINUED)**  
**SCREWS (CONTINUED)**

<b>KEY</b>	<b>PART NUMBER</b>	<b>U/M</b>	<b>DESCRIPTION</b>
	000G13-06-06I	EA	SCREW - 6-20 X 3/8 PFH - BLACK ZINC
	000G13-06-24J	EA	SCREW - 6-20 X 1 1/2 PFH - BRASS
	000G13-06-16J	EA	SCREW - 6-20 X 1 PFH - BRASS
	000G13-06-16S	EA	SCREW - 6-20 X 1 PFH - OFF WHITE
	000G13-06-10J	EA	SCREW - 6-20 X 5/8 PFH - BRASS
	000G13-06-10G	EA	SCREW - 6-20 X 5/8 PFH - ANTIQUE BRASS
	000G13-06-08G	EA	SCREW - 6-20 X 1/2 PFH - ANTIQUE BRASS
	000G13-07-12B	EA	SCREW - 7-19 X 3/4 PFH - ZINC
	000G13-07-10H	EA	SCREW - 7-19 X 5/8 PFH - BLACK
	000G13-08-24B	EA	SCREW - 8-18 X 1 1/2 PFH - ZINC
	000G13-08-16B	EA	SCREW - 8-18 X 1 PFH - ZINC
	000G13-08-109	EA	SCREW - 8-18 X 5/8 PFH
	000G16-04-24B	EA	SCREW - MACHINE - 1/4-20 X 1 1/2 PPH
	000G18-08-16B	EA	SCREW - MACHINE - 8-32 X 1 PPH - ZINC
	000G18-08-24B	EA	SCREW - MACHINE - 8-32 X 1 1/2 PPH - ZINC
	000G18-08-22B	EA	SCREW - MACHINE - 8-32 X 1 3/8 PPH - ZINC
	000G18-08-12B	EA	SCREW - MACHINE - 8-32 X 3/4 PPH - ZINC
	000G19-10-08B	EA	SCREW - MACHINE - 10-32 X 1/2 PPH - ZINC
	000G19-10-20B	EA	SCREW - MACHINE - 10-32 X 1 1/2 PPH - ZINC
	000G19-10-12F	EA	SCREW - MACHINE - 10-32 X 3/4 PPH - STAINLESS STEEL
	000G19-10-10B	EA	SCREW - MACHINE - 10-32 X 5/8 - PPH - ZINC
	000G32-10-06B	EA	SCREW - 10-32 X 3/8 PPH - ZINC
	000G37-08-089	EA	SCREW - 8 X 18 X 1/2 PPH - FLUOROCARBON SILVER
	000G39-06-10T	EA	SCREW - SF/DR - 6-20 X 5/8 PPH - BLACK
	000G39-06-16T	EA	SCREW - SF/DR - 6-20 X 1 PPH - BLACK
	000G39-08-08B	EA	SCREW - SF/DR - 8-18 X 1/2 PPH - ZINC
	000G39-08-06B	EA	SCREW - SF/DR - 8-18 X 3/8 PPH - ZINC
	000G39-08-32B	EA	SCREW - SF/DR - 8-18 X 2 PPH - ZINC
	000G39-08-24T	EA	SCREW - SF/DR - 8-18 X 1 1/2 PPH - BLACK
	000G39-08-24B	EA	SCREW - SF/DR - 8-18 X 1 1/2 PPH - ZINC
	000G39-08-16T	EA	SCREW - SF/DR - 6-20 X 1 PPH - BLACK
	000G39-08-16B	EA	SCREW - SF/DR - 8-18 X 1 PPH - ZINC
	000G39-08-12T	EA	SCREW - SF/DR - 8-18 X 3/4 PPH - BLACK
	000G39-08-12B	EA	SCREW - SF/DR - 8-18 X 3/4 PPH - ZINC
	000G39-08-08T	EA	SCREW - SF/DR - 8-18 X 1/2 PPH - BLACK
	000G39-08-08S	EA	SCREW - SF/DR - 8-18 X 1/2 PPH - OFF WHITE
	000G39-10-088	EA	SCREW - SF/DR - 10-16 X 1/2 PPH - FLEX FLUOROCARBON
	000G39-10-08B	EA	SCREW - SF/DR - 10-16 X 1/2 PPH - ZINC
	000G39-10-12B	EA	SCREW - SF/DR - 10-16 X 3/4 PPH - ZINC
	000G39-10-10T	EA	SCREW - SF/DR - 10-16 X 5/8 - BLACK
	000G39-10-10B	EA	SCREW - SF/DR - 10-16 X 5/8 - ZINC
	000G39-10-48B	EA	SCREW - SF/DR - 10-16 X 3 - PPH - ZINC
	000G39-10-40D	EA	SCREW - SF/DR - 10-16 X 2 1/2 PPH - BLACK
	000G39-10-32I	EA	SCREW - SELF TAPPING - 10-16 X 2 PPH - BLACK
	000G39-10-32B	EA	SCREW - SF/DR - 10-16 X 2 - PPH - ZINC
	000G39-10-209	EA	SCREW - SF/DR - 10-16 X 1 1/4 PPH - FLUOROCARBON SILVER
	000G39-10-20T	EA	SCREW - SF/DR - 10-16 X 1 1/4 PPH - BLACK
	000G39-10-20B	EA	SCREW - SF/DR - 10-16 X 1 1/4 PPH - ZINC
	000G39-10-169	EA	SCREW - SF/DR - 10-16 X 1 PPH - FLUOROCARBON SILVER
	000G39-10-129	EA	SCREW - SF/DR - 10-16 X 3/4 PPH - FLUOROCARBON SILVER
	000G39-10-12T	EA	SCREW - SF/DR - 10-16 X 3/4 - BLACK
	000G39-10-12S	EA	SCREW - SF/DR - 10-16 X 3/4 PPH - OFF WHITE
	000G39-12-12E	EA	SCREW - SF/DR - 12-14 X 3/4 PPH - CHROME
	000G42-04-24B	EA	SCREW - SF/DR - 1/4-14 X 1 1/2 - ZINC
	000G42-04-16B	EA	SCREW - SF/DR - 1/4-14 X 1 HWH - ZINC
	000G50-04-12B	EA	SCREW - MACHINE - 1/4-20 X 3/4 PPH - ZINC
	000G50-04-06B	EA	SCREW - MACHINE - 1/4-20 X 3/8 PTH - ZINC
	000G51-06-12B	EA	SCREW - 6-20 X 3/4 PTH - ZINC
	000G52-06-06B	EA	SCREW - MACHINE - 6-32 X 3/8 PTN - ZINC
	000G52-06-05B	EA	SCREW - MACHINE - 6-32 X 5/16 PTH ZINC
	000G55-08-16T	EA	SCREW - SF/DR - 8-18 X 1 PWH - BLACK
	000G55-08-12S	EA	SCREW - SF/DR - 8-18 X 3/4 PWH - OFF WHITE
	000G56-12-48B	EA	SCREW - WOOD - 12-11 X 3 POH - SPECIAL HARDENED

**SEALANTS & FASTENERS GROUP (CONTINUED)**  
**SCREWS (CONTINUED)**

KEY	PART NUMBER	U/M	DESCRIPTION
	000G57-14-72B	EA	SCREW-14-10-X4-1/2 PFH ZN            GENERAL MOTORHOMES
	000G57-14-64B	EA	SCREW - 14-10 X 4 PFH ZINC
	000G60-08-22B	EA	SCREW - SF/DR - 8-18 X 1.38 POH - ZINC
	000G60-08-20F	EA	SCREW - SF/DR - 8-19X1.25 POH
	000G60-08-16E	EA	SCREW - SF/DR - 8-1 X 1 POH - CHROME
	000G60-10-20B	EA	SCREW - SF/DR - 10-16 X 1 1/4 POH - ZINC
	000G60-10-28T	EA	SCREW - SF/DR - 10-16 X 1 3/4 - BLACK
	000G60-10-209	EA	SCREW - SF/DR - 10-16 X 1 1/4 POH - SILVER STALGAARD
	000G67-08-32B	EA	SCREW - 8-15 X 2 PPH - ZINC
	000G67-10-08B	EA	SCREW - 10-12 X 1/2 PPH - ZINC
	000G67-10-10S	EA	SCREW - 10-12 X 5/8 PPH - OFF WHITE
	000G67-10-10P	EA	SCREW - 10-12 X 5/8 PPH - DARK BROWN
	000G67-10-10B	EA	SCREW - 10-12 X 5/8 PPH - ZINC - TYPE A
	000G67-10-08S	EA	SCREW - 10-12 X 1/2 PPH - OFF WHITE
	000G67-10-32B	EA	SCREW - 10-12 X 2 PPH - ZINC
	000G67-10-24B	EA	SCREW - 10-12 X 1 1/2 PPH - ZINC
	000G67-10-20D	EA	SCREW - 10-12 X 1 1/4 PPH - BLACK
	000G67-10-16B	EA	SCREW - 10-12 X 1 PPH - ZINC
	000G67-10-12P	EA	SCREW - 10-12 X 3/4 PPH - DARK BROWN
	000G67-10-12B	EA	SCREW - 10-12 X 3/4 PPH - ZINC
	000G67-10-10T	EA	SCREW - 10-12 X 5/8 PPH - BLACK
	000G68-06-10G	EA	SCREW - 6-18 X 5/8 POH - ANTIQUE BRASS
	000G68-06-12J	EA	SCREW - 6-18 X 3/4 POH - BRASS
	000G68-06-12B	EA	SCREW - 6-18 X 3/4 POH - ZINC & CLEAR
	000G68-06-10J	EA	SCREW - 6-18 X 5/8 POH - BRASS
	000G68-10-20I	EA	SCREW - 10-12 X 1 1/4 POH - BLACK
	029130-05-000	EA	SCREW - SNAP STUD - #8-16 X 5/8" LONG
	049465-03-000	EA	SCREW - 10-16 X 1 POH W/WASHER - OFF WHITE
	049465-04-000	EA	SCREW - 10-16 X 1 PTH W/WASHER - BEIGE
	049465-17-000	EA	SCREW - 10-16 X 1 POH W/WASHER - BRIGHT WHITE
	049465-23-000	EA	SCREW - 10-16 X 1.5 POH W/WASHER - VW LIGHT GRAY
	054434-02-000	EA	SCREW - SF/DR - 10-16 X 2 - ZINC
	054434-03-000	EA	SCREW - SF/DR - 10-16 X 2 - PWH - ZINC - W/O WINGS
	075908-01-000	EA	SCREW - MACHINE - 10-32 X .56 PTH - EXTERNAL TOOTH - ZINC
	076790-01-000	EA	SCREW - 6-20 X 1 1/4 PPH - BLACK
	076790-03-000	EA	SCREW - 6-20 X 1 PPH - BLACK
	076790-05-000	EA	SCREW - 6-20 X 1/2 PPH - BLACK - THREAD CUTTING/WOOD
	087721-01-000	EA	SCREW - FLAT HEAD - TAPPING - 1/4 X 1 1/4 LONG - ZINC
	090033-02-000	EA	SCREW - 1/4-20 X 5/8 - ROUND WASHER HEAD - OFF/WHITE
	091230-06-000	EA	SCREW-MACH,8-32X3/4 POH SS - BRIGHT WHITE
	097974-01-000	EA	SCREW - PARTICLE BOARD - 7-9 X 3/4 PPH
	101618-01-000	EA	SCREW - 1/4-20 X 3/4 HEX - TAPPING - STALGARD TYPE F
	105126-01-000	EA	SCREW - MACHINE - 8-32 X 1 PPH TAPTIT
	110460-05-02A	EA	SCREW - MACHINE - 10-24 X 2 1/2 PFH - WHITE
	113563-01-01A	EA	SCREW - 8 X 5/8 LONG SHOULDER/WASHER HEAD
	117478-01-04A	EA	SCREW - 8-18 X 3/4 PPH W/WASHER - VW LIGHT GRAY
	118383-01-09A	EA	RETAINER/RECESSED - F/.22" SCREW - GLACIER
	118383-01-05A	EA	RETAINER/RECESSED - F/.22" SCREW - VW LIGHT GRAY
	118383-01-04A	EA	RETAINER/RECESSED - F/.22" SCREW - BRIGHT WHITE
	118383-02-05A	EA	RETAINER/RECESSED - F/.27" SCREW - VW LIGHT GRAY
	118383-02-09A	EA	RETAINER/RECESSED - F/.27" SCREW - GLACIER
	118383-03-09A	EA	RETAINER/RECESSED - F/.32" SCREW - GLACIER
	118383-03-05A	EA	RETAINER/RECESSED - F/.32" SCREW - VW LT. GRAY
	118383-04-09A	EA	CAP - F/RECESSED RETAINER - GLACIER
	118383-04-05A	EA	CAP - F/RECESSED RETAINER - VW LIGHT GRAY
	118383-04-04A	EA	CAP - F/RECESSED RETAINER - BRIGHT WHITE
	134126-01-01A	EA	SCREW/NAIL - HEX HEAD - 3/4"
	134126-02-01A	EA	SCREW/NAIL - HEX HEAD - 1 1/4"
	140040-01-000	EA	SCREW - 1/4-20X1 - BUTTON HEAD SOCKET - W/LOCTITE

**SEALANTS & FASTENERS GROUP (CONTINUED)**  
**CLAMPS, CLIPS, GROMMETS, RIVETS & PLUGS**

KEY	PART NUMBER	U/M	DESCRIPTION
	000F10-06-32B	EA	PIN - COTTER - 3/16" X 2" - ZINC
	000H14-06-06R	EA	RIVET-MANDREL BLIND,3/16 AL - CHERRY BSP-66
	000H16-04-06R	EA	RIVET - POP ALUMINUM - 1/8 X .313 - .375
	000H16-06-10R	EA	RIVET - POP ALUMINUM - 3/16 X .501-.625
	007161-01-000	EA	CLAMP - HOSE - SPRING TYPE - 1/2"
	008384-01-000	EA	GROMMET - SNAP - 3/4 DIAMETER - NYLON
	008386-01-000	EA	GROMMET - SNAP - 3/8" DIAMETER - NYLON
	010495-01-000	EA	CLAMP - CABLE - 9/16"
	010495-02-000	EA	CLAMP - CABLE - 3/8"
	010495-04-000	EA	CLAMP - CABLE - 11/16" - WHITE
	010497-01-000	EA	CLAMP - CLOSED - 5/8" ID
	010497-03-000	EA	CLAMP - CLOSED - 1" ID - CUSHIONED
	010497-04-000	EA	CLAMP - CLOSED - 1 5/8" ID
	010497-05-000	EA	CLAMP - CLOSED - 1/2" ID
	010497-07-000	EA	CLAMP - CLOSED - 3/8" ID
	010499-01-000	EA	CLAMP - CLOSED - 3/8" ID
	016188-03-000	EA	GROMMET - L/P LINE - 3/8" HOLE X 2 1/2" LONG - RUBBER
	016188-04-000	EA	GROMMET - L/P LINE - 1/2" HOLE X 2 1/2" LONG - RUBBER
	016188-05-000	EA	GROMMET - L/P LINE - 3/8" HOLE X 1 1/4" LONG - RUBBER
	016188-06-000	EA	GROMMET - L/P LINE - 3/8" X 31 1/4" LONG
	016188-07-000	EA	GROMMET - L/P LINE - 1/2" X 3 1/4" LONG
	023942-01-000	EA	GROMMET - RUBBER - 2" OD
	034141-02-000	EA	PLUG/NYLON - .38" - BLACK
	056134-01-000	EA	HOLDER - RING - 3.6" DIAMETER - METAL
	056134-02-000	EA	HOLDER - RING - 1.8" DIAMETER - METAL
	061420-04-000	EA	PLUG/PLASTIC - 1 1/4" DIAMETER
	061420-05-000	EA	PLUG/PLASTIC - 1 1/2" DIAMETER
	061420-08-000	EA	PLUG/PLASTIC - 2 1/2" DIAMETER
	061420-09-000	EA	PLUG/PLASTIC - 1.00" - DIAMETER
	061420-10-000	EA	PLUG/PLASTIC - 1 1/2" DIAMETER - BLACK
	061420-15-000	EA	PLUG/PLASTIC - 2" DIAMETER - BLACK
	062401-01-000	EA	CLAMP - HOSE - WORMGEAR - .25" - 1"
	062401-02-000	EA	CLAMP - HOSE - WORMGEAR - 1.56" - 2.5"
	062401-03-000	EA	CLAMP - HOSE - WORMGEAR - .22" - 1"
	062401-04-000	EA	CLAMP - HOSE - WORMGEAR - .69" - 1.25"
	062401-05-000	EA	CLAMP - HOSE - WORMGEAR - 2" - 3" ID
	062401-06-000	EA	CLAMP - HOSE - WORMGEAR - .22" - .62" ID
	062401-09-000	EA	CLAMP - HOSE - WORMGEAR - 2.8" - 3.75"
	062401-11-000	EA	CLAMP - HOSE - WORMGEAR - 3.50" - 4.50"
	062401-12-000	EA	CLAMP - HOSE - WORMGEAR - .79" X 1.26"
	071015-11-000	EA	GROMMET - RUBBER - 1"ID FITS .12 MATERIAL - BLACK
	071015-19-000	EA	GROMMET - RUBBER - .38 ID - FITS .06 MATERIAL - BLACK
	071015-26-000	EA	GROMMET - RUBBER - 1.5" ID X 2.1" OD W/.06" GROOVE-BLACK
	071015-29-000	EA	GROMMET - RUBBER - .3" ID X 1.3"OD W/.12" GROOVE - BLACK
	071015-30-000	EA	GROMMET - RUBBER - .31" ID X .81" OD W/.12" GROOVE-BLACK
	071015-39-000	EA	GROMMET - .75 ID FITS .06 MTL
	071015-40-000	EA	GROMMET - .38 ID FITS .09 MTL
	071015-41-000	EA	GROMMET - .125 ID FITS .188 MTL
	075148-02-000	EA	CLAMP - GROUNDING - BRONZE SCREWS
	077955-01-000	EA	CLIP/J - 3/8" - VINYL COATED
	080211-03-000	EA	CLIP - XMAS TREE W/PANEL RETAINING HEAD - 3/4" SHANK
	080734-02-000	EA	CLIP - WIRE NYLON
	081211-03-000	EA	PLUG/PLASTIC - .50 DIAMETER - BLACK
	081211-04-000	EA	PLUG/PLASTIC - .46 DIAMETER - BLACK
	083609-01-000	EA	CLAMP - WIRE - DUAL - EQUAL DIAMETERS - 5/8"
	083610-01-000	EA	CLAMP - WIRE - DUAL - UNEQUAL DIAMETERS - 3/4" & 1 1/4"
	083610-02-000	EA	CLAMP - WIRE - DUAL - UNEQUAL DIAMETERS - 3/4" & 2"
	083610-03-000	EA	CLAMP - WIRE - DUAL - EQUAL DIAMETERS - 2"
	088756-01-000	EA	GROMMET - WEB - 1 1/8 i l.D.
	091952-01-000	EA	CLIP - GRIPPER - 1"
	091952-02-000	EA	CLIP - GRIPPER - 3/4"
	094362-02-000	EA	CLIP - XMAS TREE - BINDER HEAD - .9" LONG
	094362-05-000	EA	CLIP - XMAS TREE - ROUND HEAD - 1.4" LONG

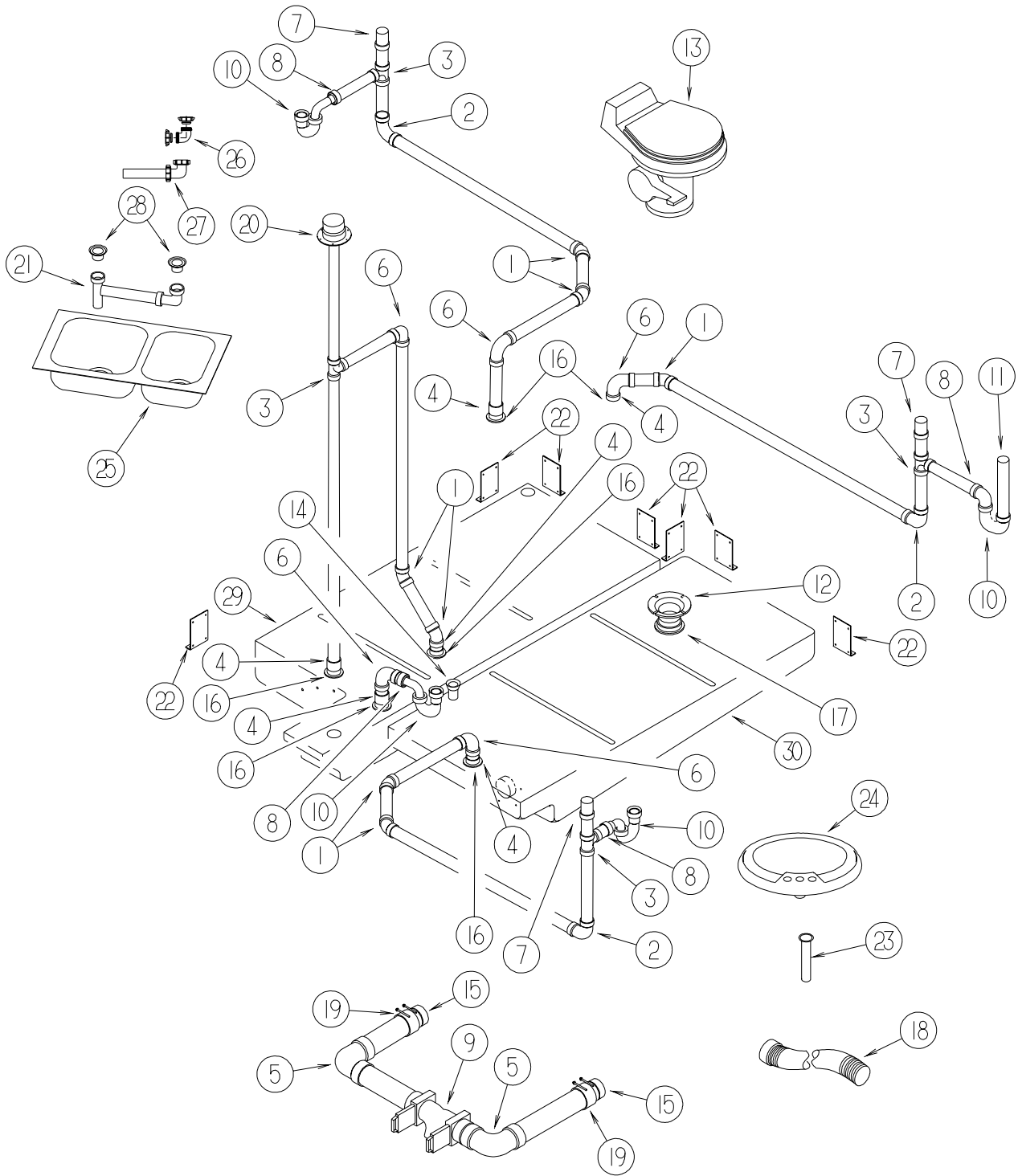
**SEALANTS & FASTENERS GROUP (CONTINUED)**  
**CLAMPS, CLIPS, GROMMETS, RIVETS & PLUGS (CONTINUED)**

KEY	PART NUMBER	U/M	DESCRIPTION
	114208-01-000	EA	GROMMET - EDGE LINER - FITS 1 3/4"
	114208-03-000	EA	GROMMET - EDGE LINER - FITS 2 1/2"
	114208-04-000	EA	GROMMET - EDGE LINER - FITS 1"
	114208-05-000	EA	GROMMET - EDGE LINER - FITS 2"
	118626-01-01A	EA	RIVET - POP - ALUMINUM - 3/16 X .08 - .375
	118626-02-01A	EA	RIVET - POP - ALUMINUM - 3/16 X .500 - .750
	137014-01-02A	EA	GROMMET - CABLE - BROWN
	137014-01-01A	EA	GROMMET - CABLE - ALMOND
	139118-01-01A	EA	GROMMET - PLASTIC/SCREW
	139118-02-01A	EA	GROMMET - SCREW - PLASTIC
	140171-02-000	EA	CLAMP - HOSE - STEPLESS EAR - .250

**MISCELLANEOUS FASTENERS**

KEY	PART NUMBER	U/M	DESCRIPTION
	008343-01-000	EA	TIE - WIRE - 6"
	008343-02-000	EA	TIE - WIRE - 14"
	008343-03-000	EA	TIE - WIRE - 7 1/2" - BLACK
	029094-04-000	YD	VELCRO TAPE - LOOP - 1" WIDE - BLACK
	029096-03-000	YD	VELCRO TAPE - HOOK - 1" WIDE - BLACK
	029096-04-000	YD	VELCRO TAPE - HOOK - 1" WIDE - BLACK
	048394-02-000	YD	VELCRO TAPE - HOOK - ADHESIVE BACK - 3/4" WIDE - BEIGE
	085774-01-000	FT	FASTENER - DUAL LOCK - 1" WIDE - ADHESIVE BACK - BLACK
	085774-02-000	FT	FASTENER - DUAL HOOK - 1" WIDE - ADHESIVE BACK - BLACK
	085774-03-000	FT	FASTENER - DUAL LOCK - 1/2" WIDE - ADHESIVE BACK - BLACK
	085774-04-000	FT	FASTENER - DUAL HOOK - 1/2" WIDE - ADHESIVE BACK - BLACK
	088792-02-000	YD	VELCRO TAPE - LOOP - 3/4" - ADHESIVE BACK - BEIGE
	088792-04-000	YD	VELCRO TAPE - HOOK - 5/8" - NON-ADHESIVE BACK - WHITE
	088792-05-000	YD	VELCRO TAPE - LOOP - 5/8" - NON-ADHESIVE BACK - WHITE
	108046-01-000	EA	CABLE TIE - SCREW MOUNT 8"
	108046-02-000	EA	CABLE TIE - SCREW MOUNT 15"
	110943-02-000	FT	FELT STRIP - 3/8" - ADHESIVE BACK - WHITE
	113133-02-01A	EA	RIVET - POP - ALUMINUM - 3/16 X .252 - .504 - BLACK
	123816-04-000	FT	TAPE - DOUBLE SIDED - 6" X 750'
	127960-01-01A	EA	RETAINER - 3/8" - STAINLESS STEEL

# WATER & SEWAGE GROUP DRAINAGE SYSTEM



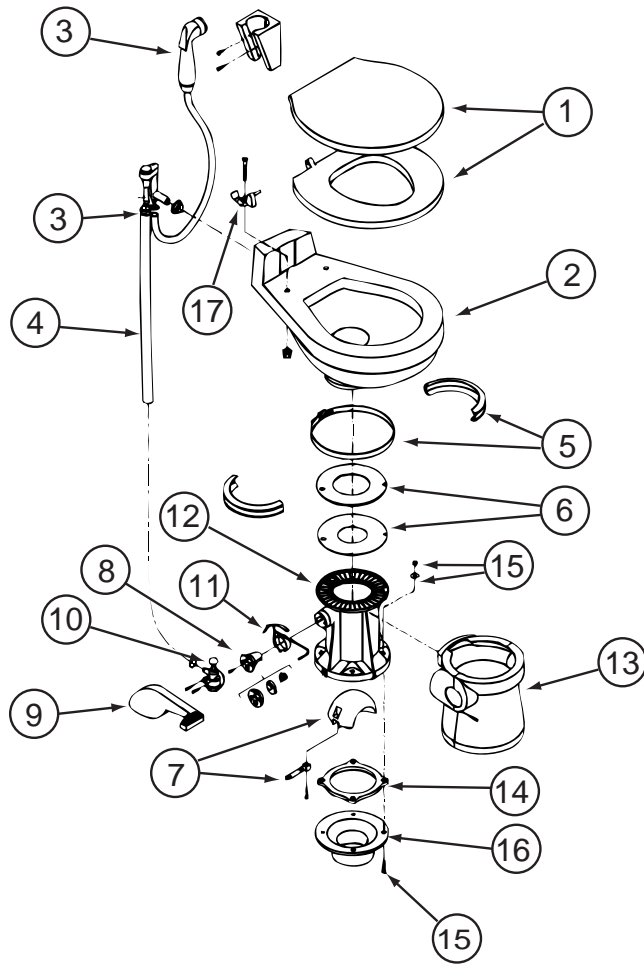
KEY	PART NUMBER	U/M	DESCRIPTION
1	010006-01-000	EA	ELBOW - 45 DEGREE - 1 1/2" HUB X HUB - PLASTIC
2	010008-01-000	EA	ELBOW - 90 DEGREE - 1 1/2" HUB X HUB - PLASTIC
3	010071-01-000	EA	TEE - SANITARY - 1 1/2" HUB X HUB X HUB - PLASTIC
4	010115-01-000	EA	COUPLING - 1 1/2" HUB X HUB - PLASTIC
5	031126-01-000	EA	ELBOW - 1/4 BEND - 3" X 90" XLT - BLACK PLASTIC
6	034250-01-000	EA	ELBOW - 90 DEGREE - LONG TURN - 1 1/2" HUB X HUB - ABS
7	079968-01-000	EA	VENT - MECHANICAL/TRAP ARM - ANTI-SIPHON-2" X 7.3" PLASTIC
8	109571-01-000	EA	ADAPTER - P-TRAP - 1 1/2"P X 1 1/4"MPT
9	136143-01-000	EA	VALVE - DUAL - 3" X 3"
10	107538-01-000	EA	P-TRAP - PLASTIC - 1 1/4" W/EXTENSION ARM
10	011071-01-000	EA	P-TRAP - PLASTIC - 1 1/2" - CSA
11	126588-02-000	EA	ARM - WASTE - 1 1/2 X 20" - FEMALE
12	116644-01-000	EA	FLANGE/CLOSET - 4 BOLT X 3" FEMALE

**WATER & SEWAGE GROUP (CONTINUED)**  
**DRAINAGE SYSTEM (CONTINUED)**

KEY	PART NUMBER	U/M	DESCRIPTION
13*	134789-01-01A	EA	TOILET W/SPRAYER - SHORT - CHINA - WHITE
14	120981-01-01A	EA	DRAIN - BATH/SHOWER W/SPRING LOADED PLUNGER - BRASS
	011069-02-000	EA	TAILPIECE - TUB/SHOWER - 1 1/2" X 1 1/4" X 4" - BRASS
	127440-02-01A	EA	WASHER - RUBBER - 1.8" X .1"
	130403-01-000	EA	NUT - SLIP - W/WINGS 1 1/2"
15	010129-03-000	EA	NIPPLE - PLASTIC - 3" X 3" TOE
16	061607-01-000	EA	GROMMET - HOLDING TANK - 1 1/2" NPS
17	061607-02-000	EA	GROMMET - HOLDING TANK - 3" NPS
18	010201-01-000	EA	HOSE - SEWER - 3" ID X 8'
			FROM: 00-00-00 THRU: 06-10-01
18	062416-01-000	EA	ADAPTER - SEWER HOSE TO 3" PIPE
			FROM: 00-00-00 THRU: 06-10-01
18	139513-01-000	EA	HOSE - SEWER - 3" X 10' - W/ADAPTER
			FROM: 06-11-01 THRU: 99-99-99
19	078406-01-000	EA	COUPLER - RUBBER - W/CLAMPS - 3" X 3"
20	083558-06-000	EA	VENT - ROOF PLUMBING PIPE - COVERED
21	091980-01-000	EA	WASTE - CONTINUOUS
22	094756-02-01A	EA	BRACKET - L - 6.1" LONG X 3.9" WIDE - STEEL
23	106116-01-02A	EA	STRAINER/PLASTIC - STOPPER/TAILPIECE/GASKET & NUT-LAVATORY
	106116-02-01A	EA	GASKET - STRAINER
			FROM: 06-29-01 THRU: 99-99-99
24	136639-01-01A	EA	SINK - LAVATORY W/SOAP DISH - WHITE
25	136828-01-01A	EA	SINK - DOUBLE - LARGE/SMALL BASIN - 25" X 19" X 7"
26	125569-01-000	EA	ELBOW - 1 1/2" X 90 DEGREE - DOUBLE SLIP
			FROM: 00-00-00 THRU: 06-18-01
27	126588-02-000	EA	ARM - WASTE - 1 1/2 X 20" - FEMALE
			FROM: 00-00-00 THRU: 06-18-01
28	092303-01-000	EA	STRAINER - W/BASKET - GALLEY SINK - 4" OD
	127440-02-01A	EA	WASHER - RUBBER - 1.8" X .1"
29	128182-01-700	EA	TANK - HOLDING - 55 GALLON W/3" OUTLET NIPPLE
30	128776-01-700	EA	TANK - HOLDING W/3" NIPPL

**\*COMPONENT PARTS LISTED LATER IN THIS GROUP**

**WATER & SEWAGE GROUP (CONTINUED)**  
**COMPONENT PARTS FOR DRAINAGE SYSTEM**



**134789-01-01A**

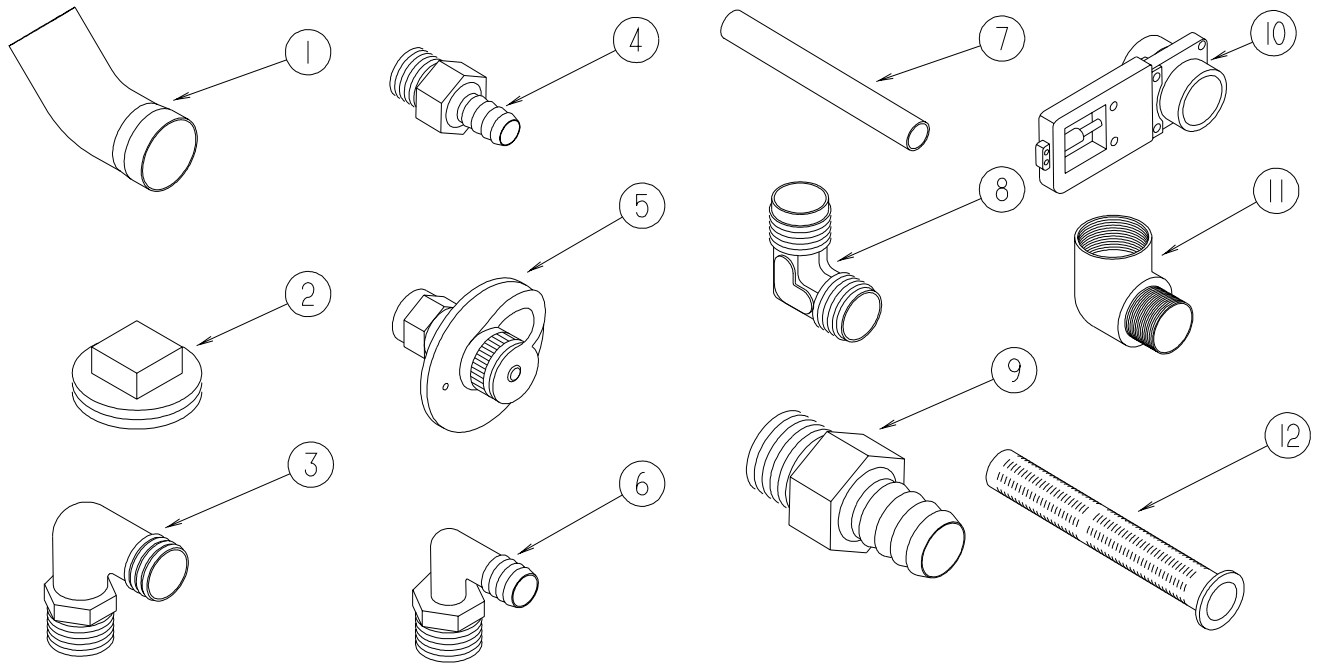
KEY	PART NUMBER	U/M	DESCRIPTION	VENDOR NO.
1	085330-09-700	EA	SEAT ASSEMBLY WHITE	340590
2	134789-01-700	EA	BOWL/CHINA	310615
3	085330-04-701	EA	HAND SPRAY W/HOSE(500 & 900)	340683
3	085330-06-701	EA	BREAKER-VACUUM/DIVERTER(900)	230335
5	085330-01-703	EA	RING & HALF CLAMPS, BONE	385310048
6	085330-01-704	EA	TEFLON & RUBBER SEAL KIT	385316140
7	085330-01-706	EA	BALL(FLAPPER)SHAFT/CARTRIDGE	385318162
8	085330-01-707	EA	CARTRIDGE SPRING ASSEMBLY	381236096
9	085330-09-702	EA	COVER/PEDAL KIT - WHITE	310114
10	085330-01-709	EA	VALVE-WATER	385314349
11	085330-06-703	EA	LEVER-FLUSH	340873
12	085330-09-703	EA	BASE KIT - BONE	310120
13	085330-09-704	EA	PEDESTAL COVER - WHITE	310111
14	085330-01-723	EA	SEAL - FLOOR FLANGE	341549
15	085330-01-717	EA	BOLT MOUNTING PACKAGE	3100-64
16	085330-01-716	EA	FLANGE-FLOOR, 3" MPT	345889
17	085330-09-705	EA	HINGE-HARDWARE SET - (WHITE)	342130

CONTACT WINNEBAGO PART SALES FOR UNLISTED COMPONENTS



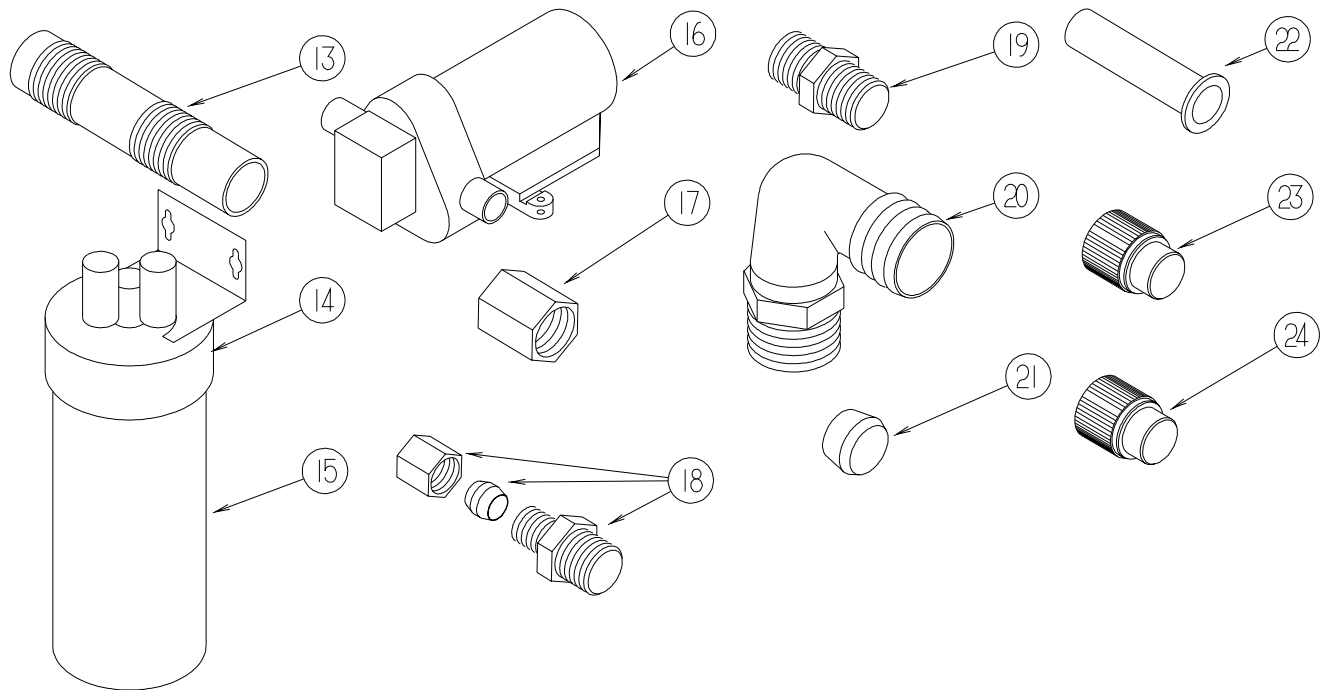
## WATER & SEWAGE GROUP (CONTINUED)

### WATER SYSTEM



KEY	PART NUMBER	U/M	DESCRIPTION
1	010009-01-000	EA	ELBOW - 90 DEGREE - 1/4 BEND - 1 1/2" PLASTIC
2	010166-01-000	EA	PLUG/THREADED - 1 1/4"MPT - PLASTIC - BLACK - UL
3	010219-01-000	EA	ELBOW - 1 1/4 MPT X 1 1/4 BARB - WATER FILL - PLASTIC
4	010224-01-000	EA	ADAPTER - HOSE TO PIPE - 3/8 MPT X 3/8 BARB - PLASTIC
5	010230-06-000	EA	FILL - CITY WATER - W/CHECK VALVE - MPT - BRUSHED ALUM
6	035539-01-000	EA	ELBOW - 3/8 MPT X 3/8 BARB - PLASTIC
7	039800-04-000	FT	TUBING - POLYBUTYL - 1/4"OD
7	074462-02-000	FT	TUBING - VINYL - 3/8 ID X 20' - CLEAR
7	112176-01-000	FT	TUBING - VINYL - REINFORCED - 1/2" ID
7	124188-01-000	FT	TUBING - PEX - 1/2" ID X 20' - BLUE(COLD)
7	124188-02-000	FT	TUBING - PEX - 1/2" ID X 20' - RED(HOT)
8	039808-03-000	EA	ELBOW - 1/2" MPT X 1/2" MPT - PLASTIC
9	044927-01-000	EA	ADAPTER - HOSE TO PIPE-1 1/4 MPTX1 1/4 BARB-BLACK PLASTIC
10	062421-03-000	EA	VALVE/DUMP W/O HANDLE - 1 1/2" X 1 1/2" HUB
11	065318-02-000	EA	ELBOW - 90 DEGREE - 3/8" MPT TO 3/8" FPT
12	077954-02-000	EA	FILTER - WATER TANK - W/SCREEN IN TANK

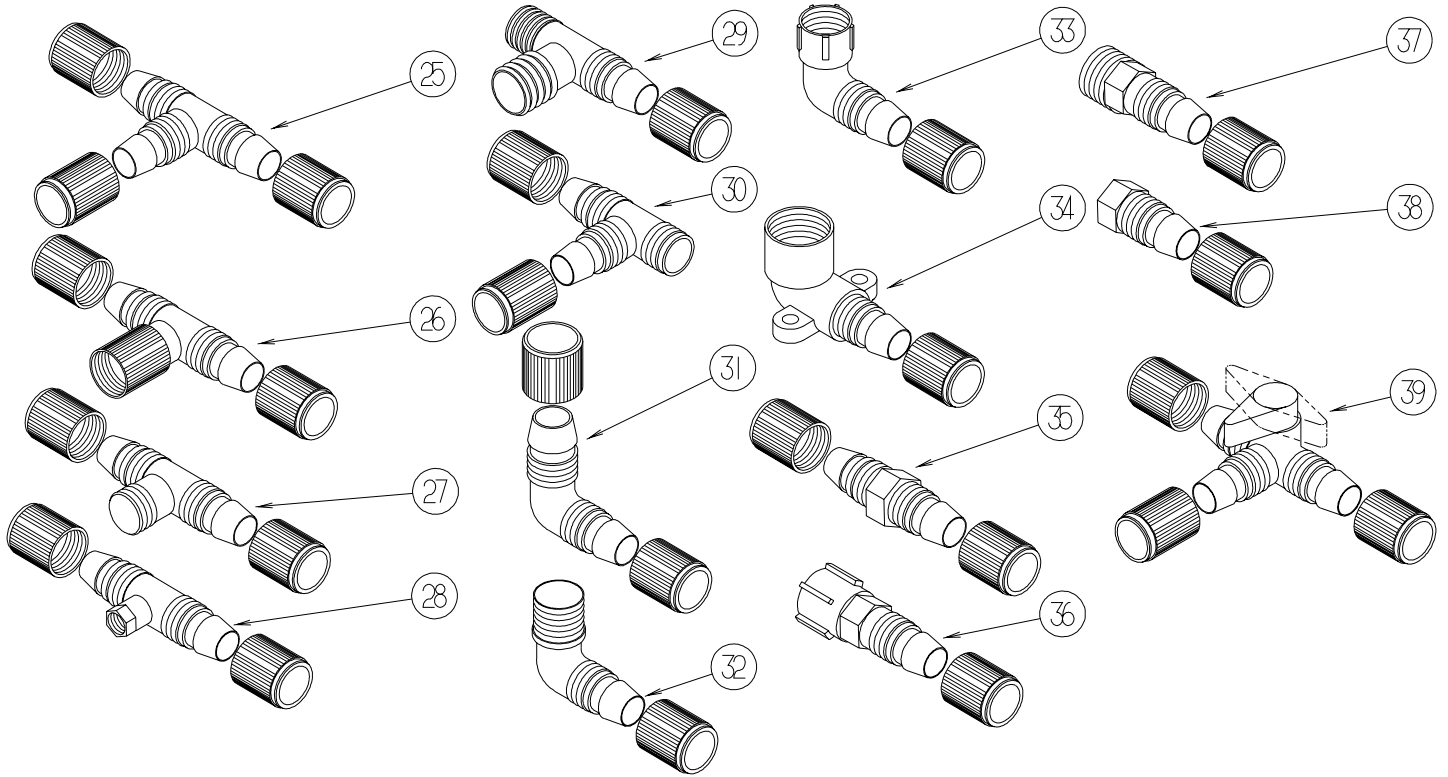
**WATER & SEWAGE GROUP (CONTINUED)**  
**WATER SYSTEM (CONTINUED)**



KEY	PART NUMBER	U/M	DESCRIPTION
13	079381-01-000	FT	TUBING - RIBBED FLEXIBLE - WATER FILL - 1.4" ID
14	087200-01-000	EA	FILTER-WATER PURIFICATION, EVERPURE QC2-AC
15	087200-02-000	EA	CARTRIDGE-WATER FILTER,AC - EVERPURE 9601-11
16*	098607-01-000	EA	PUMP - WATER - W/.5" MPT FITTING - FLOW 2.8 GPM
17	101814-01-000	EA	COUPLING - FEMALE - 1/2" X 1/2" FPT - GRAY
18	103798-01-000	EA	CONNECTOR - 1/4 OD X 3/8 MPT
19	110438-02-000	EA	VALVE - CHECK - BRASS - 1/2 MPT X 1/2 MPT
20	111223-02-000	EA	ELBOW - 1/2" MPT X 3/8" BARB - PLASTIC
20	111223-03-000	EA	ELBOW - 3/4" MPT X 1/2" BARB - PLASTIC
20	111223-04-000	EA	ELBOW - 1/2" MPT X 1/2" BARB - PLASTIC
21	111888-01-000	EA	FERRULE - PLASTIC - .250 ID X .375 OD
22	111888-02-000	EA	INSERT - BRASS - 1/4 COMP
23	113697-01-000	EA	CAP - 3/8"P
24	114427-01-000	EA	CAP - 1/2"P

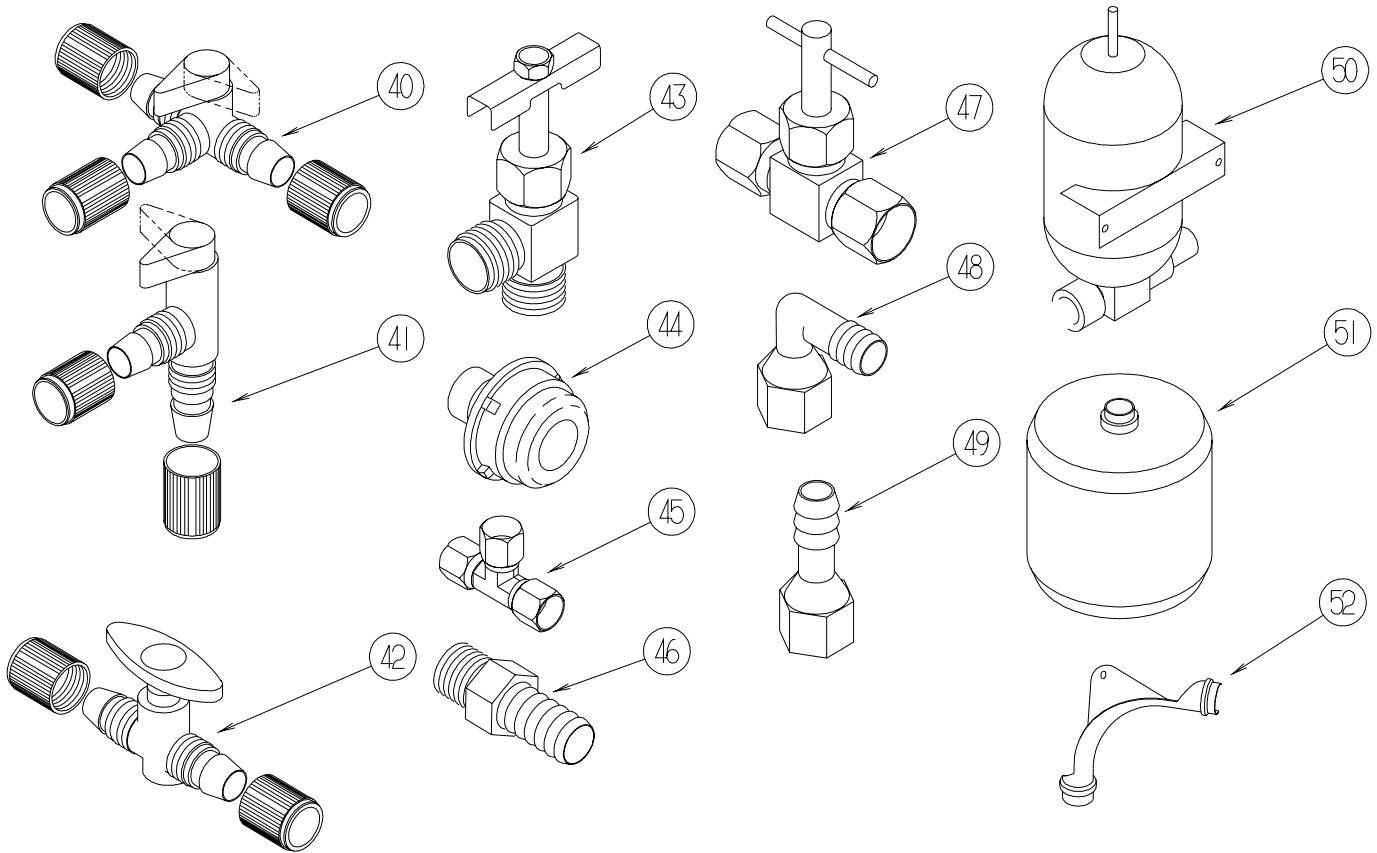
**\*COMPONENT PARTS LISTED LATER IN THIS GROUP**

**WATER & SEWAGE GROUP (CONTINUED)**  
**WATER SYSTEM (CONTINUED)**



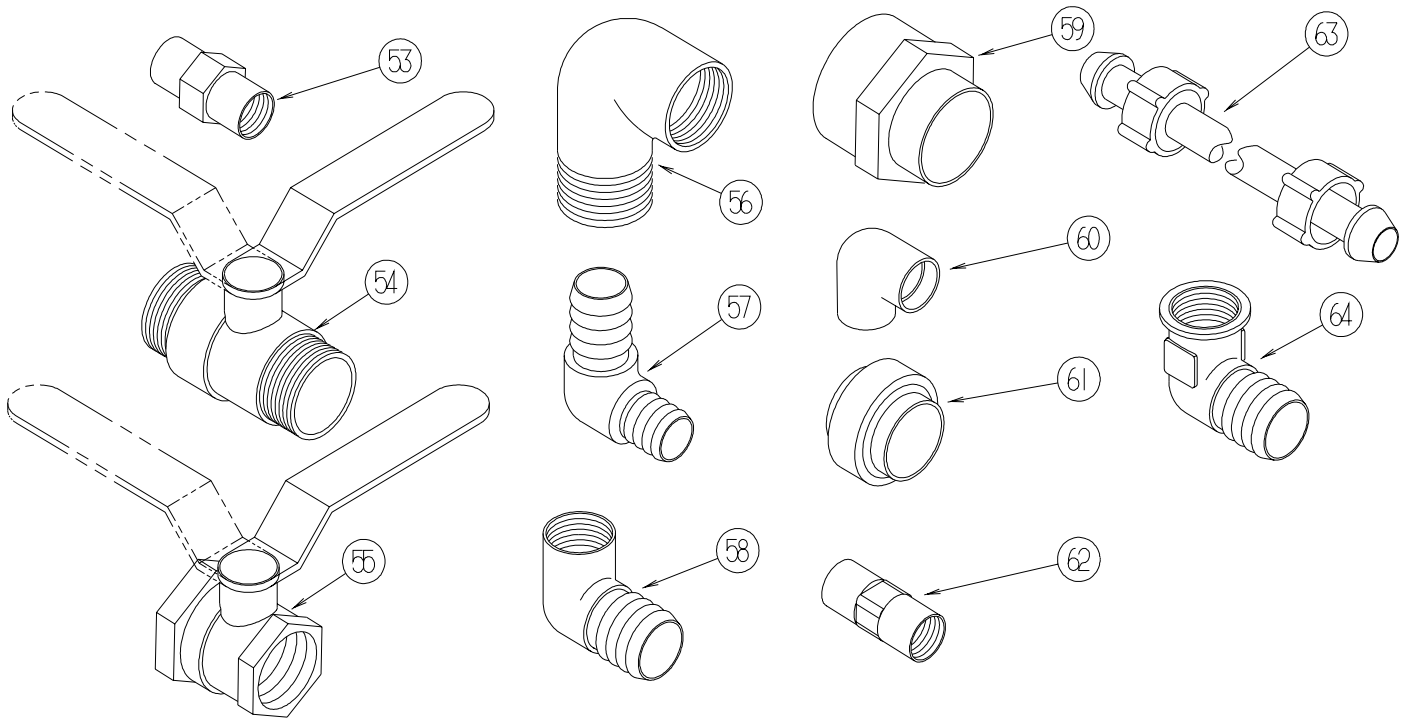
KEY	PART NUMBER	U/M	DESCRIPTION
25	114428-01-000	EA	TEE - 1/2"P X 1/2"P X 1/2"P
26	114428-02-000	EA	TEE - SWIVEL - 1/2"P X 1/2"P X 1/2"FPT
27	114428-03-000	EA	TEE - 1/2"P X 1/2"P X 1/2"MPT
28	114428-04-000	EA	TEE - 1/2"P X 1/2"P X 1/8"FPT
29	114428-06-000	EA	TEE - 1/2" P X 1/2" MPT X 1/2" MPT
30	114428-07-000	EA	TEE - 1/2" P X 1/2" MPT X 1/2" P
31	114429-01-000	EA	ELBOW - 1/2"P X 1/2"P
32	114429-02-000	EA	ELBOW - 1/2"P X 1/2"MPT
32	114429-04-000	EA	ELBOW - 1/2"P X 3/8"MPT
32	114429-05-000	EA	ELBOW - 1/2"P X 3/4"MPT
33	114429-03-000	EA	ELBOW - SWIVEL - 1/2"P X 1/2"FPT
33	114429-06-000	EA	ELBOW - SWIVEL - 1/2"P X 3/4"FPT
33	114429-08-000	EA	ELBOW - SWIVEL - 1/2"P X 1/2"FPT
34	114429-09-000	EA	ELBOW - 1/2"P X 1/2"FPT DROP EAR
35	114430-01-000	EA	ADAPTER - 1/2"P X 1/2"P
36	114430-02-000	EA	ADAPTER - SWIVEL - 1/2"P X 1/2"FPT
37	114430-03-000	EA	ADAPTER - 1/2"P X 1/2"MPT
38	114430-06-000	EA	ADAPTER - 1/2"P X 3/8"FPT
39	114431-01-000	EA	VALVE - 180 DEGREE/CENTER DRAIN - 1/2"P - THREE WAY

**WATER & SEWAGE GROUP (CONTINUED)**  
**WATER SYSTEM (CONTINUED)**



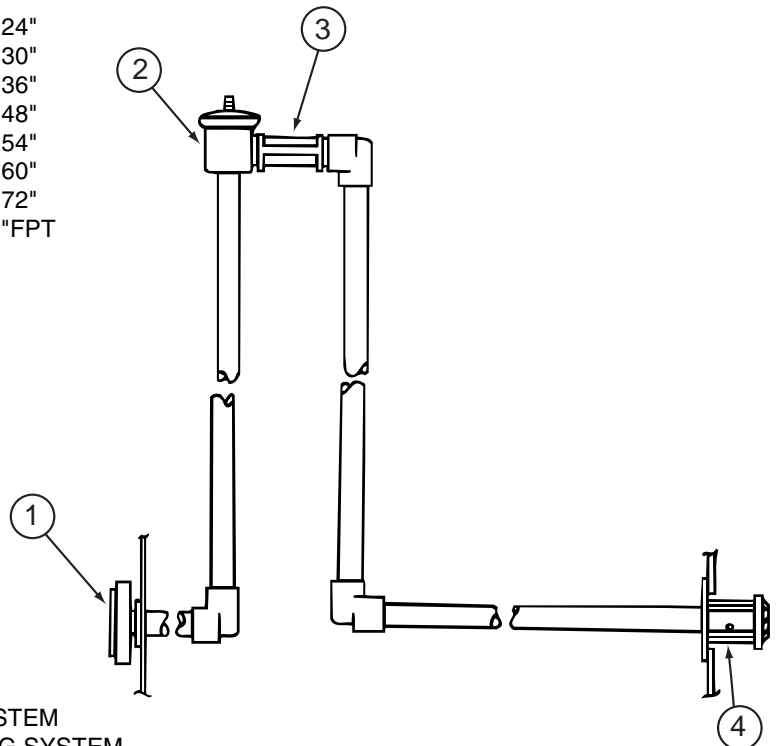
KEY	PART NUMBER	U/M	DESCRIPTION
40	114431-02-000	EA	VALVE - WATER BYPASS - 1/2"P - THREE WAY (WATER HEATER)
41	114431-03-000	EA	VALVE - 90 DEGREE DRAIN - 1/2"P
42	114431-04-000	EA	VALVE - ìINLINE SHUT-OFFî - 1/2"P
43	114431-05-000	EA	VALVE - NEEDLE - 1/8" MPT X 1/4" COMPRESSION (ICE MAKER)
44	114966-01-000	EA	FILTER - IN LINE - TWIST ON - 1/2"
45	118423-01-000	EA	FITTING - BRASS-TEE - 1/4C X 1/4C X 1/4C
46	118809-02-000	EA	ADAPTER - 1/2" MPT X 1/2" BARB - PLASTIC
47	120868-01-000	EA	VALVE - NEEDLE - 1/4" COMPRESSION X 1/4" COMPRESSION
48	123150-01-000	EA	ELBOW - 1/2 FPT X 1/2 BARB - SWIVEL
49	123152-01-000	EA	ADAPTER - 1/2 FPT X 1/2 BARB - SWIVEL
50	123243-01-000	EA	TANK - ACCUMULATOR - 24 OZ
51	123317-01-000	EA	TANK - ACCUMULATOR - 2 GALLON
52	124184-01-000	EA	SUPPORT - WATER LINE - BEND

**WATER & SEWAGE GROUP (CONTINUED)**  
**WATER SYSTEM (CONTINUED)**



KEY	PART NUMBER	U/M	DESCRIPTION
53	132148-01-000	EA	CONNECTOR - 1/2" X 1/2" IMPT - BRASS
54	132483-01-000	EA	VALVE/BALL - 1" - THREADED ENDS
55	132483-02-000	EA	VALVE/BALL - 1/2" - BRASS - FPT
56	132484-01-000	EA	ELBOW - 90 DEGREE - 1MPT X 1FPT - PLASTIC
57	132781-01-000	EA	ELBOW - 1.3" BARB X 1.3" BARB - 90 DEGREE - PLASTIC
58	132782-01-000	EA	ELBOW - 1" FPT X 1.3" BARB - 90 DEGREE - PLASTIC
59	133835-01-000	EA	ADAPTER - REDUCING - 1 1/2" X 1 1/4"
60	133837-01-000	EA	ELBOW - 1 1/2" X 90 DEGREE - DOUBLE SLIP
61	133889-01-000	EA	UNION - 1 1/2" DOUBLE SLIP - PVC
62	135386-01-000	EA	NIPPLE - 1/2"
63	140821-01-000	EA	TUBE - WATER SUPPLY - 3/8" X 24"
63	140821-02-000	EA	TUBE - WATER SUPPLY - 3/8" X 30"
63	140821-03-000	EA	TUBE - WATER SUPPLY - 3/8" X 36"
63	140821-04-000	EA	TUBE - WATER SUPPLY - 3/8" X 48"
63	140821-05-000	EA	TUBE - WATER SUPPLY - 3/8" X 54"
63	140821-06-000	EA	TUBE - WATER SUPPLY - 3/8" X 60"
63	140821-07-000	EA	TUBE - WATER SUPPLY - 3/8" X 72"
64	142812-01-000	EA	ELBOW - BRASS - 1/2" MPT X 1/2" FPT

**\*COMPONENT PARTS LISTED LATER IN THIS GROUP**



KEY	PART NUMBER	U/M	DESCRIPTION
1	125697-05-000	EA	INLET - WATER - FLUSHING SYSTEM
2	125697-04-000	EA	BREAKER - VACUUM - FLUSHING SYSTEM
3	125697-03-000	EA	CHECK VALVE - FLUSHING SYSTEM
4	125697-02-000	EA	NOZZLE - WELD-A-FLUSH
	125697-06-000	EA	INSTRUCTIONS - USER - FLUSHING SYSTEM

## WATER & SEWAGE GROUP (CONTINUED)

### WATER SYSTEM (CONTINUED)

KEY	PART NUMBER	U/M	DESCRIPTION
	039861-01-000	EA	SENDING UNIT - W/SCREW - WASHER - WELL NUT/TERMINAL RING
*	051391-05-000	EA	WATER HEATER/MOTOR AID-GAS/ELECT IGN - GCH10A-3E - 10 GAL
	125420-03-03A	EA	DOOR - WATER HEATER - BLACK
	075241-06-000	EA	FAUCET - SHOWER/BRIGHT WHITE - .5" MPT W/1.9" INLET PIPES - EXTERIOR WASH STATION
	098419-01-000	EA	FAUCET - WASHER - 90 DEGREE - WASHER/DRYER
	103635-01-000	EA	FAUCET - SINGLE CONTROL/DRINKING WATER - WATER PURIFIER
	104114-03-01A	EA	FAUCET - GALLEY - SINGLE CONTROL - CHROME
	128997-01-01A	EA	FAUCET - LAVATORY - SINGLE CONTROL - POLISHED BRASS
*	135027-01-01A	EA	FAUCET - VALVE - SHOWER/TUB - SINGLE CONTROL/BRASS - G37G
	111842-01-01A	EA	BRACKET - FAUCET - WASHER - WASHER/DRYER
	128974-01-01A	EA	VALVE - SHOWER HEAD/WATER SAVER (ON/OFF) - BRIGHT BRASS - FIXED
*	131340-01-01A	EA	VALVE - W/SHOWER HEAD - SINGLE LEVER-W/O WATER SAVER-BRASS - FIXED, G35U, G32V, G30Y
	131340-03-01A	EA	SHOWER HEAD - W/ARM EXTENSION & WALL TEMPLATE - BRASS - FIXED, G37G
	131383-01-02A	EA	SHOWER HEAD - W/60" HOSE & BRACKET - WHITE - US, EXTERIOR WASH STATION
	131383-02-02A	EA	SHOWER HEAD - W/60" HOSE & BRACKET - WHITE - CSA - EXTERIOR WASH STATION
	129390-03-01A	EA	SHOWER HEAD - W/HOSE & BRACKET - BRASS - HAND HELD
	131340-02-01A	EA	VALVE/BRASS - W/O SHOWER HEAD/ARM EXTENSION/WALL TEMPLATE - HAND HELD
	130041-01-02A	EA	SPACER/SHOWER HEAD - SOFT WHITE - HAND HELD, G35U, G32V
	130041-02-02A	EA	SPACER/SHOWER HEAD - SOFT WHITE - HAND HELD, G37G, G30Y
	135028-01-01A	EA	DROP ELL - F/SHOWER HOSE - BRASS - 1/2" - HAND HELD
	131551-01-02B	EA	BRACKET - SHOWER HEAD - G32V, G37G
	133721-01-02B	EA	BRACKET - SHOWER CONTROL - E-COATED - G35U
	133727-01-02B	EA	BRACKET - SHOWER HEAD - E-COATED - G35U
	135035-01-01A	EA	SPOUT - TUB - DECK MOUNT - BRASS
	136034-02-12B	EA	PANEL/SERVICE CENTER - BRIGHT WHITE
	137410-01-12B	EA	BRACKET - VALVE - WINTERIZATION - BRIGHT WHITE
	138618-01-12B	EA	COVER - VALVE - BYPASS - BRIGHT WHITE
	137169-01-01A	EA	FILL/WATER - GRAVITY - BRIGHT WHITE
	138290-03-000	EA	CASE - W/CAM - W/O CYLINDER/KEY

#### LOCK CYLINDER USED UP TO 04-30-01

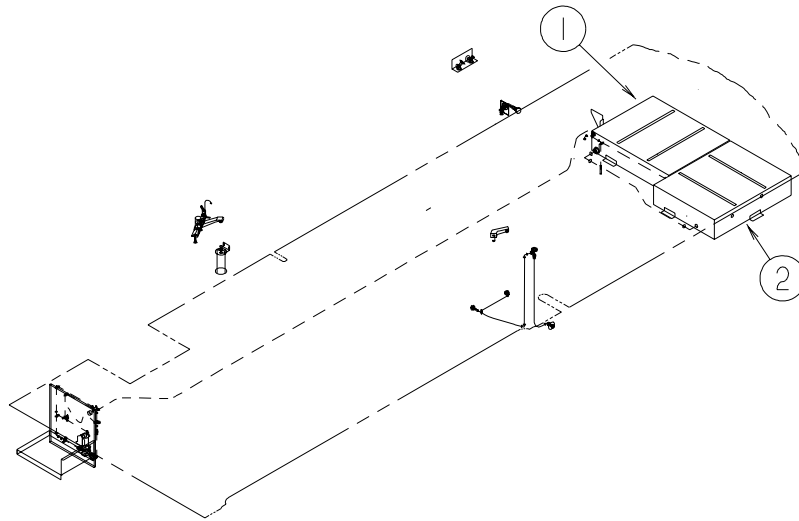
129686-01-000	EA	CYLINDER - LOCK ASSEMBLY - COMPARTMENT/DRIVER DOOR
129686-02-000	EA	CYLINDER - LOCK ASSEMBLY - COMPARTMENT/DRIVER DOOR
129686-03-000	EA	CYLINDER - LOCK ASSEMBLY - COMPARTMENT/DRIVER DOOR
129686-04-000	EA	CYLINDER - LOCK ASSEMBLY - COMPARTMENT/DRIVER DOOR
129686-05-000	EA	CYLINDER - LOCK ASSEMBLY - COMPARTMENT/DRIVER DOOR
129686-06-000	EA	CYLINDER - LOCK ASSEMBLY - COMPARTMENT/DRIVER DOOR
129686-07-000	EA	CYLINDER - LOCK ASSEMBLY - COMPARTMENT/DRIVER DOOR
129686-08-000	EA	CYLINDER - LOCK ASSEMBLY - COMPARTMENT/DRIVER DOOR
129686-09-000	EA	CYLINDER - LOCK ASSEMBLY - COMPARTMENT/DRIVER DOOR
129686-10-000	EA	CYLINDER - LOCK ASSEMBLY - COMPARTMENT/DRIVER DOOR

#### LOCK CYLINDER USED AFTER 05-01-01

138289-01-000	EA	CYLINDER - LOCKING
138289-02-000	EA	CYLINDER - LOCKING
138289-03-000	EA	CYLINDER - LOCKING
138289-04-000	EA	CYLINDER - LOCKING
138289-05-000	EA	CYLINDER - LOCKING
138289-06-000	EA	CYLINDER - LOCKING
138289-07-000	EA	CYLINDER - LOCKING
138289-08-000	EA	CYLINDER - LOCKING
138289-09-000	EA	CYLINDER - LOCKING
138289-10-000	EA	CYLINDER - LOCKING

\*COMPONENT PARTS LISTED LATER IN THIS GROUP

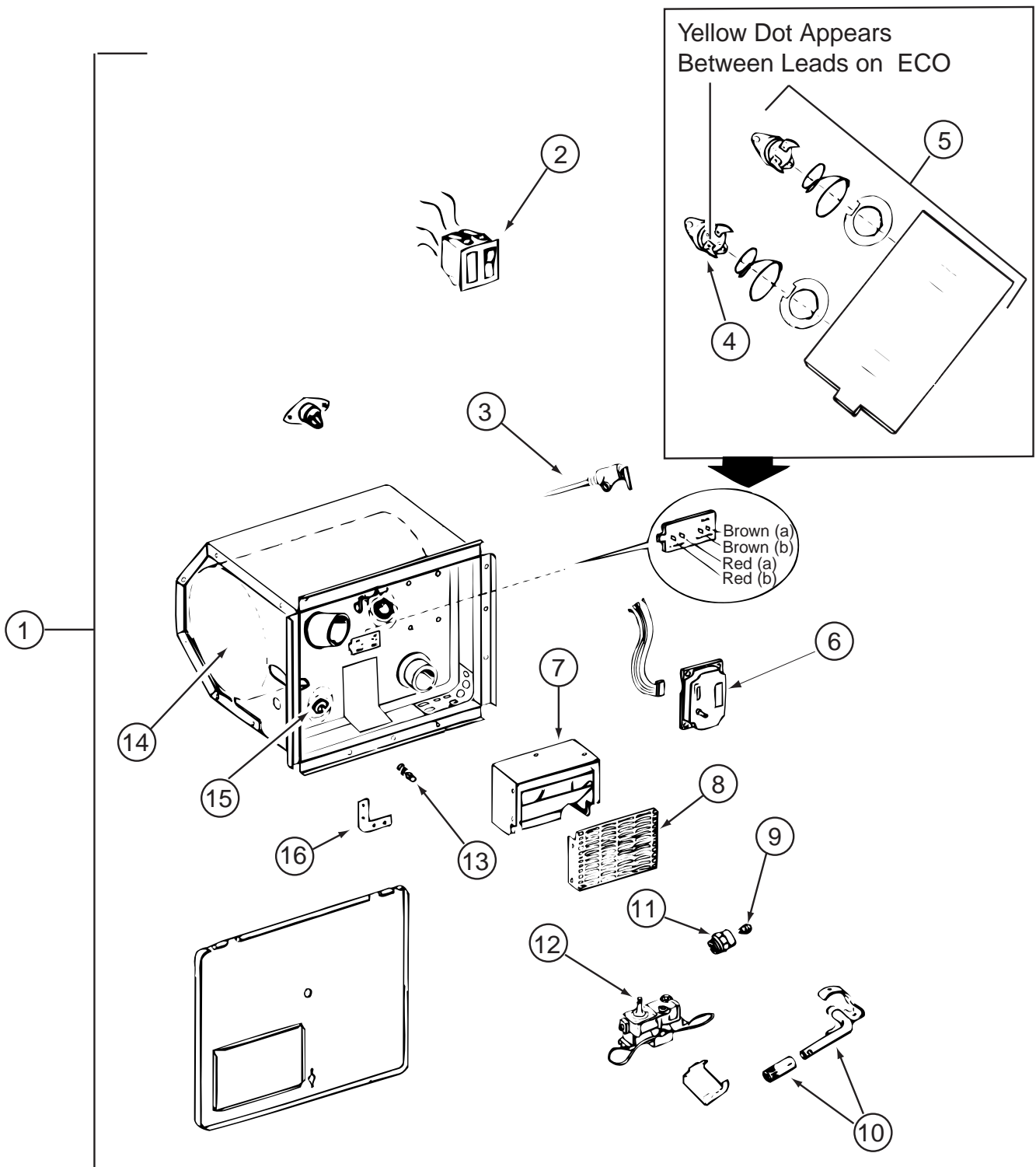
**WATER & SEWAGE GROUP (CONTINUED)**  
**WATER SYSTEM (CONTINUED)**



KEY	PART NUMBER	U/M	DESCRIPTION
1	132224-06-000	EA	TANK - WATER - 40 GAL - W/FITTINGS - PRIMARY
	132224-01-000	EA	TANK - WATER - 40 GALLON - W/O FITTINGS
	042989-03-000	EA	FITTING - SPINWELD - 1 1/4"NPT - PLASTIC
	042989-05-000	EA	FITTING - SPINWELD - 1/2"FPT - PLASTIC
	042989-08-000	EA	FITTING - SPINWELD - 1"FPT - PLASTIC
	049032-01-000	EA	PATCH - SPINWELD - 3/8" - PLASTIC
2	132224-07-000	EA	TANK - WATER - 40 GAL - W/FITTINGS - SECONDARY
	132224-01-000	EA	TANK - WATER - 40 GALLON - W/O FITTINGS
	042989-03-000	EA	FITTING - SPINWELD - 1 1/4"NPT - PLASTIC
	042989-05-000	EA	FITTING - SPINWELD - 1/2"FPT - PLASTIC
	049032-01-000	EA	PATCH - SPINWELD - 3/8" - PLASTIC

# WATER & SEWAGE GROUP (CONTINUED)

## COMPONENT PARTS FOR WATER SYSTEM



051391-05-000



**WATER & SEWAGE GROUP (CONTINUED)**  
**COMPONENT PARTS FOR WATER SYSTEM (CONTINUED)**

**051391-05-000 (CONTINUED)**

<b>KEY</b>	<b>PART NUMBER</b>	<b>U/M</b>	<b>DESCRIPTION</b>	<b>VENDOR NO.</b>
2	051393-01-701	EA	SWITCH - REMOTE - W/LIGHT	91959
3	051391-01-704	EA	VALVE-RELIEF, 1/2" FITTING	91604
4	051391-04-701	EA	THERMOSTAT 12V DC-120 PRESET	91470
5	051391-05-707	EA	THERMOSTAT & ECO - 110 VOLT	91873
6	051393-01-704	EA	BOARD-CIRCUIT	93865
7	051391-04-707	EA	KIT-EXHAUST, (FLUE & GASKET)	90960
8	051391-01-717	EA	GRILLE-WATER HEATER DOOR	92640
9	051391-05-701	EA	ORIFICE-MAIN BURNER	93914
10	051391-05-700	EA	BURNER-MAIN	93221
11	051391-03-700	EA	HOLDER-ORIFICE	91563
12	051393-01-726	EA	VALVE-SOLENOID, W/O BRACKET	93870
13	051391-01-715	EA	PLUG-DRAIN, 1 EA = 2 PER PKG	91857
14	051391-05-704	EA	TANK-INNER	93593
15	051391-05-706	EA	ELEMENT-HEATING 1500 WATT	91160 W/GASKET
16	111129-01-711	EA	BRACKET-CORNER, SET OF FOUR	91928
	051391-05-703	EA	HARDWARE KIT-DOOR	91858
	051391-05-705	EA	SWITCH - ON/OFF SWITCH - BOX	91182
	051393-01-721	EA	THERMOSTAT W/ECO, 140 FRT MT	91447
	051393-01-723	EA	SWITCH - THERMAL CUTOUT 2/PK	93866
	051393-01-725	EA	ELECTRODE-SGL SPADE CONNECT.	93868
	051393-01-730	EA	BRACKET - F/10 GAL SYSTEM	93862
			CONTACT WINNEBAGO PARTS SALES FOR UNLISTED COMPONENTS	

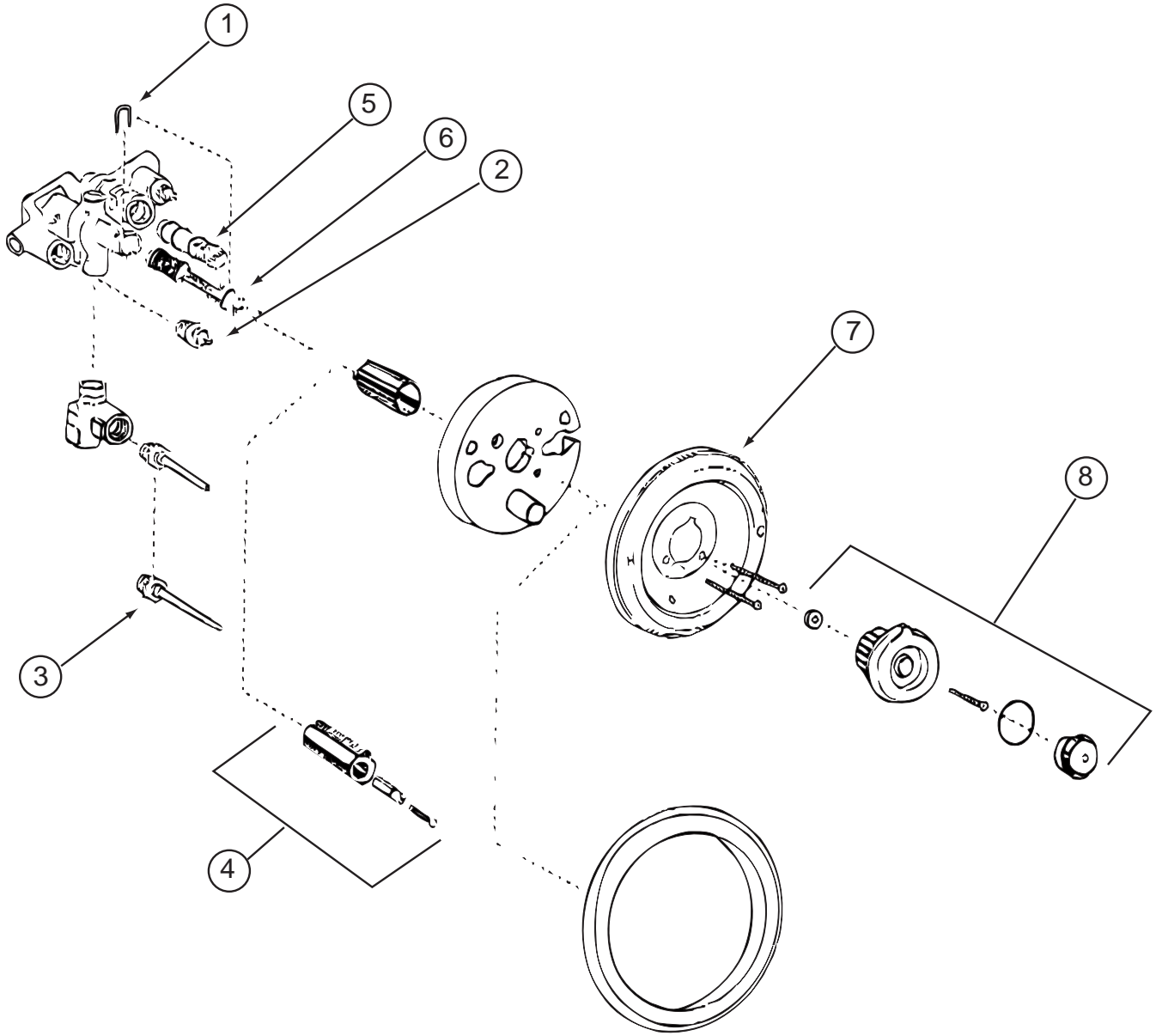
**098607-01-000**

<b>KEY</b>	<b>PART NUMBER</b>	<b>U/M</b>	<b>DESCRIPTION</b>	<b>VENDOR NO.</b>
	098607-01-702	EA	DIAPHRAGM/DRIVE ASSEMBLY KIT	94-238-04
	098607-01-703	EA	VALVE KIT	94-232-00
	098607-01-705	EA	VALVE-CHECK, KIT	94-237-00
	098607-01-706	EA	HOUSING, W/SWITCH ONLY	94-231-20
	098607-01-707	EA	MOTOR W/BASEPLATE	11-148-04

**131340-01-01A**

<b>KEY</b>	<b>PART NUMBER</b>	<b>U/M</b>	<b>DESCRIPTION</b>	<b>VENDOR NO.</b>
	119677-01-701	EA	SHOWER HEAD ONLY 1/2"	34PB
	131340-01-700	EA	BUTTON - HOT/COLD	N1201-16
	131340-01-701	EA	KNOB - CLEAR	N1201-9

**WATER & SEWAGE GROUP (CONTINUED)**  
**COMPONENT PARTS FOR WATER SYSTEM (CONTINUED)**

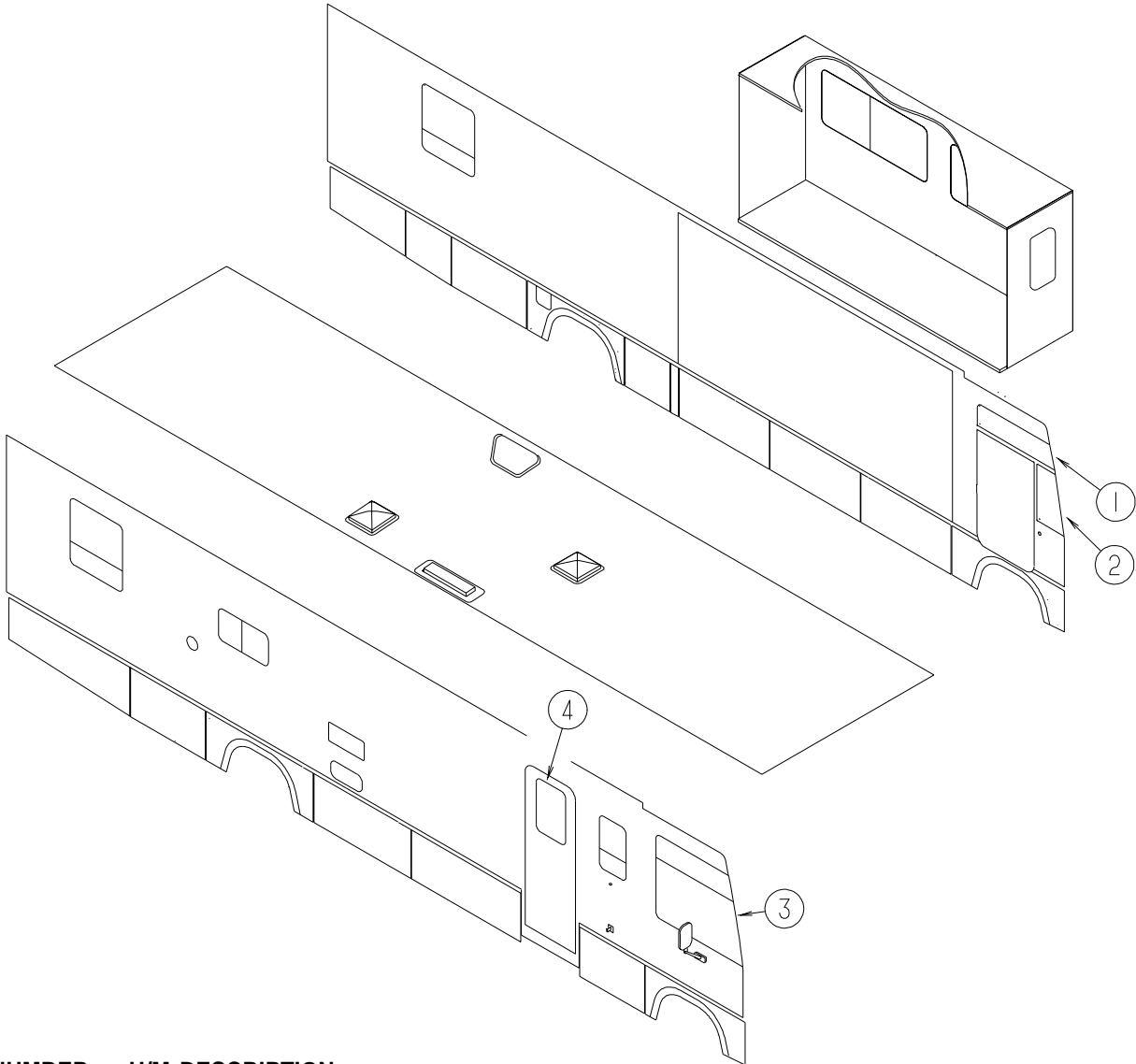


135027-01-01A

KEY	PART NUMBER	U/M	DESCRIPTION	VENDOR NO.
1	135027-01-700	EA	CLIP - RETAINER	883
2	135027-01-701	EA	STOP-CHECK VALVE KIT CHROME	12318
3	135027-01-702	EA	DIVERTER-PUSH BUTTON-CHROME	1394
4	135027-01-703	EA	HANDLE/EXT - 1" - CHROME	1136
5	135027-01-704	EA	BALANCING SPOON	1423
6	135027-01-705	EA	CARTRIDGE REPLACEMENT	1200-1225
7	135027-01-706	EA	ESCUTCHEON - GOLD	150T
8	135027-01-707	EA	KNOB KIT - CLEAR PLASTIC	13094

# WINDOW & VENTS GROUP

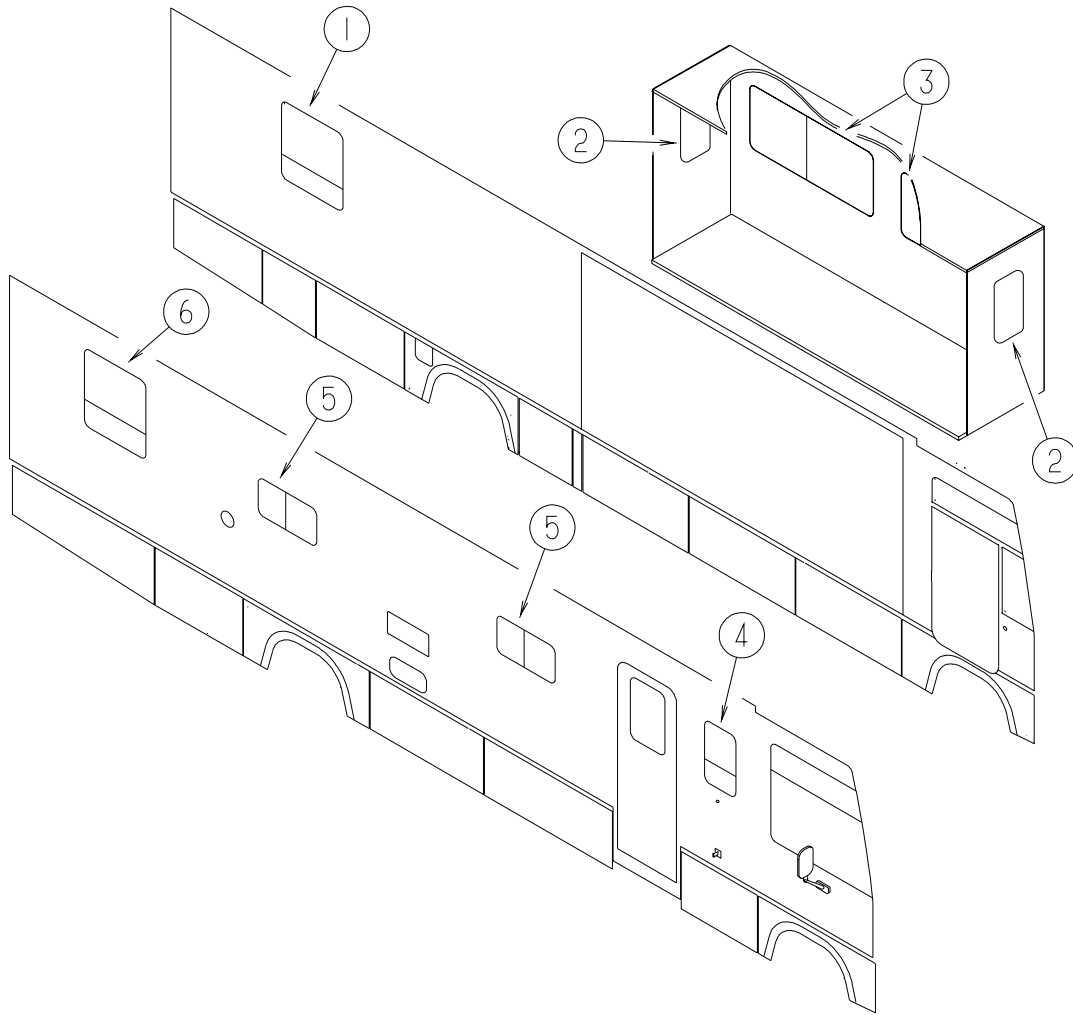
## WINDOW & VENT LAYOUT



KEY	PART NUMBER	U/M	DESCRIPTION
1*	125586-01-01A	EA	WINDOW - VISTA
1*	125600-01-01A	EA	WINDOW - VISTA - THERMOPANE
2*	125584-01-01A	EA	WINDOW - FRONT SLANT - LEFT HAND
2*	125585-01-01A	EA	WINDOW - FRONT SLANT/THERMO - 11.6"T X 29.2"H X 16.8"B
3*	125582-01-01A	EA	WINDOW - PASSENGER CAB/3 WINDOW - 42.9"T X 42.6"H X 51.2"B
3*	125583-01-01A	EA	WINDOW - CAB PASS-3 GLASS THERMO- 42.9"T X 51.2"B X 42.6"H
4	117053-02-F36	EA	WINDOW - PICTURE - 60% TINTING - 26.4" X 17"
	002181-25-000	EA	GLASS - PICTURE WINDOW - 25.8"W X 16.4"H
	087561-01-000	FT	SEAL - GLASS - EXTERIOR - .5" WIDE - VINYL BLACK
4	117054-02-02A	EA	RETAINER - TRIM - BRIGHT WHITE
4*	113733-10-01A	EA	WINDOW - STATIONARY - THERMO - 26.3" X 17"
	084073-04-000	EA	BASE/VENT - ROOF/REFRIGERATOR - BLACK - NORCOLD
	084073-07-000	EA	VENT - ROOF/REFRIGERATOR - BRIGHT WHITE - NORCOLD
	118369-01-02A	EA	CAP - REFRIGERATOR ROOF VENT - SIDE/SIDE - BRIGHT WHITE
	118369-02-02A	EA	BASE - REFRIGERATOR ROOF VENT - SIDE/SIDE - BRIGHT WHITE
*	122882-04-01A	EA	VENT - ROOF - W/FAN/POWER LIFT - W/O INSIDE GARNISH - UL
*	122882-05-01A	EA	VENT - ROOF - W/FAN/POWER LIFT - W/O INSIDE GARNISH - CSA
	048648-01-000	EA	MOTOR - ROOF VENT - 1/8 SHAFT - 12VOLT
	048649-01-000	EA	FAN BLADE - ROOF VENT - 6 BLADES - 6i
	122882-07-01A	EA	GARNISH - ROOF VENT - 2.5" TO 4.1"
*	123780-03-01A	EA	FANTASTIC VENT - 3"-4" ROOF - W/FAN -W/O THERM/PWR LIFT
*	123780-09-01A	EA	FANTASTIC VENT - 4" ROOF- W/FAN/INSUL - W/O THERM/PWR LIFT
*	123780-10-01A	EA	FANTASTIC VENT - 4" ROOF- W/FAN/PWR LIFT/INSUL - W/O THERM
	009440-01-000	EA	GEAR/ARM - LIFT - ROOF VENT COVER

**\*COMPONENT PARTS LISTED LATER IN THIS GROUP**

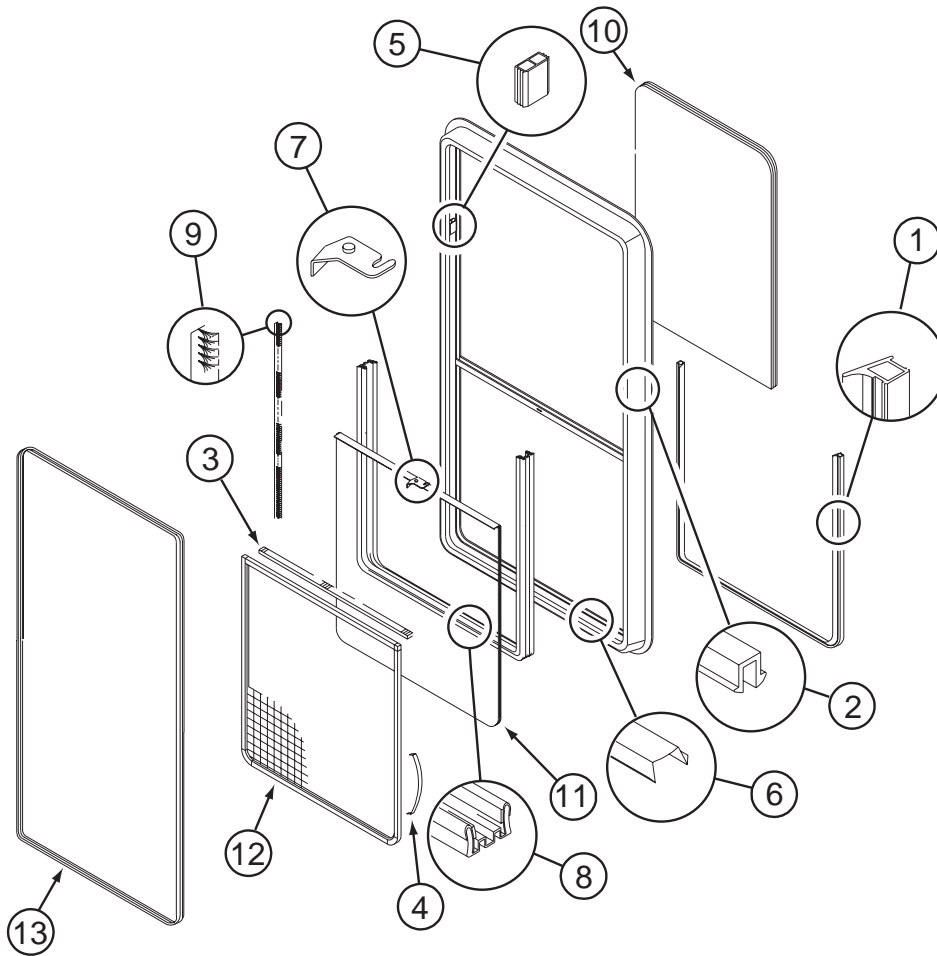
**WINDOW & VENTS GROUP (CONTINUED)**  
**WINDOW & VENT LAYOUT (CONTINUED)**



KEY	PART NUMBER	U/M	DESCRIPTION
1*	112463-05-02A	EA	WINDOW - TIPOUT/ESCAPE W/RETAINER - 30" X 33"
1*	129929-10-01A	EA	WINDOW - TORQUE - THERMO/ESCAPE - 30" X 33"
2*	098644-13-01A	EA	WINDOW - VERTICAL SLIDER W/TRIM - 19.8" X 20.9"
2*	134004-03-01A	EA	WINDOW - VERT SLIDER/FLUSH O/S-THERMO - 21" X 19.8"
3*	098647-47-02A	EA	WINDOW - DRVR HORIZ SLIDER TINTED W/RETAINER-23.6" X 57.5"
3*	112795-77-01A	EA	WINDOW - DRIVER HORIZONTAL SLIDER - THERMO - 57.5" X 23.6"
4*	098644-11-02A	EA	WINDOW - VERTICAL SLIDER W/TRIM - TINTED - 26.4" X 27"
4*	112898-25-01A	EA	WINDOW - VERTICAL SLIDER - THERMOPANE - 26.3" X 26.9"
5*	098647-33-02A	EA	WINDOW - PASS HORIZ SLIDER W/TRIM - CLEAR - 15.7" X 28.5"
5*	112795-72-01A	EA	WINDOW - PASSENGER HORIZ SLIDER - THERMO - 28.5" X 15.7"
6*	112463-03-02A	EA	WINDOW - TIPOUT W/RETAINER - 33.3" X 30.2"
6*	129929-09-01A	EA	WINDOW - TORQUE - THERMO - 30" X 33"
	122214-01-02A	EA	PANEL - SKYLITE - INNER - W/ANGLED CORNER - WHITE
	122215-01-02A	EA	PANEL - SKYLITE - OUTER - W/ANGLED CORNER - WHITE
			FROM: 02-17-97 THRU: 08-12-01
	138372-01-12B	EA	TRIM - CORNER - SKYLIGHT - BRIGHT WHITE
			FROM: 08-13-01 THRU: 99-99-99
	139411-01-01A	EA	PANEL/SKYLITE - OUTER - NEO ANGLE - WHITE
			FROM: 08-13-01 THRU: 99-99-99

**\*COMPONENT PARTS LISTED LATER IN THIS GROUP**

**WINDOW & VENTS GROUP (CONTINUED)**  
**COMPONENT PARTS FOR WINDOW & VENT LAYOUT**



**098644-11-02A**

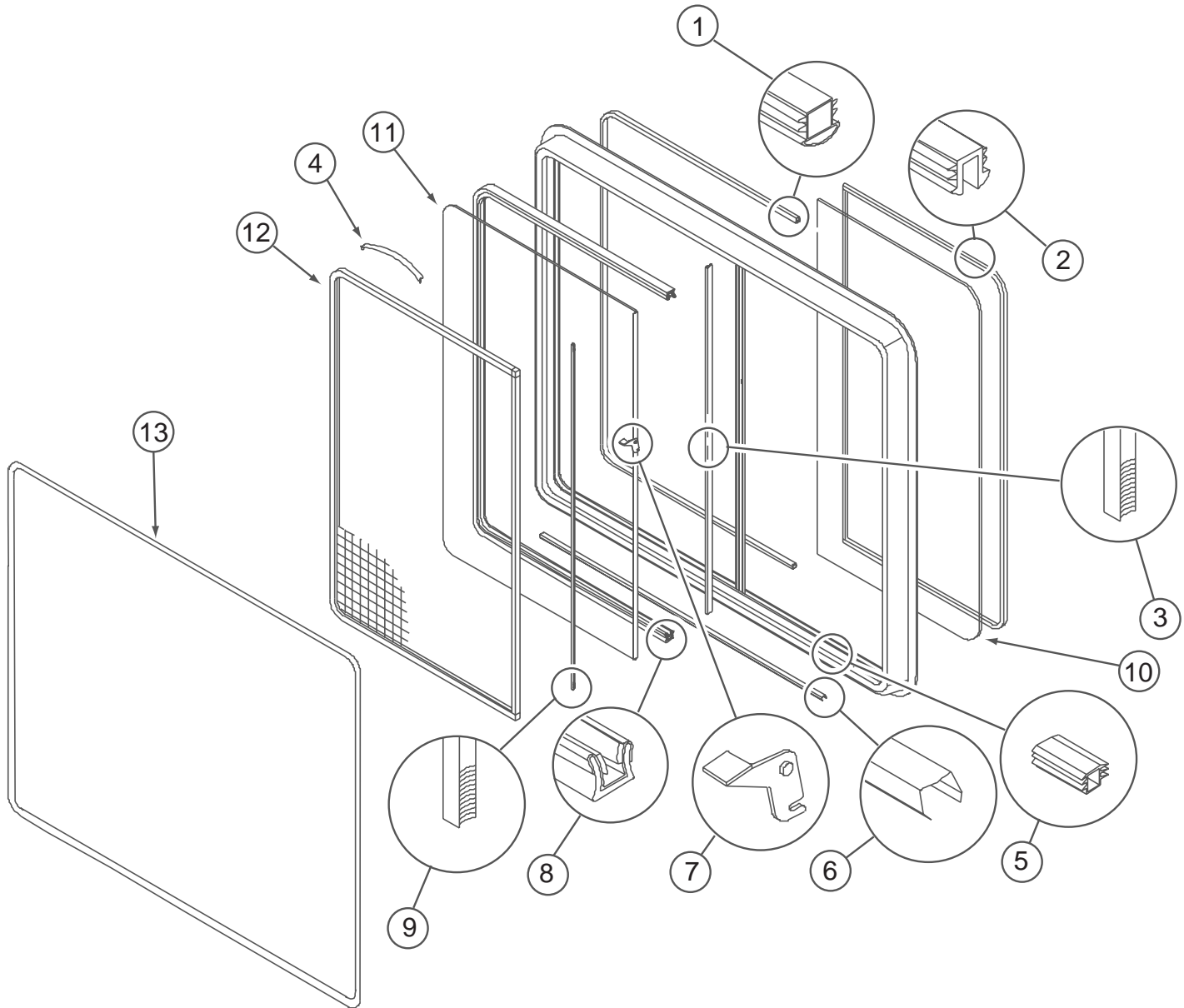
<b>KEY</b>	<b>PART NUMBER</b>	<b>U/M</b>	<b>DESCRIPTION</b>	<b>VENDOR NO.</b>
1	098644-01-716	FT	PLUG - FILLER	132-014470
2	098644-01-705	FT	GLAZING - STRIP	132-010231
3	098644-01-706	FT	WEATHERSTRIP - GLASS	171-010668
4	098644-01-713	EA	CLIP - SCREEN - METAL	226-016966
4	125582-01-701	EA	CLIP - SCREEN - PLASTIC	130-005153
5	098644-01-719	EA	STOP - SLIDER GLASS	132-014203
6	098644-01-710	FT	TRACK - SCREEN SPACER 12'	132-017135
7	098644-01-700	EA	LATCH - REPAIR KIT (BLACK)	B801-CK
8	098644-01-708	FT	CHANNEL - RUN PIERCED	122-016543
9	098644-01-711	FT	WEATHERSTRIP - SCREEN BLACK	171-016965
10	098644-11-700	EA	GLASS - STATIONARY	106-026280
11	098644-11-701	EA	GLASS-SLIDING W/SASH & LATCH	H564-G9
12	112898-19-702	EA	SCREEN ASM - W/SEALS & CLIPS	410-026279
13	098644-11-702	EA	RETAINER - TRIM	H564-66
	098644-01-717	FT	SPLINE - SCREEN	132-004716

**WINDOW & VENTS GROUP (CONTINUED)**  
**COMPONENT PARTS FOR WINDOW & VENT LAYOUT (CONTINUED)**

098644-13-01A

KEY	PART NUMBER	U/M	DESCRIPTION	VENDOR NO.
1	098644-01-716	FT	PLUG - FILLER	132-014470
2	098644-01-705	FT	GLAZING - STRIP	132-010231
3	098644-01-706	FT	WEATHERSTRIP - GLASS	171-010668
4	098644-01-713	EA	CLIP - SCREEN - METAL	226-016966
4	125582-01-701	EA	CLIP - SCREEN - PLASTIC	130-005153
5	098644-01-719	EA	STOP - SLIDER GLASS	132-014203
6	098644-01-710	FT	TRACK - SCREEN SPACER 12'	132-017135
7	098644-01-700	EA	LATCH - REPAIR KIT (BLACK)	B801-CK
8	098644-01-708	FT	CHANNEL - RUN PIERCED	122-016543
9	098644-01-711	FT	WEATHERSTRIP - SCREEN BLACK	171-016965
10	098644-13-700	EA	GLASS - STATIONARY	106-028698
11	098644-13-701	EA	GLASS - SLIDING W/SASH/LATCH	H702-G9
12	098644-13-702	EA	SCREEN ASM - W/SEALS/CLIPS	410-028663
13	098644-13-703	EA	RETAINER - TRIM	H702-60
	098644-01-717	FT	SPLINE - SCREEN	132-004716

**WINDOW & VENTS GROUP (CONTINUED)**  
**COMPONENT PARTS FOR WINDOW & VENT LAYOUT (CONTINUED)**



**098647-33-02A**

KEY	PART NUMBER	U/M	DESCRIPTION	VENDOR NO.
1	098644-01-716	FT	PLUG - FILLER	132-014470
2	098644-01-705	FT	GLAZING - STRIP	132-010231
3	098644-01-706	FT	WEATHERSTRIP - GLASS	171-010668
4	098644-01-713	EA	CLIP - SCREEN - METAL	226-016966
4	125582-01-701	EA	CLIP - SCREEN - PLASTIC	130-0
5	098644-01-719	EA	STOP - SLIDER GLASS	132-014203
6	098644-01-710	FT	TRACK - SCREEN SPACER 12'	132-017135
7	098644-01-700	EA	LATCH - REPAIR KIT (BLACK)	B801-CK
8	098644-01-708	FT	CHANNEL - RUN PIERCED	122-016543
9	098644-01-711	FT	WEATHERSTRIP - SCREEN BLACK	171-016965
10	098647-33-702	EA	GLASS - STATIONARY	106-019297
11	098647-33-703	EA	GLASS-SLIDING W/SASH & LATCH	H425-G9
12	098647-33-704	EA	SCREEN ASM - W/SEALS & CLIPS	410-019134
13	098647-31-705	EA	RETAINER - TRIM	CH29-66
	098644-01-717	FT	SPLINE - SCREEN	132-004716

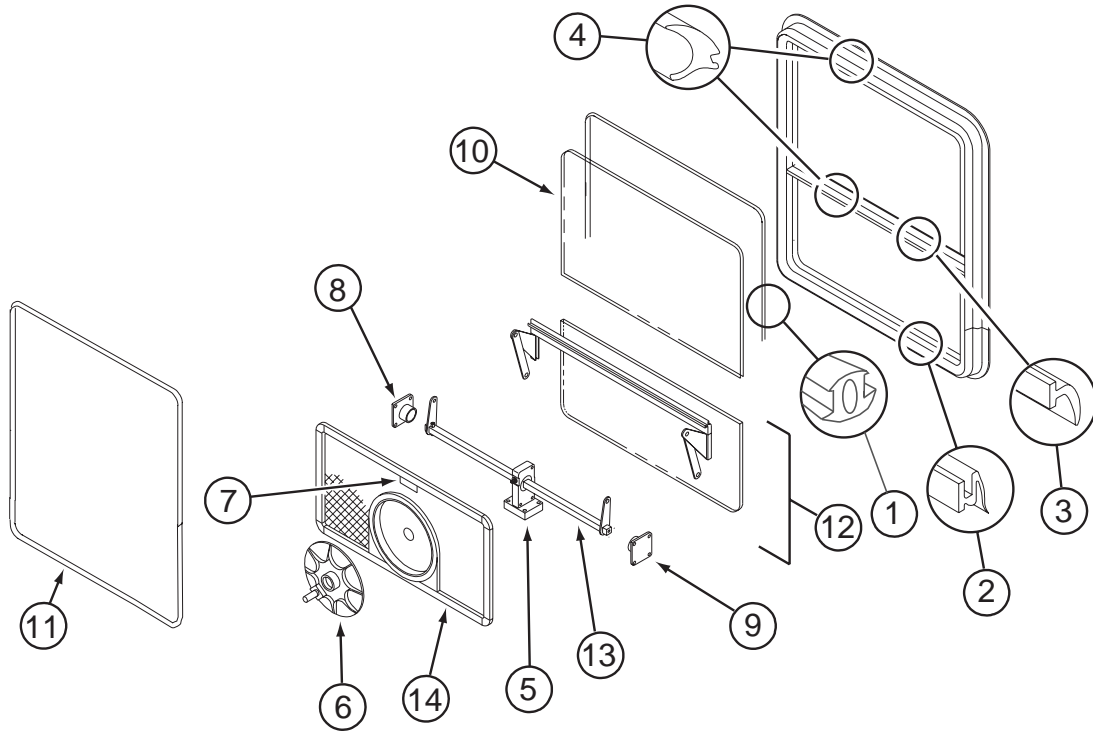
**WINDOW & VENTS GROUP (CONTINUED)**  
**COMPONENT PARTS FOR WINDOW & VENT LAYOUT (CONTINUED)**

098647-47-02A

KEY	PART NUMBER	U/M	DESCRIPTION	VENDOR NO.
1	098644-01-716	FT	PLUG - FILLER	132-014470
2	098644-01-705	FT	GLAZING - STRIP	132-010231
3	098644-01-706	FT	WEATHERSTRIP - GLASS	171-010668
4	098644-01-713	EA	CLIP - SCREEN - METAL	226-016966
4	125582-01-701	EA	CLIP - SCREEN - PLASTIC	130-0
5	098644-01-719	EA	STOP - SLIDER GLASS	132-014203
6	098644-01-710	FT	TRACK - SCREEN SPACER 12'	132-017135
7	098644-01-700	EA	LATCH - REPAIR KIT (BLACK)	B801-CK
8	098644-01-708	FT	CHANNEL - RUN PIERCED	122-016543
9	098644-01-711	FT	WEATHERSTRIP - SCREEN BLACK	171-016965
10	098647-47-700	EA	GLASS - STATIONARY	106-025224
11	098647-47-701	EA	GLASS-SLIDING W/SASH & LATCH	H493-G9
12	098647-47-702	EA	SCREEN ASM - W/SEALS & CLIPS	410-025226
13	098647-47-704	EA	RETAINER - TRIM	H493-66
	098644-01-717	FT	SPLINE - SCREEN	132-004716



**WINDOW & VENTS GROUP (CONTINUED)**  
**COMPONENT PARTS FOR WINDOW & VENT LAYOUT (CONTINUED)**



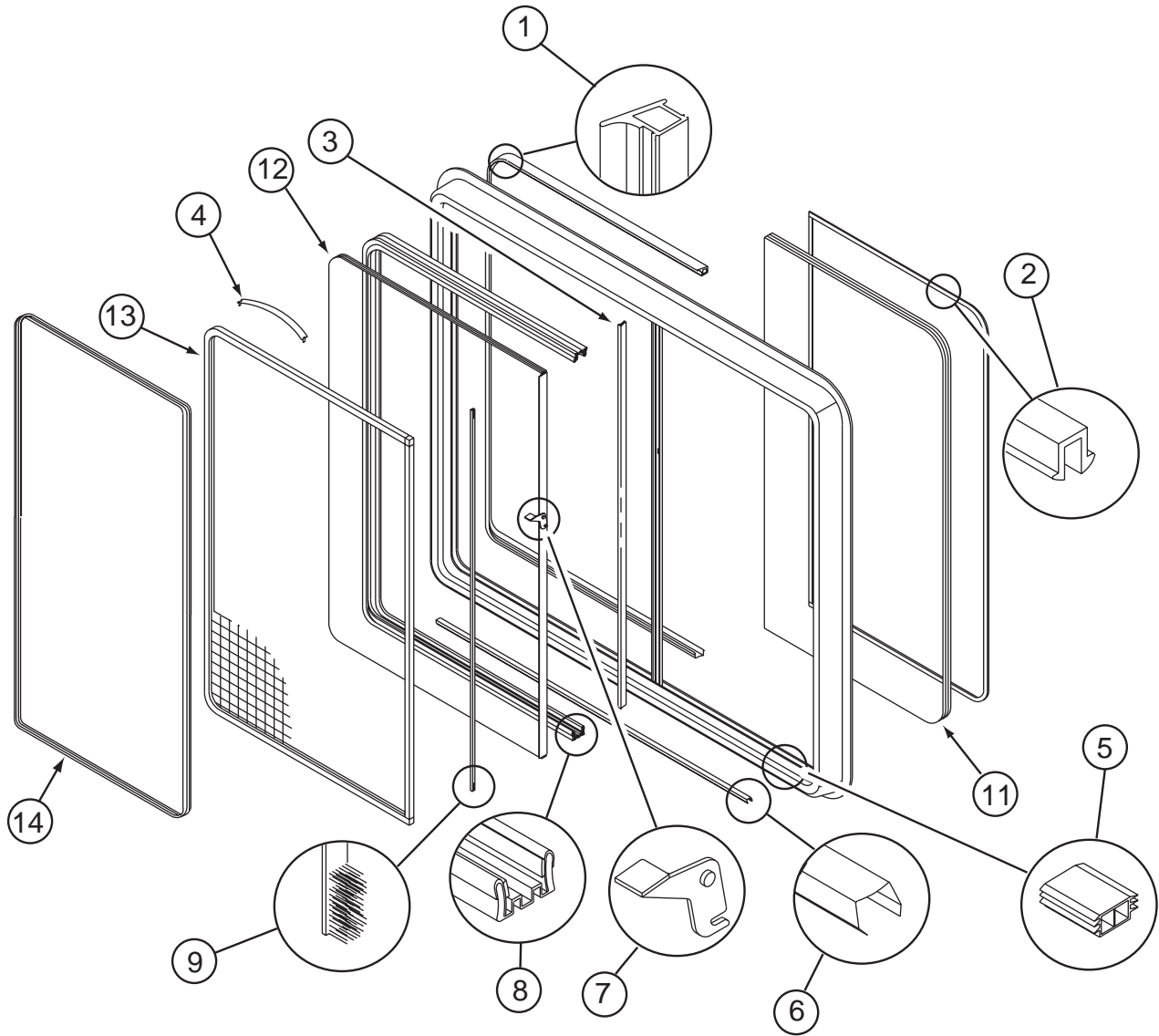
**112463-03-02A**

KEY	PART NUMBER	U/M	DESCRIPTION	VENDOR NO.
1	116976-01-702	FT	FILLER PLUG	132-016065
2	100322-01-701	FT	SEAL-VENT	122-016071
3	100322-01-702	EA	WEATHERSTRIP-HORIZ RAIL-148"	132-019631
4	100322-01-703	FT	VINYL-GLAZING, BUTYL	132-010723
5	100322-01-716	EA	SUPPORT-TORQUE BAR, CTR RAIL	130-015980
6	100322-01-718	EA	HANDLE-DIAL	410-016081
7	112519-01-706	EA	CLIP-SCREEN	CH21-50
8	113500-01-707	EA	SUPPORT - TORQUE BAR RH	130-015979
9	113500-01-708	EA	SUPPORT - TORQUE BAR LH	130-015978
10	112463-03-701	EA	GLASS - STATIONARY	106-025377
11	112463-03-704	EA	RETAINER - TRIM	CB100-59
12	112463-03-700	EA	VENT ASSEMBLY	CH100-G9
13	113500-05-703	EA	OPERATOR & BAR ASSEMBLY	CH10-15
14	112463-03-703	EA	SCREEN ASM - W/SEALS & CLIPS	410-018439
	100322-01-717	EA	E-RING	245-015975

**112463-05-02A**

KEY	PART NUMBER	U/M	DESCRIPTION	VENDOR NO.
	112463-05-02A	EA	WINDOW - TIPOUT/ESCAPE W/RETAINER RING - 33.3" X 30.2"	
1	116976-01-702	FT	FILLER PLUG	132-016065
2	100322-01-701	FT	SEAL-VENT	122-016071
3	100322-01-702	EA	WEATHERSTRIP-HORIZ RAIL-148"	132-019631
4	100322-01-703	FT	VINYL-GLAZING, BUTYL	132-010723
5	100322-01-716	EA	SUPPORT-TORQUE BAR, CTR RAIL	130-015980
6	100322-01-718	EA	HANDLE-DIAL	410-016081
7	112519-01-706	EA	CLIP-SCREEN	CH21-50
8	113500-01-707	EA	SUPPORT - TORQUE BAR RH	130-015979
9	113500-01-708	EA	SUPPORT - TORQUE BAR LH	130-015978
10	112463-05-700	EA	GLASS - STATIONARY	106-025378
11	112463-05-704	EA	RETAINER - TRIM	CB101-59
12	112463-05-703	EA	VENT- ASSEMBLY TIPOUT	106-018414
13	112463-05-702	EA	OPERATOR & BAR ASSEMBLY	CH65-15
14	112463-05-701	EA	SCREEN ASM - W/SEALS & CLIPS	410-018441
	112898-06-704	EA	HANDLE-LATCH/RED-RH (TIPOUT)	182-11293
	112898-06-705	EA	HANDLE-LATCH/RED-LH (TIPOUT)	182-11294
	100322-01-717	EA	E-RING	245-015975

**WINDOW & VENTS GROUP (CONTINUED)**  
**COMPONENT PARTS FOR WINDOW & VENT LAYOUT (CONTINUED)**



**112795-72-01A**

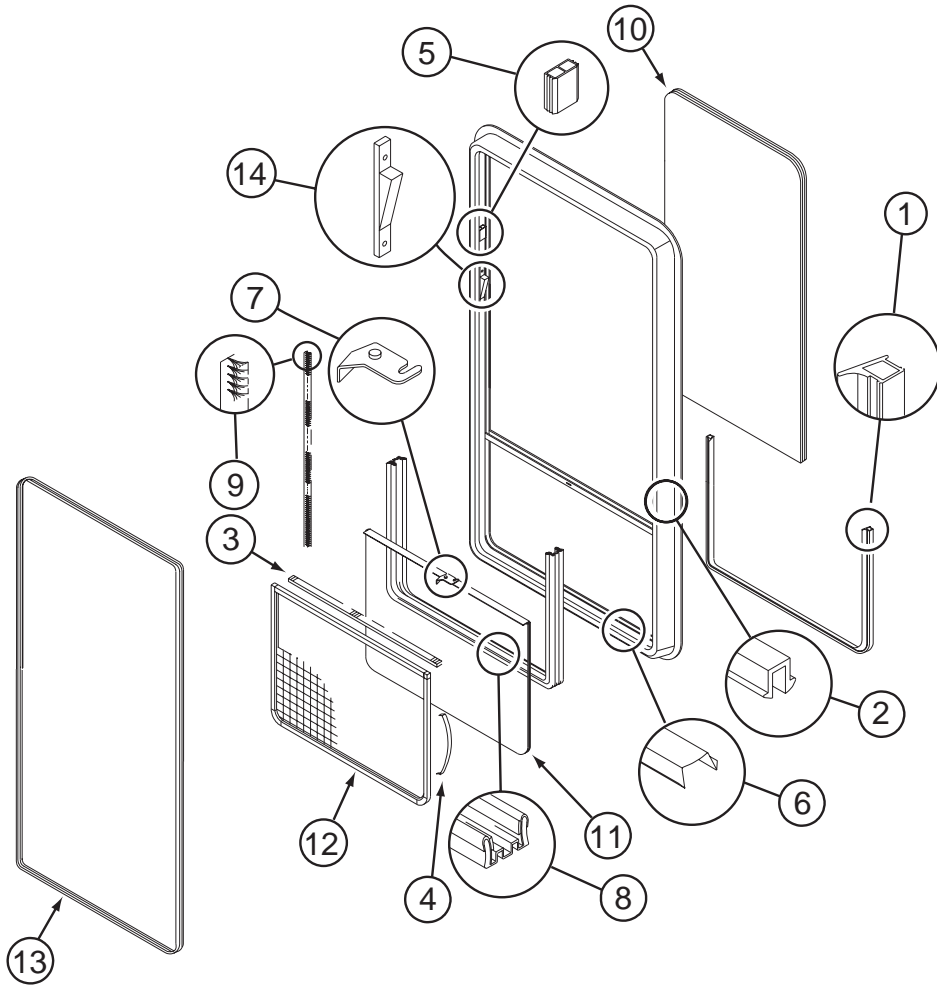
KEY	PART NUMBER	U/M	DESCRIPTION	VENDOR NO.
1	112795-01-704	FT	PLUG FILLER (DOUBLE GLAZED)	122-018737
2	112795-01-705	FT	VINYL - GLAZING	132-025736
3	098644-01-706	FT	WEATHERSTRIP - GLASS	171-010668
4	098644-01-713	EA	CLIP - SCREEN - METAL	226-016966
4	125582-01-701	EA	CLIP - SCREEN - PLASTIC	130-005153
	098644-01-717	FT	SPLINE - SCREEN	132-004716
5	112795-01-701	EA	SLIDE-STOP	132-019092
6	098644-01-710	FT	TRACK - SCREEN SPACER 12'	132-017135
7	112795-01-700	EA	LATCH ASM., BLK.,(BOLT ON)	DH287-CK
8	112795-01-703	IN	CHANNEL-RUN (INCHES)	122-018736
9	098644-01-711	FT	WEATHERSTRIP - SCREEN BLACK	171-016965
11	112795-72-700	EA	GLASS - STATIONARY	390-028307
12	112795-72-701	EA	GLASS - SLIDING W/SASH LATCH	DC29-G8
13	098647-31-704	EA	SCREEN ASSY - W/SEAL & CLIPS	410-019128
14	098647-31-705	EA	RETAINER - TRIM	CH29-66

**WINDOW & VENTS GROUP (CONTINUED)**  
**COMPONENT PARTS FOR WINDOW & VENT LAYOUT (CONTINUED)**

112795-77-01A

KEY	PART NUMBER	U/M	DESCRIPTION	VENDOR NO.
1	112795-01-704	FT	PLUG FILLER (DOUBLE GLAZED)	122-018737
2	112795-01-705	FT	VINYL - GLAZING	132-025736
3	098644-01-706	FT	WEATHERSTRIP - GLASS	171-010668
4	098644-01-713	EA	CLIP - SCREEN - METAL	226-016966
4	125582-01-701	EA	CLIP - SCREEN - PLASTIC	130-005153
	098644-01-717	FT	SPLINE - SCREEN	132-004716
5	112795-01-701	EA	SLIDE-STOP	132-019092
6	098644-01-710	FT	TRACK - SCREEN SPACER 12'	132-017135
7	112795-01-700	EA	LATCH ASM., BLK.,(BOLT ON)	DH287-CK
8	112795-01-703	IN	CHANNEL-RUN (INCHES)	122-018736
9	098644-01-711	FT	WEATHERSTRIP - SCREEN BLACK	171-016965
11	112795-77-700	EA	GLASS - STATIONARY	390-28313
12	112795-77-701	EA	GLASS - SLIDING W/SASH LATCH	DH493-G8
13	098647-47-702	EA	SCREEN ASSY - W/SEAL & CLIPS	410-025226
14	098647-47-704	EA	RETAINER - TRIM	H493-66

**WINDOW & VENTS GROUP (CONTINUED)**  
**COMPONENT PARTS FOR WINDOW & VENT LAYOUT (CONTINUED)**



**112898-25-01A**

KEY	PART NUMBER	U/M	DESCRIPTION	VENDOR NO.
1	112795-01-704	FT	PLUG FILLER (DOUBLE GLAZED)	122-018737
2	112795-01-705	FT	VINYL - GLAZING	132-025736
3	098644-01-706	FT	WEATHERSTRIP - GLASS	171-010668
4	098644-01-713	EA	CLIP - SCREEN - METAL	226-016966
4	125582-01-701	EA	CLIP - SCREEN - PLASTIC	130-005153
5	112795-01-701	EA	SLIDE-STOP	132-019092
6	098644-01-710	FT	TRACK - SCREEN SPACER 12'	132-017135
7	112795-01-700	EA	LATCH ASM., BLK.,(BOLT ON)	DH287-CK
8	112795-01-703	IN	CHANNEL-RUN (INCHES)	122-018736
9	098644-01-711	FT	WEATHERSTRIP - SCREEN BLACK	171-016965
10	112898-25-700	EA	GLASS - STATIONARY	390-028310
11	112898-25-701	EA	GLASS-SLIDING W/SASH & LATCH	DH564-G8
12	112898-19-702	EA	SCREEN ASM - W/SEALS & CLIPS	410-026279
13	112898-19-703	EA	RETAINER - TRIM	W564-66
14	112898-04-703	EA	VERTICAL LATCH (SASH KIT)	DH343-CK
	098644-01-717	FT	SPLINE - SCREEN	132-004716

**WINDOW & VENTS GROUP (CONTINUED)**  
**COMPONENT PARTS FOR WINDOW & VENT LAYOUT (CONTINUED)**

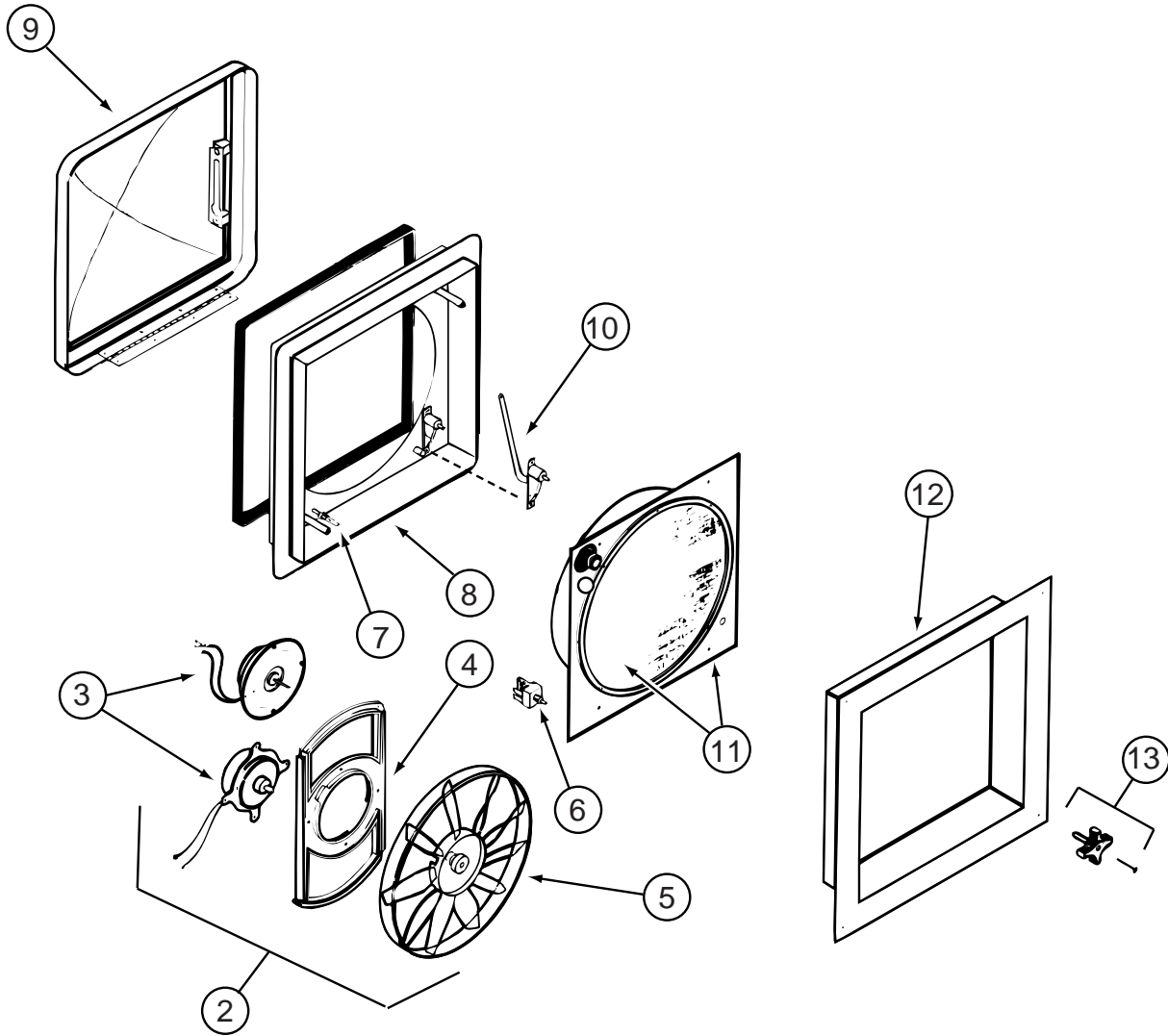
113733-04-01A, 113733-10-01A, 113733-11-01A

<b>KEY</b>	<b>PART NUMBER</b>	<b>U/M</b>	<b>DESCRIPTION</b>	<b>VENDOR NO.</b>
	112795-01-705	FT	VINYL - GLAZING	132-025736
	113733-10-700	EA	GLASS-STATIONARY	390-028306
	113733-10-701	EA	RETAINER-TRIM	H416-66

122882-04-01A, 122882-05-01A

<b>KEY</b>	<b>PART NUMBER</b>	<b>U/M</b>	<b>DESCRIPTION</b>	<b>VENDOR NO.</b>
	064470-01-700	EA	COVER - VENT - W/O SLIDE BAR	J7291
	064470-01-701	EA	SLIDE BAR - VENT LID	JRP1291B
	064469-03-708	EA	GEAR-DRIVE	RP-1024
	110051-07-701	EA	MOTOR-LIFT, W/BRKT-GEAR 3/16	RP1099B
	122882-04-700	EA	SCREEN	J29-670-01A

**WINDOW & VENTS GROUP (CONTINUED)**  
**COMPONENT PARTS FOR WINDOW & VENT LAYOUT (CONTINUED)**



**123780-03-01A**

KEY	PART NUMBER	U/M	DESCRIPTION	VENDOR NO.
2	084079-11-700	EA	MOTOR, BRKT., FAN BLADE, KIT	4017K-09
3	084079-01-705	EA	MOTOR	1080-00
4	084079-01-711	EA	H-MOLDING, MOTOR MOUNT	
5	084079-01-704	EA	BLADE-FAN	1070-00
6	084079-01-709	EA	SWITCH - MAIN - 3 SPEED	1031-05
7	084079-01-707	EA	SWITCH - SAFETY	1122.05
8	123780-05-700	EA	BASE - MAIN BRIGHT WHITE	1010K-81
9	123780-01-700	EA	COVER - VENT W/HINGE & SLIDE	1020K-81
10	009440-01-000	EA	GEAR/ARM - LIFT - ROOF VENT COVER	
11	123780-03-701	EA	SCREEN ASM 78-100MM W/SWITCH	1030BT-81
12	123780-03-700	EA	GARNISH - INT. 3"-4" BRT/WHT	2040-81
13	084079-01-703	EA	KNOB-LIFT, W/EXT.	1140K-00
	084079-01-706	EA	PLUG, 12 VOLT	1090
	123780-01-702	EA	SCREEN W/FRAME	103581

CONTACT WINNEBAGO PART SALES FOR UNLISTED COMPONENTS

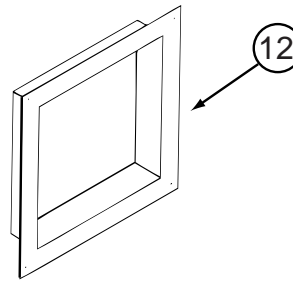
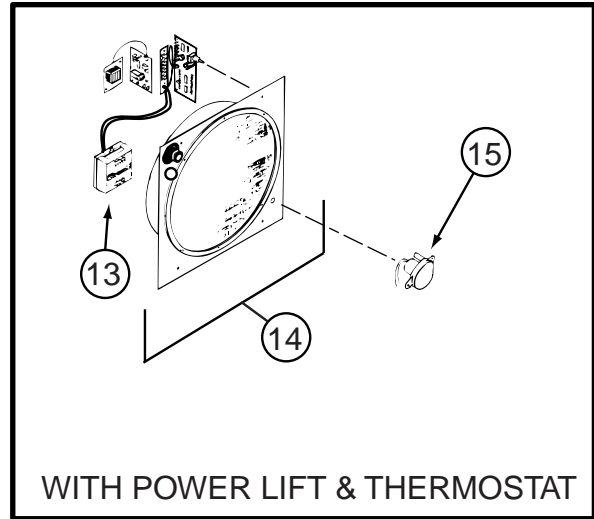
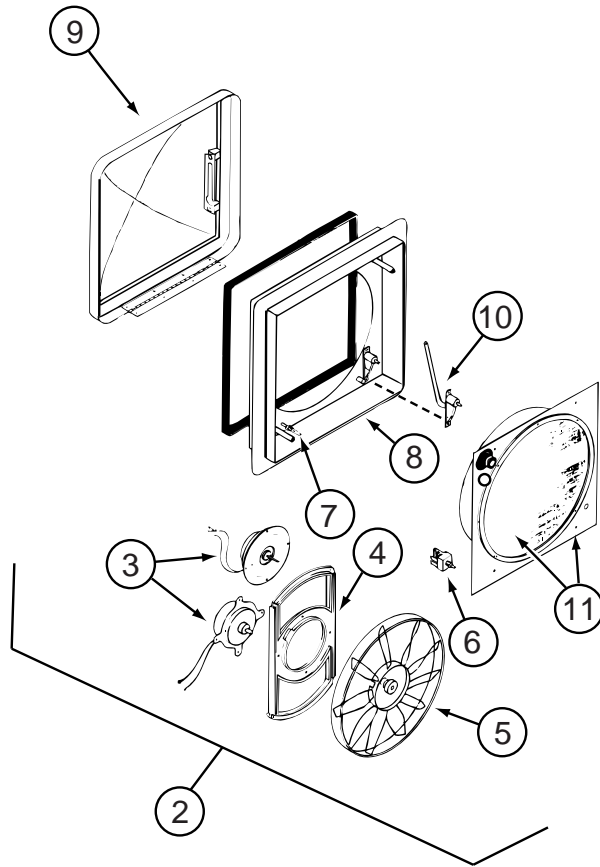
**WINDOW & VENTS GROUP (CONTINUED)**  
**COMPONENT PARTS FOR WINDOW & VENT LAYOUT (CONTINUED)**

123780-09-01A

KEY	PART NUMBER	U/M	DESCRIPTION	VENDOR NO.
2	084079-11-700	EA	MOTOR, BRKT., FAN BLADE, KIT	4017K-09
3	084079-01-705	EA	MOTOR	1080-00
4	084079-01-711	EA	H-MOLDING, MOTOR MOUNT	
5	084079-01-704	EA	BLADE-FAN	1070-00
6	084079-01-709	EA	SWITCH - MAIN - 3 SPEED	1031-05
7	084079-01-707	EA	SWITCH - SAFETY	1122.05
8	123780-05-700	EA	BASE - MAIN BRIGHT WHITE	1010K-81
9	123780-09-700	EA	DOME/WHITE - INSULATED	K2020-82
10	009440-01-000	EA	GEAR/ARM - LIFT - ROOF VENT COVER	
11	123780-03-701	EA	SCREEN ASM 78-100MM W/SWITCH	1030BT-81
12	123780-03-700	EA	GARNISH - INT. 3"-4" BRT/WHT	2040-81
13	084079-01-703	EA	KNOB-LIFT, W/EXT. & SCREW	1140K-00
	123780-01-702	EA	SCREEN W/FRAME	103581
	084079-01-706	EA	PLUG, 12 VOLT	1090

CONTACT WINNEBAGO PART SALES FOR UNLISTED COMPONENTS

**WINDOW & VENTS GROUP (CONTINUED)**  
**COMPONENT PARTS FOR WINDOW & VENT LAYOUT (CONTINUED)**



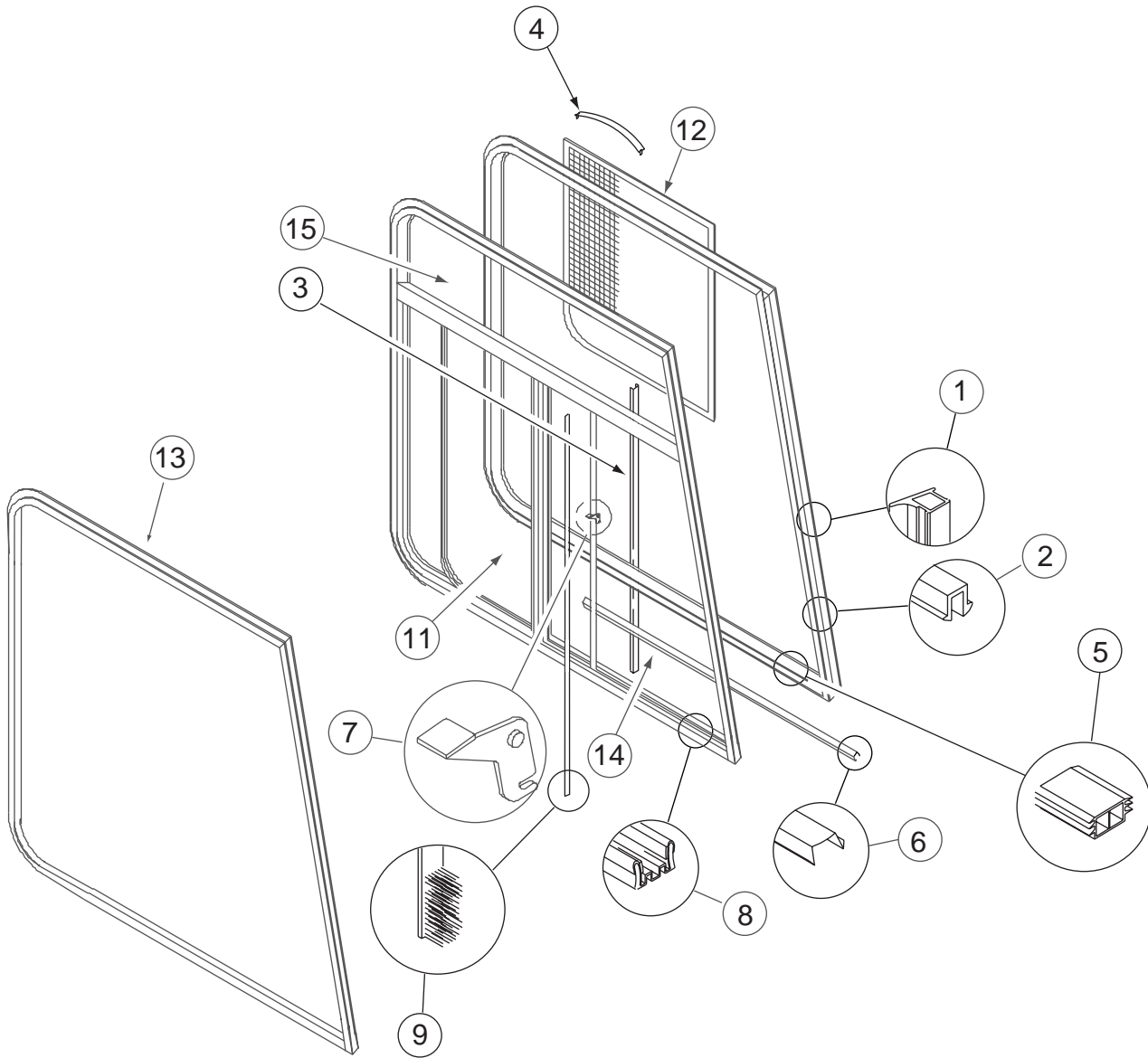
**123780-10-01A**

KEY	PART NUMBER	U/M	DESCRIPTION	VENDOR NO.
2	084079-11-700	EA	MOTOR, BRKT., FAN BLADE, KIT	4017K-09
3	084079-01-705	EA	MOTOR	1080-00
4	084079-01-711	EA	H-MOLDING, MOTOR MOUNT	
5	084079-01-704	EA	BLADE-FAN	1070-00
	084079-01-709	EA	SWITCH - MAIN - 3 SPEED	1031-05
6	084079-01-707	EA	SWITCH - SAFETY	1122.05
8	123780-05-700	EA	BASE - MAIN BRIGHT WHITE	1010K-81
9	123780-09-700	EA	DOME/WHITE - INSULATED	K2020-82
10	009440-01-000	EA	GEAR/ARM - LIFT - ROOF VENT COVER	
11	123780-01-702	EA	SCREEN W/FRAME	103581
12	123780-03-700	EA	GARNISH - INT. 3"-4" BRT/WHT	2040-81
13	084079-01-710	EA	THERMOSTAT, WALL MOUNT	9988-39
14	123780-05-701	EA	SCREEN ASM., INT W/SWITCHES	2000TK-81
15	084079-11-705	EA	MOTOR - LIFT (BC MOTOR)	5050-40
15	084079-11-703	EA	MOTOR-LIFT (AUTOTROL) W/CAP	6050-05

CONTACT WINNEBAGO PART SALES FOR UNLISTED COMPONENTS



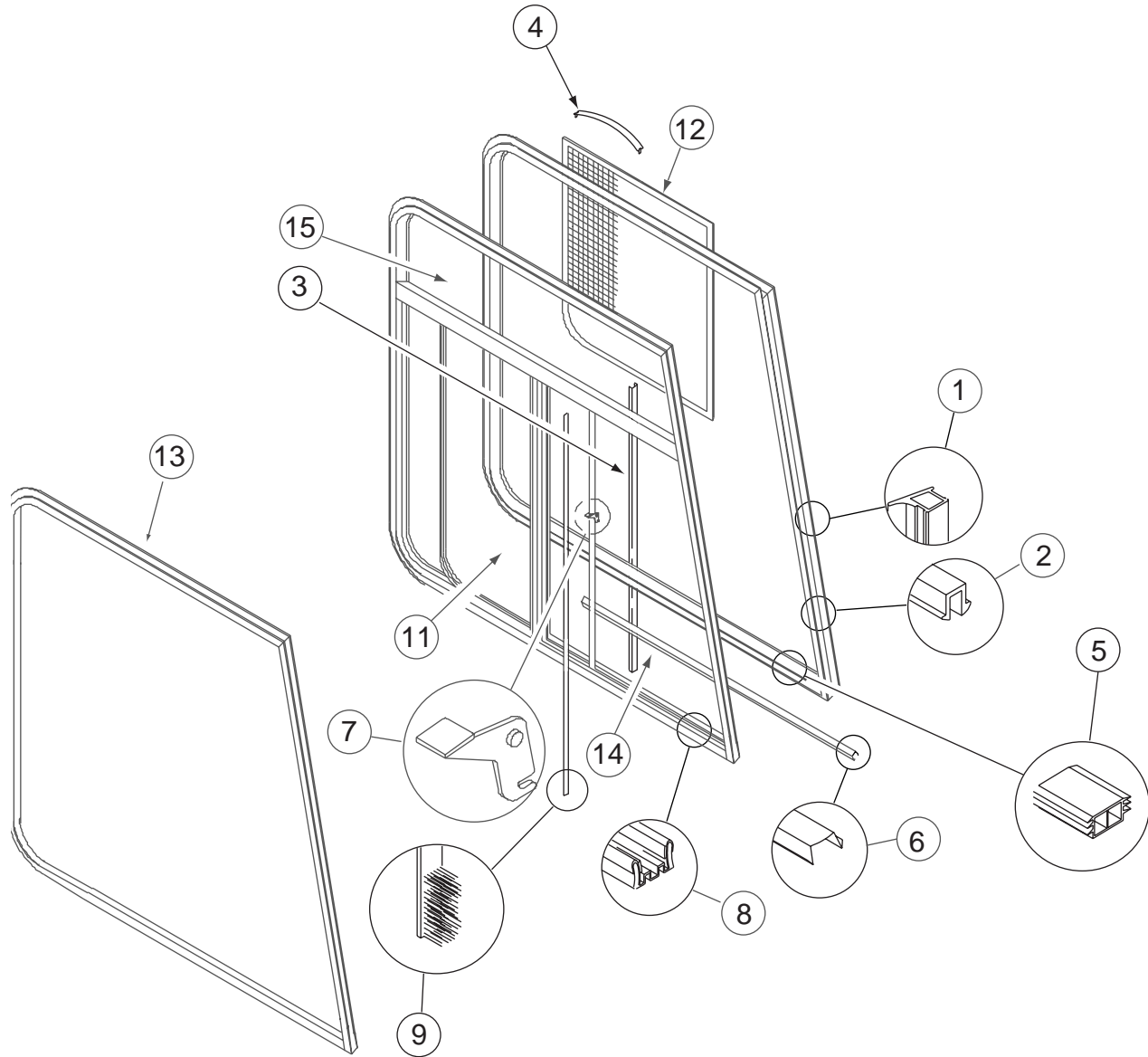
**WINDOW & VENTS GROUP (CONTINUED)**  
**COMPONENT PARTS FOR WINDOW & VENT LAYOUT (CONTINUED)**



**125582-01-01A**

KEY	PART NUMBER	U/M	DESCRIPTION	VENDOR NO.
1	098644-01-716	FT	PLUG - FILLER	132-014470
2	098644-01-705	FT	GLAZING - STRIP	132-010231
3	098644-01-706	FT	WEATHERSTRIP - GLASS	171-010668
4	098644-01-713	EA	CLIP - SCREEN - METAL	226-016966
4	125582-01-701	EA	CLIP - SCREEN - PLASTIC	130-005153
5	098644-01-719	EA	STOP - SLIDER GLASS	132-014203
6	098644-01-710	FT	TRACK - SCREEN SPACER 12'	132-017135
7	098644-01-700	EA	LATCH - REPAIR KIT (BLACK)	B801-CK
8	098644-01-708	FT	CHANNEL - RUN PIERCED	122-016543
9	098644-01-711	FT	WEATHERSTRIP - SCREEN BLACK	171-016965
11	125582-01-704	EA	GLASS-SLIDING W/SASH & LATCH	H573-A9R
12	125582-01-705	EA	SCREEN - PASSENGER - W/SEALS & CLIPS	410-026545
13	125582-01-706	EA	RETAINER - TRIM	H573-27R
14	125582-01-703	EA	GLASS - STATIONARY - LOWER	106-026083
15	125582-01-702	EA	GLASS - STATIONARY - UPPER	106-026082
	098644-01-717	FT	SPLINE - SCREEN	132-004716
	112520-01-706	EA	WEATHERSTRIP-SCREEN, (FUZZY)	171-017245
	125582-01-708	EA	WEEPHOLE COVER - RIGHT HAND	130-026598
	125582-01-709	EA	WEEPHOLE COVER - LEFT HAND	130-026599

**WINDOW & VENTS GROUP (CONTINUED)**  
**COMPONENT PARTS FOR WINDOW & VENT LAYOUT (CONTINUED)**



**125583-01-01A**

KEY	PART NUMBER	U/M	DESCRIPTION	VENDOR NO.
1	112795-01-704	FT	PLUG FILLER (DOUBLE GLAZED)	122-018737
2	112795-01-705	FT	VINYL-GLAZING	132-027331
3	098644-01-706	FT	WEATHERSTRIP - GLASS	171-010668
4	098644-01-713	EA	CLIP - SCREEN - METAL	226-016966
4	125582-01-701	EA	CLIP - SCREEN - PLASTIC	130-005153
5	112795-01-701	EA	SLIDE-STOP	132-019092
6	098644-01-710	FT	TRACK - SCREEN SPACER 12'	32-017135
7	112795-01-700	EA	LATCH ASM., BLK.,(BOLT ON)	DH287-CK
8	112795-01-703	IN	CHANNEL-RUN (INCHES)	122-027566
9	098644-01-711	FT	WEATHERSTRIP - SCREEN BLACK	171-016965
11	125583-01-700	EA	GLASS-SLIDING W/SASH & LATCH	DH573-A9R
12	125582-01-705	EA	SCREEN - PASSENGER - W/SEALS & CLIPS	410-026545
13	125582-01-706	EA	RETAINER - TRIM	H573-27R
14	125583-01-702	EA	GLASS - STATIONARY - R.H.	390-026101
15	125583-01-701	EA	GLASS - STATIONARY - UPPER	390-026100
	125582-01-708	EA	WEEPHOLE COVER - RIGHT HAND	130-026598
	125582-01-709	EA	WEEPHOLE COVER - LEFT HAND	130-026599
	098644-01-717	EA	SPLINE - SCREEN	132-004716

**WINDOW & VENTS GROUP (CONTINUED)**  
**COMPONENT PARTS FOR WINDOW & VENT LAYOUT (CONTINUED)**

**125584-01-01A**

<b>KEY</b>	<b>PART NUMBER</b>	<b>U/M</b>	<b>DESCRIPTION</b>	<b>VENDOR NO.</b>
	125584-01-700	EA	GLASS - STATIONARY	106026078
	100322-01-703	EA	VINYL - GLAZING, BUTYL	132-010723
	125584-01-701	EA	RETAINER - TRIM	H56927L B969 GRL

**125585-01-01A**

<b>KEY</b>	<b>PART NUMBER</b>	<b>U/M</b>	<b>DESCRIPTION</b>	<b>VENDOR NO.</b>
	125585-01-700	EA	GLASS - STATIONARY	390026092
	116000-01-704	EA	VINYL - GLAZING	132-018161
	125584-01-701	EA	RETAINER - TRIM	106026078

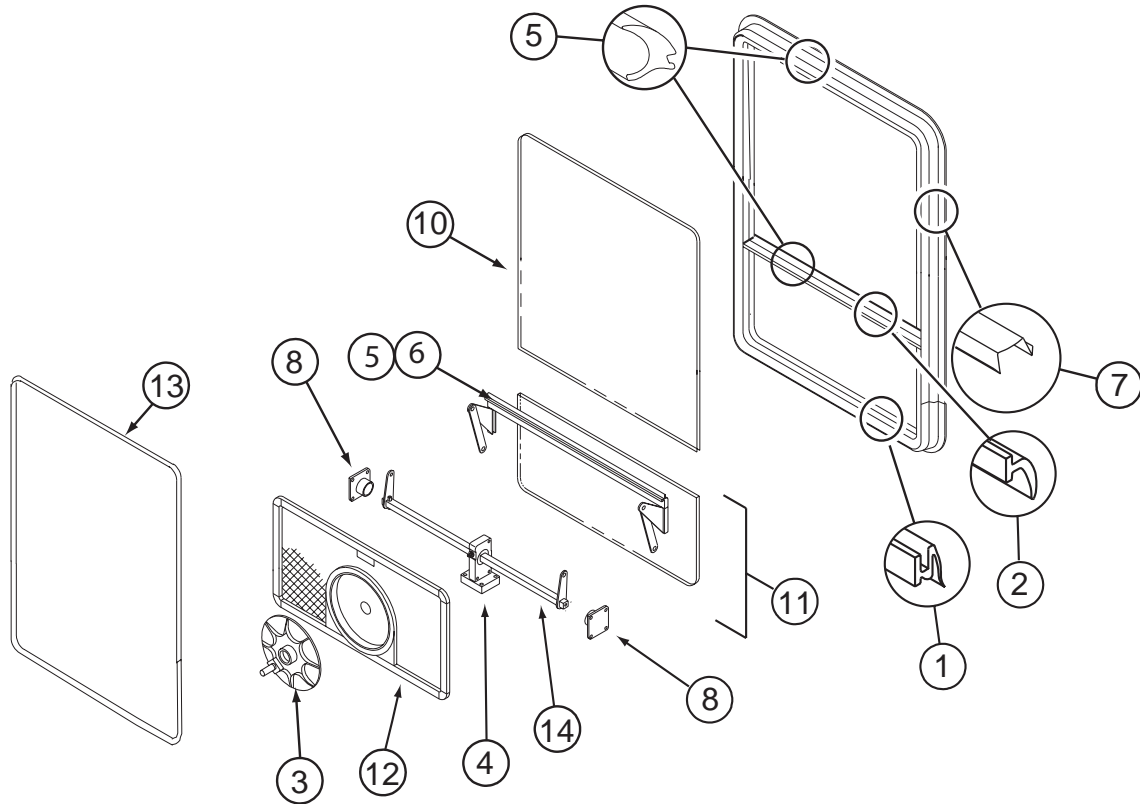
**125586-01-01A**

<b>KEY</b>	<b>PART NUMBER</b>	<b>U/M</b>	<b>DESCRIPTION</b>	<b>VENDOR NO.</b>
	125586-01-700	EA	GLASS - STATIONARY	106026079
	100322-01-703	EA	VINYL - GLAZING, BUTYL	132-010723
	125586-01-701	EA	RETAINER - TRIM	H57027L

**125600-01-01A**

<b>KEY</b>	<b>PART NUMBER</b>	<b>U/M</b>	<b>DESCRIPTION</b>	<b>VENDOR NO.</b>
	125600-01-700	EA	GLASS - STATIONARY	390026099
	116000-01-704	EA	VINYL - GLAZING	132-018161
	125586-01-701	EA	RETAINER - TRIM	H57027L

**WINDOW & VENTS GROUP (CONTINUED)**  
**COMPONENT PARTS FOR WINDOW & VENT LAYOUT (CONTINUED)**



**129929-09-01A**

KEY	PART NUMBER	U/M	DESCRIPTION	VENDOR NO .
1	100322-01-701	FT	SEAL-VENT	122-016071
3	100322-01-718	EA	HANDLE-DIAL	410-016081
4	129929-01-710	EA	TORQUE-CTR SUPPORT (2 HOLE)	410-026806
5	129929-01-705	FT	GLAZING VINYL	132-026811
6	129929-01-707	FT	COVER/SCREW-FILLER STRIP	132-026808
8	129929-01-708	EA	SUPPORT - TORQUE BAR - RT/LT	130-026804
10	129929-09-700	EA	GLASS - STATIONARY	390-028298
11	129929-09-701	EA	VENT GLASS ASSEMBLY	DTH001-G8
12	129929-01-702	EA	SCREEN ASM - W/SEALS & CLIPS	410-026858
13	129920-01-709	EA	RETAINER - TRIM	CH10062
14	129929-01-704	EA	OPERATOR BAR ASSEMBLY	DTH001-15
	100322-01-717	FT	SEAL - VENT	122-016071
	129929-01-706	FT	SEAL - TOP F/CENTER EGRESS	132-026811
	129929-02-706	FT	SEAL - FOAM	140-027022

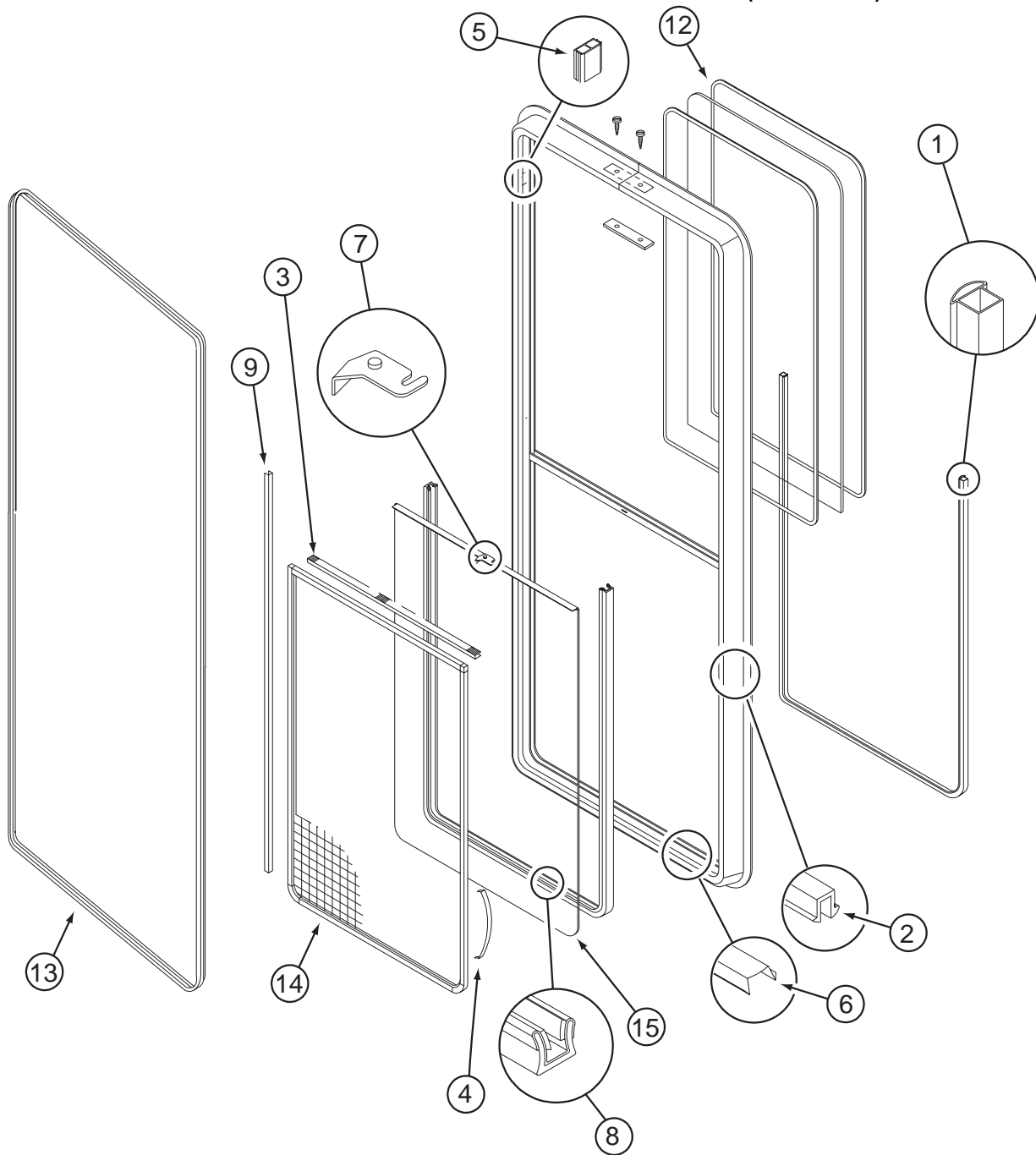
CONTACT WINNEBAGO PART SALES FOR UNLISTED COMPONENTS

**129929-10-01A**

KEY	PART NUMBER	U/M	DESCRIPTION	VENDOR NO .
1	100322-01-701	FT	SEAL-VENT	122-016071
3	100322-01-718	EA	HANDLE-DIAL	410-016081
4	129929-01-710	EA	TORQUE-CTR SUPPORT (2 HOLE)	410-026806
5	129929-01-705	FT	GLAZING VINYL	132-026811
6	129929-01-707	FT	COVER/SCREW-FILLER STRIP	132-026808
8	129929-01-708	EA	SUPPORT - TORQUE BAR - RT/LT	130-026804
10	129929-10-700	EA	GLASS - STATIONARY	390-028300
11	129929-10-701	EA	VENT GLASS ASSEMBLY	DTH002-G8
12	129929-02-702	EA	SCREEN ASM - W/SEALS & CLIPS	410-026861
13	129929-02-707	EA	RETAINER - TRIM	CH10162
14	129929-02-704	EA	OPERATOR BAR ASSEMBLY	DTH002-15
	100322-01-717	FT	SEAL - VENT	122-016071
	129929-01-706	FT	SEAL - TOP F/CENTER EGRESS	132-026811
	129929-02-706	FT	SEAL - FOAM	140-027022

CONTACT WINNEBAGO PART SALES FOR UNLISTED COMPONENTS

**WINDOW & VENTS GROUP (CONTINUED)**  
**COMPONENT PARTS FOR WINDOW & VENT LAYOUT (CONTINUED)**

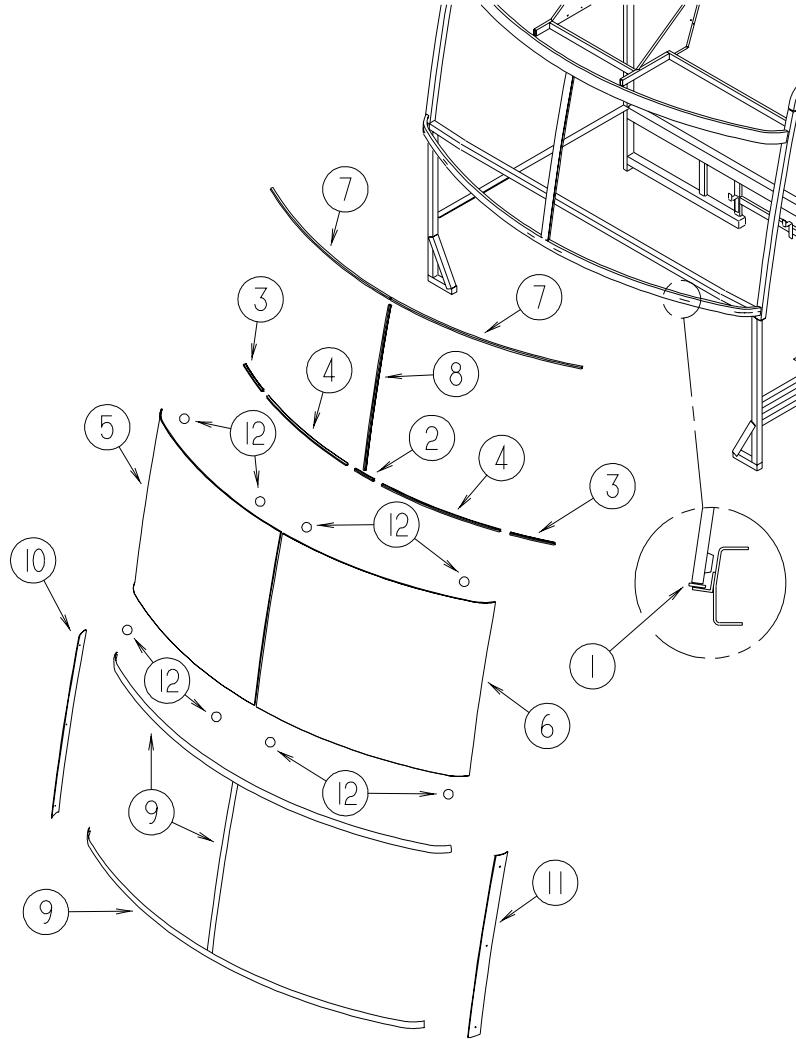


**134004-03-01A**

KEY	PART NUMBER	U/M	DESCRIPTION	VENDOR NO
1	112795-01-704	FT	PLUG FILLER (DOUBLE GLAZED)	122-018737
2	112795-01-705	FT	VINYL - GLAZING	132-027331
3	098644-01-706	FT	WEATHERSTRIP - GLASS	171-010668
4	125582-01-701	EA	CLIP - SCREEN - PLASTIC	130-005153
4	098644-01-713	EA	CLIP - SCREEN - METAL	226-016966
5	112795-01-701	EA	SLIDE-STOP	132-019092
6	098644-01-710	FT	TRACK - SCREEN SPACER 12'	132-017135
7	112795-01-700	EA	LATCH ASM., BLK.,(BOLT ON)	DH287-CK
8	112795-01-703	IN	CHANNEL-RUN (INCHES)	122-027566
9	098644-01-711	FT	WEATHERSTRIP - SCREEN BLACK	171-016965
12	134004-03-700	EA	GLASS - STATIONARY	390-028662
13	134004-03-702	EA	RETAINER - TRIM	H702-56
14	098644-13-702	EA	SCREEN ASM W/SEALS & CLIPS	410-028663
15	134004-03-701	EA	GLASS-SLIDING W/SASH & LATCH	DH702-G8
	112898-04-703	EA	VERTICAL LATCH (SASH KIT)	DH343-CK
	098644-01-717	FT	SPLINE - SCREEN	132-004716

# WINDSHIELD & WIPER GROUP

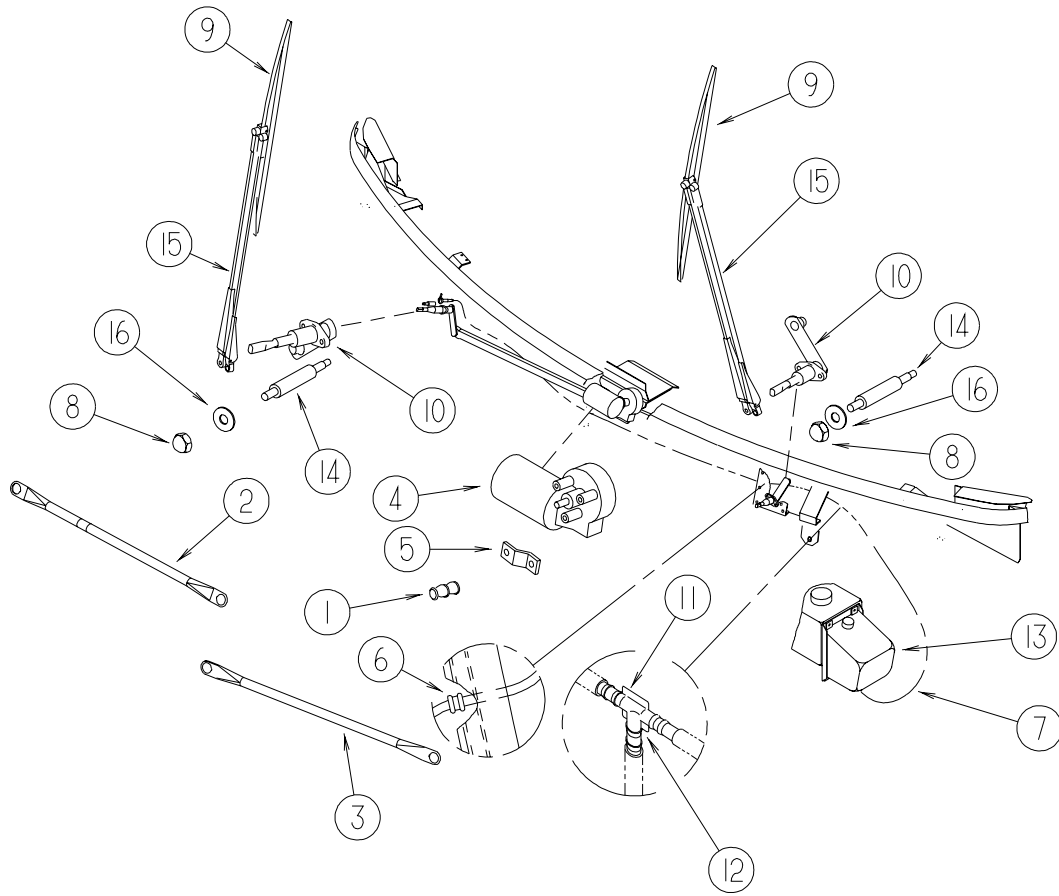
## WINDSHIELD



KEY	PART NUMBER	U/M	DESCRIPTION
1	002328-02-000	EA	BLOCK - WINDSHIELD - .062" X .5" X .98"
2	132375-01-000	EA	CARRIER/REVEAL - WINDSHIELD - 5.5"
			FROM: 00-00-00 THRU: 01-15-01
2	142036-01-000	EA	CARRIER/REVEAL - WINDSHIELD
			FROM: 01-16-01 THRU: 99-99-99
3	132375-02-000	EA	CARRIER/REVEAL - WINDSHIELD - 10"
			FROM: 00-00-00 THRU: 01-15-01
3	142036-02-000	EA	CARRIER/REVEAL - WINDSHIELD
			FROM: 01-16-01 THRU: 99-99-99
4	117335-06-000	EA	CARRIER - REVEAL - 29.8"
			FROM: 00-00-00 THRU: 01-15-01
4	132375-04-000	EA	CARRIER/REVEAL - WINDSHIELD
			FROM: 01-16-01 THRU: 99-99-99
5	124328-01-000	EA	WINDSHIELD - PASSENGER - 52" X 41" (CURVED)
6	124328-02-000	EA	WINDSHIELD - DRIVER - 52" X 41" (CURVED)
7	127862-01-000	EA	CARRIER/REVEAL - WINDSHIELD - 47.2"
8	127862-09-000	EA	CARRIER/REVEAL - WINDSHIELD - 38.6"
9	120533-01-000	FT	MOLDING - REVEAL - WINDSHIELD
10	125384-01-02A	EA	TRIM - WINDSHIELD - A-PILLAR - PASSENGER - BLACK
11	125384-02-02A	EA	TRIM - WINDSHIELD - A-PILLAR - DRIVER - BLACK
12	081914-02-000	EA	BUMPER - RUBBER - ROUND - 5/16" DIA. X 13/64" THICK

# WINDSHIELD & WIPER GROUP (CONTINUED)

## WIPER



KEY	PART NUMBER	U/M	DESCRIPTION
1	067188-01-000	EA	STUD - CRANK - WIPER MOTOR
	117322-01-000	EA	SCREW - 1/4-28 UNFINISHED - 2A - TORX
2	117770-01-000	EA	LINK - CONNECTING - 24" - CLOSED GROMMET/OPEN GROMMET
3	117770-02-000	EA	LINK - CONNECTING - 24" - CLOSED GROMMET/CLOSED GROMMET
4	104346-05-000	EA	WIPER MOTOR - iDYNAMIC PARKi - W/INTERNAL BREAKER
5	104347-04-000	EA	ARM - DRIVE - WIPER MOTOR
6	061603-01-000	EA	GROMMET - SNAP - 3/16"ID - 3/8" HOLE - PLASTIC BLACK
7	045794-01-000	FT	HOSE - WASHER - WINDSHIELD - 5/32" ID - BLACK
8	077049-02-000	EA	NUT - ACORN - 10-32 BLACK/ANODIZED
9*	095964-01-000	EA	BLADE - WINDSHIELD WIPER - 24"
10*	096505-09-000	EA	SHAFT/PIVOT - WINDSHIELD WIPER
11	110605-01-000	EA	TEE - PLASTIC - BARBED - 1/8" X 1/8" X 3/16"
12	117765-03-000	EA	CONNECTOR - 5/32" - WINDSHIELD WASHER
13	117766-02-000	EA	RESERVOIR/PUMP - WINDSHIELD WASHER
14	117768-01-000	EA	SHAFT - ADAPTER - PANTOGRAPH ARM
15*	117769-01-000	EA	ARM - WIPER - PANTOGRAPH - 28"
16	110742-02-000	EA	GASKET - NEOPRENE - WIPER ADAPTER SHAFT - .5" ID X .9" OD

\*COMPONENT PARTS LISTED LATER IN THIS GROUP

**WINDSHIELD & WIPER GROUP (CONTINUED)**  
**COMPONENT PARTS FOR WIPER**

**095964-01-000**

<b>KEY</b>	<b>PART NUMBER</b>	<b>U/M</b>	<b>DESCRIPTION</b>	<b>VENDOR NO.</b>
	095964-01-000	EA	BLADE - WINDSHIELD WIPER - 24"	
	095964-01-700	EA	BLADE-REFILL 24" EA= 1 PAIR	12360

**096505-09-000**

<b>KEY</b>	<b>PART NUMBER</b>	<b>U/M</b>	<b>DESCRIPTION</b>	<b>VENDOR NO.</b>
	096505-09-000	EA	SHAFT/PIVOT - WINDSHIELD WIPER	UT 6706220SH25WJ
	096505-02-700	EA	DRIVER-KNURLED,(HD) BRL .687	NT721017
	096505-02-701	EA	NUT-HEX (HD) W/.687 BARREL	NT721021
	096505-02-702	EA	CAP-RUBBER (HD) BARREL .687	CP721084
	096505-02-703	EA	NUT/ACORN - HD W/.687 BRL	51065-40-NT27WC

**117769-01-000**

<b>KEY</b>	<b>PART NUMBER</b>	<b>U/M</b>	<b>DESCRIPTION</b>	<b>VENDOR NO.</b>
	117769-01-000	EA	ARM - WIPER - PANTOGRAPH - 28"	UT 6701620LE25WJ
	096931-01-700	FT	HOSE - WASHER - 1/8" ID	XTU-66-0001
	117769-01-700	EA	RETAINER CLIP - HOSE	