

2002 SUNFLYER

L-SERIES

WASHED MAPLE

N62 SIENNA - BEIGE

N64 CORNUCOPIA - AUTUMN RED

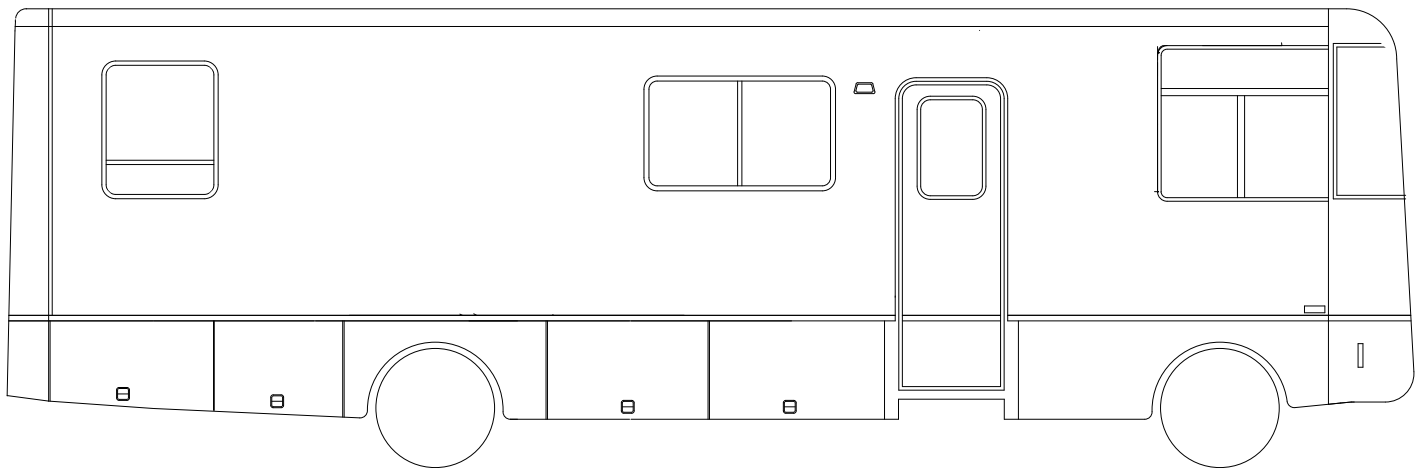
N66 PLATINUM - WARM GRAY

SALEM CHERRY

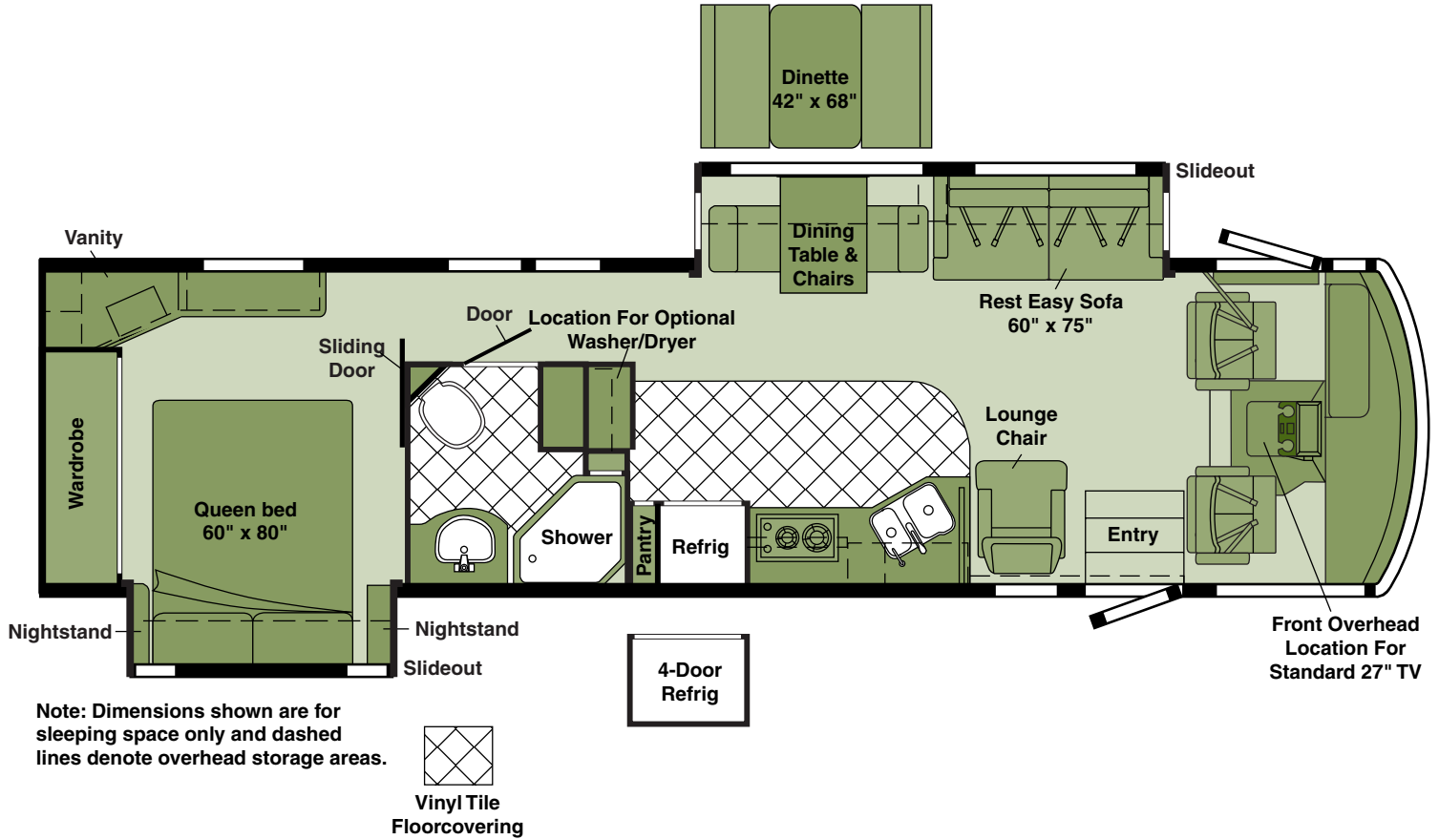
N63 SIENNA - BEIGE

N65 CORNUCOPIA - AUTUMN RED

N67 PLATINUM - WARM GRAY



2002 IPL36W



FLOORPLAN

CONTENTS

| | |
|---|-----------|
| FLOORPLAN | 2 |
| ACCESSORIES GROUP | 7 |
| OPERATORS MANUAL | 7 |
| APPLIANCE GROUP | 8 |
| APPLIANCES | 8 |
| COMPONENT PARTS FOR APPLIANCE | 13 |
| 108186-02-000 | 13 |
| 108186-03-000 | 13 |
| 115504-01-000 | 13 |
| 119267-04-01A | 13 |
| 119267-06-01A | 13 |
| 120075-13-01A, 120075-14-01A, 120075-15-01A | 14 |
| 125242-02-01A | 22 |
| 129561-01-01A | 31 |
| 133004-02-01A | 31 |
| AUDIO VIDEO GROUP | 32 |
| RADIO SYSTEM | 32 |
| COMPONENT PARTS FOR RADIO SYSTEM | 33 |
| 102080-15-000 | 33 |
| REAR VIEW MONITOR | 34 |
| COMPONENT PARTS FOR REAR VIEW MONITOR | 35 |
| 093040-10-000 | 35 |
| TELEPHONE | 36 |
| TV & VCR | 36 |
| COMPONENT PARTS FOR TV & VCR | 37 |
| 076319-23-000 | 37 |
| 076319-25-000 | 37 |
| 124073-11-000 | 38 |
| 124075-06-000 | 38 |
| 128138-01-000 | 39 |
| 137135-01-000 | 41 |
| 140061-01-000, 140061-02-000 | 42 |
| 141454-01-01A | 42 |
| EXTERIOR ENTERTAINMENT | 44 |
| BATH GROUP | 45 |
| CABINETS | 45 |
| SHOWER | 46 |
| COMPONENT PARTS FOR SHOWER | 47 |
| 139047-01-01A, 139047-01-02A, 139047-02-01A, 139047-02-02A, 139047-03-01A, 139047-03-02A, 139047-04-02A | 47 |
| BEDROOM GROUP | 48 |
| QUEEN CABINETS | 48 |
| CHASSIS GROUP | 52 |
| FRAME | 52 |
| FRONT END | 54 |
| EXHAUST | 56 |
| FUEL | 57 |
| HYDRAULIC LEVELING | 58 |
| COMPONENT PARTS FOR HYDRAULIC LEVELING | 59 |
| 100536-48-000 | 59 |
| 131306-22-000 | 59 |
| 131306-30-000 | 59 |
| WHEEL, TIRE, COVERS &/OR LINERS | 60 |
| BRAKELINE | 60 |

CONTENTS (CONTINUED)

| | |
|--|-----------|
| CURTAIN & CUSHION GROUP | 61 |
| NOTICE | 61 |
| CUSHION LAYOUT | 62 |
| BUCKET SEATS | 64 |
| COMPONENT PARTS FOR BUCKET SEATS | 65 |
| 081373-03-000 | 65 |
| LOUNGE CHAIR | 66 |
| SOFA | 67 |
| COMPONENT PARTS FOR SOFA | 70 |
| 136534-15-000, 136534-29-000 | 70 |
| 136534-16-000 | 70 |
| WINDOW TREATMENT | 71 |
| HARDWARE | 73 |
| ACCESSORIES | 75 |
| COMPONENT PARTS FOR ACCESSORIES | 76 |
| 091990-08-01A | 76 |
| FABRICS | 77 |
| DINETTE GROUP | 79 |
| CABINETS | 79 |
| TABLE | 80 |
| DRIVERS COMPARTMENT GROUP | 82 |
| DASH | 82 |
| MOTOR COVER | 84 |
| BEVERAGE TRAY | 85 |
| FRONT INTERIOR | 86 |
| CABINETS | 89 |
| ELECTRICAL GROUP | 90 |
| 12V BODY WIRING | 90 |
| FRONT END WIRING | 96 |
| COMPONENT PARTS FOR LIGHTS & SWITCHES | 99 |
| 008089-02-000 | 99 |
| 086280-01-000 | 99 |
| 091937-08-000 | 99 |
| 091937-09-000 | 99 |
| 093575-22-01A | 99 |
| 097917-01-06A | 99 |
| 098024-01-03A | 99 |
| 102756-02-000 | 99 |
| 108354-01-01A | 99 |
| 110235-01-01A | 99 |
| 123775-01-01A | 99 |
| 136119-01-000 | 99 |
| 137417-02-01A | 99 |
| 137417-05-01A | 99 |
| 137417-06-01A | 100 |
| 137424-01-000 | 100 |
| CIRCUIT BREAKERS & FUSES | 101 |
| CONVERTER, INVERTER, LOAD CENTERS | 102 |
| 110V WIRING | 103 |
| DRIVERS DOOR WIRING | 104 |
| COMPONENT PARTS FOR DRIVERS DOOR WIRING | 105 |
| 108354-01-01A | 105 |
| ENTERTAINMENT WIRING | 106 |
| BOXES & CORDS | 107 |
| WIRE ASSEMBLIES | 108 |
| CONNECTORS & CONDUIT | 109 |
| BOOTS, SOLENOIDS, RELAYS & MISCELLANEOUS | 111 |

CONTENTS (CONTINUED)

| | |
|--|------------|
| EXTERIOR BODY GROUP | 113 |
| AIR HORN | 113 |
| COMPONENT PARTS FOR AIR HORN | 114 |
| 077497-03-000 | 114 |
| 077497-06-000 | 114 |
| 077497-10-000 | 114 |
| GRAPHICS & PAINT | 115 |
| PANELS & TRIMS | 117 |
| FRONT END | 120 |
| COMPONENT PARTS FOR FRONT END | 123 |
| 091955-02-000 | 123 |
| LADDER | 124 |
| MIRRORS | 124 |
| COMPONENT PARTS FOR MIRRORS | 125 |
| 106015-18-01A & 106015-19-01A | 125 |
| STRUCTURAL COMPONENTS | 126 |
| AWNINGS | 126 |
| COMPONENT PARTS FOR AWNINGS | 127 |
| 113874-01-02A | 127 |
| EXTERIOR DOORS & COMPARTMENTS GROUP | 128 |
| DOOR & COMPARTMENT LAYOUT | 128 |
| COMPONENT PARTS FOR DOOR & COMPARTMENT LAYOUT | 132 |
| 084103-08-000 | 132 |
| 094707-03-01A | 132 |
| COMPARTMENT DOOR PIECE PARTS | 133 |
| DRIVERS | 135 |
| COMPONENT PARTS FOR DRIVERS | 136 |
| 125581-10-01A | 136 |
| ENTRY | 138 |
| SCREEN | 140 |
| LATCH - ENTRY | 141 |
| EXTERIOR SLIDEOUT GROUP | 142 |
| FRONT LEFT | 142 |
| COMPONENT PARTS FOR FRONT LEFT SLIDEOUT | 146 |
| 100536-42-000 | 146 |
| 131360-01-000 | 146 |
| REAR RIGHT | 147 |
| COMPONENT PARTS FOR REAR RIGHT SLIDEOUT | 151 |
| 100536-46-000 | 151 |
| 137390-01-000 | 151 |
| GALLEY GROUP | 152 |
| CABINETS | 152 |
| DOORS & DRAWERS | 154 |
| GENERATOR GROUP | 156 |
| GAS | 156 |

CONTENTS (CONTINUED)

| | |
|---|------------|
| HEATING & A/C GROUP | 157 |
| AUTOMOTIVE | 157 |
| COMPONENT PARTS FOR AUTOMOTIVE HEATER | 159 |
| 103930-43-000 | 159 |
| 103930-46-000 | 160 |
| 103930-47-000 | 160 |
| FURNACE | 161 |
| COMPONENT PARTS FOR FURNACE | 162 |
| 098668-22-000 | 162 |
| 139980-04-000 | 163 |
| REAR HEATER | 165 |
| COMPONENT PARTS FOR REAR HEATER | 166 |
| 129205-01-000 | 166 |
| CENTRAL A/C SYSTEM | 167 |
| COMPONENT PARTS FOR CENTRAL A/C SYSTEM | 168 |
| 105620-11-000 | 168 |
| 105620-12-000 | 170 |
| 105620-15-000 | 171 |
| INTERIOR FINISH GROUP | 172 |
| MOLDINGS & TRIMS | 172 |
| PANELING & LAMINATES | 176 |
| ACCESSORIES | 176 |
| COMPONENT PARTS FOR ACCESSORIES | 177 |
| 094499-02-000 | 177 |
| FLOOR COVERINGS | 178 |
| HARDWARE | 179 |
| LABELS GROUP | 185 |
| LP GROUP | 210 |
| LP SYSTEM | 210 |
| COMPONENT PARTS FOR LP SYSTEM | 211 |
| 088253-03-000 | 211 |
| 088253-10-000 | 211 |
| LOUNGE GROUP | 212 |
| CABINETS | 212 |
| TABLES | 213 |
| SEALANTS & FASTENERS GROUP | 214 |
| SEALANTS & ADHESIVES | 214 |
| BOLTS, NUTS AND WASHERS | 215 |
| SCREWS | 217 |
| CLAMPS, CLIPS, GROMMETS, RIVETS & PLUGS | 220 |
| MISCELLANEOUS FASTENERS | 221 |
| WATER & SEWAGE GROUP | 222 |
| DRAINAGE SYSTEM | 222 |
| COMPONENT PARTS FOR DRAINAGE SYSTEM | 224 |
| 132389-01-01A | 224 |
| WATER SYSTEM | 226 |
| COMPONENT PARTS FOR WATER SYSTEM | 233 |
| 051391-05-000 | 233 |
| 098607-01-000 | 234 |
| 118569-01-000 | 234 |
| 118569-03-000 | 234 |
| 131340-01-01A | 234 |

CONTENTS (CONTINUED)

| | |
|---|------------|
| WINDOW & VENTS GROUP | 235 |
| WINDOW & VENT LAYOUT | 235 |
| COMPONENT PARTS FOR WINDOWS & VENT LAYOUT | 237 |
| 112795-77-01A | 237 |
| 112898-23-01A | 238 |
| 112898-26-01A | 239 |
| 113733-04-01A, 113733-10-01A, 113733-11-01A | 239 |
| 122882-04-01A, 122882-05-01A | 239 |
| 123780-03-01A | 240 |
| 123780-09-01A | 241 |
| 123780-10-01A | 242 |
| 129929-09-01A | 243 |
| 129929-10-01A | 243 |
| 134004-03-01A | 244 |
| 137867-04-01A | 245 |
| 139502-01-01A | 246 |
| WINDSHIELD & WIPER GROUP | 247 |
| WINDSHIELD | 247 |
| WIPER | 248 |
| COMPONENT PARTS FOR WIPER | 249 |
| 095964-01-000 | 249 |
| 096505-09-000 | 249 |
| 117769-01-000 | 249 |

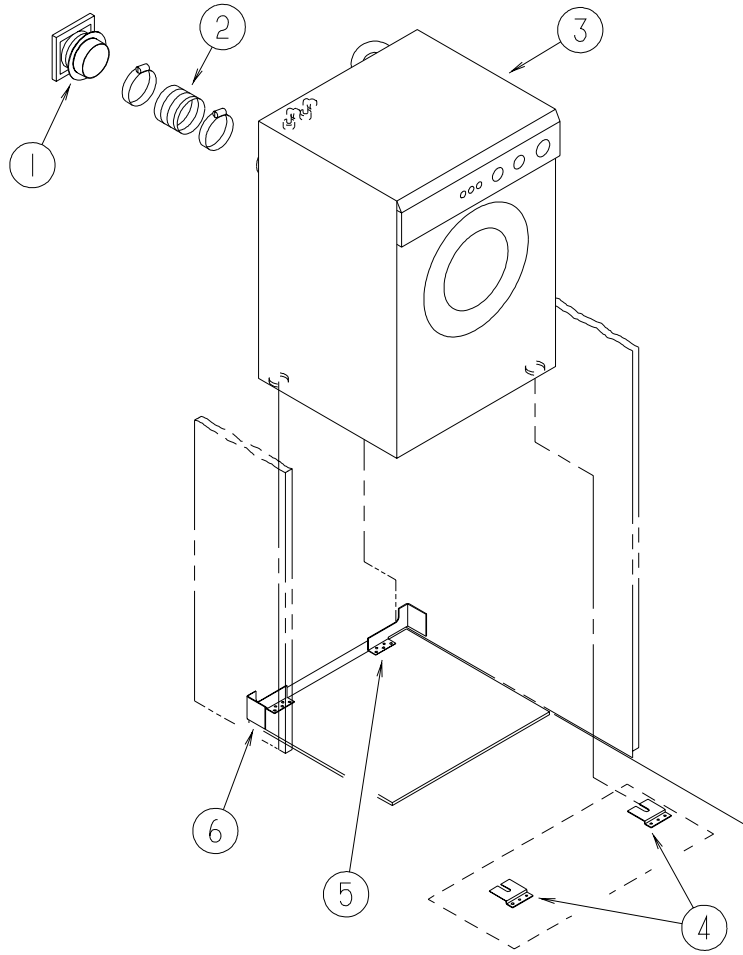
ACCESSORIES GROUP
OPERATORS MANUAL

| KEY | PART NUMBER | U/M | DESCRIPTION |
|------------|--------------------|------------|---|
| | 129079-01-01A | EA | CASE - VINYL/BLACK-EXPANDABLE ACCORDION SIDES-7"WX9"HX14"L FROM: 00-00-00 THRU: 11-28-01 |
| | 129079-04-01A | EA | CASE - VINYL/BLK-EXPANDABLE ACCORDION SIDES-11"WX9"HX14"L FROM: 11-29-01 THRU: 99-99-99 |
| | 132000-16-002 | EA | MANUAL/OWNER - SUNFLYER - 2002 |
| | 138239-01-000 | EA | TOP LEVEL-L,2002 |

APPLIANCE GROUP APPLIANCES

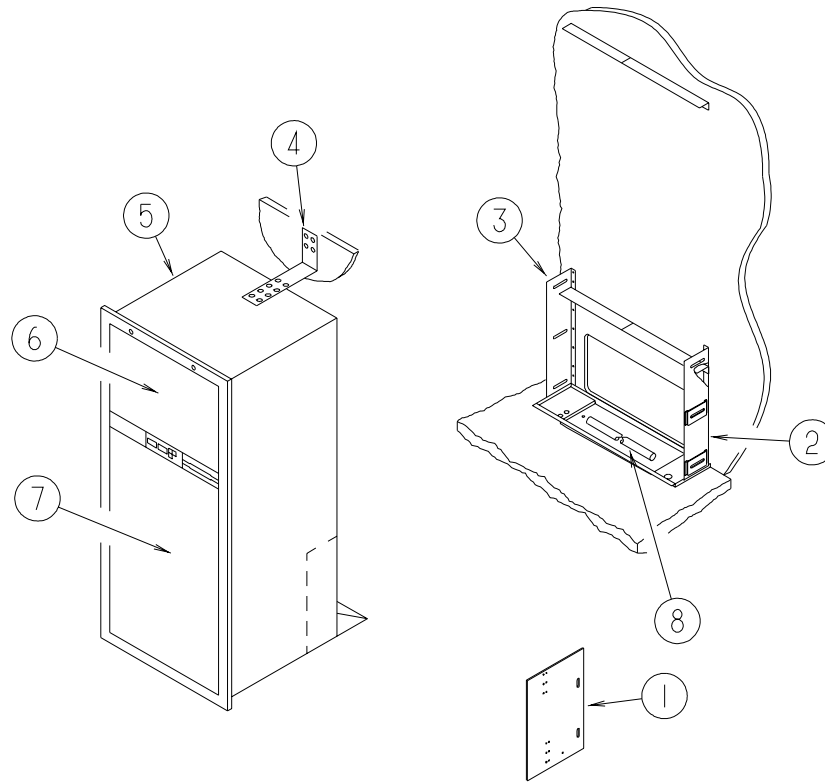
| KEY | PART NUMBER | U/M | DESCRIPTION |
|--|---------------|-----|--|
| | 107752-04-01A | EA | DISHWASHER - 18" - BLACK - L39 |
| * | 108186-02-000 | EA | TOOL SET - VACUUM - W/O POWER BRUSH W/30' HOSE |
| * | 108186-03-000 | EA | VACUUM CLEANER - BUILT IN |
| | 108187-02-000 | EA | ELBOW - 90 DEGREE STREET PVC - VACUUM SYSTEM |
| | 108187-06-000 | EA | INLET - REDUCER |
| * | 115504-01-000 | EA | PANEL - SOLAR 10 WATT - 12.2"W X 26.9"L X 1.2"H |
| * | 129561-01-01A | EA | PANEL/MONITOR - READ OUT ONLY - HOLDING/WATER TANK |
| * | 133004-02-01A | EA | PANEL - MONITOR - 2 TANK DIGITAL VOLT METER - SOLAR |
| | 119267-05-000 | EA | FILTER - HOOD - CHARCOAL - SHARP #RK220 |
| | 130818-01-01A | EA | TRASH CONTAINER - W/SLIDE-OUT - L39 |
| | 130818-02-01A | EA | TRASH CONTAINER - 20 QUART ALMOND - L36W |
| | 133068-01-000 | EA | HAIR DRYER - 3 SPEED W/NIGHT LIGHT - WALL MOUNT |
| | 133139-01-000 | EA | VACUUM CLEANER - RECHARGEABLE DUST-BUSTER - BLACK & DECKER |
| | 143733-01-000 | EA | VACUUM CLEANER - RECHARGEABLE - EUREKA 79A |
| | 133140-01-000 | EA | FLASHLIGHT - RECHARGEABLE - BLACK & DECKER |
| | 133200-02-01A | EA | RANGE TOP - 2 BURNER W/BLACK GLASS TOP/12V IGNITOR |
| | 138584-01-01A | EA | COFFEE MAKER/CARAFE - BLACK - NO TIMER - KRUPS |
| *COMPONENT PARTS LISTED LATER IN THIS GROUP | | | |

APPLIANCE GROUP (CONTINUED)
APPLIANCES (CONTINUED)



| KEY | PART NUMBER | U/M | DESCRIPTION |
|-----|---------------|-----|---|
| 1 | 111947-02-01A | EA | VENT - DRYER - 3" |
| 2 | 116653-02-000 | FT | DUCT - FLEXIBLE - 3' COMPRESSED/8' EXTENDED |
| 3 | 107753-03-01A | EA | WASHER - DRYER - VENTED - UL/CSA - WHITE |
| 4 | 111913-01-01A | EA | BRACKET - WASHER - TIE DOWN |
| 5 | 113795-03-02B | EA | BRACKET - WASHER - E-COATED |
| 6 | 113795-04-02B | EA | BRACKET - WASHER - E-COATED |

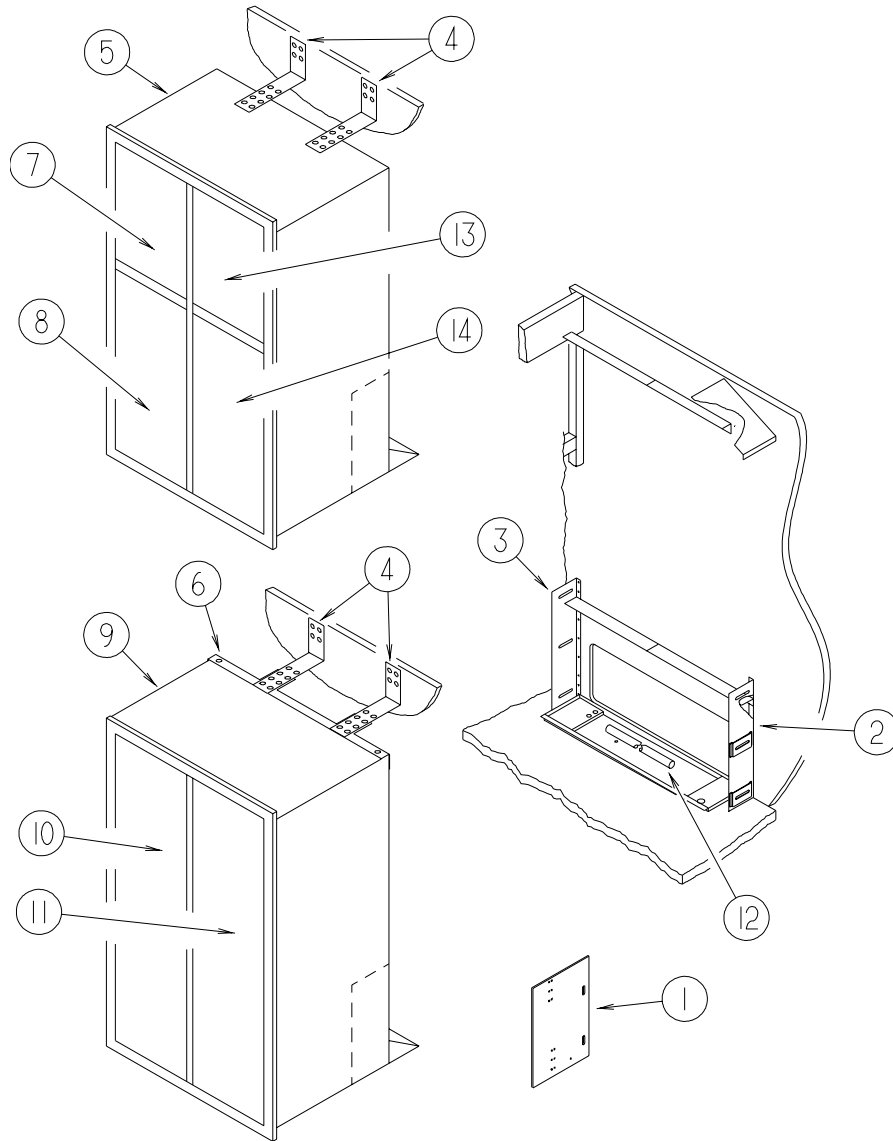
APPLIANCE GROUP (CONTINUED)
APPLIANCES (CONTINUED)



| KEY | PART NUMBER | U/M | DESCRIPTION |
|-----|---------------|-----|---|
| 1 | 065225-04-000 | EA | PLATE - TIEDOWN/REFRIGERATOR |
| 2 | 093646-01-000 | EA | BRACKET - TIEDOWN/REFRIGERATOR - RIGHT HAND |
| 3 | 093646-02-000 | EA | BRACKET - TIEDOWN/REFRIGERATOR - LEFT HAND |
| 4 | 093369-02-000 | EA | STRAP - REFRIGERATOR |
| 5* | 120075-13-01A | EA | REFRIGERATOR-LARGE DOUBLE DOOR/RH - 2-WAY -ICE MAKER-BLACK |
| 6 | 140113-01-N62 | EA | PANEL/INSERT - REFRIGERATOR - 22.2" X 15.5" (N62, N64, N66) |
| 6 | 140113-01-N63 | EA | PANEL/INSERT - REFRIGERATOR - 22.2" X 15.5" (N63, N65, N67) |
| 7 | 140113-02-N62 | EA | PANEL/INSERT - REFRIGERATOR - 22.2" X 39.5" (N62, N64, N66) |
| 7 | 140113-02-N63 | EA | PANEL/INSERT - REFRIGERATOR - 22.2" X 39.5" (N63, N65, N67) |
| 8 | 112176-01-000 | FT | TUBING - VINYL - REINFORCED - 1/2" ID |
| | 054450-01-000 | EA | LEVEL - REFRIGERATOR |
| | 090329-01-000 | FT | SEAL/T - REFRIGERATOR CABINET |
| | 116751-01-01A | EA | TRAY - REFRIGERATOR |

***COMPONENT PARTS LISTED LATER IN THIS GROUP**

APPLIANCE GROUP (CONTINUED)
APPLIANCES (CONTINUED)

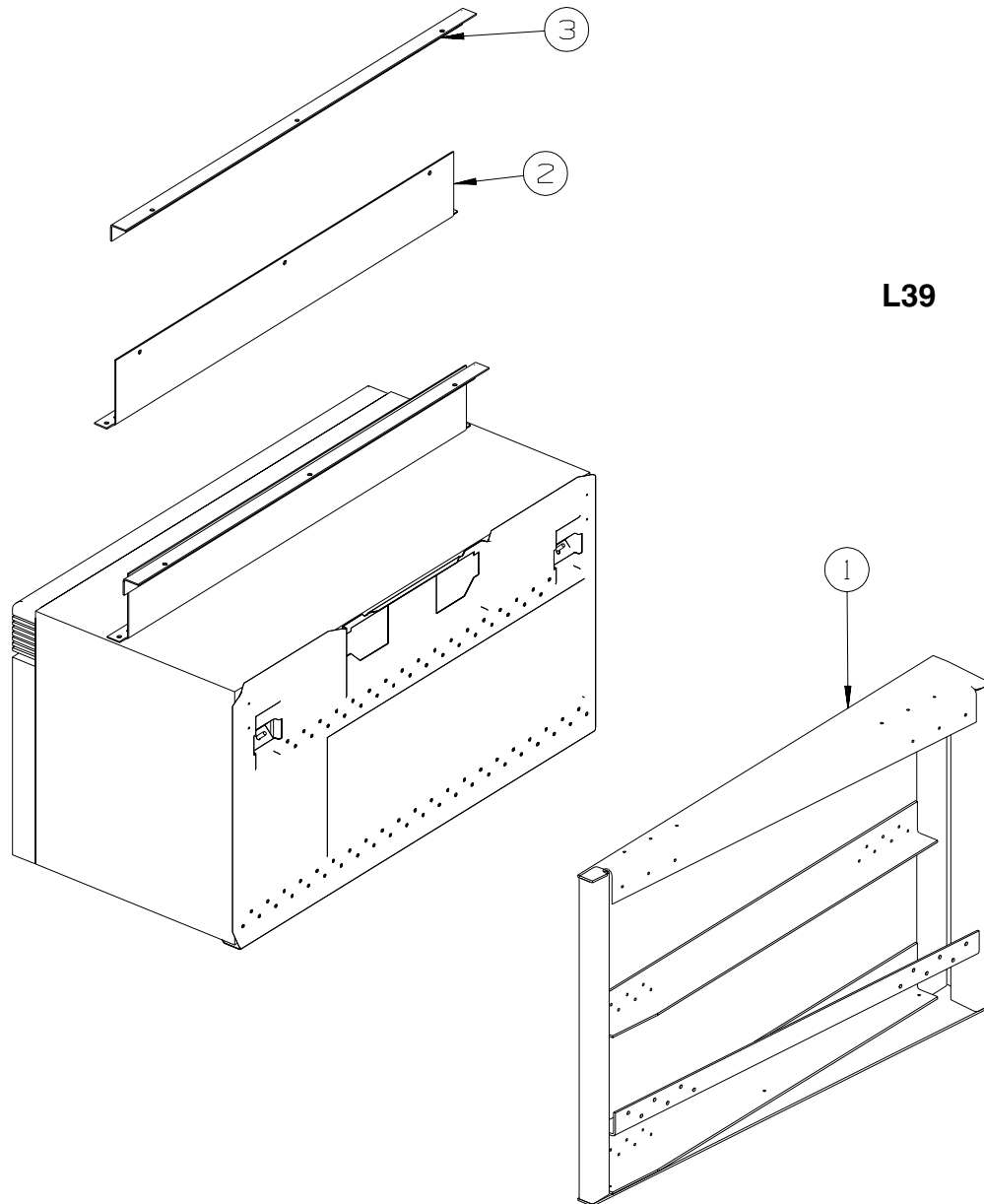


| KEY | PART NUMBER | U/M | DESCRIPTION |
|-----|---------------|-----|---|
| 1 | 065225-01-000 | EA | PLATE - TIEDOWN/REFRIGERATOR |
| 2 | 093646-01-000 | EA | BRACKET - TIEDOWN/REFRIGERATOR - RIGHT HAND |
| 3 | 093646-02-000 | EA | BRACKET - TIEDOWN/REFRIGERATOR - LEFT HAND |
| 4 | 093369-02-000 | EA | STRAP - REFRIGERATOR |
| 5* | 125242-02-01A | EA | REFRIGERATOR-4 DR-W/ICE MKR-W/CONTOURED HANDLE-NORCOLD1201 |
| 6 | NOT USED | | |
| 7 | 140113-03-N62 | EA | PANEL/INSERT - REFRIGERATOR - 16.5" X 19.3" (N62, N64, N66) |
| 7 | 140113-03-N63 | EA | PANEL/INSERT - REFRIGERATOR - 16.5" X 19.3" (N63, N65, N67) |
| 8 | 140113-05-N62 | EA | PANEL/INSERT - REFRIGERATOR - 16.5" X 42.1" (N62, N64, N66) |
| 8 | 140113-05-N63 | EA | PANEL/INSERT - REFRIGERATOR - 16.5" X 42.1" (N63, N65, N67) |
| 9 | NOT USED | | |
| 10 | NOT USED | | |
| 11 | NOT USED | | |
| 12 | 112176-01-000 | EA | TUBING - VINYL - REINFORCED - 1/2" ID |
| 13 | 140113-04-N62 | EA | PANEL/INSERT - REFRIGERATOR - 16.5" X 19.3" (N62, N64, N66) |
| 13 | 140113-04-N63 | EA | PANEL/INSERT - REFRIGERATOR - 16.5" X 19.3" (N63, N65, N67) |

APPLIANCE GROUP (CONTINUED)
APPLIANCES (CONTINUED)

| KEY | PART NUMBER | U/M | DESCRIPTION |
|-----|---------------|-----|---|
| 14 | 140113-06-N62 | EA | PANEL/INSERT - REFRIGERATOR - 16.5" X 42.1" (N62, N64, N66) |
| 14 | 140113-06-N63 | EA | PANEL/INSERT - REFRIGERATOR - 16.5" X 42.1" (N63, N65, N67) |
| | 054450-01-000 | EA | LEVEL - REFRIGERATOR |
| | 090329-01-000 | FT | SEAL/T - REFRIGERATOR CABINET |
| | 137495-01-01A | EA | TRAY - REFRIGERATOR - BLACK - L36W |
| | | | FROM: 00-00-00 THRU: 03-29-02 |
| | 118871-02-01A | EA | TRAY - REFRIGERATOR - SIDE/SIDE - BLACK - 34.4" LONG - L36W |
| | | | FROM: 03-30-02 THRU: 99-99-99 |
| | 137495-01-01A | EA | TRAY - REFRIGERATOR - BLACK - L39 |
| | | | FROM: 00-00-00 THRU: 11-04-01 |
| | 137495-02-01A | EA | TRAY - REFRIGERATOR - BLACK - L39 |
| | | | FROM: 11-05-01 THRU: 99-99-99 |

***COMPONENT PARTS LISTED LATER IN THIS GROUP**



| KEY | PART NUMBER | U/M | DESCRIPTION |
|-----|---------------|-----|--|
| * | 119267-04-01A | EA | OVEN - MICROWAVE/CONVECTION W/HOOD - SHARP-#1850A/#1855 - US |
| * | 119267-06-01A | EA | OVEN - MICROWAVE/CONVECTION W/HOOD - CSA - CANADA |
| 1 | 139201-01-02B | EA | BRACKET - MICROWAVE - E-COATED - L39 |
| 2 | 129836-03-02B | EA | ANGLE - W/HOLES - 3.3" X 2.9" X 28.3" - E-COATED - L39 |
| 3 | 129836-02-02B | EA | ANGLE - W/HOLES - .7" X 1" X 28.3" - E-COATED - L39 |

***COMPONENT PARTS LISTED LATER IN THIS GROUP**

APPLIANCE GROUP (CONTINUED)
COMPONENT PARTS FOR APPLIANCE

108186-02-000

| KEY | PART NUMBER | U/M | DESCRIPTION | VENDOR NO. |
|------------|--------------------|------------|-------------------------|-------------------|
| | 092304-02-701 | EA | TOOL-DUSTING | 1142 |
| | 092304-02-702 | EA | TOOL-RUG | 4982 |
| | 092304-02-703 | EA | TOOL-CREVICE | 1141 |
| | 092304-02-707 | EA | TOOL-UPHOLSTERY | 7029 |
| | 092304-02-708 | EA | WAND-PLASTIC | 4978 |
| | 092304-02-709 | EA | HOSE ASM., 30' COMPLETE | 4988-30-G |

108186-03-000

| KEY | PART NUMBER | U/M | DESCRIPTION | VENDOR NO. |
|------------|--------------------|------------|------------------------------|-------------------|
| | 092304-02-700 | EA | BRUSH-POWER, VACUUM (RUGRAT) | 6970 |
| | 092304-02-701 | EA | TOOL-DUSTING | 1142 |
| | 092304-02-702 | EA | TOOL-RUG | 4982 |
| | 092304-02-703 | EA | TOOL-CREVICE | 1141 |
| | 092304-02-707 | EA | TOOL-UPHOLSTERY | 7029 |
| | 092304-02-708 | EA | WAND-PLASTIC | 4978 |
| | 092304-02-709 | EA | HOSE ASM., 30' COMPLETE | 4988-30-G |
| | 092304-02-710 | EA | SECONDARY FILTER | 4929 |
| | 108186-03-700 | EA | PAPER BAG - 3-PKG | 7767 |
| | 108186-03-701 | EA | MOTOR F/RV2000 | 7756 |
| | 108186-03-702 | EA | REDUCER | 5531 |
| | 108186-03-703 | EA | VALVE - INLET - WHITE | 4935 |
| | 108186-03-704 | EA | BRUSH - TURBINE (HAND HELD) | 7834-B |

115504-01-000

| KEY | PART NUMBER | U/M | DESCRIPTION | VENDOR NO. |
|------------|--------------------|------------|-----------------------------|-------------------|
| | 115504-01-700 | EA | PLUG & CABLE, 10 WATT PANEL | 600-016 |

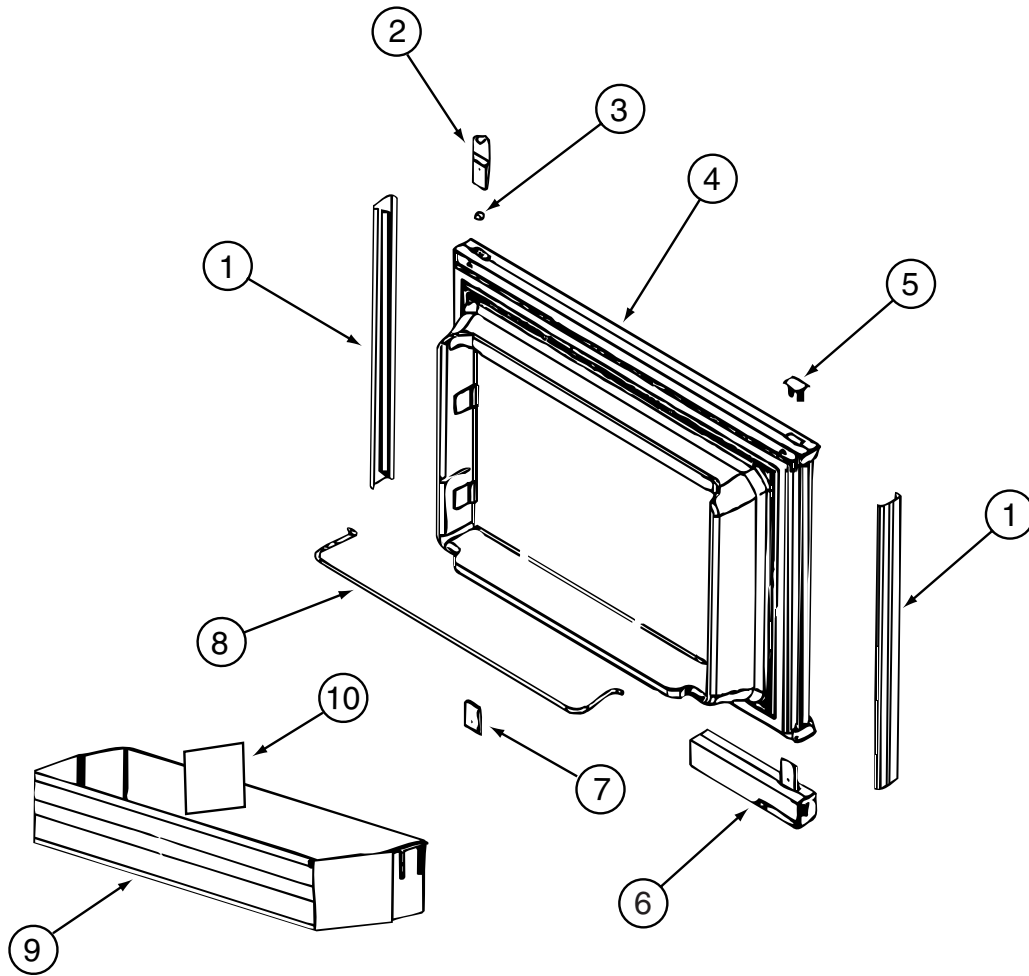
119267-04-01A

| KEY | PART NUMBER | U/M | DESCRIPTION | VENDOR NO. |
|------------|--------------------|------------|------------------------|-------------------|
| | 119267-04-700 | EA | FILTER-GREASE | BOO2 |
| | 119267-04-704 | EA | LIGHT COVER | FANGKB009MRYO |
| | 119267-04-706 | EA | BULB/LIGHT (CARDED) | |
| | 119267-04-708 | EA | PAN-BOTTOM (MICROWAVE) | |

119267-06-01A

| KEY | PART NUMBER | U/M | DESCRIPTION | VENDOR NO. |
|------------|--------------------|------------|---------------------------|-------------------|
| | 119267-04-700 | EA | FILTER-GREASE | BOO2 |
| | 119267-04-703 | EA | PLATE-MOUNTING W/2 SCREWS | FANGTB003MRV0 |

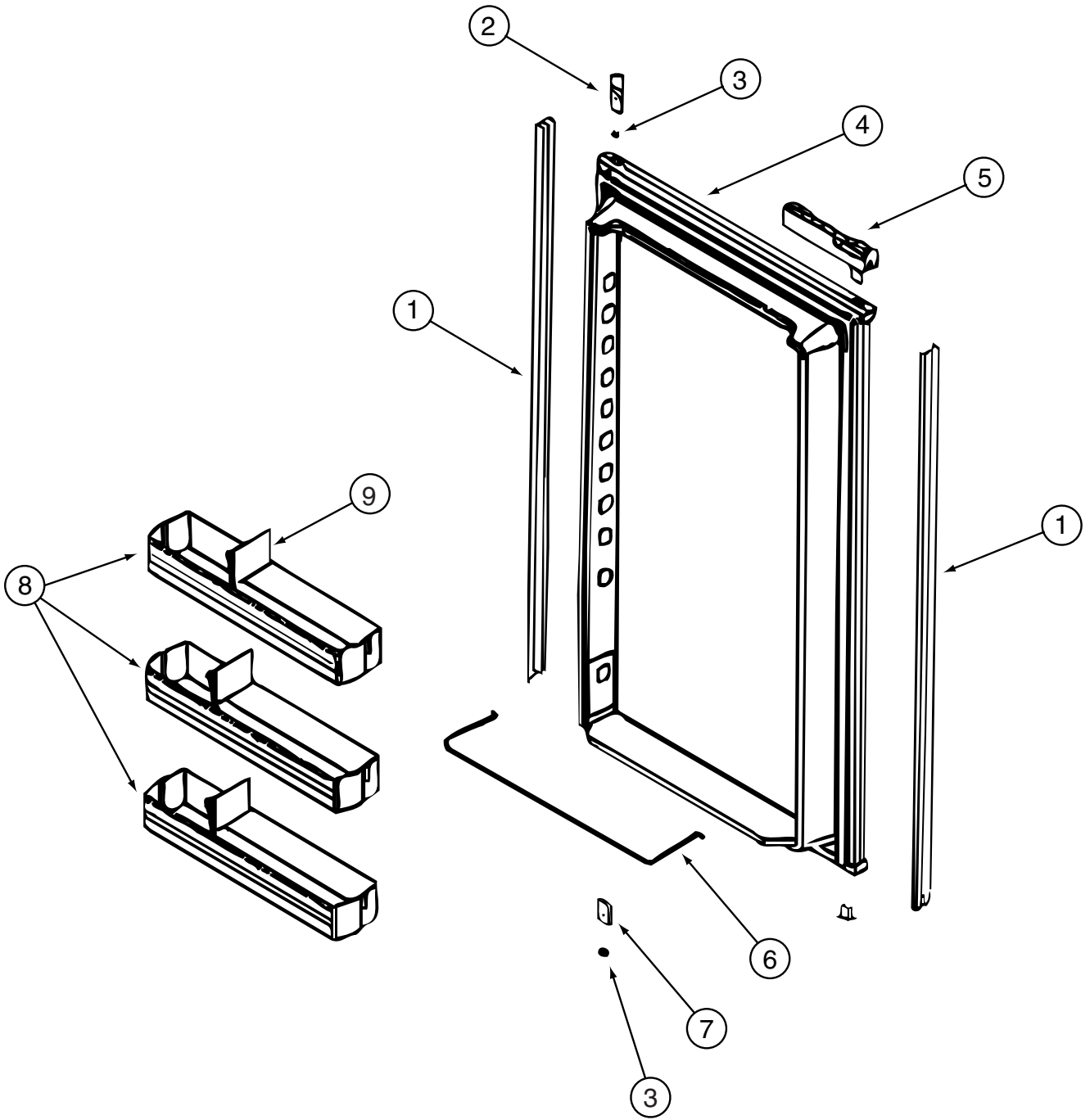
APPLIANCE GROUP (CONTINUED)
COMPONENT PARTS FOR APPLIANCE (CONTINUED)



120075-13-01A, 120075-14-01A, 120075-15-01A

| KEY | PART NUMBER | U/M | DESCRIPTION | VENDOR NO. |
|-----|---------------|-----|------------------------------|---------------------|
| 1 | 121568-03-700 | EA | RETAINER - DOOR PANEL/BLACK | 619558 |
| 2 | 120075-01-701 | EA | HINGE-TOP RH/BOTTOM LH(DOOR) | 618511 |
| 3 | 121568-03-701 | EA | BUSHING - HINGE PIN/GRAY | 619671 |
| 4 | 121568-03-702 | EA | DOOR LINER - W/TRIM/BLACK | 619627 - SMALL DOOR |
| 5 | 120075-01-702 | EA | CAP, (HINGE PLUG) | 618160 |
| 6 | 120075-12-700 | EA | HANDLE(CONTOUR)TOP LH/BTM RH | 621105 |
| | 120075-12-702 | EA | HANDLE/HOUSING-TOP-LH/BTM RH | 618159GEN |
| 6 | 120075-12-701 | EA | HANDLE(CONTOUR)TOP RH/BTM LH | 621104 |
| | 120075-12-709 | EA | HANDLE/HOUSING-BTM LH/TOP RH | 618122GEN |
| | 120075-12-703 | EA | HANDLE - PLASTIC - NEW STYLE | 620928 |
| | 120075-12-704 | EA | SPRING - COMPRESSION | 618182 |
| | 120075-12-705 | EA | LATCH - HANDLE | 618121 |
| | 120075-12-706 | EA | PIN - STEEL | 618622 |
| | 120075-12-707 | EA | LATCH | 619648 |
| | 120075-12-708 | EA | LATCH - SPRING | 620960 |
| 6 | 121568-03-703 | EA | HANDLE/FLUSH-TOP/RH-LWR/LH | 619865 |
| 6 | 121568-03-708 | EA | HANDLE/FLUSH-TOP/LH-LWR/RH | 619866 |
| 7 | 120075-01-705 | EA | HINGE-TOP LH/BOTTOM RH(DOOR) | 618510 |
| 8 | 121568-01-700 | EA | RAIL - DOOR UPPER | 618618 |
| 9 | 120075-07-700 | EA | DOOR BIN - CLEAR | 619006 |
| 10 | 120075-07-701 | EA | DIVIDER/DOOR BIN CLEAR | 619008 |
| | 121568-03-704 | EA | TRAVEL LATCH - GRAY | 619647 |
| | 121568-03-705 | EA | STORAGE LATCH - GRAY | 619648 |

APPLIANCE GROUP (CONTINUED)
COMPONENT PARTS FOR APPLIANCE (CONTINUED)



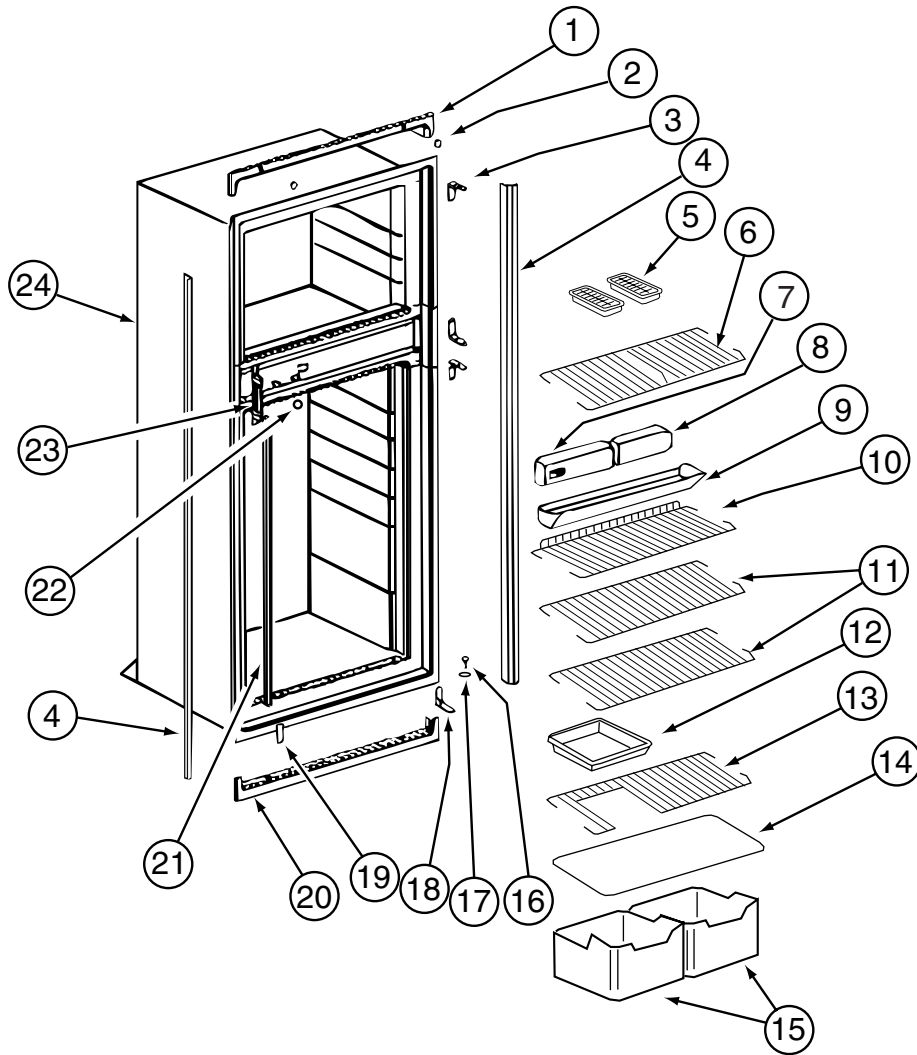
120075-13-01A, 120075-14-01A, 120075-15-01A (CONTINUED)

APPLIANCE GROUP (CONTINUED)
COMPONENT PARTS FOR APPLIANCE (CONTINUED)

120075-13-01A, 120075-14-01A, 120075-15-01A (CONTINUED)

| KEY | PART NUMBER | U/M | DESCRIPTION | VENDOR NO. |
|-----|---------------|-----|------------------------------|---------------------|
| 1 | 120075-07-702 | EA | RETAINER - DOOR PANEL/BLACK | 619560 |
| 2 | 120075-01-701 | EA | HINGE-TOP RH/BOTTOM LH(DOOR) | 618511 |
| 3 | 121568-03-701 | EA | BUSHING - HINGE PIN/GRAY | 619671 |
| 4 | 120075-07-703 | EA | DOOR LINER - BLACK | 619631 - LARGE DOOR |
| 5 | 120075-12-700 | EA | HANDLE(CONTOUR)TOP LH/BTM RH | 621105 |
| | 120075-12-702 | EA | HANDLE/HOUSING-TOP-LH/BTM RH | 618159GEN |
| 5 | 120075-12-701 | EA | HANDLE(CONTOUR)TOP RH/BTM LH | 621104 |
| | 120075-12-709 | EA | HANDLE/HOUSING-BTM LH/TOP RH | 618122GEN |
| | 120075-12-703 | EA | HANDLE - PLASTIC - NEW STYLE | 620928 |
| | 120075-12-704 | EA | SPRING - COMPRESSION | 618182 |
| | 120075-12-705 | EA | LATCH - HANDLE | 618121 |
| | 120075-12-706 | EA | PIN - STEEL | 618622 |
| | 120075-12-707 | EA | LATCH | 619648 |
| | 120075-12-708 | EA | LATCH - SPRING | 620960 |
| 5 | 121568-03-703 | EA | HANDLE/FLUSH-TOP/RH-LWR/LH | 619865 |
| 5 | 121568-03-708 | EA | HANDLE/FLUSH-TOP/LH-LWR/RH | 619866 |
| 6 | 121568-01-704 | EA | RAIL - DOOR LOWER | 618578 |
| 7 | 120075-01-705 | EA | HINGE-TOP LH/BOTTOM RH(DOOR) | 618510 |
| 8 | 120075-07-700 | EA | DOOR BIN - CLEAR | 619006 |
| 8 | 120075-07-704 | EA | DOOR BIN - LARGE/CLEAR | 619005 |
| 9 | 120075-07-701 | EA | DIVIDER/DOOR BIN CLEAR | 619008 |
| | 121568-03-704 | EA | TRAVEL LATCH - GRAY | 619647 |
| | 121568-03-705 | EA | STORAGE LATCH - GRAY | 619648 |

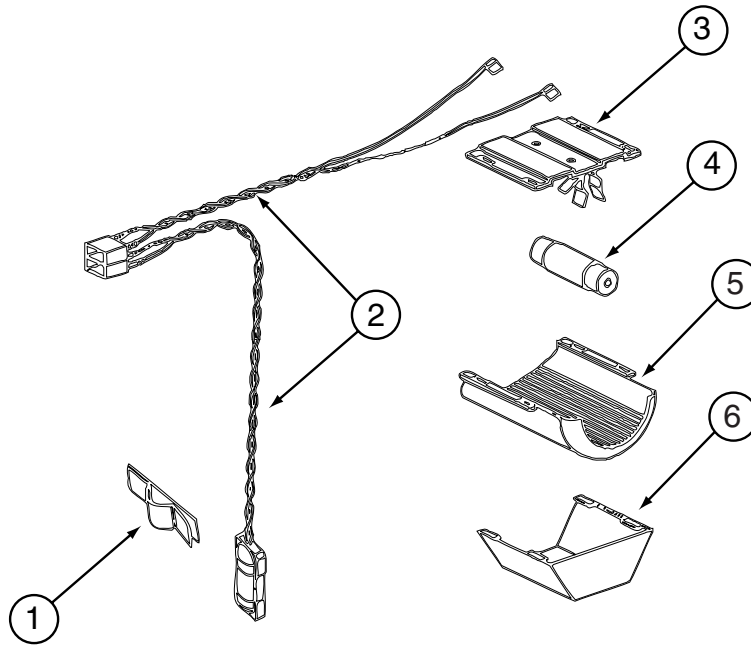
APPLIANCE GROUP (CONTINUED)
COMPONENT PARTS FOR APPLIANCE (CONTINUED)



120075-13-01A, 120075-14-01A, 120075-15-01A (CONTINUED)

| KEY | PART NUMBER | U/M | DESCRIPTION | VENDOR NO. |
|-----|---------------|-----|-----------------------------|------------|
| 1 | 121568-03-709 | EA | TRIM - TOP/BLACK | 619687 |
| 2 | 120075-01-714 | EA | PLUG-HOLE | 618170 |
| 3 | 121568-03-710 | EA | HINGE/CABINET-TOP/RH-LWR/LH | 619335 |
| 4 | 120075-07-705 | EA | TRIM - SIDE - BLACK | 619802 |
| 5 | 104137-06-724 | EA | ICE TRAY | 61630422 |
| 6 | 120075-07-706 | EA | SHELF - WIRE/FREEZER | 620249 |
| 7 | 120075-07-707 | EA | CONTROL BOX - BLACK | 619665 |
| 8 | 121568-03-713 | EA | FRONT BOX/DECORATIVE-BLACK | 619282 |
| 9 | 120075-01-720 | EA | TRAY-DRIP | 618137 |
| 10 | 120075-01-722 | EA | SHELF-WIRE, SHORT | 618239 |
| 11 | 120075-01-723 | EA | SHELF-WIRE | 618114 |
| 12 | 104137-06-718 | EA | SHELF-TRAY, WHITE, W/CUTOUT | 617756 |
| 13 | 120075-01-724 | EA | SHELF-WIRE, W/CUTOUT | 618177 |
| 14 | 120075-01-725 | EA | COVER-CRISPER | 618158 |
| 15 | 120075-07-708 | EA | CRISPER/ICE BIN | 619007 |
| 16 | 120075-01-727 | EA | PIN-HINGE | 618145 |
| 17 | 121568-03-701 | EA | BUSHING - HINGE PIN/GRAY | 619671 |
| 18 | 121568-03-715 | EA | HINGE/CABINET-TOP/LH-LWR/RH | 619336 |
| 19 | 121568-03-716 | EA | COVER - HINGE HOLES | 619301 |
| 20 | 120075-01-729 | EA | TRIM-BOTTOM PIECE | 618136 |
| 21 | 120075-01-730 | EA | RETAINER-SHELF | 618181 |
| 22 | 121568-03-717 | EA | HOLE PLUG - WHITE | 619561 |
| 23 | 120075-01-732 | EA | PLATE-STRIKE | 618167 |
| 24 | 120075-09-700 | EA | CABINET - FOAMED | 619660 |
| | 120075-01-721 | EA | LOUVER-DRIP TRAY | 618176 |

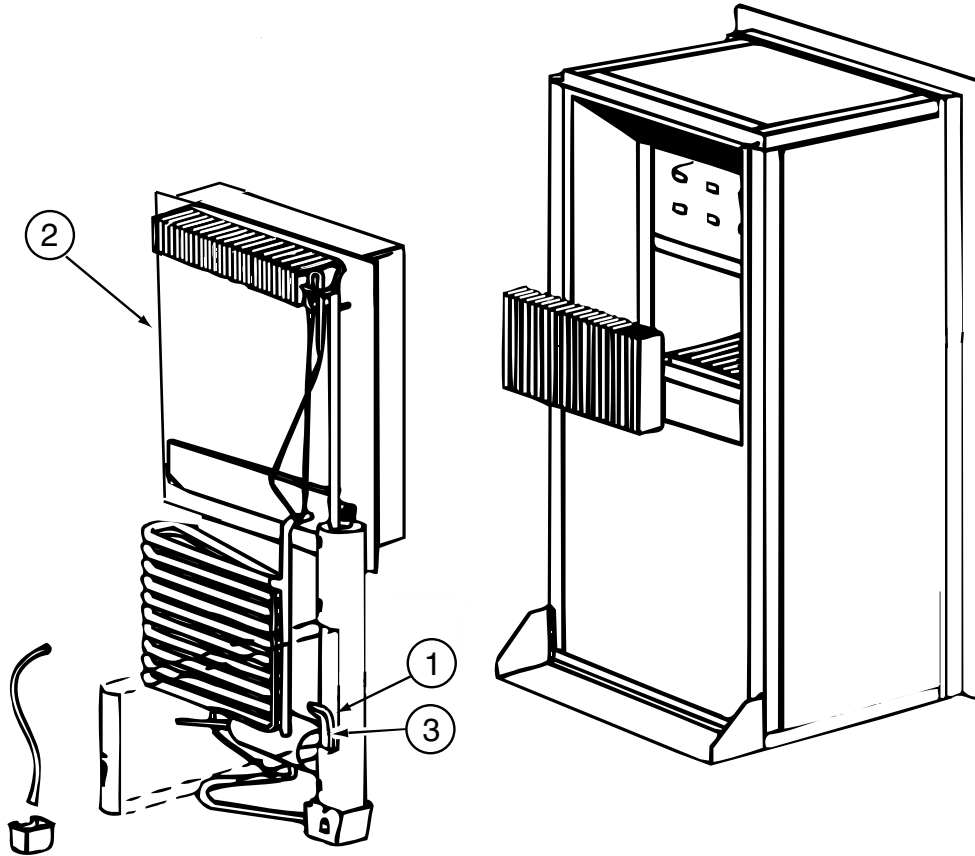
APPLIANCE GROUP (CONTINUED)
COMPONENT PARTS FOR APPLIANCE (CONTINUED)



120075-13-01A, 120075-14-01A, 120075-15-01A (CONTINUED)

| KEY | PART NUMBER | U/M | DESCRIPTION | VENDOR NO. |
|-----|---------------|-----|------------------------------|------------|
| 1 | 084880-01-760 | EA | CLIP (THERMISTER) | 61689122 |
| 2 | 120075-01-735 | EA | THERMISTER W/LAMP & WIRE/ASM | 618548 |
| 3 | 084880-03-705 | EA | BRACKET-LIGHT-INTERIOR | 61629722 |
| 4 | 084880-03-706 | EA | BULB-LAMP | 61628922 |
| 5 | 120075-01-734 | EA | COVER-LENS | 618190 |
| 6 | 084880-03-707 | EA | COVER-LAMP, LENS | 61627922 |

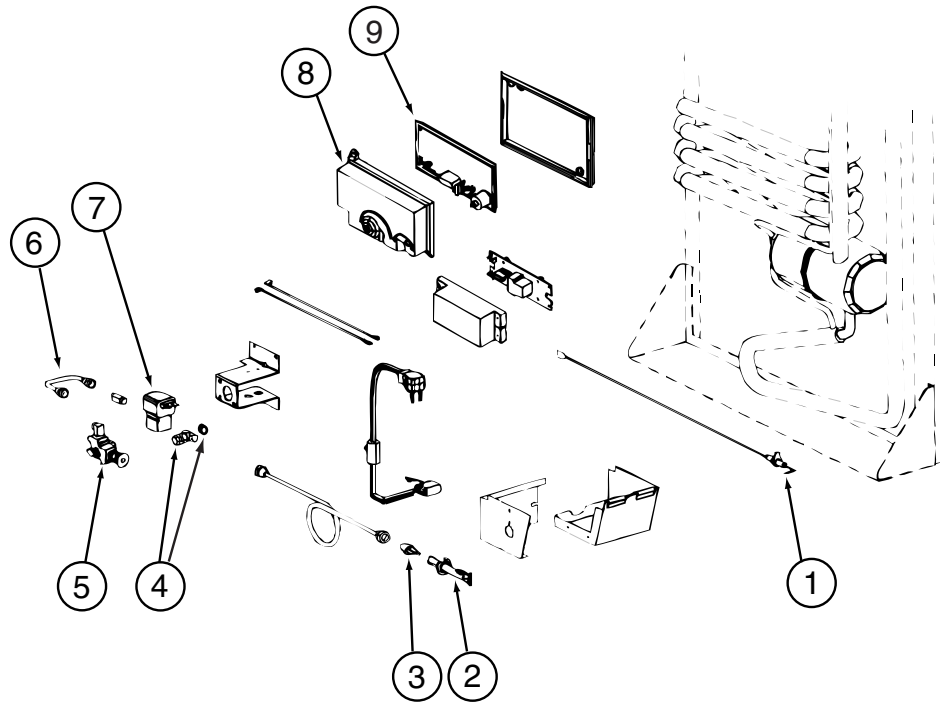
APPLIANCE GROUP (CONTINUED)
COMPONENT PARTS FOR APPLIANCE (CONTINUED)



120075-13-01A, 120075-14-01A, 120075-15-01A (CONTINUED)

| KEY | PART NUMBER | U/M | DESCRIPTION | VENDOR NO. |
|------------|--------------------|------------|----------------------------|-------------------|
| 1 | 088248-01-710 | EA | HEATER DC (HORIZONTAL) | 61562822 |
| 2 | 120075-01-736 | EA | COOLING UNIT, SERVICE PACK | 618542 |
| 3 | 088248-01-709 | EA | HEATER-AC (HORIZONTAL) | 61562722 |

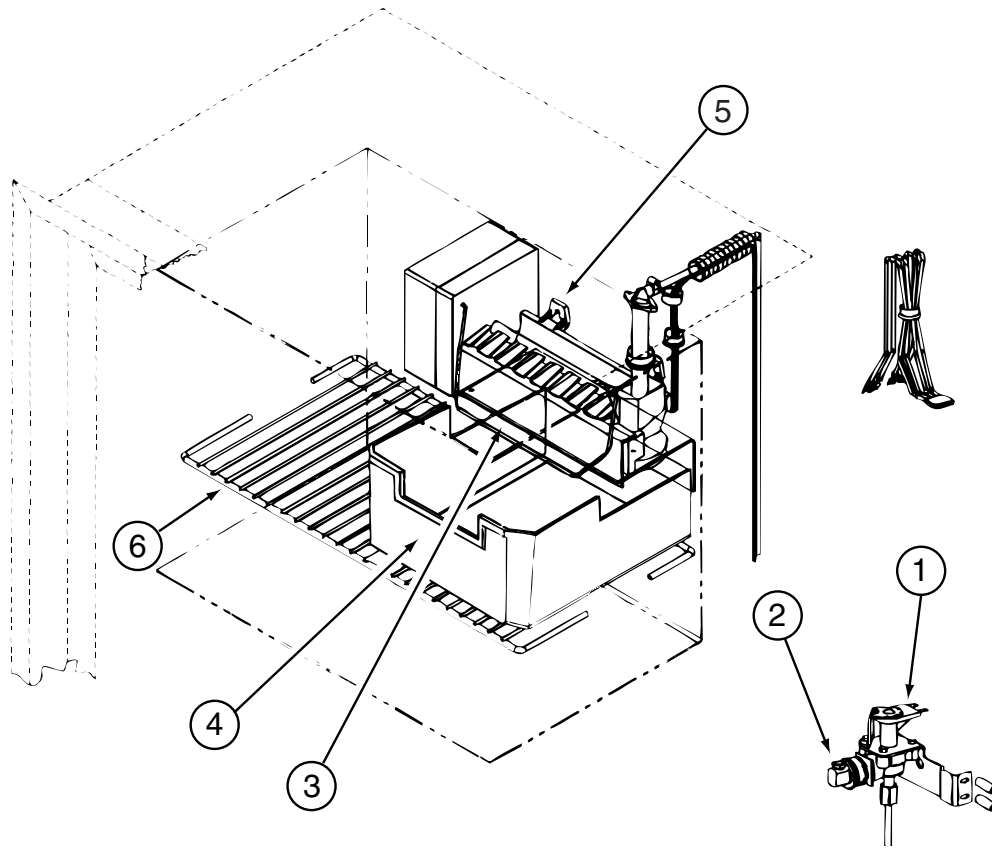
APPLIANCE GROUP (CONTINUED)
COMPONENT PARTS FOR APPLIANCE (CONTINUED)



120075-13-01A, 120075-14-01A, 120075-15-01A (CONTINUED)

| KEY | PART NUMBER | U/M | DESCRIPTION | VENDOR NO. |
|-----|---------------|-----|------------------------------|------------|
| 1 | 104137-06-715 | EA | ELECTRODE-SPARK/SENSOR, SGL | 61692222 |
| 2 | 104137-06-714 | EA | BURNER ASSEMBLY, 5-SLOT | 61705222 |
| 3 | 120075-01-737 | EA | ORIFICE - JEWEL - .0155 | 618284 |
| 4 | 113737-01-702 | EA | PLUG 1/8" F/PRESSURE TAP | 61445322 |
| 4 | 113737-01-716 | EA | TAP-PRESSURE | 61594422 |
| 5 | 104137-06-734 | EA | VALVE-SHUT OFF/MAN-OLD STYLE | 61694922 |
| 6 | 113737-01-750 | EA | TUBE-UNION | 61694622 |
| 7 | 084880-01-718 | EA | VALVE-GAS, (ASCO) | 61551822 |
| 8 | 120075-01-738 | EA | COVER-POWER BOARD | 618185 |
| 9 | 120075-07-710 | EA | POWER - BOARD - 2-WAY | 619360 |
| | 104137-06-734 | EA | VALVE-SHUT OFF/MAN-NEW STYLE | 618696 |
| | 120075-01-744 | EA | KIT - GAS VALVE/BURNER TUBE | 620609 |

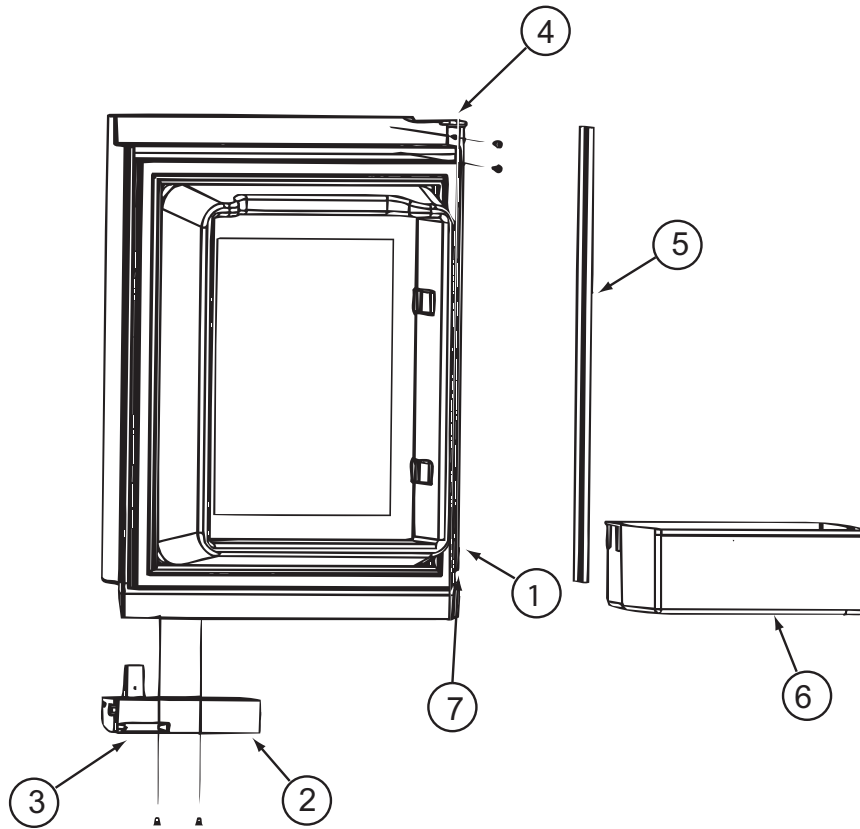
APPLIANCE GROUP (CONTINUED)
COMPONENT PARTS FOR APPLIANCE (CONTINUED)



120075-13-01A, 120075-14-01A (CONTINUED)

| KEY | PART NUMBER | U/M | DESCRIPTION | VENDOR NO. |
|-----|---------------|-----|---------------------------|------------|
| 1 | 120075-09-701 | EA | WATER VALVE W/BRACKET | 618253 |
| 2 | 120075-03-702 | EA | NUT/COMPRESSION - FITTING | 61678722 |
| 3 | 120075-03-703 | EA | ARM-SHUT OFF | 61656922 |
| 4 | 120075-03-704 | EA | BIN-ICE CUBE | 618154 |
| 5 | 094039-07-706 | EA | ICE MAKER W/O PLATES | 61656522 |
| 6 | 120075-01-717 | EA | SHELF-FREEZER, WIRE | 618172 |
| | 120075-09-702 | EA | RELAY - 12 VOLT | 620239 |

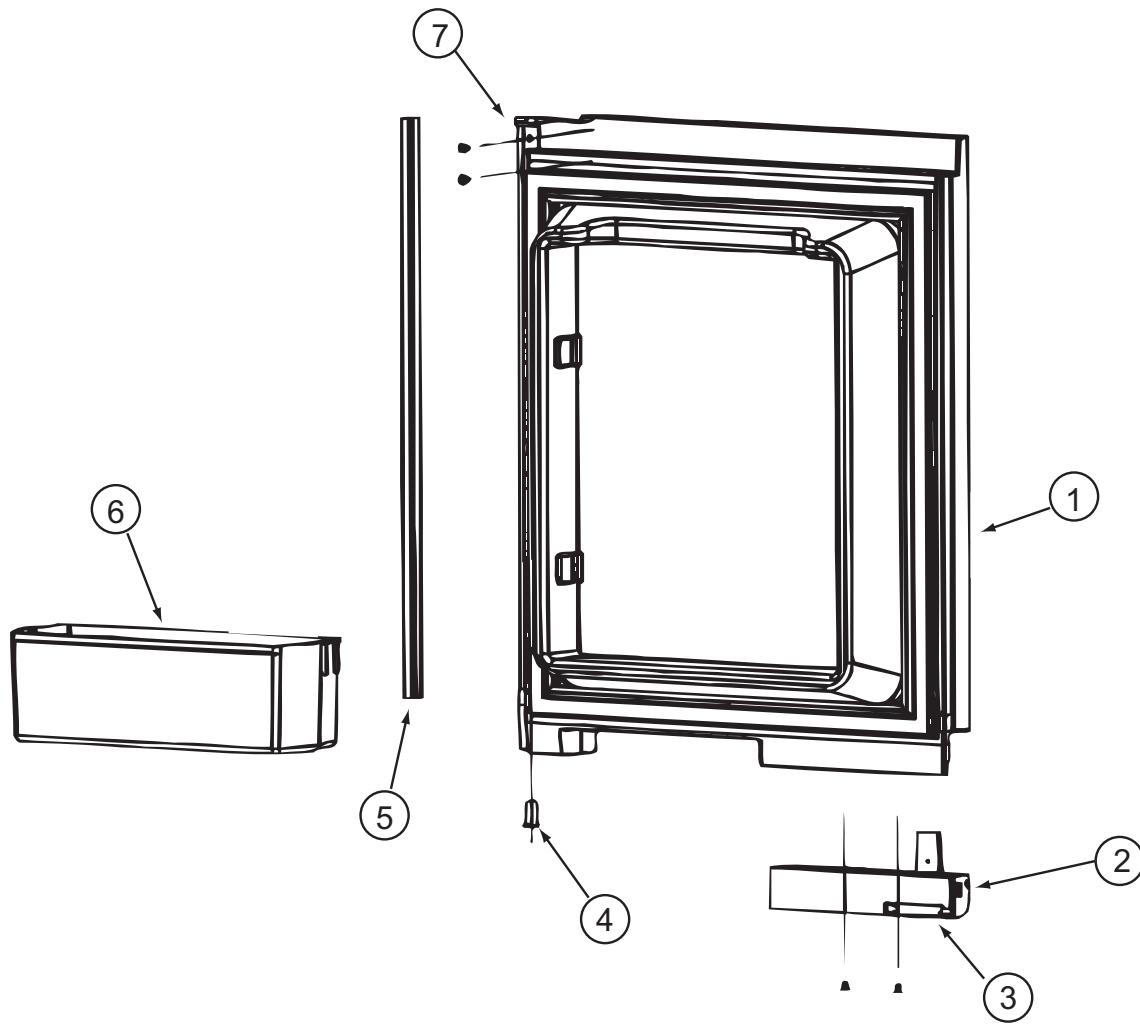
APPLIANCE GROUP (CONTINUED)
COMPONENT PARTS FOR APPLIANCES (CONTINUED)



125242-02-01A

| KEY | PART NUMBER | U/M | DESCRIPTION | VENDOR NO. |
|------------|--------------------|------------|------------------------------|-------------------|
| 1 | 125242-01-762 | EA | LINER/FOAMED-UPPER/LH-WHITE | 619839 |
| 2 | 125242-02-700 | EA | HANDLE(CONTOUR)TOP LH BTM RH | 621107 |
| 3 | 125242-02-722 | EA | LATCH-STORAGE DR/BLK POINTED | 619374 |
| 4 | 125242-02-724 | EA | HINGE - DOOR | 618792 |
| 5 | 125242-02-723 | EA | RETAINER/PANEL-UPPER DOOR | 621974 |
| 6 | 125242-01-711 | EA | DOOR BIN | 618765 |
| 7 | 125242-01-704 | EA | BUSHING-HINGE MIDDLE | 618746 |
| | 125242-02-725 | EA | DOOR ASM/UPR LH/WHITE GASKET | 621148 |

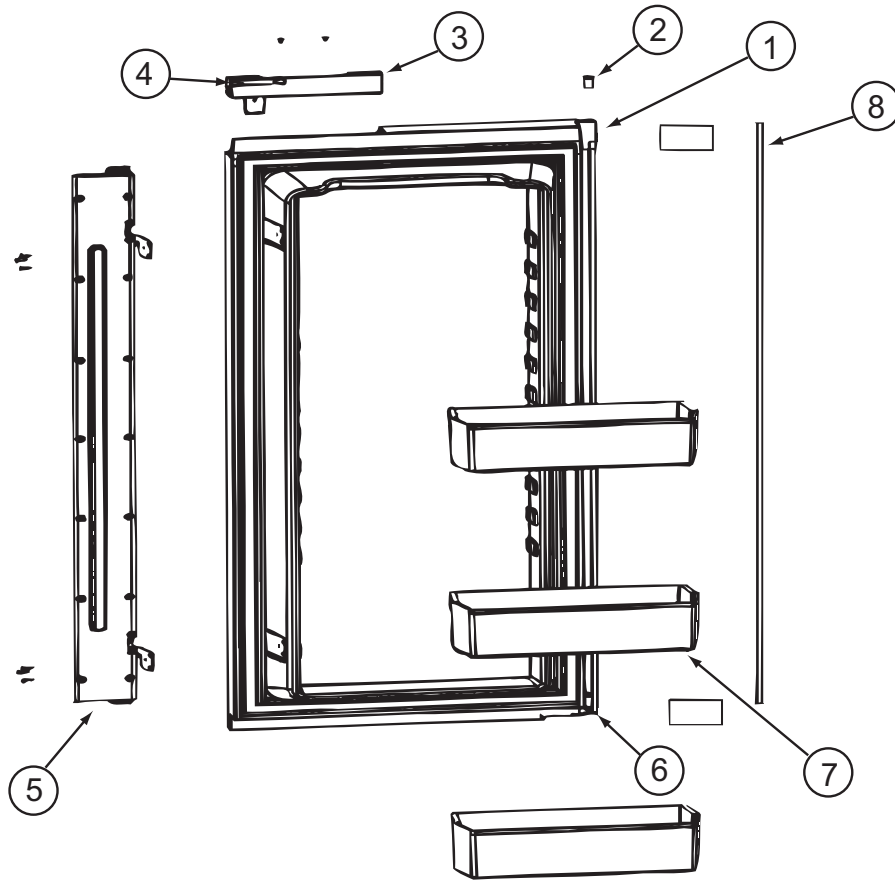
APPLIANCE GROUP (CONTINUED)
COMPONENT PARTS FOR APPLIANCE (CONTINUED)



125242-02-01A (CONTINUED)

| KEY | PART NUMBER | U/M | DESCRIPTION | VENDOR NO. |
|-----|---------------|-----|------------------------------|------------|
| 1 | 125242-01-763 | EA | LINER/FOAMED-UPPER/RH-WHITE | 619840 |
| 2 | 125242-02-701 | EA | HANDLE(CONTOUR)TOP RH LWR LH | 621106 |
| 3 | 125242-02-722 | EA | LATCH-STORAGE DR/BLK POINTED | 619374 |
| 4 | 125242-01-704 | EA | BUSHING-HINGE MIDDLE | 618746 |
| 5 | 125242-02-723 | EA | RETAINER/PANEL-UPPER DOOR | 621974 |
| 6 | 125242-01-711 | EA | DOOR BIN | 618765 |
| 7 | 125242-02-724 | EA | HINGE - DOOR | 618792 |
| | 125242-02-721 | EA | DOOR ASM-UPR/RH/WHITE GASKET | 621149 |

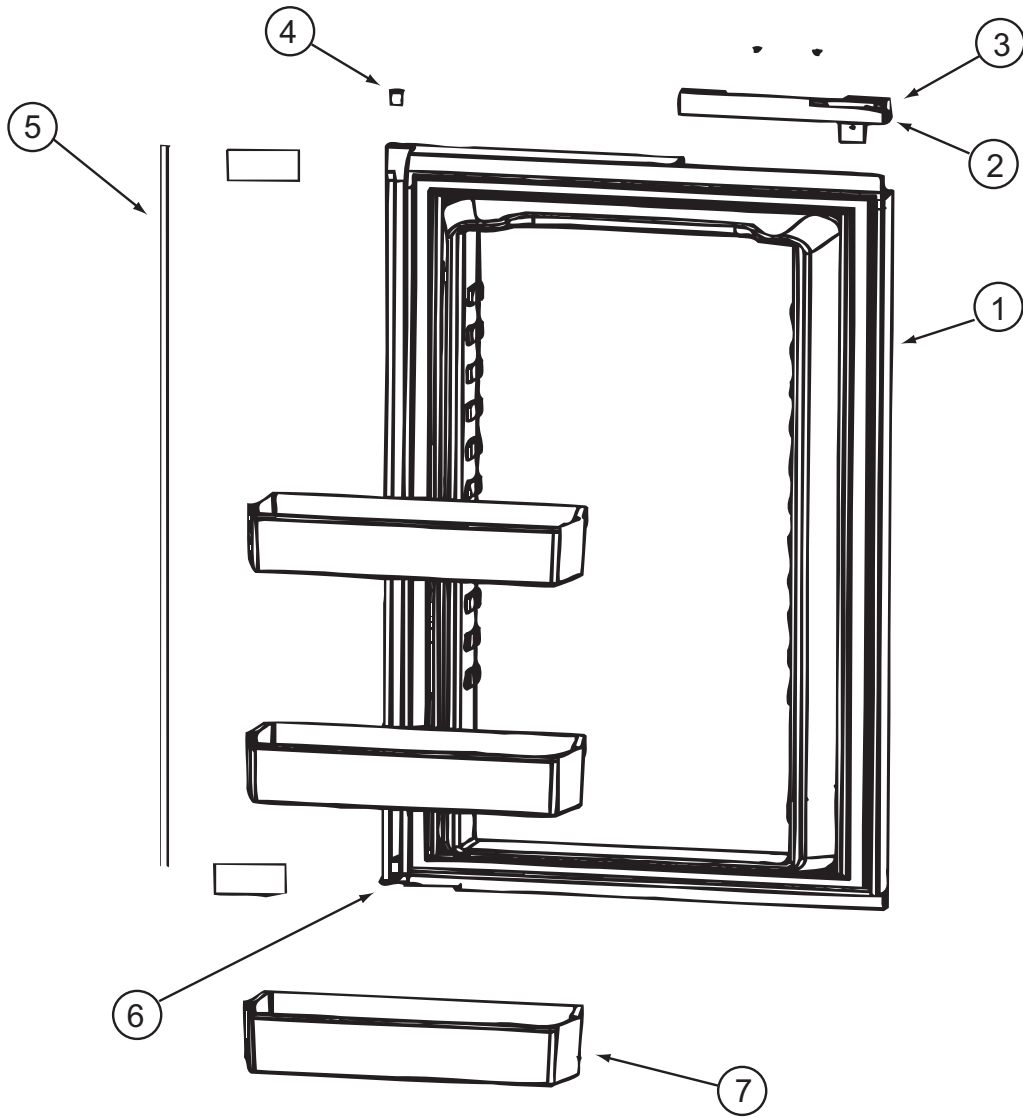
APPLIANCE GROUP (CONTINUED)
COMPONENT PARTS FOR APPLIANCE (CONTINUED)



125242-02-01A (CONTINUED)

| KEY | PART NUMBER | U/M | DESCRIPTION | VENDOR NO. |
|-----|---------------|-----|------------------------------|------------|
| 1 | 125242-01-765 | EA | LINER/FOAMED-LOWER-LH-WHITE | 619837 |
| 2 | 125242-01-704 | EA | BUSHING-HINGE MIDDLE | 618746 |
| 3 | 125242-02-701 | EA | HANDLE(CONTOUR)TOP RH LWR LH | 621106 |
| 4 | 125242-02-722 | EA | LATCH-STORAGE DR/BLK POINTED | 619374 |
| 5 | 125242-02-727 | EA | FLAPPER ASM DOUBLE POLE | 619845 |
| 6 | 125242-02-724 | EA | HINGE - DOOR | 618792 |
| 7 | 125242-01-711 | EA | DOOR BIN | 618765 |
| 8 | 125242-02-728 | EA | RETAINER/PANEL - LOWER | 621973 |
| | 125242-01-736 | EA | CONTACT-PROBE PIN | 618886 |
| | 125242-02-726 | EA | DOOR ASM-LWR LH/WHITE GASKET | 621150 |

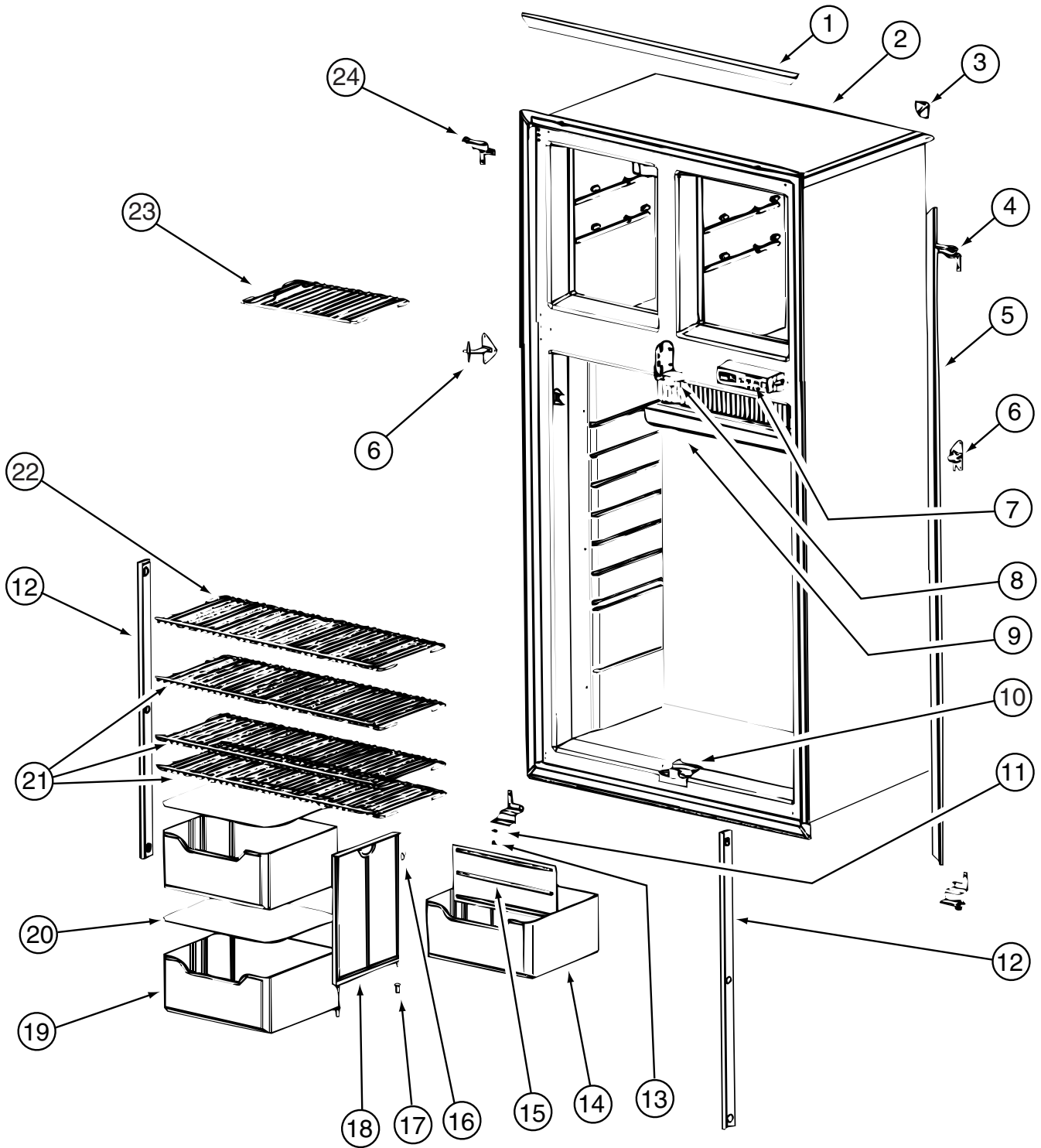
APPLIANCE GROUP (CONTINUED)
COMPONENT PARTS FOR APPLIANCE (CONTINUED)



125242-02-01A (CONTINUED)

| KEY | PART NUMBER | U/M | DESCRIPTION | VENDOR NO. |
|-----|---------------|-----|------------------------------|------------|
| 1 | 125242-01-764 | EA | LINER/FOAMED-LOWER/RH-WHITE | 619838 |
| 2 | 125242-02-700 | EA | HANDLE(CONTOUR)TOP LH BTM RH | 621107 |
| 3 | 125242-02-722 | EA | LATCH-STORAGE DR/BLK POINTED | 619374 |
| 4 | 125242-01-704 | EA | BUSHING-HINGE MIDDLE | 618746 |
| 5 | 125242-02-728 | EA | RETAINER/PANEL - LOWER | 621973 |
| 6 | 125242-02-724 | EA | HINGE - DOOR | 618792 |
| 7 | 125242-01-711 | EA | DOOR BIN | 618765 |
| | 125242-01-729 | EA | FAN-EXTERNAL DC | 618856 |
| | 125242-02-716 | EA | GUIDE ASM LWR(SER#540294 DN) | 620042 |
| | 125242-02-717 | EA | GUIDE ASM LWR(SER#540295 UP) | 620043 |

APPLIANCE GROUP (CONTINUED)
COMPONENT PARTS FOR APPLIANCE (CONTINUED)



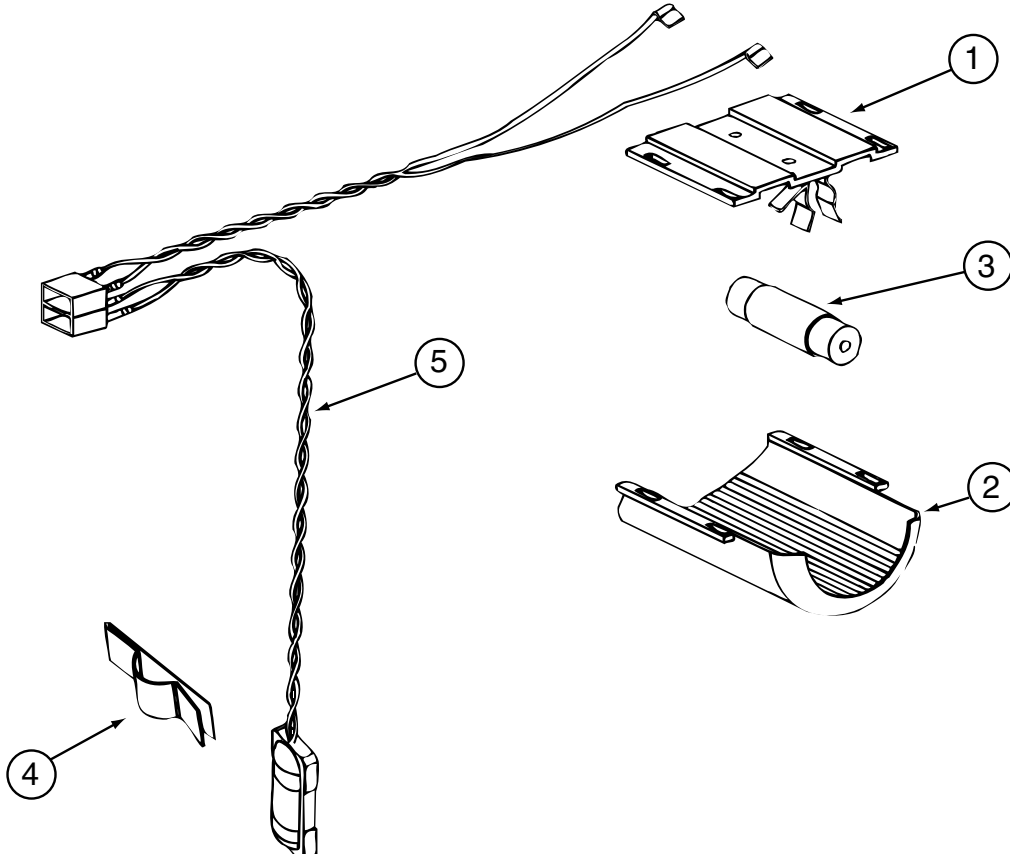
125242-02-01A (CONTINUED)

APPLIANCE GROUP (CONTINUED)
COMPONENT PARTS FOR APPLIANCE (CONTINUED)

125242-02-01A (CONTINUED)

| KEY | PART NUMBER | U/M | DESCRIPTION | VENDOR NO. |
|------------|--------------------|------------|--------------------------|-------------------|
| 1 | 125242-01-723 | EA | TRIM - HORIZONTAL | 618845 |
| 2 | 125242-01-748 | EA | CABINET/FOAMED ASSEMBLY | 618748 |
| 3 | 125242-01-722 | EA | TRIM - CORNER | 618844 |
| 4 | 125242-01-715 | EA | HINGE - TOP RH/BOTTOM LH | 618798 |
| 5 | 125242-01-724 | EA | TRIM - SIDE | 618846 |
| 6 | 125242-01-713 | EA | HINGE-MIDDLE (PAINTED) | 618794 |
| 7 | 125242-02-704 | EA | DISPLAY ASSEMBLY | 621188 |
| 8 | 125242-01-751 | EA | BLOCK - GUIDE - UPPER | 618789 |
| 9 | 125242-01-712 | EA | DRIP TRAY | 618774 |
| 10 | 125242-01-752 | EA | BLOCK - GUIDE - LOWER | 618788 |
| 11 | 120075-01-708 | EA | BUSHING - DOOR HINGE | 618144 |
| 12 | 120075-01-730 | EA | RETAINER - SHELF | 618181 |
| 13 | 120075-01-727 | EA | PIN - HINGE | 618145 |
| 14 | 125242-01-734 | EA | CRISPER/BOTTLE BIN | 618878 |
| 15 | 125242-01-733 | EA | DIVIDER - BOTTLE CRISPER | 618877 |
| 16 | 125242-01-750 | EA | CLIP | 61409622 |
| 17 | 113737-01-701 | EA | BUSHING - HINGE | 61742022 |
| 18 | 125242-01-749 | EA | SUPPORT - WALL | 618840 |
| 19 | 125242-01-734 | EA | CRISPER/BOTTLE BIN | 618878 |
| 20 | 125242-01-706 | EA | COVER - CRISPER | 618757 |
| 21 | 125242-01-726 | EA | SHELF - WIRE (LONG) | 618848 |
| 22 | 125242-01-727 | EA | SHELF - WIRE (SHORT) | 618849 |
| 23 | 125242-01-725 | EA | SHELF - FREEZER (WIRE) | 618847 |
| 24 | 125242-01-714 | EA | HINGE - TOP LH/BOTTOM RH | 618796 |
| | 125242-01-735 | EA | SWITCH - DOOR LIGHT | 618884 |

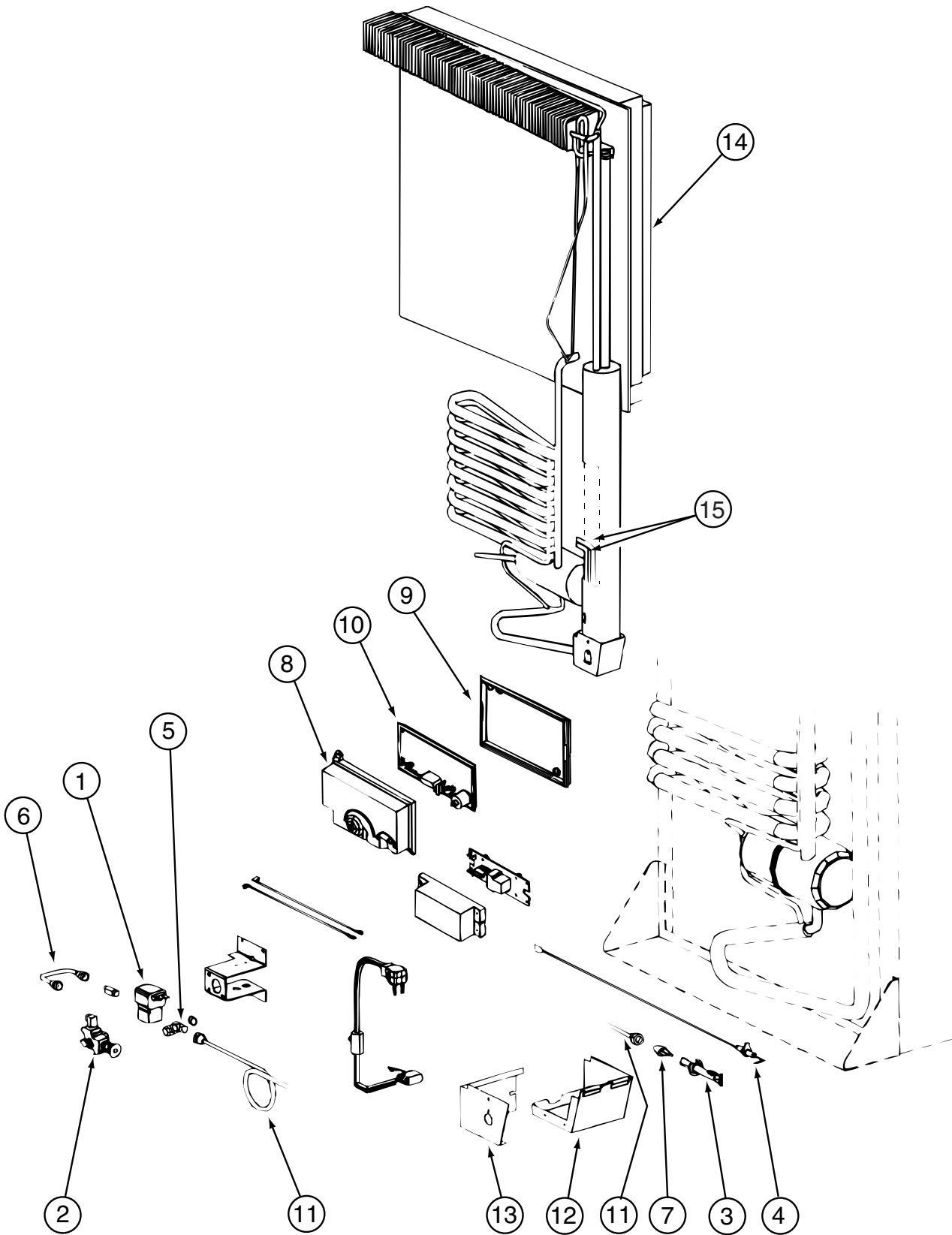
APPLIANCE GROUP (CONTINUED)
COMPONENT PARTS FOR APPLIANCE (CONTINUED)



125242-02-01A (CONTINUED)

| KEY | PART NUMBER | U/M | DESCRIPTION | VENDOR NO. |
|-----|---------------|-----|------------------------------|------------|
| 1 | 084880-03-705 | EA | BRACKET - LIGHT - INTERIOR | 61629722 |
| 2 | 120075-01-734 | EA | COVER - LENS | 618190 |
| 3 | 084880-03-706 | EA | BULB - LAMP | 61628922 |
| 4 | 084880-01-760 | EA | CLIP (THERMISTER) | 61689122 |
| 5 | 120075-01-735 | EA | THERMISTER W/LAMP & WIRE/ASM | 618548 |

APPLIANCE GROUP (CONTINUED)
COMPONENT PARTS FOR APPLIANCE (CONTINUED)

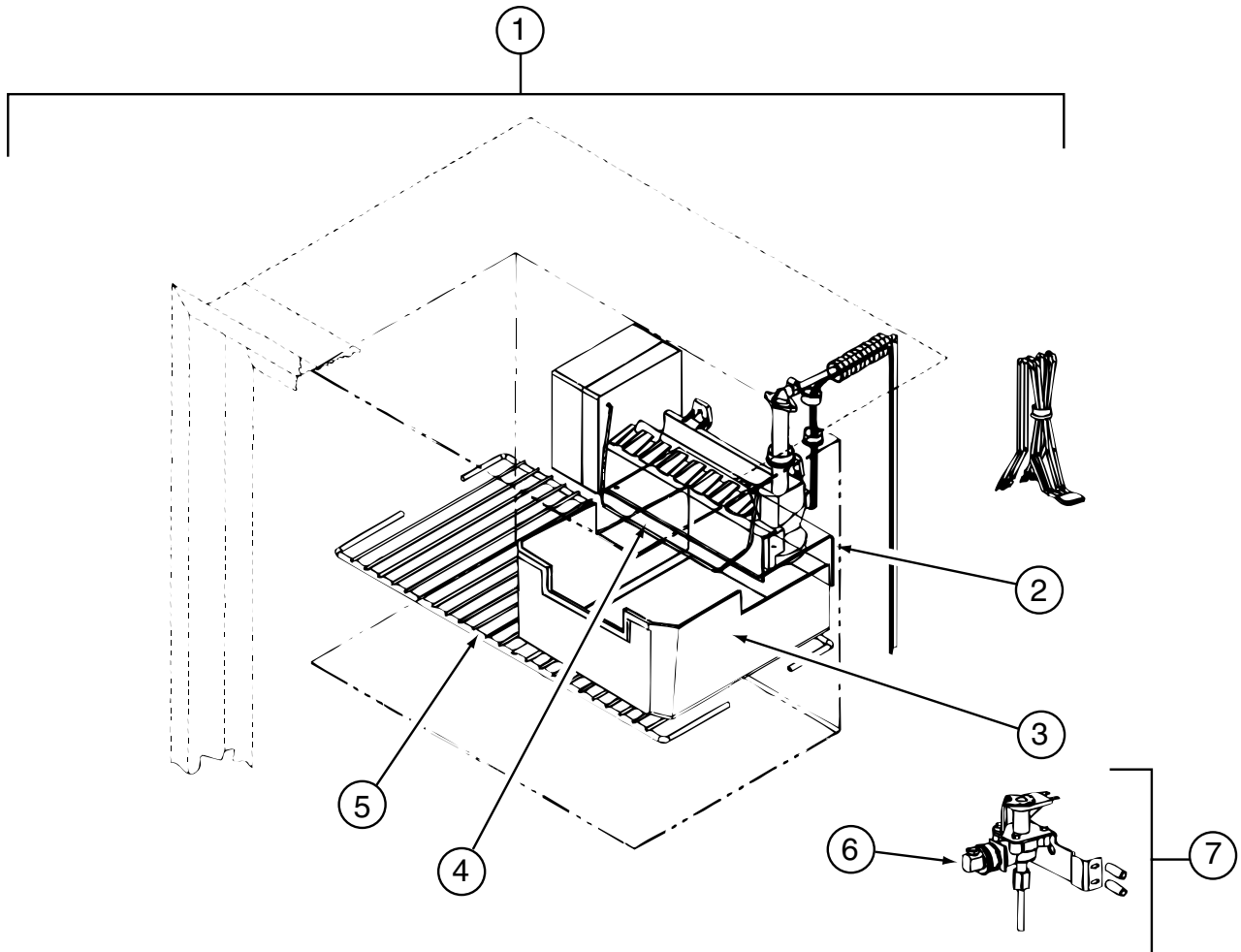


125242-02-01A (CONTINUED)

APPLIANCE GROUP (CONTINUED)
COMPONENT PARTS FOR APPLIANCE (CONTINUED)

125242-02-01A (CONTINUED)

| KEY | PART NUMBER | U/M | DESCRIPTION | VENDOR NO. |
|-----|---------------|-----|-----------------------------|------------|
| 1 | 084880-01-718 | EA | VALVE-GAS, (ASCO) | 61551822 |
| 2 | 121568-03-720 | EA | VALVE/SHUT OF-MANUAL ELECT. | 618696 |
| 3 | 125242-01-743 | EA | BURNER - 8 SLOT | 618932 |
| 4 | 104137-06-715 | EA | ELECTRODE-SPARK/SENSOR, SGL | 61692222 |
| 5 | 113737-01-716 | EA | TAP-PRESSURE | 61594422 |
| 6 | 113737-01-750 | EA | TUBE-UNION | 61694622 |
| 7 | 125242-01-717 | EA | ORIFICE-JEWELED | 618814 |
| 8 | 120075-01-738 | EA | COVER-POWER BOARD | 618185 |
| 9 | 120075-01-740 | EA | COVER-BASE, POWER BOARD | 618186 |
| 10 | 125242-02-703 | EA | POWER BOARD | 621271 |
| 11 | 125242-01-744 | EA | BURNER TUBE | 618937 |
| 12 | 125242-01-739 | EA | BASE-BURNER BOX | 618902 |
| 13 | 125242-02-740 | EA | COVER-BURNER BOX | 618910 |
| 14 | 125242-01-746 | EA | COOLING UNIT - 1200 | 618964 |
| 15 | 125242-01-732 | EA | HEATER AC - 225W/110VAC | 618872 |
| | 125242-01-753 | EA | KIT - GAS VALVE/BURNER TUBE | 620610 |



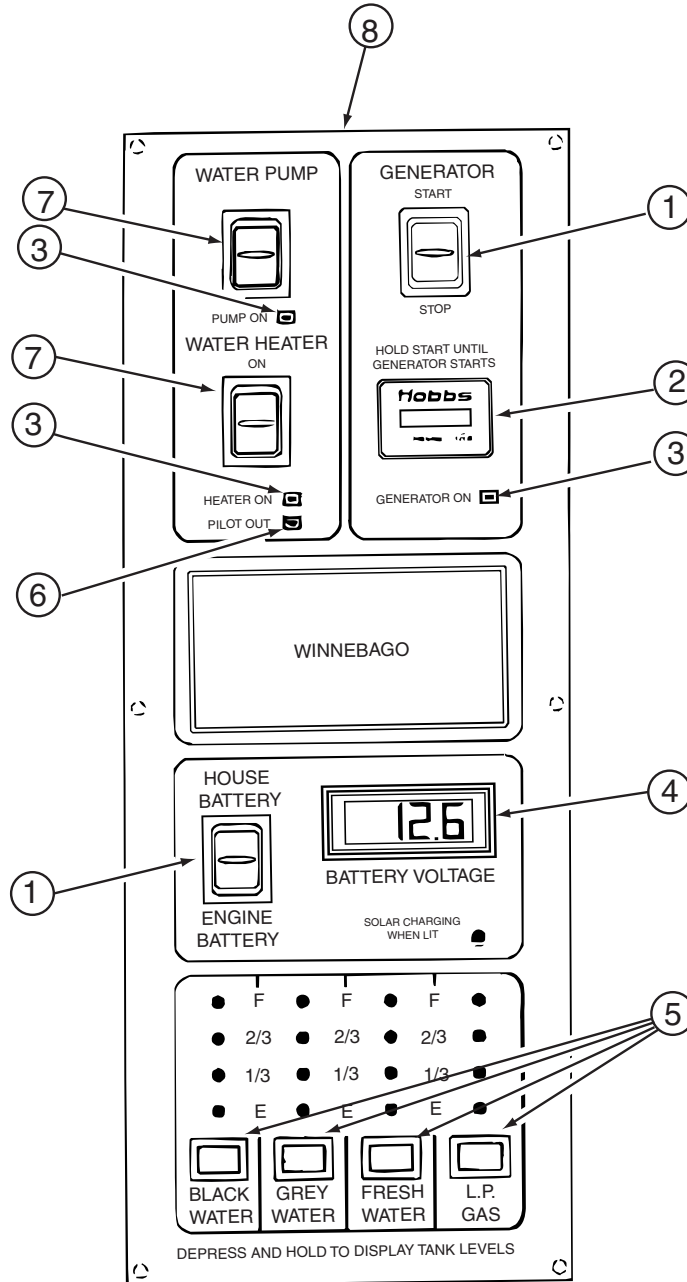
125242-02-01A (CONTINUED)

| KEY | PART NUMBER | U/M | DESCRIPTION | VENDOR NO. |
|-----|---------------|-----|--------------------------------|------------|
| 1 | 094039-07-706 | EA | ICE MAKER W/O PLATES | 61656522 |
| 2 | 125242-01-737 | EA | BRACKET - MOUNTING (ICE MAKER) | 618894 |
| 3 | 125242-01-716 | EA | ICE BIN | 618803 |
| 4 | 120075-03-703 | EA | ARM - SHUT OFF | 61656922 |
| 5 | 125242-01-725 | EA | SHELF - FREEZER (WIRE) | 618847 |
| 6 | 120075-03-702 | EA | NUT/COMPRESSION - FITTING | 61678722 |
| 7 | 120075-03-701 | EA | VALVE - WATER - W/BRACKET | 618523 |

APPLIANCE GROUP (CONTINUED)
COMPONENT PARTS FOR APPLIANCE (CONTINUED)

129561-01-01A

| KEY | PART NUMBER | U/M | DESCRIPTION | VENDOR NO. |
|-----|---------------|-----|------------------|------------|
| | 129561-01-700 | EA | PC BOARD | L5097-09 |
| | 129561-01-701 | EA | CHASSIS SCREENED | C00399 |
| | 129561-01-702 | EA | LABEL | L0451-0 |
| | 129561-01-703 | EA | HARNESS | L7694-00 |



133004-02-01A

| KEY | PART NUMBER | U/M | DESCRIPTION | VENDOR NO. |
|-----|---------------|-----|------------------------------|------------|
| 1 | 133004-01-702 | EA | SWITCH/DPDT MOM=ON-OFF-ON | L1011-00 |
| 2 | 100258-10-701 | EA | GAUGE-HOUR MTR-CLIP ON (LCD) | L0775-00 |
| 3 | 133004-01-706 | EA | LED - GREEN - PANEL MOUNT | L0785 |
| 4 | 133004-01-704 | EA | METER/VOLT-DIGITAL - LCD | L1008-00 |
| 5 | 133004-01-705 | EA | SWITCH/MOM ON - PUSH BUTTON | L0950-00 |
| 6 | 133004-01-703 | EA | LED - RED - PANEL MOUNT | L1009-00 |
| 7 | 133004-01-701 | EA | SWITCH/DPDT ON-ON/MAINTAINED | L1025-00 |
| 8 | 133004-02-701 | EA | SCREENED - CHASSIS | CC0547-00 |
| | 133004-02-700 | EA | BOARD - PC | L5113-03 |

AUDIO VIDEO GROUP
RADIO SYSTEM

| KEY | PART NUMBER | U/M | DESCRIPTION |
|-----|---------------|-----|---|
| | 077069-02-000 | EA | CABLE/EXTENSION - RADIO ANTENNA - 96" |
| | 123256-02-000 | EA | CABLE - CB - COAX |
| | 089340-02-000 | EA | GRILLE - SPEAKER - 6.5" SQUARE - REAR STEREO |
| | 110470-01-01A | EA | GRILLE - 4" X 6" OVAL SPEAKER - BLACK - EXT ENTERTAINMENT CTR |
| | 124885-01-000 | EA | GRILLE - SPEAKER - 6" X 9" - SUB-WOOFER - SOUND SYSTEM DELUXE |
| | 090944-01-000 | EA | ANTENNA - RADIO - 16" RUBBER - W/72" LEAD WIRE |
| | 123256-01-000 | EA | ANTENNA - CB - W/O CABLE |
| | 094097-01-000 | EA | SPEAKER - RADIO/TV - W/O GRILLE - 5.25" DIAMETER - REAR STEREO |
| | 110469-01-000 | EA | SPEAKER - 4" X 6" OVAL - COAXIAL - EXT ENTERTAINMENT CTR |
| | 124883-02-000 | EA | SPEAKER - CUBE - W/BRACKET - SOUND SYSTEM DELUXE |
| | 124883-03-000 | EA | SPEAKER - CUBE - W/O CASE - SOUND SYSTEM DELUXE |
| | 124883-04-000 | EA | SPEAKER - GRILLE - F/CUBE - SOUND SYSTEM DELUXE |
| | 124884-01-000 | EA | SPEAKER - 6" X 9" - SUB-WOOFER - SOUND SYSTEM DELUXE |
| | 102080-11-000 | EA | CHANGER - COMPACT DISC - CDX-530RF FROM: 00-00-00 THRU: 05-10-01 |
| | 102080-14-000 | EA | CHANGER - COMPACT DISC - CDX-540RF FROM: 05-11-01 THRU: 01-31-02 |
| | 102080-17-000 | EA | CHANGER - COMPACT DISC - CDX-540RF FROM: 02-01-02 THRU: 99-99-99 |
| | 102080-12-000 | EA | CHANGER - REMOTE CONTROL-F/M MODULATOR - CDX-530RF FROM: 00-00-00 THRU: 05-08-01 |
| * | 102080-15-000 | EA | CHANGER - CONTROL/FM MODULE & REMOTE - CDX-540RF KIT FROM: 05-09-01 THRU: 01-24-02 |
| | 102080-18-000 | EA | CHANGER - CONTROL/FM MODULE & REMOTE - SONY CDX-555RF KIT FROM: 01-25-02 THRU: 99-99-99 |
| | 108847-01-000 | EA | BRACKET - ANTENNA GROUND |
| | 115916-01-01B | EA | BRACKET - ANTENNA MOUNT |
| | 109889-04-000 | EA | EXTENDER - ANTENNA SHAFT - 3.7" |
| | 124881-02-000 | EA | AMPLIFIER - AUDIO - MTS Q SURROUND - ORANGE LABEL (LATEST) |
| | 125322-02-000 | EA | RADIO-AM/FM STEREO/CASSETTE-AUDIOVOX-MS-306-EXT ENT W/CASS -EXT ENTERTAINMENT CTR |
| | 127517-07-000 | EA | RADIO - AM/FM STEREO/CD PLAYER - CDX-1200 - EXT ENTERTAINMENT CTR FROM: 00-00-00 THRU: 08-02-01 |
| | 127517-10-000 | EA | RADIO - AM/FM STEREO/CD PLAYER - CDX-L250 - EXT ENTERTAINMENT CTR FROM: 08-03-01 THRU: 02-10-02 |
| | 127517-11-000 | EA | RADIO - AM/FM STEREO/CD PLAYER - SONY CDX-L300 - EXT ENTERTAINMENT CTR FROM: 02-11-02 THRU: 06-02-02 |
| | 143509-01-000 | EA | RADIO - AM/FM CD - W/REMOTE - JENSEN CD3010X-W - EXT ENTERTAINMENT CTR FROM: 06-03-02 THRU: 99-99-99 |
| | 133307-01-000 | EA | RADIO - WALL MOUNT - CASSETTE W/ALARM - AUDIOVOX AWM-820 - REAR STEREO |
| | 133307-02-000 | EA | RADIO - WALL MOUNT - CD W/ALARM - AUDIOVOX AWN-930 - REAR STEREO |
| | 135420-01-000 | EA | RADIO - AM/FM CASSETTE/CD COMBO - M9900 - 7.2" X 3.3" R.O. - DASH |
| | 135420-07-000 | EA | RADIO - MOUNTING KIT - A-BODY - DASH |

*COMPONENT PARTS LISTED LATER IN THIS GROUP

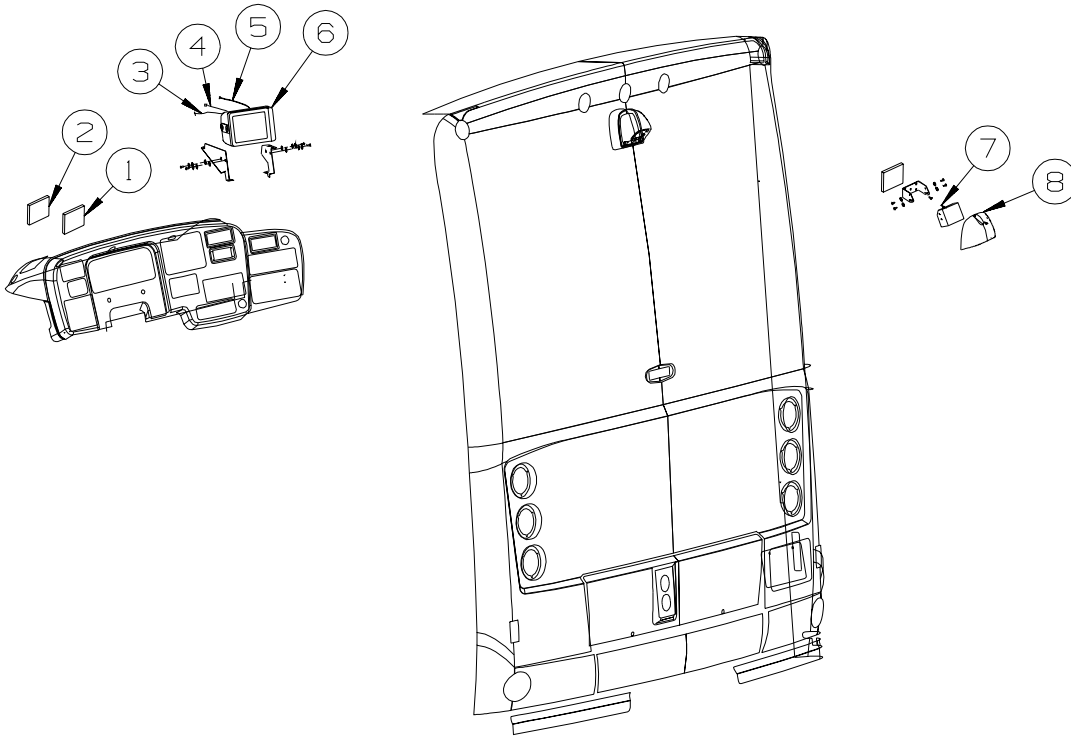
AUDIO VIDEO GROUP (CONTINUED)
COMPONENT PARTS FOR RADIO SYSTEM

102080-15-000

| KEY | PART NUMBER | U/M | DESCRIPTION | VENDOR NO. |
|------------|--------------------|------------|--------------------|-------------------|
| | 102080-15-700 | EA | REMOTE | 1-476-488-11 |

AUDIO VIDEO GROUP (CONTINUED)

REAR VIEW MONITOR



| KEY | PART NUMBER | U/M | DESCRIPTION |
|-----|---------------|-----|---|
| 1 | 093214-01-01A | EA | GRILLE - SPEAKER - 4" - BLACK |
| | | | FROM: 00-00-00 THRU: 11-26-01 |
| 1 | 093214-01-03A | EA | GRILLE - SPEAKER - 4" - GLACIER |
| | | | FROM: 11-27-01 THRU: 99-99-99 |
| 2 | 098819-01-000 | EA | SPEAKER - 4" - 2 WATT - 8 OHM |
| 3 | 114870-01-000 | EA | PLUG - AUDIO W/LEADS - 48.5" |
| 4 | 096717-04-000 | EA | WIRE ASSEMBLY - REAR MONITOR - UPPER |
| 5 | 093041-01-000 | EA | CABLE - MONITOR/CAMERA - INTERNAL USE - 65.6' |
| 6* | 093040-10-000 | EA | MONITOR - 7" REAR VIEW - W/BRACKET - SONY |
| 7 | 093040-09-000 | EA | CAMERA - REAR VIEW - W/BRACKET - SONY |
| 8 | 137919-01-01A | EA | SHROUD - CAMERA - OUTER - BRIGHT WHITE |

*COMPONENT PARTS LISTED LATER IN THIS GROUP

AUDIO VIDEO GROUP (CONTINUED)
COMPONENT PARTS FOR REAR VIEW MONITOR

093040-10-000

| KEY | PART NUMBER | U/M | DESCRIPTION | VENDOR NO. |
|------------|--------------------|------------|------------------------------|-------------------|
| | 093040-10-700 | EA | LENS-MONITOR, REAR VIEW F/7" | 3-708-537-01 |

AUDIO VIDEO GROUP (CONTINUED)

TELEPHONE

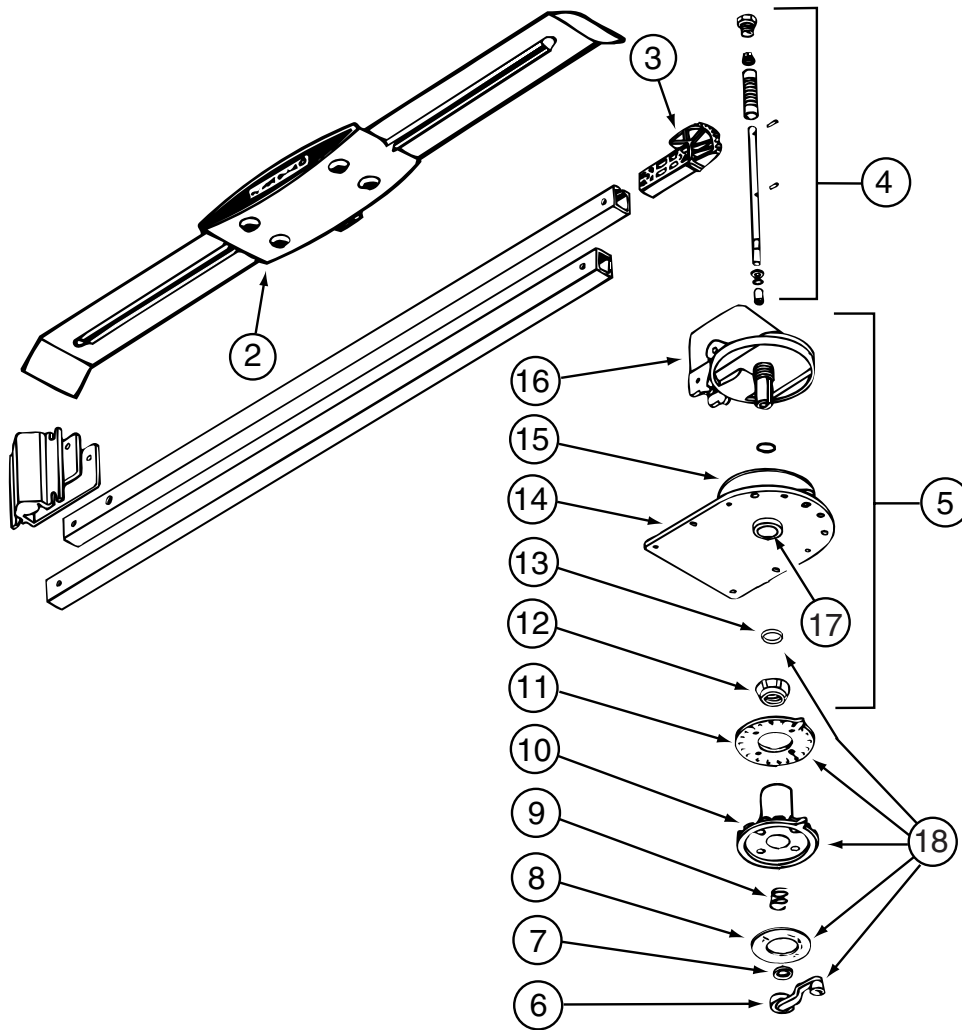
| KEY | PART NUMBER | U/M | DESCRIPTION |
|-----|---------------|-----|---------------------------------------|
| | 093253-01-01A | EA | PLATE - WALL - TELEPHONE - BEIGE |
| | 130686-01-01A | EA | PLATE - WALL - TELEPHONE/COAX - WHITE |

TV & VCR

| KEY | PART NUMBER | U/M | DESCRIPTION |
|-----|---------------|-----|--|
| | 069726-02-000 | EA | BUMPER - .88" OD X .40" THICK - BLACK |
| | 076319-03-000 | FT | CABLE - COAXIAL - 75 OHM |
| | 117420-03-000 | EA | CABLE - RCA - MALE - MALE - 20 FOOT - ENTERTAINMENT CENTER, L39 |
| | 136860-01-000 | EA | CABLE - RCA - #3 MALE TO #12F MALE CONNECTOR - ENTERTAINMENT CENTER, L39 |
| | 076319-09-000 | EA | WALLPLATE - CABLE RECEPTACLE - TV - SINGLE - BROWN |
| | 086777-06-000 | EA | WALLPLATE - TV CABLE - ANTENNA BOOSTER/1 OUTPUT - BLACK |
| | 076319-12-000 | EA | CONNECTOR - COAXIAL - ONE PIECE |
| * | 076319-23-000 | EA | ANTENNA - TV ROOF MOUNT - 44.5" MAST |
| * | 128138-01-000 | EA | ANTENNA/SATELLITE - AUTOMATIC |
| | | | FROM: 00-00-00 THRU: 12-09-01 |
| * | 141454-01-01A | EA | ANTENNA - SATELLITE - AUTOMATIC |
| | | | FROM: 12-10-01 THRU: 99-99-99 |
| * | 137135-01-000 | EA | ANTENNA - SATELLITE DSS - W/SENSOR |
| | | | FROM: 00-00-00 THRU: 04-08-02 |
| | 137135-02-000 | EA | ANTENNA - SATELLITE DSS - W/SENSOR |
| | | | FROM: 04-09-02 THRU: 99-99-99 |
| * | 076319-25-000 | EA | KIT - HARDWARE INTERIOR |
| | 082134-01-000 | EA | ADAPTER - TV - CABLE TO CABLE |
| | 082136-01-000 | EA | NUT - HEX JAM - 3/8-32 |
| | 086756-01-000 | EA | SPLITTER - TV/2 WAY |
| | 086757-04-000 | EA | CONTROL CENTER - SWITCH - VCR/TV - 5 INPUTS |
| | 114870-02-000 | EA | PLUG - AUDIO W/LEADS - 10" - L39 |
| | 123324-01-000 | EA | FILTER - GROUND LOOP - ENTERTAINMENT CENTER, L39 |
| * | 124073-11-000 | EA | VCR-VHS/HI-FI STEREO - SILVER CASE - RCA VR651HF |
| | | | FROM: 00-00-00 THRU: 05-16-02 |
| | 124073-12-000 | EA | VCR-VHS/HI-FI STEREO - SILVER CASE - RCA VR637HF |
| | | | FROM: 05-17-02 THRU: 99-99-99 |
| * | 124075-06-000 | EA | TV - 19" - 1/8 JACK - UL/CSA - RCA F19424M |
| | 136162-01-000 | EA | TV - 27" STEREO W/5 JACKS - RCA F27648 |
| | | | FROM: 00-00-00 THRU: 04-22-02 |
| | 136162-02-000 | EA | TV - 27" STEREO W/5 JACKS - RCA F27689 |
| | | | FROM: 04-23-02 THRU: 99-99-99 |
| * | 140061-01-000 | EA | TV - 32" COLOR/STEREO W/5 JACKS - RCA F32648 - ENTERTAINMENT CENTER, L39 |
| | | | FROM: 00-00-00 THRU: 12-02-01 |
| * | 140061-02-000 | EA | TV - 32" COLOR/STEREO W/5 JACKS - RCA F32649 - ENTERTAINMENT CENTER, L39 |
| | | | FROM: 12-03-01 THRU: 99-99-99 |
| | 134006-01-03B | EA | PLATE - COAXIAL CABLE/OFF WHITE |
| | 136764-02-000 | EA | DVD PLAYER - RCA RC524OP |
| | | | FROM: 07-16-01 THRU: 07-21-02 |
| | 136764-03-000 | EA | DVD PLAYER - RCA DRC220N |
| | | | FROM: 07-22-02 THRU: 99-99-99 |

*COMPONENT PARTS LISTED LATER IN THIS GROUP

AUDIO VIDEO GROUP (CONTINUED)
COMPONENT PARTS FOR TV & VCR



076319-23-000

| KEY | PART NUMBER | U/M | DESCRIPTION | VENDOR NO. |
|-----|---------------|-----|----------------------------|------------|
| 2 | 076319-01-700 | EA | HEAD - ANTENNA - AMPLIFIED | RVSA U/V |
| 3 | 076319-01-701 | EA | GEAR - ELEVATING - PLASTIC | 2200046 |
| 4 | 076319-01-702 | EA | SHAFT ASM - ELEVATING | RVP-400A |
| 5 | 076319-01-711 | EA | BASE & LIFT ASM | 2762802 |
| 7 | 076319-01-705 | EA | BEARING - NYLON - 7/8"ID | 3200658 |
| 8 | 076319-01-708 | EA | DECAL-CRANK | 5413002 |
| 9 | 076319-01-707 | EA | SPRING - HANDLE | 5160822 |
| 11 | 076319-01-709 | EA | PLATE-CEILING (IVORY) | 3200621 |
| 11 | 076319-01-712 | EA | PLATE - CEILING | 3200608 |
| 12 | 076319-01-715 | EA | NUT (GEAR HOUSING) | 2200047 |
| 14 | 076319-01-713 | EA | BASE PLATE | 3100523 |
| 15 | 076319-01-703 | EA | BEARING - NYLON - 5"OD | 3200656 |
| 16 | 076319-01-714 | EA | HOUSING - ROTATING GEAR | 2200049 |
| | 076319-01-716 | EA | TUBING, ELEVATING | RP-2900 |
| 17 | 076319-01-704 | EA | BEARING-NYLON, 1.25"OD | 3200657 |

CONTACT WINNEBAGO PART SALES FOR UNLISTED COMPONENT

076319-25-000

| KEY | PART NUMBER | U/M | DESCRIPTION | VENDOR NO. |
|-----|---------------|-----|-----------------------------|------------|
| 6 | 076319-01-706 | EA | CRANK-ELEVATING W/SET SCREW | 2750897 |
| 6 | 120233-01-710 | EA | HANDLE-CRANK | RP-6795 |
| 8 | 076319-01-708 | EA | DECAL-CRANK | 5413002 |
| 9 | 076319-01-707 | EA | SPRING-HANDLE | 2160822 |
| 10 | 076319-25-700 | EA | DIRECTIONAL HANDLE(WHITE) | 3200612 |
| 11 | 076319-25-701 | EA | PLATE - CEILING(WHITE) | 3200609 |
| 13 | 120233-01-709 | EA | WASHER-NYLON | RP-2658 |

CONTACT WINNEBAGO PART SALES FOR UNLISTED COMPONENTS

AUDIO VIDEO GROUP (CONTINUED)
COMPONENT PARTS FOR TV & VCR (CONTINUED)

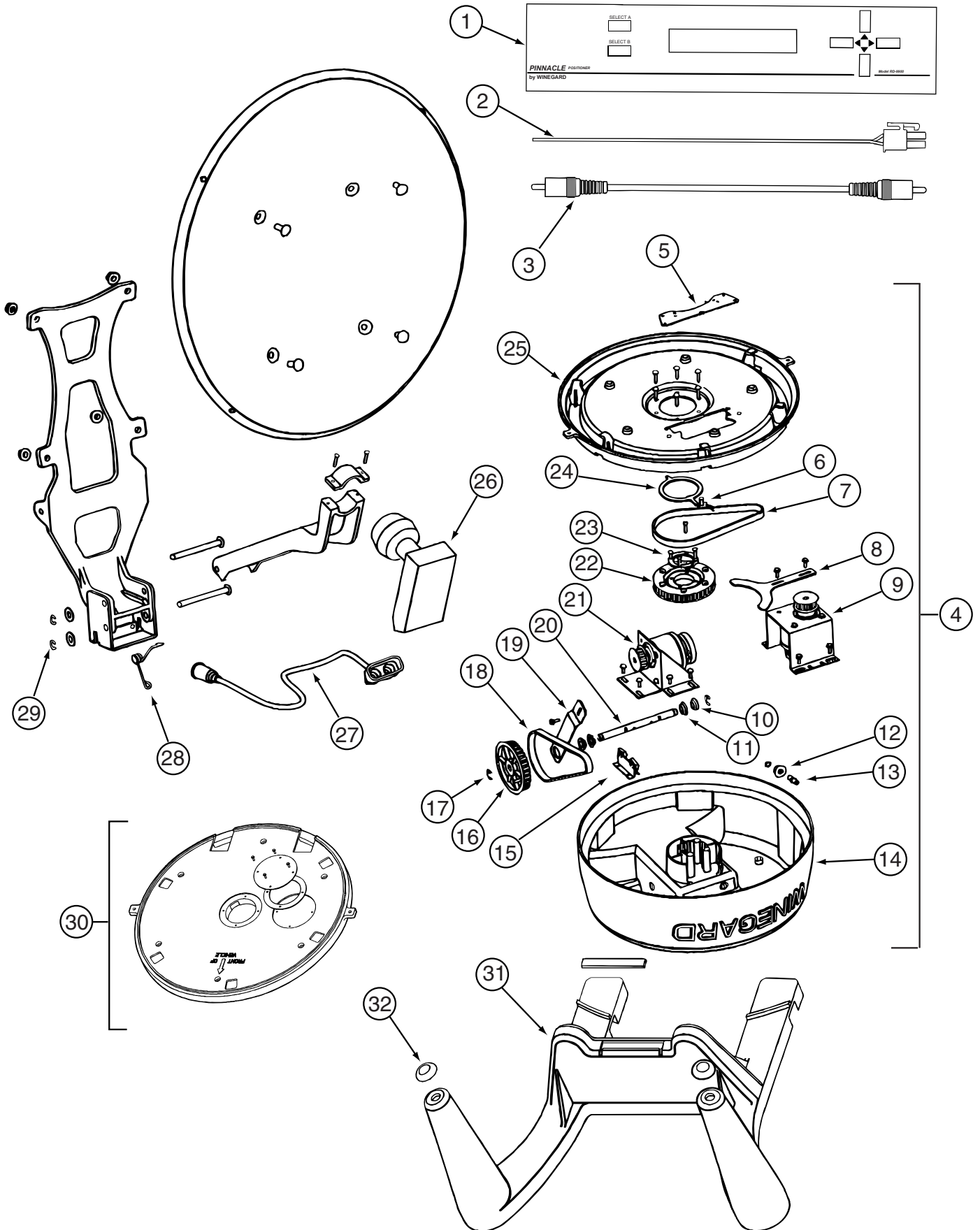
124073-11-000

| KEY | PART NUMBER | U/M DESCRIPTION | VENDOR NO. |
|------------|--------------------|------------------------|-------------------|
| | 126697-04-700 | EA REMOTE | 239040 |

124075-06-000

| KEY | PART NUMBER | U/M DESCRIPTION | VENDOR NO. |
|------------|--------------------|------------------------|-------------------|
| | 124075-05-700 | EA REMOTE | 242778 |

AUDIO VIDEO GROUP (CONTINUED)
COMPONENT PARTS FOR TV & VCR (CONTINUED)



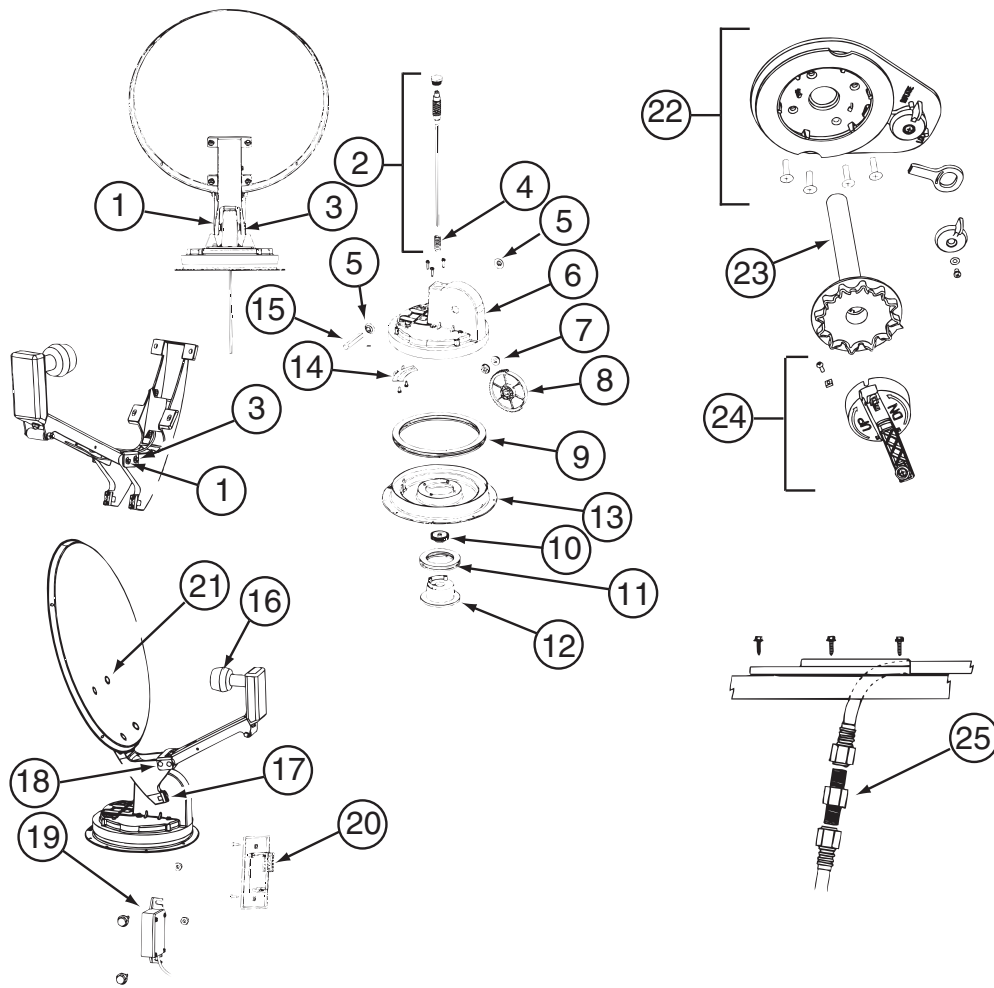
128138-01-000

AUDIO VIDEO GROUP (CONTINUED)
COMPONENT PARTS FOR TV & VCR (CONTINUED)

128138-01-000 (CONTINUED)

| KEY | PART NUMBER | U/M | DESCRIPTION | VENDOR NO. |
|------------|--------------------|------------|-----------------------------|-------------------|
| 1 | 128138-01-700 | EA | POSITIONER SATELLITE | RD-9900 |
| 2 | 128138-01-728 | EA | WIRE HARNESS/WARNING DEVICE | 2753254 |
| 3 | 128138-01-729 | EA | CABLE 36" - RCA | 2231044 |
| 4 | 128138-01-703 | EA | MOUNT ASSEMBLY | 2762832 |
| 5 | 128138-01-705 | EA | SWITCH ASSEMBLY - ROTATION | 2762835 |
| 6 | 128138-01-706 | EA | SPRING - ROTATION | 2160819 |
| 7 | 128138-01-707 | EA | DRIVER BELT - ROTATION | 2200140 |
| 8 | 128138-01-708 | EA | TENSIONER - MOTOR ROTATE | 3711303 |
| 9 | 128138-01-709 | EA | MOTOR ASSEMBLY - ROTATION | 2762838 |
| 10 | 128138-01-710 | EA | BUSHING - OIL LUBE | 2180509 |
| 11 | 128138-01-711 | EA | SEAL- LIFT ARM SHAFT | 2200851 |
| 12 | 128138-01-712 | EA | BOOT COLLAR-F/F-8100 CON | 3200206 |
| 13 | 128138-01-713 | EA | CONNECTORF-8100 MALE/MALE | 2360060 |
| 14 | 128138-01-714 | EA | TOP COVER | 2200844 |
| 15 | 128138-01-715 | EA | SWITCH ASSEMBLY - ELEVATION | 2762836 |
| 16 | 128138-01-716 | EA | PULLEY - ELEVATION | 2200850 |
| 17 | 128138-01-717 | EA | E-CLIP | 2160699 |
| 18 | 128138-01-718 | EA | DRIVE BELT - ELEVATION | 2200141 |
| 19 | 128138-01-719 | EA | TENSIONER - MOTOR ELEVATION | 3711304 |
| 20 | 128138-01-720 | EA | SHAFT - LIFT ARM | 2590345 |
| 21 | 128138-01-721 | EA | MOTOR ASSEMBLY - ELEVATION | 2762837 |
| 22 | 128138-01-722 | EA | PULLEY - ROTATION | 2201848 |
| 23 | 128138-01-723 | EA | RING - STOP/FIXED | 3711297 |
| 24 | 128138-01-724 | EA | RING - STOP/ROTATION | 3711295 |
| 25 | 128138-01-704 | EA | MOUNT BASE ONLY | 2200846 |
| 26 | 128138-01-730 | EA | LOW NOISE BLOCK FILTER | 2780160 |
| 27 | 128138-01-731 | EA | CABLE-COAX/18' W/CONNECTORS | 2753067 |
| 28 | 128138-01-732 | EA | SPRING | 2160821 |
| 29 | 128138-01-733 | EA | E-CLIP | |
| 30 | 128138-01-726 | EA | MOUNT BASE ASSEMBLY | 2762831 |
| 31 | 128138-01-701 | EA | SUPPORT - ANTENNA | 2200845 |
| 32 | 128138-01-702 | EA | BUMPER - ANTENNA SUPPORT | 2240025 |
| | 128138-01-725 | EA | COAX CABLE 4' RG-6 | 2753018 |

AUDIO VIDEO GROUP (CONTINUED)
COMPONENT PARTS FOR TV & VCR (CONTINUED)



137135-01-000

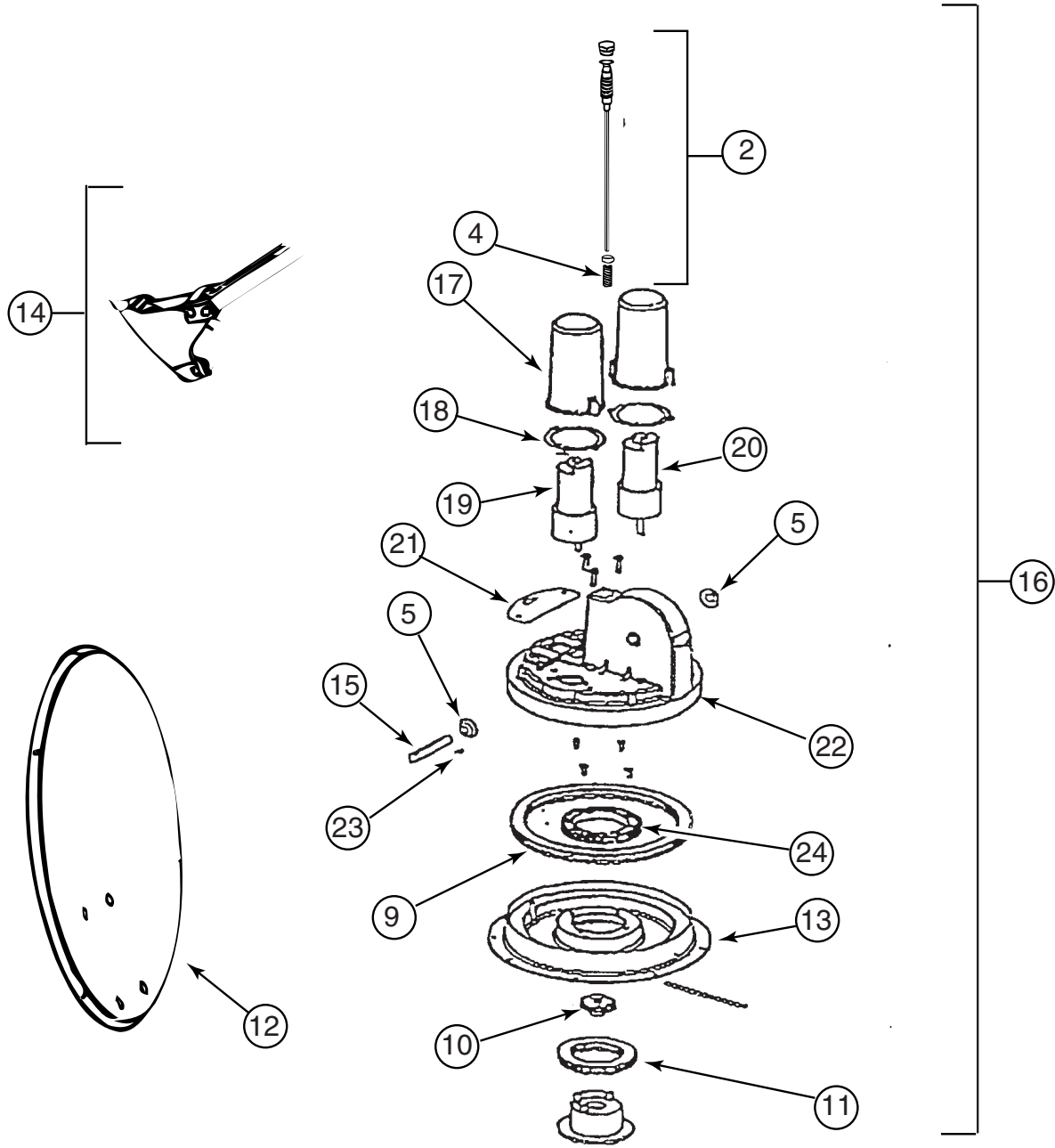
| KEY | PART NUMBER | U/M | DESCRIPTION | VENDOR NO. |
|-----|---------------|-----|------------------------------|------------|
| 1 | 120233-01-714 | EA | CLIP-E | 5160818 |
| 2 | 137135-01-703 | EA | SHAFT-ELEVATING(SPRING/PLUG) | RP-4400 |
| 3 | 137135-01-704 | EA | PIN - 1/4" X 3.25" | 2160813 |
| 4 | 137135-01-705 | EA | SPRING | 2160818 |
| 5 | 137135-01-707 | EA | SEAL - PIVOT SHAFT | 2200852 |
| 6 | 137135-01-708 | EA | TURRET | 3100728 |
| 7 | 137135-01-709 | EA | PIVOT BEARING | 2200470 |
| 8 | 137135-01-711 | EA | GEAR - ELEVATING | 2200464 |
| 9 | 137135-01-712 | EA | BEARING - OUTER | 2590347 |
| 10 | 137135-01-714 | EA | GEAR - ELEVATING SHAFT | 2200465 |
| 11 | 137135-01-715 | EA | BEARING - INNER | 2590348 |
| 12 | 137135-01-716 | EA | HUB | 3100731 |
| 13 | 137135-01-713 | EA | TURRET BASE | 3100730 |
| 14 | 137135-01-710 | EA | PLATE - ROTATE LIMIT | 3720052 |
| 15 | 137135-01-706 | EA | PIVOT SHAFT | 2590344 |
| 16 | 120233-01-734 | EA | LOW NOISE BLOCK FILTER (SGL) | LB10003 |
| 17 | 137135-01-722 | EA | CLAMP | 2590343 |
| 18 | 137135-01-719 | EA | BRACKET - PIVOT | 2744945 |
| 19 | 137135-01-720 | EA | DE-SENSOR UNIT W/43" CABLE | 276342 |
| 20 | 137135-01-721 | EA | WALL PLATE | 3200213 |
| 21 | 137135-01-717 | EA | BOLT - FLAT HEAD | 216032 |
| 22 | 120233-01-722 | EA | PLATE ASSEMBLY (CEILING) | 2762826 |
| 23 | 120233-01-704 | EA | DIAL - DIRECTIONAL | 3200364 |
| 24 | 120233-01-721 | EA | CRANK HANDLE ASSEMBLY | 2762825 |
| 25 | 137135-01-701 | EA | CONNECTOR - F - MALE TO MALE | FS-8100 |
| | 137135-01-700 | EA | ROOF WEDGE W/GASKET | RW-5000 |
| | 137135-01-718 | EA | REFLECTOR/WHITE - 46CM | 2745282 |

AUDIO VIDEO GROUP (CONTINUED)
COMPONENT PARTS FOR TV & VCR (CONTINUED)

140061-01-000, 140061-02-000

KEY PART NUMBER U/M DESCRIPTION
 130121-05-700 EA REMOTE

VENDOR NO.
 242524



141454-01-01A

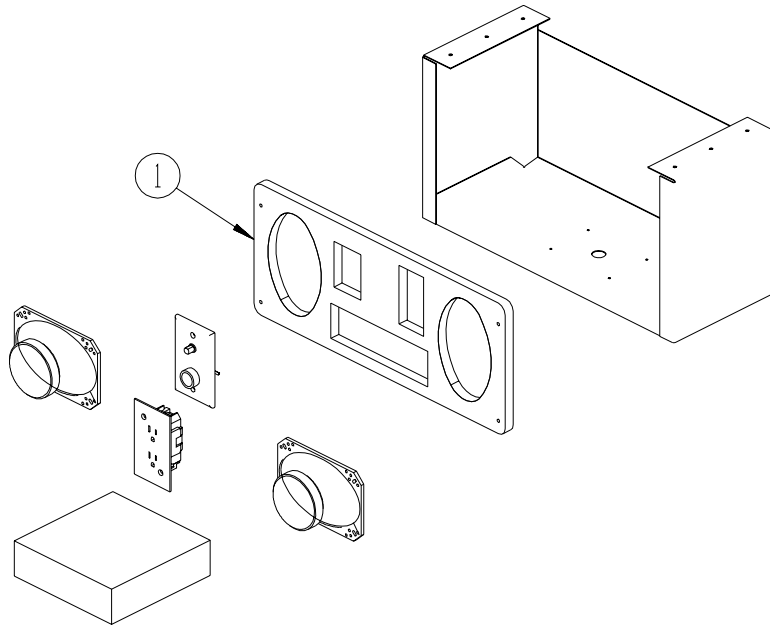
AUDIO VIDEO GROUP (CONTINUED)
COMPONENT PARTS FOR TV & VCR (CONTINUED)

141454-01-01A (CONTINUED)

| KEY | PART NUMBER | U/M | DESCRIPTION | VENDOR NO. |
|------------|--------------------|------------|------------------------------|-------------------|
| 2 | 141454-01-700 | EA | KIT ELEV-SHAFT/GEARS/SPRING | RP-RM20 |
| 4 | 137135-01-705 | EA | SPRING | 2160818 |
| 5 | 137135-01-707 | EA | SEAL - PIVOT SHAFT | 2200852 |
| 9 | 137135-01-712 | EA | BEARING - OUTER | 2590347 |
| 10 | 137135-01-714 | EA | GEAR - ELEVATING SHAFT | 2200465 |
| 11 | 137135-01-715 | EA | BEARING - INNER | 2590348 |
| 12 | 137135-01-718 | EA | REFLECTOR/WHITE-46CM W/HDWE | RP-35RM |
| 13 | 137135-01-713 | EA | TURRET BASE | 3100730 |
| 14 | 137135-01-723 | EA | SUPPORT/FRAME-BACKUP-W/HDWE | RP-RM00 |
| 15 | 137135-01-706 | EA | PIVOT SHAFT | 2590344 |
| 16 | 141454-01-704 | EA | KIT LIFT ASSEMBLY COMPLETE | 2590344 |
| 17 | 141454-01-705 | EA | HOUSING - MOTOR | 3200260 |
| 18 | 141454-01-706 | EA | GASKET - MOTOR HOUSING | 2240054 |
| 19 | 141454-01-707 | EA | MOTOR - AZIMUTH | 2665039 |
| 20 | 141454-01-708 | EA | MOTOR - ELEVATION | 2665038 |
| 21 | 141454-01-709 | EA | GASKET | 2240056 |
| 22 | 141454-01-710 | EA | TURRET | 3100729 |
| 23 | 141454-01-711 | EA | ROLL PIN | 2160842 |
| 24 | 141454-01-712 | EA | GEAR - ROTATE | 2200469 |
| | 141454-01-701 | EA | KIT - GEAR/MOTOR-GEAR/ROTATE | RP-RM25 |
| | 141454-01-702 | EA | HOUSING/ELECTRONICS - UPPER | RP-RM10 |
| | 141454-01-703 | EA | HOUSING/ELECTRONICS - LOWER | RP-RM15 |
| | 141454-01-713 | EA | PANEL/FRT-W/DIGITAL READOUT | 2764586 |

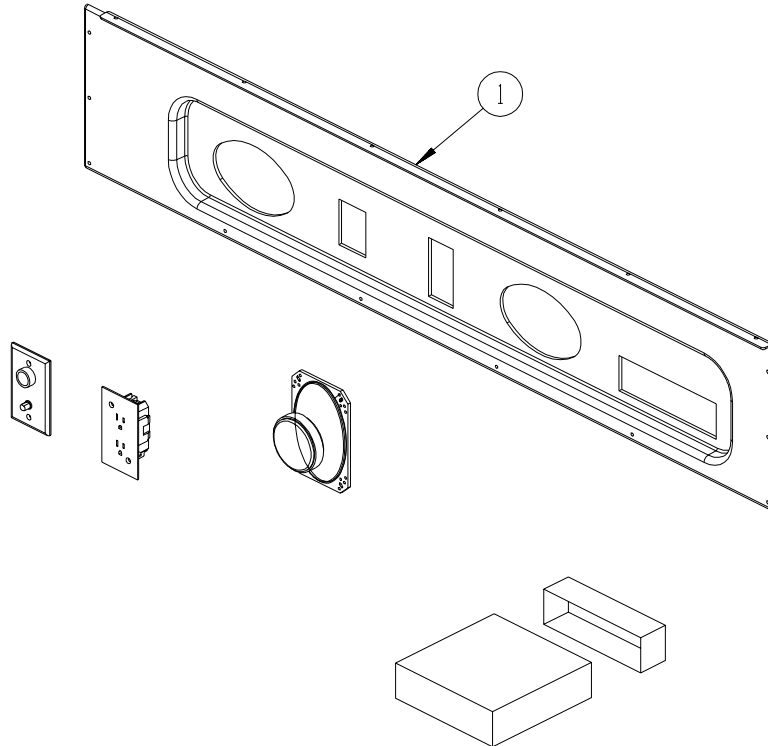
CONTACT WINNEBAGO PART SALES FOR UNLISTED COMPONENT

AUDIO VIDEO GROUP (CONTINUED)
EXTERIOR ENTERTAINMENT



L36W

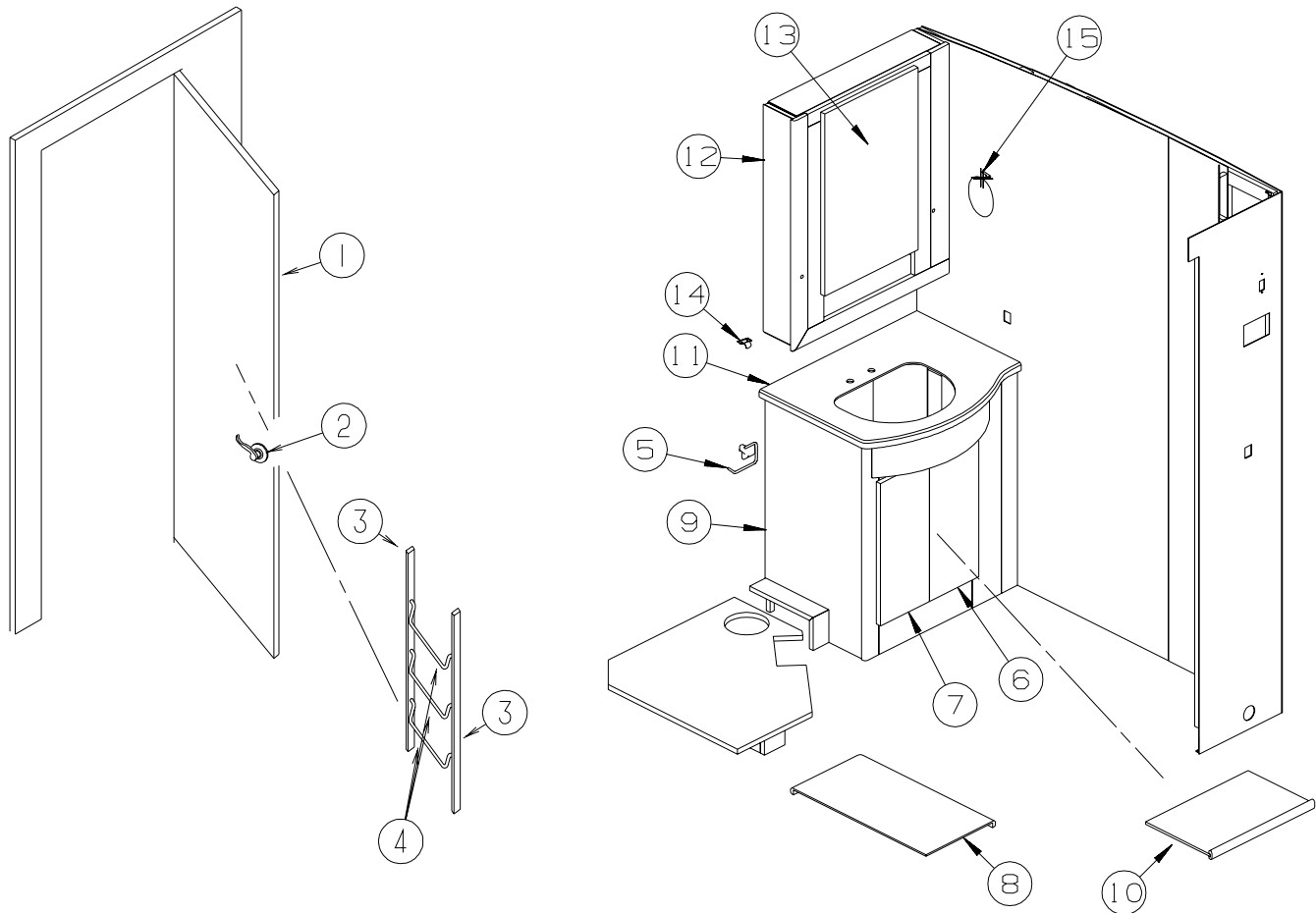
| KEY | PART NUMBER | U/M DESCRIPTION |
|-----|---------------|---------------------------|
| 1 | 126123-04-L52 | EA PLATE - RADIO MOUNTING |



L39

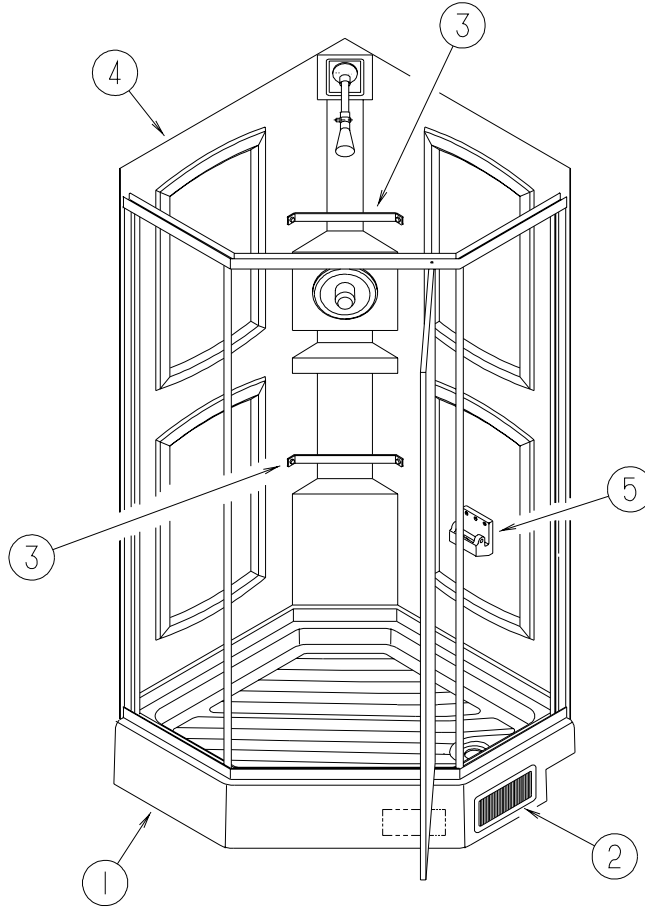
| KEY | PART NUMBER | U/M DESCRIPTION |
|-----|---------------|--|
| 1 | 139958-01-01A | EA PANEL - ENTERTAINMENT CENTER - BRIGHT WHITE |

BATH GROUP CABINETS



| KEY | PART NUMBER | U/M | DESCRIPTION |
|-----|---------------|-----|---|
| 1 | 131933-03-M62 | EA | DOOR - BATH - W/O HARDWARE - WASHED MAPLE |
| 1 | 131933-03-M52 | EA | DOOR - BATH - W/O HARDWARE - SALEM CHERRY |
| 2 | 111155-05-01A | EA | LOCK - PRIVACY/LOCKING - POLISHED BRASS - "S" SHAPE HANDLE |
| 3 | P34509-01-N15 | EA | RAIL END - RH/LH - TOWEL RACK - MAPLE |
| 3 | P34509-01-E41 | EA | RAIL END - RH/LH - TOWEL RACK - SALEM CHERRY |
| 4 | 100357-01-000 | EA | ROD - F/TOWEL BAR - BRASS |
| 5 | 132533-02-01A | EA | HOLDER - PAPER - BRASS & CHROME |
| 6 | 134783-E9-N84 | EA | DOOR - RAIL/SOLID PANEL - 9.2" X 21.8" - W/O HARDWARE - WASHED MAPLE |
| 6 | 134783-E9-N85 | EA | DOOR - RAIL/SOLID PANEL - 9.2" X 21.8" - W/O HARDWARE - SALEM CHERRY |
| 7 | 134783-E7-N84 | EA | DOOR - RAIL/SOLID PANEL - 9.2" X 21.8" - W/O HARDWARE - WASHED MAPLE |
| 7 | 134783-E7-N85 | EA | DOOR - RAIL/SOLID PANEL - 9.2" X 21.8" - W/O HARDWARE - SALEM CHERRY |
| 8 | 140623-05-01A | EA | COUNTERTOP - 1/4" VENDURA - ALMONDINE |
| 9 | 139449-01-N62 | EA | CABINET - LAVATORY - W/O COUNTERTOP/DOORS/DRAWERS/HARDWARE - WASHED MAPLE |
| 9 | 139449-01-N52 | EA | CABINET - LAVATORY - W/O COUNTERTOP/DOORS/DRAWERS/HARDWARE - SALEM CHERRY |
| 10 | 139449-19-N62 | EA | SHELF - W/PLASTIC EDGE MOLDING - WASHED MAPLE |
| 10 | 139449-19-N52 | EA | SHELF - W/PLASTIC EDGE MOLDING - SALEM CHERRY |
| 11 | 140624-02-01A | EA | COUNTERTOP - 1/4" VENDURA - ALMONDINE |
| 12 | 140376-01-N62 | EA | CABINET - OVERHEAD/MEDICINE - W/O DOORS/HARDWARE - WASHED MAPLE |
| 12 | 140376-01-N52 | EA | CABINET - OVERHEAD/MEDICINE - W/O DOORS/HARDWARE - SALEM CHERRY |
| 13 | 115237-16-M84 | EA | DOOR - MIRRORED/MEDICINE CABINET - W/O HARDWARE - WASHED MAPLE |
| 13 | 115237-16-M85 | EA | DOOR - MIRRORED/MEDICINE CABINET - W/O HARDWARE - SALEM CHERRY |
| | 093606-28-000 | EA | MIRROR - BEVELED EDGE - 17.5" X 27.9" |
| 14 | 137463-01-01A | EA | LIFT - HOOK - SATIN BRASS |
| 15 | 135009-01-01A | EA | RING - TOWEL - CHROME & BRASS |

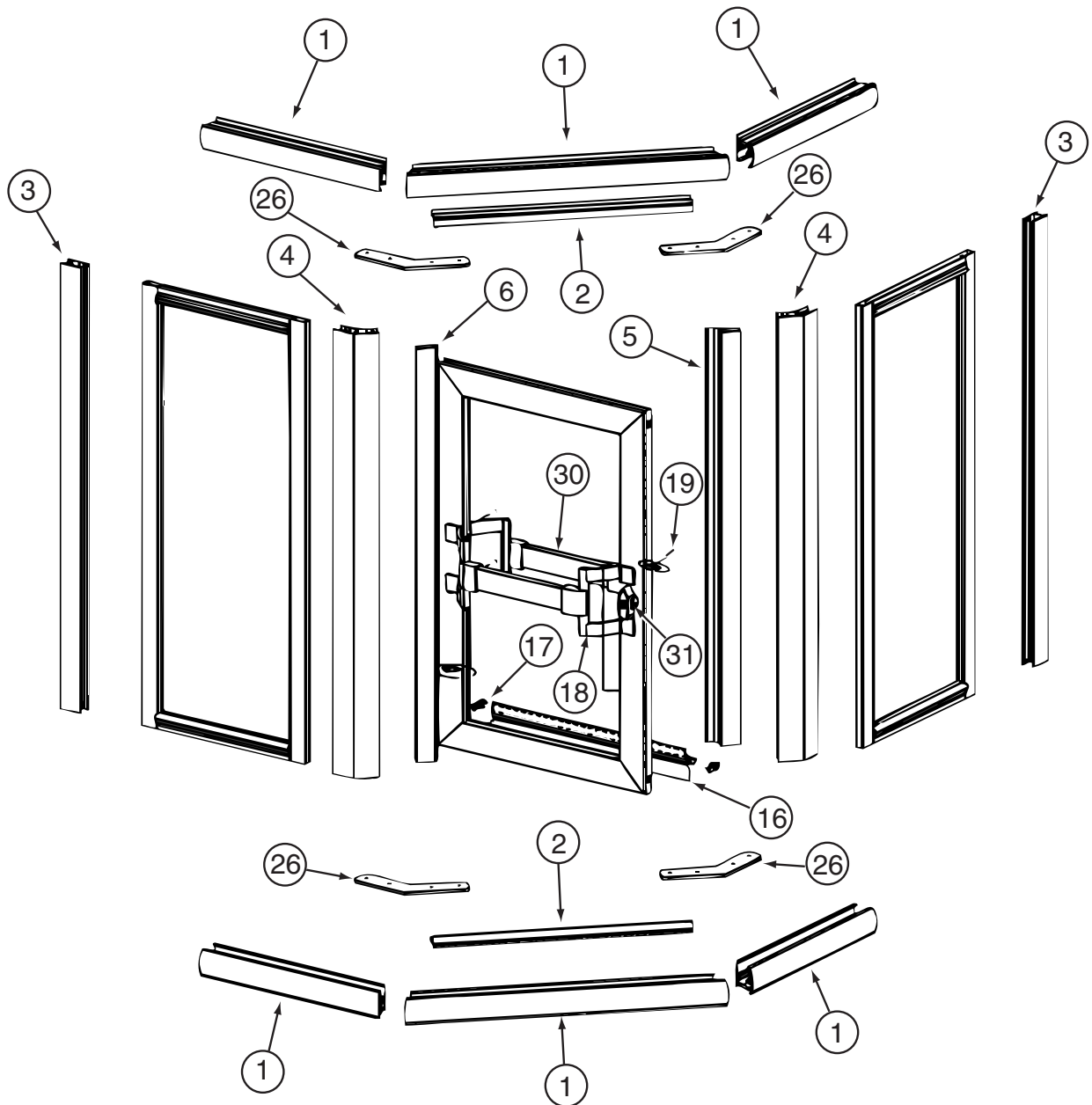
BATH GROUP (CONTINUED) SHOWER



| KEY | PART NUMBER | U/M | DESCRIPTION |
|-----|---------------|-----|---|
| 1 | M02630-58-N30 | EA | SHOWER PAN - W/STRAINER - L36W |
| 1 | M02630-68-N52 | EA | SHOWER PAN - W/STRAINER - L39 |
| 2 | 089326-02-000 | EA | GRILLE - FLOOR - HEATING - 9.3" X 5.3" - SOFT WHITE |
| 3 | 113714-02-02A | EA | RETAINER - SHELF/SHOWER - SOFT WHITE |
| 4 | 131311-01-01A | EA | ENCLOSURE - SHOWER - SIDES/BACK - 1 PIECE |
| 5 | 135607-03-01A | EA | SEAT - SHOWER/FOLDING |
| * | 139047-03-02A | EA | DOOR - SHOWER - NEO ANGLE - GOLD/CLEAR - 66.4" TALL |

***COMPONENT PARTS LISTED LATER IN THIS GROUP**

BATH GROUP (CONTINUED)
COMPONENT PARTS FOR SHOWER

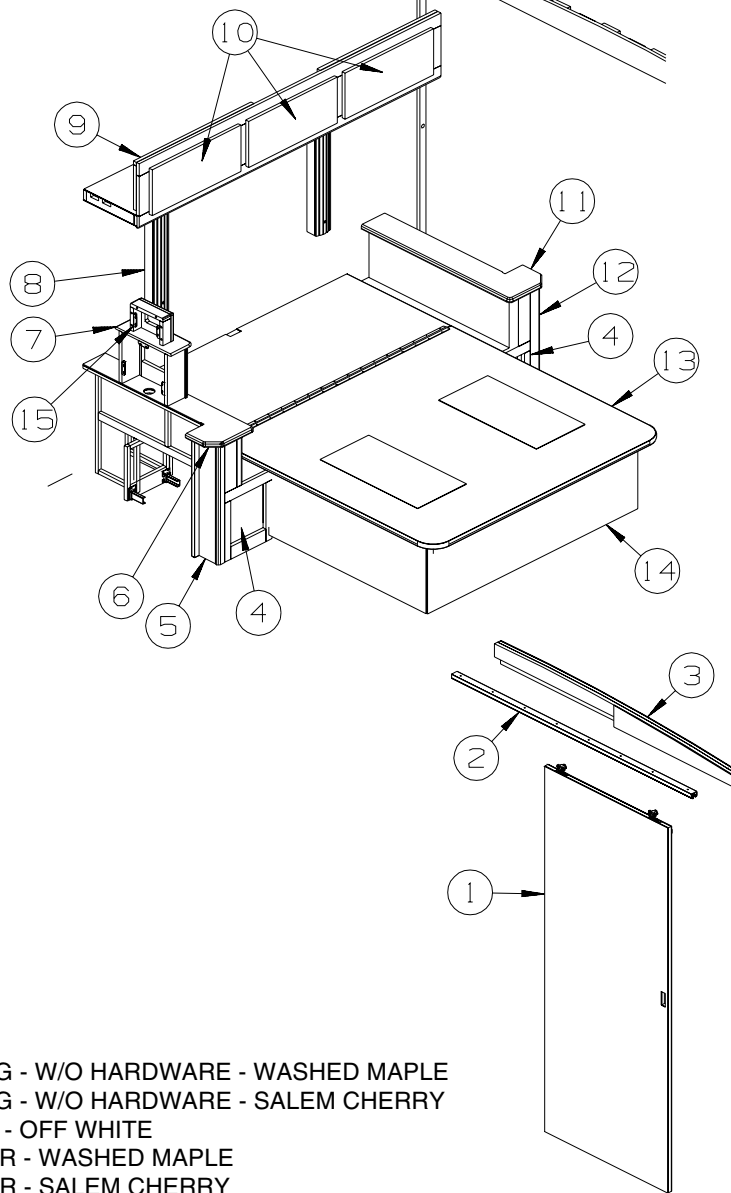


139047-01-01A, 139047-01-02A, 139047-02-01A, 139047-02-02A, 139047-03-01A, 139047-03-02A, 139047-04-02A

| KEY | PART NUMBER | U/M | DESCRIPTION | VENDOR NO. |
|-----|---------------|-----|-------------------------------|------------|
| 1 | 139047-01-700 | EA | HEADER/SILL - 30" (PAIR) | 900 |
| 2 | 139047-01-701 | EA | DAM STRIP-TOP/BOTTOM-35.4" | 901 |
| 3 | 139047-01-702 | EA | JAMB - WALL - 65.9" | 903 |
| 4 | 139047-01-703 | EA | CORNER POST-45 DEGREE- 65.9" | 909 |
| 5 | 139047-01-704 | EA | STRIKE - JAMB - 64.6" | 926 |
| 6 | 139047-01-705 | EA | HINGE/POST - DOOR - 64.5" | 920 |
| 16 | 139047-01-710 | FT | VINYL SWEEP | C176G |
| 17 | 139047-01-711 | EA | PLUG - DRIP CAP (SET) | CP933 |
| 18 | 092574-01-701 | EA | BRACKET-STUD, TOWEL BAR, GOLD | 8141G |
| 19 | 092574-01-710 | EA | SCREW-GOLD, FOR TOWEL BAR | 83212G |
| 26 | 139047-01-712 | EA | HEADER - CORNER BRACKET | 313.45C |
| 30 | 116814-01-700 | EA | BAR-TOWEL 17 5/16" | 68G |
| 31 | 089318-01-707 | EA | LATCH/CATCH - SAFETY - BLACK | 9730B |
| | 139047-01-706 | EA | HINGE PINS | CP932 |
| | 139047-01-707 | EA | WASHERS - HINGE | CP148TW |
| | 139047-01-708 | EA | HINGE - SLEEVE - 61.5" | C921B |
| | 139047-01-709 | EA | STRIP - MAGNETIC- 55" | 98-42 |
| | 139047-01-713 | EA | RAIL DRIP - 31.6" | 927G |

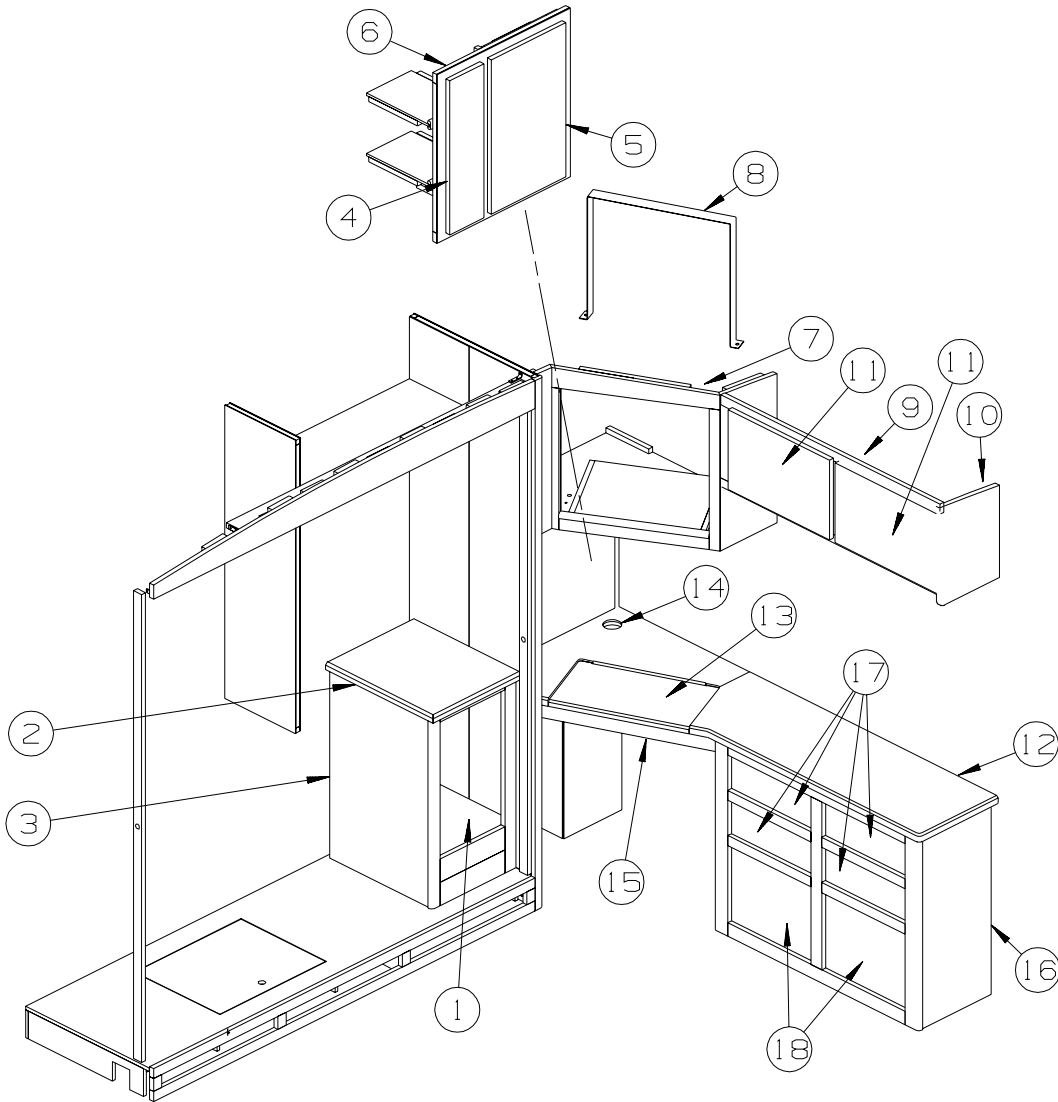
CONTACT WINNEBAGO PART SALES FOR UNLISTED COMPONENT

BEDROOM GROUP QUEEN CABINETS



| KEY | PART NUMBER | U/M | DESCRIPTION |
|-----|---------------|-----|---|
| 1 | 140629-01-N62 | EA | DOOR - SLIDING - W/O HARDWARE - WASHED MAPLE |
| 1 | 140629-01-N52 | EA | DOOR - SLIDING - W/O HARDWARE - SALEM CHERRY |
| 2 | 137422-19-01A | EA | TRACK - DOOR - OFF WHITE |
| 3 | 137426-07-N62 | EA | HEADER - DOOR - WASHED MAPLE |
| 3 | 137426-07-N52 | EA | HEADER - DOOR - SALEM CHERRY |
| 4 | P34767-C1-N62 | EA | DRAWER - PENCIL EDGE - 7.6"W X 23.6"D-W/O SLIDES/HARDWARE - WASHED MAPLE |
| 4 | P34767-C1-M08 | EA | DRAWER - PENCIL EDGE - 7.6"W X 23.6"D-W/O SLIDES/HARDWARE - SALEM CHERRY |
| 5 | 136885-A4-N62 | EA | CABINET - NIGHTSTAND/LEFT HAND - W/O COUNTERTOP/DR/DWR/HDW - WASHED MAPLE |
| 5 | 136885-A4-N52 | EA | CABINET - NIGHTSTAND/LEFT HAND - W/O COUNTERTOP/DR/DWR/HDW - SALEM CHERRY |
| 6 | 140623-11-01A | EA | COUNTERTOP - 1/4" VENDURA - ALMONDINE |
| 7 | 141092-01-N62 | EA | CABINET - RADIO - W/O HARDWARE - WASHED MAPLE - W/REAR STEREO SYS |
| 7 | 141092-01-N52 | EA | CABINET - RADIO - W/O HARDWARE - SALEM CHERRY - W/REAR STEREO SYS |
| 8 | 139873-01-N62 | EA | VALANCE - WASHED MAPLE |
| 8 | 139873-01-N52 | EA | VALANCE - SALEM CHERRY |
| 9 | 140444-01-N62 | EA | CABINET - OVERHEAD/REAR - W/O DOORS/HARDWARE - WASHED MAPLE - W/REAR STEREO SYS |
| 9 | 140444-01-N52 | EA | CABINET - OVERHEAD/REAR - W/O DOORS/HARDWARE - SALEM CHERRY - W/REAR STEREO SYS |
| 9 | 140444-02-N62 | EA | CABINET - OVERHEAD/REAR - W/O DOORS/HARDWARE - WASHED MAPLE - W/O REAR STEREO SYS |
| 9 | 140444-02-N52 | EA | CABINET - OVERHEAD/REAR - W/O DOORS/HARDWARE - SALEM CHERRY - W/O REAR STEREO SYS |
| 10 | 135238-86-N84 | EA | DOOR - RAIL/ARCHED TOP - 9.2" X 21.8" - W/O HARDWARE - WASHED MAPLE |
| 10 | 135238-86-N85 | EA | DOOR - RAIL/ARCHED TOP - 9.2" X 21.8" - W/O HARDWARE - SALEM CHERRY |
| 11 | 140623-06-01A | EA | COUNTERTOP - 1/4" VENDURA - ALMONDINE |
| 12 | 136885-A2-N62 | EA | CABINET - NIGHTSTAND/RIGHT HAND-W/O COUNTERTOP/DR/DWR/HDW - WASHED MAPLE |
| 12 | 136885-A2-N52 | EA | CABINET - NIGHTSTAND/RIGHT HAND-W/O COUNTERTOP/DR/DWR/HDW - SALEM CHERRY |
| 13 | 137406-24-000 | EA | BED TOP/RAISED PORTION - W/O SUPPORT/HARDWARE |
| | 097872-04-000 | EA | DOWEL - WOOD - 1" DIAMETER X 1.38" LONG - UNFINISHED |
| 14 | 139019-01-N62 | EA | CABINET ASM-BED,QUEEN - WASHED MAPLE |
| 14 | 139019-01-N52 | EA | CABINET ASM-BED,QUEEN - SALEM CHERRY |
| 15 | 139533-01-N84 | EA | CABINET - CLOCK - 5.5" X 7.9" - WASHED MAPLE - W/O REAR STEREO SYS |
| 15 | 139533-01-N85 | EA | CABINET - CLOCK - 5.5" X 7.9" - SALEM CHERRY - W/O REAR STEREO SYS |

BEDROOM GROUP (CONTINUED)
QUEEN CABINETS (CONTINUED)

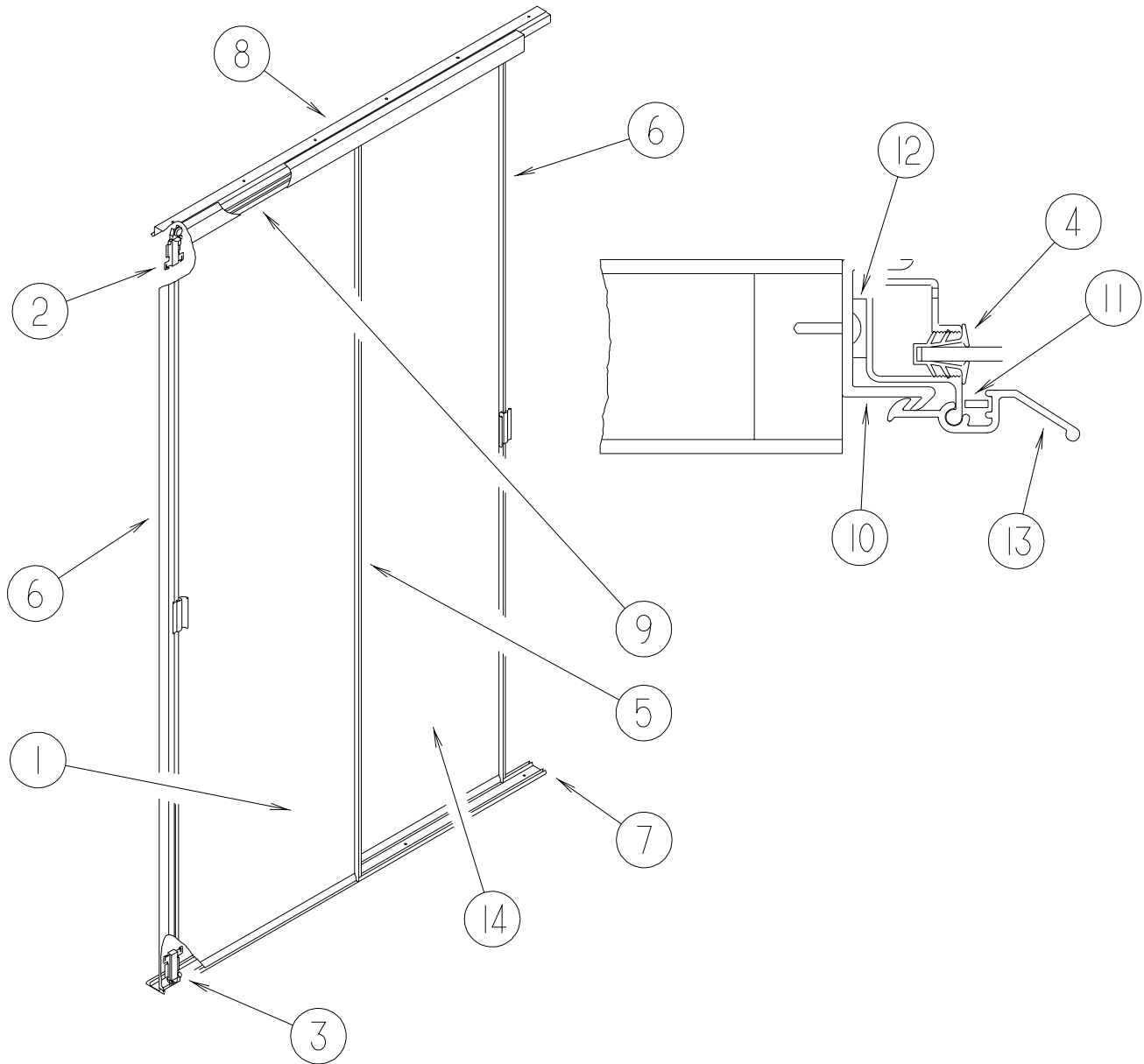


| KEY | PART NUMBER | U/M | DESCRIPTION |
|-----|---------------|-----|--|
| 1 | 134783-T6-N62 | EA | DOOR - RAIL/SOLID PANEL - 12.8" X 21.8" - W/O HARDWARE - WASHED MAPLE FROM: 02-18-02 THRU: 99-99-99 |
| 1 | 134783-T6-N63 | EA | DOOR - RAIL/SOLID PANEL - 12.8" X 21.8" - W/O HARDWARE - SALEM CHERRY FROM: 02-18-02 THRU: 99-99-99 |
| 2 | 133655-77-N62 | EA | COUNTERTOP - LAMINATED - WHITE TALC - WASHED MAPLE (N62, N64) FROM: 02-18-02 THRU: 99-99-99 |
| 2 | 133655-77-N52 | EA | COUNTERTOP - LAMINATED - WHITE TALC - SALEM CHERRY (N63, N65) FROM: 02-18-02 THRU: 99-99-99 |
| 2 | 133655-77-N66 | EA | COUNTERTOP - LAMINATED - WHITE ETHOS - WASHED MAPLE (N66) FROM: 02-18-02 THRU: 99-99-99 |
| 2 | 133655-77-N56 | EA | COUNTERTOP - LAMINATED - WHITE ETHOS - SALEM CHERRY (N67) FROM: 02-18-02 THRU: 99-99-99 |
| 3 | 142494-01-N62 | EA | CABINET/HAMPER - FRONT - W/DOOR - W/O HARDWARE - WASHED MAPLE FROM: 02-18-02 THRU: 99-99-99 |
| 3 | 142494-01-N52 | EA | CABINET/HAMPER - FRONT - W/DOOR - W/O HARDWARE - SALEM CHERRY FROM: 02-18-02 THRU: 99-99-99 |
| 4 | 134783-38-N62 | EA | DOOR - RAIL/SOLID PANEL - 6.3" X 23.2" - W/O HARDWARE - WASHED MAPLE |
| 4 | 134783-38-N63 | EA | DOOR - RAIL/SOLID PANEL - 6.3" X 23.2" - W/O HARDWARE - SALEM CHERRY |
| 5 | 134783-N6-N62 | EA | DOOR - RAIL/SOLID PANEL - 13.7" X 23.2" - W/O HARDWARE - WASHED MAPLE |
| 5 | 134783-N6-N63 | EA | DOOR - RAIL/SOLID PANEL - 13.7" X 23.2" - W/O HARDWARE - SALEM CHERRY |
| 6 | 140440-01-N62 | EA | CABINET - WALL/REAR/LEFT HAND - W/O DOORS/HARDWARE - WASHED MAPLE |
| 6 | 140440-01-N52 | EA | CABINET - WALL/REAR/LEFT HAND - W/O DOORS/HARDWARE - SALEM CHERRY |
| 7 | 140410-01-N62 | EA | CABINET - OVERHEAD/TV/REAR - W/O DOORS/HARDWARE - WASHED MAPLE |
| 7 | 140410-01-N52 | EA | CABINET - OVERHEAD/TV/REAR - W/O DOORS/HARDWARE - SALEM CHERRY |
| | 123655-01-000 | EA | SEAL - CLOSED CELL/FOAM |
| 8 | 115466-26-02B | EA | STRAP - TIEDOWN/TV - E-COATED |

BEDROOM GROUP (CONTINUED)
QUEEN CABINETS (CONTINUED)

| KEY | PART NUMBER | U/M | DESCRIPTION |
|------------|--------------------|------------|---|
| 9 | 140409-01-N62 | EA | CABINET - OVERHEAD/REAR/LEFT HAND - W/O DOORS/HARDWARE - WASHED MAPLE |
| 9 | 140409-01-N52 | EA | CABINET - OVERHEAD/REAR/LEFT HAND - W/O DOORS/HARDWARE - SALEM CHERRY |
| 10 | P38119-20-N62 | EA | END CAP - OVERHEAD CABINET - WASHED MAPLE |
| 10 | P38119-20-N52 | EA | END CAP - OVERHEAD CABINET - SALEM CHERRY |
| 11 | 135238-52-N84 | EA | DOOR - RAIL/ARCHED TOP - 12" X 18.7" - W/O HARDWARE - WASHED MAPLE |
| 11 | 135238-52-N85 | EA | DOOR - RAIL/ARCHED TOP - 12" X 18.7" - W/O HARDWARE - SALEM CHERRY |
| 12 | 140623-09-01A | EA | COUNTERTOP - 1/4" VENDURA - ALMONDINE |
| 13 | 140623-10-01A | EA | COUNTERTOP - 1/4" VENDURA - ALMONDINE |
| 14 | 134908-01-01A | EA | GROMMET - COUNTERTOP - 2 1/2" DIAMETER - BLACK |
| 15 | 140411-19-N62 | EA | DRAWER - VANITY - WASHED MAPLE |
| 15 | 140411-19-N52 | EA | DRAWER - VANITY - SALEM CHERRY |
| 16 | 140411-02-N62 | EA | CABINET - VANITY - W/O DRAWER/HARDWARE - WASHED MAPLE |
| 16 | 140411-02-N63 | EA | CABINET ASM-VANITY - SALEM CHERRY |
| | 093606-44-000 | EA | MIRROR - BEVELED - 8" X 16.5" |
| 17 | P34767-B4-N62 | EA | DRAWER - PENCIL EDGE - 14.3"W X 11.8"D-W/O SLIDES/HARDWARE - WASHED MAPLE |
| 17 | P34767-B4-N63 | EA | DRAWER - PENCIL EDGE - 14.3"W X 11.8"D-W/O SLIDES/HARDWARE - SALEM CHERRY |
| 18 | P34767-B5-N62 | EA | DRAWER - PENCIL EDGE - 14.3"W X 11.8"D-W/O SLIDES/HARDWARE - WASHED MAPLE |
| 18 | P34767-B5-N63 | EA | DRAWER - PENCIL EDGE - 14.3"W X 11.8"D-W/O SLIDES/HARDWARE - SALEM CHERRY |

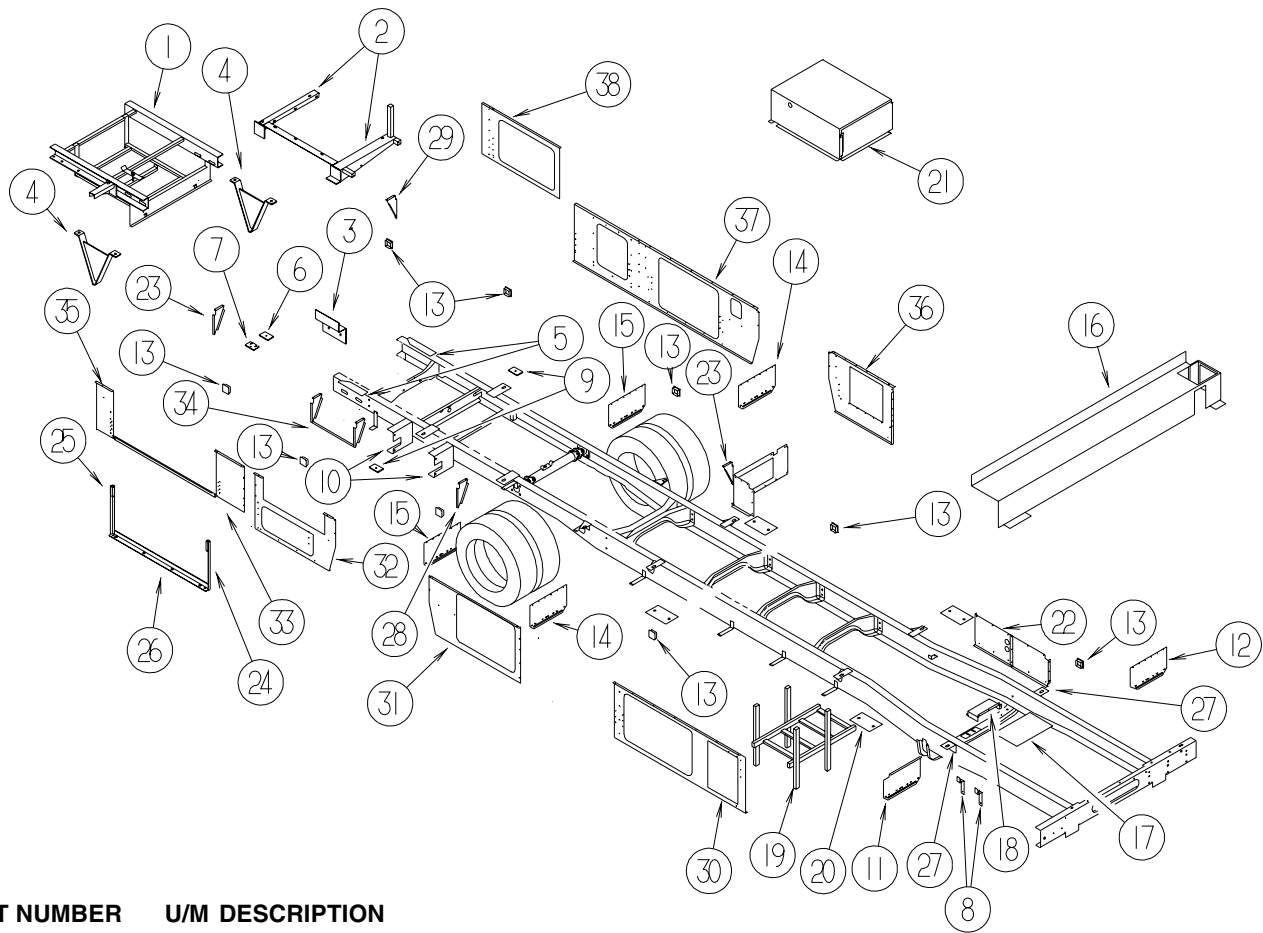
BEDROOM GROUP (CONTINUED)
QUEEN CABINETS (CONTINUED)



| KEY | PART NUMBER | U/M | DESCRIPTION |
|-----|---------------|-----|--|
| 1 | 136681-20-N52 | EA | DOOR-MIRRORED/WARDROBE-LH-W/HANGERS/GUIDES/LATCH-70.1X35.6 |
| 2 | 107390-02-000 | EA | CORNER HANGER (DOUBLE ROLLER W/BRACKET) (SOLD AS 1 EACH) |
| 3 | 107391-01-000 | EA | GUIDE - BOTTOM - BY-PASS (4 USED PER DOOR) |
| 4 | 111575-01-01A | FT | CHANNEL - GLAZING - SWING DOOR |
| 5 | 114104-17-01A | EA | STILE - DOOR - SLIDING - 70.2" - TERRATONE |
| 6 | 114104-18-01A | EA | STILE - DOOR - SLIDING - 70.2" - TERRATONE |
| 7 | 114105-03-01A | EA | TRACK - SLIDING DOOR - LOWER - 69.5" - TERRATONE |
| 8 | 114106-03-01A | EA | TRACK - SLIDING DOOR - UPPER - 69.5" - TERRATONE |
| 9 | 114107-03-01A | EA | RAIL - DOOR/SLIDING - UPPER/LOWER - 34.1" - TERRATONE |
| 10 | 115538-07-01A | EA | JAMB - DOOR - WARDROBE/MIRRORED - 66.9" - BLACK |
| 11 | 115541-01-000 | EA | SPRING - DOOR - SLIDING |
| 12 | 123655-01-000 | EA | SEAL - CLOSED CELL/FOAM |
| 13 | 132038-01-01A | EA | LATCH - DOOR/WARDROBE - TERRATONE |
| 14 | 136680-20-N52 | EA | DOOR - MIRRORED/WARDROBE - RH - W/HANGERS/GUIDES/LATCH |

CHASSIS GROUP

FRAME



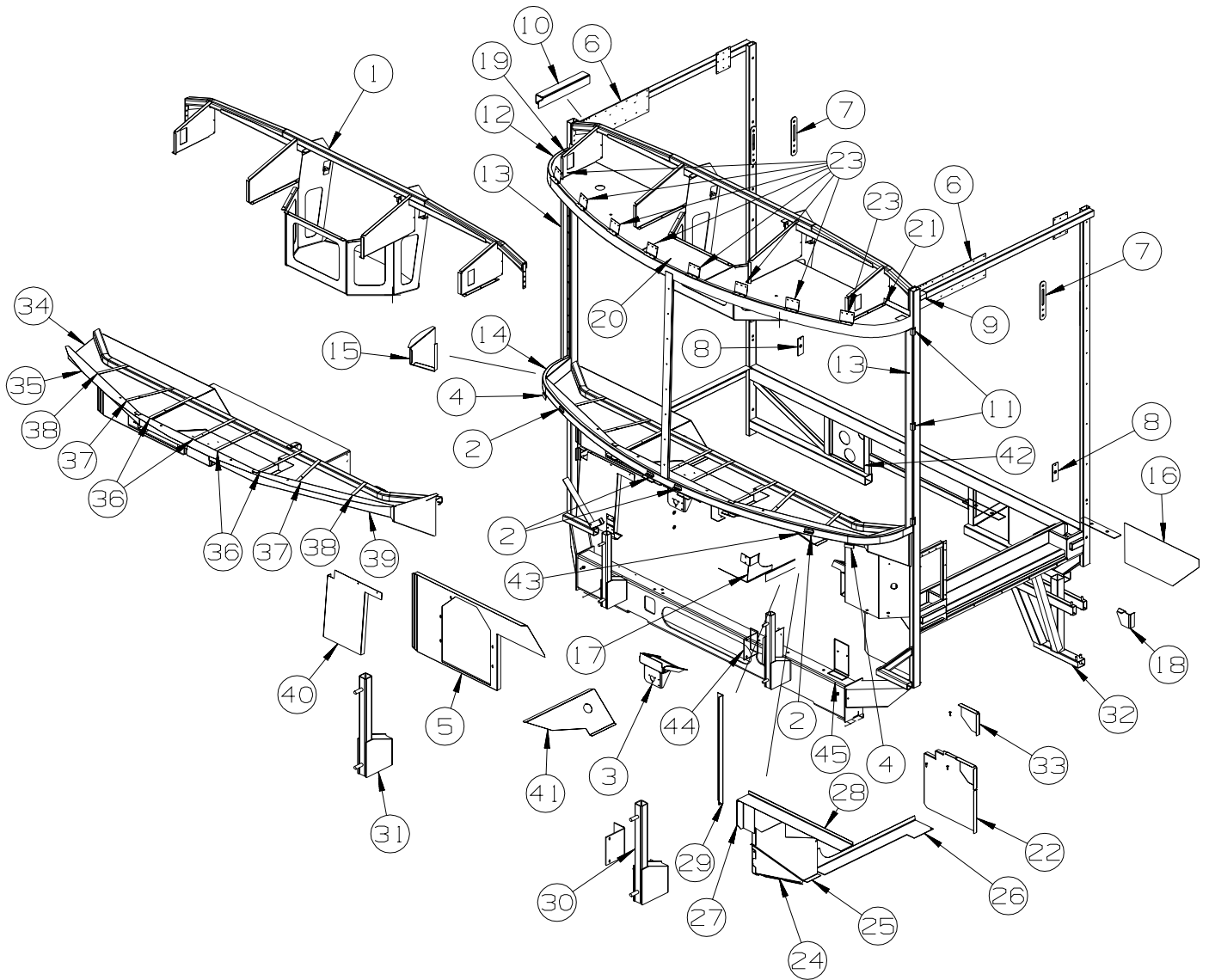
| KEY | PART NUMBER | U/M | DESCRIPTION |
|-----|---------------|-----|--|
| 1 | 132643-07-01A | EA | HITCH/TIRE CARRIER - EXTENSION RAIL(REAR CLIP) - 54" |
| 2 | 133022-06-02B | EA | OUTRIGGER - GENERATOR - E-COATED |
| | 104803-01-000 | EA | ANGLE - FORMED W/SLOTS |
| 3 | 140232-01-02B | EA | BRACKET - FUEL PUMP/GENERATOR - E-COATED |
| 4 | 140441-03-02B | EA | PLATE - SKID - E-COATED |
| 5 | 133095-01-02B | EA | PLATE - CLIP - E-COATED |
| 6 | 135712-02-02B | EA | PLATE - BODY MOUNT - E-COATED |
| 7 | 136538-01-02B | EA | SHIM - HITCH - E-COATED |
| 8 | 117287-01-02B | EA | BRACKET - MOUNTING/CABLE - E-COAT |
| 9 | 135712-01-02B | EA | PLATE - BODY MOUNT - E-COATED |
| 10 | 140703-01-02B | EA | BRACKET/LP MOUNTING - W/OUTRIGGER - E-COATED |
| 11 | 136391-05-02B | EA | GUARD/ROCK - E-COATED |
| | | | FROM: 00-00-00 THRU: 05-19-02 |
| 11 | 136391-01-02B | EA | GUARD/ROCK - STEEL - W/ANGLE - 18"W X 11"H - E-COATED |
| | | | FROM: 05-20-02 THRU: 99-99-99 |
| 12 | 136389-02-02B | EA | GUARD/ROCK - STEEL - W/BEND - 18"W X 14.9"H - E-COATED |
| 13 | 119845-01-01A | EA | PLUG/PLASTIC - 1 1/2" SQUARE - BLACK |
| 14 | 134191-02-02B | EA | GUARD/ROCK - STEEL - W/BEND - 18" X 15" - E-COATED |
| 15 | 136391-02-02B | EA | GUARD/ROCK - STEEL - W/ANGLE - 18"W X 15"H - E-COATED |
| 16 | 138405-02-02B | EA | COMPARTMENT - E-COATED |
| 17 | 124562-05-02B | EA | PANEL - CLOSEOUT - AUTO HEATER - E-COATED |
| 18 | 133203-05-02B | EA | COVER - TRANSMISSION - E-COATED |
| 19 | 140926-01-01A | EA | SLIDE - BATTERY TRAY |
| 20 | 138799-01-02B | EA | SHIM - BODY - E-COATED |
| 21 | 140930-01-02B | EA | COMPARTMENT - GENERATOR - E-COAT |
| 22 | 134316-01-02B | EA | PANEL - ACCESS - E-COATED |
| 23 | 123440-10-02B | EA | SUPPORT/VALANCE PANEL - E-COATED |
| 24 | 133833-01-02B | EA | HANGER - A/C - E-COATED |
| 25 | 133833-02-02B | EA | HANGER - A/C - E-COATED |
| 26 | 129328-02-02B | EA | HANGER - A/C - COACH |
| 27 | 117154-04-02B | EA | MOUNT - FRAME RAIL/FLOOR |
| 28 | 123440-02-02B | EA | SUPPORT/VALANCE PANEL - 9.9"/7.6" X 4.7" - E-COATED |
| 29 | 123440-09-02B | EA | SUPPORT - PANEL - E-COATED |

CHASSIS GROUP (CONTINUED)
FRAME (CONTINUED)

| KEY | PART NUMBER | U/M | DESCRIPTION |
|------------|--------------------|------------|---------------------------------|
| 30 | 140828-01-02B | EA | PANEL - SEAL - E-COATED |
| 31 | 140828-02-02B | EA | PANEL - SEAL - E-COATED |
| 32 | 140828-03-02B | EA | PANEL - SEAL - E-COATED |
| 33 | 140828-04-02B | EA | PANEL - SEAL - E-COATED |
| 34 | 140166-02-02B | EA | SUPPORT - SEAL PLANE - E-COATED |
| 35 | 138793-06-02B | EA | PANEL - SEAL - E-COATED |
| 36 | 140827-03-02B | EA | PANEL - SEAL - E-COATED |
| 37 | 140827-04-02B | EA | PANEL - SEAL - E-COATED |
| 38 | 138792-05-02B | EA | PANEL - SEAL - E-COATED |

CHASSIS GROUP (CONTINUED)

FRONT END

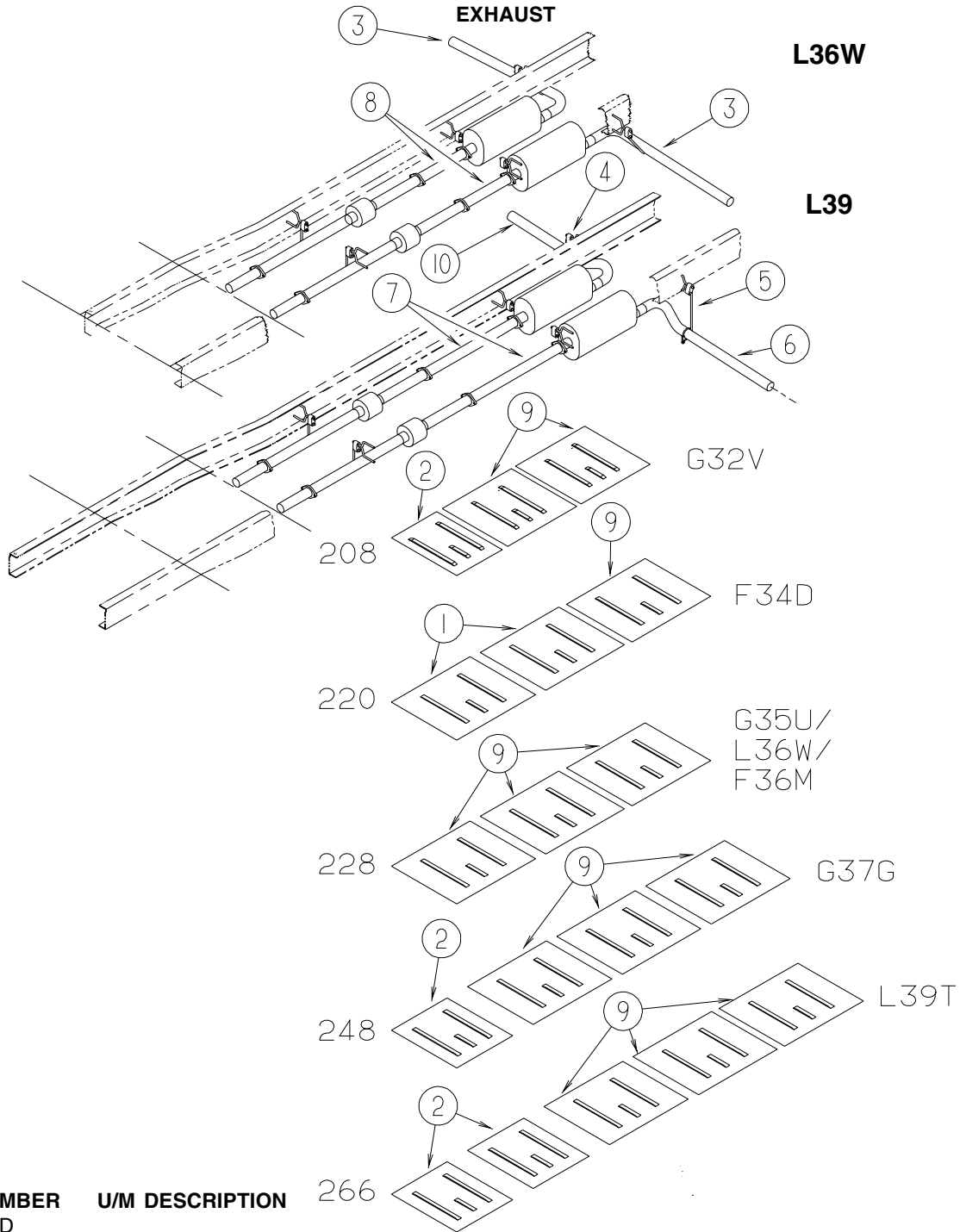


| KEY | PART NUMBER | U/M | DESCRIPTION |
|-----|---------------|-----|---|
| 1 | 139732-01-01B | EA | SUPPORT ASM-CABINET,FRO,MILL |
| 2 | 117462-04-01B | EA | CHANNEL/SUPPORT - FRONT - E-COAT |
| 3 | 134506-01-01B | EA | BRACKET - WIPER MOTOR |
| 4 | 127997-02-01B | EA | SUPPORT - FRONT END |
| 5 | 136591-01-01B | EA | PANEL/SUPPORT - HEATER/A/C |
| 6 | 139383-01-02B | EA | PLATE/MOUNT - SIDEWALL - E-COATED |
| 7 | 127461-02-01B | EA | PLATE/ANCHOR - SEAT BELT - UPPER - MILL |
| 8 | 133576-02-01B | EA | PLATE/ANCHOR - SEAT BELT - LOWER - MILL |
| 9 | 136975-02-01B | EA | ANGLE - REINFORCEMENT |
| 10 | 136975-01-01B | EA | ANGLE - REINFORCEMENT |
| 11 | 120363-03-01B | EA | BRACKET - WINDSHIELD |
| 12 | 136687-01-01B | EA | SUPPORT/WINDSHIELD - UPPER |
| 13 | 136974-01-01B | EA | FRAME - WINDSHIELD |
| 14 | 136686-01-01B | EA | SUPPORT/WINDSHIELD - LOWER |
| 15 | 136806-02-01B | EA | PANEL/PLENUM END - LEFT HAND |
| 16 | 137496-01-01B | EA | PANEL - SPLASH GUARD |
| 17 | 137033-02-01B | EA | BRACKET/SEAL - TRANSITION |
| 18 | 137026-01-01B | EA | PANEL/END - DRIVER STEP |
| 19 | 137514-01-01B | EA | HEADER/WINDSHIELD - PASSENGER - W/OVERHEAD TV |
| 19 | 139735-01-01B | EA | HEADER/WINDSHIELD - PASSENGER - W/O OVERHEAD TV |
| 20 | 137515-01-01B | EA | HEADER/WINDSHIELD - CENTER - W/OVERHEAD TV |
| 20 | 139737-01-01B | EA | HEADER/WINDSHIELD - CENTER - W/O OVERHEAD TV |

CHASSIS GROUP (CONTINUED)
FRONT END (CONTINUED)

| KEY | PART NUMBER | U/M | DESCRIPTION |
|-----|---------------|-----|--|
| 21 | 137514-02-01B | EA | HEADER/WINDSHIELD - DRIVER - W/OVERHEAD TV |
| 21 | 139735-02-01B | EA | HEADER/WINDSHIELD - DRIVER - W/O OVERHEAD TV |
| 22 | 137062-01-01B | EA | SHIELD/SPLASH - HEADLIGHT |
| 23 | 139575-01-01B | EA | BRACKET/ROOF CAP - FRONT |
| 24 | 137043-01-02B | EA | PANEL/FILLER - E-COATED |
| 25 | 137306-01-02B | EA | FILLER/BRACKET - LEFT HAND - E-COATED |
| 26 | 137041-01-02B | EA | ANGLE/FILLER - MOTOR COVER - E-COATED |
| 27 | 137037-03-02B | EA | ANGLE/FILLER - E-COATED |
| 28 | 137037-01-02B | EA | ANGLE/FILLER - E-COATED |
| 29 | 137037-02-02B | EA | ANGLE/FILLER - E-COATED |
| 30 | 134807-08-02B | EA | SUPPORT - FRONT - E-COATED |
| 31 | 134807-01-02B | EA | SUPPORT - FRONT - E-COATED |
| 32 | 138340-01-02B | EA | SUPPORT/STEP - DRIVER - E-COATED |
| 33 | 137027-01-01B | EA | PANEL/END - DRIVER STEP |
| 34 | 136806-01-01B | EA | PANEL/PLENUM END - RIGHT HAND |
| 35 | 136805-01-01B | EA | PANEL/PLENUM - RIGHT HAND |
| 36 | 137047-01-01B | EA | STRAP - DEFROSTER PLENUM |
| 37 | 137047-02-01B | EA | STRAP - DEFROSTER PLENUM |
| 38 | 137047-03-01B | EA | STRAP - DEFROSTER PLENUM |
| 39 | 136805-02-01B | EA | PANEL/PLENUM - LEFT HAND |
| 40 | 121962-02-02B | EA | SHIELD/SPLASH - HEADLIGHT - E-COATED |
| 41 | 136670-01-01B | EA | PANEL/SUPPORT - PLENUM - RIGHT |
| 42 | 133144-02-01B | EA | PANEL/SUPPORT |
| 43 | 137028-01-01B | EA | PANEL/FILLER - PLENUM |
| | 076364-57-000 | EA | ANGLE - FORMED |
| 44 | 140413-01-02B | EA | BRACKET - AIR TANK - E-COATED |
| | | | FROM: 02-27-02 THRU: 00-00-00 |
| 45 | 140428-01-02B | EA | BRACKET - MOUNTING - COMPRESSOR - E-COATED |
| | | | FROM: 02-27-02 THRU: 00-00-00 |

CHASSIS GROUP (CONTINUED)

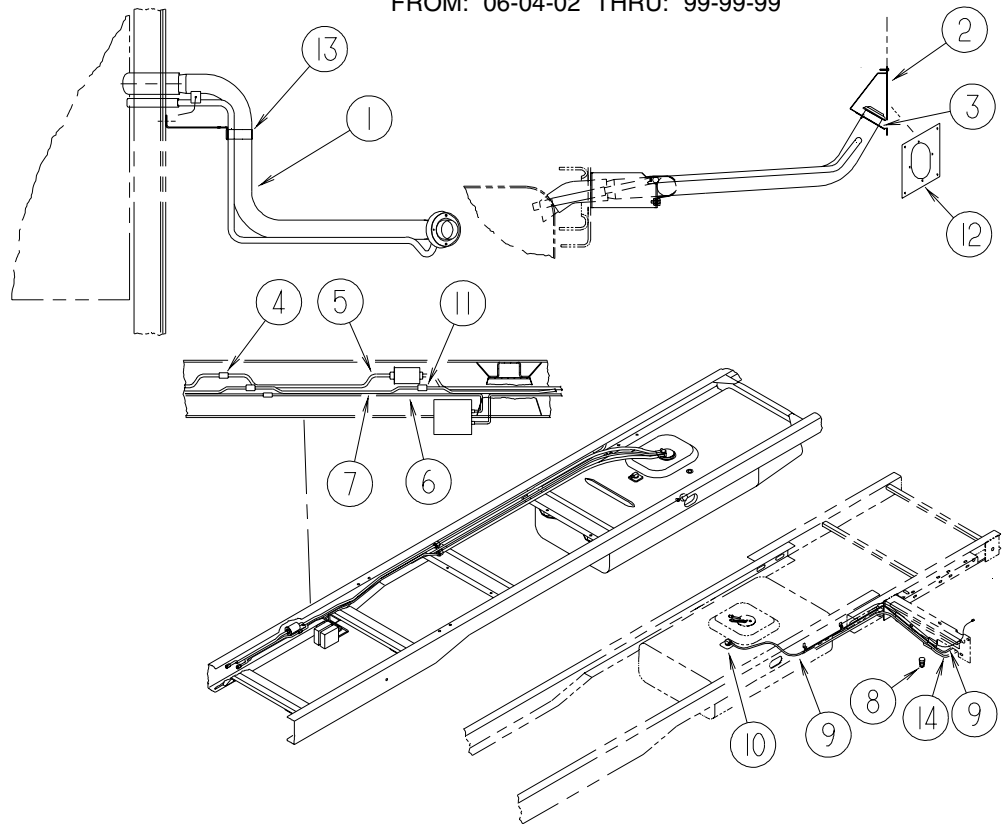


| KEY | PART NUMBER | U/M | DESCRIPTION |
|-----|---------------|-----|--|
| 1 | NOT USED | | |
| 2 | 101544-01-000 | EA | SHIELD - HEAT/EXHAUST - 19.7" X 29.1" - E-COATED |
| 3 | 139338-02-000 | EA | PIPE - EXHAUST - RIGHT HAND - RIGHT HAND |
| | 122392-11-02B | EA | HANGER - TAILPIPE - E-COATED - RIGHT HAND |
| | 094918-06-000 | EA | CLAMP - EXHAUST - 3" - HEAVY DUTY - RIGHT HAND |
| 3 | 098762-05-000 | EA | EXTENSION - EXHAUST - STRAIGHT - 3" O.D X 7.9" LONG - SST - RIGHT HAND |
| | 094918-01-000 | EA | CLAMP - EXHAUST - 3" - GUILLOTINE STYLE - RIGHT HAND |
| 3 | 098762-05-000 | EA | EXTENSION - EXHAUST - STRAIGHT - 3" O.D X 7.9" LONG - SST - LEFT HAND |
| | 094918-01-000 | EA | CLAMP - EXHAUST - 3" - GUILLOTINE STYLE - LEFT HAND |
| 4 | 122392-09-02B | EA | HANGER - TAILPIPE - E-COATED |
| | 094918-06-000 | EA | CLAMP - EXHAUST - 3" - HEAVY DUTY |

CHASSIS GROUP (CONTINUED)

EXHAUST (CONTINUED)

| KEY | PART NUMBER | U/M | DESCRIPTION | |
|-----|---------------|-----|---|-------------------------------|
| 5 | 122392-09-02B | EA | HANGER - TAILPIPE - E-COATED | FROM: 00-00-00 THRU: 06-03-02 |
| | 094918-06-000 | EA | CLAMP - EXHAUST - 3" - HEAVY DUTY | FROM: 00-00-00 THRU: 06-03-02 |
| 6 | 139338-01-000 | EA | PIPE - EXHAUST - LEFT HAND | FROM: 00-00-00 THRU: 06-03-02 |
| 6 | 098762-05-000 | EA | EXTENSION - EXHAUST - STRAIGHT - 3" O.D X 7.9" LONG - SST | FROM: 06-04-02 THRU: 99-99-99 |
| | 094918-01-000 | EA | CLAMP - EXHAUST - 3" - GUILLOTINE STYLE | FROM: 06-04-02 THRU: 99-99-99 |
| 7 | 137652-02-000 | EA | PIPE - EXHAUST - W/FLANGES | |
| 8 | NOT USED | | | |
| 9 | 101544-06-000 | EA | SHIELD - HEAT/EXHAUST - 33.9" X 29.1" - E-COATED | |
| 10 | 139338-02-000 | EA | PIPE - EXHAUST - RIGHT HAND | FROM: 00-00-00 THRU: 06-03-02 |
| 10 | 098762-05-000 | EA | EXTENSION - EXHAUST - STRAIGHT - 3" O.D X 7.9" LONG - SST | FROM: 06-04-02 THRU: 99-99-99 |
| | 094918-01-000 | EA | CLAMP - EXHAUST - 3" - GUILLOTINE STYLE | FROM: 06-04-02 THRU: 99-99-99 |

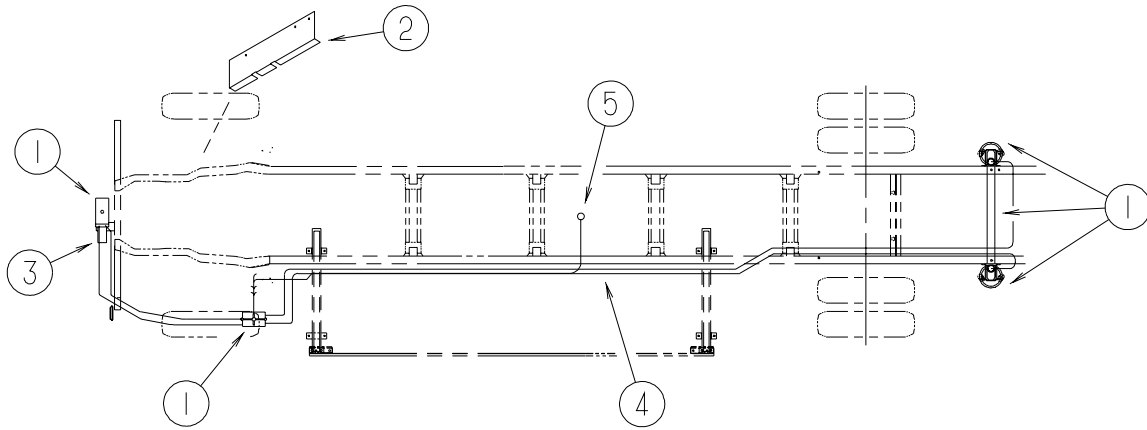


FUEL

| KEY | PART NUMBER | U/M | DESCRIPTION |
|-----|---------------|-----|---|
| 1 | 136300-03-000 | EA | NECK - FUEL FILL |
| 2 | NOT USED | | CHASSIS SUPPLIED |
| 3 | NOT USED | | |
| 4 | 098779-02-000 | EA | COUPLER - FUEL LINE - 1.2" LONG X 16MM THREAD - 228"-266" STRETCH, L39 |
| 5 | 098759-09-000 | EA | FUEL LINE/SUPPLY - 3/8" STEEL X 38" LONG W/16MM NUTS - 228"-266" STRETCH, L39 |
| 6 | 127392-04-000 | EA | HOSE - VAPOR/EMISSION - 5/16" X 62.5" W/ENDS - WORKHORSE - 228"-266" STRETCH, L39 |
| 7 | 098758-09-000 | EA | FUEL LINE/RETURN - 5/16" STEEL X 38" LONG W/14MM NUTS - 228"-266" STRETCH, L39 |
| 8 | 084884-01-000 | EA | PLUG - BRASS - 3/8" |
| 9 | 128139-03-000 | FT | HOSE - FUEL - LOW PERMEABILITY - 1/4" DIAMETER |
| 10 | 114254-01-000 | EA | ADAPTER - 1/4 BARB X 1/8 MPT |
| 10 | 068382-06-000 | EA | BUSHING - BRASS - 3/8" MPT X 1/8" FPT |
| 11 | 098779-01-000 | EA | COUPLER - FUEL LINE - 1.2" LONG X 14MM THREAD - 228"-266" STRETCH, L39 |
| 12 | 139138-01-02B | EA | PLATE - FUEL FILL - E-COATED |
| 13 | 140728-01-02B | EA | BRACKET - FUEL FILL - E-COATED |
| 14 | 140303-01-000 | FT | HOSE - FUEL - .312 INSIDE DIAMETER |

CHASSIS GROUP (CONTINUED)

HYDRAULIC LEVELING



| KEY | PART NUMBER | U/M | DESCRIPTION |
|-----|---------------|-----|---|
| 1* | 131306-22-000 | EA | LEVELING SYSTEM - WORKHORSE CHASSIS W/310 -2 ROOM SLIDEOUT FROM: 00-00-00 THRU: 10-25-01 |
| 1* | 131306-30-000 | EA | LEVELING SYSTEM - 310 - 2 SLIDEOUT FROM: 10-26-01 THRU: 99-99-99 |
| 2 | 132999-02-02B | EA | SHIELD - HEAT - E-COATED |
| 3 | 129550-05-02B | EA | BRACKET - PUMP - E-COAT |
| 4* | 100536-48-000 | EA | HOSE KIT - LEVELING JACKS - L36W |
| 4 | 100536-50-000 | EA | HOSE KIT - LEVELING JACKS - 228"-266" STRETCH, L39 |
| 5 | 117183-01-02B | EA | COVER - SENSOR - LEVELING |

***COMPONENT PARTS LISTED LATER IN THIS GROUP**

CHASSIS GROUP (CONTINUED)
COMPONENT PARTS FOR HYDRAULIC LEVELING

100536-48-000

| KEY | PART NUMBER | U/M | DESCRIPTION | VENDOR NO. |
|------------|--------------------|------------|-------------------------|-------------------|
| | 100536-31-700 | EA | HOSE - HYDRAULIC - 360" | RAP4163 |
| | 100536-31-701 | EA | HOSE - HYDRAULIC - 96" | RAP5352 |
| | 100536-39-700 | EA | HOSE - HYDRAULIC - 384" | RAP4164 |
| | 100536-48-700 | EA | HOSE - 146" | RAP2443 |

131306-22-000

| KEY | PART NUMBER | U/M | DESCRIPTION | VENDOR NO. |
|------------|--------------------|------------|------------------------------|-------------------|
| | 100532-01-713 | EA | PUMP/MOTOR/TANK - MONARCH | RAP90014/AP2260 |
| | 100532-03-715 | EA | CAP-BREATHER W/DIPSTICK | RAP7876 |
| | 100532-03-717 | EA | VALVE-PRESS., RETURN SHUTTL | RAP7964 |
| | 100532-03-719 | EA | TUBE ASM. (SHORT SHUTTLE) | RAP8088 |
| | 100532-03-721 | EA | VALVE-CHECK KIT (SGL) | RAP7944 |
| | 100532-03-722 | EA | O-RING KIT | R7430 |
| | 100532-03-723 | EA | O-RING/SEAL KIT | RAP9171 |
| | 100532-09-704 | EA | VALVE-PRESS SOLENOID(LARGE) | RAP0642 |
| | 100532-09-710 | EA | SOLENOID-INTERMITENT DUTY | RAP0533 |
| | 100532-12-703 | EA | SENSING UNIT BI-AXIS-27' | RAP6800 |
| | 100532-12-706 | EA | SWITCH - WARNING/MAGNETIC | RAP1008 |
| | 100532-12-707 | EA | SPRING KIT (PAIR) | R3847 |
| | 100532-31-701 | EA | CHECK VALVE & KIT | RAP10021 |
| | 100532-31-702 | EA | O-RING/SEAL KIT - MANIFOLD | RAP90127 |
| | 100532-32-704 | EA | CHIME - JACK WARNING | RAP90681/AP19812 |
| | 100532-53-700 | EA | CYLINDER ASM. - 9K | RAP90491/AP15891 |
| | 131306-02-701 | EA | FOOT - 9K JACK | RAP8464/AP17525 |
| | 131306-09-700 | EA | VELOCITY VALVE ASM.W/4 VALVE | RAP90280 |
| | 131306-09-701 | EA | VELOCITY VALVE - SINGLE | RAP90279/AP11578 |
| | 131306-11-701 | EA | CONTROL BOX - 310 SYSTEM | RAP90019/AP10086 |
| | 131306-11-704 | EA | PRESSURE SWITCH - 50 PSI | RAP2082 |
| | 131306-12-700 | EA | TOUCH PANEL - 310 | RAP90056/AP10215 |
| | 131306-12-702 | EA | VALVE-PRESS SOLENOID (SMALL) | RAP90729/AP24604 |
| | 131306-22-700 | EA | CABLE/CONTROL - 5'- 310 SYST | RAP90048/AP10524 |
| | 131306-26-700 | EA | MANIFOLD ASM. - 2 ROOM | RAP90870/AP20550 |
| | 131306-29-700 | EA | JACK - 9K - W/SWITCHES | RAP90851/AP22657 |
| | 131306-29-701 | EA | JACK - 9K - W/SWITCHES | RAP90852/AP22802 |

131306-30-000

| KEY | PART NUMBER | U/M | DESCRIPTION | VENDOR NO. |
|------------|--------------------|------------|------------------------------|-------------------|
| | 100532-01-713 | EA | PUMP/MOTOR/TANK - MONARCH | RAP90014/AP2260 |
| | 100532-03-715 | EA | CAP-BREATHER W/DIPSTICK | RAP7876 |
| | 100532-03-717 | EA | VALVE-PRESS., RETURN SHUTTL | RAP7964 |
| | 100532-03-719 | EA | TUBE ASM. (SHORT SHUTTLE) | RAP8088 |
| | 100532-03-721 | EA | VALVE-CHECK KIT (SGL) | RAP7944 |
| | 100532-03-722 | EA | O-RING KIT | R7430 |
| | 100532-03-723 | EA | O-RING/SEAL KIT | RAP9171 |
| | 100532-09-704 | EA | VALVE-PRESS SOLENOID(LARGE) | RAP0642 |
| | 100532-12-706 | EA | SWITCH - WARNING/MAGNETIC | RAP1008 |
| | 100532-12-707 | EA | SPRING KIT (PAIR) | R3847 |
| | 100532-31-701 | EA | CHECK VALVE & KIT | RAP10021 |
| | 100532-31-702 | EA | O-RING/SEAL KIT - MANIFOLD | RAP90127 |
| | 100532-32-703 | EA | BUZZER - JACK WARNING | RAP90403 |
| | 100532-32-704 | EA | CHIME - JACK WARNING | RAP90681/AP19812 |
| | 100532-53-700 | EA | CYLINDER ASM. - 9K | RAP90491/AP15891 |
| | 131306-02-701 | EA | FOOT - 9K JACK | RAP8464/AP17525 |
| | 131306-09-700 | EA | VELOCITY VALVE ASM.W/4 VALVE | RAP90280 |
| | 131306-09-701 | EA | VELOCITY VALVE - SINGLE | RAP90279/AP11578 |
| | 131306-11-701 | EA | CONTROL BOX - 310 SYSTEM | RAP90019/AP10086 |
| | 131306-11-704 | EA | PRESSURE SWITCH - 50 PSI | RAP2082 |
| | 131306-12-700 | EA | TOUCH PANEL - 310 | RAP90056/AP10215 |
| | 131306-12-702 | EA | VALVE-PRESS SOLENOID (SMALL) | RAP90729/AP24604 |
| | 131306-22-700 | EA | CABLE/CONTROL - 5'- 310 SYST | RAP90048/AP10524 |
| | 131306-26-700 | EA | MANIFOLD ASM. - 2 ROOM | RAP90870/AP20550 |
| | 131306-29-700 | EA | JACK - 9K - W/SWITCHES | RAP90851/AP22657 |
| | 131306-29-701 | EA | JACK - 9K - W/SWITCHES | RAP90852/AP22802 |
| | 131306-30-700 | EA | SENSING UNIT BI-AXIS - 27' | RAP90313/AP13043 |

CHASSIS GROUP (CONTINUED)

WHEEL, TIRE, COVERS &/OR LINERS

| KEY | PART NUMBER | U/M | DESCRIPTION |
|-----|---------------|-----|--|
| | 128689-01-000 | EA | WHEEL - ALUMINUM - 22.5" X 7.5" - 8 BOLT - FRONT AXLE FROM: 00-00-00 THRU: 12-22-01 |
| | 128689-02-000 | EA | WHEEL - ALUMINUM - 22.5" X 7.5" - 8 BOLT - REAR AXLE FROM: 00-00-00 THRU: 12-22-01 |
| | 129058-02-000 | EA | COVER - REAR AXLE HUB W/FLANGE - 7"H X 8.7"W FROM: 00-00-00 THRU: 12-22-01 |
| | 129058-06-000 | EA | EXTENSION - VALVE STEM - 4" LONG FROM: 00-00-00 THRU: 12-22-01 |
| | 129058-07-000 | EA | STABILIZER - VALVE STEM - 2.22"L FROM: 00-00-00 THRU: 12-22-01 |
| | 129058-10-000 | EA | COVER - NUT - 1.9"H X 2"BASE X 1.4" NUT FROM: 00-00-00 THRU: 12-22-01 |

BRAKELINE

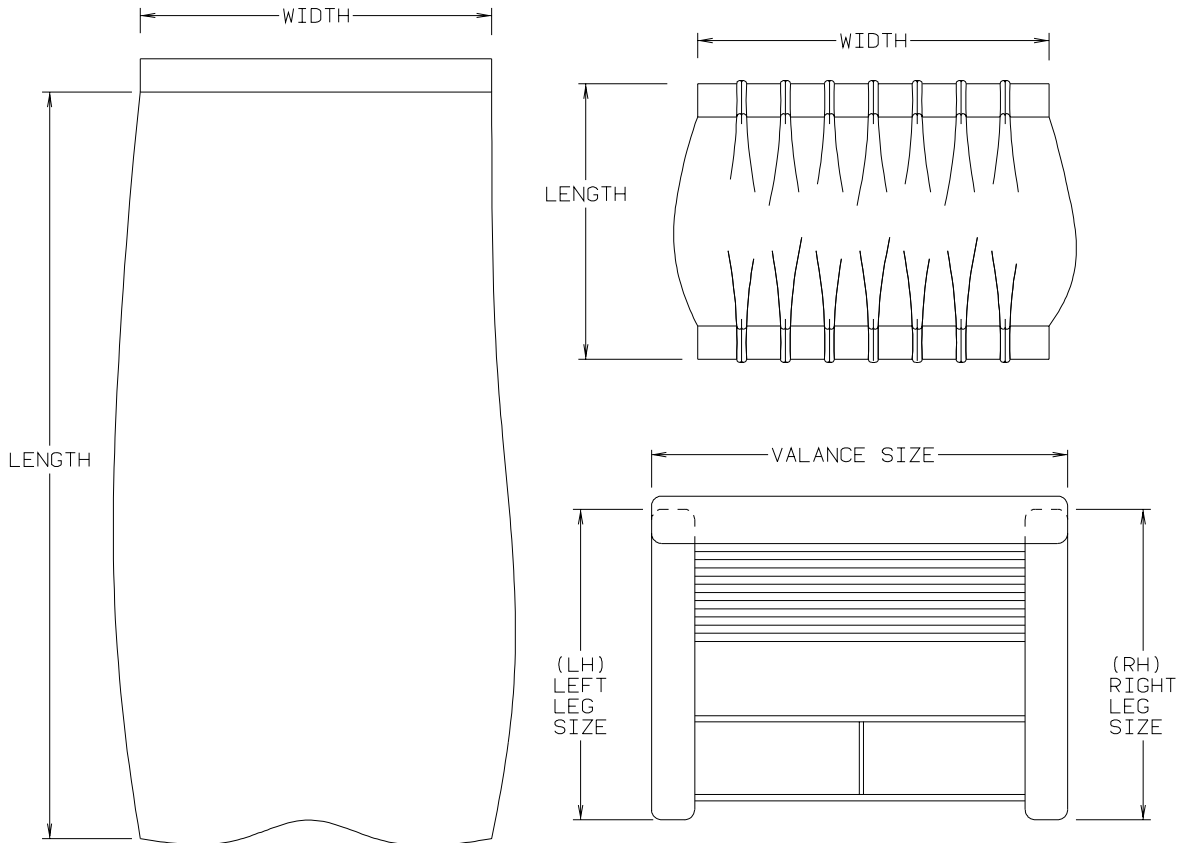
| KEY | PART NUMBER | U/M | DESCRIPTION |
|-----|---------------|-----|--|
| | 075466-01-000 | EA | UNION - INVERTED FLAIR - 1/4" - 228"-266" STRETCH, L39 |

CURTAIN & CUSHION GROUP

NOTICE

IN ORDER TO ASSIST OUR PARTS SALES DEPT. IN PROVIDING INTERIOR SOFTWARE ITEMS, PLEASE INCLUDE THE SERIAL NUMBER AND THE COLOR CODE NUMBER FROM THE VEHICLE CERTIFICATION LABEL WHEN ORDERING. THIS LABEL IS LOCATED ON THE LEFT SIDEWALL AT THE END OF THE DASH (A-BODY), OR ON THE DRIVER'S DOOR LATCH PLATE (C-BODY).

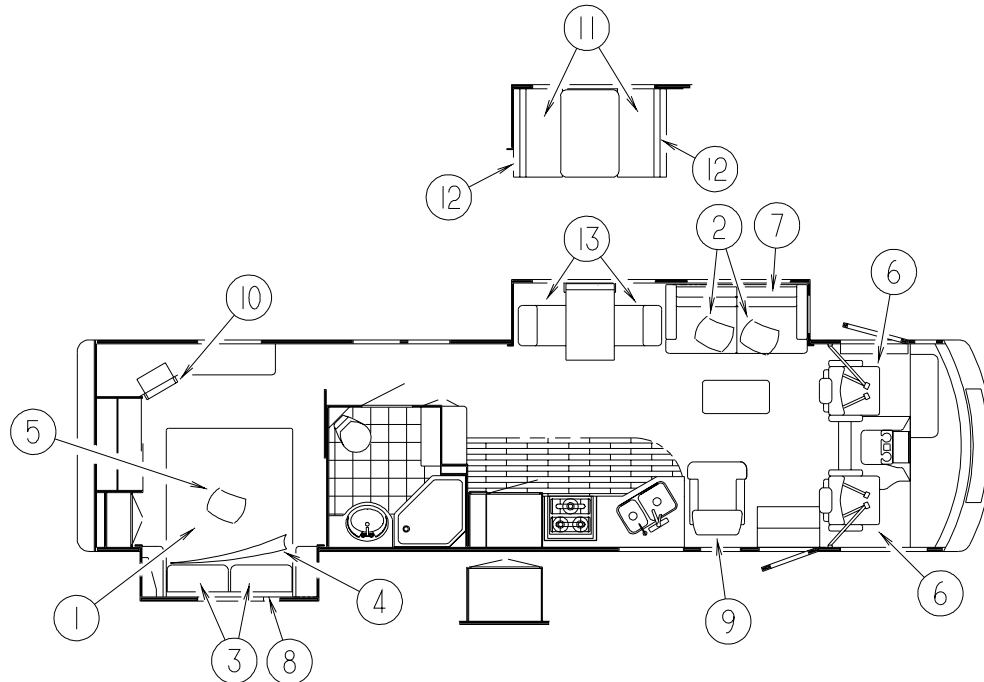
AN EXAMPLE OF A COLOR CODE NUMBER IS B07, WHICH DESIGNATES AN OVERALL COLOR SCHEME OF A PARTICULAR UNIT. THE COLOR LISTED AFTER THE ITEM DESCRIPTION ON THE MICROFICHE, INDICATES THE OVERALL UNIT COLOR. ORDER THE ITEM YOU DESIRE ACCORDING TO UNIT COLOR CODE. IF ALL COLORS USE THE SAME ITEM NO COLOR CODE WILL BE NOTED.



NOTE: USE THIS ILLUSTRATION WHEN DETERMINING LENGTH AND WIDTH MEASUREMENTS FOR CURTAINS. YOU WILL NOTE THE WIDTH MEASUREMENT IS TAKEN ON THE TOP OF THE CURTAIN WITH THE CURTAIN FULLY EXTENDED. THE LENGTH MEASUREMENT IS TAKEN FROM TOP TO BOTTOM. LEFT AND RIGHT WINDOW LEGS ARE DETERMINED WHEN FACING THE WINDOW.

CURTAIN & CUSHION GROUP (CONTINUED)

CUSHION LAYOUT

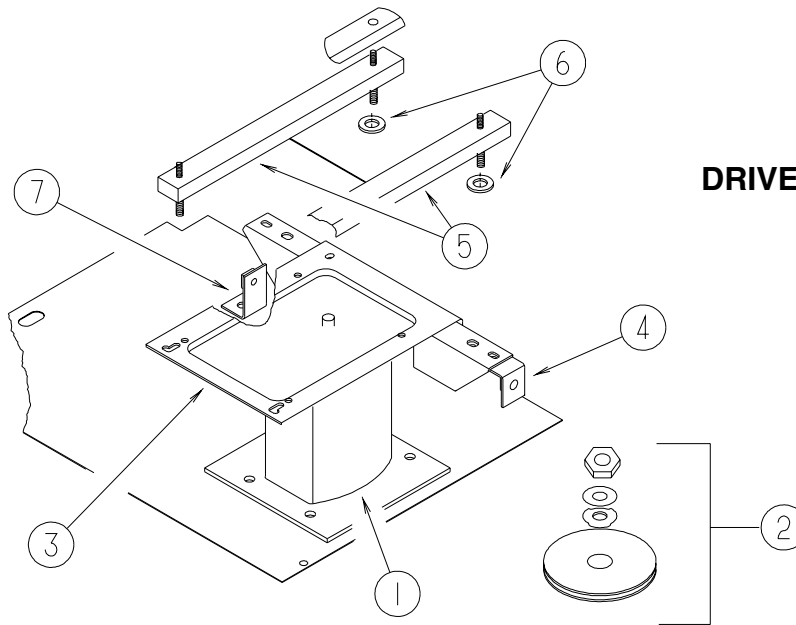


| KEY | PART NUMBER | U/M | DESCRIPTION |
|-----|---------------|-----|---|
| 1 | 132336-17-N62 | EA | BEDSPREAD/CAP - 60" X 80" (N62, N63) |
| 1 | 132336-17-N64 | EA | BEDSPREAD/CAP - 60" X 80" (N64, N65) |
| 1 | 132336-17-N66 | EA | BEDSPREAD/CAP - 60" X 80" (N66, N67) |
| 1 | 132336-17-NC8 | EA | BEDSPREAD/CAP - 60" X 80" (N66, N67) FROM: 00-00-00 THRU: 02-24-02 FROM: 02-25-02 THRU: 99-99-99 |
| 2 | 139680-01-N62 | EA | PILLOW - 13" X 20" - W/BOXING & OVERLAY (N62, N63) |
| 2 | 139680-05-N64 | EA | PILLOW - 13" X 20" - W/BOXING & OVERLAY (N64, N65) |
| 2 | 139680-01-N66 | EA | PILLOW - 13" X 20" - W/BOXING & OVERLAY (N66, N67) FROM: 00-00-00 THRU: 02-24-02 FROM: 02-25-02 THRU: 99-99-99 |
| 2 | 139680-01-NC8 | EA | PILLOW - 13" X 20" - W/BOXING & OVERLAY (N66, N67) FROM: 02-25-02 THRU: 99-99-99 |
| 3 | 111863-19-N62 | EA | PILLOW SHAM (N62, N63) |
| 3 | 111863-20-N64 | EA | PILLOW SHAM (N64, N65) |
| 3 | 111863-19-N66 | EA | PILLOW SHAM (N66, N67) FROM: 00-00-00 THRU: 02-24-02 FROM: 02-25-02 THRU: 99-99-99 |
| 3 | 111863-19-NC8 | EA | PILLOW SHAM (N66, N67) FROM: 02-25-02 THRU: 99-99-99 |
| 4 | 123013-01-000 | EA | MATTRESS - INNERSPRING - 60" X 80" |
| 5 | 139679-04-N62 | EA | PILLOW - 15" X 15" - W/BOXING & OVERLAY (N62, N63) |
| 5 | 139679-04-N64 | EA | PILLOW - 15" X 15" - W/BOXING & OVERLAY (N64, N65) |
| 5 | 139679-04-N66 | EA | PILLOW - 15" X 15" - W/BOXING & OVERLAY (N66, N67) |
| 6 | 138859-04-000 | EA | BUCKET SEAT - W//LUMBAR/SKIRT/ARMRESTS-ANTIQUE PEARL LEATH |
| 7 | 138095-13-N62 | EA | SOFA/SLEEPER - RECLINER/POWERED - W/TRUNDLE BED (N62, N63) |
| 7 | 138095-13-N64 | EA | SOFA/SLEEPER - RECLINER/POWERED - W/TRUNDLE BED (N64, N65) |
| 7 | 138095-13-N66 | EA | SOFA/SLEEPER - RECLINER/POWERED - W/TRUNDLE BED (N66, N67) |
| 7 | 138095-14-N62 | EA | SOFA/SLEEPER - RECLINER/POWERED - W/TRUNDLE BED - LEATHER |
| 7 | 139202-07-N62 | EA | SOFA/DUAL SLEEPER/TRUNDLE - RECLINER/POWERED - LEATHER |
| 8 | 140127-02-N62 | EA | HEADBOARD - FABRIC COVERED - F/QUEEN BED (N62, N63) |
| 8 | 140127-02-N64 | EA | HEADBOARD - FABRIC COVERED - F/QUEEN BED (N64, N65) |
| 8 | 140127-02-N66 | EA | HEADBOARD - FABRIC COVERED - F/QUEEN BED (N66, N67) FROM: 00-00-00 THRU: 02-24-02 FROM: 02-25-02 THRU: 99-99-99 |
| 8 | 140127-02-NC8 | EA | HEADBOARD - FABRIC COVERED - F/QUEEN BED (N66, N67) FROM: 02-25-02 THRU: 99-99-99 |

CURTAIN & CUSHION GROUP (CONTINUED)
CUSHION LAYOUT (CONTINUED)

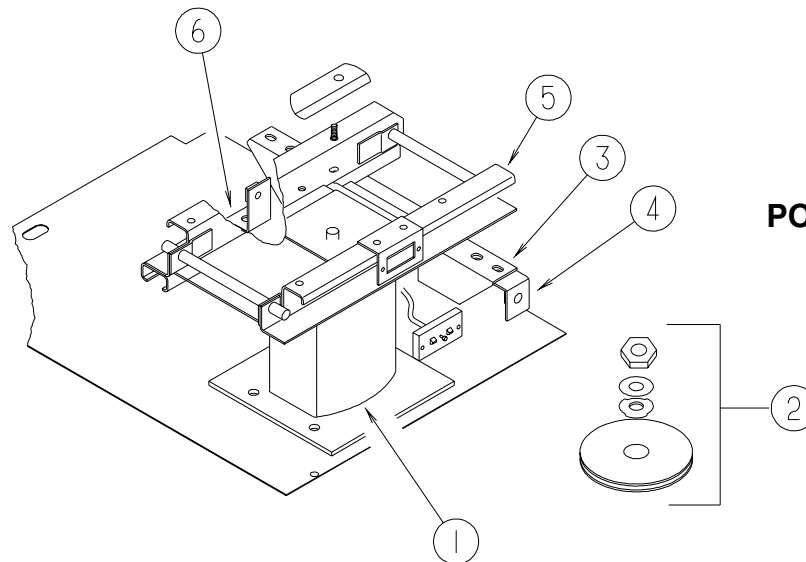
| KEY | PART NUMBER | U/M | DESCRIPTION |
|-----|---------------|-----|---|
| 9 | 138861-01-000 | EA | CHAIR/RECLINER - W/FOOTREST - HOOP BASE - BEAR CREEK (N62, N63) |
| 9 | 138861-02-000 | EA | CHAIR/RECLINER - W/FOOTREST - HOOP BASE - FRENCH BEIGE (N64, N65) |
| 9 | 138861-03-000 | EA | CHAIR/RECLINER - W/FOOTREST - HOOP BASE - EARL GRAY (N66, N67) |
| 9 | 138861-04-000 | EA | CHAIR/RECLINER - W/FOOTREST - HOOP BASE - PRL LEATHER |
| 10 | 135600-68-000 | EA | CHAIR - FOLDING - BEAR CREEK/MAPLE (N62) |
| 10 | 135600-69-000 | EA | CHAIR - FOLDING - BEAR CREEK/CHERRY (N63) |
| 10 | 135600-70-000 | EA | CHAIR - FOLDING - FRENCH BEIGE/MAPLE (N64) |
| 10 | 135600-71-000 | EA | CHAIR - FOLDING - FRENCH BEIGE/CHERRY (N65) |
| 10 | 135600-56-000 | EA | CHAIR - FOLDING - EARL GRAY/MAPLE (N66) |
| 10 | 135600-24-000 | EA | CHAIR - FOLDING - EARL GRAY/CHERRY (N67) |
| | 129529-02-000 | EA | STRAP - CHAIR RETAINING - 81.9" |
| 11 | 105603-23-N62 | EA | CUSHION - SEAT - 21" X 42" X 5" (N62, N63) |
| 11 | 105603-23-N64 | EA | CUSHION - SEAT - 21" X 42" X 5" (N64, N65) |
| 11 | 105603-23-N66 | EA | CUSHION - SEAT - 21" X 42" X 5" (N66, N67) |
| | P05603-23-N62 | EA | COVER - SEAT - 21" X 42" X 5" (N62, N63) |
| | P05603-23-N64 | EA | COVER - SEAT - 21" X 42" X 5" (N64, N65) |
| | P05603-23-N66 | EA | COVER - SEAT - 21" X 42" X 5" (N66, N67) |
| 12 | 111897-05-N62 | EA | CUSHION - BACK - 13.5" X 42" X 5" (N62, N63) |
| 12 | 111897-05-N64 | EA | CUSHION - BACK - 13.5" X 42" X 5" (N64, N65) |
| 12 | 111897-05-N88 | EA | CUSHION - BACK - 13.5" X 42" X 5" (N66, N67) |
| | P11897-05-N62 | EA | COVER - BACK - 13.5" X 42" X 5" (N62, N63) |
| | P11897-05-N64 | EA | COVER - BACK - 13.5" X 42" X 5" (N64, N65) |
| | P11897-05-N88 | EA | COVER - BACK - 13.5" X 42" X 5" (N66, N67) |
| 13 | 132571-26-000 | EA | CHAIR - DINETTE - BEAR CREEK/WASHED MAPLE (N62) |
| 13 | 132571-27-000 | EA | CHAIR - DINETTE - BEAR CREEK/CHERRY (N63) |
| 13 | 132571-28-000 | EA | CHAIR - DINETTE - FRENCH BEIGE/WASHED MAPLE (N64) |
| 13 | 132571-29-000 | EA | CHAIR - DINETTE - FRENCH BEIGE/CHERRY (N65) |
| 13 | 132571-30-000 | EA | CHAIR - DINETTE - EARL GRAY/WASHED MAPLE (N66) |
| 13 | 132571-31-000 | EA | CHAIR - DINETTE - EARL GRAY/CHERRY (N67) |

CURTAIN & CUSHION GROUP (CONTINUED)
BUCKET SEATS



**MANUAL
 DRIVER/PASSENGER**

| KEY | PART NUMBER | U/M | DESCRIPTION |
|------------|--------------------|------------|---|
| | 138859-04-000 | EA | BUCKET SEAT - W//LUMBAR/SKIRT/ARMRESTS-ANTIQU PEARL LEATH |
| 1 | 133408-01-000 | EA | PEDESTAL - SEAT/DRIVER - 9 3/4" |
| 2 | 107921-06-000 | EA | BEARING KIT - PEDESTAL |
| 3 | 133408-02-000 | EA | TOP PLATE - SINGLE SIDE BELT |
| 4 | 133408-03-000 | EA | BRACKET - ANCHORAGE/PEDESTAL |
| 5 | NOT USED | | |
| 6 | NOT USED | | |
| 7 | 133408-04-000 | EA | BRACKET - ANCHOR/FLOOR |

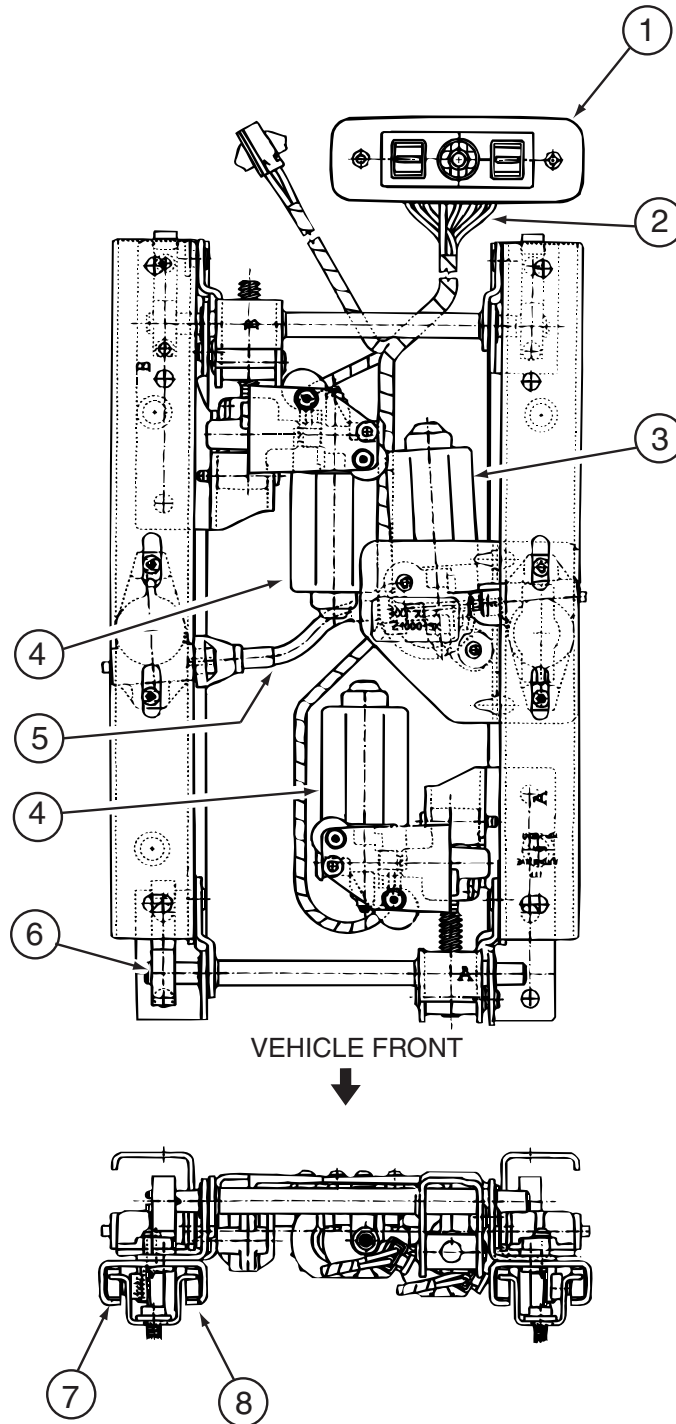


POWER DRIVER

| KEY | PART NUMBER | U/M | DESCRIPTION |
|------------|--------------------|------------|---|
| | 138859-04-000 | EA | BUCKET SEAT - W//LUMBAR/SKIRT/ARMRESTS-ANTIQU PEARL LEATH |
| 1 | 133408-05-000 | EA | PEDESTAL - SEAT - 5.75" |
| 2 | 107921-06-000 | EA | BEARING KIT - PEDESTAL |
| 3 | 133408-02-000 | EA | TOP PLATE - SINGLE SIDE BELT |
| 4 | 133408-03-000 | EA | BRACKET - ANCHORAGE/PEDESTAL |
| 5* | 081373-03-000 | EA | SEAT - POWER 6 WAY |
| 6 | 133408-04-000 | EA | BRACKET - ANCHOR/FLOOR |
| | 128699-01-02B | EA | BRACKET - SEAT SWITCH - E-COATED |
| | 133232-01-01A | EA | COVER - SEAT - ADJUSTMENT |

***COMPONENT PARTS LISTED LATER IN THIS GROUP**

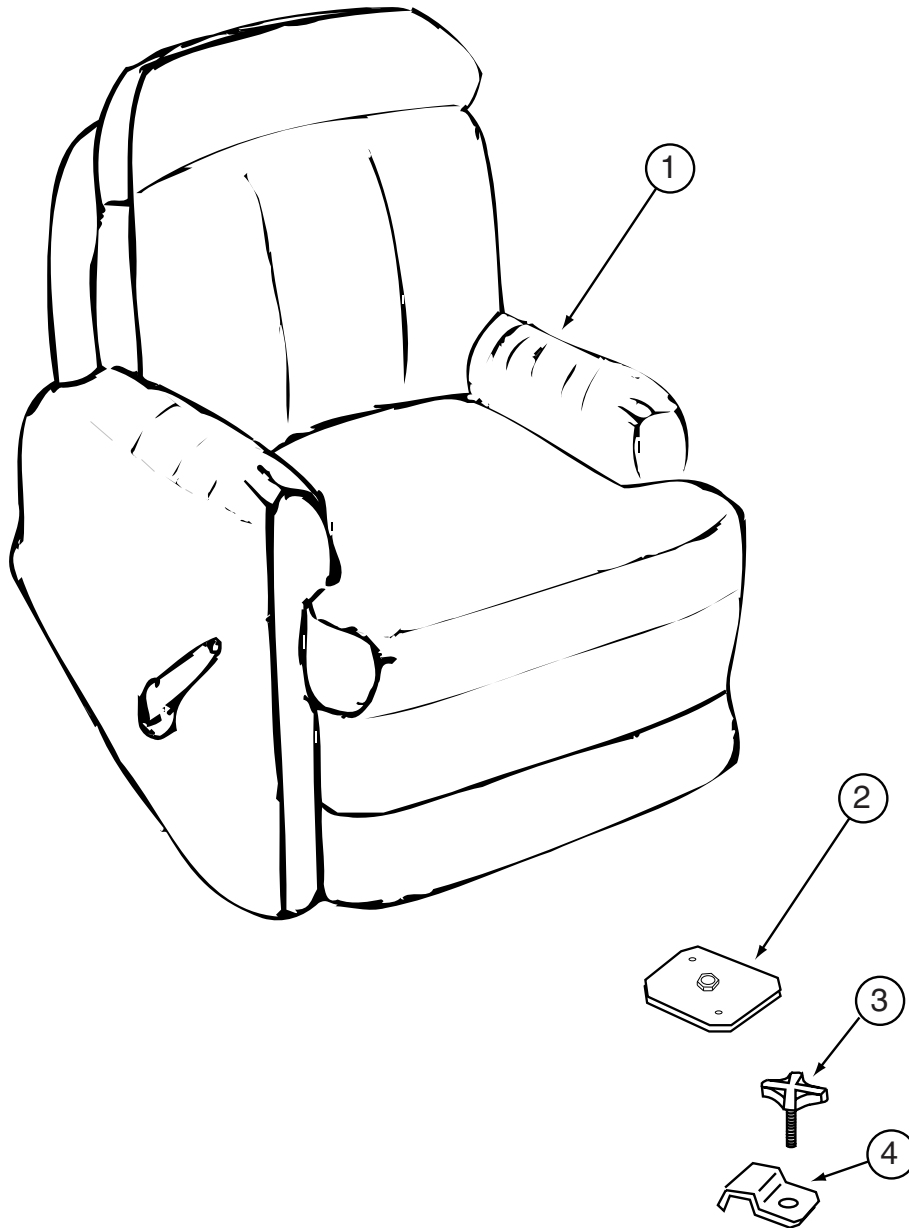
CURTAIN & CUSHION GROUP (CONTINUED)
COMPONENT PARTS FOR BUCKET SEATS



081373-03-000

| KEY | PART NUMBER | U/M | DESCRIPTION | VENDOR NO. |
|-----|---------------|-----|-----------------------------|------------------|
| 1 | 081373-03-700 | EA | SWITCH POWER | 22137945 |
| 2 | 081373-03-701 | EA | WIRE HARNESS ASM., LT. SIDE | 22138093 |
| 2 | 081373-03-702 | EA | WIRE HARNESS ASM., RT. SIDE | 22138094 |
| 3 | 081373-02-703 | EA | MOTOR PKG. ADJ. HORIZONTAL | 22063237 & H-195 |
| 4 | 081373-02-704 | EA | MOTOR PKG. ADJ. VERTICAL | 22063238 & H-196 |
| 5 | 081373-03-704 | EA | DRIVE CABLE | 22143984 |
| 6 | 081373-03-705 | EA | SPRING | 22048978 |
| 7 | 081373-03-706 | EA | SHOE GUIDE (WHITE) | 22048993 |
| 8 | 081373-03-707 | EA | SHOE GUIDE (BLACK) | 22048994 |
| | 081373-03-700 | EA | SWITCH POWER | 22137945 |

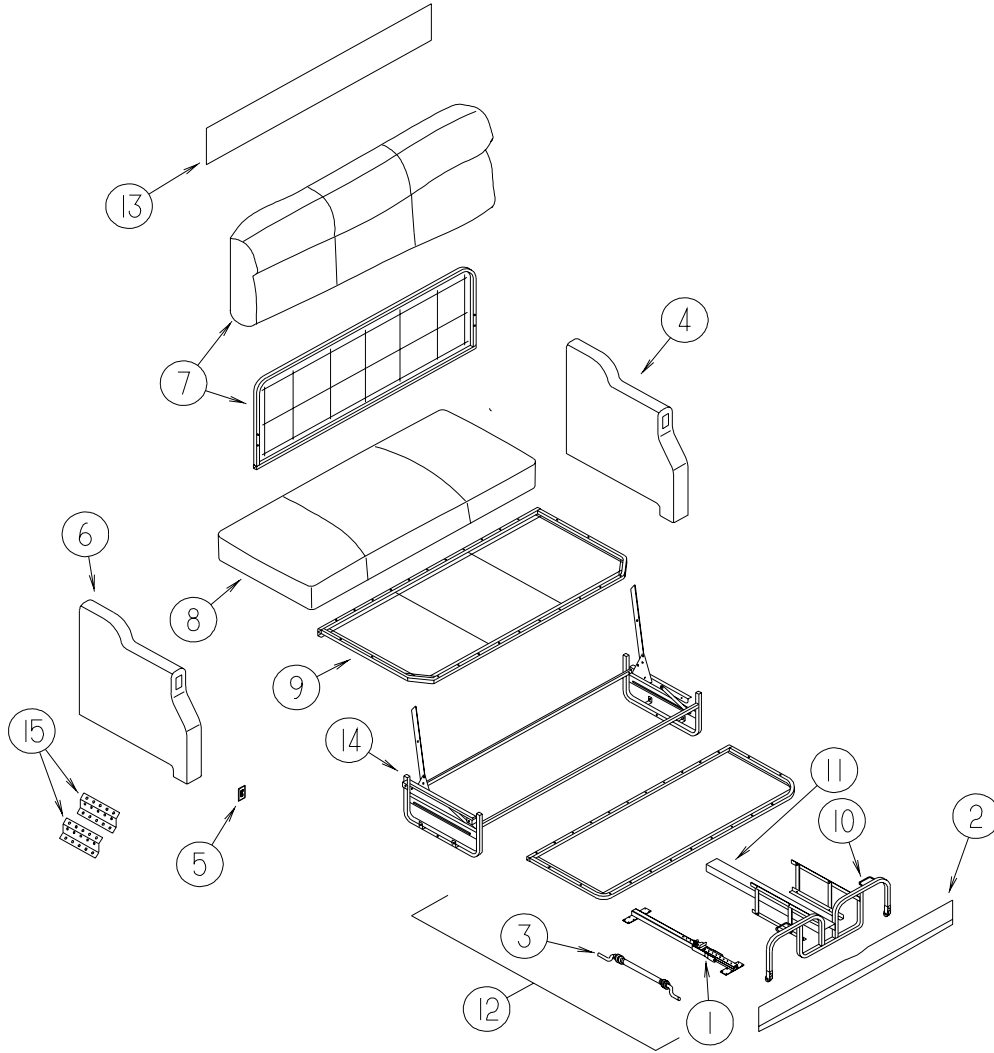
CURTAIN & CUSHION GROUP (CONTINUED)
LOUNGE CHAIR



| KEY | PART NUMBER | U/M | DESCRIPTION |
|-----|---------------|-----|---|
| 1 | 138861-01-000 | EA | CHAIR/RECLINER - W/FOOTREST - HOOP BASE - BEAR CREEK (N62, N63) |
| 1 | 138861-02-000 | EA | CHAIR/RECLINER - W/FOOTREST - HOOP BASE - FRENCH BEIGE (N64, N65) |
| 1 | 138861-03-000 | EA | CHAIR/RECLINER - W/FOOTREST - HOOP BASE - EARL GRAY (N66, N67) |
| 1 | 138861-04-000 | EA | CHAIR/RECLINER - W/FOOTREST - HOOP BASE - PRL LEATHER |
| 2 | 134128-02-02B | EA | PLATE - W/HOLES - E-COATED |
| 3 | 134194-01-01A | EA | KNOB - HOLD DOWN/RECLINER - BLACK |
| 4 | 134057-01-11B | EA | BRACKET - RECLINER - FLAT BLACK |

CURTAIN & CUSHION GROUP (CONTINUED)

SOFA



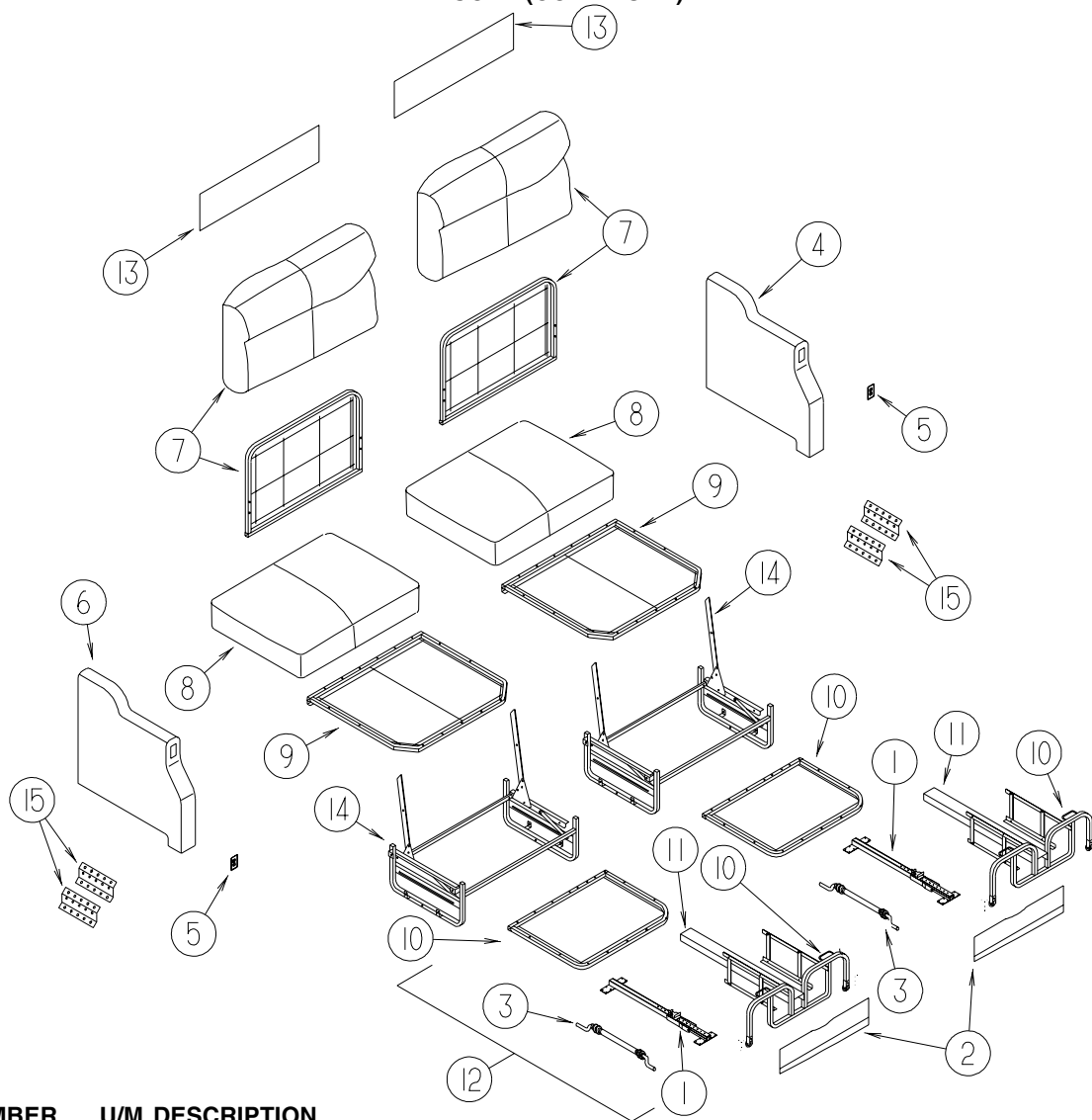
| KEY | PART NUMBER | U/M | DESCRIPTION |
|-----|---------------|-----|---|
| | 138095-13-N62 | EA | SOFA/SLEEPER - RECLINER/POWERED - W/TRUNDLE BED (N62, N63) |
| | 138095-13-N64 | EA | SOFA/SLEEPER - RECLINER/POWERED - W/TRUNDLE BED (N64, N65) |
| | 138095-13-N66 | EA | SOFA/SLEEPER - RECLINER/POWERED - W/TRUNDLE BED (N66, N67) |
| | 138095-14-N62 | EA | SOFA/SLEEPER - RECLINER/POWERED - W/TRUNDLE BED - LEATHER |
| 1* | 136534-16-000 | EA | SLIDE RAIL - W/PLATES & STOP ASSEMBLY |
| 2 | 135824-07-N62 | EA | PANEL/FRONT KICK - SOFA/SLEEPER - 59.5" - FABRIC COVERED (N62, N63) |
| 2 | 135824-07-N64 | EA | PANEL/FRONT KICK - SOFA/SLEEPER - 59.5" - FABRIC COVERED (N64, N65) |
| 2 | 135824-07-N88 | EA | PANEL/FRONT KICK - SOFA/SLEEPER - 59.5" - FABRIC COVERED (N66, N67) |
| 2 | 135824-09-N84 | EA | PANEL/FRONT KICK - SOFA/SLEEPER - 59.5" - FABRIC COVERED - LEATHER |
| 3 | 136534-19-000 | EA | CABLE ONLY - REMOTE - 34" W/Z-ENDS (F/LEVER HANDLE -30-) |
| 4 | 135823-12-N62 | EA | ARMREST - LEFT HAND (N62, N63) |
| 4 | 135823-12-N64 | EA | ARMREST - LEFT HAND (N64, N65) |
| 4 | 135823-12-N66 | EA | ARMREST - LEFT HAND (N66, N67) |
| 4 | 135823-16-N62 | EA | ARMREST - LEFT HAND - LEATHER |
| | P35823-12-N62 | EA | COVER/ARMREST - LEFT HAND (N62, N63) |
| | P35823-12-N64 | EA | COVER/ARMREST - LEFT HAND (N64, N65) |
| | P35823-12-N66 | EA | COVER/ARMREST - LEFT HAND (N66, N67) |
| | P35823-16-N62 | EA | COVER/ARMREST - LEFT HAND - LEATHER |

CURTAIN & CUSHION GROUP (CONTINUED)
SOFA (CONTINUED)

| KEY | PART NUMBER | U/M | DESCRIPTION |
|------------|--------------------|------------|---|
| 5 | 136118-01-000 | EA | SWITCH - SOFA/RECLINER |
| 6 | 135823-11-N62 | EA | ARMREST - RIGHT HAND (N62, N63) |
| 6 | 135823-11-N64 | EA | ARMREST - RIGHT HAND (N64, N65) |
| 6 | 135823-11-N66 | EA | ARMREST - RIGHT HAND (N66, N67) |
| 6 | 135823-15-N62 | EA | ARMREST - RIGHT HAND - LEATHER |
| | P35823-11-N62 | EA | COVER/ARMREST - RIGHT HAND (N62, N63) |
| | P35823-11-N64 | EA | COVER/ARMREST - RIGHT HAND (N64, N65) |
| | P35823-11-N66 | EA | COVER/ARMREST - RIGHT HAND (N66, N67) |
| | P35823-15-N62 | EA | COVER/ARMREST - RIGHT HAND - LEATHER |
| 7 | 138095-02-N62 | EA | BACK - SOFA/SLEEPER - RECLINER/POWERED (N62, N63) |
| 7 | 138095-02-N64 | EA | BACK - SOFA/SLEEPER - RECLINER/POWERED (N64, N65) |
| 7 | 138095-02-N88 | EA | BACK - SOFA/SLEEPER - RECLINER/POWERED (N66, N67) |
| 7 | 138095-06-M62 | EA | BACK - SOFA/SLEEPER - RECLINER/POWERED - LEATHER |
| | P38095-02-N62 | EA | COVER/BACK - SOFA/SLEEPER - RECLINER/POWERED (N62, N63) |
| | P38095-02-N64 | EA | COVER/BACK - SOFA/SLEEPER - RECLINER/POWERED (N64, N65) |
| | P38095-02-N88 | EA | COVER/BACK - SOFA/SLEEPER - RECLINER/POWERED (N66, N67) |
| | P38095-06-M62 | EA | COVER/BACK - SOFA/SLEEPER - RECLINER/POWERED - LEATHER |
| | 136534-25-000 | EA | FRAME/BACK - DUAL BACK |
| | 136534-20-000 | EA | BACK - FRAME - BEVERAGE TRAY |
| | 136534-21-000 | EA | FRAME - BEVERAGE TRAY |
| | 136534-22-000 | EA | HINGE - RIGHT |
| | 136534-23-000 | EA | HINGE - LEFT |
| | 139758-01-01A | EA | TRAY-BEVERAGE |
| 8 | 138095-03-N62 | EA | SEAT - SOFA/SLEEPER - RECLINER/POWERED (N62, N63) |
| 8 | 138095-03-N64 | EA | SEAT - SOFA/SLEEPER - RECLINER/POWERED (N64, N65) |
| 8 | 138095-03-N88 | EA | SEAT - SOFA/SLEEPER - RECLINER/POWERED (N66, N67) |
| 8 | 138095-07-M62 | EA | SEAT - SOFA/SLEEPER - RECLINER/POWERED - LEATHER |
| | P38095-03-N62 | EA | COVER/SEAT - SOFA/SLEEPER - RECLINER/POWERED (N62, N63) |
| | P38095-03-N64 | EA | COVER/SEAT - SOFA/SLEEPER - RECLINER/POWERED (N64, N65) |
| | P38095-03-N88 | EA | COVER/SEAT - SOFA/SLEEPER - RECLINER/POWERED (N66, N67) |
| | P38095-07-M62 | EA | COVER/SEAT - SOFA/SLEEPER - RECLINER/POWERED - LEATHER |
| 9 | 136534-04-000 | EA | SEAT - 26.5" X 60" CL W/FLEXOLATOR |
| 10 | 136534-17-000 | EA | TRUNDLE FRAME - 17.5" X 55" - W/LINKAGE, LATCH & HANDLE |
| 10 | 136534-27-000 | EA | FRAME - TRUNDEL BED - DUAL |
| 11 | 136534-31-000 | EA | CAP - CABLE COVER |
| 12 | 138095-04-N62 | EA | TRUNDLE - SOFA/SLEEPER (N62, N63) |
| 12 | 138095-04-N64 | EA | TRUNDLE - SOFA/SLEEPER (N64, N65) |
| 12 | 138095-04-N88 | EA | TRUNDLE - SOFA/SLEEPER (N66, N67) |
| 12 | 138095-08-M62 | EA | TRUNDLE - SOFA/SLEEPER - LEATHER |
| | P38095-04-N62 | EA | COVER/TRUNDLE - SOFA/SLEEPER (N62, N63) |
| | P38095-04-N64 | EA | COVER/TRUNDLE - SOFA/SLEEPER (N64, N65) |
| | P38095-04-N88 | EA | COVER/TRUNDLE - SOFA/SLEEPER (N66, N67) |
| | P38095-08-M62 | EA | COVER/TRUNDLE - SOFA/SLEEPER - LEATHER |
| 13 | 139716-04-N62 | EA | SIGHT SHIELD - 58" - FULL BACK - W/BEVERAGE TRAY (N62, N63) |
| 13 | 139716-04-N64 | EA | SIGHT SHIELD - 58" - FULL BACK - W/BEVERAGE TRAY (N64, N65) |
| 13 | 139716-04-N88 | EA | SIGHT SHIELD - 58" - FULL BACK - W/BEVERAGE TRAY (N66, N67) |
| 13 | 139716-05-N47 | EA | SIGHT SHIELD - 58" - FULL BACK - W/BEVERAGE TRAY - LEATHER |
| 14* | 136534-15-000 | EA | BASE - 27.5" X 60" - POWERED CL - W/10.5" OVERHANG |
| | 136534-33-000 | EA | SPRING-7X1/2 W/HOOK ON ENDS |
| 15 | 116104-04-02B | EA | BRACKET - ZEE W/HOLES - 3.2" - E-COATED |
| | 124656-96-000 | EA | LOCK - CANADIAN |

***COMPONENT PARTS LISTED LATER IN THIS GROUP**

CURTAIN & CUSHION GROUP (CONTINUED)
SOFA (CONTINUED)



| KEY | PART NUMBER | U/M | DESCRIPTION |
|-----|---------------|-----|---|
| | 139202-07-N62 | EA | SOFA/DUAL SLEEPER/TRUNDLE - RECLINER/POWERED - DUAL SLEEPER - LEATHER |
| 1* | 136534-16-000 | EA | SLIDE RAIL - W/PLATES & STOP ASSEMBLY |
| 2 | 135824-11-N84 | EA | PANEL/FRONT KICK - SOFA/SLEEPER - 59.5" - FABRIC COVERED - DUAL SLEEPER - LEATHER |
| 3 | 136534-19-000 | EA | CABLE ONLY - REMOTE - 34" W/Z-ENDS (F/LEVER HANDLE -30-) |
| 4 | 135823-24-N65 | EA | ARMREST - LEFT HAND - DUAL SLEEPER - LEATHER |
| | P35823-24-N65 | EA | COVER/ARMREST - LEFT HAND - DUAL SLEEPER - DUAL SLEEPER - LEATHER |
| 5 | 136118-01-000 | EA | SWITCH - SOFA/RECLINER |
| 6 | 135823-23-N65 | EA | ARMREST - RIGHT HAND - DUAL SLEEPER - LEATHER |
| | P35823-23-N65 | EA | COVER/ARMREST - RIGHT HAND - DUAL SLEEPER - LEATHER |
| 7 | 139202-02-N84 | EA | BACK - SOFA/DUAL SLEEPER - RECLINER/POWERED - DUAL SLEEPER - LEATHER |
| | P39202-02-N84 | EA | COVER/BACK - SOFA/DUAL SLEEPER - RECLINER/POWERED - DUAL SLEEPER - LEATHER |
| 8 | 139202-03-N84 | EA | SEAT - SOFA/DUAL SLEEPER - RECLINER/POWERED - DUAL SLEEPER - LEATHER |
| | P39202-03-N84 | EA | COVER/SEAT - SOFA/DUAL SLEEPER - RECLINER/POWERED - DUAL SLEEPER - LEATHER |
| 9 | 136534-26-000 | EA | FRAME/SEAT - DUAL BACK |
| 10 | 136534-27-000 | EA | FRAME - TRUNDEL BED - DUAL |
| 11 | 136534-31-000 | EA | CAP - CABLE COVER |
| 12 | 139202-04-N84 | EA | TRUNDLE - SOFA/DUAL SLEEPER - DUAL SLEEPER - LEATHER |
| | P39202-04-N84 | EA | COVER/TRUNDEL - SOFA/DUAL SLEEPER - DUAL SLEEPER - LEATHER |
| 13 | 139716-03-N84 | EA | SIGHT SHIELD - 28" - DUAL BACK - DUAL SLEEPER - LEATHER |
| 13 | 139716-06-N84 | EA | SIGHT SHIELD - 28" - DUAL BACK - DUAL SLEEPER - LEATHER |
| 14* | 136534-29-000 | EA | BASE - FLAT - DUAL |
| | 136534-33-000 | EA | SPRING-7X1/2 W/HOOK ON ENDS |
| | 136534-32-000 | EA | BRACKET - DUAL BASE |
| 15 | 116104-04-02B | EA | BRACKET - ZEE W/HOLES - 3.2" - E-COATED |
| | 124656-96-000 | EA | LOCK - CANADIAN |

*COMPONENT PARTS LISTED LATER IN THIS GROUP

CURTAIN & CUSHION GROUP (CONTINUED)
COMPONENT PARTS FOR SOFA

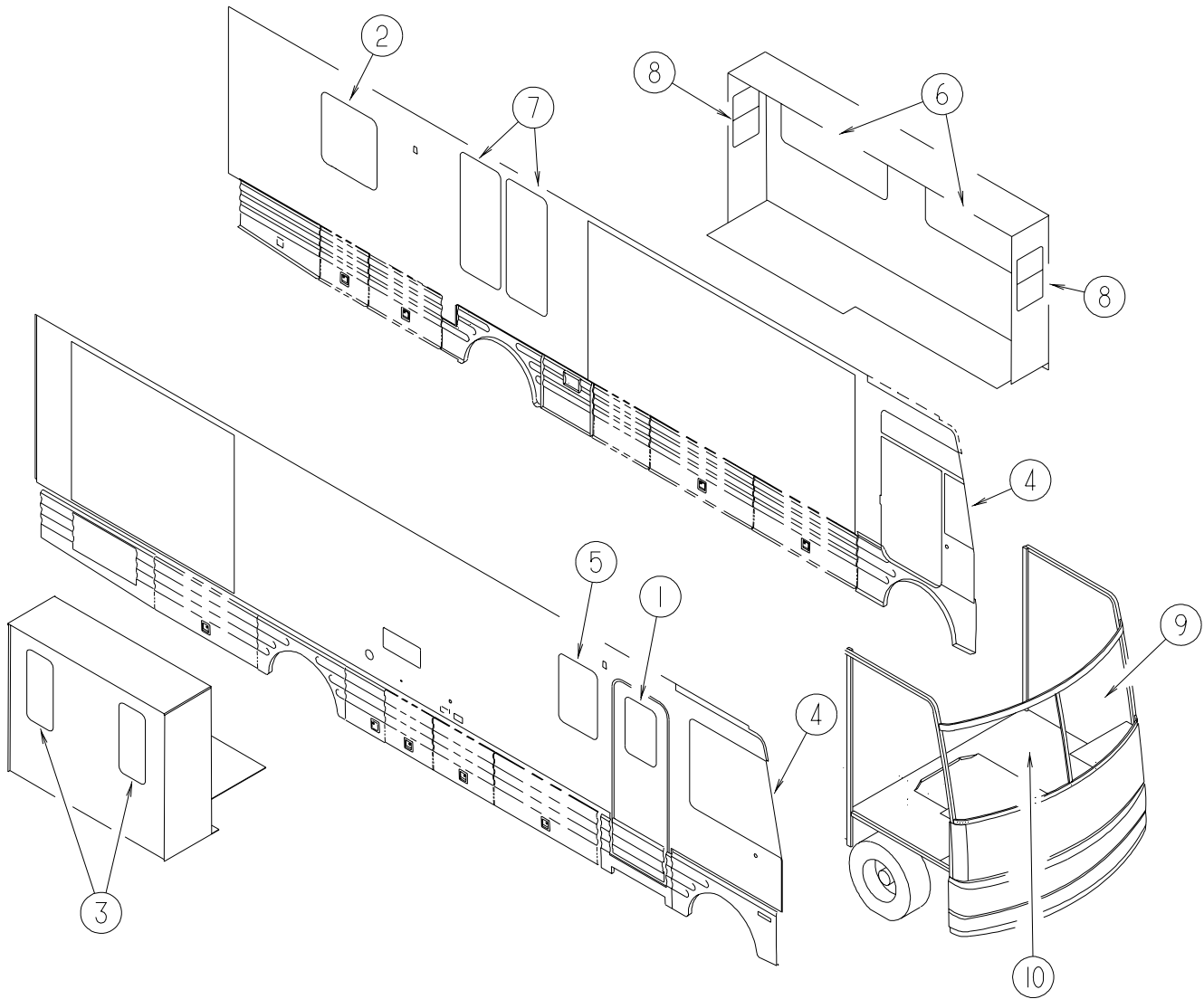
136534-15-000, 136534-29-000

| KEY | PART NUMBER | U/M | DESCRIPTION | VENDOR NO. |
|------------|--------------------|------------|------------------------------|-------------------|
| | 136534-02-700 | EA | MOTOR | 9PL-MO-W/T-1 |
| | 136534-02-701 | EA | CABLE/DRV MTR-REST EASY SOFA | 9PL-FCA27.75 |

136534-16-000

| KEY | PART NUMBER | U/M | DESCRIPTION | VENDOR NO. |
|------------|--------------------|------------|-----------------------------|-------------------|
| | 136534-14-700 | EA | SLIDE MECHANISM ASM W/LATCH | PTN-SLD-BUSH |
| | 136534-14-701 | EA | BUSHING/GUIDE - F/MECHANISM | 9TN-SLD-GR-0 |

CURTAIN & CUSHION GROUP (CONTINUED)
WINDOW TREATMENT

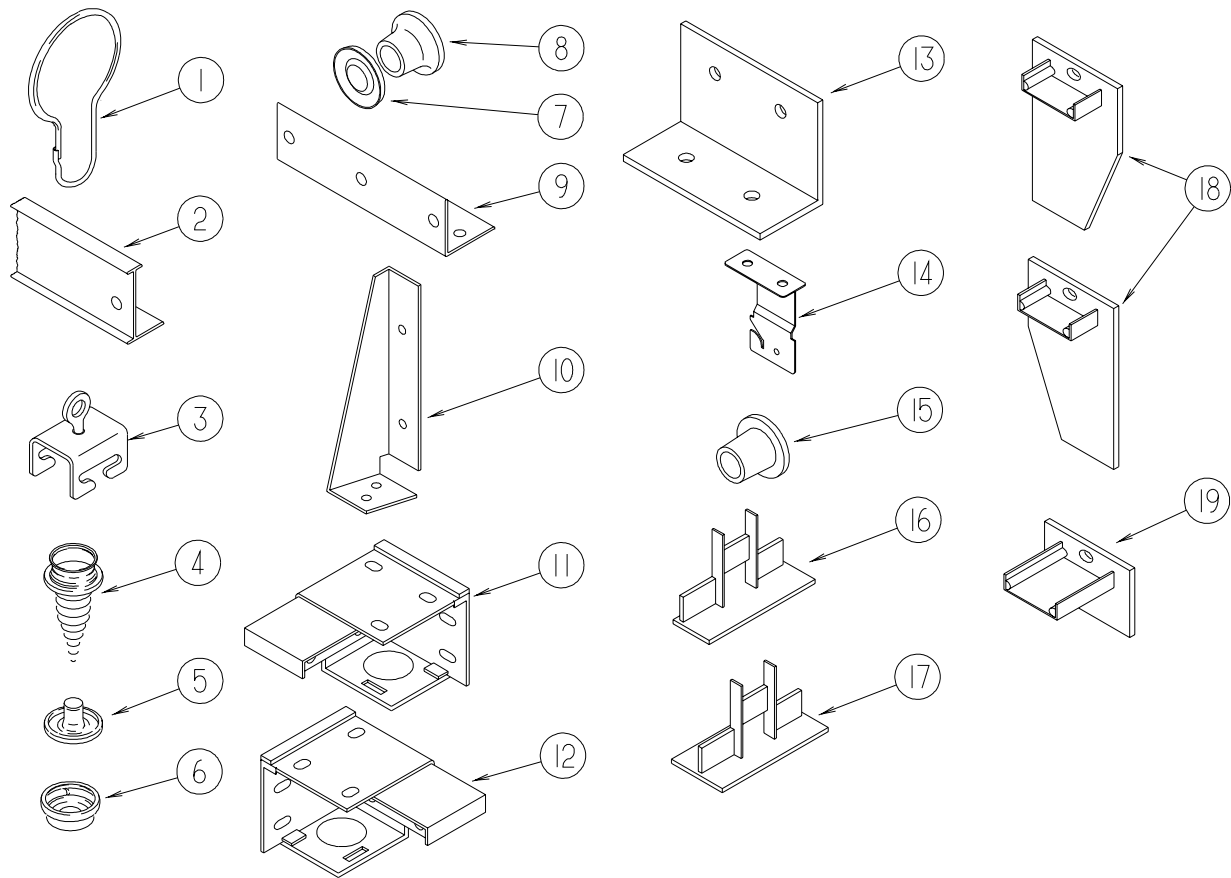


| KEY | PART NUMBER | U/M | DESCRIPTION |
|-----|---------------|-----|--|
| 1 | 084755-95-FB1 | EA | SHADE - PULL - 25.25" |
| 2 | 136058-12-N62 | EA | LAMBREQUIN - VINEYARD - 34" (N62, N63) |
| 2 | 136058-13-N64 | EA | LAMBREQUIN - VINEYARD - 34" (N64, N65) |
| 2 | 136058-12-N66 | EA | LAMBREQUIN - VINEYARD - 34" (N66, N67) |
| | | | FROM: 00-00-00 THRU: 02-24-02 |
| 2 | 136058-12-NC8 | EA | LAMBREQUIN - VINEYARD - 34" (N66, N67) |
| | | | FROM: 02-25-02 THRU: 99-99-99 |
| 2 | 140789-11-N54 | EA | BLIND - DAY/NIGHTER - 32" X 34" (N62, N63, N64, N65) |
| 2 | 140789-11-N52 | EA | BLIND - DAY/NIGHTER - 32" X 34" (N66, N67) |
| 3 | 121410-B7-N62 | EA | VALANCE - MODERATE - 14.5" (N62, N63) |
| | | | FROM: 00-00-00 THRU: 01-27-02 |
| 3 | 142437-01-N62 | EA | VALANCE - ASHWELL - 14.5" (N62, N63) |
| | | | FROM: 01-28-02 THRU: 99-99-99 |
| 3 | 121410-B8-N64 | EA | VALANCE - MODERATE - 14.5" (N64, N65) |
| | | | FROM: 00-00-00 THRU: 01-27-02 |
| 3 | 142437-03-N64 | EA | VALANCE - ASHWELL - 14.5" (N64, N65) |
| | | | FROM: 01-28-02 THRU: 99-99-99 |
| 3 | 121410-B7-N66 | EA | VALANCE - MODERATE - 14.5" (N66, N67) |
| | | | FROM: 00-00-00 THRU: 01-27-02 |
| 3 | 142437-01-N66 | EA | VALANCE - ASHWELL - 14.5" (N66, N67) |
| | | | FROM: 01-28-02 THRU: 99-99-99 |
| 3 | 140789-10-N54 | EA | BLIND - DAY/NIGHTER - 13.5" X 28.5" (N62, N63, N64, N65) |
| 3 | 140789-10-N66 | EA | BLIND - DAY/NIGHTER - 13.5" X 28.5" (N66, N67) |
| 4 | 126841-03-000 | EA | SHADE - PULL - CHARCOAL MESH - 40.3" X 60" |

CURTAIN & CUSHION GROUP (CONTINUED)
WINDOW TREATMENT (CONTINUED)

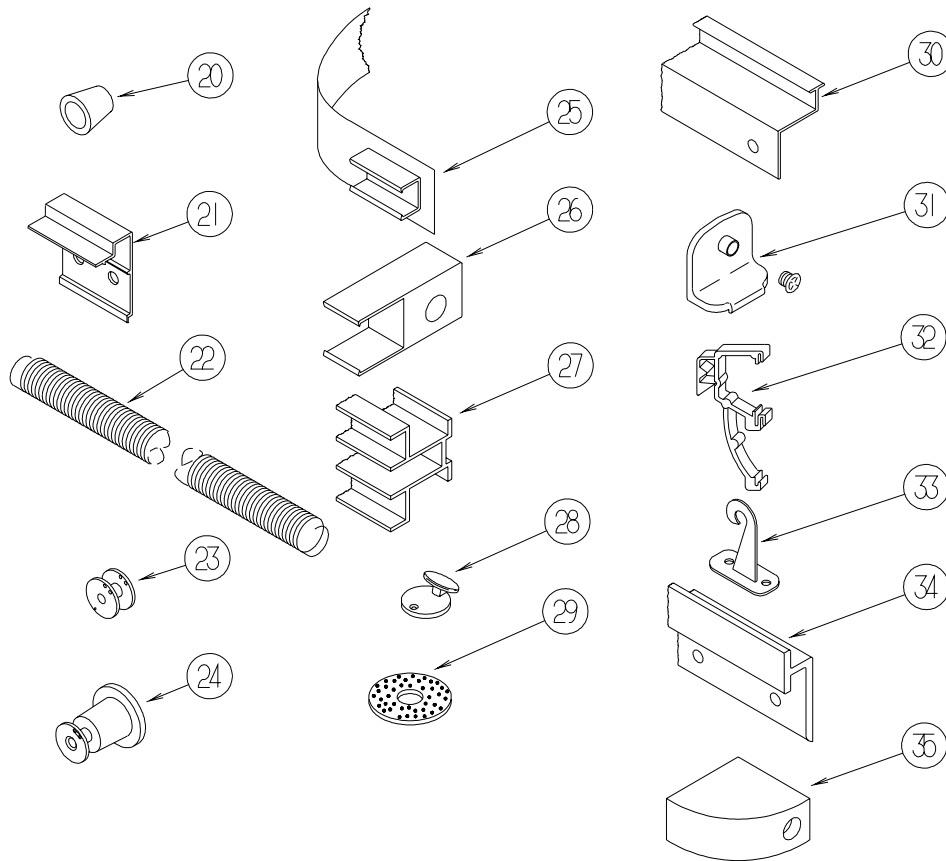
| KEY | PART NUMBER | U/M | DESCRIPTION |
|------------|--------------------|------------|---|
| 5 | 136054-16-N62 | EA | LAMBREQUIN - WHITTINGTON - 24" (N62, N63) |
| 5 | 136054-16-N64 | EA | LAMBREQUIN - WHITTINGTON - 24" (N64, N65) |
| 5 | 136054-16-N66 | EA | LAMBREQUIN - WHITTINGTON - 24" (N66, N67) |
| 5 | 140789-05-N54 | EA | BLIND - DAY/NIGHTER - 22" X 34" (N62, N63, N64, N65) |
| 5 | 140789-05-N52 | EA | BLIND - DAY/NIGHTER - 22" X 34" (N66, N67) |
| 6 | 136054-01-N62 | EA | LAMBREQUIN - WHITTINGTON - 61" (N62, N63) |
| 6 | 136054-01-N64 | EA | LAMBREQUIN - WHITTINGTON - 61" (N64, N65) |
| 6 | 136054-01-N88 | EA | LAMBREQUIN - WHITTINGTON - 61" (N66, N67) |
| 6 | 140789-08-N44 | EA | BLIND - DAY/NIGHTER - 59" X 26.5" (N62, N63, N64, N65) |
| 6 | 140789-08-N09 | EA | BLIND - DAY/NIGHTER - 59" X 26.5" (N66, N67) |
| 7 | 136054-13-N62 | EA | VALANCE - WHITTINGTON - 52.5" (N62, N63) |
| 7 | 136054-13-N64 | EA | VALANCE - WHITTINGTON - 52.5" (N64, N65) |
| 7 | 136054-13-N66 | EA | VALANCE - WHITTINGTON - 52.5" (N66, N67) |
| 7 | 140789-27-N54 | EA | BLIND - DAY/NIGHTER - 48.5" X 58" (N62, N63, N64, N65) |
| 7 | 140789-27-N52 | EA | BLIND - DAY/NIGHTER - 48.5" X 58" (N66, N67) |
| 7 | 136988-71-N62 | EA | LEG - RIGHT - 57" (N62, N63) |
| 7 | 136988-71-N64 | EA | LEG - RIGHT - 57" (N64, N65) |
| 7 | 136988-71-N66 | EA | LEG - RIGHT - 57" (N66, N67) |
| 7 | 136988-72-N62 | EA | LEG - LEFT - 57" (N62, N63) |
| 7 | 136988-72-N64 | EA | LEG - LEFT - 57" (N64, N65) |
| 7 | 136988-72-N66 | EA | LEG - LEFT - 57" (N66, N67) |
| 8 | 136054-15-N62 | EA | VALANCE - WHITTINGTON - 26" (N62, N63) |
| 8 | 136054-15-N64 | EA | VALANCE - WHITTINGTON - 26" (N64, N65) |
| 8 | 136054-15-N66 | EA | VALANCE - WHITTINGTON - 26" (N66, N67) |
| 8 | 140789-07-N44 | EA | BLIND - DAY/NIGHTER - 22.5" X 23" (N62, N63, N64, N65) |
| 8 | 140789-07-N42 | EA | BLIND - DAY/NIGHTER - 22.5" X 23" (N66, N67) |
| 8 | 136988-21-N62 | EA | LEG - RIGHT - 22" (N62, N63) |
| 8 | 136988-21-N64 | EA | LEG - RIGHT - 22" (N64, N65) |
| 8 | 136988-21-N66 | EA | LEG - RIGHT - 22" (N66, N67) |
| 8 | 136988-22-N62 | EA | LEG - LEFT - 22" (N62, N63) |
| 8 | 136988-22-N64 | EA | LEG - LEFT - 22" (N64, N65) |
| 8 | 136988-22-N66 | EA | LEG - LEFT - 22" (N66, N67) |
| 9 | 093487-29-01A | EA | CURTAIN - WRAPAROUND/PLEATED - 50.5" X 150" - DRIVER |
| 10 | 093487-30-01A | EA | CURTAIN - WRAPAROUND/PLEATED - 50.5" X 150" - PASSENGER |

CURTAIN & CUSHION GROUP (CONTINUED) HARDWARE



| KEY | PART NUMBER | U/M | DESCRIPTION |
|-----|---------------|-----|--|
| 1 | 009136-02-000 | EA | HANGER - RING - PIN TYPE - CURTAIN - BRASS |
| 2 | 009700-04-002 | EA | TRACK - CURTAIN - L SHAPED - 15.5' - OFF WHITE - 400 SERIES |
| 2 | 118896-05-04A | EA | TRACK/WRAPAROUND - PASSENGER - GLACIER - Q-SERIES |
| 2 | 118897-04-04A | EA | TRACK/WRAPAROUND - PASSENGER - GLACIER - Q-SERIES |
| 2 | 126456-03-04A | EA | TRACK/WRAPAROUND - PASSENGER - GLACIER - G-SERIES |
| 2 | 126456-04-04A | EA | TRACK/WRAPAROUND - DRIVER - GLACIER - G-SERIES |
| 3 | 009702-01-000 | EA | END STOP - CURTAIN CARRIER - L ROD |
| 4 | 029130-01-000 | EA | SCREW - SNAP STUD - #8-16 X 3/8" LONG |
| 4 | 029130-03-000 | EA | SCREW - SNAP STUD - #8-16 X 1" LONG |
| 5 | 029155-01-000 | EA | CAP - SNAP - 5/32" OUTSIDE DIAMETER OF PIN |
| 6 | 029156-01-000 | EA | SOCKET - SNAP - 9/16" O.D. |
| 7 | 046867-02-000 | EA | WASHER - HANDY BUTTON #3 |
| 8 | 046867-03-000 | EA | GROMMET - HANDY BUTTON #3 |
| 9 | 075943-10-000 | EA | BRACE - VALANCE - 20" - OFF WHITE |
| 9 | 105648-01-02A | EA | BRACE - VALANCE - OFF/WHITE - 14" |
| 10 | 076827-02-000 | EA | BRACKET/LEG - 2.9" X 1.8" - TRIANGULAR - LEFT/E-COATED |
| 11 | 083170-01-000 | EA | BRACKET/BLIND - LEFT SIDE WHEN FACING WINDOW - CLEAR |
| 12 | 083170-02-000 | EA | BRACKET/BLIND - RIGHT SIDE WHEN FACING WINDOW - CLEAR |
| 13 | 083125-07-000 | EA | BRACE - ANGLE/COUCH - 2.5" - OFF WHITE |
| 13 | 083125-08-000 | EA | BRACE - ANGLE/COUCH - .75" - OFF WHITE |
| 14 | 084434-01-000 | EA | BRACKET - MOUNTING - ROLLER SHADE - 1 3/8" |
| 15 | 094896-02-000 | EA | GROMMET - CORD/PLEATED BLIND - NYLON - GRAY |
| 16 | 094907-02-000 | EA | END CAP - PLEATED BLIND/TOP - RH/LH - GRAY PLASTIC |
| 17 | 094907-04-000 | EA | END CAP - PLEATED BLIND/BOTTOM - RH/LH |
| 18 | 094907-05-000 | EA | END CAP - PLEATED BLIND/BOTTOM - PULL TYPE - PLASTIC |
| 19 | 094907-06-000 | EA | END CAP - PLEATED BLIND/TOP |

CURTAIN & CUSHION GROUP (CONTINUED)
HARDWARE (CONTINUED)

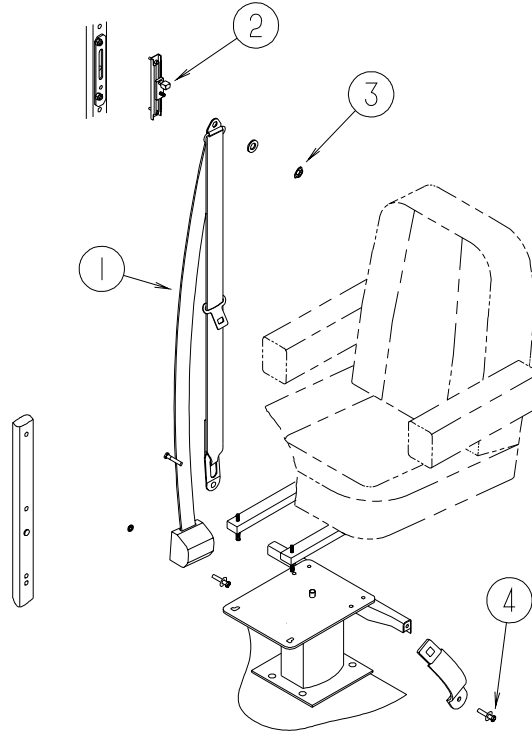


| KEY | PART NUMBER | U/M | DESCRIPTION |
|-----|---------------|-----|---|
| 20 | 097564-03-000 | EA | HANDLE - KNOB - E-Z LIFT SHADE - TAN |
| 20 | 097564-05-000 | EA | HANDLE - KNOB - E-Z LIFT SHADE - TEAL |
| 20 | 097564-06-000 | EA | HANDLE - KNOB - E-Z LIFT SHADE - ALABASTER |
| 21 | 097565-01-000 | EA | BRACKET - MOUNTING - PLEATED BLIND |
| 21 | 097565-02-000 | EA | BRACKET - MOUNTING |
| 22 | 097591-01-000 | EA | SPRING - EXTENSION/PLEATED BLIND |
| 23 | 097592-01-000 | EA | SPOOL - CORD - ELEVATED BLIND HOLDUP - SMALL - CLEAR |
| 24 | 097592-02-000 | EA | SPOOL - CORD - ELEVATED BLIND HOLDUP - LARGE - CLEAR |
| | 097593-02-000 | FT | CORD - BLIND - PLEATED - GRAY |
| | 097593-06-000 | FT | CORD - BLIND - PLEATED - PEWTER |
| | 097593-07-000 | FT | CORD - BLIND - PLEATED - PALE JADE |
| | 097593-10-000 | FT | CORD - BLIND - PLEATED - VANILLA |
| 25 | 101031-01-000 | YD | TAPE/GLIDE - 4.25" SPACING |
| 26 | 101033-02-000 | EA | END CAP - LOW PROFILE TRACK - CLEAR |
| 27 | 101033-08-000 | EA | TRACK/WALL - 75" |
| 27 | 101033-09-000 | EA | TRACK/WALL - 32" |
| 28 | 102555-03-000 | EA | CLEAT - BLIND CORD - MILKY WHITE - PLASTIC |
| 29 | 103242-01-000 | EA | VELCRO HOOK - BEIGE 7/8" ROUND W/CENTER HOLE |
| 29 | 103242-02-000 | EA | VELCRO HOOK - BLACK 7/8" ROUND W/CENTER HOLE |
| 30 | 105450-14-01A | EA | TRACK - CURTAIN - 90" - OFF WHITE - 300-SERIES |
| 30 | 105450-15-01A | EA | TRACK - CURTAIN - 82.3" - OFF WHITE - 200-SERIES |
| 31 | 106544-01-000 | EA | PULL - SHADE/BRASS |
| | 106544-01-001 | EA | SCREW - SHADE/BRASS |
| 32 | 109353-04-000 | EA | CLIP - VALANCE SLAT MOUNTING - CLEAR PLASTIC |
| | 109441-02-000 | EA | SPACER/BACKET - BLIND HOLD DOWN |
| 33 | 109441-03-000 | EA | BRACKET/HOOK - BLIND HOLD DOWN - CLOUDY |
| 34 | 127254-03-05A | EA | TRACK/WRAPAROUND - PASSENGER - GLACIER - D-SERIES |
| 34 | 127254-04-05A | EA | TRACK/WRAPAROUND - DRIVER - GLACIER - D-SERIES & F-SERIES |
| 34 | 127254-14-03A | EA | TRACK/WRAPAROUND - PASSENGER - GLACIER - F-SERIES |
| 34 | 133235-01-04A | EA | TRACK - CURTAIN/LEFT HAND - GLACIER - P-SERIES |
| 34 | 133236-01-04A | EA | TRACK - CURTAIN/RIGHT HAND - GLACIER - P-SERIES |
| 35 | 132504-01-N92 | EA | BRACKET - SHADE |

CURTAIN & CUSHION GROUP (CONTINUED)

ACCESSORIES

| KEY | PART NUMBER | U/M | DESCRIPTION |
|-----|---------------|-----|--|
| | 007021-01-000 | EA | SEAT BELT - 2" X 90" - BLACK |
| | 056271-01-000 | EA | SEAT BELT - 2" X 102" - BLACK |
| | 099717-04-000 | EA | STRAP - W/21.2" FEMALE STRAP AND 27.1" MALE STRAP |
| | 129491-01-000 | EA | CATCH - SNAP HOOK - 1" |
| | 057534-03-000 | EA | TIEBACK - CLEAR PLASTIC - 7.5" - L39 |



| KEY | PART NUMBER | U/M | DESCRIPTION |
|-----|---------------|-----|--|
| 1* | 091990-08-01A | EA | SEAT BELT - 3 POINT - .766" DIAMETER HOLE IN D-LOOP BRKT |
| 2 | 127598-01-01A | EA | ADJUSTER - SEATBELT - D-LOOP - ADJUSTER |
| 3 | 127598-02-000 | EA | NUT - HEX FLANGE - M10 X 1.5 - CLASS 10 |
| 4 | 095076-02-000 | EA | WASHER - FL - 7/16"ID X 2"OD X .06 |

***COMPONENT PARTS LISTED LATER IN THIS GROUP**

CURTAIN & CUSHION GROUP (CONTINUED)
COMPONENT PARTS FOR ACCESSORIES

091990-08-01A

| KEY | PART NUMBER | U/M | DESCRIPTION | VENDOR NO. |
|------------|--------------------|------------|------------------------------|-------------------|
| | 091990-01-701 | EA | EXTENDER 9" FOR A8408 3 PT | I-1331-02 |
| | 091990-01-703 | EA | RECEIVER/FEMALE END-SEATBELT | I-1159-02 |
| | 091990-05-700 | EA | SLEEVE/BUCKLE COVER-PLASTIC | 209S-2 |
| | 091990-05-701 | EA | CAP/COVER - BOLT HOLE COVER | 209SC-02 |
| | 091990-05-702 | EA | SLEEVE/RETRACTABLE COVER | 309C-02 |

CURTAIN & CUSHION GROUP (CONTINUED)
FABRICS

| FAMILY | N62/N63 SIENNA | N64/N65 CORNUCOPIA | N66/N67 PLATINUM |
|--------------------------------------|---|---|---|
| BUCKET | FLEX.581 BUSR/581 FRST | FLEX.581 BUSR/581 FRST | FLEX.581 BUSR/581 FRST |
| | W/ADJ. ARMS & LUMBAR | W/ADJ. ARMS & LUMBAR | W/ADJ. ARMS & LUMBAR |
| | ULTRA 079680-36-000 | ULTRA 079680-36-000 | ULTRA 079680-36-000 |
| | ANTIQUÉ PEARL | ANTIQUÉ PEARL | ANTIQUÉ PEARL |
| DINETTE | CLUB | CLUB | CLUB |
| | 126883-G6-000 | 126883-G4-000 | 126883-D1-000 |
| DINETTE WRAP | 126883-G6-000 | 126883-G4-000 | 126883-D1-000 |
| DINETTE CHAIRS | FLEXSTEEL C5703 | FLEXSTEEL C5703 | FLEXSTEEL C5703 |
| | FC 200 REM FOLDING | FC 200 REM FOLDING | FC 200 REM FOLDING |
| | 126883-G7-000 | 126883-G5-000 | 126883-D2-0000 |
| SOFA | 805 4WAY/FLEX. 4011-70 | 805 4WAY/FLEX. 4011-70 | 805 4WAY/FLEX. 4011-70 |
| | 126883-G6-000 | 126883-G4-000 | 126883-D1-000 |
| | *OPTIONAL ULTRA | *OPTIONAL ULTRA | *OPTIONAL ULTRA |
| | 079680-36-000 ANTIQUÉ PEARL | 079680-36-000 ANTIQUÉ PEARL | 079680-36-000 ANTIQUÉ PEARL |
| LOUNGE CHAIR | FLEXSTEEL 1392-M52 HOOP | FLEXSTEEL 1392-M52 HOOP | FLEXSTEEL 1392-M52 HOOP |
| | 126883-G7-000 | 126883-G5-000 | 126883-D2-000 |
| | *OPTIONAL ULTRA | *OPTIONAL ULTRA | *OPTIONAL ULTRA |
| | 079680-36-000 ANTIQUÉ PEARL | 079680-36-000 ANTIQUÉ PEARL | 079680-36-000 ANTIQUÉ PEARL |
| LOUNGE WINDOWS | WHITTINGTON LAMBREQUIN | WHITTINGTON LAMBREQUIN | WHITTINGTON LAMBREQUIN |
| | 126883-G7-000/126883-G6-000 | 126883-G5-000/126883-G4-000 | 126883-D2-000/126883-D1-000 |
| | UNDERLAY/OVERLAY | UNDERLAY/OVERLAY | UNDERLAY/OVERLAY |
| | CORD TRIM 084415-D8-000 | CORD TRIM 084415-A4-000 | CORD TRIM 084415-E1-000 |
| LOUNGE PILLOWS 2 PER SOFA | 18X18 W/OVERLAY, CORD & TASSELS ON THE CORNERS | 18X18 W/OVERLAY, CORD & TASSELS ON THE CORNERS | 18X18 W/OVERLAY, CORD & TASSELS ON THE CORNERS |
| | BODY 126883-G7-000 | BODY 126883-G5-000 | BODY 126883-D2-000 |
| | OVERLAY 126883-G6-000 | OVERLAY 126883-G4-000 | OVERLAY 126883-D1-000 |
| | CORD 084415-D8-000 | CORD 084415-A4-000 | CORD 084415-E1-000 |
| | WELT(ARND OVLY)126883-G6-000 | WELT(ARND OVLY)126883-G4-000 | WELT(ARND OVLY)126883-D1-000 |
| | TASSELS 139727-05-000 | TASSELS 139727-04-000 | TASSELS 139727-03-000 |
| | | | |
| BEDROOM WINDOWS | VINEYARD LAMBREQUIN | VINEYARD LAMBREQUIN | VINEYARD LAMBREQUIN |
| | 105745-V7-000/126883-G6-000 | 105745-W8-000/105745-Y4-000 | 126883-D1-000/105745-W5-000 |
| | UNDERLAY/OVERLAY | UNDERLAY/OVERLAY | UNDERLAY/OVERLAY |
| | 1 1/2" BANDS 105745-V7-000 | 1 1/2" BANDS 105745-W8-000 | 1 1/2" BANDS 126883-D1-000 |
| | CORD 084415-D8-000 | CORD 084415-A4-000 | CORD 084415-E1-000 |
| AREA RUG *L39 ONLY | 137430-01-000 (34X96) | 137430-02-000 (34X96) | 137430-03-000 (34X96) |
| | | | |

CURTAIN & CUSHION GROUP (CONTINUED)
FABRICS (CONTINUED)

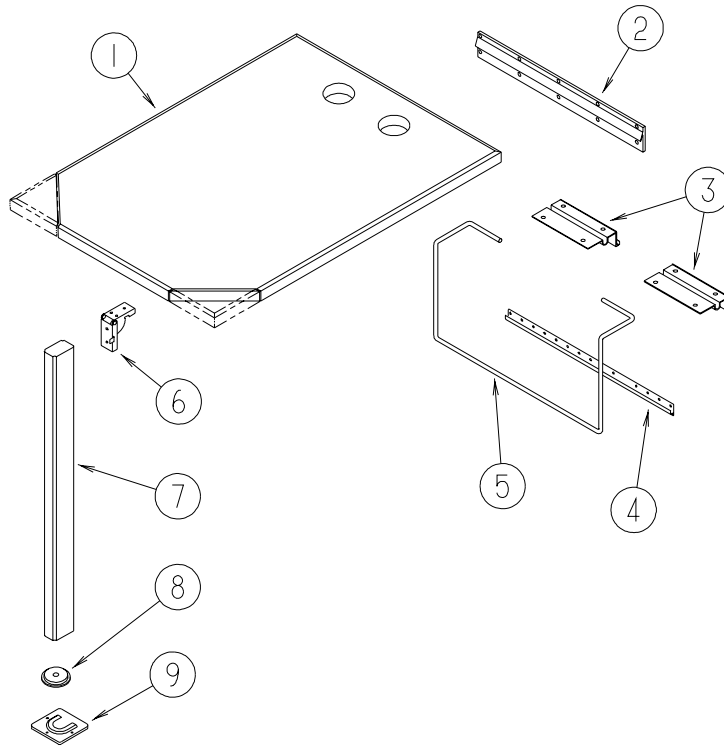
| FAMILY | N62/N63 SIENNA | N64/N65 CORNUCOPIA | N66/N67 PLATINUM |
|--|---|-----------------------------|--------------------------------|
| ASHWELL VAL. | 126883-G6-000 BODY | 105745-Y4-000 BODY | 105745-W5-000 BODY |
| | *WHEN NEEDED 105745-V7-000 .25" WELT | 105745-W8-000 .25" WELT | 126883-D1-000 .25" WELT |
| BEDSPREAD | BEDCAP W/.25" ACCENT WELT | BEDCAP W/.25" ACCENT WELT | BEDCAP W/.25" ACCENT WELT |
| | CHANNEL QUILT 105745-V7-000/126883-G6-000 | 105745-V6-000/105745-Y4-000 | 105745-W5-000/126883-D1-000 |
| SHAMS | .5" NON-GATH. SELF WELT | .5" NON-GATH. ACCENT WELT | .5" NON-GATH. SELF WELT |
| | 126883-G6-000 | 105745-Y4-000/105745-Y5-000 | 126883-D1-000 |
| BEDRM. PILLOW 2 PER MATTRESS | RECTANGULAR W/1" BOXING | RECTANGULAR W/1" BOXING | RECTANGULAR W/1" BOXING |
| | & 2" BAND TRIM & WELT | & 2" BAND TRIM & WELT | & 2" BAND TRIM & WELT |
| | BODY 105745-V7-000 | WELT & BAND 105745-Y5-000 | BODY 105745-W5-000 |
| | WELT,BAND,BOXING 126883-G6-000 | BACK & BOXING 105745-W8-000 | WELT,BAND,BOXING 126883-D1-000 |
| | TASSELS 139727-05-000 | FRONT 105745-Y4-000 | TASSELS 139727-03-000 |
| HEADBOARDS | | TASSELS 139727-04-000 | |
| | CUSTOM CRAFT/ERIN | CUSTOM CRAFT/ERIN | CUSTOM CRAFT/ERIN |
| | 105745-V7-000 BODY | 105745-V6-000 BODY | 105745-W5-000 BODY |
| | 126883-G6-000 TOP EDGE | 105745-W8-000 TOP EDGE | 126883-D1-000 TOP EDGE |
| DAY-NITERS LGE. & BEDROOM | 084415-D8-000 BRAID | 084415-A4-000 BRAID | 084415-E1-000 BRAID |
| | EGGSHELL/WHITE DECO | EGGSHELL/WHITE DECO | PUTTY/WHITE DECO |
| BATH BLIND | 094911-56-000/094911-50-000 | 094911-56-000/094911-50-000 | 094911-58-000/094911-50-000 |
| | C011 BEIGE | SNO CAP | SNO CAP |
| OVHD. INSERTS LGE. & BEDRM. | LOUNGE 126883-G7-000 | LOUNGE 126883-G5-000 | LOUNGE 126883-D2-000 |
| | BEDROOM 126883-G6-000 | BEDROOM 105745-Y4-000 | BEDROOM 126883-D1-000 |
| FRONT WRAP | PURCHASED PLEATED | PURCHASED PLEATED | PURCHASED PLEATED |
| | OFF WHITE | OFF WHITE | OFF WHITE |
| SUNVISORS | 123298-04-05A | 123298-04-05A | 123298-04-05A |
| | GLACIER | GLACIER | GLACIER |
| FLOOR MATS | 096060-J5-000 CARPET | 096060-J6-000 CAPRET | 096060-J7-000 CARPET |
| | 102695-12-000 TAPE | 102695-28-000 TAPE | 102695-24-000 TAPE |
| CEILING MAT. | 113979-12-01A | 113979-12-01A | 113979-12-01A |
| VINYL | 079680-50-000 | 079680-50-000 | 079680-50-000 |

DINETTE GROUP CABINETS



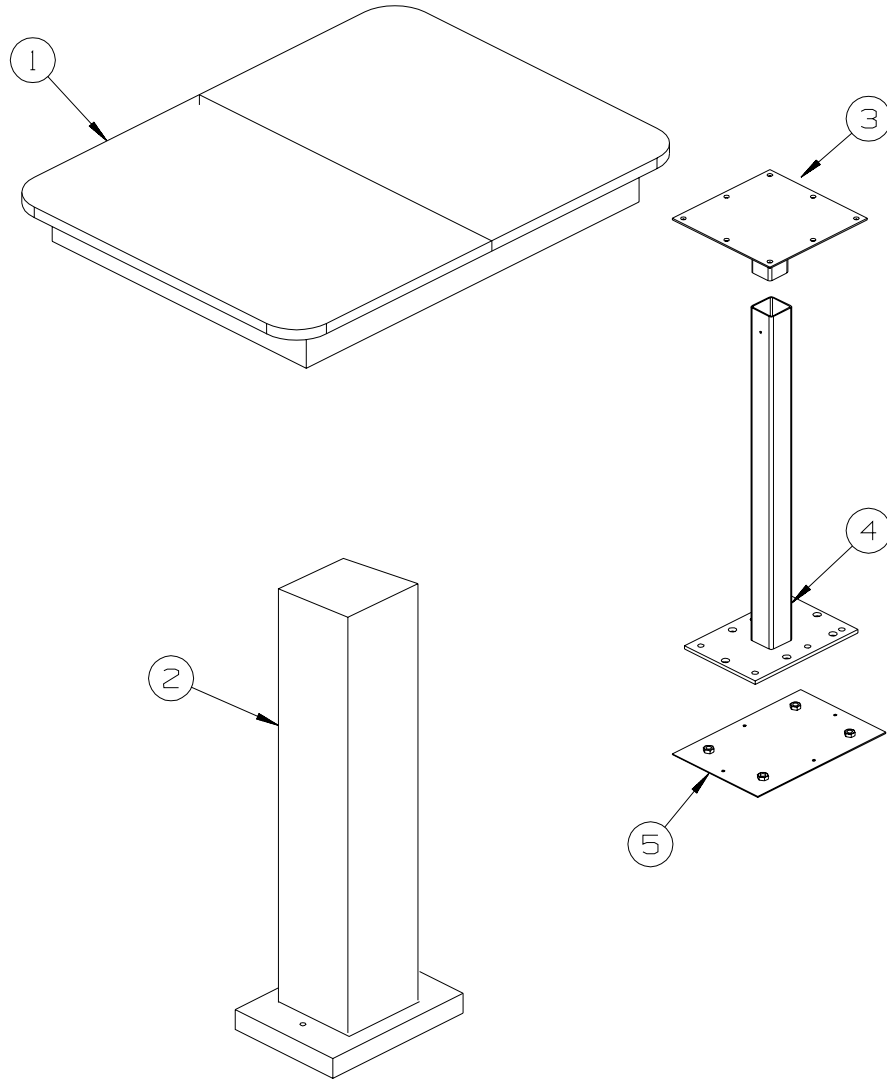
| KEY | PART NUMBER | U/M | DESCRIPTION |
|-----|---------------|-----|--|
| 1 | 138469-30-N62 | EA | PANEL/SEAT BACK |
| 2 | P38469-04-N62 | EA | CABINET - SEATBASE - W/O DOOR/DRAWER/HARDWARE (N62) |
| 2 | P38469-04-N63 | EA | CABINET - SEATBASE - W/O DOOR/DRAWER/HARDWARE (N63) |
| 2 | P38469-04-N64 | EA | CABINET - SEATBASE - W/O DOOR/DRAWER/HARDWARE (N64) |
| 2 | P38469-04-N65 | EA | CABINET - SEATBASE - W/O DOOR/DRAWER/HARDWARE (N65) |
| 2 | P38469-04-N88 | EA | CABINET - SEATBASE - W/O DOOR/DRAWER/HARDWARE (N66) |
| 2 | P38469-04-N89 | EA | CABINET - SEATBASE - W/O DOOR/DRAWER/HARDWARE (N67) |
| 3 | 138469-25-N62 | EA | PANEL/SEATBACK (N62, N63) |
| 3 | 138469-25-N64 | EA | PANEL/SEATBACK (N64, N65) |
| 3 | 138469-25-N88 | EA | PANEL/SEATBACK (N66, N67) |
| 4 | P38469-03-N62 | EA | CABINET - SEATBASE - W/O DOOR/DRAWER/HARDWARE (N62) |
| 4 | P38469-03-N63 | EA | CABINET - SEATBASE - W/O DOOR/DRAWER/HARDWARE (N63) |
| 4 | P38469-03-N64 | EA | CABINET - SEATBASE - W/O DOOR/DRAWER/HARDWARE (N64) |
| 4 | P38469-03-N65 | EA | CABINET - SEATBASE - W/O DOOR/DRAWER/HARDWARE (N65) |
| 4 | P38469-03-N88 | EA | CABINET - SEATBASE - W/O DOOR/DRAWER/HARDWARE (N66) |
| 4 | P38469-03-N89 | EA | CABINET - SEATBASE - W/O DOOR/DRAWER/HARDWARE (N67) |
| 5 | 081295-01-H37 | EA | SUPPORT - BED DINETTE - 28" LONG - WASHED MAPLE |
| 5 | 081295-01-M52 | EA | SUPPORT - BED DINETTE - 28" LONG - SALEM CHERRY |
| 6 | P38873-01-N62 | EA | DRAWER - FABRIC WRAPPED - 9.8" X 19.3" - W/O HARDWARE (N62, N63) |
| 6 | P38873-01-N64 | EA | DRAWER - FABRIC WRAPPED - 9.8" X 19.3" - W/O HARDWARE (N64, N65) |
| 6 | P38873-01-N66 | EA | DRAWER - FABRIC WRAPPED - 9.8" X 19.3" - W/O HARDWARE (N66, N67) |
| 7 | 140397-01-N62 | EA | CABINET - OVERHEAD/DINETTE - W/O DOORS/HARDWARE (N62) |
| 7 | 140397-01-N54 | EA | CABINET - OVERHEAD/DINETTE - W/O DOORS/HARDWARE (N63, N65, N67) |
| 7 | 140397-01-N64 | EA | CABINET - OVERHEAD/DINETTE - W/O DOORS/HARDWARE (N64) |
| 7 | 140397-01-N66 | EA | CABINET - OVERHEAD/DINETTE - W/O DOORS/HARDWARE (N66) |
| 8 | 122021-01-02A | EA | ANGLE - W/HOLES - 8.6" LONG - OFF WHITE |
| 9 | 122021-02-02A | EA | ANGLE - W/HOLES - 13.7" LONG - OFF WHITE |
| 10 | 132871-02-02B | EA | BRACKET/L-ANGLE W/HOLES - 1.9" X 2.8" - E-COATED |
| 11 | 132871-01-02B | EA | BRACKET/L-ANGLE W/HOLES - 1.3" X 2.8" - E-COATED |
| 12 | 135238-51-N62 | EA | DOOR - RAIL/ARCHED TOP - 10.6" X 19.8" - W/O HARDWARE - WASHED MAPLE |
| 12 | 135238-51-N63 | EA | DOOR - RAIL/ARCHED TOP - 10.6" X 19.8" - W/O HARDWARE - SALEM CHERRY |

DINETTE GROUP (CONTINUED) TABLE



| KEY | PART NUMBER | U/M | DESCRIPTION |
|-----|---------------|-----|---|
| 1 | 132034-24-N62 | EA | TABLE TOP ONLY - 29.7" X 37.7" - WASHED MAPLE |
| 1 | 132034-24-N74 | EA | TABLE TOP ONLY - 29.7" X 37.7" - SALEM CHERRY |
| 2 | 053200-13-000 | EA | SUPPORT - TABLE - 18.5" |
| 3 | 088410-02-000 | EA | BRACKET - LIFT - TABLE MOUNTED - OFF WHITE |
| 4 | 024281-15-000 | EA | BRACKET/TABLE - LIFT ROD/LOWER WALL MOUNTED - 17.1" |
| 5 | 024275-13-000 | EA | ROD - TABLE LIFT - OFF/WHITE |
| 6 | 093550-01-000 | EA | BRACKET - HINGE - MOUNTS TO LEG & TABLE TOP - 1.7" X 2.6" |
| 7 | 092707-04-08A | EA | LEG - TABLE - W/O HARDWARE - 27" - WASHED MAPLE |
| 7 | 092707-04-04A | EA | LEG - TABLE - W/O HARDWARE - 27" - SALEM CHERRY |
| 8 | 092593-01-05A | EA | CATCH - TABLE LEG - OFF/WHITE |
| 9 | 049493-12-000 | EA | CATCH - TABLE LEG/FLOOR MOUNTED - OFF WHITE |

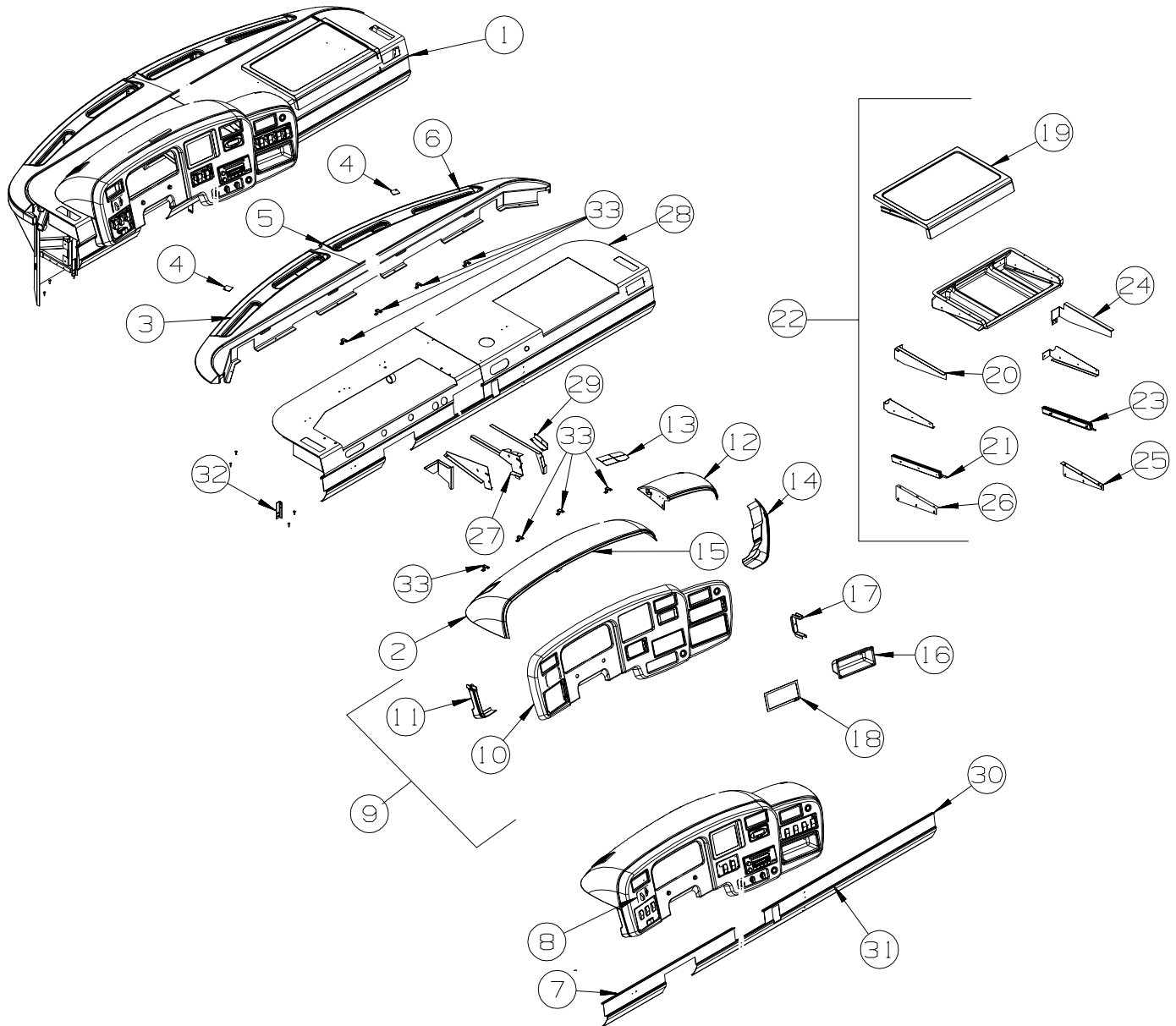
DINETTE GROUP (CONTINUED)
TABLE (CONTINUED)



| KEY | PART NUMBER | U/M | DESCRIPTION |
|-----|---------------|-----|---|
| 1 | 139294-01-02A | EA | TABLE - DINETTE - FREE STANDING - OAK - WASHED MAPLE |
| 1 | 139294-01-03A | EA | TABLE - DINETTE - FREE STANDING - CHERRY - SALEM CHERRY |
| 2 | 139294-02-02A | EA | TABLE BASE - DINETTE - OAK - WASHED MAPLE |
| 2 | 139294-02-03A | EA | TABLE BASE - DINETTE - CHERRY - SALEM CHERRY |
| 3 | 139466-01-02B | EA | SUPPORT - TABLE - UPPER - E-COATED |
| 4 | 139459-01-02B | EA | SUPPORT/TABLE - DINETTE - E-COATED |
| 5 | 141071-02-02B | EA | PLATE/BASE - TABLE - DINETTE - E-COATED |

DRIVERS COMPARTMENT GROUP

DASH

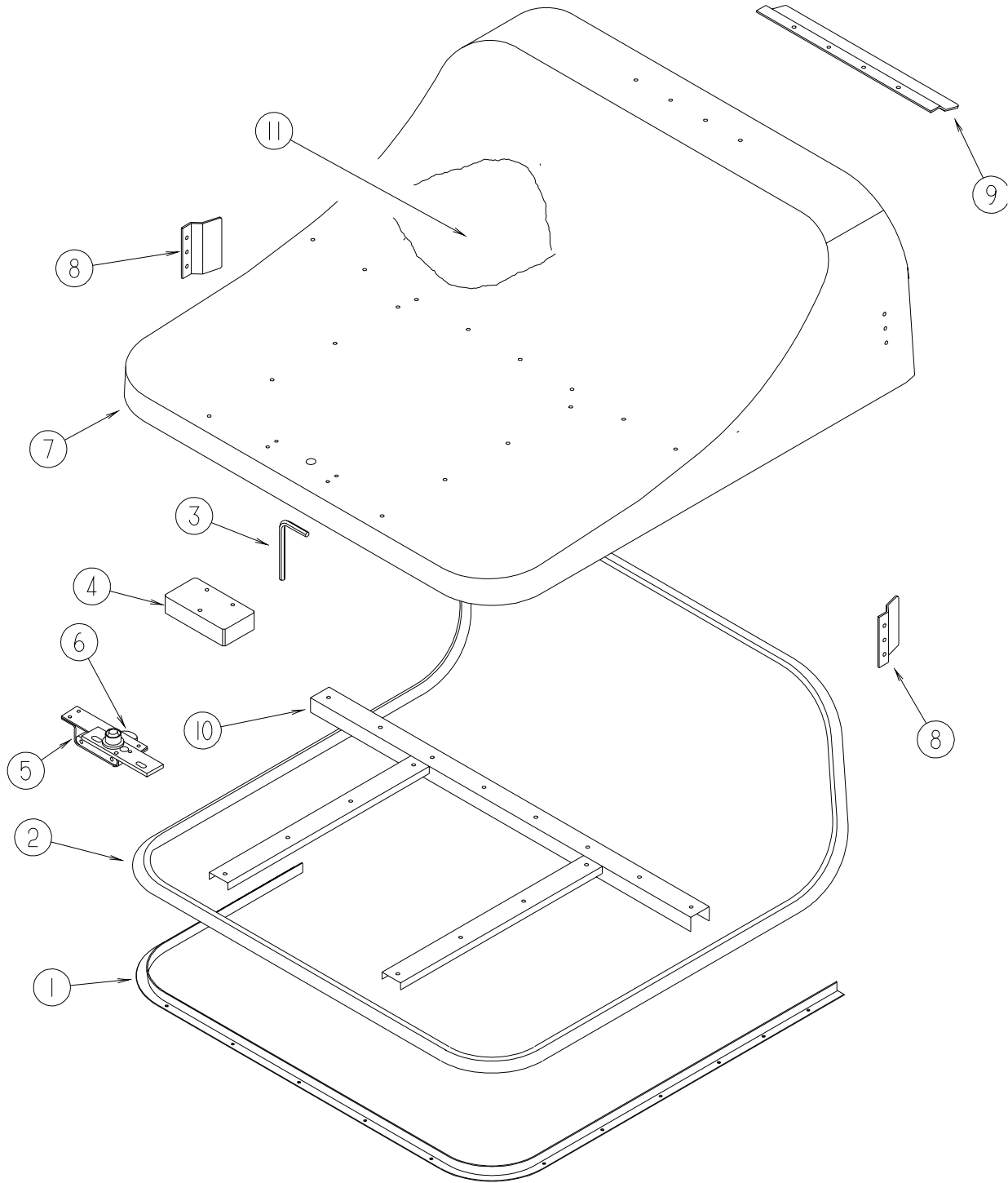


| KEY | PART NUMBER | U/M | DESCRIPTION |
|-----|---------------|-----|---|
| 1 | 138390-01-N52 | EA | DASH - COMPLETE - W/WORK STATION |
| 1 | 138390-02-N52 | EA | DASH - COMPLETE - W/O WORK STATION |
| 2 | 138396-01-01A | EA | POD - INSTRUMENT PANEL GLACIER |
| 3 | 139299-02-03A | EA | SHROUD - DEFROST VENT - LEFT HAND - GLACIER |
| 4 | 138964-01-02B | EA | PLATE - STUD - E-COATED |
| 5 | 138392-02-N52 | EA | PANEL - DASH - FRONT |
| 6 | 139299-01-03A | EA | SHROUD - DEFROST VENT - RIGHT HAND - GLACIER |
| 7 | 140070-02-01A | EA | APPLIQUE - LOWER DASH - PUTTY (N62, N63, N64, N65) |
| 7 | 140070-02-02A | EA | APPLIQUE - LOWER DASH - TITANIUM (N66, N67) |
| 8 | 133849-01-02B | EA | MOUNT - HEADLAMP SWITCH - E-COATED |
| 8 | 134088-01-01A | EA | APPLIQUE - SWITCH - HEADLAMP - BLACK |
| 9 | 139426-01-N52 | EA | BEZEL - INSTRUMENT PANEL (N62, N63, N64, N65) |
| 9 | 139426-01-N56 | EA | BEZEL - INSTRUMENT PANEL (N66, N67) |
| 10 | 138395-01-01A | EA | BEZEL - INSTRUMENT PANEL - PUTTY (N62, N63, N64, N65) |
| 10 | 138395-01-02A | EA | BEZEL - INSTRUMENT PANEL - TITANIUM (N66, N67) |
| 11 | 138399-01-03A | EA | POD - INSTRUMENT PANEL - LOWER/DRIVER - GLACIER |
| 12 | 139542-01-N52 | EA | POD - INSTRUMENT PANEL - PASSENGER |
| 12 | 138397-01-01A | EA | POD - INSTRUMENT PANEL - PASSENGER - GLACIER |
| 13 | 140568-01-02B | EA | REINFORCEMENT - POD - GPS - E-COATED |
| 14 | 138398-01-01A | EA | POD - INSTRUMENT PANEL - LOWER/PASSENGER - GLACIER |

DRIVERS COMPARTMENT GROUP (CONTINUED)
DASH (CONTINUED)

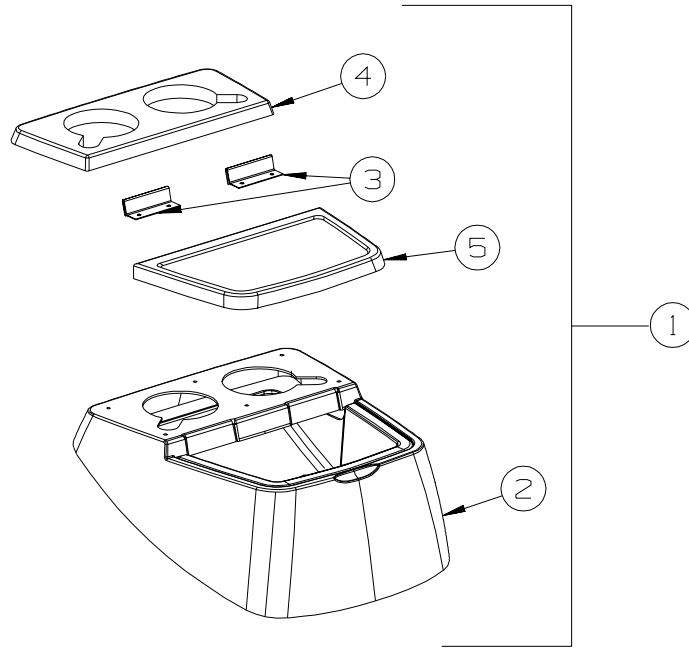
| KEY | PART NUMBER | U/M | DESCRIPTION |
|------------|--------------------|------------|--|
| 15 | 110530-01-000 | FT | SEAL - SPONGE - .31" X .62" |
| 16 | 139250-01-02A | EA | POCKET/STORAGE - INSTRUMENT PANEL - PUTTY (N62, N63, N64, N65) |
| 16 | 139250-01-03A | EA | POCKET/STORAGE - INSTRUMENT PANEL - TITANIUM (N66, N67) |
| 17 | 139253-01-02B | EA | RETAINER - STORAGE POCKET - E-COATED |
| 18 | 139434-01-02B | EA | BRACKET - BEZEL/RADIO - E-COATED |
| 19 | 135122-02-N52 | EA | TABLE TOP - PULLOUT/WORKSTATION |
| 20 | 135228-02-02B | EA | ANGLE - SLIDE - TRAY/LEFT HAND - E-COATED |
| 21 | 135314-02-01A | EA | SLIDE - DASH WORK STATION - LEFT HAND |
| 22 | 135298-02-N52 | EA | TABLE COMPLETE - WORKSTATION |
| 23 | 135314-01-01A | EA | SLIDE - DASH WORK STATION - RIGHT HAND |
| 24 | 135228-01-02B | EA | ANGLE - SLIDE - TRAY/RIGHT HAND - E-COATED |
| 25 | 135132-03-02B | EA | ANGLE-SLIDE,RH,E-CT |
| 26 | 135132-04-02B | EA | ANGLE-SLIDE,LH,E-CT |
| 27 | 139376-01-02B | EA | REINFORCEMENT - DASH - E-COATED |
| 28 | 138391-01-02B | EA | DASH - E-COATED - W/WORK STATION |
| 28 | 138391-02-02B | EA | DASH - E-COATED - W/O WORK STATION |
| 28 | 106569-13-01A | EA | VINYL - LAMINATE - 1/4" X 26.5" X 104" - GLACIER |
| 29 | 139425-01-02B | EA | ANGLE/SUPPORT - INSTRUMENT PANEL POD - RIGHT HAND/E-COATED |
| 30 | 139339-01-01A | EA | TRIM - DASH - LOWER - GLACIER |
| 31 | 140070-01-01A | EA | APPLIQUE - LOWER DASH - PUTTY (N62, N63, N64, N65) |
| 31 | 140070-01-02A | EA | APPLIQUE - LOWER DASH - TITANIUM (N66, N67) |
| 32 | 128692-02-02B | EA | ANGLE - FORMED - DASH SUPPORT - E-COATED |
| 33 | 073050-04-000 | EA | CLIP/MOUNTING - VALANCE PANEL |

DRIVERS COMPARTMENT GROUP (CONTINUED)
MOTOR COVER



| KEY | PART NUMBER | U/M | DESCRIPTION |
|-----|---------------|-----|--|
| 1 | 137332-01-01A | EA | TRIM - MOTOR COVER |
| 2 | 039623-01-000 | FT | SEAL - MOTOR COVER - RUBBER BULB TYPE |
| 3 | 116833-01-02B | EA | WRENCH - HEX MOTOR COVER - E-COATED |
| 4 | 137305-02-02B | EA | BRACKET - STRIKE SUPPORT - E-COATED |
| 5 | 116581-01-000 | EA | LATCH - W/O STRIKE - MOTOR COVER |
| 6 | 115850-01-02B | EA | RETAINER - LATCH - MOTOR COVER - RIGHT HAND - E-COATED |
| 7 | 137096-01-01A | EA | COVER - MOTOR - W/O CARPET |
| 8 | 115855-04-02B | EA | RETAINER - MOTOR COVER - E-COATED |
| 9 | 115855-03-02B | EA | RETAINER - MOTOR COVER/TOP - E-COATED |
| 10 | 130127-02-02B | EA | SUPPORT - MOTOR COVER - E-COATED |
| 11 | 134497-01-000 | SF | FOIL/ALUMINUM - REINFORCED |

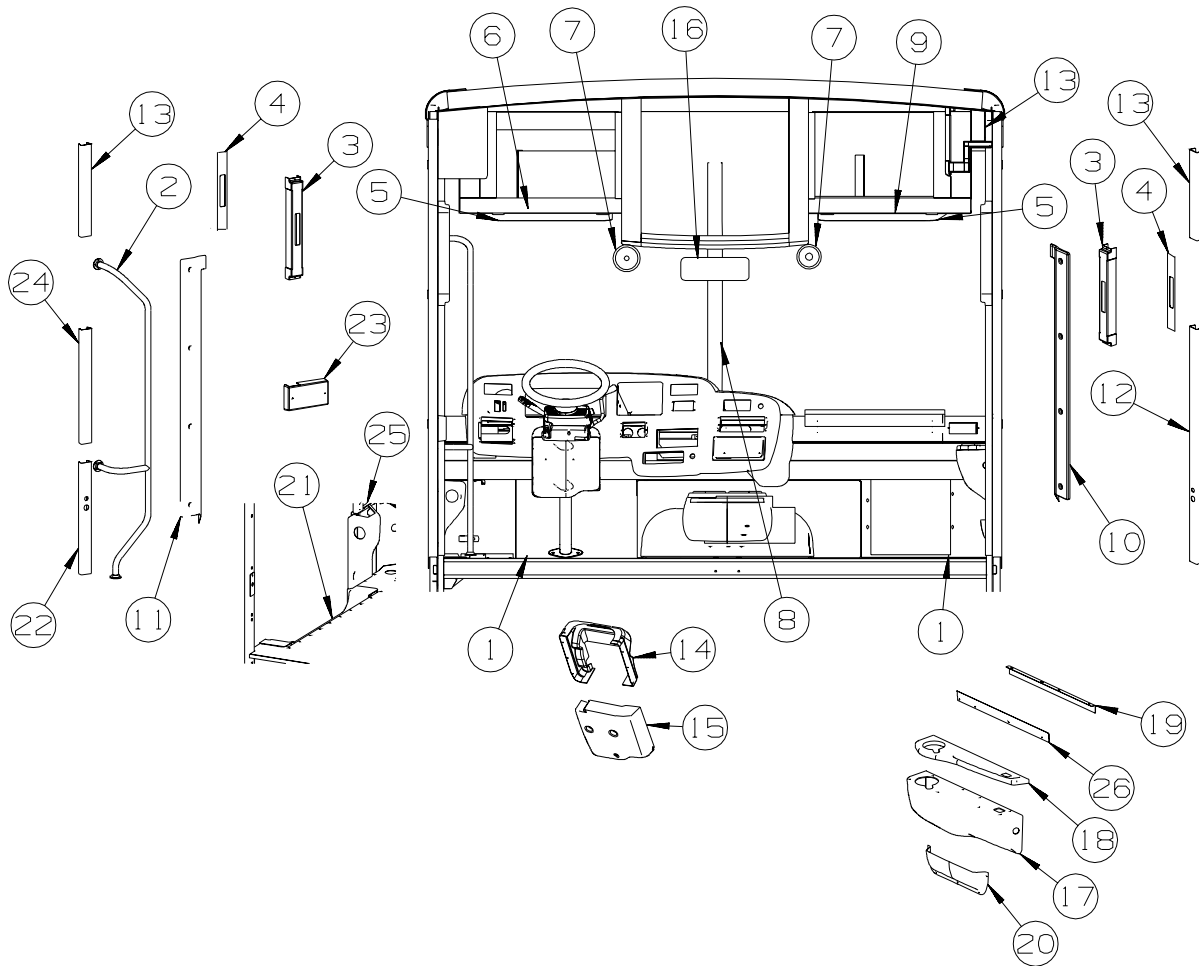
DRIVERS COMPARTMENT GROUP (CONTINUED)
BEVERAGE TRAY



| KEY | PART NUMBER | U/M | DESCRIPTION |
|-----|---------------|-----|-----------------------------------|
| 1 | 139275-01-N52 | EA | TRAY - BEVERAGE |
| 2 | 139268-01-01A | EA | TRAY - BEVERAGE - GLACIER |
| 3 | 139279-01-04B | EA | HINGE - BLACK |
| 4 | 139296-01-01A | EA | LID - BEVERAGE TRAY - OYSTER GRAY |
| 5 | 139285-01-01A | EA | LID/DOOR - OYSTER GRAY |

DRIVERS COMPARTMENT GROUP (CONTINUED)

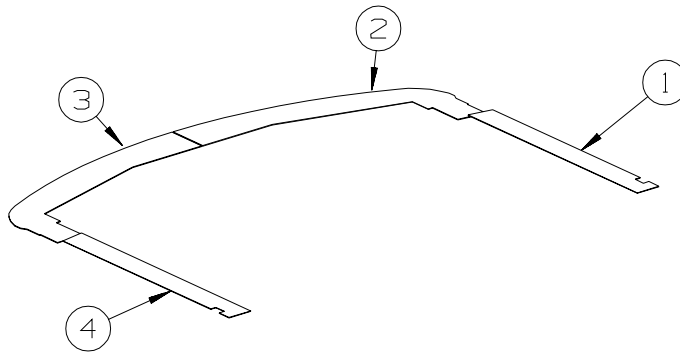
FRONT INTERIOR



| KEY | PART NUMBER | U/M | DESCRIPTION |
|-----|---------------|-----|--|
| 1 | 105924-01-N74 | EA | MAT - FLOOR - 18" X 27" (N62, N63) |
| 1 | 105924-01-AA5 | EA | MAT - FLOOR - 18" X 27" (N62, N63) - CARPET EXCHANGE |
| 1 | 105924-01-N76 | EA | MAT - FLOOR - 18" X 27" (N64, N65) |
| 1 | 105924-01-AA8 | EA | MAT - FLOOR - 18" X 27" (N64, N65) - CARPET EXCHANGE |
| 1 | 105924-01-N56 | EA | MAT - FLOOR - 18" X 27" (N66, N67) |
| 2 | 131058-04-02A | EA | HAND RAIL - INTERIOR CAB DOOR - BLACK |
| 3 | 127721-01-01A | EA | COVER - SLIDE - OFF WHITE |
| 3 | 140151-01-01A | EA | COVER - SEAT BELT - OFF WHITE |
| | | | FROM: 00-00-00 THRU: 10-07-01 |
| | 140151-02-01A | EA | COVER - SCREW - OFF WHITE |
| | | | FROM: 10-08-01 THRU: 99-99-99 |
| 4 | 127798-01-01A | EA | COVER - SLIDE - INNER - 1.5" X 11.4" - BLACK |
| | | | FROM: 10-08-01 THRU: 99-99-99 |
| 4 | 140151-03-01A | EA | COVER - SEAT BELT SLIDE - BLACK |
| | | | FROM: 00-00-00 THRU: 10-07-01 |
| | | | FROM: 10-08-01 THRU: 99-99-99 |
| 5 | 123298-04-05A | EA | SUNVISOR - 10.5" X 21" - DRIVER/PASSENGER - GLACIER |
| 6 | 138641-02-01A | EA | TRIM - WINDSHIELD - INTERIOR/TOP/DRIVER - GLACIER |
| 7 | 122856-01-01A | EA | FAN-DEFROSTER-2 SPEED W/SWIVEL BASE/NON-OSCILLATING-CHROME |
| 8 | 138708-01-01A | EA | TRIM - WINDSHIELD/CENTER |
| 9 | 138641-01-01A | EA | TRIM - WINDSHIELD - INTERIOR/TOP/PASSENGER - GLACIER |
| 10 | 138684-01-01A | EA | TRIM - A PILLAR - INTERIOR/PASSENGER - GLACIER |
| 11 | 138684-02-01A | EA | TRIM - A PILLAR - INTERIOR/DRIVER - GLACIER |
| 12 | 024700-59-000 | EA | COVER - ROLL BAR - SIDEWALL - 44.1" - OFF WHITE |
| 13 | 024700-58-000 | EA | COVER - ROLL BAR - SIDEWALL - 16.5" - OFF WHITE |

DRIVERS COMPARTMENT GROUP (CONTINUED)
FRONT INTERIOR (CONTINUED)

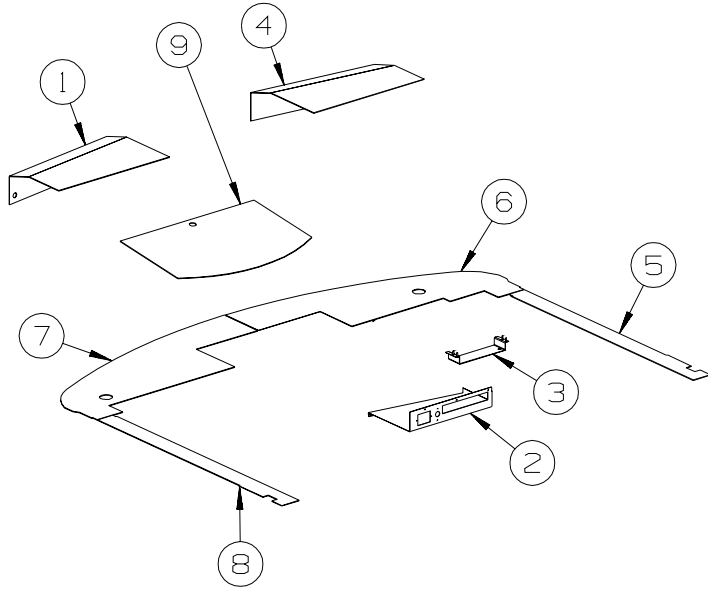
| KEY | PART NUMBER | U/M | DESCRIPTION |
|------------|--------------------|------------|--|
| 14 | 139493-01-01A | EA | COVER - STEERING COLUMN - UPPER - PUTTY |
| 15 | 139494-01-01A | EA | COVER - STEERING COLUMN - LOWER - PUTTY |
| | 139555-01-02B | EA | MOUNT - STEERING COVER - E-COATED |
| 16 | 134154-01-000 | EA | MIRROR - CONVEX - 4" X 11.8" |
| 17 | 139548-01-01A | EA | PANEL - DOOR/CAB - INNER/RIGHT HAND - GLACIER |
| 18 | 139512-02-01A | EA | PANEL/TRIM - DRIVER DOOR - PUTTY |
| 19 | 132595-01-02B | EA | BRACKET - BEVERAGE TRAY HOLDER |
| 20 | 139405-02-01A | EA | POCKET/MAP - DOOR/PASSENGER - GLACIER |
| 21 | 131849-01-01A | EA | TRIM - DRIVER STEP - GLACIER |
| 21 | P31835-01-05A | EA | TRIM - STEP - DRIVER - GLACIER |
| 21 | 102569-02-000 | EA | MAT - ANTI SLIP - LOWER |
| 22 | 024700-67-000 | EA | COVER - SIDEWALL ROLL BAR - 20.1" - OFF WHITE |
| 23 | 103961-07-01A | EA | COVER - BRACKET - LATCH - OFF WHITE |
| | | | FROM: 00-00-00 THRU: 01-06-02 |
| 23 | 141072-01-01A | EA | COVER - BRACKET/LATCH - OFF WHITE |
| | | | FROM: 01-07-02 THRU: 99-99-99 |
| | 140151-02-01A | EA | COVER - SCREW - OFF WHITE |
| | | | FROM: 10-08-01 THRU: 99-99-99 |
| 24 | 024700-66-000 | EA | COVER - SIDEWALL ROLL BAR - 20.6" - OFF WHITE |
| 25 | 132296-02-04A | EA | PANEL/TRIM - DASH/CAB DOOR - GLACIER |
| 25 | 132296-01-04A | EA | PANEL/TRIM - DASH/CAB DOOR - LOW MOUNT MIRRORS - GLACIER |
| 26 | 106105-03-000 | EA | CLIP - MOUNTING - UNIVERSAL |



W/O TV

| KEY | PART NUMBER | U/M | DESCRIPTION |
|------------|--------------------|------------|---|
| 1 | 139750-01-N52 | EA | PANEL - OVERHEAD - VINYL COVERED - RIGHT HAND |
| 2 | 139751-01-N52 | EA | PANEL - OVERHEAD - VINYL COVERED - FRONT |
| 3 | 139751-02-N52 | EA | PANEL - OVERHEAD - VINYL COVERED - FRONT |
| 4 | 139750-02-N52 | EA | PANEL - OVERHEAD - VINYL COVERED - LEFT HAND |

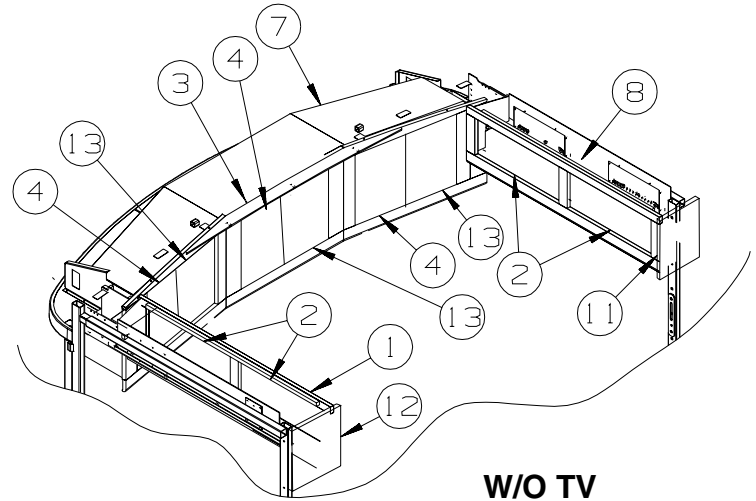
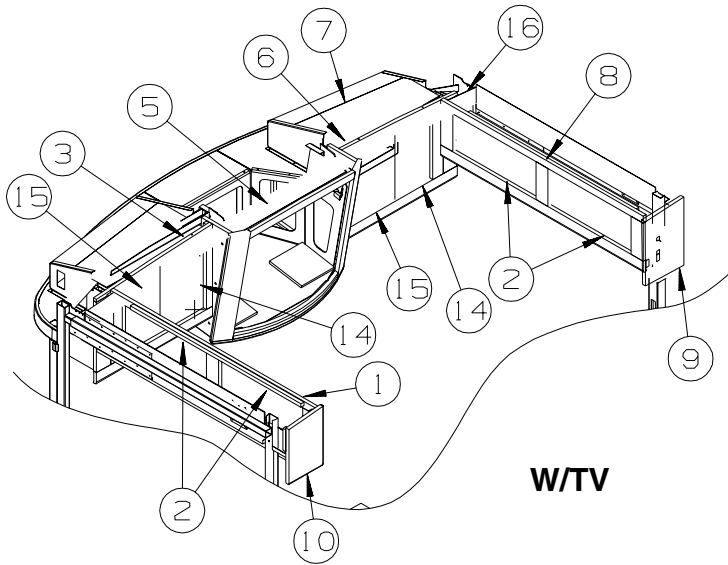
DRIVERS COMPARTMENT GROUP (CONTINUED)
FRONT INTERIOR (CONTINUED)



| KEY | PART NUMBER | U/M | DESCRIPTION |
|-----|---------------|-----|--|
| 1 | 140016-02-N52 | EA | PANEL - OVERHEAD/CLOSEOUT - VINYL COVERED - LEFT HAND |
| 2 | 140095-01-N52 | EA | PANEL - VINYL COVERED |
| 3 | 118847-02-02B | EA | MOUNT - SWITCH BOX - E-COATED |
| 4 | 140016-01-N52 | EA | PANEL - OVERHEAD/CLOSEOUT - VINYL COVERED - RIGHT HAND |
| 5 | 139752-01-N52 | EA | PANEL - OVERHEAD - VINYL COVERED - RIGHT HAND |
| 6 | 139753-01-N52 | EA | PANEL - OVERHEAD/FRONT - VINYL COVERED - RIGHT HAND |
| 7 | 139753-02-N52 | EA | PANEL - OVERHEAD/FRONT - VINYL COVERED - LEFT HAND |
| 8 | 139752-02-N52 | EA | PANEL - OVERHEAD - VINYL COVERED - LEFT HAND |
| 9 | 140109-01-N52 | EA | COVER - OVERHEAD/TV BOTTOM - VINYL COVERED |

DRIVERS COMPARTMENT GROUP (CONTINUED)

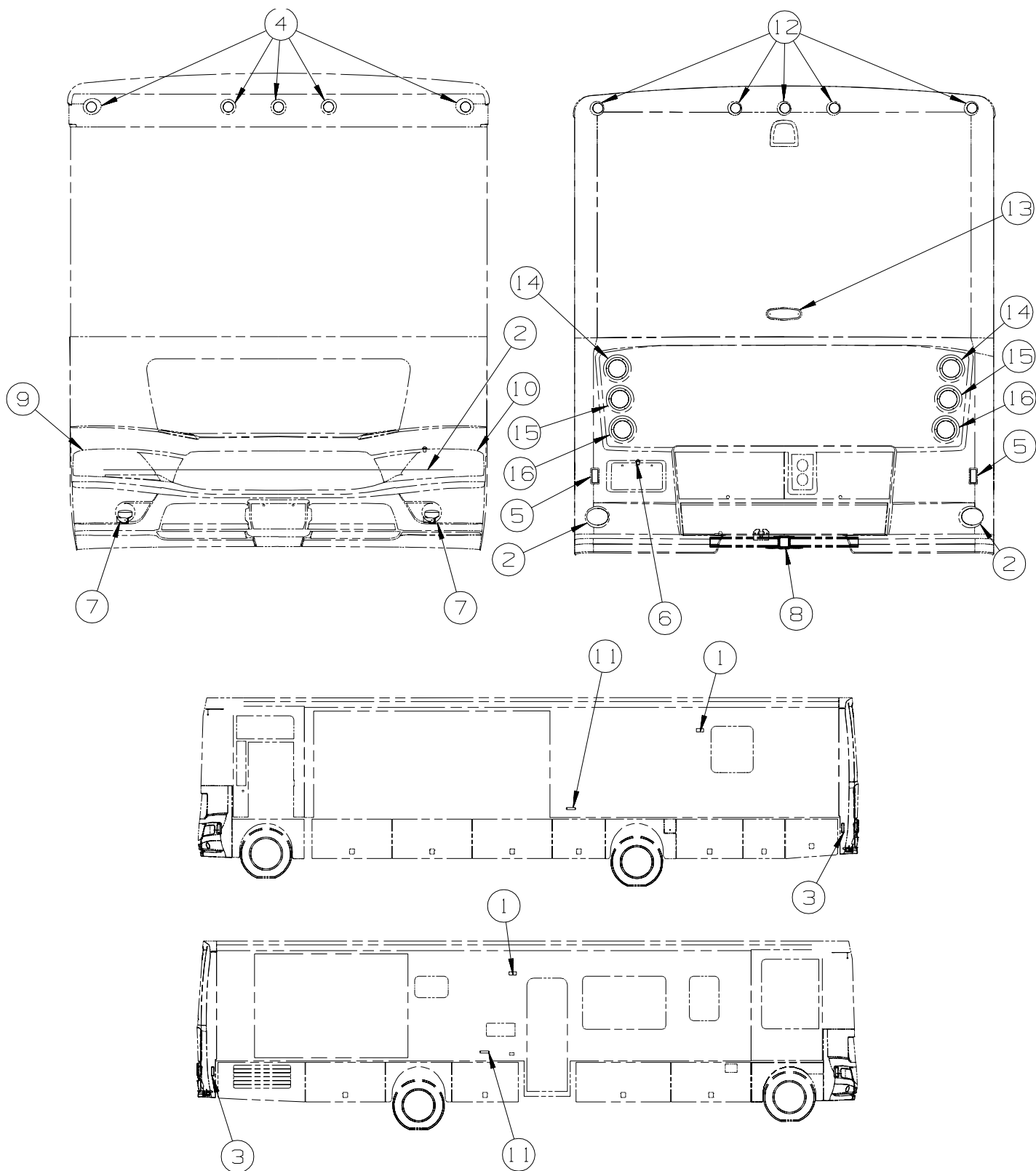
CABINETS



| KEY | PART NUMBER | U/M | DESCRIPTION |
|-----|---------------|-----|---|
| 1 | 139577-01-N62 | EA | CABINET - OVERHEAD/SIDE/FRONT/LEFT HAND - W/O DOORS/HDW - WASHED MAPLE - W/TV |
| 1 | 139577-01-N52 | EA | CABINET - OVERHEAD/SIDE/FRONT/LEFT HAND - W/O DOORS/HDW - SALEM CHERRY - W/TV |
| 1 | 139582-01-N62 | EA | CABINET - OVERHEAD/SIDE/FRONT/LEFT HAND - W/O DOORS/HDW - WASHED MAPLE - W/O TV |
| 1 | 139582-01-N52 | EA | CABINET - OVERHEAD/SIDE/FRONT/LEFT HAND - W/O DOORS/HDW - SALEM CHERRY - W/O TV |
| 2 | 135238-21-N84 | EA | DOOR - RAIL/ARCHED TOP - 9.2" X 21.8" - W/O HARDWARE - WASHED MAPLE |
| 2 | 135238-21-N85 | EA | DOOR - RAIL/ARCHED TOP - 9.2" X 21.8" - W/O HARDWARE - SALEM CHERRY |
| 3 | 139580-01-N62 | EA | CABINET - OVERHEAD/FRONT - W/O DOORS/HARDWARE - WASHED MAPLE - W/O TV |
| 3 | 139580-01-N52 | EA | CABINET - OVERHEAD/FRONT - W/O DOORS/HARDWARE - SALEM CHERRY - W/O TV |
| 3 | 139578-01-N62 | EA | CABINET - OVERHEAD/FRONT/LEFT HAND - W/O DOORS/HARDWARE - WASHED MAPLE - W/TV |
| 3 | 139578-01-N52 | EA | CABINET - OVERHEAD/FRONT/LEFT HAND - W/O DOORS/HARDWARE - SALEM CHERRY - W/TV |
| 4 | 135238-85-N62 | EA | DOOR - RAIL/ARCHED TOP - 11.4" X 16.1" - W/O HARDWARE - WASHED MAPLE |
| 4 | 135238-85-N63 | EA | DOOR - RAIL/ARCHED TOP - 11.4" X 16.1" - W/O HARDWARE - SALEM CHERRY |
| 5 | 133544-05-N62 | EA | CABINET - OVERHEAD/TV FACE - W/O HARDWARE - WASHED MAPLE |
| 5 | 133544-05-N52 | EA | CABINET - OVERHEAD/TV FACE - W/O HARDWARE - SALEM CHERRY |
| | 133790-14-02B | EA | STRAP - TIEDOWN/TV - E-COATED |
| | 140364-01-01A | EA | FOAM-PAD, .5"X8"X8", *LUNDELL 0.508.008.0 |
| 6 | 139579-01-N62 | EA | CABINET - OVERHEAD/FRONT/RIGHT HAND - W/O DOORS/HARDWARE - WASHED MAPLE |
| 6 | 139579-01-N52 | EA | CABINET - OVERHEAD/FRONT/RIGHT HAND - W/O DOORS/HARDWARE - SALEM CHERRY |
| | 139579-37-N52 | EA | PANEL |
| 7 | 140016-01-N52 | EA | PANEL - OVERHEAD/CLOSEOUT - VINYL COVERED - RIGHT HAND - W/TV |
| 7 | 126681-11-N52 | EA | PANEL - CLOSEOUT - W/O TV |
| 8 | 139576-01-N62 | EA | CABINET - OVERHEAD/SIDE/FRONT/RIGHT HAND - W/O DOORS/HDW - WASHED MAPLE - W/TV |
| 8 | 139576-01-N52 | EA | CABINET - OVERHEAD/SIDE/FRONT/RIGHT HAND - W/O DOORS/HDW - SALEM CHERRY - W/TV |
| 8 | 139581-01-N62 | EA | CABINET - OVERHEAD/SIDE/FRONT/RIGHT HAND - W/O DOORS/HDW - WASHED MAPLE - W/O TV |
| 8 | 139581-01-N52 | EA | CABINET - OVERHEAD/SIDE/FRONT/RIGHT HAND - W/O DOORS/HDW - SALEM CHERRY - W/O TV |
| 9 | 139576-21-N62 | EA | END CAP - OVERHEAD CABINET - RIGHT HAND - WASHED MAPLE |
| 9 | 139576-21-N52 | EA | END CAP - OVERHEAD CABINET - RIGHT HAND - SALEM CHERRY |
| 10 | 139577-21-N62 | EA | END CAP - OVERHEAD CABINET - WASHED MAPLE |
| 10 | 139577-21-N52 | EA | END CAP - OVERHEAD CABINET - SALEM CHERRY |
| 11 | 139581-26-N62 | EA | END CAP - OVERHEAD CABINET - WASHED MAPLE |
| 11 | 139581-26-N52 | EA | END CAP - OVERHEAD CABINET - SALEM CHERRY |
| 12 | 139582-26-N62 | EA | END CAP - OVERHEAD CABINET - WASHED MAPLE |
| 12 | 139582-26-N52 | EA | END CAP - OVERHEAD CABINET - SALEM CHERRY |
| 13 | 135238-84-N62 | EA | DOOR - RAIL/ARCHED TOP - 11.4" X 16.1" - W/O HARDWARE - WASHED MAPLE |
| 13 | 135238-84-N63 | EA | DOOR - RAIL/ARCHED TOP - 11.4" X 16.1" - W/O HARDWARE - SALEM CHERRY |
| 14 | 135238-98-N62 | EA | DOOR - RAIL/ARCHED TOP - 10.8" X 16.5" - W/O HARDWARE - WASHED MAPLE |
| 14 | 135238-98-N63 | EA | DOOR - RAIL/ARCHED TOP - 10.8" X 16.5" - W/O HARDWARE - SALEM CHERRY |
| 15 | 135238-99-N62 | EA | DOOR - RAIL/ARCHED TOP - 10.8" X 16.5" - W/O HARDWARE - WASHED MAPLE |
| 15 | 135238-99-N63 | EA | DOOR - RAIL/ARCHED TOP - 10.8" X 16.5" - W/O HARDWARE - SALEM CHERRY |
| 16 | 139576-20-N62 | EA | END CAP - OVERHEAD CABINET - LEFT HAND - WASHED MAPLE |
| 16 | 139576-20-N52 | EA | END CAP - OVERHEAD CABINET - LEFT HAND - SALEM CHERRY |

ELECTRICAL GROUP

12V BODY WIRING



| KEY | PART NUMBER | U/M | DESCRIPTION |
|-----|---------------|-----|-------------------------------------|
| 1* | 097917-01-06A | EA | LIGHT - PORCH - BRIGHT WHITE - US |
| | 008215-01-000 | EA | BULB - 12 VOLT - #1003 - .94 AMP |
| 1* | 008089-02-000 | EA | LIGHT - PORCH - RECESSED - CANADIAN |
| | 008214-01-000 | EA | BULB - 12 VOLT - #67 - .59 AMP |
| 2 | 139001-01-000 | EA | LIGHT ONLY (DOCKING) |
| 2 | 139001-02-000 | EA | SOCKET ONLY - F/DOCKING LAMP |
| 2 | 117806-01-000 | EA | BULB - 12V - #912 - 1.0 AMP |

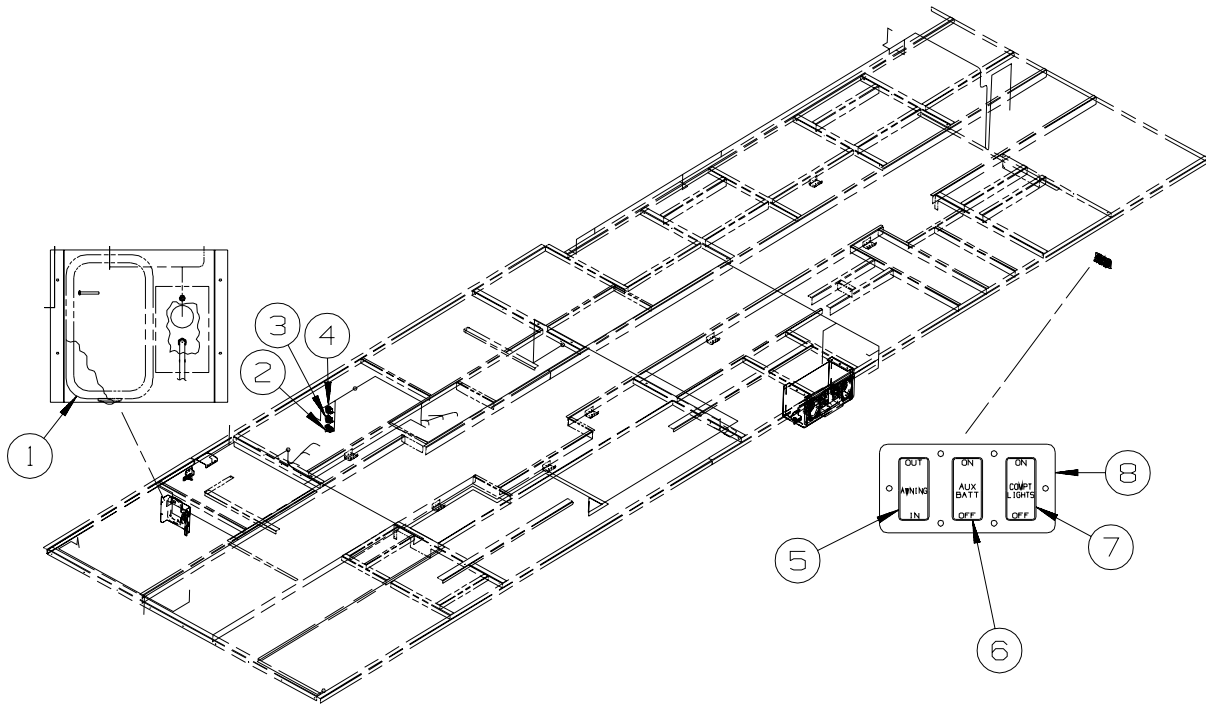
ELECTRICAL GROUP (CONTINUED)
12V BODY WIRING (CONTINUED)

| KEY | PART NUMBER | U/M | DESCRIPTION |
|-----|---------------|-----|---|
| 3 | 117826-01-000 | EA | SIDE MARKER LAMP ASSEMBLY - RED |
| 3 | 036196-01-000 | EA | BULB - 12V - #194 - .27 AMP - BAYONETTE |
| 3 | 117826-03-000 | EA | GASKET - MARKER LIGHT |
| 3 | 138996-04-000 | EA | CONNECTOR - LAMP |
| 4 | 138996-01-000 | EA | LAMP - CLEARANCE - AMBER |
| 4 | 138996-03-000 | EA | BRACKET - CLEARANCE LIGHT |
| 4 | 138996-04-000 | EA | CONNECTOR - LAMP |
| 5 | 138997-01-000 | EA | REFLECTOR - RED/BLACK |
| 6 | 087201-01-000 | EA | LIGHT - HALF ROUND - 1" X 1.7" - PLASTIC - BLACK OR WHITE |
| 7 | 138910-01-000 | EA | LAMP - FOG - CLEAR/ROUND |
| 7 | 139686-01-02B | EA | ANGLE - MOUNT - FOGLEAMP - E-COATED |
| 8 | 113589-01-000 | EA | CONNECTOR - PLUG - TRAILER |
| 8 | 113589-02-000 | EA | CONNECTOR - SOCKET - TRAILER |
| 9 | 139508-01-000 | EA | HEADLAMP - RIGHT HAND - W/HALOGEN BULB |
| 9 | 139291-01-02B | EA | BRACKET - HEADLAMP - "Z" - E-COATED |
| 10 | 139508-02-000 | EA | HEADLAMP - LEFT HAND - W/HALOGEN BULB |
| 10 | 139291-01-02B | EA | BRACKET - HEADLAMP - "Z" - E-COATED |
| 11 | 117826-02-000 | EA | SIDE MARKER LAMP ASSEMBLY - AMBER |
| 11 | 117826-03-000 | EA | GASKET - MARKER LIGHT |
| | | | FROM: 00-00-00 THRU: 03-16-02 |
| 11 | 111102-01-000 | EA | BASE - MARKER LAMP |
| | | | FROM: 00-00-00 THRU: 03-16-02 |
| 11 | 111102-02-000 | EA | LENS - AMBER - MARKER LAMP |
| | | | FROM: 03-17-02 THRU: 99-99-99 |
| 11 | 036196-01-000 | EA | BULB - 12V - #194 - .27 AMP - BAYONETTE |
| 11 | 067789-02-000 | EA | SOCKET - LAMP |
| 12 | 138996-02-000 | EA | LAMP - CLEARANCE - RED |
| 12 | 138996-03-000 | EA | BRACKET - CLEARANCE LIGHT |
| 12 | 138996-04-000 | EA | CONNECTOR - LAMP |
| 13 | 136917-01-000 | EA | LIGHT - BRAKE - CENTER MOUNT - OVAL |
| 14 | 138441-01-000 | EA | LAMP - BRAKE/TAIL/TURN - 4 1/2" ROUND |
| 14 | 138441-04-000 | EA | CONNECTOR - LAMP - 3 CIRCUIT |
| 15 | 138441-05-000 | EA | LAMP - TURN - AMBER |
| 15 | 138441-03-000 | EA | CONNECTOR - LAMP - 2 CIRCUIT |
| 16 | 138441-02-000 | EA | LAMP - BACKUP - 4 1/2" ROUND |
| 16 | 138441-03-000 | EA | CONNECTOR - LAMP - 2 CIRCUIT |
| 16 | 036196-01-000 | EA | BULB - 12V - #194 - .27 AMP - BAYONETTE |
| | 130672-01-01A | EA | SPOTLIGHT - POWER/REMOTE - WHITE |

***COMPONENT PARTS LISTED LATER IN THIS GROUP**

ELECTRICAL GROUP (CONTINUED)

12V BODY WIRING (CONTINUED)

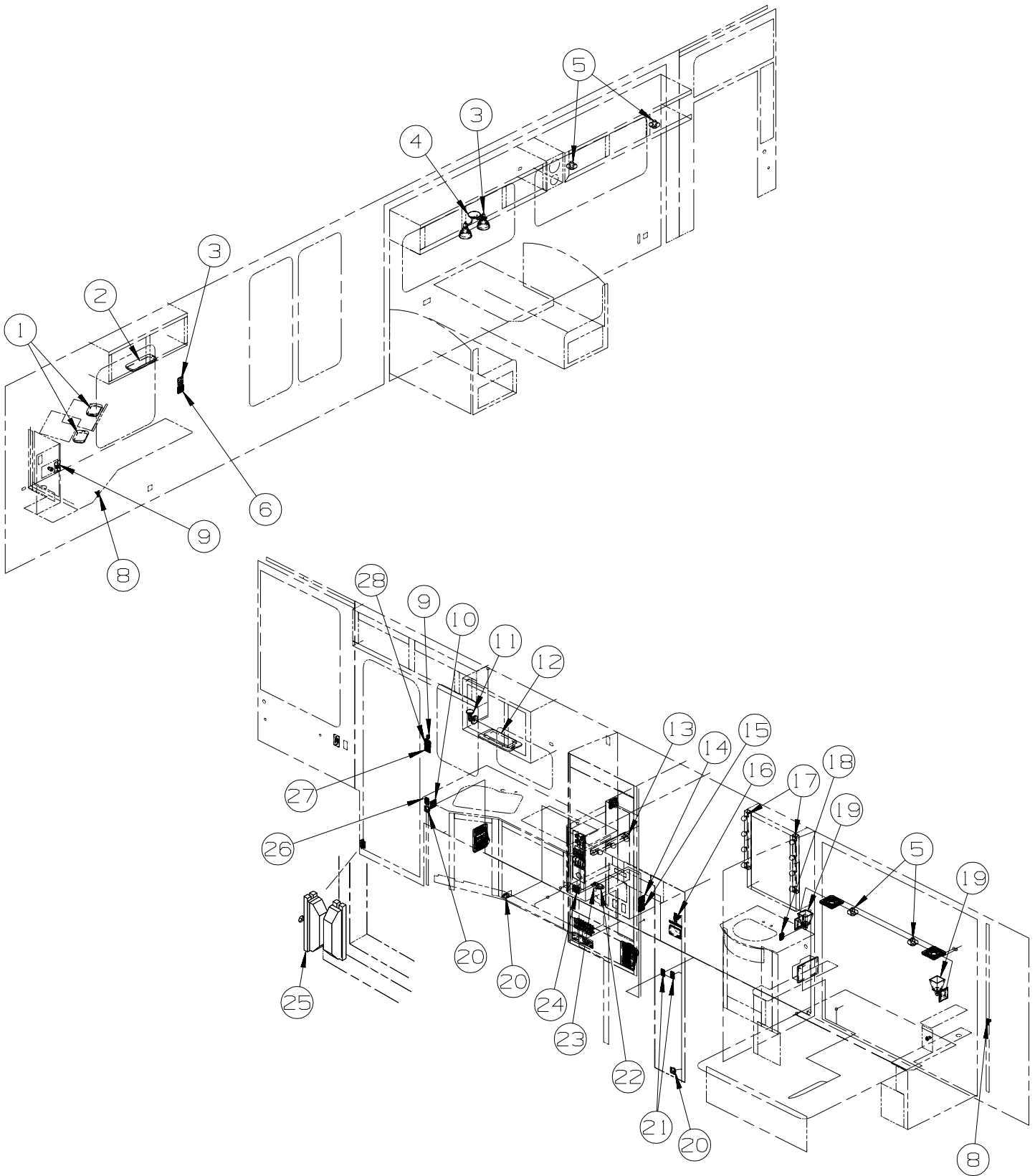


| KEY | PART NUMBER | U/M | DESCRIPTION |
|-----|---------------|-----|--|
| 1* | 098024-01-03A | EA | LIGHT - DOME - 1 BULB - WHITE |
| 1 | 008218-01-000 | EA | BULB - 12 VOLT - #1141 - 1.44 AMP |
| 2 | 108357-09-000 | EA | SWITCH - ROCKER - SPDT - ON/NONE/MOM - 3 TERMINAL |
| 2 | 108356-02-01A | EA | COVER/ACTUATOR SWITCH - 2 ROWS DIMPLES- CONTURA II - BLACK |
| 2 | 108355-01-000 | EA | HOUSING - SWITCH |
| 3 | 108357-01-000 | EA | SWITCH - ROCKER - SPST - ON/OFF - 2 TERMINAL |
| 3 | 108356-02-01A | EA | COVER/ACTUATOR SWITCH - 2 ROWS DIMPLES- CONTURA II - BLACK |
| 3 | 108355-01-000 | EA | HOUSING - SWITCH |
| 4 | 108357-15-000 | EA | SWITCH - ROCKER - DPDT - ON/NONE/ON - LIGHTED |
| 4 | 108356-04-01A | EA | COVER/ACTUATOR SWITCH - 2 ROWS DIMPLES W/LENS-CONTURA-BLK |
| 4 | 108355-01-000 | EA | HOUSING - SWITCH |
| 5 | 108357-06-000 | EA | SWITCH - ROCKER - DPDT - MOM/OFF/MOM - 6 TERMINAL |
| 5 | 108356-12-01A | EA | COVER/ACTUATOR SWITCH - 3 GROOVES |
| 5 | 108355-01-000 | EA | HOUSING - SWITCH |
| 6 | 108357-06-000 | EA | SWITCH - ROCKER - DPDT - MOM/OFF/MOM - 6 TERMINAL |
| 6 | 108356-11-01A | EA | COVER/ACTUATOR SWITCH - 3 GROOVES - AUX BATT - BLACK |
| 6 | 108355-01-000 | EA | HOUSING - SWITCH |
| 7 | 108357-01-000 | EA | SWITCH - ROCKER - SPST - ON/OFF - 2 TERMINAL |
| 7 | 108356-14-01A | EA | COVER/ACTUATOR SWITCH - 3 GROOVES |
| 7 | 108355-01-000 | EA | HOUSING - SWITCH |
| 8 | 098351-23-01A | EA | PLATE - SWITCH - 3 GANG - POLISHED BRASS - W/ELECTRIC PATIO AWNING |
| 8 | 098351-22-01A | EA | PLATE/SWITCH - 2 GANG - POLISHED BRASS |

*COMPONENT PARTS LISTED LATER IN THIS GROUP

ELECTRICAL GROUP (CONTINUED)

12V BODY WIRING (CONTINUED)



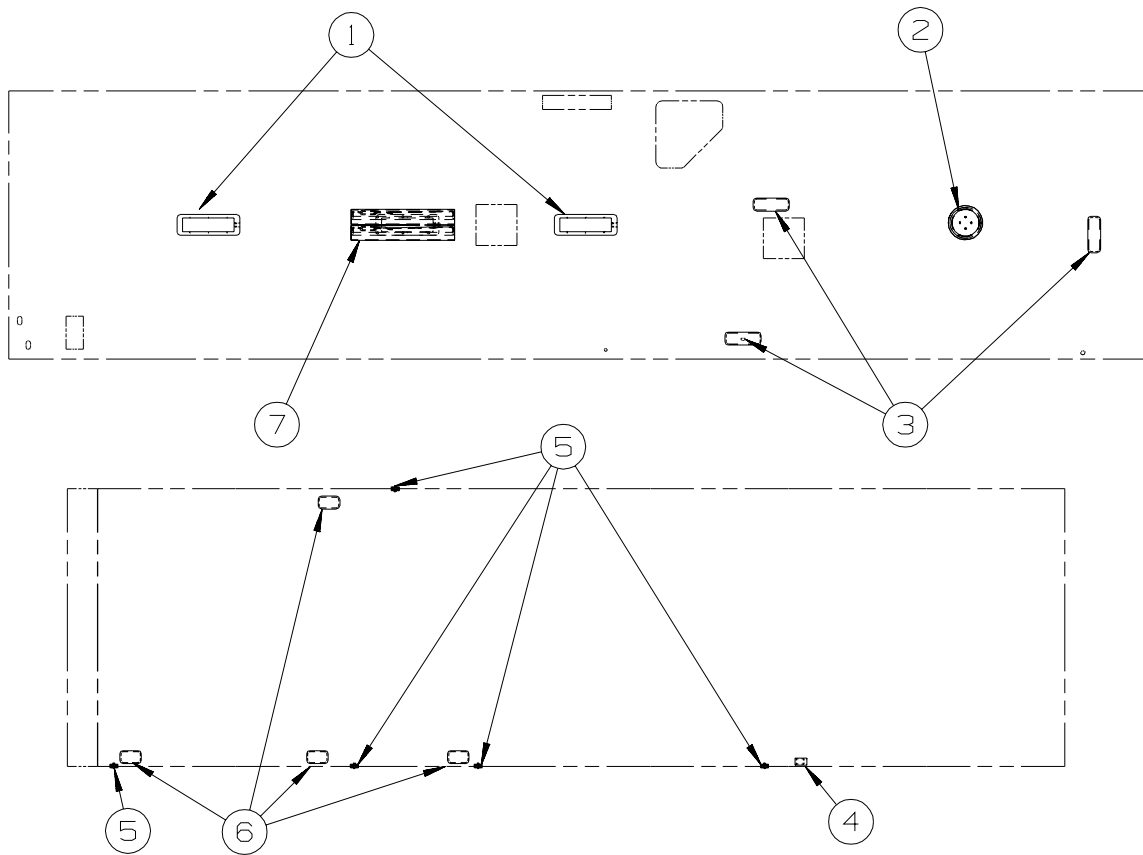
| KEY | PART NUMBER | U/M | DESCRIPTION |
|-----|---------------|-----|---|
| 1* | 137417-02-01A | EA | LIGHT - DOME - SINGLE - W/SWITCH/OPTIC LENS - WHITE |
| 2* | 137417-05-01A | EA | LIGHT - DOME - DOUBLE - W/SWITCH/OPTIC LENS - WHITE |
| 3 | 137889-01-000 | EA | SWITCH - LIGHT DIMMER |
| 4 | 093575-23-01A | EA | LIGHT - CEILING/DOUBLE - BRASS - UL/CSA |
| 4 | 117805-01-000 | EA | BULB - 12V - # 921F - 1.4 AMPS |
| 5 | 132427-01-01A | EA | LIGHT - READING/SWIVEL/ROUND - BRASS |

ELECTRICAL GROUP (CONTINUED)
12V BODY WIRING (CONTINUED)

| KEY | PART NUMBER | U/M | DESCRIPTION |
|-----|---------------|-----|--|
| 6 | 135740-01-01A | EA | SWITCH - ROCKER - SPST - ON/OFF - BROWN |
| 6 | 135741-02-02A | EA | SWITCH - BASE - DOUBLE - WHITE |
| 6 | 135742-06-01A | EA | BEZEL - SWITCH - AISLE - WHITE |
| 7 | 133713-06-03A | EA | SPACER/RECEPTACLE - PHONE - VINYL/SALEM CHERRY |
| 7 | 133713-06-08A | EA | SPACER/RECEPTACLE - PHONE - VINYL/PORTSMOUTH OAK |
| 7 | 132958-01-000 | EA | RECEPTACLE - 12 VOLT - MOUNTING FLANGE - BLACK |
| 8 | 041250-01-000 | EA | SWITCH - PUSH BUTTON/DOOR JAMB - METAL - CHROME |
| 9 | 093132-02-000 | EA | SWITCH - ROCKER/POWER DOOR LOCK - 5 TERM - (KEY/ARROW) |
| 9 | 094086-01-01A | EA | PLATE - SWITCH - SINGLE GANG - 1.8" X 3" - BLACK PLASTIC |
| 10 | 135740-01-01A | EA | SWITCH - ROCKER - SPST - ON/OFF - BROWN |
| 10 | 135740-02-01A | EA | SWITCH - ROCKER - SPDT - ON/ON - BROWN |
| 10 | 135741-02-02A | EA | SWITCH - BASE - DOUBLE - WHITE |
| 10 | 135742-21-02A | EA | BEZEL - SWITCH - AISLE/READING - BROWN |
| 11 | 128786-01-01A | EA | LIGHT - READING/SWIVEL |
| 11 | 123917-01-000 | EA | BULB - 12V - HALOGEN SPOT |
| 12* | 091937-09-000 | EA | LIGHT-FLOURESCENT-12V/30 WATT RECESSED - W/SWITCH |
| 13* | 110235-01-01A | EA | LIGHT - MAKE UP - 3 BULB - 12 VOLT |
| 14 | 135740-01-02A | EA | SWITCH - ROCKER - SPST - ON/OFF - WHITE |
| 14 | 135741-02-02A | EA | SWITCH - BASE - DOUBLE - WHITE |
| 14 | 135742-20-01A | EA | BEZEL - SWITCH - SHOWER/MAKEUP - WHITE |
| 15 | 135740-01-02A | EA | SWITCH - ROCKER - SPST - ON/OFF - WHITE |
| 15 | 135740-03-01A | EA | SWITCH - ROCKER - DPDT - MOM/OFF/MOM |
| 15 | 135741-02-02A | EA | SWITCH - BASE - DOUBLE - WHITE |
| 15 | 135742-17-01A | EA | BEZEL - SWITCH - UP/DOWN FAN - WHITE |
| 16 | 081994-10-000 | EA | PLATE/SWITCH - SLIDEOUT |
| 16 | 108357-06-000 | EA | SWITCH - ROCKER - DPDT - MOM/OFF/MOM - 6 TERMINAL |
| 16 | 108356-02-01A | EA | COVER/ACTUATOR SWITCH - 2 ROWS DIMPLES- CONTURA II - BLACK |
| 16 | 108355-01-000 | EA | HOUSING - SWITCH |
| 17 | 138116-02-01A | EA | LIGHT/MAKE UP - 4 BULB - CURVED - W/O BULB - BRASS |
| 17 | 123918-01-000 | EA | BULB - 12V - MAKEUP WHITE |
| 18 | 135740-01-02A | EA | SWITCH - ROCKER - SPST - ON/OFF - WHITE |
| 18 | 135741-01-02A | EA | SWITCH - BASE - SINGLE - WHITE |
| 18 | 135742-08-01A | EA | BEZEL - SWITCH - MAKEUP - WHITE |
| 19 | 119258-37-01A | EA | LAMP - WALL - BRASS - W/O SHADE - UL/CSA |
| 19 | 119257-18-01A | EA | SHADE - LAMP - PARCHMENT |
| 19 | 117805-01-000 | EA | BULB - 12V - # 921F - 1.4 AMPS |
| 20* | 108354-01-01A | EA | LIGHT - COURTESY |
| 21 | 135740-01-02A | EA | SWITCH - ROCKER - SPST - ON/OFF - WHITE |
| 21 | 135741-01-02A | EA | SWITCH - BASE - SINGLE - WHITE |
| 21 | 135742-07-01A | EA | BEZEL - SWITCH - CEILING - WHITE |
| 22* | 123775-01-01A | EA | LIGHT - HALOGEN - ROUND |
| 23 | 132180-01-01A | EA | SWITCH - PADDLE - SPST - ON/OFF - BLACK |
| 23 | 098351-01-01A | EA | PLATE/SWITCH - 1 GANG - POLISHED BRASS - W/O LABEL |
| 24 | 135740-01-02A | EA | SWITCH - ROCKER - SPST - ON/OFF - WHITE |
| 24 | 135740-02-02A | EA | SWITCH - ROCKER - SPDT - ON/ON - WHITE |
| 24 | 135741-02-02A | EA | SWITCH - BASE - DOUBLE - WHITE |
| 24 | 135742-16-01A | EA | BEZEL - SWITCH - HALL/CEILING - WHITE |
| 25 | 116995-02-000 | EA | SWITCH/MAGNET - ELECTRIC STEP - BLACK/WHITE-CLOSED CIRCUIT |
| 26 | 135740-01-02A | EA | SWITCH - ROCKER - SPST - ON/OFF - WHITE |
| 26 | 135741-01-02A | EA | SWITCH - BASE - SINGLE - WHITE |
| 26 | 135742-01-02A | EA | SWITCH - BEZEL - SINGLE - WHITE |
| 27 | 135740-01-02A | EA | SWITCH - ROCKER - SPST - ON/OFF - WHITE |
| 27 | 135741-01-02A | EA | SWITCH - BASE - SINGLE - WHITE |
| 27 | 135742-11-01A | EA | BEZEL - SWITCH - STEP - WHITE |
| 28 | 135740-01-02A | EA | SWITCH - ROCKER - SPST - ON/OFF - WHITE |
| 28 | 135741-01-02A | EA | SWITCH - BASE - SINGLE - WHITE |
| 28 | 135742-19-01A | EA | BEZEL - SWITCH - PORCH/CEILING LIGHT |

***COMPONENT PARTS LISTED LATER IN THIS GROUP**

ELECTRICAL GROUP (CONTINUED)
12V BODY WIRING (CONTINUED)

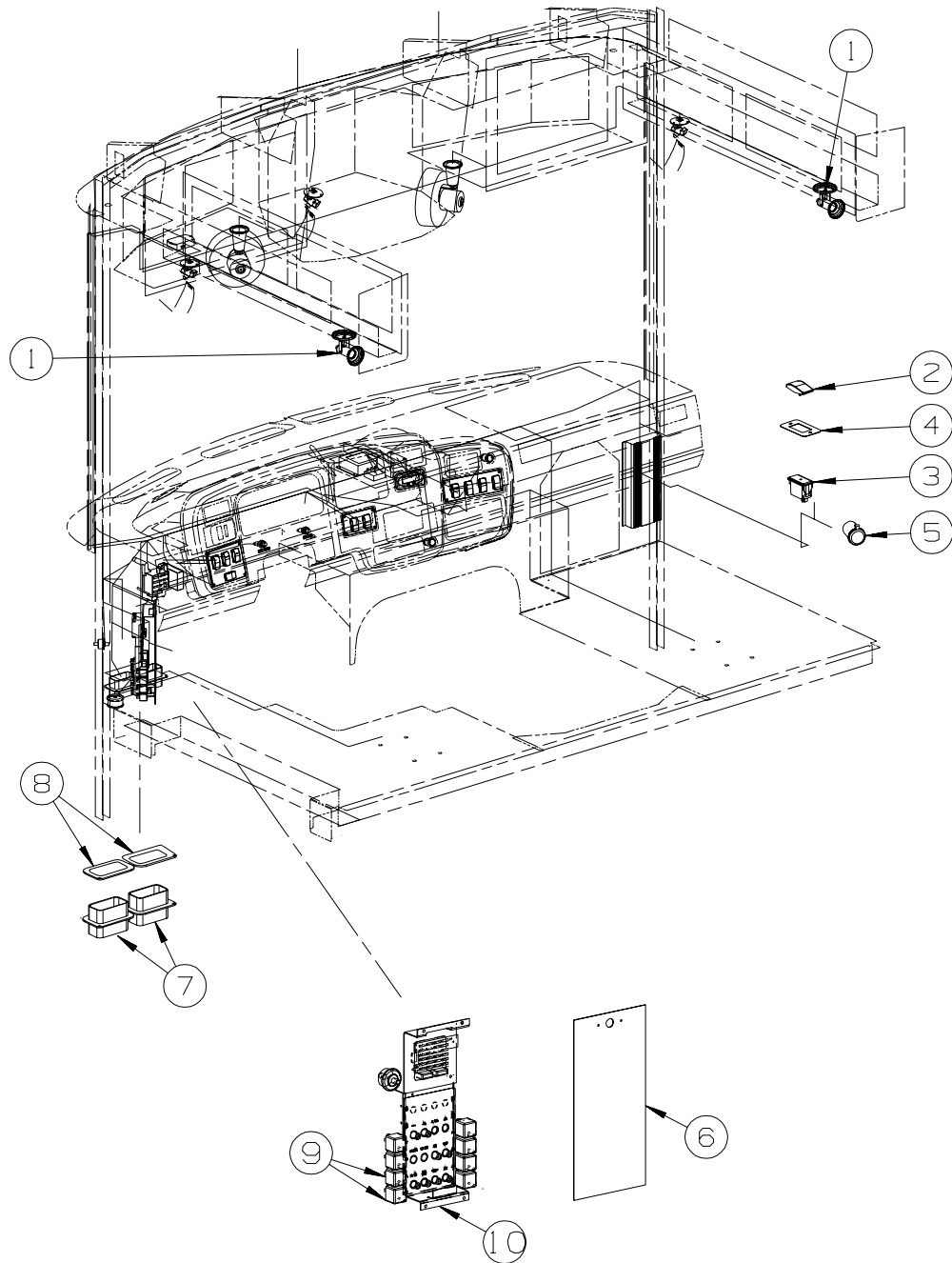


| KEY | PART NUMBER | U/M | DESCRIPTION |
|-----|---------------|-----|---|
| 1* | 091937-08-000 | EA | LIGHT-FLOURESCENT-12V/30 WATT RECESSED - W/O SWITCH |
| 1 | 091937-03-000 | EA | BULB - FLUORESCENT LIGHT - 12 VOLT |
| 2* | 093575-22-01A | EA | LIGHT - CEILING/ROUND - BRASS - UL/CSA |
| 2 | 117805-01-000 | EA | BULB - 12V - # 921F - 1.4 AMPS |
| 3* | 137417-06-01A | EA | LIGHT - DOME - DOUBLE - W/FROSTED LENS - W/O SWITCH-WHITE |
| 4* | 086280-01-000 | EA | LIGHT - SURFACE MOUNT - 12 VOLT |
| 5 | 041250-01-000 | EA | SWITCH - PUSH BUTTON/DOOR JAMB - METAL - CHROME |
| 5 | 138494-01-02B | EA | BRACKET - SWITCH/LIGHT - E-COATED |
| 6 | 137417-03-01A | EA | LIGHT - DOME - SINGLE - W/FROSTED LENS - W/O SWITCH-WHITE |
| 7 | 133416-02-000 | EA | LIGHT - FLUORESCENT W/O LENS - 36" - 1 BULB |

***COMPONENT PARTS LISTED LATER IN THIS GROUP**

ELECTRICAL GROUP (CONTINUED)

FRONT END WIRING

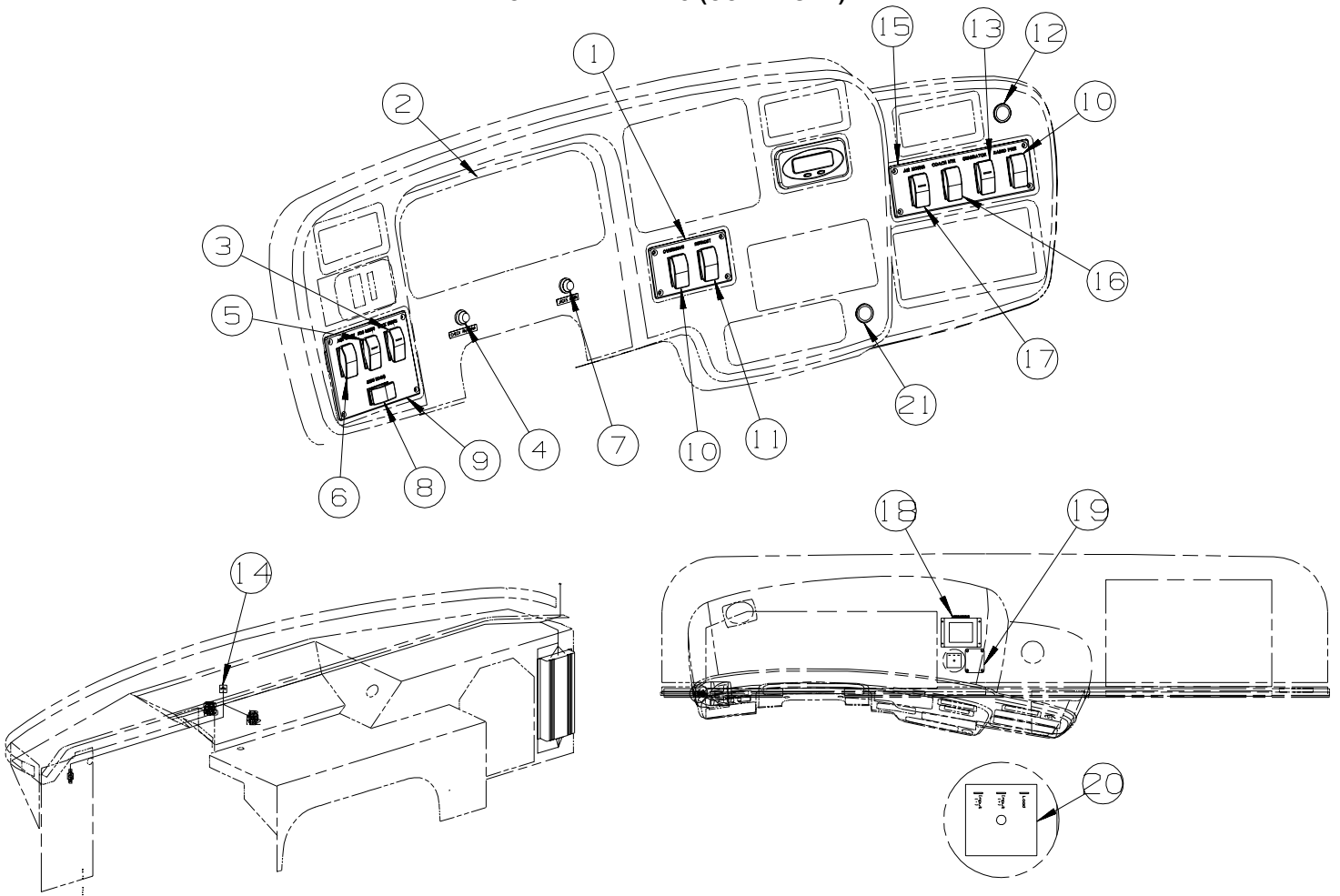


| KEY | PART NUMBER | U/M | DESCRIPTION |
|-----|---------------|-----|--|
| 1 | 128786-01-01A | EA | LIGHT - READING/SWIVEL |
| | 123917-01-000 | EA | BULB - 12V - HALOGEN SPOT |
| 2 | 108357-01-000 | EA | SWITCH - ROCKER - SPST - ON/OFF - 2 TERMINAL |
| 3 | 108356-01-01A | EA | COVER/ACTUATOR SWITCH - 3 GROOVES - CONTURA III - BLACK |
| 4 | 098351-07-01A | EA | PLATE/SWITCH - 1 GANG - POLISHED BRASS - GENERATOR |
| 5 | 132958-01-000 | EA | RECEPTACLE - 12 VOLT - MOUNTING FLANGE - BLACK |
| 6 | 118905-04-02B | EA | DOOR - ELECTRICAL - E-COATED |
| 7 | 118571-03-000 | EA | BRACKET - MOUNTING |
| 8 | 118571-04-000 | EA | GASKET |
| 9 | 063912-02-000 | EA | RELAY - CANISTER - SPDT |
| 10 | 118425-02-02B | EA | BRACKET - CIRCUIT BREAKER - E-COATED |
| * | 137424-01-000 | EA | GPS-NAVAGATION SYS-W/DVD DIVIT/MAPS/GPS ANT & WIRE HARNESS -US |
| | 137424-02-000 | EA | MONITOR - LCD - COLOR 6.5" - W/INTERFACE BOX & HARNESS - US |
| | | | FROM: 00-00-00 THRU: 05-19-02 |
| | 137424-03-000 | EA | MONITOR/LCD - COLOR - US |
| | | | FROM: 05-20-02 THRU: 99-99-99 |
| | 007093-01-000 | EA | SIGNAL FLASHER |

*COMPONENT PARTS LISTED LATER IN THIS GROUP

ELECTRICAL GROUP (CONTINUED)

FRONT END WIRING (CONTINUED)



| KEY | PART NUMBER | U/M | DESCRIPTION |
|-----|---------------|-----|--|
| 1 | 139046-03-01A | EA | PANEL - SWITCH - INSTRUMENT PANEL - MATT BLACK |
| 2 | 127244-12-000 | EA | CLUSTER - INSTRUMENT PANEL - K/M - GAS - CANADIAN |
| 3 | 108357-14-000 | EA | SWITCH - ROCKER - SPST - W/LIGHT - ON/OFF - 4 TERMINAL |
| 3 | 108356-03-01A | EA | COVER/ACTUATOR SWITCH -3 GROOVES W/LIGHT-CONTRA III-BLACK |
| 3 | 108355-01-000 | EA | HOUSING - SWITCH |
| 4 | 133534-01-000 | EA | LIGHT - RED INDICATOR WITH 1/4" TERMINALS |
| 5 | 108357-14-000 | EA | SWITCH - ROCKER - SPST - W/LIGHT - ON/OFF - 4 TERMINAL |
| 5 | 108356-03-01A | EA | COVER/ACTUATOR SWITCH -3 GROOVES W/LIGHT-CONTRA III-BLACK |
| 5 | 108355-01-000 | EA | HOUSING - SWITCH |
| 6 | 108357-09-000 | EA | SWITCH - ROCKER - SPDT - ON/NONE/MOM - 3 TERMINAL |
| 6 | 108356-01-01A | EA | COVER/ACTUATOR SWITCH - 3 GROOVES - CONTURA III - BLACK |
| 6 | 108355-01-000 | EA | HOUSING - SWITCH |
| 7 | 133534-02-000 | EA | LIGHT - AMBER INDICATOR WITH 1/4" TERMINALS |
| 8 | 108357-06-000 | EA | SWITCH - ROCKER - DPDT - MOM/OFF/MOM - 6 TERMINAL |
| 8 | 108356-01-01A | EA | COVER/ACTUATOR SWITCH - 3 GROOVES - CONTURA III - BLACK |
| 8 | 108355-01-000 | EA | HOUSING - SWITCH |
| 9 | 139046-02-01A | EA | PANEL - SWITCH - INSTRUMENT PANEL - MATT BLACK |
| 10 | 108357-08-000 | EA | SWITCH - ROCKER - DPDT - ON/NONE/ON - 6 TERMINAL |
| 10 | 108356-01-01A | EA | COVER/ACTUATOR SWITCH - 3 GROOVES - CONTURA III - BLACK |
| 10 | 108355-01-000 | EA | HOUSING - SWITCH |
| 11 | 108357-03-000 | EA | SWITCH - ROCKER - SPDT - ON/OFF/ON - 3 TERMINAL |
| 11 | 108356-01-01A | EA | COVER/ACTUATOR SWITCH - 3 GROOVES - CONTURA III - BLACK |
| 11 | 108355-01-000 | EA | HOUSING - SWITCH |
| 12 | 111414-01-000 | EA | RECEPTACLE/SOCKET - 12 VOLT |
| 13 | 108357-10-000 | EA | SWITCH - ROCKER - SPDT - W/LIGHT - MOM/NONE/MOM-5 TERMINAL |
| 13 | 108356-03-01A | EA | COVER/ACTUATOR SWITCH -3 GROOVES W/LIGHT-CONTRA III-BLACK |
| 13 | 108355-01-000 | EA | HOUSING - SWITCH |
| 14 | 063912-02-000 | EA | RELAY - CANISTER - SPDT |

ELECTRICAL GROUP (CONTINUED)
FRONT END WIRING (CONTINUED)

| KEY | PART NUMBER | U/M | DESCRIPTION |
|------------|--------------------|------------|---|
| 15 | 139046-01-01A | EA | PANEL - SWITCH - INSTRUMENT PANEL - MATT BLACK |
| 16 | 108357-03-000 | EA | SWITCH - ROCKER - SPDT - ON/OFF/ON - 3 TERMINAL - W/HOME COMFORT PLUS |
| 16 | 108356-01-01A | EA | COVER/ACTUATOR SWITCH - 3 GROOVES - CONTURA III - BLACK - W/HOME COMFORT PLUS |
| 16 | 096241-03-000 | EA | SWITCH - BLANK - BLACK - W/O HOME COMFORT PLUS |
| 16 | 108355-01-000 | EA | HOUSING - SWITCH |
| 17 | 108357-15-000 | EA | SWITCH - ROCKER - DPDT - ON/NONE/ON - LIGHTED - W/AIR HORNS |
| 17 | 108356-01-01A | EA | COVER/ACTUATOR SWITCH - 3 GROOVES - CONTURA III - BLACK - W/AIR HORNS |
| 17 | 096241-03-000 | EA | SWITCH - BLANK - BLACK - W/O AIR HORNS |
| 17 | 108355-01-000 | EA | HOUSING - SWITCH |
| 18* | 102756-02-000 | EA | REMOTE KEYLESS ENTRY SYSTEM |
| 19 | 128074-02-000 | EA | FILTER - NOISE - 12 VOLT DC W/PLUGS |
| 20 | 133535-01-000 | EA | MODULE - TIMER 20 SECOND - WARNING LIGHT - TS61120P |
| 21 | 089294-01-000 | EA | LIGHTER - CIGARETTE - W/SOCKET & WIRE |
| * | 136119-01-000 | EA | COMPASS/THERMOMETER - ELECTRONIC |
| | 100138-01-000 | EA | MODULE - DAYTIME/RUNNING LIGHT - HAMSAR DRL #H8005B |

***COMPONENT PARTS LISTED LATER IN THIS GROUP**

ELECTRICAL GROUP (CONTINUED)
COMPONENT PARTS FOR LIGHTS & SWITCHES

008089-02-000

| KEY | PART NUMBER | U/M | DESCRIPTION |
|------------|--------------------|------------|----------------------------------|
| | 008089-01-700 | EA | LENS-LIGHT, RECESSED, PORCH DECO |

086280-01-000

| KEY | PART NUMBER | U/M | DESCRIPTION | VENDOR NO. |
|------------|--------------------|------------|--------------------|-------------------|
| | 086280-01-700 | EA | BULB, 12V | ARP1089 |

091937-08-000

| KEY | PART NUMBER | U/M | DESCRIPTION | VENDOR NO. |
|------------|--------------------|------------|----------------------------|-------------------|
| | 091937-08-700 | EA | LENS - LIGHT - FLUORESCENT | D-766 |

091937-09-000

| KEY | PART NUMBER | U/M | DESCRIPTION | VENDOR NO. |
|------------|--------------------|------------|----------------------------|-------------------|
| | 091937-09-700 | EA | LENS - LIGHT - FLUORESCENT | D-762 |

093575-22-01A

| KEY | PART NUMBER | U/M | DESCRIPTION | VENDOR NO. |
|------------|--------------------|------------|------------------------|-------------------|
| | 093575-19-700 | EA | GLOBE F/55-556X2 LIGHT | 9088 |

097917-01-06A

| KEY | PART NUMBER | U/M | DESCRIPTION | VENDOR NO. |
|------------|--------------------|------------|--------------------|-------------------|
| | 097917-01-700 | EA | LENS-LIGHT, CLEAR | 30-78-021 |

098024-01-03A

| KEY | PART NUMBER | U/M | DESCRIPTION | VENDOR NO. |
|------------|--------------------|------------|--------------------|-------------------|
| | 098024-01-700 | EA | LENS-LIGHT | 807877 |

102756-02-000

| KEY | PART NUMBER | U/M | DESCRIPTION | VENDOR NO. |
|------------|--------------------|------------|------------------------------|-------------------|
| | 102756-01-704 | EA | HARNESS-MAIN | 203-6638 |
| | 102756-02-700 | EA | REMOTE (TRANSMITTER) KEYLESS | 412-1112 |
| | 102756-02-701 | EA | BOARD-MODULE, NEW SYSTEM | 202-3153 |
| | 102756-02-702 | EA | BATTERY-12 V | 402-1002 |
| | 102756-02-702 | EA | RELAY- 30AMP - SPDT | 463-1000 |

108354-01-01A

| KEY | PART NUMBER | U/M | DESCRIPTION | VENDOR NO. |
|------------|--------------------|------------|---------------------|-------------------|
| | 108354-01-700 | EA | BULB-COURTESY LIGHT | 395-B |

110235-01-01A

| KEY | PART NUMBER | U/M | DESCRIPTION | VENDOR NO. |
|------------|--------------------|------------|---------------------|-------------------|
| | 081633-01-700 | EA | BULB-LIGHT, MAKE-UP | RP1041 |

123775-01-01A

| KEY | PART NUMBER | U/M | DESCRIPTION | VENDOR NO. |
|------------|--------------------|------------|-----------------------------|-------------------|
| | 123775-01-700 | EA | BULB - 10 WATT - HALOGEN | 71-JC10 |
| | 123775-01-701 | EA | BEZEL/LENS - RECESSED LIGHT | |

136119-01-000

| KEY | PART NUMBER | U/M | DESCRIPTION | VENDOR NO. |
|------------|--------------------|------------|------------------------------|---------------------|
| | 136119-01-700 | EA | SENSOR - COMPASS ENGINE | AP-SUB-005 |
| | 136119-01-701 | EA | PROBE/TEMPERATURE SENSOR(V1) | AP-SUB-004A |
| | 136119-01-702 | EA | DISPLAY MODULE-LED (V1) | AP-SUB-004B |
| | 136119-01-703 | EA | HARNESS - COMPASS POWER | AP-HRN-175 |
| | 136119-01-704 | EA | HARNESS - COMPASS ENGINE | AP-HRN-176 |
| | 136119-01-705 | EA | HRNSS-COMP.TEMP SENSOR V1 | AP-HRN-177 |
| | 136119-01-706 | EA | PROBE/COMPASS TEMP. (V2) | AP-SUB-006 |
| | 136119-01-707 | EA | DISPLAY MODULE - VISUAL (V2) | AP-SUB-007 |
| | 136119-01-708 | EA | HARNESS/COMP. COMP/THERM(V2) | AP-HRN-239 W/PACKRD |

137417-02-01A

| KEY | PART NUMBER | U/M | DESCRIPTION | VENDOR NO. |
|------------|--------------------|------------|---------------------|-------------------|
| | 137417-02-700 | EA | LENS - SINGLE OPTIC | 810844 |

137417-05-01A

| KEY | PART NUMBER | U/M | DESCRIPTION | VENDOR NO. |
|------------|--------------------|------------|---------------------|-------------------|
| | 137417-05-700 | EA | LENS - DOUBLE OPTIC | 810845 |

ELECTRICAL GROUP (CONTINUED)
COMPONENT PARTS FOR LIGHTS & SWITCHES (CONTINUED)

137417-06-01A

| KEY | PART NUMBER | U/M | DESCRIPTION | VENDOR NO. |
|------------|--------------------|------------|---------------------|-------------------|
| | 137417-06-700 | EA | LENS - DOUBLE WHITE | 810867 |

137424-01-000

| KEY | PART NUMBER | U/M | DESCRIPTION | VENDOR NO. |
|------------|--------------------|------------|--------------------|-------------------|
| | 137424-01-700 | EA | DISC - SETUP - DVD | NVD-A131 |

ELECTRICAL GROUP (CONTINUED)
CIRCUIT BREAKERS & FUSES

| KEY | PART NUMBER | U/M | DESCRIPTION |
|-----|---------------|-----|--|
| | 008233-01-000 | EA | FUSE - 12 VOLT - 6 AMP |
| | 008235-01-000 | EA | FUSE - 15 AMP/12VOLT - AUTOMOTIVE |
| | 033573-01-000 | EA | CIRCUIT BREAKER W/MOUNT-20A, 12V - FASCO 1711-2026 |
| | 062037-02-000 | EA | HOUSING - AUTO FUSE - GREEN |
| | 062037-04-000 | EA | HOUSING - AUTO FUSE - BLUE |
| | 062037-07-000 | EA | HOUSING - AUTO FUSE - RED |
| | 062901-02-000 | EA | FUSE - 5 AMP - AUTOMOTIVE |
| | 062901-05-000 | EA | FUSE - 15 AMP - AUTOMOTIVE |
| | 062901-06-000 | EA | FUSE - 20 AMP - AUTOMOTIVE |
| | 062901-07-000 | EA | FUSE - 25 AMP - AUTOMOTIVE |
| | 062901-08-000 | EA | FUSE - 30 AMP - AUTOMOTIVE |
| | 083209-01-000 | EA | CIRCUIT BREAKER - 15 AMP - 120 VOLT - CANADIAN |
| | 083209-02-000 | EA | CIRCUIT BREAKER - 15/15 AMP - 120 VOLT |
| | 083209-03-000 | EA | CIRCUIT BREAKER - 15/20 AMP - 120 VOLT |
| | 083209-04-000 | EA | CIRCUIT BREAKER - 30 AMP - 120 VOLT |
| | 083209-05-000 | EA | CIRCUIT BREAKER - 20 AMP - 120 VOLT |
| | 083209-06-000 | EA | CIRCUIT BREAKER - 30/15 AMP - 120 VOLT |
| | 083209-07-000 | EA | CIRCUIT BREAKER - 20/20 AMP - 120 VOLT |
| | 083209-10-000 | EA | CIRCUIT BREAKER - 20/30 AMP - 120 VOLT |
| | 083209-11-000 | EA | CIRCUIT BREAKER - 20/15 AMP - 120 VOLT |
| | 092786-02-000 | EA | BUSS BAR - 3.3" LONG |
| | 092786-03-000 | EA | BUSS BAR - 6.9" LONG |
| | 092786-06-000 | EA | BUSS BAR |
| | 093654-01-000 | EA | CIRCUIT BREAKER - 6 AMP - 12 VOLT - PUSH BUTTON - WHITE |
| | 093654-02-000 | EA | CIRCUIT BREAKER - 15 AMP - 12 VOLT - PUSH BUTTON - WHITE |
| | 093654-03-000 | EA | CIRCUIT BREAKER - 20 AMP - 12 VOLT - PUSH BUTTON - WHITE |
| | 093654-11-000 | EA | COVER - RESET BUTTON |
| | 093655-01-000 | EA | CIRCUIT BREAKER - 25 AMP - 12 VOLT - PUSH BUTTON - WHITE |
| | 093655-02-000 | EA | CIRCUIT BREAKER - 30 AMP - 12 VOLT - PUSH BUTTON - WHITE |
| | 093655-03-000 | EA | CIRCUIT BREAKER - 40 AMP - 12 VOLT - PUSH BUTTON - WHITE |
| | 093674-01-000 | EA | PLATE - CIRCUIT BREAKER - HOUSE - 8.4" X 4.1" - STEEL |
| | 097611-01-000 | EA | CIRCUIT BREAKER - 10 AMP |
| | 100341-01-000 | EA | FUSE HOLDER - IN LINE TYPE |
| | 106656-01-000 | EA | FUSE BLOCK - 4 CAVITY - AUTOFUSE |
| | 108567-01-000 | EA | CIRCUIT BREAKER - 40 AMP - 12 VOLT - TYPE II |
| | 108669-01-000 | EA | HOUSING - AUTO FUSE HOLDER |
| | 111683-01-000 | EA | FUSE - HOLDER - GLASS - 1/4" X 1 1/4" |
| | 113482-01-000 | EA | CIRCUIT BREAKER - 55 AMP - MANUAL |
| | 115187-01-000 | EA | FUSE - 300 AMP - NON-DELAY |
| | 115187-02-000 | EA | FUSE HOLDER - BUSS ANN/ANL BLOCK |
| | 118531-04-02B | EA | PLATE - CIRCUIT BREAKER - E-COATED |
| | 118531-05-02B | EA | PLATE - CIRCUIT BREAKER - E-COAT |
| | 122811-01-000 | EA | CIRCUIT BREAKER - 20/50/50/20 |
| | 125986-04-000 | EA | FUSE - 10 AMP - AUTO - MINI BLADE |
| | 125986-05-000 | EA | FUSE - 15 AMP - AUTO - MINI BLADE |
| | 134127-01-000 | EA | CIRCUIT BREAKER - 10 AMP - MINI |

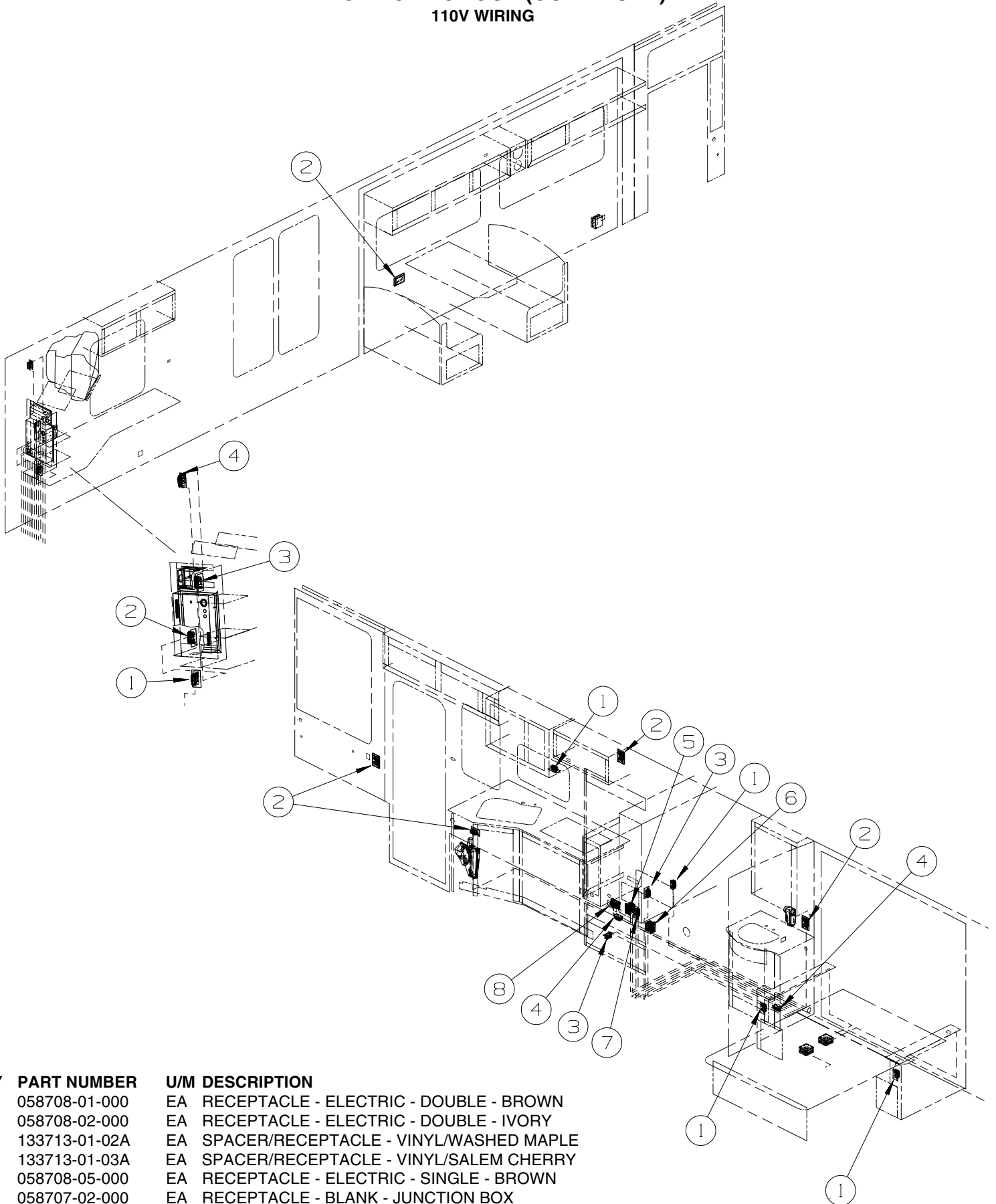
ELECTRICAL GROUP (CONTINUED)

CONVERTER, INVERTER, LOAD CENTERS

| KEY | PART NUMBER | U/M | DESCRIPTION |
|-----|---------------|-----|---|
| | 108915-03-000 | EA | LOAD CENTER - 120/240 VOLT - 100 AMP FROM: 00-00-00 THRU: 01-06-02 |
| | 141258-01-000 | EA | LOAD CENTER - 120/240 VOLT - 50 AMP FROM: 01-07-02 THRU: 99-99-99 |
| | 141258-02-000 | EA | LOAD CENTER - COVER FROM: 01-07-02 THRU: 99-99-99 |
| | 109677-01-000 | EA | LOAD CENTER - 120 VOLT - 40 AMP |
| | 113685-01-000 | EA | INVERTER - CHARGER - 2000W AC |
| | 113685-05-000 | EA | REMOTE PANEL - INVERTER/CHARGER |
| | 113685-06-000 | EA | CABLE - MODULAR JACK - 50' |
| | 127002-04-000 | EA | MODULE - EMS CONTROL - W/REMOTE SENSOR FROM: 00-00-00 THRU: 01-06-02 |
| | 127002-08-000 | EA | MODULE - EMS CENTER - W/REMOTE SENSOR FROM: 01-07-02 THRU: 99-99-99 |
| | 127002-05-000 | EA | PANEL/MONITOR - ENERGY MANAGEMENT SYSTEMS CTRL - W/PLUG |
| | 127002-07-000 | EA | SENSOR - CURRENT |

ELECTRICAL GROUP (CONTINUED)

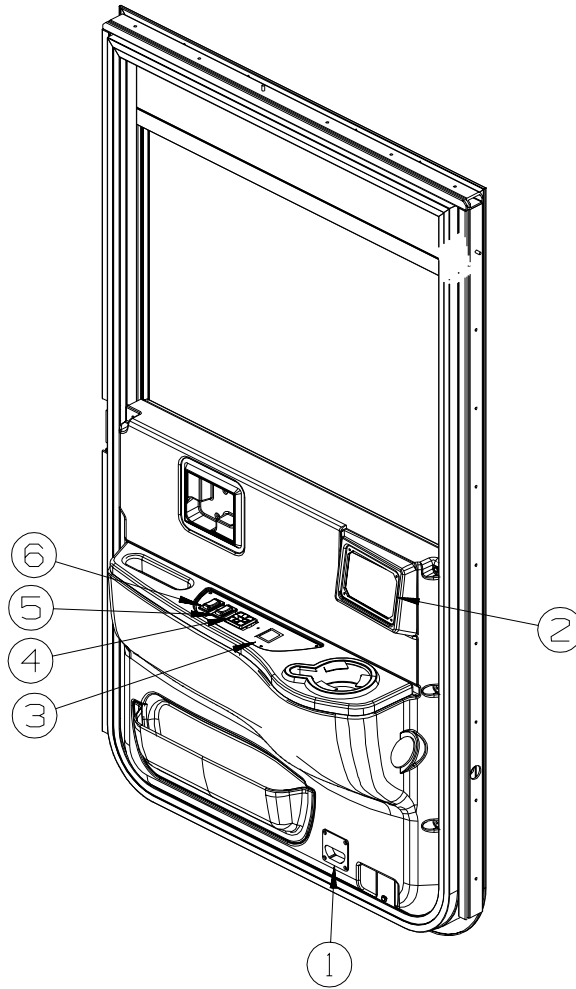
110V WIRING



| KEY | PART NUMBER | U/M | DESCRIPTION |
|-----|---------------|-----|--|
| 1 | 058708-01-000 | EA | RECEPTACLE - ELECTRIC - DOUBLE - BROWN |
| 2 | 058708-02-000 | EA | RECEPTACLE - ELECTRIC - DOUBLE - IVORY |
| 2 | 133713-01-02A | EA | SPACER/RECEPTACLE - VINYL/WASHED MAPLE |
| 2 | 133713-01-03A | EA | SPACER/RECEPTACLE - VINYL/SALEM CHERRY |
| 3 | 058708-05-000 | EA | RECEPTACLE - ELECTRIC - SINGLE - BROWN |
| 4 | 058707-02-000 | EA | RECEPTACLE - BLANK - JUNCTION BOX |
| 5 | 084076-02-000 | EA | RECEPTACLE - GFI - 15 AMP/125 VOLT - BROWN - W/COVER |
| 6 | 084076-01-000 | EA | RECEPTACLE - GFI - 15 AMP/125 VOLT - IVORY - W/COVER |
| 7 | 084420-01-000 | EA | SWITCH - TOGGLE - 15 AMP - 120 VOLT - BROWN |
| 8 | 131826-01-01A | EA | RECEPTACLE - EXTERIOR - W/COVER/GASKET - WHITE |

ELECTRICAL GROUP (CONTINUED)

DRIVERS DOOR WIRING



| KEY | PART NUMBER | U/M | DESCRIPTION |
|-------------------------------|---------------|-----|--|
| 1* | 108354-01-01A | EA | LIGHT - COURTESY |
| 2 | 107889-05-000 | EA | PANEL - CONTROL - 310 W/HARNESS |
| FROM: 10-26-01 THRU: 99-99-99 | | | |
| 3 | 108357-14-000 | EA | SWITCH - ROCKER - SPST - W/LIGHT - ON/OFF - 4 TERMINAL |
| 4 | 088246-01-000 | EA | SWITCH/REMOTE MIRROR - W/2PIN & 6 PIN CONNECTORS/PIGTAIL |
| 5 | 093132-01-000 | EA | SWITCH - ROCKER/POWER WINDOWS - 5 TERM - (ARROWS) |
| 6 | 093132-02-000 | EA | SWITCH - ROCKER/POWER DOOR LOCK - 5 TERM - (KEY/ARROW) |

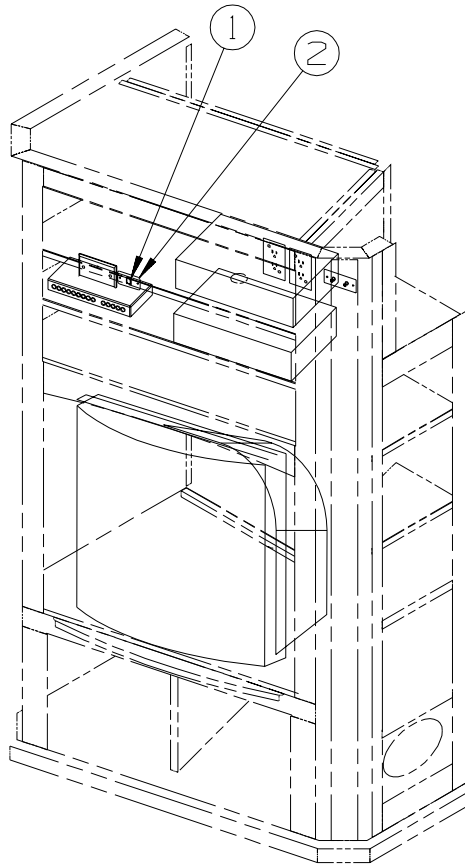
***COMPONENT PARTS LISTED LATER IN THIS GROUP**

ELECTRICAL GROUP (CONTINUED)
COMPONENT PARTS FOR DRIVERS DOOR WIRING

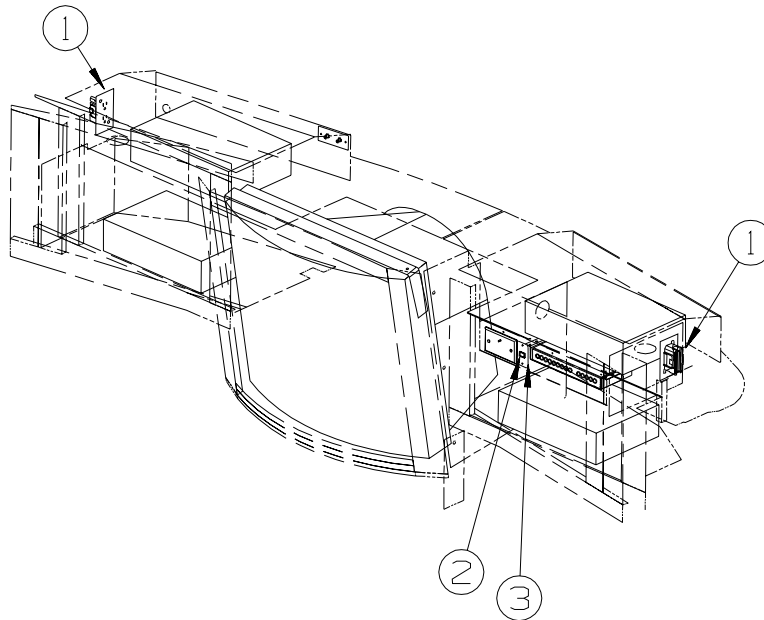
108354-01-01A

| KEY | PART NUMBER | U/M | DESCRIPTION | VENDOR NO. |
|------------|--------------------|------------|---------------------|-------------------|
| | 108354-01-700 | EA | BULB-COURTESY LIGHT | 395-B |

ELECTRICAL GROUP (CONTINUED)
ENTERTAINMENT WIRING

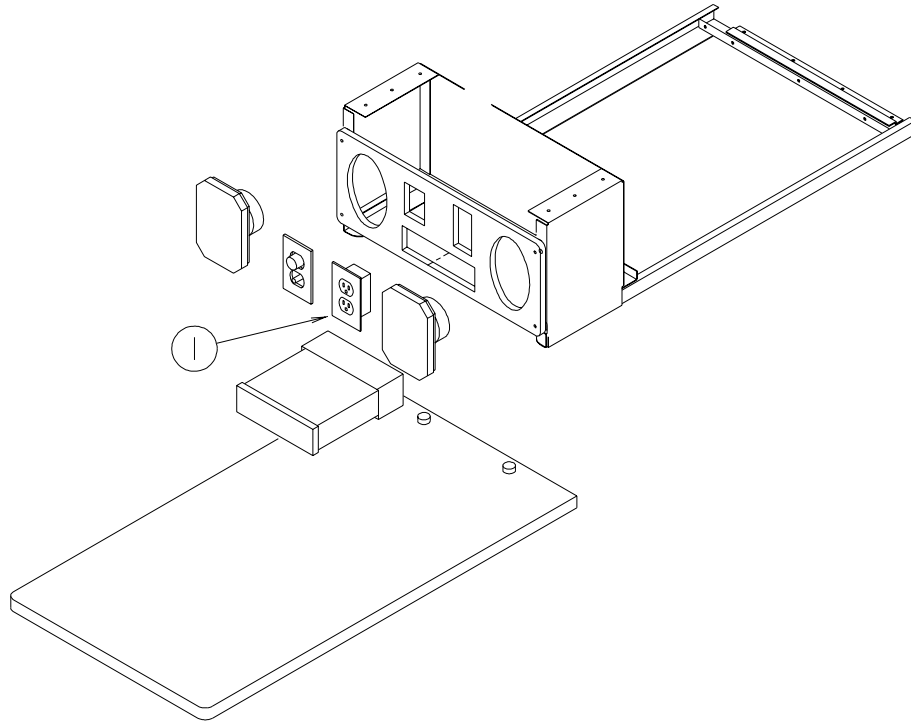


| KEY | PART NUMBER | U/M | DESCRIPTION |
|-----|---------------|-----|--|
| 1 | 079364-04-000 | EA | SWITCH - ON/OFF ROCKER - 2 TERMINAL - BLACK |
| 2 | 098351-08-01A | EA | PLATE/SWITCH - 4 GANG/BRASS-PORCH/CEILING/STEP/COMPT LAMPS |



| KEY | PART NUMBER | U/M | DESCRIPTION |
|-----|---------------|-----|---|
| 1 | 058708-01-000 | EA | RECEPTACLE - ELECTRIC - DOUBLE - BROWN |
| 2 | 079364-04-000 | EA | SWITCH - ON/OFF ROCKER - 2 TERMINAL - BLACK |
| 3 | 098351-16-01A | EA | PLATE/SWITCH - 1 GANG W/LABEL |

ELECTRICAL GROUP (CONTINUED)
ENTERTAINMENT WIRING (CONTINUED)



| KEY | PART NUMBER | U/M | DESCRIPTION |
|------------|--------------------|------------|--|
| 1 | 058708-02-000 | EA | RECEPTACLE - ELECTRIC - DOUBLE - IVORY |

BOXES & CORDS

| KEY | PART NUMBER | U/M | DESCRIPTION |
|------------|--------------------|------------|--|
| | 008289-01-000 | EA | BOX - ELECTRIC/STEEL - 1/2" & 3/4" KNOCKOUTS - 4" X 4" - L39 |
| | 091910-01-000 | EA | BOX - ELECTRIC - 3.8" X 3.5" X 1.8" - PLASTIC - L36W |
| | 091910-02-000 | EA | BOX - ELECTRIC - 2.2" X 3.5" X 1.8" - PLASTIC - L36W |
| | 133070-01-000 | EA | BOX - ELECTRIC/PLASTIC - 3" X 2" X 2.8" - UL |
| | 133070-02-000 | EA | BOX - ELECTRIC/PLASTIC - 3" X 2" X 2.8" - CSA |
| | 008294-01-000 | EA | COVER - ELECTRIC BOX - BLANK/STEEL - 4" X 4" - GRAY |
| | 131680-01-000 | EA | COVER - W/GASKET FOR WATERPROOF 4" X 4" BOX - UL/CSA - L36W |
| | 109925-04-000 | EA | DOOR - ELECTRICAL BOX - GM/FORD - L39 |
| | | | FROM: 00-00-00 THRU: 01-08-02 |
| | 092492-11-000 | EA | SEAL - ELECTRIC BOX - 7" X 18.4" - L39 |
| | 092492-11-000 | EA | SEAL - ELECTRIC BOX - 7" X 18.4" - L36W |
| | | | FROM: 00-00-00 THRU: 01-31-02 |
| | 092492-15-000 | EA | SEAL - ELECTRICAL FUSE BOX - L36W |
| | | | FROM: 02-01-02 THRU: 99-99-99 |
| | 106071-05-000 | EA | SWITCH - AUTOMATIC TRANSFER - 50/70 - MAGNETEK |
| | 108934-02-000 | EA | CORD - POWER - 50 AMP - 4-WIRE - 36' |
| | 109172-01-000 | EA | CORD - POWER - 13 AMP - 3-WIRE - 4' - L39 |
| | 115832-01-000 | FT | CORD - HEAVY DUTY - 14-2W GROUND |

ELECTRICAL GROUP (CONTINUED)

WIRE ASSEMBLIES

| KEY | PART NUMBER | U/M | DESCRIPTION |
|-----|---------------|-----|--|
| | 093040-06-000 | EA | WIRE ASSEMBLY-MONITOR-F/NON-PRE-WIRED AFTER MARKET INSTALL |
| | 096450-01-000 | EA | WIRE F/SENSORS - BLACK WATER - 39.3" - L36W FROM: 00-00-00 THRU: 10-14-01 |
| | 096451-06-000 | EA | WIRE F/SENSORS - GREY WATER - 23.6" - L36W FROM: 00-00-00 THRU: 10-14-01 |
| | 097618-01-000 | EA | WIRE ASSEMBLY - MONITOR PANEL- W/3 WIRES & ORANGE RESISTOR |
| | 108029-01-000 | EA | WIRE ASSEMBLY - POWER DRIVER SEAT |
| | 120233-05-000 | EA | WIRE ASSEMBLY - 30" CONNECTS TO WALLPLATE DISPLAY |
| | 124125-02-000 | EA | WIRE - ELECTRICAL BOX |
| | 124882-09-000 | EA | WIRE LOOM - AMPLIFIER - Q SURROUND |
| | 125853-01-000 | EA | WIRE LOOM - ENTERTAINMENT CENTER - L36W |
| | 125853-04-000 | EA | WIRE LOOM - ENTERTAINMENT CENTER - L36W |
| | 125853-05-000 | EA | WIRE LOOM - ENTERTAINMENT CENTER - L39 FROM: 00-00-00 THRU: 08-31-01 |
| | 125853-06-000 | EA | WIRE LOOM - ENTERTAINMENT CENTER - L39 FROM: 09-01-01 THRU: 99-99-99 |
| | 125853-07-000 | EA | WIRE LOOM - ENTERTAINMENT CENTER - L39 FROM: 09-01-01 THRU: 99-99-99 |
| | 127002-03-000 | EA | WIRE ASSEMBLY - ENERGY MANAGEMENT SYSTEM - L39 |
| | 128138-02-000 | EA | WIRE - F/SATELLITE - AUTOMATIC FROM: 00-00-00 THRU: 12-09-01 |
| | 141454-02-000 | EA | WIRE LOOM - SATELLITE - AUTOMATIC FROM: 12-10-01 THRU: 99-99-99 |
| | 129436-05-000 | EA | WIRE ASSEMBLY - INSTRUMENT PANEL/POWER MIRROR |
| | 129560-01-000 | EA | WIRE ASSEMBLY - 2 MONITOR PANEL |
| | 135131-01-000 | EA | WIRE ASSEMBLY - THERMOSTAT |
| | 135420-02-000 | EA | WIRE ASSEMBLY - RADIO |
| | 137135-03-000 | EA | WIRE LOOM - DIGITAL ELEVATION SENSOR FROM: 04-09-02 THRU: 99-99-99 |
| | 137135-04-000 | EA | WIRE HARNESS - POWER - DIGITAL ELEVATION SENSOR FROM: 04-09-02 THRU: 99-99-99 |
| | 137626-02-000 | EA | WIRE - OVERDRIVE SWITCH |
| | 137651-01-000 | EA | WIRE ASM-DRL |
| | 139583-01-000 | EA | WIRE LOOM - SOFA/DOUBLE REST EASY - L36W |
| | 139583-02-000 | EA | WIRE LOOM - SOFA/REAR SWITCH - L36W |
| | 140167-01-000 | EA | WIRE LOOM - GPS ADAPTER |
| | 142258-02-000 | EA | WIRE LOOM - VIDEO SWITCH/POWER SUPPLY - IL36W |

ELECTRICAL GROUP (CONTINUED)
CONNECTORS & CONDUIT

| KEY | PART NUMBER | U/M | DESCRIPTION |
|-----|---------------|-----|--|
| | 007942-01-000 | EA | TAB - WIRE 10 TO 14 AWG |
| | 007954-01-000 | EA | RECEPTACLE - HOUSING - 6 POSITION |
| | 007956-05-000 | EA | INSULATOR - SHRINK - 1/4" ID X 1 1/2" |
| | 008311-01-000 | EA | CONNECTOR - WIRE NUT - INSULATED - RED |
| | 008312-01-000 | EA | CONNECTOR - WIRE NUT - INSULATED - BLUE |
| | 008313-01-000 | EA | CONNECTOR - WIRE NUT - INSULATED - YELLOW |
| | 008314-01-000 | EA | CONNECTOR - WIRE NUT - INSULATED - GRAY |
| | 008326-01-000 | EA | TERMINAL - RING - 16/14 WIRE - 3/8" STUD |
| | 008328-01-000 | EA | TERMINAL - RING - 12/10 WIRE - #10 STUD FIT |
| | 008331-01-000 | EA | TERMINAL - RING - TONGUE - #4 WIRE - 3/8" STUD - COPPER |
| | 008348-01-000 | EA | TERMINAL - RING - 3/8" STUD 2 GA. WIRE |
| | 008355-01-000 | EA | CONNECTOR - CABLE CLAMPING - 3/4" |
| | 008356-01-000 | EA | CONNECTOR - PLASTIC - 3/8" AVG |
| | 008356-02-000 | EA | CONNECTOR - PLASTIC - 21/32 |
| | 008394-01-000 | FT | CONDUIT - FLEXIBLE - 1/2" |
| | 008398-01-000 | EA | CONNECTOR - 1/2" X 90 DEGREE - FLEX CONDUIT - UL & CSA |
| | 035416-04-000 | EA | TERMINAL - RING - #10 STUD FIT - INSULATED BARREL #16/14 |
| | 041953-01-000 | FT | CONDUIT - CONVOLUTE SLIT - .5" ID - POLYETHYLENE |
| | 041953-03-000 | FT | CONDUIT - CONVOLUTE SLIT - 1" ID (CLOTHES ROD COVER) |
| | 041953-05-000 | FT | CONDUIT - CONVOLUTE SOLID - .62" ID - POLYETHYLENE |
| | 041953-06-000 | FT | CONDUIT - CONVOLUTE SLIT - .4" ID - POLYETHYLENE |
| | 041953-07-000 | FT | CONDUIT - CONVOLUTE SLIT - .25" ID - POLYETHYLENE |
| | 041953-08-000 | FT | CONDUIT - CONVOLUTE SLIT - 1.5" ID - POLYETHYLENE |
| | 041953-09-000 | FT | CONDUIT - CONVOLUTE SLIT - .5" ID - NYLON |
| | 041953-10-000 | FT | CONDUIT - CONVOLUTE SLIT - .75" ID - NYLON |
| | 041953-11-000 | FT | CONDUIT - CONVOLUTE SLIT - 1.06" ID - NYLON |
| | 041953-12-000 | FT | CONDUIT - CONVOLUTE SOLID - 1.1" ID - NYLON |
| | 041953-13-000 | FT | CONDUIT - CONVOLUTE SLIT - 1.25 |
| | 047443-01-000 | EA | TERMINAL - .250 RECEPTACLE FIT - INSULATED - 16/14 AWG |
| | 047443-02-000 | EA | TERMINAL - .250 RECEPTACLE FIT - INSULATED - 12/10 AWG |
| | 058028-01-000 | EA | CONNECTOR - ELECTRICAL PIGTAIL - NYLON - CLEAR |
| | 062036-01-000 | EA | TERMINAL - PACK - CON - 12/10 AWG |
| | 074017-02-000 | EA | HOUSING - 5 POSITION - RIGHT ANGLED |
| | 077479-01-000 | EA | BOOT - BATTERY TERMINAL - DOUBLE CABLE |
| | 077479-02-000 | EA | BOOT - BATTERY TERMINAL - SINGLE CABLE |
| | 080015-02-000 | EA | RECEPTACLE - FLAG - .185 - 16/14 GAUGE |
| | 080015-03-000 | EA | RECEPTACLE - FLAG - .250 - 14/16 GAUGE |
| | 082109-01-000 | EA | HOUSING - CONNECTOR - PACKARD |
| | 082741-01-000 | EA | CONNECTOR BODY - 2 CONNECTOR MALE |
| | 085724-01-000 | EA | SOCKET - DOUBLE CONTACT - TAILLIGHT |
| | 087225-01-000 | FT | SLEEVING - 1/2" - TYPE H |
| | 087949-01-000 | EA | BUSS BAR - 2 POSITION - .6" X 1.5" |
| | 087949-02-000 | EA | BUSS BAR - 3 POSITION - .6" X 2.4" |
| | 087949-03-000 | EA | BUSS BAR - 4 POSITION |
| | 087949-05-000 | EA | BUSS BAR - 7 POSITION |
| | 088473-01-000 | EA | HOUSING - PIN - 12 CAVITY (3 ROWS OF 4) |
| | 088473-02-000 | EA | HOUSING - PIN - 15 CAVITY (3 ROWS OF 5) |
| | 088473-03-000 | EA | HOUSING - PIN - 9 CAVITY (3 ROWS OF 3) |
| | 088473-04-000 | EA | HOUSING - PIN - 8 CAVITY IN-LINE |
| | 088473-06-000 | EA | HOUSING - PIN - 6 CAVITY (2 ROWS OF 3) |
| | 088473-07-000 | EA | HOUSING - PIN - 5 CAVITY - IN-LINE |
| | 088473-08-000 | EA | HOUSING - PIN - 4 CAVITY - IN-LINE |
| | 088473-09-000 | EA | HOUSING - PIN - 3 CAVITY - IN-LINE |
| | 088473-10-000 | EA | HOUSING - PIN - 2 CAVITY - IN LINE |
| | 088474-01-000 | EA | HOUSING - SOCKET - 12 CAVITY |
| | 088474-02-000 | EA | HOUSING - SOCKET - 15 CAVITY |
| | 088474-03-000 | EA | HOUSING - SOCKET - 9 CAVITY |
| | 088474-04-000 | EA | HOUSING - SOCKET - 8 CAVITY |
| | 088474-06-000 | EA | HOUSING - SOCKET - 6 CAVITY |
| | 088474-07-000 | EA | HOUSING - SOCKET - 5 CAVITY |
| | 088474-08-000 | EA | HOUSING - SOCKET - 4 CAVITY |
| | 088474-09-000 | EA | HOUSING - SOCKET - 3 CAVITY |
| | 088474-10-000 | EA | HOUSING - SOCKET - 2 CAVITY |
| | 088475-01-000 | EA | PIN - CONNECTOR - 14-20 AWG |

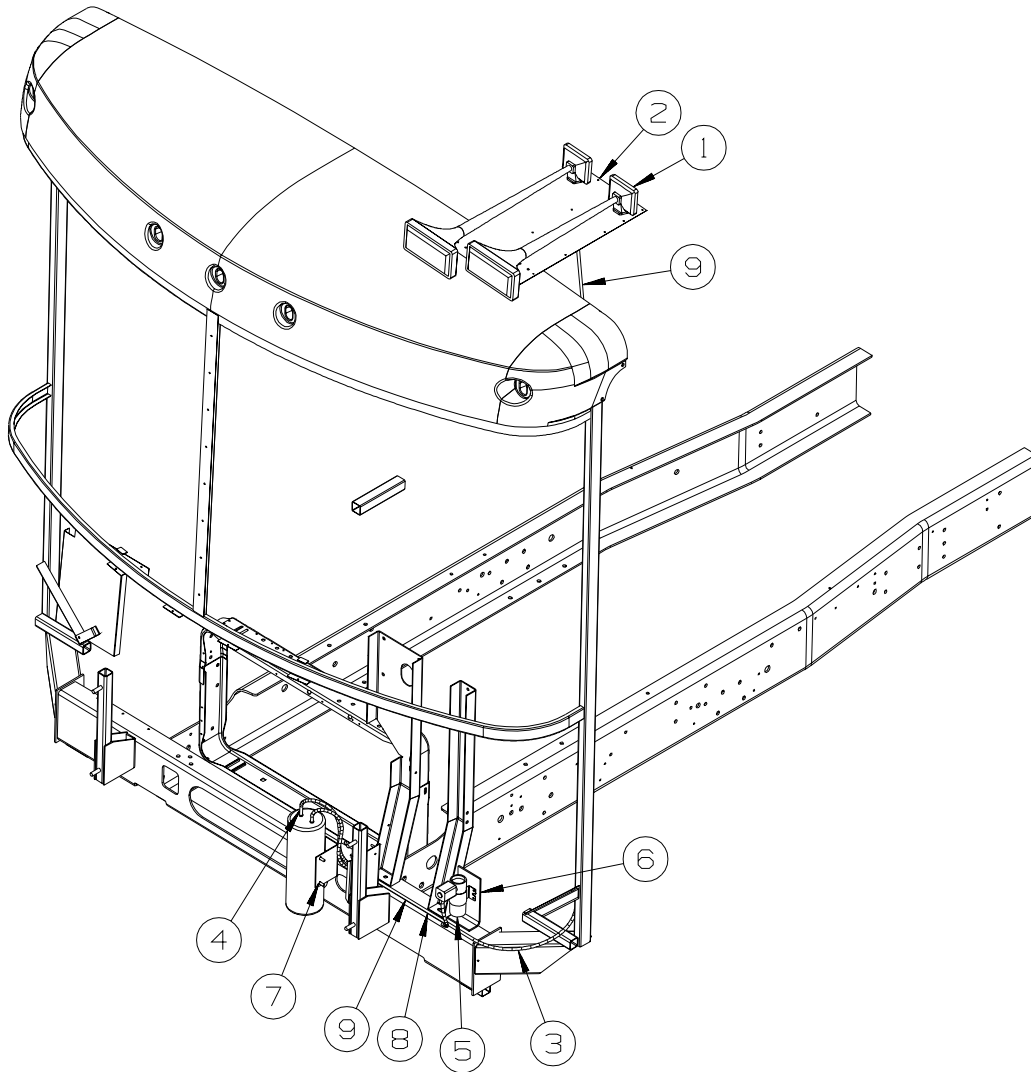
ELECTRICAL GROUP (CONTINUED)
CONNECTORS & CONDUIT (CONTINUED)

| KEY | PART NUMBER | U/M | DESCRIPTION |
|------------|--------------------|------------|---|
| | 088475-02-000 | EA | PIN - CONNECTOR - 10-12 AWG |
| | 088476-01-000 | EA | TERMINAL - ELECTRICAL |
| | 088476-02-000 | EA | SOCKET - CONNECTOR - 12-10 GA - PRE-TIN |
| | 098261-02-000 | EA | SOCKET - CONNECTOR - WEATHERPACK - 14-18 AWG |
| | 098262-01-000 | EA | SEAL - CONNECTOR - WEATHERPACK |
| | 098262-05-000 | EA | SEAL - CAVITY |
| | 098263-02-000 | EA | HOUSING - 3 PIN - WEATHER PACK |
| | 098264-01-000 | EA | HOUSING - 2 PIN - WEATHER PACK - MALE W/FEMALE PINS |
| | 098264-02-000 | EA | HOUSING - 2 PIN - WEATHER PACK - FEMALE W/MALE PINS |
| | 098265-02-000 | EA | PIN - CONNECTOR - WEATHER PACK |
| | 102777-02-000 | EA | TERMINAL - RING - #6 STUD - 10 AWG |
| | 104100-01-000 | EA | HOUSING - 1 POSITION - 75 AMPS |
| | 104100-03-000 | EA | TERMINAL - 75 AMP |
| | 106655-01-000 | EA | TERMINAL - FUSE BLOCK - 14-16 AWG |
| | 106655-02-000 | EA | TERMINAL - FUSE BLOCK - 10-12 AWG |
| | 110178-01-000 | EA | HOUSING - WIPER MOTOR |
| | 112823-01-000 | EA | SPLICE - REDUCER - 16-14 TO 18-22 |
| | 113135-01-000 | EA | TERMINAL - FEMALE - M/P - 14-16 - F/SEALED TERMINAL |
| | 113306-01-000 | EA | TERMINAL - FEMALE - M/P - 14-16 - F/NON-SEALED TERMINAL |
| | 113307-01-000 | EA | TERMINAL - FEMALE - M/P - 16-20 |
| | 113308-01-000 | EA | TERMINAL - FEMALE - M/P - 14-16 - 280 |
| | 113452-01-000 | FT | SEAL/TRIM - FRONT - VINYL W/WIRE CARRIER - .020" |
| | 113452-02-000 | FT | SEAL/TRIM - FRONT - VINYL W/WIRE CARRIER - .027" |
| | 113468-01-000 | EA | HOUSING - 2 POSITION-FEMALE-USED ON WIPER/WASHER WIRE ASM |
| | 115556-02-000 | EA | HOUSING - 2 POSITION - FEMALE/PARALLEL |
| | 115931-02-000 | EA | COVER - CONNECTOR - 50 AMP W/LOCKING RING |
| | 115932-02-000 | EA | CONNECTOR - FEMALE - 50 AMP/240 VOLT |
| | 116811-01-000 | EA | TERMINAL - .110 RECEPTACLE - 16-14 AWG |
| | 118571-01-000 | EA | CONNECTOR - 3-WAY - MALE/SEALED |
| | 118571-02-000 | EA | CONNECTOR - 3-WAY - FEMALE/SEALED |
| | 118571-03-000 | EA | BRACKET - MOUNTING |
| | 118571-04-000 | EA | GASKET |
| | 118571-05-000 | EA | LOCK - SECONDARY - FEMALE |
| | 118571-06-000 | EA | LOCK - SECONDARY - MALE |
| | 118597-01-000 | EA | TERMINAL - MALE - M/P - 480 - 14-16 |
| | 118599-01-000 | EA | TERMINAL - MALE - M/P - 280 - 14-16 |
| | 118820-01-000 | EA | INSULATOR - TERMINAL |
| | 119223-01-000 | EA | HOUSING - 6 POSITION - MALE - WEATHERPACK |
| | 119248-02-000 | EA | HOUSING - 7 POSITION - FEMALE |
| | 124625-02-000 | EA | CONNECTOR - 12 VOLT |
| | 125323-02-000 | EA | HOUSING - 8 POSITION - MALE |
| | 125323-03-000 | EA | LOCK - SECONDARY 8 POSITION |
| | 125323-04-000 | EA | LOCK - SECONDARY 10 POSITION |
| | 125323-05-000 | EA | HOUSING - 6 POSITION - MALE |
| | 125323-06-000 | EA | LOCK - SECONDARY 6 POSITION |
| | 125324-01-000 | EA | TERMINAL - MALE - METRI-PACK - 150 |
| | 125325-01-000 | EA | SEAL - CAVITY |
| | 126403-01-000 | EA | CONNECTOR - 2 CIRCUIT |
| | 126403-02-000 | EA | CONNECTOR - 3 CIRCUIT |
| | 129233-01-000 | EA | HOUSING - 2-POSITION/FEMALE - 280-SERIES |
| | 129233-02-000 | EA | HOUSING - 2-POSITION/FEMALE - 280-SERIES |
| | 129234-01-000 | EA | HOUSING - 6-POSITION/FEMALE - 280-SERIES |
| | 129234-02-000 | EA | HOUSING - 6-POSITION/FEMALE - 280-SERIES |
| | 129234-03-000 | EA | LOCK - SECONDARY - 6-POSITION |
| | 129235-01-000 | EA | HOUSING - 2-POSITION/FEMALE - 630-SERIES |
| | 129235-02-000 | EA | LOCK - SECONDARY - 2-POSITION |
| | 129236-01-000 | EA | TERMINAL - FEMALE - M/P - 630 - 10-12 |
| | 131515-01-000 | EA | HOUSING - 2 POSITON JR. POWER TIMER - F/HALOGEN FOG LIGHT |
| | 131681-01-000 | EA | CONNECTOR - 3/4" SO CORD - UL/CS |
| | 137207-01-000 | EA | HOUSING - PIN - 2 CAVITY/HIGH AMP |
| | 137208-01-000 | EA | HOUSING - SOCKET - 2 CAVITY/HIGH AMP |
| | 137209-01-000 | EA | PIN - CONNECTOR - 10AWG/HIGH AMP |
| | 137210-01-000 | EA | SOCKET - CONNECTOR - 10 AWG/HIGH AMP |
| | 138419-03-000 | EA | SOCKET - LAMP - 3 WIRE |

ELECTRICAL GROUP (CONTINUED)
BOOTS, SOLENOIDS, RELAYS & MISCELLANEOUS

| KEY | PART NUMBER | U/M | DESCRIPTION |
|------------|--------------------|------------|---|
| | 008188-01-000 | EA | SOLENOID - 3 POST - BATTERY CHANGE OVER |
| | 063910-01-000 | EA | HOUSING - RELAY |
| | 063912-02-000 | EA | RELAY - CANISTER - SPDT |
| | 086273-01-000 | EA | RELAY - BATTERY DISCONNECT |
| | 065450-05-000 | EA | TIEDOWN - BATTERY - 8.4" TUBE |
| | 086233-01-000 | EA | STUD - ISOLATED - 3/8" X 7/8" LONG |

EXTERIOR BODY GROUP AIR HORN



| KEY | PART NUMBER | U/M | DESCRIPTION |
|-----|---------------|-----|---|
| 1* | 077497-06-000 | EA | HORN - AIR - CHROME - TWIN |
| 1 | 125123-01-12B | EA | PLATE/MOUNT - AIR HORN - 25" X 13" - BRIGHT WHITE |
| 3 | 077497-02-000 | EA | HOSE - AUXILIARY AIR HORN |
| 4* | 077497-03-000 | EA | FITTING KIT - HOSE/HOSE FITTING/AIR GAUGE - F/AUX HORN |
| 5* | 077497-10-000 | EA | COMPRESSOR/TANK - SOLENOID KIT |
| 6 | 081404-02-000 | EA | BRACKET - MOUNTING/COMPRESSOR |
| | | | FROM: 00-00-00 THRU: 02-26-02 |
| 7 | 140413-01-02B | EA | BRACKET - AIR TANK - E-COATED |
| | | | FROM: 00-00-00 THRU: 02-26-02 |
| 8 | 131280-01-000 | EA | WIRE ASSEMBLY - AIR HORN |
| 9 | 071390-04-000 | FT | TUBING - AIR BRAKE - 1/4" OD-BLK WEATHERHEAD(BRKS & HORN) |

***COMPONENT PARTS LISTED LATER IN THIS GROUP**

EXTERIOR BODY GROUP (CONTINUED)
COMPONENT PARTS FOR AIR HORN

077497-03-000

| KEY | PART NUMBER | U/M | DESCRIPTION | VENDOR NO. |
|------------|--------------------|------------|--------------------|-------------------|
| | 077497-01-710 | EA | GAUGE-AIR PRESSURE | 14212S |

077497-06-000

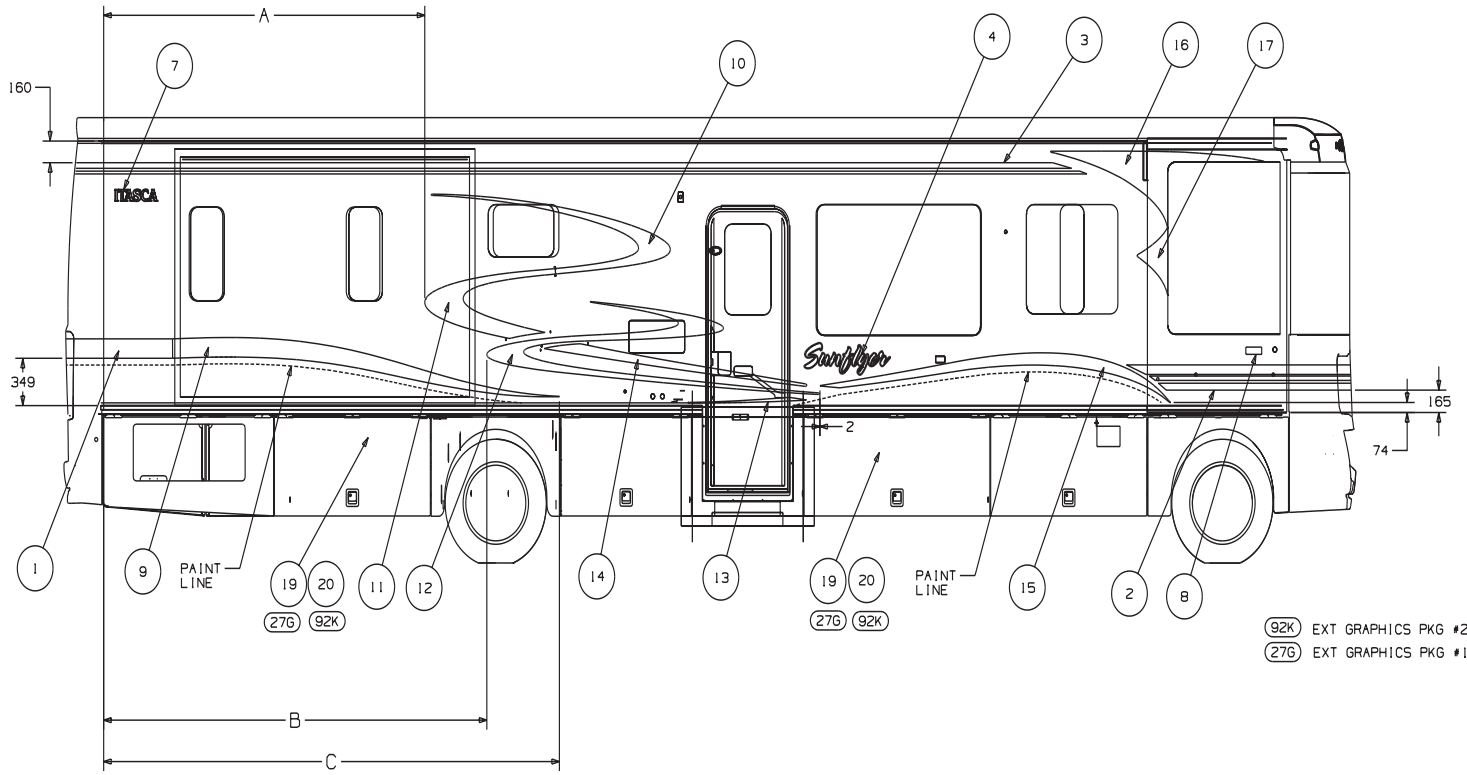
| KEY | PART NUMBER | U/M | DESCRIPTION | VENDOR NO. |
|------------|--------------------|------------|--------------------------|-------------------|
| | 077497-01-701 | EA | SWITCH - COMPRESSOR | 13940-S |
| | 077497-01-702 | EA | SWITCH - TOGGLE - W/WIRE | 12949-S |

077497-10-000

| KEY | PART NUMBER | U/M | DESCRIPTION | VENDOR NO. |
|------------|--------------------|------------|-----------------------------|-------------------|
| | 077497-01-700 | EA | SOLENOID-AIR TANK | 550B |
| | 077497-01-703 | EA | TANK-AIR | 751-N |
| | 077497-01-709 | EA | PLUNGER & SPRING F/SOLENOID | H136215 |
| | 077497-10-700 | EA | COMPRESSOR/DIRECT DRIVE | 85OEC |

EXTERIOR BODY GROUP (CONTINUED)

GRAPHICS & PAINT

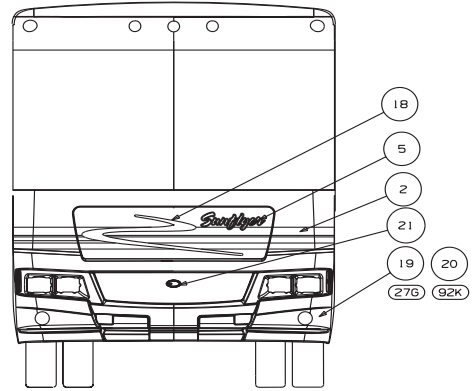
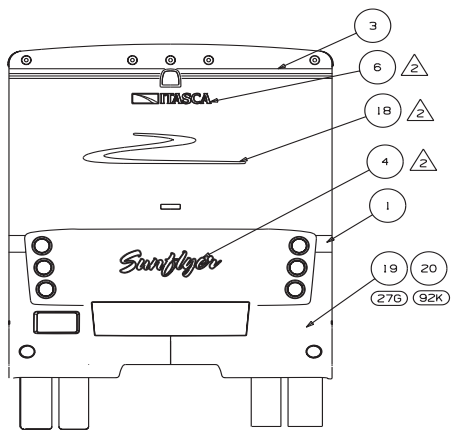


92K EXT GRAPHICS PKG #2
276 EXT GRAPHICS PKG #1

- 3. CONTINUE MULTISTRIPE ONTO SLIDEOUT WINGWALLS.
- 2. CENTERED ON UNIT.
- 1. APPLY PROTECTOR 116424-01 TO WATER HEATER DOOR.

| | | | |
|------|------|------|------|
| L29T | 2986 | 3563 | 4238 |
| L36W | | | |
| UNIT | A | B | C |

NOTES:



| KEY | PART NO. | U/M | DESCRIPTION |
|-----|--------------------|-----|--|
| 1 | 093681-71-CHT(01A) | FT | FILM-142.9MM - DK, JADE STAR |
| 2 | 094443-74-CHT(01A) | FT | MULTISTRIPE-185.7MM - SMOKE/FIRETHORN/LT. GOLD |
| 3 | 105791-88-CHT(01A) | FT | MULTISTRIPE-92.6MM - DK, CHARCOAL/LT. GOLD |
| 4 | 120712-01-CHT(05A) | EA | DECAL-SUNFLYER, LG - FIRETHORN/SMOKE/DK, JADE STAR/BRT. WHITE |
| 5 | 120712-02-CHT(05A) | EA | DECAL-SUNFLYER, SML - FIRETHORN/SMOKE/DK, JADE STAR/BRT. WHITE |
| 6 | 124806-01-CHT(22A) | EA | DECAL-ITASCA W/ICON - DK, JADE STAR/BRT. WHITE |
| 7 | 124811-01-CHT(23A) | EA | DECAL-LOGO, ITASCA - DK, JADE STAR/BRT. WHITE |
| 8 | 132664-01-CHT(01A) | EA | DECAL-WINNEBAGO, DOMED - GOLD CHROME/BLACK |
| 9 | 139391-01-CHT(01A) | EA | DECAL-SWEEP, RR, RH - DK, JADE STAR |
| 9 | 139391-02-CHT(01A) | EA | DECAL-SWEEP, RR, LH - DK, JADE STAR |
| 10 | 139392-01-CHT(01A) | EA | DECAL-S CURVE, UPPER, RH - FIRETHORN/BLACK/WHITE |
| 10 | 139392-02-CHT(01A) | EA | DECAL-S CURVE, UPPER, LH - FIRETHORN/BLACK/WHITE |
| 11 | 139393-01-CHT(01A) | EA | DECAL-S CURVE, MID, RH - FIRETHORN/BLACK/WHITE |
| 11 | 139393-02-CHT(01A) | EA | DECAL-S CURVE, MID, LH - FIRETHORN/BLACK/WHITE |
| 12 | 139394-01-CHT(01A) | EA | DECAL-S CURVE, LWR, RH - LT, GOLD/BLACK/WHITE |
| 12 | 139394-02-CHT(01A) | EA | DECAL-S CURVE, LWR, LH - LT, GOLD/BLACK/WHITE |
| 13 | 139395-01-CHT(01A) | EA | DECAL-SWEEP, TIP, RH - DK, JADE STAR |
| 13 | 139395-02-CHT(01A) | EA | DECAL-SWEEP, TIP, LH - DK, JADE STAR |
| 14 | 139396-01-CHT(01A) | EA | DECAL-TAIL, RH - FIRETHORN/BLACK/WHITE |
| 14 | 139396-02-CHT(01A) | EA | DECAL-TAIL, LH - FIRETHORN/BLACK/WHITE |
| 15 | 139397-01-CHT(01A) | EA | DECAL-SWEEP, FRT, RH - DK, JADE STAR |
| 15 | 139397-02-CHT(01A) | EA | DECAL-SWEEP, FRT, LH - DK, JADE STAR |
| 16 | 139398-01-CHT(01A) | EA | DECAL-WINDOW MASK, UPPER, RH - SMOKE |
| 16 | 139398-01-CHT(02A) | EA | DECAL-WINDOW MASK, UPPER, RH - DK, CHARCOAL |
| 16 | 139398-02-CHT(01A) | EA | DECAL-WINDOW MASK, UPPER, LH - SMOKE |
| 16 | 139398-02-CHT(02A) | EA | DECAL-WINDOW MASK, UPPER, LH - DK, CHARCOAL |
| 17 | 139399-01-CHT(01A) | EA | DECAL-WINDOW MASK, LWR, RH - SMOKE |
| 17 | 139399-01-CHT(02A) | EA | DECAL-WINDOW MASK, LWR, RH - DK, CHARCOAL |
| 17 | 139399-02-CHT(01A) | EA | DECAL-WINDOW MASK, LWR, LH - SMOKE |
| 17 | 139399-02-CHT(02A) | EA | DECAL-WINDOW MASK, LWR, LH - DK, CHARCOAL |

| KEY | PART NO. | U/M | DESCRIPTION |
|-----|---------------------|-----|--|
| 18 | 139400-01-CHT(101A) | EA | DECAL-S CURVE, SML - BRT. WHITE/GOLD BLACK/WHITE |
| 19 | 136243-15-000 | GL | PAINT- LT. EBONY MET - DUPONT #M3265HN |
| 20 | 136243-09-000 | GL | PAINT- LT. SILVER MET - DUPONT #F2573HN |
| 21 | 137618-02-CHT(01A) | EA | DECAL/BEZEL-DOMED GRILLE, LOGO - BLK/CHROME |

EXTERIOR BODY GROUP (CONTINUED)

GRAPHICS & PAINT (CONTINUED)

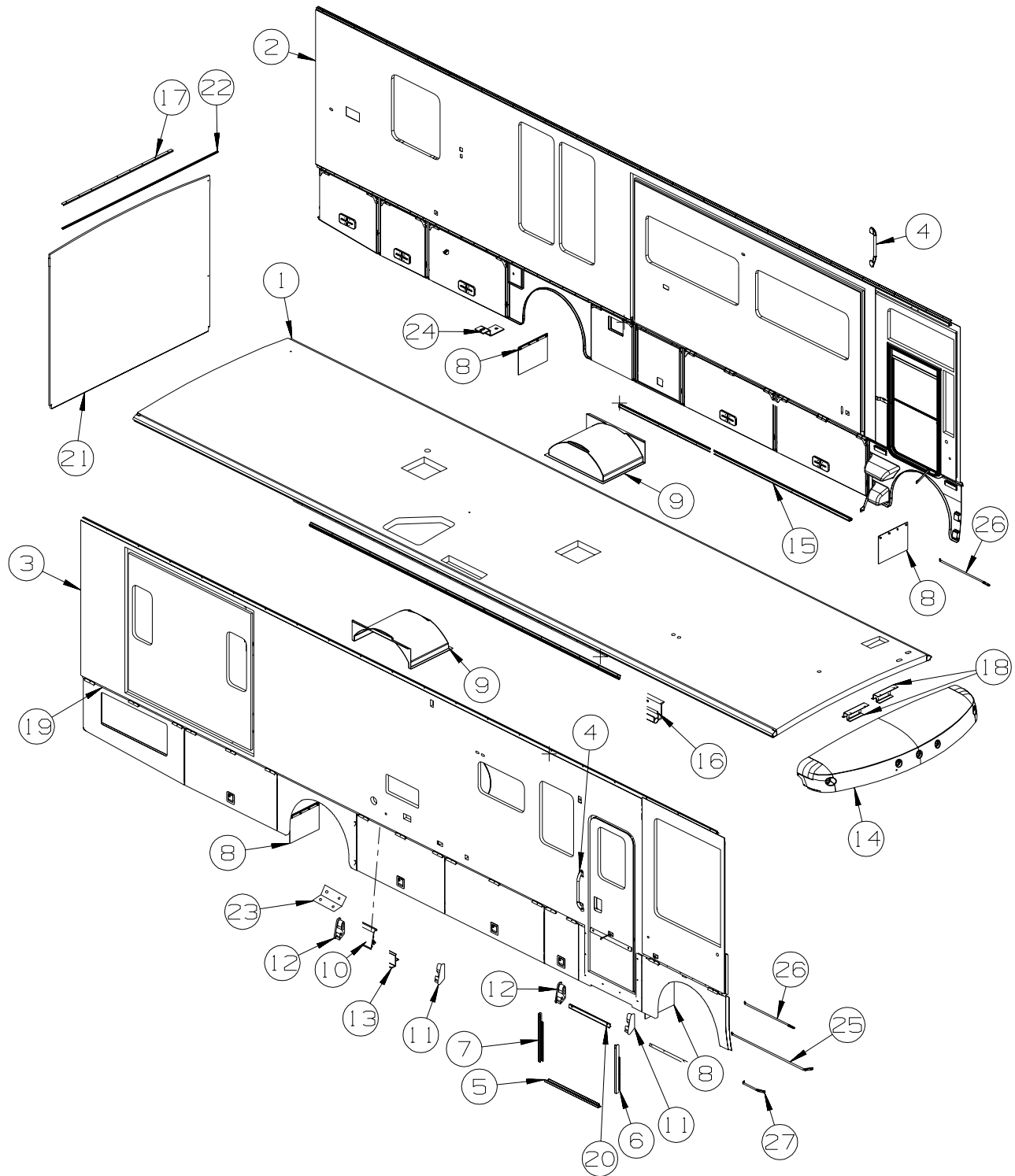
| KEY | PART NUMBER | U/M | DESCRIPTION |
|-----|---------------|-----|--|
| | 041561-03-000 | EA | PAINT - 16 OUNCE SPRAY - OFF WHITE |
| | 099399-23-700 | EA | PAINT-SPRAY - BRIGHT WHITE ENAMEL - 12 OZ. |

DUPONT COLOR CODES

| | |
|---------------------|------------------------------------|
| TWILIGHT BLUE MET. | #F2228 |
| SUNSET MET. | #YM430 |
| CHAMPAGNE STAR MET. | #MM081 |
| MED. TITANIUM MET. | #C9248 |
| MOSS GREEN MET. | #P0035 |
| MED. TITANIUM MET. | #C9248HN - VALANCE |

EXTERIOR BODY GROUP (CONTINUED)

PANELS & TRIMS

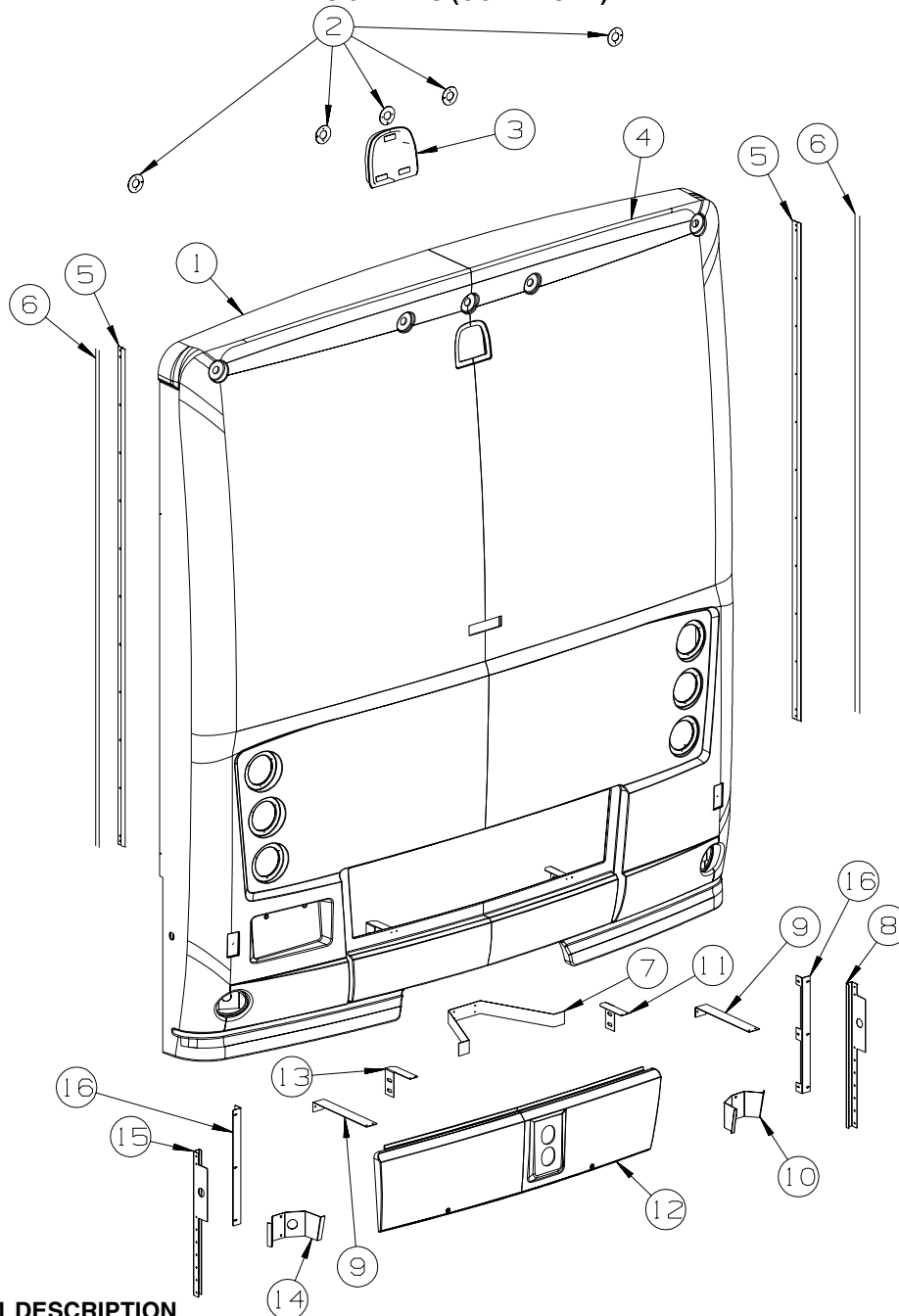


| KEY | PART NUMBER | U/M | DESCRIPTION |
|-----|---------------|-----|--|
| 1 | 140576-02-N52 | EA | ROOF - W/O LIGHTS/VENTS - W/WIRING |
| 2 | 140575-01-N52 | EA | SIDEWALL - DRIVER - W/O WINDOWS/TRIMS(N62, N63, N64, N65) |
| 2 | 140575-01-N56 | EA | SIDEWALL - DRIVER - W/O WINDOWS/TRIMS(N66, N67) |
| 3 | 140574-02-N62 | EA | SIDEWALL - PASSENGER - W/O WINDOWS/TRIMS(N62, N63, N64, N65) |
| 3 | 140574-02-N66 | EA | SIDEWALL - PASSENGER - W/O WINDOWS/TRIMS(N66, N67) |
| 4 | 132442-03-01A | EA | HANDLE - ASSIST - W/ITASCA LOGO - CHROME ENDS |
| 5 | 137599-01-01A | EA | TRIM - NOTCHED - SIDEWALL - 33.2" - BLACK |
| 6 | 139718-01-01A | EA | TRIM - SIDEWALL/PASSENGER - NOTCHED - 24.5"- BRIGHT WHITE |
| 7 | 139718-02-01A | EA | TRIM - SIDEWALL/DRIVER - NOTCHED - 24.5" - BRIGHT WHITE |

EXTERIOR BODY GROUP (CONTINUED)
PANELS & TRIMS (CONTINUED)

| KEY | PART NUMBER | U/M | DESCRIPTION |
|------------|--------------------|------------|---|
| 8 | 017516-01-000 | EA | MUD FLAP - 14"H X 18"W - W/O MOUNTING HOLES - BLACK |
| | 140922-01-02B | EA | PLATE - MUD FLAP - E-COATED |
| 9 | 131365-01-000 | EA | WHEELWELL - PLASTIC |
| 10 | 123993-01-03A | EA | TRIM - COVER - 182" ALUMINUM - BRIGHT WHITE |
| 11 | 126775-01-01A | EA | END CAP - VALANCE TRIM - RIGHT HAND |
| 12 | 126775-02-01A | EA | END CAP - VALANCE TRIM - LEFT HAND |
| 13 | 133376-01-01A | EA | TRIM - RETAINER - 144" - MILL |
| 14 | 138180-02-N52 | EA | CAP - ROOF - W/O LIGHTS/VENTS - W/WIRING |
| 15 | 138874-02-02A | EA | TRIM - FLOOR - FLAT - BRIGHT WHITE |
| 16 | 131483-01-01A | EA | RAIL - AWNING - 192" - BRIGHT WHITE |
| 17 | 132273-01-02B | EA | BRACKET - REAR TRIM - E-COATED |
| 18 | 134774-01-02B | EA | BRACKET - CAB ATTACHMENT - E-COATED |
| 19 | 093673-01-06A | FT | TRIM/MOLDING - 1.4" X 8' LONG - BRIGHT WHITE |
| 20 | 133045-01-01A | EA | TRIM - W/HOLES - 25.3" - BRIGHT WHITE |
| 21 | 138541-02-N52 | EA | BACKWALL - W/O WINDOWS/TRIMS(N62, N63, N64, N65) |
| 21 | 138541-02-N56 | EA | BACKWALL - W/O WINDOWS/TRIMS(N66, N67) |
| 22 | 114248-02-01A | EA | ANGLE - PLASTIC - 96.6" |
| 23 | 132597-01-02B | EA | ANGLE/SUPPORT/TRIM - E-COATED |
| 24 | 123512-04-02B | EA | BRACKET/VALANCE DOOR - E-COATED |
| | | | FROM: 03-06-02 THRU: 99-99-99 |
| 25 | 107865-03-000 | EA | ROD - SUPPORT - VALANCE PANEL - 17" |
| | | | FROM: 00-00-00 THRU: 12-09-01 |
| 25 | 107865-24-000 | EA | ROD - SUPPORT - VALANCE PANEL - 22" |
| | | | FROM: 12-10-01 THRU: 99-99-99 |
| 26 | 107865-10-000 | EA | ROD - SUPPORT - VALANCE PANEL - 15.1" |
| 27 | 107865-15-000 | EA | ROD - SUPPORT - VALANCE PANEL - 4.2" |
| | | | FROM: 12-10-01 THRU: 99-99-99 |

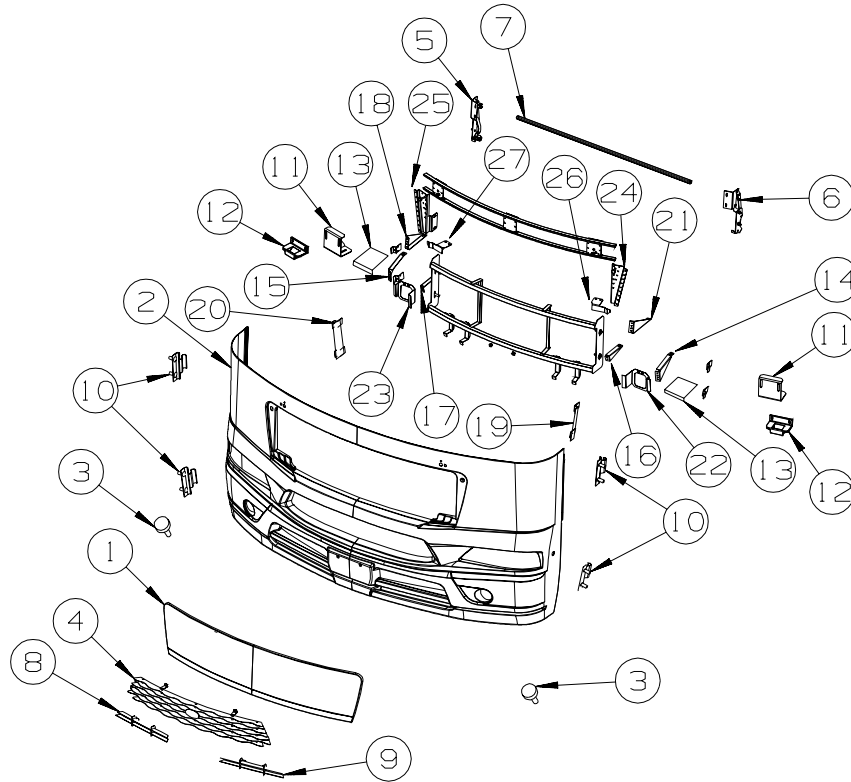
EXTERIOR BODY GROUP (CONTINUED)
PANELS & TRIMS (CONTINUED)



| KEY | PART NUMBER | U/M | DESCRIPTION |
|-----|---------------|-----|---|
| 1 | 083805-23-000 | EA | TRIM - ROOF CAP - 92.1" - BRIGHT WHITE |
| 2 | 138423-01-02B | EA | PLATE/BACKING - LITE - E-COATED |
| | | | FROM: 00-00-00 THRU: 08-07-01 |
| 2 | 138423-01-12B | EA | PLATE/BACKING - LITE - BRIGHT WHITE |
| | | | FROM: 08-08-01 THRU: 99-99-99 |
| 3 | 138227-01-01A | EA | SHROUD - CAMERA - INNER - BLACK |
| 4 | 139128-01-N52 | EA | PANEL - REAR CAP |
| 5 | 092041-05-01A | EA | TRIM - REAR - CAP TO SIDEWALL - BRIGHT WHITE |
| 6 | 091985-01-07A | EA | INSERT - TRIM - .65" WIDE - BRIGHT WHITE |
| 7 | 140337-01-02B | EA | BRACKET - REAR CAP - E-COAT |
| 8 | 138467-02-02B | EA | BRACKET/SUPPORT - BUMPER - LEFT - E-COATED |
| 9 | 140340-01-02B | EA | ANGLE - REAR CAP - E-COATED |
| 10 | 138453-02-02B | EA | BRACKET - BACKUP LITE - LEFT HAND - E-COATED |
| 11 | 140339-01-02B | EA | BRACE - REAR CAP - RIGHT HAND - E-COAT |
| 12 | 137920-01-01A | EA | PANEL/DOOR - REAR CAP |
| 13 | 140339-02-02B | EA | BRACE - REAR CAP - LEFT HAND - E-COAT |
| 14 | 138453-01-02B | EA | BRACKET - BACKUP LITE - RIGHT HAND - E-COATED |
| 15 | 138467-01-02B | EA | BRACKET/SUPPORT - BUMPER - RIGHT - E-COATED |
| 16 | 138789-01-02B | EA | ANGLE/MOUNT - WHEEL LIP - E-COATED |

EXTERIOR BODY GROUP (CONTINUED)

FRONT END



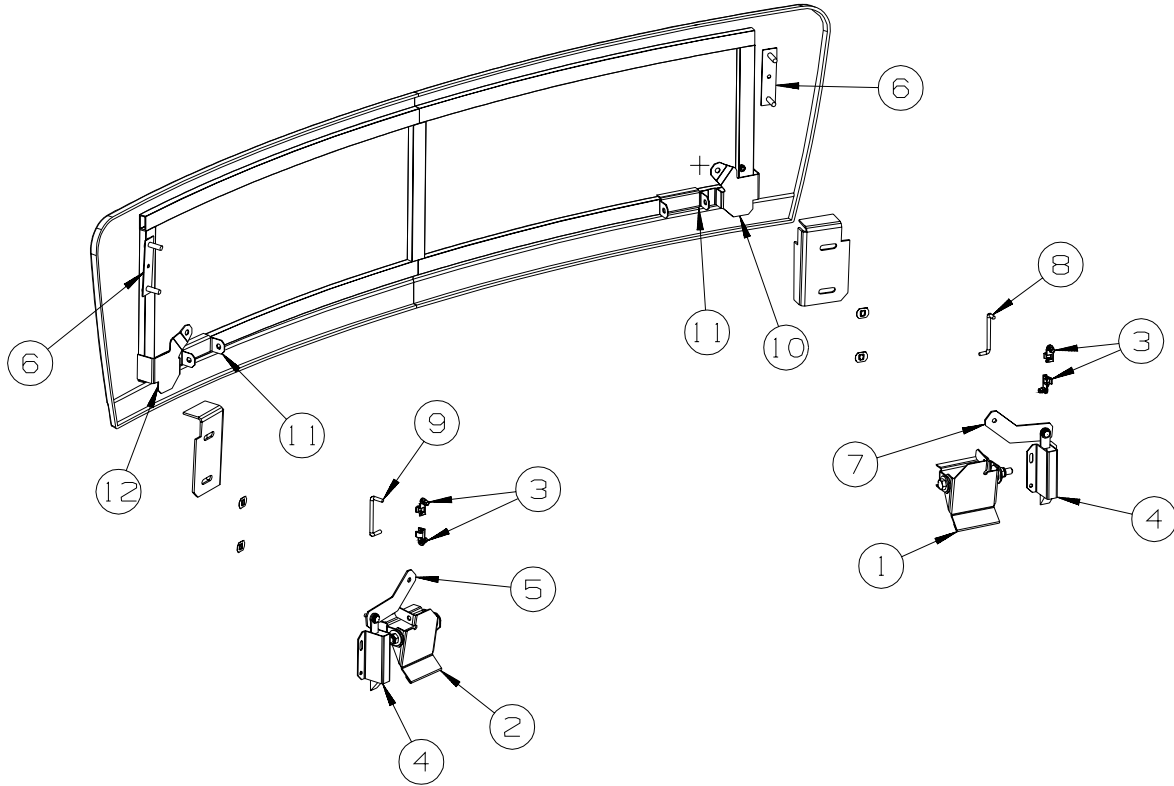
| KEY | PART NUMBER | U/M | DESCRIPTION |
|-----|---------------|-----|---|
| 1 | 139164-01-N52 | EA | HOOD - FRONT |
| 2 | 138353-04-N62 | EA | PANEL - FRONT/LOWER |
| | 138353-03-01A | EA | PANEL - FRONT/LOWER - W/O GRILLE - BRIGHT WHITE |
| 3 | 058786-01-000 | EA | BOLT - HOOD ADJUSTMENT - 5/16"-18 X 1.5"-2" - W/BLACK PAD |
| 4 | 139908-01-11B | EA | GRILLE - FRONT/UPPER - FLAT BLACK |
| 5 | 137072-02-01A | EA | HINGE - HOOD - LEFT HAND - BLACK |
| | | | FROM: 00-00-00 THRU: 01-28-02 |
| 5 | 137072-04-01A | EA | HINGE - HOOD - LEFT HAND - BLACK |
| | | | FROM: 01-29-02 THRU: 99-99-99 |
| 6 | 137072-01-01A | EA | HINGE - HOOD - RIGHT HAND - BLACK |
| | | | FROM: 00-00-00 THRU: 01-28-02 |
| 6 | 137072-03-01A | EA | HINGE - HOOD - RIGHT HAND - BLACK |
| | | | FROM: 01-29-02 THRU: 99-99-99 |
| 7 | 137300-03-02B | EA | TUBE/TIMING - HOOD - E-COATED |
| 8 | 139947-01-11B | EA | GRILLE - FRONT/LOWER - FLAT BLACK |
| 9 | 139947-02-11B | EA | GRILLE - FRONT/LOWER - FLAT BLACK |
| 10 | 073050-04-000 | EA | MOUNTING CLIP - VALANCE PANEL |
| 11 | 140324-01-02B | EA | BRACKET - HOOD - STRIKER/ADJUSTABLE - E-COATED |
| | | | FROM: 00-00-00 THRU: 08-18-01 |
| 11 | 140324-02-02B | EA | BRACKET - HOOD - STRIKER - E-COATED |
| | | | FROM: 08-19-01 THRU: 99-99-99 |
| 12 | 130053-02-01A | EA | STRIKER - LUGGAGE DOOR - OFF SET - BLACK |
| 13 | 137939-02-02B | EA | BRACKET/MOUNT - SIGNAL/LAMP - E-COATED |
| 14 | 139289-01-02B | EA | BRACKET - HEADLAMP - OUTER/RIGHT HAND - E-COATED |
| 15 | 139289-02-02B | EA | BRACKET - HEADLAMP - OUTER/LEFT HAND - E-COATED |
| 16 | 139290-01-02B | EA | BRACKET - HEADLAMP - INNER/RIGHT HAND - E-COATED |
| 17 | 139290-02-02B | EA | BRACKET - HEADLAMP - INNER/LEFT HAND - E-COATED |
| 18 | 139288-02-02B | EA | BRACKET - HEADLAMP - UPPER/LEFT HAND - E-COATED |

EXTERIOR BODY GROUP (CONTINUED)
FRONT END (CONTINUED)

| KEY | PART NUMBER | U/M | DESCRIPTION |
|------------|--------------------|------------|--|
| 19 | 139759-01-02B | EA | SUPPORT - WHEEL LIP/FRONT - E-COATED FROM: 00-00-00 THRU: 12-20-01 |
| 19 | 142030-01-04B | EA | SUPPORT - WHEEL LIP/FRONT - RIGHT HAND - E-COATED FROM: 12-21-01 THRU: 99-99-99 |
| 20 | 139759-01-02B | EA | SUPPORT - WHEEL LIP/FRONT - E-COATED FROM: 00-00-00 THRU: 12-20-01 |
| 20 | 142030-02-04B | EA | SUPPORT - WHEEL LIP/FRONT - LEFT HAND - E-COATED FROM: 12-21-01 THRU: 99-99-99 |
| 21 | 139288-01-02B | EA | BRACKET - HEADLAMP - UPPER/RIGHT HAND - E-COATED |
| 22 | 139967-03-02B | EA | SUPPORT - FOG LAMP - RIGHT HAND - E-COATED |
| 23 | 139967-04-02B | EA | SUPPORT - FOG LAMP - LEFT HAND - E-COATED |
| 24 | 139713-03-02B | EA | SUPPORT - HINGE/RIGHT HAND - E-COATED |
| 25 | 139713-04-02B | EA | SUPPORT - HINGE/LEFT HAND - E-COATED |
| 26 | 139970-03-02B | EA | BRACKET - STRIKER - RIGHT HAND - E-COATED |
| 27 | 139970-04-02B | EA | BRACKET - STRIKER - LEFT HAND - E-COATED |
| * | 091955-02-000 | EA | SQUEEGEE - EXTENDED HANDLE FROM: 00-00-00 THRU: 08-23-01 |
| | 110429-06-02B | EA | BRACKET - SQUEEGEE - E-COATED FROM: 00-00-00 THRU: 08-23-01 |

***COMPONENT PARTS LISTED LATER IN THIS GROUP**

EXTERIOR BODY GROUP (CONTINUED)
FRONT END (CONTINUED)



| KEY | PART NUMBER | U/M | DESCRIPTION |
|-----|---------------|-----|---|
| 1 | 134415-01-02B | EA | LATCH/HOOD - PULL - RIGHT HAND - E-COATED |
| 2 | 134415-02-02B | EA | LATCH/HOOD - PULL - LEFT HAND - E-COATED |
| 3 | 102265-01-000 | EA | CLIP - ROD END - 5/32" - BLACK PLASTIC |
| 4 | 113908-01-000 | EA | LATCH/PLUNGER - F/HOOD |
| 5 | 134418-06-02B | EA | PIVOT - LATCH/HOOD - E-COATED - RIGHT HAND |
| 6 | 106730-10-000 | EA | PLATE - STUD - F/HOOD |
| 7 | 134418-07-02B | EA | PIVOT - LATCH/HOOD - E-COATED - LEFT HAND |
| 8 | 134416-01-01A | EA | ROD/HOOD LATCH - STAINLESS STEEL - RIGHT HAND |
| 9 | 134416-02-01A | EA | ROD/HOOD LATCH - STAINLESS STEEL - LEFT HAND |
| 10 | 139162-01-02B | EA | BRACKET - LATCH - SPRING - RIGHT HAND |
| 11 | 139160-01-01A | EA | BRACKET - LATCH - PADDLE |
| 12 | 139162-02-02B | EA | BRACKET - LATCH - SPRING - LEFT HAND |

EXTERIOR BODY GROUP (CONTINUED)
COMPONENT PARTS FOR FRONT END

091955-02-000

| KEY | PART NUMBER | U/M | DESCRIPTION | VENDOR NO. |
|------------|--------------------|------------|-----------------------------|-------------------|
| | 091955-01-701 | EA | HANDLE-EXTENSION 24" TO 40" | |

EXTERIOR BODY GROUP (CONTINUED)

LADDER

| KEY | PART NUMBER | U/M | DESCRIPTION |
|-----|---------------|-----|--|
| | 129375-02-000 | EA | SEAL - LADDER BRACKET |
| | 130163-08-01A | EA | LADDER EXTENSION/LOWER - 35.6" - 3 STEP - BRUSHED ALUMINUM |
| | 137927-01-01A | EA | LADDER - BRUSHED ALUMINUM |

MIRRORS

| KEY | PART NUMBER | U/M | DESCRIPTION |
|-----|---------------|-----|---|
| * | 106015-18-01A | EA | MIRROR - EXTERIOR/REMOTE/HEAT - PASSENGER |
| * | 106015-19-01A | EA | MIRROR - EXTERIOR/REMOTE/HEAT - DRIVER |

*COMPONENT PARTS LISTED LATER IN THIS GROUP

EXTERIOR BODY GROUP (CONTINUED)
COMPONENT PARTS FOR MIRRORS

| | | 106015-18-01A & 106015-19-01A | |
|-----|---------------|---|------------|
| KEY | PART NUMBER | U/M DESCRIPTION | VENDOR NO. |
| | 106015-16-700 | EA GLASS-FLAT W/HEAT ELEMENT | 709450 |
| | 106015-18-700 | EA GLASS/CONVEX-KIT W/CLIP | 709650 |
| | 106015-18-701 | EA ACTUATOR - CONVEX GLAS | 7475410 |
| | 106015-18-702 | EA MOTOR - FLAT GLASS | 747118 |
| | 106015-18-703 | EA CONVEX REBUILT KIT | 709651 |
| | 106015-19-700 | EA VIBRATION KIT - MIRROR GLASS, VELVAC | 709645 |

EXTERIOR BODY GROUP (CONTINUED)
STRUCTURAL COMPONENTS

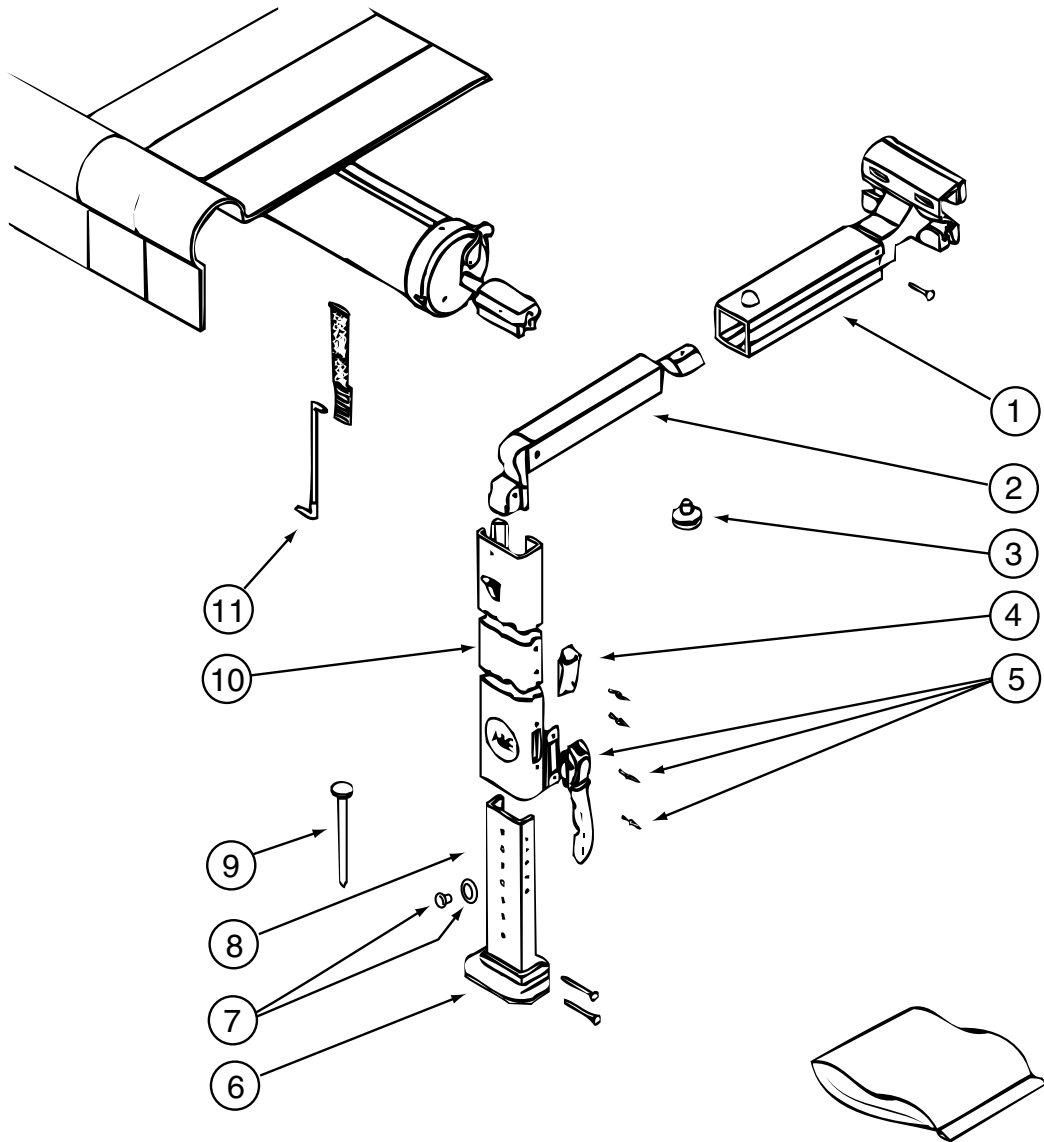
| KEY | PART NUMBER | U/M | DESCRIPTION |
|-----|---------------|-----|--|
| | 002766-01-001 | EA | ANGLE - EXTRUDED - 1" X 1 1/2" X 17' |
| | 077517-62-000 | EA | FIBERGLASS SHEET - 48" X 96" - BRIGHT WHITE |
| | 128782-02-01A | EA | FIBERGLASS SHEET - 79" X 428" - HIGH GLOSS - BRIGHT WHITE |
| | 128782-07-01A | EA | FIBERGLASS SHEET - 79" X 456" - HIGH GLOSS - BRIGHT WHITE |
| | 128782-09-01A | EA | FIBERGLASS-SHT,HG 787X1736,*BRT WHT VETROLIGHT |
| | 089297-01-000 | SF | PLYWOOD - LUAN - OVERLAY GRADE - 4' X 8' |
| | 089297-02-000 | SF | PLYWOOD - LUAN - OVERLAY GRADE - 4' X 9' |
| | 100619-01-000 | BF | FOAM - EXPANDED POLYSTYRENE - 1.34" X 48" X 96" |
| | 100619-02-000 | BF | FOAM - EXPANDED POLYSTYRENE - 1.5" X 48" X 96" |
| | 100619-05-000 | BF | FOAM - EXPANDED POLYSTYRENE - .75" X 48" X 96"-1.5 DENSITY |
| | 100619-13-000 | BF | FOAM - EXPANDED POLYSTYRENE - .34" X 34.65" X 96" |
| | 100619-16-000 | BF | FOAM - EXPANDED POLYSTYRENE - .75" X 48" X 96"-2.0 DENSITY |
| | 100619-27-000 | BF | FOAM - EXPANDED POLYSTYRENE - 48" X 92.8" X 3" |
| | 120107-01-000 | EA | FOAM - ROOF COVE - 2.8" X 96" LONG |

AWNINGS

| KEY | PART NUMBER | U/M | DESCRIPTION |
|-----|---------------|-----|---|
| * | 113874-01-02A | EA | HARDWARE KIT - AWNING - W/O STANDOFF BRACKET-BRIGHT WHITE |
| | 137084-01-01A | EA | HARDWARE KIT - F/1-STEP AWNING - BRIGHT WHITE - ELECTRIC |
| | 113874-07-31A | EA | AWNING - 18' PEWTER VINYL - BRT/WHITE METAL WRAP - L39 FROM: 00-00-00 THRU: 01-06-02 |
| | 113874-08-31A | EA | AWNING - 19' PEWTER VINYL - BRT/WHT METAL WRAP - L39 FROM: 01-07-02 THRU: 99-99-99 |
| | 113874-08-31A | EA | AWNING - 19' PEWTER VINYL - BRT/WHT METAL WRAP - L36W |
| | 137084-07-31A | EA | AWNING - 18' 1 STEP - PEWTER VINYL - METAL WRAP/BRT WHT - ELECTRIC, L39 |
| | 137084-08-31A | EA | AWNING - 19' 1 STEP - PEWTER VINYL - METAL WRAP/BRT WHT - ELECTRIC, L36W |
| | 137084-02-01A | EA | AWNING - 1-STEP/ELECTRICAL KIT - ELECTRIC |
| | 113874-11-01A | EA | SCREW/LAG - AWNING - 1/4" X 1" STAINLESS STEEL |
| | 113874-12-01A | EA | SCREW/LAG - AWNING - 1/4" X 2 3/4" STAINLESS STEEL |
| | 137054-01-02A | EA | BRACKET - AWNING - BRIGHT WHITE |
| | 137171-01-01A | EA | BRACKET - AWNING - BRIGHT WHITE - ELECTRIC |

***COMPONENT PARTS LISTED LATER IN THIS GROUP**

EXTERIOR BODY GROUP (CONTINUED)
COMPONENT PARTS FOR AWNINGS

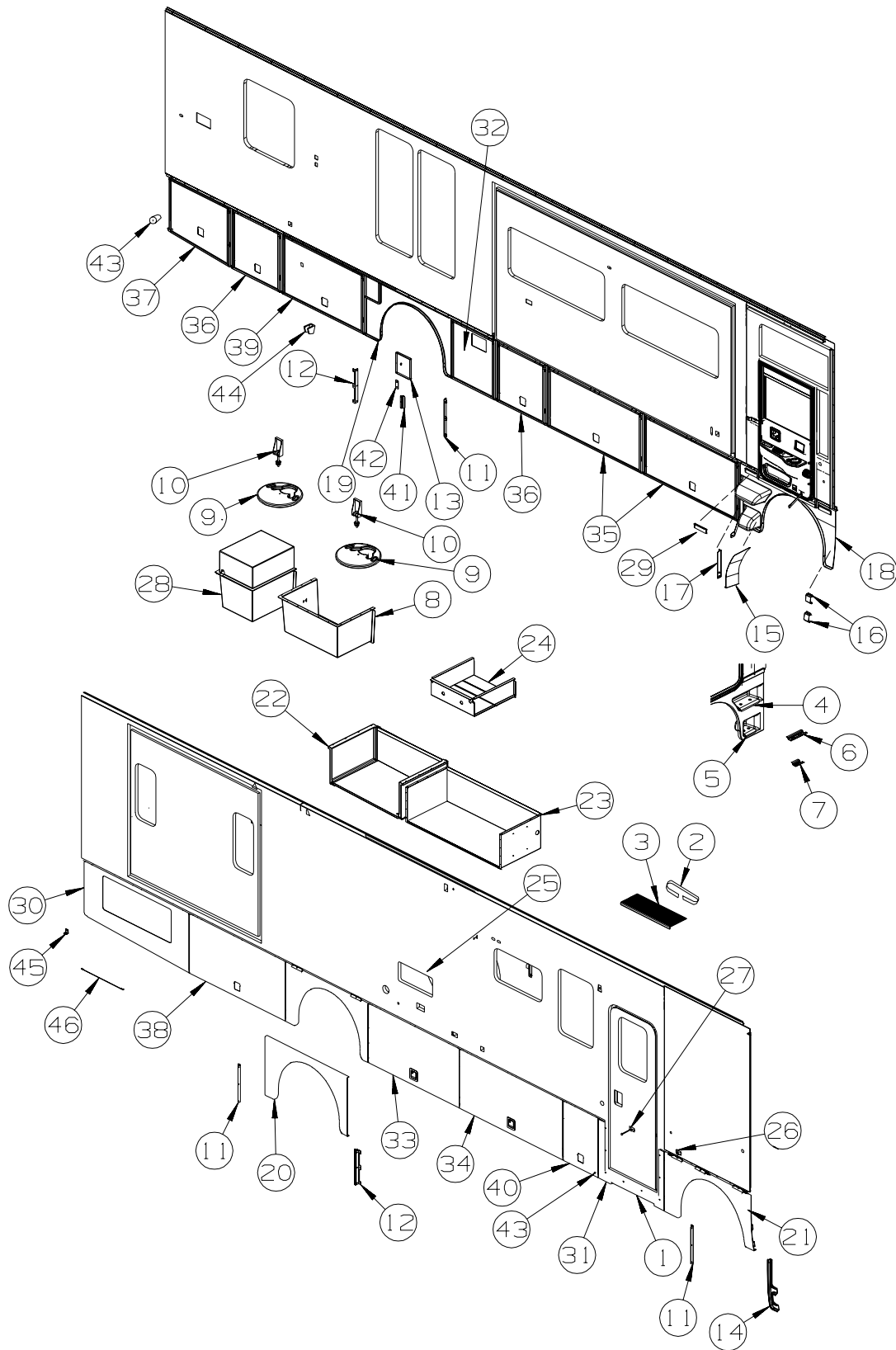


113874-01-02A

| KEY | PART NUMBER | U/M | DESCRIPTION | VENDOR NO. |
|------------|--------------------|------------|-----------------------------|-------------------|
| 1 | 113874-01-714 | EA | RAFTER - MAIN RH/LH BRT/WHT | 830295.536F |
| 2 | 113874-01-715 | EA | RAFTER - SECONDARY BRT/WHT | 830463.511F |
| 3 | 113874-01-702 | EA | KNOB - ADJUSTING | 3105421014 |
| 4 | 113874-01-706 | EA | LOCK - TRAVEL | 830587.001 |
| 5 | 113874-01-707 | EA | HANDLE - LIFT W/RIVETS | 830644 |
| 6 | 113874-01-712 | EA | FOOT - PATIO | 730366-001 |
| 7 | 113874-01-710 | EA | PLUG-STOP KIT | 830456 |
| 8 | 113874-01-717 | EA | ARM - ADJUSTABLE BRT/WHT | 830467.517/F |
| 9 | 113874-01-709 | EA | NAIL-SPIKE, 8" | 113006 |
| 10 | 113874-01-716 | EA | ARM - MAIN SUPPORT BRT/WHT | 3104502.293/F |
| 11 | 113874-01-703 | EA | ROD-CENTER PULL W/ACCESSORY | 830152.102 |

EXTERIOR DOORS & COMPARTMENTS GROUP

DOOR & COMPARTMENT LAYOUT

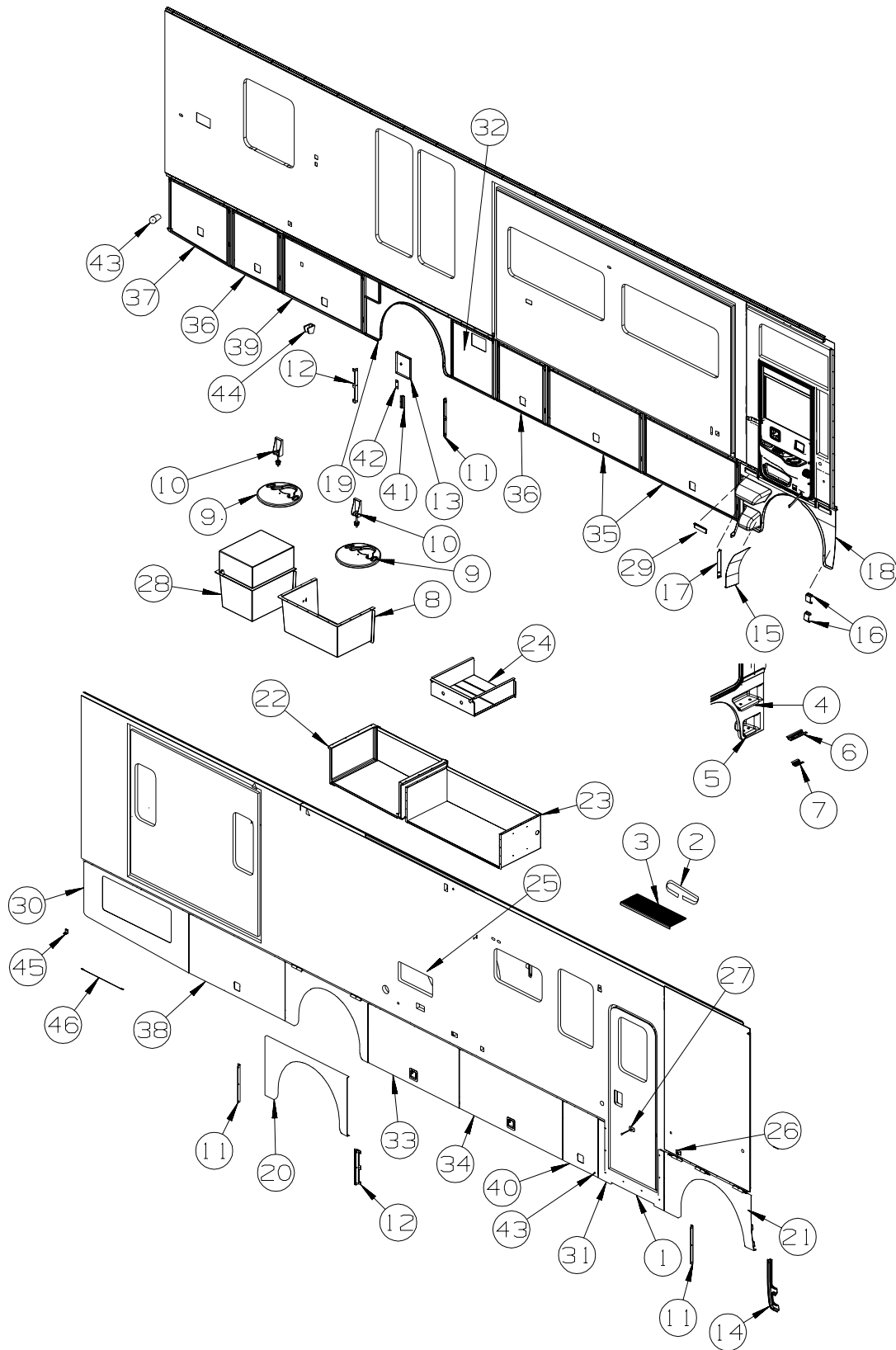


| KEY | PART NUMBER | U/M DESCRIPTION |
|-----|---------------|--|
| 1* | 094707-03-01A | EA STEP - ELECTRIC DOUBLE - W/BLACK CONTROL BOX - KWIKEE |
| 2 | 099856-11-000 | EA STRAP - TIEDOWN - 7.9" |
| 3 | 133114-06-01A | EA TREAD - STEP/RUBBER - TAUPE |
| 4 | 138141-01-04B | EA TREAD/STEP - DRIVER |
| 5 | 138141-02-04B | EA TREAD/STEP - DRIVER |

EXTERIOR DOORS & COMPARTMENTS GROUP(CONTINUED)
DOOR & COMPARTMENT LAYOUT(CONTINUED)

| KEY | PART NUMBER | U/M | DESCRIPTION |
|-----|---------------|-----|--|
| 6 | 138143-02-02B | EA | SUPPORT/STEP - DRIVER - E-COATED |
| 7 | 138143-04-02B | EA | SUPPORT/STEP - DRIVER - E-COATED |
| 8 | 133341-03-N52 | EA | COMPARTMENT - DRAINAGE |
| 9 | M08628-01-H17 | EA | HATCH - W/FOAM INSERT - 3/4" X 11 1/2" DIA.- BLACK PLASTIC |
| 10 | 121175-02-01A | EA | LATCH - SWELL |
| 11 | 138789-01-02B | EA | ANGLE/MOUNT - WHEEL LIP - E-COATED |
| 12 | 138789-02-02B | EA | ANGLE/MOUNT - WHEEL LIP - E-COATED |
| 13 | 138889-01-N52 | EA | PANEL - DOOR FUEL FILL |
| | | | FROM: 00-00-00 THRU: 02-14-02 |
| 13 | 142459-01-N52 | EA | PANEL ASM-DOOR,FUEL FILL |
| | | | FROM: 02-15-02 THRU: 99-99-99 |
| | 138290-01-000 | EA | CASE - W/CAM - W/O CYLINDER/KEY |
| 14 | 138990-01-01A | EA | SUPPORT - WHEEL LIP/FRONT/RIGHT HAND - BRIGHT WHITE |
| 15 | 140870-01-02B | EA | SHIELD - WHEEL LIP - E-COATED |
| 16 | 139085-01-02B | EA | BRACKET - WHEEL LIP/FRONT - E-COATED |
| 17 | 139003-02-02B | EA | BRACKET - REAR/WHEEL LIP - E-COATED |
| 18 | 137434-02-N52 | EA | PANEL/WHEEL LIP - FRONT/DRIVER |
| 19 | 138878-01-N52 | EA | PANEL/WHEEL LIP - REAR/DRIVER |
| 20 | 138839-02-N52 | EA | PANEL - WHEEL LIP - PASSENGER REAR |
| 21 | 138912-01-N52 | EA | PANEL/WHEEL LIP - FRONT/PASSENGER |
| 22 | 135927-16-N52 | EA | COMPARTMENT - LUGGAGE |
| 23 | 138658-03-N52 | EA | COMPARTMENT - LUGGAGE |
| 24 | 140829-01-02B | EA | COMPARTMENT - WATER HEATER - 10 GALLON - E-COATED |
| 25* | 084103-08-000 | EA | DOOR - VENT - REFRIGERATOR - W/O JAMB - BRIGHT WHITE |
| | 084104-08-000 | EA | JAMB - VENT DOOR/REFRIGERATOR - BRIGHT WHITE |
| 26 | 104099-02-04A | EA | CATCH - DOOR HOLDER - RETAINER - BRIGHT WHITE |
| 27 | 104099-03-04A | EA | CATCH - DOOR HOLDER - STRIKE 6" |
| 28 | 138596-01-N52 | EA | COMPARTMENT - POWER CORD |
| 29 | 139081-01-02B | EA | ANGLE - VALANCE - E-COATED |
| 30 | 139132-01-N52 | EA | VALANCE/PANEL - PASS - A/C - W/GRILL - 28.7" X 62.6" X 26" |
| 31 | 139771-02-N52 | EA | PANEL/VALANCE - HORSESHOE |
| 32 | 139886-02-N52 | EA | PANEL - WATER HEATER |
| 33 | 140442-05-N70 | EA | VALANCE/DOOR - W/O PADDLE LATCH - 54" X 28" |
| | | | FROM: 00-00-00 THRU: 12-07-01 |
| | 107796-31-000 | EA | SPRING/GAS - 12" COMPRESSED/20" EXTENDED - 100 LB |
| 33 | 140442-26-N52 | EA | VALANCE/DOOR - W/O PADDLE LATCH - 54.1" X 28.7" |
| | | | FROM: 12-08-01 THRU: 99-99-99 |
| | 107796-31-000 | EA | SPRING/GAS - 12" COMPRESSED/20" EXTENDED - 100 LB |
| 34 | 140442-06-N70 | EA | VALANCE/DOOR - W/O PADDLE LATCH - 61" X 28" |
| | 107796-31-000 | EA | SPRING/GAS - 12" COMPRESSED/20" EXTENDED - 100 LB |
| 35 | 140442-17-N52 | EA | VALANCE/DOOR - W/O PADDLE LATCH - 57" X 28" |
| | 107796-31-000 | EA | SPRING/GAS - 12" COMPRESSED/20" EXTENDED - 100 LB |
| 36 | 140442-20-N52 | EA | VALANCE/DOOR - W/O PADDLE LATCH - 29" X 28" |
| | 107796-26-000 | EA | SPRING/GAS - 12" COMPRESSED/20" EXTENDED - 90 LB. |
| 37 | 140442-21-N52 | EA | VALANCE/DOOR - DRIVER W/O PADDLE LATCH - 28" X 37" X 25" |
| | 107796-32-000 | EA | SPRING/GAS - 9.5" COMPRESSED/15" EXTENDED - 90 LB |
| 38 | 140442-23-N52 | EA | VALANCE/DOOR - W/O PADDLE LATCH - 57" X 28" |
| | 107796-31-000 | EA | SPRING/GAS - 12" COMPRESSED/20" EXTENDED - 100 LB |
| 39 | 140442-24-N52 | EA | VALANCE/DOOR - W/O PADDLE LATCH - 49" X 28" |
| | 107796-31-000 | EA | SPRING/GAS - 12" COMPRESSED/20" EXTENDED - 100 LB |
| 40 | 140442-25-N52 | EA | VALANCE/DOOR - W/O PADDLE LATCH - 20" X 28" |
| | 107796-26-000 | EA | SPRING/GAS - 12" COMPRESSED/20" EXTENDED - 90 LB. |
| 41 | 142490-01-02B | EA | CATCH - FUEL DOOR - E-COATED |
| | | | FROM: 05-16-02 THRU: 99-99-99 |
| 42 | 142495-01-02B | EA | SPACER - DOOR CATCH - E-COATED |
| | | | FROM: 05-16-02 THRU: 99-99-99 |
| 43 | 117047-01-000 | EA | BUMPER - RUBBER - WASHER INSERT |
| 44 | 131383-03-02A | EA | BRACKET - SHOWER HEAD - WHITE |
| 45 | 140309-03-02B | EA | ANGLE - FURNACE DOOR - E-COATED |
| 46 | 076767-01-000 | EA | CABLE - STAINLESS STEEL - 12" |
| | 105290-01-000 | SF | INSULATION - AIR POCKET W/FOIL |
| | 089329-02-000 | EA | CLIP - SPRING |
| | | | FROM: 00-00-00 THRU: 10-23-01 |

EXTERIOR DOORS & COMPARTMENTS GROUP(CONTINUED)
DOOR & COMPARTMENT LAYOUT(CONTINUED)



KEY PART NUMBER U/M DESCRIPTION
LOCK ASSEMBLY USED UP TO 04-30-01

| | | |
|---------------|----|--|
| 129686-01-000 | EA | CYLINDER - LOCK ASSEMBLY - COMPARTMENT/DRIVER DOOR |
| 129686-02-000 | EA | CYLINDER - LOCK ASSEMBLY - COMPARTMENT/DRIVER DOOR |
| 129686-03-000 | EA | CYLINDER - LOCK ASSEMBLY - COMPARTMENT/DRIVER DOOR |
| 129686-04-000 | EA | CYLINDER - LOCK ASSEMBLY - COMPARTMENT/DRIVER DOOR |
| 129686-05-000 | EA | CYLINDER - LOCK ASSEMBLY - COMPARTMENT/DRIVER DOOR |

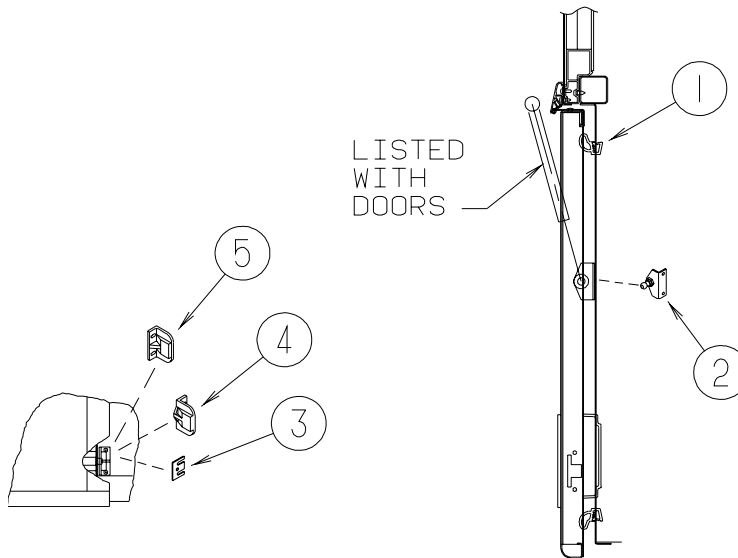
EXTERIOR DOORS & COMPARTMENTS GROUP(CONTINUED)
DOOR & COMPARTMENT LAYOUT(CONTINUED)

| KEY | PART NUMBER | U/M | DESCRIPTION |
|-----|---------------|-----|--|
| | 129686-06-000 | EA | CYLINDER - LOCK ASSEMBLY - COMPARTMENT/DRIVER DOOR |
| | 129686-07-000 | EA | CYLINDER - LOCK ASSEMBLY - COMPARTMENT/DRIVER DOOR |
| | 129686-08-000 | EA | CYLINDER - LOCK ASSEMBLY - COMPARTMENT/DRIVER DOOR |
| | 129686-09-000 | EA | CYLINDER - LOCK ASSEMBLY - COMPARTMENT/DRIVER DOOR |
| | 129686-10-000 | EA | CYLINDER - LOCK ASSEMBLY - COMPARTMENT/DRIVER DOOR |

LOCK ASSEMBLY USED AFTER 05-01-01

| | | | |
|--|---------------|----|--------------------|
| | 138289-01-000 | EA | CYLINDER - LOCKING |
| | 138289-02-000 | EA | CYLINDER - LOCKING |
| | 138289-03-000 | EA | CYLINDER - LOCKING |
| | 138289-04-000 | EA | CYLINDER - LOCKING |
| | 138289-05-000 | EA | CYLINDER - LOCKING |
| | 138289-06-000 | EA | CYLINDER - LOCKING |
| | 138289-07-000 | EA | CYLINDER - LOCKING |
| | 138289-08-000 | EA | CYLINDER - LOCKING |
| | 138289-09-000 | EA | CYLINDER - LOCKING |
| | 138289-10-000 | EA | CYLINDER - LOCKING |

***COMPONENT PARTS LISTED LATER IN THIS GROUP**

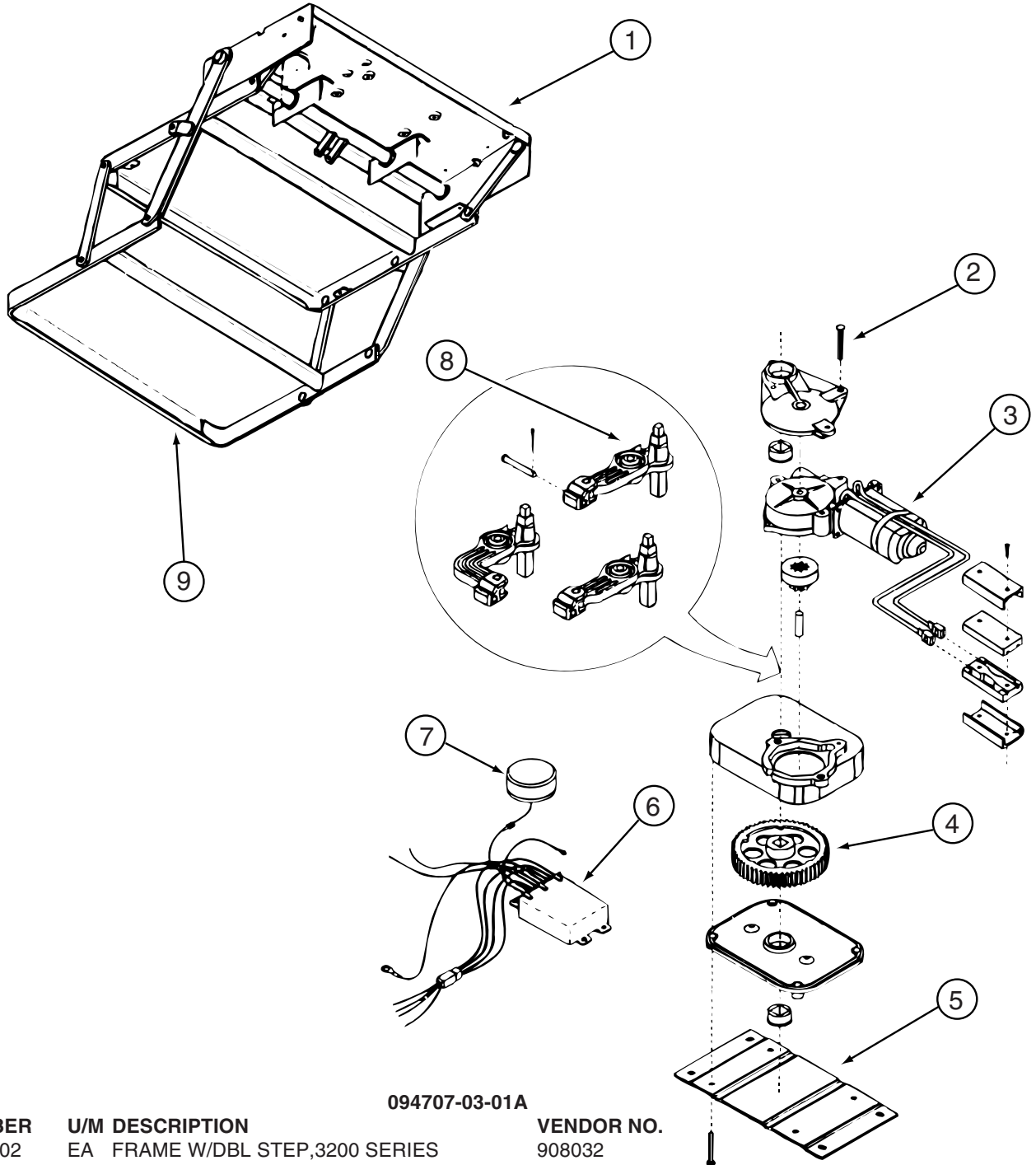


| KEY | PART NUMBER | U/M | DESCRIPTION |
|-----|---------------|-----|--|
| 1 | 132892-02-01A | FT | SEAL - BULB |
| 2 | 126263-02-02B | EA | BRACKET - GAS SPRING W/BALL STUD - E-COATED |
| 3 | 120494-03-02B | EA | SHIM - STRIKER - LUGGAGE DOOR - .20 - E-COATED |
| 4 | 130053-02-01A | EA | STRIKER - LUGGAGE DOOR - OFF SET - BLACK |
| 5 | 130053-01-01A | EA | STRIKER - LUGGAGE DOOR - FLUSH - BLACK |

EXTERIOR DOORS & COMPARTMENTS GROUP (CONTINUED)
COMPONENT PARTS FOR DOOR & COMPARTMENT LAYOUT

084103-08-000

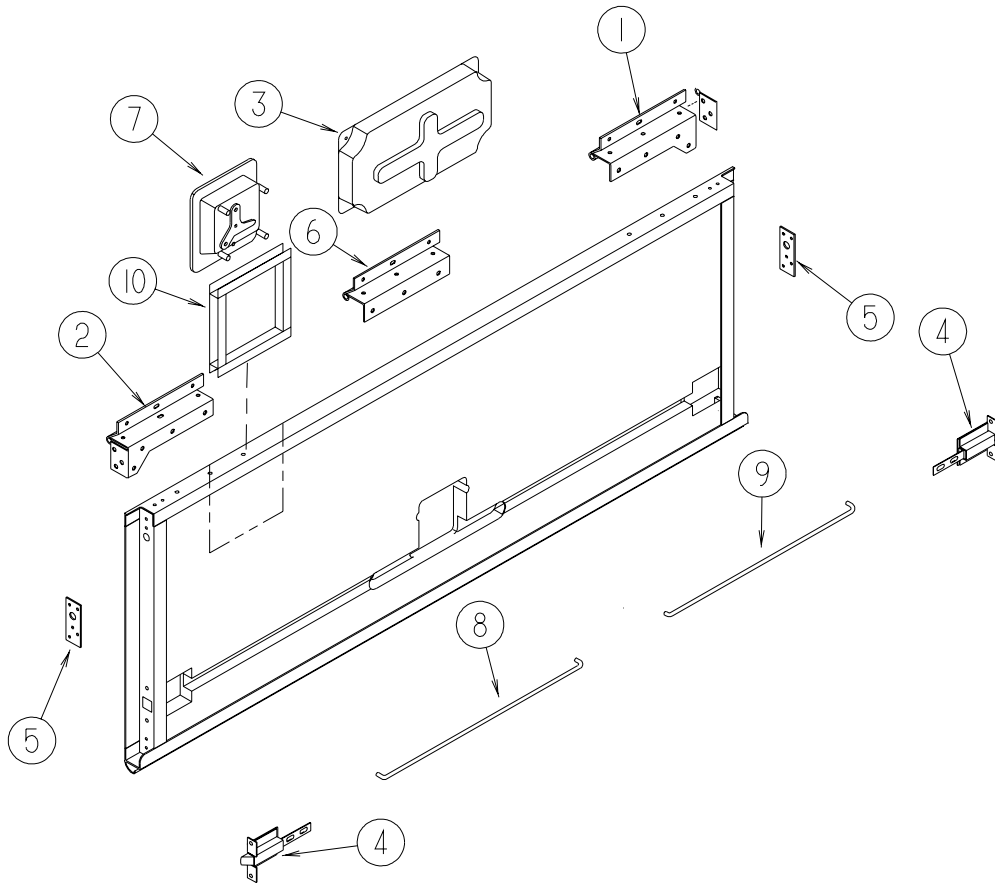
| KEY | PART NUMBER | U/M | DESCRIPTION | VENDOR NO. |
|-----|---------------|-----|-----------------------|-------------|
| | 084104-01-700 | EA | LOCK-MALE, FASTENER | 201-721-010 |
| | 084104-01-701 | EA | LOCK-FEMALE, FASTENER | 201-802-010 |



094707-03-01A

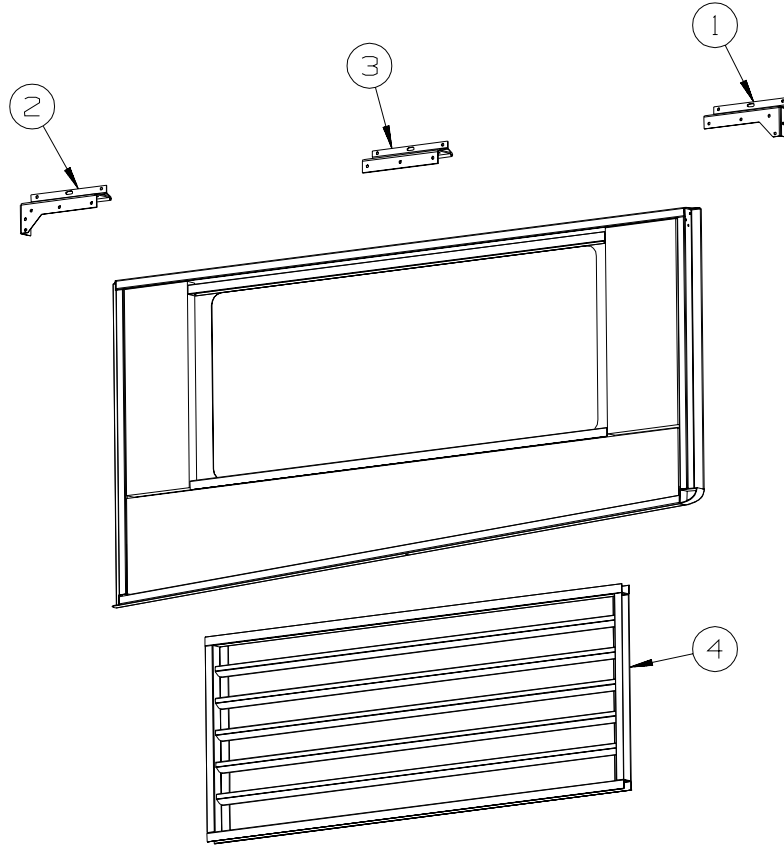
| KEY | PART NUMBER | U/M | DESCRIPTION | VENDOR NO. |
|-----|---------------|-----|------------------------------|------------|
| 1 | 094707-01-702 | EA | FRAME W/DBL STEP,3200 SERIES | 908032 |
| 2 | 094707-02-703 | EA | BEARING & PINS | 909530 |
| 3 | 094707-02-700 | EA | MOTOR - "UT" ASM W/BRGS/PIN | 909520 |
| 4 | 094707-02-702 | EA | GEAR KIT(GEAR-BEARING-PINS) | 909525 |
| 5 | 094707-02-704 | EA | CONNECTOR-MOTOR ASM.W/PLATES | 909537 |
| 6 | 094707-03-700 | EA | KIT CONTROL/SWITCH-RETROFIT | 909506005 |
| 7 | 088733-01-700 | EA | BULB | 9004 |
| 7 | 088746-01-705 | EA | LIGHT-UNDER STEP | 9004 |
| 8 | 094707-02-701 | EA | LINKAGE ASM. W/BEARINGS-PINS | 909534 |
| 9 | 094707-02-707 | EA | TREAD - NON-SKID - BLACK | 909333 |
| | 094707-02-706 | EA | GEAR BOX ASM. W/O MOTOR | 9524 |
| | 094707-02-708 | EA | TREAD - NON-SKID - YELLOW | 909331 |
| | 094707-03-701 | EA | PLUG - 4-WAY - PACKARD | 909306 |

EXTERIOR DOORS & COMPARTMENTS GROUP (CONTINUED)
COMPARTMENT DOOR PIECE PARTS



| KEY | PART NUMBER | U/M | DESCRIPTION |
|-----|---------------|-----|--|
| 1 | 131790-02-01A | EA | HINGE - SINGLE/PIVOT FROM: 00-00-00 THRU: 11-11-01 |
| 1 | 139793-02-01A | EA | HINGE - LEFT HAND/VALANCE DOOR - W/BALLSTUD FROM: 11-12-01 THRU: 99-99-99 |
| 1 | 139793-05-01A | EA | HINGE - LEFT HAND/VALANCE DOOR - W/O BALLSTUD FROM: 11-12-01 THRU: 99-99-99 |
| 2 | 131790-01-01A | EA | HINGE - SINGLE/PIVOT FROM: 00-00-00 THRU: 11-11-01 |
| 2 | 139793-01-01A | EA | HINGE - RIGHT HAND/VALANCE DOOR - W/BALLSTUD FROM: 11-12-01 THRU: 99-99-99 |
| 2 | 139793-04-01A | EA | HINGE - RIGHT HAND/VALANCE DOOR - W/O BALLSTUD FROM: 11-12-01 THRU: 99-99-99 |
| 3 | 137359-01-01A | EA | COVER - LATCH - WHITE |
| 4 | 121947-01-01A | EA | BOLT - SLIDE W/PLASTIC PLUNGER |
| 5 | 134033-01-04B | EA | PLATE - HINGE - BLACK |
| 6 | 131790-03-01A | EA | HINGE - SINGLE/PIVOT FROM: 00-00-00 THRU: 11-11-01 |
| 6 | 139793-03-01A | EA | HINGE - CENTER/VALANCE DOOR - W/O BALLSTUD FROM: 11-12-011 THRU: 99-99-99 |
| 7 | 129675-01-01A | EA | LATCH - LOCKING PADDLE - BLACK FROM: 00-00-00 THRU: 04-30-01 |
| 7 | 138277-01-01A | EA | LATCH/PADDLE - COMPARTMENT DOOR - BLACK - KEY ONE FROM: 05-01-01 THRU: 99-99-99 |
| 7 | 112949-02-04A | EA | LATCH - PADDLE NON-LOCKING - BRIGHT WHITE |
| 8 | 132873-02-000 | EA | ROD - LATCH (BLANK) - LEFT HAND |
| 9 | 132873-01-000 | EA | ROD - LATCH (BLANK) - RIGHT HAND |
| 10 | 133049-02-L76 | EA | TRIM - COVER/WATER HEATER |

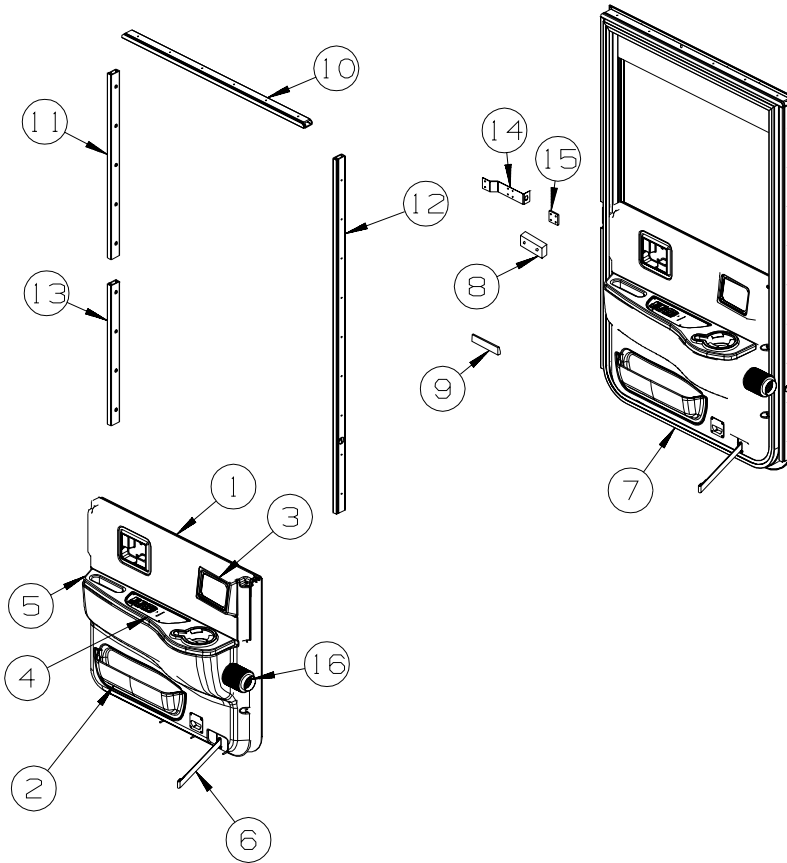
EXTERIOR DOORS & COMPARTMENTS GROUP (CONTINUED)
COMPARTMENT DOOR PIECE PARTS (CONTINUED)



| KEY | PART NUMBER | U/M | DESCRIPTION |
|-----|---------------|-----|----------------------|
| 1 | 131790-01-01A | EA | HINGE - SINGLE/PIVOT |
| 2 | 131790-02-01A | EA | HINGE - SINGLE/PIVOT |
| 3 | 131790-03-01A | EA | HINGE - SINGLE/PIVOT |
| 4 | 113333-10-M42 | EA | GRILL/DOOR - A/C |

EXTERIOR DOORS & COMPARTMENTS GROUP (CONTINUED)

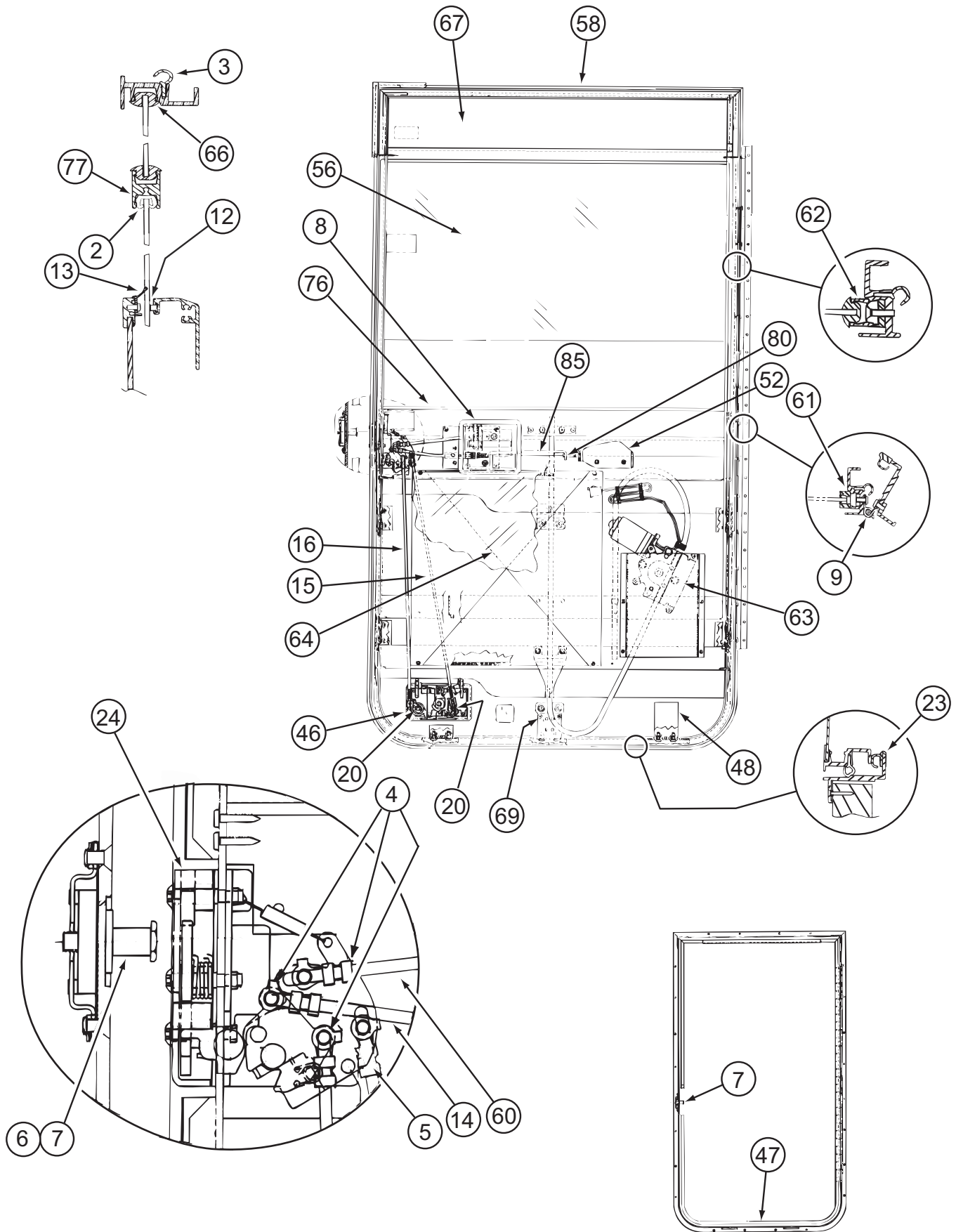
DRIVERS



| KEY | PART NUMBER | U/M | DESCRIPTION |
|-----|---------------|-----|--|
| 1 | 139385-01-01A | EA | PANEL/DOOR - CAB/INNER/LEFT HAND - GLACIER |
| 2 | 139405-01-01A | EA | POCKET/MAP - DOOR/DRIVER - GLACIER |
| 3 | 139364-02-02B | EA | BACKIN - MONITOR - E-COAT |
| 4 | 139497-01-04B | EA | PLATE - SWITCHES - DRIVER DOOR - BLACK |
| 5 | 139512-01-01A | EA | PANEL/TRIM - PASSENGER DOOR - PUTTY |
| 6 | 109378-01-000 | EA | STRAP - CHECK - DRIVER DOOR - 12.8" |
| 7* | 125581-10-01A | EA | DOOR - DRIVER - POWER WINDOW/LOCK |
| 8 | 128131-01-01A | EA | SPACER/SWITCH - DOME - BLACK |
| 9 | 109235-01-05A | FT | COVER - SCREW - BRIGHT WHITE |
| 10 | 125725-01-01A | EA | FRAME - DRIVER DOOR - 33.5" - BLACK |
| 11 | 125725-03-01A | EA | FRAME - DRIVER DOOR - 27.8" - BLACK |
| 12 | 125725-07-01A | EA | FRAME - DRIVER DOOR - 53.3" - BLACK |
| 13 | 125725-08-01A | EA | FRAME - DRIVER DOOR - 21.4" - BLACK |
| 14 | 126506-01-02B | EA | BRACKET - STRIKE - DRIVER DOOR - E-COATED |
| 15 | 126534-01-02B | EA | SPACER - STRIKE - DRIVER DOOR - E-COATED |
| 16 | 117802-01-000 | EA | GROMMET - CONVOLUTED - 2" |

*COMPONENT PARTS LISTED LATER IN THIS GROUP

EXTERIOR DOORS & COMPARTMENTS GROUP (CONTINUED)
COMPONENT PARTS FOR DRIVERS



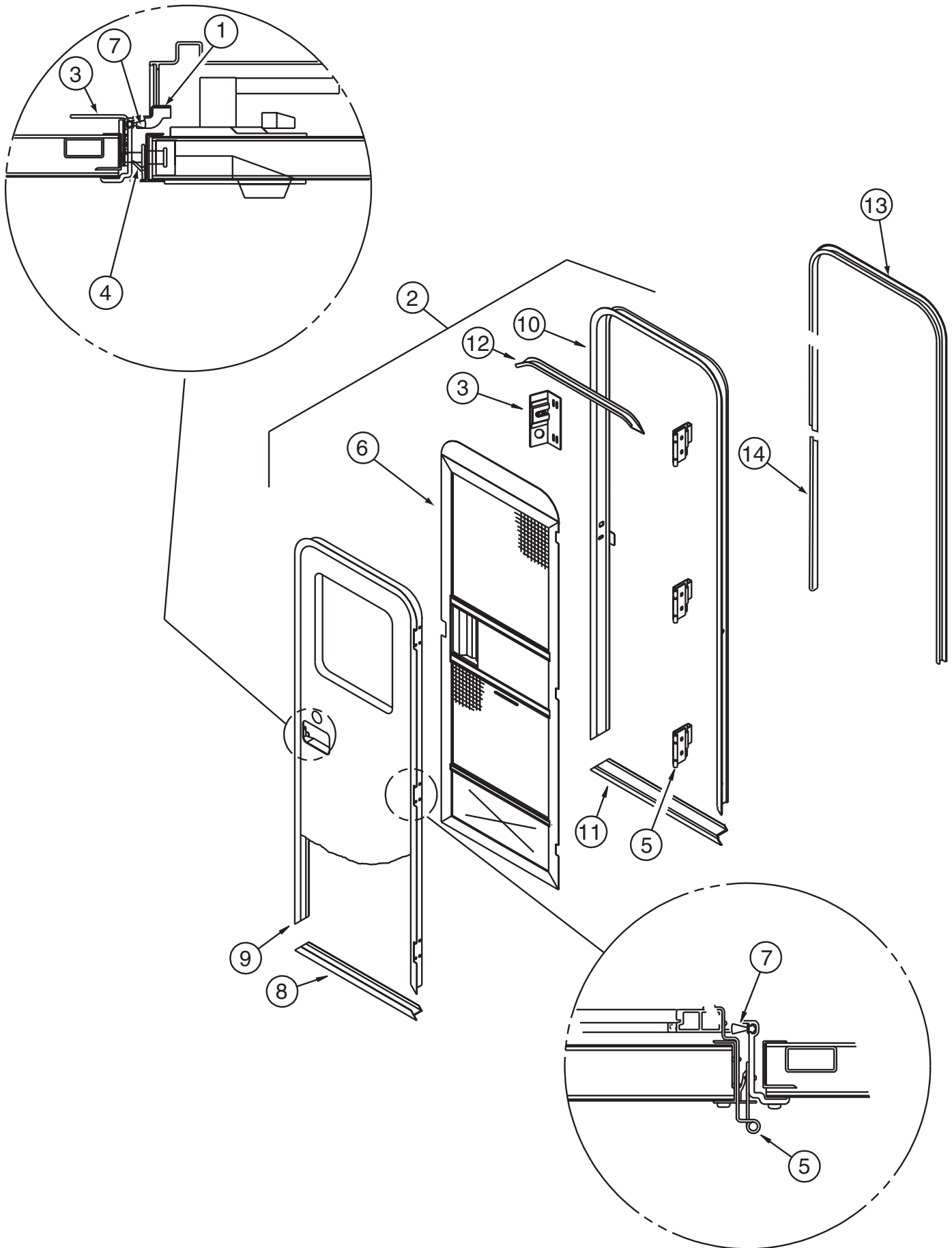
125581-10-01A

EXTERIOR DOORS & COMPARTMENTS GROUP (CONTINUED)
COMPONENT PARTS FOR DRIVERS (CONTINUED)

125581-10-01A (CONTINUED)

| KEY | PART NUMBER | U/M | DESCRIPTION | VENDOR NO. |
|------------|--------------------|------------|---|-------------------|
| 2 | 106469-01-705 | FT | CHANNEL-RUN, SLIDING | 122-010850 |
| 3 | 106469-01-702 | EA | SEAL-DOOR FRAME (DOOR)EA=1 | 122-040984 |
| 4 | 106469-04-714 | EA | ROD-CLIP, RH | 80801 |
| 5 | 106469-04-713 | EA | ROD-CLIP, LH | 80802 |
| 6 | 106469-04-704 | EA | NUT ASSEMBLY-CAGED W/STRIKER | 11920-16 |
| 7 | 106469-04-703 | EA | BOLT-STRIKER, W/WASHER | 10335-16 |
| 8 | 106469-04-712 | EA | HANDLE/DOOR-INNER W/HARDWARE | 11297-01 |
| 9 | 106469-05-702 | EA | HINGE - 42" | 211-041194 |
| 12 | 106469-01-709 | FT | WEATHERSTRIP FUZZY | 171-040630 |
| 13 | 125581-03-703 | EA | WEATHERSTRIP - BELTING | 132-041069 |
| 14 | 106469-04-711 | EA | ROD-LOCK, HORIZONTAL | 15508-01 |
| 15 | 125581-04-700 | EA | ROD - LATCH/VERTICAL ADJUST. | 203-041767 |
| 16 | 125581-04-701 | EA | ROD - LOCK/VERTICAL ADJUST. | 203-041768 |
| 20 | 128913-01-707 | EA | NUT - HEX/NYLOCK - 1/4 - 20 | 233-062447 |
| 23 | 106469-01-723 | EA | SEAL-BULB ASM. (DOOR JAMB) | 171-040985 |
| 24 | 106469-05-706 | EA | LATCH-ROTARY, W/LINKAGE | 16512-01 |
| 46 | 125581-09-700 | EA | PADDLE-W/O LOCK RH (REV KEY) | 17191-02 |
| 46 | 125581-09-701 | EA | LATCH/LOCK-DRVR DR (REV KEY) | PARTS DEPT |
| 46 | 125581-09-702 | EA | LATCH/LOCK-DRVR DR (REV KEY) | PARTS DEPT |
| 46 | 125581-09-703 | EA | LATCH/LOCK-DRVR DR (REV KEY) | PARTS DEPT |
| 46 | 125581-09-704 | EA | LATCH/LOCK-DRVR DR (REV KEY) | PARTS DEPT |
| 46 | 125581-09-705 | EA | LATCH/LOCK-DRVR DR (REV KEY) | PARTS DEPT |
| 46 | 125581-09-706 | EA | LATCH/LOCK-DRVR DR (REV KEY) | PARTS DEPT |
| 46 | 125581-09-707 | EA | LATCH/LOCK-DRVR DR (REV KEY) | PARTS DEPT |
| 46 | 125581-09-708 | EA | LATCH/LOCK-DRVR DR (REV KEY) | PARTS DEPT |
| 46 | 125581-09-709 | EA | LATCH/LOCK-DRVR DR (REV KEY) | PARTS DEPT |
| 46 | 125581-09-710 | EA | LATCH/LOCK-DRVR DR (REV KEY) | PARTS DEPT |
| 47 | 125581-04-703 | EA | FRAME - MOUNTING - BLACK | V180-35L |
| 48 | 125581-07-703 | EA | BRACKET-ALUMINUM "L"(INSIDE) | N135-55 |
| 56 | 125581-08-703 | EA | GLASS-ROLL-UP | 106-042081 |
| 58 | 125581-08-702 | EA | FRAME/DOOR - SUB ASSY-BLACK | V220-98L |
| 60 | 106469-04-705 | EA | ROD-LATCH, HORIZONTAL | 203-041139 |
| 61 | 125581-08-701 | EA | GLASS-STATIONERY/4.95"X29.5" | 106-042082 |
| 62 | 125581-08-700 | EA | CHANNEL/VERT STA GLASS-BLACK | V220-61 |
| 63 | 125581-03-702 | EA | REGULATOR-ELECTRIC-SPEC RH | 410-040966 |
| 64 | 125581-06-700 | EA | PANEL/INTERIOR | V164-97 |
| 66 | 125581-04-710 | FT | VINYL - GLAZING | 132-041484 |
| 67 | 125581-07-701 | EA | GLASS-STATIONERY/4.95"X29.5" | 106-042082 |
| 69 | 125581-04-711 | EA | CHANNEL-GLASS - LIFT BRKT | N135-66 |
| 74 | 125581-07-704 | EA | BRACKET - STRAP/JAMB & DOOR | 248-080394 |
| 76 | 125581-03-701 | EA | SILL - INNER - BLACK | V123-68L |
| 77 | 125581-03-700 | EA | MULLION RAIL- BLACK | V123-84 |
| | 125581-07-705 | EA | BRACKET (L) F/SEAL PROTECT | 490201 |
| | 125581-10-702 | EA | LOCK(ACTUATOR) - ELECTRIC | 410-041096 |
| | 125581-10-701 | EA | CLIP - CABLE | 130-042047 |
| | 125581-10-700 | EA | ROD - LOCKING - POWER | 203-041141 |
| | | | CONTACT WINNEBAGO PART SALES FOR UNLISTED COMPONENT | |

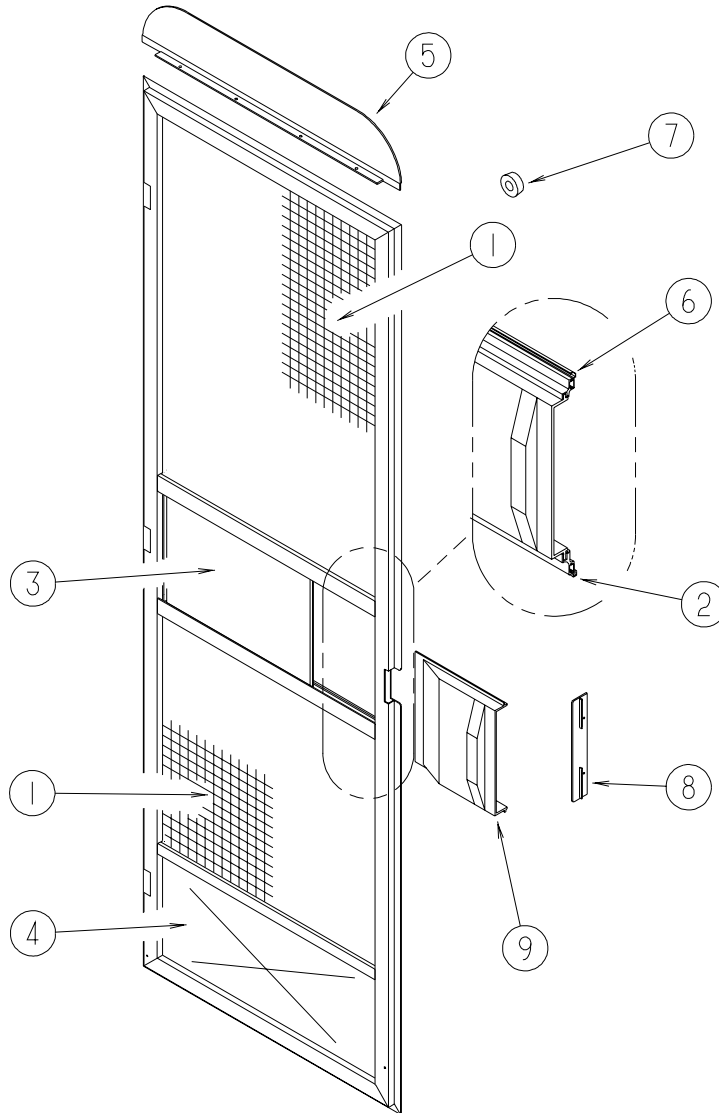
EXTERIOR DOORS & COMPARTMENTS GROUP (CONTINUED)
ENTRY



EXTERIOR DOORS & COMPARTMENTS GROUP (CONTINUED)
ENTRY (CONTINUED)

| KEY | PART NUMBER | U/M | DESCRIPTION |
|------------|--------------------|------------|--|
| 1 | 132915-01-01A | EA | LATCH - SCREEN DOOR - BLACK |
| 2 | P32206-07-N52 | EA | DOOR - ENTRY W/SCREEN DOOR - W/O WINDOW/LATCH (N62, N63, N64, N65) |
| 2 | P32206-07-N56 | EA | DOOR - ENTRY W/SCREEN DOOR - W/O WINDOW/LATCH (N66, N657) |
| | 039715-01-000 | EA | NUT-SERT - 1/4" DIAMETER - 20 THREADS |
| 3 | 137401-01-03B | EA | BRACKET - DOOR ANGLE - OFF WHITE |
| 4 | 075671-04-000 | FT | SEAL - SPONGE - LAZY T - W/ADHESIVE STRIP - .5" WIDE |
| 5 | 106719-01-05A | EA | HINGE - ENTRY DOOR - BRIGHT WHITE |
| | 106719-01-01A | EA | HINGE - ENTRY DOOR - MILL |
| | 116111-02-01A | EA | SCREW - TAPTITE - 1/4-20 X 3/8 PPH - ZINC |
| 6 | 132208-02-L32 | EA | DOOR - SCREEN - W/O HARDWARE |
| 7 | 118929-01-01A | FT | SEAL - PILE - PUSH ON |
| 8 | 121893-03-02A | EA | FRAME - ENTRY DOOR/LOWER - BRIGHT WHITE |
| 9 | 121894-22-01A | EA | FRAME - ENTRY DOOR |
| 10 | 121898-17-01A | EA | JAMB - ENTRY DOOR - BRIGHT WHITE |
| 11 | 051049-05-000 | EA | JAMB/DOOR - LOWER - ENTRY DOOR |
| | 075673-05-000 | FT | SEAL - PILE - ADHESIVE BACK - BLACK |
| | 038327-01-000 | EA | TAPE - ANTI-SLIP - 2" X 60' |
| 12 | 044582-50-000 | EA | CAP - DRIP - JAMB MITERED - BRIGHT WHITE |
| 13 | 139100-01-01A | EA | GARNISH/RADIUS - ENTRY DOOR - BRIGHT WHITE |
| 14 | 139101-01-01A | EA | GARNISH/STRAIGHT - 36.31" - W/NOTCH - BRIGHT WHITE |
| | 138287-01-000 | EA | CYLINDER/LOCK - ENTRY DOOR (MASTER) |
| | 138287-02-000 | EA | CYLINDER/LOCK - ENTRY DOOR (MASTER) |
| | 138287-03-000 | EA | CYLINDER/LOCK - ENTRY DOOR (MASTER) |
| | 138287-04-000 | EA | CYLINDER/LOCK - ENTRY DOOR (MASTER) |
| | 138287-05-000 | EA | CYLINDER/LOCK - ENTRY DOOR (MASTER) |
| | 138287-06-000 | EA | CYLINDER/LOCK - ENTRY DOOR (MASTER) |
| | 138287-07-000 | EA | CYLINDER/LOCK - ENTRY DOOR (MASTER) |
| | 138287-08-000 | EA | CYLINDER/LOCK - ENTRY DOOR (MASTER) |
| | 138287-09-000 | EA | CYLINDER/LOCK - ENTRY DOOR (MASTER) |
| | 138287-10-000 | EA | CYLINDER/LOCK - ENTRY DOOR (MASTER) |
| | 138288-01-000 | EA | KEY - REVERSIBLE - #1151 - T/M 16169-02-3091 |
| | 138288-02-000 | EA | KEY - REVERSIBLE - #1152 - T/M 16169-02-3092 |
| | 138288-03-000 | EA | KEY - REVERSIBLE - #1153 - T/M 16169-02-3093 |
| | 138288-04-000 | EA | KEY - REVERSIBLE - #1154 - T/M 16169-02-3094 |
| | 138288-05-000 | EA | KEY - REVERSIBLE - #1155 - T/M 16169-02-3095 |
| | 138288-06-000 | EA | KEY - REVERSIBLE - #1156 - T/M 16169-02-3096 |
| | 138288-07-000 | EA | KEY - REVERSIBLE - #1157 - T/M 16169-02-3097 |
| | 138288-08-000 | EA | KEY - REVERSIBLE - #1158 - T/M 16169-02-3098 |
| | 138288-09-000 | EA | KEY - REVERSIBLE - #1159 - T/M 16169-02-3099 |
| | 138288-10-000 | EA | KEY - REVERSIBLE - #1150 - T/M 16169-02-3100 |
| | 138292-01-000 | EA | SEAL - LOCK CYLINDER |

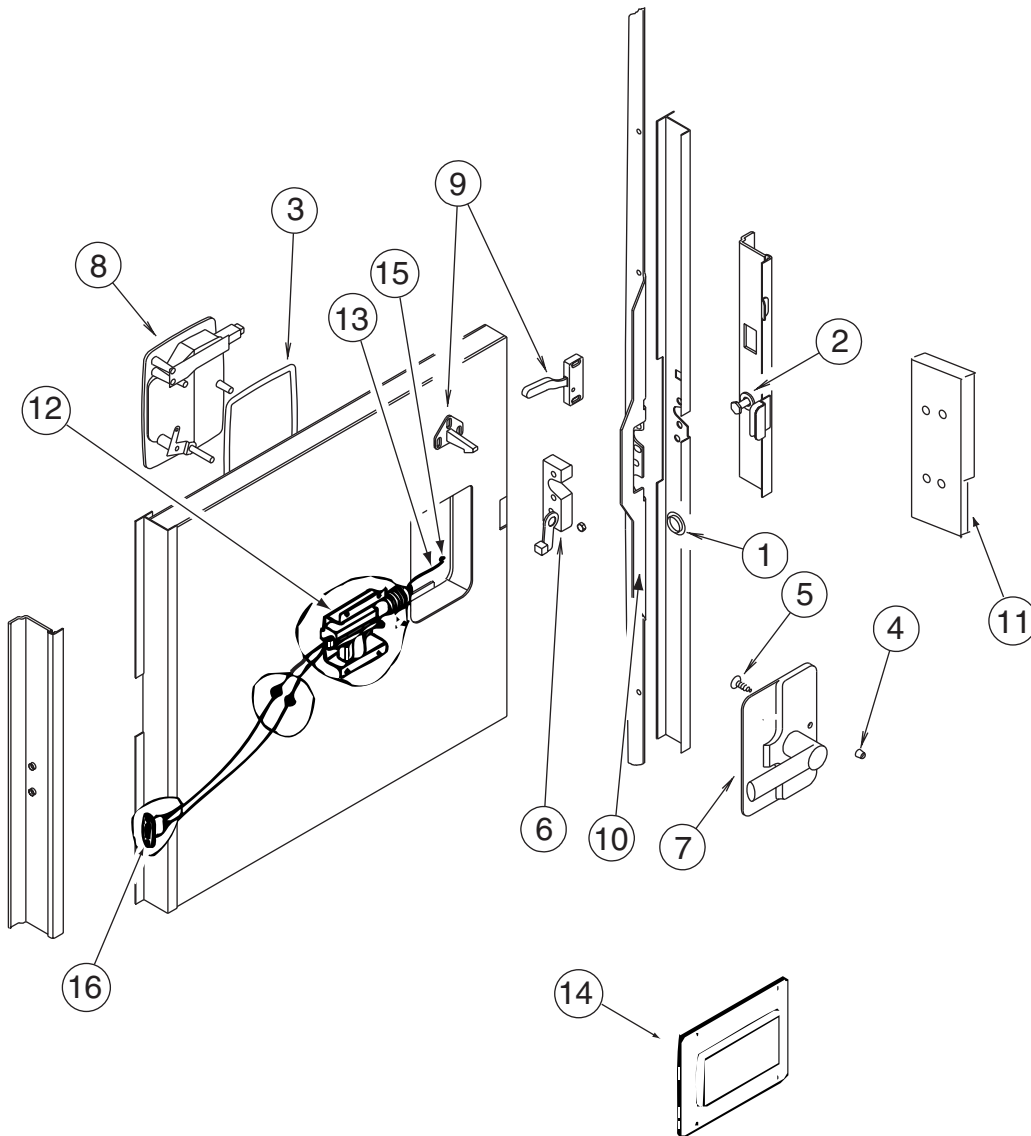
EXTERIOR DOORS & COMPARTMENTS GROUP (CONTINUED)
SCREEN



| KEY | PART NUMBER | U/M | DESCRIPTION |
|-----|---------------|-----|--|
| | 132208-02-L32 | EA | DOOR - SCREEN - W/O HARDWARE |
| 1 | 002293-02-000 | SF | SCREEN - 26" - CHARCOAL |
| 2 | 002294-01-000 | FT | SPLINE - SCREENING - .13" X .14" |
| 3 | 016454-18-000 | EA | INSERT - SCREEN DOOR - CENTER |
| 4 | 078552-09-000 | EA | INSERT - SCREEN DOOR - LOWER |
| 5 | 078595-03-000 | EA | PLATE - SCREEN DOOR |
| 6 | 078777-08-000 | FT | CHANNEL - SLIDER |
| 7 | 120863-06-000 | EA | BUMPER - RUBBER/RADIUS TOP - 3/4" X 3/8" |
| 8 | 132081-01-01A | EA | STRIKE - SLIDER - SCREEN DOOR - BRIGHT WHITE |
| 9 | 132082-01-01A | EA | SLIDER - SCREEN DOOR - BRIGHT WHITE |

EXTERIOR DOORS & COMPARTMENTS GROUP (CONTINUED)

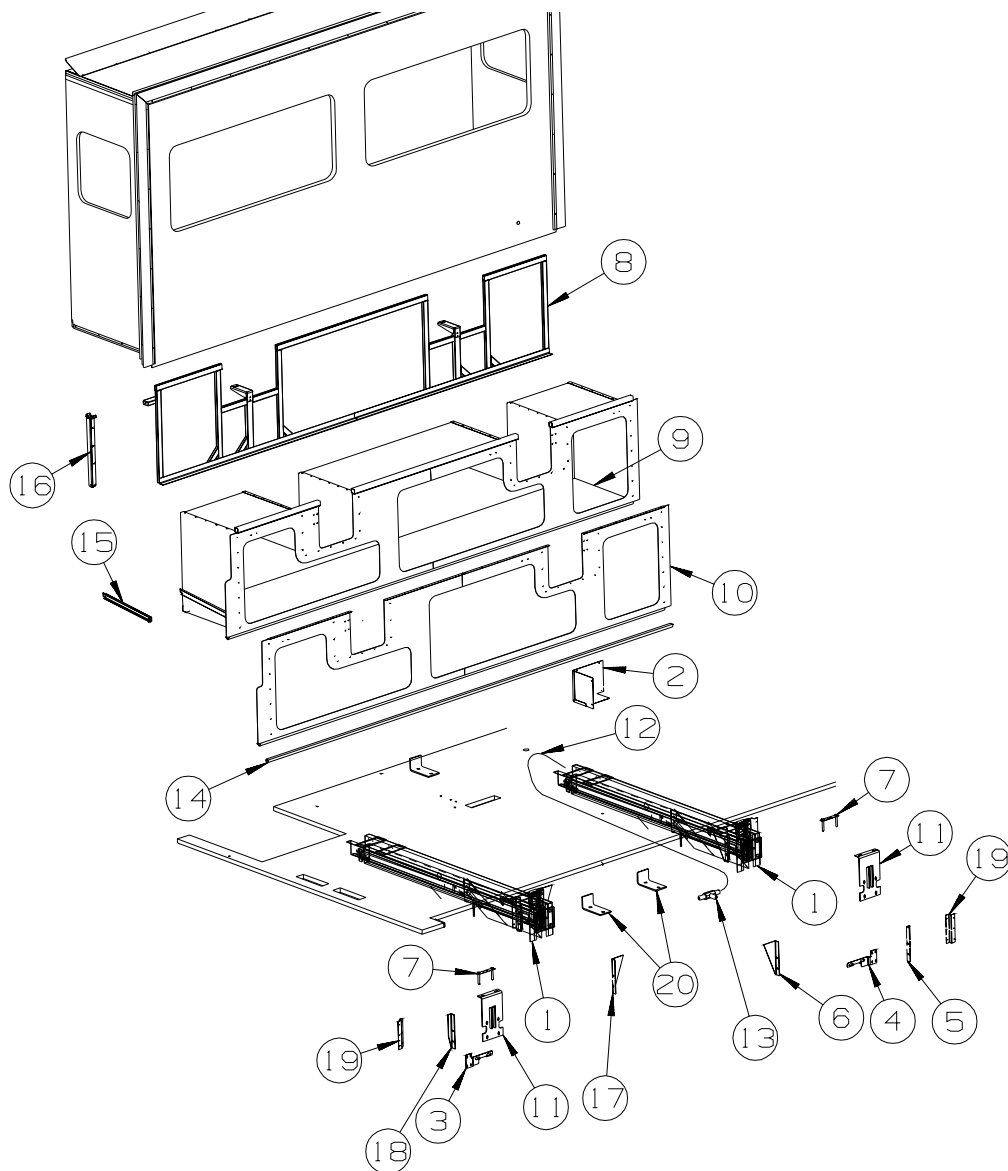
LATCH - ENTRY



| KEY | PART NUMBER | U/M | DESCRIPTION |
|-----|---------------|-----|--|
| 1 | 061420-14-000 | EA | PLUG/PLASTIC - .034" DIAMETER |
| 2 | 092927-14-000 | EA | STRIKER - ROUND - JAMB MOUNTED |
| 3 | 112782-04-01A | EA | GASKET |
| 4 | 112782-05-01A | EA | CAP - VINYL - RED |
| 5 | 112782-08-01A | EA | SCREW - MOUNTING/PLATE - ZINC |
| 6 | 112782-15-01A | EA | LATCH - SINGLE ROTOR |
| 7 | 112782-16-01A | EA | LATCH - INTERIOR PLATE |
| 8 | 112782-18-01A | EA | LATCH - EXTERIOR - W/O LOCK CYLINDER W/ICON-REVERSIBLE KEY |
| 9 | 132915-01-01A | EA | LATCH - SCREEN DOOR - BLACK |
| 10 | 132207-01-02B | EA | STIFFENER/DOOR - FORMED - E-COATED |
| | 072893-04-000 | EA | NUTSERT - 10-32 |
| 11 | 139102-01-01A | EA | COVER - BRACKET - STRIKE - BRIGHT WHITE |
| 12 | 113650-02-02B | EA | BRACKET - ACTUATOR - ELECTRIC - E-COATED |
| | 138898-01-000 | EA | ACTUATOR/LOCK - ELECTRIC |
| 13 | 113651-01-01A | EA | ROD - CONTROL - MOTOR/LOCK |
| 14 | 113960-01-01A | EA | COVER - ACTUATOR - POWER LOCK |
| 15 | 114209-01-01A | EA | PUSHNUT - CAP - 1/8" - WHITE |
| 16 | 138897-01-000 | EA | CONTACT/PIN - 2 POSITION/KIT |

EXTERIOR SLIDEOUT GROUP

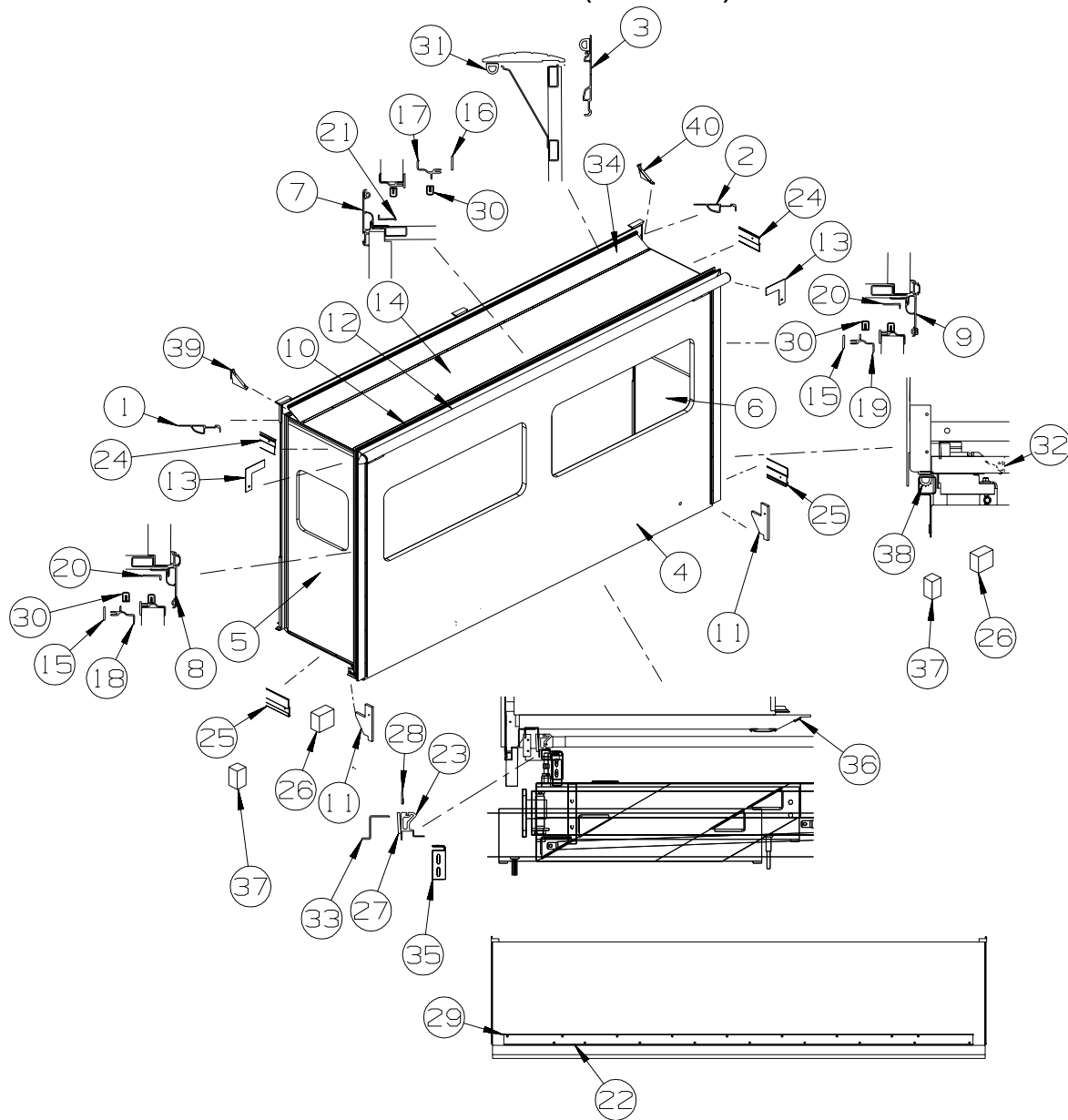
FRONT LEFT



| KEY | PART NUMBER | U/M | DESCRIPTION |
|-----|---------------|-----|--|
| 1* | 131360-01-000 | EA | SLIDEOUT - 29" - HYDRAULIC |
| 2 | 136749-03-02B | EA | PANEL/COVER - ACCESS - E-COATED |
| 3 | 131528-02-02B | EA | BRACKET - F/SLIDEOUT COMPARTMENT - E-COATED |
| 4 | 131528-01-02B | EA | BRACKET - F/SLIDEOUT COMPARTMENT - E-COATED |
| 5 | 131531-07-02B | EA | GUSSET - SLIDEOUT - E-COATED |
| 6 | 131531-02-02B | EA | GUSSET - SLIDEOUT - E-COATED |
| 7 | 136995-05-02B | EA | PLATE - E-COATED |
| | | | FROM: 00-00-00 THRU: 02-11-02 |
| 7 | 136995-02-02B | EA | PLATE - E-COATED |
| | | | FROM: 02-12-02 THRU: 99-99-99 |
| 8 | 138813-02-02B | EA | SUPPORT - F/SLIDEOUT - E-COATED |
| 9 | 138824-02-N52 | EA | COMPARTMENT - F/SLIDEOUT |
| 10 | 138826-02-02B | EA | SEAL PLANE - F/SLIDEOUT - E-COATED |
| 11 | 131529-01-02B | EA | BRACKET - MOUNTING - F/SLIDEOUT COMPARTMENT - C-COATED |
| 12* | 100536-42-000 | EA | HOSE KIT - PUMP TO SLIDE-OUT VALVE |
| 13 | 123264-01-000 | EA | TEE - UNION - 1/4" X 1/4" X 1/4" |
| 14 | 126516-01-01A | FT | TRIM - VINYL/EXTRUDED - 8' |
| 15 | 135788-05-02B | EA | SUPPORT - VALANCE - E-COATED |
| 16 | 126591-02-02B | EA | CARRIER - WIRE LOOM - F/SLIDEOUT ROOM |
| 17 | 131531-01-02B | EA | GUSSET - SLIDEOUT - E-COATED |
| 18 | 131531-04-02B | EA | GUSSET - SLIDEOUT - E-COATED |
| 19 | 116104-06-02B | EA | BRACKET - ZEE W/HOLES - 7.9" - E-COATED |
| 20 | 122922-02-02B | EA | BRACKET/CYLINDER SUPPORT - E-COATED |

*COMPONENT PARTS LISTED LATER IN THIS GROUP

EXTERIOR SLIDEOUT GROUP (CONTINUED)
FRONT LEFT (CONTINUED)

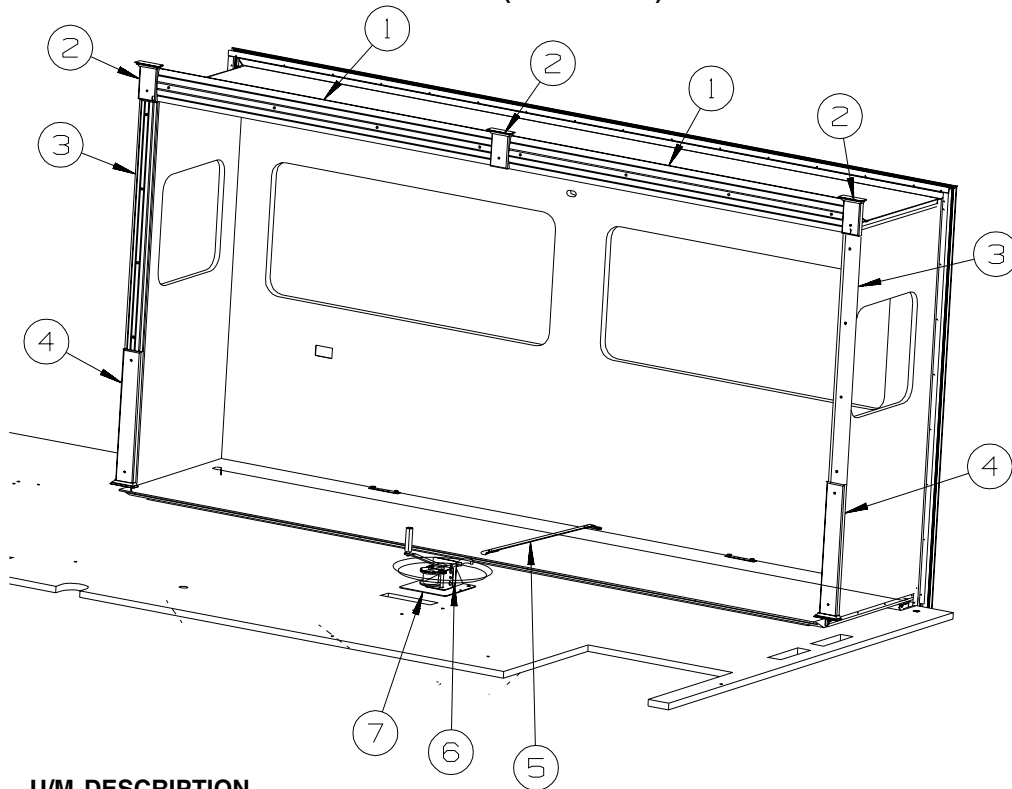


| KEY | PART NUMBER | U/M | DESCRIPTION |
|-----|---------------|-----|--|
| 1 | 117004-12-01A | EA | TRIM - SEAL/INNER/RIGHT - W/MITERED END-71.3"-BRIGHT WHITE FROM: 00-00-00 THRU: 03-22-02 |
| 1 | 139624-18-01A | EA | TRIM/SEAL - INNER/RIGHT HAND - 71.3" - BRIGHT WHITE FROM: 03-23-02 THRU: 99-99-99 |
| 2 | 117004-13-01A | EA | TRIM - SEAL/INNER/LEFT - W/MITERED END-71.3"-BRIGHT WHITE FROM: 00-00-00 THRU: 03-22-02 |
| 2 | 139624-19-01A | EA | TRIM/SEAL - INNER/LEFT HAND - 71.3" - BRIGHT WHITE FROM: 03-23-02 THRU: 99-99-99 |
| 3 | 131578-02-01A | EA | TRIM/SEAL - SLIDEOUT - 145.3" - BRIGHT WHITE FROM: 00-00-00 THRU: 03-22-02 |
| 3 | 141893-02-01A | EA | TRIM/SEAL - F/SLIDEOUT - BRIGHT WHITE FROM: 03-23-02 THRU: 99-99-99 |
| 4 | 140575-11-N52 | EA | SLUG - SLIDEOUT (N62, N63, N64, N65) |
| 4 | 140575-11-N56 | EA | SLUG - SLIDEOUT (N66, N67) |
| 5 | 136037-01-M84 | EA | PANEL/SLIDEOUT - FRONT (N62, N63, N64, N65) FROM: 00-00-00 THRU: 01-01-02 |
| 5 | 136037-01-M70 | EA | PANEL/SLIDEOUT - FRONT (N66, N67) FROM: 00-00-00 THRU: 01-01-02 |
| 5 | 141972-01-N71 | EA | PANEL - SLIDEOUT/FRONT - W/O WINDOWS/TRIMS (N62, N63, N64, N65) FROM: 01-02-02 THRU: 99-99-99 |
| 5 | 141972-01-N70 | EA | PANEL - SLIDEOUT/FRONT - W/O WINDOWS/TRIMS (N66, N67) FROM: 01-02-02 THRU: 99-99-99 |

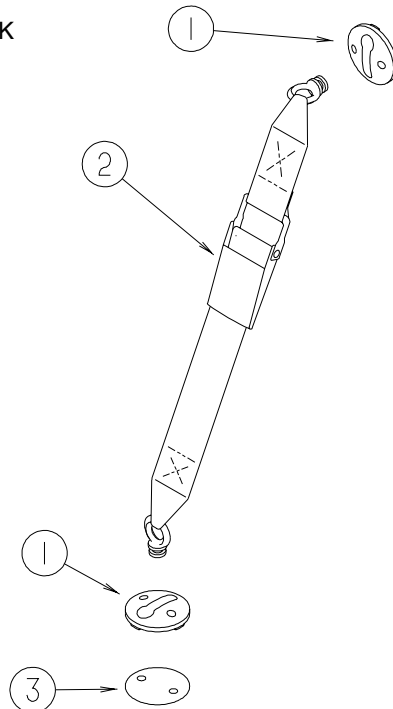
EXTERIOR SLIDEOUT GROUP (CONTINUED)
FRONT LEFT (CONTINUED)

| KEY | PART NUMBER | U/M | DESCRIPTION |
|-----|---------------|-----|---|
| 6 | 136038-01-M84 | EA | PANEL/SLIDEOUT - REAR (N62, N63, N64, N65) FROM: 00-00-00 THRU: 01-01-02 |
| 6 | 136038-01-M70 | EA | PANEL/SLIDEOUT - REAR (N66, N67) FROM: 00-00-00 THRU: 01-01-02 |
| 6 | 141973-01-N71 | EA | PANEL - SLIDEOUT/REAR - W/O WINDOWS/TRIMS (N62, N63, N64, N65) FROM: 01-02-02 THRU: 99-99-99 |
| 6 | 141973-01-N70 | EA | PANEL - SLIDEOUT/REAR - W/O WINDOWS/TRIMS (N66, N67) FROM: 01-02-02 THRU: 99-99-99 |
| 7 | 133955-07-01A | EA | TRIM/SEAL - W/MITERED ENDS - 147" - BRIGHT WHITE |
| | 105312-01-07A | FT | INSERT - FEATURE STRIP - VINYL - BRIGHT WHITE |
| 8 | 133955-02-01A | EA | TRIM/SEAL - W/MITERED ENDS - 76.1" - BRIGHT WHITE |
| | 105312-01-07A | FT | INSERT - FEATURE STRIP - VINYL - BRIGHT WHITE |
| 9 | 133955-03-01A | EA | TRIM/SEAL - W/MITERED ENDS - 76.1" - BRIGHT WHITE |
| | 105312-01-07A | FT | INSERT - FEATURE STRIP - VINYL - BRIGHT WHITE |
| 10 | 117058-01-01A | FT | TAPE - LOOP - 3/4" WIDE - ADHESIVE BACKED |
| 11 | 126546-02-02A | EA | COVER - END/SIDEWALL SLIDEOUT - BRIGHT WHITE |
| 12 | 122977-07-03A | EA | AWNING/SLIDEOUT W/COVER - 147" - WHITE - VINYL/VINYL WRAP |
| 13 | 116444-02-12B | EA | TRIM/KEY CORNER - SLIDEOUT - 3.1"X3.1" - BRT WHT FROM: 00-00-00 THRU: 04-29-01 |
| 13 | 116444-04-12B | EA | TRIM/KEY CORNER - SLIDEOUT - 3.1"X3.1" - BRT WHT FROM: 04-30-01 THRU: 99-99-99 |
| 14 | 140841-01-N52 | EA | ROOF - W/O LIGHTS - W/WIRING - F/SLIDEOUT |
| 15 | 115886-02-03A | EA | RETAINER - SIDEWALL - BRIGHT WHITE - 73.5" |
| 16 | 115886-05-01A | EA | RETAINER - SIDEWALL - BRIGHT WHITE - 146.5" |
| 17 | 115863-12-01A | EA | TRIM - SIDEWALL/SLIDEOUT - TOP - 146" - BRIGHT WHITE |
| 18 | 115863-17-01A | EA | TRIM - SIDEWALL/SLIDEOUT - LEFT HAND - 76.1" - BRT WHT |
| 19 | 115863-18-01A | EA | TRIM - SIDEWALL/SLIDEOUT - RIGHT HAND - 76.1" - BRT WHT |
| 20 | 133954-16-01A | EA | TRIM/SEAL - W/MITERED ENDS - 71.2" - BRIGHT WHITE |
| 21 | 133954-07-01A | EA | TRIM/SEAL - W/MITERED ENDS - 141.8" - BRIGHT WHITE |
| 22 | 115325-04-02A | EA | RAIL - FLOOR/SLIDEOUT ROOM - BLACK |
| 23 | 131659-06-N52 | EA | TUBE/SUPPORT - SLIDEOUT - 145.8" |
| 24 | 138659-01-01A | EA | TRIM/FEATURE STRIP - 181.7" - BRIGHT WHITE |
| | 105312-01-07A | FT | INSERT - FEATURE STRIP - VINYL - BRIGHT WHITE |
| 25 | 125051-03-01A | EA | STRIP - FEATURE - LOWER - 29.2" - BRIGHT WHITE |
| | 105312-01-07A | FT | INSERT - FEATURE STRIP - VINYL - BRIGHT WHITE |
| | 075673-05-000 | FT | SEAL - PILE - ADHESIVE BACK - BLACK |
| 26 | 137408-02-000 | EA | SEAL - BLOCK - F/SLIDEOUT - 1.4" |
| 27 | 137343-02-02B | EA | PLATE - W/HOLES - E-COATED |
| 28 | 123012-01-000 | FT | SEAL - SLIDEOUT - .09"/.13" THICK X 1.25" - W/ADHESIVE |
| 29 | 115661-01-000 | FT | SHOE/GLIDE - SLIDEOUT ROOM - 1/16" X 3" - POLYETHYLENE |
| 30 | 115076-01-000 | FT | SEAL - SLIDEOUT |
| 31 | 112091-01-000 | FT | SEAL/D - NEOPRENE - HEAT ACTIVE ADHESIVE - .9" |
| 32 | 131611-01-000 | FT | SEAL - SLIDEOUT/LOWER |
| 33 | 131520-10-01A | EA | EXTRUSION/ZEE - F/SLIDEOUT |
| 34 | 131579-02-01A | EA | TRIM - RETAINER |
| 35 | 133233-01-02B | EA | BRACKET - SLIDEOUT - E-COATED |
| 36 | 131358-02-01A | EA | RETAINER - U-CHANNEL - 140.4" - BLACK |
| 37 | 137408-01-000 | EA | SEAL - BLOCK - F/SLIDEOUT - 2.2" |
| 38 | 107721-08-000 | FT | SEAL - ACCESS DOOR - .9" WIDE X .9" HIGH |
| 39 | 131584-01-01A | EA | COVER - TRIM - SLIDEOUT - FRONT - BRIGHT WHITE |
| 40 | 131584-02-01A | EA | COVER - TRIM - SLIDEOUT - REAR - BRIGHT WHITE |

EXTERIOR SLIDEOUT GROUP (CONTINUED)
FRONT LEFT (CONTINUED)



| KEY | PART NUMBER | U/M | DESCRIPTION |
|-----|---------------|-----|--|
| 1 | P39129-11-N52 | EA | MOLDING - FLUTED/CURVED - 67.8" - CHERRY IV - SALEM CHERRY |
| 1 | P39129-11-N62 | EA | MOLDING - FLUTED/CURVED - 67.8" - WASHED MAPLE |
| 2 | 141303-01-N52 | EA | MOLDING - CROWN/BLOCK - SALEM CHERRY |
| 2 | 141303-01-N62 | EA | MOLDING - CROWN/BLOCK - WASHED MAPLE |
| 3 | P39129-01-N52 | EA | MOLDING - FLUTED/CURVED - 44.7" - CHERRY IV - SALEM CHERRY |
| 3 | P39129-01-N62 | EA | MOLDING - FLUTED/CURVED - 44.7" - WASHED MAPLE |
| 4 | 141303-02-N52 | EA | MOLDING - CROWN/BLOCK - SALEM CHERRY |
| 4 | 141303-02-N62 | EA | MOLDING - CROWN/BLOCK - WASHED MAPLE |
| 5 | 116101-02-F31 | EA | STRAP - WINCH - 34" CENTER BRACKET/STRAP END |
| 6 | 115767-02-000 | EA | WINCH - SLIDEOUT W/10' STRAP |
| 7 | 116082-03-02B | EA | BRACKET - WINCH |
| | 069726-02-000 | EA | BUMPER - .88" OD X .40" THICK - BLACK |



| KEY | PART NUMBER | U/M | DESCRIPTION |
|-----|---------------|-----|---------------------------------|
| 1 | 135619-02-01A | EA | PLATE - TIEDOWN - SLIDEOUT ROOM |
| 2 | 135619-01-01A | EA | STRAP - TIEDOWN - SLIDEOUT ROOM |
| 3 | 135622-01-01B | EA | PLATE - TIEDOWN - SLIDEOUT ROOM |

EXTERIOR SLIDEOUT GROUP (CONTINUED)
COMPONENT PARTS FOR FRONT LEFT SLIDEOUT

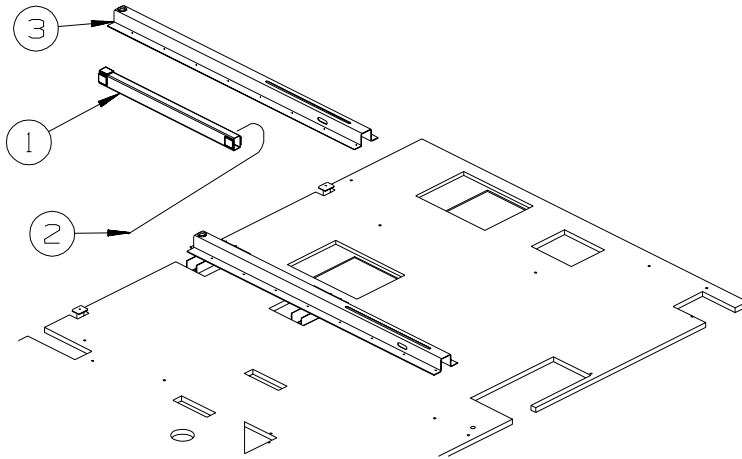
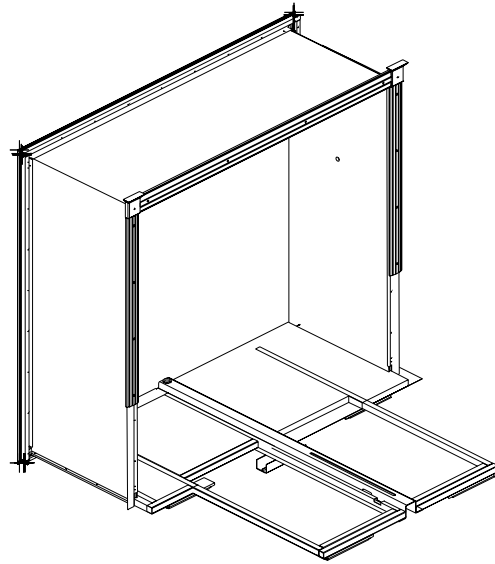
100536-42-000

| KEY | PART NUMBER | U/M | DESCRIPTION | VENDOR NO. |
|------------|--------------------|------------|-------------------------|-------------------|
| | 100536-42-700 | EA | HOSE - HYDRAULIC - 168" | RAP6115 |
| | 100536-42-701 | EA | HOSE - HYDRAULIC - 175" | RAP90350 |

131360-01-000

| KEY | PART NUMBER | U/M | DESCRIPTION | VENDOR NO. |
|------------|--------------------|------------|------------------------------|-------------------|
| | 100536-10-701 | EA | HOSE-HYDRAULIC-1/4" X 116" | RAP90349/AP5384 |
| | 128599-06-703 | EA | BEARING KIT - SLIDE-OUT TUBE | RAP90698 |
| | 128599-06-704 | EA | BEARING PAD - SLIDE-OUT | P14811 |
| | 131360-01-700 | EA | CYLINDER - HYDRAULIC (RAM) | RAP90696/AP19256 |
| | 131360-01-701 | EA | HOSE-HYDRAULIC-1/4" X 125" | AP4906 |
| | 131360-01-702 | EA | HOSE-HYDRAULIC-3/16" X 172" | AP18996 |
| | 131360-01-703 | EA | HOSE-HYDRAULIC-3/16" X 42" | AP20533 |
| | 131360-01-704 | EA | STUD/COMPT MOUNT-3 3/8" LONG | P19715 |
| | 131360-01-705 | EA | STUD/COMPT MOUNT-4 5/8" LONG | P19716 |
| | 131360-01-706 | EA | HOSE-HYDRAULIC - 1/8" X 42" | AP24631 |
| | 131360-01-707 | EA | BOLT/ADJUSTMENT ROOM - 3/4" | P18667 |
| | 132540-01-701 | EA | CYLINDER - SYNCRONIZING | RAP90690/AP17966 |

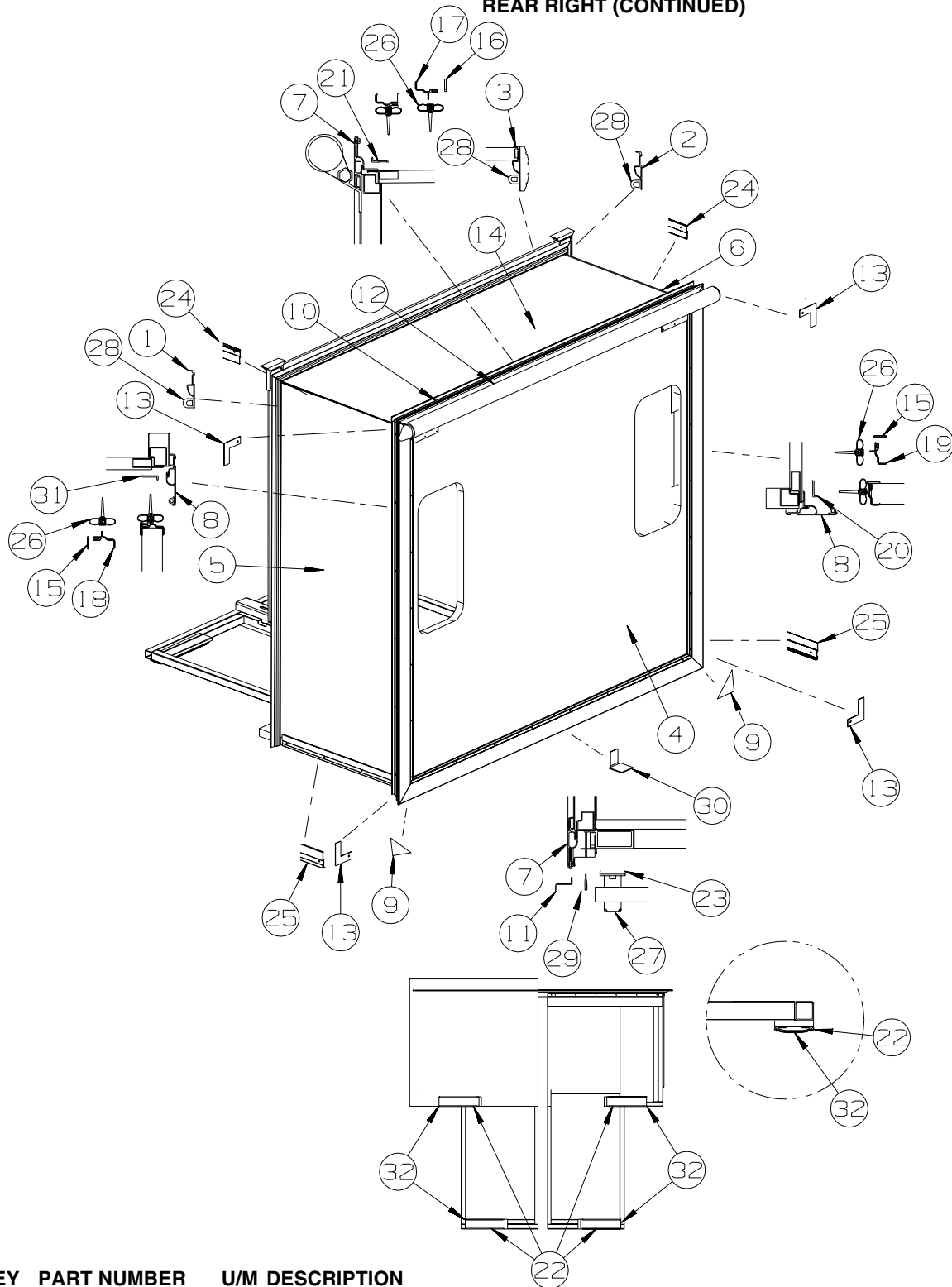
EXTERIOR SLIDEOUT GROUP (CONTINUED)
REAR RIGHT



| KEY | PART NUMBER | U/M | DESCRIPTION |
|-----|---------------|-----|----------------------------------|
| 1* | 137390-01-000 | EA | HYDRAULIC/BED - F/SLIDEOUT |
| 2* | 100536-46-000 | EA | HOSE KIT - SLIDEOUT |
| 3 | 137390-02-000 | EA | CHANNEL - HYDRAULIC - F/SLIDEOUT |

***COMPONENT PARTS LISTED LATER IN THIS GROUP**

EXTERIOR SLIDEOUT GROUP (CONTINUED)
REAR RIGHT (CONTINUED)

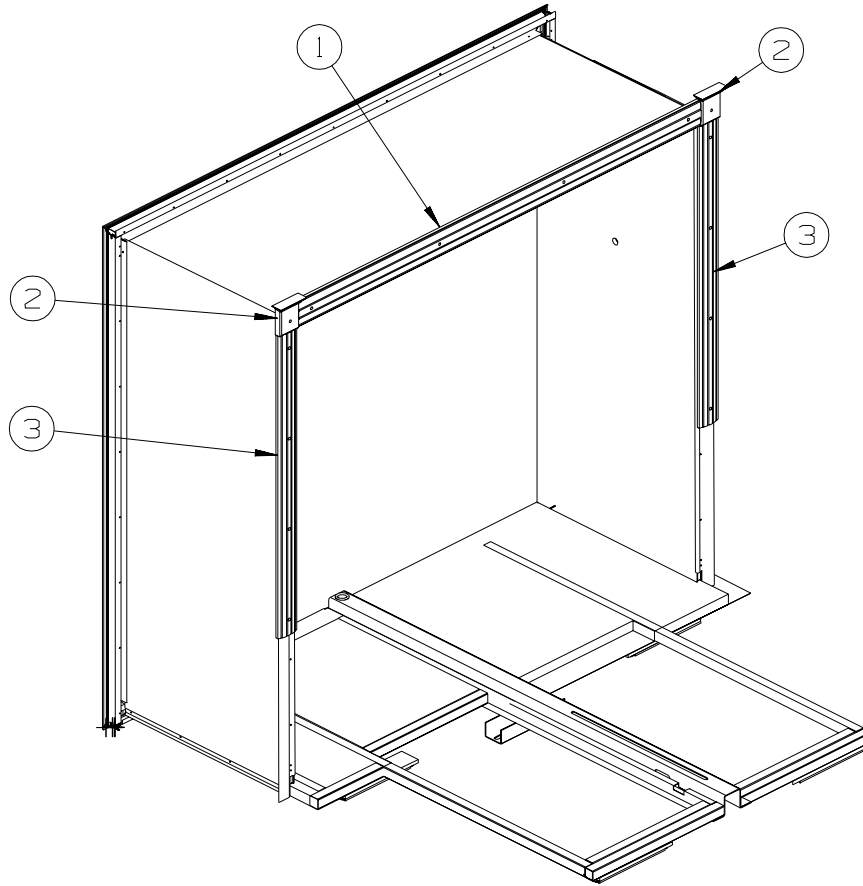


| KEY | PART NUMBER | U/M | DESCRIPTION |
|-----|---------------|-----|---|
| 1 | 117004-06-03A | EA | TRIM - SEAL/INNER/LEFT - W/MITERED END/NOTCH- 73.4" BRT/WT FROM: 00-00-00 THRU: 05-05-02 |
| 1 | 139624-10-01A | EA | TRIM/SEAL - INNER/RIGHT HAND - 73.4" - BRIGHT WHITE FROM: 05-06-02 THRU: 99-99-99 |
| 2 | 117004-07-03A | EA | TRIM - SEAL/INNER/RIGHT- W/MITERED END/NOTCH- 73.4" BRT/WT FROM: 00-00-00 THRU: 05-05-02 |
| 2 | 139624-11-01A | EA | TRIM/SEAL - INNER/LEFT HAND - 73.4" - BRIGHT WHITE FROM: 05-06-02 THRU: 99-99-99 |
| 3 | 117004-16-01A | EA | TRIM - SEAL/INNER/UPPER-W/MITERED ENDS-80.2"-BRIGHT WHITE FROM: 00-00-00 THRU: 05-05-02 |
| 3 | 139624-04-01A | EA | TRIM/SEAL - INNER/TOP - 80.2" - BRIGHT WHITE FROM: 05-06-02 THRU: 99-99-99 |

EXTERIOR SLIDEOUT GROUP (CONTINUED)
REAR RIGHT (CONTINUED)

| KEY | PART NUMBER | U/M | DESCRIPTION |
|------------|--------------------|------------|--|
| 4 | 140574-11-N52 | EA | SLUG - SLIDEOUT (N62, N63, N64, N65) |
| 4 | 140574-11-N56 | EA | SLUG - SLIDEOUT (N66, N67) |
| 5 | 139313-01-N52 | EA | PANEL/WALL - FRONT - F/REAR SLIDEOUT (N62, N63, N64, N65) |
| 5 | 139313-01-N56 | EA | PANEL/WALL - FRONT - F/REAR SLIDEOUT (N66, N67) |
| 6 | 141015-01-N52 | EA | PANEL - SLIDEOUT (N62, N63, N64, N65) |
| 6 | 141015-01-N56 | EA | PANEL - SLIDEOUT (N66, N67) |
| 7 | 133955-22-01A | EA | TRIM/SEAL - W/MITERED ENDS - 81.8" - BRIGHT WHITE |
| | 105312-01-07A | FT | INSERT - FEATURE STRIP - VINYL - BRIGHT WHITE |
| 8 | 133955-05-01A | EA | TRIM/SEAL - W/MITERED ENDS - 75.6" - BRIGHT WHITE |
| | 105312-01-07A | FT | INSERT - FEATURE STRIP - VINYL - BRIGHT WHITE |
| 9 | 135275-01-01A | EA | PROTECTOR - CORNER - SLIDEOUT - WHITE |
| 10 | 117058-01-01A | FT | TAPE - LOOP - 3/4" WIDE - ADHESIVE BACKED |
| 11 | 124303-04-02A | EA | TRIM - SIDEWALL - Z - 79.5" - BRIGHT WHITE |
| 12 | 122977-12-03A | EA | AWNING/SLIDEOUT W/COVER - 81.8" - WHITE - VINYL/VINYL WRAP |
| 13 | 116444-04-12B | EA | TRIM/KEY CORNER - SLIDEOUT - 3.1"X3.1" - BRT WHT |
| 14 | 137400-01-N42 | EA | ROOF - W/O LIGHTS/VENTS - W/WIRING - F/REAR SLIDEOUT |
| 15 | 115886-02-03A | EA | RETAINER - SIDEWALL - BRIGHT WHITE - 73.5" |
| 16 | 115886-12-02A | EA | RETAINER - SIDEWALL - BRIGHT WHITE - 81" |
| 17 | 115863-32-01A | EA | TRIM - SIDEWALL/SLIDEOUT - TOP - 81" - BRIGHT WHITE |
| 18 | 115863-22-01A | EA | TRIM - SIDEWALL/SLIDEOUT - LEFT HAND - 75.6" - BRT WHT |
| 19 | 115863-23-01A | EA | TRIM - SIDEWALL/SLIDEOUT - RIGHT HAND - 75.6" - BRT WHT |
| 20 | 133954-24-01A | EA | TRIM/SEAL - W/MITERED END - 70.4" - BRIGHT WHITE |
| 21 | 133954-18-01A | EA | TRIM/SEAL - W/MITERED ENDS - 76.5" - BRIGHT WHITE |
| 22 | 115325-08-01A | EA | RAIL - FLOOR/SLIDEOUT ROOM - BLACK |
| 23 | 128599-03-000 | EA | PAD - F/SLIDEOUT |
| 24 | 138659-01-01A | EA | TRIM/FEATURE STRIP - 181.7" - BRIGHT WHITE |
| | 105312-01-07A | FT | INSERT - FEATURE STRIP - VINYL - BRIGHT WHITE |
| 25 | 125051-03-01A | EA | STRIP - FEATURE - LOWER - 29.2" - BRIGHT WHITE |
| | 105312-01-07A | FT | INSERT - FEATURE STRIP - VINYL - BRIGHT WHITE |
| | 075673-05-000 | FT | SEAL - PILE - ADHESIVE BACK - BLACK |
| 26 | 115076-01-000 | FT | SEAL - SLIDEOUT |
| 27 | 126313-02-02B | EA | SUPPORT - ROLLER - E-COATED |
| 28 | 112091-01-000 | FT | SEAL/D - NEOPRENE - HEAT ACTIVE ADHESIVE - .9" |
| 29 | 123012-01-000 | FT | SEAL - SLIDEOUT - .09"/.13" THICK X 1.25" - W/ADHESIVE |
| 30 | 139953-01-02B | EA | ANGLE - REINFORCEMENT - F/SLIDEOUT - E-COATED |
| 31 | 133954-25-01A | EA | TRIM/SEAL - W/MITERED END - 70.4" - BRIGHT WHITE |
| 32 | 115661-01-000 | FT | SHOE/GLIDE - SLIDEOUT ROOM - 1/16" X 3" - POLYETHYLENE |

EXTERIOR SLIDEOUT GROUP (CONTINUED)
REAR RIGHT (CONTINUED)



| KEY | PART NUMBER | U/M | DESCRIPTION |
|-----|---------------|-----|--|
| 1 | P39129-12-N52 | EA | MOLDING - FLUTED/CURVED - 74.1" - CHERRY IV - SALEM CHERRY |
| 1 | P39129-12-N62 | EA | MOLDING - FLUTED/CURVED - 74.1" - WASHED MAPLE |
| 2 | 141303-03-N52 | EA | MOLDING - CROWN/BLOCK - SALEM CHERRY |
| 2 | 141303-03-N62 | EA | MOLDING - CROWN/BLOCK - WASHED MAPLE |
| 3 | P39129-08-N52 | EA | MOLDING - FLUTED/CURVED - 45.5" - CHERRY IV - SALEM CHERRY |
| 3 | P39129-08-N62 | EA | MOLDING - FLUTED/CURVED - 45.5" - WASHED MAPLE |

EXTERIOR SLIDEOUT GROUP (CONTINUED)
COMPONENT PARTS FOR REAR RIGHT SLIDEOUT

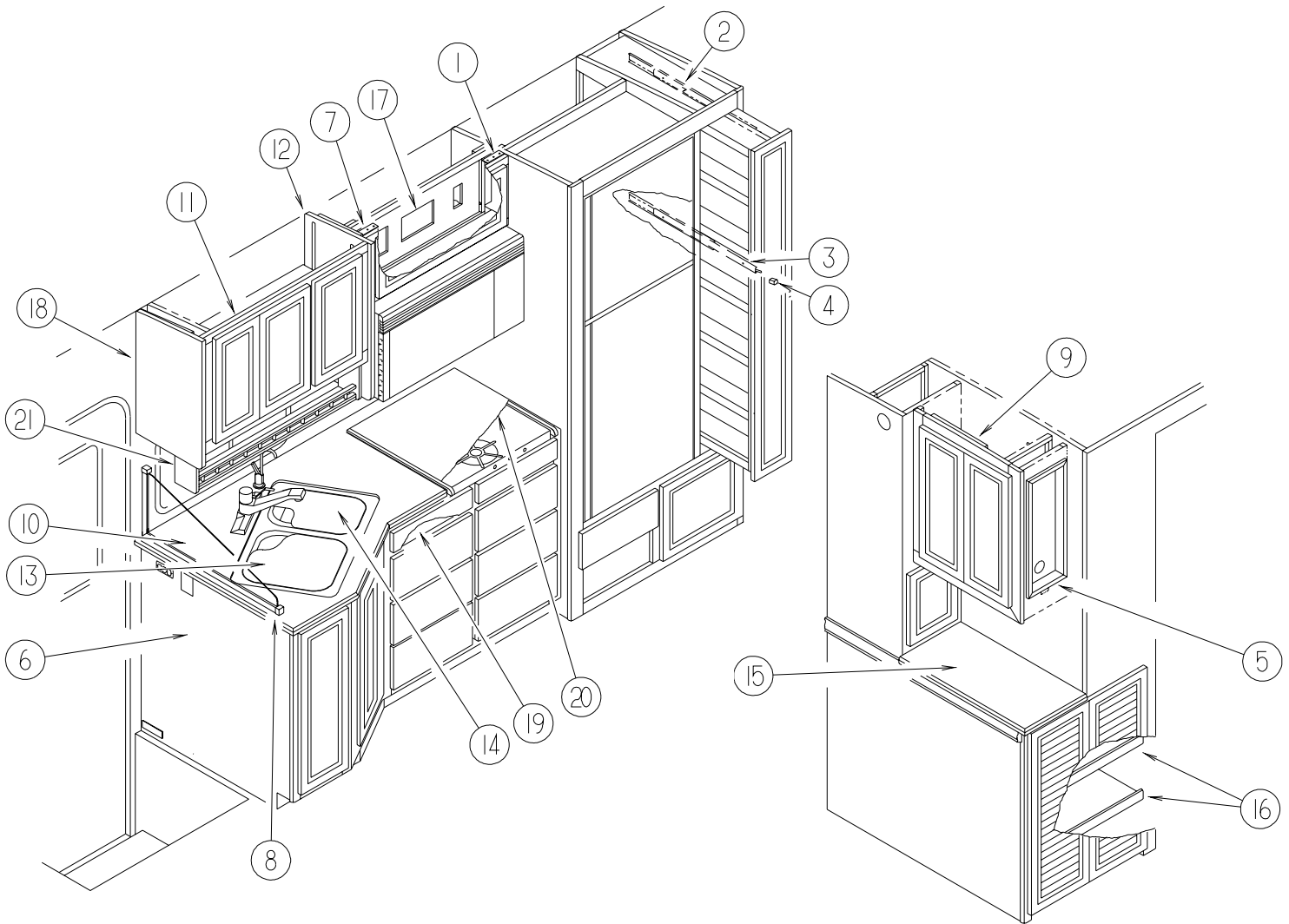
100536-46-000

| KEY | PART NUMBER | U/M | DESCRIPTION | VENDOR NO. |
|------------|--------------------|------------|------------------------------|-------------------|
| | 100536-46-700 | EA | HOSE/HYDRAULIC - 1/4" X 408" | RAP4669/AP4669 |
| | 100536-46-701 | EA | HOSE/HYDRAULIC - 1/4" X 412" | AP7130 |

137390-01-000

| KEY | PART NUMBER | U/M | DESCRIPTION | VENDOR NO. |
|------------|--------------------|------------|------------------------------|-------------------|
| | 128599-06-700 | EA | HOSE/HYDRAULIC - 1/8" X 72" | AP24635 |
| | 128599-06-701 | EA | HOSE/HYDRAULIC - 1/8" X 84" | AP24636 |
| | 128599-06-703 | EA | BEARING KIT - SLIDE-OUT TUBE | RAP90698 |
| | 128599-06-704 | EA | BEARING PAD - SLIDE-OUT | P14811 |
| | 137390-01-700 | EA | RAM/CYLINDER - SLIDEOUT ROOM | RAP90876/AP23425 |
| | 137390-01-701 | EA | CYLINDER NUT KIT - SLIDEOUT | RAP90947 |
| | 137390-01-702 | EA | SLOT COVER ASM. - RUBBER | AP26959 |

GALLEY GROUP CABINETS



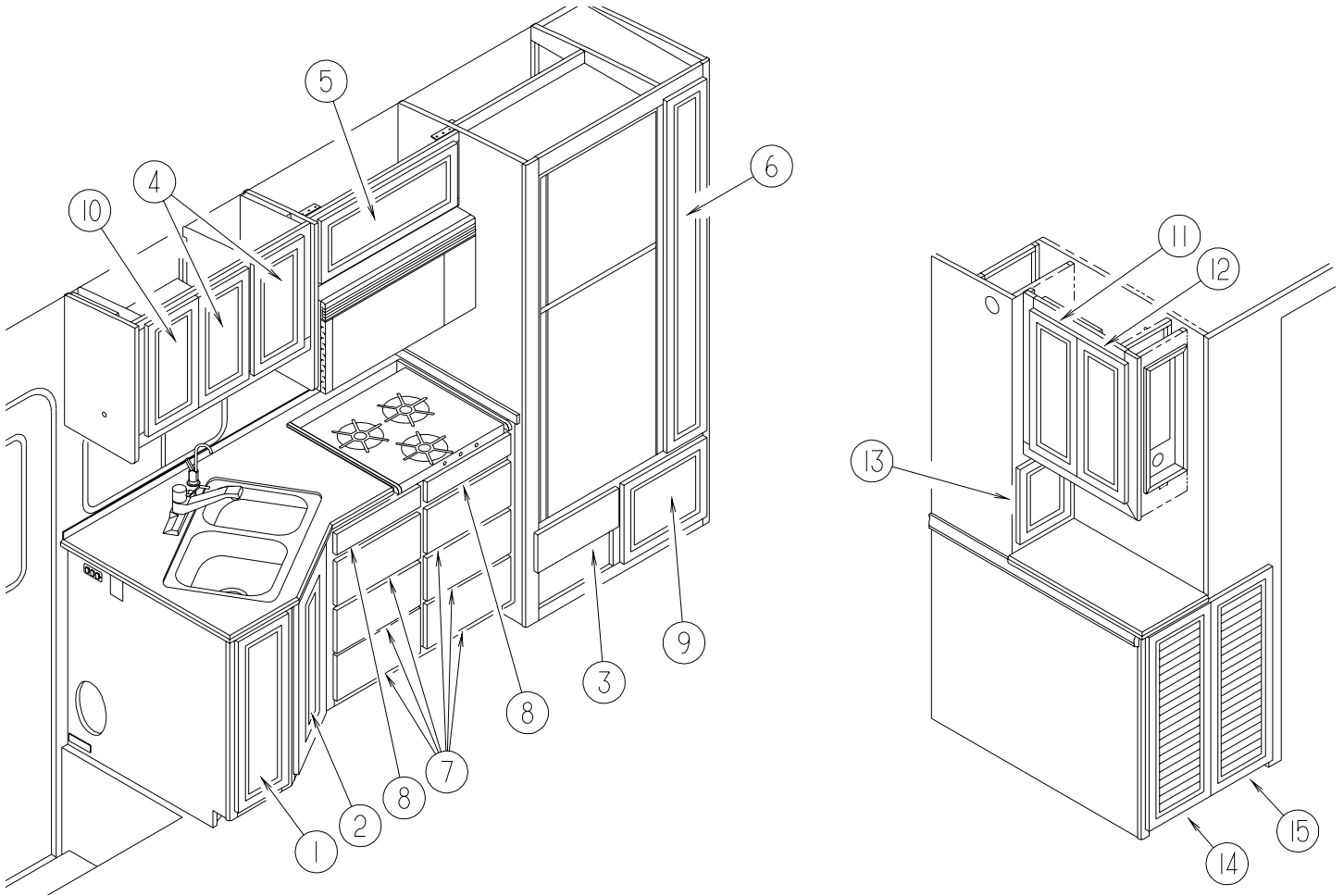
| KEY | PART NUMBER | U/M | DESCRIPTION |
|-----|---------------|-----|---|
| 1 | 130736-02-02B | EA | BRACKET - MICROWAVE - RH - E-COATED |
| 2 | 122360-02-000 | EA | SLIDE - PANTRY - W/O LOCK - RIGHT/LEFT HAND |
| 3 | 122360-03-000 | EA | SLIDE - PANTRY - W/LOCK - RIGHT HAND (FACING PANEL) |
| 4 | 123673-01-01A | EA | KNOB - PANTRY SLIDE |
| 5 | 137602-52-N62 | EA | POCKET - MONITOR PANEL - WASHED MAPLE |
| 5 | 137602-52-N52 | EA | POCKET - MONITOR PANEL - SALEM CHERRY |
| 6 | P40412-02-N62 | EA | CABINET - GALLEY - W/O COUNTERTOP/DOORS/DRAWERS/HARDWARE - WASHED MAPLE |
| 6 | P40412-02-N52 | EA | CABINET - GALLEY - W/O COUNTERTOP/DOORS/DRAWERS/HARDWARE - SALEM CHERRY |
| 7 | 130736-01-02B | EA | BRACKET - MICROWAVE - LH - E-COATED |
| 8 | 126875-01-J60 | EA | FRAME ONLY - F/SPLASHGUARD - WASHED MAPLE |
| 8 | 126875-01-J30 | EA | FRAME ONLY - F/SPLASHGUARD - SALEM CHERRY |
| 8 | 127117-01-01A | EA | GLASS - STATIONARY - SPLASHGUARD |
| 9 | 140448-01-N62 | EA | CABINET - OVERHEAD/GALLEY - W/O DOORS/HARDWARE - WASHED MAPLE |
| 9 | 140448-01-N52 | EA | CABINET - OVERHEAD/GALLEY - W/O DOORS/HARDWARE - SALEM CHERRY |
| 10 | 138775-04-01A | EA | COUNTERTOP - 1/2" CORIAN - MAGNA SAVANNA |
| 11 | 140381-01-N62 | EA | CABINET - OVERHEAD/GALLEY - W/O DOORS/HARDWARE - WASHED MAPLE |
| 11 | 140381-01-N52 | EA | CABINET - OVERHEAD/GALLEY - W/O DOORS/HARDWARE - SALEM CHERRY |
| 12 | 140381-25-N62 | EA | END CAP - OVERHEAD CABINET - WASHED MAPLE |
| 12 | 140381-25-N52 | EA | END CAP - OVERHEAD CABINET - SALEM CHERRY |
| 13 | 107044-10-01A | EA | COVER - RECESSED SINK - CORIAN |
| 14 | 107044-09-01A | EA | COVER - RECESSED SINK - CORIAN |
| 15 | 133539-27-01A | EA | COUNTERTOP - 1/2" CORIAN - MAGNA SAVANNA |
| 16 | 137428-58-N62 | EA | SHELF - W/PLASTIC EDGE MOLDING - WASHED MAPLE |
| 16 | 137428-58-N52 | EA | SHELF - W/PLASTIC EDGE MOLDING - SALEM CHERRY |
| 17 | 140375-01-N62 | EA | CABINET - OVERHEAD/MICROWAVE - W/O DOORS/HARDWARE - WASHED MAPLE |
| 17 | 140375-01-N52 | EA | CABINET - OVERHEAD/MICROWAVE - W/O DOORS/HARDWARE - SALEM CHERRY |

GALLEY GROUP (CONTINUED)
CABINETS (CONTINUED)

| KEY | PART NUMBER | U/M | DESCRIPTION |
|------------|--------------------|------------|--|
| 18 | 140381-24-N62 | EA | END CAP - OVERHEAD CABINET - WASHED MAPLE |
| 18 | 140381-24-N52 | EA | END CAP - OVERHEAD CABINET - SALEM CHERRY |
| 19 | 100081-01-01A | EA | TRAY - SILVERWARE - 9" X 13.3" RUBBERMAID ALMOND PLASTIC |
| 20 | 120445-02-01A | EA | COUNTERTOP - STOVE LID - CORIAN |
| 21 | 132347-01-L58 | EA | SHELF/SPICE RACK - W/MIRROR - 35" - WASHED MAPLE |
| 21 | 132347-01-L59 | EA | SHELF/SPICE RACK - W/MIRROR - 35" - CHERRY |
| 21 | 058331-J4-000 | EA | MIRROR - SAFETY GLASS - 6.7" X 34.3" |

GALLEY GROUP (CONTINUED)

DOORS & DRAWERS

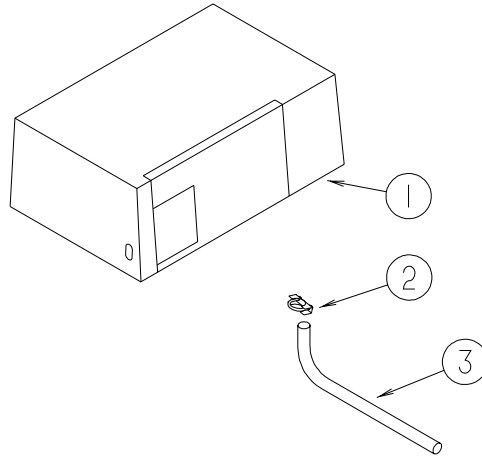


| KEY | PART NUMBER | U/M | DESCRIPTION |
|-----|---------------|-----|--|
| 1 | 134783-67-N62 | EA | DOOR - RAIL/SOLID PANEL - 10" X 29.5" - W/O HARDWARE - WASHED MAPLE |
| 1 | 134783-67-N63 | EA | DOOR - RAIL/SOLID PANEL - 10" X 29.5" - W/O HARDWARE - SALEM CHERRY |
| 2 | 134783-82-N84 | EA | DOOR - RAIL/SOLID PANEL - 15.5" X 29.5" - W/O HARDWARE - WASHED MAPLE |
| 2 | 134783-82-N85 | EA | DOOR - RAIL/SOLID PANEL - 15.5" X 29.5" - W/O HARDWARE - SALEM CHERRY |
| 3 | 134783-89-M62 | EA | DOOR - RAIL/SOLID PANEL - 12.6" X 6.1" - W/O HARDWARE - WASHED MAPLE |
| 3 | 134783-89-M63 | EA | DOOR - RAIL/SOLID PANEL - 12.6" X 6.1" - W/O HARDWARE - SALEM CHERRY |
| 4 | 135238-14-N84 | EA | DOOR - RAIL/ARCHED TOP - 10" X 19.1" - W/O HARDWARE - WASHED MAPLE |
| 4 | 135238-14-N85 | EA | DOOR - RAIL/ARCHED TOP - 10" X 19.1" - W/O HARDWARE - SALEM CHERRY |
| 5 | 135238-01-N84 | EA | DOOR - RAIL/ARCHED TOP - 10.8" X 27.9" - W/O HARDWARE - WASHED MAPLE |
| 5 | 135238-01-N85 | EA | DOOR - RAIL/ARCHED TOP - 10.8" X 27.9" - W/O HARDWARE - SALEM CHERRY |
| 6 | 134783-86-N84 | EA | DOOR - RAIL/SOLID PANEL - 8.1" X 60.7" - W/O HARDWARE - WASHED MAPLE |
| 6 | 134783-86-N85 | EA | DOOR - RAIL/SOLID PANEL - 8.1" X 60.7" - W/O HARDWARE - SALEM CHERRY |
| 7 | 134870-18-N62 | EA | DRAWER - PENCIL EDGE - 13.9"W X 15.7"D - W/O SLIDES/HDW - WASHED MAPLE |
| 7 | 134870-18-N63 | EA | DRAWER - PENCIL EDGE - 13.9"W X 15.7"D - W/O SLIDES/HDW - SALEM CHERRY |
| 8 | 134842-10-N62 | EA | DRAWER - TIPOUT - W/HIDDEN TRAY - WASHED MAPLE |
| 8 | 134842-10-N63 | EA | DRAWER - TIPOUT - W/HIDDEN TRAY - SALEM CHERRY |
| 9 | 134847-10-N62 | EA | DOOR - LOUVERED/ACCESS - 15.9" X 10.8" - W/O HARDWARE - WASHED MAPLE |
| 9 | 134847-10-N63 | EA | DOOR - LOUVERED/ACCESS - 15.9" X 10.8" - W/O HARDWARE - SALEM CHERRY |
| 10 | 135238-15-N84 | EA | DOOR - RAIL/ARCHED TOP - 10" X 19.1" - W/O HARDWARE - WASHED MAPLE |
| 10 | 135238-15-N85 | EA | DOOR - RAIL/ARCHED TOP - 10" X 19.1" - W/O HARDWARE - SALEM CHERRY |
| 11 | 135238-87-N84 | EA | DOOR - RAIL/ARCHED TOP - 10" X 25.2" - W/O HARDWARE - WASHED MAPLE |
| 11 | 135238-87-N85 | EA | DOOR - RAIL/ARCHED TOP - 10" X 25.2" - W/O HARDWARE - SALEM CHERRY |
| 12 | 135238-88-N62 | EA | DOOR - RAIL/ARCHED TOP - 10" X 25.2" - W/O HARDWARE - WASHED MAPLE |
| 12 | 135238-88-N63 | EA | DOOR - RAIL/ARCHED TOP - 10" X 25.2" - W/O HARDWARE - SALEM CHERRY |
| 13 | 134783-L8-M62 | EA | DOOR - RAIL/SOLID PANEL - 10.2" X 9.2" - W/O HARDWARE - WASHED MAPLE |
| 13 | 134783-L8-M63 | EA | DOOR - RAIL/SOLID PANEL - 10.2" X 9.2" - W/O HARDWARE - SALEM CHERRY |

GALLEY GROUP (CONTINUED)
DOORS & DRAWERS (CONTINUED)

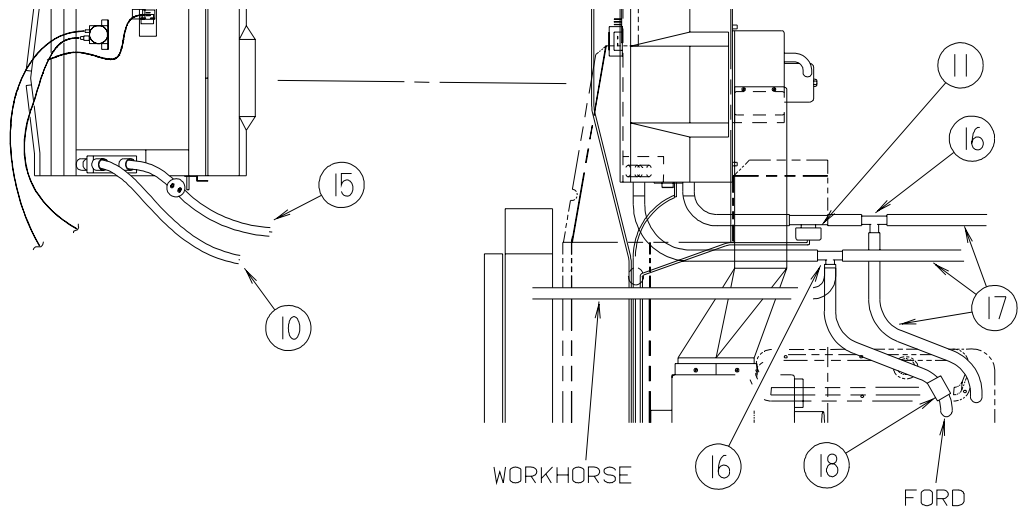
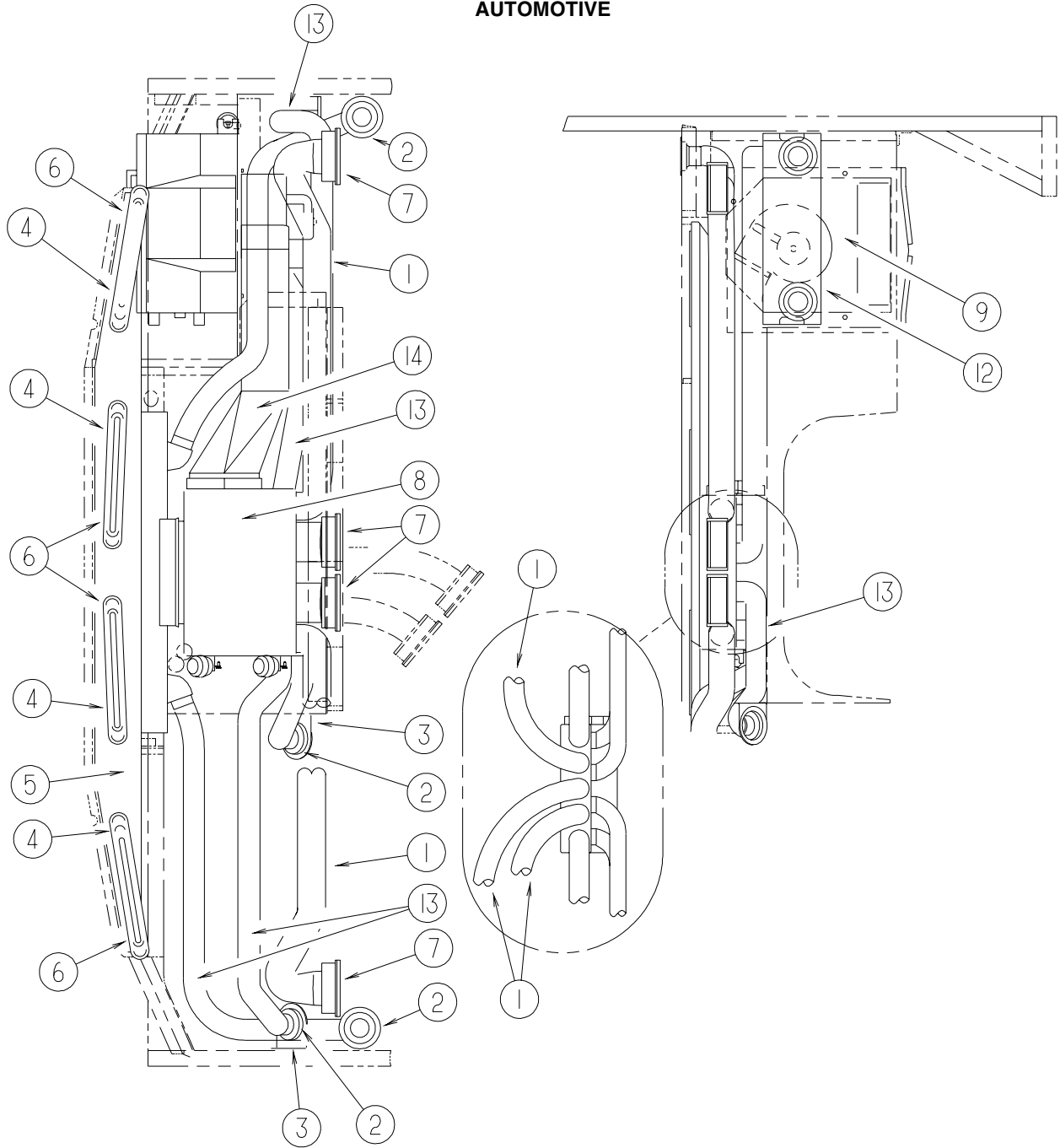
| KEY | PART NUMBER | U/M | DESCRIPTION |
|------------|--------------------|------------|---|
| 14 | 134847-01-N62 | EA | DOOR - LOUVERED/ACCESS - 12.4" X 32.2" - W/O HARDWARE - WASHED MAPLE FROM: 00-00-00 THRU: 04-26-02 |
| 14 | 134847-13-N62 | EA | DOOR - LOUVERED ACCESS - 12.4" X 32.2" - W/O HARDWARE - WASHED MAPLE FROM: 04-27-02 THRU: 99-99-99 |
| 14 | 134847-01-N63 | EA | DOOR - LOUVERED/ACCESS - 12.4" X 32.2" - W/O HARDWARE - SALEM CHERRY FROM: 00-00-00 THRU: 04-26-02 |
| 14 | 134847-13-N63 | EA | DOOR - LOUVERED ACCESS - 12.4" X 32.2" - W/O HARDWARE - SALEM CHERRY FROM: 04-27-02 THRU: 99-99-99 |
| 15 | 134847-03-N62 | EA | DOOR - LOUVERED/ACCESS - 12.4" X 32.2" - W/O HARDWARE - WASHED MAPLE |
| 15 | 134847-03-N63 | EA | DOOR - LOUVERED/ACCESS - 12.4" X 32.2" - W/O HARDWARE - SALEM CHERRY |

GENERATOR GROUP GAS



| KEY | PART NUMBER | U/M | DESCRIPTION |
|-----|---------------|-----|--|
| 1 | 135707-01-000 | EA | GENERATOR - 7.9 - 30/30 - GAS - MARQUIS GOLD - L39 |
| 1 | 135707-02-000 | EA | GENERATOR - 7.9 - 30/20 - GAS - MARQUIS GOLD - L36W |
| 1 | 135707-09-000 | EA | GENERATOR - 7.0 - 30/30 - GAS - MARQUIS PLATINUM |
| 2 | 007125-03-000 | EA | CLAMP - MUFFLER - 1.5" DIAMETER |
| 3 | 105958-15-000 | EA | PIPE - GENERATOR EXHAUST - 1.5" OD X 9.8" X 24" - MARQUIS PLATINUM, L39 MARQUIS GOLD |
| 3 | 105958-17-000 | EA | PIPE - GENERATOR EXHAUST - 1.5" OD X 4.9" X 24" - L36W MARQUIS GOLD |

HEATING & A/C GROUP AUTOMOTIVE

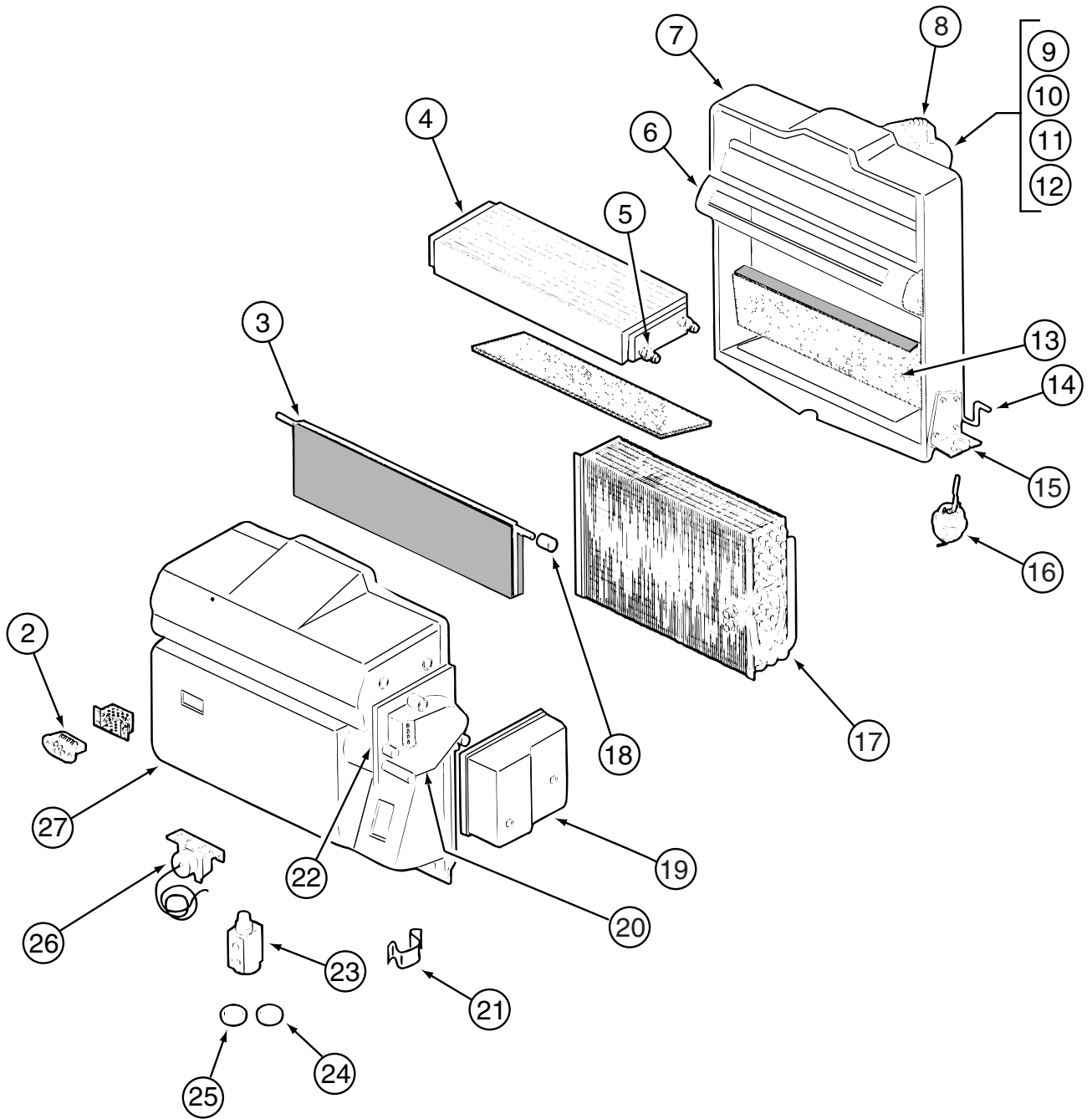


HEATING & A/C GROUP (CONTINUED)
AUTOMOTIVE (CONTINUED)

| KEY | PART NUMBER | U/M | DESCRIPTION |
|-----|---------------|-----|--|
| 1 | 007281-01-000 | EA | HOSE - FLEXIBLE PVC - 2 1/2" ID X 50' |
| 2 | 024990-05-000 | EA | OUTLET - DEFROSTER - W/SWIVEL - 2" SLEEVE/4" OD - BLACK |
| 3 | 136157-03-02B | EA | BRACKET - HEATER - E-COATED |
| 4 | 077075-01-000 | EA | GASKET - INSTRUMENT PANEL/DEFROSTER PLENUM - .6" X 10.2" |
| 5 | 103017-03-000 | EA | PLENUM - DEFROSTER |
| 6 | 135265-01-04A | EA | VENT - DEFROSTER - PLASTIC - GLACIER |
| 7 | 131175-01-01A | EA | LOUVER ASSEMBLY - RECTANGULAR - BLACK FROM: 11-06-01 THRU: 99-99-99 |
| 8 | 103930-53-000 | EA | CONTROL/PLENUM - LARGE ROTARY |
| 9* | 103930-43-000 | EA | EVAPORATOR/HEATER ASSEMBLY - NON-CHARGED |
| 9 | 103930-37-000 | EA | MANUAL/OWNERS - HEATER-A/C FROM: 00-00-00 THRU: 10-01-01 |
| 9 | 103930-54-000 | EA | MANUAL - OWNERS - HEATER/AC FROM: 10-02-01 THRU: 99-99-99 |
| 10* | 103930-46-000 | EA | HOSE - EXPANSION BLOCK (EVAPORATOR) TO COMPRESSOR |
| 11 | 103930-23-000 | EA | VALVE - WATER - 2 PORT/VACUUM CONTROLLED |
| 12 | 095757-05-N52 | EA | COVER - HEATER (N62, N63) |
| 12 | 095757-05-AA7 | EA | COVER - HEATER (N62, N63) - CARPET EXCHANGE |
| 12 | 095757-05-N54 | EA | COVER - HEATER (N64, N65) |
| 12 | 095757-05-AA8 | EA | COVER - HEATER (N64, N65) - CARPET EXCHANGE |
| 12 | 095757-05-N56 | EA | COVER - HEATER (N66, N67) |
| 13 | 007076-01-000 | EA | HOSE - FLEXIBLE PVC - 2" ID - INCREMENTS OF 50' |
| 14 | NOT USED | | |
| 15* | 103930-47-000 | EA | HOSE - EXPANSION VALVE-EVAPORATOR/DRIER |
| 16 | 076776-01-000 | EA | TEE - BEADED - 5/8" X 5/8" X 5/8" |
| 17 | 007108-01-000 | EA | HOSE - HEATER - 5/8" ID - HI-TEMP |
| 18 | NOT USED | | |

***COMPONENT PARTS LISTED LATER IN THIS GROUP**

HEATING & A/C GROUP (CONTINUED)
COMPONENT PARTS FOR AUTOMOTIVE HEATER



103930-43-000

HEATING & A/C GROUP (CONTINUED)
COMPONENT PARTS FOR AUTOMOTIVE HEATER (CONTINUED)

103930-43-000 (CONTINUED)

| KEY | PART NUMBER | U/M | DESCRIPTION | VENDOR NO |
|------------|--------------------|------------|------------------------------|------------------|
| 2 | 103930-01-710 | EA | RESISTOR-FUSED, A/C 4 TERM | 035-0006 |
| 3 | 103930-30-705 | EA | DOOR - AIR BLEND | 071-0568 |
| 4 | 103930-01-703 | EA | CORE-HEATER | 042-0010 |
| 5 | 110279-01-712 | EA | FITTING - HEATER CORE | 050-0076 |
| 6 | 103930-30-707 | EA | DIVIDER ASM. | 086-0061 |
| 7 | 103930-20-711 | EA | CASE-BACK, SUB-ASSEMBLY | 062-0147 |
| 8 | 110279-01-703 | EA | HOSE-VENT F/BLOWER MOTOR | 051-0034 |
| 9 | 103930-20-707 | EA | HOUSING-BLOWER | 062-0145 |
| 10 | 103930-30-706 | EA | MOTOR-BLOWER PM147 W/ADAPTER | 030-0109 |
| 11 | 103930-01-717 | EA | WHEEL-BLOWER, CLOCKWISE | 062-0010 |
| 12 | 103930-20-708 | EA | CLIP-MOTOR SHAFT | 022-0001 |
| 13 | 103930-20-705 | EA | PANEL-DOOR, RECIRCULATING | 071-0213 |
| 14 | 103930-20-704 | EA | ROD-DOOR-RECIRCULATING | 073-0018 |
| 15 | 103930-01-708 | EA | BRACKET-VACUUM MOTOR | 070-0113 |
| 16 | 103930-02-708 | EA | MOTOR-VACUUM SERVO, A/C | 030-0025 |
| 17 | 103930-01-704 | EA | COIL-EVAPORATOR | 041-0017 |
| 18 | 103930-30-702 | EA | BUSHING/DRIVE - BLEND DOOR | 062-00634 |
| 19 | 103930-30-704 | EA | COVER - SERVO | 062-0545 |
| 20 | 103930-30-703 | EA | MOTOR - SERVO | 030-0104 |
| 21 | 103930-20-706 | EA | CLIP-RETAINER - CASE ATTACH | 022-0057 |
| 22 | 103930-30-701 | EA | PLATE - MOTOR MOUNT | 062-0544 |
| 23 | 103930-20-700 | EA | VALVE-EXPANSION-BLOCK, 2 TON | 034-0032 |
| 24 | 103930-17-702 | EA | O'RING #10 | 045-0127 |
| 25 | 113245-01-707 | EA | O'RING #8 | 045-0126 |
| 26 | 103930-01-711 | EA | THERMOSTAT | 033-0003 |
| 27 | 103930-30-700 | EA | CASE - FRONT | 062-0542 |
| | 094831-01-709 | EA | CLAMP-ROD 3/16" | 022-0025 |
| | 103930-02-714 | EA | CLAMP-CLUTCH, BARREL | 022-0006 |
| | 103930-20-713 | EA | GASKET - BLEND AIR DOOR | 045-0160 |
| | 103930-20-714 | EA | GASKET - BLEND AIR DOOR | 045-0161 |
| | 103930-30-708 | EA | BUSHING/IDLER - BLEND DOOR | 062-00167 |
| | 113245-01-718 | FT | HOSE - DRAIN - 1/2" | 051-0002 |

CONTACT WINNEBAGO PART SALES FOR UNLISTED COMPONENTS

103930-46-000

| KEY | PART NUMBER | U/M | DESCRIPTION | VENDOR NO |
|------------|--------------------|------------|------------------------------|------------------|
| | 103930-17-702 | EA | O'RING #10 | 045-0127 |
| | 103930-29-701 | EA | O'RING F/LOW PRESSURE SWITCH | 045-0483 |

103930-47-000

| KEY | PART NUMBER | U/M | DESCRIPTION | VENDOR NO |
|------------|--------------------|------------|--------------------|------------------|
| | 113245-01-710 | EA | O'RING, #12 | 045-0128 |

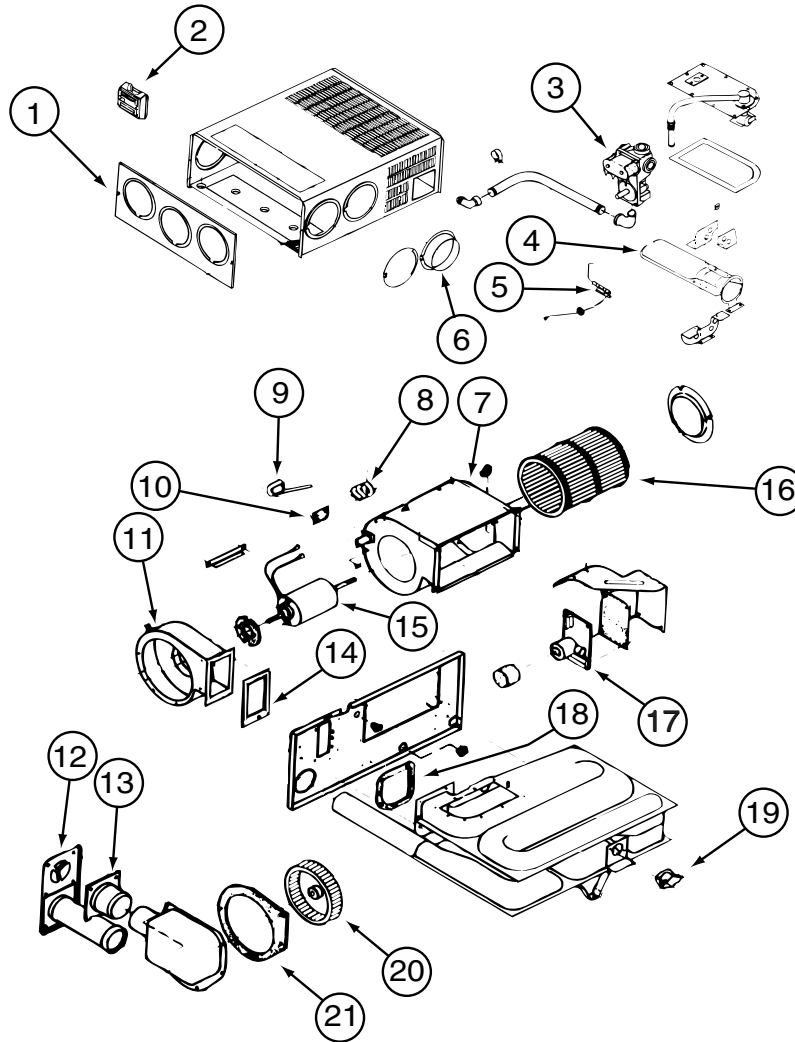
HEATING & A/C GROUP (CONTINUED)
FURNACE

| KEY | PART NUMBER | U/M | DESCRIPTION | |
|------------|--------------------|------------|---|-------------------------------|
| | 093614-13-02A | EA | GRILLE - AIR RETURN - 15.9" X 11.9" - BEIGE - L36W | |
| | 098668-14-000 | EA | GASKET - FIBERGLASS - .5" X 18" X 18" | |
| | 098668-15-000 | EA | PLATE - FACE - SUBURBAN FURNACE | |
| * | 098668-22-000 | EA | FURNACE - 40,000 BTU | |
| | | | | FROM: 00-00-00 THRU: 09-30-01 |
| * | 139980-04-000 | EA | FURNACE - 40000 BTU - SF QUIET - SUBURBAN SF-42 2323J | |
| | | | | FROM: 10-01-01 THRU: 99-99-99 |
| | 126693-04-02B | EA | PANEL - EXHAUST/FURNACE - E-COATED | |
| | 126693-05-02B | EA | PANEL - EXHAUST/FURNACE - E-COATED | |
| | 137965-01-01A | EA | REGISTER - 2.25" X 10" - W/O DAMPER - ANTIQUE BRASS | |
| | 137965-02-01A | EA | REGISTER - 2.25" X 10" - W/DAMPER - ANTIQUE BRASS | |
| | 139980-05-000 | EA | VENT - INTAKE | |
| | 140322-01-01A | EA | SHROUD - FURNACE | |
| | | | | FROM: 00-00-00 THRU: 10-25-01 |
| | 139980-06-000 | EA | VENT CAP | |
| | | | | FROM: 10-26-01 THRU: 99-99-99 |
| | 141337-01-01A | EA | GASKET - FURNACE | |
| | | | | FROM: 10-26-01 THRU: 99-99-99 |

***COMPONENT PARTS LISTED LATER IN THIS GROUP**

HEATING & A/C GROUP (CONTINUED)

COMPONENT PARTS FOR FURNACE

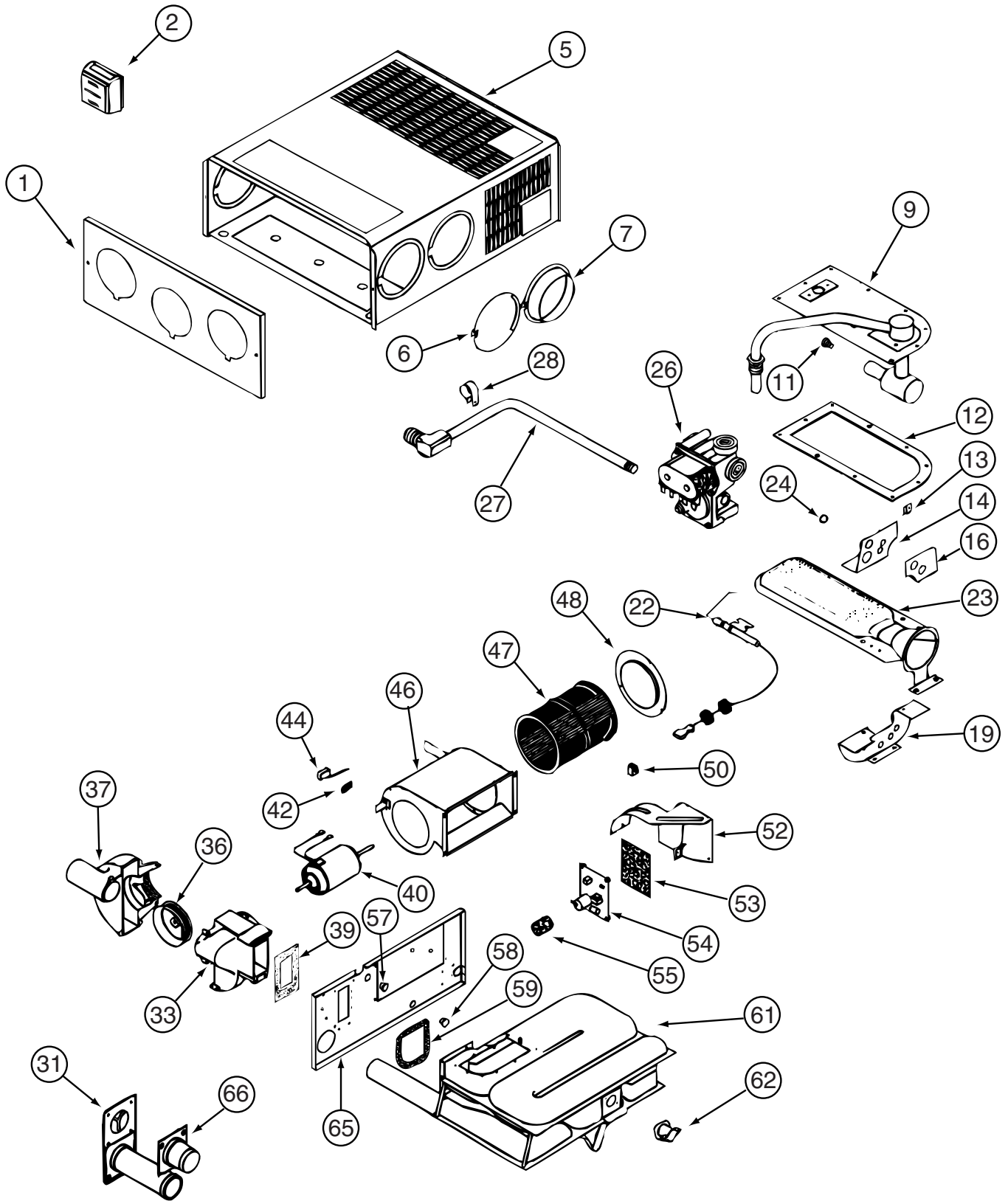


098668-22-000

| KEY | PART NUMBER | U/M | DESCRIPTION | VENDOR NO. |
|-----|---------------|-----|-------------------------------|------------|
| 1 | 098668-01-700 | EA | CABINET FRONT | 101242 |
| 3 | 098668-01-714 | EA | VALVE-GAS, SF | 161070 |
| 4 | 098668-11-701 | EA | BURNER ASSEMBLY, SF-42F | 010799 |
| 5 | 098668-01-715 | EA | ELECTRODE ASM., SINGLE PROBE | 232166 |
| 6 | 075696-02-703 | EA | COLLAR-DUCT | 050715 |
| 7 | 098668-11-704 | EA | BLOWER ASM., ROOM AIR SF-42F | 390698 |
| 8 | 074466-01-702 | EA | RELAY, TIME DELAY | 230625 |
| 9 | 098668-09-700 | EA | SWITCH-MICRO-W/O FLAG 3 1/4" | 232216 |
| 10 | 101990-01-714 | EA | GASKET-MICROSWITCH | 230877 |
| 11 | 098668-01-708 | EA | HOUSING-BLOWER, COMBUSTION | 390441 |
| 12 | 098668-01-707 | EA | TUBE ASSEMBLY, EXHAUST W/CAP | 260231 |
| 13 | 098668-01-713 | EA | TUBE ASSEMBLY, INTAKE | 051248 |
| 14 | 098668-01-717 | EA | GASKET-FIREWALL, BLOWER SIDE | 070809 |
| | 098668-11-700 | EA | ORIFICE-MAIN BURNER, SF-42F | 180216 |
| 15 | 098668-11-702 | EA | MOTOR ASSEMBLY, SF-42F | 232212 |
| 16 | 098668-01-711 | EA | WHEEL-BLOWER, ROOM AIR | 350129 |
| 17 | 098668-01-712 | EA | BOARD-MODULE | 520741 |
| 18 | 098668-01-716 | EA | GASKET-FIREWALL, CHAMBER SIDE | 070808 |
| 19 | 098668-11-706 | EA | SWITCH-LIMIT, SF42 & SF42F | 232217 |
| 20 | 098668-22-702 | EA | WHEEL-COMBUSTION AIR | 350183 |
| 21 | 098668-22-703 | EA | GASKET | 070811 |
| | 098668-08-700 | EA | MODULE BD/FAN CONT - FENWAL | 232613 |
| | 098668-08-701 | EA | MODULE BD/FAN CONT-UNITED TE | 232614 |

CONTACT WINNEBAGO PART SALES FOR UNLISTED COMPONENTS

HEATING & A/C GROUP (CONTINUED)
COMPONENT PARTS FOR FURNACE (CONTINUED)



139980-04-000

HEATING & A/C GROUP (CONTINUED)
COMPONENT PARTS FOR FURNACE (CONTINUED)

139980-04-000 (CONTNUED)

| KEY | PART NUMBER | U/M | DESCRIPTION | VENDOR NO. |
|------------|--------------------|------------|------------------------------|-------------------|
| 9 | 098668-20-700 | EA | MANIFOLD ASM. | 171517 |
| 11 | 139980-04-700 | EA | ORFICE - MAIN BURNER | 180242 |
| 12 | 098668-22-703 | EA | GASKET - BURNER ACCESS COVER | 070811 |
| 22 | 139980-01-701 | EA | ELECTRODE | 232286 |
| 23 | 098668-11-701 | EA | BURNER ASSEMBLY,SF-42F | 010799 |
| 26 | 098668-01-718 | EA | VALVE-GAS SF S.N.974903079 | 161122 |
| 27 | 139980-01-702 | EA | PIPE ASSEMBLY/GAS INLET | 171574 |
| 31 | 098668-01-707 | EA | TUBE ASSEMBLY, EXHAUST W/CAP | 260231 |
| 33 | 139980-01-703 | EA | COMBUSTION AIR HOUS FRT/HALF | 390852 |
| 36 | 098668-22-702 | EA | WHEEL-COMBUSTION AIR | 350183 |
| 37 | 139980-01-704 | EA | COMBUSTION AIR HOUS RR HALF | 390848 |
| 39 | 139980-01-705 | EA | GASKET/FIREWALL-COMB AIR | 071084 |
| 40 | 139980-04-701 | EA | MOTOR ASSEMBLY W/GASKET | 232683 |
| 42 | 101990-01-714 | EA | GASKET-MICROSWITCH | 230877 |
| 44 | 098668-21-700 | EA | SWITCH-MICRO-W/O FLAG 3 1/4" | 232261 |
| 46 | 139980-04-702 | EA | BLOWER ASSEMBLY/ROOM AIR | 390740BK |
| 47 | 098668-01-711 | EA | WHEEL-BLOWER, ROOM AIR | 350129 |
| 48 | 139980-01-709 | EA | ORFICE RING | 390696 |
| 50 | 139980-01-710 | EA | SWITCH - ON/OFF | 232351 |
| 52 | 139980-01-711 | EA | PANEL ASSEMBLY-MODULE BD | 101663 |
| 53 | 139980-01-712 | EA | INSULATOR - MODULE BD | 070807 |
| 54 | 098668-22-705 | EA | MODULE BD W/RELAY TIME DELAY | 520820 |
| 55 | 139980-01-713 | EA | CAP/INSULATOR-MODULE BD | 070973 |
| 57 | 139980-01-714 | EA | BUSHING - UNIVERSAL | 070362 |
| 58 | 139980-01-715 | EA | BUSHING - STRAIN RELIEF | 231809 |
| 59 | 098668-01-716 | EA | GASKET-FIREWALL,CHAMBER SIDE | 070808 |
| 61 | 139980-04-703 | EA | CHAMBER ASSEMBLY FINAL | 021150BK |
| 62 | 098668-22-706 | EA | SWITCH/LIMIT - 195 TRIP TEMP | 232505 |
| 66 | 098668-01-713 | EA | TUBE ASSEMBLY, INTAKE | 051248 |

CONTACT WINNEBAGO PART SALES FOR UNLISTED COMPONENTS

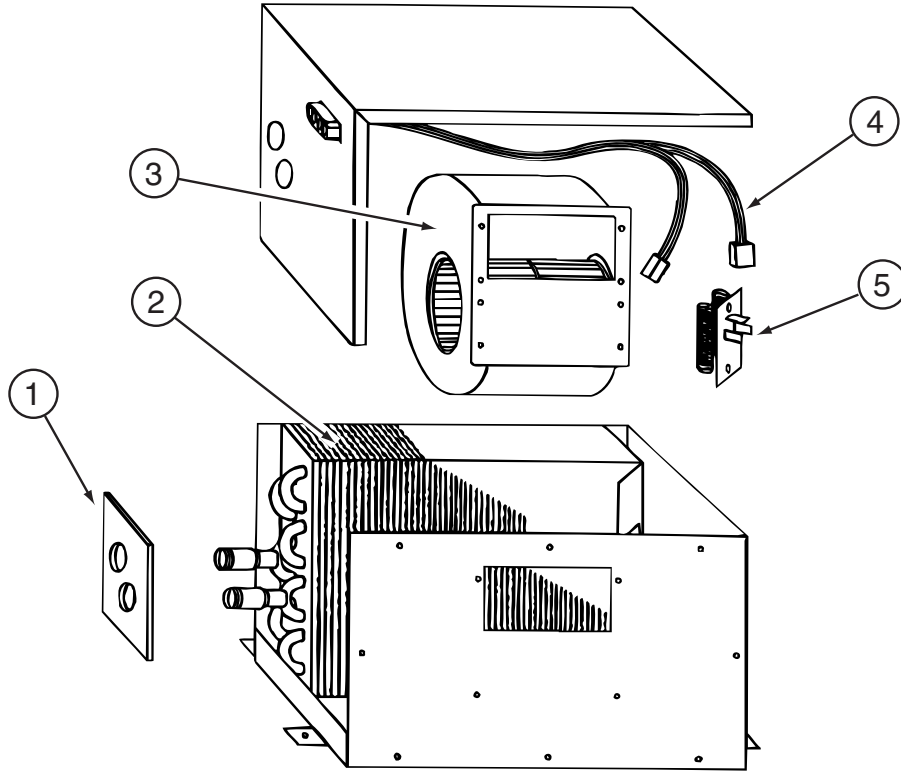
HEATING & A/C GROUP (CONTINUED)

REAR HEATER

| KEY | PART NUMBER | U/M | DESCRIPTION |
|-----|---------------|-----|--------------------------------------|
| | 007108-01-000 | FT | HOSE - HEATER - 5/8" ID - HI-TEMP |
| | 079059-13-000 | FT | HOSE - 90 DEGREE - .61"ID X 4" X 48" |
| * | 129205-01-000 | EA | HEATER - REAR |

***COMPONENT PARTS LISTED LATER IN THIS GROUP**

HEATING & A/C GROUP (CONTINUED)
COMPONENT PARTS FOR REAR HEATER

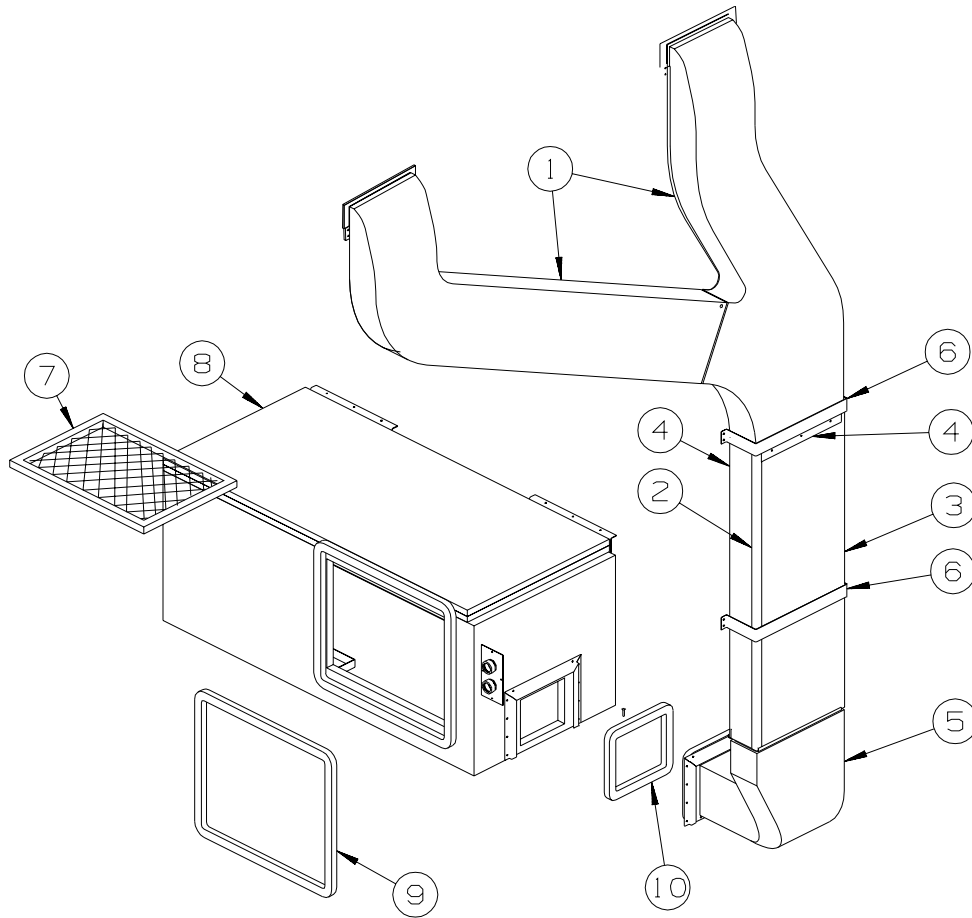


129205-01-000

| KEY | PART NUMBER | U/M | DESCRIPTION | VENDOR NO. |
|-----|---------------|-----|------------------|------------|
| 1 | 129205-01-700 | EA | SEAL - CORE TUBE | HV218421 |
| 2 | 129205-01-701 | EA | CORE - HEATER | HV218426 |
| 3 | 129205-01-702 | EA | BLOWER ASSEMBLY | HV218419 |
| 4 | 129205-01-703 | EA | WIRE HARNESS | HV218420 |
| 5 | 129205-01-704 | EA | RESISTOR | HV218125 |

HEATING & A/C GROUP (CONTINUED)

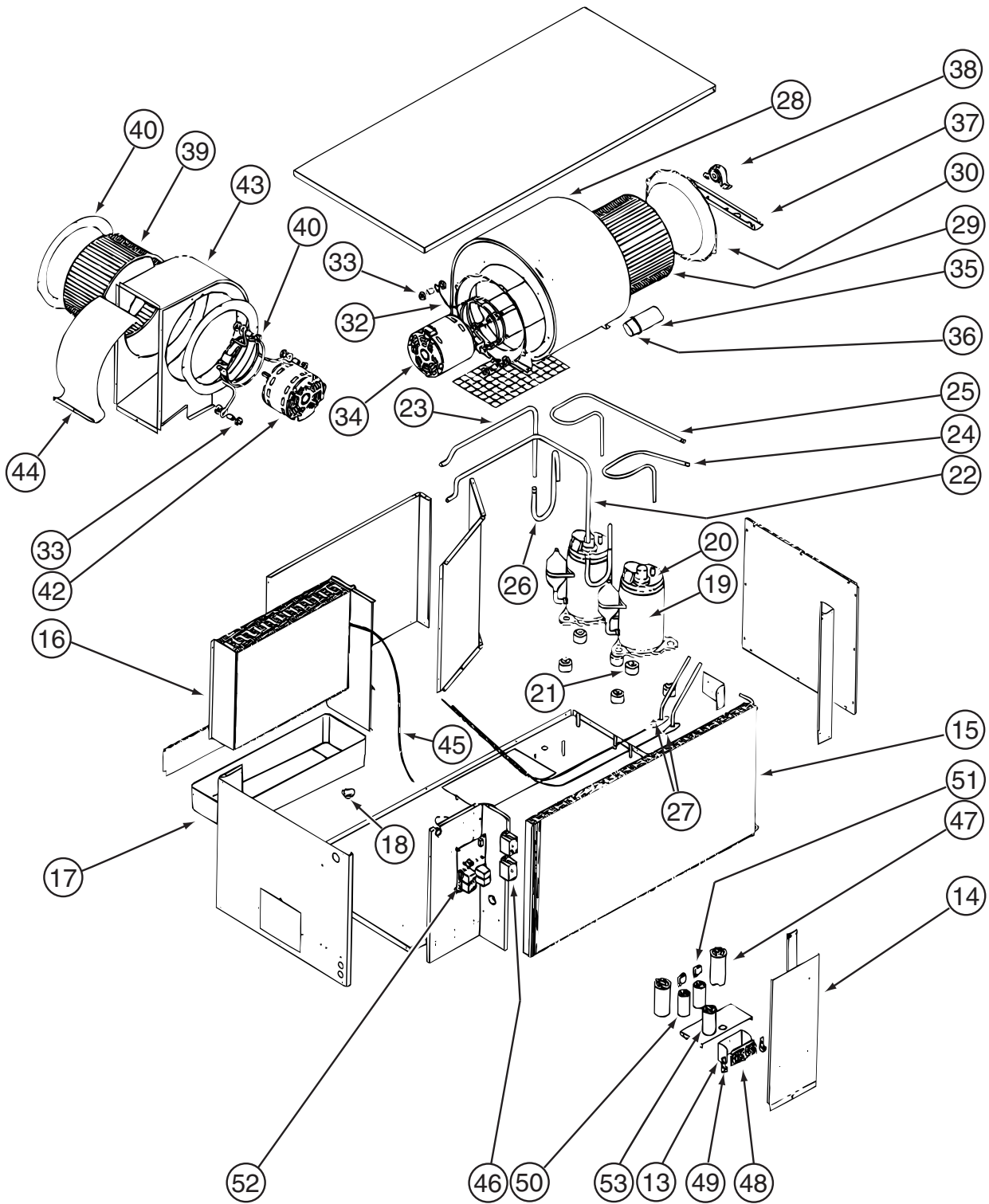
CENTRAL A/C SYSTEM



| KEY | PART NUMBER | U/M | DESCRIPTION |
|-----|---------------|-----|---|
| 1 | M09204-01-000 | EA | DUCT/AC - UPPER RIGHT HAND & LEFT HAND |
| | 128862-01-000 | EA | DUCT/AIR - UPPER LEFT HAND |
| | 128868-01-000 | EA | DUCT/AIR - UPPER RIGHT HAND |
| | 105290-01-000 | SF | INSULATION - AIR POCKET W/FOIL |
| 2 | 130262-01-000 | EA | PROTECTOR - CORNER SAVER - .7" X .7" X 48" |
| 3 | 117870-09-01A | EA | PLENUM - A/C |
| 4 | 115886-11-01A | EA | RETAINER - SIDEWALL - BRIGHT WHITE - 11.8" |
| | 138842-01-01A | EA | DUCT - CENTRAL AIR/FORCED - LOWER |
| 5 | 105290-01-000 | SF | INSULATION - AIR POCKET W/FOIL |
| 6 | 129047-01-02B | EA | STRAP/MOUNTING - AIR DUCT - E-COATED |
| 7 | 109050-02-000 | EA | FILTER/FURNACE-AC - FIBERGLASS - 1" X 14" X 20" |
| 8* | 105620-11-000 | EA | A/C CENTRAL PACKAGE - RIGHT HAND POWER SAVER/LARGE BLOWER |
| 8* | 105620-12-000 | EA | A/C - CENTRAL - RIGHT HAND/HEAT PUMP - 12,000 BTU COMP - WITH HEAT PUMP |
| 9 | 134588-01-000 | EA | GASKET - DUCT - 15.5" X 18.2" IS - 17.4" X 20.2" OS |
| 10 | 134588-02-000 | EA | GASKET - DUCT - 6.4" X 7.4" IS - 8.3" X 9.4" OS |
| | 105620-14-000 | EA | THERMOSTAT - A/C AND FURNACE |
| * | 105620-15-000 | EA | THERMOSTAT - FURNACE/HEAT PUMP-A/C |
| | 120134-01-02A | EA | REGISTER - W/DAMPER - 4" PIPE/7" O.D. FACE - WHITE |

***COMPONENT PARTS LISTED LATER IN THIS GROUP**

HEATING & A/C GROUP (CONTINUED)
COMPONENT PARTS FOR CENTRAL A/C SYSTEM



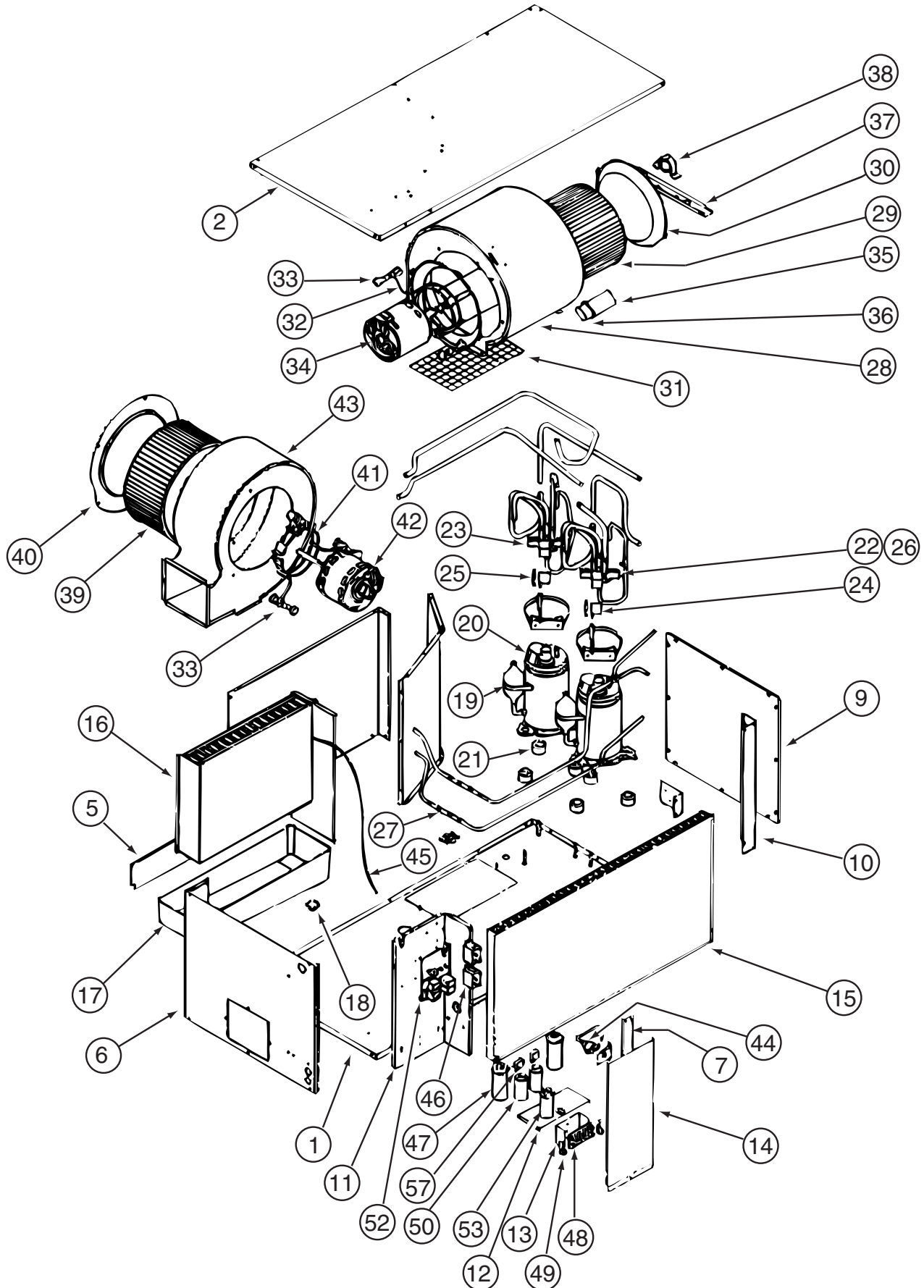
105620-11-000

HEATING & A/C GROUP (CONTINUED)
COMPONENT PARTS FOR CENTRAL A/C SYSTEM (CONTINUED)

105620-11-000 (CONTINUED)

| KEY | PART NUMBER | U/M | DESCRIPTION | VENDOR NO. |
|------------|--------------------|------------|---|-------------------|
| 15 | 105620-10-707 | EA | CONDENSER COIL | 1452-1541 |
| 16 | 105620-10-708 | EA | EVAPORATOR COIL | 1452A1531 |
| 17 | 105620-10-709 | EA | DRAIN PAN | 6636-304 |
| 18 | 105620-10-717 | EA | VALVE - DRAIN | 6531-503 |
| 19 | 126860-01-700 | EA | COMPRESSOR RK136AT-002-A4Y | 1450A2119 |
| 20 | 126860-01-701 | EA | OVERLOAD PROTECTOR MRA# 1460 | 1450-0071 |
| 21 | 105620-01-706 | EA | MOUNTING PKG.,COMP., 3 PER | 6759-3081 |
| 22 | 105620-10-710 | EA | SUCTION LINE ASSY COIL#1 | 6636-131 |
| 23 | 105620-10-711 | EA | SUCTION LINE ASSY COIL#2 | 6636-129 |
| 24 | 105620-10-712 | EA | DISCHARGE LINE ASSEMBLY#1 | 6636-126 |
| 25 | 105620-10-713 | EA | DISCHARGE LINE ASSEMBLY#2 | 6636-125 |
| 26 | 105620-10-714 | EA | SUCTION LINE ASSY COMP#1&2 | 6636-130 |
| 27 | 105620-10-719 | EA | LIQUID LINE ASSEMBLY COMP. | 6636-520 |
| 28 | 105620-10-718 | EA | BLOWER HOUSING/OUTSIDE AIR | 6536-515 |
| 29 | 105620-01-713 | EA | WHEEL-BLOWER/OUTSIDE AIR | 1472-1011 |
| 32 | 105620-01-715 | EA | MOUNT-BLOWER/OUTSIDE AIR | 6795A3011 |
| 34 | 105620-10-721 | EA | MOTOR/BLOWER-8 3/4" SHAFT | 1468A3029 |
| 35 | 105620-01-718 | EA | CAPACITOR-FAN, 12.5 MFD/370V | 1499-5631 |
| 36 | 105620-10-715 | EA | RUBBER CAPACITOR BOOT | 1499-951 |
| 37 | 105620-10-700 | EA | BEARING BRACKET/OUTSIDE AIR | 6536-574 |
| 38 | 105620-10-701 | EA | BEARING/PILLOW BLOCK-O/S AIR | 6536-3011 |
| 39 | 105620-11-701 | EA | BLOWER WHEEL/INSIDE AIR | 1472-1121 |
| 40 | 105620-11-702 | EA | BLOWER VENTURI/INSIDE AIR | 6535-287 |
| 41 | 105620-01-723 | EA | MOUNT-BLOWER MOTOR - I/S AIR | 6795-3021 |
| 42 | 105620-11-703 | EA | BLOWER MOTOR/INSIDE AIR | 1468-3219 |
| 43 | 105620-11-704 | EA | BLOWER HOUSING/INSIDE AIR | 6535-589 |
| 46 | 105620-01-729 | EA | RELAY-COMPRESSOR -4 TERMINAL | 1460-1131 |
| 47 | 126859-01-703 | EA | CAPACITOR - RUN | 1499-5671 |
| 48 | 105620-01-738 | EA | BOARD-TERMINAL, HIGH VOLTAGE | 6795-315 |
| 51 | 105620-10-705 | EA | PTCR (START DEVICE) - W/CAP. | 8333A9021 |
| 52 | 105620-05-700 | EA | BOARD-PRINTED CIRCUIT, 2 TON | 6795A3201 |
| 53 | 093763-01-704 | EA | CAPACITOR-FAN | 1499-5461 |
| | 105620-10-720 | EA | FUSE/BUSS(8AMP/250V) 2 PKG | 6535-3081 |
| | | | CONTACT WINNEBAGO PARTS SALES FOR UNLISTED COMPONENTS | |

HEATING & A/C GROUP (CONTINUED)
COMPONENT PARTS FOR CENTRAL A/C SYSTEM (CONTINUED)



105620-12-000

HEATING & A/C GROUP (CONTINUED)
COMPONENT PARTS FOR CENTRAL A/C SYSTEM (CONTINUED)

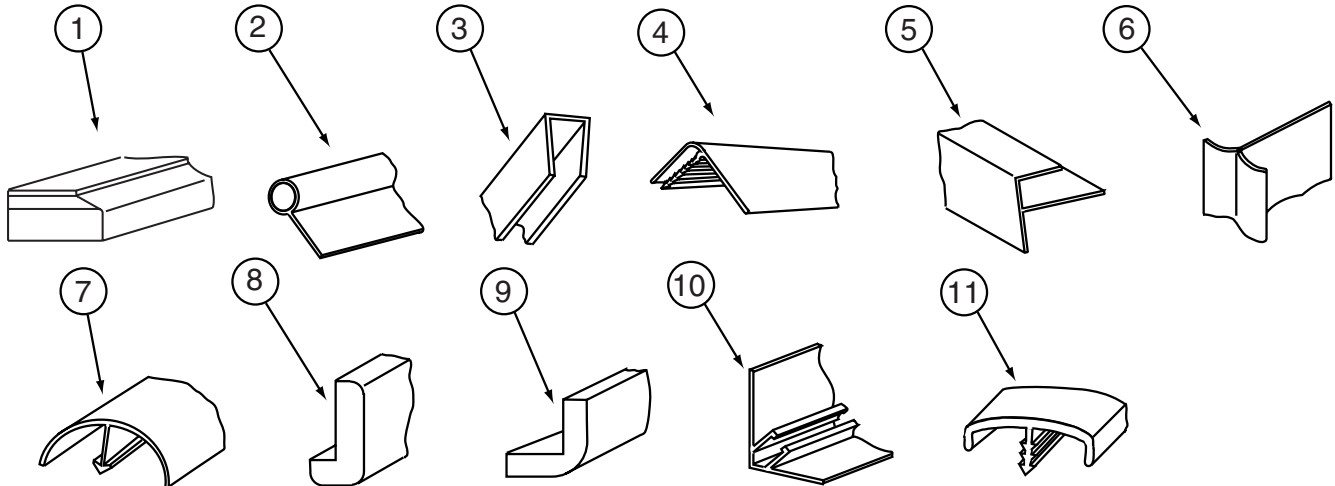
105620-12-000 (CONTINUED)

| KEY | PART NUMBER | U/M | DESCRIPTION | VENDOR NO. |
|------------|--------------------|------------|--|-------------------|
| 15 | 105620-12-701 | EA | COIL - CONDENSER | 1452-1621 |
| 16 | 105620-12-702 | EA | COIL - EVAPORATOR | 1452A1611 |
| 17 | 105620-10-709 | EA | DRAIN PAN | 6636-304 |
| 18 | 105620-01-703 | EA | VALVE-DRAIN, RH & LH | 6795-200 |
| 18 | 105620-12-703 | EA | VALVE - DRAIN | 6795-200 |
| 19 | 105620-12-704 | EA | COMPRESSOR | 1450-2149 |
| 21 | 105620-01-706 | EA | MOUNTING PKG.,COMP., 3 PER | 6759-3081 |
| 22 | 105620-12-706 | EA | REVERSING VALVE ASSEMBLY #1 | 6535A533 |
| 23 | 105620-12-707 | EA | REVERSING VALVE ASSEMBLY #2 | 6535-5321 |
| 24 | 105620-12-708 | EA | COIL - SOLENOID | 1460-1081 |
| 25 | 105620-12-709 | EA | WIRE HARNESS-REVERSING VALVE | 6536-111 |
| 26 | 105620-12-710 | EA | VALVE - REVERSE ONLY | 1454A350 |
| 27 | 105620-12-711 | EA | RESTRICTOR - BY FLOW | 1454-2521 |
| 28 | 105620-12-712 | EA | BLOWER HOUSING/OUTSIDE AIR | 6536-515 |
| 29 | 105620-01-713 | EA | WHEEL-BLOWER/OUTSIDE AIR | 1472-1011 |
| 32 | 105620-01-715 | EA | MOUNT-BLOWER/OUTSIDE AIR | 6795A3011 |
| 34 | 105620-10-721 | EA | MOTOR/BLOWER-8 3/4" SHAFT | 1468A3029 |
| 35 | 105620-01-718 | EA | CAPACITOR-FAN, 12.5 MFD/370V | 1499-5631 |
| 37 | 105620-12-713 | EA | BRACKET/BEARING-O/S AIR BLWR | 6536-514 |
| 38 | 105620-10-701 | EA | BEARING/PILLOW BLOCK-O/S AIR | 6536-3011 |
| 39 | 105620-11-701 | EA | BLOWER WHEEL/INSIDE AIR | 1472-1121 |
| 40 | 105620-12-715 | EA | BLOWER VENTURI/INSIDE AIR | 6535A287 |
| 41 | 105620-01-723 | EA | MOUNT-BLOWER MOTOR - I/S AIR | 6795-3021 |
| 42 | 105620-12-716 | EA | BLOWER MOTOR-REVERSIBLE-I/S | 1468-3219 |
| 43 | 105620-12-717 | EA | BLOWER HOUSING/INSIDE AIR | 6535A589 |
| 44 | 105620-12-718 | EA | SWITCH ASSM. - HIGH PRESSURE | 6535-5291 |
| 45 | 105620-12-719 | EA | COIL SENSOR | 7330A3231 |
| 46 | 105620-01-729 | EA | RELAY-COMPRESSOR -4 TERMINAL | 1460-1131 |
| 48 | 105620-01-738 | EA | BOARD-TERMINAL, HIGH VOLTAGE | 6795-315 |
| 51 | 105620-10-705 | EA | PTCR (START DEVICE) - W/CAP. | 8333A9021 |
| 52 | 105620-12-720 | EA | KIT-CIRCUIT BD (6535-SERIES) | 6535-3209 |
| 52 | 105620-12-721 | EA | CIRCUIT BD(6535 A SERIES) | 6535-3201 |
| 53 | 093763-01-704 | EA | CAPACITOR-FAN | 1499-5461 |
| | 105620-10-720 | EA | FUSE/BUSS(8AMP/250V) 2 PKG | 6535-3081 |
| | | | CONTACT WINNEBAGO PART SALES FOR UNLISTED COMPONENTS | |

105620-15-000

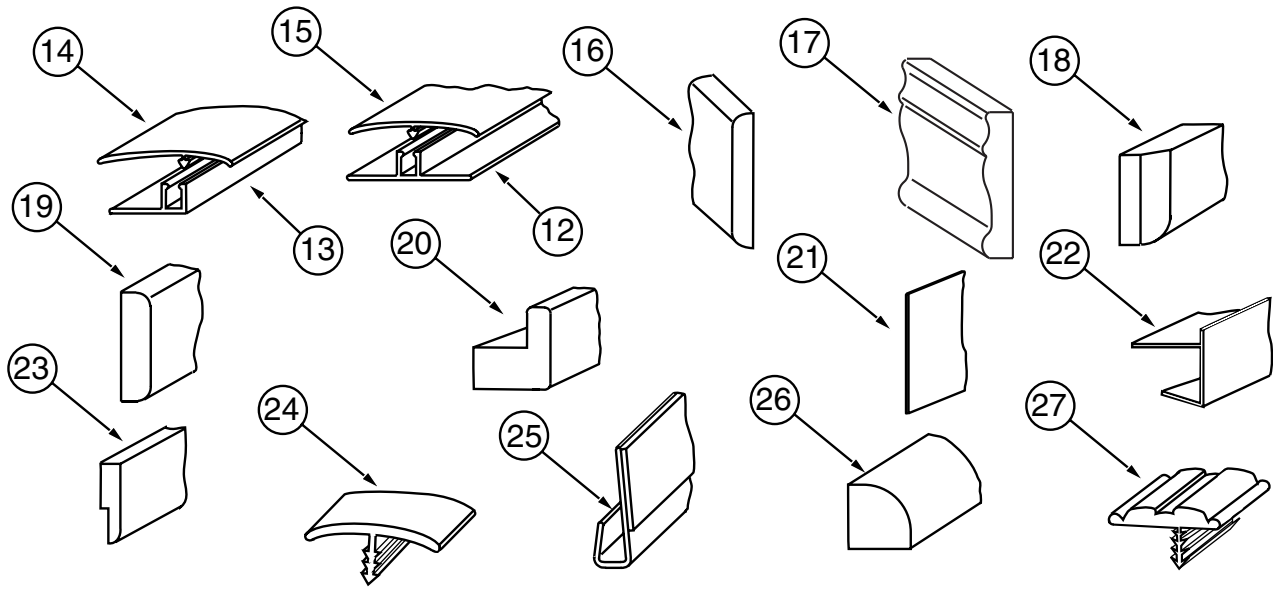
| KEY | PART NUMBER | U/M | DESCRIPTION | VENDOR NO |
|------------|--------------------|------------|------------------------------|------------------|
| | 105620-15-700 | EA | FUSE/BUSS(2AMP/250V)3 PER PK | 8330-3343 |

INTERIOR FINISH GROUP
MOLDINGS & TRIMS
WASHED MAPLE
SALEM CHERRY



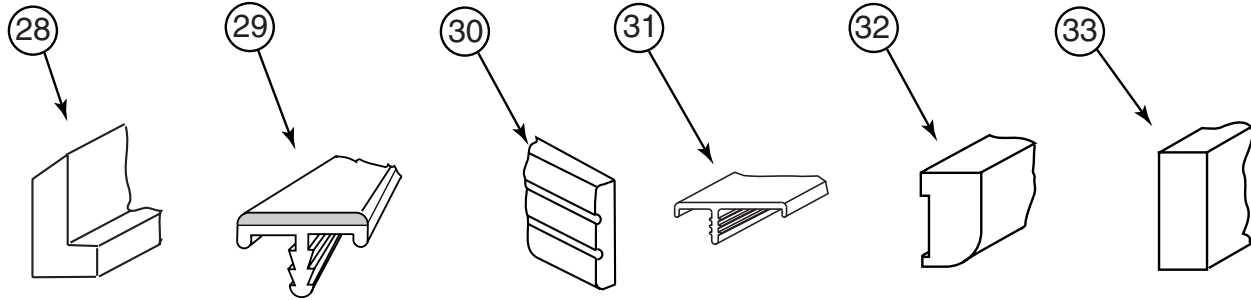
| KEY | PART NUMBER | U/M | DESCRIPTION |
|-----|---------------|-----|---|
| 1 | P34052-01-N75 | EA | TRIM/TABLE - 29.7" - PORTSMOUTH OAK |
| 1 | P34052-01-M84 | EA | TRIM/TABLE - 29.7" - WASHED MAPLE |
| 1 | P34052-01-M52 | EA | TRIM/TABLE - 29.7" - SALEM CHERRY |
| 1 | P34052-02-N47 | EA | TRIM/TABLE - 24" |
| 2 | 009767-12-000 | FT | WELTING - ANTIQUE WHITE |
| 2 | 009767-17-000 | FT | WELTING - PORTSMOUTH OAK |
| 3 | 009778-25-000 | FT | U-CHANNEL - 1" - BEIGE ILLUSION |
| 3 | 009778-27-000 | FT | U-CHANNEL - 1" - WASHED MAPLE |
| 3 | 009778-30-000 | FT | U-CHANNEL - 1" - VILLAGE OAK |
| 3 | 009778-31-000 | FT | U-CHANNEL - 1" - GRADY BROWN |
| 3 | 009778-32-000 | FT | U-CHANNEL - 1" - PORTSMOUTH OAK |
| 3 | 009778-34-000 | FT | U-CHANNEL - 1" - CONCERT CHERRY |
| 3 | 070504-36-000 | FT | U-CHANNEL - PLASTIC - .13" X 96" - WATERFORD OAK |
| 3 | 070504-42-000 | FT | U-CHANNEL - PLASTIC - .13" X 84" - BEIGE ILLUSION |
| 3 | 070504-50-000 | FT | U-CHANNEL - PLASTIC - .13" X 96" - WASHED MAPLE |
| 3 | 070504-51-000 | FT | U-CHANNEL - PLASTIC - .9" X 96" - WASHED MAPLE |
| 3 | 070504-54-000 | FT | U-CHANNEL - PLASTIC - .9" X 96" - VILLAGE OAK |
| 3 | 070504-56-000 | FT | U-CHANNEL - PLASTIC - .8" X 72" - VW LIGHT GRAY |
| 3 | 070504-57-000 | FT | U-CHANNEL - PLASTIC - .6" X 84" - PORTSMOUTH OAK |
| 3 | 070504-58-000 | FT | U-CHANNEL - PLASTIC - .8" X 84" - PORTSMOUTH OAK |
| 3 | 070504-60-000 | FT | EXTRUSION-U CHANNEL,1.65 - CONCERT CHERRY |
| 3 | 070504-61-000 | FT | U-CHANNEL - PLASTIC - .8" X 84" - CONCERT CHERRY |
| 4 | 009809-30-000 | EA | MOLDING - CORNER - OUTSIDE - 1" X 84" - BEIGE ILLUSION |
| 4 | 009809-31-000 | EA | MOLDING - CORNER - OUTSIDE - 1" X 84" - WASHED MAPLE |
| 4 | 009809-32-000 | EA | MOLDING - CORNER - OUTSIDE - 1" X 84" - PORTSMOUTH OAK |
| 4 | 009809-33-000 | EA | MOLDING - CORNER - OUTSIDE - 1" X 84" - WORMY PECAN |
| 5 | 009812-31-000 | EA | MOLDING - CORNER - 1/2" W/1/4"CHAN X 84" - BEIGE ILLUSION |
| 5 | 009812-33-000 | EA | MOLDING - CORNER - 1/2" W/1/4"CHAN X 84" - WASHED MAPLE |
| 5 | 009812-35-000 | EA | MOLDING - CORNER - 1/2" W/1/4"CHAN X 84" - PORTSMOUTH OAK |
| 5 | 009812-36-000 | EA | MOLDING - CORNER - 1/2" W/1/4"CHAN X 84" - CONCERT CHERRY |
| 6 | 022992-14-000 | FT | MOLDING - REVERSE COVE - T-SHAPED - BRIGHT WHITE |
| 6 | 022992-15-000 | FT | MOLDING - REVERSE COVE - T-SHAPED - VW GRAY |
| 7 | 042357-25-000 | EA | MOLDING - CORNER - RADIUS/PLASTIC - WASHED MAPLE |
| 7 | 042357-26-000 | EA | MOLDING - CORNER - RADIUS/PLASTIC - PORTSMOUTH OAK |
| 7 | 042357-27-000 | EA | MOLDING - CORNER - RADIUS/PLASTIC - CONCERT CHERRY |
| 8 | 077840-01-E41 | EA | MOLDING - WALL CAP - 8' - SALEM CHERRY |
| 8 | 077840-01-N30 | EA | MOLDING - WALL CAP - 8' - PORTSMOUTH AOK |
| 8 | 077840-01-M91 | EA | MOLDING - WALL CAP - 8' - WASHED MAPLE |
| 9 | 080176-08-000 | EA | CAP - CORNER - RADIUS MOLDING - PLASTIC - WASHED MAPLE |
| 10 | 081521-02-007 | EA | MOUNT - METAL MOLDING - F/RADIUS CORNER MOLDING - 151.5" |
| 11 | 083620-09-000 | FT | MOLDING-T - W/EDGE LIP - 7/8" FACE - MODERN IVORY |
| 11 | 083620-19-000 | FT | MOLDING-T - W/EDGE LIP - 7/8" FACE - WASHED MAPLE |
| 11 | 083620-20-000 | FT | MOLDING-T - W/EDGE LIP - 7/8" FACE - PORTSMOUTH OAK |
| 11 | 083620-21-000 | FT | MOLDING-T - W/EDGE LIP - 7/8" FACE - CONCERT CHERRY |
| 11 | 104676-02-08A | FT | MOLDING-T - W/EDGE LIP - 11/16" FACE - PORTSMOUTH OAK |
| 11 | 104676-02-06A | FT | MOLDING-T - W/EDGE LIP - 11/16" FACE - WASHED MAPLE |

INTERIOR FINISH GROUP (CONTINUED)
MOLDINGS & TRIMS (CONTINUED)



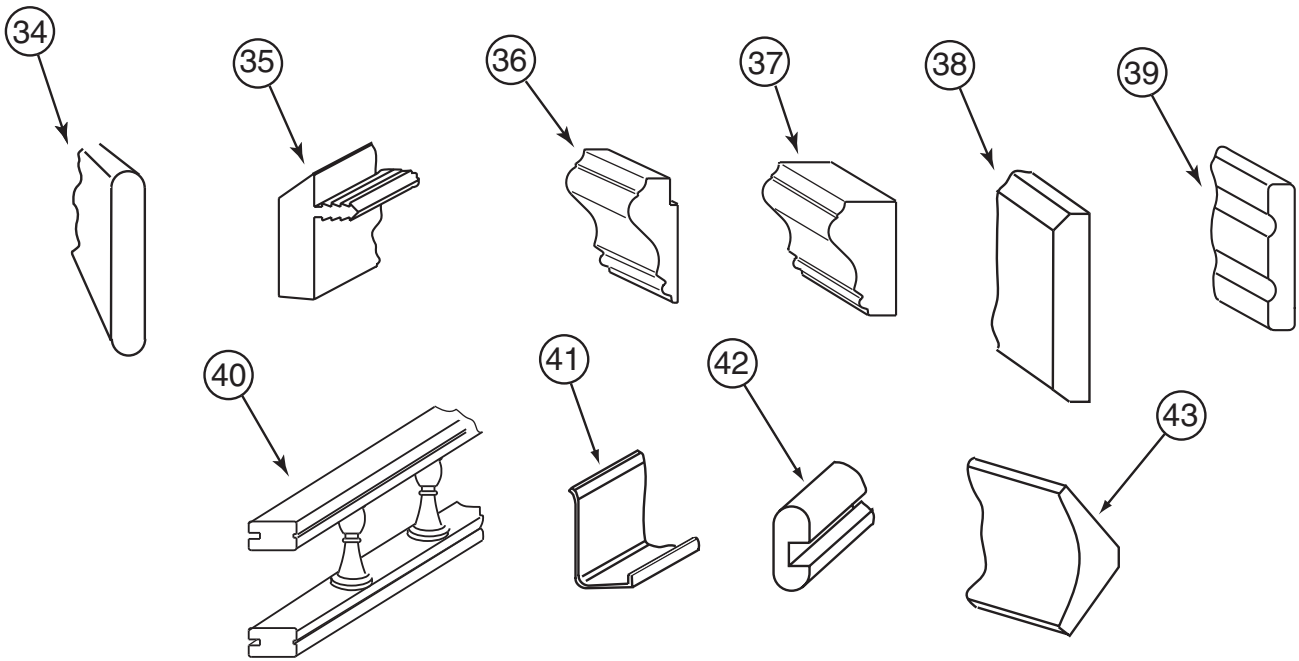
| KEY | PART NUMBER | U/M | DESCRIPTION |
|-----|---------------|-----|--|
| 12 | 086229-01-000 | EA | RETAINER - BATTEN - .75" X 92.1" - ANY COLOR |
| 13 | 086229-11-000 | EA | RETAINER - OFFSET - 97" |
| 14 | 086229-12-000 | EA | BATTEN - 1.5" OFFSET X 97.01" IVORY |
| 14 | 086229-21-000 | EA | BATTEN - 1.5" X 83.9" OFFSET - WHITE |
| 15 | 086229-13-000 | EA | BATTEN - 1" X 96" - IVORY |
| 15 | 086229-19-000 | EA | BATTEN - 1" X 98.4" - OFF WHITE |
| 15 | 086229-20-000 | EA | BATTEN - 1" X 96" - BEIGE |
| 16 | 091985-01-08A | FT | INSERT - TRIM - .65" WIDE - SOFT WHITE |
| 17 | 100182-10-E41 | EA | TRIM - CHAIR RAIL - 2.5" X 8' EACH - WOOD |
| 17 | 100182-10-J70 | EA | TRIM - CHAIR RAIL - 2.5" X 8' EACH - WOOD |
| 17 | 100182-10-K29 | EA | TRIM - CHAIR RAIL - 2.5" X 8' EACH - WOOD |
| 17 | 100182-10-N47 | EA | TRIM/RAIL |
| 18 | 100659-27-M70 | EA | MOLDING/TRIM - VINYL FLOOR - CHERRY III |
| 18 | 100659-30-N75 | EA | MOLDING - TRIM - PORTSMOUTH OAK |
| 18 | 100659-30-N74 | EA | MOLDING - TRIM - CHERRY |
| 18 | 100659-30-M84 | EA | MOLDING-TRIM,VINYL FLOOR - 01 G-SERIES GENERAL |
| 19 | 100818-01-12A | EA | MOLDING - VINYL WRAPPED - 1.6" X .4" X 84"-PORTSMOUTH OAK |
| 19 | 100818-01-10A | EA | MOLDING - VINYL WRAPPED - 1.6" X .4" X 84" - CHERRY |
| 19 | 100818-01-08A | EA | MOLDING - VINYL WRAPPED - 1.6" X .4" X 84"-WASHED MAPLE |
| 20 | 100819-01-08A | EA | MOLDING - VINYL WRAPPED-L-SHAPED-1.5"X1.5"X84"-WASHED MPL |
| 20 | 100819-01-09A | EA | MOLDING - VINYL WRAPPED-L-SHAPED-1.5"X1.5"X84"-PRTSMTH OAK |
| 20 | 100819-01-10A | EA | MOLDING - VINYL WRAPPED-L-SHAPED-1.5"X1.5"X84"-CNCRT CHERR |
| 20 | 100819-01-12A | EA | MOLDING - VINYL WRAPPED-L-SHAPED - 1.5" X 1.5" X 84" - OAK |
| 21 | 101957-01-06A | EA | EXTRUDED - PLASTIC - WASHED MAPLE |
| 22 | 103186-01-10A | FT | MOLDING - PLASTIC - 3/8" U-CHANNEL-3/4"FACE-CONCERT CHERRY |
| 22 | 103186-01-09A | FT | MOLDING - PLASTIC - 3/8" U-CHANNEL-3/4"FACE-PORTSMOUTH OAK |
| 22 | 103186-01-07A | FT | MOLDING - PLASTIC - 3/8" U-CHANNEL-3/4"FACE - BEIGE ILLUS |
| 22 | 103186-02-10A | FT | MOLDING - PLASTIC - 1" U-CHANNEL-1 3/8"FACE-CONCERT CHERRY |
| 22 | 103186-02-09A | FT | MOLDING - PLASTIC - 1" U-CHANNEL-1 3/8"FACE-PORTSMOUTH OAK |
| 22 | 103186-02-08A | FT | MOLDING - PLASTIC - 1" U-CHANNEL-1 3/8"FACE-WASHED MAPLE |
| 22 | 103186-02-07A | FT | MOLDING - PLASTIC - 1" U-CHANNEL-1 3/8"FACE-BEIGE ILLUSION |
| 23 | 105004-01-10A | EA | MOLDING - VINYL WRAPPED 1" X 96" - SALEM CHERRY |
| 23 | 105004-01-08A | EA | MOLDING - VINYL WRAPPED - 1" X 96" - WASHED MAPLE |
| 23 | 105004-01-10A | EA | MOLDING - VINYL WRAPPED 1" X 96" - SALEM CHERRY |
| 23 | 105004-01-12A | EA | MOLDING - VINYL WRAPPED 1" X 96" - PORTSMOUTH OAK |
| 24 | 009815-10-000 | FT | MOLDING-T - W/EDGE LIP - 3/4" FACE - BEIGE ILLUSION |
| 24 | 105709-02-000 | FT | MOLDING-T - W/EDGE LIP - 3/4" FACE - BEIGE ILLUSION |
| 25 | 109332-02-01A | FT | TRIM-J - W/O ADHESIVE - BRASS |
| 26 | 109410-01-J70 | EA | MOLDING - TRIM - 8' - WHITE MAPLE/WASHED MAPLE |
| 26 | 109410-01-E41 | EA | MOLDING - TRIM - 8' - BLACK CHERRY/SALEM CHERRY |
| 26 | 109410-01-N75 | EA | MOLDING - TRIM - 8' - PORTSMOUTH OAK/PORTSMOUTH OAK |
| 27 | 109736-02-01A | FT | MOLDING-T/OFFSET - W/EDGE LIP - 1" FACE - NAT OAK/BRASS |

INTERIOR FINISH GROUP (CONTINUED)
MOLDINGS & TRIMS (CONTINUED)



| KEY | PART NUMBER | U/M | DESCRIPTION |
|-----|---------------|-----|---|
| 28 | 111235-01-E74 | EA | MOLDING - COUNTERTOP - 1.4" X 8' - BLACK CHERRY-UNSTAINED - SALEM CHERRY |
| 28 | 111235-01-N42 | EA | MOLDING - COUNTERTOP - 1.4" X 8' - PORTSMOUTH |
| 28 | 111235-01-H56 | EA | MOLDING - COUNTERTOP - 1.4" X 8' - WHITE MAPLE - UNSTAINED - WASHED MAPLE |
| 29 | 113757-02-01A | FT | T-MOLDING - BULB |
| 30 | 116951-15-N09 | EA | MOLDING - TRIM - 1.7" X 11" - PORTSMOUTH OAK |
| 30 | 116951-15-K09 | EA | MOLDING - TRIM - 1.7" X 11" - WASHED MAPLE |
| 30 | 116951-15-K13 | EA | MOLDING - TRIM - 1.7" X 11" - SALEM CHERRY |
| 31 | 119520-01-01A | FT | MOLDING-T/OFFSET - W/EDGE LIP - 1"FACE - OFF WHITE |
| 31 | 119520-02-01A | FT | MOLDING-T/OFFSET - W/EDGE LIP - 1"FACE |
| 32 | 126204-D2-134 | EA | MOLDING - VINYL WRAPPED - .7" X 1.6" X 84" - WASHED MAPLE |
| 32 | 126204-F2-134 | EA | MOLDING - VINYL WRAPPED - .7" X 2.5" X 84" - WASHED MAPLE |
| 32 | 126204-F2-438 | EA | MOLDING - VINYL WRAPPED - .7" X 2.6" X 96" - WASHED MAPLE |
| 32 | 137895-D2-134 | EA | MOLDING - VINYL WRAPPED - .7" X 1.6" X 84" - PORTSMOUTH OAK |
| 32 | 137895-F2-743 | EA | MOLDING-018X063X2743 MM - PORTSMOUTH OAK |
| 33 | 126205-D2-438 | EA | LUMBER - VINYL WRAPPED - .7" X 1.5" X 96" - WASHED MAPLE |
| 33 | 126205-E2-438 | EA | LUMBER - VINYL WRAPPED - .7" X 2" X 96" - WASHED MAPLE |
| 33 | 126205-F2-438 | EA | LUMBER - VINYL WRAPPED - .7" X 2.5" X 96" - WASHED MAPLE |
| 33 | 126205-G2-438 | EA | LUMBER - STAINED - .7" X 3" X 96" - WASHED MAPLE |
| 33 | 126205-J2-438 | EA | LUMBER - VINYL WRAPPED - .7" X 5.5" X 96" - WASHED MAPLE |
| 33 | 136030-F2-743 | EA | MOLDING-018X065X2743MM PAPER WRAPPED-CHERRY - SALEM CHERRY FROM: 00-00-00 THRU: 09-03-01 |
| 33 | 136045-D2-438 | EA | LUMBER - PAPER WRAPPED - .7" X 1.5" X 96" - CHERRY FROM: 00-00-00 THRU: 09-03-01 |
| 33 | 136045-E2-438 | EA | LUMBER - PAPER WRAPPED - .7" X 2" X 96" - CHERRY FROM: 00-00-00 THRU: 09-03-01 |
| 33 | 136045-F2-438 | EA | LUMBER - PAPER WRAPPED - .7" X 2.6" X 96" - CHERRY FROM: 00-00-00 THRU: 09-03-01 |
| 33 | 136045-G2-438 | EA | LUMBER - PAPER WRAPPED - .7" X 3" X 96" - CHERRY FROM: 00-00-00 THRU: 09-03-01 |
| 33 | 136045-H2-438 | EA | LUMBER - PAPER WRAPPED - .7" X 3.5" X 96" - CHERRY FROM: 00-00-00 THRU: 09-03-01 |
| 33 | 136045-J2-438 | EA | LUMBER - PAPER WRAPPED - .7" X 5.5" X 96" - CHERRY FROM: 00-00-00 THRU: 09-03-01 |
| 33 | 136045-R2-438 | EA | LUMBER - PAPER WRAPPED - .7" X 3" X 96" - CHERRY FROM: 00-00-00 THRU: 09-03-01 |
| 33 | 137894-A2-438 | EA | LUMBER - VINYL WRAPPED - .7" X .75 X 96" - PORTSMOUTH OAK |
| 33 | 137894-D2-022 | EA | LUMBER-018X038X2022 MM - WRAPPED - PORTSMOUTH OAK |
| 33 | 137894-D2-014 | EA | LUMBER-018X038X2014 MM - WRAPPED - PORTSMOUTH OAK |
| 33 | 137894-D2-001 | EA | LUMBER-018X038X2000 MM - WRAPPED - PORTSMOUTH OAK |
| 33 | 137894-D2-438 | EA | LUMBER - VINYL WRAPPED - .7" X 1.5" X 96" - PORTSMOUTH OAK |
| 33 | 137894-D2-134 | EA | LUMBER-018X038X2134 MM - WRAPPED - PORTSMOUTH OAK |
| 33 | 137894-D2-026 | EA | LUMBER-018X038X2026 MM - WRAPPED - PORTSMOUTH OAK |
| 33 | 137894-D2-024 | EA | LUMBER-018X038X2024 MM - WRAPPED - PORTSMOUTH OAK |
| 33 | 137894-E2-438 | EA | LUMBER - VINYL WRAPPED - .7" X 2" X 96" - PORTSMOUTH OAK |
| 33 | 137894-F2-438 | EA | LUMBER - VINYL WRAPPED - .7" X 2.5" X 96" - PORTSMOUTH OAK |
| 33 | 137894-G2-438 | EA | LUMBER - VINYL WRAPPED - .7" X 3" X 96" - PORTSMOUTH OAK |
| 33 | 137894-H2-438 | EA | LUMBER - VINYL WRAPPED - .7" X 3.5" X 96" - PORTSMOUTH OAK |
| 33 | 137894-J2-438 | EA | LUMBER - VINYL WRAPPED - .7" X 5.5" X 96" - PORTSMOUTH OAK |
| 33 | 137894-J2-743 | EA | LUMBER-018X140X2743 MM - PORTSMOUTH OAK |
| 33 | 137894-R2-438 | EA | LUMBER - VINYL WRAPPED - .7" X 3" X 96" - PORTSMOUTH OAK |

INTERIOR FINISH GROUP (CONTINUED)
MOLDINGS & TRIMS (CONTINUED)



| KEY | PART NUMBER | U/M | DESCRIPTION |
|-----|---------------|-----|--|
| 34 | 127842-01-01A | FT | SEAL - SIGHT SHIELD - 2" BLACK |
| 35 | 130247-01-05A | FT | MOLDING-T/OFF SET - 1.3" FACE - CONCERT CHERRY - SALEM CHERRY |
| 35 | 130247-01-04A | FT | MOLDING-T/OFF SET - 1.3" FACE - PORTSMOUTH OAK |
| 35 | 130247-01-02A | FT | MOLDING-T/OFF SET - 1.3" FACE - WASHED MAPLE |
| 36 | 131923-02-02A | FT | MOLDING - PICTURE - CHERRY - SALEM CHERRY |
| 36 | 131923-02-03A | FT | MOLDING - PICTURE - HARD WHITE MAPLE - WASHED MAPLE |
| 36 | 131923-02-04A | FT | MOLDING - PICTURE - 42.8" - PORTSMOUTH |
| 37 | 131923-03-02A | FT | MOLDING - CROWN - DIVIDER - CHERRY - SALEM CHERRY |
| 37 | 131923-03-03A | FT | MOLDING - CROWN - DIVIDER - HARD WHITE MAPLE - WASHED MAPLE |
| 37 | 131923-03-04A | FT | MOLDING - MOLDING - CROWN - DIVIDER - OAK - PORTSMOUTH |
| 38 | 132647-01-05A | EA | MOLDING/TRIM - DASH - PORTSMOUTH OAK |
| 39 | 134156-01-03A | EA | MOLDING - VINYL WRAP - .7" X 3.8" X 33.8" - WASHED MAPLE |
| 39 | 134156-01-05A | EA | MOLDING - PAPER WRAP - .7" X 3.8" X 33.8" - CONCERT CHERRY - SALEM CHERRY FROM: 00-00-00 THRU: 09-03-01 |
| 39 | 134156-01-07A | EA | MOLDING - VINYL WRAP - .7" X 3.8" X 33.8" - CONCERT CHERRY - SALEM CHERRY FROM: 09-04-01 THRU: 00-00-00 |
| 39 | 134156-01-08A | EA | MOLDING - VINYL WRAP - .7" X 3.8" X 33.8" - PORTSMOUTH OAK |
| 39 | 134156-03-03A | EA | MOLDING - VINYL WRAP - .7" X 3.4" X 28.3" - WASHED MAPLE |
| 39 | 134156-03-05A | EA | MOLDING - PAPER WRAP - .7" X 3.4" X 28.3" - CONCERT CHERRY - SALEM CHERRY FROM: 00-00-00 THRU: 09-03-01 |
| 39 | 134156-03-07A | EA | MOLDING - VINYL WRAP - .7" X 3.4" X 28.3" - CONCERT CHERRY - SALEM CHERRY FROM: 09-04-01 THRU: 00-00-00 |
| 39 | 134156-03-08A | EA | MOLDING - VINYL WRAP - .7" X 3.4" X 28.3" - PORTSMOUTH OAK |
| 39 | 134156-05-05A | EA | MOLDING - PAPER WRAP - .7" X 3.8" X 34.4" - SALEM CHERRY FROM: 00-00-00 THRU: 09-03-01 |
| 39 | 134156-05-07A | EA | MOLDING - VINYL WRAP - .7" X 3.8" X 34.4" - CONCERT CHERRY - SALEM CHERRY FROM: 09-04-01 THRU: 00-00-00 |
| 39 | 134156-05-08A | EA | MOLDING - VINYL WRAP - .7" X 3.8" X 33.8" - PORTSMOUTH OAK |
| 40 | 137108-01-07A | EA | RAIL - DECORATIVE - PORTSMOUTH OAK |
| 40 | 137108-01-03A | EA | RAIL - DECORATIVE - WASHED MAPLE |
| 40 | 137108-01-02A | EA | RAIL - DECORATIVE - SALEM CHERRY |
| 41 | 085746-04-000 | EA | TRIM-J - CARPET 1.2" X .5" ANGLE - 10' LONG - OFF WHITE |
| 42 | M09412-62-M52 | EA | MOLDING/SHELF EDGE - W/.4" NOTCH - CHERRY IV |
| 42 | M09412-62-M62 | EA | MOLDING/SHELF EDGE - W/.4" NOTCH - WASHED MAPLE |
| 42 | M09412-62-N42 | EA | MOLDING/SHELF EDGE - W/.4" NOTCH - PORTSMOUTH II |
| 43 | Y00074-22-438 | EA | MOLDING/CROWN - VINYL WRAPPED - MAPLE - 96" |
| 43 | Y00074-62-438 | EA | MOLDING/CROWN - VINYL WRAPPED - CONCERT CHERRY - 96" |
| 43 | Y00074-72-438 | EA | MOLDING/CROWN - VINYL WRAPPED - PORTSMOUTH OAK - 96" |

INTERIOR FINISH GROUP (CONTINUED)
PANELING & LAMINATES

| KEY | PART NUMBER | U/M | DESCRIPTION |
|------------|--------------------|------------|---|
| | 000885-A3-000 | SF | PARTICLE BOARD - 3/4" X 4' X 8' - SALEM CHERRY - 2 SIDED |
| | 000885-98-000 | SF | PARTICLE BOARD - 3/8" X 4' X 8' - SALEM CHERRY - 2 SIDED |
| | 000885-A5-000 | SF | PARTICLE BOARD - 3/8" X 4' X 8'- WHT PEB EMBOSSED-1 SIDED |
| | 000885-89-000 | SF | PARTICLE BOARD - 3/8" X 4' X 8' - WASHED MAPLE - 2-SIDED |
| | 000885-91-000 | SF | PARTICLE BOARD - 3/4" X 4' X 8' - WASHED MAPLE - 2-SIDED |
| | 074497-39-000 | SF | PANELING - WASHED MAPLE - 4' X 8' |
| | 076773-14-000 | SF | PANELING - 2 SIDED - WASHED MAPLE - 1/8" X 4' X 8' |
| | 074497-43-000 | SF | PANELING - SALEM CHERRY - 4' X 8' |
| | 079666-03-000 | SF | PANELING - CLOSET - CEDAR - 4' X 7' |
| | 088272-H9-000 | SF | PANELING - PEBBLE EMBOSSED - WHITE - 4' X 7' |
| | 088272-J9-000 | SF | PANELING - ALABASTER - 4' X 7' (N62, N63, N64, N65) |
| | 088272-K1-000 | SF | PANELING - GRAY - 4' X 7' (N66, N67) |
| | 074498-82-000 | SF | LAMINATE - PLASTIC - WASHED MAPLE - 4' X 8' |
| | 074498-96-000 | SF | LAMINATE - PLASTIC - CHERRY - 4' X 8' |
| | 074498-84-000 | SF | LAMINATE - PLASTIC - WHITE TALC - 4' X 8' (N62, N63, N64, N65) |
| | 074498-52-000 | SF | LAMINATE - PLASTIC - WHITE ETHOS - 4' X 8' (N66, N67) |
| | 076325-39-000 | FT | MOLDING - EDGE BAND - 1 5/16" X .030" - ALMOND |
| | 085284-F7-000 | FT | TAPE/STRIP - TRUE GRIP - 1 1/2" WIDE - ADHESIVE BACKED |
| | 085284-G9-000 | FT | BATT TAPE - ADHESIVE BACKED - DECORATIVE - ALABASTER (N62, N63, N64, N65) |
| | 085284-H1-000 | FT | BATT TAPE - ADHESIVE BACKED - DECORATIVE - GRAY (N66, N67) |
| | 132610-06-09A | FT | WALLPAPER - BORDER - 5 1/4" - SELF-ADHESIVE (N62, N63) |
| | 132610-05-17A | FT | WALLPAPER - BORDER - 7" - SELF-ADHESIVE (N64, N65) |
| | 132610-05-16A | FT | WALLPAPER - BORDER - 7" - SELF-ADHESIVE (N66, N67) |

ACCESSORIES

| KEY | PART NUMBER | U/M | DESCRIPTION |
|------------|--------------------|------------|--|
| | 072852-01-000 | EA | DETECTOR - SMOKE - W/9 VOLT BATTERY - US |
| | 072852-02-000 | EA | DETECTOR - SMOKE - W/9 VOLT BATTERY - CANADIAN |
| | 088742-16-000 | EA | MIRROR - BEVELED/SAFETY GLASS - 14.4" X 18.5" |
| | 093606-18-000 | EA | MIRROR - BEVELED EDGE - 19.7" X 29.5" |
| | 093606-28-000 | EA | MIRROR - BEVELED EDGE - 17.5" X 27.9" |
| | 093606-37-000 | EA | MIRROR - BEVELED EDGE - 13.3" X 66.1" |
| | 093606-38-000 | EA | MIRROR - BEVELED EDGE - 13.3" X 24" |
| | 140374-10-000 | EA | MIRROR - SAFETY GLASS - 7.9" X 16.4" |
| | 140374-33-000 | EA | MIRROR - SAFETY GLASS - 6.7" X 34.2" |
| | 140374-35-000 | EA | MIRROR - SAFETY GLASS - 9" X 14.9" |
| | 140374-55-000 | EA | MIRROR - SAFETY GLASS - 34.7" X 69.4" |
| | 091261-01-000 | FT | SLIPNOT - ANTISLIP - 1' WIDE X 12' - BLACK |
| | 096764-02-000 | FT | SLIPNOT - ANTISLIP - 1' WIDE (180' ROLLS) - WHITE |
| * | 094499-02-000 | EA | EXTINGUISHER/FIRE - DRY - 10BC - W/GAUGE - CANADIAN |
| | 094499-03-000 | EA | EXTINGUISHER/FIRE - DRY - 10BC - W/GAUGE/BACKET - US |
| | 094499-04-000 | EA | STRAP - FIRE EXTINGUISHER MOUNTING - METAL |
| | 100793-05-01A | EA | CLOCK - WALL - 8" SQUARE - GOLD |
| | | | FROM: 00-00-00 THRU: 09-14-01 |
| | 118081-03-01A | EA | CLOCK - WALL - ROUND 8" - BRASS |
| | | | FROM: 09-15-01 THRU: 99-99-99 |
| | 132738-01-01A | EA | CLOCK - DIGITAL W/ALARM - 12 VOLT - BLACK |
| | 108808-01-01A | EA | HANDRAIL - ENTRANCE - 26"H X 26"L - BRASS |
| | 131058-03-02A | EA | HAND RAIL - INTERIOR ENTRY DOOR - BLACK |
| | 112515-05-01A | EA | PICTURE - DECORATIVE - 12" X 15" - PALM TREE |
| | 131493-02-05A | EA | PICTURE - DECORATIVE - 13" X 15" - VIOLIN |
| | 131493-02-09A | EA | PICTURE - DECORATIVE - 13" X 15" - MEDITERRANEAN |
| | 125136-02-000 | EA | CO DETECTOR - GAS MODEL - 9 VOLT |
| | 131333-01-01A | EA | HOLDER - CUP - VERTICAL DROP - FLUSH MOUNT - BLACK |
| | 133831-01-01A | EA | HOLDER - CUP W/THREE CENTERLINE RUBBER FINGERS |
| | 133713-02-02A | EA | SPACER/CUPHOLDER - VINYL/WASHED MAPLE |
| | 140066-01-01A | EA | BASKET - LAUNDRY/WIRE - WHITE |

***COMPONENT PARTS LISTED LATER IN THIS GROUP**

INTERIOR FINISH GROUP (CONTINUED)
COMPONENT PARTS FOR ACCESSORIES

094499-02-000

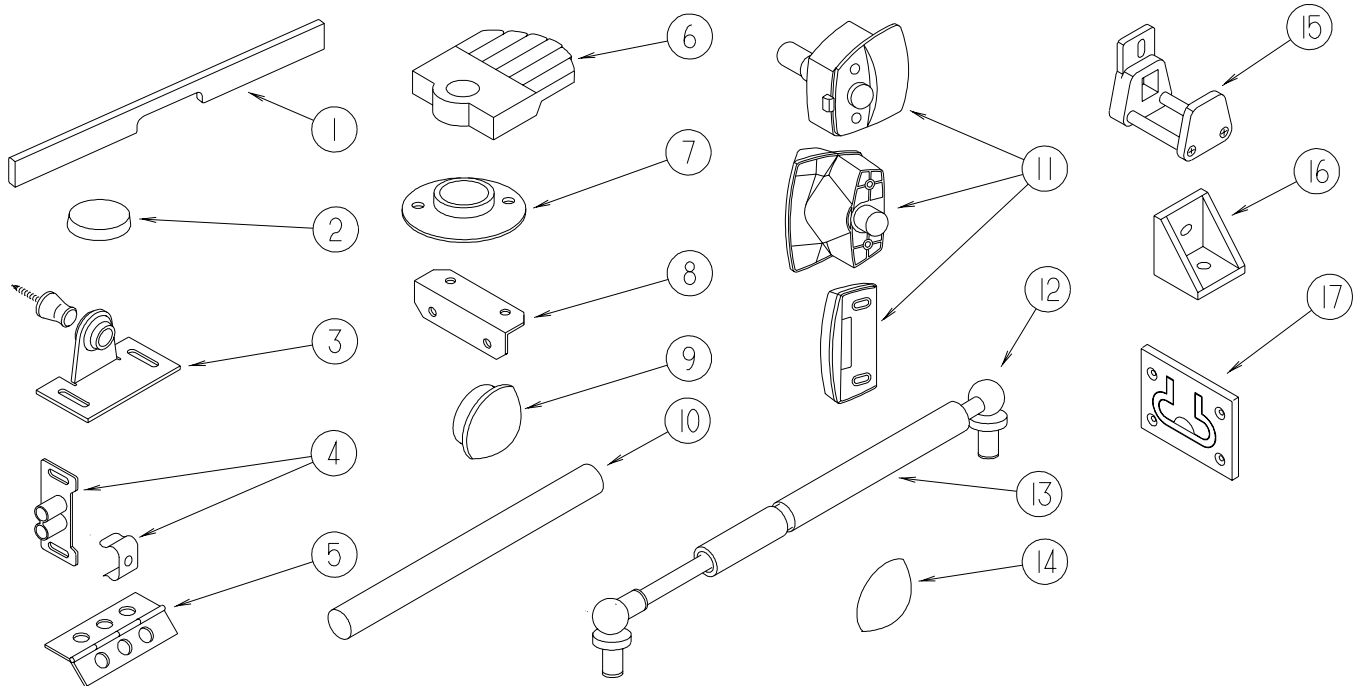
| KEY | PART NUMBER | U/M | DESCRIPTION | VENDOR NO |
|------------|--------------------|------------|----------------------------|------------------|
| | 094499-01-700 | EA | BRACKET MTG. W/PLAS. STRAP | 294039 |

INTERIOR FINISH GROUP (CONTINUED)
FLOOR COVERINGS

| KEY | PART NUMBER | U/M | DESCRIPTION |
|------------|--------------------|------------|--|
| | 093486-01-000 | SY | CARPET - COMPARTMENT - 72" WIDE - DARK GRAY FROM: 00-00-00 THRU: 08-19-01 |
| | 093486-02-000 | SY | CARPET - COMPARTMENT - 72" WIDE - LIGHT GRAY FROM: 08-20-01 THRU: 99-99-99 |
| | 096060-J5-000 | SY | CARPET - MUSLIN - INCREMENTS OF 4 SQ YDS (N62, N63) |
| | 096060-G8-000 | SY | CARPET - CAMEL - INCREMENTS OF 4 SQ YDS (N62, N63) - CARPET EXCHANGE |
| | 096060-J6-000 | SY | CARPET - PINEGROVE - INCREMENTS OF 4 SQ YDS (N64, N65) |
| | 139056-07-000 | SY | CARPET - 4 SQUARE YARD INCREMENTS (N64, N65) - CARPET EXCHANGE |
| | 096060-J7-000 | SY | CARPET - SAHARA DESERT - INCREMENTS OF 4 SQ YDS (N66, N67) |
| | 131711-01-06A | EA | TILE/FLOOR - VINYL - 12" X 12" - MUSHROOM |
| | 137430-01-000 | EA | RUG - AREA - 2-6 - 34" X 96" - SIENNA |
| | 137430-02-000 | EA | RUG - AREA - 2-6 - 34" X 96" - CORNUCOPI |
| | 137430-03-000 | EA | RUG - AREA - 2-6 - 34" X 96" - PLATINUM |

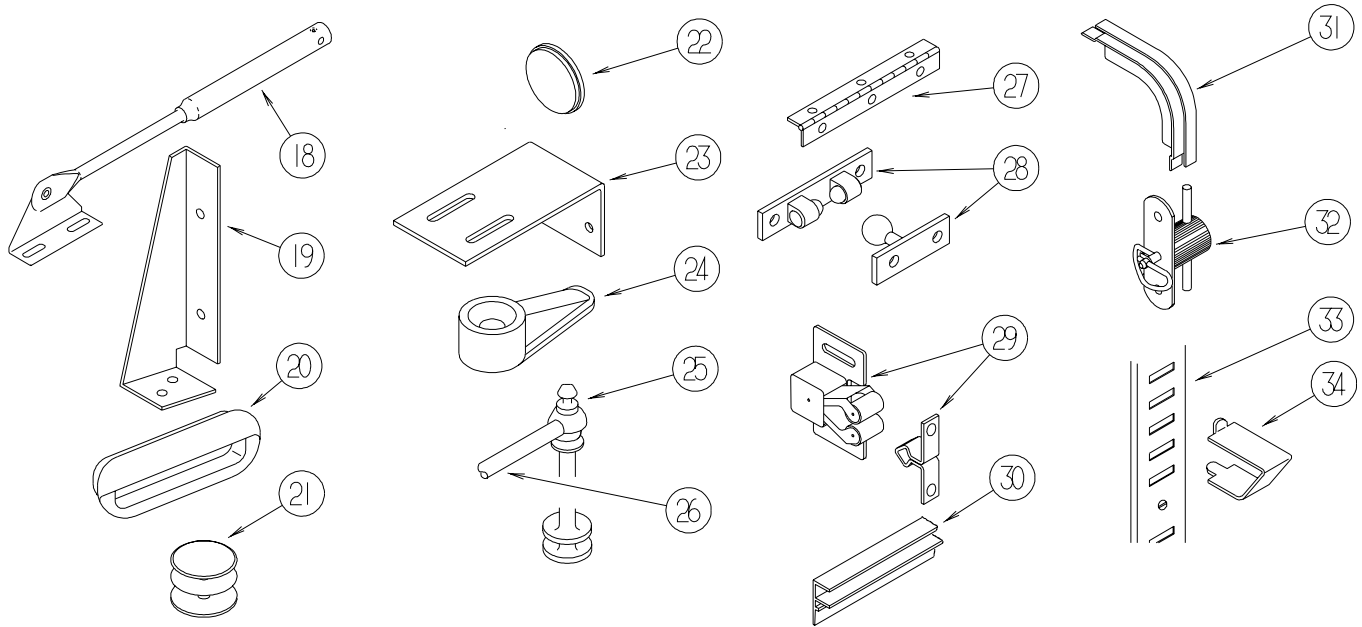
INTERIOR FINISH GROUP (CONTINUED)

HARDWARE



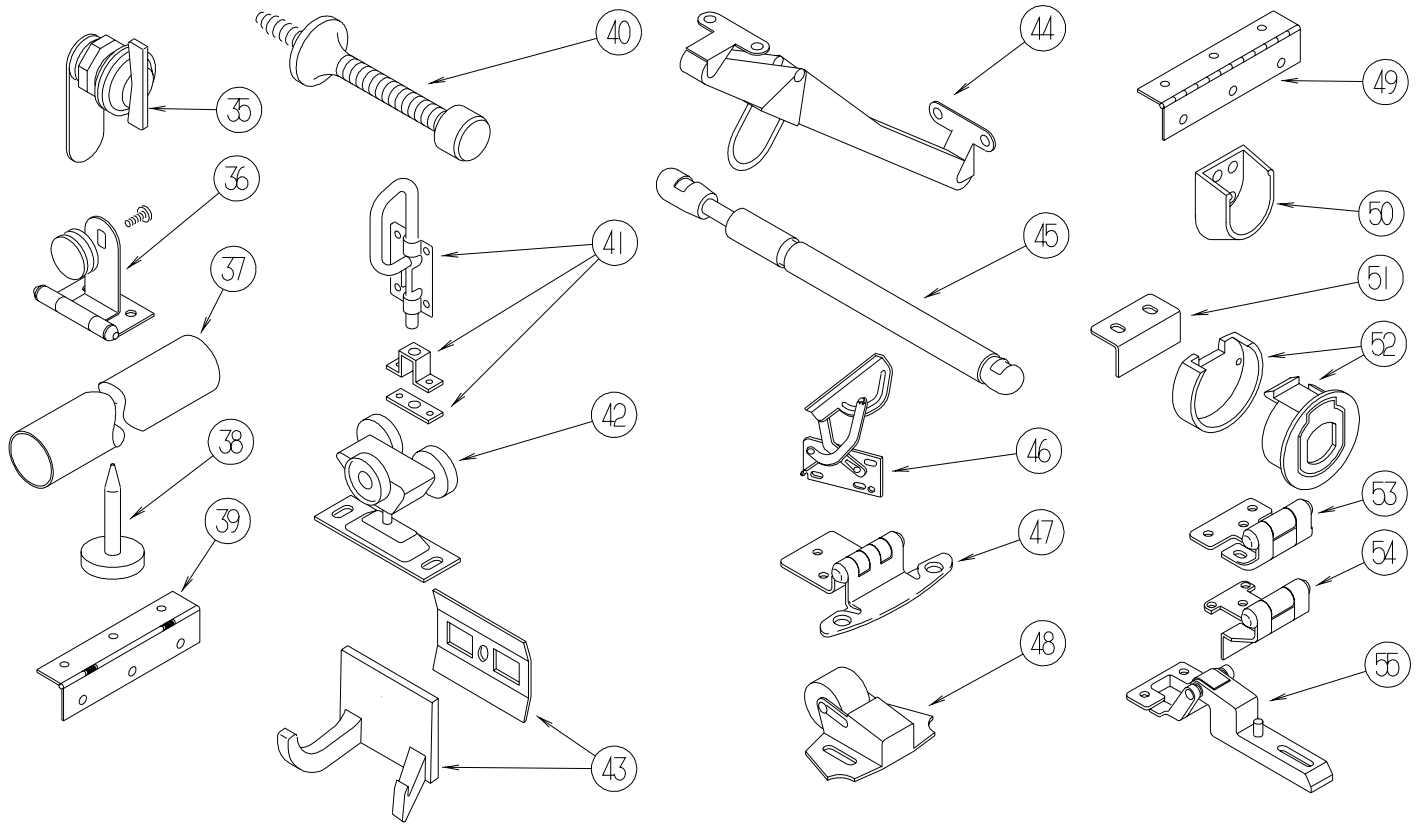
| KEY | PART NUMBER | U/M | DESCRIPTION |
|-----|---------------|-----|---|
| 1 | P26866-09-KQ1 | EA | HANDLE - DOOR/TAMBOUR - 14.7" - CHERRY/CHERRY III |
| 1 | P26866-10-K09 | EA | HANDLE - DOOR/TAMBOUR - 11.6" - MAPLE/WASHED MAPLE |
| 1 | P26866-10-M07 | EA | HANDLE - DOOR/TAMBOUR - 11.6" - ASH/PORTSMOUTH OAK - PORTSMOUTH OAK |
| 2 | 004354-01-000 | EA | BUMPER - RUBBER - .5" DIA - BROWN |
| 2 | 023320-01-000 | EA | PAD - FELT 3/8" DIAMETER |
| 3 | 009013-01-000 | EA | CATCH - BULLDOG - MALE/FEMALE |
| 4 | 009021-01-000 | EA | CATCH - GRILLE - NYLON |
| 4 | 009021-02-000 | EA | STRIKE - SPRING STEEL - .68" |
| 5 | 009059-01-000 | EA | HINGE - DOOR - 2" X 1.4" - BRASS |
| 5 | 009059-02-000 | EA | HINGE - DOOR - 2" X 2.7" - BRASS |
| 5 | 009059-03-000 | EA | HINGE - BRASS - 1.75" |
| 5 | 041389-25-000 | EA | HINGE - PIANO - 1 1/2" X 55" - UNPAINTED |
| 6 | 009089-01-000 | EA | CLIP - MIRROR |
| 7 | 009112-01-000 | EA | FLANGE - PLASTIC - 1" CLOTHES ROD - OFF WHITE |
| 8 | 016604-01-000 | EA | BRACE - ANGLE - 2 1/2" - UNPAINTED METAL |
| 8 | 016604-05-000 | EA | BRACE - ANGLE - 2 1/2" - OFF WHITE METAL |
| 8 | 016604-07-000 | EA | BRACE - ANGLE - 2 1/2" - VW GRAY |
| 8 | 016604-09-000 | EA | BRACE - ANGLE - VW LIGHT GRAY |
| 9 | 042356-01-000 | EA | PLUG - MAHOGANY - 3/8" DOWEL X 1/2" HEAD |
| 9 | 074045-08-000 | EA | PLUG - OAK - 3/8" DOWEL-1/2" HEAD - SALEM CHERRY |
| 9 | 074045-12-000 | EA | PLUG - OAK - 3/8" DOWEL-1/2" HEAD - WASHED MAPLE |
| 9 | 074045-13-000 | EA | PLUG - OAK - 3/8" DOWEL-1/2" HEAD - PORTSMOUTH OAK |
| 10 | 042438-01-000 | EA | DOWEL - WOOD - CLOTHES ROD - 1" X 4' |
| 10 | 042438-02-000 | EA | DOWEL - WOOD - CLOTHES ROD - 2" X 2' |
| 10 | 042438-06-000 | EA | DOWEL - WOOD - 1.5" X 26" |
| 11 | 058335-03-000 | EA | LATCH W/O LOCK - BATHROOM DOOR BLACK - RIALTA, 200-SERIES |
| 12 | 057460-02-000 | EA | BALL STUD - F/GAS SPRING .39" - 5/16"-18 |
| 13 | 057460-04-000 | EA | SPRING/GAS - BALL STUD STYLE - 120 PI - "SPD6209" |
| 14 | 057671-01-000 | EA | COVER - SCREW - OFF WHITE - #8 |
| 14 | 057671-13-000 | EA | COVER - SCREW - DARK GRAY - #8 |
| 14 | 057671-15-000 | EA | COVER - SCREW - #8 - BRIGHT WHITE |
| 14 | 057671-16-000 | EA | COVER - SCREW - #8 - SOFT WHITE |
| 14 | 057671-17-000 | EA | COVER - SCREW - VW LT GRAY - #8 |
| 15 | 064467-01-000 | EA | GUIDE - POCKET - SLIDING DOOR - WALL MOUNTED |
| 16 | 065740-01-000 | EA | BRACE - CABINET/CORNER - PLASTIC |
| 17 | 072871-01-000 | EA | PULL - FLUSH - CHROME - RIALTA, 200-SERIES |

INTERIOR FINISH GROUP (CONTINUED)
HARDWARE (CONTINUED)



| KEY | PART NUMBER | U/M | DESCRIPTION |
|-----|---------------|-----|--|
| 18 | 074493-02-000 | EA | SUPPORT - PISTON SPRING - CABINET DOOR - 26 LBS |
| 18 | 074493-03-000 | EA | SUPPORT - PISTON SPRING - CABINET DOOR - 12 LBS |
| 18 | 074493-04-000 | EA | SUPPORT - PISTON SPRING - CABINET DOOR - 32 LBS |
| 19 | 076827-02-000 | EA | BRACKET/LEG - 2.9" X 1.8" - TRIANGULAR - LEFT/E-COATED |
| 20 | 080736-01-000 | EA | PULL - RECESSED - 1.25" X 4" - OAK |
| 21 | 081114-02-000 | EA | CAP - INSERT - ROUND - 1" DIAMETER - WHITE PLASTIC |
| 22 | 081914-01-000 | EA | BUMPER - RUBBER - ROUND - 1/2" DIA. X 1/8" THICK |
| 22 | 120760-01-000 | EA | RUBBER BUMPER - CLEAR - .1" THICK X .8" DIAMETER |
| 23 | 083125-07-000 | EA | BRACE - ANGLE/COUCH - 2.5" - OFF WHITE |
| 23 | 132871-02-02B | EA | BRACKET/L-ANGLE W/HOLES - 1.9" X 2.8" - E-COATED |
| 24 | 083204-03-000 | EA | BUTTON - RETAINING MIRROR 5/16" TIP |
| 25 | 084070-03-000 | EA | POST - END - 2.4" - SHINY BRASS |
| 26 | 084071-05-000 | EA | ROD - BRASS - 15" |
| 26 | 084071-08-000 | EA | ROD - BRASS - 9.3" |
| 26 | 084071-19-000 | EA | ROD - BRASS - 7.1" |
| 26 | 084071-20-000 | EA | ROD - BRASS - 9.8" |
| 26 | 084071-23-000 | EA | ROD - BRASS - 13.1" |
| 26 | 084071-24-000 | EA | ROD - BRASS - 3.8" |
| 26 | 084071-28-000 | EA | ROD - BRASS - 6" |
| 26 | 084071-30-000 | EA | ROD - BRASS - 11.6" |
| 26 | 084071-31-000 | EA | ROD - BRASS - 14.8" |
| 26 | 084071-33-000 | EA | ROD - BRASS - 20.4" |
| 27 | 084413-01-000 | EA | HINGE - 1" X 72" - ALUMINUM - W/HOLES |
| 27 | 084625-07-000 | EA | HINGE - ALUMINUM - W/HOLES - 13" - OFF/WHITE |
| 27 | 084625-11-000 | EA | HINGE - ALUMINUM - W/HOLES - 22" - OFF/WHITE |
| 27 | 114278-02-000 | EA | HINGE - CONTINUOUS - 3" WIDE |
| 28 | 084451-01-000 | EA | CATCH & LATCH - 1.7" - BRASS |
| 29 | 093586-03-000 | EA | CATCH - SPRING ROLLER - .377" |
| 29 | 093586-04-000 | EA | STRIKE - SPRING STEEL - 1.14" |
| 29 | 093586-05-000 | EA | STRIKE - SPRING STEEL - .943" |
| 29 | 093586-06-000 | EA | CATCH - SPRING ROLLER - .236" |
| 30 | 093622-01-000 | EA | TRACK - DOOR - TAMBOUR - PLASTIC - 8' LENGTHS |
| 31 | 093623-01-000 | EA | CORNER - TRACK - TAMBOUR DOOR |
| 32 | 098196-01-000 | EA | LATCH - 1/4 TURN - T-BAR |
| 33 | 098979-01-000 | EA | CLIP - ADJUSTABLE SHELF |
| 34 | 098980-01-000 | EA | PILASTER - ADJUSTABLE SHELF - 18" |
| 34 | 098980-02-000 | EA | PILASTER - ADJUSTABLE SHELF - 12" |
| 34 | 098980-03-000 | EA | PILASTER - ADJUSTABLE SHELF - 9" |
| 34 | 098980-04-000 | EA | PILASTER - ADJUSTABLE SHELF - 48" |
| 34 | 098980-05-000 | EA | PILASTER - ADJUSTABLE SHELF - 15" |
| 34 | 098980-06-000 | EA | PILASTER - ADJUSTABLE SHELF - 24" |

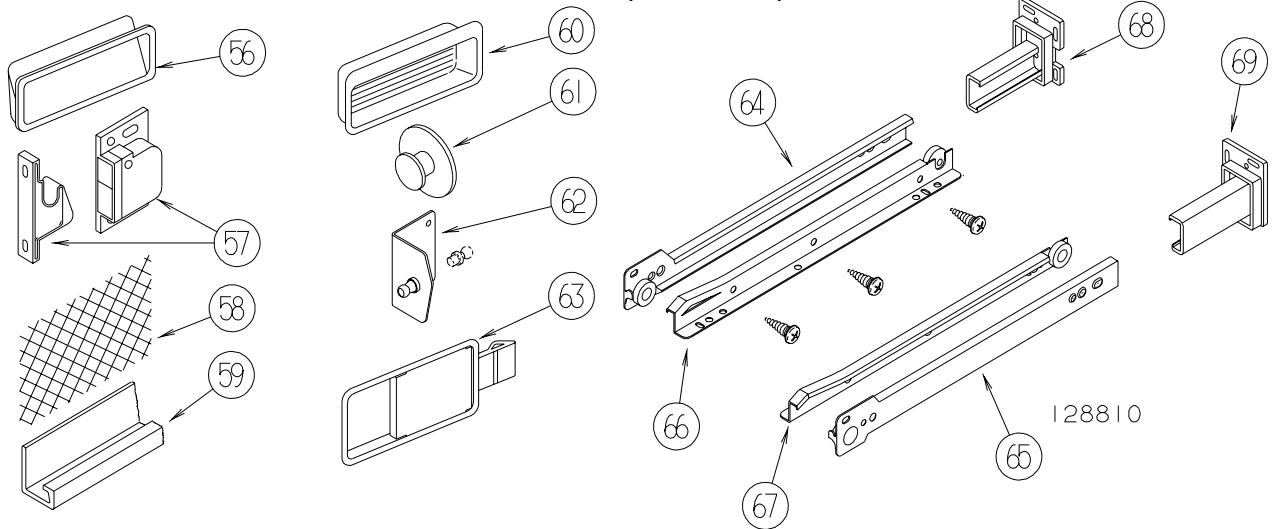
INTERIOR FINISH GROUP (CONTINUED)
HARDWARE (CONTINUED)



| KEY | PART NUMBER | U/M | DESCRIPTION |
|-----|---------------|-----|---|
| 35 | 100710-01-01A | EA | LOCK - GLASS DOOR/TWIST TYPE - BRASS |
| 36 | 100711-01-01A | EA | HINGE - GLASS DOOR |
| 37 | 102075-06-02A | EA | ROD - SHOWER CURTAIN - 1" OD X 33.5" - SOFT WHITE |
| 37 | 102075-09-02A | EA | ROD - SHOWER CURTAIN - 3/4"OD X 29.5" - SOFT WHITE |
| 37 | 102075-16-02A | EA | ROD - SHOWER CURTAIN - 3/4"OD X 34.2" - SOFT WHITE |
| 37 | 102075-18-02A | EA | ROD - SHOWER CURTAIN - 1" OD X 38.9" - SOFT WHITE |
| 38 | 102194-01-000 | EA | GUIDE - PLASTIC - 1" (HEAD/PIN) |
| 39 | 102920-01-01A | EA | HINGE - SPRING LOADED - BRASS |
| 40 | 103194-01-000 | EA | STOP - BATH DOOR |
| 41 | 103256-01-000 | EA | LATCH COMPLETE (SLIDE) |
| 42 | 103874-01-000 | EA | HANGER - SLIDING DOOR |
| 43 | 104174-01-000 | EA | HOOK - ROBE - DOUBLE |
| 44 | 104181-01-01A | EA | SUPPORT - LEAF 5.3" EXTENDS TO 7.5" - SAFETY RING - METAL |
| 45 | 107796-05-000 | EA | BRACKET - SUPPORT - GAS SPRING TO BED - FLAT (LOWER) |
| 45 | 107796-06-000 | EA | SPRING/GAS - 12" COMPRESSED/20" EXTENDED - 120 LB. |
| 45 | 107796-08-000 | EA | SPRING/GAS - 11" COMPRESSED/17" EXTENDED - 60 LB. |
| 45 | 107796-09-000 | EA | SPRING/GAS - 5.5" COMPRESSED/7.5" EXTENDED - 40 LB. |
| 45 | 107796-15-000 | EA | SPRING/GAS - 24" COMPRESSED/40" EXTENDED - 15 LB. |
| 45 | 107796-16-000 | EA | SPRING/GAS - 6.4" COMPRESSED/9.6" EXTENDED - 65 LB. |
| 46 | 108126-01-000 | EA | TRAY HINGE SET (QTY. 2 PER SET) |
| 47 | 107327-01-000 | EA | HINGE - BURNISHED BRASS - SPRING SELF CLOSING - WHEN CATCH & STRIKE ARE NOT USED |
| 47 | 108138-01-000 | EA | HINGE - CABINET DOOR - BURNISHED BRASS - ULTIMATE ADVANTAGE & FREEDOM, Q-SERIES |
| 47 | 108138-03-000 | EA | HINGE - BRIGHT BRASS |
| 48 | 109403-01-000 | EA | CATCH - SINGLE ROLLER - SCREEN DOOR |
| 49 | 110496-01-01A | EA | HINGE - BRASS |
| 50 | 113236-01-01A | EA | BRACKET - CLOTHES - ROD |
| 51 | 113375-02-01A | EA | STRIKE - DOOR - CHROME - RIALTA, 200-SERIES |
| 52 | 113375-05-01A | EA | LATCH - SLAM - BACK - .8" THICK - RIALTA, 200-SERIES |
| 52 | 113375-06-01A | EA | LATCH - SLAM - FACE - .7" THICK - RIALTA, 200-SERIES |
| 53 | 113676-01-01A | EA | HINGE - OVERLAY - VARIABLE - BURNISHED BRASS - RIALTA, 200-SERIES |
| 54 | 113677-01-01A | EA | HINGE - SELF CLOSING - RIALTA, 200-SERIES |
| 55 | 114443-01-01A | EA | HINGE - CABINET DOOR |

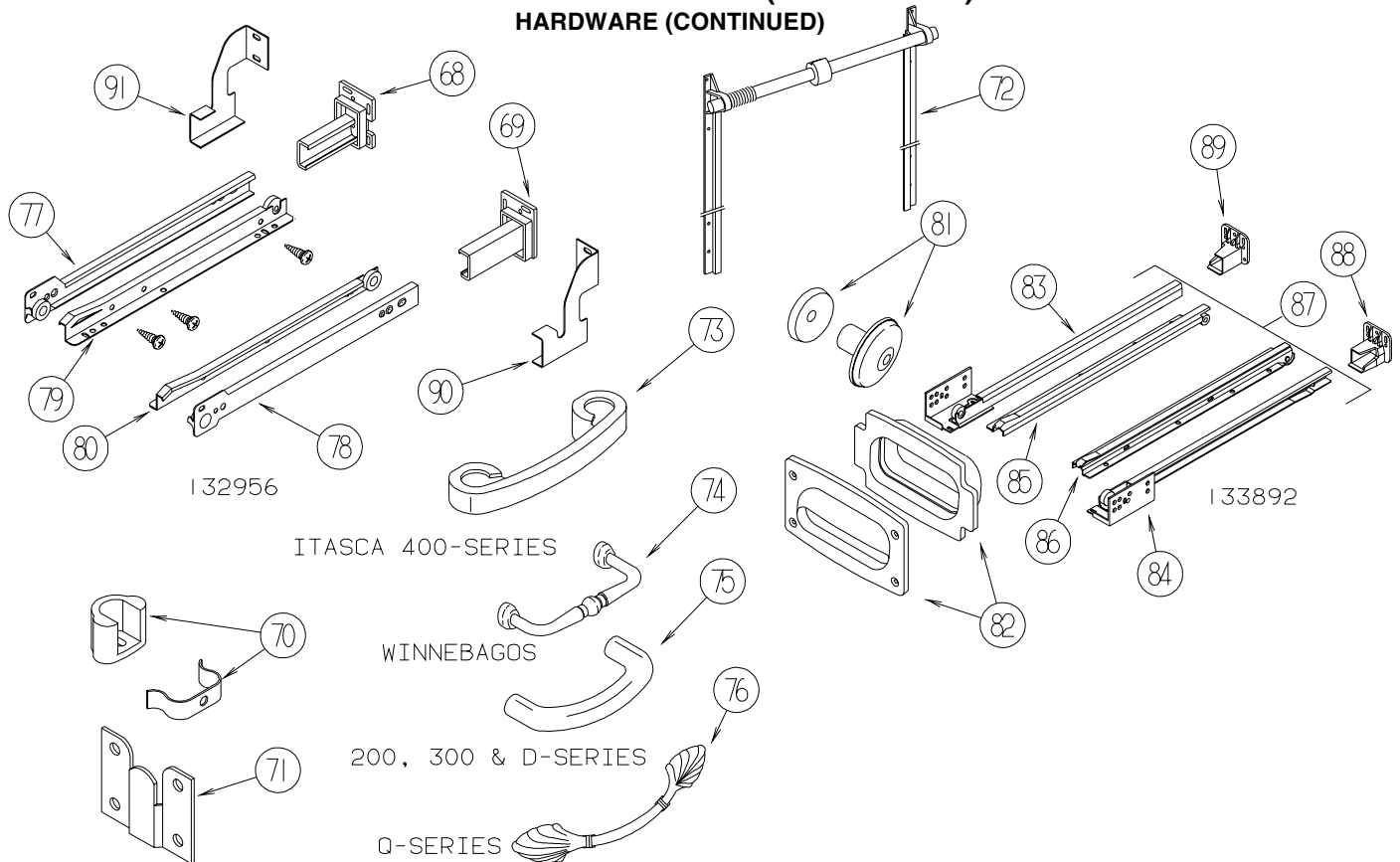
INTERIOR FINISH GROUP (CONTINUED)

HARDWARE (CONTINUED)



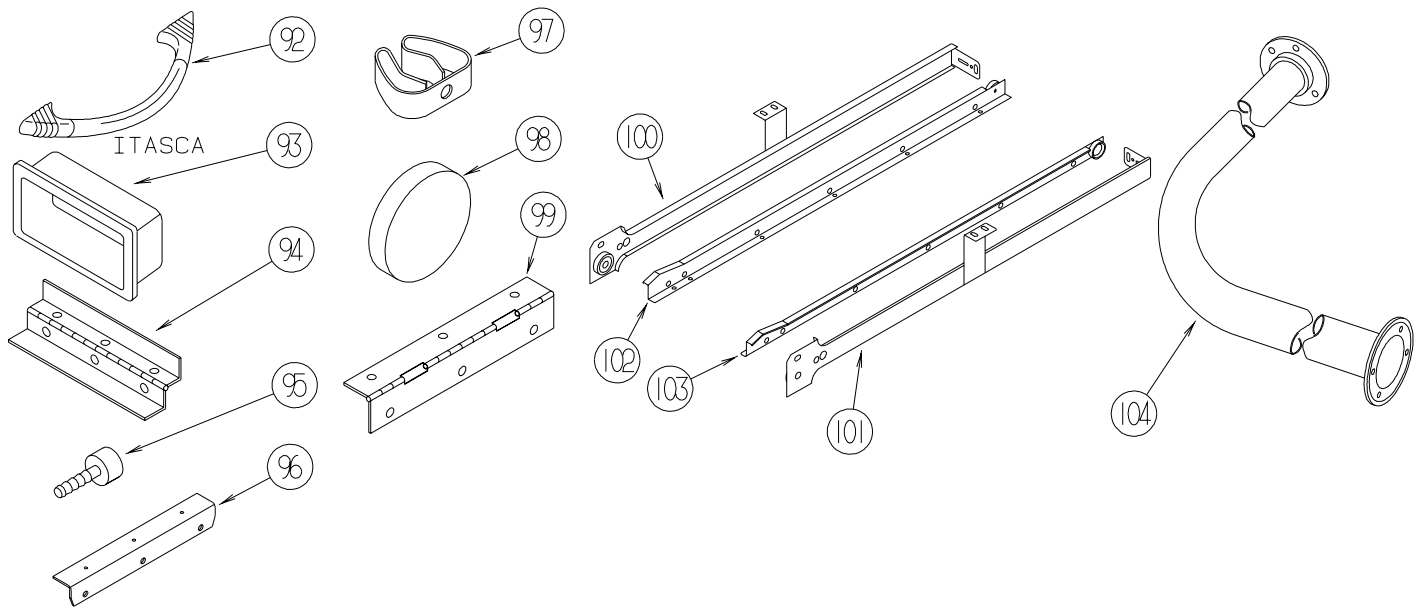
| KEY | PART NUMBER | U/M | DESCRIPTION |
|-----|---------------|-----|---|
| 56 | 115994-01-01A | EA | HANDLE - POCKET - RIALTA, 200-SERIES |
| 57 | 117095-01-01A | EA | LATCH - DOOR - GRABBER W/KEEPER - PLASTIC - BLK-5 LB PULL |
| 58 | 118200-01-01A | SF | MESH - PLASTIC 1/2" - 48" X LENGTH = SF - BLACK |
| 58 | 118200-07-01A | SF | MESH - PLASTIC 1/2" - 10.5" X 24.7" - BLACK |
| 59 | 118933-01-01A | EA | SUPPORT - HINGE LOCK |
| 60 | 124311-01-01A | EA | HANDLE - RECESSED - BRASS |
| 61 | 125221-01-01A | EA | PULL - MIRROR - W/ROUND HANDLE |
| 62 | 126263-06-02B | EA | BRACKET - GAS SPRING W/INSIDE BALL STUD - E-COATED |
| 63 | 127349-01-01A | EA | LATCH - PADDLE - RIALTA, 200-SERIES |
| 64 | 128810-01-01A | EA | SLIDE - DRAWER - 12" - LEFT CABINET |
| 64 | 128810-05-01A | EA | SLIDE - DRAWER - 14" - LEFT CABINET |
| 64 | 128810-09-01A | EA | SLIDE - DRAWER - 16" - LEFT CABINET |
| 64 | 128810-13-01A | EA | SLIDE - DRAWER - 18" - LEFT CABINET |
| 64 | 128810-17-01A | EA | SLIDE - DRAWER - 20" - LEFT CABINET |
| 64 | 128810-21-01A | EA | SLIDE - DRAWER - 22" - LEFT CABINET |
| 64 | 128810-25-01A | EA | SLIDE - DRAWER - 24" - LEFT CABINET |
| 64 | 128810-29-01A | EA | SLIDE - DRAWER - 9" - LEFT CABINET |
| 65 | 128810-02-01A | EA | SLIDE - DRAWER - 12" - RIGHT CABINET |
| 65 | 128810-06-01A | EA | SLIDE - DRAWER - 14" - RIGHT CABINET |
| 65 | 128810-10-01A | EA | SLIDE - DRAWER - 16" - RIGHT CABINET |
| 65 | 128810-10-01A | EA | SLIDE - DRAWER - 16" - RIGHT CABINET |
| 65 | 128810-14-01A | EA | SLIDE - DRAWER - 18" - RIGHT CABINET |
| 65 | 128810-18-01A | EA | SLIDE - DRAWER - 20" - RIGHT CABINET |
| 65 | 128810-22-01A | EA | SLIDE - DRAWER - 22" - RIGHT CABINET |
| 65 | 128810-26-01A | EA | SLIDE - DRAWER - 24" - RIGHT CABINET |
| 65 | 128810-30-01A | EA | SLIDE - DRAWER - 9" - RIGHT CABINET |
| 66 | 128810-03-01A | EA | SLIDE - DRAWER - 12" - LEFT DRAWER |
| 66 | 128810-07-01A | EA | SLIDE - DRAWER - 14" - LEFT DRAWER |
| 66 | 128810-11-01A | EA | SLIDE - DRAWER - 16" - LEFT DRAWER |
| 66 | 128810-15-01A | EA | SLIDE - DRAWER - 18" - LEFT DRAWER |
| 66 | 128810-19-01A | EA | SLIDE - DRAWER - 20" - LEFT DRAWER |
| 66 | 128810-23-01A | EA | SLIDE - DRAWER - 22" - LEFT DRAWER |
| 66 | 128810-27-01A | EA | SLIDE - DRAWER - 24" - LEFT DRAWER |
| 66 | 128810-31-01A | EA | SLIDE - DRAWER - 9" - LEFT DRAWER |
| 67 | 128810-04-01A | EA | SLIDE - DRAWER - 12" - RIGHT DRAWER |
| 67 | 128810-08-01A | EA | SLIDE - DRAWER - 14" - RIGHT DRAWER |
| 67 | 128810-12-01A | EA | SLIDE - DRAWER - 16" - RIGHT DRAWER |
| 67 | 128810-16-01A | EA | SLIDE - DRAWER - 18" - RIGHT DRAWER |
| 67 | 128810-20-01A | EA | SLIDE - DRAWER - 20" - RIGHT DRAWER |
| 67 | 128810-24-01A | EA | SLIDE - DRAWER - 22" - RIGHT DRAWER |
| 67 | 128810-28-01A | EA | SLIDE - DRAWER - 24" - RIGHT DRAWER |
| 67 | 128810-32-01A | EA | SLIDE - DRAWER - 9" - RIGHT DRAWER |
| 68 | 128811-01-01A | EA | BACKSOCKET - ADJUSTABLE - LEFT |
| 69 | 128811-02-01A | EA | BACKSOCKET - ADJUSTABLE - RIGHT |

INTERIOR FINISH GROUP (CONTINUED) HARDWARE (CONTINUED)



| KEY | PART NUMBER | U/M | DESCRIPTION |
|-----|---------------|-----|---|
| 68 | 128811-01-01A | EA | BACKSOCKET - ADJUSTABLE - LEFT |
| 69 | 128811-02-01A | EA | BACKSOCKET - ADJUSTABLE - RIGHT |
| 70 | 129703-01-01A | EA | CATCH ASSEMBLY (SPRING) |
| 71 | 130120-01-01A | EA | BRACKET - MIRROR |
| 72 | 130787-01-000 | EA | TRACK - TAMBOUR DOOR/SPRING - 15.9" |
| 72 | 130787-02-000 | EA | TRACK - TAMBOUR DOOR/SPRING - 24" |
| 72 | 130787-04-000 | EA | TRACK - TAMBOUR DOOR - SPRING |
| 73 | 131962-01-01A | EA | PULL - DOOR/DRAWER - POLISHED BRASS - SUNDANCER, ITASCA 400-SERIES ONLY |
| 74 | 131963-01-01A | EA | PULL - DOOR/DRAWER - POLISHED BRASS - F, G, L, P & 400-SERIES WINNEBAGOS |
| 75 | 131964-01-01A | EA | PULL - DOOR/DRAWER - POLISHED BRASS - 200, 300 & D-SERIES |
| 76 | 131965-01-01A | EA | PULL - DOOR/DRAWER - 6.3" - BURNISHED BRASS - ULTIMATE ADVANTAGE & FREEDOM, Q-SERIES |
| 77 | 132956-01-01A | EA | SLIDE - DRAWER - LEFT CABINET - 37.5" |
| 77 | 132956-05-01A | EA | SLIDE - DRAWER - LEFT CABINET - 32" |
| 78 | 132956-02-01A | EA | SLIDE - DRAWER - RIGHT CABINET - 37.5" |
| 78 | 132956-06-01A | EA | SLIDE - DRAWER - RIGHT CABINET - 32" |
| 79 | 132956-03-01A | EA | SLIDE - DRAWER - LEFT DRAWER - 37.5" |
| 79 | 132956-07-01A | EA | SLIDE - DRAWER - LEFT DRAWER - 32" |
| 80 | 132956-04-01A | EA | SLIDE - DRAWER - RIGHT DRAWER - 37.5" |
| 80 | 132956-08-01A | EA | SLIDE - DRAWER - RIGHT DRAWER - 32" |
| 81 | 133313-01-01A | EA | PULL - DOOR/DRAWER - BURNISHED BRASS |
| 81 | 133313-01-02A | EA | PULL - DOOR/DRAWER - BRIGHT BRASS |
| 82 | 133607-01-01A | EA | PULL - LATCH - BLACK PLASTIC |
| 83 | 133892-01-01A | EA | SLIDE - DRAWER - LEFT CABINET - 16" |
| 83 | 133892-06-01A | EA | SLIDE - DRAWER - LEFT CABINET - 22" |
| 84 | 133892-02-01A | EA | SLIDE - DRAWER - RIGHT CABINET - 16" |
| 84 | 133892-07-01A | EA | SLIDE - DRAWER - RIGHT CABINET - 22" |
| 85 | 133892-03-01A | EA | SLIDE - DRAWER - LEFT DRAWER - 16" |
| 85 | 133892-08-01A | EA | SLIDE - DRAWER - LEFT DRAWER - 22" |
| 86 | 133892-04-01A | EA | SLIDE - DRAWER - RIGHT DRAWER - 16" |
| 86 | 133892-09-01A | EA | SLIDE - DRAWER - RIGHT DRAWER - 22" |
| 87 | 133892-05-01A | EA | SLIDE - DRAWER - FULL SET - 9" |
| 88 | 133907-01-01A | EA | BACKSOCKET - RIGHT HAND |
| 89 | 133907-02-01A | EA | BACKSOCKET - LEFT HAND |
| 90 | 134649-01-02B | EA | SUPPORT - BACKSOCKET - E-COATED |
| 91 | 134649-02-02B | EA | SUPPORT - BACKSOCKET - E-COATED |

INTERIOR FINISH GROUP (CONTINUED)
HARDWARE (CONTINUED)



| KEY | PART NUMBER | U/M | DESCRIPTION |
|-----|---------------|-----|--|
| 92 | 137446-01-01A | EA | PULL - CABINET - CHROME/BRASS - F, G, L, P-SERIES ITASCAS |
| 93 | 139136-01-01A | EA | HANDLE - RECESSED - 2.9" X 1.3"/2.7" X 1" X .7" C/O- BRASS |
| 93 | 139136-02-01A | EA | HANDLE - RECESSED - 2.9" X 1.3"/2.7" X 1" X .4" C/O- BRASS |
| 94 | 135538-01-01A | EA | HINGE - PIANO - FULL WRAP - BRASS PLATED |
| 94 | 135538-02-01A | EA | HINGE - PIANO - FULL WRAP - STOCKER BRASS |
| 94 | 135538-03-01A | EA | HINGE - PIANO - FULL WRAP - STOCKER BRASS |
| 94 | 135538-04-01A | EA | HINGE - PIANO - FULL WRAP |
| 94 | 135538-05-01A | EA | HINGE - PIANO - FULL WRAP |
| 95 | 079921-01-000 | EA | ROLLER - NYLON - W/STEEL SHAFT - BARBED |
| 96 | 089025-01-000 | EA | SUPPORT - SPRING TO BED - ANGLE 1.5" X 11.8" |
| 97 | 091952-01-000 | EA | CLIP - GRIPPER - 1" |
| 98 | 122717-01-01A | EA | PAD - NON SKID - 4" DIAMETER ROUND |
| 99 | 129753-01-01A | EA | HINGE - SPRING LOADED - 19" X 19" - BLACK |
| 100 | 139566-01-01A | EA | SLIDE - DRAWER - 37.5" - LEFT CABINET |
| 100 | 139566-05-01A | EA | SLIDE - DRAWER - 32" - LEFT CABINET |
| 101 | 139566-02-01A | EA | SLIDE - DRAWER - 37.5" - RIGHT CABINET |
| 101 | 139566-06-01A | EA | SLIDE - DRAWER - 32" - RIGHT CABINET |
| 102 | 139566-03-01A | EA | SLIDE - DRAWER - 37.5" - LEFT DRAWER |
| 102 | 139566-07-01A | EA | SLIDE - DRAWER - 32" - LEFT DRAWER |
| 103 | 139566-04-01A | EA | SLIDE - DRAWER - 37.5" - RIGHT DRAWER |
| 103 | 139566-08-01A | EA | SLIDE - DRAWER - 32" - RIGHT DRAWER |
| 104 | 140494-01-02A | EA | ROD - SHOWER - SOFT WHITE |
| 104 | 140494-01-01A | EA | ROD - SHOWER |

LABELS GROUP

SEWAGE

KEY PART NUMBER U/M DESCRIPTION
006187-01-000 EA LABEL - SEWAGE

WASTE WATER

KEY PART NUMBER U/M DESCRIPTION
006188-01-000 EA LABEL - WASTE WATER

EXIT

KEY PART NUMBER U/M DESCRIPTION
039290-01-000 EA LABEL - WARNING - EXIT

↑
OPEN

KEY PART NUMBER U/M DESCRIPTION
040944-01-000 EA LABEL - ENTRANCE DOOR - "OPEN"

CAUTION

THIS MOTOR HOME HAS BEEN DESIGNED, MANUFACTURED AND TESTED WITH CONCERN FOR THE PROTECTION OF IT'S OCCUPANTS. WE RECOMMEND YOU PERFORM THE FOLLOWING INSPECTIONS FOR YOUR SAFETY AND THE SAFETY OF YOUR PASSENGERS BEFORE STARTING YOUR VEHICLE.

1. LP GAS SYSTEM- TURN OFF AT TANK FOR TRAVELING. TEST FOR LEAKS UPON ARRIVAL AT DESTINATION. BEFORE LIGHTING PILOTS.
2. WHEELS- INSPECT FOR DAMAGE AND CHECK LUG NUTS FOR TIGHTNESS.
3. TIRES- INSPECT FOR WEAR AND DAMAGE AND CHECK FOR RECOMMENDED AIR PRESSURE.
4. LIGHTING- TEST FOR PROPER OPERATION OF ALL INTERIOR AND EXTERIOR LIGHTS INCLUDING DASH LIGHTS, HEADLIGHTS, TAIL LIGHTS, BRAKE LIGHTS, CLEARANCE LIGHTS AND TURN SIGNALS.
5. EXITS- INSPECT RELEASE MECHANISM ON EMERGENCY EXIT WINDOW. TEST BOTH LOCKS ON MAIN ENTRANCE DOOR FOR EASE OF OPERATION AND INSTRUCT PASSENGERS HOW TO USE BOTH MEANS OF EXIT.
6. SEAT BELTS- DIRECT PASSENGERS TO DESIGNATED SEATS AND REQUIRE USE OF SEAT BELTS.
7. APPLIANCES- TURN OFF AND LATCH OR LOCK DOORS WHERE PROVIDED.
8. LOOSE PARCELS- STORE SECURELY.
9. UTILITY SUPPLY LINES- DISCONNECT ALL ELECTRIC, SEWER AND WATER LINES AND SECURE PROPERLY.
10. ENTRANCE DOOR STEP- PLACE IN RETRACTED POSITION FOR TRAVELING.

READ YOUR MOTOR HOME AND CHASSIS OWNER'S
MANUAL FOR FURTHER PRECAUTIONS

KEY PART NUMBER U/M DESCRIPTION
056259-01-000 EA LABEL - SAFETY CHECK LIST

UNLEADED FUEL ONLY

KEY PART NUMBER U/M DESCRIPTION
062043-01-000 EA LABEL - FUEL - UNLEADED

LABELS GROUP (CONTINUED)

WARNING DISCONNECT BATTERIES BEFORE
CONNECTING EXTERNAL CHARGING EQUIPMENT.

KEY PART NUMBER U/M DESCRIPTION
065748-01-000 EA LABEL - CAUTION - BATTERY CHARGING

AVERTISSEMENT : DEBRANCHER LES BATTERIES AVANT
DE BRANCHER TOUT EQUIPEMENT DE CHARGE EXTERIEUR.

KEY PART NUMBER U/M DESCRIPTION
065748-02-000 EA LABEL - WARNING - BATTERY/FRENCH - CANADIAN

DIESEL FUEL ONLY

KEY PART NUMBER U/M DESCRIPTION
068383-01-000 EA LABEL - DIESEL FUEL

VEHICLE EMISSION CONTROL INFORMATION

THIS VEHICLE CONFORMS TO U.S. EPA
REGULATIONS APPLICABLE TO XXXX MODEL
YEAR NEW VEHICLES.

072887-01-000-2 CATALYST

KEY PART NUMBER U/M DESCRIPTION
072887-13-000 EA LABEL - EPA - 2001 MODEL YEAR

IF YOU SMELL GAS

1. EXTINGUISH ANY OPEN FLAME, PILOT LIGHTS AND ALL SMOKING MATERIALS.
2. DO NOT TOUCH ELECTRICAL SWITCHES.
3. SHUT OFF THE GAS SUPPLY AT THE TANK VALVE(S) OR GAS SUPPLY CONNECTION.
4. OPEN DOORS AND OTHER VENTILATING OPENINGS.
5. LEAVE THE AREA UNTIL ODOR CLEARS.
6. HAVE THE GAS SYSTEM CHECKED AND LEAKAGE SOURCE CORRECTED BEFORE USING AGAIN.

KEY PART NUMBER U/M DESCRIPTION
073998-01-000 EA LABEL - LPG ODOR WARNING

WARNING: TEST SMOKE DETECTOR
OPERATION AFTER VEHICLE HAS BEEN IN
STORAGE, BEFORE EACH TRIP AND AT
LEAST ONCE PER WEEK DURING USE.

KEY PART NUMBER U/M DESCRIPTION
077956-01-000 EA LABEL - WARNING - SMOKE DETECTOR

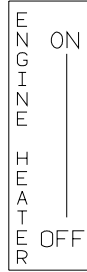
WARNING
MUST BE STOWED
IN LATCHED POSITION
WHILE VEHICLE IS IN MOTION

KEY PART NUMBER U/M DESCRIPTION
079966-01-000 EA LABEL - WARNING - STOWED - MOTION

LABELS GROUP (CONTINUED)



KEY PART NUMBER U/M DESCRIPTION
 083588-01-000 EA LABEL - ON/OFF - WATER HEATER



KEY PART NUMBER U/M DESCRIPTION
 083588-02-000 EA LABEL - ON/OFF - ENGINE HEATER

| | |
|---|--|
| CAUTION | TO HELP AVOID PERSONAL INJURY DURING REMOVAL OF FUEL FILLER CAP, SLOWLY LOOSEN CAP 1/2 TURN TO ALLOW ANY FUEL PRESSURE TO BE RELIEVED BEFORE TURNING CAP FURTHER. STOP ADDING FUEL AFTER FIRST SHUTOFF BY AUTOMATIC NOZZLE WHEN TANK IS NEARLY FULL. DO NOT OVERFILL FUEL TANK. SEE OWNERS MANUAL FOR ADDITIONAL INFORMATION. PRINTED IN U.S.A. |
| FUEL SPRAY MAY CAUSE PERSONAL INJURY | WLC PT NO 15611763 |

KEY PART NUMBER U/M DESCRIPTION
 087207-05-000 EA LABEL - FUEL CAP REMOVAL



KEY PART NUMBER U/M DESCRIPTION
 087236-01-000 EA LABEL - CABLE - INPUT

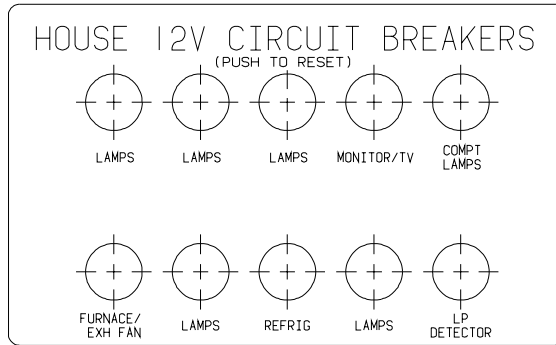


KEY PART NUMBER U/M DESCRIPTION
 087236-02-000 EA LABEL - TV OUTLET

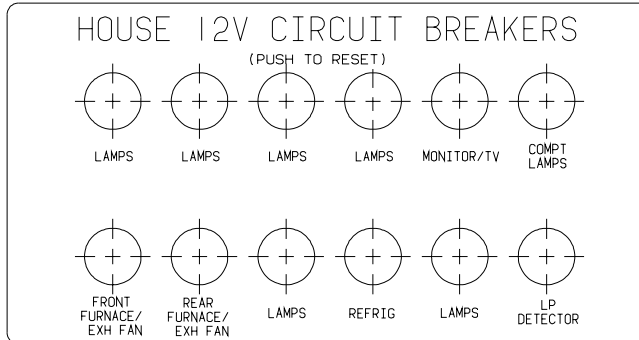
AIR CONDITIONING CIRCUIT.
 THIS CONNECTION IS FOR
 AIR CONDITIONERS RATED 110-
 125 VOLT AC, 60 HZ, 16
 AMPERES MAXIMUM. DO NOT
 EXCEED CIRCUIT RATING.

KEY PART NUMBER U/M DESCRIPTION
 091243-01-000 EA LABEL - A/C COVER "AIR CONDITIONING CIRCUIT ETC."

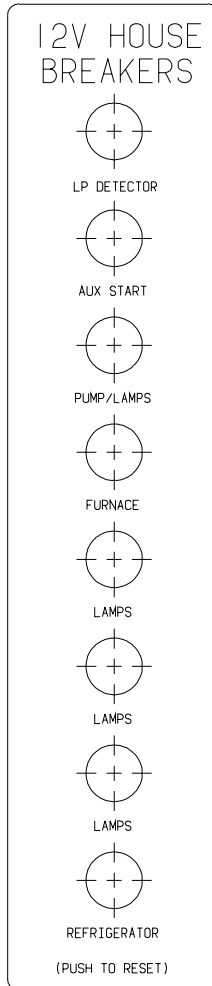
LABELS GROUP (CONTINUED)



| | | |
|------------|--------------------|----------------------------|
| KEY | PART NUMBER | U/M DESCRIPTION |
| | 092547-06-000 | EA LABEL - CIRCUIT BREAKER |

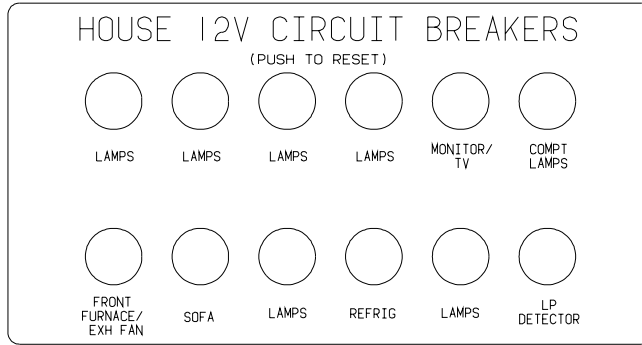


| | | |
|------------|--------------------|----------------------------|
| KEY | PART NUMBER | U/M DESCRIPTION |
| | 092547-07-000 | EA LABEL - CIRCUIT BREAKER |

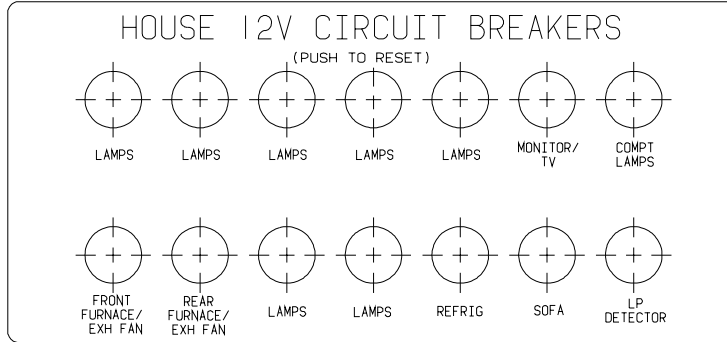


| | | |
|------------|--------------------|----------------------------|
| KEY | PART NUMBER | U/M DESCRIPTION |
| | 092547-08-000 | EA LABEL - CIRCUIT BREAKER |

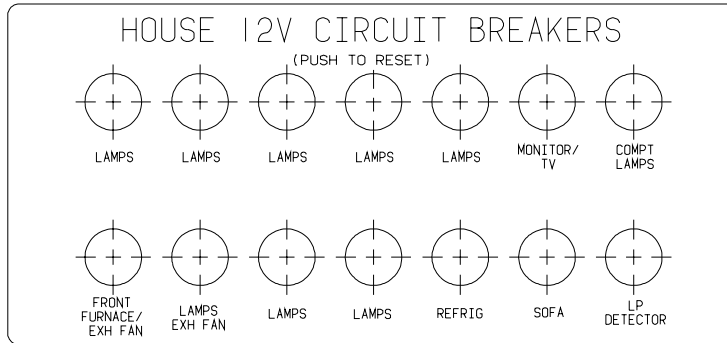
LABELS GROUP (CONTINUED)



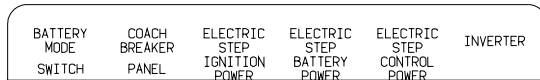
KEY PART NUMBER 092547-10-000 **U/M DESCRIPTION**
EA LABEL - CIRCUIT BREAKER



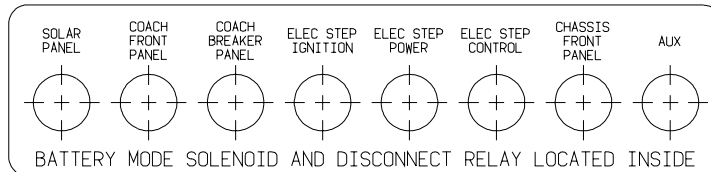
KEY PART NUMBER 092547-11-000 **U/M DESCRIPTION**
EA LABEL - CIRCUIT BREAKER



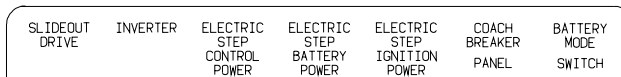
KEY PART NUMBER 092547-12-000 **U/M DESCRIPTION**
EA LABEL - CIRCUIT BREAKER



KEY PART NUMBER 093236-08-000 **U/M DESCRIPTION**
EA LABEL - CIRCUIT BREAKER



KEY PART NUMBER 093236-13-000 **U/M DESCRIPTION**
EA LABEL - CIRCUIT BREAKER

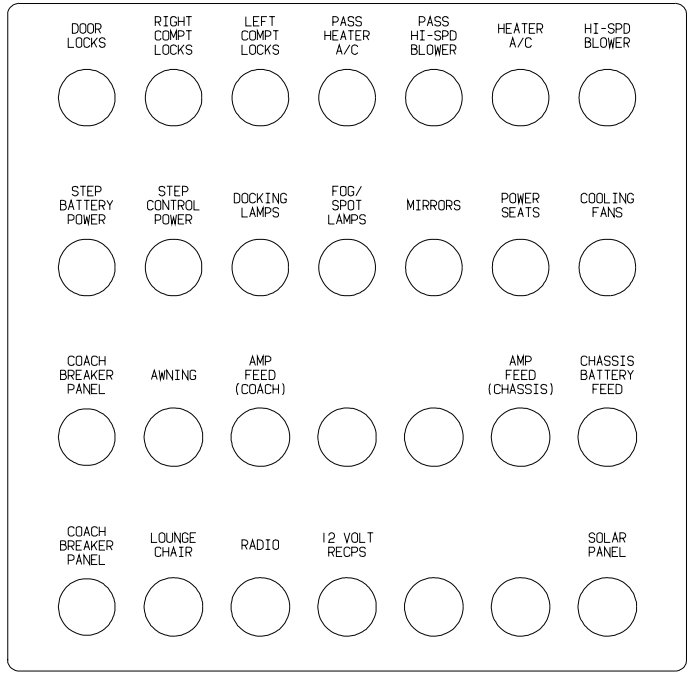


KEY PART NUMBER 093236-15-000 **U/M DESCRIPTION**
EA LABEL - CIRCUIT BREAKER

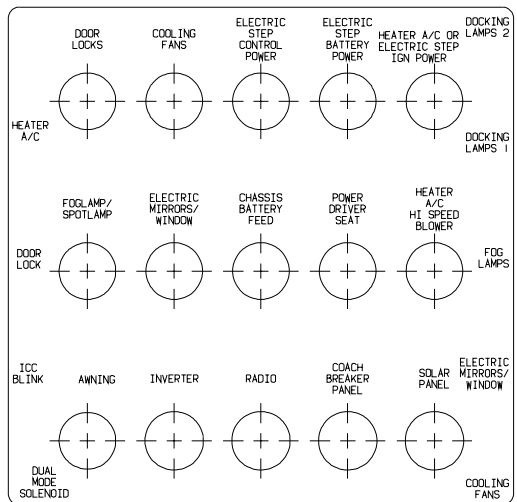
LABELS GROUP (CONTINUED)



KEY PART NUMBER **U/M DESCRIPTION**
 093236-21-000 EA LABEL - CIRCUIT BREAKER

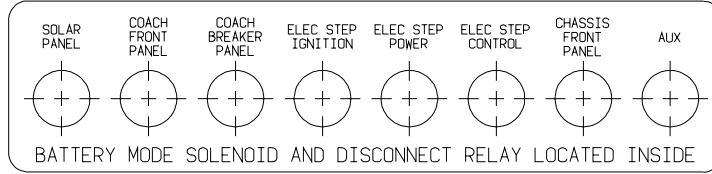


KEY PART NUMBER **U/M DESCRIPTION**
 093236-22-000 EA LABEL - CIRCUIT BREAKER

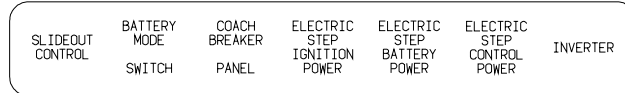


KEY PART NUMBER **U/M DESCRIPTION**
 093236-23-000 EA LABEL - CIRCUIT BREAKER - MAIN

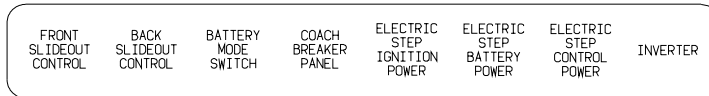
LABELS GROUP (CONTINUED)



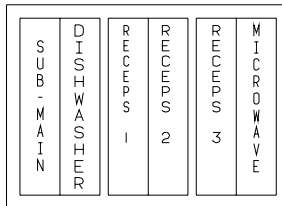
KEY PART NUMBER U/M DESCRIPTION
 093236-24-000 EA LABEL - CIRCUIT BREAKER



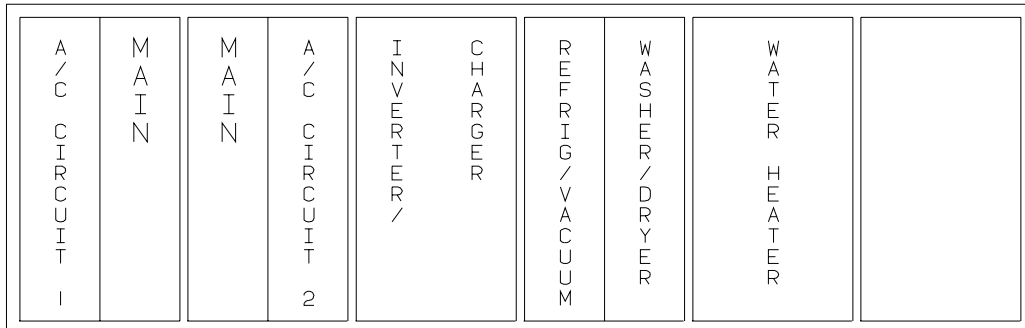
KEY PART NUMBER U/M DESCRIPTION
 093236-25-000 EA LABEL - CIRCUIT BREAKER



KEY PART NUMBER U/M DESCRIPTION
 093236-28-000 EA LABEL - CIRCUIT BREAKER



KEY PART NUMBER U/M DESCRIPTION
 095721-20-000 EA LABEL - CONTROL CENTER W/INVERTER



KEY PART NUMBER U/M DESCRIPTION
 095721-22-000 EA LABEL - CONTROL CENTER - 50 AMP

LABELS GROUP (CONTINUED)

| | | | | | | | | | | |
|-----------------------------|------------|-----------------------------|-------------------------------|----------------------|-------------------|-------------------|-------------------|-------------------------------|--------------------------------|--|
| A / C C I R C U I T 1 | M A I N | A / C C I R C U I T 2 | R E F F R I G / C O N V | M I C R O W A V E | R E C P S 1 | R E C P S 2 | R E C P S 3 | W A S H E R / D R Y E R | W A T E R H E A T E R | |
|-----------------------------|------------|-----------------------------|-------------------------------|----------------------|-------------------|-------------------|-------------------|-------------------------------|--------------------------------|--|

KEY PART NUMBER
095721-31-000

U/M DESCRIPTION
EA LABEL - CONTROL CENTER - 30 AMP - US

| | | | | | | | |
|-----------------------------|------------|-----------------------------|--|------------------------------|-------------------------------|--------------------------------|--|
| A / C C I R C U I T 1 | M A I N | A / C C I R C U I T 2 | I N V E R T E R / C H A R G E R | R E F F R I G E R A T O R | W A S H E R / D R Y E R | W A T E R H E A T E R | |
|-----------------------------|------------|-----------------------------|--|------------------------------|-------------------------------|--------------------------------|--|

KEY PART NUMBER
095721-32-000

U/M DESCRIPTION
EA LABEL - CONTROL CENTER - 30 AMP W/INVERTER

| | | | | | | | | | | |
|-----------------------------|------------|------------|-----------------------------|-------------------------------|----------------------|-------------------|-------------------|-------------------|-------------------------------|--------------------------------|
| A / C C I R C U I T 1 | M A I N | M A I N | A / C C I R C U I T 2 | R E F F R I G / C O N V | M I C R O W A V E | R E C P S 1 | R E C P S 2 | R E C P S 3 | W A S H E R / D R Y E R | W A T E R H E A T E R |
|-----------------------------|------------|------------|-----------------------------|-------------------------------|----------------------|-------------------|-------------------|-------------------|-------------------------------|--------------------------------|

KEY PART NUMBER
095721-33-000

U/M DESCRIPTION
EA LABEL - CONTROL CENTER - 50 AMP - US

| | | | | | | | | |
|-----------------------------|------------|------------|-----------------------------|--|------------------------------|-------------------------------|--------------------------------|--|
| A / C C I R C U I T 1 | M A I N | M A I N | A / C C I R C U I T 2 | I N V E R T E R / C H A R G E R | R E F F R I G E R A T O R | W A S H E R / D R Y E R | W A T E R H E A T E R | |
|-----------------------------|------------|------------|-----------------------------|--|------------------------------|-------------------------------|--------------------------------|--|

KEY PART NUMBER
095721-34-000

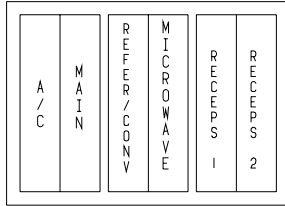
U/M DESCRIPTION
EA LABEL - CONTROL CENTER - 50 AMP

| | | | | | |
|------------|----------------------|---------------------------|-----------------------------|--------------------------|----------|
| M A I N | M I C R O W A V E | G F I / R E C E P S | R E F F E R / C O N V | W A T E R H T R | A / C |
|------------|----------------------|---------------------------|-----------------------------|--------------------------|----------|

KEY PART NUMBER
095721-38-000

U/M DESCRIPTION
EA LABEL - CONTROL CENTER - 30 AMP - US

LABELS GROUP (CONTINUED)



KEY PART NUMBER U/M DESCRIPTION
095721-40-000 EA LABEL - CONTROL CENTER

AUTOMOTIVE AND COACH
CIRCUIT BREAKERS

KEY PART NUMBER U/M DESCRIPTION
098379-01-000 EA LABEL - CIRCUIT BREAKER - FRONT BOX

CIRCUIT BREAKERS
AND AUTOMOTIVE
FUSE PANEL

KEY PART NUMBER U/M DESCRIPTION
098379-03-000 EA LABEL - ELECTRICAL BOX - FRONT

BATTERY MODE
SOLENOID AND
RELAYS

KEY PART NUMBER U/M DESCRIPTION
098379-04-000 EA LABEL - ELECTRICAL BOX - SIDE

UNLEADED
FUEL ONLY

KEY PART NUMBER U/M DESCRIPTION
098641-01-000 EA LABEL - FUEL - UNLEADED - DASH

FOR AWNING INSTALLATION
CONTACT YOUR MOTORHOME
DEALERSHIP

KEY PART NUMBER U/M DESCRIPTION
099509-01-000 EA LABEL - AWNING INSTALLATION

WARNING
THIS VEHICLE, LIKE OTHER
VEHICLES, MAY CONTAIN SMALL
AMOUNTS OF ONE OR MORE
SUBSTANCES WHICH ARE LISTED
BY THE STATE OF CALIFORNIA
FOR CAUSING CANCER OR
REPRODUCTIVE TOXICITY.

KEY PART NUMBER U/M DESCRIPTION
099689-01-000 EA LABEL - WARNING - CANCER/TOXICITY

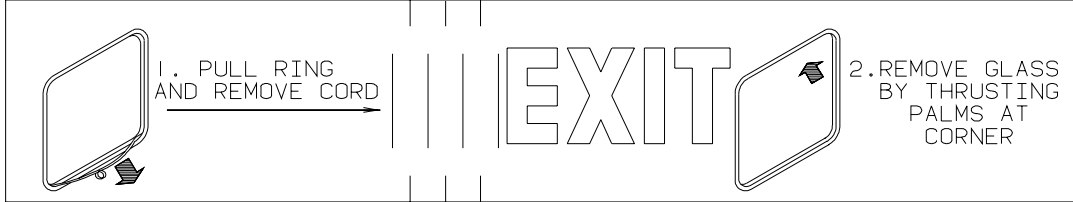
LABELS GROUP (CONTINUED)

NOTE: TUNE ANTENNA
PER MANUFACTURER'S
DIRECTIONS. FAILURE TO
COMPLY COULD RESULT IN
DAMAGE TO CB.

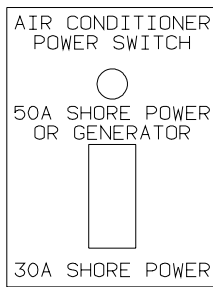
CB POWER PROVISION

RED +12 V
BLACK GROUND
COAX ANTENNA
(SEE REVERSE ALSO)

KEY PART NUMBER U/M DESCRIPTION
104678-01-000 EA LABEL - CB PREP



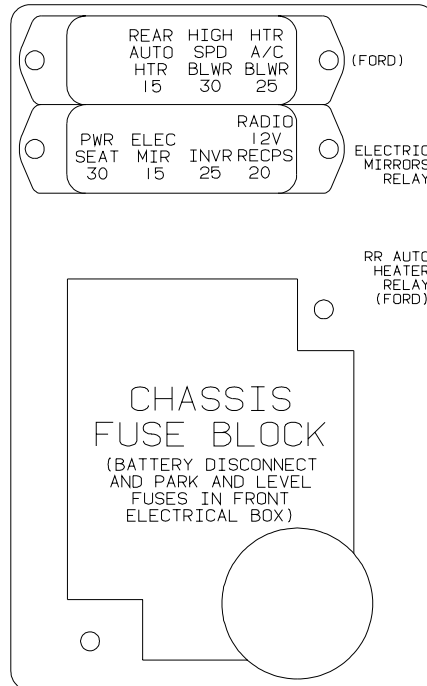
KEY PART NUMBER U/M DESCRIPTION
107571-01-000 EA LABEL - EXIT/ESCAPE WINDOW



KEY PART NUMBER U/M DESCRIPTION
109051-02-000 EA LABEL - SWITCH - 50 AMP POWER

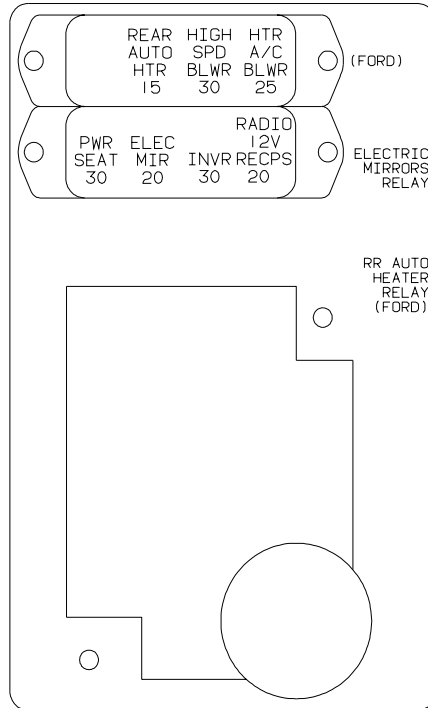


KEY PART NUMBER U/M DESCRIPTION
111104-01-000 EA LABEL - HITCH - READ MANUAL - WHITE



KEY PART NUMBER U/M DESCRIPTION
111537-08-000 EA LABEL - FUSES

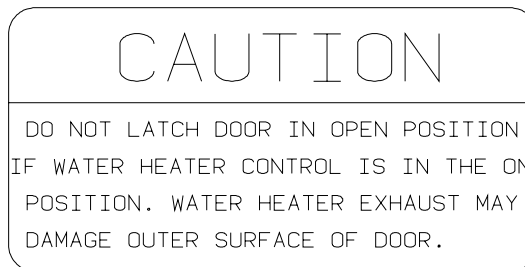
LABELS GROUP (CONTINUED)



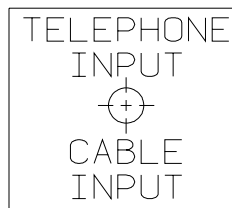
| | | | |
|------------|--------------------|------------|--------------------|
| KEY | PART NUMBER | U/M | DESCRIPTION |
| | 111537-09-000 | EA | LABEL - FUSES |

WARNING: CONTAINS "CFC" A SUBSTANCE WHICH HARMS PUBLIC HEALTH AND ENVIRONMENT BY DESTROYING OZONE IN THE UPPER ATMOSPHERE.

| | | | |
|------------|--------------------|------------|---------------------|
| KEY | PART NUMBER | U/M | DESCRIPTION |
| | 111802-01-000 | EA | LABEL - CFC WARNING |

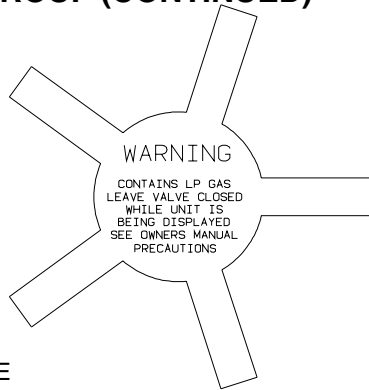


| | | | |
|------------|--------------------|------------|--|
| KEY | PART NUMBER | U/M | DESCRIPTION |
| | 113402-01-000 | EA | LABEL - CAUTION - WATER HEATER EXHAUST |



| | | | |
|------------|--------------------|------------|--|
| KEY | PART NUMBER | U/M | DESCRIPTION |
| | 114866-02-000 | EA | LABEL - PHONE & CABLE INPUT - WHITE/CLEAR BACKGROUND |
| | 114866-03-000 | EA | LABEL - PHONE & CABLE INPUT - BLACK/CLEAR BACKGROUND |

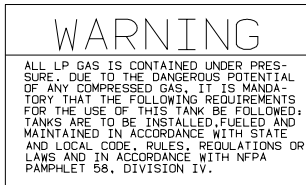
LABELS GROUP (CONTINUED)



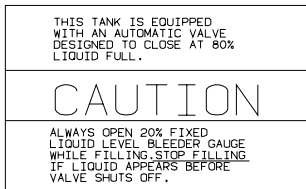
KEY PART NUMBER U/M DESCRIPTION
 115600-01-000 EA LABEL - WARNING LPG VALVE

WARNING: REPLACE TIRE ONLY WITH ONE OF EXACTLY SAME TYPE AND RATING. DO NOT REPLACE WITH PASSENGER CAR TIRE. SEE OPERATOR'S MANUAL FOR MORE INFORMATION CALL WINNEBAGO OWNER RELATIONS AT 1-800-537-1885.

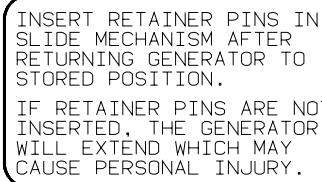
KEY PART NUMBER U/M DESCRIPTION
 115869-01-000 EA LABEL - WARNING - TIRE



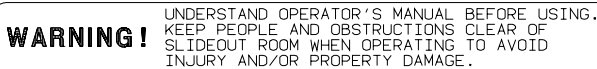
KEY PART NUMBER U/M DESCRIPTION
 116112-01-000 EA LABEL - WARNING - LP



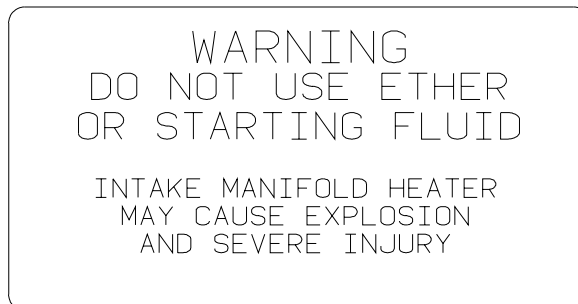
KEY PART NUMBER U/M DESCRIPTION
 116113-01-000 EA LABEL - CAUTION - LP



KEY PART NUMBER U/M DESCRIPTION
 116273-01-000 EA LABEL - WARNING - GENERATOR

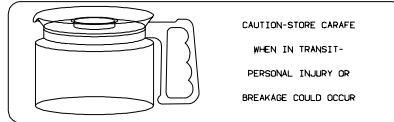


KEY PART NUMBER U/M DESCRIPTION
 116549-01-000 EA LABEL - WARNING - SLIDEOUT



KEY PART NUMBER U/M DESCRIPTION
 116756-02-000 EA LABEL - WARNING - ETHER/STARTING

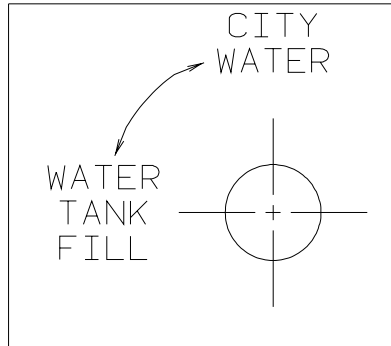
LABELS GROUP (CONTINUED)



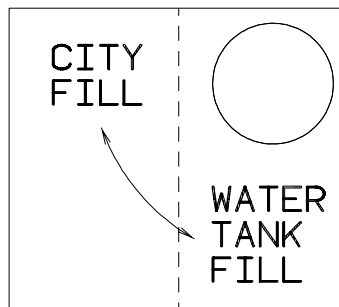
KEY PART NUMBER U/M DESCRIPTION
 116829-02-000 EA LABEL - COFFEEMAKER



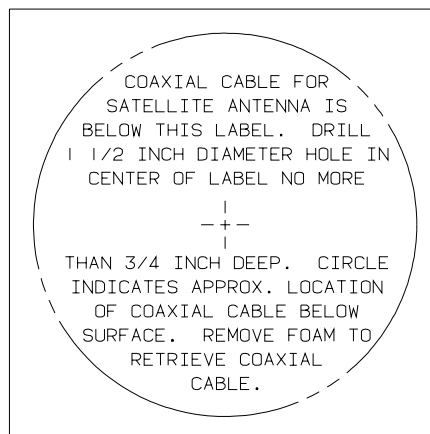
KEY PART NUMBER U/M DESCRIPTION
 117628-02-000 EA LABEL - SWITCH - WATER PUMP/LIGHTS-WHITE/CLEAR BACKGROUND



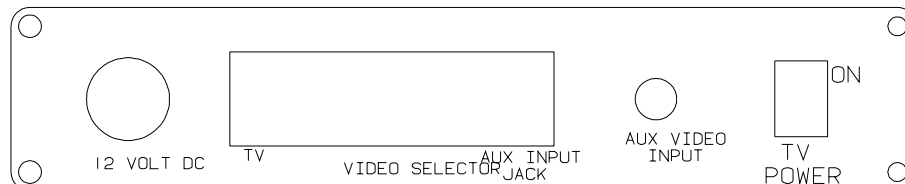
KEY PART NUMBER U/M DESCRIPTION
 117629-03-000 EA LABEL - WATER PUMP/FILL-BLK LETTERS/CLEAR BACKGROUND-.31"



KEY PART NUMBER U/M DESCRIPTION
 117629-04-000 EA LABEL - CITY WATER/TANK FILL



KEY PART NUMBER U/M DESCRIPTION
 120431-01-000 EA LABEL - LOCATION - COAXIAL CABLE/SATELLITE ANTENNA



KEY PART NUMBER U/M DESCRIPTION
 120677-01-000 EA LABEL - TV

LABELS GROUP (CONTINUED)

KEEP THE SERVICE INLET ACCESS
IN THE CLOSED POSITION WHEN
UTILITY CONNECTIONS ARE NOT IN USE

| KEY | PART NUMBER | U/M | DESCRIPTION |
|-----|---------------|-----|--------------------------------|
| | 123562-01-000 | EA | LABEL - SERVICE/UTILITY ACCESS |

WARNING

ALL PILOT LIGHTS, APPLIANCES AND THEIR
IGNITORS (SEE OPERATING INSTRUCTIONS) SHALL
BE TURNED OFF DURING REFUELING OF MOTOR
FUEL TANKS AND/OR LP GAS CONTAINERS

| KEY | PART NUMBER | U/M | DESCRIPTION |
|-----|---------------|-----|--|
| | 124519-01-01A | EA | LABEL - WARNING/REFUELING - BLACK ON CLEAR |
| | 124519-01-02A | EA | LABEL - WARNING/REFUELING - WHITE ON CLEAR |

WARNING:

ALL PILOT LIGHTS AND APPLIANCES SHALL BE TURNED
OFF DURING REFUELING OF MOTOR FUEL TANKS AND/
OR PROPANE CONTAINERS.

AVERTISSEMENT :

FERMER TOUTES LES VEILLEUSES AINSI QUE TOUS LES
APPAREILS LORSQU'ON FAIT LE PLEIN DES RESERVOIRS
À CARBURANT OU À PROPANE.

124519-02

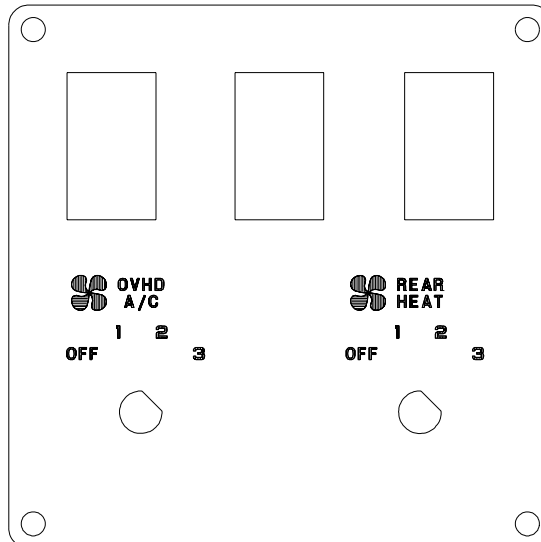
| KEY | PART NUMBER | U/M | DESCRIPTION |
|-----|---------------|-----|--|
| | 124519-02-01A | EA | LABEL - WARNING/REFUELING - BLACK ON CLEAR - CSA |
| | 124519-02-02A | EA | LABEL - WARNING/REFUELING - WHITE ON CLEAR - CSA |

LP-GAS SYSTEM
THIS GAS PIPING SYSTEM IS
DESIGNED FOR USE OF
LIQUIFIED PETROLEUM GAS
ONLY. DO NOT CONNECT
NATURAL GAS TO THIS
SYSTEM.

SECURE CAP INLET(S) WHEN NOT
CONNECTED FOR USE. AFTER TURNING
ON GAS, EXCEPT AFTER NORMAL
CONTAINER REPLACEMENT, TEST GAS
PIPING AND CONNECTIONS TO
APPLIANCES FOR LEAKAGE WITH SOAPY
WATER OR BUBBLE SOLUTION. DO NOT
USE PRODUCTS THAT CONTAIN AMMONIA
OR CLORINE.

124520

| KEY | PART NUMBER | U/M | DESCRIPTION |
|-----|---------------|-----|--------------------------------------|
| | 124520-01-01A | EA | LABEL - LP GAS ONLY - BLACK ON CLEAR |
| | 124520-01-02A | EA | LABEL - LP GAS ONLY - WHITE ON CLEAR |



| KEY | PART NUMBER | U/M | DESCRIPTION |
|-----|---------------|-----|------------------|
| | 124572-01-000 | EA | LABEL - SWITCHES |

LABELS GROUP (CONTINUED)

THIS CONNECTION IS FOR
 (B) VOLT AC, 60 HZ (CYCLES)
 (A) AMPERE SUPPLY

DO NOT CONNECT TO
 HIGHER VOLTAGE

| KEY | PART NUMBER | U/M | DESCRIPTION |
|-----|---------------|-----|--|
| | 125306-01-01A | EA | LABEL - ELECTRICAL ENTRANCE - 110V 30 AMP - BLACK ON CLEAR |
| | 125306-01-02A | EA | LABEL - ELECTRICAL ENTRANCE - 110V 30 AMP - WHITE ON CLEAR |

THIS CONNECTION IS FOR
 (B) VOLT AC, 3-POLE, 4 WIRE
 60 HZ (CYCLES), (A) AMPERE SUPPLY

DO NOT CONNECT TO
 HIGHER VOLTAGE

| KEY | PART NUMBER | U/M | DESCRIPTION |
|-----|---------------|-----|--|
| | 125306-04-01A | EA | LABEL-ELECTRICAL ENTRANCE-120/240V 50 AMP-BLACK ON CLEAR |
| | 125306-04-02A | EA | LABEL - ELECTRICAL ENTRANCE-120/240V 50 AMP-WHITE ON CLEAR |



| KEY | PART NUMBER | U/M | DESCRIPTION |
|-----|---------------|-----|-----------------------------------|
| | 125697-07-000 | EA | LABEL - CAUTION - FLUSHING SYSTEM |

REMOVE PRIMARY TIRE HANGER BEFORE USING
 SPARE TIRE HOIST-SEE OWNERS MANUAL- PERSONAL
 INJURY MAY RESULT IF NOT FOLLOWED

| KEY | PART NUMBER | U/M | DESCRIPTION |
|-----|---------------|-----|-----------------------------|
| | 126024-01-01A | EA | LABEL - TIRE HANGER REMOVAL |

GRAY HOLDING TANK

| KEY | PART NUMBER | U/M | DESCRIPTION |
|-----|---------------|-----|--|
| | 126247-05-000 | EA | LABEL - GRAY HOLDING TANK-BLACK LETTERS/CLEAR BACKGROUND |

BLACK HOLDING TANK

| KEY | PART NUMBER | U/M | DESCRIPTION |
|-----|---------------|-----|---|
| | 126247-06-000 | EA | LABEL - BLACK HOLDING TANK-BLACK LETTERS/CLEAR BACKGROUND |

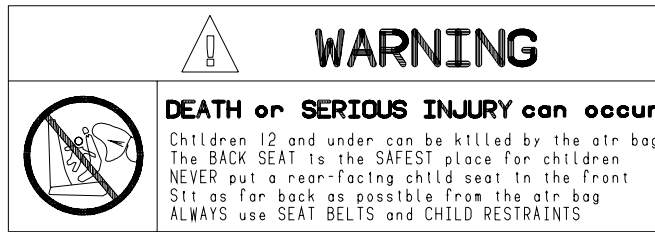
EXTERIOR SHOWER

| KEY | PART NUMBER | U/M | DESCRIPTION |
|-----|---------------|-----|-------------------------|
| | 126248-03-000 | EA | LABEL - EXTERIOR SHOWER |

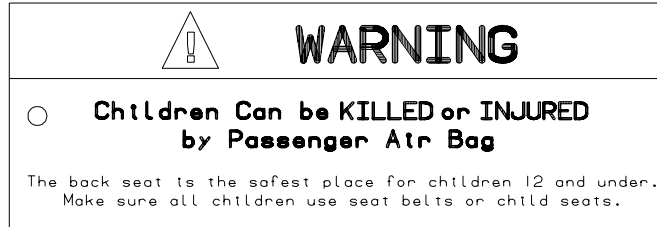
CITY WATER FILL

| KEY | PART NUMBER | U/M | DESCRIPTION |
|-----|---------------|-----|---|
| | 126249-03-000 | EA | LABEL - CITY WATER FILL-BLK LETTERS/CLEAR BACKGROUND .31" |

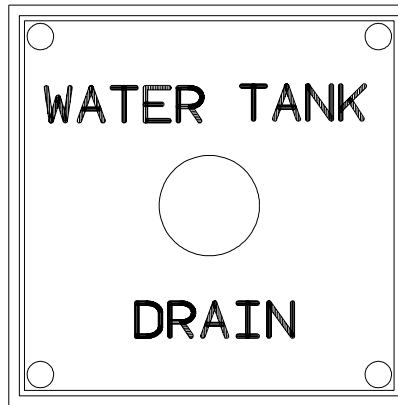
LABEL GROUP (CONTINUED)



KEY PART NUMBER U/M DESCRIPTION
 126611-01-000 EA LABEL - AIR BAG - VISOR



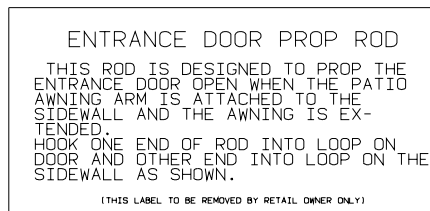
KEY PART NUMBER U/M DESCRIPTION
 126612-01-000 EA LABEL - HANG TAG - AIR BAG - DASH



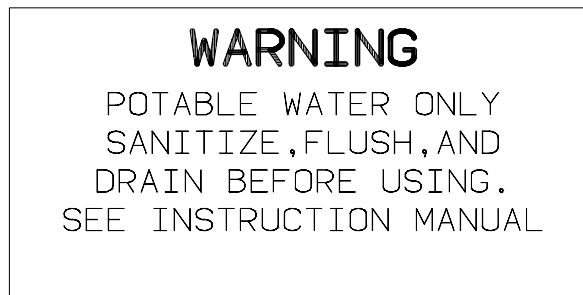
KEY PART NUMBER U/M DESCRIPTION
 127170-01-000 EA LABEL - WATER TANK DRAIN



KEY PART NUMBER U/M DESCRIPTION
 128218-01-01A EA LABEL - WARNING - SLIPPERY ROOF

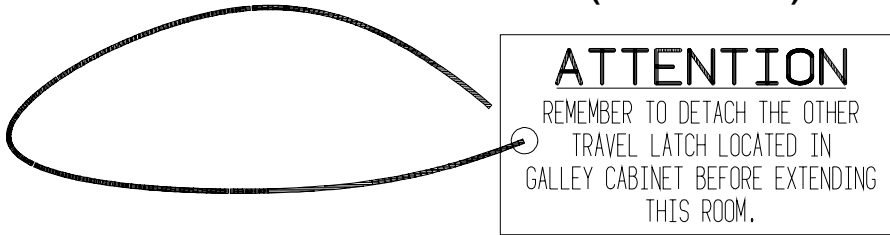


KEY PART NUMBER U/M DESCRIPTION
 128658-01-000 EA LABEL - PROP ROD - ENTRY DOOR



KEY PART NUMBER U/M DESCRIPTION
 128725-01-01A EA LABEL - POTABLE WATER ONLY - BLACK ON CLEAR

LABELS GROUP (CONTINUED)



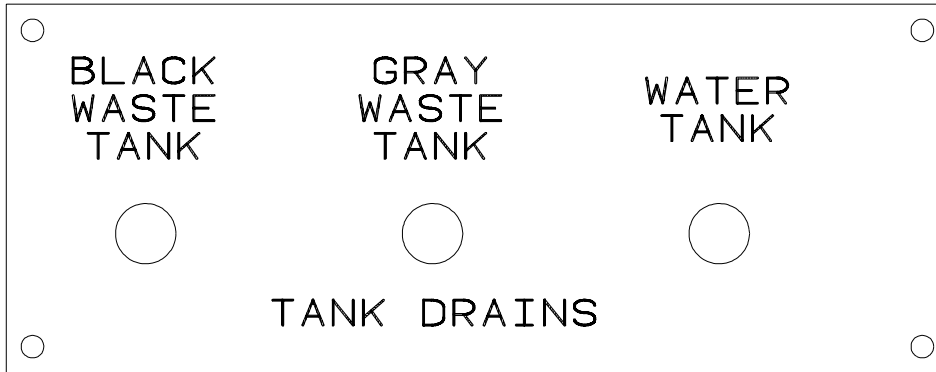
KEY PART NUMBER U/M DESCRIPTION
 129033-01-000 EA LABEL - HANG TAG - TRAVEL LATCH - 1.5" X 3"

TOW VEHICLE RATING MAY BE LESS THAN HITCH RATING.
 MAXIMUM VERTICAL HITCH LOAD: 350 LBS
 DO NOT EXCEED REAR AXLE RATING.
 SEE OWNER'S MANUAL FOR ADDITIONAL INFORMATION.

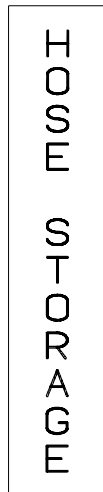
KEY PART NUMBER U/M DESCRIPTION
 129669-01-01A EA LABEL - HITCH/VEHICLE RATE - 350 - WHITE ON CLEAR
 129669-02-01A EA LABEL - HITCH/VEHICLE RATE - 500- WHITE ON CLEAR
 129669-02-02A EA LABEL - HITCH/VEHICLE RATE - 500 - BLACK ON CLEAR

TIRE ROTATION
 SEE RIALTA OWNERS MANUAL
 SECTION 9

KEY PART NUMBER U/M DESCRIPTION
 129684-01-000 EA LABEL - TIRE ROTATION



KEY PART NUMBER U/M DESCRIPTION
 130166-01-000 EA LABEL - DRAIN



KEY PART NUMBER U/M DESCRIPTION
 130167-02-000 EA LABEL - HOSE STORAGE



KEY PART NUMBER U/M DESCRIPTION
 130168-01-000 EA LABEL - WASTE TANK FLUSH

LABELS GROUP (CONTINUED)



MONITOR PANEL LIGHT WATER PUMP

KEY PART NUMBER U/M DESCRIPTION
 130170-01-000 EA LABEL - SWITCH PANEL - BLK/CLEAR BACKGROUND-1.8"H X 5.9"L



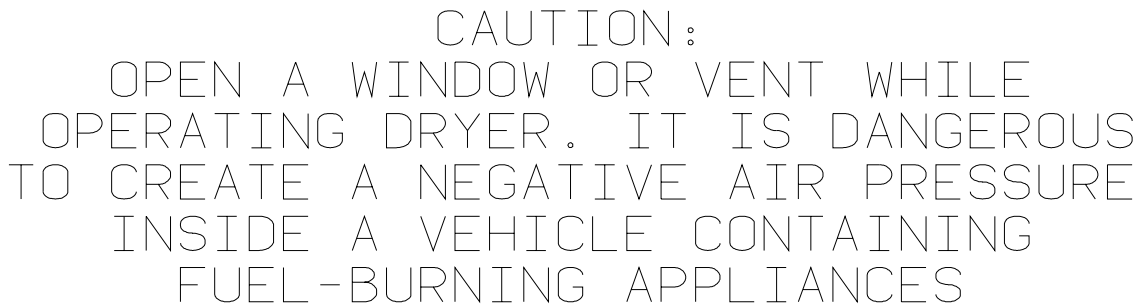
LIGHTS WATER PUMP

KEY PART NUMBER U/M DESCRIPTION
 130170-02-000 EA LABEL - SWITCH PANEL-BLK/CLEAR BACKGROUND-1.4"H X 3.9"L



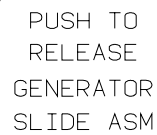
WATER PUMP

KEY PART NUMBER U/M DESCRIPTION
 130170-03-000 EA LABEL - PANEL SWITCH



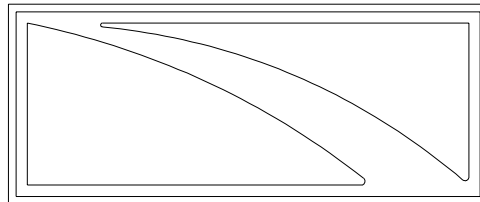
CAUTION:
 OPEN A WINDOW OR VENT WHILE OPERATING DRYER. IT IS DANGEROUS TO CREATE A NEGATIVE AIR PRESSURE INSIDE A VEHICLE CONTAINING FUEL-BURNING APPLIANCES

KEY PART NUMBER U/M DESCRIPTION
 130670-01-01A EA LABEL - CAUTION DRYER VENTING - BLACK ON CLEAR

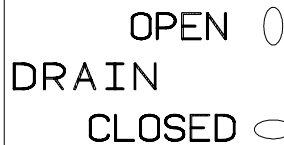


PUSH TO RELEASE
 GENERATOR SLIDE ASM

KEY PART NUMBER U/M DESCRIPTION
 131779-01-01A EA LABEL - GENERATOR



KEY PART NUMBER U/M DESCRIPTION
 132651-01-01A EA DECAL - MIRROR/GALLEY



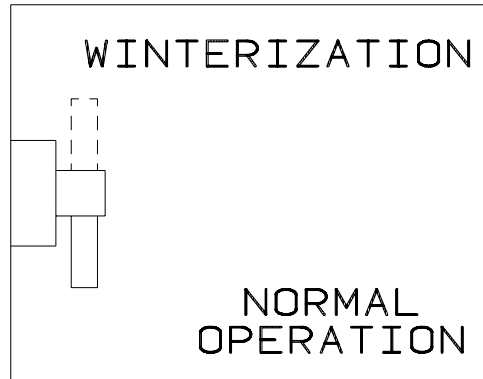
OPEN 0
 DRAIN
 CLOSED O

KEY PART NUMBER U/M DESCRIPTION
 133423-01-01A EA LABEL - DRAIN

LABELS GROUP (CONTINUED)



KEY PART NUMBER U/M DESCRIPTION
133424-01-01A EA LABEL - BYPASS - WATER HEATER



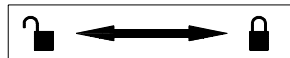
KEY PART NUMBER U/M DESCRIPTION
133425-01-01A EA LABEL - VALVE - WINTERIZATION



KEY PART NUMBER U/M DESCRIPTION
133533-01-01A EA LABEL - JACKS DOWN - CLEAR W/WHITE LETTERING

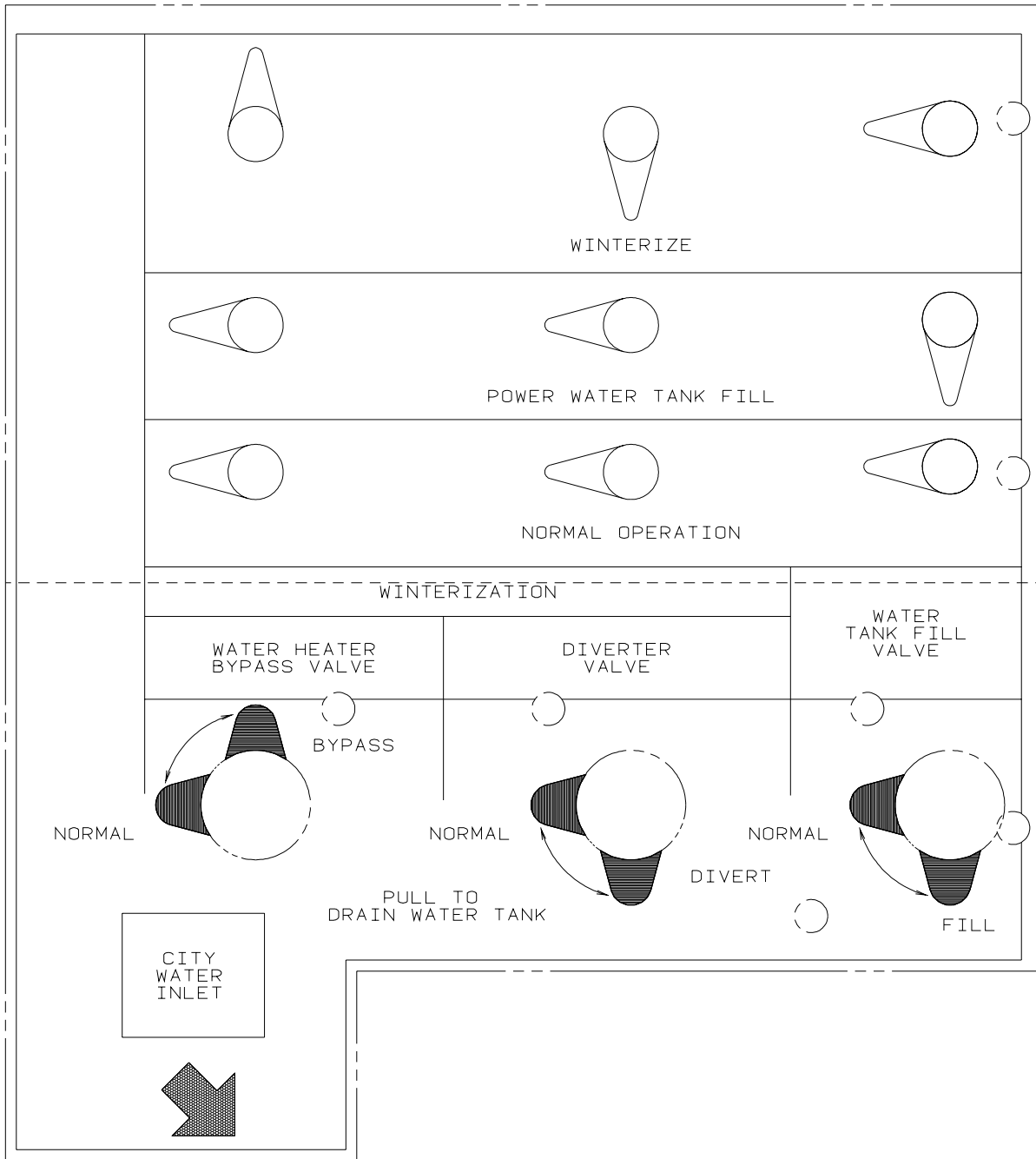


KEY PART NUMBER U/M DESCRIPTION
133533-02-01A EA LABEL - CHECK ANTENNA - CLEAR W/WHITE LETTERING



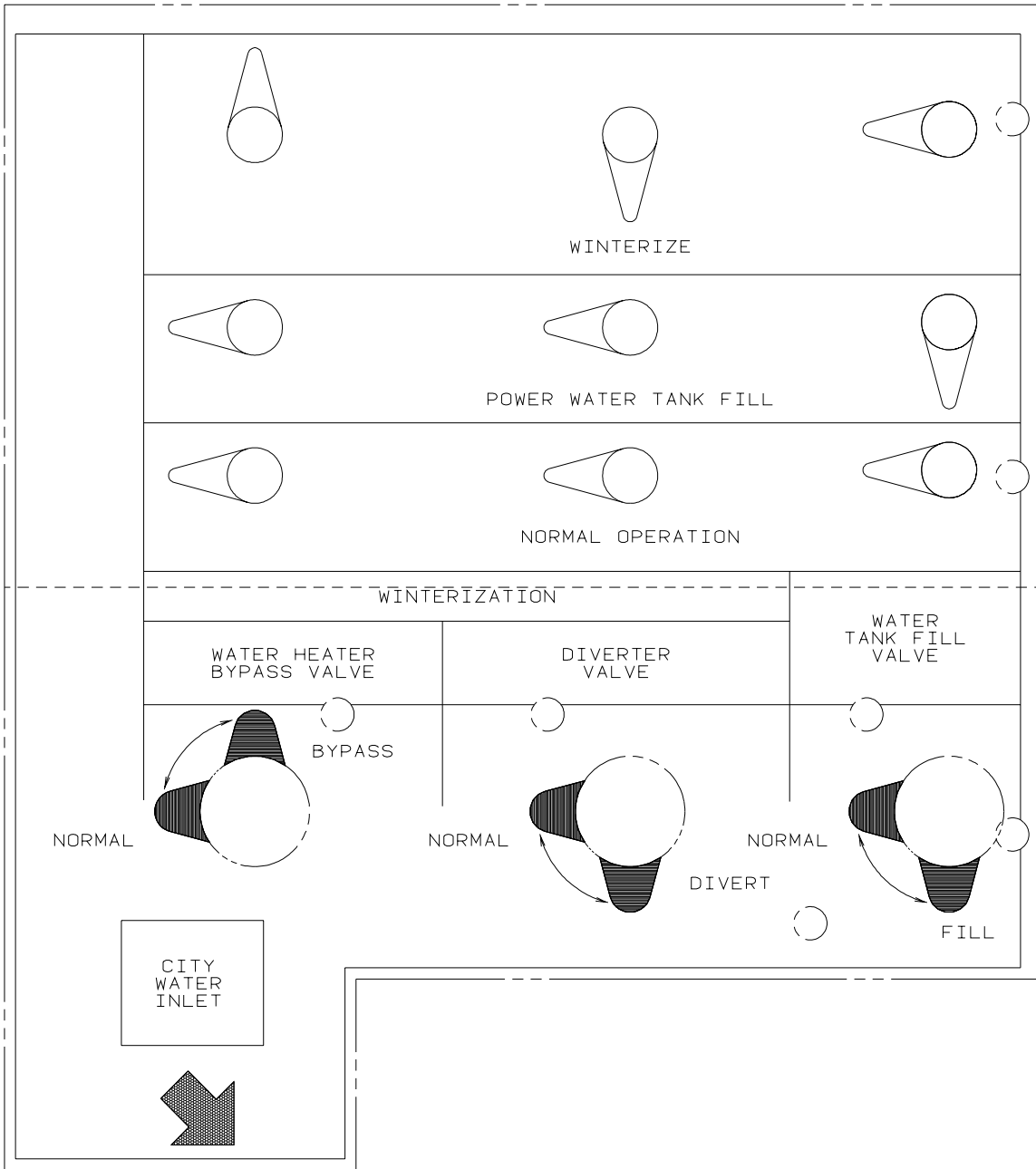
KEY PART NUMBER U/M DESCRIPTION
133533-03-01A EA LABEL - LOCK/UNLOCK - BLACK/WHITE

LABELS GROUP (CONTINUED)

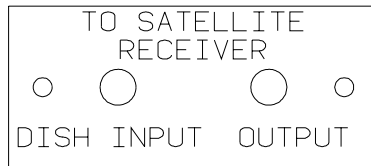


| KEY | PART NUMBER | U/M | DESCRIPTION |
|-----|---------------|-----|----------------------|
| | 133629-01-01A | EA | LABEL - WATER CENTER |

LABELS GROUP (CONTINUED)



KEY PART NUMBER U/M DESCRIPTION
 133629-02-01A EA LABEL - WATER CENTER - BLACK/CLEAR



KEY PART NUMBER U/M DESCRIPTION
 134250-01-01A EA LABEL - SATELLITE RECEIVER - BLACK/CLEAR

THIS SEAT IS NOT INTENDED
FOR OCCUPANCY WHEN
VEHICLE IS IN MOTION

KEY PART NUMBER U/M DESCRIPTION
 134538-01-01A EA LABEL - OCCUPANCY - NO SEAT BELT - BLACK ON CLEAR - US

LABELS GROUP (CONTINUED)

| | |
|--|--|
| DST ISICE SIEGE N/EST PAS DESTINE A ETRE OCCUPE LORSQUE LE VEHICULE EST IN MOVUEMENT | THIS SEAT IS NOT INTENDED FOR OCCUPANCY WHILE VEHICLE IS IN MOTION |
|--|--|

KEY PART NUMBER U/M DESCRIPTION
134538-02-01A EA LABEL - OCCUPANCY - NO SEAT BELT - BLACK ON CLEAR - CSA

WARNING

IT IS NOT SAFE TO USE COOKING
APPLICANCES FOR COMFORT HEATING

COOKING APPLICANCES NEED FRESH AIR FOR SAFE OPERATION
BEFORE OPERATION.

1. OPEN OVERHEAD VENT OR TURN ON EXHAUST FAN AND;
2. OPEN WINDOW.

KEY PART NUMBER U/M DESCRIPTION
134539-01-01A EA LABEL - WARNING - STOVE/HEATING - US - BLACK ON CLEAR

HOLDING TANK HEATER

TURN OFF WHEN NOT IN USE

SEE OPERATOR'S MANUAL

KEY PART NUMBER U/M DESCRIPTION
134563-01-01A EA LABEL - SWITCH - HEATER

THIS VEHICLE MAY INCLUDE MERCURY-CONTAINING DEVICES INSTALLED BY THE MANUFACTURER:

FLUORESCENT TUBES, RANGES WITH OVEN, HWH LEVEL SENSING UNIT.

REMOVE DEVICES BEFORE VEHICLE DISPOSAL UPON REMOVAL OF
DEVICES: PLEASE REUSE, RECYCLE, OR DISPOSE AS HAZARDOUS WASTE

135869-01A

KEY PART NUMBER U/M DESCRIPTION
135869-01-01A EA LABEL - MERCURY CONTENT - BLACK ON CLEAR

LIQUID SOAP

KEY PART NUMBER U/M DESCRIPTION
136047-01-01A EA LABEL - LIQUID SOAP

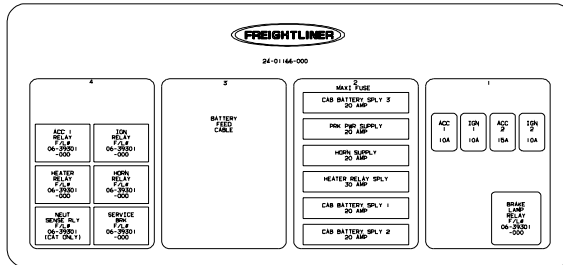
| | | | | | | | |
|------------------|------------------|--------------------------------|----------------------------------|-------------------------------|---------------------------------------|--------------------------|---------------|
| DOOR LOCK | DOOR UNLOCK | RIGHT COMPT DOOR LOCK | RIGHT COMPT DOOR UNLOCK | LEFT COMPT DOOR LOCK | LEFT COMPT DOOR UNLOCK | AUX START SOLENOID | AMP SOURCE |
| POWER MIRRORS | HEATER BLOWER | PASS HEATER BLOWER | FOG LAMPS | DOCKING LAMPS | DOCKING LAMPS SWITCH TRIGGER | COOLING FANS | |

KEY PART NUMBER U/M DESCRIPTION
136161-01-01A EA LABEL - RELAY - MATTE BLACK/WHITE LETTERS

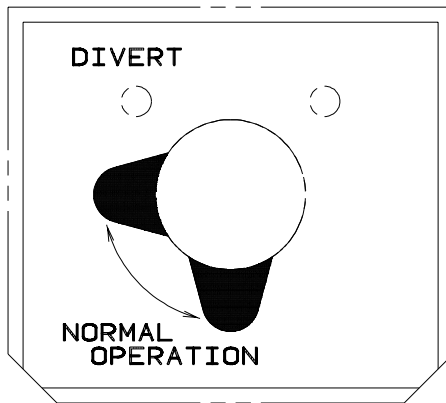
LABELS GROUP (CONTINUED)



KEY PART NUMBER U/M DESCRIPTION
 136360-01-01A EA LABEL - AIR BAGS



KEY PART NUMBER U/M DESCRIPTION
 137090-01-000 EA LABEL - ELECTRICAL CENTER



KEY PART NUMBER U/M DESCRIPTION
 137997-01-01A EA LABEL - WINTERIZATION VALVE - BLACK/CLEAR



KEY PART NUMBER U/M DESCRIPTION
 140190-01-01A EA DECAL/LOGO - V6 (DOMED) - CYAN/MAGENTA/YELLOW/BLACK

LABELS GROUP (CONTINUED)

WARNING

THIS SYSTEM IS DESIGNED FOR USE WITH PROPANE ONLY
DO NOT CONNECT NATURAL GAS TO THIS SYSTEM

BEFORE TURNING ON PROPANE:

- (A) BE CERTAIN ALL APPLIANCES ARE CERTIFIED FOR PROPANE AND ARE EQUIPPED WITH CORRECT BURNING ORIFICES.
- (B) MAKE CERTAIN ALL PROPANE CONNECTIONS ARE TIGHT BY TESTING WITH SOAPY WATER. ALL APPLIANCE VALVES ARE TURNED OFF, AND ANY UNCONNECTED OUTLETS ARE CAPPED.

AFTER TURNING ON PROPANE:

- (A) LIGHT ALL PILOT LIGHTS
- (B) (B) ALL CONNECTIONS, INCLUDING THOSE AT THE APPLIANCES, REGULATORS AND CYLINDERS SHOULD BE LEAK-TESTED PERIODICALLY WITH SOAPY WATER BY THE OCCUPANT. NEVER USE A LIGHTED MATCH OR OTHER FLAME WHEN CHECKING FOR LEAKS.
- (C) DO NOT LEAVE SYSTEM TURNED ON OF CONTAINERS CONNECTED UNTIL THE SYSTEM HAS BEEN PROVEN TO BE FREE OF LEAKS.
- (D) COOKING APPLIANCES SHOULD NOT BE USED FOR SPACE HEATING.
- (E) WHEN THE CONTAINERS ARE DISCONNECTED THE PROPANE SUPPLY LINE SHOULD BE CAPPED OR PLUGGED.

AVERTISSEMENT

CETTE INSTALLATION EST CONCUE POUR LE PROPANE SEULEMENT
NE PAS L'ALIMENTER EN GAZ NATUREL

AVANT LA MISE EN SERVICE:

- (A) S'ASSURER QUE LES APPAREILS SONT CERTIFIES POUR LE PROPANE ET MUNIS D'ORIFICES DE BRULEUR APPROPRIES.
- (B) VERIFIER L'ETANCHEITE DE TOUS LES RACCORDEMENTS AU PROPANE. LA PERMETURE DE TOUS LES ROBINETS D'APPAREILS ET L'OBTURATION DE TOUTES LES SORTIES NON RACCORDEES.

APRES LA MISE EN SERVICE:

- (A) ALLUMER TOUTES LES VEILLEUSES.
- (B) L'OCCUPANT DOIT EPROUVER PERIODIQUEMENT L'ETANCHEITE DE TOUS LES RACCORDEMENTS Y COMPRIS CEUX AUX APPAREILS, AUX DETENDEURS ET AUX BOUTEILLES, EN Y APPLIQUANT DE L'EAU SAVONNEUSE NE JAMA'S SE SERVIR D'UNE ALLUMETTE OU AUTRE POUR LA DETECTION DES FUITES.
- (C) NE PAS LAISSER L'ALIMENTATION OUVERTE NI LES RECIPIENTS RACCORDES AVANT D'AVOIR COMPLETE L'EPREUVE D'ETANCHEITE AU PROPANE DE L'INSTALLATION.
- (D) LES APPAREILS DE CUISSON NE DOIVENT PAS ETRE UTILISES POUR LE CHAUFFAGE DES LOCAUX.
- (E) LORSQUE LES RECIPIENTS SONT DECONNECTES, L'ALIMENTATION DE PROPANE DOIT ETRE OBTUREE OU SCHELLEE.

| | |
|------------------------|-------------------------------------|
| KEY PART NUMBER | U/M DESCRIPTION |
| 023769-01-000 | EA LABEL - WARNING - LPG - CANADIAN |

Winnebago

EMISSION CONTROL INFORMATION

CATALYST

| | |
|--|---------------------|
| ENGINE FAMILY | XXXXXXX |
| EVAP. FAMILY | XXXXXXX |
| EXH.EMISSION CONTR.SYST. | SFI/AIR/TWC/HO2S(2) |
| DISPL 2792 CC | 0BD II CERTIFIED |
| TUNE UP SPECIFICATIONS: NO ADJUSTMENT NEEDED | |
| CARB EXH.EMISSION STAND. | STANDARD CATEGORY |
| CERTIFICATION | XXX |
| IN-USE | XXX |

THIS HEAVY DUTY VEHICLE CONFORMS TO U.S. EPA REGULATIONS APPLICABLE TO XXXX MODEL YEAR LIGHT-DUTYTRUCKS UNDER THE SPECIAL PROVISIONS OF 40 CFR XXXXXX , AND IS CERTIFIED TO MEDIUM-DUTY VEHICLE STANDARDS FOR SALE IN CALIFORNIA.

XXXX

||||| BAR CODE |||||

| | |
|------------------------|------------------------------------|
| KEY PART NUMBER | U/M DESCRIPTION |
| 124709-06-000 | EA LABEL - EMISSION CONTROL - DUAL |

LABELS GROUP (CONTINUED)

NORMAL
OPERATION

| KEY | PART NUMBER | U/M DESCRIPTION |
|-----|---------------|-----------------------------|
| | 133424-02-01A | EA LABEL - NORMAL OPERATION |

WTR HTR
BYPASS

| KEY | PART NUMBER | U/M DESCRIPTION |
|-----|---------------|--|
| | 133424-03-01A | EA LABEL - WATER HEATER BYPASS - BLACK/CLEAR |

THIS CHAIR IS NOT INTENDED
FOR OCCUPANCY WHEN VEHICLE
IS IN MOTION AND MUST BE
RETURNED TO STOWED POSITION

DTS ISICE SIEGE N/EST PAS THIS CHAIR IS NOT INTENDED
DESTINE A ETRE OCCUPE LORSQUE FOR OCCUPANCY WHEN VEHICLE
LE VEHICULE EST IN MOVEMENT IS IN MOTION AND MUST BE
ET IL FAUT QUE LE RANGER RETURNED TO STOWED POSITION

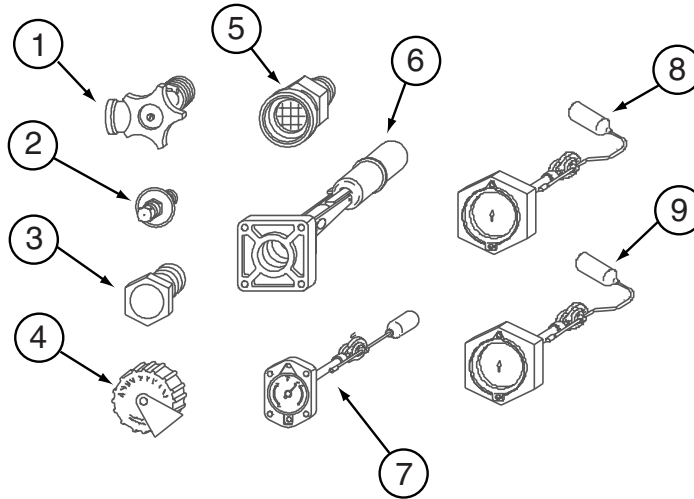
| KEY | PART NUMBER | U/M DESCRIPTION |
|-----|---------------|-----------------------------------|
| | 134537-01-01A | EA LABEL - OCCUPANCY - CHAIR - US |

LP GROUP
LP SYSTEM

| KEY | PART NUMBER | U/M | DESCRIPTION |
|------------|--------------------|------------|--|
| | 010265-01-000 | EA | ELBOW - BRASS - 90 DEGREE - 3/8"F X 1/2"FPT |
| | 010326-01-000 | EA | ADAPTER - FLARE - W/CONE GASKET - 3/8"F X 1/2"F |
| | 010329-01-000 | EA | ADAPTER - BRASS - 1/2"F X 1/2"MPT - L36W |
| | 024250-01-000 | EA | ADAPTER - BRASS - 3/8"F X 1/2"FPT - L39 |
| | 010377-02-000 | EA | NUT - BRASS - 3/8" FLARE - FORGED |
| | 010380-02-000 | EA | NUT - BRASS - 1/2" FLARE - FORGED |
| | 010536-02-000 | EA | TEE - STEEL - 1/2" - BLACK |
| | 040440-03-000 | EA | TRANSMITTER - DIAL/SNAP-ON - 0-90 OHM 2 TERM(POWER/GROUND) |
| | 045703-05-000 | EA | HOSE - LP - 3/8"ID X 28" - 3/8"MPT X 1/2"F SWIVEL - U.S. |
| | 045703-06-000 | EA | HOSE - LP - 3/8"ID X 28" - 3/8"MPT X 1/2"F SWIVEL - CANADA |
| | 045703-13-000 | EA | HOSE - LP - 3/8"ID X 120" - 3/8"F SWIVEL X 1/2"F SWIVEL US - L39 |
| * | 088253-03-000 | EA | TANK - LP - 100 LB - 16"DIAMETER X 36" LONG - SPL - L36W |
| * | 088253-10-000 | EA | TANK - LP - 100 LB - 14" DIAMETER X 47" LONG - L39 |
| | 103613-03-000 | EA | DETECTOR - LP GAS - W/O SHUT-OFF VALVE |
| | 105658-01-000 | EA | COMPARTMENT - LP REGULATOR |
| | 106150-01-000 | EA | REGULATOR - TWO STAGE-W/90 DEGREE ELBOW & 3/8" FPT OUTLET |

***COMPONENT PARTS LISTED LATER IN THIS GROUP**

LP GROUP (CONTINUED)
COMPONENT PARTS FOR LP SYSTEM



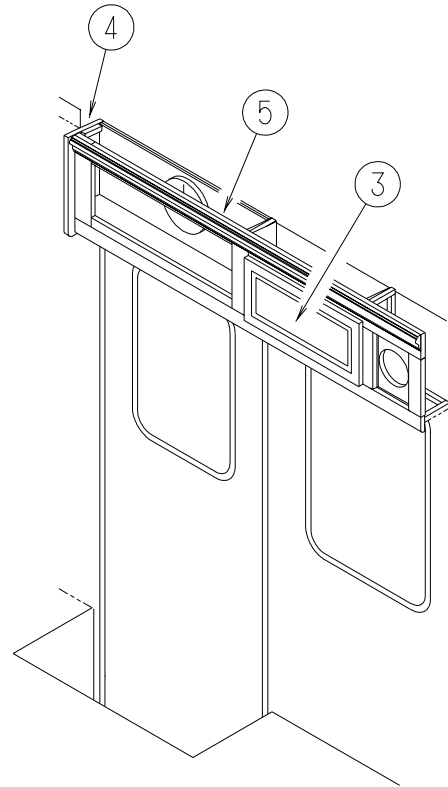
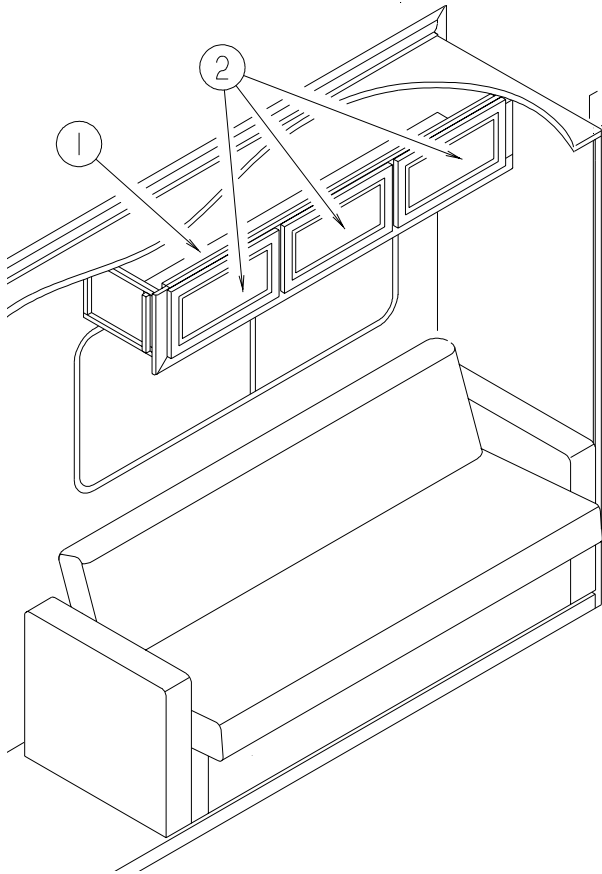
088253-03-000

| KEY | PART NUMBER | U/M | DESCRIPTION | VENDOR NO. |
|-----|---------------|-----|------------------------------|--------------|
| 1 | 040421-01-708 | EA | HANDWHEEL-SERVICE VALVE | G-1015-A |
| 1 | 040421-01-712 | EA | VALVE,SERV. W/O VAPOR RELIEF | 29000853 |
| 2 | 040421-01-700 | EA | VALVE-LIQUID LEVEL, 20% | G-1013 |
| 3 | 040421-01-713 | EA | VALVE-RELIEF 1" W/SPRING 7" | 29000587 |
| 4 | 040421-01-702 | EA | CAP-FILL VALVE, PLASTIC | G-1014-A |
| 5 | 040421-01-701 | EA | VALVE-FILL-SHORT, LP | 7547B |
| 6 | 040421-01-711 | EA | VALVE-80% FILL W/AUTO STOP | LLL/TL3 |
| 7 | | | NOT WHAT IS ILLUSTRATED HERE | |
| 8 | | | NOT WHAT IS ILLUSTRATED HERE | |
| 9 | 088253-01-700 | EA | FLOAT/BOLT ON-SCREW ON DIAL | SG16C0000071 |
| 9 | 088253-01-702 | EA | FLOAT/SCREW IN-SNAP ON DIAL | SG16C0001442 |
| | 040421-01-703 | EA | VALVE-SERVICE W/VAPOR RELIEF | G-1015 |
| | 040421-01-706 | EA | DIAL-VISIBLE FACE, LP TANK | MA-8 ROCHST |

088253-10-000

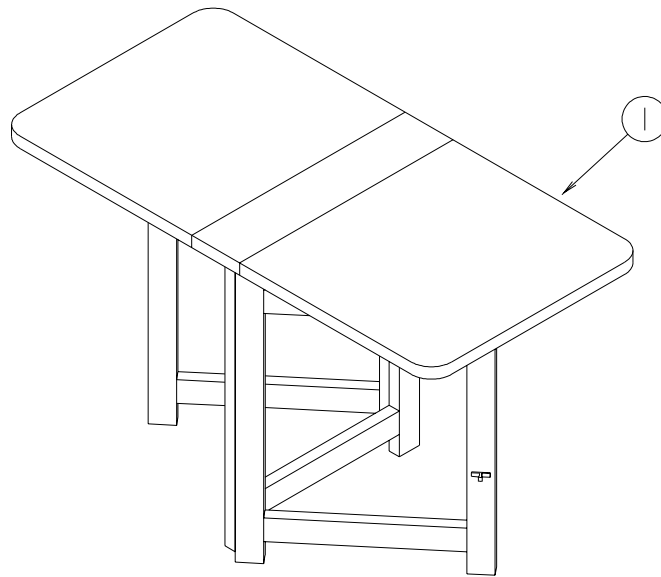
| KEY | PART NUMBER | U/M | DESCRIPTION | VENDOR NO. |
|-----|---------------|-----|------------------------------|--------------|
| 1 | 040421-01-708 | EA | HANDWHEEL-SERVICE VALVE | G-1015-A |
| 1 | 040421-01-712 | EA | VALVE,SERV. W/O VAPOR RELIEF | 29000853 |
| 2 | 040421-01-700 | EA | VALVE-LIQUID LEVEL, 20% | G-1013 |
| 3 | 040421-01-713 | EA | VALVE-RELIEF 1" W/SPRING 7" | 29000587 |
| 4 | 040421-01-702 | EA | CAP-FILL VALVE, PLASTIC | G-1014-A |
| 5 | 040421-01-701 | EA | VALVE-FILL-SHORT, LP | 7547B |
| 6 | 040421-01-711 | EA | VALVE-80% FILL W/AUTO STOP | LLL/TL3 |
| 7 | 040421-01-707 | EA | FLOAT/BOLT ON-SCREW ON DIAL | 14C |
| 7 | 088253-09-700 | EA | FLOAT/SCREW IN-SNAP ON DIAL | SG14C0001466 |
| 8 | | | NOT WHAT IS ILLUSTRATED HERE | |
| 9 | | | NOT WHAT IS ILLUSTRATED HERE | |

LOUNGE GROUP CABINETS



| KEY | PART NUMBER | U/M | DESCRIPTION |
|-----|---------------|-----|---|
| 1 | 140396-01-N62 | EA | CABINET - OVERHEAD/COUCH - W/O DOORS/HARDWARE - WASHED MAPLE |
| 1 | 140396-01-N52 | EA | CABINET - OVERHEAD/COUCH - W/O DOORS/HARDWARE - SALEM CHERRY |
| 2 | 135238-51-N62 | EA | DOOR - RAIL/SOLID PANEL - 10.6" X 19.8" - W/O HARDWARE - WASHED MAPLE |
| 2 | 135238-51-N63 | EA | DOOR - RAIL/SOLID PANEL - 10.6" X 19.8" - W/O HARDWARE - SALEM CHERRY |
| 3 | 135238-10-N62 | EA | DOOR - RAIL/SOLID PANEL - 10.2" X 21.4" - W/O HARDWARE - WASHED MAPLE |
| 3 | 135238-10-N63 | EA | DOOR - RAIL/SOLID PANEL - 10.2" X 21.4" - W/O HARDWARE - SALEM CHERRY |
| 4 | P38119-28-N62 | EA | END CAP - OVERHEAD CABINET - WASHED MAPLE |
| 4 | P38119-28-N52 | EA | END CAP - OVERHEAD CABINET - SALEM CHERRY |
| 5 | 140395-01-N62 | EA | CABINET - OVERHEAD/ENTRY DOOR - W/O DOORS/HARDWARE |
| 5 | 140395-01-N63 | EA | CABINET - OVERHEAD/ENTRY DOOR - W/O DOORS/HARDWARE |
| 5 | 140395-01-N64 | EA | CABINET - OVERHEAD/ENTRY DOOR - W/O DOORS/HARDWARE |
| 5 | 140395-01-N65 | EA | CABINET - OVERHEAD/ENTRY DOOR - W/O DOORS/HARDWARE |
| 5 | 140395-01-N66 | EA | CABINET - OVERHEAD/ENTRY DOOR - W/O DOORS/HARDWARE |
| 5 | 140395-01-N67 | EA | CABINET - OVERHEAD/ENTRY DOOR - W/O DOORS/HARDWARE |

LOUNGE GROUP (CONTINUED)
TABLES



| KEY | PART NUMBER | U/M | DESCRIPTION |
|------------|--------------------|------------|--|
| 1 | 133604-01-L58 | EA | TABLE/COFFEE - COMPLETE - WASHED MAPLE |
| 1 | 133604-01-L52 | EA | TABLE/COFFEE - COMPLETE - SALEM CHERRY |
| | 134334-01-000 | EA | BAG - COFFEE TABLE |

SEALANTS & FASTENERS GROUP
SEALANTS & ADHESIVES

| KEY | PART NUMBER | U/M | DESCRIPTION |
|------------|--------------------|------------|--|
| | 004001-05-000 | EA | ADHESIVE - SCOTCH-WELD - 3M DP100 - CLEAR - 50ML |
| | 004020-01-000 | QT | ADHESIVE - ABS CEMENT - QUART |
| | 010405-02-000 | EA | TAPE - THREAD SEALING - 3/8" |
| | 034552-15-000 | EA | SILICONE - TUBE - W/O NOZZLE - BRIGHT WHITE |
| | 053766-06-000 | EA | BEDDING COMPOUND - TUBE - CLEAR |
| | 062917-03-000 | EA | ADHESIVE - LOCTITE 242 |
| | 063642-01-000 | FT | TAPE - ADHESIVE - .4" X 1.5" X 180' |
| | 067788-01-000 | EA | ADHESIVE - SPRAY - 3M - 19.5 OZ AEROSOL CAN |
| | 069640-01-000 | FT | SEALER - RIBBON - 1/4" DIAMETER X 30' - BLACK |
| | 069640-02-000 | FT | SEALER - TAPE - .13"THICK X .5"WIDE X 60' - GRAY |
| | 069640-03-000 | FT | SEALER - TAPE - .13"THICK X .75"WIDE X 60' - BLACK |
| | 069640-07-000 | FT | SEALER - TAPE - .09" THICK X 2" WIDE X 45' - GRAY |
| | 069640-09-000 | FT | SEALER - TAPE - .03" THICK X 2.50"WIDE X 80' - GRAY |
| | 069640-10-000 | FT | SEALER - TAPE - .03" THICK X 1.50" WIDE X 90' - GRAY |
| | 069640-11-000 | FT | SEALER - TAPE - .19" THICK X .38" WIDE X 40' - BLACK |
| | 069640-13-000 | FT | SEALER - TAPE - .03" THICK X 2" WIDE X 45' - BLACK |
| | 069640-14-000 | FT | SEALER - TAPE - .06" THICK X 1" WIDE X 100' - GRAY |
| | 069640-15-000 | FT | SEALER - TAPE - .06"THICK X .38"WIDE X 100' - GRAY |
| | 069640-17-000 | FT | SEALER - TAPE - .03" THICK X 1" WIDE X 90' - GRAY |
| | 069640-18-000 | FT | SEALER - TAPE - .50" THICK X .13" WIDE X 60' - BRT WHITE |
| | 069640-19-000 | FT | SEALER - TAPE - .75" THICK X .13" WIDE X 60' - BRT WHITE |
| | 069640-20-000 | FT | SEALER - TAPE - .50" THICK X 1/8" WIDE X 60' - BLACK |
| | 069640-21-000 | FT | SEALER - TAPE - .50" THICK X 1/16" WIDE X 100'-BRIGHT WHT |
| | 069640-22-000 | FT | SEALER - TAPE - .25" THICK X 1/32" WIDE X 100'- BRIGHT WHT |
| | 069640-23-000 | FT | SEALER - TAPE - .06" THICK X 3/4" WIDE X 100' - BRT WHITE |
| | 069640-25-000 | FT | SEALER - TAPE - .06" THICK X 3.5" WIDE X 50' - GRAY |
| | 069640-27-000 | FT | SEALER - TAPE - .06" THICK X 2.25" WIDE - BRIGHT WHITE |
| | 069640-28-000 | FT | SEALER - TAPE - 1/32" X 2" |
| | 072889-01-000 | EA | SEALANT - URETHANE - BLACK - TUBE |
| | 076322-01-000 | FT | TAPE-DOUBLE COATED/ADHESIVE BK-.03"THK X .8"W X 216'- WHT |
| | 076322-02-000 | FT | TAPE-DOUBLE COATED/ADHESIVE BK-.05"THK X 1"W X 108' - WHT |
| | 076322-03-000 | FT | TAPE-DOUBLE COATED/ADHESIVE BK-.05"THK X .5"W X 108' - WHT |
| | 076322-04-000 | FT | TAPE-DOUBLE COATED/ADHESIVE BK-.05"THK X .8"W X 108' - WHT |
| | 076322-05-000 | FT | TAPE-DOUBLE COATED/ADHESIVE BK-.05"THK X .8"W X 108' - WHT |
| | 076322-07-000 | FT | TAPE-DOUBLE COATED/ADHESIVE BK-.05"THK X .5"W X 200' - BLK |
| | 076322-11-000 | FT | TAPE-DOUBLE COATED/ADHESIVE BK-.02"THK X 1"W X 216' - CLR |
| | 086276-01-000 | EA | TAPE - DOUBLE SIDED - 1/2" WIDE X 108' LONG (SOLD BY ROLL) |
| | 088479-01-000 | EA | TAPE - ALUMINUM - 3" |
| | 090340-01-000 | FT | SEAL - FOAM - CLOSED CELL - 1/4" X 1/2" X 50' |
| | 091255-02-000 | FT | SEAL - ADHESIVE BACKED/FOAM - 3/64" THICK X 3/16"W X 1000' |
| | 091255-03-000 | FT | SEAL - ADHESIVE BACKED/FOAM - 1/4" THICK X 1/4"W X 1000' |
| | 094401-03-000 | EA | SEALER - BODY SEAM - BLACK |
| | 094401-04-000 | EA | SEALER - BODY SEAM - CLEAR |
| | 098408-01-000 | FT | SEAL - SPONGE RUBBER - CLOSED CELL |
| | 099069-01-000 | FT | SEAL - RUBBER - CLOSED SPONGE - .5" WIDE X .12" THICK -BLK |
| | 099418-01-000 | FT | SEAL - D-SECTION/ADHESIVE BACK - .44" X .44"- BLK RUBBER |
| | 099418-02-000 | FT | SEAL - D SECTION - WHITE |
| | 099952-01-000 | FT | CORE - SEAL - BULB SUPPORT |
| | 100128-02-000 | FT | SEAL - FOAM/ADHESIVE BACK - .37" WIDE X .37" THICK |
| | 104692-01-000 | FT | SEAL - ADHESIVE BACKED FOAM - 3/4" THICK X 3/4" WIDE X 25' |
| | 104692-03-000 | FT | SEAL - ADHESIVE BACKED FOAM - 1" THICK X 1 3/4" WIDE X 15' |
| | 106206-01-000 | EA | SEALER - PUMPABLE - TUBE - BLACK - MANUS |
| | 107828-01-000 | EA | SEALANT - SB - 190 EVERSEAL |
| | 109506-12-000 | EA | FILM/ABRASION-RESISTANT - TRANSPARENT - 1" DIA. |
| | 110274-01-000 | FT | TAPE - DOUBLE SIDED/FOAM - .45" X 1" X 216' - BLACK |
| | 112864-01-000 | FT | SEAL - FOAM/BUTYL COVERED - 3/8" X 35' |
| | 112864-02-000 | FT | FOAM - BUTYL COVERED 5/16" X 44' |
| | 112901-02-000 | EA | ADHESIVE - PLEXUS - MA330 - 50ML - GRAY |
| | 112901-03-000 | EA | ADHESIVE - PLEXUS - MA300 - 50ML - WHITE |
| | 112902-01-000 | EA | NOZZLE - ELEMENT - 3/8 X 24 |
| | 112902-02-000 | EA | NOZZLE-BELL 3/8X24 - TAH 160-824 |
| | 112902-03-000 | EA | MIXER NOZZLE - F/GUN #00400102000 - SCOTCH-WELD & PLEXUS |
| | 113366-01-000 | EA | ADHESIVE - INSTANT - 1 OZ |

SEALANTS & FASTENERS GROUP (CONTINUED)
SEALANTS & ADHESIVES (CONTINUED)

| KEY | PART NUMBER | U/M | DESCRIPTION |
|-----|---------------|-----|--|
| | 113452-02-000 | FT | SEAL/TRIM - FRONT - VINYL W/WIRE CARRIER - .027" |
| | 120074-02-03A | EA | SILICONE - TUBE - W/O NOZZLE - SMOKEY WHITE |
| | 120074-02-02A | EA | SILICONE - TUBE - W/O NOZZLE - LOW ODOR - SOFT WHITE |
| | 120534-01-01A | EA | TAPE - SCOTCH - 3M - 1/2" FINE LINE |
| | 123244-01-000 | FT | TAPE - DOUBLE SIDED/FOAM - 5/64" THICK X 3/4" WIDE |
| | 123244-02-000 | FT | TAPE - DOUBLE SIDED/FOAM - 5/64" THICK X 1/2" WIDE X 108' |
| | 123816-01-000 | FT | TAPE - DOUBLE SIDED - 1" X 100' |
| | 123816-02-000 | FT | TAPE - DOUBLE SIDED - 1/2" X 1 1/3" X 100' |
| | 123816-03-000 | FT | TAPE - DOUBLE SIDED - 1/2" X 3/4" X 100' |
| | 123816-04-000 | FT | TAPE - DOUBLE SIDED - 6" X 750' |
| | 126427-01-000 | EA | ADHESIVE - ALL PURPOSE - ABS/PVC |
| | 126427-02-000 | EA | PRIMER - CLEANER - FLEX PIPING |
| | 131264-01-01A | EA | SILICONE - TUBE - W/O NOZZLE - BLACK |
| | 131264-01-02A | EA | SILICONE - TUBE - W/O NOZZLE - CLEAR |
| | 131264-02-01A | EA | SILICONE - TUBE - W/O NOZZLE - VW GRAY - BATH ONLY |
| | 131264-03-01A | EA | SILICONE - TUBE - W/O NOZZLE- SELF LEVELING - BRIGHT WHITE |
| | 131264-04-01A | EA | SILICONE - CLEAR - ADHESIVE |
| | 131384-01-000 | EA | ADHESIVE - JETWELD |
| | 900390-01-000 | EA | NOZZLE - SILICONE TUBE - 2.5" LONG |
| | 900390-03-000 | EA | NOZZLE - SILICONE TUBE - 4.3" LONG |

BOLTS, NUTS AND WASHERS

| KEY | PART NUMBER | U/M | DESCRIPTION |
|-----|---------------|-----|--|
| | 000C12-04-08B | EA | BOLT - HEX - 1/4-20 X 1/2 - GRADE #5 - ZINC |
| | 000C12-04-40B | EA | BOLT - HEX - 1/4-20 X 2 1/2 - GRADE 5 ZINC |
| | 000C12-05-16B | EA | BOLT - HEX - 5/16-18 X 1 - GRADE #5 - ZINC |
| | 000C12-05-12B | EA | BOLT - HEX - 5/16-18 X 3/4 - GRADE #5 - ZINC |
| | 000C12-06-16B | EA | BOLT - HEX - 3/8-16 X 1 - GRADE #5 - ZINC |
| | 000C12-06-44B | EA | BOLT - HEX - 3/8-16 X 2 3/4 - GRADE 5 - ZINC |
| | 000C12-07-20B | EA | BOLT - HEX - 7/16-14 X 1 1/4 - GRADE #5 - ZINC |
| | 000C12-07-24B | EA | BOLT - HEX TAP - 1/2-13NC X 4 - GRADE 5 - FULL THREAD/ZINC |
| | 000C12-08-16B | EA | BOLT - HEX - 1/2-13 X 1 - GRADE #5 - ZINC |
| | 000C12-08-28B | EA | BOLT - HEX - 1/2-13 X 1 3/4 - GRADE #5 - ZINC |
| | 000C12-08-24B | EA | BOLT - HEX - 1/2-13 X 1 1/2 - GRADE #5 - ZINC |
| | 000C12-10-24B | EA | BOLT - HEX - 5/8-11 X 1 1/2 - GRADE #5 - ZINC |
| | 000C13-07-40B | EA | BOLT - HEX - 7/16-20 X 2 1/2 - GRADE #5 - ZINC |
| | 000C13-07-48B | EA | BOLT - HEX - 7/16-20 X 3 - GRADE #5 - ZINC |
| | 000C14-07-28B | EA | BOLT - HEX - 7/16-14 X 1 3/4 - GRADE #8 - ZINC |
| | 000C14-08-64B | EA | BOLT-HEX-1/2-13X4 ZN 8 - 01 431C |
| | 000C14-10-32K | EA | BOLT - HEX - 5/8-11 X 2 - GRADE #8 - ZINC |
| | 000C14-10-24K | EA | BOLT - HEX - 5/8-11 X 1 1/2 - GRADE #8 - ZINC |
| | 000C18-05-40A | EA | BOLT - ELEVATOR - 5/16-18 X 2 1/2 - PL |
| | 000C18-06-48B | EA | BOLT - ELEVATOR - 3/8-16 X 3 - GRADE 5 - ZINC |
| | 000C26-04-14B | EA | BOLT - HEX - SERRATED FLANGE - 1/4-20 X 7/8 - ZINC |
| | 000C26-04-10B | EA | BOLT - HEX - SERRATED FLANGE - 1/4-20 X 5/8 - ZINC |
| | 000C26-04-18B | EA | BOLT - HEX - SERRATED FLANGE - 1/4-20 X 1 1/8 - ZINC |
| | 000C26-05-20B | EA | BOLT - HEX - SERRATED FLANGE - 5/16-18 X 1 1/4 - ZINC |
| | 000C26-05-12B | EA | BOLT - HEX - SERRATED FLANGE - 5/16-18 X 3/4 - ZINC |
| | 000C26-05-249 | EA | BOLT - HEX - SERRATED FLANGE - 5/16-18 X 1 1/2 |
| | 000C26-06-16B | EA | BOLT - HEX - SERRATED FLANGE - 3/8-16 X 1 - ZINC |
| | 000C26-06-12B | EA | BOLT - HEX - SERRATED FLANGE - 3/8-16 X 3/4 - ZINC |
| | 000C26-06-20B | EA | BOLT - HEX - SERRATED FLANGE - 3/8-16 X 1 1/4 - ZINC |
| | 000C26-06-40B | EA | BOLT - HEX - SERRATED FLANGE - 3/8-16 X 2 1/2 - ZINC |
| | 000C26-06-28B | EA | BOLT - HEX - SERRATED FLANGE - 3/8-16 X 1 3/4 - ZINC |
| | 000C26-08-24B | EA | BOLT - HEX - SERRATED FLANGE - 1/2-13 X 1 1/2 - ZINC |
| | 000C27-04-40B | EA | BOLT - CARRIAGE - 1/4-20 X 2 1/2 - ZINC |
| | 000C27-05-44I | EA | BOLT-CARR,5/16-18X2.75" - BLACK ZINC |
| | 000D16-07-00B | EA | NUT - HEX - 7/16-14 - ZINC |
| | 000D24-10-00B | EA | NUT - HEX - SELF LOCKING - 10-32 ZINC |
| | 000D28-10-00B | EA | NUT - HEX - W/NYLON LOCK - 10-32 ZINC |
| | 000D29-04-00B | EA | NUT - HEX - SELF LOCKING - 1/4 X 20 - ZINC |
| | 000D29-06-00B | EA | NUT - HEX - W/NYLON LOCK - 3/8-16 - ZINC |
| | 000D29-09-00B | EA | NUT - HEX - SELF LOCKING - 9/16-12 - ZINC |

SEALANTS & FASTENERS GROUP (CONTINUED)
BOLTS, NUTS AND WASHERS (CONTINUED)

| KEY | PART NUMBER | U/M | DESCRIPTION |
|------------|--------------------|------------|--|
| | 000D30-07-00B | EA | NUT - HEX LOCK - NYLON 7/16 X 20 |
| | 000D34-04-00B | EA | NUT - HEX - LOCKING - 1/4-20 - ZINC |
| | 000D34-06-00B | EA | NUT - HEX - LOCKING - 3/8-16 GRADE C - ZINC |
| | 000D39-04-00B | EA | NUT - HEX - LOCKING W/SERRATED FLANGE - 1/4-20 - ZINC |
| | 000D39-05-00B | EA | NUT - HEX - LOCKING W/SERRATED FLANGE - 5/16-18 - ZINC |
| | 000D39-06-00D | EA | NUT - HEX - LOCKING W/SERRATED FLANGE - 3/8"-16 BLACK |
| | 000D39-06-00B | EA | NUT - HEX - LOCKING W/SERRATED FLANGE - 3/8-18 - ZINC |
| | 000D39-07-00B | EA | NUT - HEX - LOCKING W/SERRATED FLANGE - 7/16-14 - ZINC |
| | 000D39-08-00B | EA | NUT - HEX - LOCKING W/SERRATED FLANGE - 1/2-13 - ZINC |
| | 000D44-04-00B | EA | NUT - HEX - LOCKING W/SERRATED FLANGE - 1/4-28 - ZINC |
| | 000D44-07-00B | EA | NUT - HEX - LOCKING W/SERRATED FLANGE - 7/16-20 - ZINC |
| | 000D44-08-00B | EA | NUT - HEX - SERRATED FLANGE - 1/2-20 - GRADE #5 - ZINC |
| | 000D46-04-00A | EA | NUT - HEX - WELD - 1/4-20 - PLAIN |
| | 000D58-06-00A | EA | NUT - HEX - WELD 3/8-16 - PLAIN |
| | 000D65-08-00B | EA | NUT - HEX - LOCKING W/SERRATED FLANGE - 8-32 - ZINC |
| | 000D67-10-00B | EA | NUT - HEX - LOCK - 5/8-11 - ZINC |
| | 000D73-08-00C | EA | NUT - HEX FLANGE - 1/2-13 |
| | 000D75-09-00B | EA | NUT - HEX LOCKING - 9/16-12 - ZINC |
| | 000D76-06-00B | EA | NUT - HEX FLANGE - 3/8-16 |
| | 000E11-04-00F | EA | WASHER - LOCKING - 1/4 MED SPLIT - STAINLESS STEEL |
| | 000E11-07-00B | EA | WASHER - LOCKING - 7/16 MED SPLIT - ZINC |
| | 000E11-08-00B | EA | WASHER - LOCKING - 1/2 MED SPLIT - ZINC |
| | 000E13-17-00B | EA | WASHER - FLAT - 3/8 AR - ZINC |
| | 000E13-18-00B | EA | WASHER - FLAT - 3/8 WIDE - ZINC |
| | 000E13-20-00B | EA | WASHER - FLAT - 7/16 WIDE - ZINC |
| | 000E13-22-00B | EA | WASHER - FLAT - 1/2 WIDE - ZINC |
| | 000E13-26-00B | EA | WASHER - FLAT - 5/8 WIDE - ZINC |
| | 000E14-10-00B | EA | WASHER - LOCKING - #10 EXTERNAL TOOTH - ZINC |
| | 000E16-10-00B | EA | WASHER - HARDENED - 5/8 - FLAT - ZINC |
| | 000G45-05-16B | EA | BOLT - LAG - 5/16-9 X 1 - ZINC |
| | 000G62-08-24B | EA | SCREW - SF/DR - 8-18 X 1 1/2 PFH |
| | 040921-03-000 | EA | NUT - SPEED - U TYPE - #10 |
| | 040921-04-000 | EA | NUT - SPEED - U TYPE - #8-.59" LENGTH X .44" WIDTH |
| | 040921-05-000 | EA | NUT - SPEED - U-TYPE - 8-.67" X .44" WIDE |
| | 041322-01-000 | EA | WASHER - FLANGE - 15/32 ID X 2 3/8 OD - F/SEAT BELT MTG |
| | 044364-02-000 | EA | NUT - SPEED - FLAT - ROUND |
| | 044533-01-000 | EA | WASHER - PLASTIC - 1 3/8 OD - FOR BUTTONS |
| | 051387-06-000 | EA | BOLT - CARRIAGE W/O HOLE - 5/16-18 X 9 1/2 - ZINC |
| | 058716-02-000 | EA | WASHER - FLAT NYLON |
| | 058716-03-000 | EA | WASHER - FLAT/NYLON - .500 X 1 1/4 X 060 |
| | 064081-03-000 | EA | NUT - WING 3/8-16 - W/WELD NUT |
| | 077071-01-000 | EA | WASHER - FENDER - 3/16 ID X 1 OD |
| | 084406-01-000 | EA | NUT - CAPPED - CROSS RECESSED - BLACK - 1/4-20 THD |
| | 087234-01-000 | EA | NUT - JACK - 1/4 X 20 THD - MOLLY |
| | 087718-01-000 | EA | MONOBOLT - STEEL - 3/16 DIAMETER |
| | 088787-12-000 | EA | STUD - WELD - 1/4 - 20 X 1.0 LG - MN |
| | 102333-01-06A | EA | BOLT - CARRIAGE - 7/16-14 STAINLESS STEEL CAP |
| | 102333-02-01A | EA | BOLT - CARRIAGE - 1/4-20 |
| | 102540-02-000 | EA | SEAL - SCREW |
| | 103020-02-000 | EA | BOLT-U - #8-32 - GRADE 5 ZINC |
| | 104369-01-000 | EA | NUT - HEX - HEAVY - 5/8-11 UNC |
| | 106166-01-000 | EA | BOLT/COLLARED HANGER - 8-32 X 1 |
| | 106956-03-000 | EA | BOLT - HEX TAP - 1/2-12NC X 3 - GRADE 5 - FULL THREAD/ZINC |
| | 106956-08-000 | EA | BOLT - HEX TAP - 1/2-13NC X 4 - GRADE 5 - FULL THREAD/ZINC |
| | 107397-01-000 | EA | WASHER - FENDER - 3/4 ID X 1 OD |
| | 108067-03-000 | EA | STUD - WELD - 1/4 - 20 X 1/2 CD |
| | 109917-01-000 | EA | WASHER - 1.5" X 1.25" |
| | 109917-03-000 | EA | WASHER - 1" X .50" |
| | 109917-04-000 | EA | WASHER - 1" X .75" |
| | 113985-02-000 | EA | BOLT - FLANGE - M10-1 1/2 X 30CL 10.9 |
| | 114259-05-000 | EA | BOLT - 7/16-20 X 1 1/4 W/WASHER |
| | 120506-01-01A | EA | RIVET - PLASTIC - 3/16 DIAMETER |
| | 128444-01-000 | EA | WASHER - SPRING - CONICAL |

SEALANTS & FASTENERS GROUP (CONTINUED)
BOLTS, NUTS AND WASHERS (CONTINUED)

| KEY | PART NUMBER | U/M | DESCRIPTION |
|-----|---------------|-----|--|
| | 131377-01-000 | EA | NUT-HEX HEAD W/WASHER-1/4-20 X 2" STEEL W/3/4" OD WASHER |
| | 135092-01-01A | EA | BOLT - HEX - SERRATED FLANGE - 1/2-20 X 1 3/4-GRADE 5 ZINC |
| | 135092-02-01A | EA | BOLT - HEX - SERRATED FLANGE - 1/2-20 X 2 1/2-GRADE 5 ZINC |
| | 135092-04-01A | EA | BOLT - HEX - SERRATED FLANGE - 1/2-20 X 4 1/2 GRADE 5 ZINC |

SCREWS

| KEY | PART NUMBER | U/M | DESCRIPTION |
|-----|---------------|-----|---|
| | 0G1106-08-240 | EA | SCREW - 6-20 X 1/2 PPH - VW LIGHT GRAY |
| | 0G1108-12-240 | EA | SCREW - 8-18 X 3/4 PPH - VW LIGHT GRAY |
| | 0G1208-12-170 | EA | SCREW - 8-18 X 3/4 POH - BRIGHT WHITE |
| | 0G1308-10-240 | EA | SCREW - 8-18 X 5/8 PFH - VW LIGHT GRAY |
| | 0G3804-22-180 | EA | SCREW - MACHINE - 1/4-20 X 1 3/8 PFH - BLACK |
| | 0G3908-08-160 | EA | SCREW - SF/DR - 8-18 X 1/2 PPH - VW WHITE |
| | 0G3908-08-170 | EA | SCREW - SF/DR - 8-18 X 1/2 PPH - BRIGHT WHITE |
| | 0G3908-12-240 | EA | SCREW - SF/DR - 8-18 X .75 PPH - VW LIGHT GRAY |
| | 0G3908-12-250 | EA | SCREW - SF/DR - 8-18 X 3/4 PPH - DARK GRAY |
| | 0G3908-24-170 | EA | SCREW - SF/DR - 8-18 X 1 1/2 PPH - BRIGHT WHITE |
| | 0G3910-10-240 | EA | SCREW - SF/DR - 10-16 X 5/8 PPH - VW LIGHT GRAY |
| | 0G3910-10-320 | EA | SCREW - SF/DR - 10-16 X 5/8 PPH - GLACIER |
| | 0G3910-10-330 | EA | SCREW - SF/DR - 20-16 X 5/8 PPH - PUTTY |
| | 0G3910-12-170 | EA | SCREW - SF/DR - 10-16 X 3/4 PPH - BRIGHT WHITE |
| | 0G3910-12-320 | EA | SCREW - SF/DR - 10-16 X .75 PPH - GLACIER |
| | 0G5508-08-250 | EA | SCREW - SF/DR - 8-18 X 1/2 PWH - VW DARK GRAY |
| | 0G5508-12-170 | EA | SCREW - SF/DR - 8-18 X 3/4 PWH - BRIGHT WHITE |
| | 0G5508-12-240 | EA | SCREW - SF/DR - 8-18 X 3/4 PWH - VW LIGHT GRAY |
| | 0G5508-12-330 | EA | SCREW - SF/DR - 8-18 X 3/4 PWH - PUTTY |
| | 0G5508-12-320 | EA | SCREW - SF/DR - 8-18 X 3/4 PWH - GLACIER |
| | 0G5508-16-260 | EA | SCREW - SF/DR - 8-18 X 1 PWH ZINC - INTERIOR ANTELOPE |
| | 0G5508-16-250 | EA | SCREW - SF/DR - 8-18 X 1 PWH - VW DARK GRAY |
| | 0G5508-16-310 | EA | SCREW - SF/DR - 8-18 X 1 PWH - CADDY CREAM |
| | 0G5508-16-330 | EA | SCREW - SF/DR - 8-18 X 1 PWH - PUTTY |
| | 0G6008-16-170 | EA | SCREW - SF/DR - 8-18 X 1 POH - BRIGHT WHITE |
| | 0G6710-08-110 | EA | SCREW - 10-12 X 1/2 PPH - HAMPTON TAN |
| | 0G6710-08-240 | EA | SCREW - 10-12 X 1/2 PPH TAUPE - VW LIGHT GRAY |
| | 0G6710-08-170 | EA | SCREW - 10-12 X 1/2 PPH - BRIGHT WHITE |
| | 0G6710-12-170 | EA | SCREW - 10-12 X 3/4 PPH - BRIGHT WHITE |
| | 0G6806-16-170 | EA | SCREW - 6-18 X 1 POH - BRIGHT WHITE |
| | 0G6810-24-280 | EA | SCREW - 10-12 X 1 1/2 POH - SOFT WHITE |
| | 000C20-05-28F | EA | SCREW - 5/16-18 X 1 3/4 FLAT SOC - STAINLESS STEEL |
| | 000C20-06-24T | EA | SCREW - 3/8-16 X 1 1/2 - FLAT SOCKET |
| | 000G11-06-24B | EA | SCREW - 6-20 X 1 1/2 PPH ZINC |
| | 000G11-06-10J | EA | SCREW - 6-20 X 5/8 PPH - BRASS |
| | 000G11-06-10B | EA | SCREW - 6-20 X 5/8 PPH - ZINC |
| | 000G11-06-08B | EA | SCREW - 6-20 X 1/2 PPH - ZINC |
| | 000G11-06-06B | EA | SCREW - 6-20 X 3/8 PPH - ZINC |
| | 000G11-07-08B | EA | SCREW - 7-19 X 1/2 PPH - ZINC |
| | 000G11-08-20B | EA | SCREW - 8-18 X 1 1/4 PPH - ZINC |
| | 000G11-08-20G | EA | SCREW - 8-18 X 1 1/4 - ANTIQUE BRASS |
| | 000G11-08-16B | EA | SCREW - 8-18 X 1 PPH - ZINC |
| | 000G11-08-12T | EA | SCREW - 8-18 X 3/4 PPH - BLACK MAGNESIUM |
| | 000G11-08-12P | EA | SCREW - 8-18 X 3/4 PPH - DARK BROWN |
| | 000G11-08-12D | EA | SCREW - 8-18 X 3/4 PPH - BLACK PHOSPHATE |
| | 000G11-08-12B | EA | SCREW - 8-18 X 3/4 PPH - ZINC |
| | 000G11-08-08T | EA | SCREW - 8-18 X 1/2 PPH - FLUOROCARBON COATING |
| | 000G11-08-06J | EA | SCREW - 8-18 X 3/8 PPH BRASS |
| | 000G11-08-06B | EA | SCREW - 8-18 X 3/8 PPH - ZINC |
| | 000G11-10-12S | EA | SCREW - 10-16 X 3/4 PPH - OFF WHITE |
| | 000G11-10-12D | EA | SCREW - 10-16 X 3/4 PPH - BLACK |
| | 000G12-06-08T | EA | SCREW - 6-20 X 1/2 POH - BLACK |
| | 000G12-08-12S | EA | SCREW - 8-18 X 3/4 POH - OFF WHITE |
| | 000G13-05-10B | EA | SCREW - 5-12 X 5/8 PFH - ZINC |
| | 000G13-06-08B | EA | SCREW - 6-20 X 1/2 PFH - ZINC |

SEALANTS & FASTENERS GROUP (CONTINUED)
SCREWS (CONTINUED)

| KEY | PART NUMBER | U/M | DESCRIPTION |
|-----|---------------|-----|---|
| | 000G13-06-06I | EA | SCREW - 6-20 X 3/8 PFH - BLACK ZINC |
| | 000G13-06-24J | EA | SCREW - 6-20 X 1 1/2 PFH - BRASS |
| | 000G13-06-16J | EA | SCREW - 6-20 X 1 PFH - BRASS |
| | 000G13-06-16S | EA | SCREW - 6-20 X 1 PFH - OFF WHITE |
| | 000G13-06-10J | EA | SCREW - 6-20 X 5/8 PFH - BRASS |
| | 000G13-06-10G | EA | SCREW - 6-20 X 5/8 PFH - ANTIQUE BRASS |
| | 000G13-06-08G | EA | SCREW - 6-20 X 1/2 PFH - ANTIQUE BRASS |
| | 000G13-07-12B | EA | SCREW - 7-19 X 3/4 PFH - ZINC |
| | 000G13-07-10H | EA | SCREW - 7-19 X 5/8 PFH - BLACK |
| | 000G13-08-24B | EA | SCREW - 8-18 X 1 1/2 PFH - ZINC |
| | 000G13-08-16B | EA | SCREW - 8-18 X 1 PFH - ZINC |
| | 000G13-08-109 | EA | SCREW - 8-18 X 5/8 PFH |
| | 000G16-04-24B | EA | SCREW - MACHINE - 1/4-20 X 1 1/2 PPH |
| | 000G18-08-16B | EA | SCREW - MACHINE - 8-32 X 1 PPH - ZINC |
| | 000G18-08-24B | EA | SCREW - MACHINE - 8-32 X 1 1/2 PPH - ZINC |
| | 000G18-08-22B | EA | SCREW - MACHINE - 8-32 X 1 3/8 PPH - ZINC |
| | 000G18-08-12B | EA | SCREW - MACHINE - 8-32 X 3/4 PPH - ZINC |
| | 000G19-10-08B | EA | SCREW - MACHINE - 10-32 X 1/2 PPH - ZINC |
| | 000G19-10-20B | EA | SCREW - MACHINE - 10-32 X 1 1/2 PPH - ZINC |
| | 000G19-10-12F | EA | SCREW - MACHINE - 10-32 X 3/4 PPH - STAINLESS STEEL |
| | 000G19-10-10B | EA | SCREW - MACHINE - 10-32 X 5/8 - PPH - ZINC |
| | 000G32-10-06B | EA | SCREW - 10-32 X 3/8 PPH - ZINC |
| | 000G37-08-089 | EA | SCREW - 8 X 18 X 1/2 PPH - FLUOROCARBON SILVER |
| | 000G39-06-10T | EA | SCREW - SF/DR - 6-20 X 5/8 PPH - BLACK |
| | 000G39-06-16T | EA | SCREW - SF/DR - 6-20 X 1 PPH - BLACK |
| | 000G39-08-08B | EA | SCREW - SF/DR - 8-18 X 1/2 PPH - ZINC |
| | 000G39-08-06B | EA | SCREW - SF/DR - 8-18 X 3/8 PPH - ZINC |
| | 000G39-08-32B | EA | SCREW - SF/DR - 8-18 X 2 PPH - ZINC |
| | 000G39-08-24T | EA | SCREW - SF/DR - 8-18 X 1 1/2 PPH - BLACK |
| | 000G39-08-24B | EA | SCREW - SF/DR - 8-18 X 1 1/2 PPH - ZINC |
| | 000G39-08-16T | EA | SCREW - SF/DR - 6-20 X 1 PPH - BLACK |
| | 000G39-08-16B | EA | SCREW - SF/DR - 8-18 X 1 PPH - ZINC |
| | 000G39-08-12T | EA | SCREW - SF/DR - 8-18 X 3/4 PPH - BLACK |
| | 000G39-08-12B | EA | SCREW - SF/DR - 8-18 X 3/4 PPH - ZINC |
| | 000G39-08-08T | EA | SCREW - SF/DR - 8-18 X 1/2 PPH - BLACK |
| | 000G39-08-08S | EA | SCREW - SF/DR - 8-18 X 1/2 PPH - OFF WHITE |
| | 000G39-10-088 | EA | SCREW - SF/DR - 10-16 X 1/2 PPH - FLEX FLUOROCARBON |
| | 000G39-10-08B | EA | SCREW - SF/DR - 10-16 X 1/2 PPH - ZINC |
| | 000G39-10-12B | EA | SCREW - SF/DR - 10-16 X 3/4 PPH - ZINC |
| | 000G39-10-10T | EA | SCREW - SF/DR - 10-16 X 5/8 - BLACK |
| | 000G39-10-10B | EA | SCREW - SF/DR - 10-16 X 5/8 - ZINC |
| | 000G39-10-48B | EA | SCREW - SF/DR - 10-16 X 3 - PPH - ZINC |
| | 000G39-10-40D | EA | SCREW - SF/DR - 10-16 X 2 1/2 PPH - BLACK |
| | 000G39-10-32I | EA | SCREW - SELF TAPPING - 10-16 X 2 PPH - BLACK |
| | 000G39-10-32B | EA | SCREW - SF/DR - 10-16 X 2 - PPH - ZINC |
| | 000G39-10-209 | EA | SCREW - SF/DR - 10-16 X 1 1/4 PPH - FLUOROCARBON SILVER |
| | 000G39-10-20T | EA | SCREW - SF/DR - 10-16 X 1 1/4 PPH - BLACK |
| | 000G39-10-20B | EA | SCREW - SF/DR - 10-16 X 1 1/4 PPH - ZINC |
| | 000G39-10-169 | EA | SCREW - SF/DR - 10-16 X 1 PPH - FLUOROCARBON SILVER |
| | 000G39-10-129 | EA | SCREW - SF/DR - 10-16 X 3/4 PPH - FLUOROCARBON SILVER |
| | 000G39-10-12T | EA | SCREW - SF/DR - 10-16 X 3/4 - BLACK |
| | 000G39-10-12S | EA | SCREW - SF/DR - 10-16 X 3/4 PPH - OFF WHITE |
| | 000G39-12-12E | EA | SCREW - SF/DR - 12-14 X 3/4 PPH - CHROME |
| | 000G42-04-24B | EA | SCREW - SF/DR - 1/4-14 X 1 1/2 - ZINC |
| | 000G42-04-16B | EA | SCREW - SF/DR - 1/4-14 X 1 HWH - ZINC |
| | 000G50-04-12B | EA | SCREW - MACHINE - 1/4-20 X 3/4 PPH - ZINC |
| | 000G50-04-06B | EA | SCREW - MACHINE - 1/4-20 X 3/8 PTH - ZINC |
| | 000G51-06-12B | EA | SCREW - 6-20 X 3/4 PTH - ZINC |
| | 000G52-06-06B | EA | SCREW - MACHINE - 6-32 X 3/8 PTN - ZINC |
| | 000G52-06-05B | EA | SCREW - MACHINE - 6-32 X 5/16 PTH ZINC |
| | 000G55-08-16T | EA | SCREW - SF/DR - 8-18 X 1 PWH - BLACK |
| | 000G55-08-12S | EA | SCREW - SF/DR - 8-18 X 3/4 PWH - OFF WHITE |
| | 000G56-12-48B | EA | SCREW - WOOD - 12-11 X 3 POH - SPECIAL HARDENED |

SEALANTS & FASTENERS GROUP (CONTINUED)
SCREWS (CONTINUED)

| KEY | PART NUMBER | U/M | DESCRIPTION |
|-----|---------------|-----|---|
| | 000G57-14-72B | EA | SCREW-14-10-X4-1/2 PFH ZN GENERAL MOTORHOMES |
| | 000G57-14-64B | EA | SCREW - 14-10 X 4 PFH ZINC |
| | 000G60-08-22B | EA | SCREW - SF/DR - 8-18 X 1.38 POH - ZINC |
| | 000G60-08-20F | EA | SCREW - SF/DR - 8-19X1.25 POH |
| | 000G60-08-16E | EA | SCREW - SF/DR - 8-1 X 1 POH - CHROME |
| | 000G60-10-20B | EA | SCREW - SF/DR - 10-16 X 1 1/4 POH - ZINC |
| | 000G60-10-28T | EA | SCREW - SF/DR - 10-16 X 1 3/4 - BLACK |
| | 000G60-10-209 | EA | SCREW - SF/DR - 10-16 X 1 1/4 POH - SILVER STALGAARD |
| | 000G67-08-32B | EA | SCREW - 8-15 X 2 PPH - ZINC |
| | 000G67-10-08B | EA | SCREW - 10-12 X 1/2 PPH - ZINC |
| | 000G67-10-10S | EA | SCREW - 10-12 X 5/8 PPH - OFF WHITE |
| | 000G67-10-10P | EA | SCREW - 10-12 X 5/8 PPH - DARK BROWN |
| | 000G67-10-10B | EA | SCREW - 10-12 X 5/8 PPH - ZINC - TYPE A |
| | 000G67-10-08S | EA | SCREW - 10-12 X 1/2 PPH - OFF WHITE |
| | 000G67-10-32B | EA | SCREW - 10-12 X 2 PPH - ZINC |
| | 000G67-10-24B | EA | SCREW - 10-12 X 1 1/2 PPH - ZINC |
| | 000G67-10-20D | EA | SCREW - 10-12 X 1 1/4 PPH - BLACK |
| | 000G67-10-16B | EA | SCREW - 10-12 X 1 PPH - ZINC |
| | 000G67-10-12P | EA | SCREW - 10-12 X 3/4 PPH - DARK BROWN |
| | 000G67-10-12B | EA | SCREW - 10-12 X 3/4 PPH - ZINC |
| | 000G67-10-10T | EA | SCREW - 10-12 X 5/8 PPH - BLACK |
| | 000G68-06-10G | EA | SCREW - 6-18 X 5/8 POH - ANTIQUE BRASS |
| | 000G68-06-12J | EA | SCREW - 6-18 X 3/4 POH - BRASS |
| | 000G68-06-12B | EA | SCREW - 6-18 X 3/4 POH - ZINC & CLEAR |
| | 000G68-06-10J | EA | SCREW - 6-18 X 5/8 POH - BRASS |
| | 000G68-10-20I | EA | SCREW - 10-12 X 1 1/4 POH - BLACK |
| | 029130-05-000 | EA | SCREW - SNAP STUD - #8-16 X 5/8" LONG |
| | 049465-03-000 | EA | SCREW - 10-16 X 1 POH W/WASHER - OFF WHITE |
| | 049465-04-000 | EA | SCREW - 10-16 X 1 PTH W/WASHER - BEIGE |
| | 049465-17-000 | EA | SCREW - 10-16 X 1 POH W/WASHER - BRIGHT WHITE |
| | 049465-23-000 | EA | SCREW - 10-16 X 1.5 POH W/WASHER - VW LIGHT GRAY |
| | 054434-02-000 | EA | SCREW - SF/DR - 10-16 X 2 - ZINC |
| | 054434-03-000 | EA | SCREW - SF/DR - 10-16 X 2 - PWH - ZINC - W/O WINGS |
| | 075908-01-000 | EA | SCREW - MACHINE - 10-32 X .56 PTH - EXTERNAL TOOTH - ZINC |
| | 076790-01-000 | EA | SCREW - 6-20 X 1 1/4 PPH - BLACK |
| | 076790-03-000 | EA | SCREW - 6-20 X 1 PPH - BLACK |
| | 076790-05-000 | EA | SCREW - 6-20 X 1/2 PPH - BLACK - THREAD CUTTING/WOOD |
| | 087721-01-000 | EA | SCREW - FLAT HEAD - TAPPING - 1/4 X 1 1/4 LONG - ZINC |
| | 090033-02-000 | EA | SCREW - 1/4-20 X 5/8 - ROUND WASHER HEAD - OFF/WHITE |
| | 091230-06-000 | EA | SCREW-MACH,8-32X3/4 POH SS - BRIGHT WHITE |
| | 097974-01-000 | EA | SCREW - PARTICLE BOARD - 7-9 X 3/4 PPH |
| | 101618-01-000 | EA | SCREW - 1/4-20 X 3/4 HEX - TAPPING - STALGARD TYPE F |
| | 105126-01-000 | EA | SCREW - MACHINE - 8-32 X 1 PPH TAPTIT |
| | 110460-05-02A | EA | SCREW - MACHINE - 10-24 X 2 1/2 PFH - WHITE |
| | 113563-01-01A | EA | SCREW - 8 X 5/8 LONG SHOULDER/WASHER HEAD |
| | 117478-01-04A | EA | SCREW - 8-18 X 3/4 PPH W/WASHER - VW LIGHT GRAY |
| | 118383-01-09A | EA | RETAINER/RECESSED - F/.22" SCREW - GLACIER |
| | 118383-01-05A | EA | RETAINER/RECESSED - F/.22" SCREW - VW LIGHT GRAY |
| | 118383-01-04A | EA | RETAINER/RECESSED - F/.22" SCREW - BRIGHT WHITE |
| | 118383-02-05A | EA | RETAINER/RECESSED - F/.27" SCREW - VW LIGHT GRAY |
| | 118383-02-09A | EA | RETAINER/RECESSED - F/.27" SCREW - GLACIER |
| | 118383-03-09A | EA | RETAINER/RECESSED - F/.32" SCREW - GLACIER |
| | 118383-03-05A | EA | RETAINER/RECESSED - F/.32" SCREW - VW LT. GRAY |
| | 118383-04-09A | EA | CAP - F/RECESSED RETAINER - GLACIER |
| | 118383-04-05A | EA | CAP - F/RECESSED RETAINER - VW LIGHT GRAY |
| | 118383-04-04A | EA | CAP - F/RECESSED RETAINER - BRIGHT WHITE |
| | 134126-01-01A | EA | SCREW/NAIL - HEX HEAD - 3/4" |
| | 134126-02-01A | EA | SCREW/NAIL - HEX HEAD - 1 1/4" |
| | 140040-01-000 | EA | SCREW - 1/4-20X1 - BUTTON HEAD SOCKET - W/LOCTITE |

SEALANTS & FASTENERS GROUP (CONTINUED)

CLAMPS, CLIPS, GROMMETS, RIVETS & PLUGS

| KEY | PART NUMBER | U/M | DESCRIPTION |
|-----|---------------|-----|--|
| | 000F10-06-32B | EA | PIN - COTTER - 3/16" X 2" - ZINC |
| | 000H14-06-06R | EA | RIVET-MANDREL BLIND,3/16 AL - CHERRY BSP-66 |
| | 000H16-04-06R | EA | RIVET - POP ALUMINUM - 1/8 X .313 - .375 |
| | 000H16-06-10R | EA | RIVET - POP ALUMINUM - 3/16 X .501-.625 |
| | 007161-01-000 | EA | CLAMP - HOSE - SPRING TYPE - 1/2" |
| | 008384-01-000 | EA | GROMMET - SNAP - 3/4 DIAMETER - NYLON |
| | 008386-01-000 | EA | GROMMET - SNAP - 3/8" DIAMETER - NYLON |
| | 010495-01-000 | EA | CLAMP - CABLE - 9/16" |
| | 010495-02-000 | EA | CLAMP - CABLE - 3/8" |
| | 010495-04-000 | EA | CLAMP - CABLE - 11/16" - WHITE |
| | 010497-01-000 | EA | CLAMP - CLOSED - 5/8" ID |
| | 010497-03-000 | EA | CLAMP - CLOSED - 1" ID - CUSHIONED |
| | 010497-04-000 | EA | CLAMP - CLOSED - 1 5/8" ID |
| | 010497-05-000 | EA | CLAMP - CLOSED - 1/2" ID |
| | 010497-07-000 | EA | CLAMP - CLOSED - 3/8" ID |
| | 010499-01-000 | EA | CLAMP - CLOSED - 3/8" ID |
| | 016188-03-000 | EA | GROMMET - L/P LINE - 3/8" HOLE X 2 1/2" LONG - RUBBER |
| | 016188-04-000 | EA | GROMMET - L/P LINE - 1/2" HOLE X 2 1/2" LONG - RUBBER |
| | 016188-05-000 | EA | GROMMET - L/P LINE - 3/8" HOLE X 1 1/4" LONG - RUBBER |
| | 016188-06-000 | EA | GROMMET - L/P LINE - 3/8" X 31 1/4" LONG |
| | 016188-07-000 | EA | GROMMET - L/P LINE - 1/2" X 3 1/4" LONG |
| | 023942-01-000 | EA | GROMMET - RUBBER - 2" OD |
| | 034141-02-000 | EA | PLUG/NYLON - .38" - BLACK |
| | 056134-01-000 | EA | HOLDER - RING - 3.6" DIAMETER - METAL |
| | 056134-02-000 | EA | HOLDER - RING - 1.8" DIAMETER - METAL |
| | 061420-04-000 | EA | PLUG/PLASTIC - 1 1/4" DIAMETER |
| | 061420-05-000 | EA | PLUG/PLASTIC - 1 1/2" DIAMETER |
| | 061420-08-000 | EA | PLUG/PLASTIC - 2 1/2" DIAMETER |
| | 061420-09-000 | EA | PLUG/PLASTIC - 1.00" - DIAMETER |
| | 061420-10-000 | EA | PLUG/PLASTIC - 1 1/2" DIAMETER - BLACK |
| | 061420-15-000 | EA | PLUG/PLASTIC - 2" DIAMETER - BLACK |
| | 062401-01-000 | EA | CLAMP - HOSE - WORMGEAR - .25" - 1" |
| | 062401-02-000 | EA | CLAMP - HOSE - WORMGEAR - 1.56" - 2.5" |
| | 062401-03-000 | EA | CLAMP - HOSE - WORMGEAR - .22" - 1" |
| | 062401-04-000 | EA | CLAMP - HOSE - WORMGEAR - .69" - 1.25" |
| | 062401-05-000 | EA | CLAMP - HOSE - WORMGEAR - 2" - 3" ID |
| | 062401-06-000 | EA | CLAMP - HOSE - WORMGEAR - .22" - .62" ID |
| | 062401-09-000 | EA | CLAMP - HOSE - WORMGEAR - 2.8" - 3.75" |
| | 062401-11-000 | EA | CLAMP - HOSE - WORMGEAR - 3.50" - 4.50" |
| | 062401-12-000 | EA | CLAMP - HOSE - WORMGEAR - .79" X 1.26" |
| | 071015-11-000 | EA | GROMMET - RUBBER - 1"ID FITS .12 MATERIAL - BLACK |
| | 071015-19-000 | EA | GROMMET - RUBBER - .38 ID - FITS .06 MATERIAL - BLACK |
| | 071015-26-000 | EA | GROMMET - RUBBER - 1.5" ID X 2.1" OD W/.06" GROOVE-BLACK |
| | 071015-29-000 | EA | GROMMET - RUBBER - .3" ID X 1.3"OD W/.12" GROOVE - BLACK |
| | 071015-30-000 | EA | GROMMET - RUBBER - .31" ID X .81" OD W/.12" GROOVE-BLACK |
| | 071015-39-000 | EA | GROMMET - .75 ID FITS .06 MTL |
| | 071015-40-000 | EA | GROMMET - .38 ID FITS .09 MTL |
| | 071015-41-000 | EA | GROMMET - .125 ID FITS .188 MTL |
| | 075148-02-000 | EA | CLAMP - GROUNDING - BRONZE SCREWS |
| | 077955-01-000 | EA | CLIP/J - 3/8" - VINYL COATED |
| | 080211-03-000 | EA | CLIP - XMAS TREE W/PANEL RETAINING HEAD - 3/4" SHANK |
| | 080734-02-000 | EA | CLIP - WIRE NYLON |
| | 081211-03-000 | EA | PLUG/PLASTIC - .50 DIAMETER - BLACK |
| | 081211-04-000 | EA | PLUG/PLASTIC - .46 DIAMETER - BLACK |
| | 083609-01-000 | EA | CLAMP - WIRE - DUAL - EQUAL DIAMETERS - 5/8" |
| | 083610-01-000 | EA | CLAMP - WIRE - DUAL - UNEQUAL DIAMETERS - 3/4" & 1 1/4" |
| | 083610-02-000 | EA | CLAMP - WIRE - DUAL - UNEQUAL DIAMETERS - 3/4" & 2" |
| | 083610-03-000 | EA | CLAMP - WIRE - DUAL - EQUAL DIAMETERS - 2" |
| | 088756-01-000 | EA | GROMMET - WEB - 1 1/8 " I.D. |
| | 091952-01-000 | EA | CLIP - GRIPPER - 1" |
| | 091952-02-000 | EA | CLIP - GRIPPER - 3/4" |
| | 094362-02-000 | EA | CLIP - XMAS TREE - BINDER HEAD - .9" LONG |
| | 094362-05-000 | EA | CLIP - XMAS TREE - ROUND HEAD - 1.4" LONG |

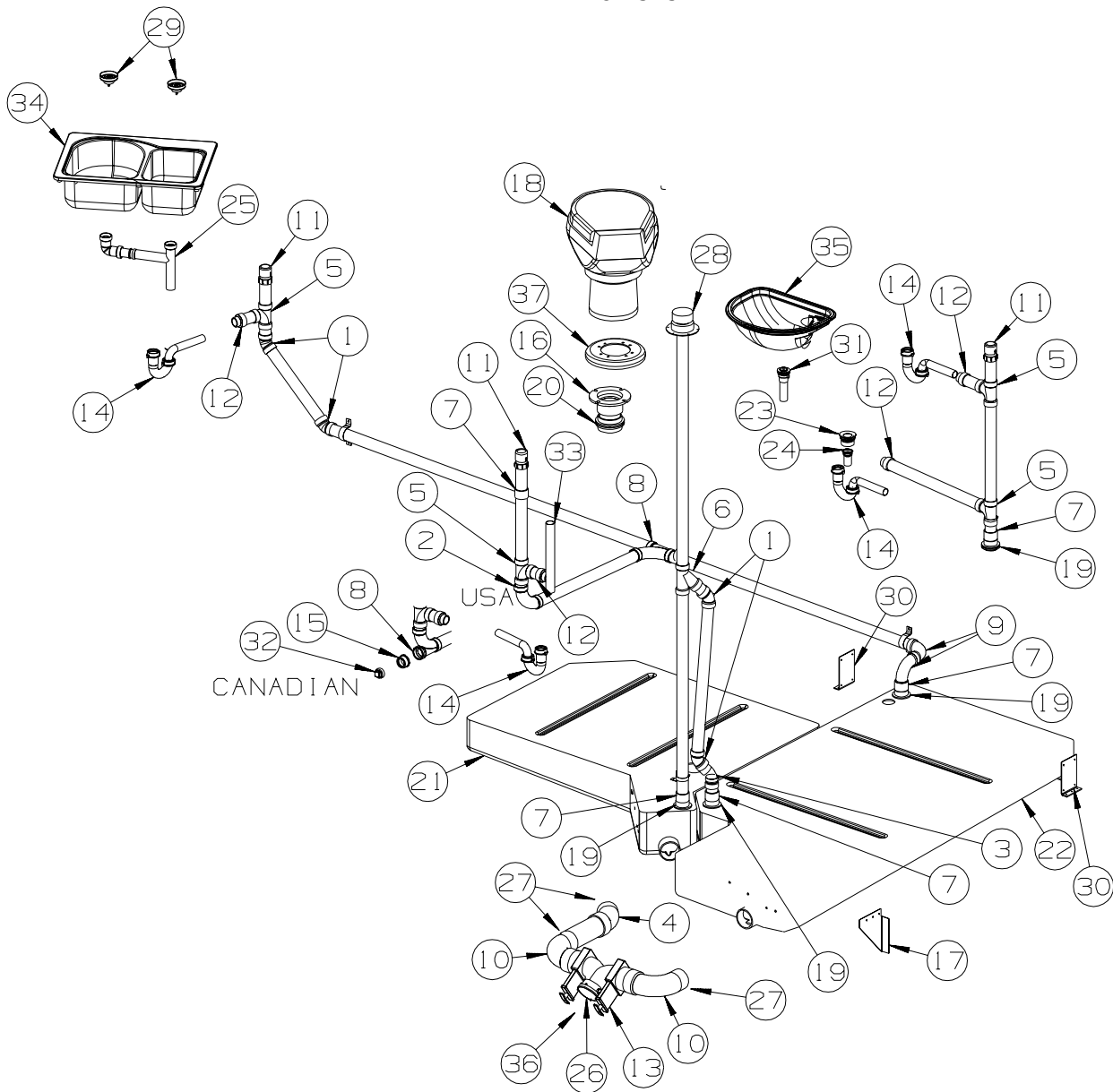
SEALANTS & FASTENERS GROUP (CONTINUED)
CLAMPS, CLIPS, GROMMETS, RIVETS & PLUGS (CONTINUED)

| KEY | PART NUMBER | U/M | DESCRIPTION |
|-----|---------------|-----|---|
| | 114208-01-000 | EA | GROMMET - EDGE LINER - FITS 1 3/4" |
| | 114208-03-000 | EA | GROMMET - EDGE LINER - FITS 2 1/2" |
| | 114208-04-000 | EA | GROMMET - EDGE LINER - FITS 1" |
| | 114208-05-000 | EA | GROMMET - EDGE LINER - FITS 2" |
| | 118626-01-01A | EA | RIVET - POP - ALUMINUM - 3/16 X .08 - .375 |
| | 118626-02-01A | EA | RIVET - POP - ALUMINUM - 3/16 X .500 - .750 |
| | 137014-01-02A | EA | GROMMET - CABLE - BROWN |
| | 137014-01-01A | EA | GROMMET - CABLE - ALMOND |
| | 139118-01-01A | EA | GROMMET - PLASTIC/SCREW |
| | 139118-02-01A | EA | GROMMET - SCREW - PLASTIC |
| | 140171-02-000 | EA | CLAMP - HOSE - STEPLESS EAR - .250 |

MISCELLANEOUS FASTENERS

| KEY | PART NUMBER | U/M | DESCRIPTION |
|-----|---------------|-----|--|
| | 008343-01-000 | EA | TIE - WIRE - 6" |
| | 008343-02-000 | EA | TIE - WIRE - 14" |
| | 008343-03-000 | EA | TIE - WIRE - 7 1/2" - BLACK |
| | 029094-04-000 | YD | VELCRO TAPE - LOOP - 1" WIDE - BLACK |
| | 029096-03-000 | YD | VELCRO TAPE - HOOK - 1" WIDE - BLACK |
| | 029096-04-000 | YD | VELCRO TAPE - HOOK - 1" WIDE - BLACK |
| | 048394-02-000 | YD | VELCRO TAPE - HOOK - ADHESIVE BACK - 3/4" WIDE - BEIGE |
| | 085774-01-000 | FT | FASTENER - DUAL LOCK - 1" WIDE - ADHESIVE BACK - BLACK |
| | 085774-02-000 | FT | FASTENER - DUAL HOOK - 1" WIDE - ADHESIVE BACK - BLACK |
| | 085774-03-000 | FT | FASTENER - DUAL LOCK - 1/2" WIDE - ADHESIVE BACK - BLACK |
| | 085774-04-000 | FT | FASTENER - DUAL HOOK - 1/2" WIDE - ADHESIVE BACK - BLACK |
| | 088792-02-000 | YD | VELCRO TAPE - LOOP - 3/4" - ADHESIVE BACK - BEIGE |
| | 088792-04-000 | YD | VELCRO TAPE - HOOK - 5/8" - NON-ADHESIVE BACK - WHITE |
| | 088792-05-000 | YD | VELCRO TAPE - LOOP - 5/8" - NON-ADHESIVE BACK - WHITE |
| | 108046-01-000 | EA | CABLE TIE - SCREW MOUNT 8" |
| | 108046-02-000 | EA | CABLE TIE - SCREW MOUNT 15" |
| | 110943-02-000 | FT | FELT STRIP - 3/8" - ADHESIVE BACK - WHITE |
| | 113133-02-01A | EA | RIVET - POP - ALUMINUM - 3/16 X .252 - .504 - BLACK |
| | 123816-04-000 | FT | TAPE - DOUBLE SIDED - 6" X 750' |
| | 127960-01-01A | EA | RETAINER - 3/8" - STAINLESS STEEL |

WATER & SEWAGE GROUP DRAINAGE SYSTEM



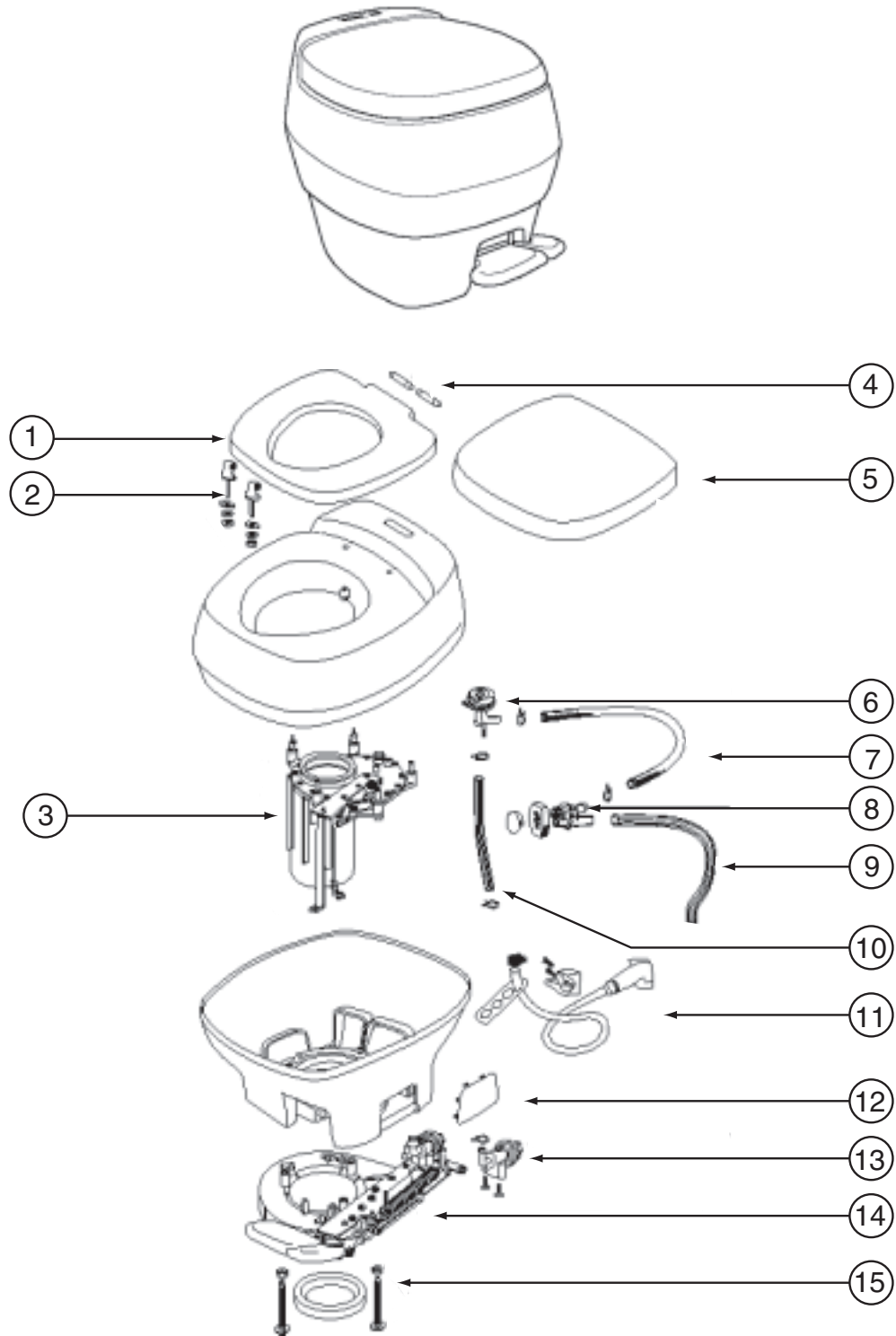
| KEY | PART NUMBER | U/M | DESCRIPTION |
|-----|---------------|-----|--|
| 1 | 010006-01-000 | EA | ELBOW - 45 DEGREE - 1 1/2" HUB X HUB - PLASTIC |
| 2 | 010008-01-000 | EA | ELBOW - 90 DEGREE - 1 1/2" HUB X HUB - PLASTIC |
| 3 | 010051-01-000 | EA | ELBOW - 45 DEGREE - 1 1/2" SPIGOT X HUB - PLASTIC |
| 4 | 010061-01-000 | EA | ELBOW - 45 DEGREE ST - 3" SPIGOT & HUB - PLASTIC |
| 5 | 010071-01-000 | EA | TEE - SANITARY - 1 1/2" HUB X HUB X HUB - PLASTIC |
| 6 | 010073-01-000 | EA | WYE - 45 DEGREE - 1 1/2" HUB X HUB X HUB - PLASTIC |
| 7 | 010115-01-000 | EA | COUPLING - 1 1/2" HUB X HUB - PLASTIC |
| 8 | 031365-02-000 | EA | TEE - PLASTIC - 1 1/2" EXTRA LONG TURN |
| 9 | 033761-01-000 | EA | ELBOW - 90 DEGREE - TURN - 1 1/2" HUB X 1 1/2" SPIGOT |
| 10 | 041956-01-000 | EA | ELBOW - 3" STREET - 90 DEGREE PLASTIC |
| 11 | 079968-01-000 | EA | VENT - MECHANICAL/TRAP ARM - ANTI-SIPHON-2" X 7.3" PLASTIC |
| 12 | 109571-01-000 | EA | ADAPTER - P-TRAP - 1 1/2" P X 1 1/4" MPT |
| 13 | 136143-01-000 | EA | VALVE - DUAL - 3" X 3" |
| 14 | 107538-01-000 | EA | P-TRAP - PLASTIC - 1 1/4" W/EXTENSION ARM |
| 14 | 011071-01-000 | EA | P-TRAP - PLASTIC - 1 1/2" - CSA |
| 15 | 010122-01-000 | EA | BUSHING/PLASTIC - REDUCER - 1 1/2" SMTH X 1 1/4" THD - BLACK |
| 16 | 116644-01-000 | EA | FLANGE/CLOSET - 4 BOLT X 3" FEMALE |
| 17 | 112628-06-02B | EA | BRACKET/TIEDOWN - WATER TANK - E-COATED |
| 18* | 136729-01-01A | EA | TOILET - CHINA - STANDARD W/SPRAYER - WHITE |
| 19 | 061607-01-000 | EA | GROMMET - HOLDING TANK - 1 1/2" NPS |
| 20 | 061607-02-000 | EA | GROMMET - HOLDING TANK - 3" NPS |
| 21 | 134216-01-000 | EA | TANK - HOLDING - 70 GALLON - W/O FITTINGS |

WATER & SEWAGE GROUP (CONTINUED)
DRAINAGE SYSTEM (CONTINUED)

| KEY | PART NUMBER | U/M | DESCRIPTION |
|------------|--------------------|------------|--|
| 22 | 134217-01-000 | EA | TANK - HOLDING - 57 GALLON - W/O FITTINGS |
| 23 | 066440-01-000 | EA | STRAINER - SHOWER DRAIN - W/RUBBER WASHER |
| 24 | 011069-06-000 | EA | TAILPIECE - 1 1/2" X 1 1/4" X 2 1/2" |
| | 127440-02-01A | EA | WASHER - RUBBER - 1.8" X .1" |
| | 130403-01-000 | EA | NUT - SLIP - W/WINGS 1 1/2" |
| 25 | 011091-02-000 | EA | WASTE - CONTINUOUS - DOUBLE SINK |
| 26 | 062416-01-000 | EA | ADAPTER - SEWER HOSE TO 3" PIPE |
| | | | FROM: 00-00-00 THRU: 11-13-01 |
| 27 | 078406-01-000 | EA | COUPLER - RUBBER - W/CLAMPS - 3" X 3" |
| 28 | 083558-03-000 | EA | VENT - PLUMBING - ROOF PIPE COVERED - OFF WHITE |
| 29 | 092303-01-000 | EA | STRAINER - W/BASKET - GALLEY SINK - 4" OD |
| 30 | 094756-02-01A | EA | BRACKET - L - 6.1" LONG X 3.9" WIDE - STEEL |
| 31 | 106116-01-02A | EA | STRAINER/PLASTIC - STOPPER/TAILPIECE/GASKET & NUT-LAVATORY |
| | 106116-02-01A | EA | GASKET - STRAINER |
| 32 | 010166-01-000 | EA | PLUG/THREADED - 1 1/4"MPT - PLASTIC - BLACK - UL |
| 33 | 126588-02-000 | EA | ARM - WASTE - 1 1/2 X 20" - FEMALE |
| 34 | 134851-01-01A | EA | SINK - DOUBLE/GALLEY - LARGE/SMALL - 25" X 18" X 6.9"D-WHT |
| 35 | 136639-01-01A | EA | SINK - LAVATORY W/SOAP DISH - WHITE |
| 36 | 139513-01-000 | EA | HOSE - SEWER - 3" X 10' - W/ADAPTER |
| 37 | 131786-03-01A | EA | SPACER - TOILET - ROUND - 10" DIAM. X 1.3" HIGH - SOFT WHT |

***COMPONENT PARTS LISTED LATER IN THIS GROUP**

WATER & SEWAGE GROUP (CONTINUED)
COMPONENT PARTS FOR DRAINAGE SYSTEM



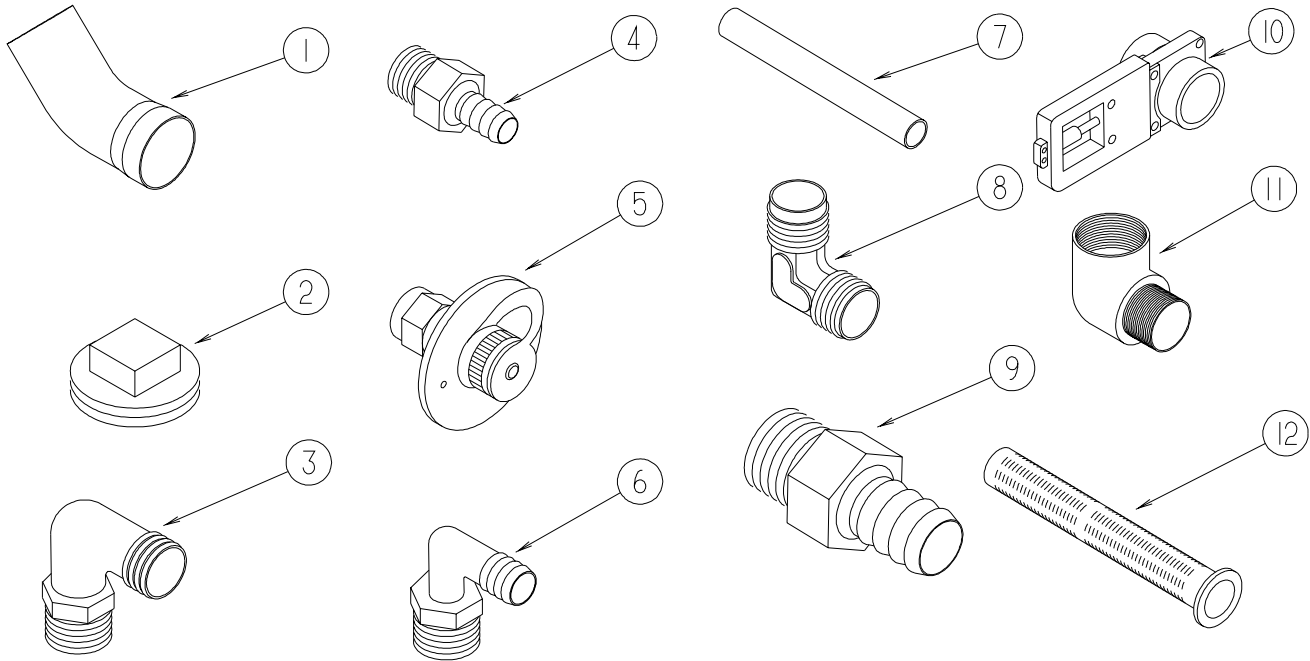
132389-01-01A

WATER & SEWAGE GROUP (CONTINUED)
COMPONENT PARTS FOR DRAINAGE SYSTEM (CONTINUED)

132389-01-01A (CONTINUED)

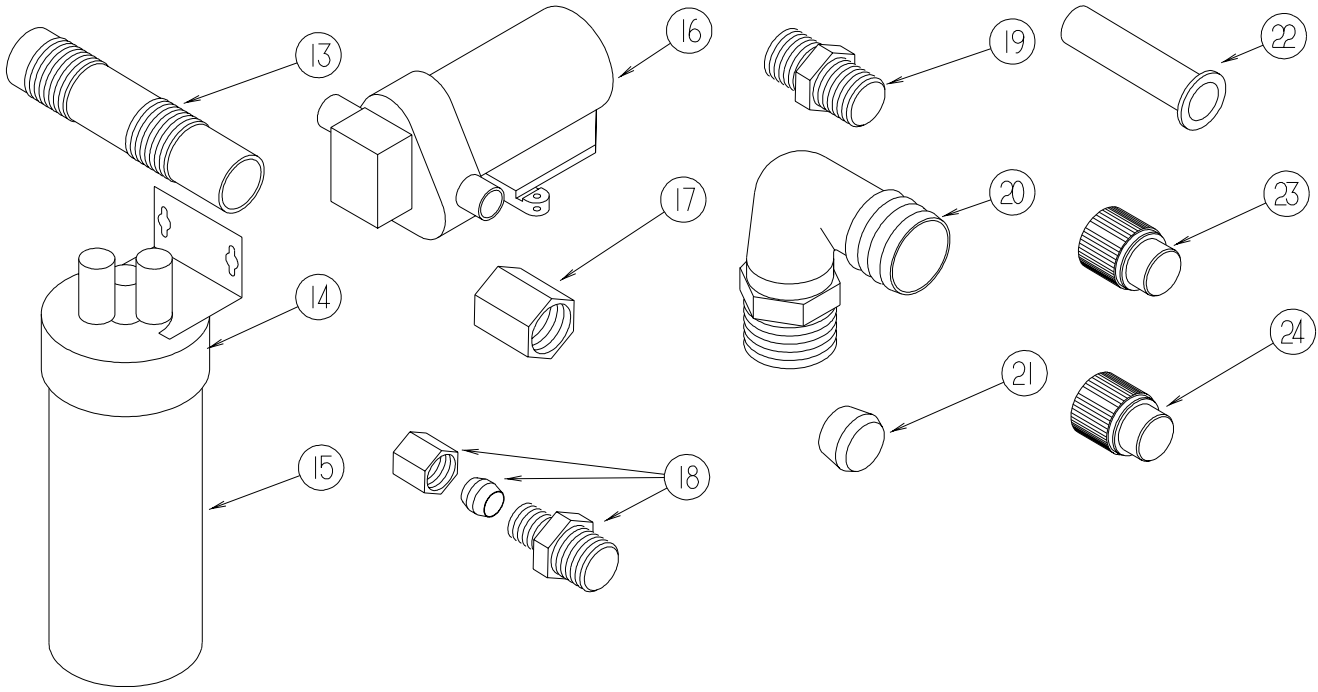
| KEY | PART NUMBER | U/M | DESCRIPTION | VENDOR NO. |
|------------|--------------------|------------|--|-------------------|
| 1 | 132389-01-700 | EA | SEAT ONLY - WHITE | 1927632 |
| 2 | 132389-01-701 | EA | HINGE POST KIT | 1927732 |
| 3 | 132389-01-702 | EA | UPPER MECHANISM KIT - WHITE | 1928432 |
| 4 | 132389-01-703 | EA | HINGE PINS | 19292 |
| 5 | 132389-01-704 | EA | COVER - SEAT - WHITE | 1929332 |
| 6 | 132389-01-705 | EA | VACUUM BREAKER PACKAGE | 19278 |
| 8 | 132389-01-706 | EA | FLUSH NOZZLE - PACKAGE | 1927932 |
| 10 | 132389-01-707 | EA | TUBE - WATER SUPPLY | 19282 |
| 11 | 132389-01-708 | EA | HAND SPRAY KIT | 19289 |
| 12 | 132389-01-709 | EA | COVER - SIDE ACCESS- WHITE | 1929832 |
| 13 | 132389-01-710 | EA | WATER VALVE PACKAGE | 19283 |
| 14 | 132389-01-711 | EA | LOWER MECHANISM - WHITE | 1928532 |
| 15 | 132389-01-712 | EA | CLOSET FLANGE-SEAL/BOLT PKG | 19309 |
| | 132389-01-713 | EA | SEAL - BLADE | 8308 |
| | 132389-01-714 | EA | BOLT PACKAGE - F/RISER | 24819 |
| | 132389-01-715 | EA | SEAL - FLANGE | 19325 |
| | | | CONTACT WINNEBAGO PART SALES FOR UNLISTED COMPONENTS | |

WATER & SEWAGE GROUP (CONTINUED)
WATER SYSTEM



| KEY | PART NUMBER | U/M | DESCRIPTION |
|-----|---------------|-----|---|
| 1 | 010009-01-000 | EA | ELBOW - 90 DEGREE - 1/4 BEND - 1 1/2" PLASTIC |
| 2 | 010166-01-000 | EA | PLUG/THREADED - 1 1/4"MPT - PLASTIC - BLACK - UL |
| 3 | 010219-01-000 | EA | ELBOW - 1 1/4 MPT X 1 1/4 BARB - WATER FILL - PLASTIC |
| 4 | 010224-01-000 | EA | ADAPTER - HOSE TO PIPE - 3/8 MPT X 3/8 BARB - PLASTIC |
| 5 | 010230-06-000 | EA | FILL - CITY WATER - W/CHECK VALVE - MPT - BRUSHED ALUM |
| 6 | 035539-01-000 | EA | ELBOW - 3/8 MPT X 3/8 BARB - PLASTIC |
| 7 | 039800-04-000 | FT | TUBING - POLYBUTYL - 1/4"OD |
| 7 | 074462-02-000 | FT | TUBING - VINYL - 3/8 ID X 20' - CLEAR |
| 7 | 112176-01-000 | FT | TUBING - VINYL - REINFORCED - 1/2" ID |
| 7 | 124188-01-000 | FT | TUBING - PEX - 1/2" ID X 20' - BLUE(COLD) |
| 7 | 124188-02-000 | FT | TUBING - PEX - 1/2" ID X 20' - RED(HOT) |
| 8 | 039808-03-000 | EA | ELBOW - 1/2" MPT X 1/2" MPT - PLASTIC |
| 9 | 044927-01-000 | EA | ADAPTER - HOSE TO PIPE-1 1/4 MPTX1 1/4 BARB-BLACK PLASTIC |
| 10 | 062421-03-000 | EA | VALVE/DUMP W/O HANDLE - 1 1/2" X 1 1/2" HUB |
| 11 | 065318-02-000 | EA | ELBOW - 90 DEGREE - 3/8" MPT TO 3/8" FPT |
| 12 | 077954-02-000 | EA | FILTER - WATER TANK - W/SCREEN IN TANK |

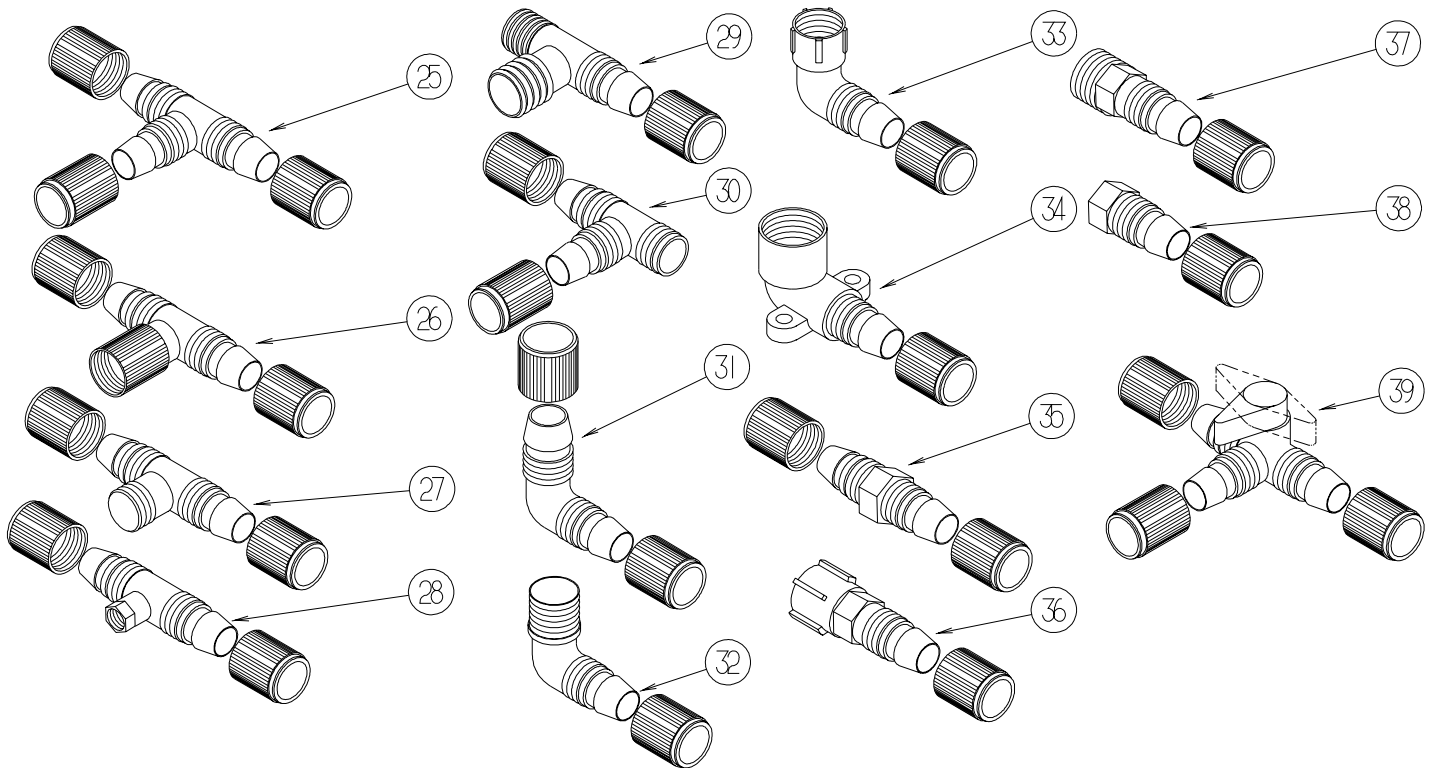
WATER & SEWAGE GROUP (CONTINUED)
WATER SYSTEM (CONTINUED)



| KEY | PART NUMBER | U/M | DESCRIPTION |
|-----|---------------|-----|---|
| 13 | 079381-01-000 | FT | TUBING - RIBBED FLEXIBLE - WATER FILL - 1.4" ID |
| 14 | 087200-01-000 | EA | FILTER-WATER PURIFICATION, EVERPURE QC2-AC |
| 15 | 087200-02-000 | EA | CARTRIDGE-WATER FILTER,AC - EVERPURE 9601-11 |
| 16* | 098607-01-000 | EA | PUMP - WATER - W/.5" MPT FITTING - FLOW 2.8 GPM |
| 17 | 101814-01-000 | EA | COUPLING - FEMALE - 1/2" X 1/2" FPT - GRAY |
| 18 | 103798-01-000 | EA | CONNECTOR - 1/4 OD X 3/8 MPT |
| 19 | 110438-02-000 | EA | VALVE - CHECK - BRASS - 1/2 MPT X 1/2 MPT |
| 20 | 111223-02-000 | EA | ELBOW - 1/2" MPT X 3/8" BARB - PLASTIC |
| 20 | 111223-03-000 | EA | ELBOW - 3/4" MPT X 1/2" BARB - PLASTIC |
| 20 | 111223-04-000 | EA | ELBOW - 1/2" MPT X 1/2" BARB - PLASTIC |
| 21 | 111888-01-000 | EA | FERRULE - PLASTIC - .250 ID X .375 OD |
| 22 | 111888-02-000 | EA | INSERT - BRASS - 1/4 COMP |
| 23 | 113697-01-000 | EA | CAP - 3/8"P |
| 24 | 114427-01-000 | EA | CAP - 1/2"P |

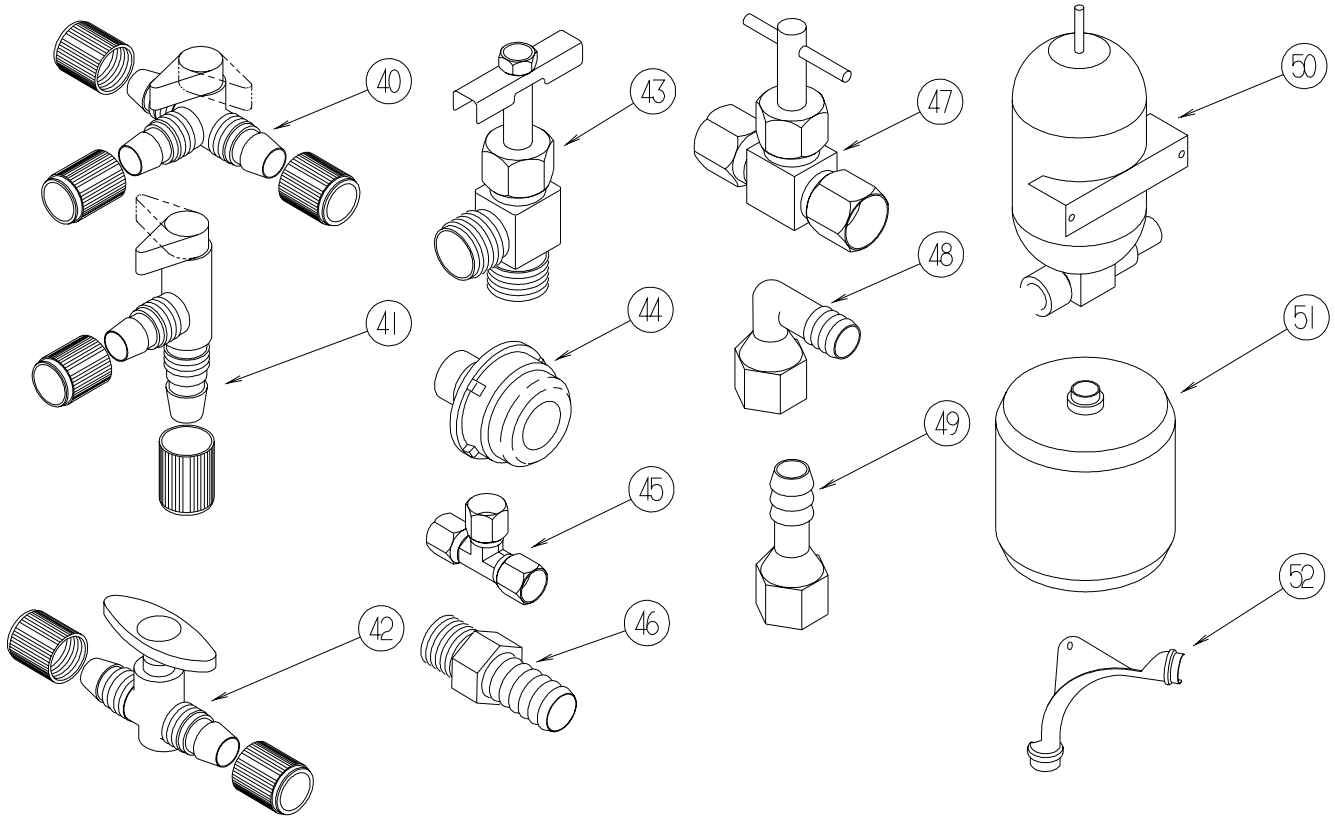
***COMPONENT PARTS LISTED LATER IN THIS GROUP**

WATER & SEWAGE GROUP (CONTINUED)
WATER SYSTEM (CONTINUED)



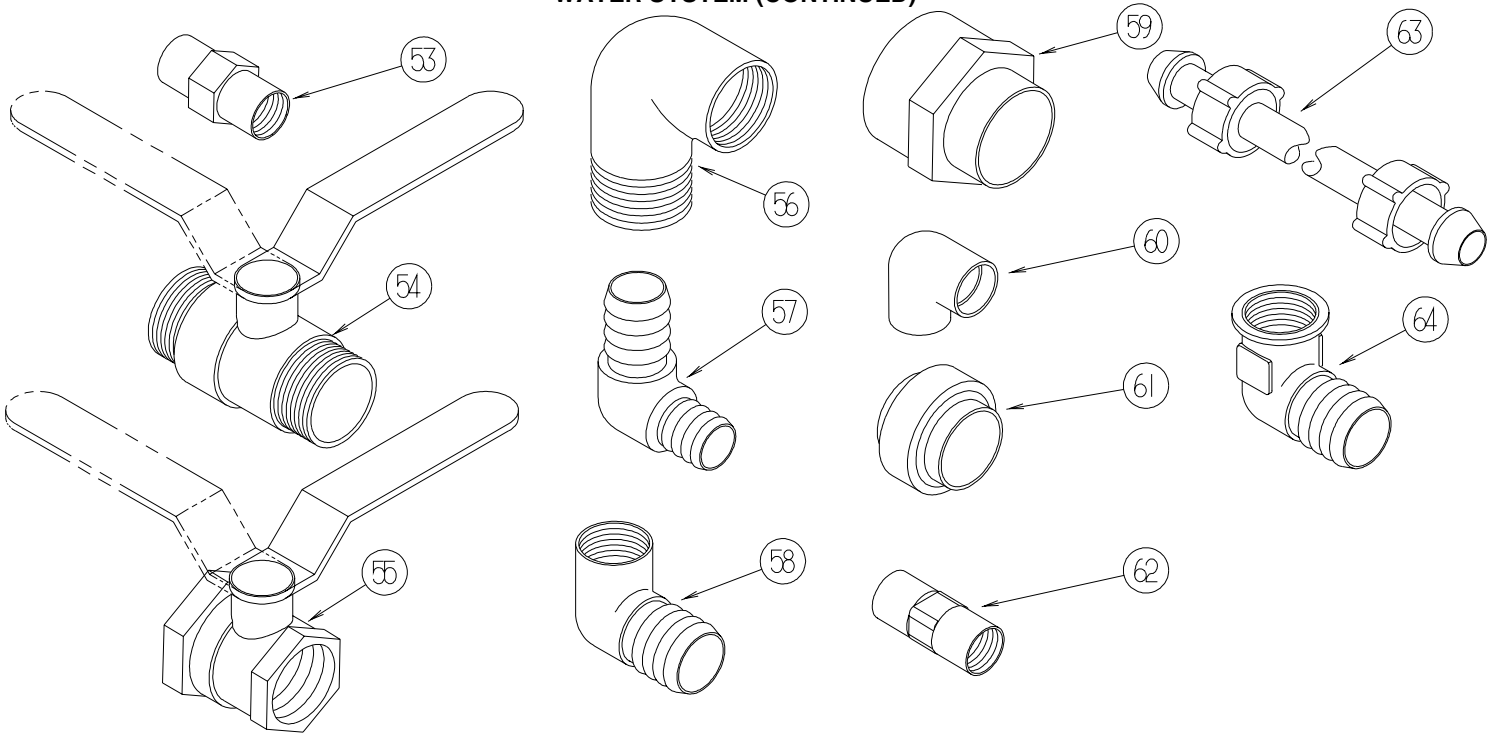
| KEY | PART NUMBER | U/M | DESCRIPTION |
|-----|---------------|-----|---|
| 25 | 114428-01-000 | EA | TEE - 1/2"P X 1/2"P X 1/2"P |
| 26 | 114428-02-000 | EA | TEE - SWIVEL - 1/2"P X 1/2"P X 1/2"FPT |
| 27 | 114428-03-000 | EA | TEE - 1/2"P X 1/2"P X 1/2"MPT |
| 28 | 114428-04-000 | EA | TEE - 1/2"P X 1/2"P X 1/8"FPT |
| 29 | 114428-06-000 | EA | TEE - 1/2" P X 1/2" MPT X 1/2" MPT |
| 30 | 114428-07-000 | EA | TEE - 1/2" P X 1/2" MPT X 1/2" P |
| 31 | 114429-01-000 | EA | ELBOW - 1/2"P X 1/2"P |
| 32 | 114429-02-000 | EA | ELBOW - 1/2"P X 1/2"MPT |
| 32 | 114429-04-000 | EA | ELBOW - 1/2"P X 3/8"MPT |
| 32 | 114429-05-000 | EA | ELBOW - 1/2"P X 3/4"MPT |
| 33 | 114429-03-000 | EA | ELBOW - SWIVEL - 1/2"P X 1/2"FPT |
| 33 | 114429-06-000 | EA | ELBOW - SWIVEL - 1/2"P X 3/4"FPT |
| 33 | 114429-08-000 | EA | ELBOW - SWIVEL - 1/2"P X 1/2"FPT |
| 34 | 114429-09-000 | EA | ELBOW - 1/2"P X 1/2"FPT DROP EAR |
| 35 | 114430-01-000 | EA | ADAPTER - 1/2"P X 1/2"P |
| 36 | 114430-02-000 | EA | ADAPTER - SWIVEL - 1/2"P X 1/2"FPT |
| 37 | 114430-03-000 | EA | ADAPTER - 1/2"P X 1/2"MPT |
| 38 | 114430-06-000 | EA | ADAPTER - 1/2"P X 3/8"FPT |
| 39 | 114431-01-000 | EA | VALVE - 180 DEGREE/CENTER DRAIN - 1/2"P - THREE WAY |

WATER & SEWAGE GROUP (CONTINUED)
WATER SYSTEM (CONTINUED)



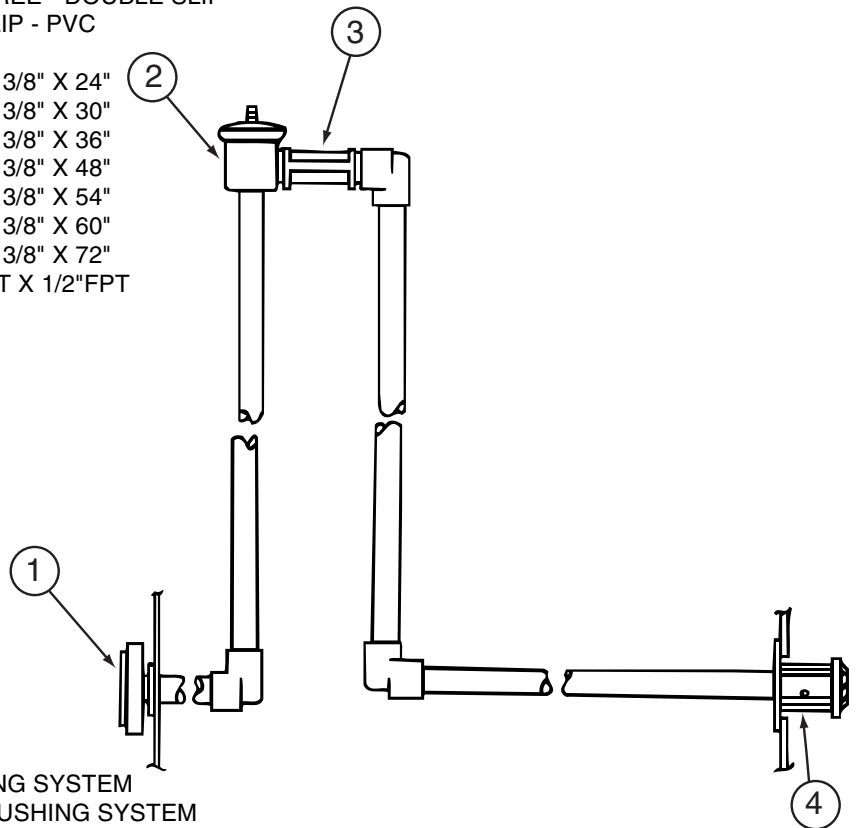
| KEY | PART NUMBER | U/M | DESCRIPTION |
|-----|---------------|-----|--|
| 40 | 114431-02-000 | EA | VALVE - WATER BYPASS - 1/2"P - THREE WAY (WATER HEATER) |
| 41 | 114431-03-000 | EA | VALVE - 90 DEGREE DRAIN - 1/2"P |
| 42 | 114431-04-000 | EA | VALVE - "INLINE SHUT-OFF" - 1/2"P |
| 43 | 114431-05-000 | EA | VALVE - NEEDLE - 1/8" MPT X 1/4" COMPRESSION (ICE MAKER) |
| 44 | 114966-01-000 | EA | FILTER - IN LINE - TWIST ON - 1/2" |
| 45 | 118423-01-000 | EA | FITTING - BRASS-TEE - 1/4C X 1/4C X 1/4C |
| 46 | 118809-02-000 | EA | ADAPTER - 1/2" MPT X 1/2" BARB - PLASTIC |
| 47 | 120868-01-000 | EA | VALVE - NEEDLE - 1/4" COMPRESSION X 1/4" COMPRESSION |
| 48 | 123150-01-000 | EA | ELBOW - 1/2 FPT X 1/2 BARB - SWIVEL |
| 49 | 123152-01-000 | EA | ADAPTER - 1/2 FPT X 1/2 BARB - SWIVEL |
| 50 | 123243-01-000 | EA | TANK - ACCUMULATOR - 24 OZ |
| 51 | 123317-01-000 | EA | TANK - ACCUMULATOR - 2 GALLON |
| 52 | 124184-01-000 | EA | SUPPORT - WATER LINE - BEND |

WATER & SEWAGE GROUP (CONTINUED)
WATER SYSTEM (CONTINUED)



| KEY | PART NUMBER | U/M | DESCRIPTION |
|-----|---------------|-----|---|
| 53 | 132148-01-000 | EA | CONNECTOR - 1/2" X 1/2"MPT - BRASS |
| 54 | 132483-01-000 | EA | VALVE/BALL - 1" - THREADED ENDS |
| 55 | 132483-02-000 | EA | VALVE/BALL - 1/2" - BRASS - FPT |
| 56 | 132484-01-000 | EA | ELBOW - 90 DEGREE - 1MPT X 1FPT - PLASTIC |
| 57 | 132781-01-000 | EA | ELBOW - 1.3" BARB X 1.3" BARB - 90 DEGREE - PLASTIC |
| 58 | 132782-01-000 | EA | ELBOW - 1"FPT X 1.3" BARB - 90 DEGREE - PLASTIC |
| 59 | 133835-01-000 | EA | ADAPTER - REDUCING - 1 1/2" X 1 1/4" |
| 60 | 133837-01-000 | EA | ELBOW - 1 1/2" X 90 DEGREE - DOUBLE SLIP |
| 61 | 133889-01-000 | EA | UNION - 1 1/2 DOUBLE SLIP - PVC |
| 62 | 135386-01-000 | EA | NIPPLE - 1/2" |
| 63 | 140821-01-000 | EA | TUBE - WATER SUPPLY - 3/8" X 24" |
| 63 | 140821-02-000 | EA | TUBE - WATER SUPPLY - 3/8" X 30" |
| 63 | 140821-03-000 | EA | TUBE - WATER SUPPLY - 3/8" X 36" |
| 63 | 140821-04-000 | EA | TUBE - WATER SUPPLY - 3/8" X 48" |
| 63 | 140821-05-000 | EA | TUBE - WATER SUPPLY - 3/8" X 54" |
| 63 | 140821-06-000 | EA | TUBE - WATER SUPPLY - 3/8" X 60" |
| 63 | 140821-07-000 | EA | TUBE - WATER SUPPLY - 3/8" X 72" |
| 64 | 142812-01-000 | EA | ELBOW - BRASS - 1/2"MPT X 1/2"FPT |

*COMPONENT PARTS LISTED LATER IN THIS GROUP



| KEY | PART NUMBER | U/M | DESCRIPTION |
|-----|---------------|-----|---------------------------------------|
| 1 | 125697-05-000 | EA | INLET - WATER - FLUSHING SYSTEM |
| 2 | 125697-04-000 | EA | BREAKER - VACUUM - FLUSHING SYSTEM |
| 3 | 125697-03-000 | EA | CHECK VALVE - FLUSHING SYSTEM |
| 4 | 125697-02-000 | EA | NOZZLE - WELD-A-FLUSH |
| | 125697-06-000 | EA | INSTRUCTIONS - USER - FLUSHING SYSTEM |

WATER & SEWAGE GROUP (CONTINUED)
WATER SYSTEM (CONTINUED)

| KEY | PART NUMBER | U/M | DESCRIPTION |
|-----|---------------|-----|---|
| | 039861-01-000 | EA | SENDING UNIT KIT - W/SCREW-WASHER-WELL NUT/TERMINAL RING |
| * | 051391-05-000 | EA | WATER HEATER/MOTOR AID-GAS/ELECT IGN - GCH10A-3E - 10 GAL |
| | 075241-06-000 | EA | FAUCET - SHOWER/BRIGHT WHITE - .5" MPT W/1.9" INLET PIPES - EXTERIOR WASH STATION |
| | 098419-01-000 | EA | FAUCET - WASHER - 90 DEGREE - W/WASHER/DRYER |
| | 103635-01-000 | EA | FAUCET - SINGLE CONTROL/DRINKING WATER |
| | 123744-03-01A | EA | FAUCET - GALLEY/SINGLE CONTROL W/SPRAYER HEAD - CHROME |
| | 128997-01-01A | EA | FAUCET - LAVATORY - SINGLE CONTROL - POLISHED BRASS |
| * | 118569-01-000 | EA | WINTERIZATION SYSTEM - L36W |
| * | 118569-03-000 | EA | WINTERIZATION SYSTEM - W/O TANK - L39 |
| | 125420-01-02A | EA | DOOR - WATER HEATER - 10 GALLON - BRIGHT WHITE |
| | 125420-01-03A | EA | DOOR - WATER HEATER - 10 GALLON - BLACK W/BLACK GRILLE |
| | 128974-01-01A | EA | VALVE - SHOWER HEAD/WATER SAVER (ON/OFF) - BRIGHT BRASS - FIXED SHOWER HEAD |
| * | 131340-01-01A | EA | VALVE - W/SHOWER HEAD - SINGLE LEVER-W/O WATER SAVER-BRASS - FIXED SHOWER HEAD |
| | 131340-02-01A | EA | VALVE/BRASS - W/O SHOWER HEAD/ARM EXTENSION/WALL TEMPLATE - HAND HELD SHWR HEAD |
| | 129041-01-01A | EA | HOLDER - PAPER TOWEL |
| | 129390-03-01A | EA | SHOWER HEAD - W/HOSE & BRACKET - BRASS - HAND HELD SHOWER HEAD |
| | 131383-01-02A | EA | SHOWER HEAD - W/60" HOSE & BRACKET - WHITE - US, EXTERIOR WASH STATION |
| | 131383-02-02A | EA | SHOWER HEAD - W/60" HOSE & BRACKET - WHITE - CSA - EXTERIOR WASH STATION |
| | 130041-01-02A | EA | SPACER/SHOWER HEAD - SOFT WHITE - HAND HELD SHOWER HEAD |
| | 131383-03-02A | EA | BRACKET - SHOWER HEAD - WHITE - EXTERIOR WASH STATION |
| | 131551-01-02B | EA | BRACKET - SHOWER HEAD |
| | 134472-01-02B | EA | BRACKET - FAUCET - WASHER - E-COATED - W/WASHER/DRYER, L36W |
| | 133224-01-02B | EA | PLATE - WATER HEATER - E-COATED |
| | 135028-01-01A | EA | DROP ELL - F/SHOWER HOSE - BRASS - 1/2" - HAND HELD SHOWER HEAD |
| | 136034-06-12B | EA | PANEL - SERVICE CENTER - BRIGHT WHITE - L39 |
| | 136034-08-12B | EA | PANEL - SERVICE CENTER - BRIGHT WHITE - L36W |
| | 137169-01-01A | EA | FILL/WATER - GRAVITY - BRIGHT WHITE |
| | 138290-03-000 | EA | CASE - W/CAM - W/O CYLINDER/KEY |

LOCK CYLINDER USED UP TO 04-30-01

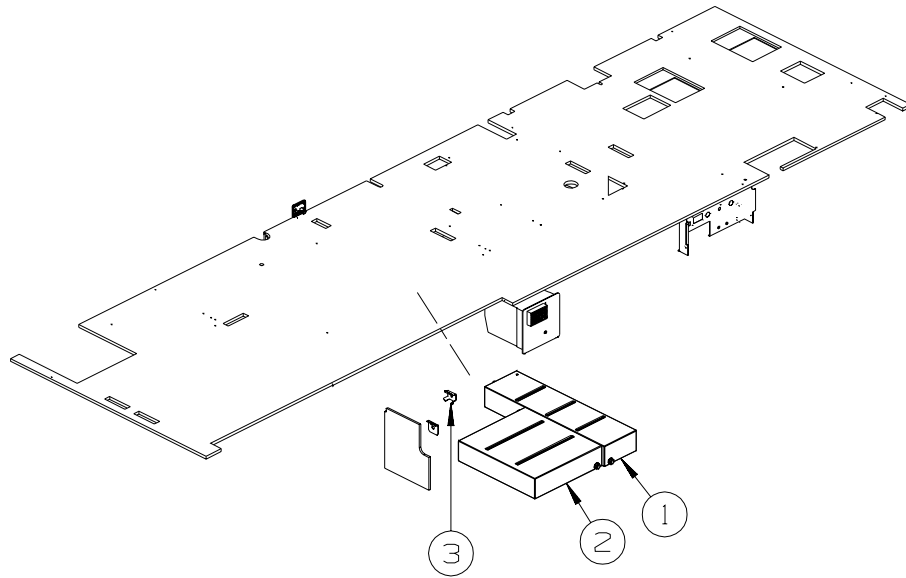
| | | | |
|--|---------------|----|--|
| | 129686-01-000 | EA | CYLINDER - LOCK ASSEMBLY - COMPARTMENT/DRIVER DOOR |
| | 129686-02-000 | EA | CYLINDER - LOCK ASSEMBLY - COMPARTMENT/DRIVER DOOR |
| | 129686-03-000 | EA | CYLINDER - LOCK ASSEMBLY - COMPARTMENT/DRIVER DOOR |
| | 129686-04-000 | EA | CYLINDER - LOCK ASSEMBLY - COMPARTMENT/DRIVER DOOR |
| | 129686-05-000 | EA | CYLINDER - LOCK ASSEMBLY - COMPARTMENT/DRIVER DOOR |
| | 129686-06-000 | EA | CYLINDER - LOCK ASSEMBLY - COMPARTMENT/DRIVER DOOR |
| | 129686-07-000 | EA | CYLINDER - LOCK ASSEMBLY - COMPARTMENT/DRIVER DOOR |
| | 129686-08-000 | EA | CYLINDER - LOCK ASSEMBLY - COMPARTMENT/DRIVER DOOR |
| | 129686-09-000 | EA | CYLINDER - LOCK ASSEMBLY - COMPARTMENT/DRIVER DOOR |
| | 129686-10-000 | EA | CYLINDER - LOCK ASSEMBLY - COMPARTMENT/DRIVER DOOR |

LOCK CYLINDER USED AFTER 05-01-01

| | | | |
|--|---------------|----|--------------------|
| | 138289-01-000 | EA | CYLINDER - LOCKING |
| | 138289-02-000 | EA | CYLINDER - LOCKING |
| | 138289-03-000 | EA | CYLINDER - LOCKING |
| | 138289-04-000 | EA | CYLINDER - LOCKING |
| | 138289-05-000 | EA | CYLINDER - LOCKING |
| | 138289-06-000 | EA | CYLINDER - LOCKING |
| | 138289-07-000 | EA | CYLINDER - LOCKING |
| | 138289-08-000 | EA | CYLINDER - LOCKING |
| | 138289-09-000 | EA | CYLINDER - LOCKING |
| | 138289-10-000 | EA | CYLINDER - LOCKING |

***COMPONENT PARTS LISTED LATER IN THIS GROUP**

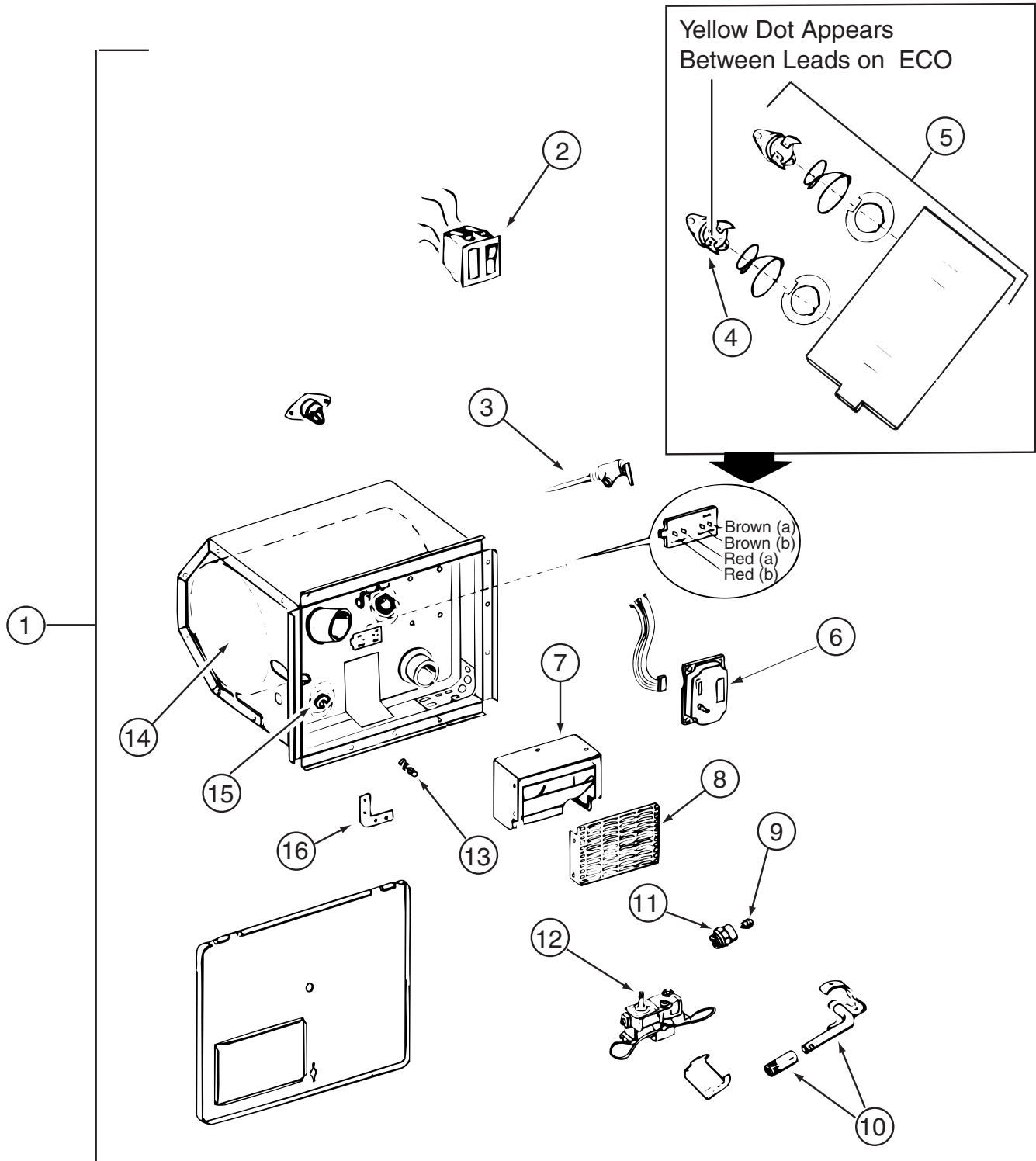
WATER & SEWAGE GROUP (CONTINUED)
WATER SYSTEM (CONTINUED)



| KEY | PART NUMBER | U/M | DESCRIPTION |
|-----|---------------|-----|--|
| 1 | 137377-03-000 | EA | TANK - WATER - 30 GALLONS - W/FITTINGS |
| 1 | 137377-01-000 | EA | TANK - WATER - 30 GALLON |
| | 042989-03-000 | EA | FITTING - SPINWELD - 1 1/4"NPT - PLASTIC |
| | 042989-05-000 | EA | FITTING - SPINWELD - 1/2"FPT - PLASTIC |
| | 042989-08-000 | EA | FITTING - SPINWELD - 1"FPT - PLASTIC |
| | 049032-01-000 | EA | PATCH - SPINWELD - 3/8" - PLASTIC |
| 2 | 132224-16-000 | EA | TANK - WATER - 40 GALLON - W/FITTINGS |
| 2 | 132224-01-000 | EA | TANK - WATER - 40 GALLON - W/O FITTINGS |
| | 042989-03-000 | EA | FITTING - SPINWELD - 1 1/4"NPT - PLASTIC |
| | 042989-05-000 | EA | FITTING - SPINWELD - 1/2"FPT - PLASTIC |
| | 042989-08-000 | EA | FITTING - SPINWELD - 1"FPT - PLASTIC |
| | 049032-01-000 | EA | PATCH - SPINWELD - 3/8" - PLASTIC |
| 3 | 138618-01-12B | EA | COVER - VALVE - BYPASS - BRIGHT WHITE |

WATER & SEWAGE GROUP (CONTINUED)

COMPONENT PARTS FOR WATER SYSTEM



051391-05-000

WATER & SEWAGE GROUP (CONTINUED)
COMPONENT PARTS FOR WATER SYSTEM (CONTINUED)

051391-05-000 (CONTINUED)

| KEY | PART NUMBER | U/M | DESCRIPTION | VENDOR NO. |
|------------|--------------------|------------|------------------------------|-------------------|
| 2 | 051393-01-701 | EA | SWITCH - REMOTE - W/LIGHT | 91959 |
| 3 | 051391-01-704 | EA | VALVE-RELIEF, 1/2" FITTING | 91604 |
| 4 | 051391-04-701 | EA | THERMOSTAT 12V DC-120 PRESET | 91470 |
| 5 | 051391-05-707 | EA | THERMOSTAT & ECO - 110 VOLT | 91873 |
| 6 | 051393-01-704 | EA | BOARD-CIRCUIT | 93865 |
| 7 | 051391-04-707 | EA | KIT-EXHAUST, (FLUE & GASKET) | 90960 |
| 8 | 051391-01-717 | EA | GRILLE-WATER HEATER DOOR | 92640 |
| 9 | 051391-05-701 | EA | ORIFICE-MAIN BURNER | 93914 |
| 10 | 051391-05-700 | EA | BURNER-MAIN | 93221 |
| 11 | 051391-03-700 | EA | HOLDER-ORIFICE | 91563 |
| 12 | 051393-01-726 | EA | VALVE-SOLENOID, W/O BRACKET | 93870 |
| 13 | 051391-01-715 | EA | PLUG-DRAIN, 1 EA = 2 PER PKG | 91857 |
| 14 | 051391-05-704 | EA | TANK-INNER | 93593 |
| 15 | 051391-05-706 | EA | ELEMENT-HEATING 1500 WATT | 91160 W/GASKET |
| 16 | 111129-01-711 | EA | BRACKET-CORNER, SET OF FOUR | 91928 |
| | 051391-05-703 | EA | HARDWARE KIT-DOOR | 91858 |
| | 051391-05-705 | EA | SWITCH - ON/OFF SWITCH - BOX | 91182 |
| | 051393-01-721 | EA | THERMOSTAT W/ECO, 140 FRT MT | 91447 |
| | 051393-01-723 | EA | SWITCH - THERMAL CUTOFF 2/PK | 93866 |
| | 051393-01-725 | EA | ELECTRODE-SGL SPADE CONNECT. | 93868 |
| | 051393-01-730 | EA | BRACKET - F/10 GAL SYSTEM | 93862 |

CONTACT WINNEBAGO PARTS SALES FOR UNLISTED COMPONENTS

098607-01-000

| KEY | PART NUMBER | U/M | DESCRIPTION | VENDOR NO. |
|------------|--------------------|------------|------------------------------|-------------------|
| | 098607-01-702 | EA | DIAPHRAGM/DRIVE ASSEMBLY KIT | 94-238-04 |
| | 098607-01-703 | EA | VALVE KIT | 94-232-00 |
| | 098607-01-705 | EA | VALVE-CHECK, KIT | 94-237-00 |
| | 098607-01-706 | EA | HOUSING, W/SWITCH ONLY | 94-231-20 |
| | 098607-01-707 | EA | MOTOR W/BASEPLATE | 11-148-04 |

118569-01-000

| KEY | PART NUMBER | U/M | DESCRIPTION | VENDOR NO |
|------------|--------------------|------------|------------------------------|------------------|
| | 118569-01-700 | EA | VALVE/SOLENOID-ELECT CONTROL | NO VDR# |
| | 118569-01-701 | EA | SWITCH - ELECTRIC | EA1-31 |
| | 118569-01-702 | EA | PLATE - SWITCH | ERUS-1 |
| | 118569-01-703 | EA | TANK - 2 GALLON | NO VDR# |
| | 118569-01-704 | EA | PLUG - 3/4 MPT | QTP4T |
| | 118569-01-705 | EA | PLUG - 1/2 MPT | 1P62047 |
| | 118569-01-706 | EA | SCREEN - WHITE | NO VDR# |

118569-03-000

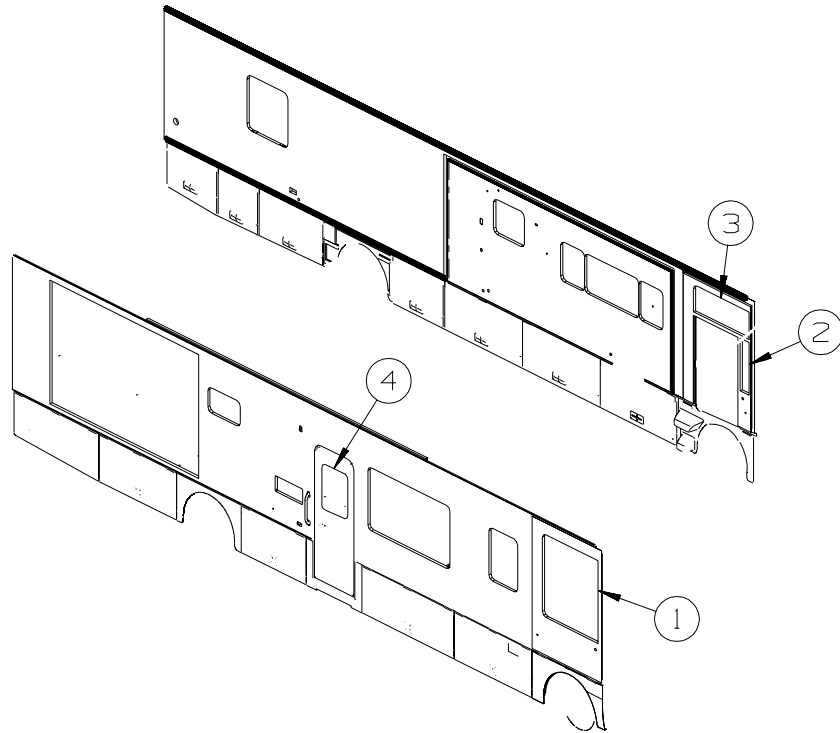
| KEY | PART NUMBER | U/M | DESCRIPTION | VENDOR NO |
|------------|--------------------|------------|------------------------------|------------------|
| | 118569-01-700 | EA | VALVE/SOLENOID-ELECT CONTROL | NO VDR# |
| | 118569-01-701 | EA | SWITCH - ELECTRIC | EA1-31 |
| | 118569-01-702 | EA | PLATE - SWITCH | ERUS-1 |
| | 118569-01-704 | EA | PLUG - 3/4 MPT | NO VDR# |
| | 118569-01-705 | EA | PLUG - 1/2 MPT | NO VDR# |
| | 118569-01-706 | EA | SCREEN - WHITE | NO VDR# |

131340-01-01A

| KEY | PART NUMBER | U/M | DESCRIPTION | VENDOR NO. |
|------------|--------------------|------------|-----------------------|-------------------|
| | 119677-01-701 | EA | SHOWER HEAD ONLY 1/2" | 34PB |
| | 131340-01-700 | EA | BUTTON - HOT/COLD | N1201-16 |
| | 131340-01-701 | EA | KNOB - CLEAR | N1201-9 |

WINDOW & VENTS GROUP

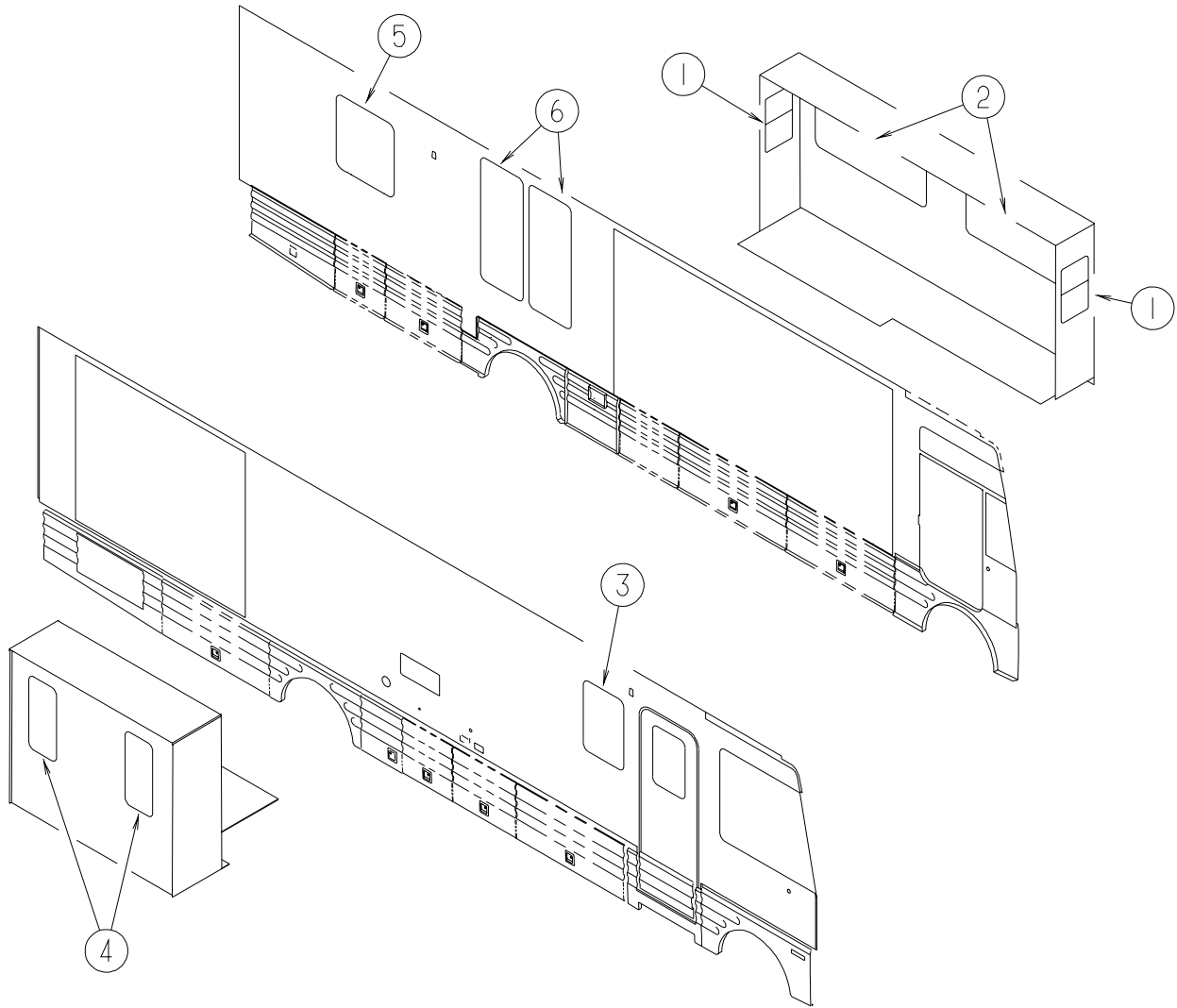
WINDOW & VENT LAYOUT



| KEY | PART NUMBER | U/M | DESCRIPTION |
|-----|---------------|-----|---|
| 1* | 139502-01-01A | EA | WINDOW - SLIDER - PASSENGER/FRONT |
| 2 | 139500-01-01A | EA | WINDOW - VISTA |
| 3 | 139501-01-01A | EA | WINDOW - CORNER |
| 4* | 113733-10-01A | EA | WINDOW - STATIONARY - THERMO - 26.3" X 17" |
| | 009440-01-000 | EA | GEAR/ARM - LIFT - ROOF VENT COVER |
| | 048648-01-000 | EA | MOTOR - ROOF VENT - 1/8 SHAFT - 12VOLT |
| | 048649-01-000 | EA | FAN BLADE - ROOF VENT - 6 BLADES - 6" |
| | 084073-04-000 | EA | BASE/VENT - ROOF/REFRIGERATOR - BLACK - NORCOLD |
| | 084073-07-000 | EA | CAP - ROOF/REFRIGERATOR VENT - 10" X 32" - BRIGHT WHITE |
| | 122214-01-02A | EA | PANEL - SKYLITE - INNER - W/ANGLED CORNER - WHITE |
| | 122215-01-02A | EA | PANEL - SKYLITE - OUTER - W/ANGLED CORNER - WHITE |
| | | | FROM: 00-00-00 THRU: 08-12-01 |
| | 139411-01-01A | EA | PANEL/SKYLITE - OUTER - NEO ANGLE - WHITE |
| | | | FROM: 08-13-01 THRU: 99-99-99 |
| | 138372-01-12B | EA | TRIM - CORNER - SKYLIGHT - BRIGHT WHITE |
| | | | FROM: 08-13-01 THRU: 99-99-99 |
| * | 122882-04-01A | EA | VENT - ROOF - W/FAN/POWER LIFT - W/O INSIDE GARNISH - UL - US |
| * | 122882-05-01A | EA | VENT - ROOF - W/FAN/POWER LIFT - W/O INSIDE GARNISH - CSA - CANADA |
| * | 123780-03-01A | EA | FANTASTIC VENT - 3"-4" ROOF - W/FAN - W/O THERM/PWR LIFT - US |
| * | 123780-09-01A | EA | FANTASTIC VENT - 4" ROOF- W/FAN/INSUL - W/O THERM/PWR LIFT - CANADA |
| * | 123780-10-01A | EA | FANTASTIC VENT - 4" ROOF- W/FAN/PWR LIFT/INSUL - W/O THERM - L39 |
| | 122882-07-01A | EA | GARNISH - ROOF VENT - 2.5" TO 4.1" |

***COMPONENT PARTS LISTED LATER IN THIS GROUP**

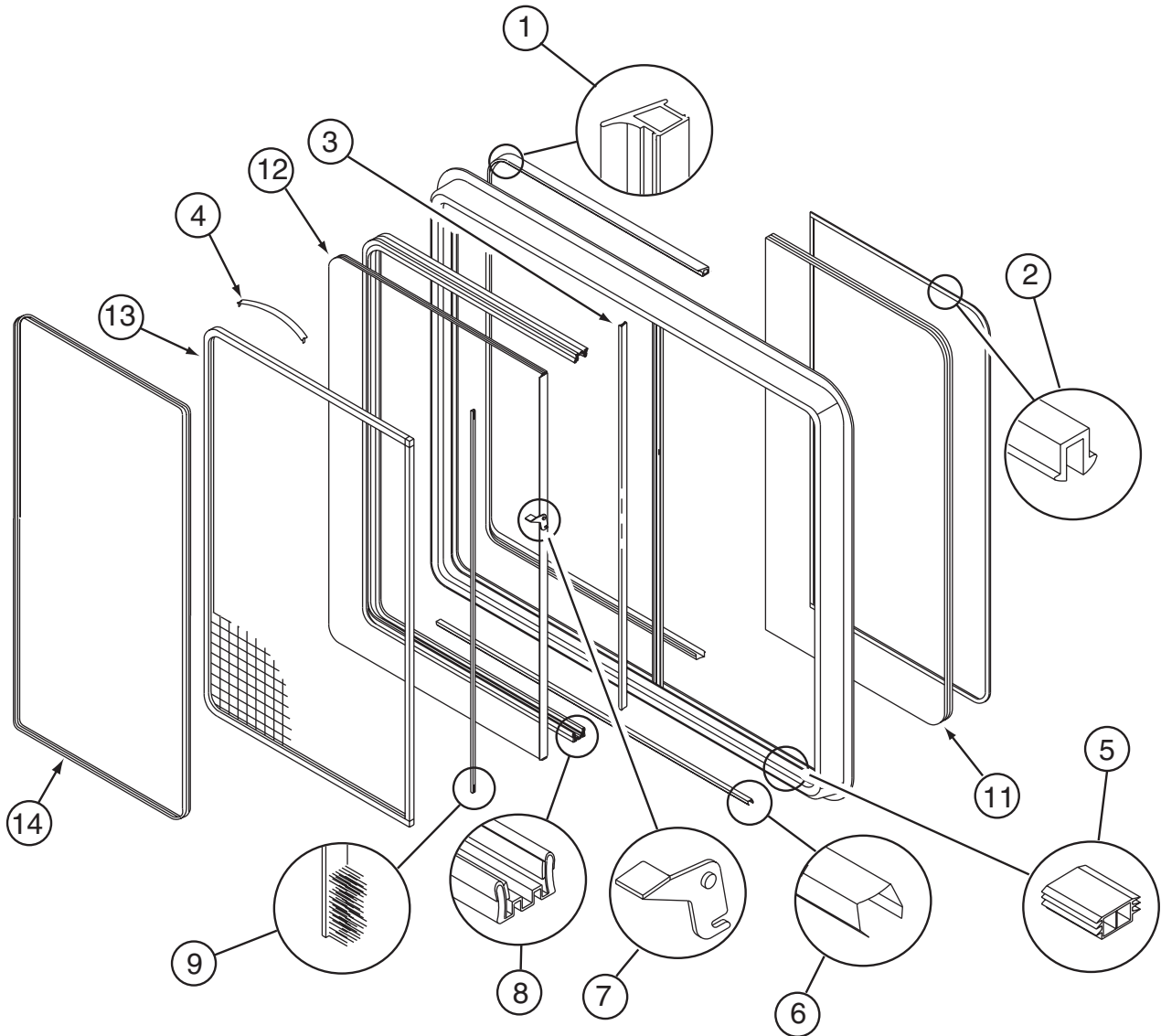
WINDOW & VENTS GROUP (CONTINUED)
WINDOW & VENT LAYOUT (CONTINUED)



| KEY | PART NUMBER | U/M | DESCRIPTION |
|-----|---------------|-----|--|
| 1* | 134004-03-01A | EA | WINDOW - VERT SLIDER/FLUSH O/S-THERMO - 21" X 19.8" |
| 2* | 112795-77-01A | EA | WINDOW - DRIVER HORIZONTAL SLIDER - THERMO - 57.4" X 23.6" |
| 3* | 112898-26-01A | EA | WINDOW - VERTICAL SLIDER - THERMOPANE - 31.7" X 21.1" |
| 4* | 137867-04-01A | EA | WINDOW - DOUBLE TIPOUT - THERMO - 27.2" X 12.3" |
| 5* | 129929-09-01A | EA | WINDOW - TORQUE - THERMO - 30" X 33" |
| | | | FROM: 00-00-00 THRU: 11-18-01 |
| 5* | 129929-10-01A | EA | WINDOW - TORQUE - THERMO/ESCAPE - 30" X 33" |
| | | | FROM: 11-19-01 THRU: 99-99-99 |
| 6* | 112898-23-01A | EA | WINDOW - VERTICAL SLIDER - THERMOPANE - 55.4" X 22.1" |

***COMPONENT PARTS LISTED LATER IN THIS GROUP**

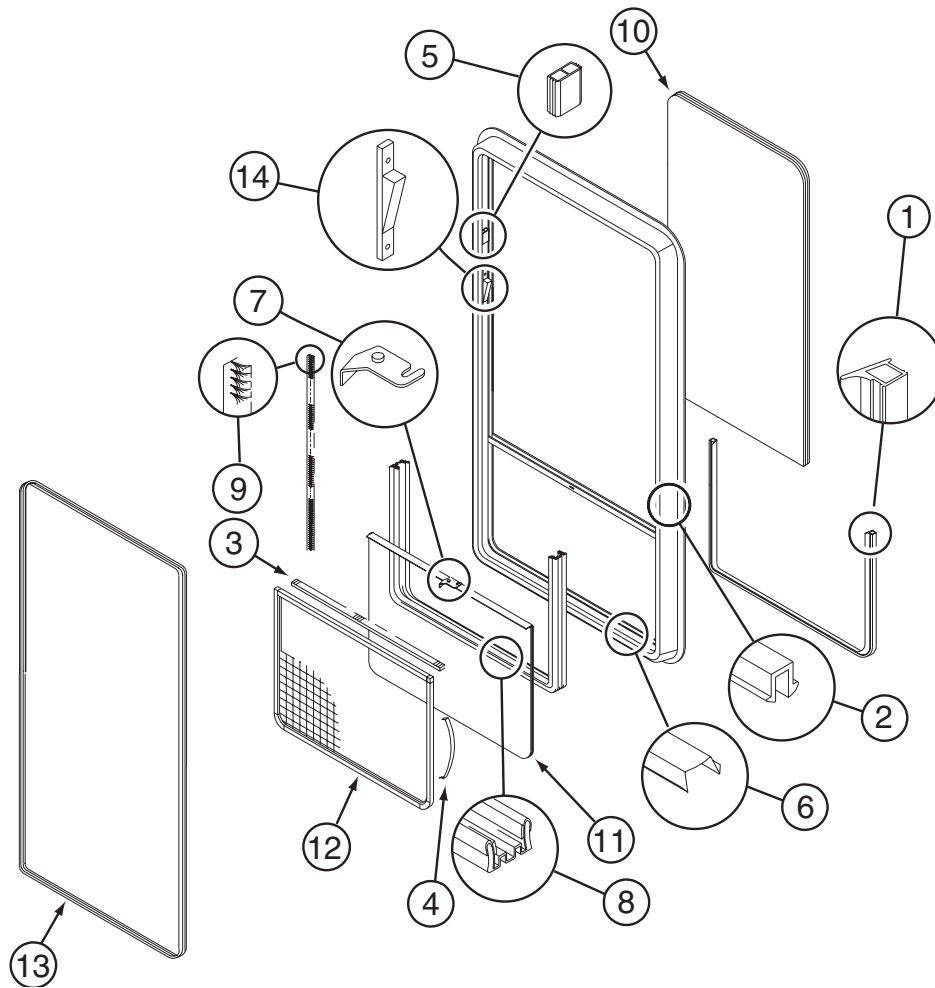
WINDOW & VENTS GROUP (CONTINUED)
COMPONENT PARTS FOR WINDOWS & VENT LAYOUT



112795-77-01A

| KEY | PART NUMBER | U/M | DESCRIPTION | VENDOR NO. |
|------------|--------------------|------------|------------------------------|-------------------|
| 1 | 112795-01-704 | FT | PLUG FILLER (DOUBLE GLAZED) | 122-018737 |
| 2 | 112795-01-705 | FT | VINYL - GLAZING | 132-025736 |
| 3 | 098644-01-706 | FT | WEATHERSTRIP - GLASS | 171-010668 |
| 4 | 098644-01-713 | EA | CLIP - SCREEN - METAL | 226-016966 |
| 4 | 125582-01-701 | EA | CLIP - SCREEN - PLASTIC | 130-005153 |
| | 098644-01-717 | FT | SPLINE - SCREEN | 132-004716 |
| 5 | 112795-01-701 | EA | SLIDE-STOP | 132-019092 |
| 6 | 098644-01-710 | FT | TRACK - SCREEN SPACER 12' | 132-017135 |
| 7 | 112795-01-700 | EA | LATCH ASM., BLK.,(BOLT ON) | DH287-CK |
| 8 | 112795-01-703 | IN | CHANNEL-RUN (INCHES) | 122-018736 |
| 9 | 098644-01-711 | FT | WEATHERSTRIP - SCREEN BLACK | 171-016965 |
| 11 | 112795-77-700 | EA | GLASS - STATIONARY | 390-28313 |
| 12 | 112795-77-701 | EA | GLASS - SLIDING W/SASH LATCH | DH493-G8 |
| 13 | 098647-47-702 | EA | SCREEN ASSY - W/SEAL & CLIPS | 410-025226 |
| 14 | 098647-47-704 | EA | RETAINER - TRIM | H493-66 |

WINDOW & VENTS GROUP (CONTINUED)
COMPONENT PARTS FOR WINDOWS & VENT LAYOUT (CONTINUED)



112898-23-01A

| KEY | PART NUMBER | U/M | DESCRIPTION | VENDOR NO. |
|-----|---------------|-----|---|------------|
| | 112898-23-01A | EA | WINDOW - VERTICAL SLIDER - THERMOPANE - 55.4" X 22.1" | |
| 1 | 112795-01-704 | FT | PLUG FILLER (DOUBLE GLAZED) | 122-018737 |
| 2 | 112795-01-705 | FT | VINYL - GLAZING | 132-025736 |
| 3 | 098644-01-706 | FT | WEATHERSTRIP - GLASS | 171-010668 |
| 4 | 098644-01-713 | EA | CLIP - SCREEN - METAL | 226-016966 |
| 4 | 125582-01-701 | EA | CLIP - SCREEN - PLASTIC | 130-005153 |
| 5 | 112795-01-701 | EA | SLIDE-STOP | 132-019092 |
| 6 | 098644-01-710 | FT | TRACK - SCREEN SPACER 12' | 132-017135 |
| 7 | 112795-01-700 | EA | LATCH ASM., BLK.,(BOLT ON) | DH287-CK |
| 8 | 112795-01-703 | IN | CHANNEL-RUN (INCHES) | 122-018736 |
| 9 | 098644-01-711 | FT | WEATHERSTRIP - SCREEN BLACK | 171-016965 |
| 10 | 112898-23-700 | EA | GLASS - STATIONARY | 390-028351 |
| 11 | 112898-23-701 | EA | GLASS-SLIDING W/SASH & LATCH | DH446-G8 |
| 12 | 112898-19-702 | EA | SCREEN ASM - W/SEALS & CLIPS | 410-026279 |
| 13 | 112898-19-703 | EA | RETAINER - TRIM | W564-66 |
| 14 | 112898-04-703 | EA | VERTICAL LATCH (SASH KIT) | DH343-CK |
| | 098644-01-717 | FT | SPLINE - SCREEN | 132-004716 |

WINDOW & VENTS GROUP (CONTINUED)
COMPONENT PARTS FOR WINDOWS & VENT LAYOUT (CONTINUED)

112898-26-01A

| KEY | PART NUMBER | U/M | DESCRIPTION | VENDOR NO. |
|------------|--------------------|------------|------------------------------|-------------------|
| 1 | 112795-01-704 | FT | PLUG FILLER (DOUBLE GLAZED) | 122-018737 |
| 2 | 112795-01-705 | FT | VINYL - GLAZING | 132-025736 |
| 3 | 098644-01-706 | FT | WEATHERSTRIP - GLASS | 171-010668 |
| 4 | 098644-01-713 | EA | CLIP - SCREEN - METAL | 226-016966 |
| 4 | 125582-01-701 | EA | CLIP - SCREEN - PLASTIC | 130-005153 |
| 5 | 112795-01-701 | EA | SLIDE-STOP | 132-019092 |
| 6 | 098644-01-710 | FT | TRACK - SCREEN SPACER 12' | 132-017135 |
| 7 | 112795-01-700 | EA | LATCH ASM., BLK.,(BOLT ON) | DH287-CK |
| 8 | 112795-01-703 | IN | CHANNEL-RUN (INCHES) | 122-018736 |
| 9 | 098644-01-711 | FT | WEATHERSTRIP - SCREEN BLACK | 171-016965 |
| 10 | 112898-26-700 | EA | GLASS - STATIONARY | 390-028343 |
| 11 | 112898-26-701 | EA | GLASS-SLIDING W/SASH & LATCH | DH332-G8 |
| 12 | 098644-04-703 | EA | SCREEN ASM - W/SEALS & CLIPS | 410-017955 |
| 13 | 112898-20-702 | EA | RETAINER - TRIM | H332-67 |
| 14 | 112898-04-703 | EA | VERTICAL LATCH (SASH KIT) | DH343-CK |
| | 098644-01-717 | FT | SPLINE - SCREEN | 132-004716 |

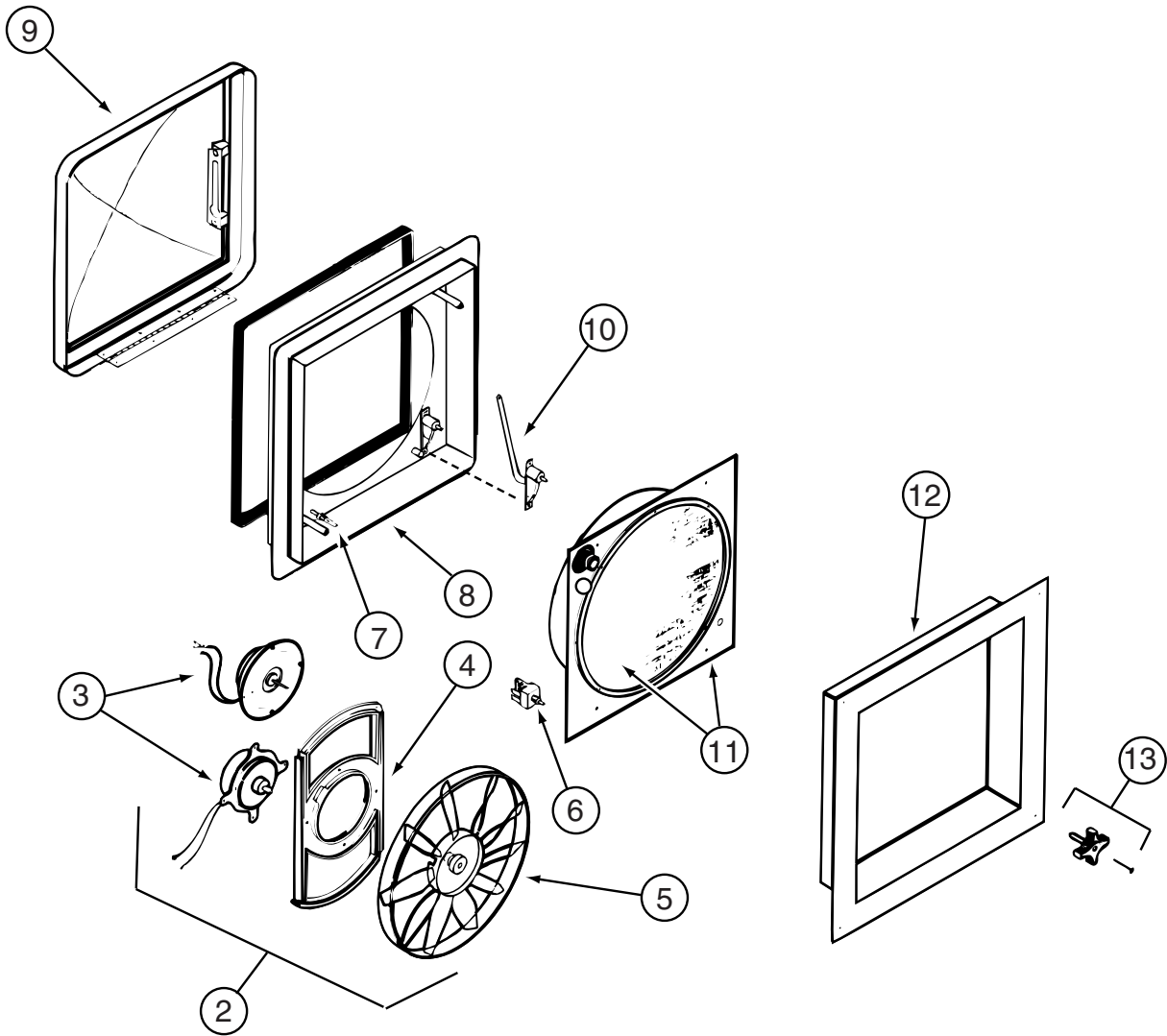
113733-04-01A, 113733-10-01A, 113733-11-01A

| KEY | PART NUMBER | U/M | DESCRIPTION | VENDOR NO. |
|------------|--------------------|------------|--------------------|-------------------|
| | 112795-01-705 | FT | VINYL - GLAZING | 132-025736 |
| | 113733-10-700 | EA | GLASS-STATIONARY | 390-028306 |
| | 113733-10-701 | EA | RETAINER-TRIM | H416-66 |

122882-04-01A, 122882-05-01A

| KEY | PART NUMBER | U/M | DESCRIPTION | VENDOR NO. |
|------------|--------------------|------------|------------------------------|-------------------|
| | 064470-01-700 | EA | COVER - VENT - W/O SLIDE BAR | J7291 |
| | 064470-01-701 | EA | SLIDE BAR - VENT LID | JRP1291B |
| | 064469-03-708 | EA | GEAR-DRIVE | RP-1024 |
| | 110051-07-701 | EA | MOTOR-LIFT, W/BRKT-GEAR 3/16 | RP1099B |
| | 122882-04-700 | EA | SCREEN | J29-670-01A |

WINDOW & VENTS GROUP (CONTINUED)
COMPONENT PARTS FOR WINDOWS & VENT LAYOUT (CONTINUED)



123780-03-01A

| KEY | PART NUMBER | U/M | DESCRIPTION | VENDOR NO. |
|------------|--------------------|------------|-----------------------------------|-------------------|
| 2 | 084079-11-700 | EA | MOTOR, BRKT., FAN BLADE, KIT | 4017K-09 |
| 3 | 084079-01-705 | EA | MOTOR | 1080-00 |
| 4 | 084079-01-711 | EA | H-MOLDING, MOTOR MOUNT | |
| 5 | 084079-01-704 | EA | BLADE-FAN | 1070-00 |
| 6 | 084079-01-709 | EA | SWITCH - MAIN - 3 SPEED | 1031-05 |
| 7 | 084079-01-707 | EA | SWITCH - SAFETY | 1122.05 |
| 8 | 123780-05-700 | EA | BASE - MAIN BRIGHT WHITE | 1010K-81 |
| 9 | 123780-01-700 | EA | COVER - VENT W/HINGE & SLIDE | 1020K-81 |
| 10 | 009440-01-000 | EA | GEAR/ARM - LIFT - ROOF VENT COVER | |
| 11 | 123780-03-701 | EA | SCREEN ASM 78-100MM W/SWITCH | 1030BT-81 |
| 12 | 123780-03-700 | EA | GARNISH - INT. 3"-4" BRT/WHT | 2040-81 |
| 13 | 084079-01-703 | EA | KNOB-LIFT, W/EXT. | 1140K-00 |
| | 084079-01-706 | EA | PLUG, 12 VOLT | 1090 |
| | 123780-01-702 | EA | SCREEN W/FRAME | 103581 |

CONTACT WINNEBAGO PART SALES FOR UNLISTED COMPONENTS

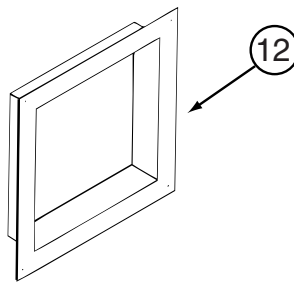
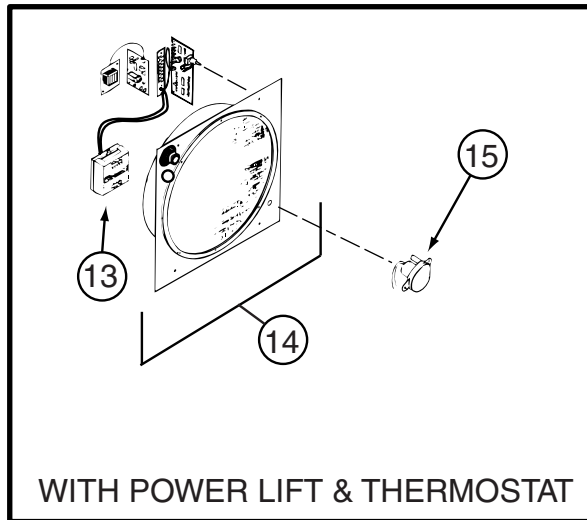
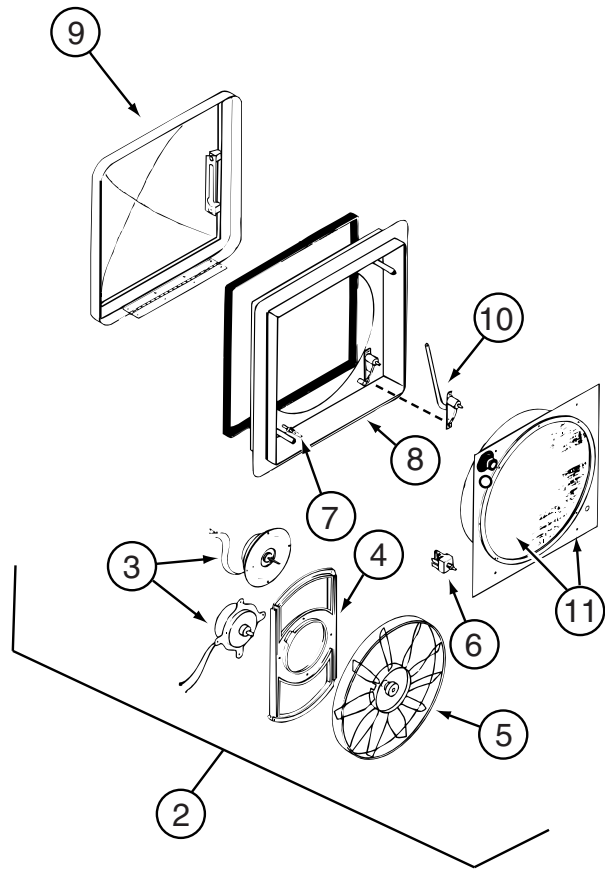
WINDOW & VENTS GROUP (CONTINUED)
COMPONENT PARTS FOR WINDOWS & VENT LAYOUT (CONTINUED)

123780-09-01A

| KEY | PART NUMBER | U/M | DESCRIPTION | VENDOR NO. |
|-----|---------------|-----|-----------------------------------|------------|
| 2 | 084079-11-700 | EA | MOTOR, BRKT., FAN BLADE, KIT | 4017K-09 |
| 3 | 084079-01-705 | EA | MOTOR | 1080-00 |
| 4 | 084079-01-711 | EA | H-MOLDING, MOTOR MOUNT | |
| 5 | 084079-01-704 | EA | BLADE-FAN | 1070-00 |
| 6 | 084079-01-709 | EA | SWITCH - MAIN - 3 SPEED | 1031-05 |
| 7 | 084079-01-707 | EA | SWITCH - SAFETY | 1122.05 |
| 8 | 123780-05-700 | EA | BASE - MAIN BRIGHT WHITE | 1010K-81 |
| 9 | 123780-09-700 | EA | DOME/WHITE - INSULATED | K2020-82 |
| 10 | 009440-01-000 | EA | GEAR/ARM - LIFT - ROOF VENT COVER | |
| 11 | 123780-03-701 | EA | SCREEN ASM 78-100MM W/SWITCH | 1030BT-81 |
| 12 | 123780-03-700 | EA | GARNISH - INT. 3"-4" BRT/WHT | 2040-81 |
| 13 | 084079-01-703 | EA | KNOB-LIFT, W/EXT. & SCREW | 1140K-00 |
| | 123780-01-702 | EA | SCREEN W/FRAME | 103581 |
| | 084079-01-706 | EA | PLUG, 12 VOLT | 1090 |

CONTACT WINNEBAGO PART SALES FOR UNLISTED COMPONENTS

WINDOW & VENTS GROUP (CONTINUED)
COMPONENT PARTS FOR WINDOWS & VENT LAYOUT (CONTINUED)

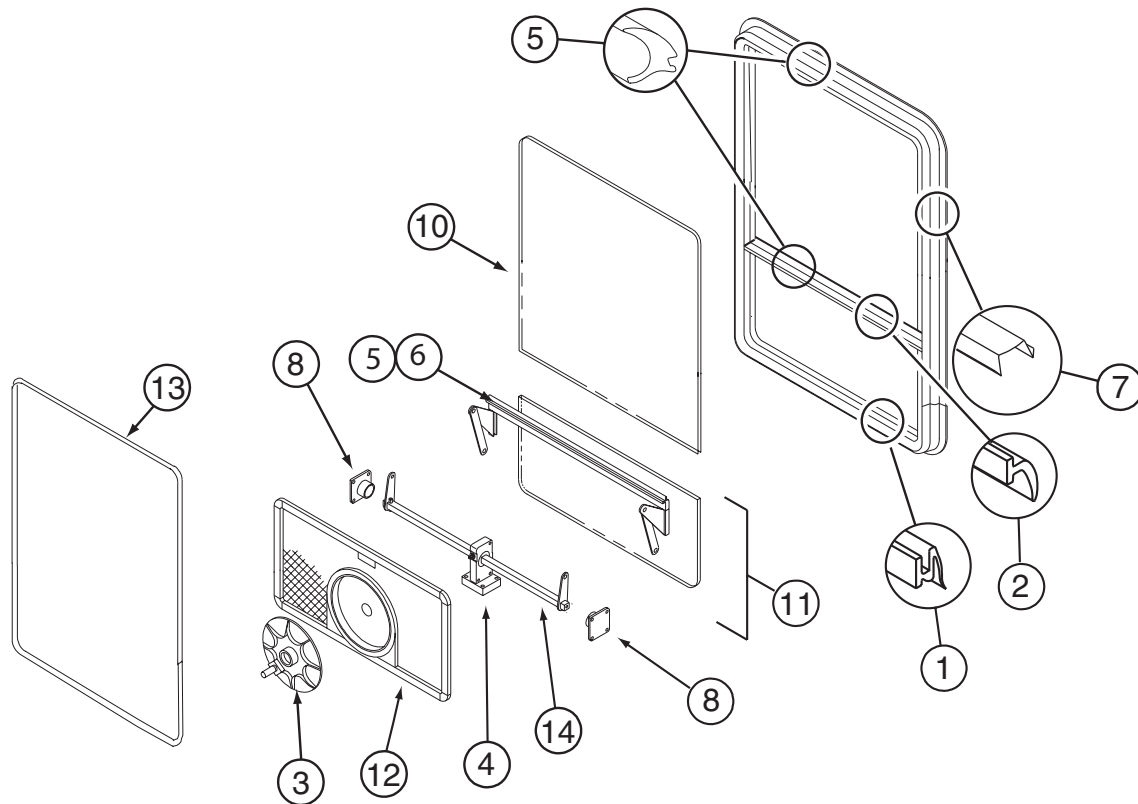


123780-10-01A

| KEY | PART NUMBER | U/M | DESCRIPTION | VENDOR NO. |
|-----|---------------|-----|-----------------------------------|------------|
| 2 | 084079-11-700 | EA | MOTOR, BRKT., FAN BLADE, KIT | 4017K-09 |
| 3 | 084079-01-705 | EA | MOTOR | 1080-00 |
| 4 | 084079-01-711 | EA | H-MOLDING, MOTOR MOUNT | |
| 5 | 084079-01-704 | EA | BLADE-FAN | 1070-00 |
| | 084079-01-709 | EA | SWITCH - MAIN - 3 SPEED | 1031-05 |
| 6 | 084079-01-707 | EA | SWITCH - SAFETY | 1122.05 |
| 8 | 123780-05-700 | EA | BASE - MAIN BRIGHT WHITE | 1010K-81 |
| 9 | 123780-09-700 | EA | DOME/WHITE - INSULATED | K2020-82 |
| 10 | 009440-01-000 | EA | GEAR/ARM - LIFT - ROOF VENT COVER | |
| 11 | 123780-01-702 | EA | SCREEN W/FRAME | 103581 |
| 12 | 123780-03-700 | EA | GARNISH - INT. 3"-4" BRT/WHT | 2040-81 |
| 13 | 084079-01-710 | EA | THERMOSTAT, WALL MOUNT | 9988-39 |
| 14 | 123780-05-701 | EA | SCREEN ASM., INT W/SWITCHES | 2000TK-81 |
| 15 | 084079-11-705 | EA | MOTOR - LIFT (BC MOTOR) | 5050-40 |
| 15 | 084079-11-703 | EA | MOTOR-LIFT (AUTOTROL) W/CAP | 6050-05 |

CONTACT WINNEBAGO PART SALES FOR UNLISTED COMPONENTS

WINDOW & VENTS GROUP (CONTINUED)
COMPONENT PARTS FOR WINDOWS & VENT LAYOUT (CONTINUED)



129929-09-01A

| KEY | PART NUMBER | U/M | DESCRIPTION | VENDOR NO . |
|-----|---------------|-----|------------------------------|-------------|
| 1 | 100322-01-701 | FT | SEAL-VENT | 122-016071 |
| 3 | 100322-01-718 | EA | HANDLE-DIAL | 410-016081 |
| 4 | 129929-01-710 | EA | TORQUE-CTR SUPPORT (2 HOLE) | 410-026806 |
| 5 | 129929-01-705 | FT | GLAZING VINYL | 132-026811 |
| 6 | 129929-01-707 | FT | COVER/SCREW-FILLER STRIP | 132-026808 |
| 8 | 129929-01-708 | EA | SUPPORT - TORQUE BAR - RT/LT | 130-026804 |
| 10 | 129929-09-700 | EA | GLASS - STATIONARY | 390-028298 |
| 11 | 129929-09-701 | EA | VENT GLASS ASSEMBLY | DTH001-G8 |
| 12 | 129929-01-702 | EA | SCREEN ASM - W/SEALS & CLIPS | 410-026858 |
| 13 | 129920-01-709 | EA | RETAINER - TRIM | CH10062 |
| 14 | 129929-01-704 | EA | OPERATOR BAR ASSEMBLY | DTH001-15 |
| | 100322-01-717 | FT | SEAL - VENT | 122-016071 |
| | 129929-01-706 | FT | SEAL - TOP F/CENTER EGRESS | 132-026811 |
| | 129929-02-706 | FT | SEAL - FOAM | 140-027022 |

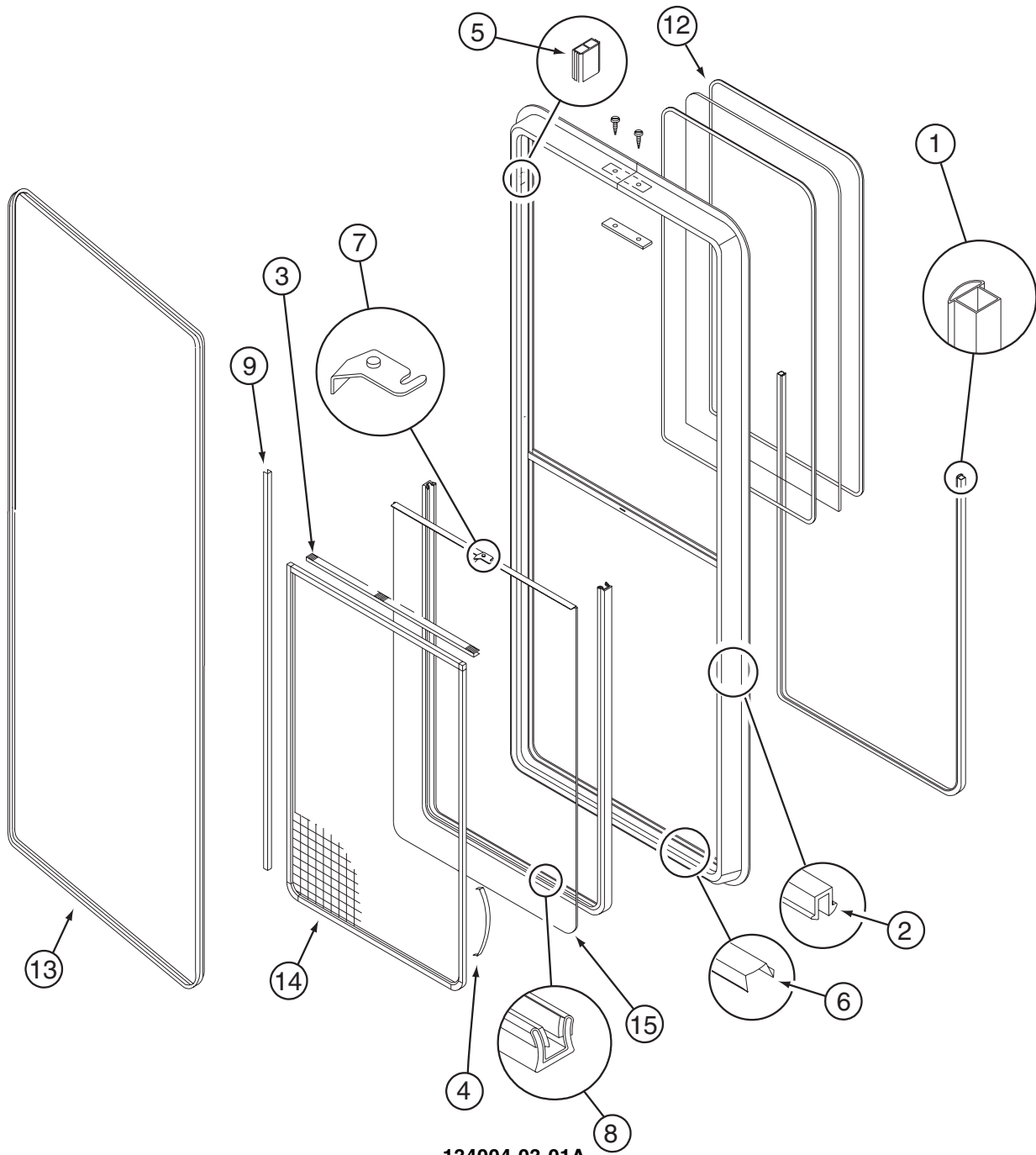
CONTACT WINNEBAGO PART SALES FOR UNLISTED COMPONENTS

129929-10-01A

| KEY | PART NUMBER | U/M | DESCRIPTION | VENDOR NO . |
|-----|---------------|-----|------------------------------|-------------|
| 1 | 100322-01-701 | FT | SEAL-VENT | 122-016071 |
| 3 | 100322-01-718 | EA | HANDLE-DIAL | 410-016081 |
| 4 | 129929-01-710 | EA | TORQUE-CTR SUPPORT (2 HOLE) | 410-026806 |
| 5 | 129929-01-705 | FT | GLAZING VINYL | 132-026811 |
| 6 | 129929-01-707 | FT | COVER/SCREW-FILLER STRIP | 132-026808 |
| 8 | 129929-01-708 | EA | SUPPORT - TORQUE BAR - RT/LT | 130-026804 |
| 10 | 129929-10-700 | EA | GLASS - STATIONARY | 390-028300 |
| 11 | 129929-10-701 | EA | VENT GLASS ASSEMBLY | DTH002-G8 |
| 12 | 129929-02-702 | EA | SCREEN ASM - W/SEALS & CLIPS | 410-026861 |
| 13 | 129929-02-707 | EA | RETAINER - TRIM | CH10162 |
| 14 | 129929-02-704 | EA | OPERATOR BAR ASSEMBLY | DTH002-15 |
| | 100322-01-717 | FT | SEAL - VENT | 122-016071 |
| | 129929-01-706 | FT | SEAL - TOP F/CENTER EGRESS | 132-026811 |
| | 129929-02-706 | FT | SEAL - FOAM | 140-027022 |

CONTACT WINNEBAGO PART SALES FOR UNLISTED COMPONENTS

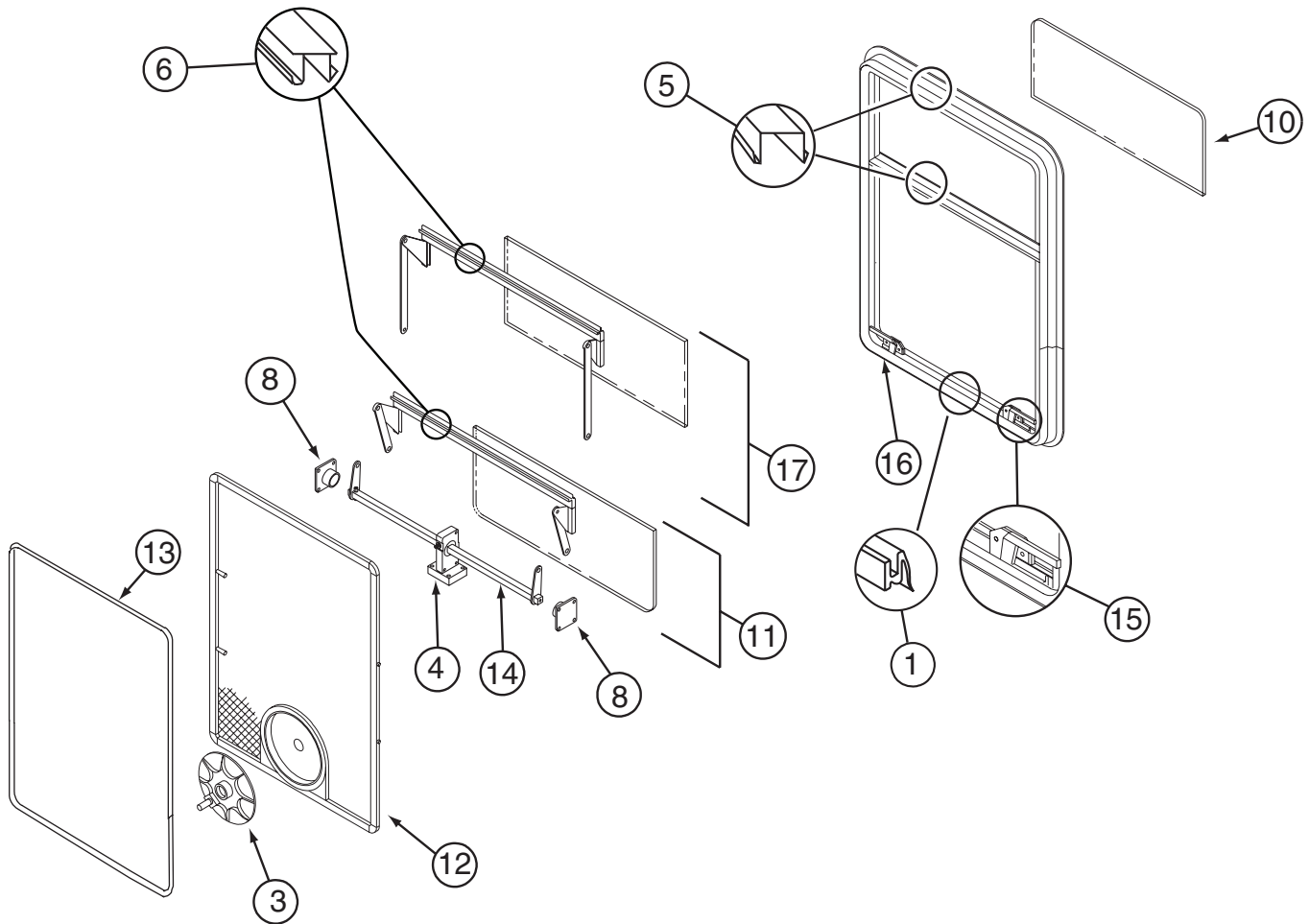
WINDOW & VENTS GROUP (CONTINUED)
COMPONENT PARTS FOR WINDOWS & VENT LAYOUT (CONTINUED)



134004-03-01A

| KEY | PART NUMBER | U/M | DESCRIPTION | VENDOR NO |
|-----|---------------|-----|------------------------------|------------|
| 1 | 112795-01-704 | FT | PLUG FILLER (DOUBLE GLAZED) | 122-018737 |
| 2 | 112795-01-705 | FT | VINYL - GLAZING | 132-027331 |
| 3 | 098644-01-706 | FT | WEATHERSTRIP - GLASS | 171-010668 |
| 4 | 125582-01-701 | EA | CLIP - SCREEN - PLASTIC | 130-005153 |
| 4 | 098644-01-713 | EA | CLIP - SCREEN - METAL | 226-016966 |
| 5 | 112795-01-701 | EA | SLIDE-STOP | 132-019092 |
| 6 | 098644-01-710 | FT | TRACK - SCREEN SPACER 12' | 132-017135 |
| 7 | 112795-01-700 | EA | LATCH ASM., BLK.,(BOLT ON) | DH287-CK |
| 8 | 112795-01-703 | IN | CHANNEL-RUN (INCHES) | 122-027566 |
| 9 | 098644-01-711 | FT | WEATHERSTRIP - SCREEN BLACK | 171-016965 |
| 12 | 134004-03-700 | EA | GLASS - STATIONARY | 390-028662 |
| 13 | 134004-03-702 | EA | RETAINER - TRIM | H702-56 |
| 14 | 098644-13-702 | EA | SCREEN ASM W/SEALS & CLIPS | 410-028663 |
| 15 | 134004-03-701 | EA | GLASS-SLIDING W/SASH & LATCH | DH702-G8 |
| | 112898-04-703 | EA | VERTICAL LATCH (SASH KIT) | DH343-CK |
| | 098644-01-717 | FT | SPLINE - SCREEN | 132-004716 |

WINDOW & VENTS GROUP (CONTINUED)
COMPONENT PARTS FOR WINDOWS & VENT LAYOUT (CONTINUED)

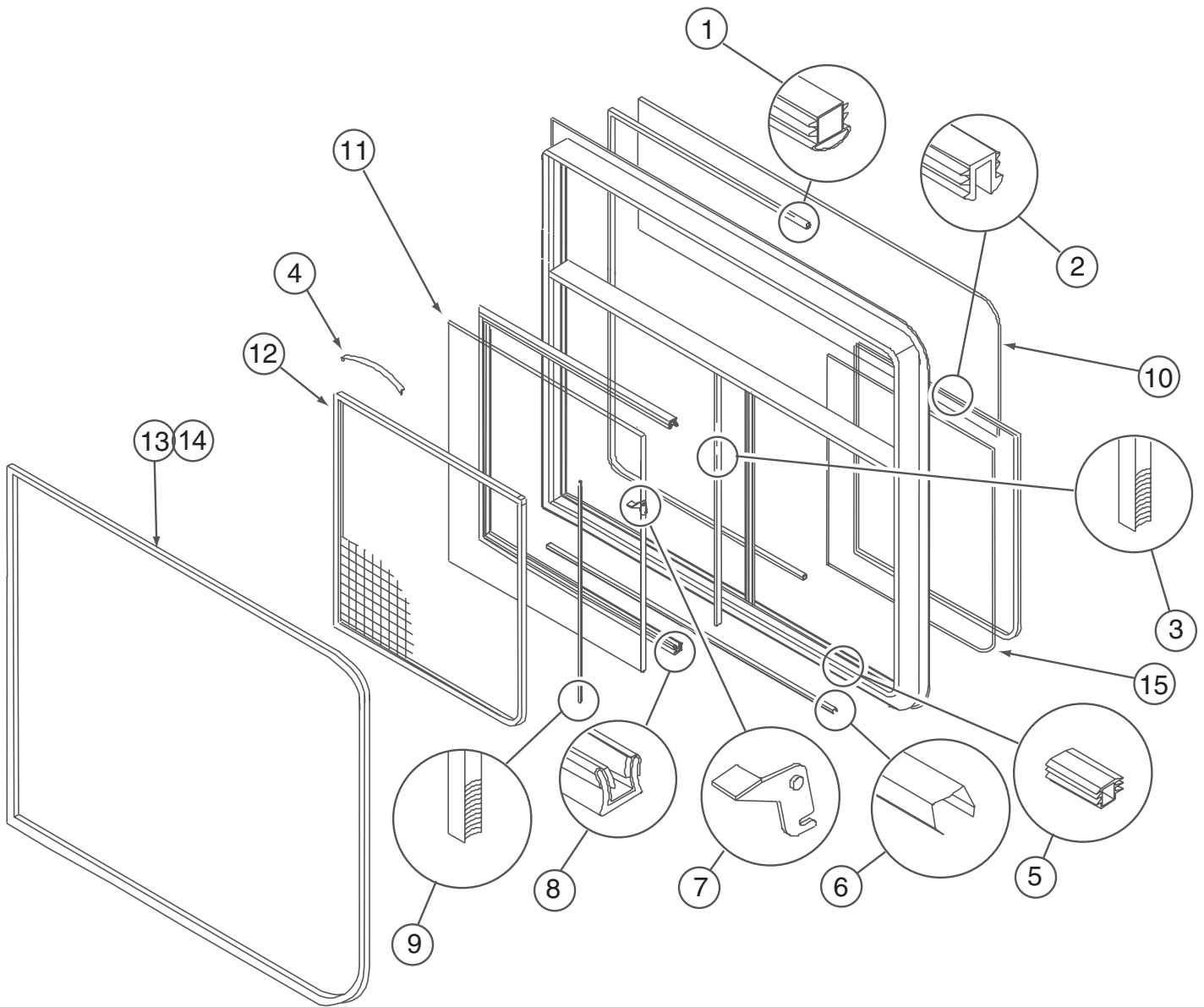


137867-04-01A

| KEY | PART NUMBER | U/M | DESCRIPTION | VENDOR NO. |
|-----|---------------|-----|------------------------------|------------|
| 1 | 100322-01-701 | FT | SEAL-VENT | 122-016071 |
| 3 | 100322-01-718 | EA | HANDLE-DIAL | 410-016081 |
| 4 | 129929-01-710 | EA | TORQUE-CTR SUPPORT (2 HOLE) | 410-026806 |
| 5 | 129929-01-705 | FT | GLAZING VINYL | 132-026811 |
| 6 | 129929-01-707 | FT | COVER/SCREW-FILLER STRIP | 132-026808 |
| 8 | 129929-01-708 | EA | SUPPORT - TORQUE BAR - RT/LT | 130-026804 |
| 10 | 137867-04-700 | EA | GLASS - STATIONARY (DBL GLZ) | 390-029416 |
| 11 | 137867-04-701 | EA | VENT ASSEMBLY LWR (DBL GLZ) | DTH025-G8 |
| 12 | 137867-04-703 | EA | SCREEN ASSEMBLY W/SEAL/CLIPS | 410-029417 |
| 13 | 137867-03-703 | EA | RETAINER - TRIM | DTH023-62 |
| 14 | 137867-03-704 | EA | OPERATOR BAR ASSEMBLY | DTH025-15 |
| 15 | NOT USED | | | |
| 16 | NOT USED | | | |
| 17 | 137867-04-702 | EA | VENT ASSEMBLY UPR (DBL GLZ) | DTH025-G6 |
| | 100322-01-717 | EA | E-RING | 245-015975 |
| | 129929-01-706 | IN | SEAL - TOP F/CENTER EGRESS | 132-026811 |
| | 129929-02-706 | FT | SEAL - FOAM | 140-027022 |

CONTACT WINNEBAGO PART SALES FOR UNLISTED COMPONENTS

WINDOW & VENTS GROUP (CONTINUED)
COMPONENT PARTS FOR WINDOWS & VENT LAYOUT (CONTINUED)

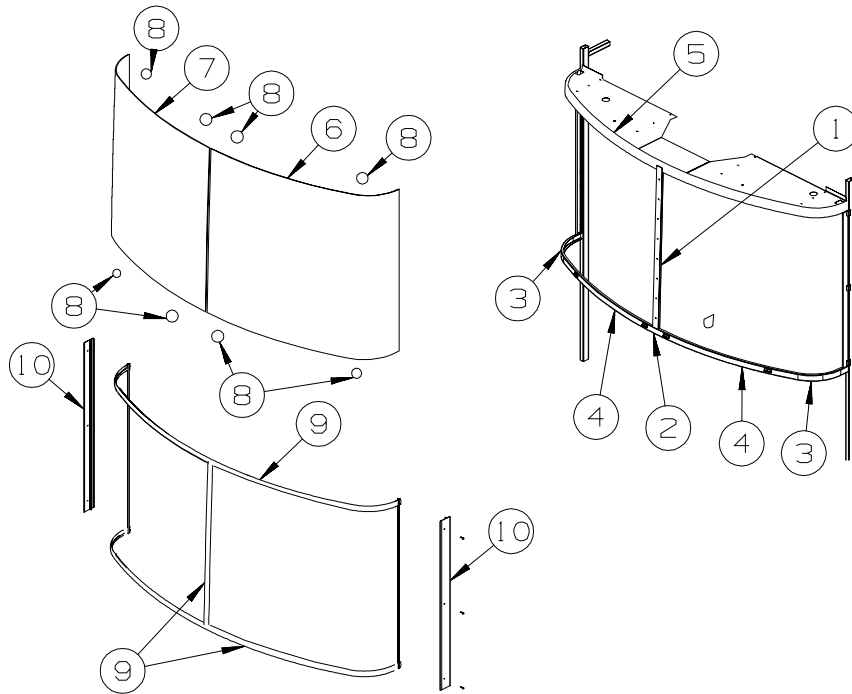


139502-01-01A

| KEY | PART NUMBER | U/M | DESCRIPTION | VENDOR NO. |
|-----|---------------|-----|-----------------------------|------------|
| 1 | 112795-01-704 | FT | PLUG FILLER (DOUBLE GLAZED) | 122-018737 |
| 2 | 112795-01-705 | FT | VINYL - GLAZING | 132-027331 |
| 3 | 098644-01-706 | FT | WEATHERSTRIP - GLASS | 171-010668 |
| 4 | 125582-01-701 | EA | CLIP - SCREEN - PLASTIC | 130-005153 |
| 4 | 098644-01-713 | EA | CLIP - SCREEN - METAL | 226-016966 |
| 5 | 112795-01-701 | EA | SLIDE-STOP | 132-019092 |
| 6 | 098644-01-710 | FT | TRACK - SCREEN SPACER 12' | 132-017135 |
| 7 | 112795-01-700 | EA | LATCH ASM., BLK.,(BOLT ON) | DH287-CK |
| 8 | 112795-01-703 | IN | CHANNEL-RUN (INCHES) | 122-027566 |
| 9 | 098644-01-711 | FT | WEATHERSTRIP - SCREEN BLACK | 171-016965 |
| 10 | 139502-01-700 | EA | GLASS - STATIONARY | 390-029245 |
| 11 | 139502-01-701 | EA | SLIDE ASM W/SEALS & CLIPS | DH772-A9R |
| 12 | 139502-01-702 | EA | SCREEN ASM W/SEAL & CLIPS | 410-029335 |
| 13 | 139502-01-703 | EA | RETAINER - TRIM | H772-41 |
| 14 | 139502-01-704 | EA | RETAINER - TRIM | H772-42 |
| 15 | 139502-01-705 | EA | GLASS - STATIONARY | 390-029246 |
| | 098644-01-717 | FT | SPLINE - SCREEN | 132-004716 |

WINDSHIELD & WIPER GROUP

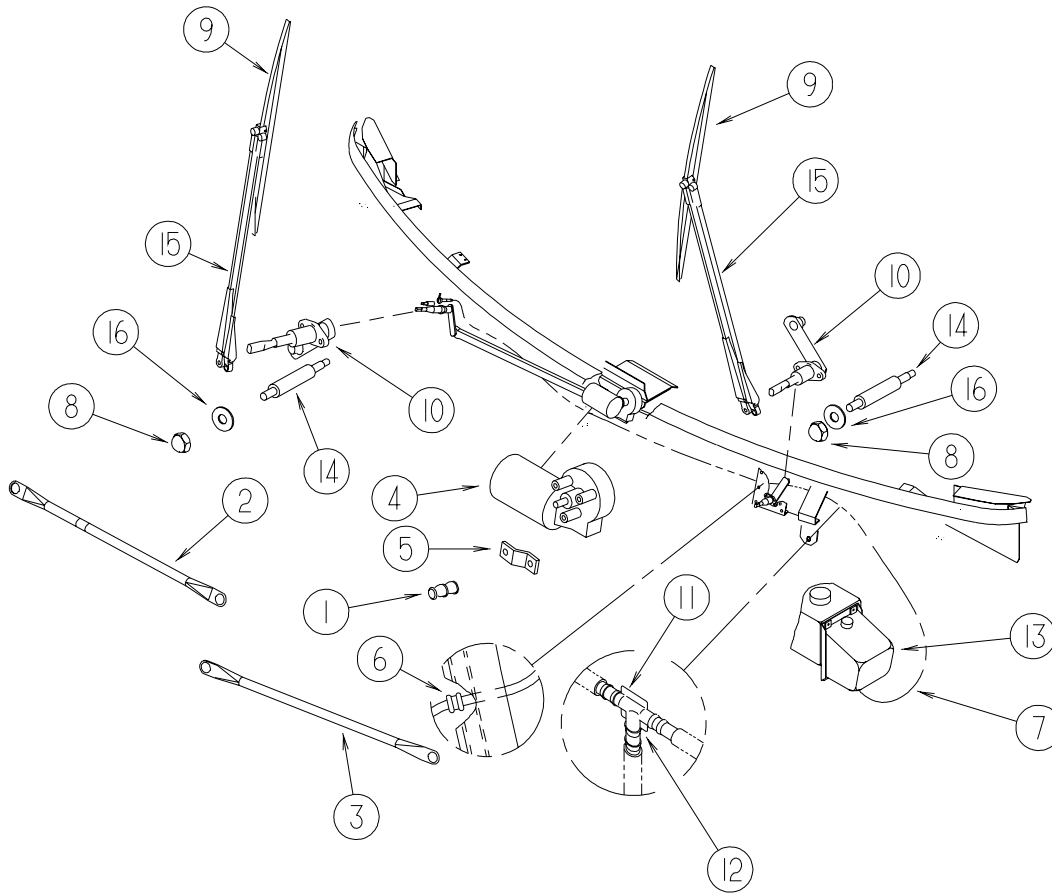
WINDSHIELD



| KEY | PART NUMBER | U/M | DESCRIPTION |
|-----|---------------|-----|---|
| 1 | 127862-01-000 | EA | CARRIER/REVEAL - WINDSHIELD - 47.2" |
| 2 | 132375-01-000 | EA | CARRIER/REVEAL - WINDSHIELD - 5.5" |
| 3 | 132375-03-000 | EA | CARRIER/REVEAL - WINDSHIELD - 7.5" |
| 4 | 117335-06-000 | EA | CARRIER - REVEAL - 29.8" |
| 5 | 127862-11-000 | EA | CARRIER/REVEAL - WINDSHIELD - 43.7" |
| 6 | 136688-02-000 | EA | WINDSHIELD - DRIVER |
| 7 | 136688-01-000 | EA | WINDSHIELD - PASSENGER |
| 8 | 081914-02-000 | EA | BUMPER - RUBBER - ROUND - 5/16" DIA. X 13/64" THICK |
| 9 | 120533-01-000 | FT | MOLDING - REVEAL - WINDSHIELD |
| 10 | 138559-01-01A | EA | TRIM - WINDSHIELD - A-PILLAR |

WINDSHIELD & WIPER GROUP (CONTINUED)

WIPER



| KEY | PART NUMBER | U/M | DESCRIPTION |
|-----|---------------|-----|---|
| 1 | 067188-01-000 | EA | STUD - CRANK - WIPER MOTOR |
| | 117322-01-000 | EA | SCREW - 1/4-28 UNFINISHED - 2A - TORX |
| 2 | 117770-01-000 | EA | LINK - CONNECTING - 24" - CLOSED GROMMET/OPEN GROMMET |
| 3 | 117770-02-000 | EA | LINK - CONNECTING - 24" - CLOSED GROMMET/CLOSED GROMMET |
| 4 | 104346-05-000 | EA | WIPER MOTOR - "DYNAMIC PARK" - W/INTERNAL BREAKER |
| 5 | 104347-04-000 | EA | ARM - DRIVE - WIPER MOTOR |
| 6 | 061603-01-000 | EA | GROMMET - SNAP - 3/16"ID - 3/8" HOLE - PLASTIC BLACK |
| 7 | 045794-01-000 | FT | HOSE - WASHER - WINDSHIELD - 5/32" ID - BLACK |
| 8 | 077049-02-000 | EA | NUT - ACORN - 10-32 BLACK/ANODIZED |
| 9* | 095964-01-000 | EA | BLADE - WINDSHIELD WIPER - 24" |
| 10* | 096505-09-000 | EA | SHAFT/PIVOT - WINDSHIELD WIPER |
| 11 | 110605-01-000 | EA | TEE - PLASTIC - BARBED - 1/8" X 1/8" X 3/16" |
| 12 | NOT USED | | |
| 13 | 117766-02-000 | EA | RESERVOIR/PUMP - WINDSHIELD WASHER |
| 14 | 117768-01-000 | EA | SHAFT - ADAPTER - PANTOGRAPH ARM |
| 15* | 117769-01-000 | EA | ARM - WIPER - PANTOGRAPH - 28" |
| 16 | 110742-02-000 | EA | GASKET - NEOPRENE - WIPER ADAPTER SHAFT - .5" ID X .9" OD |

*COMPONENT PARTS LISTED LATER IN THIS GROUP

WINDSHIELD & WIPER GROUP (CONTINUED)
COMPONENT PARTS FOR WIPER

095964-01-000

| KEY | PART NUMBER | U/M | DESCRIPTION | VENDOR NO. |
|------------|--------------------|------------|--------------------------------|-------------------|
| | 095964-01-000 | EA | BLADE - WINDSHIELD WIPER - 24" | |
| | 095964-01-700 | EA | BLADE-REFILL 24" EA= 1 PAIR | 12360 |

096505-09-000

| KEY | PART NUMBER | U/M | DESCRIPTION | VENDOR NO. |
|------------|--------------------|------------|--------------------------------|-------------------|
| | 096505-09-000 | EA | SHAFT/PIVOT - WINDSHIELD WIPER | UT 6706220SH25WJ |
| | 096505-02-700 | EA | DRIVER-KNURLED,(HD) BRL .687 | NT721017 |
| | 096505-02-701 | EA | NUT-HEX (HD) W/.687 BARREL | NT721021 |
| | 096505-02-702 | EA | CAP-RUBBER (HD) BARREL .687 | CP721084 |
| | 096505-02-703 | EA | NUT/ACORN - HD W/.687 BRL | 51065-40-NT27WC |

117769-01-000

| KEY | PART NUMBER | U/M | DESCRIPTION | VENDOR NO. |
|------------|--------------------|------------|--------------------------------|-------------------|
| | 117769-01-000 | EA | ARM - WIPER - PANTOGRAPH - 28" | UT 6701620LE25WJ |
| | 096931-01-700 | FT | HOSE - WASHER - 1/8" ID | XTU-66-0001 |
| | 117769-01-700 | EA | RETAINER CLIP - HOSE | |