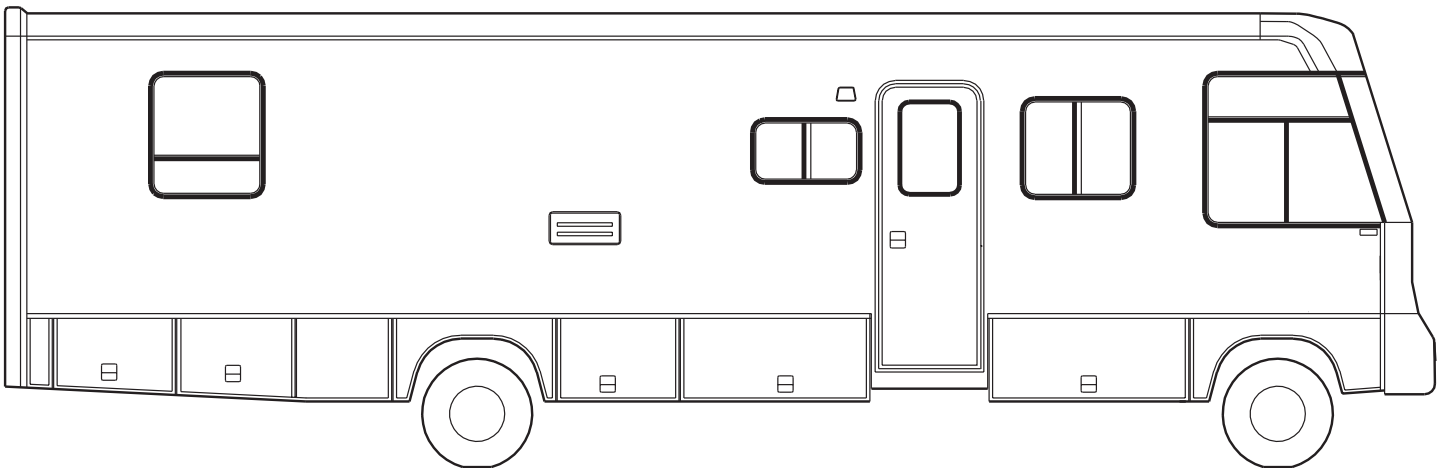
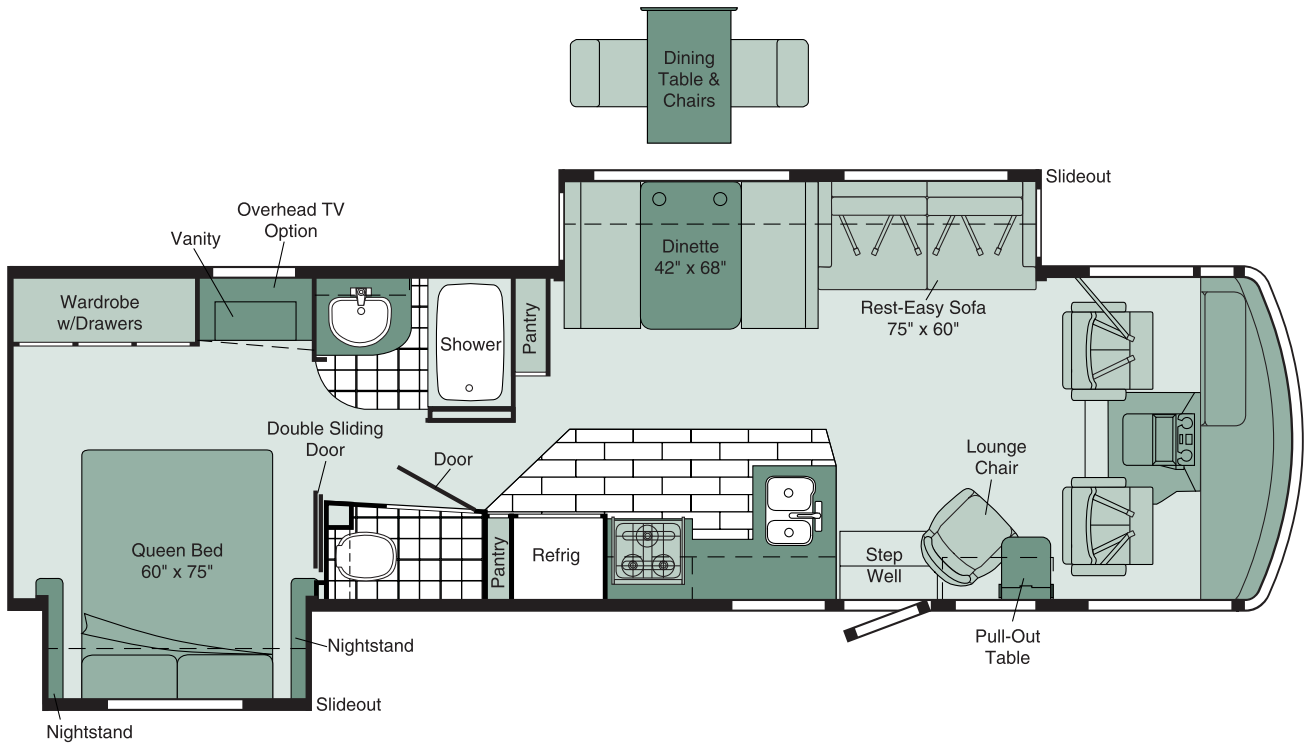


2002
SUNRISE
F-SERIES
PORTSMOUTH OAK
N37 ARBOR - BLUSH
N38 CLOUDBURST - WARM GREY
N39 BAYWATER - BLUE



2002 IPF32V



FLOORPLAN

CONTENTS

FLOORPLAN	2
ACCESSORIES GROUP	8
OPERATORS MANUAL	8
APPLIANCE GROUP	9
APPLIANCES	9
COMPONENT PARTS FOR APPLIANCE	14
112881-02-03A	14
112881-03-01A	15
114030-02-01A, 114030-03-01A	18
115504-01-000	19
120075-13-01A, 120075-14-01A, 120075-15-01A	20
121569-05-01A, 121569-07-01A	28
125242-02-01A	34
126019-01-01A	43
126022-01-01A, 126022-02-01A, 126022-03-01A	43
134940-01-01A	44
134940-04-01A	45
AUDIO VIDEO GROUP	46
RADIO SYSTEM	46
REAR VIEW MONITOR	46
COMPONENT PARTS FOR REAR VIEW MONITOR	47
093040-10-000	47
TELEPHONE	48
TV & VCR	48
COMPONENT PARTS FOR TV & VCR	49
076319-23-000	49
076319-25-000	50
126696-07-000	51
126697-07-000	51
133377-01-000	51
137135-01-000	52
EXTERIOR ENTERTAINMENT	54
BATH GROUP	55
CABINETS	55
SHOWER	57
COMPONENT PARTS FOR SHOWER	58
135615-01-01A, 135615-02-01A, 135615-03-01A, 135615-04-01A & 135615-05-01A	58
BEDROOM GROUP	60
QUEEN CABINETS	60

CONTENTS (CONTINUED)

CHASSIS GROUP	62
FRAME	62
COMPONENT PARTS FOR FRAME	64
132643-01-01A	64
FRONT END	65
DRIVETRAIN	67
EXHAUST	68
FUEL	71
HYDRAULIC LEVELING	73
COMPONENT PARTS FOR HYDRAULIC LEVELING	76
100536-11-000	76
128285-01-000	76
128571-03-000	77
131306-02-000	78
131306-06-000	80
131306-19-000	82
SUSPENSION	84
COMPONENT PARTS FOR SUSPENSION	85
122756-04-000	85
WHEEL, TIRE, COVERS &/OR LINERS	86
COMPONENT PARTS FOR WHEEL, TIRE, COVERS &/OR LINERS	87
110435-15-000	87
134609-01-000	87
134609-02-000	87
BRAKELINE	88
BRAKE	88
CURTAIN & CUSHION GROUP	89
NOTICE	89
CUSHION LAYOUT	90
BUCKET SEATS	92
LOUNGE CHAIR	93
SOFA	94
WINDOW TREATMENT	96
HARDWARE	98
ACCESSORIES	100
COMPONENT PARTS FOR ACCESSORIES	101
091990-04-01A	101
FABRICS	102
DINETTE GROUP	104
CABINETS	104
TABLE	105
DRIVERS COMPARTMENT GROUP	107
DASH	107
MOTOR COVER	109
BEVERAGE TRAY	111
FRONT INTERIOR	112
CABINETS	114

CONTENTS (CONTINUED)

ELECTRICAL GROUP	115
12V BODY WIRING	115
FRONT END WIRING	120
COMPONENT PARTS FOR LIGHTS & SWITCHES	122
008089-02-000	122
086280-01-000	122
087694-01-000	122
091937-08-000	122
097917-01-06A	122
108354-01-01A	122
121935-01-01A	122
137417-01-01A	122
137417-02-01A	122
137417-05-01A	122
137417-06-01A	122
CIRCUIT BREAKERS & FUSES	123
CONVERTER, INVERTER, LOAD CENTERS	124
110V WIRING	125
ENTERTAINMENT WIRING	126
BOXES & CORDS	127
WIRE ASSEMBLIES	127
CONNECTORS & CONDUIT	128
BOOTS, SOLENOIDS, RELAYS & MISCELLANEOUS	130
EXTERIOR BODY GROUP	131
GRAPHICS & PAINT	131
PANELS & TRIMS	132
FRONT END	134
LADDER	136
MIRRORS	136
COMPONENT PARTS FOR MIRRORS	137
106015-12-01A, 106015-14-01A	137
106015-13-01A, 106015-15-01A	137
STRUCTURAL COMPONENTS	138
AWNINGS	138
COMPONENT PARTS FOR AWNINGS	139
113874-01-02A	139
EXTERIOR DOORS & COMPARTMENTS GROUP	140
DOOR & COMPARTMENT LAYOUT	140
COMPONENT PARTS FOR DOOR & COMPARTMENT LAYOUT	144
084103-08-000	144
094707-03-01A	144
COMPARTMENT DOOR PIECE PARTS	145
COMPONENT PARTS FOR COMPARTMENT DOOR PIECE PARTS	147
110506-26-000 - 110506-27-000 - 110506-33-000	147
ENTRY	148
COMPONENT PARTS FOR ENTRY	151
129676-01-000 THRU 129676-10-000	151
SCREEN	152
LATCH - ENTRY	153
EXTERIOR SLIDEOUT GROUP	154
FRONT LEFT	154
COMPONENT PARTS FOR FRONT LEFT	159
100536-42-000	159
132540-01-000	159
140122-01-000	159
RIGHT REAR	160
COMPONENT PARTS FOR RIGHT REAR	164
100536-46-000	164
137390-01-000	164
GALLEY GROUP	165
CABINETS	165

CONTENTS (CONTINUED)

GENERATOR GROUP	167
GAS	167
HEATING & A/C GROUP	169
AUTOMOTIVE	169
COMPONENT PARTS FOR AUTOMOTIVE	171
103930-43-000	171
103930-44-000	172
103930-45-000	172
103930-46-000	172
103930-47-000	172
103930-49-000	173
FURNACE	175
COMPONENT PARTS FOR FURNACE	176
098668-21-000	176
098668-22-000	178
139980-03-000	179
139980-04-000	181
REAR HEATER	183
COMPONENT PARTS FOR REAR HEATER	184
129205-01-000	184
ROOF	185
COMPONENT PARTS FOR ROOF	186
131184-01-01A	186
131184-05-01A	187
131186-01-01A	188
131186-02-01A	189
131187-01-01A	190
131187-02-01A	191
131187-03-01A	192
131187-04-01A	193
131188-01-01A	194
131188-02-01A	195
131188-03-01A	196
131188-04-01A	197
INTERIOR FINISH GROUP	198
MOLDINGS & TRIMS	198
PANELING & LAMINATES	202
ACCESSORIES	203
COMPONENT PARTS FOR ACCESSORIES	204
094499-02-000	204
FLOOR COVERINGS	205
HARDWARE	206
LABELS GROUP	212
LP GROUP	237
LP SYSTEM	237
COMPONENT PARTS FOR LP SYSTEM	238
088253-08-000	238
088253-10-000	238
LOUNGE GROUP	239
CABINETS	239
TABLES	240
SEALANTS & FASTENERS GROUP	241
SEALANTS & ADHESIVES	241
BOLTS, NUTS AND WASHERS	242
SCREWS	244
CLAMPS, CLIPS, GROMMETS, RIVETS & PLUGS	247
MISCELLANEOUS FASTENERS	248

CONTENTS (CONTINUED)

WATER & SEWAGE GROUP	249
DRAINAGE SYSTEM	249
COMPONENT PARTS FOR DRAINAGE SYSTEM	251
131932-02-02A	251
140798-01-01A	252
WATER SYSTEM	253
COMPONENT PARTS FOR WATER SYSTEM	261
051391-07-000	261
051393-01-000	263
098607-01-000	264
110506-26-000 - 110506-27-000 - 110506-33-000	264
131340-01-01A	264
WINDOW & VENTS GROUP	265
WINDOW & VENT LAYOUT	265
COMPONENT PARTS FOR WINDOWS & VENT LAYOUT	268
112795-72-01A	268
112795-77-01A	269
112898-25-01A	270
113733-04-01A, 113733-10-01A, 113733-11-01A	271
122882-01-01A	271
122882-02-01A, 122882-03-01A	271
123780-03-01A	272
125583-01-01A	273
125583-02-01A	274
129929-11-01A	275
134004-03-01A	276
WINDSHIELD & WIPER GROUP	277
WINDSHIELD	277
WIPER	278
COMPONENT PARTS FOR WIPER	279
095964-01-000	279
096505-09-000	279
117769-01-000	279

ACCESSORIES GROUP
OPERATORS MANUAL

KEY	PART NUMBER	U/M	DESCRIPTION
	129079-01-01A	EA	CASE - VINYL/BLACK-EXPANDABLE ACCORDION SIDES-7"WX9"HX14"L
	132000-14-002	EA	MANUAL/OWNER - SUNRISE - 2002
	138007-01-000	DW	TOP LEVEL-F,2002

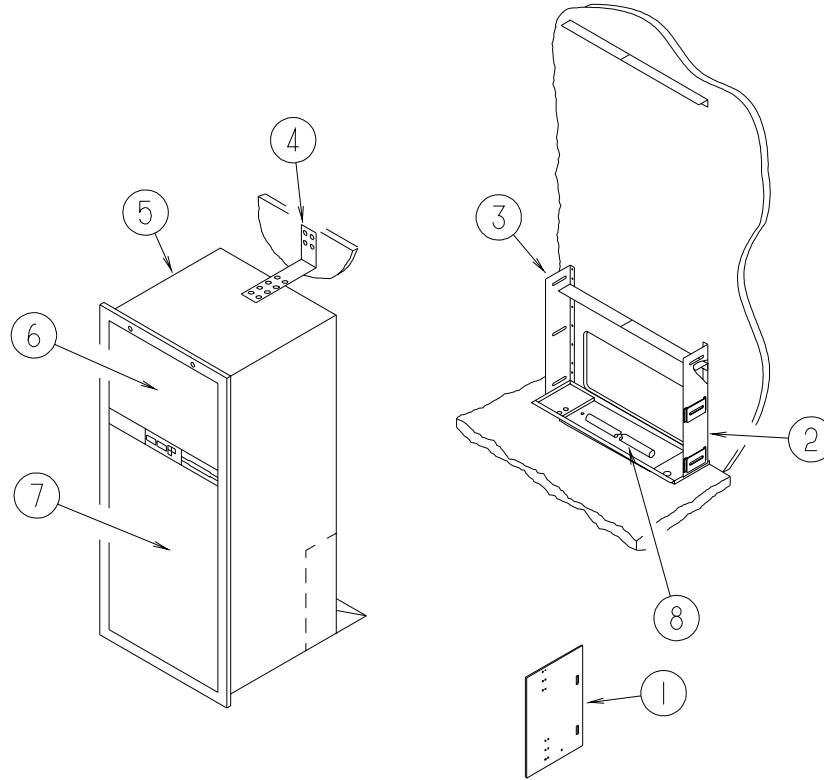
APPLIANCE GROUP

APPLIANCES

KEY	PART NUMBER	U/M	DESCRIPTION
*	112881-02-03A	EA	RANGE - 16" - 3 BURNER - FRONT HI-OUTPUT BRNR - BLK TOP/DR - US
*	112881-03-01A	EA	RANGE - 3 BURNER W/OVEN - 16" - BLACK DOOR/BLACK GLASS - CANADIAN
	140176-03-01B	EA	BRACKET/TIEDOWN - STOVE
	140176-04-01B	EA	BRACKET/TIEDOWN - STOVE
*	126022-03-01A	EA	COVER - RANGE - BIFOLD - 16" - RECESSED/BLACK - RANGE W/OVEN FROM: 11-12-01 THRU: 99-99-99
*	114030-02-01A	EA	RANGE - 3 BURNER TOP - W/O OVEN - BLACK - UL
*	114030-03-01A	EA	RANGE - 3 BURNER TOP - W/O OVEN - BLACK - CSA
	142139-01-02B	EA	BRACKET/TIEDOWN - STOVE - E-COATED - RH - F30W
	142139-02-02B	EA	BRACKET/TIEDOWN - STOVE - E-COATED - LH - F30W
	142139-03-02B	EA	BRACKET/TIEDOWN - STOVE - E-COATED - RH - F32V, F34D, F36M
	142139-04-02B	EA	BRACKET/TIEDOWN - STOVE - E-COATED - LH - F32V, F34D, F36M
*	126022-03-01A	EA	COVER - RANGE - BIFOLD - 16" - RECESSED/BLACK - RANGE W/O OVEN FROM: 00-00-00 THRU: 11-11-01
*	126022-02-01A	EA	COVER - RANGE - BI-FOLD - 22" - BLACK TEXTURED - RANGE W/O OVEN FROM: 11-12-01 THRU: 99-99-99
*	126019-01-01A	EA	COFFEEMAKER - OPTIMA - W/BRACKETS - BLACK & DECKER
*	115504-01-000	EA	PANEL - SOLAR 10 WATT - 12.2"W X 26.9"L X 1.2"H
*	134940-04-01A	EA	PANEL - MONITOR - 2 TANK - W/GENERATOR - SOLAR CHARGER
*	134940-01-01A	EA	PANEL - MONITOR - 2 TANK - W/GENERATOR SWITCH/HOUR METER
	130818-02-01A	EA	TRASH CONTAINER - 20 QUART ALMOND

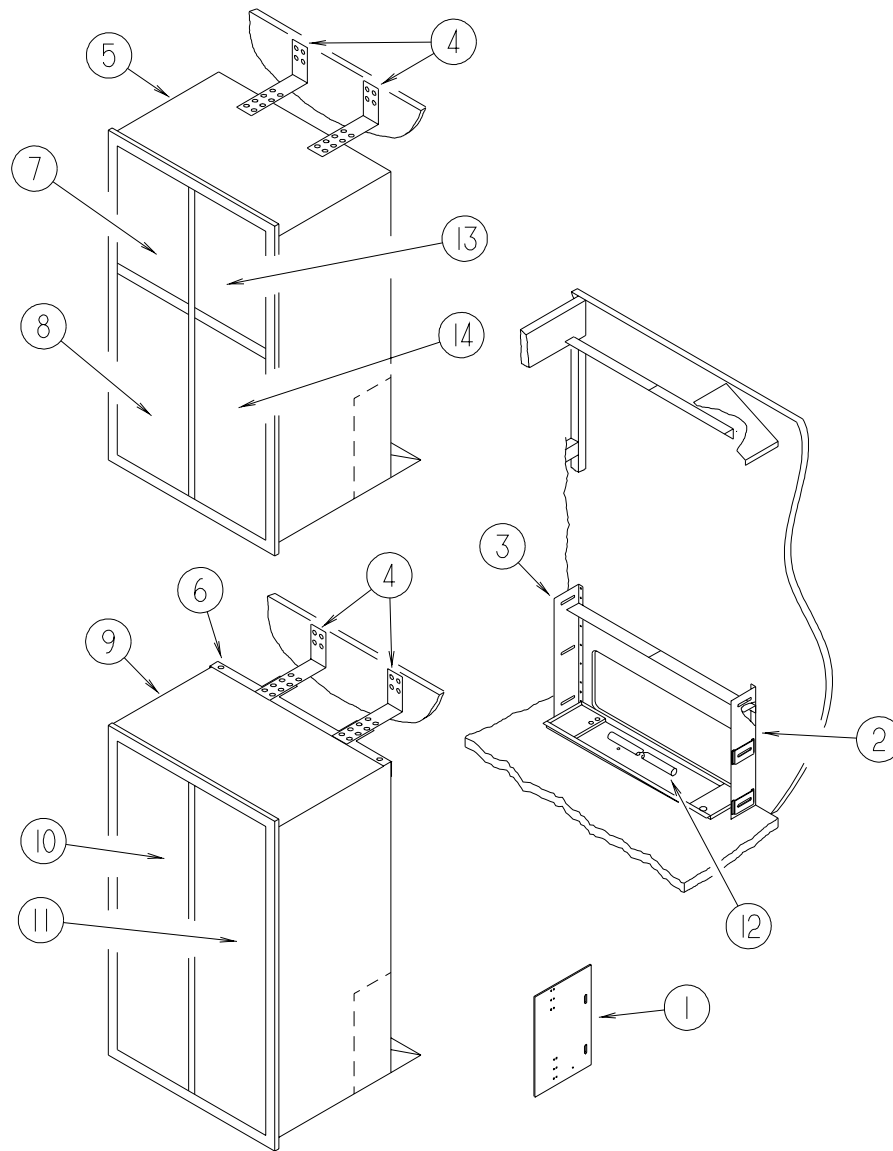
***COMPONENT PARTS LISTED LATER IN THIS GROUP**

APPLIANCE GROUP (CONTINUED)
APPLIANCES (CONTINUED)



KEY	PART NUMBER	U/M	DESCRIPTION
1	065225-04-000	EA	PLATE - TIEDOWN/REFRIGERATOR
2	093646-01-000	EA	BRACKET - TIEDOWN/REFRIGERATOR - RIGHT HAND
3	093646-02-000	EA	BRACKET - TIEDOWN/REFRIGERATOR - LEFT HAND
4	093369-02-000	EA	STRAP - REFRIGERATOR
5*	121569-05-01A	EA	REFRIGERATOR - LARGE DOUBLE DOOR/RH - 2-WAY - BLACK - F30W , F32V , F34D , F36M
5*	120075-13-01A	EA	REFRIGERATOR - LARGE DOUBLE DOOR/RH - 2-WAY -ICE MAKER-BLACK - F34D , F36M
6	N/A		SEE PANELING IN INTERIOR FINISH GROUP
7	N/A		SEE PANELING IN INTERIOR FINISH GROUP
8	112176-01-000	FT	TUBING - VINYL - REINFORCED - 1/2" ID
	054450-01-000	EA	LEVEL - REFRIGERATOR
	090329-01-000	FT	SEAL/T - REFRIGERATOR CABINET
	116751-06-01A	EA	TRAY - REFRIGERATOR - BLACK - F30W
	116751-05-01A	EA	TRAY - REFRIGERATOR - BLACK - F32V , F34D , F36M

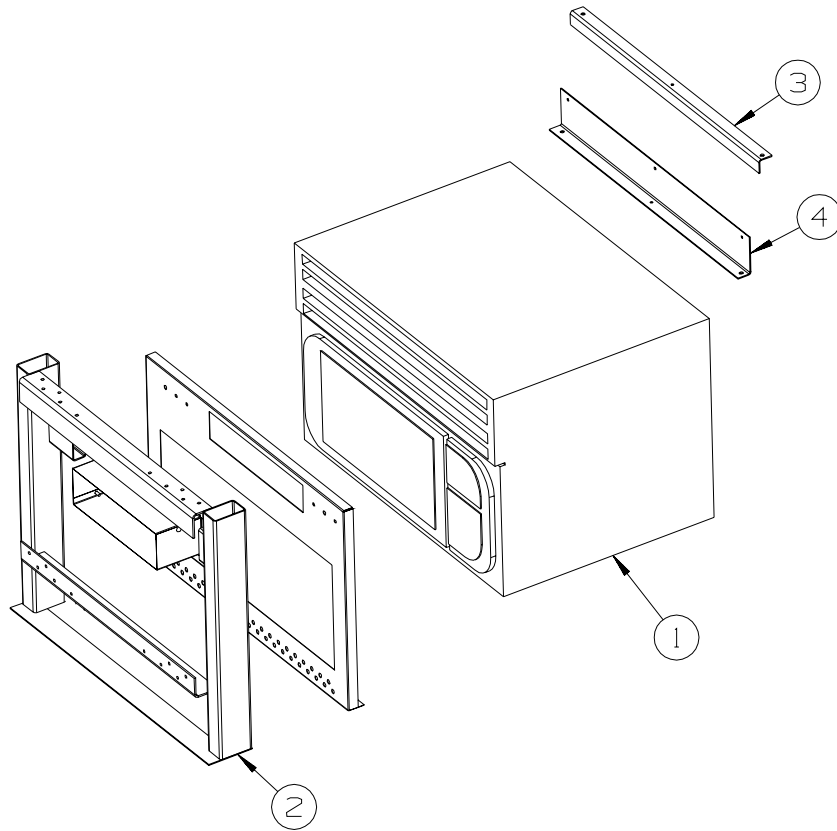
APPLIANCE GROUP (CONTINUED)
APPLIANCES (CONTINUED)



F34D, F36M

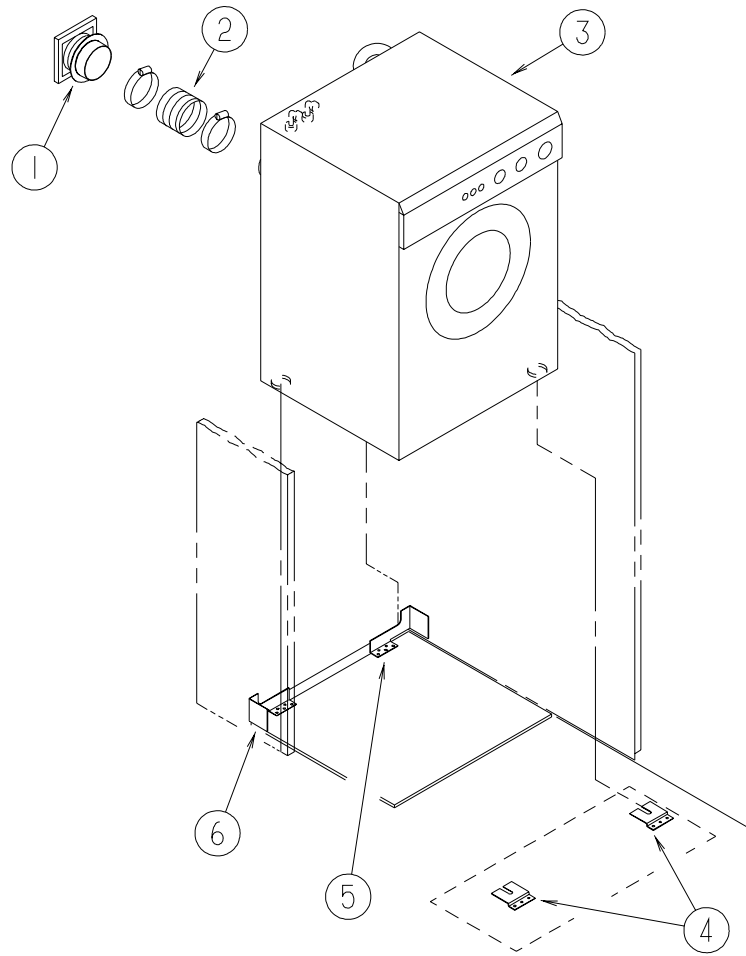
KEY	PART NUMBER	U/M	DESCRIPTION
1	065225-01-000	EA	PLATE - TIEDOWN/REFRIGERATOR
2	093646-01-000	EA	BRACKET - TIEDOWN/REFRIGERATOR - RIGHT HAND
3	093646-02-000	EA	BRACKET - TIEDOWN/REFRIGERATOR - LEFT HAND
4	093369-02-000	EA	STRAP - REFRIGERATOR
5*	125242-02-01A	EA	REFRIGERATOR-4 DR-W/ICE MKR-W/CONTOURED HANDLE-NORCOLD1201 - F34D, F36M
6	NOT USED		
7	N/A		SEE PANELING IN INTERIOR FINISH GROUP
8	N/A		SEE PANELING IN INTERIOR FINISH GROUP
9	NOT USED		
10	NOT USED		
11	NOT USED		
12	112176-01-000	FT	TUBING - VINYL - REINFORCED - 1/2" ID
13	N/A		SEE PANELING IN INTERIOR FINISH GROUP
14	N/A		SEE PANELING IN INTERIOR FINISH GROUP
	054450-01-000	EA	LEVEL - REFRIGERATOR
	090329-01-000	FT	SEAL/T - REFRIGERATOR CABINET
	118871-03-01A	EA	TRAY - REFRIGERATOR - SIDE/SIDE - BLACK - F34D, F36M

APPLIANCE GROUP (CONTINUED)
APPLIANCES (CONTINUED)



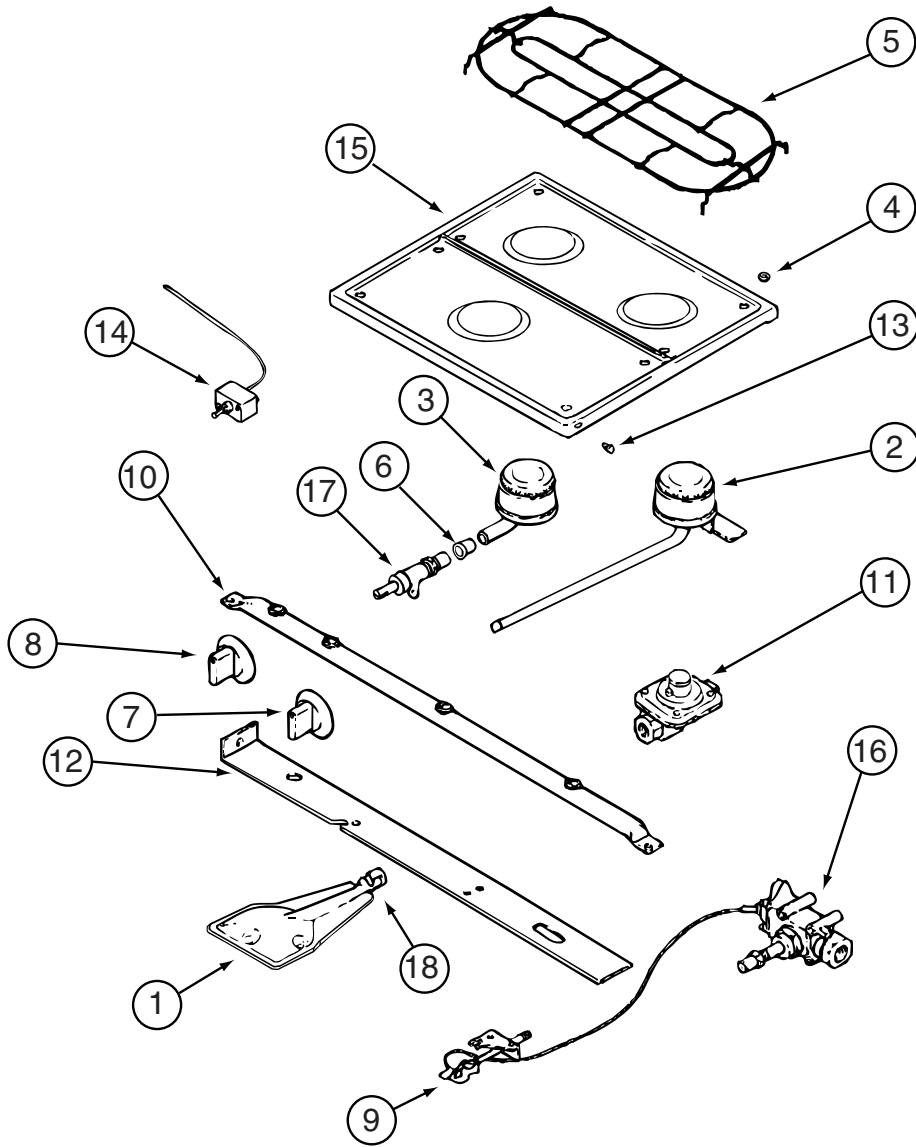
KEY	PART NUMBER	U/M	DESCRIPTION
1	137354-01-000	EA	OVEN - MICROWAVE - 1.2 OTR - W/VENT
2	137824-01-02B	EA	BRACKET - MICROWAVE - E-COATED - F30W
3	138230-02-02B	EA	ANGLE - W/HOLES - E-COATED - F30W
4	138230-01-02B	EA	ANGLE - W/HOLES - E-COATED - F30W

APPLIANCE GROUP (CONTINUED)
APPLIANCES (CONTINUED)



KEY	PART NUMBER	U/M	DESCRIPTION
1	111947-02-01A	EA	VENT - DRYER - 3"
2	116653-02-000	FT	DUCT - FLEXIBLE - 3' COMPRESSED/8' EXTENDED
3	107753-03-01A	EA	WASHER - DRYER - VENTED - UL/CSA - WHITE
4	111913-01-01A	EA	BRACKET - WASHER - TIEDOWN
5	113795-03-02B	EA	BRACKET - WASHER - E-COATED - F36M
5	113795-04-02B	EA	BRACKET - WASHER - E-COATED - F34D
6	113795-03-02B	EA	BRACKET - WASHER - E-COATED - F34D
6	113795-04-02B	EA	BRACKET - WASHER - E-COATED - F36M

APPLIANCE GROUP (CONTINUED)
COMPONENT PARTS FOR APPLIANCE



112881-02-03A

APPLIANCE GROUP (CONTINUED)
COMPONENT PARTS FOR APPLIANCE (CONTINUED)

112881-02-03A (CONTINUED)

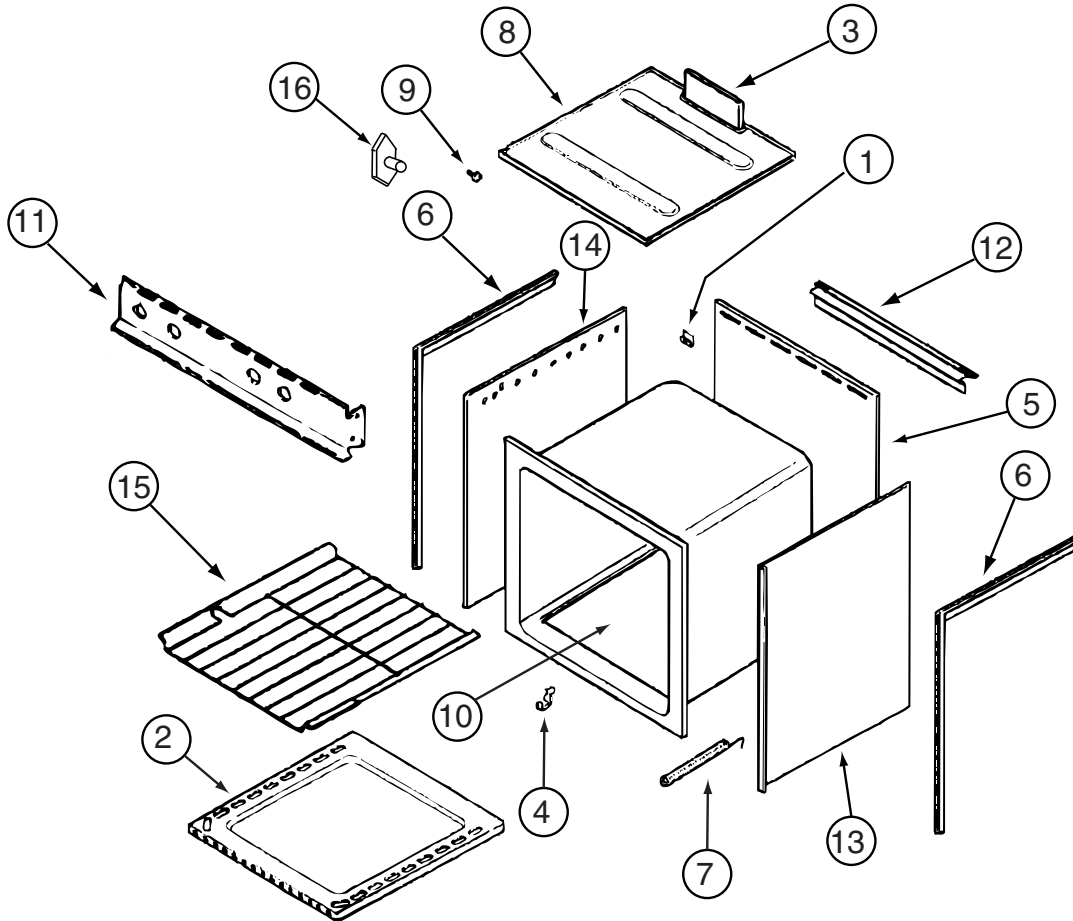
KEY	PART NUMBER	U/M	DESCRIPTION	VENDOR NO.
1	126023-01-717	EA	BURNER - OVEN	74003343
2	112881-01-717	EA	BURNER, TOP REAR	7505P181-60
3	112881-02-703	EA	BURNER - FRONT HIGH OUTPUT	7505P142-60
4	102020-01-709	EA	BUMPER-GRATE	8007-P020-60
5	126023-01-730	EA	GRATE - TOP	74003358
6	098507-02-701	EA	INSERT-BURNER, SLOTTED VENT	7214P015-60
7	112881-01-718	EA	KNOB - TOP BURNER HI-OUTPUT	74001794
7	112881-01-705	EA	KNOB-TOP BURNER	7733P072-60
8	126023-02-700	EA	KNOB - THERMOSTAT - SERIES 11	74004359
8	126023-01-704	EA	KNOB - THERMOSTAT - SERIES 10	7731P109-60
9	126023-02-701	EA	PILOT - OVEN - SERIES 11	74004586
9	102020-01-714	EA	PILOT-OVEN - SERIES 10	968-143
10	126023-02-702	EA	PIPE - MANIFOLD - SERIES 11	74004360
10	126023-01-705	EA	PIPE - MANIFOLD - SERIES 10	7513P161-60
11	126023-02-703	EA	REGULATOR - PRESSURE - SERIES 11	74004235
11	128728-01-712	EA	FITTING HALF UNION - SERIES 11	7507P083-60
11	102022-01-708	EA	REGULATOR, 1/4 & 1/2 OUT - SERIES 10	7510P04160/12001285
13	102020-01-724	EA	BUMPER-MAIN TOP	8003P008-60
14	126023-01-734	EA	THERMOSTAT OVEN - SERIES 11	74004361
14	112881-01-722	EA	THERMOSTAT SER. - SERIES 10	7515P029-60K
15	126023-01-728	EA	TOP - MAIN (BLACK)	74003323
16	126023-02-704	EA	VALVE/OVEN - MERCURY - SERIES 11	74004585
16	112881-02-700	EA	VALVE - OVEN - SERIES 10	7501P056-60
17	126023-02-705	EA	VALVE -BURNER - REAR - SERIES 11	74004362
17	126023-02-706	EA	VALVE - BURNER -FRONT - SERIES 11	74004363
17	126023-01-709	EA	VALVE - BURNER (REAR) - SERIES 10	74003348
17	126023-01-710	EA	VALVE - BURNER (FRONT) - SERIES 10	74003349
18	135656-01-701	EA	MIXER/AIR	3411F003-34
	128728-01-712	EA	FITTING - HALF UNION	7507P083-60

112881-03-01A

KEY	PART NUMBER	U/M	DESCRIPTION	VENDOR NO.
1	126023-01-717	EA	BURNER - OVEN	74003343
2	112881-01-717	EA	BURNER, TOP REAR	7505P181-60
3	112881-02-703	EA	BURNER - FRONT HIGH OUTPUT	7505P142-60
4	102020-01-709	EA	BUMPER-GRATE	8007-P020-60
5	126023-01-730	EA	GRATE - TOP	74003358
6	098507-02-701	EA	INSERT-BURNER, SLOTTED VENT	7214P015-60
7	112881-01-718	EA	KNOB - TOP BURNER HI-OUTPUT	74001794
7	112881-01-705	EA	KNOB-TOP BURNER	7733P072-60
8	112881-03-700	EA	KNOB - THERMOSTAT - BLACK	74004155
9	102020-01-714	EA	PILOT-OVEN	968-143
10	126023-01-705	EA	PIPE - MANIFOLD	7513P161-60
11	112881-03-701	EA	REGULATOR KIT W/FITTINGS	12001285
13	102020-01-724	EA	BUMPER-MAIN TOP	8003P008-60
14	112881-01-722	EA	THERMOSTAT SER.# CHECK 12/13	7515P029-60K
15	126023-01-728	EA	TOP - MAIN (BLACK)	74003323
16	102020-01-720	EA	VALVE-MERCURY CONTROL	7501P056-60
	128728-01-712	EA	FITTING - HALF UNION	7507P083-60

CONTACT WINNEBAGO PART SALES FOR UNLISTED COMPONENTS

APPLIANCE GROUP (CONTINUED)
COMPONENT PARTS FOR APPLIANCE (CONTINUED)



112881-02-03A (CONTINUED)

KEY	PART NUMBER	U/M DESCRIPTION	VENDOR NO.
1	112881-02-701	EA CLIP - MAIN TOP (REAR)	7112P071-60
2	126023-01-731	EA BOTTOM - OVEN	2205F016-19
3	126023-01-718	EA FLUE BOX ASSEMBLY	4006W075-80
6	112881-01-720	EA TRIM-FLAT RH BLACK TEXTURED	4002812
6	112881-01-719	EA TRIM-FLAT LH BLACK TEXTURED	74002813
7	112881-02-704	EA SPRING-OVEN DOOR F/1641 MOD	7803P052-60
7	112881-02-702	EA SPRING - OVEN DOOR	7803P051-60
11	126023-01-715	EA PANEL - MANIFOLD	74003350
12	112881-01-721	EA DEFLECTOR FLUE BLACK TEXTURE	74002809
15	126023-01-716	EA RACK - OVEN	74003106
16	128728-01-703	EA T-NUT - F/HINGE	7103P109-60
	112881-03-702	EA CLIP - MAIN TOP	74003998

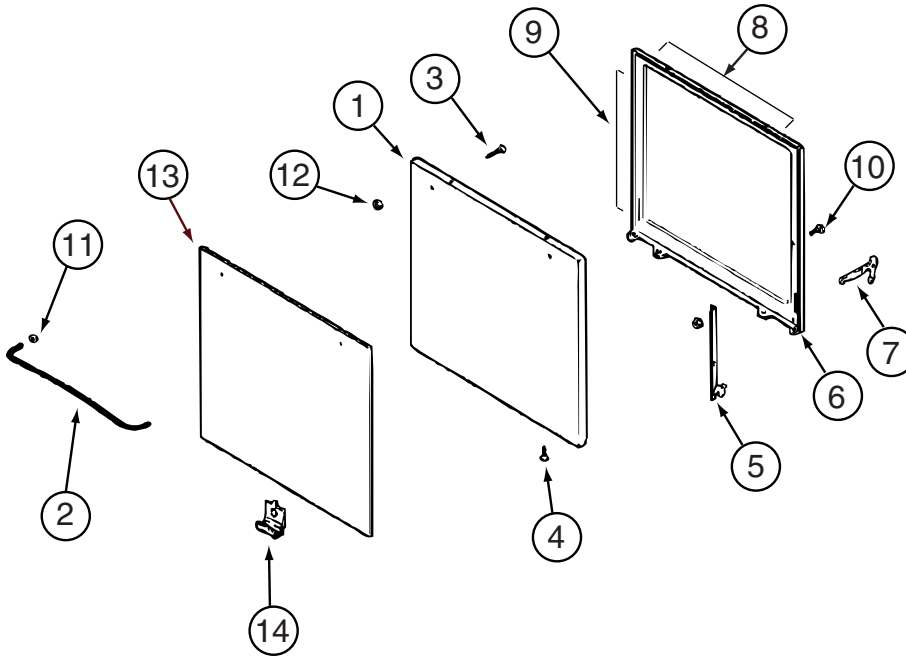
CONTACT WINNEBAGO PART SALES FOR UNLISTED COMPONENTS

112881-03-01A (CONTINUED)

KEY	PART NUMBER	U/M DESCRIPTION	VENDOR NO.
1	112881-02-701	EA CLIP - MAIN TOP (REAR)	7112P071-60
2	126023-01-731	EA BOTTOM - OVEN	2205F016-19
3	126023-01-718	EA FLUE BOX ASSEMBLY	4006W075-80
6	112881-01-720	EA TRIM-FLAT RH BLACK TEXTURED	4002812
6	112881-01-719	EA TRIM-FLAT LH BLACK TEXTURED	74002813
7	112881-02-704	EA SPRING-OVEN DOOR F/1641 MOD	7803P052-60
7	112881-02-702	EA SPRING - OVEN DOOR	7803P051-60
11	126023-01-715	EA PANEL - MANIFOLD	74003350
12	112881-01-721	EA DEFLECTOR FLUE BLACK TEXTURE	74002809
15	126023-01-716	EA RACK - OVEN	74003106
16	128728-01-703	EA T-NUT - F/HINGE	7103P109-60
	112881-03-702	EA CLIP - MAIN TOP	74003998

CONTACT WINNEBAGO PART SALES FOR UNLISTED COMPONENTS

APPLIANCE GROUP (CONTINUED)
COMPONENT PARTS FOR APPLIANCE (CONTINUED)



112881-02-03A (CONTINUED)

KEY	PART NUMBER	U/M	DESCRIPTION	VENDOR NO.
1	112881-02-705	EA	DOOR/OVEN-TEXT/BLK-F/WINDOW	74001273
1	112881-01-713	EA	DOOR/OVEN-TEXT/BLK NO WINDOW	2401F126-70
2	102020-01-701	EA	HANDLE,DOOR	7701P092-60
8	126023-01-732	EA	SEAL/OVEN DR TOP	7212P014-60
9	126023-01-733	EA	SEAL/OVEN DR SIDES(2PCS)	7212P038-60
13	102022-01-704	EA	GLASS-OUTER	7902P261-60

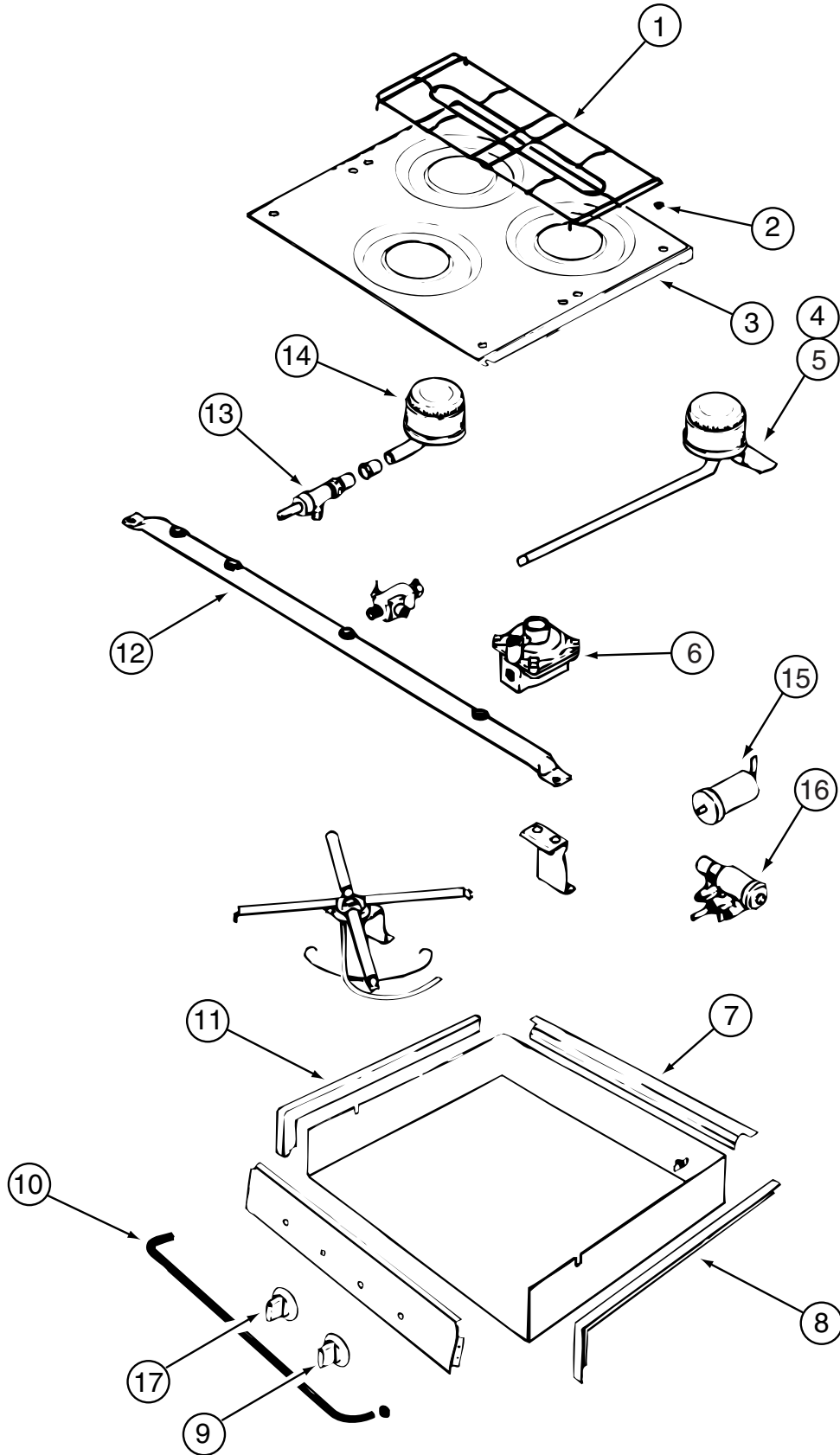
CONTACT WINNEBAGO PART SALES FOR UNLISTED COMPONENTS

112881-03-01A (CONTINUED)

KEY	PART NUMBER	U/M	DESCRIPTION	VENDOR NO.
1	112881-02-705	EA	DOOR/OVEN-TEXT/BLK-F/WINDOW	74001273
1	112881-01-713	EA	DOOR/OVEN-TEXT/BLK NO WINDOW	2401F126-70
2	102020-01-701	EA	HANDLE,DOOR	7701P092-60
8	126023-01-732	EA	SEAL/OVEN DR TOP	7212P014-60
9	126023-01-733	EA	SEAL/OVEN DR SIDES(2PCS)	7212P038-60
13	102022-01-704	EA	GLASS-OUTER	7902P261-60

CONTACT WINNEBAGO PART SALES FOR UNLISTED COMPONENTS

APPLIANCE GROUP (CONTINUED)
COMPONENT PARTS FOR APPLIANCE (CONTINUED)



114030-02-01A, 114030-03-01A

APPLIANCE GROUP (CONTINUED)
COMPONENT PARTS FOR APPLIANCE (CONTINUED)

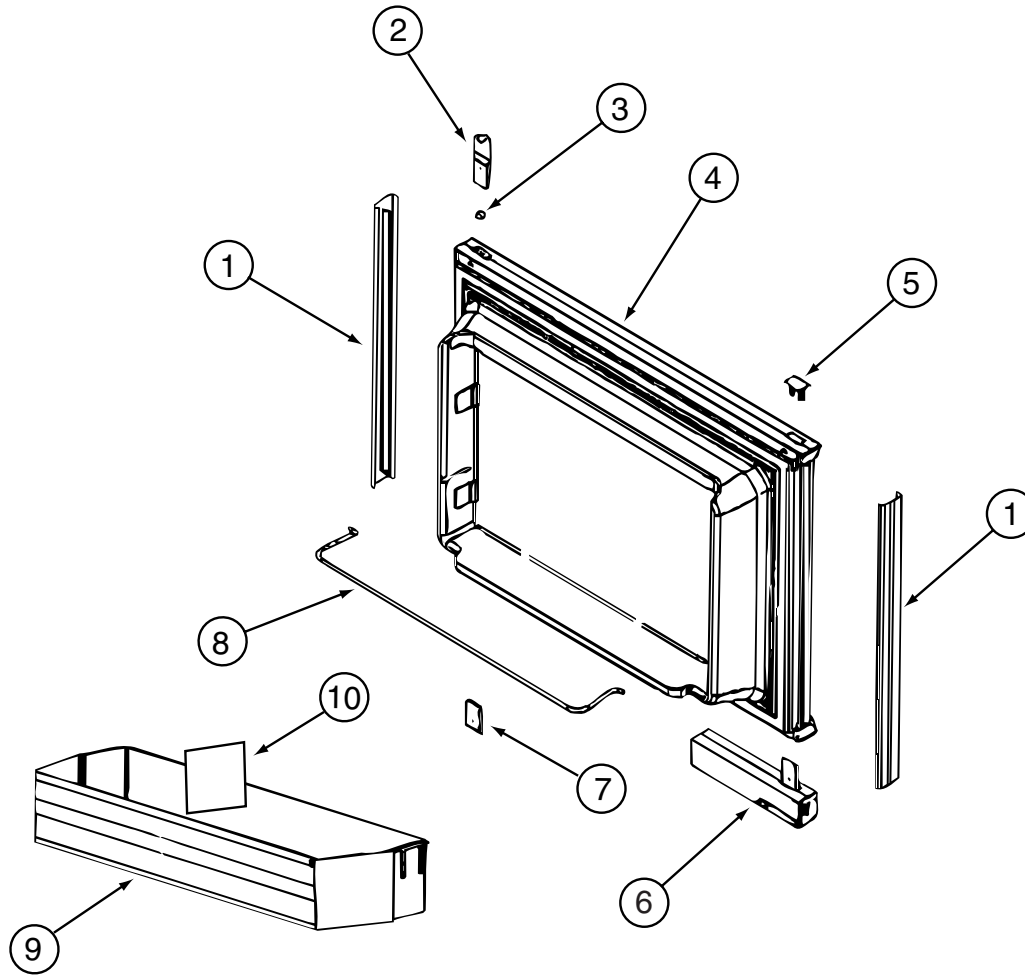
114030-02-01A, 114030-03-01A (CONTINUED)

KEY	PART NUMBER	U/M	DESCRIPTION	VENDOR NO.
1	126023-01-703	EA	GRATE - TOP	74003358
2	102020-01-709	EA	BUMPER - GRATE	8007-P020-60
3	126023-01-706	EA	TOP - MAIN (WHITE)	74003322
3	126023-01-707	EA	TOP - MAIN (BLACK)	74003323
3	126023-01-708	EA	TOP - MAIN (ALMOND)	74003324
4	126023-01-700	EA	BURNER - TOP (RT-REAR)	7505P195-60
5	126023-01-701	EA	BURNER - TOP (LT-REAR)	7505P196-60
6	102020-01-729	EA	REGULATOR - PRESSURE	7510P043-60
7	114030-01-706	EA	TRIM - REAR/BLACK TEXTURED	74002841
8	114030-01-704	EA	TRIM - RIGHT/BLACK TEXTURED	74002839
9	126023-01-720	EA	KNOB - IGNITER	74002414
10	114030-02-700	EA	GUARD/FABRIC - TOWEL BAR	3609F006-70
11	114030-01-705	EA	TRIM - LEFT/BLACK TEXTURED	74002840
12	126023-01-705	EA	PIPE - MANIFOLD	7513P161-60
13	126023-01-709	EA	VALVE - BURNER (REAR)	74003348
13	126023-01-710	EA	VALVE - BURNER (FRONT)	74003349
14	126023-01-702	EA	BURNER - TOP (FRONT)	7505P144-60
15	126023-01-711	EA	ELECTRODE - IGNITER	7432P077-60
16	126023-01-719	EA	IGNITER - TOP BURNER	74002413
17	112881-01-705	EA	KNOB - TOP BURNER	733P072-60
17	112881-01-718	EA	KNOB - TOP BURNER HI-OUTPUT	74001794
	126023-01-735	EA	KIT-IGNITOR TOP BRNER & KNOB	12001296=74002413&
	128728-01-703	EA	T-NUT - F/HINGE	7103P109-60

115504-01-000

KEY	PART NUMBER	U/M	DESCRIPTION	VENDOR NO.
	115504-01-700	EA	PLUG & CABLE, 10 WATT PANEL	600-016

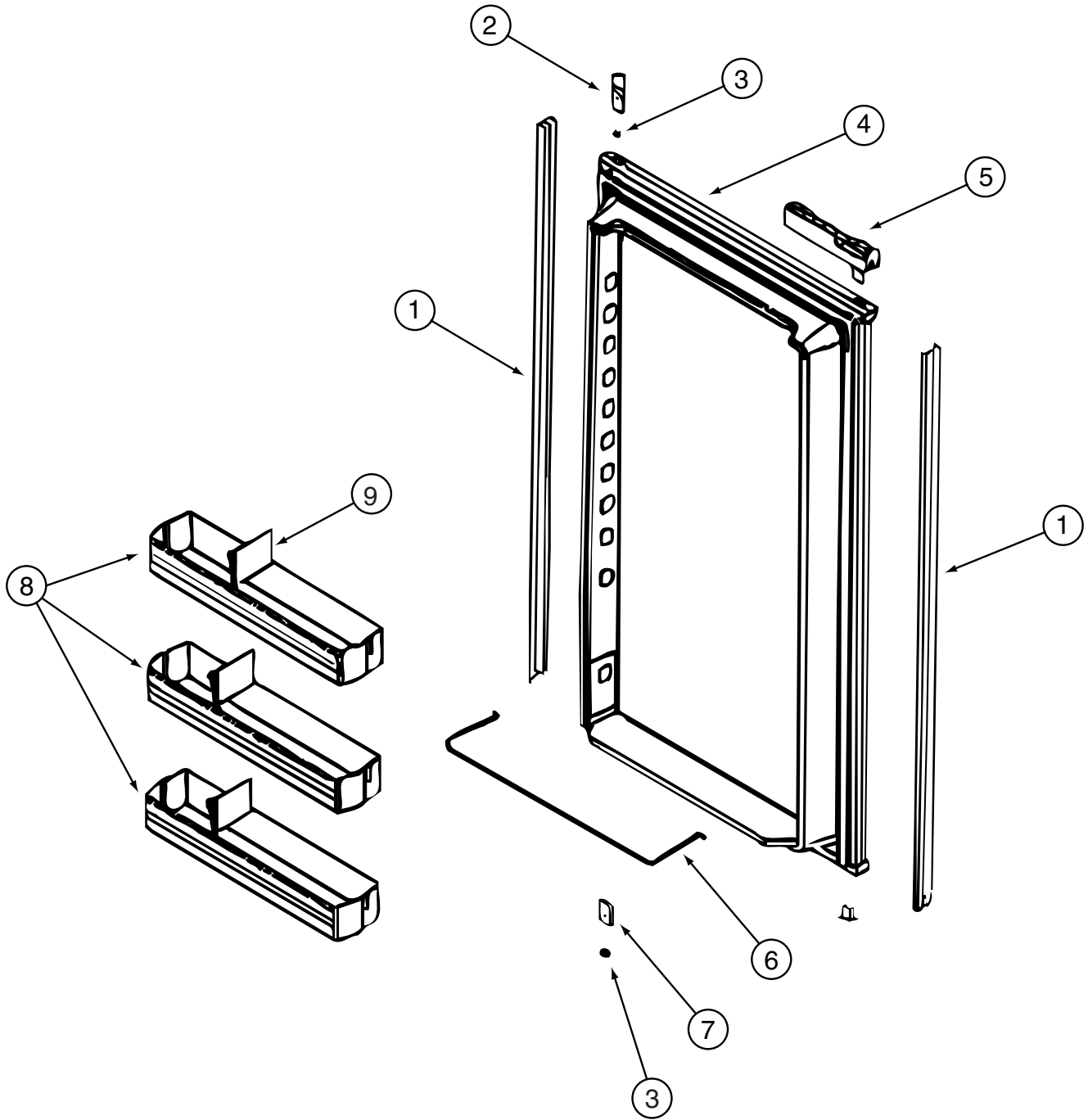
APPLIANCE GROUP (CONTINUED)
COMPONENT PARTS FOR APPLIANCE (CONTINUED)



120075-13-01A, 120075-14-01A, 120075-15-01A

KEY	PART NUMBER	U/M	DESCRIPTION	VENDOR NO.
1	121568-03-700	EA	RETAINER - DOOR PANEL/BLACK	619558
2	120075-01-701	EA	HINGE-TOP RH/BOTTOM LH(DOOR)	618511
3	121568-03-701	EA	BUSHING - HINGE PIN/GRAY	619671
4	121568-03-702	EA	DOOR LINER - W/TRIM/BLACK	619627 - SMALL DOOR
5	120075-01-702	EA	CAP, (HINGE PLUG)	618160
6	120075-12-700	EA	HANDLE(CONTOUR)TOP LH/BTM RH	621105
	120075-12-702	EA	HANDLE/HOUSING-TOP-LH/BTM RH	618159GEN
6	120075-12-701	EA	HANDLE(CONTOUR)TOP RH/BTM LH	621104
	120075-12-709	EA	HANDLE/HOUSING-BTM LH/TOP RH	618122GEN
	120075-12-703	EA	HANDLE - PLASTIC - NEW STYLE	620928
	120075-12-704	EA	SPRING - COMPRESSION	618182
	120075-12-705	EA	LATCH - HANDLE	618121
	120075-12-706	EA	PIN - STEEL	618622
	120075-12-707	EA	LATCH	619648
	120075-12-708	EA	LATCH - SPRING	620960
6	121568-03-703	EA	HANDLE/FLUSH-TOP/RH-LWR/LH	619865
6	121568-03-708	EA	HANDLE/FLUSH-TOP/LH-LWR/RH	619866
7	120075-01-705	EA	HINGE-TOP LH/BOTTOM RH(DOOR)	618510
8	121568-01-700	EA	RAIL - DOOR UPPER	618618
9	120075-07-700	EA	DOOR BIN - CLEAR	619006
10	120075-07-701	EA	DIVIDER/DOOR BIN CLEAR	619008
	121568-03-704	EA	TRAVEL LATCH - GRAY	619647
	121568-03-705	EA	STORAGE LATCH - GRAY	619648

APPLIANCE GROUP (CONTINUED)
COMPONENT PARTS FOR APPLIANCE (CONTINUED)



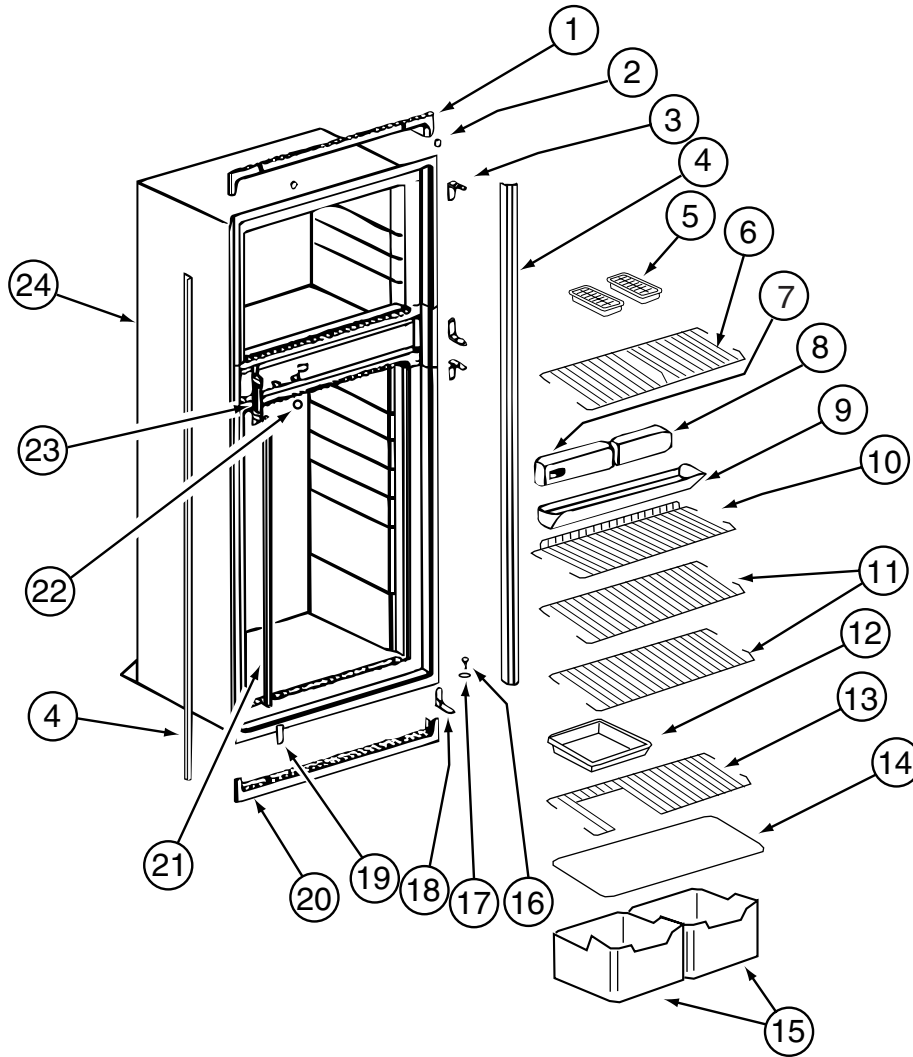
120075-13-01A, 120075-14-01A, 120075-15-01A (CONTINUED)

APPLIANCE GROUP (CONTINUED)
COMPONENT PARTS FOR APPLIANCE (CONTINUED)

120075-13-01A, 120075-14-01A, 120075-15-01A (CONTINUED)

KEY	PART NUMBER	U/M	DESCRIPTION	VENDOR NO.
1	120075-07-702	EA	RETAINER - DOOR PANEL/BLACK	619560
2	120075-01-701	EA	HINGE-TOP RH/BOTTOM LH(DOOR)	618511
3	121568-03-701	EA	BUSHING - HINGE PIN/GRAY	619671
4	120075-07-703	EA	DOOR LINER - BLACK	619631 - LARGE DOOR
5	120075-12-700	EA	HANDLE(CONTOUR)TOP LH/BTM RH	621105
	120075-12-702	EA	HANDLE/HOUSING-TOP-LH/BTM RH	618159GEN
5	120075-12-701	EA	HANDLE(CONTOUR)TOP RH/BTM LH	621104
	120075-12-709	EA	HANDLE/HOUSING-BTM LH/TOP RH	618122GEN
	120075-12-703	EA	HANDLE - PLASTIC - NEW STYLE	620928
	120075-12-704	EA	SPRING - COMPRESSION	618182
	120075-12-705	EA	LATCH - HANDLE	618121
	120075-12-706	EA	PIN - STEEL	618622
	120075-12-707	EA	LATCH	619648
	120075-12-708	EA	LATCH - SPRING	620960
5	121568-03-703	EA	HANDLE/FLUSH-TOP/RH-LWR/LH	619865
5	121568-03-708	EA	HANDLE/FLUSH-TOP/LH-LWR/RH	619866
6	121568-01-704	EA	RAIL - DOOR LOWER	618578
7	120075-01-705	EA	HINGE-TOP LH/BOTTOM RH(DOOR)	618510
8	120075-07-700	EA	DOOR BIN - CLEAR	619006
8	120075-07-704	EA	DOOR BIN - LARGE/CLEAR	619005
9	120075-07-701	EA	DIVIDER/DOOR BIN CLEAR	619008
	121568-03-704	EA	TRAVEL LATCH - GRAY	619647
	121568-03-705	EA	STORAGE LATCH - GRAY	619648

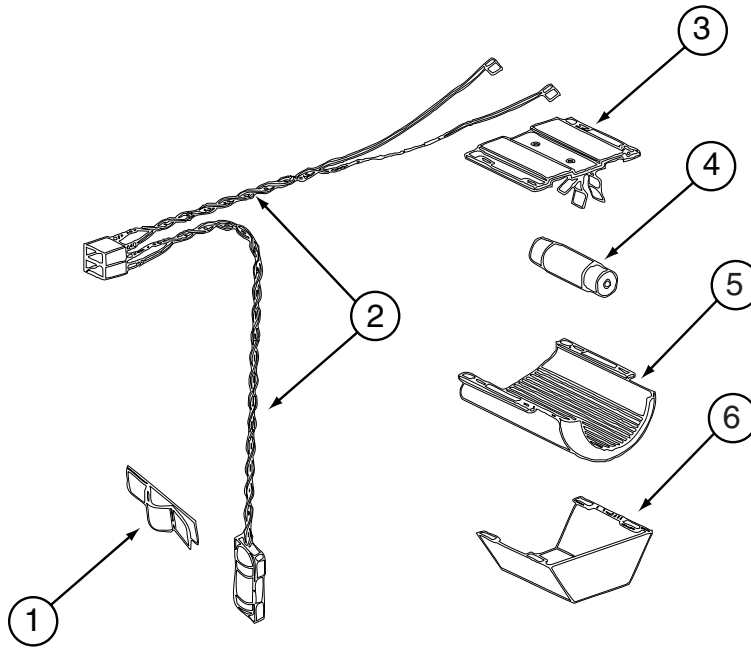
APPLIANCE GROUP (CONTINUED)
COMPONENT PARTS FOR APPLIANCE (CONTINUED)



120075-13-01A, 120075-14-01A, 120075-15-01A (CONTINUED)

KEY	PART NUMBER	U/M	DESCRIPTION	VENDOR NO.
1	121568-03-709	EA	TRIM - TOP/BLACK	619687
2	120075-01-714	EA	PLUG-HOLE	618170
3	121568-03-710	EA	HINGE/CABINET-TOP/RH-LWR/LH	619335
4	120075-07-705	EA	TRIM - SIDE - BLACK	619802
5	104137-06-724	EA	ICE TRAY	61630422
6	120075-07-706	EA	SHELF - WIRE/FREEZER	620249
7	120075-07-707	EA	CONTROL BOX - BLACK	619665
8	121568-03-713	EA	FRONT BOX/DECORATIVE-BLACK	619282
9	120075-01-720	EA	TRAY-DRIP	618137
10	120075-01-722	EA	SHELF-WIRE, SHORT	618239
11	120075-01-723	EA	SHELF-WIRE	618114
12	104137-06-718	EA	SHELF-TRAY, WHITE, W/CUTOUT	617756
13	120075-01-724	EA	SHELF-WIRE, W/CUTOUT	618177
14	120075-01-725	EA	COVER-CRISPER	618158
15	120075-07-708	EA	CRISPER/ICE BIN	619007
16	120075-01-727	EA	PIN-HINGE	618145
17	121568-03-701	EA	BUSHING - HINGE PIN/GRAY	619671
18	121568-03-715	EA	HINGE/CABINET-TOP/LH-LWR/RH	619336
19	121568-03-716	EA	COVER - HINGE HOLES	619301
20	120075-01-729	EA	TRIM-BOTTOM PIECE	618136
21	120075-01-730	EA	RETAINER-SHELF	618181
22	121568-03-717	EA	HOLE PLUG - WHITE	619561
23	120075-01-732	EA	PLATE-STRIKE	618167
24	120075-09-700	EA	CABINET - FOAMED	619660
	120075-01-721	EA	LOUVER-DRIP TRAY	618176

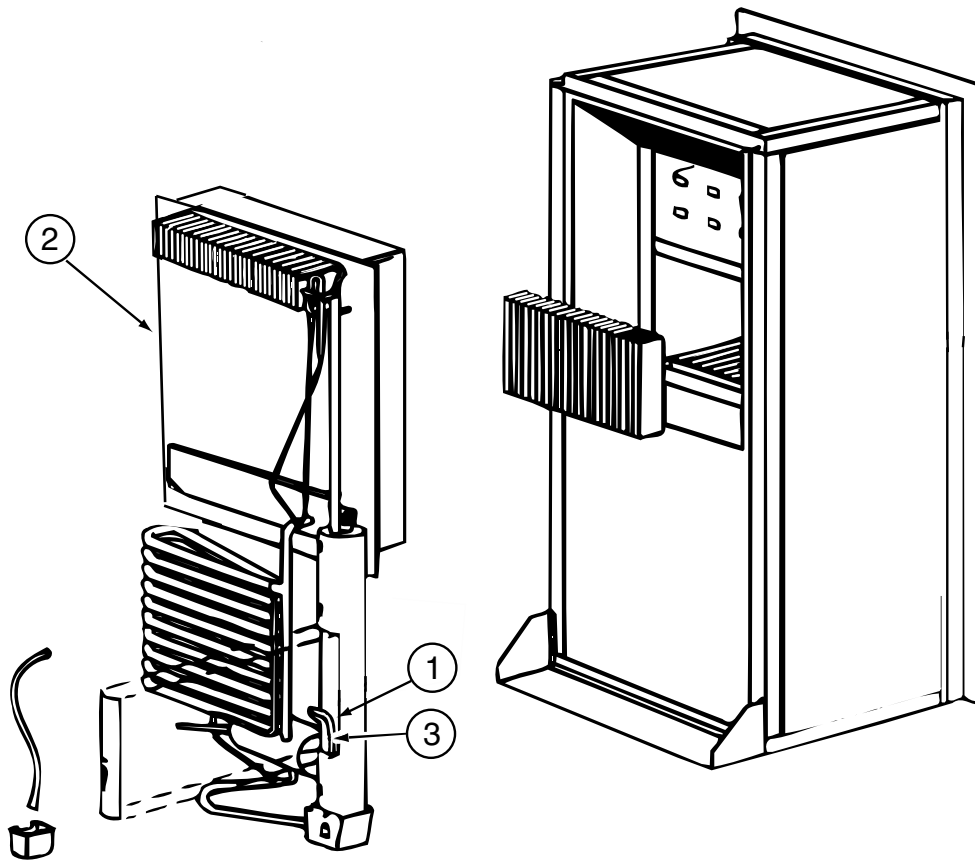
APPLIANCE GROUP (CONTINUED)
COMPONENT PARTS FOR APPLIANCE (CONTINUED)



120075-13-01A, 120075-14-01A, 120075-15-01A (CONTINUED)

KEY	PART NUMBER	U/M	DESCRIPTION	VENDOR NO.
1	084880-01-760	EA	CLIP (THERMISTER)	61689122
2	120075-01-735	EA	THERMISTER W/LAMP & WIRE/ASM	618548
3	084880-03-705	EA	BRACKET-LIGHT-INTERIOR	61629722
4	084880-03-706	EA	BULB-LAMP	61628922
5	120075-01-734	EA	COVER-LENS	618190
6	084880-03-707	EA	COVER-LAMP, LENS	61627922

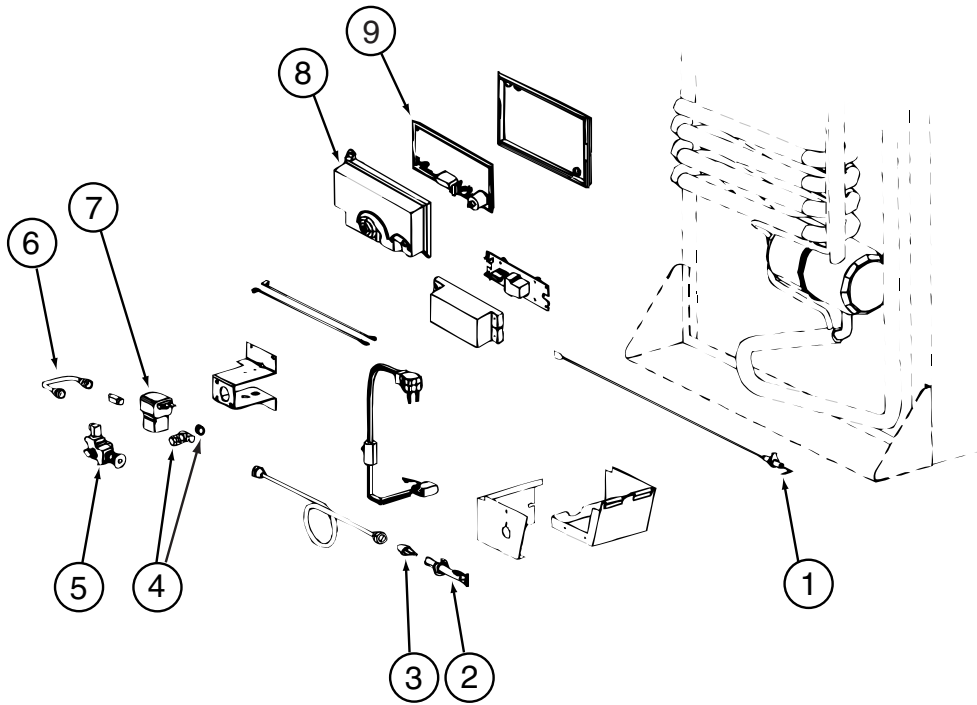
APPLIANCE GROUP (CONTINUED)
COMPONENT PARTS FOR APPLIANCE (CONTINUED)



120075-13-01A, 120075-14-01A, 120075-15-01A (CONTINUED)

KEY	PART NUMBER	U/M	DESCRIPTION	VENDOR NO.
1	088248-01-710	EA	HEATER DC (HORIZONTAL)	61562822
2	120075-01-736	EA	COOLING UNIT, SERVICE PACK	618542
3	088248-01-709	EA	HEATER-AC (HORIZONTAL)	61562722

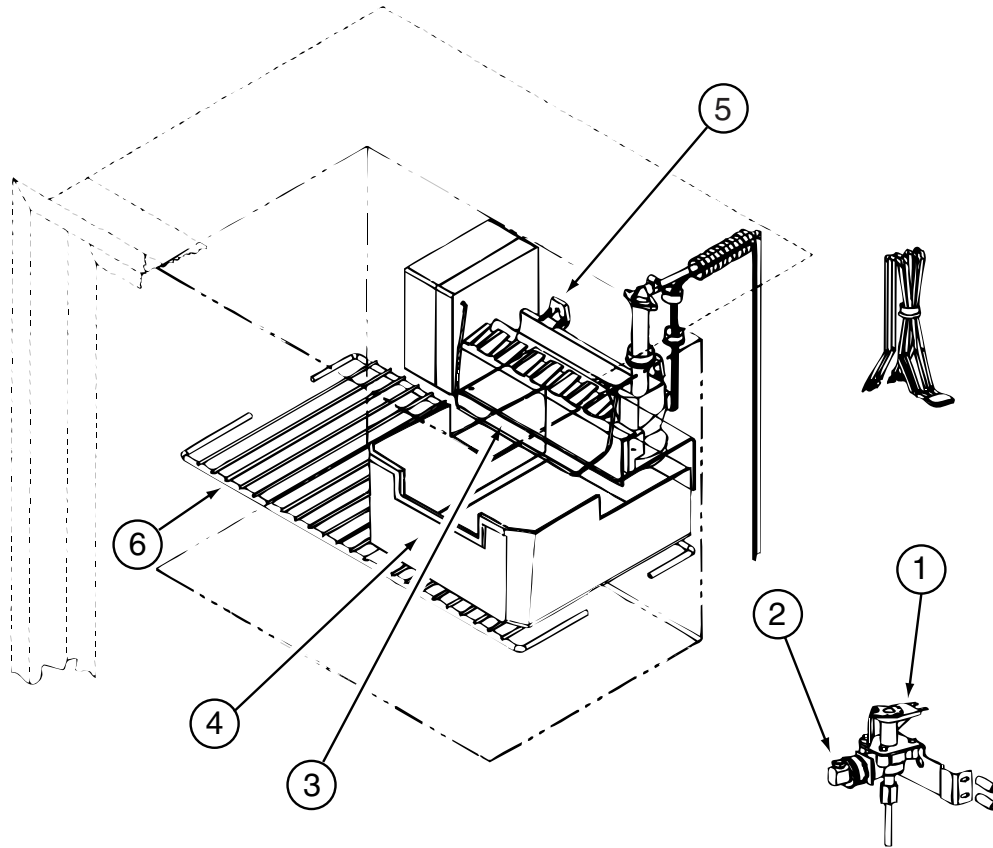
APPLIANCE GROUP (CONTINUED)
COMPONENT PARTS FOR APPLIANCE (CONTINUED)



120075-13-01A, 120075-14-01A, 120075-15-01A (CONTINUED)

KEY	PART NUMBER	U/M	DESCRIPTION	VENDOR NO.
1	104137-06-715	EA	ELECTRODE-SPARK/SENSOR, SGL	61692222
2	104137-06-714	EA	BURNER ASSEMBLY, 5-SLOT	61705222
3	120075-01-737	EA	ORIFICE - JEWEL - .0155	618284
4	113737-01-702	EA	PLUG 1/8" F/PRESSURE TAP	61445322
4	113737-01-716	EA	TAP-PRESSURE	61594422
5	104137-06-734	EA	VALVE-SHUT OFF/MAN-OLD STYLE	61694922
6	113737-01-750	EA	TUBE-UNION	61694622
7	084880-01-718	EA	VALVE-GAS, (ASCO)	61551822
8	120075-01-738	EA	COVER-POWER BOARD	618185
9	120075-07-710	EA	POWER - BOARD - 2-WAY	619360
	104137-06-734	EA	VALVE-SHUT OFF/MAN-NEW STYLE	618696
	120075-01-744	EA	KIT - GAS VALVE/BURNER TUBE	620609

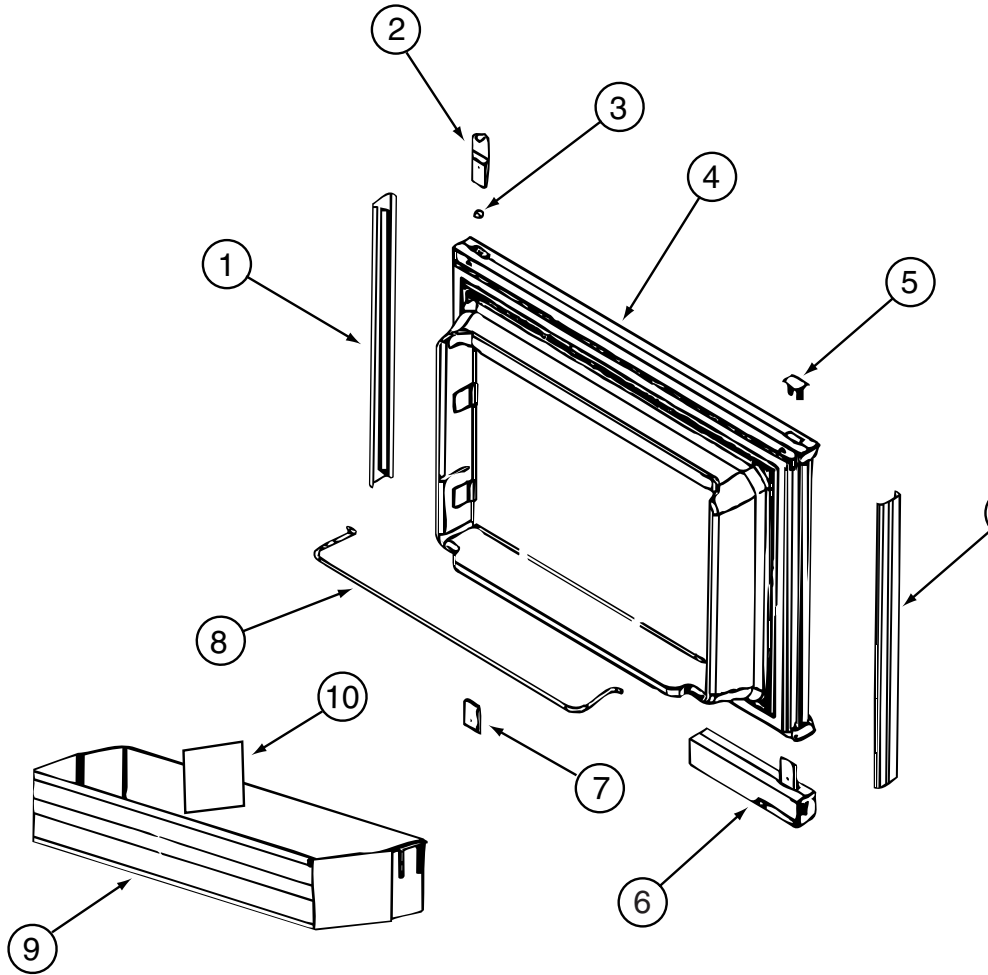
APPLIANCE GROUP (CONTINUED)
COMPONENT PARTS FOR APPLIANCE (CONTINUED)



120075-13-01A, 120075-14-01A (CONTINUED)

KEY	PART NUMBER	U/M	DESCRIPTION	VENDOR NO.
1	120075-09-701	EA	WATER VALVE W/BRACKET	618253
2	120075-03-702	EA	NUT/COMPRESSION - FITTING	61678722
3	120075-03-703	EA	ARM-SHUT OFF	61656922
4	120075-03-704	EA	BIN-ICE CUBE	618154
5	094039-07-706	EA	ICE MAKER W/O PLATES	61656522
6	120075-01-717	EA	SHELF-FREEZER, WIRE	618172
	120075-09-702	EA	RELAY - 12 VOLT	620239

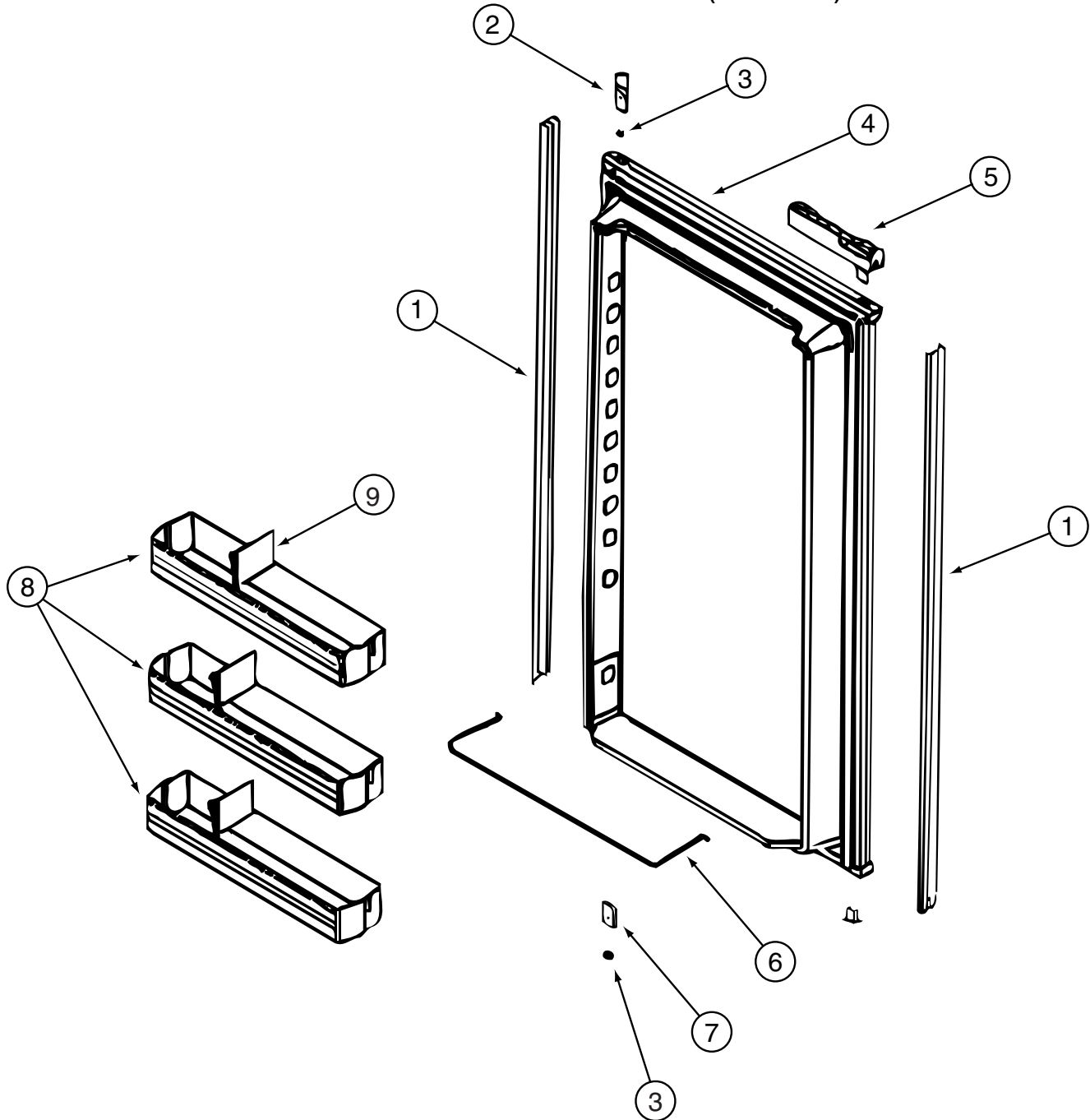
APPLIANCE GROUP (CONTINUED)
COMPONENT PARTS FOR APPLIANCE (CONTINUED)



121569-05-01A, 121569-07-01A

KEY	PART NUMBER	U/M	DESCRIPTION	VENDOR NO.
1	121568-03-700	EA	RETAINER - DOOR PANEL/BLACK	619558
2	120075-01-701	EA	HINGE-TOP RH/BOTTOM LH(DOOR)	618511
3	121568-03-701	EA	BUSHING - HINGE PIN/GRAY	619671
4	121568-03-702	EA	DOOR LINER - W/TRIM/BLACK	619627 - SMALL DOOR
5	120075-01-702	EA	CAP, (HINGE PLUG)	618160
6	120075-12-700	EA	HANDLE(CONTOUR)TOP LH/BTM RH	621105
	120075-12-702	EA	HANDLE/HOUSING-TOP-LH/BTM RH	618159GEN
	120075-12-703	EA	HANDLE - PLASTIC - NEW STYLE	620928
	120075-12-704	EA	SPRING - COMPRESSION	618182
	120075-12-705	EA	LATCH - HANDLE	618121
	120075-12-706	EA	PIN - STEEL	618622
	120075-12-707	EA	LATCH	619648
	120075-12-708	EA	LATCH - SPRING	620960
7	120075-01-705	EA	HINGE-TOP LH/BOTTOM RH(DOOR)	618510
8	121568-01-700	EA	RAIL - DOOR UPPER	618618
9	120075-07-700	EA	DOOR BIN - CLEAR	619006
10	120075-07-701	EA	DIVIDER/DOOR BIN CLEAR	619008
	121568-03-705	EA	STORAGE LATCH - GRAY	619648

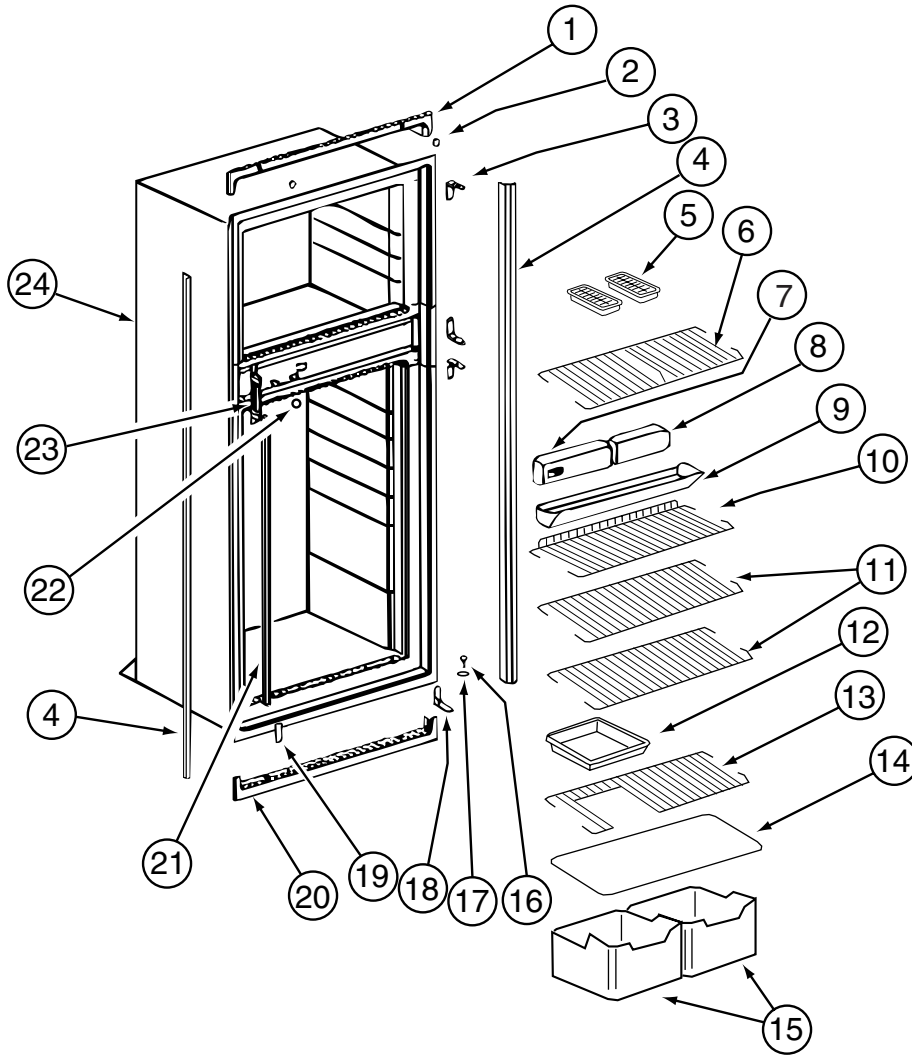
APPLIANCE GROUP (CONTINUED)
COMPONENT PARTS FOR APPLIANCE (CONTINUED)



121569-05-01A, 121569-07-01A (CONTINUED)

KEY	PART NUMBER	U/M	DESCRIPTION	VENDOR NO.
1	120075-07-702	EA	RETAINER - DOOR PANEL/BLACK	619560
2	120075-01-701	EA	HINGE-TOP RH/BOTTOM LH(DOOR)	618511
3	121568-03-701	EA	BUSHING - HINGE PIN/GRAY	619671
4	121568-03-707	EA	DOOR LINER - W/BLACK TRIM	619629
5	120075-12-701	EA	HANDLE(CONTOUR)TOP RH/BTM LH	621104
	120075-12-709	EA	HANDLE/HOUSING-BTM LH/TOP RH	618122GEN
	120075-12-703	EA	HANDLE - PLASTIC - NEW STYLE	620928
	120075-12-704	EA	SPRING - COMPRESSION	618182
	120075-12-705	EA	LATCH - HANDLE	618121
	120075-12-706	EA	PIN - STEEL	618622
	120075-12-707	EA	LATCH	619648
	120075-12-708	EA	LATCH - SPRING	620960
6	121568-01-704	EA	RAIL - DOOR LOWER	618578
7	120075-01-705	EA	HINGE-TOP LH/BOTTOM RH(DOOR)	618510
8	121568-01-701	EA	BIN - DOOR WHITE	618619
9	120075-07-701	EA	DIVIDER/DOOR BIN CLEAR	619008
	121568-03-705	EA	STORAGE LATCH - GRAY	619648

APPLIANCE GROUP (CONTINUED)
COMPONENT PARTS FOR APPLIANCE (CONTINUED)

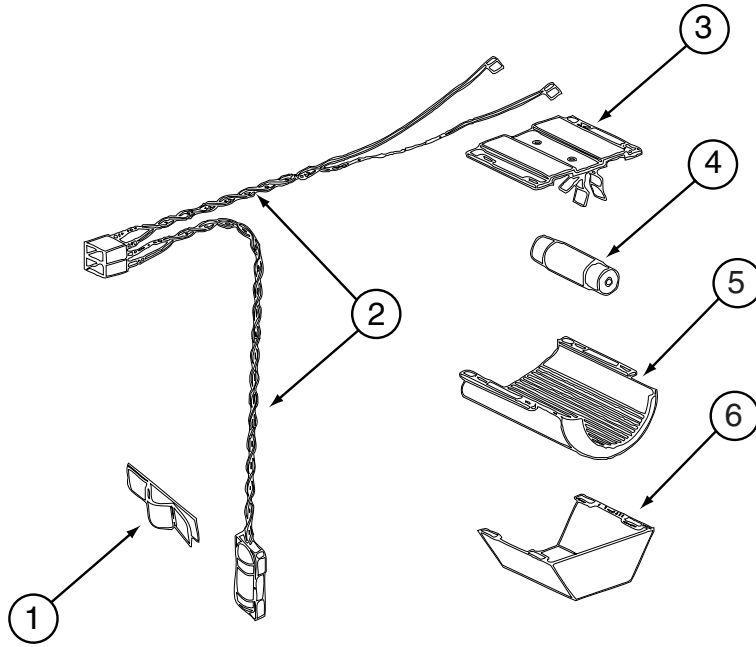


121569-05-01A, 121569-07-01A (CONTINUED)

KEY	PART NUMBER	U/M	DESCRIPTION	VENDOR NO.
1	121568-03-709	EA	TRIM - TOP/BLACK	619687
2	120075-01-714	EA	PLUG-HOLE	618170
3	121568-03-710	EA	HINGE/CABINET-TOP/RH-LWR/LH	619335
4	120075-07-705	EA	TRIM - SIDE - BLACK	619802
6	121568-03-712	EA	SHELF - WIRE/FREEZER	620250
7	121568-03-714	EA	CONTROL ASM - 2 WAY BLACK	619350
8	121568-03-713	EA	FRONT BOX/DECORATIVE-BLACK	619282
9	120075-01-720	EA	TRAY-DRIP	618137
10	121568-01-707	EA	SHELF - WIRE - SHORT	618624
11	121568-01-708	EA	SHELF - WIRE	618589
14	120075-01-725	EA	COVER-CRISPER	618158
15	121568-01-709	EA	CRISPER	618571
16	120075-01-727	EA	PIN-HINGE	618145
18	121568-03-715	EA	HINGE/CABINET-TOP/LH-LWR/RH	619336
19	121568-03-716	EA	COVER - HINGE HOLES	619301
20	120075-01-729	EA	TRIM-BOTTOM PIECE	618136
21	120075-01-730	EA	RETAINER-SHELF	618181
22	121568-03-717	EA	HOLE PLUG - WHITE	619561
23	120075-01-732	EA	PLATE-STRIKE	618167
24	120075-07-709	EA	CABINET - FOAMED	619347
	120075-01-721	EA	LOUVER-DRIP TRAY	618176

CONTACT WINNEBAGO PART SALES FOR UNLISTED COMPONENTS

APPLIANCE GROUP (CONTINUED)
COMPONENT PARTS FOR APPLIANCE (CONTINUED)

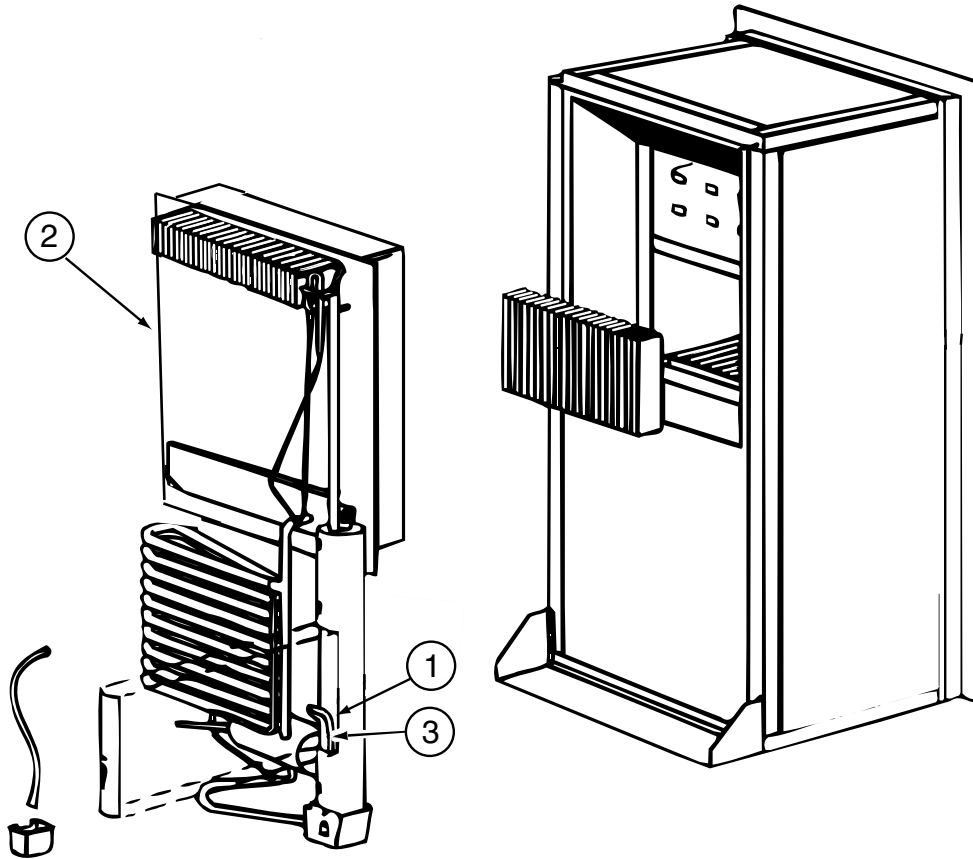


121569-05-01A, 121569-07-01A (CONTINUED)

KEY	PART NUMBER	U/M	DESCRIPTION	VENDOR NO.
1	084880-01-760	EA	CLIP (THERMISTER)	61689122
2	120075-01-735	EA	THERMISTER W/LAMP & WIRE/ASM	618548
3	084880-03-705	EA	BRACKET-LIGHT-INTERIOR	61629722
4	084880-03-706	EA	BULB-LAMP	61628922
6	084880-03-707	EA	COVER-LAMP, LENS	61627922

CONTACT WINNEBAGO PART SALES FOR UNLISTED COMPONENTS

APPLIANCE GROUP (CONTINUED)
COMPONENT PARTS FOR APPLIANCE (CONTINUED)

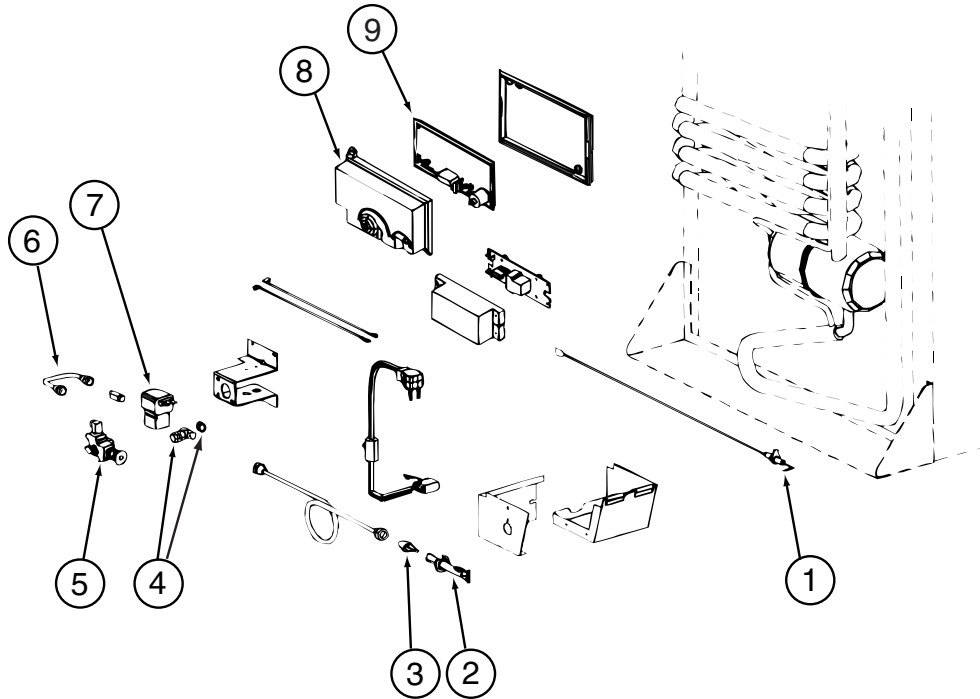


121569-05-01A, 121569-07-01A (CONTINUED)

KEY	PART NUMBER	U/M	DESCRIPTION	VENDOR NO.
2	120075-01-736	EA	COOLING UNIT, SERVICE PACK	618542
3	088248-01-709	EA	HEATER-AC (HORIZONTAL)	61562722
	120075-01-744	EA	KIT - GAS VALVE/BURNER TUBE	620609

CONTACT WINNEBAGO PART SALES FOR UNLISTED COMPONENTS

APPLIANCE GROUP (CONTINUED)
COMPONENT PARTS FOR APPLIANCE (CONTINUED)

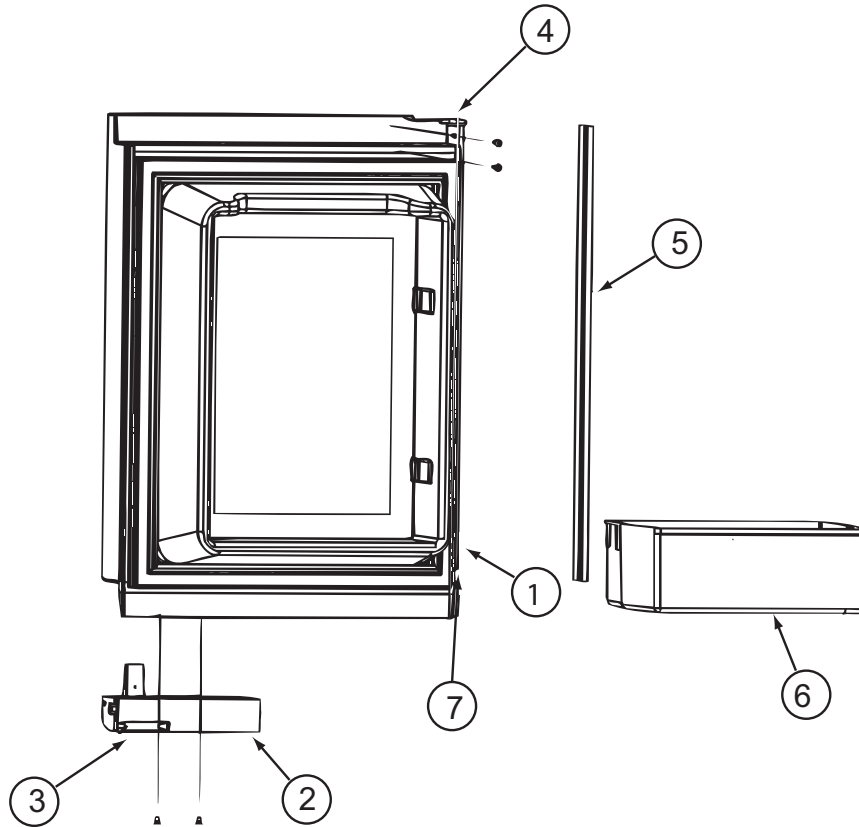


121569-05-01A, 121569-07-01A (CONTINUED)

KEY	PART NUMBER	U/M	DESCRIPTION	VENDOR NO.
1	104137-06-715	EA	ELECTRODE-SPARK/SENSOR, SGL	61692222
2	104137-06-714	EA	BURNER ASSEMBLY, 5-SLOT	61705222
3	120075-01-737	EA	ORIFICE - JEWEL - .0155	618284
4	113737-01-702	EA	PLUG 1/8" F/PRESSURE TAP	61445322
4	113737-01-716	EA	TAP-PRESSURE	61594422
6	113737-01-750	EA	TUBE-UNION	61694622
7	084880-01-718	EA	VALVE-GAS, (ASCO)	61551822
8	120075-01-738	EA	COVER-POWER BOARD	618185
9	121568-03-719	EA	POWER - BOARD - 2-WAY	619353
	121568-03-720	EA	VALVE/SHUT OF-MANUAL ELECT.	618696

CONTACT WINNEBAGO PART SALES FOR UNLISTED COMPONENTS

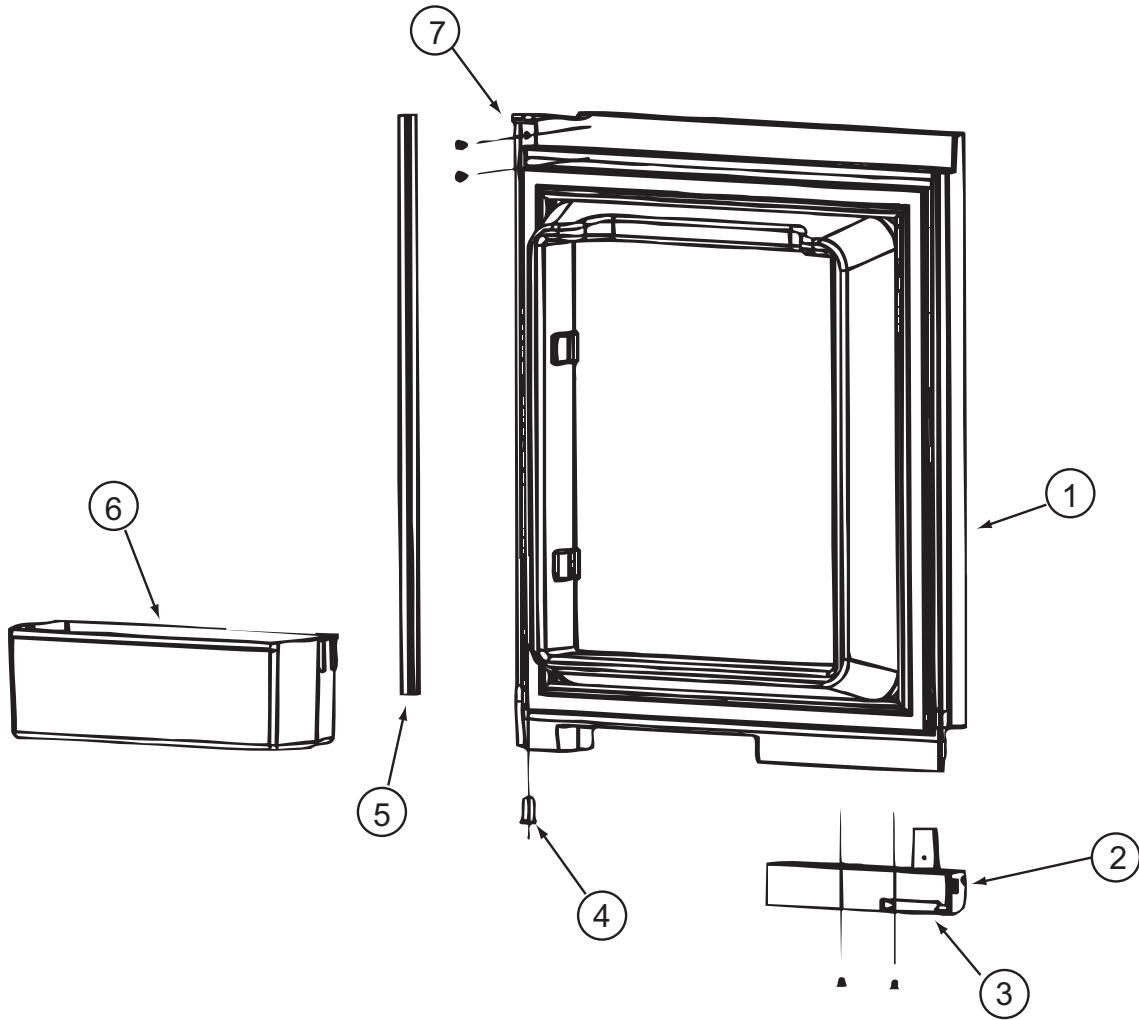
APPLIANCE GROUP (CONTINUED)
COMPONENT PARTS FOR APPLIANCE (CONTINUED)



125242-02-01A

KEY	PART NUMBER	U/M	DESCRIPTION	VENDOR NO.
1	125242-01-762	EA	LINER/FOAMED-UPPER/LH-WHITE	619839
2	125242-02-700	EA	HANDLE(CONTOUR)TOP LH BTM RH	621107
3	125242-02-722	EA	LATCH-STORAGE DR/BLK POINTED	619374
4	125242-02-724	EA	HINGE - DOOR	618792
5	125242-02-723	EA	RETAINER/PANEL-UPPER DOOR	621974
6	125242-01-711	EA	DOOR BIN	618765
7	125242-01-704	EA	BUSHING-HINGE MIDDLE	618746
	125242-02-725	EA	DOOR ASM/UPR LH/WHITE GASKET	621148

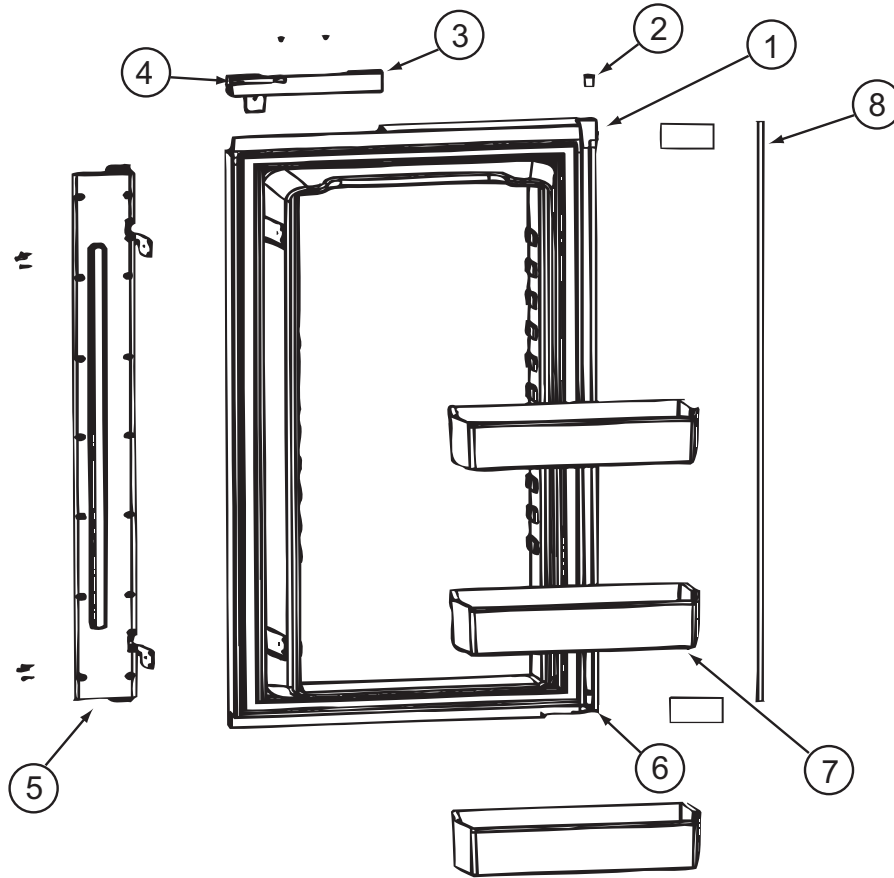
APPLIANCE GROUP (CONTINUED)
COMPONENT PARTS FOR APPLIANCE (CONTINUED)



125242-02-01A (CONTINUED)

KEY	PART NUMBER	U/M	DESCRIPTION	VENDOR NO.
1	125242-01-763	EA	LINER/FOAMED-UPPER/RH-WHITE	619840
2	125242-02-701	EA	HANDLE(CONTOUR)TOP RH LWR LH	621106
3	125242-02-722	EA	LATCH-STORAGE DR/BLK POINTED	619374
4	125242-01-704	EA	BUSHING-HINGE MIDDLE	618746
5	125242-02-723	EA	RETAINER/PANEL-UPPER DOOR	621974
6	125242-01-711	EA	DOOR BIN	618765
7	125242-02-724	EA	HINGE - DOOR	618792
	125242-02-721	EA	DOOR ASM-UPR/RH/WHITE GASKET	621149

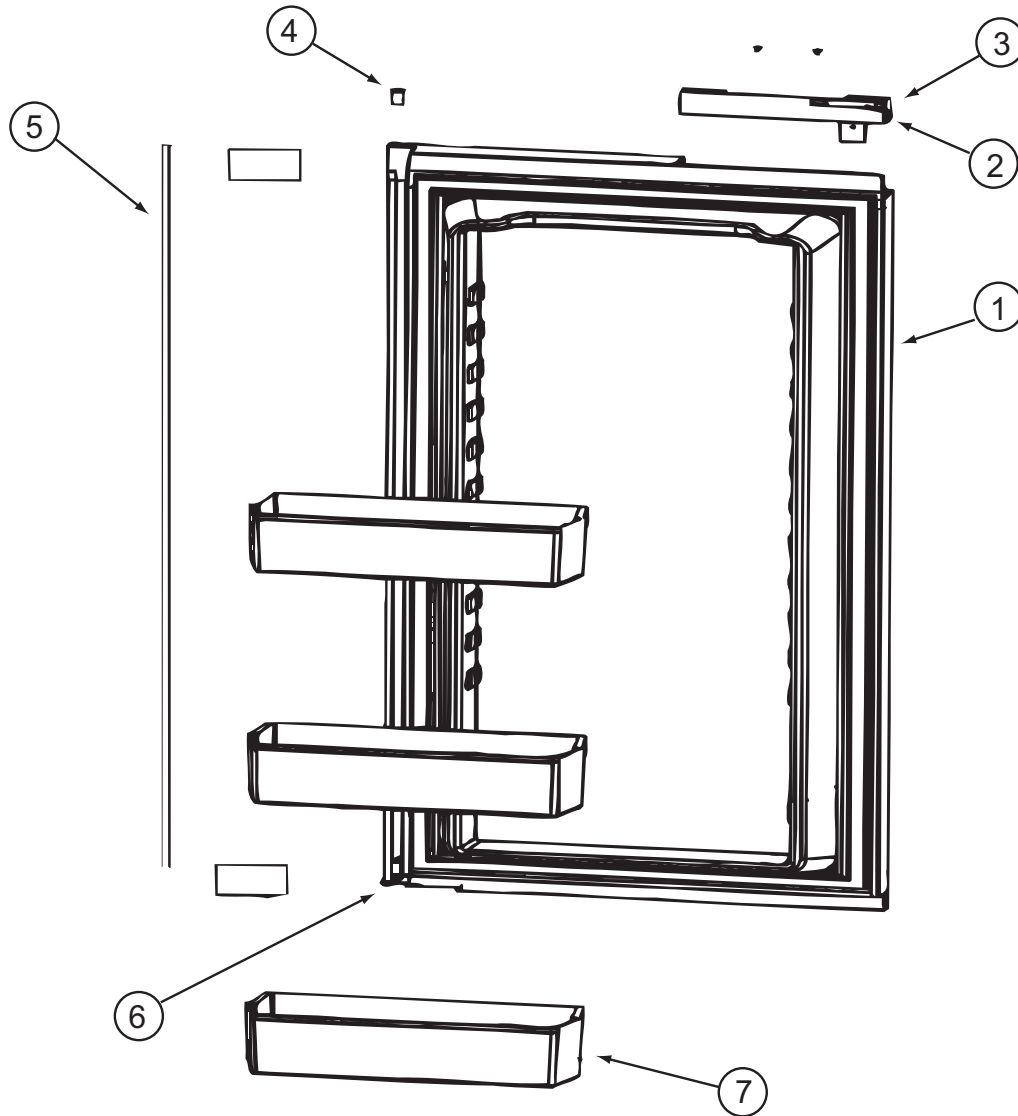
APPLIANCE GROUP (CONTINUED)
COMPONENT PARTS FOR APPLIANCE (CONTINUED)



125242-02-01A (CONTINUED)

KEY	PART NUMBER	U/M	DESCRIPTION	VENDOR NO.
1	125242-01-765	EA	LINER/FOAMED-LOWER-LH-WHITE	619837
2	125242-01-704	EA	BUSHING-HINGE MIDDLE	618746
3	125242-02-701	EA	HANDLE(CONTOUR)TOP RH LWR LH	621106
4	125242-02-722	EA	LATCH-STORAGE DR/BLK POINTED	619374
5	125242-02-727	EA	FLAPPER ASM DOUBLE POLE	619845
6	125242-02-724	EA	HINGE - DOOR	618792
7	125242-01-711	EA	DOOR BIN	618765
8	125242-02-728	EA	RETAINER/PANEL - LOWER	621973
	125242-01-736	EA	CONTACT-PROBE PIN	618886
	125242-02-726	EA	DOOR ASM-LWR LH/WHITE GASKET	621150

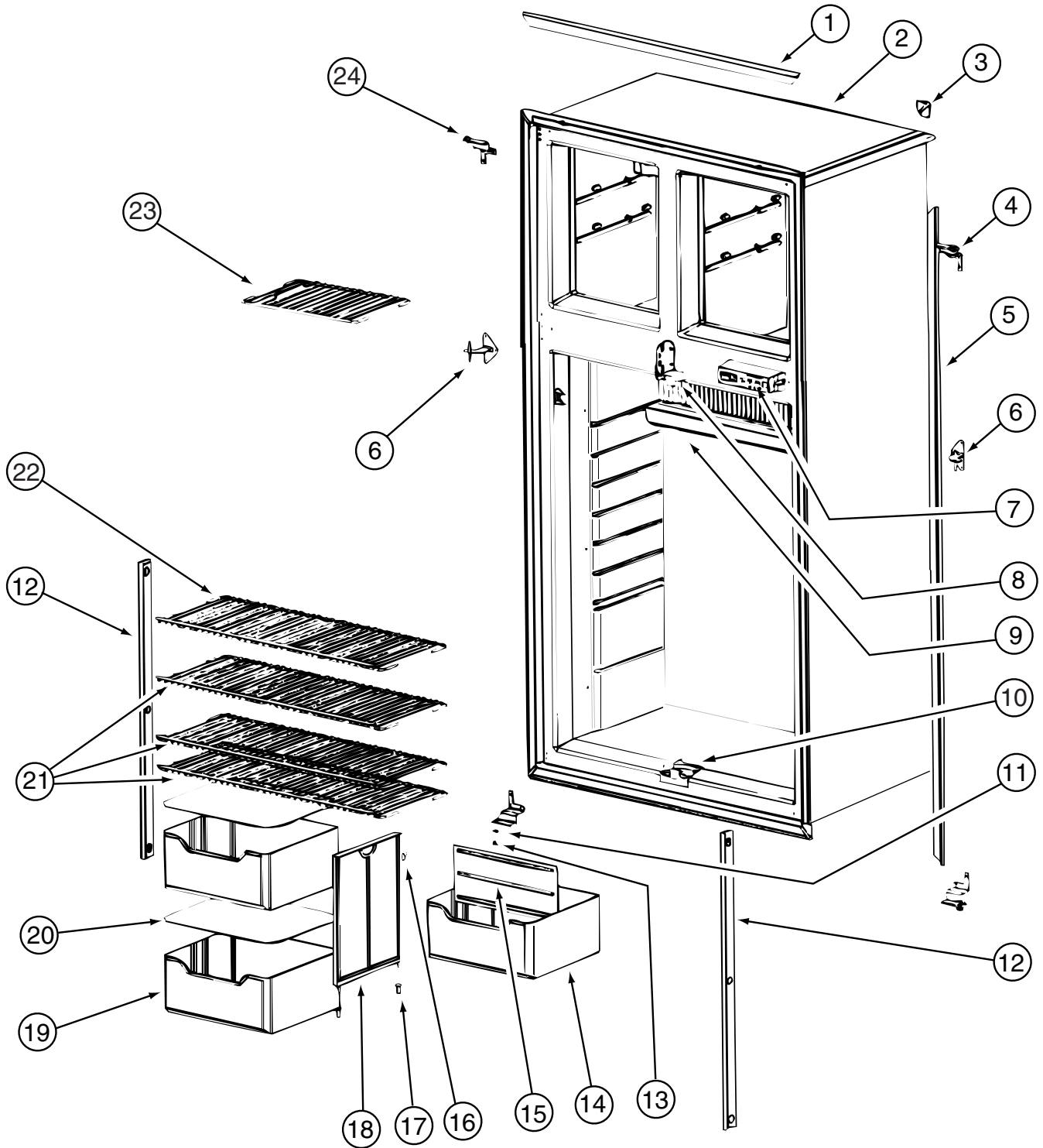
APPLIANCE GROUP (CONTINUED)
COMPONENT PARTS FOR APPLIANCE (CONTINUED)



125242-02-01A (CONTINUED)

KEY	PART NUMBER	U/M	DESCRIPTION	VENDOR NO.
1	125242-01-764	EA	LINER/FOAMED-LOWER/RH-WHITE	619838
2	125242-02-700	EA	HANDLE(CONTOUR)TOP LH BTM RH	621107
3	125242-02-722	EA	LATCH-STORAGE DR/BLK POINTED	619374
4	125242-01-704	EA	BUSHING-HINGE MIDDLE	618746
5	125242-02-728	EA	RETAINER/PANEL - LOWER	621973
6	125242-02-724	EA	HINGE - DOOR	618792
7	125242-01-711	EA	DOOR BIN	618765
	125242-01-729	EA	FAN-EXTERNAL DC	618856
	125242-02-716	EA	GUIDE ASM LWR(SER#540294 DN)	620042
	125242-02-717	EA	GUIDE ASM LWR(SER#540295 UP)	620043

APPLIANCE GROUP (CONTINUED)
COMPONENT PARTS FOR APPLIANCE (CONTINUED)



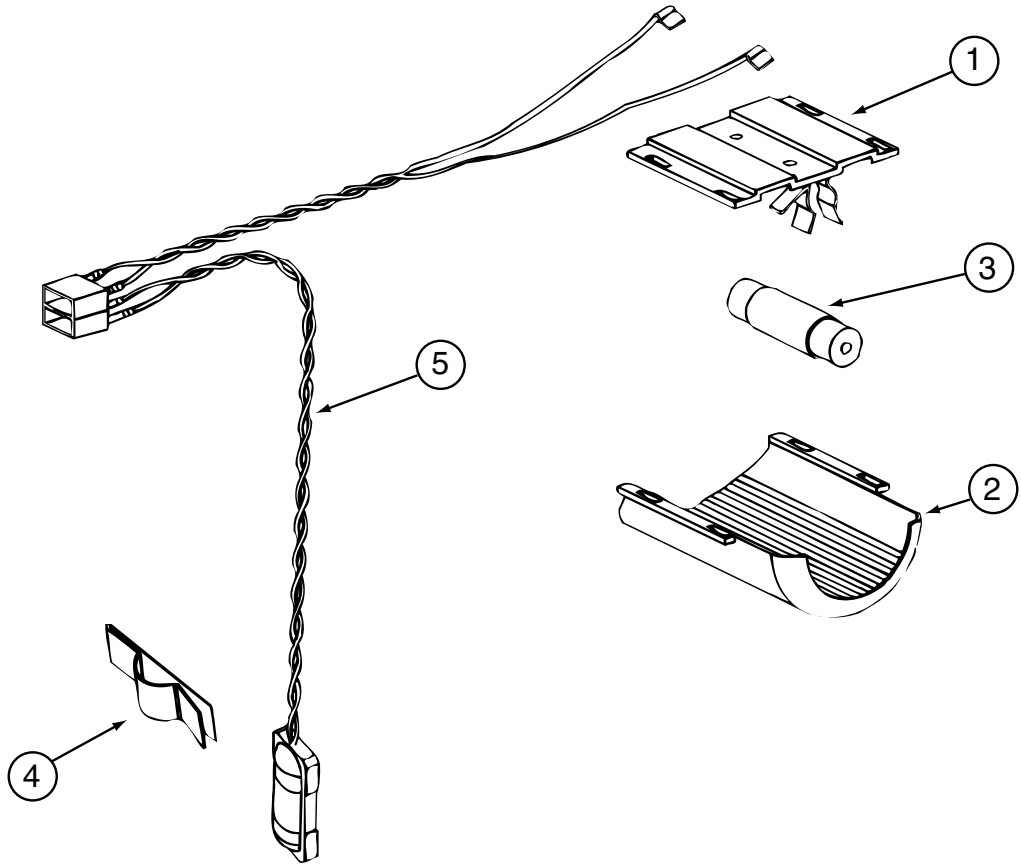
125242-02-01A (CONTINUED)

APPLIANCE GROUP (CONTINUED)
COMPONENT PARTS FOR APPLIANCE (CONTINUED)

125242-02-01A (CONTINUED)

KEY	PART NUMBER	U/M	DESCRIPTION	VENDOR NO.
1	125242-01-723	EA	TRIM - HORIZONTAL	618845
2	125242-01-748	EA	CABINET/FOAMED ASSEMBLY	618748
3	125242-01-722	EA	TRIM - CORNER	618844
4	125242-01-715	EA	HINGE - TOP RH/BOTTOM LH	618798
5	125242-01-724	EA	TRIM - SIDE	618846
6	125242-01-713	EA	HINGE-MIDDLE (PAINTED)	618794
7	125242-02-704	EA	DISPLAY ASSEMBLY	621188
8	125242-01-751	EA	BLOCK - GUIDE - UPPER	618789
9	125242-01-712	EA	DRIP TRAY	618774
10	125242-01-752	EA	BLOCK - GUIDE - LOWER	618788
11	120075-01-708	EA	BUSHING - DOOR HINGE	618144
12	120075-01-730	EA	RETAINER - SHELF	618181
13	120075-01-727	EA	PIN - HINGE	618145
14	125242-01-734	EA	CRISPER/BOTTLE BIN	618878
15	125242-01-733	EA	DIVIDER - BOTTLE CRISPER	618877
16	125242-01-750	EA	CLIP	61409622
17	113737-01-701	EA	BUSHING - HINGE	61742022
18	125242-01-749	EA	SUPPORT - WALL	618840
19	125242-01-734	EA	CRISPER/BOTTLE BIN	618878
20	125242-01-706	EA	COVER - CRISPER	618757
21	125242-01-726	EA	SHELF - WIRE (LONG)	618848
22	125242-01-727	EA	SHELF - WIRE (SHORT)	618849
23	125242-01-725	EA	SHELF - FREEZER (WIRE)	618847
24	125242-01-714	EA	HINGE - TOP LH/BOTTOM RH	618796
	125242-01-735	EA	SWITCH - DOOR LIGHT	618884

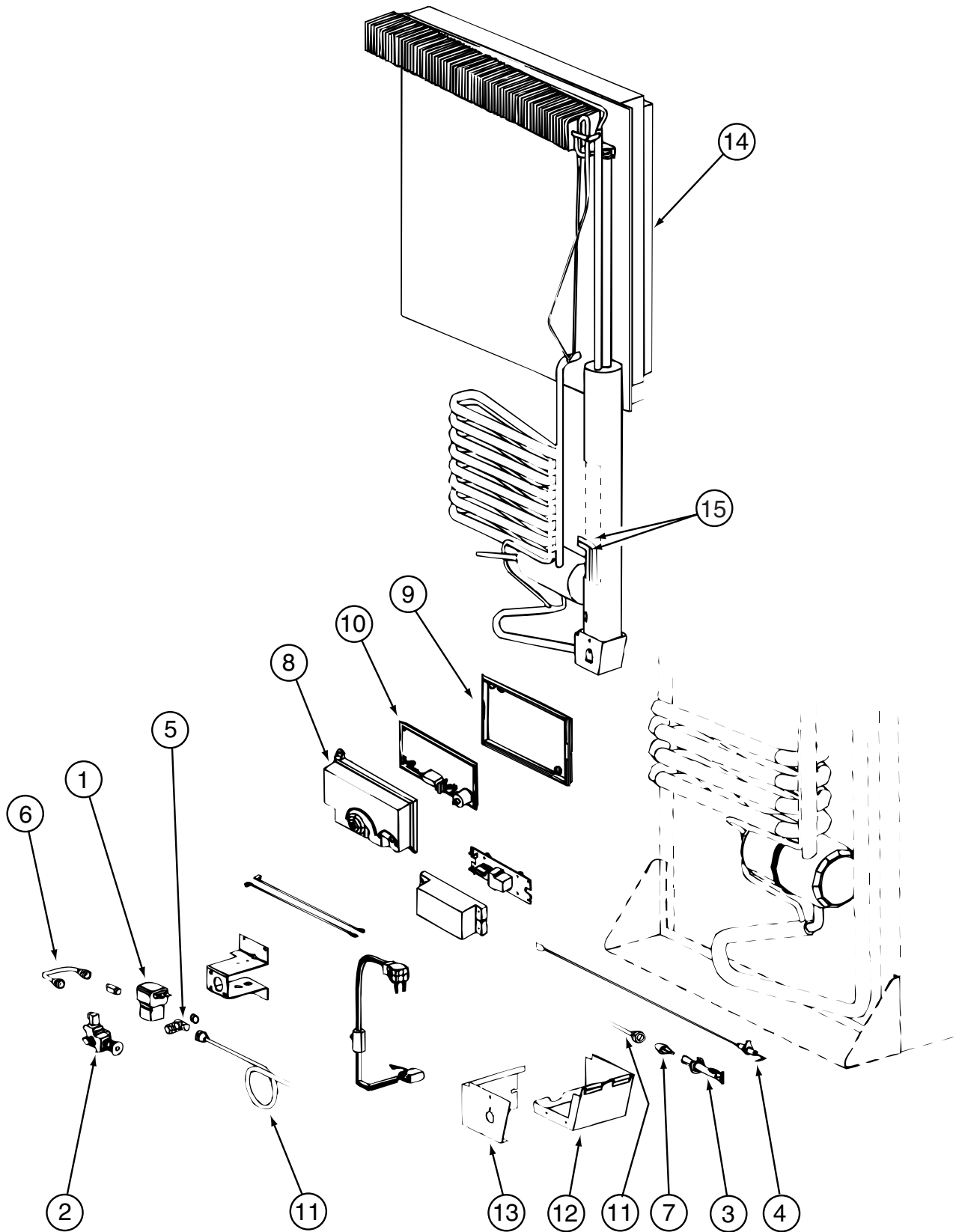
APPLIANCE GROUP (CONTINUED)
COMPONENT PARTS FOR APPLIANCE (CONTINUED)



125242-02-01A (CONTINUED)

KEY	PART NUMBER	U/M	DESCRIPTION	VENDOR NO.
1	084880-03-705	EA	BRACKET - LIGHT - INTERIOR	61629722
2	120075-01-734	EA	COVER - LENS	618190
3	084880-03-706	EA	BULB - LAMP	61628922
4	084880-01-760	EA	CLIP (THERMISTER)	61689122
5	120075-01-735	EA	THERMISTER W/LAMP & WIRE/ASM	618548

APPLIANCE GROUP (CONTINUED)
COMPONENT PARTS FOR APPLIANCE (CONTINUED)



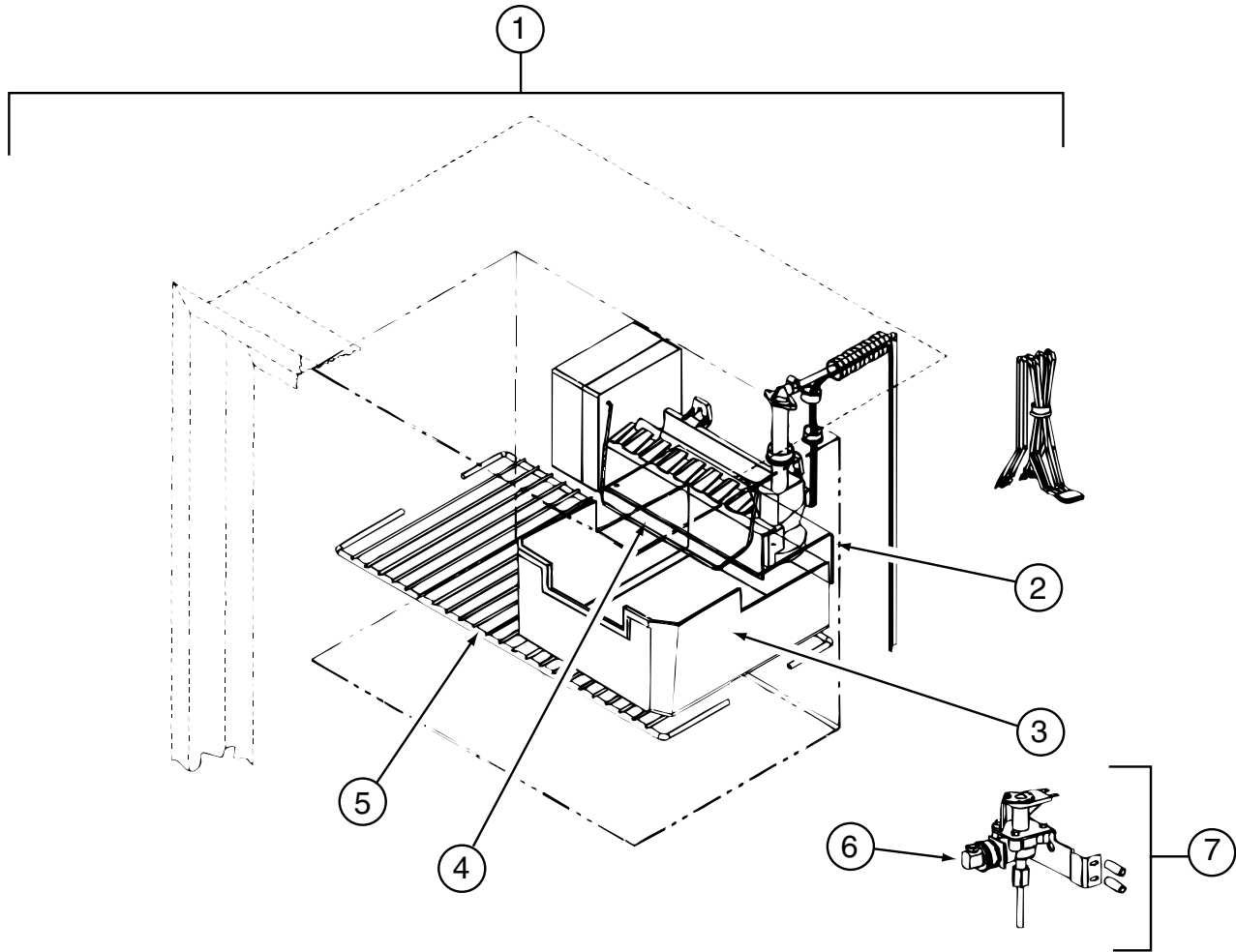
125242-02-01A (CONTINUED)

APPLIANCE GROUP (CONTINUED)
COMPONENT PARTS FOR APPLIANCE (CONTINUED)

125242-02-01A (CONTINUED)

KEY	PART NUMBER	U/M	DESCRIPTION	VENDOR NO.
1	084880-01-718	EA	VALVE-GAS, (ASCO)	61551822
2	121568-03-720	EA	VALVE/SHUT OF-MANUAL ELECT.	618696
3	125242-01-743	EA	BURNER - 8 SLOT	618932
4	104137-06-715	EA	ELECTRODE-SPARK/SENSOR, SGL	61692222
5	113737-01-716	EA	TAP-PRESSURE	61594422
6	113737-01-750	EA	TUBE-UNION	61694622
7	125242-01-717	EA	ORIFICE-JEWELED	618814
8	120075-01-738	EA	COVER-POWER BOARD	618185
9	120075-01-740	EA	COVER-BASE, POWER BOARD	618186
10	125242-02-703	EA	POWER BOARD	621271
11	125242-01-744	EA	BURNER TUBE	618937
12	125242-01-739	EA	BASE-BURNER BOX	618902
13	125242-02-740	EA	COVER-BURNER BOX	618910
14	125242-01-746	EA	COOLING UNIT - 1200	618964
15	125242-01-732	EA	HEATER AC - 225W/110VAC	618872
	125242-01-753	EA	KIT - GAS VALVE/BURNER TUBE	620610

APPLIANCE GROUP (CONTINUED)
COMPONENT PARTS FOR APPLIANCE (CONTINUED)



125242-02-01A (CONTINUED)

KEY	PART NUMBER	U/M	DESCRIPTION	VENDOR NO.
1	094039-07-706	EA	ICE MAKER W/O PLATES	61656522
2	125242-01-737	EA	BRACKET - MOUNTING (ICE MAKER)	618894
3	125242-01-716	EA	ICE BIN	618803
4	120075-03-703	EA	ARM - SHUT OFF	61656922
5	125242-01-725	EA	SHELF - FREEZER (WIRE)	618847
6	120075-03-702	EA	NUT/COMPRESSION - FITTING	61678722
7	120075-03-701	EA	VALVE - WATER - W/BRACKET	618523

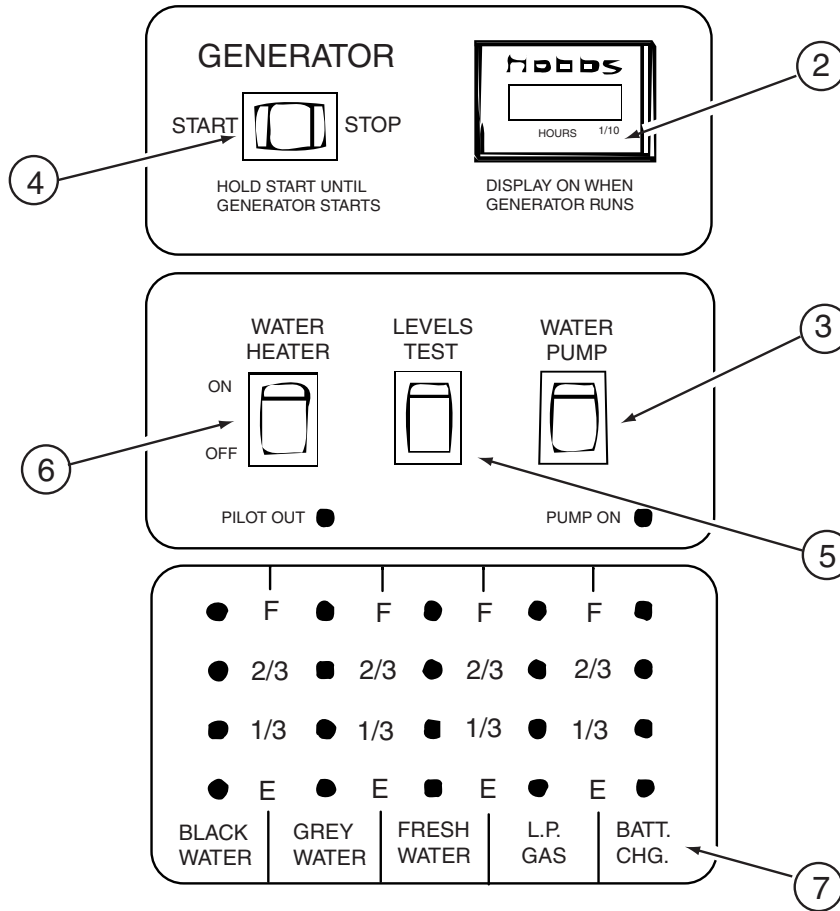
126019-01-01A

KEY	PART NUMBER	U/M	DESCRIPTION	VENDOR NO.
	126019-01-700	EA	GLASS CARAFE	172547-00
	126019-01-701	EA	RESERVOIR- WATER	172554
	126019-01-702	EA	BASKET - FILTER	172553-00
	126019-01-703	EA	HARDWARE - MOUNTING	172174-00

126022-01-01A, 126022-02-01A, 126022-03-01A

KEY	PART NUMBER	U/M	DESCRIPTION	VENDOR NO.
	114030-01-707	EA	PLUG BUTTON BLACK	74002628
	126022-01-700	EA	BUMPER - RANGE BIFOLD COVER	MAGIC 8003P007-60
	126022-01-701	EA	HINGE-RANGE BIFOLD COVER-22"	MAGIC 3418F067-34

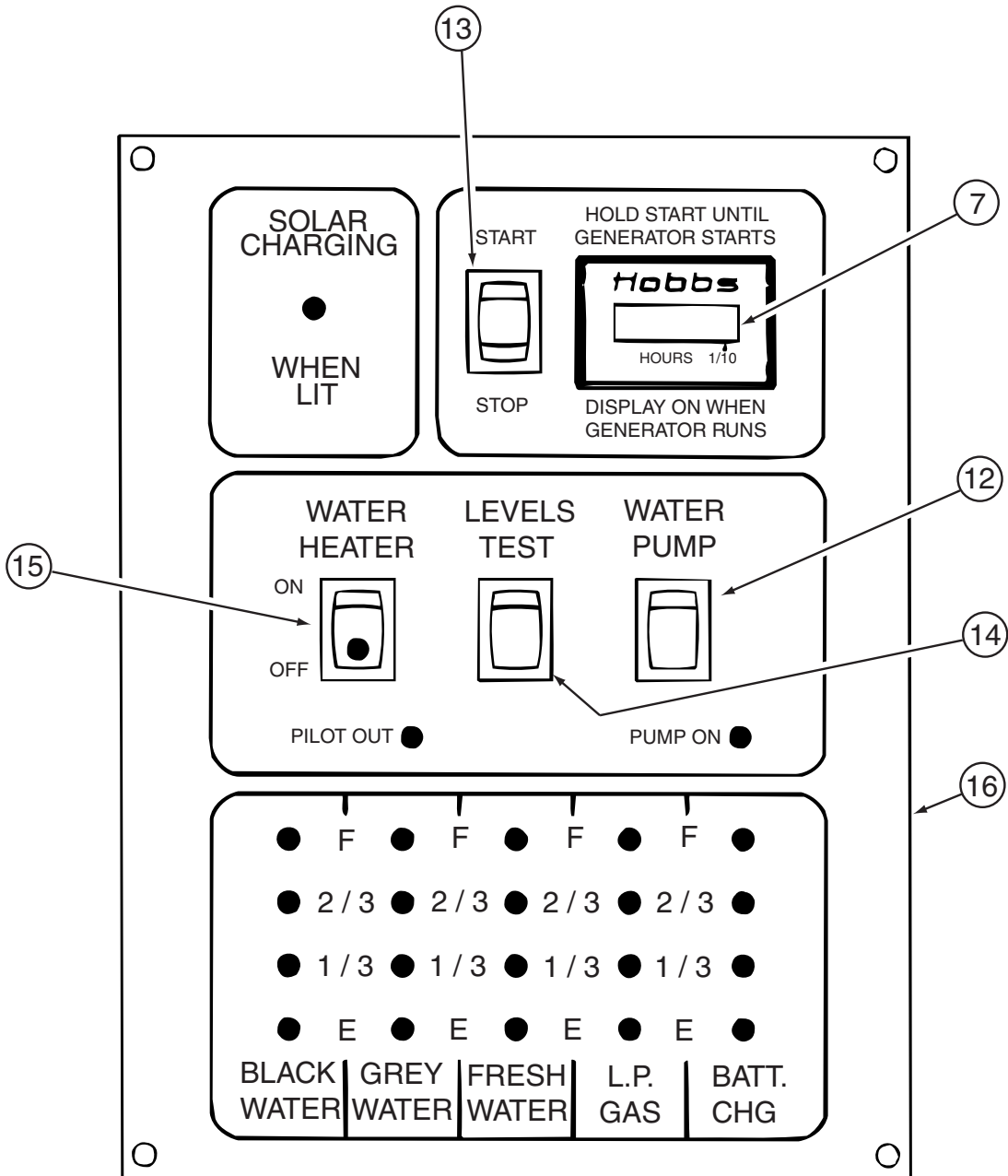
APPLIANCE GROUP (CONTINUED)
COMPONENT PARTS FOR APPLIANCE (CONTINUED)



134940-01-01A

KEY	PART NUMBER	U/M	DESCRIPTION	VENDOR NO.
	134940-01-700	EA	BOARD - PC	L5118
2	100258-10-701	EA	GAUGE-HOUR MTR-CLIP ON (LCD)	L0775-00
3	096983-01-703	EA	SWITCH - ON/ON	L0115-00
4	096983-01-702	EA	SWITCH - MOM/OFF/MOM/3 TERM	L0112-00
5	096983-01-701	EA	SWITCH - SPST/MOM 2 TERMINAL	L0111-00
6	134940-01-701	EA	SWITCH-SPST/ON-OFF/BLK W/LGT	L0109
7	134940-01-702	EA	CHASSIS - SILKSCREENED	CC0558-00
	100258-10-702	EA	HOUR METER(CLIP ON)SW & WIRE	L4441-00

APPLIANCE GROUP (CONTINUED)
COMPONENT PARTS FOR APPLIANCE (CONTINUED)



134940-04-01A

KEY	PART NUMBER	U/M	DESCRIPTION	VENDOR NO.
7	100258-10-701	EA	GAUGE/HOUR METER-CLIP ON LCD	L0775-00
12	096983-01-703	EA	SWITCH - ON/ON	L0115-00
13	096983-01-702	EA	SWITCH - MOM/OFF/MOM/3 TERM	L0112-00
14	096983-01-701	EA	SWITCH - SPST/MOM 2 TERMINAL	L0111-00
15	134940-01-701	EA	SWITCH-SPST/ON-OFF/BLK W/LGT	L0109
16	134940-04-700	EA	CHASSIS - SILKSCREENED	CE0136-00

AUDIO VIDEO GROUP
RADIO SYSTEM

KEY	PART NUMBER	U/M	DESCRIPTION
	127517-07-000	EA	RADIO - AM/FM STEREO/CD PLAYER - CDX-1200 - EXTERIOR CMP - EXTERIOR ENT FROM: 00-00-00 THRU: 08-02-01
	127517-10-000	EA	RADIO - AM/FM STEREO/CD PLAYER - CDX-L250 - EXTERIOR ENT FROM: 08-03-01 THRU: 02-10-02
	127517-11-000	EA	RADIO - AM/FM STEREO - CD PLAYER - SONY CDX-L300 - EXTERIOR ENT FROM: 02-11-02 THRU: 99-99-99
	125322-02-000	EA	RADIO-AM/FM STEREO/CASSETTE-AUDIOVOX-MS-306-EXT ENT W/CASS - EXTERIOR ENT
	135420-01-000	EA	RADIO - AM/FM CASSETTE/CD COMBO - M9900 - DASH
	135420-07-000	EA	RADIO - MOUNTING KIT - A-BODY
	123256-01-000	EA	ANTENNA - CB - W/O CABLE
	123256-02-000	EA	CABLE - CB - COAX
	090944-01-000	EA	ANTENNA - RADIO - 16" RUBBER - W/72" LEAD WIRE
	115916-01-01B	EA	BRACKET - ANTENNA MOUNT
	108847-01-000	EA	BRACKET - ANTENNA GROUND
	109889-04-000	EA	EXTENDER - ANTENNA SHAFT - 3.7"
	077069-02-000	EA	CABLE - ANTENNA/EXTENSION - RADIO - 96"
	094097-01-000	EA	SPEAKER - RADIO/TV - W/O GRILLE - 5.25" DIAMETER
	110469-01-000	EA	SPEAKER - 4" X 6" OVAL - COAXIAL
	089340-02-000	EA	GRILLE - SPEAKER - 6.5" SQUARE - F32V , F34D , F36M
	110470-01-01A	EA	GRILLE - 4" X 6" OVAL SPEAKER - BLACK
	132352-01-L32	EA	GRILL - SPEAKER - FABRIC COVERED FROM: 00-00-00 THRU: 03-19-01
	139111-01-02A	EA	GRILLE - SPEAKER - 6" ROUND - GLACIER FROM: 03-20-01 THRU: 99-99-99

REAR VIEW MONITOR

KEY	PART NUMBER	U/M	DESCRIPTION
	093040-09-000	EA	CAMERA - REAR VIEW - W/BRACKET - SONY
	133989-01-12B	EA	BRACKET - CAMERA - MONITOR/REAR - BRIGHT WHITE
	093041-01-000	EA	CABLE - MONITOR/CAMERA - INTERNAL USE - 65.6'
*	093040-10-000	EA	MONITOR - 7" REAR VIEW - W/BRACKET - SONY
	096717-04-000	EA	WIRE ASSEMBLY - REAR MONITOR - UPPER
	114870-01-000	EA	PLUG - AUDIO W/LEADS - 48.5"
	093214-01-01A	EA	GRILL - SPEAKER - 4" - BLACK FROM: 00-00-00 THRU: 11-26-01
	093214-01-03A	EA	GRILL - SPEAKER - 4" - GLACIER FROM: 11-27-01 THRU: 99-99-99
	098819-01-000	EA	SPEAKER - 4" - 2 WATT - 8 OHM

***COMPONENT PARTS LISTED LATER IN THIS GROUP**

AUDIO VIDEO GROUP (CONTINUED)
COMPONENT PARTS FOR REAR VIEW MONITOR

093040-10-000

KEY	PART NUMBER	U/M	DESCRIPTION	VENDOR NO.
	093040-10-700	EA	LENS-MONITOR, REAR VIEW F/7"	3-708-537-01

AUDIO VIDEO GROUP (CONTINUED)

TELEPHONE

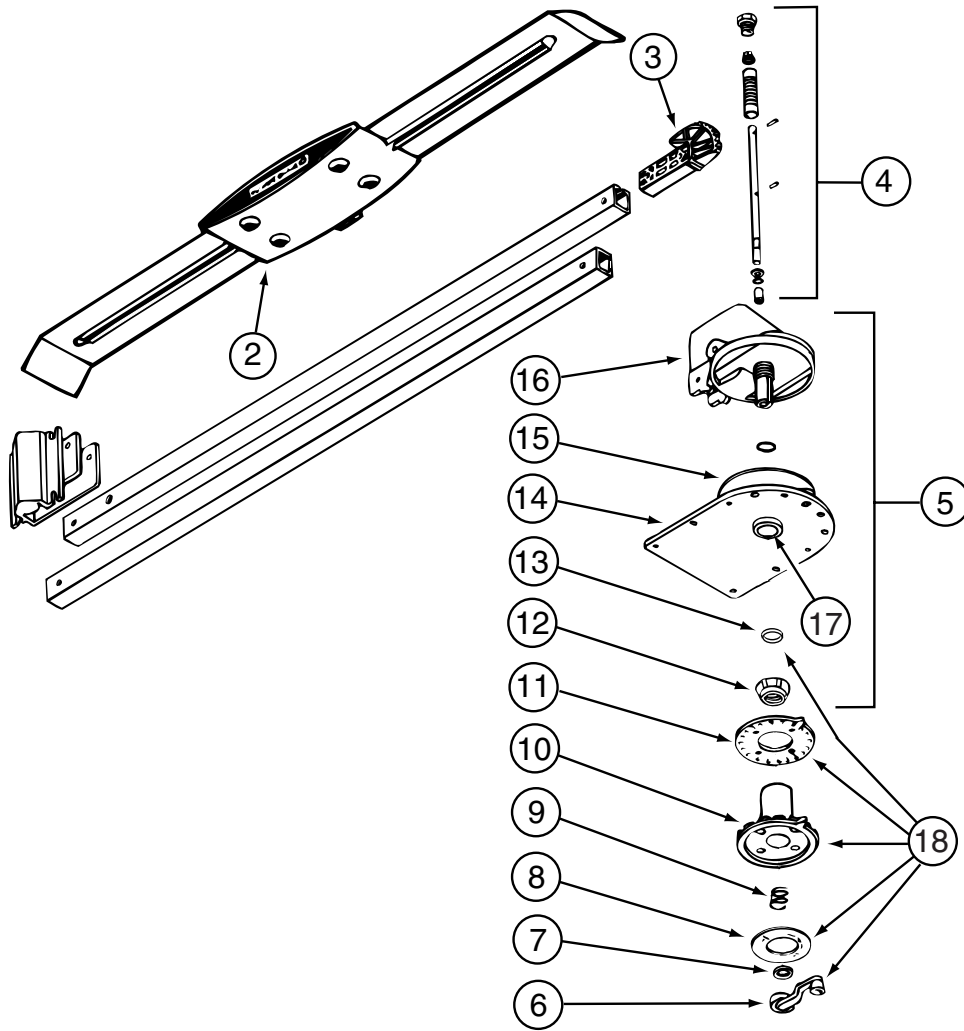
KEY	PART NUMBER	U/M	DESCRIPTION
	093253-01-01A	EA	PLATE - WALL - TELEPHONE - BEIGE FROM: 05-17-01 THRU: 99-99-99
	130686-01-01A	EA	PLATE - WALL - TELEPHONE/COAX - WHITE

TV & VCR

KEY	PART NUMBER	U/M	DESCRIPTION
	076319-09-000	EA	WALLPLATE - CABLE RECEPTACLE - TV - SINGLE - BROWN
	076319-03-000	FT	CABLE - COAXIAL - 75 OHM
	076319-12-000	EA	CONNECTOR - COAXIAL - ONE PIECE
*	076319-23-000	EA	ANTENNA - TV ROOF MOUNT - 44.5" MAST
*	076319-25-000	EA	KIT - HARDWARE INTERIOR
	120233-03-000	EA	CERTIFICATE - SATELLITE RECEIVER
*	137135-01-000	EA	ANTENNA - SATELLITE DSS - W/SENSOR FROM: 00-00-00 THRU: 04-08-02
	137135-02-000	EA	ANTENNA - SATELLITE DSS - W/SENSOR FROM: 04-09-02 THRU: 99-99-99
	086757-04-000	EA	CONTROL CENTER - SWITCH - VCR/TV - 5 INPUTS
*	126696-07-000	EA	TV - 19" COLOR - W/O 1/8" JACK - UL/CSA - GE 19GT243
*	133377-01-000	EA	TV - 25" - COLOR - W/1/8" JACK - UL/CSA - GE 25GT240M
	126697-06-000	EA	VCR - VHS/CABLE READY - W/REMOTE - GE VG4060 FROM: 00-00-00 THRU: 05-06-01
*	126697-07-000	EA	VCR - VHS/CABLE READY - W/REMOTE - GE VG4045 FROM: 05-07-01 THRU: 99-99-99
	082134-01-000	EA	ADAPTER - TV - CABLE TO CABLE
	082136-01-000	EA	NUT - HEX JAM - 3/8-32
	086756-01-000	EA	SPLITTER - TV/2 WAY
	114870-02-000	EA	PLUG - AUDIO W/LEADS - 10"
	086777-06-000	EA	WALLPLATE - TV CABLE - ANTENNA BOOSTER/1 OUTPUT - BLACK
	134006-01-03B	EA	PLATE - COAXIAL CABLE/OFF WHITE
	069726-02-000	EA	BUMPER - .88" OD X .40" THICK - BLACK

*COMPONENT PARTS LISTED LATER IN THIS GROUP

AUDIO VIDEO GROUP (CONTINUED)
COMPONENT PARTS FOR TV & VCR

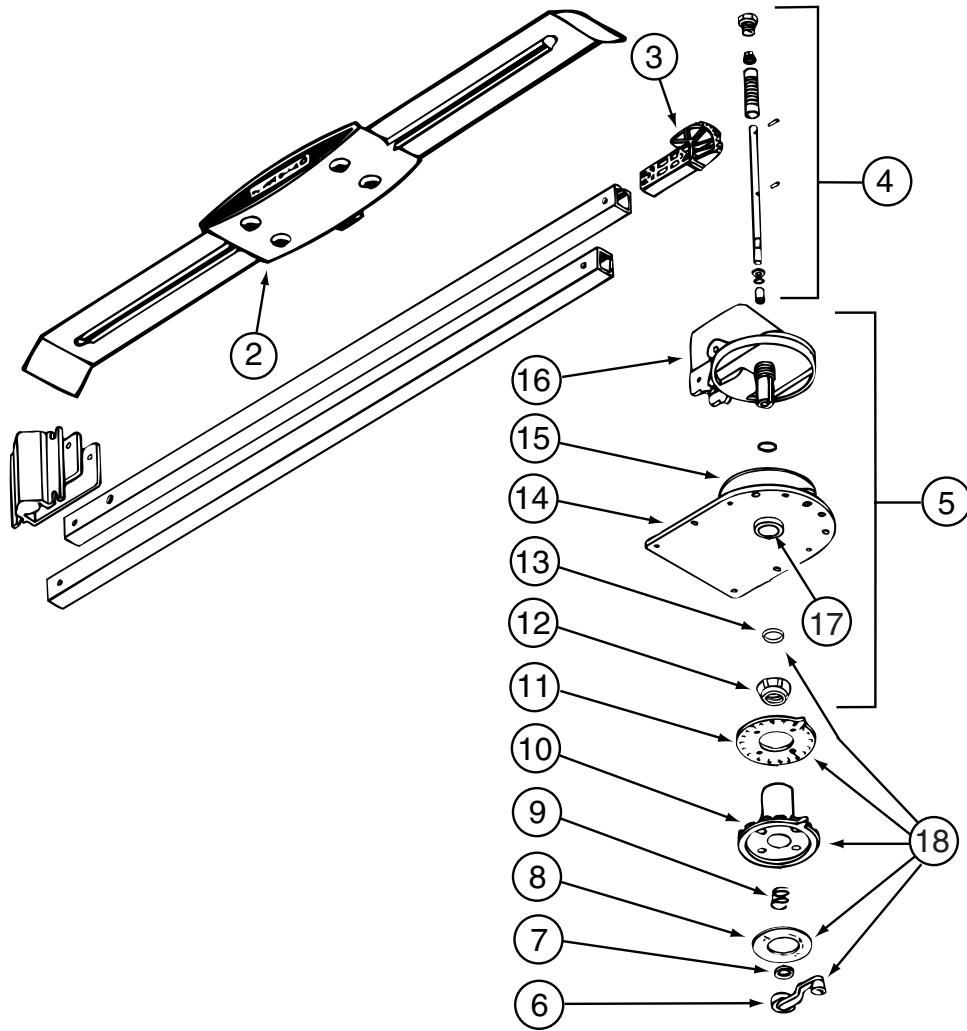


076319-23-000

KEY	PART NUMBER	U/M	DESCRIPTION	VENDOR NO.
2	076319-01-700	EA	HEAD - ANTENNA - AMPLIFIED	RVSA U/V
3	076319-01-701	EA	GEAR - ELEVATING - PLASTIC	2200046
4	076319-01-702	EA	SHAFT ASM - ELEVATING	RVP-400A
5	076319-01-711	EA	BASE & LIFT ASM	2762802
7	076319-01-705	EA	BEARING - NYLON - 7/8"ID	3200658
8	076319-01-708	EA	DECAL-CRANK	5413002
9	076319-01-707	EA	SPRING - HANDLE	5160822
11	076319-01-709	EA	PLATE-CEILING (IVORY)	3200621
11	076319-01-712	EA	PLATE - CEILING	3200608
12	076319-01-715	EA	NUT (GEAR HOUSING)	2200047
14	076319-01-713	EA	BASE PLATE	3100523
15	076319-01-703	EA	BEARING - NYLON - 5"OD	3200656
16	076319-01-714	EA	HOUSING - ROTATING GEAR	2200049
	076319-01-716	EA	TUBING, ELEVATING	RP-2900
17	076319-01-704	EA	BEARING-NYLON, 1.25"OD	3200657

CONTACT WINNEBAGO PART SALES FOR UNLISTED COMPONENT

AUDIO VIDEO GROUP (CONTINUED)
COMPONENT PARTS FOR TV & VCR (CONTINUED)



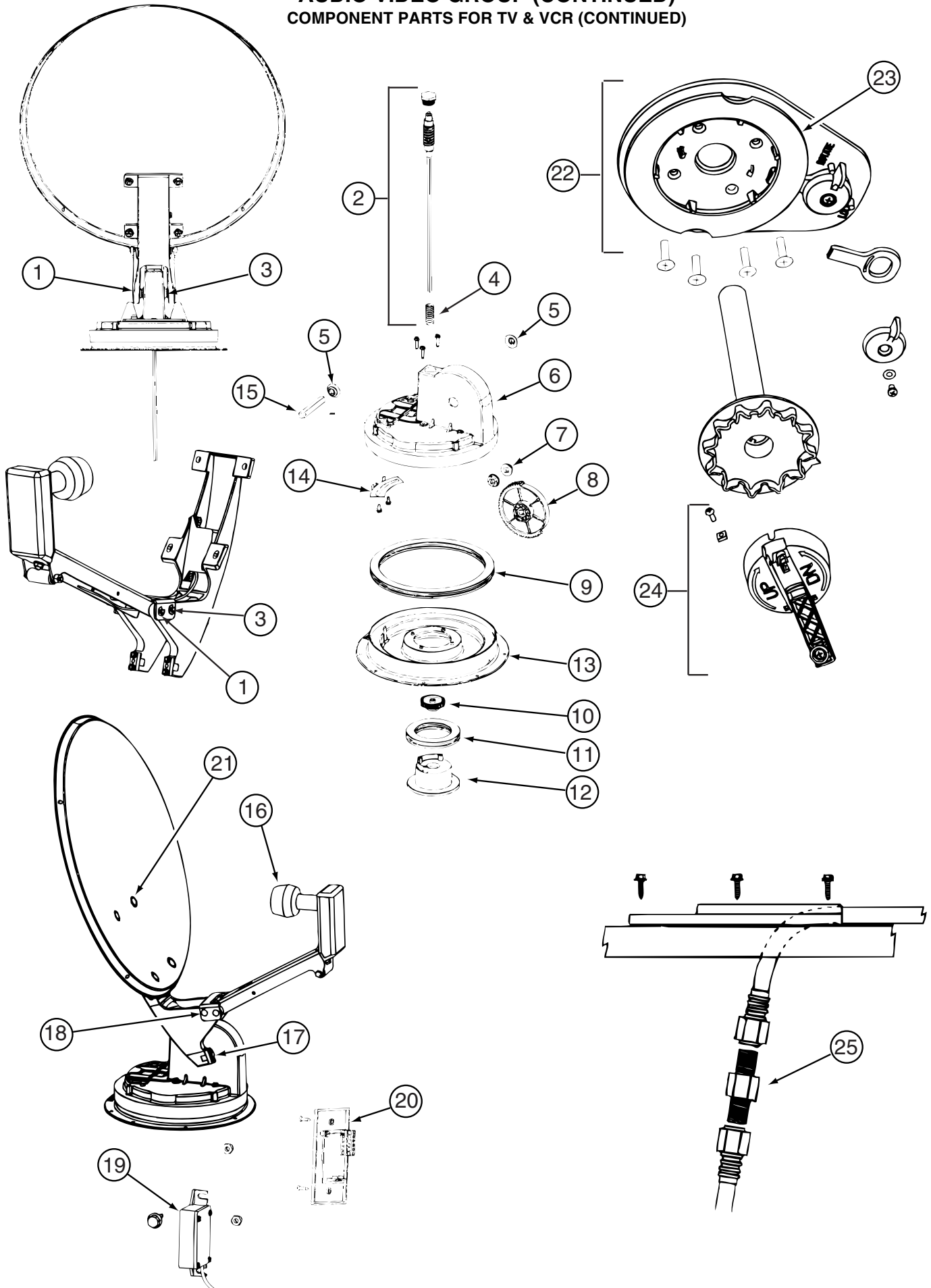
076319-25-000

KEY	PART NUMBER	U/M	DESCRIPTION	VENDOR NO.
6	076319-01-706	EA	CRANK-ELEVATING W/SET SCREW	2750897
6	120233-01-710	EA	HANDLE-CRANK	RP-6795
8	076319-01-708	EA	DECAL-CRANK	5413002
9	076319-01-707	EA	SPRING-HANDLE	2160822
10	076319-25-700	EA	DIRECTIONAL HANDLE(WHITE)	3200612
11	076319-25-701	EA	PLATE - CEILING(WHITE)	3200609
13	120233-01-709	EA	WASHER-NYLON	RP-2658
CONTACT WINNEBAGO PART SALES FOR UNLISTED COMPONENTS				

AUDIO VIDEO GROUP (CONTINUED)
COMPONENT PARTS FOR TV & VCR (CONTINUED)

KEY	PART NUMBER	U/M DESCRIPTION	126696-07-000	VENDOR NO.
	133377-01-700	EA REMOTE		240961
KEY	PART NUMBER	U/M DESCRIPTION	126697-07-000	VENDOR NO.
	126697-07-700	EA REMOTE		248687
KEY	PART NUMBER	U/M DESCRIPTION	133377-01-000	VENDOR NO.
	133377-01-700	EA REMOTE		240961

AUDIO VIDEO GROUP (CONTINUED)
COMPONENT PARTS FOR TV & VCR (CONTINUED)



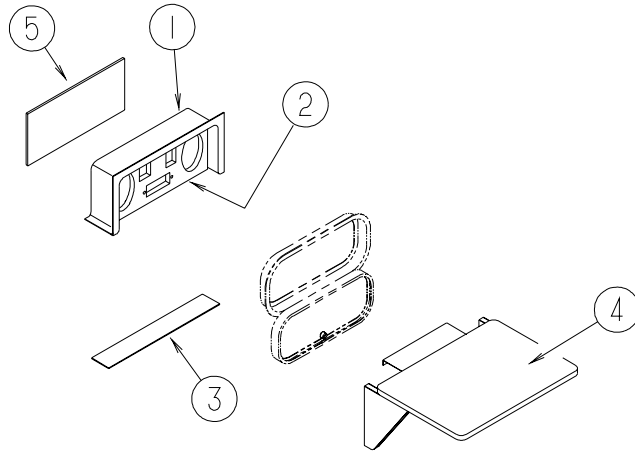
137135-01-000

AUDIO VIDEO GROUP (CONTINUED)
COMPONENT PARTS FOR TV & VCR (CONTINUED)

137135-01-000 (CONTINUED)

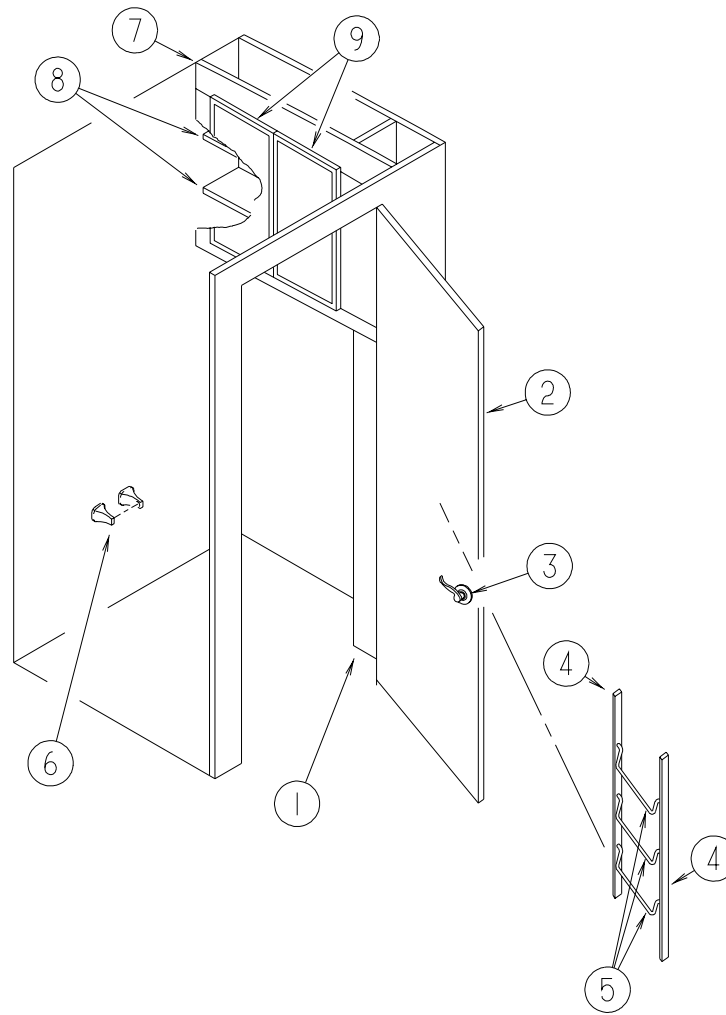
KEY	PART NUMBER	U/M	DESCRIPTION	VENDOR NO.
1	120233-01-714	EA	CLIP-E	5160818
2	137135-01-703	EA	SHAFT-ELEVATING(SPRING/PLUG)	RP-4400
3	137135-01-704	EA	PIN - 1/4" X 3.25"	2160813
4	137135-01-705	EA	SPRING	2160818
5	137135-01-707	EA	SEAL - PIVOT SHAFT	2200852
6	137135-01-708	EA	TURRET	3100728
7	137135-01-709	EA	PIVOT BEARING	2200470
8	137135-01-711	EA	GEAR - ELEVATING	2200464
9	137135-01-712	EA	BEARING - OUTER	2590347
10	137135-01-714	EA	GEAR - ELEVATING SHAFT	2200465
11	137135-01-715	EA	BEARING - INNER	2590348
12	137135-01-716	EA	HUB	3100731
13	137135-01-713	EA	TURRET BASE	3100730
14	137135-01-710	EA	PLATE - ROTATE LIMIT	3720052
15	137135-01-706	EA	PIVOT SHAFT	2590344
16	120233-01-734	EA	LOW NOISE BLOCK FILTER (SGL)	LB10003
17	137135-01-722	EA	CLAMP	2590343
18	137135-01-719	EA	BRACKET - PIVOT	2744945
19	137135-01-720	EA	DE-SENSOR UNIT W/43" CABLE	276342
20	137135-01-721	EA	WALL PLATE	3200213
21	137135-01-717	EA	BOLT - FLAT HEAD	216032
22	120233-01-722	EA	PLATE ASSEMBLY (CEILING)	2762826
23	120233-01-704	EA	DIAL - DIRECTIONAL	3200364
24	120233-01-721	EA	CRANK HANDLE ASSEMBLY	2762825
25	137135-01-701	EA	CONNECTOR - F - MALE TO MALE	FS-8100
	137135-01-700	EA	ROOF WEDGE W/GASKET	RW-5000
	137135-01-718	EA	REFLECTOR/WHITE - 46CM	2745282

AUDIO VIDEO GROUP (CONTINUED)
EXTERIOR ENTERTAINMENT



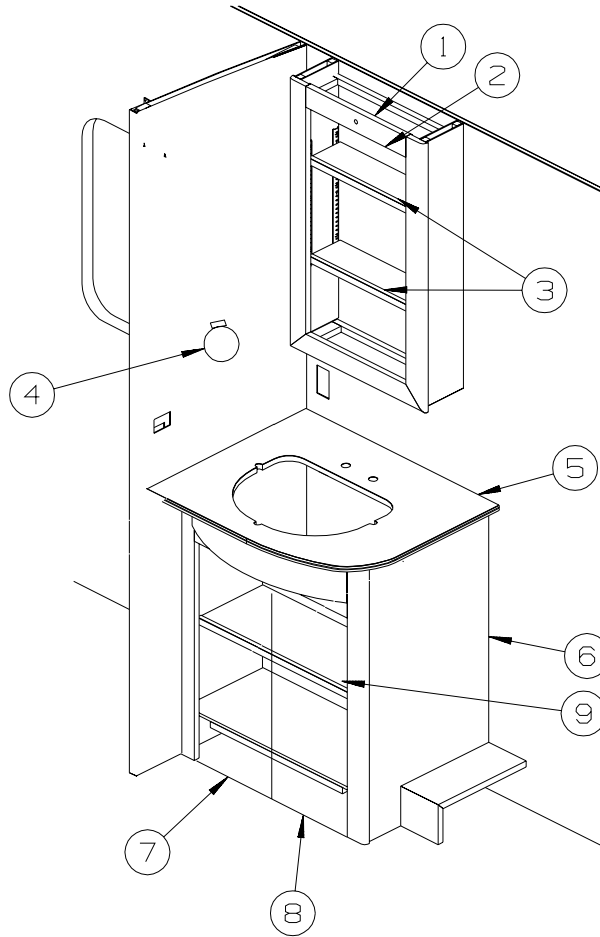
KEY	PART NUMBER	U/M	DESCRIPTION
1	124696-01-01A	EA	BOX - ENTERTAINMENT CENTER/EXTERIOR - BRIGHT WHITE
1	124696-02-01A	EA	BOX - ENTERTAINMENT CENTER/EXTERIOR - BRIGHT WHITE
2	127409-02-L15	EA	PLATE - RADIO MOUNTING
3	104898-01-02A	EA	PLATE - PLASTIC BOTTOM - BRIGHT WHITE
4	105230-01-J01	EA	SHELF - EXTERIOR ENTERTAINMENT CENTER - W/BRKT/HINGE/SUPT FROM: 00-00-00 THRU: 01-15-02
4	142034-01-01A	EA	SHELF - F/EXTERIOR TV FROM: 01-16-02 THRU: 99-99-99
5	NOT USED		

BATH GROUP CABINETS



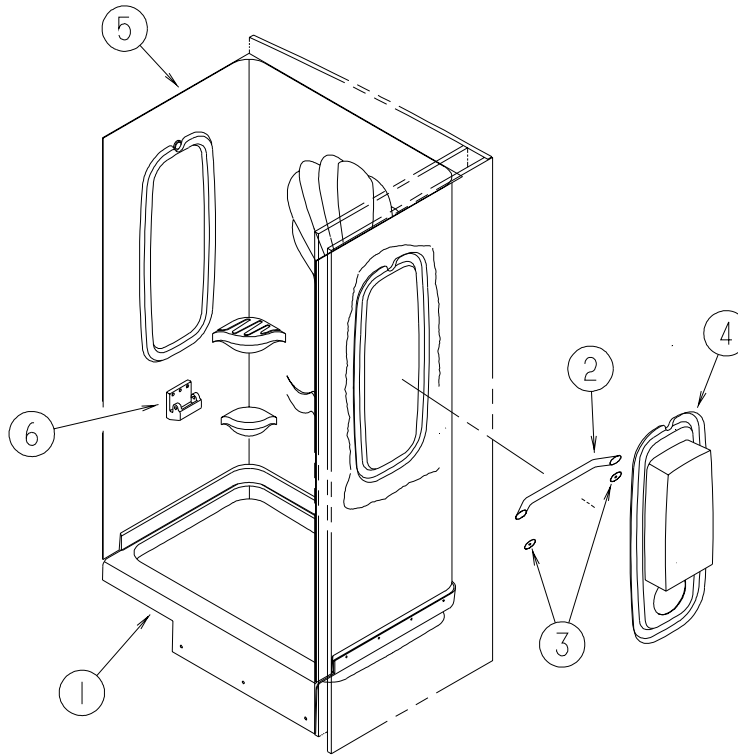
KEY	PART NUMBER	U/M	DESCRIPTION
1	138972-01-N30	EA	CABINET - PIPE COVER (N37)
1	138972-01-N31	EA	CABINET - PIPE COVER (N38)
1	138972-01-N32	EA	CABINET - PIPE COVER (N39)
2	131933-08-M42	EA	DOOR - BATH - W/O HARDWARE
3	111155-05-01A	EA	LOCK - PRIVACY/LOCKING - POLISHED BRASS - $\bar{\text{S}}$ SHAPE HANDLE
4	P34509-01-N01	EA	RAIL END - RH/LH - TOWEL RACK - PORTSMOUTH OAK
5	100357-01-000	EA	ROD - F/TOWEL BAR - BRASS
6	075452-02-000	EA	HOLDER - TOILET TISSUE - BRASS
7	138929-01-N30	EA	CABINET - OVERHEAD/LINEN - W/O DOORS/HARDWARE
8	138929-15-N30	EA	SHELF - W/PLASTIC EDGE MOLDING
9	134781-41-N04	EA	DOOR - RAIL/VENEER - 10.8 $\hat{\text{t}}$ X 21.8 $\hat{\text{t}}$ - W/O HARDWARE

BATH GROUP (CONTINUED)
CABINETS (CONTINUED)



KEY	PART NUMBER	U/M	DESCRIPTION
1	139023-01-N30	EA	CABINET - OVERHEAD/MEDICINE - W/O DOORS/HARDWARE
2	134786-09-N37	EA	DOOR - MIRROR/MITERED CORNERS - 15.7i X 27.9i-W/O HARDWARE
3	139023-12-N30	EA	SHELF - W/PLASTIC EDGE MOLDING
4	132046-02-01A	EA	RING - TOWEL - BRASS
5	133654-14-N30	EA	COUNTERTOP - LAMINATED - GRAY TRANQUILITY (N37)
5	133654-14-N31	EA	COUNTERTOP - LAMINATED - WHITE ETHOS (N38)
5	133654-14-N32	EA	COUNTERTOP - LAMINATED - WHITE TALC/PORTSMOUTH OAK (N39)
6	138515-01-N30	EA	CABINET - LAVATORY - W/O COUNTERTOP/DOORS/DRAWERS/HARDWARE
7	134783-H0-N37	EA	DOOR - RAIL/SOLID PANEL - 12i X 21.8i-W/O SLIDES/HARDWARE
			FROM: 00-00-00 THRU: 05-21-01
7	134783-19-N37	EA	DOOR - RAIL/SOLID PANEL - 12i X 21.8i - W/O HARDWARE
			FROM: 05-22-01 THRU: 99-99-99
8	134783-H2-N37	EA	DOOR - RAIL/SOLID PANEL - 12i X 21.8i-W/O SLIDES/HARDWARE
			FROM: 00-00-00 THRU: 05-21-01
8	134783-21-N37	EA	DOOR - RAIL/SOLID PANEL - 12i X 21.8i - W/O HARDWARE
			FROM: 05-22-01 THRU: 99-99-99
9	138515-20-N30	EA	SHELF - W/PLASTIC EDGE MOLDING

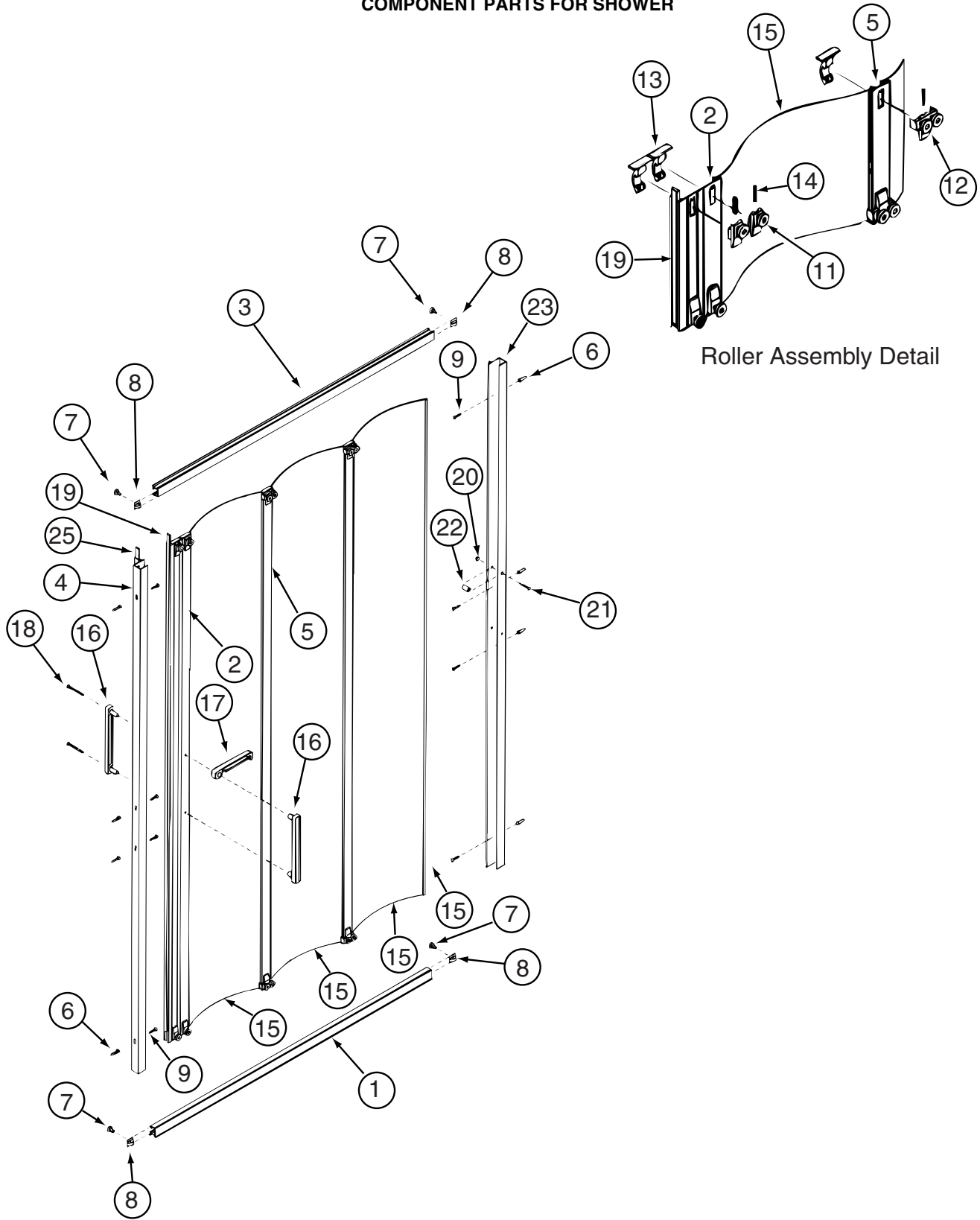
BATH GROUP (CONTINUED) SHOWER



KEY	PART NUMBER	U/M	DESCRIPTION
1	M02630-42-N30	EA	SHOWER PAN - W/STRAINER
2	132083-01-02A	EA	HANDRAIL/ASSIST - 1" DIAMETER/W/END CAPS - SOFT WHITE
3	132083-02-01A	EA	PAD - OVAL - BLACK RUBBER
4	132192-01-01A	EA	CADDY - SHOWER - SOFT WHITE
5	132216-01-01A	EA	SURROUND - SHOWER - SOFT WHITE
6	NOT USED		
*	135615-05-01A	EA	DOOR - SHOWER/FOLDING - 39" X 66" - WHITE/WHITE

***COMPONENT PARTS LISTED LATER IN THIS GROUP**

BATH GROUP (CONTINUED)
COMPONENT PARTS FOR SHOWER



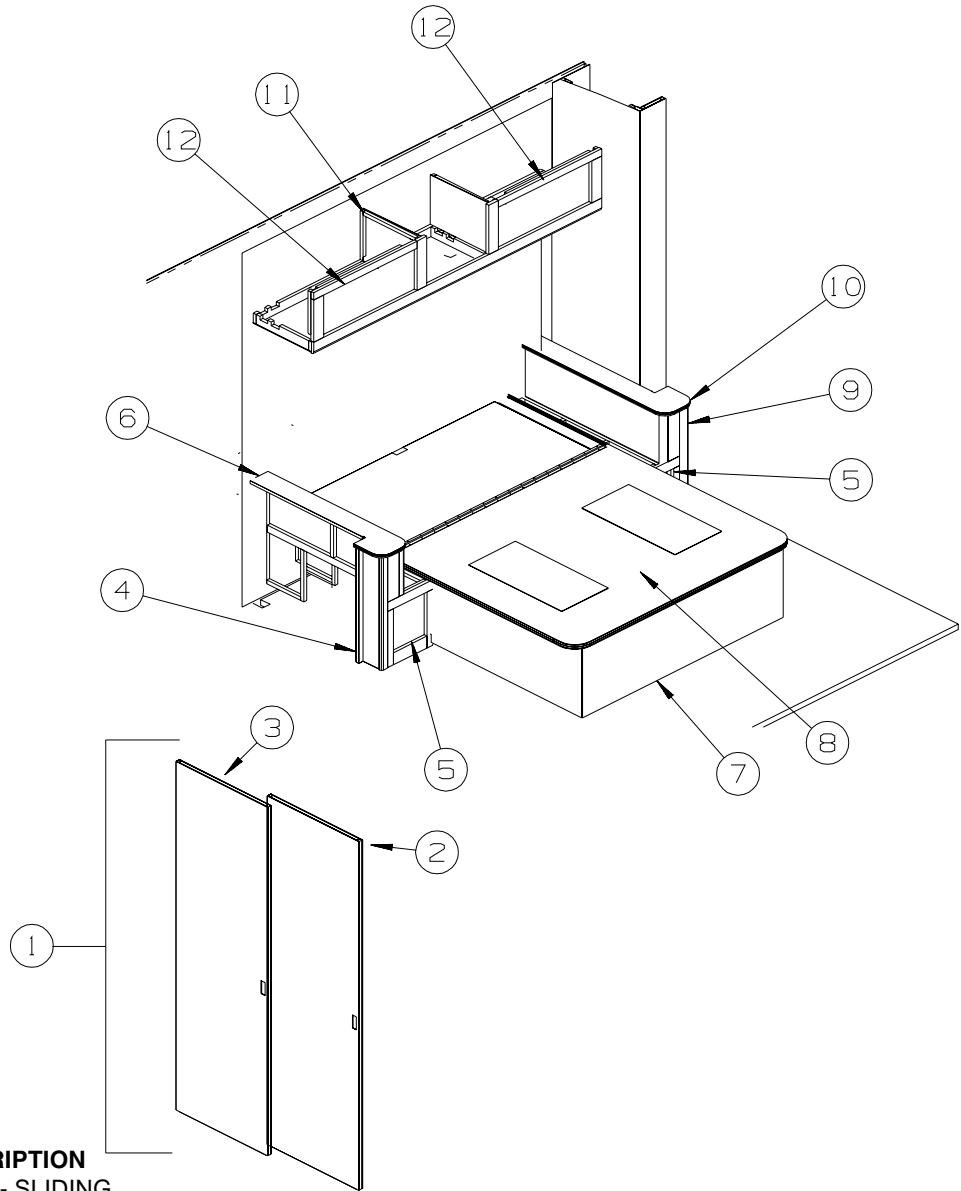
135615-01-01A, 135615-02-01A, 135615-03-01A, 135615-04-01A & 135615-05-01A

BATH GROUP (CONTINUED)
COMPONENT PARTS FOR SHOWER (CONTINUED)

135615-01-01A, 135615-02-01A, 135615-03-01A, 135615-04-01A & 135615-05-01A (CONTINUED)

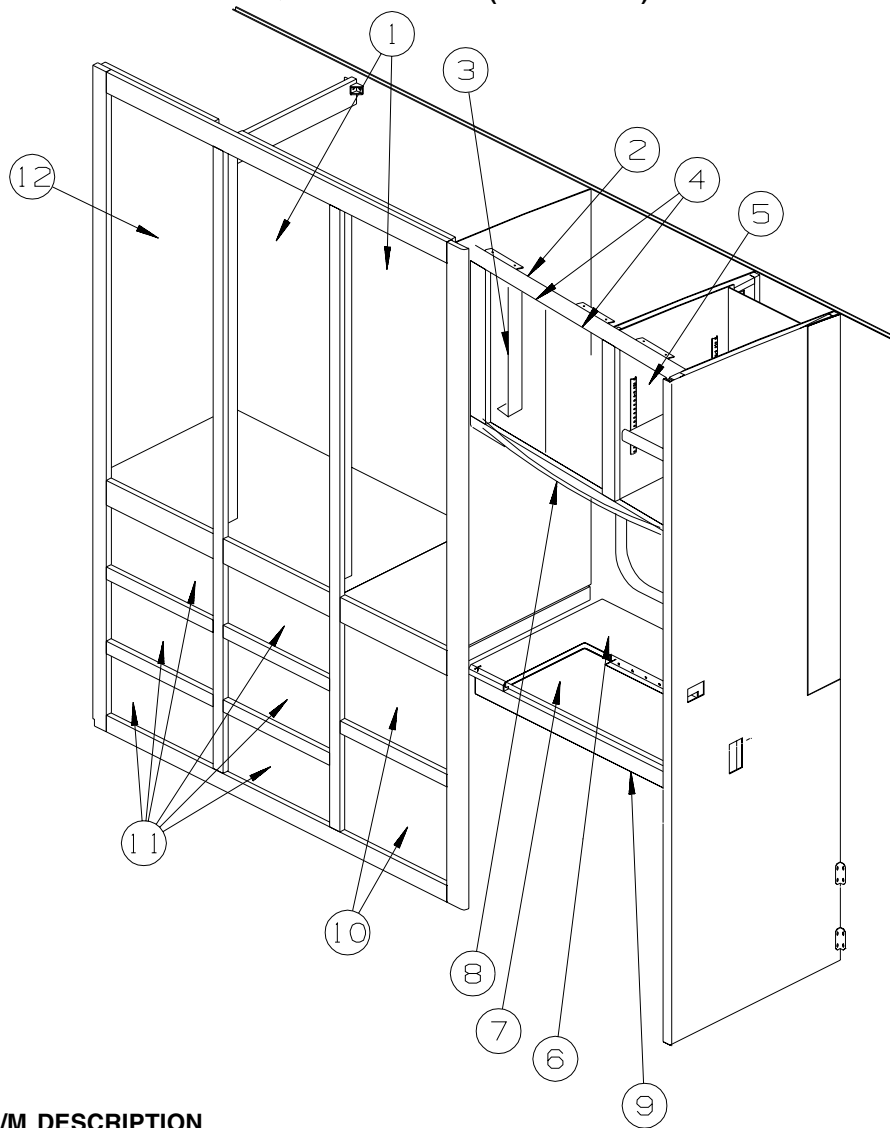
KEY	PART NUMBER	U/M	DESCRIPTION	VENDOR NO.
1	135615-01-702	EA	TRACK - (TOP/BOTTOM) - 40"	117W
2	135615-01-701	EA	STRIKE ASSEMBLY - 66"	109W
4	135615-01-703	EA	JAMB/WALL - W/O MAG STRIKE 66"	112W
11	108351-01-703	EA	BRACKET & ROLLER ASM. SINGLE	GRB1
12	108351-01-704	EA	BRACKET & ROLLER ASM. DOUBLE	GRB2
13	108351-01-705	EA	BRACKET-W/RETAINING CLIP	GRC1
14	108351-01-706	EA	SPRING-ROLLER BRACKET	GS1
16	108351-01-701	EA	HANDLES-DOOR, SET	SFH
17	108351-01-702	EA	LATCH-DOOR	SFL
23	135615-01-704	EA	JAMB/WALL PANEL RECEIVER 66"	110W
25	135615-01-700	EA	STRIP-MAGNETIC, 66"	98-41W
			CONTACT WINNEBAGO PART SALES FOR UNLISTED COMPONENT	

BEDROOM GROUP QUEEN CABINETS



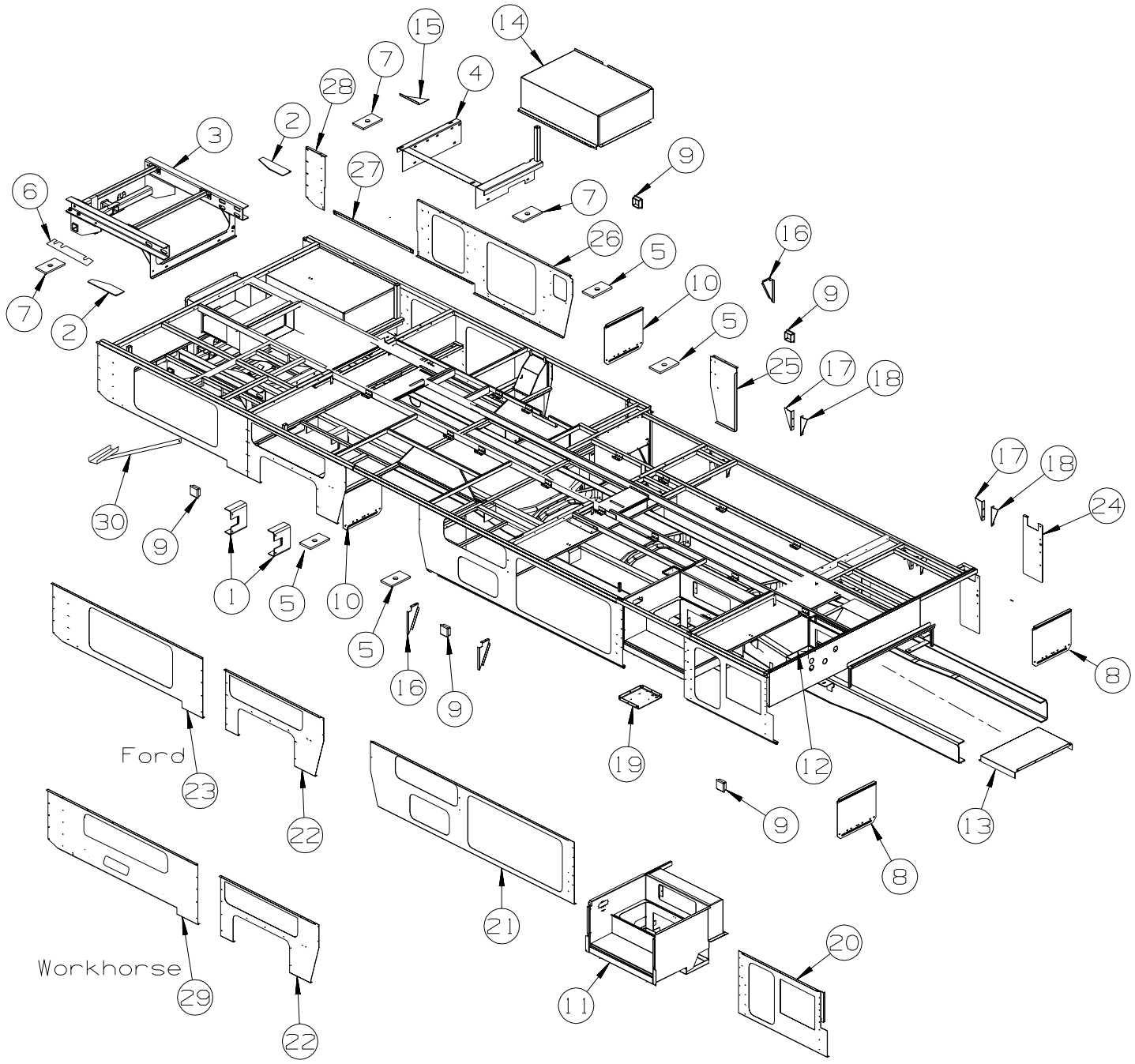
KEY	PART NUMBER	U/M	DESCRIPTION
1	137421-01-N42	EA	DOOR - SLIDING
	137445-01-N42	EA	STOP - F/SLIDING DOOR
	137422-01-01A	EA	TRACK/DOOR - OFF WHITE
	136843-01-01A	EA	SPRING - F/SLIDING DOOR
			FROM: 00-00-00 THRU: 09-04-01
2	137421-11-N42	EA	PANEL - SLIDING DOOR - W/O HANGER
3	137421-14-N42	EA	PANEL - SLIDING DOOR - W/O HANGER
4	136885-03-N42	EA	CABINET - NIGHTSTAND/LH - W/O COUNTERTOP/DOOR/DRAWER/HDW
5	P34767-C1-N37	EA	DRAWER - PENCIL EDGE - 7.6iW X 23.6iD-W/O SLIDES/HARDWARE
6	133655-25-N44	EA	COUNTERTOP - LAMINATED - GRAY TRANQUILITY (N37)
6	133655-25-N31	EA	COUNTERTOP - LAMINATED - WHITE ETHOS (N38)
6	133655-25-N42	EA	COUNTERTOP - LAMINATED - WHITE TALC/PORTSMOUTH OAK (N39)
7	137388-02-N30	EA	CABINET/BASE - W/O DOOR/DRAWER/HARDWARE - F/QUEEN BED
			FROM: 00-00-00 THRU: 11-04-01
7	137388-01-N42	EA	CABINET/BASE - W/O DOOR/DRAWER/HARDWARE - F/QUEEN BED
			FROM: 11-05-01 THRU: 99-99-99
	141260-01-01A	FT	U-CHANNEL - 1" - VILLAGE OAK
8	137406-11-000	EA	BED TOP/RAISED PORTION - W/O SUPPORT HARDWARE
	097872-04-000	EA	DOWEL - WOOD - 1i DIAMETER X 1.38i LONG - UNFINISHED
9	136885-04-N42	EA	CABINET - NIGHTSTAND/RH - W/O COUNTERTOP/DOOR/DRAWER/HDW
10	133655-26-N44	EA	COUNTERTOP - LAMINATED - GRAY TANQUILITY (N37)
10	133655-26-N31	EA	COUNTERTOP - LAMINATED - WHITE ETHOS (N38)
10	133655-26-N42	EA	COUNTERTOP - LAMINATED - WHITE TALC/PORTSMOUTH OAK (N39)
11	137367-02-N30	EA	CABINET - OVERHEAD/REAR/RIGHT HAND - W/O DOORS/HARDWARE
12	134781-23-N37	EA	DOOR - RAIL/VENEER - 10i X 25.1i - W/O HARDWARE

BEDROOM GROUP (CONTINUED)
QUEEN CABINETS (CONTINUED)



KEY	PART NUMBER	U/M	DESCRIPTION
1	134786-02-N04	EA	DOOR - MIRROR/MITERED CORNERS - 16.7i X 47.9i-W/O HARDWARE
2	137352-01-N42	EA	CABINET - OVERHEAD/TV/REAR - W/O DOORS/HARDWARE
			FROM: 00-00-00 THRU: 05-21-01
2	139849-01-N30	EA	CABINET - OVERHEAD/REAR - W/O DOORS/HARDWARE - W/O TV - 19i WITH REMOTE
			FROM: 05-22-01 THRU: 99-99-99
2	139849-02-N30	EA	CABINET - OVERHEAD/REAR - W/O DOORS/HARDWARE - W/TV - 19i WITH REMOTE
			FROM: 05-22-01 THRU: 99-99-99
3	115466-28-02B	EA	STRAP - TIEDOWN/TV - E-COATED - W/TV - 19i WITH REMOTE
4	134781-59-N04	EA	DOOR - RAIL/VENEER - 10i X 19.1i - W/O HARDWARE - W/O TV - 19i WITH REMOTE
5	134781-59-N04	EA	DOOR - RAIL/VENEER - 10i X 19.1i - W/O HARDWARE
6	133655-23-N44	EA	COUNTERTOP - LAMINATED - GRAY TRANQUILITY (N37)
6	133655-23-N31	EA	COUNTERTOP - LAMINATED - WHITE ETHOS (N38)
6	133655-23-N42	EA	COUNTERTOP - LAMINATED - WHITE TALC (N39)
7	133655-24-N44	EA	COUNTERTOP - LAMINATED - GRAY TRANQUILITY (N37)
7	133655-24-N31	EA	COUNTERTOP - LAMINATED - WHITE ETHOS (N38)
7	133655-24-N42	EA	COUNTERTOP - LAMINATED - WHITE TALC (N39)
8	P39390-01-N30	EA	TRIM - TV/CURVED - W/TV - 19i WITH REMOTE
9	136874-01-N42	EA	DRAWER/VANITY - W/O HARDWARE
	058331-A0-000	EA	MIRROR - SAFETY GLASS - 10.1" X 18.6"
			FROM: 00-00-00 THRU: 06-09-02
	140374-15-000	EA	MIRROR - SAFETY GLASS - 10.1" X 18.6"
			FROM: 06-10-02 THRU: 99-99-99
10	P34767-C0-N37	EA	DRAWER - PENCIL EDGE - 14.7iW X 11.8iD-W/O SLIDES/HARDWARE
11	P34767-B9-N37	EA	DRAWER - PENCIL EDGE - 14.7iW X 17.7iD-W/O SLIDES/HARDWARE
12	134781-32-N04	EA	DOOR - RAIL/VENEER - 16.7i X 47.9i - W/O HARDWARE
	076767-04-000	EA	CABLE - STAINLESS STEEL - 5.9i

CHASSIS GROUP FRAME



KEY	PART NUMBER	U/M	DESCRIPTION
1	120867-01-02B	EA	MOUNT - LP TANK
2	133095-01-02B	EA	PLATE - CLIP - E-COATED
3*	132643-01-01A	EA	HITCH/TIRE CARRIER - EXTENSION RAIL(REAR CLIP) - 54"
4	138113-01-02B	EA	OUTRIGGER/GENERATOR - E-COATED
5	135712-01-02B	EA	PLATE - BODY MOUNT - E-COATED
6	136538-01-02B	EA	SHIM - HITCH - E-COATED
7	135712-02-02B	EA	PLATE - BODY MOUNT - E-COATED
8	136391-01-02B	EA	GUARD/ROCK - STEEL - W/ANGLE - 18"W X 11"H - E-COATED
9	119845-01-01A	EA	PLUG/PLASTIC - 1 1/2" SQUARE - BLACK
10	136391-02-02B	EA	GUARD/ROCK - STEEL - W/ANGLE - 18"W X 15"H - E-COATED
11	132607-06-02B	EA	BOX - ENTRY STEP - E-COATED
12	138369-01-02B	EA	COMPARTMENT - AUTO HEATER - E-COATED
13	133203-02-02B	EA	COVER - TRANSMISSION - E-COATED
14	118968-11-02B	EA	COMPARTMENT -GENERATER - E-COATED
15	123440-07-02B	EA	SUPPORT/VALANCE PANEL - 9.9" X 4.7" - E-COATED

CHASSIS GROUP (CONTINUED)
FRAME (CONTINUED)

KEY	PART NUMBER	U/M	DESCRIPTION
16	123440-02-02B	EA	SUPPORT/VALANCE PANEL - 9.9"/7.6" X 4.7" - E-COATED
17	131531-05-02B	EA	GUSSET - SLIDEOUT - E-COATED
18	131531-06-02B	EA	GUSSET - SLIDEOUT - E-COATED
19	138799-01-02B	EA	SHIM - BODY - E-COATED
20	137098-07-02B	EA	PLATE/SEAL - E-COATED
21	137098-02-02B	EA	PLATE/SEAL - E-COATED
22	137098-05-02B	EA	PLATE/SEAL - E-COATED
23	137098-06-02B	EA	PLATE/SEAL - E-COATED - FORD ONLY
24	132606-01-02B	EA	PLATE/SEAL - E-COATED
25	137103-01-02B	EA	PLATE/SEAL - E-COATED
26	137103-05-02B	EA	PLATE/SEAL - E-COATED
27	133612-02-02B	EA	ZEE/SEAL PLANE - BOTTOM - E-COATED FROM: 00-00-00 THRU: 06-10-01
27	133612-05-02B	EA	ZEE/SEAL PLANE - BOTTOM - E-COATED FROM: 06-11-01 THRU: 99-99-99
28	137103-03-02B	EA	PLATE/SEAL - E-COATED
29	137098-14-02B	EA	PLATE/SEAL - E-COATED - WORKHORSE ONLY
30	140160-01-02B	EA	SUPPORT - FLOOR - E-COATED

***COMPONENT PARTS LISTED LATER IN THIS GROUP**

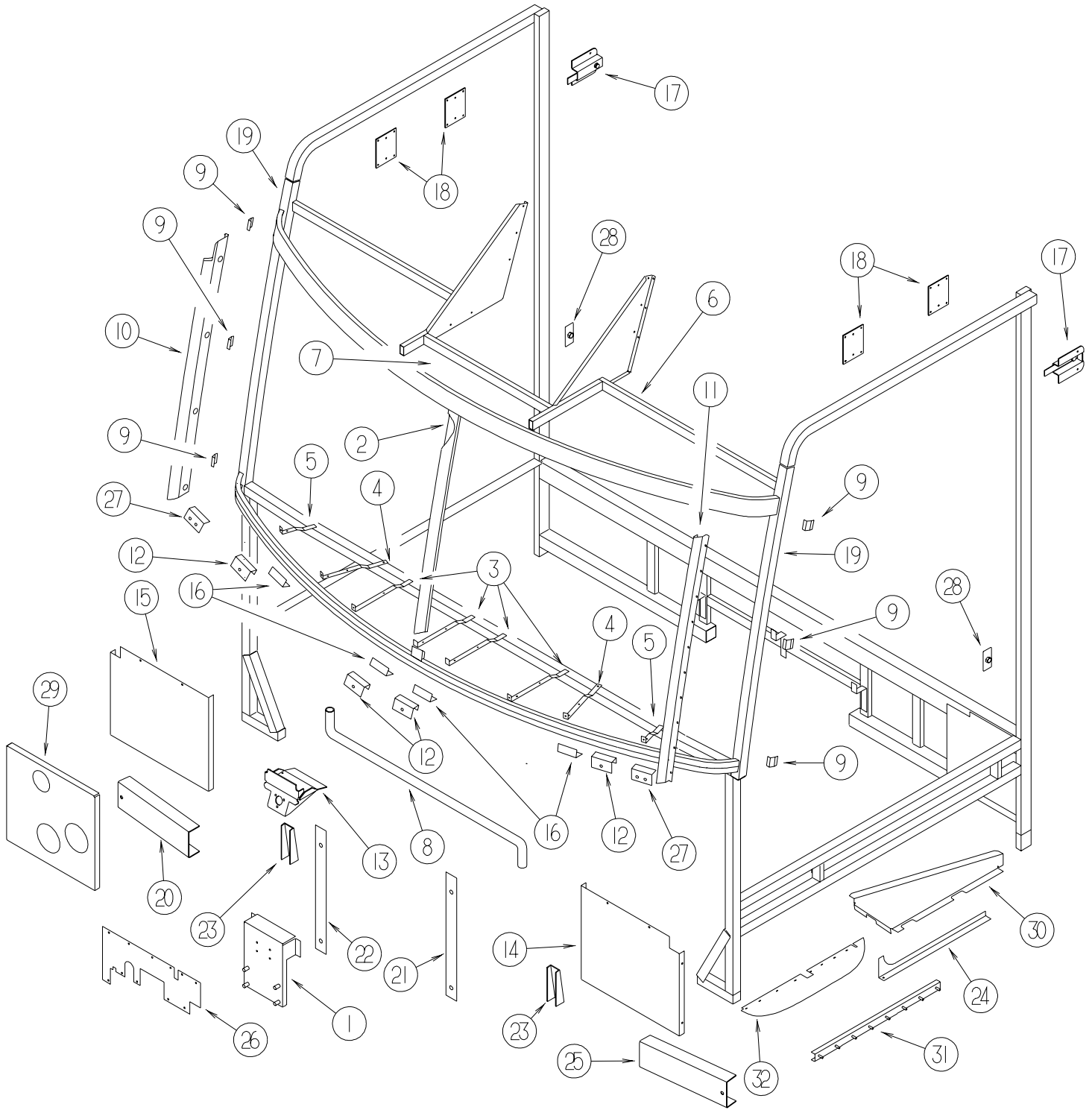
CHASSIS GROUP (CONTINUED)
COMPONENT PARTS FOR FRAME

132643-01-01A

KEY	PART NUMBER	U/M	DESCRIPTION	VENDOR NO.
	132643-01-700	EA	HITCH/RECEIVER WELDED ASM.	72430-47
	132643-01-701	EA	TIRE CARRIER COMPLETE	56610-47
	132643-01-702	EA	RETAINER KIT/SPARE TIRE	55290-47

CHASSIS GROUP (CONTINUED)

FRONT END



KEY	PART NUMBER	U/M	DESCRIPTION
1	137355-02-02B	EA	BRACKET - RESERVOIR/WASHER - E-COATED - WORKHORSE - F30W, F32V
1	119656-02-02B	EA	BRACKET - RESERVOIR/WASHER - E-COATED - WORKHORSE - F34D, F36M
2	078249-17-000	EA	TUBE - SWEEP - CAB FRAME
3	104797-03-000	EA	BRACKET - DEFROSTER
4	104797-04-000	EA	BRACKET - DEFROSTER
5	104797-05-000	EA	BRACKET - DEFROSTER
6	133709-51-01B	EA	HEADER - F/TV - MILL
7	124904-04-01B	EA	HEADER/WINDSHIELD - CENTER - 27.5"
8	044317-01-000	FT	HOSE - FUEL - 3/8" ID - RADIATOR OVERFLOW
9	120363-01-01B	EA	BRACKET - WINDSHIELD

CHASSIS GROUP (CONTINUED)
FRONT END (CONTINUED)

KEY	PART NUMBER	U/M	DESCRIPTION
10	121269-05-01B	EA	FRAME - WINDSHIELD - A-PILLAR - MILL
11	121269-06-01B	EA	FRAME - WINDSHIELD - A-PILLAR - MILL
12	117462-01-01B	EA	CHANNEL - SUPPORT
13	134506-02-01B	EA	BRACKET - WIPER MOTOR
14	104147-14-000	EA	SHIELD/SPLASH - HEADLIGHT - FORD
15	121962-02-02B	EA	SHIELD/SPLASH - HEADLIGHT - E-COATED
16	076364-57-000	EA	ANGLE - FORMED
17	103318-02-000	EA	BRACKET/WALL MOUNT - SEATBELT
			FROM: 00-00-00 THRU: 07-30-01
17	140387-02-01B	EA	MOUNT - SEATBELT/WALL - E-COATED
			FROM: 07-31-01 THRU: 99-99-99
18	104409-01-000	EA	PLATE - MOUNTING/SIDEWALL
			FROM: 00-00-00 THRU: 03-28-01
18	139383-01-02B	EA	PLATE/MOUNT - SIDEWALL - E-COATED
			FROM: 03-29-01 THRU: 99-99-99
19	117273-01-01A	EA	TUBE - SUPPORT - A-PILLAR
20	125744-01-02B	EA	CHANNEL-SUPPORT,FRT END,E-CT - WORKHORSE - F30W, F32V
20	137048-02-02B	EA	CHANNEL/SUPPORT - FRONT END - E-COATED - WORKHORSE - F34D, F36M
20	125744-02-02B	EA	CHANNEL - SUPPORT - FRONT END - E-COATED - FORD
21	134807-01-02B	EA	SUPPORT - FRONT - E-COATED - WORKHORSE
21	134807-04-02B	EA	SUPPORT - FRONT - E-COATED - FORD
22	134807-01-02B	EA	SUPPORT - FRONT - E-COATED - WORKHORSE
22	134807-03-02B	EA	SUPPORT - FRONT - E-COATED - FORD
23	117622-01-02B	EA	BRACE - TUBE/BUMPER - VERTICAL - E-COATED - FORD
24	137041-01-02B	EA	ANGLE - MOTOR COVER - E-COATED - WORKHORSE
			FROM: 09-22-01 THRU: 99-99-99
25	125744-01-02B	EA	CHANNEL-SUPPORT,FRT END,E-CT - WORKHORSE - F30W, F32V
25	137048-01-02B	EA	CHANNEL/SUPPORT - FRONT END - E-COATED - WORKHORSE - F34D, F36M
25	125744-10-02B	EA	CHANNEL-SUPPORT,FRT END,E-CT - FORD
26	117749-02-000	EA	BAFFLE - RADIATOR/TOP
27	127997-02-01B	EA	SUPPORT - FRONT END
28	133576-02-01B	EA	PLATE/ANCHOR - SEAT BELT - LOWER - MILL
29	133144-02-01B	EA	PANEL/SUPPORT
30	137306-01-02B	EA	FILLER/BRACKET - LEFT HAND - E-COATED - WORKHORSE - F34D, F36M
31	140790-01-02B	EA	ANGLE - SIGHT SHIELD - E-COATED - WORKHORSE - F34D, F36M
32	140782-01-02B	EA	SHIELD - SIGHT - BLACK PLASTIC - WORKHORSE - F34D, F36M

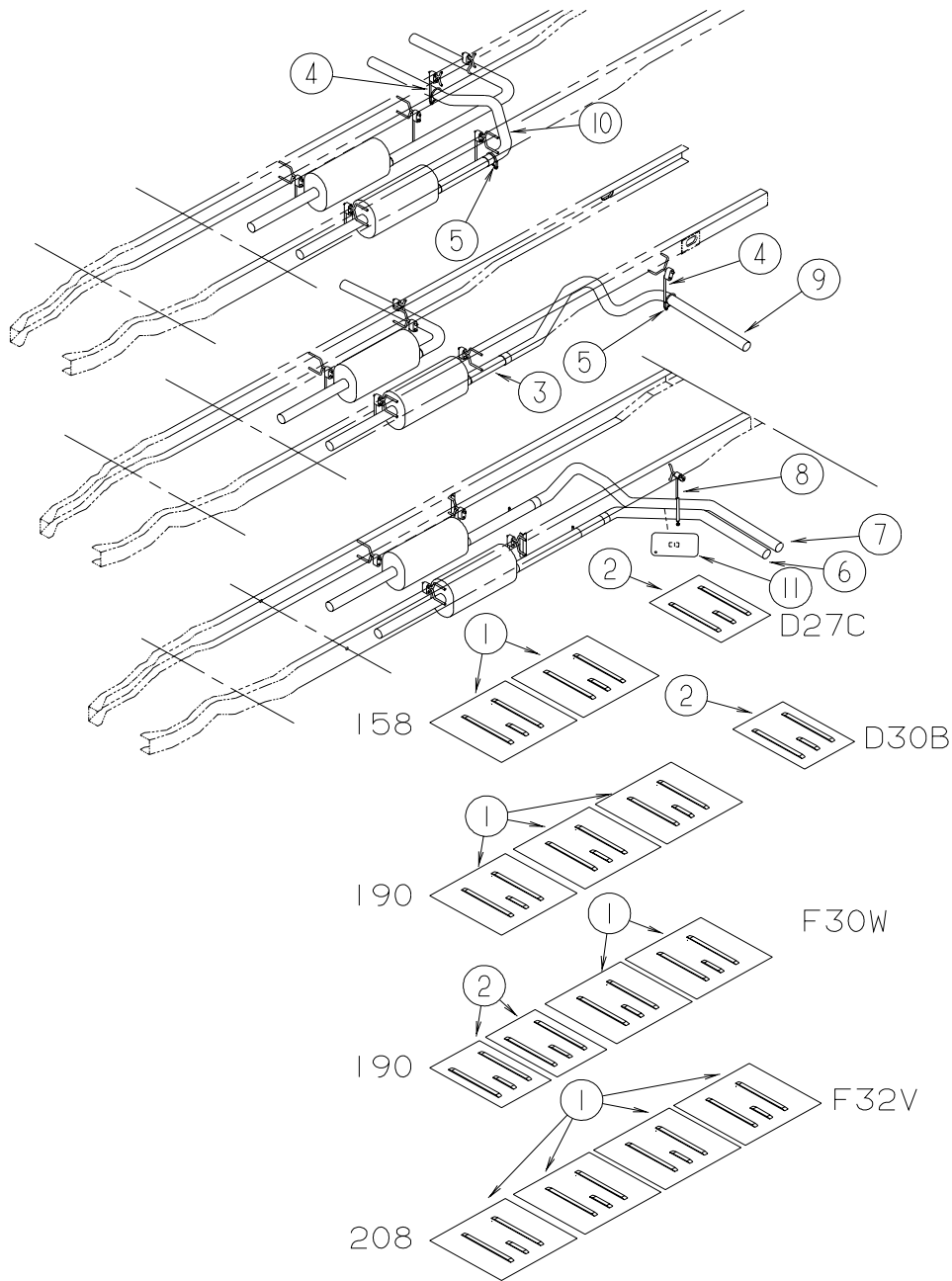
CHASSIS GROUP (CONTINUED)

DRIVETRAIN

KEY	PART NUMBER	U/M	DESCRIPTION
	140691-03-000	EA	DRIVESHAFT - BALANCED - WORKHORSE 208"-220" STRETCH, F34D
	138616-06-02B	EA	BRACKET - BEARING MOUNT - E-COATED - WORKHORSE 208"-220" STRETCH, F34D
	129580-09-000	EA	DRIVESHAFT - BALANCED - 220" WB - FORD 208"-220" STRETCH, F34D
	129580-10-000	EA	DRIVESHAFT - BALANCED - 220" WHEEL BASE - FORD 228"-220" SHRINK, F34D
	129577-07-000	EA	DRIVESHAFT - FLANGE/BEARING/YOKE - 220" WHEEL BASE - FORD 228"-220" SHRINK, F34D
	129580-04-000	EA	DRIVESHAFT ASM-3 BALANCED - FORD 228"-208" SHRINK, F32V
	129577-04-000	EA	DRIVESHAFT ASSEMBLY - FLANGE/BEARING/YOKE - 208" - FORD 228"-208" SHRINK, F32V

CHASSIS GROUP (CONTINUED)

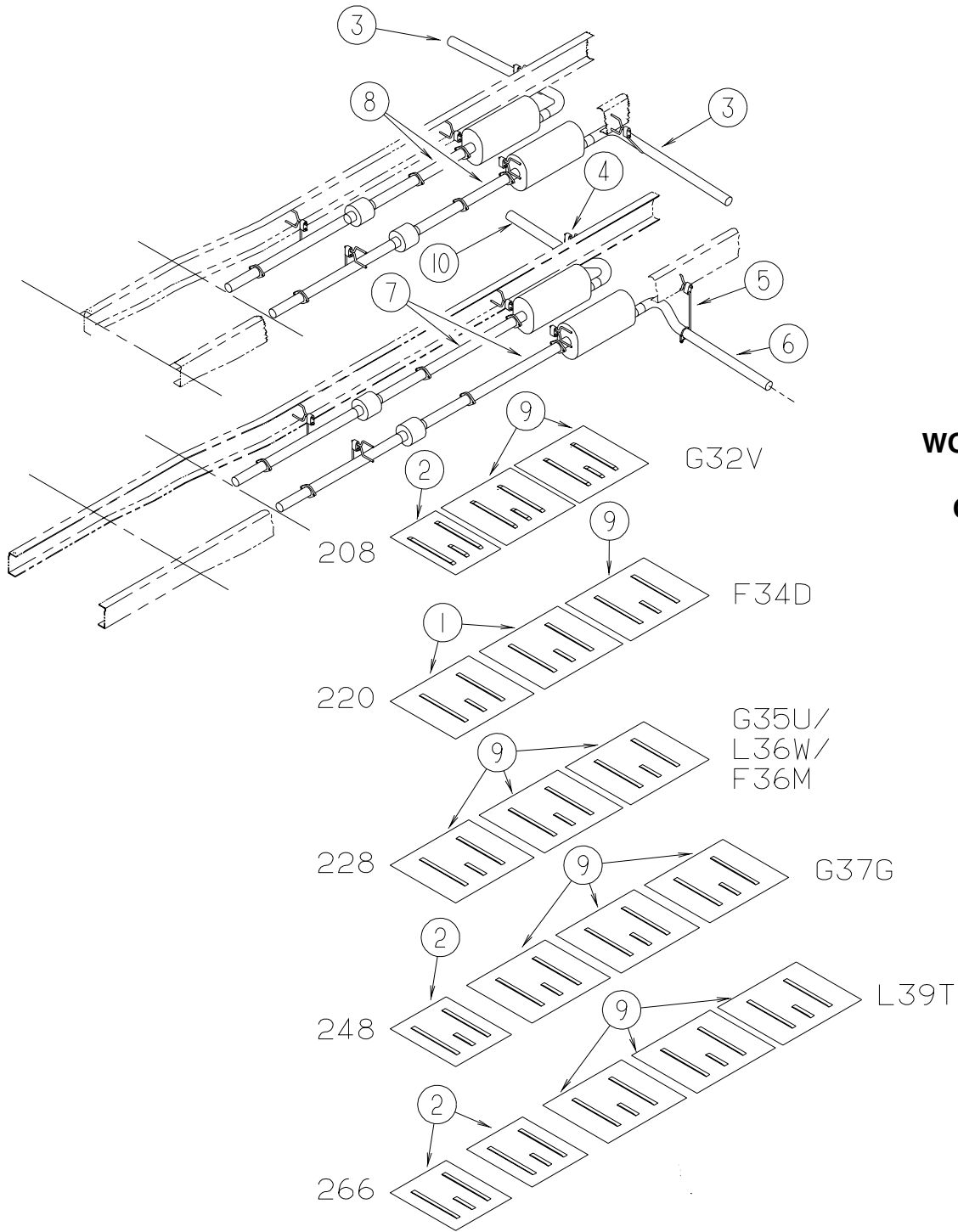
EXHAUST



**WORKHORSE
8.1L ENGINE**

KEY	PART NUMBER	U/M	DESCRIPTION
1	101544-02-000	EA	SHIELD - HEAT/EXHAUST - 30" X 29.1" - E-COATED
2	101544-01-000	EA	SHIELD - HEAT/EXHAUST - 19.7" X 29.1" - E-COATED
3			NOT USED
4			NOT USED
5			NOT USED
6	137336-01-000	EA	PIPE - EXHAUST - SIDE
7	137337-01-000	EA	PIPE - EXHAUST - CROSSOVER
8	122392-07-02B	EA	HANGER - TAILPIPE - DOUBLE - E-COATED
9			NOT USED
10			NOT USED
11	143138-01-02B	EA	SHIELD - EXHAUST - E-COATED

CHASSIS GROUP (CONTINUED)
EXHAUST (CONTINUED)

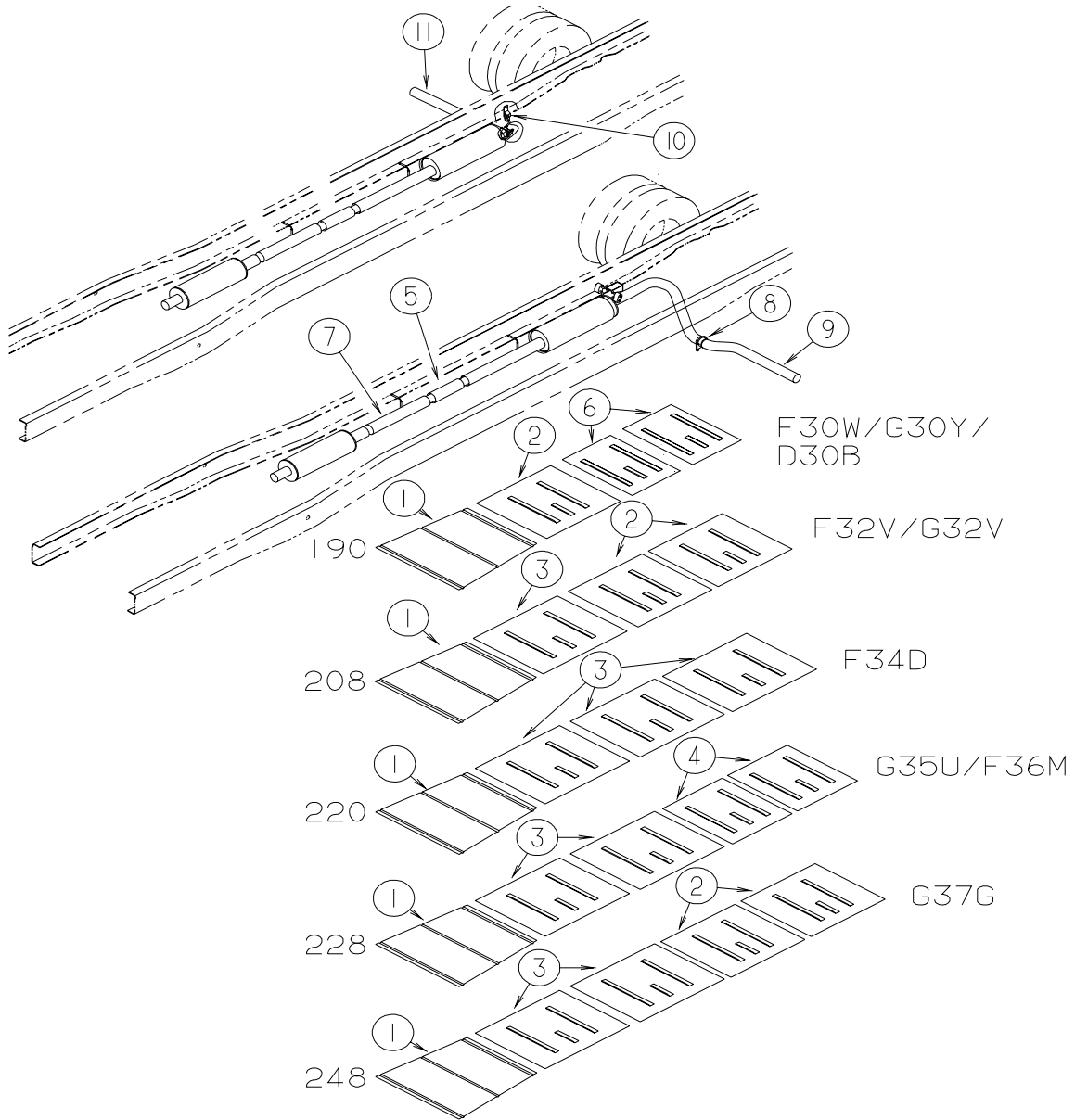


WORKHORSE
22,000#
CHASSIS

KEY	PART NUMBER	U/M DESCRIPTION
1	101544-02-000	EA SHIELD - HEAT/EXHAUST - 30" X 29.1" - E-COATED
2	NOT USED	
3	098762-05-000	EA EXTENSION - EXHAUST - STRAIGHT - 3" O.D X 7.9" LONG - SST
3	094918-01-000	EA CLAMP - EXHAUST - 3" - GUILLOTINE STYLE
4	NOT USED	
5	NOT USED	
6	NOT USED	
7	NOT USED	
8	137652-03-000	EA PIPE - EXHAUST - W/FLANGES
9	101544-06-000	EA SHIELD - HEAT/EXHAUST - 33.9" X 29.1" - E-COATED
10	NOT USED	

CHASSIS GROUP (CONTINUED)
EXHAUST (CONTINUED)

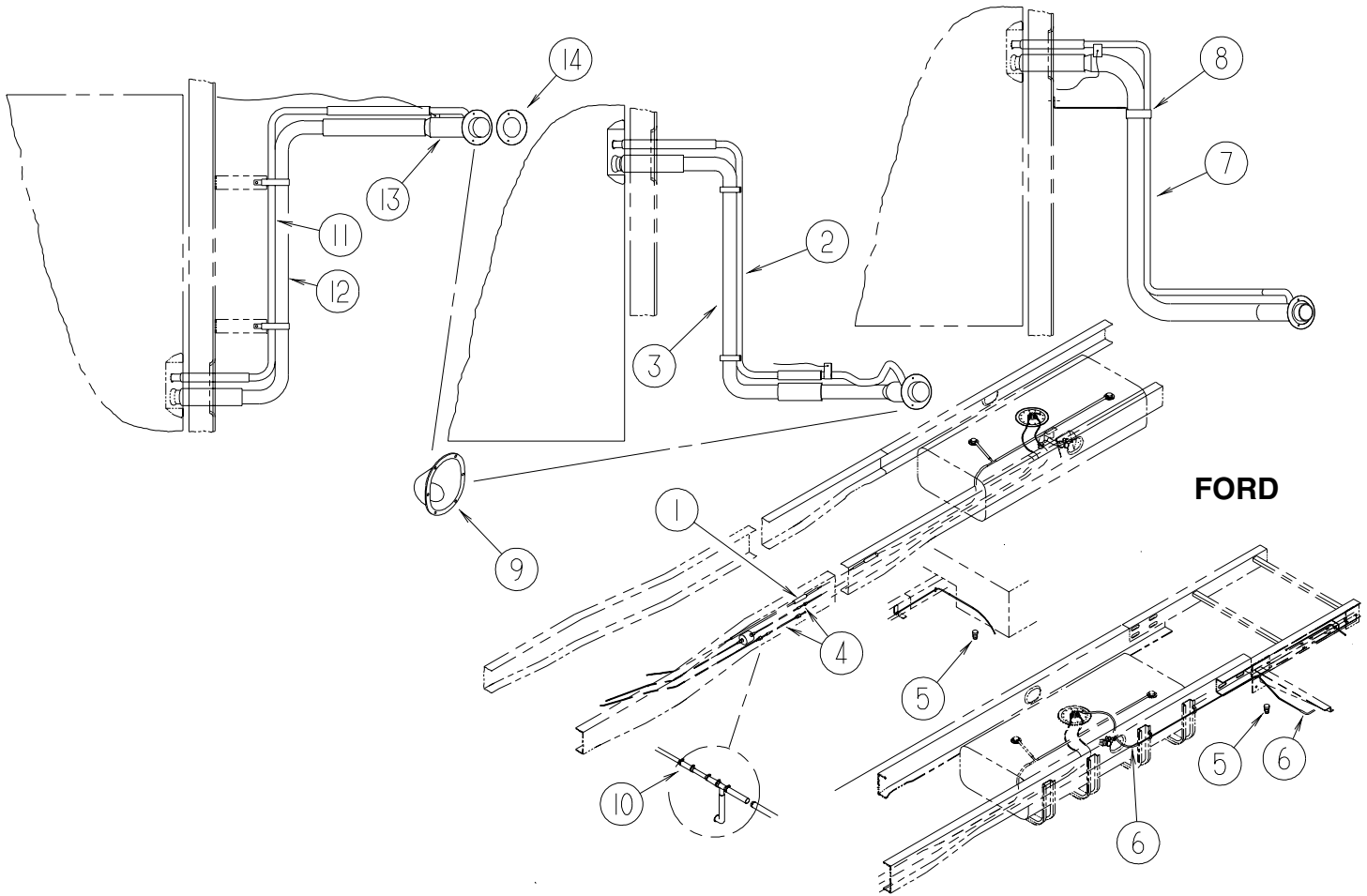
FORD



KEY	PART NUMBER	U/M	DESCRIPTION
1	128756-01-02B	EA	SHIELD - HEAT/EXHAUST - 33.9" X 16.9" - E-COATED
2	101544-02-000	EA	SHIELD - HEAT/EXHAUST - 30" X 29.1" - E-COATED
3	101544-06-000	EA	SHIELD - HEAT/EXHAUST - 33.9" X 29.1" - E-COATED
4	101544-10-000	EA	SHIELD - HEAT/EXHAUST - 129.7" X 29.1" - E-COATED - FORD
5	112012-02-000	EA	PIPE - EXHAUST - 3" - FORD CHASSIS
5	094918-06-000	EA	CLAMP - EXHAUST - 3" - HEAVY DUTY
6	101544-01-000	EA	SHIELD - HEAT/EXHAUST - 19.7" X 29.1" - E-COATED
7	112012-08-000	EA	PIPE - EXHAUST - 3" DIAMETER X 25.2" LONG - 228"-208" SHRINK, F32V
8	NOT USED		
9	NOT USED		
10	NOT USED		
11	NOT USED		

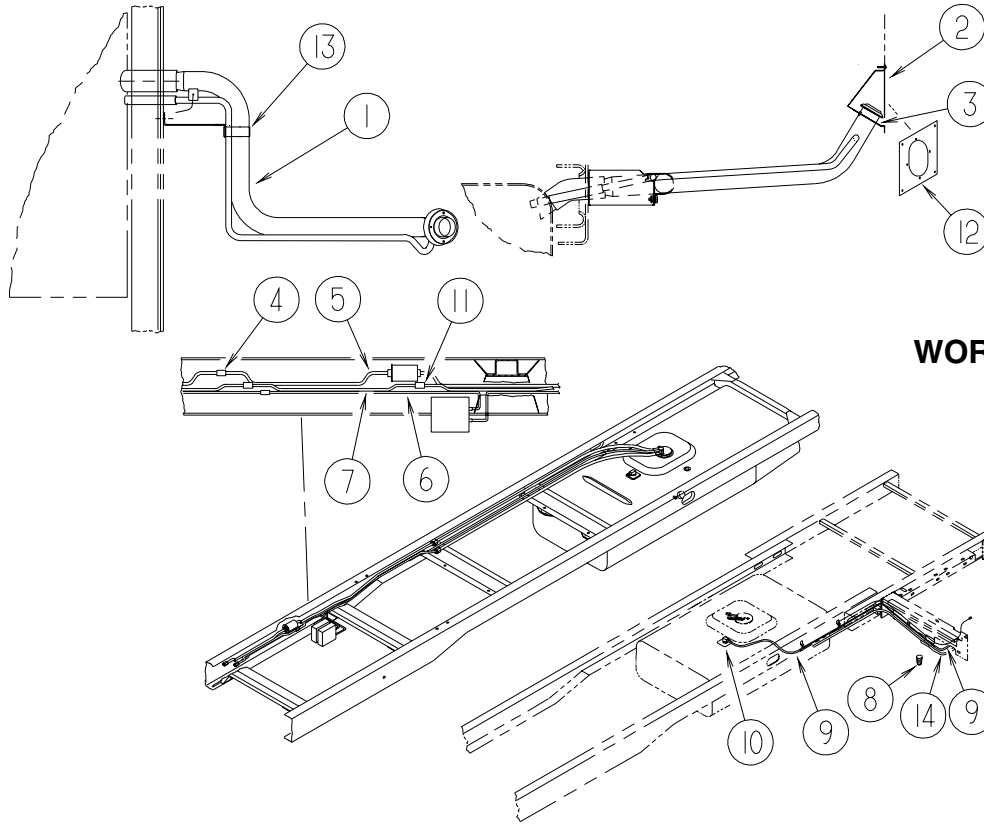
CHASSIS GROUP (CONTINUED)

FUEL



KEY	PART NUMBER	U/M	DESCRIPTION
1	128139-02-000	FT	HOSE - FUEL - LOW PERMEABILITY - 5/8" DIA. - 208"-220" STRETCH, F34D - 228"-208" SHRINK, F32V
2	129320-10-000	EA	PIPE - VENT FILL - F30W, F32V
3	129321-10-000	EA	TUBE - FUEL INLET - F30W, F32V
4	129494-02-000	EA	FUEL LINE - 5/16" X 34.9" - FORD CHASSIS - 208"-220" STRETCH/228"-220" SHRINK, F34D
5	NOT USED		
6	128139-03-000	FT	HOSE - FUEL - LOW PERMEABILITY - 1/4" DIAMETER
7	135801-01-000	EA	NECK - FUEL FILL - F34D, F36M
8	140728-02-02B	EA	BRACKET - FUEL FILL - E-COATED - F34D, F36M
9	127291-02-01A	EA	SHROUD - FUEL FILL - BRIGHT WHITE - F30W, F32V
10	NOT USED		
11	NOT USED		
12	NOT USED		
13	NOT USED		
14	NOT USED		

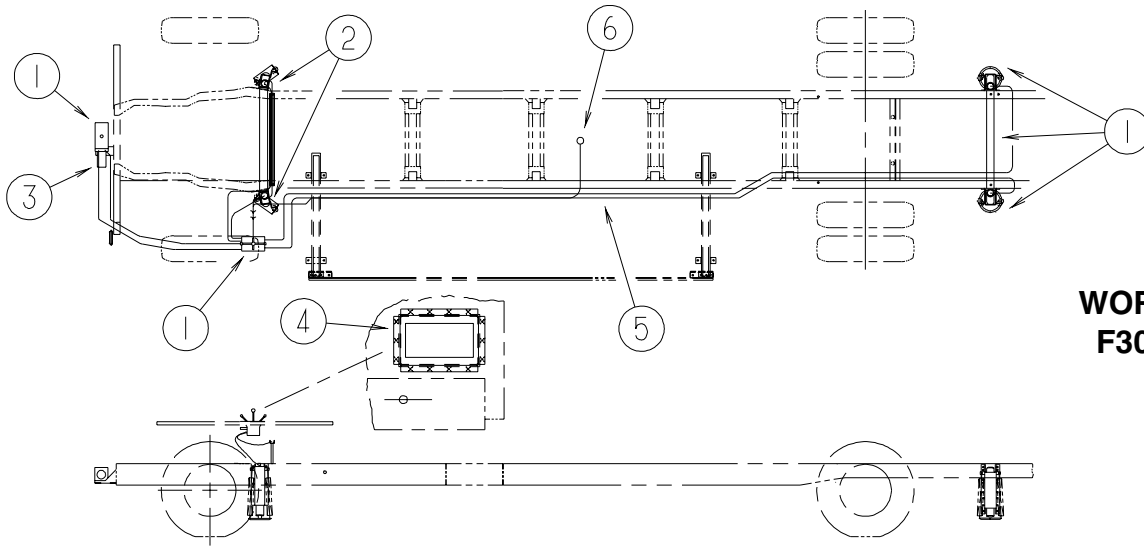
CHASSIS GROUP (CONTINUED)
FUEL (CONTINUED)



WORKHORSE

KEY	PART NUMBER	U/M	DESCRIPTION
1	136300-01-000	EA	NECK - FUEL FILL - F30W, F32V
1	136300-02-000	EA	NECK - FUEL FILL - F34D, F36M
2	127291-01-01A	EA	SHROUD - FUEL FILL - BRIGHT WHITE
3	NOT USED		
4	098779-02-000	EA	COUPLER - FUEL LINE - 1.2" LONG X 16MM THREAD - 208" - 220" STRETCH, F34D
5	098759-01-000	EA	FUEL LINE/SUPPLY - 3/8" STEEL X 12" LONG W/16MM NUTS - 208" - 220" STRETCH, F34D
6	127392-02-000	EA	HOSE - VAPOR/EMISSION - 5/16" X 36.5" W/ENDS - GM CHASSIS - 208" - 220" STRETCH, F34D
7	098758-01-000	EA	FUEL LINE/RETURN - 5/16" STEEL X 12" LONG W/14MM NUTS - 208" - 220" STRETCH, F34D
8	084884-01-000	EA	PLUG - BRASS - 3/8"
9	128139-03-000	FT	HOSE - FUEL - LOW PERMEABILITY - 1/4" DIAMETER
10	068382-06-000	EA	BUSHING - BRASS - 3/8"MPT X 1/8"FPT
10	114254-01-000	EA	ADAPTER - 1/4 BARB X 1/8 MPT
11	098779-01-000	EA	COUPLER - FUEL LINE - 1.2" LONG X 14MM THREAD - 208" - 220" STRETCH, F34D
12	NOT USED		
13	140728-01-02B	EA	BRACKET - FUEL FILL - E-COATED
14	NOT USED		

CHASSIS GROUP (CONTINUED)
HYDRAULIC LEVELING

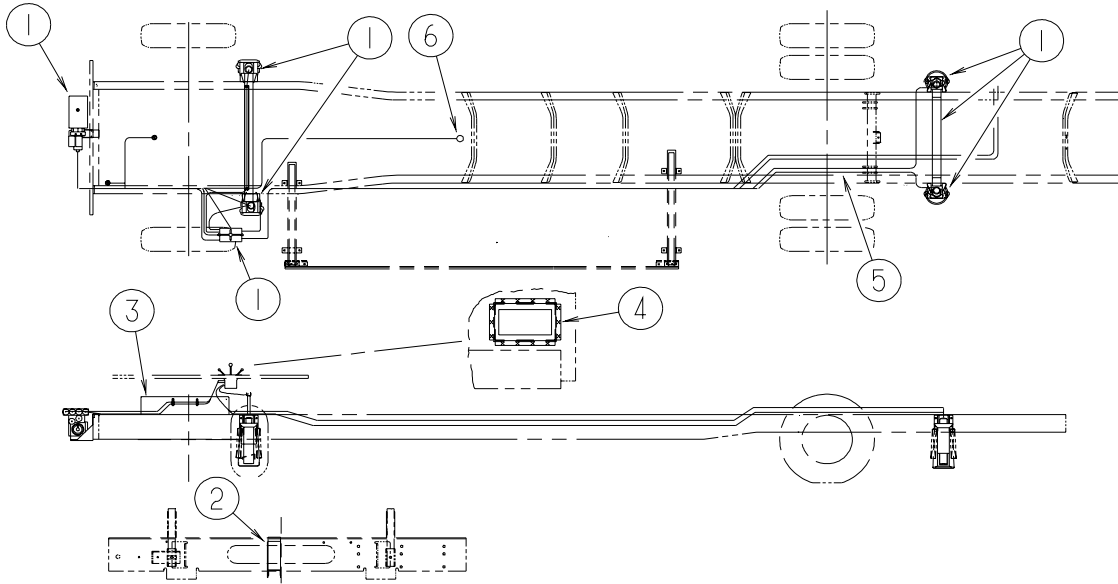


**WORKHORSE
F30W, F32V**

KEY	PART NUMBER	U/M	DESCRIPTION
1*	131306-19-000	EA	LEVELING SYSTEM - WORKHORSE CHASSIS W/200 & SLIDEOUT ROOM - F30W
1	131306-26-000	EA	LEVELING SYSTEM - F32V
2*	128285-01-000	EA	JACK/CROSSMEMBER ASSEMBLY - FRONT
3	129550-03-02B	EA	BRACKET - PUMP - E-COATED
			FROM: 00-00-00 THRU: 09-18-01
3	129550-04-02B	EA	BRACKET - PUMP - E-COATED
			FROM: 09-19-01 THRU: 99-99-99
4	117837-02-01B	EA	SUPPORT - LEVELING - CONTROL
			FROM: 00-00-00 THRU: 05-06-02
5*	100536-11-000	EA	HOSE KIT - HWH #AP0013
6	117183-01-02B	EA	COVER - SENSOR - LEVELING

***COMPONENT PARTS LISTED LATER IN THIS GROUP**

CHASSIS GROUP (CONTINUED)
HYDRAULIC LEVELING (CONTINUED)



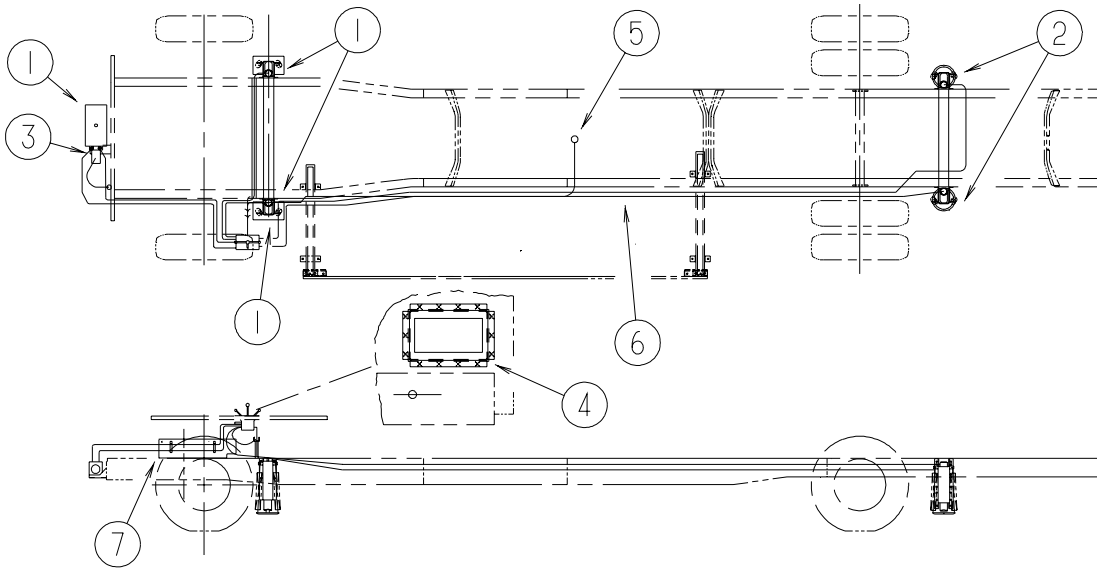
**WORKHORSE
F34D, F36M**

KEY	PART NUMBER	U/M	DESCRIPTION
1	131306-29-000	EA	LEVELING SYSTEM - 200 - W/2 SLIDEOUTS
2	129550-01-02B	EA	BRACKET - PUMP - E-COAT
3	132999-02-02B	EA	SHIELD - HEAT - E-COATED
4	117837-02-01B	EA	SUPPORT - LEVELING - CONTROL
5*	100536-11-000	EA	HOSE KIT - HWH #AP0013
6	117183-01-02B	EA	COVER - SENSOR - LEVELING

FROM: 00-00-00 THRU: 05-06-02

***COMPONENT PARTS LISTED LATER IN THIS GROUP**

CHASSIS GROUP (CONTINUED)
HYDRAULIC LEVELING (CONTINUED)



FORD

KEY	PART NUMBER	U/M	DESCRIPTION
1*	131306-02-000	EA	LEVELING SYSTEM - OPERATES SLIDEOUT ROOM W/OUT JACKS DOWN - F30W
1*	131306-06-000	EA	LEVELING SYSTEM - OPERATES SLIDEOUT ROOM W/OUT JACKS DOWN - F32V, F34D, F36M
2*	128571-03-000	EA	JACK/CROSSMEMBER - 9K - REAR LEVELING - MANUAL
3	129550-01-02B	EA	BRACKET - PUMP - E-COAT
4	117837-02-01B	EA	SUPPORT - LEVELING - CONTROL
5	117183-01-02B	EA	COVER - SENSOR - LEVELING
6*	100536-11-000	EA	HOSE KIT - HWH #AP0013
7	132999-01-02B	EA	SHIELD - HEAT - E-COATED

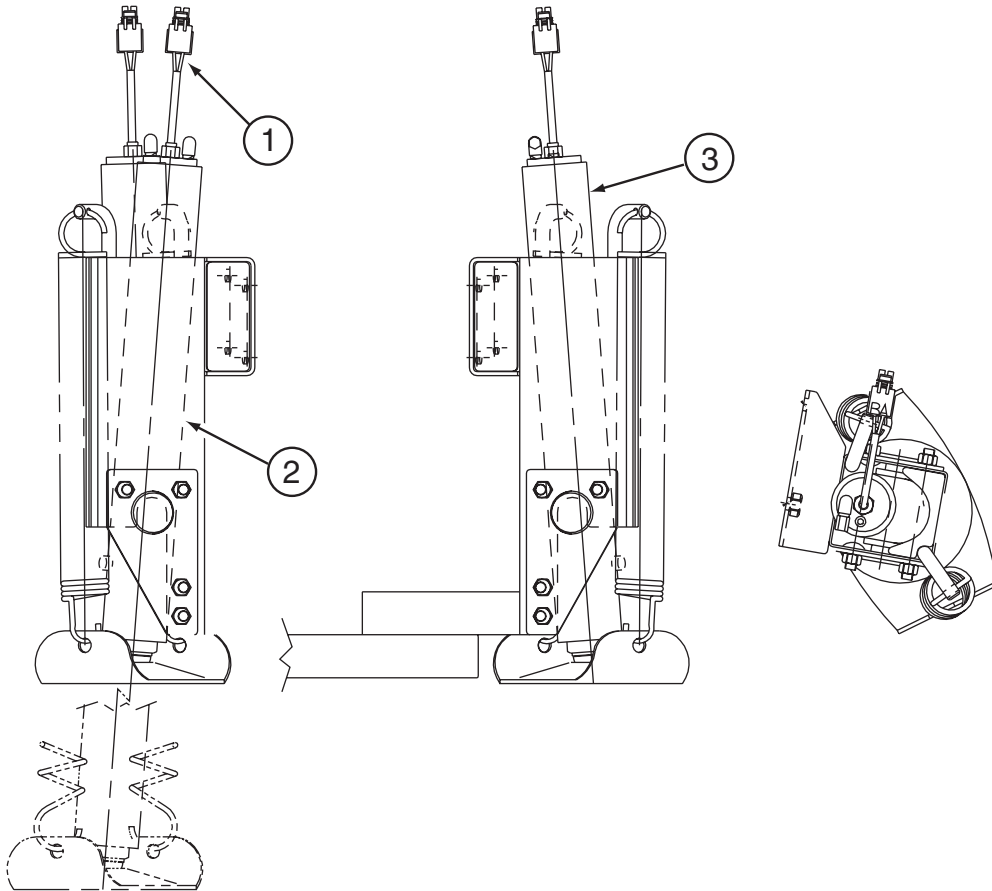
FROM: 00-00-00 THRU: 05-06-02

***COMPONENT PARTS LISTED LATER IN THIS GROUP**

CHASSIS GROUP (CONTINUED)
COMPONENT PARTS FOR HYDRAULIC LEVELING

100536-11-000

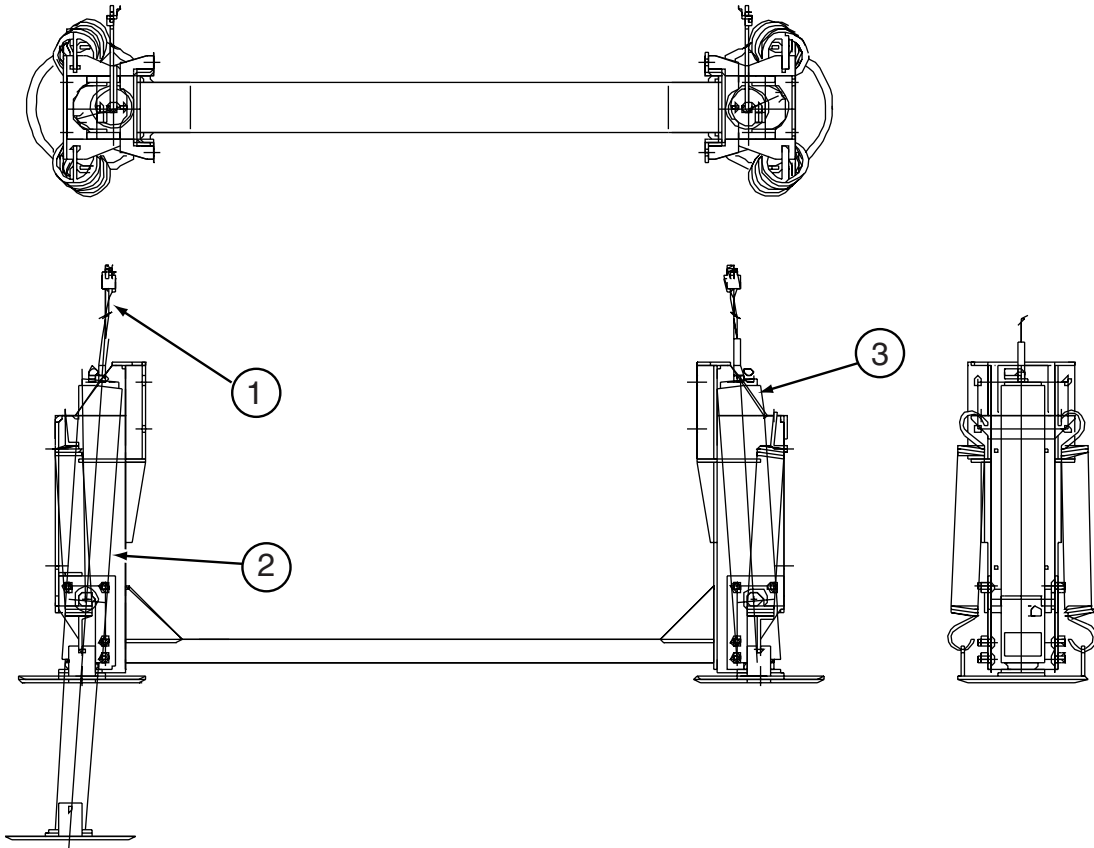
KEY	PART NUMBER	U/M	DESCRIPTION	VENDOR NO.
	100536-09-701	EA	HOSE-HYDRAULIC-60"	RAP4073
	100536-10-700	EA	HOSE-HYDRAULIC-84"	RAP1412
	100536-14-701	EA	HOSE-HYDRAULIC-108"	RAP4074
	100536-25-701	EA	HOSE-HYDRAULIC-312"	RAP5216
	100536-37-701	EA	HOSE - HYDRAULIC - 336"	RAP5561



128285-01-000

KEY	PART NUMBER	U/M	DESCRIPTION	VENDOR NO.
1	100532-12-706	EA	SWITCH - WARNING/MAGNETIC	RAP1008 / RAP90496
2	100532-12-707	EA	SPRING KIT	R3847
3	100532-45-700	EA	CYLINDER W/O FOOT - 6K X 13"	RAP90490
	131306-02-700	EA	FOOT - 6K JACK	RAP2004

CHASSIS GROUP (CONTINUED)
COMPONENT PARTS FOR HYDRAULIC LEVELING (CONTINUED)

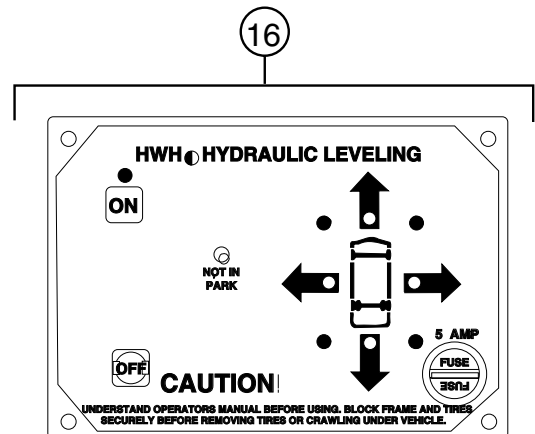
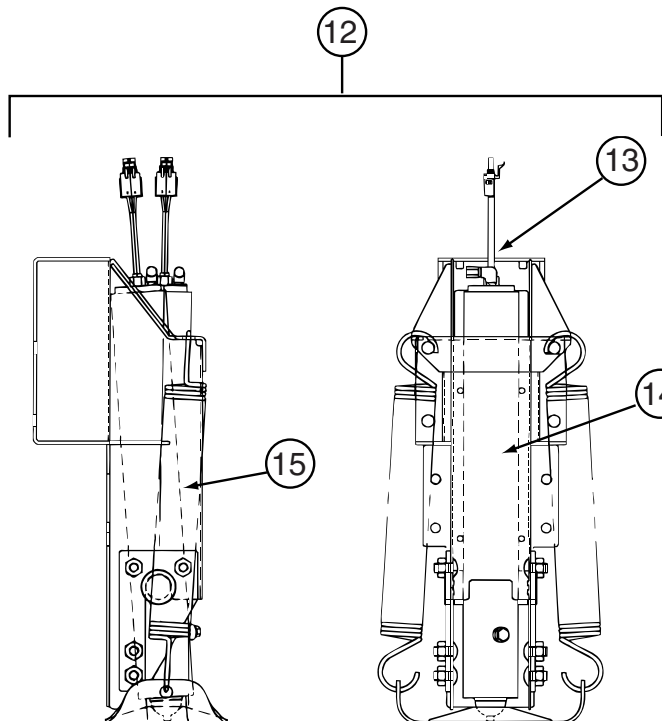
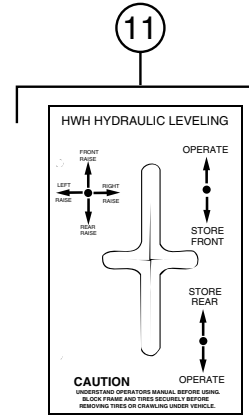
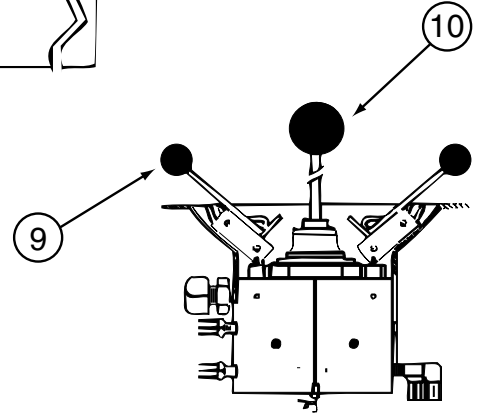
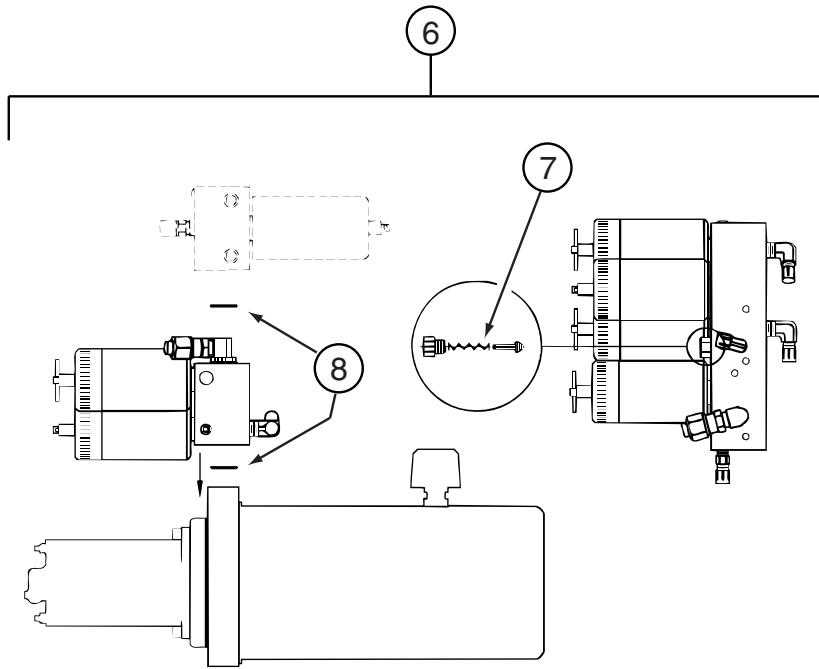
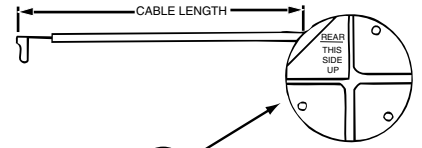
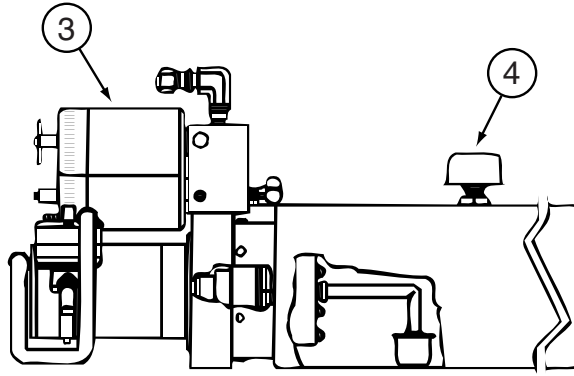
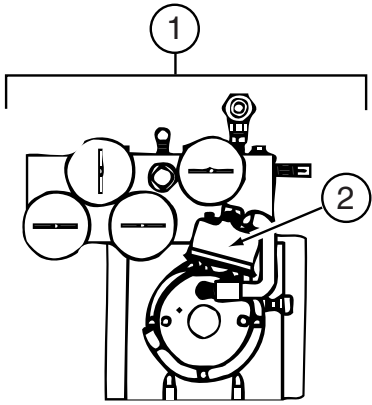


128571-03-000

KEY	PART NUMBER	U/M	DESCRIPTION	VENDOR NO.
	128571-03-000	EA	JACK/CROSSMEMBER - 9K - REAR LEVELING - MANUAL	
1	100532-12-706	EA	SWITCH - WARNING/MAGNETIC	RAP1008 / RAP90496
2	100532-12-707	EA	SPRING KIT	R3847
3	100532-53-700	EA	CYLINDER ASM. - 9K	RAP90491/AP15891
	131306-02-701	EA	FOOT - 9K JACK	RAP8464

CHASSIS GROUP (CONTINUED)

COMPONENT PARTS FOR HYDRAULIC LEVELING (CONTINUED)



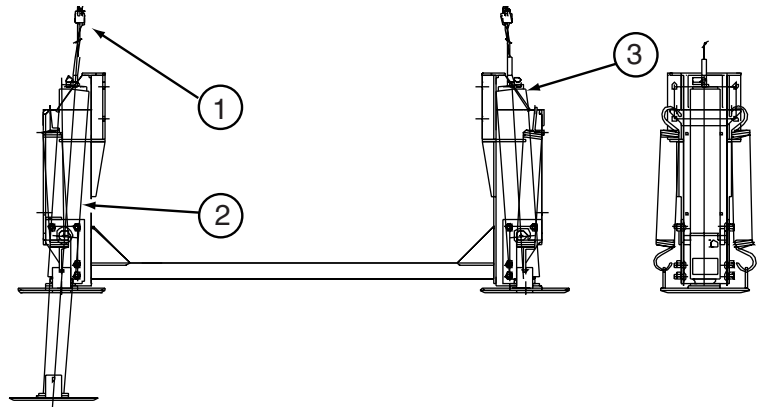
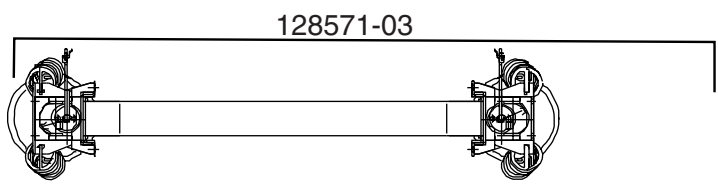
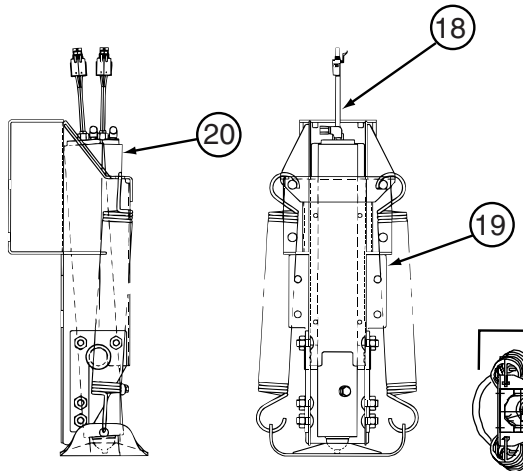
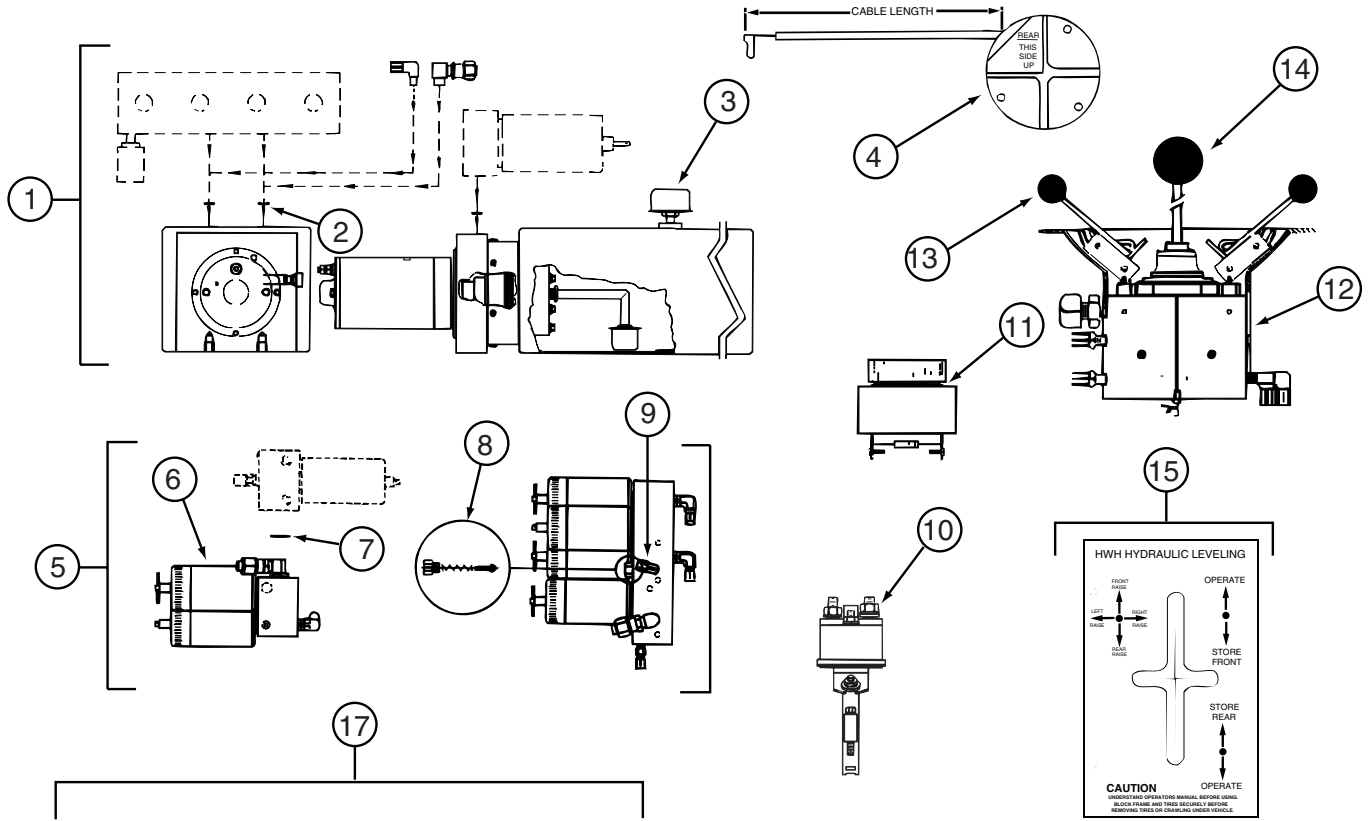
131306-02-000

CHASSIS GROUP (CONTINUED)
COMPONENT PARTS FOR HYDRAULIC LEVELING (CONTINUED)
131306-02-000 (CONTINUED)

KEY	PART NUMBER	U/M	DESCRIPTION	VENDOR NO.
1	100532-16-701	EA	MANIFOLD ASM. F/SLIDE OUT	RAP1716
2	100532-09-710	EA	SOLENOID-INTERMITENT DUTY	RAP0533
3	100532-09-704	EA	VALVE-PRESS SOLENOID(LARGE)	RAP0642
4	100532-03-715	EA	CAP-BREATHER W/DIPSTICK	RAP7876
5	100532-12-703	EA	SENSING UJINT BI-AXIS-27'	RAP6800
6	100532-01-713	EA	PUMP-RESERVOIR ASM.-MONARCH	RAP90014/AP2260
7	100532-31-701	EA	CHECK VALVE & KIT	RAP10021
8	100532-31-702	EA	O-RING/SEAL KIT - MANIFOLD	RAP90127
9	100532-08-705	EA	KNOB-3/4" BLACK, SET OF FOUR	RAP1379
10	100532-08-706	EA	KNOB-1 3/16" BLACK	RAP9734
11	100532-08-707	EA	BEZEL W/GASKET, F/SYSTEM 200	RAP9592
12	100532-51-700	EA	JACK - 6K STRAIGHT ACTING	RAP90502
13	100532-12-706	EA	SWITCH - WARNING/MAGNETIC	RAP1008 / RAP90496
14	100532-53-700	EA	CYLINDER ASM. - 9K	RAP90491/AP15891
15	100532-12-707	EA	SPRING KIT	R3847
16	100532-08-703	EA	PANEL ASM.-200 BI-AXIS SYS.	RAP9755
	100532-03-722	EA	O-RING KIT	R7430
	100532-03-723	EA	O-RING/SEAL KIT	RAP9171
	100532-08-702	EA	VALVE, BI-AXIS	RAP9589
	100532-32-703	EA	BUZZER - JACK WARNING	RAP90403
	100532-45-700	EA	CYLINDER W/O FOOT - 6K X 13"	RAP90490
	100532-47-701	EA	VALVE - BI-AXIS - W/O LEVERS	RAP0367
	131306-02-700	EA	FOOT - 6K JACK	RAP2004
	131306-02-701	EA	FOOT - 9K JACK	RAP8464
	100532-32-704	EA	CHIME - JACK WARNING	RAP90681/AP19812

CHASSIS GROUP (CONTINUED)

COMPONENT PARTS FOR HYDRAULIC LEVELING (CONTINUED)



131306-06-000

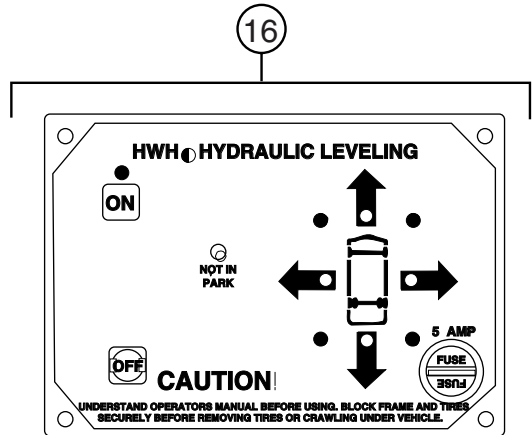
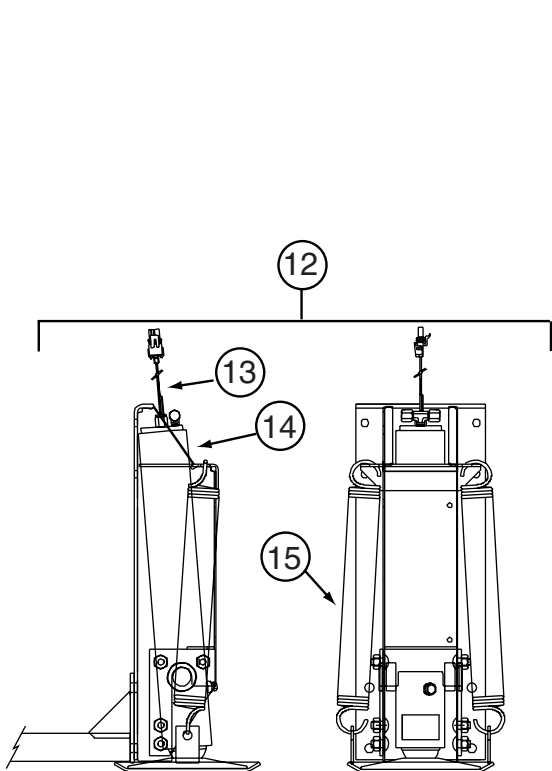
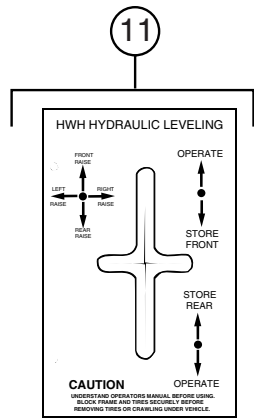
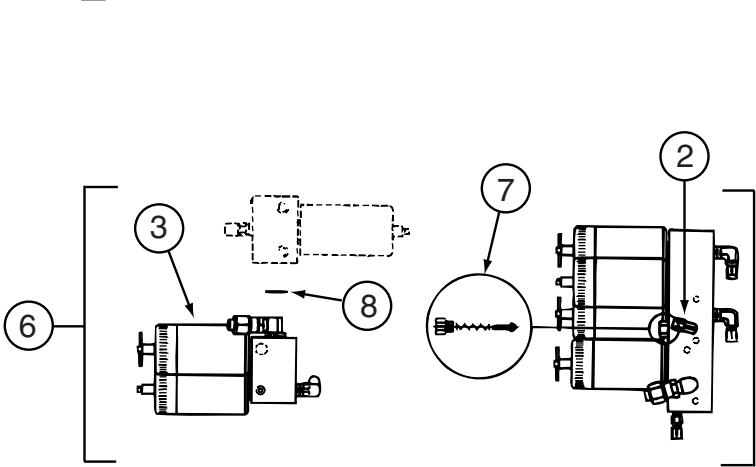
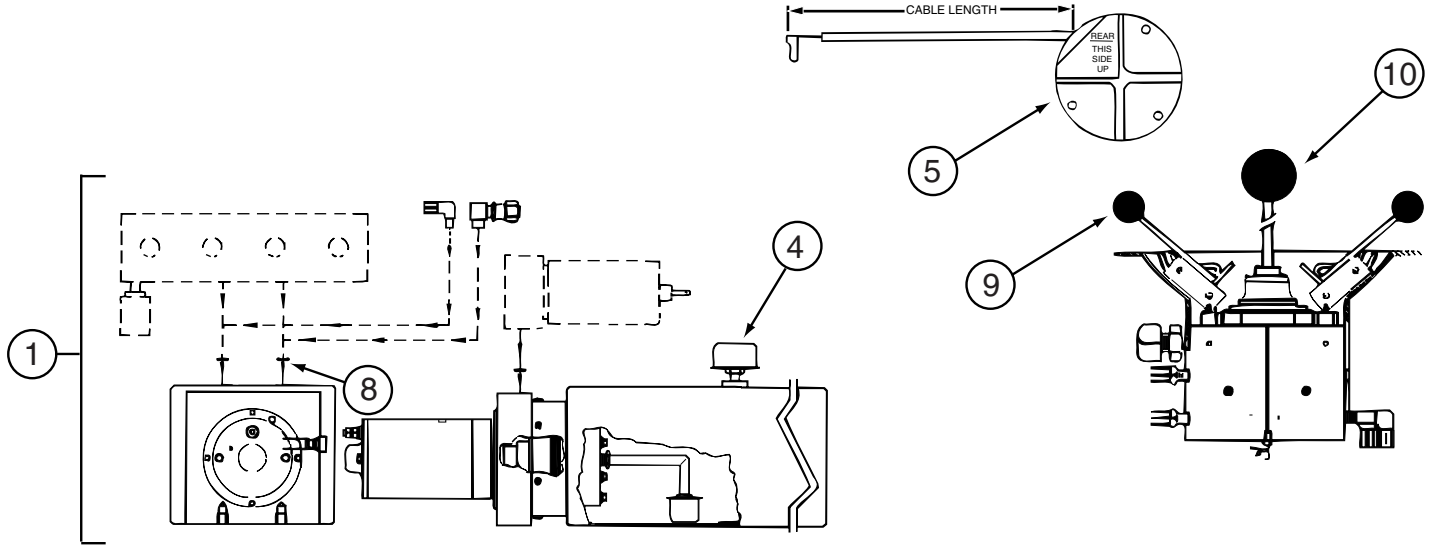
CHASSIS GROUP (CONTINUED)
COMPONENT PARTS FOR HYDRAULIC LEVELING (CONTINUED)

131306-06-000 (CONTINUED)

KEY	PART NUMBER	U/M	DESCRIPTION	VENDOR NO.
1	100532-01-713	EA	PUMP/MOTOR/TANK - MONARCH	RAP90014/AP2260
2	100532-03-723	EA	O-RING/SEAL KIT	RAP9171
3	100532-03-715	EA	CAP-BREATHER W/DIPSTICK	RAP7876
4	100532-12-703	EA	SENSING UNIT BI-AXIS-27'	RAP6800
5	100532-48-701	EA	MANIFOLD - ROOM EXT - 2 ROOM	RAP90035
6	100532-09-704	EA	VALVE-PRESS SOLENOID(LARGE)	RAP0642
8	100532-31-701	EA	CHECK VALVE & KIT	RAP10021
9	100532-03-722	EA	O-RING KIT	R7430
10	100532-09-710	EA	SOLENOID-INTERMITENT DUTY	RAP0533
11	100532-31-702	EA	O-RING/SEAL KIT - MANIFOLD	RAP90127
11	100532-32-703	EA	BUZZER - JACK WARNING	RAP90403
11	100532-32-704	EA	CHIME - JACK WARNING	RAP90681/AP19812
12	100532-47-701	EA	VALVE - BI-AXIS - W/O LEVERS	RAP0367
12	100532-08-702	EA	VALVEBI-AXIS	RAP9589
13	100532-08-705	EA	KNOB-3/4" BLACK SET OF FOUR	RAP1379
14	100532-08-706	EA	KNOB-1 3/16" BLACK	RAP9734
15	100532-08-707	EA	BEZEL W/GASKET F/SYSTEM 200	RAP9592
16	100532-08-703	EA	PANEL ASM.-200 BI-AXIS SYS.	RAP9755
17	100532-51-700	EA	JACK - 6K STRAIGHT ACTING	RAP90502/AP16112
18	100532-12-706	EA	SWITCH - WARNING/MAGNETIC	RAP1008 / RAP90496
19	100532-12-707	EA	SPRING KIT (PAIR)	R3847
20	100532-45-700	EA	CYLINDER W/O FOOT - 6K X 13"	RAP90490/AP16112
21	100532-53-700	EA	CYLINDER ASM. - 9K	RAP90491/AP15900
	131306-02-700	EA	FOOT - 6K JACK	RAP2004
	131306-02-701	EA	FOOT - 9K JACK	RAP8464

CHASSIS GROUP (CONTINUED)

COMPONENT PARTS FOR HYDRAULIC LEVELING (CONTINUED)



131306-19-000

CHASSIS GROUP (CONTINUED)
COMPONENT PARTS FOR HYDRAULIC LEVELING (CONTINUED)
131306-19-000 (CONTINUED)

KEY	PART NUMBER	U/M	DESCRIPTION	VENDOR NO.
	131306-19-000	EA	LEVELING SYSTEM - WORKHORSE CHASSIS W/200 & SLIDEOUT ROOM	
1	100532-16-701	EA	MANIFOLD ASM. F/SLIDE OUT	RAP1716
2	100532-09-710	EA	SOLENOID-INTERMITENT DUTY	RAP0533
3	100532-09-704	EA	VALVE-PRESS SOLENOID(LARGE)	RAP0642
3	131306-12-702	EA	VALVE - PRESSURE SOLENOID - 3.3" LONG X 1.6" DIAMETER	
4	100532-03-715	EA	CAP-BREATHER W/DIPSTICK	RAP7876
5	100532-03-710	EA	SENSING UNIT 21' MTA	RAP6798
6	100532-01-713	EA	PUMP-RESERVOIR ASM.-MONARCH	RAP90014/AP2260
7	100532-31-701	EA	CHECK VALVE & KIT	RAP10021
8	100532-31-702	EA	O-RING/SEAL KIT - MANIFOLD	RAP90127
9	100532-08-705	EA	KNOB-3/4" BLACK, SET OF FOUR	RAP1379
10	100532-08-706	EA	KNOB-1 3/16" BLACK	RAP9734
11	100532-08-707	EA	BEZEL W/GASKET, F/SYSTEM 200	RAP9592
13	100532-12-706	EA	SWITCH - WARNING/MAGNETIC	RAP1008 / RAP90496
14	100532-53-700	EA	CYLINDER ASM. - 9K	RAP90491/AP15891
15	100532-12-707	EA	SPRING KIT	R3847
16	100532-08-703	EA	PANEL ASM.-200 BI-AXIS SYS.	RAP9755
	100532-03-722	EA	O-RING KIT	R7430
	100532-03-723	EA	O-RING/SEAL KIT	RAP9171
	100532-08-702	EA	VALVE,BI-AXIS	RAP9589
	100532-32-704	EA	CHIME - JACK WARNING	RAP90681/AP19812
	100532-45-700	EA	CYLINDER W/O FOOT - 6K X 13"	RAP90490/AP16112
	100532-47-701	EA	VALVE - BI-AXIS - W/O LEVERS	RAP0367
	131306-02-700	EA	FOOT - 6K JACK	RAP2004
	131306-02-701	EA	FOOT - 9K JACK	RAP8464

CHASSIS GROUP (CONTINUED)
SUSPENSION

KEY PART NUMBER U/M DESCRIPTION

* 122756-04-000 EA SHOCK & STABILIZER KIT - WORKHORSE/WIDE BODY CHASSIS - [F30W](#), [F32V](#)

***COMPONENT PARTS LISTED LATER IN THIS GROUP**

CHASSIS GROUP (CONTINUED)
COMPONENT PARTS FOR SUSPENSION

122756-04-000

KEY	PART NUMBER	U/M	DESCRIPTION	VENDOR NO.
	122756-02-707	EA	DAMPNER - STEERING	T818SD
	122756-02-708	EA	BOOT - DAMPNER	T818SDB
	122756-02-709	EA	BUSHING PKG-STEERING DAMPNER	T818SDBSH
	122756-02-710	EA	BOLT PKG - STEERING DAMPNER	T818BSD
	122756-03-702	EA	SHOCK	557003
	122756-04-700	EA	BRACKET ASSEMBLY - DRIVER	T818L-WW
	122756-04-701	EA	BRACKET ASSEMBLY - PASSENGER	T818R-WW
	122756-04-702	EA	BOLT PACKAGE KIT	T818B-WW

CHASSIS GROUP (CONTINUED)

WHEEL, TIRE, COVERS &/OR LINERS

KEY	PART NUMBER	U/M	DESCRIPTION
	080208-02-000	EA	BAR - LEVERAGE - LUG WRENCH - CHEVY/OSHKOSH - WORKHORSE
	080208-06-000	EA	LUG WRENCH - 1" X 1.06" W/DEEP SOCKET ENDS - WORKHORSE
	N/A	EA	BAR & WRENCH CHASSIS SUPPLIED - FORD
	051377-01-000	EA	VALVE STEM - WORKHORSE
	064963-02-000	EA	WHEEL - STEEL - 19.5" X 6" - WORKHORSE
	091673-07-000	EA	TIRE - 225/70R19.5 LRF - MICHELIN XRV - WORKHORSE
	102340-08-000	EA	TIRE - 245/70R X 19.5F - GOODYEAR - FORD
	077030-02-000	EA	EXTENSION - VALVE STEM - 1.25" - WORKHORSE
*	134609-01-000	EA	LINER - WHEEL - SET OF 4 - 19.5" P30 WORKHORSE CHASSIS - WORKHORSE - F30W , F32V FROM: 00-00-00 THRU: 05-16-02
*	134609-04-000	EA	LINER-WHEEL,SET4,19.5P MAXION, KAPER 19-ULTM - WORKHORSE - F30W , F32V FROM: 05-17-02 THRU: 99-99-99
*	134609-02-000	EA	LINER - WHEEL - SET OF 4 - 19.5" - WORKHORSE - F34D , F36M
	077030-04-000	EA	EXTENSION - VALVE STEM - .75"
	095012-07-000	EA	STABILIZER - VALVE EXTENSION - LIVE - 4" - FORD
	095012-09-000	EA	EXTENSION - VALVE STEM - LIVE - 7.7" - FORD
*	110435-15-000	EA	LINER - WHEEL - SET/4 - 19.5" - FORD

*COMPONENT PARTS LISTED LATER IN THIS GROUP

CHASSIS GROUP (CONTINUED)
COMPONENT PARTS FOR WHEEL, TIRE, COVERS &/OR LINERS

110435-15-000

KEY	PART NUMBER	U/M	DESCRIPTION	VENDOR NO.
	110435-04-705	EA	DECAL-CTR HUB 2 3/4" DIAMOND	2 3/4 DECAL DIAMOND
	110435-10-705	EA	TOOL - INSTALLATION	V195P7-TOL
	110435-15-700	EA	LINER - WHEEL - FRONT	V195F9-FWC
	110435-15-701	EA	LINER - WHEEL - REAR	V195F9-RWC
	110435-15-702	EA	COVER LUG NUT/JAMB NUT - 14M	V195F9-EJN

134609-01-000

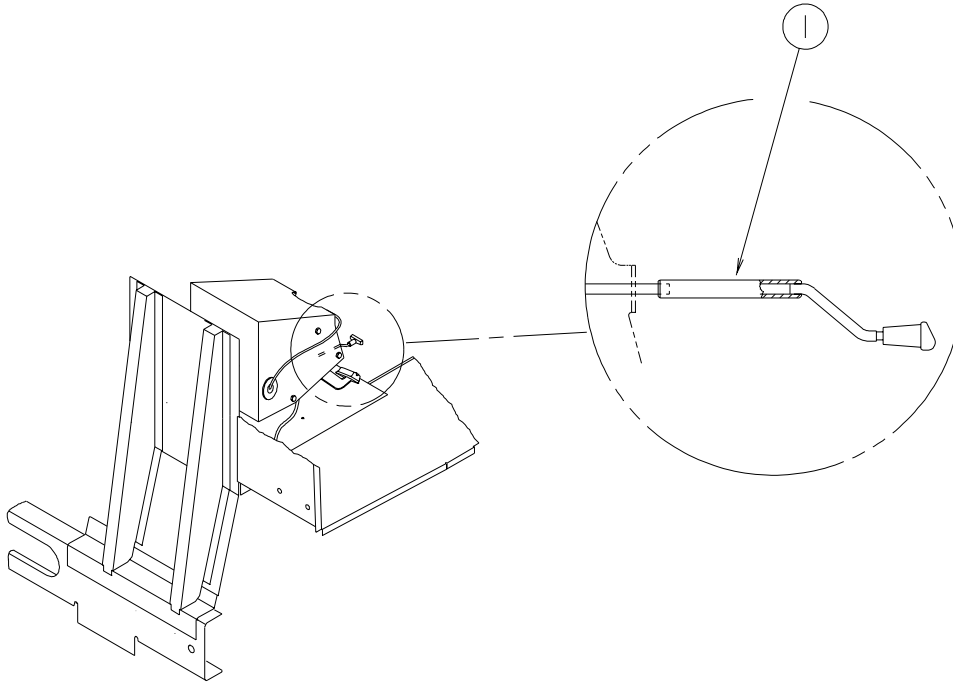
KEY	PART NUMBER	U/M	DESCRIPTION	VENDOR NO.
	134609-01-700	EA	LINER/SIMULATOR - FRONT	S-900
	134609-01-701	EA	LINER/SIMULATOR - REAR	S-901
	134609-01-702	EA	LUG/JAM NUT COVER TALL/REAR	L-250
	134609-01-703	EA	LUG/JAM NUT CVR SHORT/FRONT	L-251
	134609-01-704	EA	LUG/JAM NUT CVR-PLASTIC	L-252
	134609-01-705	EA	EXTENDER - PLASTIC	L-253
	134609-01-706	EA	TOOL - F/EXTENDER & JAMB NUT	M9800

134609-02-000

KEY	PART NUMBER	U/M	DESCRIPTION	VENDOR NO.
	091209-13-704	EA	NUT-JAMB-A20, 22M THREAD FRT	A20
	091209-13-705	EA	LINER-WHEEL FRT 1.75"NUT CVR	507
	091209-13-706	EA	LINER-WHEEL RR 1.75" NUT CVR	508
	091209-13-708	EA	CAP-CENTER, STAINLESS	A26
	091209-13-709	EA	TOOL/JAMB NUT-ULTG/ULTIëS	M9100
	091209-16-000	EA	NUT - JAM/THREADED - 22MM	KAPER II A20
	134609-02-700	EA	COVER - LUG NUT 1 3/4"	302
	134609-02-701	EA	COVER - LUG NUT(2"DEEP)	L502

CHASSIS GROUP (CONTINUED)
BRAKELINE

KEY	PART NUMBER	U/M	DESCRIPTION
	075466-01-000	EA	UNION - INVERTED FLAIR - 1/4"



BRAKE

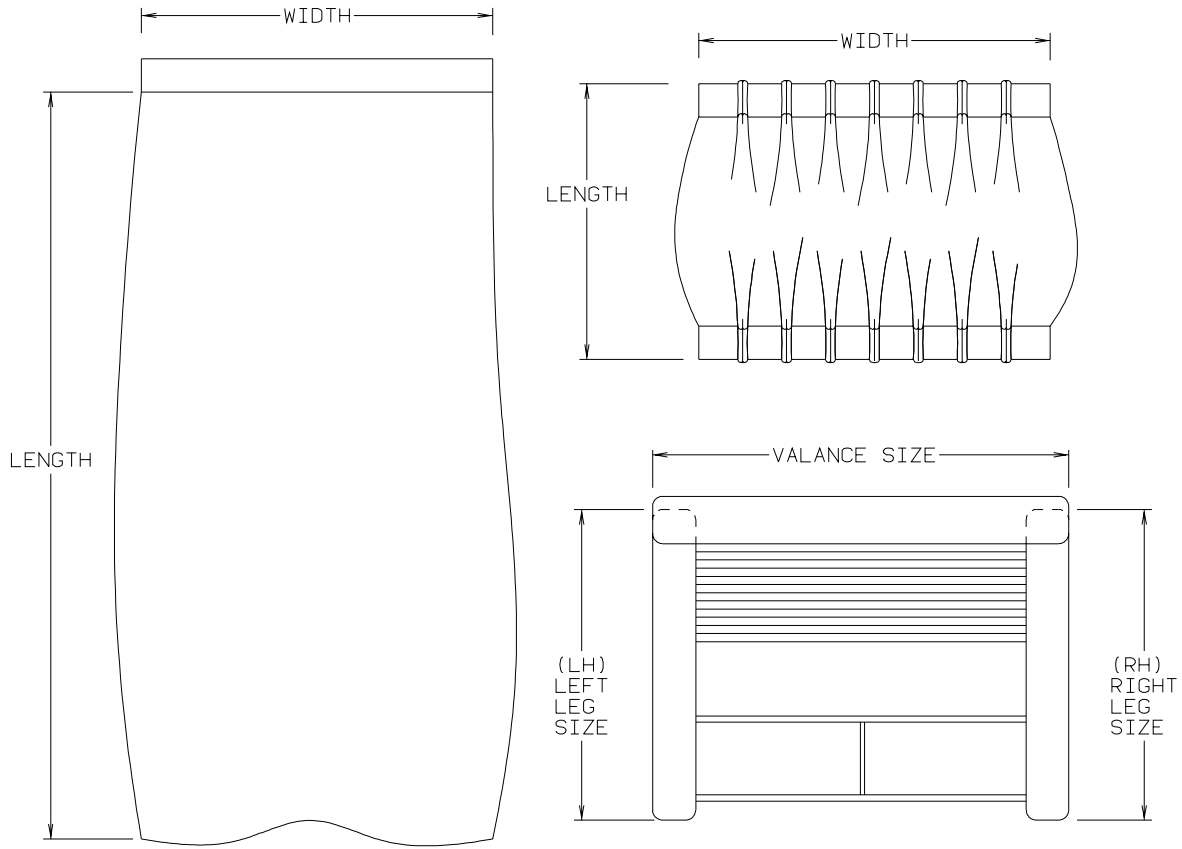
KEY	PART NUMBER	U/M	DESCRIPTION
1	113007-01-000	EA	PIN - SPRING - .375 X 3" - FORD

CURTAIN & CUSHION GROUP

NOTICE

IN ORDER TO ASSIST OUR PARTS SALES DEPT. IN PROVIDING INTERIOR SOFTWARE ITEMS, PLEASE INCLUDE THE SERIAL NUMBER AND THE COLOR CODE NUMBER FROM THE VEHICLE CERTIFICATION LABEL WHEN ORDERING. THIS LABEL IS LOCATED ON THE LEFT SIDEWALL AT THE END OF THE DASH (A-BODY), OR ON THE DRIVER'S DOOR LATCH PLATE (C-BODY).

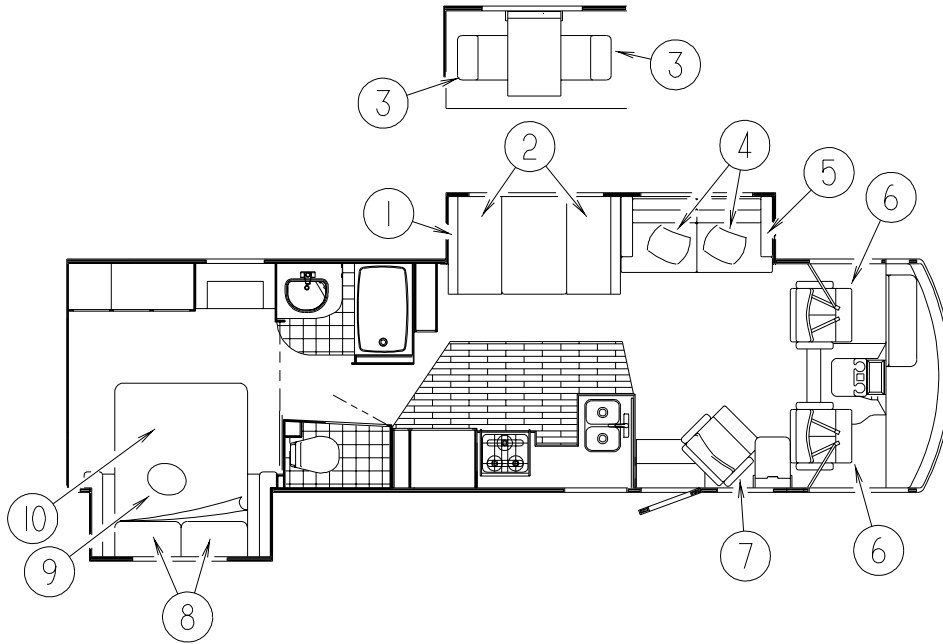
AN EXAMPLE OF A COLOR CODE NUMBER IS B07, WHICH DESIGNATES AN OVERALL COLOR SCHEME OF A PARTICULAR UNIT. THE COLOR LISTED AFTER THE ITEM DESCRIPTION ON THE MICROFICHE, INDICATES THE OVERALL UNIT COLOR. ORDER THE ITEM YOU DESIRE ACCORDING TO UNIT COLOR CODE. IF ALL COLORS USE THE SAME ITEM NO COLOR CODE WILL BE NOTED.



NOTE: USE THIS ILLUSTRATION WHEN DETERMINING LENGTH AND WIDTH MEASUREMENTS FOR CURTAINS. YOU WILL NOTE THE WIDTH MEASUREMENT IS TAKEN ON THE TOP OF THE CURTAIN WITH THE CURTAIN FULLY EXTENDED. THE LENGTH MEASUREMENT IS TAKEN FROM TOP TO BOTTOM. LEFT AND RIGHT WINDOW LEGS ARE DETERMINED WHEN FACING THE WINDOW.

CURTAIN & CUSHION GROUP (CONTINUED)

CUSHION LAYOUT



KEY	PART NUMBER	U/M	DESCRIPTION
1	111897-05-M09	EA	CUSHION - BACK - 13.5" X 42" X 5" (N37)
1	111897-05-M23	EA	CUSHION - BACK - 13.5" X 42" X 5" (N38)
1	111897-06-N05	EA	CUSHION - BACK - 13.5" X 42" X 5" (N39)
	P11897-05-M09	EA	COVER - BACK - 13.5" X 42" X 5" (N37)
	P11897-05-M23	EA	COVER - BACK - 13.5" X 42" X 5" (N38)
	P11897-06-N05	EA	COVER - BACK - 13.5" X 42" X 5" (N39)
2	105603-23-M09	EA	CUSHION - SEAT - 21" X 42" X 5" (N37)
2	105603-23-M31	EA	CUSHION - SEAT - 21" X 42" X 5" (N38)
2	105603-31-N05	EA	CUSHION - SEAT - 21" X 42" X 5" (N39)
	P05603-23-M09	EA	COVER - SEAT - 21" X 42" X 5" (N37)
	P05603-23-M31	EA	COVER - SEAT - 21" X 42" X 5" (N38)
	P05603-31-N05	EA	COVER - SEAT - 21" X 42" X 5" (N39)
3	132571-10-000	EA	CHAIR - DINETTE - PORTSMOUTH OAK (N37)
3	132571-32-000	EA	CHAIR - DINETTE - FLANNEL/PORTSMOUTH OAK (N38)
3	132571-33-000	EA	CHAIR - DINETTE - FEATHER/PORTSMOUTH OAK (N39)
	101604-01-03A	EA	CHAIR - FOLDING/DINETTE - LINEN/WATERFORD OAK
			FROM: 00-00-00 THRU: 08-19-01
3	135600-01-000	EA	CHAIR - FOLDING - AMETHYST/PORTSMOUTH OAK (N37)
			FROM: 08-20-01 THRU: 99-99-99
3	135600-72-000	EA	CHAIR - FOLDING - FLANNEL/PORTSMOUTH OAK (N38)
			FROM: 08-20-01 THRU: 99-99-99
3	135600-19-000	EA	CHAIR - FOLDING - PACIFIC/PORTSMOUTH OAK (N39)
			FROM: 08-20-01 THRU: 99-99-99
3	129529-02-000	EA	STRAP - CHAIR RETAINING - 81.9"
4	132319-17-N37	EA	PILLOW - 17" (N37)
4	132319-17-M37	EA	PILLOW - 17" (N38)
4	132319-45-N39	EA	PILLOW - 17" (N39)
5	135822-15-N37	EA	SOFA/SLEEPER - RECLINER/POWERED - W/TRUNDLE BED
5	135822-15-N38	EA	SOFA/SLEEPER - RECLINER/POWERED - W/TRUNDLE BED
5	135822-15-N39	EA	SOFA/SLEEPER - RECLINER/POWERED - W/TRUNDLE BED
6	138847-01-000	EA	BUCKET SEAT - W/SKIRT (N37)
6	138847-02-000	EA	BUCKET SEAT - W/SKIRT (N38)
6	138847-03-000	EA	BUCKET SEAT - W/SKIRT (N39)
6	138847-04-000	EA	BUCKET SEAT - W/ARMRESTS - ALLANTE GRAY VINYL - LEATHER
7	138853-01-000	EA	BUCKET SEAT - W/FOOTREST/LUMBAR/SKIRT/ARMRESTS (N37)
7	138853-02-000	EA	BUCKET SEAT - W/FOOTREST/LUMBAR/SKIRT/ARMRESTS (N38)
7	138853-03-000	EA	BUCKET SEAT - W/FOOTREST/LUMBAR/SKIRT/ARMRESTS (N39)

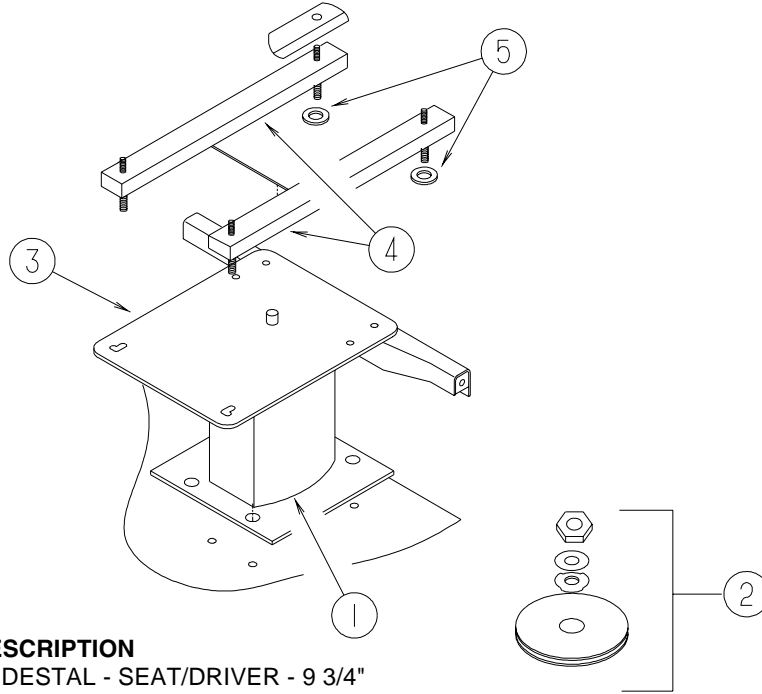
CURTAIN & CUSHION GROUP (CONTINUED)
CUSHION LAYOUT (CONTINUED)

KEY	PART NUMBER	U/M	DESCRIPTION
8	104176-04-N37	EA	PILLOW SHAM - 30" (N37)
8	104176-04-M31	EA	PILLOW SHAM - 30" (N38)
8	104176-04-N39	EA	PILLOW SHAM - 30" (N39)
9	132319-46-N37	EA	PILLOW - 17"
9	132319-46-N38	EA	PILLOW - 17"
9	132319-46-N39	EA	PILLOW - 17"
10	132336-09-N37	EA	BEDSPREAD/CAP - 60" X 75" (N37)
10	132336-09-M31	EA	BEDSPREAD/CAP - 60" X 75" (N38)
10	132336-09-N39	EA	BEDSPREAD/CAP - 60" X 75" (N39)
	123015-06-000	EA	MATTRESS - INNERSPRING - 60" X 74.5"

CURTAIN & CUSHION GROUP (CONTINUED)

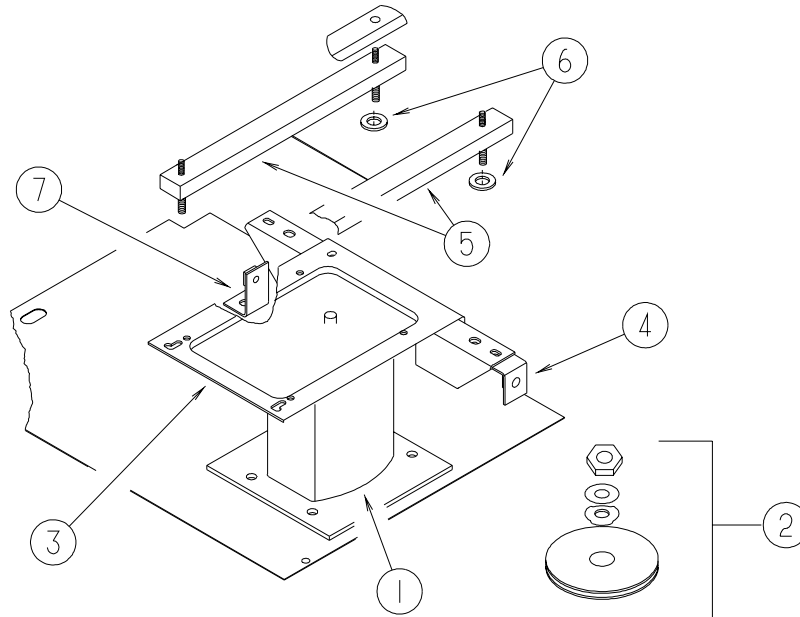
BUCKET SEATS

KEY	PART NUMBER	U/M	DESCRIPTION
	138847-01-000	EA	BUCKET SEAT - W/SKIRT (N37)
	138847-02-000	EA	BUCKET SEAT - W/SKIRT (N38)
	138847-03-000	EA	BUCKET SEAT - W/SKIRT (N39)
	138847-04-000	EA	BUCKET SEAT - W/ARMRESTS - ALLANTE GRAY VINYL - LEATHER



DRIVER

KEY	PART NUMBER	U/M	DESCRIPTION
1	133408-01-000	EA	PEDESTAL - SEAT/DRIVER - 9 3/4"
2	107921-06-000	EA	BEARING KIT - PEDESTAL
3	133408-08-000	EA	TOP PLATE - W/BAR
4	131566-04-000	EA	SLIDE/SEAT - HEAVY DUTY LOCKING - 5"
	119952-07-000	EA	WIRE - LATCH RELEASE/ROTARY
5	NOT USED		



PASSENGER

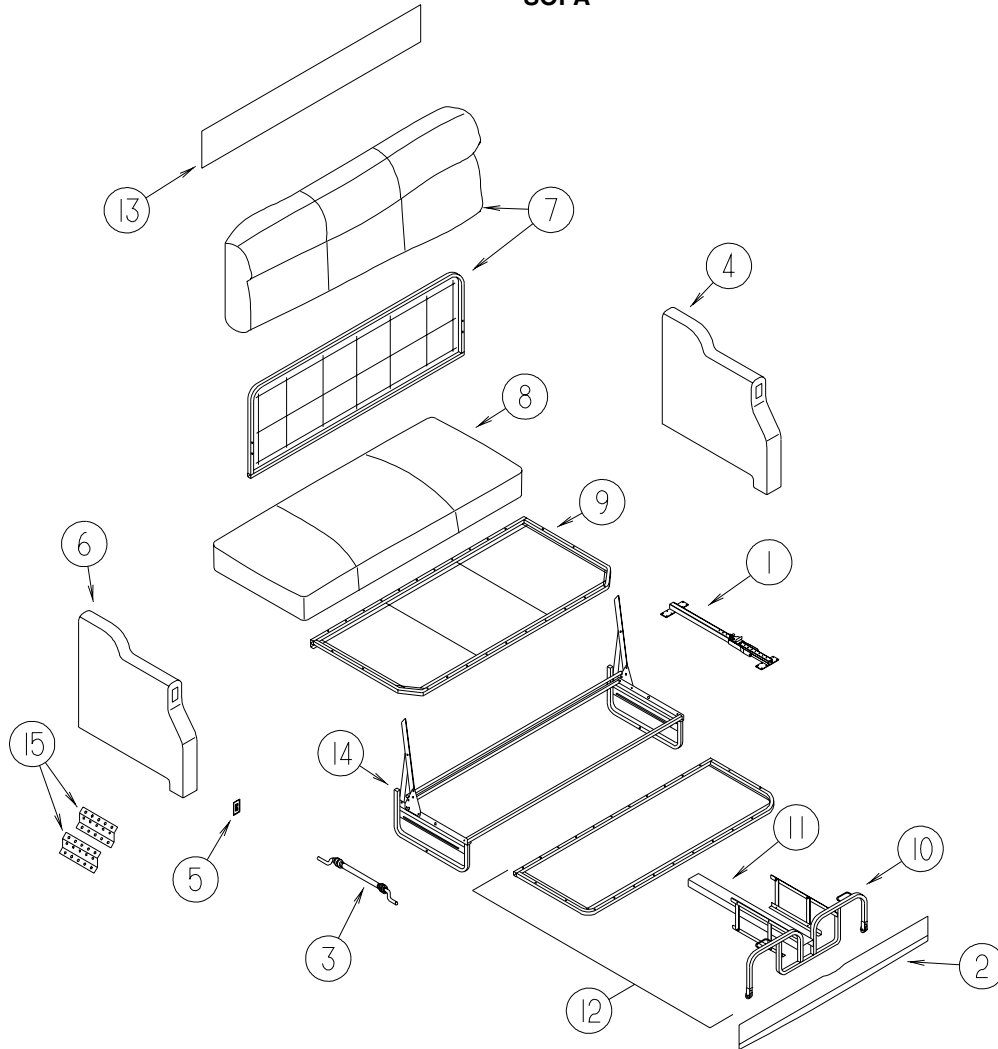
KEY	PART NUMBER	U/M	DESCRIPTION
1	133408-01-000	EA	PEDESTAL - SEAT/DRIVER - 9 3/4"
2	107921-06-000	EA	BEARING KIT - PEDESTAL
3	133408-02-000	EA	TOP PLATE - SINGLE SIDE BELT
4	133408-03-000	EA	BRACKET - ANCHORAGE/PEDESTAL
5	131566-04-000	EA	SLIDE/SEAT - HEAVY DUTY LOCKING - 5"
	119952-07-000	EA	WIRE - LATCH RELEASE/ROTARY
6	NOT USED		
7	133408-04-000	EA	BRACKET - ANCHORAGE/FLOOR

CURTAIN & CUSHION GROUP (CONTINUED)
LOUNGE CHAIR

KEY	PART NUMBER	U/M	DESCRIPTION
	138853-01-000	EA	BUCKET SEAT - W/FOOTREST/LUMBAR/SKIRT/ARMRESTS (N37)
	138853-02-000	EA	BUCKET SEAT - W/FOOTREST/LUMBAR/SKIRT/ARMRESTS (N38)
	138853-03-000	EA	BUCKET SEAT - W/FOOTREST/LUMBAR/SKIRT/ARMRESTS (N39)
	107921-06-000	EA	BEARING KIT - PEDESTAL
	133408-08-000	EA	TOP PLATE - W/O BAR
	133408-09-000	EA	PEDESTAL/SEAT - 4.5"
			FROM: 00-00-00 THRU: 08-05-01
	133408-01-000	EA	PEDESTAL - SEAT - DRIVER/PASSENGER - 9 3/4"
			FROM: 08-06-01 THRU: 99-99-99
	108445-02-000	EA	PLATE/FLOOR MOUNTED - PEDESTAL SEAT

CURTAIN & CUSHION GROUP (CONTINUED)

SOFA

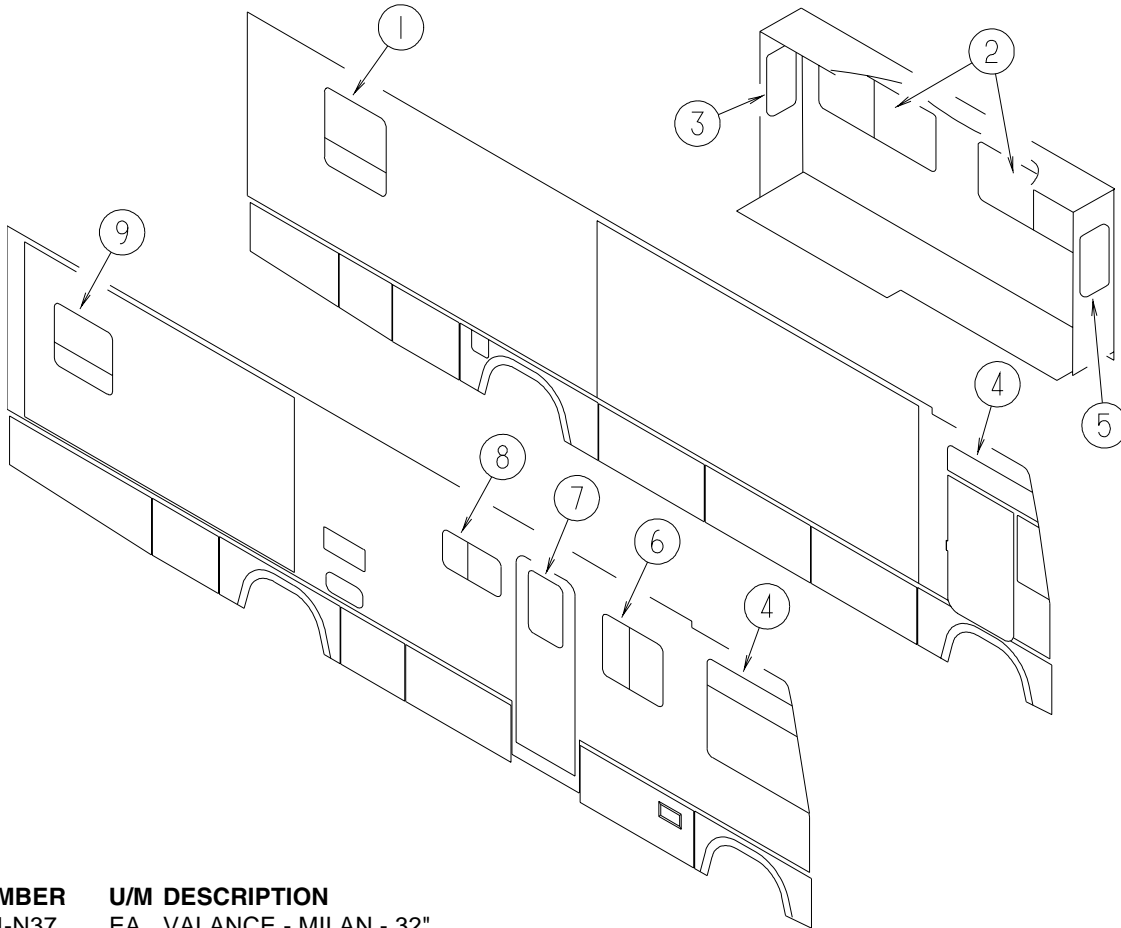


KEY	PART NUMBER	U/M	DESCRIPTION
	135822-15-N37	EA	SOFA/SLEEPER - RECLINER/POWERED - W/TRUNDLE BED
	135822-15-N38	EA	SOFA/SLEEPER - RECLINER/POWERED - W/TRUNDLE BED
	135822-15-N39	EA	SOFA/SLEEPER - RECLINER/POWERED - W/TRUNDLE BED
1	136534-14-000	EA	SLIDE RAIL - W/PLATES & STOP ASSEMBLY
2	135824-07-N37	EA	PANEL/FRONT KICK - SOFA/SLEEPER - 59.5" - FABRIC COVERED
2	135824-07-N38	EA	PANEL/FRONT KICK - SOFA/SLEEPER - 59.5" - FABRIC COVERED
2	135824-07-N39	EA	PANEL/FRONT KICK - SOFA/SLEEPER - 59.5" - FABRIC COVERED
	016604-10-000	EA	BRACE - SEAT ANGLE - 2.5" - BLACK
3	136534-19-000	EA	CABLE ONLY - REMOTE - 34" W/Z-ENDS (F/LEVER HANDLE -30-)
4	135823-08-N37	EA	ARMREST - LEFT HAND (N37)
4	135823-08-M31	EA	ARMREST - LEFT HAND (N38)
4	135823-08-N39	EA	ARMREST - LEFT HAND (N39)
	P35823-08-N37	EA	COVER/ARMREST - LEFT HAND (N37)
	P35823-08-M31	EA	COVER/ARMREST - LEFT HAND (N38)
	P35823-08-N39	EA	COVER/ARMREST - LEFT HAND (N39)
5	136118-01-000	EA	SWITCH - SOFA/RECLINER
6	135823-07-N37	EA	ARMREST - RIGHT HAND (N37)
6	135823-07-M31	EA	ARMREST - RIGHT HAND (N38)
6	135823-07-N39	EA	ARMREST - RIGHT HAND (N39)
	P35823-07-N37	EA	COVER/ARMREST - RIGHT HAND (N37)
	P35823-07-M31	EA	COVER/ARMREST - RIGHT HAND (N38)
	P35823-07-N39	EA	COVER/ARMREST - RIGHT HAND (N39)
7	135822-16-N37	EA	BACK - SOFA/SLEEPER
7	135822-16-N38	EA	BACK - SOFA/SLEEPER
7	135822-16-N39	EA	BACK - SOFA/SLEEPER
	P35822-16-N37	EA	COVER/BACK - SOFA/SLEEPER - RECLINER/POWERED
	P35822-16-N38	EA	COVER/BACK - SOFA/SLEEPER - RECLINER/POWERED
	P35822-16-N39	EA	COVER/BACK - SOFA/SLEEPER - RECLINER/POWERED

CURTAIN & CUSHION GROUP (CONTINUED)
SOFA (CONTINUED)

KEY	PART NUMBER	U/M	DESCRIPTION
7	136534-18-000	EA	BACK - 16.5" X 60" - CL W/O STRAPS
8	135822-03-N37	EA	SEAT - SOFA/SLEEPER - RECLINER/POWERED (N37)
8	135822-03-M31	EA	SEAT - SOFA/SLEEPER - RECLINER/POWERED (N38)
8	135822-03-N39	EA	SEAT - SOFA/SLEEPER - RECLINER/POWERED (N39)
	P35822-03-N37	EA	COVER/SEAT - SOFA/SLEEPER - RECLINER/POWERED (N37)
	P35822-03-M31	EA	COVER/SEAT - SOFA/SLEEPER - RECLINER/POWERED (N38)
	P35822-03-N39	EA	COVER/SEAT - SOFA/SLEEPER - RECLINER/POWERED (N39)
9	136534-04-000	EA	SEAT - 26.5" X 60" CL W/FLEXOLATOR
	127335-10-000	EA	BRACKET - CANADIAN LATCH
10	135822-17-N37	EA	TRUNDLE - SOFA/SLEEPER
10	135822-17-N38	EA	TRUNDLE - SOFA/SLEEPER
10	135822-17-N39	EA	TRUNDLE - SOFA/SLEEPER
	P35822-17-N37	EA	COVER/TRUNDLE - SOFA/SLEEPER
	P35822-17-N38	EA	COVER/TRUNDLE - SOFA/SLEEPER
	P35822-17-N39	EA	COVER/TRUNDLE - SOFA/SLEEPER
11	136534-31-000	EA	CAP - CABLE COVER
12	136534-17-000	EA	TRUNDLE FRAME - 17.5" X 55" - W/LINKAGE, LATCH & HANDLE
13	139716-01-N37	EA	SIGHT SHIELD - 58" - FULL BACK
13	139716-01-N38	EA	SIGHT SHIELD - 58" - FULL BACK
13	139716-01-N39	EA	SIGHT SHIELD - 58" - FULL BACK
14	136534-13-000	EA	BASE - 27.25" X 60" - POWERED CL - W/8" OVER HANG
15	116104-03-02B	EA	BRACKET - ZEE W/HOLES - 5.9" - E-COATED

CURTAIN & CUSHION GROUP (CONTINUED)
WINDOW TREATMENT

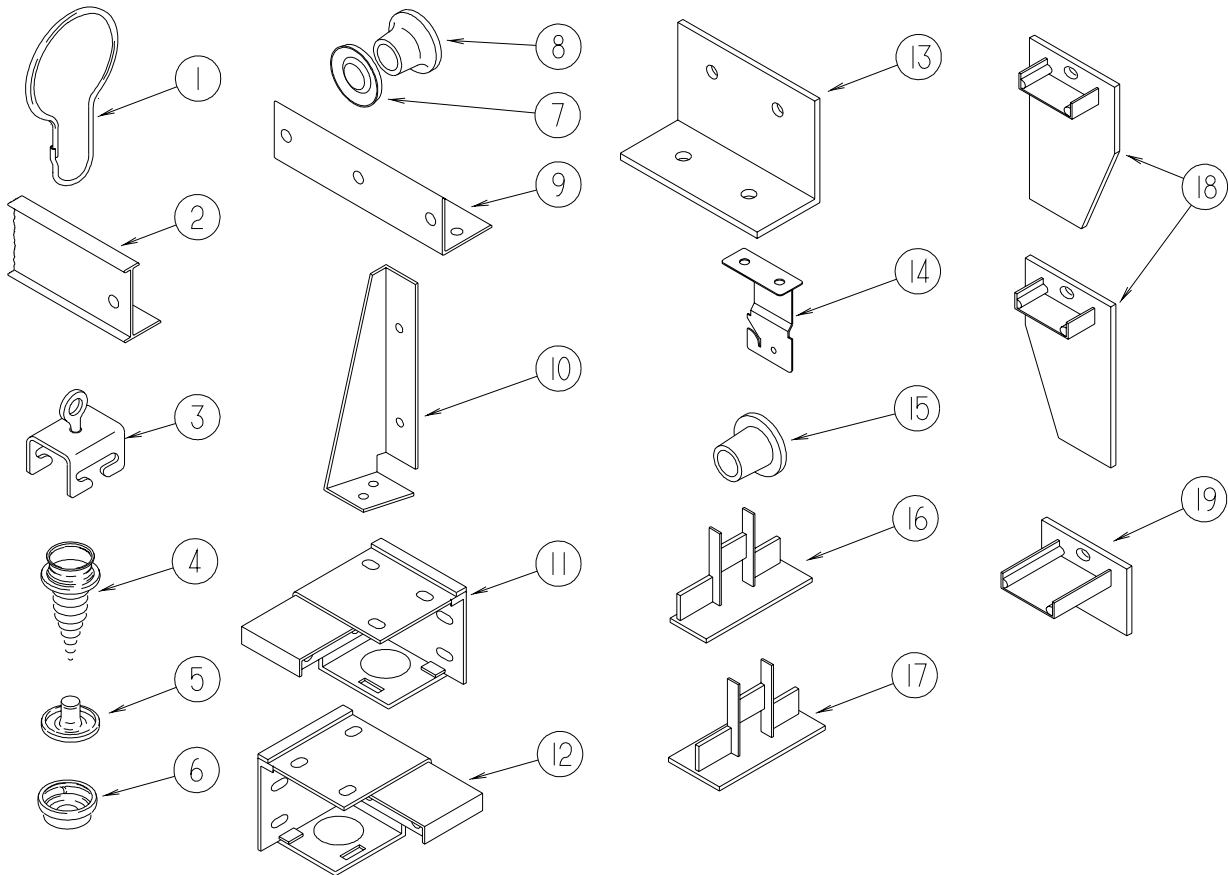


KEY	PART NUMBER	U/M	DESCRIPTION
1	139139-04-N37	EA	VALANCE - MILAN - 32"
1	139139-04-N38	EA	VALANCE - MILAN - 32"
1	139139-04-N39	EA	VALANCE - MILAN - 32"
1	111910-59-M37	EA	BLIND - DAY/NIGHTER - 31" X 28.5"
			FROM: 00-00-00 THRU: 11-04-01
1	140789-01-N31	EA	BLIND - DAY/NIGHTER - 31" X 28.5"
			FROM: 11-05-01 THRU: 99-99-99
2	138097-03-N37	EA	VALANCE - CUFFED - 62.5"
2	138097-03-N38	EA	VALANCE - CUFFED - 62.5"
2	138097-03-N39	EA	VALANCE - CUFFED - 62.5"
2	111910-55-N02	EA	BLIND - DAY/NIGHTER - 59" X 26.5"
			FROM: 00-00-00 THRU: 11-04-01
2	140789-08-N02	EA	BLIND - DAY/NIGHTER - 59" X 26.5"
			FROM: 11-05-01 THRU: 99-99-99
2	127017-47-N37	EA	LEG - RIGHT - 23.5" - FABRIC COVERED (N37)
2	127017-47-N31	EA	LEG - RIGHT - 23.5" - FABRIC COVERED (N38)
2	127017-47-N39	EA	LEG - RIGHT - 23.5" - FABRIC COVERED (N39)
2	127017-48-N37	EA	LEG - LEFT - 23.5" - FABRIC COVERED (N37)
2	127017-48-N31	EA	LEG - LEFT - 23.5" - FABRIC COVERED (N38)
2	127017-48-N39	EA	LEG - LEFT - 23.5" - FABRIC COVERED (N39)
3	138097-08-N37	EA	VALANCE - FLAT CUFFED - 30.5"
3	138097-08-N38	EA	VALANCE - FLAT CUFFED - 30.5"
3	138097-08-N39	EA	VALANCE - FLAT CUFFED - 30.5"
3	111910-74-N02	EA	BLIND - DAY/NIGHTER - 22.5" X 23"
			FROM: 00-00-00 THRU: 11-04-01
3	140789-07-N02	EA	BLIND - DAY/NIGHTER - 22.5" X 23"
			FROM: 11-05-01 THRU: 99-99-99
3	136988-41-N37	EA	LEG - RIGHT - 22" - FABRIC COVERED
3	136988-41-N38	EA	LEG - RIGHT - 22" - FABRIC COVERED
3	136988-41-N39	EA	LEG - RIGHT - 22" - FABRIC COVERED
3	136988-42-N37	EA	LEG - LEFT - 22" - FABRIC COVERED
3	136988-42-N38	EA	LEG - LEFT - 22" - FABRIC COVERED
3	136988-42-N39	EA	LEG - LEFT - 22" - FABRIC COVERED

CURTAIN & CUSHION GROUP (CONTINUED)
WINDOW TREATMENT (CONTINUED)

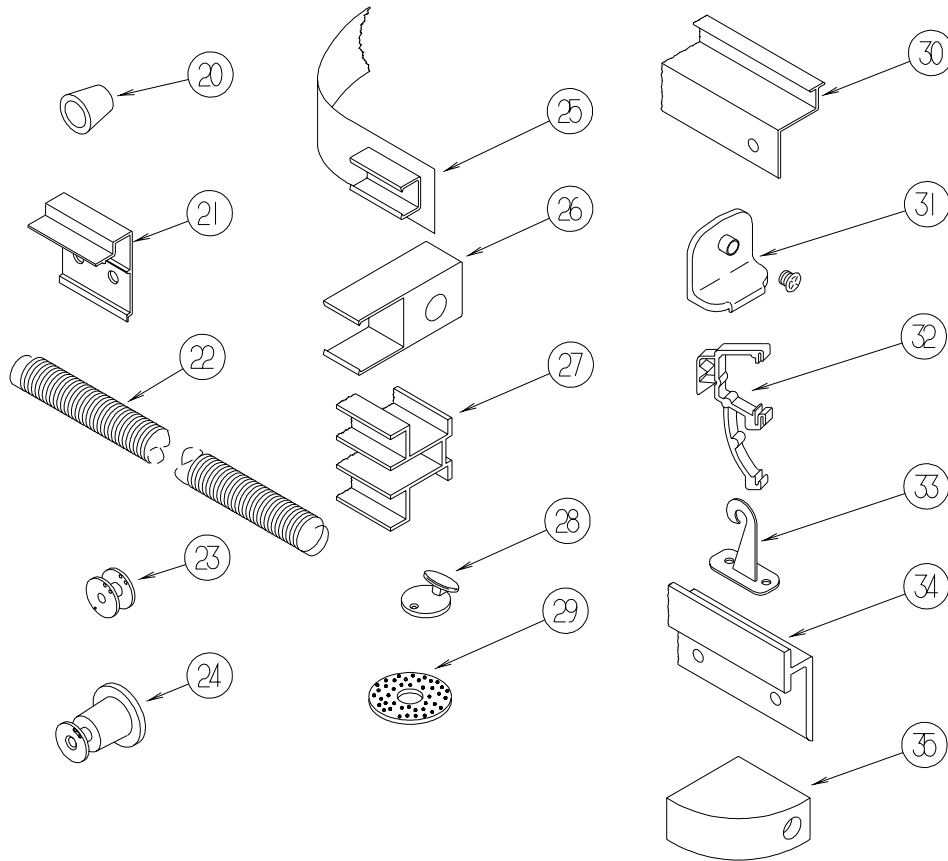
KEY	PART NUMBER	U/M	DESCRIPTION	
4	101668-67-J22	EA	CURTAIN - RIGHT HAND/LEFT HAND - 42" X 110"	
4	073260-42-M22	EA	TIEBACK - 6" X 18"	
5	138097-07-N37	EA	VALANCE - CUFFED - 26"	
5	138097-07-N38	EA	VALANCE - CUFFED - 26"	
5	138097-07-N39	EA	VALANCE - CUFFED - 26"	
5	111910-74-N02	EA	BLIND - DAY/NIGHTER - 22.5" X 23"	FROM: 00-00-00 THRU: 11-04-01
5	140789-07-N02	EA	BLIND - DAY/NIGHTER - 22.5" X 23"	FROM: 11-05-01 THRU: 99-99-99
5	136988-41-N37	EA	LEG - RIGHT - 22" - FABRIC COVERED	
5	136988-41-N38	EA	LEG - RIGHT - 22" - FABRIC COVERED	
5	136988-41-N39	EA	LEG - RIGHT - 22" - FABRIC COVERED	
5	136988-42-N37	EA	LEG - LEFT - 22" - FABRIC COVERED	
5	136988-42-N38	EA	LEG - LEFT - 22" - FABRIC COVERED	
5	136988-42-N39	EA	LEG - LEFT - 22" - FABRIC COVERED	
6	138097-06-N37	EA	VALANCE - CUFFED - 32"	
6	138097-06-N38	EA	VALANCE - CUFFED - 32"	
6	138097-06-N39	EA	VALANCE - CUFFED - 32"	
6	111910-20-N30	EA	BLIND - DAY/NIGHTER - 28" X 28"	FROM: 00-00-00 THRU: 11-04-01
6	140789-06-N30	EA	BLIND - DAY/NIGHTER - 28" X 28"	FROM: 11-05-01 THRU: 99-99-99
6	136988-39-N37	EA	LEG - RIGHT - 26"	
6	136988-39-N38	EA	LEG - RIGHT - 26"	
6	136988-39-N39	EA	LEG - RIGHT - 26"	
6	136988-40-N37	EA	LEG - LEFT - 26"	
6	136988-40-N38	EA	LEG - LEFT - 26"	
6	136988-40-N39	EA	LEG - LEFT - 26"	
7	121410-B5-N37	EA	VALANCE - MODERATE - 30.5"	
7	121410-B5-N38	EA	VALANCE - MODERATE - 30.5"	
7	121410-B5-N39	EA	VALANCE - MODERATE - 30.5"	
7	084755-57-E07	EA	SHADE - PULL - 27.25"	
8	109041-58-03A	EA	BLIND - MINI - 30.5"	
9	139139-03-N37	EA	VALANCE - MILAN - 46" (N37)	
9	139139-03-N38	EA	VALANCE - MILAN - 46" (N38)	
9	139139-03-N05	EA	VALANCE - MILAN - 46" (N39)	
9	111910-82-N02	EA	BLIND - DAY/NIGHTER - 43" X 28"	FROM: 00-00-00 THRU: 11-04-01
9	140789-02-N02	EA	BLIND - DAY/NIGHTER - 43" X 28"	FROM: 11-05-01 THRU: 99-99-99
9	136988-15-N37	EA	LEG - RIGHT - 26" - FABRIC COVERED	
9	136988-15-N38	EA	LEG - RIGHT - 26" - FABRIC COVERED	
9	136988-15-N39	EA	LEG - RIGHT - 26" - FABRIC COVERED	
9	136988-16-N37	EA	LEG - LEFT - 26" - FABRIC COVERED	
9	136988-16-N38	EA	LEG - LEFT - 26" - FABRIC COVERED	
9	136988-16-N39	EA	LEG - LEFT - 26" - FABRIC COVERED	

CURTAIN & CUSHION GROUP (CONTINUED) HARDWARE



KEY	PART NUMBER	U/M	DESCRIPTION
1	009136-02-000	EA	HANGER - RING - PIN TYPE - CURTAIN - BRASS
2	009700-04-002	EA	TRACK - CURTAIN - L SHAPED - 15.5' - OFF WHITE - 400 SERIES
2	118896-05-04A	EA	TRACK/WRAPAROUND - PASSENGER - GLACIER - Q-SERIES
2	118897-04-04A	EA	TRACK/WRAPAROUND - PASSENGER - GLACIER - Q-SERIES
2	126456-03-04A	EA	TRACK/WRAPAROUND - PASSENGER - GLACIER - G-SERIES
2	126456-04-04A	EA	TRACK/WRAPAROUND - DRIVER - GLACIER - G-SERIES
3	009702-01-000	EA	END STOP - CURTAIN CARRIER - L ROD
4	029130-01-000	EA	SCREW - SNAP STUD - #8-16 X 3/8" LONG
4	029130-03-000	EA	SCREW - SNAP STUD - #8-16 X 1" LONG
5	029155-01-000	EA	CAP - SNAP - 5/32" OUTSIDE DIAMETER OF PIN
6	029156-01-000	EA	SOCKET - SNAP - 9/16" O.D.
7	046867-02-000	EA	WASHER - HANDY BUTTON #3
8	046867-03-000	EA	GROMMET - HANDY BUTTON #3
9	075943-10-000	EA	BRACE - VALANCE - 20" - OFF WHITE
9	105648-01-02A	EA	BRACE - VALANCE - OFF/WHITE - 14"
10	076827-02-000	EA	BRACKET/LEG - 2.9" X 1.8" - TRIANGULAR - LEFT/E-COATED
11	083170-01-000	EA	BRACKET/BLIND - LEFT SIDE WHEN FACING WINDOW - CLEAR
12	083170-02-000	EA	BRACKET/BLIND - RIGHT SIDE WHEN FACING WINDOW - CLEAR
13	083125-07-000	EA	BRACE - ANGLE/COUCH - 2.5" - OFF WHITE
13	083125-08-000	EA	BRACE - ANGLE/COUCH - .75" - OFF WHITE
14	084434-01-000	EA	BRACKET - MOUNTING - ROLLER SHADE - 1 3/8"
15	094896-02-000	EA	GROMMET - CORD/PLEATED BLIND - NYLON - GRAY
16	094907-02-000	EA	END CAP - PLEATED BLIND/TOP - RH/LH - GRAY PLASTIC
17	094907-04-000	EA	END CAP - PLEATED BLIND/BOTTOM - RH/LH
18	094907-05-000	EA	END CAP - PLEATED BLIND/BOTTOM - PULL TYPE - PLASTIC
19	094907-06-000	EA	END CAP - PLEATED BLIND/TOP

CURTAIN & CUSHION GROUP (CONTINUED)
HARDWARE (CONTINUED)

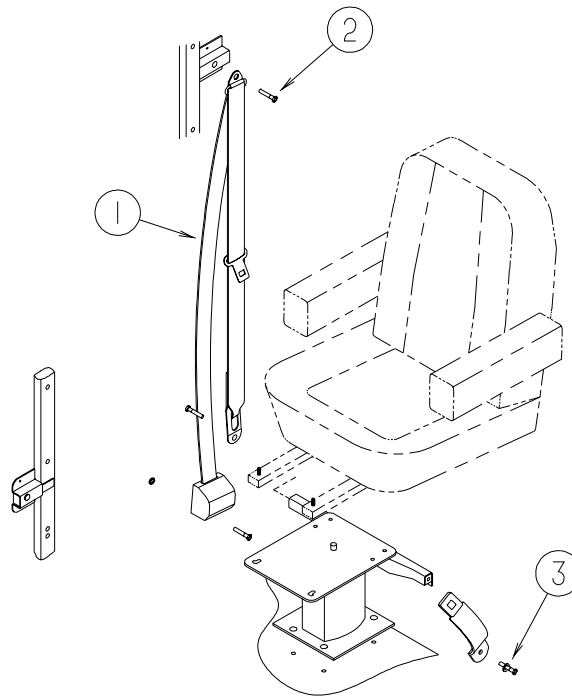


KEY	PART NUMBER	U/M	DESCRIPTION
20	097564-03-000	EA	HANDLE - KNOB - E-Z LIFT SHADE - TAN
20	097564-05-000	EA	HANDLE - KNOB - E-Z LIFT SHADE - TEAL
20	097564-06-000	EA	HANDLE - KNOB - E-Z LIFT SHADE - ALABASTER
21	097565-01-000	EA	BRACKET - MOUNTING - PLEATED BLIND
21	097565-02-000	EA	BRACKET - MOUNTING
22	097591-01-000	EA	SPRING - EXTENSION/PLEATED BLIND
23	097592-01-000	EA	SPOOL - CORD - ELEVATED BLIND HOLDUP - SMALL - CLEAR
24	097592-02-000	EA	SPOOL - CORD - ELEVATED BLIND HOLDUP - LARGE - CLEAR
	097593-02-000	FT	CORD - BLIND - PLEATED - GRAY
	097593-06-000	FT	CORD - BLIND - PLEATED - PEWTER
	097593-07-000	FT	CORD - BLIND - PLEATED - PALE JADE
	097593-10-000	FT	CORD - BLIND - PLEATED - VANILLA
25	101031-01-000	YD	TAPE/GLIDE - 4.25" SPACING
26	101033-02-000	EA	END CAP - LOW PROFILE TRACK - CLEAR
27	101033-08-000	EA	TRACK/WALL - 75"
27	101033-09-000	EA	TRACK/WALL - 32"
28	102555-03-000	EA	CLEAT - BLIND CORD - MILKY WHITE - PLASTIC
29	103242-01-000	EA	VELCRO HOOK - BEIGE 7/8" ROUND W/CENTER HOLE
29	103242-02-000	EA	VELCRO HOOK - BLACK 7/8" ROUND W/CENTER HOLE
30	105450-14-01A	EA	TRACK - CURTAIN - 90" - OFF WHITE - 300-SERIES
30	105450-15-01A	EA	TRACK - CURTAIN - 82.3" - OFF WHITE - 200-SERIES
31	106544-01-000	EA	PULL - SHADE/BRASS
	106544-01-001	EA	SCREW - SHADE/BRASS
32	109353-04-000	EA	CLIP - VALANCE SLAT MOUNTING - CLEAR PLASTIC
	109441-02-000	EA	SPACER/BACKET - BLIND HOLD DOWN
33	109441-03-000	EA	BRACKET/HOOK - BLIND HOLD DOWN - CLOUDY
34	127254-03-05A	EA	TRACK/WRAPAROUND - PASSENGER - GLACIER - D-SERIES
34	127254-04-05A	EA	TRACK/WRAPAROUND - DRIVER - GLACIER - D-SERIES & F-SERIES
34	127254-14-03A	EA	TRACK/WRAPAROUND - PASSENGER - GLACIER - F-SERIES
34	133235-01-04A	EA	TRACK - CURTAIN/LEFT HAND - GLACIER - P-SERIES
34	133236-01-04A	EA	TRACK - CURTAIN/RIGHT HAND - GLACIER - P-SERIES
35	132504-01-N92	EA	BRACKET - SHADE

CURTAIN & CUSHION GROUP (CONTINUED)

ACCESSORIES

KEY	PART NUMBER	U/M	DESCRIPTION
	140221-01-02B	EA	WASHER - SEAT BELT - E-COAT
	056271-01-000	EA	SEAT BELT - 2" X 102" - BLACK
	007021-01-000	EA	SEAT BELT - 2" X 90" - BLACK - F30W, F36M
	070578-02-N30	EA	BUTTON - SCREW - STUD - #30 VINYL
	118337-01-N37	EA	BUTTON - #60 - FABRIC COVERED (N37)
	118337-01-N31	EA	BUTTON - #60 - FABRIC COVERED (N38)
	118337-01-N05	EA	BUTTON - #60 - FABRIC COVERED (N39)
	118337-06-N37	EA	BUTTON - #60 - FABRIC COVERED
	118337-06-N38	EA	BUTTON - #60 - FABRIC COVERED
	118337-06-N39	EA	BUTTON - #60 - FABRIC COVERED
	074494-02-000	EA	BUTTON - RETAINING PIVOT - #60
	074494-03-000	EA	BUTTON - SERRATED PIVOT - W/3/8 TACK
	057534-03-000	EA	TIEBACK - CLEAR PLASTIC - 7.5"
	129491-01-000	EA	CATCH - SNAP HOOK - 1" - F32V, F34D, F36M



KEY	PART NUMBER	U/M	DESCRIPTION
1*	091990-04-01A	EA	SEAT BELT/SHOULDER HARNESS - DRIVERS/PASSENGER - BLACK
2	109146-01-000	EA	BOLT - SHOULDER/SEAT BELT
3	095076-02-000	EA	WASHER - FL - 7/16"ID X 2"OD X .06

CURTAIN & CUSHION GROUP (CONTINUED)
COMPONENT PARTS FOR ACCESSORIES

091990-04-01A

KEY	PART NUMBER	U/M	DESCRIPTION	VENDOR NO.
	091990-01-701	EA	EXTENDER 9" FOR A8408 3 PT	I-1331-02
	091990-01-703	EA	RECEIVER/FEMALE END-SEATBELT	I-1159-02
	091990-05-700	EA	SLEEVE/BUCKLE COVER-PLASTIC	209S-2
	091990-05-701	EA	CAP/COVER - BOLT HOLE COVER	209SC-02
	091990-05-702	EA	SLEEVE/RETRACTABLE COVER	309C-02
	091990-05-703	EA	EXTENDER 12"	I-1442-02

CURTAIN & CUSHION GROUP (CONTINUED)

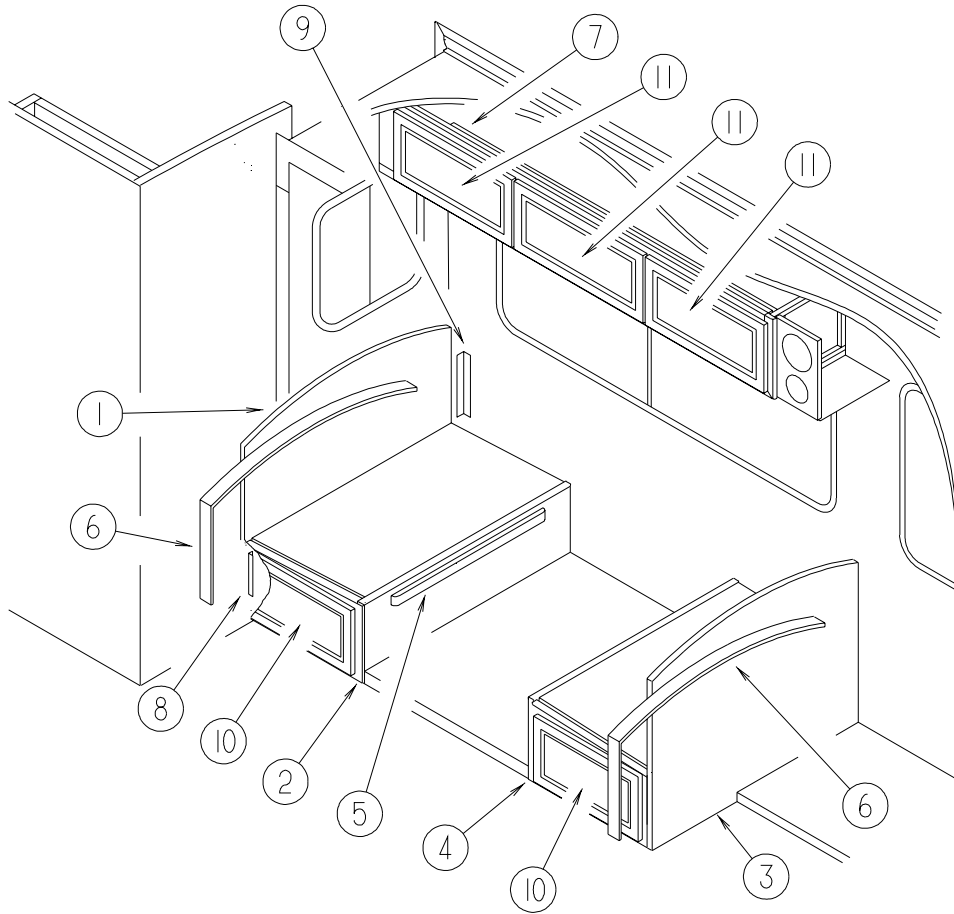
FABRICS

FAMILY	N37 ARBOR	N38 CLOUDBURST	N39 BAYWATER
SUNRISE BASEMENT BUCKET	582 BUSR FLEXSTEEL 126883-50-000	582 BUSR FLEXSTEEL 126883-B6-000	582 BUSR FLEXSTEEL 126883-42-000
	*OPTIONAL LEATHER	*OPTIONAL LEATHER	*OPTIONAL LEATHER
	ANTIQUE PEARL 079680-36	ANTIQUE PEARL 079680-36	ANTIQUE PEARL 079680-36
DINETTE	CLUB 126883-99-000	CLUB 126883-A4-000	CLUB 126883-F0-000
DINETTE CHAIRS & STACKAMORES	FLEX.C155&STACKAMORES 126883-50-000	FLEX.C155&STACKAMORES 126883-B6-000	FLEX.C155&STACKAMORES 126883-42-000
DINETTE PADS	126883-50-000	126883-B6-000	126883-42-000
SOFA	800 REST EASY/4030-66EB 126883-99-000	800 REST EASY/4030-66EB 126883-A4-000	800 REST EASY/4030-66EB 126883-E8-000
LOUNGE CHAIR	582 FRST FLEXSTEEL 126883-50-000	582 FRST FLEXSTEEL 126883-B6-000	582 FRST FLEXSTEEL 126883-F0-000
LOUNGE WINDOWS	CUFFED VALANCE 126883-99/126883-50	CUFFED VALANCE 126883-A4/126883-B6	CUFFED VALANCE 126883-E8/126883-42
	OVERLAY/UNDERLAY	OVERLAY/UNDERLAY	OVERLAY/UNDERLAY
	LEGS & BUTTONS 126883-50-000	LEGS & BUTTONS 126883-B6-000	LEGS & BUTTONS 126883-42-000
LOUNGE PILLOWS	18" SQ. W/WELT 126883-50-000	18" SQ. W/WELT 126883-B6-000	18" SQ. W/WELT 126883-42/126883-E8
BEDROOM WINDOWS	MILAN VALANCE 105745-R2/105745-P9	MILAN VALANCE 105745-T6/105745-T5	MILAN VALANCE 105745-Y3/105745-X3
	OVERLAY/UNDERLAY	OVERLAY/UNDERLAY	OVERLAY/UNDERLAY
	BUTTONS 105745-P9-000	BUTTONS 105745-T5-000	BUTTONS 105745-X3-000
	FLUSH LEGS 105745-R2	FLUSH LEGS 105745-T6	FLUSH LEGS 105745-Y3
BEDSPREAD 6" CHANNEL QUILT	BEDCAP W/.5" NON-GATH ACCENT WELT 105745-P9/105745-R2	BEDCAP W/.5" NON-GATH ACCENT WELT 105745-T5/105745-T6	BEDCAP W/.5" NON-GATH ACCENT WELT 105745-X3/105745-Y3
SHAMS	NON-QUILTED W/.5" NON-GATH. ACCENT WELT 105745-P9/105745-R2	NON-QUILTED W/.5" NON-GATH. ACCENT WELT 105745-T5/105745-T6	NON-QUILTED W/.5" NON-GATH. ACCENT WELT 105745-X3/105745-Y3

CURTAIN & CUSHION GROUP (CONTINUED)
FABRICS (CONTINUED)

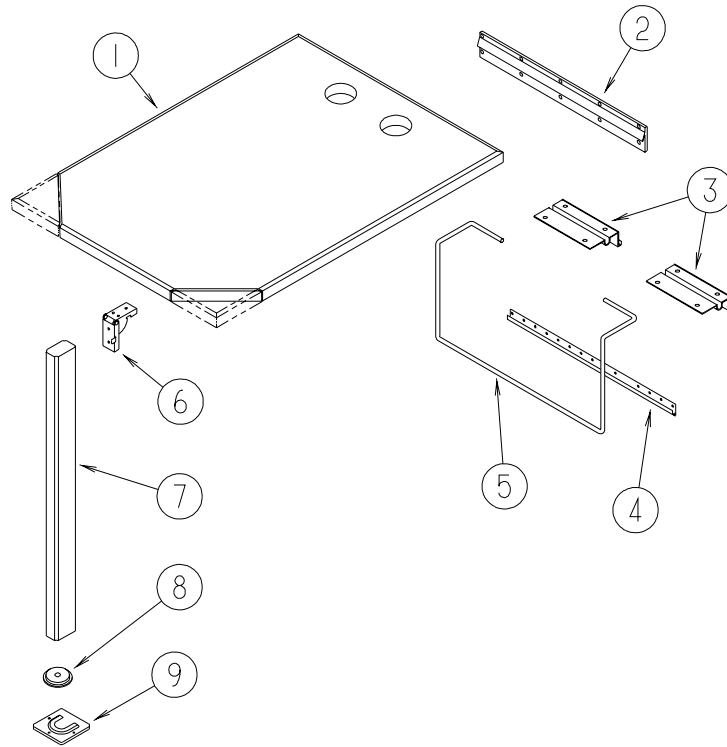
SUNRISE BASEMENT	N37 ARBOR	N38 CLOUDBURST	N39 BAYWATER
BEDRM. PILLOW	18" SQ. GATH. W/.5"	18" SQ. GATH. W/.5"	18" SQ. GATH. W/.5"
	NON-GATH. MAIN WELT	NON-GATH. MAIN WELT	NON-GATH. MAIN WELT
	105745-R2/105745-P9	105745-T6/105745-T5	105745-Y3/105745-X3
DAY-NITERS	COTTON/WHT. DECO	COTTON/WHT. DECO	COTTON/WHT. DECO
LGE. & BEDROOM	094911-53/094911-50	094911-53/094911-50	094911-53/094911-50
GALLEY MINI BLIND	386 SNOCAP	386 SNOCAP	386 SNOCAP
OVHD. INSERTS	126883-50-000	126883-B6-000	126883-42-000
LOUNGE & BEDRM.	105745-R2-000	105745-T6-000	105745-Y3-000
FLOOR MATS	096060-G5-000 CARPET	096060-G7-000 CARPET	096060-E6-000 CARPET
	102695-24-000 TAPE	102695-24-000 TAPE	102695-24-000 TAPE
FRONT WRAP	072333-85-000	072333-85-000	072333-85-000
	CLOUDS MUSHROOM	CLOUDS MUSHROOM	CLOUDS MUSHROOM
SUNVISORS	GLACIER	GLACIER	GLACIER
	123298-04-05A	123298-04-05A	123298-04-05A

DINETTE GROUP CABINETS



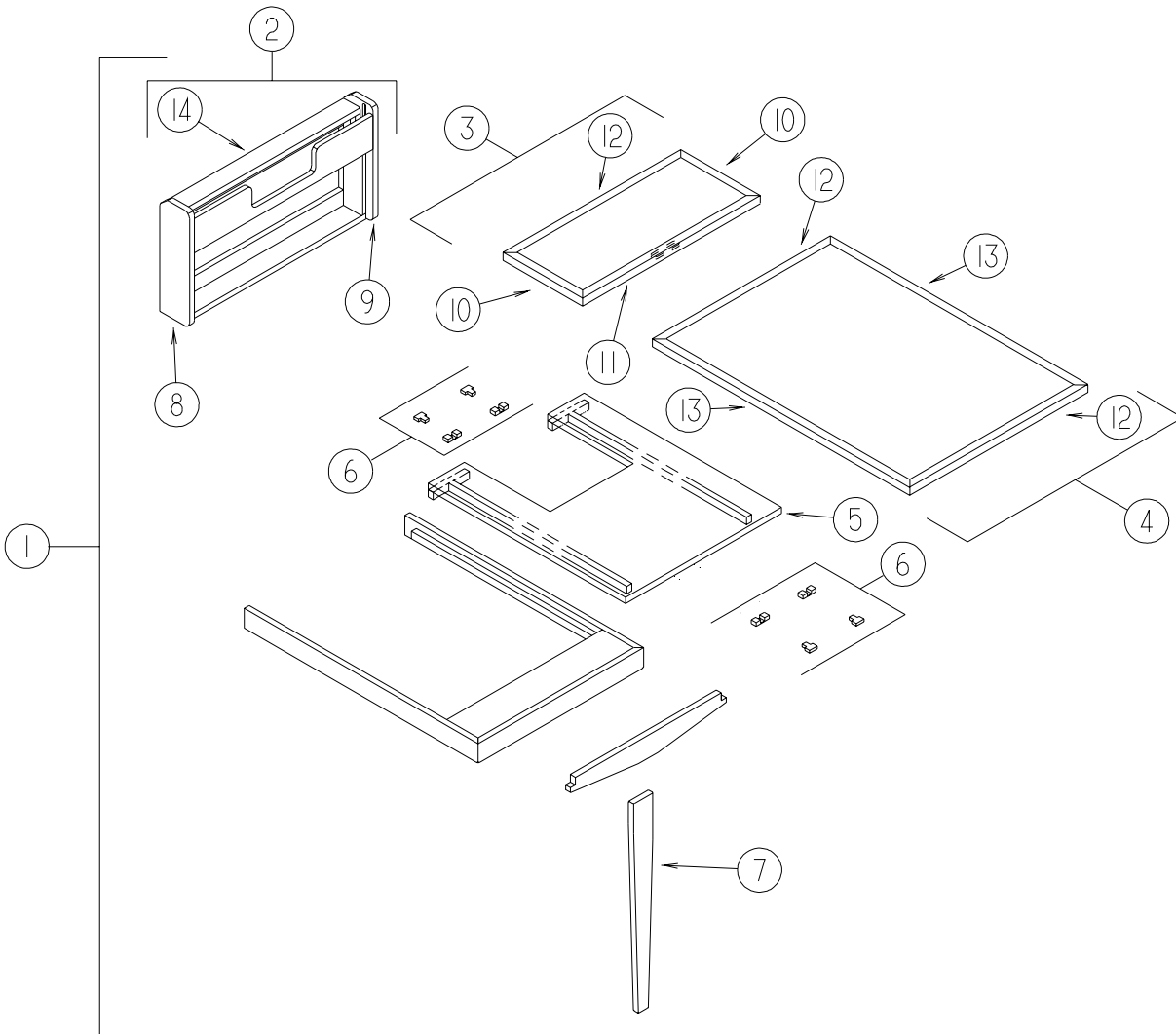
KEY	PART NUMBER	U/M	DESCRIPTION
1	M08756-18-M30	EA	CABINET/SEATABASE - LEFT HAND - W/O DOOR/DRAWER/HARDWARE
2	M08755-06-M30	EA	CABINET/SEATABACK - LEFT HAND
3	M08755-05-M42	EA	CABINET/SEATABACK - RIGHT HAND
4	M08756-17-N21	EA	CABINET/SEATABASE - RIGHT HAND - W/O DOOR/DRAWER/HARDWARE
5	081295-01-N70	EA	SUPPORT - BED/DINETTE - 28" LONG
6	104787-08-L36	EA	PAD - DINETTE SEATABACK (N37)
6	104787-08-M23	EA	PAD - DINETTE SEATABACK (N38)
6	104787-08-L46	EA	PAD - DINETTE SEATABACK (N39)
7	139122-01-N30	EA	CABINET - OVERHEAD/DINETTE - W/O DOORS/HARDWARE
8	122021-01-02A	EA	ANGLE - W/HOLES - 8.6" LONG - OFF WHITE
			FROM: 00-00-00 THRU: 09-23-01
8	122021-09-02A	EA	ANGLE - W/HOLES - OFF WHITE
			FROM: 09-24-01 THRU: 99-99-99
9	122021-02-02A	EA	ANGLE - W/HOLES - 13.7" LONG - OFF WHITE
10	134783-02-N04	EA	DOOR - RAIL/SOLID PANEL - 10" X 19.1" - W/O HARDWARE
11	134781-59-N04	EA	DOOR - RAIL/VENEER - 10" X 19.1" - W/O HARDWARE

DINETTE GROUP (CONTINUED) TABLE



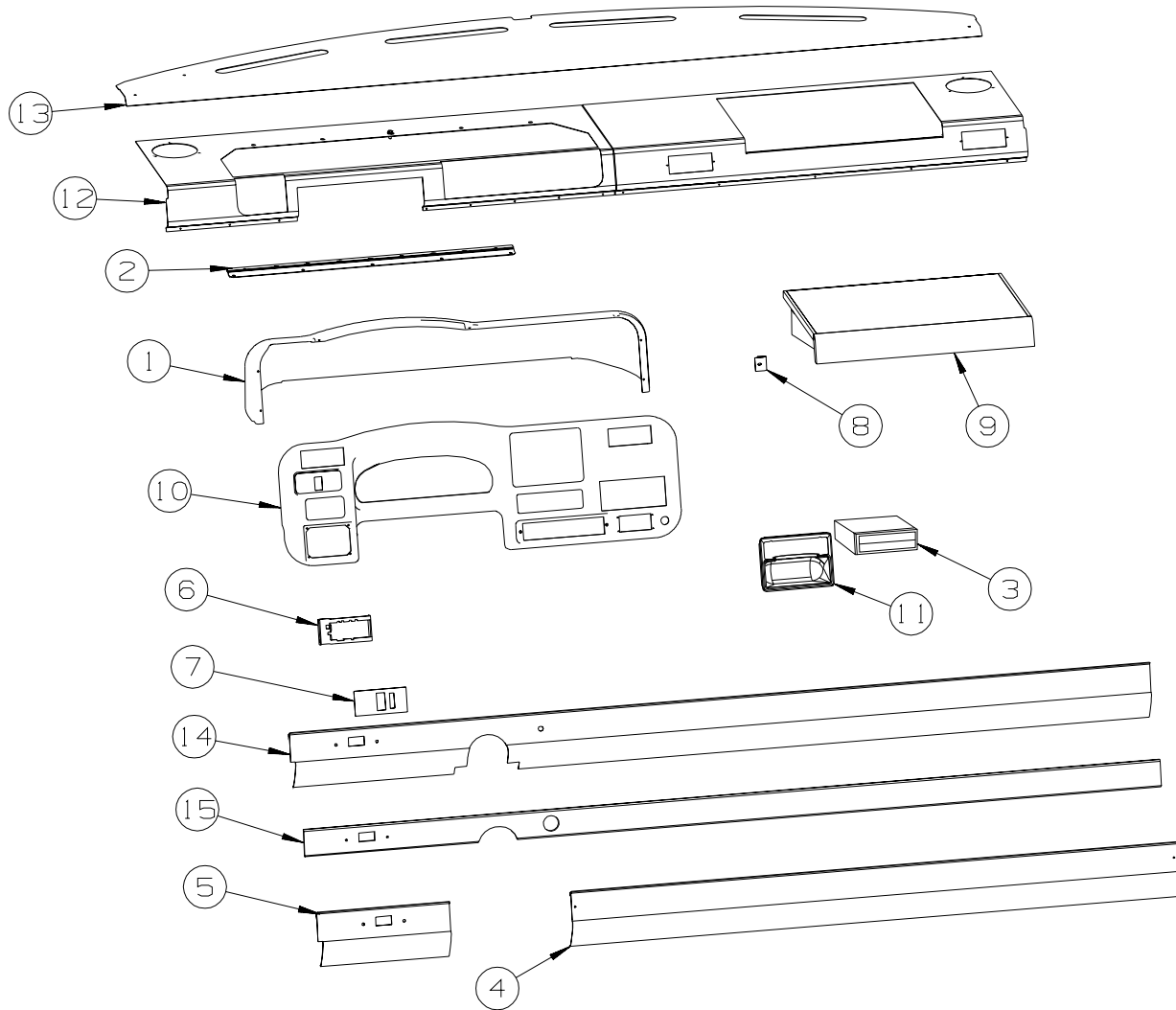
KEY	PART NUMBER	U/M	DESCRIPTION
1	132034-14-N30	EA	TABLE TOP ONLY - 27" X 41" (N37) - F30W
1	132034-14-N31	EA	TABLE TOP ONLY - 27" X 41" (N38) - F30W
1	132034-14-N32	EA	TABLE TOP ONLY - 27" X 41" (N39) - F30W
1	132034-12-N30	EA	TABLE TOP ONLY - 24" X 41.6" (N37) - F32V, F34D, F36M
1	132034-12-N31	EA	TABLE TOP ONLY - 24" X 41.6" (N38) - F32V, F34D, F36M
1	132034-12-N32	EA	TABLE TOP ONLY - 24" X 41.6" (N39) - F32V, F34D, F36M
2	053200-13-000	EA	SUPPORT - TABLE - 18.5"
3	088410-02-000	EA	BRACKET - LIFT - TABLE MOUNTED
4	024281-15-000	EA	BRACKET/TABLE - LIFT ROD/LOWER WALL MOUNTED - 17.1"
5	024275-13-000	EA	ROD - TABLE LIFT - OFF/WHITE
6	093550-01-000	EA	BRACKET - HINGE - MOUNTS TO LEG & TABLE TOP - 1.7" X 2.6"
7	092707-04-10A	EA	LEG - TABLE - W/O HARDWARE - 27" - PORTSMOUTH OAK II
8	092593-01-05A	EA	CATCH - TABLE LEG - OFF/WHITE
9	049493-12-000	EA	CATCH - TABLE LEG/FLOOR MOUNTED - OFF WHITE

DINETTE GROUP (CONTINUED)
TABLE (CONTINUED)



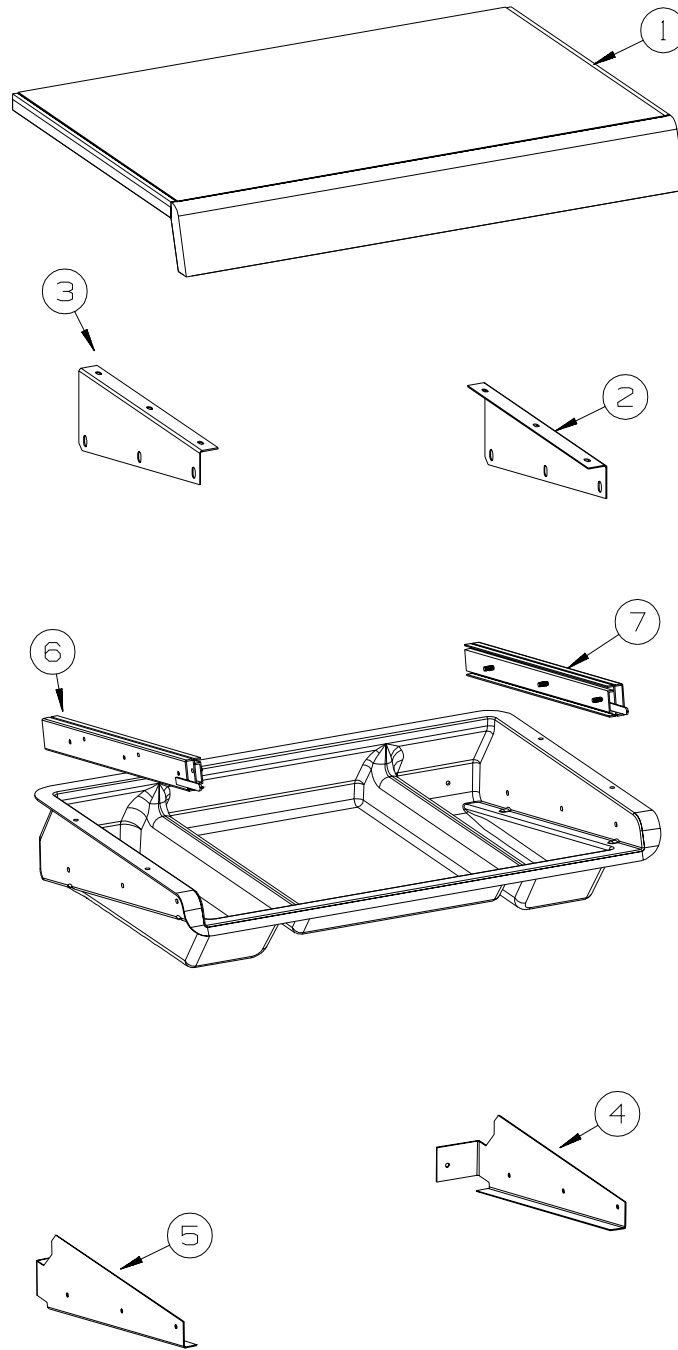
KEY	PART NUMBER	U/M	DESCRIPTION
1	133856-01-N42	EA	TABLE COMPLETE - LAMINATED - PORTSMOUTH OAK
2	133856-31-N42	EA	CABINET/WALL - W/O COUNTERTOP - F/PULLOUT TABLE
3	133856-12-N42	EA	TABLE TOP - SMALL HINGED SECTION - LAMINATED PORTSMOUTH OAK
4	133856-11-N42	EA	TABLE TOP - LARGE SECTION - LAMINATED PORTSMOUTH OAK
5	133856-17-N42	EA	SLIDE - TABLE TOP
6	009050-02-000	EA	LEVELER - TABLE TOP - MALE END W/4 SCREWS - PLASTIC
6	009050-03-000	EA	LEVELER - TABLE TOP - FEMALE END W/2 SCREWS - PLASTIC
7	133856-28-N42	EA	LEG - F/TABLE
8	133856-27-N42	EA	END - LEFT HAND - F/TABLE CABINET
9	133856-26-N42	EA	END - RIGHT HAND - F/TABLE CABINET
10	133856-15-N42	EA	TRIM - TABLE MOLDING - 12"
11	133856-16-N42	EA	TRIM - TABLE MOLDING - 23.8"
12	133856-14-N42	EA	TRIM - TABLE MOLDING - 23.8"
13	133856-13-N42	EA	TRIM - TABLE MOLDING - 41.2"
14	133856-23-N42	EA	COUNTERTOP - F/WALL CABINET - LAMINATED - PORTSMOUTH OAK

DRIVERS COMPARTMENT GROUP DASH



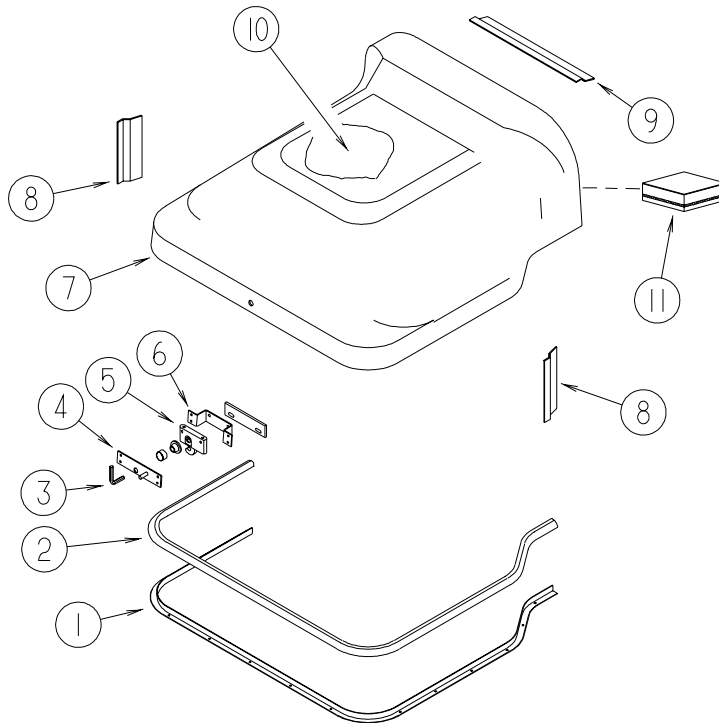
KEY	PART NUMBER	U/M	DESCRIPTION
1	132080-01-03A	EA	POD - INSTRUMENT PANEL - W/O HOLE - PUTTY
2	129813-02-02A	EA	HINGE - DASH - GLACIER
3	096776-03-000	EA	STORAGE BOX - CD'S - 4 DISC HOLDER
4	111528-10-05A	EA	TRIM - DASH/LOWER - PASSENGER - GLACIER - FORD
5	111528-11-05A	EA	TRIM - DASH/LOWER - DRIVER - GLACIER - FORD
6	133849-01-02B	EA	MOUNT - HEADLAMP SWITCH - E-COATED
7	134088-01-01A	EA	APPLIQUE - SWITCH - HEADLAMP - BLACK
8	134257-02-02B	EA	CLIP - RETAINER - BEZEL - E-COATED
9	135298-01-N42	EA	TABLE COMPLETE - WORKSTATION - PORTSMOUTH OAK
10	138611-02-01A	EA	BEZEL - INSTRUMENT PANEL - BLACK - FORD
10	138612-02-01A	EA	BEZEL - INSTRUMENT PANEL - BLACK - WORKHORSE
11	111350-01-01A	EA	POCKET - INSTRUMENT PANEL - UPPER - BLACK
12	132128-01-02B	EA	DASH - E-COATED - FORD W/O WORKSTATION
12	132128-03-02B	EA	DASH - E-COATED - WORKHORSE W/O WORKSTATION
12	135096-01-02B	EA	DASH - E-COAT - FORD W/WORKSTATION
12	135096-03-02B	EA	DASH - E-COAT - WORKHORSE W/WORKSTATION
	106569-11-03A	EA	VINYL - LAMINATE - 1/4" X 25" X 100" - GLACIER
13	132126-02-02B	EA	PANEL - DASH TOP - E-COATED
14	133776-01-05A	EA	TRIM - DASH/LOWER - DRIVER - GLACIER - WORKHORSE
15	NOT USED		
	138620-01-02B	EA	BRACKET - RADIO SUPPORT - E-COATED
			FROM: 00-00-00 THRU: 07-13-01
	109235-01-01A	FT	COVER - SCREW - MAT BLACK
	115870-01-000	FT	SEAL - TRIM - EDGE
	076767-05-000	EA	CABLE - STAINLESS STEEL - 15.5"

DRIVERS COMPARTMENT GROUP (CONTINUED)
DASH (CONTINUED)



KEY	PART NUMBER	U/M	DESCRIPTION
1	135122-01-N42	EA	TABLE TOP - PULLOUT/WORKSTATION - OAK/PORTSMOUTH OAK
2	135132-01-02B	EA	ANGLE - SLIDE - RIGHT HAND - E-COATED
3	135132-02-02B	EA	ANGLE - SLIDE - LEFT HAND - E-COATED
4	135228-01-02B	EA	ANGLE - SLIDE - TRAY/RIGHT HAND - E-COATED
5	135228-02-02B	EA	ANGLE - SLIDE - TRAY/LEFT HAND - E-COATED
6	135314-01-01A	EA	SLIDE - DASH WORK STATION - RIGHT HAND
7	135314-02-01A	EA	SLIDE - DASH WORK STATION - LEFT HAND

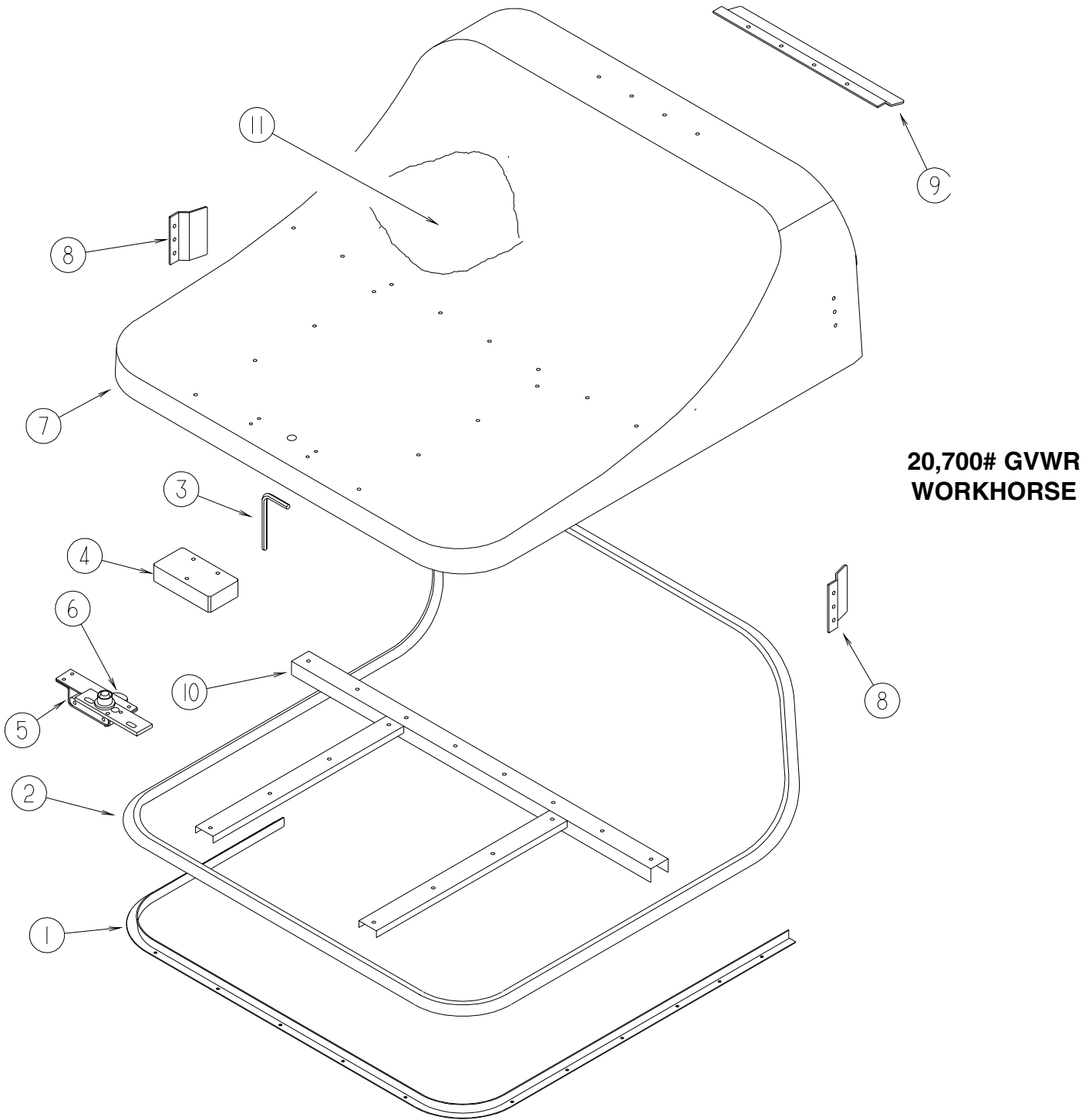
DRIVERS COMPARTMENT GROUP (CONTINUED)
MOTOR COVER



**ALL FORD &
WORKHORSE
BUT 20,700#
GVWR
WORKHORSE**

KEY	PART NUMBER	U/M	DESCRIPTION
1	115860-05-01A	EA	TRIM - MOTOR COVER - MILL FINISH - FORD - FORD
1	115860-04-01A	EA	TRIM - MOTOR COVER - WORKHORSE
2	039623-01-000	FT	SEAL - MOTOR COVER - RUBBER BULB TYPE
3	116833-01-02B	EA	WRENCH - HEX MOTOR COVER - E-COATED
4	115852-01-02B	EA	STRIKE - LATCH - MOTOR COVER - E-COATED
5	116581-01-000	EA	LATCH - W/O STRIKE - MOTOR COVER
6	115850-01-02B	EA	RETAINER - LATCH - MOTOR COVER - RIGHT HAND - E-COATED
7	129099-04-01A	EA	COVER - MOTOR - W/O CARPET - 00 FORD - FORD
7	129099-02-01A	EA	COVER - MOTOR - W/O CARPET - CHEVY P32 CHASSIS - WORKHORSE
8	115855-02-02B	EA	RETAINER - MOTOR COVER/SIDE - E-COATED
9	115855-03-02B	EA	RETAINER - MOTOR COVER/TOP - E-COATED
			FROM: 00-00-00 THRU: 07-08-01
9	115855-01-02B	EA	RETAINER - MOTOR COVER/TOP - E-COATED
			FROM: 07-09-01 THRU: 99-99-99
10	NOT USED		
11	NOT USED		

DRIVERS COMPARTMENT GROUP (CONTINUED)
MOTOR COVER (CONTINUED)

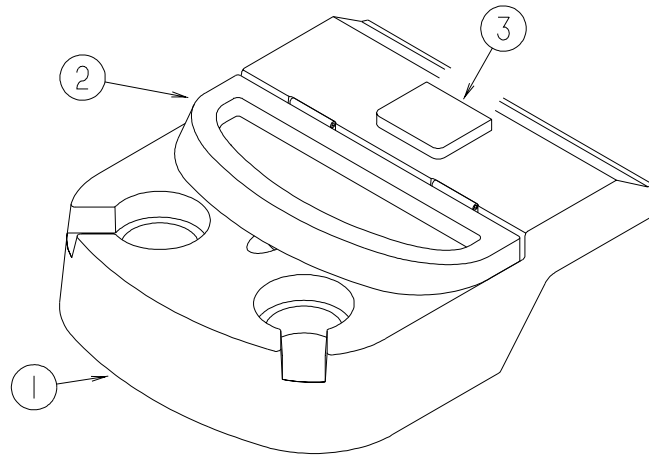


KEY	PART NUMBER	U/M	DESCRIPTION
1	137332-01-01A	EA	TRIM - MOTOR COVER
2	039623-01-000	FT	SEAL - MOTOR COVER - RUBBER BULB TYPE
3	116833-01-02B	EA	WRENCH - HEX MOTOR COVER - E-COATED
4	137305-02-02B	EA	BRACKET - STRIKE SUPPORT - E-COATED
5	116581-01-000	EA	LATCH - W/O STRIKE - MOTOR COVER
6	115850-01-02B	EA	RETAINER - LATCH - MOTOR COVER - RIGHT HAND - E-COATED
7	137096-01-01A	EA	COVER - MOTOR - W/O CARPET
8	115855-04-02B	EA	RETAINER - MOTOR COVER - E-COATD
9	115855-03-02B	EA	RETAINER - MOTOR COVER/TOP - E-COATED
10	130127-02-02B	EA	SUPPORT - MOTOR COVER - E-COATED
11	134497-01-000	SF	FOIL/ALUMINUM - REINFORCED

FROM: 09-10-01 THRU: 99-99-99

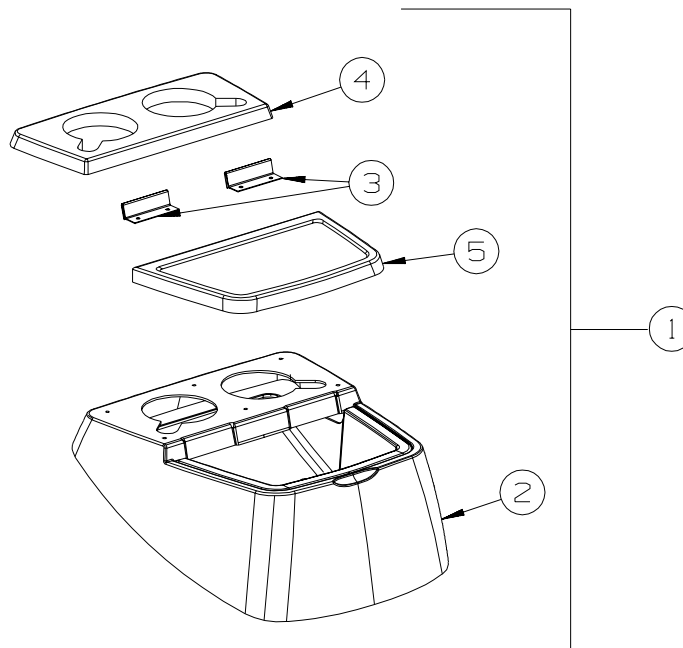
DRIVERS COMPARTMENT GROUP (CONTINUED)

BEVERAGE TRAY



**ALL FORD &
WORKHORSE
BUT 20,700#
GVWR
WORKHORSE**

KEY	PART NUMBER	U/M	DESCRIPTION
1	128114-01-04A	EA	TRAY/BEVERAGE - GLACIER
2	128113-01-N21	EA	LID - BEVERAGE TRAY
3	118719-01-01A	EA	ASHTRAY - TOP MOUNT - BLACK PLASTIC
	126010-01-03A	EA	SPACER - BEVERAGE TRAY - GLACIER - 18,000# GVW WORKHORSE

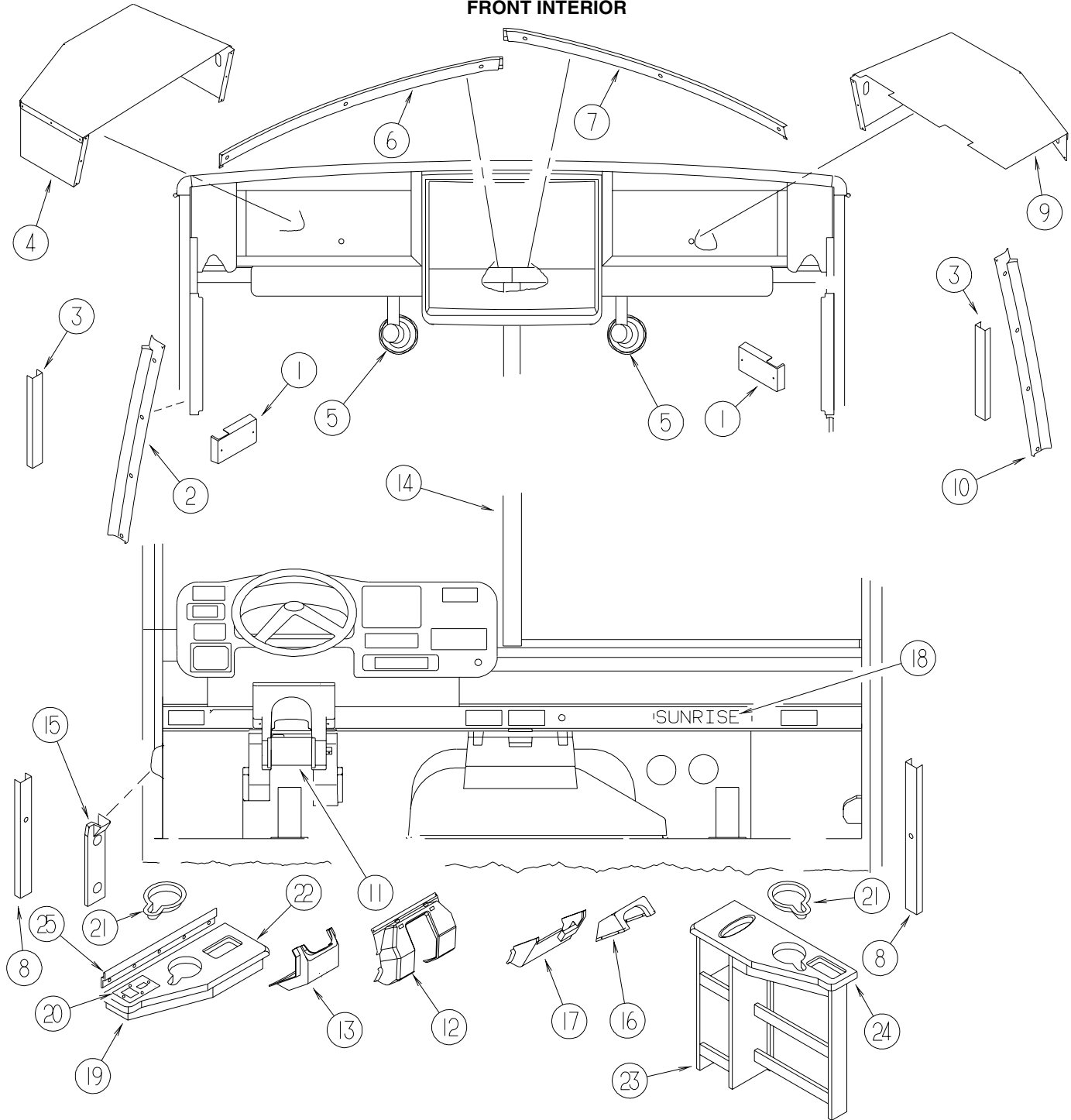


**20,700# GVWR
WORKHORSE**

KEY	PART NUMBER	U/M	DESCRIPTION
1	139275-01-N52	EA	TRAY - BEVERAGE
2	139268-01-01A	EA	TRAY - BEVERAGE - GLACIER
3	139279-01-04B	EA	HINGE - BLACK
4	139296-01-01A	EA	LID - BEVERAGE TRAY - OYSTER GREY
5	139285-01-01A	EA	LID/DOOR - OYSTER GREY

DRIVERS COMPARTMENT GROUP (CONTINUED)

FRONT INTERIOR

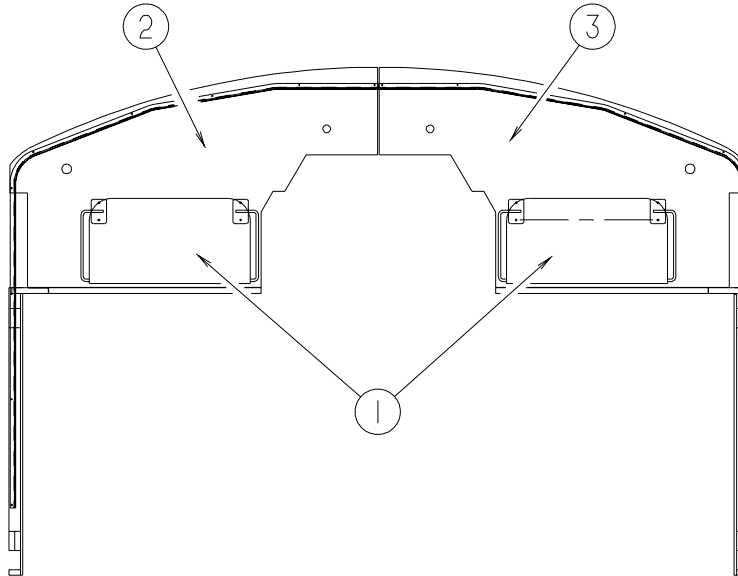


KEY	PART NUMBER	U/M	DESCRIPTION
1	103961-03-01A	EA	COVER - BRACKET - SEATBELT/OFF WHITE
2	125508-02-03A	EA	TRIM - A-PILLAR - DRIVER/INTERIOR - GLACIER
3	024700-38-000	EA	COVER - ROLL BAR - U-CHANNEL - 15.25" PLASTIC
4	126457-07-M42	EA	PANEL - CLOSEOUT - OVERHEAD/FRONT/DRIVER
5	122856-01-01A	EA	FAN-DEFROSTER-2 SPEED W/SWIVEL BASE/NON-OSCILLATING-CHROME
6	118453-04-03A	EA	TRIM - WINDSHIELD - INNER/TOP/DRIVER - GLACIER
7	118453-03-03A	EA	TRIM - WINDSHIELD - INNER/TOP/PASSENGER - GLACIER
8	024700-65-000	EA	COVER - ROLL BAR - OFF WHITE
9	126457-06-M42	EA	PANEL - CLOSEOUT - OVERHEAD/FRONT/PASSENGER
10	125508-01-03A	EA	TRIM - A-PILLAR - PASSENGER/INTERIOR - GLACIER
11	103498-09-000	EA	BOOT - STEERING COLUMN - W/1/2 CIRCLE - WORKHORSE - F30W, F32V
12	131804-01-04A	EA	COVER - STEERING COLUMN - UPPER - GLACIER - FORD
13	125795-01-04A	EA	COVER - STEERING COLUMN/LOWER - GLACIER - FORD
14	118452-04-03A	EA	TRIM - WINDSHIELD - CENTER - GLACIER
15	127901-01-03A	EA	PANEL - TOEKICK/LEFT HAND - GLACIER

DRIVERS COMPARTMENT GROUP (CONTINUED)
FRONT INTERIOR (CONTINUED)

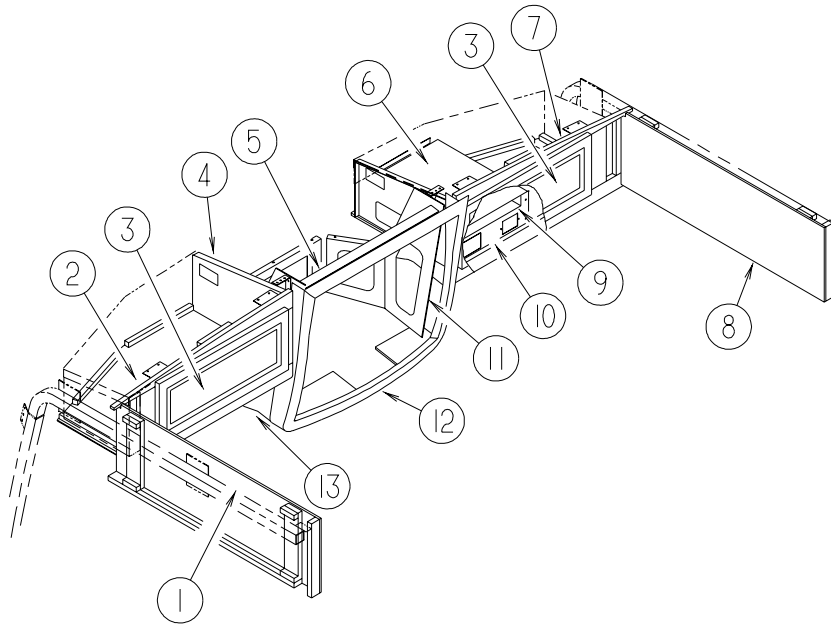
KEY	PART NUMBER	U/M	DESCRIPTION
16	137878-01-04A	EA	COVER - STEERING COLUMN - FRONT - GLACIER - WORKHORSE - F34D, F36M FROM: 00-00-00 THRU: 01-07-02
16	137878-02-04A	EA	COVER - STEERING COLUMN - FRONT - GLACIER - WORKHORSE - F34D, F36M FROM: 01-08-02 THRU: 99-99-99
17	137851-01-04A	EA	COVER - STEERING COLUMN - GLACIER - WORKHORSE - F34D, F36M
18	126340-02-02A	EA	DECAL - LOGO - SUNRISE - 3D - CHAMPAGNE BEIGE
19	137645-01-N30	EA	CABINET/ARMREST - LEFT HAND
20	137049-01-02B	EA	PLATE/SWITCH - HEATED/MIRROR - E-COAT
21	133831-01-01A	EA	HOLDER - CUP W/THREE CENTERLINE RUBBER FINGERS
22	137643-02-01A	EA	COUNTERTOP - WOOD/OYSTER GRAY
23	137644-01-N30	EA	CABINET/ARMREST - RIGHT HAND
24	137643-01-01A	EA	COUNTERTOP - WOOD/OYSTER GRAY
25	138280-01-02A	EA	SUPPORT - ARMREST - OFF WHITE - 18.7"
	105924-01-M42	EA	MAT - FLOOR - 18" X 27" (N37)
	105924-01-M23	EA	MAT - FLOOR - 18" X 27" (N38)
	105924-01-M78	EA	MAT - FLOOR - 18" X 27" (N39)

***COMPONENT PARTS LISTED LATER IN THIS GROUP**



KEY	PART NUMBER	U/M	DESCRIPTION
1	123298-04-05A	EA	SUNVISOR - 10.5" X 21" - DRIVER/PASSENGER - GLACIER
2	126440-17-N30	EA	PANEL - OVERHEAD/FRONT/BOTTOM/RIGHT HAND - VINYL COVERED
3	126440-18-N30	EA	PANEL - OVERHEAD/FRONT/BOTTOM/LEFT HAND - VINYL COVERED

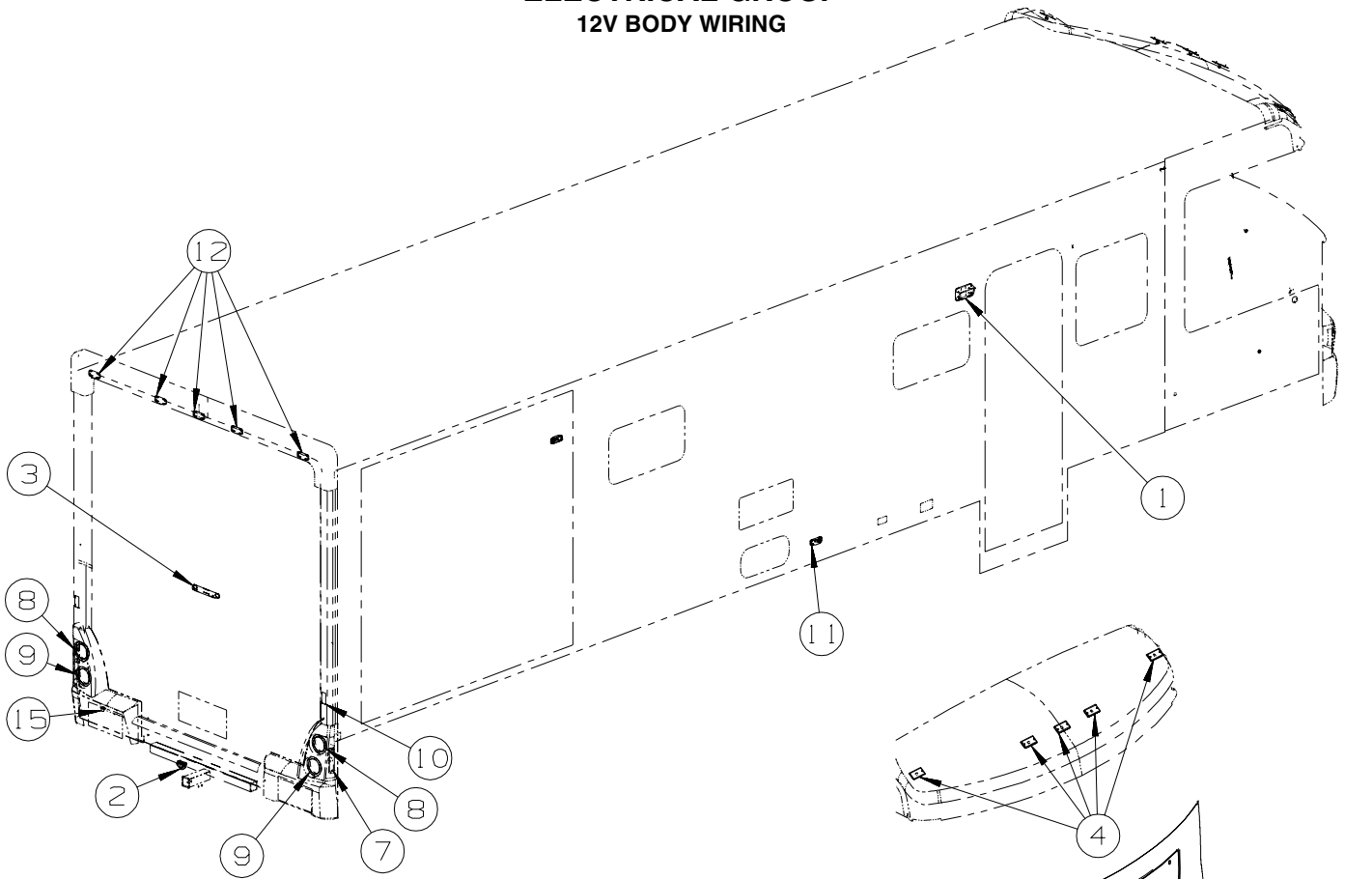
DRIVERS COMPARTMENT GROUP (CONTINUED) CABINETS



KEY	PART NUMBER	U/M	DESCRIPTION
1	126765-10-N30	EA	PANEL - OVERHEAD/DRIVER
2	132973-05-N30	EA	CABINET - OVERHEAD - FRONT - W/O DOORS/HARDWARE
3	134783-91-N37	EA	DOOR - RAIL/GLASS INSERT - 10.6" X 23.8" - W/O HARDWARE
4	132856-01-02B	EA	PANEL/SHELF - E-COATED
5	133790-08-02B	EA	STRAP - TIEDOWN - TV - E-COATED
6	126270-03-02B	EA	PANEL/SHELF - E-COATED
7	132973-04-N30	EA	CABINET - OVERHEAD - FRONT - W/O DOORS/HARDWARE
8	126765-09-N30	EA	PANEL - OVERHEAD/PASSENGER
9	118847-02-02B	EA	MOUNT - SWITCH BOX - E-COATED
10	131807-06-N42	EA	PANEL/SHELF/VINYL COVERED - W/ANTENNA/SWITCHBOX CUTOUT
10	131807-11-N42	EA	PANEL/SHELF/VINYL COVERED-W/ANT/SWITCHBOX/INVERTOR CUTOUT
11	130030-02-02B	EA	SUPPORT - TV - E-COATED
12	130020-02-03A	EA	COVER - TV/OVERHEAD/FRONT - W/O HARDWARE - GLACIER
13	P30021-03-N42	EA	COVER - TV - OVERHEAD/LOWER

ELECTRICAL GROUP

12V BODY WIRING

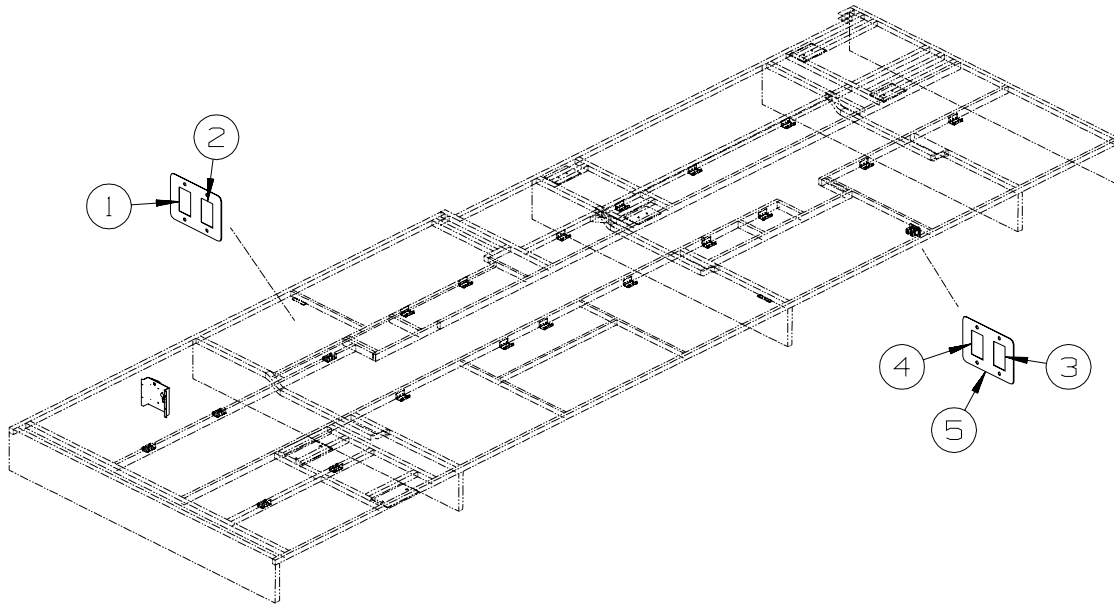


KEY	PART NUMBER	U/M	DESCRIPTION
1*	097917-01-06A	EA	LIGHT - PORCH - BRIGHT WHITE
	008215-01-000	EA	BULB - 12 VOLT - #1003 - .94 AMP
1*	008089-02-000	EA	LIGHT - PORCH - RECESSED - CANADIAN
	008214-01-000	EA	BULB - 12 VOLT - #67 - .59 AMP
2	113589-01-000	EA	CONNECTOR - PLUG - TRAILER
2	113589-02-000	EA	CONNECTOR - SOCKET - TRAILER
3	136916-01-000	EA	LIGHT - CENTER BRAKE - L.E.D.
4	132978-01-000	EA	LIGHT - CLEARANCE - AMBER
4	036196-01-000	EA	BULB - 12V - #194 - .27 AMP - BAYONETTE
5	126201-01-000	EA	LAMP - PASSENGER SIDE MARKER - AMBER
5	112708-02-000	EA	BULB - 12 VOLT #3157NA
5	112709-04-000	EA	SOCKET - LAMP - S8 WEDGE
6	126201-02-000	EA	LAMP - DRIVER SIDE MARKER - AMBER
6	112708-02-000	EA	BULB - 12 VOLT #3157NA
6	112709-04-000	EA	SOCKET - LAMP - S8 WEDGE
7	117826-01-000	EA	SIDE MARKER LAMP ASSEMBLY - RED
7	036196-01-000	EA	BULB - 12V - #194 - .27 AMP - BAYONETTE
8	138441-01-000	EA	LAMP - BRAKE/TAIL/TURN - 4 1/2" ROUND
9	138441-02-000	EA	LAMP - BACKUP - 4 1/2" ROUND
10	106646-02-000	EA	REFLECTOR - STICK ON - RED
11	111102-02-000	EA	LENS - AMBER - MARKER LAMP
11	111102-01-000	EA	BASE - MARKER LAMP
11	036196-01-000	EA	BULB - 12V - #194 - .27 AMP - BAYONETTE
12	111102-03-000	EA	LENS - RED - MARKER LAMP
12	111102-01-000	EA	BASE - MARKER LAMP
12	036196-01-000	EA	BULB - 12V - #194 - .27 AMP - BAYONETTE
13	126200-01-000	EA	HEADLAMP - PASSENGER W/BULB & ADJUSTERS
13	124163-01-000	EA	CLIP - HEADLAMP/MOUNTING BRACKET - FORD #E9DZ-13N129A
14	126200-02-000	EA	HEADLAMP - DRIVER W/BULBS & ADJUSTERS
14	124163-01-000	EA	CLIP - HEADLAMP/MOUNTING BRACKET - FORD #E9DZ-13N129A
15	087201-01-000	EA	LIGHT - HALF ROUND - 1" X 1.7" - PLASTIC - BLACK
	067789-02-000	EA	SOCKET - LAMP
	088758-01-000	EA	HOUSING - HEADLAMP - CONNECTOR TERMINAL W/3 WIRES

*COMPONENT PARTS LISTED LATER IN THIS GROUP

ELECTRICAL GROUP (CONTINUED)

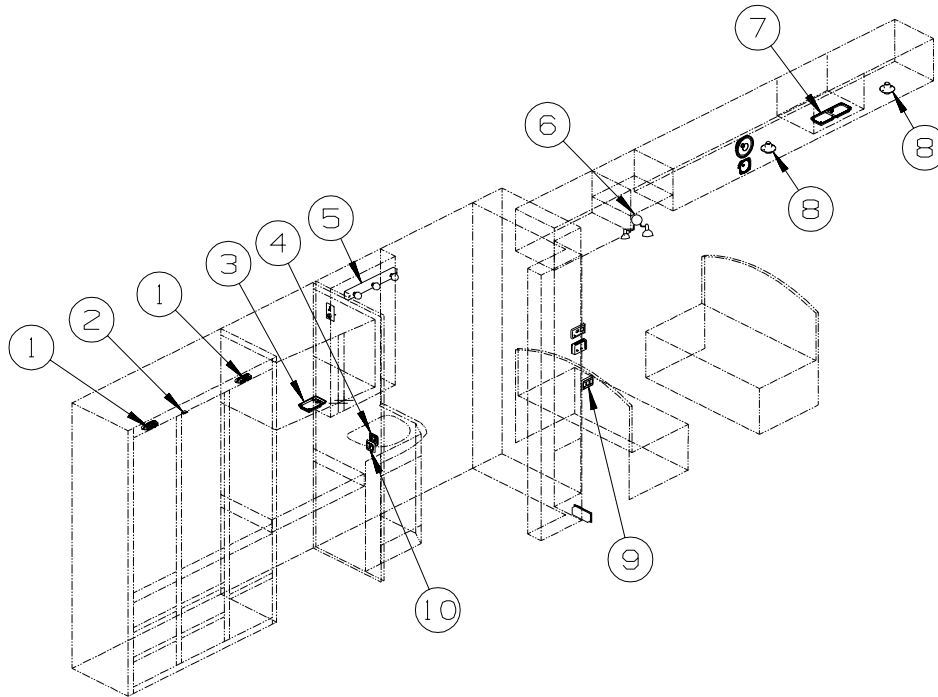
12V BODY WIRING (CONTINUED)



KEY	PART NUMBER	U/M	DESCRIPTION
1	108357-01-000	EA	SWITCH - ROCKER - SPST - ON/OFF - 2 TERMINAL
1	108356-02-01A	EA	COVER/ACTUATOR SWITCH - 2 ROWS DIMPLES- CONTURA II - BLACK
1	108355-01-000	EA	HOUSING - SWITCH
2	108357-15-000	EA	SWITCH - ROCKER - DPDT - ON/NONE/ON - LIGHTED
2	108356-04-01A	EA	COVER/ACTUATOR SWITCH - 2 ROWS DIMPLES W/LENS-CONTURA-BLK
2	108355-01-000	EA	HOUSING - SWITCH
3	108357-01-000	EA	SWITCH - ROCKER - SPST - ON/OFF - 2 TERMINAL
3	108356-14-01A	EA	COVER/ACTUATOR SWITCH - 3 GROOVES
3	108355-01-000	EA	HOUSING - SWITCH
4	108357-08-000	EA	SWITCH - ROCKER - DPDT - ON/NONE/ON - 6 TERMINAL
4	108356-11-01A	EA	COVER/ACTUATOR SWITCH - 3 GROOVES - AUX BATT - BLACK
4	108355-01-000	EA	HOUSING - SWITCH
5	098351-22-01A	EA	PLATE/SWITCH - 2 GANG - POLISHED BRASS
5	135167-01-02B	EA	BRACKET - COVER - SWITCH - E-COATED

ELECTRICAL GROUP (CONTINUED)

12V BODY WIRING (CONTINUED)

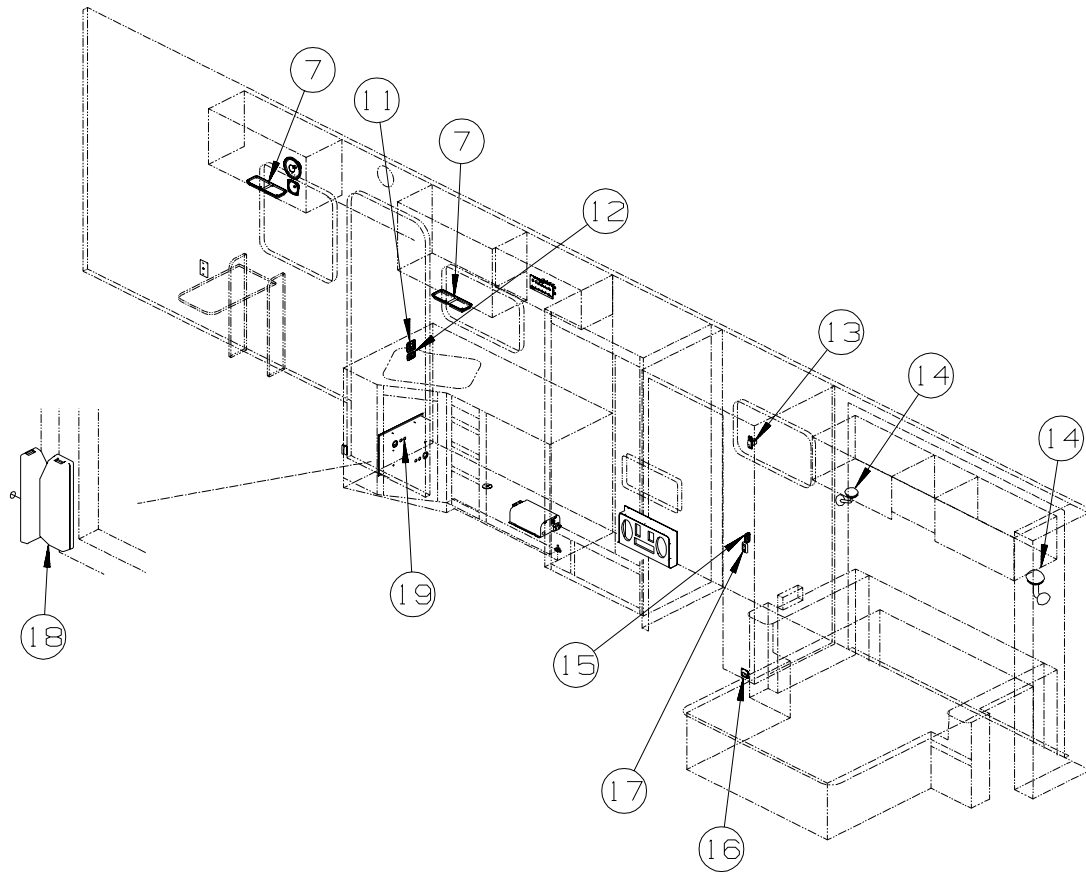


KEY	PART NUMBER	U/M	DESCRIPTION
1*	087694-01-000	EA	LIGHT - WARDROBE/CLOSET - W/SWITCH
2	056264-01-000	EA	SWITCH - LEAF ACTUATOR - CABINET DOOR JAMB
3*	137417-01-01A	EA	LIGHT - DOME - SINGLE - W/SWITCH/FROSTED LENS - WHITE
4	135740-01-01A	EA	SWITCH - ROCKER - SPST - ON/OFF - BROWN
4	135741-02-01A	EA	SWITCH - BASE - DOUBLE - BROWN
4	135742-20-01A	EA	BEZEL - SWITCH - SHOWER/MAKEUP - WHITE
5	138116-01-01A	EA	LIGHT/MAKE UP - 3 BULB - CURVED - W/O BULB - BRASS
5	123918-01-000	EA	BULB - 12V - MAKEUP WHITE
6	093575-20-01A	EA	LIGHT - CEILING/DOUBLE - UL/CSA
6	117805-01-000	EA	BULB - 12V - # 921F - 1.4 AMPS
7	137417-02-01A	EA	LIGHT - DOME - SINGLE - W/SWITCH/OPTIC LENS - WHITE
8	132427-01-01A	EA	LIGHT - READING/SWIVEL/ROUND - BRASS
8	123917-01-000	EA	BULB - 12V - HALOGEN SPOT
9	135740-01-02A	EA	SWITCH - ROCKER - SPST - ON/OFF - WHITE
9	135740-02-02A	EA	SWITCH - ROCKER - SPDT - ON/ON - WHITE
9	135741-03-01A	EA	SWITCH - BASE - TRIPLE - BROWN
9	135742-27-01A	EA	BEZEL - SWITCH - CEILING/DINETTE/GALLEY - WHITE
10	135740-01-01A	EA	SWITCH - ROCKER - SPST - ON/OFF - BROWN
10	135741-02-01A	EA	SWITCH - BASE - DOUBLE - BROWN
10	135742-16-01A	EA	BEZEL - SWITCH - HALL/CEILING - WHITE

*COMPONENT PARTS LISTED LATER IN THIS GROUP

ELECTRICAL GROUP (CONTINUED)

12V BODY WIRING (CONTINUED)



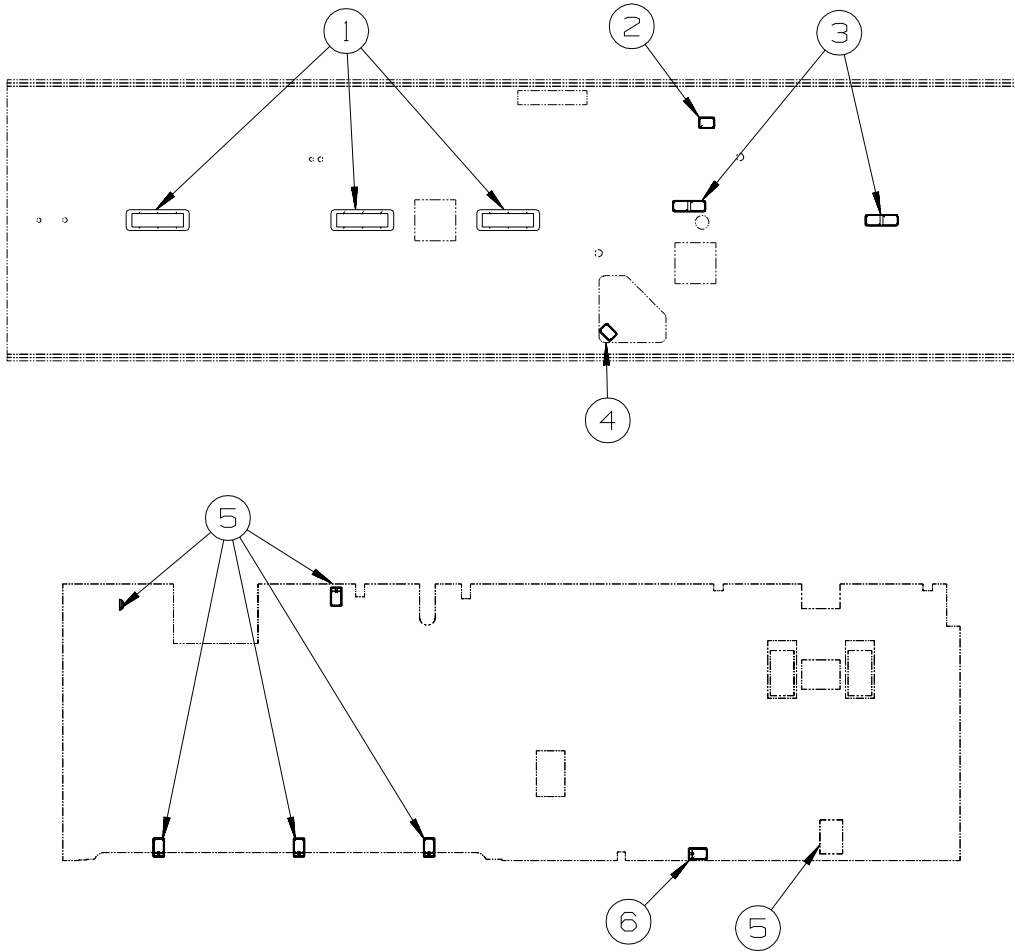
KEY	PART NUMBER	U/M	DESCRIPTION
1*	087694-01-000	EA	LIGHT - WARDROBE/CLOSET - W/SWITCH
2	056264-01-000	EA	SWITCH - LEAF ACTUATOR - CABINET DOOR JAMB
3*	137417-01-01A	EA	LIGHT - DOME - SINGLE - W/SWITCH/FROSTED LENS - WHITE
4	135740-01-01A	EA	SWITCH - ROCKER - SPST - ON/OFF - BROWN
4	135741-02-01A	EA	SWITCH - BASE - DOUBLE - BROWN
4	135742-20-01A	EA	BEZEL - SWITCH - SHOWER/MAKEUP - WHITE
5	138116-01-01A	EA	LIGHT/MAKE UP - 3 BULB - CURVED - W/O BULB - BRASS
5	123918-01-000	EA	BULB - 12V - MAKEUP WHITE
6	093575-20-01A	EA	LIGHT - CEILING/DOUBLE - UL/CSA
6	117805-01-000	EA	BULB - 12V - # 921F - 1.4 AMPS
7	137417-02-01A	EA	LIGHT - DOME - SINGLE - W/SWITCH/OPTIC LENS - WHITE
8	132427-01-01A	EA	LIGHT - READING/SWIVEL/ROUND - BRASS
8	123917-01-000	EA	BULB - 12V - HALOGEN SPOT
9	135740-01-02A	EA	SWITCH - ROCKER - SPST - ON/OFF - WHITE
9	135740-02-02A	EA	SWITCH - ROCKER - SPDT - ON/ON - WHITE
9	135741-03-01A	EA	SWITCH - BASE - TRIPLE - BROWN
9	135742-27-01A	EA	BEZEL - SWITCH - CEILING/DINETTE/GALLEY - WHITE
10	135740-01-01A	EA	SWITCH - ROCKER - SPST - ON/OFF - BROWN
10	135741-02-01A	EA	SWITCH - BASE - DOUBLE - BROWN
10	135742-16-01A	EA	BEZEL - SWITCH - HALL/CEILING - WHITE
11	135740-01-01A	EA	SWITCH - ROCKER - SPST - ON/OFF - BROWN
11	135741-02-01A	EA	SWITCH - BASE - DOUBLE - BROWN
11	135742-19-02A	EA	BEZEL - SWITCH - PORCH/CEILING - BROWN
12	135740-01-01A	EA	SWITCH - ROCKER - SPST - ON/OFF - BROWN
12	135741-01-01A	EA	SWITCH - BASE - SINGLE - BROWN
12	135742-11-02A	EA	BEZEL - SWITCH - STEP - BROWN
13	081994-10-000	EA	PLATE/SWITCH - SLIDEOUT
13	108357-06-000	EA	SWITCH - ROCKER - DPDT - MOM/OFF/MOM - 6 TERMINAL
13	108356-02-01A	EA	COVER/ACTUATOR SWITCH - 2 ROWS DIMPLES- CONTURA II - BLACK
13	108355-01-000	EA	HOUSING - SWITCH

ELECTRICAL GROUP (CONTINUED)

12V BODY WIRING (CONTINUED)

KEY	PART NUMBER	U/M	DESCRIPTION
14	119258-30-01A	EA	LAMP - WALL - BRASS W/GLASS SHADE - UL/CSA
14	117805-01-000	EA	BULB - 12V - # 921F - 1.4 AMPS
15	135740-01-02A	EA	SWITCH - ROCKER - SPST - ON/OFF - WHITE
15	135741-01-02A	EA	SWITCH - BASE - SINGLE - WHITE
15	135742-07-01A	EA	BEZEL - SWITCH - CEILING - WHITE
16*	108354-01-01A	EA	LIGHT - COURTESY
17	135740-01-02A	EA	SWITCH - ROCKER - SPST - ON/OFF - WHITE
17	135741-01-02A	EA	SWITCH - BASE - SINGLE - WHITE
17	135742-06-01A	EA	BEZEL - SWITCH - AISLE - WHITE
18	116995-02-000	EA	SWITCH/MAGNET - ELECTRIC STEP - BLACK/WHITE-CLOSED CIRCUIT
19	061424-01-000	EA	LIGHT - AISLE - 12 VOLT - RECTANGULAR

***COMPONENT PARTS LISTED LATER IN THIS GROUP**

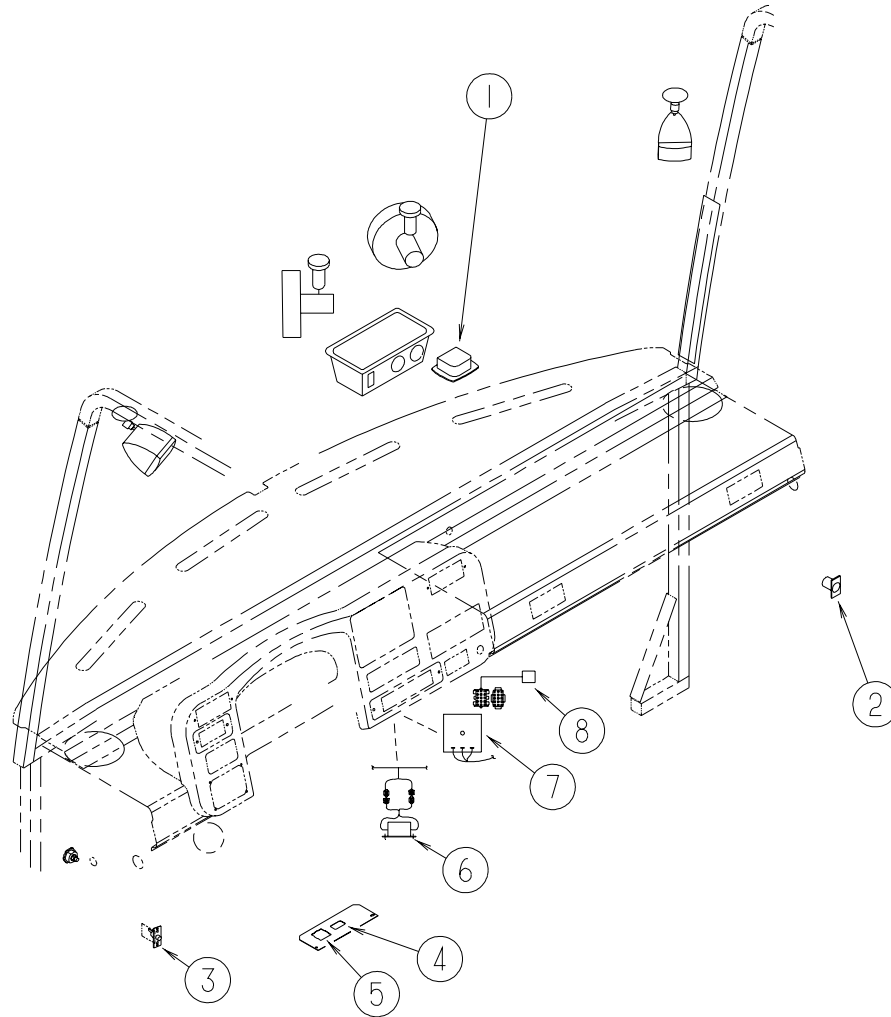


KEY	PART NUMBER	U/M	DESCRIPTION
1*	091937-08-000	EA	LIGHT-FLOURESCENT-12V/30 WATT RECESSED - W/O SWITCH
1	091937-03-000	EA	BULB - FLUORESCENT LIGHT - 12 VOLT
2	137417-03-01A	EA	LIGHT - DOME - SINGLE - W/FROSTED LENS - W/O SWITCH-WHITE
3*	137417-06-01A	EA	LIGHT - DOME - DOUBLE - W/FROSTED LENS - W/O SWITCH-WHITE
4*	121935-01-01A	EA	LIGHT - DOME - SHOWER
5*	137417-01-01A	EA	LIGHT - DOME - DOUBLE - W/FROSTED LENS - W/O SWITCH-WHITE
6*	086280-01-000	EA	LIGHT - SURFACE MOUNT - 12 VOLT

***COMPONENT PARTS LISTED LATER IN THIS GROUP**

ELECTRICAL GROUP (CONTINUED)

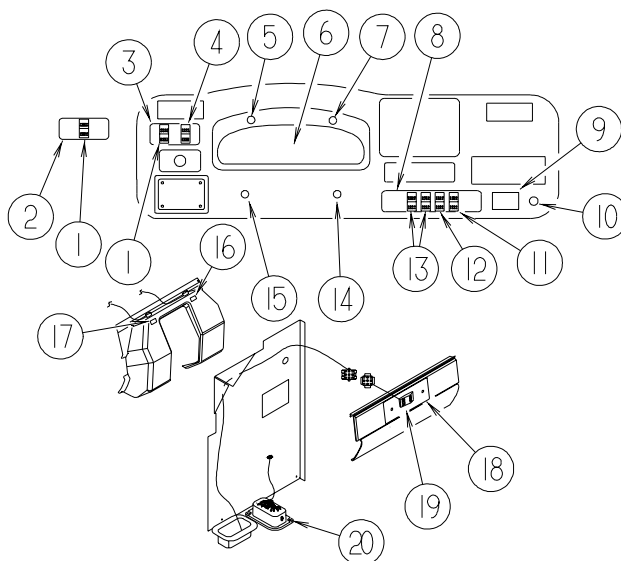
FRONT END WIRING



KEY	PART NUMBER	U/M	DESCRIPTION
1	135376-01-01A	EA	LIGHT - DOME - CAB - BLACK
2	132958-01-000	EA	RECEPTACLE - 12 VOLT - MOUNTING FLANGE - BLACK
3	NOT USED		
4	108357-14-000	EA	SWITCH - ROCKER - SPST - W/LIGHT - ON/OFF - 4 TERMINAL
4	108356-03-01A	EA	COVER/ACTUATOR SWITCH -3 GROOVES W/LIGHT-CONTRA III-BLACK
5	088246-01-000	EA	SWITCH/REMOTE MIRROR - W/2PIN & 6 PIN CONNECTORS/PIGTAIL
6	NOT USED		
7	133535-01-000	EA	MODULE - TIMER 20 SECOND - WARNING LIGHT - TS61120P
8	NOT USED		

ELECTRICAL GROUP (CONTINUED)

FRONT END WIRING (CONTINUED)



KEY	PART NUMBER	U/M	DESCRIPTION
1	108357-09-000	EA	SWITCH - ROCKER - SPDT - ON/NONE/MOM - 3 TERMINAL
1	108356-02-01A	EA	COVER/ACTUATOR SWITCH - 2 ROWS DIMPLES- CONTURA II - BLACK
1	108355-01-000	EA	HOUSING - SWITCH
2	132954-02-01A	EA	APPLIQUE - SWITCH - BATTERY BOOST
3	132954-03-01A	EA	APPLIQUE - SWITCH - BOOST/OVERDRIVE - F34D, F36M
4	108357-08-000	EA	SWITCH - ROCKER - DPDT - 0N/NONE/ON - 6 TERMINAL
4	108356-02-01A	EA	COVER/ACTUATOR SWITCH - 2 ROWS DIMPLES- CONTURA II - BLACK
4	108355-01-000	EA	HOUSING - SWITCH
5	NOT USED		
6	127244-10-000	EA	CLUSTER - INSTRUMENT PANEL - K/M - GAS - CANADIAN - WORKHORSE FROM: 00-00-00 THRU: 09-12-01
6	127244-14-000	EA	CLUSTER - INSTRUMENT PANEL - KILOMETERS/MILES - GAS - CSA - WORKHORSE FROM: 09-13-01 THRU: 99-99-99
6	094794-06-000	EA	CLUSTER - INSTRUMENT PANEL - KILO/FORD F53 - F5TD-10849-BB - FORD
7	NOT USED		
8	132047-02-02B	EA	INSERT - DASH/SWITCH-AUX FANS/RR HTR/RADIO PWR/GEN SW
8	132954-01-01A	EA	APPLIQUE - SWITCH - HEATER/RADIO/GENERATOR
9	NOT USED		
10	089294-01-000	EA	LIGHTER - CIGARETTE - W/SOCKET & WIRE
11	108357-10-000	EA	SWITCH - ROCKER - SPDT - W/LIGHT - MOM/NONE/MOM-5 TERMINAL
11	108356-04-01A	EA	COVER/ACTUATOR SWITCH - 2 ROWS DIMPLES W/LENS-CONTURA-BLK
11	108355-01-000	EA	HOUSING - SWITCH
11	096241-03-000	EA	SWITCH - BLANK - BLACK
12	108357-08-000	EA	SWITCH - ROCKER - DPDT - 0N/NONE/ON - 6 TERMINAL
12	108356-02-01A	EA	COVER/ACTUATOR SWITCH - 2 ROWS DIMPLES- CONTURA II - BLACK
12	108355-01-000	EA	HOUSING - SWITCH
13	108357-03-000	EA	SWITCH - ROCKER - SPDT - ON/OFF/ON - 3 TERMINAL
13	108356-02-01A	EA	COVER/ACTUATOR SWITCH - 2 ROWS DIMPLES- CONTURA II - BLACK
13	108355-01-000	EA	HOUSING - SWITCH
13	096241-03-000	EA	SWITCH - BLANK - BLACK
14	133534-02-000	EA	LIGHT - AMBER INDICATOR WITH 1/4" TERMINALS - WORKHORSE
15	133534-01-000	EA	LIGHT - RED INDICATOR WITH 1/4" TERMINALS - WORKHORSE
16	133534-02-000	EA	LIGHT - AMBER INDICATOR WITH 1/4" TERMINALS - FORD
17	133534-01-000	EA	LIGHT - RED INDICATOR WITH 1/4" TERMINALS - FORD
18	132891-02-02B	EA	PLATE/SWITCH - E-COATED
18	132946-01-01A	EA	APPLIQUE - SWITCH - SLIDEOUT
19	108357-06-000	EA	SWITCH - ROCKER - DPDT - MOM/OFF/MOM - 6 TERMINAL
19	108356-02-01A	EA	COVER/ACTUATOR SWITCH - 2 ROWS DIMPLES- CONTURA II - BLACK
19	108355-01-000	EA	HOUSING - SWITCH
20	118571-03-000	EA	BRACKET - MOUNTING
20	118571-04-000	EA	GASKET
	077031-03-000	EA	FILM - WHITE - .75" X 1"
	077031-01-000	EA	FILM - BLACK - .7"X1.75"
	100138-01-000	EA	MODULE - DAYTIME/RUNNING LIGHT - HAMSAR DRL #H8005B

ELECTRICAL GROUP (CONTINUED)
COMPONENT PARTS FOR LIGHTS & SWITCHES

008089-02-000

KEY	PART NUMBER	U/M	DESCRIPTION
	008089-01-700	EA	LENS-LIGHT, RECESSED, PORCH DECO

086280-01-000

KEY	PART NUMBER	U/M	DESCRIPTION	VENDOR NO.
	086280-01-700	EA	BULB, 12V	ARP1089

087694-01-000

KEY	PART NUMBER	U/M	DESCRIPTION	VENDOR NO.
	087694-01-700	EA	BULB	GE561

091937-08-000

KEY	PART NUMBER	U/M	DESCRIPTION	VENDOR NO.
	091937-08-700	EA	LENS - LIGHT - FLUORESCENT	D-766

097917-01-06A

KEY	PART NUMBER	U/M	DESCRIPTION	VENDOR NO.
	097917-01-700	EA	LENS-LIGHT, CLEAR	30-78-021

108354-01-01A

KEY	PART NUMBER	U/M	DESCRIPTION	VENDOR NO.
	108354-01-700	EA	BULB-COURTESY LIGHT	395-B

121935-01-01A

KEY	PART NUMBER	U/M	DESCRIPTION	VENDOR NO.
	121935-01-700	EA	LENS ONLY	809511

137417-01-01A

KEY	PART NUMBER	U/M	DESCRIPTION	VENDOR NO.
	137417-01-700	EA	LENS - SINGLE WHITE	810868

137417-02-01A

KEY	PART NUMBER	U/M	DESCRIPTION	VENDOR NO.
	137417-02-700	EA	LENS - SINGLE OPTIC	810844

137417-05-01A

KEY	PART NUMBER	U/M	DESCRIPTION	VENDOR NO.
	137417-05-700	EA	LENS - DOUBLE OPTIC	810845

137417-06-01A

KEY	PART NUMBER	U/M	DESCRIPTION	VENDOR NO.
	137417-06-700	EA	LENS - DOUBLE WHITE	810867

ELECTRICAL GROUP (CONTINUED)
CIRCUIT BREAKERS & FUSES

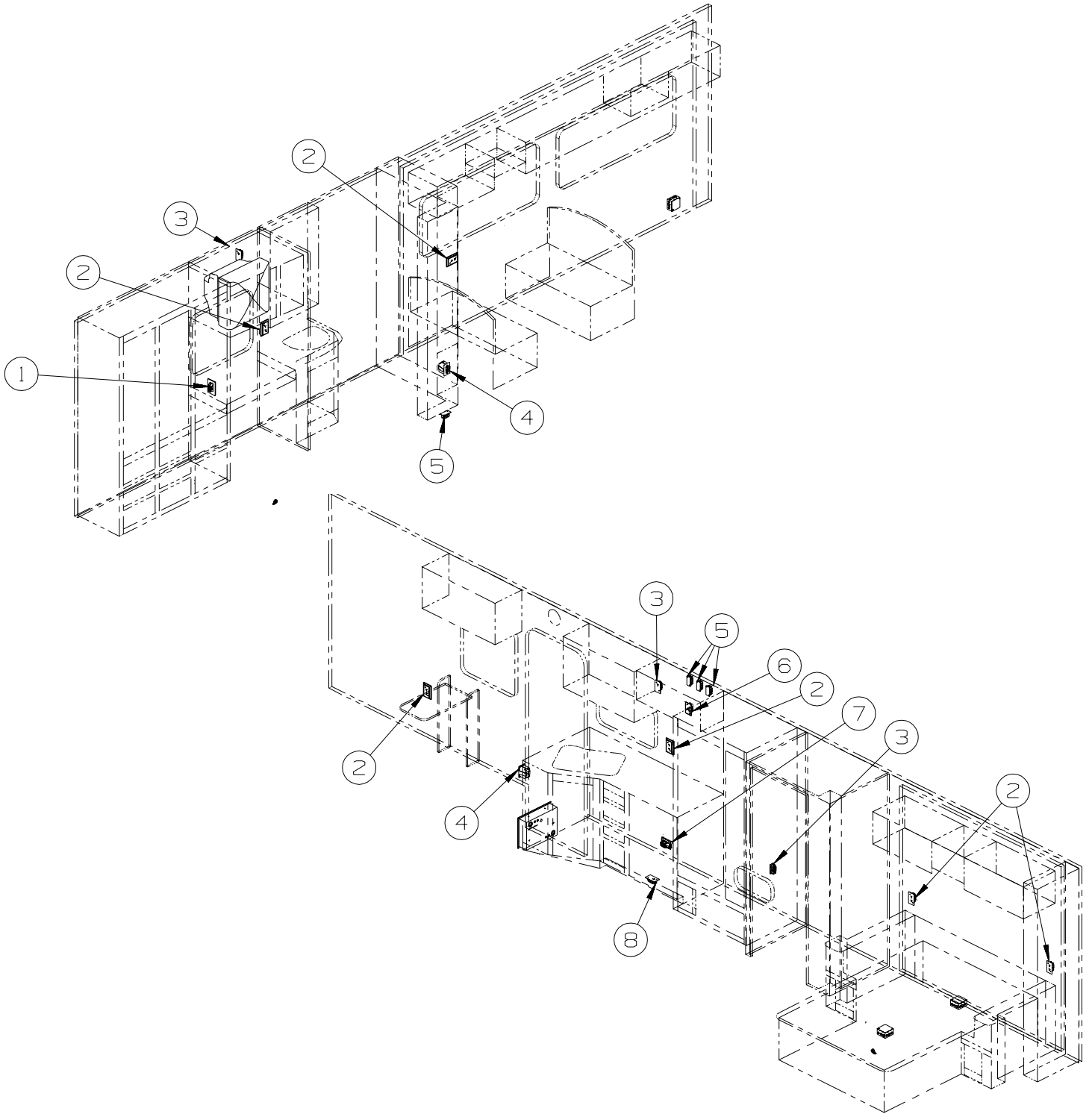
KEY	PART NUMBER	U/M	DESCRIPTION
	008233-01-000	EA	FUSE - 12 VOLT - 6 AMP
	008235-01-000	EA	FUSE - 15 AMP/12VOLT - AUTOMOTIVE
	033573-01-000	EA	CIRCUIT BREAKER W/MOUNT-20A, 12V - FASCO 1711-2026
	062037-02-000	EA	HOUSING - AUTO FUSE - GREEN
	062037-04-000	EA	HOUSING - AUTO FUSE - BLUE
	062037-07-000	EA	HOUSING - AUTO FUSE - RED
	062901-02-000	EA	FUSE - 5 AMP - AUTOMOTIVE
	062901-05-000	EA	FUSE - 15 AMP - AUTOMOTIVE
	062901-06-000	EA	FUSE - 20 AMP - AUTOMOTIVE
	062901-07-000	EA	FUSE - 25 AMP - AUTOMOTIVE
	062901-08-000	EA	FUSE - 30 AMP - AUTOMOTIVE
	083209-01-000	EA	CIRCUIT BREAKER - 15 AMP - 120 VOLT - CANADIAN
	083209-02-000	EA	CIRCUIT BREAKER - 15/15 AMP - 120 VOLT
	083209-03-000	EA	CIRCUIT BREAKER - 15/20 AMP - 120 VOLT
	083209-04-000	EA	CIRCUIT BREAKER - 30 AMP - 120 VOLT
	083209-05-000	EA	CIRCUIT BREAKER - 20 AMP - 120 VOLT
	083209-06-000	EA	CIRCUIT BREAKER - 30/15 AMP - 120 VOLT
	083209-07-000	EA	CIRCUIT BREAKER - 20/20 AMP - 120 VOLT
	083209-10-000	EA	CIRCUIT BREAKER - 20/30 AMP - 120 VOLT
	083209-11-000	EA	CIRCUIT BREAKER - 20/15 AMP - 120 VOLT
	092786-02-000	EA	BUSS BAR - 3.3" LONG
	092786-03-000	EA	BUSS BAR - 6.9" LONG
	092786-06-000	EA	BUSS BAR
	093654-01-000	EA	CIRCUIT BREAKER - 6 AMP - 12 VOLT - PUSH BUTTON - WHITE
	093654-02-000	EA	CIRCUIT BREAKER - 15 AMP - 12 VOLT - PUSH BUTTON - WHITE
	093654-03-000	EA	CIRCUIT BREAKER - 20 AMP - 12 VOLT - PUSH BUTTON - WHITE
	093654-11-000	EA	COVER - RESET BUTTON
	093655-01-000	EA	CIRCUIT BREAKER - 25 AMP - 12 VOLT - PUSH BUTTON - WHITE
	093655-02-000	EA	CIRCUIT BREAKER - 30 AMP - 12 VOLT - PUSH BUTTON - WHITE
	093655-03-000	EA	CIRCUIT BREAKER - 40 AMP - 12 VOLT - PUSH BUTTON - WHITE
	093674-01-000	EA	PLATE - CIRCUIT BREAKER - HOUSE - 8.4" X 4.1" - STEEL
	097611-01-000	EA	CIRCUIT BREAKER - 10 AMP
	100341-01-000	EA	FUSE HOLDER - IN LINE TYPE
	106656-01-000	EA	FUSE BLOCK - 4 CAVITY - AUTOFUSE
	108567-01-000	EA	CIRCUIT BREAKER - 40 AMP - 12 VOLT - TYPE II
	108669-01-000	EA	HOUSING - AUTO FUSE HOLDER
	111683-01-000	EA	FUSE - HOLDER - GLASS - 1/4" X 1 1/4"
	113482-01-000	EA	CIRCUIT BREAKER - 55 AMP - MANUAL
	115187-01-000	EA	FUSE - 300 AMP - NON-DELAY
	115187-02-000	EA	FUSE HOLDER - BUSS ANN/ANL BLOCK
	118531-04-02B	EA	PLATE - CIRCUIT BREAKER - E-COATED
	118531-05-02B	EA	PLATE - CIRCUIT BREAKER - E-COAT
	122811-01-000	EA	CIRCUIT BREAKER - 20/50/50/20
	125986-04-000	EA	FUSE - 10 AMP - AUTO - MINI BLADE
	125986-05-000	EA	FUSE - 15 AMP - AUTO - MINI BLADE
	134127-01-000	EA	CIRCUIT BREAKER - 10 AMP - MINI

ELECTRICAL GROUP (CONTINUED)
CONVERTER, INVERTER, LOAD CENTERS

KEY	PART NUMBER	U/M	DESCRIPTION
	099048-04-000	EA	INVERTER - 300 WATT
	108915-03-000	EA	LOAD CENTER - 120/240 VOLT - 100 AMP - F30W, F32V, F34D, F36M FROM: 00-00-00 THRU: 01-06-02
	141258-01-000	EA	LOAD CENTER - 120/240 - 50 AMP - F30W, F32V, F34D, F36M FROM: 01-07-02 THRU: 99-99-99
	141258-02-000	EA	LOAD CENTER - COVER - F30W, F32V, F34D, F36M FROM: 01-07-02 THRU: 99-99-99
	109677-01-000	EA	LOAD CENTER - 120 VOLT - 40 AMP - F30W
	123058-02-000	EA	CONVERTER - 45 AMP - ELECTRONIC - 4 1/8"H X 7"W X 12 3/8"L
	127002-04-000	EA	MODULE - EMS CONTROL - W/REMOTE SENSOR FROM: 00-00-00 THRU: 01-06-02
	127002-08-000	EA	MODULE - EMS CENTER - W/REMOTE SENSOR FROM: 01-07-02 THRU: 99-99-99
	127002-05-000	EA	PANEL/MONITOR - ENERGY MANAGEMENT SYSTEMS CTRL - W/PLUG
	127002-07-000	EA	SENSOR - CURRENT

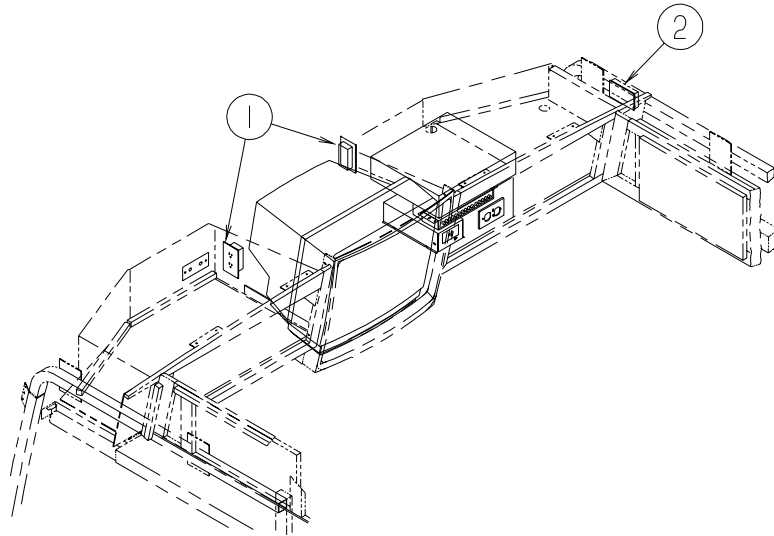
ELECTRICAL GROUP (CONTINUED)

110V WIRING

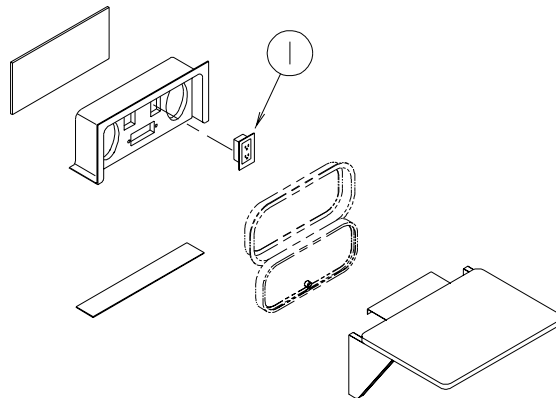


KEY	PART NUMBER	U/M	DESCRIPTION
1	058708-01-000	EA	RECEPTACLE - ELECTRIC - DOUBLE - BROWN
1	133713-01-08A	EA	SPACER/RECEPTACLE - VINYL/PORTSMOUTH OAK
2	058708-02-000	EA	RECEPTACLE - ELECTRIC - DOUBLE - IVORY
2	133713-01-08A	EA	SPACER/RECEPTACLE - VINYL/PORTSMOUTH OAK
3	058708-05-000	EA	RECEPTACLE - ELECTRIC - SINGLE - BROWN
4	084076-02-000	EA	RECEPTACLE - GFI - 15 AMP/125 VOLT - BROWN - W/COVER
5	058707-02-000	EA	RECEPTACLE - BLANK - JUNCTION BOX
6	084420-01-000	EA	SWITCH - TOGGLE - 15 AMP - 120 VOLT - BROWN
7	131826-01-01A	EA	RECEPTACLE - EXTERIOR - W/COVER/GASKET - WHITE
8	058707-01-000	EA	RECEPTACLE - ELECTRIC - SINGLE - BROWN

ELECTRICAL GROUP (CONTINUED)
ENTERTAINMENT WIRING



KEY	PART NUMBER	U/M DESCRIPTION
1	058708-01-000	EA RECEPTACLE - ELECTRIC - DOUBLE - BROWN
2	058707-02-000	EA RECEPTACLE - BLANK - JUNCTION BOX



KEY	PART NUMBER	U/M DESCRIPTION
1	058708-01-000	EA RECEPTACLE - ELECTRIC - DOUBLE - BROWN

ELECTRICAL GROUP (CONTINUED)

BOXES & CORDS

KEY	PART NUMBER	U/M	DESCRIPTION
	008054-01-000	EA	CORD - POWER - 10/3 WIRE - 30 AMP - 25'
	008289-01-000	EA	BOX - ELECTRIC/STEEL - 1/2" & 3/4" KNOCKOUTS - 4" X 4"
	008294-01-000	EA	COVER - ELECTRIC BOX - BLANK/STEEL - 4" X 4" - GRAY
	069238-01-000	EA	COVER - ELECTRICAL BOX - W/HOLE - 4" X 4" - GRAY - F30W, F34D
	092492-11-000	EA	SEAL - ELECTRIC BOX - 7" X 18.4"
	106071-05-000	EA	SWITCH - AUTOMATIC TRANSFER - 50/70 - MAGNETEK
	109925-04-000	EA	DOOR - ELECTRICAL BOX - GM/FORD
	115832-01-000	FT	CORD - HEAVY DUTY - 14-2W GROUND
	131679-01-000	EA	BOX-ELEC-WATERPROOF SEALED 4" X 4" W/4 3/4"OUTLETS-UL/CSA - F32V, F36M
	131680-01-000	EA	COVER - W/GASKET FOR WATERPROOF 4" X 4" BOX - UL/CSA - F32V, F36M
	133070-01-000	EA	BOX - ELECTRIC/PLASTIC - 3" X 2" X 2.8" - UL
	133070-02-000	EA	BOX - ELECTRIC/PLASTIC - 3" X 2" X 2.8" - CSA

WIRE ASSEMBLIES

KEY	PART NUMBER	U/M	DESCRIPTION
	073328-B4-000	EA	CABLE ASSEMBLY - BATTERY - W/TERMINALS - F30W, F32V
	090986-02-000	EA	WIRE ASSEMBLY - ELECTRIC STEP - F30W
	093040-06-000	EA	WIRE ASSEMBLY-MONITOR-F/NON-PRE-WIRED AFTER MARKET INSTALL
	096449-01-000	EA	WIRE ASSEMBLY - WATER TANK TO MONITOR PANEL
	096450-05-000	EA	WIRE F/SENSORS - BLACK WATER - 23.6"
	096451-06-000	EA	WIRE F/SENSORS - GREY WATER - 23.6" - F32V, F34D, F36M
	096451-07-000	EA	WIRE F/SENSORS - GREY WATER - 3.9" - F30W
	108885-02-000	EA	WIRE - REAR MONITOR(W/3 PIN HOUSING F/FUSE BLOCK) CHEVY - F30W, F32V
	113134-03-000	EA	WIRE ASSEMBLY - WIPER/WASHER - F30W, F32V
	120233-05-000	EA	WIRE ASSEMBLY - 30" CONNECTS TO WALLPLATE DISPLAY
	124125-02-000	EA	WIRE - ELECTRICAL BOX
	125266-09-000	EA	WIRE ASSEMBLY - COMPARTMENT LAMPS - F30W
	125853-01-000	EA	WIRE LOOM - ENTERTAINMENT CENTER
	125853-04-000	EA	WIRE LOOM - ENTERTAINMENT CENTER
	127002-06-000	EA	WIRE ASSEMBLY - EMS - W/PLUG
	129436-02-000	EA	WIRE ASSEMBLY - INSTRUMENT PANEL/POWER MIRROR
	131386-01-000	EA	WIRE ASSEMBLY - F/SLIDEOUT CONTROL - F30W
	131386-02-000	EA	WIRE ASSEMBLY - F/SLIDEOUT CONTROL - F32V, F34D, F36M
	132668-01-000	EA	WIRE ASSEMBLY - AUXILIARY FANS
	132669-01-000	EA	WIRE ASSEMBLY - INSTRUMENT PANEL - AUXILARY FANS
	135420-02-000	EA	WIRE ASSEMBLY - RADIO
	137651-01-000	EA	WIRE ASM-DRL
	137626-01-000	EA	WIRE - OVERDRIVE SWITCH - F34D, F36M

ELECTRICAL GROUP (CONTINUED)

CONNECTORS & CONDUIT

KEY	PART NUMBER	U/M	DESCRIPTION
	007942-01-000	EA	TAB - WIRE 10 TO 14 AWG
	007954-01-000	EA	RECEPTACLE - HOUSING - 6 POSITION
	007956-05-000	EA	INSULATOR - SHRINK - 1/4" ID X 1 1/2"
	008311-01-000	EA	CONNECTOR - WIRE NUT - INSULATED - RED
	008312-01-000	EA	CONNECTOR - WIRE NUT - INSULATED - BLUE
	008313-01-000	EA	CONNECTOR - WIRE NUT - INSULATED - YELLOW
	008314-01-000	EA	CONNECTOR - WIRE NUT - INSULATED - GRAY
	008326-01-000	EA	TERMINAL - RING - 16/14 WIRE - 3/8" STUD
	008328-01-000	EA	TERMINAL - RING - 12/10 WIRE - #10 STUD FIT
	008331-01-000	EA	TERMINAL - RING - TONGUE - #4 WIRE - 3/8" STUD - COPPER
	008348-01-000	EA	TERMINAL - RING - 3/8" STUD 2 GA. WIRE
	008355-01-000	EA	CONNECTOR - CABLE CLAMPING - 3/4"
	008356-01-000	EA	CONNECTOR - PLASTIC - 3/8" AVG
	008356-02-000	EA	CONNECTOR - PLASTIC - 21/32
	008394-01-000	FT	CONDUIT - FLEXIBLE - 1/2"
	008398-01-000	EA	CONNECTOR - 1/2" X 90 DEGREE - FLEX CONDUIT - UL & CSA
	035416-04-000	EA	TERMINAL - RING - #10 STUD FIT - INSULATED BARREL #16/14
	041953-01-000	FT	CONDUIT - CONVOLUTE SLIT - .5" ID - POLYETHYLENE
	041953-03-000	FT	CONDUIT - CONVOLUTE SLIT - 1" ID (CLOTHES ROD COVER)
	041953-05-000	FT	CONDUIT - CONVOLUTE SOLID - .62" ID - POLYETHYLENE
	041953-06-000	FT	CONDUIT - CONVOLUTE SLIT - .4" ID - POLYETHYLENE
	041953-07-000	FT	CONDUIT - CONVOLUTE SLIT - .25" ID - POLYETHYLENE
	041953-08-000	FT	CONDUIT - CONVOLUTE SLIT - 1.5" ID - POLYETHYLENE
	041953-09-000	FT	CONDUIT - CONVOLUTE SLIT - .5" ID - NYLON
	041953-10-000	FT	CONDUIT - CONVOLUTE SLIT - .75" ID - NYLON
	041953-11-000	FT	CONDUIT - CONVOLUTE SLIT - 1.06" ID - NYLON
	041953-12-000	FT	CONDUIT - CONVOLUTE SOLID - 1.1" ID - NYLON
	041953-13-000	FT	CONDUIT - CONVOLUTE SLIT - 1.25
	047443-01-000	EA	TERMINAL - .250 RECEPTACLE FIT - INSULATED - 16/14 AWG
	047443-02-000	EA	TERMINAL - .250 RECEPTACLE FIT - INSULATED - 12/10 AWG
	058028-01-000	EA	CONNECTOR - ELECTRICAL PIGTAIL - NYLON - CLEAR
	062036-01-000	EA	TERMINAL - PACK - CON - 12/10 AWG
	074017-02-000	EA	HOUSING - 5 POSITION - RIGHT ANGLED
	077479-01-000	EA	BOOT - BATTERY TERMINAL - DOUBLE CABLE
	077479-02-000	EA	BOOT - BATTERY TERMINAL - SINGLE CABLE
	080015-02-000	EA	RECEPTACLE - FLAG - .185 - 16/14 GAUGE
	080015-03-000	EA	RECEPTACLE - FLAG - .250 - 14/16 GAUGE
	082109-01-000	EA	HOUSING - CONNECTOR - PACKARD
	082741-01-000	EA	CONNECTOR BODY - 2 CONNECTOR MALE
	085724-01-000	EA	SOCKET - DOUBLE CONTACT - TAILLIGHT
	087225-01-000	FT	SLEEVING - 1/2" - TYPE H
	087949-01-000	EA	BUSS BAR - 2 POSITION - .6" X 1.5"
	087949-02-000	EA	BUSS BAR - 3 POSITION - .6" X 2.4"
	087949-03-000	EA	BUSS BAR - 4 POSITION
	087949-05-000	EA	BUSS BAR - 7 POSITION
	088473-01-000	EA	HOUSING - PIN - 12 CAVITY (3 ROWS OF 4)
	088473-02-000	EA	HOUSING - PIN - 15 CAVITY (3 ROWS OF 5)
	088473-03-000	EA	HOUSING - PIN - 9 CAVITY (3 ROWS OF 3)
	088473-04-000	EA	HOUSING - PIN - 8 CAVITY IN-LINE
	088473-06-000	EA	HOUSING - PIN - 6 CAVITY (2 ROWS OF 3)
	088473-07-000	EA	HOUSING - PIN - 5 CAVITY - IN-LINE
	088473-08-000	EA	HOUSING - PIN - 4 CAVITY - IN-LINE
	088473-09-000	EA	HOUSING - PIN - 3 CAVITY - IN-LINE
	088473-10-000	EA	HOUSING - PIN - 2 CAVITY - IN LINE
	088474-01-000	EA	HOUSING - SOCKET - 12 CAVITY
	088474-02-000	EA	HOUSING - SOCKET - 15 CAVITY
	088474-03-000	EA	HOUSING - SOCKET - 9 CAVITY
	088474-04-000	EA	HOUSING - SOCKET - 8 CAVITY
	088474-06-000	EA	HOUSING - SOCKET - 6 CAVITY
	088474-07-000	EA	HOUSING - SOCKET - 5 CAVITY
	088474-08-000	EA	HOUSING - SOCKET - 4 CAVITY
	088474-09-000	EA	HOUSING - SOCKET - 3 CAVITY
	088474-10-000	EA	HOUSING - SOCKET - 2 CAVITY
	088475-01-000	EA	PIN - CONNECTOR - 14-20 AWG

ELECTRICAL GROUP (CONTINUED)
CONNECTORS & CONDUIT (CONTINUED)

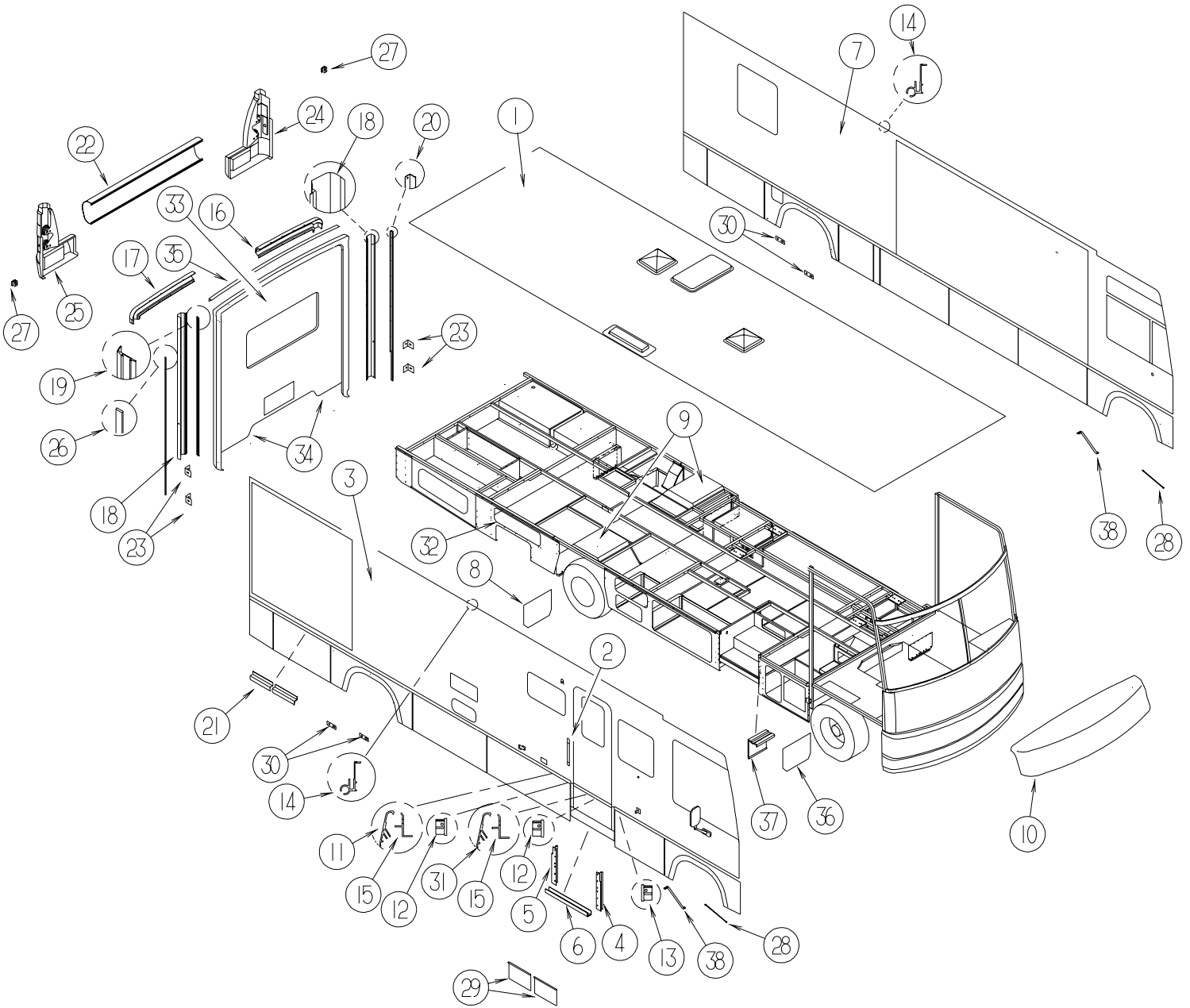
KEY	PART NUMBER	U/M	DESCRIPTION
	088475-02-000	EA	PIN - CONNECTOR - 10-12 AWG
	088476-01-000	EA	TERMINAL - ELECTRICAL
	088476-02-000	EA	SOCKET - CONNECTOR - 12-10 GA - PRE-TIN
	098261-02-000	EA	SOCKET - CONNECTOR - WEATHERPACK - 14-18 AWG
	098262-01-000	EA	SEAL - CONNECTOR - WEATHERPACK
	098262-05-000	EA	SEAL - CAVITY
	098263-02-000	EA	HOUSING - 3 PIN - WEATHER PACK
	098264-01-000	EA	HOUSING - 2 PIN - WEATHER PACK - MALE W/FEMALE PINS
	098264-02-000	EA	HOUSING - 2 PIN - WEATHER PACK - FEMALE W/MALE PINS
	098265-02-000	EA	PIN - CONNECTOR - WEATHER PACK
	102777-02-000	EA	TERMINAL - RING - #6 STUD - 10 AWG
	104100-01-000	EA	HOUSING - 1 POSITION - 75 AMPS
	104100-03-000	EA	TERMINAL - 75 AMP
	106655-01-000	EA	TERMINAL - FUSE BLOCK - 14-16 AWG
	106655-02-000	EA	TERMINAL - FUSE BLOCK - 10-12 AWG
	110178-01-000	EA	HOUSING - WIPER MOTOR
	112823-01-000	EA	SPLICE - REDUCER - 16-14 TO 18-22
	113135-01-000	EA	TERMINAL - FEMALE - M/P - 14-16 - F/SEALED TERMINAL
	113306-01-000	EA	TERMINAL - FEMALE - M/P - 14-16 - F/NON-SEALED TERMINAL
	113307-01-000	EA	TERMINAL - FEMALE - M/P - 16-20
	113308-01-000	EA	TERMINAL - FEMALE - M/P - 14-16 - 280
	113452-01-000	FT	SEAL/TRIM - FRONT - VINYL W/WIRE CARRIER - .020"
	113452-02-000	FT	SEAL/TRIM - FRONT - VINYL W/WIRE CARRIER - .027"
	113468-01-000	EA	HOUSING - 2 POSITION-FEMALE-USED ON WIPER/WASHER WIRE ASM
	115556-02-000	EA	HOUSING - 2 POSITION - FEMALE/PARALLEL
	115931-02-000	EA	COVER - CONNECTOR - 50 AMP W/LOCKING RING
	115932-02-000	EA	CONNECTOR - FEMALE - 50 AMP/240 VOLT
	116811-01-000	EA	TERMINAL - .110 RECEPTACLE - 16-14 AWG
	118571-01-000	EA	CONNECTOR - 3-WAY - MALE/SEALED
	118571-02-000	EA	CONNECTOR - 3-WAY - FEMALE/SEALED
	118571-03-000	EA	BRACKET - MOUNTING
	118571-04-000	EA	GASKET
	118571-05-000	EA	LOCK - SECONDARY - FEMALE
	118571-06-000	EA	LOCK - SECONDARY - MALE
	118597-01-000	EA	TERMINAL - MALE - M/P - 480 - 14-16
	118599-01-000	EA	TERMINAL - MALE - M/P - 280 - 14-16
	118820-01-000	EA	INSULATOR - TERMINAL
	119223-01-000	EA	HOUSING - 6 POSITION - MALE - WEATHERPACK
	119248-02-000	EA	HOUSING - 7 POSITION - FEMALE
	124625-02-000	EA	CONNECTOR - 12 VOLT
	125323-02-000	EA	HOUSING - 8 POSITION - MALE
	125323-03-000	EA	LOCK - SECONDARY 8 POSITION
	125323-04-000	EA	LOCK - SECONDARY 10 POSITION
	125323-05-000	EA	HOUSING - 6 POSITION - MALE
	125323-06-000	EA	LOCK - SECONDARY 6 POSITION
	125324-01-000	EA	TERMINAL - MALE - METRI-PACK - 150
	125325-01-000	EA	SEAL - CAVITY
	126403-01-000	EA	CONNECTOR - 2 CIRCUIT
	126403-02-000	EA	CONNECTOR - 3 CIRCUIT
	129233-01-000	EA	HOUSING - 2-POSITION/FEMALE - 280-SERIES
	129233-02-000	EA	HOUSING - 2-POSITION/FEMALE - 280-SERIES
	129234-01-000	EA	HOUSING - 6-POSITION/FEMALE - 280-SERIES
	129234-02-000	EA	HOUSING - 6-POSITION/FEMALE - 280-SERIES
	129234-03-000	EA	LOCK - SECONDARY - 6-POSITION
	129235-01-000	EA	HOUSING - 2-POSITION/FEMALE - 630-SERIES
	129235-02-000	EA	LOCK - SECONDARY - 2-POSITION
	129236-01-000	EA	TERMINAL - FEMALE - M/P - 630 - 10-12
	131515-01-000	EA	HOUSING - 2 POSITION JR. POWER TIMER - F/HALOGEN FOG LIGHT
	131681-01-000	EA	CONNECTOR - 3/4" SO CORD - UL/CS
	137207-01-000	EA	HOUSING - PIN - 2 CAVITY/HIGH AMP
	137208-01-000	EA	HOUSING - SOCKET - 2 CAVITY/HIGH AMP
	137209-01-000	EA	PIN - CONNECTOR - 10AWG/HIGH AMP
	137210-01-000	EA	SOCKET - CONNECTOR - 10 AWG/HIGH AMP
	138419-03-000	EA	SOCKET - LAMP - 3 WIRE

ELECTRICAL GROUP (CONTINUED)
BOOTS, SOLENOIDS, RELAYS & MISCELLANEOUS

KEY	PART NUMBER	U/M	DESCRIPTION
	007093-01-000	EA	SIGNAL FLASHER
	008188-01-000	EA	SOLENOID - 3 POST - BATTERY CHANGE OVER
	063910-01-000	EA	HOUSING - RELAY
	063912-02-000	EA	RELAY - CANISTER - SPDT
	065450-05-000	EA	TIEDOWN - BATTERY - 8.4" TUBE
	086233-01-000	EA	STUD - ISOLATED - 3/8" X 7/8" LONG
	086273-01-000	EA	RELAY - BATTERY DISCONNECT
	136481-01-000	EA	MODULE - AUTO ENERGY SELECTOR

EXTERIOR BODY GROUP (CONTINUED)

PANELS & TRIMS

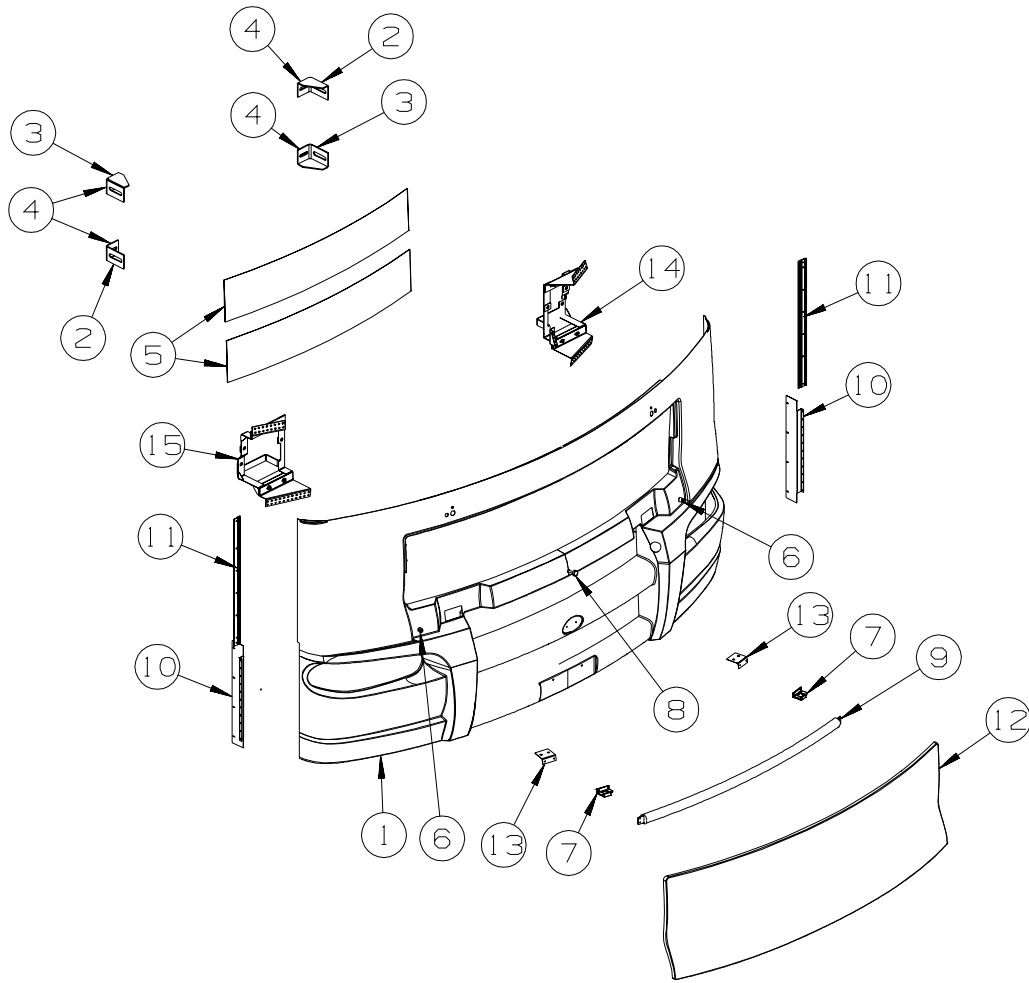


KEY	PART NUMBER	U/M	DESCRIPTION
1	138436-01-N30	EA	ROOF - W/O LIGHTS/VENTS - W/WIRING
2	132442-03-01A	EA	HANDLE - ASSIST - W/ITASCA LOGO - CHROME ENDS
3	138434-01-N30	EA	SIDEWALL - PASSENGER - W/O WINDOWS/TRIMS (N37)
3	138434-01-N31	EA	SIDEWALL - PASSENGER - W/O WINDOWS/TRIMS (N38)
3	138434-01-N32	EA	SIDEWALL - PASSENGER - W/O WINDOWS/TRIMS (N39)
4	133100-01-01A	EA	TRIM - SIDEWALL - BLACK
5	133100-02-01A	EA	TRIM - SIDEWALL - BLACK
6	137599-01-01A	EA	TRIM - NOTCHED - SIDEWALL - 33.2" - BLACK
7	138435-01-N30	EA	SIDEWALL - DRIVER - W/O WINDOWS/TRIMS (N37)
7	140136-01-N30	EA	SIDEWALL - DRIVER - W/O WINDOWS/TRIMS (N37)
7	138435-01-N31	EA	SIDEWALL - DRIVER - W/O WINDOWS/TRIMS (N38)
7	140136-01-N31	EA	SIDEWALL - DRIVER - W/O WINDOWS/TRIMS (N38)
7	138435-01-N32	EA	SIDEWALL - DRIVER - W/O WINDOWS/TRIMS (N39)
7	140136-01-N32	EA	SIDEWALL - DRIVER - W/O WINDOWS/TRIMS (N39)

EXTERIOR BODY GROUP (CONTINUED)
PANELS & TRIMS (CONTINUED)

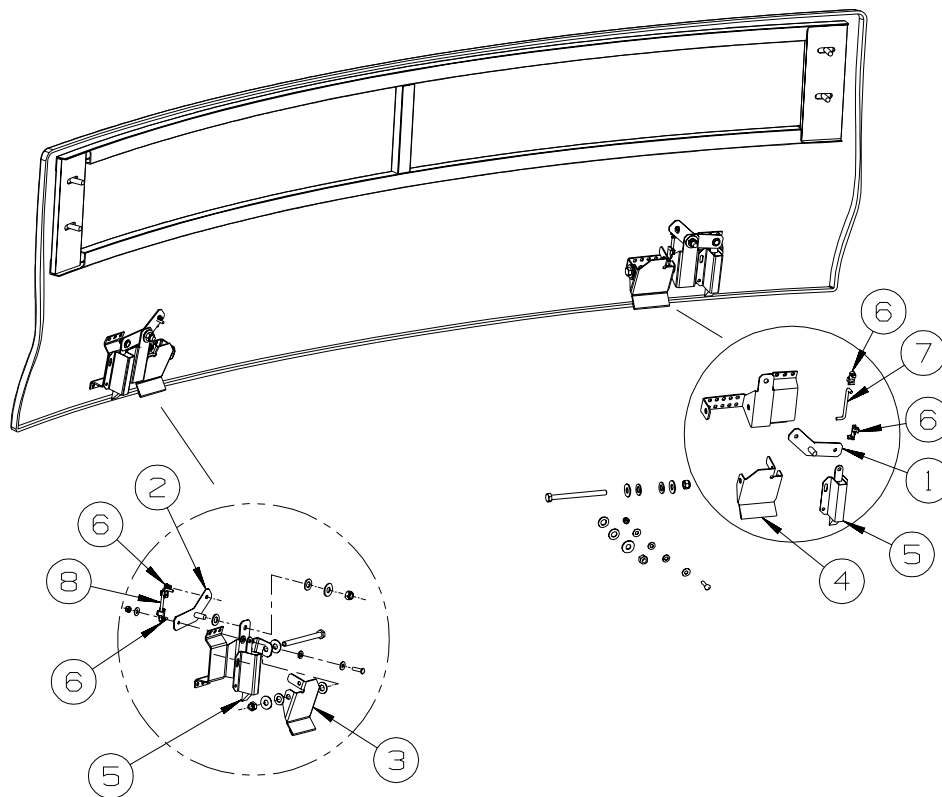
KEY	PART NUMBER	U/M	DESCRIPTION
8	017516-01-000	EA	MUD FLAP - 14" X 18" - W/O MOUNTING HOLES - BLACK
	140922-01-02B	EA	PLATE - MUD FLAP - E-COATED
9	131365-01-000	EA	WHEELWELL - PLASTIC
10	132112-02-L42	EA	CAP - ROOF
11	123993-01-03A	EA	TRIM - COVER - 182" ALUMINUM - BRIGHT WHITE
12	126775-01-01A	EA	END CAP - VALANCE TRIM - RIGHT HAND
13	126775-02-01A	EA	END CAP - VALANCE TRIM - LEFT HAND
14	131483-01-01A	EA	RAIL - AWNING - 192" - BRIGHT WHITE
15	133376-01-01A	EA	TRIM - RETAINER - 144" - MILL
16	114873-02-02A	EA	TRIM - BACKWALL/TOP - DRIVER SIDE - BRIGHT WHITE
17	114872-02-02A	EA	TRIM - BACKWALL/TOP - PASSENGER SIDE - BRIGHT WHITE
18	114874-17-12B	EA	TRIM - BACKWALL - 68.4" - BRIGHT WHITE
19	092041-05-01A	EA	TRIM - REAR - CAP TO SIDEWALL - BRIGHT WHITE
			FROM: 04-15-01 THRU: 99-99-99
20	132273-01-02B	EA	BRACKET - REAR TRIM - E-COATED
			FROM: 04-15-01 THRU: 99-99-99
21	124303-04-02A	EA	TRIM - SIDEWALL - Z - 79.5" - BRIGHT WHITE
22	132521-02-02A	EA	BUMPER - REAR - BRITE DIPPED
23	134533-01-02B	EA	BRACKET - MOUNT - TRIM/LOWER - E-COATED
24	138062-03-N30	EA	TRIM - BACKWALL - LOWER/LEFT HAND
25	138062-04-N30	EA	TRIM - BACKWALL - LOWER/RIGHT HAND
26	091985-01-07A	FT	INSERT - TRIM - .65" WIDE - BRIGHT WHITE
			FROM: 04-15-01 THRU: 99-99-99
27	139118-01-01A	EA	GROMMET - PLASTIC/SCREW
			FROM: 00-00-00 THRU: 04-07-02
27	139118-02-01A	EA	GROMMET - PLASTIC/SCREW
			FROM: 04-08-02 THRU: 99-99-99
28	107865-06-000	EA	ROD - SUPPORT - VALANCE PANEL - 15"
29	121117-01-02B	EA	ANGLE - W/O SLOTS - 3.7" X 2" - E-COATED
30	123512-02-02B	EA	BRACKET/VALANCE DOOR - STRAIGHT - E-COATED
31	133045-01-01A	EA	TRIM - W/HOLES - 25.3" - BRIGHT WHITE
32	133386-02-02B	EA	PANEL - CLOSEOUT - HOLDING TANK - E-COATED
33	137910-03-N30	EA	BACKWALL - W/O WINDOW/TRIMS (N37)
33	137910-03-N31	EA	BACKWALL - W/O WINDOW/TRIMS (N38)
33	137910-03-N32	EA	BACKWALL - W/O WINDOW/TRIMS (N39)
34	103335-05-02A	EA	TRIM - BACKWALL - LOWER - 96.3" - BRIGHT WHITE
35	114248-02-01A	EA	ANGLE - PLASTIC - 96.6"
			FROM: 03-21-02 THRU: 99-99-99
36	017516-01-000	EA	MUD FLAP - 14" X 18" - W/O MOUNTING HOLES - BLACK
	140922-01-02B	EA	PLATE - MUD FLAP - E-COATED
	132695-01-02B	EA	ANGLE - MUDFLAP - E-COATED
			FROM: 00-00-00 THRU: 11-21-01
37	093873-01-01A	EA	TRIM - CARPET - L-ANGLE 1.1" X 1.3" X 12' - GRAY VINYL
38	107865-19-000	EA	ROD - SUPPORT - VALANCE PANEL - 16.5"

EXTERIOR BODY GROUP (CONTINUED)
FRONT END



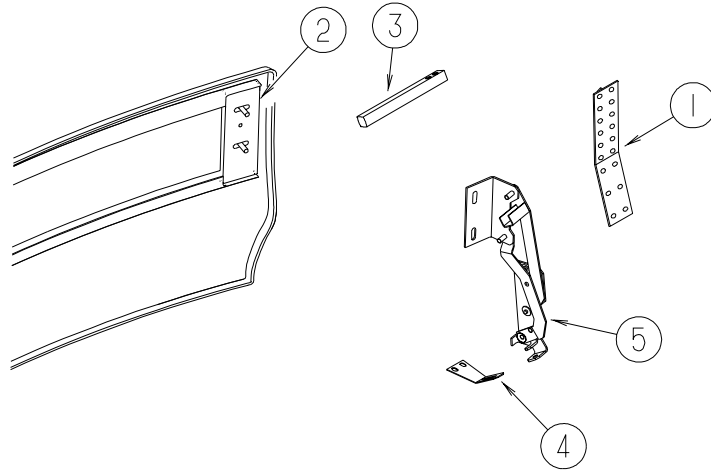
KEY	PART NUMBER	U/M	DESCRIPTION
1	138092-02-N37	EA	PANEL - FRONT/LOWER
2	128455-01-02B	EA	BRACKET - BUMPER
3	128455-02-02B	EA	BRACKET - BUMPER
4	116617-02-02B	EA	SPACER - BUMPER
5	139560-01-11B	EA	MESH-GRILLE FLAT BLACK
6	117047-01-000	EA	BUMPER - RUBBER - WASHER INSERT
7	130053-02-01A	EA	STRIKER - LUGGAGE DOOR - OFF SET - BLACK
8	058786-01-000	EA	BOLT - HOOD ADJUSTMENT - 5/16"-18 X 1.5"-2"- W/BLACK PAD
9	138313-01-01A	EA	TUBE - GRILLE - BRITE-DIPPED
10	125818-02-01A	EA	TRIM - PANEL - FIBERGLASS - BRIGHT WHITE
			FROM: 00-00-00 THRU: 11-11-01
10	092041-06-01A	EA	TRIM - REAR - CAP TO SIDEWALL - BRIGHT WHITE
			FROM: 11-12-01 THRU: 99-99-99
11	091985-01-07A	FT	INSERT - TRIM - .65" WIDE - BRIGHT WHITE
12	132370-01-L32	EA	HOOD - FRONT
13	133802-02-02B	EA	BRACKET - LATCH - ADJUSTING - E-COATED
14	126490-03-02B	EA	FRAME - HEADLAMP - RIGHT HAND - E-COAT
15	126490-04-02B	EA	FRAME - HEADLAMP - LEFT HAND - E-COAT

EXTERIOR BODY GROUP (CONTINUED) FRONT END (CONTINUED)



KEY	PART NUMBER	U/M	DESCRIPTION
1	134418-02-02B	EA	PIVOT - LATCH/HOOD - E-COATED - RIGHT HAND FROM: 00-00-00 THRU: 04-13-01
1	134418-06-02B	EA	PIVOT - LATCH/HOOD - E-COATED FROM: 04-14-01 THRU: 04-01-02
1	134418-08-02B	EA	PIVOT - LATCH/HOOD FROM: 04-02-02 THRU: 99-99-99
2	134418-04-02B	EA	PIVOT - LATCH/HOOD - E-COATED - LEFT HAND FROM: 00-00-00 THRU: 04-13-01
2	134418-07-02B	EA	PIVOT - LATCH/HOOD - E-COATED FROM: 04-14-01 THRU: 04-01-02
2	134418-08-02B	EA	PIVOT - LATCH/HOOD FROM: 04-02-02 THRU: 99-99-99
3	134415-02-02B	EA	LATCH/HOOD - PULL - E-COATED - LEFT HAND
4	134415-01-02B	EA	LATCH/HOOD - PULL - E-COATED - RIGHT HAND
5	113908-01-000	EA	LATCH/PLUNGER - F/HOOD
6	102265-01-000	EA	CLIP - ROD END - 5/32" - BLACK PLASTIC
7	134416-01-01A	EA	ROD/HOOD LATCH - STAINLESS STEEL - RIGHT HAND
8	134416-02-01A	EA	ROD/HOOD LATCH - STAINLESS STEEL - LEFT HAND

EXTERIOR BODY GROUP (CONTINUED)
FRONT END (CONTINUED)



KEY	PART NUMBER	U/M	DESCRIPTION	
1	134530-01-02B	EA	SUPPORT - HINGE LINK - E-COATED	
	134530-02-02B	EA	SUPPORT - HOOD LINK - E-COATED	
2	106730-10-000	EA	PLATE - STUD - F/HOOD	
3	137300-01-02B	EA	TUBE/TIMING - HOOD - E-COATED	
4	141017-01-02B	EA	SUPPORT/HINGE - FRONT - E-COATED	
5	137072-01-01A	EA	HINGE - HOOD - RIGHT HAND - BLACK	
				FROM: 00-00-00 THRU: 07-06-01
5	137072-03-01A	EA	HINGE - HOOD	
				FROM: 07-07-01 THRU: 99-99-99
	137072-02-01A	EA	HINGE - HOOD - LEFT HAND - BLACK	
				FROM: 00-00-00 THRU: 07-06-01
	137072-04-01A	EA	HINGE - HOOD	
				FROM: 07-07-01 THRU: 99-99-99

LADDER

KEY	PART NUMBER	U/M	DESCRIPTION
	129639-03-01A	EA	LADDER - BRUSHED ALUMINUM
	130163-07-01A	EA	LADDER - LOWER - ANODIZED ALUMINUM
	038327-01-000	EA	TAPE - ANTI-SLIP - 2" X 60'

MIRRORS

KEY	PART NUMBER	U/M	DESCRIPTION
*	106015-12-01A	EA	MIRROR - EXTERIOR REMOTE/HEAT - PASSENGER
*	106015-13-01A	EA	MIRROR - EXTERIOR REMOTE/HEAT - DRIVER

***COMPONENT PARTS LISTED LATER IN THIS GROUP**

EXTERIOR BODY GROUP (CONTINUED)

COMPONENT PARTS FOR MIRRORS

106015-12-01A, 106015-14-01A

KEY	PART NUMBER	U/M	DESCRIPTION	VENDOR NO.
	106015-12-700	EA	MIRROR-FLAT-W/W/O HEAT	709448
	106015-12-701	EA	MIRROR-CONVEX - W/W/O HEAT	709449
	106015-12-702	EA	CAP/SCREW - (PKG OF 4) - BLK	748329 RND
	106015-12-703	EA	CONVEX GLASS/HANDSET/HOUSING	7095892
	119774-09-700	EA	PLATE-INNER SUPT/MIRROR HEAD	709418-7RH

106015-13-01A, 106015-15-01A

KEY	PART NUMBER	U/M	DESCRIPTION	VENDOR NO.
	106015-12-700	EA	MIRROR-FLAT-W/W/O HEAT	709448
	106015-12-701	EA	MIRROR-CONVEX - W/W/O HEAT	709449
	106015-12-702	EA	CAP/SCREW - (PKG OF 4) - BLK	748329 RND
	106015-12-703	EA	CONVEX GLASS/HANDSET/HOUSING	7095892
	119774-09-701	EA	PLATE INNER SUPT/MIRROR HEAD	709419-7LH

EXTERIOR BODY GROUP (CONTINUED)
STRUCTURAL COMPONENTS

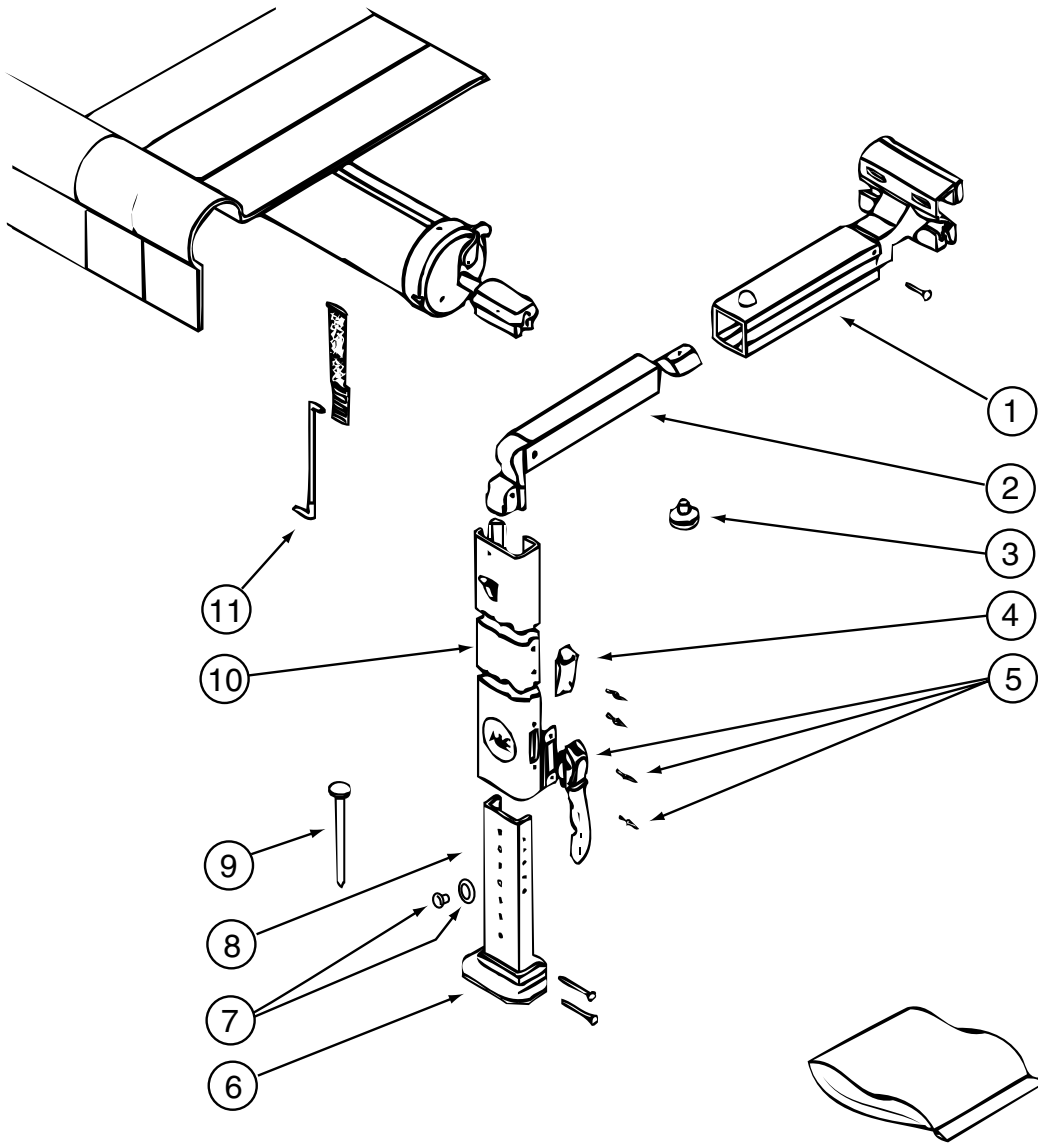
KEY	PART NUMBER	U/M	DESCRIPTION
	002726-01-001	EA	GARNISH - U-CHANNEL - 1.38" X 19' - SERRATED
	002766-01-001	EA	ANGLE - EXTRUDED - 1" X 1 1/2" X 17'
	076054-R9-000	EA	FIBERGLASS SHEET - 38.1" X 70.6" - BRIGHT WHITE
	076054-U8-000	EA	FIBERGLASS SHEET - 100" X 105" - BRIGHT WHITE
	076054-W3-000	EA	FIBERGLASS SHEET - 79" X 361.3" - BRIGHT WHITE
			FROM: 04-09-01 THRU: 99-99-99
	076054-X8-000	EA	FIBERGLASS SHEET - 79.1" X 407.2" - BRIGHT WHITE
	076054-X9-000	EA	FIBERGLASS SHEET - 22.1" X 70.6" - BRIGHT WHITE
	076054-Y8-000	EA	FIBERGLASS SHEET - 79" X 342" - BRIGHT WHITE
			FROM: 00-00-00 THRU: 04-08-01
	077517-62-000	EA	FIBERGLASS SHEET - 48" X 96" - BRIGHT WHITE
	089297-01-000	SF	PLYWOOD - LUAN - OVERLAY GRADE - 4' X 8'
	089297-02-000	SF	PLYWOOD - LUAN - OVERLAY GRADE - 4' X 9'
	100619-01-000	BF	FOAM - EXPANDED POLYSTYRENE - 1.34" X 48" X 96"
	100619-02-000	BF	FOAM - EXPANDED POLYSTYRENE - 1.5" X 48" X 96"
	100619-04-000	BF	FOAM - EXPANDED POLYSTYRENE - .5" X 48" X 96"
	100619-05-000	BF	FOAM - EXPANDED POLYSTYRENE - .75" X 48" X 96"-1.5 DENSITY
	100619-13-000	BF	FOAM - EXPANDED POLYSTYRENE - .34" X 34.65" X 96"
			FROM: 04-01-01 THRU: 99-99-99
	100619-16-000	BF	FOAM - EXPANDED POLYSTYRENE - .75" X 48" X 96"-2.0 DENSITY
	100619-27-000	BF	FOAM - EXPANDED POLYSTYRENE - 48" X 92.8" X 3"
	100619-28-000	BF	FOAM - EXPANDED POLYSTYRENE - .77" X 14.25" X 106"
	105077-08-000	EA	FOAM - PLUG - ROOF CAP
	120107-01-000	EA	FOAM - ROOF COVE - 2.8" X 96" LONG
	120107-02-000	EA	FOAM - PLUG - ROOF TUBE - 2.2" X 2.9" X 1.8" LONG
	120107-03-000	EA	FOAM - PLUG - SIDEWALL TUBE - 1.2" X 2.1" X 1.8" LONG
	125838-02-002	EA	PLEXIDR-SHEET.125X47.0X53.0 - DR#13175E2 WHT SM
	108535-05-702	EA	PFIBERGLASS SHEET - FLAT - 108" X 396" BRIGHT WHITE - ROOF
	128782-01-01A	EA	FIBERGLASS SHEET - 79" X 417"/HIGH GLOSS - BRIGHT WHITE
	128782-02-01A	EA	FIBERGLASS SHEET - 79" X 428" - HIGH GLOSS - BRIGHT WHITE
	128782-03-01A	EA	FIBERGLASS SHEET - 26.1" X 68.2" - HIGH GLOSS/SLIDEOUT-B/W

AWNINGS

KEY	PART NUMBER	U/M	DESCRIPTION
*	113874-01-02A	EA	HARDWARE KIT - AWNING - W/O STANDOFF BRACKET-BRIGHT WHITE
	113874-06-50A	EA	AWNING - W/O HARDWARE - 16' VINYL - F30W
	113874-07-50A	EA	AWNING - 18' - VINYL - W/O HARDWARE - F32V , F34D
	113874-08-50A	EA	AWNING - W/O HARDWARE - 19' VINYL - F36M
	113874-11-01A	EA	SCREW/LAG - AWNING - 1/4" X 1" STAINLESS STEEL
	113874-12-01A	EA	SCREW/LAG - AWNING - 1/4" X 2 3/4" STAINLESS STEEL
	137054-01-02A	EA	BRACKET - AWNING - BRIGHT WHITE
	127960-01-01A	EA	RETAINER - 3/8" - STAINLESS STEEL - F36M
	127647-01-01A	EA	ROD/AWNING GUARD - ENTRY DOOR - 17.8" LONG - F36M

*COMPONENT PARTS LISTED LATER IN THIS GROUP

EXTERIOR BODY GROUP (CONTINUED)
COMPONENT PARTS FOR AWNINGS

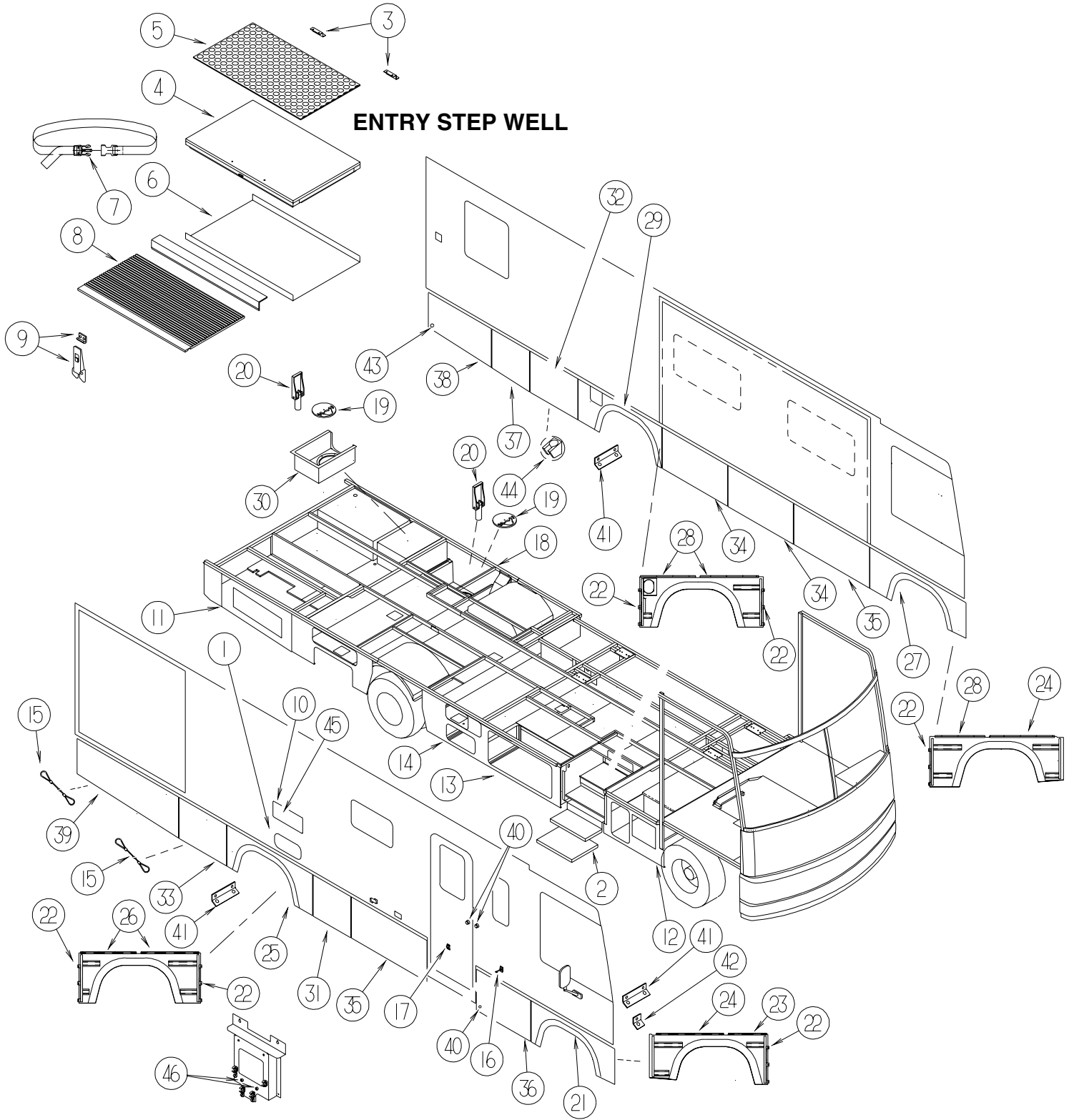


113874-01-02A

KEY	PART NUMBER	U/M	DESCRIPTION	VENDOR NO.
1	113874-01-714	EA	RAFTER - MAIN RH/LH BRT/WHT	830295.536F
2	113874-01-715	EA	RAFTER - SECONDARY BRT/WHT	830463.511F
3	113874-01-702	EA	KNOB - ADJUSTING	3105421014
4	113874-01-706	EA	LOCK - TRAVEL	830587.001
5	113874-01-707	EA	HANDLE - LIFT W/RIVETS	830644
6	113874-01-712	EA	FOOT - PATIO	730366-001
7	113874-01-710	EA	PLUG-STOP KIT	830456
8	113874-01-717	EA	ARM - ADJUSTABLE BRT/WHT	830467.517/F
9	113874-01-709	EA	NAIL-SPIKE, 8"	113006
10	113874-01-716	EA	ARM - MAIN SUPPORT BRT/WHT	3104502.293/F
11	113874-01-703	EA	ROD-CENTER PULL W/ACCESSORY	830152.102

EXTERIOR DOORS & COMPARTMENTS GROUP

DOOR & COMPARTMENT LAYOUT



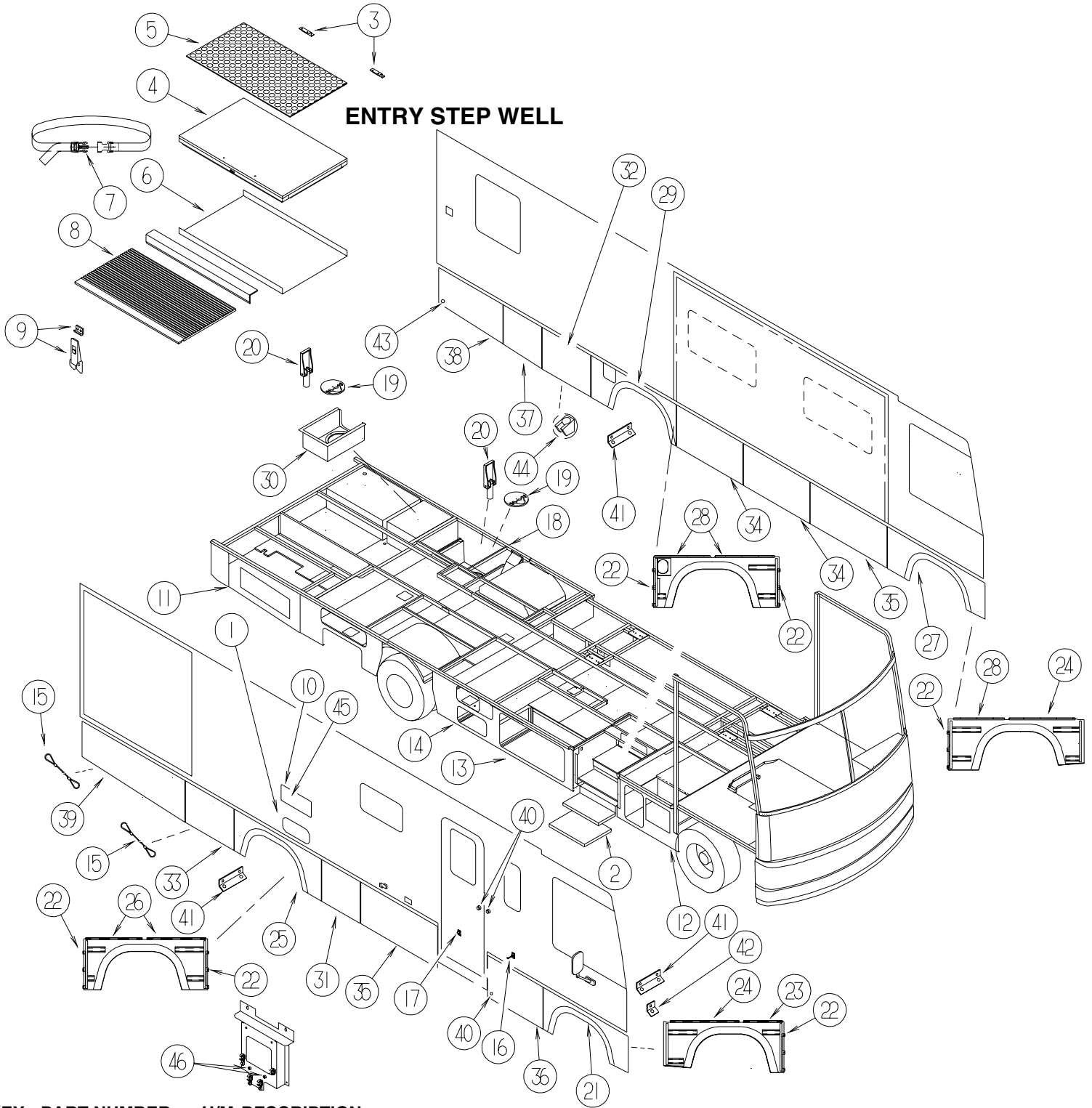
KEY	PART NUMBER	U/M	DESCRIPTION
1	126945-09-N42	EA	DOOR/STORAGE - W/O HARDWARE - 18" X 8.3"
	081801-V3-000	EA	HINGE - ALUMINUM - 2" X 96" - BRIGHT WHITE
2*	094707-03-01A	EA	STEP - ELECTRIC DOUBLE - W/BLACK CONTROL BOX - KWIKEE
3	101222-01-04A	EA	BRACKET - CATCH - LID - E-COATED
4	P20256-07-000	EA	LID/DOOR - ENTRY STEP - W/O CARPET/HARDWARE
5	133114-02-03A	EA	TREAD - STEP/RUBBER - 28.4" - GRAY
6	123330-03-02B	EA	SUPPORT - ENTRY STEP - E-COATED
7	099856-11-000	EA	STRAP - TIEDOWN - 7.9"
8	133114-01-03A	EA	TREAD - STEP/RUBBER - 29.2" - GRAY
9	116975-01-01A	EA	LATCH - W/O STRIKE - BLACK - NEW STYLE

EXTERIOR DOORS & COMPARTMENTS GROUP (CONTINUED)
DOOR & COMPARTMENT LAYOUT (CONTINUED)

KEY	PART NUMBER	U/M	DESCRIPTION
10	084104-08-000	EA	JAMB - VENT DOOR/REFRIGERATOR - BRIGHT WHITE
11	118413-84-02B	EA	COMPARTMENT - LUGGAGE - E-COATED
12	126386-42-L32	EA	COMPARTMENT - WATER HEATER - 8 GALLON
13	126386-46-L76	EA	COMPARTMENT - LUGGAGE
14	126386-52-L32	EA	COMPARTMENT - LUGGAGE
15	076767-14-000	EA	CABLE - STAINLESS STEEL - 14.9"
16	104099-02-04A	EA	CATCH - DOOR HOLDER - RETAINER - BRIGHT WHITE
17	104099-03-04A	EA	CATCH - DOOR HOLDER - STRIKE 6"
18	M08627-11-M42	EA	COMPARTMENT - ELECTRIC/DRAIN
19	M08628-01-H17	EA	HATCH - W/FOAM INSERT
20	121175-02-01A	EA	LATCH - SWELL
21	132332-41-N37	EA	VALANCE/WHEEL LIP - FRONT/PASSENGER - 57.6"
22	113041-14-02B	EA	ANGLE - BUMPER MOUNT - E-COATED
			FROM: 00-00-00 THRU: 09-03-01
22	138789-01-02B	EA	ANGLE/MOUNT - WHEEL LIP - E-COATED
			FROM: 09-04-01 THRU: 99-99-99
23	132654-01-01A	EA	SUPPORT - WHEEL LIP - BLACK - 17.6"
24	132654-03-01A	EA	SUPPORT - WHEEL LIP - BLACK - 31.6"
25	132332-12-L32	EA	VALANCE/WHEEL LIP - PASSENGER - REAR - 58.9"
26	132654-09-01A	EA	SUPPORT - WHEEL LIP - BLACK - 26.7"
27	132332-42-N37	EA	VALANCE/WHEEL LIP - FRONT/DRIVER - 66.3"
28	132654-06-01A	EA	SUPPORT - WHEEL LIP - BLACK - 24.4"
29	132332-37-N30	EA	VALANCE/WHEEL LIP - REAR
30	133372-03-M42	EA	COMPARTMENT - POWERCORD
31	140439-02-N42	EA	VALANCE/DOOR - W/O PADDLE LATCH - 26" X 24.3"
	107796-32-000	EA	SPRING/GAS - 9.5" COMPRESSED/15" EXTENDED - 90 LB
32	140439-03-N42	EA	VALANCE/DOOR - W/O PADDLE LATCH - 29.3" X 24.3"
	107796-32-000	EA	SPRING/GAS - 9.5" COMPRESSED/15" EXTENDED - 90 LB
33	140439-05-N42	EA	VALANCE/DOOR - W/O PADDLE LATCH - 32.7" X 24.3"
	107796-32-000	EA	SPRING/GAS - 9.5" COMPRESSED/15" EXTENDED - 90 LB
34	140439-09-N42	EA	VALANCE/DOOR - W/O PADDLE LATCH - 44.9" X 24.3"
	107796-32-000	EA	SPRING/GAS - 9.5" COMPRESSED/15" EXTENDED - 90 LB
35	140439-10-N42	EA	VALANCE/DOOR - W/O PADDLE LATCH - 51.9" X 24.3"
	107796-32-000	EA	SPRING/GAS - 9.5" COMPRESSED/15" EXTENDED - 90 LB
36	140439-13-N42	EA	VALANCE/DOOR - W/O PADDLE LATCH - 37.4" X 24.3"
	107796-32-000	EA	SPRING/GAS - 9.5" COMPRESSED/15" EXTENDED - 90 LB
37	140439-15-N42	EA	VALANCE/DOOR - DRVR W/O PADDLE LATCH - 23" X 26" X 17"
	107796-27-000	EA	SPRING/GAS - 8.5" COMPRESSED/12" EXTENDED - 90 LB
38	140439-16-N42	EA	VALANCE/DOOR - DRVR W/O PADDLE LATCH - 23" X 43.4" X 20.8"
	107796-27-000	EA	SPRING/GAS - 8.5" COMPRESSED/12" EXTENDED - 90 LB
39	140439-17-N42	EA	VALANCE/DOOR - PASS W/O PADDLE LATCH-24.3" X 69.8" X 20.8"
	107796-32-000	EA	SPRING/GAS - 9.5" COMPRESSED/15" EXTENDED - 90 LB
40	120863-02-000	EA	BUMPER - RUBBER/RADIUS TOP - 1" DIAMETER X 1.50"
41	132597-01-02B	EA	ANGLE/SUPPORT/TRIM - E-COATED
42	132597-02-02B	EA	ANGLE/SUPPORT/TRIM - E-COATED
43	117047-01-000	EA	BUMPER - RUBBER - WASHER INSERT
44	131383-03-02A	EA	BRACKET - SHOWER HEAD - WHITE
45*	084103-08-000	EA	DOOR - VENT - REFRIGERATOR - W/O JAMB - BRIGHT WHITE
46	120863-05-000	EA	BUMPER - RUBBER/RADIUS TOP - 3/4" X 3/8" - FLUSH MOUNT
LOCK ASSEMBLY USED UP TO 04-30-01			
	129686-01-000	EA	CYLINDER - LOCK ASSEMBLY - COMPARTMENT/DRIVER DOOR
	129686-02-000	EA	CYLINDER - LOCK ASSEMBLY - COMPARTMENT/DRIVER DOOR
	129686-03-000	EA	CYLINDER - LOCK ASSEMBLY - COMPARTMENT/DRIVER DOOR
	129686-04-000	EA	CYLINDER - LOCK ASSEMBLY - COMPARTMENT/DRIVER DOOR
	129686-05-000	EA	CYLINDER - LOCK ASSEMBLY - COMPARTMENT/DRIVER DOOR
	129686-06-000	EA	CYLINDER - LOCK ASSEMBLY - COMPARTMENT/DRIVER DOOR
	129686-07-000	EA	CYLINDER - LOCK ASSEMBLY - COMPARTMENT/DRIVER DOOR
	129686-08-000	EA	CYLINDER - LOCK ASSEMBLY - COMPARTMENT/DRIVER DOOR
	129686-09-000	EA	CYLINDER - LOCK ASSEMBLY - COMPARTMENT/DRIVER DOOR
	129686-10-000	EA	CYLINDER - LOCK ASSEMBLY - COMPARTMENT/DRIVER DOOR

EXTERIOR DOORS & COMPARTMENTS GROUP (CONTINUED)
DOOR & COMPARTMENT LAYOUT (CONTINUED)

ENTRY STEP WELL

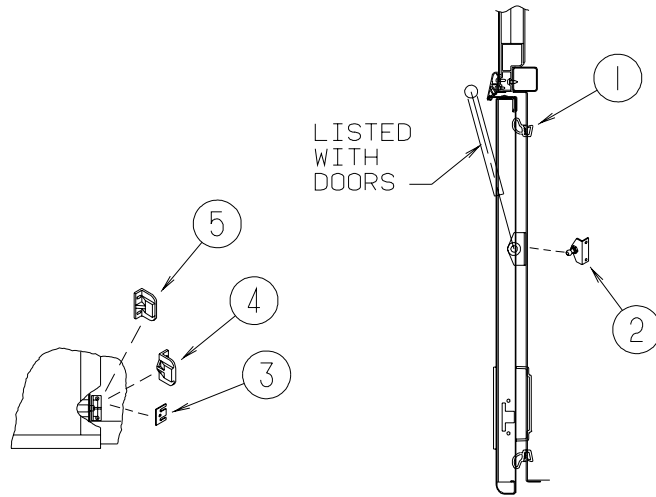


KEY PART NUMBER U/M DESCRIPTION
LOCK ASSEMBLY USED AFTER 05-01-01

138289-01-000	EA	CYLINDER - LOCKING
138289-02-000	EA	CYLINDER - LOCKING
138289-03-000	EA	CYLINDER - LOCKING
138289-04-000	EA	CYLINDER - LOCKING
138289-05-000	EA	CYLINDER - LOCKING
138289-06-000	EA	CYLINDER - LOCKING
138289-07-000	EA	CYLINDER - LOCKING
138289-08-000	EA	CYLINDER - LOCKING
138289-09-000	EA	CYLINDER - LOCKING
138289-10-000	EA	CYLINDER - LOCKING

***COMPONENT PARTS LISTED LATER IN THIS GROUP**

EXTERIOR DOORS & COMPARTMENTS GROUP (CONTINUED)
DOOR & COMPARTMENT LAYOUT (CONTINUED)

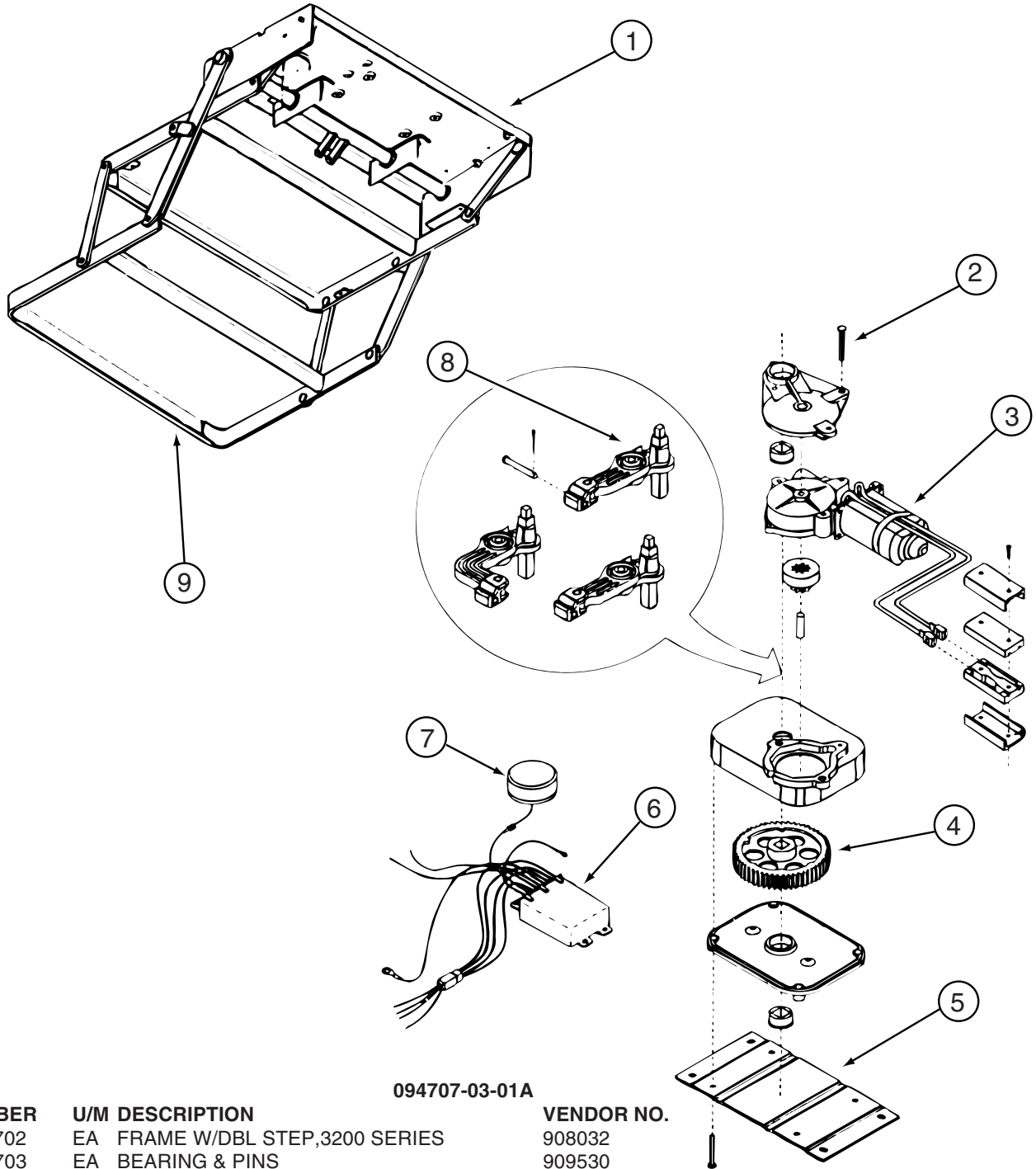


KEY	PART NUMBER	U/M	DESCRIPTION
1	132892-02-01A	FT	SEAL - BULB
2	126263-02-02B	EA	BRACKET - GAS SPRING W/BALL STUD - E-COATED
3	120494-03-02B	EA	SHIM - STRIKER - LUGGAGE DOOR - .20 - E-COATED
4	130053-02-01A	EA	STRIKER - LUGGAGE DOOR - OFF SET - BLACK
5	130053-01-01A	EA	STRIKER - LUGGAGE DOOR - FLUSH - BLACK

EXTERIOR DOORS & COMPARTMENTS GROUP (CONTINUED)
COMPONENT PARTS FOR DOOR & COMPARTMENT LAYOUT

084103-08-000

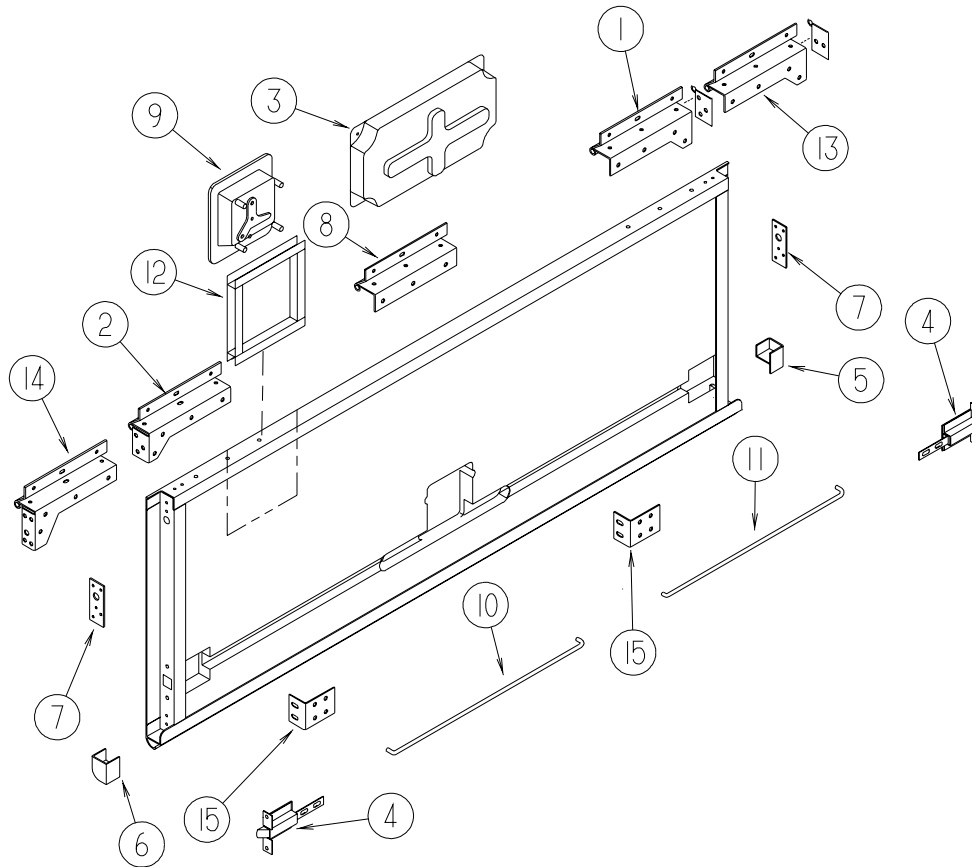
KEY	PART NUMBER	U/M	DESCRIPTION	VENDOR NO.
	084104-01-700	EA	LOCK-MALE, FASTENER	201-721-010
	084104-01-701	EA	LOCK-FEMALE, FASTENER	201-802-010



094707-03-01A

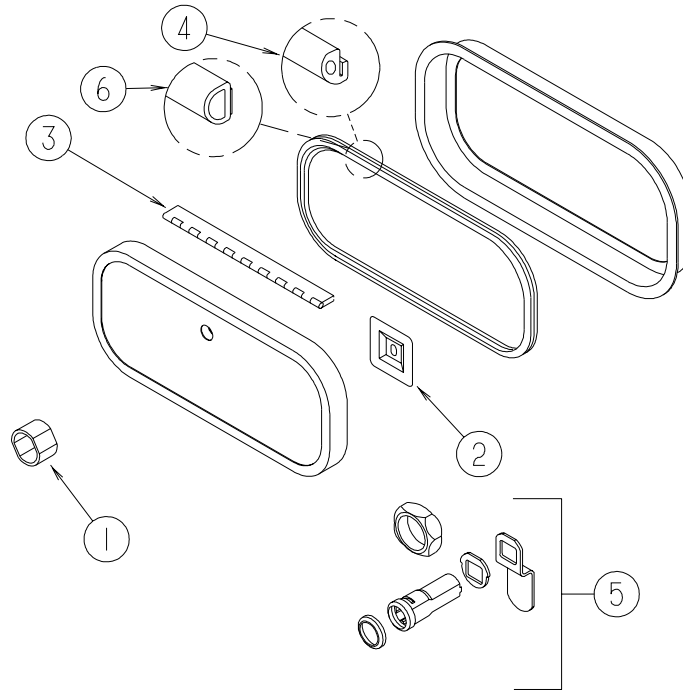
KEY	PART NUMBER	U/M	DESCRIPTION	VENDOR NO.
1	094707-01-702	EA	FRAME W/DBL STEP,3200 SERIES	908032
2	094707-02-703	EA	BEARING & PINS	909530
3	094707-02-700	EA	MOTOR ASM.,W/BEARINGS & PINS	909520
4	094707-02-702	EA	GEAR KIT(GEAR-BEARING-PINS)	909525
5	094707-02-704	EA	CONNECTOR-MOTOR ASM.W/PLATES	909537
6	094707-03-700	EA	KIT CONTROL/SWITCH-RETROFIT	909506005
7	088733-01-700	EA	BULB	9004
7	088746-01-705	EA	LIGHT-UNDER STEP	9004
8	094707-02-701	EA	LINKAGE ASM. W/BEARINGS-PINS	909534
	094707-02-706	EA	GEAR BOX ASM. W/O MOTOR	9524
9	094707-02-707	EA	TREAD - NON-SKID - BLACK	909333
	094707-02-708	EA	TREAD - NON-SKID - BLACK	909331
	094707-03-701	EA	PLUG - 4-WAY - PACKARD	909306

EXTERIOR DOORS & COMPARTMENTS GROUP (CONTINUED)
COMPARTMENT DOOR PIECE PARTS



KEY	PART NUMBER	U/M	DESCRIPTION	
1	131790-01-01A	EA	HINGE - SINGLE/PIVOT	FROM: 00-00-00 THRU: 11-11-01
2	131790-02-01A	EA	HINGE - SINGLE/PIVOT	FROM: 00-00-00 THRU: 11-11-01
3	137359-01-01A	EA	COVER - LATCH - WHITE	
4	121947-01-01A	EA	BOLT - SLIDE W/PLASTIC PLUNGER	
5	135276-01-01A	EA	REINFORCEMENT - CORNER - RIGHT HAND	
6	135276-02-01A	EA	REINFORCEMENT - CORNER - LEFT HAND	
7	134033-01-04B	EA	PLATE - HINGE - BLACK	FROM: 00-00-00 THRU: 11-11-01
8	131790-03-01A	EA	HINGE - SINGLE/PIVOT	FROM: 00-00-00 THRU: 11-11-01
8	139793-03-01A	EA	HINGE - CENTER/VALANCE DOOR - W/O BALLSTUD	FROM: 11-12-01 THRU: 99-99-99
9	112949-02-04A	EA	LATCH - PADDLE NON-LOCKING - BRIGHT WHITE	
9	129675-01-01A	EA	LATCH - LOCKING PADDLE - BLACK	FROM: 00-00-00 THRU: 04-30-01
9	138277-01-01A	EA	LATCH/PADDLE - COMPARTMENT DOOR - BLACK - KEY ONE	FROM: 05-01-01 THRU: 99-99-99
10	132873-01-000	EA	ROD - LATCH (BLANK) - RIGHT HAND	
11	132873-02-000	EA	ROD - LATCH (BLANK) - LEFT HAND	
12	133049-02-L76	EA	TRIM - COVER/WATER HEATER	
13	139793-01-01A	EA	HINGE - RIGHT HAND/VALANCE DOOR - W/BALLSTUD	FROM: 11-12-01 THRU: 99-99-99
14	139793-05-01A	EA	HINGE - LEFT HAND/VALANCE DOOR - W/O BALLSTUD	FROM: 11-12-01 THRU: 99-99-99
15	119568-01-01A	EA	STANDOFF - VALANCE PANEL - BLACK	

EXTERIOR DOORS & COMPARTMENTS GROUP (CONTINUED)
COMPARTMENT DOOR PIECE PARTS (CONTINUED)



KEY	PART NUMBER	U/M	DESCRIPTION	
1	139325-01-000	EA	SPACER - LOCK - 6MM	
				FROM: 05-01-01 THRU: 99-99-99
	139337-01-000	EA	GASKET - LOCK	
				FROM: 05-01-01 THRU: 99-99-99
2	097111-02-04A	EA	POCKET - LOCK REAR DOOR BLACK	
3	081801-V3-000	EA	HINGE - ALUMINUM - 2" X 96" - BRIGHT WHITE	
4	106850-02-000	FT	SEAL-E - SPONGE RUBBER - .43" X .75"	
LOCK ASSEMBLY USED UP TO 04-30-01				
5*	110506-26-000	EA	LOCK ASM-KEYED,40.26MM-	
	110506-54-000	EA	CASE/CYLINDER - LOCKING - W/O CAM/KEY - 1.25i - 703170	
	110506-54-001	EA	CASE/CYLINDER - LOCKING - W/O CAM/KEY - 1.25i - 703171	
	110506-54-002	EA	CASE/CYLINDER - LOCKING - W/O CAM/KEY - 1.25i - 703172	
	110506-54-003	EA	CASE/CYLINDER - LOCKING - W/O CAM/KEY - 1.25i - 703173	
	110506-54-004	EA	CASE/CYLINDER - LOCKING - W/O CAM/KEY - 1.25i - 703174	
	110506-54-005	EA	CASE/CYLINDER - LOCKING - W/O CAM/KEY - 1.25i - 703175	
	110506-54-006	EA	CASE/CYLINDER - LOCKING - W/O CAM/KEY - 1.25i - 703176	
	110506-54-007	EA	CASE/CYLINDER - LOCKING - W/O CAM/KEY - 1.25i - 703177	
	110506-54-008	EA	CASE/CYLINDER - LOCKING - W/O CAM/KEY - 1.25i - 703178	
	110506-54-009	EA	CASE/CYLINDER - LOCKING - W/O CAM/KEY - 1.25i - 703179	
	110506-66-000	EA	CAM - LATCHING - DOG LEGGED 1.5i LONG	
LOCK ASSEMBLY USED AFTER 05-01-01				
5	138290-02-000	EA	CASE - W/CAM - W/O CYLINDER/KEY	

***COMPONENT PARTS LISTED LATER IN THIS GROUP**

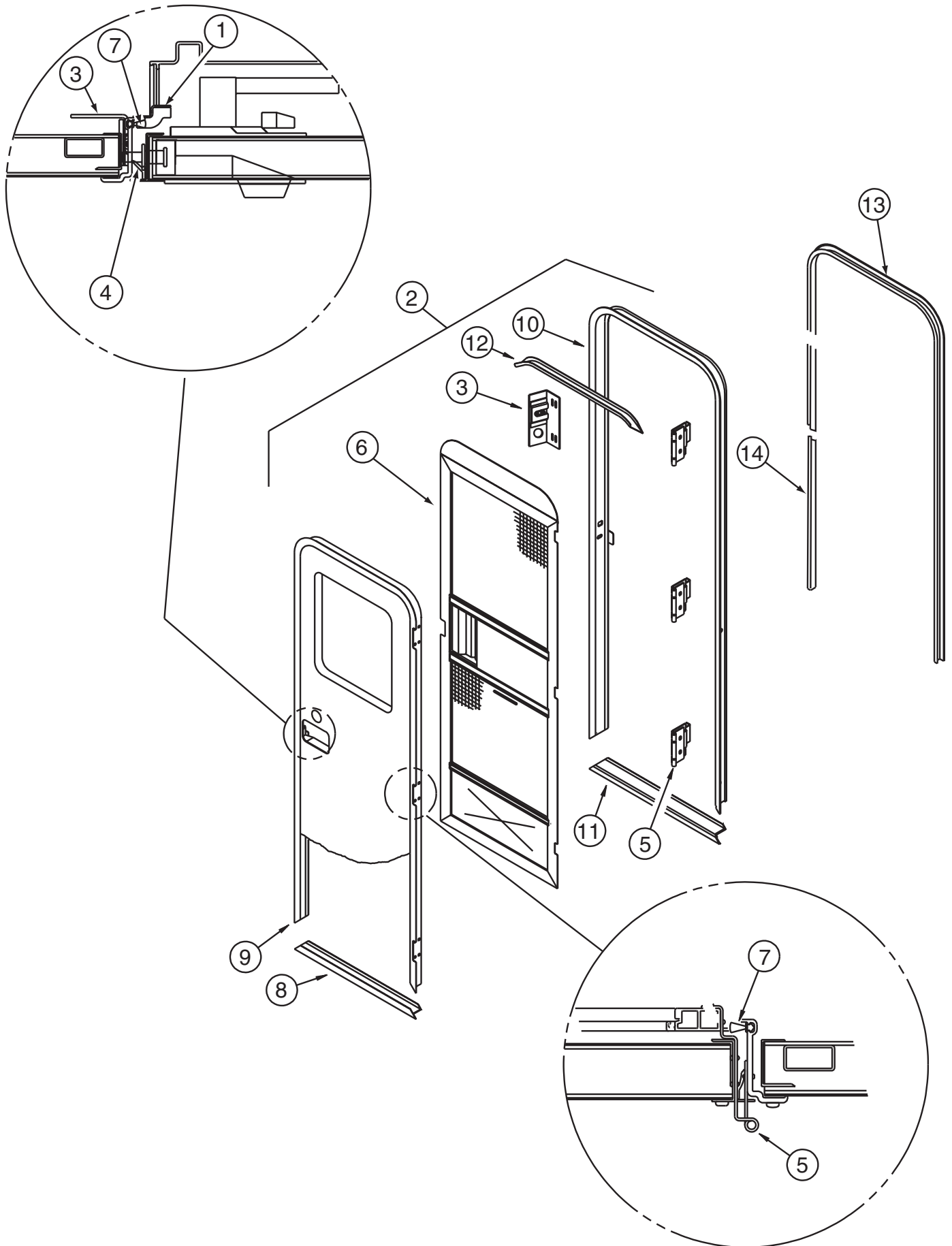
EXTERIOR DOORS & COMPARTMENTS GROUP (CONTINUED)
COMPONENT PARTS FOR COMPARTMENT DOOR PIECE PARTS

110506-26-000 - 110506-27-000 - 110506-33-000

KEY	PART NUMBER	U/M	DESCRIPTION	VENDOR NO .
	110506-40-700	EA	HARDWARE PACKAGE-CYLINDER/CASE	596950AAL

EXTERIOR DOORS & COMPARTMENTS GROUP (CONTINUED)

ENTRY



EXTERIOR DOORS & COMPARTMENTS GROUP (CONTINUED)
ENTRY (CONTINUED)

KEY	PART NUMBER	U/M	DESCRIPTION
1	132915-01-01A	EA	LATCH - SCREEN DOOR
2	P32206-08-N43	EA	DOOR - ENTRY W/SCREEN DOOR - W/O WINDOW/LATCH (N37)
2	P32206-08-N31	EA	DOOR - ENTRY W/SCREEN DOOR - W/O WINDOW/LATCH (N38)
2	P32206-08-N32	EA	DOOR - ENTRY W/SCREEN DOOR - W/O WINDOW/LATCH (N39)
3	137401-01-03B	EA	BRACKET - DOOR ANGLE - OFF WHITE
4	075671-04-000	FT	SEAL - SPONGE - LAZY T - W/ADHESIVE STRIP - .5" WIDE
5	106719-01-05A	EA	HINGE - ENTRY DOOR - BRIGHT WHITE
	106719-01-01A	EA	HINGE - ENTRY DOOR - MILL
	039715-01-000	EA	NUT-SERT - 1/4" DIAMETER - 20 THREADS
	116111-02-01A	EA	SCREW - TAPTITE - 1/4-20 X 3/8 PPH - ZINC
6	132208-02-L32	EA	DOOR - SCREEN - W/O HARDWARE
7	118929-01-01A	FT	SEAL - PILE - PUSH ON
8	121893-03-02A	EA	FRAME - ENTRY DOOR/LOWER - BRIGHT WHITE
9	121894-16-01A	EA	FRAME - ENTRY DOOR - BRIGHT WHITE
10	121898-14-01A	EA	JAMB - ENTRY DOOR
11	051049-05-000	EA	JAMB/DOOR - LOWER - ENTRY DOOR
	075673-05-000	FT	SEAL - PILE - ADHESIVE BACK - BLACK
12	044582-50-000	EA	CAP - DRIP - JAMB MITERED - BRIGHT WHITE
13	137837-01-02A	EA	GARNISH - RADIUS CORNERED - ENTRANCE DOOR - BRIGHT WHITE FROM: 00-00-00 THRU: 04-29-01
13	139100-01-01A	EA	GARNISH/RADIUS - ENTRY DOOR - BRIGHT WHITE FROM: 04-30-01 THRU: 99-99-99
14	137866-01-01A	EA	GARNISH - STRAIGHT/ENTRY DOOR - BRIGHT WHITE - 36" FROM: 00-00-00 THRU: 04-29-01
14	139101-01-01A	EA	GARNISH/STRAIGHT - 36.31" - W/NOTCH - BRIGHT WHITE FROM: 04-30-01 THRU: 99-99-99

EXTERIOR DOORS & COMPARTMENTS GROUP (CONTINUED)
ENTRY (CONTINUED)

KEY PART NUMBER U/M DESCRIPTION

LOCK ASSEMBLY USED UP TO 04-30-01

*	129676-01-000	EA	KEY - T/M 14472-07-1431
*	129676-02-000	EA	KEY - T/M 14472-07-1432
*	129676-03-000	EA	KEY - T/M 14472-07-1433
*	129676-04-000	EA	KEY - T/M 14472-07-1434
*	129676-05-000	EA	KEY - T/M 14472-07-1435
*	129676-06-000	EA	KEY - T/M 14472-07-1436
*	129676-07-000	EA	KEY - T/M 14472-07-1437
*	129676-08-000	EA	KEY - T/M 14472-07-1438
*	129676-09-000	EA	KEY - T/M 14472-07-1439
*	129676-10-000	EA	KEY - T/M 14472-07-1440
	129685-01-000	EA	CYLINDER - LOCK ASSEMBLY - ENTRANCE DOOR (J)
	129685-02-000	EA	CYLINDER - LOCK ASSEMBLY - ENTRANCE DOOR (J)
	129685-03-000	EA	CYLINDER - LOCK ASSEMBLY - ENTRANCE DOOR (J)
	129685-04-000	EA	CYLINDER - LOCK ASSEMBLY - ENTRANCE DOOR (J)
	129685-05-000	EA	CYLINDER - LOCK ASSEMBLY - ENTRANCE DOOR (J)
	129685-06-000	EA	CYLINDER - LOCK ASSEMBLY - ENTRANCE DOOR (J)
	129685-07-000	EA	CYLINDER - LOCK ASSEMBLY - ENTRANCE DOOR (J)
	129685-08-000	EA	CYLINDER - LOCK ASSEMBLY - ENTRANCE DOOR (J)
	129685-09-000	EA	CYLINDER - LOCK ASSEMBLY - ENTRANCE DOOR (J)
	129685-10-000	EA	CYLINDER - LOCK ASSEMBLY - ENTRANCE DOOR (J)

LOCK ASSEMBLY USED AFTER 05-01-01

	138288-01-000	EA	KEY - REVERSIBLE - #1151 - T/M 16169-02-3091
	138288-02-000	EA	KEY - REVERSIBLE - #1152 - T/M 16169-02-3092
	138288-03-000	EA	KEY - REVERSIBLE - #1153 - T/M 16169-02-3093
	138288-04-000	EA	KEY - REVERSIBLE - #1154 - T/M 16169-02-3094
	138288-05-000	EA	KEY - REVERSIBLE - #1155 - T/M 16169-02-3095
	138288-06-000	EA	KEY - REVERSIBLE - #1156 - T/M 16169-02-3096
	138288-07-000	EA	KEY - REVERSIBLE - #1157 - T/M 16169-02-3097
	138288-08-000	EA	KEY - REVERSIBLE - #1158 - T/M 16169-02-3098
	138288-09-000	EA	KEY - REVERSIBLE - #1159 - T/M 16169-02-3099
	138288-10-000	EA	KEY - REVERSIBLE - #1150 - T/M 16169-02-3100
	138292-01-000	EA	SEAL - LOCK CYLINDER
	138287-01-000	EA	CYLINDER/LOCK - ENTRY DOOR (MASTER)
	138287-02-000	EA	CYLINDER/LOCK - ENTRY DOOR (MASTER)
	138287-03-000	EA	CYLINDER/LOCK - ENTRY DOOR (MASTER)
	138287-04-000	EA	CYLINDER/LOCK - ENTRY DOOR (MASTER)
	138287-05-000	EA	CYLINDER/LOCK - ENTRY DOOR (MASTER)
	138287-06-000	EA	CYLINDER/LOCK - ENTRY DOOR (MASTER)
	138287-07-000	EA	CYLINDER/LOCK - ENTRY DOOR (MASTER)
	138287-08-000	EA	CYLINDER/LOCK - ENTRY DOOR (MASTER)
	138287-09-000	EA	CYLINDER/LOCK - ENTRY DOOR (MASTER)
	138287-10-000	EA	CYLINDER/LOCK - ENTRY DOOR (MASTER)

***COMPONENT PARTS LISTED LATER IN THIS GROUP**

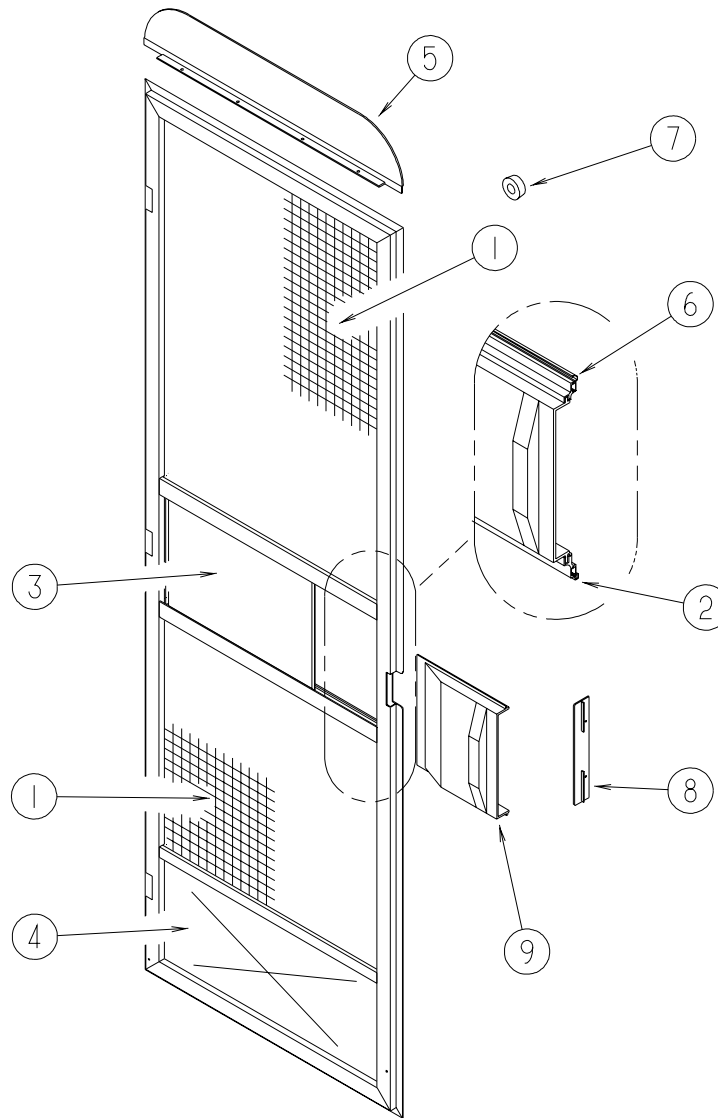
EXTERIOR DOORS & COMPARTMENTS GROUP (CONTINUED)

COMPONENT PARTS FOR ENTRY

129676-01-000 THRU 129676-10-000

KEY	PART NUMBER	U/M	DESCRIPTION	VENDOR NO .
	129685-01-701	EA	KEY - BLANK KS 150	144472-07-2001

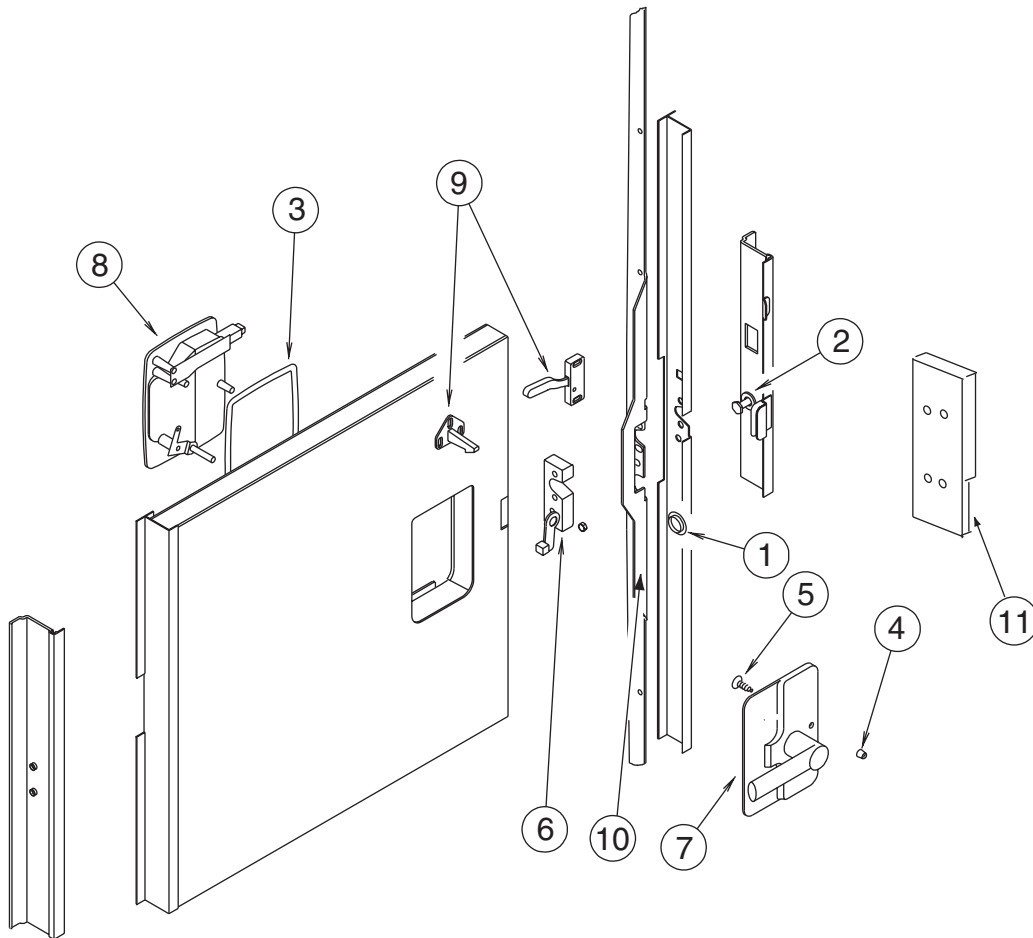
EXTERIOR DOORS & COMPARTMENTS GROUP (CONTINUED)
SCREEN



KEY	PART NUMBER	U/M	DESCRIPTION
	132208-02-L32	EA	DOOR - SCREEN - W/O HARDWARE
1	002293-02-000	SF	SCREEN - 26" - CHARCOAL
2	002294-01-000	FT	SPLINE - SCREENING - .13" X .14"
3	016454-18-000	EA	INSERT - SCREEN DOOR - CENTER
4	078552-09-000	EA	INSERT - SCREEN DOOR - LOWER
5	078595-03-000	EA	PLATE - SCREEN DOOR
6	078777-08-000	FT	CHANNEL - SLIDER
7	120863-06-000	EA	BUMPER - RUBBER - 3/4" X 3/8"
8	132081-01-01A	EA	STRIKE - SLIDER - SCREEN DOOR - BRIGHT WHITE
9	132082-01-01A	EA	SLIDER - SCREEN DOOR - BRIGHT WHITE

EXTERIOR DOORS & COMPARTMENTS GROUP (CONTINUED)

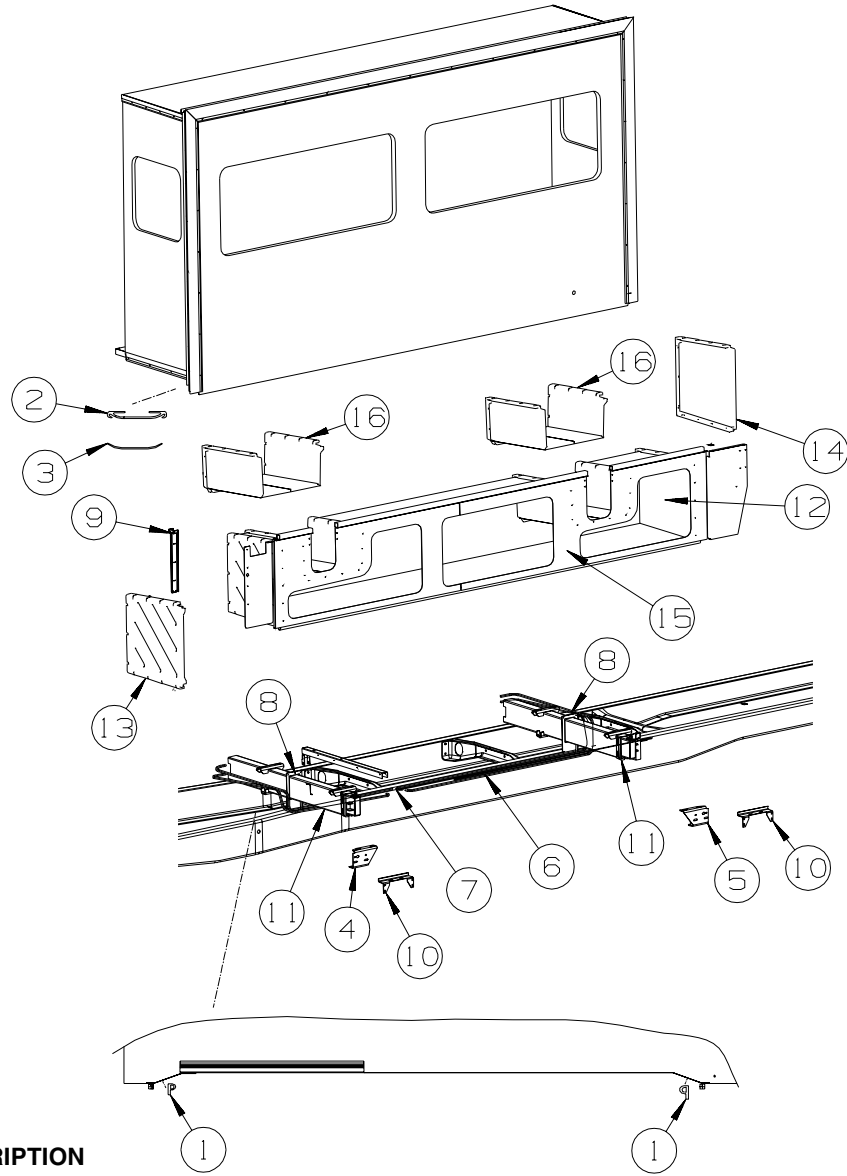
LATCH - ENTRY



KEY	PART NUMBER	U/M	DESCRIPTION
1	061420-14-000	EA	PLUG/PLASTIC - .034" DIAMETER
2	092927-14-000	EA	STRIKER - ROUND - JAMB MOUNTED
3	112782-04-01A	EA	GASKET
4	112782-05-01A	EA	CAP - VINYL - RED
5	112782-08-01A	EA	SCREW - MOUNTING/PLATE - ZINC
6	112782-15-01A	EA	LATCH - SINGLE ROTOR
7	112782-16-01A	EA	LATCH - INTERIOR PLATE
8	112782-17-01A	EA	LATCH - EXTERIOR - W/O CYLINDER - W/ICON
			FROM: 00-00-00 THRU: 04-30-01
8	112782-18-01A	EA	LATCH - EXTERIOR - W/O LOCK CYLINDER W/ICON-REVERSIBLE KEY
			FROM: 05-01-01 THRU: 99-99-99
9	132915-01-01A	EA	LATCH - SCREEN DOOR
10	132207-01-02B	EA	STIFFENER/DOOR - FORMED - E-COATED
	072893-04-000	EA	NUTSERT - 10-32
11	077461-07-000	EA	COVER/BRAKET - STRIKE - OFF WHITE
			FROM: 00-00-00 THRU: 05-31-01
11	139102-01-01A	EA	COVER - BRACKET - STRIKE - BRIGHT WHITE
			FROM: 06-01-01 THRU: 99-99-99

EXTERIOR SLIDEOUT GROUP

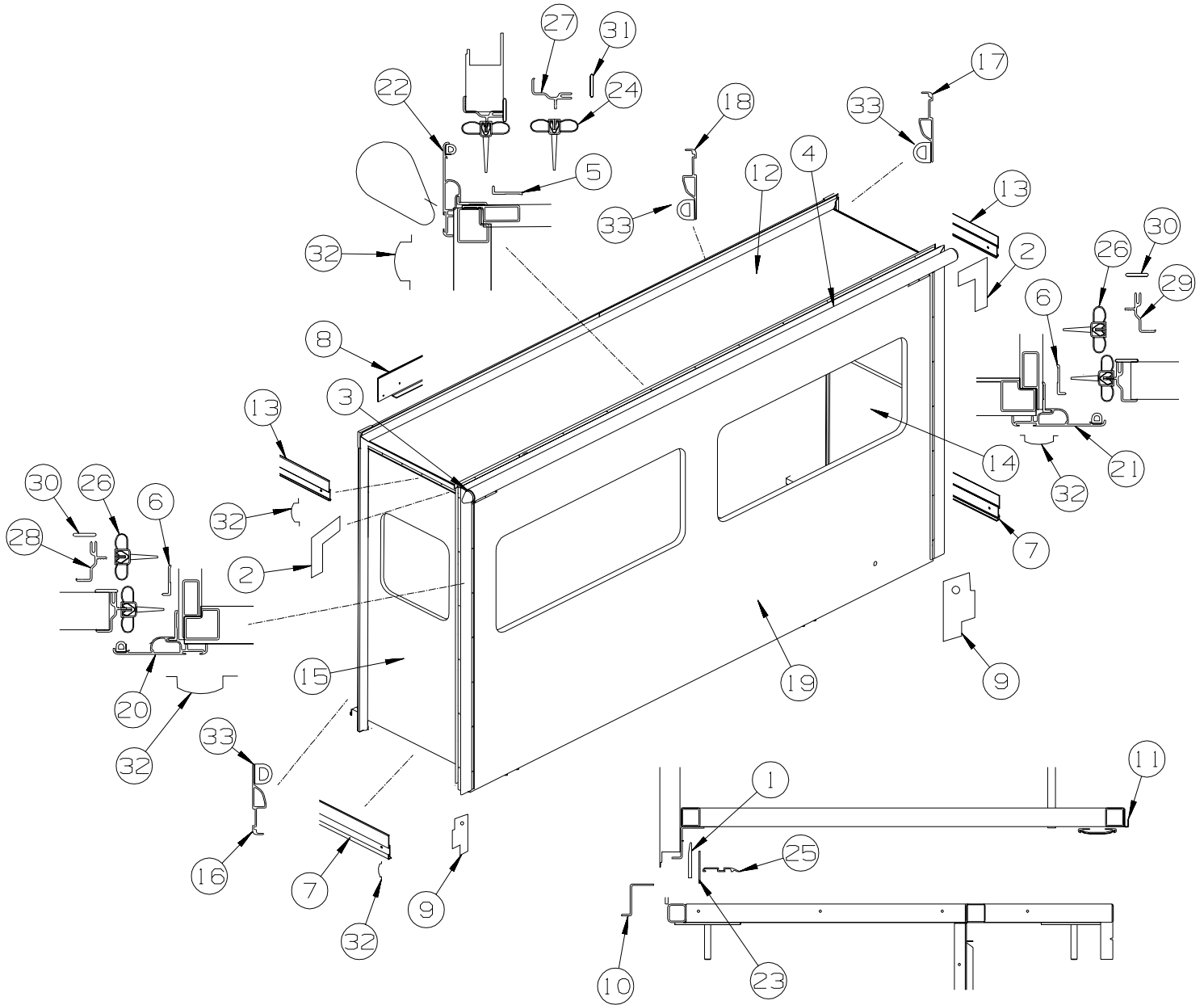
FRONT LEFT



KEY	PART NUMBER	U/M	DESCRIPTION
1	121283-01-000	FT	SEAL - P SHAPED
2	115325-04-02A	EA	RAIL - FLOOR/SLIDEOUT ROOM - BLACK
3	115661-01-000	FT	SHOE/GLIDE - SLIDEOUT ROOM - 1/16" X 3" - POLYETHYLENE
4	127030-01-02B	EA	BRACKET - INNER FRONT/SLIDEOUT - E-COATED
5	127030-02-02B	EA	BRACKET - INNER REAR/MOUNT - E-COATED
6*	100536-42-000	EA	HOSE KIT - PUMP TO SLIDE-OUT VALVE
7	123264-01-000	EA	TEE - UNION - 1/4" X 1/4" X 1/4"
8	125828-02-02B	EA	FILLER/STEEL - SLIDEOUT - E-COATED
9	126591-01-02B	EA	CARRIER - WIRE LOOM - SLIDEOUT
10	128386-01-02B	EA	BRACKET - SLIDEOUT/COMPARTMENT - E-COATED
			FROM: 00-00-00 THRU: 04-09-01
10	128386-02-02B	EA	BRACKET - SLIDEOUT COMPARTMENT - E-COATED
			FROM: 04-10-01 THRU: 99-99-99
11*	132540-01-000	EA	SLIDEOUT - HYDRAULIC
			FROM: 00-00-00 THRU: 07-08-01
11*	140122-01-000	EA	SLIDEOUT - HYDRAULIC - 29.12"
			FROM: 07-09-01 THRU: 99-99-99
12	137172-01-N42	EA	COMPARTMENT - SLIDEOUT
13	137030-01-01A	EA	END CAP - COMPARTMENT/RIGHT HAND
14	137030-02-01A	EA	END CAP - COMPARTMENT/LEFT HAND
15	137173-01-02B	EA	SEAL PLANE - E-COATED
16	137290-01-01A	EA	CAP - COMPARTMENT - FOLDING

*COMPONENT PARTS LISTED LATER IN THIS GROUP

EXTERIOR SLIDEOUT GROUP (CONTINUED)
FRONT LEFT (CONTINUED)

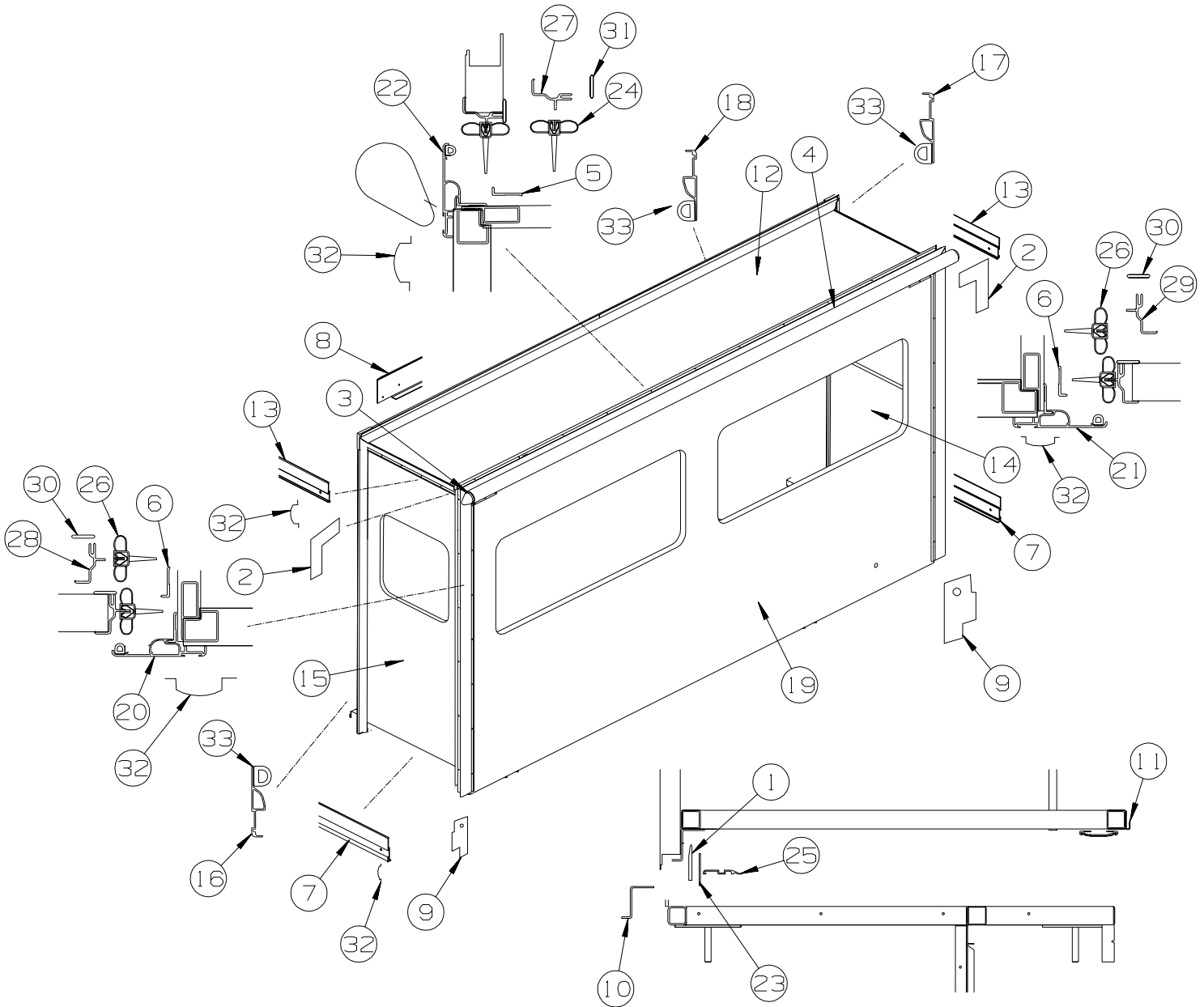


KEY	PART NUMBER	U/M	DESCRIPTION
1	115075-03-000	FT	SEAL - WIPE - .25" X 2.9" FROM: 03-19-01 THRU: 99-99-99
2	116444-02-12B	EA	TRIM/KEY CORNER - SLIDEOUT - 3.1"X3.1" - BRT WHT FROM: 00-00-00 THRU: 04-29-01
2	116444-04-12B	EA	TRIM/KEY CORNER - SLIDEOUT - 3.1"X3.1" - BRT WHT FROM: 04-30-01 THRU: 99-99-99
3	117058-01-01A	FT	TAPE - LOOP - 3/4" WIDE - ADHESIVE BACKED
4	122977-07-03A	EA	AWNING/SLIDEOUT W/COVER - 147" - WHITE - VINYL/VINYL WRAP
5	133954-07-01A	EA	TRIM/SEAL - W/MITERED ENDS - 141.8" - BRIGHT WHITE
6	133954-09-01A	EA	TRIM/SEAL - W/MITERED ENDS - 71.6" - BRIGHT WHITE
7	125051-03-01A	EA	STRIP - FEATURE - LOWER - 29.2" - BRIGHT WHITE
	075673-05-000	FT	SEAL - PILE - ADHESIVE BACK - BLACK
8	125466-02-02A	EA	SUPPORT - ROOF/INTERIOR - BRIGHT WHITE
9	126546-01-02A	EA	COVER - END/SIDEWALL SLIDEOUT - BRIGHT WHITE
10	128621-14-01A	EA	BRACKET/ZEE - SLIDEOUT - 140.4" FROM: 00-00-00 THRU: 04-18-01
10	128621-23-01A	EA	BRACKET/ZEE - SLIDEOUT - 140.4" - MILL FROM: 04-19-01 THRU: 99-99-99
11	136839-03-01A	EA	TRIM-J - CARPET EDGE/SLIDEOUT - 69.6" - BLACK
12	137383-01-N42	EA	ROOF - F/SLIDEOUT
13	138659-01-01A	EA	TRIM/FEATURE STRIP - 181.7" - BRIGHT WHITE

EXTERIOR SLIDEOUT GROUP (CONTINUED)
FRONT LEFT (CONTINUED)

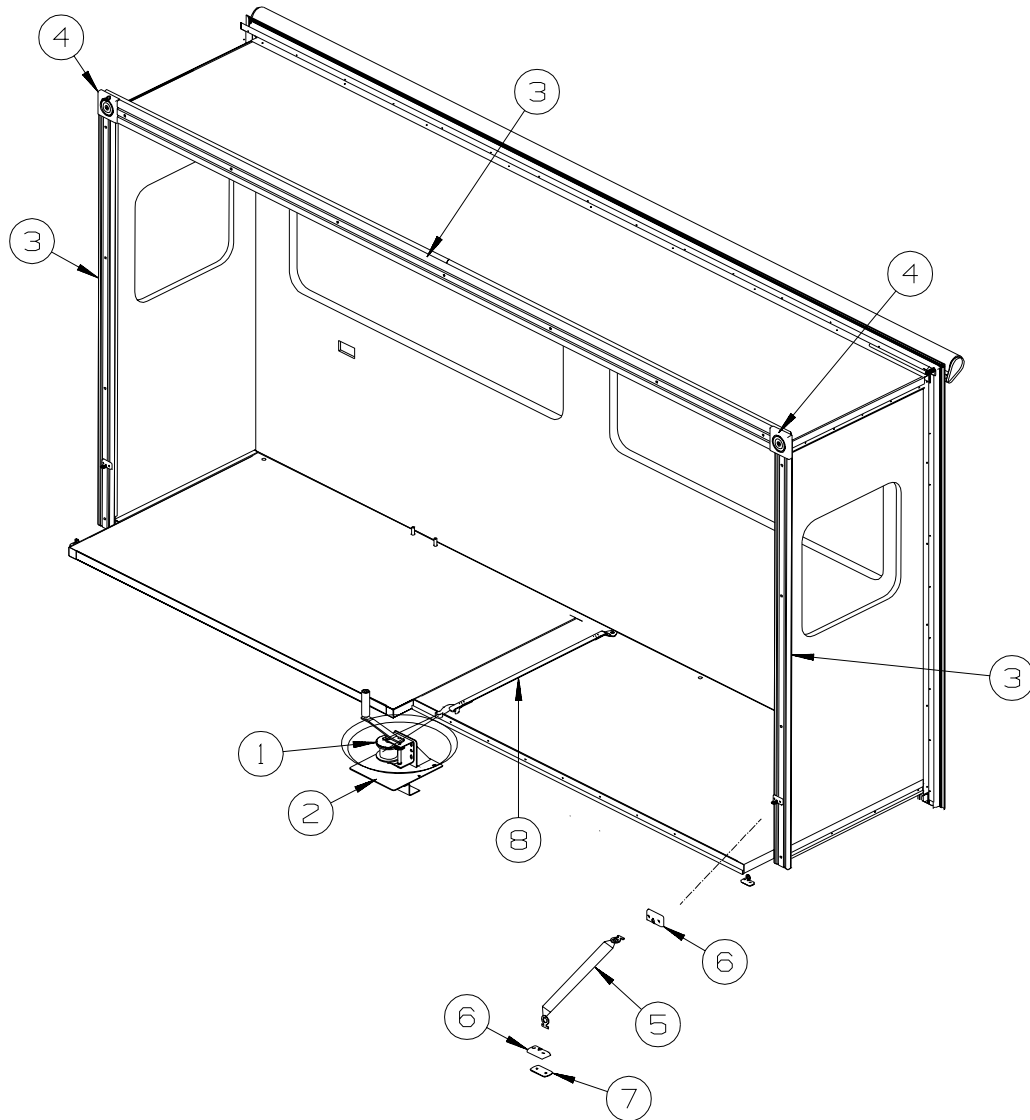
KEY	PART NUMBER	U/M	DESCRIPTION
14	139153-01-N30	EA	PANEL/WALL - SLIDEOUT - FRONT (N37)
14	139153-01-N31	EA	PANEL/WALL - SLIDEOUT - FRONT (N38)
14	139153-01-N32	EA	PANEL/WALL - SLIDEOUT - FRONT (N39)
15	139154-01-N30	EA	PANEL/WALL - SLIDEOUT - REAR (N37)
15	139154-01-N31	EA	PANEL/WALL - SLIDEOUT - REAR (N38)
15	139154-01-N32	EA	PANEL/WALL - SLIDEOUT - REAR (N39)
16	117004-01-03A	EA	TRIM - SEAL/INNER/RT HAND-W/MITERED END - 73.5" - BRT/WHT FROM: 00-00-00 THRU: 10-21-01
16	139624-01-01A	EA	TRIM/SEAL - INNER/RIGHT HAND - 73.4" - BRIGHT WHITE FROM: 10-22-01 THRU: 99-99-99
17	117004-02-03A	EA	TRIM - SEAL/INNER/LT HAND-W/MITERED END - 73.5" - BRT/WHT FROM: 00-00-00 THRU: 10-21-01
17	139624-02-01A	EA	TRIM/SEAL - INNER/LEFT HAND - 73.4" - BRIGHT WHITE FROM: 10-22-01 THRU: 99-99-99
18	117004-08-03A	EA	TRIM - SEAL/INNER UPPER-W/MITERED ENDS-145"-BRIGHT WHITE FROM: 00-00-00 THRU: 10-21-01
18	139624-06-01A	EA	TRIM/SEAL - INNER/TOP - 145.2" - BRIGHT WHITE FROM: 10-22-01 THRU: 99-99-99
19	138435-11-N30	EA	SLUG - SLIDEOUT (N37) FROM: 00-00-00 THRU: 10-21-01
19	140136-11-N30	EA	SLUG - SLIDEOUT (N37) FROM: 10-22-01 THRU: 99-99-99
19	138435-11-N31	EA	SLUG - SLIDEOUT (N38) FROM: 00-00-00 THRU: 10-21-01
19	140136-11-N31	EA	SLUG - SLIDEOUT (N38) FROM: 10-22-01 THRU: 99-99-99
19	138435-11-N32	EA	SLUG - SLIDEOUT (N39) FROM: 00-00-00 THRU: 10-21-01
19	140136-11-N32	EA	SLUG - SLIDEOUT (N39) FROM: 10-22-01 THRU: 99-99-99
20	133955-11-01A	EA	TRIM/SEAL - W/MITERED ENDS - 76.4" - BRIGHT WHITE FROM: 00-00-00 THRU: 10-21-01
20	139625-01-01A	EA	TRIM/SEAL - LEFT HAND - 76.4" - BRIGHT WHITE FROM: 10-22-01 THRU: 99-99-99
21	133955-12-01A	EA	TRIM/SEAL - W/MITERED ENDS - 76.4" - BRIGHT WHITE FROM: 00-00-00 THRU: 10-21-01
21	139625-02-01A	EA	TRIM/SEAL - RIGHT HAND - 76.4" - BRIGHT WHITE FROM: 10-22-01 THRU: 99-99-99
22	133955-07-01A	EA	TRIM/SEAL - W/MITERED ENDS - 147" - BRIGHT WHITE FROM: 00-00-00 THRU: 10-21-01
22	139625-06-01A	EA	TRIM/SEAL - TOP/W/MITERED ENDS - 147" - BRIGHT WHITE FROM: 10-22-01 THRU: 99-99-99
23	136824-05-01A	EA	TRIM - SIDEWALL/SLIDEOUT - 146.4" - BRIGHT WHITE
24	136978-01-01A	FT	SEAL - SLIDEOUT - BLACK
25	142549-01-000	EA	CLIP - S TYPE FROM: 04-29-02 THRU: 99-99-99
26	136824-01-01A	EA	TRIM - SIDEWALL/SLIDEOUT - 74.9" - BRIGHT WHITE
27	115863-12-01A	EA	TRIM - SIDEWALL/SLIDEOUT - TOP - 146" - BRIGHT WHITE FROM: 00-00-00 THRU: 10-21-01
27	136823-04-01A	EA	TRIM - SIDEWALL/SLIDEOUT - 146.7" - BRIGHT WHITE FROM: 10-22-01 THRU: 04-28-02
27	142719-01-01A	EA	TRIM/SIDEWALL - TOP/SLIDEOUT - 146.7" - BRIGHT WHITE FROM: 04-29-02 THRU: 99-99-99
28	115863-18-01A	EA	TRIM - SIDEWALL/SLIDEOUT - RIGHT HAND - 76.1" - BRT WHT FROM: 00-00-00 THRU: 10-21-01
28	139474-01-01A	EA	TRIM - SIDEWALL/SLIDEOUT - 74.9" - BRIGHT WHITE FROM: 10-22-01 THRU: 04-28-02
28	142720-01-01A	EA	TRIM - SIDEWALL/SLIDEOUT - 74.8" - BRIGHT WHITE FROM: 04-29-02 THRU: 99-99-99

EXTERIOR SLIDEOUT GROUP (CONTINUED)
FRONT LEFT (CONTINUED)



KEY	PART NUMBER	U/M	DESCRIPTION
29	115863-17-01A	EA	TRIM - SIDEWALL/SLIDEOUT - LEFT HAND - 76.1" - BRT WHT FROM: 00-00-00 THRU: 10-21-01
29	139474-02-01A	EA	TRIM - SIDEWALL/SLIDEOUT - 74.9" - BRIGHT WHITE FROM: 10-22-01 THRU: 04-28-02
29	142720-02-01A	EA	TRIM - SIDEWALL/SLIDEOUT - 74.8" - BRIGHT WHITE FROM: 04-29-02 THRU: 99-99-99
30	115886-02-03A	EA	RETAINER - SIDEWALL - BRIGHT WHITE - 73.5" FROM: 00-00-00 THRU: 10-21-01
30	136825-01-01A	EA	RETAINER/SIDEWALL - SLIDEOUT - 72.8" - MILL FROM: 10-22-01 THRU: 04-28-02
30	142718-01-01A	EA	RETAINER - SIDEWALL/SLIDEOUT - 72.8" - MILL FROM: 04-29-02 THRU: 99-99-99
31	115886-05-01A	EA	RETAINER - SIDEWALL - BRIGHT WHITE - 146.5" FROM: 00-00-00 THRU: 10-21-01
31	139476-04-01A	EA	RETAINER - SIDEWALL/SLIDEOUT - 144.9" - MILL FROM: 10-22-01 THRU: 04-28-02
31	142718-02-01A	EA	RETAINER - SIDEWALL/SLIDEOUT - 144.9" - MILL FROM: 04-29-02 THRU: 99-99-99
32	105312-01-07A	FT	INSERT - FEATURE STRIP - VINYL - BRIGHT WHITE
33	112091-01-000	FT	SEAL/D - NEOPRENE - HEAT ACTIVE ADHESIVE - .9"
34	134837-01-01A	EA	RAMP - SLIDEOUT - BLACK PVC

EXTERIOR SLIDEOUT GROUP (CONTINUED)
FRONT LEFT (CONTINUED)



KEY	PART NUMBER	U/M	DESCRIPTION
1	115767-02-000	EA	WINCH - SLIDEOUT W/10' STRAP
2	116082-03-02B	EA	BRACKET - WINCH
3	132663-03-08A	EA	MOLDING-VINYL WRAP/PRE DRILLED-.6"X3.8"X150.6"PRTSM OAK
4	132844-01-08A	EA	BLOCK - CORNER - 3.9" X 3.9" - PORTSMOUTH OAK
5	135619-01-01A	EA	STRAP - TIEDOWN - SLIDEOUT ROOM
6	135619-02-01A	EA	PLATE - TIEDOWN - SLIDEOUT ROOM
7	135622-01-01B	EA	PLATE - TIEDOWN - SLIDEOUT ROOM
8	116101-02-F31	EA	STRAP - WINCH - 34" CENTER BRACKET/STRAP END

EXTERIOR SLIDEOUT GROUP (CONTINUED)
COMPONENT PARTS FOR FRONT LEFT

100536-42-000

KEY	PART NUMBER	U/M	DESCRIPTION	VENDOR NO.
	100536-42-700	EA	HOSE - HYDRAULIC - 168"	RAP6115
	100536-42-701	EA	HOSE - HYDRAULIC - 175"	RAP90350

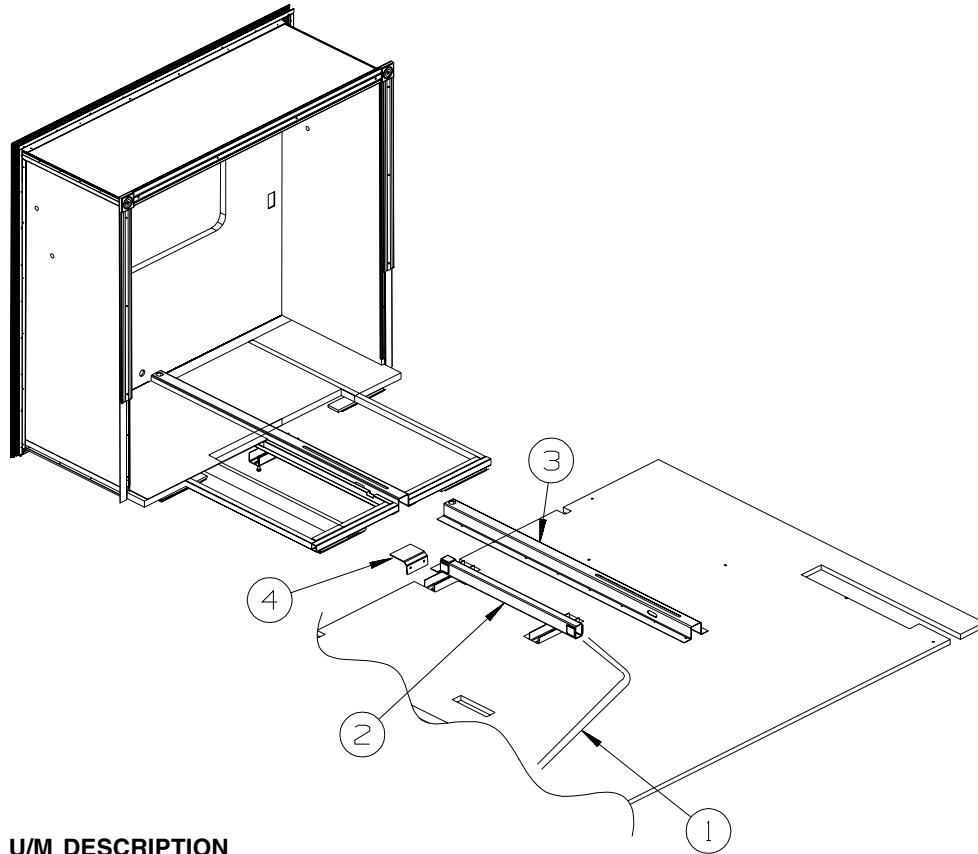
132540-01-000

KEY	PART NUMBER	U/M	DESCRIPTION	VENDOR NO.
	100536-10-701	EA	HOSE-HYDRAULIC-1/4" X 116"	RAP90349/AP5384
	128599-06-702	EA	BEARING PAD - SLIDE-OUT	P10370
	128599-06-704	EA	BEARING PAD - SLIDE-OUT	P14811
	132540-01-700	EA	RAM - SLIDEOUT ROOM	RAP90689/AP19616
	132540-01-701	EA	CYLINDER - SYNCRONIZING	RAP90690/AP17966
	132540-01-704	EA	TUBE ASM - FRONT OF SLIDE	AP19394
	132540-01-705	EA	TUBE ASM - REAR OF SLIDE	AP19395
	132540-01-706	EA	BOLT - SLIDE ROOM ADJUSTER	RAP90865/P19611
	137196-01-700	EA	HOSE-HYDRAULIC - 1/8" X 120"	RAP90428/AP24642

140122-01-000

KEY	PART NUMBER	U/M	DESCRIPTION	VENDOR NO.
	128599-06-703	EA	BEARING KIT - SLIDE-OUT TUBE	RAP90698
	128599-06-704	EA	BEARING PAD - SLIDE-OUT	P14811
	132540-01-700	EA	RAM - SLIDEOUT ROOM	RAP90689/AP19616
	132540-01-701	EA	CYLINDER - SYNCRONIZING	RAP90690/AP17966
	132540-01-706	EA	BOLT - SLIDE ROOM ADJUSTER	RAP90865/P19611
	137196-01-700	EA	HOSE-HYDRAULIC - 1/8" X 120"	AP24642
	137196-01-701	EA	HOSE-HYDRAULIC - 1/4" X 116"	AP5384

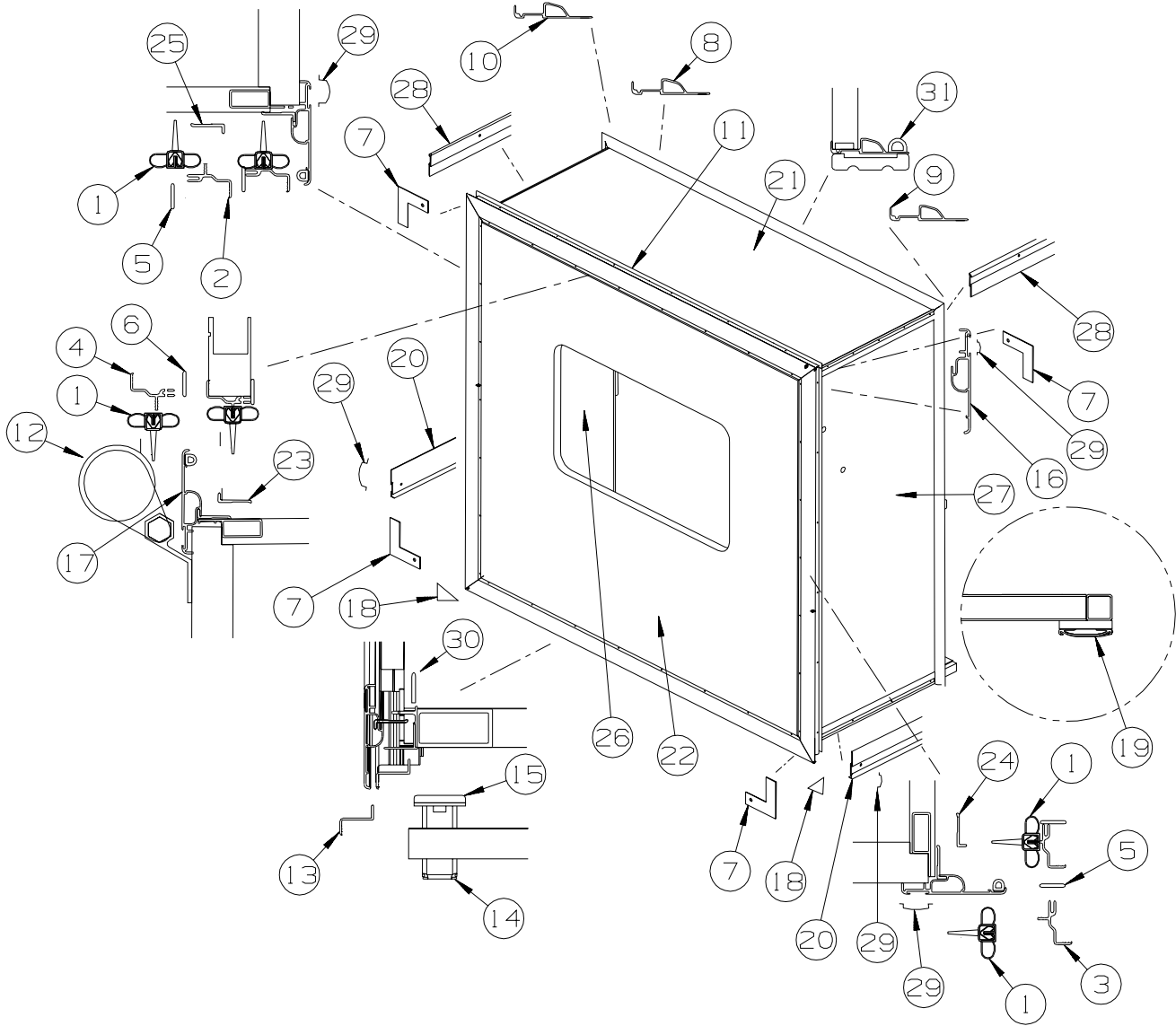
EXTERIOR SLIDEOUT GROUP (CONTINUED)
RIGHT REAR



KEY	PART NUMBER	U/M	DESCRIPTION
1*	100536-46-000	EA	HOSE KIT - SLIDEOUT
2*	137390-01-000	EA	HYDRAULIC/BED - F/SLIDEOUT
3	137390-02-000	EA	CHANNEL - HYDRAULIC - F/SLIDEOUT
4	139953-01-02B	EA	ANGLE - REINFORCEMENT - F/SLIDEOUT - E-COATED

***COMPONENT PARTS LISTED LATER IN THIS GROUP**

EXTERIOR SLIDEOUT GROUP (CONTINUED)
RIGHT REAR (CONTINUED)

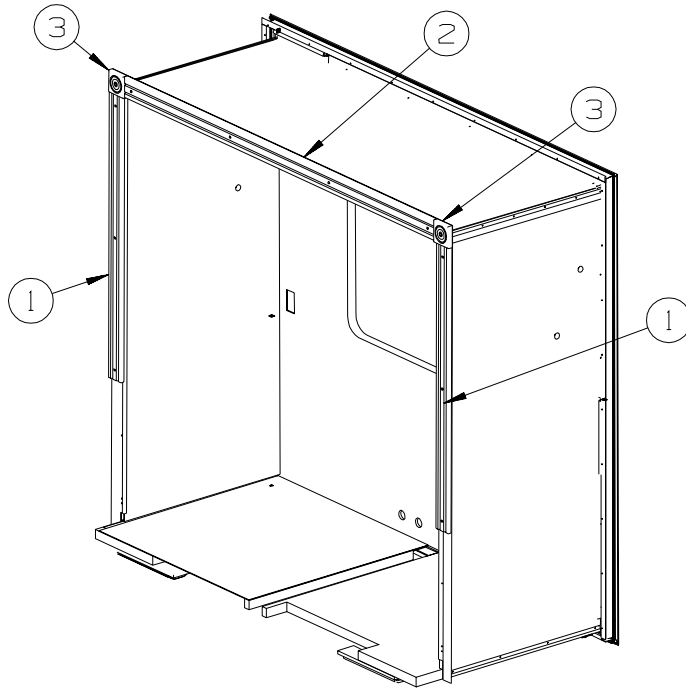


KEY	PART NUMBER	U/M	DESCRIPTION
1	115076-01-000	FT	SEAL - SLIDEOUT
2	115863-22-01A	EA	TRIM - SIDEWALL/SLIDEOUT - LEFT HAND - 75.6" - BRT WHT
3	115863-23-01A	EA	TRIM - SIDEWALL/SLIDEOUT - RIGHT HAND - 75.6" - BRT WHT
4	115863-32-01A	EA	TRIM - SIDEWALL/SLIDEOUT - TOP - 81" - BRIGHT WHITE
5	115886-02-03A	EA	RETAINER - SIDEWALL - BRIGHT WHITE - 73.5"
6	115886-12-02A	EA	RETAINER - SIDEWALL - BRIGHT WHITE - 81"
7	116444-02-12B	EA	TRIM/KEY CORNER - SLIDEOUT - 3.1"X3.1" - BRT WHT
7	116444-04-12B	EA	TRIM/KEY CORNER - SLIDEOUT - 3.1"X3.1" - BRT WHT
8	117004-06-03A	EA	TRIM - SEAL/INNER/LEFT - W/MITERED END/NOTCH- 73.4" BRT/WT
8	139624-10-01A	EA	TRIM/SEAL - INNER/RIGHT HAND - 73.4" - BRIGHT WHITE
9	117004-07-03A	EA	TRIM - SEAL/INNER/RIGHT- W/MITERED END/NOTCH- 73.4" BRT/WT
9	139624-11-01A	EA	TRIM/SEAL - INNER/LEFT HAND - 73.4" - BRIGHT WHITE

EXTERIOR SLIDEOUT GROUP (CONTINUED)
RIGHT REAR (CONTINUED)

KEY	PART NUMBER	U/M	DESCRIPTION
10	117004-16-01A	EA	TRIM - SEAL/INNER/UPPER-W/MITERED ENDS-80.2"-BRIGHT WHITE FROM: 00-00-00 THRU: 04-30-02
10	139624-04-01A	EA	TRIM/SEAL - INNER/TOP - 80.2" - BRIGHT WHITE FROM: 05-01-02 THRU: 99-99-99
11	117058-01-01A	FT	TAPE - LOOP - 3/4" WIDE - ADHESIVE BACKED
12	122977-12-03A	EA	AWNING/SLIDEOUT W/COVER - 81.8" - WHITE - VINYL/VINYL WRAP
13	124303-04-02A	EA	TRIM - SIDEWALL - Z - 79.5" - BRIGHT WHITE
14	126313-02-02B	EA	SUPPORT - ROLLER - E-COATED
15	128599-03-000	EA	PAD - F/SLIDEOUT
16	133955-05-01A	EA	TRIM/SEAL - W/MITERED ENDS - 75.6" - BRIGHT WHITE
17	133955-22-01A	EA	TRIM/SEAL - W/MITERED ENDS - 81.8" - BRIGHT WHITE
18	135275-01-01A	EA	PROTECTOR - CORNER - SLIDEOUT - WHITE
19	115325-08-01A	EA	RAIL - FLOOR/SLIDEOUT ROOM - BLACK
20	125051-02-01A	EA	TRIM - LOWER FEATURE - BRIGHT WHITE FROM: 00-00-00 THRU: 06-26-01
20	125051-03-01A	EA	STRIP - FEATURE - LOWER - 29.2" - BRIGHT WHITE FROM: 06-27-01 THRU: 99-99-99
	075673-05-000	FT	SEAL - PILE - ADHESIVE BACK - BLACK
21	137400-01-N42	EA	ROOF - W/O LIGHTS/VENTS - W/WIRING - F/REAR SLIDEOUT
22	138434-11-N30	EA	SLUG - SLIDEOUT (N37)
22	138434-11-N31	EA	SLUG - SLIDEOUT (N38)
22	138434-11-N32	EA	SLUG - SLIDEOUT (N39)
23	133954-18-01A	EA	TRIM/SEAL - W/MITERED ENDS - 76.5" - BRIGHT WHITE
24	133954-05-01A	EA	TRIM/SEAL - W/MITERED ENDS - 67.9" - BRIGHT WHITE FROM: 00-00-00 THRU: 04-10-01
24	133954-24-01A	EA	TRIM/SEAL - W/MITERED END - 70.4" - BRIGHT WHITE FROM: 04-11-01 THRU: 99-99-99
25	133954-05-01A	EA	TRIM/SEAL - W/MITERED ENDS - 67.9" - BRIGHT WHITE FROM: 00-00-00 THRU: 04-10-01
25	133954-25-01A	EA	TRIM/SEAL - W/MITERED END - 70.4" - BRIGHT WHITE FROM: 04-11-01 THRU: 99-99-99
26	139146-01-N30	EA	PANEL/WALL - REAR SLIDEOUT - REAR (N37)
26	139146-01-N31	EA	PANEL/WALL - REAR SLIDEOUT - REAR (N38)
26	139146-01-N32	EA	PANEL/WALL - REAR SLIDEOUT - REAR (N39)
27	139140-01-N30	EA	PANEL/WALL - REAR SLIDEOUT - FRONT (N37)
27	139140-01-N31	EA	PANEL/WALL - REAR SLIDEOUT - FRONT (N38)
27	139140-01-N32	EA	PANEL/WALL - REAR SLIDEOUT - FRONT (N39)
28	138659-01-01A	EA	TRIM/FEATURE STRIP - 181.7" - BRIGHT WHITE
29	105312-01-07A	FT	INSERT - FEATURE STRIP - VINYL - BRIGHT WHITE
30	123012-01-000	FT	SEAL - SLIDEOUT - .09"/.13" THICK X 1.25" - W/ADHESIVE
31	112091-01-000	FT	SEAL/D - NEOPRENE - HEAT ACTIVE ADHESIVE - .9"

EXTERIOR SLIDEOUT GROUP (CONTINUED)
RIGHT REAR (CONTINUED)



KEY	PART NUMBER	U/M	DESCRIPTION
1	132663-17-08A	EA	MOLDING-VINYL WRAP/PRE DRILLED-.6"X3"X45.5" - OAK FROM: 00-00-00 THRU: 10-14-01
1	132663-24-08A	EA	MOLDING-VINYL WRAP/PRE DRILLED-.6"X3"X45.8"PORTSMOUTH OAK FROM: 10-15-01 THRU: 99-99-99
2	132663-18-08A	EA	MOLDING-VINYL WRAP/PRE DRILLED-.6"X3.4"X73.1" - OAK
3	132844-02-08A	EA	BLOCK - CORNER - 3.5" X 3.5" - PORTSMOUTH OAK

EXTERIOR SLIDEOUT GROUP (CONTINUED)
COMPONENT PARTS FOR RIGHT REAR

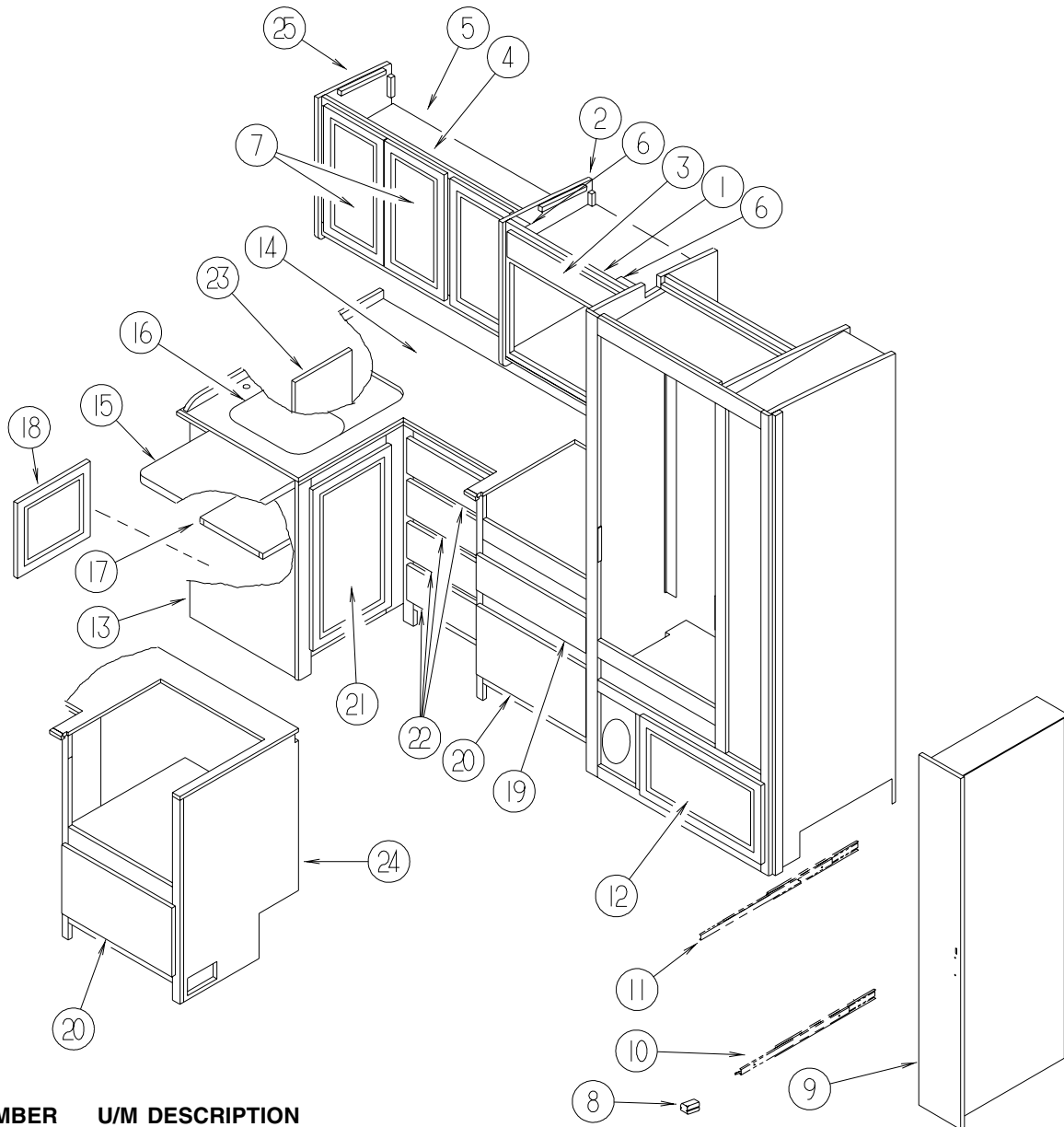
100536-46-000

KEY	PART NUMBER	U/M	DESCRIPTION	VENDOR NO.
	100536-46-700	EA	HOSE/HYDRAULIC - 1/4" X 408"	RAP4669/AP4669
	100536-46-701	EA	HOSE/HYDRAULIC - 1/4" X 412"	AP7130

137390-01-000

KEY	PART NUMBER	U/M	DESCRIPTION	VENDOR NO.
	128599-06-700	EA	HOSE/HYDRAULIC -1/8" X 72"	AP24635
	128599-06-701	EA	HOSE/HYDRAULIC - 1/8" X 84"	AP24636
	128599-06-703	EA	BEARING KIT - SLIDE-OUT TUBE	RAP90698
	128599-06-704	EA	BEARING PAD - SLIDE-OUT	P14811
	137390-01-700	EA	RAM/CYLINDER - SLIDEOUT ROOM	RAP90876/AP23425
	137390-01-701	EA	CYLINDER NUT KIT - SLIDEOUT	RAP90947
	137390-01-702	EA	SLOT COVER ASM. - RUBBER	AP26959

GALLEY GROUP CABINETS

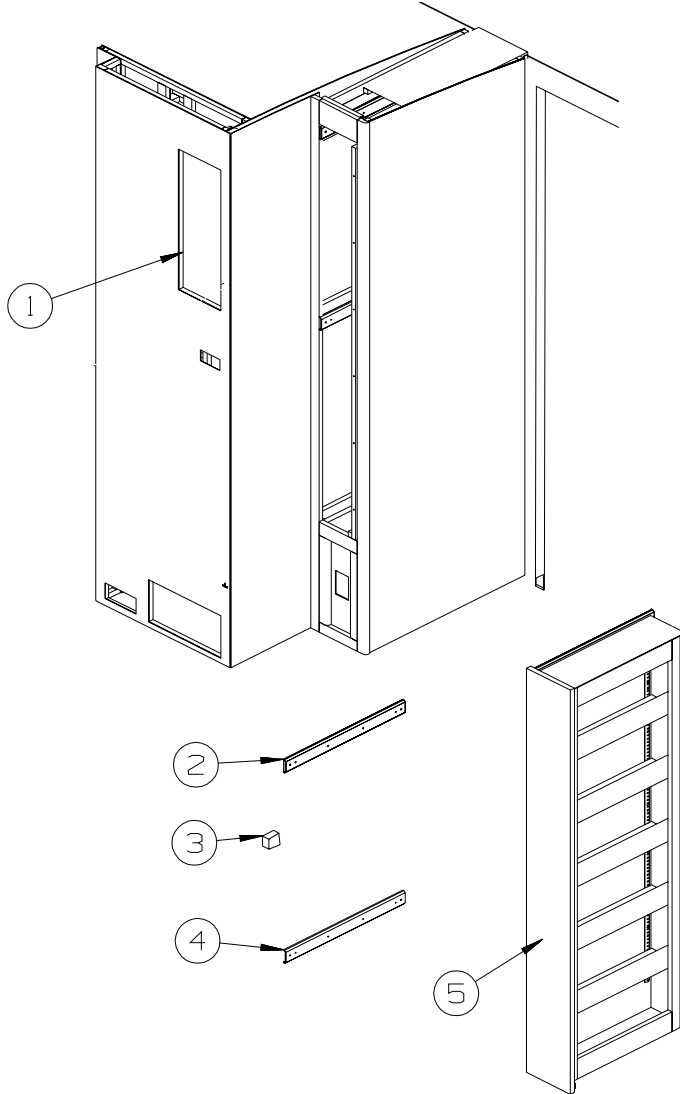


KEY	PART NUMBER	U/M	DESCRIPTION
1	139027-01-N30	EA	CABINET - OVERHEAD/MICROWAVE - W/O DOORS/HARDWARE - W/HEATER HEATER SWITCH
1	139027-02-N30	EA	CABINET - OVERHEAD/MICROWAVE - W/O DOORS/HARDWARE - W/O HEATER HEATER SWITCH
2	103128-84-N30	EA	END CAP - OVERHEAD CABINET
3	134783-38-N37	EA	DOOR - RAIL/SOLID PANEL - 6.3" X 23.2" - W/O HARDWARE
4	139024-01-N30	EA	CABINET - OVERHEAD/GALLEY - W/O DOORS/HARDWARE
5	139024-14-N30	EA	SHELF - W/PLASTIC EDGE MOLDING
6	138425-01-02B	EA	BRACE/MICROWAVE CABINET - RIGHT HAND - E-COATED
7	134781-74-N25	EA	DOOR - RAIL/VENEER - 12" X 21.8" - W/O HARDWARE
8	123673-01-01A	EA	KNOB - PANTRY SLIDE
9	134781-A6-N37	EA	DOOR - RAIL/VENEER - 8" X 60.7" - W/O HARDWARE
10	122360-03-000	EA	SLIDE - PANTRY - W/LOCK - RIGHT HAND (FACING PANEL)
11	122360-02-000	EA	SLIDE - PANTRY - W/O LOCK - RIGHT/LEFT HAND
12	P34767-59-N47	EA	DRAWER - PENCIL EDGE - 22.9"W X 19.6"D - W/O SLIDES/HDW
13	136496-01-N30	EA	CABINET - GALLEY - W/O COUNTERTOP/DOORS/DRAWERS/HARDWARE
14	133653-09-N30	EA	COUNTERTOP - LAMINATED - GRAY TRANQUILITY (N37)
14	133653-09-N31	EA	COUNTERTOP - LAMINATED - WHITE ETHOS (N38)
14	133653-09-N32	EA	COUNTERTOP - LAMINATED - WHITE TALC/PORTSMOUTH OAK (N39)
15	129503-06-N30	EA	EXTENSION/GALLEY - LAMINATED - GRAY TRANQUILITY - W/O HDW (N37)
15	129503-06-N31	EA	EXTENSION/GALLEY - LAMINATED - WHITE ETHOS - W/O HARDWARE (N38)
15	129503-06-N32	EA	EXTENSION/GALLEY - LAMINATED - WHITE TALC - W/O HARDWARE (N39)
16	103610-04-N30	EA	COVER - SINK - 15.7" X 9.6" - GRAY TRANQUILITY (N37)
16	103610-04-N31	EA	COVER - SINK - 15.7" X 13.8" - WHITE ETHOS (N38)
16	103610-04-N32	EA	COVER - SINK - 15.7" X 9.6" - WHITE TALC (N39)

GALLEY GROUP (CONTINUED)

CABINETS (CONTINUED)

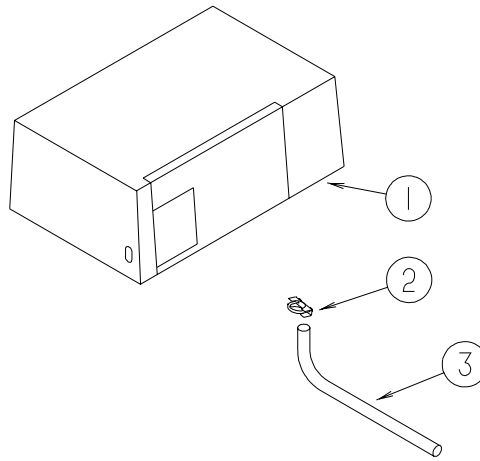
KEY	PART NUMBER	U/M	DESCRIPTION
17	136496-28-N30	EA	SHELF - W/PLASTIC EDGE MOLDING
18	134783-C5-N37	EA	DOOR - RAIL/SOLID PANEL - 17.9" X 14.3" - W/O HARDWARE
19	P34767-80-N37	EA	DRAWER - PENCIL EDGE - 19.8"W X 17.7"D - W/O SLIDES/HDW
20	P34767-98-N37	EA	DRAWER - PENCIL EDGE - 19.8"W X 13.8"D-W/O SLIDES/HARDWARE
21	134783-G0-N37	EA	DOOR - RAIL/SOLID PANEL - 15.7" X 27.9" - W/O HARDWARE
22	P34767-97-N37	EA	DRAWER - PENCIL EDGE - 15.4"W X 11.8"D - W/O SLIDES/HDW
23	134783-P5-N37	EA	DOOR - RAIL/SOLID PANEL - 11.4" X 21.8" - W/O HARDWARE
24	139024-02-N30	EA	CABINET - GALLEY - W/O COUNTERTOP/DOORS/DRAWERS/HARDWARE
25	103128-86-N30	EA	END CAP - OVERHEAD CABINET



KEY	PART NUMBER	U/M	DESCRIPTION
1	137602-04-N30	EA	POCKET - MONITOR PANEL
2	122360-02-000	EA	SLIDE - PANTRY - W/O LOCK - RIGHT/LEFT HAND
3	123673-01-01A	EA	KNOB - PANTRY SLIDE
4	122360-03-000	EA	SLIDE - PANTRY - W/LOCK - RIGHT HAND (FACING PANEL)
			FROM: 00-00-00 THRU: 09-16-01
4	122360-01-000	EA	SLIDE - PANTRY - W/LOCK - LEFT HAND (FACING PANEL)
			FROM: 09-17-01 THRU: 99-99-99
5	134783-87-N47	EA	DOOR - RAIL/SOLID PANEL - 10" X 29.5" - W/O HARDWARE
			FROM: 00-00-00 THRU: 05-21-01
5	134781-A7-N37	EA	DOOR - RAIL/VENEER - 8" X 60.7" - W/O HARDWARE
			FROM: 05-22-01 THRU: 99-99-99

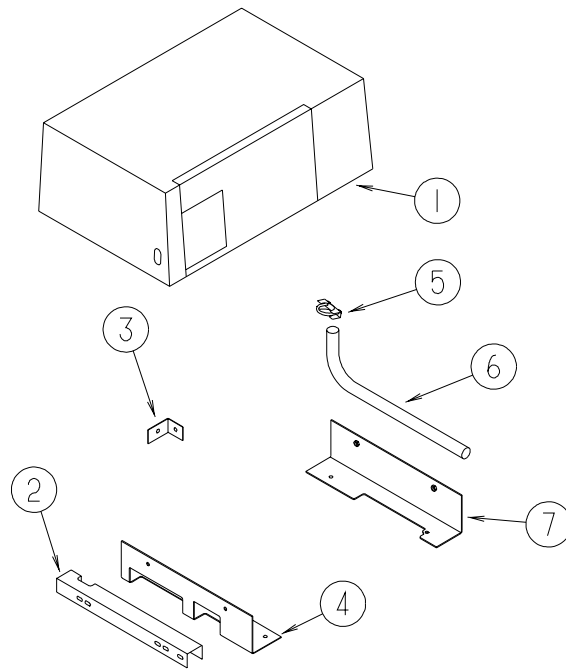
GENERATOR GROUP GAS

MARQUIS GOLD



KEY	PART NUMBER	U/M	DESCRIPTION
1	135707-02-000	EA	GENERATOR - 7.9 - 30/20 - GAS - MARQUIS GOLD
1	135707-07-000	EA	GENERATOR - 5.5 - 30/20 - GAS - MARQUIS GOLD
2	007125-03-000	EA	CLAMP - MUFFLER - 1.5" DIAMETER
3	105958-03-000	EA	PIPE - GENERATOR EXHAUST - 1.5" OD X 4.4" X 15.7" FROM: 00-00-00 THRU: 07-22-01
3	105958-14-000	EA	PIPE - EXHAUST - 1.4" INLET X 1.5" OD - 4.9" X 18.1" - F30W FROM: 07-23-01 THRU: 99-99-99
3	105958-25-000	EA	PIPE - EXHAUST - GENERATOR - F32V , F34D , F36M FROM: 07-23-01 THRU: 99-99-99

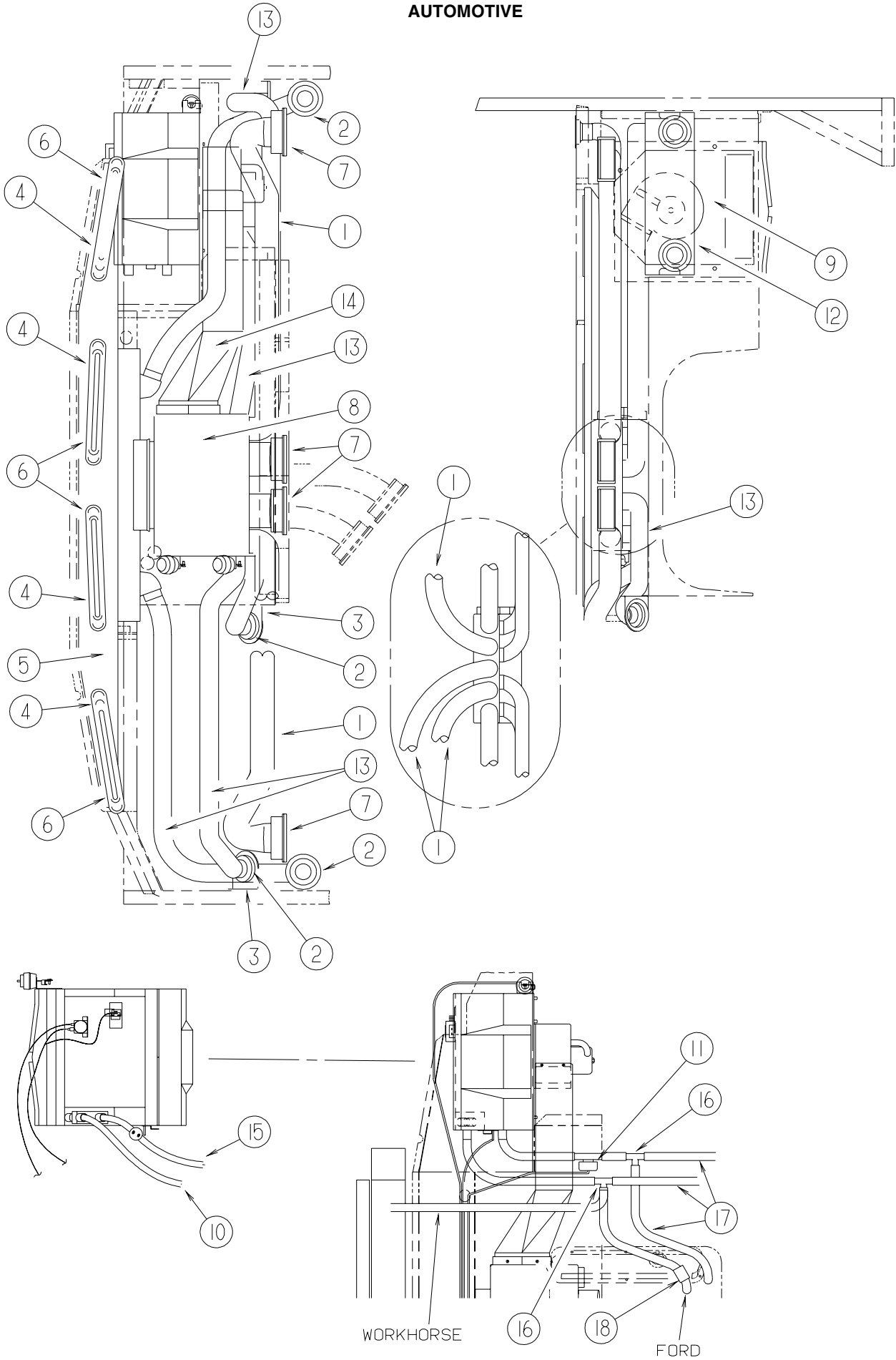
GENERATOR GROUP (CONTINUED)
GAS (CONTINUED)



MICROLITE

KEY	PART NUMBER	U/M	DESCRIPTION
1	109982-03-000	EA	GENERATOR - 4.0 MICROLITE
2	135825-01-02B	EA	CHANNEL - SPACER - GENERATOR - E-COATED
3	135826-01-02B	EA	ANGLE - SUPPORT - GENERATOR - E-COATED
4	114070-02-02B	EA	SUPPORT - GENERATOR - LEFT
5	007125-04-000	EA	CLAMP - MUFFLER - 1.12" DIAMETER
6	105958-10-000	EA	PIPE - GENERATOR EXHAUST - 1.3" OD X 5.9" X 19.7"
7	114071-02-02B	EA	SUPPORT - GENERATOR - RIGHT

HEATING & A/C GROUP AUTOMOTIVE



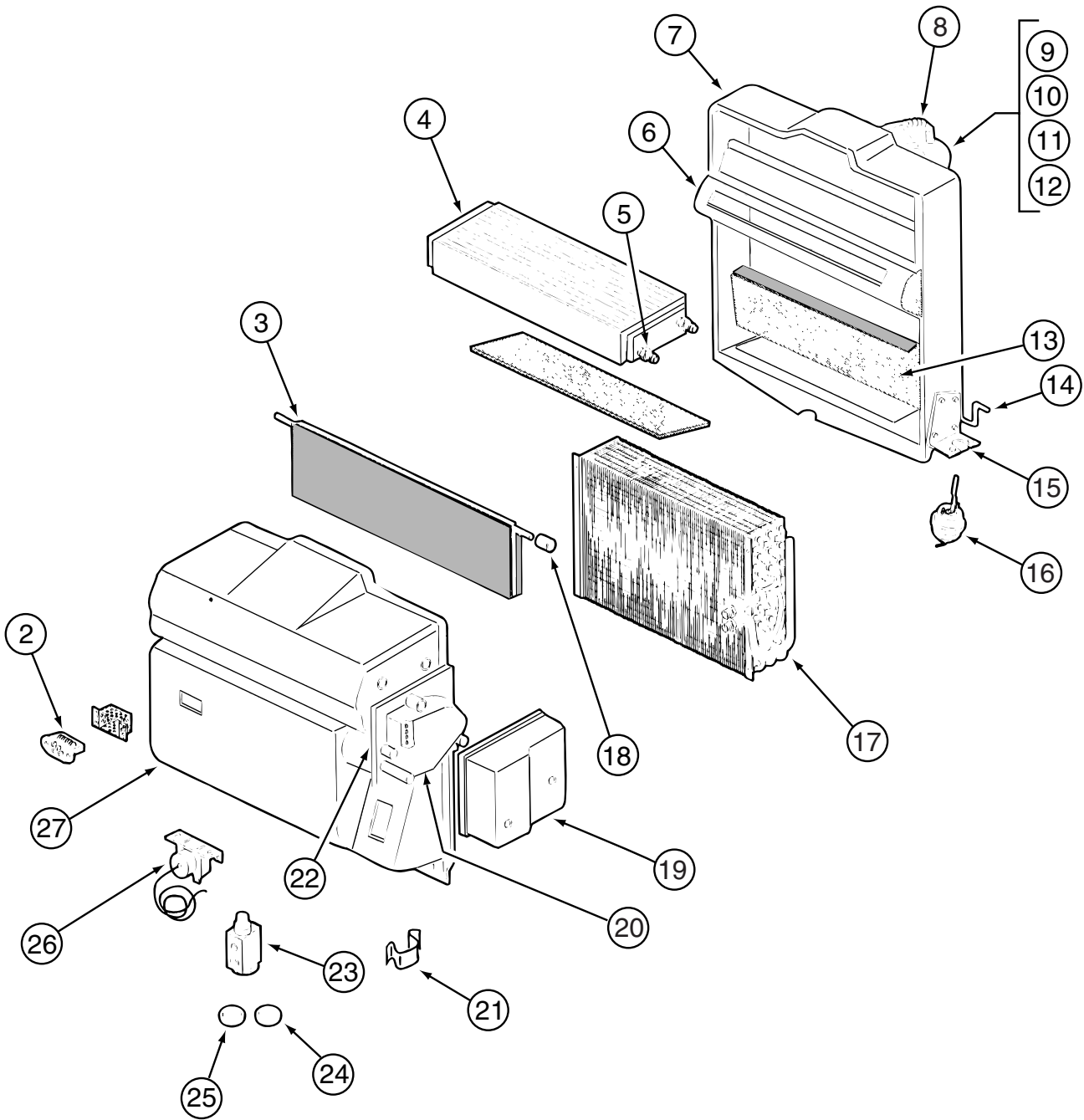
HEATING & A/C GROUP (CONTINUED)
AUTOMOTIVE (CONTINUED)

KEY	PART NUMBER	U/M	DESCRIPTION
1	007281-01-000	EA	HOSE - FLEXIBLE PVC - 2 1/2" ID X 50'
2	024990-05-000	EA	OUTLET - DEFROSTER - W/SWIVEL - 2" SLEEVE/4" OD
3	136157-03-02B	EA	BRACKET - HEATER - E-COATED
4	077075-01-000	EA	GASKET - INSTRUMENT PANEL/DEFROSTER PLENUM - .6" X 10.2"
5	103017-03-000	EA	PLENUM - DEFROSTER
6	135265-01-04A	EA	VENT - DEFROSTER - PLASTIC - GLACIER
7	135803-01-01A	EA	LOUVER - A/C - 2.5" - BLACK - 2 USED
7	135803-02-01A	EA	LOUVER - A/C - 2.5" - W/HOLES - 2 USED
8*	103930-49-000	EA	CONTROL/PLENUM - LARGE ROTARY
9*	103930-43-000	EA	EVAPORATOR/HEATER ASSEMBLY - NON-CHARGED
10*	103930-46-000	EA	HOSE - EXPANSION BLOCK (EVAPORATOR) TO COMPRESSOR - WORKHORSE
10*	103930-45-000	EA	HOSE - EVAPORATOR/COMPRESSOR - FORD
11	103930-23-000	EA	VALVE - WATER - 2 PORT/VACUUM CONTROLLED
12	095757-05-M42	EA	COVER - HEATER (N37)
12	095757-05-M23	EA	COVER - HEATER (N38)
12	095757-05-L56	EA	COVER - HEATER (N39)
13	007076-01-000	EA	HOSE - FLEXIBLE PVC - 2" ID - INCREMENTS OF 50'
14	103016-03-000	EA	PLENUM - TRANSITION
15*	103930-47-000	EA	HOSE - EXPANSION VALVE-EVAPORATOR/DRIER- WORKHORSE
15*	103930-44-000	EA	HOSE - EVAPORATOR/DRYER - #6 - FORD
16	076776-01-000	EA	TEE - BEADED - 5/8" X 5/8" X 5/8"
17	007108-01-000	FT	HOSE - HEATER - 5/8" ID - HI-TEMP
18	103930-50-000	EA	RESTRICTOR-WATER - FORD
	103930-37-000	EA	MANUAL/OWNERS - HEATER-A/C
			FROM: 00-00-00 THRU: 11-01-01
	103930-54-000	EA	MANUAL/OWNERS - HEATER-A/C
			FROM: 11-02-01 THRU: 99-99-99

***COMPONENT PARTS LISTED LATER IN THIS GROUP**

HEATING & A/C GROUP (CONTINUED)

COMPONENT PARTS FOR AUTOMOTIVE



103930-43-000

HEATING & A/C GROUP (CONTINUED)
COMPONENT PARTS FOR AUTOMOTIVE (CONTINUED)

103930-43-000 (CONTINUED)

KEY	PART NUMBER	U/M	DESCRIPTION	VENDOR NO
2	103930-01-710	EA	RESISTOR-FUSED, A/C 4 TERM	035-0006
3	103930-30-705	EA	DOOR - AIR BLEND	071-0568
4	103930-01-703	EA	CORE-HEATER	042-0010
5	110279-01-712	EA	FITTING - HEATER CORE	050-0076
6	103930-30-707	EA	DIVIDER ASM.	086-0061
7	103930-20-711	EA	CASE-BACK, SUB-ASSEMBLY	062-0147
8	110279-01-703	EA	HOSE-VENT F/BLOWER MOTOR	051-0034
9	103930-20-707	EA	HOUSING-BLOWER	062-0145
10	103930-30-706	EA	MOTOR-BLOWER PM147 W/ADAPTER	030-0109
11	103930-01-717	EA	WHEEL-BLOWER, CLOCKWISE	062-0010
12	103930-20-708	EA	CLIP-MOTOR SHAFT	022-0001
13	103930-20-705	EA	PANEL-DOOR, RECIRCULATING	071-0213
14	103930-20-704	EA	ROD-DOOR-RECIRCULATING	073-0018
15	103930-01-708	EA	BRACKET-VACUUM MOTOR	070-0113
16	103930-02-708	EA	MOTOR-VACUUM SERVO, A/C	030-0025
17	103930-01-704	EA	COIL-EVAPORATOR	041-0017
18	103930-30-702	EA	BUSHING/DRIVE - BLEND DOOR	062-00634
19	103930-30-704	EA	COVER - SERVO	062-0545
20	103930-30-703	EA	MOTOR - SERVO	030-0104
21	103930-20-706	EA	CLIP-RETAINER - CASE ATTACH	022-0057
22	103930-30-701	EA	PLATE - MOTOR MOUNT	062-0544
23	103930-20-700	EA	VALVE-EXPANSION-BLOCK, 2 TON	034-0032
24	103930-17-702	EA	OIRING #10	045-0127
25	113245-01-707	EA	OIRING #8	045-0126
26	103930-01-711	EA	THERMOSTAT	033-0003
27	103930-30-700	EA	CASE - FRONT	062-0542
	094831-01-709	EA	CLAMP-ROD 3/16"	022-0025
	103930-02-714	EA	CLAMP-CLUTCH, BARREL	022-0006
	103930-20-713	EA	GASKET - BLEND AIR DOOR	045-0160
	103930-20-714	EA	GASKET - BLEND AIR DOOR	045-0161
	103930-30-708	EA	BUSHING/IDLER - BLEND DOOR	062-00167
	113245-01-718	FT	HOSE - DRAIN - 1/2"	051-0002

CONTACT WINNEBAGO PART SALES FOR UNLISTED COMPONENTS

103930-44-000

KEY	PART NUMBER	U/M	DESCRIPTION	VENDOR NO
	103930-29-701	EA	OIRING F/LOW PRESSURE SWITCH	045-0483
	103930-44-700	EA	HOSE ASSEMBLY #6	085-0462
	113245-01-711	EA	OIRING #6	045-0129

103930-45-000

KEY	PART NUMBER	U/M	DESCRIPTION	VENDOR NO.
	103930-17-702	EA	OIRING #10	045-0127

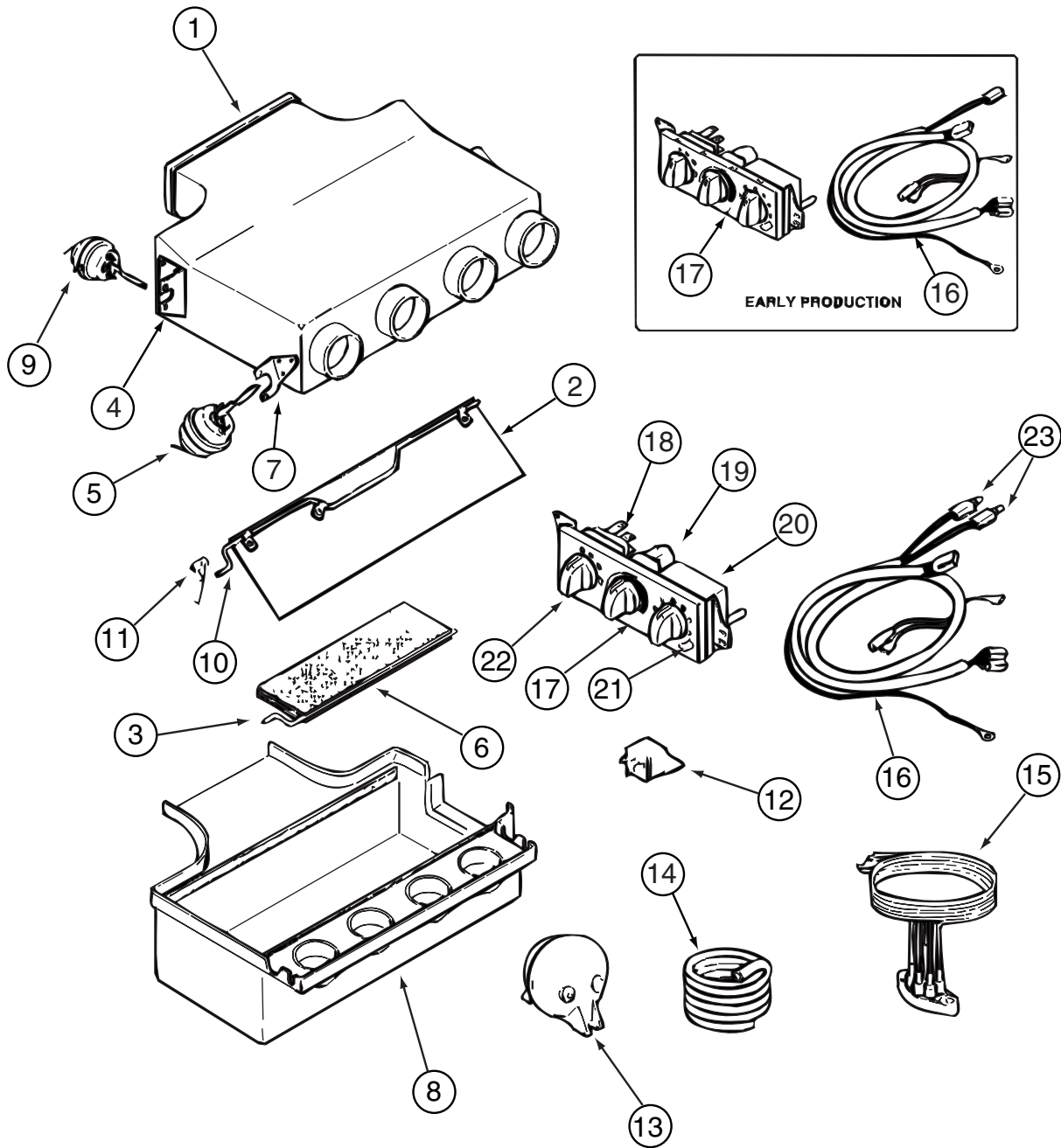
103930-46-000

KEY	PART NUMBER	U/M	DESCRIPTION	VENDOR NO
	103930-17-702	EA	OIRING #10	045-0127
	103930-29-701	EA	OIRING F/LOW PRESSURE SWITCH	045-0483

103930-47-000

KEY	PART NUMBER	U/M	DESCRIPTION	VENDOR NO
	113245-01-710	EA	OIRING, #12	045-0128

HEATING & A/C GROUP (CONTINUED)
COMPONENT PARTS FOR AUTOMOTIVE (CONTINUED)



103930-49-000

HEATING & A/C GROUP (CONTINUED)
COMPONENT PARTS FOR AUTOMOTIVE (CONTINUED)

103930-49-000 (CONTINUED)

KEY	PART NUMBER	U/M	DESCRIPTION	VENDOR NO.
1	103930-39-705	EA	PLENUM - TOP	060-0482
2	103930-04-700	EA	DOOR - DEFROSTER-A/C	071-0149
3	103930-39-700	EA	ROD - DOOR - AC/HEAT	073-067
5	103930-02-708	EA	MOTOR-VACUUM SERVO, A/C	030-0025
6	103930-39-706	EA	PLATE - DOOR - A/C	071-0623
8	103930-39-707	EA	PLENUM - BOTTOM	060-0483
9	103930-33-701	EA	MOTOR - VACUUM, 3 STAGE	030-0105
10	103930-39-701	EA	ROD - DOOR - AC/DEFROST	073-0069
11	103930-39-704	EA	SPRING	022-0119
12	103930-02-707	EA	RELAY-BOSCH W/RESISTER	031-0001
13	103930-02-710	EA	CANISTER-VACUUM	054-0002
15	103930-33-703	EA	VACUUM HARNESS	036-0466
16	103930-49-700	EA	HARNESS - WIRE	036-556
16	103930-49-701	EA	HARNESS - WIRE W/BULBS	036-0557
17	103930-49-702	EA	CONTROL PANEL-RECESSED FACE	032-0054
17	103930-49-703	EA	CONTROL PANEL - NON RECESSED	083-0223
18	103930-49-704	EA	SWITCH - BLOWER	032-0332
19	103930-49-705	EA	POTENTIOMETER	032-0182
20	103930-49-706	EA	SWITCH - VACUUM	032-0185
21	103930-49-707	EA	DECAL CONTROL PANEL-N/RECESS	058-0144
22	103930-49-708	EA	KNOB - BLOWER - NONRECESSED	062-0620
23	103930-33-705	EA	LIGHT BULBS	035-0030

CONTACT WINNEBAGO PART SALES FOR UNLISTED COMPONENTS

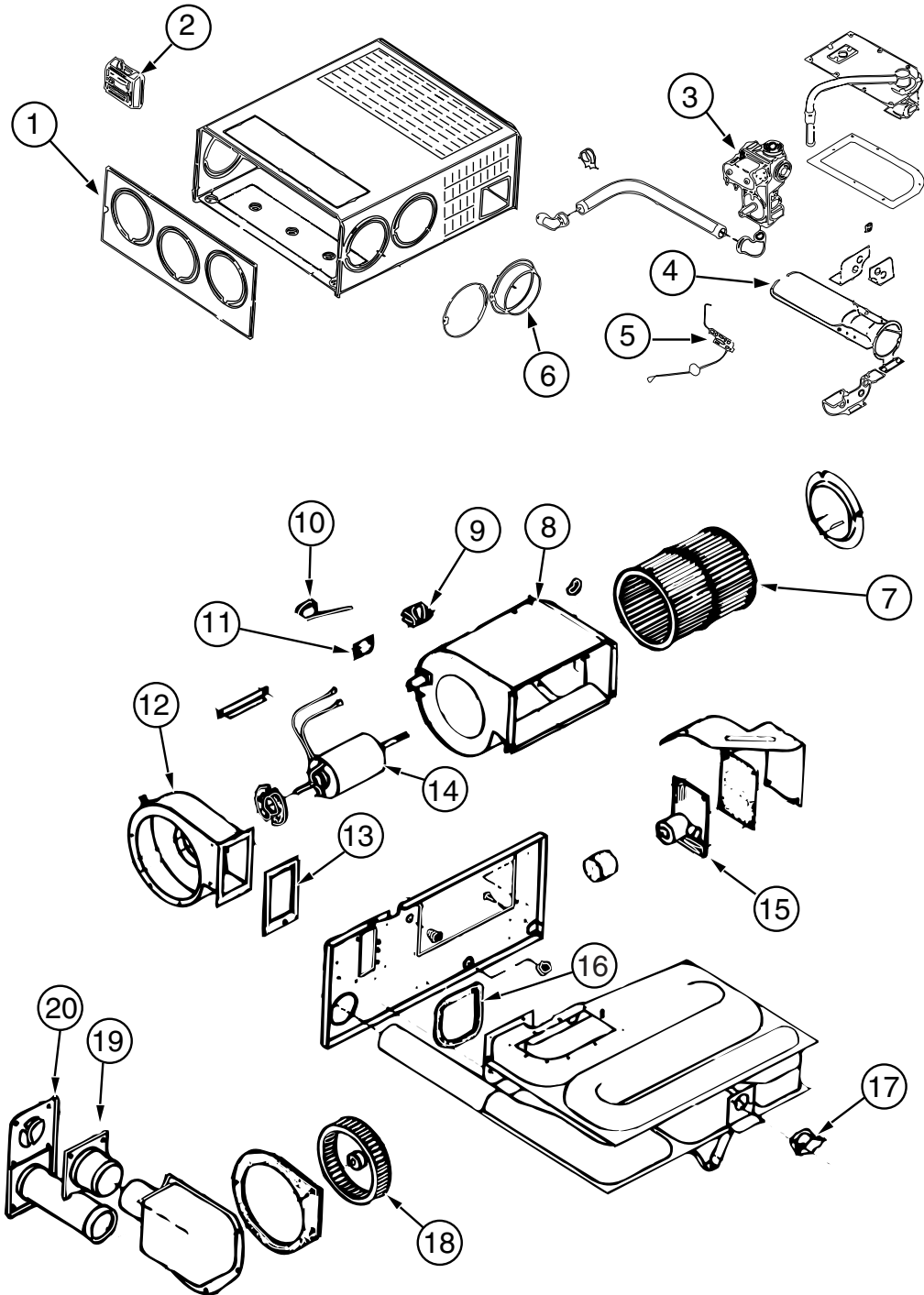
HEATING & A/C GROUP (CONTINUED)

FURNACE

KEY	PART NUMBER	U/M	DESCRIPTION
*	098668-21-000	EA	FURNACE - 35000 BTU - F30W, F32V FROM: 00-00-00 THRU: 06-03-01
*	139980-03-000	EA	FURNACE - 35000 BTU - SF QUIET - SUBURBAN SF-35 2322J - F30W, F32V FROM: 06-04-01 THRU: 99-99-99
*	098668-22-000	EA	FURNACE - 40,000 BTU - F34D, F36M FROM: 00-00-00 THRU: 09-30-01
*	139980-04-000	EA	FURNACE - 40000 BTU - SF QUIET - SUBURBAN SF-42 2323J - F34D, F36M FROM: 10-01-01 THRU: 99-99-99
	093614-09-01A	EA	GRILLE - AIR RETURN - 21.9" X 11.9" - BEIGE - F30W
	093614-11-01A	EA	GRILLE - AIR RETURN - 13.9" X 7.9" - BEIGE - F36M
	093614-13-02A	EA	GRILLE - AIR RETURN - 15.9" X 11.9" - BEIGE - F32V, F36M
	098668-14-000	EA	GASKET - FIBERGLASS - .5" X 18" X 18"
	098668-15-000	EA	PLATE-FACE
	098668-16-000	EA	VENT - INTAKE - F30W
	098668-23-000	EA	DOOR - ACCESS - FURNACE - BRIGHT WHITE
	137965-01-01A	EA	REGISTER - 2.25" X 10" - W/O DAMPER - ANTIQUE BRASS - F30W
	137965-02-01A	EA	REGISTER - 2.25" X 10" - W/DAMPER - ANTIQUE BRASS - F30W

*COMPONENT PARTS LISTED LATER IN THIS GROUP

HEATING & A/C GROUP (CONTINUED)
COMPONENT PARTS FOR FURNACE



098668-21-000

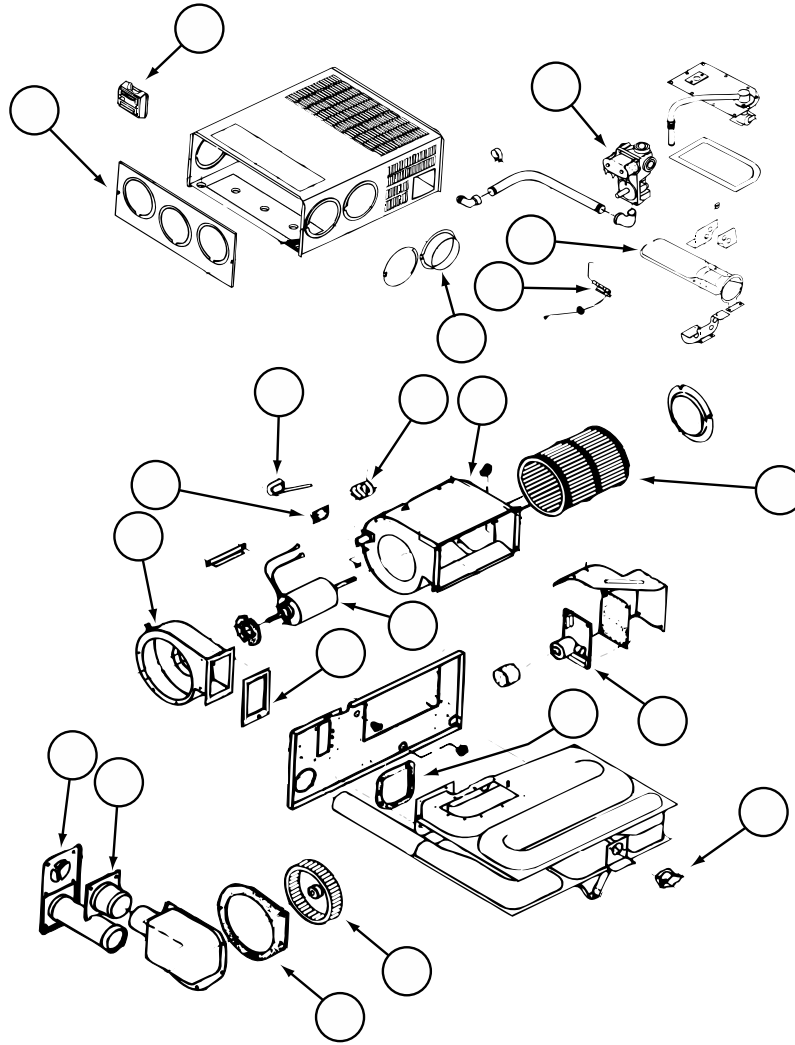
HEATING & A/C GROUP (CONTINUED)
COMPONENT PARTS FOR FURNACE (CONTINUED)

098668-21-000 (CONTINUED)

KEY	PART NUMBER	U/M	DESCRIPTION	VENDOR NO.
1	098668-01-700	EA	CABINET FRONT	101242
3	098668-01-714	EA	VALVE-GAS,SF S.N. 921401821	161070
4	098668-02-700	EA	BURNER ASSEMBLY,SF-30 & SF35	010745
5	098668-01-715	EA	ELECTRODE ASM., SINGLE PROBE	232166
6	075696-02-703	EA	COLLAR-DUCT	050715
7	098668-01-711	EA	WHEEL-BLOWER, ROOM AIR	350129
8	098668-01-710	EA	HOUSING-BLOWER, ROOM AIR	390440
9	074466-01-702	EA	RELAY, TIME DELAY	230625
10	098668-21-700	EA	SWITCH-MICRO-W/O FLAG 3 1/4"	232261
11	101990-01-714	EA	GASKET-MICROSWITCH	230877
12	098668-01-708	EA	HOUSING-BLOWER, COMBUSTION	390441
13	098668-01-717	EA	GASKET-FIREWALL, BLOWER SIDE	070809
14	098668-03-700	EA	MOTOR ASSEMBLY, SF-35	231707
15	098668-01-712	EA	BOARD-MODULE	520741
16	098668-01-716	EA	GASKET-FIREWALL,CHAMBER SIDE	070808
17	098668-21-701	EA	SWITCH - LIMIT	231799
18	098668-01-706	EA	WHEEL-COMBUSTION AIR	350184
19	098668-01-713	EA	TUBE ASSEMBLY, INTAKE	051248
20	098668-01-707	EA	TUBE ASSEMBLY, EXHAUST W/CAP	260231
	098668-08-701	EA	MODULE BD/FAN CONT-UNITED TE	232614

CONTACT WINNEBAGO PART SALES FOR UNLISTED COMPONENTS

HEATING & A/C GROUP (CONTINUED)
COMPONENT PARTS FOR FURNACE (CONTINUED)

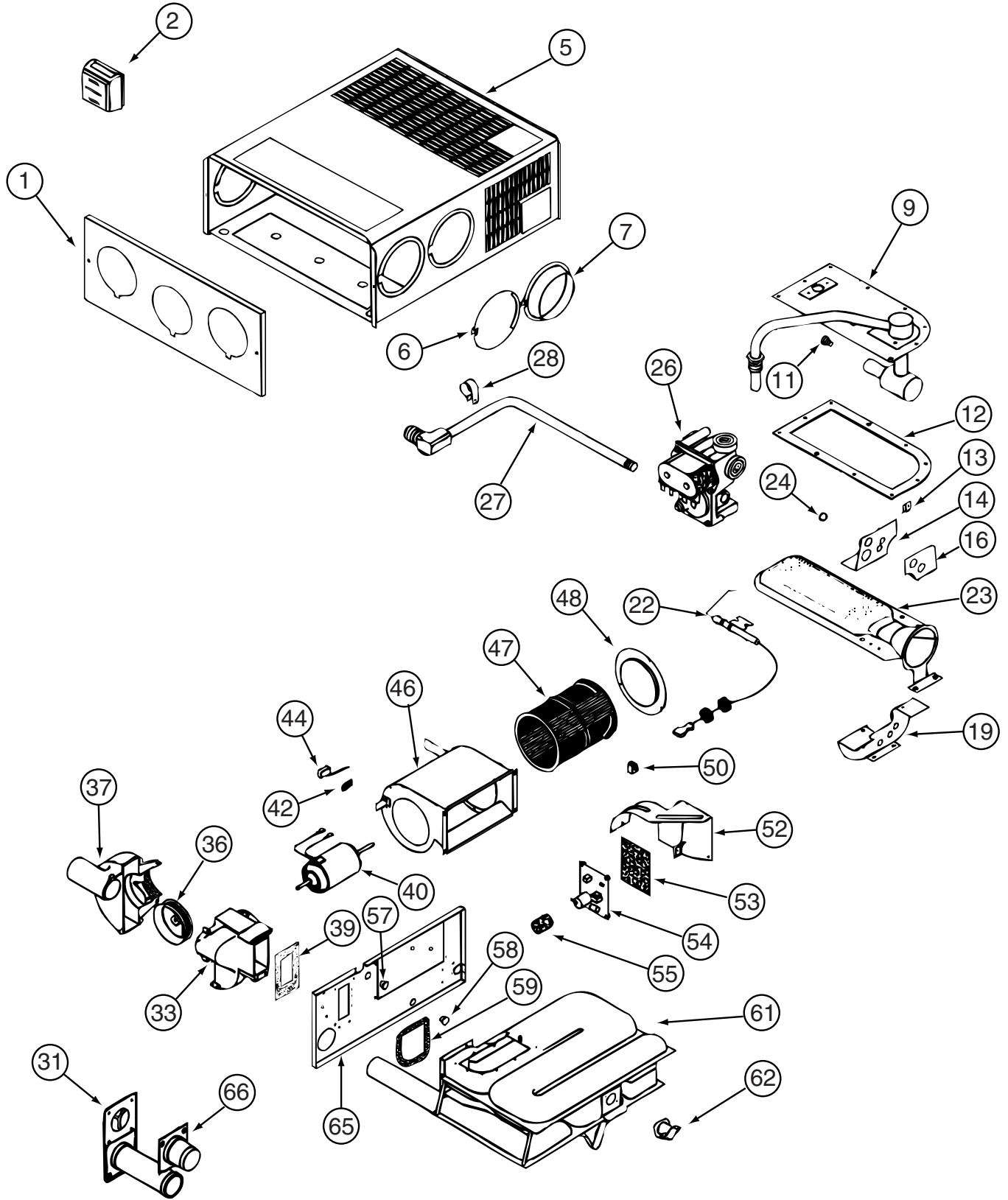


098668-22-000

KEY	PART NUMBER	U/M	DESCRIPTION	VENDOR NO.
1	098668-01-700	EA	CABINET FRONT	101242
3	098668-01-714	EA	VALVE-GAS, SF	161070
4	098668-11-701	EA	BURNER ASSEMBLY, SF-42F	010799
5	098668-01-715	EA	ELECTRODE ASM., SINGLE PROBE	232166
6	075696-02-703	EA	COLLAR-DUCT	050715
7	098668-11-704	EA	BLOWER ASM., ROOM AIR SF-42F	390698
8	074466-01-702	EA	RELAY, TIME DELAY	230625
9	098668-09-700	EA	SWITCH-MICRO-W/O FLAG 3 1/4"	232216
10	101990-01-714	EA	GASKET-MICROSWITCH	230877
11	098668-01-708	EA	HOUSING-BLOWER, COMBUSTION	390441
12	098668-01-707	EA	TUBE ASSEMBLY, EXHAUST W/CAP	260231
13	098668-01-713	EA	TUBE ASSEMBLY, INTAKE	051248
14	098668-01-717	EA	GASKET-FIREWALL, BLOWER SIDE	070809
	098668-11-700	EA	ORIFICE-MAIN BURNER, SF-42F	180216
15	098668-11-702	EA	MOTOR ASSEMBLY, SF-42F	232212
16	098668-01-711	EA	WHEEL-BLOWER, ROOM AIR	350129
17	098668-01-712	EA	BOARD-MODULE	520741
18	098668-01-716	EA	GASKET-FIREWALL, CHAMBER SIDE	070808
19	098668-11-706	EA	SWITCH-LIMIT, SF42 & SF42F	232217
20	098668-22-702	EA	WHEEL-COMBUSTION AIR	350183
21	098668-22-703	EA	GASKET	070811
	098668-08-700	EA	MODULE BD/FAN CONT - FENWAL	232613
	098668-08-701	EA	MODULE BD/FAN CONT-UNITED TE	232614

CONTACT WINNEBAGO PART SALES FOR UNLISTED COMPONENTS

HEATING & A/C GROUP (CONTINUED)
COMPONENT PARTS FOR FURNACE (CONTINUED)



139980-03-000

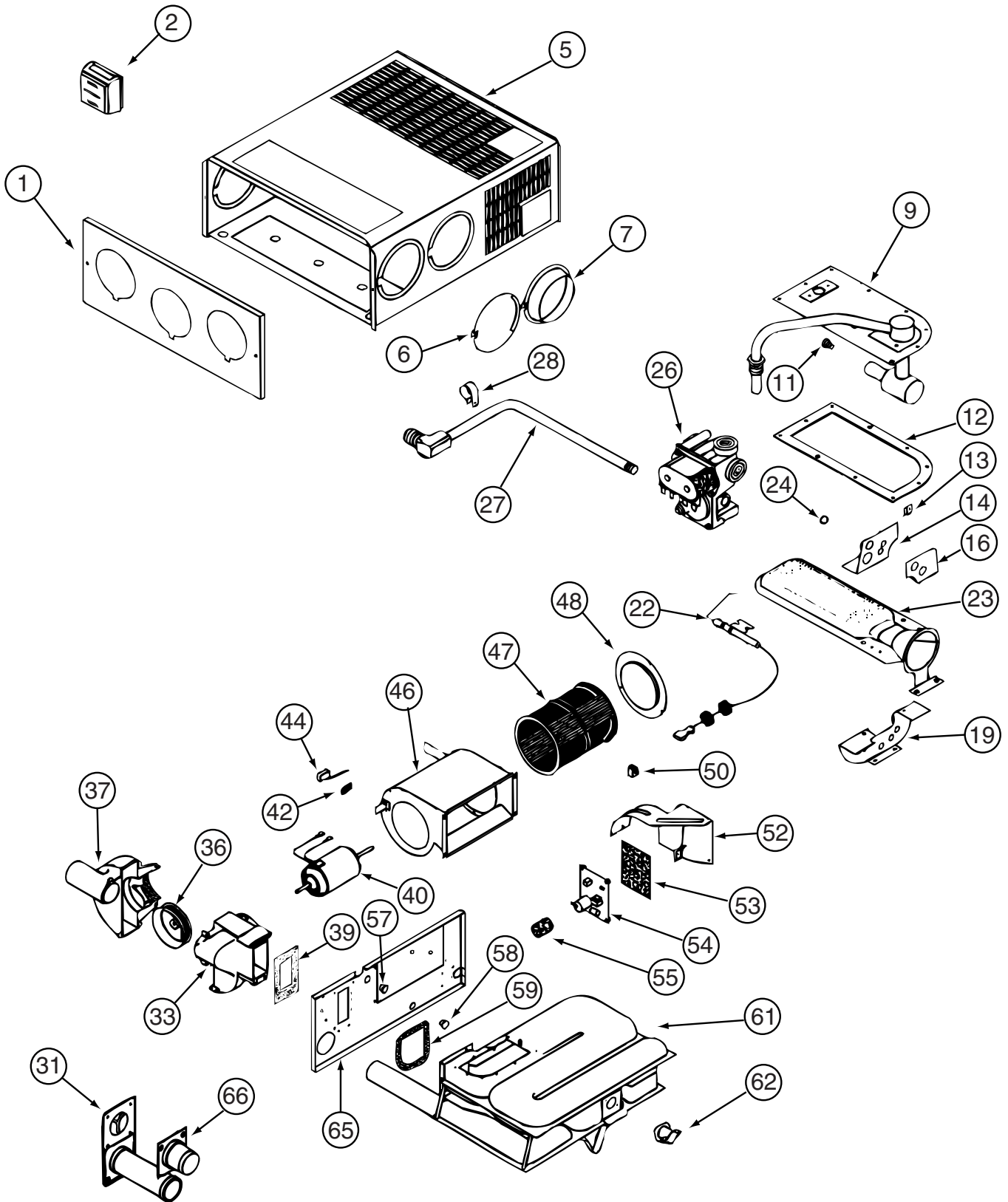
**HEATING & A/C GROUP (CONTINUED)
COMPONENT PARTS FOR FURNACE (CONTINUED)**

139980-03-000 (CONTINUED)

KEY	PART NUMBER	U/M	DESCRIPTION	VENDOR NO.
9	139980-01-700	EA	MANIFOLD ASSEMBLY	171571
11	069634-01-720	EA	ORIFICE-MAIN BURNER	180222
12	098668-22-703	EA	GASKET - BURNER ACCESS COVER	070811
22	139980-01-701	EA	ELECTRODE	232286
23	098668-02-700	EA	BURNER ASSEMBLY,SF-30 & SF35	010745
26	098668-01-718	EA	VALVE-GAS SF S.N.974903079	161122
27	139980-01-702	EA	PIPE ASSEMBLY/GAS INLET	171574
31	098668-01-707	EA	TUBE ASSEMBLY, EXHAUST W/CAP	260231
33	139980-01-703	EA	COMBUSTION AIR HOUS FRT/HALF	390852
36	098668-01-706	EA	WHEEL-COMBUSTION AIR	350184
37	139980-01-704	EA	COMBUSTION AIR HOUS RR HALF	390848
39	139980-01-705	EA	GASKET/FIREWALL-COMB AIR	071084
40	139980-01-707	EA	MOTOR ASSEMBLY W/GASKET SF35	232684
42	101990-01-714	EA	GASKET-MICROSWITCH	230877
44	098668-21-700	EA	SWITCH-MICRO-W/O FLAG 3 1/4"	232261
46	139980-01-708	EA	BLOWER ASSEMBLY - ROOM AIR	390739BK
47	098668-01-711	EA	WHEEL-BLOWER, ROOM AIR	350129
48	139980-01-709	EA	ORFICE RING	390696
50	139980-01-710	EA	SWITCH - ON/OFF	232351
52	139980-01-711	EA	PANEL ASSEMBLY-MODULE BD	101663
53	139980-01-712	EA	INSULATOR - MODULE BD	070807
54	098668-22-705	EA	MODULE BD W/RELAY TIME DELAY	520820
55	139980-01-713	EA	CAP/INSULATOR-MODULE BD	070973
57	139980-01-714	EA	BUSHING - UNIVERSAL	070362
58	139980-01-715	EA	BUSHING - STRAIN RELIEF	231809
59	098668-01-716	EA	GASKET-FIREWALL,CHAMBER SIDE	070808
61	139980-01-716	EA	CHAMBER ASSEMBLY - FINAL	021149BK
62	098668-21-701	EA	SWITCH - LIMIT	232504
66	098668-01-713	EA	TUBE ASSEMBLY, INTAKE	051248

CONTACT WINNEBAGO PART SALES FOR UNLISTED COMPONENTS

HEATING & A/C GROUP (CONTINUED)
COMPONENT PARTS FOR FURNACE (CONTINUED)



139980-04-000

HEATING & A/C GROUP (CONTINUED)
COMPONENT PARTS FOR FURNACE (CONTINUED)

139980-04-000 (CONTNUED)

KEY	PART NUMBER	U/M	DESCRIPTION	VENDOR NO.
9	098668-20-700	EA	MANIFOLD ASM.	171517
11	139980-04-700	EA	ORFICE - MAIN BURNER	180242
12	098668-22-703	EA	GASKET - BURNER ACCESS COVER	070811
22	139980-01-701	EA	ELECTRODE	232286
23	098668-11-701	EA	BURNER ASSEMBLY,SF-42F	010799
26	098668-01-718	EA	VALVE-GAS SF S.N.974903079	161122
27	139980-01-702	EA	PIPE ASSEMBLY/GAS INLET	171574
31	098668-01-707	EA	TUBE ASSEMBLY, EXHAUST W/CAP	260231
33	139980-01-703	EA	COMBUSTION AIR HOUS FRT/HALF	390852
36	098668-22-702	EA	WHEEL-COMBUSTION AIR	350183
37	139980-01-704	EA	COMBUSTION AIR HOUS RR HALF	390848
39	139980-01-705	EA	GASKET/FIREWALL-COMB AIR	071084
40	139980-04-701	EA	MOTOR ASSEMBLY W/GASKET	232683
42	101990-01-714	EA	GASKET-MICROSWITCH	230877
44	098668-21-700	EA	SWITCH-MICRO-W/O FLAG 3 1/4"	232261
46	139980-04-702	EA	BLOWER ASSEMBLY/ROOM AIR	390740BK
47	098668-01-711	EA	WHEEL-BLOWER, ROOM AIR	350129
48	139980-01-709	EA	ORFICE RING	390696
50	139980-01-710	EA	SWITCH - ON/OFF	232351
52	139980-01-711	EA	PANEL ASSEMBLY-MODULE BD	101663
53	139980-01-712	EA	INSULATOR - MODULE BD	070807
54	098668-22-705	EA	MODULE BD W/RELAY TIME DELAY	520820
55	139980-01-713	EA	CAP/INSULATOR-MODULE BD	070973
57	139980-01-714	EA	BUSHING - UNIVERSAL	070362
58	139980-01-715	EA	BUSHING - STRAIN RELIEF	231809
59	098668-01-716	EA	GASKET-FIREWALL,CHAMBER SIDE	070808
61	139980-04-703	EA	CHAMBER ASSEMBLY FINAL	021150BK
62	098668-22-706	EA	SWITCH/LIMIT - 195 TRIP TEMP	232505
66	098668-01-713	EA	TUBE ASSEMBLY, INTAKE	051248

CONTACT WINNEBAGO PART SALES FOR UNLISTED COMPONENTS

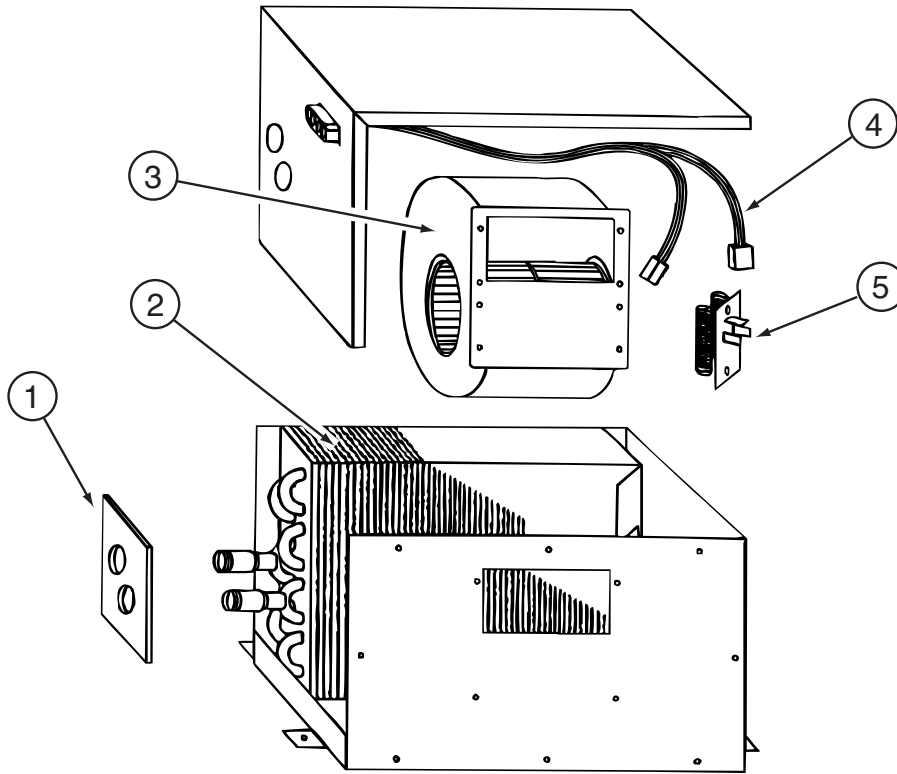
HEATING & A/C GROUP (CONTINUED)

REAR HEATER

KEY	PART NUMBER	U/M	DESCRIPTION
	094600-05-01A	EA	REGISTER W/O DAMPER-3.6" X 11.3" FACE/2.1" X 9.9" - BEIGE FROM: 00-00-00 THRU: 04-29-01
	007108-01-000	FT	HOSE - HEATER - 5/8" ID - HI-TEMP
	079059-01-000	EA	HOSE - 90 DEGREE - 5/8"ID X 4" X 36"
*	129205-01-000	EA	HEATER - REAR

***COMPONENT PARTS LISTED LATER IN THIS GROUP**

HEATING & A/C GROUP (CONTINUED)
COMPONENT PARTS FOR REAR HEATER



129205-01-000

KEY	PART NUMBER	U/M	DESCRIPTION	VENDOR NO.
1	129205-01-700	EA	SEAL - CORE TUBE	HV218421
2	129205-01-701	EA	CORE - HEATER	HV218426
3	129205-01-702	EA	BLOWER ASSEMBLY	HV218419
4	129205-01-703	EA	WIRE HARNESS	HV218420
5	129205-01-704	EA	RESISTOR	HV218125

HEATING & A/C GROUP (CONTINUED)

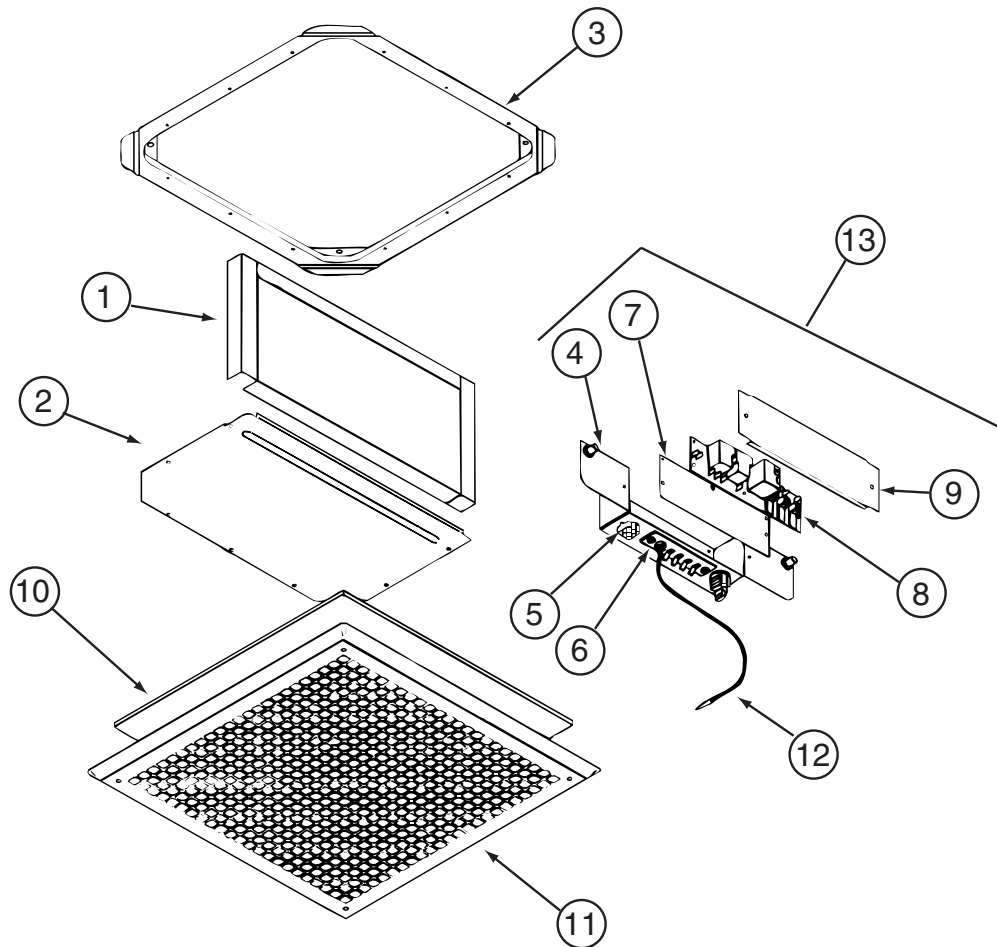
ROOF

KEY	PART NUMBER	U/M	DESCRIPTION
	120134-01-02A	EA	REGISTER - W/DAMPER - 4" PIPE/7" O.D. FACE - WHITE
*	131184-01-01A	EA	CEILING ASSEMBLY - A/C DUCTED - WHITE
	131184-02-01A	EA	BOARD - DIVIDER - SILVER
*	131188-01-01A	EA	A/C - ROOF - 14,800 MACH 15 - WHITE - F30W FROM: 00-00-00 THRU: 11-28-01
*	131188-03-01A	EA	A/C - ROOF - 14,800 MACH 15 - WHITE - F30W FROM: 11-29-01 THRU: 99-99-99
	117238-02-01A	EA	THERMOSTAT - A/C ONLY - F30W FROM: 00-00-00 THRU: 03-15-01
	135618-03-01A	EA	THERMOSTAT - A/C & FURNACE - WHITE FROM: 03-16-01 THRU: 99-99-99
*	131186-01-01A	EA	A/C - ROOF MACH 1 POWER SAVER - WHITE FROM: 00-00-00 THRU: 01-27-02
*	131186-02-01A	EA	A/C - ROOF MACH 1 POWER SAVER - WHITE FROM: 01-28-02 THRU: 99-99-99
*	131187-01-01A	EA	A/C - ROOF MACH 3 POWER SAVER - WHITE FROM: 00-00-00 THRU: 01-27-02
*	131187-03-01A	EA	A/C - ROOF - MACH 3 POWER SAVER - WHITE FROM: 01-28-02 THRU: 99-99-99
	135618-04-01A	EA	THERMOSTAT - A/C ONLY - WHITE FROM: 03-16-01 THRU: 05-16-01
	135618-01-01A	EA	THERMOSTAT - HEAT PUMP/FURNACE - WHITE FROM: 05-17-01 THRU: 99-99-99
*	131184-05-01A	EA	CEILING - HEAT PUMP - WHITE
*	131188-02-01A	EA	A/C ROOF - 14,500 HEAT PUMP - WHITE - F30W FROM: 00-00-00 THRU: 12-19-01
*	131188-04-01A	EA	A/C - ROOF - 14,800 BTU - HEAT PUMP - WHITE - F30W FROM: 00-00-00 THRU: 12-19-01
	131184-02-01A	EA	BOARD - DIVIDER - SILVER
	135618-01-01A	EA	THERMOSTAT - HEAT PUMP/FURNACE - WHITE FROM: 03-16-01 THRU: 99-99-99
*	131184-05-01A	EA	CEILING - HEAT PUMP - WHITE
*	131187-02-01A	EA	A/C - ROOF - MACH 3 POWER SAVER - WHITE FROM: 00-00-00 THRU: 02-17-02
*	131187-04-01A	EA	A/C - ROOF - MACH 3 POWER SAVER - WHITE FROM: 02-18-02 THRU: 99-99-99
	131184-02-01A	EA	BOARD - DIVIDER - SILVER
	117238-01-01A	EA	THERMOSTAT - A/C - FURNACE - F30W FROM: 00-00-00 THRU: 03-15-01
	135618-01-01A	EA	THERMOSTAT - HEAT PUMP/FURNACE - WHITE FROM: 03-16-01 THRU: 99-99-99
	135618-03-01A	EA	THERMOSTAT - A/C & FURNACE - WHITE - F30W FROM: 03-16-01 THRU: 99-99-99

*COMPONENT PARTS LISTED LATER IN THIS GROUP

HEATING & A/C GROUP (CONTINUED)

COMPONENT PARTS FOR ROOF

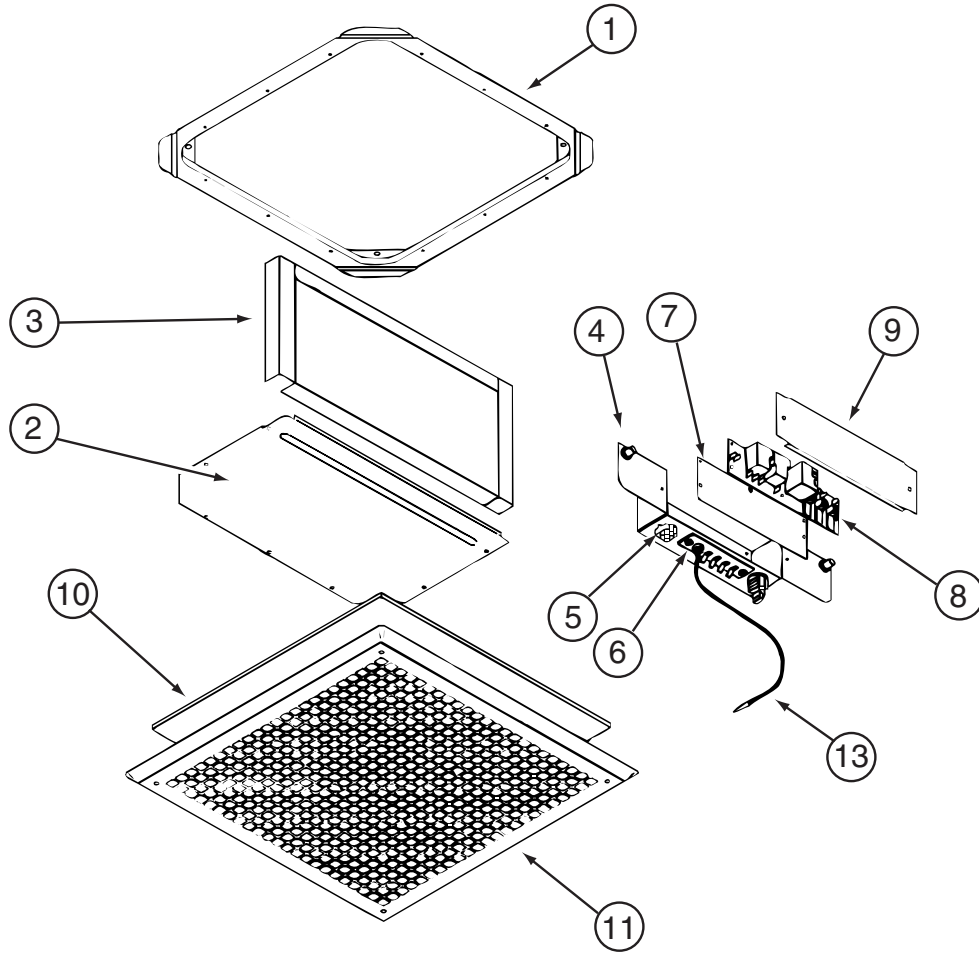


131184-01-01A

KEY	PART NUMBER	U/M	DESCRIPTION	VENDOR NO.
5	131184-01-700	EA	PLUG ASSEMBLY	7330A389
6	131184-01-701	EA	TERMINAL BOARD	7330B3201
7	131184-01-702	EA	ISOLATOR - BLANK	7330C365
8	108892-01-702	EA	BOARD-P.C.	7330A3211
10	108892-01-703	EA	FILTER	6798A3761
11	108892-01-704	EA	GRILLE 16 3/8X16 3/8 RETURN	6798-3041
12	131184-01-704	EA	COIL SENSOR	7330-6111
13	131184-01-705	EA	JUNCTION BOX ASSEMBLY	7330B5551
	131184-01-703	EA	SMALL PARTS PKG	8330-5961

CONTACT WINNEBAGO PART SALES FOR UNLISTED COMPONENT

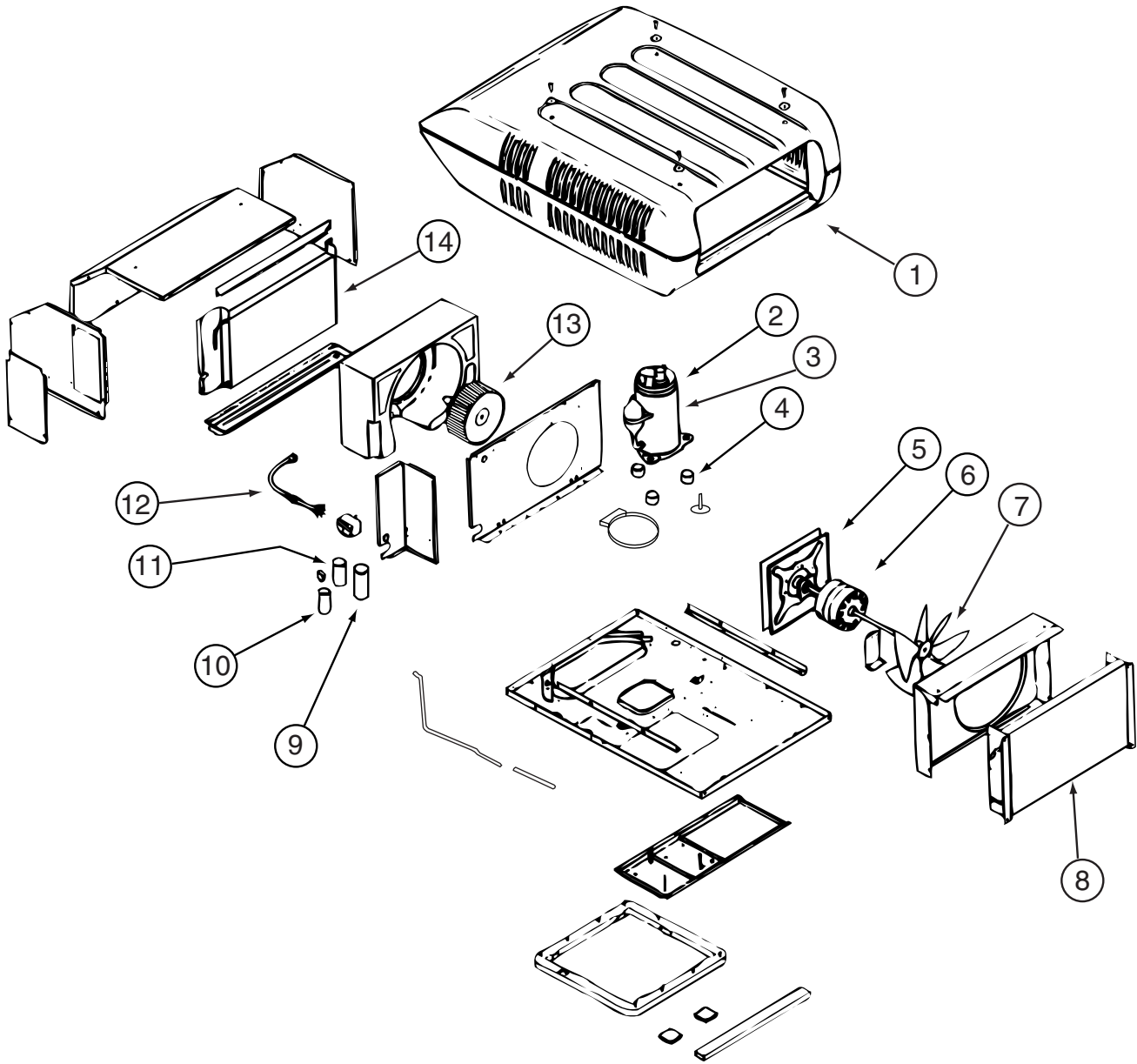
HEATING & A/C GROUP (CONTINUED)
COMPONENT PARTS FOR ROOF (CONTINUED)



131184-05-01A

KEY	PART NUMBER	U/M	DESCRIPTION	VENDOR NO.
	131184-04-703	EA	BOX - JUNCTION	7330-113
	131184-04-700	EA	PLUG ASSEMBLY	7530A340
	131184-04-702	EA	BOARD - TERMINAL	7530B3201
	131184-01-702	EA	ISOLATOR - BLANK	7330C365
	131184-04-705	EA	BOARD - P.C.	7330B3311
	108892-01-703	EA	FILTER	6798A3761
	108892-01-704	EA	GRILLE 16 3/8X16 3/8 RETURN	6798-3041
	105620-12-719	EA	COIL SENSOR	7330A3231
	131184-01-703	EA	SMALL PARTS PKG	8330-5961
			CONTACT WINNEBAGO PART SALES FOR UNLISTED COMPONENT	

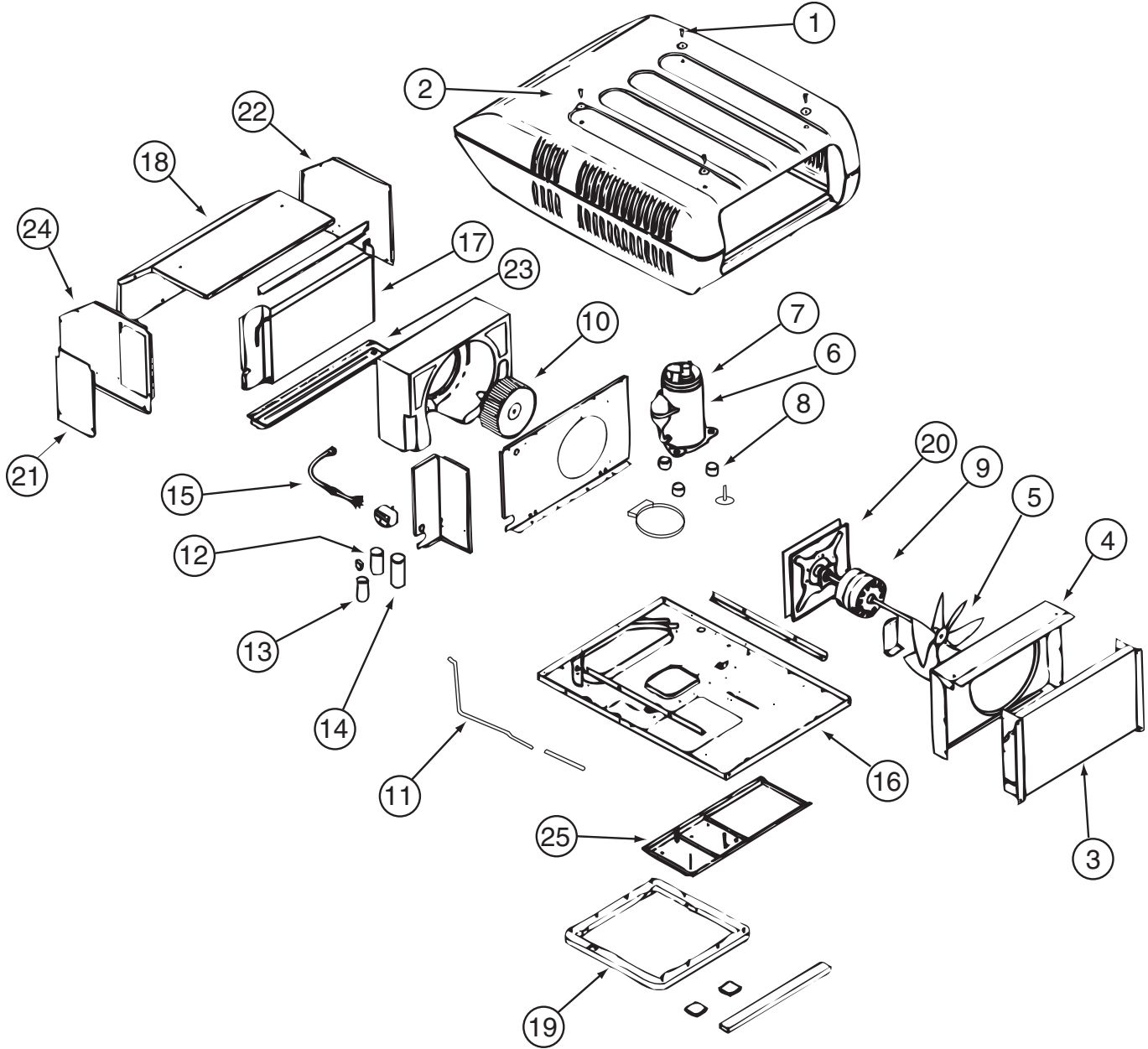
HEATING & A/C GROUP (CONTINUED)
COMPONENT PARTS FOR ROOF (CONTINUED)



131186-01-01A

KEY	PART NUMBER	U/M	DESCRIPTION	VENDOR NO.
1	108889-05-700	EA	SHROUD-BRIGHT/WHT. W/O LOGO	7333-4601
2	126859-01-701	EA	OVERLOAD PROTECTORMRA# 4761	1450-0061
3	126859-01-700	EA	COMPRESSOR RK124AT-001-A4Y	1450-2109
4	105620-01-706	EA	MOUNTING PKG.,COMP., 3 PER	6759-3081
5	131185-01-704	EA	MOTOR MOUNT & SEAL KIT	8333-5151
6	131186-01-700	EA	MOTOR - 115V, 60 HURTZ	1468-3109
7	093763-01-712	EA	BLADE-FAN-CONDENSER	6733-3221
8	115219-01-700	EA	COIL-CONDENSER	1452A1321
9	126859-01-703	EA	CAPACITOR - RUN	1499-5671
10	093763-01-704	EA	CAPACITOR-FAN	1499-5461
11	105620-10-704	EA	START COMPACITOR	1497-0861
12	105620-10-705	EA	PTCR (START DEVICE) - W/CAP.	8333A9021
13	131185-01-702	EA	BLOWER WHEEL PACKAGE	1472-1091
14	131186-01-701	EA	EVAPORATOR COIL	1452-1521
	093306-01-701	EA	DECAL PACKAGE, LEFT & RIGHT	6798B3591
	108889-01-710	EA	PAD-FILLER, CONDENSER SEAL	6759B3971
	126859-01-706	EA	LINE - SUCTION	7532A130

HEATING & A/C GROUP (CONTINUED)
COMPONENT PARTS FOR ROOF (CONTINUED)

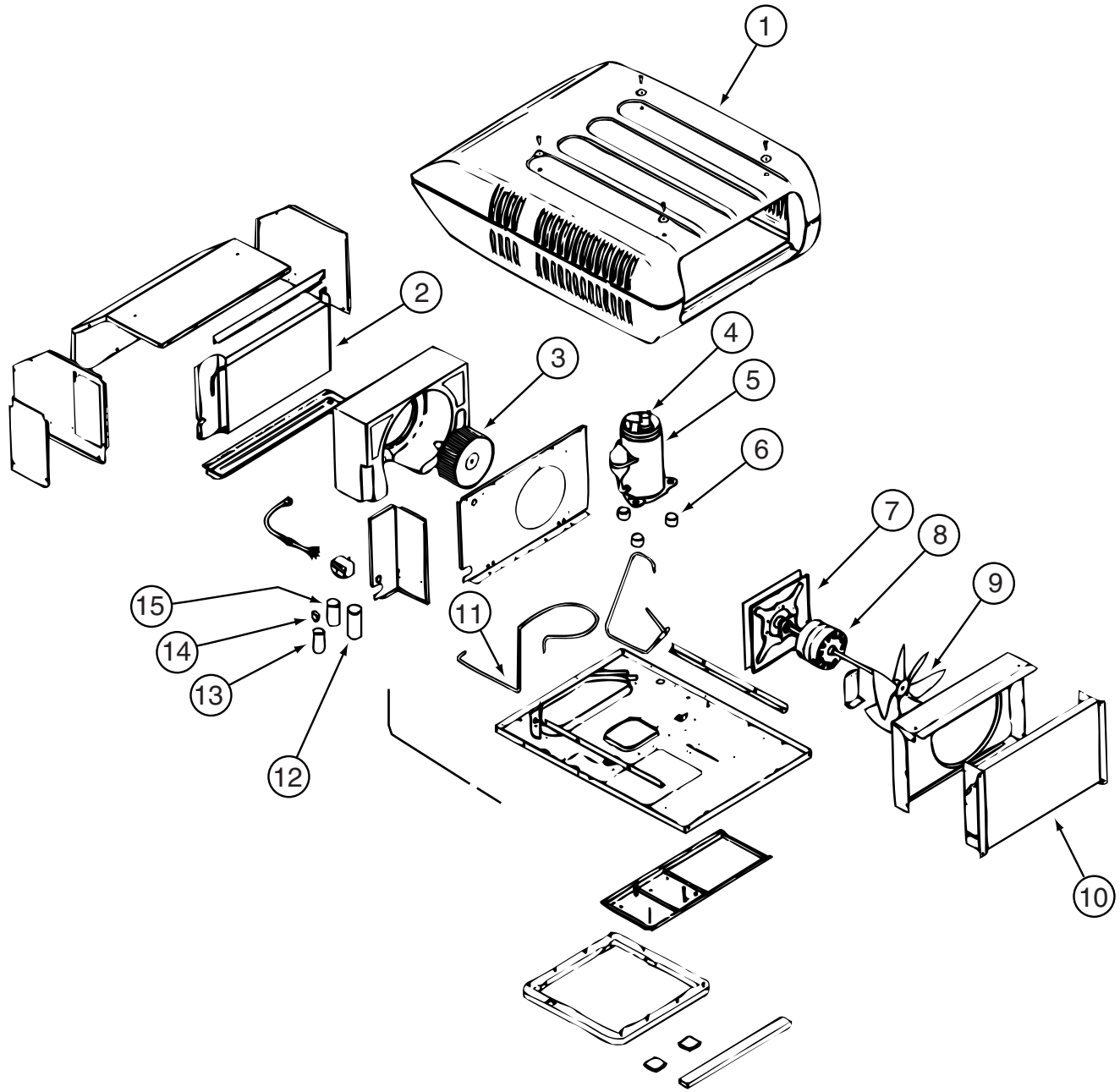


131186-02-01A

KEY	PART NUMBER	U/M	DESCRIPTION	VENDOR NO.
2	131185-03-700	EA	SHROUD - ROOF AIR	8333-4161
3	115219-01-700	EA	COIL-CONDENSER	1452A1321
5	093763-01-712	EA	BLADE-FAN-CONDENSER	6733-3221
6	126859-01-700	EA	COMPRESSOR RK124AT-001-A4Y	1450-2109
7	126859-01-701	EA	OVERLOAD PROTECTORMRA# 4761	1450-0061
8	105620-01-706	EA	MOUNTING PKG.,COMP., 3 PER	6759-3081
9	131186-01-700	EA	MOTOR - 115V, 60 HURTZ	1468-3109
10	131185-01-702	EA	BLOWER WHEEL PACKAGE	1472-1091
12	126859-01-703	EA	CAPACITOR - RUN	1499-5671
13	093763-01-704	EA	CAPACITOR-FAN	1499-5461
14	105620-10-704	EA	START COMPACITOR	1497-0861
15	105620-10-705	EA	PTCR (START DEVICE) - W/CAP.	8333A9021
18	131186-01-701	EA	EVAPORATOR COIL	1452-1521
21	131185-01-704	EA	MOTOR MOUNT & SEAL KIT	8333-5151
	093306-01-701	EA	DECAL PACKAGE, LEFT & RIGHT	6798B3591
	108889-01-710	EA	PAD-FILLER, CONDENSER SEAL	6759B3971
	126859-01-706	EA	LINE - SUCTION	7532A130

CONTACT WINNEBAGO PART SALES FOR UNLISTED COMPONENT

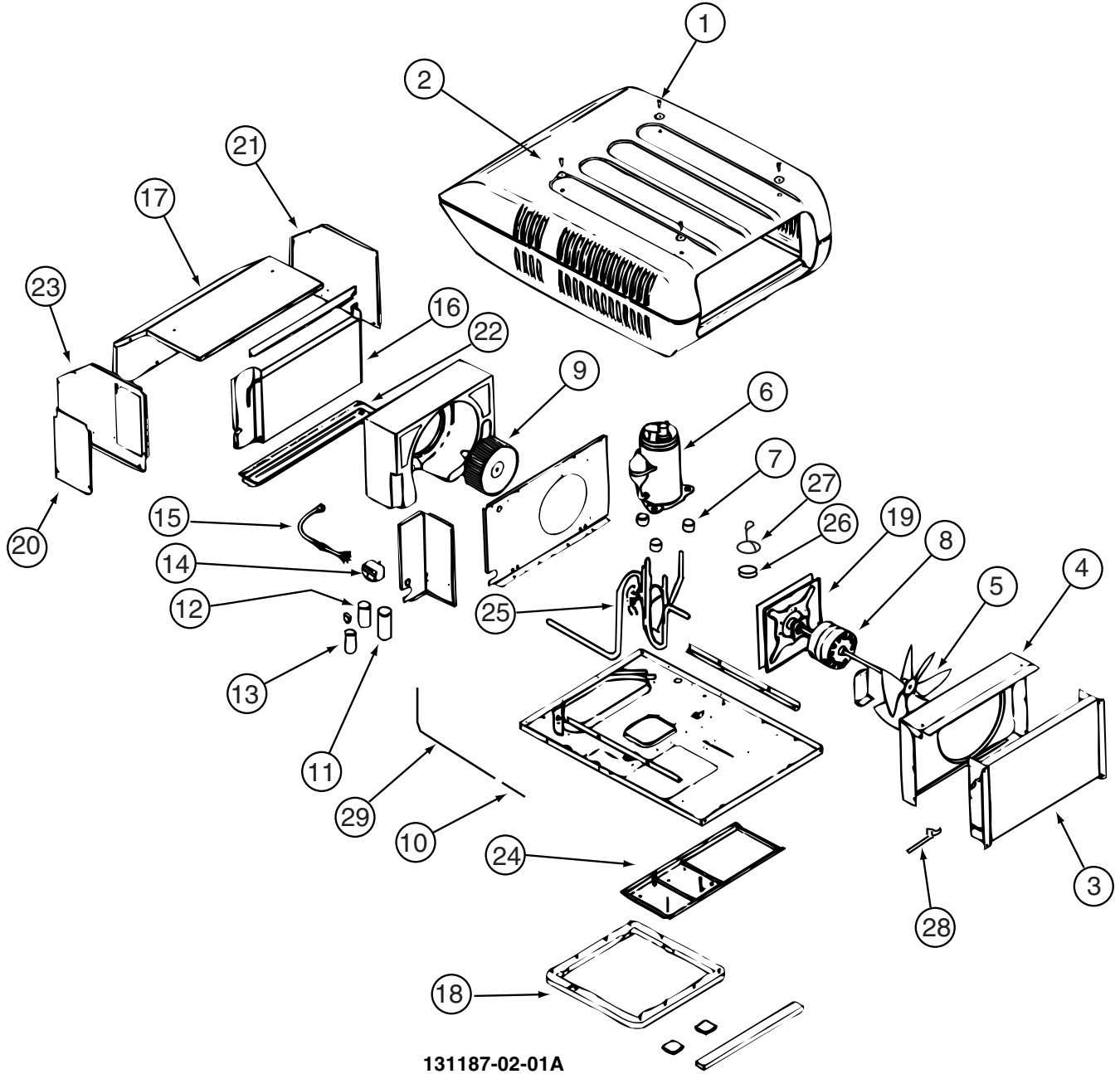
HEATING & A/C GROUP (CONTINUED)
COMPONENT PARTS FOR ROOF (CONTINUED)



131187-01-01A

KEY	PART NUMBER	U/M	DESCRIPTION	VENDOR NO.
1	108889-05-700	EA	SHROUD-BRIGHT/WHT. W/O LOGO	7333-4601
2	131186-01-701	EA	EVAPORATOR COIL	1452-15
3	131185-01-702	EA	BLOWER WHEEL PACKAGE	1472-1091
4	126860-01-701	EA	OVERLOAD PROTECTOR MRA# 1460	1450-0071
5	126860-01-700	EA	COMPRESSOR RK136AT-002-A4Y	1450A2119
6	105620-01-706	EA	MOUNTING PKG.,COMP., 3 PER	6759-3081
7	131185-01-704	EA	MOTOR MOUNT & SEAL KIT	8333-5151
8	131186-01-700	EA	MOTOR - 115V, 60 HURTZ	1468-3109
9	093763-01-712	EA	BLADE-FAN-CONDENSER	6733-3221
10	115219-01-700	EA	COIL-CONDENSER	1452A1321
11	126859-01-706	EA	LINE - SUCTION	7532A130
12	126859-01-703	EA	CAPACITOR - RUN	1499-5671
13	105620-10-704	EA	START COMPACITOR	1497-0861
14	105620-10-705	EA	PTCR (START DEVICE) - W/CAP.	8333A9021
15	105620-01-725	EA	CAPACITOR-BLOWER,I.D. 7.5MFD	1499-5461
	093306-01-701	EA	DECAL PACKAGE, LEFT & RIGHT	6798B3591
	108889-01-710	EA	PAD-FILLER, CONDENSER SEAL	6759B3971

HEATING & A/C GROUP (CONTINUED)
COMPONENT PARTS FOR ROOF (CONTINUED)

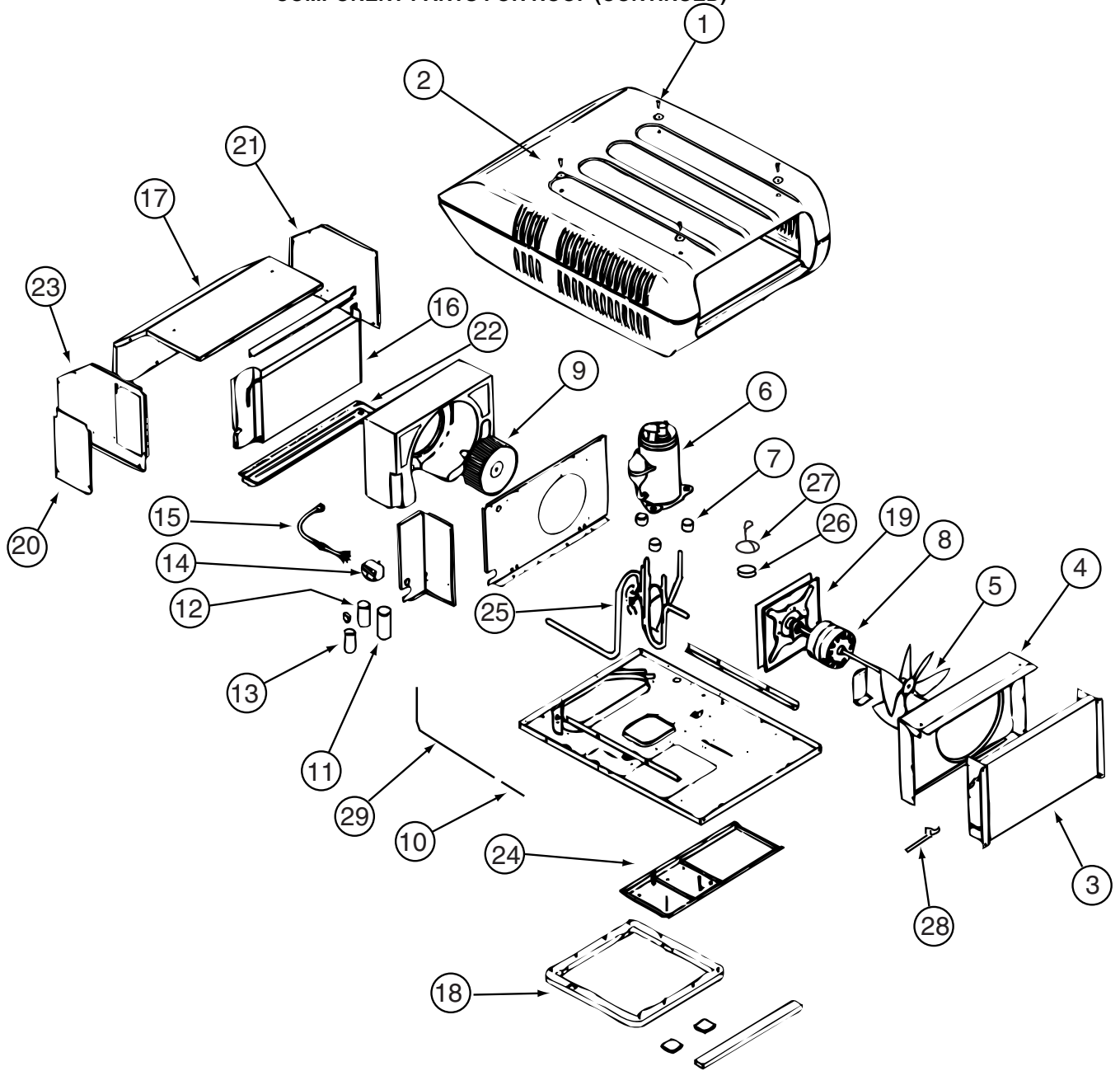


131187-02-01A

KEY	PART NUMBER	U/M	DESCRIPTION	VENDOR NO.
2	108889-05-700	EA	SHROUD-BRIGHT/WHT. W/O LOGO	7333-4601
3	131188-02-700	EA	CONDENSER COIL	1452-1441
5	093763-01-712	EA	BLADE-FAN-CONDENSER	6733-3221
6	126860-01-700	EA	COMPRESSOR RK136AT-002-A4Y	1450A2119
7	105620-01-706	EA	MOUNTING PKG.,COMP., 3 PER	6759-3081
8	131186-01-700	EA	MOTOR - 115V, 60 HURTZ	1468-3109
9	131185-01-702	EA	BLOWER WHEEL PACKAGE	1472-1091
10	105620-12-711	EA	RESTRICTOR - BY FLOW	1454-2521
11	126859-01-703	EA	CAPACITOR - RUN	1499-5671
12	093763-01-704	EA	CAPACITOR-FAN	1499-5461
13	105620-10-705	EA	PTCR (START DEVICE) - W/CAP.	8333A9021
16	131186-01-701	EA	EVAPORATOR COIL	1452-1521
18	037648-01-714	EA	GASKET PACKAGE	8332-3301
19	131185-01-704	EA	MOTOR MOUNT & SEAL KIT	8333-5151
25	131188-02-704	EA	VALVE/REVERSE ASSEMBLY	7535A5301
26	105620-12-708	EA	COIL - SOLENOID	1460-1081
27	131188-02-705	EA	WIRE HARNESS F/SOLENOID	7535-109
28	131188-02-706	EA	SWITCH - FREEZE	1460-2041
29	131188-02-707	EA	LIQUID LINE	7535-135

CONTACT WINNEBAGO PART SALES FOR UNLISTED COMPONENT

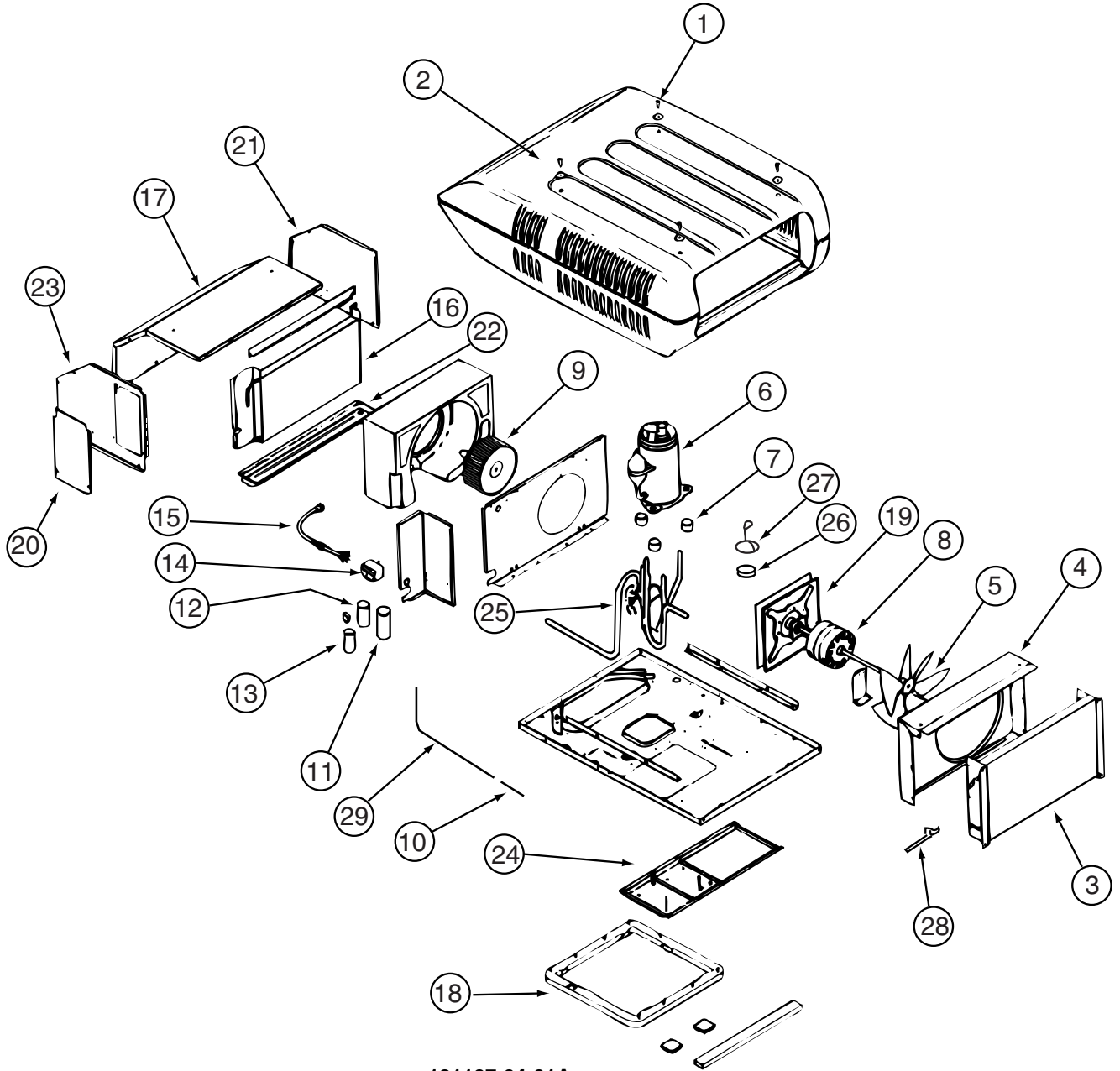
HEATING & A/C GROUP (CONTINUED)
COMPONENT PARTS FOR ROOF (CONTINUED)



131187-03-01A

KEY	PART NUMBER	U/M	DESCRIPTION	VENDOR NO.
2	131185-03-700	EA	SHROUD - ROOF AIR	8333-4161
3	115219-01-700	EA	COIL-CONDENSER	1452A1321
5	093763-01-712	EA	BLADE-FAN-CONDENSER	6733-3221
6	126860-01-700	EA	COMPRESSOR RK136AT-002-A4Y	1450A2119
7	105620-01-706	EA	MOUNTING PKG.,COMP., 3 PER	6759-3081
8	131186-01-700	EA	MOTOR - 115V, 60 HURTZ	1468-3109
9	131185-01-702	EA	BLOWER WHEEL PACKAGE	1472-1091
11	126859-01-703	EA	CAPACITOR - RUN	1499-5671
12	105620-01-725	EA	CAPACITOR-BLOWER,I.D. 7.5MFD	1499-5461
13	105620-10-705	EA	PTCR (START DEVICE) - W/CAP.	8333A9021
16	131186-01-701	EA	EVAPORATOR COIL	1452-1521
19	131185-01-704	EA	MOTOR MOUNT & SEAL KIT	8333-5151
	093306-01-701	EA	DECAL PACKAGE, LEFT & RIGHT	6798B3591
	105620-10-704	EA	START COMPACITOR	1497-0861
	108889-01-710	EA	PAD-FILLER, CONDENSER SEAL	6759B3971
	126859-01-706	EA	LINE - SUCTION	7532A130
	126860-01-701	EA	OVERLOAD PROTECTOR MRA# 1460	1450-0071
			CONTACT WINNEBAGO PART SALES FOR UNLISTED COMPONENT	

HEATING & A/C GROUP (CONTINUED)
COMPONENT PARTS FOR ROOF (CONTINUED)

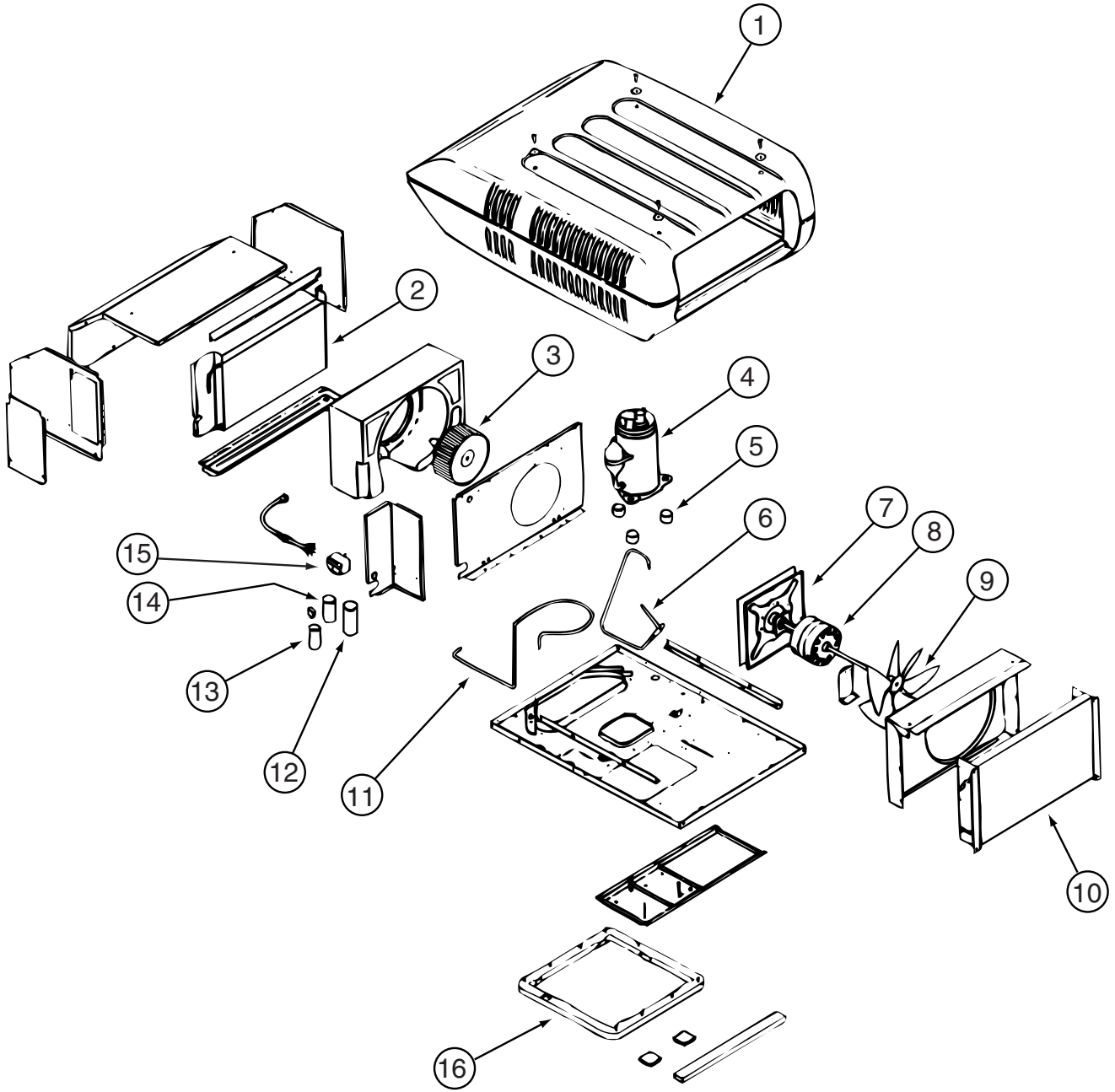


131187-04-01A

KEY	PART NUMBER	U/M	DESCRIPTION	VENDOR NO.
2	131185-03-700	EA	SHROUD - ROOF AIR	8333-4161
3	131188-02-700	EA	CONDENSER COIL	1452-1441
5	093763-01-712	EA	BLADE-FAN-CONDENSER	6733-3221
6	126860-01-700	EA	COMPRESSOR RK136AT-002-A4Y	1450A2119
7	105620-01-706	EA	MOUNTING PKG.,COMP., 3 PER	6759-3081
8	131186-01-700	EA	MOTOR - 115V, 60 HURTZ	1468-3109
9	131185-01-702	EA	BLOWER WHEEL PACKAGE	1472-1091
10	105620-12-711	EA	RESTRICTOR - BY FLOW	1454-2521
11	126859-01-703	EA	CAPACITOR - RUN	1499-5671
12	093763-01-704	EA	CAPACITOR-FAN	1499-5461
13	105620-10-705	EA	PTCR (START DEVICE) - W/CAP.	8333A9021
16	131186-01-701	EA	EVAPORATOR COIL	1452-1521
18	037648-01-714	EA	GASKET PACKAGE	8332-3301
19	131185-01-704	EA	MOTOR MOUNT & SEAL KIT	8333-5151
25	131188-02-704	EA	VALVE/REVERSE ASSEMBLY	7535A5301
26	105620-12-708	EA	COIL - SOLENOID	1460-1081
27	131188-02-705	EA	WIRE HARNESS F/SOLENOID	7535-109
28	131188-02-706	EA	SWITCH - FREEZE	1460-2041
29	131188-02-707	EA	LIQUID LINE	7535-135

CONTACT WINNEBAGO PART SALES FOR UNLISTED COMPONENT

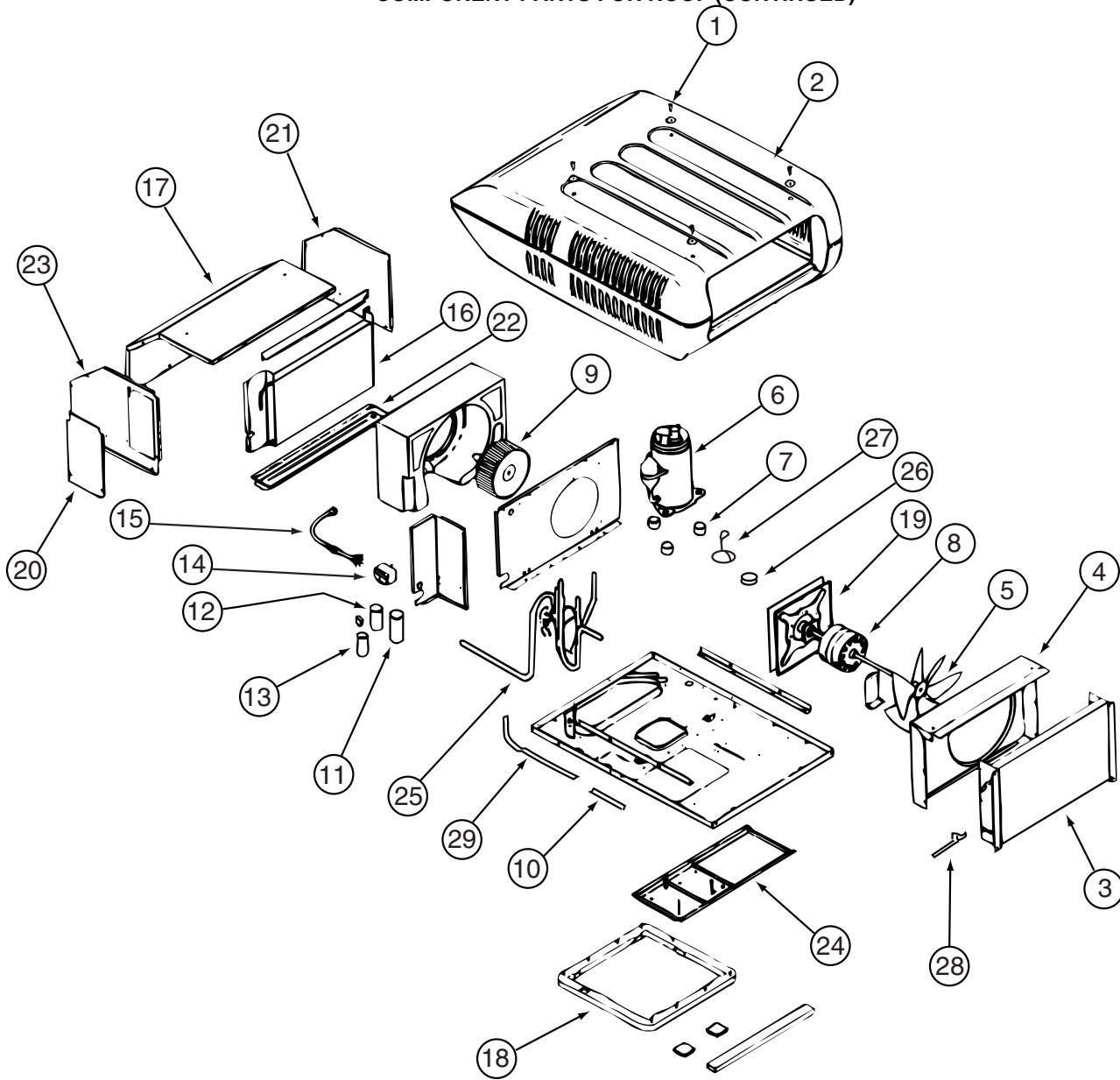
HEATING & A/C GROUP (CONTINUED)
COMPONENT PARTS FOR ROOF (CONTINUED)



131188-01-01A

KEY	PART NUMBER	U/M	DESCRIPTION	VENDOR NO.
1	108889-05-700	EA	SHROUD-BRIGHT/WHT. W/O LOGO	7333-4601
2	131186-01-701	EA	EVAPORATOR COIL	1452-1521
3	131185-01-702	EA	BLOWER WHEEL PACKAGE	1472-1091
4	131188-01-700	EA	COMPRESSOR - TECUMSEH	1450A2609
5	105620-01-706	EA	MOUNTING PKG.,COMP., 3 PER	6759-3081
6	131188-01-703	EA	LINE - DISCHARGE	7335A135
7	131185-01-704	EA	MOTOR MOUNT & SEAL KIT	8333-5151
8	131185-01-701	EA	MOTOR (115V, 60HZ)	1468-3069
9	093763-01-712	EA	BLADE-FAN-CONDENSER	6733-3221
10	115219-01-700	EA	COIL-CONDENSER	1452A1321
11	131188-01-702	EA	LINE - SUCTION	7335A134
12	131188-01-701	EA	RUN CAP. (COMP-40MFD/370V)	1499-5721
13	126859-01-704	EA	CAPACITOR - START	1497-0871
14	108889-01-708	EA	CAPACITOR-FAN, 7.5MFD. 370U	1499-5461
15	091225-01-709	EA	RELAY-START	1497-4131
16	037648-01-714	EA	GASKET PACKAGE	8332-3301
	093306-01-701	EA	DECAL PACKAGE, LEFT & RIGHT	6798B3591
	108889-01-710	EA	PAD-FILLER, CONDENSER SEAL	6759B3971

HEATING & A/C GROUP (CONTINUED)
COMPONENT PARTS FOR ROOF (CONTINUED)

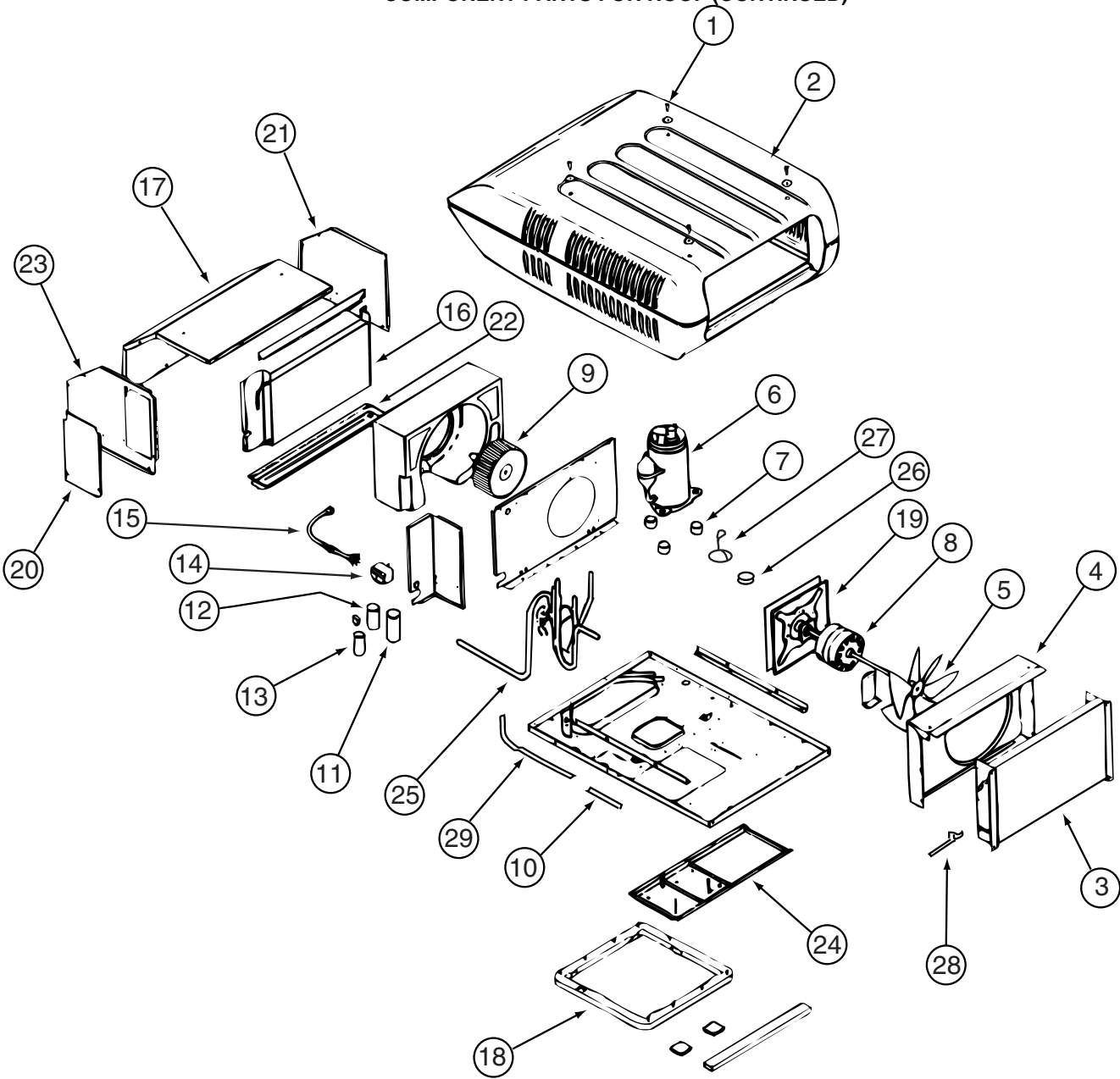


131188-02-01A

KEY	PART NUMBER	U/M	DESCRIPTION	VENDOR NO.
2	108889-05-700	EA	SHROUD-BRIGHT/WHT. W/O LOGO	7333-4601
3	131188-02-700	EA	CONDENSER COIL	1452-1441
5	093763-01-712	EA	BLADE-FAN-CONDENSER	6733-3221
6	131188-02-701	EA	COMPRESSOR(TECUMSEH-RK225AT)	1450A2069
7	105620-01-706	EA	MOUNTING PKG.,COMP., 3 PER	6759-3081
8	131185-01-701	EA	MOTOR (115V, 60HZ)	1468-3069
9	131185-01-702	EA	BLOWER WHEEL PACKAGE	1472-1091
10	131188-02-702	EA	RESTRICTOR - BY FLOW	1454-2501
11	131188-01-701	EA	RUN CAP. (COMP-40MFD/370V)	1499-5721
12	093763-01-704	EA	CAPACITOR-FAN	1499-5461
13	131188-02-703	EA	CAPACITOR-START(21-25MFD)	1497-0211
14	091225-01-709	EA	RELAY-START	1497-4131
16	131186-01-701	EA	EVAPORATOR COIL	1452-1521
18	037648-01-714	EA	GASKET PACKAGE	8332-3301
19	131185-01-704	EA	MOTOR MOUNT & SEAL KIT	8333-5151
25	131188-02-704	EA	VALVE/REVERSE ASSEMBLY	7535A5301
26	105620-12-708	EA	COIL - SOLENOID	1460-1081
27	131188-02-705	EA	WIRE HARNESS F/SOLENOID	7535-109
28	131188-02-706	EA	SWITCH - FREEZE	1460-2041
29	131188-02-707	EA	LIQUID LINE	7535-135

CONTACT WINNEBAGO PART SALES FOR UNLISTED COMPONENT

HEATING & A/C GROUP (CONTINUED)
COMPONENT PARTS FOR ROOF (CONTINUED)

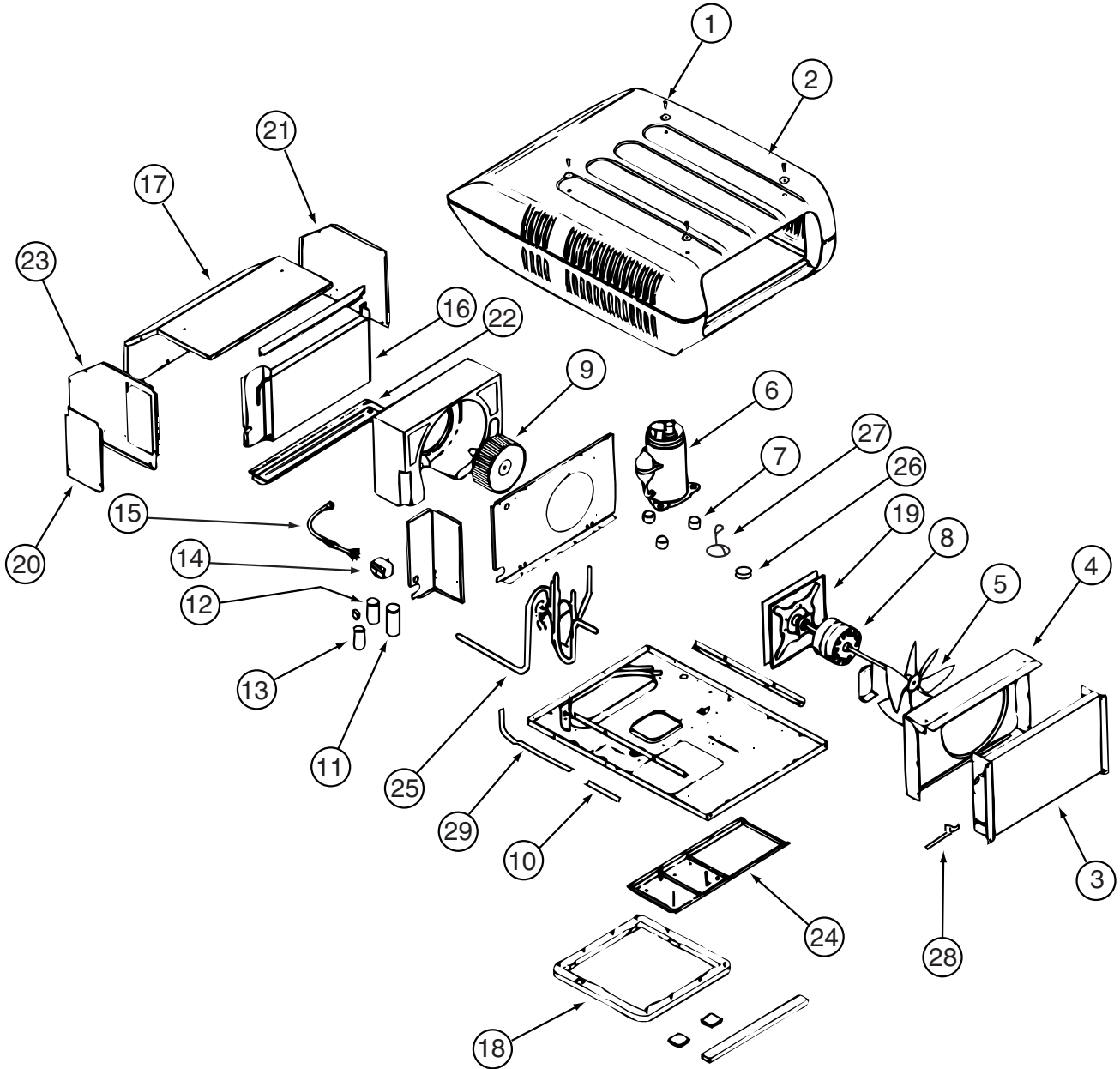


131188-03-01A

KEY	PART NUMBER	U/M	DESCRIPTION	VENDOR NO.
2	108889-05-700	EA	SHROUD-BRIGHT/WHT. W/O LOGO	7333-4601
3	115219-01-700	EA	COIL-CONDENSER	1452A1321
5	093763-01-712	EA	BLADE-FAN-CONDENSER	6733-3221
6	131188-01-700	EA	COMPRESSOR - TECUMSEH	1450A2609
7	105620-01-706	EA	MOUNTING PKG.,COMP., 3 PER	6759-3081
8	131185-01-701	EA	MOTOR (115V, 60HZ)	1468-3069
9	131185-01-702	EA	BLOWER WHEEL PACKAGE	1472-1091
11	131188-01-701	EA	RUN CAP. (COMP-40MFD/370V)	1499-5721
12	108889-01-708	EA	CAPACITOR-FAN, 7.5MFD. 370U	1499-5461
13	126859-01-704	EA	CAPACITOR - START	1497-0871
14	091225-01-709	EA	RELAY-START	1497-4131
16	131186-01-701	EA	EVAPORATOR COIL	1452-1521
18	037648-01-714	EA	GASKET PACKAGE	8332-3301
19	131185-01-704	EA	MOTOR MOUNT & SEAL KIT	8333-5151
	093306-01-701	EA	DECAL PACKAGE, LEFT & RIGHT	6798B3591
	108889-01-710	EA	PAD-FILLER, CONDENSER SEAL	6759B3971
	131188-01-702	EA	LINE - SUCTION	7335A134
	131188-01-703	EA	LINE - DISCHARGE	7335A135

CONTACT WINNEBAGO PART SALES FOR UNLISTED COMPONENT

HEATING & A/C GROUP (CONTINUED)
COMPONENT PARTS FOR ROOF (CONTINUED)



131188-04-01A

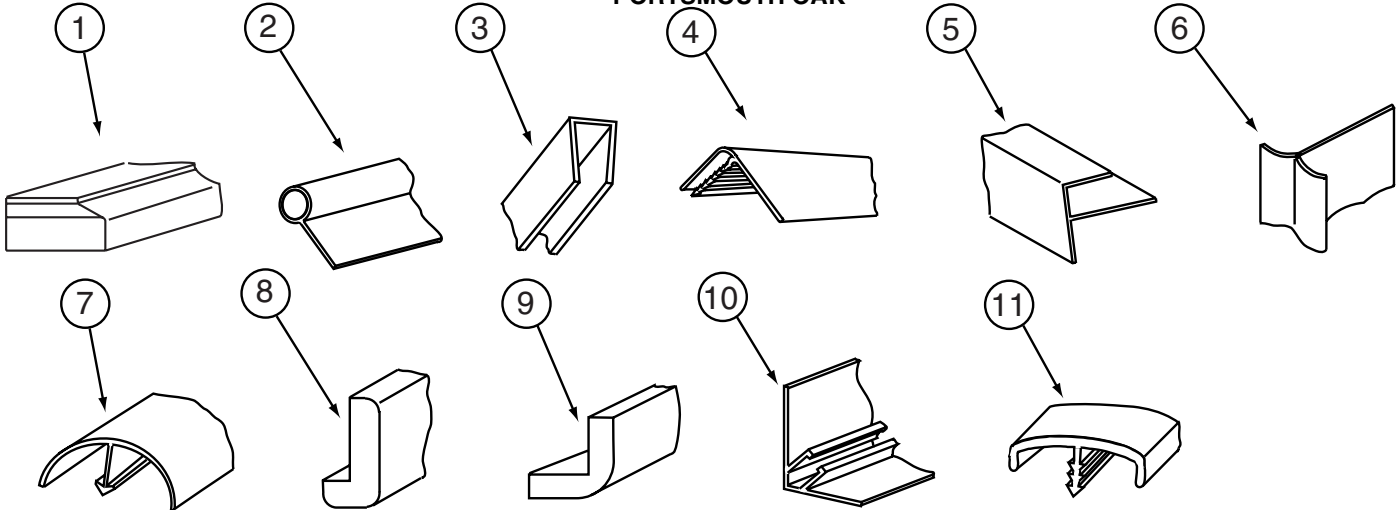
KEY	PART NUMBER	U/M	DESCRIPTION	VENDOR NO.
3	131188-02-700	EA	CONDENSER COIL	1452-1441
5	093763-01-712	EA	BLADE-FAN-CONDENSER	6733-3221
6	131188-02-701	EA	COMPRESSOR(TECUMSEH-RK225AT)	1450A2069
7	105620-01-706	EA	MOUNTING PKG.,COMP., 3 PER	6759-3081
8	131185-01-701	EA	MOTOR (115V, 60HZ)	1468-3069
9	131185-01-702	EA	BLOWER WHEEL PACKAGE	1472-1091
10	131188-02-702	EA	RESTRICTOR - BY FLOW	1454-2501
11	131188-01-701	EA	RUN CAP. (COMP-40MFD/370V)	1499-5721
12	093763-01-704	EA	CAPACITOR-FAN	1499-5461
13	131188-02-703	EA	CAPACITOR-START(21-25MFD)	1497-0211
14	091225-01-709	EA	RELAY-START	1497-4131
16	131186-01-701	EA	EVAPORATOR COIL	1452-1521
18	037648-01-714	EA	GASKET PACKAGE	8332-3301
19	131185-01-704	EA	MOTOR MOUNT & SEAL KIT	8333-5151
25	131188-02-704	EA	VALVE/REVERSE ASSEMBLY	7535A5301
26	105620-12-708	EA	COIL - SOLENOID	1460-1081
27	131188-02-705	EA	WIRE HARNESS F/SOLENOID	7535-109
28	131188-02-706	EA	SWITCH - FREEZE	1460-2041
29	131188-02-707	EA	LIQUID LINE	7535-135

CONTACT WINNEBAGO PART SALES FOR UNLISTED COMPONENT

INTERIOR FINISH GROUP

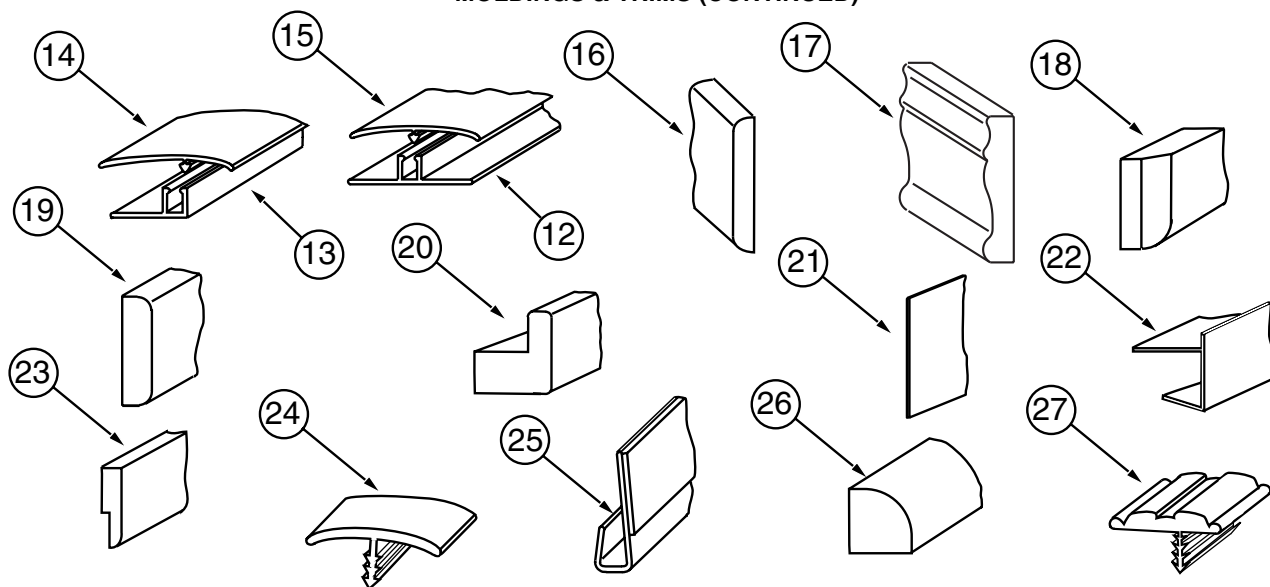
MOLDINGS & TRIMS

PORTSMOUTH OAK



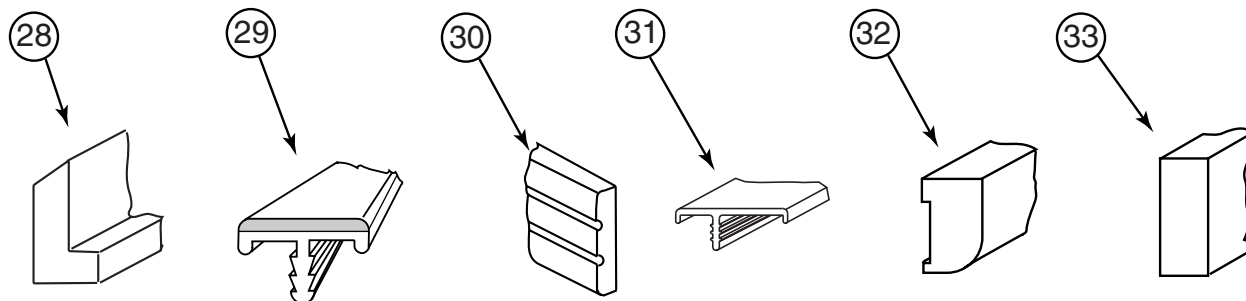
KEY	PART NUMBER	U/M	DESCRIPTION
1	P34052-01-N75	EA	TRIM/TABLE - 29.7" - PORTSMOUTH OAK
1	P34052-01-M84	EA	TRIM/TABLE - 29.7" - WASHED MAPLE
1	P34052-01-M52	EA	TRIM/TABLE - 29.7" - SALEM CHERRY
1	P34052-02-N47	EA	TRIM/TABLE - 24"
2	009767-12-000	FT	WELTING - ANTIQUE WHITE
2	009767-17-000	FT	WELTING - PORTSMOUTH OAK
3	009778-25-000	FT	U-CHANNEL - 1" - BEIGE ILLUSION
3	009778-27-000	FT	U-CHANNEL - 1" - WASHED MAPLE
3	009778-30-000	FT	U-CHANNEL - 1" - VILLAGE OAK
3	009778-31-000	FT	U-CHANNEL - 1" - GRADY BROWN
3	009778-32-000	FT	U-CHANNEL - 1" - PORTSMOUTH OAK
3	009778-34-000	FT	U-CHANNEL - 1" - CONCERT CHERRY
3	070504-36-000	FT	U-CHANNEL - PLASTIC - .13" X 96" - WATERFORD OAK
3	070504-42-000	FT	U-CHANNEL - PLASTIC - .13" X 84" - BEIGE ILLUSION
3	070504-50-000	FT	U-CHANNEL - PLASTIC - .13" X 96" - WASHED MAPLE
3	070504-51-000	FT	U-CHANNEL - PLASTIC - .9" X 96" - WASHED MAPLE
3	070504-54-000	FT	U-CHANNEL - PLASTIC - .9" X 96" - VILLAGE OAK
3	070504-56-000	FT	U-CHANNEL - PLASTIC - .8" X 72" - VW LIGHT GRAY
3	070504-57-000	FT	U-CHANNEL - PLASTIC - .6" X 84" - PORTSMOUTH OAK
3	070504-58-000	FT	U-CHANNEL - PLASTIC - .8" X 84" - PORTSMOUTH OAK
3	070504-60-000	FT	EXTRUSION-U CHANNEL,1.65 - CONCERT CHERRY
3	070504-61-000	FT	U-CHANNEL - PLASTIC - .8" X 84" - CONCERT CHERRY
4	009809-30-000	EA	MOLDING - CORNER - OUTSIDE - 1" X 84" - BEIGE ILLUSION
4	009809-31-000	EA	MOLDING - CORNER - OUTSIDE - 1" X 84" - WASHED MAPLE
4	009809-32-000	EA	MOLDING - CORNER - OUTSIDE - 1" X 84" - PORTSMOUTH OAK
4	009809-33-000	EA	MOLDING - CORNER - OUTSIDE - 1" X 84" - WORMY PECAN
5	009812-31-000	EA	MOLDING - CORNER - 1/2" W/1/4"CHAN X 84" - BEIGE ILLUSION
5	009812-33-000	EA	MOLDING - CORNER - 1/2" W/1/4"CHAN X 84" - WASHED MAPLE
5	009812-35-000	EA	MOLDING - CORNER - 1/2" W/1/4"CHAN X 84" - PORTSMOUTH OAK
5	009812-36-000	EA	MOLDING - CORNER - 1/2" W/1/4"CHAN X 84" - CONCERT CHERRY
6	022992-14-000	FT	MOLDING - REVERSE COVE - T-SHAPED - BRIGHT WHITE
6	022992-15-000	FT	MOLDING - REVERSE COVE - T-SHAPED - VW GRAY
7	042357-25-000	EA	MOLDING - CORNER - RADIUS/PLASTIC - WASHED MAPLE
7	042357-26-000	EA	MOLDING - CORNER - RADIUS/PLASTIC - PORTSMOUTH OAK
7	042357-27-000	EA	MOLDING - CORNER - RADIUS/PLASTIC - CONCERT CHERRY
8	077840-01-E41	EA	MOLDING - WALL CAP - 8' - SALEM CHERRY
8	077840-01-N30	EA	MOLDING - WALL CAP - 8' - PORTSMOUTH AOK
8	077840-01-M91	EA	MOLDING - WALL CAP - 8' - WASHED MAPLE
9	080176-08-000	EA	CAP - CORNER - RADIUS MOLDING - PLASTIC - WASHED MAPLE
10	081521-02-007	EA	MOUNT - METAL MOLDING - F/RADIUS CORNER MOLDING - 151.5"
11	083620-09-000	FT	MOLDING-T - W/EDGE LIP - 7/8" FACE - MODERN IVORY
11	083620-19-000	FT	MOLDING-T - W/EDGE LIP - 7/8" FACE - WASHED MAPLE
11	083620-20-000	FT	MOLDING-T - W/EDGE LIP - 7/8" FACE - PORTSMOUTH OAK
11	083620-21-000	FT	MOLDING-T - W/EDGE LIP - 7/8" FACE - CONCERT CHERRY
11	104676-02-08A	FT	MOLDING-T - W/EDGE LIP - 11/16" FACE - PORTSMOUTH OAK
11	104676-02-06A	FT	MOLDING-T - W/EDGE LIP - 11/16" FACE - WASHED MAPLE

INTERIOR FINISH GROUP (CONTINUED)
MOLDINGS & TRIMS (CONTINUED)



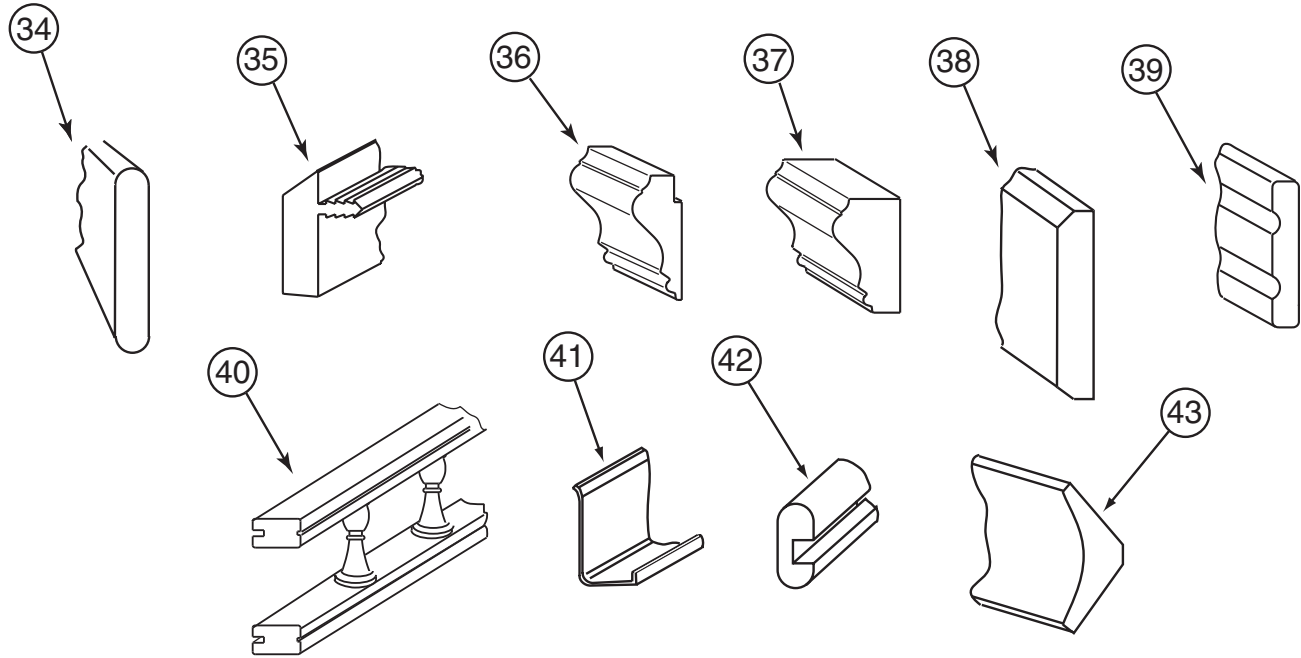
KEY	PART NUMBER	U/M	DESCRIPTION
12	086229-01-000	EA	RETAINER - BATTEN - .75" X 92.1" - ANY COLOR
13	086229-11-000	EA	RETAINER - OFFSET - 97"
14	086229-12-000	EA	BATTEN - 1.5" OFFSET X 97.01" IVORY
14	086229-21-000	EA	BATTEN - 1.5" X 83.9" OFFSET - WHITE
15	086229-13-000	EA	BATTEN - 1" X 96" - IVORY
15	086229-19-000	EA	BATTEN - 1" X 98.4" - OFF WHITE
15	086229-20-000	EA	BATTEN - 1" X 96" - BEIGE
16	091985-01-08A	FT	INSERT - TRIM - .65" WIDE - SOFT WHITE
17	100182-10-E41	EA	TRIM - CHAIR RAIL - 2.5" X 8' EACH - WOOD
17	100182-10-J70	EA	TRIM - CHAIR RAIL - 2.5" X 8' EACH - WOOD
17	100182-10-K29	EA	TRIM - CHAIR RAIL - 2.5" X 8' EACH - WOOD
17	100182-10-N47	EA	TRIM/RAIL
18	100659-27-M70	EA	MOLDING/TRIM - VINYL FLOOR - CHERRY III
18	100659-30-N75	EA	MOLDING - TRIM - PORTSMOUTH OAK
18	100659-30-N74	EA	MOLDING - TRIM - CHERRY
18	100659-30-M84	EA	MOLDING-TRIM,VINYL FLOOR - 01 G-SERIES GENERAL
19	100818-01-12A	EA	MOLDING - VINYL WRAPPED - 1.6" X .4" X 84"-PORTSMOUTH OAK
19	100818-01-10A	EA	MOLDING - VINYL WRAPPED - 1.6" X .4" X 84" - CHERRY
19	100818-01-08A	EA	MOLDING - VINYL WRAPPED - 1.6" X .4" X 84"-WASHED MAPLE
20	100819-01-08A	EA	MOLDING - VINYL WRAPPED-L-SHAPED-1.5"X1.5"X84"-WASHED MPL
20	100819-01-09A	EA	MOLDING - VINYL WRAPPED-L-SHAPED-1.5"X1.5"X84"-PRTSMTH OAK
20	100819-01-10A	EA	MOLDING - VINYL WRAPPED-L-SHAPED-1.5"X1.5"X84"-CNCRT CHERR
20	100819-01-12A	EA	MOLDING - VINYL WRAPPED-L-SHAPED - 1.5" X 1.5" X 84" - OAK
21	101957-01-06A	EA	EXTRUDED - PLASTIC - WASHED MAPLE
22	103186-01-10A	FT	MOLDING - PLASTIC - 3/8" U-CHANNEL-3/4"FACE-CONCERT CHERRY
22	103186-01-09A	FT	MOLDING - PLASTIC - 3/8" U-CHANNEL-3/4"FACE-PORTSMOUTH OAK
22	103186-01-07A	FT	MOLDING - PLASTIC - 3/8" U-CHANNEL-3/4"FACE - BEIGE ILLUS
22	103186-02-10A	FT	MOLDING - PLASTIC - 1" U-CHANNEL-1 3/8"FACE-CONCERT CHERRY
22	103186-02-09A	FT	MOLDING - PLASTIC - 1" U-CHANNEL-1 3/8"FACE-PORTSMOUTH OAK
22	103186-02-08A	FT	MOLDING - PLASTIC - 1" U-CHANNEL-1 3/8"FACE-WASHED MAPLE
22	103186-02-07A	FT	MOLDING - PLASTIC - 1" U-CHANNEL-1 3/8"FACE-BEIGE ILLUSION
23	105004-01-10A	EA	MOLDING - VINYL WRAPPED 1" X 96" - SALEM CHERRY
23	105004-01-08A	EA	MOLDING - VINYL WRAPPED - 1" X 96" - WASHED MAPLE
23	105004-01-10A	EA	MOLDING - VINYL WRAPPED 1" X 96" - SALEM CHERRY
23	105004-01-12A	EA	MOLDING - VINYL WRAPPED 1" X 96" - PORTSMOUTH OAK
24	009815-10-000	FT	MOLDING-T - WEDGE LIP - 3/4" FACE - BEIGE ILLUSION
24	105709-02-000	FT	MOLDING-T - WEDGE LIP - 3/4" FACE - BEIGE ILLUSION
25	109332-02-01A	FT	TRIM-J - W/O ADHESIVE - BRASS
26	109410-01-J70	EA	MOLDING - TRIM - 8' - WHITE MAPLE/WASHED MAPLE
26	109410-01-E41	EA	MOLDING - TRIM - 8' - BLACK CHERRY/SALEM CHERRY
26	109410-01-N75	EA	MOLDING - TRIM - 8' - PORTSMOUTH OAK/PORTSMOUTH OAK
27	109736-02-01A	FT	MOLDING-T/OFFSET - WEDGE LIP - 1" FACE - NAT OAK/BRASS

INTERIOR FINISH GROUP (CONTINUED)
MOLDINGS & TRIMS (CONTINUED)



KEY	PART NUMBER	U/M	DESCRIPTION
28	111235-01-E74	EA	MOLDING - COUNTERTOP - 1.4" X 8' - BLACK CHERRY-UNSTAINED - SALEM CHERRY
28	111235-01-N42	EA	MOLDING - COUNTERTOP - 1.4" X 8' - PORTSMOUTH
28	111235-01-H56	EA	MOLDING - COUNTERTOP - 1.4" X 8' - WHITE MAPLE - UNSTAINED - WASHED MAPLE
29	113757-02-01A	FT	T-MOLDING - BULB
30	116951-15-N09	EA	MOLDING - TRIM - 1.7" X 11" - PORTSMOUTH OAK
30	116951-15-K09	EA	MOLDING - TRIM - 1.7" X 11" - WASHED MAPLE
30	116951-15-K13	EA	MOLDING - TRIM - 1.7" X 11" - SALEM CHERRY
31	119520-01-01A	FT	MOLDING-T/OFFSET - W/EDGE LIP - 1"FACE - OFF WHITE
31	119520-02-01A	FT	MOLDING-T/OFFSET - W/EDGE LIP - 1"FACE
32	126204-D2-134	EA	MOLDING - VINYL WRAPPED - .7" X 1.6" X 84" - WASHED MAPLE
32	126204-F2-134	EA	MOLDING - VINYL WRAPPED - .7" X 2.5" X 84" - WASHED MAPLE
32	126204-F2-438	EA	MOLDING - VINYL WRAPPED - .7" X 2.6" X 96" - WASHED MAPLE
32	137895-D2-134	EA	MOLDING - VINYL WRAPPED - .7" X 1.6" X 84" - PORTSMOUTH OAK
32	137895-F2-743	EA	MOLDING-018X063X2743 MM - PORTSMOUTH OAK
33	126205-D2-438	EA	LUMBER - VINYL WRAPPED - .7" X 1.5" X 96" - WASHED MAPLE
33	126205-E2-438	EA	LUMBER - VINYL WRAPPED - .7" X 2" X 96" - WASHED MAPLE
33	126205-F2-438	EA	LUMBER - VINYL WRAPPED - .7" X 2.5" X 96" - WASHED MAPLE
33	126205-G2-438	EA	LUMBER - STAINED - .7" X 3" X 96" - WASHED MAPLE
33	126205-J2-438	EA	LUMBER - VINYL WRAPPED - .7" X 5.5" X 96" - WASHED MAPLE
33	136030-F2-743	EA	MOLDING-018X065X2743MM PAPER WRAPPED-CHERRY - SALEM CHERRY FROM: 00-00-00 THRU: 09-03-01
33	136045-D2-438	EA	LUMBER - PAPER WRAPPED - .7" X 1.5" X 96" - CHERRY FROM: 00-00-00 THRU: 09-03-01
33	136045-E2-438	EA	LUMBER - PAPER WRAPPED - .7" X 2" X 96" - CHERRY FROM: 00-00-00 THRU: 09-03-01
33	136045-F2-438	EA	LUMBER - PAPER WRAPPED - .7" X 2.6" X 96" - CHERRY FROM: 00-00-00 THRU: 09-03-01
33	136045-G2-438	EA	LUMBER - PAPER WRAPPED - .7" X 3" X 96" - CHERRY FROM: 00-00-00 THRU: 09-03-01
33	136045-H2-438	EA	LUMBER - PAPER WRAPPED - .7" X 3.5" X 96" - CHERRY FROM: 00-00-00 THRU: 09-03-01
33	136045-J2-438	EA	LUMBER - PAPER WRAPPED - .7" X 5.5" X 96" - CHERRY FROM: 00-00-00 THRU: 09-03-01
33	136045-R2-438	EA	LUMBER - PAPER WRAPPED - .7" X 3" X 96" - CHERRY FROM: 00-00-00 THRU: 09-03-01
33	137894-A2-438	EA	LUMBER - VINYL WRAPPED - .7" X .75" X 96" - PORTSMOUTH OAK
33	137894-D2-022	EA	LUMBER-018X038X2022 MM - WRAPPED - PORTSMOUTH OAK
33	137894-D2-014	EA	LUMBER-018X038X2014 MM - WRAPPED - PORTSMOUTH OAK
33	137894-D2-001	EA	LUMBER-018X038X2000 MM - WRAPPED - PORTSMOUTH OAK
33	137894-D2-438	EA	LUMBER - VINYL WRAPPED - .7" X 1.5" X 96" - PORTSMOUTH OAK
33	137894-D2-134	EA	LUMBER-018X038X2134 MM - WRAPPED - PORTSMOUTH OAK
33	137894-D2-026	EA	LUMBER-018X038X2026 MM - WRAPPED - PORTSMOUTH OAK
33	137894-D2-024	EA	LUMBER-018X038X2024 MM - WRAPPED - PORTSMOUTH OAK
33	137894-E2-438	EA	LUMBER - VINYL WRAPPED - .7" X 2" X 96" - PORTSMOUTH OAK
33	137894-F2-438	EA	LUMBER - VINYL WRAPPED - .7" X 2.5" X 96" - PORTSMOUTH OAK
33	137894-G2-438	EA	LUMBER - VINYL WRAPPED - .7" X 3" X 96" - PORTSMOUTH OAK
33	137894-H2-438	EA	LUMBER - VINYL WRAPPED - .7" X 3.5" X 96" - PORTSMOUTH OAK
33	137894-J2-438	EA	LUMBER - VINYL WRAPPED - .7" X 5.5" X 96" - PORTSMOUTH OAK
33	137894-J2-743	EA	LUMBER-018X140X2743 MM - PORTSMOUTH OAK
33	137894-R2-438	EA	LUMBER - VINYL WRAPPED - .7" X 3" X 96" - PORTSMOUTH OAK

INTERIOR FINISH GROUP (CONTINUED)
MOLDINGS & TRIMS (CONTINUED)



KEY	PART NUMBER	U/M	DESCRIPTION
34	127842-01-01A	FT	SEAL - SIGHT SHIELD - 2" BLACK
35	130247-01-05A	FT	MOLDING-T/OFF SET - 1.3" FACE - CONCERT CHERRY - SALEM CHERRY
35	130247-01-04A	FT	MOLDING-T/OFF SET - 1.3" FACE - PORTSMOUTH OAK
35	130247-01-02A	FT	MOLDING-T/OFF SET - 1.3" FACE - WASHED MAPLE
36	131923-02-02A	FT	MOLDING - PICTURE - CHERRY - SALEM CHERRY
36	131923-02-03A	FT	MOLDING - PICTURE - HARD WHITE MAPLE - WASHED MAPLE
36	131923-02-04A	FT	MOLDING - PICTURE - 42.8" - PORTSMOUTH
37	131923-03-02A	FT	MOLDING - CROWN - DIVIDER - CHERRY - SALEM CHERRY
37	131923-03-03A	FT	MOLDING - CROWN - DIVIDER - HARD WHITE MAPLE - WASHED MAPLE
37	131923-03-04A	FT	MOLDING - MOLDING - CROWN - DIVIDER - OAK - PORTSMOUTH
38	132647-01-05A	EA	MOLDING/TRIM - DASH - PORTSMOUTH OAK
39	134156-01-03A	EA	MOLDING - VINYL WRAP - .7" X 3.8" X 33.8" - WASHED MAPLE
39	134156-01-05A	EA	MOLDING - PAPER WRAP - .7" X 3.8" X 33.8" - CONCERT CHERRY - SALEM CHERRY FROM: 00-00-00 THRU: 09-03-01
39	134156-01-07A	EA	MOLDING - VINYL WRAP - .7" X 3.8" X 33.8" - CONCERT CHERRY - SALEM CHERRY FROM: 09-04-01 THRU: 00-00-00
39	134156-01-08A	EA	MOLDING - VINYL WRAP - .7" X 3.8" X 33.8" - PORTSMOUTH OAK
39	134156-03-03A	EA	MOLDING - VINYL WRAP - .7" X 3.4" X 28.3" - WASHED MAPLE
39	134156-03-05A	EA	MOLDING - PAPER WRAP - .7" X 3.4" X 28.3" - CONCERT CHERRY - SALEM CHERRY FROM: 00-00-00 THRU: 09-03-01
39	134156-03-07A	EA	MOLDING - VINYL WRAP - .7" X 3.4" X 28.3" - CONCERT CHERRY - SALEM CHERRY FROM: 09-04-01 THRU: 00-00-00
39	134156-03-08A	EA	MOLDING - VINYL WRAP - .7" X 3.4" X 28.3" - PORTSMOUTH OAK
39	134156-05-05A	EA	MOLDING - PAPER WRAP - .7" X 3.8" X 34.4" - SALEM CHERRY FROM: 00-00-00 THRU: 09-03-01
39	134156-05-07A	EA	MOLDING - VINYL WRAP - .7" X 3.8" X 34.4" - CONCERT CHERRY - SALEM CHERRY FROM: 09-04-01 THRU: 00-00-00
39	134156-05-08A	EA	MOLDING - VINYL WRAP - .7" X 3.8" X 33.8" - PORTSMOUTH OAK
40	137108-01-07A	EA	RAIL - DECORATIVE - PORTSMOUTH OAK
40	137108-01-03A	EA	RAIL - DECORATIVE - WASHED MAPLE
40	137108-01-02A	EA	RAIL - DECORATIVE - SALEM CHERRY
41	085746-04-000	EA	TRIM-J - CARPET 1.2" X .5" ANGLE - 10' LONG - OFF WHITE
42	M09412-62-M52	EA	MOLDING/SHELF EDGE - W/.4" NOTCH - CHERRY IV
42	M09412-62-M62	EA	MOLDING/SHELF EDGE - W/.4" NOTCH - WASHED MAPLE
42	M09412-62-N42	EA	MOLDING/SHELF EDGE - W/.4" NOTCH - PORTSMOUTH II
43	Y00074-22-438	EA	MOLDING/CROWN - VINYL WRAPPED - MAPLE - 96"
43	Y00074-62-438	EA	MOLDING/CROWN - VINYL WRAPPED - CONCERT CHERRY - 96"
43	Y00074-72-438	EA	MOLDING/CROWN - VINYL WRAPPED - PORTSMOUTH OAK - 96"

INTERIOR FINISH GROUP (CONTINUED)
PANELING & LAMINATES

KEY	PART NUMBER	U/M	DESCRIPTION
	000846-01-000	SF	PLYWOOD - 5/16" X 48" X 96" - CD GRADE
	000846-02-000	SF	PLYWOOD/UNDERLAYMENT - 5/16" X 48" X 96"
	000885-A5-000	SF	PARTICLE BOARD - 3/8" X 4' X 8' - WHT PEB EMBOSSED-1 SIDED
	000885-93-000	SF	PARTICLE BOARD - 3/8" X 4' X 8' - PORTSMOUTH OAK - 2-SIDED
	000885-95-000	SF	PARTICLE BOARD - 3/4" X 4' X 8' - PORTSMOUTH OAK - 2-SIDED
	057882-04-000	EA	TAMBOUR - 48" X 96" SHEET - UNFINISHED
	074497-42-000	SF	PANELING - PORTSMOUTH OAK - 4' X 8'
	074498-95-000	SF	LAMINATE - PLASTIC - PORTSMOUTH OAK 4' X 8'
	074498-97-000	SF	LAMINATE - PLASTIC - GRAY TRANQUILITY - 4' X 8' (N37)
	074498-52-000	SF	LAMINATE - PLASTIC - WHITE ETHOS - 4' X 8' (N38)
	074498-84-000	SF	LAMINATE - PLASTIC - WHITE TALC - 4' X 8' (N39)
	076325-39-000	FT	MOLDING - EDGE BAND - 1 5/16" X .030" - ALMOND
	076325-40-000	FT	MOLDING - EDGE BAND - .93" X .024" - ALMOND
	076325-78-000	FT	MOLDING - EDGE BAND - .93" X .024" - PORTSMOUTH OAK
	076773-15-000	SF	PANELING - WOODGRAINED - 2 SIDED/PORTSMOUTH OAK - 4' X 8'
	080215-14-000	SF	PANELING - 2 SIDED - 3/16" X 4' X 8' - PORTSMOUTH OAK
	085284-G5-000	FT	BATT TAPE - ADHESIVE BACKED - DECORATIVE - CIRRUS (N37)
	085284-H1-000	FT	BATT TAPE - ADHESIVE BACKED - DECORATIVE - GRAY (N38)
	085284-H4-000	FT	BATT TAPE - ADHESIVE BACKED - DECORATIVE - STARLIGHT (N39)
	088272-H9-000	SF	PANELING - PEBBLE EMBOSSED - WHITE - 4' X 7'
	088272-J6-000	SF	PANELING - CIRRUS - 4' X 7' (N37)
	088272-K1-000	SF	PANELING - GRAY - 4' X 7' (N38)
	088272-K3-000	SF	PANELING - STARLIGHT - 4' X 7' (N39)
	126339-01-000	SF	BOARD - WHEAT - 60" X 72"
	132610-06-01A	FT	WALLPAPER - BORDER - 5 1/4" - SELF ADHESIVE (N37) FROM: 00-00-00 THRU: 09-30-01
	132610-06-08A	FT	WALLPAPER - BORDER - 5 1/4" - SELF ADHESIVE (N37) FROM: 10-01-01 THRU: 99-99-99
	132610-08-01A	FT	WALLPAPER - BORDER - 4 3/4" - SELF-ADHESIVE (N38) FROM: 00-00-00 THRU: 09-03-01
	132610-06-10A	FT	WALLPAPER - BORDER - 5 1/4" - SELF-ADHESIVE (N38) FROM: 09-04-01 THRU: 99-99-99
	132610-07-02A	FT	WALLPAPER - BORDER - 4" - SELF-ADHESIVE (N39) FROM: 00-00-00 THRU: 08-05-01
	132610-06-07A	FT	WALLPAPER - BORDER - 5 1/4" - SELF-ADHESIVE (N39) FROM: 08-06-01 THRU: 99-99-99

INTERIOR FINISH GROUP (CONTINUED)
ACCESSORIES

KEY	PART NUMBER	U/M	DESCRIPTION
	072852-01-000	EA	DETECTOR - SMOKE - W/9 VOLT BATTERY - US
	072852-02-000	EA	DETECTOR - SMOKE - W/9 VOLT BATTERY - CANADIAN
	094499-03-000	EA	EXTINGUISHER/FIRE - DRY - 10BC - W/GAUGE - W/O BRACKET
*	094499-02-000	EA	EXTINGUISHER/FIRE - DRY - 10BC - W/GAUGE - CANADIAN
	094499-04-000	EA	STRAP - FIRE EXTINGUISHER MOUNTING - METAL
	058331-K3-000	EA	MIRROR - SAFETY GLASS - 12" X 24"
	064781-06-000	EA	HOLDER/CUP - TWO STEP - OFF WHITE
	133831-01-01A	EA	HOLDER - CUP W/THREE CENTERLINE RUBBER FINGERS
	131494-08-01A	EA	MIRROR - ARCHED/ETCHED W/DIAMOND - 24" X 32"
	058331-A0-000	EA	MIRROR-GLASS,SAFETY - 257MM X 472MM
	058331-A3-000	EA	MIRROR - SAFETY GLASS - 13.4" X 44.7"
	058331-08-000	EA	MIRROR ONLY - SAFETY GLASS - 24" X 30"
	088742-16-000	EA	BEVELED/SAFETY GLASS - 14.4" X 18.5"
	129779-03-N42	EA	FRAME - W/O MIRROR - 29.9"W X 35.9"H
	140374-30-000	EA	MIRROR - SAFETY GLASS - 25.6" X 31.5"
	091261-01-000	FT	SLIPNOT - ANTISLIP - 1' WIDE X 12' - BLACK
	096764-02-000	FT	SLIPNOT - ANTISLIP - 1'WIDE (180' ROLLS) - WHITE
	100793-05-01A	EA	CLOCK - WALL - 8" SQUARE - GOLD
	125136-02-000	EA	CO DETECTOR - GAS MODEL - 9 VOLT
	131058-03-02A	EA	HAND RAIL - INTERIOR ENTRY DOOR - BLACK
	131493-02-07A	EA	PICTURE - DECORATIVE - 13" X 15" - ORIENTAL FLORAL (N30)
			FROM: 00-00-00 THRU: 02-03-02
	131493-02-14A	EA	PICTURE - DECORATIVE - 13" X 15" - WINTER WHITE (N30)
			FROM: 02-04-02 THRU: 99-99-99
	131493-02-10A	EA	PICTURE - DECORATIVE - 13" X 15" - HYDRANGEA (N31)
	131493-02-06A	EA	PICTURE - DECORATIVE - 13" X 15" - TOPAZ BOTANICAL (N32)

***COMPONENT PARTS LISTED LATER IN THIS GROUP**

INTERIOR FINISH GROUP (CONTINUED)
COMPONENT PARTS FOR ACCESSORIES

094499-02-000

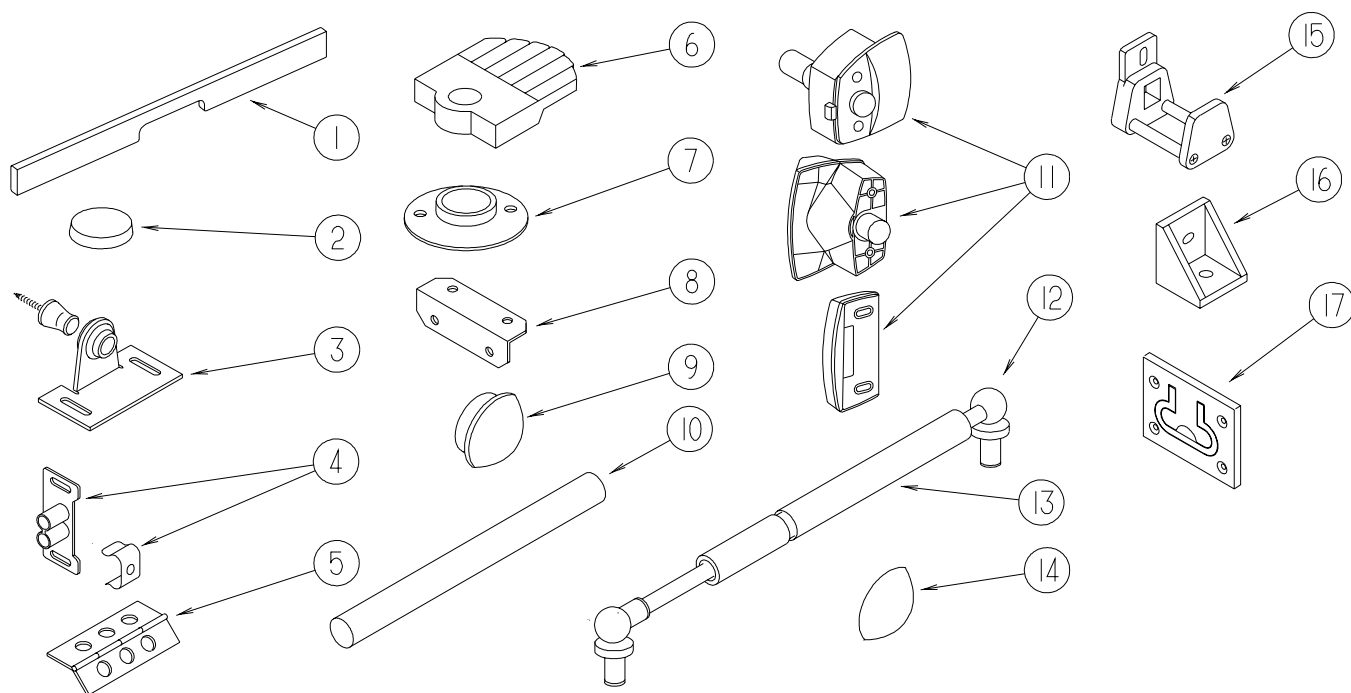
KEY	PART NUMBER	U/M	DESCRIPTION	VENDOR NO
	094499-01-700	EA	BRACKET MTG. W/PLAS. STRAP	294039

INTERIOR FINISH GROUP (CONTINUED)
FLOOR COVERINGS

KEY	PART NUMBER	U/M	DESCRIPTION
	042720-28-000	SY	VINYL - FLOOR COVERING - 14' WIDE - OPTIMATION
	093486-01-000	SY	CARPET - COMPARTMENT - 72" WIDE - DARK GRAY FROM: 00-00-00 THRU: 08-19-01
	093486-02-000	SY	CARPET - COMPARTMENT - 72" WIDE - LIGHT GRAY FROM: 08-20-01 THRU: 99-99-99
	096060-G5-000	SY	CARPET - PURPLE MAZE - INCREMENTS OF 4 SQ YDS (N37)
	096060-G7-000	SY	CARPET - DOVE GRAY - INCREMENTS OF 4 SY YDS (N38)
	096060-E6-000	SY	CARPET - OASIS - INCREMENTS OF 4 SQ YDS (N39)
	124253-01-02A	EA	VINYL - FLOOR PLANK - 3" X 12" - MAPLE

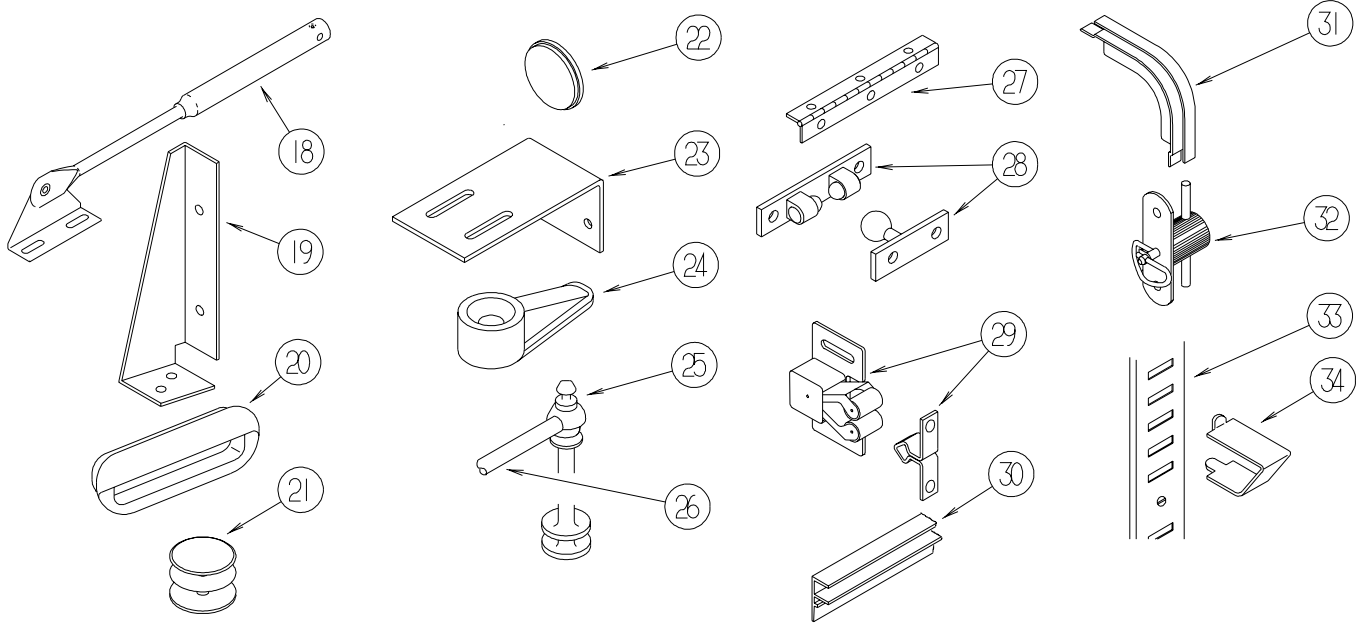
INTERIOR FINISH GROUP (CONTINUED)

HARDWARE



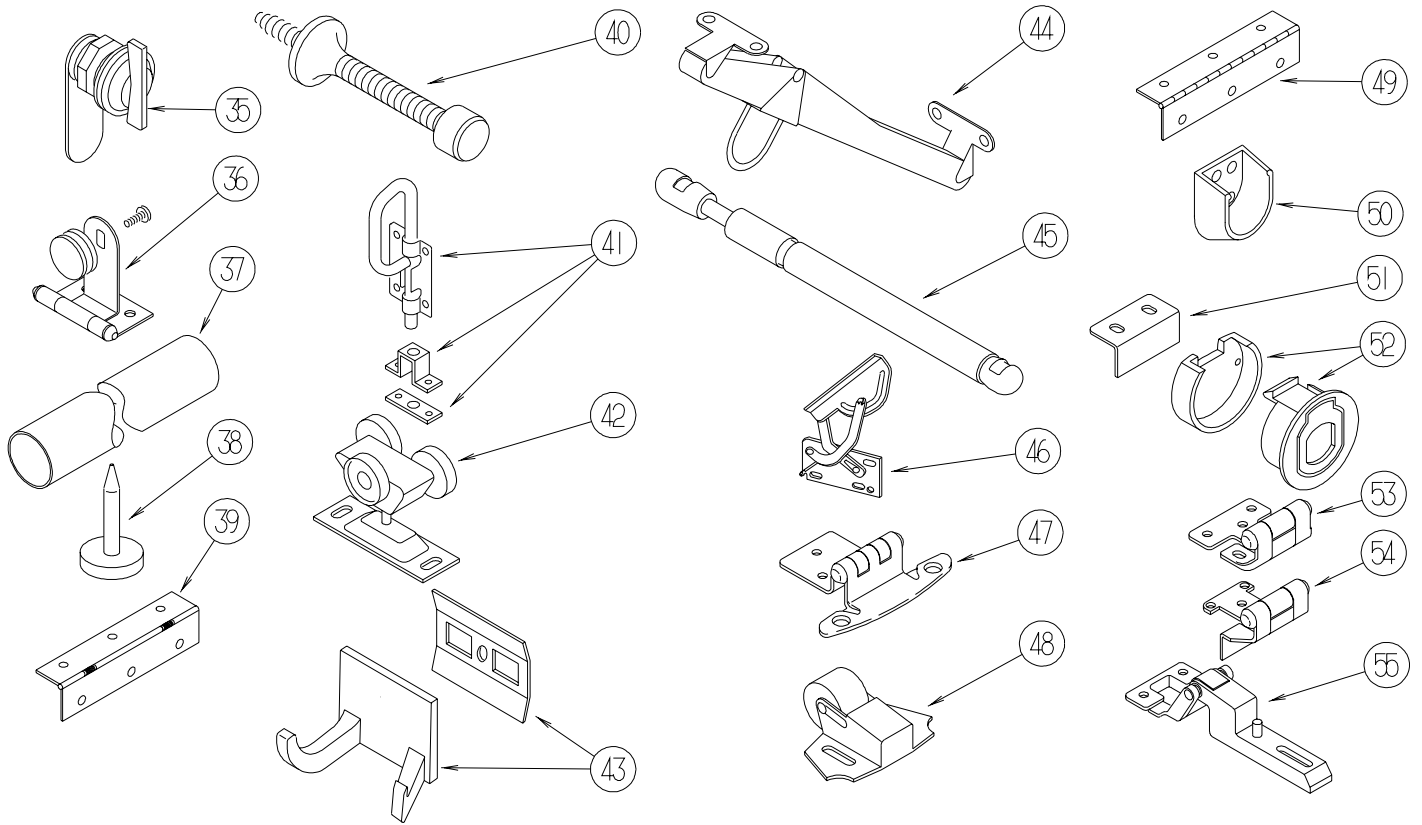
KEY	PART NUMBER	U/M	DESCRIPTION
1	P26866-09-KQ1	EA	HANDLE - DOOR/TAMBOUR - 14.7" - CHERRY/CHERRY III
1	P26866-10-K09	EA	HANDLE - DOOR/TAMBOUR - 11.6" - MAPLE/WASHED MAPLE
1	P26866-10-M07	EA	HANDLE - DOOR/TAMBOUR - 11.6" - ASH/PORTSMOUTH OAK - PORTSMOUTH OAK
2	004354-01-000	EA	BUMPER - RUBBER - .5" DIA - BROWN
2	023320-01-000	EA	PAD - FELT 3/8" DIAMETER
3	009013-01-000	EA	CATCH - BULLDOG - MALE/FEMALE
4	009021-01-000	EA	CATCH - GRILLE - NYLON
4	009021-02-000	EA	STRIKE - SPRING STEEL - .68"
5	009059-01-000	EA	HINGE - DOOR - 2" X 1.4" - BRASS
5	009059-02-000	EA	HINGE - DOOR - 2" X 2.7" - BRASS
5	009059-03-000	EA	HINGE - BRASS - 1.75"
5	041389-25-000	EA	HINGE - PIANO - 1 1/2" X 55" - UNPAINTED
6	009089-01-000	EA	CLIP - MIRROR
7	009112-01-000	EA	FLANGE - PLASTIC - 1" CLOTHES ROD - OFF WHITE
8	016604-01-000	EA	BRACE - ANGLE - 2 1/2" - UNPAINTED METAL
8	016604-05-000	EA	BRACE - ANGLE - 2 1/2" - OFF WHITE METAL
8	016604-07-000	EA	BRACE - ANGLE - 2 1/2" - VW GRAY
8	016604-09-000	EA	BRACE - ANGLE - VW LIGHT GRAY
9	042356-01-000	EA	PLUG - MAHOGANY - 3/8" DOWEL X 1/2" HEAD
9	074045-08-000	EA	PLUG - OAK - 3/8" DOWEL-1/2" HEAD - SALEM CHERRY
9	074045-12-000	EA	PLUG - OAK - 3/8" DOWEL-1/2" HEAD - WASHED MAPLE
9	074045-13-000	EA	PLUG - OAK - 3/8" DOWEL-1/2" HEAD - PORTSMOUTH OAK
10	042438-01-000	EA	DOWEL - WOOD - CLOTHES ROD - 1" X 4'
10	042438-02-000	EA	DOWEL - WOOD - CLOTHES ROD - 2" X 2'
10	042438-06-000	EA	DOWEL - WOOD - 1.5" X 26"
11	058335-03-000	EA	LATCH W/O LOCK - BATHROOM DOOR BLACK - RIALTA, 200-SERIES
12	057460-02-000	EA	BALL STUD - F/GAS SPRING .39" - 5/16"-18
13	057460-04-000	EA	SPRING/GAS - BALL STUD STYLE - 120 PI - iSPD6209"
14	057671-01-000	EA	COVER - SCREW - OFF WHITE - #8
14	057671-13-000	EA	COVER - SCREW - DARK GRAY - #8
14	057671-15-000	EA	COVER - SCREW - #8 - BRIGHT WHITE
14	057671-16-000	EA	COVER - SCREW - #8 - SOFT WHITE
14	057671-17-000	EA	COVER - SCREW - VW LT GRAY - #8
15	064467-01-000	EA	GUIDE - POCKET - SLIDING DOOR - WALL MOUNTED
16	065740-01-000	EA	BRACE - CABINET/CORNER - PLASTIC
17	072871-01-000	EA	PULL - FLUSH - CHROME - RIALTA, 200-SERIES

INTERIOR FINISH GROUP (CONTINUED)
HARDWARE (CONTINUED)



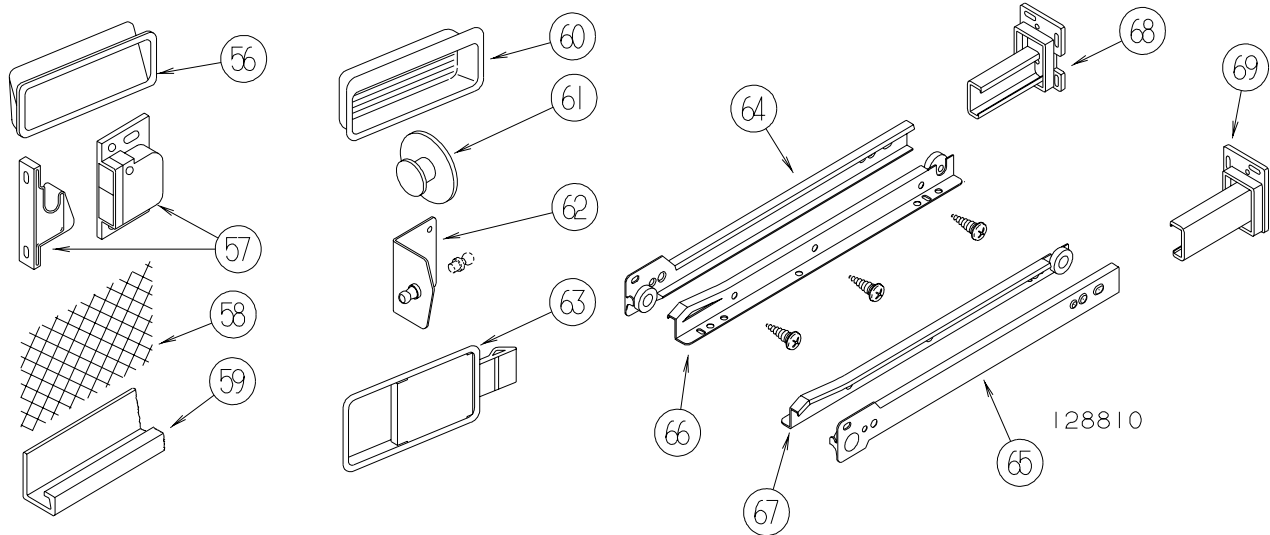
KEY	PART NUMBER	U/M	DESCRIPTION
18	074493-02-000	EA	SUPPORT - PISTON SPRING - CABINET DOOR - 26 LBS
18	074493-03-000	EA	SUPPORT - PISTON SPRING - CABINET DOOR - 12 LBS
18	074493-04-000	EA	SUPPORT - PISTON SPRING - CABINET DOOR - 32 LBS
19	076827-02-000	EA	BRACKET/LEG - 2.9" X 1.8" - TRIANGULAR - LEFT/E-COATED
20	080736-01-000	EA	PULL - RECESSED - 1.25" X 4" - OAK
21	081114-02-000	EA	CAP - INSERT - ROUND - 1" DIAMETER - WHITE PLASTIC
22	081914-01-000	EA	BUMPER - RUBBER - ROUND - 1/2" DIA. X 1/8" THICK
22	120760-01-000	EA	RUBBER BUMPER - CLEAR - .1" THICK X .8" DIAMETER
23	083125-07-000	EA	BRACE - ANGLE/COUCH - 2.5" - OFF WHITE
23	132871-02-02B	EA	BRACKET/L-ANGLE W/HOLES - 1.9" X 2.8" - E-COATED
24	083204-03-000	EA	BUTTON - RETAINING MIRROR 5/16" TIP
25	084070-03-000	EA	POST - END - 2.4" - SHINY BRASS
26	084071-05-000	EA	ROD - BRASS - 15"
26	084071-08-000	EA	ROD - BRASS - 9.3"
26	084071-19-000	EA	ROD - BRASS - 7.1"
26	084071-20-000	EA	ROD - BRASS - 9.8"
26	084071-23-000	EA	ROD - BRASS - 13.1"
26	084071-24-000	EA	ROD - BRASS - 3.8"
26	084071-28-000	EA	ROD - BRASS - 6"
26	084071-30-000	EA	ROD - BRASS - 11.6"
26	084071-31-000	EA	ROD - BRASS - 14.8"
26	084071-33-000	EA	ROD - BRASS - 20.4"
27	084413-01-000	EA	HINGE - 1" X 72" - ALUMINUM - W/HOLES
27	084625-07-000	EA	HINGE - ALUMINUM - W/HOLES - 13" - OFF/WHITE
27	084625-11-000	EA	HINGE - ALUMINUM - W/HOLES - 22" - OFF/WHITE
27	114278-02-000	EA	HINGE - CONTINUOUS - 3" WIDE
28	084451-01-000	EA	CATCH & LATCH - 1.7" - BRASS
29	093586-03-000	EA	CATCH - SPRING ROLLER - .377"
29	093586-04-000	EA	STRIKE - SPRING STEEL - 1.14"
29	093586-05-000	EA	STRIKE - SPRING STEEL - .943"
29	093586-06-000	EA	CATCH - SPRING ROLLER - .236"
30	093622-01-000	EA	TRACK - DOOR - TAMBOUR - PLASTIC - 8' LENGTHS
31	093623-01-000	EA	CORNER - TRACK - TAMBOUR DOOR
32	098196-01-000	EA	LATCH - 1/4 TURN - T-BAR
33	098979-01-000	EA	CLIP - ADJUSTABLE SHELF
34	098980-01-000	EA	PILASTER - ADJUSTABLE SHELF - 18"
34	098980-02-000	EA	PILASTER - ADJUSTABLE SHELF - 12"
34	098980-03-000	EA	PILASTER - ADJUSTABLE SHELF - 9"
34	098980-04-000	EA	PILASTER - ADJUSTABLE SHELF - 48"
34	098980-05-000	EA	PILASTER - ADJUSTABLE SHELF - 15"
34	098980-06-000	EA	PILASTER - ADJUSTABLE SHELF - 24"

INTERIOR FINISH GROUP (CONTINUED)
HARDWARE (CONTINUED)



KEY	PART NUMBER	U/M	DESCRIPTION
35	100710-01-01A	EA	LOCK - GLASS DOOR/TWIST TYPE - BRASS
36	100711-01-01A	EA	HINGE - GLASS DOOR
37	102075-06-02A	EA	ROD - SHOWER CURTAIN - 1" OD X 33.5" - SOFT WHITE
37	102075-09-02A	EA	ROD - SHOWER CURTAIN - 3/4"OD X 29.5" - SOFT WHITE
37	102075-16-02A	EA	ROD - SHOWER CURTAIN - 3/4"OD X 34.2" - SOFT WHITE
37	102075-18-02A	EA	ROD - SHOWER CURTAIN - 1" OD X 38.9" - SOFT WHITE
38	102194-01-000	EA	GUIDE - PLASTIC - 1" (HEAD/PIN)
39	102920-01-01A	EA	HINGE - SPRING LOADED - BRASS
40	103194-01-000	EA	STOP - BATH DOOR
41	103256-01-000	EA	LATCH COMPLETE (SLIDE)
42	103874-01-000	EA	HANGER - SLIDING DOOR
43	104174-01-000	EA	HOOK - ROBE - DOUBLE
44	104181-01-01A	EA	SUPPORT - LEAF 5.3" EXTENDS TO 7.5" - SAFETY RING - METAL
45	107796-05-000	EA	BRACKET - SUPPORT - GAS SPRING TO BED - FLAT (LOWER)
45	107796-06-000	EA	SPRING/GAS - 12" COMPRESSED/20" EXTENDED - 120 LB.
45	107796-08-000	EA	SPRING/GAS - 11" COMPRESSED/17" EXTENDED - 60 LB
45	107796-09-000	EA	SPRING/GAS - 5.5" COMPRESSED/7.5" EXTENDED - 40 LB.
45	107796-15-000	EA	SPRING/GAS - 24" COMPRESSED/40" EXTENDED - 15 LB.
45	107796-16-000	EA	SPRING/GAS - 6.4" COMPRESSED/9.6" EXTENDED - 65 LB.
46	108126-01-000	EA	TRAY HINGE SET (QTY. 2 PER SET)
47	107327-01-000	EA	HINGE - BURNISHED BRASS - SPRING SELF CLOSING - WHEN CATCH & STRIKE ARE NOT USED
47	108138-01-000	EA	HINGE - CABINET DOOR - BURNISHED BRASS - ULTIMATE ADVANTAGE & FREEDOM, Q-SERIES
47	108138-03-000	EA	HINGE - BRIGHT BRASS
48	109403-01-000	EA	CATCH - SINGLE ROLLER - SCREEN DOOR
49	110496-01-01A	EA	HINGE - BRASS
50	113236-01-01A	EA	BRACKET - CLOTHES - ROD
51	113375-02-01A	EA	STRIKE - DOOR - CHROME - RIALTA, 200-SERIES
52	113375-05-01A	EA	LATCH - SLAM - BACK - .8" THICK - RIALTA, 200-SERIES
52	113375-06-01A	EA	LATCH - SLAM - FACE - .7" THICK - RIALTA, 200-SERIES
53	113676-01-01A	EA	HINGE - OVERLAY - VARIABLE - BURNISHED BRASS - RIALTA, 200-SERIES
54	113677-01-01A	EA	HINGE - SELF CLOSING - RIALTA, 200-SERIES
55	114443-01-01A	EA	HINGE - CABINET DOOR

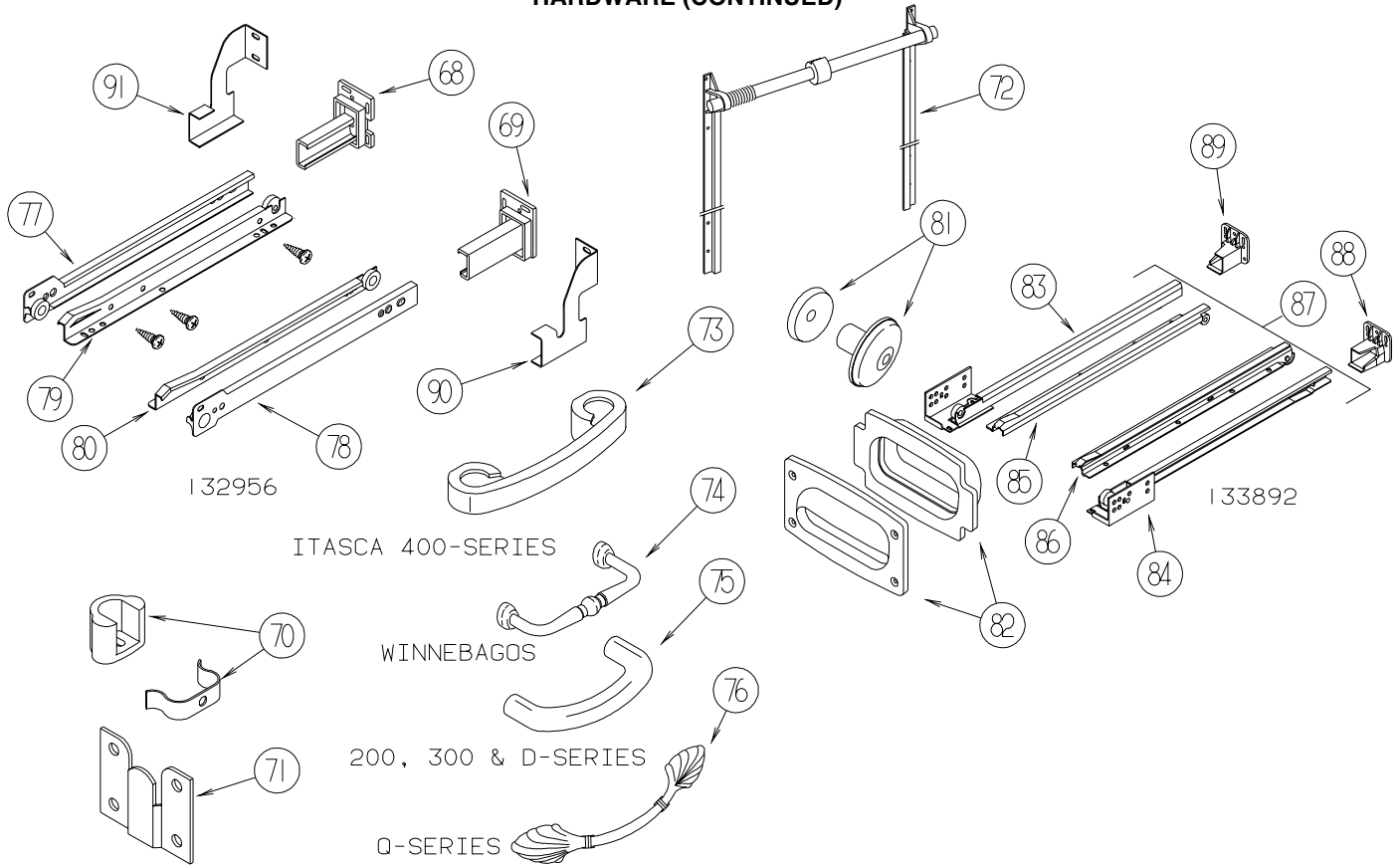
INTERIOR FINISH GROUP (CONTINUED)
HARDWARE (CONTINUED)



KEY	PART NUMBER	U/M	DESCRIPTION
56	115994-01-01A	EA	HANDLE - POCKET - RIALTA, 200-SERIES
57	117095-01-01A	EA	LATCH - DOOR - GRABBER W/KEEPER - PLASTIC - BLK-5 LB PULL
58	118200-01-01A	SF	MESH - PLASTIC 1/2" - 48" X LENGTH = SF - BLACK
58	118200-07-01A	SF	MESH - PLASTIC 1/2" - 10.5" X 24.7" - BLACK
59	118933-01-01A	EA	SUPPORT - HINGE LOCK
60	124311-01-01A	EA	HANDLE - RECESSED - BRASS
61	125221-01-01A	EA	PULL - MIRROR - W/ROUND HANDLE
62	126263-06-02B	EA	BRACKET - GAS SPRING W/INSIDE BALL STUD - E-COATED
63	127349-01-01A	EA	LATCH - PADDLE - RIALTA, 200-SERIES
64	128810-01-01A	EA	SLIDE - DRAWER - 12" - LEFT CABINET
64	128810-05-01A	EA	SLIDE - DRAWER - 14" - LEFT CABINET
64	128810-09-01A	EA	SLIDE - DRAWER - 16" - LEFT CABINET
64	128810-13-01A	EA	SLIDE - DRAWER - 18" - LEFT CABINET
64	128810-17-01A	EA	SLIDE - DRAWER - 20" - LEFT CABINET
64	128810-21-01A	EA	SLIDE - DRAWER - 22" - LEFT CABINET
64	128810-25-01A	EA	SLIDE - DRAWER - 24" - LEFT CABINET
64	128810-29-01A	EA	SLIDE - DRAWER - 9" - LEFT CABINET
65	128810-02-01A	EA	SLIDE - DRAWER - 12" - RIGHT CABINET
65	128810-06-01A	EA	SLIDE - DRAWER - 14" - RIGHT CABINET
65	128810-10-01A	EA	SLIDE - DRAWER - 16" - RIGHT CABINET
65	128810-10-01A	EA	SLIDE - DRAWER - 16" - RIGHT CABINET
65	128810-14-01A	EA	SLIDE - DRAWER - 18" - RIGHT CABINET
65	128810-18-01A	EA	SLIDE - DRAWER - 20" - RIGHT CABINET
65	128810-22-01A	EA	SLIDE - DRAWER - 22" - RIGHT CABINET
65	128810-26-01A	EA	SLIDE - DRAWER - 24" - RIGHT CABINET
65	128810-30-01A	EA	SLIDE - DRAWER - 9" - RIGHT CABINET
66	128810-03-01A	EA	SLIDE - DRAWER - 12" - LEFT DRAWER
66	128810-07-01A	EA	SLIDE - DRAWER - 14" - LEFT DRAWER
66	128810-11-01A	EA	SLIDE - DRAWER - 16" - LEFT DRAWER
66	128810-15-01A	EA	SLIDE - DRAWER - 18" - LEFT DRAWER
66	128810-19-01A	EA	SLIDE - DRAWER - 20" - LEFT DRAWER
66	128810-23-01A	EA	SLIDE - DRAWER - 22" - LEFT DRAWER
66	128810-27-01A	EA	SLIDE - DRAWER - 24" - LEFT DRAWER
66	128810-31-01A	EA	SLIDE - DRAWER - 9" - LEFT DRAWER
67	128810-04-01A	EA	SLIDE - DRAWER - 12" - RIGHT DRAWER
67	128810-08-01A	EA	SLIDE - DRAWER - 14" - RIGHT DRAWER
67	128810-12-01A	EA	SLIDE - DRAWER - 16" - RIGHT DRAWER
67	128810-16-01A	EA	SLIDE - DRAWER - 18" - RIGHT DRAWER
67	128810-20-01A	EA	SLIDE - DRAWER - 20" - RIGHT DRAWER
67	128810-24-01A	EA	SLIDE - DRAWER - 22" - RIGHT DRAWER
67	128810-28-01A	EA	SLIDE - DRAWER - 24" - RIGHT DRAWER
67	128810-32-01A	EA	SLIDE - DRAWER - 9" - RIGHT DRAWER
68	128811-01-01A	EA	BACKSOCKET - ADJUSTABLE - LEFT
69	128811-02-01A	EA	BACKSOCKET - ADJUSTABLE - RIGHT

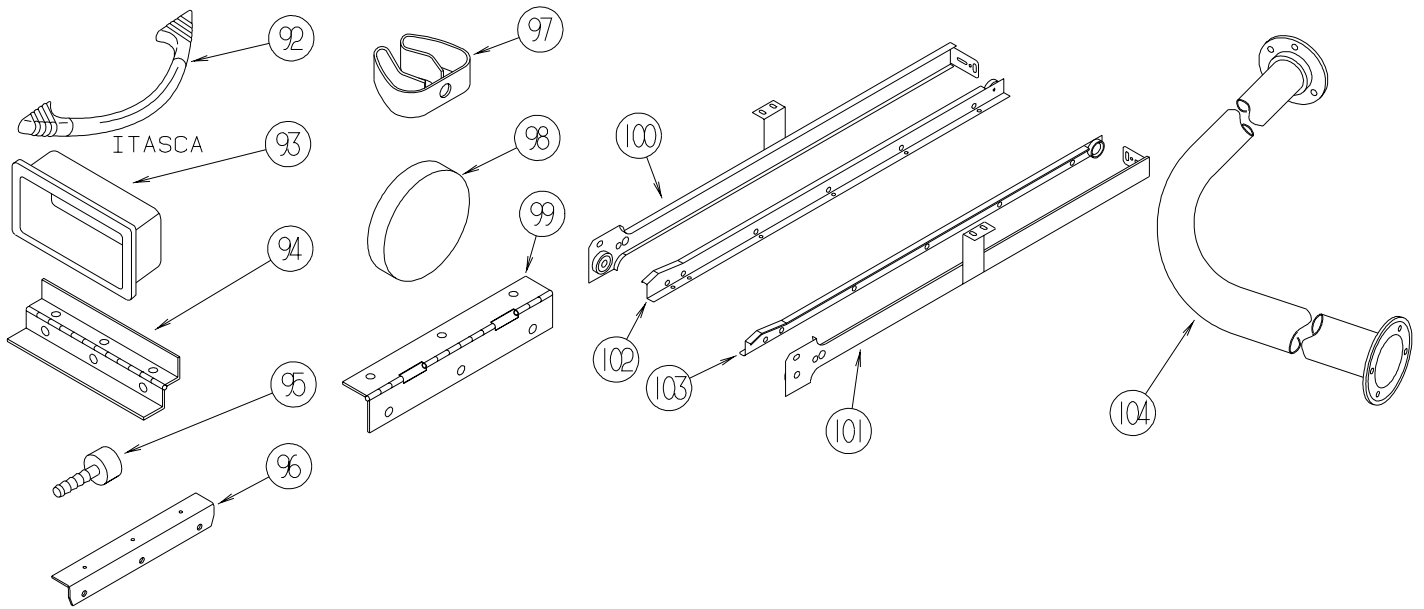
INTERIOR FINISH GROUP (CONTINUED)

HARDWARE (CONTINUED)



KEY	PART NUMBER	U/M	DESCRIPTION
68	128811-01-01A	EA	BACKSOCKET - ADJUSTABLE - LEFT
69	128811-02-01A	EA	BACKSOCKET - ADJUSTABLE - RIGHT
70	129703-01-01A	EA	CATCH ASSEMBLY (SPRING)
71	130120-01-01A	EA	BRACKET - MIRROR
72	130787-01-000	EA	TRACK - TAMBOUR DOOR/SPRING - 15.9"
72	130787-02-000	EA	TRACK - TAMBOUR DOOR/SPRING - 24"
72	130787-04-000	EA	TRACK - TAMBOUR DOOR - SPRING
73	131962-01-01A	EA	PULL - DOOR/DRAWER - POLISHED BRASS - SUNDANCER, ITASCA 400-SERIES ONLY
74	131963-01-01A	EA	PULL - DOOR/DRAWER - POLISHED BRASS - F, G, L, P & 400-SERIES WINNEBAGOS
75	131964-01-01A	EA	PULL - DOOR/DRAWER - POLISHED BRASS - 200, 300 & D-SERIES
76	131965-01-01A	EA	PULL - DOOR/DRAWER - 6.3" - BURNISHED BRASS - ULTIMATE ADVANTAGE & FREEDOM, Q-SERIES
77	132956-01-01A	EA	SLIDE - DRAWER - LEFT CABINET - 37.5"
77	132956-05-01A	EA	SLIDE - DRAWER - LEFT CABINET - 32"
78	132956-02-01A	EA	SLIDE - DRAWER - RIGHT CABINET - 37.5"
78	132956-06-01A	EA	SLIDE - DRAWER - RIGHT CABINET - 32"
79	132956-03-01A	EA	SLIDE - DRAWER - LEFT DRAWER - 37.5"
79	132956-07-01A	EA	SLIDE - DRAWER - LEFT DRAWER - 32"
80	132956-04-01A	EA	SLIDE - DRAWER - RIGHT DRAWER - 37.5"
80	132956-08-01A	EA	SLIDE - DRAWER - RIGHT DRAWER - 32"
81	133313-01-01A	EA	PULL - DOOR/DRAWER - BURNISHED BRASS
81	133313-01-02A	EA	PULL - DOOR/DRAWER - BRIGHT BRASS
82	133607-01-01A	EA	PULL - LATCH - BLACK PLASTIC
83	133892-01-01A	EA	SLIDE - DRAWER - LEFT CABINET - 16"
83	133892-06-01A	EA	SLIDE - DRAWER - LEFT CABINET - 22"
84	133892-02-01A	EA	SLIDE - DRAWER - RIGHT CABINET - 16"
84	133892-07-01A	EA	SLIDE - DRAWER - RIGHT CABINET - 22"
85	133892-03-01A	EA	SLIDE - DRAWER - LEFT DRAWER - 16"
85	133892-08-01A	EA	SLIDE - DRAWER - LEFT DRAWER - 22"
86	133892-04-01A	EA	SLIDE - DRAWER - RIGHT DRAWER - 16"
86	133892-09-01A	EA	SLIDE - DRAWER - RIGHT DRAWER - 22"
87	133892-05-01A	EA	SLIDE - DRAWER - FULL SET - 9"
88	133907-01-01A	EA	BACKSOCKET - RIGHT HAND
89	133907-02-01A	EA	BACKSOCKET - LEFT HAND
90	134649-01-02B	EA	SUPPORT - BACKSOCKET - E-COATED
91	134649-02-02B	EA	SUPPORT - BACKSOCKET - E-COATED

INTERIOR FINISH GROUP (CONTINUED)
HARDWARE (CONTINUED)



KEY	PART NUMBER	U/M	DESCRIPTION
92	137446-01-01A	EA	PULL - CABINET - CHROME/BRASS - F, G, L, P-SERIES ITASCAS
93	139136-01-01A	EA	HANDLE - RECESSED - 2.9" X 1.3"/2.7" X 1" X .7" C/O- BRASS
93	139136-02-01A	EA	HANDLE - RECESSED - 2.9" X 1.3"/2.7" X 1" X .4" C/O- BRASS
94	135538-01-01A	EA	HINGE - PIANO - FULL WRAP - BRASS PLATED
94	135538-02-01A	EA	HINGE - PIANO - FULL WRAP - STOCKER BRASS
94	135538-03-01A	EA	HINGE - PIANO - FULL WRAP - STOCKER BRASS
94	135538-04-01A	EA	HINGE - PIANO - FULL WRAP
94	135538-05-01A	EA	HINGE - PIANO - FULL WRAP
95	079921-01-000	EA	ROLLER - NYLON - W/STEEL SHAFT - BARBED
96	089025-01-000	EA	SUPPORT - SPRING TO BED - ANGLE 1.5" X 11.8"
97	091952-01-000	EA	CLIP - GRIPPER - 1"
98	122717-01-01A	EA	PAD - NON SKID - 4" DIAMETER ROUND
99	129753-01-01A	EA	HINGE - SPRING LOADED - 19" X 19" - BLACK
100	139566-01-01A	EA	SLIDE - DRAWER - 37.5" - LEFT CABINET
100	139566-05-01A	EA	SLIDE - DRAWER - 32" - LEFT CABINET
101	139566-02-01A	EA	SLIDE - DRAWER - 37.5" - RIGHT CABINET
101	139566-06-01A	EA	SLIDE - DRAWER - 32" - RIGHT CABINET
102	139566-03-01A	EA	SLIDE - DRAWER - 37.5" - LEFT DRAWER
102	139566-07-01A	EA	SLIDE - DRAWER - 32" - LEFT DRAWER
103	139566-04-01A	EA	SLIDE - DRAWER - 37.5" - RIGHT DRAWER
103	139566-08-01A	EA	SLIDE - DRAWER - 32" - RIGHT DRAWER
104	140494-01-02A	EA	ROD - SHOWER - SOFT WHITE
104	140494-01-01A	EA	ROD - SHOWER

LABELS GROUP

SEWAGE

KEY PART NUMBER U/M DESCRIPTION
006187-01-000 EA LABEL - SEWAGE

WASTE WATER

KEY PART NUMBER U/M DESCRIPTION
006188-01-000 EA LABEL - WASTE WATER

EXIT

KEY PART NUMBER U/M DESCRIPTION
039290-01-000 EA LABEL - WARNING - EXIT

↑
OPEN

KEY PART NUMBER U/M DESCRIPTION
040944-01-000 EA LABEL - ENTRANCE DOOR - "OPEN"

CAUTION

THIS MOTOR HOME HAS BEEN DESIGNED, MANUFACTURED AND TESTED WITH CONCERN FOR THE PROTECTION OF IT'S OCCUPANTS. WE RECOMMEND YOU PERFORM THE FOLLOWING INSPECTIONS FOR YOUR SAFETY AND THE SAFETY OF YOUR PASSENGERS BEFORE STARTING YOUR VEHICLE.

1. LP GAS SYSTEM- TURN OFF AT TANK FOR TRAVELING. TEST FOR LEAKS UPON ARRIVAL AT DESTINATION. BEFORE LIGHTING PILOTS.
2. WHEELS- INSPECT FOR DAMAGE AND CHECK LUG NUTS FOR TIGHTNESS.
3. TIRES- INSPECT FOR WEAR AND DAMAGE AND CHECK FOR RECOMMENDED AIR PRESSURE.
4. LIGHTING- TEST FOR PROPER OPERATION OF ALL INTERIOR AND EXTERIOR LIGHTS INCLUDING DASH LIGHTS, HEADLIGHTS, TAIL LIGHTS, BRAKE LIGHTS, CLEARANCE LIGHTS AND TURN SIGNALS.
5. EXITS- INSPECT RELEASE MECHANISM ON EMERGENCY EXIT WINDOW, TEST BOTH LOCKS ON MAIN ENTRANCE DOOR FOR EASE OF OPERATION AND INSTRUCT PASSENGERS HOW TO USE BOTH MEANS OF EXIT.
6. SEAT BELTS- DIRECT PASSENGERS TO DESIGNATED SEATS AND REQUIRE USE OF SEAT BELTS.
7. APPLIANCES- TURN OFF AND LATCH OR LOCK DOORS WHERE PROVIDED.
8. LOOSE PARCELS- STORE SECURELY.
9. UTILITY SUPPLY LINES- DISCONNECT ALL ELECTRIC, SEWER AND WATER LINES AND SECURE PROPERLY.
10. ENTRANCE DOOR STEP- PLACE IN RETRACTED POSITION FOR TRAVELING.

READ YOUR MOTOR HOME AND CHASSIS OWNER'S
MANUAL FOR FURTHER PRECAUTIONS

KEY PART NUMBER U/M DESCRIPTION
056259-01-000 EA LABEL - SAFETY CHECK LIST

UNLEADED FUEL ONLY

KEY PART NUMBER U/M DESCRIPTION
062043-01-000 EA LABEL - FUEL - UNLEADED

LABELS GROUP (CONTINUED)

WARNING DISCONNECT BATTERIES BEFORE
CONNECTING EXTERNAL CHARGING EQUIPMENT.

KEY PART NUMBER U/M DESCRIPTION
065748-01-000 EA LABEL - CAUTION - BATTERY CHARGING

AVERTISSEMENT : DEBRANCHER LES BATTERIES AVANT
DE BRANCHER TOUT EQUIPEMENT DE CHARGE EXTERIEUR.

KEY PART NUMBER U/M DESCRIPTION
065748-02-000 EA LABEL - WARNING - BATTERY/FRENCH - CANADIAN

DIESEL FUEL ONLY

KEY PART NUMBER U/M DESCRIPTION
068383-01-000 EA LABEL - DIESEL FUEL

VEHICLE EMISSION CONTROL INFORMATION
THIS VEHICLE CONFORMS TO U.S. EPA
REGULATIONS APPLICABLE TO XXXX MODEL
YEAR NEW VEHICLES.

072887-01-000-2 CATALYST

KEY PART NUMBER U/M DESCRIPTION
072887-13-000 EA LABEL - EPA - 2001 MODEL YEAR

IF YOU SMELL GAS

1. EXTINGUISH ANY OPEN FLAME, PILOT LIGHTS AND ALL SMOKING MATERIALS.
2. DO NOT TOUCH ELECTRICAL SWITCHES.
3. SHUT OFF THE GAS SUPPLY AT THE TANK VALVE(S) OR GAS SUPPLY CONNECTION.
4. OPEN DOORS AND OTHER VENTILATING OPENINGS.
5. LEAVE THE AREA UNTIL ODOR CLEARS.
6. HAVE THE GAS SYSTEM CHECKED AND LEAKAGE SOURCE CORRECTED BEFORE USING AGAIN.

KEY PART NUMBER U/M DESCRIPTION
073998-01-000 EA LABEL - LPG ODOR WARNING

WARNING: TEST SMOKE DETECTOR
OPERATION AFTER VEHICLE HAS BEEN IN
STORAGE, BEFORE EACH TRIP AND AT
LEAST ONCE PER WEEK DURING USE.

KEY PART NUMBER U/M DESCRIPTION
077956-01-000 EA LABEL - WARNING - SMOKE DETECTOR

WARNING
MUST BE STOWED
IN LATCHED POSITION
WHILE VEHICLE IS IN MOTION

KEY PART NUMBER U/M DESCRIPTION
079966-01-000 EA LABEL - WARNING - STOWED - MOTION

LABELS GROUP (CONTINUED)



KEY PART NUMBER U/M DESCRIPTION
 083588-01-000 EA LABEL - ON/OFF - WATER HEATER



KEY PART NUMBER U/M DESCRIPTION
 083588-02-000 EA LABEL - ON/OFF - ENGINE HEATER

CAUTION	TO HELP AVOID PERSONAL INJURY DURING REMOVAL OF FUEL FILLER CAP, SLOWLY LOOSEN CAP 1/2 TURN TO ALLOW ANY FUEL PRESSURE TO BE RELIEVED BEFORE TURNING CAP FURTHER.
FUEL SPRAY MAY CAUSE PERSONAL INJURY	STOP ADDING FUEL AFTER FIRST SHUTOFF BY AUTOMATIC NOZZLE WHEN TANK IS NEARLY FULL. DO NOT OVERFILL FUEL TANK. SEE OWNERS MANUAL FOR ADDITIONAL INFORMATION. PRINTED IN U.S.A. WLC PT NO 15611763

KEY PART NUMBER U/M DESCRIPTION
 087207-05-000 EA LABEL - FUEL CAP REMOVAL



KEY PART NUMBER U/M DESCRIPTION
 087236-01-000 EA LABEL - CABLE - INPUT

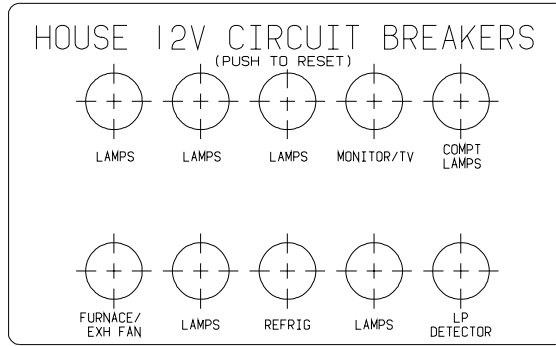


KEY PART NUMBER U/M DESCRIPTION
 087236-02-000 EA LABEL - TV OUTLET

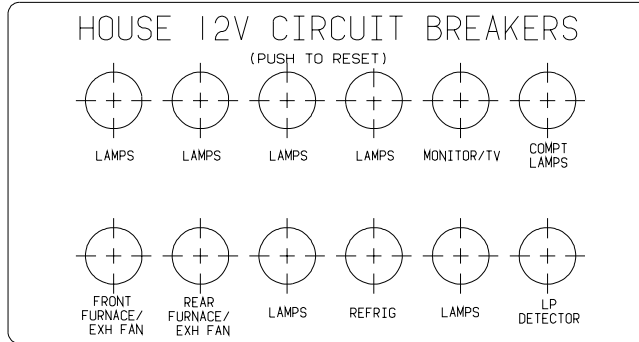
AIR CONDITIONING CIRCUIT.
 THIS CONNECTION IS FOR
 AIR CONDITIONERS RATED 110-
 125 VOLT AC, 60 HZ, 16
 AMPERES MAXIMUM. DO NOT
 EXCEED CIRCUIT RATING.

KEY PART NUMBER U/M DESCRIPTION
 091243-01-000 EA LABEL - A/C COVER (AIR CONDITIONING CIRCUIT ETC.)

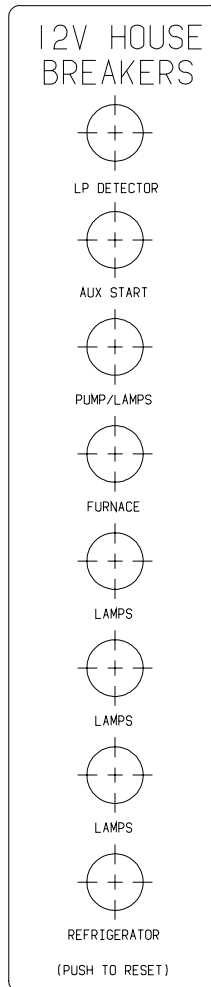
LABELS GROUP (CONTINUED)



KEY PART NUMBER U/M DESCRIPTION
 092547-06-000 EA LABEL - CIRCUIT BREAKER

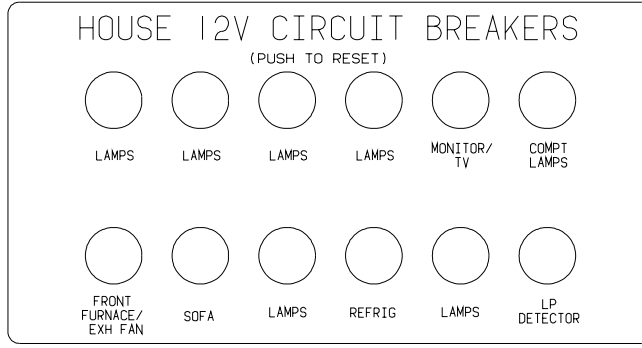


KEY PART NUMBER U/M DESCRIPTION
 092547-07-000 EA LABEL - CIRCUIT BREAKER

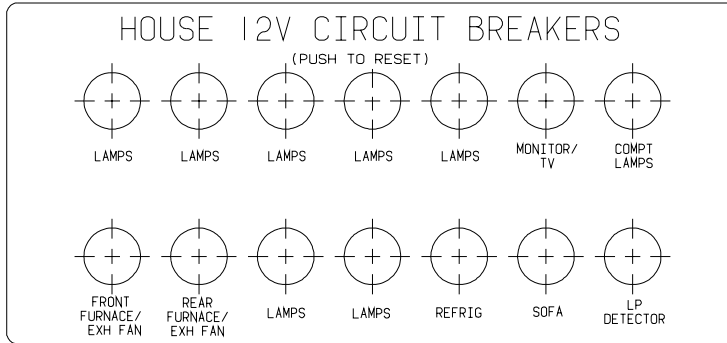


KEY PART NUMBER U/M DESCRIPTION
 092547-08-000 EA LABEL - CIRCUIT BREAKER

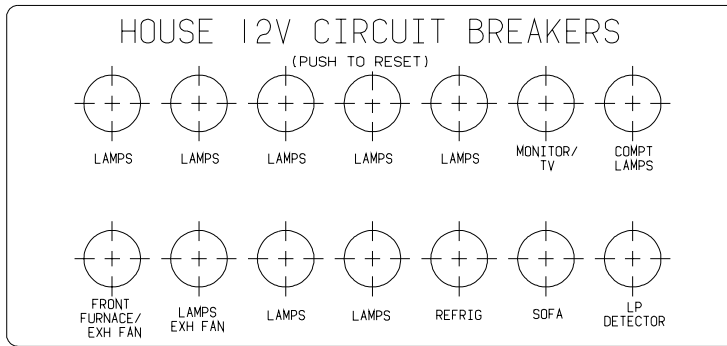
LABELS GROUP (CONTINUED)



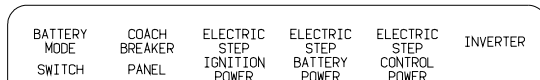
KEY PART NUMBER U/M DESCRIPTION
 092547-10-000 EA LABEL - CIRCUIT BREAKER



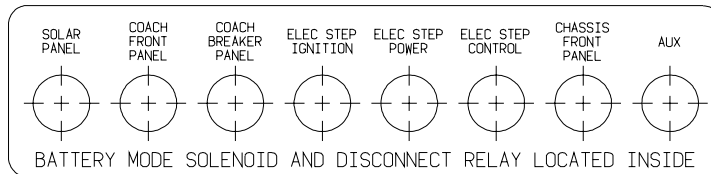
KEY PART NUMBER U/M DESCRIPTION
 092547-11-000 EA LABEL - CIRCUIT BREAKER



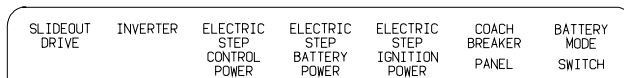
KEY PART NUMBER U/M DESCRIPTION
 092547-12-000 EA LABEL - CIRCUIT BREAKER



KEY PART NUMBER U/M DESCRIPTION
 093236-08-000 EA LABEL - CIRCUIT BREAKER

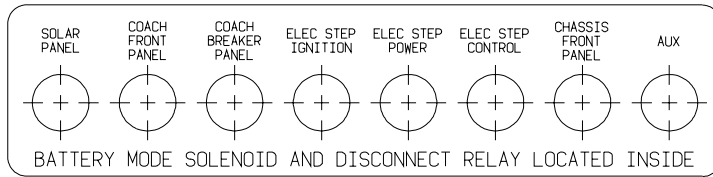


KEY PART NUMBER U/M DESCRIPTION
 093236-13-000 EA LABEL - CIRCUIT BREAKER



KEY PART NUMBER U/M DESCRIPTION
 093236-15-000 EA LABEL - CIRCUIT BREAKER

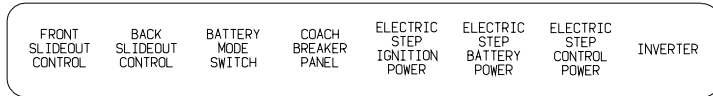
LABELS GROUP (CONTINUED)



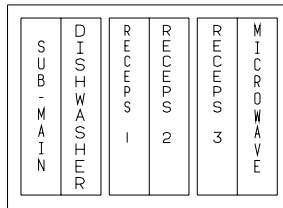
KEY PART NUMBER U/M DESCRIPTION
 093236-24-000 EA LABEL - CIRCUIT BREAKER



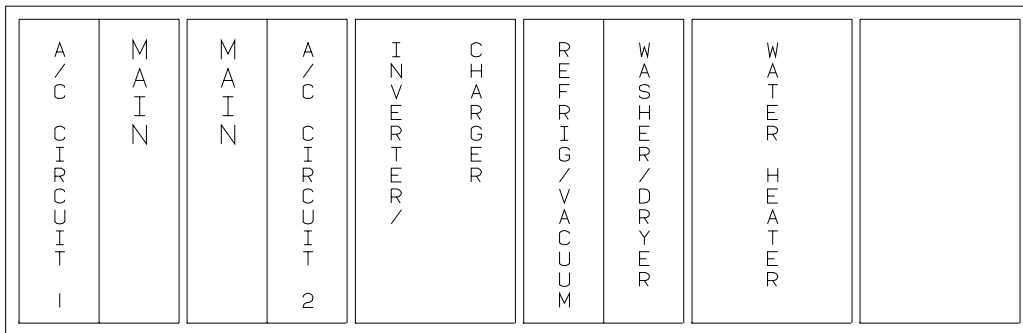
KEY PART NUMBER U/M DESCRIPTION
 093236-25-000 EA LABEL - CIRCUIT BREAKER



KEY PART NUMBER U/M DESCRIPTION
 093236-28-000 EA LABEL - CIRCUIT BREAKER



KEY PART NUMBER U/M DESCRIPTION
 095721-20-000 EA LABEL - CONTROL CENTER W/INVERTER



KEY PART NUMBER U/M DESCRIPTION
 095721-22-000 EA LABEL - CONTROL CENTER - 50 AMP

LABELS GROUP (CONTINUED)

A / C C I R C U I T 1	M A I N	A / C C I R C U I T 2	R E F F R I G / C O N V	M I C R O W A V E	R E C P S 1	R E C P S 2	R E C P S 3	W A S H E R / D R Y E R	W A T E R H E A T E R	
-----------------------------	---------	-----------------------------	-------------------------	-------------------	----------------	----------------	----------------	-------------------------	--------------------------	--

KEY PART NUMBER 095721-31-000 **U/M DESCRIPTION** EA LABEL - CONTROL CENTER - 30 AMP - US

A / C C I R C U I T 1	M A I N	A / C C I R C U I T 2	I N V E R T E R / C H A R G E R	R E F F R I G E R A T O R	W A S H E R / D R Y E R	W A T E R H E A T E R	
-----------------------------	---------	-----------------------------	------------------------------------	---------------------------	-------------------------	--------------------------	--

KEY PART NUMBER 095721-32-000 **U/M DESCRIPTION** EA LABEL - CONTROL CENTER - 30 AMP W/INVERTER

A / C C I R C U I T 1	M A I N	M A I N	A / C C I R C U I T 2	R E F F R I G / C O N V	M I C R O W A V E	R E C P S 1	R E C P S 2	R E C P S 3	W A S H E R / D R Y E R	W A T E R H E A T E R
-----------------------------	---------	---------	-----------------------------	-------------------------	-------------------	----------------	----------------	----------------	-------------------------	--------------------------

KEY PART NUMBER 095721-33-000 **U/M DESCRIPTION** EA LABEL - CONTROL CENTER - 50 AMP - US

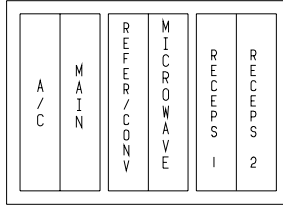
A / C C I R C U I T 1	M A I N	M A I N	A / C C I R C U I T 2	I N V E R T E R /	C H A R G E R	R E F F R I G E R A T O R	W A S H E R / D R Y E R	W A T E R H E A T E R	
-----------------------------	---------	---------	-----------------------------	-------------------	---------------	---------------------------	-------------------------	--------------------------	--

KEY PART NUMBER 095721-34-000 **U/M DESCRIPTION** EA LABEL - CONTROL CENTER - 50 AMP

M A I N	M I C R O W A V E	G F I / R E C E P S	R E F F R I G / C O N V	W A T E R H T R	A / C
---------	-------------------	---------------------	-------------------------	--------------------	-------

KEY PART NUMBER 095721-38-000 **U/M DESCRIPTION** EA LABEL - CONTROL CENTER - 30 AMP - US

LABELS GROUP (CONTINUED)



KEY PART NUMBER U/M DESCRIPTION
 095721-40-000 EA LABEL - CONTROL CENTER

AUTOMOTIVE AND COACH
CIRCUIT BREAKERS

KEY PART NUMBER U/M DESCRIPTION
 098379-01-000 EA LABEL - CIRCUIT BREAKER - FRONT BOX

CIRCUIT BREAKERS
AND AUTOMOTIVE
FUSE PANEL

KEY PART NUMBER U/M DESCRIPTION
 098379-03-000 EA LABEL - ELECTRICAL BOX - FRONT

BATTERY MODE
SOLENOID AND
RELAYS

KEY PART NUMBER U/M DESCRIPTION
 098379-04-000 EA LABEL - ELECTRICAL BOX - SIDE

UNLEADED
FUEL ONLY

KEY PART NUMBER U/M DESCRIPTION
 098641-01-000 EA LABEL - FUEL - UNLEADED - DASH

FOR AWNING INSTALLATION
CONTACT YOUR MOTORHOME
DEALERSHIP

KEY PART NUMBER U/M DESCRIPTION
 099509-01-000 EA LABEL - AWNING INSTALLATION

WARNING
THIS VEHICLE, LIKE OTHER
VEHICLES, MAY CONTAIN SMALL
AMOUNTS OF ONE OR MORE
SUBSTANCES WHICH ARE LISTED
BY THE STATE OF CALIFORNIA
FOR CAUSING CANCER OR
REPRODUCTIVE TOXICITY.

KEY PART NUMBER U/M DESCRIPTION
 099689-01-000 EA LABEL - WARNING - CANCER/TOXICITY

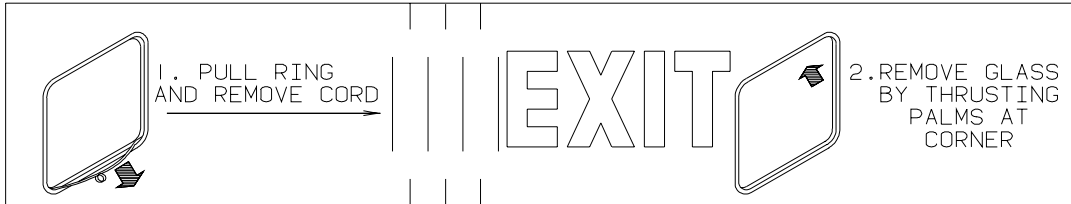
LABELS GROUP (CONTINUED)

NOTE: TUNE ANTENNA
PER MANUFACTURER'S
DIRECTIONS. FAILURE TO
COMPLY COULD RESULT IN
DAMAGE TO CB.

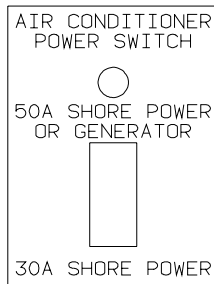
CB POWER PROVISION

RED +12 V
BLACK GROUND
COAX ANTENNA
(SEE REVERSE ALSO)

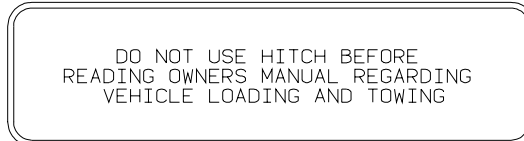
KEY PART NUMBER U/M DESCRIPTION
104678-01-000 EA LABEL - CB PREP



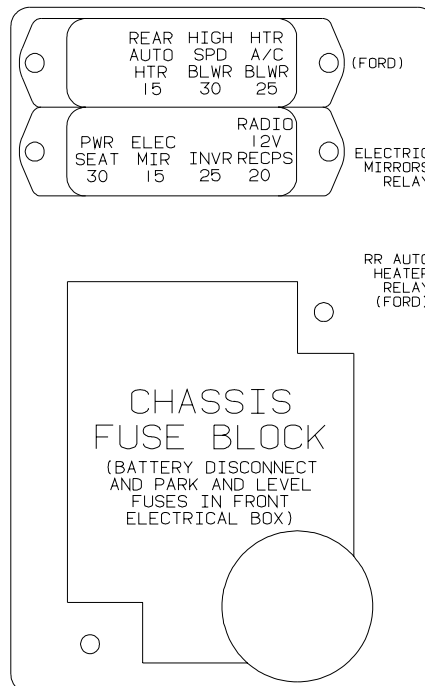
KEY PART NUMBER U/M DESCRIPTION
107571-01-000 EA LABEL - EXIT/ESCAPE WINDOW



KEY PART NUMBER U/M DESCRIPTION
109051-02-000 EA LABEL - SWITCH - 50 AMP POWER

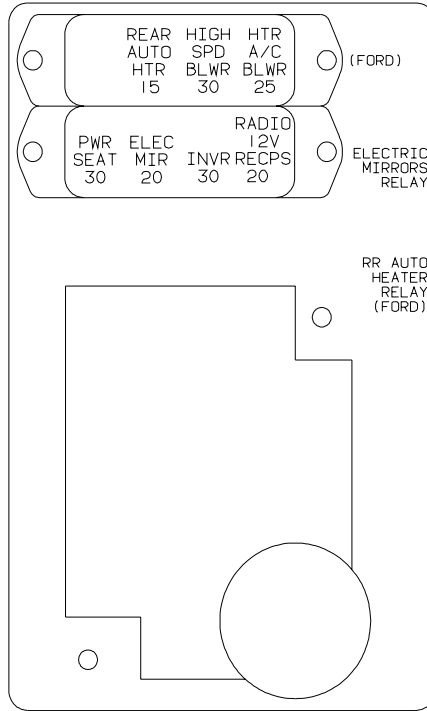


KEY PART NUMBER U/M DESCRIPTION
111104-01-000 EA LABEL - HITCH - READ MANUAL - WHITE



KEY PART NUMBER U/M DESCRIPTION
111537-08-000 EA LABEL - FUSES

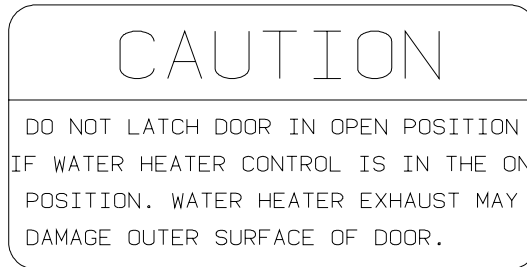
LABELS GROUP (CONTINUED)



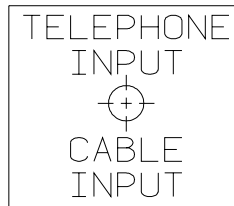
KEY PART NUMBER U/M DESCRIPTION
 111537-09-000 EA LABEL - FUSES

WARNING: CONTAINS "CFC" A SUBSTANCE WHICH HARMS PUBLIC HEALTH AND ENVIRONMENT BY DESTROYING OZONE IN THE UPPER ATMOSPHERE.

KEY PART NUMBER U/M DESCRIPTION
 111802-01-000 EA LABEL - CFC WARNING

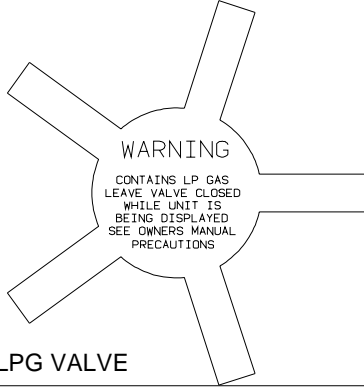


KEY PART NUMBER U/M DESCRIPTION
 113402-01-000 EA LABEL - CAUTION - WATER HEATER EXHAUST



KEY PART NUMBER U/M DESCRIPTION
 114866-02-000 EA LABEL - PHONE & CABLE INPUT - WHITE/CLEAR BACKGROUND
 114866-03-000 EA LABEL - PHONE & CABLE INPUT - BLACK/CLEAR BACKGROUND

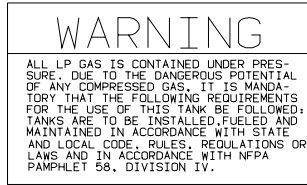
LABELS GROUP (CONTINUED)



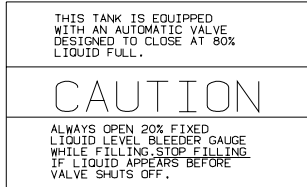
KEY PART NUMBER U/M DESCRIPTION
 115600-01-000 EA LABEL - WARNING LPG VALVE

WARNING: REPLACE TIRE ONLY WITH ONE OF EXACTLY SAME TYPE AND RATING. DO NOT REPLACE WITH PASSENGER CAR TIRE. SEE OPERATOR'S MANUAL FOR MORE INFORMATION CALL WINNEBAGO OWNER RELATIONS AT 1-800-537-1885.

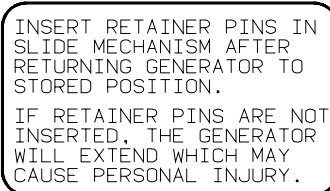
KEY PART NUMBER U/M DESCRIPTION
 115869-01-000 EA LABEL - WARNING - TIRE



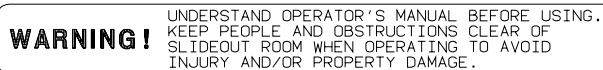
KEY PART NUMBER U/M DESCRIPTION
 116112-01-000 EA LABEL - WARNING - LP



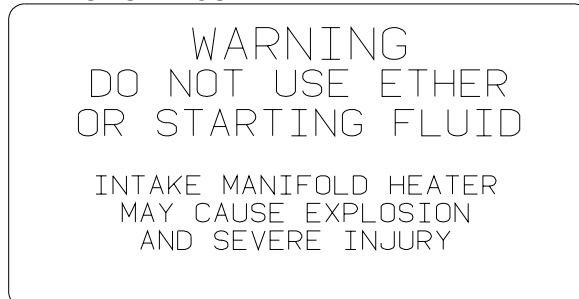
KEY PART NUMBER U/M DESCRIPTION
 116113-01-000 EA LABEL - CAUTION - LP



KEY PART NUMBER U/M DESCRIPTION
 116273-01-000 EA LABEL - WARNING - GENERATOR

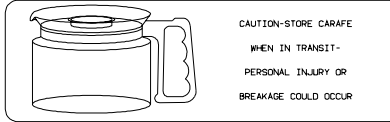


KEY PART NUMBER U/M DESCRIPTION
 116549-01-000 EA LABEL - WARNING - SLIDEOUT



KEY PART NUMBER U/M DESCRIPTION
 116756-02-000 EA LABEL - WARNING - ETHER/STARTING

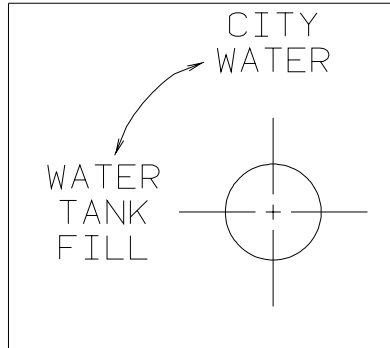
LABELS GROUP (CONTINUED)



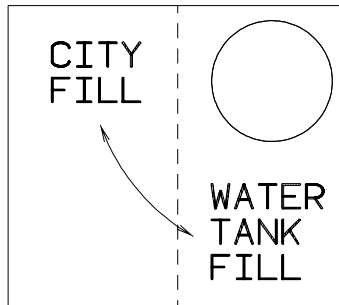
KEY PART NUMBER 116829-02-000 **U/M DESCRIPTION**
EA LABEL - COFFEEMAKER



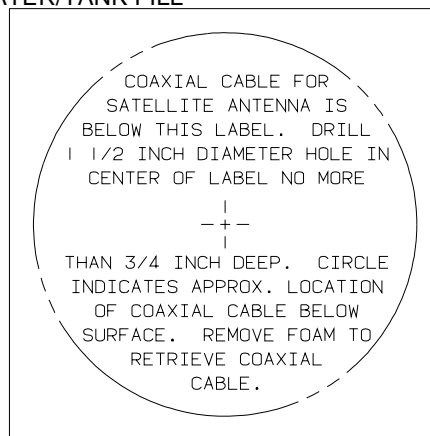
KEY PART NUMBER 117628-02-000 **U/M DESCRIPTION**
EA LABEL - SWITCH - WATER PUMP/LIGHTS-WHITE/CLEAR BACKGROUND



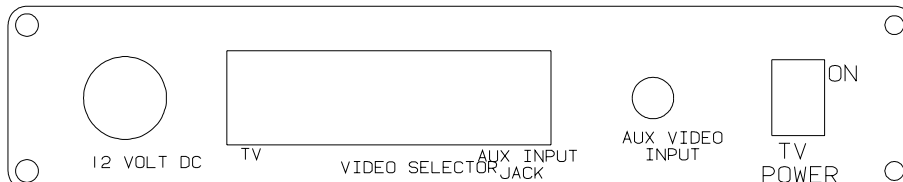
KEY PART NUMBER 117629-03-000 **U/M DESCRIPTION**
EA LABEL - WATER PUMP/FILL-BLK LETTERS/CLEAR BACKGROUND-.31"



KEY PART NUMBER 117629-04-000 **U/M DESCRIPTION**
EA LABEL - CITY WATER/TANK FILL



KEY PART NUMBER 120431-01-000 **U/M DESCRIPTION**
EA LABEL - LOCATION - COAXIAL CABLE/SATELLITE ANTENNA



KEY PART NUMBER 120677-01-000 **U/M DESCRIPTION**
EA LABEL - TV

LABELS GROUP (CONTINUED)

KEEP THE SERVICE INLET ACCESS
IN THE CLOSED POSITION WHEN
UTILITY CONNECTIONS ARE NOT IN USE

KEY PART NUMBER U/M DESCRIPTION
123562-01-000 EA LABEL - SERVICE/UTILITY ACCESS

WARNING
ALL PILOT LIGHTS, APPLIANCES AND THIER
IGNITORS (SEE OPERATING INSTRUCTIONS) SHALL
BE TURNED OFF DURING REFUELING OF MOTOR
FUEL TANKS AND/OR LP GAS CONTAINERS

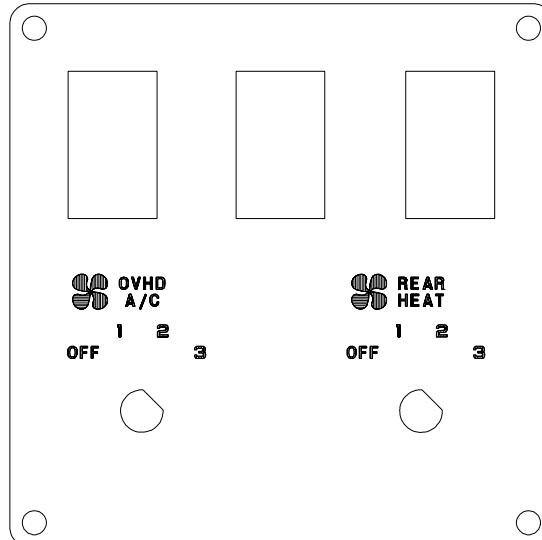
KEY PART NUMBER U/M DESCRIPTION
124519-01-01A EA LABEL - WARNING/REFUELING - BLACK ON CLEAR
124519-01-02A EA LABEL - WARNING/REFUELING - WHITE ON CLEAR

WARNING:
ALL PILOT LIGHTS AND APPLIANCES SHALL BE TURNED
OFF DURING REFUELING OF MOTOR FUEL TANKS AND/
OR PROPANE CONTAINERS.
AVERTISSEMENT:
FERMER TOUTES LES VEILLEUSES AINSI QUE TOUS LES
APPAREILS LORSQU'ON FAIT LE PLEIN DES RESERVOIRS
À CARBURANT OU À PROPANE.
124519-02

KEY PART NUMBER U/M DESCRIPTION
124519-02-01A EA LABEL - WARNING/REFUELING - BLACK ON CLEAR - CSA
124519-02-02A EA LABEL - WARNING/REFUELING - WHITE ON CLEAR - CSA

LP-GAS SYSTEM
THIS GAS PIPING SYSTEM IS
DESIGNED FOR USE OF
LIQUIFIED PETROLEUM GAS
ONLY. DO NOT CONNECT
NATURAL GAS TO THIS
SYSTEM.
SECURE CAP INLET(S) WHEN NOT
CONNECTED FOR USE. AFTER TURNING
ON GAS, EXCEPT AFTER NORMAL
CONTAINER REPLACEMENT, TEST GAS
PIPING AND CONNECTIONS TO
APPLIANCES FOR LEAKAGE WITH SOAPY
WATER OR BUBBLE SOLUTION. DO NOT
USE PRODUCTS THAT CONTAIN AMMONIA
OR CLORINE.
124520

KEY PART NUMBER U/M DESCRIPTION
124520-01-01A EA LABEL - LP GAS ONLY - BLACK ON CLEAR
124520-01-02A EA LABEL - LP GAS ONLY - WHITE ON CLEAR



KEY PART NUMBER U/M DESCRIPTION
124572-01-000 EA LABEL - SWITCHES

LABELS GROUP (CONTINUED)

THIS CONNECTION IS FOR
(B) VOLT AC,60 HZ(CYCLES)
(A) AMPERE SUPPLY

DO NOT CONNECT TO
HIGHER VOLTAGE

KEY	PART NUMBER	U/M DESCRIPTION
	125306-01-01A	EA LABEL - ELECTRICAL ENTRANCE - 110V 30 AMP - BLACK ON CLEAR
	125306-01-02A	EA LABEL - ELECTRICAL ENTRANCE - 110V 30 AMP - WHITE ON CLEAR

THIS CONNECTION IS FOR
(B) VOLT AC,3-POLE,4 WIRE
60 HZ(CYCLES),(A) AMPERE SUPPLY

DO NOT CONNECT TO
HIGHER VOLTAGE

KEY	PART NUMBER	U/M DESCRIPTION
	125306-04-01A	EA LABEL-ELECTRICAL ENTRANCE-120/240V 50 AMP-BLACK ON CLEAR
	125306-04-02A	EA LABEL - ELECTRICAL ENTRANCE-120/240V 50 AMP-WHITE ON CLEAR



KEY	PART NUMBER	U/M DESCRIPTION
	125697-07-000	EA LABEL - CAUTION - FLUSHING SYSTEM

REMOVE PRIMARY TIRE HANGER BEFORE USING
SPARE TIRE HOIST-SEE OWNERS MANUAL - PERSONAL
INJURY MAY RESULT IF NOT FOLLOWED

KEY	PART NUMBER	U/M DESCRIPTION
	126024-01-01A	EA LABEL - TIRE HANGER REMOVAL

GRAY HOLDING TANK

KEY	PART NUMBER	U/M DESCRIPTION
	126247-05-000	EA LABEL - GRAY HOLDING TANK-BLACK LETTERS/CLEAR BACKGROUND

BLACK HOLDING TANK

KEY	PART NUMBER	U/M DESCRIPTION
	126247-06-000	EA LABEL - BLACK HOLDING TANK-BLACK LETTERS/CLEAR BACKGROUND

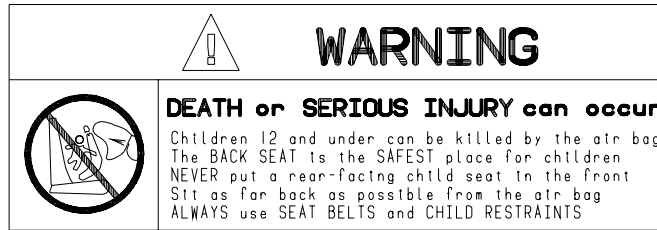
EXTERIOR SHOWER

KEY	PART NUMBER	U/M DESCRIPTION
	126248-03-000	EA LABEL - EXTERIOR SHOWER

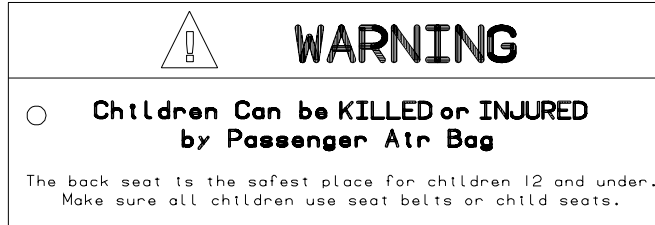
CITY WATER FILL

KEY	PART NUMBER	U/M DESCRIPTION
	126249-03-000	EA LABEL - CITY WATER FILL-BLK LETTERS/CLEAR BACKGROUND .31"

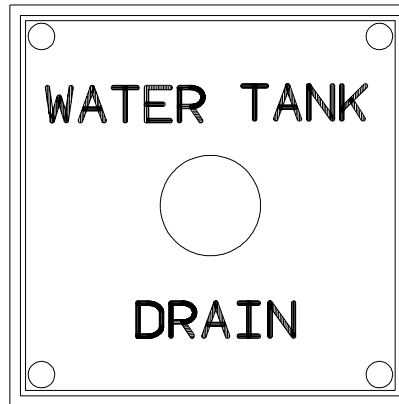
LABEL GROUP (CONTINUED)



KEY PART NUMBER 126611-01-000
U/M DESCRIPTION EA LABEL - AIR BAG - VISOR



KEY PART NUMBER 126612-01-000
U/M DESCRIPTION EA LABEL - HANG TAG - AIR BAG - DASH



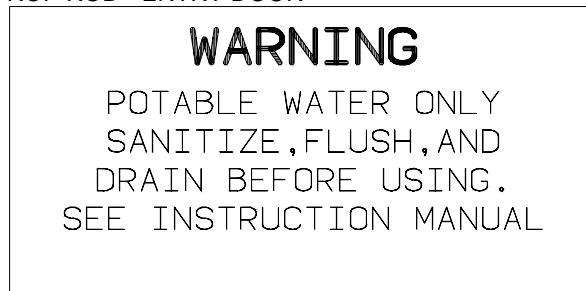
KEY PART NUMBER 127170-01-000
U/M DESCRIPTION EA LABEL - WATER TANK DRAIN



KEY PART NUMBER 128218-01-01A
U/M DESCRIPTION EA LABEL - WARNING - SLIPPERY ROOF

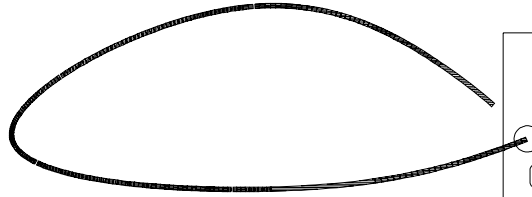


KEY PART NUMBER 128658-01-000
U/M DESCRIPTION EA LABEL - PROP ROD - ENTRY DOOR



KEY PART NUMBER 128725-01-01A
U/M DESCRIPTION EA LABEL - POTABLE WATER ONLY - BLACK ON CLEAR

LABELS GROUP (CONTINUED)



ATTENTION
 REMEMBER TO DETACH THE OTHER
 TRAVEL LATCH LOCATED IN
 GALLEY CABINET BEFORE EXTENDING
 THIS ROOM.

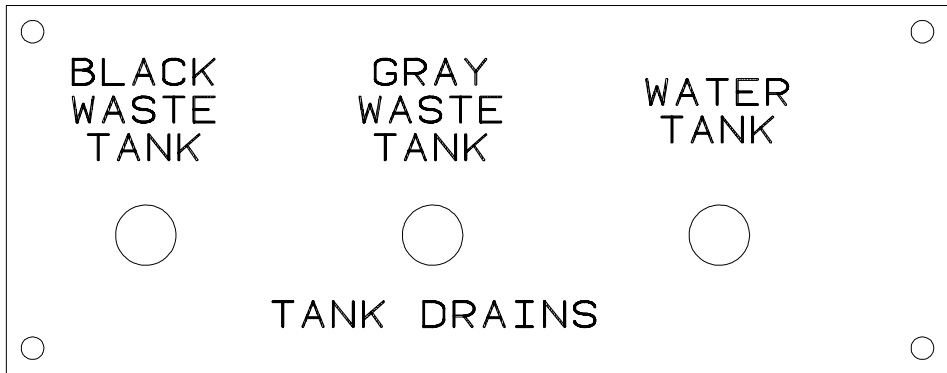
KEY PART NUMBER U/M DESCRIPTION
 129033-01-000 EA LABEL - HANG TAG - TRAVEL LATCH - 1.5" X 3"

TOW VEHICLE RATING MAY BE LESS THAN HITCH RATING.
 MAXIMUM VERTICAL HITCH LOAD: 350 LBS
 DO NOT EXCEED REAR AXLE RATING.
 SEE OWNER'S MANUAL FOR ADDITIONAL INFORMATION.

KEY PART NUMBER U/M DESCRIPTION
 129669-01-01A EA LABEL - HITCH/VEHICLE RATE - 350 - WHITE ON CLEAR
 129669-02-01A EA LABEL - HITCH/VEHICLE RATE - 500- WHITE ON CLEAR
 129669-02-02A EA LABEL - HITCH/VEHICLE RATE - 500 - BLACK ON CLEAR

TIRE ROTATION
 SEE RIALTA OWNERS MANUAL
 SECTION 9

KEY PART NUMBER U/M DESCRIPTION
 129684-01-000 EA LABEL - TIRE ROTATION



KEY PART NUMBER U/M DESCRIPTION
 130166-01-000 EA LABEL - DRAIN



KEY PART NUMBER U/M DESCRIPTION
 130167-02-000 EA LABEL - HOSE STORAGE



KEY PART NUMBER U/M DESCRIPTION
 130168-01-000 EA LABEL - WASTE TANK FLUSH

LABELS GROUP (CONTINUED)



MONITOR PANEL LIGHT WATER PUMP

KEY PART NUMBER U/M DESCRIPTION
 130170-01-000 EA LABEL - SWITCH PANEL - BLK/CLEAR BACKGROUND-1.8"H X 5.9"L



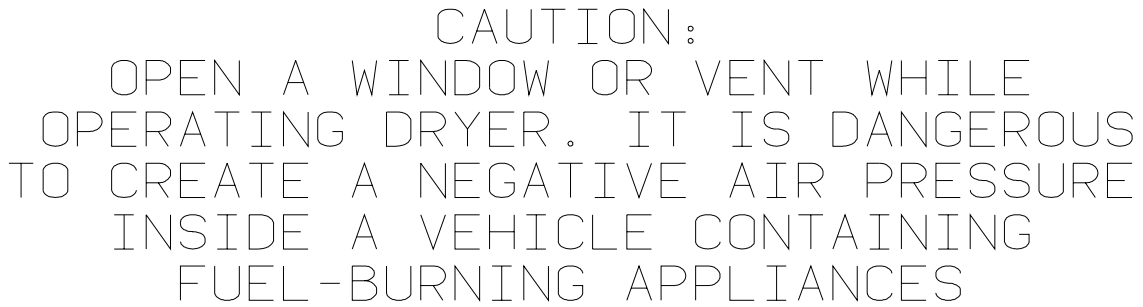
LIGHTS WATER PUMP

KEY PART NUMBER U/M DESCRIPTION
 130170-02-000 EA LABEL - SWITCH PANEL-BLK/CLEAR BACKGROUND-1.4"H X 3.9"L



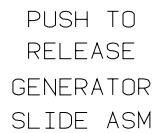
WATER PUMP

KEY PART NUMBER U/M DESCRIPTION
 130170-03-000 EA LABEL - PANEL SWITCH



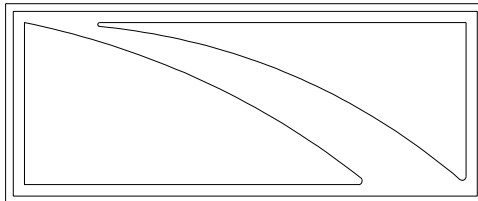
CAUTION:
 OPEN A WINDOW OR VENT WHILE OPERATING DRYER. IT IS DANGEROUS TO CREATE A NEGATIVE AIR PRESSURE INSIDE A VEHICLE CONTAINING FUEL-BURNING APPLIANCES

KEY PART NUMBER U/M DESCRIPTION
 130670-01-01A EA LABEL - CAUTION DRYER VENTING - BLACK ON CLEAR

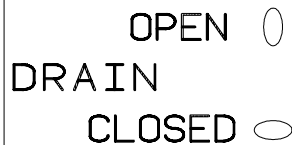


PUSH TO RELEASE GENERATOR SLIDE ASM

KEY PART NUMBER U/M DESCRIPTION
 131779-01-01A EA LABEL - GENERATOR



KEY PART NUMBER U/M DESCRIPTION
 132651-01-01A EA DECAL - MIRROR/GALLEY



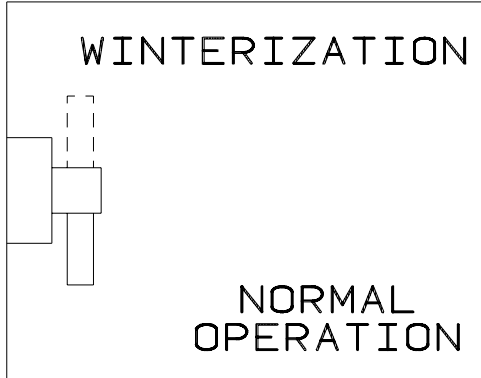
OPEN 0
 DRAIN
 CLOSED O

KEY PART NUMBER U/M DESCRIPTION
 133423-01-01A EA LABEL - DRAIN

LABELS GROUP (CONTINUED)



KEY PART NUMBER U/M DESCRIPTION
133424-01-01A EA LABEL - BYPASS - WATER HEATER



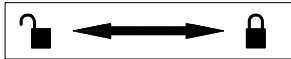
KEY PART NUMBER U/M DESCRIPTION
133425-01-01A EA LABEL - VALVE - WINTERIZATION



KEY PART NUMBER U/M DESCRIPTION
133533-01-01A EA LABEL - JACKS DOWN - CLEAR W/WHITE LETTERING

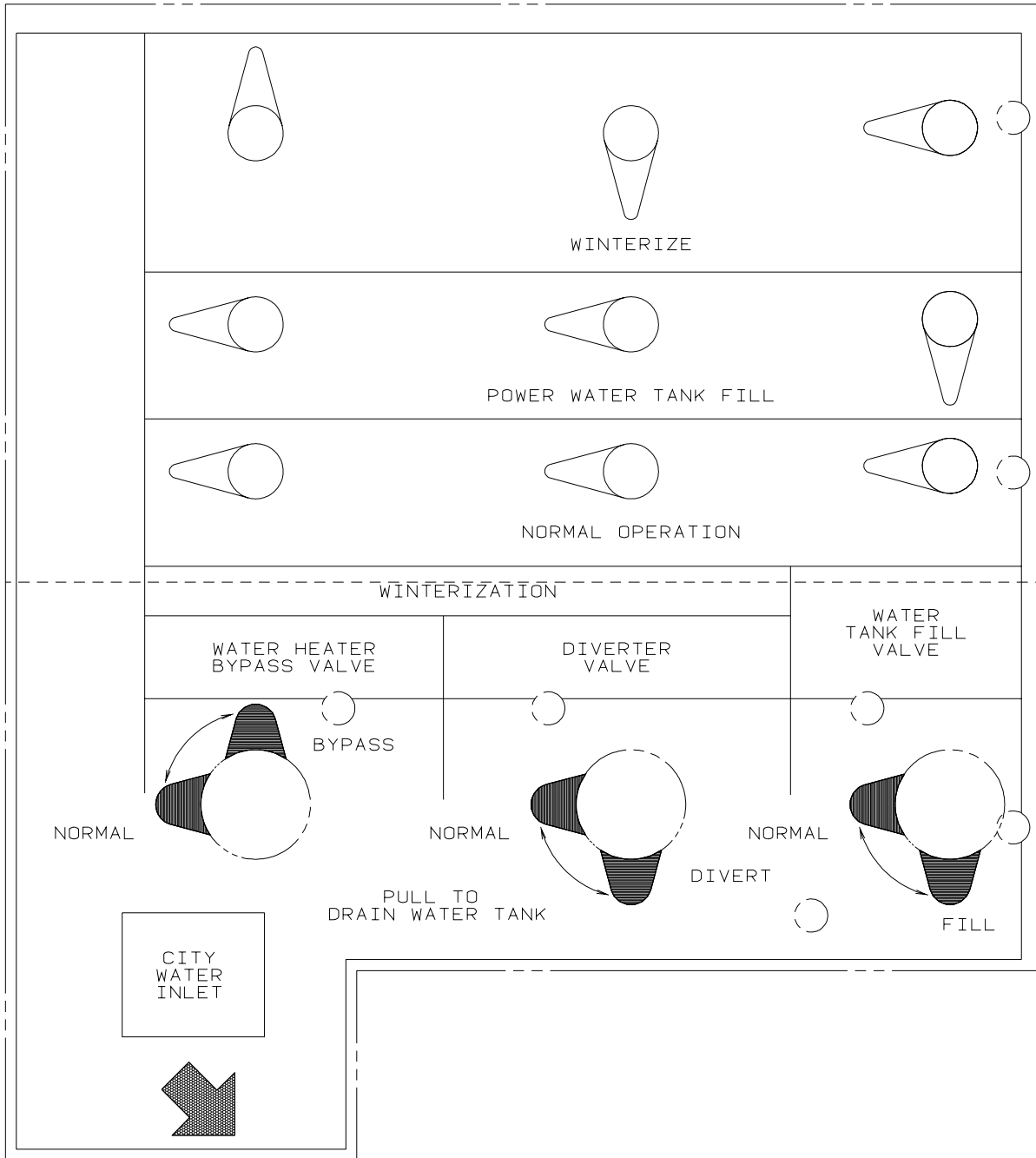


KEY PART NUMBER U/M DESCRIPTION
133533-02-01A EA LABEL - CHECK ANTENNA - CLEAR W/WHITE LETTERING



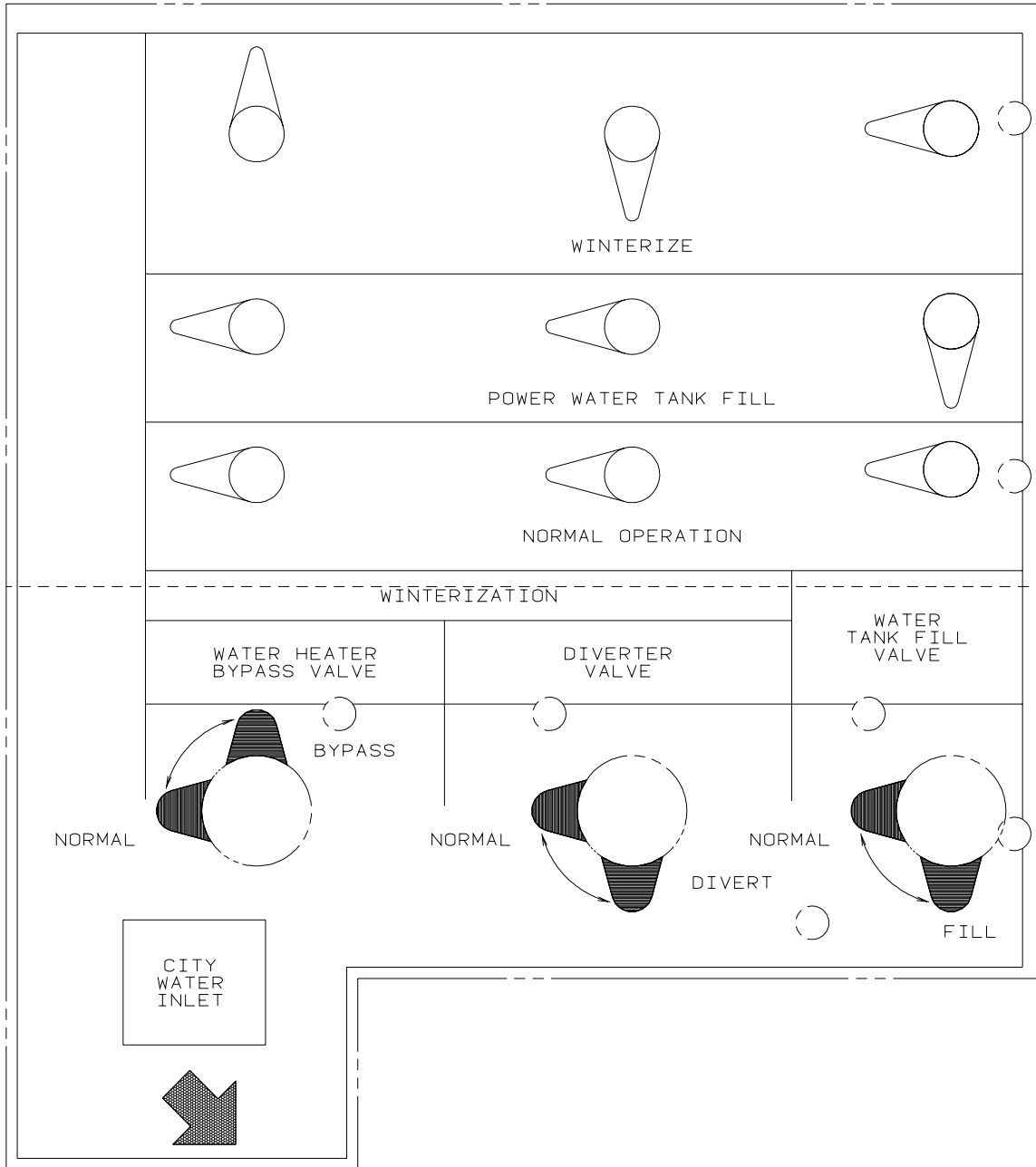
KEY PART NUMBER U/M DESCRIPTION
133533-03-01A EA LABEL - LOCK/UNLOCK - BLACK/WHITE

LABELS GROUP (CONTINUED)

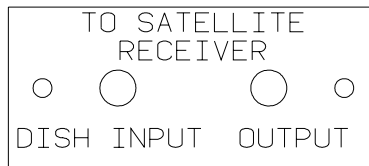


KEY	PART NUMBER	U/M	DESCRIPTION
	133629-01-01A	EA	LABEL - WATER CENTER

LABELS GROUP (CONTINUED)



KEY	PART NUMBER	U/M DESCRIPTION
	133629-02-01A	EA LABEL - WATER CENTER - BLACK/CLEAR



KEY	PART NUMBER	U/M DESCRIPTION
	134250-01-01A	EA LABEL - SATELLITE RECEIVER - BLACK/CLEAR

THIS SEAT IS NOT INTENDED
FOR OCCUPANCY WHEN
VEHICLE IS IN MOTION

KEY	PART NUMBER	U/M DESCRIPTION
	134538-01-01A	EA LABEL - OCCUPANCY - NO SEAT BELT - BLACK ON CLEAR - US

LABELS GROUP (CONTINUED)

DST ISICE SIEGE N/EST PAS DESTINE A ETRE OCCUPE LORSQUE LE VEHICULE EST IN MOVUEMENT	THIS SEAT IS NOT INTENDED FOR OCCUPANCY WHILE VEHICLE IS IN MOTION
--	--

KEY PART NUMBER U/M DESCRIPTION
134538-02-01A EA LABEL - OCCUPANCY - NO SEAT BELT - BLACK ON CLEAR - CSA

WARNING

IT IS NOT SAFE TO USE COOKING
APPLICANCES FOR COMFORT HEATING

COOKING APPLICANCES NEED FRESH AIR FOR SAFE OPERATION
BEFORE OPERATION.

1. OPEN OVERHEAD VENT OR TURN ON EXHAUST FAN AND;
2. OPEN WINDOW.

KEY PART NUMBER U/M DESCRIPTION
134539-01-01A EA LABEL - WARNING - STOVE/HEATING - US - BLACK ON CLEAR

HOLDING TANK HEATER
TURN OFF WHEN NOT IN USE
SEE OPERATOR'S MANUAL

KEY PART NUMBER U/M DESCRIPTION
134563-01-01A EA LABEL - SWITCH - HEATER

THIS VEHICLE MAY INCLUDE MERCURY-CONTAINING DEVICES INSTALLED BY THE MANUFACTURER:

FLUORESCENT TUBES, RANGES WITH OVEN, HWH LEVEL SENSING UNIT.

REMOVE DEVICES BEFORE VEHICLE DISPOSAL UPON REMOVAL OF
DEVICES: PLEASE REUSE, RECYCLE, OR DISPOSE AS HAZARDOUS WASTE

135869-01A

KEY PART NUMBER U/M DESCRIPTION
135869-01-01A EA LABEL - MERCURY CONTENT - BLACK ON CLEAR

LIQUID SOAP

KEY PART NUMBER U/M DESCRIPTION
136047-01-01A EA LABEL - LIQUID SOAP

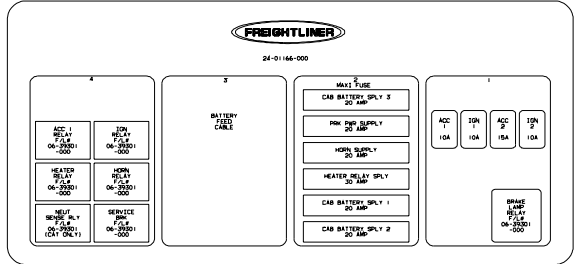
DOOR LOCK	DOOR UNLOCK	RIGHT COMPT DOOR LOCK	RIGHT COMPT DOOR UNLOCK	LEFT COMPT DOOR LOCK	LEFT COMPT DOOR UNLOCK	AUX START SOLENOID	AMP SOURCE
POWER MIRRORS	HEATER BLOWER	PASS HEATER BLOWER	FOG LAMPS	DOCKING LAMPS	DOCKING LAMPS SWITCH TRIGGER	COOLING FANS	

KEY PART NUMBER U/M DESCRIPTION
136161-01-01A EA LABEL - RELAY - MATTE BLACK/WHITE LETTERS

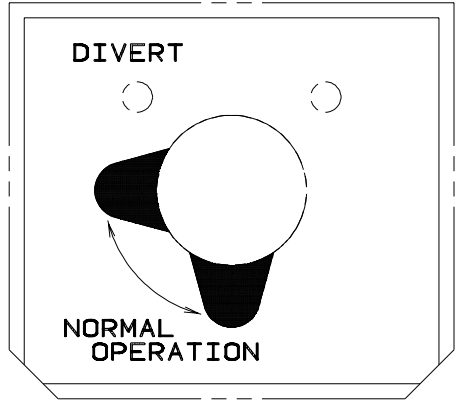
LABELS GROUP (CONTINUED)

LT - AIR BAGS - RT

KEY PART NUMBER **U/M DESCRIPTION**
 136360-01-01A EA LABEL - AIR BAGS



KEY PART NUMBER **U/M DESCRIPTION**
 137090-01-000 EA LABEL - ELECTRICAL CENTER



KEY PART NUMBER **U/M DESCRIPTION**
 137997-01-01A EA LABEL - WINTERIZATION VALVE - BLACK/CLEAR



KEY PART NUMBER **U/M DESCRIPTION**
 140190-01-01A EA DECAL/LOGO - V6 (DOMED) - CYAN/MAGENTA/YELLOW/BLACK

LABELS GROUP (CONTINUED)

WARNING

THIS SYSTEM IS DESIGNED FOR USE WITH PROPANE ONLY
DO NOT CONNECT NATURAL GAS TO THIS SYSTEM

BEFORE TURNING ON PROPANE:

- (A) BE CERTAIN APPLIANCES ARE CERTIFIED FOR PROPANE AND ARE EQUIPPED WITH CORRECT BURNING ORIFICES.
- (B) MAKE CERTAIN ALL PROPANE CONNECTIONS ARE TIGHT BY TESTING WITH SOAPY WATER. ALL APPLIANCE VALVES ARE TURNED OFF, AND ANY UNCONNECTED OUTLETS ARE CAPPED.

AFTER TURNING ON PROPANE:

- (A) LIGHT ALL PILOT LIGHTS
- (B) (B) ALL CONNECTIONS, INCLUDING THOSE AT THE APPLIANCES, REGULATORS AND CYLINDERS SHOULD BE LEAK-TESTED PERIODICALLY WITH SOAPY WATER BY THE OCCUPANT. NEVER USE A LIGHTED MATCH OR OTHER FLAME WHEN CHECKING FOR LEAKS.
- (C) DO NOT LEAVE SYSTEM TURNED ON OF CONTAINERS CONNECTED UNTIL THE SYSTEM HAS BEEN PROVEN TO BE FREE OF LEAKS.
- (D) COOKING APPLIANCES SHOULD NOT BE USED FOR SPACE HEATING.
- (E) WHEN THE CONTAINERS ARE DISCONNECTED THE PROPANE SUPPLY LINE SHOULD BE CAPPED OR PLUGGED.

AVERTISSEMENT

CETTE INSTALLATION EST CONCUE POUR LE PROPANE SEULEMENT
NE PAS L'ALIMENTER EN GAZ NATUREL

AVANT LA MISE EN SERVICE:

- (A) S'ASSURER QUE LES APPAREILS SONT CERTIFIES POUR LE PROPANE ET MUNIS D'ORIFICES DE BRULEUR APPROPRIES.
- (B) VERIFIER L'ETANCHEITE DE TOUS LES RACCORDEMENTS AU PROPANE. LA PERMUTURE DE TOUS LES ROBINETS D'APPAREILS ET L'OBTUTATION DE TOUTES LES SORTIES NON RACCORDEES.

APRES LA MISE EN SERVICE:

- (A) ALLUMER TOUTES LES VEILLEUSES.
- (B) L'OCCUPANT DOIT EPROUVER PERIODIQUEMENT L'ETANCHEITE DE TOUS LES RACCORDEMENTS Y COMPRIS CEUX AUX APPAREILS, AUX DETENDEURS ET AUX BOUTEILLES. EN Y APPLIQUANT DE L'EAU SAVONNEUSE NE JAMA'S SE SERVIR D'UNE ALLUMETTE OU AUTRE POUR LA DETECTION DES FUITES.
- (C) NE PAS LAISSER L'ALIMENTATION OUVERTE NI LES RECIPIENTS RACCORDES AVANT D'AVOIR COMPLETE L'EPREUVE D'ETANCHEITE AU PROPANE DE L'INSTALLATION.
- (D) LES APPAREILS DE CUISSON NE DOIVENT PAS ETRE UTILISES POUR LE CHAUFFAGE DES LOCAUX.
- (E) LORSQUE LES RECIPIENTS SONT DECONNECTES, L'ALIMENTATION DE PROPANE DOIT ETRE OBTUREE OU SCELLEE.

KEY PART NUMBER U/M DESCRIPTION
023769-01-000 EA LABEL - WARNING - LPG - CANADIAN

WINNEBAGO	
EMISSION CONTROL INFORMATION	
CATALYST	
ENGINE FAMILY	XXXXXXX
EVAP. FAMILY	XXXXXXX
EXH.EMISSION CONTR.SYST.	SFI/AIR/TWC/HO2S(2)
DISPL 2792 CC	OBD II CERTIFIED
TUNE UP SPECIFICATIONS: NO ADJUSTMENT NEEDED	
CARB EXH.EMISSION STAND.	STANDARD CATEGORY
CERTIFICATION	XXX
IN-USE	XXX
THIS HEAVY DUTY VEHICLE CONFORMS TO U.S. EPA REGULATIONS APPLICABLE TO XXXX MODEL YEAR LIGHT-DUTYTRUCKS UNDER THE SPECIAL PROVISIONS OF 40 CFR XXXXXX , AND IS CERTIFIED TO MEDIUM-DUTY VEHICLE STANDARDS FOR SALE IN CALIFORNIA.	
XXXX	
BAR CODE	

KEY PART NUMBER U/M DESCRIPTION
124709-06-000 EA LABEL - EMISSION CONTROL - DUAL

LABELS GROUP (CONTINUED)

NORMAL
OPERATION

KEY	PART NUMBER	U/M	DESCRIPTION
	133424-02-01A	EA	LABEL - NORMAL OPERATION

WTR HTR
BYPASS

KEY	PART NUMBER	U/M	DESCRIPTION
	133424-03-01A	EA	LABEL - WATER HEATER BYPASS - BLACK/CLEAR

THIS CHAIR IS NOT INTENDED
FOR OCCUPANCY WHEN VEHICLE
IS IN MOTION AND MUST BE
RETURNED TO STOWED POSITION

DTS ISICE SIEGE N/EST PAS THIS CHAIR IS NOT INTENDED
DESTINE A ETRE OCCUPE LORSQUE FOR OCCUPANCY WHEN VEHICLE
LE VEHICULE EST IN MOVEMENT IS IN MOTION AND MUST BE
ET IL FAUT QUE LE RANGER RETURNED TO STOWED POSITION

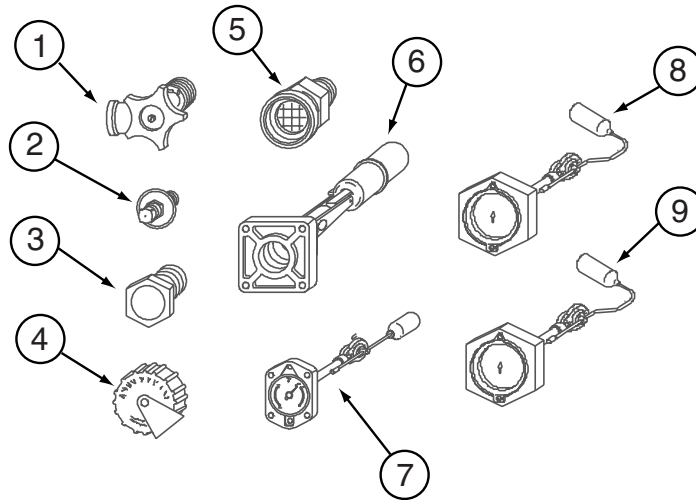
KEY	PART NUMBER	U/M	DESCRIPTION
	134537-01-01A	EA	LABEL - OCCUPANCY - CHAIR - US

LP GROUP
LP SYSTEM

KEY	PART NUMBER	U/M	DESCRIPTION
	065318-02-000	EA	ELBOW - 90 DEGREE - 3/8" MPT TO 3/8" FPT
	105658-01-000	EA	COMPARTMENT - LP REGULATOR
	103613-03-000	EA	DETECTOR - LP GAS - W/O SHUT-OFF VALVE
	106150-01-000	EA	REGULATOR - TWO STAGE-W/90 DEGREE ELBOW & 3/8" FPT OUTLET
	045703-05-000	EA	HOSE - LP - 3/8"ID X 28" - 3/8"MPT X 1/2"F SWIVEL - U.S - F32V , F34D , F36M
	045703-06-000	EA	HOSE - LP - 3/8"ID X 28" - 3/8"MPT X 1/2"F SWIVEL - CANADA - F32V , F34D , F36M
	045703-15-000	EA	HOSE - LP - 3/8"ID X 142" - 1/2"F SWIVEL X 3/8"F SWIVEL - U.S - F30W
	045703-14-000	EA	HOSE - LP - 3/8"ID X 157.5" - 1/2"F SWIVEL X 1/2"F SWIVEL - CANADA - F30W
	010326-01-000	EA	ADAPTER - FLARE - W/CONE GASKET - 3/8"F X 1/2"F
	010323-01-000	EA	ADAPTER - BRASS - 3/8"F X 1/2"MPT - F30W , F32V
	010329-01-000	EA	ADAPTER - BRASS - 1/2"F X 1/2"MPT
	024250-01-000	EA	ADAPTER - BRASS - 3/8"F X 1/2"FPT
	010265-01-000	EA	ELBOW - BRASS - 90 DEGREE - 3/8"F X 1/2"FPT - F32V , F34D
	010536-02-000	EA	TEE - STEEL BLACK - 1/2" - F34D
	040440-03-000	EA	TRANSMITTER - DIAL/SNAP-ON - 0-90 OHM 2 TERM(POWER/GROUND)
*	088253-08-000	EA	TANK - LP/80 LB - 16" DIAMETER X 30" LONG - F30W
*	088253-10-000	EA	TANK - LP - 100 LB - 14" DIAMETER X 47" LONG - F32V , F34D , F36M
	010377-02-000	EA	NUT - BRASS - 3/8" FLARE - FORGED
	010380-02-000	EA	NUT - BRASS - 1/2" FLARE - FORGED

***COMPONENT PARTS LISTED LATER IN THIS GROUP**

LP GROUP (CONTINUED)
COMPONENT PARTS FOR LP SYSTEM



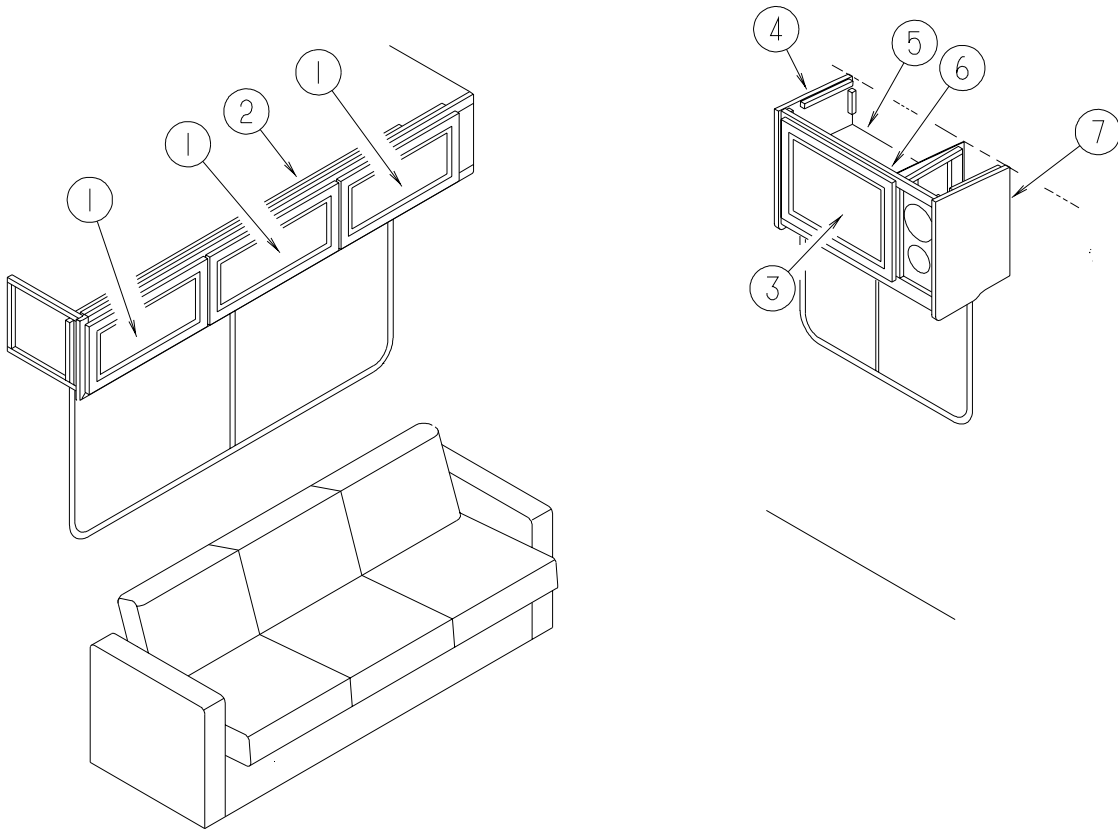
088253-08-000

KEY	PART NUMBER	U/M	DESCRIPTION	VENDOR NO.
1	040421-01-708	EA	HANDWHEEL-SERVICE VALVE	G-1015-A
1	040421-01-712	EA	VALVE,SERV. W/O VAPOR RELIEF	29000853
2	040421-01-700	EA	VALVE-LIQUID LEVEL, 20%	G-1013
3	040421-01-713	EA	VALVE-RELIEF 1" W/SPRING 7"	29000587
4	040421-01-702	EA	CAP-FILL VALVE, PLASTIC	G-1014-A
5	040421-01-701	EA	VALVE-FILL-SHORT, LP	7547B
6	040421-01-711	EA	VALVE-80% FILL W/AUTO STOP	LLL/TL3
7			NOT WHAT IS ILLUSTRATED HERE	
8			NOT WHAT IS ILLUSTRATED HERE	
9	088253-01-700	EA	FLOAT/BOLT ON-SCREW ON DIAL	SG16C0000071
9	088253-01-702	EA	FLOAT/SCREW IN-SNAP ON DIAL	SG16C0001442

088253-10-000

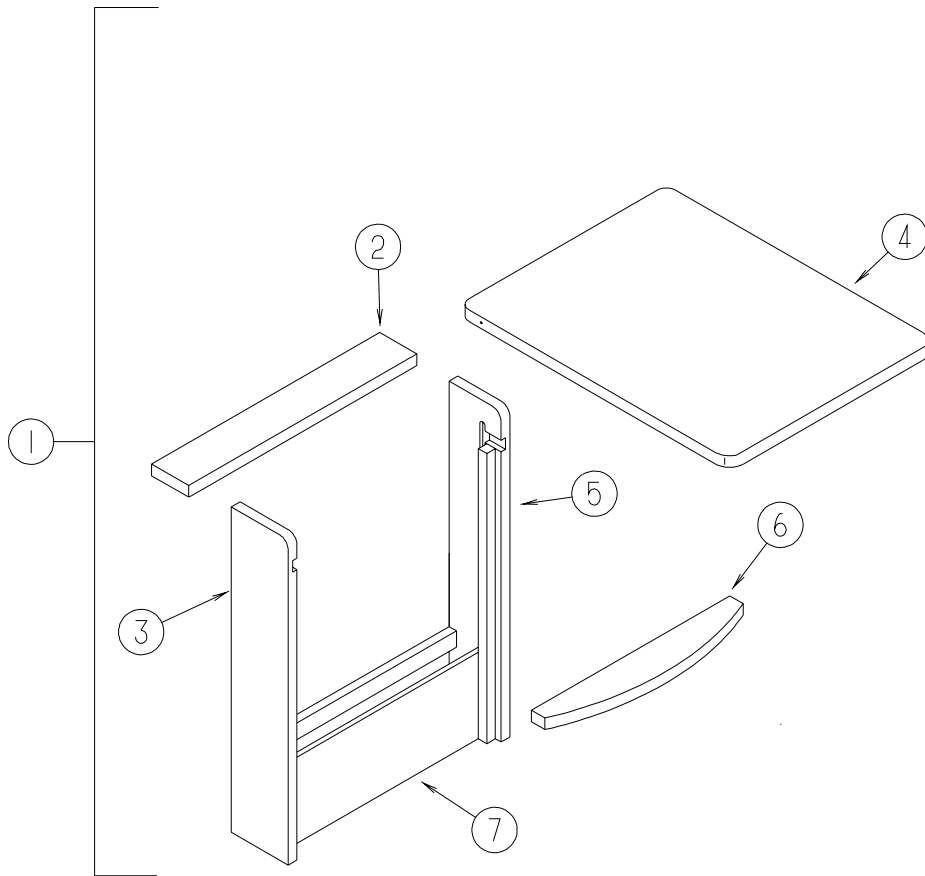
KEY	PART NUMBER	U/M	DESCRIPTION	VENDOR NO.
1	040421-01-708	EA	HANDWHEEL-SERVICE VALVE	G-1015-A
1	040421-01-712	EA	VALVE,SERV. W/O VAPOR RELIEF	29000853
2	040421-01-700	EA	VALVE-LIQUID LEVEL, 20%	G-1013
3	040421-01-713	EA	VALVE-RELIEF 1" W/SPRING 7"	29000587
4	040421-01-702	EA	CAP-FILL VALVE, PLASTIC	G-1014-A
5	040421-01-701	EA	VALVE-FILL-SHORT, LP	7547B
6	040421-01-711	EA	VALVE-80% FILL W/AUTO STOP	LLL/TL3
7	040421-01-707	EA	FLOAT/BOLT ON-SCREW ON DIAL	14C
7	088253-09-700	EA	FLOAT/SCREW IN-SNAP ON DIAL	SG14C0001466
8			NOT WHAT IS ILLUSTRATED HERE	
9			NOT WHAT IS ILLUSTRATED HERE	

LOUNGE GROUP CABINETS



KEY	PART NUMBER	U/M	DESCRIPTION
1	134781-59-N04	EA	DOOR - RAIL/VENEER - 10" X 19.1" - W/O HARDWARE
2	139026-01-N30	EA	CABINET - OVERHEAD/COUCH - W/O DOORS/HARDWARE
3	134781-93-N25	EA	DOOR - RAIL/VENEER - 14.9" X 21.8" - W/O HARDWARE
4	103128-38-M30	EA	END CAP - OVERHEAD CABINET - LEFT HAND
5	139032-15-N30	EA	SHELF - W/PLASTIC EDGE MOLDING
6	139032-01-N30	EA	CABINET - OVERHEAD/FRONT/RIGHT HAND - W/O DOORS/HARDWARE
7	103128-10-M30	EA	END CAP - OVERHEAD CABINET - RIGHT HAND

LOUNGE GROUP (CONTINUED) TABLES



KEY	PART NUMBER	U/M	DESCRIPTION
1	136683-02-N42	EA	CABINET ONLY - F/PULLOUT TABLE
2	136683-20-M53	EA	TOP ONLY - F/PULLOUT CABINET
3	136683-12-M53	EA	CABINET/LEFT SIDE - F/PULLOUT TABLE - 5.7" X 28.7"
4	136683-22-N42	EA	TABLE TOP ONLY - F/PULLOUT TABLE - PORTSMOUTH OAK
5	136683-11-M53	EA	CABINET/RIGHT SIDE - F/PULLOUT TABLE - 5.7" X 28.7"
6	136683-19-M53	EA	SHELF - TABLE STABILIZER W/EDGE MOLDING
7	136683-21-M53	EA	PANEL - LOWER/FRONT - WASHED MAPLE

SEALANTS & FASTENERS GROUP
SEALANTS & ADHESIVES

KEY	PART NUMBER	U/M	DESCRIPTION
	004001-05-000	EA	ADHESIVE - SCOTCH-WELD - 3M DP100 - CLEAR - 50ML
	004020-01-000	QT	ADHESIVE - ABS CEMENT - QUART
	010405-02-000	EA	TAPE - THREAD SEALING - 3/8"
	034552-15-000	EA	SILICONE - TUBE - W/O NOZZLE - BRIGHT WHITE
	053766-06-000	EA	BEDDING COMPOUND - TUBE - CLEAR
	062917-03-000	EA	ADHESIVE - LOCTITE 242
	063642-01-000	FT	TAPE - ADHESIVE - .4" X 1.5" X 180'
	067788-01-000	EA	ADHESIVE - SPRAY - 3M - 19.5 OZ AEROSOL CAN
	069640-01-000	FT	SEALER - RIBBON - 1/4" DIAMETER X 30' - BLACK
	069640-02-000	FT	SEALER - TAPE - .13"THICK X .5"WIDE X 60' - GRAY
	069640-03-000	FT	SEALER - TAPE - .13"THICK X .75"WIDE X 60' - BLACK
	069640-07-000	FT	SEALER - TAPE - .09" THICK X 2" WIDE X 45' - GRAY
	069640-09-000	FT	SEALER - TAPE - .03" THICK X 2.50"WIDE X 80' - GRAY
	069640-10-000	FT	SEALER - TAPE - .03" THICK X 1.50" WIDE X 90' - GRAY
	069640-11-000	FT	SEALER - TAPE - .19" THICK X .38" WIDE X 40' - BLACK
	069640-13-000	FT	SEALER - TAPE - .03" THICK X 2" WIDE X 45' - BLACK
	069640-14-000	FT	SEALER - TAPE - .06" THICK X 1" WIDE X 100' - GRAY
	069640-15-000	FT	SEALER - TAPE - .06"THICK X .38"WIDE X 100' - GRAY
	069640-17-000	FT	SEALER - TAPE - .03" THICK X 1" WIDE X 90' - GRAY
	069640-18-000	FT	SEALER - TAPE - .50" THICK X .13" WIDE X 60' - BRT WHITE
	069640-19-000	FT	SEALER - TAPE - .75" THICK X .13" WIDE X 60' - BRT WHITE
	069640-20-000	FT	SEALER - TAPE - .50" THICK X 1/8" WIDE X 60' - BLACK
	069640-21-000	FT	SEALER - TAPE - .50" THICK X 1/16" WIDE X 100'-BRIGHT WHT
	069640-22-000	FT	SEALER - TAPE - .25" THICK X 1/32" WIDE X 100'- BRIGHT WHT
	069640-23-000	FT	SEALER - TAPE - .06" THICK X 3/4" WIDE X 100' - BRT WHITE
	069640-25-000	FT	SEALER - TAPE - .06" THICK X 3.5" WIDE X 50' - GRAY
	069640-27-000	FT	SEALER - TAPE - .06" THICK X 2.25" WIDE - BRIGHT WHITE
	069640-28-000	FT	SEALER - TAPE - 1/32" X 2"
	072889-01-000	EA	SEALANT - URETHANE - BLACK - TUBE
	076322-01-000	FT	TAPE-DOUBLE COATED/ADHESIVE BK-.03"THK X .8"W X 216'- WHT
	076322-02-000	FT	TAPE-DOUBLE COATED/ADHESIVE BK-.05"THK X 1"W X 108' - WHT
	076322-03-000	FT	TAPE-DOUBLE COATED/ADHESIVE BK-.05"THK X .5"W X 108' - WHT
	076322-04-000	FT	TAPE-DOUBLE COATED/ADHESIVE BK-.05"THK X .8"W X 108' - WHT
	076322-05-000	FT	TAPE-DOUBLE COATED/ADHESIVE BK-.05"THK X .8"W X 108' - WHT
	076322-07-000	FT	TAPE-DOUBLE COATED/ADHESIVE BK-.05"THK X .5"W X 200' - BLK
	076322-11-000	FT	TAPE-DOUBLE COATED/ADHESIVE BK-.02"THK X 1"W X 216' - CLR
	086276-01-000	EA	TAPE - DOUBLE SIDED - 1/2" WIDE X 108' LONG (SOLD BY ROLL)
	088479-01-000	EA	TAPE - ALUMINUM - 3"
	090340-01-000	FT	SEAL - FOAM - CLOSED CELL - 1/4" X 1/2" X 50'
	091255-02-000	FT	SEAL - ADHESIVE BACKED/FOAM - 3/64" THICK X 3/16"W X 1000'
	091255-03-000	FT	SEAL - ADHESIVE BACKED/FOAM - 1/4" THICK X 1/4"W X 1000'
	094401-03-000	EA	SEALER - BODY SEAM - BLACK
	094401-04-000	EA	SEALER - BODY SEAM - CLEAR
	098408-01-000	FT	SEAL - SPONGE RUBBER - CLOSED CELL
	099069-01-000	FT	SEAL - RUBBER - CLOSED SPONGE - .5" WIDE X .12" THICK -BLK
	099418-01-000	FT	SEAL - D-SECTION/ADHESIVE BACK - .44" X .44"- BLK RUBBER
	099418-02-000	FT	SEAL - D SECTION - WHITE
	099952-01-000	FT	CORE - SEAL - BULB SUPPORT
	100128-02-000	FT	SEAL - FOAM/ADHESIVE BACK - .37" WIDE X .37" THICK
	104692-01-000	FT	SEAL - ADHESIVE BACKED FOAM - 3/4" THICK X 3/4" WIDE X 25'
	104692-03-000	FT	SEAL - ADHESIVE BACKED FOAM - 1" THICK X 1 3/4" WIDE X 15'
	106206-01-000	EA	SEALER - PUMPABLE - TUBE - BLACK - MANUS
	107828-01-000	EA	SEALANT - SB - 190 EVERSEAL
	109506-12-000	EA	FILM/ABRASION-RESISTANT - TRANSPARENT - 1" DIA.
	110274-01-000	FT	TAPE - DOUBLE SIDED/FOAM - .45" X 1" X 216' - BLACK
	112864-01-000	FT	SEAL - FOAM/BUTYL COVERED - 3/8" X 35'
	112864-02-000	FT	FOAM - BUTYL COVERED 5/16" X 44'
	112901-02-000	EA	ADHESIVE - PLEXUS - MA330 - 50ML - GRAY
	112901-03-000	EA	ADHESIVE - PLEXUS - MA300 - 50ML - WHITE
	112902-01-000	EA	NOZZLE - ELEMENT - 3/8 X 24
	112902-02-000	EA	NOZZLE-BELL 3/8X24 - TAH 160-824
	112902-03-000	EA	MIXER NOZZLE - F/GUN #00400102000 - SCOTCH-WELD & PLEXUS
	113366-01-000	EA	ADHESIVE - INSTANT - 1 OZ

SEALANTS & FASTENERS GROUP (CONTINUED)

SEALANTS & ADHESIVES (CONTINUED)

KEY	PART NUMBER	U/M	DESCRIPTION
	113452-02-000	FT	SEAL/TRIM - FRONT - VINYL W/WIRE CARRIER - .027"
	120074-02-03A	EA	SILICONE - TUBE - W/O NOZZLE - SMOKEY WHITE
	120074-02-02A	EA	SILICONE - TUBE - W/O NOZZLE - LOW ODOR - SOFT WHITE
	120534-01-01A	EA	TAPE - SCOTCH - 3M - 1/2" FINE LINE
	123244-01-000	FT	TAPE - DOUBLE SIDED/FOAM - 5/64" THICK X 3/4" WIDE
	123244-02-000	FT	TAPE - DOUBLE SIDED/FOAM - 5/64" THICK X 1/2" WIDE X 108'
	123816-01-000	FT	TAPE - DOUBLE SIDED - 1" X 100'
	123816-02-000	FT	TAPE - DOUBLE SIDED - 1/2" X 1 1/3" X 100'
	123816-03-000	FT	TAPE - DOUBLE SIDED - 1/2" X 3/4" X 100'
	123816-04-000	FT	TAPE - DOUBLE SIDED - 6" X 750'
	126427-01-000	EA	ADHESIVE - ALL PURPOSE - ABS/PVC
	126427-02-000	EA	PRIMER - CLEANER - FLEX PIPING
	131264-01-01A	EA	SILICONE - TUBE - W/O NOZZLE - BLACK
	131264-01-02A	EA	SILICONE - TUBE - W/O NOZZLE - CLEAR
	131264-02-01A	EA	SILICONE - TUBE - W/O NOZZLE - VW GRAY - BATH ONLY
	131264-03-01A	EA	SILICONE - TUBE - W/O NOZZLE - SELF LEVELING - BRIGHT WHITE
	131264-04-01A	EA	SILICONE - CLEAR - ADHESIVE
	131384-01-000	EA	ADHESIVE - JETWELD
	900390-01-000	EA	NOZZLE - SILICONE TUBE - 2.5" LONG
	900390-03-000	EA	NOZZLE - SILICONE TUBE - 4.3" LONG

BOLTS, NUTS AND WASHERS

KEY	PART NUMBER	U/M	DESCRIPTION
	000C12-04-08B	EA	BOLT - HEX - 1/4-20 X 1/2 - GRADE #5 - ZINC
	000C12-04-40B	EA	BOLT - HEX - 1/4-20 X 2 1/2 - GRADE 5 ZINC
	000C12-05-16B	EA	BOLT - HEX - 5/16-18 X 1 - GRADE #5 - ZINC
	000C12-05-12B	EA	BOLT - HEX - 5/16-18 X 3/4 - GRADE #5 - ZINC
	000C12-06-16B	EA	BOLT - HEX - 3/8-16 X 1 - GRADE #5 - ZINC
	000C12-06-44B	EA	BOLT - HEX - 3/8-16 X 2 3/4 - GRADE 5 - ZINC
	000C12-07-20B	EA	BOLT - HEX - 7/16-14 X 1 1/4 - GRADE #5 - ZINC
	000C12-07-24B	EA	BOLT - HEX TAP - 1/2-13NC X 4 - GRADE 5 - FULL THREAD/ZINC
	000C12-08-16B	EA	BOLT - HEX - 1/2-13 X 1 - GRADE #5 - ZINC
	000C12-08-28B	EA	BOLT - HEX - 1/2-13 X 1 3/4 - GRADE #5 - ZINC
	000C12-08-24B	EA	BOLT - HEX - 1/2-13 X 1 1/2 - GRADE #5 - ZINC
	000C12-10-24B	EA	BOLT - HEX - 5/8-11 X 1 1/2 - GRADE #5 - ZINC
	000C13-07-40B	EA	BOLT - HEX - 7/16-20 X 2 1/2 - GRADE #5 - ZINC
	000C13-07-48B	EA	BOLT - HEX - 7/16-20 X 3 - GRADE #5 - ZINC
	000C14-07-28B	EA	BOLT - HEX - 7/16-14 X 1 3/4 - GRADE #8 - ZINC
	000C14-08-64B	EA	BOLT-HEX-1/2-13X4 ZN 8 - 01 431C
	000C14-10-32K	EA	BOLT - HEX - 5/8-11 X 2 - GRADE #8 - ZINC
	000C14-10-24K	EA	BOLT - HEX - 5/8-11 X 1 1/2 - GRADE #8 - ZINC
	000C18-05-40A	EA	BOLT - ELEVATOR - 5/16-18 X 2 1/2 - PL
	000C18-06-48B	EA	BOLT - ELEVATOR - 3/8-16 X 3 - GRADE 5 - ZINC
	000C26-04-14B	EA	BOLT - HEX - SERRATED FLANGE - 1/4-20 X 7/8 - ZINC
	000C26-04-10B	EA	BOLT - HEX - SERRATED FLANGE - 1/4-20 X 5/8 - ZINC
	000C26-04-18B	EA	BOLT - HEX - SERRATED FLANGE - 1/4-20 X 1 1/8 - ZINC
	000C26-05-20B	EA	BOLT - HEX - SERRATED FLANGE - 5/16-18 X 1 1/4 - ZINC
	000C26-05-12B	EA	BOLT - HEX - SERRATED FLANGE - 5/16-18 X 3/4 - ZINC
	000C26-05-249	EA	BOLT - HEX - SERRATED FLANGE - 5/16-18 X 1 1/2
	000C26-06-16B	EA	BOLT - HEX - SERRATED FLANGE - 3/8-16 X 1 - ZINC
	000C26-06-12B	EA	BOLT - HEX - SERRATED FLANGE - 3/8-16 X 3/4 - ZINC
	000C26-06-20B	EA	BOLT - HEX - SERRATED FLANGE - 3/8-16 X 1 1/4 - ZINC
	000C26-06-40B	EA	BOLT - HEX - SERRATED FLANGE - 3/8-16 X 2 1/2 - ZINC
	000C26-06-28B	EA	BOLT - HEX - SERRATED FLANGE - 3/8-16 X 1 3/4 - ZINC
	000C26-08-24B	EA	BOLT - HEX - SERRATED FLANGE - 1/2-13 X 1 1/2 - ZINC
	000C27-04-40B	EA	BOLT - CARRIAGE - 1/4-20 X 2 1/2 - ZINC
	000C27-05-44I	EA	BOLT-CARR,5/16-18X2.75" - BLACK ZINC
	000D16-07-00B	EA	NUT - HEX - 7/16-14 - ZINC
	000D24-10-00B	EA	NUT - HEX - SELF LOCKING - 10-32 ZINC
	000D28-10-00B	EA	NUT - HEX - W/NYLON LOCK - 10-32 ZINC
	000D29-04-00B	EA	NUT - HEX - SELF LOCKING - 1/4 X 20 - ZINC
	000D29-06-00B	EA	NUT - HEX - W/NYLON LOCK - 3/8-16 - ZINC
	000D29-09-00B	EA	NUT - HEX - SELF LOCKING - 9/16-12 - ZINC

SEALANTS & FASTENERS GROUP (CONTINUED)
BOLTS, NUTS AND WASHERS (CONTINUED)

KEY	PART NUMBER	U/M	DESCRIPTION
	000D30-07-00B	EA	NUT - HEX LOCK - NYLON 7/16 X 20
	000D34-04-00B	EA	NUT - HEX - LOCKING - 1/4-20 - ZINC
	000D34-06-00B	EA	NUT - HEX - LOCKING - 3/8-16 GRADE C - ZINC
	000D39-04-00B	EA	NUT - HEX - LOCKING W/SERRATED FLANGE - 1/4-20 - ZINC
	000D39-05-00B	EA	NUT - HEX - LOCKING W/SERRATED FLANGE - 5/16-18 - ZINC
	000D39-06-00D	EA	NUT - HEX - LOCKING W/SERRATED FLANGE - 3/8"-16 BLACK
	000D39-06-00B	EA	NUT - HEX - LOCKING W/SERRATED FLANGE - 3/8-18 - ZINC
	000D39-07-00B	EA	NUT - HEX - LOCKING W/SERRATED FLANGE - 7/16-14 - ZINC
	000D39-08-00B	EA	NUT - HEX - LOCKING W/SERRATED FLANGE - 1/2-13 - ZINC
	000D44-04-00B	EA	NUT - HEX - LOCKING W/SERRATED FLANGE - 1/4-28 - ZINC
	000D44-07-00B	EA	NUT - HEX - LOCKING W/SERRATED FLANGE - 7/16-20 - ZINC
	000D44-08-00B	EA	NUT - HEX - SERRATED FLANGE - 1/2-20 - GRADE #5 - ZINC
	000D46-04-00A	EA	NUT - HEX - WELD - 1/4-20 - PLAIN
	000D58-06-00A	EA	NUT - HEX - WELD 3/8-16 - PLAIN
	000D65-08-00B	EA	NUT - HEX - LOCKING W/SERRATED FLANGE - 8-32 - ZINC
	000D67-10-00B	EA	NUT - HEX - LOCK - 5/8-11 - ZINC
	000D73-08-00C	EA	NUT - HEX FLANGE - 1/2-13
	000D75-09-00B	EA	NUT - HEX LOCKING - 9/16-12 - ZINC
	000D76-06-00B	EA	NUT - HEX FLANGE - 3/8-16
	000E11-04-00F	EA	WASHER - LOCKING - 1/4 MED SPLIT - STAINLESS STEEL
	000E11-07-00B	EA	WASHER - LOCKING - 7/16 MED SPLIT - ZINC
	000E11-08-00B	EA	WASHER - LOCKING - 1/2 MED SPLIT - ZINC
	000E13-17-00B	EA	WASHER - FLAT - 3/8 AR - ZINC
	000E13-18-00B	EA	WASHER - FLAT - 3/8 WIDE - ZINC
	000E13-20-00B	EA	WASHER - FLAT - 7/16 WIDE - ZINC
	000E13-22-00B	EA	WASHER - FLAT - 1/2 WIDE - ZINC
	000E13-26-00B	EA	WASHER - FLAT - 5/8 WIDE - ZINC
	000E14-10-00B	EA	WASHER - LOCKING - #10 EXTERNAL TOOTH - ZINC
	000E16-10-00B	EA	WASHER - HARDENED - 5/8 - FLAT - ZINC
	000G45-05-16B	EA	BOLT - LAG - 5/16-9 X 1 - ZINC
	000G62-08-24B	EA	SCREW - SF/DR - 8-18 X 1 1/2 PFH
	040921-03-000	EA	NUT - SPEED - U TYPE - #10
	040921-04-000	EA	NUT - SPEED - U TYPE - #8-.59" LENGTH X .44" WIDTH
	040921-05-000	EA	NUT - SPEED - U-TYPE - 8-.67" X .44" WIDE
	041322-01-000	EA	WASHER - FLANGE - 15/32 ID X 2 3/8 OD - F/SEAT BELT MTG
	044364-02-000	EA	NUT - SPEED - FLAT - ROUND
	044533-01-000	EA	WASHER - PLASTIC - 1 3/8 OD - FOR BUTTONS
	051387-06-000	EA	BOLT - CARRIAGE W/O HOLE - 5/16-18 X 9 1/2 - ZINC
	058716-02-000	EA	WASHER - FLAT NYLON
	058716-03-000	EA	WASHER - FLAT/NYLON - .500 X 1 1/4 X 060
	064081-03-000	EA	NUT - WING 3/8-16 - W/WELD NUT
	077071-01-000	EA	WASHER - FENDER - 3/16 ID X 1 OD
	084406-01-000	EA	NUT - CAPPED - CROSS RECESSED - BLACK - 1/4-20 THD
	087234-01-000	EA	NUT - JACK - 1/4 X 20 THD - MOLLY
	087718-01-000	EA	MONOBOLT - STEEL - 3/16 DIAMETER
	088787-12-000	EA	STUD - WELD - 1/4 - 20 X 1.0 LG - MN
	102333-01-06A	EA	BOLT - CARRIAGE - 7/16-14 STAINLESS STEEL CAP
	102333-02-01A	EA	BOLT - CARRIAGE - 1/4-20
	102540-02-000	EA	SEAL - SCREW
	103020-02-000	EA	BOLT-U - #8-32 - GRADE 5 ZINC
	104369-01-000	EA	NUT - HEX - HEAVY - 5/8-11 UNC
	106166-01-000	EA	BOLT/COLLARED HANGER - 8-32 X 1
	106956-03-000	EA	BOLT - HEX TAP - 1/2-12NC X 3 - GRADE 5 - FULL THREAD/ZINC
	106956-08-000	EA	BOLT - HEX TAP - 1/2-13NC X 4 - GRADE 5 - FULL THREAD/ZINC
	107397-01-000	EA	WASHER - FENDER - 3/4 ID X 1 OD
	108067-03-000	EA	STUD - WELD - 1/4 - 20 X 1/2 CD
	109917-01-000	EA	WASHER - 1.5" X 1.25"
	109917-03-000	EA	WASHER - 1" X .50"
	109917-04-000	EA	WASHER - 1" X .75"
	113985-02-000	EA	BOLT - FLANGE - M10-1 1/2 X 30CL 10.9
	114259-05-000	EA	BOLT - 7/16-20 X 1 1/4 W/WASHER
	120506-01-01A	EA	RIVET - PLASTIC - 3/16 DIAMETER
	128444-01-000	EA	WASHER - SPRING - CONICAL

SEALANTS & FASTENERS GROUP (CONTINUED)
BOLTS, NUTS AND WASHERS (CONTINUED)

KEY	PART NUMBER	U/M	DESCRIPTION
	131377-01-000	EA	NUT-HEX HEAD W/WASHER-1/4-20 X 2" STEEL W/3/4" OD WASHER
	135092-01-01A	EA	BOLT - HEX - SERRATED FLANGE - 1/2-20 X 1 3/4-GRADE 5 ZINC
	135092-02-01A	EA	BOLT - HEX - SERRATED FLANGE - 1/2-20 X 2 1/2-GRADE 5 ZINC
	135092-04-01A	EA	BOLT - HEX - SERRATED FLANGE - 1/2-20 X 4 1/2 GRADE 5 ZINC

SCREWS

KEY	PART NUMBER	U/M	DESCRIPTION
	0G1106-08-240	EA	SCREW - 6-20 X 1/2 PPH - VW LIGHT GRAY
	0G1108-12-240	EA	SCREW - 8-18 X 3/4 PPH - VW LIGHT GRAY
	0G1208-12-170	EA	SCREW - 8-18 X 3/4 POH - BRIGHT WHITE
	0G1308-10-240	EA	SCREW - 8-18 X 5/8 PFH - VW LIGHT GRAY
	0G3804-22-180	EA	SCREW - MACHINE - 1/4-20 X 1 3/8 PFH - BLACK
	0G3908-08-160	EA	SCREW - SF/DR - 8-18 X 1/2 PPH - VW WHITE
	0G3908-08-170	EA	SCREW - SF/DR - 8-18 X 1/2 PPH - BRIGHT WHITE
	0G3908-12-240	EA	SCREW - SF/DR - 8-18 X .75 PPH - VW LIGHT GRAY
	0G3908-12-250	EA	SCREW - SF/DR - 8-18 X 3/4 PPH - DARK GRAY
	0G3908-24-170	EA	SCREW - SF/DR - 8-18 X 1 1/2 PPH - BRIGHT WHITE
	0G3910-10-240	EA	SCREW - SF/DR - 10-16 X 5/8 PPH - VW LIGHT GRAY
	0G3910-10-320	EA	SCREW - SF/DR - 10-16 X 5/8 PPH - GLACIER
	0G3910-10-330	EA	SCREW - SF/DR - 20-16 X 5/8 PPH - PUTTY
	0G3910-12-170	EA	SCREW - SF/DR - 10-16 X 3/4 PPH - BRIGHT WHITE
	0G3910-12-320	EA	SCREW - SF/DR - 10-16 X .75 PPH - GLACIER
	0G5508-08-250	EA	SCREW - SF/DR - 8-18 X 1/2 PWH - VW DARK GRAY
	0G5508-12-170	EA	SCREW - SF/DR - 8-18 X 3/4 PWH - BRIGHT WHITE
	0G5508-12-240	EA	SCREW - SF/DR - 8-18 X 3/4 PWH - VW LIGHT GRAY
	0G5508-12-330	EA	SCREW - SF/DR - 8-18 X 3/4 PWH - PUTTY
	0G5508-12-320	EA	SCREW - SF/DR - 8-18 X 3/4 PWH - GLACIER
	0G5508-16-260	EA	SCREW - SF/DR - 8-18 X 1 PWH ZINC - INTERIOR ANTELOPE
	0G5508-16-250	EA	SCREW - SF/DR - 8-18 X 1 PWH - VW DARK GRAY
	0G5508-16-310	EA	SCREW - SF/DR - 8-18 X 1 PWH - CADDY CREAM
	0G5508-16-330	EA	SCREW - SF/DR - 8-18 X 1 PWH - PUTTY
	0G6008-16-170	EA	SCREW - SF/DR - 8-18 X 1 POH - BRIGHT WHITE
	0G6710-08-110	EA	SCREW - 10-12 X 1/2 PPH - HAMPTON TAN
	0G6710-08-240	EA	SCREW - 10-12 X 1/2 PPH TAUPE - VW LIGHT GRAY
	0G6710-08-170	EA	SCREW - 10-12 X 1/2 PPH - BRIGHT WHITE
	0G6710-12-170	EA	SCREW - 10-12 X 3/4 PPH - BRIGHT WHITE
	0G6806-16-170	EA	SCREW - 6-18 X 1 POH - BRIGHT WHITE
	0G6810-24-280	EA	SCREW - 10-12 X 1 1/2 POH - SOFT WHITE
	000C20-05-28F	EA	SCREW - 5/16-18 X 1 3/4 FLAT SOC - STAINLESS STEEL
	000C20-06-24T	EA	SCREW - 3/8-16 X 1 1/2 - FLAT SOCKET
	000G11-06-24B	EA	SCREW - 6-20 X 1 1/2 PPH ZINC
	000G11-06-10J	EA	SCREW - 6-20 X 5/8 PPH - BRASS
	000G11-06-10B	EA	SCREW - 6-20 X 5/8 PPH - ZINC
	000G11-06-08B	EA	SCREW - 6-20 X 1/2 PPH - ZINC
	000G11-06-06B	EA	SCREW - 6-20 X 3/8 PPH - ZINC
	000G11-07-08B	EA	SCREW - 7-19 X 1/2 PPH - ZINC
	000G11-08-20B	EA	SCREW - 8-18 X 1 1/4 PPH - ZINC
	000G11-08-20G	EA	SCREW - 8-18 X 1 1/4 - ANTIQUE BRASS
	000G11-08-16B	EA	SCREW - 8-18 X 1 PPH - ZINC
	000G11-08-12T	EA	SCREW - 8-18 X 3/4 PPH - BLACK MAGNESIUM
	000G11-08-12P	EA	SCREW - 8-18 X 3/4 PPH - DARK BROWN
	000G11-08-12D	EA	SCREW - 8-18 X 3/4 PPH - BLACK PHOSPHATE
	000G11-08-12B	EA	SCREW - 8-18 X 3/4 PPH - ZINC
	000G11-08-08T	EA	SCREW - 8-18 X 1/2 PPH - FLUOROCARBON COATING
	000G11-08-06J	EA	SCREW - 8-18 X 3/8 PPH BRASS
	000G11-08-06B	EA	SCREW - 8-18 X 3/8 PPH - ZINC
	000G11-10-12S	EA	SCREW - 10-16 X 3/4 PPH - OFF WHITE
	000G11-10-12D	EA	SCREW - 10-16 X 3/4 PPH - BLACK
	000G12-06-08T	EA	SCREW - 6-20 X 1/2 POH - BLACK
	000G12-08-12S	EA	SCREW - 8-18 X 3/4 POH - OFF WHITE
	000G13-05-10B	EA	SCREW - 5-12 X 5/8 PFH - ZINC
	000G13-06-08B	EA	SCREW - 6-20 X 1/2 PFH - ZINC

SEALANTS & FASTENERS GROUP (CONTINUED)
SCREWS (CONTINUED)

KEY	PART NUMBER	U/M	DESCRIPTION
	000G13-06-06I	EA	SCREW - 6-20 X 3/8 PFH - BLACK ZINC
	000G13-06-24J	EA	SCREW - 6-20 X 1 1/2 PFH - BRASS
	000G13-06-16J	EA	SCREW - 6-20 X 1 PFH - BRASS
	000G13-06-16S	EA	SCREW - 6-20 X 1 PFH - OFF WHITE
	000G13-06-10J	EA	SCREW - 6-20 X 5/8 PFH - BRASS
	000G13-06-10G	EA	SCREW - 6-20 X 5/8 PFH - ANTIQUE BRASS
	000G13-06-08G	EA	SCREW - 6-20 X 1/2 PFH - ANTIQUE BRASS
	000G13-07-12B	EA	SCREW - 7-19 X 3/4 PFH - ZINC
	000G13-07-10H	EA	SCREW - 7-19 X 5/8 PFH - BLACK
	000G13-08-24B	EA	SCREW - 8-18 X 1 1/2 PFH - ZINC
	000G13-08-16B	EA	SCREW - 8-18 X 1 PFH - ZINC
	000G13-08-109	EA	SCREW - 8-18 X 5/8 PFH
	000G16-04-24B	EA	SCREW - MACHINE - 1/4-20 X 1 1/2 PPH
	000G18-08-16B	EA	SCREW - MACHINE - 8-32 X 1 PPH - ZINC
	000G18-08-24B	EA	SCREW - MACHINE - 8-32 X 1 1/2 PPH - ZINC
	000G18-08-22B	EA	SCREW - MACHINE - 8-32 X 1 3/8 PPH - ZINC
	000G18-08-12B	EA	SCREW - MACHINE - 8-32 X 3/4 PPH - ZINC
	000G19-10-08B	EA	SCREW - MACHINE - 10-32 X 1/2 PPH - ZINC
	000G19-10-20B	EA	SCREW - MACHINE - 10-32 X 1 1/2 PPH - ZINC
	000G19-10-12F	EA	SCREW - MACHINE - 10-32 X 3/4 PPH - STAINLESS STEEL
	000G19-10-10B	EA	SCREW - MACHINE - 10-32 X 5/8 - PPH - ZINC
	000G32-10-06B	EA	SCREW - 10-32 X 3/8 PPH - ZINC
	000G37-08-089	EA	SCREW - 8 X 18 X 1/2 PPH - FLUOROCARBON SILVER
	000G39-06-10T	EA	SCREW - SF/DR - 6-20 X 5/8 PPH - BLACK
	000G39-06-16T	EA	SCREW - SF/DR - 6-20 X 1 PPH - BLACK
	000G39-08-08B	EA	SCREW - SF/DR - 8-18 X 1/2 PPH - ZINC
	000G39-08-06B	EA	SCREW - SF/DR - 8-18 X 3/8 PPH - ZINC
	000G39-08-32B	EA	SCREW - SF/DR - 8-18 X 2 PPH - ZINC
	000G39-08-24T	EA	SCREW - SF/DR - 8-18 X 1 1/2 PPH - BLACK
	000G39-08-24B	EA	SCREW - SF/DR - 8-18 X 1 1/2 PPH - ZINC
	000G39-08-16T	EA	SCREW - SF/DR - 6-20 X 1 PPH - BLACK
	000G39-08-16B	EA	SCREW - SF/DR - 8-18 X 1 PPH - ZINC
	000G39-08-12T	EA	SCREW - SF/DR - 8-18 X 3/4 PPH - BLACK
	000G39-08-12B	EA	SCREW - SF/DR - 8-18 X 3/4 PPH - ZINC
	000G39-08-08T	EA	SCREW - SF/DR - 8-18 X 1/2 PPH - BLACK
	000G39-08-08S	EA	SCREW - SF/DR - 8-18 X 1/2 PPH - OFF WHITE
	000G39-10-088	EA	SCREW - SF/DR - 10-16 X 1/2 PPH - FLEX FLUOROCARBON
	000G39-10-08B	EA	SCREW - SF/DR - 10-16 X 1/2 PPH - ZINC
	000G39-10-12B	EA	SCREW - SF/DR - 10-16 X 3/4 PPH - ZINC
	000G39-10-10T	EA	SCREW - SF/DR - 10-16 X 5/8 - BLACK
	000G39-10-10B	EA	SCREW - SF/DR - 10-16 X 5/8 - ZINC
	000G39-10-48B	EA	SCREW - SF/DR - 10-16 X 3 - PPH - ZINC
	000G39-10-40D	EA	SCREW - SF/DR - 10-16 X 2 1/2 PPH - BLACK
	000G39-10-32I	EA	SCREW - SELF TAPPING - 10-16 X 2 PPH - BLACK
	000G39-10-32B	EA	SCREW - SF/DR - 10-16 X 2 - PPH - ZINC
	000G39-10-209	EA	SCREW - SF/DR - 10-16 X 1 1/4 PPH - FLUOROCARBON SILVER
	000G39-10-20T	EA	SCREW - SF/DR - 10-16 X 1 1/4 PPH - BLACK
	000G39-10-20B	EA	SCREW - SF/DR - 10-16 X 1 1/4 PPH - ZINC
	000G39-10-169	EA	SCREW - SF/DR - 10-16 X 1 PPH - FLUOROCARBON SILVER
	000G39-10-129	EA	SCREW - SF/DR - 10-16 X 3/4 PPH - FLUOROCARBON SILVER
	000G39-10-12T	EA	SCREW - SF/DR - 10-16 X 3/4 - BLACK
	000G39-10-12S	EA	SCREW - SF/DR - 10-16 X 3/4 PPH - OFF WHITE
	000G39-12-12E	EA	SCREW - SF/DR - 12-14 X 3/4 PPH - CHROME
	000G42-04-24B	EA	SCREW - SF/DR - 1/4-14 X 1 1/2 - ZINC
	000G42-04-16B	EA	SCREW - SF/DR - 1/4-14 X 1 HWH - ZINC
	000G50-04-12B	EA	SCREW - MACHINE - 1/4-20 X 3/4 PPH - ZINC
	000G50-04-06B	EA	SCREW - MACHINE - 1/4-20 X 3/8 PTH - ZINC
	000G51-06-12B	EA	SCREW - 6-20 X 3/4 PTH - ZINC
	000G52-06-06B	EA	SCREW - MACHINE - 6-32 X 3/8 PTN - ZINC
	000G52-06-05B	EA	SCREW - MACHINE - 6-32 X 5/16 PTH ZINC
	000G55-08-16T	EA	SCREW - SF/DR - 8-18 X 1 PWH - BLACK
	000G55-08-12S	EA	SCREW - SF/DR - 8-18 X 3/4 PWH - OFF WHITE
	000G56-12-48B	EA	SCREW - WOOD - 12-11 X 3 POH - SPECIAL HARDENED

SEALANTS & FASTENERS GROUP (CONTINUED)
SCREWS (CONTINUED)

KEY	PART NUMBER	U/M	DESCRIPTION
	000G57-14-72B	EA	SCREW-14-10-X4-1/2 PFH ZN GENERAL MOTORHOMES
	000G57-14-64B	EA	SCREW - 14-10 X 4 PFH ZINC
	000G60-08-22B	EA	SCREW - SF/DR - 8-18 X 1.38 POH - ZINC
	000G60-08-20F	EA	SCREW - SF/DR - 8-19X1.25 POH
	000G60-08-16E	EA	SCREW - SF/DR - 8-1 X 1 POH - CHROME
	000G60-10-20B	EA	SCREW - SF/DR - 10-16 X 1 1/4 POH - ZINC
	000G60-10-28T	EA	SCREW - SF/DR - 10-16 X 1 3/4 - BLACK
	000G60-10-209	EA	SCREW - SF/DR - 10-16 X 1 1/4 POH - SILVER STALGAARD
	000G67-08-32B	EA	SCREW - 8-15 X 2 PPH - ZINC
	000G67-10-08B	EA	SCREW - 10-12 X 1/2 PPH - ZINC
	000G67-10-10S	EA	SCREW - 10-12 X 5/8 PPH - OFF WHITE
	000G67-10-10P	EA	SCREW - 10-12 X 5/8 PPH - DARK BROWN
	000G67-10-10B	EA	SCREW - 10-12 X 5/8 PPH - ZINC - TYPE A
	000G67-10-08S	EA	SCREW - 10-12 X 1/2 PPH - OFF WHITE
	000G67-10-32B	EA	SCREW - 10-12 X 2 PPH - ZINC
	000G67-10-24B	EA	SCREW - 10-12 X 1 1/2 PPH - ZINC
	000G67-10-20D	EA	SCREW - 10-12 X 1 1/4 PPH - BLACK
	000G67-10-16B	EA	SCREW - 10-12 X 1 PPH - ZINC
	000G67-10-12P	EA	SCREW - 10-12 X 3/4 PPH - DARK BROWN
	000G67-10-12B	EA	SCREW - 10-12 X 3/4 PPH - ZINC
	000G67-10-10T	EA	SCREW - 10-12 X 5/8 PPH - BLACK
	000G68-06-10G	EA	SCREW - 6-18 X 5/8 POH - ANTIQUE BRASS
	000G68-06-12J	EA	SCREW - 6-18 X 3/4 POH - BRASS
	000G68-06-12B	EA	SCREW - 6-18 X 3/4 POH - ZINC & CLEAR
	000G68-06-10J	EA	SCREW - 6-18 X 5/8 POH - BRASS
	000G68-10-20I	EA	SCREW - 10-12 X 1 1/4 POH - BLACK
	029130-05-000	EA	SCREW - SNAP STUD - #8-16 X 5/8" LONG
	049465-03-000	EA	SCREW - 10-16 X 1 POH W/WASHER - OFF WHITE
	049465-04-000	EA	SCREW - 10-16 X 1 PTH W/WASHER - BEIGE
	049465-17-000	EA	SCREW - 10-16 X 1 POH W/WASHER - BRIGHT WHITE
	049465-23-000	EA	SCREW - 10-16 X 1.5 POH W/WASHER - VW LIGHT GRAY
	054434-02-000	EA	SCREW - SF/DR - 10-16 X 2 - ZINC
	054434-03-000	EA	SCREW - SF/DR - 10-16 X 2 - PWH - ZINC - W/O WINGS
	075908-01-000	EA	SCREW - MACHINE - 10-32 X .56 PTH - EXTERNAL TOOTH - ZINC
	076790-01-000	EA	SCREW - 6-20 X 1 1/4 PPH - BLACK
	076790-03-000	EA	SCREW - 6-20 X 1 PPH - BLACK
	076790-05-000	EA	SCREW - 6-20 X 1/2 PPH - BLACK - THREAD CUTTING/WOOD
	087721-01-000	EA	SCREW - FLAT HEAD - TAPPING - 1/4 X 1 1/4 LONG - ZINC
	090033-02-000	EA	SCREW - 1/4-20 X 5/8 - ROUND WASHER HEAD - OFF/WHITE
	091230-06-000	EA	SCREW-MACH,8-32X3/4 POH SS - BRIGHT WHITE
	097974-01-000	EA	SCREW - PARTICLE BOARD - 7-9 X 3/4 PPH
	101618-01-000	EA	SCREW - 1/4-20 X 3/4 HEX - TAPPING - STALGARD TYPE F
	105126-01-000	EA	SCREW - MACHINE - 8-32 X 1 PPH TAPTIT
	110460-05-02A	EA	SCREW - MACHINE - 10-24 X 2 1/2 PFH - WHITE
	113563-01-01A	EA	SCREW - 8 X 5/8 LONG SHOULDER/WASHER HEAD
	117478-01-04A	EA	SCREW - 8-18 X 3/4 PPH W/WASHER - VW LIGHT GRAY
	118383-01-09A	EA	RETAINER/RECESSED - F/.22" SCREW - GLACIER
	118383-01-05A	EA	RETAINER/RECESSED - F/.22" SCREW - VW LIGHT GRAY
	118383-01-04A	EA	RETAINER/RECESSED - F/.22" SCREW - BRIGHT WHITE
	118383-02-05A	EA	RETAINER/RECESSED - F/.27" SCREW - VW LIGHT GRAY
	118383-02-09A	EA	RETAINER/RECESSED - F/.27" SCREW - GLACIER
	118383-03-09A	EA	RETAINER/RECESSED - F/.32" SCREW - GLACIER
	118383-03-05A	EA	RETAINER/RECESSED - F/.32" SCREW - VW LT. GRAY
	118383-04-09A	EA	CAP - F/RECESSED RETAINER - GLACIER
	118383-04-05A	EA	CAP - F/RECESSED RETAINER - VW LIGHT GRAY
	118383-04-04A	EA	CAP - F/RECESSED RETAINER - BRIGHT WHITE
	134126-01-01A	EA	SCREW/NAIL - HEX HEAD - 3/4"
	134126-02-01A	EA	SCREW/NAIL - HEX HEAD - 1 1/4"
	140040-01-000	EA	SCREW - 1/4-20X1 - BUTTON HEAD SOCKET - W/LOCTITE

SEALANTS & FASTENERS GROUP (CONTINUED)
CLAMPS, CLIPS, GROMMETS, RIVETS & PLUGS

KEY	PART NUMBER	U/M	DESCRIPTION
	000F10-06-32B	EA	PIN - COTTER - 3/16" X 2" - ZINC
	000H14-06-06R	EA	RIVET-MANDREL BLIND,3/16 AL - CHERRY BSP-66
	000H16-04-06R	EA	RIVET - POP ALUMINUM - 1/8 X .313 - .375
	000H16-06-10R	EA	RIVET - POP ALUMINUM - 3/16 X .501-.625
	007161-01-000	EA	CLAMP - HOSE - SPRING TYPE - 1/2"
	008384-01-000	EA	GROMMET - SNAP - 3/4 DIAMETER - NYLON
	008386-01-000	EA	GROMMET - SNAP - 3/8" DIAMETER - NYLON
	010495-01-000	EA	CLAMP - CABLE - 9/16"
	010495-02-000	EA	CLAMP - CABLE - 3/8"
	010495-04-000	EA	CLAMP - CABLE - 11/16" - WHITE
	010497-01-000	EA	CLAMP - CLOSED - 5/8" ID
	010497-03-000	EA	CLAMP - CLOSED - 1" ID - CUSHIONED
	010497-04-000	EA	CLAMP - CLOSED - 1 5/8" ID
	010497-05-000	EA	CLAMP - CLOSED - 1/2" ID
	010497-07-000	EA	CLAMP - CLOSED - 3/8" ID
	010499-01-000	EA	CLAMP - CLOSED - 3/8" ID
	016188-03-000	EA	GROMMET - L/P LINE - 3/8" HOLE X 2 1/2" LONG - RUBBER
	016188-04-000	EA	GROMMET - L/P LINE - 1/2" HOLE X 2 1/2" LONG - RUBBER
	016188-05-000	EA	GROMMET - L/P LINE - 3/8" HOLE X 1 1/4" LONG - RUBBER
	016188-06-000	EA	GROMMET - L/P LINE - 3/8" X 31 1/4" LONG
	016188-07-000	EA	GROMMET - L/P LINE - 1/2" X 3 1/4" LONG
	023942-01-000	EA	GROMMET - RUBBER - 2" OD
	034141-02-000	EA	PLUG/NYLON - .38" - BLACK
	056134-01-000	EA	HOLDER - RING - 3.6" DIAMETER - METAL
	056134-02-000	EA	HOLDER - RING - 1.8" DIAMETER - METAL
	061420-04-000	EA	PLUG/PLASTIC - 1 1/4" DIAMETER
	061420-05-000	EA	PLUG/PLASTIC - 1 1/2" DIAMETER
	061420-08-000	EA	PLUG/PLASTIC - 2 1/2" DIAMETER
	061420-09-000	EA	PLUG/PLASTIC - 1.00" - DIAMETER
	061420-10-000	EA	PLUG/PLASTIC - 1 1/2" DIAMETER - BLACK
	061420-15-000	EA	PLUG/PLASTIC - 2" DIAMETER - BLACK
	062401-01-000	EA	CLAMP - HOSE - WORMGEAR - .25" - 1"
	062401-02-000	EA	CLAMP - HOSE - WORMGEAR - 1.56" - 2.5"
	062401-03-000	EA	CLAMP - HOSE - WORMGEAR - .22" - 1"
	062401-04-000	EA	CLAMP - HOSE - WORMGEAR - .69" - 1.25"
	062401-05-000	EA	CLAMP - HOSE - WORMGEAR - 2" - 3" ID
	062401-06-000	EA	CLAMP - HOSE - WORMGEAR - .22" - .62" ID
	062401-09-000	EA	CLAMP - HOSE - WORMGEAR - 2.8" - 3.75"
	062401-11-000	EA	CLAMP - HOSE - WORMGEAR - 3.50" - 4.50"
	062401-12-000	EA	CLAMP - HOSE - WORMGEAR - .79" X 1.26"
	071015-11-000	EA	GROMMET - RUBBER - 1"ID FITS .12 MATERIAL - BLACK
	071015-19-000	EA	GROMMET - RUBBER - .38 ID - FITS .06 MATERIAL - BLACK
	071015-26-000	EA	GROMMET - RUBBER - 1.5" ID X 2.1" OD W/.06" GROOVE-BLACK
	071015-29-000	EA	GROMMET - RUBBER - .3" ID X 1.3"OD W/.12" GROOVE - BLACK
	071015-30-000	EA	GROMMET - RUBBER - .31" ID X .81" OD W/.12" GROOVE-BLACK
	071015-39-000	EA	GROMMET - .75 ID FITS .06 MTL
	071015-40-000	EA	GROMMET - .38 ID FITS .09 MTL
	071015-41-000	EA	GROMMET - .125 ID FITS .188 MTL
	075148-02-000	EA	CLAMP - GROUNDING - BRONZE SCREWS
	077955-01-000	EA	CLIP/J - 3/8" - VINYL COATED
	080211-03-000	EA	CLIP - XMAS TREE W/PANEL RETAINING HEAD - 3/4" SHANK
	080734-02-000	EA	CLIP - WIRE NYLON
	081211-03-000	EA	PLUG/PLASTIC - .50 DIAMETER - BLACK
	081211-04-000	EA	PLUG/PLASTIC - .46 DIAMETER - BLACK
	083609-01-000	EA	CLAMP - WIRE - DUAL - EQUAL DIAMETERS - 5/8"
	083610-01-000	EA	CLAMP - WIRE - DUAL - UNEQUAL DIAMETERS - 3/4" & 1 1/4"
	083610-02-000	EA	CLAMP - WIRE - DUAL - UNEQUAL DIAMETERS - 3/4" & 2"
	083610-03-000	EA	CLAMP - WIRE - DUAL - EQUAL DIAMETERS - 2"
	088756-01-000	EA	GROMMET - WEB - 1 1/8 i.I.D.
	091952-01-000	EA	CLIP - GRIPPER - 1"
	091952-02-000	EA	CLIP - GRIPPER - 3/4"
	094362-02-000	EA	CLIP - XMAS TREE - BINDER HEAD - .9" LONG
	094362-05-000	EA	CLIP - XMAS TREE - ROUND HEAD - 1.4" LONG

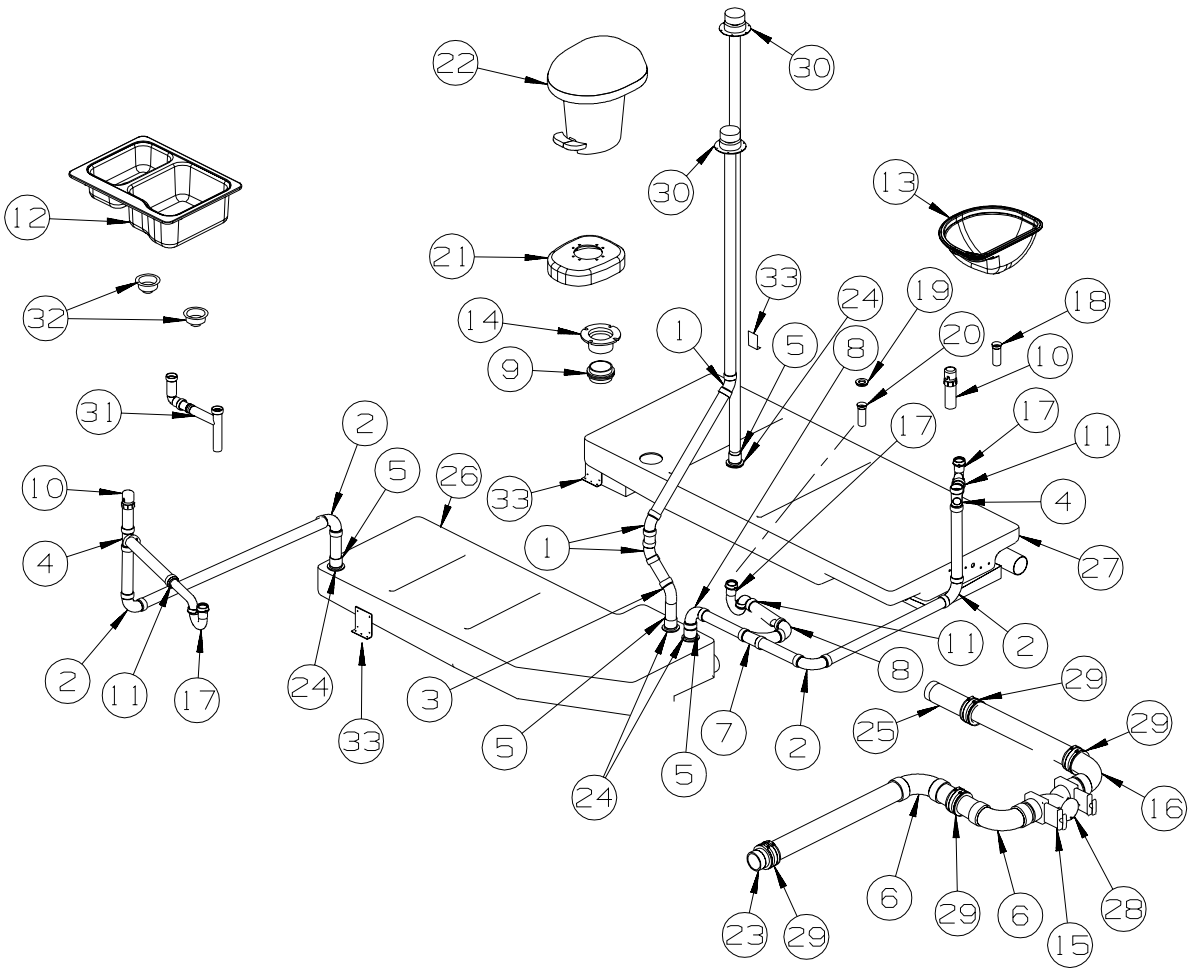
SEALANTS & FASTENERS GROUP (CONTINUED)
CLAMPS, CLIPS, GROMMETS, RIVETS & PLUGS (CONTINUED)

KEY	PART NUMBER	U/M	DESCRIPTION
	114208-01-000	EA	GROMMET - EDGE LINER - FITS 1 3/4"
	114208-03-000	EA	GROMMET - EDGE LINER - FITS 2 1/2"
	114208-04-000	EA	GROMMET - EDGE LINER - FITS 1"
	114208-05-000	EA	GROMMET - EDGE LINER - FITS 2"
	118626-01-01A	EA	RIVET - POP - ALUMINUM - 3/16 X .08 - .375
	118626-02-01A	EA	RIVET - POP - ALUMINUM - 3/16 X .500 - .750
	137014-01-02A	EA	GROMMET - CABLE - BROWN
	137014-01-01A	EA	GROMMET - CABLE - ALMOND
	139118-01-01A	EA	GROMMET - PLASTIC/SCREW
	139118-02-01A	EA	GROMMET - SCREW - PLASTIC
	140171-02-000	EA	CLAMP - HOSE - STEPLESS EAR - .250

MISCELLANEOUS FASTENERS

KEY	PART NUMBER	U/M	DESCRIPTION
	008343-01-000	EA	TIE - WIRE - 6"
	008343-02-000	EA	TIE - WIRE - 14"
	008343-03-000	EA	TIE - WIRE - 7 1/2" - BLACK
	029094-04-000	YD	VELCRO TAPE - LOOP - 1" WIDE - BLACK
	029096-03-000	YD	VELCRO TAPE - HOOK - 1" WIDE - BLACK
	029096-04-000	YD	VELCRO TAPE - HOOK - 1" WIDE - BLACK
	048394-02-000	YD	VELCRO TAPE - HOOK - ADHESIVE BACK - 3/4" WIDE - BEIGE
	085774-01-000	FT	FASTENER - DUAL LOCK - 1" WIDE - ADHESIVE BACK - BLACK
	085774-02-000	FT	FASTENER - DUAL HOOK - 1" WIDE - ADHESIVE BACK - BLACK
	085774-03-000	FT	FASTENER - DUAL LOCK - 1/2" WIDE - ADHESIVE BACK - BLACK
	085774-04-000	FT	FASTENER - DUAL HOOK - 1/2" WIDE - ADHESIVE BACK - BLACK
	088792-02-000	YD	VELCRO TAPE - LOOP - 3/4" - ADHESIVE BACK - BEIGE
	088792-04-000	YD	VELCRO TAPE - HOOK - 5/8" - NON-ADHESIVE BACK - WHITE
	088792-05-000	YD	VELCRO TAPE - LOOP - 5/8" - NON-ADHESIVE BACK - WHITE
	108046-01-000	EA	CABLE TIE - SCREW MOUNT 8"
	108046-02-000	EA	CABLE TIE - SCREW MOUNT 15"
	110943-02-000	FT	FELT STRIP - 3/8" - ADHESIVE BACK - WHITE
	113133-02-01A	EA	RIVET - POP - ALUMINUM - 3/16 X .252 - .504 - BLACK
	123816-04-000	FT	TAPE - DOUBLE SIDED - 6" X 750'
	127960-01-01A	EA	RETAINER - 3/8" - STAINLESS STEEL

WATER & SEWAGE GROUP DRAINAGE SYSTEM



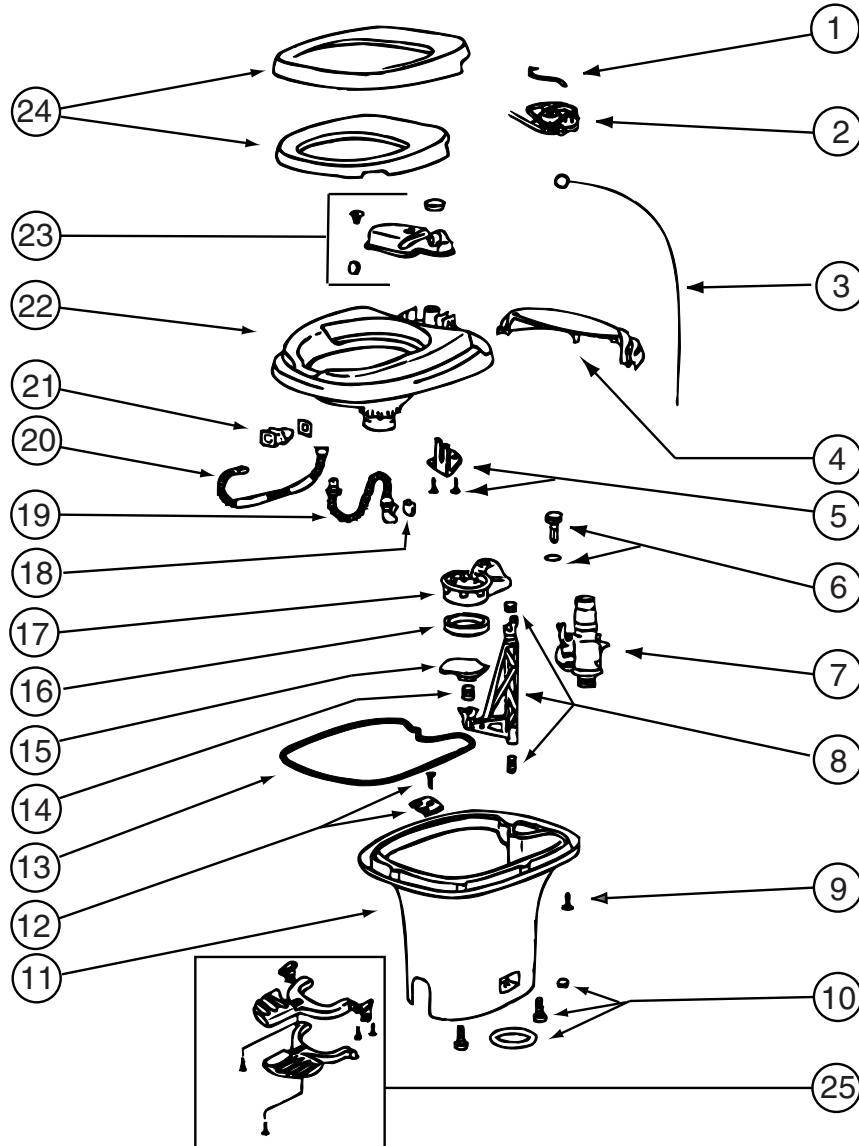
KEY	PART NUMBER	U/M	DESCRIPTION
1	010006-01-000	EA	ELBOW - 45 DEGREE - 1 1/2" HUB X HUB - PLASTIC
2	010008-01-000	EA	ELBOW - 90 DEGREE - 1 1/2" HUB X HUB - PLASTIC
3	010051-01-000	EA	ELBOW - 45 DEGREE - 1 1/2" SPIGOT X HUB - PLASTIC
4	010071-01-000	EA	TEE - SANITARY - 1 1/2" HUB X HUB X HUB - PLASTIC
5	010115-01-000	EA	COUPLING - 1 1/2" HUB X HUB - PLASTIC
6	031126-01-000	EA	ELBOW - 1/4 BEND - 3" X 90" XLT - BLACK PLASTIC
7	031365-02-000	EA	TEE - PLASTIC - 1 1/2" EXTRA LONG TURN
8	033761-01-000	EA	ELBOW - 90 DEGREE - TURN - 1 1/2" HUB X 1 1/2" SPIGOT
			FROM: 07-13-01 THRU: 99-99-99
9	061607-02-000	EA	GROMMET - HOLDING TANK - 3" NPS
10	079968-01-000	EA	VENT - MECHANICAL/TRAP ARM - ANTI-SIPHON-2" X 7.3" PLASTIC
11	109571-01-000	EA	ADAPTER - P-TRAP - 1 1/2" P X 1 1/4" MPT
12	136828-01-01A	EA	SINK/DBL - LGE/SM BASIN-25"X19"X7" W/O NOTCH/FAUCET HOLES
13	136639-01-01A	EA	SINK - LAVATORY W/SOAP DISH - WHITE
14	116644-01-000	EA	FLANGE/CLOSET - 4 BOLT X 3" FEMALE
15	136143-01-000	EA	VALVE - DUAL - 3" X 3"
16	041956-01-000	EA	ELBOW - 3" STREET - 90 DEGREE PLASTIC
17	107538-01-000	EA	P-TRAP - PLASTIC - 1 1/4" W/EXTENSION ARM
17	011071-01-000	EA	P-TRAP - PLASTIC - 1 1/2" - CSA
18	106116-01-02A	EA	STRAINER/PLASTIC - STOPPER/TAILPIECE/GASKET & NUT-LAVATORY
			FROM: 06-27-01 THRU: 99-99-99
	106116-02-01A	EA	GASKET - STRAINER
			FROM: 06-27-01 THRU: 99-99-99
19	066440-01-000	EA	STRAINER - SHOWER DRAIN - W/RUBBER WASHER
	130403-01-000	EA	NUT - SLIP - W/WINGS 1 1/2"
			FROM: 07-13-01 THRU: 99-99-99
	127440-02-01A	EA	WASHER - RUBBER - 1.8" X .1"
20	011069-06-000	EA	TAILPIECE - 1 1/2" X 1 1/4" X 2 1/2"
21	131786-02-01A	EA	SPACER - TOILET - OVAL - 13.5" LONG X 2.8" HIGH - SOFT WHT

WATER & SEWAGE GROUP (CONTINUED)
DRAINAGE SYSTEM (CONTINUED)

KEY	PART NUMBER	U/M	DESCRIPTION
22*	131932-02-02A	EA	TOILET - AQUA MAGIC 4 - HIGH - FOOT FLUSH - WHITE
23	010129-03-000	EA	NIPPLE - PLASTIC - 3" X 3" TOE
24	061607-01-000	EA	GROMMET - HOLDING TANK - 1 1/2" NPS
25	010129-03-000	EA	NIPPLE - PLASTIC - 3" X 3" TOE
			FROM: 00-00-00 THRU: 08-19-01
25	010129-05-000	EA	NIPPLE - PLASTIC - 3" X 10"
			FROM: 08-20-01 THRU: 99-99-99
26	137487-01-000	EA	TANK - HOLDING - W/O FITTINGS
27	139423-01-01A	EA	TANK - HOLDING - W/O FITTINGS
28	010201-02-000	EA	HOSE - SEWER - 3" ID X 20 FEET
			FROM: 00-00-00 THRU: 06-10-01
28	062416-01-000	EA	ADAPTER - SEWER HOSE TO 3" PIPE
			FROM: 00-00-00 THRU: 06-10-01
28	139513-01-000	EA	HOSE - SEWER - 3" X 10' - W/ADAPTER
			FROM: 06-11-01 THRU: 99-99-99
29	078406-01-000	EA	COUPLER - RUBBER - W/CLAMPS - 3" X 3"
30	083558-03-000	EA	VENT - PLUMBING - ROOF PIPE COVERED - OFF WHITE
31	091980-01-000	EA	WASTE - CONTINUOUS
32	092303-01-000	EA	STRAINER - W/BASKET - GALLEY SINK - 4" OD
	127440-02-01A	EA	WASHER - RUBBER - 1.8" X .1"
33	094756-02-01A	EA	BRACKET - L - 6.1" LONG X 3.9" WIDE - STEEL

***COMPONENT PARTS LISTED LATER IN THIS GROUP**

WATER & SEWAGE GROUP (CONTINUED)
COMPONENT PARTS FOR DRAINAGE SYSTEM



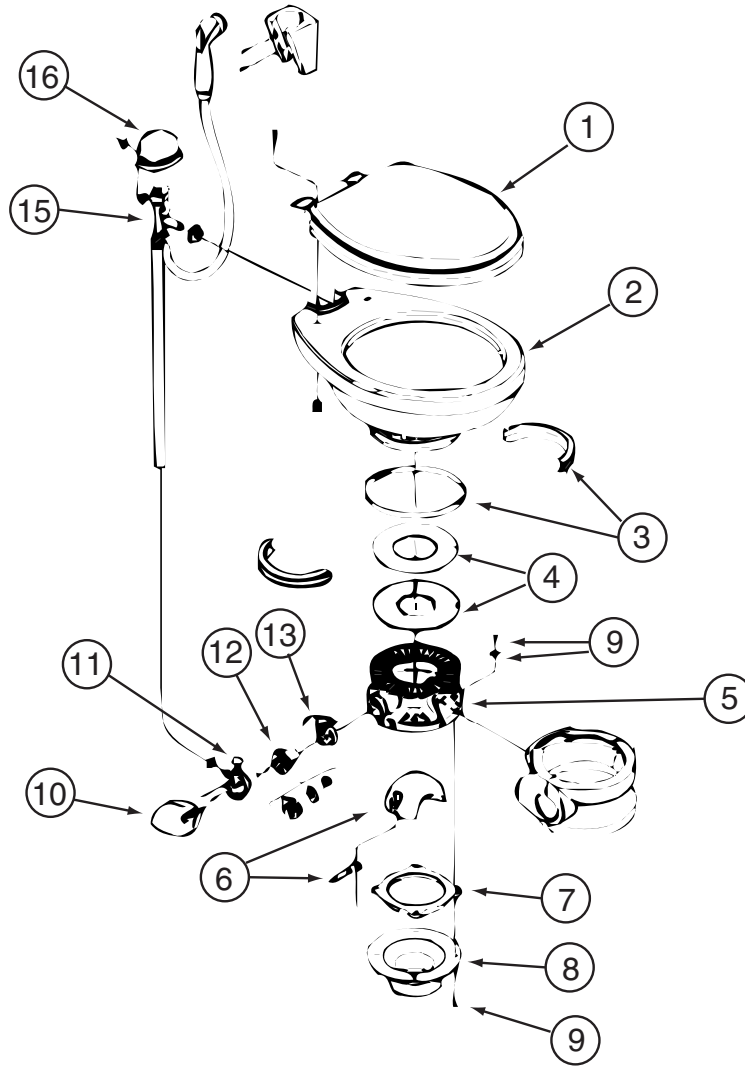
F30W, F32V

131932-02-02A

KEY	PART NUMBER	U/M	DESCRIPTION	VENDOR NO.
2	063740-02-703	EA	KIT-LEVER/WIRE ASSM FOOT FL	24571
4	131932-02-701	EA	COVER -MECHANISM- WHITE	2086562
7	063740-01-714	EA	VALVE ASM (VALVE-BALL SEAL)	13168
10	063740-01-706	EA	BOLT PACKAGE-FLOOR FLANGE	12524 THETFORD
15	063740-01-721	EA	BLADE ONLY	1248262
16	063740-01-722	EA	SEAL - BLADE	12481
23	063740-02-701	EA	RESERVOIR (TANK ASM.)	24630
24	131932-01-701	EA	SEAT/COVER ASSMBLY - WHITE	2464162
25	131932-02-702	EA	PEDAL PACKAGE(WHITE)	2082162

CONTACT WINNEBAGO PART SALES FOR UNLISTED COMPONENT

WATER & SEWAGE GROUP (CONTINUED)
COMPONENT PARTS FOR DRAINAGE SYSTEM (CONTINUED)

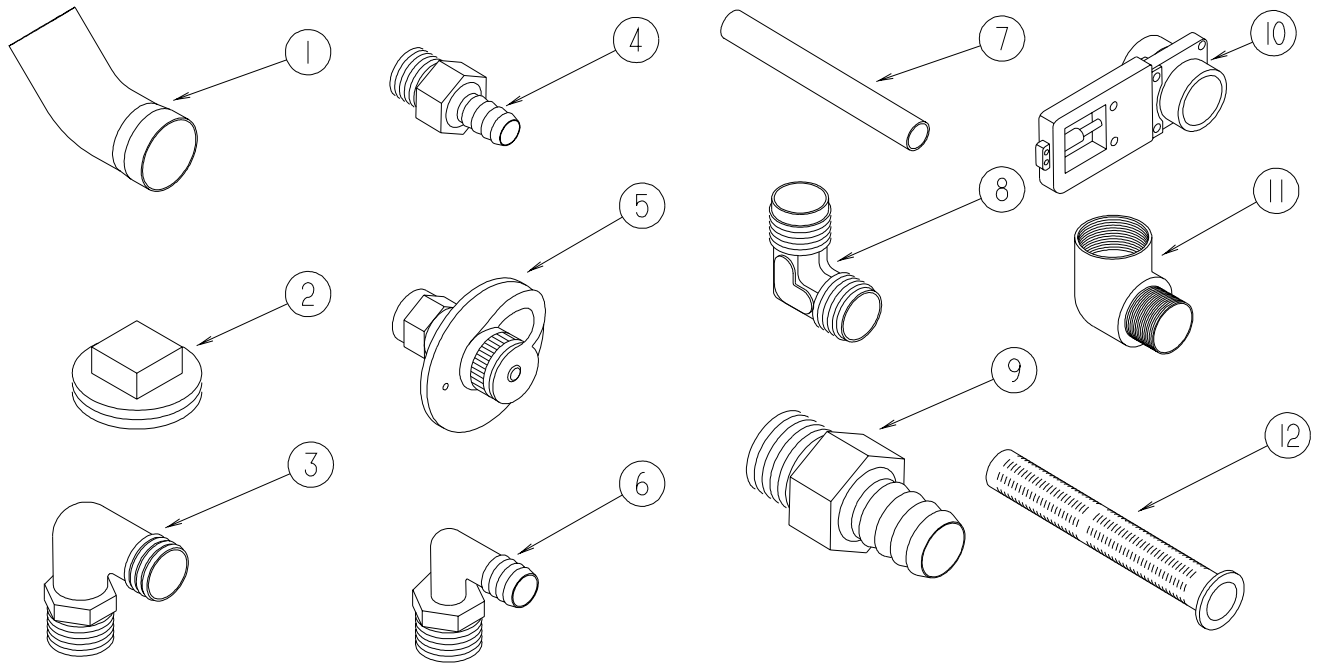


F34D, F36M

140798-01-01A

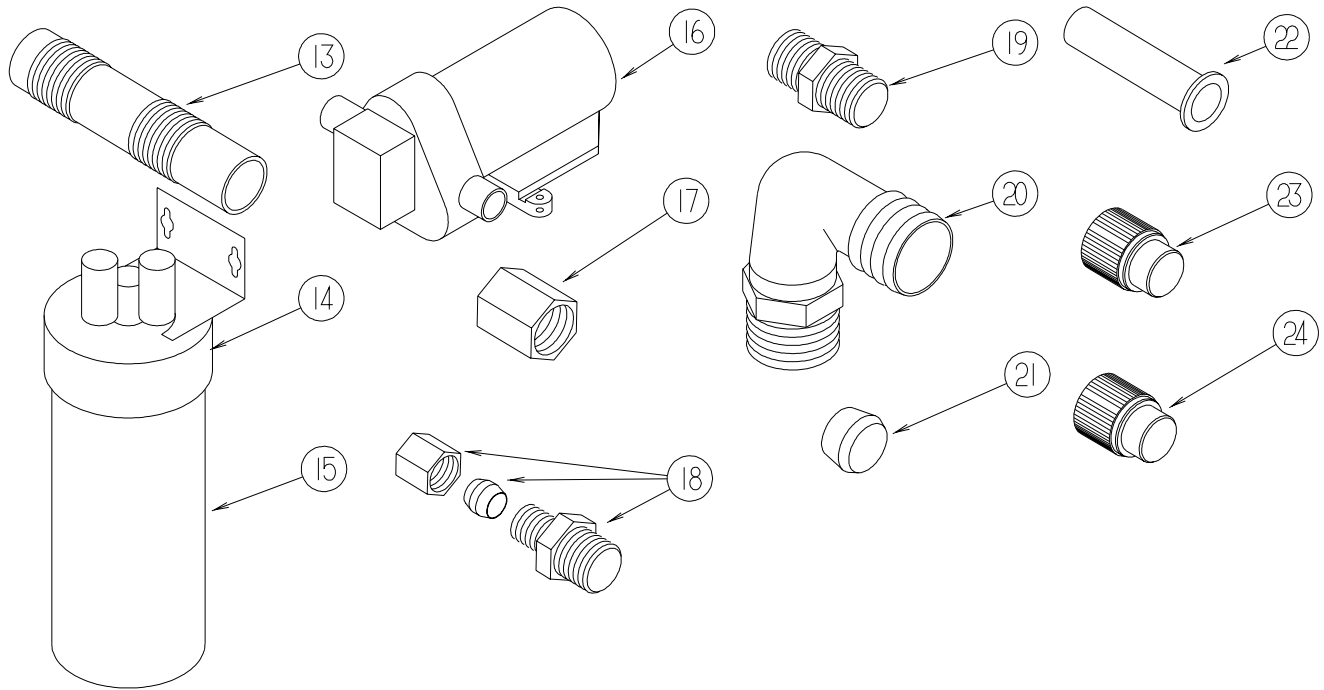
KEY	PART NUMBER	U/M	DESCRIPTION	VENDOR NO.
1	140798-01-700	EA	SEAT ASSEMBLY - WHITE	344089
2	140798-01-701	EA	BOWL/CHINA - WHITE	310790
3	140798-01-702	EA	RING & HALF CLAMP KIT-WHITE	310025
4	140798-01-703	EA	TEFLON & RUBBER SEAL KIT	316140
5	140798-01-704	EA	BASE KIT - WHITE	310123
6	140798-01-705	EA	BALL/SHAFT/CARTRIDGE KIT	318162
7	085330-01-723	EA	SEAL - FLOOR FLANGE	341549
8	085330-01-716	EA	FLANGE-FLOOR, 3" MPT	345889
9	085330-01-717	EA	BOLT MOUNTING PACKAGE	3100-64
10	140798-01-706	EA	PEDAL COVER KIT - WHITE	310117
11	140798-01-707	EA	WATER VALVE KIT	314349
12	140798-01-708	EA	SPRING CARTRIDGE KIT	236096
13	140798-01-709	EA	FLUSH LEVER	340425
15	140798-01-710	EA	VACUUM BREAKER KIT W/O SPRAY	310687
16	140798-01-711	EA	VACUUM BREAKER COVER KIT WHT	310795
	085330-04-701	EA	HAND SPRAY W/HOSE(500 & 900)	340683
	085330-06-701	EA	BREAKER-VACUUM/DIVERTER(900)	230335

WATER & SEWAGE GROUP (CONTINUED)
WATER SYSTEM



KEY	PART NUMBER	U/M	DESCRIPTION
1	010009-01-000	EA	ELBOW - 90 DEGREE - 1/4 BEND - 1 1/2" PLASTIC
2	010166-01-000	EA	PLUG/THREADED - 1 1/4"MPT - PLASTIC - BLACK - UL
3	010219-01-000	EA	ELBOW - 1 1/4 MPT X 1 1/4 BARB - WATER FILL - PLASTIC
4	010224-01-000	EA	ADAPTER - HOSE TO PIPE - 3/8 MPT X 3/8 BARB - PLASTIC
5	010230-06-000	EA	FILL - CITY WATER - W/CHECK VALVE - MPT - BRUSHED ALUM
6	035539-01-000	EA	ELBOW - 3/8 MPT X 3/8 BARB - PLASTIC
7	039800-04-000	FT	TUBING - POLYBUTYL - 1/4"OD
7	074462-02-000	FT	TUBING - VINYL - 3/8 ID X 20' - CLEAR
7	112176-01-000	FT	TUBING - VINYL - REINFORCED - 1/2" ID
7	124188-01-000	FT	TUBING - PEX - 1/2" ID X 20' - BLUE(COLD)
7	124188-02-000	FT	TUBING - PEX - 1/2" ID X 20' - RED(HOT)
8	039808-03-000	EA	ELBOW - 1/2" MPT X 1/2" MPT - PLASTIC
9	044927-01-000	EA	ADAPTER - HOSE TO PIPE-1 1/4 MPTX1 1/4 BARB-BLACK PLASTIC
10	062421-03-000	EA	VALVE/DUMP W/O HANDLE - 1 1/2" X 1 1/2" HUB
11	065318-02-000	EA	ELBOW - 90 DEGREE - 3/8" MPT TO 3/8" FPT
12	077954-02-000	EA	FILTER - WATER TANK - W/SCREEN IN TANK

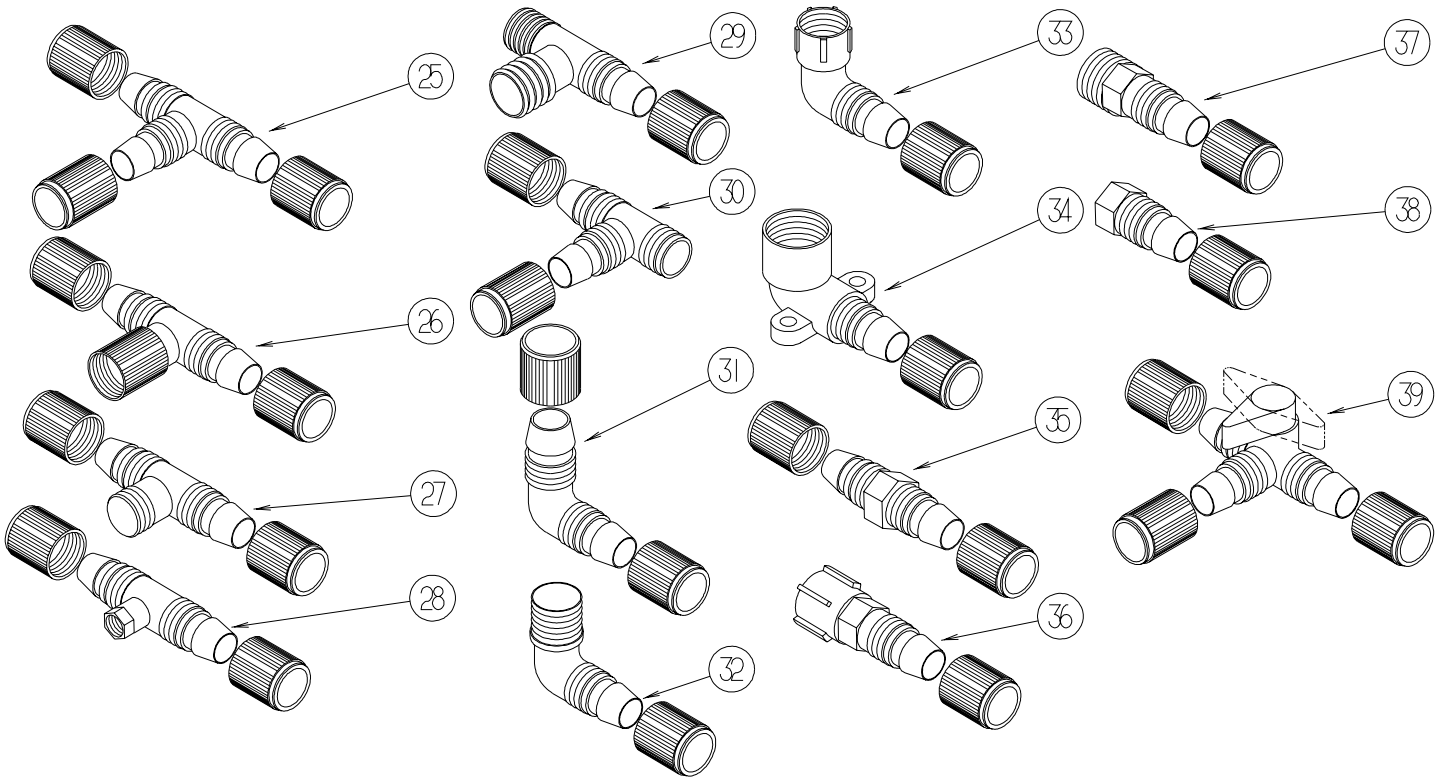
WATER & SEWAGE GROUP (CONTINUED)
WATER SYSTEM (CONTINUED)



KEY	PART NUMBER	U/M	DESCRIPTION
13	079381-01-000	FT	TUBING - RIBBED FLEXIBLE - WATER FILL - 1.4" ID
14	087200-01-000	EA	FILTER-WATER PURIFICATION, EVERPURE QC2-AC
15	087200-02-000	EA	CARTRIDGE-WATER FILTER, AC - EVERPURE 9601-11
16*	098607-01-000	EA	PUMP - WATER - W/.5" MPT FITTING - FLOW 2.8 GPM
17	101814-01-000	EA	COUPLING - FEMALE - 1/2" X 1/2" FPT - GRAY
18	103798-01-000	EA	CONNECTOR - 1/4 OD X 3/8 MPT
19	110438-02-000	EA	VALVE - CHECK - BRASS - 1/2 MPT X 1/2 MPT
20	111223-02-000	EA	ELBOW - 1/2" MPT X 3/8" BARB - PLASTIC
20	111223-03-000	EA	ELBOW - 3/4" MPT X 1/2" BARB - PLASTIC
20	111223-04-000	EA	ELBOW - 1/2" MPT X 1/2" BARB - PLASTIC
21	111888-01-000	EA	FERRULE - PLASTIC - .250 ID X .375 OD
22	111888-02-000	EA	INSERT - BRASS - 1/4 COMP
23	113697-01-000	EA	CAP - 3/8"P
24	114427-01-000	EA	CAP - 1/2"P

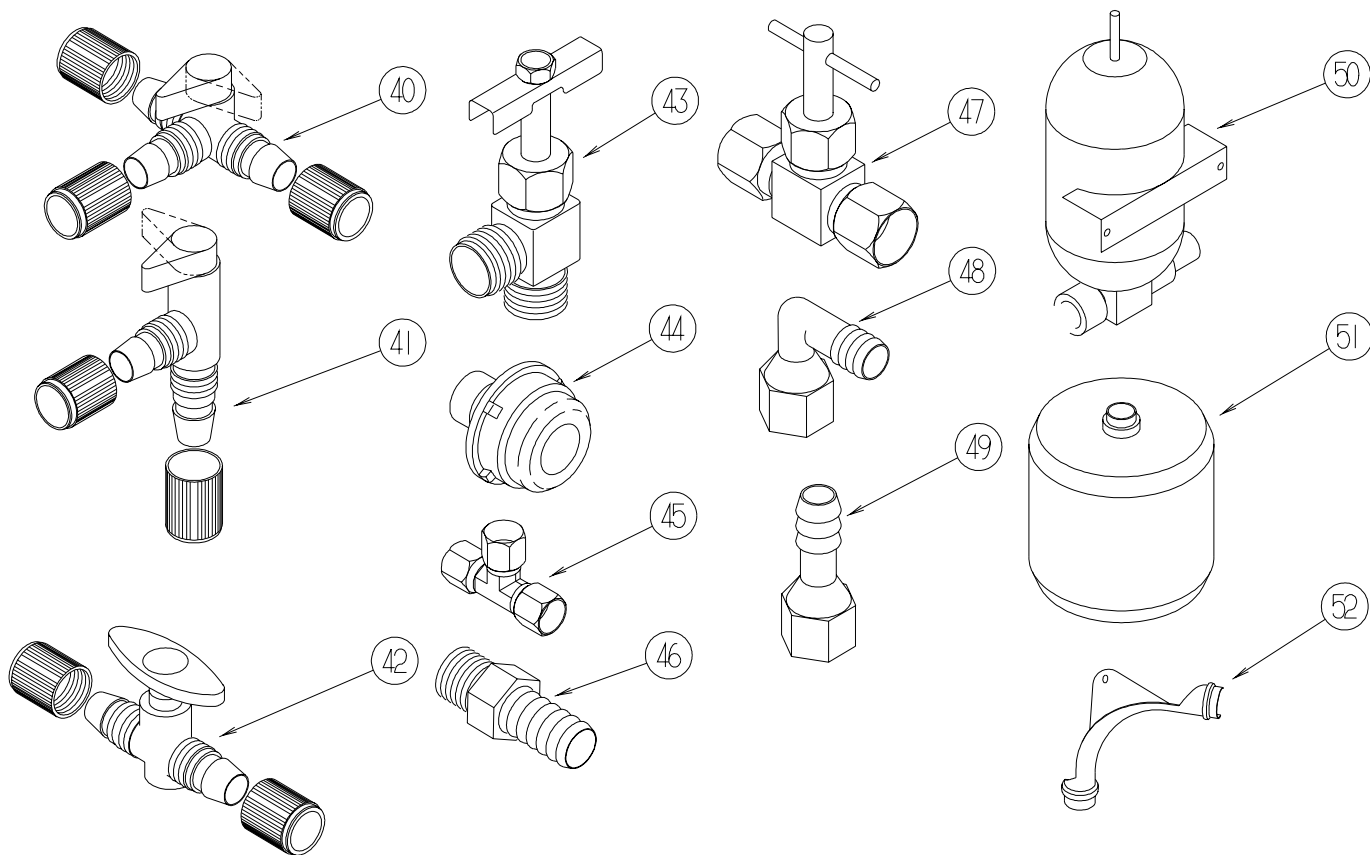
***COMPONENT PARTS LISTED LATER IN THIS GROUP**

WATER & SEWAGE GROUP (CONTINUED)
WATER SYSTEM (CONTINUED)



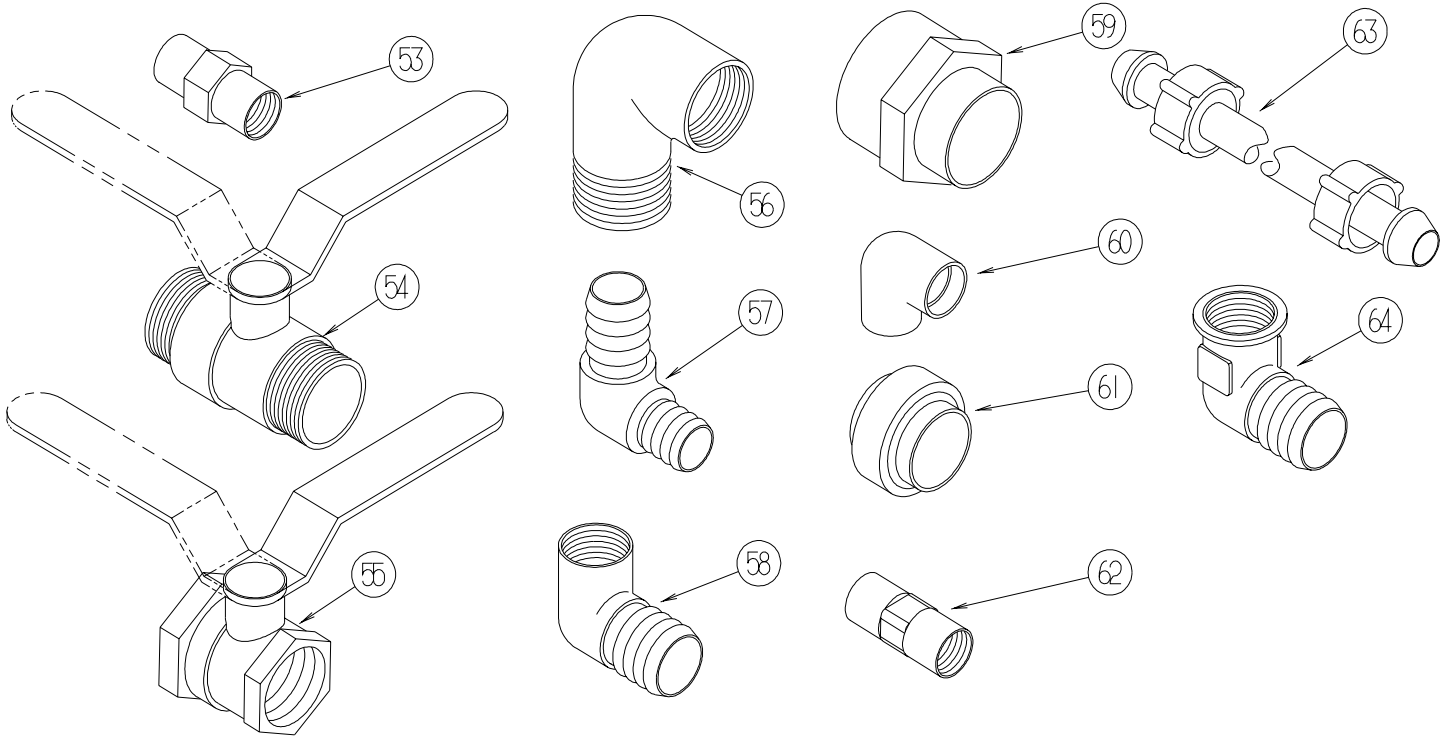
KEY	PART NUMBER	U/M	DESCRIPTION
25	114428-01-000	EA	TEE - 1/2"P X 1/2"P X 1/2"P
26	114428-02-000	EA	TEE - SWIVEL - 1/2"P X 1/2"P X 1/2"FPT
27	114428-03-000	EA	TEE - 1/2"P X 1/2"P X 1/2"MPT
28	114428-04-000	EA	TEE - 1/2"P X 1/2"P X 1/8"FPT
29	114428-06-000	EA	TEE - 1/2" P X 1/2" MPT X 1/2" MPT
30	114428-07-000	EA	TEE - 1/2" P X 1/2" MPT X 1/2" P
31	114429-01-000	EA	ELBOW - 1/2"P X 1/2"P
32	114429-02-000	EA	ELBOW - 1/2"P X 1/2"MPT
32	114429-04-000	EA	ELBOW - 1/2"P X 3/8"MPT
32	114429-05-000	EA	ELBOW - 1/2"P X 3/4"MPT
33	114429-03-000	EA	ELBOW - SWIVEL - 1/2"P X 1/2"FPT
33	114429-06-000	EA	ELBOW - SWIVEL - 1/2"P X 3/4"FPT
33	114429-08-000	EA	ELBOW - SWIVEL - 1/2"P X 1/2"FPT
34	114429-09-000	EA	ELBOW - 1/2"P X 1/2"FPT DROP EAR
35	114430-01-000	EA	ADAPTER - 1/2"P X 1/2"P
36	114430-02-000	EA	ADAPTER - SWIVEL - 1/2"P X 1/2"FPT
37	114430-03-000	EA	ADAPTER - 1/2"P X 1/2"MPT
38	114430-06-000	EA	ADAPTER - 1/2"P X 3/8"FPT
39	114431-01-000	EA	VALVE - 180 DEGREE/CENTER DRAIN - 1/2"P - THREE WAY

WATER & SEWAGE GROUP (CONTINUED)
WATER SYSTEM (CONTINUED)



KEY	PART NUMBER	U/M	DESCRIPTION
40	114431-02-000	EA	VALVE - WATER BYPASS - 1/2" P - THREE WAY (WATER HEATER)
41	114431-03-000	EA	VALVE - 90 DEGREE DRAIN - 1/2" P
42	114431-04-000	EA	VALVE - INLINE SHUT-OFF - 1/2" P
43	114431-05-000	EA	VALVE - NEEDLE - 1/8" MPT X 1/4" COMPRESSION (ICE MAKER)
44	114966-01-000	EA	FILTER - IN LINE - TWIST ON - 1/2"
45	118423-01-000	EA	FITTING - BRASS-TEE - 1/4" C X 1/4" C X 1/4" C
46	118809-02-000	EA	ADAPTER - 1/2" MPT X 1/2" BARB - PLASTIC
47	120868-01-000	EA	VALVE - NEEDLE - 1/4" COMPRESSION X 1/4" COMPRESSION
48	123150-01-000	EA	ELBOW - 1/2" FPT X 1/2" BARB - SWIVEL
49	123152-01-000	EA	ADAPTER - 1/2" FPT X 1/2" BARB - SWIVEL
50	123243-01-000	EA	TANK - ACCUMULATOR - 24 OZ
51	123317-01-000	EA	TANK - ACCUMULATOR - 2 GALLON
52	124184-01-000	EA	SUPPORT - WATER LINE - BEND

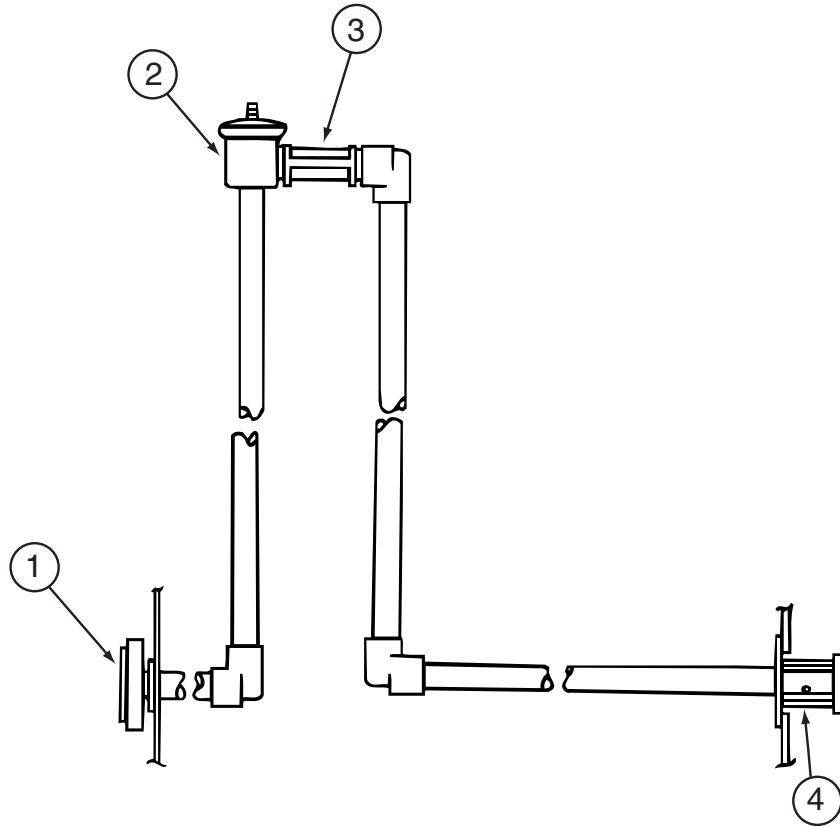
WATER & SEWAGE GROUP (CONTINUED)
WATER SYSTEM (CONTINUED)



KEY	PART NUMBER	U/M	DESCRIPTION
53	132148-01-000	EA	CONNECTOR - 1/2" X 1/2"MPT - BRASS
54	132483-01-000	EA	VALVE/BALL - 1" - THREADED ENDS
55	132483-02-000	EA	VALVE/BALL - 1/2" - BRASS - FPT
56	132484-01-000	EA	ELBOW - 90 DEGREE - 1MPT X 1FPT - PLASTIC
57	132781-01-000	EA	ELBOW - 1.3" BARB X 1.3" BARB - 90 DEGREE - PLASTIC
58	132782-01-000	EA	ELBOW - 1"FPT X 1.3" BARB - 90 DEGREE - PLASTIC
59	133835-01-000	EA	ADAPTER - REDUCING - 1 1/2" X 1 1/4"
60	133837-01-000	EA	ELBOW - 1 1/2" X 90 DEGREE - DOUBLE SLIP
61	133889-01-000	EA	UNION - 1 1/2" DOUBLE SLIP - PVC
62	135386-01-000	EA	NIPPLE - 1/2"
63	140821-01-000	EA	TUBE - WATER SUPPLY - 3/8" X 24"
63	140821-02-000	EA	TUBE - WATER SUPPLY - 3/8" X 30"
63	140821-03-000	EA	TUBE - WATER SUPPLY - 3/8" X 36"
63	140821-04-000	EA	TUBE - WATER SUPPLY - 3/8" X 48"
63	140821-05-000	EA	TUBE - WATER SUPPLY - 3/8" X 54"
63	140821-06-000	EA	TUBE - WATER SUPPLY - 3/8" X 60"
63	140821-07-000	EA	TUBE - WATER SUPPLY - 3/8" X 72"
64	142812-01-000	EA	ELBOW - BRASS - 1/2"MPT X 1/2"FPT

***COMPONENT PARTS LISTED LATER IN THIS GROUP**

WATER & SEWAGE GROUP (CONTINUED)
WATER SYSTEM (CONTINUED)



KEY	PART NUMBER	U/M	DESCRIPTION
1	125697-05-000	EA	INLET - WATER - FLUSHING SYSTEM
2	125697-04-000	EA	BREAKER - VACUUM - FLUSHING SYSTEM
3	125697-03-000	EA	CHECK VALVE - FLUSHING SYSTEM
4	125697-02-000	EA	NOZZLE - WELD-A-FLUSH
	125697-06-000	EA	INSTRUCTIONS - USER - FLUSHING SYSTEM

WATER & SEWAGE GROUP (CONTINUED)
WATER SYSTEM (CONTINUED)

KEY	PART NUMBER	U/M	DESCRIPTION
	039861-01-000	EA	SENDING UNIT - W/SCREW - WASHER - WELL NUT/TERMINAL RING
*	098607-01-000	EA	PUMP - WATER - W/.5" MPT FITTING - FLOW 2.8 GPM
	125420-04-03A	EA	DOOR - WATER HEATER - BLACK
	075240-05-000	EA	FAUCET - LAVATORY/BRASS
	104114-02-01A	EA	FAUCET - GALLEY - SINGLE CONTROL
	098419-01-000	EA	FAUCET - WASHER - 90 DEGREE - F34D, F36M
	134472-01-02B	EA	BRACKET - FAUCET - WASHER - E-COATED - F34D, F36M
	075241-06-000	EA	FAUCET - SHOWER/BRIGHT WHITE - .5" MPT W/1.9" INLET PIPES - EXTERIOR SHOWER
	131383-01-02A	EA	SHOWER HEAD - W/60" HOSE & BRACKET - WHITE - EXTERIOR SHOWER
	131383-02-02A	EA	SHOWER HEAD - W/60" HOSE & BRACKET - WHITE - CSA - EXTERIOR SHOWER
*	131340-01-01A	EA	VALVE - W/SHOWER HEAD - SINGLE LEVER-W/O WATER SAVER-BRASS
	128974-01-01A	EA	VALVE - SHOWER HEAD/WATER SAVER (ON/OFF) - BRIGHT BRASS
	131551-01-02B	EA	BRACKET - SHOWER HEAD - BATHROOM, F30W, F36M
	130041-02-02A	EA	SPACER/SHOWER HEAD - SOFT WHITE - BATHROOM, F32V, F34D
	133721-01-02B	EA	BRACKET - SHOWER CONTROL - E-COATED - BATHROOM, F32V, F34D
	133727-01-02B	EA	BRACKET - SHOWER HEAD - E-COATED - BATHROOM, F32V, F34D
	065318-02-000	EA	ELBOW - 90 DEGREE - 3/8" MPT TO 3/8" FPT - WATER PURIFIER
*	051391-07-000	EA	WATER HEATER - 6 GALLON-110 VOLT-GAS-W/ELECTRIC IGNITION
*	051393-01-000	EA	WATER HEATER - GH6-8E - ELECTRONIC IGNITION W/MOTOR AID
	137410-01-12B	EA	BRACKET - VALVE - WINTERIZATION - BRIGHT WHITE
	138618-01-12B	EA	COVER - VALVE - BYPASS - BRIGHT WHITE
	081240-20-000	EA	WATER FILL - W/DOOR - LOCKABLE - W/O LOCK - BRT WHT
			FROM: 00-00-00 THRU: 04-02-01
	137169-01-01A	EA	FILL/WATER - GRAVITY - BRIGHT WHITE
			FROM: 04-03-01 THRU: 99-99-99
	137169-02-01A	EA	ADAPTER/LOCK - (WASHER) F/GRAVITY WATERFILL - F30W
			FROM: 04-03-01 THRU: 04-30-01
	138290-03-000	EA	CASE - W/CAM - W/O CYLINDER/KEY
			FROM: 05-01-01 THRU: 99-99-99

LOCK ASSEMBLY USED UP TO 04-30-01

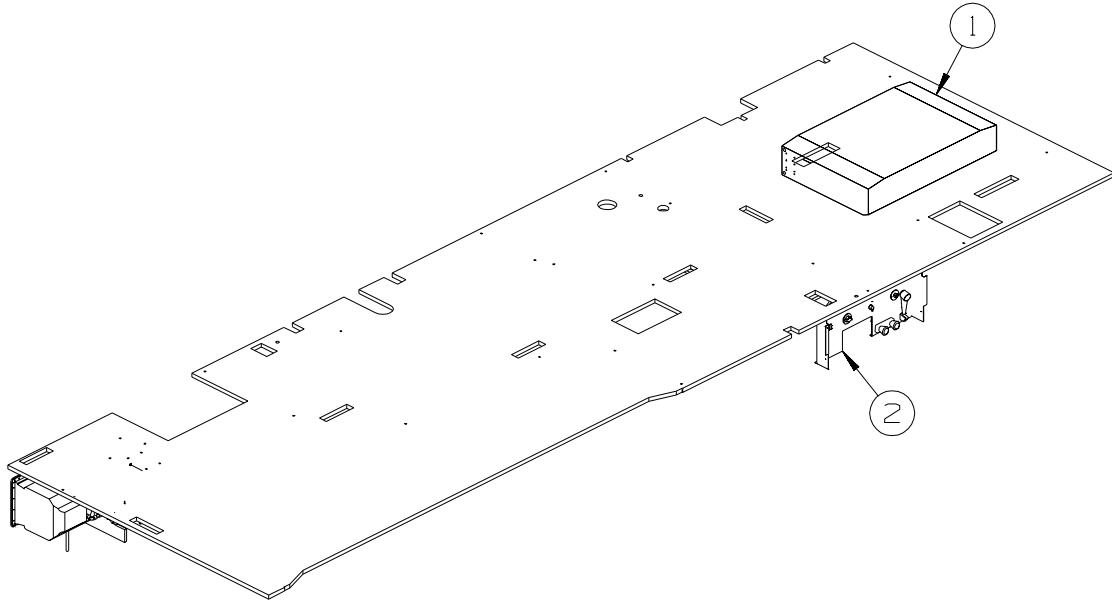
*	110506-33-000	EA	LOCK ASM-KEYED,14.58MM
	110506-52-000	EA	CASE/CYLINDER - LOCKING - W/O CAM/KEY - .65" - 702370
	110506-52-001	EA	CASE/CYLINDER - LOCKING - W/O CAM/KEY - .65" - 702371
	110506-52-002	EA	CASE/CYLINDER - LOCKING - W/O CAM/KEY - .65" - 702372
	110506-52-003	EA	CASE/CYLINDER - LOCKING - W/O CAM/KEY - .65" - 702373
	110506-52-004	EA	CASE/CYLINDER - LOCKING - W/O CAM/KEY - .65" - 702374
	110506-52-005	EA	CASE/CYLINDER - LOCKING - W/O CAM/KEY - .65" - 702375
	110506-52-006	EA	CASE/CYLINDER - LOCKING - W/O CAM/KEY - .65" - 702376
	110506-52-007	EA	CASE/CYLINDER - LOCKING - W/O CAM/KEY - .65" - 702377
	110506-52-008	EA	CASE/CYLINDER - LOCKING - W/O CAM/KEY - .65" - 702378
	110506-52-009	EA	CASE/CYLINDER - LOCKING - W/O CAM/KEY - .65" - 702379
	110506-59-000	EA	KEYS - SET OF TWO 596720
	110506-59-001	EA	KEYS - SET OF TWO 596721
	110506-59-002	EA	KEYS - SET OF TWO 596722
	110506-59-003	EA	KEYS - SET OF TWO 596723
	110506-59-004	EA	KEYS - SET OF TWO 596724
	110506-59-005	EA	KEYS - SET OF TWO 596725
	110506-59-006	EA	KEYS - SET OF TWO 596726
	110506-59-007	EA	KEYS - SET OF TWO 596727
	110506-59-008	EA	KEYS - SET OF TWO 596728
	110506-59-009	EA	KEYS - SET OF TWO 596729
	110506-76-000	EA	CAM - LOCK

LOCK CYLINDER USED AFTER 05-01-01

	138289-01-000	EA	CYLINDER - LOCKING
	138289-02-000	EA	CYLINDER - LOCKING
	138289-03-000	EA	CYLINDER - LOCKING
	138289-04-000	EA	CYLINDER - LOCKING
	138289-05-000	EA	CYLINDER - LOCKING
	138289-06-000	EA	CYLINDER - LOCKING
	138289-07-000	EA	CYLINDER - LOCKING
	138289-08-000	EA	CYLINDER - LOCKING
	138289-09-000	EA	CYLINDER - LOCKING
	138289-10-000	EA	CYLINDER - LOCKING

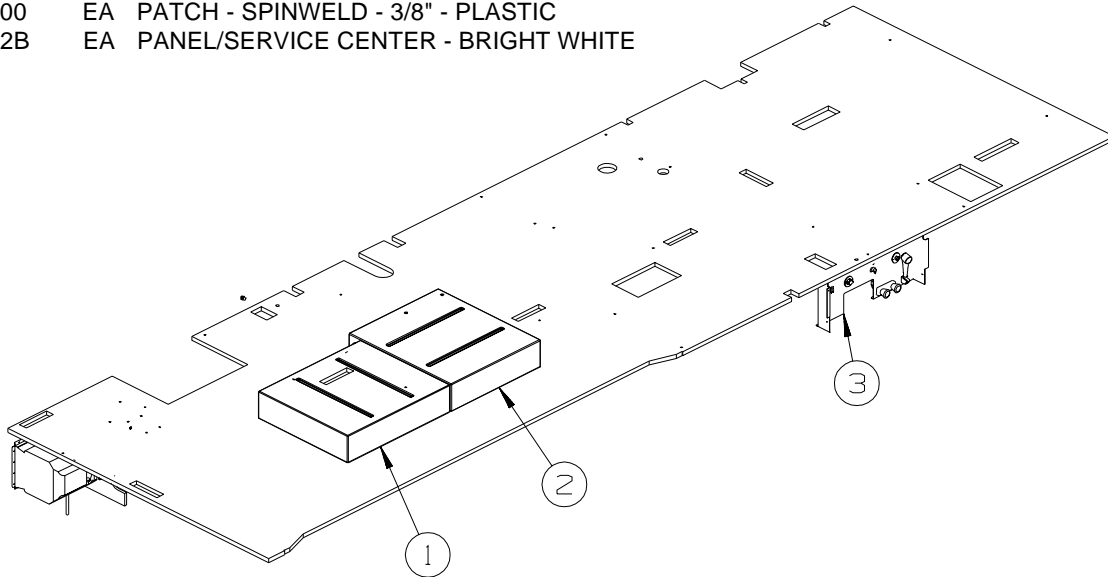
***COMPONENT PARTS LISTED LATER IN THIS GROUP**

WATER & SEWAGE GROUP (CONTINUED)
WATER SYSTEM (CONTINUED)



WORKHOSRE

KEY	PART NUMBER	U/M	DESCRIPTION
1	089180-06-000	EA	TANK - WATER - 58 GALLONS - W/FITTINGS
1	089180-01-000	EA	TANK - WATER - 58 GAL - W/O FITTINGS-31.9"X 47.2" X 9.4"
	042989-03-000	EA	FITTING - SPINWELD - 1 1/4"NPT - PLASTIC
	042989-05-000	EA	FITTING - SPINWELD - 1/2"FPT - PLASTIC
	042989-08-000	EA	FITTING - SPINWELD - 1"FPT - PLASTIC
	049032-01-000	EA	PATCH - SPINWELD - 3/8" - PLASTIC
2	136034-02-12B	EA	PANEL/SERVICE CENTER - BRIGHT WHITE

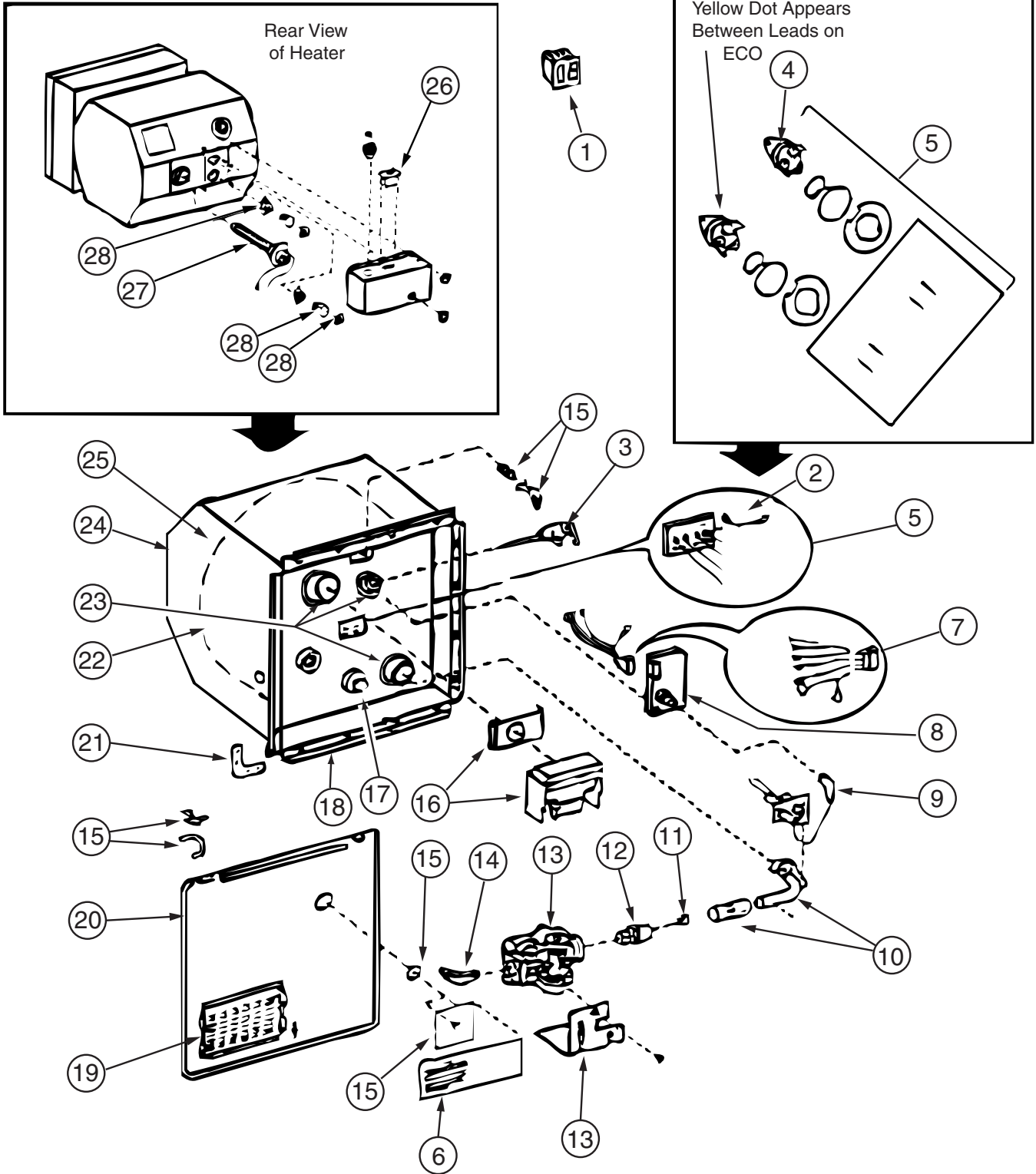


FORD

KEY	PART NUMBER	U/M	DESCRIPTION
1	132224-05-000	EA	TANK - WATER - 40 GAL - W/FITTINGS - SECONDARY
1	132224-01-000	EA	TANK - WATER - 40 GALLON - W/O FITTINGS
	042989-03-000	EA	FITTING - SPINWELD - 1 1/4"NPT - PLASTIC
	042989-05-000	EA	FITTING - SPINWELD - 1/2"FPT - PLASTIC
	049032-01-000	EA	PATCH - SPINWELD - 3/8" - PLASTIC
2	132224-09-000	EA	TANK - WATER - 40 GAL - W/FITTINGS - SECONDARY
	132224-01-000	EA	TANK - WATER - 40 GALLON - W/O FITTINGS
	042989-03-000	EA	FITTING - SPINWELD - 1 1/4"NPT - PLASTIC
	042989-05-000	EA	FITTING - SPINWELD - 1/2"FPT - PLASTIC
	042989-08-000	EA	FITTING - SPINWELD - 1"FPT - PLASTIC
	049032-01-000	EA	PATCH - SPINWELD - 3/8" - PLASTIC
3	136034-02-12B	EA	PANEL/SERVICE CENTER - BRIGHT WHITE

WATER & SEWAGE GROUP (CONTINUED)

COMPONENT PARTS FOR WATER SYSTEM



051391-07-000

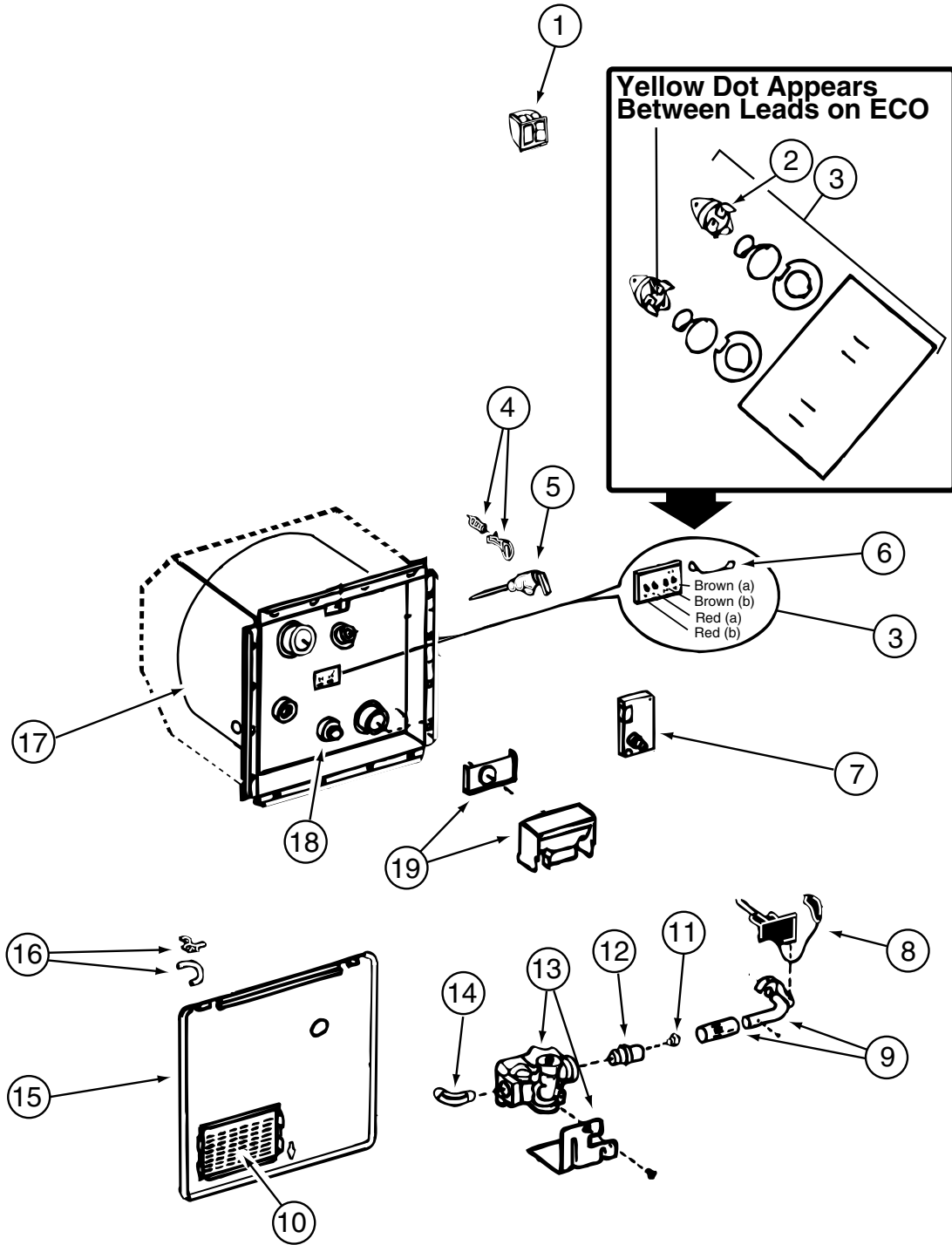
WATER & SEWAGE GROUP (CONTINUED)
COMPONENT PARTS FOR WATER SYSTEM (CONTINUED)

051391-07-000 (CONTINUED)

KEY	PART NUMBER	U/M	DESCRIPTION	VENDOR NO.
1	051393-01-701	EA	SWITCH - REMOTE - W/LIGHT	91959
2	051393-01-723	EA	SWITCH - THERMAL CUTOOUT 2/PK	93866
3	051391-01-704	EA	VALVE-RELIEF, 1/2" FITTING	91604
4	051391-04-701	EA	THERMOSTAT 12V DC-120 PRESET	91470
5	051393-01-721	EA	THERMOSTAT W/ECO, 140 FRT MT	91447
9	051393-01-725	EA	ELECTRODE-SGL SPADE CONNECT.	93868
10	051391-04-703	EA	BURNER-MAIN/ELECTRONIC IG	91638
11	051391-01-710	EA	ORIFICE-MAIN BURNER	92742
12	051391-03-700	EA	HOLDER-ORIFICE	91563
13	051393-01-726	EA	VALVE-SOLENOID, W/O BRACKET	93870
15	051391-05-703	EA	HARDWARE KIT-DOOR	91858
16	051391-04-707	EA	KIT-EXHAUST, (FLUE & GASKET)	90960
17	051391-01-715	EA	PLUG-DRAIN, 1 EA = 2 PER PKG	91857
19	051391-01-717	EA	GRILLE-WATER HEATER DOOR	92640
21	111129-01-711	EA	BRACKET-CORNER, SET OF FOUR	91928
22	051391-07-701	EA	TANK-INNER W/JACKET/INSUL	91592
26	051391-07-700	EA	SWITCH 0N/OFF - 110 VAC	92857
27	051391-05-706	EA	ELEMENT-HEATING 1500 WATT	91160 W/GASKET
28	051391-05-707	EA	THERMOSTAT & ECO - 110 VOLT	91873

CONTACT WINNEBAGO PART SALES FOR UNLISTED COMPONENT

WATER & SEWAGE GROUP (CONTINUED)
COMPONENT PARTS FOR WATER SYSTEM (CONTINUED)



051393-01-000

WATER & SEWAGE GROUP (CONTINUED)
COMPONENT PARTS FOR WATER SYSTEM (CONTINUED)

051393-01-000 (CONTINUED)

KEY	PART NUMBER	U/M	DESCRIPTION	VENDOR NO.
1	051393-01-701	EA	SWITCH PACKAGE	91959
2	051391-04-701	EA	THERMOSTAT 12V DC-120 PRESET	91470
3	051393-01-721	EA	ECO & THERMOSTAT ASM - FRT MT - 140	91447
4	051391-01-705	EA	FASTENER - CAMLOC	92609
5	051391-01-704	EA	VALVE - RELIEF - 1/2" FITTING	91604
6	051393-01-723	EA	SWITCH - ENERGY CUT-OFF	93866
7	051393-01-724	EA	CIRCUIT BOARD - W/ SPADE TERMINAL	93867
8	051393-01-725	EA	ELECTRODE - SINGLE SPADE CNT	93868
9	051391-04-703	EA	BURNER - MAIN	91638
10	051391-01-717	EA	GRILLE	92640
11	051391-01-710	EA	ORIFICE - MAIN BURNER	92742
12	051391-03-700	EA	ORIFICE HOLDER	91563
13	051393-01-726	EA	SOLENOID VALVE & BRACKET	93870
14	051391-01-714	EA	ELBOW - 45 DEGREE - 3/8"F X 3/8"MPT	91044
15		EA	DOOR-WATER HEATER - SEE EXTERIOR DOOR & COMPARTMENT GROUP BY MODEL	
16	051391-01-700	EA	HINGE KIT - W/CLIP	92568 & 92559
17	051391-04-704	EA	TANK - INNER	91642
18	051391-01-715	EA	DRAIN PLUG	91857
19	051391-04-707	EA	FLUE & GASKET	90960
	111129-01-711	EA	BRACKET-CORNER, SET OF FOUR	91928

098607-01-000

KEY	PART NUMBER	U/M	DESCRIPTION	VENDOR NO.
	098607-01-702	EA	DIAPHRAGM/DRIVE ASSEMBLY KIT	94-238-04
	098607-01-703	EA	VALVE KIT	94-232-00
	098607-01-705	EA	VALVE-CHECK, KIT	94-237-00
	098607-01-706	EA	HOUSING, W/SWITCH ONLY	94-231-20
	098607-01-707	EA	MOTOR W/BASEPLATE	11-148-04

110506-26-000 - 110506-27-000 - 110506-33-000

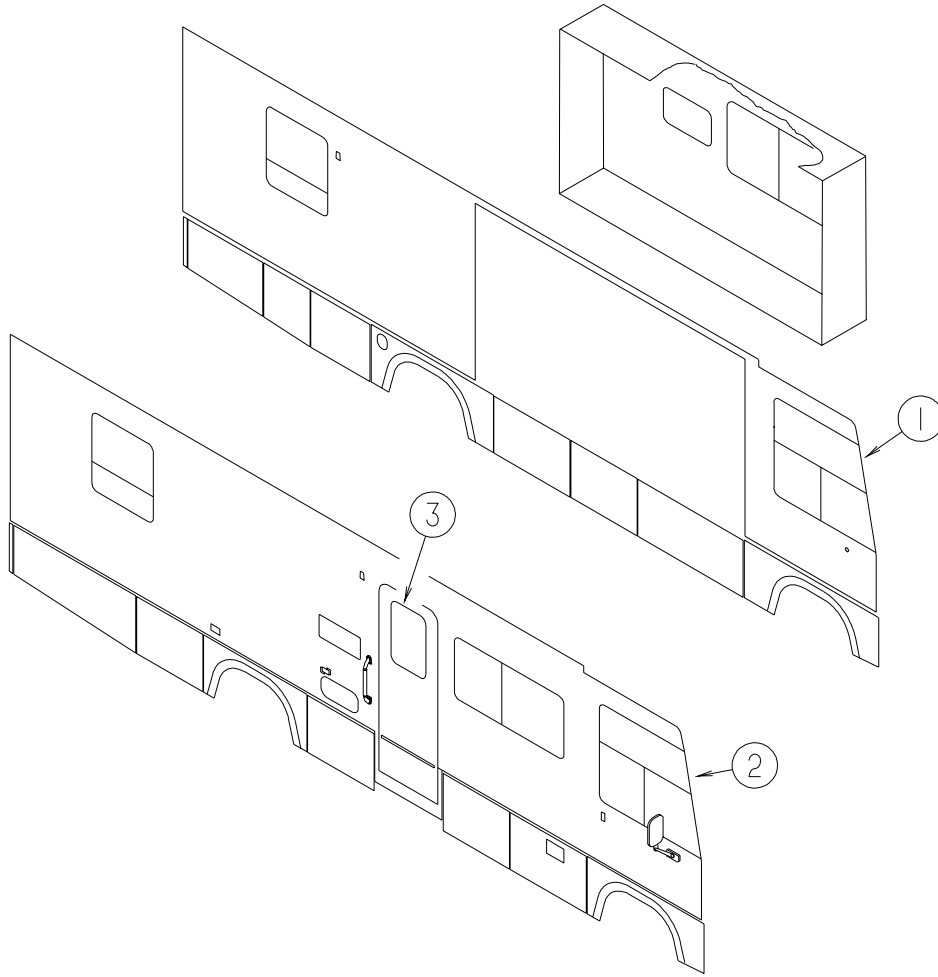
KEY	PART NUMBER	U/M	DESCRIPTION	VENDOR NO .
	110506-40-700	EA	HARDWARE PACKAGE-CYLINDER/CASE	596950AAL

131340-01-01A

KEY	PART NUMBER	U/M	DESCRIPTION	VENDOR NO.
	119677-01-701	EA	SHOWER HEAD ONLY 1/2"	34PB
	131340-01-700	EA	BUTTON - HOT/COLD	N1201-16
	131340-01-701	EA	KNOB - CLEAR	N1201-9

WINDOW & VENTS GROUP

WINDOW & VENT LAYOUT



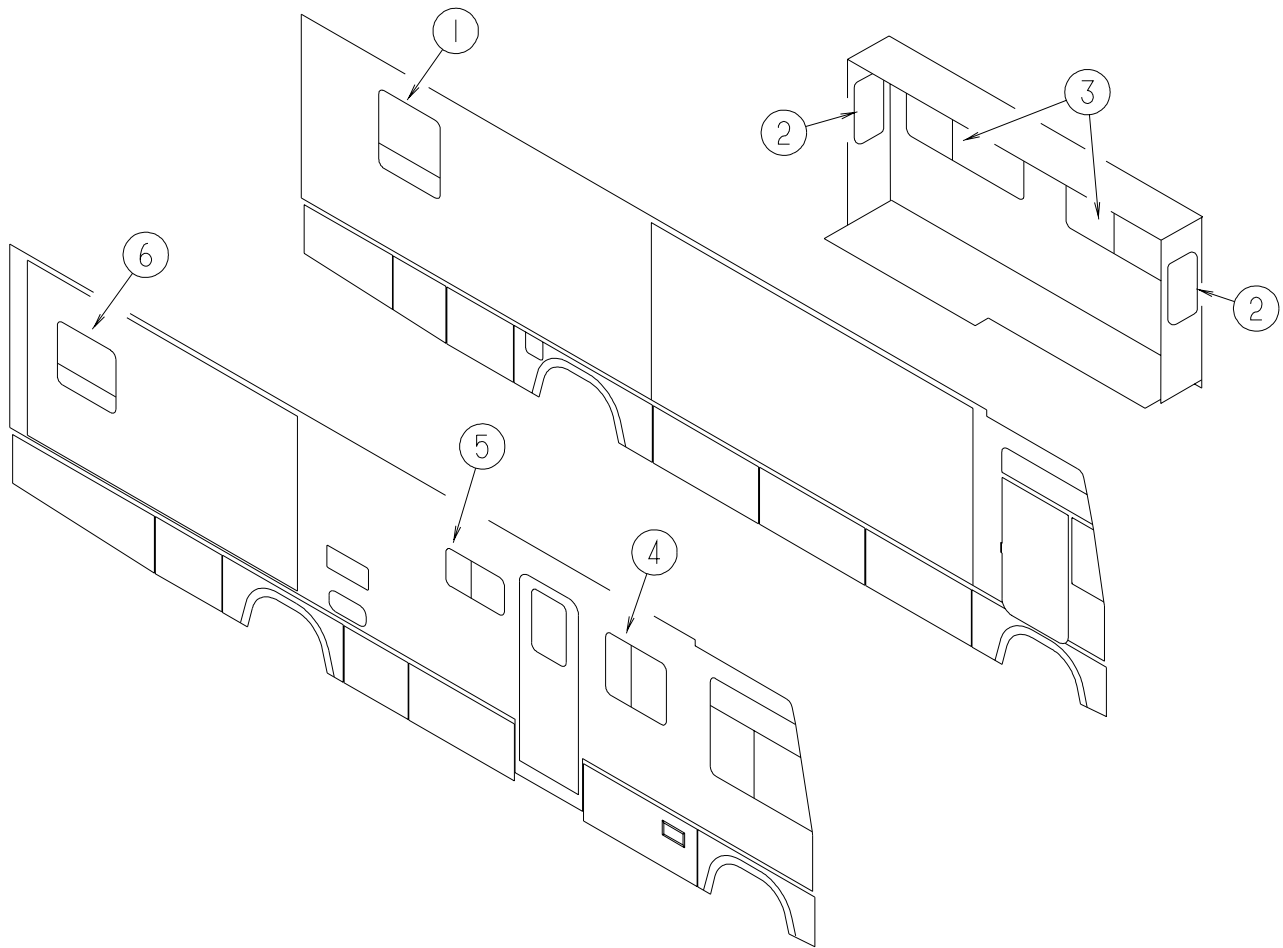
KEY	PART NUMBER	U/M	DESCRIPTION
1*	125583-02-01A	EA	WINDOW - CAB DRVR-3 GLASS THERMO-42.9"T X 51.2"B X 42.6"H
2*	125583-01-01A	EA	WINDOW - CAB PASS-3 GLASS THERMO- 42.9"T X 51.2"B X 42.6"H
3*	113733-10-01A	EA	WINDOW - STATIONARY - THERMO - 26.3" X 17"
	084073-04-000	EA	BASE/VENT - ROOF/REFRIGERATOR - BLACK - NORCOLD
	084073-07-000	EA	VENT - ROOF/REFRIGERATOR - BRIGHT WHITE - NORCOLD
*	122882-01-01A	EA	VENT - ROOF - NONPOWERED - W/O INSIDE GARNISH
	009440-01-000	EA	GEAR/ARM - LIFT - ROOF VENT COVER
	122882-07-01A	EA	GARNISH - ROOF VENT - 2.5" TO 4.1"
*	122882-02-01A	EA	VENT - ROOF - W/FAN - W/O INSIDE GARNISH - UL
	009440-01-000	EA	GEAR/ARM - LIFT - ROOF VENT COVER
	048648-01-000	EA	MOTOR - ROOF VENT - 1/8 SHAFT - 12VOLT
	048649-01-000	EA	FAN BLADE - ROOF VENT - 6 BLADES - 6"
	122882-07-01A	EA	GARNISH - ROOF VENT - 2.5" TO 4.1"
*	122882-03-01A	EA	VENT - ROOF - W/FAN - W/O INSIDE GARNISH - CSA
	009440-01-000	EA	GEAR/ARM - LIFT - ROOF VENT COVER
	048648-01-000	EA	MOTOR - ROOF VENT - 1/8 SHAFT - 12VOLT
	048649-01-000	EA	FAN BLADE - ROOF VENT - 6 BLADES - 6"
	122882-07-01A	EA	GARNISH - ROOF VENT - 2.5" TO 4.1"
*	123780-03-01A	EA	FANTASTIC VENT - 3"-4" ROOF - W/FAN - W/O THERM/PWR LIFT

***COMPONENT PARTS LISTED LATER IN THIS GROUP**

WINDOW & VENTS GROUP (CONTINUED)
WINDOW & VENT LAYOUT (CONTINUED)

KEY	PART NUMBER	U/M	DESCRIPTION
	122214-01-02A	EA	PANEL - SKYLITE - INNER - W/ANGLED CORNER - WHITE - F30W, F36M
	122215-01-02A	EA	PANEL - SKYLITE - OUTER - W/ANGLED CORNER - WHITE - F30W, F36M FROM: 00-00-00 THRU: 08-12-01
	139411-01-01A	EA	PANEL - SKYLITE - OUTER - NEO ANGLE - WHITE - F30W, F36M FROM: 08-13-01 THRU: 99-99-99
	122191-01-02A	EA	PANEL - SKYLIGHT - INNER W/LIGHT CUTOUT - 20.7" X 35.4" - F32V, F34D
	114496-01-02A	EA	PANEL - OUTER SKYLIGHT - 22" X 37" - F32V, F34D FROM: 00-00-00 THRU: 08-12-01
	138380-01-01A	EA	PANEL - SKYLIGHT - LARGE OUTER - RECTANGULAR - WHITE - F32V, F34D FROM: 08-13-01 THRU: 99-99-99
	138372-01-12B	EA	TRIM - CORNER - SKYLIGHT - BRIGHT WHITE - F30W, F32V, F34D, F36M FROM: 08-13-01 THRU: 99-99-99
	138983-01-01A	EA	VENT - MICROWAVE OUTER - BRIGHT WHITE
	138983-02-01A	EA	COVER - VENT MICROWAVE OUTER - BRIGHT WHITE

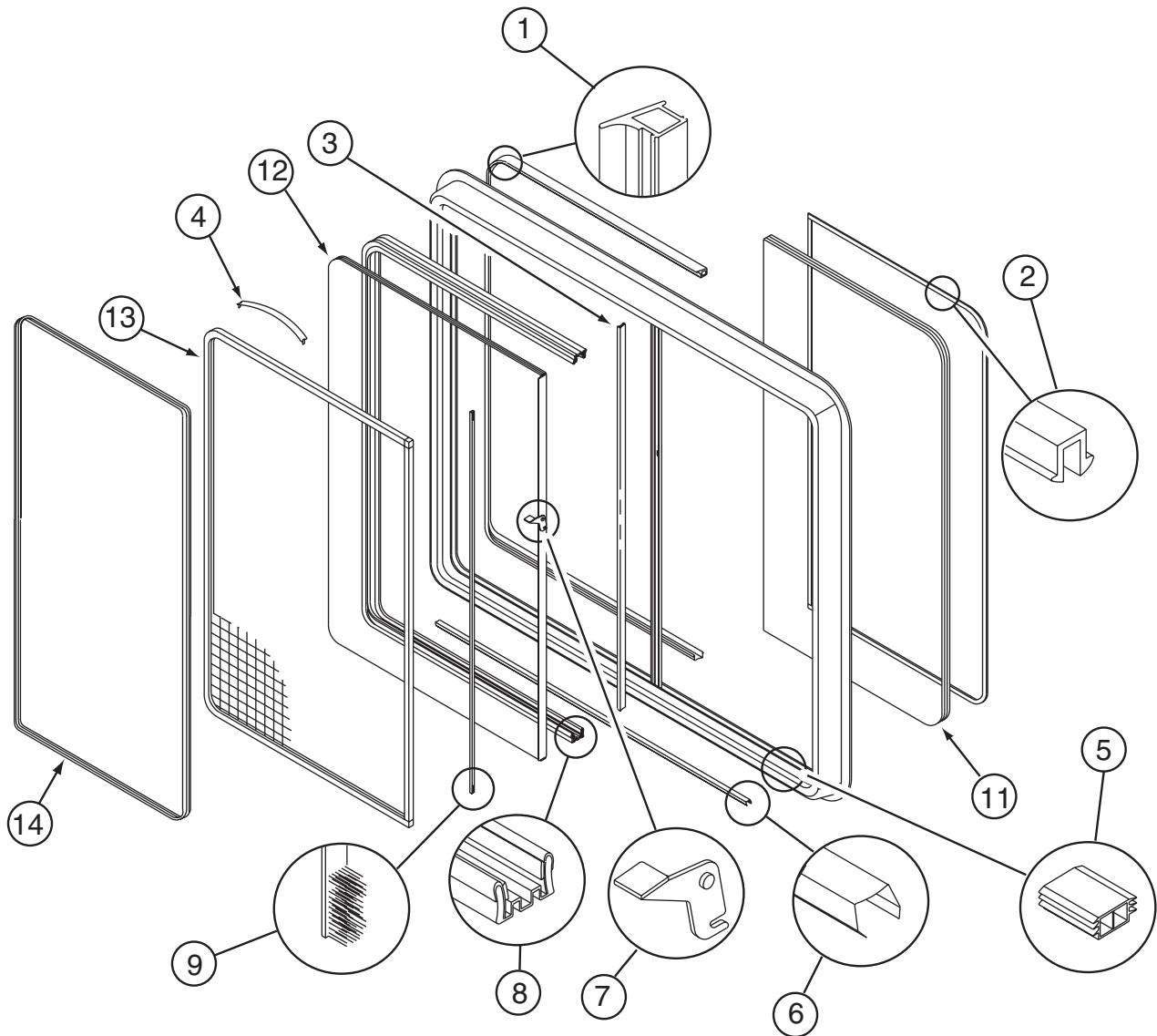
WINDOW & VENTS GROUP (CONTINUED)
WINDOW & VENT LAYOUT (CONTINUED)



KEY	PART NUMBER	U/M	DESCRIPTION
1*	137867-03-01A	EA	WINDOW - DOUBLE TIPOUT ESCAPE/THERMO - 24.2" X 30.2"
2*	134004-03-01A	EA	WINDOW - VERT SLIDER/FLUSH O/S-THERMO - 21" X 19.8"
3*	112795-77-01A	EA	WINDOW - DRIVER HORIZONTAL SLIDER - THERMO - 57.5" X 23.6"
4*	112898-25-01A	EA	WINDOW - VERTICAL SLIDER - THERMOPANE - 26.3" X 26.9"
5*	112795-72-01A	EA	WINDOW - PASSENGER HORIZ SLIDER - THERMO - 28.5" X 15.7"
6*	129929-11-01A	EA	WINDOW - TORQUE - THERMO - 24.4" X 41.3"

***COMPONENT PARTS LISTED LATER IN THIS GROUP**

WINDOW & VENTS GROUP (CONTINUED)
COMPONENT PARTS FOR WINDOWS & VENT LAYOUT



112795-72-01A

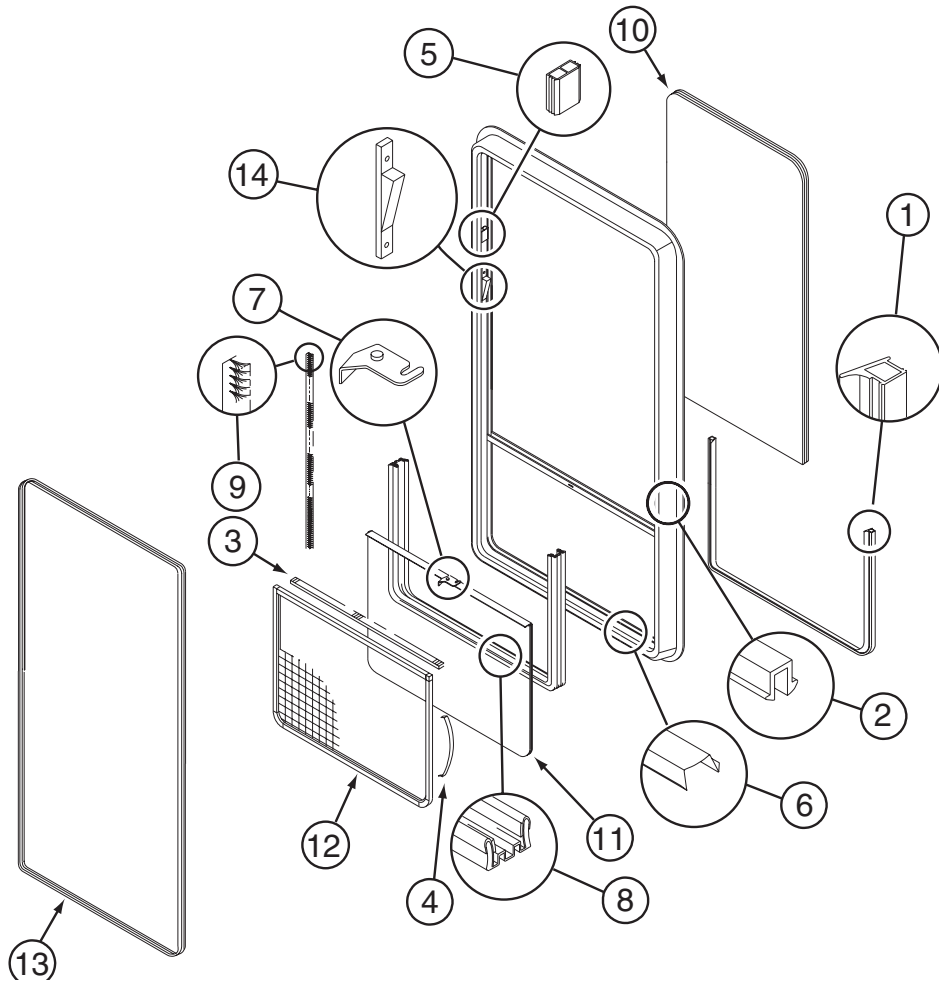
KEY	PART NUMBER	U/M	DESCRIPTION	VENDOR NO.
1	112795-01-704	FT	PLUG FILLER (DOUBLE GLAZED)	122-018737
2	112795-01-705	FT	VINYL - GLAZING	132-025736
3	098644-01-706	FT	WEATHERSTRIP - GLASS	171-010668
4	098644-01-713	EA	CLIP - SCREEN - METAL	226-016966
4	125582-01-701	EA	CLIP - SCREEN - PLASTIC	130-005153
	098644-01-717	FT	SPLINE - SCREEN	132-004716
5	112795-01-701	EA	SLIDE-STOP	132-019092
6	098644-01-710	FT	TRACK - SCREEN SPACER 12'	132-017135
7	112795-01-700	EA	LATCH ASM., BLK.,(BOLT ON)	DH287-CK
8	112795-01-703	IN	CHANNEL-RUN (INCHES)	122-018736
9	098644-01-711	FT	WEATHERSTRIP - SCREEN BLACK	171-016965
11	112795-72-700	EA	GLASS - STATIONARY	390-028307
12	112795-72-701	EA	GLASS - SLIDING W/SASH LATCH	DC29-G8
13	098647-31-704	EA	SCREEN ASSY - W/SEAL & CLIPS	410-019128
14	098647-31-705	EA	RETAINER - TRIM	CH29-66

WINDOW & VENTS GROUP (CONTINUED)
COMPONENT PARTS FOR WINDOWS & VENT LAYOUT (CONTINUED)

112795-77-01A

KEY	PART NUMBER	U/M	DESCRIPTION	VENDOR NO.
1	112795-01-704	FT	PLUG FILLER (DOUBLE GLAZED)	122-018737
2	112795-01-705	FT	VINYL - GLAZING	132-025736
3	098644-01-706	FT	WEATHERSTRIP - GLASS	171-010668
4	098644-01-713	EA	CLIP - SCREEN - METAL	226-016966
4	125582-01-701	EA	CLIP - SCREEN - PLASTIC	130-005153
	098644-01-717	FT	SPLINE - SCREEN	132-004716
5	112795-01-701	EA	SLIDE-STOP	132-019092
6	098644-01-710	FT	TRACK - SCREEN SPACER 12'	132-017135
7	112795-01-700	EA	LATCH ASM., BLK.,(BOLT ON)	DH287-CK
8	112795-01-703	IN	CHANNEL-RUN (INCHES)	122-018736
9	098644-01-711	FT	WEATHERSTRIP - SCREEN BLACK	171-016965
11	112795-77-700	EA	GLASS - STATIONARY	390-28313
12	112795-77-701	EA	GLASS - SLIDING W/SASH LATCH	DH493-G8
13	098647-47-702	EA	SCREEN ASSY - W/SEAL & CLIPS	410-025226
14	098647-47-704	EA	RETAINER - TRIM	H493-66

WINDOW & VENTS GROUP (CONTINUED)
COMPONENT PARTS FOR WINDOWS & VENT LAYOUT (CONTINUED)



112898-25-01A

KEY	PART NUMBER	U/M	DESCRIPTION	VENDOR NO.
1	112795-01-704	FT	PLUG FILLER (DOUBLE GLAZED)	122-018737
2	112795-01-705	FT	VINYL - GLAZING	132-025736
3	098644-01-706	FT	WEATHERSTRIP - GLASS	171-010668
4	098644-01-713	EA	CLIP - SCREEN - METAL	226-016966
4	125582-01-701	EA	CLIP - SCREEN - PLASTIC	130-005153
5	112795-01-701	EA	SLIDE-STOP	132-019092
6	098644-01-710	FT	TRACK - SCREEN SPACER 12'	132-017135
7	112795-01-700	EA	LATCH ASM., BLK.,(BOLT ON)	DH287-CK
8	112795-01-703	IN	CHANNEL-RUN (INCHES)	122-018736
9	098644-01-711	FT	WEATHERSTRIP - SCREEN BLACK	171-016965
10	112898-25-700	EA	GLASS - STATIONARY	390-028310
11	112898-25-701	EA	GLASS-SLIDING W/SASH & LATCH	DH564-G8
12	112898-19-702	EA	SCREEN ASM - W/SEALS & CLIPS	410-026279
13	112898-19-703	EA	RETAINER - TRIM	W564-66
14	112898-04-703	EA	VERTICAL LATCH (SASH KIT)	DH343-CK
	098644-01-717	FT	SPLINE - SCREEN	132-004716

WINDOW & VENTS GROUP (CONTINUED)
COMPONENT PARTS FOR WINDOWS & VENT LAYOUT (CONTINUED)

113733-04-01A, 113733-10-01A, 113733-11-01A

KEY	PART NUMBER	U/M	DESCRIPTION	VENDOR NO.
	112795-01-705	FT	VINYL - GLAZING	132-025736
	113733-10-700	EA	GLASS-STATIONARY	390-028306
	113733-10-701	EA	RETAINER-TRIM	H416-66

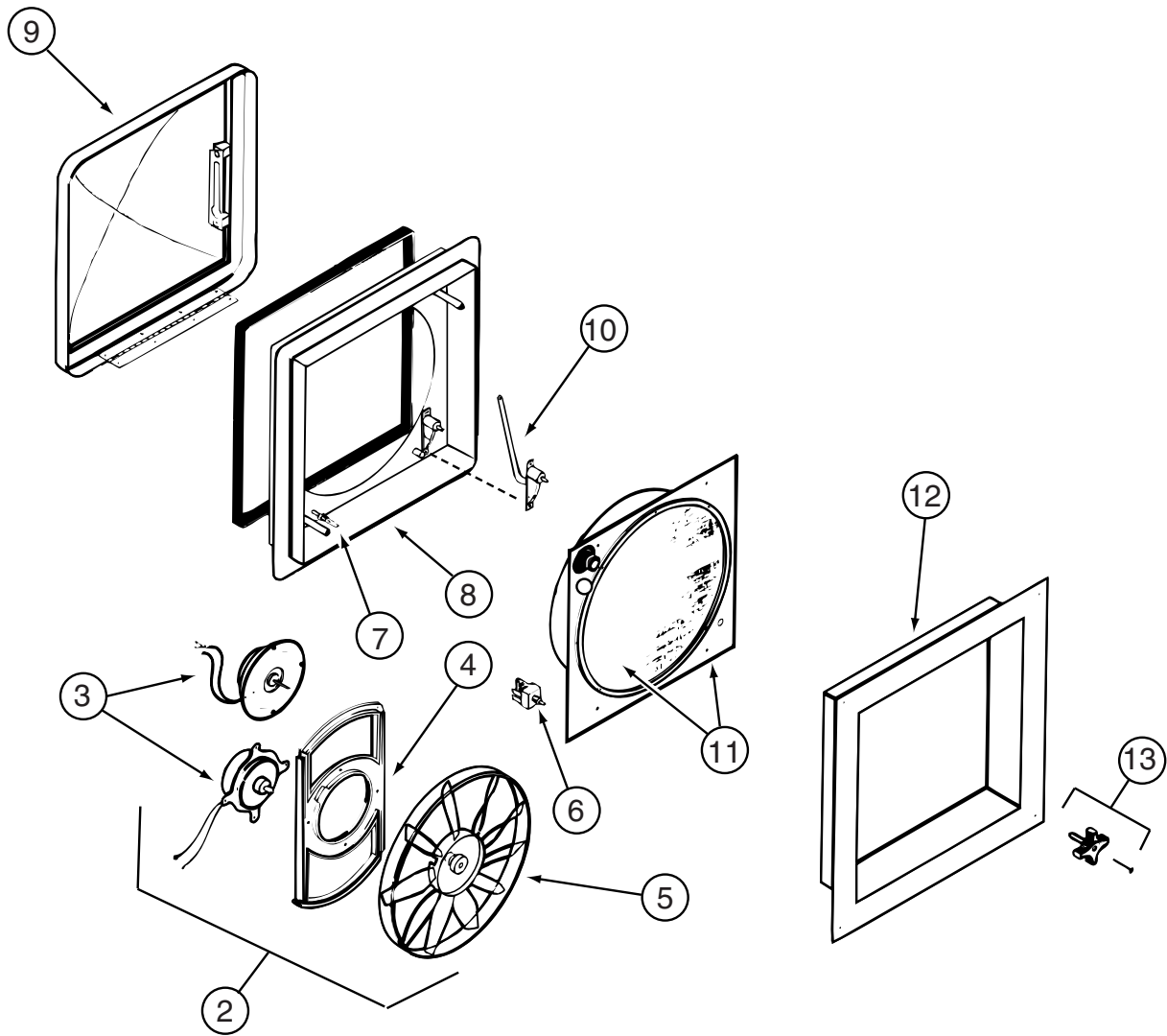
122882-01-01A

KEY	PART NUMBER	U/M	DESCRIPTION	VENDOR NO.
	009440-01-000	EA	GEAR-ARM-ROOF VENT	705221K38
	064470-01-700	EA	COVER - VENT - W/O SLIDE BAR	J7291
	064470-01-701	EA	SLIDE BAR - VENT LID	JRP1291B
	122882-01-701	EA	SCREEN	JRP-1124-B
	122882-01-702	EA	HANDLE - CRANK - WHITE	JRP1031B

122882-02-01A, 122882-03-01A

KEY	PART NUMBER	U/M	DESCRIPTION	VENDOR NO.
	064470-01-700	EA	COVER - VENT - W/O SLIDE BAR	J7291
	009440-01-000	EA	GEAR-ARM-ROOF VENT	705221K38
	048648-01-000	EA	MOTOR-12V NONVENTED 1/8 SFT	
	048649-01-000	EA	FAN-PLAS-6 IN 6 BLADED	
	122882-01-701	EA	SCREEN	JRP-1124-B
	122882-01-702	EA	HANDLE - CRANK - WHITE	JRP1031B
	064470-01-701	EA	SLIDE BAR - VENT LID	JRP1291B
	110051-03-700	EA	SWITCH-BLACK/PUSH BUTTON	27-0164

WINDOW & VENTS GROUP (CONTINUED)
COMPONENT PARTS FOR WINDOWS & VENT LAYOUT (CONTINUED)

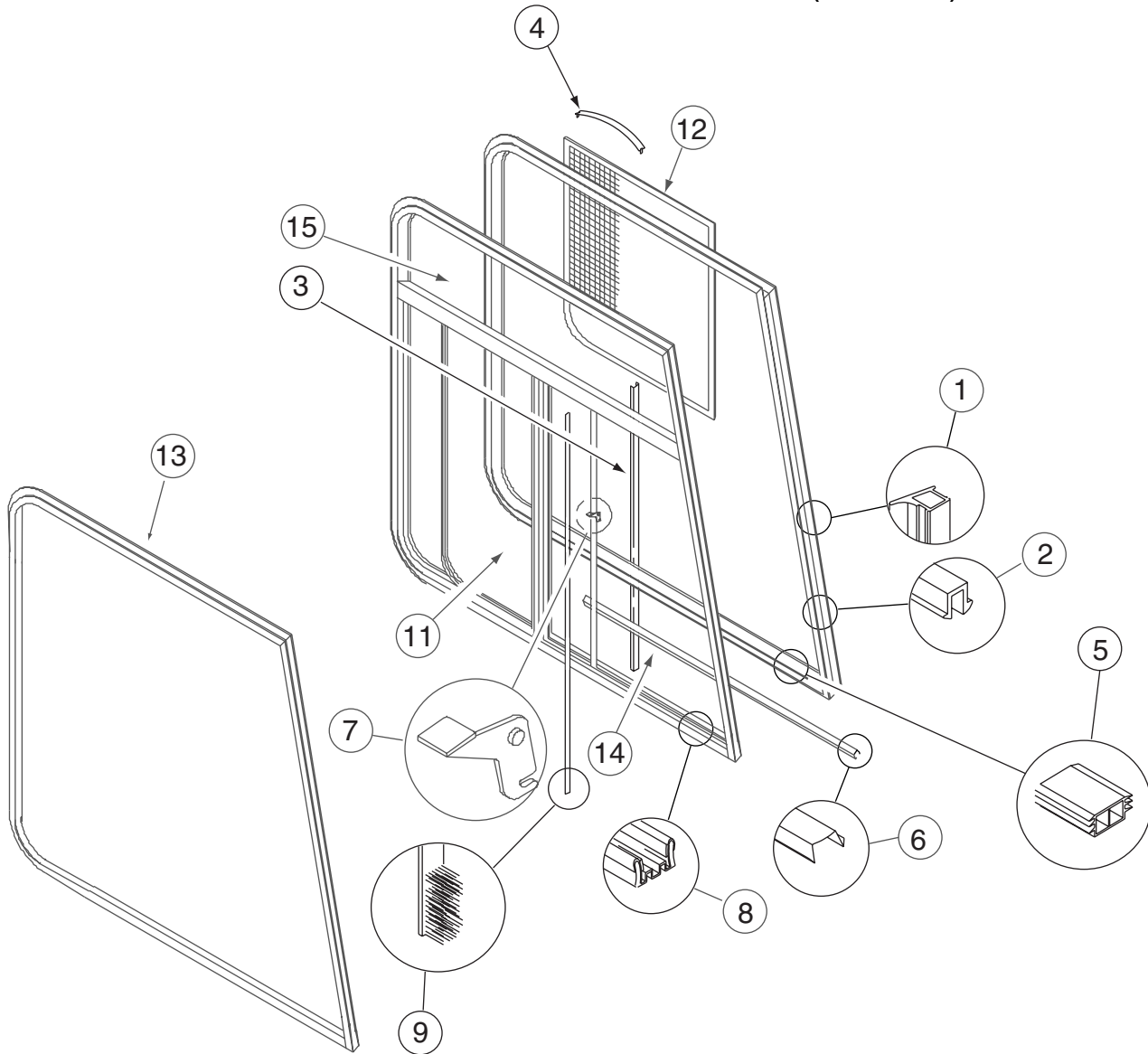


123780-03-01A

KEY	PART NUMBER	U/M	DESCRIPTION	VENDOR NO.
2	084079-11-700	EA	MOTOR, BRKT., FAN BLADE, KIT	4017K-09
3	084079-01-705	EA	MOTOR	1080-00
4	084079-01-711	EA	H-MOLDING, MOTOR MOUNT	
5	084079-01-704	EA	BLADE-FAN	1070-00
6	084079-01-709	EA	SWITCH - MAIN - 3 SPEED	1031-05
7	084079-01-707	EA	SWITCH - SAFETY	1122.05
8	123780-05-700	EA	BASE - MAIN BRIGHT WHITE	1010K-81
9	123780-01-700	EA	COVER - VENT W/HINGE & SLIDE	1020K-81
10	009440-01-000	EA	GEAR/ARM - LIFT - ROOF VENT COVER	
11	123780-03-701	EA	SCREEN ASM 78-100MM W/SWITCH	1030BT-81
12	123780-03-700	EA	GARNISH - INT. 3"-4" BRT/WHT	2040-81
13	084079-01-703	EA	KNOB-LIFT, W/EXT.	1140K-00
	084079-01-706	EA	PLUG, 12 VOLT	1090
	123780-01-702	EA	SCREEN W/FRAME	103581

CONTACT WINNEBAGO PART SALES FOR UNLISTED COMPONENTS

WINDOW & VENTS GROUP (CONTINUED)
COMPONENT PARTS FOR WINDOWS & VENT LAYOUT (CONTINUED)



125583-01-01A

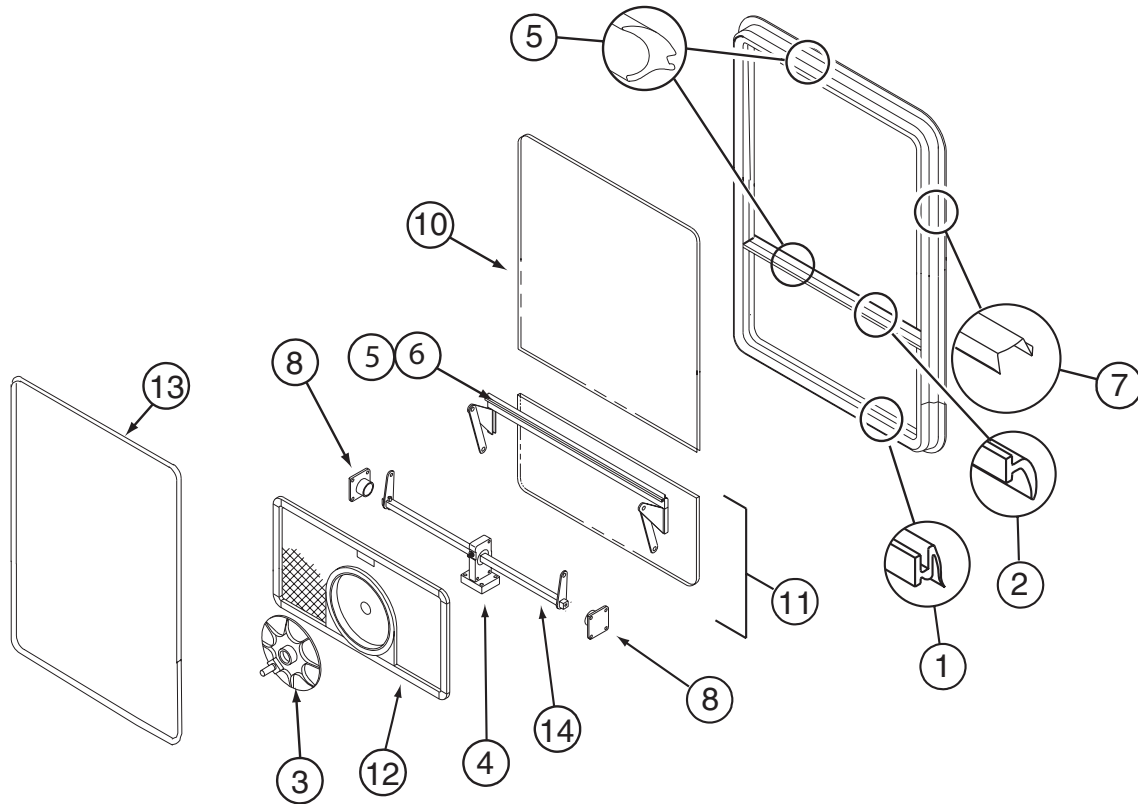
KEY	PART NUMBER	U/M	DESCRIPTION	VENDOR NO.
1	112795-01-704	FT	PLUG FILLER (DOUBLE GLAZED)	122-018737
2	112795-01-705	FT	VINYL-GLAZING	132-027331
3	098644-01-706	FT	WEATHERSTRIP - GLASS	171-010668
4	098644-01-713	EA	CLIP - SCREEN - METAL	226-016966
4	125582-01-701	EA	CLIP - SCREEN - PLASTIC	130-005153
5	112795-01-701	EA	SLIDE-STOP	132-019092
6	098644-01-710	FT	TRACK - SCREEN SPACER 12'	32-017135
7	112795-01-700	EA	LATCH ASM., BLK.,(BOLT ON)	DH287-CK
8	112795-01-703	IN	CHANNEL-RUN (INCHES)	122-027566
9	098644-01-711	FT	WEATHERSTRIP - SCREEN BLACK	171-016965
11	125583-01-700	EA	GLASS-SLIDING W/SASH & LATCH	DH573-A9R
12	125582-01-705	EA	SCREEN - PASSENGER - W/SEALS & CLIPS	410-026545
13	125582-01-706	EA	RETAINER - TRIM	H573-27R
14	125583-01-702	EA	GLASS - STATIONARY - R.H.	390-026101
15	125583-01-701	EA	GLASS - STATIONARY - UPPER	390-026100
	125582-01-708	EA	WEEPHOLE COVER - RIGHT HAND	130-026598
	125582-01-709	EA	WEEPHOLE COVER - LEFT HAND	130-026599
	098644-01-717	EA	SPLINE - SCREEN	132-004716

WINDOW & VENTS GROUP (CONTINUED)
COMPONENT PARTS FOR WINDOWS & VENT LAYOUT (CONTINUED)

125583-02-01A

KEY	PART NUMBER	U/M	DESCRIPTION	VENDOR NO.
1	112795-01-704	FT	PLUG FILLER (DOUBLE GLAZED)	122-018737
2	112795-01-705	FT	VINYL-GLAZING	132-027331
3	098644-01-706	FT	WEATHERSTRIP - GLASS	171-010668
4	098644-01-713	EA	CLIP - SCREEN - METAL	226-016966
4	125582-01-701	EA	CLIP - SCREEN - PLASTIC	130-005153
5	112795-01-701	EA	SLIDE-STOP	132-019092
6	098644-01-710	FT	TRACK - SCREEN SPACER 12'	132-017135
7	112795-01-700	EA	LATCH ASM., BLK.,(BOLT ON)	DH287-CK
8	112795-01-703	IN	CHANNEL-RUN (INCHES)	122-027566
9	098644-01-711	FT	WEATHERSTRIP - SCREEN BLACK	171-016965
11	125583-02-700	EA	GLASS-SLIDING W/SASH & LATCH	DH573-A9L
12	125582-02-701	EA	SCREEN - DRIVER - W/SEALS & CLIPS	410-026546
13	125582-02-702	EA	RETAINER - TRIM	H573-27L
14	125583-02-701	EA	GLASS - STATIONARY	390-026102
15	125583-01-701	EA	GLASS - STATIONARY - UPPER	390-026100
	125582-01-708	EA	WEEPHOLE COVER - RIGHT HAND	130-026598
	125582-01-709	EA	WEEPHOLE COVER - LEFT HAND	130-026599
	098644-01-717	FT	SPLINE - SCREEN	132-004716

WINDOW & VENTS GROUP (CONTINUED)
COMPONENT PARTS FOR WINDOWS & VENT LAYOUT (CONTINUED)

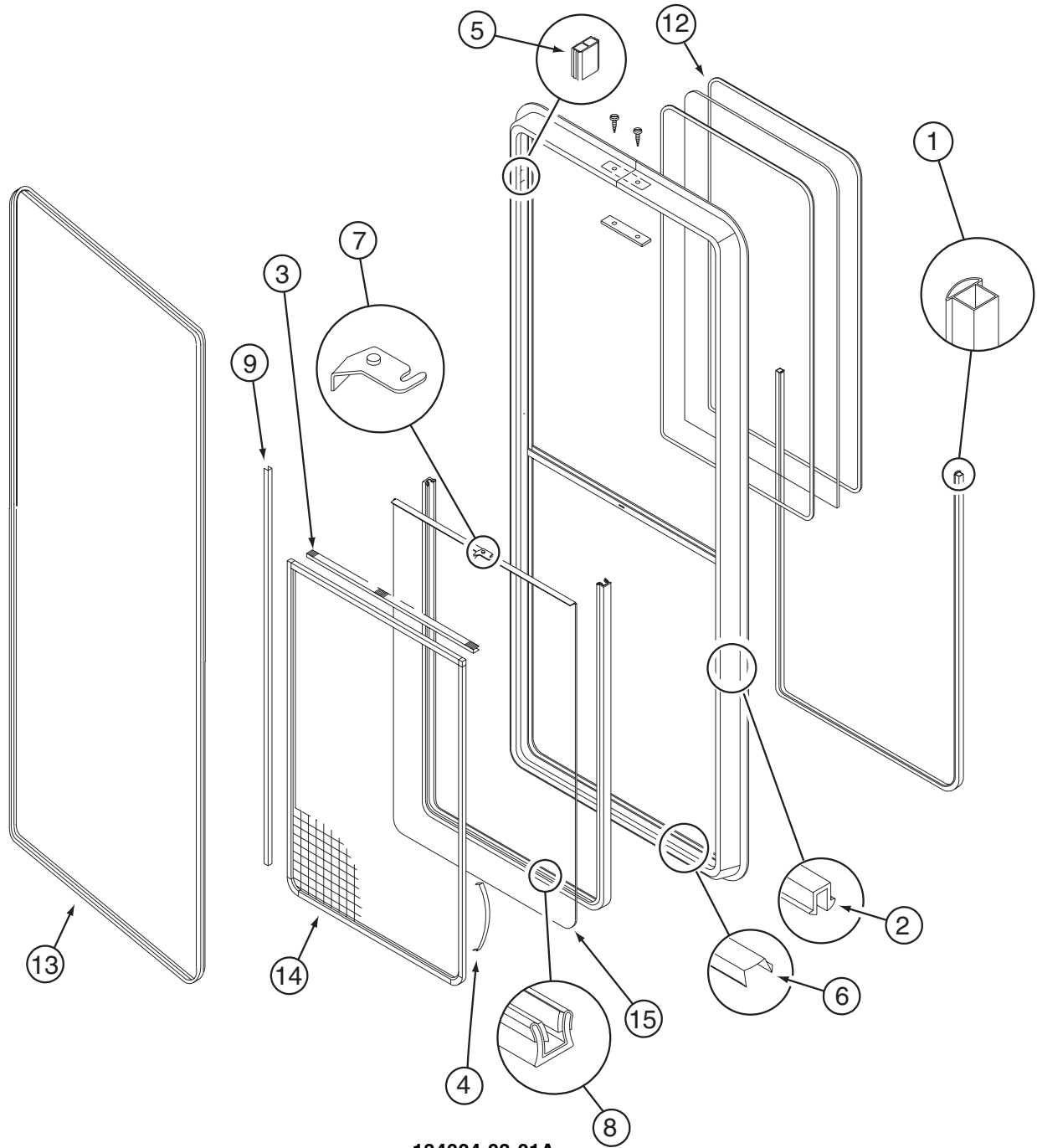


129929-11-01A

KEY	PART NUMBER	U/M	DESCRIPTION	VENDOR NO.
1	100322-01-701	FT	SEAL-VENT	122-016071
3	100322-01-718	EA	HANDLE-DIAL	410-016081
4	129929-01-710	EA	TORQUE-CTR SUPPORT (2 HOLE)	410-026806
5	129929-01-705	FT	GLAZING VINYL	132-026811
6	129929-01-707	FT	COVER/SCREW-FILLER STRIP	132-026808
8	129929-01-708	EA	SUPPORT - TORQUE BAR - RT/LT	130-026804
10	129929-11-700	EA	GLASS - STATIONARY	390-028304
11	129929-11-701	EA	VENT GLASS ASSEMBLY	DTH005-G8
12	129929-05-702	EA	SCREEN ASM - W/SEALS & CLIPS	410-026909
13	129929-05-705	EA	RETAINER - TRIM	CH05-62
14	129929-05-704	EA	OPERATOR BAR ASSEMBLY	DTH005-15
	100322-01-717	FT	SEAL - VENT	122-016071
	129929-01-706	FT	SEAL - TOP F/CENTER EGRESS	132-026811
	129929-02-706	FT	SEAL - FOAM	140-027022

CONTACT WINNEBAGO PART SALES FOR UNLISTED COMPONENTS

WINDOW & VENTS GROUP (CONTINUED)
COMPONENT PARTS FOR WINDOWS & VENT LAYOUT (CONTINUED)

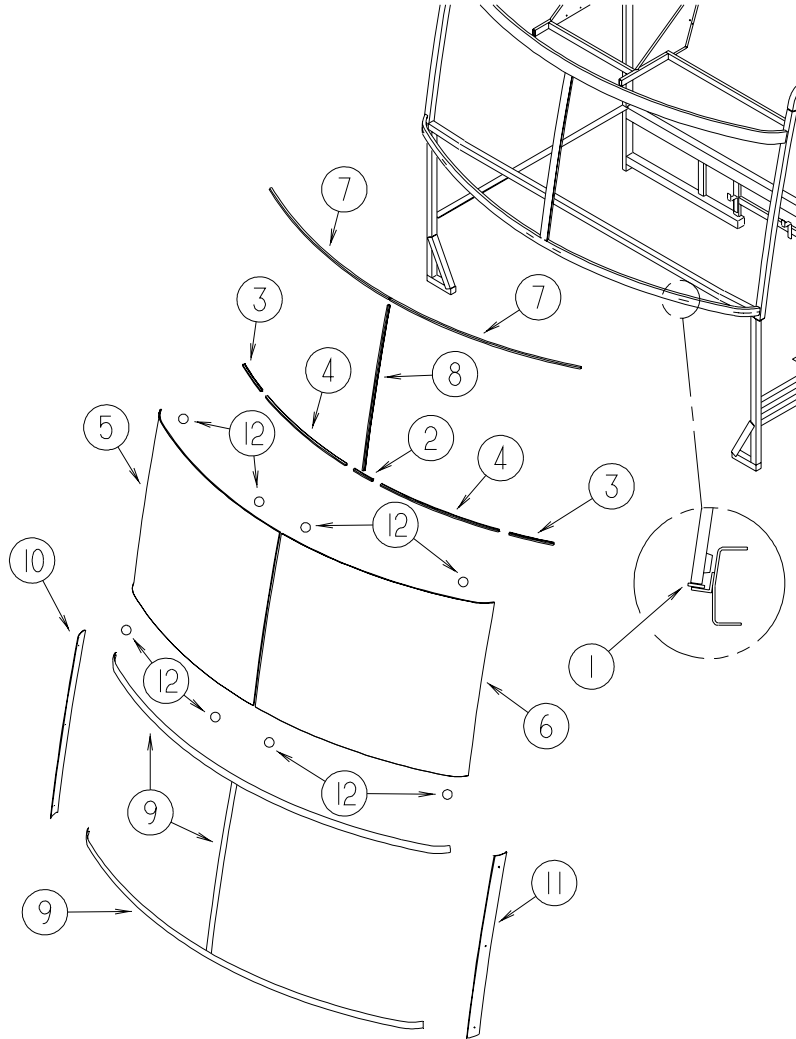


134004-03-01A

KEY	PART NUMBER	U/M	DESCRIPTION	VENDOR NO
1	112795-01-704	FT	PLUG FILLER (DOUBLE GLAZED)	122-018737
2	112795-01-705	FT	VINYL - GLAZING	132-027331
3	098644-01-706	FT	WEATHERSTRIP - GLASS	171-010668
4	125582-01-701	EA	CLIP - SCREEN - PLASTIC	130-005153
4	098644-01-713	EA	CLIP - SCREEN - METAL	226-016966
5	112795-01-701	EA	SLIDE-STOP	132-019092
6	098644-01-710	FT	TRACK - SCREEN SPACER 12'	132-017135
7	112795-01-700	EA	LATCH ASM., BLK.,(BOLT ON)	DH287-CK
8	112795-01-703	IN	CHANNEL-RUN (INCHES)	122-027566
9	098644-01-711	FT	WEATHERSTRIP - SCREEN BLACK	171-016965
12	134004-03-700	EA	GLASS - STATIONARY	390-028662
13	134004-03-702	EA	RETAINER - TRIM	H702-56
14	098644-13-702	EA	SCREEN ASM W/SEALS & CLIPS	410-028663
15	134004-03-701	EA	GLASS-SLIDING W/SASH & LATCH	DH702-G8
	112898-04-703	EA	VERTICAL LATCH (SASH KIT)	DH343-CK
	098644-01-717	FT	SPLINE - SCREEN	132-004716

WINDSHIELD & WIPER GROUP

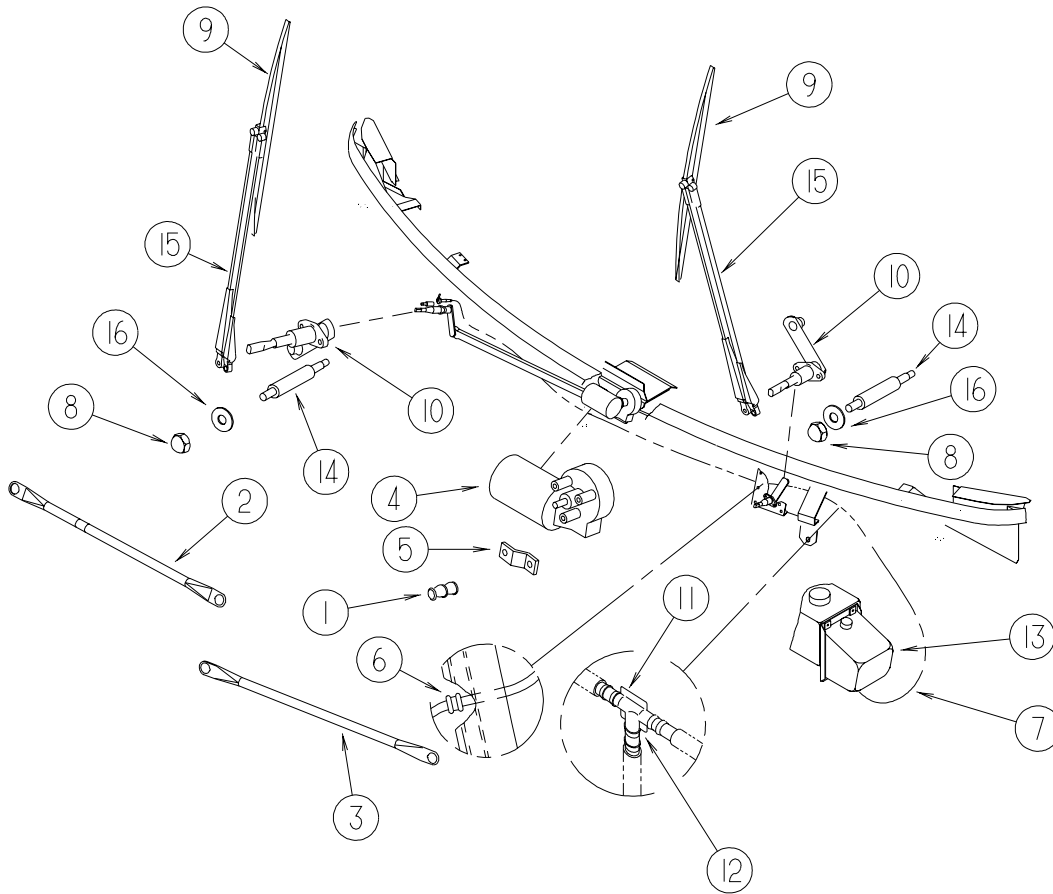
WINDSHIELD



KEY	PART NUMBER	U/M	DESCRIPTION
1	002328-02-000	EA	BLOCK - WINDSHIELD - .062" X .5" X .98"
2	132375-01-000	EA	CARRIER/REVEAL - WINDSHIELD - 5.5"
			FROM: 00-00-00 THRU: 01-15-02
2	142036-01-000	EA	CARRIER/REVEAL - WINDSHIELD
			FROM: 01-16-02 THRU: 99-99-99
3	132375-02-000	EA	CARRIER/REVEAL - WINDSHIELD - 10"
			FROM: 00-00-00 THRU: 01-15-02
3	142036-02-000	EA	CARRIER/REVEAL - WINDSHIELD
			FROM: 01-16-02 THRU: 99-99-99
4	117335-06-000	EA	CARRIER - REVEAL - 29.8"
			FROM: 00-00-00 THRU: 01-15-02
4	132375-04-000	EA	CARRIER/REVEAL - WINDSHIELD
			FROM: 01-16-02 THRU: 99-99-99
5	124328-01-000	EA	WINDSHIELD - PASSENGER - 52" X 41" (CURVED)
6	124328-02-000	EA	WINDSHIELD - DRIVER - 52" X 41" (CURVED)
7	127862-01-000	EA	CARRIER/REVEAL - WINDSHIELD - 47.2"
8	127862-09-000	EA	CARRIER/REVEAL - WINDSHIELD - 38.6"
9	120533-01-000	FT	MOLDING - REVEAL - WINDSHIELD
10	125384-01-02A	EA	TRIM - WINDSHIELD - A-PILLAR - PASSENGER - BLACK
11	125384-02-02A	EA	TRIM - WINDSHIELD - A-PILLAR - DRIVER - BLACK
12	081914-02-000	EA	BUMPER - RUBBER - ROUND - 5/16" DIA. X 13/64" THICK

WINDSHIELD & WIPER GROUP (CONTINUED)

WIPER



KEY	PART NUMBER	U/M	DESCRIPTION
1	067188-01-000	EA	STUD - CRANK - WIPER MOTOR
	117322-01-000	EA	SCREW - 1/4-28 UNFINISHED - 2A - TORX
2	117770-01-000	EA	LINK - CONNECTING - 24" - CLOSED GROMMET/OPEN GROMMET
3	117770-02-000	EA	LINK - CONNECTING - 24" - CLOSED GROMMET/CLOSED GROMMET
4	104346-04-000	EA	WIPER MOTOR - iCOAST TO PARK" W/BKR - W/GRN/RED/WHITE WIRE - WORKHORSE F30W, F32V
4	104346-05-000	EA	WIPER MOTOR - iDYNAMIC PARK" - W/INTERNAL BREAKER - FORD AND WORKHORSE F34D, F36M
5	104347-04-000	EA	ARM - DRIVE - WIPER MOTOR
6	061603-01-000	EA	GROMMET - SNAP - 3/16"ID - 3/8" HOLE - PLASTIC BLACK
7	045794-01-000	FT	HOSE - WASHER - WINDSHIELD - 5/32" ID - BLACK
8	077049-02-000	NUT	ACORN - 10-32 BLACK/ANODIZED
9*	095964-01-000	EA	BLADE - WINDSHIELD WIPER - 24"
10*	096505-09-000	EA	SHAFT/PIVOT - WINDSHIELD WIPER
11	110605-01-000	EA	TEE - PLASTIC - BARBED - 1/8" X 1/8" X 3/16"
12	117765-03-000	EA	CONNECTOR - 5/32" - WINDSHIELD WASHER
13	117766-02-000	EA	RESERVOIR/PUMP - WINDSHIELD WASHER
14	117768-01-000	EA	SHAFT - ADAPTER - PANTOGRAPH ARM
15*	117769-01-000	EA	ARM - WIPER - PANTOGRAPH - 28"
16	110742-02-000	EA	GASKET - NEOPRENE - WIPER ADAPTER SHAFT - .5" ID X .9" OD

*COMPONENT PARTS LISTED LATER IN THIS GROUP

WINDSHIELD & WIPER GROUP (CONTINUED)
COMPONENT PARTS FOR WIPER

095964-01-000

KEY	PART NUMBER	U/M	DESCRIPTION	VENDOR NO.
	095964-01-000	EA	BLADE - WINDSHIELD WIPER - 24"	
	095964-01-700	EA	BLADE-REFILL 24" EA= 1 PAIR	12360

096505-09-000

KEY	PART NUMBER	U/M	DESCRIPTION	VENDOR NO.
	096505-09-000	EA	SHAFT/PIVOT - WINDSHIELD WIPER	UT 6706220SH25WJ
	096505-02-700	EA	DRIVER-KNURLED,(HD) BRL .687	NT721017
	096505-02-701	EA	NUT-HEX (HD) W/.687 BARREL	NT721021
	096505-02-702	EA	CAP-RUBBER (HD) BARREL .687	CP721084
	096505-02-703	EA	NUT/ACORN - HD W/.687 BRL	51065-40-NT27WC

117769-01-000

KEY	PART NUMBER	U/M	DESCRIPTION	VENDOR NO.
	117769-01-000	EA	ARM - WIPER - PANTOGRAPH - 28"	UT 6701620LE25WJ
	096931-01-700	FT	HOSE - WASHER - 1/8" ID	XTU-66-0001
	117769-01-700	EA	RETAINER CLIP - HOSE	