

# 2002 SUNDANCER

**400 - SERIES**

**WASHED MAPLE**

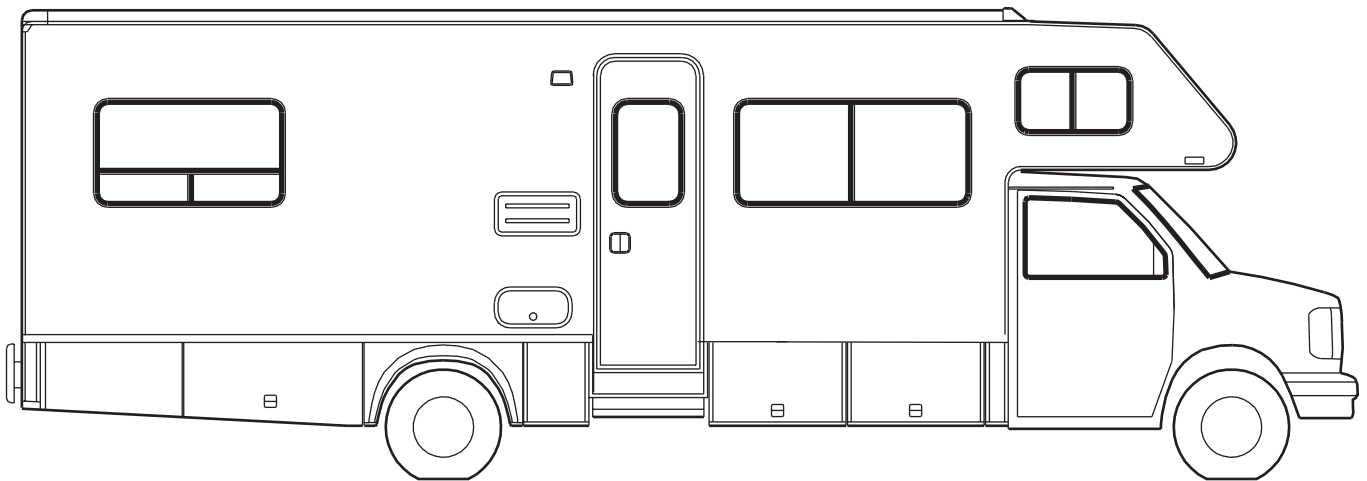
**N15 TIMBER LANE - NEUTRAL**

**N17 ASPEN GLEN - GREEN**

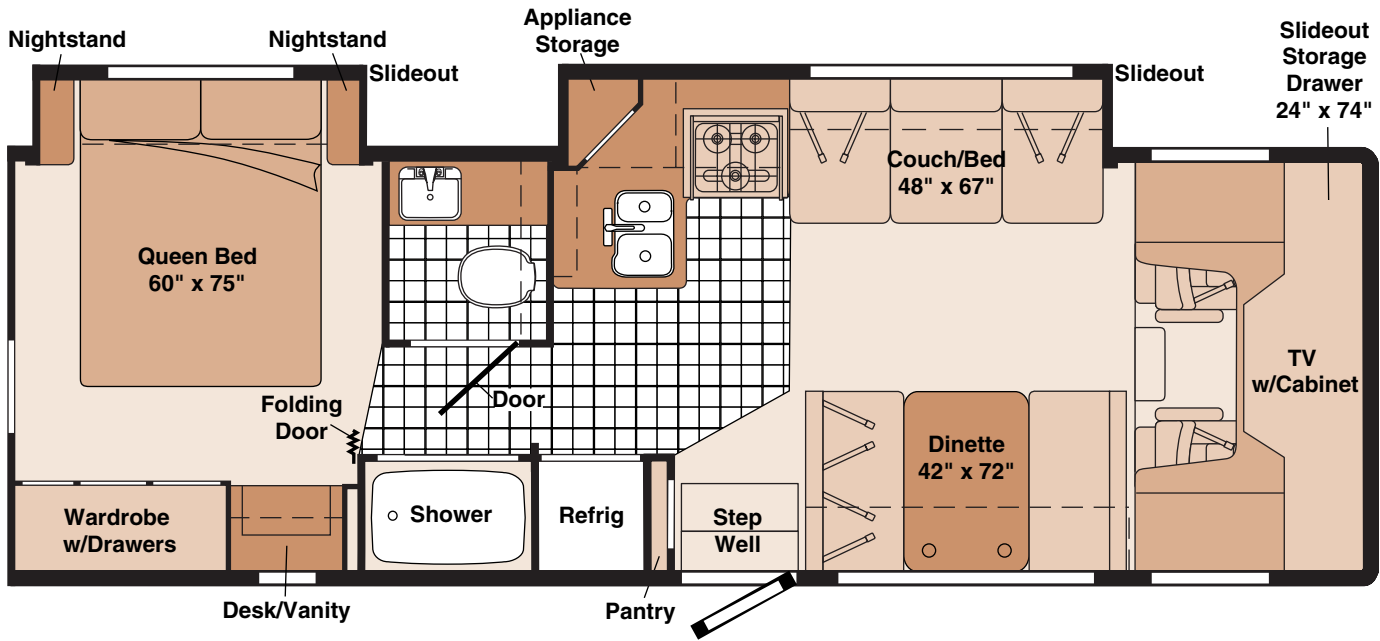
**SALEM CHERRY**

**N16 TIMBER LANE - NEUTRAL**

**N18 ASPEN GLEN - GREEN**



# 2002 IF430V



FLOORPLAN

# CONTENTS

|   |           |
|---|-----------|
| <b>FLOORPLAN</b> .....                                    | <b>2</b>  |
| <b>ACCESSORIES GROUP</b> .....                            | <b>7</b>  |
| OPERATORS MANUAL .....                                    | 7         |
| <b>APPLIANCE GROUP</b> .....                              | <b>8</b>  |
| APPLIANCES .....  | 8         |
| COMPONENT PARTS FOR APPLIANCE .....                       | 11        |
| 112881-03-01A .....                                       | 11        |
| 115504-01-000 .....                                       | 14        |
| 121569-05-01A, 121569-07-01A .....                        | 14        |
| 126019-01-01A .....                                       | 20        |
| 134940-01-01A .....                                       | 20        |
| 134940-02-01A .....                                       | 21        |
| 134940-04-01A .....                                       | 22        |
| 135656-01-01A .....                                       | 23        |
| <b>AUDIO VIDEO GROUP</b> .....                            | <b>27</b> |
| RADIO SYSTEM .....  | 27        |
| REAR VIEW MONITOR .....                                   | 27        |
| TELEPHONE .....   | 27        |
| TV & VCR .....  | 27        |
| COMPONENT PARTS FOR TV & VCR .....                        | 29        |
| 076319-23-000 .....                                       | 29        |
| 076319-25-000 .....                                       | 29        |
| 086231-10-000 .....                                       | 30        |
| 094487-05-000 .....                                       | 30        |
| 124073-11-000 .....                                       | 30        |
| 126697-07-000 .....                                       | 30        |
| 130121-05-000 .....                                       | 30        |
| 133377-01-000 .....                                       | 30        |
| 137135-01-000 .....                                       | 31        |
| EXTERIOR ENTERTAINMENT .....                              | 33        |
| <b>BATH GROUP</b> .....                                   | <b>34</b> |
| CABINETS .....  | 34        |
| SHOWER .....  | 35        |
| COMPONENT PARTS FOR SHOWER DOOR .....                     | 36        |
| 115011-03-01A .....                                       | 36        |
| <b>BEDROOM GROUP</b> .....                                | <b>37</b> |
| QUEEN CABINETS .....                                      | 37        |
| COMPONENT PARTS FOR QUEEN CABINETS .....                  | 40        |
| 131595-01-01A .....                                       | 40        |
| <b>CHASSIS GROUP</b> .....                                | <b>41</b> |
| FRAME .....   | 41        |
| DRIVETRAIN .....  | 42        |
| EXHAUST .....   | 42        |
| HITCH .....   | 43        |
| REAR BUMPER .....   | 43        |
| FUEL .....  | 44        |
| SPARE TIRE .....  | 45        |
| SUSPENSION .....  | 45        |
| COMPONENT PARTS FOR SUSPENSION .....                      | 46        |
| 135674-01-000 .....                                       | 46        |
| WHEEL, TIRE, COVERS &/OR LINERS .....                     | 47        |
| COMPONENT PARTS FOR WHEEL, TIRE, COVERS &/OR LINERS ..... | 48        |
| 110435-13-000 .....                                       | 48        |
| BRAKELINE .....   | 49        |

# CONTENTS (CONTINUED)

|   |           |
|---|-----------|
| <b>CURTAIN &amp; CUSHION GROUP</b> .....  | <b>50</b> |
| NOTICE .....  | 50        |
| CUSHION LAYOUT .....  | 51        |
| BUCKET SEATS .....  | 52        |
| SOFA .....  | 53        |
| WINDOW TREATMENT .....  | 54        |
| HARDWARE .....  | 56        |
| ACCESSORIES .....   | 58        |
| FABRICS .....   | 59        |
| <b>DINETTE GROUP</b> .....  | <b>61</b> |
| CABINETS .....  | 61        |
| TABLE .....   | 62        |
| <b>DRIVERS COMPARTMENT GROUP</b> .....  | <b>63</b> |
| FRONT INTERIOR .....  | 63        |
| CABINETS .....  | 64        |
| <b>ELECTRICAL GROUP</b> .....   | <b>66</b> |
| 12V BODY WIRING .....   | 66        |
| FRONT END WIRING .....  | 69        |
| COMPONENT PARTS FOR LIGHTS & SWITCHES .....   | 70        |
| 008089-02-000 .....   | 70        |
| 081638-01-000 .....   | 70        |
| 087202-01-000 .....   | 70        |
| 087694-01-000 .....   | 70        |
| 097917-01-06A .....   | 70        |
| 121935-01-01A .....   | 70        |
| 137417-01-01A .....   | 70        |
| 137417-02-01A .....   | 70        |
| 137417-05-01A .....   | 70        |
| CIRCUIT BREAKERS & FUSES .....  | 71        |
| CONVERTER, INVERTER, LOAD CENTERS .....   | 71        |
| COMPONENT PARTS FOR CONVERTER, INVERTER, LOAD CENTERS .....   | 72        |
| 093257-02-000 .....   | 72        |
| 110V WIRING .....   | 73        |
| ENTERTAINMENT WIRING .....  | 74        |
| BOXES & CORDS .....   | 75        |
| WIRE ASSEMBLIES .....   | 75        |
| CONNECTORS & CONDUIT .....  | 76        |
| BOOTS, SOLENOIDS, RELAYS & MISCELLANEOUS .....  | 78        |
| <b>EXTERIOR BODY GROUP</b> .....  | <b>79</b> |
| GRAPHICS & PAINT .....  | 79        |
| PANELS & TRIMS .....  | 81        |
| LADDER .....  | 83        |
| RUNNING BOARDS .....  | 83        |
| MIRRORS .....   | 83        |
| COMPONENT PARTS FOR MIRRORS .....   | 84        |
| 120269-07-01A .....   | 84        |
| 133908-01-01A, 133908-01-02A, 133908-02-01A, 133908-03-01A, 133908-03-02A, 133908-04-01A, 133908-05-01A, 133908-06-01A, ..... | 84        |
| 133908-07-01A, 133908-08-01A .....  | 84        |
| STRUCTURAL COMPONENTS .....   | 85        |
| AWNINGS .....   | 85        |
| COMPONENT PARTS FOR AWNINGS .....   | 86        |
| 113874-01-02A .....   | 86        |

# CONTENTS (CONTINUED)

|  |            |
|--|------------|
| <b>EXTERIOR DOORS &amp; COMPARTMENTS GROUP</b> .....   | <b>87</b>  |
| DOOR & COMPARTMENT LAYOUT .....                        | 87         |
| COMPONENT PARTS FOR DOOR & COMPARTMENT LAYOUT .....    | 91         |
| 084103-08-000 .....                                    | 91         |
| 094708-03-01A .....                                    | 91         |
| COMPARTMENT DOOR PIECE PARTS .....                     | 92         |
| COMPONENT PARTS FOR COMPARTMENT DOOR PIECE PARTS ..... | 95         |
| 110506-26-000 - 110506-27-000 - 110506-33-000 .....    | 95         |
| ENTRY .....  | 96         |
| COMPONENT PARTS FOR ENTRY .....                        | 98         |
| 129676-01-000 THRU 129676-10-000 .....                 | 98         |
| SCREEN .....   | 99         |
| LATCH - ENTRY .....                                    | 100        |
| <b>EXTERIOR SLIDEOUT GROUP</b> .....                   | <b>101</b> |
| FRONT LEFT .....                                       | 101        |
| COMPONENT PARTS FOR FRONT SLIDEOUT .....               | 106        |
| 130606-02-000 .....                                    | 106        |
| 138992-01-000 .....                                    | 106        |
| 138993-01-000 .....                                    | 106        |
| REAR LEFT .....  | 107        |
| COMPONENT PARTS FOR REAR SLIDEOUT .....                | 111        |
| 100536-42-000 .....                                    | 111        |
| 128599-02-000 .....                                    | 111        |
| 128599-04-000 .....                                    | 111        |
| <b>GALLEY GROUP</b> .....                              | <b>112</b> |
| CABINETS .....   | 112        |
| <b>GENERATOR GROUP</b> .....                           | <b>114</b> |
| GAS .....  | 114        |
| <b>HEATING &amp; A/C GROUP</b> .....                   | <b>115</b> |
| FURNACE .....  | 115        |
| COMPONENT PARTS FOR FURNACE .....                      | 116        |
| 098668-20-000 .....                                    | 116        |
| 139980-02-000 .....                                    | 118        |
| REAR HEATER .....                                      | 120        |
| COMPONENT PARTS FOR REAR HEATER .....                  | 121        |
| 084405-01-000 .....                                    | 121        |
| ROOF .....   | 122        |
| COMPONENT PARTS FOR ROOF .....                         | 123        |
| 131184-03-01A .....                                    | 123        |
| 131184-04-01A .....                                    | 124        |
| 131188-01-01A .....                                    | 125        |
| 131188-02-01A .....                                    | 126        |
| 131188-03-01A .....                                    | 127        |
| 131188-04-01A .....                                    | 127        |
| <b>INTERIOR FINISH GROUP</b> .....                     | <b>128</b> |
| MOLDINGS & TRIMS .....                                 | 128        |
| PANELING & LAMINATES .....                             | 132        |
| ACCESSORIES .....                                      | 133        |
| COMPONENT PARTS FOR ACCESSORIES .....                  | 134        |
| 094499-02-000 .....                                    | 134        |
| FLOOR COVERINGS .....                                  | 135        |
| HARDWARE .....   | 136        |
| <b>LABELS GROUP</b> .....                              | <b>142</b> |
| <b>LP GROUP</b> .....                                  | <b>167</b> |
| LP SYSTEM .....  | 167        |
| COMPONENT PARTS FOR LP SYSTEM .....                    | 168        |
| 097821-03-000 .....                                    | 168        |
| <b>LOUNGE GROUP</b> .....                              | <b>169</b> |
| CABINETS .....   | 169        |

# CONTENTS (CONTINUED)

|   |            |
|---|------------|
| <b>SEALANTS &amp; FASTENERS GROUP .....</b>       | <b>170</b> |
| SEALANTS & ADHESIVES .....                        | 170        |
| BOLTS, NUTS AND WASHERS .....                     | 171        |
| SCREWS .....                                      | 173        |
| CLAMPS, CLIPS, GROMMETS, RIVETS & PLUGS .....     | 176        |
| MISCELLANEOUS FASTENERS .....                     | 177        |
| <b>WATER &amp; SEWAGE GROUP .....</b>             | <b>178</b> |
| DRAINAGE SYSTEM .....                             | 178        |
| COMPONENT PARTS FOR DRAINAGE SYSTEM .....         | 180        |
| 067487-04-000 .....                               | 180        |
| WATER SYSTEM .....                                | 181        |
| COMPONENT PARTS FOR WATER SYSTEM .....            | 188        |
| 051391-03-000 .....                               | 188        |
| 051391-07-000 .....                               | 190        |
| 098607-01-000 .....                               | 191        |
| <b>WINDOW &amp; VENTS GROUP .....</b>             | <b>192</b> |
| WINDOW & VENT LAYOUT .....                        | 192        |
| COMPONENT PARTS FOR WINDOWS & VENT LAYOUT .....   | 195        |
| 098644-07-02A .....                               | 195        |
| 098647-22-02A .....                               | 196        |
| 098647-23-02A .....                               | 197        |
| 098647-33-02A .....                               | 197        |
| 098647-34-02A .....                               | 197        |
| 113500-01-02A .....                               | 198        |
| 113733-04-01A, 113733-10-01A, 113733-11-01A ..... | 199        |
| 115630-01-02A .....                               | 199        |
| 115630-03-01A .....                               | 199        |
| 116976-02-02A .....                               | 199        |
| 122882-01-01A .....                               | 199        |
| 122882-02-01A, 122882-03-01A .....                | 199        |
| 123780-01-01A .....                               | 200        |
| 123780-03-01A .....                               | 201        |
| 123780-09-01A .....                               | 201        |
| 123780-11-01A .....                               | 201        |
| 123780-12-01A .....                               | 201        |

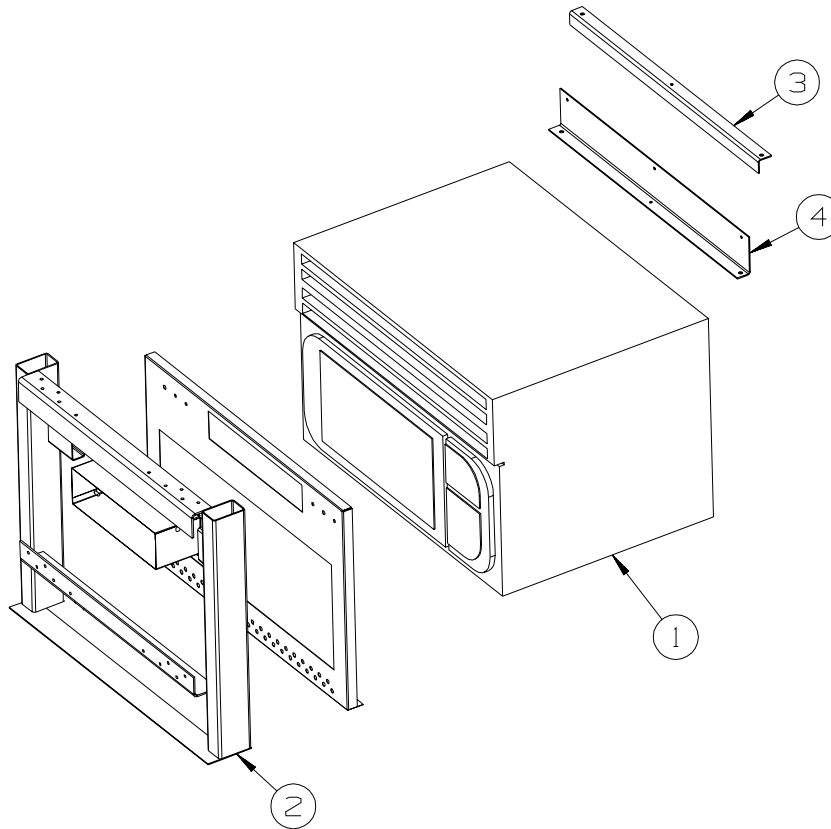
**ACCESSORIES GROUP**  
**OPERATORS MANUAL**

| <b>KEY</b> | <b>PART NUMBER</b> | <b>U/M</b> | <b>DESCRIPTION</b>   |
|------------|--------------------|------------|--|
|            | 132000-13-002      | EA         | MANUAL/OWNER - SUNDANCER - 2000                            |
|            | 129079-01-01A      | EA         | CASE - VINYL/BLACK-EXPANDABLE ACCORDION SIDES-7"WX9"HX14"L |
|            | 137488-01-000      | EA         | TOP LEVEL-C,2002   |

## APPLIANCE GROUP APPLIANCES

| KEY | PART NUMBER   | U/M | DESCRIPTION   |
|-----|---------------|-----|---|
|     | 137166-01-01B | EA  | BRACKET - STOVE TIEDOWN - RIGHT HAND - 427P                                 |
|     | 137166-02-01B | EA  | BRACKET - STOVE TIEDOWN - LEFT HAND - 427P                                  |
|     | 105458-03-000 | EA  | BRACKET - STOVE TIEDOWN - RIGHT HAND - 430V, 431C                           |
|     | 105458-04-000 | EA  | BRACKET - STOVE TIEDOWN - LEFT HAND - 430V, 431C                            |
| *   | 135656-01-01A | EA  | RANGE - 3 BURNER W/OVEN - 16" BLACK   |
| *   | 112881-03-01A | EA  | RANGE - 3 BURNER W/OVEN - 16" - BLACK DOOR/BLACK GLASS - 430V CANADIAN ONLY |
| *   | 126019-01-01A | EA  | COFFEEMAKER - OPTIMA - W/BRACKETS - BLACK & DECKER - 427P, 431C             |
|     | 138584-01-01A | EA  | COFFEE MAKER/CARAFE - BLACK - NO TIMER - KRUPS - 430V                       |
| *   | 115504-01-000 | EA  | PANEL - SOLAR 10 WATT - 12.2"W X 26.9"L X 1.2"H                             |
| *   | 134940-01-01A | EA  | PANEL - MONITOR - 2 TANK - W/GENERATOR SWITCH/HOUR METER                    |
| *   | 134940-02-01A | EA  | PANEL - MONITOR - 2 TANK - W/O GENERATOR SWITCH/HOUR METER                  |
| *   | 134940-04-01A | EA  | PANEL - MONITOR - 2 TANK - W/GENERATOR - SOLAR CHARGER                      |

**\*COMPONENT PARTS LISTED LATER IN THIS GROUP**

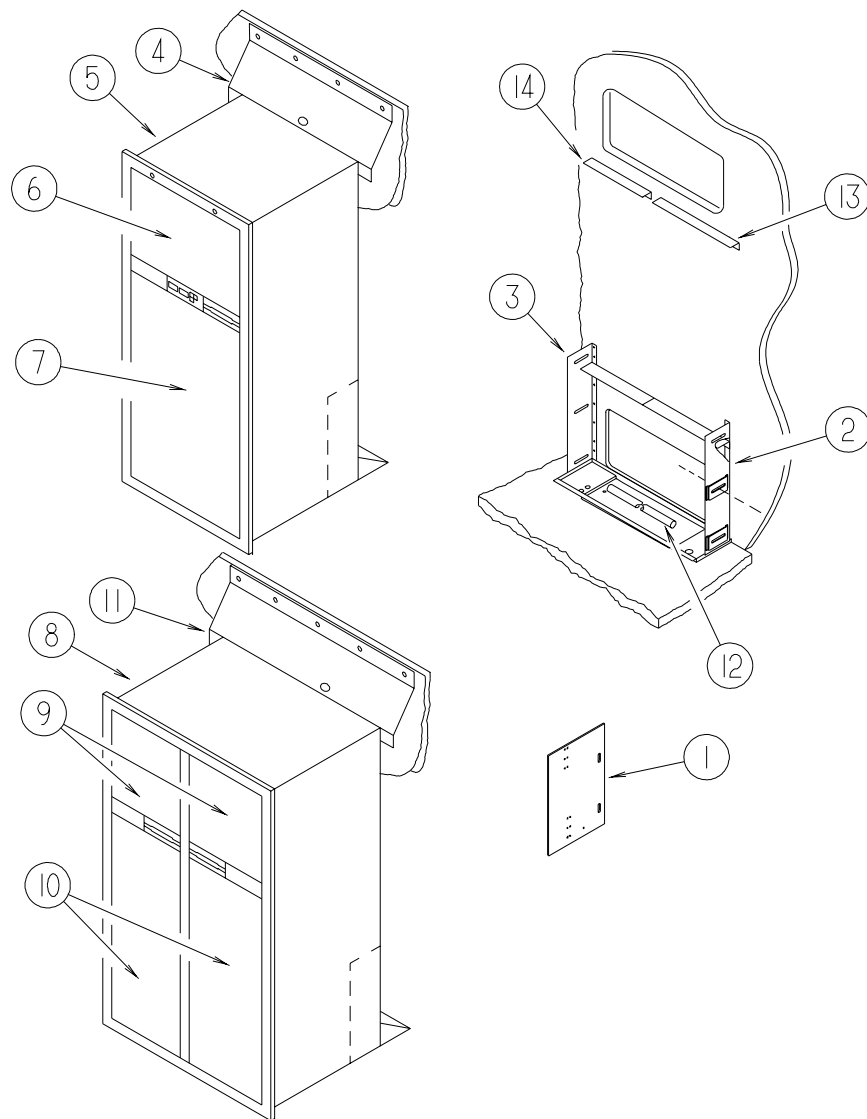


| KEY | PART NUMBER   | U/M | DESCRIPTION                             |
|-----|---------------|-----|---|
| 1*  | 137354-01-000 | EA  | OVEN - MICROWAVE - 1.2 OTR - W/VENT     |
| 2   | 137824-01-02B | EA  | BRACKET - MICROWAVE - E - COATED - 430V |
| 3   | 138230-02-02B | EA  | ANGLE - W/HOLES - E - COATED - 430V     |
| 4   | 138230-01-02B | EA  | ANGLE - W/HOLES - E - COATED - 430V     |

**\*COMPONENT PARTS LISTED LATER IN THIS GROUP**



**APPLIANCE GROUP (CONTINUED)**  
**APPLIANCES (CONTINUED)**

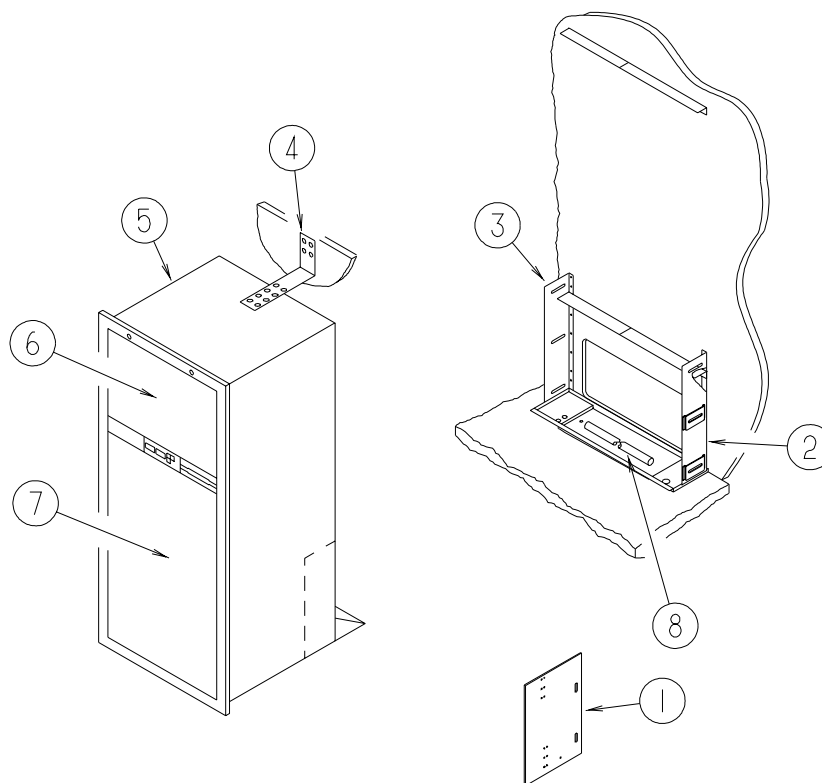


**427P**

| <b>KEY</b> | <b>PART NUMBER</b> | <b>U/M</b> | <b>DESCRIPTION</b>   |
|------------|--------------------|------------|--|
| 1          | 065225-04-000      | EA         | PLATE - TIEDOWN/REFRIGERATOR                               |
| 2          | 093646-01-000      | EA         | BRACKET - TIEDOWN/REFRIGERATOR - RIGHT HAND                |
| 3          | 093646-02-000      | EA         | BRACKET - TIEDOWN/REFRIGERATOR - LEFT HAND                 |
| 4          | 136966-01-02B      | EA         | BAFFLE - REFRIGERATOR - E-COATED                           |
| 5*         | 121569-07-01A      | EA         | REFRIGERATOR - LARGE DBL DOOR/LEFT HAND -2 WAY- F/SLIDEOUT |
| 6          | 103251-07-01A      | EA         | INSERT/REFRIGERATOR DOOR - 21.6" X 14.5" - BLACK ACRYLIC   |
| 7          | 103251-09-01A      | EA         | INSERT/REFRIGERATOR DOOR - 21.6" X 38.6" - BLACK ACRYLIC   |
| 8          | NOT USED           |            |  |
| 9          | NOT USED           |            |  |
| 10         | NOT USED           |            |  |
| 11         | NOT USED           |            |  |
| 12         | 112176-01-000      | FT         | TUBING - VINYL - REINFORCED - 1/2" ID                      |
| 13         | 143195-01-02B      | EA         | BAFFLE - REFRIGERATOR - E-COATED                           |
|            |                    |            | FROM: 04-29-02 THRU: 99-99-99                              |
| 14         | 143195-02-02B      | EA         | BAFFLE - REFRIGERATOR - E-COATED                           |
|            |                    |            | FROM: 04-29-02 THRU: 99-99-99                              |
|            | 090329-01-000      | FT         | SEAL/T - REFRIGERATOR CABINET                              |
|            | 054450-01-000      | EA         | LEVEL - REFRIGERATOR                                       |
|            | 136907-01-01A      | EA         | TRAY - REFRIGERATOR - BLACK                                |

**\*COMPONENT PARTS LISTED LATER IN THIS GROUP**

**APPLIANCE GROUP (CONTINUED)**  
**APPLIANCES (CONTINUED)**

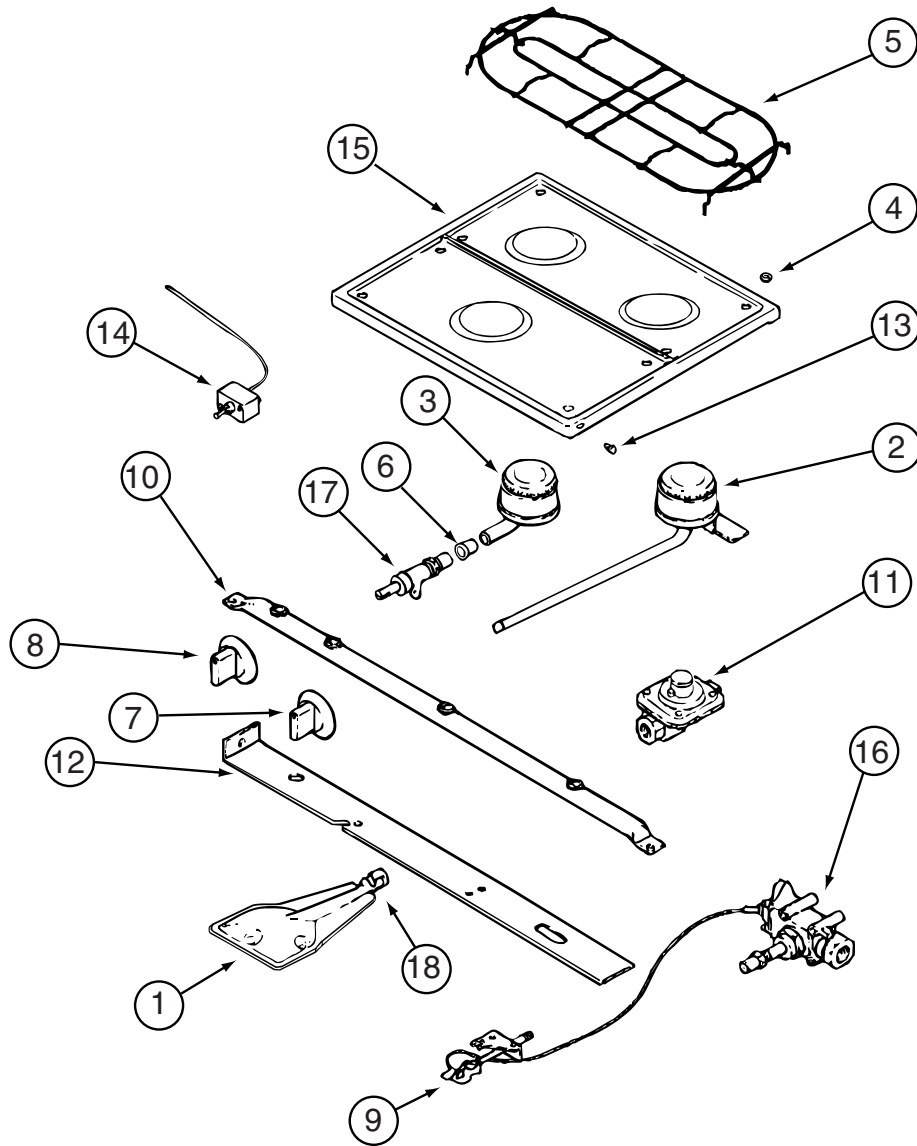


**430V AND 431C**

| KEY | PART NUMBER   | U/M | DESCRIPTION  |
|-----|---------------|-----|--|
| 1   | 065225-04-000 | EA  | PLATE - TIEDOWN/REFRIGERATOR                             |
| 2   | 093646-01-000 | EA  | BRACKET - TIEDOWN/REFRIGERATOR - RIGHT HAND              |
| 3   | 093646-02-000 | EA  | BRACKET - TIEDOWN/REFRIGERATOR - LEFT HAND               |
| 4   | 093369-02-000 | EA  | STRAP - REFRIGERATOR                                     |
| 5*  | 121569-05-01A | EA  | REFRIGERATOR - LARGE DOUBLE DOOR/RH - 2-WAY - BLACK      |
| 6   | 103251-07-01A | EA  | INSERT/REFRIGERATOR DOOR - 21.6" X 14.5" - BLACK ACRYLIC |
| 7   | 103251-09-01A | EA  | INSERT/REFRIGERATOR DOOR - 21.6" X 38.6" - BLACK ACRYLIC |
|     | 090329-01-000 | FT  | SEAL/T - REFRIGERATOR CABINET                            |
|     | 054450-01-000 | EA  | LEVEL - REFRIGERATOR                                     |
|     | 116751-02-01A | EA  | TRAY - REFRIGERATOR - BLACK - 431C                       |
|     | 116751-05-01A | EA  | TRAY - REFRIGERATOR - BLACK - 430V                       |

**\*COMPONENT PARTS LISTED LATER IN THIS GROUP**

**APPLIANCE GROUP (CONTINUED)**  
**COMPONENT PARTS FOR APPLIANCE**

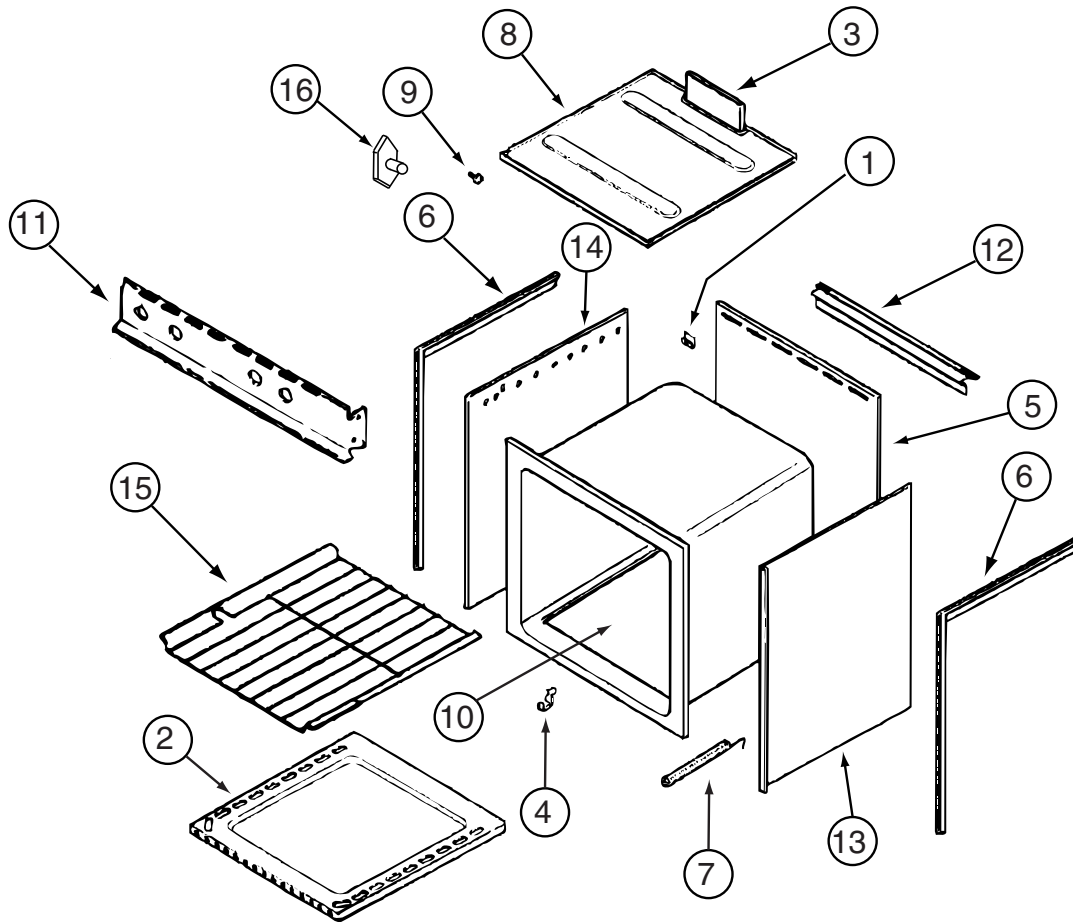


112881-03-01A

| KEY | PART NUMBER   | U/M | DESCRIPTION                  | VENDOR NO.   |
|-----|---------------|-----|------------------------------|--------------|
| 1   | 126023-01-717 | EA  | BURNER - OVEN                | 74003343     |
| 2   | 112881-01-717 | EA  | BURNER, TOP REAR             | 7505P181-60  |
| 3   | 112881-02-703 | EA  | BURNER - FRONT HIGH OUTPUT   | 7505P142-60  |
| 4   | 102020-01-709 | EA  | BUMPER-GRATE                 | 8007-P020-60 |
| 5   | 126023-01-730 | EA  | GRATE - TOP                  | 74003358     |
| 6   | 098507-02-701 | EA  | INSERT-BURNER, SLOTTED VENT  | 7214P015-60  |
| 7   | 112881-01-718 | EA  | KNOB - TOP BURNER HI-OUTPUT  | 74001794     |
| 7   | 112881-01-705 | EA  | KNOB-TOP BURNER              | 7733P072-60  |
| 8   | 112881-03-700 | EA  | KNOB - THERMOSTAT - BLACK    | 74004155     |
| 9   | 102020-01-714 | EA  | PILOT-OVEN                   | 968-143      |
| 10  | 126023-01-705 | EA  | PIPE - MANIFOLD              | 7513P161-60  |
| 11  | 112881-03-701 | EA  | REGULATOR KIT W/FITTINGS     | 12001285     |
| 13  | 102020-01-724 | EA  | BUMPER-MAIN TOP              | 8003P008-60  |
| 14  | 112881-01-722 | EA  | THERMOSTAT SER.# CHECK 12/13 | 7515P029-60K |
| 15  | 126023-01-728 | EA  | TOP - MAIN (BLACK)           | 74003323     |
| 16  | 102020-01-720 | EA  | VALVE-MERCURY CONTROL        | 7501P056-60  |
|     | 128728-01-712 | EA  | FITTING - HALF UNION         | 7507P083-60  |

CONTACT WINNEBAGO PART SALES FOR UNLISTED COMPONENTS

**APPLIANCE GROUP (CONTINUED)**  
**COMPONENT PARTS FOR APPLIANCE (CONTINUED)**

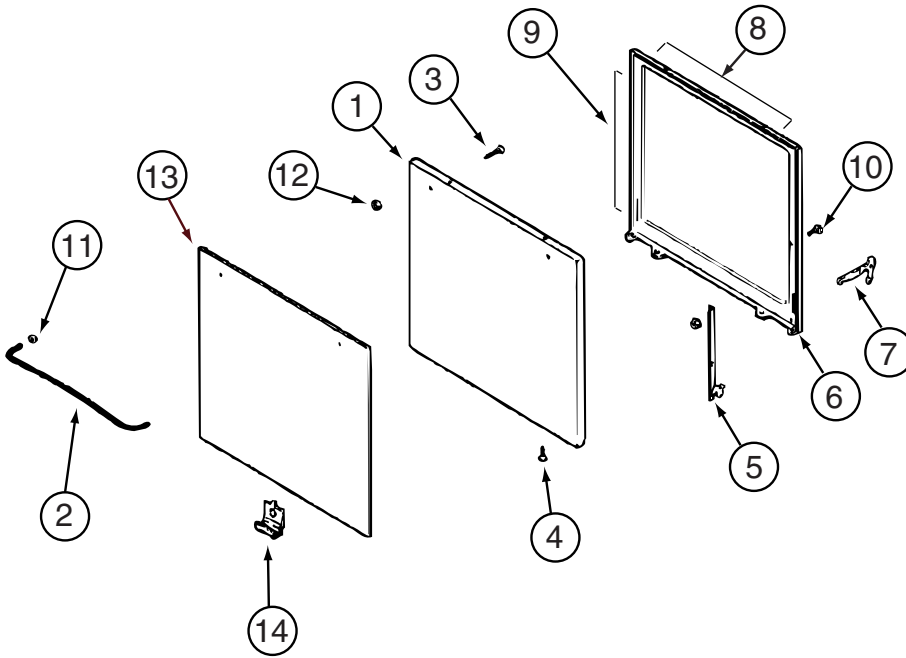


**112881-03-01A (CONTINUED)**

| KEY | PART NUMBER   | U/M | DESCRIPTION                  | VENDOR NO.  |
|-----|---------------|-----|------------------------------|-------------|
| 1   | 112881-02-701 | EA  | CLIP - MAIN TOP (REAR)       | 7112P071-60 |
| 2   | 126023-01-731 | EA  | BOTTOM - OVEN                | 2205F016-19 |
| 3   | 126023-01-718 | EA  | FLUE BOX ASSEMBLY            | 4006W075-80 |
| 6   | 112881-01-720 | EA  | TRIM-FLAT RH BLACK TEXTURED  | 4002812     |
| 6   | 112881-01-719 | EA  | TRIM-FLAT LH BLACK TEXTURED  | 74002813    |
| 7   | 112881-02-704 | EA  | SPRING-OVEN DOOR F/1641 MOD  | 7803P052-60 |
| 7   | 112881-02-702 | EA  | SPRING - OVEN DOOR           | 7803P051-60 |
| 11  | 126023-01-715 | EA  | PANEL - MANIFOLD             | 74003350    |
| 12  | 112881-01-721 | EA  | DEFLECTOR FLUE BLACK TEXTURE | 74002809    |
| 15  | 126023-01-716 | EA  | RACK - OVEN                  | 74003106    |
| 16  | 128728-01-703 | EA  | T-NUT - F/HINGE              | 7103P109-60 |
|     | 112881-03-702 | EA  | CLIP - MAIN TOP              | 74003998    |

CONTACT WINNEBAGO PART SALES FOR UNLISTED COMPONENTS

**APPLIANCE GROUP (CONTINUED)**  
**COMPONENT PARTS FOR APPLIANCE (CONTINUED)**



**112881-03-01A (CONTINUED)**

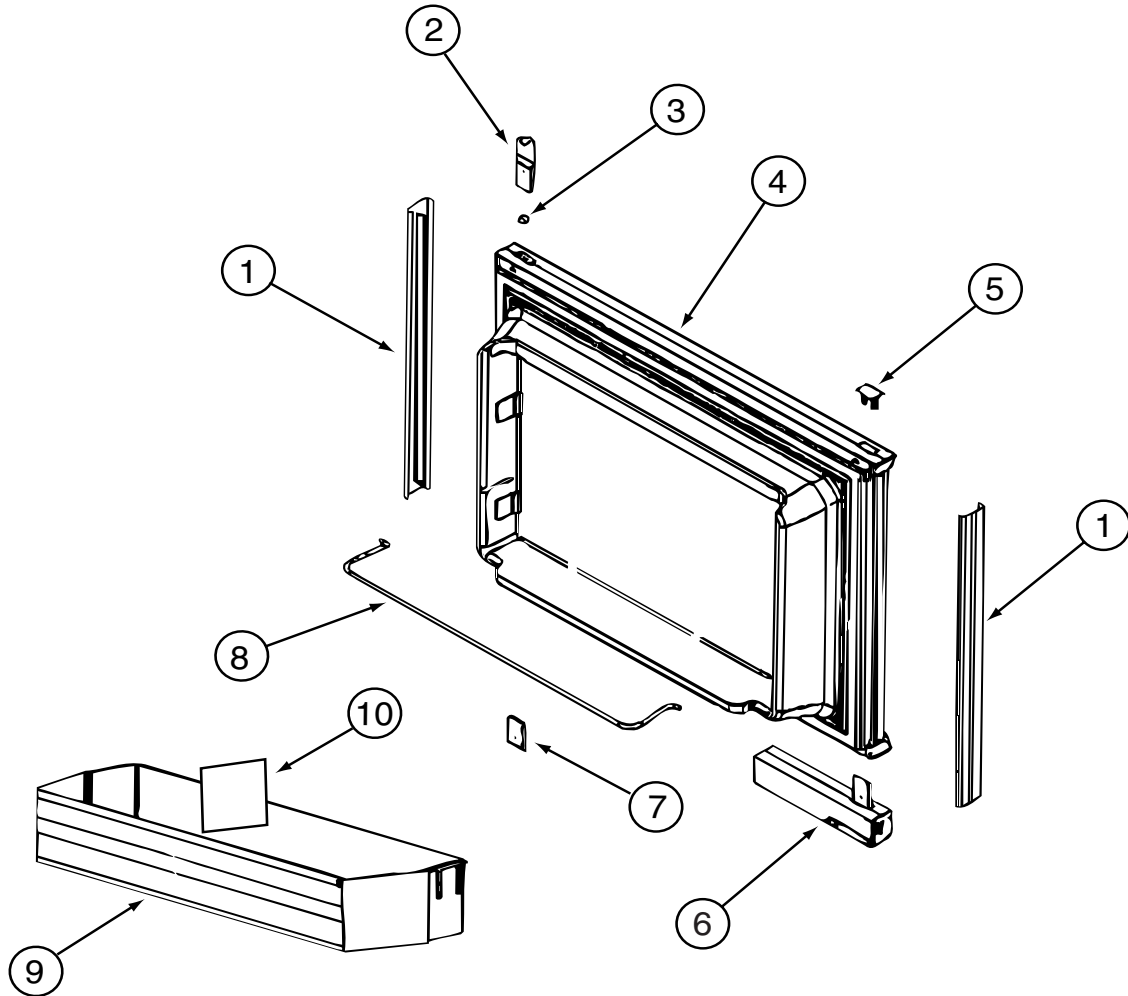
| KEY | PART NUMBER   | U/M | DESCRIPTION                  | VENDOR NO.  |
|-----|---------------|-----|------------------------------|-------------|
| 1   | 112881-02-705 | EA  | DOOR/OVEN-TEXT/BLK-F/WINDOW  | 74001273    |
| 1   | 112881-01-713 | EA  | DOOR/OVEN-TEXT/BLK NO WINDOW | 2401F126-70 |
| 2   | 102020-01-701 | EA  | HANDLE,DOOR                  | 7701P092-60 |
| 8   | 126023-01-732 | EA  | SEAL/OVEN DR TOP             | 7212P014-60 |
| 9   | 126023-01-733 | EA  | SEAL/OVEN DR SIDES(2PCS)     | 7212P038-60 |
| 13  | 102022-01-704 | EA  | GLASS-OUTER                  | 7902P261-60 |

CONTACT WINNEBAGO PART SALES FOR UNLISTED COMPONENTS

**APPLIANCE GROUP (CONTINUED)**  
**COMPONENT PARTS FOR APPLIANCE (CONTINUED)**

115504-01-000

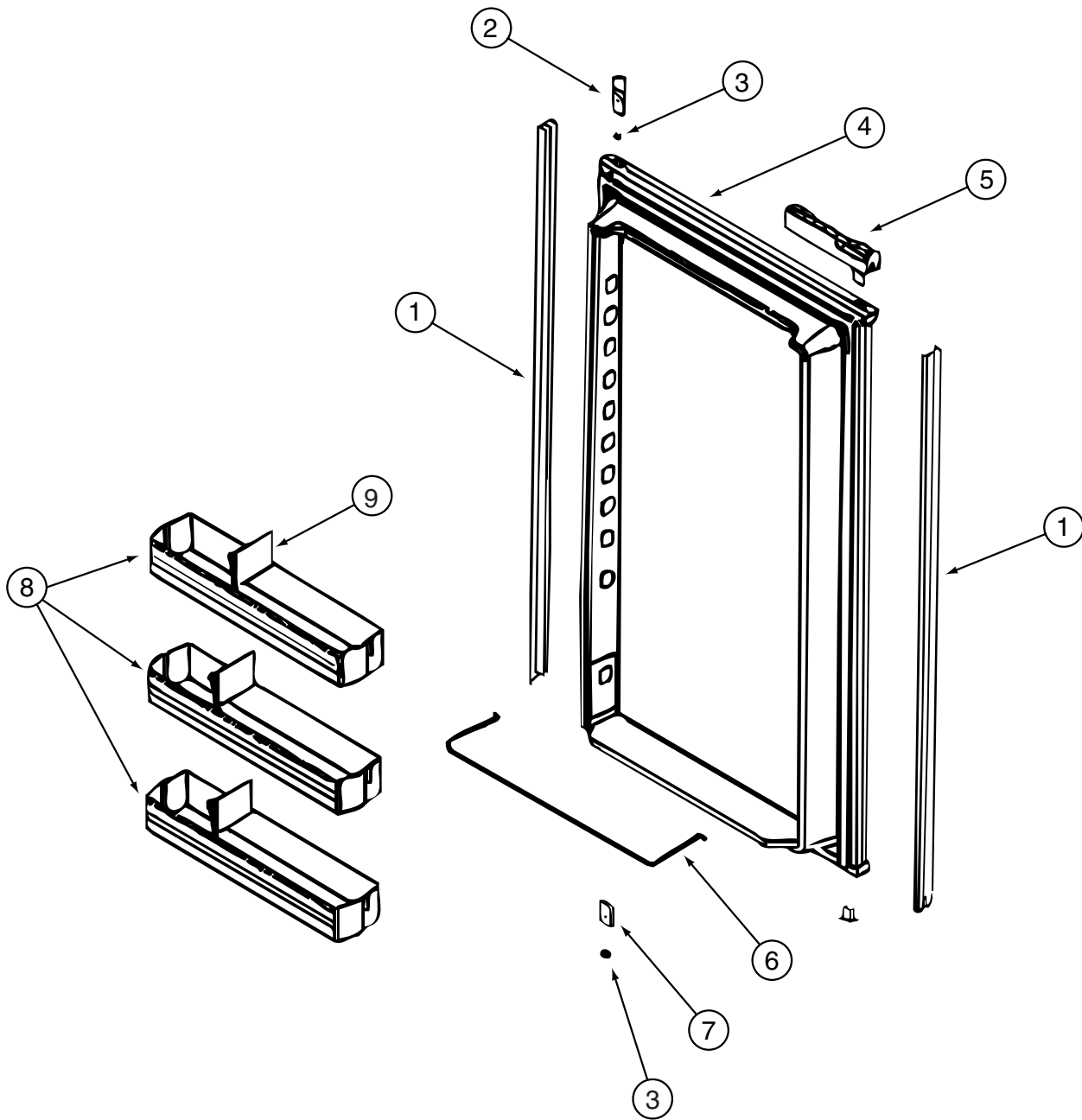
| KEY | PART NUMBER   | U/M | DESCRIPTION                 | VENDOR NO. |
|-----|---------------|-----|-----------------------------|------------|
|     | 115504-01-700 | EA  | PLUG & CABLE, 10 WATT PANEL | 600-016    |



121569-05-01A, 121569-07-01A

| KEY | PART NUMBER   | U/M | DESCRIPTION                  | VENDOR NO.          |
|-----|---------------|-----|------------------------------|---------------------|
| 1   | 121568-03-700 | EA  | RETAINER - DOOR PANEL/BLACK  | 619558              |
| 2   | 120075-01-701 | EA  | HINGE-TOP RH/BOTTOM LH(DOOR) | 618511              |
| 3   | 121568-03-701 | EA  | BUSHING - HINGE PIN/GRAY     | 619671              |
| 4   | 121568-03-702 | EA  | DOOR LINER - W/TRIM/BLACK    | 619627 - SMALL DOOR |
| 5   | 120075-01-702 | EA  | CAP, (HINGE PLUG)            | 618160              |
| 6   | 120075-12-700 | EA  | HANDLE(CONTOUR)TOP LH/BTM RH | 621105              |
|     | 120075-12-702 | EA  | HANDLE/HOUSING-TOP-LH/BTM RH | 618159GEN           |
|     | 120075-12-703 | EA  | HANDLE - PLASTIC - NEW STYLE | 620928              |
|     | 120075-12-704 | EA  | SPRING - COMPRESSION         | 618182              |
|     | 120075-12-705 | EA  | LATCH - HANDLE               | 618121              |
|     | 120075-12-706 | EA  | PIN - STEEL                  | 618622              |
|     | 120075-12-707 | EA  | LATCH                        | 619648              |
|     | 120075-12-708 | EA  | LATCH - SPRING               | 620960              |
| 7   | 120075-01-705 | EA  | HINGE-TOP LH/BOTTOM RH(DOOR) | 618510              |
| 8   | 121568-01-700 | EA  | RAIL - DOOR UPPER            | 618618              |
| 9   | 120075-07-700 | EA  | DOOR BIN - CLEAR             | 619006              |
| 10  | 120075-07-701 | EA  | DIVIDER/DOOR BIN CLEAR       | 619008              |
|     | 121568-03-705 | EA  | STORAGE LATCH - GRAY         | 619648              |

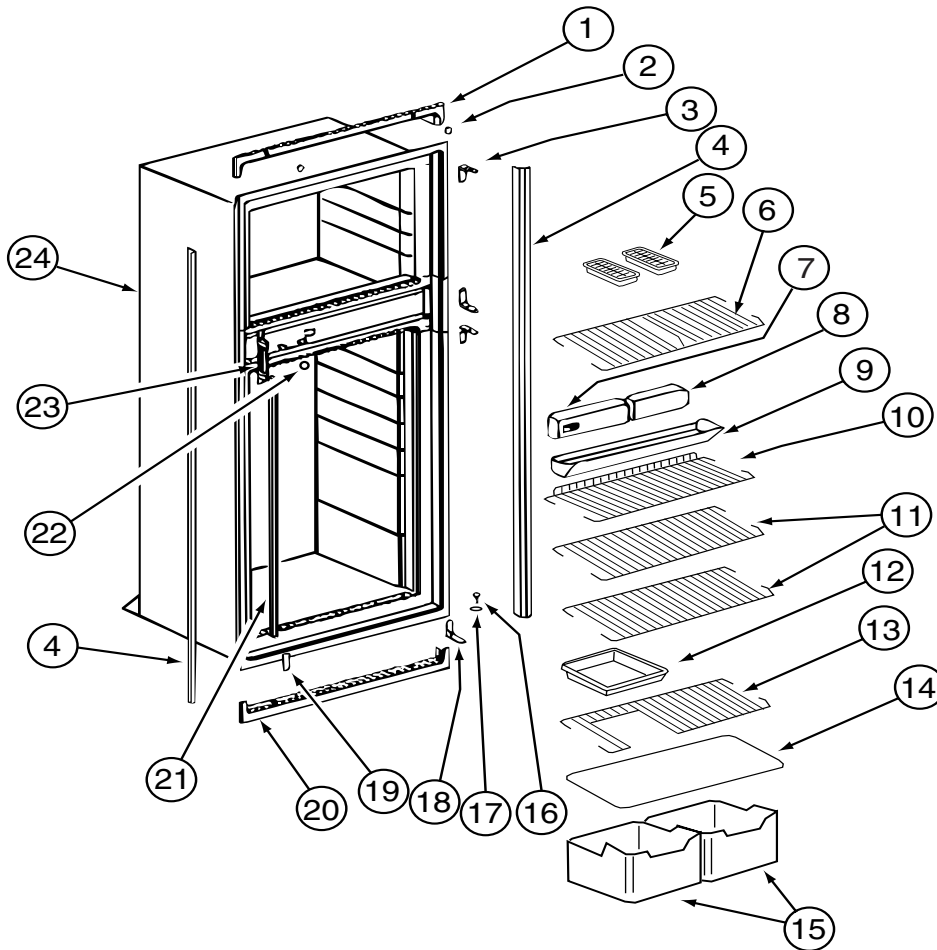
**APPLIANCE GROUP (CONTINUED)**  
**COMPONENT PARTS FOR APPLIANCE (CONTINUED)**



**121569-05-01A, 121569-07-01A (CONTINUED)**

| KEY | PART NUMBER   | U/M | DESCRIPTION                  | VENDOR NO. |
|-----|---------------|-----|------------------------------|------------|
| 1   | 120075-07-702 | EA  | RETAINER - DOOR PANEL/BLACK  | 619560     |
| 2   | 120075-01-701 | EA  | HINGE-TOP RH/BOTTOM LH(DOOR) | 618511     |
| 3   | 121568-03-701 | EA  | BUSHING - HINGE PIN/GRAY     | 619671     |
| 4   | 121568-03-707 | EA  | DOOR LINER - W/BLACK TRIM    | 619629     |
| 5   | 120075-12-701 | EA  | HANDLE(CONTOUR)TOP RH/BTM LH | 621104     |
|     | 120075-12-709 | EA  | HANDLE/HOUSING-BTM LH/TOP RH | 618122GEN  |
|     | 120075-12-703 | EA  | HANDLE - PLASTIC - NEW STYLE | 620928     |
|     | 120075-12-704 | EA  | SPRING - COMPRESSION         | 618182     |
|     | 120075-12-705 | EA  | LATCH - HANDLE               | 618121     |
|     | 120075-12-706 | EA  | PIN - STEEL                  | 618622     |
|     | 120075-12-707 | EA  | LATCH                        | 619648     |
|     | 120075-12-708 | EA  | LATCH - SPRING               | 620960     |
| 6   | 121568-01-704 | EA  | RAIL - DOOR LOWER            | 618578     |
| 7   | 120075-01-705 | EA  | HINGE-TOP LH/BOTTOM RH(DOOR) | 618510     |
| 8   | 121568-01-701 | EA  | BIN - DOOR WHITE             | 618619     |
| 9   | 120075-07-701 | EA  | DIVIDER/DOOR BIN CLEAR       | 619008     |
|     | 121568-03-705 | EA  | STORAGE LATCH - GRAY         | 619648     |

**APPLIANCE GROUP (CONTINUED)**  
**COMPONENT PARTS FOR APPLIANCE (CONTINUED)**



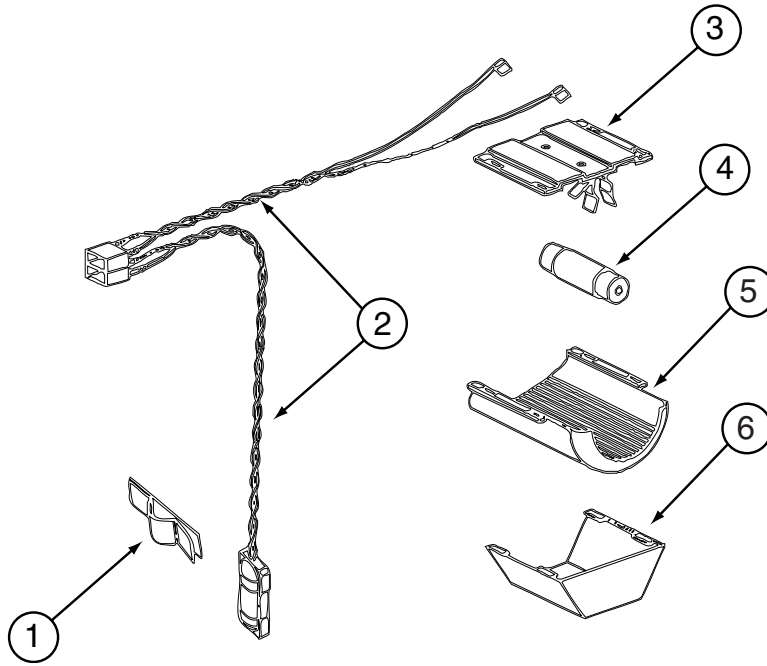
**121569-05-01A, 121569-07-01A (CONTINUED)**

| KEY | PART NUMBER   | U/M | DESCRIPTION                 | VENDOR NO. |
|-----|---------------|-----|-----------------------------|------------|
| 1   | 121568-03-709 | EA  | TRIM - TOP/BLACK            | 619687     |
| 2   | 120075-01-714 | EA  | PLUG-HOLE                   | 618170     |
| 3   | 121568-03-710 | EA  | HINGE/CABINET-TOP/RH-LWR/LH | 619335     |
| 4   | 120075-07-705 | EA  | TRIM - SIDE - BLACK         | 619802     |
| 6   | 121568-03-712 | EA  | SHELF - WIRE/FREEZER        | 620250     |
| 7   | 121568-03-714 | EA  | CONTROL ASM - 2 WAY BLACK   | 619350     |
| 8   | 121568-03-713 | EA  | FRONT BOX/DECORATIVE-BLACK  | 619282     |
| 9   | 120075-01-720 | EA  | TRAY-DRIP                   | 618137     |
| 10  | 121568-01-707 | EA  | SHELF - WIRE - SHORT        | 618624     |
| 11  | 121568-01-708 | EA  | SHELF - WIRE                | 618589     |
| 14  | 120075-01-725 | EA  | COVER-CRISPER               | 618158     |
| 15  | 121568-01-709 | EA  | CRISPER                     | 618571     |
| 16  | 120075-01-727 | EA  | PIN-HINGE                   | 618145     |
| 18  | 121568-03-715 | EA  | HINGE/CABINET-TOP/LH-LWR/RH | 619336     |
| 19  | 121568-03-716 | EA  | COVER - HINGE HOLES         | 619301     |
| 20  | 120075-01-729 | EA  | TRIM-BOTTOM PIECE           | 618136     |
| 21  | 120075-01-730 | EA  | RETAINER-SHELF              | 618181     |
| 22  | 121568-03-717 | EA  | HOLE PLUG - WHITE           | 619561     |
| 23  | 120075-01-732 | EA  | PLATE-STRIKE                | 618167     |
| 24  | 120075-07-709 | EA  | CABINET - FOAMED            | 619347     |
|     | 120075-01-721 | EA  | LOUVER-DRIP TRAY            | 618176     |

CONTACT WINNEBAGO PART SALES FOR UNLISTED COMPONENTS



**APPLIANCE GROUP (CONTINUED)**  
**COMPONENT PARTS FOR APPLIANCE (CONTINUED)**

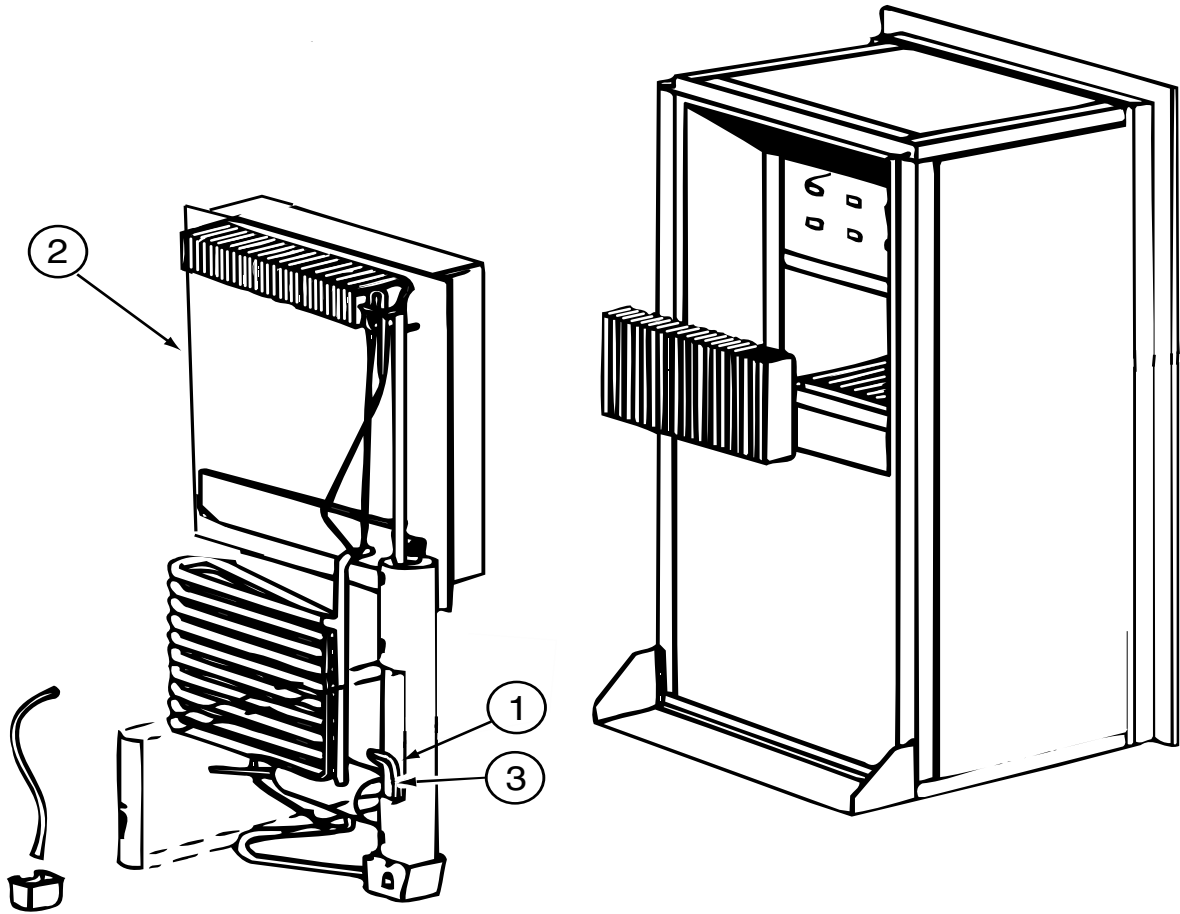


**121569-05-01A, 121569-07-01A (CONTINUED)**

| <b>KEY</b> | <b>PART NUMBER</b> | <b>U/M</b> | <b>DESCRIPTION</b>           | <b>VENDOR NO.</b> |
|------------|--------------------|------------|------------------------------|-------------------|
| 1          | 084880-01-760      | EA         | CLIP (THERMISTER)            | 61689122          |
| 2          | 120075-01-735      | EA         | THERMISTER W/LAMP & WIRE/ASM | 618548            |
| 3          | 084880-03-705      | EA         | BRACKET-LIGHT-INTERIOR       | 61629722          |
| 4          | 084880-03-706      | EA         | BULB-LAMP                    | 61628922          |
| 6          | 084880-03-707      | EA         | COVER-LAMP, LENS             | 61627922          |

CONTACT WINNEBAGO PART SALES FOR UNLISTED COMPONENTS

**APPLIANCE GROUP (CONTINUED)**  
**COMPONENT PARTS FOR APPLIANCE (CONTINUED)**

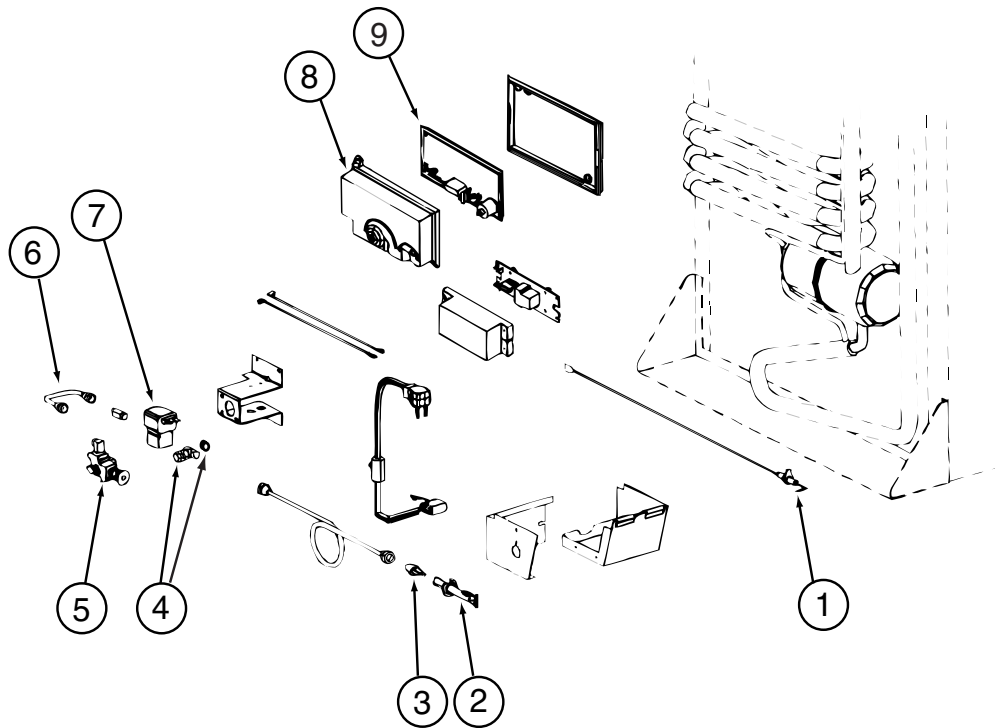


**121569-05-01A, 121569-07-01A (CONTINUED)**

| KEY | PART NUMBER   | U/M | DESCRIPTION                 | VENDOR NO. |
|-----|---------------|-----|-----------------------------|------------|
| 2   | 120075-01-736 | EA  | COOLING UNIT, SERVICE PACK  | 618542     |
| 3   | 088248-01-709 | EA  | HEATER-AC (HORIZONTAL)      | 61562722   |
|     | 120075-01-744 | EA  | KIT - GAS VALVE/BURNER TUBE | 620609     |

CONTACT WINNEBAGO PART SALES FOR UNLISTED COMPONENTS

**APPLIANCE GROUP (CONTINUED)**  
**COMPONENT PARTS FOR APPLIANCE (CONTINUED)**



**121569-05-01A, 121569-07-01A (CONTINUED)**

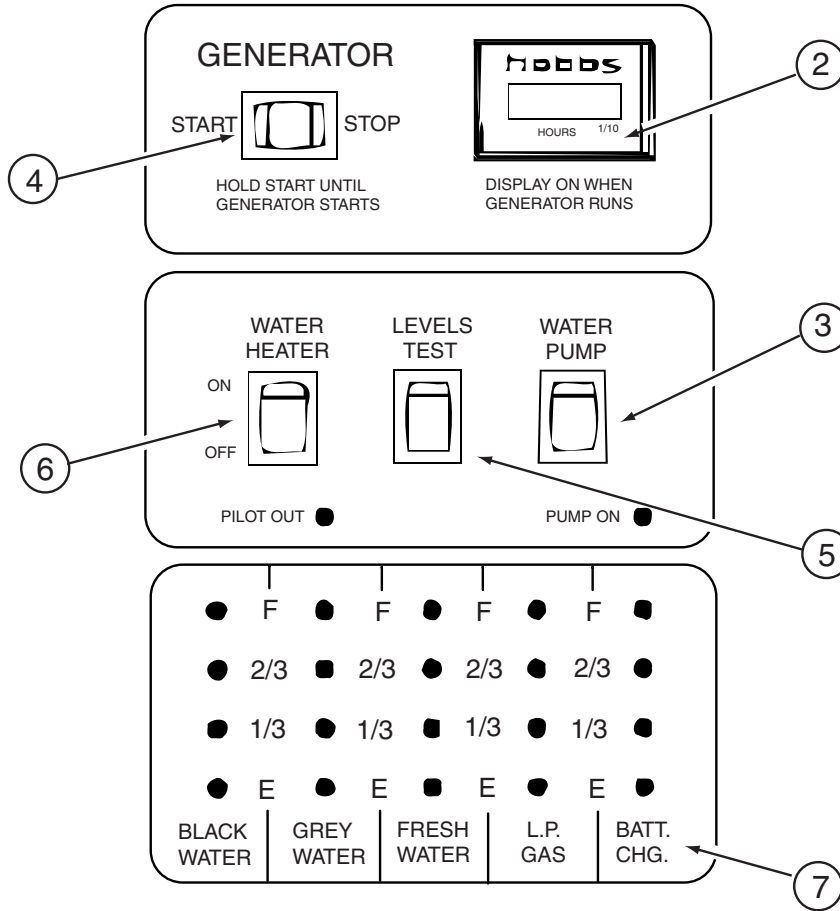
| KEY | PART NUMBER   | U/M | DESCRIPTION                 | VENDOR NO. |
|-----|---------------|-----|-----------------------------|------------|
| 1   | 104137-06-715 | EA  | ELECTRODE-SPARK/SENSOR, SGL | 61692222   |
| 2   | 104137-06-714 | EA  | BURNER ASSEMBLY, 5-SLOT     | 61705222   |
| 3   | 120075-01-737 | EA  | ORIFICE - JEWEL - .0155     | 618284     |
| 4   | 113737-01-702 | EA  | PLUG 1/8" F/PRESSURE TAP    | 61445322   |
| 4   | 113737-01-716 | EA  | TAP-PRESSURE                | 61594422   |
| 6   | 113737-01-750 | EA  | TUBE-UNION                  | 61694622   |
| 7   | 084880-01-718 | EA  | VALVE-GAS, (ASCO)           | 61551822   |
| 8   | 120075-01-738 | EA  | COVER-POWER BOARD           | 618185     |
| 9   | 121568-03-719 | EA  | POWER - BOARD - 2-WAY       | 619353     |
|     | 121568-03-720 | EA  | VALVE/SHUT OF-MANUAL ELECT. | 618696     |

CONTACT WINNEBAGO PART SALES FOR UNLISTED COMPONENTS

**APPLIANCE GROUP (CONTINUED)**  
**COMPONENT PARTS FOR APPLIANCE (CONTINUED)**

**126019-01-01A**

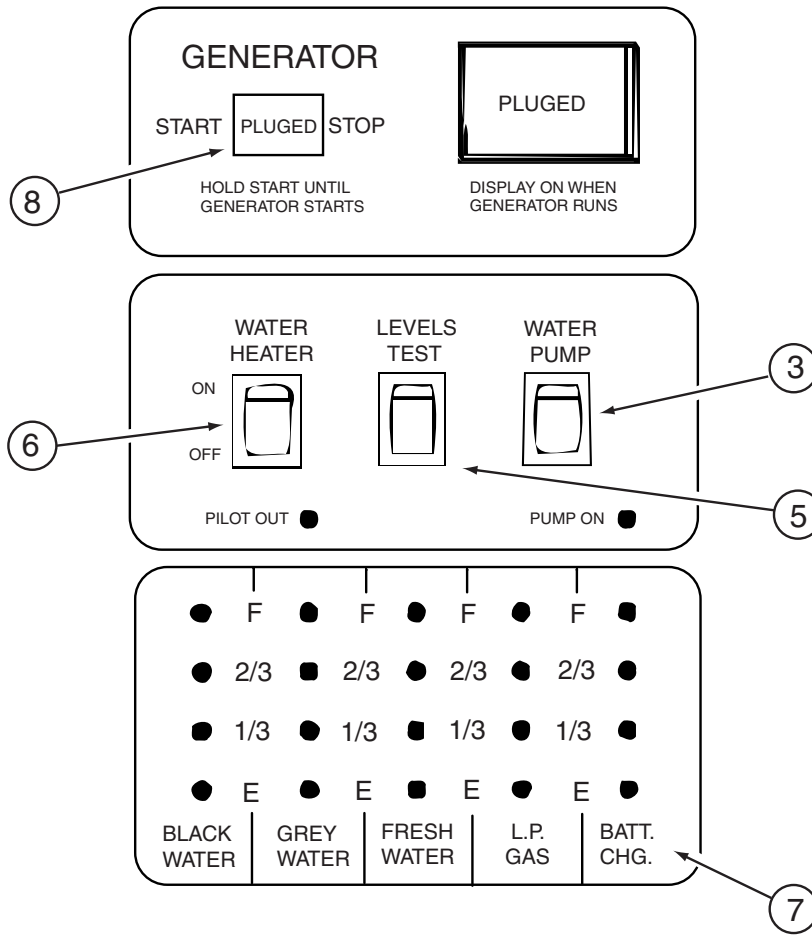
| KEY | PART NUMBER   | U/M | DESCRIPTION         | VENDOR NO. |
|-----|---------------|-----|---------------------|------------|
|     | 126019-01-700 | EA  | GLASS CARAFE        | 172547-00  |
|     | 126019-01-701 | EA  | RESERVOIR- WATER    | 172554     |
|     | 126019-01-702 | EA  | BASKET - FILTER     | 172553-00  |
|     | 126019-01-703 | EA  | HARDWARE - MOUNTING | 172174-00  |



**134940-01-01A**

| KEY | PART NUMBER   | U/M | DESCRIPTION                  | VENDOR NO. |
|-----|---------------|-----|------------------------------|------------|
|     | 134940-01-700 | EA  | BOARD - PC                   | L5118      |
| 2   | 100258-10-701 | EA  | GAUGE-HOUR MTR-CLIP ON (LCD) | L0775-00   |
| 3   | 096983-01-703 | EA  | SWITCH - ON/ON               | L0115-00   |
| 4   | 096983-01-702 | EA  | SWITCH - MOM/OFF/MOM/3 TERM  | L0112-00   |
| 5   | 096983-01-701 | EA  | SWITCH - SPST/MOM 2 TERMINAL | L0111-00   |
| 6   | 134940-01-701 | EA  | SWITCH-SPST/ON-OFF/BLK W/LGT | L0109      |
| 7   | 134940-01-702 | EA  | CHASSIS - SILKSCREENED       | CC0558-00  |
|     | 100258-10-702 | EA  | HOUR METER(CLIP ON)SW & WIRE | L4441-00   |

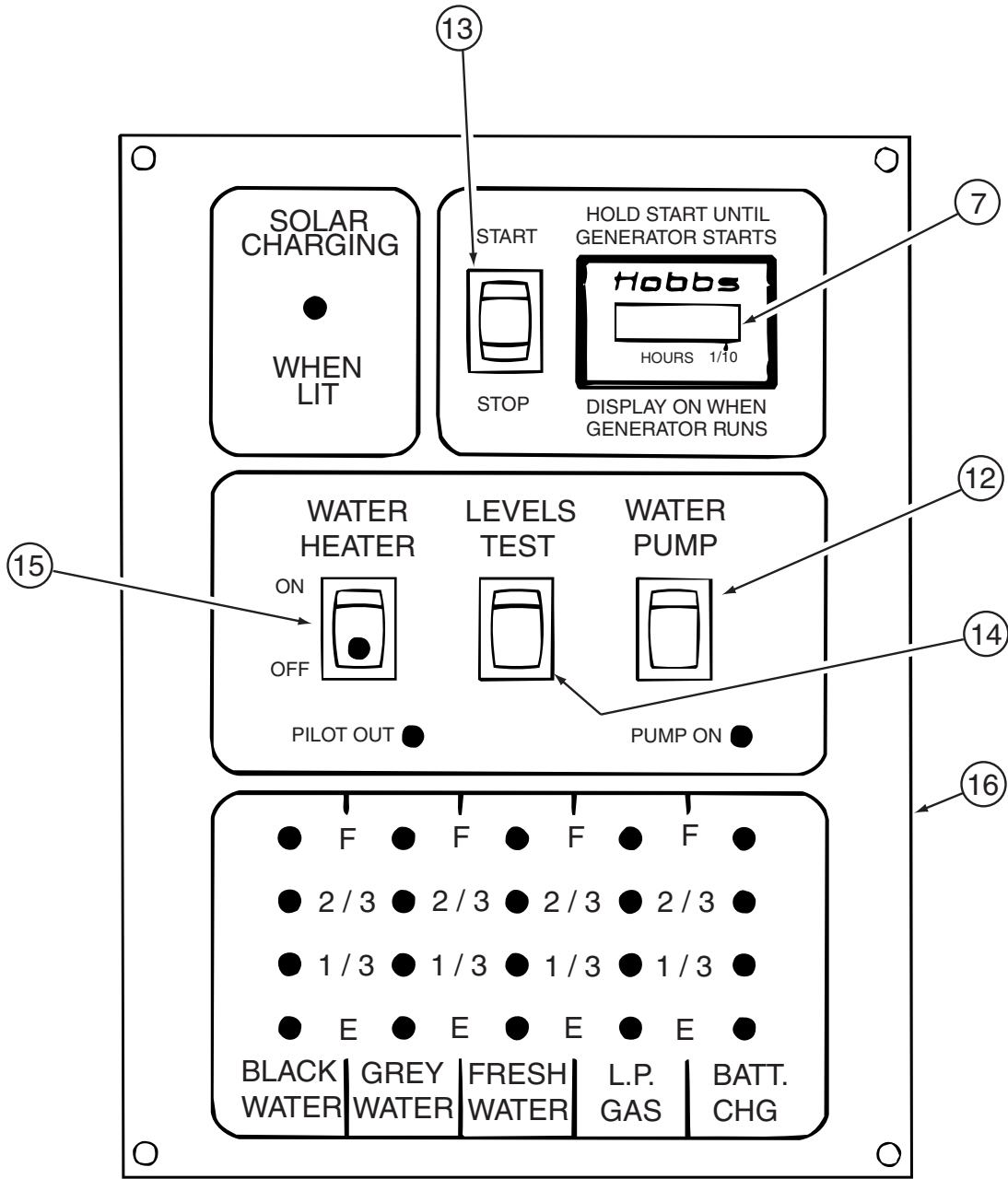
**APPLIANCE GROUP (CONTINUED)**  
**COMPONENT PARTS FOR APPLIANCE (CONTINUED)**



**134940-02-01A**

| KEY | PART NUMBER   | U/M | DESCRIPTION                  | VENDOR NO. |
|-----|---------------|-----|------------------------------|------------|
|     | 134940-01-700 | EA  | BOARD - PC                   | L5118      |
| 3   | 096983-01-703 | EA  | SWITCH - ON/ON               | L0115-00   |
| 5   | 096983-01-701 | EA  | SWITCH - SPST/MOM 2 TERMINAL | L0111-00   |
| 6   | 134940-01-701 | EA  | SWITCH-SPST/ON-OFF/BLK W/LGT | L0109      |
| 7   | 134940-01-702 | EA  | CHASSIS - SILKSCREENED       | CC0558-00  |
| 8   | 134940-02-700 | EA  | SWITCH - DUMMY               | L0118      |

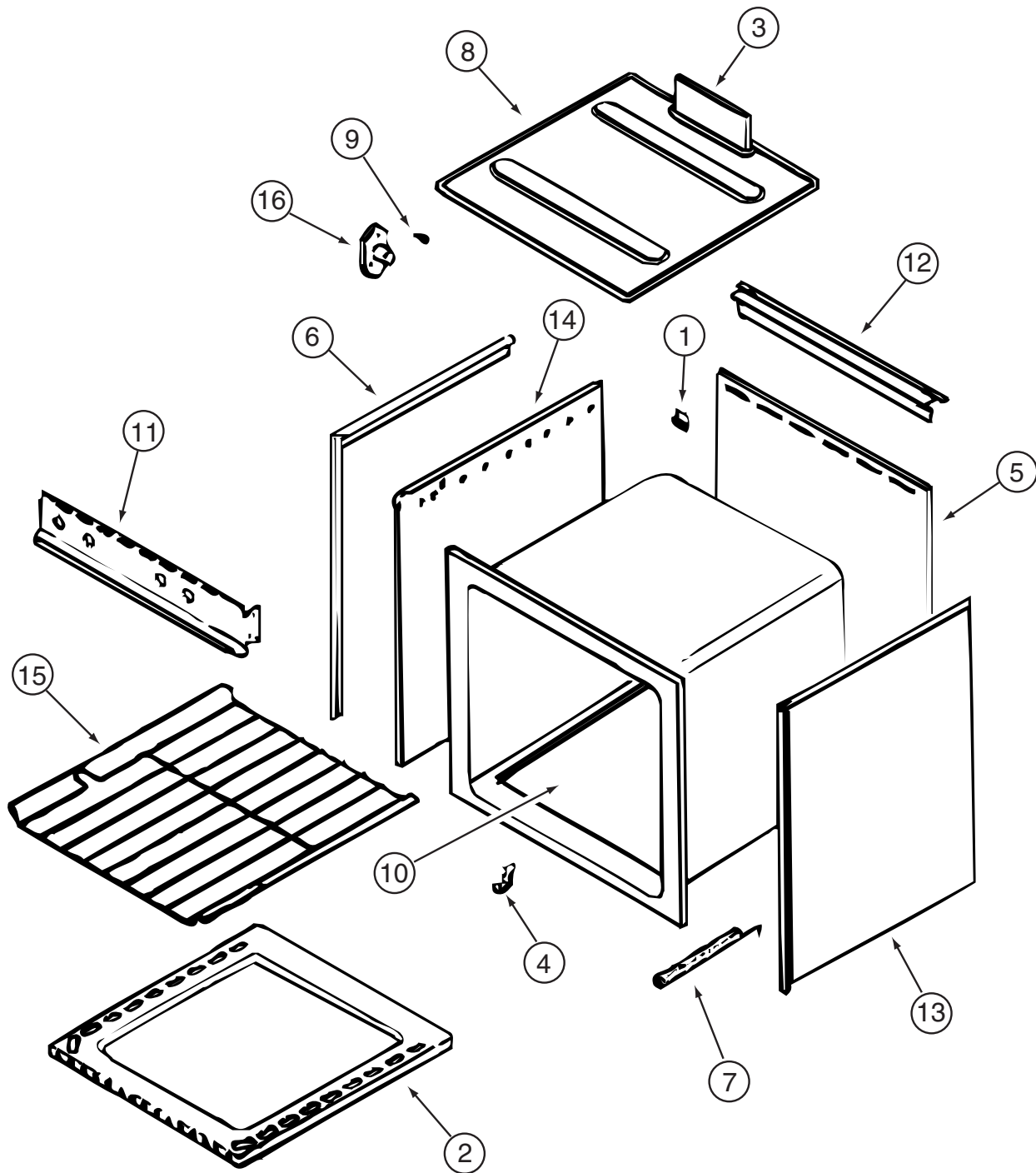
**APPLIANCE GROUP (CONTINUED)**  
**COMPONENT PARTS FOR APPLIANCE (CONTINUED)**



**134940-04-01A**

| KEY | PART NUMBER   | U/M | DESCRIPTION                  | VENDOR NO. |
|-----|---------------|-----|------------------------------|------------|
| 7   | 100258-10-701 | EA  | GAUGE/HOUR METER-CLIP ON LCD | L0775-00   |
| 12  | 096983-01-703 | EA  | SWITCH - ON/ON               | L0115-00   |
| 13  | 096983-01-702 | EA  | SWITCH - MOM/OFF/MOM/3 TERM  | L0112-00   |
| 14  | 096983-01-701 | EA  | SWITCH - SPST/MOM 2 TERMINAL | L0111-00   |
| 15  | 134940-01-701 | EA  | SWITCH-SPST/ON-OFF/BLK W/LGT | L0109      |
| 16  | 134940-04-700 | EA  | CHASSIS - SILKSCREENED       | CE0136-00  |

**APPLIANCE GROUP (CONTINUED)**  
**COMPONENT PARTS FOR APPLIANCE (CONTINUED)**

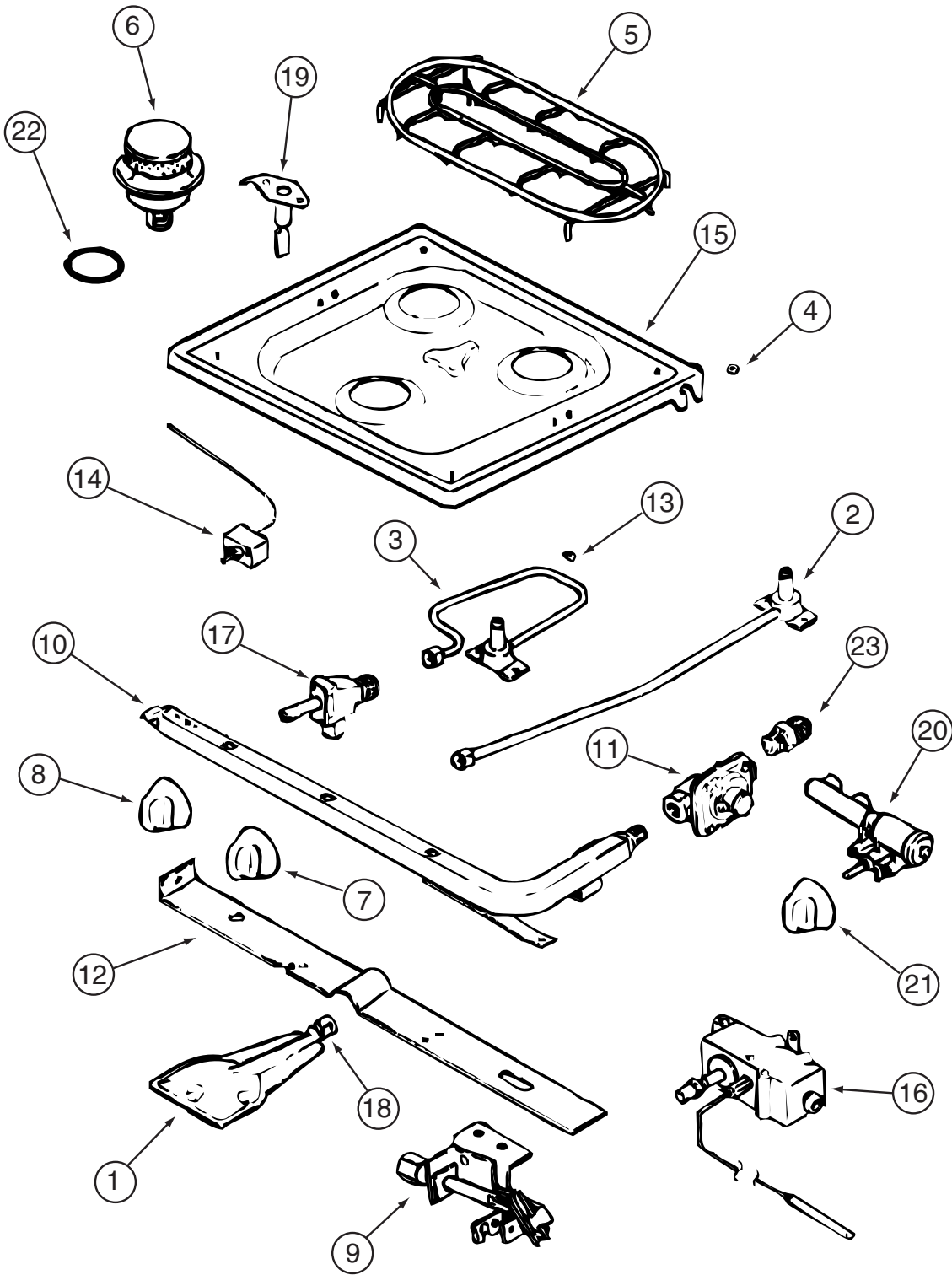


135656-01-01A

| KEY | PART NUMBER   | U/M | DESCRIPTION                  | VENDOR NO.  |
|-----|---------------|-----|------------------------------|-------------|
| 1   | 112881-03-702 | EA  | CLIP - MAIN TOP              | 74003998    |
| 2   | 126023-01-731 | EA  | BOTTOM - OVEN                | 2205F016-19 |
| 3   | 126023-01-718 | EA  | FLUE BOX ASSEMBLY            | 4006W075-80 |
| 6   | 112881-01-719 | EA  | TRIM-FLAT LH BLACK TEXTURED  | 74002813    |
| 6   | 112881-01-720 | EA  | TRIM-FLAT RH BLACK TEXTURED  | 74002812    |
| 11  | 126023-01-729 | EA  | PANEL - MANIFOLD             | 74003351    |
| 12  | 112881-01-721 | EA  | DEFLECTOR FLUE BLACK TEXTURE | 74002809    |
| 15  | 126023-01-716 | EA  | RACK - OVEN                  | 74003106    |
| 16  | 128728-01-703 | EA  | T-NUT - F/HINGE              | 7103P109-60 |

CONTACT WINNEBAGO PART SALES FOR UNLISTED COMPONENTS

**APPLIANCE GROUP (CONTINUED)**  
**COMPONENT PARTS FOR APPLIANCE (CONTINUED)**



135656-01-01A (CONTINUED)



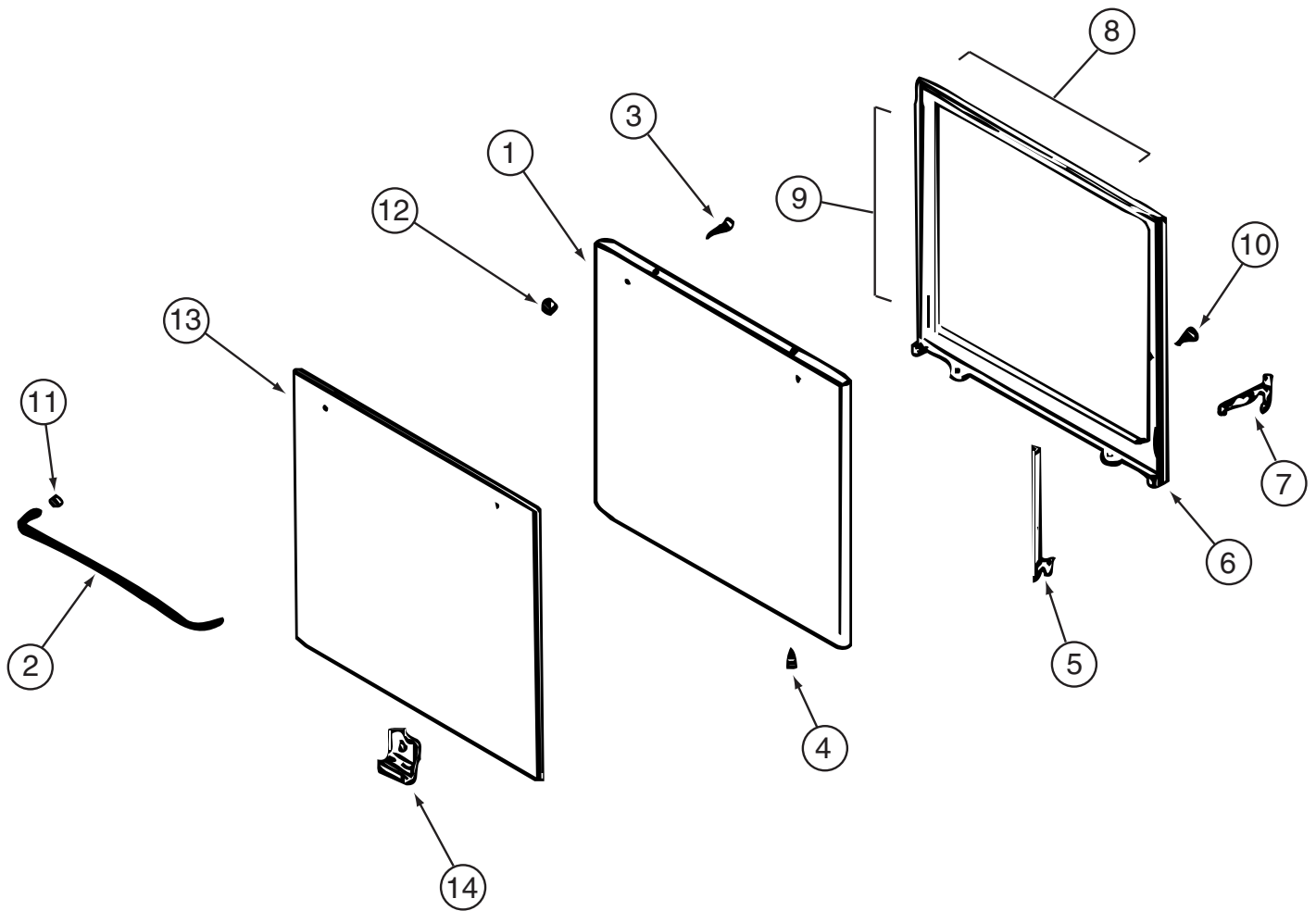
**APPLIANCE GROUP (CONTINUED)**  
**COMPONENT PARTS FOR APPLIANCE (CONTINUED)**

**135656-01-01A (CONTINUED)**

| <b>KEY</b> | <b>PART NUMBER</b> | <b>U/M</b> | <b>DESCRIPTION</b>           | <b>VENDOR NO.</b> |
|------------|--------------------|------------|------------------------------|-------------------|
| 1          | 126023-01-717      | EA         | BURNER - OVEN                | 74003343          |
| 2          | 128728-01-708      | EA         | FITTING - ORFICE TUBE - REAR | 74003931          |
| 3          | 128728-01-710      | EA         | FITTING - ORFICE TUBE - FRT  | 74003930          |
| 4          | 102020-01-709      | EA         | BUMPER-GRATE                 | 8007-P020-60      |
| 5          | 128728-01-700      | EA         | GRATE - BURNER               | 74003948          |
| 6          | 135065-01-705      | EA         | BURNER/SEALED ASSEMBLY       | 74003967          |
| 7          | 112881-01-705      | EA         | KNOB-TOP BURNER              | 7733P072-60       |
| 7          | 112881-01-718      | EA         | KNOB - TOP BURNER HI-OUTPUT  | 74001794          |
| 8          | 135656-01-700      | EA         | KNOB/THERMOSTAT              | 74002529          |
| 9          | 126023-02-701      | EA         | PILOT - OVEN                 | 74004586          |
| 10         | 126023-02-702      | EA         | PIPE - MANIFOLD              | 74004360          |
| 11         | 126023-02-703      | EA         | REGULATOR - PRESSURE         | 74004235          |
| 13         | 102020-01-724      | EA         | BUMPER-MAIN TOP              | 8003P008-60       |
| 14         | 126023-01-734      | EA         | THERMOSTAT OVEN 11/CLY MODEL | 74004361          |
| 15         | 128728-01-705      | EA         | TOP - MAIN - BLACK           | 74003928          |
| 16         | 126023-02-704      | EA         | VALVE - OVEN                 | 74004585          |

CONTACT WINNEBAGO PART SALES FOR UNLISTED COMPONENTS

**APPLIANCE GROUP (CONTINUED)**  
**COMPONENT PARTS FOR APPLIANCE (CONTINUED)**



**135656-01-01A (CONTINUED)**

| KEY | PART NUMBER   | U/M | DESCRIPTION               | VENDOR NO.  |
|-----|---------------|-----|---------------------------|-------------|
| 1   | 112881-02-705 | EA  | PANEL - OVEN DOOR (BLACK) | 74001273    |
| 2   | 102020-01-701 | EA  | HANDLE,DOOR               | 7701P092-60 |
| 8   | 126023-01-732 | EA  | SEAL/OVEN DR TOP          | 7212P014-60 |
| 9   | 126023-01-733 | EA  | SEAL/OVEN DR SIDES(2PCS)  | 7212P038-60 |
| 13  | 102022-01-704 | EA  | GLASS-OUTER               | 7902P261-60 |

CONTACT WINNEBAGO PART SALES FOR UNLISTED COMPONENTS

## AUDIO VIDEO GROUP RADIO SYSTEM

| KEY | PART NUMBER   | U/M | DESCRIPTION  |
|-----|---------------|-----|--|
|     | 110469-01-000 | EA  | SPEAKER - 4" X 6" OVAL - COAXIAL   |
|     | 110470-01-01A | EA  | GRILLE - 4" X 6" OVAL SPEAKER - BLACK  |
|     | 090944-01-000 | EA  | ANTENNA - RADIO - 16" RUBBER - W/72" LEAD WIRE   |
|     | 108847-01-000 | EA  | BRACKET - ANTENNA GROUND   |
|     | 109889-02-000 | EA  | EXTENDER - ANTENNA SHAFT - 2.1"  |
|     | 109889-05-000 | EA  | EXTENDER - ANTENNA SHAFT - 3"  |
|     | 124881-02-000 | EA  | AMPLIFIER - AUDIO - MTS Q SURROUND - ORANGE LABEL (LATEST)   |
|     | 124883-02-000 | EA  | SPEAKER - CUBE - W/BRACKET   |
|     | 124883-03-000 | EA  | SPEAKER - CUBE - W/O CASE - <a href="#">DELUXE ENTERTAINMENT</a>   |
|     | 124883-04-000 | EA  | SPEAKER - GRILLE - F/CUBE - <a href="#">DELUXE ENTERTAINMENT</a>   |
|     | 124884-01-000 | EA  | SPEAKER - 6" X 9" - SUB-WOOFER   |
|     | 124885-01-000 | EA  | GRILLE - SPEAKER - 6" X 9" - SUB-WOOFER  |
|     | 111177-01-01A | EA  | GRILLE - SPEAKER - 6.6" X 8.9" - HOUSING 5" X 7" SPEAKER   |
|     | 108137-01-000 | EA  | PLUG - ANTENNA   |
|     | 127517-10-000 | EA  | RADIO - AM/FM STEREO/CD PLAYER - CDX-L250 - <a href="#">EXTERIOR ENTERTAINMENT</a><br>FROM: 00-00-00 THRU: 02-10-02        |
|     | 127517-11-000 | EA  | RADIO - AM/FM STEREO - CD PLAYER - SONY CDX-L300 - <a href="#">EXTERIOR ENTERTAINMENT</a><br>FROM: 02-11-02 THRU: 99-99-99 |
|     | 125322-02-000 | EA  | RADIO-AM/FM STEREO/CASSETTE-AUDIOVOX-MS-306-EXT ENT W/CASS - <a href="#">EXT ENTERTAINMENT</a>                             |
|     | 135420-01-000 | EA  | RADIO - AM/FM CASSETTE/CD COMBO - M9900 - <a href="#">DASH</a>   |
|     | 135420-05-000 | EA  | RADIO - MOUNTING KIT - FORD - <a href="#">DASH</a>   |
|     | 077069-02-000 | EA  | CABLE - ANTENNA/EXTENSION - RADIO - 96" - <a href="#">EXTERIOR ENTERTAINMENT</a>   |

### REAR VIEW MONITOR

| KEY | PART NUMBER   | U/M | DESCRIPTION                          |
|-----|---------------|-----|--------------------------------------|
|     | 136514-01-000 | EA  | MONITOR - 6" - REAR VIEW/VISOR MOUNT |
|     | 136514-03-000 | EA  | CAMERA - REAR VIEW W/BRACKET         |
|     | 136514-02-000 | EA  | CABLE - MONITOR/CAMERA               |

### TELEPHONE

| KEY | PART NUMBER   | U/M | DESCRIPTION                           |
|-----|---------------|-----|---------------------------------------|
|     | 093253-01-01A | EA  | PLATE - WALL - TELEPHONE - BEIGE      |
|     | 130686-01-01A | EA  | PLATE - WALL - TELEPHONE/COAX - WHITE |

### TV & VCR

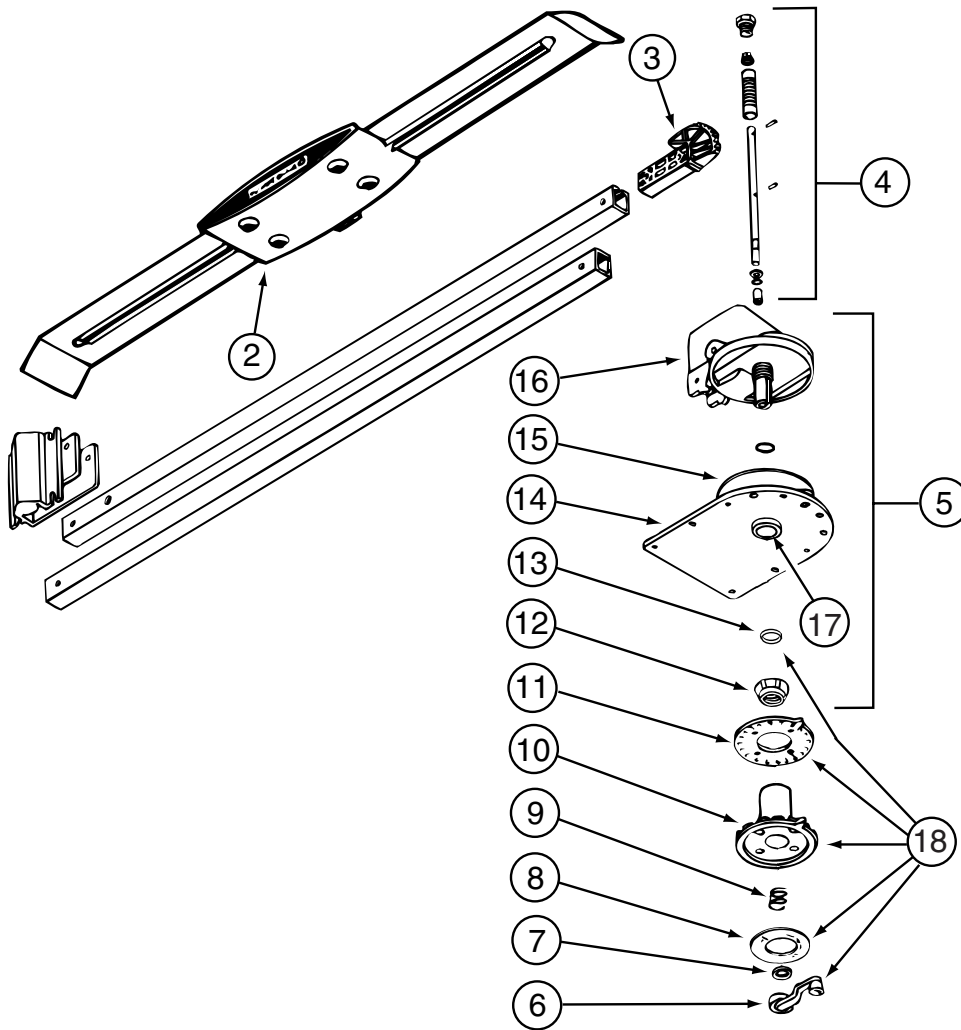
| KEY | PART NUMBER   | U/M | DESCRIPTION  |
|-----|---------------|-----|--|
|     | 136162-01-000 | EA  | TV - 27" STEREO W/5 JACKS - RCA F27648 - <a href="#">DELUXE ENTERTAINMENT W/ 27" TV - 427P, 43C1</a>   |
| *   | 130121-05-000 | EA  | TV - 25" - COLOR/STEREO W/5 JACKS - RCA F25648 - BLACK - <a href="#">DELUXE ENTERTAINMENT - 430V</a><br>FROM: 00-00-00 THRU: 09-26-01          |
|     | 130121-06-000 | EA  | TV - 25" - COLOR/STEREO W/5 JACKS - RCA F25649 - <a href="#">DELUXE ENTERTAINMENT - 430V</a><br>FROM: 09-27-01 THRU: 99-99-99                  |
| *   | 133377-01-000 | EA  | TV - 25" - COLOR - W/1/8" JACK - UL/CSA - GE 25GT240M - <a href="#">FRONT W/ VIDEO SELC SYS- 427P, 431C</a><br>FROM: 00-00-00 THRU: 05-09-01   |
|     | 133377-02-000 | EA  | TV - 25" - COLOR - W/O 1/8" JACK - UL/CSA - GE 25GT240 - <a href="#">FRONT W/ VIDEO SELC SYS - 427P, 431C</a><br>FROM: 05-10-01 THRU: 99-99-99 |
|     | 133377-02-000 | EA  | TV - 25" - COLOR - W/O 1/8" JACK - UL/CSA - GE 25GT240 - <a href="#">FRONT W/ VIDEO SELC SYS - 430V</a>  |
| *   | 086231-10-000 | EA  | TV - 13" COLOR - AUDIOVOX AVT-1498/DC - <a href="#">SIDE - 427P</a>  |
|     | 126697-06-000 | EA  | VCR - VHS/CABLE READY - W/REMOTE - GE VG4060 - <a href="#">FRONT</a><br>FROM: 00-00-00 THRU: 05-06-01  |
| *   | 126697-07-000 | EA  | VCR - VHS/CABLE READY - W/REMOTE - GE VG4045 - <a href="#">FRONT</a><br>FROM: 05-07-01 THRU: 99-99-99  |
|     | 124073-10-000 | EA  | VCR-VHS/HI-FI STEREO - BLACK CASE - RCA VR623HF - <a href="#">FRONT W/ DELUXE ENTERTAINMENT</a><br>FROM: 00-00-00 THRU: 04-08-01               |
| *   | 124073-11-000 | EA  | VCR-VHS/HI-FI STEREO - SILVER CASE - RCA VR651HF - <a href="#">FRONT W/ DELUXE ENTERTAINMENT</a><br>FROM: 04-09-01 THRU: 99-99-99              |
| *   | 094487-05-000 | EA  | VIDEO CASSETTE PLAYER - W/O REMOTE - VERTIC - AVP-7000VF - <a href="#">SIDE - 427P</a>   |
|     | 076319-09-000 | EA  | WALLPLATE - CABLE RECEPTACLE - TV - SINGLE - BROWN   |
|     | 076319-03-000 | FT  | CABLE - COAXIAL - 75 OHM   |
|     | 076319-12-000 | EA  | CONNECTOR - COAXIAL - ONE PIECE  |
| *   | 076319-23-000 | EA  | ANTENNA - TV ROOF MOUNT - 44.5" MAST   |
| *   | 076319-25-000 | EA  | KIT - HARDWARE INTERIOR  |
|     | 076319-26-000 | EA  | ANTENNA - TV - ROOF WEDGE  |
|     | 120233-03-000 | EA  | CERTIFICATE - SATELLITE RECEIVER   |

**AUDIO VIDEO GROUP (CONTINUED)**  
**TV & VCR (CONTINUED)**

| <b>KEY</b> | <b>PART NUMBER</b> | <b>U/M</b> | <b>DESCRIPTION</b>   |
|------------|--------------------|------------|--|
| *          | 137135-01-000      | EA         | ANTENNA - SATELLITE DSS - W/SENSOR<br>FROM: 00-00-00 THRU: 04-08-02              |
|            | 137135-02-000      | EA         | ANTENNA - SATELLITE DSS - W/SENSOR<br>FROM: 04-09-02 THRU: 99-99-99              |
|            | 137135-03-000      | EA         | WIRE LOOM - DIGITAL ELEVATION SENSOR<br>FROM: 04-09-02 THRU: 99-99-99            |
|            | 137135-04-000      | EA         | WIRE HARNESS - POWER - DIGITAL ELEVATION SENSOR<br>FROM: 04-09-02 THRU: 99-99-99 |
|            | 136860-01-000      | EA         | CABLE - RCA - #3 MALE TO #12F MALE CONNECTOR                                     |
|            | 076319-08-000      | EA         | WALLPLATE - CABLE RECEPTACLE - TV - SINGLE - IVORY                               |
|            | 082134-01-000      | EA         | ADAPTER - TV - CABLE TO CABLE  |
|            | 082136-01-000      | EA         | NUT - HEX JAM - 3/8-32   |
|            | 086757-04-000      | EA         | CONTROL CENTER - SWITCH - VCR/TV - 5 INPUTS                                      |
|            | 134006-01-03B      | EA         | PLATE - COAXIAL CABLE/OFF WHITE  |
|            | 086777-06-000      | EA         | WALLPLATE - TV CABLE - ANTENNA BOOSTER/1 OUTPUT - BLACK                          |
|            | 134006-01-03B      | EA         | PLATE - COAXIAL CABLE/OFF WHITE  |
|            | 123324-01-000      | EA         | FILTER - GROUND LOOP   |
|            | 086756-01-000      | EA         | SPLITTER - TV/2 WAY  |
|            | 069726-02-000      | EA         | BUMPER - .88" OD X .40" THICK - BLACK  |

**\*COMPONENT PARTS LISTED LATER IN THIS GROUP**

**AUDIO VIDEO GROUP (CONTINUED)**  
**COMPONENT PARTS FOR TV & VCR**



**076319-23-000**

| KEY | PART NUMBER   | U/M | DESCRIPTION                | VENDOR NO. |
|-----|---------------|-----|----------------------------|------------|
| 2   | 076319-01-700 | EA  | HEAD - ANTENNA - AMPLIFIED | RVSA U/V   |
| 3   | 076319-01-701 | EA  | GEAR - ELEVATING - PLASTIC | 2200046    |
| 4   | 076319-01-702 | EA  | SHAFT ASM - ELEVATING      | RVP-400A   |
| 5   | 076319-01-711 | EA  | BASE & LIFT ASM            | 2762802    |
| 7   | 076319-01-705 | EA  | BEARING - NYLON - 7/8"ID   | 3200658    |
| 8   | 076319-01-708 | EA  | DECAL-CRANK                | 5413002    |
| 9   | 076319-01-707 | EA  | SPRING - HANDLE            | 5160822    |
| 11  | 076319-01-709 | EA  | PLATE-CEILING (IVORY)      | 3200621    |
| 11  | 076319-01-712 | EA  | PLATE - CEILING            | 3200608    |
| 12  | 076319-01-715 | EA  | NUT (GEAR HOUSING)         | 2200047    |
| 14  | 076319-01-713 | EA  | BASE PLATE                 | 3100523    |
| 15  | 076319-01-703 | EA  | BEARING - NYLON - 5"OD     | 3200656    |
| 16  | 076319-01-714 | EA  | HOUSING - ROTATING GEAR    | 2200049    |
|     | 076319-01-716 | EA  | TUBING, ELEVATING          | RP-2900    |
| 17  | 076319-01-704 | EA  | BEARING-NYLON, 1.25"OD     | 3200657    |

CONTACT WINNEBAGO PART SALES FOR UNLISTED COMPONENT

**076319-25-000**

| KEY | PART NUMBER   | U/M | DESCRIPTION                 | VENDOR NO. |
|-----|---------------|-----|-----------------------------|------------|
| 6   | 076319-01-706 | EA  | CRANK-ELEVATING W/SET SCREW | 2750897    |
| 6   | 120233-01-710 | EA  | HANDLE-CRANK                | RP-6795    |
| 8   | 076319-01-708 | EA  | DECAL-CRANK                 | 5413002    |
| 9   | 076319-01-707 | EA  | SPRING-HANDLE               | 2160822    |
| 10  | 076319-25-700 | EA  | DIRECTIONAL HANDLE(WHITE)   | 3200612    |
| 11  | 076319-25-701 | EA  | PLATE - CEILING(WHITE)      | 3200609    |
| 13  | 120233-01-709 | EA  | WASHER-NYLON                | RP-2658    |

CONTACT WINNEBAGO PART SALES FOR UNLISTED COMPONENTS

**AUDIO VIDEO GROUP (CONTINUED)**  
**COMPONENT PARTS FOR TV & VCR (CONTINUED)**

**086231-10-000**

| <b>KEY</b> | <b>PART NUMBER</b> | <b>U/M DESCRIPTION</b>          | <b>VENDOR NO.</b> |
|------------|--------------------|---------------------------------|-------------------|
|            | 086231-08-700      | EA REMOTE-UNIVERSAL             | 892325            |
|            | 086231-08-701      | EA CONVERTER/POWER SUP 110/12 V | 891436            |
|            | 086231-10-700      | EA ADAPTER WIRE - (CIGARETTE)   | 894000            |

**094487-05-000**

| <b>KEY</b> | <b>PART NUMBER</b> | <b>U/M DESCRIPTION</b> | <b>VENDOR NO.</b> |
|------------|--------------------|------------------------|-------------------|
|            | 086231-08-700      | EA REMOTE-UNIVERSAL    | 0892325           |
|            | 094487-03-700      | EA WIRE - ADAPTER      | 0891436           |

**124073-11-000**

| <b>KEY</b> | <b>PART NUMBER</b> | <b>U/M DESCRIPTION</b> | <b>VENDOR NO.</b> |
|------------|--------------------|------------------------|-------------------|
|            | 126697-04-700      | EA REMOTE              | 239040            |

**126697-07-000**

| <b>KEY</b> | <b>PART NUMBER</b> | <b>U/M DESCRIPTION</b> | <b>VENDOR NO.</b> |
|------------|--------------------|------------------------|-------------------|
|            | 126697-07-700      | EA REMOTE              | 248687            |

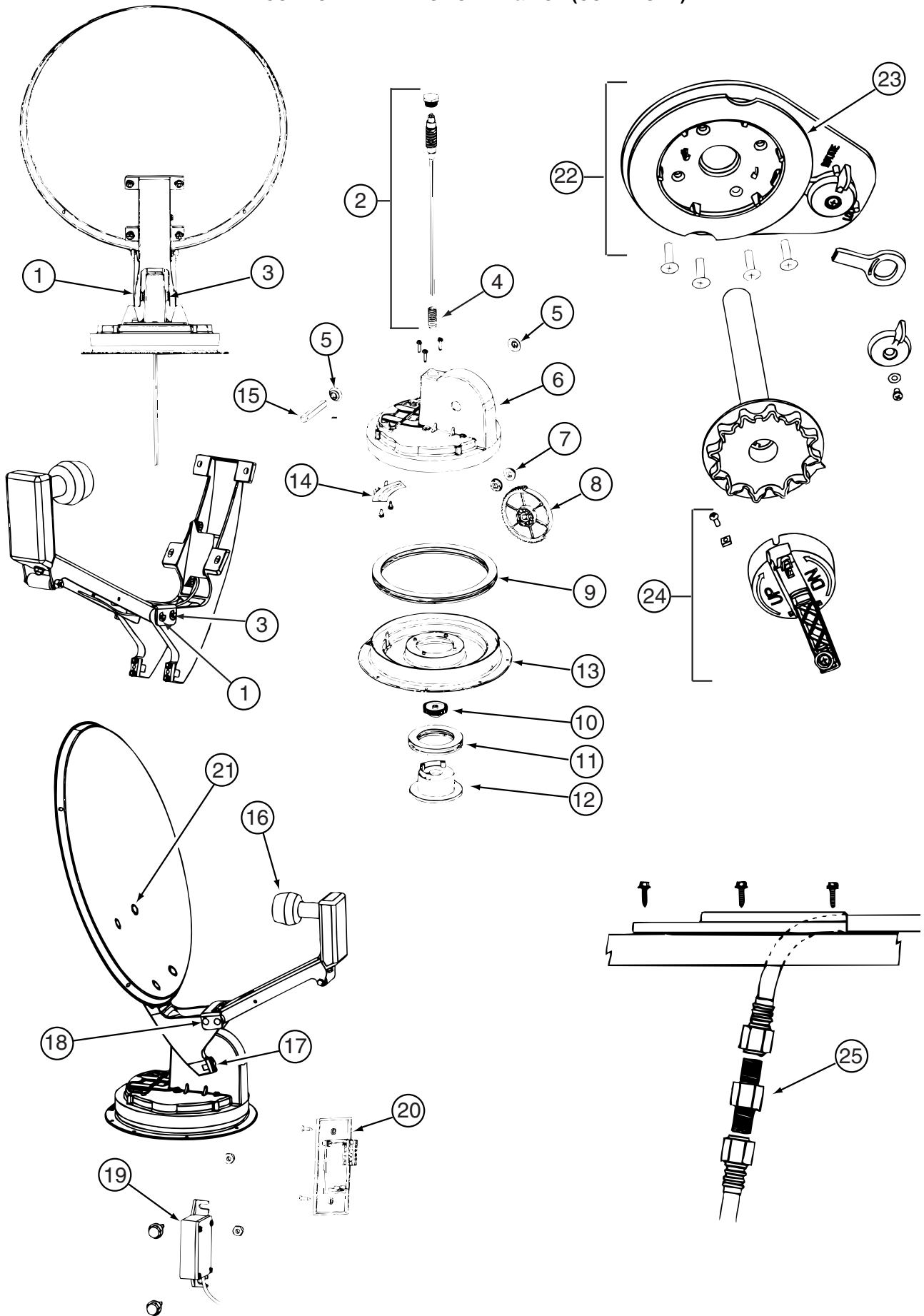
**130121-05-000**

| <b>KEY</b> | <b>PART NUMBER</b> | <b>U/M DESCRIPTION</b> | <b>VENDOR NO.</b> |
|------------|--------------------|------------------------|-------------------|
|            | 130121-05-700      | EA REMOTE              | 242524            |

**133377-01-000**

| <b>KEY</b> | <b>PART NUMBER</b> | <b>U/M DESCRIPTION</b> | <b>VENDOR NO.</b> |
|------------|--------------------|------------------------|-------------------|
|            | 133377-01-700      | EA REMOTE              | 240961            |

**AUDIO VIDEO GROUP (CONTINUED)**  
**COMPONENT PARTS FOR TV & VCR (CONTINUED)**



137135-01-000

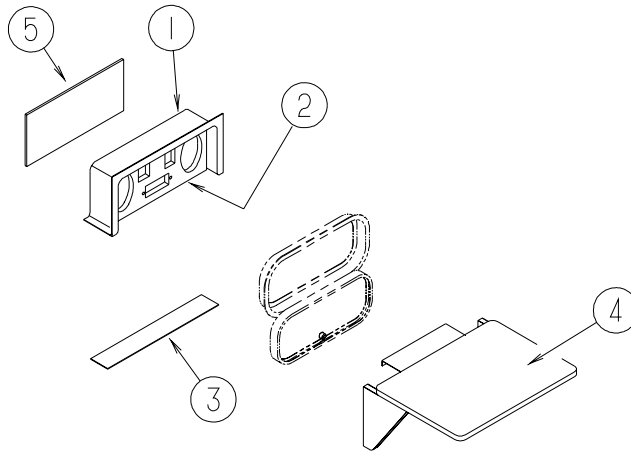
**AUDIO VIDEO GROUP (CONTINUED)**  
**COMPONENT PARTS FOR TV & VCR (CONTINUED)**

**137135-01-000 (CONTINUED)**

| <b>KEY</b> | <b>PART NUMBER</b> | <b>U/M</b> | <b>DESCRIPTION</b>           | <b>VENDOR NO.</b> |
|------------|--------------------|------------|------------------------------|-------------------|
| 1          | 120233-01-714      | EA         | CLIP-E                       | 5160818           |
| 2          | 137135-01-703      | EA         | SHAFT-ELEVATING(SPRING/PLUG) | RP-4400           |
| 3          | 137135-01-704      | EA         | PIN - 1/4" X 3.25"           | 2160813           |
| 4          | 137135-01-705      | EA         | SPRING                       | 2160818           |
| 5          | 137135-01-707      | EA         | SEAL - PIVOT SHAFT           | 2200852           |
| 6          | 137135-01-708      | EA         | TURRET                       | 3100728           |
| 7          | 137135-01-709      | EA         | PIVOT BEARING                | 2200470           |
| 8          | 137135-01-711      | EA         | GEAR - ELEVATING             | 2200464           |
| 9          | 137135-01-712      | EA         | BEARING - OUTER              | 2590347           |
| 10         | 137135-01-714      | EA         | GEAR - ELEVATING SHAFT       | 2200465           |
| 11         | 137135-01-715      | EA         | BEARING - INNER              | 2590348           |
| 12         | 137135-01-716      | EA         | HUB                          | 3100731           |
| 13         | 137135-01-713      | EA         | TURRET BASE                  | 3100730           |
| 14         | 137135-01-710      | EA         | PLATE - ROTATE LIMIT         | 3720052           |
| 15         | 137135-01-706      | EA         | PIVOT SHAFT                  | 2590344           |
| 16         | 120233-01-734      | EA         | LOW NOISE BLOCK FILTER (SGL) | LB10003           |
| 17         | 137135-01-722      | EA         | CLAMP                        | 2590343           |
| 18         | 137135-01-719      | EA         | BRACKET - PIVOT              | 2744945           |
| 19         | 137135-01-720      | EA         | DE-SENSOR UNIT W/43" CABLE   | 276342            |
| 20         | 137135-01-721      | EA         | WALL PLATE                   | 3200213           |
| 21         | 137135-01-717      | EA         | BOLT - FLAT HEAD             | 216032            |
| 22         | 120233-01-722      | EA         | PLATE ASSEMBLY (CEILING)     | 2762826           |
| 23         | 120233-01-704      | EA         | DIAL - DIRECTIONAL           | 3200364           |
| 24         | 120233-01-721      | EA         | CRANK HANDLE ASSEMBLY        | 2762825           |
| 25         | 137135-01-701      | EA         | CONNECTOR - F - MALE TO MALE | FS-8100           |
|            | 137135-01-700      | EA         | ROOF WEDGE W/GASKET          | RW-5000           |
|            | 137135-01-718      | EA         | REFLECTOR/WHITE - 46CM       | 2745282           |

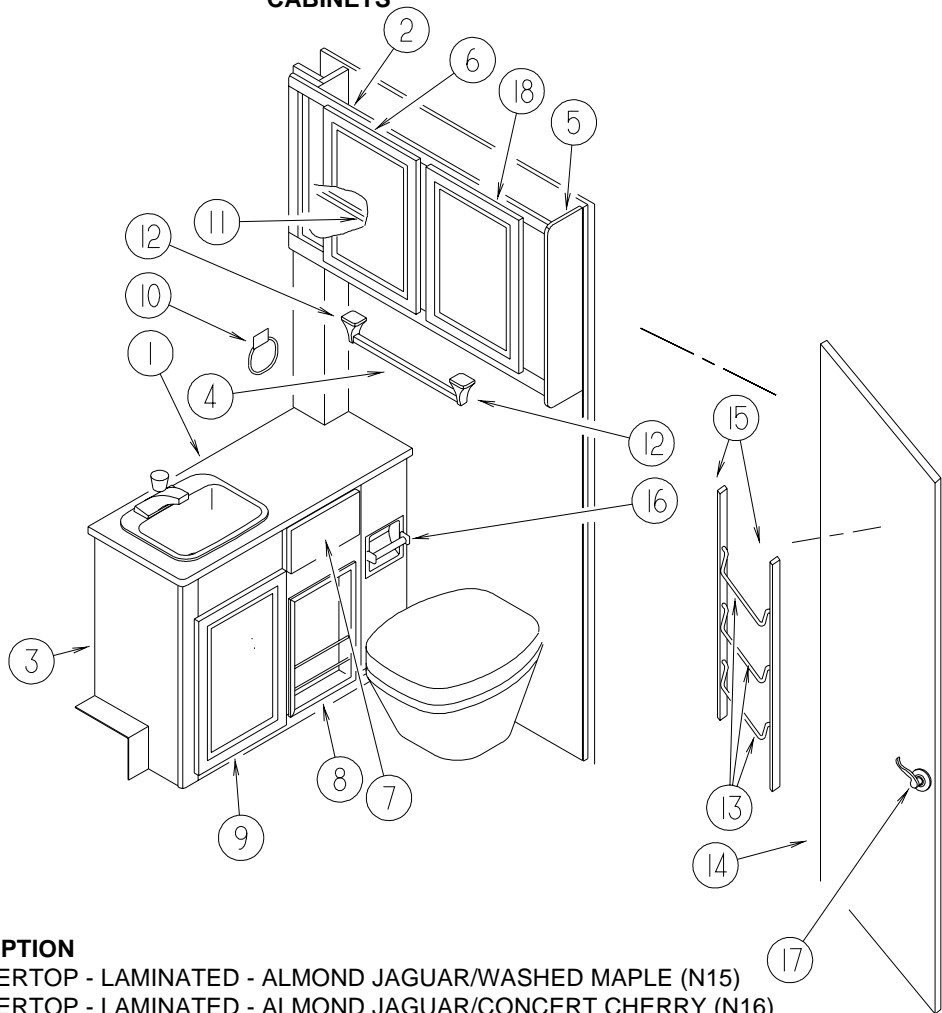


**AUDIO VIDEO GROUP (CONTINUED)**  
**EXTERIOR ENTERTAINMENT**



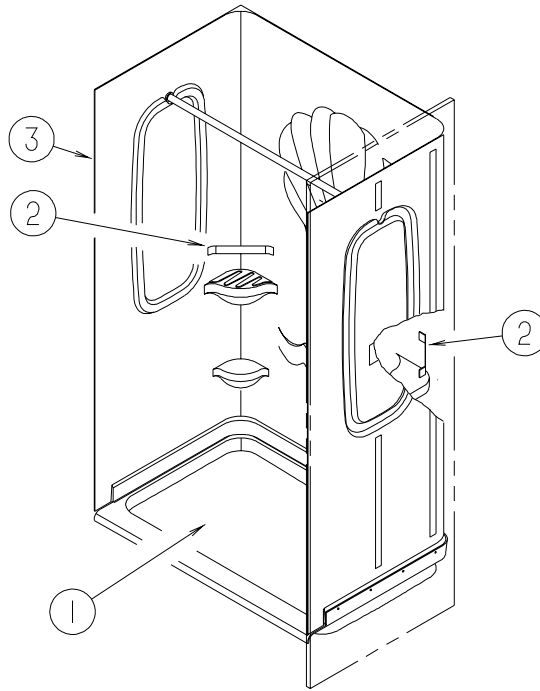
| KEY | PART NUMBER   | U/M | DESCRIPTION  |
|-----|---------------|-----|--|
| 1   | 104897-02-02A | EA  | BOX - EXTERIOR ENTERTAINMENT CENTER - 427P, 431C   |
| 1   | 124696-01-01A | EA  | BOX - ENTERTAINMENT CENTER/EXTERIOR - BRIGHT WHITE - 430V                                  |
| 2   | 127409-01-L07 | EA  | PLATE - RADIO MOUNTING - 427P, 431C  |
| 2   | 127409-02-L15 | EA  | PLATE - RADIO MOUNTING - 430V  |
| 3   | 104898-01-02A | EA  | PLATE - PLASTIC BOTTOM - BRIGHT WHITE  |
| 4   | 105230-01-J01 | EA  | SHELF - EXTERIOR ENTERTAINMENT CENTER - W/BRKT/HINGE/SUPT<br>FROM: 00-00-00 THRU: 01-15-02 |
| 4   | 142034-01-01A | EA  | SHELF - F/EXTERIOR TV - 427P, 431C<br>FROM: 01-16-02 THRU: 99-99-99                        |
| 4   | 142034-02-01A | EA  | SHELF - F/EXTERIOR TV - 430V<br>FROM: 01-16-02 THRU: 99-99-99                              |
| 5   | 104898-02-02A | EA  | PLATE - PLASTIC BACK - BRIGHT WHITE - 430V   |

## BATH GROUP CABINETS



| KEY | PART NUMBER   | U/M | DESCRIPTION   |
|-----|---------------|-----|---|
| 1   | 133132-29-L09 | EA  | COUNTERTOP - LAMINATED - ALMOND JAGUAR/WASHED MAPLE (N15)                     |
| 1   | 133132-29-L14 | EA  | COUNTERTOP - LAMINATED - ALMOND JAGUAR/CONCERT CHERRY (N16)                   |
| 1   | 133132-29-M19 | EA  | COUNTERTOP - LAMINATED - NATURAL LEGACY/WASHED MAPLE (N17)                    |
| 1   | 133132-29-M12 | EA  | COUNTERTOP - LAMINATED - NATURAL LEGACY/CONCERT CHERRY (N18)                  |
| 2   | 130662-02-M15 | EA  | CABINET - MEDICINE - W/O DOORS/HARDWARE - WASHED MAPLE                        |
| 2   | 130662-02-M08 | EA  | CABINET - MEDICINE - W/O DOORS/HARDWARE - SALEM CHERRY                        |
| 3   | 133405-02-M15 | EA  | CABINET - LAVATORY - W/O COUNTERTOP/DOORS/DRAWERS/HARDWARE - WASHED MAPLE     |
| 3   | 133405-02-M08 | EA  | CABINET - LAVATORY - W/O COUNTERTOP/DOORS/DRAWERS/HARDWARE - SALEM CHERRY     |
| 4   | 100357-01-000 | EA  | ROD - F/TOWEL BAR - BRASS   |
| 5   | 109908-A3-M15 | EA  | END CAP - OVERHEAD CABINET - WASHED MAPLE                                     |
| 5   | 109908-A3-M08 | EA  | END CAP - OVERHEAD CABINET - SALEM CHERRY                                     |
| 6   | 135238-56-M15 | EA  | DOOR - RAIL/ARCHED TOP - 14.31" X 16.11" - W/O HARDWARE - WASHED MAPLE        |
| 6   | 135238-56-M16 | EA  | DOOR - RAIL/ARCHED TOP - 14.3" X 16.1" - W/O HARDWARE - SALEM CHERRY          |
|     | 076767-04-000 | EA  | CABLE - STAINLESS STEEL - 5.91  |
| 7   | P34767-61-M15 | EA  | DRAWER - PENCIL EDGE - 10.71" W X 13.71" D-W/O SLIDES/HARDWARE - WASHED MAPLE |
| 7   | P34767-61-M16 | EA  | DRAWER - PENCIL EDGE - 10.7" W X 13.7" D-W/O SLIDES/HARDWARE - SALEM CHERRY   |
| 8   | 131096-01-M15 | EA  | WALL POCKET - MAGAZINE RACK - WASHED MAPLE                                    |
| 8   | 131096-01-M08 | EA  | WALL POCKET - MAGAZINE RACK - SALEM CHERRY                                    |
| 9   | 134783-07-M15 | EA  | DOOR - RAIL/SOLID PANEL - 10.11" X 21.81" - W/O HARDWARE - WASHED MAPLE       |
| 9   | 134783-07-M16 | EA  | DOOR - RAIL/SOLID PANEL - 10.11" X 21.81" - W/O HARDWARE - SALEM CHERRY       |
| 10  | 132046-02-01A | EA  | RING - TOWEL - BRASS  |
| 11  | 130662-11-M15 | EA  | SHELF - W/PLASTIC EDGE MOLDING - WASHED MAPLE                                 |
| 11  | 130662-11-M08 | EA  | SHELF - W/PLASTIC EDGE MOLDING - SALEM CHERRY                                 |
| 12  | 075453-03-000 | EA  | BRACKET - TOWEL BAR - BRASS - 2 PER PACK                                      |
| 13  | 075453-04-000 | EA  | ROD - F/TOWEL BAR - 18" BRASS - W/O END BRACKETS                              |
| 14  | 131933-07-M15 | EA  | DOOR - BATH - W/O HARDWARE - WASHED MAPLE                                     |
| 14  | 131933-07-M08 | EA  | DOOR - BATH - W/O HARDWARE - SALEM CHERRY                                     |
| 15  | P34509-01-N15 | EA  | RAIL END - RH/LH - TOWEL RACK - WASHED MAPLE                                  |
| 15  | P34509-01-E41 | EA  | RAIL END - RH/LH - TOWEL RACK - SALEM CHERRY                                  |
| 16  | 075452-02-000 | EA  | HOLDER - TOILET TISSUE - BRASS  |
| 17  | 111155-05-01A | EA  | LOCK - PRIVACY/LOCKING - POLISHED BRASS - ISi SHAPE HANDLE                    |
| 18  | 135238-55-N15 | EA  | DOOR - RAIL/ARCHED TOP - 14.31" X 16.11" - W/O HARDWARE - WASHED MAPLE        |
| 18  | 135238-55-N16 | EA  | DOOR - RAIL/ARCHED TOP - 14.31" X 16.11" - W/O HARDWARE - SALEM CHERRY        |

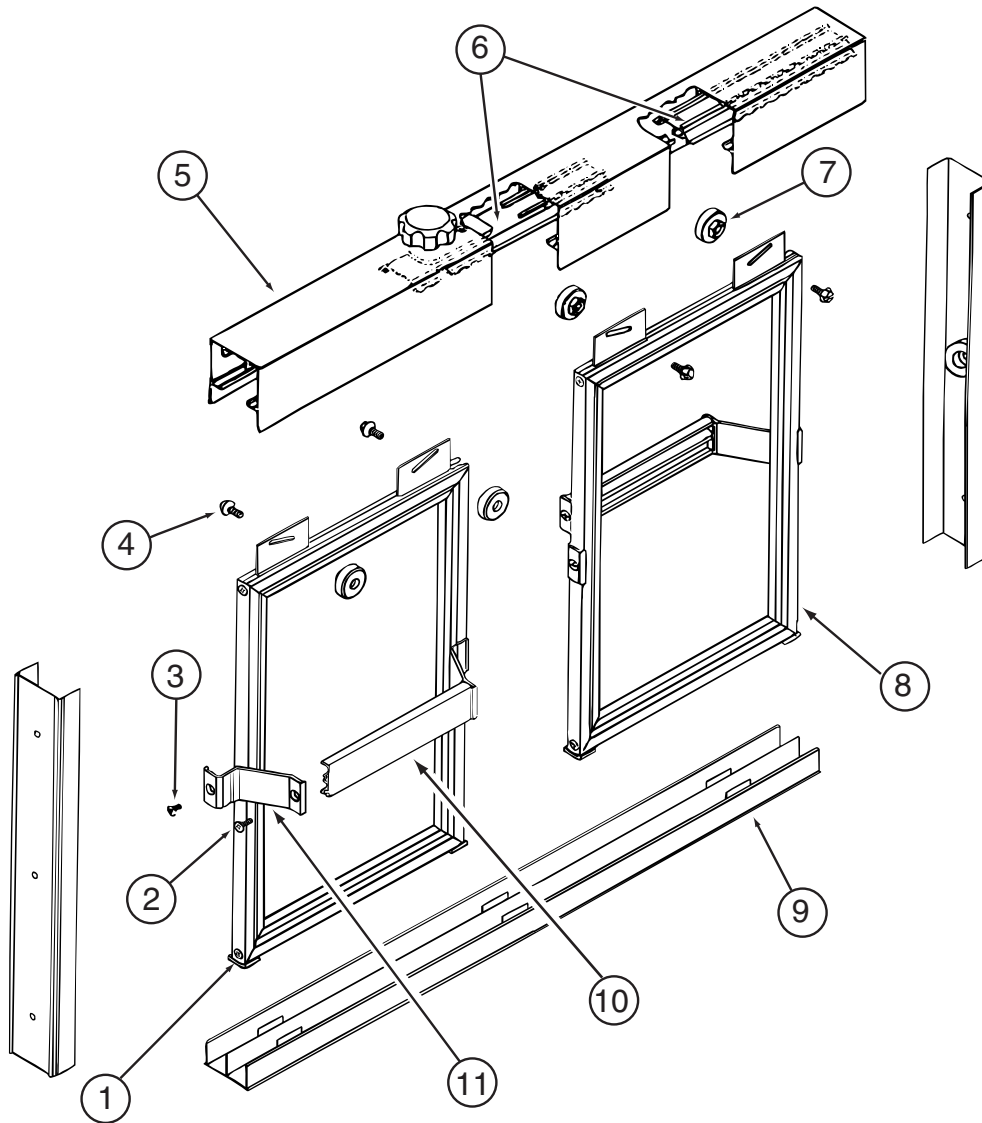
**BATH GROUP (CONTINUED)**  
**SHOWER**



| KEY | PART NUMBER   | U/M | DESCRIPTION  |
|-----|---------------|-----|--|
| 1   | M02630-66-N09 | EA  | SHOWER PAN - W/STRAINER                                |
| 2   | 113714-04-02A | EA  | RETAINER - SHELF/SHOWER - SOFT WHITE                   |
| 3   | 132216-02-01A | EA  | SHOWER - SURROUND - SOFT WHITE                         |
| *   | 115011-03-01A | EA  | DOOR - SHOWER/BYPASS - 39.3" X 65" - W/HARDWARE & LOCK |

**\*COMPONENT PARTS LISTED LATER IN THIS GROUP**

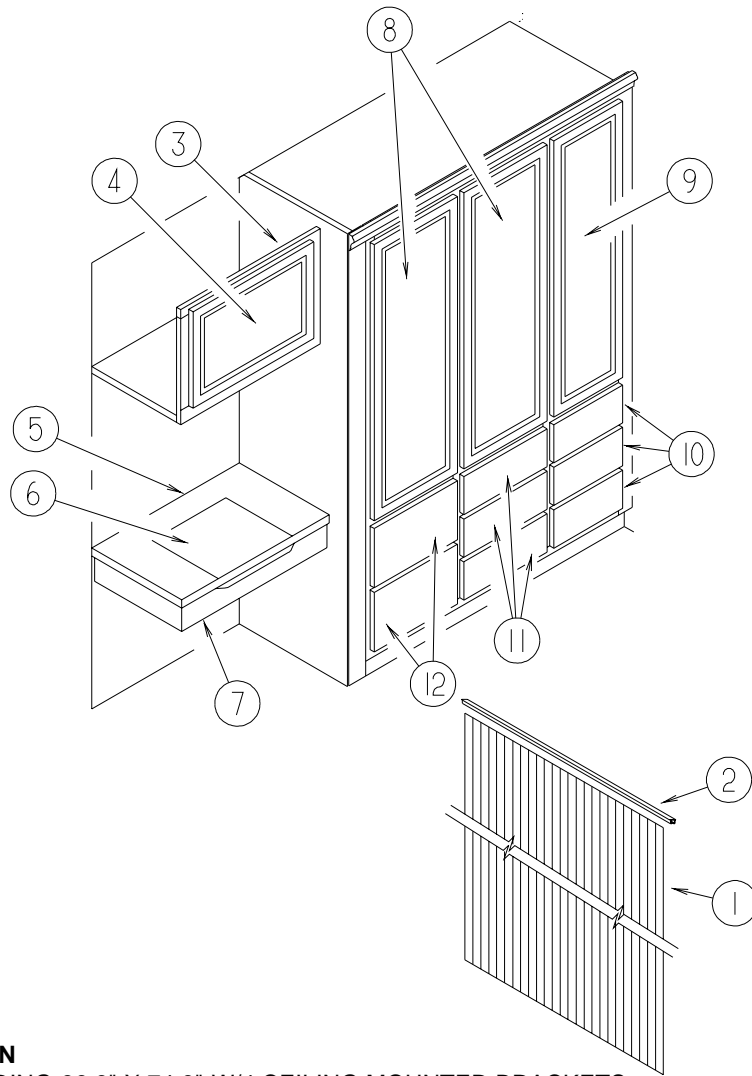
**BATH GROUP (CONTINUED)**  
**COMPONENT PARTS FOR SHOWER DOOR**



115011-03-01A

| KEY | PART NUMBER   | U/M | DESCRIPTION                  | VENDOR NO.  |
|-----|---------------|-----|------------------------------|-------------|
| 1   | 115011-01-701 | EA  | GUIDE-NYLON, (W-TRACK)       | 1104        |
| 2   | 115011-01-707 | EA  | SCREW F/TOWEL BAR            | 612F        |
| 3   | 115011-01-708 | EA  | SCREW F/TOWEL BAR BRKTS      | 638F        |
| 4   | 115011-01-705 | EA  | SCREW-ROLLER, (HEX HEAD)     | 832HEX      |
| 5   | 115011-01-700 | EA  | HEADER, W/O ANTI JUMP GUARD  | 120G        |
| 6   | 115011-01-710 | EA  | GUARD-ANTI JUMP              | 130         |
| 7   | 115011-01-704 | EA  | ROLLERS                      | PN193       |
| 8   | 115011-01-706 | FT  | GLAZING VINYL                | C 169       |
| 9   | 115011-01-709 | EA  | TRACK-BOTTOM- 50"            | 90          |
| 10  | 115011-01-703 | EA  | BAR-TOWEL                    | 136         |
| 11  | 115011-01-702 | EA  | BRACKET-TOWEL BAR            | 135         |
|     | 115011-01-711 | EA  | KNOB-TENSION,(HEADER W/BOLT) | 1420K-1420S |
|     | 115011-01-712 | EA  | BOLT-TENSION, (HEADER)       | 1420S       |
|     | 115011-01-714 | EA  | BUMPER - RATTLE/SHOWER DOOR  | 5168S       |
|     | 115011-01-715 | EA  | PAD - FOAM                   | 116R        |

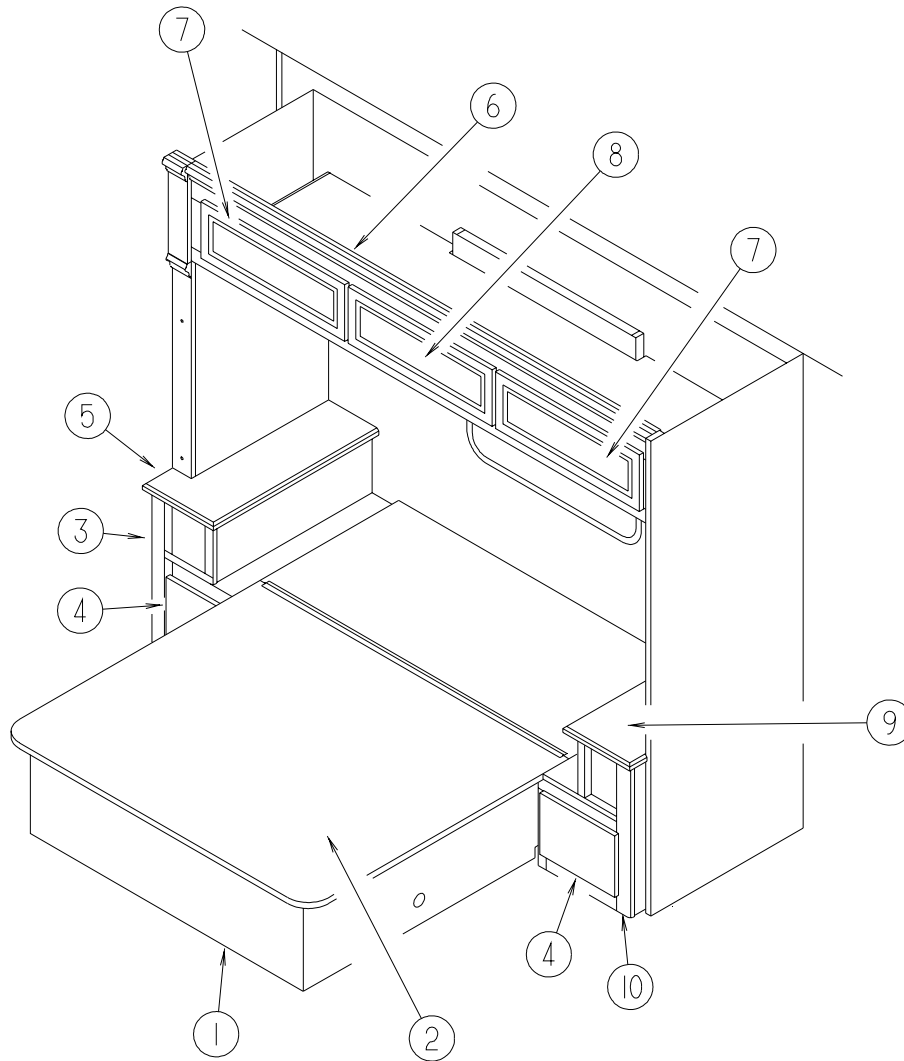
## BEDROOM GROUP QUEEN CABINETS



| KEY | PART NUMBER   | U/M | DESCRIPTION   |
|-----|---------------|-----|---|
| 1*  | 131595-01-01A | EA  | DOOR - FOLDING-36.9" X 74.9"-W/4 CEILING MOUNTED BRACKETS                 |
| 2   | 131595-07-01A | EA  | TRACK - DOOR - CURVED/RIGHT - 28.5"                                       |
| 3   | 136943-01-M15 | EA  | CABINET - OVERHEAD/VANITY - W/O DOORS/HARDWARE - WASHED MAPLE             |
| 3   | 136943-01-M08 | EA  | CABINET - OVERHEAD/VANITY - W/O DOORS/HARDWARE - SALEM CHERRY             |
| 4   | 135238-54-N15 | EA  | DOOR - RAIL/ARCHED TOP - 13.7i X 23.2i - W/O HARDWARE - WASHED MAPLE      |
| 4   | 135238-54-M16 | EA  | DOOR - RAIL/ARCHED TOP - 13.7" X 23.2" - W/O HARDWARE - SALEM CHERRY      |
| 5   | 133655-21-M15 | EA  | COUNTERTOP - LAMINATED/HINGED PORTION - ALMOND JAGUAR (N15)               |
| 5   | 133655-21-M08 | EA  | COUNTERTOP - LAMINATED/HINGED PORTION - ALMOND JAGUAR (N16)               |
| 5   | 133655-21-N17 | EA  | COUNTERTOP - LAMINATED/HINGED PORTION - NATURAL LEGACY (N17)              |
| 5   | 133655-21-N12 | EA  | COUNTERTOP - LAMINATED/HINGED PORTION - NATURAL LEGACY (N18)              |
| 6   | 133655-20-M15 | EA  | COUNTERTOP - LAMINATED - ALMOND JAGUAR (N15)                              |
| 6   | 133655-20-M08 | EA  | COUNTERTOP - LAMINATED - ALMOND JAGUAR (N16)                              |
| 6   | 133655-20-N17 | EA  | COUNTERTOP - LAMINATED - NATURAL LEGACY (N17)                             |
| 6   | 133655-20-N12 | EA  | COUNTERTOP - LAMINATED - NATURAL LEGACY (N18)                             |
| 7   | 136937-01-M15 | EA  | DRAWER/VANITY - W/O COUNTERTOP - W/CABLE - WASHED MAPLE                   |
| 7   | 136937-01-M08 | EA  | DRAWER/VANITY - W/O COUNTERTOP - W/CABLE - SALEM CHERRY                   |
|     | 140374-04-000 | EA  | MIRROR - SAFETY GLASS - 8.7i X 12.5i                                      |
| 8   | 134786-02-M15 | EA  | DOOR - MIRROR/MITERED CORNERS - 16.7i X 47.9i-W/O HARDWARE - WASHED MAPLE |
| 8   | 134786-02-M16 | EA  | DOOR - MIRROR/MITERED CORNERS - 16.7i X 47.9i-W/O HARDWARE - SALEM CHERRY |
|     | 076767-04-000 | EA  | CABLE - STAINLESS STEEL - 5.9i  |
| 9   | 135238-11-M62 | EA  | DOOR - RAIL/ARCHED TOP - 12i X 48i - W/O HARDWARE - WASHED MAPLE          |
| 9   | 135238-11-M63 | EA  | DOOR - RAIL/ARCHED TOP - 12" X 48" - W/O HARDWARE - SALEM CHERRY          |
| 10  | P34767-B8-M15 | EA  | DRAWER - PENCIL EDGE - 9.9iW X 17.7iD-W/O SLIDES/HARDWARE - WASHED MAPLE  |
| 10  | P34767-B8-M16 | EA  | DRAWER - PENCIL EDGE - 9.9iW X 17.7iD-W/O SLIDES/HARDWARE - SALEM CHERRY  |
| 11  | P34767-C0-M15 | EA  | DRAWER - PENCIL EDGE - 14.7iW X 11.8iD-W/O SLIDES/HARDWARE - WASHED MAPLE |
| 11  | P34767-C0-M16 | EA  | DRAWER - PENCIL EDGE - 14.7iW X 11.8iD-W/O SLIDES/HARDWARE - SALEM CHERRY |
| 12  | P34767-B9-M15 | EA  | DRAWER - PENCIL EDGE - 14.7iW X 17.7iD-W/O SLIDES/HARDWARE - WASHED MAPLE |
| 12  | P34767-B9-M16 | EA  | DRAWER - PENCIL EDGE - 14.7iW X 17.7iD-W/O SLIDES/HARDWARE - SALEM CHERRY |

\*COMPONENT PARTS LISTED LATER IN THIS GROUP

**BEDROOM GROUP (CONTINUED)**  
**QUEEN CABINETS (CONTINUED)**



| KEY | PART NUMBER   | U/M | DESCRIPTION   |
|-----|---------------|-----|---|
| 1   | 140655-01-N15 | EA  | CABINET/BASE - QUEEN BED - WASHED MAPLE   |
| 1   | 140655-01-N10 | EA  | CABINET/BASE - QUEEN BED - SALEM CHERRY   |
| 2   | M07571-05-000 | EA  | BED/TOP - RAISED PORTION - W/O SUPPORT/HARDWARE   |
|     | 097872-04-000 | EA  | DOWEL - WOOD - 1 $\frac{1}{2}$ " DIAMETER X 1.38 $\frac{1}{2}$ " LONG - UNFINISHED  |
| 3   | 136885-07-N15 | EA  | CABINET - NIGHTSTAND/LH - W/O COUNTERTOP/DOOR/DRAWER/HDW - WASHED MAPLE<br>FROM: 00-00-00 THRU: 10-07-01                                |
| 3   | 136885-10-N15 | EA  | CABINET - NIGHTSTAND - W/O DOORS/DRAWERS/HARDWARE - WASHED MAPLE<br>FROM: 10-08-01 THRU: 99-99-99                                       |
| 3   | 136885-07-N10 | EA  | CABINET - NIGHTSTAND/LH - W/O COUNTERTOP/DOOR/DRAWER/HDW - SALEM CHERRY<br>FROM: 00-00-00 THRU: 10-07-01                                |
| 3   | 136885-10-N10 | EA  | CABINET - NIGHTSTAND - W/O DOORS/DRAWERS/HARDWARE - SALEM CHERRY<br>FROM: 10-08-01 THRU: 99-99-99                                       |
| 4   | P34767-C1-N15 | EA  | DRAWER - PENCIL EDGE - 7.6 $\frac{1}{2}$ "W X 23.6 $\frac{1}{2}$ "D-W/O SLIDES/HARDWARE - WASHED MAPLE<br>FROM: 00-00-00 THRU: 10-07-01 |
| 4   | P34767-C1-M16 | EA  | DRAWER - PENCIL EDGE - 7.6 $\frac{1}{2}$ "W X 23.6 $\frac{1}{2}$ "D-W/O SLIDES/HARDWARE - SALEM CHERRY<br>FROM: 00-00-00 THRU: 10-07-01 |
| 5   | 133655-18-M15 | EA  | COUNTERTOP - LAMINATED - ALMOND JAGUAR/WASHED MAPLE (N15)   |
| 5   | 133655-18-M08 | EA  | COUNTERTOP - LAMINATED - ALMOND JAGUAR/CONCERT CHERRY (N16)   |
| 5   | 133655-18-N17 | EA  | COUNTERTOP - LAMINATED - NATURAL LEGACY/WASHED MAPLE (N17)  |
| 5   | 133655-18-N12 | EA  | COUNTERTOP - LAMINATED - NATURAL LEGACY/CONCERT CHERRY (N18)  |
| 6   | 136936-01-M15 | EA  | CABINET - OVERHEAD/REAR - W/O DOORS/HARDWARE - WASHED MAPLE   |
| 6   | 136936-01-M08 | EA  | CABINET - OVERHEAD/REAR - W/O DOORS/HARDWARE - SALEM CHERRY   |

**BEDROOM GROUP (CONTINUED)**  
**QUEEN CABINETS (CONTINUED)**

| <b>KEY</b> | <b>PART NUMBER</b> | <b>U/M</b> | <b>DESCRIPTION</b>   |
|------------|--------------------|------------|--|
| 7          | 135238-18-N15      | EA         | DOOR - RAIL/ARCHED TOP - 10 <sup>1</sup> / <sub>2</sub> " X 25.1 <sup>1</sup> / <sub>2</sub> " - W/O HARDWARE - WASHED MAPLE |
| 7          | 135238-18-M16      | EA         | DOOR - RAIL/ARCHED TOP - 10" X 25.1" - W/O HARDWARE - SALEM CHERRY   |
| 8          | 135238-22-N15      | EA         | DOOR - RAIL/ARCHED TOP - 10 <sup>1</sup> / <sub>2</sub> " X 19.1 <sup>1</sup> / <sub>2</sub> " - W/O HARDWARE - WASHED MAPLE |
| 8          | 135238-22-M85      | EA         | DOOR - RAIL/ARCHED TOP - 10 <sup>1</sup> / <sub>2</sub> " X 19.1 <sup>1</sup> / <sub>2</sub> " - W/O HARDWARE - SALEM CHERRY |
| 9          | 133655-19-M15      | EA         | COUNTERTOP - LAMINATED - ALMOND JAGUAR/WASHED MAPLE (N15)  |
| 9          | 133655-19-M08      | EA         | COUNTERTOP - LAMINATED - ALMOND JAGUAR/CONCERT CHERRY (N16)  |
| 9          | 133655-19-N17      | EA         | COUNTERTOP - LAMINATED - NATURAL LEGACY/WASHED MAPLE (N17)   |
| 9          | 133655-19-N12      | EA         | COUNTERTOP - LAMINATED - NATURAL LEGACY/CONCERT CHERRY (N18)   |
| 10         | 136885-08-N15      | EA         | CABINET - NIGHTSTAND/RH - W/O COUNTERTOP/DOOR/DRAWER/HDW - WASHED MAPLE<br>FROM: 00-00-00 THRU: 10-07-01                     |
| 10         | 136885-A0-N15      | EA         | CABINET - NIGHTSTAND - W/O COUNTERTOP/DOOR/DRAWER/HDW - WASHED MAPLE<br>FROM: 10-08-01 THRU: 99-99-99                        |
| 10         | 136885-08-N10      | EA         | CABINET - NIGHTSTAND/RH - W/O COUNTERTOP/DOOR/DRAWER/HDW - SALEM CHERRY<br>FROM: 00-00-00 THRU: 10-07-01                     |
| 10         | 136885-A0-N10      | EA         | CABINET - NIGHTSTAND - W/O COUNTERTOP/DOOR/DRAWER/HDW - SALEM CHERRY<br>FROM: 10-08-01 THRU: 99-99-99                        |

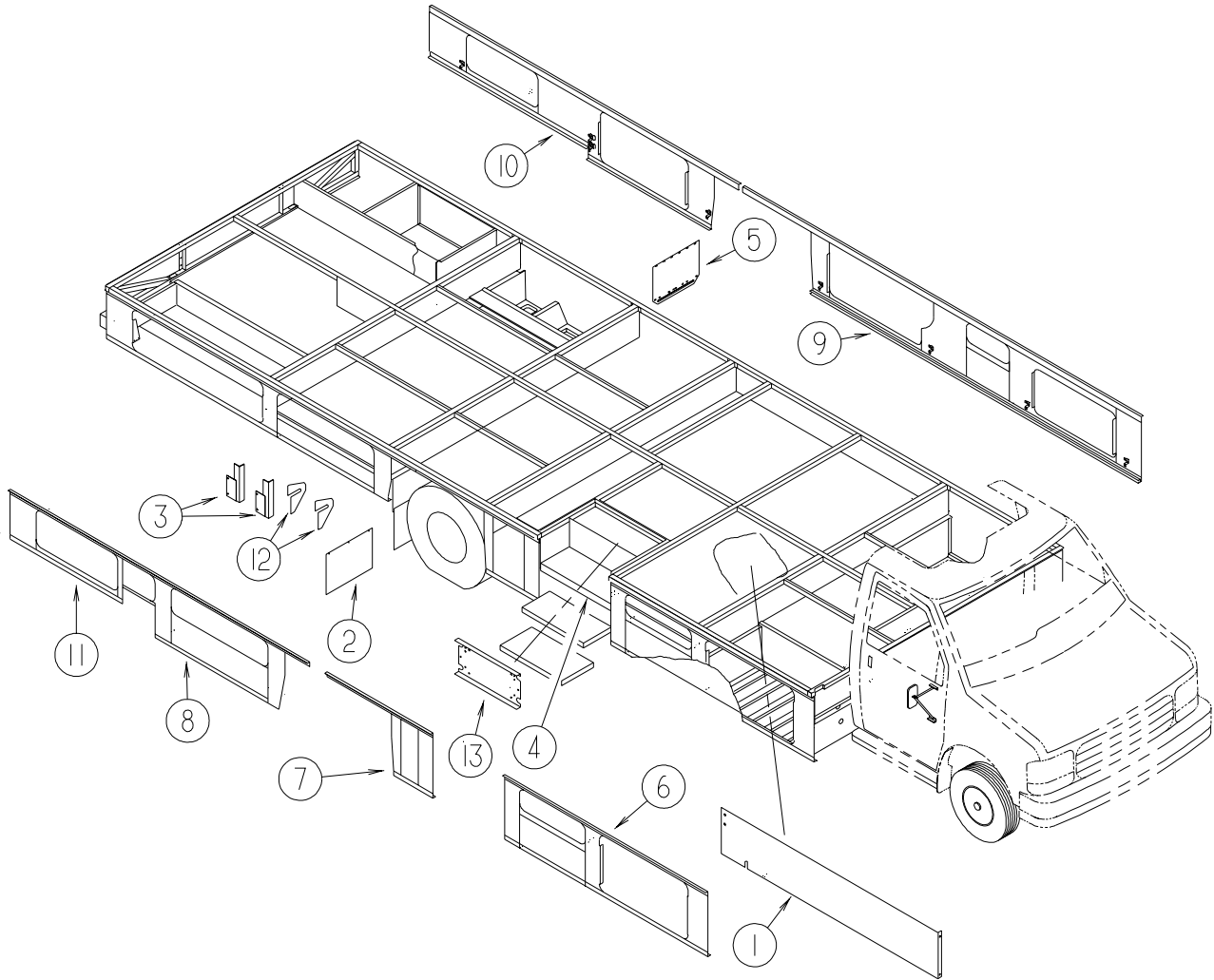
**BEDROOM GROUP (CONTINUED)**  
**COMPONENT PARTS FOR QUEEN CABINETS**

131595-01-01A

| <b>KEY</b> | <b>PART NUMBER</b> | <b>U/M</b> | <b>DESCRIPTION</b>           | <b>VENDOR NO.</b> |
|------------|--------------------|------------|------------------------------|-------------------|
|            | 080224-01-703      | EA         | HANDLE W/LATCH-CATCH, ALMOND | DE03505           |
|            | 131595-01-700      | EA         | END STOP ONLY                |                   |
|            | 131595-01-701      | EA         | BRACKET/MOUNTING             | 908956            |
|            | 131595-01-702      | EA         | TRACK/STRAIGHT - 37"         |                   |



# CHASSIS GROUP FRAME

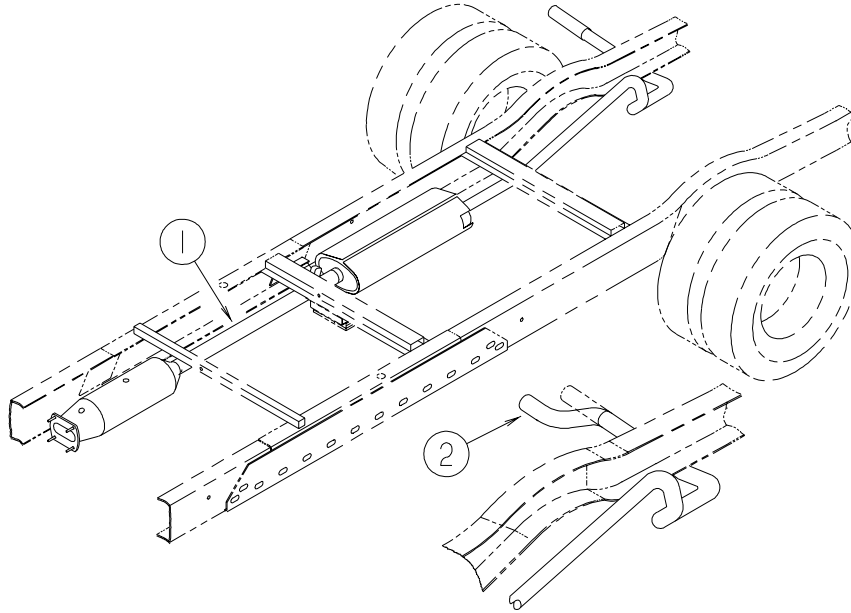


| KEY | PART NUMBER   | U/M | DESCRIPTION                          |
|-----|---------------|-----|--------------------------------------|
| 1   | 135676-01-02B | EA  | SHIELD - HEAT - E-COATED             |
|     |               |     | FROM: 00-00-00 THRU: 10-05-01        |
| 1   | 135676-04-02B | EA  | SHIELD - HEAT - E-COAT               |
|     |               |     | FROM: 10-06-01 THRU: 99-99-99        |
| 2   | 111848-03-02B | EA  | SHIELD - E-COAT                      |
| 3   | 136042-01-02B | EA  | BRACKET - LP SUPPORT - E-COATED      |
| 4   | 118068-02-02B | EA  | BOX/STEP - ENTRANCE DOOR - E-COATED  |
| 5   | 136388-02-02B | EA  | GUARD - ROCK - E-COATED              |
| 6   | 137124-13-01A | EA  | SEAL PLANE                           |
| 7   | 137124-14-01A | EA  | SEAL PLANE                           |
| 8   | 137124-15-01A | EA  | SEAL PLANE                           |
| 9   | 137124-16-01A | EA  | SEAL PLANE                           |
| 10  | 137124-17-01A | EA  | SEAL PLANE                           |
| 11  | 137124-18-01A | EA  | SEAL PLANE                           |
| 12  | 118106-02-02B | EA  | BRACKET - LP SUPPORT - E-COATED      |
| 13  | 091176-01-000 | EA  | SUPPORT - BASE - ENTRY STEP          |
|     | 119845-01-01A | EA  | PLUG/PLASTIC - 1 1/2" SQUARE - BLACK |

## CHASSIS GROUP (CONTINUED)

### DRIVETRAIN

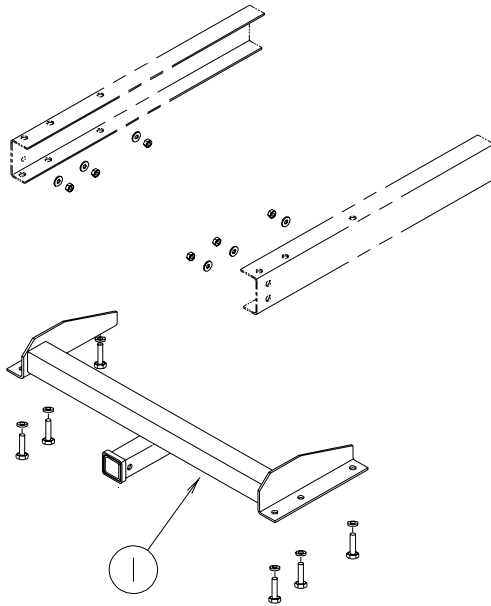
| KEY | PART NUMBER   | U/M | DESCRIPTION   |
|-----|---------------|-----|---|
|     | 131694-09-000 | EA  | DRIVESHAFT ASSEMBLY - BALANCED PAIR - 190" WHEELBASE - 427P |
|     | 131695-05-000 | EA  | DRIVESHAFT - 3 BALANCED - 205" WHEELBASE - 430V             |
|     | 131695-07-000 | EA  | DRIVESHAFT - 3 BALANCED - 219" WHEELBASE - 431C             |
|     | 103653-23-000 | EA  | BOLT - U-JOINT - 5/16-24 C .75 - 430V, 431C                 |
|     | 103653-24-000 | EA  | STRAP - U-JOINT - 430V, 431C                                |



### EXHAUST

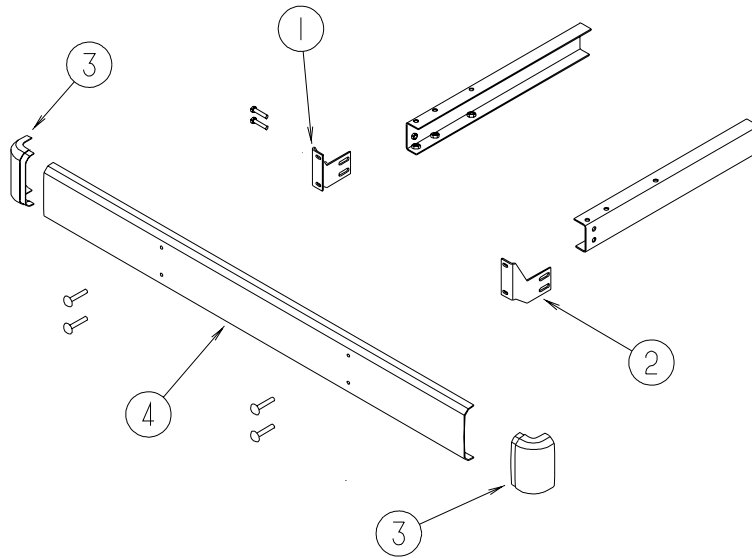
| KEY | PART NUMBER   | U/M | DESCRIPTION   |
|-----|---------------|-----|---|
| 1   | 111478-02-000 | EA  | EXHAUST PIPE - DOUBLE WALL STAINLESS STEEL - 34" - GAS - 427P |
| 1   | 111478-03-000 | EA  | PIPE - EXHAUST - DOUBLE WALL STAINLESS STEEL - 49" - 430V     |
| 1   | 111478-04-000 | EA  | EXHAUST PIPE - DOUBLE WALL STAINLESS STEEL - 63.9" - 431C     |
|     | 094918-06-000 | EA  | CLAMP - EXHAUST - 3" - HEAVY DUTY                             |
| 2   | 129846-02-000 | EA  | PIPE - EXHAUST - TAIL - 3" - 427P                             |

## CHASSIS GROUP (CONTINUED) HITCH



| KEY | PART NUMBER   | U/M | DESCRIPTION                       |
|-----|---------------|-----|-----------------------------------|
| 1   | 130339-04-000 | EA  | HITCH RECEIVER - BOLT ON CLASS II |
|     | 034513-01-000 | EA  | PIN - HITCH - 3/16" WIRE          |

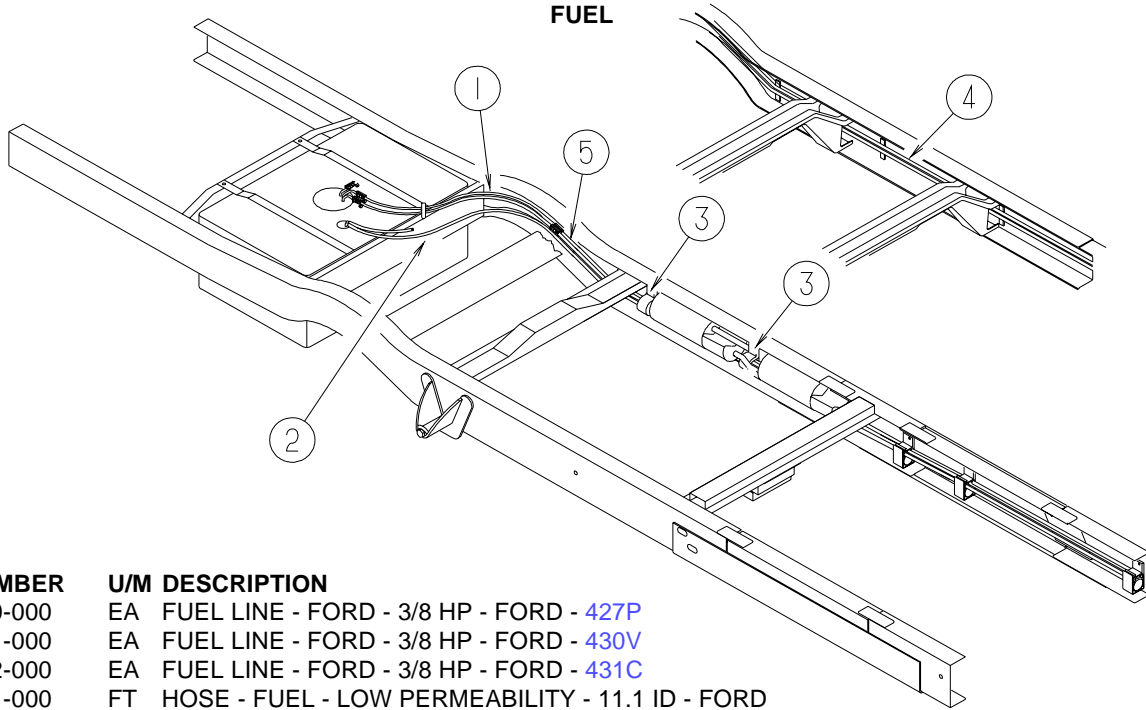
## REAR BUMPER



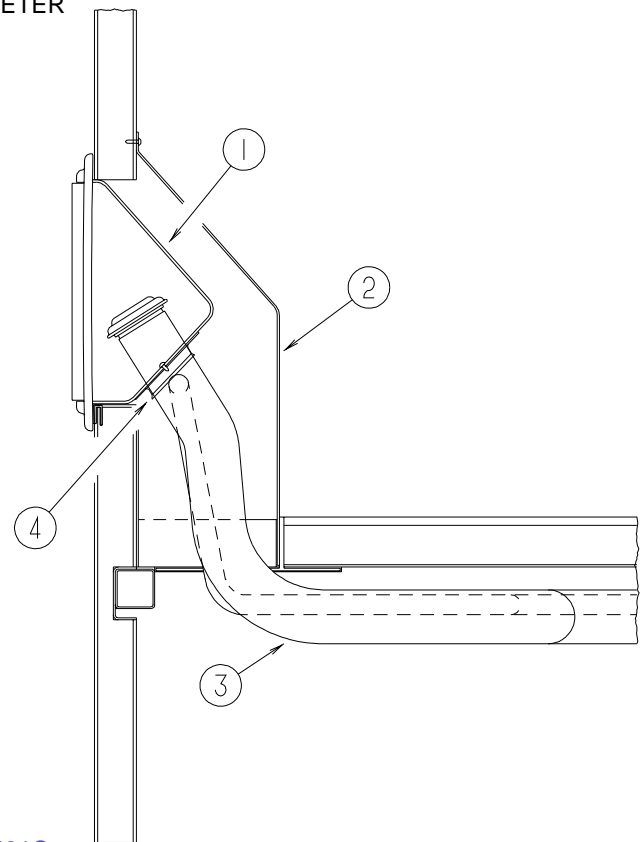
| KEY | PART NUMBER   | U/M | DESCRIPTION  |
|-----|---------------|-----|--|
| 1   | 136945-02-02B | EA  | BRACKET - BUMPER - REAR - E-COATED - 427P, 431C    |
| 1   | 105933-01-000 | EA  | BRACKET - BUMPER - REAR/RIGHT HAND - 430V          |
| 2   | 136945-01-02B | EA  | BRACKET - BUMPER - REAR - E-COATED - 427P, 431C    |
| 2   | 105933-02-000 | EA  | BRACKET - BUMPER - REAR /LEFT HAND - 430V          |
| 3   | 106147-02-02A | EA  | END CAP - BUMPER - BLACK - 427P, 431C              |
| 3   | 106147-01-02A | EA  | END CAP - BUMPER - DRIVER/PASSENGER - BLACK - 430V |
| 4   | 103099-05-02A | EA  | BUMPER - REAR - 91.7" - BRIGHT WHITE               |
|     | 038327-01-000 | EA  | TAPE - ANTI-SLIP - 2" X 60'                        |

## CHASSIS GROUP (CONTINUED)

### FUEL



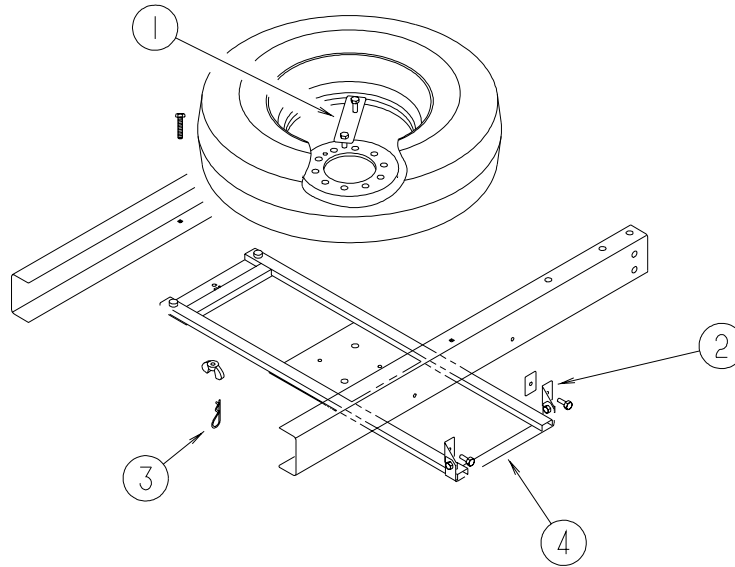
| KEY | PART NUMBER   | U/M | DESCRIPTION                                      |
|-----|---------------|-----|--|
| 1   | 106389-10-000 | EA  | FUEL LINE - FORD - 3/8 HP - FORD - 427P          |
| 1   | 106389-11-000 | EA  | FUEL LINE - FORD - 3/8 HP - FORD - 430V          |
| 1   | 106389-12-000 | EA  | FUEL LINE - FORD - 3/8 HP - FORD - 431C          |
| 2   | 125187-01-000 | FT  | HOSE - FUEL - LOW PERMEABILITY - 11.1 ID - FORD  |
| 3   | 125187-02-000 | FT  | HOSE - FUEL - LOW PERMEABILITY - 12.7" ID - FORD |
|     | 128139-03-000 | FT  | HOSE - FUEL - LOW PERMEABILITY - 1/4" DIAMETER   |
| 4   | NOT USED      |     |  |
| 5   | 106388-10-000 | EA  | FUEL LINE - FORD - 5/16 HP - FORD - 427P         |
| 5   | 106388-11-000 | EA  | FUEL LINE - FORD - 5/16 HP - FORD - 430V         |
| 5   | 106388-12-000 | EA  | FUEL LINE - FORD - 5/16 HP - FORD - 431C         |



| KEY | PART NUMBER   | U/M | DESCRIPTION  |
|-----|---------------|-----|--|
| 1   | 127291-02-01A | EA  | SHROUD - FUEL FILL - BRIGHT WHITE - 427P, 431C<br>FROM: 00-00-00 THRU: 01-06-02          |
| 1   | 095854-01-04A | EA  | SHROUD - FUEL FILL - RADIUS - BRIGHT WHITE - 427P, 431C<br>FROM: 01-07-02 THRU: 99-99-99 |
| 1   | 127291-02-01A | EA  | SHROUD - FUEL FILL - BRIGHT WHITE - 430V   |
| 2   | 135557-01-01A | EA  | SHROUD - FUEL FILL/UPPER - 427P, 431C  |
| 2   | 078040-09-000 | EA  | SHROUD - FUEL FILL - UPPER - RECTANGULAR - 430V  |
| 3   | 135543-02-000 | EA  | NECK - FUEL FILL - 427P  |
| 3   | 135543-01-000 | EA  | NECK - FUEL FILL - 431C  |
|     | 080322-02-000 | EA  | HOSE - FILLER - AUZILIARTY FUL - FORMED - 430V   |
| 4   | 078200-01-000 | EA  | GASKET - FUEL FILL - 3.5"OD X 2"ID   |

## CHASSIS GROUP (CONTINUED)

### SPARE TIRE



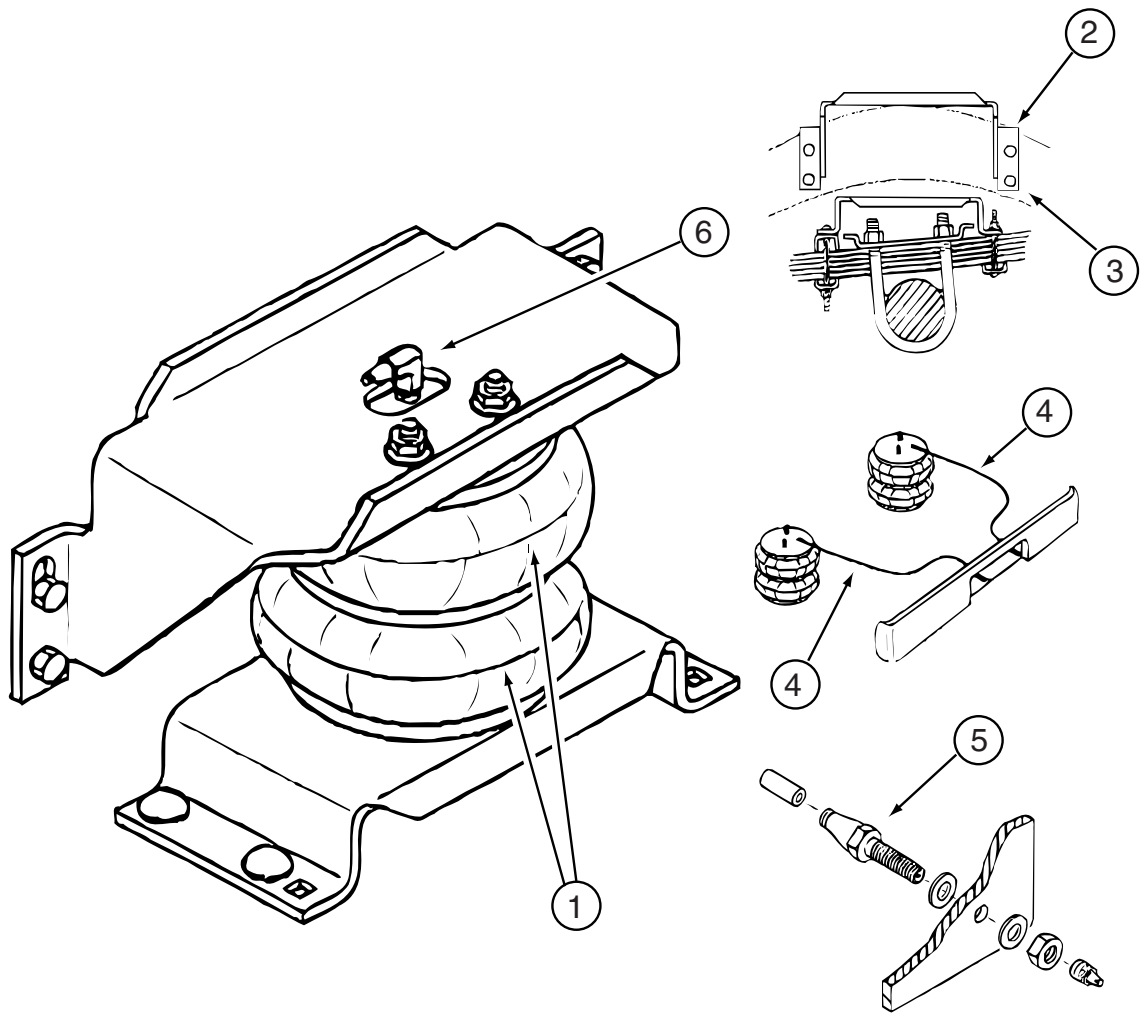
| KEY | PART NUMBER   | U/M | DESCRIPTION   |
|-----|---------------|-----|---|
| 1   | 116338-02-02B | EA  | BRACKET/CLAMP - SPARE TIRE - E-COATED               |
| 2   | 116349-03-02B | EA  | BRACKET/HINGE - SPARE TIRE - E-COATED - 427P, 431C  |
| 2   | 116349-01-02B | EA  | BRACKET/HINGE - SPARE TIRE - 2.4i - E-COATED - 430V |
| 3   | 034513-01-000 | EA  | PIN - HITCH - 3/16" WIRE                            |
| 4   | 135796-01-02B | EA  | CRADLE - SPARE TIRE - E-COATED - 427P, 431C         |
| 4   | 116348-01-02B | EA  | CRADLE - SPARE TIRE - E-COATED - 430V               |
|     | 069726-02-000 | EA  | BUMPER - .88" OD X .40" THICK - BLACK               |

### SUSPENSION

| KEY | PART NUMBER   | U/M | DESCRIPTION   |
|-----|---------------|-----|---|
| *   | 135674-01-000 | EA  | AIRSPRING - AIR BAG KIT - FORD 450 SUPER DUTY CHASSIS |

\*COMPONENT PARTS LISTED LATER IN THIS GROUP

**CHASSIS GROUP (CONTINUED)**  
**COMPONENT PARTS FOR SUSPENSION**



135674-01-000

| KEY | PART NUMBER   | U/M | DESCRIPTION                  | VENDOR NO.   |
|-----|---------------|-----|------------------------------|--------------|
| 1   | 135674-01-700 | EA  | AIR SPRING                   | W21-760-6957 |
| 2   | 135674-01-701 | EA  | BRACKET - UPPER/RT & LT      | 5187         |
| 3   | 135674-01-702 | EA  | BRACKET - LOWER/RT & LT      | 5092         |
| 4   | 084086-01-701 | EA  | TUBING,DOT 1/4"X22'          | 21-0937      |
| 5   | 084086-05-706 | EA  | VALVE-INFLATION,PUSH TO CONN | 3032         |
| 6   | 084086-04-703 | EA  | BRASS ELBOW                  | 21-3028      |
|     | 084086-01-705 | EA  | PROTECTOR-TUBING             | 21-0899      |
|     | 084086-05-704 | EA  | BRACKET CLAMP                | 5086         |
|     | 135674-01-703 | EA  | STRAP/SHIM - F/BRACKET       | 5093         |

## CHASSIS GROUP (CONTINUED)

### WHEEL, TIRE, COVERS &/OR LINERS

| KEY | PART NUMBER   | U/M | DESCRIPTION                                       |
|-----|---------------|-----|---|
| *   | 109443-05-000 | EA  | WHEEL COVER - 4/SET - 16" STAINLESS STEEL - 8 LUG |
|     | 051377-04-000 | EA  | VALVE STEM - .5" X 2"                             |
|     | 070917-06-000 | EA  | TIRE - LT225/75R16E - R4S M/S - FIRESTONE         |
|     | 083617-04-000 | EA  | WHEEL - STEEL - 6" X 16" - FORD                   |
|     | 095012-05-000 | EA  | EXTENSION - VALVE STEM - LIVE - 5"                |
|     | 095012-06-000 | EA  | STABILIZER - VALVE EXTENSION - LIVE - 2"          |
| *   | 110435-13-000 | EA  | LINER - WHEEL - SET OF 4 - 16" (8 HOLE)           |
|     | 112358-01-000 | EA  | WRENCH - LUG - 7/8" - L-SHAPE                     |

**\*COMPONENT PARTS LISTED LATER IN THIS GROUP**

**CHASSIS GROUP (CONTINUED)**  
**COMPONENT PARTS FOR WHEEL, TIRE, COVERS &/OR LINERS**

**110435-13-000**

| <b>KEY</b> | <b>PART NUMBER</b> | <b>U/M</b> | <b>DESCRIPTION</b>          | <b>VENDOR NO.</b> |
|------------|--------------------|------------|-----------------------------|-------------------|
|            | 110435-01-711      | EA         | DECAL-CENTER CAP, 2"        | 2" DECAL          |
|            | 110435-10-705      | EA         | TOOL - INSTALLATION         | V195P7-TOL        |
|            | 110435-13-700      | EA         | LINER - WHEEL - FRONT       | V160F7-FWC        |
|            | 110435-13-701      | EA         | LINER - WHEEL - REAR        | V160F7-RWC        |
|            | 110435-13-702      | EA         | COVER-LUG NUT W/JAMB NUT FT | V160F7-EJN        |



## CHASSIS GROUP (CONTINUED)

### BRAKELINE

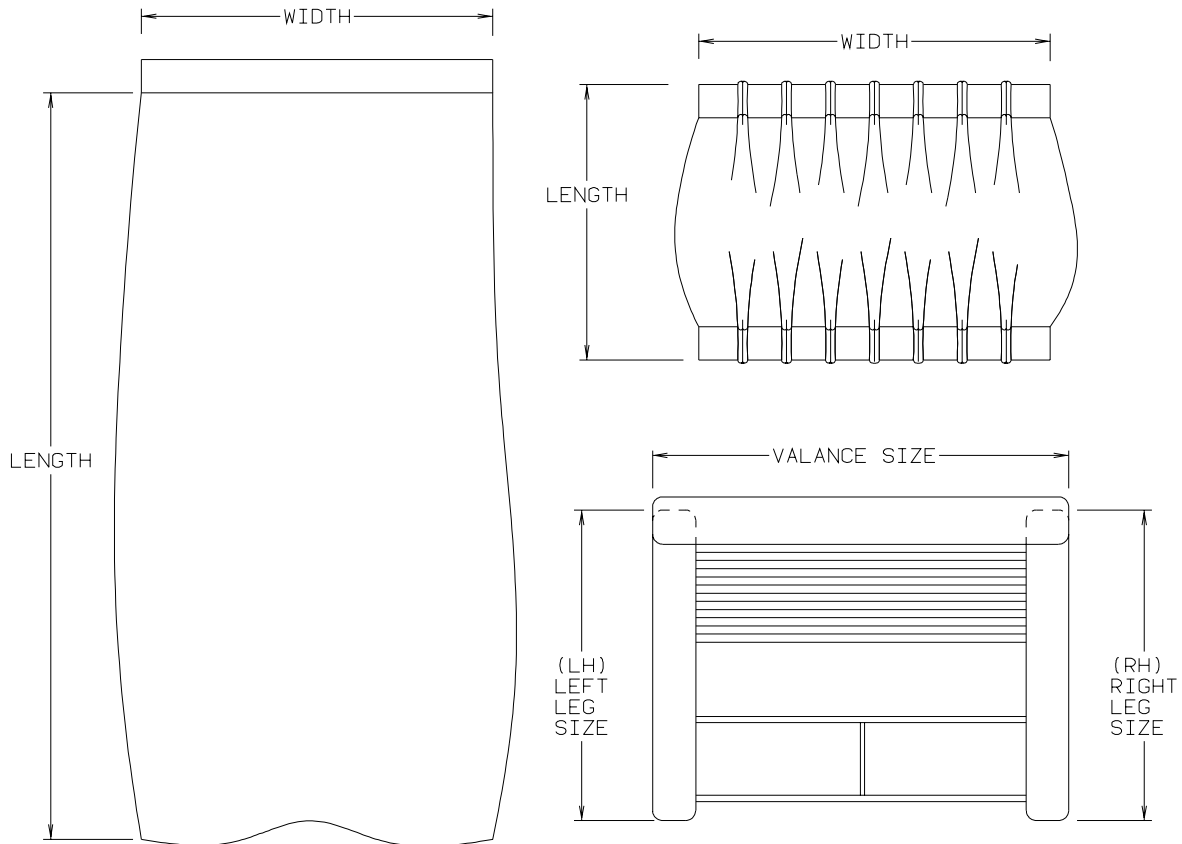
| KEY | PART NUMBER   | U/M | DESCRIPTION                           |
|-----|---------------|-----|---------------------------------------|
|     | 088498-01-000 | EA  | UNION - INVERTED FLARE - BRASS - 3/16 |

## CURTAIN & CUSHION GROUP

### NOTICE

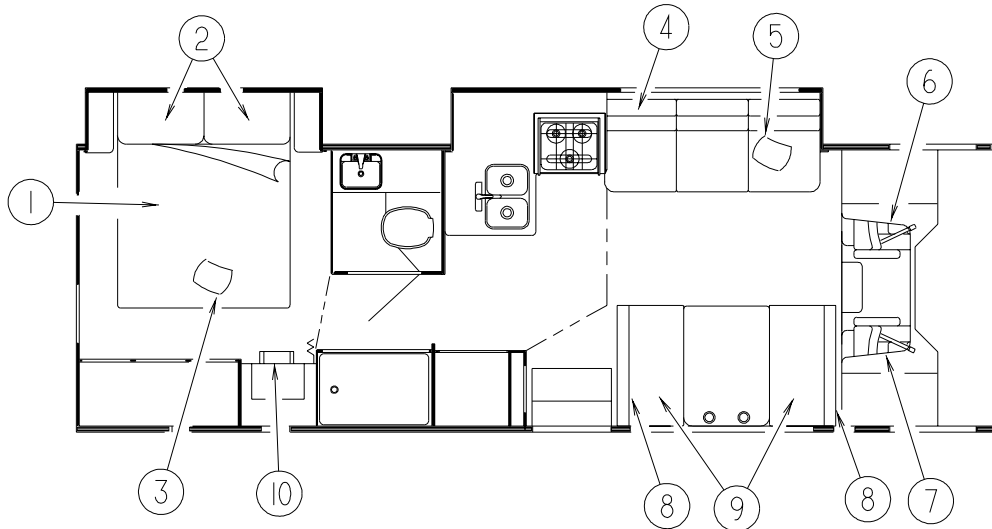
IN ORDER TO ASSIST OUR PARTS SALES DEPT. IN PROVIDING INTERIOR SOFTWARE ITEMS, PLEASE INCLUDE THE SERIAL NUMBER AND THE COLOR CODE NUMBER FROM THE VEHICLE CERTIFICATION LABEL WHEN ORDERING. THIS LABEL IS LOCATED ON THE LEFT SIDEWALL AT THE END OF THE DASH (A-BODY), OR ON THE DRIVER'S DOOR LATCH PLATE (C-BODY).

AN EXAMPLE OF A COLOR CODE NUMBER IS B07, WHICH DESIGNATES AN OVERALL COLOR SCHEME OF A PARTICULAR UNIT. THE COLOR LISTED AFTER THE ITEM DESCRIPTION ON THE MICROFICHE, INDICATES THE OVERALL UNIT COLOR. ORDER THE ITEM YOU DESIRE ACCORDING TO UNIT COLOR CODE. IF ALL COLORS USE THE SAME ITEM NO COLOR CODE WILL BE NOTED.



NOTE: USE THIS ILLUSTRATION WHEN DETERMINING LENGTH AND WIDTH MEASUREMENTS FOR CURTAINS. YOU WILL NOTE THE WIDTH MEASUREMENT IS TAKEN ON THE TOP OF THE CURTAIN WITH THE CURTAIN FULLY EXTENDED. THE LENGTH MEASUREMENT IS TAKEN FROM TOP TO BOTTOM. LEFT AND RIGHT WINDOW LEGS ARE DETERMINED WHEN FACING THE WINDOW.

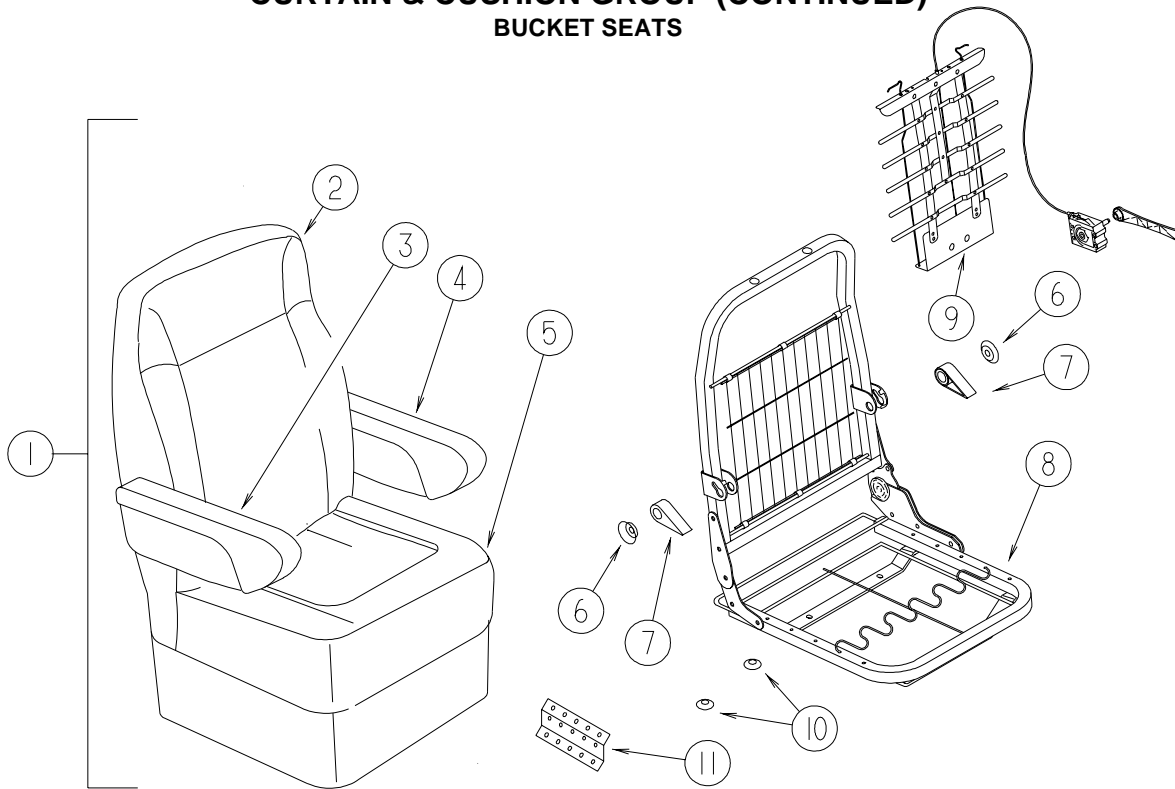
**CURTAIN & CUSHION GROUP (CONTINUED)**  
**CUSHION LAYOUT**



| KEY | PART NUMBER   | U/M | DESCRIPTION  |
|-----|---------------|-----|--|
| 1   | 132336-09-N15 | EA  | BEDSPREAD/CAP - 60" X 75" (N15, N16)                   |
| 1   | 132336-09-N17 | EA  | BEDSPREAD/CAP - 60" X 75" (N17, N18)                   |
|     | 123015-06-000 | EA  | MATTRESS - INNERSPRING - 60" X 74.5"                   |
| 2   | 104176-04-N15 | EA  | PILLOW SHAM - 30" (N15, N16)                           |
| 2   | 104176-04-N17 | EA  | PILLOW SHAM - 30" (N17, N18)                           |
| 3   | 132338-12-M76 | EA  | PILLOW - 10" X 17" (N15, N16)                          |
| 3   | 132338-12-M41 | EA  | PILLOW - 10" X 17" (N17, N18)                          |
| 4   |               | EA  | SOFA/BED - SEE SOFA AREA                               |
| 5   | 132319-37-N15 | EA  | PILLOW - 17" - W/SIDE BUTTONS (N15, N16)               |
| 5   | 132319-37-N48 | EA  | PILLOW - 17" - W/SIDE BUTTONS (N17, N18)               |
| 6   | 136590-15-N15 | EA  | BUCKET SEAT - DRIVER - W/LUMBAR (N15, N16)             |
| 6   | 136590-15-N17 | EA  | BUCKET SEAT - DRIVER - W/LUMBAR (N17, N18)             |
| 6   | 136590-17-N15 | EA  | BUCKET SEAT - DRIVER - W/LUMBAR - LEATHER              |
| 7   | 136590-16-N15 | EA  | BUCKET SEAT - PASSENGER (N15, N16)                     |
| 7   | 136590-16-N17 | EA  | BUCKET SEAT - PASSENGER (N17, N18)                     |
| 7   | 136590-18-N15 | EA  | BUCKET SEAT - PASSENGER - LEATHER                      |
| 8   | 111897-05-M76 | EA  | CUSHION - BACK - 13.5" X 42" X 5" (N15, N16)           |
| 8   | 111897-05-M54 | EA  | CUSHION - BACK - 13.5" X 42" X 5" (N17, N18)           |
|     | P11897-05-M76 | EA  | COVER - BACK - 13.5" X 42" X 5" (N15, N16)             |
|     | P11897-05-M54 | EA  | COVER - BACK - 13.5" X 42" X 5" (N17, N18)             |
| 9   | 105603-15-M76 | EA  | CUSHION - SEAT - 23" X 42" X 5" (N15, N16)             |
| 9   | 105603-15-M54 | EA  | CUSHION - SEAT - 23" X 42" X 5" (N17, N18)             |
|     | P05603-15-M76 | EA  | COVER - SEAT - 23" X 42" X 5" (N15, N16)               |
|     | P05603-15-M54 | EA  | COVER - SEAT - 23" X 42" X 5" (N17, N18)               |
| 10  | 101604-01-04A | EA  | CHAIR - FOLDING/DINETTE - LINEN/SOLAR MAPLE (N15, N17) |
| 10  | 101604-01-02A | EA  | CHAIR - FOLDING/DINETTE - LINEN/CHERRY (N16, N18)      |
|     |               |     | FROM: 00-00-00 THRU: 02-10-02                          |
| 10  | 135600-91-000 | EA  | CHAIR - FOLDING - CORONET/CHERRY (N16)                 |
|     |               |     | FROM: 02-11-02 THRU: 99-99-99                          |
| 10  | 135600-33-000 | EA  | CHAIR - FOLDING - ROMANCE/SALEM CHERRY (N18)           |
|     |               |     | FROM: 02-11-02 THRU: 99-99-99                          |

## CURTAIN & CUSHION GROUP (CONTINUED)

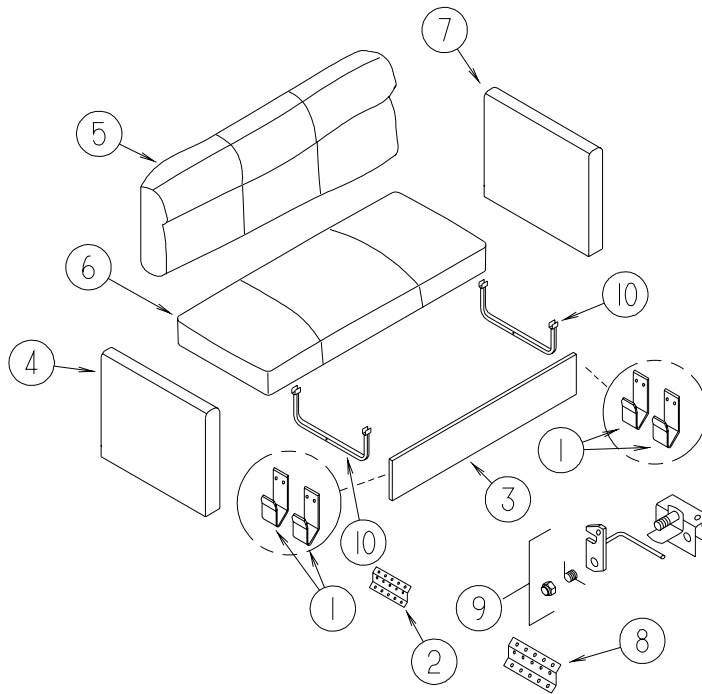
### BUCKET SEATS



| KEY | PART NUMBER   | U/M | DESCRIPTION                                      |
|-----|---------------|-----|--|
| 1   | 136590-15-N15 | EA  | BUCKET SEAT - DRIVER - W/LUMBAR (N15, N16)       |
| 1   | 136590-15-N17 | EA  | BUCKET SEAT - DRIVER - W/LUMBAR (N17, N18)       |
| 1   | 136590-17-N15 | EA  | BUCKET SEAT - DRIVER - W/LUMBAR - <b>LEATHER</b> |
| 1   | 136590-16-N15 | EA  | BUCKET SEAT - PASSENGER (N15, N16)               |
| 1   | 136590-16-N17 | EA  | BUCKET SEAT - PASSENGER (N17, N18)               |
| 1   | 136590-18-N15 | EA  | BUCKET SEAT - PASSENGER - <b>LEATHER</b>         |
| 2   | M05962-F0-N15 | EA  | COVER - BACK (N15, N16)                          |
| 2   | M05962-F0-N17 | EA  | COVER - BACK (N17, N18)                          |
| 2   | M05962-F2-M15 | EA  | COVER - BACK - <b>LEATHER</b>                    |
| 3   | 129666-07-N15 | EA  | ARMREST - RIGHT HAND (N15, N16)                  |
| 3   | 129666-07-N17 | EA  | ARMREST - RIGHT HAND (N17, N18)                  |
| 3   | 129666-09-M05 | EA  | ARMREST - RIGHT HAND - <b>LEATHER</b>            |
|     | P29666-07-N15 | EA  | COVER - ARMREST/RIGHT HAND (N15, N16)            |
|     | P29666-07-N17 | EA  | COVER - ARMREST/RIGHT HAND (N17, N18)            |
|     | P29666-09-M05 | EA  | COVER - ARMREST/RIGHT HAND - <b>LEATHER</b>      |
|     | 130698-01-000 | EA  | ARMREST-99 RT, MOLDED - CARPENTER                |
|     | 130698-01-001 | EA  | ARMREST/MOLDED - RIGHT - W/O COVER - F/LEATHER   |
| 4   | 129666-08-N15 | EA  | ARMREST - LEFT HAND (N15, N16)                   |
| 4   | 129666-08-N17 | EA  | ARMREST - LEFT HAND (N17, N18)                   |
| 4   | 129666-10-M05 | EA  | ARMREST - LEFT HAND - <b>LEATHER</b>             |
|     | P29666-08-N15 | EA  | COVER - ARMREST/LEFT HAND (N15, N16)             |
|     | P29666-08-N17 | EA  | COVER - ARMREST/LEFT HAND (N17, N18)             |
|     | P29666-10-M05 | EA  | COVER - ARMREST/LEFT HAND - <b>LEATHER</b>       |
|     | 130698-02-000 | EA  | ARMREST-99 LT, MOLDED - CARPENTER                |
|     | 130698-02-002 | EA  | ARMREST/MOLDED - LEFT - W/O COVER - F/LEATHER    |
| 5   | M05962-F1-M15 | EA  | COVER - SEAT (N15, N16)                          |
| 5   | M05962-F1-N17 | EA  | COVER - SEAT (N17, N18)                          |
| 5   | M05962-F3-M15 | EA  | COVER - SEAT - <b>LEATHER</b>                    |
| 6   | 130802-03-000 | EA  | SCREW F/LEVER                                    |
| 7   | 130802-02-000 | EA  | LEVER - RIGHT HAND                               |
| 7   | 130802-01-000 | EA  | LEVER - LEFT HAND                                |
| 8   | 132875-04-000 | EA  | FRAME - LEFT HAND CHAIR/TAPERED BACK             |
| 8   | 132875-03-000 | EA  | FRAME - RIGHT HAND CHAIR/TAPERED BACK            |
| 9   | 122611-02-000 | EA  | LUMBAR - W/LEVER                                 |
| 10  | 007221-01-000 | EA  | SPACER - SEAT/ADJUSTER                           |
| 11  | 116104-04-02B | EA  | BRACKET - ZEE W/HOLES - 3.2" - E-COATED          |

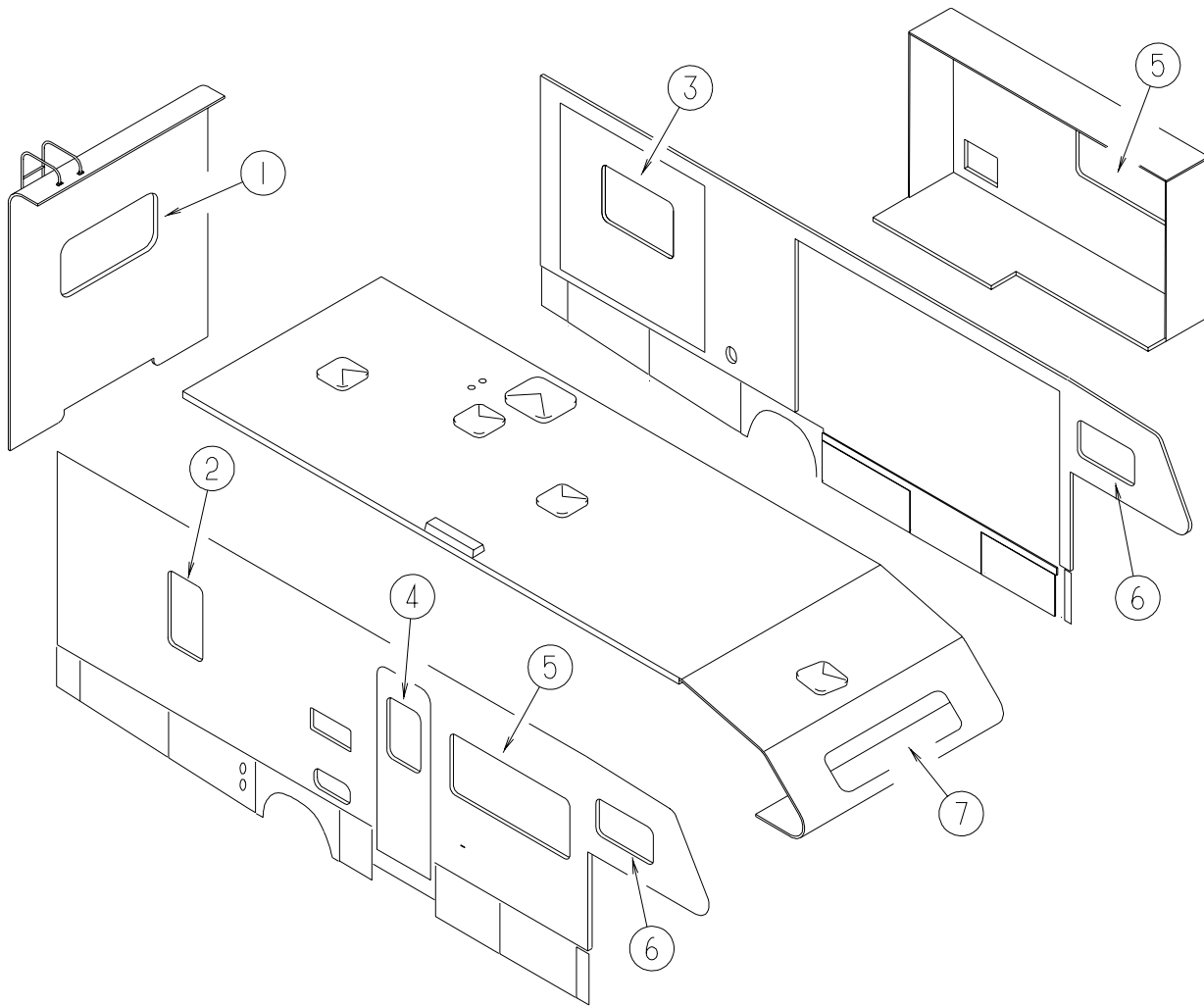
## CURTAIN & CUSHION GROUP (CONTINUED)

### SOFA



| KEY | PART NUMBER   | U/M | DESCRIPTION   |
|-----|---------------|-----|---|
| 1   | 121906-01-02B | EA  | BRACKET - KICKBOARD - E-COATED                                  |
| 2   | 116104-04-02B | EA  | BRACKET - ZEE W/HOLES - 3.2" - E-COATED - MOUNTS ARM TO FLOOR   |
| 3   | 120992-34-N15 | EA  | PANEL/FRONT KICK - SOFA/BED - FABRIC COVERED - 67.5" (N15, N16) |
| 3   | 120992-34-N17 | EA  | PANEL/FRONT KICK - SOFA/BED - FABRIC COVERED - 67.5" (N17, N18) |
| 4   | 123381-05-N15 | EA  | ARMREST - RIGHT HAND (N15, N16)                                 |
| 4   | 123381-05-N17 | EA  | ARMREST - RIGHT HAND (N17, N18)                                 |
|     | P23381-05-N15 | EA  | COVER/ARMREST - RIGHT HAND (N15, N16)                           |
|     | P23381-05-N17 | EA  | COVER/ARMREST - RIGHT HAND (N17, N18)                           |
|     | 123499-04-000 | EA  | SOFA/ARM - WOOD - RIGHT HAND                                    |
| 5   | 140142-01-N15 | EA  | BACK - SOFA/BED - 67.5" (N15, N16)                              |
| 5   | 140142-01-N15 | EA  | BACK - SOFA/BED - 67.5" (N17, N18)                              |
|     | P40142-01-N15 | EA  | COVER/BACK - SOFA/BED - 67.5" (N15, N16)                        |
|     | P40142-01-N15 | EA  | COVER/BACK - SOFA/BED - 67.5" (N17, N18)                        |
| 6   | 135138-03-N15 | EA  | SEAT - SOFA/BED - 67.5" (N15, N16)                              |
| 6   | 135138-03-N17 | EA  | SEAT - SOFA/BED - 67.5" (N17, N18)                              |
|     | P35138-03-N15 | EA  | COVER/SEAT - SOFA/BED - 67.5" (N15, N16)                        |
|     | P35138-03-N17 | EA  | COVER/SEAT - SOFA/BED - 67.5" (N17, N18)                        |
| 7   | 123381-06-N15 | EA  | ARMREST - LEFT HAND (N15, N16)                                  |
| 7   | 123381-06-N17 | EA  | ARMREST - LEFT HAND (N17, N18)                                  |
|     | P23381-06-N15 | EA  | COVER/ARMREST - LEFT HAND (N15, N16)                            |
|     | P23381-06-N17 | EA  | COVER/ARMREST - LEFT HAND (N17, N18)                            |
|     | 123499-05-000 | EA  | SOFA/ARM - WOOD - LEFT HAND                                     |
| 8   | 101926-01-02A | EA  | BRACKET - ZEE - 2" - BLACK - MOUNTS SOFA TO FLOOR               |
| 9   | 127335-10-000 | EA  | BRACKET - CANADIAN LATCH  |
| 10  | 127335-07-000 | EA  | LEG - SOFA/BED  |

**CURTAIN & CUSHION GROUP (CONTINUED)**  
**WINDOW TREATMENT**

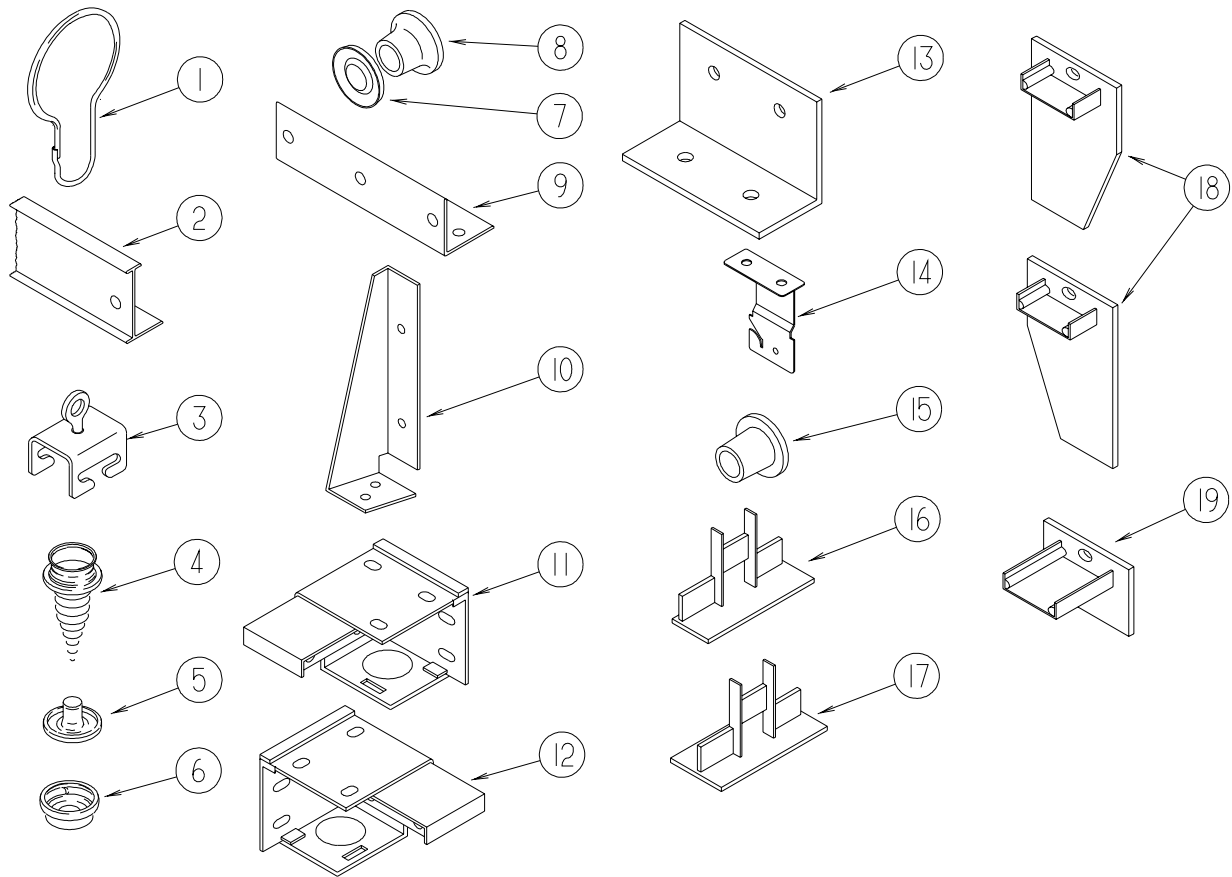


| KEY | PART NUMBER   | U/M | DESCRIPTION  |
|-----|---------------|-----|--|
| 1   | 135617-06-N15 | EA  | VALANCE - GENEVA - 31" (N15, N16)<br>FROM: 00-00-00 THRU: 10-07-01             |
| 1   | 135617-06-N17 | EA  | VALANCE - GENEVA - 31" (N17, N18)<br>FROM: 00-00-00 THRU: 10-07-01             |
| 1   | 111910-20-N09 | EA  | BLIND - DAY/NIGHTER - 28" X 28"<br>FROM: 00-00-00 THRU: 10-07-01               |
| 1   | 136988-43-N15 | EA  | LEG - RIGHT - 29" - FABRIC COVERED (N15, N16)<br>FROM: 00-00-00 THRU: 10-07-01 |
| 1   | 136988-43-N17 | EA  | LEG - RIGHT - 29" - FABRIC COVERED (N17, N18)<br>FROM: 00-00-00 THRU: 10-07-01 |
| 1   | 136988-44-N15 | EA  | LEG - LEFT - 29" - FABRIC COVERED (N15, N16)<br>FROM: 00-00-00 THRU: 10-07-01  |
| 1   | 136988-44-N17 | EA  | LEG - LEFT - 29" - FABRIC COVERED (N17, N18)<br>FROM: 00-00-00 THRU: 10-07-01  |
| 2   | 135617-09-N15 | EA  | VALANCE - GENEVA - 18.5" (N15, N16)  |
| 2   | 135617-09-N17 | EA  | VALANCE - GENEVA - 18.5" (N17, N18)  |
| 2   | 111910-54-N09 | EA  | BLIND - DAY/NIGHTER - 15.5" X 33"<br>FROM: 00-00-00 THRU: 11-04-01             |
| 2   | 140789-23-N09 | EA  | BLIND - DAY/NIGHTER - 15.5" X 33"<br>FROM: 11-05-01 THRU: 99-99-99             |
| 2   | 136988-31-N15 | EA  | LEG - RIGHT - 29" - FABRIC COVERED (N15, N16)                                  |
| 2   | 136988-31-N17 | EA  | LEG - RIGHT - 29" - FABRIC COVERED (N17, N18)                                  |
| 2   | 136988-32-N15 | EA  | LEG - LEFT - 29" - FABRIC COVERED (N15, N16)                                   |
| 2   | 136988-32-N17 | EA  | LEG - LEFT - 29" - FABRIC COVERED (N17, N18)                                   |
| 3   | 135617-04-N15 | EA  | VALANCE - GENEVA - 45" (N15, N16)  |
| 3   | 135617-04-N17 | EA  | VALANCE - GENEVA - 45" (N17, N18)  |

**CURTAIN & CUSHION GROUP (CONTINUED)**  
**WINDOW TREATMENT (CONTINUED)**

| KEY | PART NUMBER   | U/M | DESCRIPTION  |
|-----|---------------|-----|--|
| 3   | 111910-82-N09 | EA  | BLIND - DAY/NIGHTER - 43" X 28"<br>FROM: 00-00-00 THRU: 11-04-01               |
| 3   | 140789-02-N09 | EA  | BLIND - DAY/NIGHTER - 43" X 28"<br>FROM: 11-05-01 THRU: 99-99-99               |
| 3   | 136988-15-N15 | EA  | LEG - RIGHT - 26" - FABRIC COVERED (N15, N16)<br>FROM: 00-00-00 THRU: 10-07-01 |
| 3   | 136988-17-N15 | EA  | LEG - RIGHT - 26" - FABRIC COVERED (N15, N16)<br>FROM: 10-08-01 THRU: 99-99-99 |
| 3   | 136988-15-N48 | EA  | LEG - RIGHT - 26" - FABRIC COVERED (N17, N18)<br>FROM: 00-00-00 THRU: 10-07-01 |
| 3   | 136988-17-N48 | EA  | LEG - RIGHT - 26" - FABRIC COVERED (N17, N18)<br>FROM: 10-08-01 THRU: 99-99-99 |
| 3   | 136988-16-N15 | EA  | LEG - LEFT - 26" - FABRIC COVERED (N15, N16)<br>FROM: 00-00-00 THRU: 10-07-01  |
| 3   | 136988-18-N15 | EA  | LEG - LEFT - 26" - FABRIC COVERED (N15, N16)<br>FROM: 10-08-01 THRU: 99-99-99  |
| 3   | 136988-16-N48 | EA  | LEG - LEFT - 26" - FABRIC COVERED (N17, N18)<br>FROM: 00-00-00 THRU: 10-07-01  |
| 3   | 136988-18-N48 | EA  | LEG - LEFT - 26" - FABRIC COVERED (N17, N18)<br>FROM: 10-08-01 THRU: 99-99-99  |
| 4   | 121410-B4-N15 | EA  | VALANCE - MODERATE - 31.75" (N15, N16)   |
| 4   | 121410-B4-N17 | EA  | VALANCE - MODERATE - 31.75" (N17, N18)   |
| 4   | 084755-57-E07 | EA  | SHADE - PULL - 27.25"  |
| 5   | 135609-04-N15 | EA  | LAMBREQUIN - VENICE - 63" (N15, N16)   |
| 5   | 135609-04-M41 | EA  | LAMBREQUIN - VENICE - 63" (N17, N18)   |
| 5   | 111910-57-N09 | EA  | BLIND - DAY/NIGHTER - 61" X 28.5"<br>FROM: 00-00-00 THRU: 11-04-01             |
| 5   | 140789-14-N09 | EA  | BLIND - DAY/NIGHTER - 61" X 28.5"<br>FROM: 11-05-01 THRU: 99-99-99             |
| 6   | 101034-59-N15 | EA  | CURTAIN - RIGHT HAND - 19.5" X 31" (N15, N16)                                  |
| 6   | 101034-59-N17 | EA  | CURTAIN - RIGHT HAND - 19.5" X 31" (N17, N18)                                  |
| 6   | 101034-60-N15 | EA  | CURTAIN - LEFT HAND - 19.5" X 31" (N15, N16)                                   |
| 6   | 101034-60-N17 | EA  | CURTAIN - LEFT HAND - 19.5" X 31" (N17, N18)                                   |
| 7   | 076892-26-N09 | EA  | CURTAIN - CAB PRIVACY - 40" X 74"  |

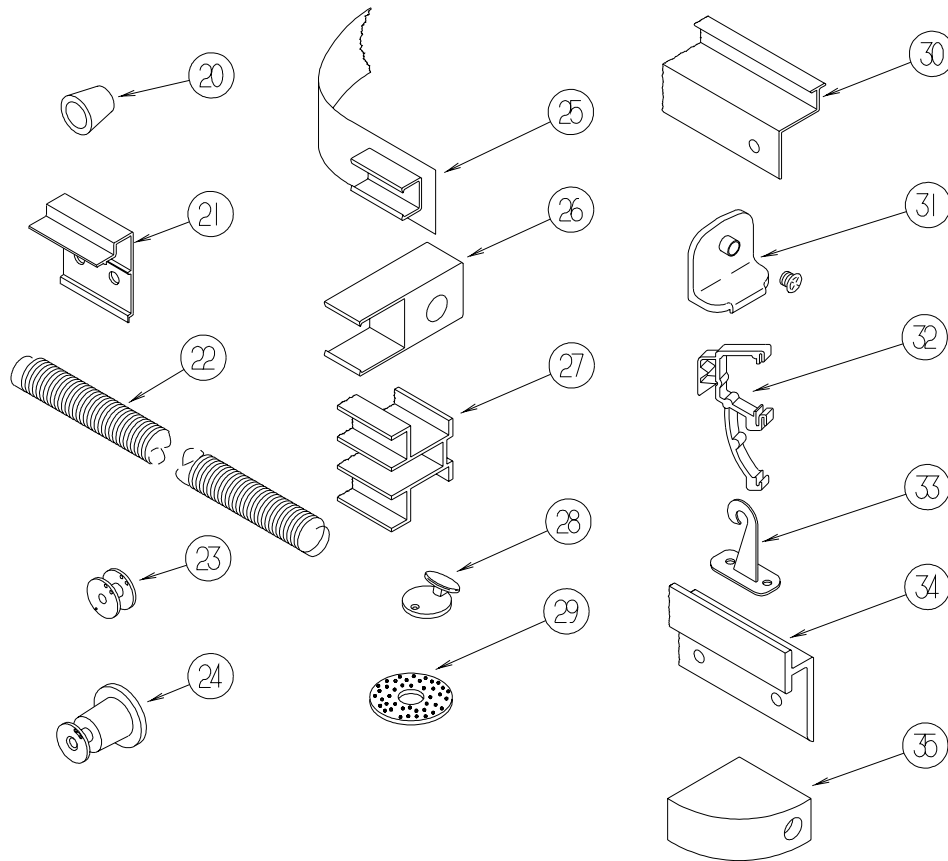
## CURTAIN & CUSHION GROUP (CONTINUED) HARDWARE



| KEY | PART NUMBER   | U/M | DESCRIPTION   |
|-----|---------------|-----|---|
| 1   | 009136-02-000 | EA  | HANGER - RING - PIN TYPE - CURTAIN - BRASS                                  |
| 2   | 009700-04-002 | EA  | TRACK - CURTAIN - L SHAPED - 15.5' - OFF WHITE - <a href="#">400 SERIES</a> |
| 2   | 118896-05-04A | EA  | TRACK/WRAPAROUND - PASSENGER - GLACIER - <a href="#">Q-SERIES</a>           |
| 2   | 118897-04-04A | EA  | TRACK/WRAPAROUND - PASSENGER - GLACIER - <a href="#">Q-SERIES</a>           |
| 2   | 126456-03-04A | EA  | TRACK/WRAPAROUND - PASSENGER - GLACIER - <a href="#">G-SERIES</a>           |
| 2   | 126456-04-04A | EA  | TRACK/WRAPAROUND - DRIVER - GLACIER - <a href="#">G-SERIES</a>              |
| 3   | 009702-01-000 | EA  | END STOP - CURTAIN CARRIER - L ROD  |
| 4   | 029130-01-000 | EA  | SCREW - SNAP STUD - #8-16 X 3/8" LONG                                       |
| 4   | 029130-03-000 | EA  | SCREW - SNAP STUD - #8-16 X 1" LONG   |
| 5   | 029155-01-000 | EA  | CAP - SNAP - 5/32" OUTSIDE DIAMETER OF PIN                                  |
| 6   | 029156-01-000 | EA  | SOCKET - SNAP - 9/16" O.D.  |
| 7   | 046867-02-000 | EA  | WASHER - HANDY BUTTON #3  |
| 8   | 046867-03-000 | EA  | GROMMET - HANDY BUTTON #3   |
| 9   | 075943-10-000 | EA  | BRACE - VALANCE - 20" - OFF WHITE   |
| 9   | 105648-01-02A | EA  | BRACE - VALANCE - OFF/WHITE - 14"   |
| 10  | 076827-02-000 | EA  | BRACKET/LEG - 2.9" X 1.8" - TRIANGULAR - LEFT/E-COATED                      |
| 11  | 083170-01-000 | EA  | BRACKET/BLIND - LEFT SIDE WHEN FACING WINDOW - CLEAR                        |
| 12  | 083170-02-000 | EA  | BRACKET/BLIND - RIGHT SIDE WHEN FACING WINDOW - CLEAR                       |
| 13  | 083125-07-000 | EA  | BRACE - ANGLE/COUCH - 2.5" - OFF WHITE                                      |
| 13  | 083125-08-000 | EA  | BRACE - ANGLE/COUCH - .75" - OFF WHITE                                      |
| 14  | 084434-01-000 | EA  | BRACKET - MOUNTING - ROLLER SHADE - 1 3/8"                                  |
| 15  | 094896-02-000 | EA  | GROMMET - CORD/PLEATED BLIND - NYLON - GRAY                                 |
| 16  | 094907-02-000 | EA  | END CAP - PLEATED BLIND/TOP - RH/LH - GRAY PLASTIC                          |
| 17  | 094907-04-000 | EA  | END CAP - PLEATED BLIND/BOTTOM - RH/LH                                      |
| 18  | 094907-05-000 | EA  | END CAP - PLEATED BLIND/BOTTOM - PULL TYPE - PLASTIC                        |
| 19  | 094907-06-000 | EA  | END CAP - PLEATED BLIND/TOP   |



## CURTAIN & CUSHION GROUP (CONTINUED) HARDWARE (CONTINUED)



| KEY | PART NUMBER   | U/M | DESCRIPTION  |
|-----|---------------|-----|--|
| 20  | 097564-03-000 | EA  | HANDLE - KNOB - E-Z LIFT SHADE - TAN                                 |
| 20  | 097564-05-000 | EA  | HANDLE - KNOB - E-Z LIFT SHADE - TEAL                                |
| 20  | 097564-06-000 | EA  | HANDLE - KNOB - E-Z LIFT SHADE - ALABASTER                           |
| 21  | 097565-01-000 | EA  | BRACKET - MOUNTING - PLEATED BLIND                                   |
| 21  | 097565-02-000 | EA  | BRACKET - MOUNTING   |
| 22  | 097591-01-000 | EA  | SPRING - EXTENSION/PLEATED BLIND                                     |
| 23  | 097592-01-000 | EA  | SPOOL - CORD - ELEVATED BLIND HOLDUP - SMALL - CLEAR                 |
| 24  | 097592-02-000 | EA  | SPOOL - CORD - ELEVATED BLIND HOLDUP - LARGE - CLEAR                 |
|     | 097593-02-000 | FT  | CORD - BLIND - PLEATED - GRAY  |
|     | 097593-06-000 | FT  | CORD - BLIND - PLEATED - PEWTER                                      |
|     | 097593-07-000 | FT  | CORD - BLIND - PLEATED - PALE JADE                                   |
|     | 097593-10-000 | FT  | CORD - BLIND - PLEATED - VANILLA                                     |
| 25  | 101031-01-000 | YD  | TAPE/GLIDE - 4.25" SPACING   |
| 26  | 101033-02-000 | EA  | END CAP - LOW PROFILE TRACK - CLEAR                                  |
| 27  | 101033-08-000 | EA  | TRACK/WALL - 75"   |
| 27  | 101033-09-000 | EA  | TRACK/WALL - 32"   |
| 28  | 102555-03-000 | EA  | CLEAT - BLIND CORD - MILKY WHITE - PLASTIC                           |
| 29  | 103242-01-000 | EA  | VELCRO HOOK - BEIGE 7/8" ROUND W/CENTER HOLE                         |
| 29  | 103242-02-000 | EA  | VELCRO HOOK - BLACK 7/8" ROUND W/CENTER HOLE                         |
| 30  | 105450-14-01A | EA  | TRACK - CURTAIN - 90" - OFF WHITE - <b>300-SERIES</b>                |
| 30  | 105450-15-01A | EA  | TRACK - CURTAIN - 82.3" - OFF WHITE - <b>200-SERIES</b>              |
| 31  | 106544-01-000 | EA  | PULL - SHADE/BRASS   |
|     | 106544-01-001 | EA  | SCREW - SHADE/BRASS  |
| 32  | 109353-04-000 | EA  | CLIP - VALANCE SLAT MOUNTING - CLEAR PLASTIC                         |
|     | 109441-02-000 | EA  | SPACER/BRACKET - BLIND HOLD DOWN                                     |
| 33  | 109441-03-000 | EA  | BRACKET/HOOK - BLIND HOLD DOWN - CLOUDY                              |
| 34  | 127254-03-05A | EA  | TRACK/WRAPAROUND - PASSENGER - GLACIER - <b>D-SERIES</b>             |
| 34  | 127254-04-05A | EA  | TRACK/WRAPAROUND - DRIVER - GLACIER - <b>D-SERIES &amp; F-SERIES</b> |
| 34  | 127254-14-03A | EA  | TRACK/WRAPAROUND - PASSENGER - GLACIER - <b>F-SERIES</b>             |
| 34  | 133235-01-04A | EA  | TRACK - CURTAIN/LEFT HAND - GLACIER - <b>P-SERIES</b>                |
| 34  | 133236-01-04A | EA  | TRACK - CURTAIN/RIGHT HAND - GLACIER - <b>P-SERIES</b>               |
| 35  | 132504-01-N92 | EA  | BRACKET - SHADE  |

## CURTAIN & CUSHION GROUP (CONTINUED)

### ACCESSORIES

| KEY | PART NUMBER   | U/M | DESCRIPTION                                       |
|-----|---------------|-----|---|
|     | 056271-01-000 | EA  | SEAT BELT - 2" X 102" - BLACK                     |
|     | 007021-01-000 | EA  | SEAT BELT - 2" X 90" - BLACK                      |
|     | 057534-03-000 | EA  | TIEBACK - CLEAR PLASTIC - 7.5"                    |
|     | 074494-02-000 | EA  | BUTTON - RETAINING PIVOT - #60                    |
|     | 074494-03-000 | EA  | BUTTON - SERRATED PIVOT - W/3/8 TACK              |
|     | 074494-05-000 | EA  | BUTTON - SINGLE PIVOT - #30                       |
|     | 074494-06-000 | EA  | BUTTON - PIVOT - #30                              |
|     | 099717-04-000 | EA  | STRAP - W/21.2" FEMALE STRAP AND 27.1" MALE STRAP |
|     | 070578-14-M76 | EA  | BUTTON - #30 - FABRIC COVERED (N15, N16)          |
|     | 070578-14-M41 | EA  | BUTTON - #30 - FABRIC COVERED (N17, N18)          |
|     | 118337-08-N15 | EA  | BUTTON - #60 - FABRIC COVERED (N15, N16)          |
|     | 118337-08-M41 | EA  | BUTTON - #60 - FABRIC COVERED (N17, N18)          |
|     | 140221-01-02B | EA  | WASHER - SEAT BELT - E-COAT                       |

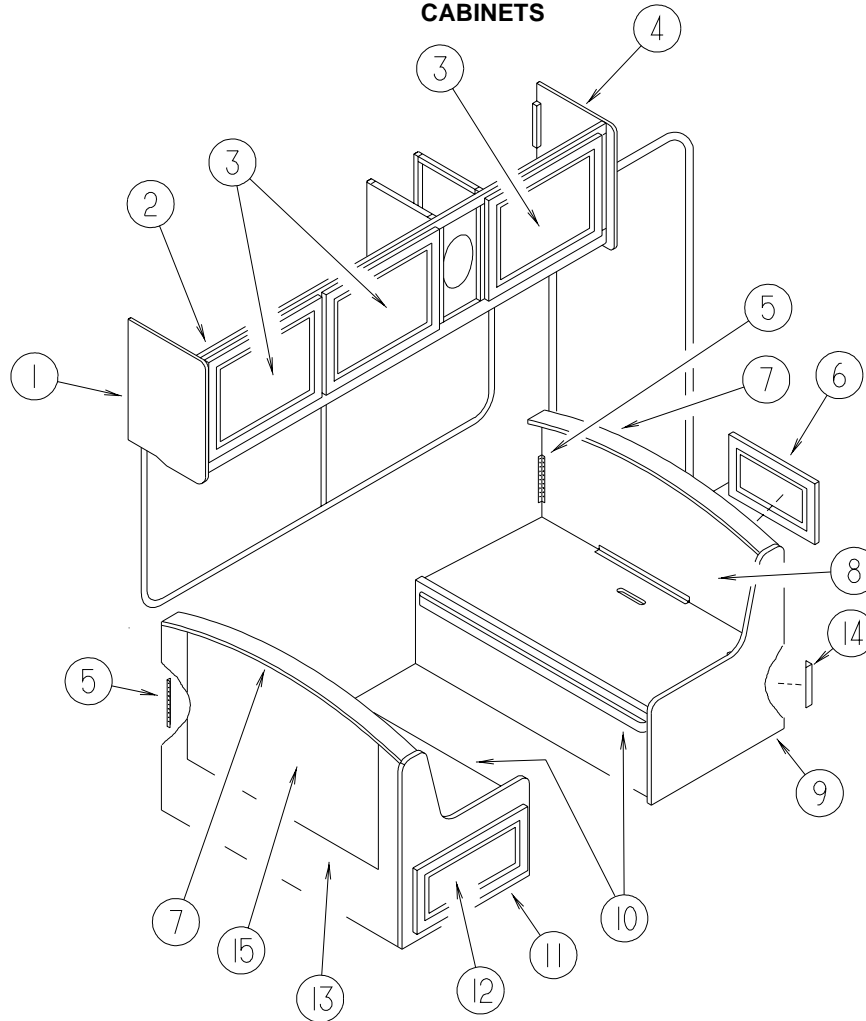
**CURTAIN & CUSHION GROUP (CONTINUED)**  
FABRICS

|  | <b>N15/16 TIMBER LANE</b>   | <b>N17/M18 ASPEN GLEN</b>   |
|--|-----------------------------|-----------------------------|
| <b>2002 FAMILY BUCKET</b>                  | 566H                        | 566H                        |
|  | 126883-E2-000               | 126883-58-000               |
|  | *OPT. LEATH/COBRA SILVER    | *OPT. LEATH/COBRA SILVER    |
|  | 079680-39-000 (BOXING)      | 079680-39-000 (BOXING)      |
| <b>DINETTE</b>                             | CLUB                        | CLUB                        |
|  | 126883-A5-000               | 126883-C1-000               |
| <b>DINETTE PADS &amp; BOMERANGS</b>        | 126883-52-000               | 126883-58-000               |
|  |                             |                             |
| <b>SOFA</b>                                | 696 /K.E. JACK KNIFE        | 696/K.E. JACK KNIFE         |
|  | 126883-A5-000               | 126883-C1-000               |
| <b>LOUNGE CHAIR</b>                        | #465                        | #465                        |
|  | 126883-E2-000               | 126883-58-000               |
| <b>LOUNGE WINDOWS</b>                      | VENICE LAMBREQUIN           | VENICE LAMBREQUIN           |
|  | 126883-E2-000/126883-A5-000 | 126883-58-000/126883-C1-000 |
|  | UNDERLAY/OVERLAY            | UNDERLAY/OVERLAY            |
|  | BUTTONS - 126883-E2-000     | BUTTONS - 126883-58-000     |
|  | BRAID - 084415-D8-000       | BRAID - 084415-F7-000       |
| <b>LOUNGE PILLOW</b>                       | 17" SQUARE W/BUTTONS        | 17" SQUARE W/BUTTONS        |
|  | 126883-E2-000               | 126883-58-000               |
|  | 2" CUFF - 126883-A5-000     | 2" CUFF - 126883-C1-000     |
|  | BUTTONS-126883-E2-000       | BUTTONS-126883-58-000       |
| <b>FWA, BLACKOUT &amp; PRIVACY CURTAIN</b> | 0732333-85-000              | 0732333-85-000              |
|  | CLOUDS MUSHROOM             | CLOUDS MUSHROOM             |
|  | 087272-03-000 - LINING      | 087272-03-000 - LINING      |
| <b>OVERHEAD CURTS.</b>                     | 105745-R7-000               | 105745-U2-000               |
|  |                             |                             |
| <b>OVERHEAD BUNK</b>                       | 126883-E2-000               | 126883-58-000               |
|  |                             |                             |
| <b>DAY/NIGHTER</b>                         | 094911-58-000/126883-50-000 | 094911-58-000/126883-50-000 |
|  | PUTTY/WT. DECO              | PUTTY/WT. DECO              |
| <b>GALLEY BLINDS</b>                       | C011 BEIGE                  | 386 SNOCAP                  |
|  |                             |                             |
| <b>BEDROOM WDO TREATMENT</b>               | GENEVA VALANCE              | GENEVA VALANCE              |
|  | 105745-R7-000/105745-R8-000 | 105745-U2-000/105745-N8-000 |
|  | LEGS - 105745-R8-000        | LEGS - 105745-N8-000        |
| <b>BEDCOVER</b>                            | BEDCAP W/½ N-G WELT         | BEDCAP W/½ N-G WELT         |
|  | 105745-R7-000/105745-R8-000 | 105745-U2-000/105745-N8-000 |
| <b>QUILT PATTERN</b>                       | 6" CHANNEL                  | 6" CHANNEL                  |
|  |                             |                             |
| <b>SHAMS</b>                               | 1/2" NON-GATH. WELT         | 1/2" NON-GATH. WELT         |
|  | 105745-R7-000/105745-R8-000 | 105745-U2-000/105745-N8-000 |

**CURTAIN & CUSHION GROUP (CONTINUED)**  
**FABRICS (CONTINUED)**

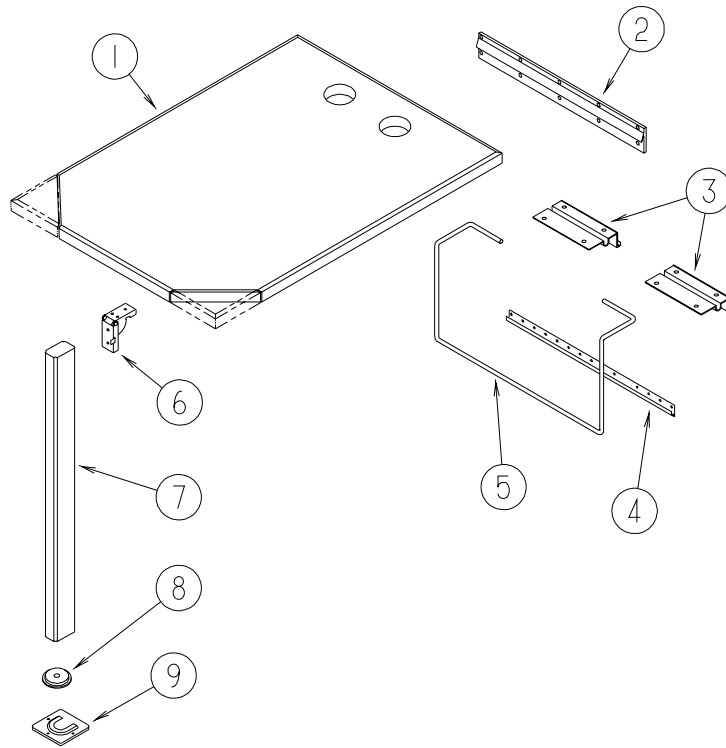
| <b>2002 FAMILY</b>              | <b>N15/16 TIMBER LANE</b>  | <b>N17/M18 ASPEN GLEN</b>   |
|---------------------------------|--|---|
| <b>BED PILLOW</b>               | 12X20 W/CTR. OVLY<br>105745-R8-000/105745-R7-0000<br>BRAID - 084415-D8-000<br>WELT - 105745-R7-000 | 12X20 W/CTR. OVLY<br>105745-N8-000/105745-U2-000<br>BRAID - 084415-F7-000<br>WELT - 105745-U2-000 |
| <b>HEADBOARD</b>                | DYNASTY<br>105745-R7-000/105745-R8-000   | DYNASTY<br>105745-U2-000/105745-N8-000  |
| <b>BEDROOM<br/>VANITY CHAIR</b> | STACKMORE<br>126883-E2-000   | STACKMORE<br>126883-58-000  |
| <b>CARPET</b>                   | 096060-H1-000<br>TAPIOCA   | 096060-F0-000<br>JADE SHEEN   |
| <b>CEILING MATERIAL</b>         | 113979-12-01A SOFT CLOUD-102"  | 113979-12-01A SOFT CLOUD-102"   |
| <b>VINYL</b>                    | 103907-01-06A- VW DARK GREY<br>103907-01-01A - MADRID - OFF WT<br>079680-39-000 - SMOKE GREY       | 103907-01-06A- VW DARK GREY<br>103907-01-01A - MADRID - OFF WT<br>079680-39-000 - SMOKE GREY      |

## DINETTE GROUP CABINETS



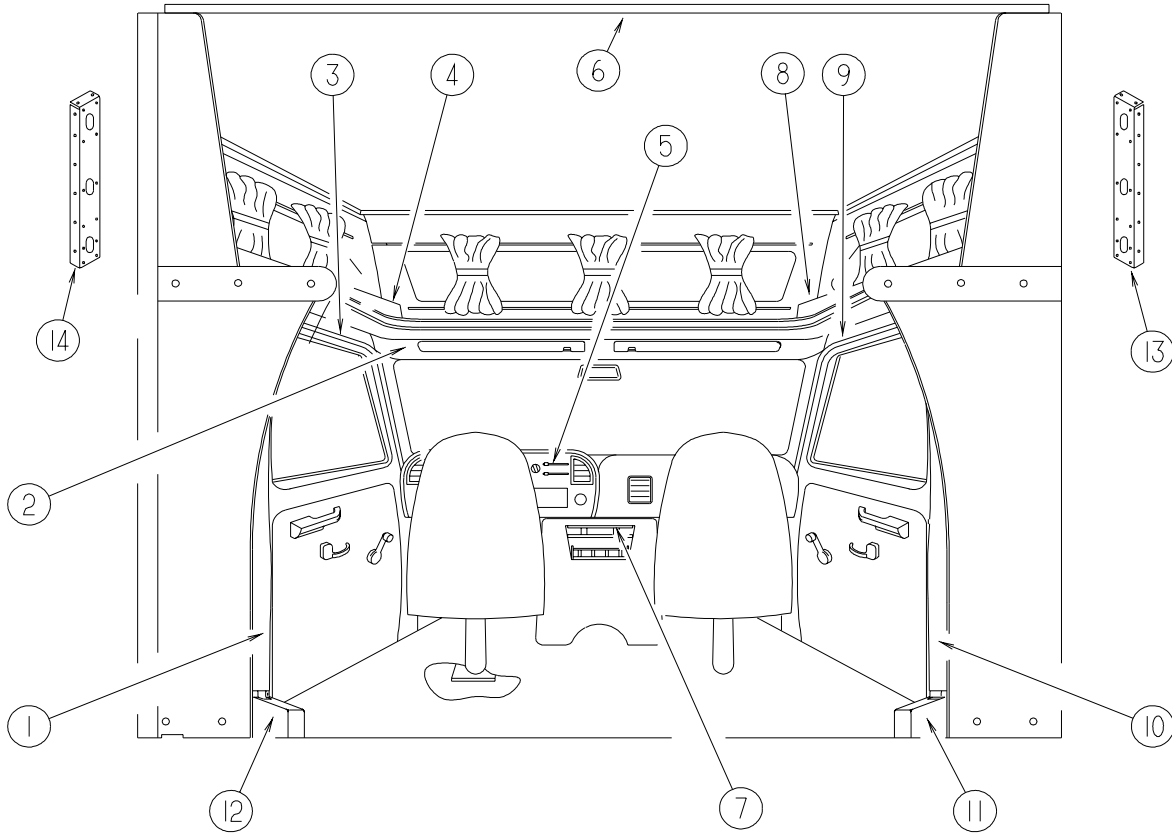
| KEY | PART NUMBER   | U/M | DESCRIPTION  |
|-----|---------------|-----|--|
| 1   | 109908-73-M15 | EA  | END CAP - OVERHEAD CABINET - WASHED MAPLE                            |
| 1   | 109908-73-N10 | EA  | END CAP - OVERHEAD CABINET - SALEM CHERRY                            |
| 2   | 131027-01-N15 | EA  | CABINET - OVERHEAD/FRONT - W/O DOORS/HARDWARE                        |
| 2   | 131027-01-N16 | EA  | CABINET - OVERHEAD/FRONT - W/O DOORS/HARDWARE                        |
| 2   | 131027-01-N17 | EA  | CABINET - OVERHEAD/FRONT - W/O DOORS/HARDWARE                        |
| 2   | 131027-01-N18 | EA  | CABINET - OVERHEAD/FRONT - W/O DOORS/HARDWARE                        |
| 3   | 135238-06-M15 | EA  | DOOR - RAIL/ARCHED TOP - 15.7" X 20.4" - W/O HARDWARE - WASHED MAPLE |
| 3   | 135238-06-M16 | EA  | DOOR - RAIL/ARCHED TOP - 15.7" X 20.4" - W/O HARDWARE - SALEM CHERRY |
| 4   | 109908-74-M15 | EA  | END CAP - OVERHEAD CABINET - WASHED MAPLE                            |
| 4   | 109908-74-N10 | EA  | END CAP - OVERHEAD CABINET - SALEM CHERRY                            |
| 5   | 122021-02-02A | EA  | ANGLE - W/HOLES - 13.7" LONG - OFF WHITE                             |
| 6   | 134783-N0-M15 | EA  | DOOR - RAIL/SOLID PANEL - 10" X 29.5" - W/O HARDWARE - WASHED MAPLE  |
| 6   | 134783-N0-M16 | EA  | DOOR - RAIL/SOLID PANEL - 10" X 29.5" - W/O HARDWARE - SALEM CHERRY  |
| 7   | 111338-16-N15 | EA  | PAD - DINETTE (N15, N16)   |
| 7   | 111338-16-N17 | EA  | PAD - DINETTE (N17, N18)   |
| 8   | 137092-B8-N15 | EA  | PANEL/SEAT BACK - WASHED MAPLE                                       |
| 8   | 137092-B8-N10 | EA  | PANEL/SEAT BACK - SALEM CHERRY                                       |
| 9   | P37092-14-N15 | EA  | CABINET/SEATBASE - W/O DOOR/DRAWER/HARDWARE - WASHED MAPLE           |
| 9   | P37092-14-N10 | EA  | CABINET/SEATBASE - W/O DOOR/DRAWER/HARDWARE - SALEM CHERRY           |
| 10  | 081295-01-H37 | EA  | SUPPORT - BED/DINETTE - 28" LONG - WASHED MAPLE                      |
| 10  | 081295-01-M52 | EA  | SUPPORT - BED/DINETTE - 28" LONG - SALEM CHERRY                      |
| 11  | P37092-13-N15 | EA  | CABINET/SEATBASE - W/O DOOR/DRAWER/HARDWARE - WASHED MAPLE           |
| 11  | P37092-13-N10 | EA  | CABINET/SEATBASE - W/O DOOR/DRAWER/HARDWARE - SALEM CHERRY           |
| 12  | 134783-02-M15 | EA  | DOOR - RAIL/SOLID PANEL - 10" X 19.1" - W/O HARDWARE - WASHED MAPLE  |
| 12  | 134783-02-M16 | EA  | DOOR - RAIL/SOLID PANEL - 10" X 19.1" - W/O HARDWARE - SALEM CHERRY  |
| 13  | 137092-A8-N15 | EA  | PANEL/SEATBACK - STATIONARY - WASHED MAPLE                           |
| 13  | 137092-A8-N10 | EA  | PANEL/SEATBACK - STATIONARY - SALEM CHERRY                           |
| 14  | 122021-09-02A | EA  | ANGLE - W/HOLES - OFF WHITE  |
| 15  | 137092-B2-N15 | EA  | PANEL/BACK-HINGED - WASHED MAPLE                                     |
| 15  | 137092-B2-N10 | EA  | PANEL/BACK-HINGED - SALEM CHERRY                                     |

## DINETTE GROUP (CONTINUED) TABLE



| KEY | PART NUMBER   | U/M | DESCRIPTION   |
|-----|---------------|-----|---|
| 1   | 132034-18-M15 | EA  | TABLE TOP ONLY - 37.7" X 29.2" (N15) - 427P               |
| 1   | 132034-18-M08 | EA  | TABLE TOP ONLY - 37.7" X 29.2" (N16) - 427P               |
| 1   | 132034-18-N17 | EA  | TABLE TOP ONLY - 37.7" X 29.2" (N17) - 427P               |
| 1   | 132034-18-N18 | EA  | TABLE TOP ONLY - 37.7" X 29.2" (N18) - 427P               |
| 1   | 132034-09-L09 | EA  | TABLE TOP ONLY - 27.8" X 41.6" (N15) - 430V               |
| 1   | 132034-09-M09 | EA  | TABLE TOP ONLY - 27.8" X 41.6" (N16) - 430V               |
| 1   | 132034-09-M19 | EA  | TABLE TOP ONLY - 27.8" X 41.6" (N17) - 430V               |
| 1   | 132034-09-M12 | EA  | TABLE TOP ONLY - 27.8" X 41.6" (N18) - 430V               |
| 1   | 132034-11-M15 | EA  | TABLE TOP ONLY - 41.5" X 24" (N15) -431C                  |
| 1   | 132034-11-M08 | EA  | TABLE TOP ONLY - 41.5" X 24" (N16) -431C                  |
| 1   | 132034-11-N17 | EA  | TABLE TOP ONLY - 41.5" X 24" (N17) -431C                  |
| 1   | 132034-11-N12 | EA  | TABLE TOP ONLY - 41.5" X 24" (N18) -431C                  |
| 2   | 053200-13-000 | EA  | SUPPORT - TABLE - 18.5"                                   |
| 3   | 088410-02-000 | EA  | BRACKET - LIFT - TABLE MOUNTED                            |
| 4   | 024281-15-000 | EA  | BRACKET/TABLE - LIFT ROD/LOWER WALL MOUNTED - 17.1"       |
| 5   | 024275-13-000 | EA  | ROD - TABLE LIFT - OFF/WHITE                              |
| 6   | 093550-01-000 | EA  | BRACKET - HINGE - MOUNTS TO LEG & TABLE TOP - 1.7" X 2.6" |
| 7   | 092707-04-08A | EA  | LEG - TABLE - W/O HARDWARE - 27" - WASHED MAPLE           |
| 7   | 092707-04-04A | EA  | LEG - TABLE - W/O HARDWARE - 27" - CHERRY                 |
| 8   | 092593-01-05A | EA  | CATCH - TABLE LEG - OFF/WHITE                             |
| 9   | 049493-12-000 | EA  | CATCH - TABLE LEG/FLOOR MOUNTED - OFF WHITE               |

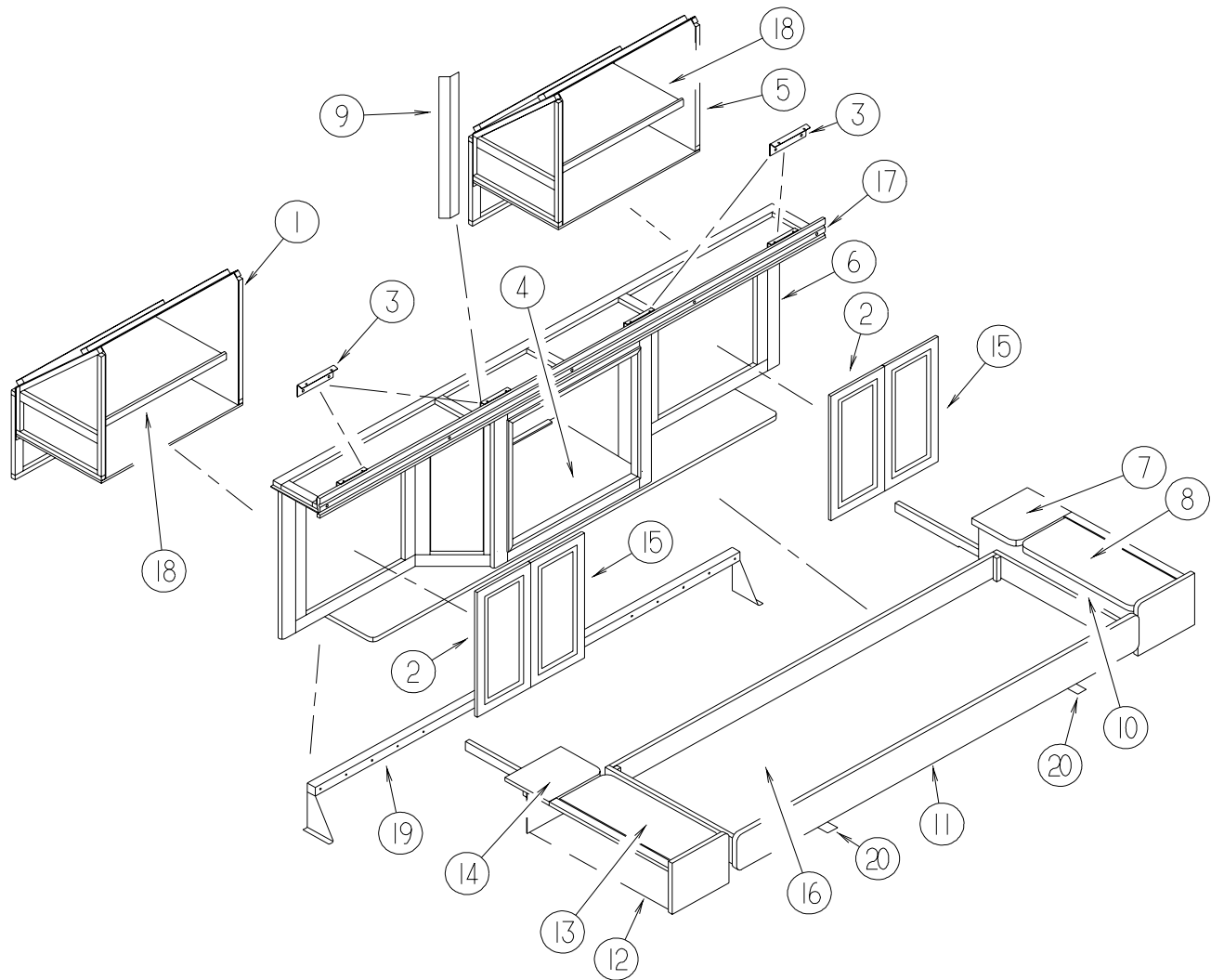
## DRIVERS COMPARTMENT GROUP FRONT INTERIOR



| KEY | PART NUMBER   | U/M | DESCRIPTION   |
|-----|---------------|-----|---|
| 1   | 125031-02-H04 | EA  | TRIM - CAB - B-PILLAR - DRIVER SIDE                                     |
| 2   | 106448-02-M07 | EA  | HEADLINER - W/VINYL   |
| 3   | 106447-06-N09 | EA  | TRIM - CAB DOOR - UPPER/LEFT HAND                                       |
| 4   | 109894-01-N15 | EA  | CABINET/HAMPER - DRIVER/FRONT - W/O COUNTERTOP/HARDWARE (N15) - 427P    |
| 4   | 109894-01-N10 | EA  | CABINET/HAMPER - DRIVER/FRONT - W/O COUNTERTOP/HARDWARE (N16) - 427P    |
| 4   | 109894-01-N17 | EA  | CABINET/HAMPER - DRIVER/FRONT - W/O COUNTERTOP/HARDWARE (N17) - 427P    |
| 4   | 109894-01-N12 | EA  | CABINET/HAMPER - DRIVER/FRONT - W/O COUNTERTOP/HARDWARE (N18) - 427P    |
| 5   | 136524-04-01A | EA  | APPLIQUE - BEZEL - DASH - W/GRAIN                                       |
| 6   | 082111-02-000 | EA  | COVER - ROOF BREAK - OFF WHITE  |
| 7   | 136524-03-01A | EA  | APPLIQUE - BEZEL - MOTOR COVER - WOOD GRAINED                           |
| 8   | 109894-03-N15 | EA  | CABINET/HAMPER - PASSENGER/FRONT - W/O COUNTERTOP/HARDWARE (N15) - 427P |
| 8   | 109894-03-N10 | EA  | CABINET/HAMPER - PASSENGER/FRONT - W/O COUNTERTOP/HARDWARE (N16) - 427P |
| 8   | 109894-03-M17 | EA  | CABINET/HAMPER - PASSENGER/FRONT - W/O COUNTERTOP/HARDWARE (N17) - 427P |
| 8   | 109894-03-M10 | EA  | CABINET/HAMPER - PASSENGER/FRONT - W/O COUNTERTOP/HARDWARE (N18) - 427P |
| 9   | 106447-05-N09 | EA  | TRIM - CAB DOOR - UPPER/RIGHT HAND                                      |
| 10  | 125031-01-H04 | EA  | TRIM - CAB - B-PILLAR - PASSENGER SIDE                                  |
| 11  | 106431-02-02A | EA  | COVER - SEATBELT RECOIL - PASSENGER SIDE - VW GRAY                      |
| 12  | 106431-01-02A | EA  | COVER - SEATBELT RECOIL - DRIVER SIDE - VW GRAY                         |
| 13  | 136268-01-03B | EA  | BRACKET-WINGWALL O/W  |
| 14  | 136268-02-03B | EA  | BRACKET-WINGWALL O/W  |
|     | 125780-03-000 | EA  | MAT - FLOOR - FRONT PASSENGER - iif - FORD                              |
|     | 125780-04-000 | EA  | MAT - FLOOR - FRONT DRIVER - iif - FORD                                 |
|     | 094658-02-J40 | EA  | HANDLE - BUNK - 2" X 14.2" - OAK - WASHED MAPLE - 427P                  |
|     | 094658-02-F08 | EA  | HANDLE - BUNK - 2" X 14.2" - SALEM CHERRY - 427P                        |

## DRIVERS COMPARTMENT GROUP (CONTINUED)

### CABINETS



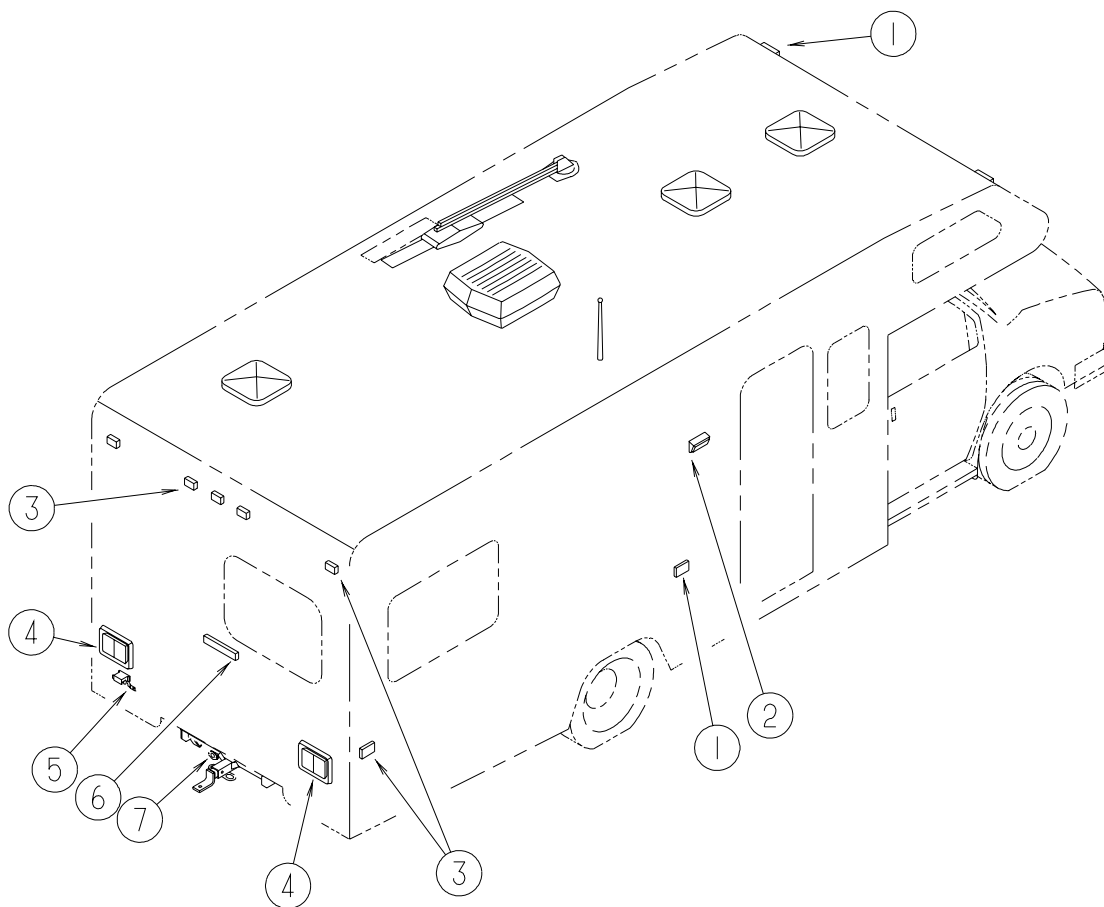
| KEY | PART NUMBER   | U/M | DESCRIPTION  |
|-----|---------------|-----|--|
| 1   | 133221-02-M15 | EA  | CABINET - ENTERTAINMENT CENTER/SHELF - W/O HARDWARE - WASHED MAPLE   |
| 1   | 133221-02-M08 | EA  | CABINET - ENTERTAINMENT CENTER/SHELF - W/O HARDWARE - SALEM CHERRY   |
| 2   | 135238-57-M15 | EA  | DOOR - RAIL/ARCHED TOP - 10.2" X 21.4" - W/O HARDWARE - WASHED MAPLE |
| 2   | 135238-57-M16 | EA  | DOOR - RAIL/ARCHED TOP - 10.2" X 21.4" - W/O HARDWARE - SALEM CHERRY |
| 3   | 106699-03-02B | EA  | BRACKET F/TV INSTALLATION - OVERHEAD CABINET - E-COATED              |
| 4   | 111356-03-M15 | EA  | SHELF - TV - W/TIEDOWN BRACKET - WASHED MAPLE                        |
| 4   | 111356-03-M08 | EA  | SHELF - TV - W/TIEDOWN BRACKET - SALEM CHERRY                        |
| 5   | 133221-01-M15 | EA  | CABINET - ENTERTAINMENT CENTER/SHELF - W/O HARDWARE - WASHED MAPLE   |
| 5   | 133221-01-M08 | EA  | CABINET - ENTERTAINMENT CENTER/SHELF - W/O HARDWARE - SALEM CHERRY   |
| 6   | 135344-01-M15 | EA  | CABINET/FACE - ENTERTAINMENT CENTER - WASHED MAPLE                   |
| 6   | 135344-01-N10 | EA  | CABINET/FACE - ENTERTAINMENT CENTER - SALEM CHERRY                   |
| 7   | 133655-34-N15 | EA  | COUNTERTOP - LAMINATED - ALMOND JAGAU (N15, N16)                     |
| 7   | 133655-34-N11 | EA  | COUNTERTOP - LAMINATED - NATURAL LEGACY (N17, N18)                   |
| 8   | 133655-36-N15 | EA  | COUNTERTOP - LAMINATED - ALMOND JAGUAR (N15, N16)                    |
| 8   | 133655-36-N11 | EA  | COUNTERTOP - LAMINATED - NATURAL LEGACY (N17, N18)                   |
| 9   | 139305-03-02B | EA  | BRACKET - TIEDOWN/TV - E-COATED                                      |
| 10  | 138361-01-N15 | EA  | CABINET/STORAGE - RIGHT END - W/O FLIP UP COUNTERTOP (N15, N16)      |
| 10  | 138361-01-N10 | EA  | CABINET/STORAGE - RIGHT END - W/O FLIP UP COUNTERTOP (N17, N18)      |
| 11  | P00847-11-N15 | EA  | FACE - DRAWER/VINYL FACED/COUNTERTOP BACK - 5.5' X 76.7" (N15, N16)  |
| 11  | P00847-11-N11 | EA  | FACE - DRAWER/VINYL FACED/COUNTERTOP BACK - 5.5' X 76.7" (N17, N18)  |
| 12  | 138361-02-N15 | EA  | CABINET/STORAGE - RIGHT END - W/O FLIP UP COUNTERTOP (N15, N16)      |
| 12  | 138361-02-N10 | EA  | CABINET/STORAGE - RIGHT END - W/O FLIP UP COUNTERTOP (N17, N18)      |
| 13  | 133655-38-N15 | EA  | COUNTERTOP - LAMINATED (N15, N16)                                    |
| 13  | 133655-38-N11 | EA  | COUNTERTOP - LAMINATED - NATURAL LEGACY (N17, N18)                   |
| 14  | 133655-37-N15 | EA  | COUNTERTOP - LAMINATED - BEIGE PAMPAS (N15, N16)                     |
| 14  | 133655-37-N11 | EA  | COUNTERTOP - LAMINATED - NATURAL LEGACY (N17, N18)                   |
| 15  | 135238-58-M15 | EA  | DOOR - RAIL/ARCHED TOP - 10.2" X 21.4" - W/O HARDWARE - WASHED MAPLE |
| 15  | 135238-58-M16 | EA  | DOOR - RAIL/ARCHED TOP - 10.2" X 21.4" - W/O HARDWARE - SALEM CHERRY |



**DRIVERS COMPARTMENT GROUP (CONTINUED)**  
**CABINETS (CONTINUED)**

| <b>KEY</b> | <b>PART NUMBER</b> | <b>U/M</b> | <b>DESCRIPTION</b>  |
|------------|--------------------|------------|---|
| 16         | 100847-02-N15      | EA         | DRAWER - ENTERTAINMENT CENTER - W/O HARDWARE (N15, N16)   |
| 16         | 100847-02-N11      | EA         | DRAWER - ENTERTAINMENT CENTER - W/O HARDWARE (N17, N18)   |
| 16         | 140233-01-N15      | EA         | DRAWER - ENTERTAINMENT CENTER - W/O HARDWARE (N15, N16) - <a href="#">W/ DELUXE ENTERTAINMENT</a> |
| 16         | 140233-01-N11      | EA         | DRAWER - ENTERTAINMENT CENTER - W/O HARDWARE (N17, N18) - <a href="#">W/ DELUXE ENTERTAINMENT</a> |
| 17         | 132663-09-06A      | EA         | MOLDING-PAPER WRAP/PRE DRILLED-.6"X3.4"X96.5" - MAPLE - WASHED MAPLE                              |
| 17         | 132663-09-07A      | EA         | MOLDING-VINYL WRAP/PRE DRILLED-.6"X3.4"X96.5" - CHERRY - SALEM CHERRY                             |
| 18         | 133221-11-M15      | EA         | SHELF - W/EDGE MOLDING - WASHED MAPLE   |
| 18         | 133221-11-M08      | EA         | SHELF - W/EDGE MOLDING - SALEM CHERRY   |
| 19         | 135647-01-02B      | EA         | BRACKET - ENTERTAINMENT CENTER - E-COATED   |
| 20         | 093673-01-01A      | EA         | TRIM/MOLDING - 1.4" WIDE X 8' LONG - OFF WHITE  |

## ELECTRICAL GROUP 12V BODY WIRING

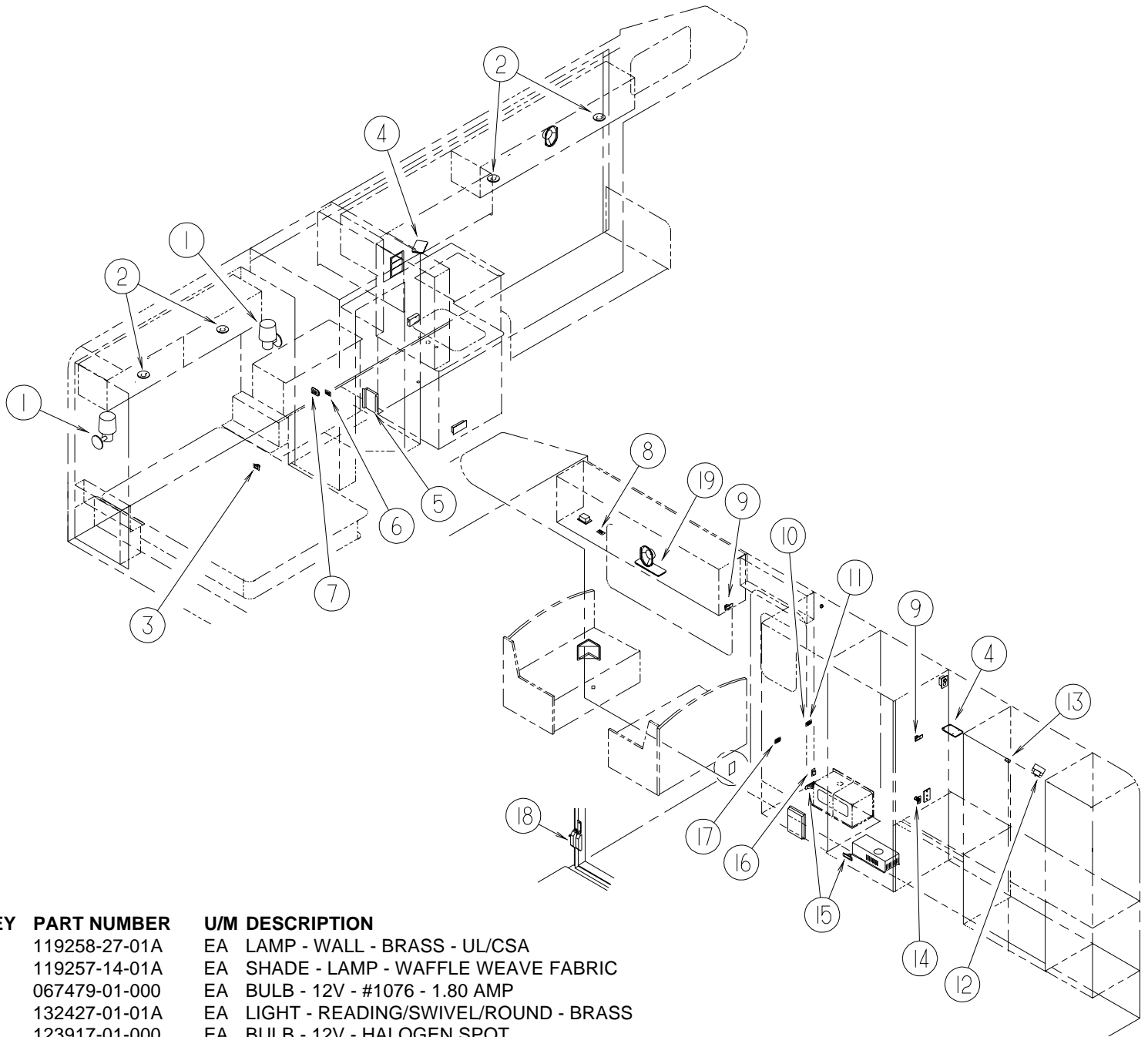


| KEY | PART NUMBER   | U/M | DESCRIPTION   |
|-----|---------------|-----|---|
| 1   | 111102-02-000 | EA  | LENS - AMBER - MARKER LAMP  |
|     | 111102-01-000 | EA  | BASE - MARKER LAMP  |
|     | 036196-01-000 | EA  | BULB - 12V - #194 - .27 AMP - BAYONETTE                                 |
| 2*  | 097917-01-06A | EA  | LIGHT - PORCH - BRIGHT WHITE  |
|     | 008215-01-000 | EA  | BULB - 12 VOLT - #1003 - .94 AMP  |
| 2*  | 008089-02-000 | EA  | LIGHT - PORCH - RECESSED - CANADIAN                                     |
|     | 008214-01-000 | EA  | BULB - 12 VOLT - #67 - .59 AMP  |
| 3   | 111102-03-000 | EA  | LENS - RED - MARKER LAMP  |
|     | 111102-01-000 | EA  | BASE - MARKER LAMP  |
|     | 036196-01-000 | EA  | BULB - 12V - #194 - .27 AMP - BAYONETTE                                 |
| 4*  | 081638-01-000 | EA  | TAILLIGHT/DOUBLE W/BLACK TRIM - DRIVER/PASSENGER SIDE                   |
|     | 037934-01-000 | EA  | BULB - 12V - #1156 - 2.1 AMP - CLEAR GLASS - BACK UP & TURN SIGNAL BULB |
|     | 037935-01-000 | EA  | BULB - 12V - #1157 OR #2057 - 2.1 AMP - CLEAR GLASS- BRAKE LIGHT BULB   |
|     | 103355-02-01A | EA  | POD - TAIL LIGHT - BRIGHT WHITE   |
| 5   | 066432-02-000 | EA  | LIGHT - LICENSE - BLACK   |
|     | 066432-03-000 | EA  | BRACKET - LICENSE PLATE   |
| 6   | 121950-01-000 | EA  | LIGHT - BRAKE - CENTER MOUNT  |
| 6   | 136916-01-000 | EA  | LIGHT - CENTER BRAKE - L.E.D  |
|     |               |     | FROM: 00-00-00 THRU: 10-01-00   |
|     |               |     | FROM: 10-02-00 THRU: 99-99-99   |
| 7   | 113589-01-000 | EA  | CONNECTOR - PLUG - TRAILER  |
| 7   | 113589-02-000 | EA  | CONNECTOR - SOCKET - TRAILER  |

**\*COMPONENT PARTS LISTED LATER IN THIS GROUP**

## ELECTRICAL GROUP (CONTINUED)

### 12V BODY WIRING (CONTINUED)



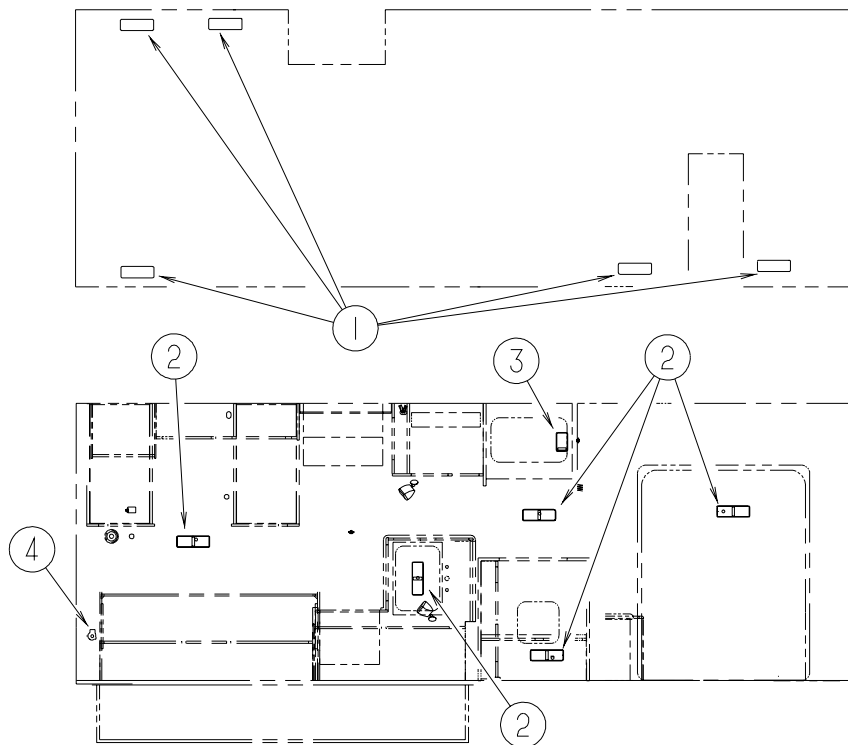
| KEY | PART NUMBER   | U/M | DESCRIPTION  |
|-----|---------------|-----|--|
| 1   | 119258-27-01A | EA  | LAMP - WALL - BRASS - UL/CSA                               |
| 1   | 119257-14-01A | EA  | SHADE - LAMP - WAFFLE WEAVE FABRIC                         |
| 1   | 067479-01-000 | EA  | BULB - 12V - #1076 - 1.80 AMP                              |
| 2   | 132427-01-01A | EA  | LIGHT - READING/SWIVEL/ROUND - BRASS                       |
|     | 123917-01-000 | EA  | BULB - 12V - HALOGEN SPOT                                  |
| 3   | 108357-15-000 | EA  | SWITCH - ROCKER - DPDT - ON/NONE/ON - LIGHTED              |
| 3   | 108356-04-01A | EA  | COVER/ACTUATOR SWITCH - 2 ROWS DIMPLES W/LENS-CONTURA-BLK  |
| 3   | 108355-01-000 | EA  | HOUSING - SWITCH   |
| 4*  | 137417-02-01A | EA  | LIGHT - DOME - SINGLE - W/SWITCH/OPTIC LENS - WHITE        |
| 5*  | 137417-01-01A | EA  | LIGHT - DOME - SINGLE - W/SWITCH/FROSTED LENS - WHITE      |
| 6   | 135740-01-01A | EA  | SWITCH - ROCKER - SPST - ON/OFF - BROWN                    |
| 6   | 135741-02-01A | EA  | SWITCH - BASE - DOUBLE - BROWN                             |
| 6   | 135742-15-01A | EA  | BEZEL - SWITCH - CEILING/SHOWER - WHITE                    |
| 7   | 135740-01-01A | EA  | SWITCH - ROCKER - SPST - ON/OFF - BROWN                    |
| 7   | 135740-02-01A | EA  | SWITCH - ROCKER - SPDT - ON/ON - BROWN                     |
| 7   | 135741-02-01A | EA  | SWITCH - BASE - DOUBLE - BROWN                             |
| 7   | 135742-13-01A | EA  | BEZEL - SWITCH - CEILING/AISLE - WHITE                     |
| 8   | 132180-02-01A | EA  | SWITCH - PADDLE - SPDT - ON/ON - BLACK                     |
| 8   | 098351-01-01A | EA  | PLATE/SWITCH - 1 GANG - POLISHED BRASS - W/O LABEL         |
| 9   | 081994-10-000 | EA  | PLATE/SWITCH - SLIDEOUT                                    |
| 9   | 108357-06-000 | EA  | SWITCH - ROCKER - DPDT - MOM/OFF/MOM - 6 TERMINAL          |
| 9   | 108356-02-01A | EA  | COVER/ACTUATOR SWITCH - 2 ROWS DIMPLES- CONTURA II - BLACK |
| 9   | 108355-01-000 | EA  | HOUSING - SWITCH   |

## ELECTRICAL GROUP (CONTINUED)

### 12V BODY WIRING (CONTINUED)

| KEY | PART NUMBER   | U/M | DESCRIPTION  |
|-----|---------------|-----|--|
| 10  | 135740-01-01A | EA  | SWITCH - ROCKER - SPST - ON/OFF - BROWN                    |
| 10  | 135741-01-01A | EA  | SWITCH - BASE - SINGLE - BROWN                             |
| 10  | 135742-09-02A | EA  | BEZEL - SWITCH - PORCH - BROWN                             |
| 11  | 135740-01-01A | EA  | SWITCH - ROCKER - SPST - ON/OFF - BROWN                    |
| 11  | 135741-01-01A | EA  | SWITCH - BASE - SINGLE - BROWN                             |
| 11  | 135742-11-02A | EA  | BEZEL - SWITCH - STEP - BROWN                              |
| 12* | 087694-01-000 | EA  | LIGHT - WARDROBE/CLOSET - W/SWITCH                         |
| 13  | 056264-01-000 | EA  | SWITCH - LEAF ACTUATOR - CABINET DOOR JAMB                 |
| 14  | 111414-01-000 | EA  | RECEPTACLE/SOCKET - 12 VOLT                                |
| 14  | 111386-01-04B | EA  | PLATE - RECEPTACLE - 12 VOLT - BLACK                       |
| 15  | 061424-01-000 | EA  | LIGHT - AISLE - 12 VOLT - RECTANGULAR                      |
| 16  | 098351-07-01A | EA  | PLATE/SWITCH - 1 GANG - POLISHED BRASS - GENERATOR         |
| 16  | 108357-06-000 | EA  | SWITCH - ROCKER - DPDT - MOM/OFF/MOM - 6 TERMINAL          |
| 16  | 108356-11-01A | EA  | COVER/ACTUATOR SWITCH - 3 GROOVES - AUX BATT - BLACK       |
| 16  | 108355-01-000 | EA  | HOUSING - SWITCH   |
| 17  | 135740-01-01A | EA  | SWITCH - ROCKER - SPST - ON/OFF - BROWN                    |
| 17  | 135741-02-01A | EA  | SWITCH - BASE - DOUBLE - BROWN                             |
| 17  | 135742-18-02A | EA  | BEZEL - SWITCH - LOUNGE/GALLEY - BROWN                     |
| 18  | 116995-02-000 | EA  | SWITCH/MAGNET - ELECTRIC STEP - BLACK/WHITE-CLOSED CIRCUIT |
| 19* | 137417-05-01A | EA  | LIGHT - DOME - DOUBLE - W/SWITCH/OPTIC LENS - WHITE        |

\*COMPONENT PARTS LISTED LATER IN THIS GROUP



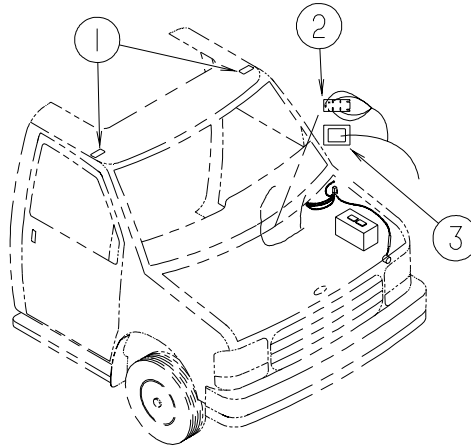
| KEY | PART NUMBER   | U/M | DESCRIPTION   |
|-----|---------------|-----|---|
| 1*  | 137417-01-01A | EA  | LIGHT - DOME - SINGLE - W/SWITCH/FROSTED LENS - WHITE |
| 2   | 130338-01-01A | EA  | LIGHT - FLUORESCENT 18" - THIN LITE                   |
|     | 091937-03-000 | EA  | BULB - FLUORESCENT LIGHT - 12 VOLT                    |
| 3*  | 121935-01-01A | EA  | LIGHT - DOME - SHOWER                                 |
| 4   | 128786-01-01A | EA  | LIGHT - READING/SWIVEL                                |
|     | 123917-01-000 | EA  | BULB - 12V - HALOGEN SPOT                             |

\*COMPONENT PARTS LISTED LATER IN THIS GROUP

## ELECTRICAL GROUP (CONTINUED)

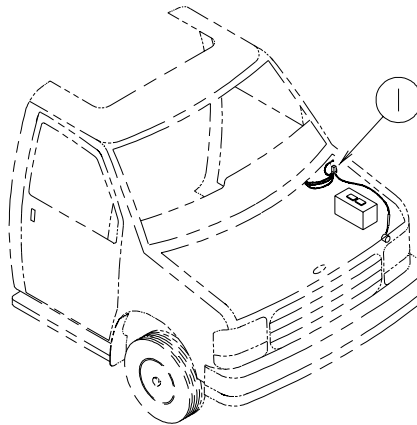
### FRONT END WIRING

| KEY | PART NUMBER   | U/M | DESCRIPTION  |
|-----|---------------|-----|--|
|     | 141095-02-000 | EA  | CLUSTER - INSTRUMENT PANEL - KILOMETER/GAS/DIESEL - FORD |



| KEY | PART NUMBER   | U/M | DESCRIPTION  |
|-----|---------------|-----|--|
| 1   | 112643-01-000 | EA  | LIGHT - SINGLE - SWIVEL                                    |
|     | 112642-01-06A | EA  | TRIM RING - SINGLE LIGHT - BLACK                           |
| 2*  | 087202-01-000 | EA  | SWITCH - 4 POSITION - W/KNOB/BEZEL - 5 TERMINAL            |
| 3   | 108357-09-000 | EA  | SWITCH - ROCKER - SPDT - ON/NONE/MOM - 3 TERMINAL          |
|     | 108356-07-01A | EA  | COVER/ACTUATOR SWITCH - 2 ROWS DIMPLES - AUX START - BLACK |
|     | 081994-07-000 | EA  | PLATE - SWITCH - 'AUXILIARY START'                         |

**\*COMPONENT PARTS LISTED LATER IN THIS GROUP**



| KEY | PART NUMBER   | U/M | DESCRIPTION   |
|-----|---------------|-----|---|
| 1   | 100138-01-000 | EA  | MODULE - DAYTIME/RUNNING LIGHT - HAMSAR DRL #H8005B |

**ELECTRICAL GROUP (CONTINUED)**  
**COMPONENT PARTS FOR LIGHTS & SWITCHES**

**008089-02-000**

| <b>KEY</b> | <b>PART NUMBER</b> | <b>U/M</b> | <b>DESCRIPTION</b>               |
|------------|--------------------|------------|----------------------------------|
|            | 008089-01-700      | EA         | LENS-LIGHT, RECESSED, PORCH DECO |

**081638-01-000**

| <b>KEY</b> | <b>PART NUMBER</b> | <b>U/M</b> | <b>DESCRIPTION</b>       | <b>VENDOR NO.</b> |
|------------|--------------------|------------|--------------------------|-------------------|
|            | 081638 01 700      | EA         | LENS-TAILLIGHT, RED      | 30-84-010         |
|            | 081638 01 701      | EA         | LENS-TAILLIGHT, W/BACKUP | 30-84-700         |

**087202-01-000**

| <b>KEY</b> | <b>PART NUMBER</b> | <b>U/M</b> | <b>DESCRIPTION</b>    | <b>VENDOR NO.</b> |
|------------|--------------------|------------|-----------------------|-------------------|
|            | 087202-01-701      | EA         | KNOB-SWITCH, ROTARY   | 062-0104          |
|            | 087202-01-702      | EA         | PLATE F/ROTARY SWITCH | 062-0105          |

**087694-01-000**

| <b>KEY</b> | <b>PART NUMBER</b> | <b>U/M</b> | <b>DESCRIPTION</b> | <b>VENDOR NO.</b> |
|------------|--------------------|------------|--------------------|-------------------|
|            | 087694-01-700      | EA         | BULB               | GE561             |

**097917-01-06A**

| <b>KEY</b> | <b>PART NUMBER</b> | <b>U/M</b> | <b>DESCRIPTION</b> | <b>VENDOR NO.</b> |
|------------|--------------------|------------|--------------------|-------------------|
|            | 097917-01-700      | EA         | LENS-LIGHT, CLEAR  | 30-78-021         |

**121935-01-01A**

| <b>KEY</b> | <b>PART NUMBER</b> | <b>U/M</b> | <b>DESCRIPTION</b> | <b>VENDOR NO.</b> |
|------------|--------------------|------------|--------------------|-------------------|
|            | 121935-01-700      | EA         | LENS ONLY          | 809511            |

**137417-01-01A**

| <b>KEY</b> | <b>PART NUMBER</b> | <b>U/M</b> | <b>DESCRIPTION</b>  | <b>VENDOR NO.</b> |
|------------|--------------------|------------|---------------------|-------------------|
|            | 137417-01-700      | EA         | LENS - SINGLE WHITE | 810868            |

**137417-02-01A**

| <b>KEY</b> | <b>PART NUMBER</b> | <b>U/M</b> | <b>DESCRIPTION</b>  | <b>VENDOR NO.</b> |
|------------|--------------------|------------|---------------------|-------------------|
|            | 137417-02-700      | EA         | LENS - SINGLE OPTIC | 810844            |

**137417-05-01A**

| <b>KEY</b> | <b>PART NUMBER</b> | <b>U/M</b> | <b>DESCRIPTION</b>  | <b>VENDOR NO.</b> |
|------------|--------------------|------------|---------------------|-------------------|
|            | 137417-05-700      | EA         | LENS - DOUBLE OPTIC | 810845            |

**ELECTRICAL GROUP (CONTINUED)**  
**CIRCUIT BREAKERS & FUSES**

| <b>KEY</b> | <b>PART NUMBER</b> | <b>U/M</b> | <b>DESCRIPTION</b>                                       |
|------------|--------------------|------------|--|
|            | 008233-01-000      | EA         | FUSE - 12 VOLT - 6 AMP                                   |
|            | 008235-01-000      | EA         | FUSE - 15 AMP/12VOLT - AUTOMOTIVE                        |
|            | 033573-01-000      | EA         | CIRCUIT BREAKER W/MOUNT-20A, 12V - FASCO 1711-2026       |
|            | 062037-02-000      | EA         | HOUSING - AUTO FUSE - GREEN                              |
|            | 062037-04-000      | EA         | HOUSING - AUTO FUSE - BLUE                               |
|            | 062037-07-000      | EA         | HOUSING - AUTO FUSE - RED                                |
|            | 062901-02-000      | EA         | FUSE - 5 AMP - AUTOMOTIVE                                |
|            | 062901-05-000      | EA         | FUSE - 15 AMP - AUTOMOTIVE                               |
|            | 062901-06-000      | EA         | FUSE - 20 AMP - AUTOMOTIVE                               |
|            | 062901-07-000      | EA         | FUSE - 25 AMP - AUTOMOTIVE                               |
|            | 062901-08-000      | EA         | FUSE - 30 AMP - AUTOMOTIVE                               |
|            | 083209-01-000      | EA         | CIRCUIT BREAKER - 15 AMP - 120 VOLT - CANADIAN           |
|            | 083209-02-000      | EA         | CIRCUIT BREAKER - 15/15 AMP - 120 VOLT                   |
|            | 083209-03-000      | EA         | CIRCUIT BREAKER - 15/20 AMP - 120 VOLT                   |
|            | 083209-04-000      | EA         | CIRCUIT BREAKER - 30 AMP - 120 VOLT                      |
|            | 083209-05-000      | EA         | CIRCUIT BREAKER - 20 AMP - 120 VOLT                      |
|            | 083209-06-000      | EA         | CIRCUIT BREAKER - 30/15 AMP - 120 VOLT                   |
|            | 083209-07-000      | EA         | CIRCUIT BREAKER - 20/20 AMP - 120 VOLT                   |
|            | 083209-10-000      | EA         | CIRCUIT BREAKER - 20/30 AMP - 120 VOLT                   |
|            | 083209-11-000      | EA         | CIRCUIT BREAKER - 20/15 AMP - 120 VOLT                   |
|            | 092786-02-000      | EA         | BUSS BAR - 3.3" LONG                                     |
|            | 092786-03-000      | EA         | BUSS BAR - 6.9" LONG                                     |
|            | 092786-06-000      | EA         | BUSS BAR   |
|            | 093654-01-000      | EA         | CIRCUIT BREAKER - 6 AMP - 12 VOLT - PUSH BUTTON - WHITE  |
|            | 093654-02-000      | EA         | CIRCUIT BREAKER - 15 AMP - 12 VOLT - PUSH BUTTON - WHITE |
|            | 093654-03-000      | EA         | CIRCUIT BREAKER - 20 AMP - 12 VOLT - PUSH BUTTON - WHITE |
|            | 093654-11-000      | EA         | COVER - RESET BUTTON                                     |
|            | 093655-01-000      | EA         | CIRCUIT BREAKER - 25 AMP - 12 VOLT - PUSH BUTTON - WHITE |
|            | 093655-02-000      | EA         | CIRCUIT BREAKER - 30 AMP - 12 VOLT - PUSH BUTTON - WHITE |
|            | 093655-03-000      | EA         | CIRCUIT BREAKER - 40 AMP - 12 VOLT - PUSH BUTTON - WHITE |
|            | 093674-01-000      | EA         | PLATE - CIRCUIT BREAKER - HOUSE - 8.4" X 4.1" - STEEL    |
|            | 097611-01-000      | EA         | CIRCUIT BREAKER - 10 AMP                                 |
|            | 100341-01-000      | EA         | FUSE HOLDER - IN LINE TYPE                               |
|            | 106656-01-000      | EA         | FUSE BLOCK - 4 CAVITY - AUTOFUSE                         |
|            | 108567-01-000      | EA         | CIRCUIT BREAKER - 40 AMP - 12 VOLT - TYPE II             |
|            | 108669-01-000      | EA         | HOUSING - AUTO FUSE HOLDER                               |
|            | 111683-01-000      | EA         | FUSE - HOLDER - GLASS - 1/4" X 1 1/4"                    |
|            | 113482-01-000      | EA         | CIRCUIT BREAKER - 55 AMP - MANUAL                        |
|            | 115187-01-000      | EA         | FUSE - 300 AMP - NON-DELAY                               |
|            | 115187-02-000      | EA         | FUSE HOLDER - BUSS ANN/ANL BLOCK                         |
|            | 118531-04-02B      | EA         | PLATE - CIRCUIT BREAKER - E-COATED                       |
|            | 118531-05-02B      | EA         | PLATE - CIRCUIT BREAKER - E-COAT                         |
|            | 122811-01-000      | EA         | CIRCUIT BREAKER - 20/50/50/20                            |
|            | 125986-04-000      | EA         | FUSE - 10 AMP - AUTO - MINI BLADE                        |
|            | 125986-05-000      | EA         | FUSE - 15 AMP - AUTO - MINI BLADE                        |
|            | 134127-01-000      | EA         | CIRCUIT BREAKER - 10 AMP - MINI                          |

**CONVERTER, INVERTER, LOAD CENTERS**

| <b>KEY</b> | <b>PART NUMBER</b> | <b>U/M</b> | <b>DESCRIPTION</b>   |
|------------|--------------------|------------|--|
|            | 083208-06-000      | EA         | CONTROL CENTER - 45 AMP/120V/12V - W/O BREAKERS/ELECTRONIC             |
|            | 099048-03-000      | EA         | INVERTER - 130 WATT  |
| *          | 093257-02-000      | EA         | CONTROL CENTER - W/O CIRCUIT BREAKERS/FUSES - 430V ONLY                |
|            | 123058-02-000      | EA         | CONVERTER - 45 AMP - ELECTRONIC - 4 1/8"H X 7"W X 12 3/8"L - 430V ONLY |

**\*COMPONENT PARTS LISTED LATER IN THIS GROUP**

**ELECTRICAL GROUP (CONTINUED)**  
**COMPONENT PARTS FOR CONVERTER, INVERTER, LOAD CENTERS**

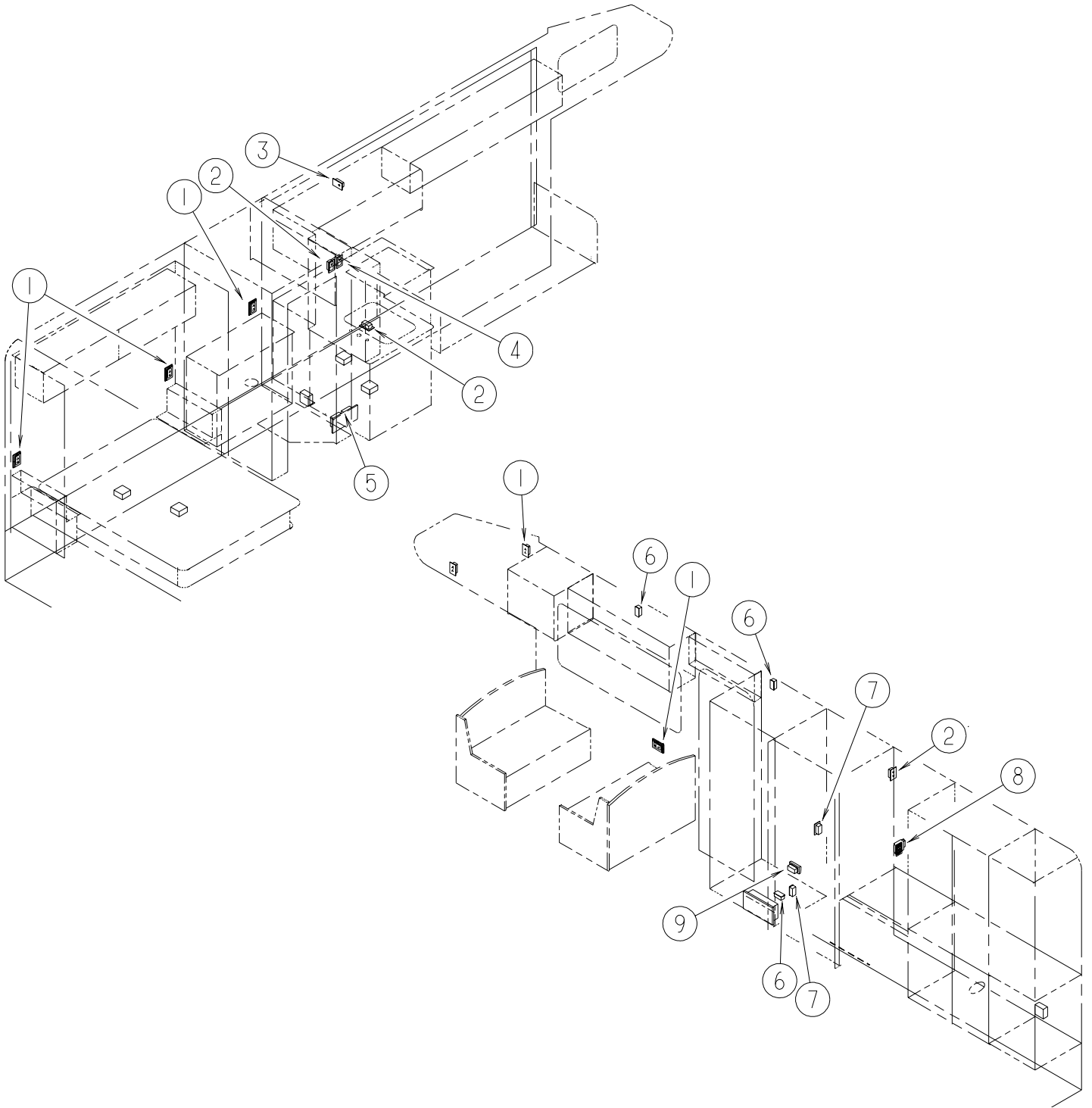
093257-02-000

| <b>KEY</b> | <b>PART NUMBER</b> | <b>U/M</b> | <b>DESCRIPTION</b>           | <b>VENDOR NO.</b> |
|------------|--------------------|------------|------------------------------|-------------------|
|            | 093257-02-700      | EA         | GROUND BAR - 8 POINT         | 13507201          |
|            | 093257-02-701      | EA         | FUSE BLOCK - DC- 11 POINT    | 30507060          |
|            | 093257-02-702      | EA         | STAB ASSEMBLY - BREAKER      | M91500008         |
|            | 093257-02-703      | EA         | DEAD FRT ASM.-AC BREAKER CVR | M91500011         |
|            | 093257-02-704      | EA         | NEUTRAL BAR ASM.W/GROUND BAR | M91500009         |



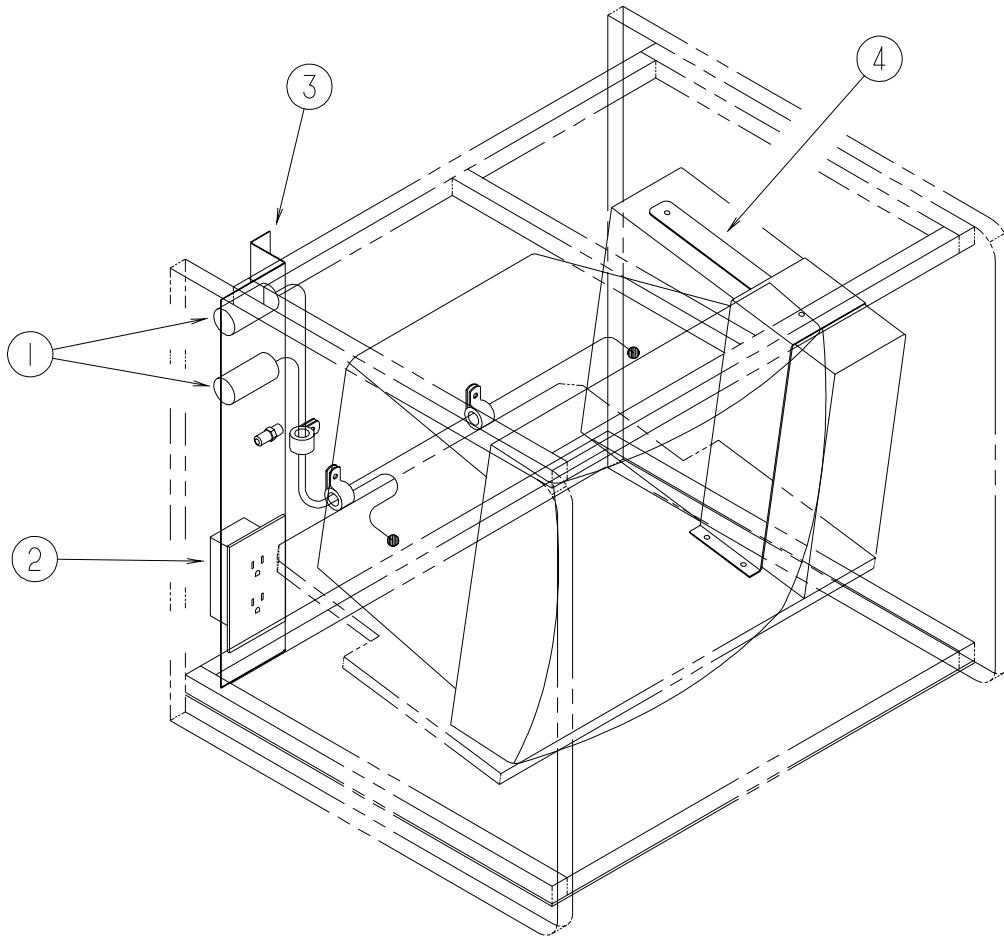
# ELECTRICAL GROUP (CONTINUED)

## 110V WIRING

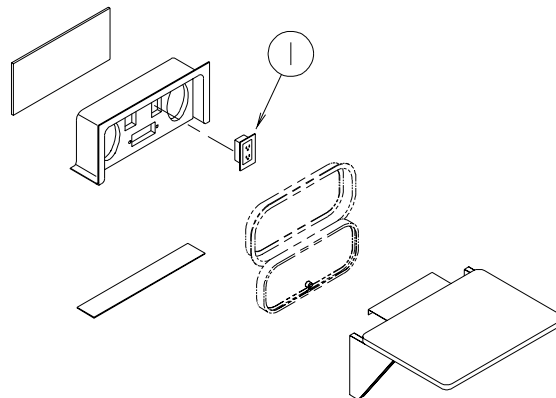


| KEY | PART NUMBER   | U/M | DESCRIPTION  |
|-----|---------------|-----|--|
| 1   | 058708-02-000 | EA  | RECEPTACLE - ELECTRIC - DOUBLE - IVORY               |
| 1   | 133713-01-02A | EA  | SPACER/RECEPTACLE - VINYL/WASHED MAPLE               |
| 1   | 133713-01-03A | EA  | SPACER/RECEPTACLE - VINYL/SALEM CHERRY               |
| 2   | 058708-01-000 | EA  | RECEPTACLE - ELECTRIC - DOUBLE - BROWN               |
| 3   | 058708-05-000 | EA  | RECEPTACLE - ELECTRIC - SINGLE - BROWN               |
| 4   | 084420-01-000 | EA  | SWITCH - TOGGLE - 15 AMP - 120 VOLT - BROWN          |
| 5   | 024924-02-000 | EA  | RECEPTACLE - POWER CORD - W/PARTIAL PLATE            |
| 6   | 058707-02-000 | EA  | RECEPTACLE - BLANK - JUNCTION BOX                    |
| 7   | 058707-01-000 | EA  | RECEPTACLE - ELECTRIC - SINGLE - BROWN               |
| 8   | 084076-01-000 | EA  | RECEPTACLE - GFI - 15 AMP/125 VOLT - IVORY - W/COVER |
| 9   | 131826-01-01A | EA  | RECEPTACLE - EXTERIOR - W/COVER/GASKET - WHITE       |

## ELECTRICAL GROUP (CONTINUED) ENTERTAINMENT WIRING



| KEY | PART NUMBER   | U/M | DESCRIPTION                            |
|-----|---------------|-----|--|
| 1   | 111414-01-000 | EA  | RECEPTACLE/SOCKET - 12 VOLT            |
| 2   | 058708-01-000 | EA  | RECEPTACLE - ELECTRIC - DOUBLE - BROWN |
| 2   | 058708-02-000 | EA  | RECEPTACLE - ELECTRIC - DOUBLE - IVORY |
| 3   | 122469-01-02B | EA  | BRACKET - ZEE                          |
| 3   | 122469-02-02B | EA  | BRACKET - ZEE - W/CUTOUT - E-COATED    |
| 4   | 122790-02-02B | EA  | BRACKET - VCP - E-COATED               |



| KEY | PART NUMBER   | U/M | DESCRIPTION                            |
|-----|---------------|-----|--|
| 1   | 058708-01-000 | EA  | RECEPTACLE - ELECTRIC - DOUBLE - BROWN |
| 1   | 058708-02-000 | EA  | RECEPTACLE - ELECTRIC - DOUBLE - IVORY |

## ELECTRICAL GROUP (CONTINUED)

### BOXES & CORDS

| KEY | PART NUMBER   | U/M | DESCRIPTION  |
|-----|---------------|-----|--|
|     | 008054-01-000 | EA  | CORD - POWER - 10/3 WIRE - 30 AMP - 25'                    |
|     | 008289-01-000 | EA  | BOX - ELECTRIC/STEEL - 1/2" & 3/4" KNOCKOUTS - 4" X 4"     |
|     | 008289-02-000 | EA  | BOX - ELECTRIC/STEEL - 1/2" & 3/4" KNOCKOUTS - 4" X 4"-CAN |
|     | 008294-01-000 | EA  | COVER - ELECTRIC BOX - BLANK/STEEL - 4" X 4" - GRAY        |
|     | 008294-02-000 | EA  | COVER - ELECTRICAL BOX - BLANK/STEEL - 4" X 4" - CANADIAN  |
|     | 069238-01-000 | EA  | COVER - ELECTRICAL BOX - W/HOLE - 4" X 4" - GRAY           |
|     | 091910-01-000 | EA  | BOX - ELECTRIC - 3.8" X 3.5" X 1.8" - PLASTIC              |
|     | 091910-02-000 | EA  | BOX - ELECTRIC - 2.2" X 3.5" X 1.8" - PLASTIC              |
|     | 107165-01-01A | EA  | BOX - CIRCUIT BREAKER - 14.6" X 4" - PLASTIC               |
|     | 107165-02-01A | EA  | BOX - CIRCUIT BREAKER - 14.6" X 4" - PLASTIC               |
|     | 133070-01-000 | EA  | BOX - ELECTRIC/PLASTIC - 3" X 2" X 2.8" - UL               |
|     | 133070-02-000 | EA  | BOX - ELECTRIC/PLASTIC - 3" X 2" X 2.8" - CSA              |

### WIRE ASSEMBLIES

| KEY | PART NUMBER   | U/M | DESCRIPTION                                       |
|-----|---------------|-----|---|
|     | 073328-B4-000 | EA  | CABLE ASSEMBLY - BATTERY - W/TERMINALS            |
|     | 090986-01-000 | EA  | WIRE ASSEMBLY - ELECTRIC STEP                     |
|     |               |     | FROM: 00-00-00 THRU: 05-17-01                     |
|     | 090986-02-000 | EA  | WIRE ASSEMBLY - ELECTRIC STEP                     |
|     |               |     | FROM: 05-18-01 THRU: 99-99-99                     |
|     | 096449-01-000 | EA  | WIRE ASSEMBLY - WATER TANK TO MONITOR PANEL       |
|     | 096450-01-000 | EA  | WIRE F/SENSORS - BLACK WATER - 39.3"              |
|     | 096450-05-000 | EA  | WIRE F/SENSORS - BLACK WATER - 23.6"              |
|     | 096451-06-000 | EA  | WIRE F/SENSORS - GREY WATER - 23.6"               |
|     | 106851-01-000 | EA  | WIRE ASSEMBLY - RUNNING LIGHTS - FUSE             |
|     | 116894-01-000 | EA  | WIRE ASSEMBLY - SPEED SENSOR EXTENDED             |
|     | 120233-05-000 | EA  | WIRE ASSEMBLY - 30" CONNECTS TO WALLPLATE DISPLAY |
|     | 124882-10-000 | EA  | WIRE LOOM - AMPLIFIER - Q SURROUND                |
|     | 125853-01-000 | EA  | WIRE LOOM - ENTERTAINMENT CENTER                  |
|     | 125853-04-000 | EA  | WIRE LOOM - ENTERTAINMENT CENTER                  |
|     | 135420-03-000 | EA  | WIRE ASSEMBLY - RADIO - FORD C-BODY               |
|     | 135478-01-000 | EA  | WIRE ASSEMBLY - TV FRONT                          |
|     | 135478-02-000 | EA  | WIRE ASSEMBLY - TV FRONT - DELUXE                 |

**ELECTRICAL GROUP (CONTINUED)**  
**CONNECTORS & CONDUIT**

| KEY | PART NUMBER   | U/M | DESCRIPTION  |
|-----|---------------|-----|--|
|     | 007942-01-000 | EA  | TAB - WIRE 10 TO 14 AWG                                  |
|     | 007954-01-000 | EA  | RECEPTACLE - HOUSING - 6 POSITION                        |
|     | 007956-05-000 | EA  | INSULATOR - SHRINK - 1/4" ID X 1 1/2"                    |
|     | 008311-01-000 | EA  | CONNECTOR - WIRE NUT - INSULATED - RED                   |
|     | 008312-01-000 | EA  | CONNECTOR - WIRE NUT - INSULATED - BLUE                  |
|     | 008313-01-000 | EA  | CONNECTOR - WIRE NUT - INSULATED - YELLOW                |
|     | 008314-01-000 | EA  | CONNECTOR - WIRE NUT - INSULATED - GRAY                  |
|     | 008326-01-000 | EA  | TERMINAL - RING - 16/14 WIRE - 3/8" STUD                 |
|     | 008328-01-000 | EA  | TERMINAL - RING - 12/10 WIRE - #10 STUD FIT              |
|     | 008331-01-000 | EA  | TERMINAL - RING - TONGUE - #4 WIRE - 3/8" STUD - COPPER  |
|     | 008348-01-000 | EA  | TERMINAL - RING - 3/8" STUD 2 GA. WIRE                   |
|     | 008355-01-000 | EA  | CONNECTOR - CABLE CLAMPING - 3/4"                        |
|     | 008356-01-000 | EA  | CONNECTOR - PLASTIC - 3/8" AVG                           |
|     | 008356-02-000 | EA  | CONNECTOR - PLASTIC - 21/32                              |
|     | 008394-01-000 | FT  | CONDUIT - FLEXIBLE - 1/2"                                |
|     | 008398-01-000 | EA  | CONNECTOR - 1/2" X 90 DEGREE - FLEX CONDUIT - UL & CSA   |
|     | 035416-04-000 | EA  | TERMINAL - RING - #10 STUD FIT - INSULATED BARREL #16/14 |
|     | 041953-01-000 | FT  | CONDUIT - CONVOLUTE SLIT - .5" ID - POLYETHYLENE         |
|     | 041953-03-000 | FT  | CONDUIT - CONVOLUTE SLIT - 1" ID (CLOTHES ROD COVER)     |
|     | 041953-05-000 | FT  | CONDUIT - CONVOLUTE SOLID - .62" ID - POLYETHYLENE       |
|     | 041953-06-000 | FT  | CONDUIT - CONVOLUTE SLIT - .4" ID - POLYETHYLENE         |
|     | 041953-07-000 | FT  | CONDUIT - CONVOLUTE SLIT - .25" ID - POLYETHYLENE        |
|     | 041953-08-000 | FT  | CONDUIT - CONVOLUTE SLIT - 1.5" ID - POLYETHYLENE        |
|     | 041953-09-000 | FT  | CONDUIT - CONVOLUTE SLIT - .5" ID - NYLON                |
|     | 041953-10-000 | FT  | CONDUIT - CONVOLUTE SLIT - .75" ID - NYLON               |
|     | 041953-11-000 | FT  | CONDUIT - CONVOLUTE SLIT - 1.06" ID - NYLON              |
|     | 041953-12-000 | FT  | CONDUIT - CONVOLUTE SOLID - 1.1" ID - NYLON              |
|     | 041953-13-000 | FT  | CONDUIT - CONVOLUTE SLIT - 1.25                          |
|     | 047443-01-000 | EA  | TERMINAL - .250 RECEPTACLE FIT - INSULATED - 16/14 AWG   |
|     | 047443-02-000 | EA  | TERMINAL - .250 RECEPTACLE FIT - INSULATED - 12/10 AWG   |
|     | 058028-01-000 | EA  | CONNECTOR - ELECTRICAL PIGTAIL - NYLON - CLEAR           |
|     | 062036-01-000 | EA  | TERMINAL - PACK - CON - 12/10 AWG                        |
|     | 074017-02-000 | EA  | HOUSING - 5 POSITION - RIGHT ANGLED                      |
|     | 077479-01-000 | EA  | BOOT - BATTERY TERMINAL - DOUBLE CABLE                   |
|     | 077479-02-000 | EA  | BOOT - BATTERY TERMINAL - SINGLE CABLE                   |
|     | 080015-02-000 | EA  | RECEPTACLE - FLAG - .185 - 16/14 GAUGE                   |
|     | 080015-03-000 | EA  | RECEPTACLE - FLAG - .250 - 14/16 GAUGE                   |
|     | 082109-01-000 | EA  | HOUSING - CONNECTOR - PACKARD                            |
|     | 082741-01-000 | EA  | CONNECTOR BODY - 2 CONNECTOR MALE                        |
|     | 085724-01-000 | EA  | SOCKET - DOUBLE CONTACT - TAILLIGHT                      |
|     | 087225-01-000 | FT  | SLEEVING - 1/2" - TYPE H                                 |
|     | 087949-01-000 | EA  | BUSS BAR - 2 POSITION - .6" X 1.5"                       |
|     | 087949-02-000 | EA  | BUSS BAR - 3 POSITION - .6" X 2.4"                       |
|     | 087949-03-000 | EA  | BUSS BAR - 4 POSITION                                    |
|     | 087949-05-000 | EA  | BUSS BAR - 7 POSITION                                    |
|     | 088473-01-000 | EA  | HOUSING - PIN - 12 CAVITY (3 ROWS OF 4)                  |
|     | 088473-02-000 | EA  | HOUSING - PIN - 15 CAVITY (3 ROWS OF 5)                  |
|     | 088473-03-000 | EA  | HOUSING - PIN - 9 CAVITY (3 ROWS OF 3)                   |
|     | 088473-04-000 | EA  | HOUSING - PIN - 8 CAVITY IN-LINE                         |
|     | 088473-06-000 | EA  | HOUSING - PIN - 6 CAVITY (2 ROWS OF 3)                   |
|     | 088473-07-000 | EA  | HOUSING - PIN - 5 CAVITY - IN-LINE                       |
|     | 088473-08-000 | EA  | HOUSING - PIN - 4 CAVITY - IN-LINE                       |
|     | 088473-09-000 | EA  | HOUSING - PIN - 3 CAVITY - IN-LINE                       |
|     | 088473-10-000 | EA  | HOUSING - PIN - 2 CAVITY - IN LINE                       |
|     | 088474-01-000 | EA  | HOUSING - SOCKET - 12 CAVITY                             |
|     | 088474-02-000 | EA  | HOUSING - SOCKET - 15 CAVITY                             |
|     | 088474-03-000 | EA  | HOUSING - SOCKET - 9 CAVITY                              |
|     | 088474-04-000 | EA  | HOUSING - SOCKET - 8 CAVITY                              |
|     | 088474-06-000 | EA  | HOUSING - SOCKET - 6 CAVITY                              |
|     | 088474-07-000 | EA  | HOUSING - SOCKET - 5 CAVITY                              |
|     | 088474-08-000 | EA  | HOUSING - SOCKET - 4 CAVITY                              |
|     | 088474-09-000 | EA  | HOUSING - SOCKET - 3 CAVITY                              |
|     | 088474-10-000 | EA  | HOUSING - SOCKET - 2 CAVITY                              |
|     | 088475-01-000 | EA  | PIN - CONNECTOR - 14-20 AWG                              |

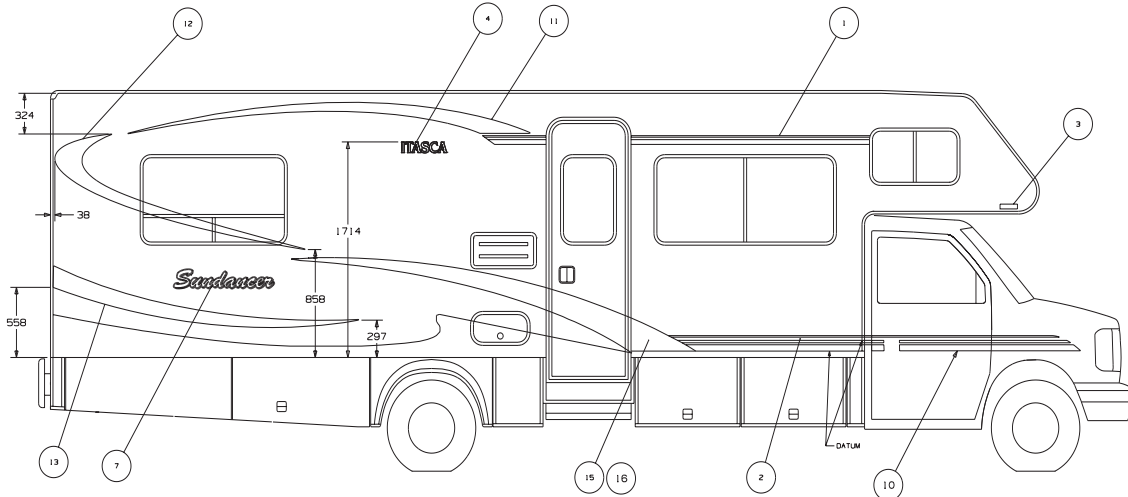
**ELECTRICAL GROUP (CONTINUED)**  
**CONNECTORS & CONDUIT (CONTINUED)**

| <b>KEY</b> | <b>PART NUMBER</b> | <b>U/M</b> | <b>DESCRIPTION</b>  |
|------------|--------------------|------------|---|
|            | 088475-02-000      | EA         | PIN - CONNECTOR - 10-12 AWG                               |
|            | 088476-01-000      | EA         | TERMINAL - ELECTRICAL                                     |
|            | 088476-02-000      | EA         | SOCKET - CONNECTOR - 12-10 GA - PRE-TIN                   |
|            | 098261-02-000      | EA         | SOCKET - CONNECTOR - WEATHERPACK - 14-18 AWG              |
|            | 098262-01-000      | EA         | SEAL - CONNECTOR - WEATHERPACK                            |
|            | 098262-05-000      | EA         | SEAL - CAVITY   |
|            | 098263-02-000      | EA         | HOUSING - 3 PIN - WEATHER PACK                            |
|            | 098264-01-000      | EA         | HOUSING - 2 PIN - WEATHER PACK - MALE W/FEMALE PINS       |
|            | 098264-02-000      | EA         | HOUSING - 2 PIN - WEATHER PACK - FEMALE W/MALE PINS       |
|            | 098265-02-000      | EA         | PIN - CONNECTOR - WEATHER PACK                            |
|            | 102777-02-000      | EA         | TERMINAL - RING - #6 STUD - 10 AWG                        |
|            | 104100-01-000      | EA         | HOUSING - 1 POSITION - 75 AMPS                            |
|            | 104100-03-000      | EA         | TERMINAL - 75 AMP   |
|            | 106655-01-000      | EA         | TERMINAL - FUSE BLOCK - 14-16 AWG                         |
|            | 106655-02-000      | EA         | TERMINAL - FUSE BLOCK - 10-12 AWG                         |
|            | 110178-01-000      | EA         | HOUSING - WIPER MOTOR                                     |
|            | 112823-01-000      | EA         | SPLICE - REDUCER - 16-14 TO 18-22                         |
|            | 113135-01-000      | EA         | TERMINAL - FEMALE - M/P - 14-16 - F/SEALED TERMINAL       |
|            | 113306-01-000      | EA         | TERMINAL - FEMALE - M/P - 14-16 - F/NON-SEALED TERMINAL   |
|            | 113307-01-000      | EA         | TERMINAL - FEMALE - M/P - 16-20                           |
|            | 113308-01-000      | EA         | TERMINAL - FEMALE - M/P - 14-16 - 280                     |
|            | 113452-01-000      | FT         | SEAL/TRIM - FRONT - VINYL W/WIRE CARRIER - .020"          |
|            | 113452-02-000      | FT         | SEAL/TRIM - FRONT - VINYL W/WIRE CARRIER - .027"          |
|            | 113468-01-000      | EA         | HOUSING - 2 POSITION-FEMALE-USED ON WIPER/WASHER WIRE ASM |
|            | 115556-02-000      | EA         | HOUSING - 2 POSITION - FEMALE/PARALLEL                    |
|            | 115931-02-000      | EA         | COVER - CONNECTOR - 50 AMP W/LOCKING RING                 |
|            | 115932-02-000      | EA         | CONNECTOR - FEMALE - 50 AMP/240 VOLT                      |
|            | 116811-01-000      | EA         | TERMINAL - .110 RECEPTACLE - 16-14 AWG                    |
|            | 118571-01-000      | EA         | CONNECTOR - 3-WAY - MALE/SEALED                           |
|            | 118571-02-000      | EA         | CONNECTOR - 3-WAY - FEMALE/SEALED                         |
|            | 118571-03-000      | EA         | BRACKET - MOUNTING  |
|            | 118571-04-000      | EA         | GASKET  |
|            | 118571-05-000      | EA         | LOCK - SECONDARY - FEMALE                                 |
|            | 118571-06-000      | EA         | LOCK - SECONDARY - MALE                                   |
|            | 118597-01-000      | EA         | TERMINAL - MALE - M/P - 480 - 14-16                       |
|            | 118599-01-000      | EA         | TERMINAL - MALE - M/P - 280 - 14-16                       |
|            | 118820-01-000      | EA         | INSULATOR - TERMINAL                                      |
|            | 119223-01-000      | EA         | HOUSING - 6 POSITION - MALE - WEATHERPACK                 |
|            | 119248-02-000      | EA         | HOUSING - 7 POSITION - FEMALE                             |
|            | 124625-02-000      | EA         | CONNECTOR - 12 VOLT                                       |
|            | 125323-02-000      | EA         | HOUSING - 8 POSITION - MALE                               |
|            | 125323-03-000      | EA         | LOCK - SECONDARY 8 POSITION                               |
|            | 125323-04-000      | EA         | LOCK - SECONDARY 10 POSITION                              |
|            | 125323-05-000      | EA         | HOUSING - 6 POSITION - MALE                               |
|            | 125323-06-000      | EA         | LOCK - SECONDARY 6 POSITION                               |
|            | 125324-01-000      | EA         | TERMINAL - MALE - METRI-PACK - 150                        |
|            | 125325-01-000      | EA         | SEAL - CAVITY   |
|            | 126403-01-000      | EA         | CONNECTOR - 2 CIRCUIT                                     |
|            | 126403-02-000      | EA         | CONNECTOR - 3 CIRCUIT                                     |
|            | 129233-01-000      | EA         | HOUSING - 2-POSITION/FEMALE - 280-SERIES                  |
|            | 129233-02-000      | EA         | HOUSING - 2-POSITION/FEMALE - 280-SERIES                  |
|            | 129234-01-000      | EA         | HOUSING - 6-POSITION/FEMALE - 280-SERIES                  |
|            | 129234-02-000      | EA         | HOUSING - 6-POSITION/FEMALE - 280-SERIES                  |
|            | 129234-03-000      | EA         | LOCK - SECONDARY - 6-POSITION                             |
|            | 129235-01-000      | EA         | HOUSING - 2-POSITION/FEMALE - 630-SERIES                  |
|            | 129235-02-000      | EA         | LOCK - SECONDARY - 2-POSITION                             |
|            | 129236-01-000      | EA         | TERMINAL - FEMALE - M/P - 630 - 10-12                     |
|            | 131515-01-000      | EA         | HOUSING - 2 POSITON JR. POWER TIMER - F/HALOGEN FOG LIGHT |
|            | 131681-01-000      | EA         | CONNECTOR - 3/4" SO CORD - UL/CS                          |
|            | 137207-01-000      | EA         | HOUSING - PIN - 2 CAVITY/HIGH AMP                         |
|            | 137208-01-000      | EA         | HOUSING - SOCKET - 2 CAVITY/HIGH AMP                      |
|            | 137209-01-000      | EA         | PIN - CONNECTOR - 10AWG/HIGH AMP                          |
|            | 137210-01-000      | EA         | SOCKET - CONNECTOR - 10 AWG/HIGH AMP                      |
|            | 138419-03-000      | EA         | SOCKET - LAMP - 3 WIRE                                    |

**ELECTRICAL GROUP (CONTINUED)**  
**BOOTS, SOLENOIDS, RELAYS & MISCELLANEOUS**

| <b>KEY</b> | <b>PART NUMBER</b> | <b>U/M</b> | <b>DESCRIPTION</b>                      |
|------------|--------------------|------------|---|
|            | 008188-01-000      | EA         | SOLENOID - 3 POST - BATTERY CHANGE OVER |
|            | 063910-01-000      | EA         | HOUSING - RELAY                         |
|            | 063912-02-000      | EA         | RELAY - CANISTER - SPDT                 |
|            | 065450-05-000      | EA         | TIEDOWN - BATTERY - 8.4" TUBE           |
|            | 086273-01-000      | EA         | RELAY - BATTERY DISCONNECT              |
|            | 022756-03-000      | EA         | COVER - A/C - OFF WHITE PLASTIC         |
|            | 136481-01-000      | EA         | MODULE - AUTO ENERGY SELECTOR           |

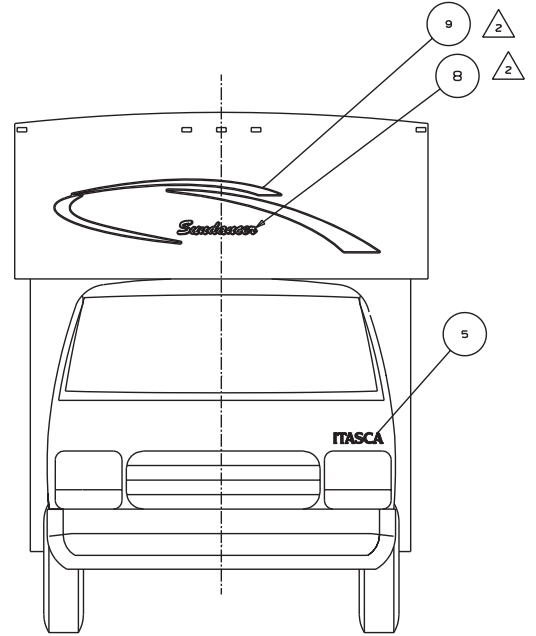
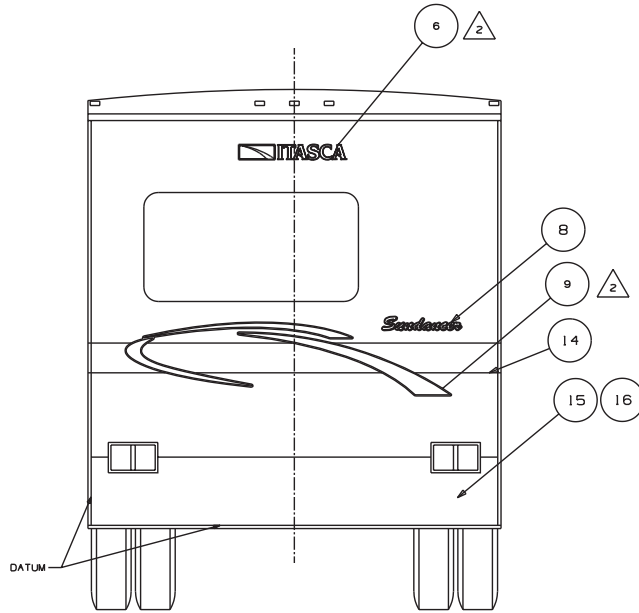
# EXTERIOR BODY GROUP GRAPHICS & PAINT



(92K) EXT-GRAPHICS-PKG #2  
(276) EXT-GRAPHICS-PKG #1

3. CONTINUE MULTISTRIPE ONTO WINDWALLS OF SLIDEOUT.  
 △ CENTER ON UNIT.  
 1. APPLY PROTECTOR 118424-01-000 TO WATER HEATER DOOR LATCH.

NOTES:



| KEY      | PART NO.            | U/M | DESCRIPTION  |
|----------|---------------------|-----|--|
| 1        | 105781-86-CHT(01A)  | FT  | MULTISTRIPE-69.9 - DK. BLUE/LT.SKY BLUE                    |
| 2        | 94443-72-CHT(02A)   | FT  | MULTISTRIPE-120.7 - LT. SKY BLUE/SILVER/DK.BLUE            |
| 3        | 132684-01-CHT(01A)  | EA  | DECAL-WINNEBAGO,DOMED - GOLD CHROME/BLACK                  |
| 4        | 124811-01-CHT(122A) | EA  | DECAL-ITASCA - DK.BLUE/BRT.WHITE                           |
| 5        | 124811-02-CHT(04A)  | EA  | DECAL-ITASCA,SML,HOOD - DK.BLUE/BRT.WHITE                  |
| 6        | 124806-01-CHT(121A) | EA  | DECAL-ITASCA W/ICON - DK.BLUE/BRT.WHITE                    |
| 7        | 125103-01-CHT(06A)  | EA  | DECAL-SUNDANCER - BRT.WHITE/SILVER/DK.BLUE/LT.SKY BLUE     |
| 8        | 125103-02-CHT(02A)  | EA  | DECAL-SUNDANCER,SML - BRT.WHITE/SILVER/DK.BLUE/LT.SKY BLUE |
| 9        | 138370-01-CHT(01A)  | EA  | DECAL-SWEEPS - BRT.WHITE/LT.SKY BLUE/DK.BLUE/OPAL BLUE     |
| 10       | 138371-01-CHT(02A)  | EA  | DECAL-CAB DOOR RH - LT SKY BLUE/SILVER/DK.BLUE             |
| 10       | 138371-02-CHT(02A)  | EA  | DECAL-CAB DOOR,LH - LT SKY BLUE/SILVER/DK.BLUE             |
| 11       | 138373-01-CHT(01A)  | EA  | DECAL-SWEEP #1,RH - LT SKY BLUE                            |
| 11       | 138373-02-CHT(01A)  | EA  | DECAL-SWEEP #1,LH - LT SKY BLUE                            |
| 12       | 138374-01-CHT(01A)  | EA  | DECAL-SWEEP #2,RH - LT.SKY BLUE/DK.BLUE                    |
| 12       | 138374-02-CHT(01A)  | EA  | DECAL-SWEEP #2,LH - LT.SKY BLUE/DK.BLUE                    |
| 13       | 138375-01-CHT(02A)  | EA  | DECAL-SWEEP #3,RH - SILVER/DK.BLUE/                        |
| 13       | 138375-02-CHT(02A)  | EA  | DECAL-SWEEP #3,LH - SILVER/DK.BLUE                         |
| 14       | 093681-69-CHT(01A)  | FT  | FILM-171.4MM - DK.BLUE                                     |
| (276) 15 | 138243-09-000       | GL  | PAINT: LT.SILVER MET - DUPONT #F2573#N                     |
| (92K) 16 | 138243-12-000       | GL  | PAINT: OPAL BLUE MET - DUPONT #P0084#N                     |

**EXTERIOR BODY GROUP (CONTINUED)**  
**GRAPHICS & PAINT (CONTINUED)**

| <b>KEY</b> | <b>PART NUMBER</b> | <b>U/M</b> | <b>DESCRIPTION</b>                         |
|------------|--------------------|------------|--|
|            | 041561-03-000      | EA         | PAINT - 16 OUNCE SPRAY - OFF WHITE         |
|            | 099399-23-700      | EA         | PAINT-SPRAY - BRIGHT WHITE ENAMEL - 12 OZ. |

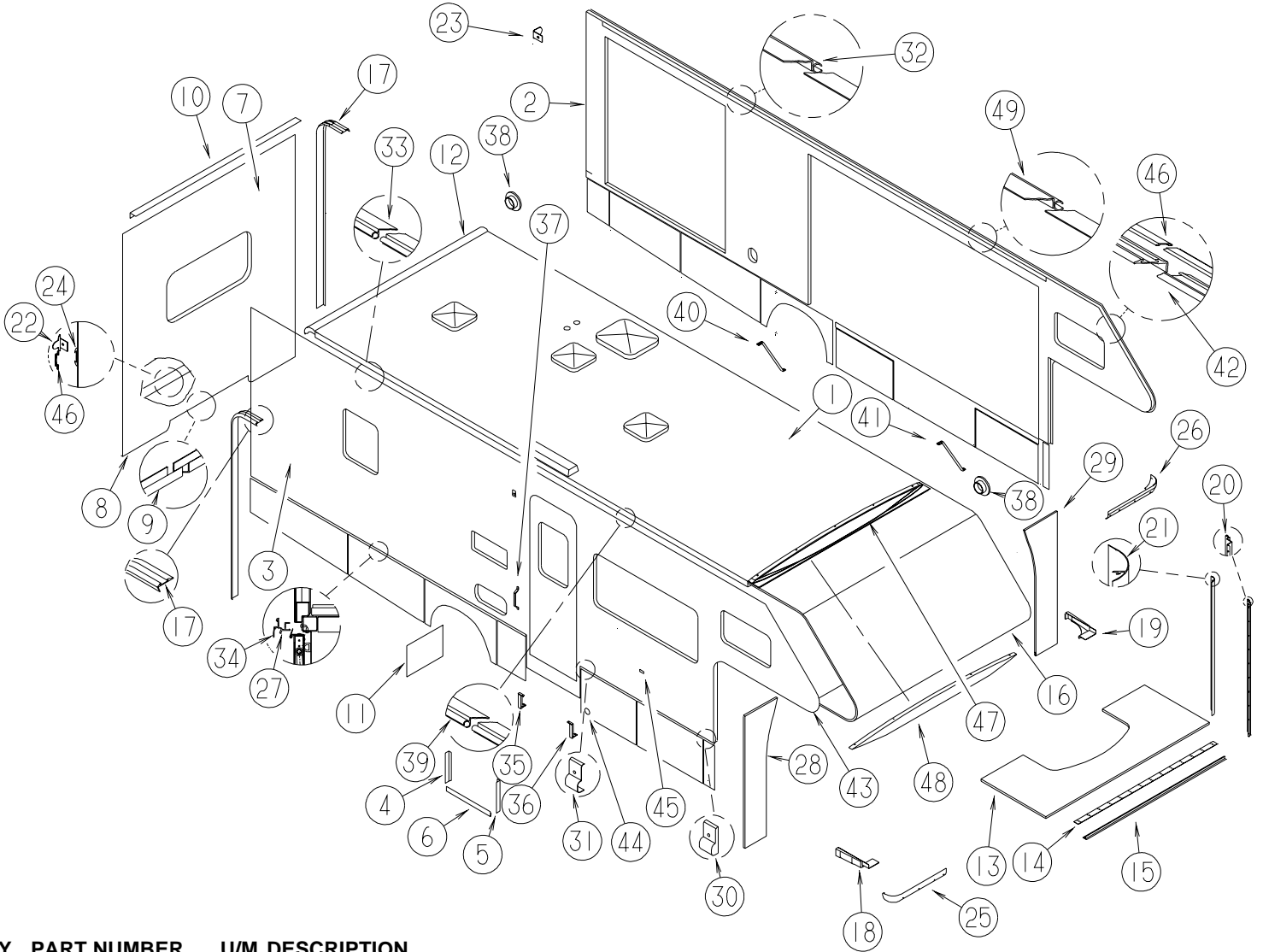
**DUPONT COLOR CODES**

|                  |          |
|------------------|----------|
| SILVER MET       | #F2573   |
| DK.BLUE MET      | #BM226   |
| BRIGHT WHITE     | #B8915   |
| LT. SKY BLUE MET | #BM054   |
| LT SILVER MET    | #F2573HN |
| OPAL BLUE MET    | #P0084HN |



## EXTERIOR BODY GROUP (CONTINUED)

### PANELS & TRIMS



| KEY | PART NUMBER   | U/M | DESCRIPTION  |
|-----|---------------|-----|--|
| 1   | 138311-01-N09 | EA  | ROOF - W/O LIGHTS/VENTS - W/WIRING                       |
| 2   | P38221-01-N09 | EA  | SIDEWALL - DRIVER - W/O WINDOWS/TRIMS(N15, N16)          |
| 2   | P38221-01-N11 | EA  | SIDEWALL - DRIVER - W/O WINDOWS/TRIMS(N17, N18)          |
| 3   | P38309-01-N09 | EA  | SIDEWALL - PASSENGER - W/O WINDOWS/TRIMS(N15, N16)       |
| 3   | P38309-01-N11 | EA  | SIDEWALL - PASSENGER - W/O WINDOWS/TRIMS(N17, N18)       |
| 4   | 136228-01-01A | EA  | ANGLE - DOOR/ENTRY - BRIGHT WHITE                        |
| 5   | 136228-02-01A | EA  | ANGLE - DOOR/ENTRY - BRIGHT WHITE                        |
| 6   | 136228-03-01A | EA  | ANGLE - DOOR/ENTRY - BRIGHT WHITE                        |
| 7   | 140451-01-N09 | EA  | BACKWALL - W/O WINDOW/TRIMS(N15, N16)                    |
| 7   | 140451-01-N11 | EA  | BACKWALL - W/O WINDOW/TRIMS(N17, N18)                    |
| 8   | 103334-03-02A | EA  | TRIM - BACKWALL - LOWER/DRIVER/PASSENGER - 25.6" - B/WHT |
| 9   | 103335-02-02A | EA  | TRIM - BACKWALL - LOWER/CENTER - 46.3" - BRIGHT WHITE    |
| 10  | 132023-01-03B | EA  | ANGLE-FORMED, BACKWALL, O/WHT                            |
| 11  | 017516-01-000 | EA  | MUD FLAP - 14"H X 18"W - W/O MOUNTING HOLES - BLACK      |
|     | 140922-01-02B | EA  | PLATE - MUD FLAP - E-COATED                              |
| 12  | 134167-01-01A | EA  | CAP - ROOF - REAR - 1 PIECE - BRIGHT WHITE               |
| 13  | P25129-01-J01 | EA  | SLEEPERBOARD   |
| 14  | 100085-05-01A | EA  | TRIM/STRAP - SLEEPERBOARD - OFF/WHITE - 92.9"            |
| 15  | 100086-04-01A | EA  | TRIM - SLEEPERBOARD/ROOF/LOWER - BRIGHT WHITE - 96.5"    |
| 16  | P35714-01-M07 | EA  | ROOF - FRONT - W/O LIGHTS/VENTS - W/WIRING               |

**EXTERIOR BODY GROUP (CONTINUED)**  
**PANELS & TRIMS (CONTINUED)**

| <b>KEY</b> | <b>PART NUMBER</b> | <b>U/M</b> | <b>DESCRIPTION</b>                                      |
|------------|--------------------|------------|---|
| 17         | 096854-10-01A      | EA         | TRIM - CONTOUR - 95.7" - BRIGHT WHITE                   |
| 18         | 104444-01-02A      | EA         | COVER - WINGWALL TRIM - UPPER PASSENGER - BRIGHT WHITE  |
| 19         | 104444-02-02A      | EA         | COVER - WINGWALL TRIM - UPPER DRIVER - BRIGHT WHITE     |
| 20         | 105015-02-02A      | EA         | TRIM - WINGWALL/SIDEWALL CURVED - INNER SUPT BRKT - B/W |
| 21         | 108037-02-02A      | EA         | COVER - WINGWALL OUTER/CURVED - BRIGHT WHITE            |
| 22         | 108651-01-01A      | EA         | END CAP - FEATURE STRIP                                 |
| 23         | 108651-02-01A      | EA         | END CAP - FEATURE STRIP                                 |
| 24         | 108688-06-03A      | EA         | STRIP - FEATURE - BRIGHT WHITE - 96.9"                  |
| 25         | 122910-01-G07      | EA         | COVER - WINGWALL - PASSENGER                            |
| 26         | 122910-02-G07      | EA         | COVER - WINGWALL - DRIVER                               |
| 27         | 124299-51-001      | EA         | EXTRUDED - RETAINER - TRIM - 144"                       |
| 28         | 125128-03-M07      | EA         | WINGWALL - PASSENGER                                    |
| 29         | 125128-04-M07      | EA         | WINGWALL - DRIVER                                       |
| 30         | 124132-01-01A      | EA         | CAP - SIDEWALL TRIM - RIGHT HAND - 1.4" - BRIGHT WHITE  |
| 31         | 124132-02-01A      | EA         | CAP - SIDEWALL TRIM - LEFT HAND - 1.4" - BRIGHT WHITE   |
| 32         | 131979-04-01A      | EA         | RAIL - AWNING - 144" - BRIGHT WHITE                     |
| 33         | 131979-09-01A      | EA         | RAIL - AWNING - 161.8" - BRIGHT WHITE                   |
| 34         | 124176-01-01A      | EA         | TRIM - SIDEWALL - BRIGHT WHITE - 16'                    |
| 35         | 125089-01-H07      | EA         | TRIM - ENTRANCE STEP                                    |
| 36         | 125089-02-H07      | EA         | TRIM - ENTRANCE STEP                                    |
| 37         | 132442-03-01A      | EA         | HANDLE - ASSIST - W/ITASCA LOGO - CHROME ENDS           |
| 38         | 137050-01-01A      | EA         | PLUG - CAP - PUSH-IN                                    |
| 39         | 131979-03-01A      | EA         | RAIL - AWNING - 125.8" - BRIGHT WHITE                   |
| 40         | 107865-02-000      | EA         | ROD - SUPPORT - VALANCE PANEL - 13.2"                   |
| 41         | 107865-06-000      | EA         | ROD - SUPPORT - VALANCE PANEL - 15"                     |
| 42         | 136826-05-01A      | EA         | TRIM - CONTOUR - 115" - BRIGHT WHITE                    |
| 43         | 136826-06-01A      | EA         | TRIM - CONTOUR - 115" - BRIGHT WHITE                    |
| 44         | 120863-02-000      | EA         | BUMPER - RUBBER/RADIUS TOP - 1" DIAMETER X 1.50"        |
| 45         | 102768-01-000      | EA         | HOLDER - COMPARTMENT/ENTRY DOOR - METAL - MILL FINISH   |
| 46         | 105312-01-07A      | FT         | INSERT - FEATURE STRIP - VINYL - BRIGHT WHITE           |
| 47         | 132075-02-L01      | EA         | CAP - TRANSITION/FRONT                                  |
| 48         | 132076-01-02B      | EA         | BRACKET - TRANSITION/FRONT - E-COATED                   |
| 49         | 134281-02-01A      | EA         | RAIL - AWNING - 157.2" - BRIGHT WHITE                   |

## EXTERIOR BODY GROUP (CONTINUED)

### LADDER

| KEY | PART NUMBER   | U/M | DESCRIPTION                 |
|-----|---------------|-----|-----------------------------|
|     | 129639-06-01A | EA  | LADDER - ALUMINUM BRUSHED   |
|     | 038327-01-000 | EA  | TAPE - ANTI-SLIP - 2" X 60' |

### RUNNING BOARDS

| KEY | PART NUMBER   | U/M | DESCRIPTION  |
|-----|---------------|-----|--|
|     | 106461-03-000 | EA  | HARDWARE KIT - RUNNING BOARD   |
|     | 106461-08-01A | EA  | RUNNING BOARD - PASSENGER/FORD - BRIGHT WHITE<br>FROM: 00-00-00 THRU: 05-25-01 |
|     | 106461-10-01A | EA  | RUNNING BOARD - PASSENGER/FORD - PRIMED<br>FROM: 05-26-01 THRU: 99-99-99       |
|     | 106461-09-01A | EA  | RUNNING BOARD - DRIVER/FORD - BRIGHT WHITE<br>FROM: 00-00-00 THRU: 05-25-01    |
|     | 106461-11-01A | EA  | RUNNING BOARD - DRIVER/FORD - PRIMED<br>FROM: 05-26-01 THRU: 99-99-99          |
|     | 106461-12-000 | EA  | TRIM KIT - RUNNING BOARD   |

### MIRRORS

| KEY | PART NUMBER   | U/M | DESCRIPTION  |
|-----|---------------|-----|--|
| *   | 120269-07-01A | EA  | PANEL - DRIVERS DOOR MIRROR CONTROL W/SWITCH & PIGTAIL     |
| *   | 133908-03-01A | EA  | MIRROR/PASSENGER - 102" W/B FORD - HEATED/REMOTE - BRT WHT |
| *   | 133908-04-01A | EA  | MIRROR/DRIVER - 102" W/B FORD - HEATED/REMOTE - BRT WHITE  |
|     | 120269-08-000 | EA  | HARNES - ELECTRIC MIRROR                                   |

\*COMPONENT PARTS LISTED LATER IN THIS GROUP

**EXTERIOR BODY GROUP (CONTINUED)**  
**COMPONENT PARTS FOR MIRRORS**

120269-07-01A

| KEY | PART NUMBER   | U/M DESCRIPTION         | VENDOR NO. |
|-----|---------------|-------------------------|------------|
|     | 120269-07-700 | EA SWITCH - REMOTE      | 7475720    |
|     | 133908-09-700 | EA SWITCH-MIRROR HEATER | 7475150    |

133908-01-01A, 133908-01-02A, 133908-02-01A, 133908-03-01A, 133908-03-02A, 133908-04-01A, 133908-05-01A, 133908-06-01A,  
133908-07-01A, 133908-08-01A

| KEY | PART NUMBER   | U/M DESCRIPTION                 | VENDOR NO. |
|-----|---------------|---------------------------------|------------|
|     | 117051-01-700 | EA MIRROR-CONVEX                | 723068-4   |
|     | 120269-05-701 | EA GLASS ONLY REPLACEMENT RH/LH | 709411     |

**EXTERIOR BODY GROUP (CONTINUED)**  
**STRUCTURAL COMPONENTS**

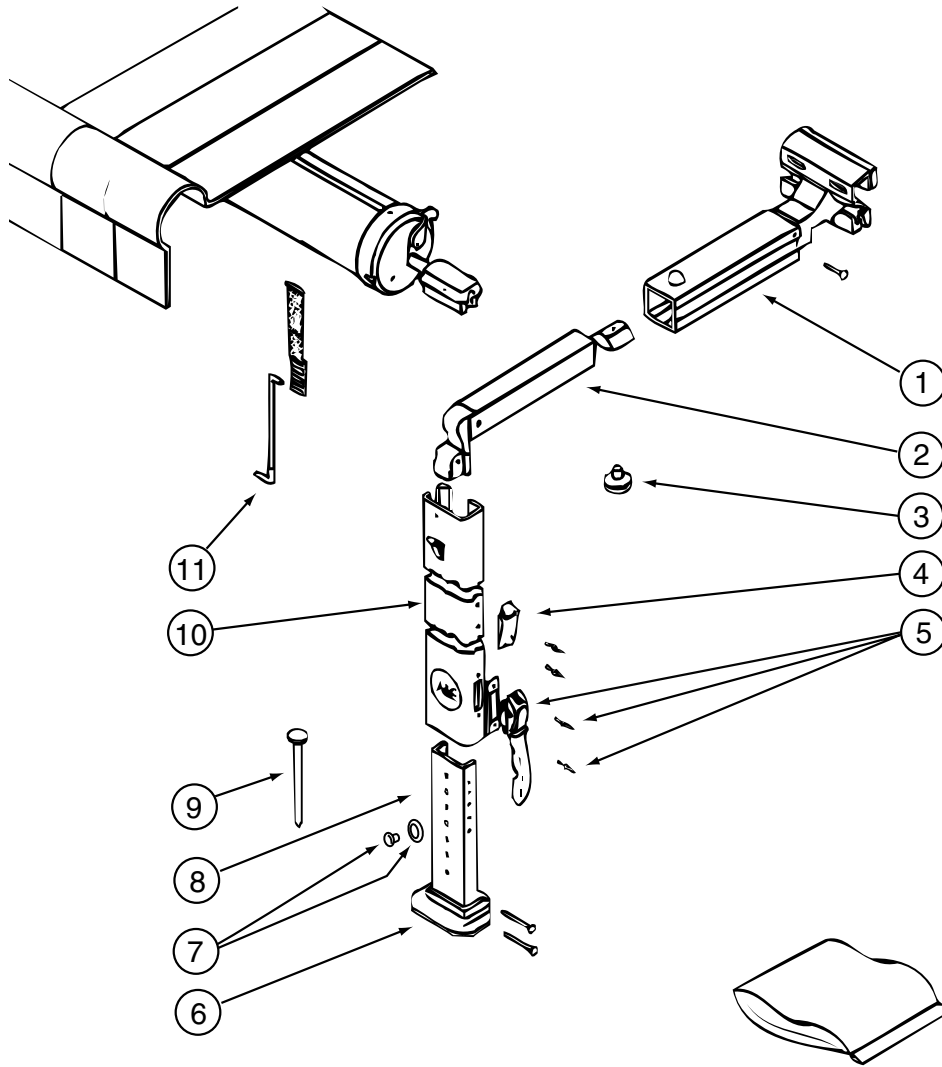
| <b>KEY</b> | <b>PART NUMBER</b> | <b>U/M</b> | <b>DESCRIPTION</b>   |
|------------|--------------------|------------|--|
|            | 000870-09-000      | SF         | STYROFOAM - .85" X 48" X 96" - PLANED                            |
|            | 002726-01-001      | EA         | GARNISH - U-CHANNEL - 1.38" X 19' - SERRATED                     |
|            | 076054-AC-000      | EA         | FIBERGLASS SHEET - 20" X 99.8" - OFF WHITE                       |
|            | 076054-P9-000      | EA         | FIBERGLASS SHEET - 37.4" X 99.3" - BRIGHT WHITE                  |
|            | 076054-U6-000      | EA         | FIBERGLASS SHEET - 102" X 361" - BRIGHT WHITE                    |
|            | 076054-U8-000      | EA         | FIBERGLASS SHEET - 100" X 105" - BRIGHT WHITE                    |
|            | 076054-X9-000      | EA         | FIBERGLASS SHEET - 22.1" X 70.6" - BRIGHT WHITE                  |
|            | 076054-W2-000      | EA         | FIBERGLASS SHEET - 85" X 339" - BRIGHT WHITE                     |
|            | 077517-62-000      | EA         | FIBERGLASS SHEET - 48" X 96" - BRIGHT WHITE                      |
|            | 089297-01-000      | SF         | PLYWOOD - LUAN - OVERLAY GRADE - 4' X 8'                         |
|            | 089297-02-000      | SF         | PLYWOOD - LUAN - OVERLAY GRADE - 4' X 9'                         |
|            | 100619-01-000      | BF         | FOAM - EXPANDED POLYSTYRENE - 1.34" X 48" X 96"                  |
|            | 100619-02-000      | BF         | FOAM - EXPANDED POLYSTYRENE - 1.5" X 48" X 96"                   |
|            | 100619-04-000      | BF         | FOAM - EXPANDED POLYSTYRENE - .5" X 48" X 96"                    |
|            | 100619-05-000      | BF         | FOAM - EXPANDED POLYSTYRENE - .75" X 48" X 96"-1.5 DENSITY       |
|            | 100619-11-000      | BF         | FOAM - EXPANDED POLYSTYRENE - 2" X 48" X 96"                     |
|            | 100619-13-000      | BF         | FOAM - EXPANDED POLYSTYRENE - .34" X 34.65" X 96"                |
|            | 100619-16-000      | BF         | FOAM - EXPANDED POLYSTYRENE - .75" X 48" X 96"-2.0 DENSITY       |
|            | 117754-03-01A      | EA         | FIBERGLASS SHEET - 10.5" X 96" - BRIGHT WHITE - <b>430V ONLY</b> |
|            | 117754-04-01A      | EA         | FIBERGLASS SHEET - 10" X 96" - BRIGHT WHITE                      |
|            | 135926-01-01A      | EA         | FIBERGLASS SHEET - 82.2" X 345" - BRIGHT WHITE                   |
|            | 108535-05-702      | EA         | FIBERGLASS SHEET - FLAT - 108" X 396" BRIGHT WHITE - ROOF        |

**AWNINGS**

| <b>KEY</b> | <b>PART NUMBER</b> | <b>U/M</b> | <b>DESCRIPTION</b>  |
|------------|--------------------|------------|---|
| *          | 113874-01-02A      | EA         | HARDWARE KIT - AWNING - W/O STANDOFF BRACKET-BRIGHT WHITE |
|            | 113874-03-50A      | EA         | AWNING - W/O HARDWARE - 11.5' - VINYL - <b>427P</b>       |
|            | 113874-05-50A      | EA         | AWNING - W/O HARDWARE - 14' - VINYL - <b>430V, 431C</b>   |
|            | 113874-11-01A      | EA         | SCREW/LAG - AWNING - 1/4" X 1" STAINLESS STEEL            |
|            | 137054-01-02A      | EA         | BRACKET - AWNING - BRIGHT WHITE                           |
|            | 127647-02-01A      | EA         | ROD/AWNING GURAD - ENTRANCE DOOR - <b>431C</b>            |

**\*COMPONENT PARTS LISTED LATER IN THIS GROUP**

**EXTERIOR BODY GROUP (CONTINUED)**  
**COMPONENT PARTS FOR AWNINGS**

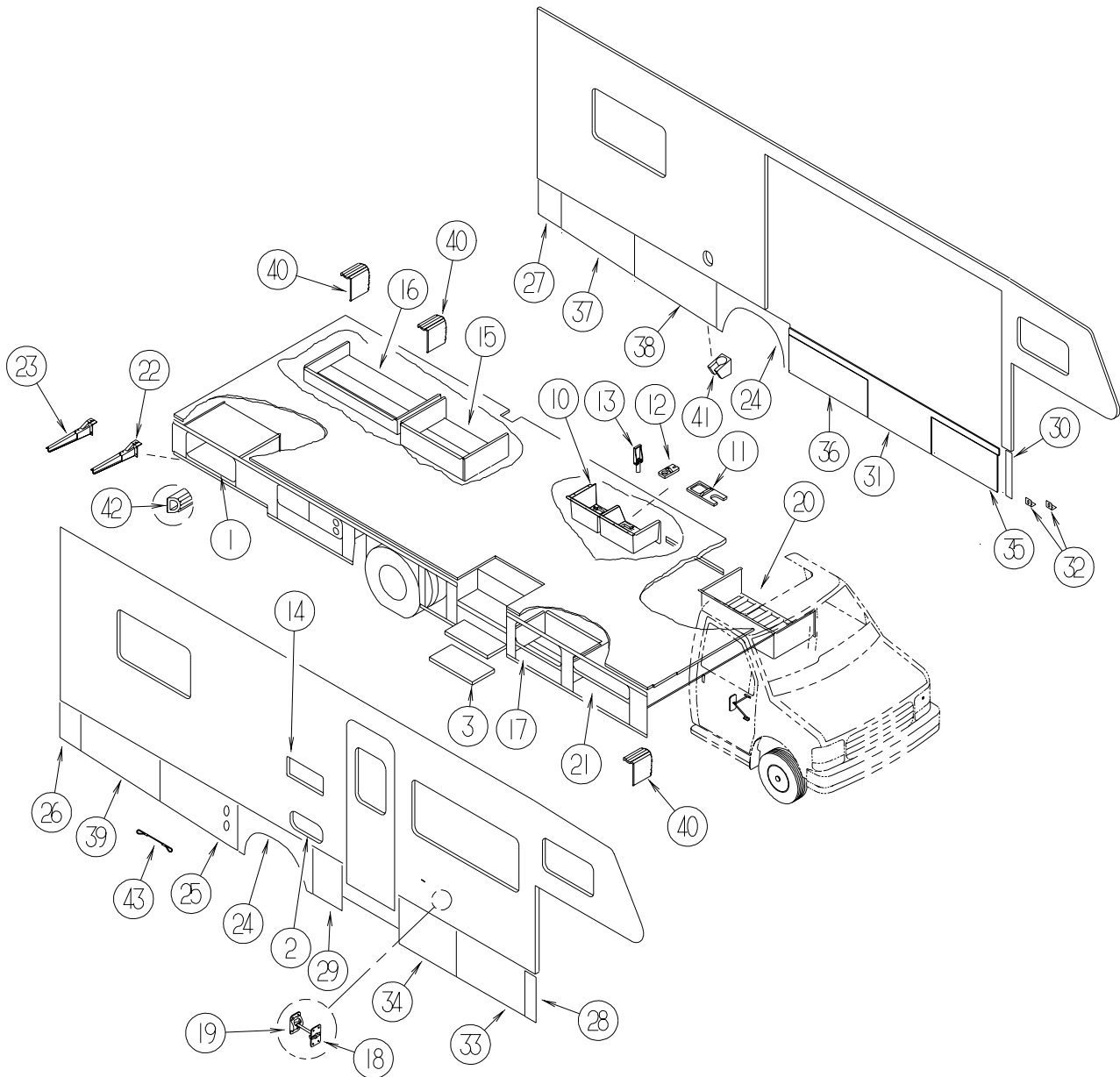


**113874-01-02A**

| <b>KEY</b> | <b>PART NUMBER</b> | <b>U/M</b> | <b>DESCRIPTION</b>          | <b>VENDOR NO.</b> |
|------------|--------------------|------------|-----------------------------|-------------------|
| 1          | 113874-01-714      | EA         | RAFTER - MAIN RH/LH BRT/WHT | 830295.536F       |
| 2          | 113874-01-715      | EA         | RAFTER - SECONDARY BRT/WHT  | 830463.511F       |
| 3          | 113874-01-702      | EA         | KNOB - ADJUSTING            | 3105421014        |
| 4          | 113874-01-706      | EA         | LOCK - TRAVEL               | 830587.001        |
| 5          | 113874-01-707      | EA         | HANDLE - LIFT W/RIVETS      | 830644            |
| 6          | 113874-01-712      | EA         | FOOT - PATIO                | 730366-001        |
| 7          | 113874-01-710      | EA         | PLUG-STOP KIT               | 830456            |
| 8          | 113874-01-717      | EA         | ARM - ADJUSTABLE BRT/WHT    | 830467.517/F      |
| 9          | 113874-01-709      | EA         | NAIL-SPIKE, 8"              | 113006            |
| 10         | 113874-01-716      | EA         | ARM - MAIN SUPPORT BRT/WHT  | 3104502.293/F     |
| 11         | 113874-01-703      | EA         | ROD-CENTER PULL W/ACCESSORY | 830152.102        |

# EXTERIOR DOORS & COMPARTMENTS GROUP

## DOOR & COMPARTMENT LAYOUT



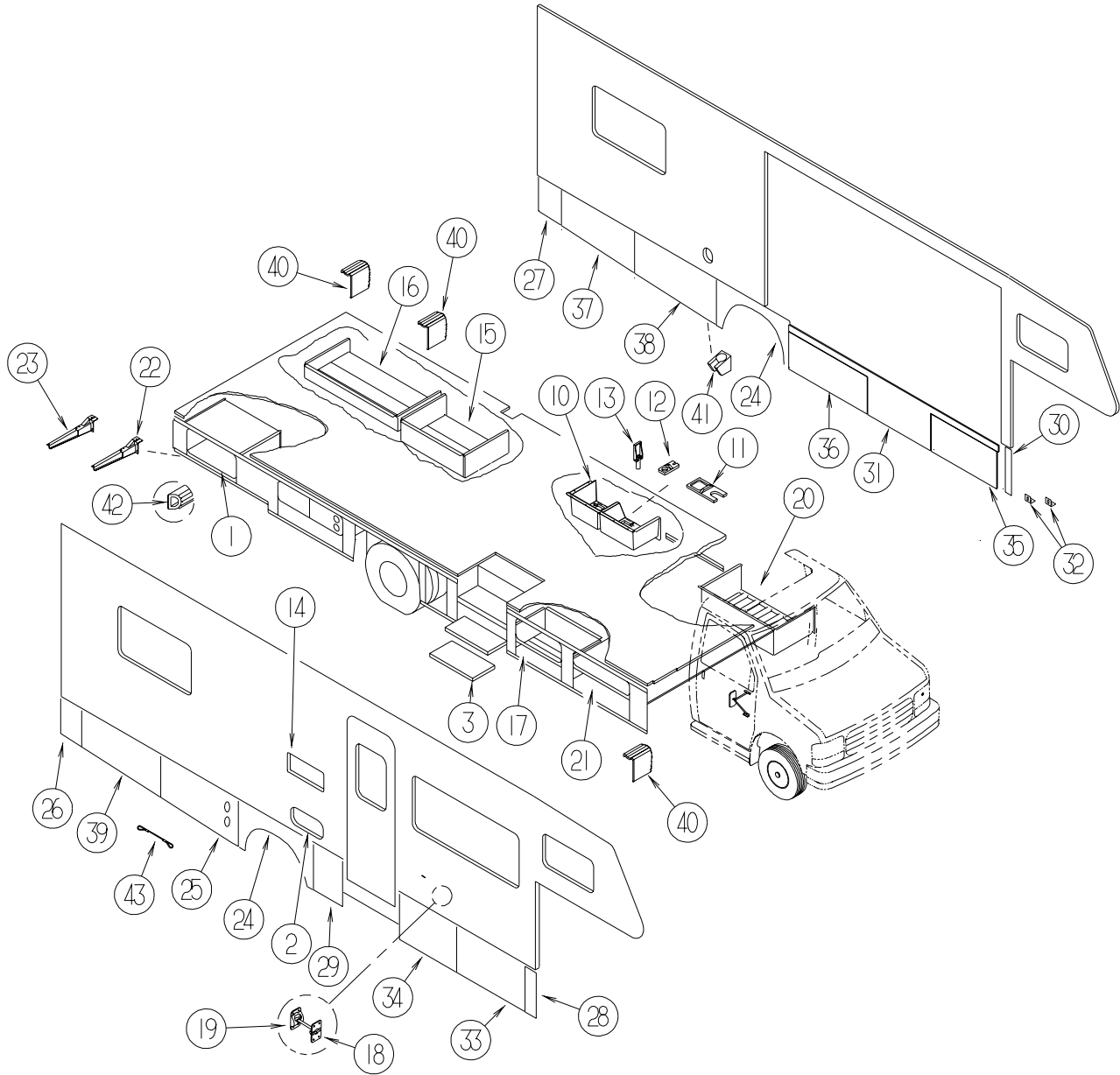
| KEY | PART NUMBER   | U/M | DESCRIPTION  |
|-----|---------------|-----|--|
| 1   | 120574-01-02B | EA  | COMPARTMENT - STORAGE E-COATED - <b>W/O GENERATOR</b>  |
| 2   | 126945-09-N42 | EA  | DOOR/STORAGE - W/O HARDWARE - 18" X 8.3"               |
| 3*  | 094707-03-01A | EA  | STEP - ELECTRIC DOUBLE - W/BLACK CONTROL BOX - KWIKEE  |
| 4   | 139997-01-02B | EA  | ANGLE - STEEL - W/2 SLOTS - E-COATED                   |
| 5   | 101222-01-02A | EA  | BRACKET - CATCH - LID - OFF WHITE                      |
| 6   | P14437-02-000 | EA  | CABINET - LID/ENTRY STEP - W/O CARPET                  |
| 7   | 133114-03-01A | EA  | TREAD - STEP/RUBBER - 27.1" - TAUPE                    |
| 8   | 116975-01-01A | EA  | LATCH - W/O STRIKE - BLACK - NEW STYLE                 |
| 9   | 091176-01-000 | EA  | SUPPORT - BASE - ENTRY STEP                            |
| 10  | 117186-03-J05 | EA  | COMPARTMENT - SEWER/POWER CORD - COMPLETE              |
|     | 116926-03-01A | EA  | COMPARTMENT - SEWER - PLASTIC                          |
| 10  | 117186-06-M07 | EA  | COMPARTMENT - STORAGE - <b>AIR SPRINGS REAR</b>        |
|     | 116926-05-01A | EA  | COMPARTMENT - SEWER                                    |
| 11  | M06991-04-FB1 | EA  | HATCH - F/POWER CORD/SEWER HOSE COMPT - 7.2"W X 15.4"H |
| 12  | M06991-02-FQ0 | EA  | HATCH - F/POWER CORD/SEWER HOSE COMPT - 8.3"W X 3.9"H  |
| 13  | 121175-01-01A | EA  | LATCH - SWELL - BLACK                                  |
| 14* | 084103-08-000 | EA  | DOOR - VENT - REFRIGERATOR - W/O JAMB - BRIGHT WHITE   |
|     | 084104-08-000 | EA  | JAMB - VENT DOOR/REFRIGERATOR - BRIGHT WHITE           |

**EXTERIOR DOORS & COMPARTMENTS GROUP(CONTINUED)**  
**DOOR & COMPARTMENT LAYOUT(CONTINUED)**

| KEY                                      | PART NUMBER   | U/M | DESCRIPTION  |
|--|---------------|-----|--|
| 15                                       | 118413-70-02B | EA  | COMPARTMENT - LUGGAGE - E-COATED                           |
| 16                                       | 118413-71-02B | EA  | COMPARTMENT - LUGGAGE - E-COATED                           |
| 17                                       | 118413-72-02B | EA  | COMPARTMENT - LUGGAGE - E-COATED                           |
| 18                                       | 104099-01-04A | EA  | CATCH - DOOR HOLDER - STRIKE - BRIGHT WHITE                |
| 19                                       | 104099-02-04A | EA  | CATCH - DOOR HOLDER - RETAINER - BRIGHT WHITE              |
| 20                                       | 117928-06-01A | EA  | COMPARTMENT - STORAGE - 23.4" X 42.4" - PLASTIC            |
|  | 117928-01-01A | EA  | COMPARTMENT - STORAGE - PLASTIC                            |
| 21                                       | 117928-07-01A | EA  | COMPARTMENT - STORAGE - PLASTIC                            |
|  | 117928-01-01A | EA  | COMPARTMENT - STORAGE - PLASTIC                            |
| 22                                       | 118248-01-02B | EA  | BRACKET - GENERATOR - W/O NOTCH - E-COATED                 |
| 23                                       | 118248-02-02B | EA  | BRACKET - GENERATOR - W/NOTCH - E-COATED                   |
| 24                                       | 121304-02-02A | EA  | PANEL - WHEEL LIP - REAR                                   |
| 25                                       | 122391-77-N09 | EA  | VALANCE/DOOR-PASS W/O PADDLE LATCH 21.5" X 43.7" X 19.6"   |
| 26                                       | 122732-33-K13 | EA  | VALANCE/PANEL - REAR PASSENGER - W/O HARDWARE - 4.6"       |
| 27                                       | 122732-34-K13 | EA  | VALANCE/PANEL - REAR DRIVER - W/O HARDWARE - 12.5"         |
| 28                                       | 122776-06-M20 | EA  | VALANCE/PANEL - W/O HARDWARE - 4.8"W X 21.7"H              |
| 29                                       | 122776-08-N09 | EA  | VALANCE/PANEL - W/O HARDWARE - 16.3"W X 21.7"H             |
| 30                                       | 122776-39-K13 | EA  | VALANCE/PANEL - W/O HARDWARE - 4.8"W X 21.7"H              |
| 31                                       | 122776-44-N09 | EA  | VALANCE/PANEL - W/O HARDWARE - 197"                        |
| 32                                       | 123512-01-02B | EA  | BRACKET - VALANCE DOOR - L-ANGLE - E-COAT                  |
| 33                                       | 138563-01-N09 | EA  | VALANCE/DOOR - W/O PADDLE LATCH/HINGE- 38" X 21.5"-BRT WHT |
|  | 122268-18-000 | EA  | ROD - LATCH - 11.28"                                       |
|  | 122269-18-000 | EA  | ROD - LATCH - 11.28"                                       |
|  | 107796-18-000 | EA  | SPRING/GAS - 7" COMPRESSED/10" EXTENDED - 80 LB.           |
| 34                                       | 138563-02-N09 | EA  | VALANCE/DOOR - W/O PADDLE LATCH/HINGE-31.9" X 21.5"-BRT WH |
|  | 122268-27-000 | EA  | ROD - LATCH - 8.22"  |
|  | 122269-27-000 | EA  | ROD - LATCH - 8.22"  |
|  | 107796-18-000 | EA  | SPRING/GAS - 7" COMPRESSED/10" EXTENDED - 80 LB.           |
| 35                                       | 138563-03-N09 | EA  | VALANCE/DOOR - W/O PADDLE LATCH/HINGE-37.7" X 17.6"-BRT WH |
|  | 122268-05-000 | EA  | ROD - LATCH - 11.09"                                       |
|  | 122269-05-000 | EA  | ROD - LATCH - 11.09"                                       |
|  | 107796-20-000 | EA  | SPRING/GAS - 7" COMPRESSED/10" EXTENDED - 60 LB            |
| 36                                       | 138563-04-N09 | EA  | VALANCE/DOOR - W/O PADDLE LATCH/HINGE - 43.9" X 17.6"      |
|  | 122268-19-000 | EA  | ROD - LATCH - 14.22"                                       |
|  | 122269-19-000 | EA  | ROD - LATCH - 14.22"                                       |
|  | 107796-20-000 | EA  | SPRING/GAS - 7" COMPRESSED/10" EXTENDED - 60 LB            |
| 37                                       | 138565-01-N09 | EA  | VALANCE/DOOR - DRVR W/O LATCH/HINGE- 19.3" X 40.6" X 17.3" |
|  | 122268-68-000 | EA  | ROD - LATCH - 12.6"  |
|  | 122269-67-000 | EA  | ROD - LATCH - 12.6"  |
|  | 107796-18-000 | EA  | SPRING/GAS - 7" COMPRESSED/10" EXTENDED - 80 LB.           |
| 38                                       | 138565-02-N09 | EA  | VALANCE/DOOR - DRVR W/O LATCH/HINGE- 21.5" X 45.6" X 19.5" |
|  | 122268-24-000 | EA  | ROD - LATCH - 15.09"                                       |
|  | 122269-24-000 | EA  | ROD - LATCH - 15.09"                                       |
|  | 107796-18-000 | EA  | SPRING/GAS - 7" COMPRESSED/10" EXTENDED - 80 LB.           |
| 39                                       | 138565-03-N09 | EA  | VALANCE/DOOR - DRVR W/O LATCH/HINGE- 19.4" X 50.5" X 16.9" |
|  | 122268-69-000 | EA  | ROD - LATCH - 17.5"  |
|  | 122269-68-000 | EA  | ROD - LATCH - 17.5"  |
|  | 107796-18-000 | EA  | SPRING/GAS - 7" COMPRESSED/10" EXTENDED - 80 LB.           |
| 40                                       | 093873-01-01A | EA  | TRIM - CARPET - L-ANGLE 1.1" X 1.3" X 12' - GRAY VINYL     |
| 41                                       | 131383-03-02A | EA  | BRACKET - SHOWER HEAD - WHITE                              |
| 42                                       | 107721-08-000 | FT  | SEAL - ACCESS DOOR - .9" WIDE X .9" HIGH                   |
| 43                                       | 076767-15-000 | EA  | CABLE - STAINLESS STEEL - 9.8"                             |
| <b>LOCK ASSEMBLY USED UP TO 04-30-01</b> |               |     |  |
|  | 129685-01-000 | EA  | CYLINDER - LOCK ASSEMBLY - COMPARTMENT/DRIVER DOOR         |
|  | 129685-02-000 | EA  | CYLINDER - LOCK ASSEMBLY - COMPARTMENT/DRIVER DOOR         |
|  | 129685-03-000 | EA  | CYLINDER - LOCK ASSEMBLY - COMPARTMENT/DRIVER DOOR         |
|  | 129685-04-000 | EA  | CYLINDER - LOCK ASSEMBLY - COMPARTMENT/DRIVER DOOR         |
|  | 129685-05-000 | EA  | CYLINDER - LOCK ASSEMBLY - COMPARTMENT/DRIVER DOOR         |
|  | 129685-06-000 | EA  | CYLINDER - LOCK ASSEMBLY - COMPARTMENT/DRIVER DOOR         |
|  | 129685-07-000 | EA  | CYLINDER - LOCK ASSEMBLY - COMPARTMENT/DRIVER DOOR         |
|  | 129685-08-000 | EA  | CYLINDER - LOCK ASSEMBLY - COMPARTMENT/DRIVER DOOR         |
|  | 129685-09-000 | EA  | CYLINDER - LOCK ASSEMBLY - COMPARTMENT/DRIVER DOOR         |
|  | 129685-10-000 | EA  | CYLINDER - LOCK ASSEMBLY - COMPARTMENT/DRIVER DOOR         |

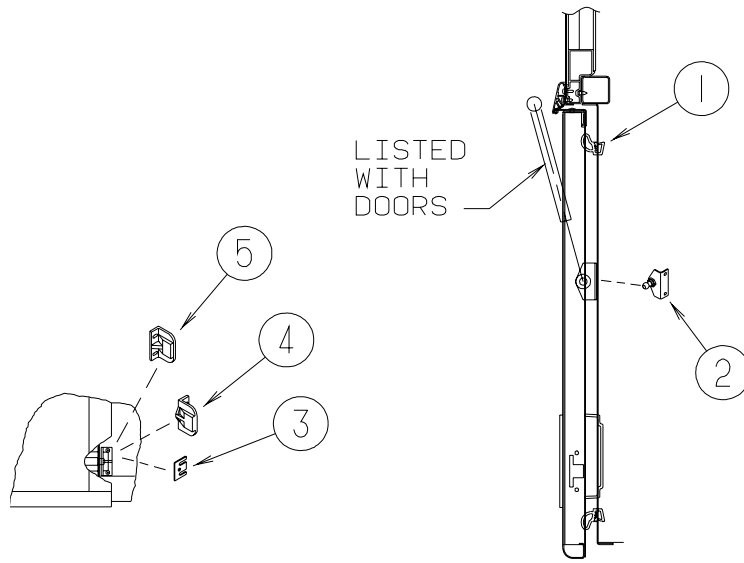


**EXTERIOR DOORS & COMPARTMENTS GROUP(CONTINUED)**  
**DOOR & COMPARTMENT LAYOUT(CONTINUED)**



| <b>KEY</b>   | <b>PART NUMBER</b>   | <b>U/M</b> | <b>DESCRIPTION</b>                       |
|--|----------------------|------------|--|
|  |                      |            | <b>LOCK ASSEMBLY USED AFTER 05-01-01</b> |
|  | <b>138289-01-000</b> | <b>EA</b>  | <b>CYLINDER - LOCKING</b>                |
|  | 138289-02-000        | EA         | CYLINDER - LOCKING                       |
|  | 138289-03-000        | EA         | CYLINDER - LOCKING                       |
|  | 138289-04-000        | EA         | CYLINDER - LOCKING                       |
|  | 138289-05-000        | EA         | CYLINDER - LOCKING                       |
|  | 138289-06-000        | EA         | CYLINDER - LOCKING                       |
|  | 138289-07-000        | EA         | CYLINDER - LOCKING                       |
|  | 138289-08-000        | EA         | CYLINDER - LOCKING                       |
|  | 138289-09-000        | EA         | CYLINDER - LOCKING                       |
|  | 138289-10-000        | EA         | CYLINDER - LOCKING                       |
| <b>*COMPONENT PARTS LISTED LATER IN THIS GROUP</b> |                      |            |  |

**EXTERIOR DOORS & COMPARTMENTS GROUP(CONTINUED)**  
**DOOR & COMPARTMENT LAYOUT(CONTINUED)**



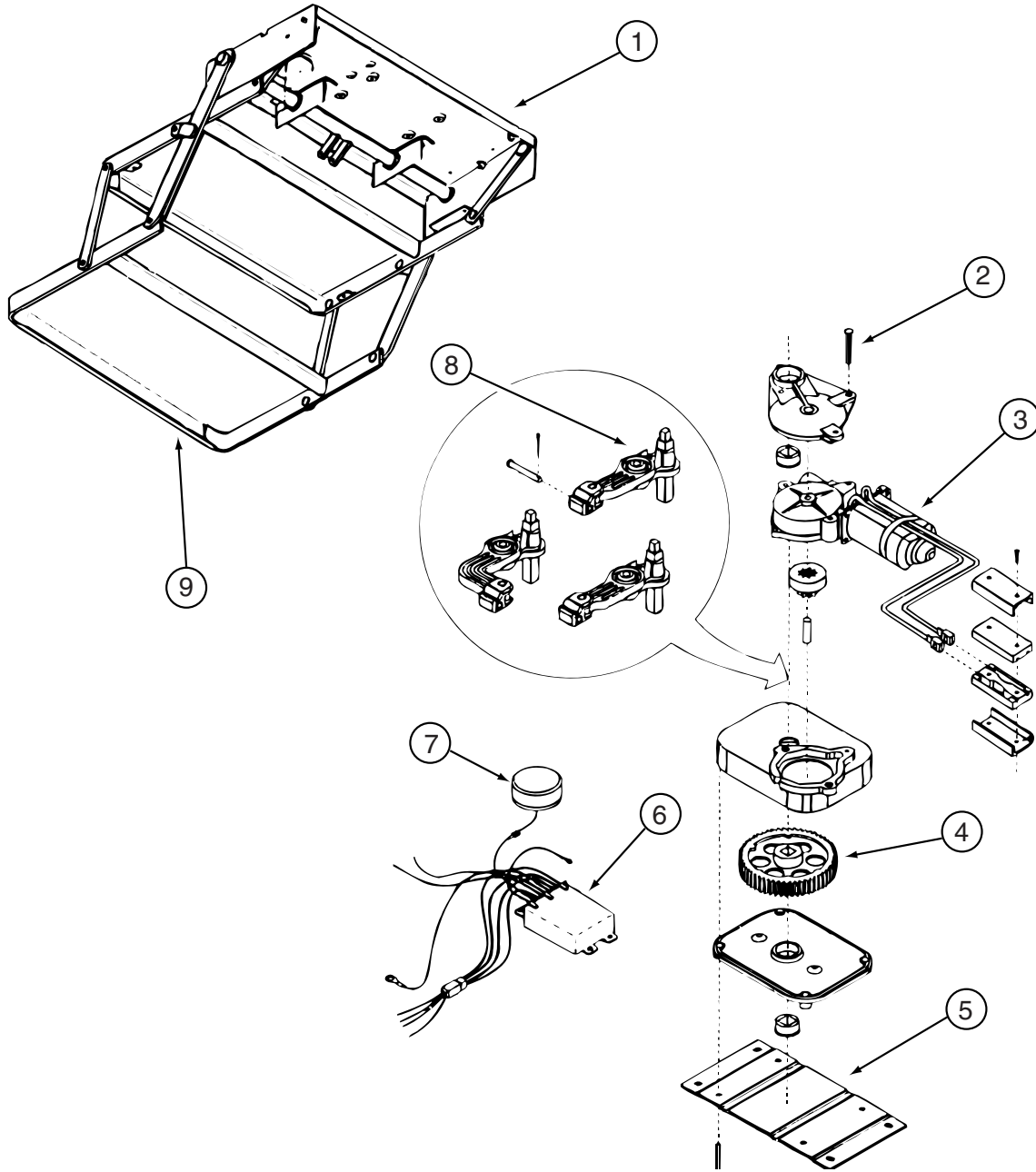
| KEY | PART NUMBER   | U/M | DESCRIPTION                                    |
|-----|---------------|-----|--|
| 1   | 132892-02-01A | FT  | SEAL - BULB                                    |
| 2   | 126263-02-02B | EA  | BRACKET - GAS SPRING W/BALL STUD - E-COATED    |
| 3   | 120494-03-02B | EA  | SHIM - STRIKER - LUGGAGE DOOR - .20 - E-COATED |
| 4   | 130053-02-01A | EA  | STRIKER - LUGGAGE DOOR - OFF SET - BLACK       |
| 5   | 130053-01-01A | EA  | STRIKER - LUGGAGE DOOR - FLUSH - BLACK         |

## EXTERIOR DOORS & COMPARTMENTS GROUP (CONTINUED)

### COMPONENT PARTS FOR DOOR & COMPARTMENT LAYOUT

084103-08-000

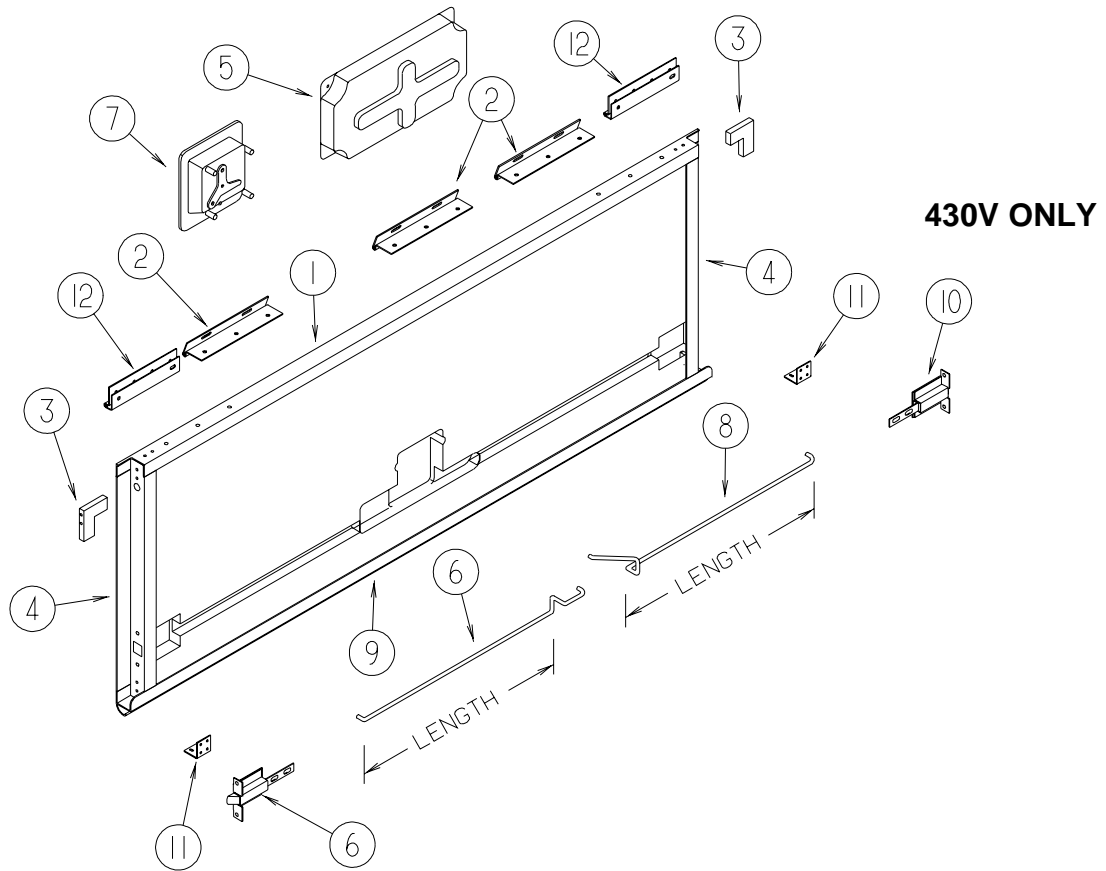
| KEY | PART NUMBER   | U/M DESCRIPTION          | VENDOR NO.  |
|-----|---------------|--------------------------|-------------|
|     | 084104-01-700 | EA LOCK-MALE, FASTENER   | 201-721-010 |
|     | 084104-01-701 | EA LOCK-FEMALE, FASTENER | 201-802-010 |



094708-03-01A

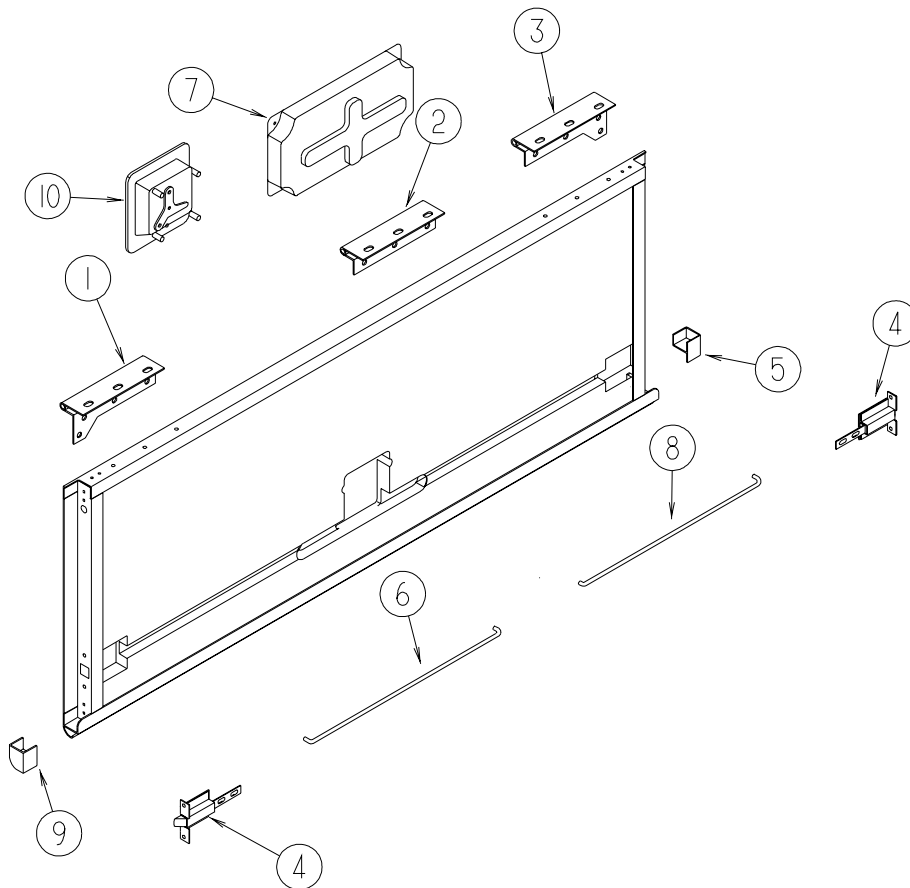
| KEY | PART NUMBER   | U/M DESCRIPTION                 | VENDOR NO. |
|-----|---------------|---------------------------------|------------|
| 1   | 088746-01-709 | EA FRAME W/SGL STEP,2800 SERIES | 908028     |
| 2   | 094707-02-703 | EA BEARING & PINS               | 909530     |
| 3   | 094707-02-700 | EA MOTOR ASM.,W/BEARINGS & PINS | 909520     |
| 4   | 094707-02-702 | EA GEAR KIT(GEAR-BEARING-PINS)  | 909525     |
| 5   | 094707-02-704 | EA CONNECTOR-MOTOR ASM.W/PLATES | 909537     |
| 6   | 094707-03-700 | EA KIT CONTROL/SWITCH-RETROFIT  | 909506005  |
| 7   | 088733-01-700 | EA BULB                         | 9004       |
| 7   | 088746-01-705 | EA LIGHT-UNDER STEP             | 9004       |
| 8   | 094708-03-700 | EA LINKAGE ASSEMBLY-SERIES 28   | 909533     |
| 9   | 094707-02-707 | EA TREAD - NON-SKID - BLACK     | 909333     |
|     | 094707-03-701 | EA PLUG - 4-WAY - PACKARD       | 909306     |

**EXTERIOR DOORS & COMPARTMENTS GROUP (CONTINUED)**  
**COMPARTMENT DOOR PIECE PARTS**



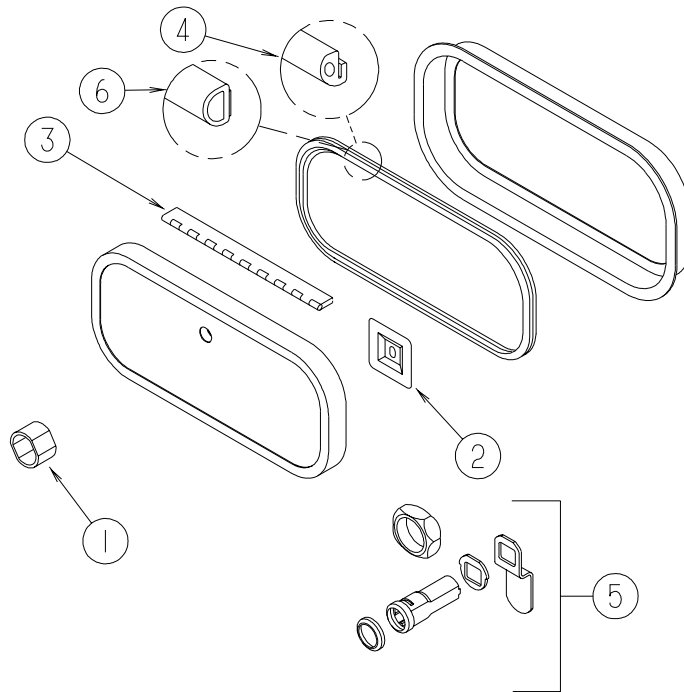
| KEY | PART NUMBER   | U/M | DESCRIPTION   |
|-----|---------------|-----|---|
| 1   | 122612-55-009 | EA  | U-CHANNEL/EXTRUSION - 144" - BLACK                    |
| 1   | 122612-55-008 | EA  | U-CHANNEL/EXTRUSION - 144" - BRIGHT WHITE             |
| 2   | 121755-01-01A | EA  | HINGE-6.00 INCH                                       |
| 3   | 123892-10-02B | EA  | CORNER STABILIZER W/BALL STUD - LEFT HAND - E-COATED  |
| 3   | 123892-12-02B | EA  | CORNER STABILIZER W/BALL STUD - RIGHT HAND - E-COATED |
| 4   | 122614-55-009 | EA  | EXTRUDED - H-CHANNEL - BLACK - 12'                    |
| 4   | 122614-55-008 | EA  | EXTRUDED - H CHANNEL - BRIGHT WHITE - 12'             |
| 5   | 122277-02-01A | EA  | COVER - LATCH - BLACK                                 |
| 6   | 126507-04-000 | EA  | ROD - LATCH - 35.4"                                   |
| 6   |               |     | SEE DOOR & COMPARTMENT LAYOUT FOR ROD-LATCH           |
| 7   | 138277-01-01A | EA  | LATCH/PADDLE - COMPARTMENT DOOR - BLACK - KEY ONE     |
| 7   | 138277-01-02A | EA  | LATCH/PADDLE - COMPARTMENT DOOR - WHITE - KEY ONE     |
| 8   | 126508-04-000 | EA  | ROD - LATCH - 35.4"                                   |
| 8   |               |     | SEE DOOR & COMPARTMENT LAYOUT FOR ROD-LATCH           |
| 9   | 122613-55-009 | EA  | ROCKER PANEL/EXTRUSION - 13i4" - BLACK                |
| 9   | 122613-55-009 | EA  | ROCKER PANEL/EXTRUSION - 13i4" - BRIGHT WHITE         |
| 10  | 121947-01-01A | EA  | BOLT - SLIDE W/PLASTIC PLUNGER                        |
| 11  | 119568-01-01A | EA  | STANDOFF - VALANCE PANEL - BLACK                      |
| 12  | 120774-02-12B | EA  | HINGE - 6" - BRIGHT WHITE                             |

**EXTERIOR DOORS & COMPARTMENTS GROUP (CONTINUED)**  
**COMPARTMENT DOOR PIECE PARTS (CONTINUED)**



| KEY | PART NUMBER   | U/M | DESCRIPTION   |
|-----|---------------|-----|---|
| 1   | 131790-02-01A | EA  | HINGE - SINGLE/PIVOT<br>FROM: 00-00-00 THRU 11-18-01                              |
| 1   | 139793-02-01A | EA  | HINGE - LEFT HAND/VALANCE DOOR - W/BALLSTUD<br>FROM: 11-19-01 THRU: 99-99-99      |
| 2   | 131790-03-01A | EA  | HINGE - SINGLE/PIVOT<br>FROM: 00-00-00 THRU 11-18-01                              |
| 2   | 139793-03-01A | EA  | HINGE - CENTER/VALANCE DOOR - W/O BALLSTUD<br>FROM: 11-19-01 THRU: 99-99-99       |
| 3   | 131790-01-01A | EA  | HINGE - SINGLE/PIVOT<br>FROM: 00-00-00 THRU 11-18-01                              |
| 3   | 139793-04-01A | EA  | HINGE - RIGHT HAND/VALANCE DOOR - W/O BALLSTUD<br>FROM: 11-19-01 THRU: 99-99-99   |
| 4   | 121947-01-01A | EA  | BOLT - SLIDE W/PLASTIC PLUNGER  |
| 5   | 135276-01-01A | EA  | REINFORCEMENT - CORNER - RIGHT HAND   |
| 6   | 132873-02-000 | EA  | ROD - LATCH (BLANK)<br>SEE DOOR & COMPARTMENT LAYOUT FOR ROD-LATCH                |
| 7   | 137359-01-01A | EA  | COVER - LATCH - WHITE   |
| 8   | 132873-01-000 | EA  | ROD - LATCH (BLANK)<br>SEE DOOR & COMPARTMENT LAYOUT FOR ROD-LATCH                |
| 9   | 135276-02-01A | EA  | REINFORCEMENT - CORNER - LEFT HAND  |
| 10  | 129675-01-01A | EA  | LATCH - LOCKING PADDLE - BLACK<br>FROM: 00-00-00 THRU 04-30-01                    |
| 10  | 138277-01-01A | EA  | LATCH/PADDLE - COMPARTMENT DOOR - BLACK - KEY ONE<br>FROM: 05-01-01 THRU 99-99-99 |

**EXTERIOR DOORS & COMPARTMENTS GROUP (CONTINUED)**  
**COMPARTMENT DOOR PIECE PARTS (CONTINUED)**

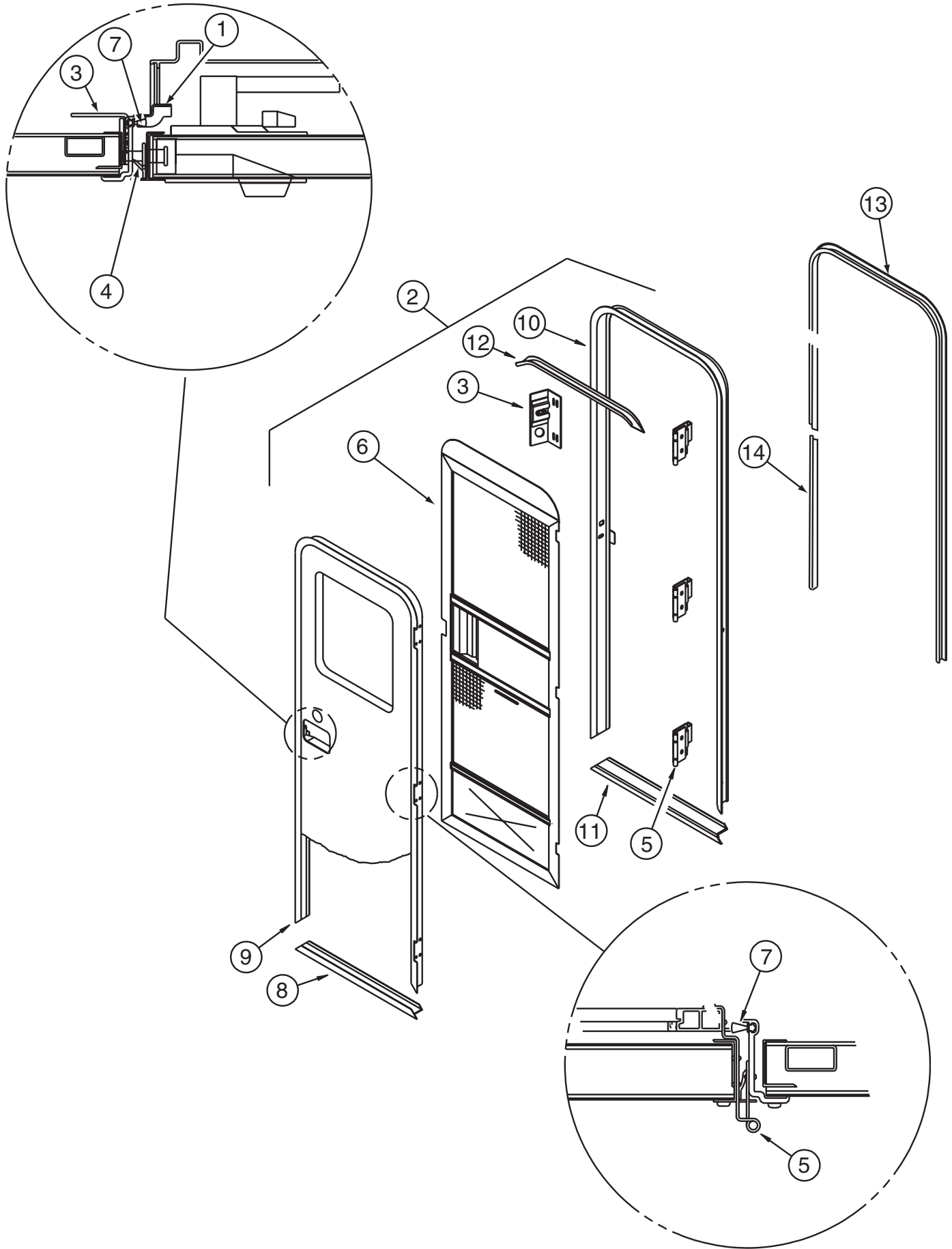


| KEY  | PART NUMBER   | U/M | DESCRIPTION  |                               |
|--|---------------|-----|--|-------------------------------|
| 1  | 139325-01-000 | EA  | SPACER - LOCK - 6MM                                    |                               |
|  |               |     |  | FROM: 05-01-01 THRU: 99-99-99 |
|  | 139337-01-000 | EA  | GASKET - LOCK  |                               |
|  |               |     |  | FROM: 05-01-01 THRU: 99-99-99 |
| 2  | 097111-02-04A | EA  | POCKET - LOCK - VALANCE                                |                               |
| 3  | 081801-V3-000 | EA  | HINGE - ALUMINUM - 2" X 96" - BRIGHT WHITE             |                               |
| 4  | 106850-02-000 | FT  | SEAL-E - SPONGE RUBBER - .43" X .75"                   |                               |
| <b>LOCK ASSEMBLY USED UP TO 04-30-01</b>           |               |     |  |                               |
| 5*   | 110506-26-000 | EA  | LOCK ASM-KEYED,40.26MM-                                |                               |
|  | 110506-54-000 | EA  | CASE/CYLINDER - LOCKING - W/O CAM/KEY - 1.25" - 703170 |                               |
|  | 110506-54-001 | EA  | CASE/CYLINDER - LOCKING - W/O CAM/KEY - 1.25" - 703171 |                               |
|  | 110506-54-002 | EA  | CASE/CYLINDER - LOCKING - W/O CAM/KEY - 1.25" - 703172 |                               |
|  | 110506-54-003 | EA  | CASE/CYLINDER - LOCKING - W/O CAM/KEY - 1.25" - 703173 |                               |
|  | 110506-54-004 | EA  | CASE/CYLINDER - LOCKING - W/O CAM/KEY - 1.25" - 703174 |                               |
|  | 110506-54-005 | EA  | CASE/CYLINDER - LOCKING - W/O CAM/KEY - 1.25" - 703175 |                               |
|  | 110506-54-006 | EA  | CASE/CYLINDER - LOCKING - W/O CAM/KEY - 1.25" - 703176 |                               |
|  | 110506-54-007 | EA  | CASE/CYLINDER - LOCKING - W/O CAM/KEY - 1.25" - 703177 |                               |
|  | 110506-54-008 | EA  | CASE/CYLINDER - LOCKING - W/O CAM/KEY - 1.25" - 703178 |                               |
|  | 110506-54-009 | EA  | CASE/CYLINDER - LOCKING - W/O CAM/KEY - 1.25" - 703179 |                               |
|  | 110506-66-000 | EA  | CAM - LATCHING - DOG LEGGED 1.5" LONG                  |                               |
| <b>LOCK ASSEMBLY USED AFTER 05-01-01</b>           |               |     |  |                               |
| 5  | 138290-02-000 | EA  | CASE - W/CAM - W/O CYLINDER/KEY                        |                               |
| <b>*COMPONENT PARTS LISTED LATER IN THIS GROUP</b> |               |     |  |                               |

**EXTERIOR DOORS & COMPARTMENTS GROUP (CONTINUED)**  
**COMPONENT PARTS FOR COMPARTMENT DOOR PIECE PARTS**

| KEY | PART NUMBER   | U/M | DESCRIPTION                    | VENDOR NO . |
|-----|---------------|-----|--------------------------------|-------------|
|     | 110506-40-700 | EA  | HARDWARE PACKAGE-CYLINDER/CASE | 596950AAL   |

EXTERIOR DOORS & COMPARTMENTS GROUP (CONTINUED)  
ENTRY





**EXTERIOR DOORS & COMPARTMENTS GROUP (CONTINUED)**  
**ENTRY (CONTINUED)**

| KEY | PART NUMBER   | U/M | DESCRIPTION  |
|-----|---------------|-----|--|
| 1   | 132915-01-01A | EA  | LATCH - SCREEN DOOR                                    |
| 2   | P32206-10-N09 | EA  | DOOR - ENTRY W/SCREEN DOOR - W/O WINDOW- (N09, N10)    |
| 2   | P32206-10-N11 | EA  | DOOR - ENTRY W/SCREEN DOOR - W/O WINDOW - (N11, N12)   |
|     | 039715-01-000 | EA  | NUT-SERT - 1/4" DIAMETER - 20 THREADS                  |
| 3   | 137401-01-03B | EA  | BRACKET - DOOR ANGLE - OFF WHITE                       |
| 4   | 075671-04-000 | FT  | SEAL - SPONGE - LAZY T - W/ADHESIVE STRIP - .5" WIDE   |
| 5   | 106719-01-05A | EA  | HINGE - ENTRY DOOR - BRIGHT WHITE                      |
|     | 106719-01-01A | EA  | HINGE - ENTRY DOOR - MILL                              |
|     | 116111-02-01A | EA  | SCREW - TAPTITE - 1/4-20 X 3/8 PPH - ZINC              |
| 6   | 132208-04-L07 | EA  | DOOR - SCREEN - W/O HARDWARE                           |
| 7   | 118929-01-01A | FT  | SEAL - PILE - PUSH ON                                  |
| 8   | 121893-01-01A | EA  | FRAME - ENTRY DOOR/BOTTOM - BRIGHT WHITE               |
| 9   | 121894-23-01A | EA  | FRAME - ENTRY DOOR - BRIGHT WHITE                      |
| 10  | 121898-18-01A | EA  | JAMB - ENTRY DOOR - BRIGHT WHITE                       |
| 11  | 051049-01-000 | EA  | JAMB/DOOR - BOTTOM - 25.9" - UNPAINTED                 |
|     | 075673-05-000 | FT  | SEAL - PILE - ADHESIVE BACK - BLACK                    |
|     | 038327-01-000 | EA  | TAPE - ANTI-SLIP - 2" X 60'                            |
| 12  | 044582-44-000 | EA  | CAP - DRIP - JAMB - BRIGHT WHITE                       |
| 13  | 139100-02-01A | EA  | GARNISH/RADIUS - ENTRY DOOR - BRIGHT WHITE             |
| 14  | 139101-02-01A | EA  | GARNISH/STRAIGHT - 35.31" - W/O NOTCHES - BRIGHT WHITE |

**LOCK ASSEMBLY USED UP TO 04-30-01**

|   |               |    |  |
|---|---------------|----|--|
| * | 129676-01-000 | EA | KEY - T/M 14472-07-1431                      |
| * | 129676-02-000 | EA | KEY - T/M 14472-07-1432                      |
| * | 129676-03-000 | EA | KEY - T/M 14472-07-1433                      |
| * | 129676-04-000 | EA | KEY - T/M 14472-07-1434                      |
| * | 129676-05-000 | EA | KEY - T/M 14472-07-1435                      |
| * | 129676-06-000 | EA | KEY - T/M 14472-07-1436                      |
| * | 129676-07-000 | EA | KEY - T/M 14472-07-1437                      |
| * | 129676-08-000 | EA | KEY - T/M 14472-07-1438                      |
| * | 129676-09-000 | EA | KEY - T/M 14472-07-1439                      |
| * | 129676-10-000 | EA | KEY - T/M 14472-07-1440                      |
|   | 130444-01-01A | EA | CAP - KEY IDENTIFIER - GREEN                 |
|   | 129685-01-000 | EA | CYLINDER - LOCK ASSEMBLY - ENTRANCE DOOR (J) |
|   | 129685-02-000 | EA | CYLINDER - LOCK ASSEMBLY - ENTRANCE DOOR (J) |
|   | 129685-03-000 | EA | CYLINDER - LOCK ASSEMBLY - ENTRANCE DOOR (J) |
|   | 129685-04-000 | EA | CYLINDER - LOCK ASSEMBLY - ENTRANCE DOOR (J) |
|   | 129685-05-000 | EA | CYLINDER - LOCK ASSEMBLY - ENTRANCE DOOR (J) |
|   | 129685-06-000 | EA | CYLINDER - LOCK ASSEMBLY - ENTRANCE DOOR (J) |
|   | 129685-07-000 | EA | CYLINDER - LOCK ASSEMBLY - ENTRANCE DOOR (J) |
|   | 129685-08-000 | EA | CYLINDER - LOCK ASSEMBLY - ENTRANCE DOOR (J) |
|   | 129685-09-000 | EA | CYLINDER - LOCK ASSEMBLY - ENTRANCE DOOR (J) |
|   | 129685-10-000 | EA | CYLINDER - LOCK ASSEMBLY - ENTRANCE DOOR (J) |

**LOCK ASSEMBLY USED AFTER 05-01-01**

|  |               |    |  |
|--|---------------|----|--|
|  | 138287-01-000 | EA | CYLINDER/LOCK - ENTRY DOOR (MASTER)          |
|  | 138287-02-000 | EA | CYLINDER/LOCK - ENTRY DOOR (MASTER)          |
|  | 138287-03-000 | EA | CYLINDER/LOCK - ENTRY DOOR (MASTER)          |
|  | 138287-04-000 | EA | CYLINDER/LOCK - ENTRY DOOR (MASTER)          |
|  | 138287-05-000 | EA | CYLINDER/LOCK - ENTRY DOOR (MASTER)          |
|  | 138287-06-000 | EA | CYLINDER/LOCK - ENTRY DOOR (MASTER)          |
|  | 138287-07-000 | EA | CYLINDER/LOCK - ENTRY DOOR (MASTER)          |
|  | 138287-08-000 | EA | CYLINDER/LOCK - ENTRY DOOR (MASTER)          |
|  | 138287-09-000 | EA | CYLINDER/LOCK - ENTRY DOOR (MASTER)          |
|  | 138287-10-000 | EA | CYLINDER/LOCK - ENTRY DOOR (MASTER)          |
|  | 138288-01-000 | EA | KEY - REVERSIBLE - #1151 - T/M 16169-02-3091 |
|  | 138288-02-000 | EA | KEY - REVERSIBLE - #1152 - T/M 16169-02-3092 |
|  | 138288-03-000 | EA | KEY - REVERSIBLE - #1153 - T/M 16169-02-3093 |
|  | 138288-04-000 | EA | KEY - REVERSIBLE - #1154 - T/M 16169-02-3094 |
|  | 138288-05-000 | EA | KEY - REVERSIBLE - #1155 - T/M 16169-02-3095 |
|  | 138288-06-000 | EA | KEY - REVERSIBLE - #1156 - T/M 16169-02-3096 |
|  | 138288-07-000 | EA | KEY - REVERSIBLE - #1157 - T/M 16169-02-3097 |
|  | 138288-08-000 | EA | KEY - REVERSIBLE - #1158 - T/M 16169-02-3098 |
|  | 138288-09-000 | EA | KEY - REVERSIBLE - #1159 - T/M 16169-02-3099 |
|  | 138288-10-000 | EA | KEY - REVERSIBLE - #1150 - T/M 16169-02-3100 |
|  | 138292-01-000 | EA | SEAL - LOCK CYLINDER                         |

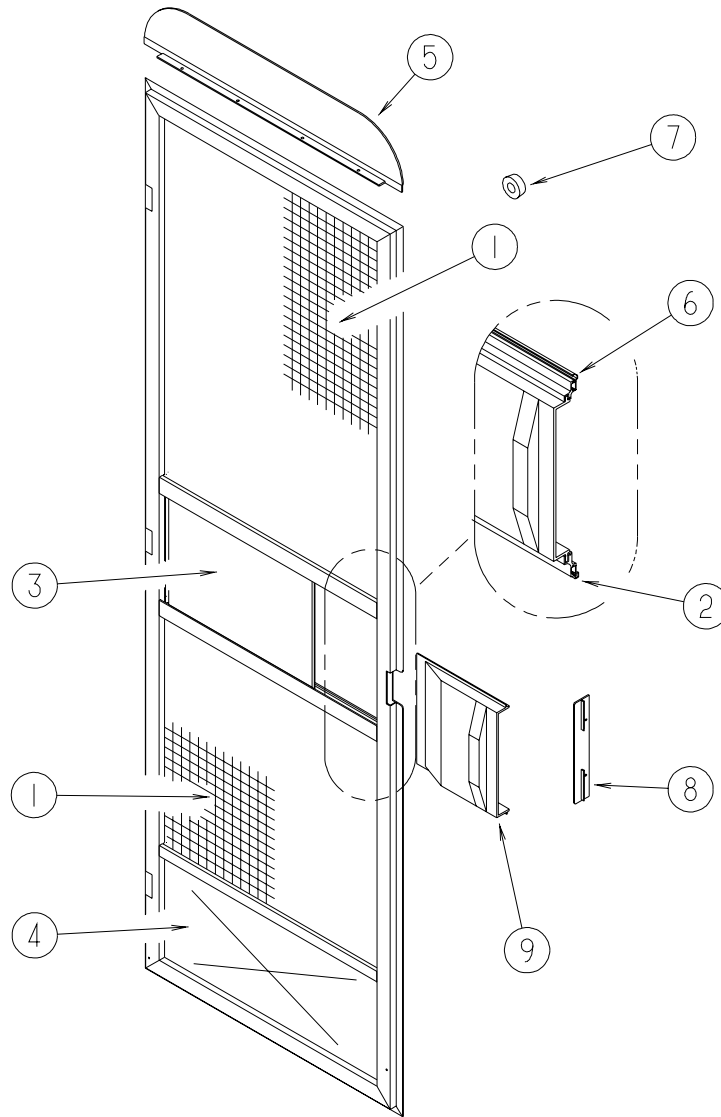
**\*COMPONENT PARTS LISTED LATER IN THIS GROUP**

**EXTERIOR DOORS & COMPARTMENTS GROUP (CONTINUED)**  
**COMPONENT PARTS FOR ENTRY**

129676-01-000 THRU 129676-10-000

| <b>KEY</b> | <b>PART NUMBER</b> | <b>U/M</b> | <b>DESCRIPTION</b> | <b>VENDOR NO .</b> |
|------------|--------------------|------------|--------------------|--------------------|
|            | 129685-01-701      | EA         | KEY - BLANK KS 150 | 144472-07-2001     |

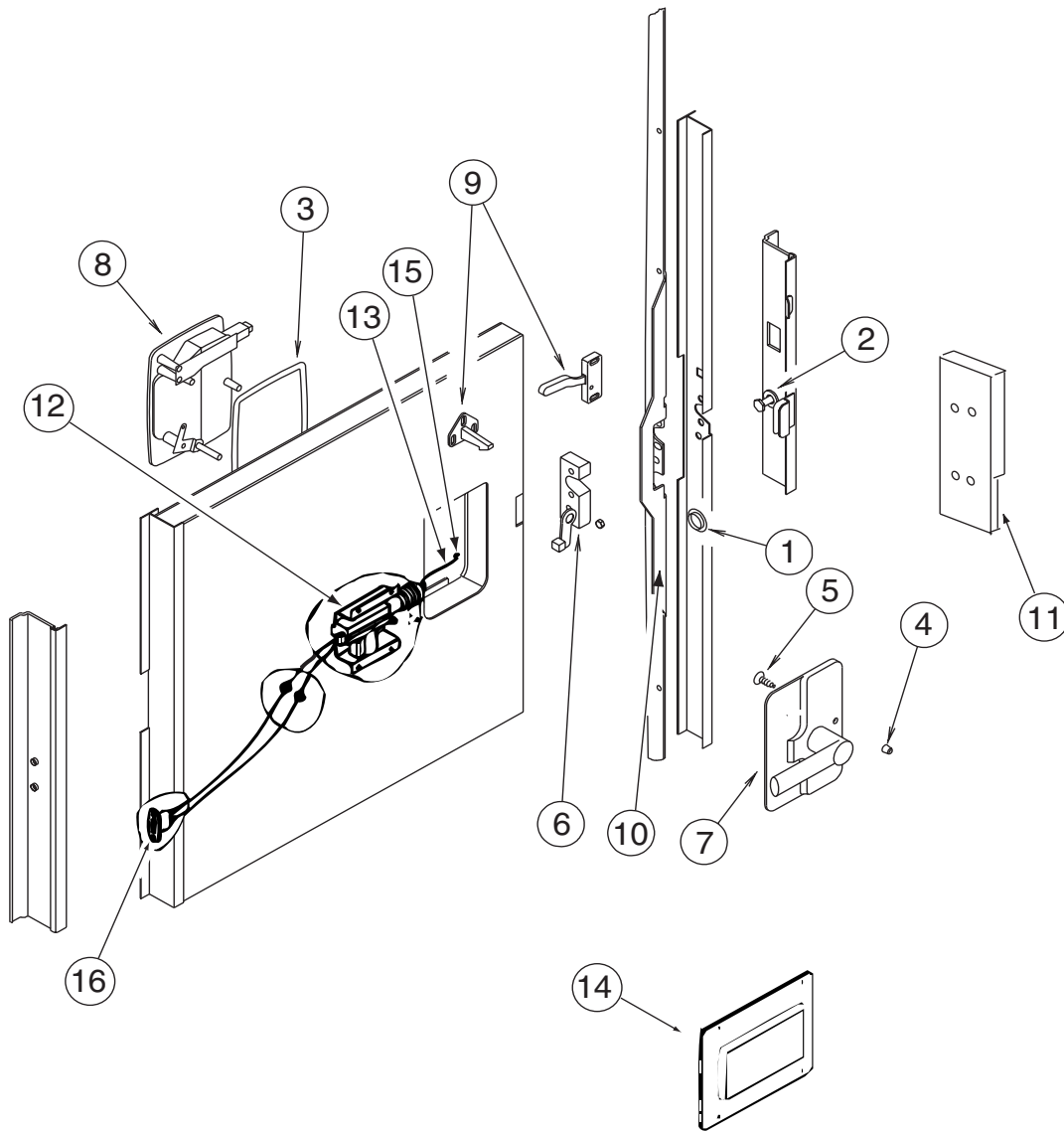
**EXTERIOR DOORS & COMPARTMENTS GROUP (CONTINUED)**  
**SCREEN**



| KEY | PART NUMBER   | U/M | DESCRIPTION  |
|-----|---------------|-----|--|
|     | 132208-04-L07 | EA  | DOOR - SCREEN - W/O HARDWARE                         |
| 1   | 002293-02-000 | SF  | SCREEN - 26" - CHARCOAL                              |
| 2   | 002294-01-000 | FT  | SPLINE - SCREENING - .13" X .14"                     |
| 3   | 016454-21-000 | EA  | INSERT - SCREEN DOOR - CENTER                        |
| 4   | 078552-03-000 | EA  | KICK PANEL - SCREEN DOOR - LOWER INSERT - UNPAINTED  |
| 5   | 078595-01-000 | EA  | TOP PLATE - SCREEN DOOR - CURVED TOP - 4.7" X 25.35" |
| 6   | 078777-08-000 | FT  | CHANNEL - SLIDER                                     |
| 7   | 120863-06-000 | EA  | BUMPER - RUBBER - 3/4" X 3/8"                        |
| 8   | 132081-01-01A | EA  | STRIKE - SLIDER - SCREEN DOOR - BRIGHT WHITE         |
| 9   | 132082-01-01A | EA  | SLIDER - SCREEN DOOR - BRIGHT WHITE                  |

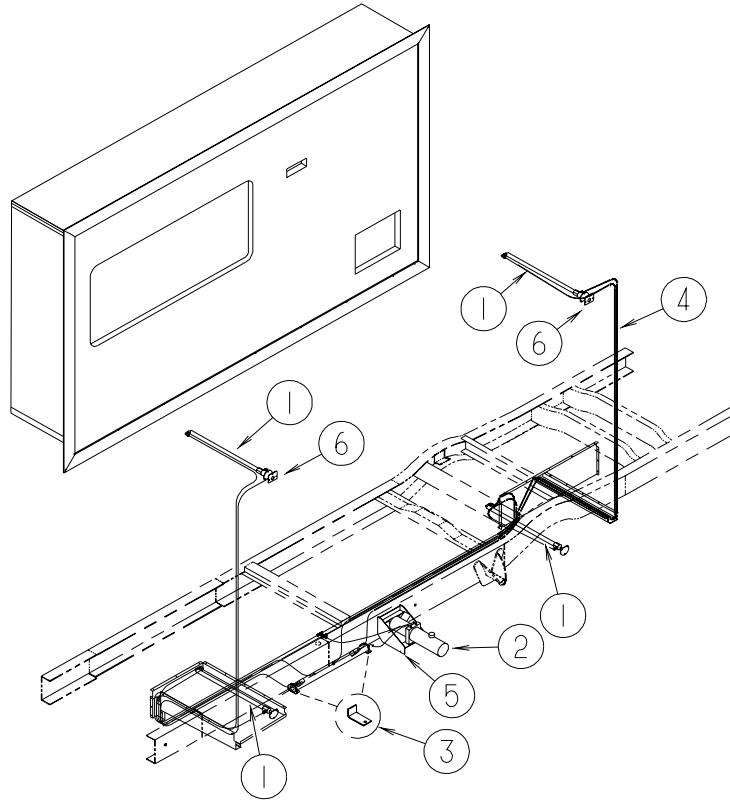
# EXTERIOR DOORS & COMPARTMENTS GROUP (CONTINUED)

## LATCH - ENTRY



| KEY | PART NUMBER   | U/M | DESCRIPTION  |
|-----|---------------|-----|--|
| 1   | 061420-14-000 | EA  | PLUG/PLASTIC - .034" DIAMETER  |
| 2   | 092927-14-000 | EA  | STRIKER - ROUND - JAMB MOUNTED   |
| 3   | 112782-04-01A | EA  | GASKET   |
| 4   | 112782-05-01A | EA  | CAP - VINYL - RED  |
| 5   | 112782-08-01A | EA  | SCREW - MOUNTING/PLATE - ZINC  |
| 6   | 112782-15-01A | EA  | LATCH - SINGLE ROTOR   |
| 7   | 112782-16-01A | EA  | LATCH - INTERIOR PLATE   |
| 8   | 112782-17-01A | EA  | LATCH - EXTERIOR - W/O CYLINDER - W/ICON   |
| 8   | 112782-18-01A | EA  | LATCH - EXTERIOR - W/O LOCK CYLINDER W/ICON-REVERSIBLE KEY<br>FROM: 00-00-00 THRU: 04-30-01<br>FROM: 05-01-01 THRU: 99-99-99 |
| 9   | 132915-01-01A | EA  | LATCH - SCREEN DOOR  |
| 10  | 132207-01-02B | EA  | STIFFENER/DOOR - FORMED - E-COATED   |
|     | 072893-04-000 | EA  | NUTSERT - 10-32  |
| 11  | 139102-01-01A | EA  | COVER - BRACKET - STRIKE - BRIGHT WHITE  |
| 12  | 113650-02-02B | EA  | BRACKET - ACTUATOR - ELECTRIC - E-COATED   |
|     | 138898-01-000 | EA  | ACTUATOR/LOCK - ELECTRI  |
| 13  | 113651-01-01A | EA  | ROD - CONTROL - MOTOR/LOCK   |
| 14  | 113960-01-01A | EA  | COVER - ACTUATOR - POWER LOCK  |
| 15  | 114209-01-01A | EA  | PUSHNUT - CAP - 1/8" - WHITE   |
| 16  | 138897-01-000 | EA  | CONTACT/PIN - 2 POSITION/KIT   |

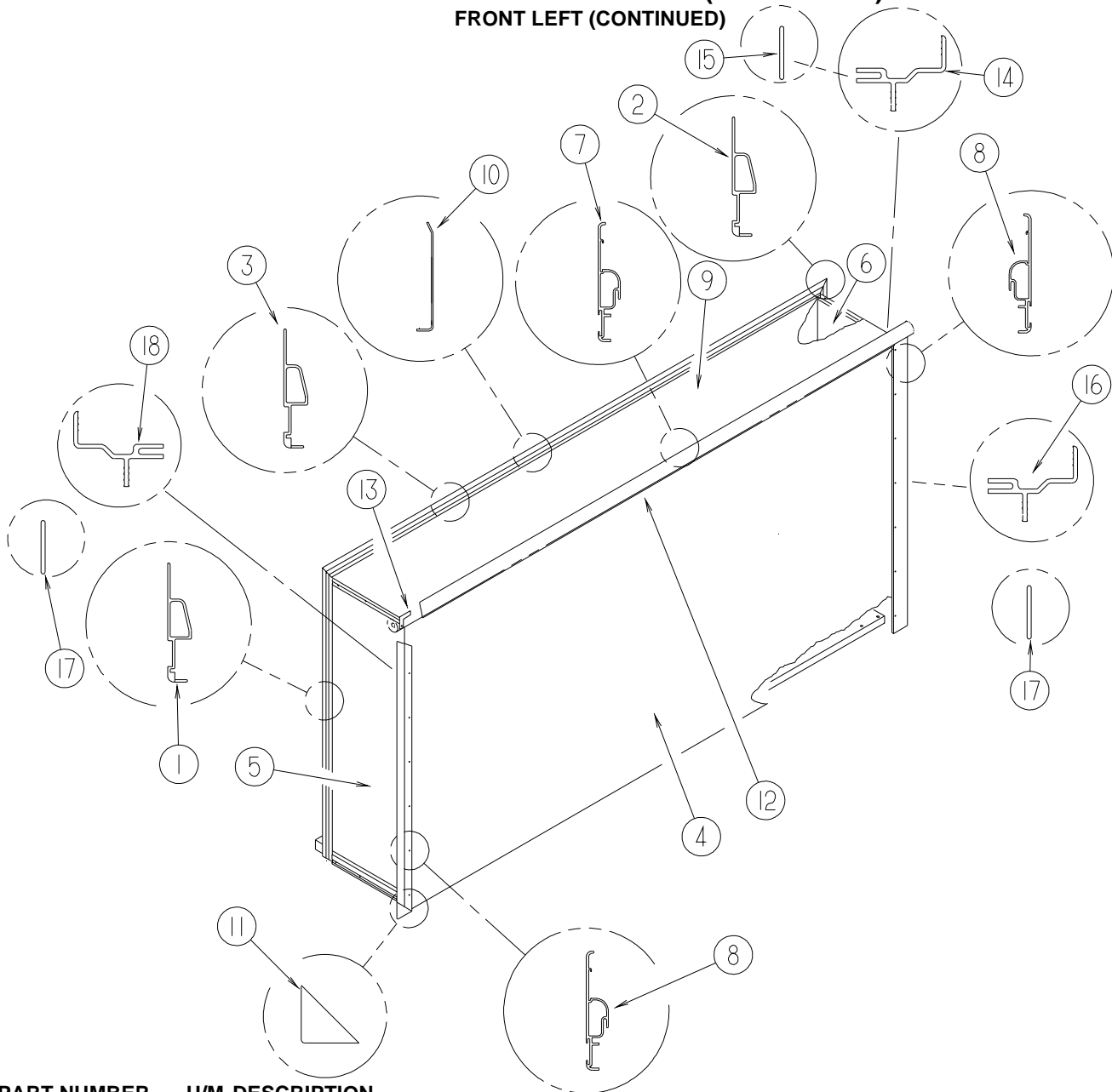
# EXTERIOR SLIDEOUT GROUP FRONT LEFT



| KEY | PART NUMBER   | U/M | DESCRIPTION                             |
|-----|---------------|-----|---|
| 1*  | 138992-01-000 | EA  | SLIDEOUT-HYD,4CYL                       |
| 2*  | 138993-01-000 | EA  | SLIDEOUT-PUMP,CONTROL                   |
| 3   | 122922-03-02B | EA  | BRACKET/SUPPORT - CYLINDER -(QTY 2)     |
| 4*  | 130606-02-000 | EA  | HOSE KIT - HYDRAULIC                    |
| 5   | 107938-08-000 | EA  | BRACKET - PUMP                          |
| 6   | 131014-01-01A | EA  | BEZEL - SLIDEOUT - UPPER - BRIGHT WHITE |

**\*COMPONENT PARTS LISTED LATER IN THIS GROUP**

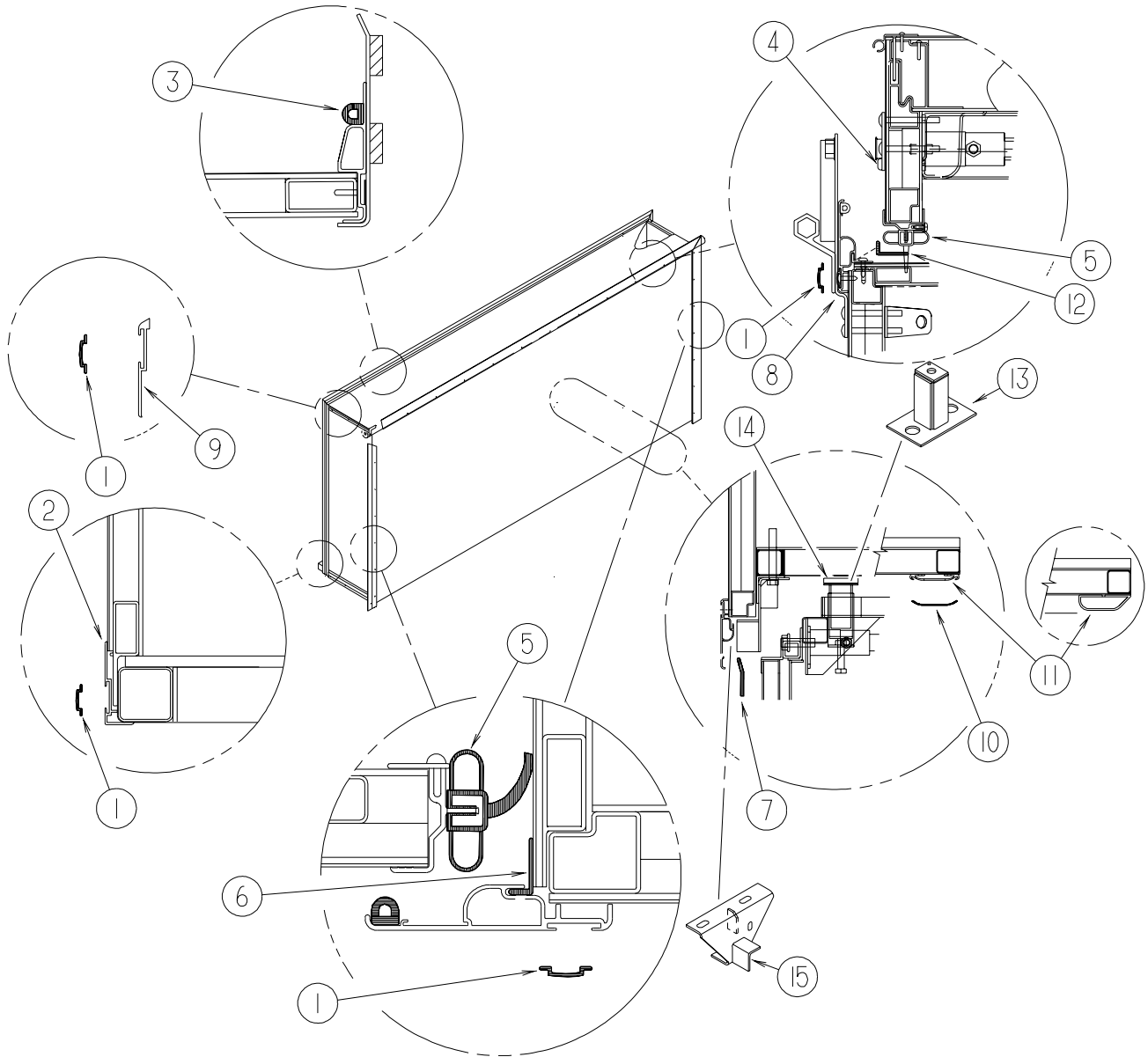
**EXTERIOR SLIDEOUT GROUP (CONTINUED)**  
**FRONT LEFT (CONTINUED)**



| KEY | PART NUMBER   | U/M | DESCRIPTION  |
|-----|---------------|-----|--|
| 1   | 117004-01-03A | EA  | TRIM - SEAL/INNER/RT HAND-W/MITERED END - 73.5" - BRT/WHT<br>FROM: 00-00-00 THRU: 05-05-02 |
| 1   | 139624-01-01A | EA  | TRIM/SEAL - INNER/RIGHT HAND - 73.4" - BRIGHT WHITE<br>FROM: 05-06-02 THRU: 99-99-99       |
| 2   | 117004-02-03A | EA  | TRIM - SEAL/INNER/LT HAND-W/MITERED END - 73.5" - BRT/WHT<br>FROM: 00-00-00 THRU: 05-05-02 |
| 2   | 139624-02-01A | EA  | TRIM/SEAL - INNER/LEFT HAND - 73.4" - BRIGHT WHITE<br>FROM: 05-06-02 THRU: 99-99-99        |
| 3   | 117004-10-01A | EA  | TRIM - SEAL/INNER/UPPER-W/MITERED ENDS - 132.7" BRT WHITE<br>FROM: 00-00-00 THRU: 05-05-02 |
| 3   | 139624-12-01A | EA  | TRIM/SEAL - INNER/TOP - 132.8" - BRIGHT WHITE<br>FROM: 05-06-02 THRU: 99-99-99             |
| 4   | 138221-11-N09 | EA  | SLUG - SLIDEOUT (N15, N16)   |
| 4   | 138221-11-N11 | EA  | SLUG - SLIDEOUT (N17, N18)   |
| 5   | 121401-01-N09 | EA  | PANEL - SLIDEOUT/FRONT (N15, N16)  |
| 5   | 121401-01-M01 | EA  | PANEL - SLIDEOUT/FRONT (N17, N18)  |
| 6   | 121402-05-N09 | EA  | PANEL - SLIDEOUT/REAR (N15, N16)   |
| 6   | 121402-05-M09 | EA  | PANEL - SLIDEOUT/REAR (N17, N18)   |
| 7   | 133955-16-01A | EA  | TRIM/SEAL - W/MITERED ENDS - 134.6" - BRIGHT WHITE   |
| 8   | 133955-18-01A | EA  | TRIM/SEAL - W/MITERED ENDS - 79.4" - BRIGHT WHITE  |
| 9   | 130786-01-M07 | EA  | ROOF - W/O LIGHTS/VENTS - W/WIRING - F/SLIDEOUT  |
| 10  | 125466-06-02A | EA  | SUPPORT - ROOF/INTERIOR - BRIGHT WHITE   |

## EXTERIOR SLIDEOUT GROUP (CONTINUED) FRONT LEFT (CONTINUED)

| KEY | PART NUMBER   | U/M | DESCRIPTION   |
|-----|---------------|-----|---|
| 11  | 135275-01-01A | EA  | PROTECTOR - CORNER - SLIDEOUT - WHITE                       |
| 12  | 122977-08-03A | EA  | AWNING/SLIDEOUT W/COVER - 134.4" - WHITE - VINYL/VINYL WRAP |
| 13  | 116444-04-12B | EA  | TRIM/KEY CORNER - SLIDEOUT - 3.1"X3.1" - BRT WHT            |
| 14  | 115863-24-01A | EA  | TRIM - SIDEWALL/SLIDEOUT - TOP - 133.7" - BRIGHT WHITE      |
| 15  | 115886-10-01A | EA  | RETAINER - SIDEWALL - BRIGHT WHITE - 133.8"                 |
| 16  | 115863-25-01A | EA  | TRIM - SIDEWALL/SLIDEOUT - LEFT HAND - 76.8" - BRT WHT      |
| 17  | 115886-02-03A | EA  | RETAINER - SIDEWALL - BRIGHT WHITE - 73.5"                  |
| 18  | 115863-26-01A | EA  | TRIM - SIDEWALL/SLIDEOUT - RIGHT HAND - 76.8" - BRT WHT     |



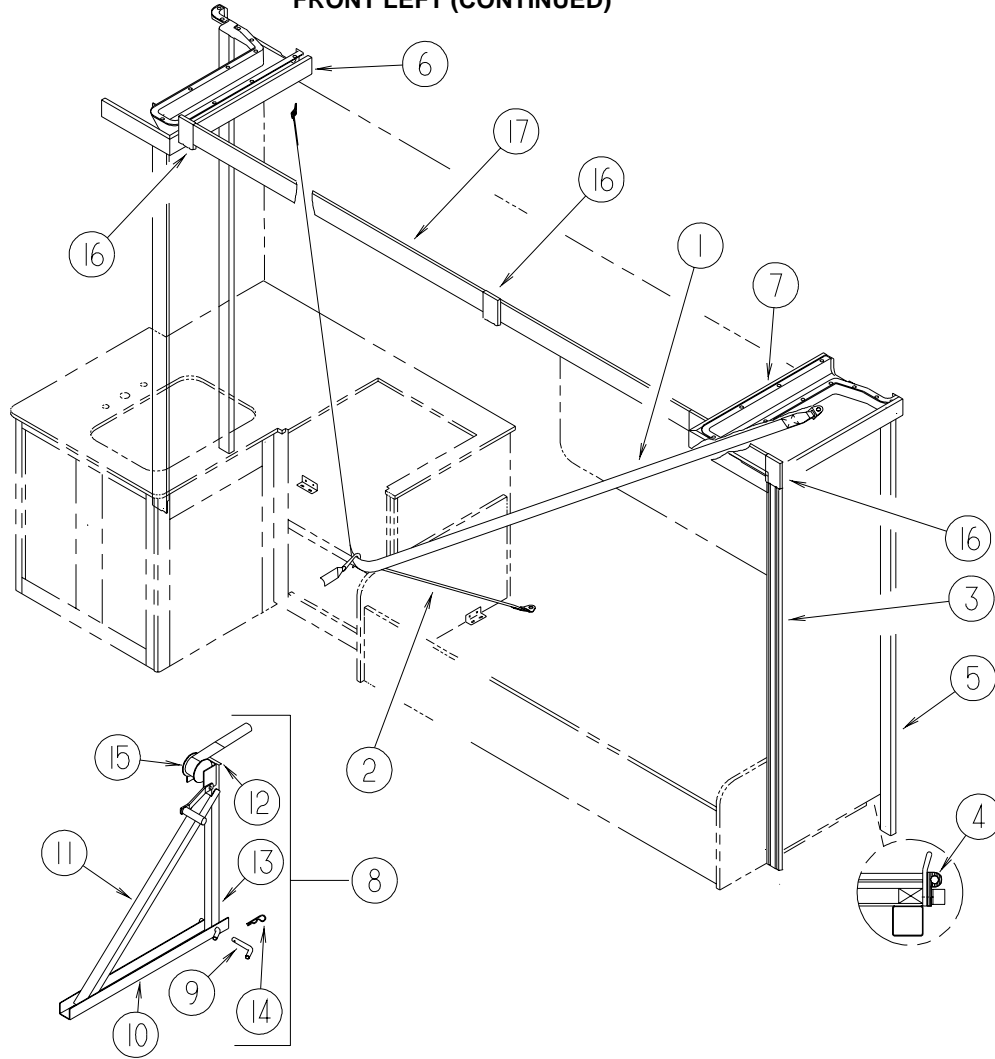
| KEY | PART NUMBER   | U/M | DESCRIPTION                                       |
|-----|---------------|-----|---|
| 1   | 105312-01-07A | FT  | INSERT - FEATURE STRIP - VINYL - BRIGHT WHITE     |
| 2   | 125051-01-01A | EA  | STRIP - FEATURE - LOWER - 20.2" - BRIGHT WHITE    |
|     | 075673-05-000 | FT  | SEAL - PILE - ADHESIVE BACK - BLACK               |
| 3   | 112091-01-000 | FT  | SEAL/D - NEOPRENE - HEAT ACTIVE ADHESIVE - .9"    |
| 4   | 069726-02-000 | EA  | BUMPER - .88" OD X .40" THICK - BLACK             |
| 5   | 115076-01-000 | FT  | SEAL - SLIDEOUT                                   |
| 6   | 133954-09-01A | EA  | TRIM/SEAL - W/MITERED ENDS - 71.6" - BRIGHT WHITE |

**EXTERIOR SLIDEOUT GROUP (CONTINUED)**  
**FRONT LEFT (CONTINUED)**

| KEY | PART NUMBER   | U/M | DESCRIPTION   |
|-----|---------------|-----|---|
| 7   | 089275-02-000 | FT  | STRIP - 3/4" X 84" BLACK POLYETHYLENE   |
| 7   | 115075-02-000 | FT  | SEAL - WIPE - .25" X 2.9"   |
|     |               |     | FROM: 00-00-00 THRU: 12-02-01   |
| 7   | 115075-03-000 | FT  | SEAL - WIPE - .25" X 2.9"   |
|     |               |     | FROM: 12-03-01 THRU: 99-99-99   |
| 8   | 131007-01-12B | EA  | BRACKET - SLIDEOUT/RIGHT HAND - BRIGHT WHITE  |
|     | 131007-02-12B | EA  | BRACKET - SLIDEOUT/LEFT HAND - BRIGHT WHITE   |
| 9   | 138659-01-01A | EA  | TRIM/FEATURE STRIP - 181.7" - BRIGHT WHITE  |
| 10  | 115661-01-000 | FT  | SHOE/GLIDE - SLIDEOUT ROOM - 1/16" X 3" - POLYETHYLENE                              |
| 11  | 134756-03-M30 | EA  | RAMP - FABRIC COVERED - SLIDEOUT - 15.7" - <a href="#">USE IN VINYL FLOOR AREA</a>  |
| 11  | 115325-07-01A | EA  | RAIL - FLOOR/SLIDEOUT ROOM - BLACK - <a href="#">1130 MM - USE IN CARPETED AREA</a> |
| 11  | 115325-08-01A | EA  | RAIL - FLOOR/SLIDEOUT ROOM - BLACK - <a href="#">305 MM - USE IN CARPETED AREA</a>  |
| 12  | 133954-14-01A | EA  | TRIM/SEAL - W/MITERED ENDS - 129.3" - BRIGHT WHITE                                  |
| 13  | 126313-02-02B | EA  | SUPPORT - ROLLER - E-COATED   |
|     |               |     | FROM: 00-00-00 THRU: 12-02-01   |
| 13  | 126313-09-02B | EA  | SUPPORT - ROLLER - E-COATED   |
|     |               |     | FROM: 12-03-01 THRU: 99-99-99   |
| 14  | 128599-03-000 | EA  | PAD - F/SLIDEOUT  |
| 15  | 130792-01-02B | EA  | BRACKET - MOUNT - SLIDEOUT/RIGHT HAND - E-COATED                                    |
|     | 130792-02-02B | EA  | BRACKET - MOUNT - SLIDEOUT/LEFT HAND - E-COATED                                     |



**EXTERIOR SLIDEOUT GROUP (CONTINUED)**  
**FRONT LEFT (CONTINUED)**



| KEY | PART NUMBER   | U/M | DESCRIPTION   |
|-----|---------------|-----|---|
| 1   | 116101-05-K19 | EA  | STRAP - WINCH - 151.1" CENTER/CENTER BRACKET                          |
| 2   | 116101-06-K19 | EA  | STRAP - WINCH - 53" CENTER BRACKET/STRAP END                          |
| 3   | 132663-04-03A | EA  | MOLDING-VINYL WRAP/PRE DRILLED-.6"X 3"X70.4" - WASHED MAPLE           |
| 3   | 132663-04-05A | EA  | MOLDING-PAPER WRAP/PRE DRILLED-.6"X3"X70.4" - CHERRY - SALEM CHERRY   |
|     |               |     | FROM: 00-00-00 THRU: 01-01-02   |
| 3   | 132663-04-07A | EA  | MOLDING-PAPER WRAP/PRE DRILLED-.6"X3"X70.4" - CHERRY - SALEM CHERRY   |
|     |               |     | FROM: 01-02-02 THRU: 99-99-99   |
| 4   | 121283-01-000 | FT  | SEAL - P SHAPED   |
| 5   | 024700-68-000 | EA  | COVER - SIDEWALL ROLL BAR - SOFT WHITE                                |
| 6   | 131110-01-K09 | EA  | COVER - RAM/REAR (N15, N17)   |
| 6   | 131110-01-K13 | EA  | COVER - RAM/REAR (N16, N18)   |
| 7   | 131111-01-K09 | EA  | COVER - RAM/FRONT (N15, N17)  |
| 7   | 131111-01-K13 | EA  | COVER - RAM/FRONT (N16, N18)  |
| 8   | 131720-01-K19 | EA  | WINCH - F/SLIDEOUT  |
| 9   | 034512-01-000 | EA  | PIN - LOCKING - DRAWBAR   |
| 10  | 131717-01-02B | EA  | CHANNEL - WINCH MOUNT - 33.4" - E-COATED                              |
| 11  | 131718-01-02B | EA  | CHANNEL - WINCH MOUNT - E-COATED                                      |
| 12  | 131773-01-02B | EA  | BRACKET - WINCH MOUNT - E-COATED                                      |
| 13  | 136511-01-02B | EA  | CHANNEL - WINCH - MOUNT - E-COATED                                    |
| 14  | 034513-01-000 | EA  | PIN - HITCH - 3/16" WIRE  |
| 15  | 115767-02-000 | EA  | WINCH - SLIDEOUT W/10' STRAP  |
| 16  | 132844-02-03A | EA  | BLOCK - CORNER - 3.5" X 3.5" - WASHED MAPLE                           |
| 16  | 132844-02-02A | EA  | BLOCK - CORNER - 3.5" X 3.5" - SALEM CHERRY                           |
| 17  | 132663-08-03A | EA  | MOLDING-VINYL WRAP/PRE DRILLED-.6"X3.4"X57.9" - WASHED MAPLE          |
| 17  | 132663-08-05A | EA  | MOLDING-PAPER WRAP/PRE DRILLED-.6"X3.4"X57.9" - CHERRY - SALEM CHERRY |
|     |               |     | FROM: 00-00-00 THRU: 01-01-02   |
| 17  | 132663-08-07A | EA  | MOLDING-VINYL WRAP/PRE DRILLED-.6"X3.4"X57.9" - CHERRY - SALEM CHERRY |
|     |               |     | FROM: 01-02-02 THRU: 99-99-99   |

**EXTERIOR SLIDEOUT GROUP (CONTINUED)**  
**COMPONENT PARTS FOR FRONT SLIDEOUT**

**130606-02-000**

| <b>KEY</b> | <b>PART NUMBER</b> | <b>U/M</b> | <b>DESCRIPTION</b>          | <b>VENDOR NO</b> |
|------------|--------------------|------------|-----------------------------|------------------|
|            | 130606-02-700      | EA         | HOSE-HYDRAULIC-1/8" X 108"  | AP12252          |
|            | 130606-02-701      | EA         | HOSE-HYDRAULIC-1/8" X 240"  | AP17750          |
|            | 130606-02-702      | EA         | HOSE-HYDRAULIC-3/16" X 211" | AP18015          |
|            | 130606-02-703      | EA         | HOSE-HYDRAULIC-3/16" X 132" | AP18896          |
|            | 130606-02-704      | EA         | HOSE-HYDRAULIC-1/4" X 32"   | RAP90110/AP2522  |

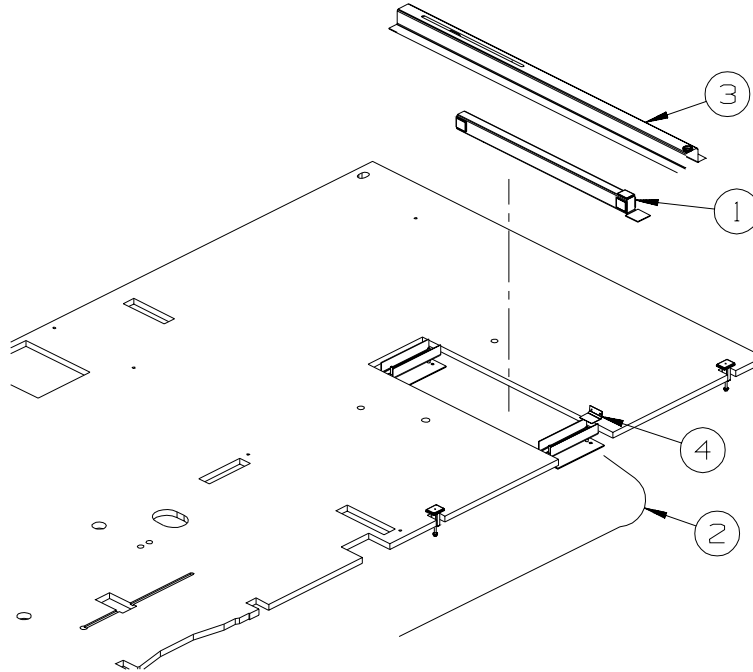
**138992-01-000**

| <b>KEY</b> | <b>PART NUMBER</b> | <b>U/M</b> | <b>DESCRIPTION</b>          | <b>VENDOR NO.</b> |
|------------|--------------------|------------|-----------------------------|-------------------|
|            | 130606-01-700      | EA         | CYLINDER - LOWER SLIDE      | RAP90650/AP17852  |
|            | 130606-01-702      | EA         | CYLINDER - FRONT/UPPER      | RAP90647/AP17851  |
|            | 130606-01-703      | EA         | CYLINDER - REAR/UPPER       | RAP90648/AP17400  |
|            | 131644-01-701      | EA         | SWITCH/PRESSURE - SYNC CYL  | RAP90787/AP22718  |
|            | 138992-01-700      | EA         | CYLINDER/SYNCR0 - SLIDEOUT  | RAP90875/AP25558  |
|            | 138992-01-701      | EA         | VALVE/PRESSURE- SLIDEOUT RM | RAP90652/AP15168  |

**138993-01-000**

| <b>KEY</b> | <b>PART NUMBER</b> | <b>U/M</b> | <b>DESCRIPTION</b>                    | <b>VENDOR NO.</b>         |
|------------|--------------------|------------|---------------------------------------|---------------------------|
|            | 100532-01-713      | EA         | PUMP/MOTOR/TANK - MONARCH             | RAP90014/AP2260 & AP21255 |
|            | 100532-03-715      | EA         | CAP-BREATH0R W/DIPSTICK               | RAP7876                   |
|            | 100532-03-723      | EA         | O-RING/SEAL KIT                       | RAP9171                   |
|            | 100532-09-710      | EA         | SOLENOID-INTERMITENT DUTY             | RAP0533                   |
|            | 131306-12-702      | EA         | VALVE - PRESSURE SOLENOID - 3.3"X1.6" | RAP90729/AP24604          |
|            | 131306-26-700      | EA         | MANIFOLD ASM. - 2 ROOM                | RAP90870/AP20550          |
|            | 138993-01-700      | EA         | RELAY - CONTROLLER MOTOR              | R90887                    |

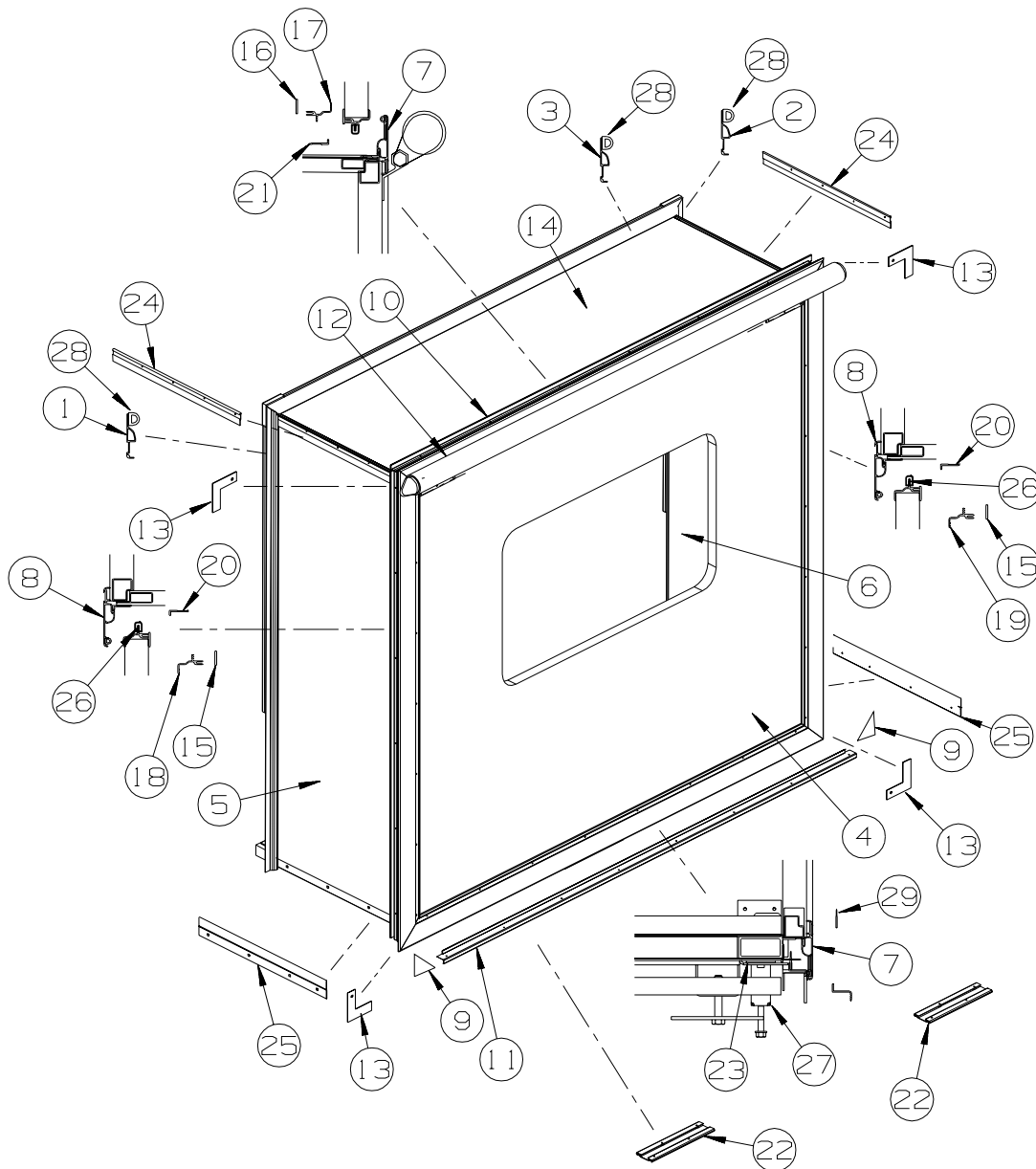
**EXTERIOR SLIDEOUT GROUP (CONTINUED)**  
**REAR LEFT**



| <b>KEY</b> | <b>PART NUMBER</b> | <b>U/M</b> | <b>DESCRIPTION</b>                            |                               |
|------------|--------------------|------------|---|-------------------------------|
| 1*         | 128599-04-000      | EA         | CYLINDER/HYDRAULIC - F/SLIDEOUT               |                               |
| 2*         | 100536-35-000      | EA         | HOSE KIT - SLIDEOUT                           |                               |
|            |                    |            |   | FROM: 00-00-00 THRU: 07-31-01 |
| 2*         | 100536-42-000      | EA         | HOSE KIT - PUMP TO SLIDE-OUT VALVE            |                               |
|            |                    |            |   | FROM: 08-01-01 THRU: 99-99-99 |
| 3*         | 128599-02-000      | EA         | CHANNEL - F/SLIDEOUT                          |                               |
| 4          | 139953-01-02B      | EA         | ANGLE - REINFORCEMENT - F/SLIDEOUT - E-COATED |                               |

**\*COMPONENT PARTS LISTED LATER IN THIS GROUP**

**EXTERIOR SLIDEOUT GROUP (CONTINUED)**  
**REAR LEFT (CONTINUED)**

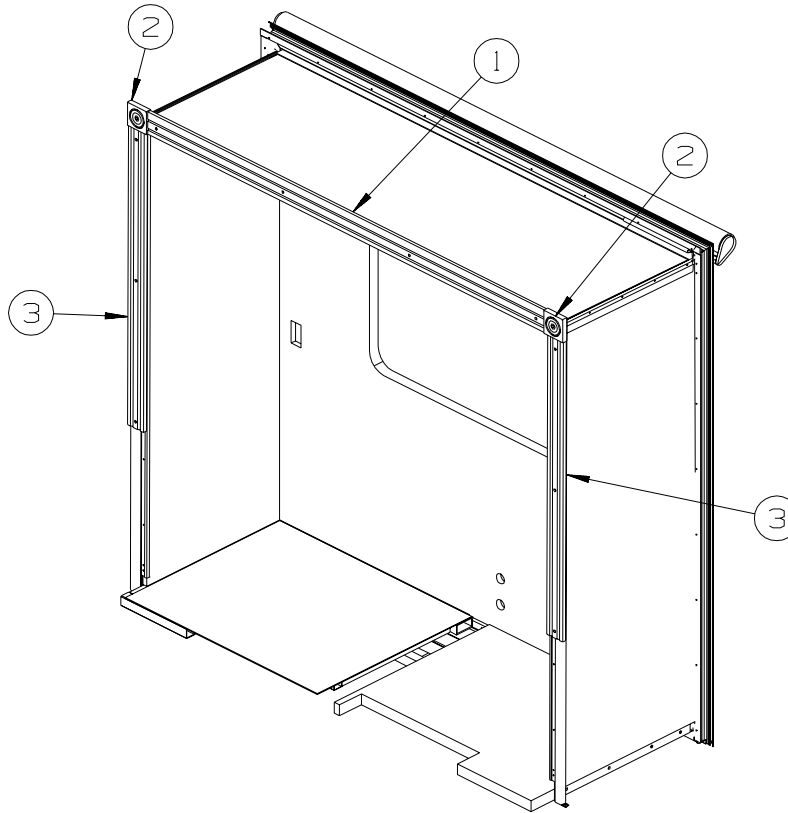


| KEY | PART NUMBER   | U/M | DESCRIPTION   |
|-----|---------------|-----|---|
| 1   | 117004-06-03A | EA  | TRIM - SEAL/INNER/LEFT - W/MITERED END/NOTCH- 73.4" BRT/WT<br>FROM: 00-00-00 THRU: 05-05-02 |
| 1   | 139624-10-01A | EA  | TRIM/SEAL - INNER/RIGHT HAND - 73.4" - BRIGHT WHITE<br>FROM: 05-06-02 THRU: 99-99-99        |
| 2   | 117004-07-03A | EA  | TRIM - SEAL/INNER/RIGHT- W/MITERED END/NOTCH- 73.4" BRT/WT<br>FROM: 00-00-00 THRU: 05-05-02 |
| 2   | 139624-11-01A | EA  | TRIM/SEAL - INNER/LEFT HAND - 73.4" - BRIGHT WHITE<br>FROM: 05-06-02 THRU: 99-99-99         |
| 3   | 117004-16-01A | EA  | TRIM - SEAL/INNER/UPPER-W/MITERED ENDS-80.2"-BRIGHT WHITE<br>FROM: 00-00-00 THRU: 05-05-02  |
| 3   | 139624-04-01A | EA  | TRIM/SEAL - INNER/TOP - 80.2" - BRIGHT WHITE<br>FROM: 05-06-02 THRU: 99-99-99               |
| 4   | 138221-12-N09 | EA  | SLUG - SLIDEOUT (N15, N16)  |
| 4   | 138221-12-N11 | EA  | SLUG - SLIDEOUT (N17, N18)  |
| 5   | 140270-01-N09 | EA  | PANEL/WALL - SLIDEOUT - FRONT (N15, N16)  |
| 5   | 140270-01-N11 | EA  | PANEL/WALL - SLIDEOUT - FRONT (N17, N18)  |
| 6   | 140269-01-N09 | EA  | PANEL/WALL - SLIDEOUT - REAR (N15, N16)   |
| 6   | 140269-01-N11 | EA  | PANEL/WALL - SLIDEOUT - REAR (N17, N18)   |
| 7   | 133955-22-01A | EA  | TRIM/SEAL - W/MITERED ENDS - 81.8" - BRIGHT WHITE   |
|     | 105312-01-07A | FT  | INSERT - FEATURE STRIP - VINYL - BRIGHT WHITE   |
| 8   | 133955-05-01A | EA  | TRIM/SEAL - W/MITERED ENDS - 75.6" - BRIGHT WHITE   |
|     | 105312-01-07A | FT  | INSERT - FEATURE STRIP - VINYL - BRIGHT WHITE   |

**EXTERIOR SLIDEOUT GROUP (CONTINUED)**  
**REAR LEFT (CONTINUED)**

| <b>KEY</b> | <b>PART NUMBER</b> | <b>U/M</b> | <b>DESCRIPTION</b>   |
|------------|--------------------|------------|--|
| 9          | 135275-01-01A      | EA         | PROTECTOR - CORNER - SLIDEOUT - WHITE                      |
| 10         | 117058-01-01A      | FT         | TAPE - LOOP - 3/4" WIDE - ADHESIVE BACKED                  |
| 11         | 124303-04-02A      | EA         | TRIM - SIDEWALL - Z - 79.5" - BRIGHT WHITE                 |
| 12         | 122977-12-03A      | EA         | AWNING/SLIDEOUT W/COVER - 81.8" - WHITE - VINYL/VINYL WRAP |
| 13         | 116444-04-12B      | EA         | TRIM/KEY CORNER - SLIDEOUT - 3.1"X3.1" - BRT WHT           |
| 14         | 136557-01-M07      | EA         | ROOF/SLIDEOUT  |
| 15         | 115886-02-03A      | EA         | RETAINER - SIDEWALL - BRIGHT WHITE - 73.5"                 |
| 16         | 115886-12-02A      | EA         | RETAINER - SIDEWALL - BRIGHT WHITE - 81"                   |
| 17         | 115863-32-01A      | EA         | TRIM - SIDEWALL/SLIDEOUT - TOP - 81" - BRIGHT WHITE        |
| 18         | 115863-22-01A      | EA         | TRIM - SIDEWALL/SLIDEOUT - LEFT HAND - 75.6" - BRT WHT     |
| 19         | 115863-23-01A      | EA         | TRIM - SIDEWALL/SLIDEOUT - RIGHT HAND - 75.6" - BRT WHT    |
| 20         | 133954-05-01A      | EA         | TRIM/SEAL - W/MITERED ENDS - 67.9" - BRIGHT WHITE          |
|            |                    |            | FROM: 00-00-00 THRU: 12-09-01                              |
| 20         | 133954-23-01A      | EA         | TRIM/SEAL - W/MITERED ENDS - 68.7" - BRIGHT WHITE          |
|            |                    |            | FROM: 12-10-01 THRU: 99-99-99                              |
| 21         | 133954-18-01A      | EA         | TRIM/SEAL - W/MITERED ENDS - 76.5" - BRIGHT WHITE          |
| 22         | 115325-08-01A      | EA         | RAIL - FLOOR/SLIDEOUT ROOM - BLACK                         |
| 23         | 128599-03-000      | EA         | PAD - F/SLIDEOUT   |
| 24         | 138659-01-01A      | EA         | TRIM/FEATURE STRIP - 181.7" - BRIGHT WHITE                 |
|            | 105312-01-07A      | FT         | INSERT - FEATURE STRIP - VINYL - BRIGHT WHITE              |
| 25         | 125051-02-01A      | EA         | TRIM - LOWER FEATURE - BRIGHT WHITE                        |
|            | 105312-01-07A      | FT         | INSERT - FEATURE STRIP - VINYL - BRIGHT WHITE              |
|            | 075673-05-000      | FT         | SEAL - PILE - ADHESIVE BACK - BLACK                        |
| 26         | 115076-01-000      | FT         | SEAL - SLIDEOUT  |
| 27         | 126313-02-02B      | EA         | SUPPORT - ROLLER - E-COATED                                |
| 28         | 112091-01-000      | FT         | SEAL/D - NEOPRENE - HEAT ACTIVE ADHESIVE - .9"             |
| 29         | 123012-01-000      | FT         | SEAL - SLIDEOUT - .09"/.13" THICK X 1.25" - W/ADHESIVE     |

**EXTERIOR SLIDEOUT GROUP (CONTINUED)**  
**REAR LEFT (CONTINUED)**



| KEY | PART NUMBER   | U/M | DESCRIPTION  |
|-----|---------------|-----|--|
| 1   | 132663-18-03A | EA  | MOLDING-VINYL WRAP/PRE DRILLED-.5"X3.4"X73.2" - WASHED MAPLE   |
| 1   | 132663-18-05A | EA  | MOLDING-PAPER WRAP/PRE DRILLED-.6"X3.4"X73.1" - CHERRY - SALEM CHERRY<br>FROM: 00-00-00 THRU: 01-01-02 |
| 1   | 132663-18-07A | EA  | MOLDING-VINYL WRAP/PRE DRILLED-.6"X3.4"X73.1" - CHERRY - SALEM CHERRY<br>FROM: 01-02-02 THRU: 99-99-99 |
| 2   | 132844-02-03A | EA  | BLOCK - CORNER - 3.5" X 3.5" - WASHED MAPLE  |
| 2   | 132844-02-02A | EA  | BLOCK - CORNER - 3.5" X 3.5" - SALEM CHERRY  |
| 3   | 132663-17-03A | EA  | MOLDING-VINYL WRAP/PRE DRILLED-.6"X3"X45.5" - WASHED MAPLE   |
| 3   | 132663-17-05A | EA  | MOLDING-PAPER WRAP/PRE DRILLED-.6"X3"X45.5" - CHERRY - SALEM CHERRY<br>FROM: 00-00-00 THRU: 01-01-02   |
| 3   | 132663-17-07A | EA  | MOLDING-VINYL WRAP/PRE DRILLED-.6"X3"X45.5" - CHERRY - SALEM CHERRY<br>FROM: 01-02-02 THRU: 99-99-99   |

**EXTERIOR SLIDEOUT GROUP (CONTINUED)**  
**COMPONENT PARTS FOR REAR SLIDEOUT**

**100536-42-000**

| <b>KEY</b> | <b>PART NUMBER</b> | <b>U/M DESCRIPTION</b>     | <b>VENDOR NO.</b> |
|------------|--------------------|----------------------------|-------------------|
|            | 100536-42-700      | EA HOSE - HYDRAULIC - 168" | RAP6115           |
|            | 100536-42-701      | EA HOSE - HYDRAULIC - 175" | RAP90350          |

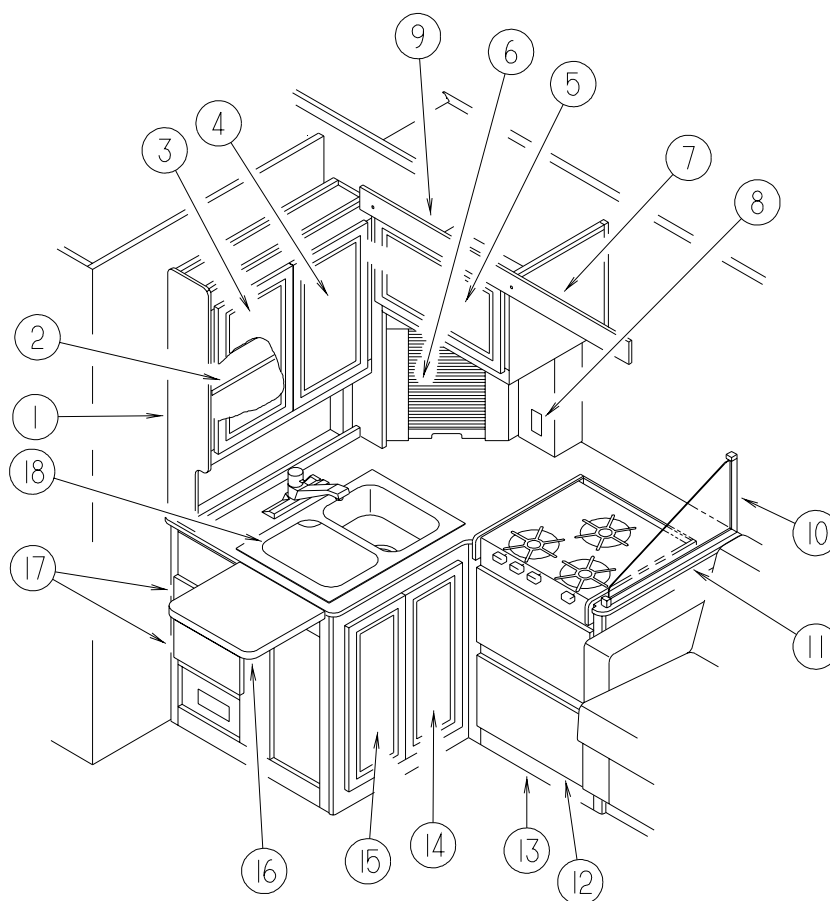
**128599-02-000**

| <b>KEY</b> | <b>PART NUMBER</b> | <b>U/M DESCRIPTION</b>          | <b>VENDOR NO.</b> |
|------------|--------------------|---------------------------------|-------------------|
|            | 128599-06-703      | EA BEARING KIT - SLIDE-OUT TUBE | RAP90698          |

**128599-04-000**

| <b>KEY</b> | <b>PART NUMBER</b> | <b>U/M DESCRIPTION</b>     | <b>VENDOR NO.</b> |
|------------|--------------------|----------------------------|-------------------|
|            | 128599-05-700      | EA RAM/CYLINDER - SLIDEOUT | RAP90688          |

## GALLEY GROUP CABINETS

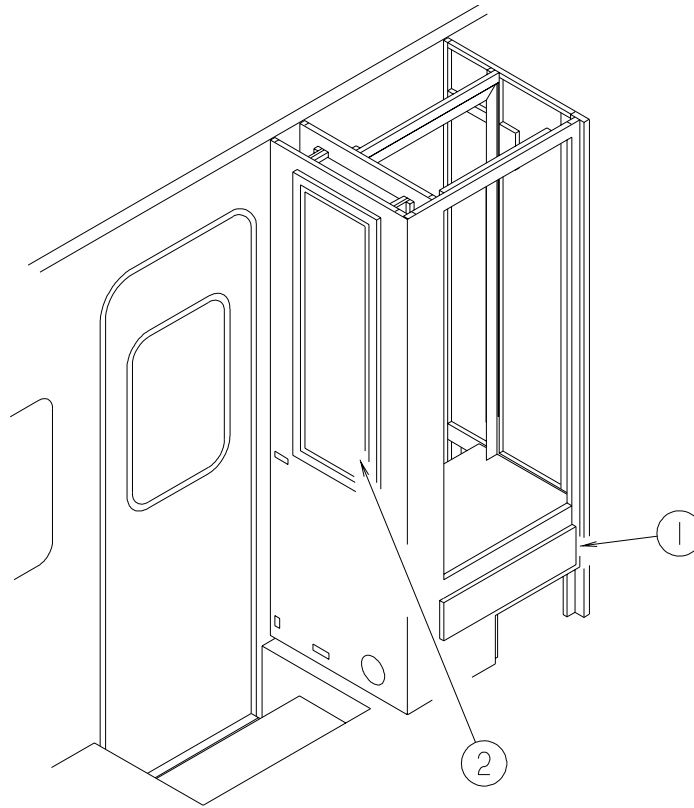


| KEY | PART NUMBER   | U/M | DESCRIPTION   |
|-----|---------------|-----|---|
| 1   | 131060-01-M15 | EA  | CABINET - HUTCH - W/O DOORS/DRAWERS/HARDWARE - WASHED MAPLE                                     |
| 1   | 131060-01-M08 | EA  | CABINET - HUTCH - W/O DOORS/DRAWERS/HARDWARE - SALEM CHERRY                                     |
| 2   | 131060-12-M15 | EA  | SHELF - W/PLASTIC EDGE MOLDING - WASHED MAPLE   |
| 2   | 131060-12-M08 | EA  | SHELF - W/PLASTIC EDGE MOLDING - SALEM CHERRY   |
| 3   | 135238-02-N15 | EA  | DOOR - RAIL/ARCHED TOP - 13.7" X 23.2" - W/O HARDWARE - WASHED MAPLE                            |
| 3   | 135238-02-N16 | EA  | DOOR - RAIL/ARCHED TOP - 13.7" X 23.2" - W/O HARDWARE - SALEM CHERRY                            |
| 4   | 135238-53-M15 | EA  | DOOR - RAIL/ARCHED TOP - 13.8" X 23.2" - W/O HARDWARE - WASHED MAPLE                            |
| 4   | 135238-53-M16 | EA  | DOOR - RAIL/ARCHED TOP - 13.8" X 23.2" - W/O HARDWARE - SALEM CHERRY                            |
| 5   | 135238-54-N15 | EA  | DOOR - RAIL/ARCHED TOP - 13.7" X 23.2" - W/O HARDWARE - WASHED MAPLE                            |
| 5   | 135238-54-M16 | EA  | DOOR - RAIL/ARCHED TOP - 13.7" X 23.2" - W/O HARDWARE - SALEM CHERRY                            |
| 6   | 130454-01-N15 | EA  | CABINET - STORAGE/APPLIANCES - W/TAMBOUR DOOR - WASHED MAPLE                                    |
| 6   | 130454-01-N10 | EA  | CABINET - STORAGE/APPLIANCES - W/TAMBOUR DOOR - SALEM CHERRY                                    |
| 7   | 138422-03-N15 | EA  | CABINET - MICROWAVE - W/O DOORS/HARDWARE - WASHED MAPLE   |
| 7   | 138422-03-N10 | EA  | CABINET - MICROWAVE - W/O DOORS/HARDWARE - SALEM CHERRY<br>FROM: 00-00-00 THRU: 10-21-01        |
| 8   | 131059-03-M15 | EA  | CABINET - MONITOR PANEL - W/O DOORS/HARDWARE - W/ELEC. WATER HEATER - WASHED MAPLE              |
| 8   | 131059-03-M08 | EA  | CABINET - MONITOR PANEL - W/O DOORS/HARDWARE - W/ELEC. WATER HEATER - SALEM CHERRY              |
| 8   | 131059-04-M15 | EA  | CABINET - MONITOR PANEL - W/ELEC./LP WATER HEATER - WASHED MAPLE                                |
| 8   | 131059-04-N10 | EA  | CABINET - MONITOR PANEL - W/ELEC./LP WATER HEATER - SALEM CHERRY                                |
| 9   | 137654-01-N15 | EA  | CABINET - OVERHEAD/GALLEY - W/O DOORS/HARDWARE - WASHED MAPLE                                   |
| 9   | 137654-01-N10 | EA  | CABINET - OVERHEAD/GALLEY - W/O DOORS/HARDWARE - SALEM CHERRY                                   |
| 10  | 126875-02-M15 | EA  | FRAME ONLY - F/SPLASHGUARD - WASHED MAPLE   |
| 10  | 126875-02-K13 | EA  | FRAME ONLY - F/SPLASHGUARD - SALEM CHERRY   |
| 10  | 127117-02-01A | EA  | GLASS - STATIONARY - SPLASHGUARD  |
| 11  | 132601-74-N15 | EA  | COUNTERTOP - LAMINATED - ALMOND JAGUAR/WASHED MAPLE (N15)                                       |
| 11  | 132601-74-N16 | EA  | COUNTERTOP - LAMINATED - ALMOND JAGUAR/CONCERT CHERRY (N16)                                     |
| 11  | 132601-74-N17 | EA  | COUNTERTOP - LAMINATED - NATURAL LEGACY/WASHED MAPLE (N17)                                      |
| 11  | 132601-74-N12 | EA  | COUNTERTOP - LAMINATED - NATURAL LEGACY/CONCERT CHERRY (N18)                                    |
| 11  | 132601-75-N15 | EA  | COUNTERTOP - LAMINATED - ALMOND JAGUAR/WASHED MAPLE (N15) - <a href="#">W/WATER PURIFIER</a>    |
| 11  | 132601-75-N16 | EA  | COUNTERTOP - LAMINATED - ALMOND JAGUAR/CONCERT CHERRY (N16) - <a href="#">W/WATER PURIFIER</a>  |
| 11  | 132601-75-N17 | EA  | COUNTERTOP - LAMINATED - NATURAL LEGACY/WASHED MAPLE (N17) - <a href="#">W/WATER PURIFIER</a>   |
| 11  | 132601-75-N12 | EA  | COUNTERTOP - LAMINATED - NATURAL LEGACY/CONCERT CHERRY (N18) - <a href="#">W/WATER PURIFIER</a> |



**GALLEY GROUP (CONTINUED)**  
**CABINETS (CONTINUED)**

| KEY | PART NUMBER   | U/M | DESCRIPTION   |
|-----|---------------|-----|---|
| 12  | P34767-07-M15 | EA  | DRAWER - PENCIL EDGE - 19.7"W X 15.7"D - W/O SLIDES/HDW - WASHED MAPLE  |
| 12  | P34767-07-M16 | EA  | DRAWER - PENCIL EDGE - 19.7"W X 15.7"D - W/O SLIDES/HDW - SALEM CHERRY  |
| 13  | 133404-03-N15 | EA  | CABINET - GALLEY - W/O COUNTERTOP/DOORS/DRAWERS/HARDWARE - WASHED MAPLE |
| 13  | 133404-03-N10 | EA  | CABINET - GALLEY - W/O COUNTERTOP/DOORS/DRAWERS/HARDWARE - SALEM CHERRY |
| 14  | 134783-04-M15 | EA  | DOOR - RAIL/SOLID PANEL - 10" X 25.1" - W/O HARDWARE - WASHED MAPLE     |
| 14  | 134783-04-M16 | EA  | DOOR - RAIL/SOLID PANEL - 10" X 25.1" - W/O HARDWARE - SALEM CHERRY     |
| 14  | 076767-04-000 | EA  | CABLE - STAINLESS STEEL - 5.9"  |
| 15  | 134783-06-M15 | EA  | DOOR - RAIL/SOLID PANEL - 10.1" X 25.1" - W/O HARDWARE - WASHED MAPLE   |
| 15  | 134783-06-M16 | EA  | DOOR - RAIL/SOLID PANEL - 10.1" X 25.1" - W/O HARDWARE - SALEM CHERRY   |
| 16  | 129503-04-L09 | EA  | EXTENSION - GALLEY - W/O HDW - ALMOND JAGUAR/WASHED MAPLE (N15)         |
| 16  | 129503-04-L14 | EA  | EXTENSION - GALLEY - W/O HDW-ALMOND JAGUAR/CONCERT CHERRY (N16)         |
| 16  | 129503-04-N17 | EA  | EXTENSION/GALLEY - LAMINATED - NATURAL LEGACY-W/O HARDWARE (N17)        |
| 16  | 129503-04-N12 | EA  | EXTENSION - GALLEY - W/O HDW-NATURAL LEGACY/CONCERT CHERRY (N18)        |
| 17  | P34767-62-M15 | EA  | DRAWER - PENCIL EDGE - 10.3" X 19.6"-W/O SLIDES/HARDWARE - WASHED MAPLE |
| 17  | P34767-62-M16 | EA  | DRAWER - PENCIL EDGE - 10.3" X 19.6"-W/O SLIDES/HARDWARE - SALEM CHERRY |
| 18  | 103610-04-N15 | EA  | COVER - SINK - 15.7" X 9.6" - ALMOND JAGUAR (N15,N16)                   |
| 18  | 103610-04-N11 | EA  | COVER - SINK - 15.7" X 9.6" - NATURAL LEGACY (N17,N18)                  |



| KEY | PART NUMBER   | U/M | DESCRIPTION   |
|-----|---------------|-----|---|
| 1   | P34767-60-M15 | EA  | DRAWER - PENCIL EDGE - 22.5" X 13.7"-W/O SLIDES/HARDWARE - WASHED MAPLE |
| 1   | P34767-60-M16 | EA  | DRAWER - PENCIL EDGE - 22.5" X 13.7"-W/O SLIDES/HARDWARE - SALEM CHERRY |
| 2   | 135238-05-M15 | EA  | DOOR - RAIL/ARCHED TOP - 15.5" X 45.4" - W/O HARDWARE - WASHED MAPLE    |
| 2   | 135238-05-M16 | EA  | DOOR - RAIL/ARCHED TOP - 15.5" X 45.4" - W/O HARDWARE - SALEM CHERRY    |
| 2   | 076767-04-000 | EA  | CABLE - STAINLESS STEEL - 5.9"  |

**GENERATOR GROUP**  
**GAS**

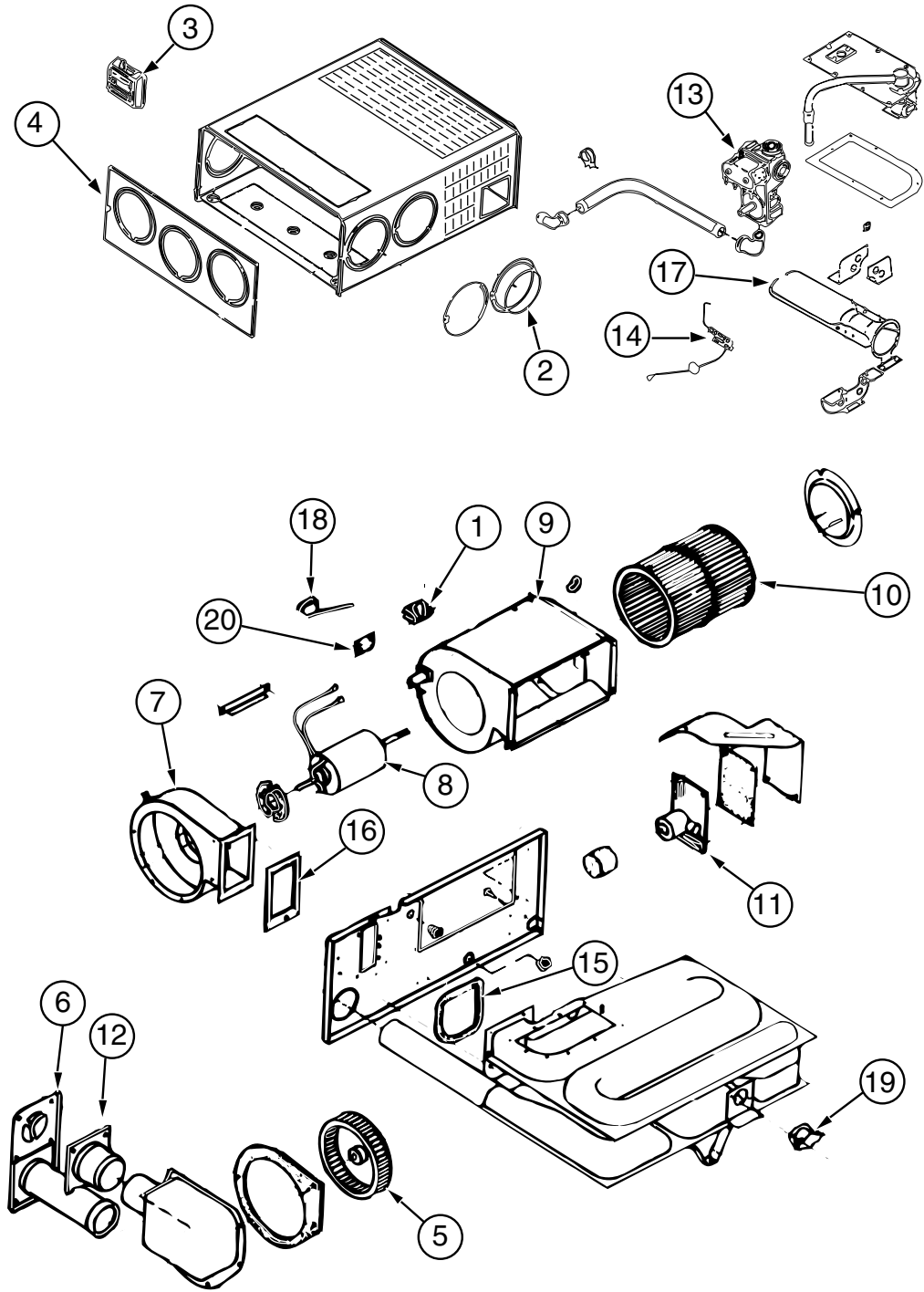
| <b>KEY</b> | <b>PART NUMBER</b> | <b>U/M</b> | <b>DESCRIPTION</b>   |
|------------|--------------------|------------|--|
|            | 109982-03-000      | EA         | GENERATOR - 4.0 MICROLITE                                    |
|            | 007125-04-000      | EA         | CLAMP - MUFFLER - 1.121 DIAMETER                             |
|            | 007131-01-000      | EA         | HANGER - TAILPIPE - 6 SLOTS                                  |
|            | 105958-09-000      | EA         | PIPE - GENERATOR EXHAUST - 1.3" OD X 5.9" X 22" - 427P, 431C |
|            | 127920-02-000      | EA         | PIPE - EXHAUST - GENERATOR - 430V                            |
|            | 088258-02-000      | EA         | CLIP - RETAINING - FUEL LINE SINGLE - 430V                   |

## HEATING & A/C GROUP FURNACE

| KEY | PART NUMBER   | U/M | DESCRIPTION  |
|-----|---------------|-----|--|
| *   | 098668-20-000 | EA  | FURNACE - 30,000 BTU<br>FROM: 00-00-00 THRU: 06-03-01                                  |
| *   | 139980-02-000 | EA  | FURNACE - 30000 BTU - SF QUIET - SUBURBAN SF-30 2321J<br>FROM: 06-04-01 THRU: 99-99-99 |
|     | 098668-23-000 | EA  | DOOR - ACCESS - FURNACE - BRIGHT WHITE   |
|     | 093741-01-000 | EA  | BOX - BOOT - FLOOR REGISTER  |
|     | 009200-01-000 | EA  | TAPE - FURNACE - 1 1/2"  |
|     | 098668-26-000 | EA  | BOTTOM DUCT KIT - 40,000 BTU   |
|     | 092776-01-000 | EA  | ADAPTER - DUCT - 2"  |
|     | 024990-05-000 | EA  | OUTLET - DEFROSTER - W/SWILEL - 2i SLEEVE/4i OD  |
|     | 092777-01-000 | EA  | ADAPTER - DUCT - 4i - 430V   |
|     | 098668-26-000 | EA  | BOTTOM DUCT KIT - 40,000 BTU   |
|     | 007108-01-000 | EA  | HOSE - HEATER - 5/8" ID - HI-TEMP - 427P, 430V   |
|     | 009198-01-000 | FT  | DUCT - HEAT - FLEXIBLE - 4" ID X 25'   |
|     | 009198-02-000 | FT  | DUCT - HEAT - FLEXIBLE - 2" ID X 25'   |
|     | 069636-02-000 | EA  | CONNECTOR - DUCT - 4" ID   |
|     | 093614-01-02A | EA  | GRILLE - AIR RETURN - 15.9" X 7.9" - BEIGE   |
|     | 056464-10-000 | EA  | REGISTER W/O DAMPER - 4" DIAMETER - PLASTIC - BEIGE - 430V                             |
|     | 079059-01-000 | EA  | HOSE - 90 DEGREE - 5/8"ID X 4" X 36" - 430V,431C                                       |
|     | 093614-03-02A | EA  | GRILLE - AIR RETURN - 15.9" X 9.9" - BEIGE - 431C                                      |
|     | 076776-01-000 | EA  | TEE - BEADED - 5/8" X 5/8" X 5/8"  |

**\*COMPONENT PARTS LISTED LATER IN THIS GROUP**

**HEATING & A/C GROUP (CONTINUED)**  
**COMPONENT PARTS FOR FURNACE**



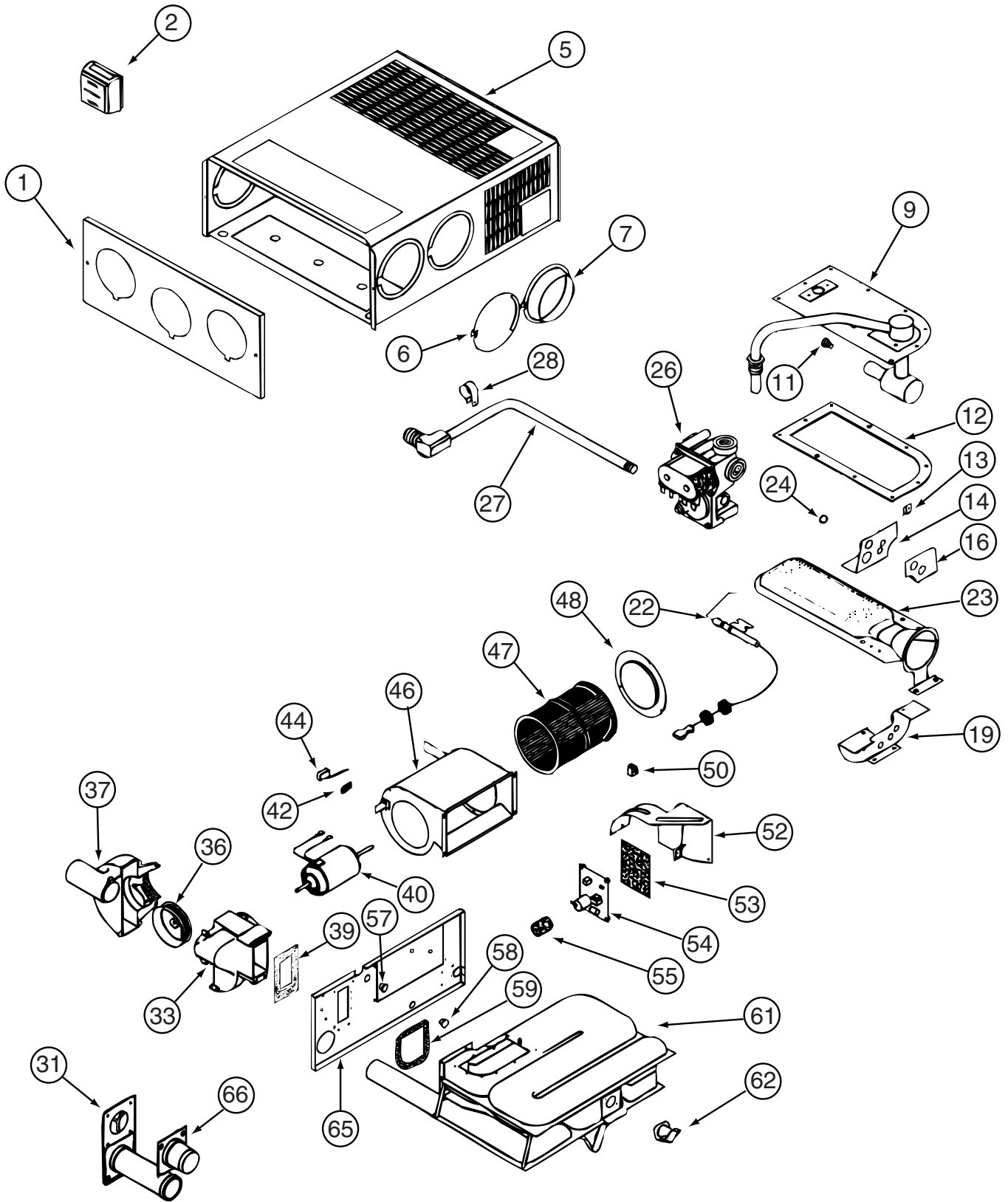
098668-20-000

**HEATING & A/C GROUP (CONTINUED)**  
**COMPONENT PARTS FOR FURNACE (CONTINUED)**

**098668-20-000 (CONTINUED)**

| <b>KEY</b> | <b>PART NUMBER</b> | <b>U/M</b> | <b>DESCRIPTION</b>            | <b>VENDOR NO.</b> |
|------------|--------------------|------------|-------------------------------|-------------------|
| 1          | 074466-01-702      | EA         | RELAY, TIME DELAY             | 230625            |
| 2          | 075696-02-703      | EA         | COLLAR-DUCT                   | 050715            |
|            | 092300-02-701      | EA         | ORIFICE-MAIN BURNER (NT-30BW) | 180214            |
| 4          | 098668-01-700      | EA         | CABINET FRONT                 | 101242            |
| 5          | 098668-01-706      | EA         | WHEEL-COMBUSTION AIR          | 350184            |
| 6          | 098668-01-707      | EA         | TUBE ASSEMBLY, EXHAUST W/CAP  | 260231            |
| 7          | 098668-01-708      | EA         | HOUSING-BLOWER, COMBUSTION    | 390441            |
| 8          | 098668-01-709      | EA         | MOTOR ASM., F/SF-25, SF-30    | 231706            |
| 9          | 098668-01-710      | EA         | HOUSING-BLOWER, ROOM AIR      | 390440            |
| 10         | 098668-01-711      | EA         | WHEEL-BLOWER, ROOM AIR        | 350129            |
| 11         | 098668-01-712      | EA         | BOARD-MODULE                  | 520741            |
| 12         | 098668-01-713      | EA         | TUBE ASSEMBLY, INTAKE         | 051248            |
| 13         | 098668-01-714      | EA         | VALVE-GAS,SF S.N. 921401821   | 161070            |
| 14         | 098668-01-715      | EA         | ELECTRODE ASM., SINGLE PROBE  | 232166            |
| 15         | 098668-01-716      | EA         | GASKET-FIREWALL,CHAMBER SIDE  | 070808            |
| 16         | 098668-01-717      | EA         | GASKET-FIREWALL, BLOWER SIDE  | 070809            |
| 17         | 098668-02-700      | EA         | BURNER ASSEMBLY,SF-30 & SF35  | 010745            |
| 18         | 098668-21-700      | EA         | SWITCH-MICRO-W/O FLAG 3 1/4"  | 232261            |
| 19         | 098668-21-701      | EA         | SWITCH - LIMIT                | 231799            |
| 20         | 101990-01-714      | EA         | GASKET-MICROSWITCH            | 230877            |

**HEATING & A/C GROUP (CONTINUED)**  
**COMPONENT PARTS FOR FURNACE (CONTINUED)**



139980-02-000

**HEATING & A/C GROUP (CONTINUED)**  
**COMPONENT PARTS FOR FURNACE (CONTINUED)**

**139980-02-000 (CONTNUED)**

| <b>KEY</b> | <b>PART NUMBER</b> | <b>U/M</b> | <b>DESCRIPTION</b>           | <b>VENDOR NO.</b> |
|------------|--------------------|------------|------------------------------|-------------------|
| 9          | 139980-01-700      | EA         | MANIFOLD ASSEMBLY            | 171571            |
| 11         | 092300-02-701      | EA         | ORIFICE-MAIN BURNER (NT-30BW | 180214            |
| 12         | 098668-22-703      | EA         | GASKET - BURNER ACCESS COVER | 070811            |
| 22         | 139980-01-701      | EA         | ELECTRODE                    | 232286            |
| 23         | 098668-02-700      | EA         | BURNER ASSEMBLY,SF-30 & SF35 | 010745            |
| 26         | 098668-01-718      | EA         | VALVE-GAS SF S.N.974903079   | 161122            |
| 27         | 139980-01-702      | EA         | PIPE ASSEMBLY/GAS INLET      | 171574            |
| 31         | 098668-01-707      | EA         | TUBE ASSEMBLY, EXHAUST W/CAP | 260231            |
| 33         | 139980-01-703      | EA         | COMBUSTION AIR HOUS FRT/HALF | 390852            |
| 36         | 098668-01-706      | EA         | WHEEL-COMBUSTION AIR         | 350184            |
| 37         | 139980-01-704      | EA         | COMBUSTION AIR HOUS RR HALF  | 390848            |
| 39         | 139980-01-705      | EA         | GASKET/FIREWALL-COMB AIR     | 071084            |
| 40         | 139980-01-706      | EA         | MOTOR ASSEMBLY W/GASKET      | 232682            |
| 42         | 101990-01-714      | EA         | GASKET-MICROSWITCH           | 230877            |
| 44         | 098668-21-700      | EA         | SWITCH-MICRO-W/O FLAG 3 1/4" | 232261            |
| 46         | 139980-01-708      | EA         | BLOWER ASSEMBLY - ROOM AIR   | 390739BK          |
| 47         | 098668-01-711      | EA         | WHEEL-BLOWER, ROOM AIR       | 350129            |
| 48         | 139980-01-709      | EA         | ORFICE RING                  | 390696            |
| 50         | 139980-01-710      | EA         | SWITCH - ON/OFF              | 232351            |
| 52         | 139980-01-711      | EA         | PANEL ASSEMBLY-MODULE BD     | 101663            |
| 53         | 139980-01-712      | EA         | INSULATOR - MODULE BD        | 070807            |
| 54         | 098668-22-705      | EA         | MODULE BD W/RELAY TIME DELAY | 520820            |
| 55         | 139980-01-713      | EA         | CAP/INSULATOR-MODULE BD      | 070973            |
| 57         | 139980-01-714      | EA         | BUSHING - UNIVERSAL          | 070362            |
| 58         | 139980-01-715      | EA         | BUSHING - STRAIN RELIEF      | 231809            |
| 59         | 098668-01-716      | EA         | GASKET-FIREWALL,CHAMBER SIDE | 070808            |
| 61         | 139980-01-716      | EA         | CHAMBER ASSEMBLY - FINAL     | 021149BK          |
| 62         | 098668-21-701      | EA         | SWITCH - LIMIT               | 232504            |
| 66         | 098668-01-713      | EA         | TUBE ASSEMBLY, INTAKE        | 051248            |

CONTACT WINNEBAGO PART SALES FOR UNLISTED COMPONENTS

## HEATING & A/C GROUP (CONTINUED)

### REAR HEATER

| KEY | PART NUMBER   | U/M | DESCRIPTION   |
|-----|---------------|-----|---|
| *   | 084405-01-000 | EA  | HEATER - REAR/DUCTED - W/MOTOR AID                  |
|     | 137965-01-01A | EA  | REGISTER - 2.25" X 10" - W/O DAMPER - ANTIQUE BRASS |
|     | 137965-02-01A | EA  | REGISTER - 2.25" X 10" - W/DAMPER - ANTIQUE BRASS   |
|     | 118761-01-000 | EA  | REDUCER - 4"-2" - GALVANIZED - <a href="#">430V</a> |

\*COMPONENT PARTS LISTED LATER IN THIS GROUP



**HEATING & A/C GROUP (CONTINUED)**  
**COMPONENT PARTS FOR REAR HEATER**

**084405-01-000**

| <b>KEY</b> | <b>PART NUMBER</b> | <b>U/M</b> | <b>DESCRIPTION</b>      | <b>VENDOR NO.</b> |
|------------|--------------------|------------|-------------------------|-------------------|
|            | 084405-01-700      | EA         | CORE-HEATER             | FT200229          |
|            | 084405-01-701      | EA         | FAN BLADES              | HV029931          |
|            | 084405-01-702      | EA         | MOTOR ASSEMBLY, 12 VOLT | RV010348          |

## HEATING & A/C GROUP (CONTINUED)

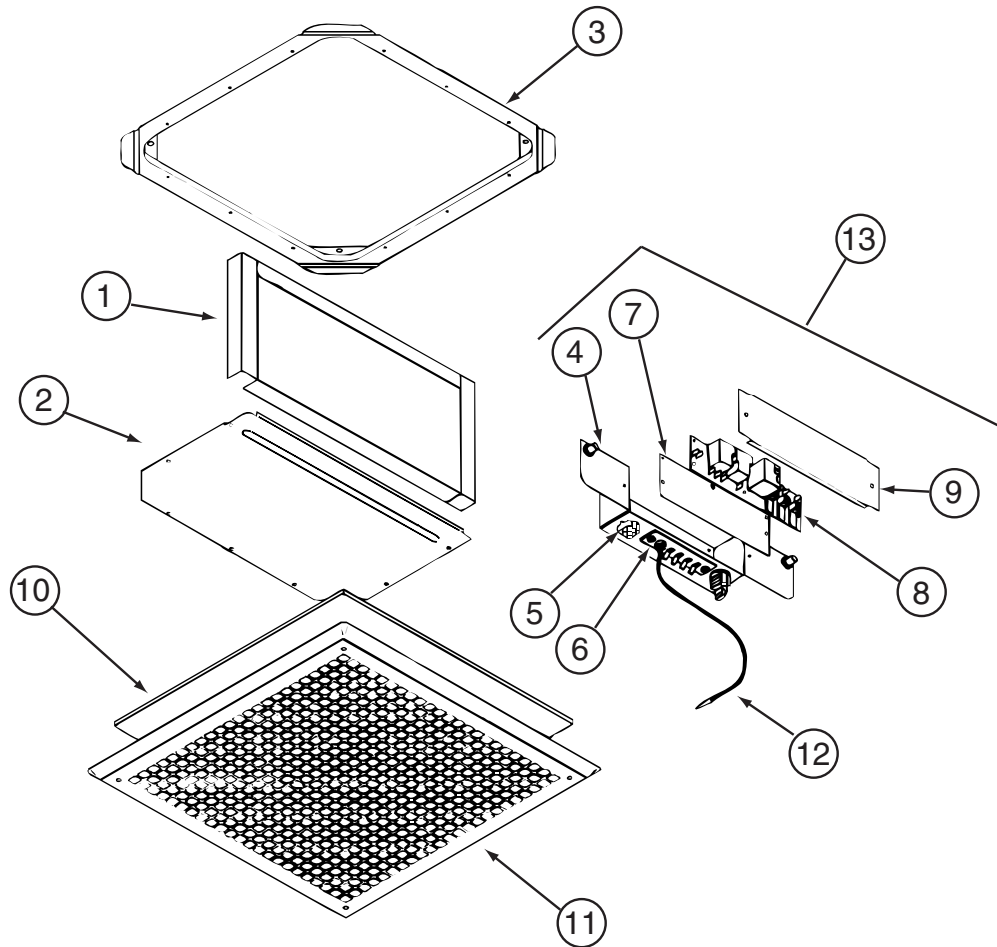
### ROOF

| KEY | PART NUMBER   | U/M | DESCRIPTION  |
|-----|---------------|-----|--|
| *   | 131184-03-01A | EA  | CEILING ASSEMBLY - A/C DUCTED - C-BODY - WHITE     |
| *   | 131188-03-01A | EA  | A/C - ROOF - 14,800 BTU - MACH 15 - WHITE          |
|     | 135618-03-01A | EA  | THERMOSTAT - A/C & FURNACE - WHITE                 |
| *   | 131184-04-01A | EA  | CEILING ASSEMBLY - HEAT PUMP - WHITE               |
| *   | 131188-02-01A | EA  | A/C ROOF - 14,500 HEAT PUMP - WHITE                |
|     |               |     | FROM: 00-00-00 THRU: 12-19-01                      |
| *   | 131188-04-01A | EA  | A/C - ROOR - 14,800 BTU - HEAT PUMP - WHITE        |
|     |               |     | FROM: 12-20-01 THRU: 99-99-99                      |
|     | 135618-01-01A | EA  | THERMOSTAT - HEAT PUMP/FURNACE - WHITE             |
|     | 120134-01-02A | EA  | REGISTER - W/DAMPER - 4" PIPE/7" O.D. FACE - WHITE |

**\*COMPONENT PARTS LISTED LATER IN THIS GROUP**

## HEATING & A/C GROUP (CONTINUED)

### COMPONENT PARTS FOR ROOF

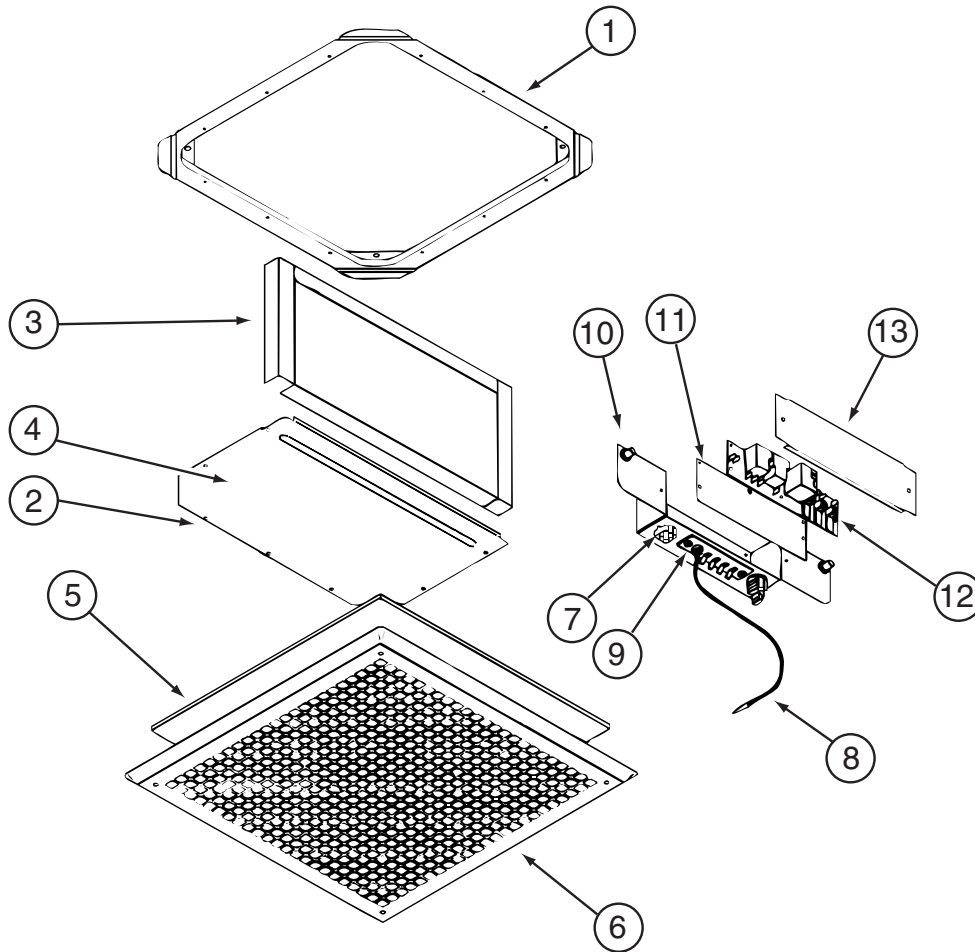


**131184-03-01A**

| KEY | PART NUMBER   | U/M | DESCRIPTION                 | VENDOR NO. |
|-----|---------------|-----|-----------------------------|------------|
| 5   | 131184-01-700 | EA  | PLUG ASSEMBLY               | 7330A389   |
| 6   | 131184-01-701 | EA  | TERMINAL BOARD              | 7330B3201  |
| 7   | 131184-01-702 | EA  | ISOLATOR - BLANK            | 7330C365   |
| 8   | 131184-03-700 | EA  | BOARD - P.C.                | 7330D3211  |
| 10  | 108892-01-703 | EA  | FILTER                      | 6798A3761  |
| 11  | 108892-01-704 | EA  | GRILLE 16 3/8X16 3/8 RETURN | 6798-3041  |
| 12  | 131184-01-704 | EA  | COIL SENSOR                 | 7330-6111  |
| 13  | 131184-01-705 | EA  | JUNCTION BOX ASSEMBLY       | 7330B5551  |
|     | 131184-01-703 | EA  | SMALL PARTS PKG             | 8330-5961  |

CONTACT WINNEBAGO PART SALES FOR UNLISTED COMPONENT

**HEATING & A/C GROUP (CONTINUED)**  
**COMPONENT PARTS FOR ROOF (CONTINUED)**

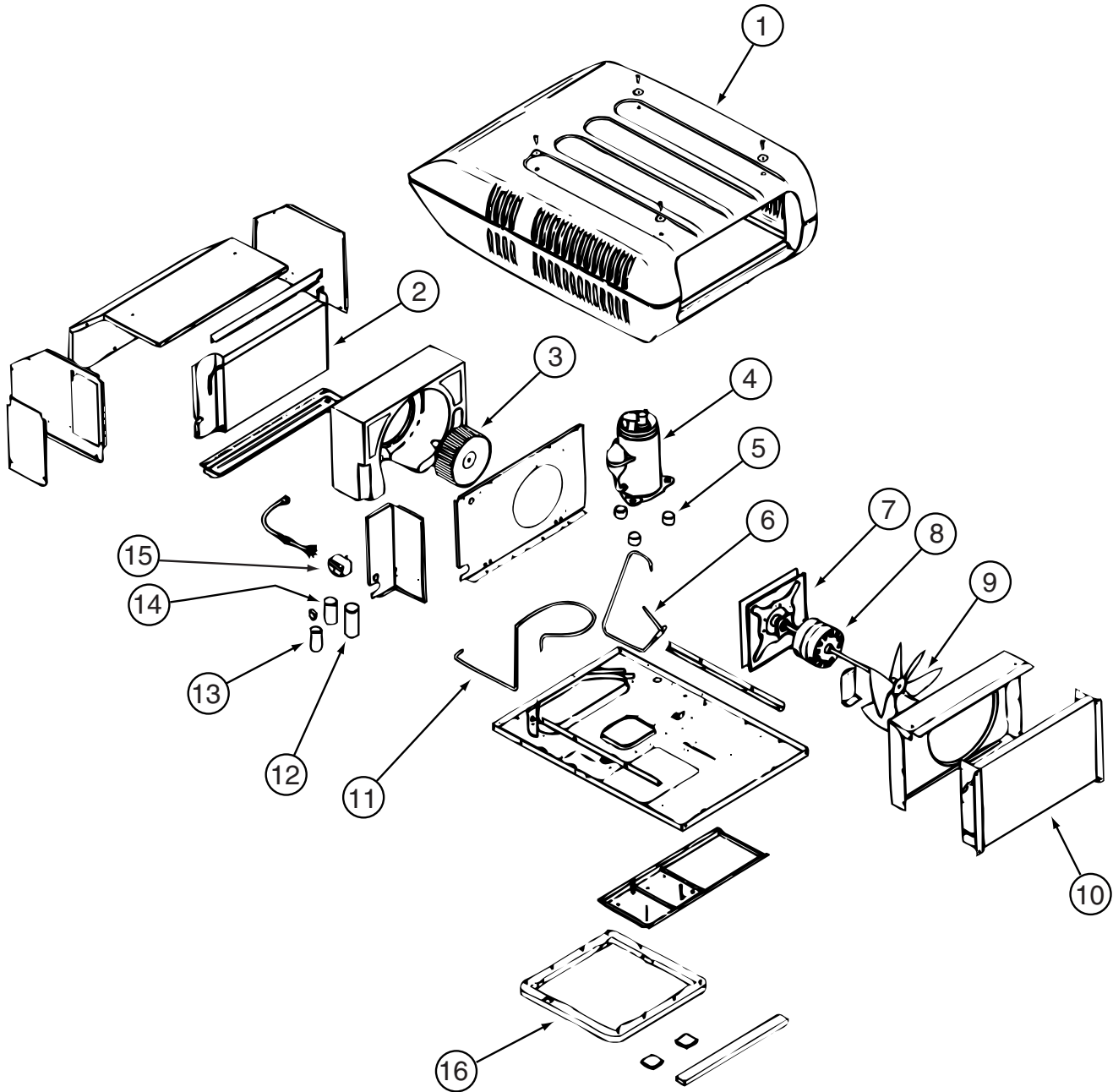


131184-04-01A

| KEY | PART NUMBER   | U/M | DESCRIPTION                 | VENDOR NO. |
|-----|---------------|-----|-----------------------------|------------|
| 5   | 108892-01-703 | EA  | FILTER                      | 6798A3761  |
| 6   | 108892-01-704 | EA  | GRILLE 16 3/8X16 3/8 RETURN | 6798-3041  |
| 7   | 131184-04-700 | EA  | PLUG ASSEMBLY               | 7530A340   |
| 8   | 131184-04-701 | EA  | COIL SENSO                  | 7330-3231  |
| 9   | 131184-04-702 | EA  | BOARD - TERMINAL            | 7530B3201  |
| 10  | 131184-04-703 | EA  | BOX - JUNCTION              | 7330-113   |
| 11  | 131184-01-702 | EA  | ISOLATOR - BLANK            | 7330A365   |
| 12  | 131184-04-705 | EA  | BOARD - P.C.                | 7330B3311  |
|     | 131184-04-704 | EA  | SMALL PARTS(BOLTS/WASHERS)  | 8530-592   |

CONTACT WINNEBAGO PART SALES FOR UNLISTED COMPONENT

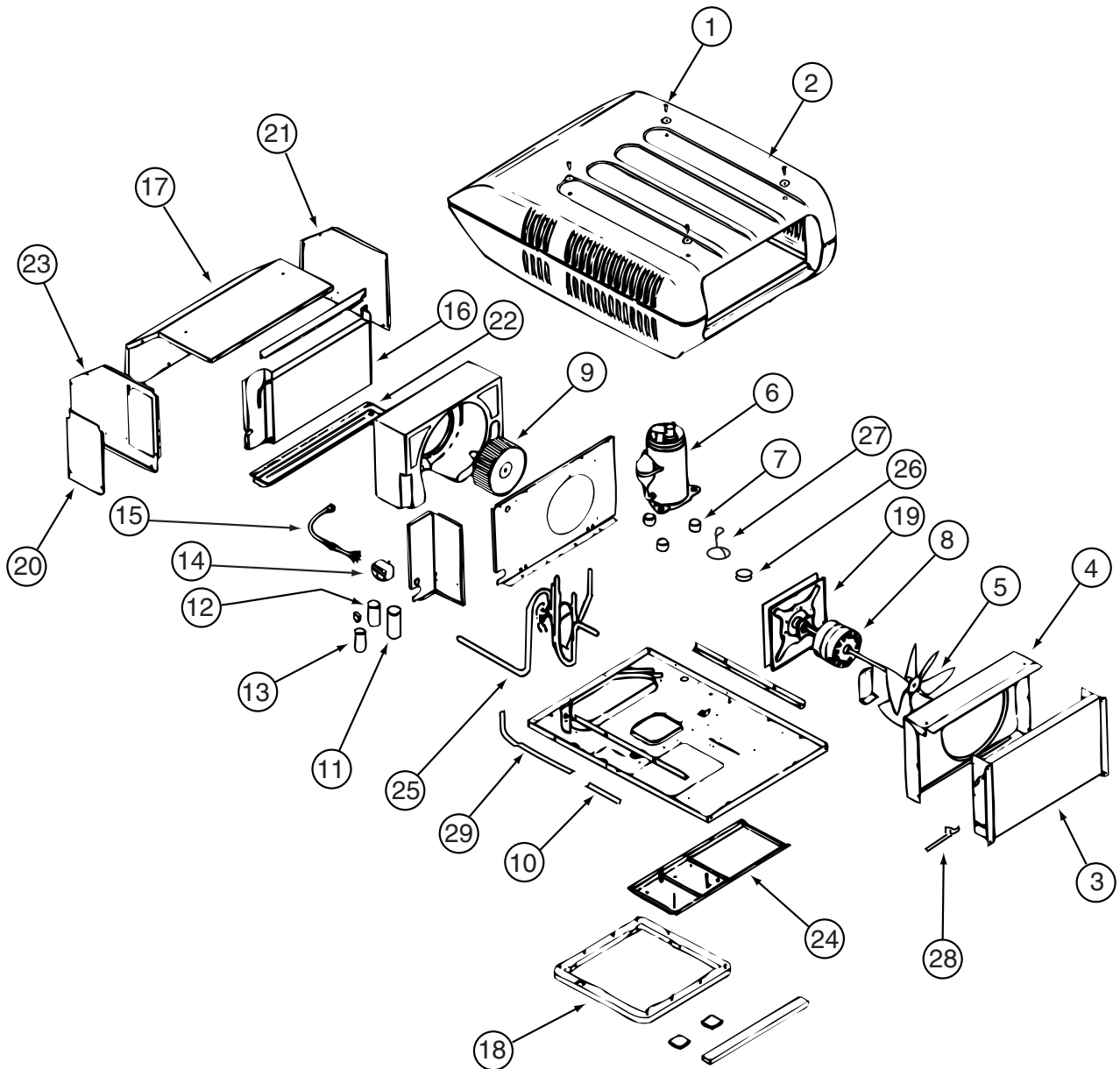
**HEATING & A/C GROUP (CONTINUED)**  
**COMPONENT PARTS FOR ROOF (CONTINUED)**



131188-01-01A

| KEY | PART NUMBER   | U/M | DESCRIPTION                 | VENDOR NO. |
|-----|---------------|-----|-----------------------------|------------|
| 1   | 108889-05-700 | EA  | SHROUD-BRIGHT/WHT. W/O LOGO | 7333-4601  |
| 2   | 131186-01-701 | EA  | EVAPORATOR COIL             | 1452-1521  |
| 3   | 131185-01-702 | EA  | BLOWER WHEEL PACKAGE        | 1472-1091  |
| 4   | 131188-01-700 | EA  | COMPRESSOR - TECUMSEH       | 1450A2609  |
| 5   | 105620-01-706 | EA  | MOUNTING PKG.,COMP., 3 PER  | 6759-3081  |
| 6   | 131188-01-703 | EA  | LINE - DISCHARGE            | 7335A135   |
| 7   | 131185-01-704 | EA  | MOTOR MOUNT & SEAL KIT      | 8333-5151  |
| 8   | 131185-01-701 | EA  | MOTOR (115V, 60HZ)          | 1468-3069  |
| 9   | 093763-01-712 | EA  | BLADE-FAN-CONDENSER         | 6733-3221  |
| 10  | 115219-01-700 | EA  | COIL-CONDENSER              | 1452A1321  |
| 11  | 131188-01-702 | EA  | LINE - SUCTION              | 7335A134   |
| 12  | 131188-01-701 | EA  | RUN CAP. (COMP-40MFD/370V)  | 1499-5721  |
| 13  | 126859-01-704 | EA  | CAPACITOR - START           | 1497-0871  |
| 14  | 108889-01-708 | EA  | CAPACITOR-FAN, 7.5MFD. 370U | 1499-5461  |
| 15  | 091225-01-709 | EA  | RELAY-START                 | 1497-4131  |
| 16  | 037648-01-714 | EA  | GASKET PACKAGE              | 8332-3301  |
|     | 093306-01-701 | EA  | DECAL PACKAGE, LEFT & RIGHT | 6798B3591  |
|     | 108889-01-710 | EA  | PAD-FILLER, CONDENSER SEAL  | 6759B3971  |

**HEATING & A/C GROUP (CONTINUED)**  
**COMPONENT PARTS FOR ROOF (CONTINUED)**



**131188-02-01A**

| KEY | PART NUMBER   | U/M | DESCRIPTION                  | VENDOR NO. |
|-----|---------------|-----|------------------------------|------------|
| 2   | 108889-05-700 | EA  | SHROUD-BRIGHT/WHT. W/O LOGO  | 7333-4601  |
| 3   | 131188-02-700 | EA  | CONDENSER COIL               | 1452-1441  |
| 5   | 093763-01-712 | EA  | BLADE-FAN-CONDENSER          | 6733-3221  |
| 6   | 131188-02-701 | EA  | COMPRESSOR(TECUMSEH-RK225AT) | 1450A2069  |
| 7   | 105620-01-706 | EA  | MOUNTING PKG.,COMP., 3 PER   | 6759-3081  |
| 8   | 131185-01-701 | EA  | MOTOR (115V, 60HZ)           | 1468-3069  |
| 9   | 131185-01-702 | EA  | BLOWER WHEEL PACKAGE         | 1472-1091  |
| 10  | 131188-02-702 | EA  | RESTRICTOR - BY FLOW         | 1454-2501  |
| 11  | 131188-01-701 | EA  | RUN CAP. (COMP-40MFD/370V)   | 1499-5721  |
| 12  | 093763-01-704 | EA  | CAPACITOR-FAN                | 1499-5461  |
| 13  | 131188-02-703 | EA  | CAPACITOR-START(21-25MFD)    | 1497-0211  |
| 14  | 091225-01-709 | EA  | RELAY-START                  | 1497-4131  |
| 16  | 131186-01-701 | EA  | EVAPORATOR COIL              | 1452-1521  |
| 18  | 037648-01-714 | EA  | GASKET PACKAGE               | 8332-3301  |
| 19  | 131185-01-704 | EA  | MOTOR MOUNT & SEAL KIT       | 8333-5151  |
| 25  | 131188-02-704 | EA  | VALVE/REVERSE ASSEMBLY       | 7535A5301  |
| 26  | 105620-12-708 | EA  | COIL - SOLENOID              | 1460-1081  |
| 27  | 131188-02-705 | EA  | WIRE HARNESS F/SOLENOID      | 7535-109   |
| 28  | 131188-02-706 | EA  | SWITCH - FREEZE              | 1460-2041  |
| 29  | 131188-02-707 | EA  | LIQUID LINE                  | 7535-135   |

CONTACT WINNEBAGO PART SALES FOR UNLISTED COMPONENT

**HEATING & A/C GROUP (CONTINUED)**  
**COMPONENT PARTS FOR ROOF (CONTINUED)**

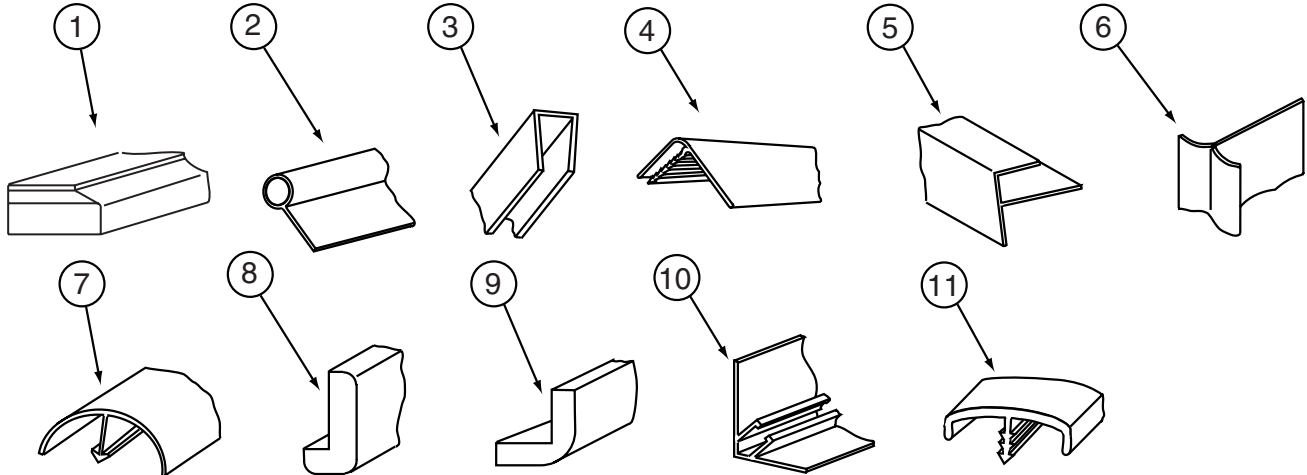
**131188-03-01A**

| <b>KEY</b> | <b>PART NUMBER</b> | <b>U/M</b> | <b>DESCRIPTION</b>                                  | <b>VENDOR NO.</b> |
|------------|--------------------|------------|---|-------------------|
| 2          | 108889-05-700      | EA         | SHROUD-BRIGHT/WHT. W/O LOGO                         | 7333-4601         |
| 3          | 115219-01-700      | EA         | COIL-CONDENSER                                      | 1452A1321         |
| 5          | 093763-01-712      | EA         | BLADE-FAN-CONDENSER                                 | 6733-3221         |
| 6          | 131188-01-700      | EA         | COMPRESSOR - TECUMSEH                               | 1450A2609         |
| 7          | 105620-01-706      | EA         | MOUNTING PKG.,COMP., 3 PER                          | 6759-3081         |
| 8          | 131185-01-701      | EA         | MOTOR (115V, 60HZ)                                  | 1468-3069         |
| 9          | 131185-01-702      | EA         | BLOWER WHEEL PACKAGE                                | 1472-1091         |
| 11         | 131188-01-701      | EA         | RUN CAP. (COMP-40MFD/370V)                          | 1499-5721         |
| 12         | 108889-01-708      | EA         | CAPACITOR-FAN, 7.5MFD. 370U                         | 1499-5461         |
| 13         | 126859-01-704      | EA         | CAPACITOR - START                                   | 1497-0871         |
| 14         | 091225-01-709      | EA         | RELAY-START   | 1497-4131         |
| 16         | 131186-01-701      | EA         | EVAPORATOR COIL                                     | 1452-1521         |
| 18         | 037648-01-714      | EA         | GASKET PACKAGE                                      | 8332-3301         |
| 19         | 131185-01-704      | EA         | MOTOR MOUNT & SEAL KIT                              | 8333-5151         |
|            | 093306-01-701      | EA         | DECAL PACKAGE, LEFT & RIGHT                         | 6798B3591         |
|            | 108889-01-710      | EA         | PAD-FILLER, CONDENSER SEAL                          | 6759B3971         |
|            | 131188-01-702      | EA         | LINE - SUCTION                                      | 7335A134          |
|            | 131188-01-703      | EA         | LINE - DISCHARGE                                    | 7335A135          |
|            |                    |            | CONTACT WINNEBAGO PART SALES FOR UNLISTED COMPONENT |                   |

**131188-04-01A**

| <b>KEY</b> | <b>PART NUMBER</b> | <b>U/M</b> | <b>DESCRIPTION</b>                                  | <b>VENDOR NO.</b> |
|------------|--------------------|------------|---|-------------------|
| 3          | 131188-02-700      | EA         | CONDENSER COIL                                      | 1452-1441         |
| 5          | 093763-01-712      | EA         | BLADE-FAN-CONDENSER                                 | 6733-3221         |
| 6          | 131188-02-701      | EA         | COMPRESSOR(TECUMSEH-RK225AT)                        | 1450A2069         |
| 7          | 105620-01-706      | EA         | MOUNTING PKG.,COMP., 3 PER                          | 6759-3081         |
| 8          | 131185-01-701      | EA         | MOTOR (115V, 60HZ)                                  | 1468-3069         |
| 9          | 131185-01-702      | EA         | BLOWER WHEEL PACKAGE                                | 1472-1091         |
| 10         | 131188-02-702      | EA         | RESTRICTOR - BY FLOW                                | 1454-2501         |
| 11         | 131188-01-701      | EA         | RUN CAP. (COMP-40MFD/370V)                          | 1499-5721         |
| 12         | 093763-01-704      | EA         | CAPACITOR-FAN                                       | 1499-5461         |
| 13         | 131188-02-703      | EA         | CAPACITOR-START(21-25MFD)                           | 1497-0211         |
| 14         | 091225-01-709      | EA         | RELAY-START   | 1497-4131         |
| 16         | 131186-01-701      | EA         | EVAPORATOR COIL                                     | 1452-1521         |
| 18         | 037648-01-714      | EA         | GASKET PACKAGE                                      | 8332-3301         |
| 19         | 131185-01-704      | EA         | MOTOR MOUNT & SEAL KIT                              | 8333-5151         |
| 25         | 131188-02-704      | EA         | VALVE/REVERSE ASSEMBLY                              | 7535A5301         |
| 26         | 105620-12-708      | EA         | COIL - SOLENOID                                     | 1460-1081         |
| 27         | 131188-02-705      | EA         | WIRE HARNESS F/SOLENOID                             | 7535-109          |
| 28         | 131188-02-706      | EA         | SWITCH - FREEZE                                     | 1460-2041         |
| 29         | 131188-02-707      | EA         | LIQUID LINE   | 7535-135          |
|            |                    |            | CONTACT WINNEBAGO PART SALES FOR UNLISTED COMPONENT |                   |

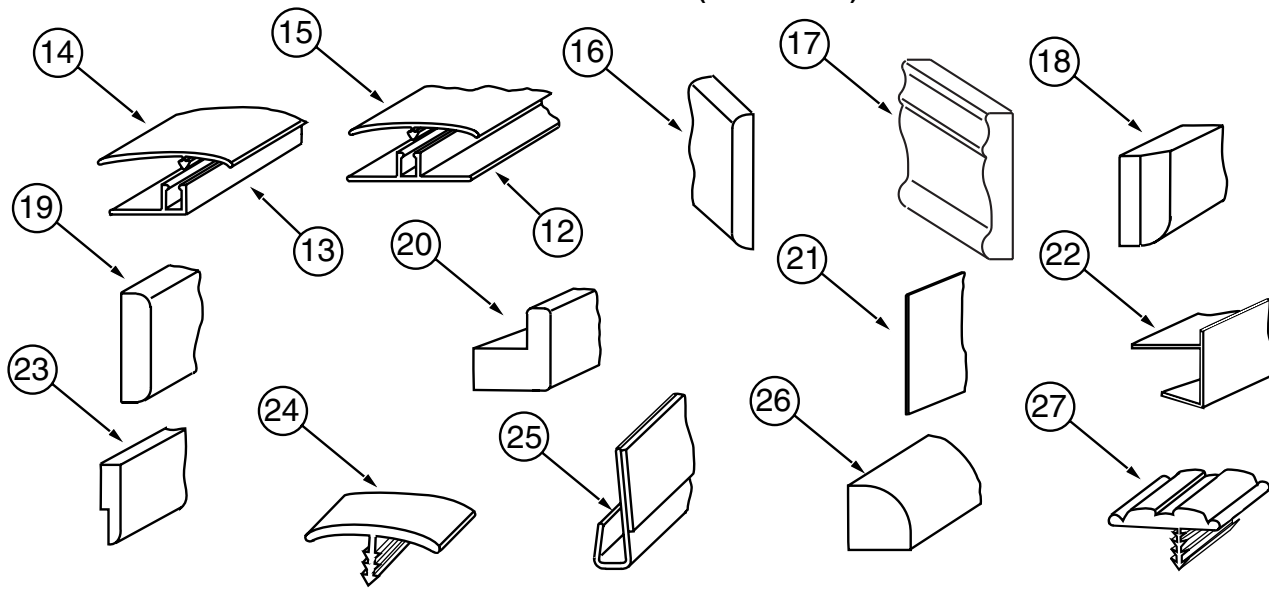
**INTERIOR FINISH GROUP**  
**MOLDINGS & TRIMS**  
**WASHED MAPLE**  
**SALEM CHERRY**



| KEY | PART NUMBER   | U/M | DESCRIPTION   |
|-----|---------------|-----|---|
| 1   | P34052-01-N75 | EA  | TRIM/TABLE - 29.7" - PORTSMOUTH OAK                       |
| 1   | P34052-01-M84 | EA  | TRIM/TABLE - 29.7" - WASHED MAPLE                         |
| 1   | P34052-01-M52 | EA  | TRIM/TABLE - 29.7" - SALEM CHERRY                         |
| 1   | P34052-02-N47 | EA  | TRIM/TABLE - 24"  |
| 2   | 009767-12-000 | FT  | WELTING - ANTIQUE WHITE                                   |
| 2   | 009767-17-000 | FT  | WELTING - PORTSMOUTH OAK                                  |
| 3   | 009778-25-000 | FT  | U-CHANNEL - 1" - BEIGE ILLUSION                           |
| 3   | 009778-27-000 | FT  | U-CHANNEL - 1" - WASHED MAPLE                             |
| 3   | 009778-30-000 | FT  | U-CHANNEL - 1" - VILLAGE OAK                              |
| 3   | 009778-31-000 | FT  | U-CHANNEL - 1" - GRADY BROWN                              |
| 3   | 009778-32-000 | FT  | U-CHANNEL - 1" - PORTSMOUTH OAK                           |
| 3   | 009778-34-000 | FT  | U-CHANNEL - 1" - CONCERT CHERRY                           |
| 3   | 070504-36-000 | FT  | U-CHANNEL - PLASTIC - .13" X 96" - WATERFORD OAK          |
| 3   | 070504-42-000 | FT  | U-CHANNEL - PLASTIC - .13" X 84" - BEIGE ILLUSION         |
| 3   | 070504-50-000 | FT  | U-CHANNEL - PLASTIC - .13" X 96" - WASHED MAPLE           |
| 3   | 070504-51-000 | FT  | U-CHANNEL - PLASTIC - .9" X 96" - WASHED MAPLE            |
| 3   | 070504-54-000 | FT  | U-CHANNEL - PLASTIC - .9" X 96" - VILLAGE OAK             |
| 3   | 070504-56-000 | FT  | U-CHANNEL - PLASTIC - .8" X 72" - VW LIGHT GRAY           |
| 3   | 070504-57-000 | FT  | U-CHANNEL - PLASTIC - .6" X 84" - PORTSMOUTH OAK          |
| 3   | 070504-58-000 | FT  | U-CHANNEL - PLASTIC - .8" X 84" - PORTSMOUTH OAK          |
| 3   | 070504-60-000 | FT  | EXTRUSION-U CHANNEL,1.65 - CONCERT CHERRY                 |
| 3   | 070504-61-000 | FT  | U-CHANNEL - PLASTIC - .8" X 84" - CONCERT CHERRY          |
| 4   | 009809-30-000 | EA  | MOLDING - CORNER - OUTSIDE - 1" X 84" - BEIGE ILLUSION    |
| 4   | 009809-31-000 | EA  | MOLDING - CORNER - OUTSIDE - 1" X 84" - WASHED MAPLE      |
| 4   | 009809-32-000 | EA  | MOLDING - CORNER - OUTSIDE - 1" X 84" - PORTSMOUTH OAK    |
| 4   | 009809-33-000 | EA  | MOLDING - CORNER - OUTSIDE - 1" X 84" - WORMY PECAN       |
| 5   | 009812-31-000 | EA  | MOLDING - CORNER - 1/2" W/1/4"CHAN X 84" - BEIGE ILLUSION |
| 5   | 009812-33-000 | EA  | MOLDING - CORNER - 1/2" W/1/4"CHAN X 84" - WASHED MAPLE   |
| 5   | 009812-35-000 | EA  | MOLDING - CORNER - 1/2" W/1/4"CHAN X 84" - PORTSMOUTH OAK |
| 5   | 009812-36-000 | EA  | MOLDING - CORNER - 1/2" W/1/4"CHAN X 84" - CONCERT CHERRY |
| 6   | 022992-14-000 | FT  | MOLDING - REVERSE COVE - T-SHAPED - BRIGHT WHITE          |
| 6   | 022992-15-000 | FT  | MOLDING - REVERSE COVE - T-SHAPED - VW GRAY               |
| 7   | 042357-25-000 | EA  | MOLDING - CORNER - RADIUS/PLASTIC - WASHED MAPLE          |
| 7   | 042357-26-000 | EA  | MOLDING - CORNER - RADIUS/PLASTIC - PORTSMOUTH OAK        |
| 7   | 042357-27-000 | EA  | MOLDING - CORNER - RADIUS/PLASTIC - CONCERT CHERRY        |
| 8   | 077840-01-E41 | EA  | MOLDING - WALL CAP - 8' - SALEM CHERRY                    |
| 8   | 077840-01-N30 | EA  | MOLDING - WALL CAP - 8' - PORTSMOUTH AOK                  |
| 8   | 077840-01-M91 | EA  | MOLDING - WALL CAP - 8' - WASHED MAPLE                    |
| 9   | 080176-08-000 | EA  | CAP - CORNER - RADIUS MOLDING - PLASTIC - WASHED MAPLE    |
| 10  | 081521-02-007 | EA  | MOUNT - METAL MOLDING - F/RADIUS CORNER MOLDING - 151.5"  |
| 11  | 083620-09-000 | FT  | MOLDING-T - W/EDGE LIP - 7/8" FACE - MODERN IVORY         |
| 11  | 083620-19-000 | FT  | MOLDING-T - W/EDGE LIP - 7/8" FACE - WASHED MAPLE         |
| 11  | 083620-20-000 | FT  | MOLDING-T - W/EDGE LIP - 7/8" FACE - PORTSMOUTH OAK       |
| 11  | 083620-21-000 | FT  | MOLDING-T - W/EDGE LIP - 7/8" FACE - CONCERT CHERRY       |
| 11  | 104676-02-08A | FT  | MOLDING-T - W/EDGE LIP - 11/16" FACE - PORTSMOUTH OAK     |
| 11  | 104676-02-06A | FT  | MOLDING-T - W/EDGE LIP - 11/16" FACE - WASHED MAPLE       |

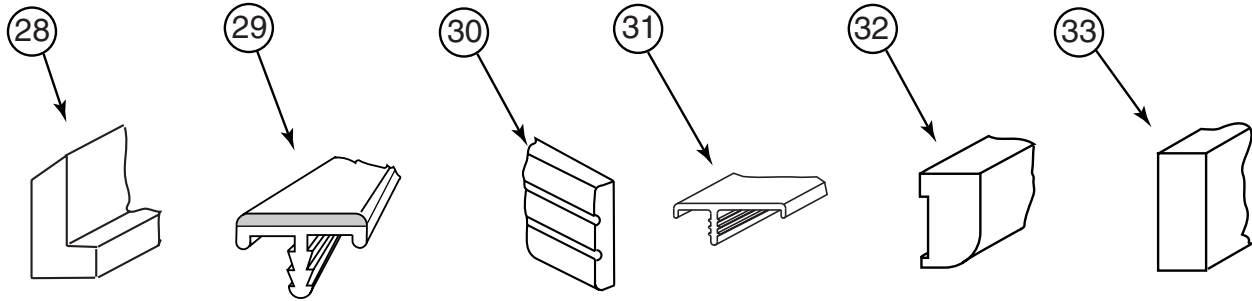


**INTERIOR FINISH GROUP (CONTINUED)**  
**MOLDINGS & TRIMS (CONTINUED)**



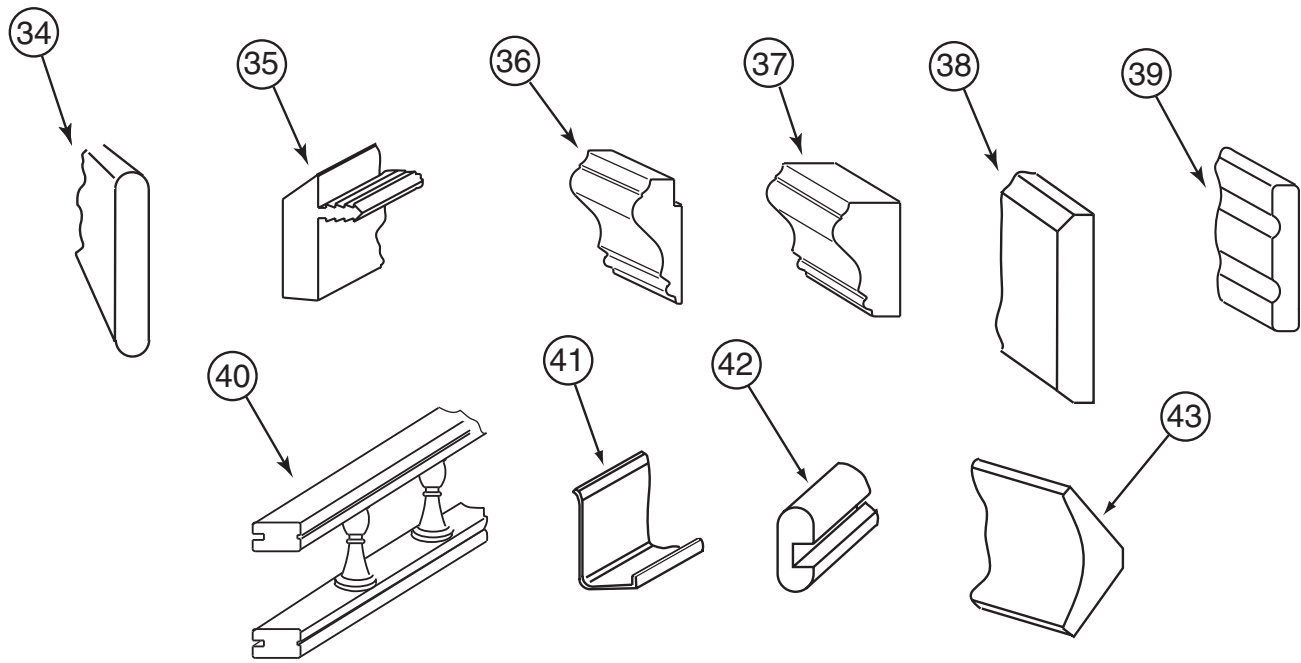
| KEY | PART NUMBER   | U/M | DESCRIPTION  |
|-----|---------------|-----|--|
| 12  | 086229-01-000 | EA  | RETAINER - BATTEN - .75" X 92.1" - ANY COLOR               |
| 13  | 086229-11-000 | EA  | RETAINER - OFFSET - 97"                                    |
| 14  | 086229-12-000 | EA  | BATTEN - 1.5" OFFSET X 97.01" IVORY                        |
| 14  | 086229-21-000 | EA  | BATTEN - 1.5" X 83.9" OFFSET - WHITE                       |
| 15  | 086229-13-000 | EA  | BATTEN - 1" X 96" - IVORY                                  |
| 15  | 086229-19-000 | EA  | BATTEN - 1" X 98.4" - OFF WHITE                            |
| 15  | 086229-20-000 | EA  | BATTEN - 1" X 96" - BEIGE                                  |
| 16  | 091985-01-08A | FT  | INSERT - TRIM - .65" WIDE - SOFT WHITE                     |
| 17  | 100182-10-E41 | EA  | TRIM - CHAIR RAIL - 2.5" X 8' EACH - WOOD                  |
| 17  | 100182-10-J70 | EA  | TRIM - CHAIR RAIL - 2.5" X 8' EACH - WOOD                  |
| 17  | 100182-10-K29 | EA  | TRIM - CHAIR RAIL - 2.5" X 8' EACH - WOOD                  |
| 17  | 100182-10-N47 | EA  | TRIM/RAIL  |
| 18  | 100659-27-M70 | EA  | MOLDING/TRIM - VINYL FLOOR - CHERRY III                    |
| 18  | 100659-30-N75 | EA  | MOLDING - TRIM - PORTSMOUTH OAK                            |
| 18  | 100659-30-N74 | EA  | MOLDING - TRIM - CHERRY                                    |
| 18  | 100659-30-M84 | EA  | MOLDING-TRIM,VINYL FLOOR - 01 G-SERIES GENERAL             |
| 19  | 100818-01-12A | EA  | MOLDING - VINYL WRAPPED - 1.6" X .4" X 84"-PORTSMOUTH OAK  |
| 19  | 100818-01-10A | EA  | MOLDING - VINYL WRAPPED - 1.6" X .4" X 84" - CHERRY        |
| 19  | 100818-01-08A | EA  | MOLDING - VINYL WRAPPED - 1.6" X .4" X 84"-WASHED MAPLE    |
| 20  | 100819-01-08A | EA  | MOLDING - VINYL WRAPPED-L-SHAPED-1.5"X1.5"X84"-WASHED MPL  |
| 20  | 100819-01-09A | EA  | MOLDING - VINYL WRAPPED-L-SHAPED-1.5"X1.5"X84"-PRTSMTH OAK |
| 20  | 100819-01-10A | EA  | MOLDING - VINYL WRAPPED-L-SHAPED-1.5"X1.5"X84"-CNCRT CHERR |
| 20  | 100819-01-12A | EA  | MOLDING - VINYL WRAPPED-L-SHAPED - 1.5" X 1.5" X 84" - OAK |
| 21  | 101957-01-06A | EA  | EXTRUDED - PLASTIC - WASHED MAPLE                          |
| 22  | 103186-01-10A | FT  | MOLDING - PLASTIC - 3/8" U-CHANNEL-3/4"FACE-CONCERT CHERRY |
| 22  | 103186-01-09A | FT  | MOLDING - PLASTIC - 3/8" U-CHANNEL-3/4"FACE-PORTSMOUTH OAK |
| 22  | 103186-01-07A | FT  | MOLDING - PLASTIC - 3/8" U-CHANNEL-3/4"FACE - BEIGE ILLUS  |
| 22  | 103186-02-10A | FT  | MOLDING - PLASTIC - 1" U-CHANNEL-1 3/8"FACE-CONCERT CHERRY |
| 22  | 103186-02-09A | FT  | MOLDING - PLASTIC - 1" U-CHANNEL-1 3/8"FACE-PORTSMOUTH OAK |
| 22  | 103186-02-08A | FT  | MOLDING - PLASTIC - 1" U-CHANNEL-1 3/8"FACE-WASHED MAPLE   |
| 22  | 103186-02-07A | FT  | MOLDING - PLASTIC - 1" U-CHANNEL-1 3/8"FACE-BEIGE ILLUSION |
| 23  | 105004-01-10A | EA  | MOLDING - VINYL WRAPPED 1" X 96" - SALEM CHERRY            |
| 23  | 105004-01-08A | EA  | MOLDING - VINYL WRAPPED - 1" X 96" - WASHED MAPLE          |
| 23  | 105004-01-10A | EA  | MOLDING - VINYL WRAPPED 1" X 96" - SALEM CHERRY            |
| 23  | 105004-01-12A | EA  | MOLDING - VINYL WRAPPED 1" X 96" - PORTSMOUTH OAK          |
| 24  | 009815-10-000 | FT  | MOLDING-T - W/EDGE LIP - 3/4" FACE - BEIGE ILLUSION        |
| 24  | 105709-02-000 | FT  | MOLDING-T - W/EDGE LIP - 3/4" FACE - BEIGE ILLUSION        |
| 25  | 109332-02-01A | FT  | TRIM-J - W/O ADHESIVE - BRASS                              |
| 26  | 109410-01-J70 | EA  | MOLDING - TRIM - 8' - WHITE MAPLE/WASHED MAPLE             |
| 26  | 109410-01-E41 | EA  | MOLDING - TRIM - 8' - BLACK CHERRY/SALEM CHERRY            |
| 26  | 109410-01-N75 | EA  | MOLDING - TRIM - 8' - PORTSMOUTH OAK/PORTSMOUTH OAK        |
| 27  | 109736-02-01A | FT  | MOLDING-T/OFFSET - W/EDGE LIP - 1" FACE - NAT OAK/BRASS    |

**INTERIOR FINISH GROUP (CONTINUED)**  
**MOLDINGS & TRIMS (CONTINUED)**



| KEY | PART NUMBER   | U/M | DESCRIPTION   |
|-----|---------------|-----|---|
| 28  | 111235-01-E74 | EA  | MOLDING - COUNTERTOP - 1.4" X 8' - BLACK CHERRY-UNSTAINED - SALEM CHERRY                    |
| 28  | 111235-01-N42 | EA  | MOLDING - COUNTERTOP - 1.4" X 8' - PORTSMOUTH   |
| 28  | 111235-01-H56 | EA  | MOLDING - COUNTERTOP - 1.4" X 8' - WHITE MAPLE - UNSTAINED - WASHED MAPLE                   |
| 29  | 113757-02-01A | FT  | T-MOLDING - BULB  |
| 30  | 116951-15-N09 | EA  | MOLDING - TRIM - 1.7" X 11" - PORTSMOUTH OAK  |
| 30  | 116951-15-K09 | EA  | MOLDING - TRIM - 1.7" X 11" - WASHED MAPLE  |
| 30  | 116951-15-K13 | EA  | MOLDING - TRIM - 1.7" X 11" - SALEM CHERRY  |
| 31  | 119520-01-01A | FT  | MOLDING-T/OFFSET - W/EDGE LIP - 1"FACE - OFF WHITE  |
| 31  | 119520-02-01A | FT  | MOLDING-T/OFFSET - W/EDGE LIP - 1"FACE  |
| 32  | 126204-D2-134 | EA  | MOLDING - VINYL WRAPPED - .7" X 1.6" X 84" - WASHED MAPLE                                   |
| 32  | 126204-F2-134 | EA  | MOLDING - VINYL WRAPPED - .7" X 2.5" X 84" - WASHED MAPLE                                   |
| 32  | 126204-F2-438 | EA  | MOLDING - VINYL WRAPPED - .7" X 2.6" X 96" - WASHED MAPLE                                   |
| 32  | 137895-D2-134 | EA  | MOLDING - VINYL WRAPPED - .7" X 1.6" X 84" - PORTSMOUTH OAK                                 |
| 32  | 137895-F2-743 | EA  | MOLDING-018X063X2743 MM - PORTSMOUTH OAK  |
| 33  | 126205-D2-438 | EA  | LUMBER - VINYL WRAPPED - .7" X 1.5" X 96" - WASHED MAPLE                                    |
| 33  | 126205-E2-438 | EA  | LUMBER - VINYL WRAPPED - .7" X 2" X 96" - WASHED MAPLE                                      |
| 33  | 126205-F2-438 | EA  | LUMBER - VINYL WRAPPED - .7" X 2.5" X 96" - WASHED MAPLE                                    |
| 33  | 126205-G2-438 | EA  | LUMBER - STAINED - .7" X 3" X 96" - WASHED MAPLE  |
| 33  | 126205-J2-438 | EA  | LUMBER - VINYL WRAPPED - .7" X 5.5" X 96" - WASHED MAPLE                                    |
| 33  | 136030-F2-743 | EA  | MOLDING-018X065X2743MM PAPER WRAPPED-CHERRY - SALEM CHERRY<br>FROM: 00-00-00 THRU: 09-03-01 |
| 33  | 136045-D2-438 | EA  | LUMBER - PAPER WRAPPED - .7" X 1.5" X 96" - CHERRY<br>FROM: 00-00-00 THRU: 09-03-01         |
| 33  | 136045-E2-438 | EA  | LUMBER - PAPER WRAPPED - .7" X 2" X 96" - CHERRY<br>FROM: 00-00-00 THRU: 09-03-01           |
| 33  | 136045-F2-438 | EA  | LUMBER - PAPER WRAPPED - .7" X 2.6" X 96" - CHERRY<br>FROM: 00-00-00 THRU: 09-03-01         |
| 33  | 136045-G2-438 | EA  | LUMBER - PAPER WRAPPED - .7" X 3" X 96" - CHERRY<br>FROM: 00-00-00 THRU: 09-03-01           |
| 33  | 136045-H2-438 | EA  | LUMBER - PAPER WRAPPED - .7" X 3.5" X 96" - CHERRY<br>FROM: 00-00-00 THRU: 09-03-01         |
| 33  | 136045-J2-438 | EA  | LUMBER - PAPER WRAPPED - .7" X 5.5" X 96" - CHERRY<br>FROM: 00-00-00 THRU: 09-03-01         |
| 33  | 136045-R2-438 | EA  | LUMBER - PAPER WRAPPED - .7" X 3" X 96" - CHERRY<br>FROM: 00-00-00 THRU: 09-03-01           |
| 33  | 137894-A2-438 | EA  | LUMBER - VINYL WRAPPED - .7" X .75 X 96" - PORTSMOUTH OAK                                   |
| 33  | 137894-D2-022 | EA  | LUMBER-018X038X2022 MM - WRAPPED - PORTSMOUTH OAK   |
| 33  | 137894-D2-014 | EA  | LUMBER-018X038X2014 MM - WRAPPED - PORTSMOUTH OAK   |
| 33  | 137894-D2-001 | EA  | LUMBER-018X038X2000 MM - WRAPPED - PORTSMOUTH OAK   |
| 33  | 137894-D2-438 | EA  | LUMBER - VINYL WRAPPED - .7" X 1.5" X 96" - PORTSMOUTH OAK                                  |
| 33  | 137894-D2-134 | EA  | LUMBER-018X038X2134 MM - WRAPPED - PORTSMOUTH OAK   |
| 33  | 137894-D2-026 | EA  | LUMBER-018X038X2026 MM - WRAPPED - PORTSMOUTH OAK   |
| 33  | 137894-D2-024 | EA  | LUMBER-018X038X2024 MM - WRAPPED - PORTSMOUTH OAK   |
| 33  | 137894-E2-438 | EA  | LUMBER - VINYL WRAPPED - .7" X 2" X 96" - PORTSMOUTH OAK                                    |
| 33  | 137894-F2-438 | EA  | LUMBER - VINYL WRAPPED - .7" X 2.5" X 96" - PORTSMOUTH OAK                                  |
| 33  | 137894-G2-438 | EA  | LUMBER - VINYL WRAPPED - .7" X 3" X 96" - PORTSMOUTH OAK                                    |
| 33  | 137894-H2-438 | EA  | LUMBER - VINYL WRAPPED - .7" X 3.5" X 96" - PORTSMOUTH OAK                                  |
| 33  | 137894-J2-438 | EA  | LUMBER - VINYL WRAPPED - .7" X 5.5" X 96" - PORTSMOUTH OAK                                  |
| 33  | 137894-J2-743 | EA  | LUMBER-018X140X2743 MM - PORTSMOUTH OAK   |
| 33  | 137894-R2-438 | EA  | LUMBER - VINYL WRAPPED - .7" X 3" X 96" - PORTSMOUTH OAK                                    |

**INTERIOR FINISH GROUP (CONTINUED)**  
**MOLDINGS & TRIMS (CONTINUED)**



| KEY | PART NUMBER   | U/M | DESCRIPTION   |
|-----|---------------|-----|---|
| 34  | 127842-01-01A | FT  | SEAL - SIGHT SHIELD - 2" BLACK  |
| 35  | 130247-01-05A | FT  | MOLDING-T/OFF SET - 1.3" FACE - CONCERT CHERRY - SALEM CHERRY             |
| 35  | 130247-01-04A | FT  | MOLDING-T/OFF SET - 1.3" FACE - PORTSMOUTH OAK                            |
| 35  | 130247-01-02A | FT  | MOLDING-T/OFF SET - 1.3" FACE - WASHED MAPLE                              |
| 36  | 131923-02-02A | FT  | MOLDING - PICTURE - CHERRY - SALEM CHERRY                                 |
| 36  | 131923-02-03A | FT  | MOLDING - PICTURE - HARD WHITE MAPLE - WASHED MAPLE                       |
| 36  | 131923-02-04A | FT  | MOLDING - PICTURE - 42.8" - PORTSMOUTH                                    |
| 37  | 131923-03-02A | FT  | MOLDING - CROWN - DIVIDER - CHERRY - SALEM CHERRY                         |
| 37  | 131923-03-03A | FT  | MOLDING - CROWN - DIVIDER - HARD WHITE MAPLE - WASHED MAPLE               |
| 37  | 131923-03-04A | FT  | MOLDING - MOLDING - CROWN - DIVIDER - OAK - PORTSMOUTH                    |
| 38  | 132647-01-05A | EA  | MOLDING/TRIM - DASH - PORTSMOUTH OAK                                      |
| 39  | 134156-01-03A | EA  | MOLDING - VINYL WRAP - .7" X 3.8" X 33.8" - WASHED MAPLE                  |
| 39  | 134156-01-05A | EA  | MOLDING - PAPER WRAP - .7" X 3.8" X 33.8" - CONCERT CHERRY - SALEM CHERRY |
| 39  | 134156-01-07A | EA  | MOLDING - VINYL WRAP - .7" X 3.8" X 33.8" - CONCERT CHERRY - SALEM CHERRY |
|     |               |     | FROM: 00-00-00 THRU: 09-03-01   |
| 39  | 134156-01-08A | EA  | MOLDING - VINYL WRAP - .7" X 3.8" X 33.8" - PORTSMOUTH OAK                |
| 39  | 134156-03-03A | EA  | MOLDING - VINYL WRAP - .7" X 3.4" X 28.3" - WASHED MAPLE                  |
| 39  | 134156-03-05A | EA  | MOLDING - PAPER WRAP - .7" X 3.4" X 28.3" - CONCERT CHERRY - SALEM CHERRY |
|     |               |     | FROM: 00-00-00 THRU: 09-03-01   |
| 39  | 134156-03-07A | EA  | MOLDING - VINYL WRAP - .7" X 3.4" X 28.3" - CONCERT CHERRY - SALEM CHERRY |
|     |               |     | FROM: 09-04-01 THRU: 00-00-00   |
| 39  | 134156-03-08A | EA  | MOLDING - VINYL WRAP - .7" X 3.4" X 28.3" - PORTSMOUTH OAK                |
| 39  | 134156-05-05A | EA  | MOLDING - PAPER WRAP - .7" X 3.8" X 34.4" - SALEM CHERRY                  |
|     |               |     | FROM: 00-00-00 THRU: 09-03-01   |
| 39  | 134156-05-07A | EA  | MOLDING - VINYL WRAP - .7" X 3.8" X 34.4" - CONCERT CHERRY - SALEM CHERRY |
|     |               |     | FROM: 09-04-01 THRU: 00-00-00   |
| 39  | 134156-05-08A | EA  | MOLDING - VINYL WRAP - .7" X 3.8" X 33.8" - PORTSMOUTH OAK                |
| 40  | 137108-01-07A | EA  | RAIL - DECORATIVE - PORTSMOUTH OAK  |
| 40  | 137108-01-03A | EA  | RAIL - DECORATIVE - WASHED MAPLE  |
| 40  | 137108-01-02A | EA  | RAIL - DECORATIVE - SALEM CHERRY  |
| 41  | 085746-04-000 | EA  | TRIM-J - CARPET 1.2" X .5" ANGLE - 10' LONG - OFF WHITE                   |
| 42  | M09412-62-M52 | EA  | MOLDING/SHELF EDGE - W/.4" NOTCH - CHERRY IV                              |
| 42  | M09412-62-M62 | EA  | MOLDING/SHELF EDGE - W/.4" NOTCH - WASHED MAPLE                           |
| 42  | M09412-62-N42 | EA  | MOLDING/SHELF EDGE - W/.4" NOTCH - PORTSMOUTH II                          |
| 43  | Y00074-22-438 | EA  | MOLDING/CROWN - VINYL WRAPPED - MAPLE - 96"                               |
| 43  | Y00074-62-438 | EA  | MOLDING/CROWN - VINYL WRAPPED - CONCERT CHERRY - 96"                      |
| 43  | Y00074-72-438 | EA  | MOLDING/CROWN - VINYL WRAPPED - PORTSMOUTH OAK - 96"                      |

**INTERIOR FINISH GROUP (CONTINUED)**  
**PANELING & LAMINATES**

| KEY | PART NUMBER   | U/M | DESCRIPTION   |
|-----|---------------|-----|---|
|     | 000846-01-000 | SF  | PLYWOOD - 5/16" X 48" X 96" - CD GRADE                          |
|     | 000846-02-000 | SF  | PLYWOOD/UNDERLAYMENT - 5/16" X 48" X 96"                        |
|     | 000885-A1-000 | SF  | PARTICLE BOARD - 1/2" X 4' X 8' - SALEM CHERRY - 2 SIDED        |
|     | 000885-A2-000 | SF  | PARTICLE BOARD - 1/2" X 4' X 8' - WASHED MAPLE - 2 SIDED        |
|     | 000885-A3-000 | SF  | PARTICLE BOARD - 3/4" X 4' X 8' - SALEM CHERRY - 2 SIDED        |
|     | 000885-A5-000 | SF  | PARTICLE BOARD - 3/8" X 4' X 8' - WHT PEB EMBOSSED-1 SIDED      |
|     | 000885-72-000 | SF  | PARTICLE BOARD - 1/2" X 4' X 8' - CHERRY - VINYL 2 SIDED        |
|     | 000885-89-000 | SF  | PARTICLE BOARD - 3/8" X 4' X 8' - WASHED MAPLE - 2-SIDED        |
|     | 000885-90-000 | SF  | PARTICLE BOARD - 1/2" X 4' X 8' - WASHED MAPLE - 2-SIDED        |
|     | 000885-91-000 | SF  | PARTICLE BOARD - 3/4" X 4' X 8' - WASHED MAPLE - 2-SIDED        |
|     | 000885-93-000 | SF  | PARTICLE BOARD - 3/8" X 4' X 8' - PORTSMOUTH OAK - 2-SIDED      |
|     | 000885-98-000 | SF  | PARTICLE BOARD - 3/8" X 4' X 8' - SALEM CHERRY - 2 SIDED        |
|     | 069733-86-000 | SF  | BATT STRIP - WOODGRAINED/WASHED MAPLE - 8'                      |
|     | 069733-88-000 | EA  | BATT STRIP - WOODGRAINED/SALEM CHERRY - 8'                      |
|     | 069733-89-000 | EA  | BATT STRIP - WOODGRAINED/WASHED MAPLE - 8'                      |
|     | 074497-39-000 | SF  | PANELING - WASHED MAPLE - 4' X 8'                               |
|     | 074497-41-000 | SF  | PANELING - CEILING/IMPACT PEARL - 4' X 9'                       |
|     | 074497-43-000 | SF  | PANELING - SALEM CHERRY - 4' X 8'                               |
|     | 074498-40-000 | SF  | LAMINATE - PLASTIC - OFF WHITE - 5' X 8'                        |
|     | 074498-82-000 | SF  | LAMINATE - PLASTIC - WASHED MAPLE - 4' X 8'                     |
|     | 074498-81-000 | SF  | LAMINATE - PLASTIC - ALMOND JAGUARD - 5' X 8' (N15, N16)        |
|     | 074498-83-000 | SF  | LAMINATE - PLASTIC - NATURAL LEGACY - 5' X 8' (N17, N18)        |
|     | 074498-84-000 | SF  | LAMINATE - PLASTIC - ALMOND JAGUARD - 5' X 8'                   |
|     | 074498-87-000 | SF  | LAMINATE - PLASTIC - BEIGE PAMPAS - 5' X 8'                     |
|     | 074498-96-000 | SF  | LAMINATE - PLASTIC - CHERRY - 4' X 8'                           |
|     | 076325-39-000 | FT  | MOLDING - EDGE BAND - 1 5/16" X .030" - ALMOND                  |
|     | 076325-40-000 | FT  | MOLDING - EDGE BAND - .93" X .024" - ALMOND                     |
|     | 076325-73-000 | FT  | MOLDING - EDGE BAND - .93" X .024" - OFF WHITE                  |
|     | 076325-74-000 | FT  | MOLDING - EDGE BAND - 1 5/16" X .038" - WASHED MAPLE            |
|     | 076325-80-000 | FT  | MOLDING - EDGE BAND - 1 5/16" X .30" - CONCERT CHERRY           |
|     | 076773-16-000 | SF  | PANELING - WOODGRAINED - 2 SIDED/SALEM CHERRY - 4' X 8'         |
|     |               |     | FROM: 05-17-01 THRU: 99-99-99                                   |
|     | 076773-17-000 | SF  | PANELING - WASHED MAPLE - 2 SIDED - 1/8" X 4' X 8'              |
|     | 083618-07-000 | SF  | PLYWOOD - MAPLE - 1 SIDE 3/16" X 4' X 8'                        |
|     | 085284-G5-000 | FT  | BATT TAPE - ADHESIVE BACKED - DECORATIVE - CIRRUS (N17, N18)    |
|     | 085284-G9-000 | FT  | BATT TAPE - ADHESIVE BACKED - DECORATIVE - ALABASTER (N15, N16) |
|     | 088263-G6-000 | EA  | BATT STRIP - DECORATIVE - CIRRUS - 8' (N17, N18)                |
|     | 088263-G9-000 | EA  | BATT STRIP - DECORATIVE - CORK/ALABASTER - 8' (N15, N16)        |
|     | 088272-H9-000 | SF  | PANELING - PEBBLE EMBOSSED - WHITE - 4' X 7'                    |
|     | 088272-J3-000 | SF  | PANELING - NEUTRAL - 4' X 7'                                    |
|     | 088272-J6-000 | SF  | PANELING - CIRRUS - 4' X 7' (N17, N18)                          |
|     | 088272-J9-000 | SF  | PANELING - ALABASTER - 4' X 7' (N15, N16)                       |
|     | 126339-01-000 | SF  | BOARD - WHEAT - 60" X 72"                                       |
|     | 132610-04-05A | FT  | WALLPAPER - BORDER - 5" - SELF-ADHESIVE (N15, N16)              |
|     |               |     | FROM: 00-00-00 THRU: 07-08-01                                   |
|     | 132610-06-05A | FT  | WALLPAPER - BORDER - 5 1/4" - SELF-ADHESIVE (N15, N16)          |
|     |               |     | FROM: 07-09-01 THRU: 99-99-99                                   |
|     | 132610-05-03A | FT  | WALLPAPER - BORDER - 7" - SELF-ADHESIVE (N17, N18)              |
|     |               |     | FROM: 00-00-00 THRU: 07-08-01                                   |
|     | 132610-05-19A | FT  | WALLPAPER - BORDER - 7" - SELF-ADHESIVE (N17, N18)              |
|     |               |     | FROM: 07-09-01 THRU: 99-99-99                                   |

**INTERIOR FINISH GROUP (CONTINUED)**  
**ACCESSORIES**

| <b>KEY</b> | <b>PART NUMBER</b> | <b>U/M</b> | <b>DESCRIPTION</b>                                     |
|------------|--------------------|------------|--|
|            | 134537-01-01A      | EA         | LABEL - OCCUPANCY - CHAIR - US                         |
|            | 072852-01-000      | EA         | DETECTOR - SMOKE - W/9 VOLT BATTERY - US               |
| *          | 094499-02-000      | EA         | EXTINGUISHER/FIRE - DRY - 10BC - W/GAUGE - CANADIAN    |
|            | 094499-03-000      | EA         | EXTINGUISHER/FIRE - DRY - 10BC - W/GAUGE - W/O BRACKET |
|            | 094499-04-000      | EA         | STRAP - FIRE EXTINGUISHER MOUNTING - METAL             |
|            | 064781-06-000      | EA         | HOLDER/CUP - TWO STEP - OFF WHITE                      |
|            | 091261-01-000      | FT         | SLIPNOT - ANTISLIP - 1' WIDE X 12' - BLACK             |
|            | 072852-02-000      | EA         | DETECTOR - SMOKE - W/9 VOLT BATTERY - CANADIAN         |
|            | 064781-06-000      | EA         | HOLDER/CUP - TWO STEP - OFF WHITE                      |
|            | 058331-17-000      | EA         | MIRROR - SAFETY GLASS - 8.75" X 12.5"                  |
|            | 096764-02-000      | FT         | SLIPNOT - ANTISLIP - 1iWIDE (180' ROLLS) - WHITE       |
|            | 091261-01-000      | FT         | SLIPNOT - ANTISLIP - 1' WIDE X 12' - BLACK             |
|            | 118718-01-01A      | EA         | HOLDER/DRINK - COLLAPSIBLE MUG - BLACK PLASTIC         |
|            | 118718-01-02A      | EA         | HOLDER/DRINK - COLLAPSIBLE MUG - WHITE PLASTIC         |
|            | 100793-05-01A      | EA         | CLOCK - WALL - 8" SQUARE - GOLD                        |
|            | 000C16-07-16B      | EA         | BOLT - CARRIAGE - ASSIST HANDLE - 7/16-14 X 1          |
|            | 000D20-07-00B      | EA         | NUT - ACORN - ASSIST HANDLE - 7/16 - 14                |
|            | 058331-A3-000      | EA         | MIRROR - SAFETY GLASS - 13.4" X 44.7"                  |
|            | 058331-J8-000      | EA         | MIRROR - SAFETY GLASS - 20.9" X 25.2"                  |
|            | 058331-17-000      | EA         | MIRROR - SAFETY GLASS - 8.75" X 12.5"                  |
|            | 058331-85-000      | EA         | MIRROR - SAFETY GLASS - 20.8" X 35.4"                  |
|            | 140374-04-000      | EA         | MIRROR - SAFETY GLASS - 8.7" X 12.5"                   |
|            | 140374-36-000      | EA         | MIRROR - SAFETY GLASS - 20.9" X 25.2                   |
|            | 131494-04-01A      | EA         | MIRROR - ARCHED TOP - 20" X 30" W/DIAMOND              |
|            | 125136-02-000      | EA         | CO DETECTOR - GAS MODEL - 9 VOLT                       |
|            | 131493-02-02A      | EA         | PICTURE - DECORATIVE - 13 X 15" - LILY                 |
|            | 137605-01-01A      | EA         | RAIL - HAND - INTERIOR ENTRY DOOR                      |

**\*COMPONENT PARTS LISTED LATER IN THIS GROUP**

**INTERIOR FINISH GROUP (CONTINUED)**  
**COMPONENT PARTS FOR ACCESSORIES**

**094499-02-000**

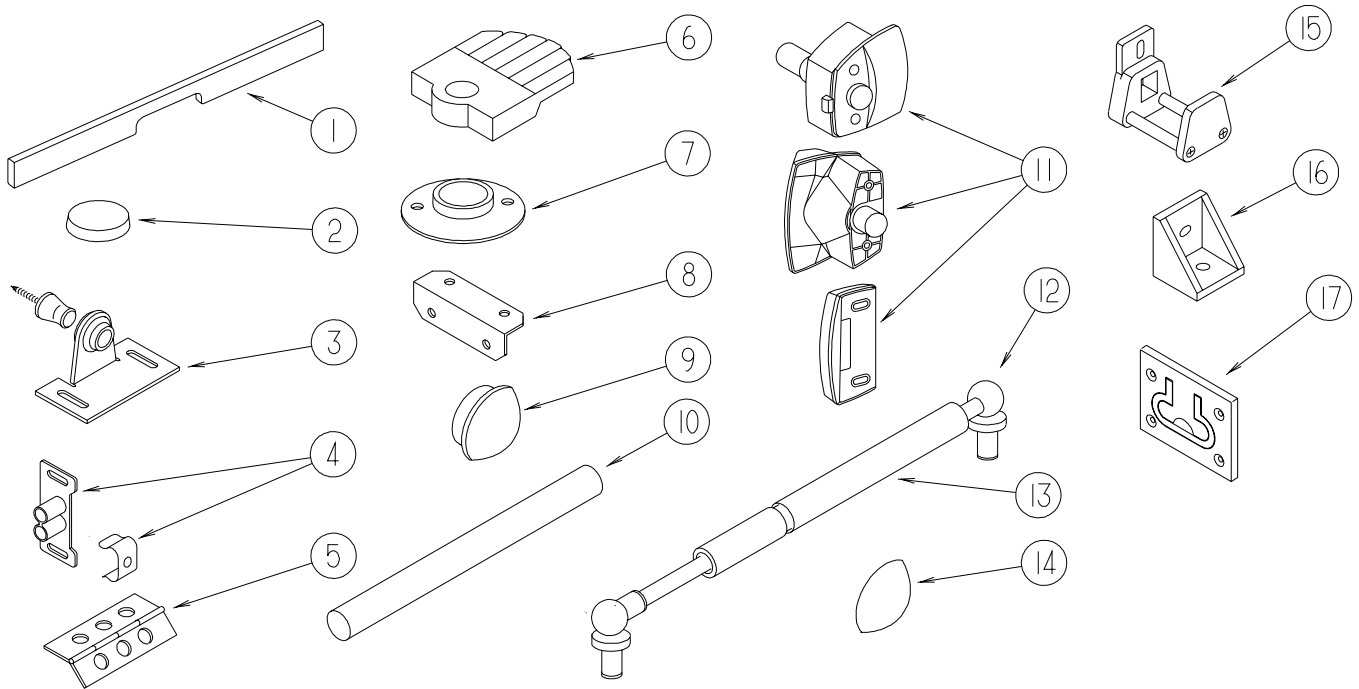
| <b>KEY</b> | <b>PART NUMBER</b> | <b>U/M</b> | <b>DESCRIPTION</b>         | <b>VENDOR NO</b> |
|------------|--------------------|------------|----------------------------|------------------|
|            | 094499-01-700      | EA         | BRACKET MTG. W/PLAS. STRAP | 294039           |

**INTERIOR FINISH GROUP (CONTINUED)**  
**FLOOR COVERINGS**

| <b>KEY</b> | <b>PART NUMBER</b> | <b>U/M</b> | <b>DESCRIPTION</b>   |
|------------|--------------------|------------|--|
|            | 042720-28-000      | SY         | VINYL - FLOOR COVERING - 14' WIDE - OPTIMATION                               |
|            | 093486-01-000      | SY         | CARPET - COMPARTMENT - 72" WIDE - DARK GRAY<br>FROM: 00-00-00 THRU: 08-19-01 |
|            | 093486-02-000      | SY         | CARPET - COMPARTMENT - 72" WIDE<br>FROM: 08-20-01 THRU: 99-99-99             |
|            | 096060-H1-000      | SY         | CARPET - TAPIOCA - INCREMENTS OF 4 SQ YDS (N15, N16)                         |
|            | 096060-F0-000      | SY         | CARPET - PALE SAGE - INCREMENTS OF 4 SQ YARDS (N17, N18)                     |

## INTERIOR FINISH GROUP (CONTINUED)

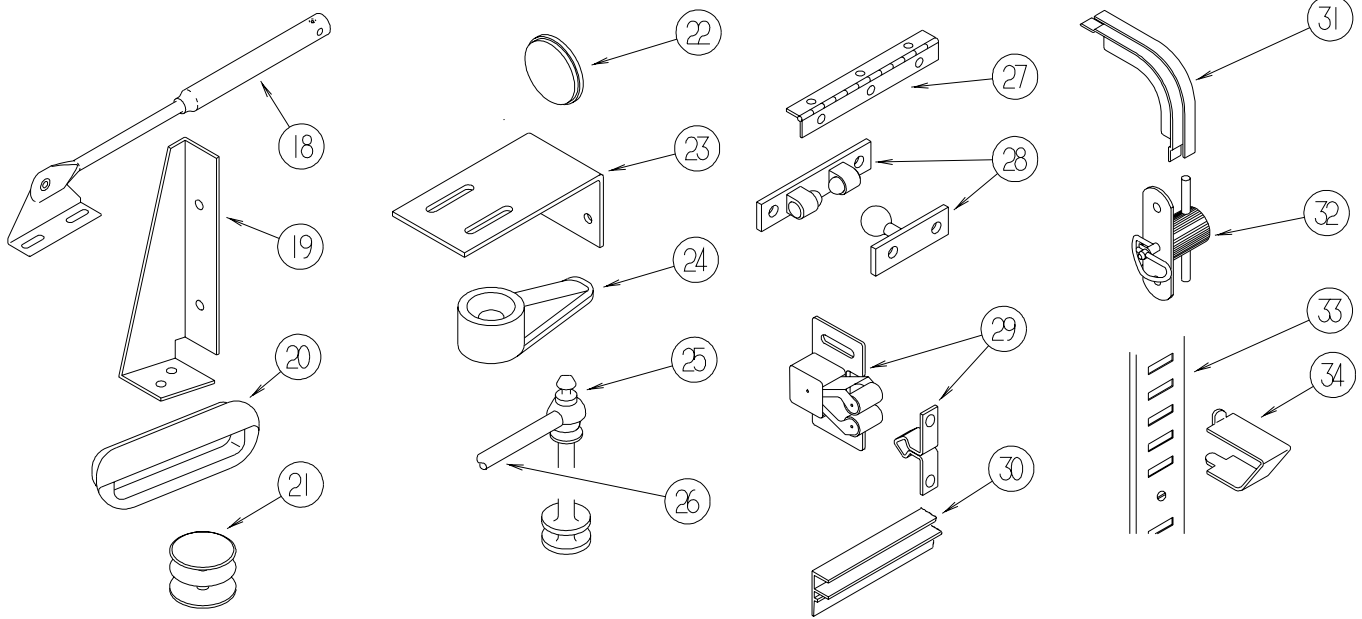
### HARDWARE



| KEY | PART NUMBER   | U/M | DESCRIPTION   |
|-----|---------------|-----|---|
| 1   | P26866-09-KQ1 | EA  | HANDLE - DOOR/TAMBOUR - 14.7" - CHERRY/CHERRY III                         |
| 1   | P26866-10-K09 | EA  | HANDLE - DOOR/TAMBOUR - 11.6" - MAPLE/WASHED MAPLE                        |
| 1   | P26866-10-M07 | EA  | HANDLE - DOOR/TAMBOUR - 11.6" - ASH/PORTSMOUTH OAK - PORTSMOUTH OAK       |
| 2   | 004354-01-000 | EA  | BUMPER - RUBBER - .5" DIA - BROWN   |
| 2   | 023320-01-000 | EA  | PAD - FELT 3/8" DIAMETER  |
| 3   | 009013-01-000 | EA  | CATCH - BULLDOG - MALE/FEMALE   |
| 4   | 009021-01-000 | EA  | CATCH - GRILLE - NYLON  |
| 4   | 009021-02-000 | EA  | STRIKE - SPRING STEEL - .68"  |
| 5   | 009059-01-000 | EA  | HINGE - DOOR - 2" X 1.4" - BRASS  |
| 5   | 009059-02-000 | EA  | HINGE - DOOR - 2" X 2.7" - BRASS  |
| 5   | 009059-03-000 | EA  | HINGE - BRASS - 1.75"   |
| 5   | 041389-25-000 | EA  | HINGE - PIANO - 1 1/2" X 55" - UNPAINTED                                  |
| 6   | 009089-01-000 | EA  | CLIP - MIRROR   |
| 7   | 009112-01-000 | EA  | FLANGE - PLASTIC - 1" CLOTHES ROD - OFF WHITE                             |
| 8   | 016604-01-000 | EA  | BRACE - ANGLE - 2 1/2" - UNPAINTED METAL                                  |
| 8   | 016604-05-000 | EA  | BRACE - ANGLE - 2 1/2" - OFF WHITE METAL                                  |
| 8   | 016604-07-000 | EA  | BRACE - ANGLE - 2 1/2" - VW GRAY  |
| 8   | 016604-09-000 | EA  | BRACE - ANGLE - VW LIGHT GRAY   |
| 9   | 042356-01-000 | EA  | PLUG - MAHOGANY - 3/8" DOWEL X 1/2" HEAD                                  |
| 9   | 074045-08-000 | EA  | PLUG - OAK - 3/8" DOWEL-1/2" HEAD - SALEM CHERRY                          |
| 9   | 074045-12-000 | EA  | PLUG - OAK - 3/8" DOWEL-1/2" HEAD - WASHED MAPLE                          |
| 9   | 074045-13-000 | EA  | PLUG - OAK - 3/8" DOWEL-1/2" HEAD - PORTSMOUTH OAK                        |
| 10  | 042438-01-000 | EA  | DOWEL - WOOD - CLOTHES ROD - 1" X 4'                                      |
| 10  | 042438-02-000 | EA  | DOWEL - WOOD - CLOTHES ROD - 2" X 2'                                      |
| 10  | 042438-06-000 | EA  | DOWEL - WOOD - 1.5" X 26"   |
| 11  | 058335-03-000 | EA  | LATCH W/O LOCK - BATHROOM DOOR BLACK - <a href="#">RIALTA, 200-SERIES</a> |
| 12  | 057460-02-000 | EA  | BALL STUD - F/GAS SPRING .39" - 5/16"-18                                  |
| 13  | 057460-04-000 | EA  | SPRING/GAS - BALL STUD STYLE - 120 PI - iSPD6209†                         |
| 14  | 057671-01-000 | EA  | COVER - SCREW - OFF WHITE - #8  |
| 14  | 057671-13-000 | EA  | COVER - SCREW - DARK GRAY - #8  |
| 14  | 057671-15-000 | EA  | COVER - SCREW - #8 - BRIGHT WHITE   |
| 14  | 057671-16-000 | EA  | COVER - SCREW - #8 - SOFT WHITE   |
| 14  | 057671-17-000 | EA  | COVER - SCREW - VW LT GRAY - #8   |
| 15  | 064467-01-000 | EA  | GUIDE - POCKET - SLIDING DOOR - WALL MOUNTED                              |
| 16  | 065740-01-000 | EA  | BRACE - CABINET/CORNER - PLASTIC  |
| 17  | 072871-01-000 | EA  | PULL - FLUSH - CHROME - <a href="#">RIALTA, 200-SERIES</a>                |

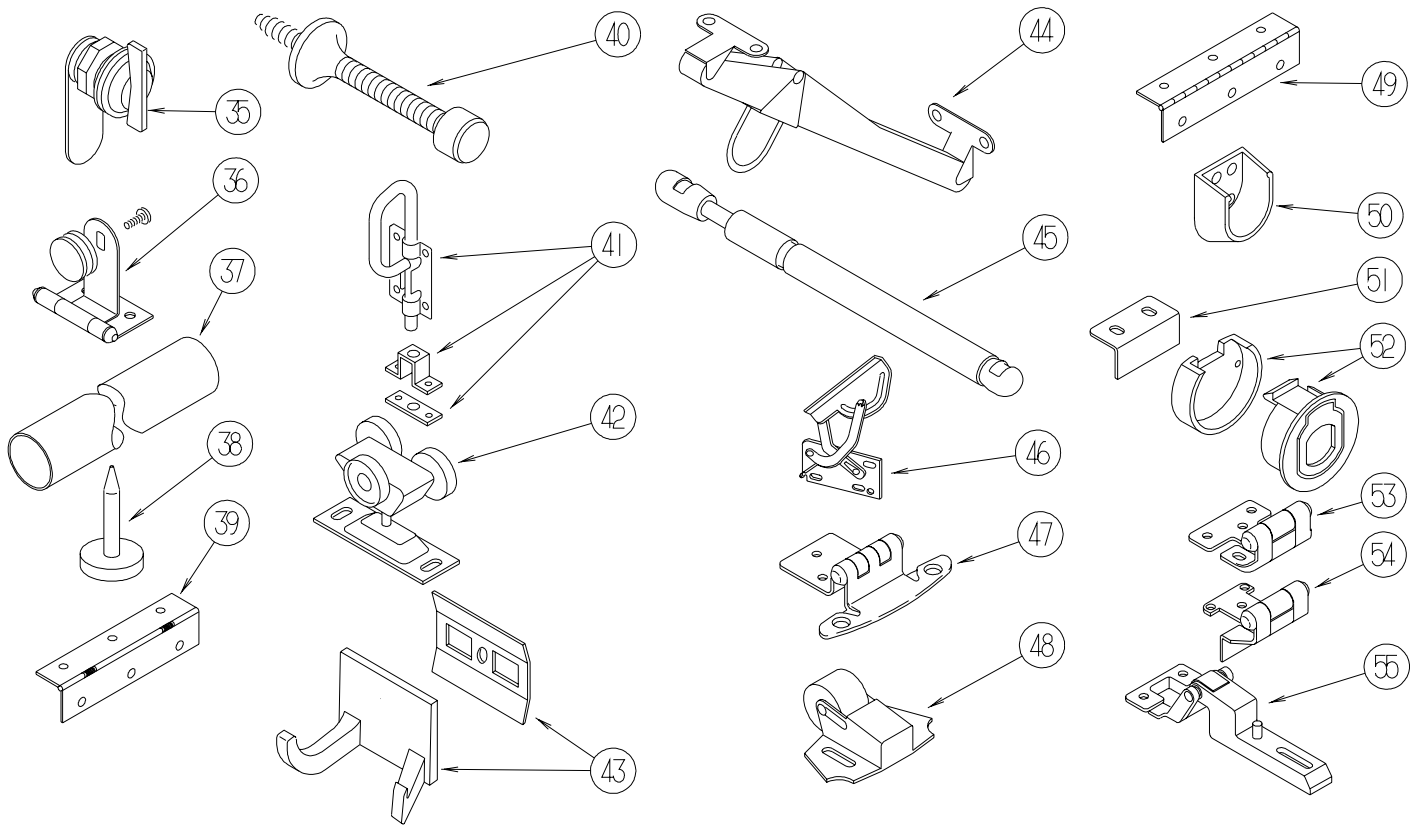


**INTERIOR FINISH GROUP (CONTINUED)**  
**HARDWARE (CONTINUED)**



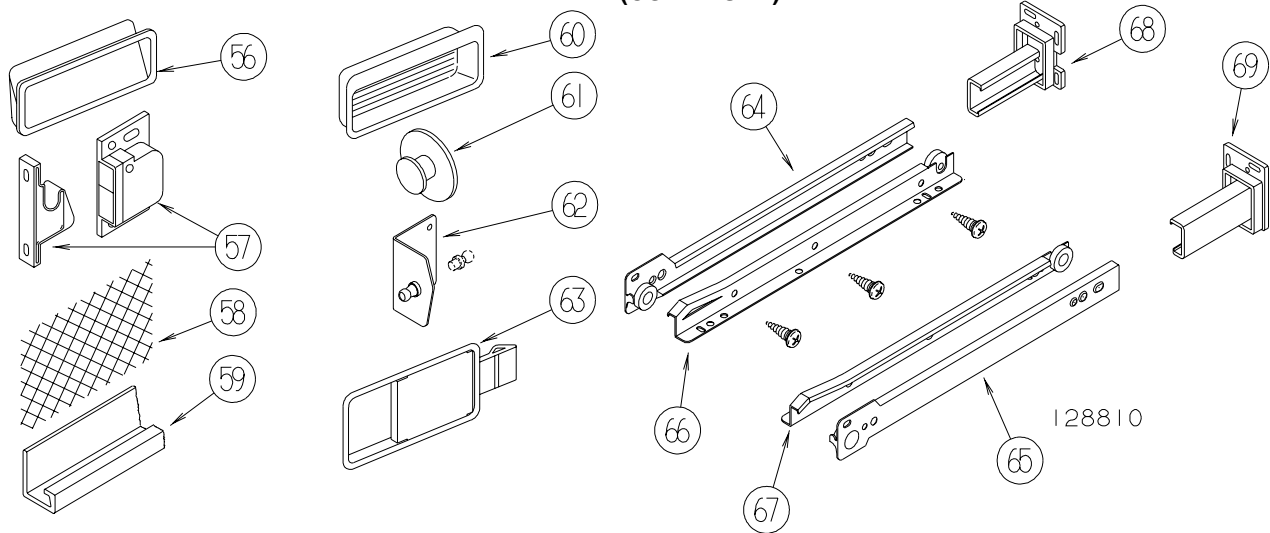
| KEY | PART NUMBER   | U/M | DESCRIPTION  |
|-----|---------------|-----|--|
| 18  | 074493-02-000 | EA  | SUPPORT - PISTON SPRING - CABINET DOOR - 26 LBS        |
| 18  | 074493-03-000 | EA  | SUPPORT - PISTON SPRING - CABINET DOOR - 12 LBS        |
| 18  | 074493-04-000 | EA  | SUPPORT - PISTON SPRING - CABINET DOOR - 32 LBS        |
| 19  | 076827-02-000 | EA  | BRACKET/LEG - 2.9" X 1.8" - TRIANGULAR - LEFT/E-COATED |
| 20  | 080736-01-000 | EA  | PULL - RECESSED - 1.25" X 4" - OAK                     |
| 21  | 081114-02-000 | EA  | CAP - INSERT - ROUND - 1" DIAMETER - WHITE PLASTIC     |
| 22  | 081914-01-000 | EA  | BUMPER - RUBBER - ROUND - 1/2" DIA. X 1/8" THICK       |
| 22  | 120760-01-000 | EA  | RUBBER BUMPER - CLEAR - .1" THICK X .8" DIAMETER       |
| 23  | 083125-07-000 | EA  | BRACE - ANGLE/COUCH - 2.5" - OFF WHITE                 |
| 23  | 132871-02-02B | EA  | BRACKET/L-ANGLE W/HOLES - 1.9" X 2.8" - E-COATED       |
| 24  | 083204-03-000 | EA  | BUTTON - RETAINING MIRROR 5/16" TIP                    |
| 25  | 084070-03-000 | EA  | POST - END - 2.4" - SHINY BRASS                        |
| 26  | 084071-05-000 | EA  | ROD - BRASS - 15"                                      |
| 26  | 084071-08-000 | EA  | ROD - BRASS - 9.3"                                     |
| 26  | 084071-19-000 | EA  | ROD - BRASS - 7.1"                                     |
| 26  | 084071-20-000 | EA  | ROD - BRASS - 9.8"                                     |
| 26  | 084071-23-000 | EA  | ROD - BRASS - 13.1"                                    |
| 26  | 084071-24-000 | EA  | ROD - BRASS - 3.8"                                     |
| 26  | 084071-28-000 | EA  | ROD - BRASS - 6"                                       |
| 26  | 084071-30-000 | EA  | ROD - BRASS - 11.6"                                    |
| 26  | 084071-31-000 | EA  | ROD - BRASS - 14.8"                                    |
| 26  | 084071-33-000 | EA  | ROD - BRASS - 20.4"                                    |
| 27  | 084413-01-000 | EA  | HINGE - 1" X 72" - ALUMINUM - W/HOLES                  |
| 27  | 084625-07-000 | EA  | HINGE - ALUMINUM - W/HOLES - 13" - OFF/WHITE           |
| 27  | 084625-11-000 | EA  | HINGE - ALUMINUM - W/HOLES - 22" - OFF/WHITE           |
| 27  | 114278-02-000 | EA  | HINGE - CONTINUOUS - 3 1/2" WIDE                       |
| 28  | 084451-01-000 | EA  | CATCH & LATCH - 1.7" - BRASS                           |
| 29  | 093586-03-000 | EA  | CATCH - SPRING ROLLER - .377"                          |
| 29  | 093586-04-000 | EA  | STRIKE - SPRING STEEL - 1.14"                          |
| 29  | 093586-05-000 | EA  | STRIKE - SPRING STEEL - .943"                          |
| 29  | 093586-06-000 | EA  | CATCH - SPRING ROLLER - .236"                          |
| 30  | 093622-01-000 | EA  | TRACK - DOOR - TAMBOUR - PLASTIC - 8' LENGTHS          |
| 31  | 093623-01-000 | EA  | CORNER - TRACK - TAMBOUR DOOR                          |
| 32  | 098196-01-000 | EA  | LATCH - 1/4 TURN - T-BAR                               |
| 33  | 098979-01-000 | EA  | CLIP - ADJUSTABLE SHELF                                |
| 34  | 098980-01-000 | EA  | PILASTER - ADJUSTABLE SHELF - 18"                      |
| 34  | 098980-02-000 | EA  | PILASTER - ADJUSTABLE SHELF - 12"                      |
| 34  | 098980-03-000 | EA  | PILASTER - ADJUSTABLE SHELF - 9"                       |
| 34  | 098980-04-000 | EA  | PILASTER - ADJUSTABLE SHELF - 48"                      |
| 34  | 098980-05-000 | EA  | PILASTER - ADJUSTABLE SHELF - 15"                      |
| 34  | 098980-06-000 | EA  | PILASTER - ADJUSTABLE SHELF - 24"                      |

**INTERIOR FINISH GROUP (CONTINUED)**  
**HARDWARE (CONTINUED)**



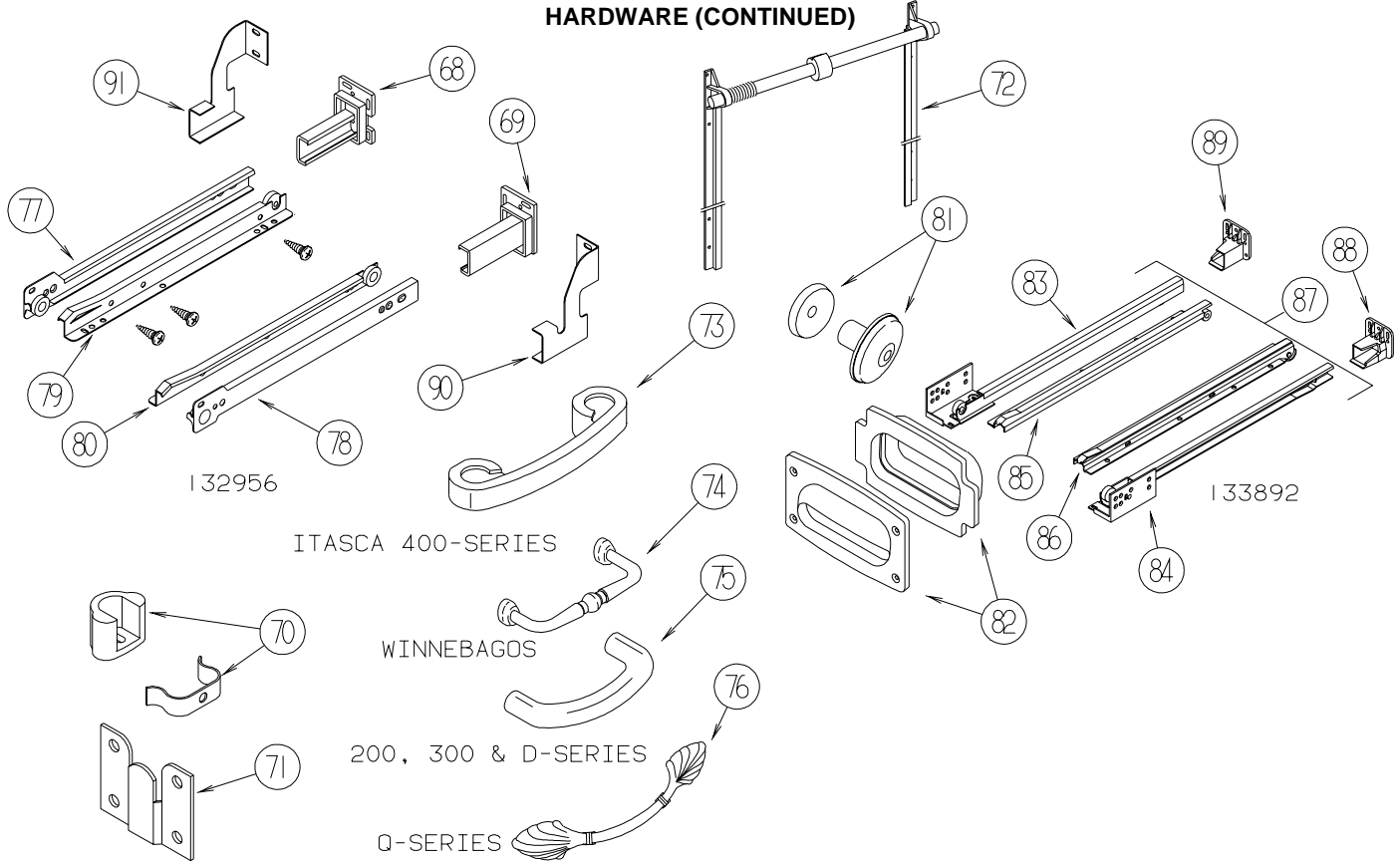
| KEY | PART NUMBER   | U/M | DESCRIPTION   |
|-----|---------------|-----|---|
| 35  | 100710-01-01A | EA  | LOCK - GLASS DOOR/TWIST TYPE - BRASS  |
| 36  | 100711-01-01A | EA  | HINGE - GLASS DOOR  |
| 37  | 102075-06-02A | EA  | ROD - SHOWER CURTAIN - 1" OD X 33.5" - SOFT WHITE   |
| 37  | 102075-09-02A | EA  | ROD - SHOWER CURTAIN - 3/4"OD X 29.5" - SOFT WHITE  |
| 37  | 102075-16-02A | EA  | ROD - SHOWER CURTAIN - 3/4"OD X 34.2" - SOFT WHITE  |
| 37  | 102075-18-02A | EA  | ROD - SHOWER CURTAIN - 1" OD X 38.9" - SOFT WHITE   |
| 38  | 102194-01-000 | EA  | GUIDE - PLASTIC - 1" (HEAD/PIN)   |
| 39  | 102920-01-01A | EA  | HINGE - SPRING LOADED - BRASS   |
| 40  | 103194-01-000 | EA  | STOP - BATH DOOR  |
| 41  | 103256-01-000 | EA  | LATCH COMPLETE (SLIDE)  |
| 42  | 103874-01-000 | EA  | HANGER - SLIDING DOOR   |
| 43  | 104174-01-000 | EA  | HOOK - ROBE - DOUBLE  |
| 44  | 104181-01-01A | EA  | SUPPORT - LEAF 5.3" EXTENDS TO 7.5" - SAFETY RING - METAL                                   |
| 45  | 107796-05-000 | EA  | BRACKET - SUPPORT - GAS SPRING TO BED - FLAT (LOWER)  |
| 45  | 107796-06-000 | EA  | SPRING/GAS - 12" COMPRESSED/20" EXTENDED - 120 LB.  |
| 45  | 107796-08-000 | EA  | SPRING/GAS - 11" COMPRESSED/17" EXTENDED - 60 LB.   |
| 45  | 107796-09-000 | EA  | SPRING/GAS - 5.5" COMPRESSED/7.5" EXTENDED - 40 LB.   |
| 45  | 107796-15-000 | EA  | SPRING/GAS - 24" COMPRESSED/40" EXTENDED - 15 LB.   |
| 45  | 107796-16-000 | EA  | SPRING/GAS - 6.4" COMPRESSED/9.6" EXTENDED - 65 LB.   |
| 46  | 108126-01-000 | EA  | TRAY HINGE SET (QTY. 2 PER SET)   |
| 47  | 107327-01-000 | EA  | HINGE - BURNISHED BRASS - SPRING SELF CLOSING - <b>WHEN CATCH &amp; STRIKE ARE NOT USED</b> |
| 47  | 108138-01-000 | EA  | HINGE - CABINET DOOR - BURNISHED BRASS - <b>ULTIMATE ADVANTAGE &amp; FREEDOM, Q-SERIES</b>  |
| 47  | 108138-03-000 | EA  | HINGE - BRIGHT BRASS  |
| 48  | 109403-01-000 | EA  | CATCH - SINGLE ROLLER - SCREEN DOOR   |
| 49  | 110496-01-01A | EA  | HINGE - BRASS   |
| 50  | 113236-01-01A | EA  | BRACKET - CLOTHES - ROD   |
| 51  | 113375-02-01A | EA  | STRIKE - DOOR - CHROME - <b>RIALTA, 200-SERIES</b>  |
| 52  | 113375-05-01A | EA  | LATCH - SLAM - BACK - .8" THICK - <b>RIALTA, 200-SERIES</b>                                 |
| 52  | 113375-06-01A | EA  | LATCH - SLAM - FACE - .7" THICK - <b>RIALTA, 200-SERIES</b>                                 |
| 53  | 113676-01-01A | EA  | HINGE - OVERLAY - VARIABLE - BURNISHED BRASS - <b>RIALTA, 200-SERIES</b>                    |
| 54  | 113677-01-01A | EA  | HINGE - SELF CLOSING - <b>RIALTA, 200-SERIES</b>  |
| 55  | 114443-01-01A | EA  | HINGE - CABINET DOOR  |

**INTERIOR FINISH GROUP (CONTINUED)**  
**HARDWARE (CONTINUED)**



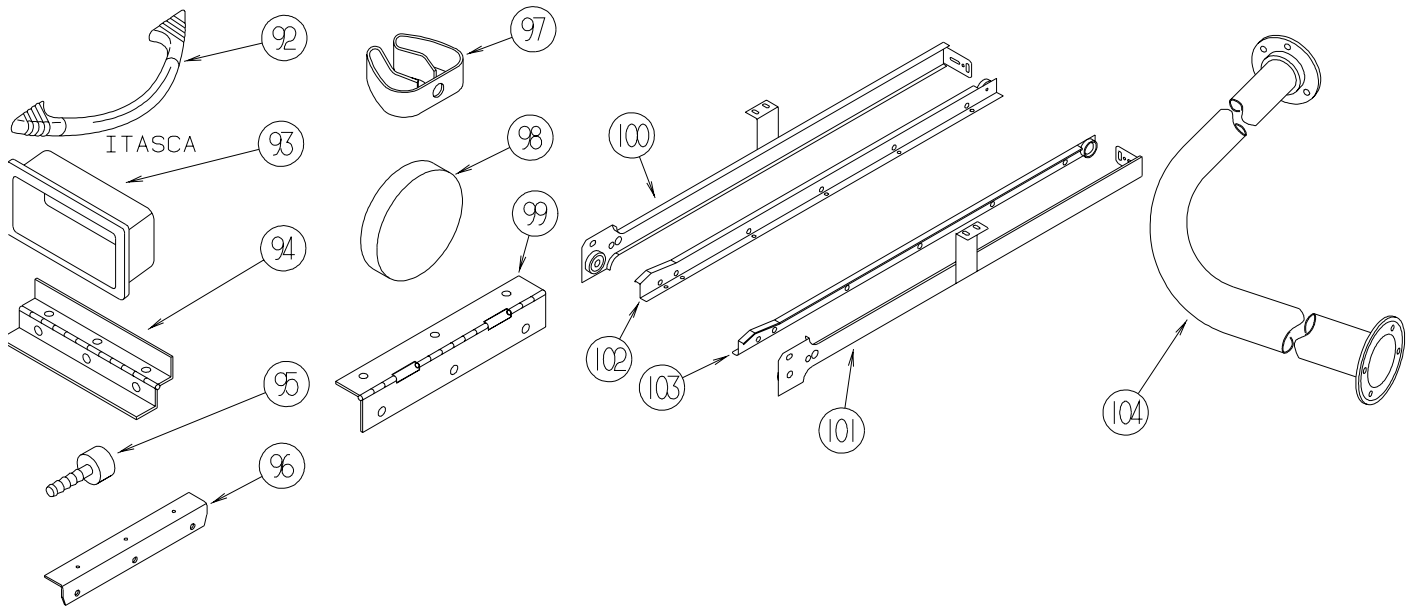
| KEY | PART NUMBER   | U/M | DESCRIPTION   |
|-----|---------------|-----|---|
| 56  | 115994-01-01A | EA  | HANDLE - POCKET - <a href="#">RIALTA, 200-SERIES</a>      |
| 57  | 117095-01-01A | EA  | LATCH - DOOR - GRABBER W/KEEPER - PLASTIC - BLK-5 LB PULL |
| 58  | 118200-01-01A | SF  | MESH - PLASTIC 1/2" - 48" X LENGTH = SF - BLACK           |
| 58  | 118200-07-01A | SF  | MESH - PLASTIC 1/2" - 10.5" X 24.7" - BLACK               |
| 59  | 118933-01-01A | EA  | SUPPORT - HINGE LOCK                                      |
| 60  | 124311-01-01A | EA  | HANDLE - RECESSED - BRASS                                 |
| 61  | 125221-01-01A | EA  | PULL - MIRROR - W/ROUND HANDLE                            |
| 62  | 126263-06-02B | EA  | BRACKET - GAS SPRING W/INSIDE BALL STUD - E-COATED        |
| 63  | 127349-01-01A | EA  | LATCH - PADDLE - <a href="#">RIALTA, 200-SERIES</a>       |
| 64  | 128810-01-01A | EA  | SLIDE - DRAWER - 12" - LEFT CABINET                       |
| 64  | 128810-05-01A | EA  | SLIDE - DRAWER - 14" - LEFT CABINET                       |
| 64  | 128810-09-01A | EA  | SLIDE - DRAWER - 16" - LEFT CABINET                       |
| 64  | 128810-13-01A | EA  | SLIDE - DRAWER - 18" - LEFT CABINET                       |
| 64  | 128810-17-01A | EA  | SLIDE - DRAWER - 20" - LEFT CABINET                       |
| 64  | 128810-21-01A | EA  | SLIDE - DRAWER - 22" - LEFT CABINET                       |
| 64  | 128810-25-01A | EA  | SLIDE - DRAWER - 24" - LEFT CABINET                       |
| 64  | 128810-29-01A | EA  | SLIDE - DRAWER - 9" - LEFT CABINET                        |
| 65  | 128810-02-01A | EA  | SLIDE - DRAWER - 12" - RIGHT CABINET                      |
| 65  | 128810-06-01A | EA  | SLIDE - DRAWER - 14" - RIGHT CABINET                      |
| 65  | 128810-10-01A | EA  | SLIDE - DRAWER - 16" - RIGHT CABINET                      |
| 65  | 128810-10-01A | EA  | SLIDE - DRAWER - 16" - RIGHT CABINET                      |
| 65  | 128810-14-01A | EA  | SLIDE - DRAWER - 18" - RIGHT CABINET                      |
| 65  | 128810-18-01A | EA  | SLIDE - DRAWER - 20" - RIGHT CABINET                      |
| 65  | 128810-22-01A | EA  | SLIDE - DRAWER - 22" - RIGHT CABINET                      |
| 65  | 128810-26-01A | EA  | SLIDE - DRAWER - 24" - RIGHT CABINET                      |
| 65  | 128810-30-01A | EA  | SLIDE - DRAWER - 9" - RIGHT CABINET                       |
| 66  | 128810-03-01A | EA  | SLIDE - DRAWER - 12" - LEFT DRAWER                        |
| 66  | 128810-07-01A | EA  | SLIDE - DRAWER - 14" - LEFT DRAWER                        |
| 66  | 128810-11-01A | EA  | SLIDE - DRAWER - 16" - LEFT DRAWER                        |
| 66  | 128810-15-01A | EA  | SLIDE - DRAWER - 18" - LEFT DRAWER                        |
| 66  | 128810-19-01A | EA  | SLIDE - DRAWER - 20" - LEFT DRAWER                        |
| 66  | 128810-23-01A | EA  | SLIDE - DRAWER - 22" - LEFT DRAWER                        |
| 66  | 128810-27-01A | EA  | SLIDE - DRAWER - 24" - LEFT DRAWER                        |
| 66  | 128810-31-01A | EA  | SLIDE - DRAWER - 9" - LEFT DRAWER                         |
| 67  | 128810-04-01A | EA  | SLIDE - DRAWER - 12" - RIGHT DRAWER                       |
| 67  | 128810-08-01A | EA  | SLIDE - DRAWER - 14" - RIGHT DRAWER                       |
| 67  | 128810-12-01A | EA  | SLIDE - DRAWER - 16" - RIGHT DRAWER                       |
| 67  | 128810-16-01A | EA  | SLIDE - DRAWER - 18" - RIGHT DRAWER                       |
| 67  | 128810-20-01A | EA  | SLIDE - DRAWER - 20" - RIGHT DRAWER                       |
| 67  | 128810-24-01A | EA  | SLIDE - DRAWER - 22" - RIGHT DRAWER                       |
| 67  | 128810-28-01A | EA  | SLIDE - DRAWER - 24" - RIGHT DRAWER                       |
| 67  | 128810-32-01A | EA  | SLIDE - DRAWER - 9" - RIGHT DRAWER                        |
| 68  | 128811-01-01A | EA  | BACKSOCKET - ADJUSTABLE - LEFT                            |
| 69  | 128811-02-01A | EA  | BACKSOCKET - ADJUSTABLE - RIGHT                           |

## INTERIOR FINISH GROUP (CONTINUED) HARDWARE (CONTINUED)



| KEY | PART NUMBER   | U/M | DESCRIPTION  |
|-----|---------------|-----|--|
| 68  | 128811-01-01A | EA  | BACKSOCKET - ADJUSTABLE - LEFT   |
| 69  | 128811-02-01A | EA  | BACKSOCKET - ADJUSTABLE - RIGHT  |
| 70  | 129703-01-01A | EA  | CATCH ASSEMBLY (SPRING)  |
| 71  | 130120-01-01A | EA  | BRACKET - MIRROR   |
| 72  | 130787-01-000 | EA  | TRACK - TAMBOUR DOOR/SPRING - 15.9"  |
| 72  | 130787-02-000 | EA  | TRACK - TAMBOUR DOOR/SPRING - 24"  |
| 72  | 130787-04-000 | EA  | TRACK - TAMBOUR DOOR - SPRING  |
| 73  | 131962-01-01A | EA  | PULL - DOOR/DRAWER - POLISHED BRASS - <a href="#">SUNDANCER, ITASCA 400-SERIES ONLY</a>                  |
| 74  | 131963-01-01A | EA  | PULL - DOOR/DRAWER - POLISHED BRASS - <a href="#">F, G, L, P &amp; 400-SERIES WINNEBAGOS</a>             |
| 75  | 131964-01-01A | EA  | PULL - DOOR/DRAWER - POLISHED BRASS - <a href="#">200, 300 &amp; D-SERIES</a>                            |
| 76  | 131965-01-01A | EA  | PULL - DOOR/DRAWER - 6.3" - BURNISHED BRASS - <a href="#">ULTIMATE ADVANTAGE &amp; FREEDOM, Q-SERIES</a> |
| 77  | 132956-01-01A | EA  | SLIDE - DRAWER - LEFT CABINET - 37.5"  |
| 77  | 132956-05-01A | EA  | SLIDE - DRAWER - LEFT CABINET - 32"  |
| 78  | 132956-02-01A | EA  | SLIDE - DRAWER - RIGHT CABINET - 37.5"   |
| 78  | 132956-06-01A | EA  | SLIDE - DRAWER - RIGHT CABINET - 32"   |
| 79  | 132956-03-01A | EA  | SLIDE - DRAWER - LEFT DRAWER - 37.5"   |
| 79  | 132956-07-01A | EA  | SLIDE - DRAWER - LEFT DRAWER - 32"   |
| 80  | 132956-04-01A | EA  | SLIDE - DRAWER - RIGHT DRAWER - 37.5"  |
| 80  | 132956-08-01A | EA  | SLIDE - DRAWER - RIGHT DRAWER - 32"  |
| 81  | 133313-01-01A | EA  | PULL - DOOR/DRAWER - BURNISHED BRASS   |
| 81  | 133313-01-02A | EA  | PULL - DOOR/DRAWER - BRIGHT BRASS  |
| 82  | 133607-01-01A | EA  | PULL - LATCH - BLACK PLASTIC   |
| 83  | 133892-01-01A | EA  | SLIDE - DRAWER - LEFT CABINET - 16"  |
| 83  | 133892-06-01A | EA  | SLIDE - DRAWER - LEFT CABINET - 22"  |
| 84  | 133892-02-01A | EA  | SLIDE - DRAWER - RIGHT CABINET - 16"   |
| 84  | 133892-07-01A | EA  | SLIDE - DRAWER - RIGHT CABINET - 22"   |
| 85  | 133892-03-01A | EA  | SLIDE - DRAWER - LEFT DRAWER - 16"   |
| 85  | 133892-08-01A | EA  | SLIDE - DRAWER - LEFT DRAWER - 22"   |
| 86  | 133892-04-01A | EA  | SLIDE - DRAWER - RIGHT DRAWER - 16"  |
| 86  | 133892-09-01A | EA  | SLIDE - DRAWER - RIGHT DRAWER - 22"  |
| 87  | 133892-05-01A | EA  | SLIDE - DRAWER - FULL SET - 9"   |
| 88  | 133907-01-01A | EA  | BACKSOCKET - RIGHT HAND  |
| 89  | 133907-02-01A | EA  | BACKSOCKET - LEFT HAND   |
| 90  | 134649-01-02B | EA  | SUPPORT - BACKSOCKET - E-COATED  |
| 91  | 134649-02-02B | EA  | SUPPORT - BACKSOCKET - E-COATED  |

**INTERIOR FINISH GROUP (CONTINUED)**  
**HARDWARE (CONTINUED)**



| KEY | PART NUMBER   | U/M | DESCRIPTION  |
|-----|---------------|-----|--|
| 92  | 137446-01-01A | EA  | PULL - CABINET - CHROME/BRASS - <b>F, G, L, P-SERIES ITASCAS</b> |
| 93  | 139136-01-01A | EA  | HANDLE - RECESSED - 2.9" X 1.3"/2.7" X 1" X .7" C/O- BRASS       |
| 93  | 139136-02-01A | EA  | HANDLE - RECESSED - 2.9" X 1.3"/2.7" X 1" X .4" C/O- BRASS       |
| 94  | 135538-01-01A | EA  | HINGE - PIANO - FULL WRAP - BRASS PLATED                         |
| 94  | 135538-02-01A | EA  | HINGE - PIANO - FULL WRAP - STOCKER BRASS                        |
| 94  | 135538-03-01A | EA  | HINGE - PIANO - FULL WRAP - STOCKER BRASS                        |
| 94  | 135538-04-01A | EA  | HINGE - PIANO - FULL WRAP  |
| 94  | 135538-05-01A | EA  | HINGE - PIANO - FULL WRAP  |
| 95  | 079921-01-000 | EA  | ROLLER - NYLON - W/STEEL SHAFT - BARBED                          |
| 96  | 089025-01-000 | EA  | SUPPORT - SPRING TO BED - ANGLE 1.5" X 11.8"                     |
| 97  | 091952-01-000 | EA  | CLIP - GRIPPER - 1"  |
| 98  | 122717-01-01A | EA  | PAD - NON SKID - 4" DIAMETER ROUND                               |
| 99  | 129753-01-01A | EA  | HINGE - SPRING LOADED - 19" X 19" - BLACK                        |
| 100 | 139566-01-01A | EA  | SLIDE - DRAWER - 37.5" - LEFT CABINET                            |
| 100 | 139566-05-01A | EA  | SLIDE - DRAWER - 32" - LEFT CABINET                              |
| 101 | 139566-02-01A | EA  | SLIDE - DRAWER - 37.5" - RIGHT CABINET                           |
| 101 | 139566-06-01A | EA  | SLIDE - DRAWER - 32" - RIGHT CABINET                             |
| 102 | 139566-03-01A | EA  | SLIDE - DRAWER - 37.5" - LEFT DRAWER                             |
| 102 | 139566-07-01A | EA  | SLIDE - DRAWER - 32" - LEFT DRAWER                               |
| 103 | 139566-04-01A | EA  | SLIDE - DRAWER - 37.5" - RIGHT DRAWER                            |
| 103 | 139566-08-01A | EA  | SLIDE - DRAWER - 32" - RIGHT DRAWER                              |
| 104 | 140494-01-02A | EA  | ROD - SHOWER - SOFT WHITE  |
| 104 | 140494-01-01A | EA  | ROD - SHOWER   |

## LABELS GROUP

SEWAGE

**KEY PART NUMBER U/M DESCRIPTION**  
006187-01-000 EA LABEL - SEWAGE

WASTE WATER

**KEY PART NUMBER U/M DESCRIPTION**  
006188-01-000 EA LABEL - WASTE WATER

EXIT

**KEY PART NUMBER U/M DESCRIPTION**  
039290-01-000 EA LABEL - WARNING - EXIT

↑  
OPEN

**KEY PART NUMBER U/M DESCRIPTION**  
040944-01-000 EA LABEL - ENTRANCE DOOR - iOPENi

### CAUTION

THIS MOTOR HOME HAS BEEN DESIGNED, MANUFACTURED AND TESTED WITH CONCERN FOR THE PROTECTION OF IT'S OCCUPANTS. WE RECOMMEND YOU PERFORM THE FOLLOWING INSPECTIONS FOR YOUR SAFETY AND THE SAFETY OF YOUR PASSENGERS BEFORE STARTING YOUR VEHICLE.

1. LP GAS SYSTEM- TURN OFF AT TANK FOR TRAVELING. TEST FOR LEAKS UPON ARRIVAL AT DESTINATION. BEFORE LIGHTING PILOTS.
2. WHEELS- INSPECT FOR DAMAGE AND CHECK LUG NUTS FOR TIGHTNESS.
3. TIRES- INSPECT FOR WEAR AND DAMAGE AND CHECK FOR RECOMMENDED AIR PRESSURE.
4. LIGHTING- TEST FOR PROPER OPERATION OF ALL INTERIOR AND EXTERIOR LIGHTS INCLUDING DASH LIGHTS, HEADLIGHTS, TAIL LIGHTS, BRAKE LIGHTS, CLEARANCE LIGHTS AND TURN SIGNALS.
5. EXITS- INSPECT RELEASE MECHANISM ON EMERGENCY EXIT WINDOW. TEST BOTH LOCKS ON MAIN ENTRANCE DOOR FOR EASE OF OPERATION AND INSTRUCT PASSENGERS HOW TO USE BOTH MEANS OF EXIT.
6. SEAT BELTS- DIRECT PASSENGERS TO DESIGNATED SEATS AND REQUIRE USE OF SEAT BELTS.
7. APPLIANCES- TURN OFF AND LATCH OR LOCK DOORS WHERE PROVIDED.
8. LOOSE PARCELS- STORE SECURELY.
9. UTILITY SUPPLY LINES- DISCONNECT ALL ELECTRIC, SEWER AND WATER LINES AND SECURE PROPERLY.
10. ENTRANCE DOOR STEP- PLACE IN RETRACTED POSITION FOR TRAVELING.

READ YOUR MOTOR HOME AND CHASSIS OWNER'S  
MANUAL FOR FURTHER PRECAUTIONS

**KEY PART NUMBER U/M DESCRIPTION**  
056259-01-000 EA LABEL - SAFETY CHECK LIST

UNLEADED FUEL ONLY

**KEY PART NUMBER U/M DESCRIPTION**  
062043-01-000 EA LABEL - FUEL - UNLEADED

## LABELS GROUP (CONTINUED)

**WARNING** DISCONNECT BATTERIES BEFORE  
CONNECTING EXTERNAL CHARGING EQUIPMENT.

**KEY PART NUMBER U/M DESCRIPTION**  
065748-01-000 EA LABEL - CAUTION - BATTERY CHARGING

AVERTISSEMENT : DEBRANCHER LES BATTERIES AVANT  
DE BRANCHER TOUT EQUIPEMENT DE CHARGE EXTERIEUR.

**KEY PART NUMBER U/M DESCRIPTION**  
065748-02-000 EA LABEL - WARNING - BATTERY/FRENCH - CANADIAN

DIESEL FUEL ONLY

**KEY PART NUMBER U/M DESCRIPTION**  
068383-01-000 EA LABEL - DIESEL FUEL

VEHICLE EMISSION CONTROL INFORMATION

THIS VEHICLE CONFORMS TO U.S. EPA  
REGULATIONS APPLICABLE TO XXXX MODEL  
YEAR NEW VEHICLES.

072887-01-000-2 CATALYST

**KEY PART NUMBER U/M DESCRIPTION**  
072887-13-000 EA LABEL - EPA - 2001 MODEL YEAR

IF YOU SMELL GAS

1. EXTINGUISH ANY OPEN FLAME, PILOT LIGHTS AND ALL SMOKING MATERIALS.
2. DO NOT TOUCH ELECTRICAL SWITCHES.
3. SHUT OFF THE GAS SUPPLY AT THE TANK VALVE(S) OR GAS SUPPLY CONNECTION.
4. OPEN DOORS AND OTHER VENTILATING OPENINGS.
5. LEAVE THE AREA UNTIL ODOR CLEARS.
6. HAVE THE GAS SYSTEM CHECKED AND LEAKAGE SOURCE CORRECTED BEFORE USING AGAIN.

**KEY PART NUMBER U/M DESCRIPTION**  
073998-01-000 EA LABEL - LPG ODOR WARNING

WARNING: TEST SMOKE DETECTOR  
OPERATION AFTER VEHICLE HAS BEEN IN  
STORAGE, BEFORE EACH TRIP AND AT  
LEAST ONCE PER WEEK DURING USE.

**KEY PART NUMBER U/M DESCRIPTION**  
077956-01-000 EA LABEL - WARNING - SMOKE DETECTOR

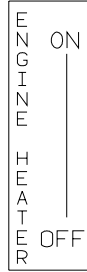
WARNING  
MUST BE STOWED  
IN LATCHED POSITION  
WHILE VEHICLE IS IN MOTION

**KEY PART NUMBER U/M DESCRIPTION**  
079966-01-000 EA LABEL - WARNING - STOWED - MOTION

## LABELS GROUP (CONTINUED)



**KEY PART NUMBER U/M DESCRIPTION**  
 083588-01-000 EA LABEL - ON/OFF - WATER HEATER



**KEY PART NUMBER U/M DESCRIPTION**  
 083588-02-000 EA LABEL - ON/OFF - ENGINE HEATER

|                                      |  |
|--------------------------------------|--|
| <b>CAUTION</b>                       | TO HELP AVOID PERSONAL INJURY DURING REMOVAL OF FUEL FILLER CAP, SLOWLY LOOSEN CAP 1/2 TURN TO ALLOW ANY FUEL PRESSURE TO BE RELIEVED BEFORE TURNING CAP FURTHER.  |
| FUEL SPRAY MAY CAUSE PERSONAL INJURY | STOP ADDING FUEL AFTER FIRST SHUTOFF BY AUTOMATIC NOZZLE WHEN TANK IS NEARLY FULL. DO NOT OVERFILL FUEL TANK.<br>SEE OWNERS MANUAL FOR ADDITIONAL INFORMATION.<br><small>PRINTED IN U.S.A. <span style="float: right;">WLC PT NO 15611763</span></small> |

**KEY PART NUMBER U/M DESCRIPTION**  
 087207-05-000 EA LABEL - FUEL CAP REMOVAL



**KEY PART NUMBER U/M DESCRIPTION**  
 087236-01-000 EA LABEL - CABLE - INPUT



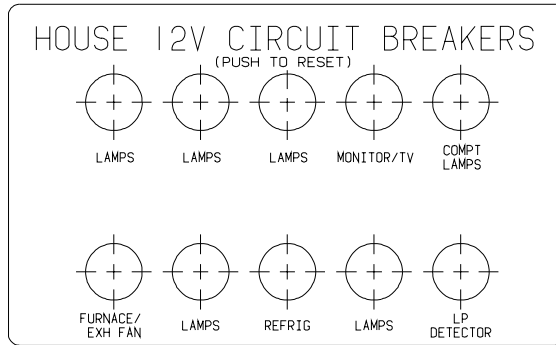
**KEY PART NUMBER U/M DESCRIPTION**  
 087236-02-000 EA LABEL - TV OUTLET

AIR CONDITIONING CIRCUIT.  
 THIS CONNECTION IS FOR  
 AIR CONDITIONERS RATED 110-  
 125 VOLT AC, 60 HZ, 16  
 AMPERES MAXIMUM. DO NOT  
 EXCEED CIRCUIT RATING.

**KEY PART NUMBER U/M DESCRIPTION**  
 091243-01-000 EA LABEL - A/C COVER ìAIR CONDITIONING CIRCUIT ETC.î

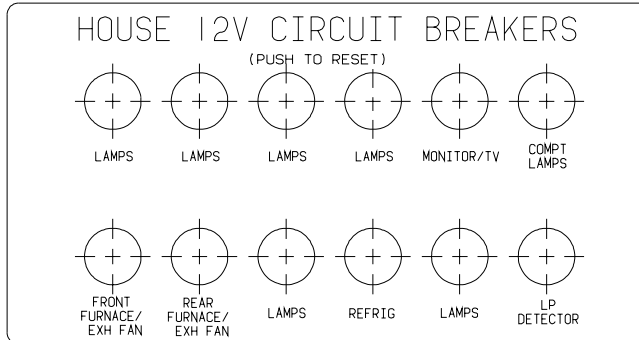


## LABELS GROUP (CONTINUED)



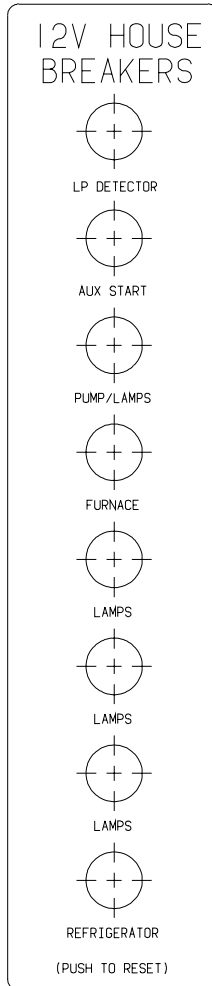
**KEY PART NUMBER**  
092547-06-000

**U/M DESCRIPTION**  
EA LABEL - CIRCUIT BREAKER



**KEY PART NUMBER**  
092547-07-000

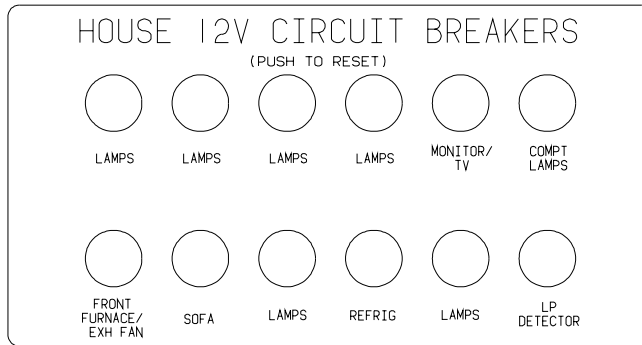
**U/M DESCRIPTION**  
EA LABEL - CIRCUIT BREAKER



**KEY PART NUMBER**  
092547-08-000

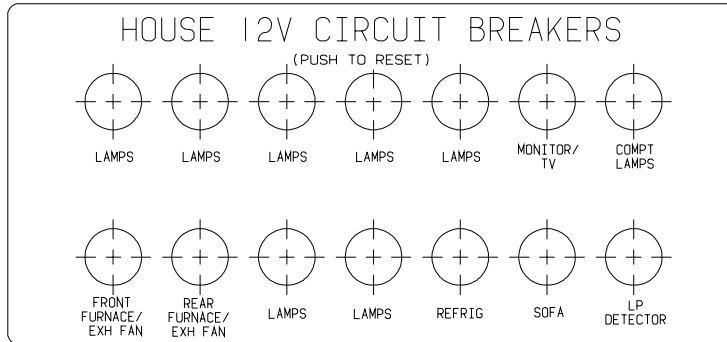
**U/M DESCRIPTION**  
EA LABEL - CIRCUIT BREAKER

## LABELS GROUP (CONTINUED)



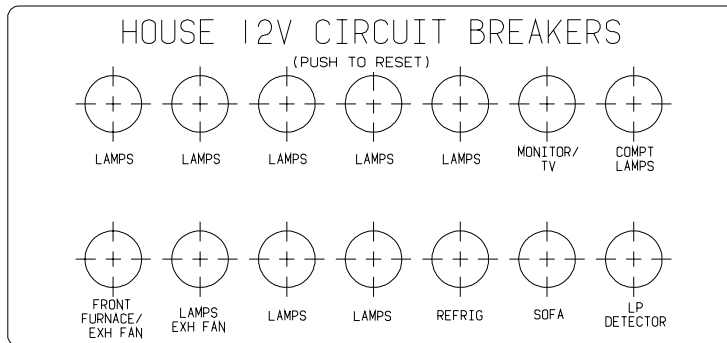
**KEY PART NUMBER**  
092547-10-000

**U/M DESCRIPTION**  
EA LABEL - CIRCUIT BREAKER



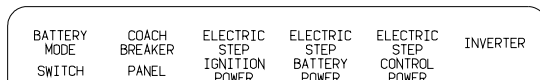
**KEY PART NUMBER**  
092547-11-000

**U/M DESCRIPTION**  
EA LABEL - CIRCUIT BREAKER



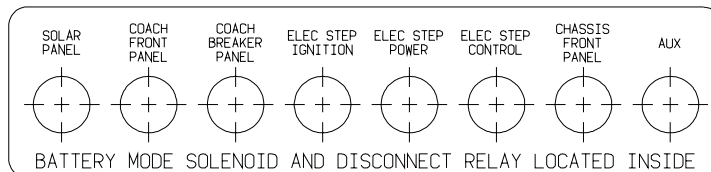
**KEY PART NUMBER**  
092547-12-000

**U/M DESCRIPTION**  
EA LABEL - CIRCUIT BREAKER



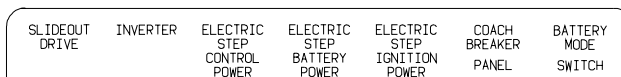
**KEY PART NUMBER**  
093236-08-000

**U/M DESCRIPTION**  
EA LABEL - CIRCUIT BREAKER



**KEY PART NUMBER**  
093236-13-000

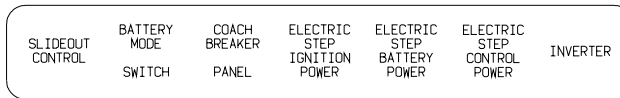
**U/M DESCRIPTION**  
EA LABEL - CIRCUIT BREAKER



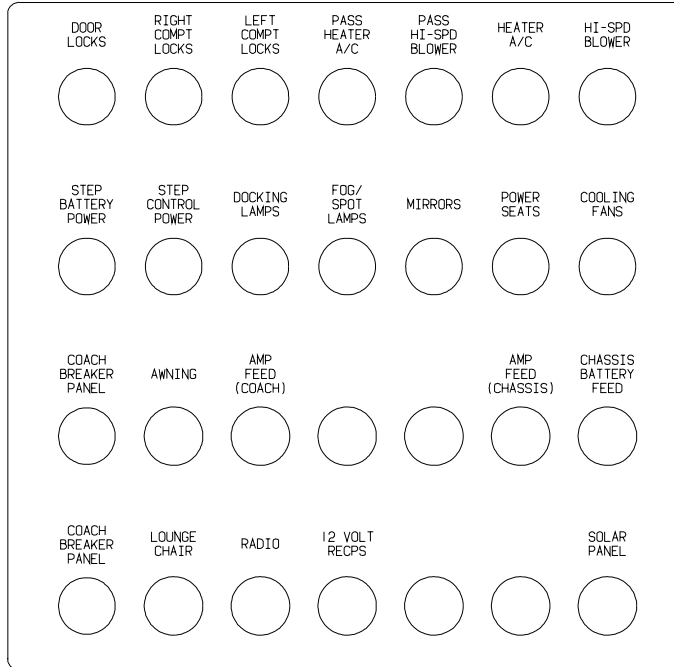
**KEY PART NUMBER**  
093236-15-000

**U/M DESCRIPTION**  
EA LABEL - CIRCUIT BREAKER

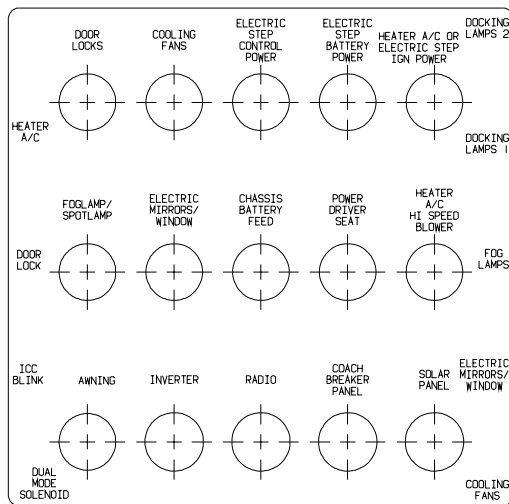
## LABELS GROUP (CONTINUED)



**KEY PART NUMBER U/M DESCRIPTION**  
 093236-21-000 EA LABEL - CIRCUIT BREAKER

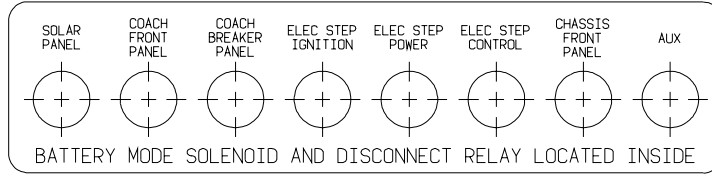


**KEY PART NUMBER U/M DESCRIPTION**  
 093236-22-000 EA LABEL - CIRCUIT BREAKER



**KEY PART NUMBER U/M DESCRIPTION**  
 093236-23-000 EA LABEL - CIRCUIT BREAKER - MAIN

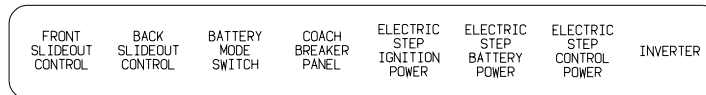
## LABELS GROUP (CONTINUED)



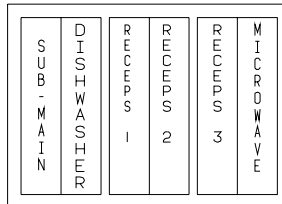
**KEY PART NUMBER U/M DESCRIPTION**  
 093236-24-000 EA LABEL - CIRCUIT BREAKER



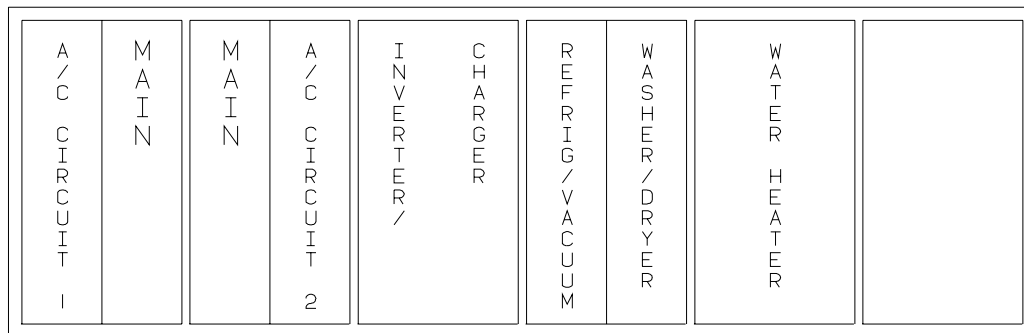
**KEY PART NUMBER U/M DESCRIPTION**  
 093236-25-000 EA LABEL - CIRCUIT BREAKER



**KEY PART NUMBER U/M DESCRIPTION**  
 093236-28-000 EA LABEL - CIRCUIT BREAKER



**KEY PART NUMBER U/M DESCRIPTION**  
 095721-20-000 EA LABEL - CONTROL CENTER W/INVERTER



**KEY PART NUMBER U/M DESCRIPTION**  
 095721-22-000 EA LABEL - CONTROL CENTER - 50 AMP

## LABELS GROUP (CONTINUED)

|                             |         |                             |                         |                   |                |                |                |                         |                          |  |
|-----------------------------|---------|-----------------------------|-------------------------|-------------------|----------------|----------------|----------------|-------------------------|--------------------------|--|
| A / C<br>C I R C U I T<br>1 | M A I N | A / C<br>C I R C U I T<br>2 | R E F F R I G / C O N V | M I C R O W A V E | R E C P S<br>1 | R E C P S<br>2 | R E C P S<br>3 | W A S H E R / D R Y E R | W A T E R<br>H E A T E R |  |
|-----------------------------|---------|-----------------------------|-------------------------|-------------------|----------------|----------------|----------------|-------------------------|--------------------------|--|

**KEY PART NUMBER**  
095721-31-000

**U/M DESCRIPTION**  
EA LABEL - CONTROL CENTER - 30 AMP - US

|                             |         |                             |                                    |                           |                         |                          |  |
|-----------------------------|---------|-----------------------------|------------------------------------|---------------------------|-------------------------|--------------------------|--|
| A / C<br>C I R C U I T<br>1 | M A I N | A / C<br>C I R C U I T<br>2 | I N V E R T E R /<br>C H A R G E R | R E F F R I G E R A T O R | W A S H E R / D R Y E R | W A T E R<br>H E A T E R |  |
|-----------------------------|---------|-----------------------------|------------------------------------|---------------------------|-------------------------|--------------------------|--|

**KEY PART NUMBER**  
095721-32-000

**U/M DESCRIPTION**  
EA LABEL - CONTROL CENTER - 30 AMP W/INVERTER

|                             |         |         |                             |                         |                   |                |                |                |                         |                          |
|-----------------------------|---------|---------|-----------------------------|-------------------------|-------------------|----------------|----------------|----------------|-------------------------|--------------------------|
| A / C<br>C I R C U I T<br>1 | M A I N | M A I N | A / C<br>C I R C U I T<br>2 | R E F F R I G / C O N V | M I C R O W A V E | R E C P S<br>1 | R E C P S<br>2 | R E C P S<br>3 | W A S H E R / D R Y E R | W A T E R<br>H E A T E R |
|-----------------------------|---------|---------|-----------------------------|-------------------------|-------------------|----------------|----------------|----------------|-------------------------|--------------------------|

**KEY PART NUMBER**  
095721-33-000

**U/M DESCRIPTION**  
EA LABEL - CONTROL CENTER - 50 AMP - US

|                             |         |         |                             |                                    |                           |                         |                          |  |
|-----------------------------|---------|---------|-----------------------------|------------------------------------|---------------------------|-------------------------|--------------------------|--|
| A / C<br>C I R C U I T<br>1 | M A I N | M A I N | A / C<br>C I R C U I T<br>2 | I N V E R T E R /<br>C H A R G E R | R E F F R I G E R A T O R | W A S H E R / D R Y E R | W A T E R<br>H E A T E R |  |
|-----------------------------|---------|---------|-----------------------------|------------------------------------|---------------------------|-------------------------|--------------------------|--|

**KEY PART NUMBER**  
095721-34-000

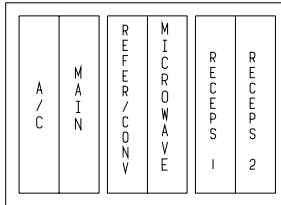
**U/M DESCRIPTION**  
EA LABEL - CONTROL CENTER - 50 AMP

|         |                   |                     |                     |                    |       |
|---------|-------------------|---------------------|---------------------|--------------------|-------|
| M A I N | M I C R O W A V E | G F I / R E C E P S | R E F E R / C O N V | W A T E R<br>H T R | A / C |
|---------|-------------------|---------------------|---------------------|--------------------|-------|

**KEY PART NUMBER**  
095721-38-000

**U/M DESCRIPTION**  
EA LABEL - CONTROL CENTER - 30 AMP - US

## LABELS GROUP (CONTINUED)



**KEY PART NUMBER U/M DESCRIPTION**  
 095721-40-000 EA LABEL - CONTROL CENTER

AUTOMOTIVE AND COACH  
CIRCUIT BREAKERS

**KEY PART NUMBER U/M DESCRIPTION**  
 098379-01-000 EA LABEL - CIRCUIT BREAKER - FRONT BOX

CIRCUIT BREAKERS  
AND AUTOMOTIVE  
FUSE PANEL

**KEY PART NUMBER U/M DESCRIPTION**  
 098379-03-000 EA LABEL - ELECTRICAL BOX - FRONT

BATTERY MODE  
SOLENOID AND  
RELAYS

**KEY PART NUMBER U/M DESCRIPTION**  
 098379-04-000 EA LABEL - ELECTRICAL BOX - SIDE

UNLEADED  
FUEL ONLY

**KEY PART NUMBER U/M DESCRIPTION**  
 098641-01-000 EA LABEL - FUEL - UNLEADED - DASH

FOR AWNING INSTALLATION  
CONTACT YOUR MOTORHOME  
DEALERSHIP

**KEY PART NUMBER U/M DESCRIPTION**  
 099509-01-000 EA LABEL - AWNING INSTALLATION

WARNING  
 THIS VEHICLE, LIKE OTHER  
VEHICLES, MAY CONTAIN SMALL  
AMOUNTS OF ONE OR MORE  
SUBSTANCES WHICH ARE LISTED  
BY THE STATE OF CALIFORNIA  
FOR CAUSING CANCER OR  
REPRODUCTIVE TOXICITY.

**KEY PART NUMBER U/M DESCRIPTION**  
 099689-01-000 EA LABEL - WARNING - CANCER/TOXICITY

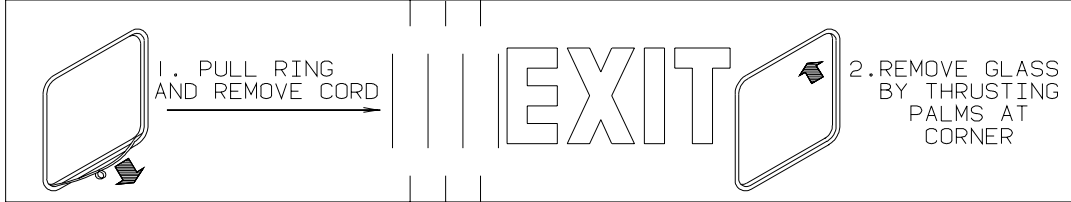
## LABELS GROUP (CONTINUED)

NOTE: TUNE ANTENNA  
PER MANUFACTURER'S  
DIRECTIONS. FAILURE TO  
COMPLY COULD RESULT IN  
DAMAGE TO CB.

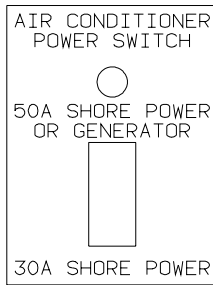
CB POWER PROVISION

RED +12 V  
BLACK GROUND  
COAX ANTENNA  
(SEE REVERSE ALSO)

**KEY PART NUMBER U/M DESCRIPTION**  
104678-01-000 EA LABEL - CB PREP



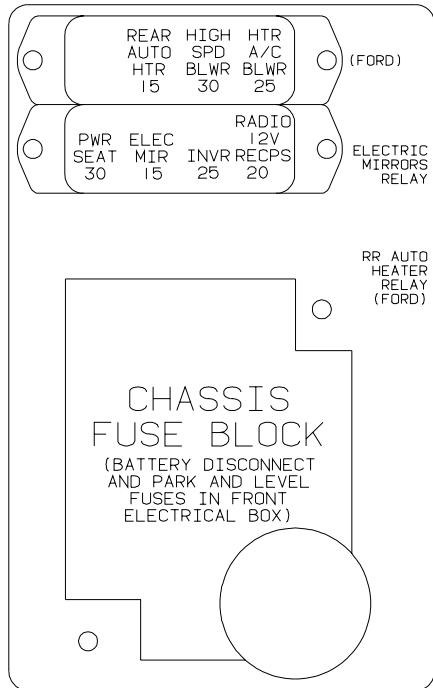
**KEY PART NUMBER U/M DESCRIPTION**  
107571-01-000 EA LABEL - EXIT/ESCAPE WINDOW



**KEY PART NUMBER U/M DESCRIPTION**  
109051-02-000 EA LABEL - SWITCH - 50 AMP POWER

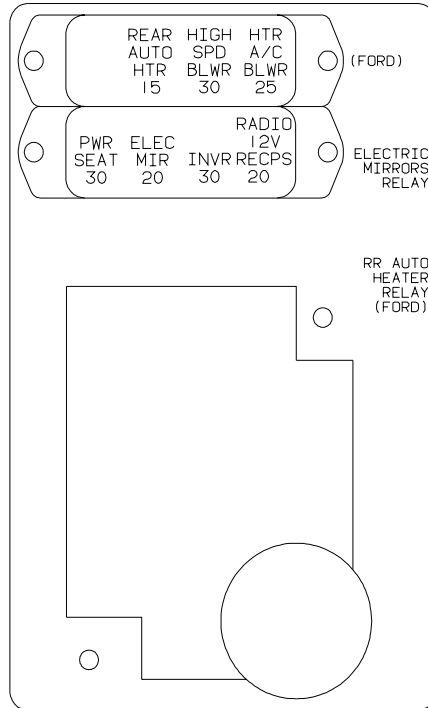


**KEY PART NUMBER U/M DESCRIPTION**  
111104-01-000 EA LABEL - HITCH - READ MANUAL - WHITE



**KEY PART NUMBER U/M DESCRIPTION**  
111537-08-000 EA LABEL - FUSES

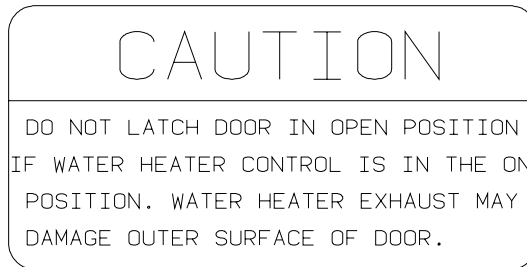
## LABELS GROUP (CONTINUED)



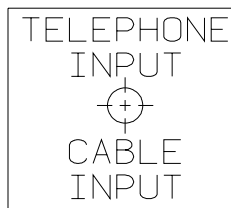
**KEY PART NUMBER U/M DESCRIPTION**  
 111537-09-000 EA LABEL - FUSES

WARNING: CONTAINS "CFC" A SUBSTANCE WHICH HARMS PUBLIC HEALTH AND ENVIRONMENT BY DESTROYING OZONE IN THE UPPER ATMOSPHERE.

**KEY PART NUMBER U/M DESCRIPTION**  
 111802-01-000 EA LABEL - CFC WARNING



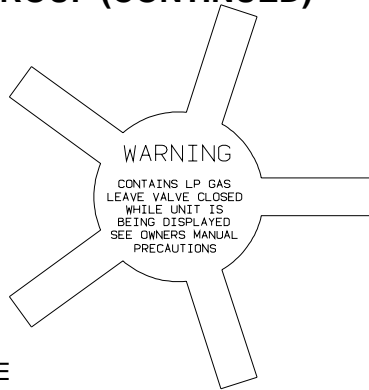
**KEY PART NUMBER U/M DESCRIPTION**  
 113402-01-000 EA LABEL - CAUTION - WATER HEATER EXHAUST



**KEY PART NUMBER U/M DESCRIPTION**  
 114866-02-000 EA LABEL - PHONE & CABLE INPUT - WHITE/CLEAR BACKGROUND  
 114866-03-000 EA LABEL - PHONE & CABLE INPUT - BLACK/CLEAR BACKGROUND



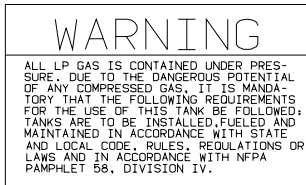
## LABELS GROUP (CONTINUED)



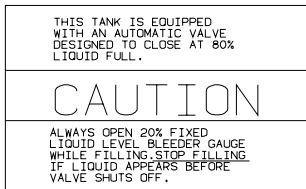
**KEY PART NUMBER U/M DESCRIPTION**  
 115600-01-000 EA LABEL - WARNING LPG VALVE

WARNING: REPLACE TIRE ONLY WITH ONE OF EXACTLY SAME TYPE AND RATING. DO NOT REPLACE WITH PASSENGER CAR TIRE. SEE OPERATOR'S MANUAL FOR MORE INFORMATION CALL WINNEBAGO OWNER RELATIONS AT 1-800-537-1885.

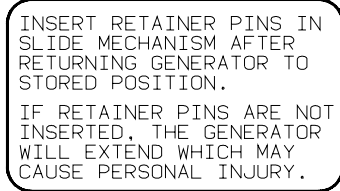
**KEY PART NUMBER U/M DESCRIPTION**  
 115869-01-000 EA LABEL - WARNING - TIRE



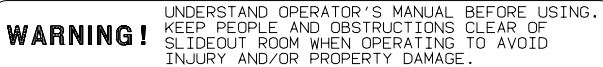
**KEY PART NUMBER U/M DESCRIPTION**  
 116112-01-000 EA LABEL - WARNING - LP



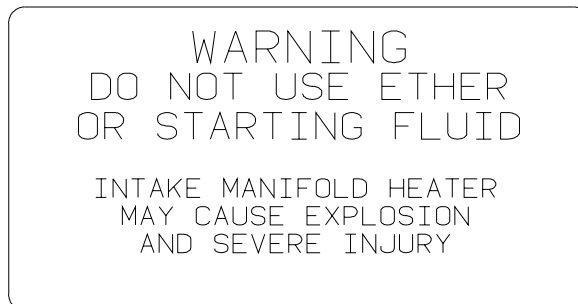
**KEY PART NUMBER U/M DESCRIPTION**  
 116113-01-000 EA LABEL - CAUTION - LP



**KEY PART NUMBER U/M DESCRIPTION**  
 116273-01-000 EA LABEL - WARNING - GENERATOR

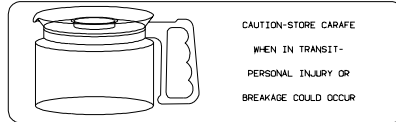


**KEY PART NUMBER U/M DESCRIPTION**  
 116549-01-000 EA LABEL - WARNING - SLIDEOUT



**KEY PART NUMBER U/M DESCRIPTION**  
 116756-02-000 EA LABEL - WARNING - ETHER/STARTING

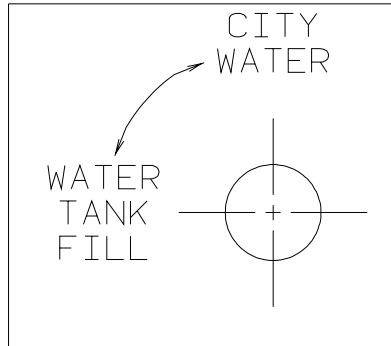
## LABELS GROUP (CONTINUED)



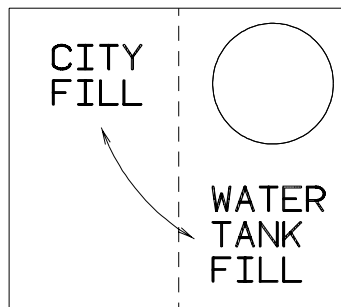
**KEY PART NUMBER U/M DESCRIPTION**  
 116829-02-000 EA LABEL - COFFEEMAKER



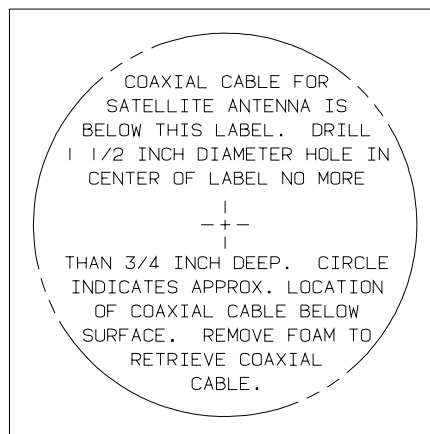
**KEY PART NUMBER U/M DESCRIPTION**  
 117628-02-000 EA LABEL - SWITCH - WATER PUMP/LIGHTS-WHITE/CLEAR BACKGROUND



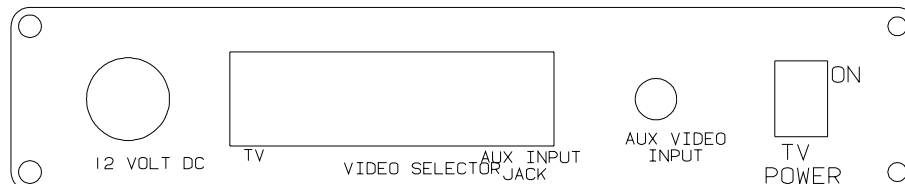
**KEY PART NUMBER U/M DESCRIPTION**  
 117629-03-000 EA LABEL - WATER PUMP/FILL-BLK LETTERS/CLEAR BACKGROUND-.31"



**KEY PART NUMBER U/M DESCRIPTION**  
 117629-04-000 EA LABEL - CITY WATER/TANK FILL



**KEY PART NUMBER U/M DESCRIPTION**  
 120431-01-000 EA LABEL - LOCATION - COAXIAL CABLE/SATELLITE ANTENNA



**KEY PART NUMBER U/M DESCRIPTION**  
 120677-01-000 EA LABEL - TV

## LABELS GROUP (CONTINUED)

KEEP THE SERVICE INLET ACCESS  
IN THE CLOSED POSITION WHEN  
UTILITY CONNECTIONS ARE NOT IN USE

| KEY | PART NUMBER   | U/M DESCRIPTION                   |
|-----|---------------|-----------------------------------|
|     | 123562-01-000 | EA LABEL - SERVICE/UTILITY ACCESS |

WARNING

ALL PILOT LIGHTS, APPLIANCES AND THEIR  
IGNITORS (SEE OPERATING INSTRUCTIONS) SHALL  
BE TURNED OFF DURING REFUELING OF MOTOR  
FUEL TANKS AND/OR LP GAS CONTAINERS

| KEY | PART NUMBER   | U/M DESCRIPTION                               |
|-----|---------------|---|
|     | 124519-01-01A | EA LABEL - WARNING/REFUELING - BLACK ON CLEAR |
|     | 124519-01-02A | EA LABEL - WARNING/REFUELING - WHITE ON CLEAR |

WARNING:

ALL PILOT LIGHTS AND APPLIANCES SHALL BE TURNED  
OFF DURING REFUELING OF MOTOR FUEL TANKS AND/  
OR PROPANE CONTAINERS.

AVERTISSEMENT :

FERMER TOUTES LES VEILLEUSES AINSI QUE TOUS LES  
APPAREILS LORSQU'ON FAIT LE PLEIN DES RESERVOIRS  
À CARBURANT OU À PROPANE.

124519-02

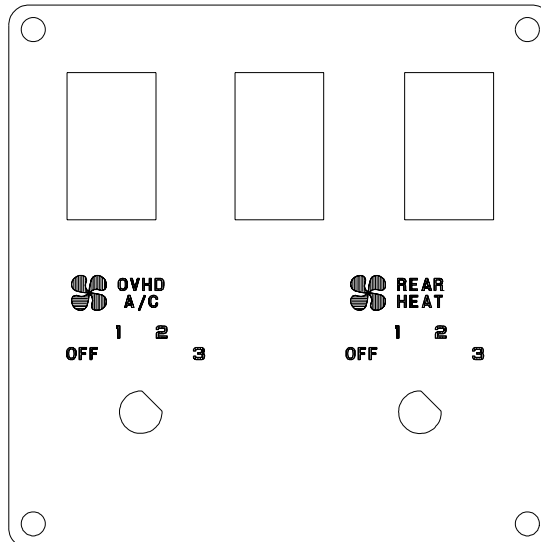
| KEY | PART NUMBER   | U/M DESCRIPTION                                     |
|-----|---------------|---|
|     | 124519-02-01A | EA LABEL - WARNING/REFUELING - BLACK ON CLEAR - CSA |
|     | 124519-02-02A | EA LABEL - WARNING/REFUELING - WHITE ON CLEAR - CSA |

LP-GAS SYSTEM  
THIS GAS PIPING SYSTEM IS  
DESIGNED FOR USE OF  
LIQUIFIED PETROLEUM GAS  
ONLY. DO NOT CONNECT  
NATURAL GAS TO THIS  
SYSTEM.

SECURE CAP INLET(S) WHEN NOT  
CONNECTED FOR USE. AFTER TURNING  
ON GAS, EXCEPT AFTER NORMAL  
CONTAINER REPLACEMENT, TEST GAS  
PIPING AND CONNECTIONS TO  
APPLIANCES FOR LEAKAGE WITH SOAPY  
WATER OR BUBBLE SOLUTION. DO NOT  
USE PRODUCTS THAT CONTAIN AMMONIA  
OR CLORINE.

124520

| KEY | PART NUMBER   | U/M DESCRIPTION                         |
|-----|---------------|---|
|     | 124520-01-01A | EA LABEL - LP GAS ONLY - BLACK ON CLEAR |
|     | 124520-01-02A | EA LABEL - LP GAS ONLY - WHITE ON CLEAR |



| KEY | PART NUMBER   | U/M DESCRIPTION     |
|-----|---------------|---------------------|
|     | 124572-01-000 | EA LABEL - SWITCHES |

## LABELS GROUP (CONTINUED)

THIS CONNECTION IS FOR  
 (B) VOLT AC, 60 HZ (CYCLES)  
 (A) AMPERE SUPPLY

DO NOT CONNECT TO  
 HIGHER VOLTAGE

| KEY | PART NUMBER   | U/M | DESCRIPTION  |
|-----|---------------|-----|--|
|     | 125306-01-01A | EA  | LABEL - ELECTRICAL ENTRANCE - 110V 30 AMP - BLACK ON CLEAR |
|     | 125306-01-02A | EA  | LABEL - ELECTRICAL ENTRANCE - 110V 30 AMP - WHITE ON CLEAR |

THIS CONNECTION IS FOR  
 (B) VOLT AC, 3-POLE, 4 WIRE  
 60 HZ (CYCLES), (A) AMPERE SUPPLY

DO NOT CONNECT TO  
 HIGHER VOLTAGE

| KEY | PART NUMBER   | U/M | DESCRIPTION  |
|-----|---------------|-----|--|
|     | 125306-04-01A | EA  | LABEL-ELECTRICAL ENTRANCE-120/240V 50 AMP-BLACK ON CLEAR   |
|     | 125306-04-02A | EA  | LABEL - ELECTRICAL ENTRANCE-120/240V 50 AMP-WHITE ON CLEAR |



| KEY | PART NUMBER   | U/M | DESCRIPTION                       |
|-----|---------------|-----|-----------------------------------|
|     | 125697-07-000 | EA  | LABEL - CAUTION - FLUSHING SYSTEM |

REMOVE PRIMARY TIRE HANGER BEFORE USING  
 SPARE TIRE HOIST-SEE OWNERS MANUAL - PERSONAL  
 INJURY MAY RESULT IF NOT FOLLOWED

| KEY | PART NUMBER   | U/M | DESCRIPTION                 |
|-----|---------------|-----|-----------------------------|
|     | 126024-01-01A | EA  | LABEL - TIRE HANGER REMOVAL |

# GRAY HOLDING TANK

| KEY | PART NUMBER   | U/M | DESCRIPTION  |
|-----|---------------|-----|--|
|     | 126247-05-000 | EA  | LABEL - GRAY HOLDING TANK-BLACK LETTERS/CLEAR BACKGROUND |

# BLACK HOLDING TANK

| KEY | PART NUMBER   | U/M | DESCRIPTION   |
|-----|---------------|-----|---|
|     | 126247-06-000 | EA  | LABEL - BLACK HOLDING TANK-BLACK LETTERS/CLEAR BACKGROUND |

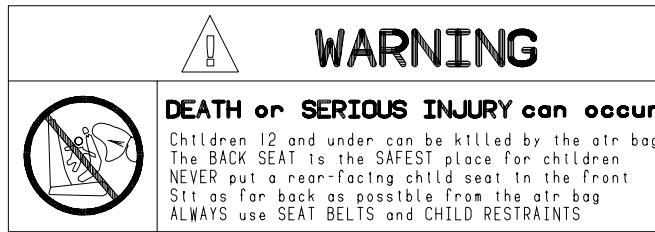
# EXTERIOR SHOWER

| KEY | PART NUMBER   | U/M | DESCRIPTION             |
|-----|---------------|-----|-------------------------|
|     | 126248-03-000 | EA  | LABEL - EXTERIOR SHOWER |

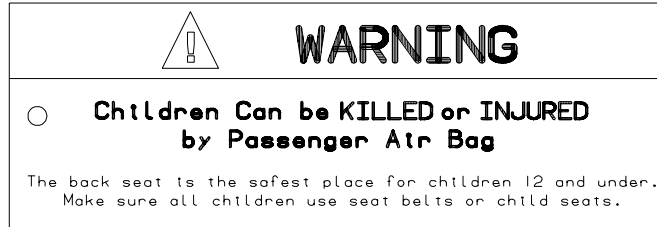
# CITY WATER FILL

| KEY | PART NUMBER   | U/M | DESCRIPTION   |
|-----|---------------|-----|---|
|     | 126249-03-000 | EA  | LABEL - CITY WATER FILL-BLK LETTERS/CLEAR BACKGROUND .31" |

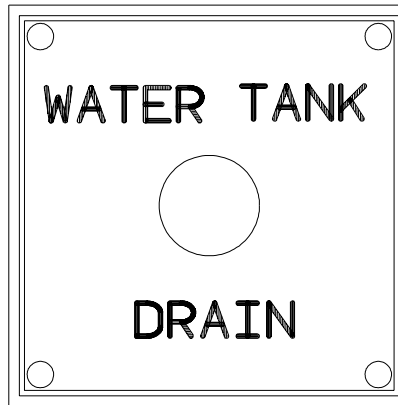
**LABEL GROUP (CONTINUED)**



**KEY PART NUMBER U/M DESCRIPTION**  
 126611-01-000 EA LABEL - AIR BAG - VISOR



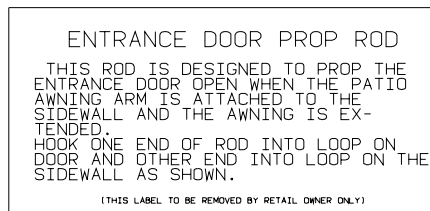
**KEY PART NUMBER U/M DESCRIPTION**  
 126612-01-000 EA LABEL - HANG TAG - AIR BAG - DASH



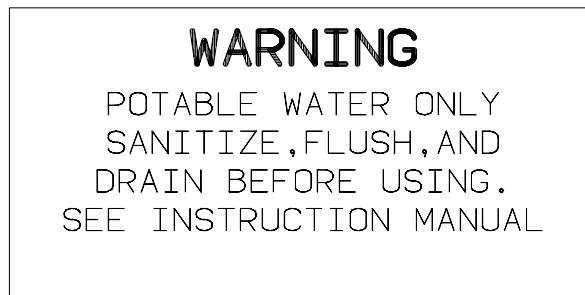
**KEY PART NUMBER U/M DESCRIPTION**  
 127170-01-000 EA LABEL - WATER TANK DRAIN



**KEY PART NUMBER U/M DESCRIPTION**  
 128218-01-01A EA LABEL - WARNING - SLIPPERY ROOF

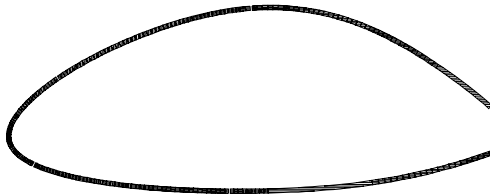


**KEY PART NUMBER U/M DESCRIPTION**  
 128658-01-000 EA LABEL - PROP ROD - ENTRY DOOR



**KEY PART NUMBER U/M DESCRIPTION**  
 128725-01-01A EA LABEL - POTABLE WATER ONLY - BLACK ON CLEAR

**LABELS GROUP (CONTINUED)**



**ATTENTION**  
 REMEMBER TO DETACH THE OTHER TRAVEL LATCH LOCATED IN GALLEY CABINET BEFORE EXTENDING THIS ROOM.

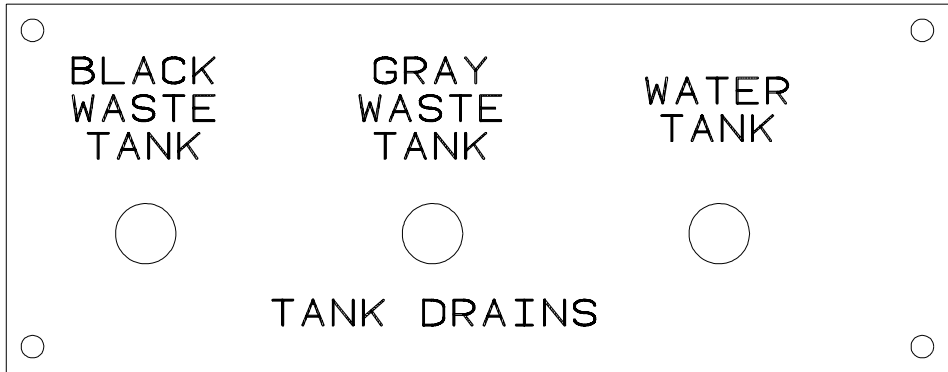
**KEY PART NUMBER U/M DESCRIPTION**  
 129033-01-000 EA LABEL - HANG TAG - TRAVEL LATCH - 1.5" X 3"

TOW VEHICLE RATING MAY BE LESS THAN HITCH RATING.  
 MAXIMUM VERTICAL HITCH LOAD: 350 LBS  
 DO NOT EXCEED REAR AXLE RATING.  
 SEE OWNER'S MANUAL FOR ADDITIONAL INFORMATION.

**KEY PART NUMBER U/M DESCRIPTION**  
 129669-01-01A EA LABEL - HITCH/VEHICLE RATE - 350 - WHITE ON CLEAR  
 129669-02-01A EA LABEL - HITCH/VEHICLE RATE - 500- WHITE ON CLEAR  
 129669-02-02A EA LABEL - HITCH/VEHICLE RATE - 500 - BLACK ON CLEAR

TIRE ROTATION  
 SEE RIALTA OWNERS MANUAL  
 SECTION 9

**KEY PART NUMBER U/M DESCRIPTION**  
 129684-01-000 EA LABEL - TIRE ROTATION



**KEY PART NUMBER U/M DESCRIPTION**  
 130166-01-000 EA LABEL - DRAIN

HOSE STORAGE

**KEY PART NUMBER U/M DESCRIPTION**  
 130167-02-000 EA LABEL - HOSE STORAGE

WASTE TANK FLUSH

**KEY PART NUMBER U/M DESCRIPTION**  
 130168-01-000 EA LABEL - WASTE TANK FLUSH

**LABELS GROUP (CONTINUED)**



MONITOR PANEL LIGHT WATER PUMP

**KEY PART NUMBER U/M DESCRIPTION**  
 130170-01-000 EA LABEL - SWITCH PANEL - BLK/CLEAR BACKGROUND-1.8"H X 5.9"L



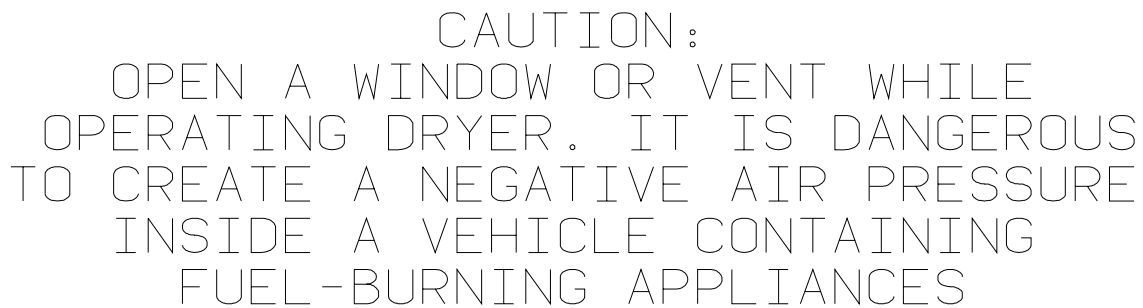
LIGHTS WATER PUMP

**KEY PART NUMBER U/M DESCRIPTION**  
 130170-02-000 EA LABEL - SWITCH PANEL-BLK/CLEAR BACKGROUND-1.4"H X 3.9"L



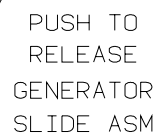
WATER PUMP

**KEY PART NUMBER U/M DESCRIPTION**  
 130170-03-000 EA LABEL - PANEL SWITCH



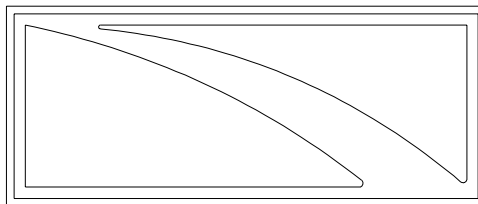
CAUTION:  
 OPEN A WINDOW OR VENT WHILE OPERATING DRYER. IT IS DANGEROUS TO CREATE A NEGATIVE AIR PRESSURE INSIDE A VEHICLE CONTAINING FUEL-BURNING APPLIANCES

**KEY PART NUMBER U/M DESCRIPTION**  
 130670-01-01A EA LABEL - CAUTION DRYER VENTING - BLACK ON CLEAR

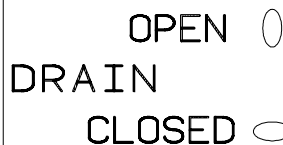


PUSH TO RELEASE  
 GENERATOR SLIDE ASM

**KEY PART NUMBER U/M DESCRIPTION**  
 131779-01-01A EA LABEL - GENERATOR



**KEY PART NUMBER U/M DESCRIPTION**  
 132651-01-01A EA DECAL - MIRROR/GALLEY



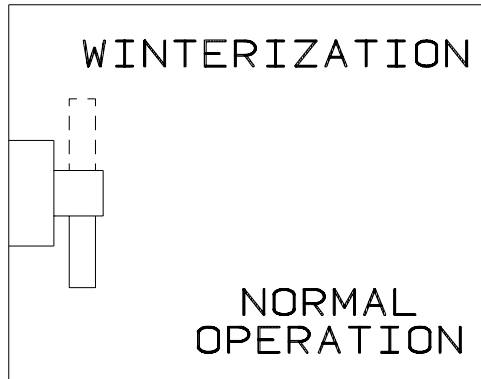
OPEN ○  
 DRAIN  
 CLOSED ○

**KEY PART NUMBER U/M DESCRIPTION**  
 133423-01-01A EA LABEL - DRAIN

## LABELS GROUP (CONTINUED)

|                         |                     |
|-------------------------|---------------------|
| WATER HEATER<br>BY-PASS | NORMAL<br>OPERATION |
|-------------------------|---------------------|

**KEY PART NUMBER U/M DESCRIPTION**  
133424-01-01A EA LABEL - BYPASS - WATER HEATER



**KEY PART NUMBER U/M DESCRIPTION**  
133425-01-01A EA LABEL - VALVE - WINTERIZATION

|            |
|------------|
| JACKS DOWN |
|------------|

**KEY PART NUMBER U/M DESCRIPTION**  
133533-01-01A EA LABEL - JACKS DOWN - CLEAR W/WHITE LETTERING

|               |
|---------------|
| CHECK ANTENNA |
|---------------|

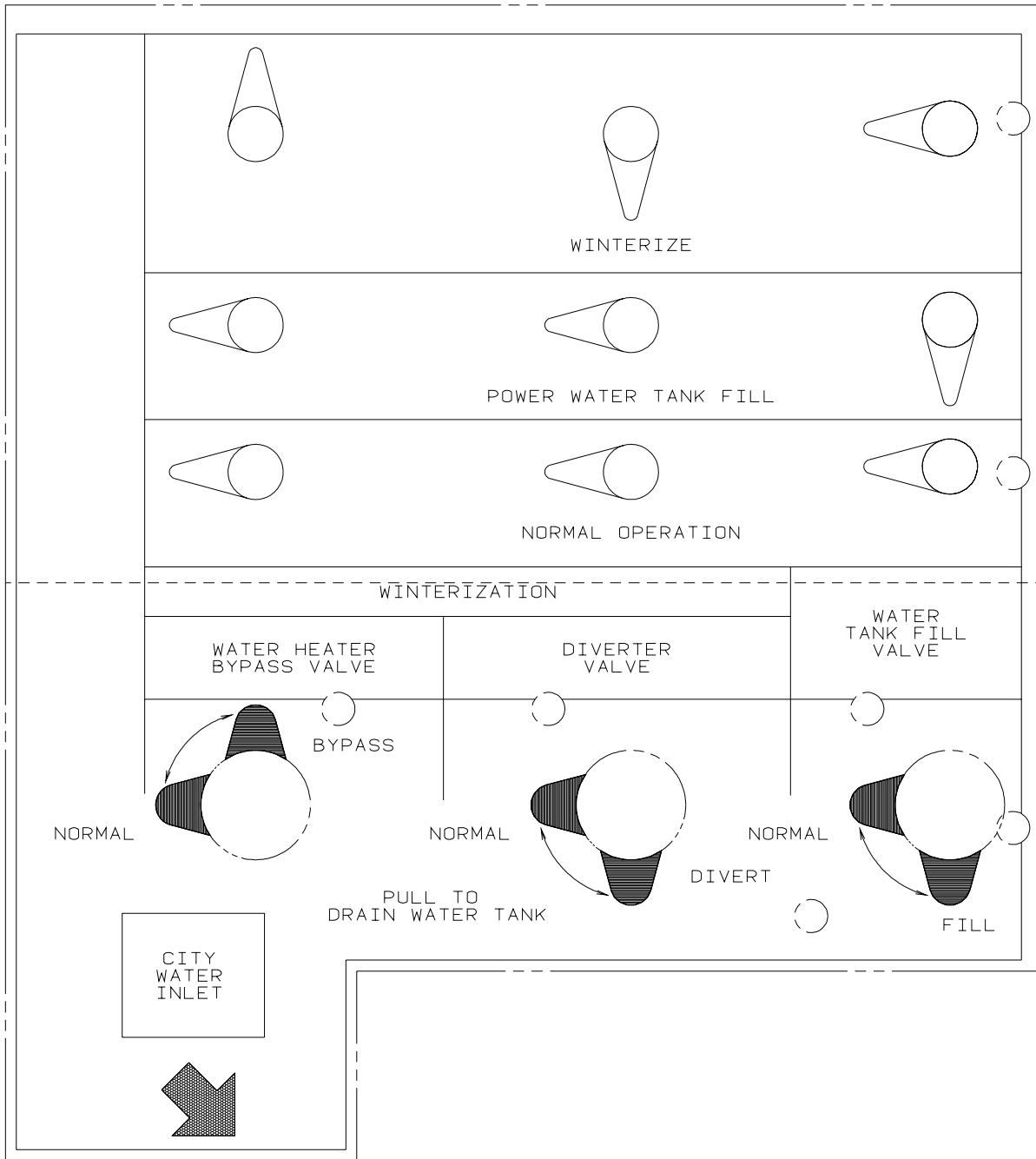
**KEY PART NUMBER U/M DESCRIPTION**  
133533-02-01A EA LABEL - CHECK ANTENNA - CLEAR W/WHITE LETTERING



**KEY PART NUMBER U/M DESCRIPTION**  
133533-03-01A EA LABEL - LOCK/UNLOCK - BLACK/WHITE

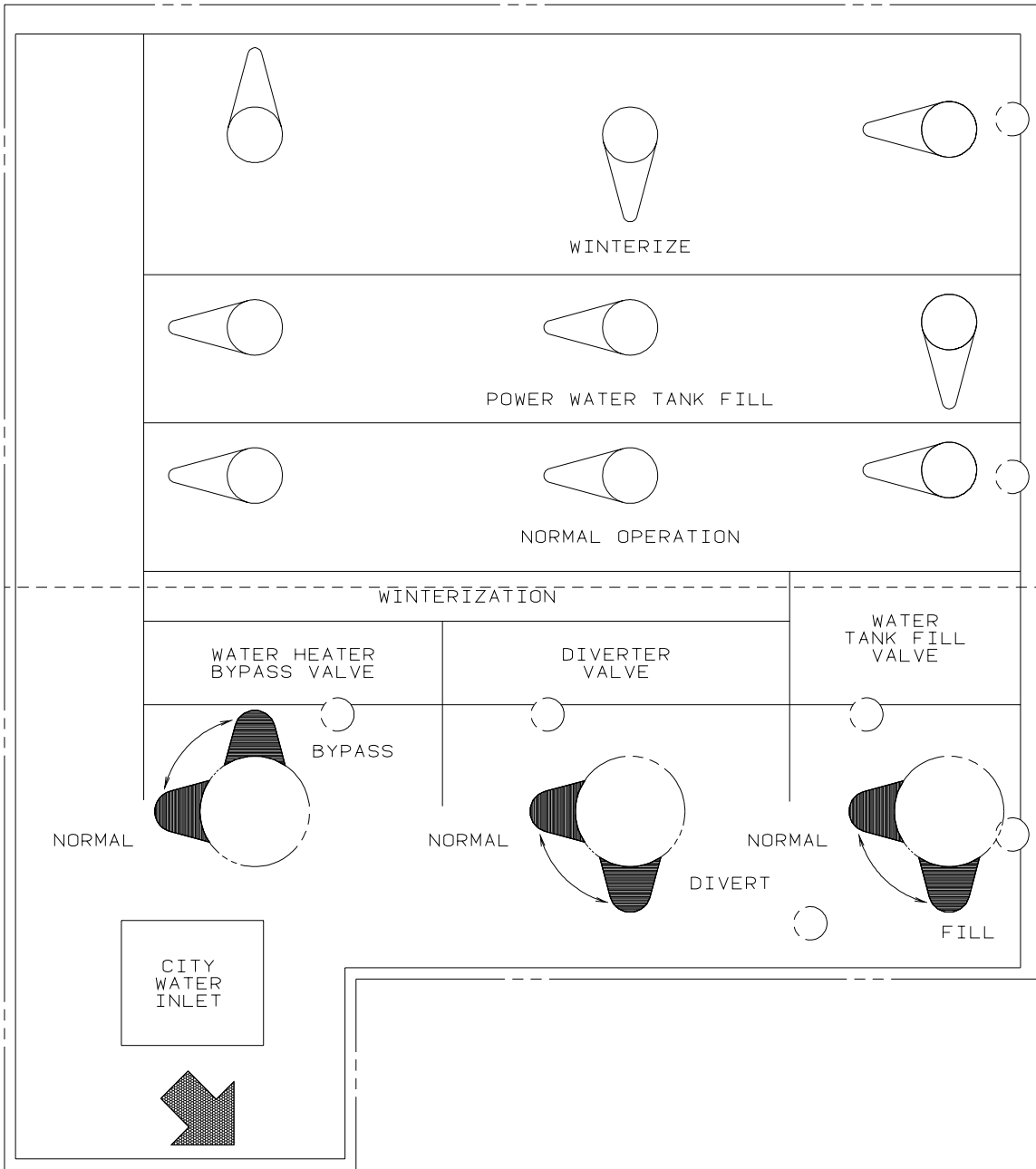


# LABELS GROUP (CONTINUED)

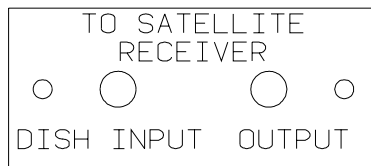


| KEY | PART NUMBER   | U/M | DESCRIPTION          |
|-----|---------------|-----|----------------------|
|     | 133629-01-01A | EA  | LABEL - WATER CENTER |

## LABELS GROUP (CONTINUED)



**KEY PART NUMBER U/M DESCRIPTION**  
 133629-02-01A EA LABEL - WATER CENTER - BLACK/CLEAR



**KEY PART NUMBER U/M DESCRIPTION**  
 134250-01-01A EA LABEL - SATELLITE RECEIVER - BLACK/CLEAR

THIS SEAT IS NOT INTENDED  
FOR OCCUPANCY WHEN  
VEHICLE IS IN MOTION

**KEY PART NUMBER U/M DESCRIPTION**  
 134538-01-01A EA LABEL - OCCUPANCY - NO SEAT BELT - BLACK ON CLEAR - US

## LABELS GROUP (CONTINUED)

|  |  |
|--|--|
| DST ISICE SIEGE N/EST PAS<br>DESTINE A ETRE OCCUPE LORSQUE<br>LE VEHICULE EST IN MOVUEMENT | THIS SEAT IS NOT INTENDED<br>FOR OCCUPANCY WHILE<br>VEHICLE IS IN MOTION |
|--|--|

**KEY PART NUMBER U/M DESCRIPTION**  
 134538-02-01A EA LABEL - OCCUPANCY - NO SEAT BELT - BLACK ON CLEAR - CSA

**WARNING**

IT IS NOT SAFE TO USE COOKING  
APPLICANCES FOR COMFORT HEATING

COOKING APPLICANCES NEED FRESH AIR FOR SAFE OPERATION  
BEFORE OPERATION.

1. OPEN OVERHEAD VENT OR TURN ON EXHAUST FAN AND;  
2. OPEN WINDOW.

**KEY PART NUMBER U/M DESCRIPTION**  
 134539-01-01A EA LABEL - WARNING - STOVE/HEATING - US - BLACK ON CLEAR

**HOLDING TANK HEATER**

TURN OFF WHEN NOT IN USE  
SEE OPERATOR'S MANUAL

**KEY PART NUMBER U/M DESCRIPTION**  
 134563-01-01A EA LABEL - SWITCH - HEATER

THIS VEHICLE MAY INCLUDE MERCURY-CONTAINING DEVICES INSTALLED BY THE MANUFACTURER:

FLUORESCENT TUBES, RANGES WITH OVEN, HWH LEVEL SENSING UNIT.

REMOVE DEVICES BEFORE VEHICLE DISPOSAL UPON REMOVAL OF  
DEVICES: PLEASE REUSE, RECYCLE, OR DISPOSE AS HAZARDOUS WASTE

135869-01A

**KEY PART NUMBER U/M DESCRIPTION**  
 135869-01-01A EA LABEL - MERCURY CONTENT - BLACK ON CLEAR

**LIQUID SOAP**

**KEY PART NUMBER U/M DESCRIPTION**  
 136047-01-01A EA LABEL - LIQUID SOAP

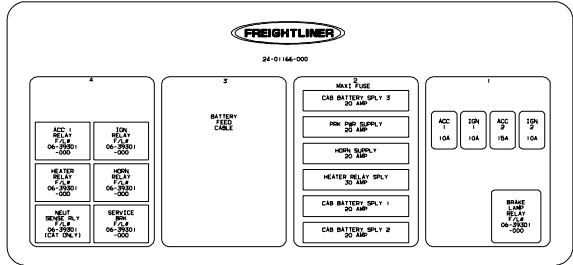
|                  |                  |                                |                                  |                               |                                       |                          |               |
|------------------|------------------|--------------------------------|----------------------------------|-------------------------------|---------------------------------------|--------------------------|---------------|
| DOOR<br>LOCK     | DOOR<br>UNLOCK   | RIGHT<br>COMPT<br>DOOR<br>LOCK | RIGHT<br>COMPT<br>DOOR<br>UNLOCK | LEFT<br>COMPT<br>DOOR<br>LOCK | LEFT<br>COMPT<br>DOOR<br>UNLOCK       | AUX<br>START<br>SOLENOID | AMP<br>SOURCE |
| POWER<br>MIRRORS | HEATER<br>BLOWER | PASS<br>HEATER<br>BLOWER       | FOG<br>LAMPS                     | DOCKING<br>LAMPS              | DOCKING<br>LAMPS<br>SWITCH<br>TRIGGER | COOLING<br>FANS          |               |

**KEY PART NUMBER U/M DESCRIPTION**  
 136161-01-01A EA LABEL - RELAY - MATTE BLACK/WHITE LETTERS

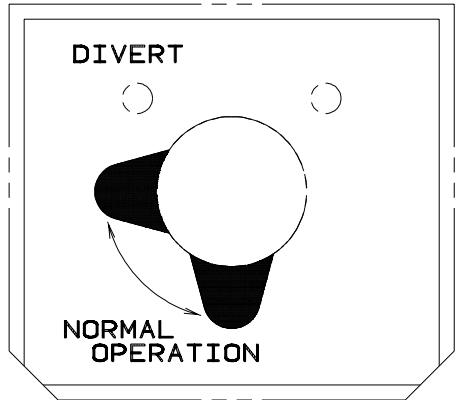
## LABELS GROUP (CONTINUED)



**KEY PART NUMBER**    **U/M DESCRIPTION**  
 136360-01-01A    EA LABEL - AIR BAGS



**KEY PART NUMBER**    **U/M DESCRIPTION**  
 137090-01-000    EA LABEL - ELECTRICAL CENTER



**KEY PART NUMBER**    **U/M DESCRIPTION**  
 137997-01-01A    EA LABEL - WINTERIZATION VALVE - BLACK/CLEAR



**KEY PART NUMBER**    **U/M DESCRIPTION**  
 140190-01-01A    EA DECAL/LOGO - V6 (DOMED) - CYAN/MAGENTA/YELLOW/BLACK

## LABELS GROUP (CONTINUED)

### WARNING

THIS SYSTEM IS DESIGNED FOR USE WITH PROPANE ONLY  
DO NOT CONNECT NATURAL GAS TO THIS SYSTEM

BEFORE TURNING ON PROPANE:

- (A) BE CERTAIN APPLIANCES ARE CERTIFIED FOR PROPANE AND ARE EQUIPPED WITH CORRECT BURNING ORIFICES.
- (B) MAKE CERTAIN ALL PROPANE CONNECTIONS ARE TIGHT BY TESTING WITH SOAPY WATER. ALL APPLIANCE VALVES ARE TURNED OFF, AND ANY UNCONNECTED OUTLETS ARE CAPPED.

AFTER TURNING ON PROPANE:

- (A) LIGHT ALL PILOT LIGHTS
- (B) (B) ALL CONNECTIONS, INCLUDING THOSE AT THE APPLIANCES, REGULATORS AND CYLINDERS SHOULD BE LEAK-TESTED PERIODICALLY WITH SOAPY WATER BY THE OCCUPANT. NEVER USE A LIGHTED MATCH OR OTHER FLAME WHEN CHECKING FOR LEAKS.
- (C) DO NOT LEAVE SYSTEM TURNED ON OF CONTAINERS CONNECTED UNTIL THE SYSTEM HAS BEEN PROVEN TO BE FREE OF LEAKS.
- (D) COOKING APPLIANCES SHOULD NOT BE USED FOR SPACE HEATING.
- (E) WHEN THE CONTAINERS ARE DISCONNECTED THE PROPANE SUPPLY LINE SHOULD BE CAPPED OR PLUGGED.

### AVERTISSEMENT

CETTE INSTALLATION EST CONCUE POUR LE PROPANE SEULEMENT  
NE PAS L'ALIMENTER EN GAZ NATUREL

AVANT LA MISE EN SERVICE:

- (A) S'ASSURER QUE LES APPAREILS SONT CERTIFIES POUR LE PROPANE ET MUNIS D'ORIFICES DE BRULEUR APPROPRIES.
- (B) VERIFIER L'ETANCHEITE DE TOUS LES RACCORDEMENTS AU PROPANE. LA PERMETURE DE TOUS LES ROBINETS D'APPAREILS ET L'OBTURATION DE TOUTES LES SORTIES NON RACCORDEES.

APRES LA MISE EN SERVICE:

- (A) ALLUMER TOUTES LES VEILLEUSES.
- (B) L'OCCUPANT DOIT EPROUVER PERIODIQUEMENT L'ETANCHEITE DE TOUS LES RACCORDEMENTS Y COMPRIS CEUX AUX APPAREILS, AUX DETENDEURS ET AUX BOUTEILLES, EN Y APPLIQUANT DE L'EAU SAVONNEUSE NE JAMA'S SE SERVIR D'UNE ALLUMETTE OU AUTRE POUR LA DETECTION DES FUITES.
- (C) NE PAS LAISSER L'ALIMENTATION OUVERTE NI LES RECIPIENTS RACCORDES AVANT D'AVOIR COMPLETE L'EPREUVE D'ETANCHEITE AU PROPANE DE L'INSTALLATION.
- (D) LES APPAREILS DE CUISSON NE DOIVENT PAS ETRE UTILISES POUR LE CHAUFFAGE DES LOCAUX.
- (E) LORSQUE LES RECIPIENTS SONT DECONNECTES, L'ALIMENTATION DE PROPANE DOIT ETRE OBTUREE OU SCHELLEE.

|                        |                                     |
|------------------------|-------------------------------------|
| <b>KEY PART NUMBER</b> | <b>U/M DESCRIPTION</b>              |
| 023769-01-000          | EA LABEL - WARNING - LPG - CANADIAN |

**Winnebago**

EMISSION CONTROL INFORMATION

---

CATALYST

|  |                     |
|--|---------------------|
| ENGINE FAMILY                                | XXXXXXX             |
| EVAP. FAMILY                                 | XXXXXXX             |
| EXH.EMISSION CONTR.SYST.                     | SFI/AIR/TWC/HO2S(2) |
| DISPL 2792 CC                                | 0BD II CERTIFIED    |
| TUNE UP SPECIFICATIONS: NO ADJUSTMENT NEEDED |                     |
| CARB EXH.EMISSION STAND.                     | STANDARD CATEGORY   |
| CERTIFICATION                                | XXX                 |
| IN-USE                                       | XXX                 |

THIS HEAVY DUTY VEHICLE CONFORMS TO U.S. EPA REGULATIONS APPLICABLE TO XXXX MODEL YEAR LIGHT-DUTYTRUCKS UNDER THE SPECIAL PROVISIONS OF 40 CFR XXXXXX , AND IS CERTIFIED TO MEDIUM-DUTY VEHICLE STANDARDS FOR SALE IN CALIFORNIA.

XXXX

||||| BAR CODE |||||

|                        |                                    |
|------------------------|------------------------------------|
| <b>KEY PART NUMBER</b> | <b>U/M DESCRIPTION</b>             |
| 124709-06-000          | EA LABEL - EMISSION CONTROL - DUAL |

## LABELS GROUP (CONTINUED)

NORMAL  
OPERATION

| KEY | PART NUMBER   | U/M DESCRIPTION             |
|-----|---------------|-----------------------------|
|     | 133424-02-01A | EA LABEL - NORMAL OPERATION |

WTR HTR  
BYPASS

| KEY | PART NUMBER   | U/M DESCRIPTION                              |
|-----|---------------|--|
|     | 133424-03-01A | EA LABEL - WATER HEATER BYPASS - BLACK/CLEAR |

THIS CHAIR IS NOT INTENDED  
FOR OCCUPANCY WHEN VEHICLE  
IS IN MOTION AND MUST BE  
RETURNED TO STOWED POSITION

DTS ISICE SIEGE N/EST PAS      THIS CHAIR IS NOT INTENDED  
DESTINE A ETRE OCCUPE LORSQUE      FOR OCCUPANCY WHEN VEHICLE  
LE VEHICULE EST IN MOVEMENT      IS IN MOTION AND MUST BE  
ET IL FAUT QUE LE RANGER      RETURNED TO STOWED POSITION

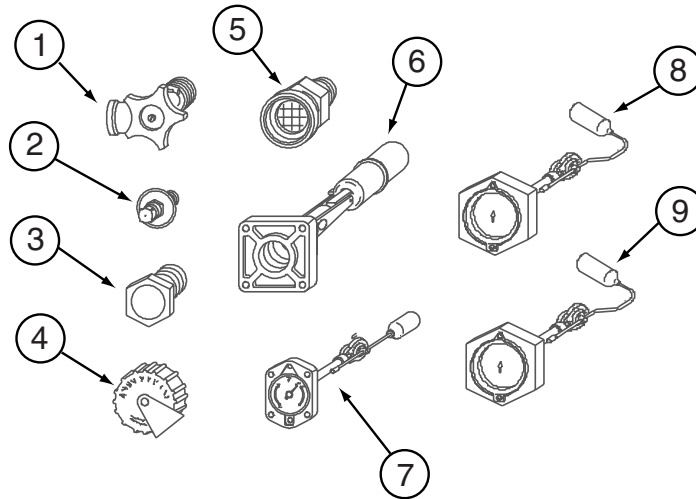
| KEY | PART NUMBER   | U/M DESCRIPTION                   |
|-----|---------------|-----------------------------------|
|     | 134537-01-01A | EA LABEL - OCCUPANCY - CHAIR - US |

**LP GROUP**  
**LP SYSTEM**

| KEY | PART NUMBER   | U/M | DESCRIPTION   |
|-----|---------------|-----|---|
|     | 008042-01-000 | FT  | TUBING - VINYL - .65" ID  |
|     | 010252-01-000 | EA  | ELBOW - BRASS - 90 DEGREE - 3/8"F X 1/2"MPT   |
|     | 010323-01-000 | EA  | ADAPTER - BRASS - 3/8"F X 1/2"MPT   |
|     | 010326-01-000 | EA  | ADAPTER - FLARE - W/CONE GASKET - 3/8"F X 1/2"F   |
|     | 010329-01-000 | EA  | ADAPTER - BRASS - 1/2"F X 1/2"MPT   |
|     | 010377-02-000 | EA  | NUT - BRASS - 3/8" FLARE - FORGED   |
|     | 010380-02-000 | EA  | NUT - BRASS - 1/2" FLARE - FORGED   |
|     | 024250-01-000 | EA  | ADAPTER - BRASS - 3/8"F X 1/2"FPT   |
|     | 040440-03-000 | EA  | TRANSMITTER - DIAL/SNAP-ON - 0-90 OHM 2 TERM(POWER/GROUND)                                  |
|     | 045073-01-000 | EA  | HOSE - LP - 3/8"ID X 24" - 3/8"MPT X 1/2"F SWIVEL - U.S.                                    |
|     | 045073-02-000 | EA  | HOSE - LP - 3/8"ID X 24" - 3/8"MPT X 1/2"F SWIVEL - CANADA                                  |
|     | 045073-03-000 | EA  | HOSE - LP - 3/8"ID X 18" - 3/8"MPT X 1/2"F SWIVEL - U.S.                                    |
|     | 045073-12-000 | EA  | HOSE - LP - 3/8"ID X 18" - 3/8"MPT X 1/2"F SWIVEL - CANADA                                  |
|     | 045703-05-000 | EA  | HOSE - LP - 3/8"ID X 28" - 3/8"MPT X 1/2"F SWIVEL - U.S.                                    |
|     | 045703-06-000 | EA  | HOSE - LP - 3/8"ID X 28" - 3/8"MPT X 1/2"F SWIVEL - CANADA.                                 |
|     | 045073-15-000 | EA  | NUT - BRASS - 3/8" FLARE - FORGED   |
|     | 045703-13-000 | EA  | HOSE - LP - 3/8"ID X 120" - 3/8"F SWIVEL X 1/2"F SWIVEL US<br>FROM: 00-00-00 THRU: 03-15-01 |
|     | 045703-19-000 | EA  | HOSE - LP 3/8"ID X 120"-US/CGA - 1/2F SWIVEL X 3/8F SWIVEL<br>FROM: 03-16-01 THRU: 99-99-99 |
| *   | 097821-03-000 | EA  | TANK - LP - 60 LB - 14" X 30"   |
|     | 103613-03-000 | EA  | DETECTOR - LP GAS - W/O SHUT-OFF VALVE  |
|     | 105658-01-000 | EA  | COMPARTMENT - LP REGULATOR  |
|     | 106150-01-000 | EA  | REGULATOR - TWO STAGE-W/90 DEGREE ELBOW & 3/8" FPT OUTLET                                   |

**\*COMPONENT PARTS LISTED LATER IN THIS GROUP**

**LP GROUP (CONTINUED)**  
**COMPONENT PARTS FOR LP SYSTEM**

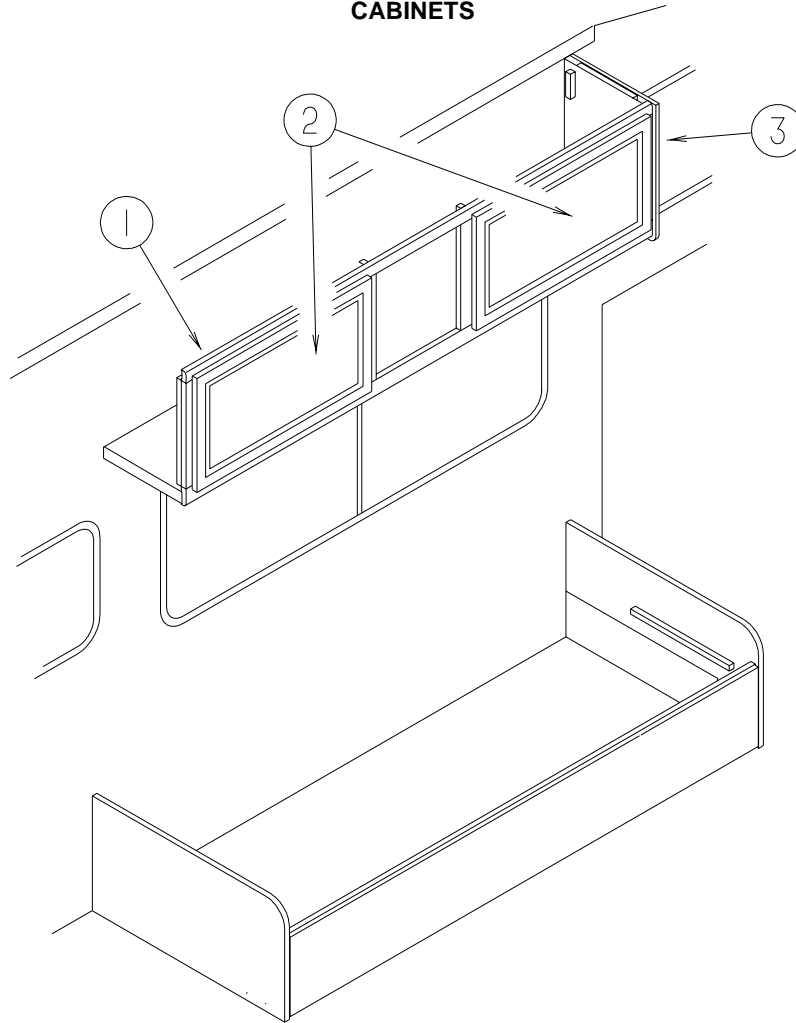


**097821-03-000**

| <b>KEY</b> | <b>PART NUMBER</b> | <b>U/M</b> | <b>DESCRIPTION</b>           | <b>VENDOR NO.</b> |
|------------|--------------------|------------|------------------------------|-------------------|
| 1          | 040421-01-708      | EA         | HANDWHEEL-SERVICE VALVE      | G-1015-A          |
| 1          | 040421-01-712      | EA         | VALVE,SERV. W/O VAPOR RELIEF | 29000853          |
| 2          | 040421-01-700      | EA         | VALVE-LIQUID LEVEL, 20%      | G-1013            |
| 3          | 040421-01-713      | EA         | VALVE-RELIEF 1" W/SPRING 7"  | 29000587          |
| 3          | 040421-01-714      | EA         | VALVE RELIEF 3/4"W/SPRING 7" | LVRF29000400      |
| 4          | 040421-01-702      | EA         | CAP-FILL VALVE, PLASTIC      | G-1014-A          |
| 5          | 040421-01-701      | EA         | VALVE-FILL-SHORT, LP         | 7547B             |
| 6          | 040421-01-711      | EA         | VALVE-80% FILL W/AUTO STOP   | LLL/TL3           |
| 7          | 040421-01-707      | EA         | FLOAT/BOLT ON-SCREW ON DIAL  | 14C               |
| 7          | 088253-09-700      | EA         | FLOAT/SCREW IN-SNAP ON DIAL  | SG14C0001466      |
| 8          |                    |            | NOT WHAT IS ILLUSTRATED HERE |                   |
| 9          |                    |            | NOT WHAT IS ILLUSTRATED HERE |                   |



## LOUNGE GROUP CABINETS



| KEY | PART NUMBER   | U/M | DESCRIPTION  |
|-----|---------------|-----|--|
| 1   | 130579-01-N15 | EA  | CABINET - OVERHEAD/FRONT/LEFT HAND - W/O DOORS/HARDWARE - WASHED MAPLE |
| 1   | 130579-01-M08 | EA  | CABINET - OVERHEAD/FRONT/LEFT HAND - W/O DOORS/HARDWARE - SALEM CHERRY |
| 2   | 135238-01-M15 | EA  | DOOR - RAIL/VENEER - 10.8" X 27.9" - W/O HARDWARE - WASHED MAPLE       |
| 2   | 135238-01-M16 | EA  | DOOR - RAIL/VENEER - 10.8" X 27.9" - W/O HARDWARE - SALEM CHERRY       |
| 5   | 130579-15-N15 | EA  | END CAP - OVERHEAD CABINET - WASHED MAPLE                              |
| 5   | 130579-15-N10 | EA  | END CAP - OVERHEAD CABINET - SALEM CHERRY                              |

**SEALANTS & FASTENERS GROUP**  
**SEALANTS & ADHESIVES**

| KEY | PART NUMBER   | U/M | DESCRIPTION  |
|-----|---------------|-----|--|
|     | 004001-05-000 | EA  | ADHESIVE - SCOTCH-WELD - 3M DP100 - CLEAR - 50ML           |
|     | 004020-01-000 | QT  | ADHESIVE - ABS CEMENT - QUART                              |
|     | 010405-02-000 | EA  | TAPE - THREAD SEALING - 3/8"                               |
|     | 034552-15-000 | EA  | SILICONE - TUBE - W/O NOZZLE - BRIGHT WHITE                |
|     | 053766-06-000 | EA  | BEDDING COMPOUND - TUBE - CLEAR                            |
|     | 062917-03-000 | EA  | ADHESIVE - LOCTITE 242                                     |
|     | 063642-01-000 | FT  | TAPE - ADHESIVE - .4" X 1.5" X 180'                        |
|     | 067788-01-000 | EA  | ADHESIVE - SPRAY - 3M - 19.5 OZ AEROSOL CAN                |
|     | 069640-01-000 | FT  | SEALER - RIBBON - 1/4" DIAMETER X 30' - BLACK              |
|     | 069640-02-000 | FT  | SEALER - TAPE - .13"THICK X .5"WIDE X 60' - GRAY           |
|     | 069640-03-000 | FT  | SEALER - TAPE - .13"THICK X .75"WIDE X 60' - BLACK         |
|     | 069640-07-000 | FT  | SEALER - TAPE - .09" THICK X 2" WIDE X 45' - GRAY          |
|     | 069640-09-000 | FT  | SEALER - TAPE - .03" THICK X 2.50"WIDE X 80' - GRAY        |
|     | 069640-10-000 | FT  | SEALER - TAPE - .03" THICK X 1.50" WIDE X 90' - GRAY       |
|     | 069640-11-000 | FT  | SEALER - TAPE - .19" THICK X .38" WIDE X 40' - BLACK       |
|     | 069640-13-000 | FT  | SEALER - TAPE - .03" THICK X 2" WIDE X 45' - BLACK         |
|     | 069640-14-000 | FT  | SEALER - TAPE - .06" THICK X 1" WIDE X 100' - GRAY         |
|     | 069640-15-000 | FT  | SEALER - TAPE - .06"THICK X .38"WIDE X 100' - GRAY         |
|     | 069640-17-000 | FT  | SEALER - TAPE - .03" THICK X 1" WIDE X 90' - GRAY          |
|     | 069640-18-000 | FT  | SEALER - TAPE - .50" THICK X .13" WIDE X 60' - BRT WHITE   |
|     | 069640-19-000 | FT  | SEALER - TAPE - .75" THICK X .13" WIDE X 60' - BRT WHITE   |
|     | 069640-20-000 | FT  | SEALER - TAPE - .50" THICK X 1/8" WIDE X 60' - BLACK       |
|     | 069640-21-000 | FT  | SEALER - TAPE - .50" THICK X 1/16" WIDE X 100'-BRIGHT WHT  |
|     | 069640-22-000 | FT  | SEALER - TAPE - .25" THICK X 1/32" WIDE X 100'- BRIGHT WHT |
|     | 069640-23-000 | FT  | SEALER - TAPE - .06" THICK X 3/4" WIDE X 100' - BRT WHITE  |
|     | 069640-25-000 | FT  | SEALER - TAPE - .06" THICK X 3.5" WIDE X 50' - GRAY        |
|     | 069640-27-000 | FT  | SEALER - TAPE - .06" THICK X 2.25" WIDE - BRIGHT WHITE     |
|     | 069640-28-000 | FT  | SEALER - TAPE - 1/32" X 2"                                 |
|     | 072889-01-000 | EA  | SEALANT - URETHANE - BLACK - TUBE                          |
|     | 076322-01-000 | FT  | TAPE-DOUBLE COATED/ADHESIVE BK-.03"THK X .8"W X 216'- WHT  |
|     | 076322-02-000 | FT  | TAPE-DOUBLE COATED/ADHESIVE BK-.05"THK X 1"W X 108' - WHT  |
|     | 076322-03-000 | FT  | TAPE-DOUBLE COATED/ADHESIVE BK-.05"THK X .5"W X 108' - WHT |
|     | 076322-04-000 | FT  | TAPE-DOUBLE COATED/ADHESIVE BK-.05"THK X .8"W X 108' - WHT |
|     | 076322-05-000 | FT  | TAPE-DOUBLE COATED/ADHESIVE BK-.05"THK X .8"W X 108' - WHT |
|     | 076322-07-000 | FT  | TAPE-DOUBLE COATED/ADHESIVE BK-.05"THK X .5"W X 200' - BLK |
|     | 076322-11-000 | FT  | TAPE-DOUBLE COATED/ADHESIVE BK-.02"THK X 1"W X 216' - CLR  |
|     | 086276-01-000 | EA  | TAPE - DOUBLE SIDED - 1/2" WIDE X 108' LONG (SOLD BY ROLL) |
|     | 088479-01-000 | EA  | TAPE - ALUMINUM - 3"                                       |
|     | 090340-01-000 | FT  | SEAL - FOAM - CLOSED CELL - 1/4" X 1/2" X 50'              |
|     | 091255-02-000 | FT  | SEAL - ADHESIVE BACKED/FOAM - 3/64" THICK X 3/16"W X 1000' |
|     | 091255-03-000 | FT  | SEAL - ADHESIVE BACKED/FOAM - 1/4" THICK X 1/4"W X 1000'   |
|     | 094401-03-000 | EA  | SEALER - BODY SEAM - BLACK                                 |
|     | 094401-04-000 | EA  | SEALER - BODY SEAM - CLEAR                                 |
|     | 098408-01-000 | FT  | SEAL - SPONGE RUBBER - CLOSED CELL                         |
|     | 099069-01-000 | FT  | SEAL - RUBBER - CLOSED SPONGE - .5" WIDE X .12" THICK -BLK |
|     | 099418-01-000 | FT  | SEAL - D-SECTION/ADHESIVE BACK - .44" X .44"- BLK RUBBER   |
|     | 099418-02-000 | FT  | SEAL - D SECTION - WHITE                                   |
|     | 099952-01-000 | FT  | CORE - SEAL - BULB SUPPORT                                 |
|     | 100128-02-000 | FT  | SEAL - FOAM/ADHESIVE BACK - .37" WIDE X .37" THICK         |
|     | 104692-01-000 | FT  | SEAL - ADHESIVE BACKED FOAM - 3/4" THICK X 3/4" WIDE X 25' |
|     | 104692-03-000 | FT  | SEAL - ADHESIVE BACKED FOAM - 1" THICK X 1 3/4" WIDE X 15' |
|     | 106206-01-000 | EA  | SEALER - PUMPABLE - TUBE - BLACK - MANUS                   |
|     | 107828-01-000 | EA  | SEALANT - SB - 190 EVERSEAL                                |
|     | 109506-12-000 | EA  | FILM/ABRASION-RESISTANT - TRANSPARENT - 1 1/2 DIA.         |
|     | 110274-01-000 | FT  | TAPE - DOUBLE SIDED/FOAM - .45" X 1" X 216' - BLACK        |
|     | 112864-01-000 | FT  | SEAL - FOAM/BUTYL COVERED - 3/8" X 35'                     |
|     | 112864-02-000 | FT  | FOAM - BUTYL COVERED 5/16" X 44'                           |
|     | 112901-02-000 | EA  | ADHESIVE - PLEXUS - MA330 - 50ML - GRAY                    |
|     | 112901-03-000 | EA  | ADHESIVE - PLEXUS - MA300 - 50ML - WHITE                   |
|     | 112902-01-000 | EA  | NOZZLE - ELEMENT - 3/8 X 24                                |
|     | 112902-02-000 | EA  | NOZZLE-BELL 3/8X24 - TAH 160-824                           |
|     | 112902-03-000 | EA  | MIXER NOZZLE - F/GUN #00400102000 - SCOTCH-WELD & PLEXUS   |
|     | 113366-01-000 | EA  | ADHESIVE - INSTANT - 1 OZ                                  |

**SEALANTS & FASTENERS GROUP (CONTINUED)**  
**SEALANTS & ADHESIVES (CONTINUED)**

| KEY | PART NUMBER   | U/M | DESCRIPTION   |
|-----|---------------|-----|---|
|     | 113452-02-000 | FT  | SEAL/TRIM - FRONT - VINYL W/WIRE CARRIER - .027"            |
|     | 120074-02-03A | EA  | SILICONE - TUBE - W/O NOZZLE - SMOKEY WHITE                 |
|     | 120074-02-02A | EA  | SILICONE - TUBE - W/O NOZZLE - LOW ODOR - SOFT WHITE        |
|     | 120534-01-01A | EA  | TAPE - SCOTCH - 3M - 1/2" FINE LINE                         |
|     | 123244-01-000 | FT  | TAPE - DOUBLE SIDED/FOAM - 5/64" THICK X 3/4" WIDE          |
|     | 123244-02-000 | FT  | TAPE - DOUBLE SIDED/FOAM - 5/64" THICK X 1/2" WIDE X 108'   |
|     | 123816-01-000 | FT  | TAPE - DOUBLE SIDED - 1" X 100'                             |
|     | 123816-02-000 | FT  | TAPE - DOUBLE SIDED - 1/2" X 1 1/3" X 100'                  |
|     | 123816-03-000 | FT  | TAPE - DOUBLE SIDED - 1/2" X 3/4" X 100'                    |
|     | 123816-04-000 | FT  | TAPE - DOUBLE SIDED - 6" X 750'                             |
|     | 126427-01-000 | EA  | ADHESIVE - ALL PURPOSE - ABS/PVC                            |
|     | 126427-02-000 | EA  | PRIMER - CLEANER - FLEX PIPING                              |
|     | 131264-01-01A | EA  | SILICONE - TUBE - W/O NOZZLE - BLACK                        |
|     | 131264-01-02A | EA  | SILICONE - TUBE - W/O NOZZLE - CLEAR                        |
|     | 131264-02-01A | EA  | SILICONE - TUBE - W/O NOZZLE - VW GRAY - BATH ONLY          |
|     | 131264-03-01A | EA  | SILICONE - TUBE - W/O NOZZLE - SELF LEVELING - BRIGHT WHITE |
|     | 131264-04-01A | EA  | SILICONE - CLEAR - ADHESIVE                                 |
|     | 131384-01-000 | EA  | ADHESIVE - JETWELD  |
|     | 900390-01-000 | EA  | NOZZLE - SILICONE TUBE - 2.5" LONG                          |
|     | 900390-03-000 | EA  | NOZZLE - SILICONE TUBE - 4.3" LONG                          |

**BOLTS, NUTS AND WASHERS**

| KEY | PART NUMBER   | U/M | DESCRIPTION  |
|-----|---------------|-----|--|
|     | 000C12-04-08B | EA  | BOLT - HEX - 1/4-20 X 1/2 - GRADE #5 - ZINC                |
|     | 000C12-04-40B | EA  | BOLT - HEX - 1/4-20 X 2 1/2 - GRADE 5 ZINC                 |
|     | 000C12-05-16B | EA  | BOLT - HEX - 5/16-18 X 1 - GRADE #5 - ZINC                 |
|     | 000C12-05-12B | EA  | BOLT - HEX - 5/16-18 X 3/4 - GRADE #5 - ZINC               |
|     | 000C12-06-16B | EA  | BOLT - HEX - 3/8-16 X 1 - GRADE #5 - ZINC                  |
|     | 000C12-06-44B | EA  | BOLT - HEX - 3/8-16 X 2 3/4 - GRADE 5 - ZINC               |
|     | 000C12-07-20B | EA  | BOLT - HEX - 7/16-14 X 1 1/4 - GRADE #5 - ZINC             |
|     | 000C12-07-24B | EA  | BOLT - HEX TAP - 1/2-13NC X 4 - GRADE 5 - FULL THREAD/ZINC |
|     | 000C12-08-16B | EA  | BOLT - HEX - 1/2-13 X 1 - GRADE #5 - ZINC                  |
|     | 000C12-08-28B | EA  | BOLT - HEX - 1/2-13 X 1 3/4 - GRADE #5 - ZINC              |
|     | 000C12-08-24B | EA  | BOLT - HEX - 1/2-13 X 1 1/2 - GRADE #5 - ZINC              |
|     | 000C12-10-24B | EA  | BOLT - HEX - 5/8-11 X 1 1/2 - GRADE #5 - ZINC              |
|     | 000C13-07-40B | EA  | BOLT - HEX - 7/16-20 X 2 1/2 - GRADE #5 - ZINC             |
|     | 000C13-07-48B | EA  | BOLT - HEX - 7/16-20 X 3 - GRADE #5 - ZINC                 |
|     | 000C14-07-28B | EA  | BOLT - HEX - 7/16-14 X 1 3/4 - GRADE #8 - ZINC             |
|     | 000C14-08-64B | EA  | BOLT-HEX-1/2-13X4 ZN 8 - 01 431C                           |
|     | 000C14-10-32K | EA  | BOLT - HEX - 5/8-11 X 2 - GRADE #8 - ZINC                  |
|     | 000C14-10-24K | EA  | BOLT - HEX - 5/8-11 X 1 1/2 - GRADE #8 - ZINC              |
|     | 000C18-05-40A | EA  | BOLT - ELEVATOR - 5/16-18 X 2 1/2 - PL                     |
|     | 000C18-06-48B | EA  | BOLT - ELEVATOR - 3/8-16 X 3 - GRADE 5 - ZINC              |
|     | 000C26-04-14B | EA  | BOLT - HEX - SERRATED FLANGE - 1/4-20 X 7/8 - ZINC         |
|     | 000C26-04-10B | EA  | BOLT - HEX - SERRATED FLANGE - 1/4-20 X 5/8 - ZINC         |
|     | 000C26-04-18B | EA  | BOLT - HEX - SERRATED FLANGE - 1/4-20 X 1 1/8 - ZINC       |
|     | 000C26-05-20B | EA  | BOLT - HEX - SERRATED FLANGE - 5/16-18 X 1 1/4 - ZINC      |
|     | 000C26-05-12B | EA  | BOLT - HEX - SERRATED FLANGE - 5/16-18 X 3/4 - ZINC        |
|     | 000C26-05-249 | EA  | BOLT - HEX - SERRATED FLANGE - 5/16-18 X 1 1/2             |
|     | 000C26-06-16B | EA  | BOLT - HEX - SERRATED FLANGE - 3/8-16 X 1 - ZINC           |
|     | 000C26-06-12B | EA  | BOLT - HEX - SERRATED FLANGE - 3/8-16 X 3/4 - ZINC         |
|     | 000C26-06-20B | EA  | BOLT - HEX - SERRATED FLANGE - 3/8-16 X 1 1/4 - ZINC       |
|     | 000C26-06-40B | EA  | BOLT - HEX - SERRATED FLANGE - 3/8-16 X 2 1/2 - ZINC       |
|     | 000C26-06-28B | EA  | BOLT - HEX - SERRATED FLANGE - 3/8-16 X 1 3/4 - ZINC       |
|     | 000C26-08-24B | EA  | BOLT - HEX - SERRATED FLANGE - 1/2-13 X 1 1/2 - ZINC       |
|     | 000C27-04-40B | EA  | BOLT - CARRIAGE - 1/4-20 X 2 1/2 - ZINC                    |
|     | 000C27-05-44I | EA  | BOLT-CARR,5/16-18X2.75" - BLACK ZINC                       |
|     | 000D16-07-00B | EA  | NUT - HEX - 7/16-14 - ZINC                                 |
|     | 000D24-10-00B | EA  | NUT - HEX - SELF LOCKING - 10-32 ZINC                      |
|     | 000D28-10-00B | EA  | NUT - HEX - W/NYLON LOCK - 10-32 ZINC                      |
|     | 000D29-04-00B | EA  | NUT - HEX - SELF LOCKING - 1/4 X 20 - ZINC                 |
|     | 000D29-06-00B | EA  | NUT - HEX - W/NYLON LOCK - 3/8-16 - ZINC                   |
|     | 000D29-09-00B | EA  | NUT - HEX - SELF LOCKING - 9/16-12 - ZINC                  |

**SEALANTS & FASTENERS GROUP (CONTINUED)**  
**BOLTS, NUTS AND WASHERS (CONTINUED)**

| KEY | PART NUMBER   | U/M | DESCRIPTION  |
|-----|---------------|-----|--|
|     | 000D30-07-00B | EA  | NUT - HEX LOCK - NYLON 7/16 X 20                           |
|     | 000D34-04-00B | EA  | NUT - HEX - LOCKING - 1/4-20 - ZINC                        |
|     | 000D34-06-00B | EA  | NUT - HEX - LOCKING - 3/8-16 GRADE C - ZINC                |
|     | 000D39-04-00B | EA  | NUT - HEX - LOCKING W/SERRATED FLANGE - 1/4-20 - ZINC      |
|     | 000D39-05-00B | EA  | NUT - HEX - LOCKING W/SERRATED FLANGE - 5/16-18 - ZINC     |
|     | 000D39-06-00D | EA  | NUT - HEX - LOCKING W/SERRATED FLANGE - 3/8"-16 BLACK      |
|     | 000D39-06-00B | EA  | NUT - HEX - LOCKING W/SERRATED FLANGE - 3/8-18 - ZINC      |
|     | 000D39-07-00B | EA  | NUT - HEX - LOCKING W/SERRATED FLANGE - 7/16-14 - ZINC     |
|     | 000D39-08-00B | EA  | NUT - HEX - LOCKING W/SERRATED FLANGE - 1/2-13 - ZINC      |
|     | 000D44-04-00B | EA  | NUT - HEX - LOCKING W/SERRATED FLANGE - 1/4-28 - ZINC      |
|     | 000D44-07-00B | EA  | NUT - HEX - LOCKING W/SERRATED FLANGE - 7/16-20 - ZINC     |
|     | 000D44-08-00B | EA  | NUT - HEX - SERRATED FLANGE - 1/2-20 - GRADE #5 - ZINC     |
|     | 000D46-04-00A | EA  | NUT - HEX - WELD - 1/4-20 - PLAIN                          |
|     | 000D58-06-00A | EA  | NUT - HEX - WELD 3/8-16 - PLAIN                            |
|     | 000D65-08-00B | EA  | NUT - HEX - LOCKING W/SERRATED FLANGE - 8-32 - ZINC        |
|     | 000D67-10-00B | EA  | NUT - HEX - LOCK - 5/8-11 - ZINC                           |
|     | 000D73-08-00C | EA  | NUT - HEX FLANGE - 1/2-13                                  |
|     | 000D75-09-00B | EA  | NUT - HEX LOCKING - 9/16-12 - ZINC                         |
|     | 000D76-06-00B | EA  | NUT - HEX FLANGE - 3/8-16                                  |
|     | 000E11-04-00F | EA  | WASHER - LOCKING - 1/4 MED SPLIT - STAINLESS STEEL         |
|     | 000E11-07-00B | EA  | WASHER - LOCKING - 7/16 MED SPLIT - ZINC                   |
|     | 000E11-08-00B | EA  | WASHER - LOCKING - 1/2 MED SPLIT - ZINC                    |
|     | 000E13-17-00B | EA  | WASHER - FLAT - 3/8 AR - ZINC                              |
|     | 000E13-18-00B | EA  | WASHER - FLAT - 3/8 WIDE - ZINC                            |
|     | 000E13-20-00B | EA  | WASHER - FLAT - 7/16 WIDE - ZINC                           |
|     | 000E13-22-00B | EA  | WASHER - FLAT - 1/2 WIDE - ZINC                            |
|     | 000E13-26-00B | EA  | WASHER - FLAT - 5/8 WIDE - ZINC                            |
|     | 000E14-10-00B | EA  | WASHER - LOCKING - #10 EXTERNAL TOOTH - ZINC               |
|     | 000E16-10-00B | EA  | WASHER - HARDENED - 5/8 - FLAT - ZINC                      |
|     | 000G45-05-16B | EA  | BOLT - LAG - 5/16-9 X 1 - ZINC                             |
|     | 000G62-08-24B | EA  | SCREW - SF/DR - 8-18 X 1 1/2 PFH                           |
|     | 040921-03-000 | EA  | NUT - SPEED - U TYPE - #10                                 |
|     | 040921-04-000 | EA  | NUT - SPEED - U TYPE - #8-.59" LENGTH X .44" WIDTH         |
|     | 040921-05-000 | EA  | NUT - SPEED - U-TYPE - 8-.67" X .44" WIDE                  |
|     | 041322-01-000 | EA  | WASHER - FLANGE - 15/32 ID X 2 3/8 OD - F/SEAT BELT MTG    |
|     | 044364-02-000 | EA  | NUT - SPEED - FLAT - ROUND                                 |
|     | 044533-01-000 | EA  | WASHER - PLASTIC - 1 3/8 OD - FOR BUTTONS                  |
|     | 051387-06-000 | EA  | BOLT - CARRIAGE W/O HOLE - 5/16-18 X 9 1/2 - ZINC          |
|     | 058716-02-000 | EA  | WASHER - FLAT NYLON  |
|     | 058716-03-000 | EA  | WASHER - FLAT/NYLON - .500 X 1 1/4 X 060                   |
|     | 064081-03-000 | EA  | NUT - WING 3/8-16 - W/WELD NUT                             |
|     | 077071-01-000 | EA  | WASHER - FENDER - 3/16 ID X 1 OD                           |
|     | 084406-01-000 | EA  | NUT - CAPPED - CROSS RECESSED - BLACK - 1/4-20 THD         |
|     | 087234-01-000 | EA  | NUT - JACK - 1/4 X 20 THD - MOLLY                          |
|     | 087718-01-000 | EA  | MONOBOLT - STEEL - 3/16 DIAMETER                           |
|     | 088787-12-000 | EA  | STUD - WELD - 1/4 - 20 X 1.0 LG - MN                       |
|     | 102333-01-06A | EA  | BOLT - CARRIAGE - 7/16-14 STAINLESS STEEL CAP              |
|     | 102333-02-01A | EA  | BOLT - CARRIAGE - 1/4-20                                   |
|     | 102540-02-000 | EA  | SEAL - SCREW   |
|     | 103020-02-000 | EA  | BOLT-U - #8-32 - GRADE 5 ZINC                              |
|     | 104369-01-000 | EA  | NUT - HEX - HEAVY - 5/8-11 UNC                             |
|     | 106166-01-000 | EA  | BOLT/COLLARED HANGER - 8-32 X 1                            |
|     | 106956-03-000 | EA  | BOLT - HEX TAP - 1/2-12NC X 3 - GRADE 5 - FULL THREAD/ZINC |
|     | 106956-08-000 | EA  | BOLT - HEX TAP - 1/2-13NC X 4 - GRADE 5 - FULL THREAD/ZINC |
|     | 107397-01-000 | EA  | WASHER - FENDER - 3/4 ID X 1 OD                            |
|     | 108067-03-000 | EA  | STUD - WELD - 1/4 - 20 X 1/2 CD                            |
|     | 109917-01-000 | EA  | WASHER - 1.5" X 1.25"                                      |
|     | 109917-03-000 | EA  | WASHER - 1" X .50"   |
|     | 109917-04-000 | EA  | WASHER - 1" X .75"   |
|     | 113985-02-000 | EA  | BOLT - FLANGE - M10-1 1/2 X 30CL 10.9                      |
|     | 114259-05-000 | EA  | BOLT - 7/16-20 X 1 1/4 W/WASHER                            |
|     | 120506-01-01A | EA  | RIVET - PLASTIC - 3/16 DIAMETER                            |
|     | 128444-01-000 | EA  | WASHER - SPRING - CONICAL                                  |

**SEALANTS & FASTENERS GROUP (CONTINUED)**  
**BOLTS, NUTS AND WASHERS (CONTINUED)**

| KEY | PART NUMBER   | U/M | DESCRIPTION  |
|-----|---------------|-----|--|
|     | 131377-01-000 | EA  | NUT-HEX HEAD W/WASHER-1/4-20 X 2" STEEL W/3/4" OD WASHER   |
|     | 135092-01-01A | EA  | BOLT - HEX - SERRATED FLANGE - 1/2-20 X 1 3/4-GRADE 5 ZINC |
|     | 135092-02-01A | EA  | BOLT - HEX - SERRATED FLANGE - 1/2-20 X 2 1/2-GRADE 5 ZINC |
|     | 135092-04-01A | EA  | BOLT - HEX - SERRATED FLANGE - 1/2-20 X 4 1/2 GRADE 5 ZINC |

**SCREWS**

| KEY | PART NUMBER   | U/M | DESCRIPTION   |
|-----|---------------|-----|---|
|     | 0G1106-08-240 | EA  | SCREW - 6-20 X 1/2 PPH - VW LIGHT GRAY                |
|     | 0G1108-12-240 | EA  | SCREW - 8-18 X 3/4 PPH - VW LIGHT GRAY                |
|     | 0G1208-12-170 | EA  | SCREW - 8-18 X 3/4 POH - BRIGHT WHITE                 |
|     | 0G1308-10-240 | EA  | SCREW - 8-18 X 5/8 PFH - VW LIGHT GRAY                |
|     | 0G3804-22-180 | EA  | SCREW - MACHINE - 1/4-20 X 1 3/8 PFH - BLACK          |
|     | 0G3908-08-160 | EA  | SCREW - SF/DR - 8-18 X 1/2 PPH - VW WHITE             |
|     | 0G3908-08-170 | EA  | SCREW - SF/DR - 8-18 X 1/2 PPH - BRIGHT WHITE         |
|     | 0G3908-12-240 | EA  | SCREW - SF/DR - 8-18 X .75 PPH - VW LIGHT GRAY        |
|     | 0G3908-12-250 | EA  | SCREW - SF/DR - 8-18 X 3/4 PPH - DARK GRAY            |
|     | 0G3908-24-170 | EA  | SCREW - SF/DR - 8-18 X 1 1/2 PPH - BRIGHT WHITE       |
|     | 0G3910-10-240 | EA  | SCREW - SF/DR - 10-16 X 5/8 PPH - VW LIGHT GRAY       |
|     | 0G3910-10-320 | EA  | SCREW - SF/DR - 10-16 X 5/8 PPH - GLACIER             |
|     | 0G3910-10-330 | EA  | SCREW - SF/DR - 20-16 X 5/8 PPH - PUTTY               |
|     | 0G3910-12-170 | EA  | SCREW - SF/DR - 10-16 X 3/4 PPH - BRIGHT WHITE        |
|     | 0G3910-12-320 | EA  | SCREW - SF/DR - 10-16 X .75 PPH - GLACIER             |
|     | 0G5508-08-250 | EA  | SCREW - SF/DR - 8-18 X 1/2 PWH - VW DARK GRAY         |
|     | 0G5508-12-170 | EA  | SCREW - SF/DR - 8-18 X 3/4 PWH - BRIGHT WHITE         |
|     | 0G5508-12-240 | EA  | SCREW - SF/DR - 8-18 X 3/4 PWH - VW LIGHT GRAY        |
|     | 0G5508-12-330 | EA  | SCREW - SF/DR - 8-18 X 3/4 PWH - PUTTY                |
|     | 0G5508-12-320 | EA  | SCREW - SF/DR - 8-18 X 3/4 PWH - GLACIER              |
|     | 0G5508-16-260 | EA  | SCREW - SF/DR - 8-18 X 1 PWH ZINC - INTERIOR ANTELOPE |
|     | 0G5508-16-250 | EA  | SCREW - SF/DR - 8-18 X 1 PWH - VW DARK GRAY           |
|     | 0G5508-16-310 | EA  | SCREW - SF/DR - 8-18 X 1 PWH - CADDY CREAM            |
|     | 0G5508-16-330 | EA  | SCREW - SF/DR - 8-18 X 1 PWH - PUTTY                  |
|     | 0G6008-16-170 | EA  | SCREW - SF/DR - 8-18 X 1 POH - BRIGHT WHITE           |
|     | 0G6710-08-110 | EA  | SCREW - 10-12 X 1/2 PPH - HAMPTON TAN                 |
|     | 0G6710-08-240 | EA  | SCREW - 10-12 X 1/2 PPH TAUPE - VW LIGHT GRAY         |
|     | 0G6710-08-170 | EA  | SCREW - 10-12 X 1/2 PPH - BRIGHT WHITE                |
|     | 0G6710-12-170 | EA  | SCREW - 10-12 X 3/4 PPH - BRIGHT WHITE                |
|     | 0G6806-16-170 | EA  | SCREW - 6-18 X 1 POH - BRIGHT WHITE                   |
|     | 0G6810-24-280 | EA  | SCREW - 10-12 X 1 1/2 POH - SOFT WHITE                |
|     | 000C20-05-28F | EA  | SCREW - 5/16-18 X 1 3/4 FLAT SOC - STAINLESS STEEL    |
|     | 000C20-06-24T | EA  | SCREW - 3/8-16 X 1 1/2 - FLAT SOCKET                  |
|     | 000G11-06-24B | EA  | SCREW - 6-20 X 1 1/2 PPH ZINC                         |
|     | 000G11-06-10J | EA  | SCREW - 6-20 X 5/8 PPH - BRASS                        |
|     | 000G11-06-10B | EA  | SCREW - 6-20 X 5/8 PPH - ZINC                         |
|     | 000G11-06-08B | EA  | SCREW - 6-20 X 1/2 PPH - ZINC                         |
|     | 000G11-06-06B | EA  | SCREW - 6-20 X 3/8 PPH - ZINC                         |
|     | 000G11-07-08B | EA  | SCREW - 7-19 X 1/2 PPH - ZINC                         |
|     | 000G11-08-20B | EA  | SCREW - 8-18 X 1 1/4 PPH - ZINC                       |
|     | 000G11-08-20G | EA  | SCREW - 8-18 X 1 1/4 - ANTIQUE BRASS                  |
|     | 000G11-08-16B | EA  | SCREW - 8-18 X 1 PPH - ZINC                           |
|     | 000G11-08-12T | EA  | SCREW - 8-18 X 3/4 PPH - BLACK MAGNESIUM              |
|     | 000G11-08-12P | EA  | SCREW - 8-18 X 3/4 PPH - DARK BROWN                   |
|     | 000G11-08-12D | EA  | SCREW - 8-18 X 3/4 PPH - BLACK PHOSPHATE              |
|     | 000G11-08-12B | EA  | SCREW - 8-18 X 3/4 PPH - ZINC                         |
|     | 000G11-08-08T | EA  | SCREW - 8-18 X 1/2 PPH - FLUOROCARBON COATING         |
|     | 000G11-08-06J | EA  | SCREW - 8-18 X 3/8 PPH BRASS                          |
|     | 000G11-08-06B | EA  | SCREW - 8-18 X 3/8 PPH - ZINC                         |
|     | 000G11-10-12S | EA  | SCREW - 10-16 X 3/4 PPH - OFF WHITE                   |
|     | 000G11-10-12D | EA  | SCREW - 10-16 X 3/4 PPH - BLACK                       |
|     | 000G12-06-08T | EA  | SCREW - 6-20 X 1/2 POH - BLACK                        |
|     | 000G12-08-12S | EA  | SCREW - 8-18 X 3/4 POH - OFF WHITE                    |
|     | 000G13-05-10B | EA  | SCREW - 5-12 X 5/8 PFH - ZINC                         |
|     | 000G13-06-08B | EA  | SCREW - 6-20 X 1/2 PFH - ZINC                         |

**SEALANTS & FASTENERS GROUP (CONTINUED)**  
**SCREWS (CONTINUED)**

| KEY | PART NUMBER   | U/M | DESCRIPTION   |
|-----|---------------|-----|---|
|     | 000G13-06-06I | EA  | SCREW - 6-20 X 3/8 PFH - BLACK ZINC                     |
|     | 000G13-06-24J | EA  | SCREW - 6-20 X 1 1/2 PFH - BRASS                        |
|     | 000G13-06-16J | EA  | SCREW - 6-20 X 1 PFH - BRASS                            |
|     | 000G13-06-16S | EA  | SCREW - 6-20 X 1 PFH - OFF WHITE                        |
|     | 000G13-06-10J | EA  | SCREW - 6-20 X 5/8 PFH - BRASS                          |
|     | 000G13-06-10G | EA  | SCREW - 6-20 X 5/8 PFH - ANTIQUE BRASS                  |
|     | 000G13-06-08G | EA  | SCREW - 6-20 X 1/2 PFH - ANTIQUE BRASS                  |
|     | 000G13-07-12B | EA  | SCREW - 7-19 X 3/4 PFH - ZINC                           |
|     | 000G13-07-10H | EA  | SCREW - 7-19 X 5/8 PFH - BLACK                          |
|     | 000G13-08-24B | EA  | SCREW - 8-18 X 1 1/2 PFH - ZINC                         |
|     | 000G13-08-16B | EA  | SCREW - 8-18 X 1 PFH - ZINC                             |
|     | 000G13-08-109 | EA  | SCREW - 8-18 X 5/8 PFH                                  |
|     | 000G16-04-24B | EA  | SCREW - MACHINE - 1/4-20 X 1 1/2 PPH                    |
|     | 000G18-08-16B | EA  | SCREW - MACHINE - 8-32 X 1 PPH - ZINC                   |
|     | 000G18-08-24B | EA  | SCREW - MACHINE - 8-32 X 1 1/2 PPH - ZINC               |
|     | 000G18-08-22B | EA  | SCREW - MACHINE - 8-32 X 1 3/8 PPH - ZINC               |
|     | 000G18-08-12B | EA  | SCREW - MACHINE - 8-32 X 3/4 PPH - ZINC                 |
|     | 000G19-10-08B | EA  | SCREW - MACHINE - 10-32 X 1/2 PPH - ZINC                |
|     | 000G19-10-20B | EA  | SCREW - MACHINE - 10-32 X 1 1/2 PPH - ZINC              |
|     | 000G19-10-12F | EA  | SCREW - MACHINE - 10-32 X 3/4 PPH - STAINLESS STEEL     |
|     | 000G19-10-10B | EA  | SCREW - MACHINE - 10-32 X 5/8 - PPH - ZINC              |
|     | 000G32-10-06B | EA  | SCREW - 10-32 X 3/8 PPH - ZINC                          |
|     | 000G37-08-089 | EA  | SCREW - 8 X 18 X 1/2 PPH - FLUOROCARBON SILVER          |
|     | 000G39-06-10T | EA  | SCREW - SF/DR - 6-20 X 5/8 PPH - BLACK                  |
|     | 000G39-06-16T | EA  | SCREW - SF/DR - 6-20 X 1 PPH - BLACK                    |
|     | 000G39-08-08B | EA  | SCREW - SF/DR - 8-18 X 1/2 PPH - ZINC                   |
|     | 000G39-08-06B | EA  | SCREW - SF/DR - 8-18 X 3/8 PPH - ZINC                   |
|     | 000G39-08-32B | EA  | SCREW - SF/DR - 8-18 X 2 PPH - ZINC                     |
|     | 000G39-08-24T | EA  | SCREW - SF/DR - 8-18 X 1 1/2 PPH - BLACK                |
|     | 000G39-08-24B | EA  | SCREW - SF/DR - 8-18 X 1 1/2 PPH - ZINC                 |
|     | 000G39-08-16T | EA  | SCREW - SF/DR - 6-20 X 1 PPH - BLACK                    |
|     | 000G39-08-16B | EA  | SCREW - SF/DR - 8-18 X 1 PPH - ZINC                     |
|     | 000G39-08-12T | EA  | SCREW - SF/DR - 8-18 X 3/4 PPH - BLACK                  |
|     | 000G39-08-12B | EA  | SCREW - SF/DR - 8-18 X 3/4 PPH - ZINC                   |
|     | 000G39-08-08T | EA  | SCREW - SF/DR - 8-18 X 1/2 PPH - BLACK                  |
|     | 000G39-08-08S | EA  | SCREW - SF/DR - 8-18 X 1/2 PPH - OFF WHITE              |
|     | 000G39-10-088 | EA  | SCREW - SF/DR - 10-16 X 1/2 PPH - FLEX FLUOROCARBON     |
|     | 000G39-10-08B | EA  | SCREW - SF/DR - 10-16 X 1/2 PPH - ZINC                  |
|     | 000G39-10-12B | EA  | SCREW - SF/DR - 10-16 X 3/4 PPH - ZINC                  |
|     | 000G39-10-10T | EA  | SCREW - SF/DR - 10-16 X 5/8 - BLACK                     |
|     | 000G39-10-10B | EA  | SCREW - SF/DR - 10-16 X 5/8 - ZINC                      |
|     | 000G39-10-48B | EA  | SCREW - SF/DR - 10-16 X 3 - PPH - ZINC                  |
|     | 000G39-10-40D | EA  | SCREW - SF/DR - 10-16 X 2 1/2 PPH - BLACK               |
|     | 000G39-10-32I | EA  | SCREW - SELF TAPPING - 10-16 X 2 PPH - BLACK            |
|     | 000G39-10-32B | EA  | SCREW - SF/DR - 10-16 X 2 - PPH - ZINC                  |
|     | 000G39-10-209 | EA  | SCREW - SF/DR - 10-16 X 1 1/4 PPH - FLUOROCARBON SILVER |
|     | 000G39-10-20T | EA  | SCREW - SF/DR - 10-16 X 1 1/4 PPH - BLACK               |
|     | 000G39-10-20B | EA  | SCREW - SF/DR - 10-16 X 1 1/4 PPH - ZINC                |
|     | 000G39-10-169 | EA  | SCREW - SF/DR - 10-16 X 1 PPH - FLUOROCARBON SILVER     |
|     | 000G39-10-129 | EA  | SCREW - SF/DR - 10-16 X 3/4 PPH - FLUOROCARBON SILVER   |
|     | 000G39-10-12T | EA  | SCREW - SF/DR - 10-16 X 3/4 - BLACK                     |
|     | 000G39-10-12S | EA  | SCREW - SF/DR - 10-16 X 3/4 PPH - OFF WHITE             |
|     | 000G39-12-12E | EA  | SCREW - SF/DR - 12-14 X 3/4 PPH - CHROME                |
|     | 000G42-04-24B | EA  | SCREW - SF/DR - 1/4-14 X 1 1/2 - ZINC                   |
|     | 000G42-04-16B | EA  | SCREW - SF/DR - 1/4-14 X 1 HWH - ZINC                   |
|     | 000G50-04-12B | EA  | SCREW - MACHINE - 1/4-20 X 3/4 PPH - ZINC               |
|     | 000G50-04-06B | EA  | SCREW - MACHINE - 1/4-20 X 3/8 PTH - ZINC               |
|     | 000G51-06-12B | EA  | SCREW - 6-20 X 3/4 PTH - ZINC                           |
|     | 000G52-06-06B | EA  | SCREW - MACHINE - 6-32 X 3/8 PTN - ZINC                 |
|     | 000G52-06-05B | EA  | SCREW - MACHINE - 6-32 X 5/16 PTH ZINC                  |
|     | 000G55-08-16T | EA  | SCREW - SF/DR - 8-18 X 1 PWH - BLACK                    |
|     | 000G55-08-12S | EA  | SCREW - SF/DR - 8-18 X 3/4 PWH - OFF WHITE              |
|     | 000G56-12-48B | EA  | SCREW - WOOD - 12-11 X 3 POH - SPECIAL HARDENED         |

**SEALANTS & FASTENERS GROUP (CONTINUED)**  
**SCREWS (CONTINUED)**

| KEY | PART NUMBER   | U/M | DESCRIPTION   |
|-----|---------------|-----|---|
|     | 000G57-14-72B | EA  | SCREW-14-10-X4-1/2 PFH ZN GENERAL MOTORHOMES              |
|     | 000G57-14-64B | EA  | SCREW - 14-10 X 4 PFH ZINC                                |
|     | 000G60-08-22B | EA  | SCREW - SF/DR - 8-18 X 1.38 POH - ZINC                    |
|     | 000G60-08-20F | EA  | SCREW - SF/DR - 8-19X1.25 POH                             |
|     | 000G60-08-16E | EA  | SCREW - SF/DR - 8-1 X 1 POH - CHROME                      |
|     | 000G60-10-20B | EA  | SCREW - SF/DR - 10-16 X 1 1/4 POH - ZINC                  |
|     | 000G60-10-28T | EA  | SCREW - SF/DR - 10-16 X 1 3/4 - BLACK                     |
|     | 000G60-10-209 | EA  | SCREW - SF/DR - 10-16 X 1 1/4 POH - SILVER STALGAARD      |
|     | 000G67-08-32B | EA  | SCREW - 8-15 X 2 PPH - ZINC                               |
|     | 000G67-10-08B | EA  | SCREW - 10-12 X 1/2 PPH - ZINC                            |
|     | 000G67-10-10S | EA  | SCREW - 10-12 X 5/8 PPH - OFF WHITE                       |
|     | 000G67-10-10P | EA  | SCREW - 10-12 X 5/8 PPH - DARK BROWN                      |
|     | 000G67-10-10B | EA  | SCREW - 10-12 X 5/8 PPH - ZINC - TYPE A                   |
|     | 000G67-10-08S | EA  | SCREW - 10-12 X 1/2 PPH - OFF WHITE                       |
|     | 000G67-10-32B | EA  | SCREW - 10-12 X 2 PPH - ZINC                              |
|     | 000G67-10-24B | EA  | SCREW - 10-12 X 1 1/2 PPH - ZINC                          |
|     | 000G67-10-20D | EA  | SCREW - 10-12 X 1 1/4 PPH - BLACK                         |
|     | 000G67-10-16B | EA  | SCREW - 10-12 X 1 PPH - ZINC                              |
|     | 000G67-10-12P | EA  | SCREW - 10-12 X 3/4 PPH - DARK BROWN                      |
|     | 000G67-10-12B | EA  | SCREW - 10-12 X 3/4 PPH - ZINC                            |
|     | 000G67-10-10T | EA  | SCREW - 10-12 X 5/8 PPH - BLACK                           |
|     | 000G68-06-10G | EA  | SCREW - 6-18 X 5/8 POH - ANTIQUE BRASS                    |
|     | 000G68-06-12J | EA  | SCREW - 6-18 X 3/4 POH - BRASS                            |
|     | 000G68-06-12B | EA  | SCREW - 6-18 X 3/4 POH - ZINC & CLEAR                     |
|     | 000G68-06-10J | EA  | SCREW - 6-18 X 5/8 POH - BRASS                            |
|     | 000G68-10-20I | EA  | SCREW - 10-12 X 1 1/4 POH - BLACK                         |
|     | 029130-05-000 | EA  | SCREW - SNAP STUD - #8-16 X 5/8" LONG                     |
|     | 049465-03-000 | EA  | SCREW - 10-16 X 1 POH W/WASHER - OFF WHITE                |
|     | 049465-04-000 | EA  | SCREW - 10-16 X 1 PTH W/WASHER - BEIGE                    |
|     | 049465-17-000 | EA  | SCREW - 10-16 X 1 POH W/WASHER - BRIGHT WHITE             |
|     | 049465-23-000 | EA  | SCREW - 10-16 X 1.5 POH W/WASHER - VW LIGHT GRAY          |
|     | 054434-02-000 | EA  | SCREW - SF/DR - 10-16 X 2 - ZINC                          |
|     | 054434-03-000 | EA  | SCREW - SF/DR - 10-16 X 2 - PWH - ZINC - W/O WINGS        |
|     | 075908-01-000 | EA  | SCREW - MACHINE - 10-32 X .56 PTH - EXTERNAL TOOTH - ZINC |
|     | 076790-01-000 | EA  | SCREW - 6-20 X 1 1/4 PPH - BLACK                          |
|     | 076790-03-000 | EA  | SCREW - 6-20 X 1 PPH - BLACK                              |
|     | 076790-05-000 | EA  | SCREW - 6-20 X 1/2 PPH - BLACK - THREAD CUTTING/WOOD      |
|     | 087721-01-000 | EA  | SCREW - FLAT HEAD - TAPPING - 1/4 X 1 1/4 LONG - ZINC     |
|     | 090033-02-000 | EA  | SCREW - 1/4-20 X 5/8 - ROUND WASHER HEAD - OFF/WHITE      |
|     | 091230-06-000 | EA  | SCREW-MACH,8-32X3/4 POH SS - BRIGHT WHITE                 |
|     | 097974-01-000 | EA  | SCREW - PARTICLE BOARD - 7-9 X 3/4 PPH                    |
|     | 101618-01-000 | EA  | SCREW - 1/4-20 X 3/4 HEX - TAPPING - STALGARD TYPE F      |
|     | 105126-01-000 | EA  | SCREW - MACHINE - 8-32 X 1 PPH TAPTIT                     |
|     | 110460-05-02A | EA  | SCREW - MACHINE - 10-24 X 2 1/2 PFH - WHITE               |
|     | 113563-01-01A | EA  | SCREW - 8 X 5/8 LONG SHOULDER/WASHER HEAD                 |
|     | 117478-01-04A | EA  | SCREW - 8-18 X 3/4 PPH W/WASHER - VW LIGHT GRAY           |
|     | 118383-01-09A | EA  | RETAINER/RECESSED - F/.22" SCREW - GLACIER                |
|     | 118383-01-05A | EA  | RETAINER/RECESSED - F/.22" SCREW - VW LIGHT GRAY          |
|     | 118383-01-04A | EA  | RETAINER/RECESSED - F/.22" SCREW - BRIGHT WHITE           |
|     | 118383-02-05A | EA  | RETAINER/RECESSED - F/.27" SCREW - VW LIGHT GRAY          |
|     | 118383-02-09A | EA  | RETAINER/RECESSED - F/.27" SCREW - GLACIER                |
|     | 118383-03-09A | EA  | RETAINER/RECESSED - F/.32" SCREW - GLACIER                |
|     | 118383-03-05A | EA  | RETAINER/RECESSED - F/.32" SCREW - VW LT. GRAY            |
|     | 118383-04-09A | EA  | CAP - F/RECESSED RETAINER - GLACIER                       |
|     | 118383-04-05A | EA  | CAP - F/RECESSED RETAINER - VW LIGHT GRAY                 |
|     | 118383-04-04A | EA  | CAP - F/RECESSED RETAINER - BRIGHT WHITE                  |
|     | 134126-01-01A | EA  | SCREW/NAIL - HEX HEAD - 3/4"                              |
|     | 134126-02-01A | EA  | SCREW/NAIL - HEX HEAD - 1 1/4"                            |
|     | 140040-01-000 | EA  | SCREW - 1/4-20X1 - BUTTON HEAD SOCKET - W/LOCTITE         |

**SEALANTS & FASTENERS GROUP (CONTINUED)**  
**CLAMPS, CLIPS, GROMMETS, RIVETS & PLUGS**

| KEY | PART NUMBER   | U/M | DESCRIPTION  |
|-----|---------------|-----|--|
|     | 000F10-06-32B | EA  | PIN - COTTER - 3/16" X 2" - ZINC                         |
|     | 000H14-06-06R | EA  | RIVET-MANDREL BLIND,3/16 AL - CHERRY BSP-66              |
|     | 000H16-04-06R | EA  | RIVET - POP ALUMINUM - 1/8 X .313 - .375                 |
|     | 000H16-06-10R | EA  | RIVET - POP ALUMINUM - 3/16 X .501-.625                  |
|     | 007161-01-000 | EA  | CLAMP - HOSE - SPRING TYPE - 1/2"                        |
|     | 008384-01-000 | EA  | GROMMET - SNAP - 3/4 DIAMETER - NYLON                    |
|     | 008386-01-000 | EA  | GROMMET - SNAP - 3/8" DIAMETER - NYLON                   |
|     | 010495-01-000 | EA  | CLAMP - CABLE - 9/16"                                    |
|     | 010495-02-000 | EA  | CLAMP - CABLE - 3/8"                                     |
|     | 010495-04-000 | EA  | CLAMP - CABLE - 11/16" - WHITE                           |
|     | 010497-01-000 | EA  | CLAMP - CLOSED - 5/8" ID                                 |
|     | 010497-03-000 | EA  | CLAMP - CLOSED - 1" ID - CUSHIONED                       |
|     | 010497-04-000 | EA  | CLAMP - CLOSED - 1 5/8" ID                               |
|     | 010497-05-000 | EA  | CLAMP - CLOSED - 1/2" ID                                 |
|     | 010497-07-000 | EA  | CLAMP - CLOSED - 3/8" ID                                 |
|     | 010499-01-000 | EA  | CLAMP - CLOSED - 3/8" ID                                 |
|     | 016188-03-000 | EA  | GROMMET - L/P LINE - 3/8" HOLE X 2 1/2" LONG - RUBBER    |
|     | 016188-04-000 | EA  | GROMMET - L/P LINE - 1/2" HOLE X 2 1/2" LONG - RUBBER    |
|     | 016188-05-000 | EA  | GROMMET - L/P LINE - 3/8" HOLE X 1 1/4" LONG - RUBBER    |
|     | 016188-06-000 | EA  | GROMMET - L/P LINE - 3/8" X 31 1/4" LONG                 |
|     | 016188-07-000 | EA  | GROMMET - L/P LINE - 1/2" X 3 1/4" LONG                  |
|     | 023942-01-000 | EA  | GROMMET - RUBBER - 2" OD                                 |
|     | 034141-02-000 | EA  | PLUG/NYLON - .38" - BLACK                                |
|     | 056134-01-000 | EA  | HOLDER - RING - 3.6" DIAMETER - METAL                    |
|     | 056134-02-000 | EA  | HOLDER - RING - 1.8" DIAMETER - METAL                    |
|     | 061420-04-000 | EA  | PLUG/PLASTIC - 1 1/4" DIAMETER                           |
|     | 061420-05-000 | EA  | PLUG/PLASTIC - 1 1/2" DIAMETER                           |
|     | 061420-08-000 | EA  | PLUG/PLASTIC - 2 1/2" DIAMETER                           |
|     | 061420-09-000 | EA  | PLUG/PLASTIC - 1.00" - DIAMETER                          |
|     | 061420-10-000 | EA  | PLUG/PLASTIC - 1 1/2" DIAMETER - BLACK                   |
|     | 061420-15-000 | EA  | PLUG/PLASTIC - 2" DIAMETER - BLACK                       |
|     | 062401-01-000 | EA  | CLAMP - HOSE - WORMGEAR - .25" - 1"                      |
|     | 062401-02-000 | EA  | CLAMP - HOSE - WORMGEAR - 1.56" - 2.5"                   |
|     | 062401-03-000 | EA  | CLAMP - HOSE - WORMGEAR - .22" - 1"                      |
|     | 062401-04-000 | EA  | CLAMP - HOSE - WORMGEAR - .69" - 1.25"                   |
|     | 062401-05-000 | EA  | CLAMP - HOSE - WORMGEAR - 2" - 3" ID                     |
|     | 062401-06-000 | EA  | CLAMP - HOSE - WORMGEAR - .22" - .62" ID                 |
|     | 062401-09-000 | EA  | CLAMP - HOSE - WORMGEAR - 2.8" - 3.75"                   |
|     | 062401-11-000 | EA  | CLAMP - HOSE - WORMGEAR - 3.50" - 4.50"                  |
|     | 062401-12-000 | EA  | CLAMP - HOSE - WORMGEAR - .79" X 1.26"                   |
|     | 071015-11-000 | EA  | GROMMET - RUBBER - 1"ID FITS .12 MATERIAL - BLACK        |
|     | 071015-19-000 | EA  | GROMMET - RUBBER - .38 ID - FITS .06 MATERIAL - BLACK    |
|     | 071015-26-000 | EA  | GROMMET - RUBBER - 1.5" ID X 2.1" OD W/.06" GROOVE-BLACK |
|     | 071015-29-000 | EA  | GROMMET - RUBBER - .3" ID X 1.3"OD W/.12" GROOVE - BLACK |
|     | 071015-30-000 | EA  | GROMMET - RUBBER - .31" ID X .81" OD W/.12" GROOVE-BLACK |
|     | 071015-39-000 | EA  | GROMMET - .75 ID FITS .06 MTL                            |
|     | 071015-40-000 | EA  | GROMMET - .38 ID FITS .09 MTL                            |
|     | 071015-41-000 | EA  | GROMMET - .125 ID FITS .188 MTL                          |
|     | 075148-02-000 | EA  | CLAMP - GROUNDING - BRONZE SCREWS                        |
|     | 077955-01-000 | EA  | CLIP/J - 3/8" - VINYL COATED                             |
|     | 080211-03-000 | EA  | CLIP - XMAS TREE W/PANEL RETAINING HEAD - 3/4" SHANK     |
|     | 080734-02-000 | EA  | CLIP - WIRE NYLON  |
|     | 081211-03-000 | EA  | PLUG/PLASTIC - .50 DIAMETER - BLACK                      |
|     | 081211-04-000 | EA  | PLUG/PLASTIC - .46 DIAMETER - BLACK                      |
|     | 083609-01-000 | EA  | CLAMP - WIRE - DUAL - EQUAL DIAMETERS - 5/8"             |
|     | 083610-01-000 | EA  | CLAMP - WIRE - DUAL - UNEQUAL DIAMETERS - 3/4" & 1 1/4"  |
|     | 083610-02-000 | EA  | CLAMP - WIRE - DUAL - UNEQUAL DIAMETERS - 3/4" & 2"      |
|     | 083610-03-000 | EA  | CLAMP - WIRE - DUAL - EQUAL DIAMETERS - 2"               |
|     | 088756-01-000 | EA  | GROMMET - WEB - 1 1/8 i.I.D.                             |
|     | 091952-01-000 | EA  | CLIP - GRIPPER - 1"                                      |
|     | 091952-02-000 | EA  | CLIP - GRIPPER - 3/4"                                    |
|     | 094362-02-000 | EA  | CLIP - XMAS TREE - BINDER HEAD - .9" LONG                |
|     | 094362-05-000 | EA  | CLIP - XMAS TREE - ROUND HEAD - 1.4" LONG                |



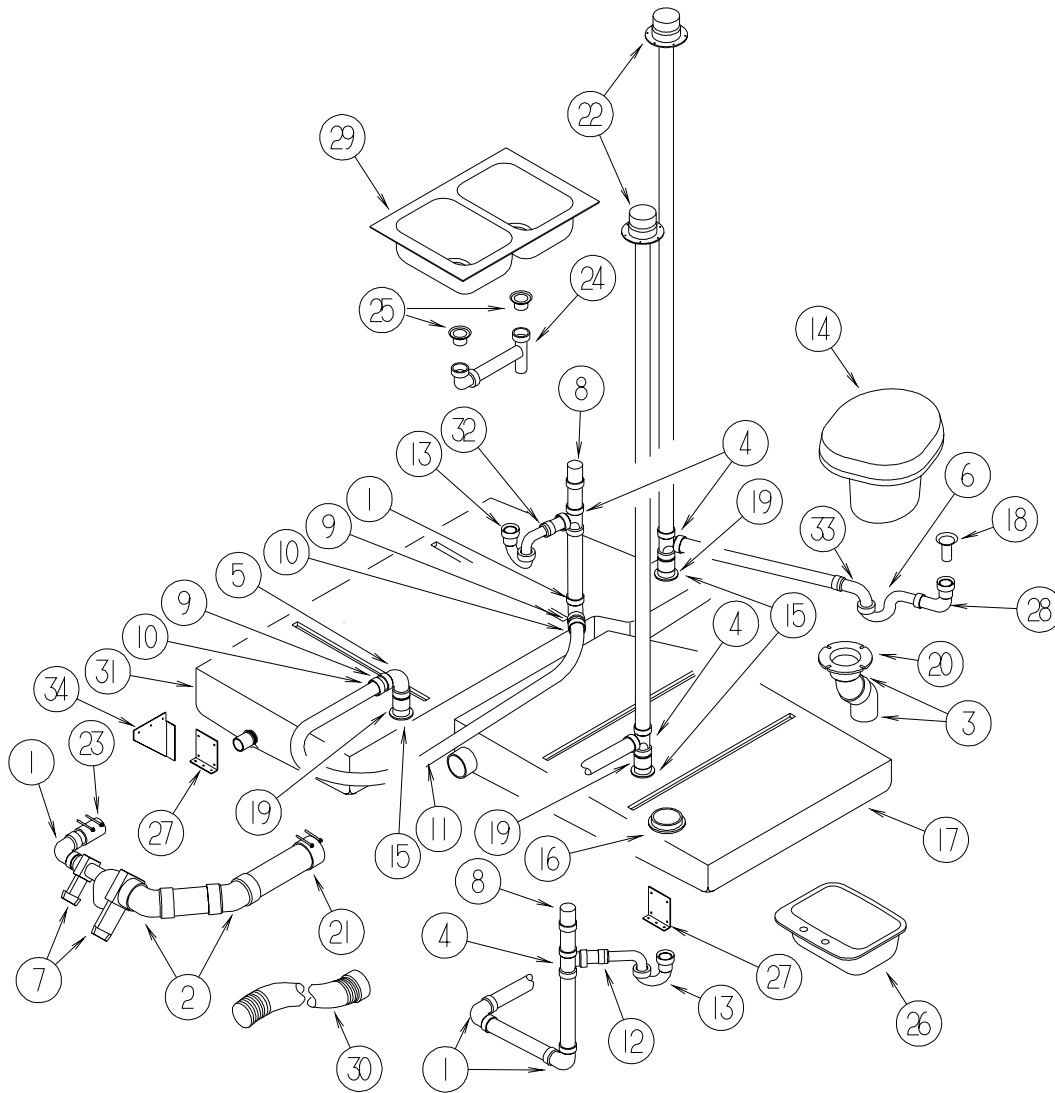
**SEALANTS & FASTENERS GROUP (CONTINUED)**  
**CLAMPS, CLIPS, GROMMETS, RIVETS & PLUGS (CONTINUED)**

| KEY | PART NUMBER   | U/M | DESCRIPTION                                 |
|-----|---------------|-----|---|
|     | 114208-01-000 | EA  | GROMMET - EDGE LINER - FITS 1 3/4"          |
|     | 114208-03-000 | EA  | GROMMET - EDGE LINER - FITS 2 1/2"          |
|     | 114208-04-000 | EA  | GROMMET - EDGE LINER - FITS 1"              |
|     | 114208-05-000 | EA  | GROMMET - EDGE LINER - FITS 2"              |
|     | 118626-01-01A | EA  | RIVET - POP - ALUMINUM - 3/16 X .08 - .375  |
|     | 118626-02-01A | EA  | RIVET - POP - ALUMINUM - 3/16 X .500 - .750 |
|     | 137014-01-02A | EA  | GROMMET - CABLE - BROWN                     |
|     | 137014-01-01A | EA  | GROMMET - CABLE - ALMOND                    |
|     | 139118-01-01A | EA  | GROMMET - PLASTIC/SCREW                     |
|     | 139118-02-01A | EA  | GROMMET - SCREW - PLASTIC                   |
|     | 140171-02-000 | EA  | CLAMP - HOSE - STEPLESS EAR - .250          |

**MISCELLANEOUS FASTENERS**

| KEY | PART NUMBER   | U/M | DESCRIPTION  |
|-----|---------------|-----|--|
|     | 008343-01-000 | EA  | TIE - WIRE - 6"  |
|     | 008343-02-000 | EA  | TIE - WIRE - 14"   |
|     | 008343-03-000 | EA  | TIE - WIRE - 7 1/2" - BLACK                              |
|     | 029094-04-000 | YD  | VELCRO TAPE - LOOP - 1" WIDE - BLACK                     |
|     | 029096-03-000 | YD  | VELCRO TAPE - HOOK - 1" WIDE - BLACK                     |
|     | 029096-04-000 | YD  | VELCRO TAPE - HOOK - 1" WIDE - BLACK                     |
|     | 048394-02-000 | YD  | VELCRO TAPE - HOOK - ADHESIVE BACK - 3/4" WIDE - BEIGE   |
|     | 085774-01-000 | FT  | FASTENER - DUAL LOCK - 1" WIDE - ADHESIVE BACK - BLACK   |
|     | 085774-02-000 | FT  | FASTENER - DUAL HOOK - 1" WIDE - ADHESIVE BACK - BLACK   |
|     | 085774-03-000 | FT  | FASTENER - DUAL LOCK - 1/2" WIDE - ADHESIVE BACK - BLACK |
|     | 085774-04-000 | FT  | FASTENER - DUAL HOOK - 1/2" WIDE - ADHESIVE BACK - BLACK |
|     | 088792-02-000 | YD  | VELCRO TAPE - LOOP - 3/4" - ADHESIVE BACK - BEIGE        |
|     | 088792-04-000 | YD  | VELCRO TAPE - HOOK - 5/8" - NON-ADHESIVE BACK - WHITE    |
|     | 088792-05-000 | YD  | VELCRO TAPE - LOOP - 5/8" - NON-ADHESIVE BACK - WHITE    |
|     | 108046-01-000 | EA  | CABLE TIE - SCREW MOUNT 8"                               |
|     | 108046-02-000 | EA  | CABLE TIE - SCREW MOUNT 15"                              |
|     | 110943-02-000 | FT  | FELT STRIP - 3/8" - ADHESIVE BACK - WHITE                |
|     | 113133-02-01A | EA  | RIVET - POP - ALUMINUM - 3/16 X .252 - .504 - BLACK      |
|     | 123816-04-000 | FT  | TAPE - DOUBLE SIDED - 6" X 750'                          |
|     | 127960-01-01A | EA  | RETAINER - 3/8" - STAINLESS STEEL                        |

# WATER & SEWAGE GROUP DRAINAGE SYSTEM



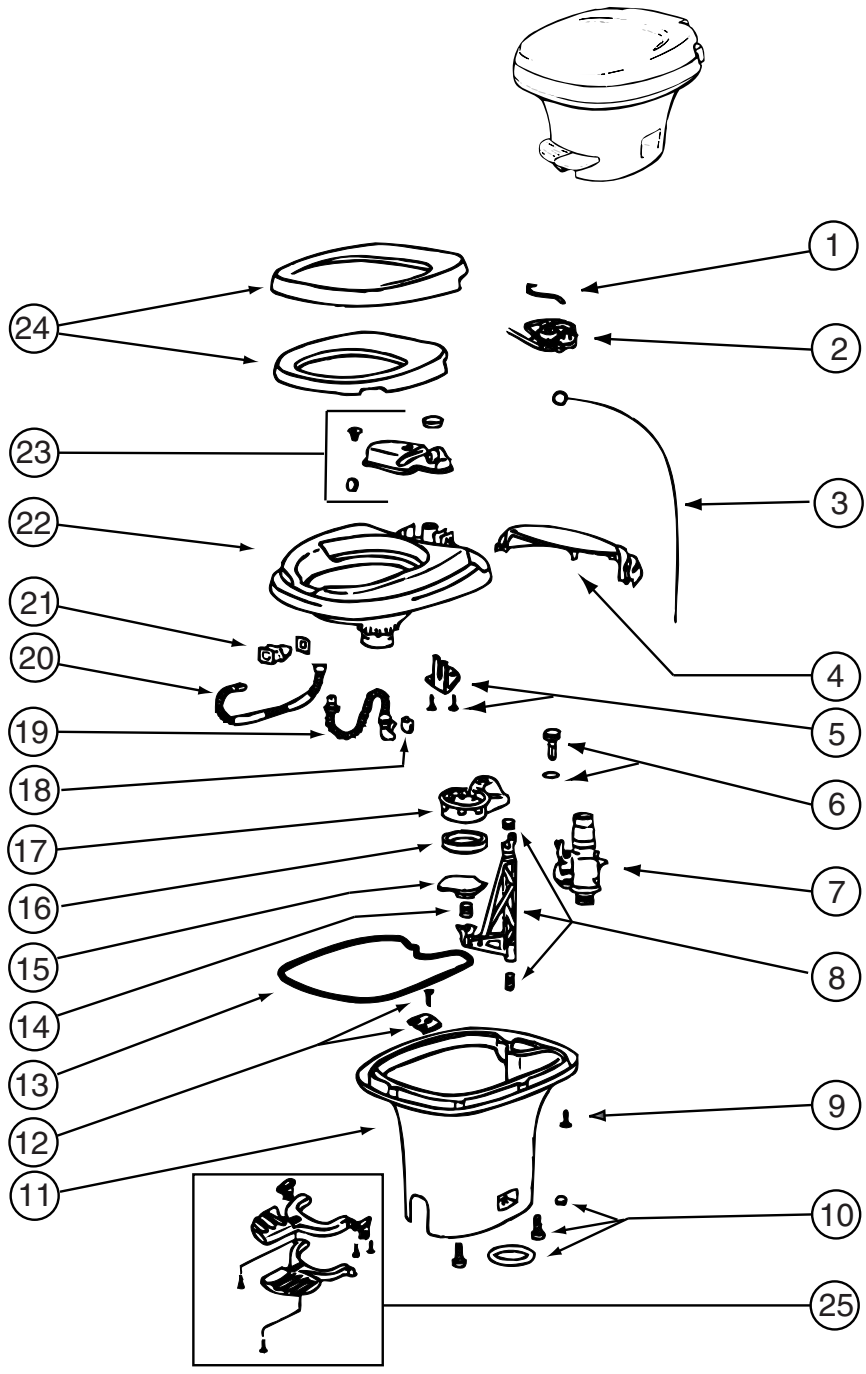
| KEY | PART NUMBER   | U/M | DESCRIPTION  |
|-----|---------------|-----|--|
| 1   | 010008-01-000 | EA  | ELBOW - 90 DEGREE - 1 1/2" HUB X HUB - PLASTIC             |
| 2   | 010024-01-000 | EA  | ELBOW - 45 DEGREE - 3" HUB X HUB - PLASTIC                 |
| 3   | 010061-01-000 | EA  | ELBOW - 45 DEGREE ST - 3" SPIGOT & HUB - PLASTIC           |
| 4   | 010071-01-000 | EA  | TEE - SANITARY - 1 1/2" HUB X HUB X HUB - PLASTIC          |
| 5   | 034250-01-000 | EA  | ELBOW - 90 DEGREE - LONG TURN - 1 1/2" HUB X HUB - ABS     |
| 6   | 037763-01-000 | EA  | P-TRAP - PLASTIC - 1 1/2 HXH W/UNION                       |
| 7*  | 070916-01-000 | EA  | VALVE - DUAL DUMP - W/CAP - 3" X 1 1/2"                    |
| 8   | 079968-01-000 | EA  | VENT - MECHANICAL/TRAP ARM - ANTI-SIPHON-2" X 7.3" PLASTIC |
| 9   | 126424-01-000 | EA  | ADAPTER - 1 1/2" MPT X 1 1/2" HUB                          |
| 10  | 126425-02-000 | EA  | ADAPTER - SWIVEL - 1 1/2 FPT X SPIGOT                      |
| 11  | 126426-01-000 | FT  | PIPE - 1 1/2" FLEXIBLE                                     |
| 12  | 109571-01-000 | EA  | ADAPTER - P-TRAP - 1 1/2"P X 1 1/4"MPT                     |
| 13  | 107538-01-000 | EA  | P-TRAP - PLASTIC - 1 1/4" W/EXTENSION ARM                  |
| 13  | 011071-01-000 | EA  | P-TRAP - PLASTIC - 1 1/2" - CSA                            |
| 14* | 067487-04-000 | EA  | TOILET - LOW - FOOTFLUSH - WHITE                           |
| 15  | 061607-01-000 | EA  | GROMMET - HOLDING TANK - 1 1/2" NPS                        |
| 16  | 061607-02-000 | EA  | GROMMET - HOLDING TANK - 3" NPS                            |
| 17  | 129964-01-000 | EA  | TANK - HOLDING - 38 GALLON - W/O FITTINGS                  |
| 18  | 066440-01-000 | EA  | STRAINER - SHOWER DRAIN - W/RUBBER WASHER                  |
| 19  | 010115-01-000 | EA  | COUPLING - 1 1/2" HUB X HUB - PLASTIC                      |
| 20  | 063641-01-000 | EA  | FLANGE - CLOSET - 4" X 3"                                  |
| 21  | 078406-01-000 | EA  | COUPLER - RUBBER - W/CLAMPS - 3" X 3"                      |
| 22  | 083558-03-000 | EA  | VENT - PLUMBING - ROOF PIPE COVERED - OFF WHITE            |
| 23  | 089355-01-000 | EA  | COUPLER - RUBBER - 1 1/2" X 1 1/2"                         |
| 24  | 091980-01-000 | EA  | WASTE - CONTINUOUS   |

**WATER & SEWAGE GROUP (CONTINUED)**  
**DRAINAGE SYSTEM (CONTINUED)**

| <b>KEY</b> | <b>PART NUMBER</b> | <b>U/M</b> | <b>DESCRIPTION</b>  |
|------------|--------------------|------------|---|
| 25         | 092303-01-000      | EA         | STRAINER - W/BASKET - GALLEY SINK - 4" OD                 |
|            | 127440-02-01A      | EA         | WASHER - RUBBER - 1.8" X .1"                              |
| 26*        | 096927-01-02A      | EA         | SINK - LAVATORY - RECTANGLE - SOFT WHITE                  |
| 27         | 094756-01-01A      | EA         | BRACKET/ANGLE - W/HOLES                                   |
| 28         | 131486-01-000      | EA         | ELBOW - DRAIN - 1 1/2 LOW PROFILE - TUB DRAIN             |
| 29         | 136828-01-01A      | EA         | SINK/DBL - LGE/SM BASIN-25"X19"X7" W/O NOTCH/FAUCET HOLES |
| 30         | 139513-01-000      | EA         | HOSE - SEWER - 3" X 10' - W/ADAPTER                       |
| 31         | 129966-01-700      | EA         | TANK-HOLDING 40 GAL-1.5 ADAP, PARTS SALES                 |
| 32         | 109450-01-000      | EA         | ADAPTER - SEWER HOSE - PLASTIC                            |
| 33         | 010009-01-000      | EA         | ELBOW - 90 DEGREE - 1/4 BEND - 1 1/2" PLASTIC             |
| 34         | 112628-05-02B      | EA         | BRACKET/TIEDOWN - WATER TANK - E-COATED                   |

**\*COMPONENT PARTS LISTED LATER IN THIS GROUP**

**WATER & SEWAGE GROUP (CONTINUED)**  
**COMPONENT PARTS FOR DRAINAGE SYSTEM**

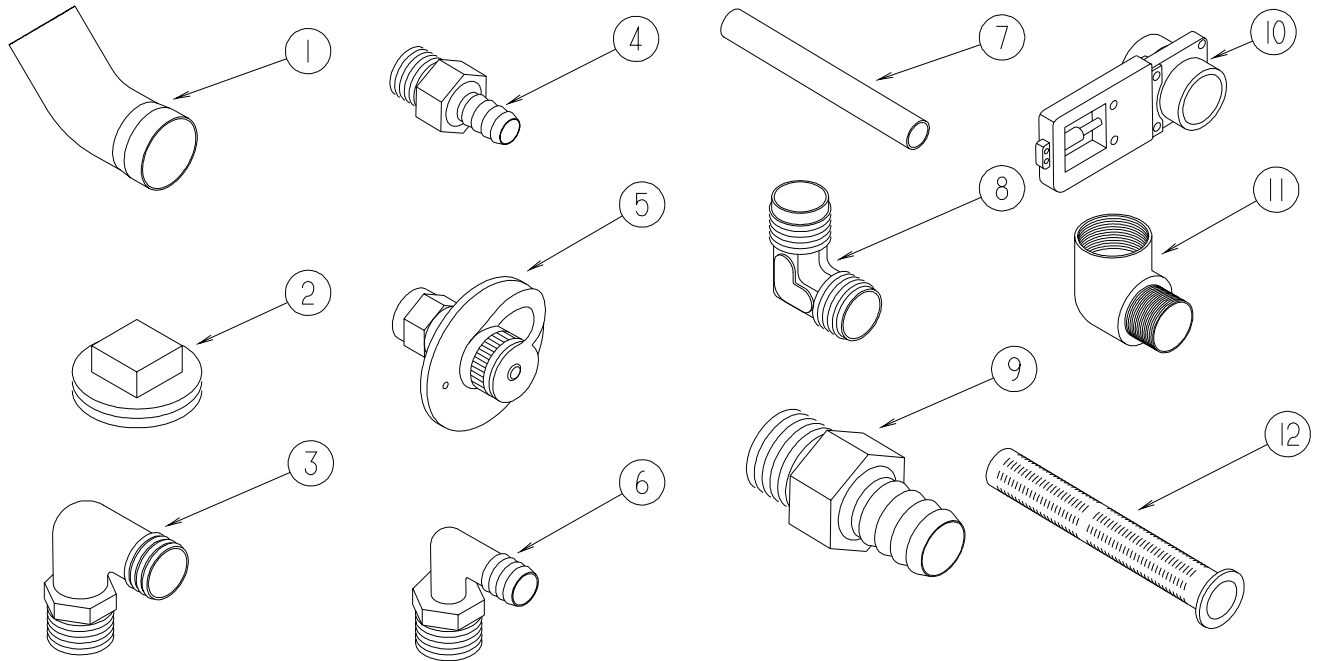


**067487-04-000**

| KEY | PART NUMBER   | U/M | DESCRIPTION                 | VENDOR NO.    |
|-----|---------------|-----|-----------------------------|---------------|
| 2   | 063740-02-703 | EA  | KIT-LEVER/WIRE ASSM FOOT FL | 24571         |
| 4   | 131932-02-701 | EA  | COVER -MECHANISM- WHITE     | 2086562       |
| 7   | 063740-01-714 | EA  | VALVE ASM (VALVE-BALL SEAL) | 13168         |
| 10  | 063740-01-706 | EA  | BOLT PACKAGE-FLOOR FLANGE   | 12524THETFORD |
| 15  | 063740-01-721 | EA  | BLADE ONLY                  | 1248262       |
| 16  | 063740-01-722 | EA  | SEAL - BLADE                | 12481         |
| 20  | 063740-01-717 | EA  | TUBE-FLUSH                  | 12509         |
| 23  | 063740-02-701 | EA  | RESERVOIR (TANK ASM.)       | 24630         |
| 24  | 131932-01-701 | EA  | SEAT/COVER ASSMBLY - WHITE  | 2464162       |
| 25  | 131932-02-702 | EA  | PEDAL PACKAGE(WHITE)        | 2082162       |

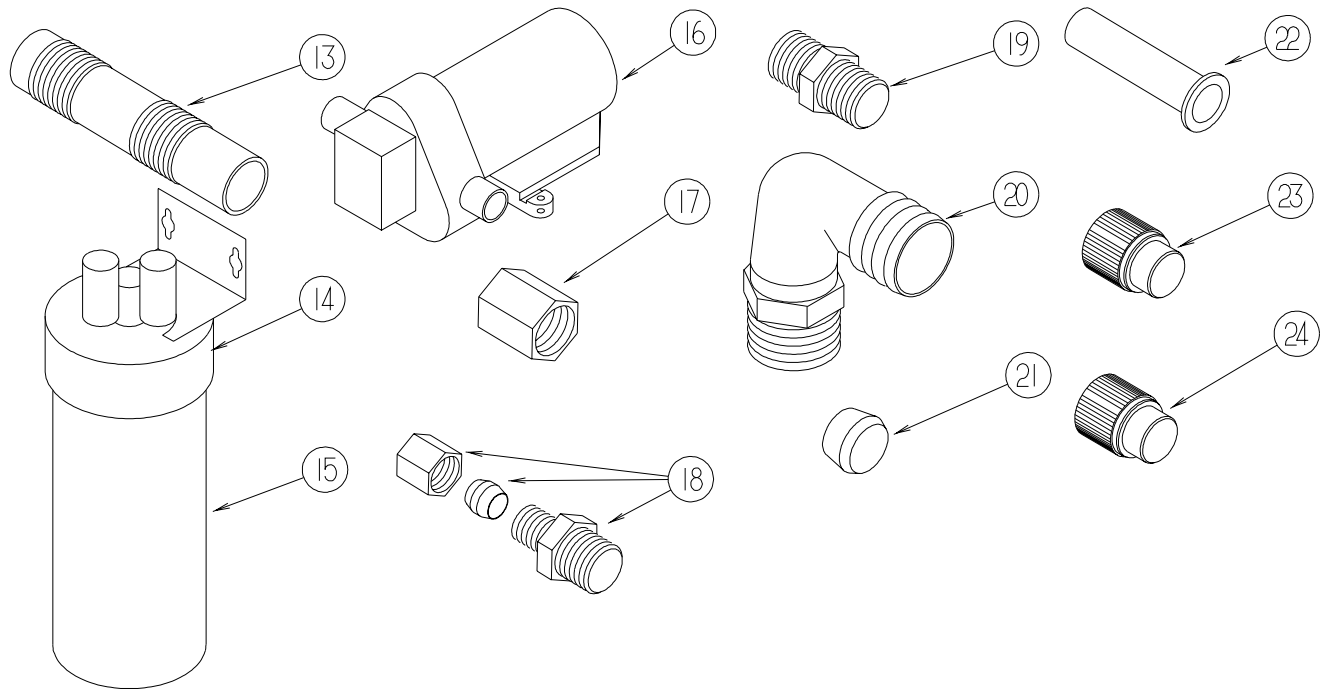
CONTACT WINNEBAGO PART SALES FOR UNLISTED COMPONENT

**WATER & SEWAGE GROUP (CONTINUED)**  
**WATER SYSTEM**



| KEY | PART NUMBER   | U/M | DESCRIPTION   |
|-----|---------------|-----|---|
| 1   | 010009-01-000 | EA  | ELBOW - 90 DEGREE - 1/4 BEND - 1 1/2" PLASTIC             |
| 2   | 010166-01-000 | EA  | PLUG/THREADED - 1 1/4"MPT - PLASTIC - BLACK - UL          |
| 3   | 010219-01-000 | EA  | ELBOW - 1 1/4 MPT X 1 1/4 BARB - WATER FILL - PLASTIC     |
| 4   | 010224-01-000 | EA  | ADAPTER - HOSE TO PIPE - 3/8 MPT X 3/8 BARB - PLASTIC     |
| 5   | 010230-06-000 | EA  | FILL - CITY WATER - W/CHECK VALVE - MPT - BRUSHED ALUM    |
| 6   | 035539-01-000 | EA  | ELBOW - 3/8 MPT X 3/8 BARB - PLASTIC                      |
| 7   | 039800-04-000 | FT  | TUBING - POLYBUTYL - 1/4"OD                               |
| 7   | 074462-02-000 | FT  | TUBING - VINYL - 3/8 ID X 20' - CLEAR                     |
| 7   | 112176-01-000 | FT  | TUBING - VINYL - REINFORCED - 1/2" ID                     |
| 7   | 124188-01-000 | FT  | TUBING - PEX - 1/2" ID X 20' - BLUE(COLD)                 |
| 7   | 124188-02-000 | FT  | TUBING - PEX - 1/2" ID X 20' - RED(HOT)                   |
| 8   | 039808-03-000 | EA  | ELBOW - 1/2" MPT X 1/2" MPT - PLASTIC                     |
| 9   | 044927-01-000 | EA  | ADAPTER - HOSE TO PIPE-1 1/4 MPTX1 1/4 BARB-BLACK PLASTIC |
| 10  | 062421-03-000 | EA  | VALVE/DUMP W/O HANDLE - 1 1/2" X 1 1/2" HUB               |
| 11  | 065318-02-000 | EA  | ELBOW - 90 DEGREE - 3/8" MPT TO 3/8" FPT                  |
| 12  | 077954-02-000 | EA  | FILTER - WATER TANK - W/SCREEN IN TANK                    |

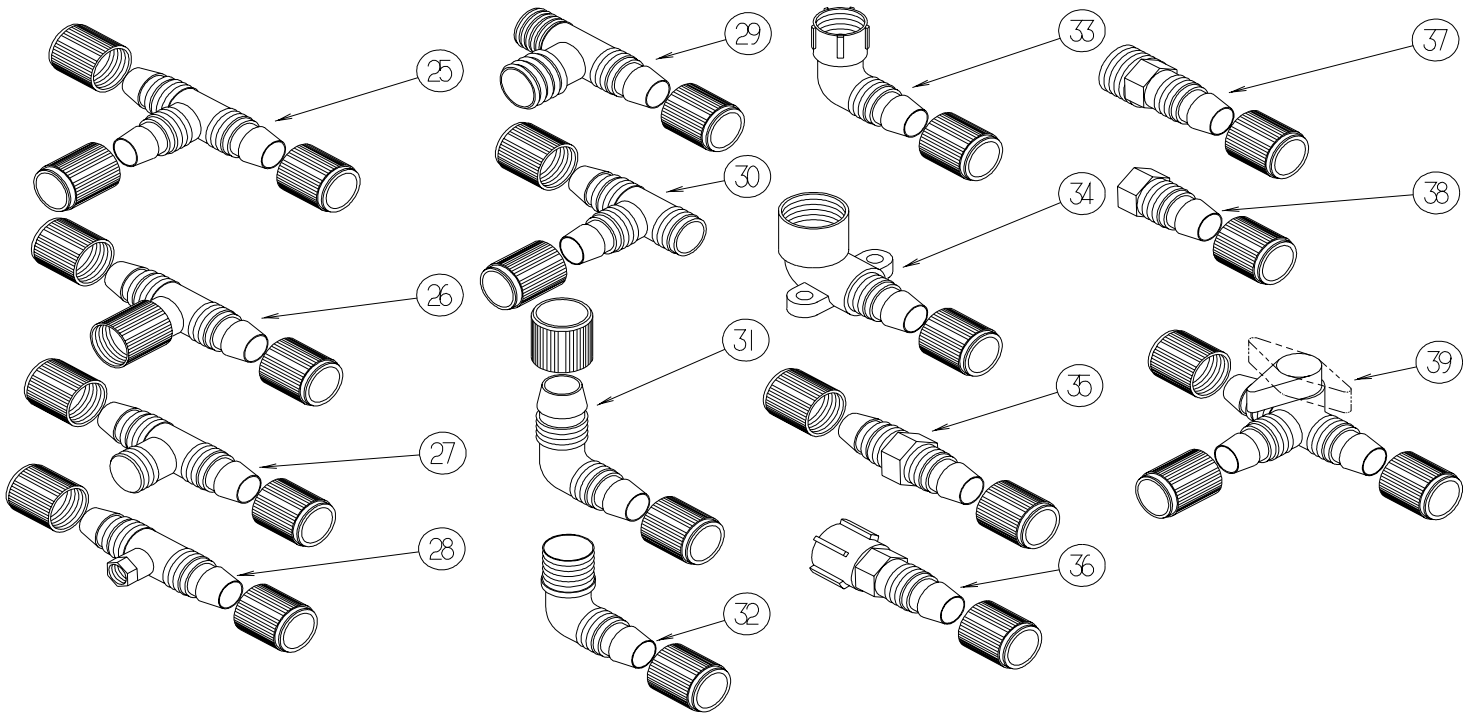
**WATER & SEWAGE GROUP (CONTINUED)**  
**WATER SYSTEM (CONTINUED)**



| KEY | PART NUMBER   | U/M | DESCRIPTION                                     |
|-----|---------------|-----|---|
| 13  | 079381-01-000 | FT  | TUBING - RIBBED FLEXIBLE - WATER FILL - 1.4" ID |
| 14  | 087200-01-000 | EA  | FILTER-WATER PURIFICATION, EVERPURE QC2-AC      |
| 15  | 087200-02-000 | EA  | CARTRIDGE-WATER FILTER,AC - EVERPURE 9601-11    |
| 16* | 098607-01-000 | EA  | PUMP - WATER - W/.5" MPT FITTING - FLOW 2.8 GPM |
| 17  | 101814-01-000 | EA  | COUPLING - FEMALE - 1/2" X 1/2" FPT - GRAY      |
| 18  | 103798-01-000 | EA  | CONNECTOR - 1/4 OD X 3/8 MPT                    |
| 19  | 110438-02-000 | EA  | VALVE - CHECK - BRASS - 1/2 MPT X 1/2 MPT       |
| 20  | 111223-02-000 | EA  | ELBOW - 1/2" MPT X 3/8" BARB - PLASTIC          |
| 20  | 111223-03-000 | EA  | ELBOW - 3/4" MPT X 1/2" BARB - PLASTIC          |
| 20  | 111223-04-000 | EA  | ELBOW - 1/2" MPT X 1/2" BARB - PLASTIC          |
| 21  | 111888-01-000 | EA  | FERRULE - PLASTIC - .250 ID X .375 OD           |
| 22  | 111888-02-000 | EA  | INSERT - BRASS - 1/4 COMP                       |
| 23  | 113697-01-000 | EA  | CAP - 3/8"P                                     |
| 24  | 114427-01-000 | EA  | CAP - 1/2"P                                     |

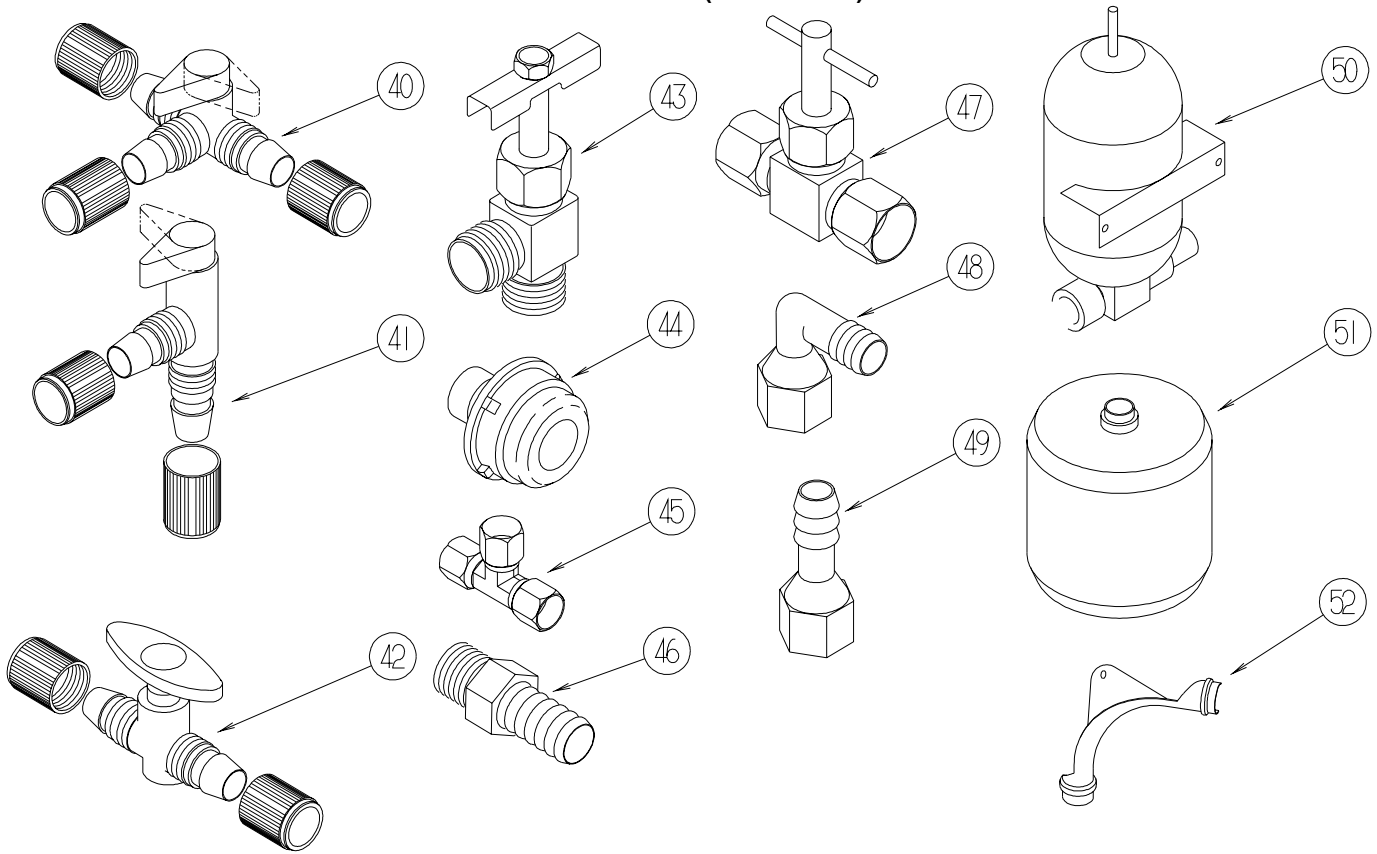
**\*COMPONENT PARTS LISTED LATER IN THIS GROUP**

**WATER & SEWAGE GROUP (CONTINUED)**  
**WATER SYSTEM (CONTINUED)**



| KEY | PART NUMBER   | U/M | DESCRIPTION   |
|-----|---------------|-----|---|
| 25  | 114428-01-000 | EA  | TEE - 1/2"P X 1/2"P X 1/2"P                         |
| 26  | 114428-02-000 | EA  | TEE - SWIVEL - 1/2"P X 1/2"P X 1/2"FPT              |
| 27  | 114428-03-000 | EA  | TEE - 1/2"P X 1/2"P X 1/2"MPT                       |
| 28  | 114428-04-000 | EA  | TEE - 1/2"P X 1/2"P X 1/8"FPT                       |
| 29  | 114428-06-000 | EA  | TEE - 1/2" P X 1/2" MPT X 1/2" MPT                  |
| 30  | 114428-07-000 | EA  | TEE - 1/2" P X 1/2" MPT X 1/2" P                    |
| 31  | 114429-01-000 | EA  | ELBOW - 1/2"P X 1/2"P                               |
| 32  | 114429-02-000 | EA  | ELBOW - 1/2"P X 1/2"MPT                             |
| 32  | 114429-04-000 | EA  | ELBOW - 1/2"P X 3/8"MPT                             |
| 32  | 114429-05-000 | EA  | ELBOW - 1/2"P X 3/4"MPT                             |
| 33  | 114429-03-000 | EA  | ELBOW - SWIVEL - 1/2"P X 1/2"FPT                    |
| 33  | 114429-06-000 | EA  | ELBOW - SWIVEL - 1/2"P X 3/4"FPT                    |
| 33  | 114429-08-000 | EA  | ELBOW - SWIVEL - 1/2"P X 1/2"FPT                    |
| 34  | 114429-09-000 | EA  | ELBOW - 1/2"P X 1/2"FPT DROP EAR                    |
| 35  | 114430-01-000 | EA  | ADAPTER - 1/2"P X 1/2"P                             |
| 36  | 114430-02-000 | EA  | ADAPTER - SWIVEL - 1/2"P X 1/2"FPT                  |
| 37  | 114430-03-000 | EA  | ADAPTER - 1/2"P X 1/2"MPT                           |
| 38  | 114430-06-000 | EA  | ADAPTER - 1/2"P X 3/8"FPT                           |
| 39  | 114431-01-000 | EA  | VALVE - 180 DEGREE/CENTER DRAIN - 1/2"P - THREE WAY |

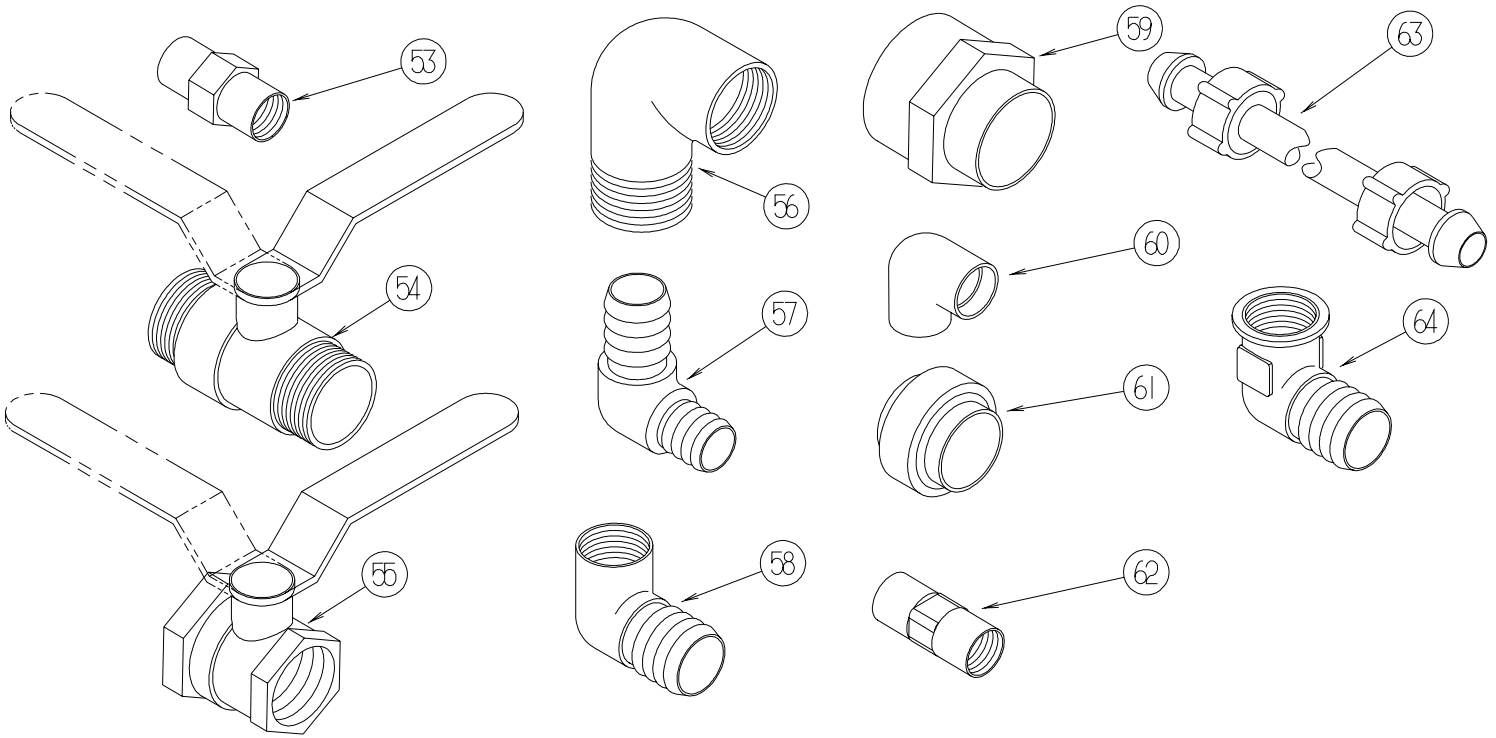
**WATER & SEWAGE GROUP (CONTINUED)**  
**WATER SYSTEM (CONTINUED)**



| KEY | PART NUMBER   | U/M | DESCRIPTION  |
|-----|---------------|-----|--|
| 40  | 114431-02-000 | EA  | VALVE - WATER BYPASS - 1/2" P - THREE WAY (WATER HEATER) |
| 41  | 114431-03-000 | EA  | VALVE - 90 DEGREE DRAIN - 1/2" P                         |
| 42  | 114431-04-000 | EA  | VALVE - INLINE SHUT-OFF - 1/2" P                         |
| 43  | 114431-05-000 | EA  | VALVE - NEEDLE - 1/8" MPT X 1/4" COMPRESSION (ICE MAKER) |
| 44  | 114966-01-000 | EA  | FILTER - IN LINE - TWIST ON - 1/2"                       |
| 45  | 118423-01-000 | EA  | FITTING - BRASS-TEE - 1/4" X 1/4" X 1/4"                 |
| 46  | 118809-02-000 | EA  | ADAPTER - 1/2" MPT X 1/2" BARB - PLASTIC                 |
| 47  | 120868-01-000 | EA  | VALVE - NEEDLE - 1/4" COMPRESSION X 1/4" COMPRESSION     |
| 48  | 123150-01-000 | EA  | ELBOW - 1/2 FPT X 1/2 BARB - SWIVEL                      |
| 49  | 123152-01-000 | EA  | ADAPTER - 1/2 FPT X 1/2 BARB - SWIVEL                    |
| 50  | 123243-01-000 | EA  | TANK - ACCUMULATOR - 24 OZ                               |
| 51  | 123317-01-000 | EA  | TANK - ACCUMULATOR - 2 GALLON                            |
| 52  | 124184-01-000 | EA  | SUPPORT - WATER LINE - BEND                              |



**WATER & SEWAGE GROUP (CONTINUED)**  
**WATER SYSTEM (CONTINUED)**



| KEY | PART NUMBER   | U/M | DESCRIPTION   |
|-----|---------------|-----|---|
| 53  | 132148-01-000 | EA  | CONNECTOR - 1/2" X 1/2" MPT - BRASS                 |
| 54  | 132483-01-000 | EA  | VALVE/BALL - 1" - THREADED ENDS                     |
| 55  | 132483-02-000 | EA  | VALVE/BALL - 1/2" - BRASS - FPT                     |
| 56  | 132484-01-000 | EA  | ELBOW - 90 DEGREE - 1MPT X 1FPT - PLASTIC           |
| 57  | 132781-01-000 | EA  | ELBOW - 1.3" BARB X 1.3" BARB - 90 DEGREE - PLASTIC |
| 58  | 132782-01-000 | EA  | ELBOW - 1" FPT X 1.3" BARB - 90 DEGREE - PLASTIC    |
| 59  | 133835-01-000 | EA  | ADAPTER - REDUCING - 1 1/2" X 1 1/4"                |
| 60  | 133837-01-000 | EA  | ELBOW - 1 1/2" X 90 DEGREE - DOUBLE SLIP            |
| 61  | 133889-01-000 | EA  | UNION - 1 1/2" DOUBLE SLIP - PVC                    |
| 62  | 135386-01-000 | EA  | NIPPLE - 1/2"                                       |
| 63  | 140821-01-000 | EA  | TUBE - WATER SUPPLY - 3/8" X 24"                    |
| 63  | 140821-02-000 | EA  | TUBE - WATER SUPPLY - 3/8" X 30"                    |
| 63  | 140821-03-000 | EA  | TUBE - WATER SUPPLY - 3/8" X 36"                    |
| 63  | 140821-04-000 | EA  | TUBE - WATER SUPPLY - 3/8" X 48"                    |
| 63  | 140821-05-000 | EA  | TUBE - WATER SUPPLY - 3/8" X 54"                    |
| 63  | 140821-06-000 | EA  | TUBE - WATER SUPPLY - 3/8" X 60"                    |
| 63  | 140821-07-000 | EA  | TUBE - WATER SUPPLY - 3/8" X 72"                    |
| 64  | 142812-01-000 | EA  | ELBOW - BRASS - 1/2" MPT X 1/2" FPT                 |

**\*COMPONENT PARTS LISTED LATER IN THIS GROUP**

**WATER & SEWAGE GROUP (CONTINUED)**  
**WATER SYSTEM (CONTINUED)**

| KEY | PART NUMBER   | U/M | DESCRIPTION   |
|-----|---------------|-----|---|
|     | 131383-01-01A | EA  | SHWOER HEAD - W/60" HOSE & BRACKET - WHITE                |
|     | 131383-02-02A | EA  | SHOWER HEAD - W/60" HOSE & BRACKET - WHITE - CSA          |
|     | 103635-01-000 | EA  | FAUCET - SINGLE CONTROL/DRINKING WATER                    |
|     | 075241-06-000 | EA  | FAUCET - SHOWER/BRIGHT WHITE - .5" MPT W/1.9" INLET PIPES |
|     | 075240-05-000 | EA  | FAUCET - LAVATORY/BRASS                                   |
|     | 075241-04-000 | EA  | FAUCET - SHOWER/BRASS                                     |
|     | 104114-02-01A | EA  | FAUCET - GALLEY - SINGLE CONTROL                          |
|     | 075606-03-000 | EA  | PANEL - FAUCET SHOWER - SOFT WHITE                        |
|     | 091253-01-000 | EA  | GASKET - FAUCET - LAVATORY/GALLEY                         |
|     | 081240-20-000 | EA  | WATER FILL - W/DOOR - LOCKABLE - W/O LOCK - BRT WHT       |
|     | 039861-01-000 | EA  | SENDING UNIT - W/SCREW - WASHER - WELL NUT/TERMINAL RING  |
|     | 079381-01-000 | EA  | TUBING - RIBBED FLEXIBLE - WATER FILL - 1.4" ID           |
|     | 087200-01-000 | EA  | FILTER-WATER PURIFCATION, EVERPURE QC2-AC                 |
| *   | 051391-03-000 | EA  | WATER HEATER G6A-8E ELECTRONIC IGNITION                   |
| *   | 051391-07-000 | EA  | WATER HEATER - 6 GALLON-110 VOLT-GAS-W/ELECTRIC IGNITION  |
|     | 052009-06-000 | EA  | DOOR - WATER HEATER - BRIGHT WHITE - 18" X 14.6"          |
|     | 137169-01-01A | EA  | FILL/WATER - GRAVITY - BRIGHT WHITE                       |
|     | 137169-02-01A | EA  | ADAPTER/LOCK - (WASHER) F/GRAVITY WATERFILL               |
|     | 138290-03-000 | EA  | CASE - W/CAM - W/O CYLINDER/KEY                           |

**LOCK CYLINDER USED UP TO 04-30-01**

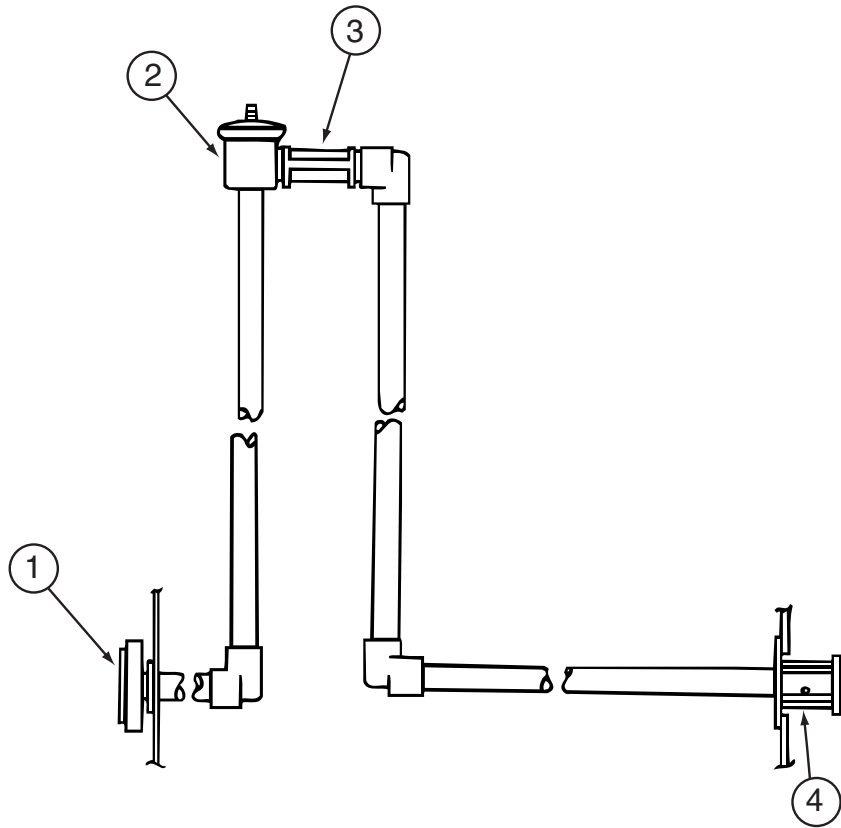
|  |               |    |  |
|--|---------------|----|--|
|  | 129686-01-000 | EA | CYLINDER - LOCK ASSEMBLY - COMPARTMENT/DRIVER DOOR |
|  | 129686-02-000 | EA | CYLINDER - LOCK ASSEMBLY - COMPARTMENT/DRIVER DOOR |
|  | 129686-03-000 | EA | CYLINDER - LOCK ASSEMBLY - COMPARTMENT/DRIVER DOOR |
|  | 129686-04-000 | EA | CYLINDER - LOCK ASSEMBLY - COMPARTMENT/DRIVER DOOR |
|  | 129686-05-000 | EA | CYLINDER - LOCK ASSEMBLY - COMPARTMENT/DRIVER DOOR |
|  | 129686-06-000 | EA | CYLINDER - LOCK ASSEMBLY - COMPARTMENT/DRIVER DOOR |
|  | 129686-07-000 | EA | CYLINDER - LOCK ASSEMBLY - COMPARTMENT/DRIVER DOOR |
|  | 129686-08-000 | EA | CYLINDER - LOCK ASSEMBLY - COMPARTMENT/DRIVER DOOR |
|  | 129686-09-000 | EA | CYLINDER - LOCK ASSEMBLY - COMPARTMENT/DRIVER DOOR |
|  | 129686-10-000 | EA | CYLINDER - LOCK ASSEMBLY - COMPARTMENT/DRIVER DOOR |

**LOCK CYLINDER USED AFTER 05-01-01**

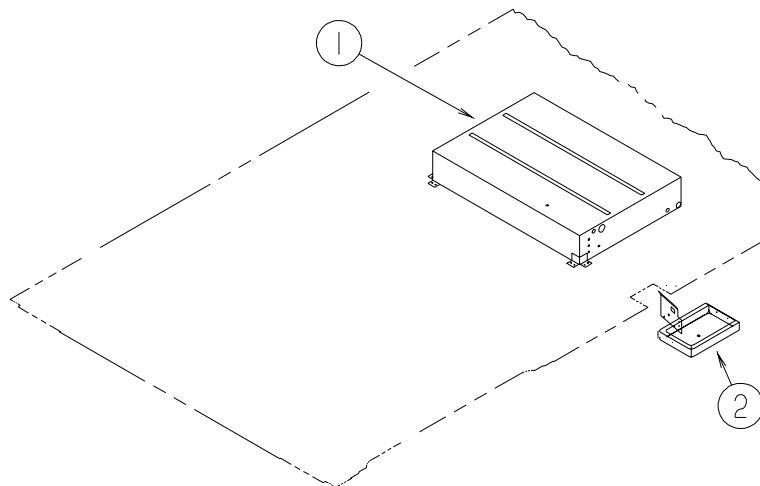
|  |               |    |                    |
|--|---------------|----|--------------------|
|  | 138289-01-000 | EA | CYLINDER - LOCKING |
|  | 138289-02-000 | EA | CYLINDER - LOCKING |
|  | 138289-03-000 | EA | CYLINDER - LOCKING |
|  | 138289-04-000 | EA | CYLINDER - LOCKING |
|  | 138289-05-000 | EA | CYLINDER - LOCKING |
|  | 138289-06-000 | EA | CYLINDER - LOCKING |
|  | 138289-07-000 | EA | CYLINDER - LOCKING |
|  | 138289-08-000 | EA | CYLINDER - LOCKING |
|  | 138289-09-000 | EA | CYLINDER - LOCKING |
|  | 138289-10-000 | EA | CYLINDER - LOCKING |

**\*COMPONENT PARTS LISTED LATER IN THIS GROUP**

**WATER & SEWAGE GROUP (CONTINUED)**  
**WATER SYSTEM (CONTINUED)**

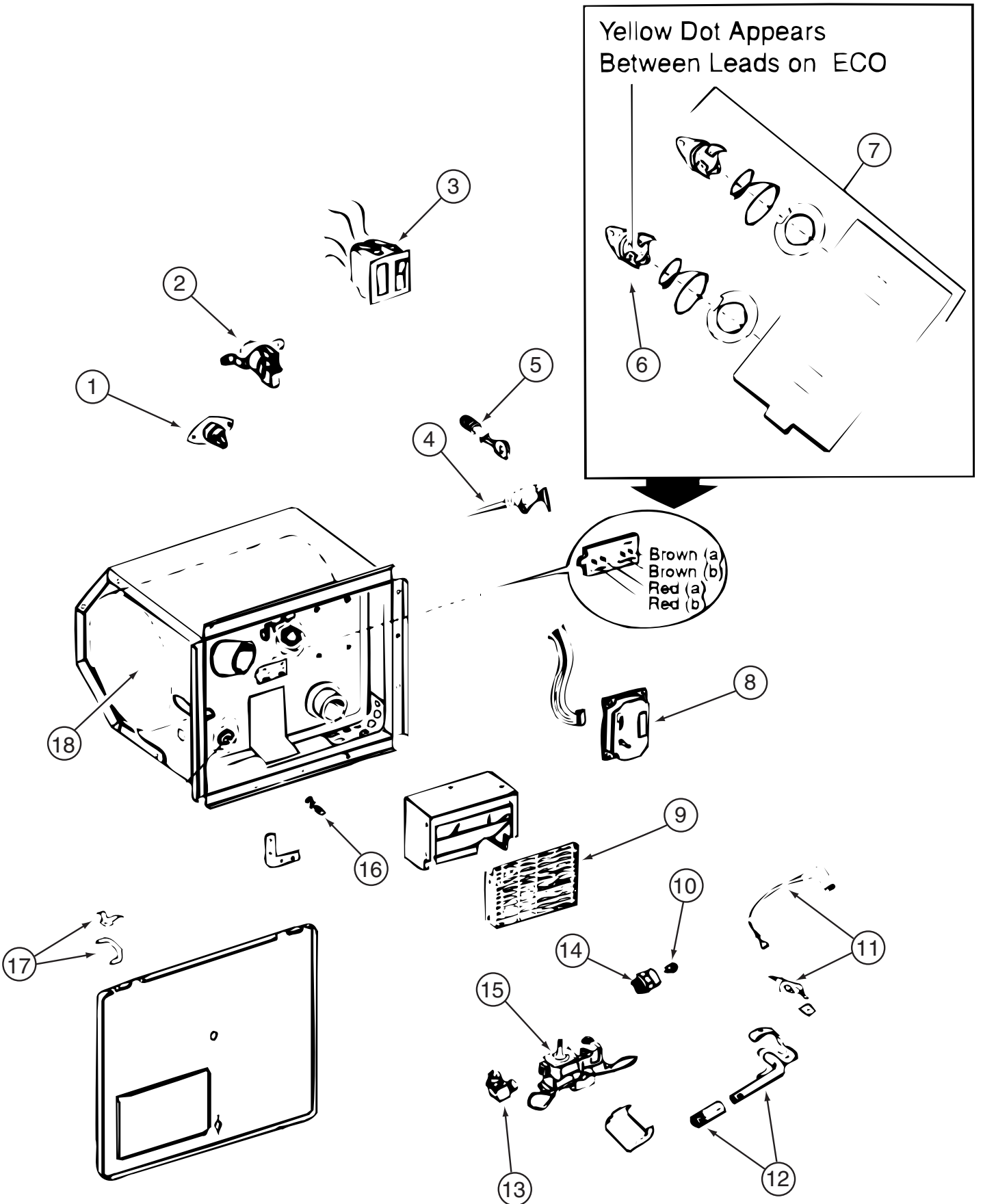


| KEY | PART NUMBER   | U/M DESCRIPTION                          |
|-----|---------------|--|
| 1   | 125697-05-000 | EA INLET - WATER - FLUSHING SYSTEM       |
| 2   | 125697-04-000 | EA BREAKER - VACUUM - FLUSHING SYSTEM    |
| 3   | 125697-03-000 | EA CHECK VALVE - FLUSHING SYSTEM         |
| 4   | 125697-02-000 | EA NOZZLE - WELD-A-FLUSH                 |
|     | 125697-06-000 | EA INSTRUCTIONS - USER - FLUSHING SYSTEM |



| KEY | PART NUMBER   | U/M DESCRIPTION                             |
|-----|---------------|---|
| 1   | 126086-06-000 | EA TANK - WATER - 35 GALLONS - W/FITTINGS   |
| 1   | 126086-01-000 | EA TANK - WATER - 35 GALLONS - W/O FITTINGS |
|     | 042989-03-000 | EA FITTING - SPINWELD - 1 1/4"NPT - PLASTIC |
|     | 042989-04-000 | EA FITTING - SPINWELD - 3/8"FPT - PLASTIC   |
|     | 042989-05-000 | EA FITTING - SPINWELD - 1/2"FPT - PLASTIC   |
|     | 042989-08-000 | EA FITTING - SPINWELD - 1"FPT - PLASTIC     |
|     | 049032-01-000 | EA PATCH - SPINWELD - 3/8" - PLASTIC        |
| 2   | 114293-01-02A | EA PAN - DRIP - EXTERIOR - BRIGHT WHITE     |

**WATER & SEWAGE GROUP (CONTINUED)**  
**COMPONENT PARTS FOR WATER SYSTEM**



051391-03-000

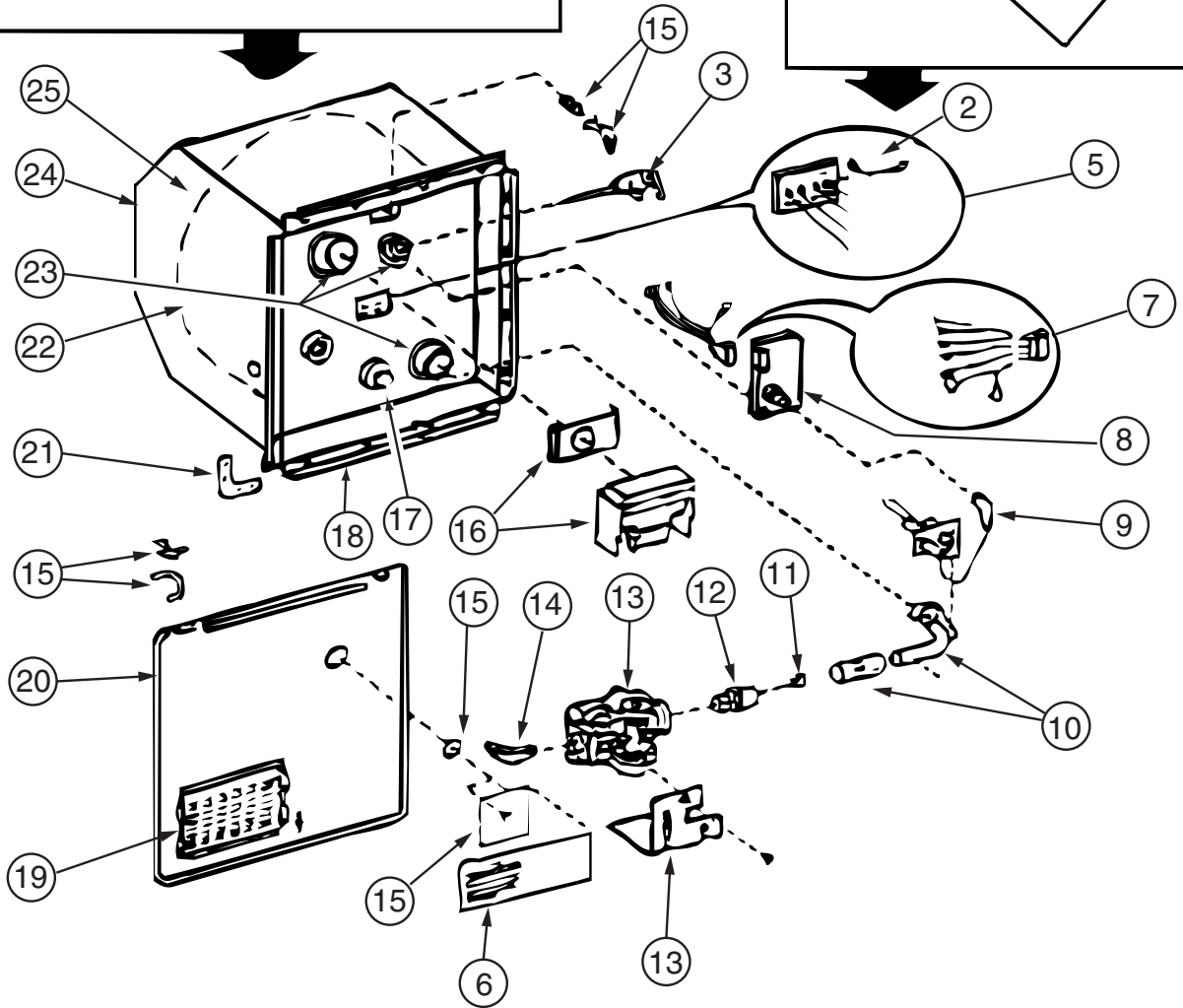
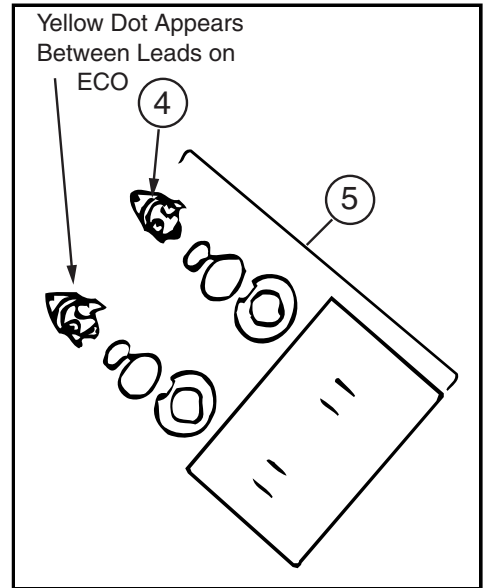
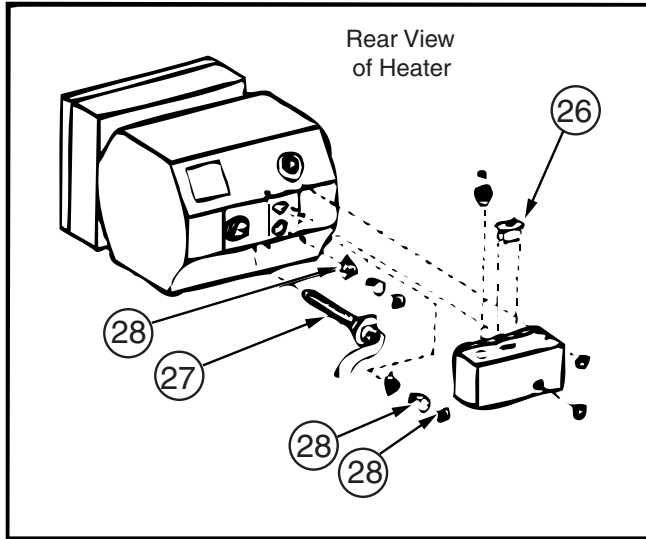
**WATER & SEWAGE GROUP (CONTINUED)**  
**COMPONENT PARTS FOR WATER SYSTEM (CONTINUED)**

**051391-03-000 (CONTINUED)**

| <b>KEY</b> | <b>PART NUMBER</b> | <b>U/M</b> | <b>DESCRIPTION</b>           | <b>VENDOR NO.</b> |
|------------|--------------------|------------|------------------------------|-------------------|
| 3          | 051393-01-701      | EA         | SWITCH - REMOTE - W/LIGHT    | 91959             |
| 4          | 051391-01-704      | EA         | VALVE-RELIEF, 1/2" FITTING   | 91604             |
| 5          | 051391-01-705      | EA         | FASTENER-CAMLOCK             | 92609             |
| 6          | 051391-04-701      | EA         | THERMOSTAT 12V DC-120 PRESET | 91470             |
| 7          | 051393-01-721      | EA         | THERMOSTAT W/ECO, 140 FRT MT | 91447             |
| 9          | 051391-04-707      | EA         | KIT-EXHAUST, (FLUE & GASKET) | 90960             |
| 10         | 051391-01-710      | EA         | ORIFICE-MAIN BURNER          | 92742             |
| 12         | 051391-04-703      | EA         | BURNER-MAIN/ELECTRONIC       | 91638             |
| 13         | 051391-01-714      | EA         | FITTING-ELBOW 45,3/8F X 3/8  | MPT 1044          |
| 14         | 051391-03-700      | EA         | HOLDER-ORIFICE               | 91563             |
| 16         | 051391-01-715      | EA         | PLUG-DRAIN, 1 EA = 2 PER PKG | 91857             |
| 17         | 051391-01-700      | EA         | HINGE KIT, (PIN & CLIP)      | 92568&92559       |
| 18         | 051391-04-706      | EA         | TANK-INNER,G6A-4E&6E FRT. MT | 91641             |
|            | 051391-01-717      | EA         | GRILLE-WATER HEATER DOOR     | 92640             |
|            | 051393-01-723      | EA         | SWITCH - THERMAL CUTOUT 2/PK | 93866             |
|            | 051393-01-724      | EA         | BOARD-CIRCUIT,SPADE TERMINAL | 93865             |
|            | 051393-01-725      | EA         | ELECTRODE-SGL SPADE CONNECT. | 93868             |
|            | 051393-01-726      | EA         | VALVE-SOLENOID, W/O BRACKET  | 93870             |
|            | 111129-01-711      | EA         | BRACKET-CORNER, SET OF FOUR  | 91928             |

CONTACT WINNEBAGO PARTS SALES FOR UNLISTED COMPONENTS

**WATER & SEWAGE GROUP (CONTINUED)**  
**COMPONENT PARTS FOR WATER SYSTEM (CONTINUED)**



051391-07-000

**WATER & SEWAGE GROUP (CONTINUED)**  
**COMPONENT PARTS FOR WATER SYSTEM (CONTINUED)**

**051391-07-000 (CONTINUED)**

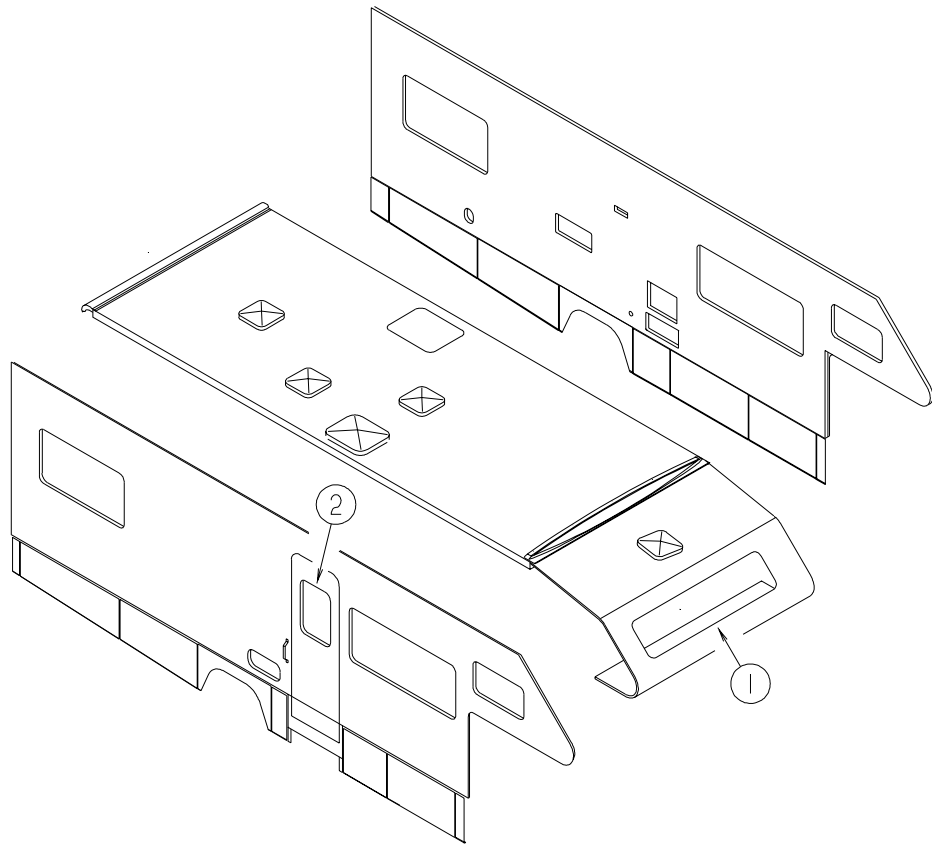
| <b>KEY</b> | <b>PART NUMBER</b> | <b>U/M</b> | <b>DESCRIPTION</b>                                  | <b>VENDOR NO.</b> |
|------------|--------------------|------------|---|-------------------|
| 1          | 051393-01-701      | EA         | SWITCH - REMOTE - W/LIGHT                           | 91959             |
| 2          | 051393-01-723      | EA         | SWITCH - THERMAL CUTOUT 2/PK                        | 93866             |
| 3          | 051391-01-704      | EA         | VALVE-RELIEF, 1/2" FITTING                          | 91604             |
| 4          | 051391-04-701      | EA         | THERMOSTAT 12V DC-120 PRESET                        | 91470             |
| 5          | 051393-01-721      | EA         | THERMOSTAT W/ECO, 140 FRT MT                        | 91447             |
| 9          | 051393-01-725      | EA         | ELECTRODE-SGL SPADE CONNECT.                        | 93868             |
| 10         | 051391-04-703      | EA         | BURNER-MAIN/ELECTRONIC IG                           | 91638             |
| 11         | 051391-01-710      | EA         | ORIFICE-MAIN BURNER                                 | 92742             |
| 12         | 051391-03-700      | EA         | HOLDER-ORIFICE                                      | 91563             |
| 13         | 051393-01-726      | EA         | VALVE-SOLENOID, W/O BRACKET                         | 93870             |
| 15         | 051391-05-703      | EA         | HARDWARE KIT-DOOR                                   | 91858             |
| 16         | 051391-04-707      | EA         | KIT-EXHAUST, (FLUE & GASKET)                        | 90960             |
| 17         | 051391-01-715      | EA         | PLUG-DRAIN, 1 EA = 2 PER PKG                        | 91857             |
| 19         | 051391-01-717      | EA         | GRILLE-WATER HEATER DOOR                            | 92640             |
| 21         | 111129-01-711      | EA         | BRACKET-CORNER, SET OF FOUR                         | 91928             |
| 22         | 051391-07-701      | EA         | TANK-INNER W/JACKET/INSUL                           | 91592             |
| 26         | 051391-07-700      | EA         | SWITCH ON/OFF - 110 VAC                             | 92857             |
| 27         | 051391-05-706      | EA         | ELEMENT-HEATING 1500 WATT                           | 91160 W/GASKET    |
| 28         | 051391-05-707      | EA         | THERMOSTAT & ECO - 110 VOLT                         | 91873             |
|            |                    |            | CONTACT WINNEBAGO PART SALES FOR UNLISTED COMPONENT |                   |

**098607-01-000**

| <b>KEY</b> | <b>PART NUMBER</b> | <b>U/M</b> | <b>DESCRIPTION</b>           | <b>VENDOR NO.</b> |
|------------|--------------------|------------|------------------------------|-------------------|
|            | 098607-01-702      | EA         | DIAPHRAGM/DRIVE ASSEMBLY KIT | 94-238-04         |
|            | 098607-01-703      | EA         | VALVE KIT                    | 94-232-00         |
|            | 098607-01-705      | EA         | VALVE-CHECK, KIT             | 94-237-00         |
|            | 098607-01-706      | EA         | HOUSING, W/SWITCH ONLY       | 94-231-20         |
|            | 098607-01-707      | EA         | MOTOR W/BASEPLATE            | 11-148-04         |

# WINDOW & VENTS GROUP

## WINDOW & VENT LAYOUT



| KEY | PART NUMBER   | U/M | DESCRIPTION   |
|-----|---------------|-----|---|
| 1   | 103313-03-F15 | EA  | WINDOW - PICTURE - 16.3" X 71.1" (INSIDE FRAME #117054) - 427P        |
|     | 002181-29-000 | EA  | GLASS - PICTURE WINDOW - 71"W X 16.2"H - TINTED                       |
|     | 099154-01-000 | EA  | CHANNEL - GLAZING - STATIONARY GLASS - .62" X .45" - BLK              |
|     | 117054-01-02A | EA  | RETAINER - TRIM - BLACK   |
| 1*  | 115630-03-01A | EA  | WINDOW-STATIONARY/THERMO 2 PC-17.1" X 72" - BLACK I/S TRIM - 427P     |
| 2   | 117053-02-F36 | EA  | WINDOW - PICTURE - 60% TINTING - 26.4" X 17"                          |
|     | 117054-02-02A | EA  | RETAINER - TRIM - BRIGHT WHITE  |
|     | 002181-25-000 | EA  | GLASS - PICTURE WINDOW - 25.8"W X 16.4"H                              |
|     | 087561-01-000 | EA  | SEAL - GLASS - EXTERIOR - .5" WIDE - VINYL BLACK                      |
| 2*  | 113733-10-01A | EA  | WINDOW - STATIONARY - THERMO/EUROPEAN - 26.3" X 17"                   |
|     | 084073-04-000 | EA  | BASE/VENT - ROOF/REFRIGERATOR - BLACK - NORCOLD - 430V, 431C          |
|     | 084073-07-000 | EA  | VENT - ROOF/REFRIGERATOR - BRIGHT WHITE - NORCOLD - 430V, 431C        |
| *   | 122882-01-01A | EA  | VENT - ROOF - NONPOWERED - W/O INSIDE GARNISH                         |
|     | 009440-01-000 | EA  | GEAR/ARM - LIFT - ROOF VENT COVER                                     |
|     | 122882-07-01A | EA  | GARNISH - ROOF VENT - 2.5" TO 4.1"                                    |
| *   | 123780-01-01A | EA  | FANTASTIC VENT - 1" ROOF - W/FAN - W/O THERMOSTAT/PWR LIFT, 430V      |
| *   | 123780-03-01A | EA  | FANTASTIC VENT - 3"-4" ROOF - W/FAN - W/O THERM/PWR LIFT - 430V, 431C |
| *   | 122882-02-01A | EA  | VENT - ROOF - W/FAN - W/O INSIDE GARNISH - UL                         |
|     | 048648-01-000 | EA  | MOTOR - ROOF VENT - 1/8 SHAFT - 12VOLT                                |
|     | 048649-01-000 | EA  | FAN BLADE - ROOF VENT - 6 BLADES - 6"                                 |
| *   | 122882-03-01A | EA  | VENT - ROOF - W/FAN - W/O INSIDE GARNISH - CSA                        |
| *   | 123780-11-01A | EA  | FANTASTIC VENT - 4" ROOF - INSUL - W/O FAN/THERM/PWR LIFT             |
| *   | 123780-09-01A | EA  | FANTASTIC VENT - 4" ROOF- W/FAN/INSUL - W/O THERM/PWR LIFT            |
| *   | 123780-12-01A | EA  | FANTASTIC VENT - 2.5" ROOF-W/FAN/INSUL- W/O THERM/PWR LIFT            |
|     | 122192-01-02A | EA  | PANEL - SKYLITE - OUTER - 16.4" X 27.8" DOME MEASUREMENTS             |
|     |               |     | FROM: 00-00-00 THRU: 08-12-01   |
|     | 122193-01-02A | EA  | PANEL - SKYLITE - INNER   |
|     |               |     | FROM: 00-00-00 THRU: 08-12-01   |
|     | 138372-01-12B | EA  | TRIM - CORNER - SKYLIGHT - BRIGHT WHITE                               |
|     |               |     | FROM: 08-13-01 THRU: 99-99-99   |
|     | 138379-01-01A | EA  | PANEL - SKYLIGHT - SMALL OUTER - RECTANGULAR - WHITE                  |
|     |               |     | FROM: 08-13-01 THRU: 99-99-99   |

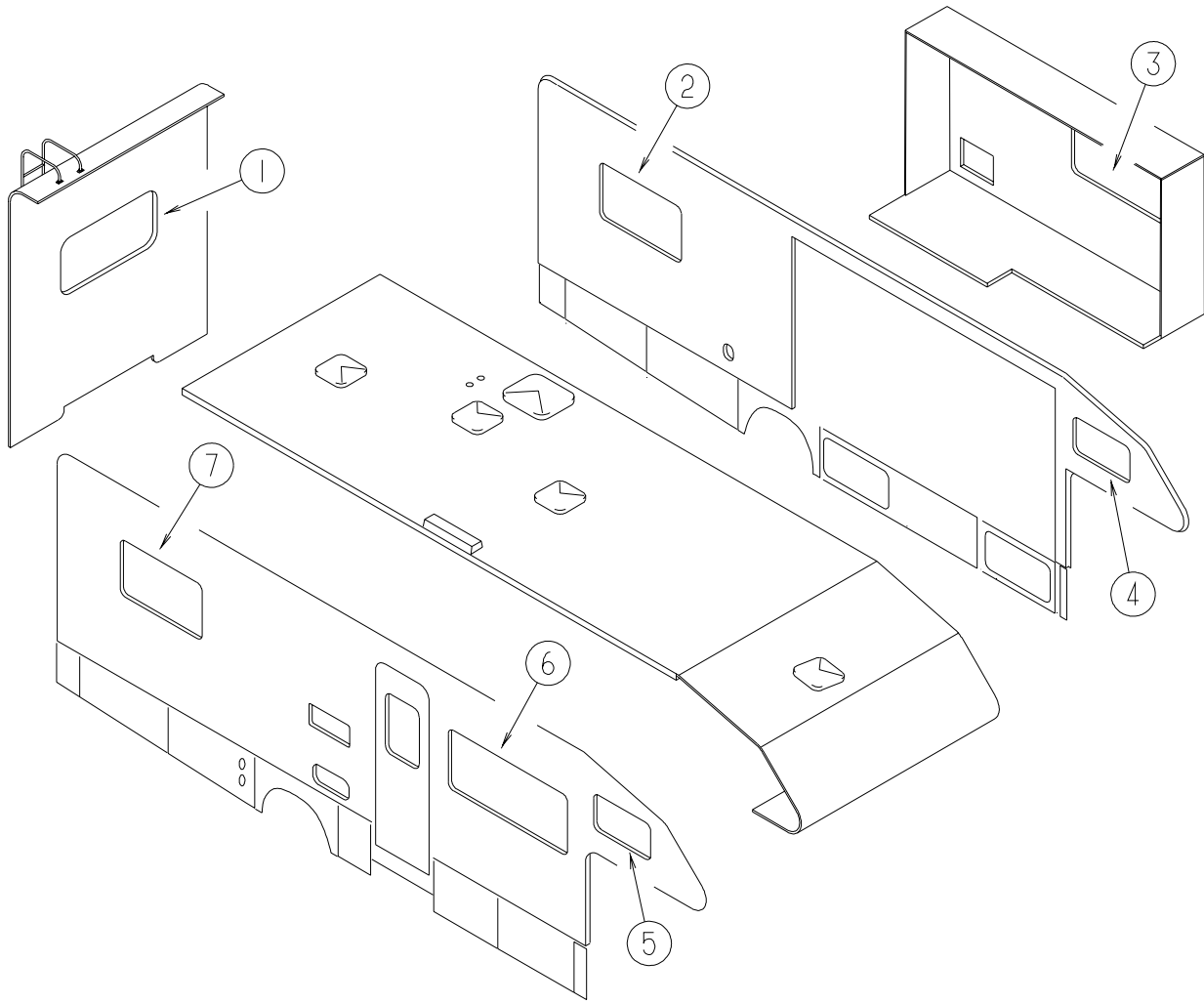


**WINDOW & VENTS GROUP (CONTINUED)**  
**WINDOW & VENT LAYOUT (CONTINUED)**

| <b>KEY</b> | <b>PART NUMBER</b> | <b>U/M</b> | <b>DESCRIPTION</b>   |
|------------|--------------------|------------|--|
|            | 084616-07-000      | EA         | SHROUD - EXHAUST VENT/RANGE HOOD - BRIGHT WHITE<br>FROM: 00-00-00 THRU: 07-08-01 |
|            | 138983-02-01A      | EA         | COVER - VENT MICROWAVE OUTER - BRIGHT WHITE<br>FROM: 07-09-01 THRU: 99-99-99     |
|            | 084878-09-000      | EA         | VENT - EXHAUST/RANGE HOOD - OFF WHITE<br>FROM: 00-00-00 THRU: 07-08-01           |
|            | 138983-01-01A      | EA         | VENT - MICROWAVE OUTER - BRIGHT WHITE<br>FROM: 07-09-01 THRU: 99-99-99           |

**\*COMPONENT PARTS LISTED LATER IN THIS GROUP**

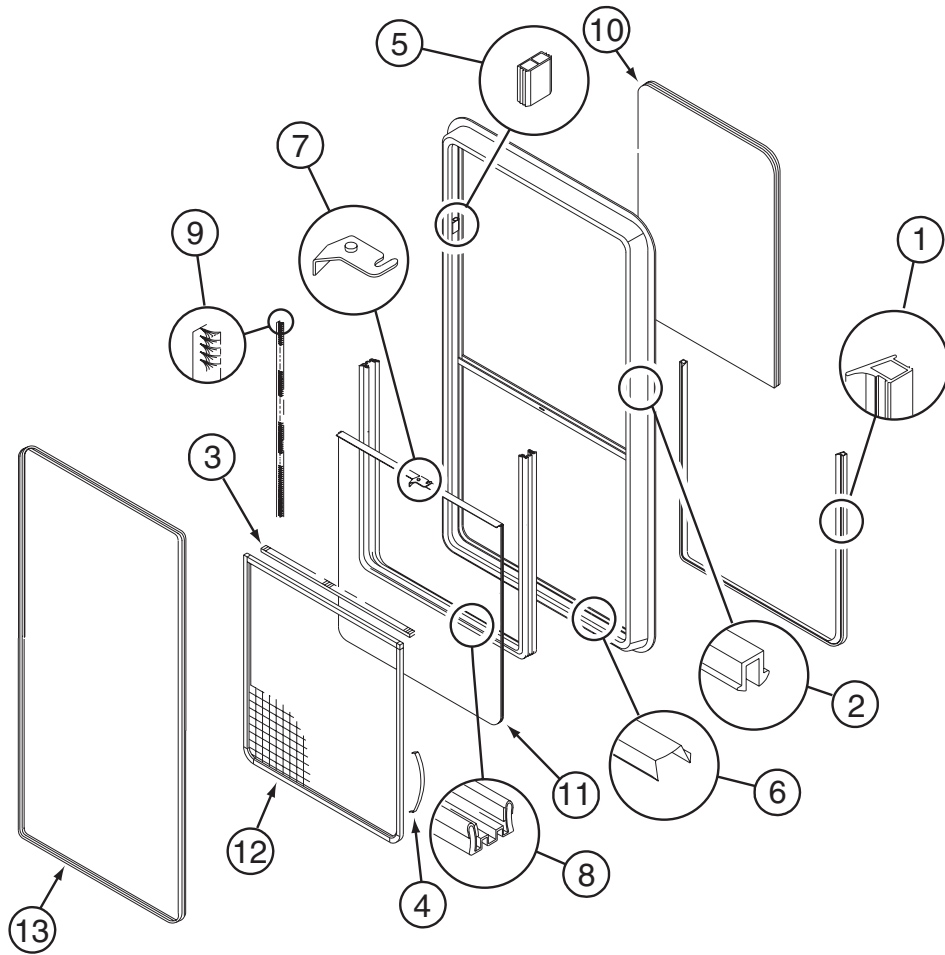
**WINDOW & VENTS GROUP (CONTINUED)**  
**WINDOW & VENT LAYOUT (CONTINUED)**



| KEY | PART NUMBER   | U/M | DESCRIPTION   |
|-----|---------------|-----|---|
| 1*  | 116976-02-02A | EA  | WINDOW - PICTURE/TINTED/ESCAPE - 26.4" X 25.3"<br>FROM: 00-00-00 THRU: 09-30-01         |
| 1*  | 113502-10-01A | EA  | WINDOW - REAR/ESCAPE - THERMO - 26.1" X 26"<br>FROM: 10-01-01 THRU: 99-99-99            |
| 2*  | 113500-01-02A | EA  | WINDOW - DOUBLE TIPOUT - TINTED - 24.5" X 41.3"<br>FROM: 00-00-00 THRU: 09-30-01        |
| 2   | 113500-09-02A | EA  | WINDOW - DOUBLE TIPOUT ESCAPE - TINTED - 27.2" X 12.3"<br>FROM: 10-01-01 THRU: 99-99-99 |
| 3*  | 098647-22-02A | EA  | WINDOW - DRIVER HORIZ SLIDER W/TRIM-TINTED- 26.1" X 59.7"                               |
| 4*  | 098647-34-02A | EA  | WINDOW - HORIZ SLIDER W/TRIM - TINTED - 14.7" X 28.5"                                   |
| 5*  | 098647-33-02A | EA  | WINDOW - PASS HORIZ SLIDER W/TRIM - CLEAR - 15.7" X 28.5"                               |
| 6*  | 098647-23-02A | EA  | WINDOW - PASS HORIZ SLIDER TINTED W/RETAINER-26.1" X 59.7"                              |
| 7*  | 098644-07-02A | EA  | WINDOW - VERTICAL SLIDER W/TRIM - TINTED - 30.2" X 14.3"                                |

**\*COMPONENT PARTS LISTED LATER IN THIS GROUP**

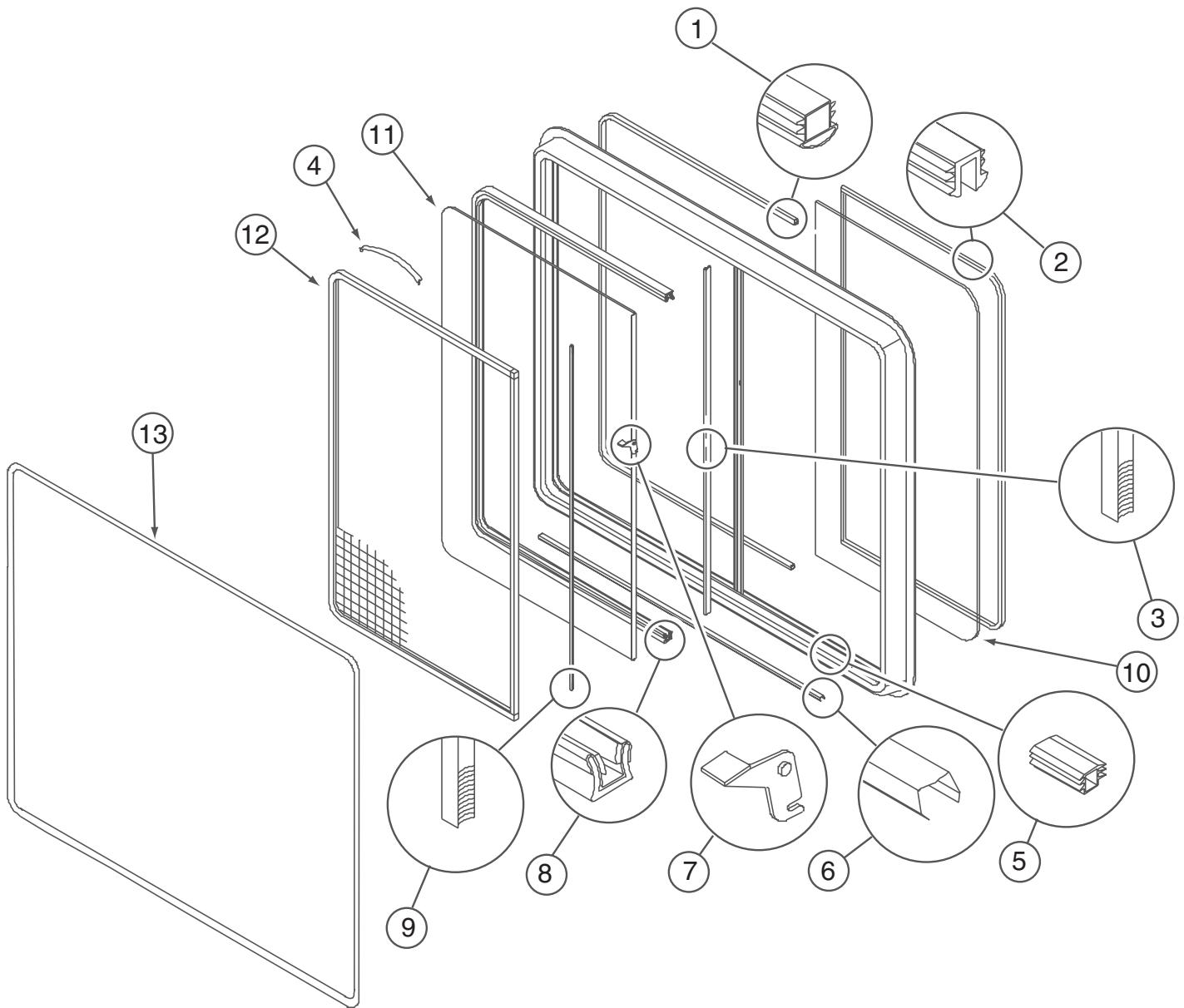
**WINDOW & VENTS GROUP (CONTINUED)**  
**COMPONENT PARTS FOR WINDOWS & VENT LAYOUT**



**098644-07-02A**

| KEY | PART NUMBER   | U/M | DESCRIPTION                  | VENDOR NO. |
|-----|---------------|-----|------------------------------|------------|
| 1   | 098644-01-716 | FT  | PLUG - FILLER                | 132-014470 |
| 2   | 098644-01-705 | FT  | GLAZING - STRIP              | 132-010231 |
| 3   | 098644-01-706 | FT  | WEATHERSTRIP - GLASS         | 171-010668 |
| 4   | 098644-01-713 | EA  | CLIP - SCREEN - METAL        | 226-016966 |
| 4   | 125582-01-701 | EA  | CLIP - SCREEN - PLASTIC      | 130-005153 |
| 5   | 098644-01-719 | EA  | STOP - SLIDER GLASS          | 132-014203 |
| 6   | 098644-01-710 | FT  | TRACK - SCREEN SPACER 12'    | 132-017135 |
| 7   | 098644-01-700 | EA  | LATCH - REPAIR KIT (BLACK)   | B801-CK    |
| 8   | 098644-01-708 | FT  | CHANNEL - RUN PIERCED        | 122-016543 |
| 9   | 098644-01-711 | FT  | WEATHERSTRIP - SCREEN BLACK  | 171-016965 |
| 10  | 098644-07-702 | EA  | GLASS - STATIONARY           | 106-015777 |
| 11  | 098644-07-703 | EA  | GLASS-SLIDING W/SASH & LATCH | H170-G9    |
| 12  | 098644-07-704 | EA  | SCREEN ASM - W/SEALS & CLIPS | 410-018863 |
| 13  | 098644-07-705 | EA  | RETAINER - TRIM              | CH02-66    |
|     | 098644-01-717 | FT  | SPLINE - SCREEN              | 132-004716 |

**WINDOW & VENTS GROUP (CONTINUED)**  
**WINDOW & VENT LAYOUT (CONTINUED)**



**098647-22-02A**

| KEY | PART NUMBER   | U/M | DESCRIPTION                  | VENDOR NO. |
|-----|---------------|-----|------------------------------|------------|
| 1   | 098644-01-716 | FT  | PLUG - FILLER                | 132-014470 |
| 2   | 098644-01-705 | FT  | GLAZING - STRIP              | 132-010231 |
| 3   | 098644-01-706 | FT  | WEATHERSTRIP - GLASS         | 171-010668 |
| 4   | 098644-01-713 | EA  | CLIP - SCREEN - METAL        | 226-016966 |
| 4   | 125582-01-701 | EA  | CLIP - SCREEN - PLASTIC      | 130-005153 |
| 5   | 098644-01-719 | EA  | STOP - SLIDER GLASS          | 132-014203 |
| 6   | 098644-01-710 | FT  | TRACK - SCREEN SPACER 12'    | 132-017135 |
| 7   | 098644-01-700 | EA  | LATCH - REPAIR KIT (BLACK)   | B801-CK    |
| 8   | 098644-01-708 | FT  | CHANNEL - RUN PIERCED        | 122-016543 |
| 9   | 098644-01-711 | FT  | WEATHERSTRIP - SCREEN BLACK  | 171-016965 |
| 10  | 098647-23-703 | EA  | GLASS - STATIONARY           | 106-017622 |
| 11  | 098647-23-700 | EA  | GLASS SLIDING W/SASH & LATCH | H287-G9    |
| 12  | 098647-23-704 | EA  | SCREEN ASM - W/SEALS & CLIPS | 410-019066 |
| 13  | 098647-22-701 | EA  | RETAINER - TRIM              | H287-67    |
|     | 098644-01-717 | FT  | SPLINE - SCREEN              | 132-004716 |

**WINDOW & VENTS GROUP (CONTINUED)**  
**WINDOW & VENT LAYOUT (CONTINUED)**

**098647-23-02A**

| <b>KEY</b> | <b>PART NUMBER</b> | <b>U/M</b> | <b>DESCRIPTION</b>           | <b>VENDOR NO.</b> |
|------------|--------------------|------------|------------------------------|-------------------|
| 1          | 098644-01-716      | FT         | PLUG - FILLER                | 132-014470        |
| 2          | 098644-01-705      | FT         | GLAZING - STRIP              | 132-010231        |
| 3          | 098644-01-706      | FT         | WEATHERSTRIP - GLASS         | 171-010668        |
| 4          | 098644-01-713      | EA         | CLIP - SCREEN - METAL        | 226-016966        |
| 4          | 125582-01-701      | EA         | CLIP - SCREEN - PLASTIC      | 130-005153        |
| 5          | 098644-01-719      | EA         | STOP - SLIDER GLASS          | 132-014203        |
| 6          | 098644-01-710      | FT         | TRACK - SCREEN SPACER 12'    | 132-017135        |
| 7          | 098644-01-700      | EA         | LATCH - REPAIR KIT (BLACK)   | B801-CK           |
| 8          | 098644-01-708      | FT         | CHANNEL - RUN PIERCED        | 122-016543        |
| 9          | 098644-01-711      | FT         | WEATHERSTRIP - SCREEN BLACK  | 171-016965        |
| 10         | 098647-23-703      | EA         | GLASS - STATIONARY           | 106-017622        |
| 11         | 098647-23-700      | EA         | GLASS SLIDING W/SASH & LATCH | H287-G9           |
| 12         | 098647-23-704      | EA         | SCREEN ASM - W/SEALS & CLIPS | 410-019066        |
| 13         | 098647-22-701      | EA         | RETAINER - TRIM              | H287-67           |
|            | 098644-01-717      | FT         | SPLINE - SCREEN              | 132-004716        |

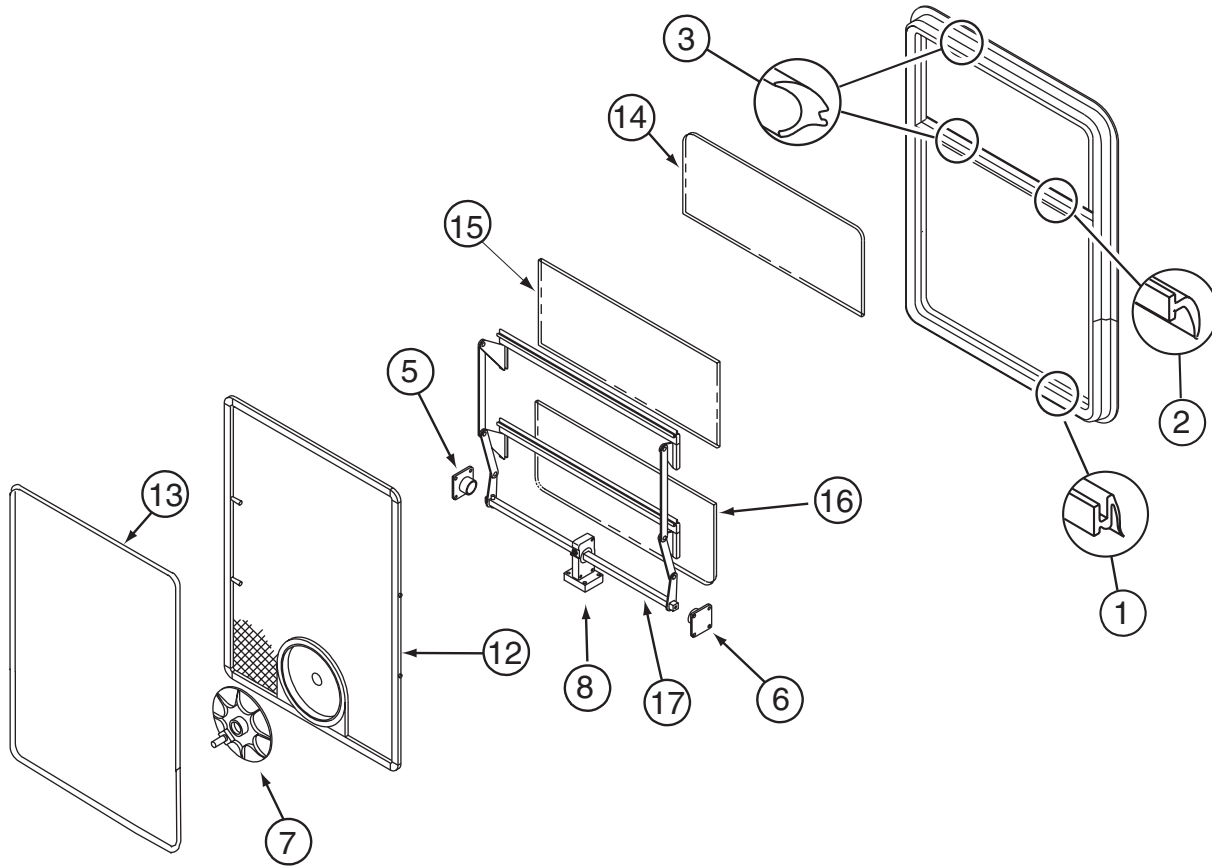
**098647-33-02A**

| <b>KEY</b> | <b>PART NUMBER</b> | <b>U/M</b> | <b>DESCRIPTION</b>           | <b>VENDOR NO.</b> |
|------------|--------------------|------------|------------------------------|-------------------|
| 1          | 098644-01-716      | FT         | PLUG - FILLER                | 132-014470        |
| 2          | 098644-01-705      | FT         | GLAZING - STRIP              | 132-010231        |
| 3          | 098644-01-706      | FT         | WEATHERSTRIP - GLASS         | 171-010668        |
| 4          | 098644-01-713      | EA         | CLIP - SCREEN - METAL        | 226-016966        |
| 4          | 125582-01-701      | EA         | CLIP - SCREEN - PLASTIC      | 130-0             |
| 5          | 098644-01-719      | EA         | STOP - SLIDER GLASS          | 132-014203        |
| 6          | 098644-01-710      | FT         | TRACK - SCREEN SPACER 12'    | 132-017135        |
| 7          | 098644-01-700      | EA         | LATCH - REPAIR KIT (BLACK)   | B801-CK           |
| 8          | 098644-01-708      | FT         | CHANNEL - RUN PIERCED        | 122-016543        |
| 9          | 098644-01-711      | FT         | WEATHERSTRIP - SCREEN BLACK  | 171-016965        |
| 10         | 098647-33-702      | EA         | GLASS - STATIONARY           | 106-019297        |
| 11         | 098647-33-703      | EA         | GLASS-SLIDING W/SASH & LATCH | H425-G9           |
| 12         | 098647-33-704      | EA         | SCREEN ASM - W/SEALS & CLIPS | 410-019134        |
| 13         | 098647-31-705      | EA         | RETAINER - TRIM              | CH29-66           |
|            | 098644-01-717      | FT         | SPLINE - SCREEN              | 132-004716        |

**098647-34-02A**

| <b>KEY</b> | <b>PART NUMBER</b> | <b>U/M</b> | <b>DESCRIPTION</b>           | <b>VENDOR NO.</b> |
|------------|--------------------|------------|------------------------------|-------------------|
| 1          | 098644-01-716      | FT         | PLUG - FILLER                | 132-014470        |
| 2          | 098644-01-705      | FT         | GLAZING - STRIP              | 132-010231        |
| 3          | 098644-01-706      | FT         | WEATHERSTRIP - GLASS         | 171-010668        |
| 4          | 098644-01-713      | EA         | CLIP - SCREEN - METAL        | 226-016966        |
| 4          | 125582-01-701      | EA         | CLIP - SCREEN - PLASTIC      | 130-0             |
| 5          | 098644-01-719      | EA         | STOP - SLIDER GLASS          | 132-014203        |
| 6          | 098644-01-710      | FT         | TRACK - SCREEN SPACER 12'    | 132-017135        |
| 7          | 098644-01-700      | EA         | LATCH - REPAIR KIT (BLACK)   | B801-CK           |
| 8          | 098644-01-708      | FT         | CHANNEL - RUN PIERCED        | 122-016543        |
| 9          | 098644-01-711      | FT         | WEATHERSTRIP - SCREEN BLACK  | 171-016965        |
| 10         | 098647-33-702      | EA         | GLASS - STATIONARY           | 106-019297        |
| 11         | 098647-33-703      | EA         | GLASS-SLIDING W/SASH & LATCH | H425-G9           |
| 12         | 098647-33-704      | EA         | SCREEN ASM - W/SEALS & CLIPS | 410-019134        |
| 13         | 098647-31-705      | EA         | RETAINER - TRIM              | CH29-66           |
|            | 098644-01-717      | FT         | SPLINE - SCREEN              | 132-004716        |

**WINDOW & VENTS GROUP (CONTINUED)**  
**WINDOW & VENT LAYOUT (CONTINUED)**



**113500-01-02A**

| KEY | PART NUMBER   | U/M | DESCRIPTION                  | VENDOR NO. |
|-----|---------------|-----|------------------------------|------------|
| 1   | 116976-01-702 | FT  | FILLER PLUG                  | 132-016065 |
| 2   | 100322-01-701 | FT  | SEAL-VENT                    | 122-016071 |
| 3   | 100322-01-702 | EA  | WEATHERSTRIP-HORIZ RAIL-148" | 132-019631 |
|     | 100322-01-703 | FT  | VINYL-GLAZING, BUTYL         | 132-010723 |
| 5   | 100322-01-714 | EA  | SUPPORT-TORQUE BAR, LH       | 130-015978 |
| 6   | 100322-01-715 | EA  | SUPPORT-TORQUE BAR, RH       | 130-015979 |
| 7   | 100322-01-718 | EA  | HANDLE-DIAL                  | 410-016081 |
| 8   | 112519-01-702 | EA  | OPERATOR-VENT-CENTER SUPPORT | 410-016123 |
| 12  | 113500-01-700 | EA  | SCREEN ASM - W/SEALS & CLIPS | 410-016020 |
| 13  | 113500-01-709 | EA  | RETAINER - TRIM              | CB04-59    |
| 14  | 113500-01-703 | EA  | GLASS - TOP STATIONARY       | 106-015970 |
| 15  | 113500-01-704 | EA  | GLASS - UPPER VENT ASSEMBLY  | CH04-G7    |
| 16  | 113500-01-705 | EA  | GLASS - LOWER VENT ASSEMBLY  | CH04-G9    |
| 17  | 113500-01-706 | EA  | OPERATOR & BAR ASSEMBLY      | CH04-15    |
|     | 100322-01-717 | EA  | E-RING                       | 245-015975 |
|     | 112463-02-706 | FT  | SEAL - FOAM RUBBER           | 140-014727 |

CONTACT WINNEBAGO PART SALES FOR UNLISTED COMPONENTS

**WINDOW & VENTS GROUP (CONTINUED)**  
**WINDOW & VENT LAYOUT (CONTINUED)**

**113733-04-01A, 113733-10-01A, 113733-11-01A**

| <b>KEY</b> | <b>PART NUMBER</b> | <b>U/M</b> | <b>DESCRIPTION</b> | <b>VENDOR NO.</b> |
|------------|--------------------|------------|--------------------|-------------------|
|            | 112795-01-705      | FT         | VINYL - GLAZING    | 132-025736        |
|            | 113733-10-700      | EA         | GLASS-STATIONARY   | 390-028306        |
|            | 113733-10-701      | EA         | RETAINER-TRIM      | H416-66           |

**115630-01-02A**

| <b>KEY</b> | <b>PART NUMBER</b> | <b>U/M</b> | <b>DESCRIPTION</b>         | <b>VENDOR NO.</b> |
|------------|--------------------|------------|----------------------------|-------------------|
|            | 115630-01-702      | EA         | GLASS - STATIONARY -THERMO | 390-019467        |
|            | 115630-01-703      | EA         | RETAINER - TRIM            | B438-58           |
|            | 115630-01-705      | EA         | TAPE - BUTYL               | 154-011956        |
|            | 116000-01-704      | FT         | VINYL - GLAZING            | 132-018161        |

**115630-03-01A**

| <b>KEY</b> | <b>PART NUMBER</b> | <b>U/M</b> | <b>DESCRIPTION</b> | <b>VENDOR NO.</b> |
|------------|--------------------|------------|--------------------|-------------------|
|            | 115630-01-703      | EA         | RETAINER - TRIM    | B438-58           |
|            | 115630-01-705      | EA         | TAPE - BUTYL       | 154-011956        |
|            | 115630-03-700      | EA         | GLASS-STATIONARY   | 390-028309        |
|            | 116000-01-704      | FT         | VINYL - GLAZING    | 132-018161        |

**116976-02-02A**

| <b>KEY</b> | <b>PART NUMBER</b> | <b>U/M</b> | <b>DESCRIPTION</b>           | <b>VENDOR NO.</b> |
|------------|--------------------|------------|------------------------------|-------------------|
|            | 098644-01-705      | FT         | GLAZING - STRIP              | 132-010231        |
|            | 100322-01-701      | FT         | SEAL-VENT                    | 122-016071        |
|            | 112898-06-707      | EA         | HANDLE-LATCH/RED-RH (SLIDER) | 182-025911        |
|            | 112898-06-708      | EA         | HANDLE-LATCH/RED-LH (SLIDER) | 182-025912        |
|            | 116976-01-702      | FT         | FILLER PLUG                  | 132-016065        |
|            | 116976-02-700      | EA         | GLASS - STATIONARY           | 106-018785        |
|            | 116976-02-701      | EA         | RETAINER - TRIM              | H386-53           |

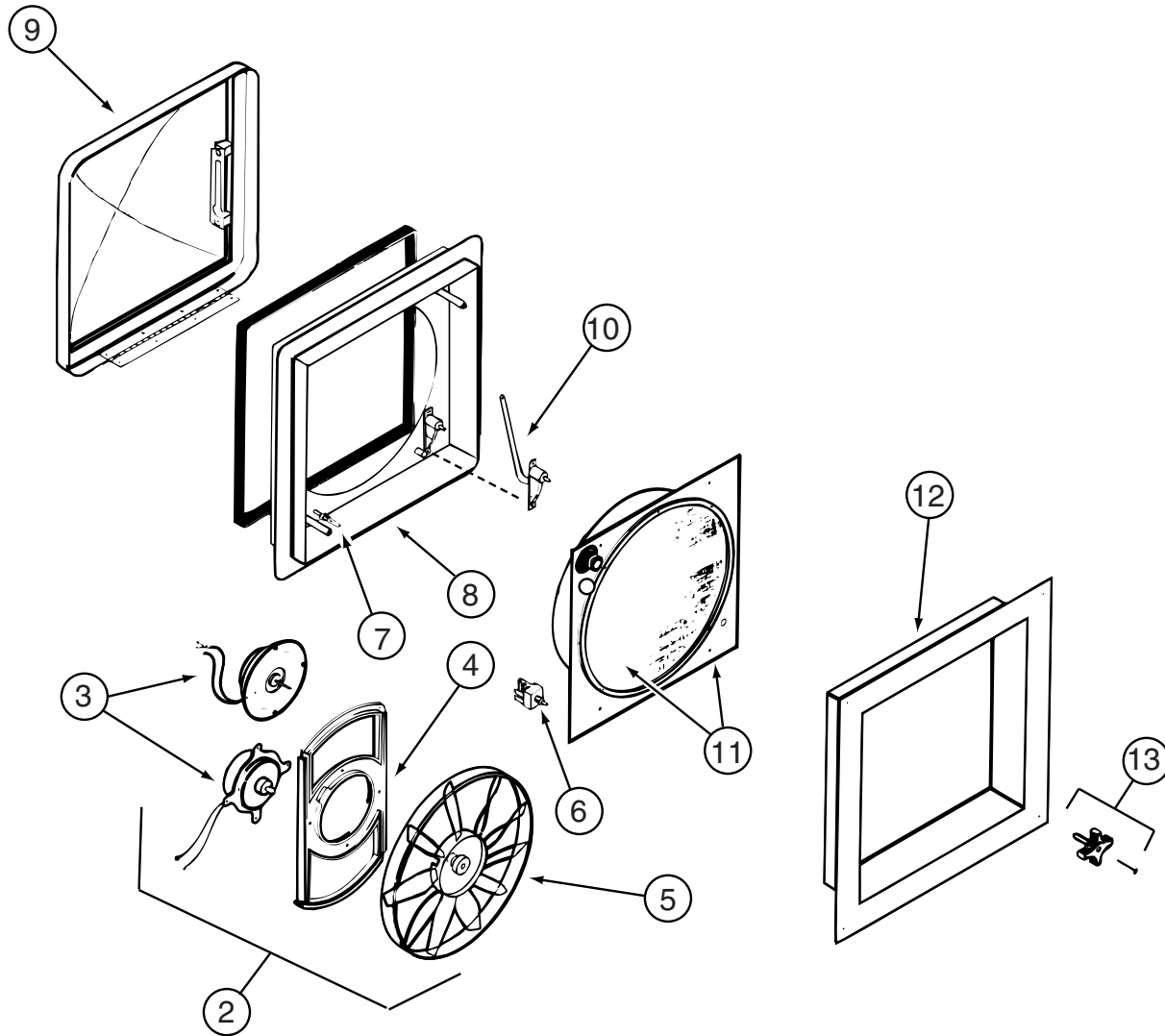
**122882-01-01A**

| <b>KEY</b> | <b>PART NUMBER</b> | <b>U/M</b> | <b>DESCRIPTION</b>           | <b>VENDOR NO.</b> |
|------------|--------------------|------------|------------------------------|-------------------|
|            | 009440-01-000      | EA         | GEAR-ARM-ROOF VENT           | 705221K38         |
|            | 064470-01-700      | EA         | COVER - VENT - W/O SLIDE BAR | J7291             |
|            | 064470-01-701      | EA         | SLIDE BAR - VENT LID         | JRP1291B          |
|            | 122882-01-701      | EA         | SCREEN                       | JRP-1124-B        |
|            | 122882-01-702      | EA         | HANDLE - CRANK - WHITE       | JRP1031B          |

**122882-02-01A, 122882-03-01A**

| <b>KEY</b> | <b>PART NUMBER</b> | <b>U/M</b> | <b>DESCRIPTION</b>           | <b>VENDOR NO.</b> |
|------------|--------------------|------------|------------------------------|-------------------|
|            | 064470-01-700      | EA         | COVER - VENT - W/O SLIDE BAR | J7291             |
|            | 009440-01-000      | EA         | GEAR-ARM-ROOF VENT           | 705221K38         |
|            | 048648-01-000      | EA         | MOTOR-12V NONVENTED 1/8 SFT  |                   |
|            | 048649-01-000      | EA         | FAN-PLAS-6 IN 6 BLADED       |                   |
|            | 122882-01-701      | EA         | SCREEN                       | JRP-1124-B        |
|            | 122882-01-702      | EA         | HANDLE - CRANK - WHITE       | JRP1031B          |
|            | 064470-01-701      | EA         | SLIDE BAR - VENT LID         | JRP1291B          |
|            | 110051-03-700      | EA         | SWITCH-BLACK/PUSH BUTTON     | 27-0164           |

**WINDOW & VENTS GROUP (CONTINUED)**  
**COMPONENT PARTS FOR WINDOWS & VENT LAYOUT (CONTINUED)**



**123780-01-01A**

| KEY | PART NUMBER   | U/M | DESCRIPTION                       | VENDOR NO. |
|-----|---------------|-----|-----------------------------------|------------|
| 2   | 084079-11-700 | EA  | MOTOR, BRKT., FAN BLADE, KIT      | 4017K-09   |
| 3   | 084079-01-705 | EA  | MOTOR                             | 1080-00    |
| 4   | 084079-01-711 | EA  | H-MOLDING, MOTOR MOUNT            |            |
| 5   | 084079-01-704 | EA  | BLADE-FAN                         | 1070-00    |
| 6   | 084079-01-709 | EA  | SWITCH - MAIN - 3 SPEED           | 1031-05    |
| 7   | 084079-01-707 | EA  | SWITCH - SAFETY                   | 1122.05    |
| 8   | 123780-05-700 | EA  | BASE - MAIN BRIGHT WHITE          | 1010K-81   |
| 9   | 123780-01-700 | EA  | COVER - VENT W/HINGE & SLIDE      | 1020K-81   |
| 10  | 009440-01-000 | EA  | GEAR/ARM - LIFT - ROOF VENT COVER |            |
| 11  | 123780-01-703 | EA  | SCREEN ASM. 15-25MM W/SWITCH      | 1030BT-81  |
| 12  | 123780-01-701 | EA  | GARNISH - INT 3/4-1" BRT/WHT      | 0040-81    |
| 13  | 084079-01-703 | EA  | KNOB-LIFT, W/EXT. & SCR           | 1140K-00   |
|     | 123780-01-702 | EA  | SCREEN W/FRAME                    | 103581     |
|     | 084079-01-706 | EA  | PLUG, 12 VOLT                     | 1090       |

CONTACT WINNEBAGO PART SALES FOR UNLISTED COMPONENTS



**WINDOW & VENTS GROUP (CONTINUED)**  
**COMPONENT PARTS FOR WINDOWS & VENT LAYOUT (CONTINUED)**

**123780-03-01A**

| <b>KEY</b> | <b>PART NUMBER</b> | <b>U/M</b> | <b>DESCRIPTION</b>                | <b>VENDOR NO.</b> |
|------------|--------------------|------------|-----------------------------------|-------------------|
| 2          | 084079-11-700      | EA         | MOTOR, BRKT., FAN BLADE, KIT      | 4017K-09          |
| 3          | 084079-01-705      | EA         | MOTOR                             | 1080-00           |
| 4          | 084079-01-711      | EA         | H-MOLDING, MOTOR MOUNT            |                   |
| 5          | 084079-01-704      | EA         | BLADE-FAN                         | 1070-00           |
| 6          | 084079-01-709      | EA         | SWITCH - MAIN - 3 SPEED           | 1031-05           |
| 7          | 084079-01-707      | EA         | SWITCH - SAFETY                   | 1122.05           |
| 8          | 123780-05-700      | EA         | BASE - MAIN BRIGHT WHITE          | 1010K-81          |
| 9          | 123780-01-700      | EA         | COVER - VENT W/HINGE & SLIDE      | 1020K-81          |
| 10         | 009440-01-000      | EA         | GEAR/ARM - LIFT - ROOF VENT COVER |                   |
| 11         | 123780-03-701      | EA         | SCREEN ASM 78-100MM W/SWITCH      | 1030BT-81         |
| 12         | 123780-03-700      | EA         | GARNISH - INT. 3"-4" BRT/WHT      | 2040-81           |
| 13         | 084079-01-703      | EA         | KNOB-LIFT, W/EXT.                 | 1140K-00          |
|            | 084079-01-706      | EA         | PLUG, 12 VOLT                     | 1090              |
|            | 123780-01-702      | EA         | SCREEN W/FRAME                    | 103581            |

CONTACT WINNEBAGO PART SALES FOR UNLISTED COMPONENTS

**123780-09-01A**

| <b>KEY</b> | <b>PART NUMBER</b> | <b>U/M</b> | <b>DESCRIPTION</b>                | <b>VENDOR NO.</b> |
|------------|--------------------|------------|-----------------------------------|-------------------|
| 2          | 084079-11-700      | EA         | MOTOR, BRKT., FAN BLADE, KIT      | 4017K-09          |
| 3          | 084079-01-705      | EA         | MOTOR                             | 1080-00           |
| 4          | 084079-01-711      | EA         | H-MOLDING, MOTOR MOUNT            |                   |
| 5          | 084079-01-704      | EA         | BLADE-FAN                         | 1070-00           |
| 6          | 084079-01-709      | EA         | SWITCH - MAIN - 3 SPEED           | 1031-05           |
| 7          | 084079-01-707      | EA         | SWITCH - SAFETY                   | 1122.05           |
| 8          | 123780-05-700      | EA         | BASE - MAIN BRIGHT WHITE          | 1010K-81          |
| 9          | 123780-09-700      | EA         | DOME/WHITE - INSULATED            | K2020-82          |
| 10         | 009440-01-000      | EA         | GEAR/ARM - LIFT - ROOF VENT COVER |                   |
| 11         | 123780-03-701      | EA         | SCREEN ASM 78-100MM W/SWITCH      | 1030BT-81         |
| 12         | 123780-03-700      | EA         | GARNISH - INT. 3"-4" BRT/WHT      | 2040-81           |
| 13         | 084079-01-703      | EA         | KNOB-LIFT, W/EXT. & SCREW         | 1140K-00          |
|            | 123780-01-702      | EA         | SCREEN W/FRAME                    | 103581            |
|            | 084079-01-706      | EA         | PLUG, 12 VOLT                     | 1090              |

CONTACT WINNEBAGO PART SALES FOR UNLISTED COMPONENTS

**123780-11-01A**

| <b>KEY</b> | <b>PART NUMBER</b> | <b>U/M</b> | <b>DESCRIPTION</b>                | <b>VENDOR NO.</b> |
|------------|--------------------|------------|-----------------------------------|-------------------|
| 8          | 123780-05-700      | EA         | BASE - MAIN BRIGHT WHITE          | 1010K-81          |
| 9          | 123780-09-700      | EA         | DOME/WHITE - INSULATED            | K2020-82          |
| 10         | 009440-01-000      | EA         | GEAR/ARM - LIFT - ROOF VENT COVER |                   |
| 11         | 123780-01-702      | EA         | SCREEN W/FRAME                    | 103581            |
| 12         | 123780-03-700      | EA         | GARNISH - INT. 3"-4" BRT/WHT      | 2040-81           |
| 13         | 084079-01-703      | EA         | KNOB-LIFT, W/EXT. & SCREW         | 1140K-00          |

CONTACT WINNEBAGO PART SALES FOR UNLISTED COMPONENTS

**123780-12-01A**

| <b>KEY</b> | <b>PART NUMBER</b> | <b>U/M</b> | <b>DESCRIPTION</b>           | <b>VENDOR NO.</b> |
|------------|--------------------|------------|------------------------------|-------------------|
| 2          | 084079-11-700      | EA         | MOTOR, BRKT., FAN BLADE, KIT | 4017K-09          |
| 3          | 084079-01-705      | EA         | MOTOR                        | 1080-00           |
| 5          | 084079-01-704      | EA         | BLADE-FAN                    | 1070-00           |
| 6          | 084079-01-709      | EA         | SWITCH - MAIN - 3 SPEED      | 1031-05           |
| 7          | 084079-01-707      | EA         | SWITCH - SAFETY              | 1122.05           |
| 8          | 123780-05-700      | EA         | BASE - MAIN BRIGHT WHITE     | 1010K-81          |
| 9          | 123780-09-700      | EA         | DOME/WHITE - INSULATED       | K2020-82          |
| 10         | 009440-01-000      | EA         | GEAR-ARM-ROOF VENT           | 705221K38         |
| 11         | 123780-03-701      | EA         | SCREEN ASM 78-100MM W/SWITCH | 1030BT-81         |
| 12         | 123780-03-700      | EA         | GARNISH - INT. 3"-4" BRT/WHT | 2040-81           |
| 13         | 084079-01-703      | EA         | KNOB-LIFT, W/EXT. & SCREW    | 1140K-00          |
|            | 084079-01-706      | EA         | PLUG, 12 VOLT                | 1090              |

CONTACT WINNEBAGO PART SALES FOR UNLISTED COMPONENTS