

2002 SPIRIT

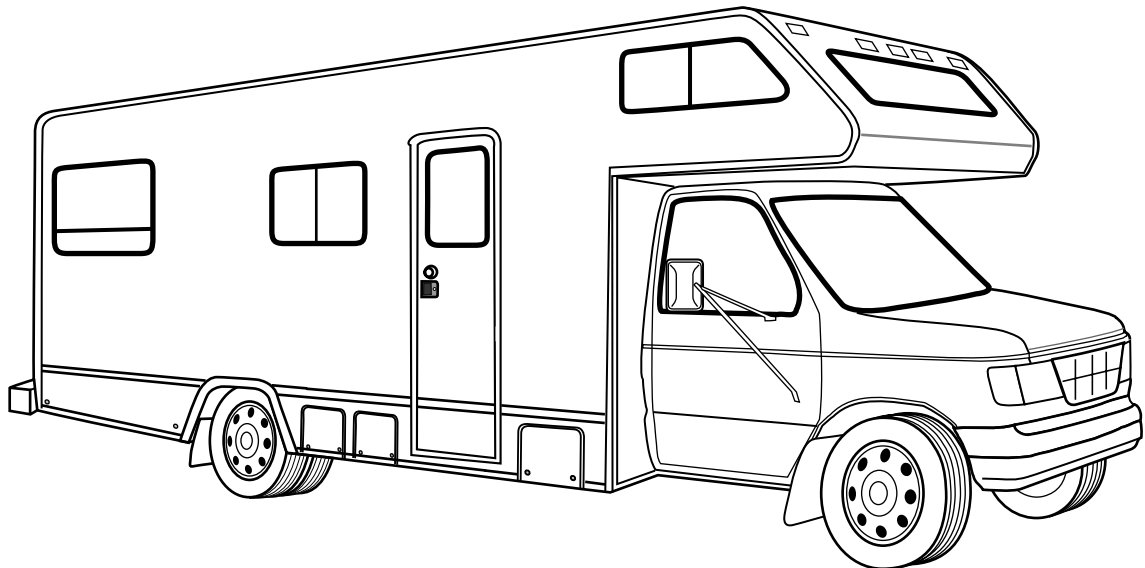
300 SERIES

PORTSMOUTH OAK

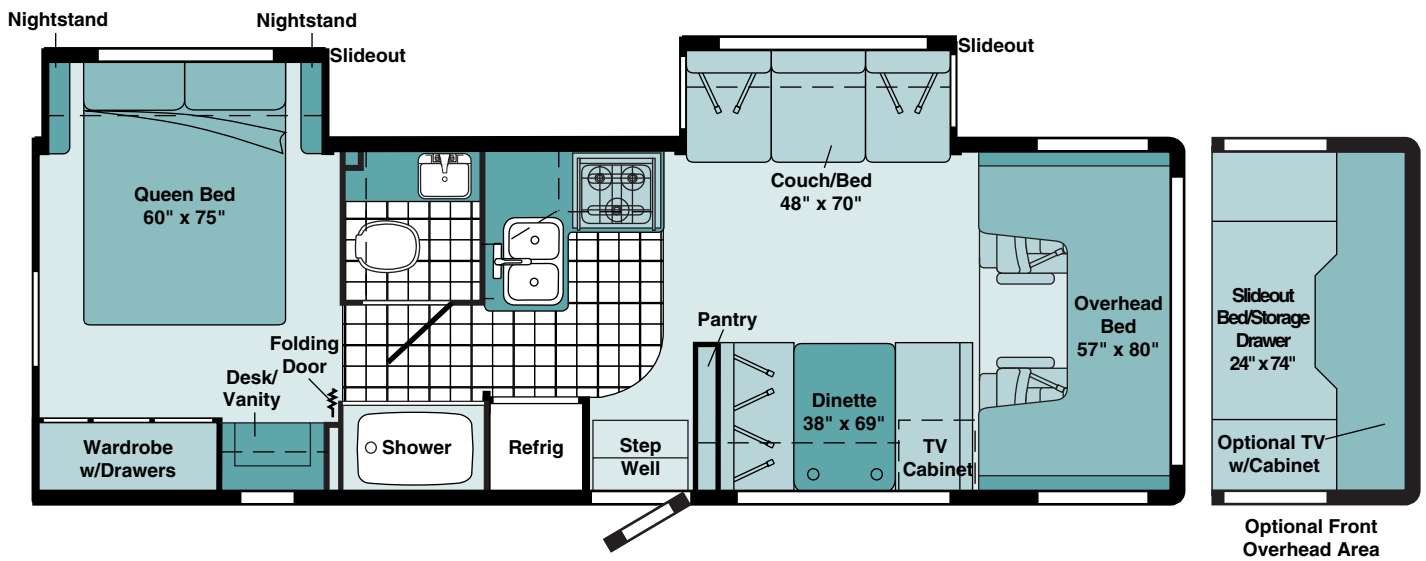
N04 SPRING MIST - TEAL

N05 BAYWATER - BLUE

N06 SAHARA - BEIGE



2002 SPIRIT IF329B



FLOORPLAN

CONTENTS

FLOORPLAN	2
ACCESSORIES GROUP	7
OPERATORS MANUAL	7
APPLIANCE GROUP	8
APPLIANCES	8
COMPONENT PARTS FOR APPLIANCE	11
112881-02-03A	11
121568-03-01A, 121568-04-01A, 121568-05-01A	15
134940-01-01A	21
134940-02-01A	22
136354-01-01A, 136354-02-01A	23
136354-03-01A	24
136354-04-01A	25
AUDIO VIDEO GROUP	26
RADIO SYSTEM	26
TV & VCR	26
COMPONENT PARTS FOR TV & VCR	27
076319-23-000	27
076319-25-000	27
086231-10-000	28
094487-05-000	28
126696-03-000	28
133377-01-000	28
137135-01-000	29
EXTERIOR ENTERTAINMENT	31
BATH GROUP	32
CABINETS	32
SHOWER	33
COMPONENT PARTS FOR SHOWER DOOR	34
115011-03-01A	34
135615-01-01A, 135615-02-01A, 135615-03-01A, 135615-04-01A & 135615-05-01A	35
BEDROOM GROUP	37
QUEEN CABINETS	37
COMPONENT PARTS FOR QUEEN CABINETS	39
131595-01-01A	39
CHASSIS GROUP	40
FRAME	40
EXHAUST	41
REAR BUMPER	43
FUEL OR FUEL FILL OR EMISSIONS	44
SUSPENSION	46
COMPONENT PARTS FOR SUSPENSION	47
135674-01-000	47
SPARE TIRE	48
WHEEL, TIRE, COVERS &/OR LINERS	49
COMPONENT PARTS FOR WHEEL, TIRE, COVERS &/OR LINERS	50
091209-05-000	50
109443-05-000	50
110435-13-000	50

CONTENTS (CONTINUED)

CURTAIN & CUSHION GROUP	51
NOTICE	51
CUSHION LAYOUT	52
BUCKET SEATS	54
SOFA	58
WINDOW TREATMENT	59
HARDWARE	64
ACCESSORIES	66
FABRICS	67
DINETTE GROUP	68
CABINETS	68
TABLE	70
DRIVERS COMPARTMENT GROUP	71
FRONT INTERIOR	71
COMPONENT PARTS FOR FRONT INTERIOR	72
106025-02-01A	72
CABINETS	73
ELECTRICAL GROUP	75
12V BODY WIRING	75
FRONT END WIRING	78
COMPONENT PARTS FOR LIGHTS & SWITCHES	79
008089-02-000	79
081638-01-000	79
087694-01-000	79
097917-01-06A	79
121935-01-01A	79
137417-02-01A	79
137417-06-01A	79
CIRCUIT BREAKERS & FUSES	80
CONVERTER, INVERTER, LOAD CENTERS	80
110V WIRING	81
ENTERTAINMENT WIRING	82
BOXES & CORDS	83
WIRE ASSEMBLIES	83
CONNECTORS & CONDUIT	84
BOOTS, SOLENOIDS, RELAYS & MISCELLANEOUS	85
EXTERIOR BODY GROUP	86
GRAPHICS & PAINT	86
PANELS & TRIMS	87
LADDER	92
RUNNING BOARDS	92
COMPONENT PARTS FOR RUNNING BOARDS	93
072884-27-000	93
072884-28-000	93
MIRRORS	94
COMPONENT PARTS FOR MIRRORS	95
120269-07-01A	95
133908-01-01A, 133908-01-02A, 133908-02-01A, 133908-03-01A, 133908-03-02A, 133908-04-01A, 133908-05-01A, 133908-06-01A,	95
133908-07-01A, 133908-08-01A	95
133908-09-01A	95
STRUCTURAL COMPONENTS	96
AWNINGS	96
COMPONENT PARTS FOR AWNINGS	97
113874-01-02A	97

CONTENTS (CONTINUED)

EXTERIOR DOORS & COMPARTMENTS GROUP	98
DOOR & COMPARTMENT LAYOUT	98
COMPONENT PARTS FOR DOOR & COMPARTMENT LAYOUT	100
084103-08-000	100
094708-03-01A	100
COMPARTMENT DOOR PIECE PARTS	101
COMPONENT PARTS FOR COMPARTMENT DOOR PIECE PARTS	102
110506-26-000 - 110506-27-000 - 110506-33-000	102
ENTRY	104
COMPONENT PARTS FOR ENTRY	107
129676-01-000 THRU 129676-10-000	107
SCREEN	108
LATCH - ENTRY	109
EXTERIOR SLIDEOUT GROUP	110
FRONT LEFT	110
COMPONENT PARTS FOR FRONT SLIDEOUT	114
140457-01-000	114
REAR LEFT	115
GALLEY GROUP	119
CABINETS	119
GENERATOR GROUP	121
HEATING & A/C GROUP	122
FURNACE	122
COMPONENT PARTS FOR FURNACE	123
098668-19-000	123
098668-20-000	125
139980-01-000	127
139980-02-000	129
ROOF	131
COMPONENT PARTS FOR ROOF	132
131184-03-01A	132
131185-01-01A	133
131188-01-01A	134
INTERIOR FINISH GROUP	135
MOLDINGS & TRIMS	135
PANELING & LAMINATES	139
ACCESSORIES	140
COMPONENT PARTS FOR ACCESSORIES	141
094499-02-000	141
FLOOR COVERINGS	142
HARDWARE	143
LABELS GROUP	149
LP GROUP	174
LP SYSTEM	174
COMPONENT PARTS FOR LP SYSTEM	175
080450-01-000	175
097821-03-000	175
LOUNGE GROUP	176
CABINETS	176

CONTENTS (CONTINUED)

SEALANTS & FASTENERS GROUP	177
SEALANTS & ADHESIVES	177
BOLTS, NUTS AND WASHERS	178
SCREWS	180
CLAMPS, CLIPS, GROMMETS, RIVETS & PLUGS	183
MISCELLANEOUS FASTENERS	184
WATER & SEWAGE GROUP	185
DRAINAGE SYSTEM	185
COMPONENT PARTS FOR DRAINAGE SYSTEM	187
062415-01-000	187
067487-04-000	188
096927-01-02A	189
131932-02-02A	190
WATER SYSTEM	191
COMPONENT PARTS FOR WATER SYSTEM	199
051391-03-000	199
098607-01-000	200
110506-26-000 - 110506-27-000 - 110506-33-000	200
WINDOW & VENTS GROUP	201
WINDOW & VENT LAYOUT	201
COMPONENT PARTS FOR WINDOWS & VENT LAYOUT	203
098644-07-02A	203
098644-13-01A	204
098647-27-02A	205
098647-30-02A	206
098647-31-02A	206
098647-32-02A	206
098647-47-02A	207
112795-69-01A	208
112795-72-01A	209
112795-73-01A	209
112795-77-01A	209
112898-22-01A	210
113502-10-01A	211
113733-04-01A, 113733-10-01A, 113733-11-01A	212
115630-03-01A	212
116976-02-02A	212
122882-01-01A	212
122882-02-01A, 122882-03-01A	212
123780-09-01A	213
129929-11-01A	214
134004-03-01A	215

ACCESSORIES GROUP

OPERATORS MANUAL

KEY	PART NUMBER	U/M	DESCRIPTION
	132000-12-002	EA	MANUAL/OWNER - SPIRIT - 2000
	129079-01-01A	EA	CASE - VINYL/BLACK-EXPANDABLE ACCORDION SIDES-7"WX9"HX14"L
	137488-01-000	DW	TOP LEVEL-C,2002

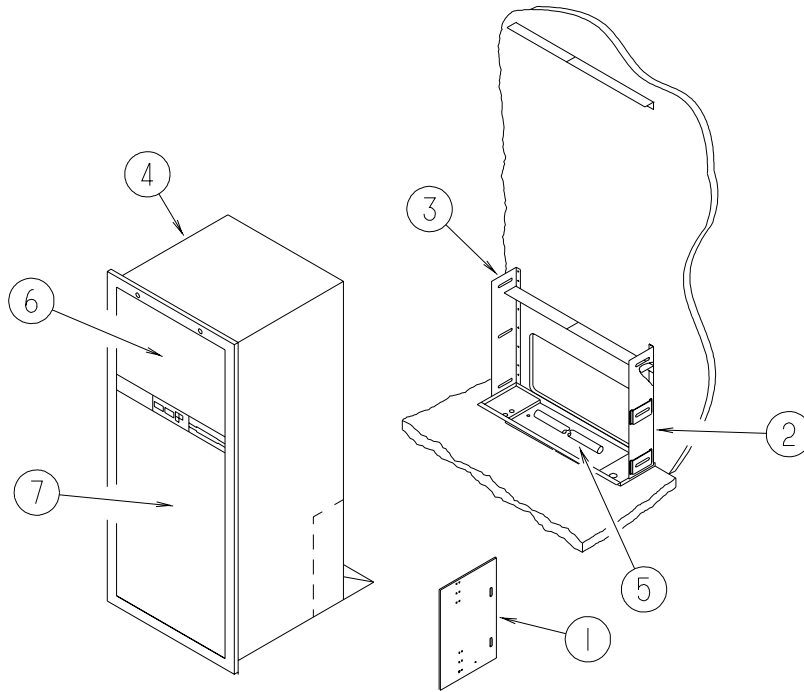
APPLIANCE GROUP

APPLIANCES

KEY	PART NUMBER	U/M	DESCRIPTION
*	112881-02-03A	EA	RANGE - 16" - 3 BURNER - FRONT HI-OUTPUT BRNR - BLK TOP/DR
	105458-03-000	EA	BRACKET - STOVE TIEDOWN - RIGHT HAND - 322R , 324F , 324V , 329N , 331T
	105458-04-000	EA	BRACKET - STOVE TIEDOWN - LEFT HAND - 322R , 324F , 324V , 329N , 3331T
	116884-01-01B	EA	BRACKET - TIE DOWN - 322E
	116884-02-01B	EA	BRACKET - TIE DOWN - 322E
	140176-07-01B	EA	BRACKET/TIEDOWN - STOVE - 329B
	140176-08-01B	EA	BRACKET/TIEDOWN - STOVE - 329B
*	121568-03-01A	EA	REFRIGERATOR-SMALL DBL DR/RH-52.8"HX23.5"WX14"D-2-WAY BLK - 329B , 329N , 331T
*	121568-04-01A	EA	REFRIGERATOR - SMALL DOUBLE DOOR/LEFT HAND - 2-WAY - BLACK - 322E , 322R , 324F , 324V
*	134940-01-01A	EA	PANEL - MONITOR - 2 TANK - W/GENERATOR SWITCH/HOUR METER
*	134940-02-01A	EA	PANEL - MONITOR - 2 TANK - W/O GENERATOR SWITCH/HOUR METER
	133713-08-08A	EA	SPACER - MONITOR - VINYL - PORTSMOUTH OAK
*	136354-01-01A	EA	HOOD - RANGE - W/LITE/FAN - US/VENTED - 322R , 324F , 324V , 329B , 329N , 331T
*	136354-02-01A	EA	HOOD - RANGE - W/LITE/FAN - CSA/VENTED - 322R , 324F , 324V , 329B , 329N , 331T
*	136354-03-01A	EA	HOOD - RANGE - W/LITE/FAN - US/NON VENTED - CHARCOAL - 322E
*	136354-04-01A	EA	HOOD - RANGE - W/LITE/FAN - CSA/NON VENTED - CHARCOAL - 322E

***COMPONENT PARTS LISTED LATER IN THIS GROUP**

APPLIANCE GROUP (CONTINUED)
APPLIANCES (CONTINUED)

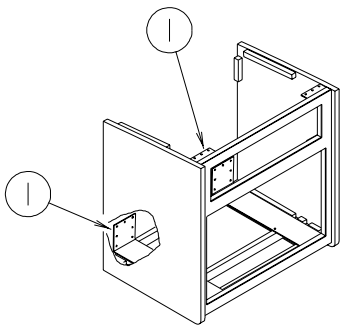


KEY	PART NUMBER	U/M	DESCRIPTION
1	065225-04-000	EA	PLATE - TIEDOWN/REFRIGERATOR
2	093646-01-000	EA	BRACKET - TIEDOWN/REFRIGERATOR - RIGHT HAND
3	093646-02-000	EA	BRACKET - TIEDOWN/REFRIGERATOR - LEFT HAND
4*	121568-03-01A	EA	REFRIGERATOR-SMALL DBL DR/RH-52.8"HX23.5"WX14"D-2-WAY BLK - 329B , 329N , 331T
4*	121568-04-01A	EA	REFRIGERATOR - SMALL DOUBLE DOOR/LEFT HAND - 2-WAY - BLACK - 322E , 322R , 324F , 324V
5	112176-01-000	FT	TUBING - VINYL - REINFORCED - 1/2" ID
6			NOT USED IN THIS UNIT
7			NOT USED IN THIS UNIT
	090329-01-000	FT	SEAL/T - REFRIGERATOR CABINET
	054450-01-000	EA	LEVEL - REFRIGERATOR
	116751-01-01A	EA	TRAY - REFRIGERATOR - BLACK - 322E , 322R , 324V
	116751-02-01A	EA	TRAY - REFRIGERATOR - BLACK - 329B , 329N , 331C
	116751-04-01A	EA	TRAY - REFRIGERATOR - BLACK - 324F
	116751-05-01A	EA	TRAY - REFRIGERATOR - BLACK - 329B

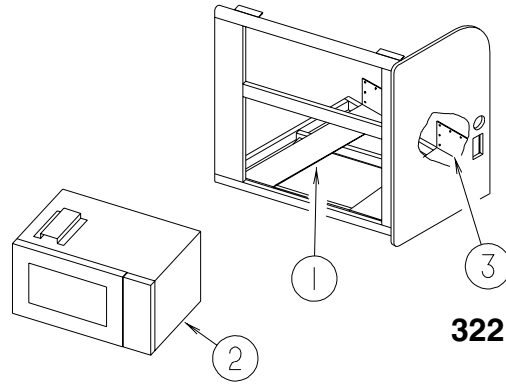
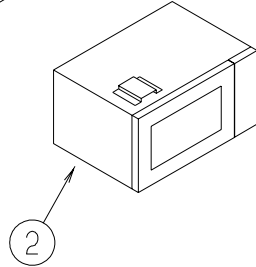
FROM: 11-26-01 THRU: 99-99-99

***COMPONENT PARTS LISTED LATER IN THIS GROUP**

APPLIANCE GROUP (CONTINUED)
APPLIANCES (CONTINUED)



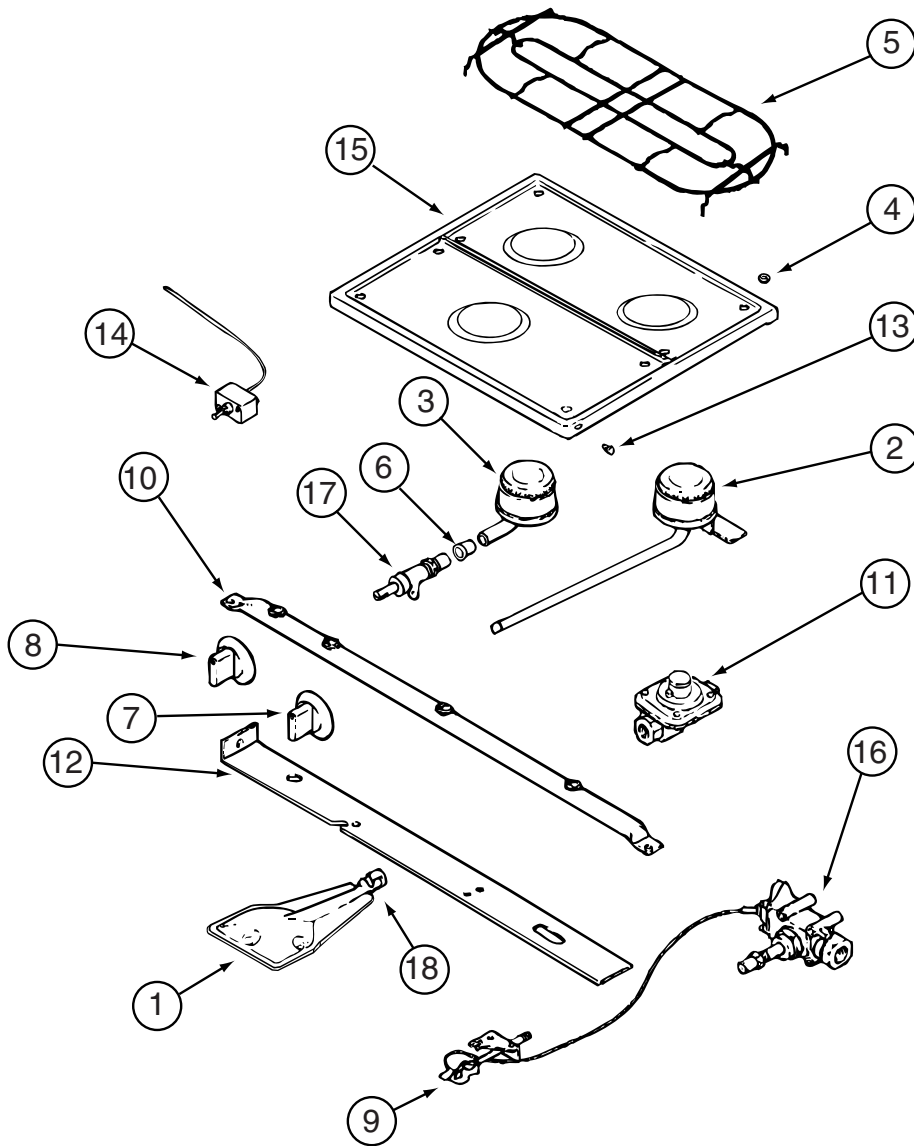
322R, 324F, 329B, 329N, 331T



322E, 324V

KEY	PART NUMBER	U/M	DESCRIPTION
1	094750-10-000	EA	BRACKET - MICROWAVE - 89 DEGREE - 322R, 324F, 324V, 329B, 329N, 331T
1	116843-03-02B	EA	BRACKET - MICROWAVE - 322E
2	128527-06-000	EA	OVEN - MICROWAVE W/TRIM KIT- 1 CU.FT.- NON CONVECTION
	128642-03-000	EA	TRIM KIT W/VENT- MICROWAVE .9 CU.FT. - SAMSUNG - 2.1" HIGH
3	128711-01-02B	EA	BRACKET - MICROWAVE - 322E
	098916-24-02B	EA	BRACE - MICROWAVE CABINET - LEFT HAND - 329N, 331T
	098916-25-02B	EA	BRACE - MICROWAVE CABINET - RIGHT HAND - E-COATED - 329N, 331T
	098916-26-02B	EA	BRACE - MICROWAVE CABINET - LEFT HAND - 322R, 324V
	098916-27-02B	EA	BRACE - MICROWAVE CABINET - RIGHT HAND - E-COATED - 322R, 324V
	098916-28-02B	EA	BRACE - MICROWAVE CABINET - LEFT HAND - 322E
	098916-29-02B	EA	BRACE - MICROWAVE CABINET - RIGHT HAND - E-COATED - 322E
	098916-33-02B	EA	BRACE - MICROWAVE CABINET - LEFT HAND - E-COATED - 324F, 329B
	098916-34-02B	EA	BRACE - MICROWAVE CABINET - RIGHT HAND - E-COATED - 324F, 329B

APPLIANCE GROUP (CONTINUED)
COMPONENT PARTS FOR APPLIANCE



112881-02-03A

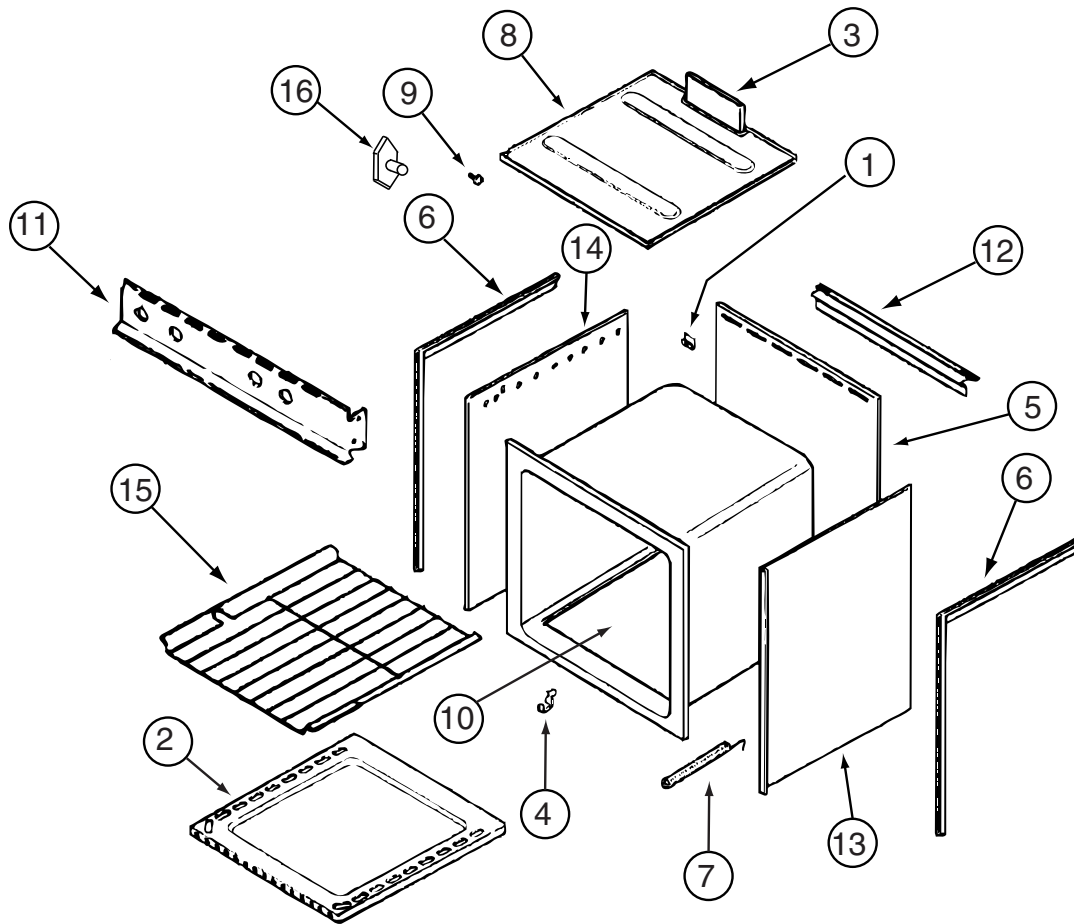
APPLIANCE GROUP (CONTINUED)
COMPONENT PARTS FOR APPLIANCE (CONTINUED)

112881-02-03A (CONTINUED)

KEY	PART NUMBER	U/M	DESCRIPTION	VENDOR NO.
1	126023-01-717	EA	BURNER - OVEN	74003343
2	112881-01-717	EA	BURNER, TOP REAR	7505P181-60
3	112881-02-703	EA	BURNER - FRONT HIGH OUTPUT	7505P142-60
4	102020-01-709	EA	BUMPER-GRATE	8007-P020-60
5	126023-01-730	EA	GRATE - TOP	74003358
6	098507-02-701	EA	INSERT-BURNER, SLOTTED VENT	7214P015-60
7	112881-01-718	EA	KNOB - TOP BURNER HI-OUTPUT	74001794
7	112881-01-705	EA	KNOB-TOP BURNER	7733P072-60
8	126023-02-700	EA	KNOB - THERMOSTAT - SERIES 11	74004359
8	126023-01-704	EA	KNOB - THERMOSTAT - SERIES 10	7731P109-60
9	126023-02-701	EA	PILOT - OVEN - SERIES 11	74004586
9	102020-01-714	EA	PILOT-OVEN - SERIES 10	968-143
10	126023-02-702	EA	PIPE - MANIFOLD - SERIES 11	74004360
10	126023-01-705	EA	PIPE - MANIFOLD - SERIES 10	7513P161-60
11	126023-02-703	EA	REGULATOR - PRESSURE - SERIES 11	74004235
11	128728-01-712	EA	FITTING HALF UNION - SERIES 11	7507P083-60
11	102022-01-708	EA	REGULATOR, 1/4 & 1/2 OUT - SERIES 10	7510P04160/12001285
13	102020-01-724	EA	BUMPER-MAIN TOP	8003P008-60
14	126023-01-734	EA	THERMOSTAT OVEN - SERIES 11	74004361
14	112881-01-722	EA	THERMOSTAT SER. - SERIES 10	7515P029-60K
15	126023-01-728	EA	TOP - MAIN (BLACK)	74003323
16	126023-02-704	EA	VALVE/OVEN - MERCURY - SERIES 11	74004585
16	112881-02-700	EA	VALVE - OVEN - SERIES 10	7501P056-60
17	126023-02-705	EA	VALVE -BURNER - REAR - SERIES 11	74004362
17	126023-02-706	EA	VALVE - BURNER -FRONT - SERIES 11	74004363
17	126023-01-709	EA	VALVE - BURNER (REAR) - SERIES 10	74003348
17	126023-01-710	EA	VALVE - BURNER (FRONT) - SERIES 10	74003349
18	135656-01-701	EA	MIXER/AIR	3411F003-34
	128728-01-712	EA	FITTING - HALF UNION	7507P083-60

APPLIANCE GROUP (CONTINUED)

COMPONENT PARTS FOR APPLIANCE (CONTINUED)

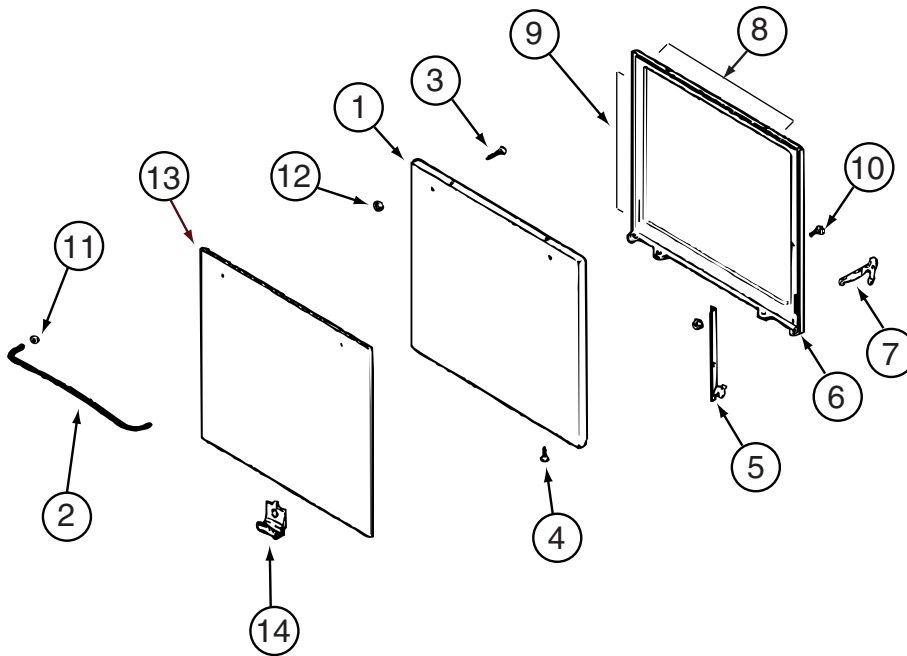


112881-02-03A (CONTINUED)

KEY	PART NUMBER	U/M	DESCRIPTION	VENDOR NO.
1	112881-02-701	EA	CLIP - MAIN TOP (REAR)	7112P071-60
2	126023-01-731	EA	BOTTOM - OVEN	2205F016-19
3	126023-01-718	EA	FLUE BOX ASSEMBLY	4006W075-80
6	112881-01-720	EA	TRIM-FLAT RH BLACK TEXTURED	4002812
6	112881-01-719	EA	TRIM-FLAT LH BLACK TEXTURED	74002813
7	112881-02-704	EA	SPRING-OVEN DOOR F/1641 MOD	7803P052-60
7	112881-02-702	EA	SPRING - OVEN DOOR	7803P051-60
11	126023-01-715	EA	PANEL - MANIFOLD	74003350
12	112881-01-721	EA	DEFLECTOR FLUE BLACK TEXTURE	74002809
15	126023-01-716	EA	RACK - OVEN	74003106
16	128728-01-703	EA	T-NUT - F/HINGE	7103P109-60
	112881-03-702	EA	CLIP - MAIN TOP	74003998

CONTACT WINNEBAGO PART SALES FOR UNLISTED COMPONENTS

APPLIANCE GROUP (CONTINUED)
COMPONENT PARTS FOR APPLIANCE (CONTINUED)

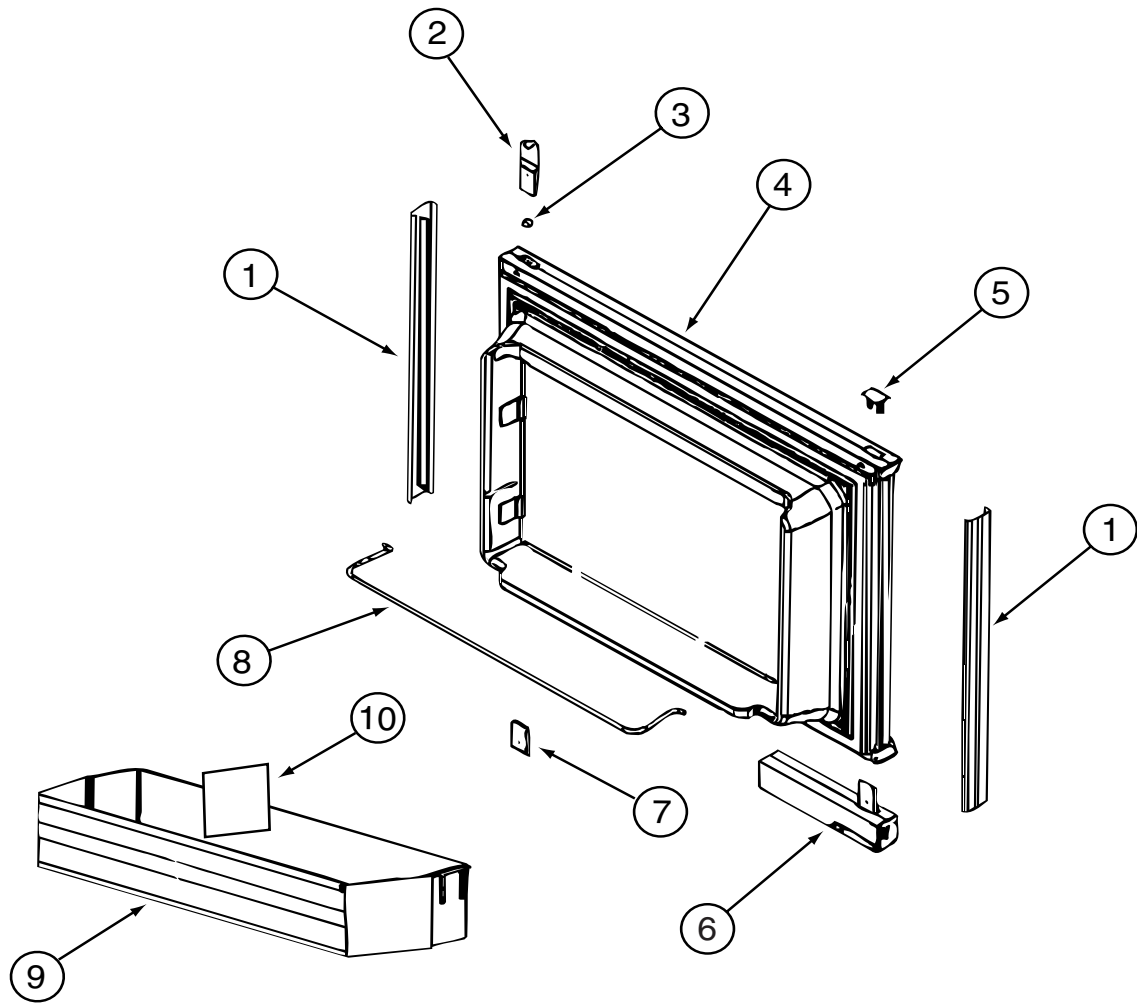


112881-02-03A (CONTINUED)

KEY	PART NUMBER	U/M	DESCRIPTION	VENDOR NO.
1	112881-02-705	EA	DOOR/OVEN-TEXT/BLK-F/WINDOW	74001273
1	112881-01-713	EA	DOOR/OVEN-TEXT/BLK NO WINDOW	2401F126-70
2	102020-01-701	EA	HANDLE,DOOR	7701P092-60
8	126023-01-732	EA	SEAL/OVEN DR TOP	7212P014-60
9	126023-01-733	EA	SEAL/OVEN DR SIDES(2PCS)	7212P038-60
13	102022-01-704	EA	GLASS-OUTER	7902P261-60

CONTACT WINNEBAGO PART SALES FOR UNLISTED COMPONENTS

APPLIANCE GROUP (CONTINUED)
COMPONENT PARTS FOR APPLIANCE (CONTINUED)

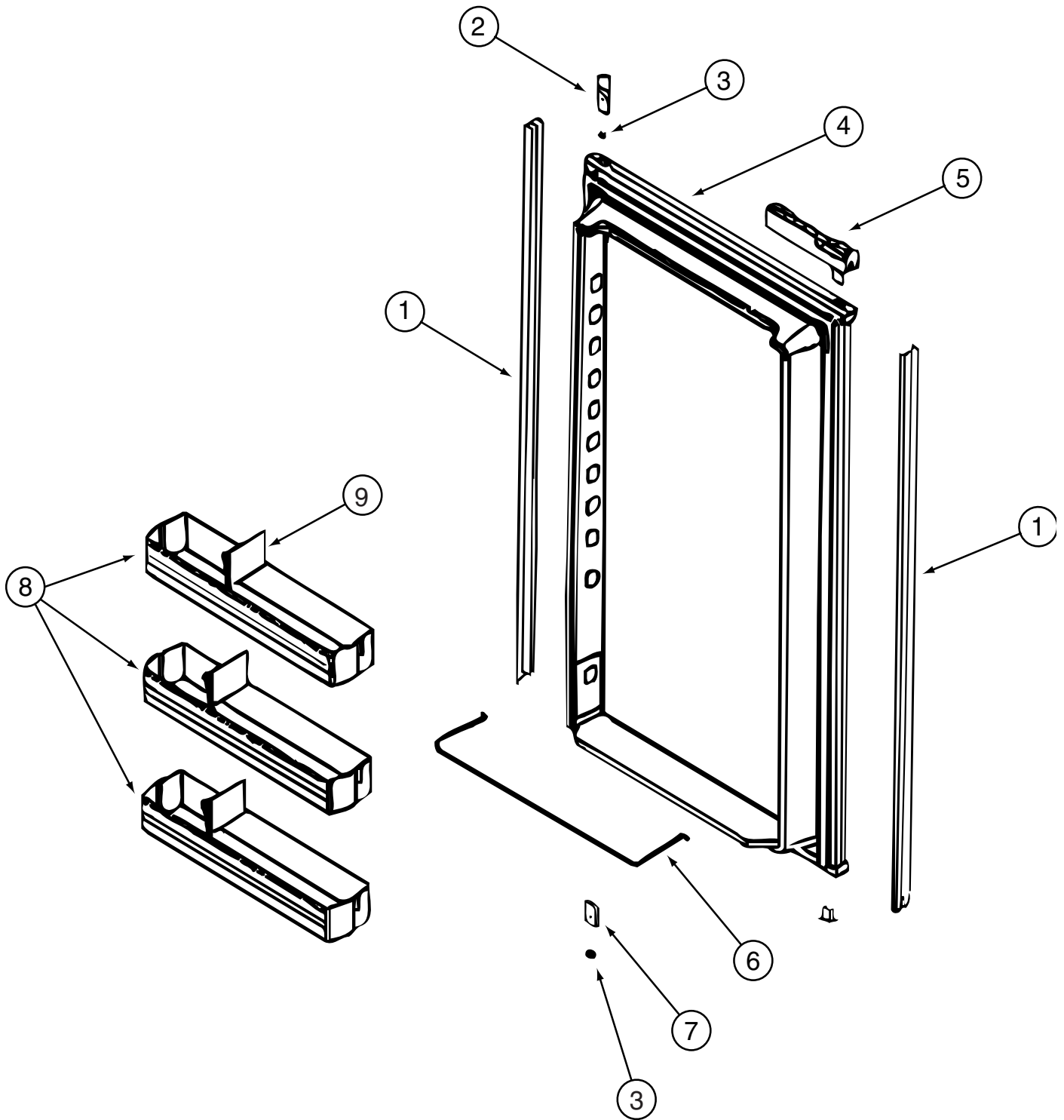


121568-03-01A, 121568-04-01A, 121568-05-01A

KEY	PART NUMBER	U/M	DESCRIPTION	VENDOR NO.
1	121568-03-700	EA	RETAINER - DOOR PANEL/BLACK	619558
1	121568-03-706	EA	RETAINER - DOOR PANEL/BLACK	619559
2	120075-01-701	EA	HINGE-TOP RH/BOTTOM LH(DOOR)	618511
4	121568-03-702	EA	DOOR LINER - W/TRIM/BLACK	619627 - SMALL DOOR
5	120075-01-702	EA	CAP, (HINGE PLUG)	618160
6	121568-03-703	EA	HANDLE/FLUSH-TOP/RH-LWR/LH	619865
6	121568-03-708	EA	HANDLE/FLUSH-TOP/LH-LWR/RH	619866
7	120075-01-705	EA	HINGE-TOP LH/BOTTOM RH(DOOR)	618510
	121568-03-704	EA	TRAVEL LATCH - GRAY	619647
	121568-03-705	EA	STORAGE LATCH - GRAY	619648

CONTACT WINNEBAGO PART SALES FOR UNLISTED COMPONENTS

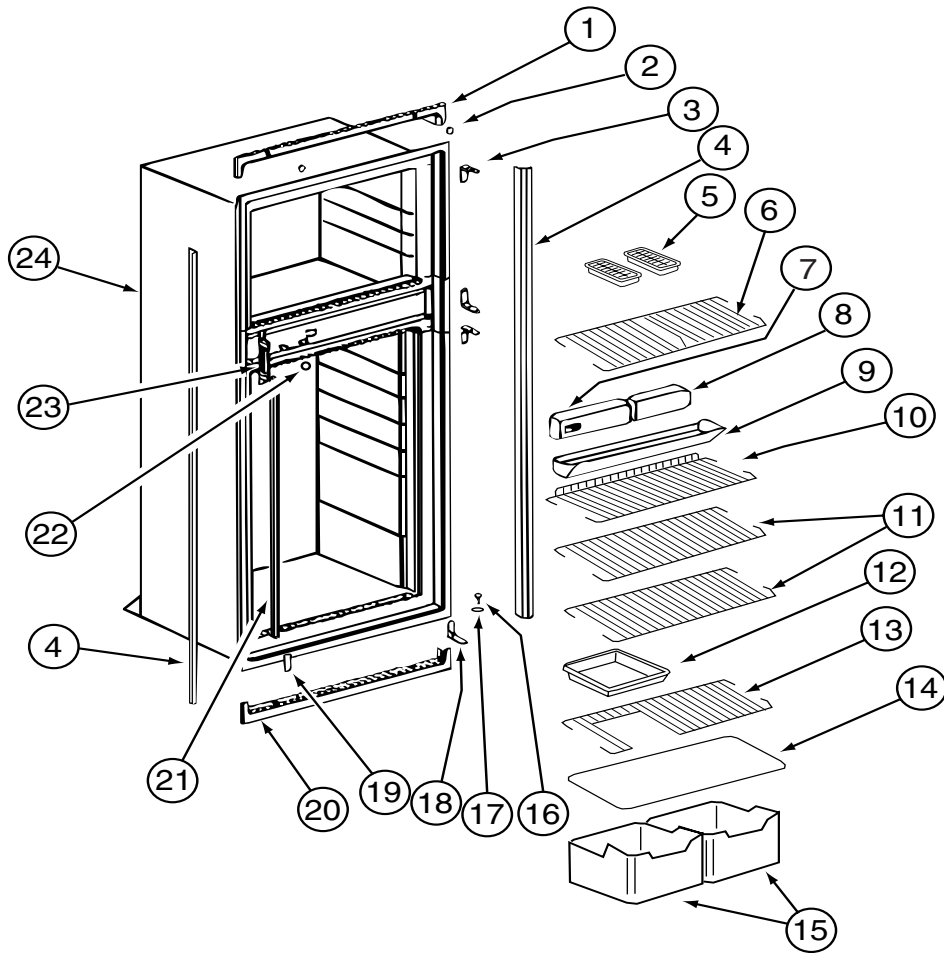
APPLIANCE GROUP (CONTINUED)
COMPONENT PARTS FOR APPLIANCE (CONTINUED)



121568-03-01A, 121568-04-01A, 121568-05-01A (CONTINUED)

KEY	PART NUMBER	U/M	DESCRIPTION	VENDOR NO.
1	121568-03-706	EA	RETAINER - DOOR PANEL/BLACK	619559
2	120075-01-701	EA	HINGE-TOP RH/BOTTOM LH(DOOR)	618511
3	121568-03-701	EA	BUSHING - HINGE PIN/GRAY	619671
4	121568-03-707	EA	DOOR LINER - BLACK	619629
5	121568-03-703	EA	HANDLE ASM TOP/RH-LWR/LH BLK	619865
5	121568-03-708	EA	HANDLE ASM - TOP/LH-LWR/RH	619866
6	121568-01-704	EA	RAIL - DOOR LOWER	618578
7	120075-01-705	EA	HINGE-TOP LH/BOTTOM RH(DOOR)	618510
8	121568-01-701	EA	BIN - DOOR WHITE	618619

APPLIANCE GROUP (CONTINUED)
COMPONENT PARTS FOR APPLIANCE (CONTINUED)

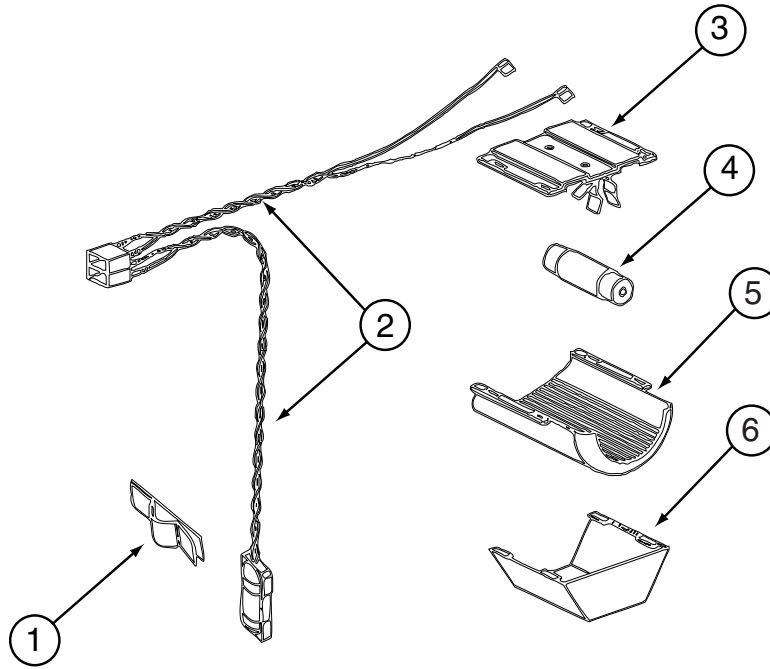


121568-03-01A, 121568-04-01A, 121568-05-01A (CONTINUED)

KEY	PART NUMBER	U/M	DESCRIPTION	VENDOR NO.
1	121568-03-709	EA	TRIM - TOP/BLACK	619687
2	120075-01-714	EA	PLUG-HOLE	618170
3	121568-03-710	EA	HINGE/CABINET-TOP/RH-LWR/LH	619335
4	121568-03-711	EA	TRIM - SIDE/BLACK	619801
6	121568-03-712	EA	SHELF - WIRE/FREEZER	20250
7	121568-03-714	EA	CONTROL ASM - 2 WAY BLACK	619350
8	121568-03-713	EA	FRONT BOX/DECORATIVE-BLACK	619282
9	120075-01-720	EA	TRAY-DRIP	618137
10	121568-01-707	EA	SHELF - WIRE - SHORT	618624
11	121568-01-708	EA	SHELF - WIRE	618589
14	120075-01-725	EA	COVER-CRISPER	618158
15	121568-01-709	EA	CRISPER	618571
16	120075-01-727	EA	PIN-HINGE	618145
18	121568-03-715	EA	HINGE/CABINET-TOP/LH-LWR/RH	619336
19	121568-03-716	EA	COVER - HINGE HOLES	619301
20	120075-01-729	EA	TRIM-BOTTOM PIECE	618136
21	120075-01-730	EA	RETAINER-SHELF	618181
22	121568-03-717	EA	HOLE PLUG - WHITE	619561
23	120075-01-732	EA	PLATE-STRIKE	618167
24	121568-03-718	EA	CABINET - FOAMED - N62	619658
	120075-01-721	EA	LOUVER-DRIP TRAY	618176

CONTACT WINNEBAGO PART SALES FOR UNLISTED COMPONENTS

APPLIANCE GROUP (CONTINUED)
COMPONENT PARTS FOR APPLIANCE (CONTINUED)

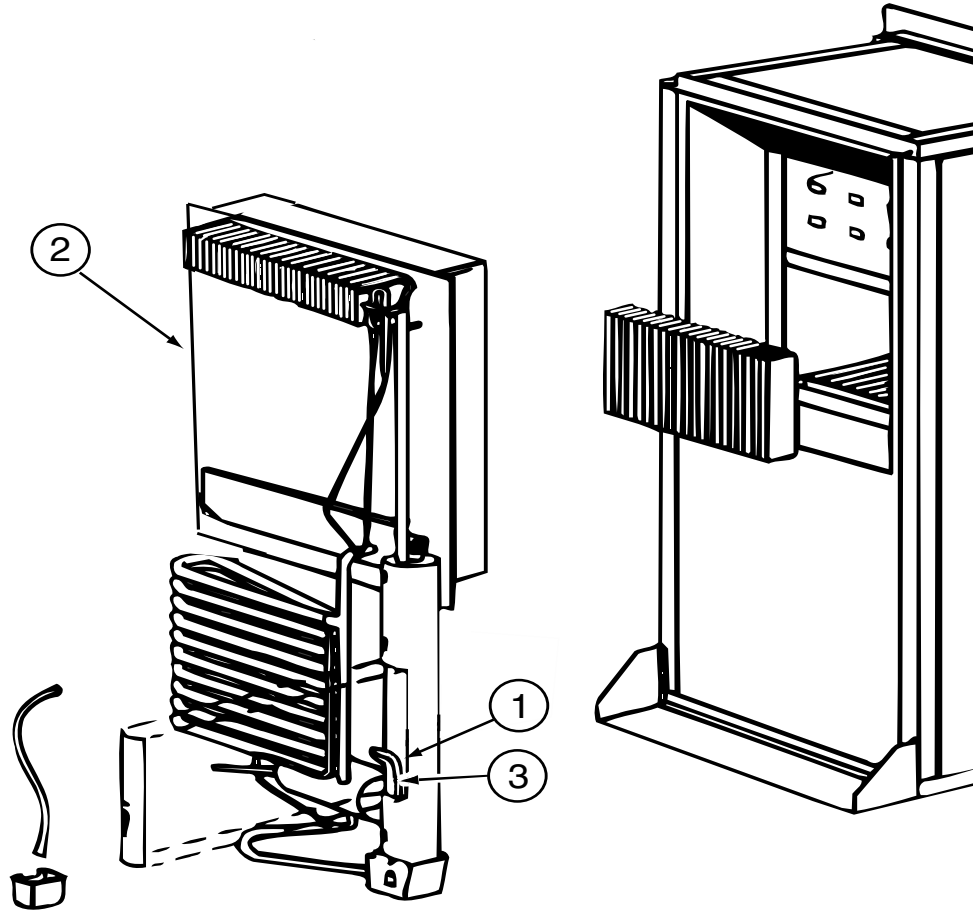


121568-03-01A, 121568-04-01A, 121568-05-01A (CONTINUED)

KEY	PART NUMBER	U/M	DESCRIPTION	VENDOR NO.
1	084880-01-760	EA	CLIP (THERMISTER)	61689122
2	120075-01-735	EA	THERMISTER W/LAMP & WIRE/ASM	618548
3	084880-03-705	EA	BRACKET-LIGHT-INTERIOR	61629722
4	084880-03-706	EA	BULB-LAMP	61628922
6	084880-03-707	EA	COVER-LAMP, LENS	61627922

CONTACT WINNEBAGO PART SALES FOR UNLISTED COMPONENTS

APPLIANCE GROUP (CONTINUED)
COMPONENT PARTS FOR APPLIANCE (CONTINUED)

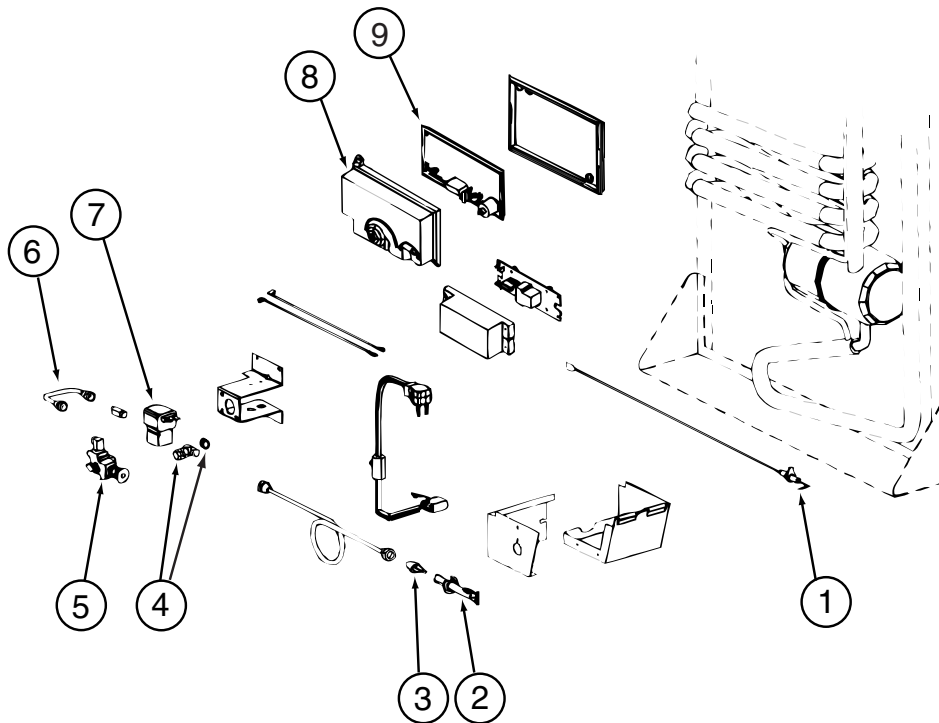


121568-03-01A, 121568-04-01A, 121568-05-01A (CONTINUED)

KEY	PART NUMBER	U/M	DESCRIPTION	VENDOR NO.
2	120076-01-704	EA	COOLING UNIT, SERVICE PACK	618543
3	088248-01-709	EA	HEATER-AC (HORIZONTAL)	61562722
	120075-01-744	EA	KIT - GAS VALVE/BURNER TUBE	620609

CONTACT WINNEBAGO PART SALES FOR UNLISTED COMPONENTS

APPLIANCE GROUP (CONTINUED)
COMPONENT PARTS FOR APPLIANCE (CONTINUED)

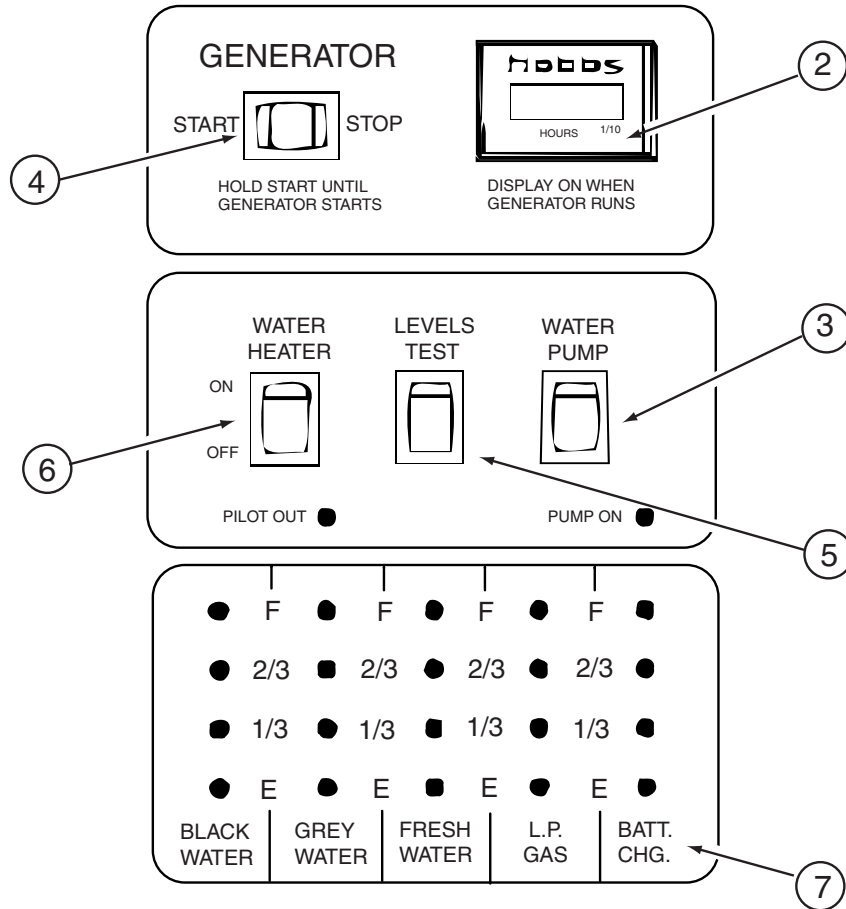


121568-03-01A, 121568-04-01A, 121568-05-01A (CONTINUED)

KEY	PART NUMBER	U/M	DESCRIPTION	VENDOR NO.
1	104137-06-715	EA	ELECTRODE-SPARK/SENSOR, SGL	61692222
2	104137-06-714	EA	BURNER ASSEMBLY, 5-SLOT	61705222
3	120076-01-705	EA	ORIFICE - JEWEL .015	618283
4	113737-01-702	EA	PLUG 1/8" F/PRESSURE TAP	61445322
4	113737-01-716	EA	TAP-PRESSURE	61594422
6	113737-01-750	EA	TUBE-UNION	61694622
7	084880-01-718	EA	VALVE-GAS, (ASCO)	61551822
8	120075-01-738	EA	COVER-POWER BOARD	618185
9	121568-03-719	EA	POWER - BOARD - 2-WAY	619353
	121568-03-720	EA	VALVE/SHUT OF-MANUAL ELECT	618696

CONTACT WINNEBAGO PART SALES FOR UNLISTED COMPONENTS

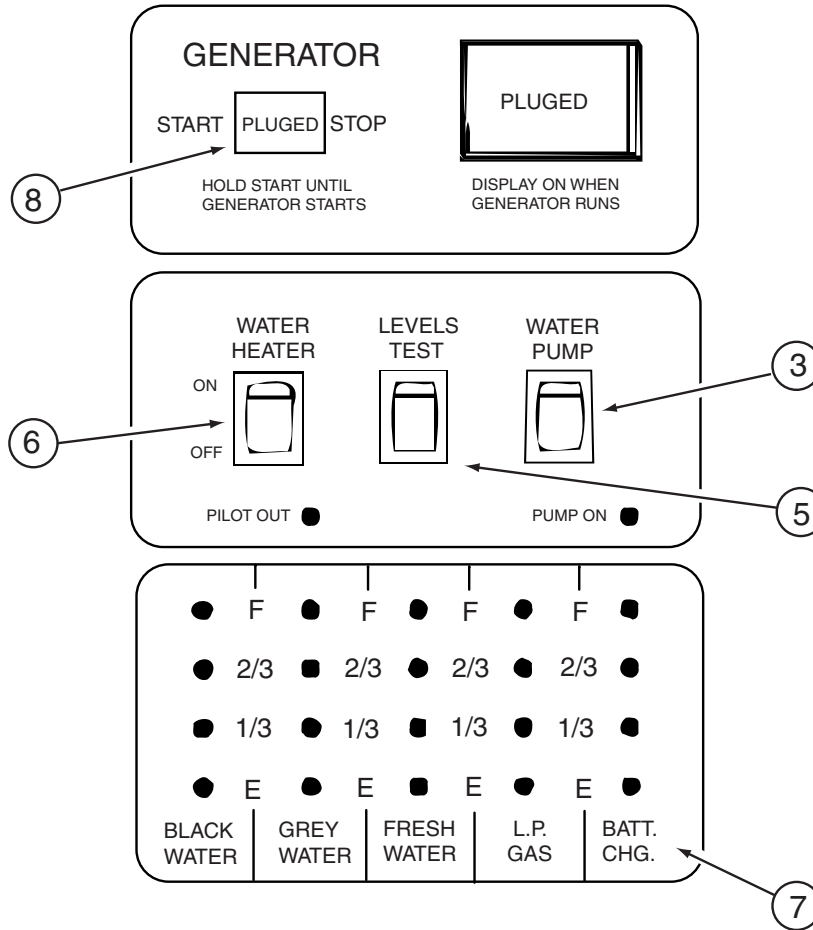
APPLIANCE GROUP (CONTINUED)
COMPONENT PARTS FOR APPLIANCE (CONTINUED)



134940-01-01A

KEY	PART NUMBER	U/M	DESCRIPTION	VENDOR NO.
	134940-01-700	EA	BOARD - PC	L5118
2	100258-10-701	EA	GAUGE-HOUR MTR-CLIP ON (LCD)	L0775-00
3	096983-01-703	EA	SWITCH - ON/ON	L0115-00
4	096983-01-702	EA	SWITCH - MOM/OFF/MOM/3 TERM	L0112-00
5	096983-01-701	EA	SWITCH - SPST/MOM 2 TERMINAL	L0111-00
6	134940-01-701	EA	SWITCH-SPST/ON-OFF/BLK W/LGT	L0109
7	134940-01-702	EA	CHASSIS - SILKSCREENED	CC0558-00
	100258-10-702	EA	HOUR METER(CLIP ON)SW & WIRE	L4441-00

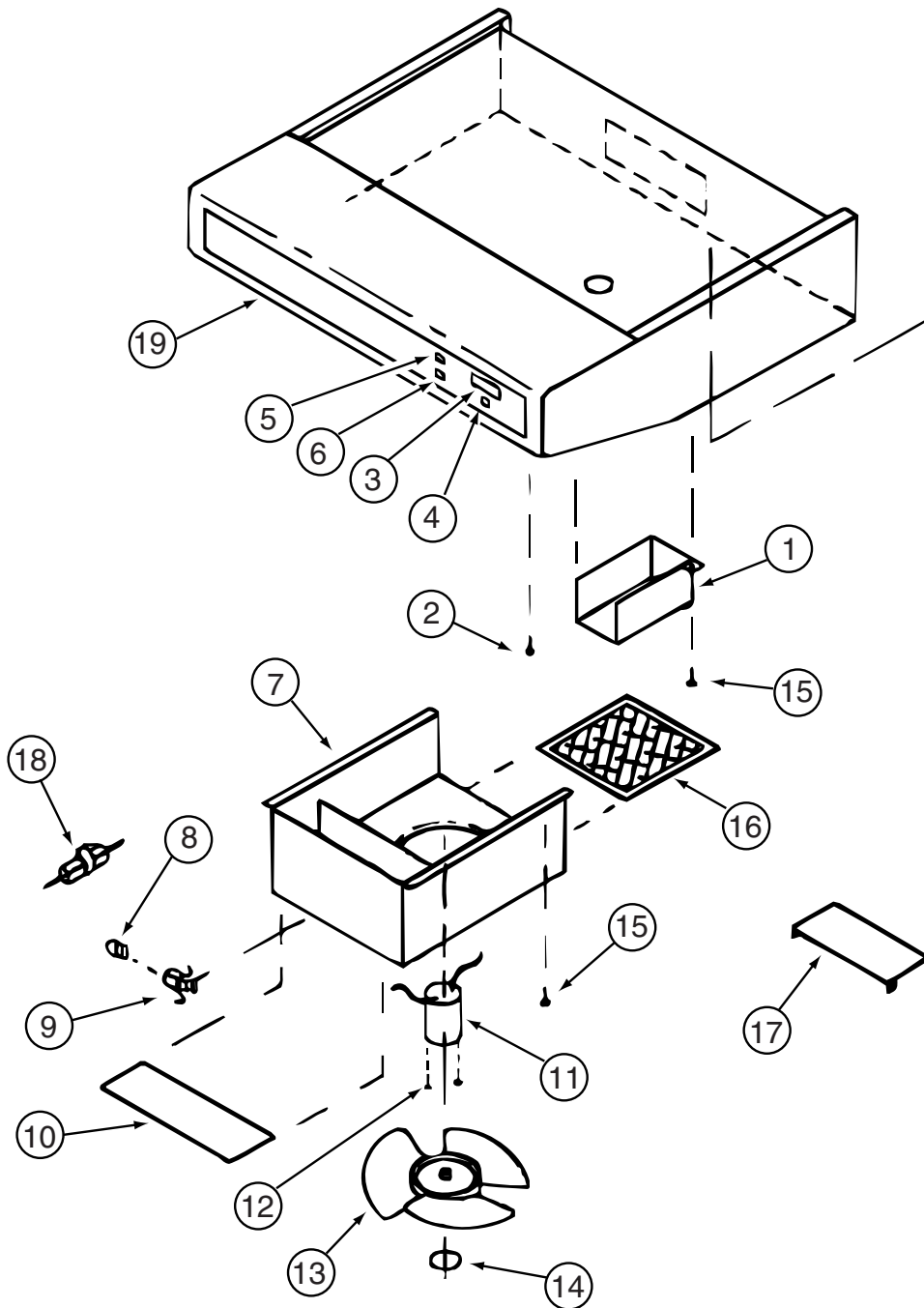
APPLIANCE GROUP (CONTINUED)
COMPONENT PARTS FOR APPLIANCE (CONTINUED)



134940-02-01A

KEY	PART NUMBER	U/M	DESCRIPTION	VENDOR NO.
	134940-01-700	EA	BOARD - PC	L5118
3	096983-01-703	EA	SWITCH - ON/ON	L0115-00
5	096983-01-701	EA	SWITCH - SPST/MOM 2 TERMINAL	L0111-00
6	134940-01-701	EA	SWITCH-SPST/ON-OFF/BLK W/LGT	L0109
7	134940-01-702	EA	CHASSIS - SILKSCREENED	CC0558-00
8	134940-02-700	EA	SWITCH - DUMMY	L0118

APPLIANCE GROUP (CONTINUED)
COMPONENT PARTS FOR APPLIANCE (CONTINUED)

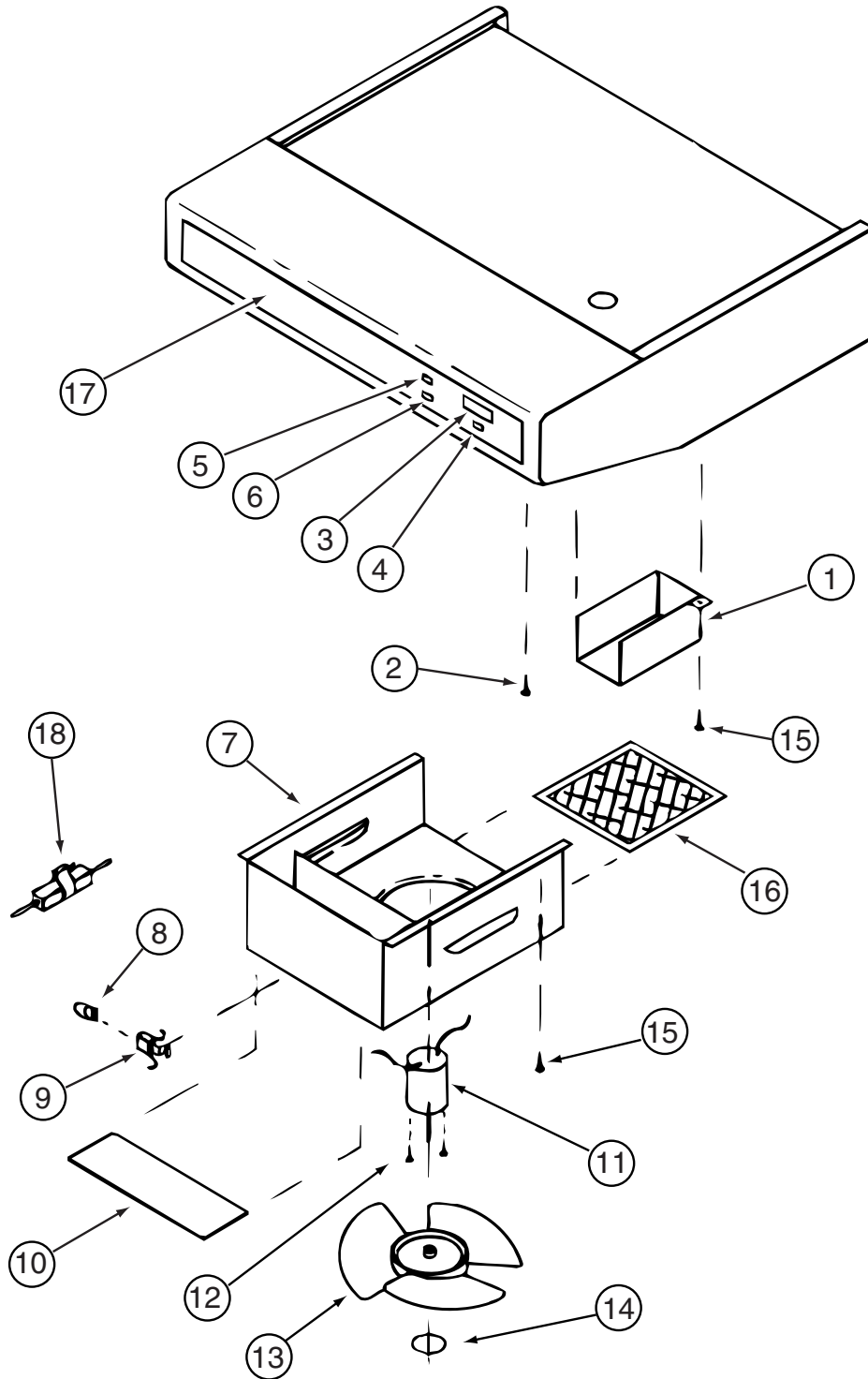


136354-01-01A, 136354-02-01A

KEY	PART NUMBER	U/M	DESCRIPTION	VENDOR NO.
4	096983-01-702	EA	SWITCH - MOM/OFF/MOM/3 TERM	L0112-0
6	096983-01-700	EA	SWITCH - ON/OFF	L0108-00
8	092696-01-709	EA	LAMP #912	VA415
9	092696-01-710	EA	HOLDER-LAMP	CB267-2
10	092696-02-701	EA	LENS-LAMP	CC179-2
11	090973-01-700	EA	MOTOR-12 VOLT, CSA & UL	CA508-1
13	090973-01-702	EA	BLADE-FAN	VA183-1
16	096983-01-707	EA	FILTER-MESH	CC246
17	100258-01-701	EA	DAMPER ASSEMBLY	CAO-565-00
19	136354-01-700	EA	OVERLAY	CE0110-00

CONTACT WINNEBAGO PART SALES FOR UNLISTED COMPONENTS

APPLIANCE GROUP (CONTINUED)
COMPONENT PARTS FOR APPLIANCE (CONTINUED)

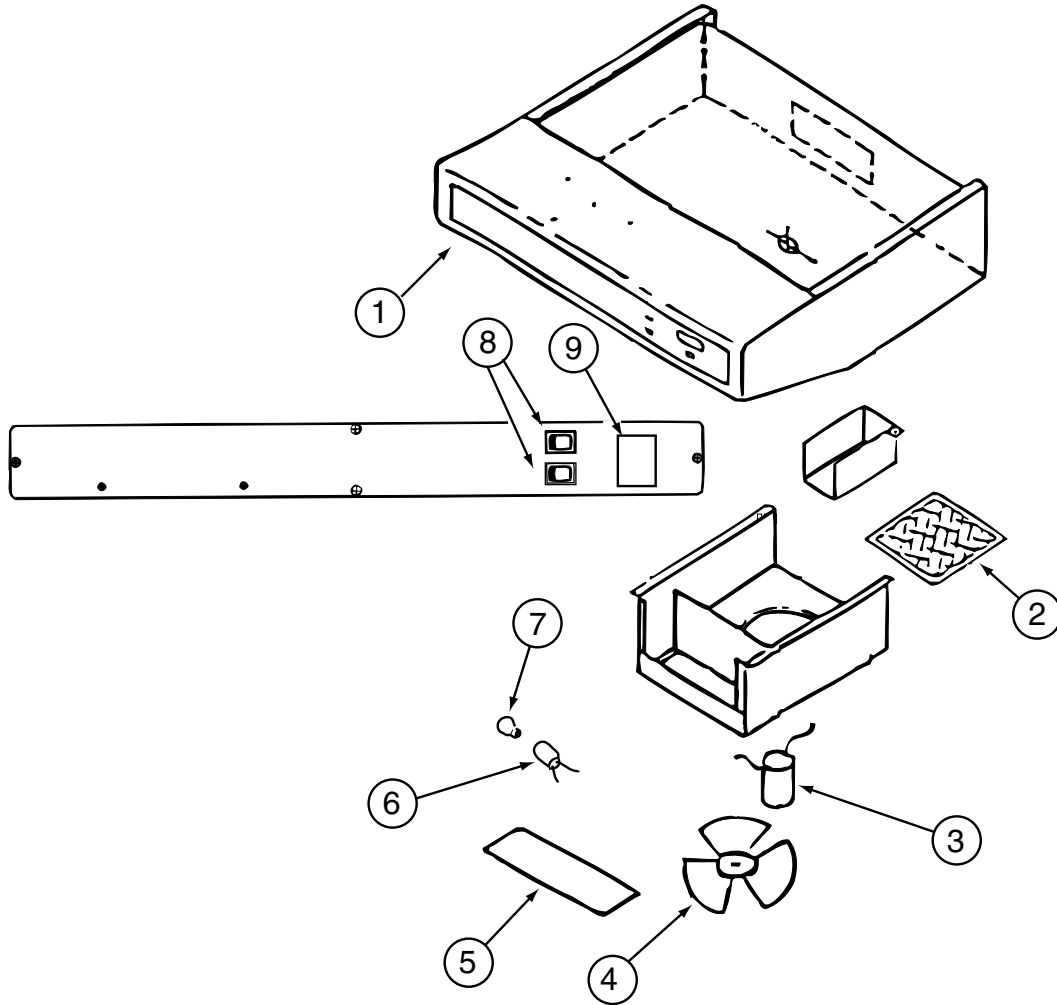


136354-03-01A

KEY	PART NUMBER	U/M	DESCRIPTION	VENDOR NO.
4	096983-01-702	EA	SWITCH - MOM/OFF/MOM/3 TERM	L0112-00
6	096983-01-700	EA	SWITCH - ON/OFF	L0108-00
8	092696-01-709	EA	LAMP #912	VA415
9	092696-01-710	EA	HOLDER-LAMP	CB267-2
10	092696-02-701	EA	LENS-LAMP	CC179-2
11	090973-01-700	EA	MOTOR-12 VOLT, CSA & UL	CA508-1
13	090973-01-702	EA	BLADE-FAN	VA183-1
16	096983-01-707	EA	FILTER-MESH	CC246
17	136354-01-700	EA	OVERLAY	CE0110-00

CONTACT WINNEBAGO PART SALES FOR UNLISTED COMPONENTS

APPLIANCE GROUP (CONTINUED)
COMPONENT PARTS FOR APPLIANCE (CONTINUED)



136354-04-01A

KEY	PART NUMBER	U/M	DESCRIPTION	VENDOR NO.
4	096983-01-702	EA	SWITCH - MOM/OFF/MOM/3 TERM	L0112-00
6	096983-01-700	EA	SWITCH - ON/OFF	L0108-00
8	092696-01-709	EA	LAMP #912	VA415
9	092696-01-710	EA	HOLDER-LAMP	CB267-2
10	092696-02-701	EA	LENS-LAMP	CC179-2
11	090973-01-700	EA	MOTOR-12 VOLT, CSA & UL	CA508-1
13	090973-01-702	EA	BLADE-FAN	VA183-1
16	096983-01-707	EA	FILTER-MESH	CC246
17	136354-01-700	EA	OVERLAY	CE0110-00

CONTACT WINNEBAGO PART SALES FOR UNLISTED COMPONENTS

AUDIO VIDEO GROUP

RADIO SYSTEM

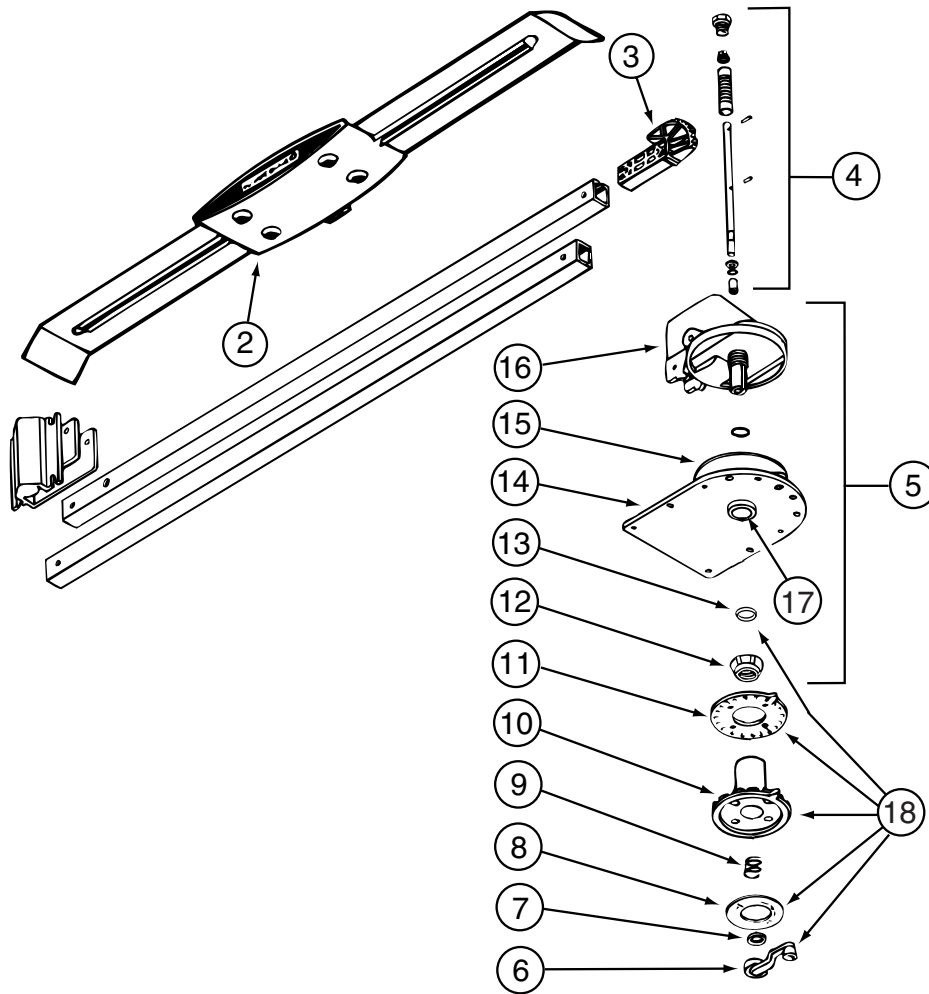
KEY	PART NUMBER	U/M	DESCRIPTION
	077069-02-000	EA	CABLE - ANTENNA/EXTENSION - RADIO - 96"
	090944-01-000	EA	ANTENNA - RADIO - 16" RUBBER
	108847-01-000	EA	BRACKET - ANTENNA GROUND
	109889-02-000	EA	EXTENDER - ANTENNA SHAFT - 2.1" - 322E , 322R , 331T
	109889-05-000	EA	EXTENDER - ANTENNA SHAFT - 5" - 324F , 324V , 329B , 329N
	110469-01-000	EA	SPEAKER - 4" X 6" OVAL - COAXIAL
	110470-01-01A	EA	GRILLE - 4" X 6" OVAL SPEAKER - BLACK
	111177-01-01A	EA	GRILLE - SPEAKER - 6.6" X 8.9" - HOUSING 5" X 7" SPEAKER
	127517-07-000	EA	RADIO - AM/FM STEREO - CD PLAYER - SONY CDX-1200 - EXTERIOR ENTERTAINMENT W/CD FROM: 00-00-00 THRU: 08-02-01
	127517-10-000	EA	RADIO - AM/FM STEREO - CD PLAYER - SONY CDX-L250 - EXTERIOR ENTERTAINMENT W/CD FROM: 08-03-01 THRU: 02-10-02
	127517-11-000	EA	RADIO - AM/FM STEREO - CD PLAYER - SONY CDX-L300 - EXTERIOR ENTERTAINMENT W/CD FROM: 02-11-02 THRU: 99-99-99
	125322-02-000	EA	RADIO-AM/FM STEREO/CASSETTE-AUDIOVOX-MS-306- W/CASS - EXTERIOR ENTERTAINMENT
	136543-01-000	EA	RADIO - AM/FM CD - FORD - XL5F-18C815-AA - DASH W/CD
	136542-01-000	EA	RADIO - AM/FM CASSETTE - F87F-19B132-BA - DASH W/CASSETTE
	108137-01-000	EA	PLUG - ANTENNA

TV & VCR

KEY	PART NUMBER	U/M	DESCRIPTION
*	076319-23-000	EA	ANTENNA - TV ROOF MOUNT - 44.5" MAST
	076319-26-000	EA	ANTENNA - TV - ROOF WEDGE
	069726-02-000	EA	BUMPER - .88" OD X .40" THICK - BLACK
*	076319-25-000	EA	KIT - HARDWARE INTERIOR
*	137135-01-000	EA	ANTENNA - SATELLITE DSS - W/SENSOR
	120233-05-000	EA	WIRE ASSEMBLY - 30" CONNECTS TO WALLPLATE DISPLAY
	076319-08-000	EA	WALLPLATE - CABLE RECEPTACLE - TV - SINGLE - IVORY
	076319-09-000	EA	WALLPLATE - CABLE RECEPTACLE - TV - SINGLE - BROWN
	076319-03-000	FT	CABLE - COAXIAL - 75 OHM
	134006-01-03B	EA	PLATE - COAXIAL CABLE/OFF WHITE
	076319-12-000	EA	CONNECTOR - COAXIAL - ONE PIECE
	086756-01-000	EA	SPLITTER - TV - 2 WAY
	082134-01-000	EA	ADAPTER - TV - CABLE TO CABLE
	082136-01-000	EA	NUT - HEX JAM - 3/8-32
	086777-02-000	EA	WALLPLATE - TV CABLE - W/ANTENNA SWITCH - BLACK
	086757-04-000	EA	CONTROL CENTER - SWITCH - VCR/TV - 5 INPUTS
	086777-06-000	EA	WALLPLATE - TV CABLE - ANTENNA BOOSTER/1 OUTPUT - BLACK - 19" TV W/VCP & VCR W/REMOTE
*	126696-03-000	EA	TV - 19" COLOR W/1/8" JACK - UL/CSA - GALLEY
*	133377-02-000	EA	TV - 25" COLOR W/O 1/8" JACK - UL/CSA - GE 25GT240 - FRONT OVERHEAD
	126697-06-000	EA	VCR - VHS/CABLE READY - W/REMOTE - GE VG4060 FROM: 00-00-00 THRU: 05-06-01
	126697-07-000	EA	VCR - VHS/CABLE READY - W/REMOTE - GE VG4045 FROM: 05-07-01 THRU: 99-99-99
*	086231-10-000	EA	TV - 13" COLOR - AUDIOVOX AVT-1498/DC - SIDE OVERHEAD
*	094487-05-000	EA	VIDEO CASSETTE PLAYER - VERTIC - AVP-7000VF - 13" TV W/VCP
	139335-01-02B	EA	PLATE - ELECTRICAL - E-COATED

***COMPONENT PARTS LISTED LATER IN THIS GROUP**

AUDIO VIDEO GROUP (CONTINUED)
COMPONENT PARTS FOR TV & VCR



076319-23-000

KEY	PART NUMBER	U/M	DESCRIPTION	VENDOR NO.
2	076319-01-700	EA	HEAD - ANTENNA - AMPLIFIED	RVSA U/V
3	076319-01-701	EA	GEAR - ELEVATING - PLASTIC	2200046
4	076319-01-702	EA	SHAFT ASM - ELEVATING	RVP-400A
5	076319-01-711	EA	BASE & LIFT ASM	2762802
7	076319-01-705	EA	BEARING - NYLON - 7/8"ID	3200658
8	076319-01-708	EA	DECAL-CRANK	5413002
9	076319-01-707	EA	SPRING - HANDLE	5160822
11	076319-01-709	EA	PLATE-CEILING (IVORY)	3200621
11	076319-01-712	EA	PLATE - CEILING	3200608
12	076319-01-715	EA	NUT (GEAR HOUSING)	2200047
14	076319-01-713	EA	BASE PLATE	3100523
15	076319-01-703	EA	BEARING - NYLON - 5"OD	3200656
16	076319-01-714	EA	HOUSING - ROTATING GEAR	2200049
	076319-01-716	EA	TUBING, ELEVATING	RP-2900
17	076319-01-704	EA	BEARING-NYLON, 1.25"OD	3200657

CONTACT WINNEBAGO PART SALES FOR UNLISTED COMPONENT

076319-25-000

KEY	PART NUMBER	U/M	DESCRIPTION	VENDOR NO.
6	076319-01-706	EA	CRANK-ELEVATING W/SET SCREW	2750897
6	120233-01-710	EA	HANDLE-CRANK	RP-6795
8	076319-01-708	EA	DECAL-CRANK	5413002
9	076319-01-707	EA	SPRING-HANDLE	2160822
10	076319-25-700	EA	DIRECTIONAL HANDLE(WHITE)	3200612
11	076319-25-701	EA	PLATE - CEILING(WHITE)	3200609
13	120233-01-709	EA	WASHER-NYLON	RP-2658

CONTACT WINNEBAGO PART SALES FOR UNLISTED COMPONENTS

AUDIO VIDEO GROUP (CONTINUED)
COMPONENT PARTS FOR TV & VCR (CONTINUED)

086231-10-000

KEY	PART NUMBER	U/M	DESCRIPTION	VENDOR NO.
	086231-08-700	EA	REMOTE-UNIVERSAL	892325
	086231-08-701	EA	CONVERTER/POWER SUP 110/12 V	891436
	086231-10-700	EA	ADAPTER WIRE - (CIGARETTE)	894000

094487-05-000

KEY	PART NUMBER	U/M	DESCRIPTION	VENDOR NO.
	086231-08-700	EA	REMOTE-UNIVERSAL	0892325
	094487-03-700	EA	WIRE - ADAPTER	0891436

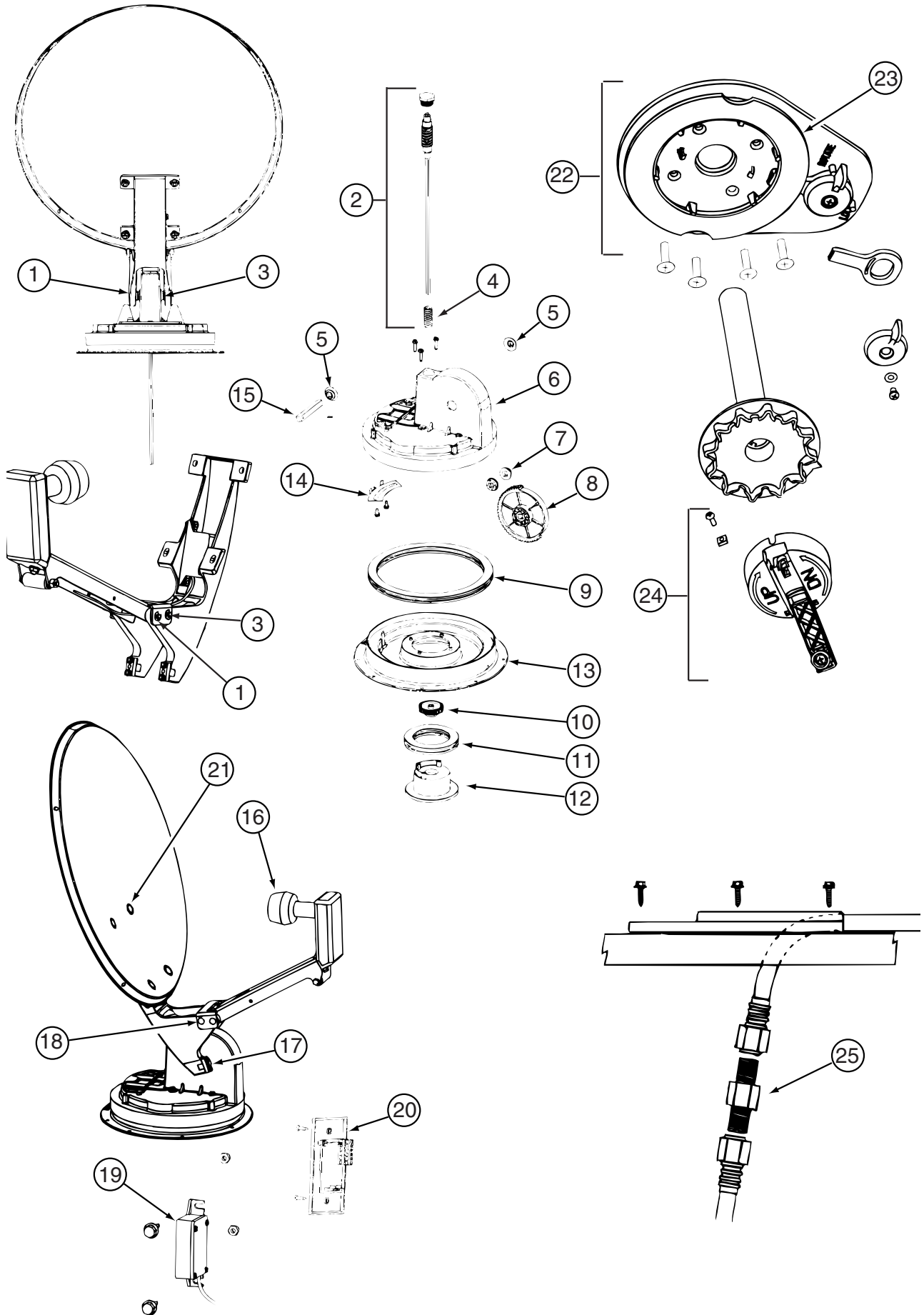
126696-03-000

KEY	PART NUMBER	U/M	DESCRIPTION	VENDOR NO.
	126696-01-700	EA	REMOTE	226725/228006

133377-01-000

KEY	PART NUMBER	U/M	DESCRIPTION	VENDOR NO.
	133377-01-700	EA	REMOTE	240961

AUDIO VIDEO GROUP (CONTINUED)
COMPONENT PARTS FOR TV & VCR (CONTINUED)



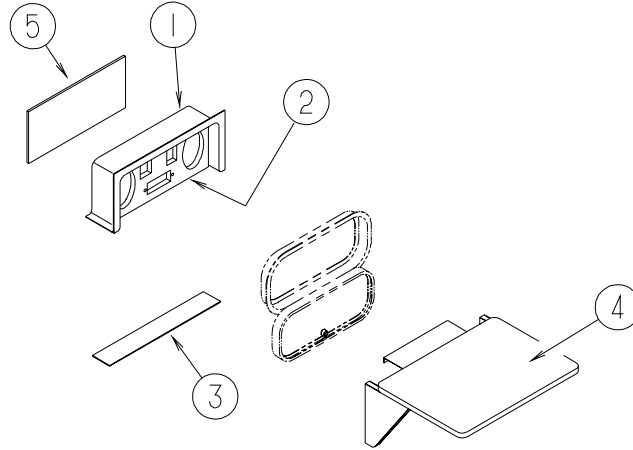
137135-01-000

AUDIO VIDEO GROUP (CONTINUED)
COMPONENT PARTS FOR TV & VCR (CONTINUED)

137135-01-000 (CONTINUED)

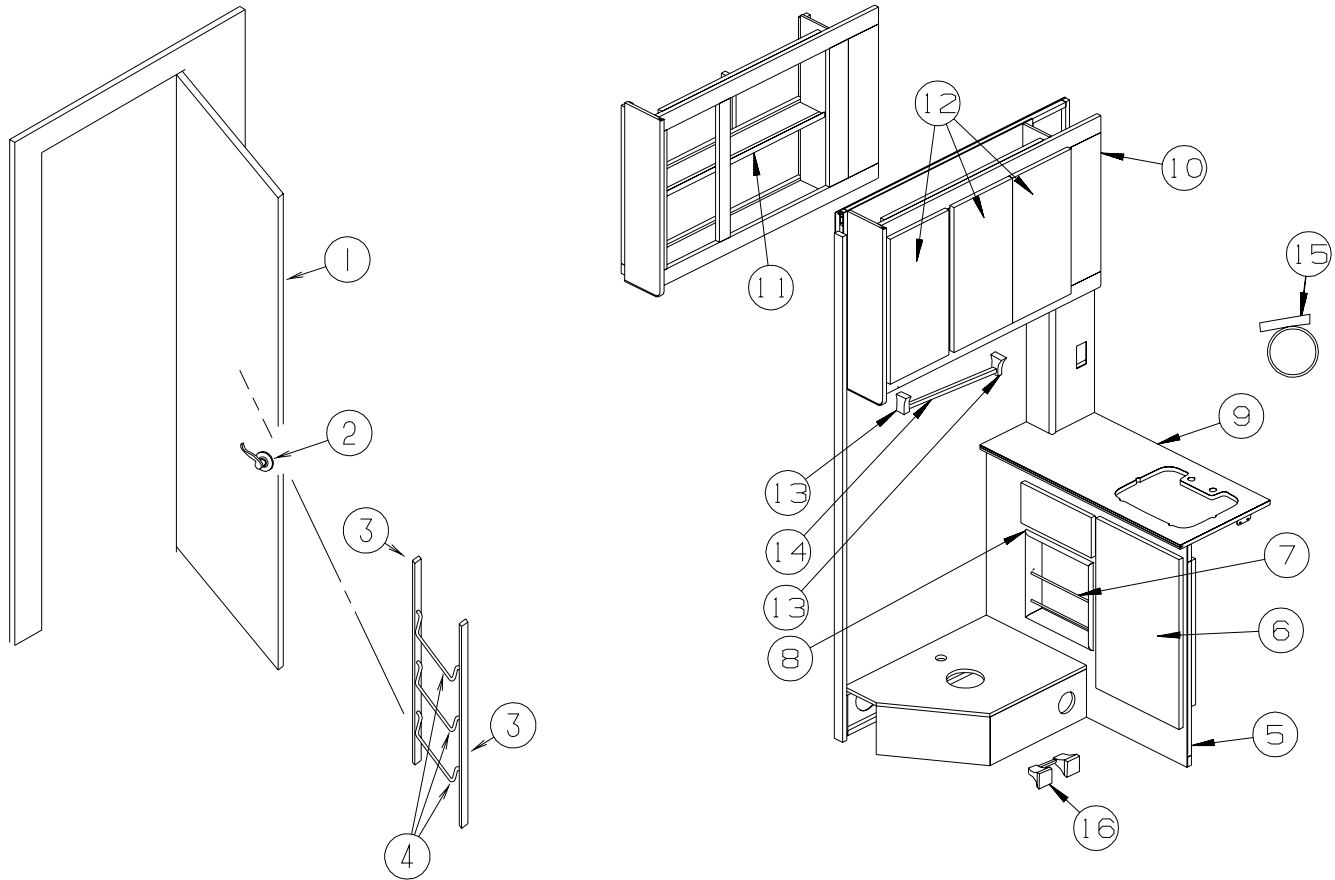
KEY	PART NUMBER	U/M	DESCRIPTION	VENDOR NO.
1	120233-01-714	EA	CLIP-E	5160818
2	137135-01-703	EA	SHAFT-ELEVATING(SPRING/PLUG)	RP-4400
3	137135-01-704	EA	PIN - 1/4" X 3.25"	2160813
4	137135-01-705	EA	SPRING	2160818
5	137135-01-707	EA	SEAL - PIVOT SHAFT	2200852
6	137135-01-708	EA	TURRET	3100728
7	137135-01-709	EA	PIVOT BEARING	2200470
8	137135-01-711	EA	GEAR - ELEVATING	2200464
9	137135-01-712	EA	BEARING - OUTER	2590347
10	137135-01-714	EA	GEAR - ELEVATING SHAFT	2200465
11	137135-01-715	EA	BEARING - INNER	2590348
12	137135-01-716	EA	HUB	3100731
13	137135-01-713	EA	TURRET BASE	3100730
14	137135-01-710	EA	PLATE - ROTATE LIMIT	3720052
15	137135-01-706	EA	PIVOT SHAFT	2590344
16	120233-01-734	EA	LOW NOISE BLOCK FILTER (SGL)	LB10003
17	137135-01-722	EA	CLAMP	2590343
18	137135-01-719	EA	BRACKET - PIVOT	2744945
19	137135-01-720	EA	DE-SENSOR UNIT W/43" CABLE	276342
20	137135-01-721	EA	WALL PLATE	3200213
21	137135-01-717	EA	BOLT - FLAT HEAD	216032
22	120233-01-722	EA	PLATE ASSEMBLY (CEILING)	2762826
23	120233-01-704	EA	DIAL - DIRECTIONAL	3200364
24	120233-01-721	EA	CRANK HANDLE ASSEMBLY	2762825
25	137135-01-701	EA	CONNECTOR - F - MALE TO MALE	FS-8100
	137135-01-700	EA	ROOF WEDGE W/GASKET	RW-5000
	137135-01-718	EA	REFLECTOR/WHITE - 46CM	2745282

AUDIO VIDEO GROUP (CONTINUED)
EXTERIOR ENTERTAINMENT



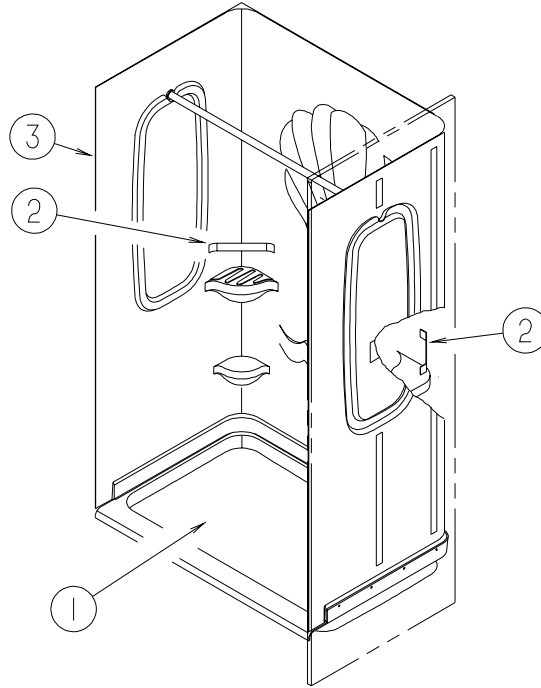
KEY	PART NUMBER	U/M	DESCRIPTION
1	124696-01-01A	EA	BOX - ENTERTAINMENT CENTER/EXTERIOR - 322E, 322R, 324F, 329B, 331T
1	104897-02-02A	EA	BOX - EXTERIOR ENTERTAINMENT CENTER - 324V, 329N
2	127409-02-L15	EA	PLATE - RADIO MOUNTING - 322E, 322R, 324F, 329B, 331T
2	127409-01-L07	EA	PLATE - RADIO MOUNTING - 324V, 329N
3	104898-01-02A	EA	PLATE - PLASTIC BOTTOM - BRIGHT WHITE
4	105230-01-J01	EA	SHELF - EXTERIOR ENTERTAINMENT CENTER - W/BRKT/HINGE/SUPT FROM: 00-00-00 THRU: 01-15-02
4	142034-01-01A	EA	SHELF - F/EXTERIOR TV FROM: 01-16-02 THRU: 99-99-99
5	104898-02-02A	EA	PLATE - PLASTIC BACK - BRIGHT WHITE - 322E, 322R, 324F, 329B, 331T

BATH GROUP CABINETS



KEY	PART NUMBER	U/M	DESCRIPTION
1	131933-07-L81	EA	DOOR - BATH - W/O HARDWARE
2	111155-05-01A	EA	LOCK - PRIVACY/LOCKING - POLISHED BRASS - "S" SHAPE HANDLE
3	P34509-01-N01	EA	RAIL END - RH/LH - TOWEL RACK - PORTSMOUTH OAK
4	100357-01-000	EA	ROD - F/TOWEL BAR - BRASS
5	140079-01-N01	EA	CABINET - LAVATORY - W/O COUNTERTOP/DOORS/DRAWERS/HARDWARE
6	134783-E2-N04	EA	DOOR - RAIL/SOLID PANEL - 15.3" X 25.5" - W/O SLIDES/HDW
7	137602-07-N01	EA	POCKET - MAGAZINE
8	P34767-61-N04	EA	DRAWER - PENCIL EDGE - 10.7"W X 13.7"D-W/O SLIDES/HARDWARE
9	133654-17-N01	EA	COUNTERTOP - LAMINATED - GRAY TRANQUILITY (N04, N05)
9	133654-17-N03	EA	COUNTERTOP - LAMINATED - WHITE TALC (N06)
10	140081-01-N01	EA	CABINET - OVERHEAD/MEDICINE - W/O DOORS/HARDWARE
11	140081-14-N01	EA	SHELF - W/PLASTIC EDGE MOLDING
12	134781-41-N04	EA	DOOR - RAIL/VENEER - 10.8" X 21.8" - W/O HARDWARE
	076767-04-000	EA	CABLE - STAINLESS STEEL - 5.9"
13	075453-03-000	EA	BRACKET - TOWEL BAR - BRASS - 2 PER PACK
14	075453-04-000	EA	ROD - F/TOWEL BAR - 18" BRASS - W/O END BRACKETS
15	132046-02-01A	EA	RING - TOWEL - BRASS
16	085278-01-000	EA	HOLDER - TOILET PAPER - RECESSED - BRASS

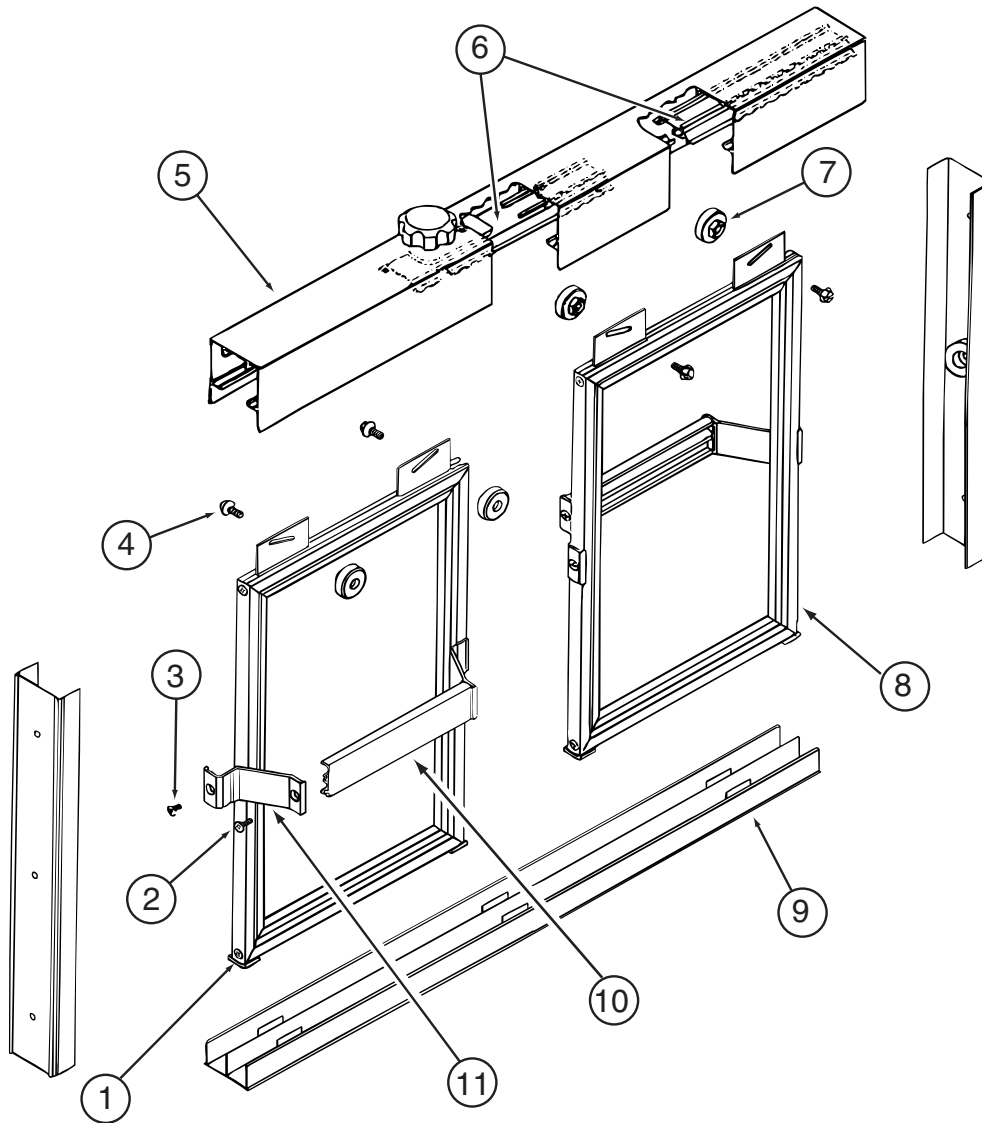
BATH GROUP (CONTINUED) SHOWER



KEY	PART NUMBER	U/M	DESCRIPTION
1	M02630-66-N09	EA	SHOWER PAN - W/STRAINER
2	113714-04-02A	EA	RETAINER - SHELF/SHOWER - SOFT WHITE
3	132216-02-01A	EA	SHOWER - SURROUND - SOFT WHITE
*	115011-03-01A	EA	DOOR - SHOWER/BYPASS - 39.3" X 65" - W/HARDWARE & LOCK
*	135615-05-01A	EA	DOOR - SHOWER/FOLDING - 39" X 66" - WHITE/WHITE

***COMPONENT PARTS LISTED LATER IN THIS GROUP**

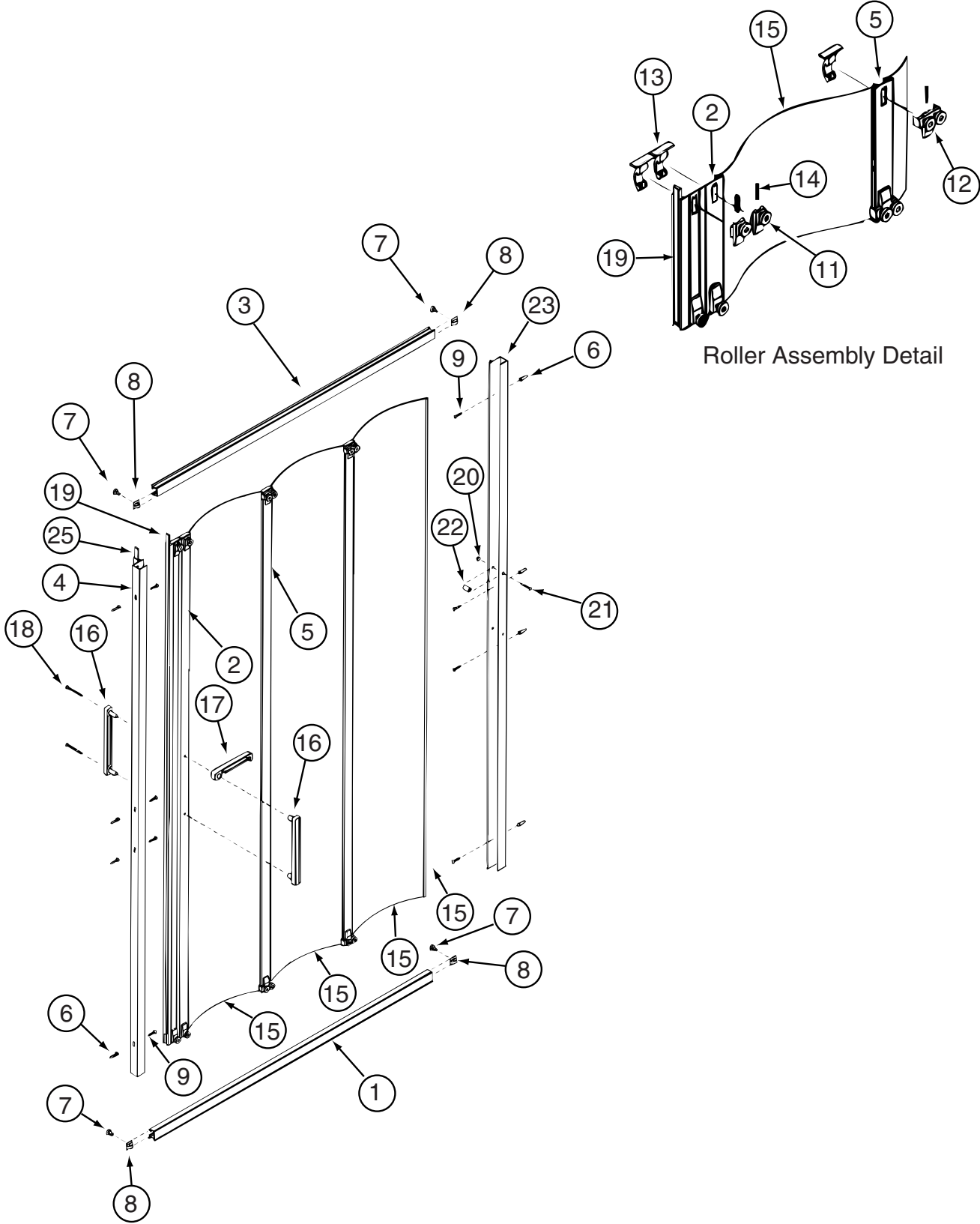
BATH GROUP (CONTINUED)
COMPONENT PARTS FOR SHOWER DOOR



115011-03-01A

KEY	PART NUMBER	U/M	DESCRIPTION	VENDOR NO.
1	115011-01-701	EA	GUIDE-NYLON, (W-TRACK)	1104
2	115011-01-707	EA	SCREW F/TOWEL BAR	612F
3	115011-01-708	EA	SCREW F/TOWEL BAR BRKTS	638F
4	115011-01-705	EA	SCREW-ROLLER, (HEX HEAD)	832HEX
5	115011-01-700	EA	HEADER, W/O ANTI JUMP GUARD	120G
6	115011-01-710	EA	GUARD-ANTI JUMP	130
7	115011-01-704	EA	ROLLERS	PN193
8	115011-01-706	FT	GLAZING VINYL	C 169
9	115011-01-709	EA	TRACK-BOTTOM- 50"	90
10	115011-01-703	EA	BAR-TOWEL	136
11	115011-01-702	EA	BRACKET-TOWEL BAR	135
	115011-01-711	EA	KNOB-TENSION,(HEADER W/BOLT)	1420K-1420S
	115011-01-712	EA	BOLT-TENSION, (HEADER)	1420S
	115011-01-714	EA	BUMPER - RATTLE/SHOWER DOOR	5168S
	115011-01-715	EA	PAD - FOAM	116R

BATH GROUP (CONTINUED)
COMPONENT PARTS FOR SHOWER DOOR (CONTINUED)



135615-01-01A, 135615-02-01A, 135615-03-01A, 135615-04-01A & 135615-05-01A

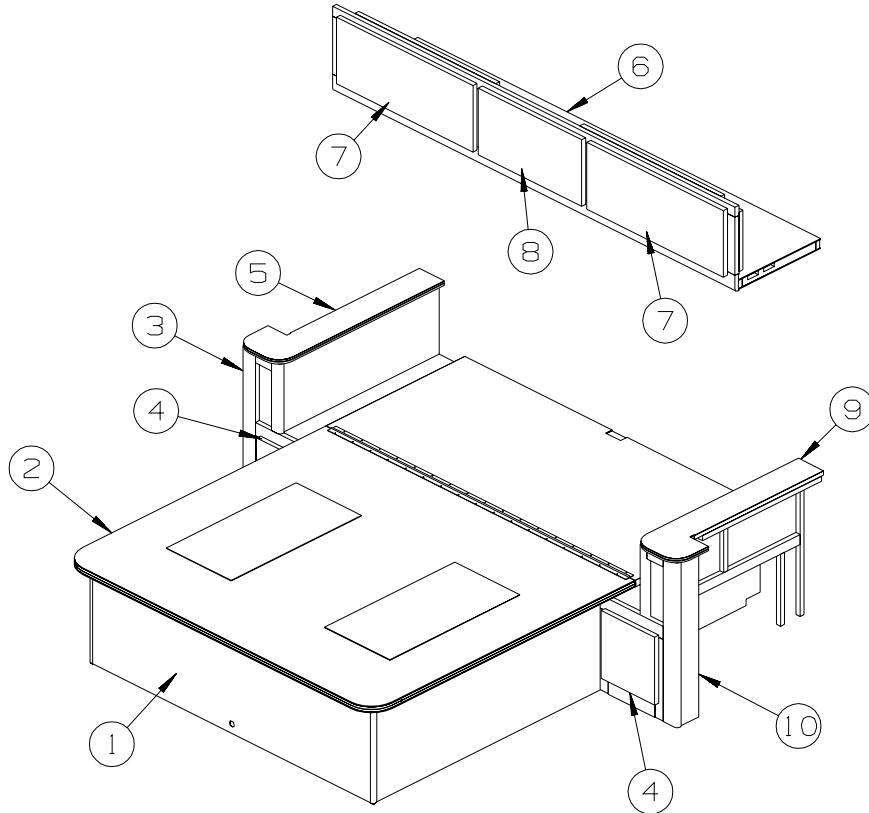
BATH GROUP (CONTINUED)
COMPONENT PARTS FOR SHOWER DOOR (CONTINUED)

135615-01-01A, 135615-02-01A, 135615-03-01A, 135615-04-01A & 135615-05-01A (CONTINUED)

KEY	PART NUMBER	U/M	DESCRIPTION	VENDOR NO.
1	135615-01-702	EA	TRACK - (TOP/BOTTOM) - 40"	117W
2	135615-01-701	EA	STRIKE ASSEMBLY - 66"	109W
4	135615-01-703	EA	JAMB/WALL - W/O MAG STRIKE 66"	112W
11	108351-01-703	EA	BRACKET & ROLLER ASM. SINGLE	GRB1
12	108351-01-704	EA	BRACKET & ROLLER ASM. DOUBLE	GRB2
13	108351-01-705	EA	BRACKET-W/RETAINING CLIP	GRC1
14	108351-01-706	EA	SPRING-ROLLER BRACKET	GS1
16	108351-01-701	EA	HANDLES-DOOR, SET	SFH
17	108351-01-702	EA	LATCH-DOOR	SFL
23	135615-01-704	EA	JAMB/WALL PANEL RECEIVER 66"	110W
25	135615-01-700	EA	STRIP-MAGNETIC, 66"	98-41W

CONTACT WINNEBAGO PART SALES FOR UNLISTED COMPONENT

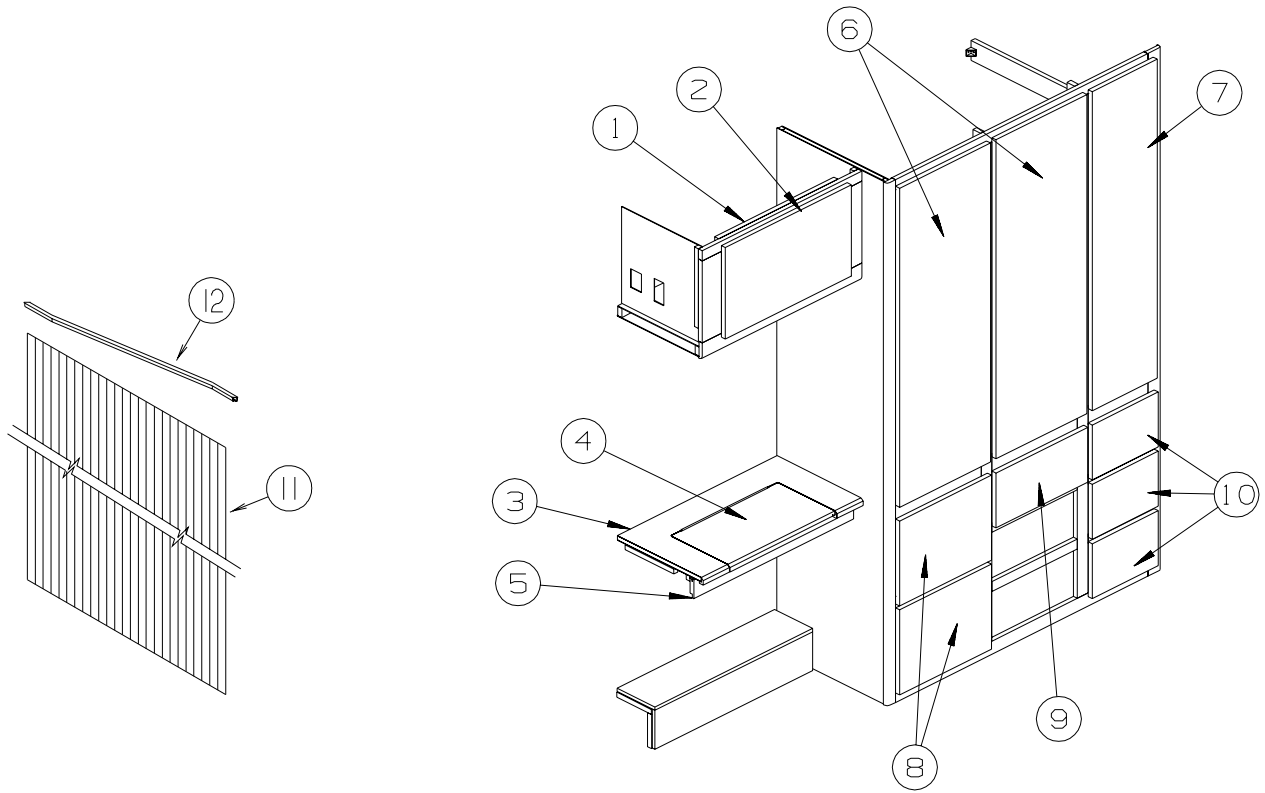
BEDROOM GROUP QUEEN CABINETS



KEY	PART NUMBER	U/M	DESCRIPTION
1	136943-02-N01	EA	CABINET - OVERHEAD/VANITY - W/O DOORS/HARDWARE
2	134781-77-N04	EA	DOOR - RAIL/VENEER - 13.7" X 23.2" - W/O HARDWARE
3	133655-54-N01	EA	COUNTERTOP - LAMINATED - GRAY TRANQUILITY (N04, N05)
3	133655-54-N03	EA	COUNTERTOP - LAMINATED - WHITE TALC (N06)
4	133655-53-N01	EA	COUNTERTOP - LAMINATED - GRAY TRANQUILITY (N04, N05)
4	133655-53-N03	EA	COUNTERTOP - LAMINATED - WHITE TALC (N06)
5	136937-01-M07	EA	DRAWER/VANITY - W/O COUNTERTOP - W/CABLE
	140374-04-000	EA	MIRROR - SAFETY GLASS - 8.7" X 12.5"
6	134786-02-N04	EA	DOOR - MIRROR/MITERED CORNERS - 16.7" X 47.9"-W/O HARDWARE
7	134781-14-N04	EA	DOOR - RAIL/VENEER - 11.9" X 47.9" - W/O HARDWARE
8	P34767-C0-N37	EA	DRAWER - PENCIL EDGE - 14.7"W X 11.8"D-W/O SLIDES/HARDWARE
9	P34767-B9-N37	EA	DRAWER - PENCIL EDGE - 14.7"W X 17.7"D-W/O SLIDES/HARDWARE
10	P34767-B8-N04	EA	DRAWER - PENCIL EDGE - 9.9"W X 17.7"D-W/O SLIDES/HARDWARE
11*	131595-01-01A	EA	DOOR - FOLDING-36.9" X 74.9"-W/4 CEILING MOUNTED BRACKETS
12	131595-07-01A	EA	TRACK - DOOR - CURVED/RIGHT - 28.5"

***COMPONENT PARTS LISTED LATER IN THIS GROUP**

BEDROOM GROUP (CONTINUED)
QUEEN CABINETS (CONTINUED)



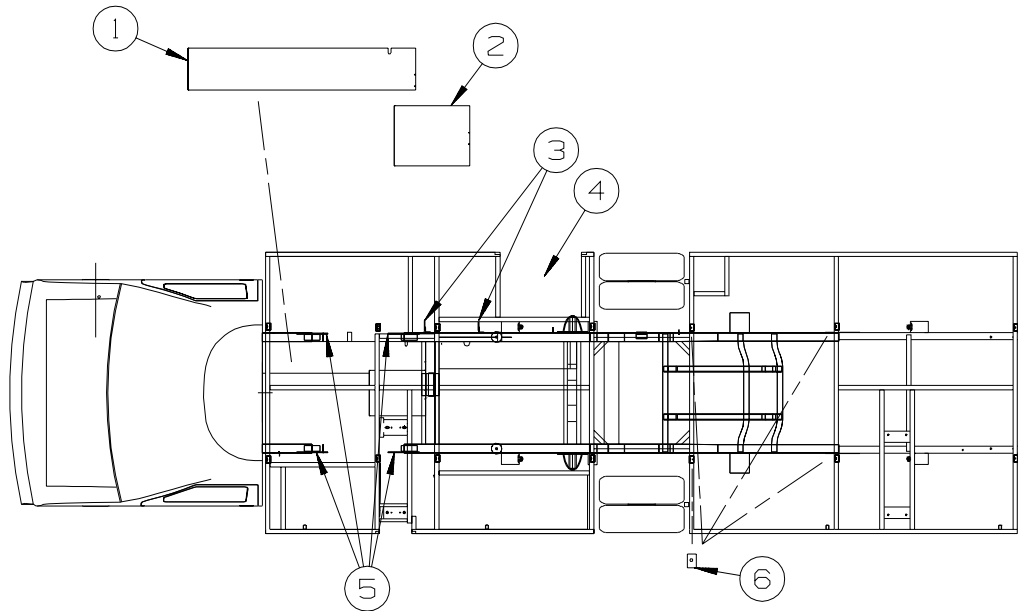
KEY	PART NUMBER	U/M	DESCRIPTION
1	140655-01-N09	EA	CABINET/BASE - QUEEN BED
2	137406-11-000	EA	BED TOP/RAISED PORTION - W/O SUPPORT HARDWARE
3	136885-07-N09	EA	CABINET - NIGHTSTAND/LH - W/O COUNTERTOP/DOOR/DRAWER/HDW
4	P34767-C1-N37	EA	DRAWER - PENCIL EDGE - 7.6"W X 23.6"D-W/O SLIDES/HARDWARE
5	133655-51-N01	EA	COUNTERTOP - LAMINATED - GRAY TRANQUILITY (N04, N05)
5	133655-51-N03	EA	COUNTERTOP - LAMINATED - WHITE TALC (N06)
6	136936-01-N01	EA	CABINET - OVERHEAD/REAR - W/O DOORS/HARDWARE
7	134781-23-N37	EA	DOOR - RAIL/VENEER - 10" X 25.1" - W/O HARDWARE
8	134781-59-N04	EA	DOOR - RAIL/VENEER - 10" X 19.1" - W/O HARDWARE
9	133655-52-N01	EA	COUNTERTOP - LAMINATED - GRAY TRANQUILITY (N04, N05)
9	133655-52-N03	EA	COUNTERTOP - LAMINATED - WHITE TALC (N06)
10	136885-08-N09	EA	CABINET - NIGHTSTAND/RH - W/O COUNTERTOP/DOOR/DRAWER/HDW

BEDROOM GROUP (CONTINUED)
COMPONENT PARTS FOR QUEEN CABINETS

131595-01-01A

KEY	PART NUMBER	U/M	DESCRIPTION	VENDOR NO.
	080224-01-703	EA	HANDLE W/LATCH-CATCH, ALMOND	DE03505
	131595-01-700	EA	END STOP ONLY	
	131595-01-701	EA	BRACKET/MOUNTING	908956
	131595-01-702	EA	TRACK/STRAIGHT - 37"	

CHASSIS GROUP FRAME



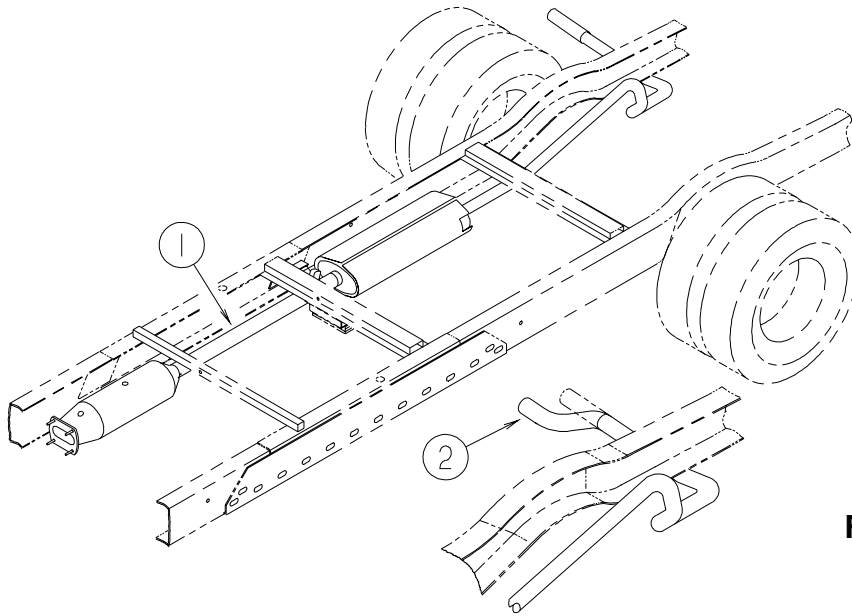
KEY	PART NUMBER	U/M	DESCRIPTION
1	135676-02-02B	EA	SHIELD - HEAT - E - COATED
2	135676-03-02B	EA	SHIELD - HEAT - E - COATED
3	136042-01-02B	EA	BRACKET - LP SUPPORT - E - COATED
4	118068-03-02B	EA	BOX/STEP - ENTRANCE DOOR - E - COATED
5	141091-02-02B	EA	PLATE - TIE DOWN - E - COATED
6	135712-01-02B	EA	PLATE - BODY MOUNT - E - COATED

FROM: 09-26-01 THRU: 99-99-99

FROM: 10-30-01 THRU: 99-99-99

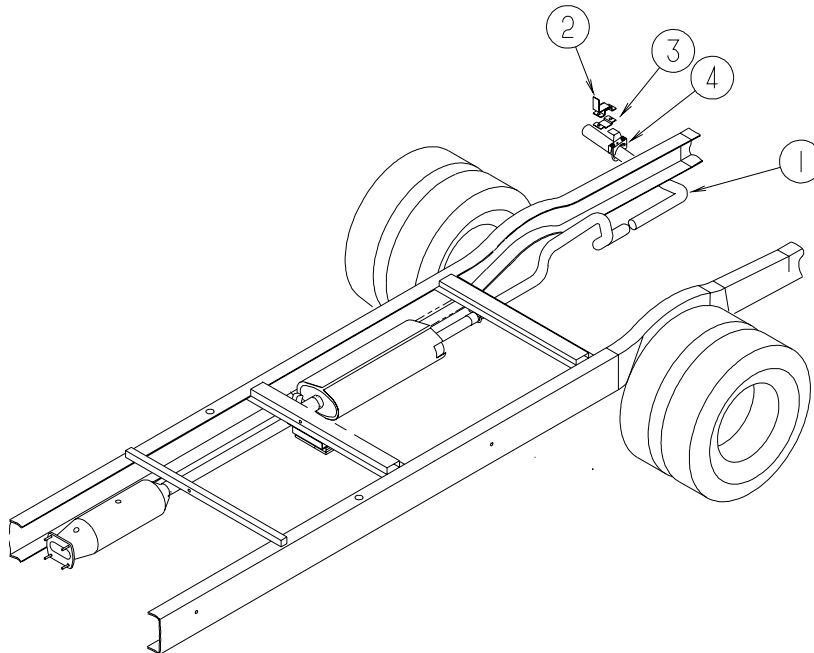
CHASSIS GROUP (CONTINUED)

EXHAUST



FORD - 329B, 329N, 331T

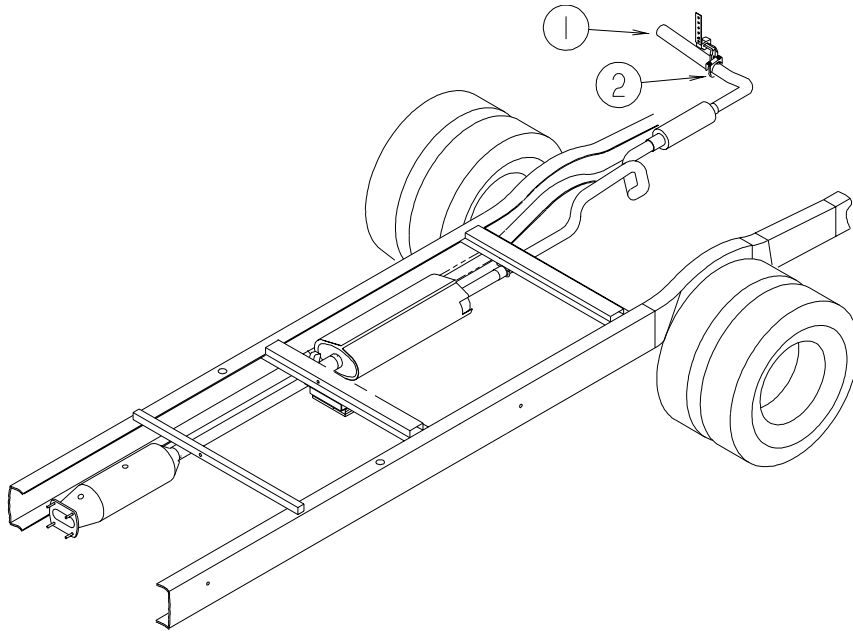
KEY	PART NUMBER	U/M	DESCRIPTION
1	111478-01-000	EA	EXHAUST PIPE - DOUBLE WALL STAINLESS STEEL - 32" - GAS - 158" W.B. TO 188" W.B.
1	111478-02-000	EA	EXHAUST PIPE - DOUBLE WALL STAINLESS STEEL - 34" - GAS - 158" W.B. TO 190" W.B.
1	111478-04-000	EA	EXHAUST PIPE - DOUBLE WALL STAINLESS STEEL - 63.9" - 158" W.B. TO 220" W.B.
	094918-06-000	EA	CLAMP - EXHAUST - 3" - HEAVY DUTY
1	098762-13-000	EA	PIPE - EXHAUST - STRAIGHT - 3.5" - DIESEL - 158" W.B. TO 190" W.B.
1	098762-14-000	EA	PIPE - EXHAUST - STRAIGHT - 3.5" - DIESEL - 158" W.B. TO 188" W.B.
	094918-02-000	EA	CLAMP - EXHAUST - 3.5"
	117380-01-02B	EA	HANGER - TAILPIPE - EUROPEAN - E-COATED
2	NOT USED		



FORD - 322E, 322R, 324F, 324V

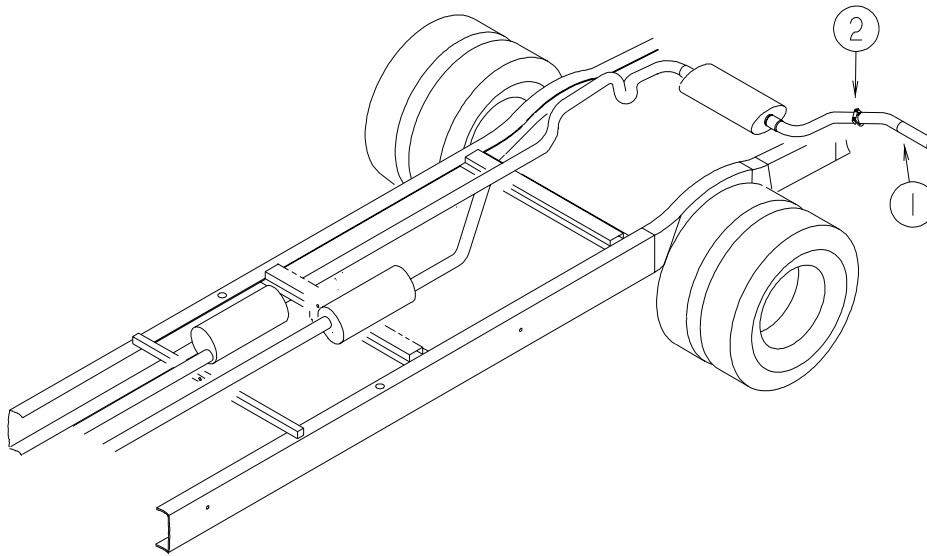
KEY	PART NUMBER	U/M	DESCRIPTION
1	111836-05-000	EA	PIPE - EXHAUST/TAIL - 322E, 322R
1	NOT USED - CHASSIS SUPPLIED - 324F, 324V		
2	117380-05-02B	EA	HANGER - TAILPIPE - E-COATED - 322E, 322R
3	096054-04-000	EA	SUPPORT - EXHAUST PIPE
4	095190-01-000	EA	HANGER - EXHAUST - 4" X 1.4"
4	094918-06-000	EA	CLAMP - EXHAUST - 3" - HEAVY DUTY

CHASSIS GROUP (CONTINUED)
EXHAUST (CONTINUED)



CHEVY - 324F, 324V

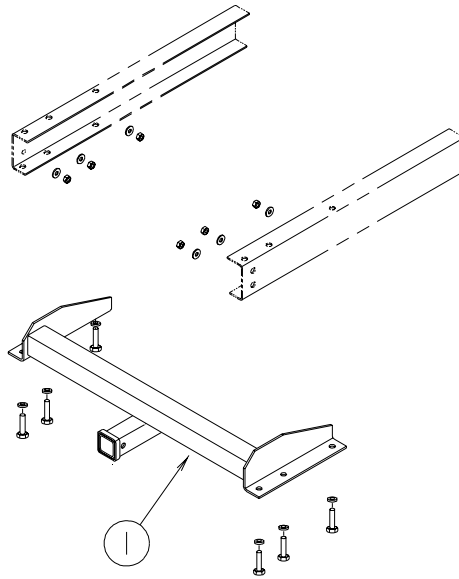
KEY	PART NUMBER	U/M	DESCRIPTION
1	124570-03-000	EA	PIPE - EXHAUST - TAIL - 2.75" DIAMETER
2	007125-08-000	EA	CLAMP - MUFFLER - 3" DIAMETER



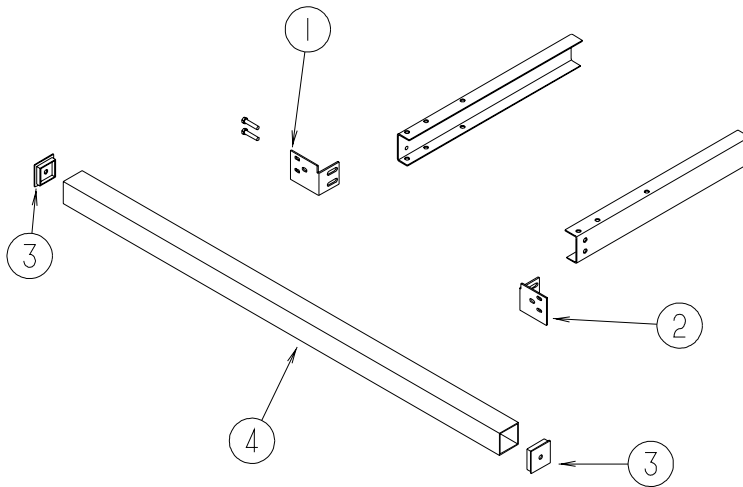
CHEVY - 322E, 322R

KEY	PART NUMBER	U/M	DESCRIPTION
1	124571-02-000	EA	PIPE - EXHAUST - TAIL
2	007125-08-000	EA	CLAMP - MUFFLER - 3" DIAMETER

CHASSIS GROUP (CONTINUED)



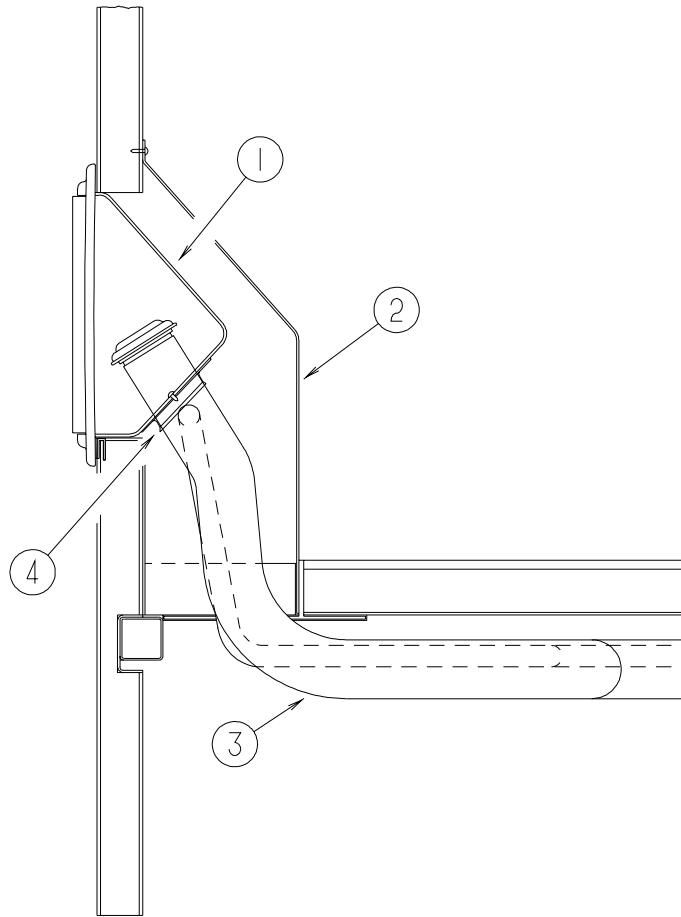
KEY	PART NUMBER	U/M DESCRIPTION
1	130339-04-000	EA HITCH RECEIVER - BOLT ON CLASS II



REAR BUMPER

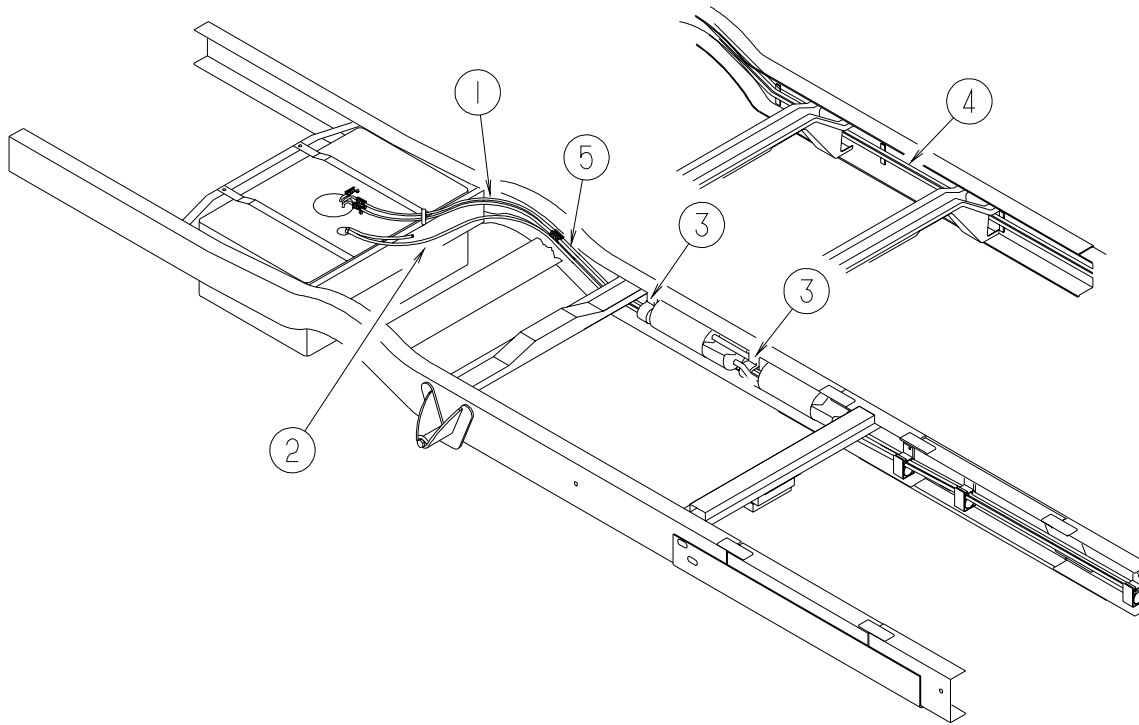
KEY	PART NUMBER	U/M DESCRIPTION
1	104420-02-000	EA SUPPORT/ANGLE - REAR BUMPER - LEFT HAND
2	104420-01-000	EA SUPPORT/ANGLE - REAR BUMPER - RIGHT HAND
3	039779-01-000	EA CAP - BUMPER - RUBBER - 4" X 4" - BLACK
4	103422-05-02A	EA BUMPER - REAR - SQUARE ALUMINUM - 97.3" - BRIGHT WHITE
	038327-01-000	EA TAPE - ANTI-SLIP - 2" X 60'

CHASSIS GROUP (CONTINUED)
FUEL OR FUEL FILL OR EMISSIONS



KEY	PART NUMBER	U/M	DESCRIPTION
1	127291-02-01A	EA	SHROUD - FUEL FILL - BRIGHT WHITE - FORD
1	127291-01-01A	EA	SHROUD - FUEL FILL - BRIGHT WHITE - CHEVY
2	078040-06-000	EA	SHROUD - FUEL FILL - UPPER - RECTANGULAR - 329N, 331T
2	078040-08-000	EA	SHROUD - FUEL FILL - UPPER - RECTANGULAR - 322R, 322E, 324V
2	135557-02-01A	EA	SHROUD - FUEL FILL/UPPER - 324F
2	139419-01-01A	EA	SHROUD - FUEL FILL/UPPER - 329B
3	124993-02-000	EA	NECK - FILLER - FUEL FILL - FORD - 322E, 322R, 329B
3	128311-04-000	EA	NECK - FUEL FILL - CHEVY - 322E, 322R
3	124995-02-000	EA	NECK - FUEL FILL - UNLEADED - FORD - 324V
3	116043-02-000	EA	NECK - FILLER - FUEL FILL - DIESEL - FORD - 324V
3	128312-03-000	EA	NECK - FUEL FILL - UNLEADED - CHEVY - 324V
3	137923-01-000	EA	NECK - FUEL FILL - FORD - 324F
3		EA	NECK - FUEL FILL - CHEVY - CHASSIS SUPPLIED - 324F
3	139797-01-000	EA	NECK - FUEL FILL - FORD - 329B
3	124996-02-000	EA	NECK - FUEL FILL - UNLEADED - FORD - 329N
3	108603-02-000	EA	NECK - FILLER - FUEL FILL - DIESEL - FORD - 329N
3	127628-02-000	EA	NECK - FUEL FILL - UNLEADED - FORD - 331T
4	078200-01-000	EA	GASKET - FUEL FILL - 3.5"OD X 2"ID

CHASSIS GROUP (CONTINUED)
FUEL (CONTINUED)



KEY	PART NUMBER	U/M	DESCRIPTION
1	106389-10-000	EA	FUEL LINE - FORD - 3/8 HP - FORD - 158" TO 188" W.B. - 158" TO 190" W.B.
1	106389-11-000	EA	FUEL LINE - FORD - 3/8 HP - FORD - 158" TO 205" W.B.
1	106389-12-000	EA	FUEL LINE - FORD - 3/8 HP - FORD - 158" TO 216" W.B. - 158" TO 220" W.B.
2	125187-01-000	FT	HOSE - FUEL - LOW PERMEABILITY - 11.1 ID - FORD
3	125187-02-000	FT	HOSE - FUEL - LOW PERMEABILITY - .5" ID - FORD
4	125055-01-000	FT	PIPE - FUEL/GAS - CHEVY
5	106388-10-000	EA	FUEL LINE - FORD - 5/16 HP - FORD - 158" TO 188" W.B. - 158" TO 190" W.B.
5	106388-11-000	EA	FUEL LINE - FORD - 5/16 HP - FORD - 158" TO 205" W.B.
5	106388-12-000	EA	FUEL LINE - FORD - 5/16 HP - FORD - 158" TO 216" W.B. - 158" TO 220" W.B.
	128139-03-000	FT	HOSE - FUEL - LOW PERMEABILITY - 1/4" DIAMETER
	084884-01-000	EA	PLUG - BRASS - 3/8"
	088258-02-000	EA	CLIP - RETAINING - FUEL LINE SINGLE
	099069-01-000	FT	SEAL - RUBBER - CLOSED SPONGE - .5" WIDE X .12" THICK - BLK

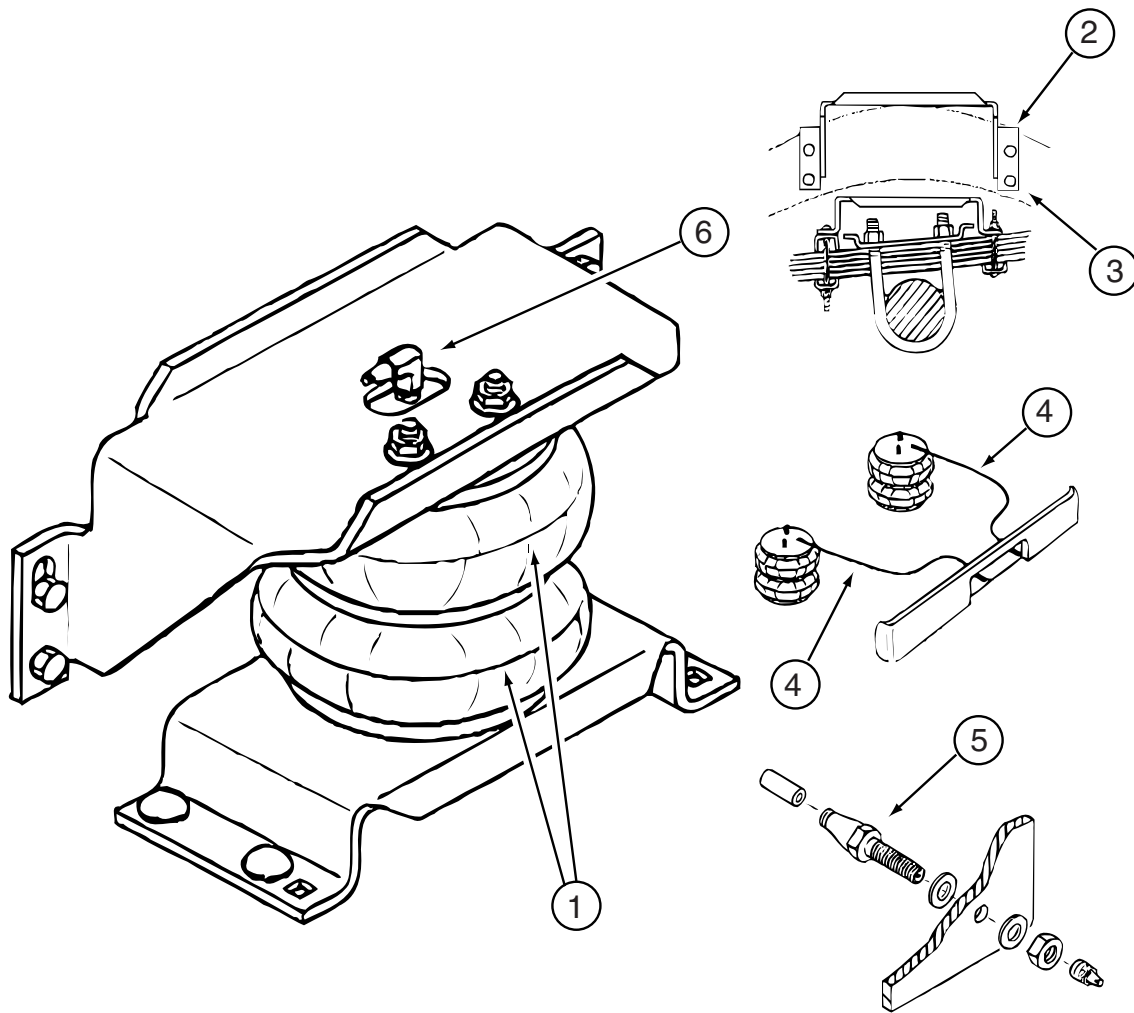
CHASSIS GROUP (CONTINUED)
SUSPENSION

KEY PART NUMBER U/M DESCRIPTION

* 135674-01-000 EA AIRSPRING - AIR BAG KIT - FORD 450 SUPER DUTY CHASSIS

***COMPONENT PARTS LISTED LATER IN THIS GROUP**

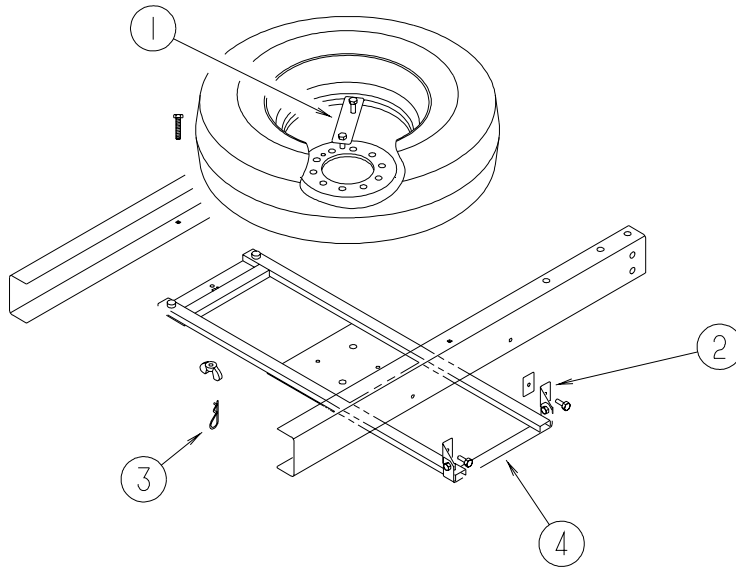
CHASSIS GROUP (CONTINUED)
COMPONENT PARTS FOR SUSPENSION



135674-01-000

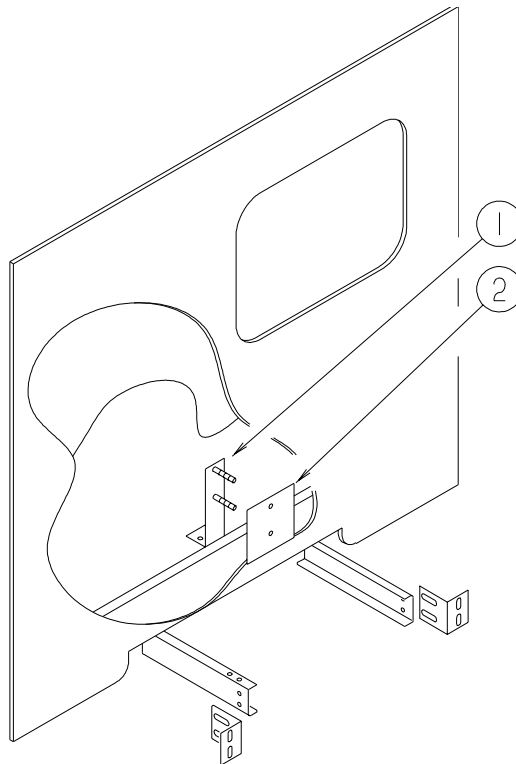
KEY	PART NUMBER	U/M	DESCRIPTION	VENDOR NO.
1	135674-01-700	EA	AIR SPRING	W21-760-6957
2	135674-01-701	EA	BRACKET - UPPER/RT & LT	5187
3	135674-01-702	EA	BRACKET - LOWER/RT & LT	5092
4	084086-01-701	EA	TUBING,DOT 1/4"X22'	21-0937
5	084086-05-706	EA	VALVE-INFLATION,PUSH TO CONN	3032
6	084086-04-703	EA	BRASS ELBOW	21-3028
	084086-01-705	EA	PROTECTOR-TUBING	21-0899
	084086-05-704	EA	BRACKET CLAMP	5086
	135674-01-703	EA	STRAP/SHIM - F/BRACKET	5093

CHASSIS GROUP (CONTINUED) SPARE TIRE



324F, 329B, 329N, 331T

KEY	PART NUMBER	U/M	DESCRIPTION
1	116338-02-02B	EA	BRACKET/CLAMP - SPARE TIRE - E-COATED
2	116349-01-02B	EA	BRACKET/HINGE - SPARE TIRE - 2.4" - E-COATED
3	034513-01-000	EA	PIN - HITCH - 3/16" WIRE
4	116348-01-02B	EA	CRADLE - SPARE TIRE - E-COATED
	069726-02-000	EA	BUMPER - .88" OD X .40" THICK - BLACK



322E, 322R, 324V

KEY	PART NUMBER	U/M	DESCRIPTION
1	105209-06-C52	EA	BRACKET - SPARE TIRE - FORD
1	105209-04-C52	EA	BRACKET - SPARE TIRE - CHEVY
2	105208-01-000	EA	PLATE - SPARE TIRE
	073322-09-N06	EA	COVER - TIRE - 30"
	073322-50-000	EA	COVER - UNIVERSAL LINER

CHASSIS GROUP (CONTINUED)

WHEEL, TIRE, COVERS &/OR LINERS

KEY	PART NUMBER	U/M	DESCRIPTION
*	109443-05-000	EA	WHEEL COVER - 4/SET - 16" STAINLESS STEEL
	112358-01-000	EA	WRENCH - LUG - 7/8" - L-SHAPE
	083617-04-000	EA	WHEEL - STEEL - 6" X 16" - FORD
	070917-06-000	EA	TIRE - LT225/75R16E - R4S M/S - FIRESTONE - FORD
	106715-01-000	EA	TIRE - LT 225/75 R16 - LRD 550 AS - CHEVY
	051377-03-000	EA	VALVE STEM - .5" X 2"
	051377-04-000	EA	VALVE STEM - .5" X 2"
*	110435-13-000	EA	LINER - WHEEL - SET OF 4 - 16" (8 HOLE) - FORD
*	091209-05-000	EA	LINER - WHEEL - SET OF 4 - 16" - STAINLESS STEEL - CHEVY
	077030-02-000	EA	EXTENSION - VALVE STEM - LIVE - 1.25"
	095012-05-000	EA	EXTENSION - VALVE STEM - LIVE - 5"
	095012-06-000	EA	STABILIZER - VALVE EXTENSION - LIVE - 2"
	089359-03-000	EA	WHEEL - STEEL - 6" X 16" - 8 HOLE - PRIMED - #28623 - CHEVY

*COMPONENT PARTS LISTED LATER IN THIS GROUP

CHASSIS GROUP (CONTINUED)
COMPONENT PARTS FOR WHEEL, TIRE, COVERS &/OR LINERS

091209-05-000

KEY	PART NUMBER	U/M	DESCRIPTION	VENDOR NO.
	091209-03-702	EA	COVER-AXLE, FRONT, 8 LUG	64UE
	091209-03-703	EA	COVER-AXLE, REAR, 8 LUG	65UE
	091209-03-704	EA	RING-SNAP	00
	091209-05-700	EA	LINER-WHEEL, FRONT	57-88 KAPER
	091209-05-701	EA	LINER-WHEEL, REAR	58-88

109443-05-000

KEY	PART NUMBER	U/M	DESCRIPTION	VENDOR NO.
	098532-01-700	EA	COVER-LUG NUT (CHROME)	SHAU-LNC
	109443-05-700	EA	COVER-WHEEL, 16" SS EA=1	SHFM16-CVR

110435-13-000

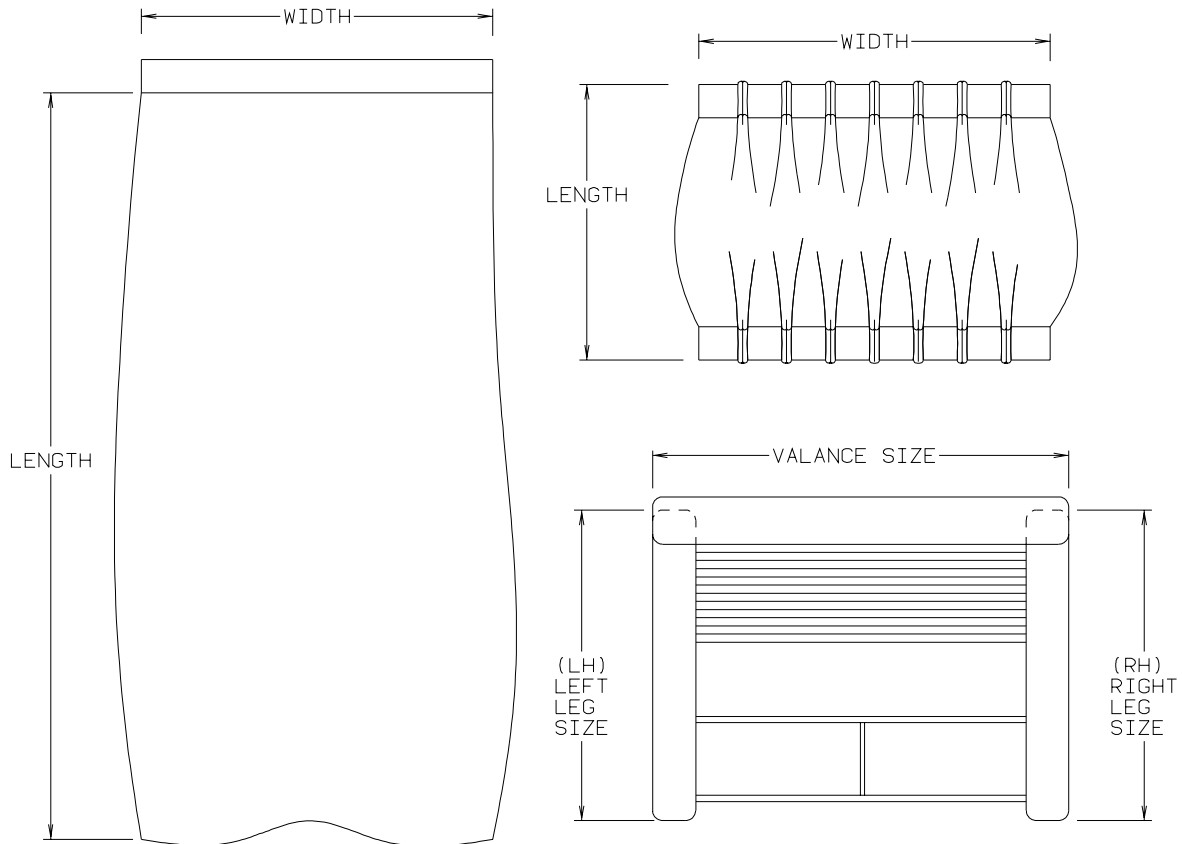
KEY	PART NUMBER	U/M	DESCRIPTION	VENDOR NO.
	110435-01-711	EA	DECAL-CENTER CAP, 2"	2" DECAL
	110435-10-705	EA	TOOL - INSTALLATION	V195P7-TOL
	110435-13-700	EA	LINER - WHEEL - FRONT	V160F7-FWC
	110435-13-701	EA	LINER - WHEEL - REAR	V160F7-RWC
	110435-13-702	EA	COVER-LUG NUT W/JAMB NUT FT	V160F7-EJN

CURTAIN & CUSHION GROUP

NOTICE

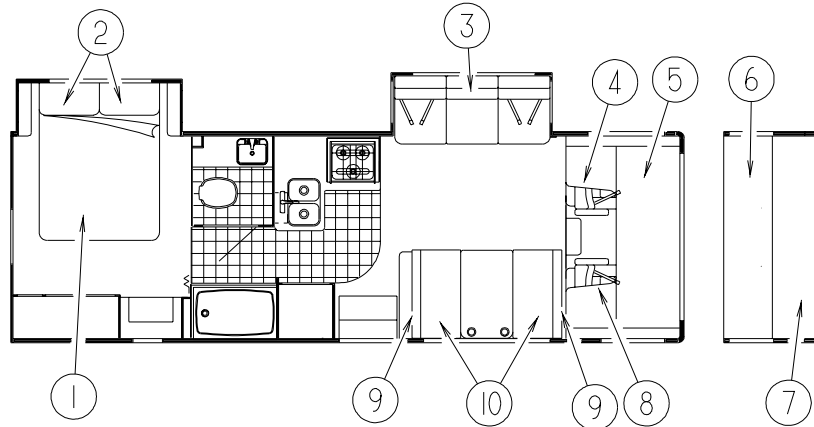
IN ORDER TO ASSIST OUR PARTS SALES DEPT. IN PROVIDING INTERIOR SOFTWARE ITEMS, PLEASE INCLUDE THE SERIAL NUMBER AND THE COLOR CODE NUMBER FROM THE VEHICLE CERTIFICATION LABEL WHEN ORDERING. THIS LABEL IS LOCATED ON THE LEFT SIDEWALL AT THE END OF THE DASH (A-BODY), OR ON THE DRIVER'S DOOR LATCH PLATE (C-BODY).

AN EXAMPLE OF A COLOR CODE NUMBER IS B07, WHICH DESIGNATES AN OVERALL COLOR SCHEME OF A PARTICULAR UNIT. THE COLOR LISTED AFTER THE ITEM DESCRIPTION ON THE MICROFICHE, INDICATES THE OVERALL UNIT COLOR. ORDER THE ITEM YOU DESIRE ACCORDING TO UNIT COLOR CODE. IF ALL COLORS USE THE SAME ITEM NO COLOR CODE WILL BE NOTED.



NOTE: USE THIS ILLUSTRATION WHEN DETERMINING LENGTH AND WIDTH MEASUREMENTS FOR CURTAINS. YOU WILL NOTE THE WIDTH MEASUREMENT IS TAKEN ON THE TOP OF THE CURTAIN WITH THE CURTAIN FULLY EXTENDED. THE LENGTH MEASUREMENT IS TAKEN FROM TOP TO BOTTOM. LEFT AND RIGHT WINDOW LEGS ARE DETERMINED WHEN FACING THE WINDOW.

CURTAIN & CUSHION GROUP (CONTINUED)
CUSHION LAYOUT



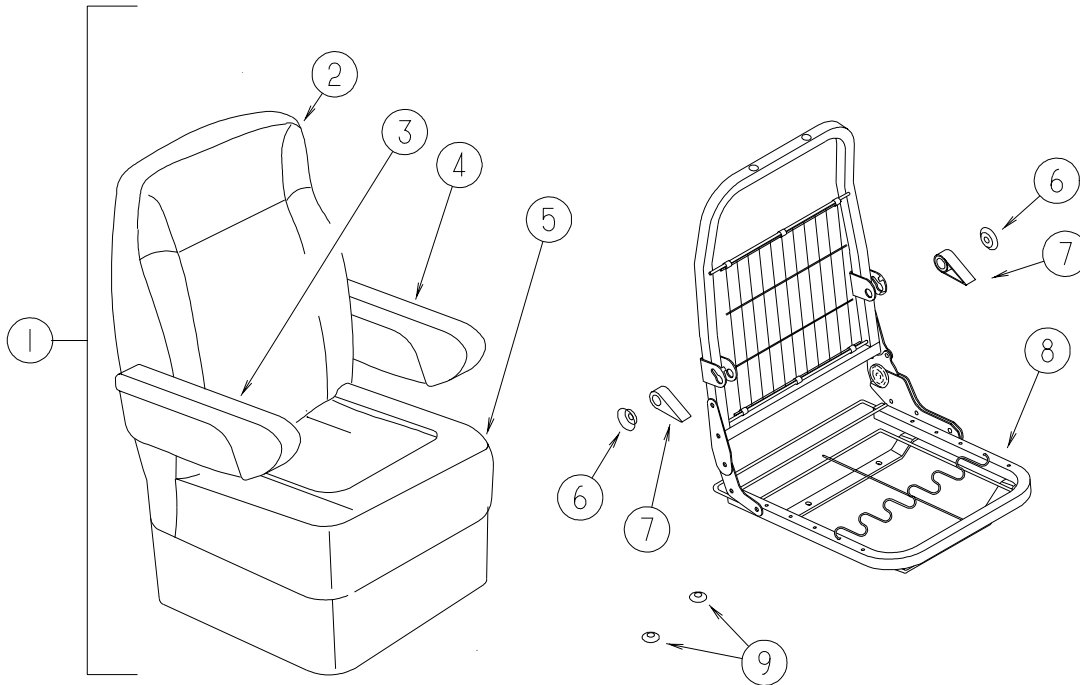
KEY	PART NUMBER	U/M	DESCRIPTION	
1	123471-08-N04	EA	BEDSPREAD/THROW - 60" X 75"	
	123015-06-000	EA	MATTRESS - INNERSPRING - 60" X 74.5"	
2	104176-04-M01	EA	PILLOW SHAM - 30" (N04)	
				FROM: 00-00-00 THRU: 11-14-01
2	104176-04-NA4	EA	PILLOW SHAM - 30" (N04)	
				FROM: 11-15-01 THRU: 99-99-99
2	104176-04-N39	EA	PILLOW SHAM - 30" (N05)	
2	104176-04-N26	EA	PILLOW SHAM - 30" (N06)	
3		EA	SOFA/BED - SEE SOFA AREA	
4	132263-01-N04	EA	BUCKET SEAT - DRIVER (N04)	
				FROM: 00-00-00 THRU: 10-21-01
4	136590-01-M01	EA	BUCKET SEAT - DRIVER (N04)	
				FROM: 10-22-01 THRU: 99-99-99
4	132263-01-N05	EA	BUCKET SEAT - DRIVER (N05)	
				FROM: 00-00-00 THRU: 10-21-01
4	136590-01-N05	EA	BUCKET SEAT - DRIVER (N05)	
				FROM: 10-22-01 THRU: 99-99-99
4	132263-01-N06	EA	BUCKET SEAT - DRIVER (N06)	
				FROM: 00-00-00 THRU: 10-21-01
4	136590-01-N06	EA	BUCKET SEAT - DRIVER (N06)	
				FROM: 10-22-01 THRU: 99-99-99
4	132263-13-N04	EA	BUCKET SEAT - DRIVER - LEATHER	
				FROM: 00-00-00 THRU: 10-21-01
4	136590-09-M04	EA	BUCKET SEAT - DRIVER - LEATHER	
				FROM: 10-22-01 THRU: 99-99-99
5	079145-12-000	EA	CUSHION - 24" X 74" X 3.5"	
	M79145-12-000	EA	COVER - 24" X 74" X 3.5"	
6	105573-10-M01	EA	CUSHION - OVERHEAD BUNK/REAR - 27" X 23" X 80" X 5" (N04)	
6	105573-10-N05	EA	CUSHION - OVERHEAD BUNK/REAR - 27" X 23" X 80" X 5" (N05)	
				FROM: 00-00-00 THRU: 07-22-01
6	105573-17-N05	EA	CUSHION - OVERHEAD BUNK/REAR - 27" X 23" X 80" X 5" (N05)	
				FROM: 07-23-01 THRU: 99-99-99
6	105573-10-N06	EA	CUSHION - OVERHEAD BUNK/REAR - 27" X 23" X 80" X 5" (N06)	
	P05573-10-M01	EA	COVER - CUSHION/OVERHEAD BUNK/REAR - 27" X 23" X 80" X 5" (N04)	
	P05573-10-N05	EA	COVER - CUSHION/OVERHEAD BUNK/REAR - 27" X 23" X 80" X 5" (N05)	
				FROM: 00-00-00 THRU: 07-22-01
	P05573-17-N05	EA	COVER - CUSHION/OVERHEAD BUNK/REAR - 27" X 23" X 80" X 5" (N05)	
				FROM: 07-23-01 THRU: 99-99-99
	P05573-10-N06	EA	COVER - CUSHION/OVERHEAD BUNK/REAR - 27" X 23" X 80" X 5" (N06)	

CURTAIN & CUSHION GROUP (CONTINUED)
CUSHION LAYOUT (CONTINUED)

KEY	PART NUMBER	U/M	DESCRIPTION
7	105573-09-K26	EA	CUSHION - OVERHEAD BUNK/FRONT - 32.5" X 80" X 5" (N04)
7	105573-09-N05	EA	CUSHION - OVERHEAD BUNK/FRONT - 32.5" X 80" X 5" (N05) FROM: 00-00-00 THRU: 07-22-01
7	105573-18-N05	EA	CUSHION - OVERHEAD BUNK/FRONT - 32.5" X 80" X 5" (N05) FROM: 07-23-01 THRU: 99-99-99
7	105573-09-N06	EA	CUSHION - OVERHEAD BUNK/FRONT - 32.5" X 80" X 5" (N06)
	P05573-09-K26	EA	COVER - CUSHION/OVERHEAD BUNK/FRONT - 32.5" X 80" X 5" (N04)
	P05573-09-N05	EA	COVER - CUSHION/OVERHEAD BUNK/FRONT - 32.5" X 80" X 5" (N05) FROM: 00-00-00 THRU: 07-22-01
	P05573-18-N05	EA	COVER - CUSHION/OVERHEAD BUNK/FRONT - 32.5" X 80" X 5" (N05) FROM: 07-23-01 THRU: 99-99-99
	P05573-09-N06	EA	COVER - CUSHION/OVERHEAD BUNK/FRONT - 32.5" X 80" X 5" (N06)
8	132263-02-N04	EA	BUCKET SEAT - PASSENGER (N04) FROM: 00-00-00 THRU: 10-21-01
8	136590-02-M01	EA	BUCKET SEAT - PASSENGER (N04) FROM: 10-22-01 THRU: 99-99-99
8	132263-02-N05	EA	BUCKET SEAT - PASSENGER (N05) FROM: 00-00-00 THRU: 10-21-01
8	136590-02-N05	EA	BUCKET SEAT - PASSENGER (N05) FROM: 10-22-01 THRU: 99-99-99
8	132263-02-N06	EA	BUCKET SEAT - PASSENGER (N06) FROM: 00-00-00 THRU: 10-21-01
8	136590-02-N06	EA	BUCKET SEAT - PASSENGER (N06) FROM: 10-22-01 THRU: 99-99-99
8	132263-14-N04	EA	BUCKET SEAT - PASSENGER - LEATHER FROM: 00-00-00 THRU: 10-21-01
8	136590-10-N04	EA	BUCKET SEAT - PASSENGER - LEATHER FROM: 10-22-01 THRU: 99-99-99
9	111897-17-N04	EA	CUSHION - BACK - 13.5" X 38" X 5" (N04)
9	111897-26-P11	EA	CUSHION - BACK - 13.5" X 38" X 5" (N05)
9	111897-17-N06	EA	CUSHION - BACK - 13.5" X 38" X 5" (N06)
	P11897-17-N04	EA	COVER - BACK - 13.5" X 38" X 5" (N04)
	P11897-26-P11	EA	COVER - BACK - 13.5" X 38" X 5" (N05)
	P11897-17-N06	EA	COVER - BACK - 13.5" X 38" X 5" (N06)
10	088927-86-N04	EA	CUSHION - SEAT - 21" X 38" X 5" (N04)
10	105603-18-P11	EA	CUSHION - SEAT - 21" X 38" X 5" (N05)
10	088927-86-N06	EA	CUSHION - SEAT - 21" X 38" X 5" (N06)
	M88927-86-N04	EA	COVER - SEAT - 21" X 38" X 5" (N04)
	P05603-18-P11	EA	COVER - SEAT - 21" X 38" X 5" (N05)
	M88927-86-N06	EA	COVER - SEAT - 21" X 38" X 5" (N06)
11	135600-75-000	EA	CHAIR - FOLDING - CHEERS/PORTSMOUTH OAK (N04)
11	135600-19-000	EA	CHAIR - FOLDING - PACIFIC/PORTSMOUTH OAK (N05)
11	135600-76-000	EA	CHAIR - FOLDING - LINEN/PORTSMOUTH OAK (N06)

CURTAIN & CUSHION GROUP (CONTINUED)

BUCKET SEATS

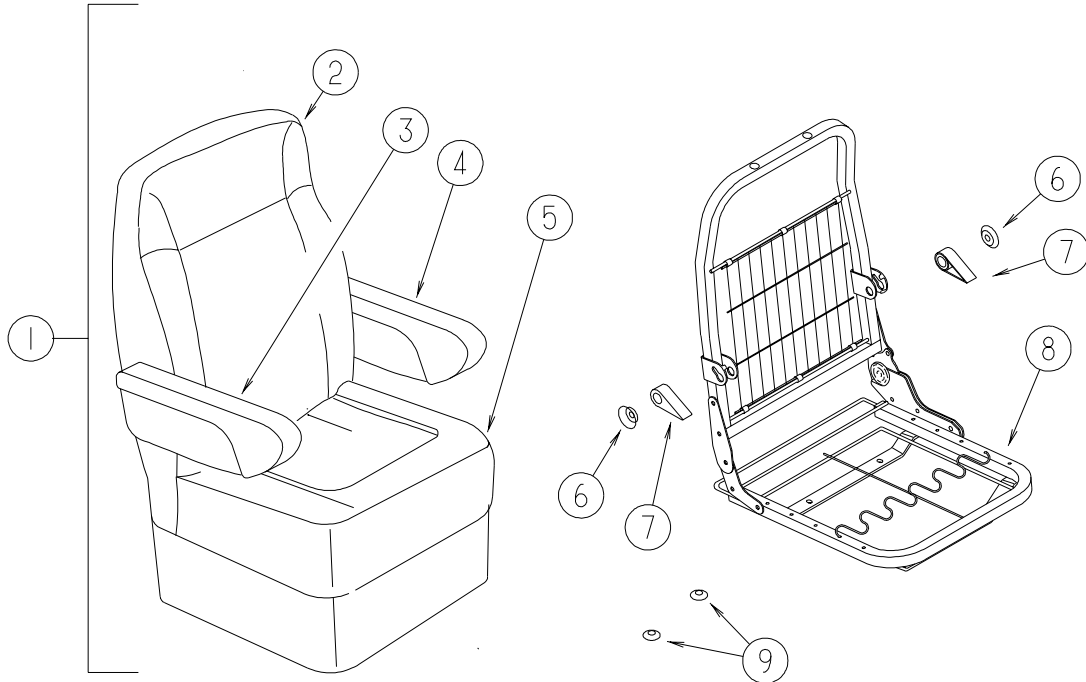


KEY	PART NUMBER	U/M	DESCRIPTION
1	132263-01-N04	EA	BUCKET SEAT - DRIVER - FORD (N04) FROM: 00-00-00 THRU: 10-21-01
1	136590-01-M01	EA	BUCKET SEAT - DRIVER - FORD (N04) FROM: 10-22-01 THRU: 99-99-99
1	132263-01-N05	EA	BUCKET SEAT - DRIVER - FORD (N05) FROM: 00-00-00 THRU: 10-21-01
1	136590-01-N05	EA	BUCKET SEAT - DRIVER - FORD (N05) FROM: 10-22-01 THRU: 99-99-99
1	132263-01-N06	EA	BUCKET SEAT - DRIVER - FORD (N06) FROM: 00-00-00 THRU: 10-21-01
1	136590-01-N06	EA	BUCKET SEAT - DRIVER - FORD (N06) FROM: 10-22-01 THRU: 99-99-99
1	132263-03-N04	EA	BUCKET SEAT - DRIVER - W/SKIRT - CHEVY (N04) FROM: 00-00-00 THRU: 10-21-01
1	136590-03-M01	EA	BUCKET SEAT - DRIVER - W/SKIRT - CHEVY (N04) FROM: 10-22-01 THRU: 99-99-99
1	132263-03-N05	EA	BUCKET SEAT - DRIVER - W/SKIRT - CHEVY (N05) FROM: 00-00-00 THRU: 10-21-01
1	136590-03-N05	EA	BUCKET SEAT - DRIVER - W/SKIRT - CHEVY (N05) FROM: 10-22-01 THRU: 99-99-99
1	132263-03-N06	EA	BUCKET SEAT - DRIVER - W/SKIRT - CHEVY (N06) FROM: 00-00-00 THRU: 10-21-01
1	136590-03-N06	EA	BUCKET SEAT - DRIVER - W/SKIRT - CHEVY (N06) FROM: 10-22-01 THRU: 99-99-99
1	132263-13-N04	EA	BUCKET SEAT - DRIVER - LEATHER - FORD FROM: 00-00-00 THRU: 10-21-01
1	136590-09-M04	EA	BUCKET SEAT - DRIVER - LEATHER - FORD FROM: 10-22-01 THRU: 99-99-99
1	132263-17-N04	EA	BUCKET SEAT - DRIVER - W/SKIRT - LEATHER - CHEVY FROM: 00-00-00 THRU: 10-21-01
1	136590-11-N04	EA	BUCKET SEAT - DRIVER - W/SKIRT - LEATHER - CHEVY FROM: 10-22-01 THRU: 99-99-99

CURTAIN & CUSHION GROUP (CONTINUED)
BUCKET SEATS (CONTINUED)

KEY	PART NUMBER	U/M	DESCRIPTION
1	132263-02-N04	EA	BUCKET SEAT - PASSENGER - FORD (N04) FROM: 00-00-00 THRU: 10-21-01
1	136590-02-M01	EA	BUCKET SEAT - PASSENGER - FORD (N04) FROM: 10-22-01 THRU: 99-99-99
1	132263-02-N05	EA	BUCKET SEAT - PASSENGER - FORD (N05) FROM: 00-00-00 THRU: 10-21-01
1	136590-02-N05	EA	BUCKET SEAT - PASSENGER - FORD (N05) FROM: 10-22-01 THRU: 99-99-99
1	132263-02-N06	EA	BUCKET SEAT - PASSENGER - FORD (N06) FROM: 00-00-00 THRU: 10-21-01
1	136590-02-N06	EA	BUCKET SEAT - PASSENGER - FORD (N06) FROM: 10-22-01 THRU: 99-99-99
1	132263-04-N04	EA	BUCKET SEAT - PASSENGER - W/SKIRT - CHEVY (N04) FROM: 00-00-00 THRU: 10-21-01
1	136590-04-M01	EA	BUCKET SEAT - PASSENGER - W/SKIRT - CHEVY (N04) FROM: 10-22-01 THRU: 99-99-99
1	132263-04-N05	EA	BUCKET SEAT - PASSENGER - W/SKIRT - CHEVY (N05) FROM: 00-00-00 THRU: 10-21-01
1	136590-04-N05	EA	BUCKET SEAT - PASSENGER - W/SKIRT - CHEVY (N05) FROM: 10-22-01 THRU: 99-99-99
1	132263-04-N06	EA	BUCKET SEAT - PASSENGER - W/SKIRT - CHEVY (N06) FROM: 00-00-00 THRU: 10-21-01
1	136590-04-N06	EA	BUCKET SEAT - PASSENGER - W/SKIRT - CHEVY (N06) FROM: 10-22-01 THRU: 99-99-99
1	132263-14-N04	EA	BUCKET SEAT - PASSENGER - LEATHER - FORD FROM: 00-00-00 THRU: 10-21-01
1	136590-10-N04	EA	BUCKET SEAT - PASSENGER - LEATHER - FORD FROM: 10-22-01 THRU: 99-99-99
1	132263-18-N04	EA	BUCKET SEAT - PASSENGER/W/SKIRT - LEATHER - CHEVY FROM: 00-00-00 THRU: 10-21-01
1	136590-12-N04	EA	BUCKET SEAT - PASSENGER - W/SKIRT - LEATHER - CHEVY FROM: 10-22-01 THRU: 99-99-99
2	M05962-F4-N04	EA	COVER - BACK (N04) FROM: 00-00-00 THRU: 10-21-01
2	M05962-E1-M01	EA	COVER - BACK (N04) FROM: 10-22-01 THRU: 99-99-99
2	M05962-F4-N05	EA	COVER - BACK (N05) FROM: 00-00-00 THRU: 10-21-01
2	M05962-E1-N05	EA	COVER - BACK (N05) FROM: 10-22-01 THRU: 99-99-99
2	M05962-F4-N06	EA	COVER - BACK FROM: 00-00-00 THRU: 10-21-01
2	M05962-E1-N06	EA	COVER - BACK FROM: 10-22-01 THRU: 99-99-99
2	M05962-F6-N04	EA	COVER - BACK - LEATHER FROM: 00-00-00 THRU: 10-21-01
2	M05962-E7-M04	EA	COVER - BACK - LEATHER FROM: 10-22-01 THRU: 99-99-99
3	129666-07-M01	EA	ARMREST - RIGHT HAND (N04)
3	129666-07-N05	EA	ARMREST - RIGHT HAND (N05)
3	129666-07-N06	EA	ARMREST - RIGHT HAND (N06)
3	129666-09-M04	EA	ARMREST - RIGHT HAND- LEATHER
	P29666-07-M01	EA	COVER - ARMREST/RIGHT HAND (N04)
	P29666-07-N05	EA	COVER - ARMREST/RIGHT HAND (N05)
	P29666-07-N06	EA	COVER - ARMREST/RIGHT HAND (N06)
	P29666-09-M04	EA	COVER - ARMREST/RIGHT HAND- LEATHER
	130698-01-000	EA	ARMREST/MOLDED - RIGHT - W/O COVER
	130698-01-001	EA	ARMREST/MOLDED - RIGHT - W/O COVER - F/LEATHER
4	129666-08-M01	EA	ARMREST - LEFT HAND (N04)
4	129666-08-N05	EA	ARMREST - LEFT HAND (N05)
4	129666-08-N06	EA	ARMREST - LEFT HAND (N06)
4	129666-10-M04	EA	ARMREST - LEFT HAND - LEATHER

CURTAIN & CUSHION GROUP (CONTINUED)
BUCKET SEATS (CONTINUED)



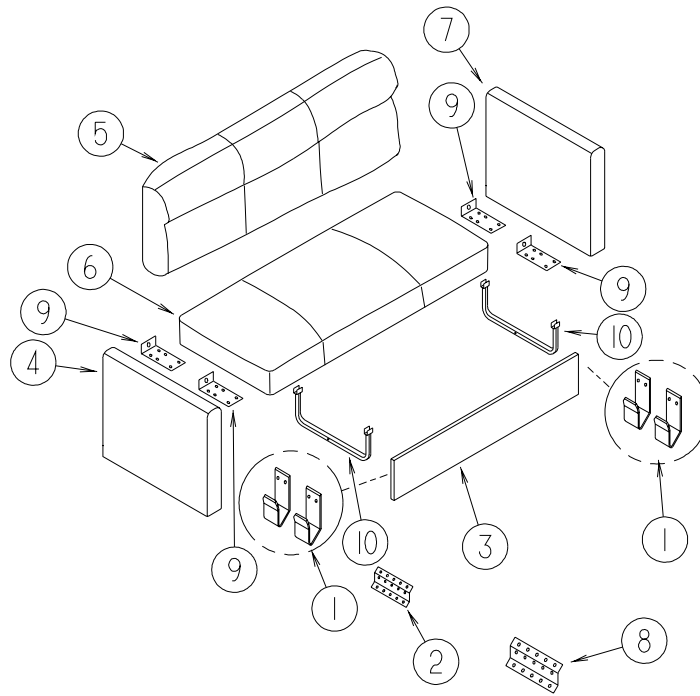
KEY	PART NUMBER	U/M	DESCRIPTION
	P29666-08-N01	EA	COVER - ARMREST/LEFT HAND (N04)
	P29666-08-N05	EA	COVER - ARMREST/LEFT HAND (N05)
	P29666-08-N06	EA	COVER - ARMREST/LEFT HAND (N06)
	P29666-10-M04	EA	COVER - ARMREST/LEFT HAND - LEATHER
	130698-02-000	EA	ARMREST/MOLDED - LEFT - W/O COVER
	130698-02-002	EA	ARMREST/MOLDED - LEFT - W/O COVER - F/LEATHER
5	M05962-89-N04	EA	COVER/SEAT - DRIVER - FORD (N04)
			FROM: 00-00-00 THRU: 10-21-01
5	M05962-E2-M01	EA	COVER - SEAT - DRIVER - FORD (N04)
			FROM: 10-22-01 THRU: 99-99-99
5	M05962-89-N05	EA	COVER/SEAT - DRIVER - FORD (N05)
			FROM: 00-00-00 THRU: 10-21-01
5	M05962-E2-N05	EA	COVER - SEAT - DRIVER - FORD (N05)
			FROM: 10-22-01 THRU: 99-99-99
5	M05962-89-N06	EA	COVER/SEAT - DRIVER - FORD (N06)
			FROM: 00-00-00 THRU: 10-21-01
5	M05962-E2-N06	EA	COVER - SEAT - DRIVER - FORD (N06)
			FROM: 10-22-01 THRU: 99-99-99
5	M05962-90-N04	EA	COVER/SEAT - W/SKIRT - DRIVER - CHEVY (N04)
			FROM: 00-00-00 THRU: 10-21-01
5	M05962-E3-M01	EA	COVER - SEAT - W/SKIRT - DRIVER - CHEVY (N04)
			FROM: 10-22-01 THRU: 99-99-99
5	M05962-90-N05	EA	COVER/SEAT - W/SKIRT - DRIVER - CHEVY (N05)
			FROM: 00-00-00 THRU: 10-21-01
5	M05962-E3-N05	EA	COVER - SEAT - W/SKIRT - DRIVER - CHEVY (N05)
			FROM: 10-22-01 THRU: 99-99-99
5	M05962-90-N06	EA	COVER/SEAT - W/SKIRT - DRIVER - CHEVY (N06)
			FROM: 00-00-00 THRU: 10-21-01
5	M05962-E3-N06	EA	COVER - SEAT - W/SKIRT - DRIVER - CHEVY (N06)
			FROM: 10-22-01 THRU: 99-99-99

CURTAIN & CUSHION GROUP (CONTINUED)
BUCKET SEATS (CONTINUED)

KEY	PART NUMBER	U/M	DESCRIPTION
5	M05962-B4-M04	EA	COVER - SEAT - LEATHER - DRIVER/PASSENGER - FORD FROM: 00-00-00 THRU: 10-21-01
5	M05962-E8-M04	EA	COVER - SEAT - LEATHER - DRIVER/PASSENGER - FORD FROM: 10-22-01 THRU: 99-99-99
5	M05962-D6-M04	EA	COVER - SEAT - W/SKIRT - DRIVER/PASSENGER - LEATHER - CHEVY FROM: 00-00-00 THRU: 10-21-01
5	M05962-E9-M04	EA	COVER - SEAT - W/SKIRT - LEATHER - DRIVER/PASSENGER - CHEVY FROM: 10-22-01 THRU: 99-99-99
6	130802-03-000	EA	SCREW F/LEVER
7	130802-02-000	EA	LEVER - RIGHT HAND
7	130802-01-000	EA	LEVER - LEFT HAND
8	132875-02-000	EA	FRAME - LEFT HAND CHAIR/TALL BACK FROM: 00-00-00 THRU: 10-21-01
8	132875-04-000	EA	FRAME - LEFT HAND CHAIR/TAPERED BACK FROM: 10-22-01 THRU: 99-99-99
8	132875-01-000	EA	FRAME - RIGHT HAND CHAIR/TAPERED BACK FROM: 00-00-00 THRU: 10-21-01
8	132875-03-000	EA	FRAME - RIGHT HAND CHAIR/TAPERED BACK FROM: 10-22-01 THRU: 99-99-99
9	007221-01-000	EA	SPACER - SEAT/ADJUSTER

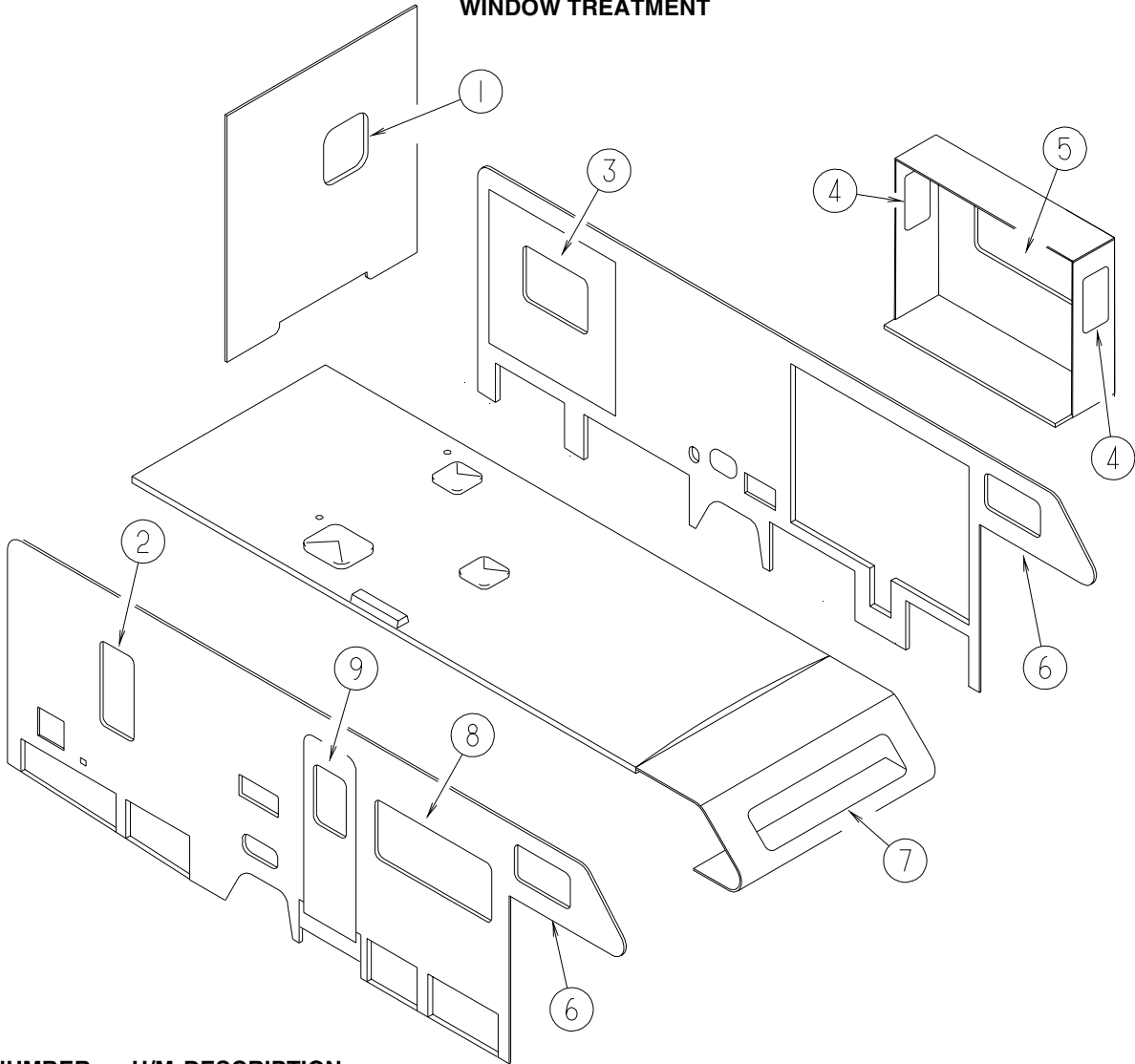
CURTAIN & CUSHION GROUP (CONTINUED)

SOFA



KEY	PART NUMBER	U/M	DESCRIPTION
1	121906-01-02B	EA	BRACKET - KICKBOARD - E-COATED
2	116104-04-02B	EA	BRACKET - ZEE W/HOLES - 3.2" - E-COATED
3	120992-18-N04	EA	PANEL/FRONT KICK - SOFA/BED - 70" - FABRIC COVERED
3	120992-18-N05	EA	PANEL/FRONT KICK - SOFA/BED - 70" - FABRIC COVERED
3	120992-18-N06	EA	PANEL/FRONT KICK - SOFA/BED - 70" - FABRIC COVERED
4	134282-01-M30	EA	PANEL - RIGHT END/SHORT - SOFA/BED - FABRIC COVERED (N04)
4	134282-01-N05	EA	PANEL - RIGHT END/SHORT - SOFA/BED - FABRIC COVERED (N05)
4	134282-01-N06	EA	PANEL - RIGHT END/SHORT - SOFA/BED - FABRIC COVERED (N06)
5	135138-12-N04	EA	BACK - SOFA/BED - 70"
5	135138-12-N05	EA	BACK - SOFA/BED - 70"
5	135138-12-N06	EA	BACK - SOFA/BED - 70"
	P35138-12-N04	EA	COVER/BACK - SOFA/BED - 70"
	P35138-12-N05	EA	COVER/BACK - SOFA/BED - 70"
	P35138-12-N06	EA	COVER/BACK - SOFA/BED - 70"
6	135138-11-N04	EA	SEAT - SOFA/BED - 70"
6	135138-11-N05	EA	SEAT - SOFA/BED - 70"
6	135138-11-N06	EA	SEAT - SOFA/BED - 70"
	P35138-11-N04	EA	COVER/SEAT - SOFA/BED - 70"
	P35138-11-N05	EA	COVER/SEAT - SOFA/BED - 70"
	P35138-11-N06	EA	COVER/SEAT - SOFA/BED - 70"
	132870-03-000	EA	FRAME - 70" SOFA BASE - CUSTOM LOUNGE
7	134282-02-M30	EA	PANEL - LEFT END/SHORT - SOFA/BED - FABRIC COVERED (N04)
7	134282-02-N05	EA	PANEL - LEFT END/SHORT - SOFA/BED - FABRIC COVERED (N05)
7	134282-02-N06	EA	PANEL - LEFT END/SHORT - SOFA/BED - FABRIC COVERED (N06)
8	101926-01-02A	EA	BRACKET - ZEE - 2" - BLACK
9	105947-01-000	EA	BRACKET - HOLD DOWN - COUCH - CANADIAN
10	127335-07-000	EA	LEG - SOFA/BED

CURTAIN & CUSHION GROUP (CONTINUED)
WINDOW TREATMENT

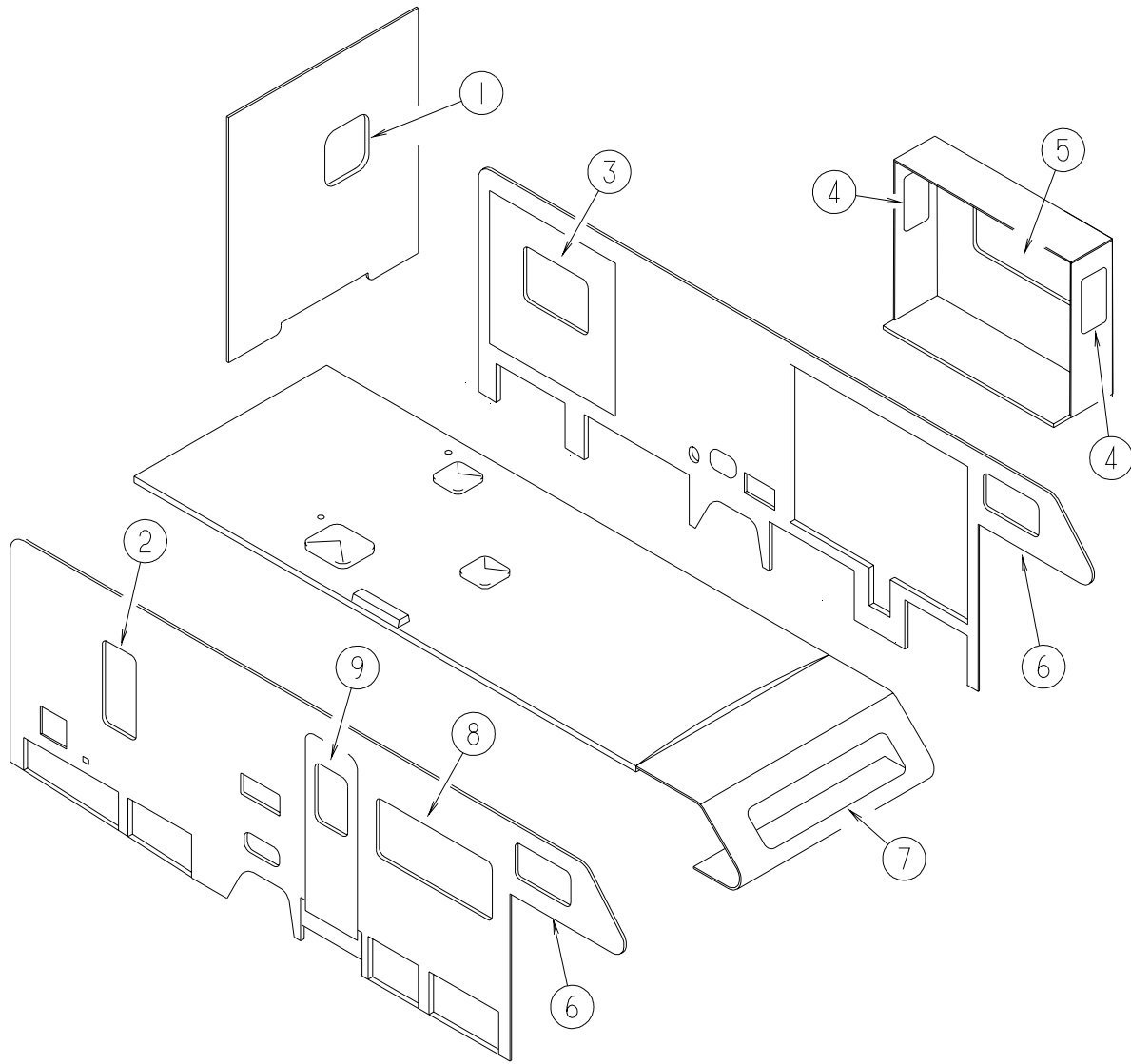


KEY	PART NUMBER	U/M	DESCRIPTION	
1	139139-05-N04	EA	VALANCE - MILAN - 31" (N04)	FROM: 00-00-00 THRU: 11-14-01
1	139139-05-NA4	EA	VALANCE - MILAN - 31" (N04)	FROM: 11-15-01 THRU: 99-99-99
1	139139-05-N05	EA	VALANCE - MILAN - 31" (N05)	
1	139139-05-N06	EA	VALANCE - MILAN - 31" (N06)	
1	111910-20-N01	EA	BLIND - DAY/NIGHTER - 28" X 28" (N04)	FROM: 00-00-00 THRU: 11-04-01
1	140789-06-N01	EA	BLIND - DAY/NIGHTER - 28" X 28" (N04)	FROM: 11-05-01 THRU: 99-99-99
1	111910-20-N30	EA	BLIND - DAY/NIGHTER - 28" X 28" (N05, N06)	FROM: 00-00-00 THRU: 11-04-01
1	140789-06-N30	EA	BLIND - DAY/NIGHTER - 28" X 28" (N05, N06)	FROM: 11-05-01 THRU: 99-99-99
1	136988-43-N04	EA	LEG - RIGHT - 29" (N04)	FROM: 00-00-00 THRU: 11-14-01
1	136988-43-NA4	EA	LEG - RIGHT - 29" (N04)	FROM: 11-15-01 THRU: 99-99-99
1	136988-43-N05	EA	LEG - RIGHT - 29" (N05)	
1	136988-43-N06	EA	LEG - RIGHT - 29" (N06)	
1	136988-44-N04	EA	LEG - LEFT - 29" (N04)	FROM: 00-00-00 THRU: 11-14-01
1	136988-44-NA4	EA	LEG - LEFT - 29" (N04)	FROM: 11-15-01 THRU: 99-99-99
1	136988-44-N05	EA	LEG - LEFT - 29" (N05)	
1	136988-44-N06	EA	LEG - LEFT - 29" (N06)	

CURTAIN & CUSHION GROUP (CONTINUED)
WINDOW TREATMENT (CONTINUED)

KEY	PART NUMBER	U/M	DESCRIPTION	
2	139139-06-N04	EA	VALANCE - MILAN - 18.5" (N04)	FROM: 00-00-00 THRU: 11-14-01
2	139139-06-NA4	EA	VALANCE - MILAN - 18.5" (N04)	FROM: 11-15-01 THRU: 99-99-99
2	139139-06-N05	EA	VALANCE - MILAN - 18.5" (N05)	
2	139139-06-N06	EA	VALANCE - MILAN - 18.5" (N06)	
2	111910-54-L15	EA	BLIND - DAY/NIGHTER - 15.5" X 33" (N04)	FROM: 00-00-00 THRU: 11-04-01
2	140789-23-N01	EA	BLIND - DAY/NIGHTER - 15.5" X 33" (N04)	FROM: 11-05-01 THRU: 99-99-99
2	111910-54-M22	EA	BLIND - DAY/NIGHTER - 15.5" X 33" (N05, N06)	FROM: 00-00-00 THRU: 11-04-01
2	140789-23-N02	EA	BLIND - DAY/NIGHTER - 15.5" X 33" (N05, N06)	FROM: 11-05-01 THRU: 99-99-99
2	136988-31-N04	EA	LEG - RIGHT - 29" (N04)	FROM: 00-00-00 THRU: 11-14-01
2	136988-31-NA4	EA	LEG - RIGHT - 29" (N04)	FROM: 11-15-01 THRU: 99-99-99
2	136988-31-N05	EA	LEG - RIGHT - 29" (N05)	
2	136988-31-N06	EA	LEG - RIGHT - 29" (N06)	
2	136988-32-N04	EA	LEG - LEFT - 29" (N04)	FROM: 00-00-00 THRU: 11-14-01
2	136988-32-NA4	EA	LEG - LEFT - 29" (N04)	FROM: 11-15-01 THRU: 99-99-99
2	136988-32-N05	EA	LEG - LEFT - 29" (N05)	
2	136988-32-N06	EA	LEG - LEFT - 29" (N06)	
3	139139-03-N04	EA	VALANCE - MILAN - 46" (N04)	FROM: 00-00-00 THRU: 11-14-01
3	139139-03-NA4	EA	VALANCE - MILAN - 46" (N04)	FROM: 11-15-01 THRU: 99-99-99
3	139139-03-N05	EA	VALANCE - MILAN - 46" (N05)	
3	139139-03-N06	EA	VALANCE - MILAN - 46" (N06)	
3	111910-82-N01	EA	BLIND - DAY/NIGHTER - 43" X 28" (N04)	FROM: 00-00-00 THRU: 11-04-01
3	140789-02-N01	EA	BLIND - DAY/NIGHTER - 43" X 28" (N04)	FROM: 11-05-01 THRU: 99-99-99
3	111910-82-N02	EA	BLIND - DAY/NIGHTER - 43" X 28" (N05, N06)	FROM: 00-00-00 THRU: 11-04-01
3	140789-02-N02	EA	BLIND - DAY/NIGHTER - 43" X 28" (N05, N06)	FROM: 11-05-01 THRU: 99-99-99
3	136988-15-N04	EA	LEG - RIGHT - 26" - FABRIC COVERED (N04)	FROM: 00-00-00 THRU: 11-14-01
3	136988-15-NA4	EA	LEG - RIGHT - 26" (N04)	FROM: 11-15-01 THRU: 99-99-99
3	136988-15-N39	EA	LEG - RIGHT - 26" - FABRIC COVERED (N05)	
3	136988-15-N26	EA	LEG - RIGHT - 26" - FABRIC COVERED (N06)	
3	136988-16-N04	EA	LEG - LEFT - 26" - FABRIC COVERED (N04)	FROM: 00-00-00 THRU: 11-14-01
3	136988-16-NA4	EA	LEG - LEFT - 26" (N04)	FROM: 11-15-01 THRU: 99-99-99
3	136988-16-N39	EA	LEG - LEFT - 26" - FABRIC COVERED (N05)	
3	136988-16-N26	EA	LEG - LEFT - 26" - FABRIC COVERED (N06)	
4	138097-08-N04	EA	VALANCE - FLAT CUFFED - 30.5" (N04)	
4	138097-08-N39	EA	VALANCE - FLAT CUFFED - 30.5" (N05)	
4	138097-08-N06	EA	VALANCE - FLAT CUFFED - 30.5" (N06)	
4	111910-74-N01	EA	BLIND - DAY/NIGHTER - 22.5" X 23" (N04)	FROM: 00-00-00 THRU: 11-04-01
4	140789-07-N01	EA	BLIND - DAY/NIGHTER - 22.5" X 23" (N04)	FROM: 11-05-01 THRU: 99-99-99
4	111910-74-N02	EA	BLIND - DAY/NIGHTER - 22.5" X 23" (N05, N06)	FROM: 00-00-00 THRU: 11-04-01
4	140789-07-N02	EA	BLIND - DAY/NIGHTER - 22.5" X 23" (N05, N06)	FROM: 11-05-01 THRU: 99-99-99

CURTAIN & CUSHION GROUP (CONTINUED)
WINDOW TREATMENT (CONTINUED)

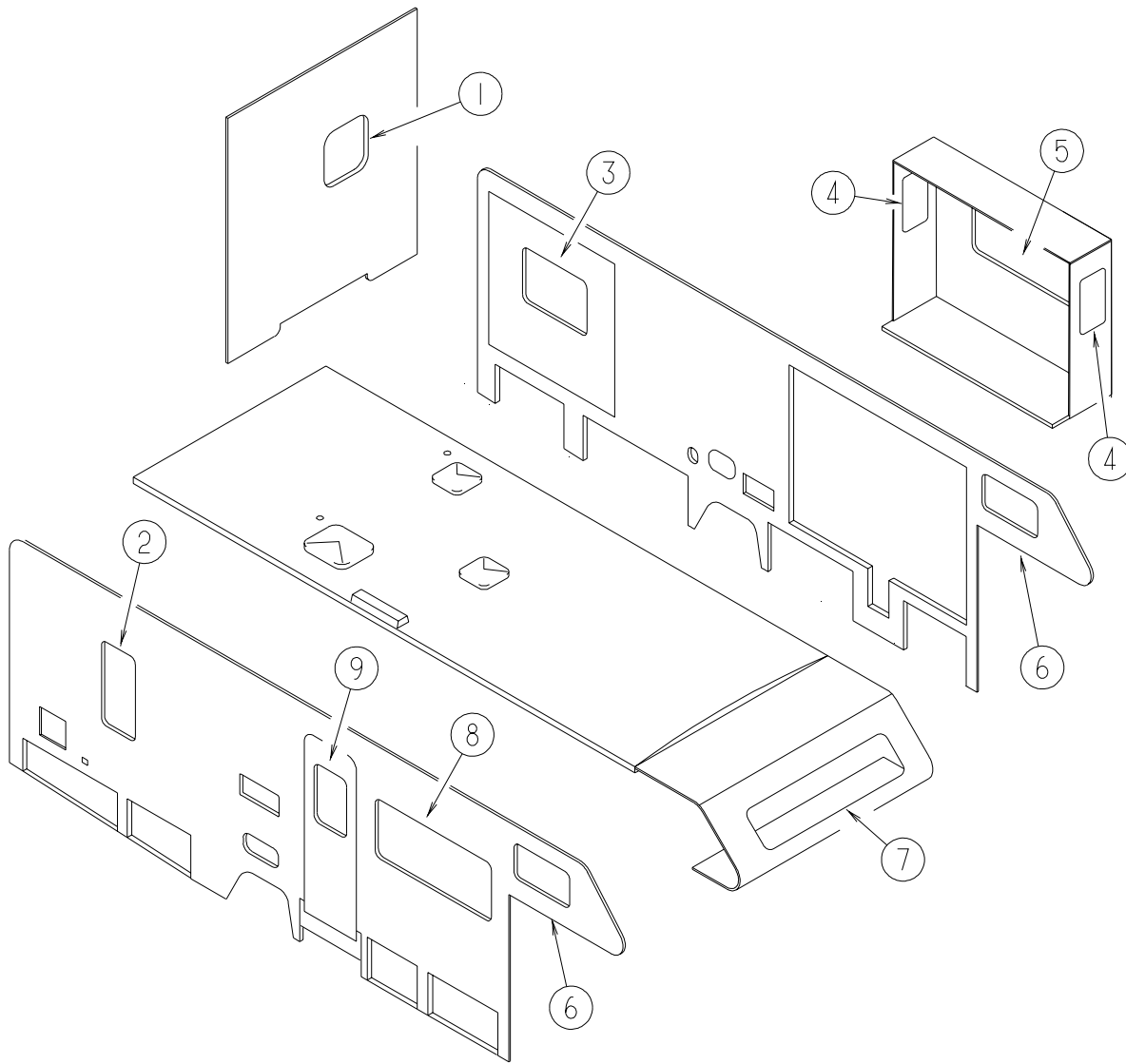


KEY	PART NUMBER	U/M	DESCRIPTION
4	136988-41-N04	EA	LEG - RIGHT - 22" (N04)
4	136988-41-N39	EA	LEG - RIGHT - 22" (N05)
4	136988-41-N06	EA	LEG - RIGHT - 22" (N06)
4	136988-42-N04	EA	LEG - LEFT - 22" (N04)
4	136988-42-N39	EA	LEG - LEFT - 22" (N05)
4	136988-42-N06	EA	LEG - LEFT - 22" (N06)
5	138097-03-N04	EA	VALANCE - CUFFED - 62.5" (N04)
5	138097-03-N39	EA	VALANCE - CUFFED - 62.5" (N05)
5	138097-03-N06	EA	VALANCE - CUFFED - 62.5" (N06)
5	111910-55-N01	EA	BLIND - DAY/NIGHTER - 59" X 26.5" (N04) FROM: 00-00-00 THRU: 11-04-01
5	140789-08-N01	EA	BLIND - DAY/NIGHTER - 59" X 26.5" (N04) FROM: 11-05-01 THRU: 99-99-99
5	111910-55-N02	EA	BLIND - DAY/NIGHTER - 59" X 26.5" (N05,N06) FROM: 00-00-00 THRU: 11-04-01
5	140789-08-N02	EA	BLIND - DAY/NIGHTER - 59" X 26.5" (N05,N06) FROM: 11-05-01 THRU: 99-99-99
5	127017-47-N04	EA	LEG - RIGHT - 23.5" (N04)
5	127017-47-N39	EA	LEG - RIGHT - 23.5" (N05)
5	127017-47-N04	EA	LEG - RIGHT - 23.5" (N06)
5	127017-48-N04	EA	LEG - LEFT - 23.5" (N04)
5	127017-48-N39	EA	LEG - LEFT - 23.5" (N05)
5	127017-48-N04	EA	LEG - LEFT - 23.5" (N06)

CURTAIN & CUSHION GROUP (CONTINUED)
WINDOW TREATMENT (CONTINUED)

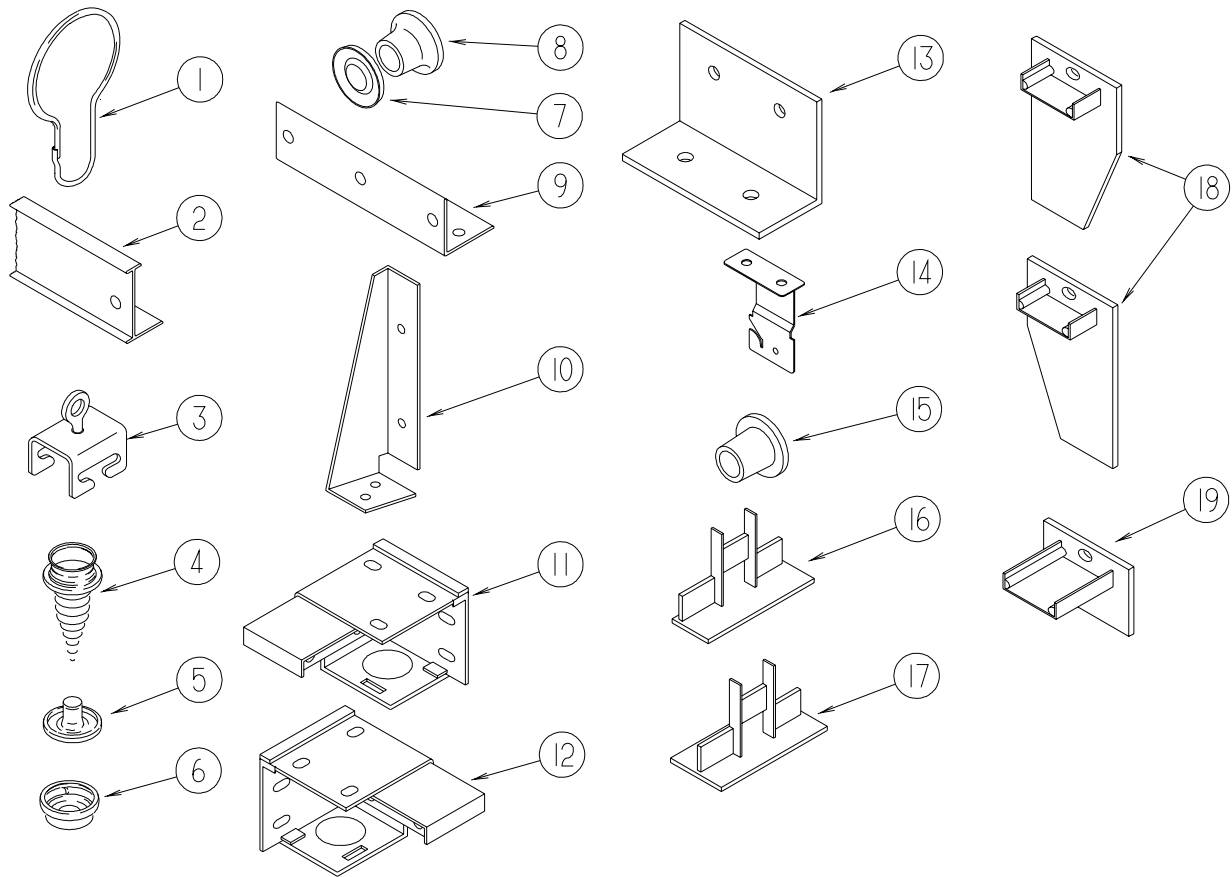
KEY	PART NUMBER	U/M	DESCRIPTION
6	138097-07-N04	EA	VALANCE - CUFFED - 26" (N04)
6	138097-07-N39	EA	VALANCE - CUFFED - 26" (N05)
6	138097-07-N06	EA	VALANCE - CUFFED - 26" (N06)
6	111910-74-N01	EA	BLIND - DAY/NIGHTER - 22.5" X 23" (N04) FROM: 00-00-00 THRU: 11-04-01
6	140789-07-N01	EA	BLIND - DAY/NIGHTER - 22.5" X 23" (N04) FROM: 11-05-01 THRU: 99-99-99
6	111910-74-N02	EA	BLIND - DAY/NIGHTER - 22.5" X 23" (N05, N06) FROM: 00-00-00 THRU: 11-04-01
6	140789-07-N02	EA	BLIND - DAY/NIGHTER - 22.5" X 23" (N05, N06) FROM: 11-05-01 THRU: 99-99-99
6	136988-41-N04	EA	LEG - RIGHT - 22" (N04)
6	136988-41-N39	EA	LEG - RIGHT - 22" (N05)
6	136988-41-N06	EA	LEG - RIGHT - 22" (N06)
6	136988-42-N04	EA	LEG - LEFT - 22" (N04)
6	136988-42-N39	EA	LEG - LEFT - 22" (N05)
6	136988-42-N06	EA	LEG - LEFT - 22" (N06)
7	101034-63-M01	EA	CURTAIN - RIGHT HAND - TAPE TOP - 19.5" X 31" (N04) FROM: 00-00-00 THRU: 11-14-01
7	101034-63-NA4	EA	CURTAIN - RIGHT HAND - TAPE TOP - 19.5" X 31" (N04) FROM: 11-15-01 THRU: 99-99-99
7	101034-63-N05	EA	CURTAIN - RIGHT HAND - TAPE TOP - 19.5" X 31" (N05)
7	101034-63-N06	EA	CURTAIN - RIGHT HAND - TAPE TOP - 19.5" X 31" (N06)
7	101034-64-M01	EA	CURTAIN - LEFT HAND - TAPE TOP - 19.5" X 31" (N04) FROM: 00-00-00 THRU: 11-14-01
7	101034-64-NA4	EA	CURTAIN - LEFT HAND - TAPE TOP - 19.5" X 31" (N04) FROM: 11-15-01 THRU: 99-99-99
7	101034-64-N05	EA	CURTAIN - LEFT HAND - TAPE TOP - 19.5" X 31" (N05)
7	101034-64-N06	EA	CURTAIN - LEFT HAND - TAPE TOP - 19.5" X 31" (N06)
8	101034-61-M01	EA	CURTAIN - RIGHT HAND - TAPE TOP - 21" X 56" (N04) FROM: 00-00-00 THRU: 11-14-01
8	101034-61-NA4	EA	CURTAIN - RIGHT HAND - TAPE TOP - 21" X 56" (N04) FROM: 11-15-01 THRU: 99-99-99
8	101034-61-N05	EA	CURTAIN - RIGHT HAND - TAPE TOP - 21" X 56" (N05)
8	101034-61-N06	EA	CURTAIN - RIGHT HAND - TAPE TOP - 21" X 56" (N06)
8	101034-62-M01	EA	CURTAIN - LEFT HAND - TAPE TOP - 21" X 56" (N04) FROM: 00-00-00 THRU: 11-14-01
8	101034-62-NA4	EA	CURTAIN - LEFT HAND - TAPE TOP - 21" X 56" (N04) FROM: 11-15-01 THRU: 99-99-99
8	101034-62-N05	EA	CURTAIN - LEFT HAND - TAPE TOP - 21" X 56" (N05)
8	101034-62-N06	EA	CURTAIN - LEFT HAND - TAPE TOP - 21" X 56" (N06)
9	138097-01-N04	EA	VALANCE - CUFFED - 64.5" (N04)
9	138097-01-N39	EA	VALANCE - CUFFED - 64.5" (N05)
9	138097-01-N06	EA	VALANCE - CUFFED - 64.5" (N06)
9	111910-57-N01	EA	BLIND - DAY/NIGHTER - 61" X 28.5" (N04) FROM: 00-00-00 THRU: 11-04-01
9	140789-14-N01	EA	BLIND - DAY/NIGHTER - 61" X 28.5" (N04) FROM: 11-05-01 THRU: 99-99-99
9	111910-57-N02	EA	BLIND - DAY/NIGHTER - 61" X 28.5" (N05, N06) FROM: 00-00-00 THRU: 11-04-01
9	140789-14-N02	EA	BLIND - DAY/NIGHTER - 61" X 28.5" (N05, N06) FROM: 11-05-01 THRU: 99-99-99
9	127017-13-N04	EA	LEG - RIGHT - 25" - FABRIC COVERED
9	127017-13-N05	EA	LEG - RIGHT - 25" - FABRIC COVERED
9	127017-13-N06	EA	LEG - RIGHT - 25" - FABRIC COVERED
9	127017-14-N04	EA	LEG - LEFT - 25" - FABRIC COVERED
9	127017-14-N05	EA	LEG - LEFT - 25" - FABRIC COVERED
9	127017-14-N06	EA	LEG - LEFT - 25" - FABRIC COVERED
10	121410-C0-N04	EA	VALANCE - MODERATE - 11" X 31"
10	121410-C0-N05	EA	VALANCE - MODERATE - 11" X 31"
10	121410-C0-N06	EA	VALANCE - MODERATE - 11" X 31"
10	084755-57-E07	EA	SHADE - PULL - 27.25"

CURTAIN & CUSHION GROUP (CONTINUED)
WINDOW TREATMENT (CONTINUED)



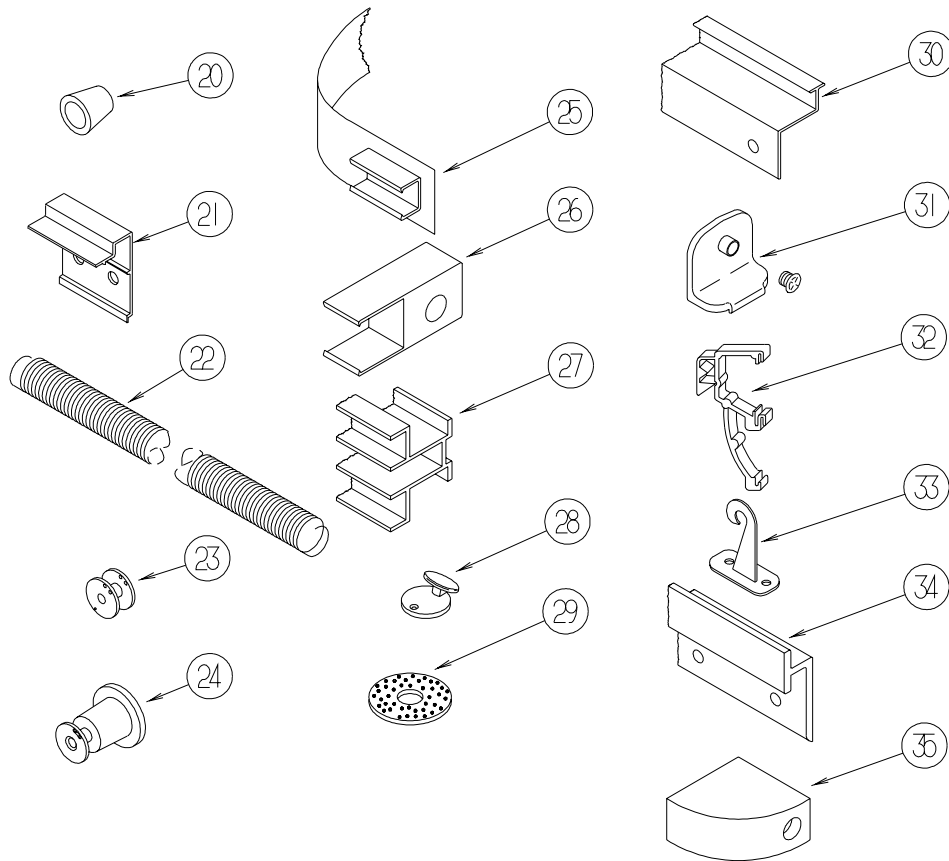
KEY	PART NUMBER	U/M	DESCRIPTION
	076892-25-N04	EA	CURTAIN - CAB PRIVACY - 40" X 74" (N04) FROM: 00-00-00 THRU: 11-14-01
	076892-25-NA4	EA	CURTAIN - CAB PRIVACY - 40" X 74" (N04) FROM: 11-15-01 THRU: 99-99-99
	076892-25-N05	EA	CURTAIN - CAB PRIVACY - 40" X 74" (N05)
	076892-25-N06	EA	CURTAIN - CAB PRIVACY - 40" X 74" (N06)
	101668-39-M01	EA	CURTAIN - RIGHT HAND - TAPE TOP - 35" X 50" (N04) BUNK PRIVACY FROM: 00-00-00 THRU: 11-14-01
	101668-39-NA4	EA	CURTAIN - RIGHT HAND - TAPE TOP - 35" X 50" (N04) BUNK PRIVACY FROM: 11-15-01 THRU: 99-99-99
	101668-39-N05	EA	CURTAIN - RIGHT HAND - TAPE TOP - 35" X 50" (N05) BUNK PRIVACY
	101668-39-N06	EA	CURTAIN - RIGHT HAND - TAPE TOP - 35" X 50" (N06) BUNK PRIVACY
	101668-40-M01	EA	CURTAIN - LEFT HAND - TAPE TOP - 35" X 50" (N04) BUNK PRIVACY FROM: 00-00-00 THRU: 11-14-01
	101668-40-NA4	EA	CURTAIN - LEFT HAND - TAPE TOP - 35" X 50" (N04) BUNK PRIVACY FROM: 11-15-01 THRU: 99-99-99
	101668-40-N05	EA	CURTAIN - LEFT HAND - TAPE TOP - 35" X 50" (N05) BUNK PRIVACY
	101668-40-N06	EA	CURTAIN - LEFT HAND - TAPE TOP - 35" X 50" (N06) BUNK PRIVACY
	073260-23-M01	EA	TIEBACK - 3" X 18" (N04) BUNK PRIVACY FROM: 00-00-00 THRU: 11-14-01
	073260-23-NA4	EA	TIEBACK - 3" X 18" (N04) BUNK PRIVACY FROM: 11-15-01 THRU: 99-99-99
	073260-23-N05	EA	TIEBACK - 3" X 18" (N05) BUNK PRIVACY
	073260-23-M06	EA	TIEBACK - 3" X 18" (N06) BUNK PRIVACY

CURTAIN & CUSHION GROUP (CONTINUED) HARDWARE



KEY	PART NUMBER	U/M	DESCRIPTION
1	009136-02-000	EA	HANGER - RING - PIN TYPE - CURTAIN - BRASS
2	009700-04-002	EA	TRACK - CURTAIN - L SHAPED - 15.5' - OFF WHITE - 400 SERIES
2	118896-05-04A	EA	TRACK/WRAPAROUND - PASSENGER - GLACIER - Q-SERIES
2	118897-04-04A	EA	TRACK/WRAPAROUND - PASSENGER - GLACIER - Q-SERIES
2	126456-03-04A	EA	TRACK/WRAPAROUND - PASSENGER - GLACIER - G-SERIES
2	126456-04-04A	EA	TRACK/WRAPAROUND - DRIVER - GLACIER - G-SERIES
3	009702-01-000	EA	END STOP - CURTAIN CARRIER - L ROD
4	029130-01-000	EA	SCREW - SNAP STUD - #8-16 X 3/8" LONG
4	029130-03-000	EA	SCREW - SNAP STUD - #8-16 X 1" LONG
5	029155-01-000	EA	CAP - SNAP - 5/32" OUTSIDE DIAMETER OF PIN
6	029156-01-000	EA	SOCKET - SNAP - 9/16" O.D.
7	046867-02-000	EA	WASHER - HANDY BUTTON #3
8	046867-03-000	EA	GROMMET - HANDY BUTTON #3
9	075943-10-000	EA	BRACE - VALANCE - 20" - OFF WHITE
9	105648-01-02A	EA	BRACE - VALANCE - OFF/WHITE - 14"
10	076827-02-000	EA	BRACKET/LEG - 2.9" X 1.8" - TRIANGULAR - LEFT/E-COATED
11	083170-01-000	EA	BRACKET/BLIND - LEFT SIDE WHEN FACING WINDOW - CLEAR
12	083170-02-000	EA	BRACKET/BLIND - RIGHT SIDE WHEN FACING WINDOW - CLEAR
13	083125-07-000	EA	BRACE - ANGLE/COUCH - 2.5" - OFF WHITE
13	083125-08-000	EA	BRACE - ANGLE/COUCH - .75" - OFF WHITE
14	084434-01-000	EA	BRACKET - MOUNTING - ROLLER SHADE - 1 3/8"
15	094896-02-000	EA	GROMMET - CORD/PLEATED BLIND - NYLON - GRAY
16	094907-02-000	EA	END CAP - PLEATED BLIND/TOP - RH/LH - GRAY PLASTIC
17	094907-04-000	EA	END CAP - PLEATED BLIND/BOTTOM - RH/LH
18	094907-05-000	EA	END CAP - PLEATED BLIND/BOTTOM - PULL TYPE - PLASTIC
19	094907-06-000	EA	END CAP - PLEATED BLIND/TOP

CURTAIN & CUSHION GROUP (CONTINUED)
HARDWARE (CONTINUED)



KEY	PART NUMBER	U/M	DESCRIPTION
20	097564-03-000	EA	HANDLE - KNOB - E-Z LIFT SHADE - TAN
20	097564-05-000	EA	HANDLE - KNOB - E-Z LIFT SHADE - TEAL
20	097564-06-000	EA	HANDLE - KNOB - E-Z LIFT SHADE - ALABASTER
21	097565-01-000	EA	BRACKET - MOUNTING - PLEATED BLIND
21	097565-02-000	EA	BRACKET - MOUNTING
22	097591-01-000	EA	SPRING - EXTENSION/PLEATED BLIND
23	097592-01-000	EA	SPOOL - CORD - ELEVATED BLIND HOLDUP - SMALL - CLEAR
24	097592-02-000	EA	SPOOL - CORD - ELEVATED BLIND HOLDUP - LARGE - CLEAR
	097593-02-000	FT	CORD - BLIND - PLEATED - GRAY
	097593-06-000	FT	CORD - BLIND - PLEATED - PEWTER
	097593-07-000	FT	CORD - BLIND - PLEATED - PALE JADE
	097593-10-000	FT	CORD - BLIND - PLEATED - VANILLA
25	101031-01-000	YD	TAPE/GLIDE - 4.25" SPACING
26	101033-02-000	EA	END CAP - LOW PROFILE TRACK - CLEAR
27	101033-08-000	EA	TRACK/WALL - 75"
27	101033-09-000	EA	TRACK/WALL - 32"
28	102555-03-000	EA	CLEAT - BLIND CORD - MILKY WHITE - PLASTIC
29	103242-01-000	EA	VELCRO HOOK - BEIGE 7/8" ROUND W/CENTER HOLE
29	103242-02-000	EA	VELCRO HOOK - BLACK 7/8" ROUND W/CENTER HOLE
30	105450-14-01A	EA	TRACK - CURTAIN - 90" - OFF WHITE - 300-SERIES
30	105450-15-01A	EA	TRACK - CURTAIN - 82.3" - OFF WHITE - 200-SERIES
31	106544-01-000	EA	PULL - SHADE/BRASS
	106544-01-001	EA	SCREW - SHADE/BRASS
32	109353-04-000	EA	CLIP - VALANCE SLAT MOUNTING - CLEAR PLASTIC
	109441-02-000	EA	SPACER/BRACKET - BLIND HOLD DOWN
33	109441-03-000	EA	BRACKET/HOOK - BLIND HOLD DOWN - CLOUDY
34	127254-03-05A	EA	TRACK/WRAPAROUND - PASSENGER - GLACIER - D-SERIES
34	127254-04-05A	EA	TRACK/WRAPAROUND - DRIVER - GLACIER - D-SERIES & F-SERIES
34	127254-14-03A	EA	TRACK/WRAPAROUND - PASSENGER - GLACIER - F-SERIES
34	133235-01-04A	EA	TRACK - CURTAIN/LEFT HAND - GLACIER - P-SERIES
34	133236-01-04A	EA	TRACK - CURTAIN/RIGHT HAND - GLACIER - P-SERIES
35	132504-01-N92	EA	BRACKET - SHADE

CURTAIN & CUSHION GROUP (CONTINUED)

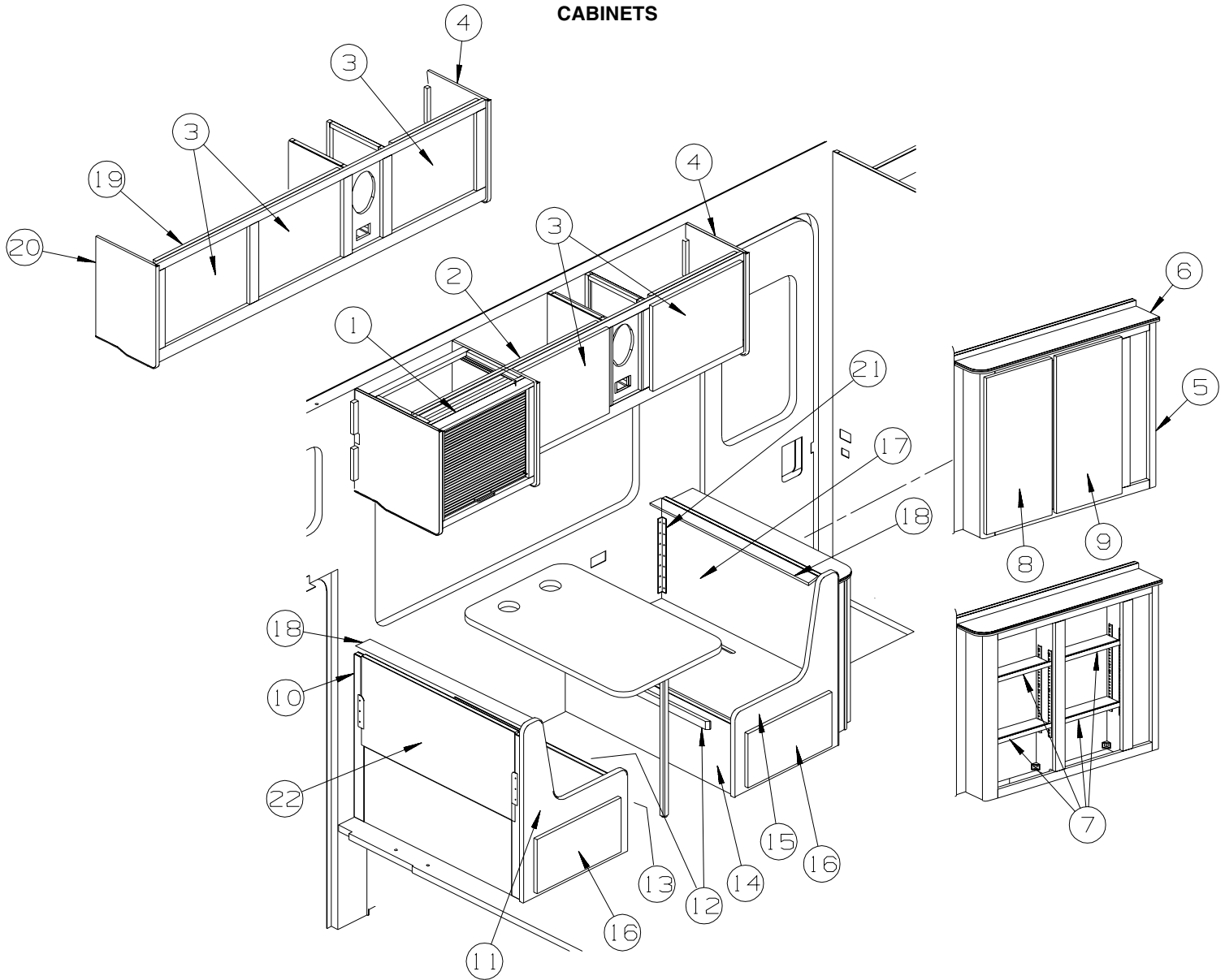
ACCESSORIES

KEY	PART NUMBER	U/M	DESCRIPTION
	007021-01-000	EA	SEAT BELT - 2" X 90" - BLACK
	056271-01-000	EA	SEAT BELT - 2" X 102" - BLACK
	118337-01-N04	EA	BUTTON - #60 - FABRIC COVERED
	118337-01-N05	EA	BUTTON - #60 - FABRIC COVERED
	118337-01-N06	EA	BUTTON - #60 - FABRIC COVERED
	118337-06-N04	EA	BUTTON - #60 - FABRIC COVERED
	118337-06-N05	EA	BUTTON - #60 - FABRIC COVERED
	118337-06-N06	EA	BUTTON - #60 - FABRIC COVERED
	074494-02-000	EA	BUTTON - RETAINING PIVOT - #60
	074494-03-000	EA	BUTTON - SERRATED PIVOT - W/3/8 TACK
	057534-03-000	EA	TIEBACK - CLEAR PLASTIC - 7.5"

CURTAIN & CUSHION GROUP (CONTINUED)
FABRICS

2002 FAMILY BUCKET	N04 SPRING MIST	N05 BAYWATER	N06 SAHARA
	565V	565V	565V
	126883-11-000	126883-42-000	126883-F2-000
	*OPT. LEATH/COBRA SILVER 079680-39-000 (BOXING)	*OPT. LEATH/COBRA SILVER 079680-39-000 (BOXING)	*OPT. LEATH/COBRA SILVER 079680-39-000 (BOXING)
DINETTE	SQUARE CLUB	SQUARE CLUB	SQUARE CLUB
	126883-A1-000	126883-F0-000	126883-F1-000
DINETTE PADS	126883-11-000	126883-42-000	126883-F2-000
SOFA	695 /K.E. JACK KNIFE	695 /K.E. JACK KNIFE	695 /K.E. JACK KNIFE
	126883-A1-000	126883-E8-000	126883-F1-000
LOUNGE CHAIR	465 CHAIR	465 CHAIR	465 CHAIR
	126883-11-000	126883-F0-000	126883-F2-000
LOUNGE WINDOWS	CUFFED VALANCE	CUFFED VALANCE	CUFFED VALANCE
	126883-11-000/126883-A1-000	126883-42-000/126883-E8-000	126883-F2-000/126883-F1-000
	UNDERLAY/OVERLAY	UNDERLAY/OVERLAY	UNDERLAY/OVERLAY
	BUTTONS - 126883-11-000	BUTTONS - 126883-42-000	BUTTONS - 126883-F2-000
	LEGS - 126883-11-000	LEGS - 126883-42-000	LEGS - 126883-F2-000
LOUNGE PILLOW	NOT NEEDED	NOT NEEDED	NOT NEEDED
FWA, BLACKOUT, PRIVACY & OVHD. CURTAINS	105745-R1-000	105745-Y3-000	105745-V9-000
OVERHEAD BUNK	126883-11-000	126883-42-000	126883-F2-000
DIVIDER CURTAIN	105745-T2-000/105745-R1-000	105745-X3-000/105745-Y3-000	105745-N6-000/105745-V9-000
DAY/NIGHTER	094911-31-000/126883-50-000	094911-53-000/094911-50-000	094911-53-000/094911-50-000
	OCEAN SPRAY/WT. DECO	COTTON/WT. DECO	COTTON/WT. DECO
GALLEY BLINDS	386 SNOCAP	386 SNOCAP	386 SNOCAP
BEDROOM WDO TREATMENT	MILAN VALANCE	MILAN VALANCE	MILAN VALANCE
	105745-T2-000/105745-R1-000	105745-X3-000/105745-Y3-000	105745-N6-000/105745-V9-000
	UNDERLAY/OVERLAY	UNDERLAY/OVERLAY	UNDERLAY/OVERLAY
	LEGS - 105745-R1-000	LEGS - 105745-Y3-000	LEGS - 105745-V9-000
BEDCOVER	THROW W/1/2" N-G WELT	THROW W/1/2" N-G WELT	THROW W/1/2" N-G WELT
	105745-T2-000/105745-R1-000	105745-X3-000/105745-Y3-000	105745-N6-000/105745-V9-000
QUILT PATTERN	6" CHANNEL	6" CHANNEL	6" CHANNEL
SHAMS	1/2" NON-GATH. WELT	1/2" NON-GATH. WELT	1/2" NON-GATH. WELT
	105745-T2-000/105745-R1-000	105745-X3-000/105745-Y3-000	105745-N6-000/105745-V9-000
BED PILLOW	NOT NEEDED	NOT NEEDED	NOT NEEDED
VANITY CHAIR	REM CHAIR	REM CHAIR	REM CHAIR
	126883-11-000	126883-42-000	126883-F2-000
VINYL-EXPANDED	103907-01-01A	103907-01-01A	103907-01-01A
VINYL-HEADLINER	103907-01-06A	103907-01-06A	103907-01-06A
VINYL-TIRE COVER	103907-05-000	103907-05-000	103907-05-000
CEILING	113979-12-01A	113979-12-01A	113979-12-01A

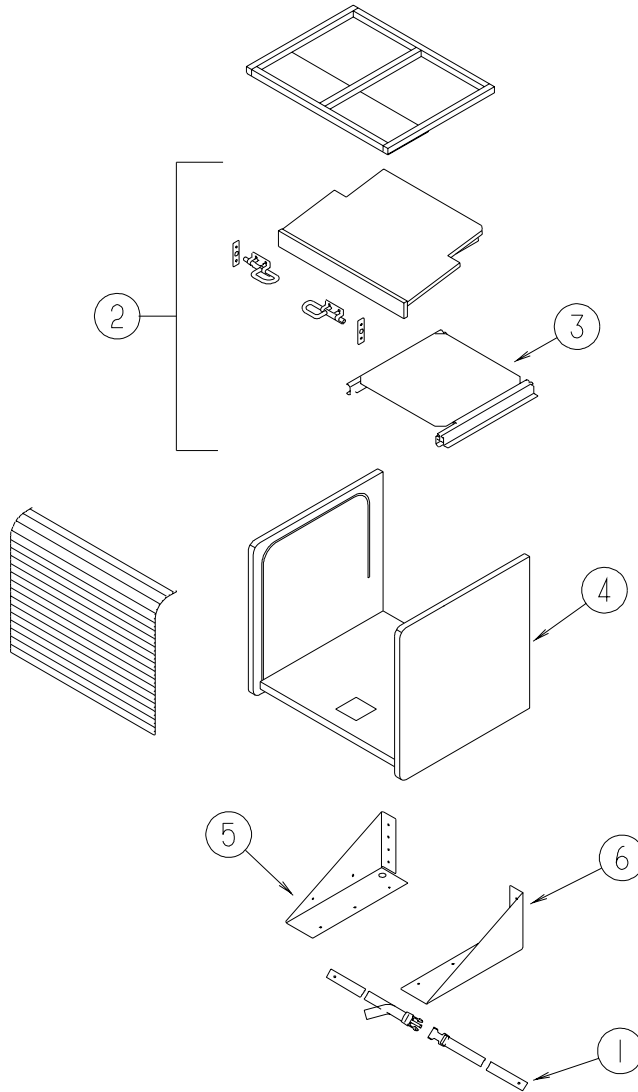
DINETTE GROUP CABINETS



KEY	PART NUMBER	U/M	DESCRIPTION
1	136898-02-N09	EA	CABINET - TV/VCR - W/O SHELF/SLIDES/SWIVEL- W/TAMBOUR DOOR - W/13" TV/VCP
1	136898-04-N09	EA	CABINET - TV/VCR - W/O SHELF/SLIDES/SWIVEL- W/TAMBOUR DOOR - W/TV STORAGE
2	138038-02-N04	EA	CABINET - OVERHEAD/FRONT - W/O DOORS/HARDWARE
2	138038-02-N05	EA	CABINET - OVERHEAD/FRONT - W/O DOORS/HARDWARE
2	138038-02-N06	EA	CABINET - OVERHEAD/FRONT - W/O DOORS/HARDWARE
3	134781-08-N04	EA	DOOR - RAIL/VENEER - 15.7" X 24.4" - W/O HARDWARE
4	109908-80-M07	EA	END CAP - OVERHEAD CABINET
5	140047-01-N04	EA	CABINET - STORAGE - W/O DOORS/HARDWARE
5	140047-01-N05	EA	CABINET - STORAGE - W/O DOORS/HARDWARE
5	140047-01-N06	EA	CABINET - STORAGE - W/O DOORS/HARDWARE
6	133655-58-N01	EA	COUNTERTOP - LAMINATED - GRAY TRANQUILITY (N04, N05)
6	133655-58-N03	EA	COUNTERTOP - WHITE TALC (N06)
7	140047-20-N01	EA	SHELF - W/PLASTIC EDGE MOLDING
8	131995-T0-N01	EA	DOOR - RAIL/SOLID PANEL - 13.5" X 27.1" - W/O HARDWARE
9	131995-T1-N01	EA	DOOR - RAIL/SOLID PANEL - 13.5" X 27.1" - W/O HARDWARE
10	137450-45-N01	EA	PANEL/BACK - DINETTE SEAT - W/O HINGED PANEL - LEFT HAND
11	137450-36-N01	EA	PANEL/END CAP - DINETTE SEAT - LEFT HAND
12	081295-01-N70	EA	SUPPORT - BED/DINETTE - 28" LONG
13	137450-44-N01	EA	PANEL/FACE - DINETTE SEAT - LEFT HAND
14	137450-39-N01	EA	PANEL/FACE - DINETTE SEAT - RIGHT HAND
15	137450-43-N01	EA	PANEL/END CAP - DINETTE SEAT - RIGHT HAND
16	134783-02-N04	EA	DOOR - RAIL/SOLID PANEL - 10" X 19.1" - W/O HARDWARE
17	137450-41-N01	EA	PANEL/BACK - DINETTE SEAT - RIGHT HAND

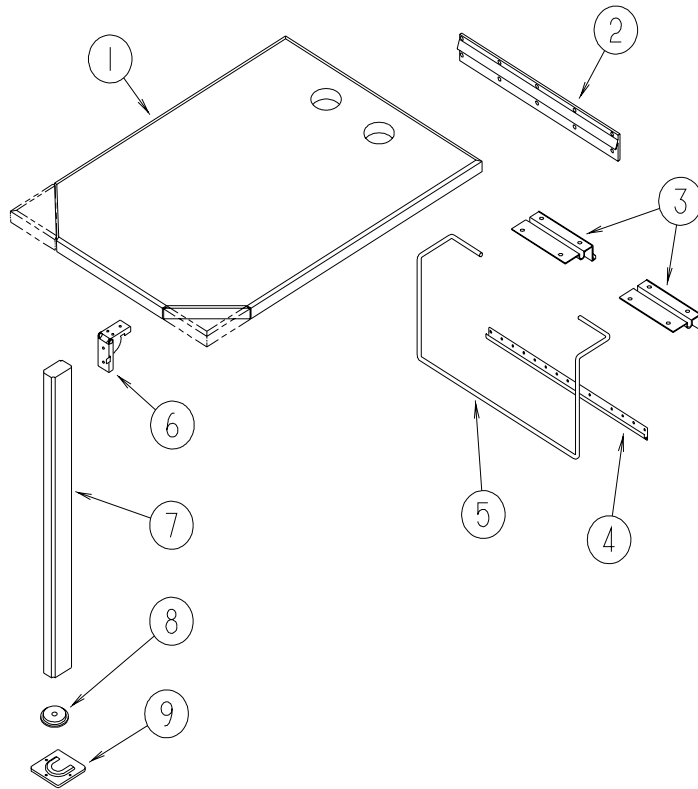
DINETTE GROUP (CONTINUED) CABINETS (CONTINUED)

KEY	PART NUMBER	U/M	DESCRIPTION
18	111338-09-N04	EA	PAD - DINETTE SEATBACK
18	111338-09-N05	EA	PAD - DINETTE SEATBACK
18	111338-09-N06	EA	PAD - DINETTE SEATBACK
19	138039-03-N04	EA	CABINET - OVERHEAD/FRONT - W/O DOORS/HARDWARE
19	138039-03-N05	EA	CABINET - OVERHEAD/FRONT - W/O DOORS/HARDWARE
19	138039-03-N06	EA	CABINET - OVERHEAD/FRONT - W/O DOORS/HARDWARE
20	109908-79-M07	EA	END CAP - OVERHEAD CABINET
21	122021-02-02A	EA	ANGLE - W/HOLES - 13.7" LONG - OFF WHITE
22	137450-48-N01	EA	PANEL/BACK - DINETTE SEAT - HINGED PORTION - W/O HINGE/HDW



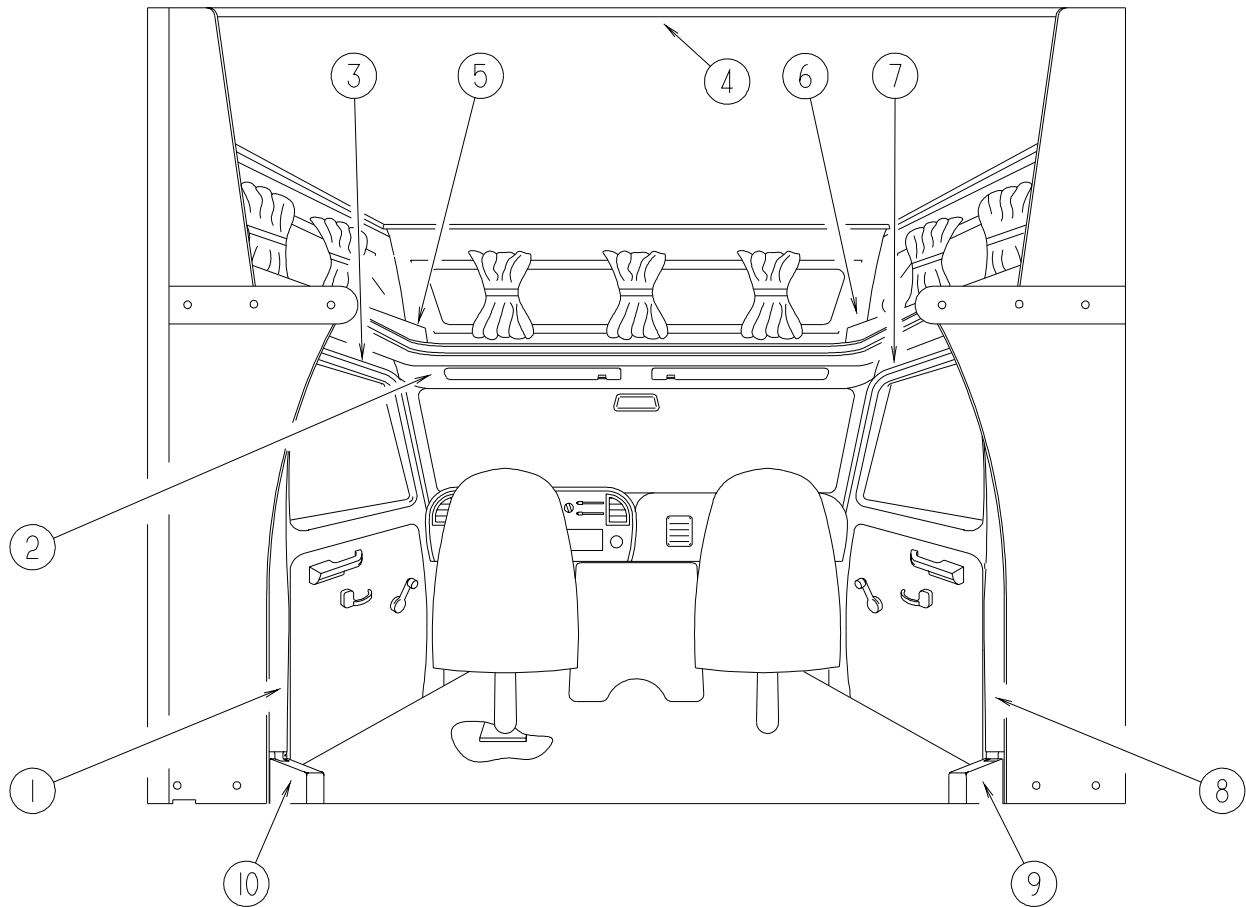
KEY	PART NUMBER	U/M	DESCRIPTION
1	099717-04-000	EA	STRAP - W/21.2" FEMALE STRAP AND 27.1" MALE STRAP
2	136898-18-M07	EA	SHELF - W/SLIDE & SWIVEL
3	116773-02-000	EA	SWIVEL/SLIDES - F/TV SHELF - 17.9"D X 1.6"H X 15.3"W
4	109908-98-M07	EA	END CAP - OVERHEAD CABINET
5	122298-03-02B	EA	BRACKET - TV/VCR W/ANGLE - RIGHT HAND - E-COATED
6	122298-02-02B	EA	BRACKET - TV/VCR W/ANGLE - LEFT HAND - E-COATED

DINETTE GROUP (CONTINUED) TABLE



KEY	PART NUMBER	U/M	DESCRIPTION
1	132034-01-N01	EA	TABLE TOP ONLY - 41.6" X 29.7" (N04, N05) - 322R, 324V, 329N
1	132034-01-M03	EA	TABLE TOP ONLY - 41.6" X 29.7" (N06) - 322R, 324V, 329N
1	132034-02-N01	EA	TABLE TOP ONLY - 41.6" X 25" (N04, N05) - 322E, 331T
1	132034-02-M03	EA	TABLE TOP ONLY - 41.6" X 25" (N06) - 322E, 331T
1	132034-03-N01	EA	TABLE TOP ONLY - 37.7" X 29.7" (N04, N05) - 324F
1	132034-03-N03	EA	TABLE TOP ONLY - 37.7" X 29.7" (N06) - 324F
1	132034-20-N01	EA	TABLE TOP ONLY - 37.7" X 24" - GRAY TRANQUILITY (N04, N05) - 329B
1	132034-20-N03	EA	TABLE TOP ONLY - 37.7" X 24" - WHITE TALC (N06) - 329B
2	053200-13-000	EA	SUPPORT - TABLE - 18.5"
3	088410-02-000	EA	BRACKET - LIFT - TABLE MOUNTED
4	024281-15-000	EA	BRACKET/TABLE - LIFT ROD/LOWER WALL MOUNTED - 17.1"
5	024275-13-000	EA	ROD - TABLE LIFT - OFF/WHITE
6	093550-01-000	EA	BRACKET - HINGE - MOUNTS TO LEG & TABLE TOP - 1.7" X 2.6"
7	092707-04-10A	EA	LEG - TABLE - W/O HARDWARE - 27" - PORTSMOUTH OAK II - 322E, 324V, 329B, 329N, 331T
7	092708-06-10A	EA	LEG - TABLE - W/O HARDWARE - 27" - PORTSMOUTH OAK II - 322R
8	092593-01-05A	EA	CATCH - TABLE LEG - OFF/WHITE
9	049493-12-000	EA	CATCH - TABLE LEG/FLOOR MOUNTED - OFF WHITE

DRIVERS COMPARTMENT GROUP FRONT INTERIOR



KEY	PART NUMBER	U/M	DESCRIPTION
1	125031-02-H04	EA	TRIM - CAB - B-PILLAR - DRIVER SIDE - FORD
2	106448-03-N01	EA	HEADLINER - W/VINYL - FORD
2	124818-01-H04	EA	HEADLINER - W/VINYL - CHEVY
3	106447-04-H04	EA	TRIM - CAB DOOR - UPPER/LEFT HAND - FORD
3	124819-01-H04	EA	TRIM - CAB DOOR - UPPER/LEFT HAND - CHEVY
4	082111-02-000	EA	COVER - ROOF BREAK - OFF WHITE
5	109894-01-N01	EA	CABINET/HAMPER - DRIVER/FRONT - W/O COUNTERTOP/HARDWARE (N04, N05)
5	109894-01-N03	EA	CABINET/HAMPER - DRIVER/FRONT - W/O COUNTERTOP/HARDWARE (N06)
6	109894-03-M01	EA	CABINET/HAMPER - PASSENGER/FRONT - W/O COUNTERTOP/HARDWARE (N04, N05)
6	109894-03-N06	EA	CABINET/HAMPER - PASSENGER/FRONT - W/O COUNTERTOP/HARDWARE (N06)
7	106447-03-H04	EA	TRIM - CAB DOOR - UPPER/RIGHT HAND - FORD
7	124817-01-H04	EA	TRIM - CAB DOOR - UPPER/RIGHT HAND - CHEVY
8	125031-01-H04	EA	TRIM - CAB - B-PILLAR - PASSENGER SIDE - FORD
9	106431-02-02A	EA	COVER - SEATBELT RECOIL - PASSENGER SIDE - VW GRAY
10	106431-01-02A	EA	COVER - SEATBELT RECOIL - DRIVER SIDE - VW GRAY
	094658-02-M01	EA	HANDLE - BUNK - 2" X 14.2" - OAK - 324F & 331T
*	106025-02-01A	EA	LADDER - BUNK - 52"
	125780-03-000	EA	MAT - FLOOR - FRONT PASSENGER - "1" - FORD
	125780-04-000	EA	MAT - FLOOR - FRONT DRIVER - "1" - FORD
	124182-03-01A	EA	MAT - PASSENGER - ITASCA/CHEVY
	124182-04-01A	EA	MAT - DRIVER - ITASCA/CHEVY

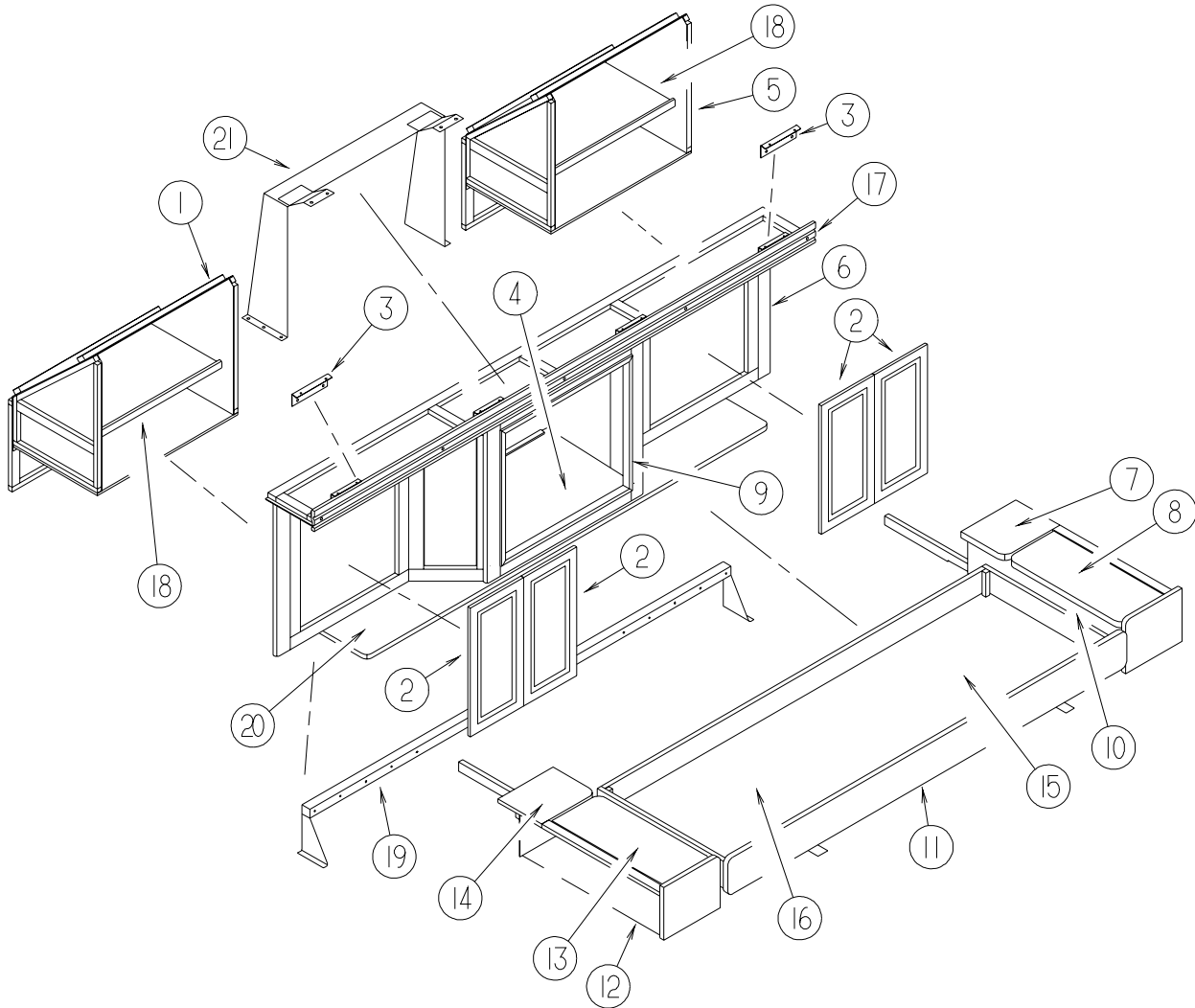
***COMPONENT PARTS LISTED LATER IN THIS GROUP**

DRIVERS COMPARTMENT GROUP (CONTINUED)
COMPONENT PARTS FOR FRONT INTERIOR

106025-02-01A

KEY	PART NUMBER	U/M	DESCRIPTION	VENDOR NO.
	106025-01-700	EA	BRACKET SET-F/BUNK LADDER	

DRIVERS COMPARTMENT GROUP (CONTINUED) CABINETS

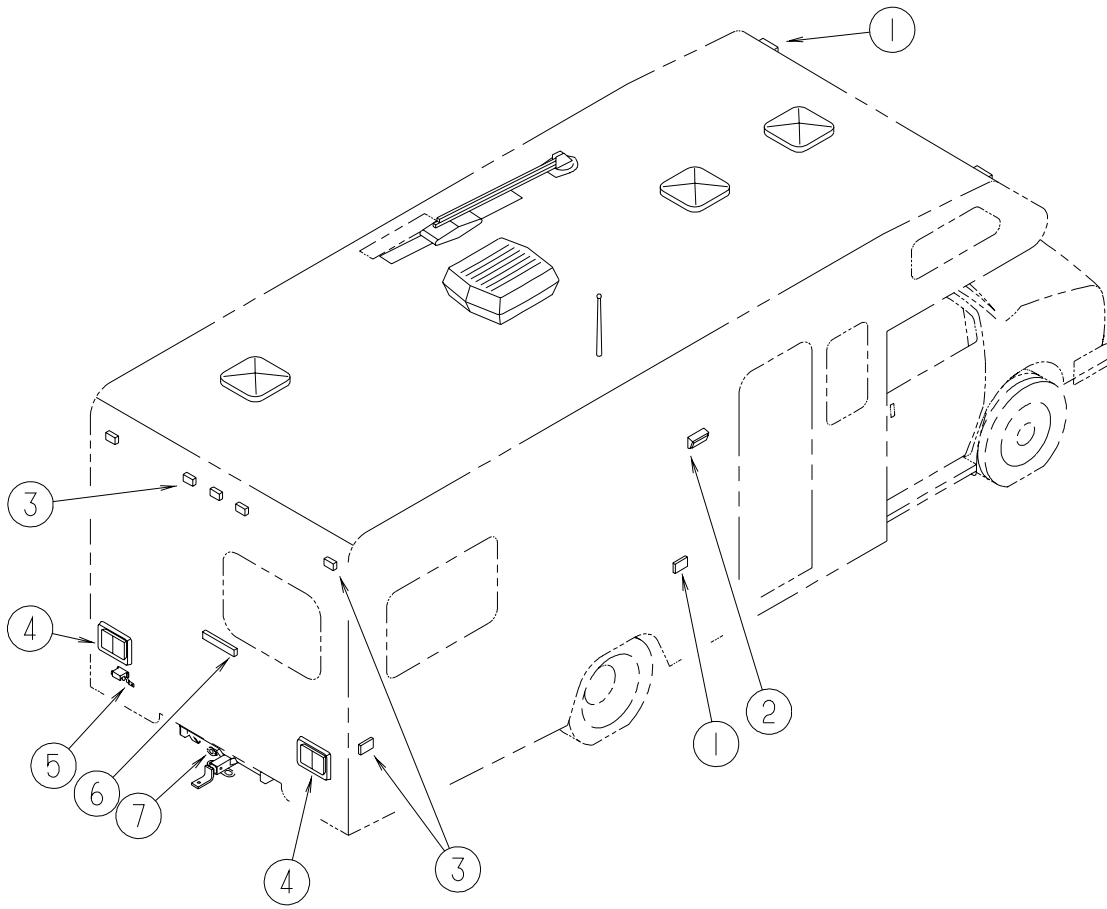


KEY	PART NUMBER	U/M	DESCRIPTION
1	138225-02-N01	EA	CABINET - ENTERTAINMENT CENTER/SHELF - W/O HARDWARE
2	134781-35-N04	EA	DOOR - RAIL/VENEER - 10.2" X 21.4" - W/O HARDWARE
3	106699-03-02B	EA	BRACKET F/TV INSTALLATION - OVERHEAD CABINET - E-COATED
4	111356-02-M01	EA	SHELF - TV - W/TIEDOWN BRACKET
			FROM: 00-00-00 THRU: 12-09-01
4	111356-03-N09	EA	SHELF - TV - W/TIEDOWN BRACKET
			FROM: 12-10-01 THRU: 99-99-99
5	138225-01-N01	EA	CABINET - ENTERTAINMENT CENTER/SHELF - W/O HARDWARE
6	138198-01-N01	EA	CABINET - ENTERTAINMENT CENTER FACE - W/O HARDWARE
7	133655-34-N01	EA	COUNTERTOP - LAMINATED - GRAY TRANQUILITY/ALMOND (N04, N05)
7	133655-34-N03	EA	COUNTERTOP - LAMINATED - WHITE TALC (N06)
8	133655-36-N01	EA	COUNTERTOP - LAMINATED - GRAY TRANQUILITY/ALMOND (N04, N05)
8	133655-36-N03	EA	COUNTERTOP - LAMINATED - WHITE TALC (N06)
9	137361-02-N09	EA	TRIM - F/ENTERTAINMENT CABINET W/25" TV-PORTSMOUTH OAK
10	138361-04-N01	EA	CABINET/STORAGE - RIGHT END - W/O FLIP UP COUNTERTOP
11	138360-11-N01	EA	FACE - DRAWER VINYL COVERED - 5.5" X 76.7"
12	138361-02-N01	EA	CABINET/STORAGE - LEFT END - W/O FLIP UP COUNTERTOP
13	133655-38-N01	EA	COUNTERTOP - LAMINATED - GRAY TRANQUILITY/ALMOND (N04, N05)
13	133655-38-N03	EA	COUNTERTOP - LAMINATED - WHITE TALC (N06)
14	133655-37-N01	EA	COUNTERTOP - LAMINATED - GRAY TRANQUILITY/ALMOND (N04, N05)
14	133655-37-N03	EA	COUNTERTOP - LAMINATED - WHITE TALC (N06)
15	138360-20-N01	EA	COUNTERTOP - LAMINATED - GRAY TRANQUILITY (N04, N05)
15	138360-20-N03	EA	COUNTERTOP - LAMINATED - WHITE TALC (N06)

DRIVERS COMPARTMENT GROUP (CONTINUED)
CABINETS (CONTINUED)

KEY	PART NUMBER	U/M	DESCRIPTION
16	138360-01-N01	EA	DRAWER - ENTERTAINMENT CENTER - W/O HARDWARE (N04, N05)
16	138360-01-N03	EA	DRAWER - ENTERTAINMENT CENTER - W/O HARDWARE (N06)
17	132663-15-04A	EA	MOLDING - PAPER WRAP/PRE DRILLED - .6"X3"X96.5" PORTSMOUTH FROM: 00-00-00 THRU: 05-13-01
17	132663-15-08A	EA	MOLDING-VINYL WRAP/PRE DRILLED-.6"X3"X96" - OAK FROM: 05-14-01 THRU: 99-99-99
18	138225-19-N01	EA	SHELF - W/EDGE MOLDING
19	135647-01-02B	EA	BRACKET - ENTERTAINMENT CENTER - E-COATED
20	138198-17-N01	EA	SHELF - OVERHEAD - W/T-MOLDING
21	136172-01-02B	EA	BRACKET - TIEDOWN/TV - E-COATED FROM: 00-00-00 THRU: 04-05-01
21	139305-01-02B	EA	BRACKET - TIEDOWN/TV - E-COATED FROM: 04-06-01 THRU: 99-99-99

ELECTRICAL GROUP 12V BODY WIRING

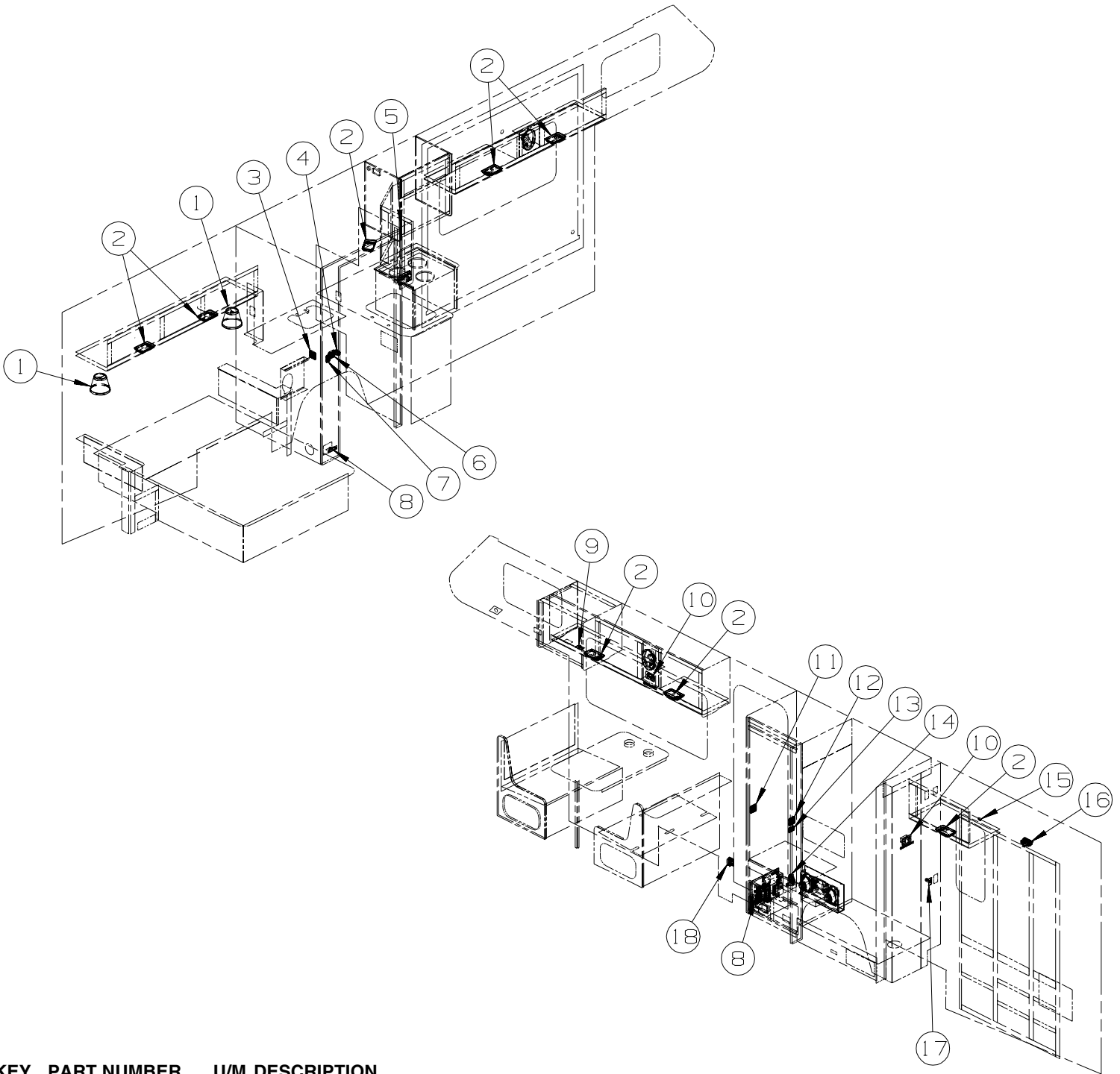


KEY	PART NUMBER	U/M	DESCRIPTION
1	111102-02-000	EA	LENS - AMBER - MARKER LAMP
1	111102-01-000	EA	BASE - MARKER LAMP
	036196-01-000	EA	BULB - 12V - #194 - .27 AMP - BAYONETTE
2*	097917-01-06A	EA	LIGHT - PORCH - BRIGHT WHITE
	008215-01-000	EA	BULB - 12 VOLT - #1003 - .94 AMP
2*	008089-02-000	EA	LIGHT - PORCH - RECESSED - CANADIAN
	008214-01-000	EA	BULB - 12 VOLT - #67 - .59 AMP
3	111102-03-000	EA	LENS - RED - MARKER LAMP
3	111102-01-000	EA	BASE - MARKER LAMP
	036196-01-000	EA	BULB - 12V - #194 - .27 AMP - BAYONETTE
4	103355-02-01A	EA	POD - TAIL LIGHT - BRIGHT WHITE
4*	081638-01-000	EA	TAILLIGHT/DOUBLE W/BLACK TRIM - DRIVER/PASSENGER SIDE
5	066432-02-000	EA	LIGHT - LICENSE - BLACK
5	066432-03-000	EA	BRACKET - LICENSE PLATE
6	136916-01-000	EA	LIGHT - CENTER BRAKE - L.E.D.
7	113589-01-000	EA	CONNECTOR - PLUG - TRAILER
7	113589-02-000	EA	CONNECTOR - SOCKET - TRAILER

***COMPONENT PARTS LISTED LATER IN THIS GROUP**

ELECTRICAL GROUP (CONTINUED)

12V BODY WIRING (CONTINUED)



KEY	PART NUMBER	U/M	DESCRIPTION
1	119258-27-01A	EA	LAMP - WALL - BRASS - UL/CSA
			FROM: 00-00-00 THRU: 11-08-01
1	119258-26-01A	EA	LAMP - WALL - BRASS - UL/CSA
			FROM: 11-09-01 THRU: 99-99-99
1	119257-14-01A	EA	SHADE - LAMP - WAFFLE WEAVE FABRIC
2*	137417-02-01A	EA	LIGHT - DOME - SINGLE - W/SWITCH/OPTIC LENS - WHITE
3	135740-01-01A	EA	SWITCH - ROCKER - SPST - ON/OFF - BROWN
3	135740-02-01A	EA	SWITCH - ROCKER - SPDT - ON/ON - BROWN
3	135741-02-01A	EA	SWITCH - BASE - DOUBLE - BROWN
3	135742-13-02A	EA	BEZEL - SWITCH - CEILING/AISLE - BROWN
4	108357-15-000	EA	SWITCH - ROCKER - DPDT - ON/NONE/ON - LIGHTED
4	108356-04-01A	EA	COVER/ACTUATOR SWITCH - 2 ROWS DIMPLES W/LENS-CONTURA-BLK
4	108355-01-000	EA	HOUSING - SWITCH

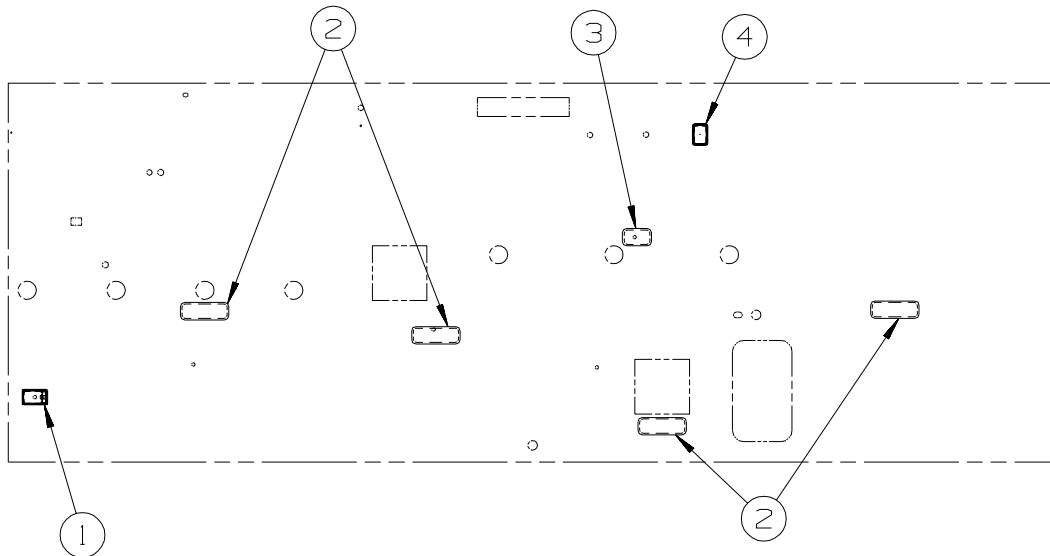
*COMPONENT PARTS LISTED LATER IN THIS GROUP

ELECTRICAL GROUP (CONTINUED)

12V BODY WIRING (CONTINUED)

KEY	PART NUMBER	U/M	DESCRIPTION
5	079364-08-000	EA	SWITCH - ON/OFF LIGHTED - GREEN
5	098351-01-01A	EA	PLATE/SWITCH - 1 GANG - POLISHED BRASS - W/O LABEL
6	135740-01-02A	EA	SWITCH - ROCKER - SPST - ON/OFF - WHITE
6	135740-02-02A	EA	SWITCH - ROCKER - SPDT - ON/ON - WHITE
6	135741-02-02A	EA	SWITCH - BASE - DOUBLE - WHITE
6	135742-15-02A	EA	BEZEL - SWITCH - CEILING/SHOWER - BROWN
7	135740-01-01A	EA	SWITCH - ROCKER - SPST - ON/OFF - BROWN
7	135741-01-01A	EA	SWITCH - BASE - SINGLE - BROWN
7	135742-07-01A	EA	BEZEL - SWITCH - CEILING - WHITE
8	061424-01-000	EA	LIGHT - AISLE - 12 VOLT - RECTANGULAR
9	132180-01-01A	EA	SWITCH - PADDLE - SPST - ON/OFF - BLACK
9	132180-02-01A	EA	SWITCH - PADDLE - SPDT - ON/ON - BLACK
9	098351-15-01A	EA	PLATE/SWITCH - 2 GANG - POLISHED BRASS - COURTESY LAMP/TV
9	098351-01-01A	EA	PLATE/SWITCH - 1 GANG - POLISHED BRASS - W/O LABEL
10	140464-02-000	EA	SWITCH - F/SLIDEOUT - KWIKEE
11	135740-01-02A	EA	SWITCH - ROCKER - SPST - ON/OFF - WHITE
11	135740-02-02A	EA	SWITCH - ROCKER - SPDT - ON/ON - WHITE
11	135741-02-02A	EA	SWITCH - BASE - DOUBLE - WHITE
11	135742-16-01A	EA	BEZEL - SWITCH - HALL/CEILING - WHITE
12	135740-01-01A	EA	SWITCH - ROCKER - SPST - ON/OFF - BROWN
12	135741-02-01A	EA	SWITCH - BASE - DOUBLE - BROWN
12	135742-19-01A	EA	BEZEL - SWITCH - PORCH/CEILING LIGHT
13	135740-01-01A	EA	SWITCH - ROCKER - SPST - ON/OFF - BROWN
13	135741-01-01A	EA	SWITCH - BASE - SINGLE - BROWN
13	135742-11-02A	EA	BEZEL - SWITCH - STEP - BROWN
14	098351-07-01A	EA	PLATE/SWITCH - 1 GANG - POLISHED BRASS - GENERATOR
14	108357-06-000	EA	SWITCH - ROCKER - DPDT - MOM/OFF/MOM - 6 TERMINAL
14	108355-01-000	EA	HOUSING - SWITCH

***COMPONENT PARTS LISTED LATER IN THIS GROUP**



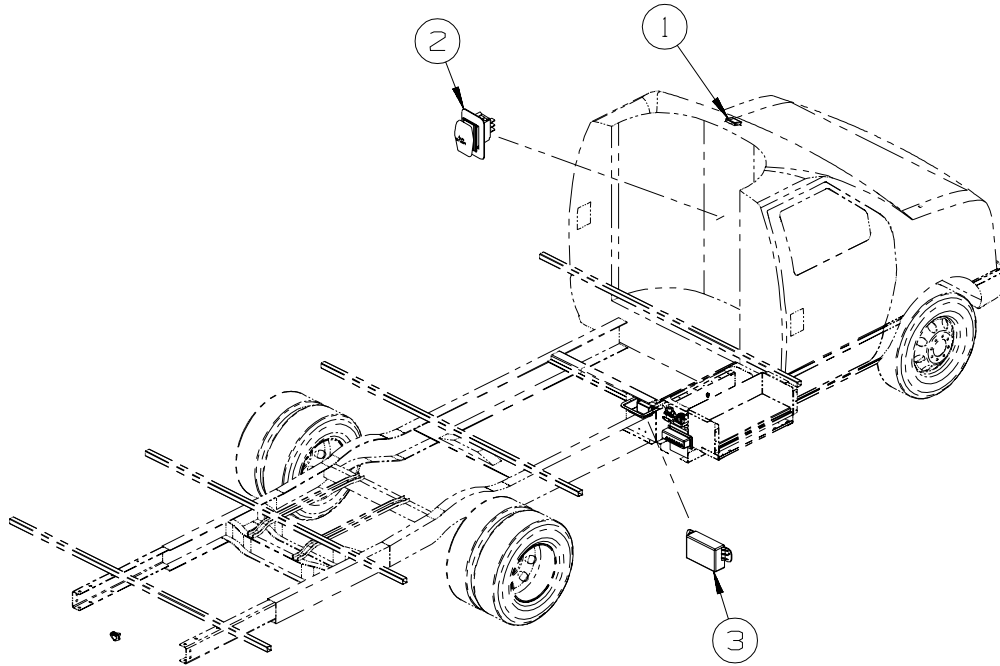
KEY	PART NUMBER	U/M	DESCRIPTION
1*	137417-02-01A	EA	LIGHT - DOME - SINGLE - W/SWITCH/OPTIC LENS - WHITE
2*	137417-06-01A	EA	LIGHT - DOME - DOUBLE - W/FROSTED LENS - W/O SWITCH-WHITE
3	137417-03-01A	EA	LIGHT - DOME - SINGLE - W/FROSTED LENS - W/O SWITCH-WHITE
4*	121935-01-01A	EA	LIGHT - DOME - SHOWER

***COMPONENT PARTS LISTED LATER IN THIS GROUP**

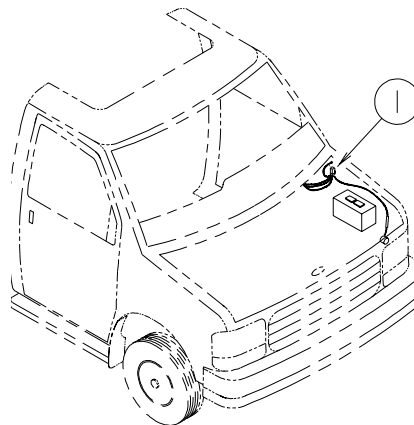
ELECTRICAL GROUP (CONTINUED)

FRONT END WIRING

KEY	PART NUMBER	U/M	DESCRIPTION
	094795-09-000	EA	CLUSTER - INSTRUMENT PANEL - KILOMETERS - GAS/DIESEL-FORD
	094797-15-000	EA	CLUSTER - INSTRUMENT PANEL - KILOMETER/MILES



KEY	PART NUMBER	U/M	DESCRIPTION
1	135376-01-01A	EA	LIGHT - DOME - CAB - BLACK
2	108357-09-000	EA	SWITCH - ROCKER - SPDT - ON/NONE/MOM - 3 TERMINAL
2	108356-07-01A	EA	COVER/ACTUATOR SWITCH - 2 ROWS DIMPLES - AUX START - BLACK
2	081994-07-000	EA	PLATE - SWITCH - "AUXILIARY START"
3	138173-03-000	EA	MODULE - (CONTROL BOX) - SLIDEOUT CONTROL - #1802930



KEY	PART NUMBER	U/M	DESCRIPTION
1	100138-01-000	EA	MODULE - DAYTIME/RUNNING LIGHT - HAMSAR DRL #H8005B

ELECTRICAL GROUP (CONTINUED)
COMPONENT PARTS FOR LIGHTS & SWITCHES

008089-02-000

KEY	PART NUMBER	U/M	DESCRIPTION
	008089-01-700	EA	LENS-LIGHT, RECESSED, PORCH DECO

081638-01-000

KEY	PART NUMBER	U/M	DESCRIPTION	VENDOR NO.
	081638 01 700	EA	LENS-TAILLIGHT, RED	30-84-010
	081638 01 701	EA	LENS-TAILLIGHT, W/BACKUP	30-84-700

087694-01-000

KEY	PART NUMBER	U/M	DESCRIPTION	VENDOR NO.
	087694-01-700	EA	BULB	GE561

097917-01-06A

KEY	PART NUMBER	U/M	DESCRIPTION	VENDOR NO.
	097917-01-700	EA	LENS-LIGHT, CLEAR	30-78-021

121935-01-01A

KEY	PART NUMBER	U/M	DESCRIPTION	VENDOR NO.
	121935-01-700	EA	LENS ONLY	809511

137417-02-01A

KEY	PART NUMBER	U/M	DESCRIPTION	VENDOR NO.
	137417-02-700	EA	LENS - SINGLE OPTIC	810844

137417-06-01A

KEY	PART NUMBER	U/M	DESCRIPTION	VENDOR NO.
	137417-06-700	EA	LENS - DOUBLE WHITE	810867

ELECTRICAL GROUP (CONTINUED)
CIRCUIT BREAKERS & FUSES

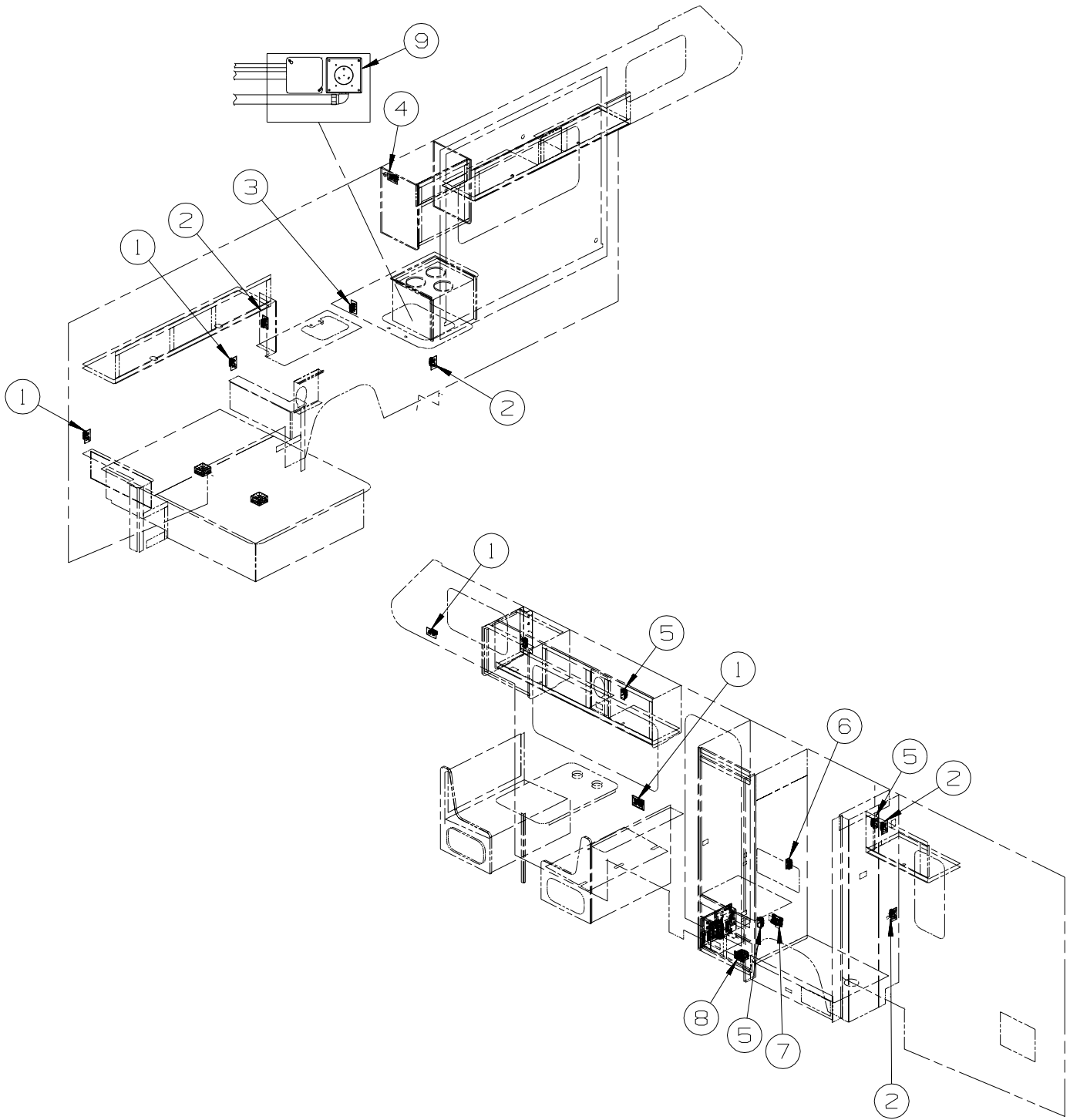
KEY	PART NUMBER	U/M	DESCRIPTION
	008233-01-000	EA	FUSE - 12 VOLT - 6 AMP
	008235-01-000	EA	FUSE - 15 AMP/12VOLT - AUTOMOTIVE
	033573-01-000	EA	CIRCUIT BREAKER W/MOUNT-20A, 12V - FASCO 1711-2026
	062037-02-000	EA	HOUSING - AUTO FUSE - GREEN
	062037-04-000	EA	HOUSING - AUTO FUSE - BLUE
	062037-07-000	EA	HOUSING - AUTO FUSE - RED
	062901-02-000	EA	FUSE - 5 AMP - AUTOMOTIVE
	062901-05-000	EA	FUSE - 15 AMP - AUTOMOTIVE
	062901-06-000	EA	FUSE - 20 AMP - AUTOMOTIVE
	062901-07-000	EA	FUSE - 25 AMP - AUTOMOTIVE
	062901-08-000	EA	FUSE - 30 AMP - AUTOMOTIVE
	083209-01-000	EA	CIRCUIT BREAKER - 15 AMP - 120 VOLT - CANADIAN
	083209-02-000	EA	CIRCUIT BREAKER - 15/15 AMP - 120 VOLT
	083209-03-000	EA	CIRCUIT BREAKER - 15/20 AMP - 120 VOLT
	083209-04-000	EA	CIRCUIT BREAKER - 30 AMP - 120 VOLT
	083209-05-000	EA	CIRCUIT BREAKER - 20 AMP - 120 VOLT
	083209-06-000	EA	CIRCUIT BREAKER - 30/15 AMP - 120 VOLT
	083209-07-000	EA	CIRCUIT BREAKER - 20/20 AMP - 120 VOLT
	083209-10-000	EA	CIRCUIT BREAKER - 20/30 AMP - 120 VOLT
	083209-11-000	EA	CIRCUIT BREAKER - 20/15 AMP - 120 VOLT
	092786-02-000	EA	BUSS BAR - 3.3" LONG
	092786-03-000	EA	BUSS BAR - 6.9" LONG
	092786-06-000	EA	BUSS BAR
	093654-01-000	EA	CIRCUIT BREAKER - 6 AMP - 12 VOLT - PUSH BUTTON - WHITE
	093654-02-000	EA	CIRCUIT BREAKER - 15 AMP - 12 VOLT - PUSH BUTTON - WHITE
	093654-03-000	EA	CIRCUIT BREAKER - 20 AMP - 12 VOLT - PUSH BUTTON - WHITE
	093654-11-000	EA	COVER - RESET BUTTON
	093655-01-000	EA	CIRCUIT BREAKER - 25 AMP - 12 VOLT - PUSH BUTTON - WHITE
	093655-02-000	EA	CIRCUIT BREAKER - 30 AMP - 12 VOLT - PUSH BUTTON - WHITE
	093655-03-000	EA	CIRCUIT BREAKER - 40 AMP - 12 VOLT - PUSH BUTTON - WHITE
	093674-01-000	EA	PLATE - CIRCUIT BREAKER - HOUSE - 8.4" X 4.1" - STEEL
	097611-01-000	EA	CIRCUIT BREAKER - 10 AMP
	100341-01-000	EA	FUSE HOLDER - IN LINE TYPE
	106656-01-000	EA	FUSE BLOCK - 4 CAVITY - AUTOFUSE
	108567-01-000	EA	CIRCUIT BREAKER - 40 AMP - 12 VOLT - TYPE II
	108669-01-000	EA	HOUSING - AUTO FUSE HOLDER
	111683-01-000	EA	FUSE - HOLDER - GLASS - 1/4" X 1 1/4"
	113482-01-000	EA	CIRCUIT BREAKER - 55 AMP - MANUAL
	115187-01-000	EA	FUSE - 300 AMP - NON-DELAY
	115187-02-000	EA	FUSE HOLDER - BUSS ANN/ANL BLOCK
	118531-04-02B	EA	PLATE - CIRCUIT BREAKER - E-COATED
	118531-05-02B	EA	PLATE - CIRCUIT BREAKER - E-COAT
	122811-01-000	EA	CIRCUIT BREAKER - 20/50/50/20
	125986-04-000	EA	FUSE - 10 AMP - AUTO - MINI BLADE
	125986-05-000	EA	FUSE - 15 AMP - AUTO - MINI BLADE
	134127-01-000	EA	CIRCUIT BREAKER - 10 AMP - MINI

CONVERTER, INVERTER, LOAD CENTERS

KEY	PART NUMBER	U/M	DESCRIPTION
	083208-02-000	EA	CONTROL CENTER - 45 AMP/120V/12V - W/O BREAKERS/LINEAR
	083208-06-000	EA	CONTROL CENTER - 45 AMP/120V/12V - W/O BREAKERS/ELECTRONIC
	099048-03-000	EA	INVERTER - 130 WATT
	113132-01-000	EA	LOAD CENTER - 120/240 VOLT - 60 AMP

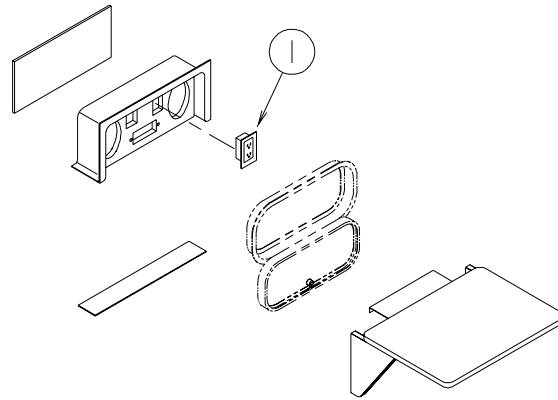
ELECTRICAL GROUP (CONTINUED)

110V WIRING

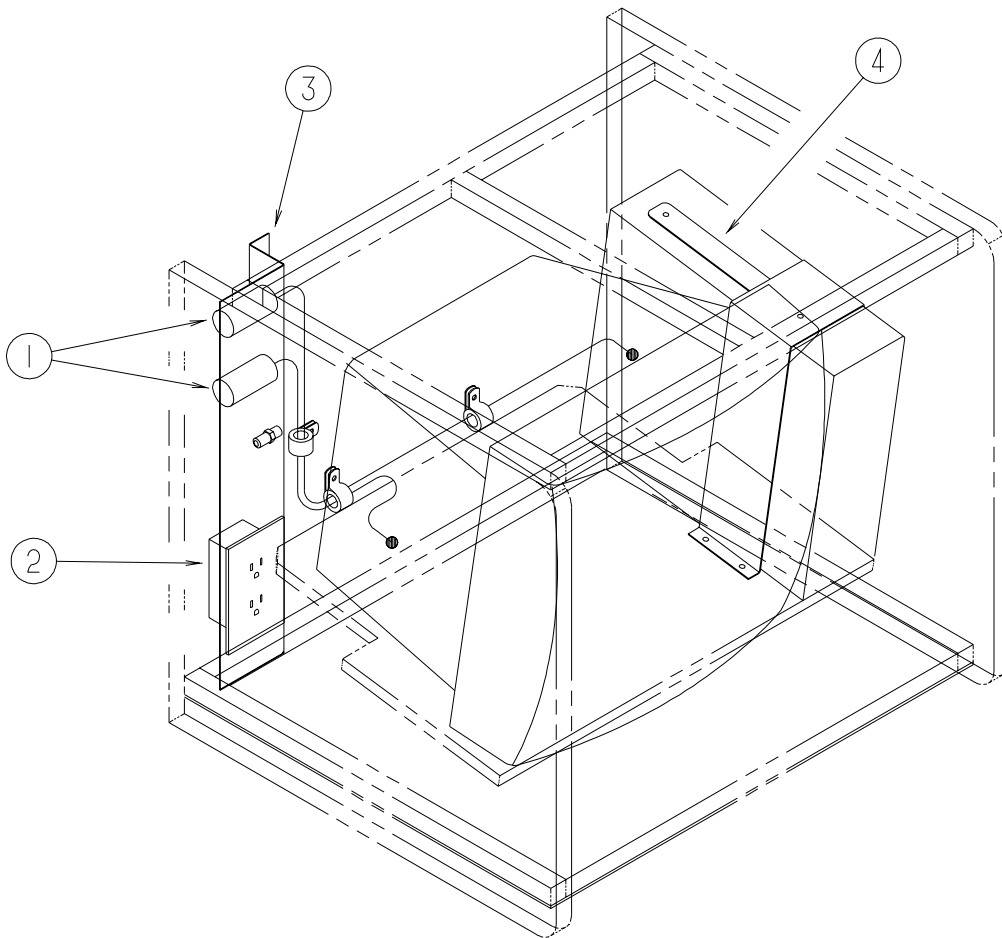


KEY	PART NUMBER	U/M	DESCRIPTION
1	058708-02-000	EA	RECEPTACLE - ELECTRIC - DOUBLE - IVORY
1	133713-01-08A	EA	SPACER/RECEPTACLE - VINYL/PORTSMOUTH OAK
2	058708-01-000	EA	RECEPTACLE - ELECTRIC - DOUBLE - BROWN
3	058708-02-000	EA	RECEPTACLE - ELECTRIC - DOUBLE - IVORY
4	058708-05-000	EA	RECEPTACLE - ELECTRIC - SINGLE - BROWN
5	058707-02-000	EA	RECEPTACLE - BLANK - JUNCTION BOX
6	058707-01-000	EA	RECEPTACLE - ELECTRIC - SINGLE - BROWN
7	131826-01-01A	EA	RECEPTACLE - EXTERIOR - W/COVER/GASKET - WHITE
8	084076-02-000	EA	RECEPTACLE - GFI - 15 AMP/125 VOLT - BROWN - W/COVER
9	024924-02-000	EA	RECEPTACLE - POWER CORD - W/PARTIAL PLATE

ELECTRICAL GROUP (CONTINUED)
ENTERTAINMENT WIRING



KEY	PART NUMBER	U/M DESCRIPTION
1	058708-01-000	EA RECEPTACLE - ELECTRIC - DOUBLE - BROWN



KEY	PART NUMBER	U/M DESCRIPTION
1	111414-01-000	EA RECEPTACLE/SOCKET - 12 VOLT
2	058708-01-000	EA RECEPTACLE - ELECTRIC - DOUBLE - BROWN
2	058708-02-000	EA RECEPTACLE - ELECTRIC - DOUBLE - IVORY
3	122469-01-02B	EA BRACKET - ZEE
4	122790-02-02B	EA BRACKET - VCP - E-COATED

ELECTRICAL GROUP (CONTINUED)

BOXES & CORDS

KEY	PART NUMBER	U/M	DESCRIPTION
	008054-01-000	EA	CORD - POWER - 10/3 WIRE - 30 AMP - 25'
	008289-01-000	EA	BOX - ELECTRIC/STEEL - 1/2" & 3/4" KNOCKOUTS - 4" X 4"
	008294-01-000	EA	COVER - ELECTRIC BOX - BLANK/STEEL - 4" X 4" - GRAY
	008294-02-000	EA	COVER - ELECTRICAL BOX - BLANK/STEEL - 4" X 4" - CANADIAN
	069238-01-000	EA	COVER - ELECTRICAL BOX - W/HOLE - 4" X 4" - GRAY
	084077-03-000	EA	COVER/BLANK - WIRE ACCESS - 5.2" X 3.5" - IVORY
	084993-01-000	EA	STRAP - BATTERY - 43.2" LONG
	084993-02-000	EA	STRAP - BATTERY - 55" LONG
	091910-01-000	EA	BOX - ELECTRIC - 3.8" X 3.5" X 1.8" - PLASTIC
	091910-02-000	EA	BOX - ELECTRIC - 2.2" X 3.5" X 1.8" - PLASTIC
	107165-01-01A	EA	BOX - CIRCUIT BREAKER - 14.6" X 4" - PLASTIC - 322E , 322R , 329N
	107165-04-01A	EA	BOX - CIRCUIT BREAKER MOUNT - 324F
	107165-05-01A	EA	BOX - CIRCUIT BREAKER MOUNT - 329B
	131679-01-000	EA	BOX-ELEC-WATERPROOF SEALED 4" X 4" W/4 3/4"OUTLETS-UL/CSA - 324F , 329B
	131680-01-000	EA	COVER - W/GASKET FOR WATERPROOF 4" X 4" BOX - UL/CSA - 324F , 329B

WIRE ASSEMBLIES

KEY	PART NUMBER	U/M	DESCRIPTION
	090986-02-000	EA	WIRE ASSEMBLY - ELECTRIC STEP
	096449-01-000	EA	WIRE ASSEMBLY - WATER TANK TO MONITOR PANEL
	096450-01-000	EA	WIRE F/SENSORS - BLACK WATER - 39.3" - 324V , 329B , 329N
	096450-02-000	EA	WIRE F/SENSORS - BLACK WATER - 59" - 322E
	096450-03-000	EA	WIRE F/SENSORS - BLACK WATER - 78.6" - 322R
	096450-05-000	EA	WIRE F/SENSORS - BLACK WATER - 23.6" - 324F , 331T
	096451-01-000	EA	WIRE F/SENSORS - GREY WATER - 86" - 324V
	096451-03-000	EA	WIRE F/SENSORS - GREY WATER - 78.6" - 322E
	096451-05-000	EA	WIRE F/SENSORS - GREY WATER - 43.2" - 324F , 329B , 329N
	096451-06-000	EA	WIRE F/SENSORS - GREY WATER - 23.6" - 322R
	106851-01-000	EA	WIRE ASSEMBLY - RUNNING LIGHTS - FUSE
	116894-01-000	EA	WIRE ASSEMBLY - SPEED SENSOR EXTENDED
	120233-05-000	EA	WIRE ASSEMBLY - 30" CONNECTS TO WALLPLATE DISPLAY
	122743-01-000	EA	WIRE LOOM - DINETTE/TV - 322R , 329N
	125853-01-000	EA	WIRE LOOM - ENTERTAINMENT CENTER
	125853-04-000	EA	WIRE LOOM - ENTERTAINMENT CENTER
	126501-01-000	EA	WIRE ASSEMBLY - REMOTE MIRRORS - FORD
	131006-05-000	EA	WIRE - ELECTRIC STEP
	134550-01-000	EA	WIRE ASSEMBLY - HEATER/RELAY
	134551-01-000	EA	WIRE ASSEMBLY - HEATER/TANKS - 322E , 324F
	134551-02-000	EA	WIRE ASSEMBLY - HEATER/TANKS - 322R
	134551-03-000	EA	WIRE ASSEMBLY - HEATER/TANKS - 324V
	134551-05-000	EA	WIRE ASSEMBLY - HEATER/TANKS - 329B , 329N
	134551-06-000	EA	WIRE ASSEMBLY - HEATER/TANKS - 331T
	135420-03-000	EA	WIRE ASSEMBLY - RADIO - FORD C-BODY
	136485-01-000	EA	WIRE ASM-CHASSIS,FORD

ELECTRICAL GROUP (CONTINUED)
CONNECTORS & CONDUIT

KEY	PART NUMBER	U/M	DESCRIPTION
	007942-01-000	EA	TAB - WIRE 10 TO 14 AWG
	007954-01-000	EA	RECEPTACLE - HOUSING - 6 POSITION
	007956-05-000	EA	INSULATOR - SHRINK - 1/4" ID X 1 1/2"
	008311-01-000	EA	CONNECTOR - WIRE NUT - INSULATED - RED
	008312-01-000	EA	CONNECTOR - WIRE NUT - INSULATED - BLUE
	008313-01-000	EA	CONNECTOR - WIRE NUT - INSULATED - YELLOW
	008314-01-000	EA	CONNECTOR - WIRE NUT - INSULATED - GRAY
	008326-01-000	EA	TERMINAL - RING - 16/14 WIRE - 3/8" STUD
	008328-01-000	EA	TERMINAL - RING - 12/10 WIRE - #10 STUD FIT
	008331-01-000	EA	TERMINAL - RING - TONGUE - #4 WIRE - 3/8" STUD - COPPER
	008348-01-000	EA	TERMINAL - RING - 3/8" STUD 2 GA. WIRE
	008355-01-000	EA	CONNECTOR - CABLE CLAMPING - 3/4"
	008356-01-000	EA	CONNECTOR - PLASTIC - 3/8" AVG
	008356-02-000	EA	CONNECTOR - PLASTIC - 21/32
	008394-01-000	FT	CONDUIT - FLEXIBLE - 1/2"
	008398-01-000	EA	CONNECTOR - 1/2" X 90 DEGREE - FLEX CONDUIT - UL & CSA
	035416-04-000	EA	TERMINAL - RING - #10 STUD FIT - INSULATED BARREL #16/14
	041953-01-000	FT	CONDUIT - CONVOLUTE SLIT - .5" ID - POLYETHYLENE
	041953-03-000	FT	CONDUIT - CONVOLUTE SLIT - 1" ID (CLOTHES ROD COVER)
	041953-05-000	FT	CONDUIT - CONVOLUTE SOLID - .62" ID - POLYETHYLENE
	041953-06-000	FT	CONDUIT - CONVOLUTE SLIT - .4" ID - POLYETHYLENE
	041953-07-000	FT	CONDUIT - CONVOLUTE SLIT - .25" ID - POLYETHYLENE
	041953-08-000	FT	CONDUIT - CONVOLUTE SLIT - 1.5" ID - POLYETHYLENE
	041953-09-000	FT	CONDUIT - CONVOLUTE SLIT - .5" ID - NYLON
	041953-10-000	FT	CONDUIT - CONVOLUTE SLIT - .75" ID - NYLON
	041953-11-000	FT	CONDUIT - CONVOLUTE SLIT - 1.06" ID - NYLON
	041953-12-000	FT	CONDUIT - CONVOLUTE SOLID - 1.1" ID - NYLON
	041953-13-000	FT	CONDUIT - CONVOLUTE SLIT - 1.25
	047443-01-000	EA	TERMINAL - .250 RECEPTACLE FIT - INSULATED - 16/14 AWG
	047443-02-000	EA	TERMINAL - .250 RECEPTACLE FIT - INSULATED - 12/10 AWG
	058028-01-000	EA	CONNECTOR - ELECTRICAL PIGTAIL - NYLON - CLEAR
	062036-01-000	EA	TERMINAL - PACK - CON - 12/10 AWG
	074017-02-000	EA	HOUSING - 5 POSITION - RIGHT ANGLED
	077479-01-000	EA	BOOT - BATTERY TERMINAL - DOUBLE CABLE
	077479-02-000	EA	BOOT - BATTERY TERMINAL - SINGLE CABLE
	080015-02-000	EA	RECEPTACLE - FLAG - .185 - 16/14 GAUGE
	080015-03-000	EA	RECEPTACLE - FLAG - .250 - 14/16 GAUGE
	082109-01-000	EA	HOUSING - CONNECTOR - PACKARD
	082741-01-000	EA	CONNECTOR BODY - 2 CONNECTOR MALE
	085724-01-000	EA	SOCKET - DOUBLE CONTACT - TAILLIGHT
	087225-01-000	FT	SLEEVING - 1/2" - TYPE H
	087949-01-000	EA	BUSS BAR - 2 POSITION - .6" X 1.5"
	087949-02-000	EA	BUSS BAR - 3 POSITION - .6" X 2.4"
	087949-03-000	EA	BUSS BAR - 4 POSITION
	087949-05-000	EA	BUSS BAR - 7 POSITION
	088473-01-000	EA	HOUSING - PIN - 12 CAVITY (3 ROWS OF 4)
	088473-02-000	EA	HOUSING - PIN - 15 CAVITY (3 ROWS OF 5)
	088473-03-000	EA	HOUSING - PIN - 9 CAVITY (3 ROWS OF 3)
	088473-04-000	EA	HOUSING - PIN - 8 CAVITY IN-LINE
	088473-06-000	EA	HOUSING - PIN - 6 CAVITY (2 ROWS OF 3)
	088473-07-000	EA	HOUSING - PIN - 5 CAVITY - IN-LINE
	088473-08-000	EA	HOUSING - PIN - 4 CAVITY - IN-LINE
	088473-09-000	EA	HOUSING - PIN - 3 CAVITY - IN-LINE
	088473-10-000	EA	HOUSING - PIN - 2 CAVITY - IN LINE
	088474-01-000	EA	HOUSING - SOCKET - 12 CAVITY
	088474-02-000	EA	HOUSING - SOCKET - 15 CAVITY
	088474-03-000	EA	HOUSING - SOCKET - 9 CAVITY
	088474-04-000	EA	HOUSING - SOCKET - 8 CAVITY
	088474-06-000	EA	HOUSING - SOCKET - 6 CAVITY
	088474-07-000	EA	HOUSING - SOCKET - 5 CAVITY
	088474-08-000	EA	HOUSING - SOCKET - 4 CAVITY
	088474-09-000	EA	HOUSING - SOCKET - 3 CAVITY
	088474-10-000	EA	HOUSING - SOCKET - 2 CAVITY
	088475-01-000	EA	PIN - CONNECTOR - 14-20 AWG

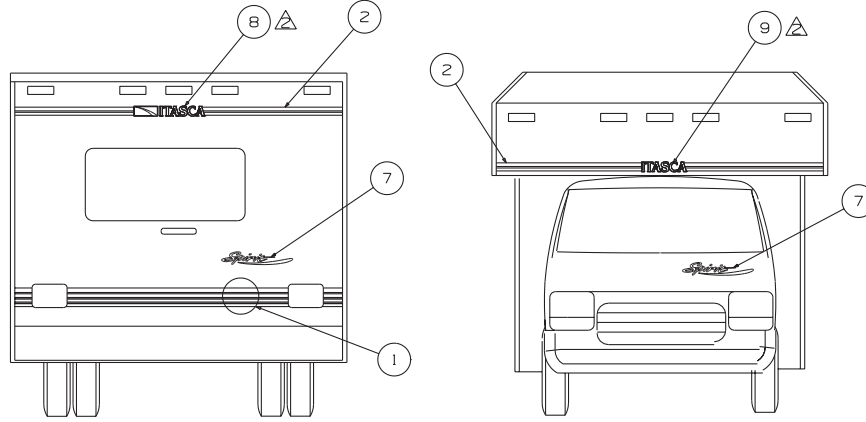
ELECTRICAL GROUP (CONTINUED)

BOOTS, SOLENOIDS, RELAYS & MISCELLANEOUS

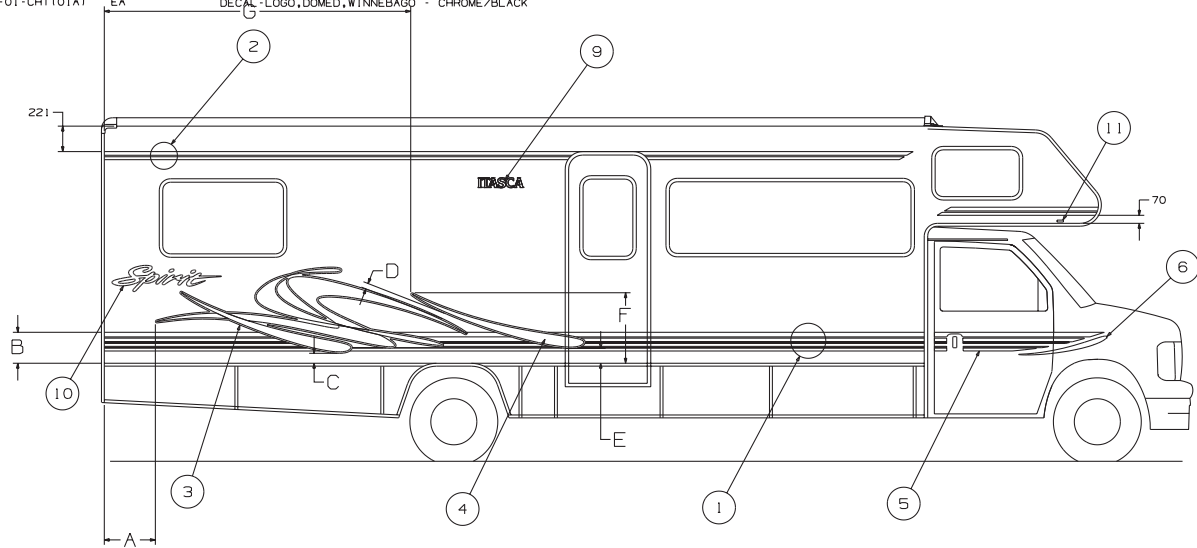
KEY	PART NUMBER	U/M	DESCRIPTION
	008188-01-000	EA	SOLENOID - 3 POST - BATTERY CHANGE OVER
	063910-01-000	EA	HOUSING - RELAY
	063912-02-000	EA	RELAY - CANISTER - SPDT
	065450-05-000	EA	TIEDOWN - BATTERY - 8.4" TUBE
	086233-01-000	EA	RELAY - BATTERY DISCONNECT
	086273-01-000	EA	STUD - ISOLATED - 3/8" X 7/8" LONG

EXTERIOR BODY GROUP

GRAPHICS & PAINT



KEY	PART NO.	U/M	DESCRIPTION
1	94445-10-CHT(01A)	FT	MULTISTRIPE-161.9 MM - WIN BLUE/LT.TURQUOISE/BERRYWOOD
2	105781-82-CHT(01A)	FT	MULTISTRIPE-69.9 MM - DK.BLUE/LT.TURQUOISE
3	137509-01-CHT(01A)	EA	DECAL-SWIRLEE,RH - BRT.WHYTE/BERRYWOOD/LT.TURQUOISE/DK.BLUE
3	137509-02-CHT(01A)	EA	DECAL-SWIRLEE,LH - BRT.WHYTE/BERRYWOOD/LT.TURQUOISE/DK.BLUE
4	137510-01-CHT(01A)	EA	DECAL-SLASH,RH - BRT.WHT/BERRYWOOD
4	137510-02-CHT(01A)	EA	DECAL-SLASH,LH - BRT.WHT/BERRYWOOD
5	137511-01-CHT(01A)	EA	DECAL-CAB DOOR RH - WIN BLUE/LT.TURQUOISE/BERRYWOOD
5	137511-02-CHT(01A)	EA	DECAL-CAB DOOR LH - WIN BLUE/LT.TURQUOISE/BERRYWOOD
6	137512-01-CHT(01A)	EA	DECAL-SLASH,CAB DOOR, RH - BERRYWOOD/BRT.WHT
6	137512-02-CHT(01A)	EA	DECAL-SLASH,CAB DOOR, LH - BERRYWOOD/BRT.WHT
7	137507-01-CHT(01A)	EA	DECAL-SPIRIT,SML.W/SLASH - WIN BLUE/BRT.WHT/DK.BLUE/BERRYWOOD
8	124806-01-CHT(18A)	EA	DECAL-ITASCA W/ICON - LT.TURQUOISE/BRT.WHT
9	124811-01-CHT(19A)	EA	DECAL-ITASCA - BRT.WHT/LT.TURQUOISE
10	137508-01-CHT(01A)	EA	DECAL-SPIRIT - WIN BLUE/DK.BLUE/BRT.WHT
11	132684-01-CHT(01A)	EA	DECAL-LOGO,DOMED,WINNEBAGO - CHROME/BLACK



3. CONTINUE MULTISTRIPE ONTO WINGWALLS OF SLIDEOUT AND CAB.
 ▲ CENTERED ON UNIT
 1. APPLY PROTECTOR 116424-01-000 TO WATER HEATER DOOR LATCH.

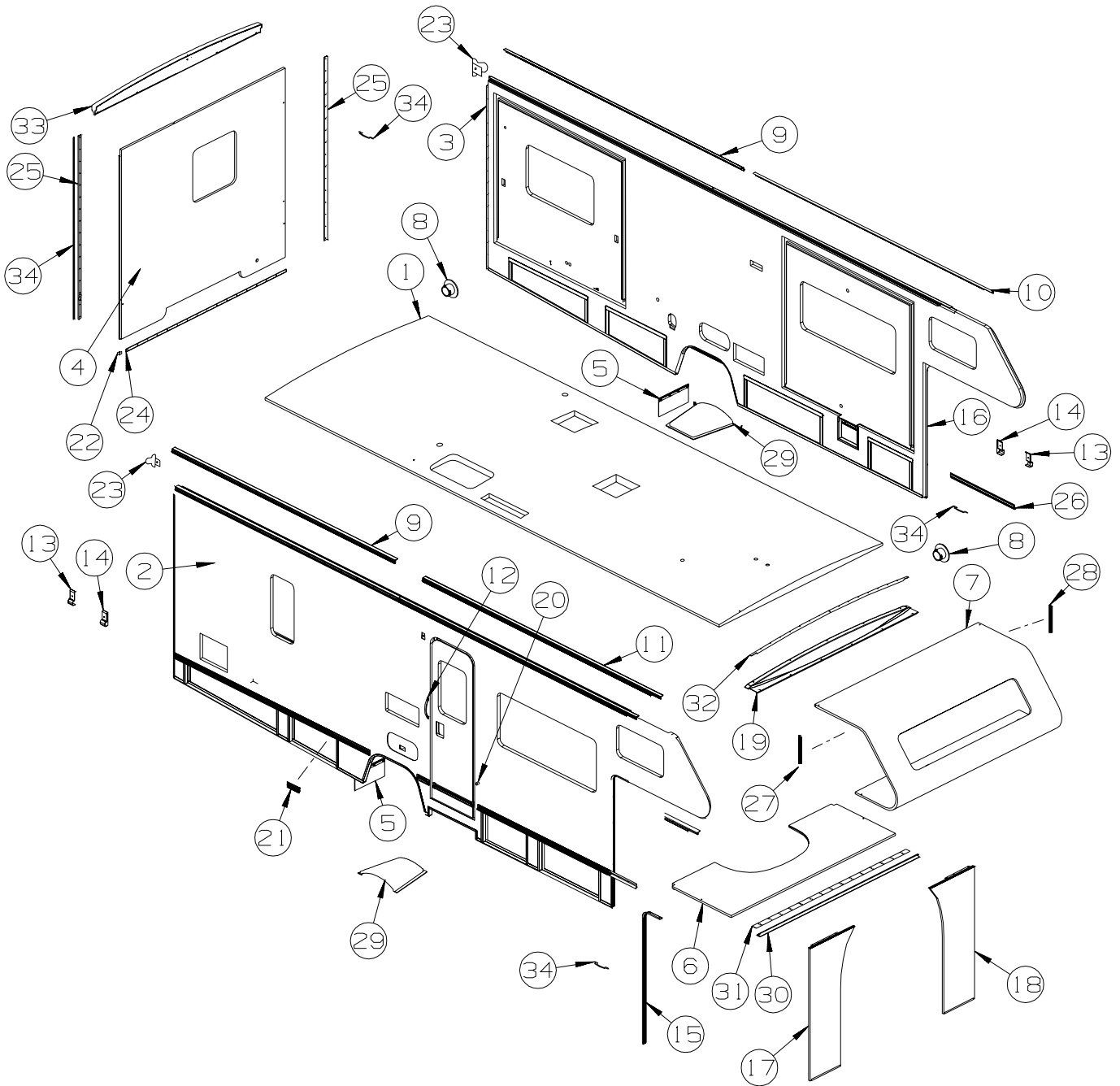
KEY	PART NUMBER	U/M	DESCRIPTION
	099399-23-700	EA	PAINT-SPRAY-BRT WHITE ENAMEL B8951U DUPONT
	041561-03-000	EA	PAINT - 16 OUNCE SPRAY - OFF WHITE
	116424-01-000	EA	PROTECTOR - LATCH - WATER HEATER

DUPONT COLOR CODES	
DARK BLUE METALLIC	DUPONT BM520
WIN BLUE METALLIC	DUPONT BM351
LIGHT TOURQUOISE METALLIC	DUPONT GM188
BERRY WOOD METALLIC	DUPONT RM055
BRIGHT WHITE DUPONT	B8951U

						648	333T
						648	331T
							329N
							329B
							324V
							324F
						38	322R
	686	248	25	248	413	38	322E
G	F	E	D	C	B	A	UNIT

EXTERIOR BODY GROUP (CONTINUED)

PANELS & TRIMS

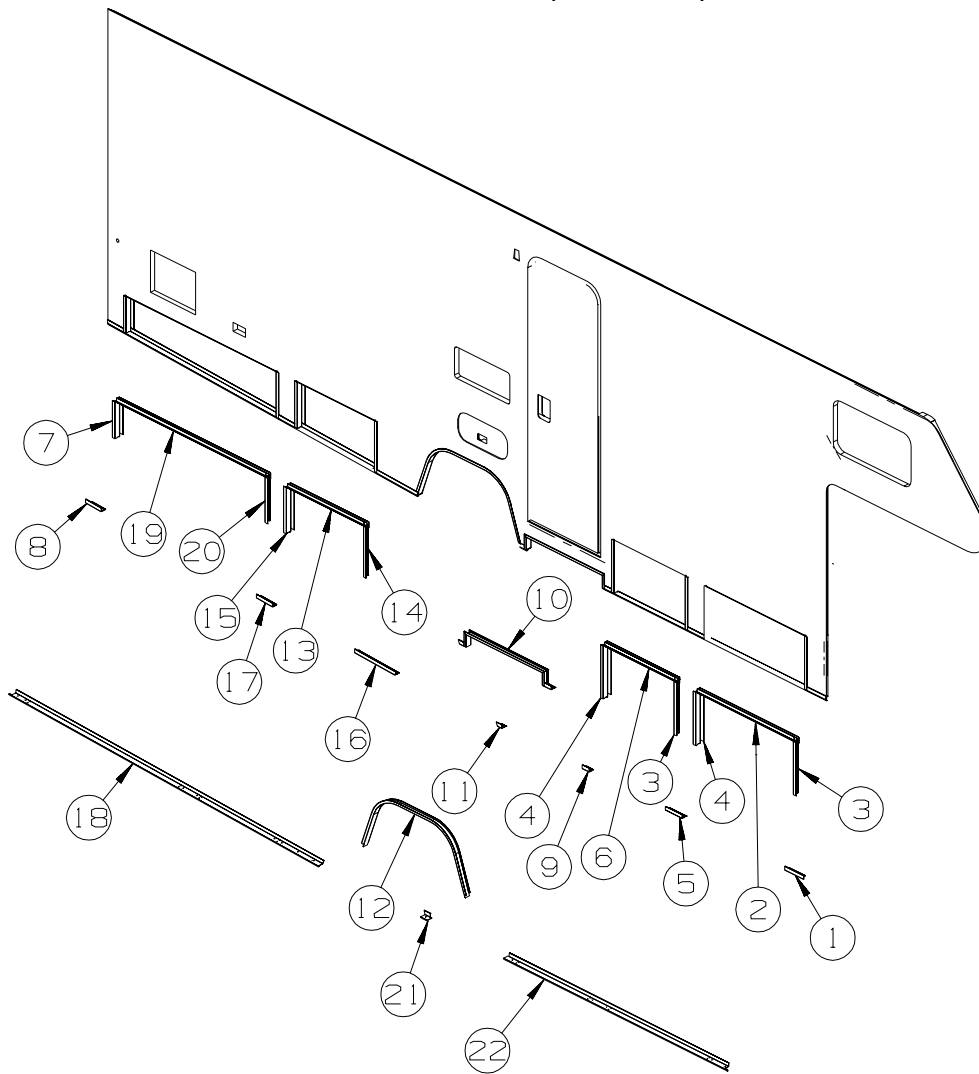


KEY	PART NUMBER	U/M	DESCRIPTION
1	138603-01-N01	EA	ROOF - W/O LIGHTS/VENTS - W/WIRING
2	P38600-01-N01	EA	SIDEWALL - PASSENGER - W/O WINDOWS/TRIMS(N04)
2	P38600-01-N02	EA	SIDEWALL - PASSENGER - W/O WINDOWS/TRIMS(N05)
2	P38600-01-N03	EA	SIDEWALL - PASSENGER - W/O WINDOWS/TRIMS(N06)
3	P38601-01-N01	EA	SIDEWALL - DRIVER - W/O WINDOWS/TRIMS(N04)
3	P38601-01-N02	EA	SIDEWALL - DRIVER - W/O WINDOWS/TRIMS(N05)
3	P38601-01-N03	EA	SIDEWALL - DRIVER - W/O WINDOWS/TRIMS(N06)
4	138592-01-N01	EA	BACKWALL - W/O WINDOW/TRIMS(N04) W/SINGLE PANE WINDOW
4	138592-01-N02	EA	BACKWALL - W/O WINDOW/TRIMS(N05) W/SINGLE PANE WINDOW
4	138592-01-N03	EA	BACKWALL - W/O WINDOW/TRIMS(N06) W/SINGLE PANE WINDOW
4	138592-02-N01	EA	BACKWALL - W/O WINDOW/TRIMS(N04) W/DUAL PANE WINDOW
4	138592-02-N02	EA	BACKWALL - W/O WINDOW/TRIMS(N05) W/DUAL PANE WINDOW
4	138592-02-N03	EA	BACKWALL - W/O WINDOW/TRIMS(N06) W/DUAL PANE WINDOW
5	017516-05-000	EA	MUD FLAP - BLACK - RUBBER - 9"H X 18"W
	140922-01-02B	EA	PLATE - MUD FLAP - E-COATED

EXTERIOR BODY GROUP (CONTINUED)
PANELS & TRIMS (CONTINUED)

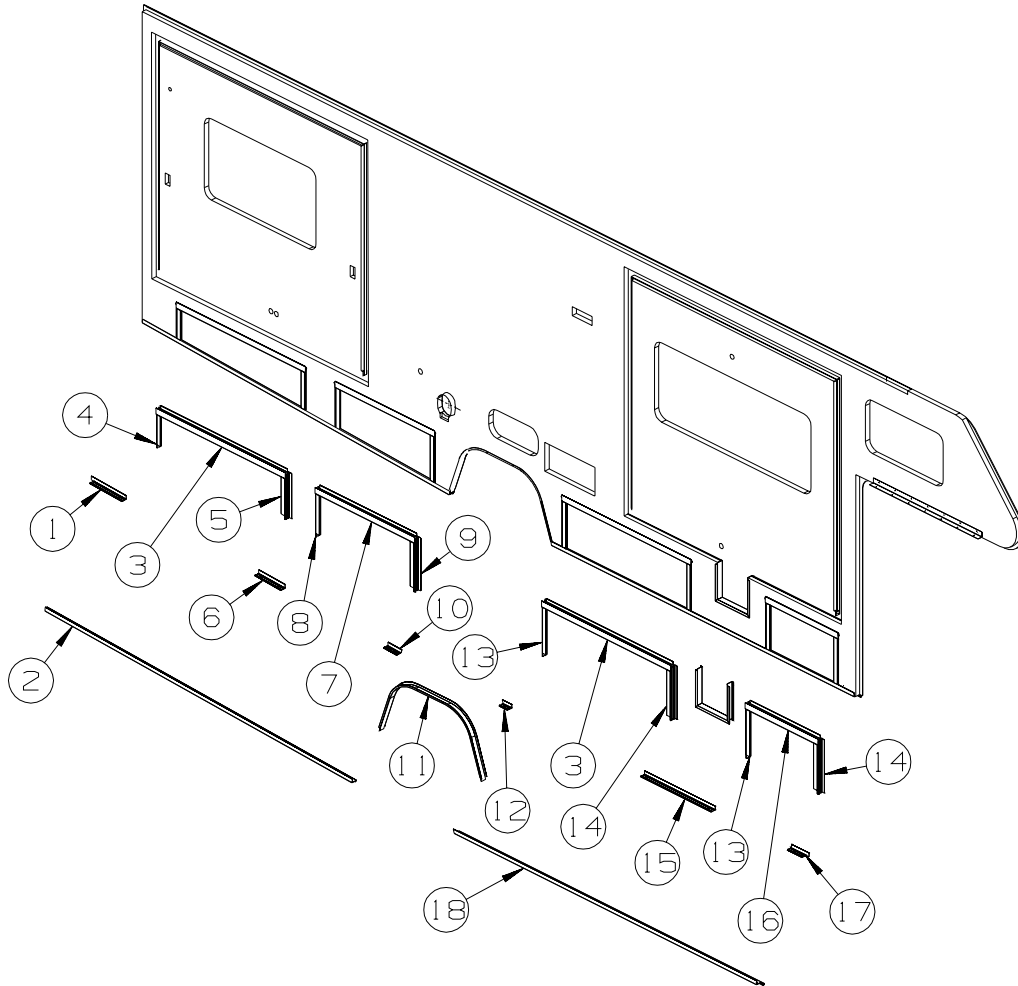
KEY	PART NUMBER	U/M	DESCRIPTION
6	P25129-01-J01	EA	SLEEPERBOARD
7	P38240-01-N01	EA	ROOF - FRONT - W/O LIGHTS/VENTS - W/WIRING
8	137050-01-01A	EA	PLUG - CAP - PUSH-IN
9	131979-04-01A	EA	RAIL - AWNING - 144" - BRIGHT WHITE
10	131979-05-01A	EA	RAIL - AWNING - 144" - BRIGHT WHITE
11	131979-06-01A	EA	RAIL - AWNING - 144" - BRIGHT WHITE
12	009126-03-000	EA	HANDLE - ASSIST - BLACK TEXTURED
13	127910-01-01A	EA	CAP - TRIM/SIDEWALL - RIGHT HAND - BRIGHT WHITE
14	127910-02-01A	EA	CAP - TRIM/SIDEWALL - LEFT HAND - BRIGHT WHITE
15	104479-09-02A	EA	TRIM - WINGWALL - PASSENGER SIDE - VERTICAL - BRIGHT WHITE
16	104479-10-02A	EA	TRIM - WINGWALL - DRIVER SIDE - VERTICAL - BRIGHT WHITE
17	125088-08-N01	EA	WINGWALL - RIGHT HAND
18	125088-09-N01	EA	WINGWALL - LEFT HAND
19	132075-02-L01	EA	CAP - TRANSITION/FRONT
20	117046-02-000	EA	BUMPER - RUBBER/ROUND END - 1.5"
21	128129-02-01A	EA	STRIP - FEATURE - HINGE - 143.7" - BRIGHT WHITE
			FROM: 00-00-00 THRU: 01-13-02
21	128129-03-01A	EA	STRIP - FEATURE - HINGE - 119.8" - BRIGHT WHITE
			FROM: 01-14-02 THRU: 99-99-99
22	108651-01-01A	EA	END CAP - FEATURE STRIP
23	108651-02-01A	EA	END CAP - FEATURE STRIP
24	108688-06-03A	EA	STRIP - FEATURE - BRIGHT WHITE - 96.9"
25	096854-09-01A	EA	TRIM - CONTOUR - 93.1" - BRIGHT WHITE
26	128129-04-01A	EA	STRIP - FEATURE - HINGE - 96" - BRIGHT WHITE
27	136826-01-01A	EA	TRIM - CONTOUR - 119" - BRIGHT WHITE
			FROM: 00-00-00 THRU: 10-21-01
27	136826-09-01A	EA	TRIM - CONTOUR - 109" - BRIGHT WHITE
			FROM: 10-22-01 THRU: 99-99-99
28	136826-02-01A	EA	TRIM - CONTOUR - 119" - BRIGHT WHITE
			FROM: 00-00-00 THRU: 10-21-01
28	136826-10-01A	EA	TRIM - CONTOUR - 109" - BRIGHT WHITE
			FROM: 10-22-01 THRU: 99-99-99
29	112435-03-000	EA	WHEELWELL
30	100086-04-01A	EA	TRIM - SLEEPERBOARD/ROOF/LOWER - BRIGHT WHITE - 96.5"
31	100085-05-01A	EA	TRIM/STRAP - SLEEPERBOARD - OFF/WHITE - 92.9"
32	132076-01-02B	EA	BRACKET - TRANSITION/FRONT - E-COATED
33	134167-01-01A	EA	CAP - ROOF - REAR - 1 PIECE - BRIGHT WHITE
34	105312-01-07A	FT	INSERT - FEATURE STRIP - VINYL - BRIGHT WHITE

EXTERIOR BODY GROUP (CONTINUED)
PANELS & TRIMS (CONTINUED)



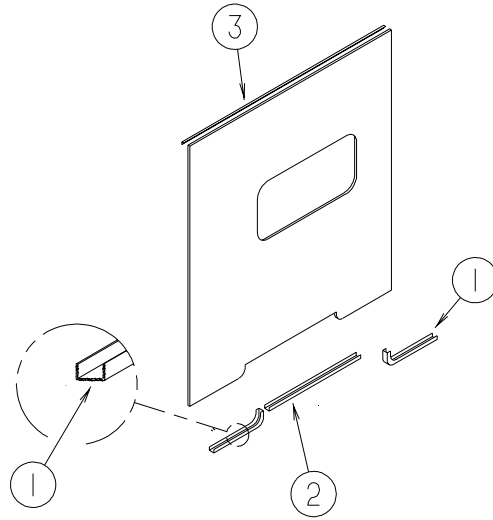
KEY	PART NUMBER	U/M	DESCRIPTION
1	127820-79-01A	EA	TRIM - SIDEWALL/LOWER - 6.6" - BRIGHT WHITE
2	128427-09-01A	EA	JAMB - DOOR/STORAGE - TOP - 36.7" - BRIGHT WHITE
3	128425-01-01A	EA	JAMB - DOOR/STORAGE - RIGHT HAND - BRIGHT WHITE - 16"
4	128425-02-01A	EA	JAMB - DOOR/STORAGE - LEFT HAND - BRIGHT WHITE - 16"
5	127820-87-01A	EA	TRIM - SIDEWALL/LOWER - 6.1" - BRIGHT WHITE
6	128427-08-01A	EA	JAMB - DOOR/STORAGE - TOP - 26.8" - BRIGHT WHITE
7	138152-09-01A	EA	JAMB - DOOR/STORAGE - LEFT HAND - 11.1" - BRIGHT WHITE
8	127820-83-01A	EA	TRIM - SIDEWALL/LOWER - 5.9" - BRIGHT WHITE
9	127820-80-01A	EA	TRIM - SIDEWALL/LOWER - 25" - BRIGHT WHITE
10	128732-07-N01	EA	TRIM - SIDEWALL - 113.3"
11	127820-84-01A	EA	TRIM - SIDEWALL/LOWER - 2" - BRIGHT WHITE
12	127848-01-01A	EA	TRIM - WHEELWELL - UNIVERSAL - BRIGHT WHITE
13	128427-11-01A	EA	JAMB - DOOR/STORAGE - TOP - 29.1" - BRIGHT WHITE
14	138149-09-01A	EA	JAMB - DOOR/STORAGE - RIGHT HAND - 15.4" - BRIGHT WHITE
15	138152-08-01A	EA	JAMB - DOOR/STORAGE - LEFT HAND - 14.0" - BRIGHT WHITE
16	127820-81-01A	EA	TRIM - SIDEWALL/LOWER - 15.3" - BRIGHT WHITE
17	127820-82-01A	EA	TRIM - SIDEWALL/LOWER - 6" - BRIGHT WHITE
18	128426-32-01A	EA	TRIM - ROCKER - NOTCHED - 114.5" - BRIGHT WHITE
19	128427-12-01A	EA	JAMB - DOOR/STORAGE - TOP - 55.9" - BRIGHT WHITE
20	138149-10-01A	EA	JAMB - DOOR/STORAGE - RIGHT HAND - 13.7" - BRIGHT WHITE
21	128426-30-02A	EA	TRIM - ROCKER - NOTCHED - 82.4"
22	128426-31-02A	EA	TRIM - ROCKER - NOTCHED - 2.8"

EXTERIOR BODY GROUP (CONTINUED)
PANELS & TRIMS (CONTINUED)

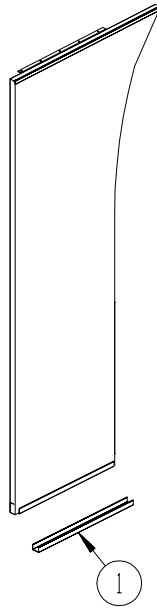


KEY	PART NUMBER	U/M	DESCRIPTION
1	127820-77-01A	EA	TRIM - SIDEWALL/LOWER - 12.5" - BRIGHT WHITE
2	128426-29-01A	EA	TRIM - ROCKER - NOTCHED - 114.5" - BRIGHT WHITE
3	128427-10-01A	EA	JAMB - DOOR/STORAGE - TOP - 47.6" - BRIGHT WHITE
4	138150-11-01A	EA	JAMB - DOOR/STORAGE - RIGHT HAND - 11.3" - BRIGHT WHITE
5	138151-10-01A	EA	JAMB - DOOR/STORAGE - LEFT HAND - 13.6" - BRIGHT WHITE
6	127820-76-01A	EA	TRIM - SIDEWALL/LOWER - 5.3" - BRIGHT WHITE
7	128427-09-01A	EA	JAMB - DOOR/STORAGE - TOP - 36.7" - BRIGHT WHITE
8	138150-07-01A	EA	JAMB - DOOR/STORAGE - RIGHT HAND - 14.0" - BRIGHT WHITE
9	138151-09-01A	EA	JAMB - DOOR/STORAGE - LEFT HAND - 15.7" - BRIGHT WHITE
10	127820-78-01A	EA	TRIM - SIDEWALL/LOWER - 9.5" - BRIGHT WHITE
11	127848-01-01A	EA	TRIM - WHEELWELL - UNIVERSAL - BRIGHT WHITE
12	127820-75-01A	EA	TRIM - SIDEWALL/LOWER - 6.3" - BRIGHT WHITE
13	138148-01-01A	EA	JAMB - DOOR/STORAGE - RIGHT HAND - 16" - BRIGHT WHITE
14	138148-02-01A	EA	JAMB - DOOR/STORAGE - LEFT HAND - 16" - BRIGHT WHITE
15	127820-74-01A	EA	TRIM - SIDEWALL/LOWER - 26.1" - BRIGHT WHITE
16	128427-08-01A	EA	JAMB - DOOR/STORAGE - TOP - 26.8" - BRIGHT WHITE
17	127820-73-01A	EA	TRIM - SIDEWALL/LOWER - 6.4" - BRIGHT WHITE

EXTERIOR BODY GROUP (CONTINUED)
PANELS & TRIMS (CONTINUED)



KEY	PART NUMBER	U/M	DESCRIPTION
1	103334-03-02A	EA	TRIM - BACKWALL - LOWER/DRIVER/PASSENGER - 25.6" - B/WHT
2	103335-02-02A	EA	TRIM - BACKWALL - LOWER/CENTER - 46.3" - BRIGHT WHITE
3	132023-01-03B	EA	ANGLE-FORMED, BACKWALL, O/WHT



KEY	PART NUMBER	U/M	DESCRIPTION
1	002365-03-006	EA	U-CHANNEL - EXTRUDED - 1" X 192" - BRIGHT WHITE

EXTERIOR BODY GROUP (CONTINUED)

LADDER

KEY	PART NUMBER	U/M	DESCRIPTION
	129639-06-01A	EA	LADDER - ALUMINUM BRUSHED - 324F, 329B, 331T
	129639-03-01A	EA	LADDER - BRUSHED ALUMINUM - 322E, 322R, 324V, 329N
	038327-01-000	EA	TAPE - ANTI-SLIP - 2" X 60'

RUNNING BOARDS

KEY	PART NUMBER	U/M	DESCRIPTION
*	072884-27-000	EA	RUNNING BOARD SET - 39" - FORD - ALUMINUM
*	072884-28-000	EA	RUNNING BOARD SET - ALUMINUM - CHEVY CHASSIS

***COMPONENT PARTS LISTED LATER IN THIS GROUP**

EXTERIOR BODY GROUP (CONTINUED)
COMPONENT PARTS FOR RUNNING BOARDS

072884-27-000

KEY	PART NUMBER	U/M	DESCRIPTION	VENDOR NO.
	072884-27-700	EA	BRACKET SET 12" 92	RB2BRK/M
	072884-27-701	EA	RUNNING BOARD-FORD 39",RT<	
	072884-27-702	FT	TREAD TAPE	RB9202
	072884-27-703	EA	MUD FLAP W/HOLES, 1EA=PAIR	99171
	072884-27-704	EA	CAP-ENDS, 1EA=PAIR	99148

072884-28-000

KEY	PART NUMBER	U/M	DESCRIPTION	VENDOR NO.
	072884-27-704	EA	CAP-ENDS, 1EA=PAIR	99148
	072884-28-700	EA	RUNNING BOARD W/BRKTS RT/LT	15543
	072884-28-701	EA	MUD FLAP - FRONT - 1EA=PAIR	99153
	072884-28-702	EA	BRACKET SET - COMPLETE	206771

EXTERIOR BODY GROUP (CONTINUED)

MIRRORS

KEY	PART NUMBER	U/M	DESCRIPTION
*	120269-07-01A	EA	PANEL - DRIVERS DOOR MIRROR CONTROL W/SWITCH & PIGTAIL - FORD
	120269-08-000	EA	HARNES - ELECTRIC MIRROR
*	133908-01-01A	EA	MIRROR/PASSENGER - 102" W/B FORD - BLACK - FORD
*	133908-02-01A	EA	MIRROR/DRIVER - 102" W/B FORD - BLACK - FORD
*	133908-03-02A	EA	MIRROR/PASSENGER - 102" W/B FORD - HEATED/REMOTE - W/DEFROST - FORD
*	133908-04-02A	EA	MIRROR/DRIVER - 102" W/B FORD - HEATED/REMOTE - W/DEFROST - FORD
*	133908-05-01A	EA	MIRROR/PASSENGER - 102" - BLACK - CHEVY
*	133908-06-01A	EA	MIRROR/DRIVER - 102" - BLACK - CHEVY
*	133908-07-01A	EA	MIRROR/PASSENGER - 102" CHEVY C BODY - HEATED/REMOTE - W/DEFROST - CHEVY
*	133908-08-01A	EA	MIRROR/DRIVER - 102" CHEVY C BODY - HEATED/REMOTE - W/DEFROST - CHEVY
*	133908-09-01A	EA	PANEL - DOOR - ELECTRIC MIRROR - CHEVY

*COMPONENT PARTS LISTED LATER IN THIS GROUP

EXTERIOR BODY GROUP (CONTINUED)
COMPONENT PARTS FOR MIRRORS

120269-07-01A

KEY	PART NUMBER	U/M	DESCRIPTION	VENDOR NO.
	120269-07-700	EA	SWITCH - REMOTE	7475720
	133908-09-700	EA	SWITCH-MIRROR HEATER	7475150

133908-01-01A, 133908-01-02A, 133908-02-01A, 133908-03-01A, 133908-03-02A, 133908-04-01A, 133908-05-01A, 133908-06-01A,
133908-07-01A, 133908-08-01A

KEY	PART NUMBER	U/M	DESCRIPTION	VENDOR NO.
	117051-01-700	EA	MIRROR-CONVEX	723068-4
	120269-05-701	EA	GLASS ONLY REPLACEMENT RH/LH	709411

133908-09-01A

KEY	PART NUMBER	U/M	DESCRIPTION	VENDOR NO.
	133908-09-700	EA	SWITCH-MIRROR HEATER	7475150

EXTERIOR BODY GROUP (CONTINUED)

STRUCTURAL COMPONENTS

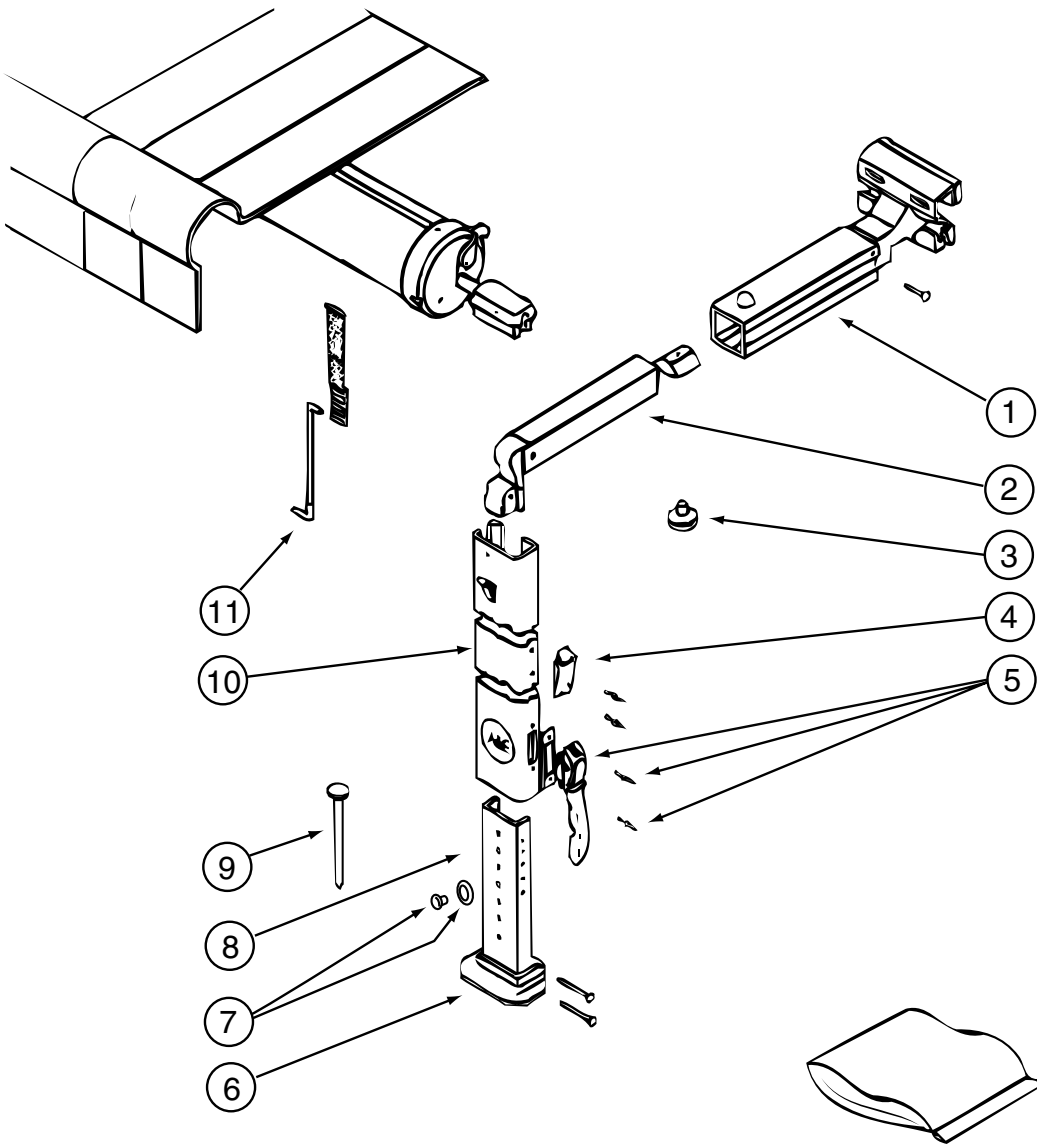
KEY	PART NUMBER	U/M	DESCRIPTION
	000870-09-000	SF	STYROFOAM - .85" X 48" X 96" - PLANED
	002726-01-001	EA	GARNISH - U-CHANNEL - 1.38" X 19' - SERRATED
	002754-01-001	EA	ANGLE - EXTRUDED - 3/4" X 3/4" X 16' - MILL ALUMINUM
	076054-AC-000	EA	FIBERGLASS SHEET - 20" X 99.8" - OFF WHITE
	076054-N3-000	EA	FIBERGLASS SHEET - 102" X 234" - BRIGHT WHITE
	076054-N4-000	EA	FIBERGLASS SHEET - 102" X 261.8" - BRIGHT WHITE
	076054-P9-000	EA	FIBERGLASS SHEET - 37.4" X 99.3" - BRIGHT WHITE
	076054-U6-000	EA	FIBERGLASS SHEET - 102" X 361" - BRIGHT WHITE
	076054-U8-000	EA	FIBERGLASS SHEET - 100" X 105" - BRIGHT WHITE
	076054-X9-000	EA	FIBERGLASS SHEET - 22.1" X 70.6" - BRIGHT WHITE
	076054-Y2-000	EA	FIBERGLASS SHEET -102" X 320.9" - BRIGHT WHITE
	077517-62-000	EA	FIBERGLASS SHEET - 48" X 96" - BRIGHT WHITE
	089297-01-000	SF	PLYWOOD - LUAN - OVERLAY GRADE - 4' X 8'
	089297-02-000	SF	PLYWOOD - LUAN - OVERLAY GRADE - 4' X 9'
	100619-01-000	BF	FOAM - EXPANDED POLYSTYRENE - 1.34" X 48" X 96"
	100619-02-000	BF	FOAM - EXPANDED POLYSTYRENE - 1.5" X 48" X 96"
	100619-04-000	BF	FOAM - EXPANDED POLYSTYRENE - .5" X 48" X 96"
	100619-05-000	BF	FOAM - EXPANDED POLYSTYRENE - .75" X 48" X 96"-1.5 DENSITY
	100619-11-000	BF	FOAM - EXPANDED POLYSTYRENE - 2" X 48" X 96"
	100619-16-000	BF	FOAM - EXPANDED POLYSTYRENE - .75" X 48" X 96"-2.0 DENSITY
	100619-25-000	BF	FOAM - EXPANDED POLYSTYRENE - 48" X 100" X .75"
	125838-02-001	EA	PLEXIDR-SHEET.125X38.0X53.0 - DR#13175E2 WHT SM
	128782-02-01A	EA	FIBERGLASS SHEET - 79" X 428" - HIGH GLOSS - BRIGHT WHITE

AWNINGS

KEY	PART NUMBER	U/M	DESCRIPTION
*	113874-01-02A	EA	HARDWARE KIT - AWNING - W/O STANDOFF BRACKET-BRIGHT WHITE
	113874-03-49A	EA	AWNING - 11.5' BURGUNDY ROSE - BRIGHT WHITE VINYL WRAP - 322E , 322R , 324F , 324V
	113874-05-49A	EA	AWNING - 14' BURGUNDY ROSE - BRIGHT WHITE VINYL WRAP - 329B , 329N
	113874-06-4AA	EA	AWNING - 16' BURGUNDY ROSE - BRIGHT WHITE VINYL WRAP - 331T
	137054-01-02A	EA	BRACKET - AWNING - BRIGHT WHITE
	111038-01-01A	EA	SPACER - AWNING - LOWER
	113874-10-01A	EA	SPACER - AWNING - LOWER BRACKET
	127647-01-01A	EA	ROD/AWNING GUARD - ENTRY DOOR

*COMPONENT PARTS LISTED LATER IN THIS GROUP

EXTERIOR BODY GROUP (CONTINUED)
COMPONENT PARTS FOR AWNINGS

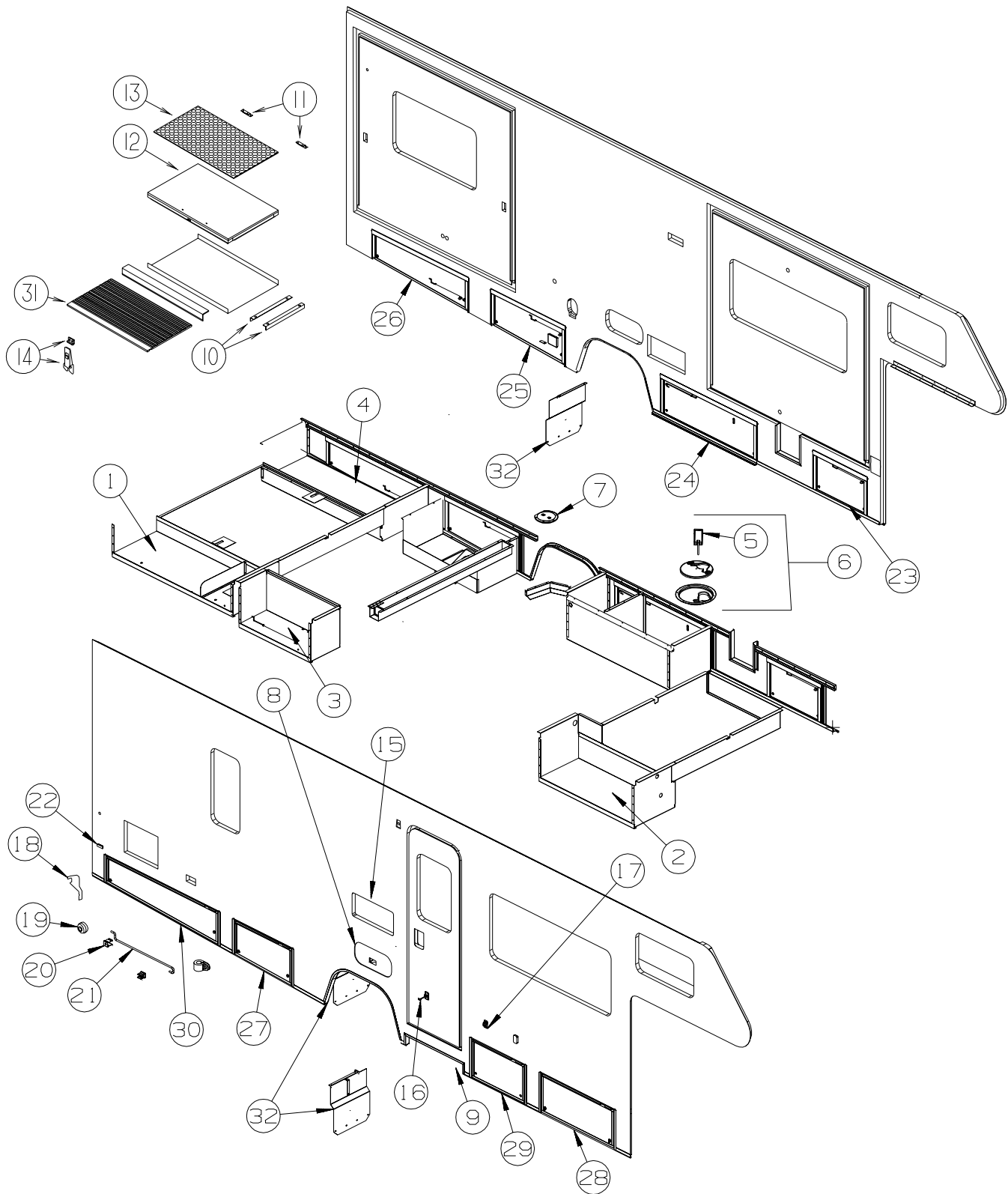


113874-01-02A

KEY	PART NUMBER	U/M	DESCRIPTION	VENDOR NO.
1	113874-01-714	EA	RAFTER - MAIN RH/LH BRT/WHT	830295.536F
2	113874-01-715	EA	RAFTER - SECONDARY BRT/WHT	830463.511F
3	113874-01-702	EA	KNOB - ADJUSTING	3105421014
4	113874-01-706	EA	LOCK - TRAVEL	830587.001
5	113874-01-707	EA	HANDLE - LIFT W/RIVETS	830644
6	113874-01-712	EA	FOOT - PATIO	730366-001
7	113874-01-710	EA	PLUG-STOP KIT	830456
8	113874-01-717	EA	ARM - ADJUSTABLE BRT/WHT	830467.517/F
9	113874-01-709	EA	NAIL-SPIKE, 8"	113006
10	113874-01-716	EA	ARM - MAIN SUPPORT BRT/WHT	3104502.293/F
11	113874-01-703	EA	ROD-CENTER PULL W/ACCESSORY	830152.102

EXTERIOR DOORS & COMPARTMENTS GROUP

DOOR & COMPARTMENT LAYOUT



KEY	PART NUMBER	U/M	DESCRIPTION
1	137554-06-N01	EA	COMPARTMENT - LUGGAGE
2	137554-05-N01	EA	COMPARTMENT ASM-LUGGAGE
3	137554-13-N01	EA	COMPARTMENT - LUGGAGE
4	137554-14-N01	EA	COMPARTMENT - LUGGAGE
5	121175-02-01A	EA	LATCH - SWELL
6	129015-01-K80	EA	PORT W/HATCH - F/ELECTRICAL/DRAIN
7	092887-01-000	EA	HATCH/PLATE - 8.2" FLANGE/6.5" R.O. - BLACK

EXTERIOR DOORS & COMPARTMENTS GROUP (CONTINUED)
DOOR & COMPARTMENT LAYOUT (CONTINUED)

KEY	PART NUMBER	U/M	DESCRIPTION
8	126945-09-N42	EA	DOOR/STORAGE - W/O HARDWARE - 18" X 8.3"
9	077848-02-000	EA	STEP - PULLOUT
	102569-04-000	EA	MAT - ANTI SLIP
9*	094708-03-01A	EA	STEP - ELECTRIC - SINGLE - BLACK CONTROL BOX - KWIKEE
10	139997-01-02B	EA	ANGLE - STEEL - W/2 SLOTS - E-COATED
11	101222-01-02A	EA	BRACKET - CATCH - LID - OFF WHITE
12	P14437-05-000	EA	CABINET - LID/ENTRY STEP - W/O RUBBER MAT W/VINYL THROUGH OUT
12	P14437-02-000	EA	CABINET - LID/ENTRY STEP - W/O CARPET W/CARPET
13	122755-05-01A	EA	FLOORING/RUBBER - ENTRY DOOR - 11.2" X 27" W/VINYL THROUGH OUT
13	122755-03-01A	EA	FLOORING/RUBBER - ENTRY DOOR - 17.7" X 26.4" W/CARPET
14	116975-01-01A	EA	LATCH - W/O STRIKE - BLACK - NEW STYLE
15*	084103-08-000	EA	DOOR - VENT - REFRIGERATOR - W/O JAMB - BRIGHT WHITE
	084104-08-000	EA	JAMB - VENT DOOR/REFRIGERATOR - BRIGHT WHITE
16	104099-01-04A	EA	CATCH - DOOR HOLDER - STRIKE - BRIGHT WHITE
17	104099-02-04A	EA	CATCH - DOOR HOLDER - RETAINER - BRIGHT WHITE
18	119143-02-02A	EA	SPACER/CENTER HINGE - COMPARTMENT DOOR - BRIGHT WHITE - 2"
19	120863-05-000	EA	BUMPER - RUBBER/RADIUS TOP - 3/4" X 3/8"
20	089329-02-000	EA	CLIP - SPRING
21	101667-04-000	EA	PROP ROD
22	102768-01-000	EA	HOLDER - COMPARTMENT/ENTRY DOOR - METAL - MILL FINISH
23	127795-02-J01	EA	VALANCE/DOOR - W/O HARDWARE - 25.6" X 15.3"
	112091-01-000	EA	SEAL/D - NEOPRENE - HEAT ACTIVE ADHESIVE - .9"
24	127795-01-J01	EA	VALANCE/DOOR - W/O HARDWARE - 46.4" X 15.3"
	112091-01-000	EA	SEAL/D - NEOPRENE - HEAT ACTIVE ADHESIVE - .9"
25	127826-22-N01	EA	VALANCE/DOOR - DRIVER W/O HARDWARE - 15.3" X 35.6" X 13.6"
	112091-01-000	EA	SEAL/D - NEOPRENE - HEAT ACTIVE ADHESIVE - .9"
26	127826-23-N01	EA	VALANCE/DOOR - DRIVER W/O HARDWARE - 13.1" X 46.4" X 10.9"
	112091-01-000	EA	SEAL/D - NEOPRENE - HEAT ACTIVE ADHESIVE - .9"
27	127826-21-N01	EA	VALANCE/DOOR - PASS W/O HARDWARE - 14.7" X 27.8" X 13.4"
28	127795-05-K01	EA	VALANCE/DOOR - W/O HARDWARE - 35.4" X 15.3"
	112901-01-000	EA	SEAL/D - NEOPRENE - HEAT ACTIVE ADHESIVE - .9"
29	127795-08-N01	EA	VALANCE DOOR - W/O HARDWARE - 25.6" X 15.3"
	112901-01-000	EA	SEAL/D - NEOPRENE - HEAT ACTIVE ADHESIVE - .9"
30	127826-20-N01	EA	VALANCE/DOOR - PASS W/O HARDWARE - 13.1" X 54.7" X 10.5"
	112091-01-000	EA	SEAL/D - NEOPRENE - HEAT ACTIVE ADHESIVE - .9"
31	133114-03-01A	EA	TREAD - STEP/RUBBER - 27.1" - TAUPE(N01, N03)
31	133114-03-03A	EA	TREAD - STEP/RUBBER - 27.1" - GRAY(N02)
32	137828-01-02B	EA	PANEL - ROCKGUARD/LP - E-COATED
	105290-01-000	SF	INSULATION - AIR POCKET W/FOIL

LOCK ASSEMBLY USED UP TO 04-30-01

129685-01-000	EA	CYLINDER - LOCK ASSEMBLY - COMPARTMENT/DRIVER DOOR
129685-02-000	EA	CYLINDER - LOCK ASSEMBLY - COMPARTMENT/DRIVER DOOR
129685-03-000	EA	CYLINDER - LOCK ASSEMBLY - COMPARTMENT/DRIVER DOOR
129685-04-000	EA	CYLINDER - LOCK ASSEMBLY - COMPARTMENT/DRIVER DOOR
129685-05-000	EA	CYLINDER - LOCK ASSEMBLY - COMPARTMENT/DRIVER DOOR
129685-06-000	EA	CYLINDER - LOCK ASSEMBLY - COMPARTMENT/DRIVER DOOR
129685-07-000	EA	CYLINDER - LOCK ASSEMBLY - COMPARTMENT/DRIVER DOOR
129685-08-000	EA	CYLINDER - LOCK ASSEMBLY - COMPARTMENT/DRIVER DOOR
129685-09-000	EA	CYLINDER - LOCK ASSEMBLY - COMPARTMENT/DRIVER DOOR
129685-10-000	EA	CYLINDER - LOCK ASSEMBLY - COMPARTMENT/DRIVER DOOR

LOCK ASSEMBLY USED AFTER 05-01-01

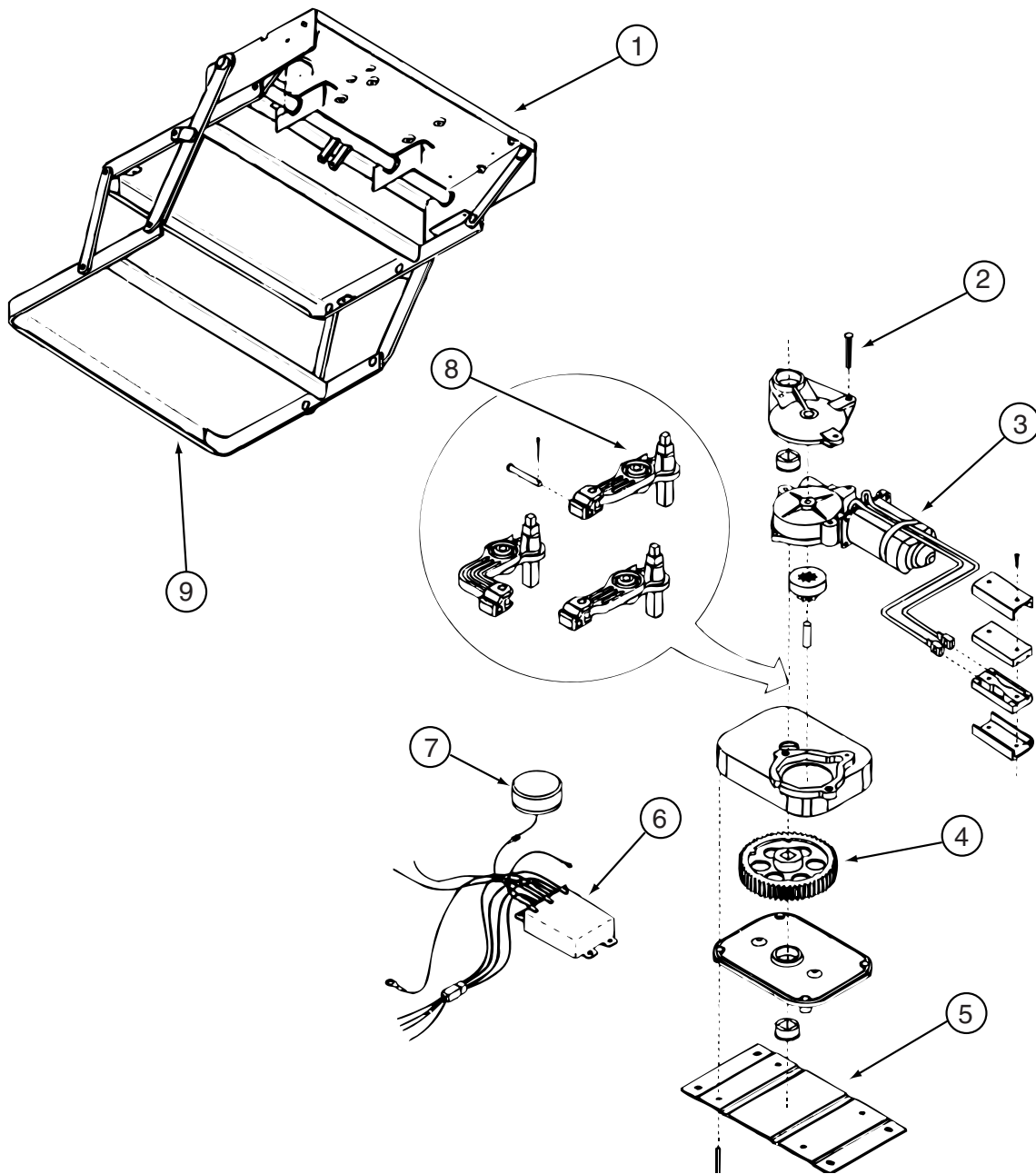
138289-01-000	EA	CYLINDER - LOCKING
138289-02-000	EA	CYLINDER - LOCKING
138289-03-000	EA	CYLINDER - LOCKING
138289-04-000	EA	CYLINDER - LOCKING
138289-05-000	EA	CYLINDER - LOCKING
138289-06-000	EA	CYLINDER - LOCKING
138289-07-000	EA	CYLINDER - LOCKING
138289-08-000	EA	CYLINDER - LOCKING
138289-09-000	EA	CYLINDER - LOCKING
138289-10-000	EA	CYLINDER - LOCKING

***COMPONENT PARTS LISTED LATER IN THIS GROUP**

EXTERIOR DOORS & COMPARTMENTS GROUP (CONTINUED)
COMPONENT PARTS FOR DOOR & COMPARTMENT LAYOUT

084103-08-000

KEY	PART NUMBER	U/M	DESCRIPTION	VENDOR NO.
	084104-01-700	EA	LOCK-MALE, FASTENER	201-721-010
	084104-01-701	EA	LOCK-FEMALE, FASTENER	201-802-010

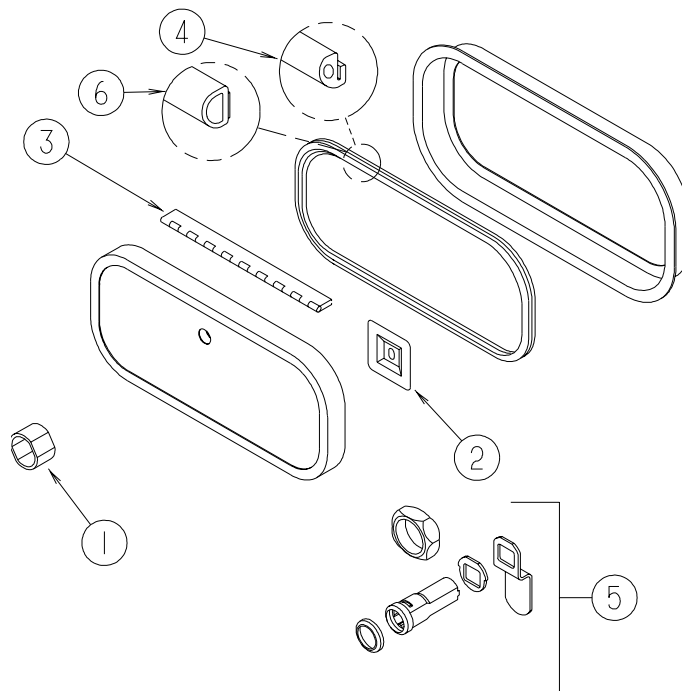


094708-03-01A

KEY	PART NUMBER	U/M	DESCRIPTION	VENDOR NO.
1	088746-01-709	EA	FRAME W/SGL STEP,2800 SERIES	908028
2	094707-02-703	EA	BEARING & PINS	909530
3	094707-02-700	EA	MOTOR ASM.,W/BEARINGS & PINS	909520
4	094707-02-702	EA	GEAR KIT(GEAR-BEARING-PINS)	909525
5	094707-02-704	EA	CONNECTOR-MOTOR ASM.W/PLATES	909537
6	094707-03-700	EA	KIT CONTROL/SWITCH-RETROFIT	909506005
7	088733-01-700	EA	BULB	9004
7	088746-01-705	EA	LIGHT-UNDER STEP	9004
8	094708-03-700	EA	LINKAGE ASSEMBLY-SERIES 28	909533
9	094707-02-707	EA	TREAD - NON-SKID - BLACK	909333
	094707-03-701	EA	PLUG - 4-WAY - PACKARD	909306

EXTERIOR DOORS & COMPARTMENTS GROUP (CONTINUED)

COMPARTMENT DOOR PIECE PARTS



KEY	PART NUMBER	U/M	DESCRIPTION
1	107997-51-001	EA	SPACER - DOOR LOCK - .6" DEEP
	107997-51-003	EA	SPACER - DOOR LOCK .79" DEEP
2	NOT USED		
3	081801-V3-000	EA	HINGE - ALUMINUM - 2" X 96" - BRIGHT WHITE
4	106850-02-000	FT	SEAL-E - SPONGE RUBBER - .43" X .75"
4	106850-02-000	FT	SEAL-E - SPONGE RUBBER - .43" X .75"

LOCK ASSEMBLY USED UP TO: 04-30-01

5*	110506-26-000	EA	LOCK ASM-KEYED,40.26MM
	110506-54-000	EA	CASE/CYLINDER - LOCKING - W/O CAM/KEY - 1.25" - 703170
	110506-54-001	EA	CASE/CYLINDER - LOCKING - W/O CAM/KEY - 1.25" - 703171
	110506-54-002	EA	CASE/CYLINDER - LOCKING - W/O CAM/KEY - 1.25" - 703172
	110506-54-003	EA	CASE/CYLINDER - LOCKING - W/O CAM/KEY - 1.25" - 703173
	110506-54-004	EA	CASE/CYLINDER - LOCKING - W/O CAM/KEY - 1.25" - 703174
	110506-54-005	EA	CASE/CYLINDER - LOCKING - W/O CAM/KEY - 1.25" - 703175
	110506-54-006	EA	CASE/CYLINDER - LOCKING - W/O CAM/KEY - 1.25" - 703176
	110506-54-007	EA	CASE/CYLINDER - LOCKING - W/O CAM/KEY - 1.25" - 703177
	110506-54-008	EA	CASE/CYLINDER - LOCKING - W/O CAM/KEY - 1.25" - 703178
	110506-54-009	EA	CASE/CYLINDER - LOCKING - W/O CAM/KEY - 1.25" - 703179
	110506-66-000	EA	CAM - LATCHING - DOG LEGGED 1.5" LONG
	110506-55-000	EA	CASE/CYLINDER - TWIST LOCK - W/O CAM - 1.25" - 597312AA1

LOCK ASSEMBLY USED AFTER 05-01-01

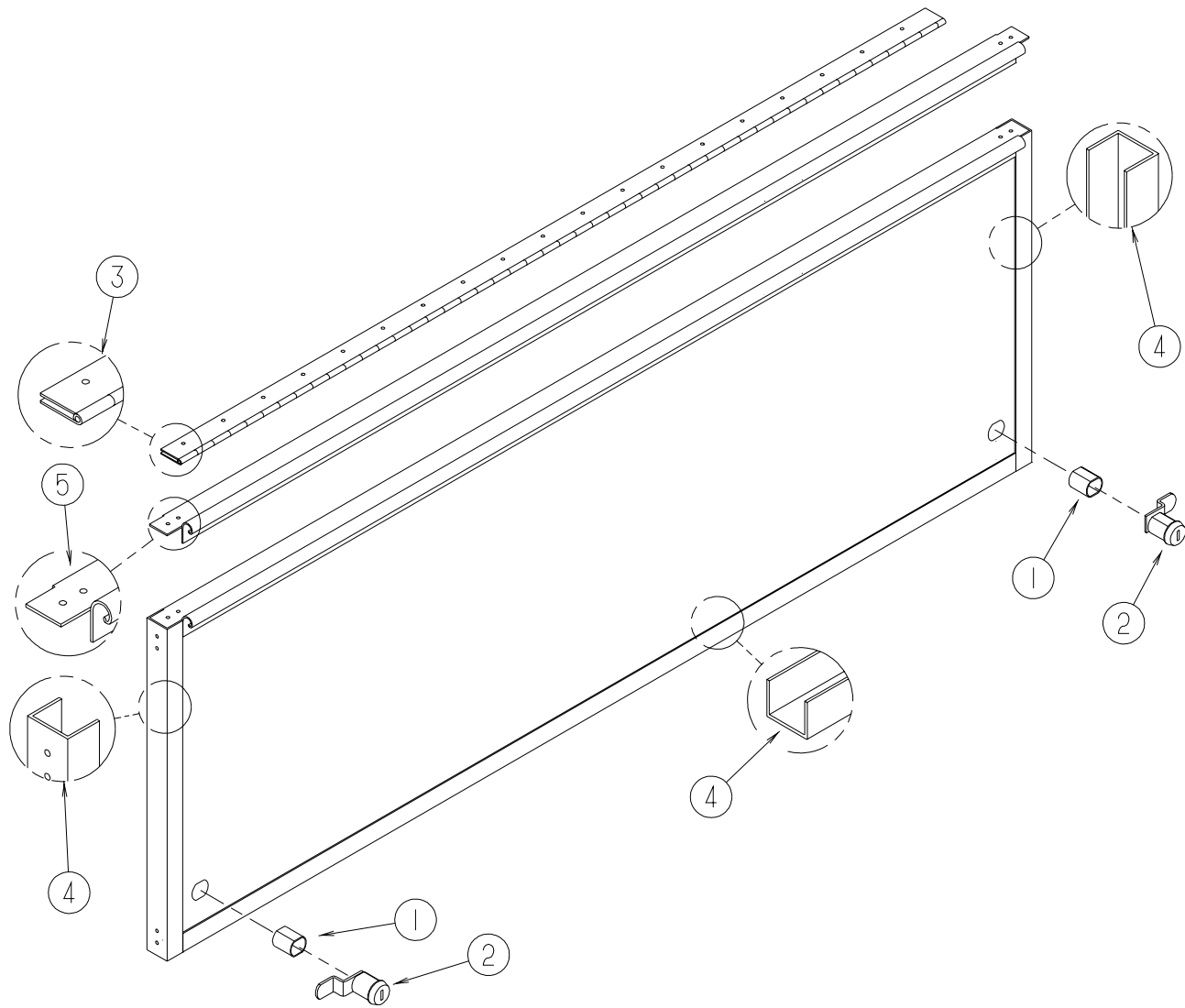
5	138290-02-000	EA	CASE - W/CAM - W/O CYLINDER/KEY
6	112160-02-000	FT	SEAL - D SECTION - .2 X .3" - FOAM RUBBER

*COMPONENT PARTS LISTED LATER IN THIS GROUP

EXTERIOR DOORS & COMPARTMENTS GROUP (CONTINUED)
COMPONENT PARTS FOR COMPARTMENT DOOR PIECE PARTS

		110506-26-000 - 110506-27-000 - 110506-33-000	
KEY	PART NUMBER	U/M DESCRIPTION	VENDOR NO .
	110506-40-700	EA HARDWARE PACKAGE-CYLINDER/CASE	596950AAL

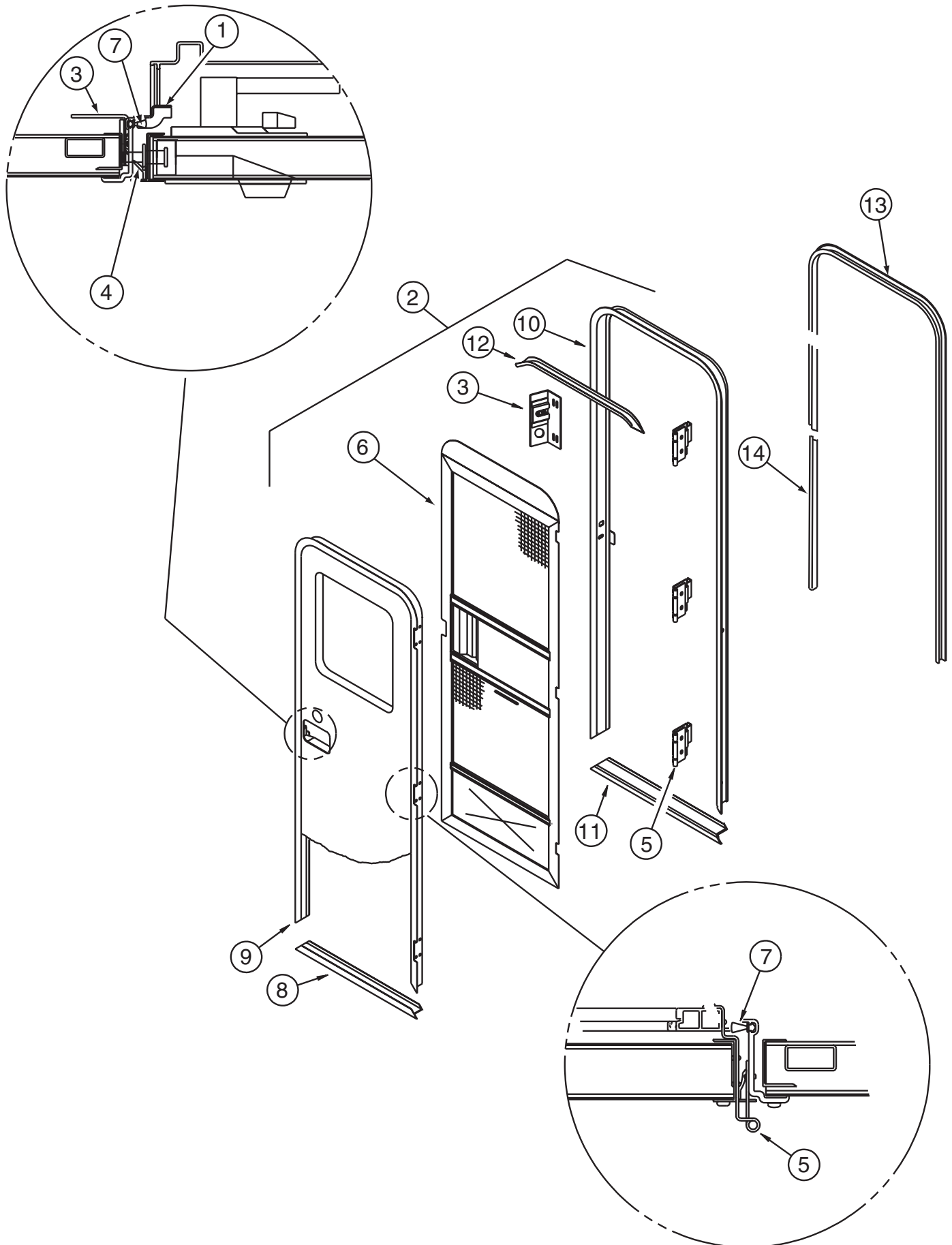
EXTERIOR DOORS & COMPARTMENTS GROUP (CONTINUED)
COMPARTMENT DOOR PIECE PARTS (CONTINUED)



KEY	PART NUMBER	U/M DESCRIPTION
1	107997-51-001	EA SPACER - DOOR LOCK - .6" DEEP
2	110506-40-700	EA HDWE KIT 596950AAL
2	110506-55-000	EA CASE/CYLINDER - TWIST LOCK - W/O CAM - 1.25" - 597312AA1
2	110506-54-000	EA CASE/CYLINDER - LOCKING - W/O CAM/KEY - 1.25" - 703170
2	110506-54-001	EA CASE/CYLINDER - LOCKING - W/O CAM/KEY - 1.25" - 703171
2	110506-54-002	EA CASE/CYLINDER - LOCKING - W/O CAM/KEY - 1.25" - 703172
2	110506-54-003	EA CASE/CYLINDER - LOCKING - W/O CAM/KEY - 1.25" - 703173
2	110506-54-004	EA CASE/CYLINDER - LOCKING - W/O CAM/KEY - 1.25" - 703174
2	110506-54-005	EA CASE/CYLINDER - LOCKING - W/O CAM/KEY - 1.25" - 703175
2	110506-54-006	EA CASE/CYLINDER - LOCKING - W/O CAM/KEY - 1.25" - 703176
2	110506-54-007	EA CASE/CYLINDER - LOCKING - W/O CAM/KEY - 1.25" - 703177
2	110506-54-008	EA CASE/CYLINDER - LOCKING - W/O CAM/KEY - 1.25" - 703178
2	110506-54-009	EA CASE/CYLINDER - LOCKING - W/O CAM/KEY - 1.25" - 703179
2	110506-64-000	EA CAM - LATCHING - DOG LEGGED 1.8" LONG
3	126694-55-002	EA EXTRUSION = U-CHANNEL/HINGED - 143.8" - BRIGHT WHITE
4	122612-55-008	EA U-CHANNEL/EXTRUSION - 144" - BRIGHT WHITE
5	115476-11-01A	EA HINGE - CONTINUOUS - W/HOLES - BRIGHT WHITE

EXTERIOR DOORS & COMPARTMENTS GROUP (CONTINUED)

ENTRY



EXTERIOR DOORS & COMPARTMENTS GROUP (CONTINUED)
ENTRY (CONTINUED)

KEY	PART NUMBER	U/M	DESCRIPTION
1	132915-01-01A	EA	LATCH - SCREEN DOOR
2	P32206-09-N01	EA	DOOR - ENTRY W/SCREEN DOOR - W/O WINDOW/LATCH (N04) - 322E, 322R, 324F, 324V, 329B, 329N
2	P32206-09-N02	EA	DOOR - ENTRY W/SCREEN DOOR - W/O WINDOW/LATCH (N05) - 322E, 322R, 324F, 324V, 329B, 329N
2	P32206-09-N03	EA	DOOR - ENTRY W/SCREEN DOOR - W/O WINDOW/LATCH (N06) - 322E, 322R, 324F, 324V, 329B, 329N
2	P32206-12-N01	EA	DOOR - ENTRY W/SCREEN DOOR - W/O WINDOW/LATCH (N04) - 331T
2	P32206-12-N02	EA	DOOR - ENTRY W/SCREEN DOOR - W/O WINDOW/LATCH (N05) - 331T
2	P32206-12-N03	EA	DOOR - ENTRY W/SCREEN DOOR - W/O WINDOW/LATCH (N06) - 331T
3	137401-01-03B	EA	BRACKET - DOOR ANGLE - OFF WHITE
4	075671-04-000	FT	SEAL - SPONGE - LAZY T - W/ADHESIVE STRIP - .5" WIDE
5	106719-01-05A	EA	HINGE - ENTRY DOOR - BRIGHT WHITE
	106719-01-01A	EA	HINGE - ENTRY DOOR - MILL
	039715-01-000	EA	NUT-SERT - 1/4" DIAMETER - 20 THREADS
	116111-02-01A	EA	SCREW - TAPTITE - 1/4-20 X 3/8 PPH - ZINC
6	132208-04-L07	EA	DOOR - SCREEN - W/O HARDWARE
7	118929-01-01A	FT	SEAL - PILE - PUSH ON
8	121893-01-01A	EA	FRAME - ENTRY DOOR/BOTTOM - BRIGHT WHITE
9	121894-21-01A	EA	FRAME - ENTRY DOOR - BRIGHT WHITE
9	121894-23-01A	EA	FRAME - ENTRY DOOR - BRIGHT WHITE - 329B
10	121898-16-01A	EA	JAMB - ENTRY DOOR - BRIGHT WHITE
10	121898-18-01A	EA	JAMB - ENTRY DOOR - BRIGHT WHITE - 329B
11	051049-01-000	EA	JAMB/DOOR - BOTTOM - 25.9" - UNPAINTED
	038327-01-000	EA	TAPE - ANTI-SLIP - 2" X 60'
	075673-05-000	FT	SEAL - PILE - ADHESIVE BACK - BLACK
12	044582-44-000	EA	CAP - DRIP - JAMB - BRIGHT WHITE
13	139100-02-01A	EA	GARNISH/RADIUS - ENTRY DOOR - BRIGHT WHITE
14	139101-02-01A	EA	GARNISH/STRAIGHT - 35.31" - W/O NOTCHES - BRIGHT WHITE

EXTERIOR DOORS & COMPARTMENTS GROUP (CONTINUED)
ENTRY (CONTINUED)

LOCK ASSEMBLY USED UP TO 04-30-01

KEY	PART NUMBER	U/M	DESCRIPTION
	129685-01-000	EA	CYLINDER - LOCK ASSEMBLY - ENTRANCE DOOR (J)
	129685-02-000	EA	CYLINDER - LOCK ASSEMBLY - ENTRANCE DOOR (J)
	129685-03-000	EA	CYLINDER - LOCK ASSEMBLY - ENTRANCE DOOR (J)
	129685-04-000	EA	CYLINDER - LOCK ASSEMBLY - ENTRANCE DOOR (J)
	129685-05-000	EA	CYLINDER - LOCK ASSEMBLY - ENTRANCE DOOR (J)
	129685-06-000	EA	CYLINDER - LOCK ASSEMBLY - ENTRANCE DOOR (J)
	129685-07-000	EA	CYLINDER - LOCK ASSEMBLY - ENTRANCE DOOR (J)
	129685-08-000	EA	CYLINDER - LOCK ASSEMBLY - ENTRANCE DOOR (J)
	129685-09-000	EA	CYLINDER - LOCK ASSEMBLY - ENTRANCE DOOR (J)
	129685-10-000	EA	CYLINDER - LOCK ASSEMBLY - ENTRANCE DOOR (J)
*	129676-01-000	EA	KEY - T/M 14472-07-1431
*	129676-02-000	EA	KEY - T/M 14472-07-1432
*	129676-03-000	EA	KEY - T/M 14472-07-1433
*	129676-04-000	EA	KEY - T/M 14472-07-1434
*	129676-05-000	EA	KEY - T/M 14472-07-1435
*	129676-06-000	EA	KEY - T/M 14472-07-1436
*	129676-07-000	EA	KEY - T/M 14472-07-1437
*	129676-08-000	EA	KEY - T/M 14472-07-1438
*	129676-09-000	EA	KEY - T/M 14472-07-1439
*	129676-10-000	EA	KEY - T/M 14472-07-1440

LOCK ASSEMBLY USED AFTER 05-01-01

KEY	PART NUMBER	U/M	DESCRIPTION
	138287-01-000	EA	CYLINDER/LOCK - ENTRY DOOR (MASTER)
	138287-02-000	EA	CYLINDER/LOCK - ENTRY DOOR (MASTER)
	138287-03-000	EA	CYLINDER/LOCK - ENTRY DOOR (MASTER)
	138287-04-000	EA	CYLINDER/LOCK - ENTRY DOOR (MASTER)
	138287-05-000	EA	CYLINDER/LOCK - ENTRY DOOR (MASTER)
	138287-06-000	EA	CYLINDER/LOCK - ENTRY DOOR (MASTER)
	138287-07-000	EA	CYLINDER/LOCK - ENTRY DOOR (MASTER)
	138287-08-000	EA	CYLINDER/LOCK - ENTRY DOOR (MASTER)
	138287-09-000	EA	CYLINDER/LOCK - ENTRY DOOR (MASTER)
	138287-10-000	EA	CYLINDER/LOCK - ENTRY DOOR (MASTER)
	138288-01-000	EA	KEY - REVERSIBLE - #1151 - T/M 16169-02-3091
	138288-02-000	EA	KEY - REVERSIBLE - #1152 - T/M 16169-02-3092
	138288-03-000	EA	KEY - REVERSIBLE - #1153 - T/M 16169-02-3093
	138288-04-000	EA	KEY - REVERSIBLE - #1154 - T/M 16169-02-3094
	138288-05-000	EA	KEY - REVERSIBLE - #1155 - T/M 16169-02-3095
	138288-06-000	EA	KEY - REVERSIBLE - #1156 - T/M 16169-02-3096
	138288-07-000	EA	KEY - REVERSIBLE - #1157 - T/M 16169-02-3097
	138288-08-000	EA	KEY - REVERSIBLE - #1158 - T/M 16169-02-3098
	138288-09-000	EA	KEY - REVERSIBLE - #1159 - T/M 16169-02-3099
	138288-10-000	EA	KEY - REVERSIBLE - #1150 - T/M 16169-02-3100

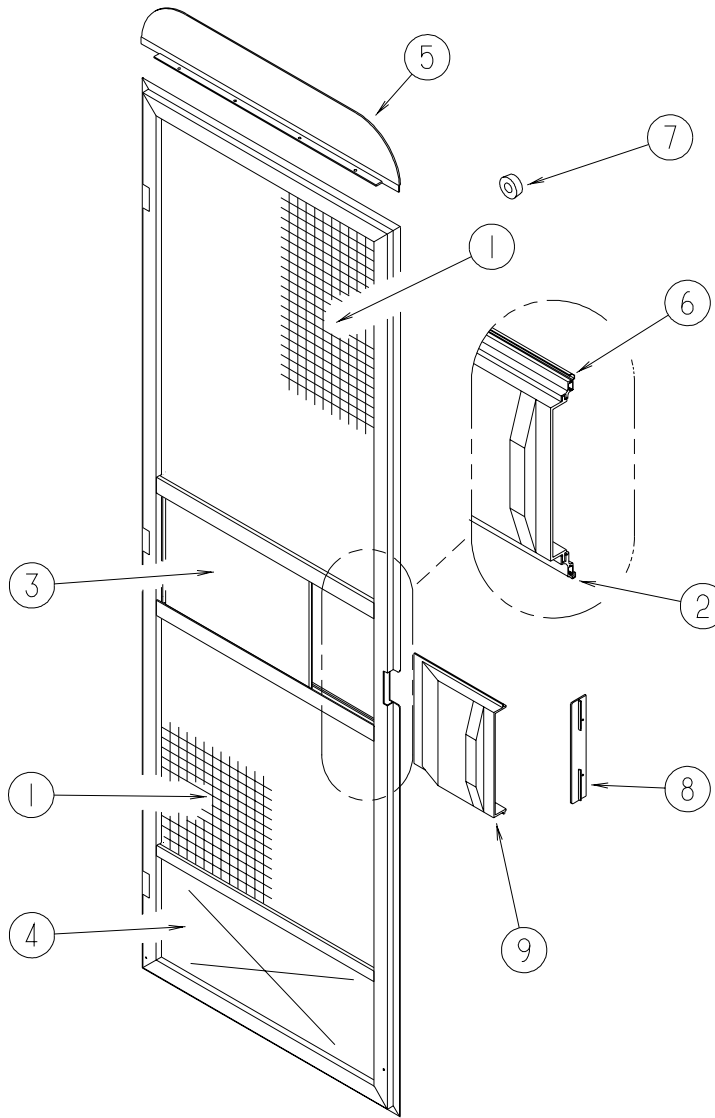
***COMPONENT PARTS LISTED LATER IN THIS GROUP**

EXTERIOR DOORS & COMPARTMENTS GROUP (CONTINUED)
COMPONENT PARTS FOR ENTRY

129676-01-000 THRU 129676-10-000

KEY	PART NUMBER	U/M	DESCRIPTION	VENDOR NO .
	129685-01-701	EA	KEY - BLANK KS 150	144472-07-2001

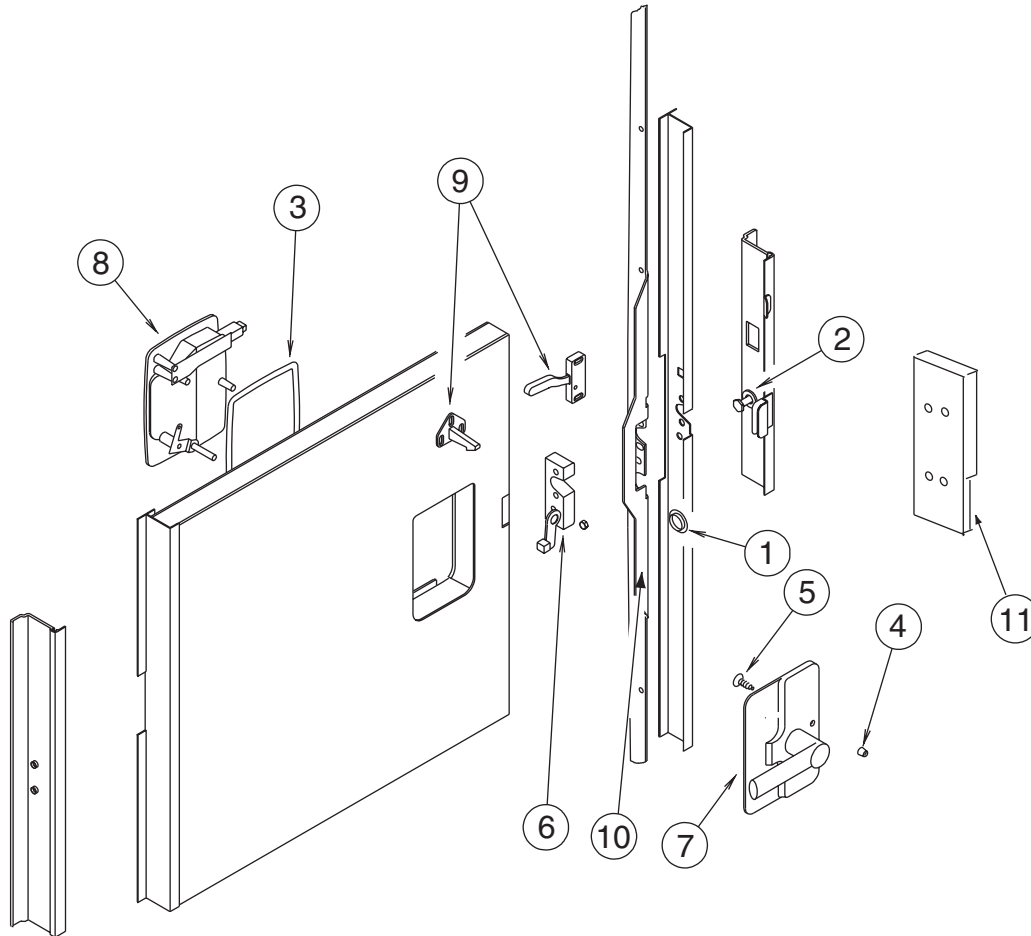
EXTERIOR DOORS & COMPARTMENTS GROUP (CONTINUED)
SCREEN



KEY	PART NUMBER	U/M	DESCRIPTION
	132208-04-L07	EA	DOOR - SCREEN - W/O HARDWARE
1	002293-02-000	SF	SCREEN - 26" - CHARCOAL
2	002294-01-000	FT	SPLINE - SCREENING - .135" X .138"
3	016454-21-000	EA	INSERT - CENTER - LEATHER GRAIN ALUMINUM - UNPAINTED
4	078552-03-000	EA	KICK PANEL - SCREEN DOOR - LOWER INSERT - UNPAINTED
5	078595-01-000	EA	TOP PLATE - SCREEN DOOR - CURVED TOP - 4.7" X 25.35"
6	132082-01-01A	EA	SLIDER - SCREEN DOOR - BRIGHT WHITE
7	120863-06-000	EA	BUMPER - RUBBER - 3/4" X 3/8"
8	132081-01-01A	EA	STRIKE - SLIDER - SCREEN DOOR - BRIGHT WHITE
9	078777-08-000	FT	CHANNEL - SLIDER

EXTERIOR DOORS & COMPARTMENTS GROUP (CONTINUED)

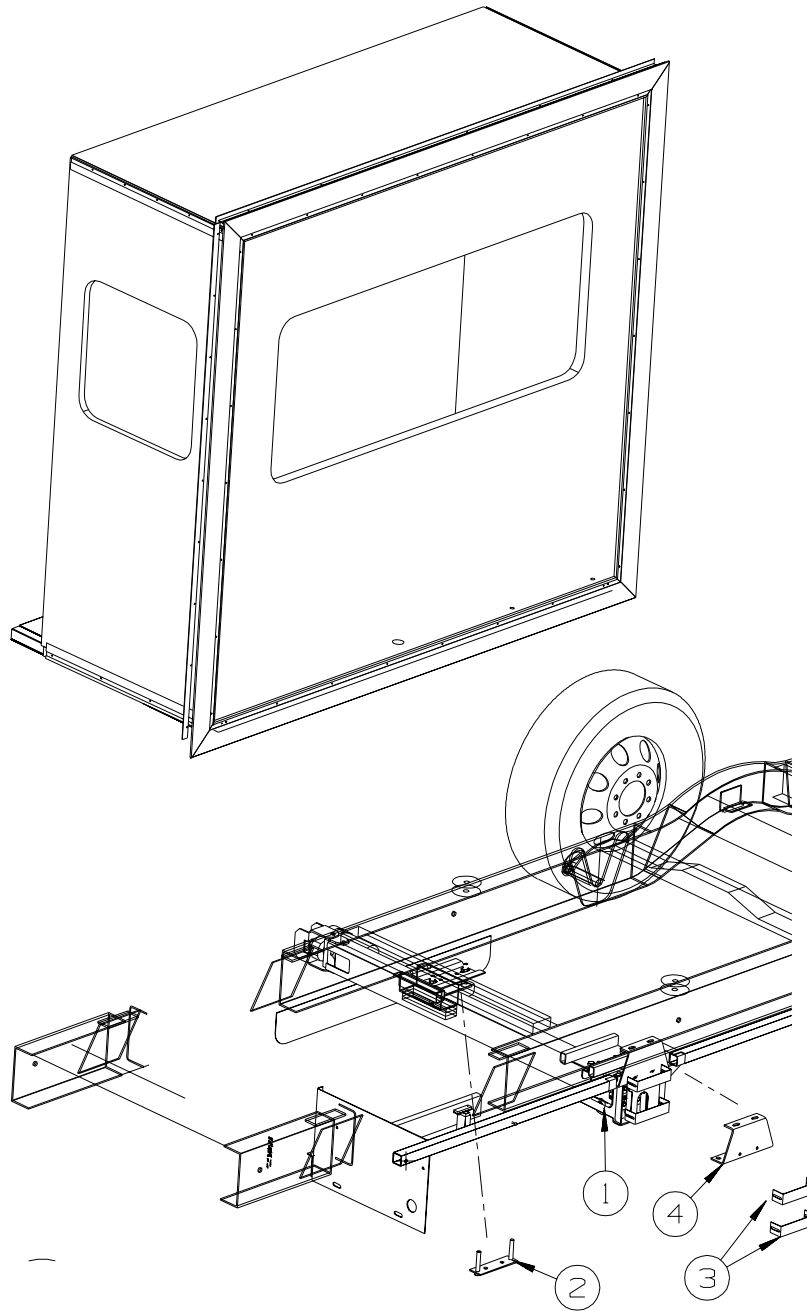
LATCH - ENTRY



KEY	PART NUMBER	U/M	DESCRIPTION
1	061420-14-000	EA	PLUG/PLASTIC - .034" DIAMETER
2	092927-14-000	EA	STRIKER - ROUND - JAMB MOUNTED
3	112782-04-01A	EA	GASKET
4	112782-05-01A	EA	CAP - VINYL - RED
5	112782-08-01A	EA	SCREW - MOUNTING/PLATE - ZINC
6	112782-15-01A	EA	LATCH - SINGLE ROTOR
7	112782-16-01A	EA	LATCH - INTERIOR PLATE
8	112782-17-01A	EA	LATCH - EXTERIOR - W/O CYLINDER - W/ICON LOCK/UNLOCK
9	132915-01-01A	EA	LATCH - SCREEN DOOR
10	132207-01-02B	EA	STIFFENER/DOOR - FORMED - E-COATED
	072893-04-000	EA	NUTSERT - 10-32
11	077461-07-000	EA	COVER - STRIKE - ENTRY DOOR - 6.5" X 2.5" - WHITE PLASTIC

EXTERIOR SLIDEOUT GROUP

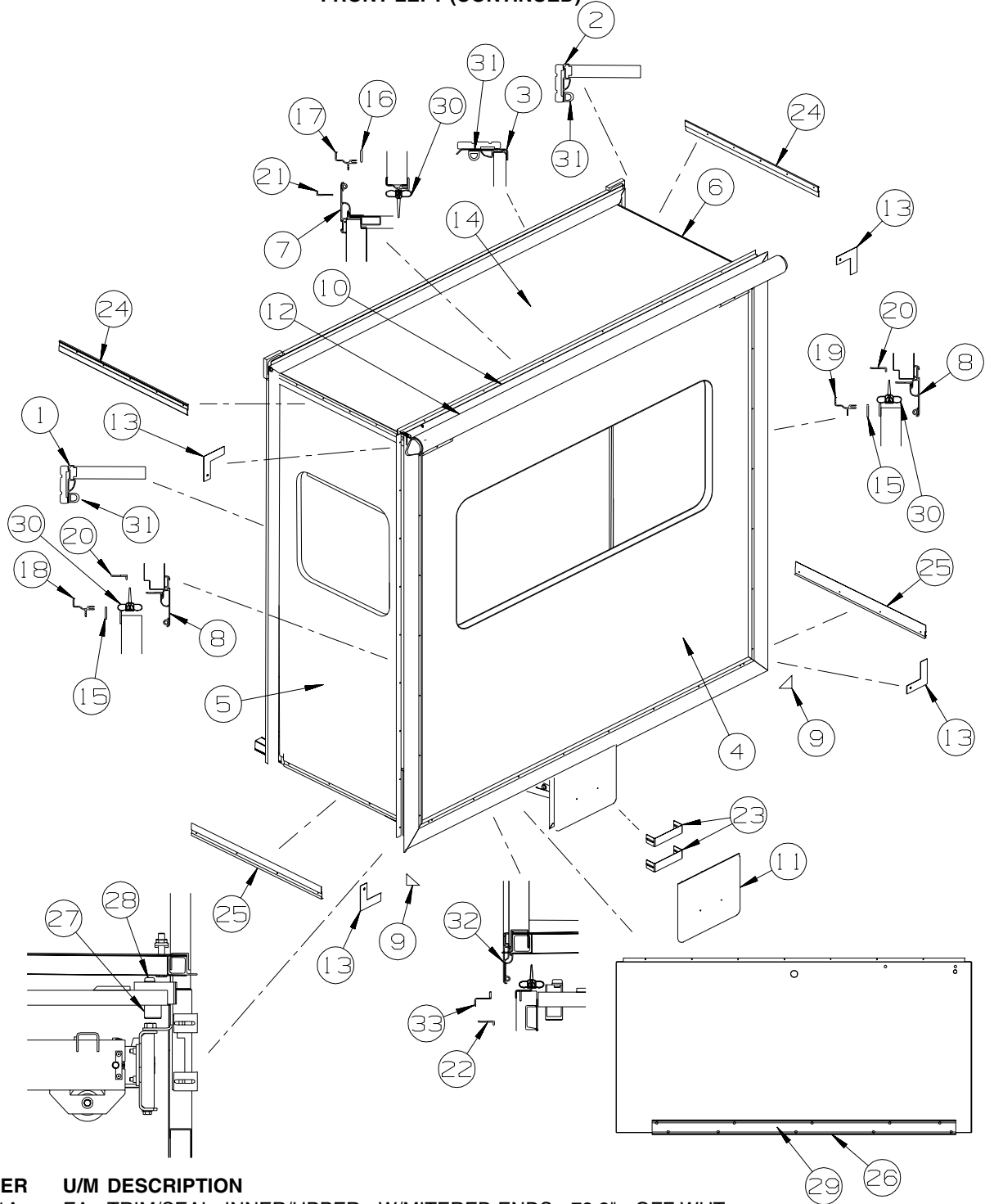
FRONT LEFT



KEY	PART NUMBER	U/M	DESCRIPTION
1*	140457-01-000	EA	SLIDE ARM ASSEMBLY - FRONT/SINGLE
	138173-05-000	EA	HANDLE/CRANK - SLIDEOUT
2	136995-03-02B	EA	PLATE - E-COATED
3	138082-01-02B	EA	BRACKET - COVER - F/SLIDEOUT - E-COATED
			FROM: 00-00-00 THRU: 12-14-01
3	138082-02-02B	EA	BRACKET - COVER - E-COATED
			FROM: 12-15-01 THRU: 99-99-99
4	140401-02-02B	EA	BRACKET/MOUNT - F/SLIDEOUT - E-COATED
			FROM: 00-00-00 THRU: 12-31-01

***COMPONENT PARTS LISTED LATER IN THIS GROUP**

EXTERIOR SLIDEOUT GROUP (CONTINUED)
FRONT LEFT (CONTINUED)

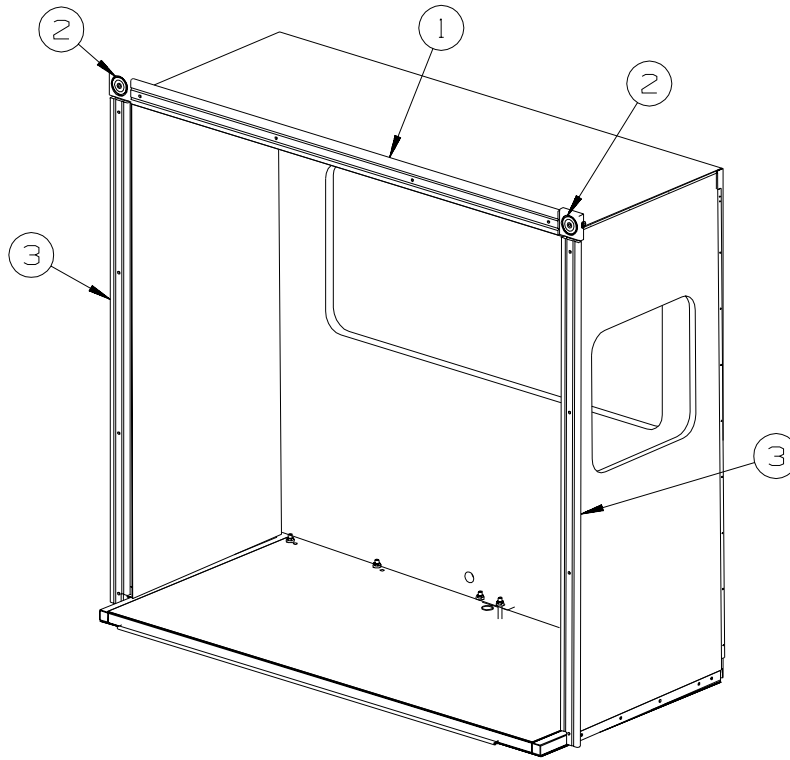


KEY	PART NUMBER	U/M	DESCRIPTION
1	117004-26-01A	EA	TRIM/SEAL- INNER/UPPER - W/MITERED ENDS - 73.3" - OFF WHT FROM: 00-00-00 THRU: 05-05-02
1	139624-25-01A	EA	TRIM/SEAL - INNER - BRIGHT WHITE FROM: 05-06-02 THRU: 99-99-99
2	117004-27-01A	EA	TRIM/SEAL- INNER/UPPER - W/MITERED ENDS - 73.3" - OFF WHT FROM: 00-00-00 THRU: 05-05-02
2	139624-26-01A	EA	TRIM/SEAL - INNER - BRIGHT WHITE FROM: 05-06-02 THRU: 99-99-99
3	117004-16-01A	EA	TRIM - SEAL/INNER/UPPER-W/MITERED ENDS-80.2"-BRIGHT WHITE FROM: 00-00-00 THRU: 05-05-02
3	139624-04-01A	EA	TRIM/SEAL - INNER/TOP - 80.2" - BRIGHT WHITE FROM: 05-06-02 THRU: 99-99-99
4	138601-11-N01	EA	SIDEWALL - DRIVER - W/O WINDOWS/TRIMS (N04)
4	138601-11-N02	EA	SIDEWALL - DRIVER - W/O WINDOWS/TRIMS (N05)
4	138601-11-N03	EA	SIDEWALL - DRIVER - W/O WINDOWS/TRIMS (N06)

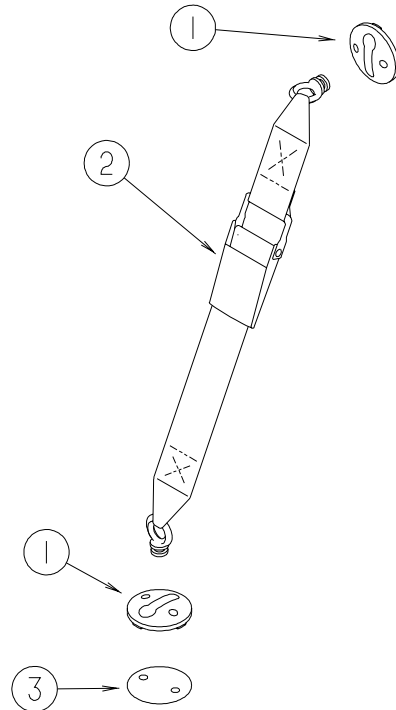
EXTERIOR SLIDEOUT GROUP (CONTINUED)
FRONT LEFT (CONTINUED)

KEY	PART NUMBER	U/M	DESCRIPTION
5	137399-01-N43	EA	PANEL/WALL/REAR - REAR SLIDEOUT (N04)
5	137399-01-N44	EA	PANEL/WALL/REAR - REAR SLIDEOUT (N05)
5	137399-01-N42	EA	PANEL/WALL/REAR - REAR SLIDEOUT (N06)
6	137398-01-N43	EA	PANEL/WALL/FRONT - REAR SLIDEOUT (N04)
6	137398-01-N44	EA	PANEL/WALL/FRONT - REAR SLIDEOUT (N05)
6	137398-01-N42	EA	PANEL/WALL/FRONT - REAR SLIDEOUT (N06)
7	133955-22-01A	EA	TRIM/SEAL - W/MITERED ENDS - 81.8" - BRIGHT WHITE
	105312-01-07A	FT	INSERT - FEATURE STRIP - VINYL - BRIGHT WHITE
8	133955-26-01A	EA	TRIM/SEAL - W/MITERED ENDS - 76.9" - BRIGHT WHITE
	105312-01-07A	FT	INSERT - FEATURE STRIP - VINYL - BRIGHT WHITE
9	135275-01-01A	EA	PROTECTOR - CORNER - SLIDEOUT - WHITE
10	117058-01-01A	FT	TAPE - LOOP - 3/4" WIDE - ADHESIVE BACKED
11	140615-02-N01	EA	COVER - RAM - BRIGHT WHITE
12	122977-12-03A	EA	AWNING/SLIDEOUT W/COVER - 81.8" - WHITE - VINYL/VINYL WRAP
13	116444-04-12B	EA	TRIM/KEY CORNER - SLIDEOUT - 3.1"X3.1" - BRT WHT
14	137400-01-N42	EA	ROOF - W/O LIGHTS/VENTS - W/WIRING - F/REAR SLIDEOUT
15	115886-06-01A	EA	RETAINER - SIDEWALL - BRIGHT WHITE - 74"
			FROM: 00-00-00 THRU: 12-31-01
15	115886-02-03A	EA	RETAINER - SIDEWALL - BRIGHT WHITE - 73.5"
			FROM: 01-01-02 THRU: 99-99-99
16	115886-12-02A	EA	RETAINER - SIDEWALL - BRIGHT WHITE - 81"
17	115863-44-01A	EA	TRIM - SIDEWALL/SLIDEOUT - TOP - 81.3" - BRIGHT WHITE
18	115863-42-01A	EA	TRIM - SIDEWALL/SLIDEOUT - LEFT HAND - 75.9" - BRIGHT WHT
19	115863-43-01A	EA	TRIM - SIDEWALL/SLIDEOUT - RIGHT HAND - 75.9" - BRIGHT WHT
20	133954-25-01A	EA	TRIM/SEAL - W/MITERED END - 70.4" - BRIGHT WHITE
21	133954-18-01A	EA	TRIM/SEAL - W/MITERED ENDS - 76.5" - BRIGHT WHITE
22	133954-20-01A	EA	TRIM/SEAL - W/MITERED ENDS - 68.2" - BRIGHT WHITE
			FROM: 00-00-00 THRU: 01-27-02
23	138083-02-02B	EA	BRACKET - COVER - E-COATED
24	138659-01-01A	EA	TRIM/FEATURE STRIP - 181.7" - BRIGHT WHITE
	105312-01-07A	FT	INSERT - FEATURE STRIP - VINYL - BRIGHT WHITE
25	125051-03-01A	EA	STRIP - FEATURE - LOWER - 29.2" - BRIGHT WHITE
	105312-01-07A	FT	INSERT - FEATURE STRIP - VINYL - BRIGHT WHITE
	075673-05-000	FT	SEAL - PILE - ADHESIVE BACK - BLACK
26	115325-03-02A	EA	RAIL - FLOOR/SLIDEOUT ROOM - BLACK - 64.5" LONG
27	126313-07-02B	EA	SUPPORT - ROLLER - E-COATED
			FROM: 00-00-00 THRU: 12-11-01
27	126313-09-02B	EA	SUPPORT - ROLLER - E-COATED
			FROM: 12-12-01 THRU: 99-99-99
28	134855-01-000	EA	KIT - BEARING PAD - NARROW
29	115661-01-000	FT	SHOE/GLIDE - SLIDEOUT ROOM - 1/16" X 3" - POLYETHYLENE
30	115076-01-000	FT	SEAL - SLIDEOUT
31	112091-01-000	FT	SEAL/D - NEOPRENE - HEAT ACTIVE ADHESIVE - .9"
32	133955-22-01A	EA	TRIM/SEAL - W/MITERED ENDS - 81.8" - BRIGHT WHITE
			FROM: 00-00-00 THRU: 05-19-02
32	142233-04-01A	EA	TRIM/SEAL - W/MITERED ENDS - 81.8" - BRIGHT WHITE
			FROM: 05-20-02 THRU: 99-99-99
	105312-01-07A	FT	INSERT - FEATURE STRIP - VINYL - BRIGHT WHITE
33	140282-01-N01	EA	TRIM - SIDEWALL - 79.7" - BRIGHT WHITE

EXTERIOR SLIDEOUT GROUP (CONTINUED)
FRONT LEFT (CONTINUED)



KEY	PART NUMBER	U/M	DESCRIPTION
1	132663-18-08A	EA	MOLDING-VINYL WRAP/PRE DRILLED-.6"X3.4"X73.1" - OAK - PORTSMOUTH OAK
2	132844-01-08A	EA	BLOCK - CORNER - 3.9" X 3.9" - PORTSMOUTH OAK
			FROM: 00-00-00 THRU: 01-13-01
2	132844-02-08A	EA	BLOCK - CORNER - 3.5" X 3.5" - PORTSMOUTH OAK
			FROM: 01-14-02 THRU: 99-99-99
3	132663-04-08A	EA	MOLDING - VINYL WRAP/PRE DRILLED - .6" X 3" X 70.4" - OAK - PORTSMOUTH OAK



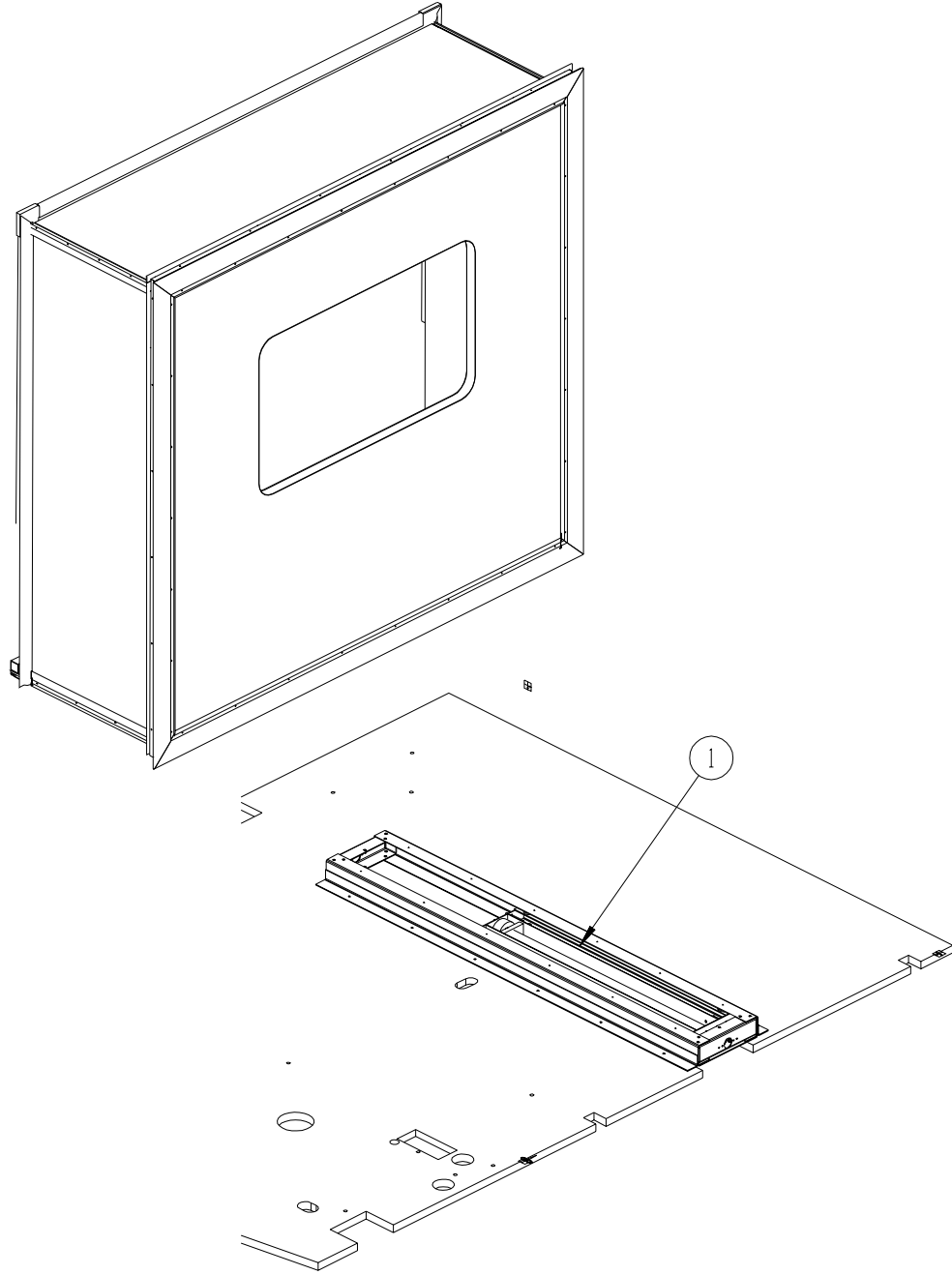
KEY	PART NUMBER	U/M	DESCRIPTION
1	135619-02-01A	EA	PLATE - TIEDOWN - SLIDEOUT ROOM
2	135619-01-01A	EA	STRAP - TIEDOWN - SLIDEOUT ROOM
3	135622-01-01B	EA	PLATE - TIEDOWN - SLIDEOUT ROOM

EXTERIOR SLIDEOUT GROUP (CONTINUED)
COMPONENT PARTS FOR FRONT SLIDEOUT

140457-01-000

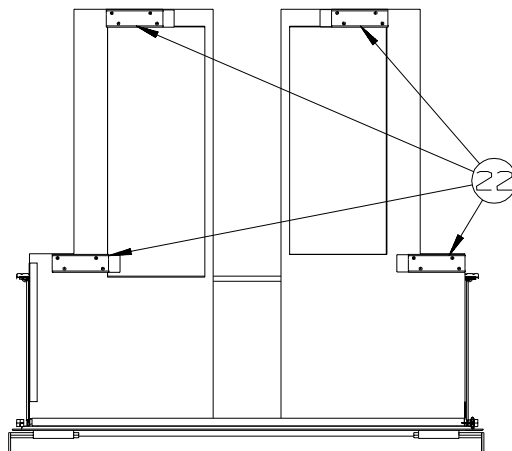
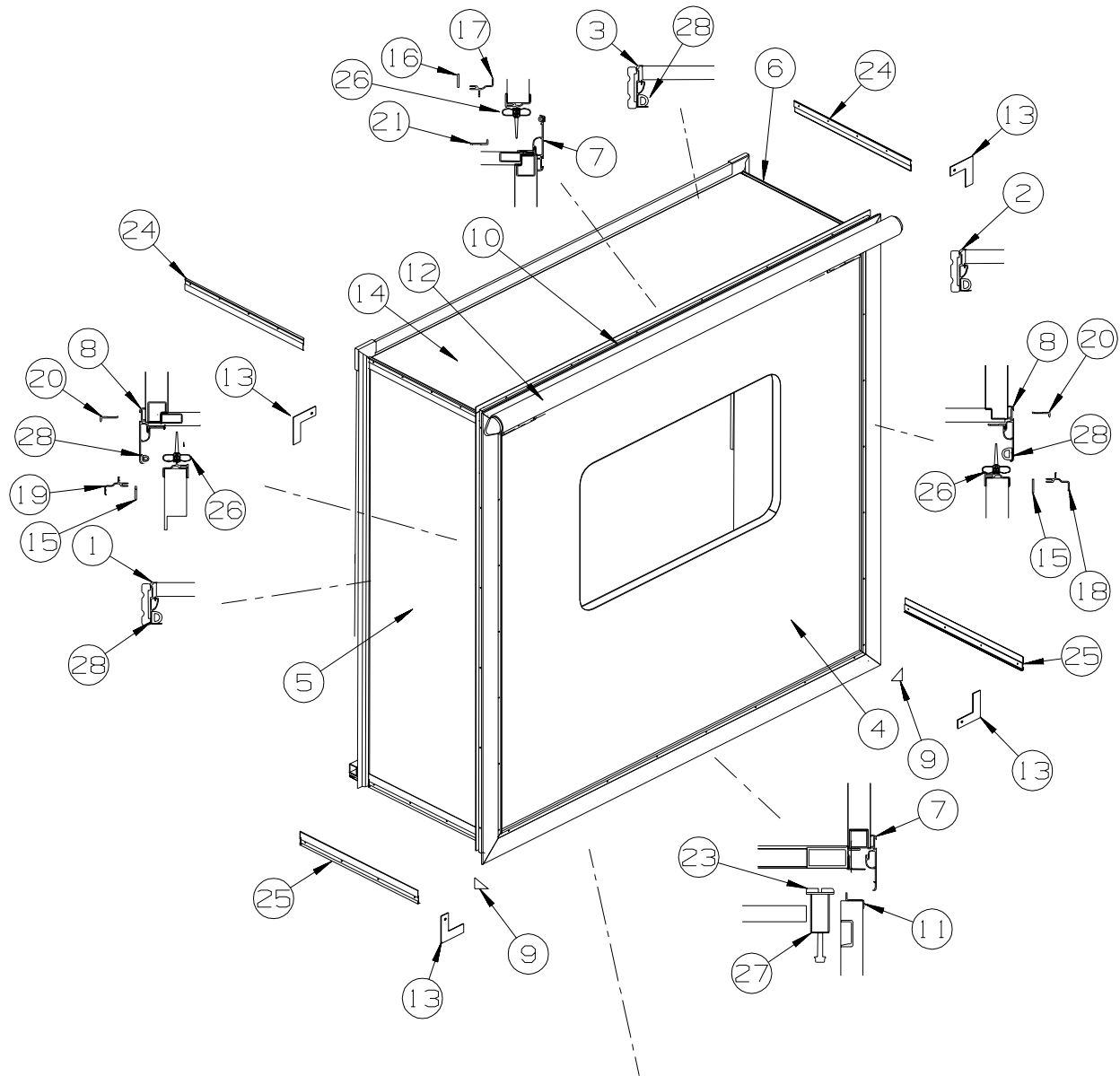
KEY	PART NUMBER	U/M	DESCRIPTION	VENDOR NO.
	138173-01-700	EA	PIN/CLEVIS - PLATED/FRONT	1213810
	138173-01-702	EA	RING - RETAINER - 1/2" ROUND	1216350
	138173-01-707	EA	WEAR PUCK - PLASTIC F/DRIVE	1612523
	140457-01-700	EA	ROLLER - FRONT - CLEAR/ZINC	1610058
	140457-01-701	EA	BUSHING - 1" X 3/4" X 1/2"ID	1614006
	140457-01-702	EA	MOTOR - LINEAR - 30" STROKE	1820107
	140457-01-703	EA	SHAFT - F/FRONT ROLLER- 1/2"	7204500
	140457-01-704	EA	SHAFT/AXLE - F/REAR ROLLER - 1/2" X 1 1/4"	7204523

EXTERIOR SLIDEOUT GROUP (CONTINUED)
REAR LEFT



KEY	PART NUMBER	U/M	DESCRIPTION
1	140464-01-000	EA	SLIDEOUT CYLINDER ASM - REAR/SINGLE - ELECTRIC - KWIKEE
	140464-03-000	EA	CRANK - F/SLIDEOUT

EXTERIOR SLIDEOUT GROUP (CONTINUED)
REAR LEFT (CONTINUED)

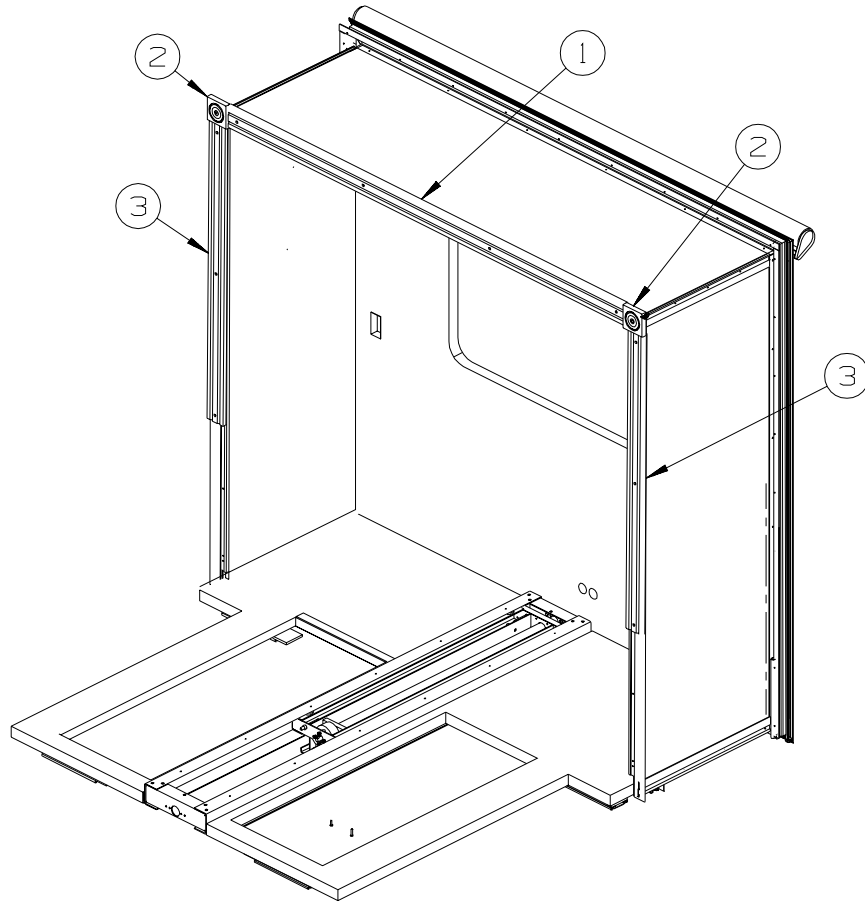


KEY	PART NUMBER	U/M	DESCRIPTION
1	117004-06-03A	EA	TRIM - SEAL/INNER/LEFT - W/MITERED END/NOTCH- 73.4" BRT/WT FROM: 00-00-00 THRU: 05-05-02
1	139624-10-01A	EA	TRIM/SEAL - INNER/RIGHT HAND - 73.4" - BRIGHT WHITE FROM: 05-06-02 THRU: 99-99-99
2	117004-07-03A	EA	TRIM - SEAL/INNER/RIGHT- W/MITERED END/NOTCH- 73.4" BRT/WT FROM: 00-00-00 THRU: 05-05-02

EXTERIOR SLIDEOUT GROUP (CONTINUED)
REAR LEFT (CONTINUED)

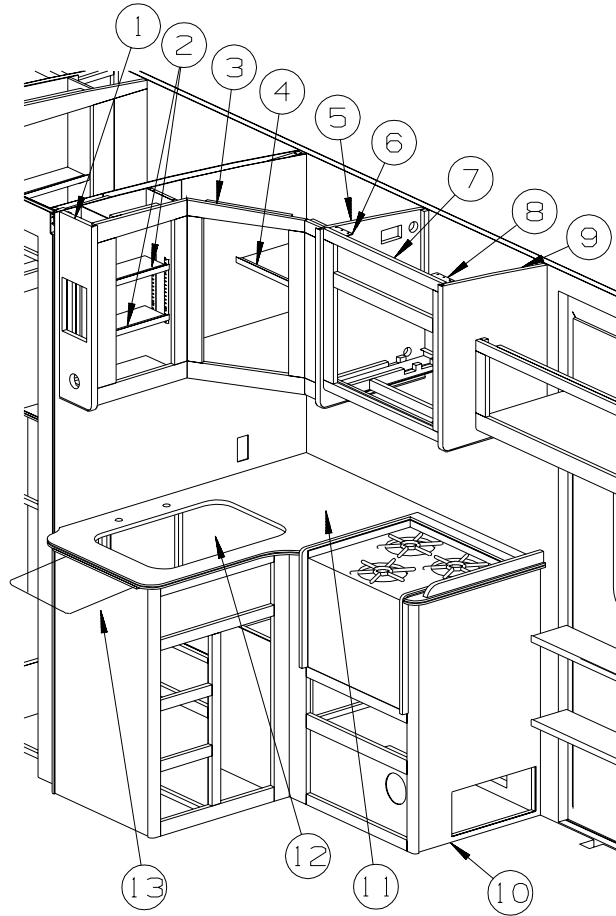
KEY	PART NUMBER	U/M	DESCRIPTION
2	139624-11-01A	EA	TRIM/SEAL - INNER/LEFT HAND - 73.4" - BRIGHT WHITE FROM: 05-06-02 THRU: 99-99-99
3	117004-16-01A	EA	TRIM - SEAL/INNER/UPPER-W/MITERED ENDS-80.2"-BRIGHT WHITE FROM: 00-00-00 THRU: 05-05-02
3	139624-04-01A	EA	TRIM/SEAL - INNER/TOP - 80.2" - BRIGHT WHITE FROM: 05-06-02 THRU: 99-99-99
4	138601-12-N01	EA	SIDEWALL - DRIVER - W/O WINDOWS/TRIMS (N04)
4	138601-12-N02	EA	SIDEWALL - DRIVER - W/O WINDOWS/TRIMS (N05)
4	138601-12-N03	EA	SIDEWALL - DRIVER - W/O WINDOWS/TRIMS (N06)
5	140270-01-N11	EA	PANEL/WALL - SLIDEOUT - FRONT (N04)
5	140270-01-N02	EA	PANEL/WALL - SLIDEOUT - FRONT (N05)
5	140270-01-N09	EA	PANEL/WALL - SLIDEOUT - FRONT (N06)
6	140269-01-N11	EA	PANEL/WALL - SLIDEOUT - REAR (N04)
6	140269-01-N02	EA	PANEL/WALL - SLIDEOUT - REAR (N05)
6	140269-01-N09	EA	PANEL/WALL - SLIDEOUT - REAR (N06)
7	133955-22-01A	EA	TRIM/SEAL - W/MITERED ENDS - 81.8" - BRIGHT WHITE
	105312-01-07A	FT	INSERT - FEATURE STRIP - VINYL - BRIGHT WHITE
8	133955-05-01A	EA	TRIM/SEAL - W/MITERED ENDS - 75.6" - BRIGHT WHITE
	105312-01-07A	FT	INSERT - FEATURE STRIP - VINYL - BRIGHT WHITE
9	135275-01-01A	EA	PROTECTOR - CORNER - SLIDEOUT - WHITE
10	117058-01-01A	FT	TAPE - LOOP - 3/4" WIDE - ADHESIVE BACKED
11	124303-04-02A	EA	TRIM - SIDEWALL - Z - 79.5" - BRIGHT WHITE
12	122977-12-03A	EA	AWNING/SLIDEOUT W/COVER - 81.8" - WHITE - VINYL/VINYL WRAP
13	116444-04-12B	EA	TRIM/KEY CORNER - SLIDEOUT - 3.1"X3.1" - BRT WHT
14	136557-01-M07	EA	ROOF/SLIDEOUT
15	115886-02-03A	EA	RETAINER - SIDEWALL - BRIGHT WHITE - 73.5"
16	115886-12-02A	EA	RETAINER - SIDEWALL - BRIGHT WHITE - 81"
17	115863-32-01A	EA	TRIM - SIDEWALL/SLIDEOUT - TOP - 81" - BRIGHT WHITE
18	115863-23-01A	EA	TRIM - SIDEWALL/SLIDEOUT - RIGHT HAND - 75.6" - BRT WHT
19	115863-22-01A	EA	TRIM - SIDEWALL/SLIDEOUT - LEFT HAND - 75.6" - BRT WHT
20	133954-05-01A	EA	TRIM/SEAL - W/MITERED ENDS - 67.9" - BRIGHT WHITE FROM: 00-00-00 THRU: 12-09-01
20	133954-23-01A	EA	TRIM/SEAL - W/MITERED ENDS - 68.7" - BRIGHT WHITE FROM: 12-10-01 THRU: 99-99-99
21	133954-18-01A	EA	TRIM/SEAL - W/MITERED ENDS - 76.5" - BRIGHT WHITE
22	115325-08-01A	EA	RAIL - FLOOR/SLIDEOUT ROOM - BLACK FROM: 00-00-00 THRU: 05-20-02
22	115325-16-01A	EA	RAIL - FLOOR/SLIDEOUT ROOM - BLACK FROM: 05-21-02 THRU: 99-99-99
23	128599-03-000	EA	PAD - F/SLIDEOUT
24	138659-01-01A	EA	TRIM/FEATURE STRIP - 181.7" - BRIGHT WHITE
	105312-01-07A	FT	INSERT - FEATURE STRIP - VINYL - BRIGHT WHITE
25	125051-02-01A	EA	TRIM - LOWER FEATURE - BRIGHT WHITE
	105312-01-07A	FT	INSERT - FEATURE STRIP - VINYL - BRIGHT WHITE
	075673-05-000	FT	SEAL - PILE - ADHESIVE BACK - BLACK
26	115076-01-000	FT	SEAL - SLIDEOUT
27	126313-02-02B	EA	SUPPORT - ROLLER - E-COATED
28	112091-01-000	FT	SEAL/D - NEOPRENE - HEAT ACTIVE ADHESIVE - .9"

EXTERIOR SLIDEOUT GROUP (CONTINUED)
REAR LEFT (CONTINUED)



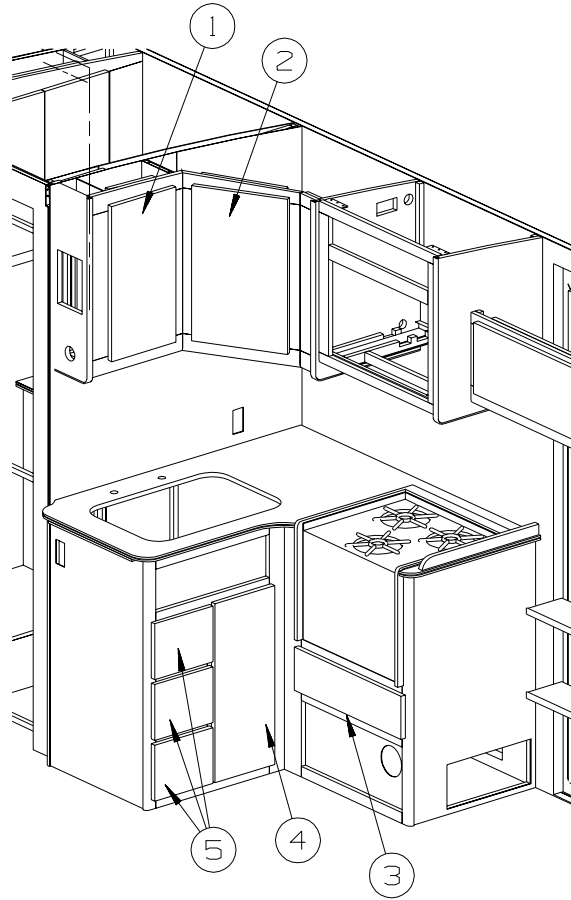
KEY	PART NUMBER	U/M	DESCRIPTION
1	132663-18-08A	EA	MOLDING-VINYL WRAP/PRE DRILLED-.6"X3.4"X73.1" - OAK - PORTSMOUTH OAK
2	132844-02-08A	EA	BLOCK - CORNER - 3.5" X 3.5" - PORTSMOUTH OAK
3	132663-17-08A	EA	MOLDING-VINYL WRAP/PRE DRILLED-.6"X3"X45.5" - OAK - PORTSMOUTH OAK

GALLEY GROUP CABINETS



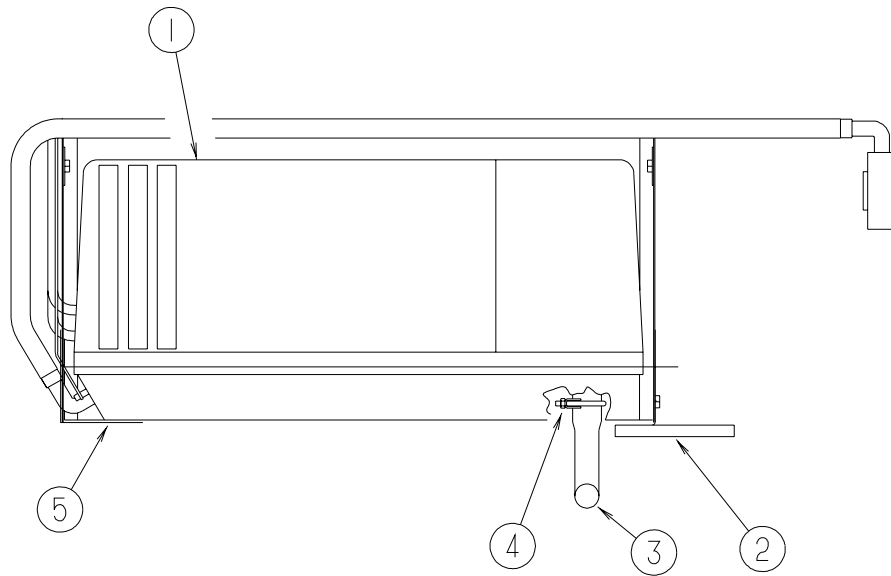
KEY	PART NUMBER	U/M	DESCRIPTION
1	140172-29-N01	EA	END CAP - OVERHEAD/GALLEY CABINET - W/HEATED DRAINAGE
1	140172-28-N01	EA	END CAP - OVERHEAD CABINET
2	140172-23-N01	EA	SHELF - W/PLASTIC EDGE MOLDING
3	140172-02-N01	EA	CABINET - OVERHEAD/GALLEY - W/O DOORS/HARDWARE - W/HEATED DRAINAGE
3	140172-01-N01	EA	CABINET - OVERHEAD/GALLEY - W/O DOORS/HARDWARE
4	140172-21-N01	EA	SHELF - W/PLASTIC EDGE MOLDING
5	109908-94-N04	EA	END CAP - OVERHEAD CABINET
5	109908-D0-N01	EA	END CAP - OVERHEAD CABINET
			FROM: 00-00-00 THRU: 09-16-01
5	109908-D0-N01	EA	END CAP - OVERHEAD CABINET
			FROM: 09-17-01 THRU: 99-99-99
6	098916-33-02B	EA	BRACE - MICROWAVE CABINET - LEFT HAND - E-COATED
7	137056-05-N01	EA	CABINET - MICROWAVE - W/O DOORS/HARDWARE
8	098916-34-02B	EA	BRACE - MICROWAVE CABINET - RIGHT HAND - E-COATED
9	109908-B1-N09	EA	END CAP - OVERHEAD CABINET
9	109908-C9-N01	EA	END CAP - OVERHEAD CABINET
			FROM: 00-00-00 THRU: 09-16-01
9	109908-C9-N01	EA	END CAP - OVERHEAD CABINET
			FROM: 09-17-01 THRU: 99-99-99
10	140041-01-N01	EA	CABINET - GALLEY - W/O COUNTERTOP/DOORS/DRAWERS/HARDWARE
11	133653-14-N01	EA	COUNTERTOP - LAMINATED - GRAY TRANQUILITY (N04,N05)
11	133653-14-N03	EA	COUNTERTOP - LAMINATED - WHITE TALC (N06)
12	103610-03-N01	EA	COVER - SINK - 15.2" X 11" - LAMINATED BOTH SIDES (N04,N05)
12	103610-03-M03	EA	COVER - SINK - 15.2" X 11" - LAMINATED BOTH SIDES (N06)
13	129503-02-N01	EA	EXTENSION - COUNTERTOP - GRAY TRANQUILITY - W/O HARDWARE (N04,N05)
13	129503-02-N03	EA	EXTENSION - COUNTERTOP - GRAY TRANQUILITY - W/O HARDWARE (N06)

GALLEY GROUP (CONTINUED) CABINETS (CONTINUED)



KEY	PART NUMBER	U/M	DESCRIPTION
1	134781-41-N04	EA	DOOR - RAIL/VENEER - 10.8" X 21.8" - W/O HARDWARE
2	134781-50-N04	EA	DOOR - RAIL/VENEER - 13.4" X 21.8" - W/O HARDWARE
3	P34767-14-N04	EA	DRAWER - PENCIL EDGE - 19.7"W X 15.7"D-W/O SLIDES/HARDWARE
4	134783-06-N04	EA	DOOR - RAIL/SOLID PANEL - 10.1" X 25.1" - W/O HARDWARE
5	P34767-F4-N04	EA	DRAWER - PENCIL EDGE - 7.6"W X 15.7"D-W/O SLIDES/HARDWARE
6	P34767-08-N04	EA	DRAWER - PENCIL EDGE - 22.6"W X 13.7"D-W/O SLIDES/HARDWARE

GENERATOR GROUP



KEY	PART NUMBER	U/M	DESCRIPTION
1	109982-03-000	EA	GENERATOR - 4.0 MICROLITE - GAS
1	109982-04-000	EA	GENERATOR - 3.6 MICROLITE - LP
2	114071-02-02B	EA	SUPPORT - GENERATOR - RIGHT
3	105958-08-000	EA	PIPE - GENERATOR EXHAUST - 1.5" OD X 3.1" X 19.7" - 322E , 322R , 324V , 331T
3	105958-09-000	EA	PIPE - GENERATOR EXHAUST - 1.3" OD X 5.9" X 22" - 329N
3	105958-10-000	EA	PIPE - GENERATOR EXHAUST - 1.3" OD X 5.9" X 19.7" - 329B
3	138232-01-000	EA	PIPE - EXHAUST - GENERATOR - 324F
3	139763-01-000	EA	PIPE - EXHAUST - GENERATOR - 324F
4	007125-03-000	EA	CLAMP - MUFFLER - 1.5" DIAMETER
4	007125-04-000	EA	CLAMP - MUFFLER - 1.12" DIAMETER
5	114070-02-02B	EA	SUPPORT - GENERATOR - LEFT
	007131-01-000	EA	HANGER - TAILPIPE - 6 SLOTS - 324F , 331T
	007067-01-000	SF	INSULATION - FIBERGLASS - 1" THICK X 4'-INCREMENTS 4 SF

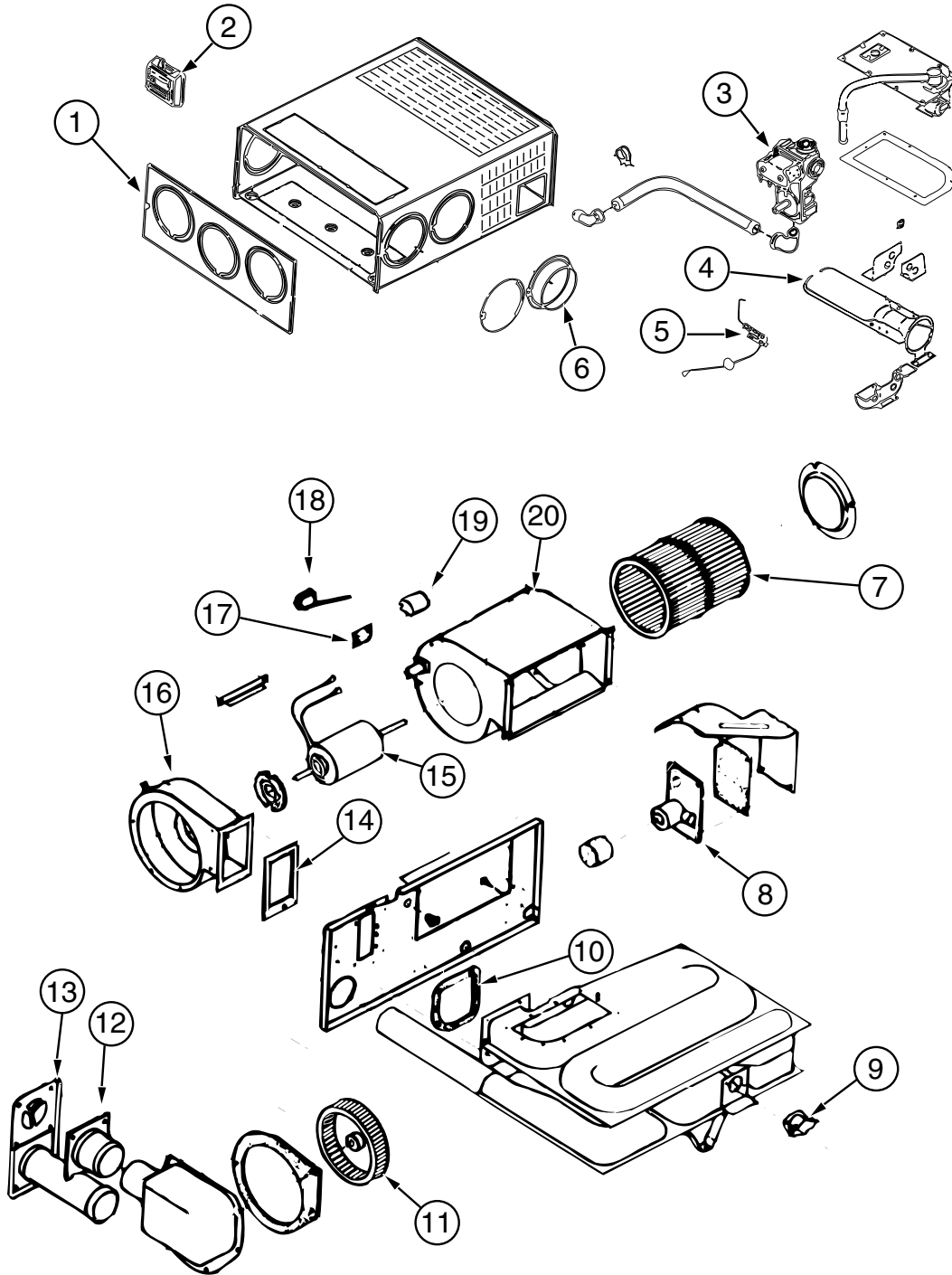
HEATING & A/C GROUP

FURNACE

KEY	PART NUMBER	U/M	DESCRIPTION
*	098668-19-000	EA	FURNACE - 25000 BTU - 322E , 322R , 324F , 324V FROM: 00-00-00 THRU: 06-03-01
*	139980-01-000	EA	FURNACE - 25000 BTU - SF QUIET - SUBURBAN SF-25 2320J - 322E , 322R , 324F , 324V FROM: 06-04-01 THRU: 99-99-99
*	098668-20-000	EA	FURNACE - 30,000 BTU - 329N , 331T FROM: 00-00-00 THRU: 06-03-01
*	139980-02-000	EA	FURNACE - 30000 BTU - SF QUIET - SUBURBAN SF-30 2321J - 329B , 329N , 331T FROM: 06-04-01 THRU: 99-99-99
	098668-23-000	EA	DOOR - ACCESS - FURNACE - BRIGHT WHITE
	009200-01-000	EA	TAPE - FURNACE - 1 1/2"
	089367-01-000	EA	TEE - 4" OD - 7" LONG - METAL
	009198-01-000	FT	DUCT - HEAT - FLEXIBLE - 4" ID X 25'
	069636-02-000	EA	CONNECTOR - DUCT - 4" ID
	118761-01-000	EA	REDUCER - 4"-2" - GALVANIZED
	056464-10-000	EA	REGISTER W/O DAMPER - 4" DIAMETER - PLASTIC - BEIGE
	093614-01-02A	EA	GRILLE - AIR RETURN - 15.9" X 7.9" - BEIGE

***COMPONENT PARTS LISTED LATER IN THIS GROUP**

HEATING & A/C GROUP (CONTINUED)
COMPONENT PARTS FOR FURNACE



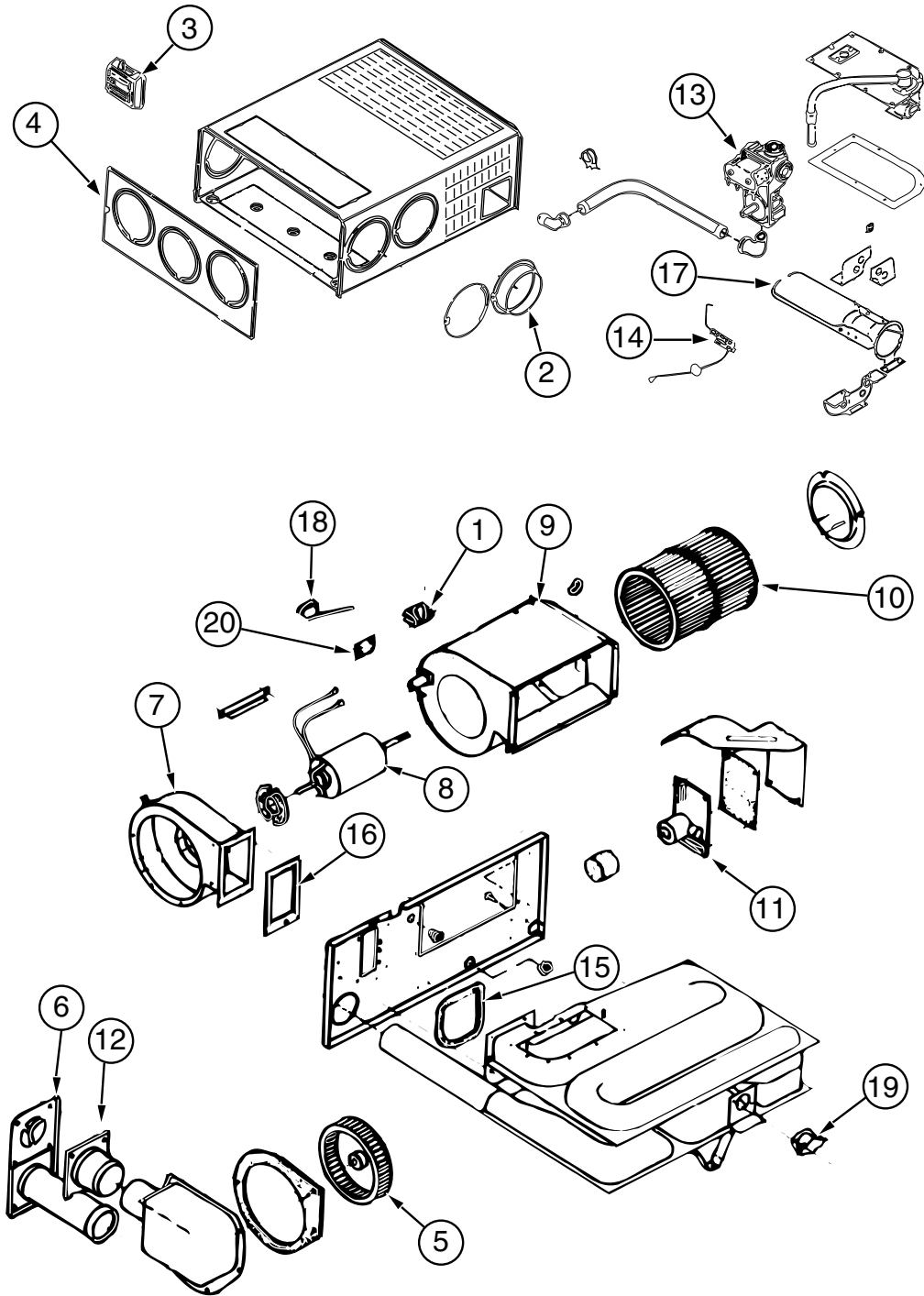
098668-19-000

HEATING & A/C GROUP (CONTINUED)
COMPONENT PARTS FOR FURNACE (CONTINUED)

098668-19-000 (CONTINUED)

KEY	PART NUMBER	U/M	DESCRIPTION	VENDOR NO.
1	098668-01-700	EA	CABINET FRONT	101242
2	093365-01-000	EA	THERMOSTAT-FURNACE,SUBURBAN	REP'L BY 115764-01
3	098668-01-714	EA	VALVE-GAS,SF S.N. 921401821	161070
4	098668-01-703	EA	BURNER ASSEMBLY	10762
5	098668-01-715	EA	ELECTRODE ASM., SINGLE PROBE	232166
6	075696-02-703	EA	COLLAR-DUCT	50715
7	098668-01-711	EA	WHEEL-BLOWER, ROOM AIR	350129
8	098668-01-712	EA	BOARD-MODULE	520741
9	098668-21-701	EA	SWITCH - LIMIT	231799
10	098668-01-717	EA	GASKET-FIREWALL, BLOWER SIDE	70809
11	098668-01-706	EA	WHEEL-COMBUSTION AIR	350184
12	098668-01-713	EA	TUBE ASSEMBLY, INTAKE	51248
13	098668-01-707	EA	TUBE ASSEMBLY, EXHAUST W/CAP	260231
14	098668-01-716	EA	GASKET-FIREWALL,CHAMBER SIDE	70808
15	098668-01-709	EA	MOTOR ASM., F/SF-25, SF-30	231706
16	098668-01-708	EA	HOUSING-BLOWER, COMBUSTION	390441
17	101990-01-714	EA	GASKET-MICROSWITCH	230877
18	098668-21-700	EA	SWITCH-MICRO-W/O FLAG 3 1/4"	232261
19	074466-01-702	EA	RELAY, TIME DELAY	230625
20	098668-01-710	EA	HOUSING-BLOWER, ROOM AIR	390440
	090039-01-703	EA	ORIFICE-MAIN BURNER	180193
	098668-01-702	EA	ELECTRODE	231740

HEATING & A/C GROUP (CONTINUED)
COMPONENT PARTS FOR FURNACE (CONTINUED)



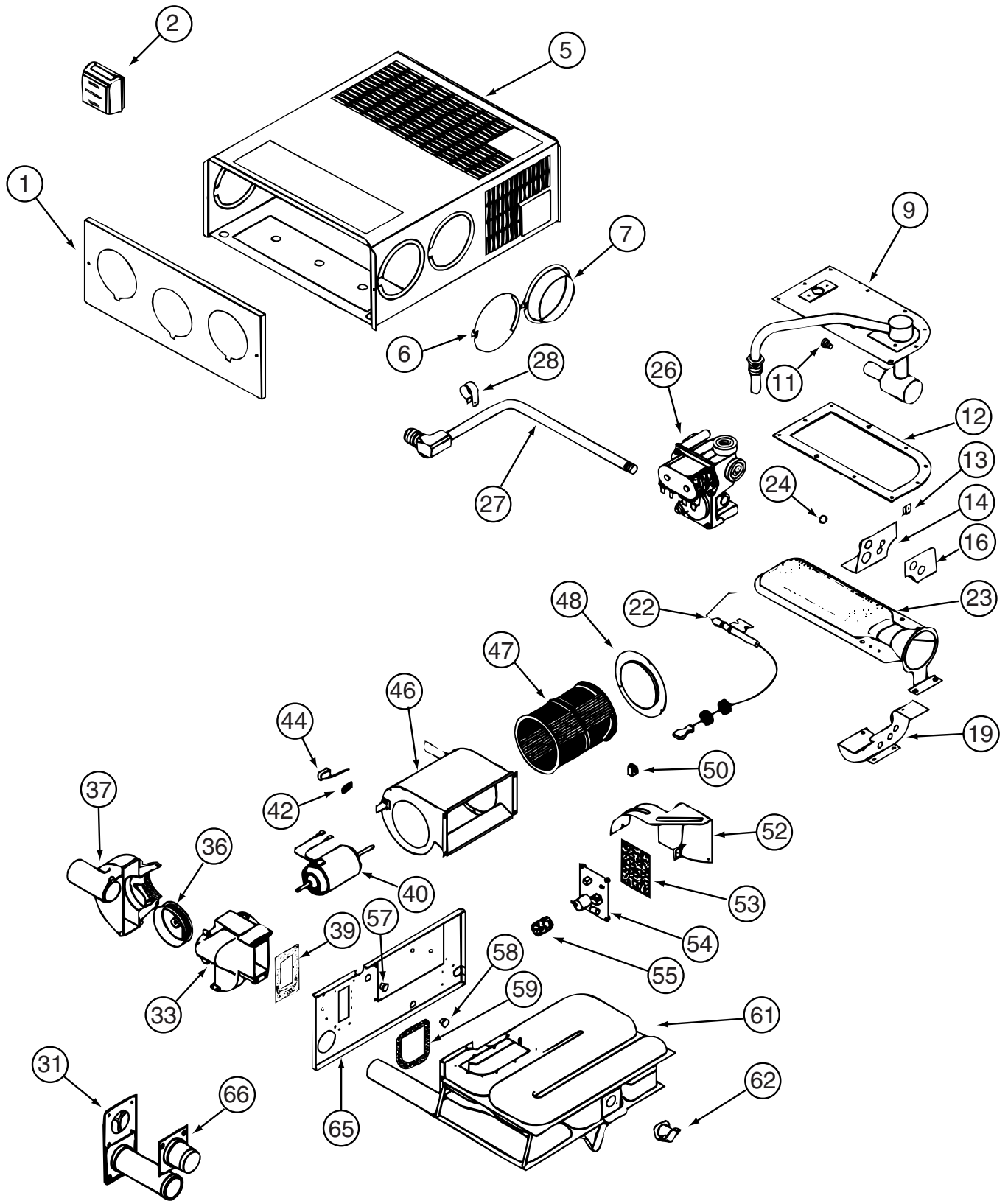
098668-20-000

HEATING & A/C GROUP (CONTINUED)
COMPONENT PARTS FOR FURNACE (CONTINUED)

098668-20-000 (CONTINUED)

KEY	PART NUMBER	U/M	DESCRIPTION	VENDOR NO.
1	074466-01-702	EA	RELAY, TIME DELAY	230625
2	075696-02-703	EA	COLLAR-DUCT	050715
	092300-02-701	EA	ORIFICE-MAIN BURNER (NT-30BW)	180214
4	098668-01-700	EA	CABINET FRONT	101242
5	098668-01-706	EA	WHEEL-COMBUSTION AIR	350184
6	098668-01-707	EA	TUBE ASSEMBLY, EXHAUST W/CAP	260231
7	098668-01-708	EA	HOUSING-BLOWER, COMBUSTION	390441
8	098668-01-709	EA	MOTOR ASM., F/SF-25, SF-30	231706
9	098668-01-710	EA	HOUSING-BLOWER, ROOM AIR	390440
10	098668-01-711	EA	WHEEL-BLOWER, ROOM AIR	350129
11	098668-01-712	EA	BOARD-MODULE	520741
12	098668-01-713	EA	TUBE ASSEMBLY, INTAKE	051248
13	098668-01-714	EA	VALVE-GAS,SF S.N. 921401821	161070
14	098668-01-715	EA	ELECTRODE ASM., SINGLE PROBE	232166
15	098668-01-716	EA	GASKET-FIREWALL,CHAMBER SIDE	070808
16	098668-01-717	EA	GASKET-FIREWALL, BLOWER SIDE	070809
17	098668-02-700	EA	BURNER ASSEMBLY,SF-30 & SF35	010745
18	098668-21-700	EA	SWITCH-MICRO-W/O FLAG 3 1/4"	232261
19	098668-21-701	EA	SWITCH - LIMIT	231799
20	101990-01-714	EA	GASKET-MICROSWITCH	230877

HEATING & A/C GROUP (CONTINUED)
COMPONENT PARTS FOR FURNACE (CONTINUED)



139980-01-000

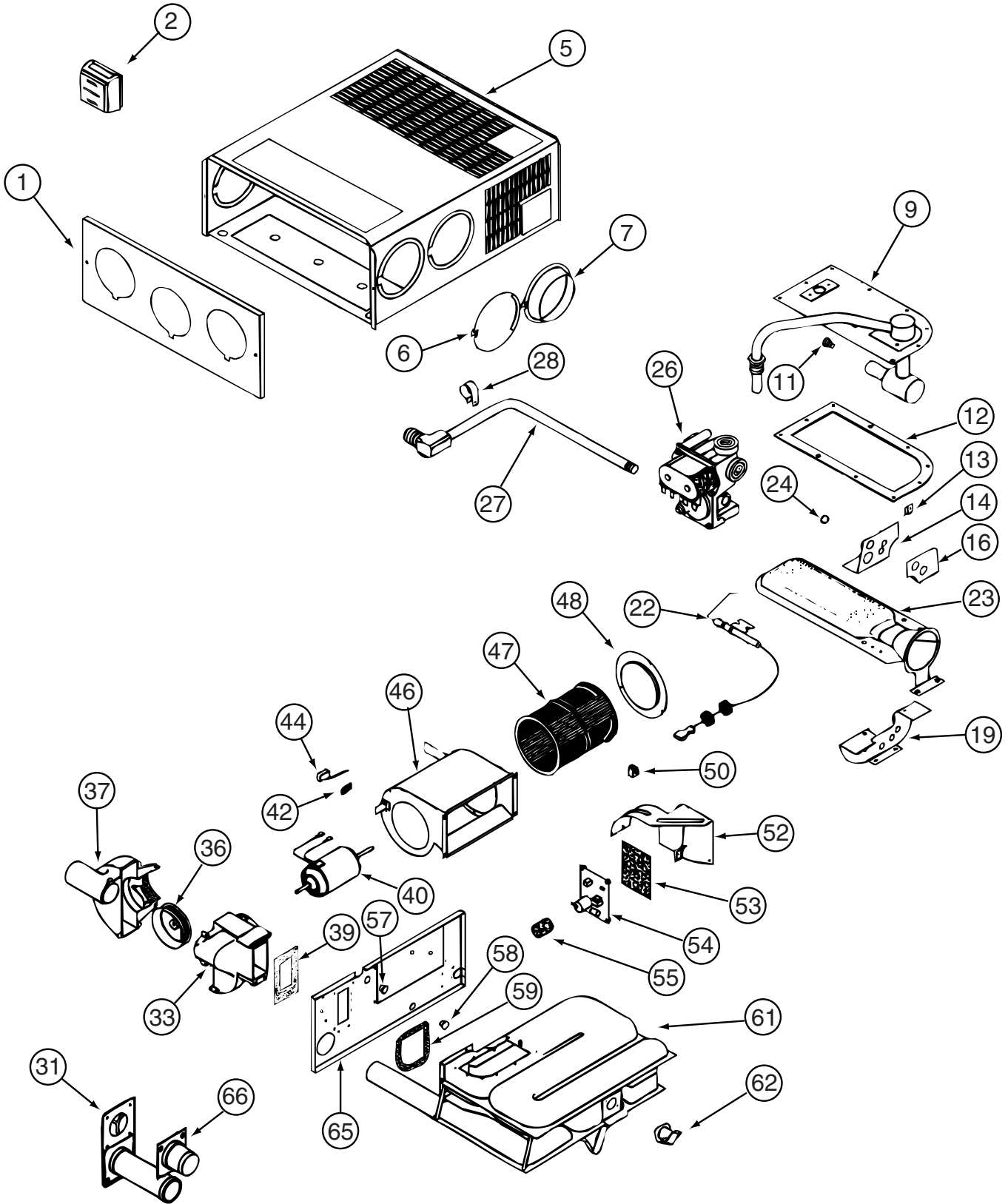
HEATING & A/C GROUP (CONTINUED)
COMPONENT PARTS FOR FURNACE (CONTINUED)

139980-01-000 (CONTINUED)

KEY	PART NUMBER	U/M	DESCRIPTION	VENDOR NO.
9	139980-01-700	EA	MANIFOLD ASSEMBLY	171571
11	090039-01-703	EA	ORIFICE-MAIN BURNER	180193
12	098668-22-703	EA	GASKET - BURNER ACCESS COVER	070811
22	139980-01-701	EA	ELECTRODE	232286
23	098668-01-703	EA	BURNER ASSEMBLY	010762
26	098668-01-718	EA	VALVE-GAS SF S.N.974903079	161122
27	139980-01-702	EA	PIPE ASSEMBLY/GAS INLET	171574
31	098668-01-707	EA	TUBE ASSEMBLY, EXHAUST W/CAP	260231
33	139980-01-703	EA	HOUSING/COMB. - FRONT/HALF	390852
36	098668-01-706	EA	WHEEL-COMBUSTION AIR	350184
37	139980-01-704	EA	HOUSING/COMB. - REAR/HALF	390848
39	139980-01-705	EA	GASKET/FIREWALL-COMB AIR	071084
40	139980-01-706	EA	MOTOR ASSEMBLY W/GASKET	232682
42	101990-01-714	EA	GASKET-MICROSWITCH	230877
44	098668-21-700	EA	SWITCH-MICRO-W/O FLAG 3 1/4"	232261
46	139980-01-708	EA	BLOWER ASSEMBLY - ROOM AIR	390739BK
47	098668-01-711	EA	WHEEL-BLOWER, ROOM AIR	350129
48	139980-01-709	EA	ORFICE RING	390696
50	139980-01-710	EA	SWITCH - ON/OFF	232351
52	139980-01-711	EA	PANEL ASSEMBLY-MODULE BD	101663
53	139980-01-712	EA	INSULATOR - MODULE BD	070807
54	098668-22-705	EA	MODULE BD W/RELAY TIME DELAY	520820
55	139980-01-713	EA	CAP/INSULATOR-MODULE BD	070973
57	139980-01-714	EA	BUSHING - UNIVERSAL	070362
58	139980-01-715	EA	BUSHING - STRAIN RELIEF	231809
59	098668-01-716	EA	GASKET-FIREWALL,CHAMBER SIDE	070808
61	139980-01-716	EA	CHAMBER ASSEMBLY - FINAL	021149BK
62	098668-21-701	EA	SWITCH - LIMIT	232504
66	098668-01-713	EA	TUBE ASSEMBLY, INTAKE	051248

CONTACT WINNEBAGO PART SALES FOR UNLISTED COMPONENTS

HEATING & A/C GROUP (CONTINUED)
COMPONENT PARTS FOR FURNACE (CONTINUED)



139980-02-000

HEATING & A/C GROUP (CONTINUED)
COMPONENT PARTS FOR FURNACE (CONTINUED)

139980-02-000 (CONTNUED)

KEY	PART NUMBER	U/M	DESCRIPTION	VENDOR NO.
9	139980-01-700	EA	MANIFOLD ASSEMBLY	171571
11	092300-02-701	EA	ORIFICE-MAIN BURNER (NT-30BW	180214
12	098668-22-703	EA	GASKET - BURNER ACCESS COVER	070811
22	139980-01-701	EA	ELECTRODE	232286
23	098668-02-700	EA	BURNER ASSEMBLY,SF-30 & SF35	010745
26	098668-01-718	EA	VALVE-GAS SF S.N.974903079	161122
27	139980-01-702	EA	PIPE ASSEMBLY/GAS INLET	171574
31	098668-01-707	EA	TUBE ASSEMBLY, EXHAUST W/CAP	260231
33	139980-01-703	EA	COMBUSTION AIR HOUS FRT/HALF	390852
36	098668-01-706	EA	WHEEL-COMBUSTION AIR	350184
37	139980-01-704	EA	COMBUSTION AIR HOUS RR HALF	390848
39	139980-01-705	EA	GASKET/FIREWALL-COMB AIR	071084
40	139980-01-706	EA	MOTOR ASSEMBLY W/GASKET	232682
42	101990-01-714	EA	GASKET-MICROSWITCH	230877
44	098668-21-700	EA	SWITCH-MICRO-W/O FLAG 3 1/4"	232261
46	139980-01-708	EA	BLOWER ASSEMBLY - ROOM AIR	390739BK
47	098668-01-711	EA	WHEEL-BLOWER, ROOM AIR	350129
48	139980-01-709	EA	ORFICE RING	390696
50	139980-01-710	EA	SWITCH - ON/OFF	232351
52	139980-01-711	EA	PANEL ASSEMBLY-MODULE BD	101663
53	139980-01-712	EA	INSULATOR - MODULE BD	070807
54	098668-22-705	EA	MODULE BD W/RELAY TIME DELAY	520820
55	139980-01-713	EA	CAP/INSULATOR-MODULE BD	070973
57	139980-01-714	EA	BUSHING - UNIVERSAL	070362
58	139980-01-715	EA	BUSHING - STRAIN RELIEF	231809
59	098668-01-716	EA	GASKET-FIREWALL,CHAMBER SIDE	070808
61	139980-01-716	EA	CHAMBER ASSEMBLY - FINAL	021149BK
62	098668-21-701	EA	SWITCH - LIMIT	232504
66	098668-01-713	EA	TUBE ASSEMBLY, INTAKE	051248

CONTACT WINNEBAGO PART SALES FOR UNLISTED COMPONENTS

HEATING & A/C GROUP (CONTINUED)

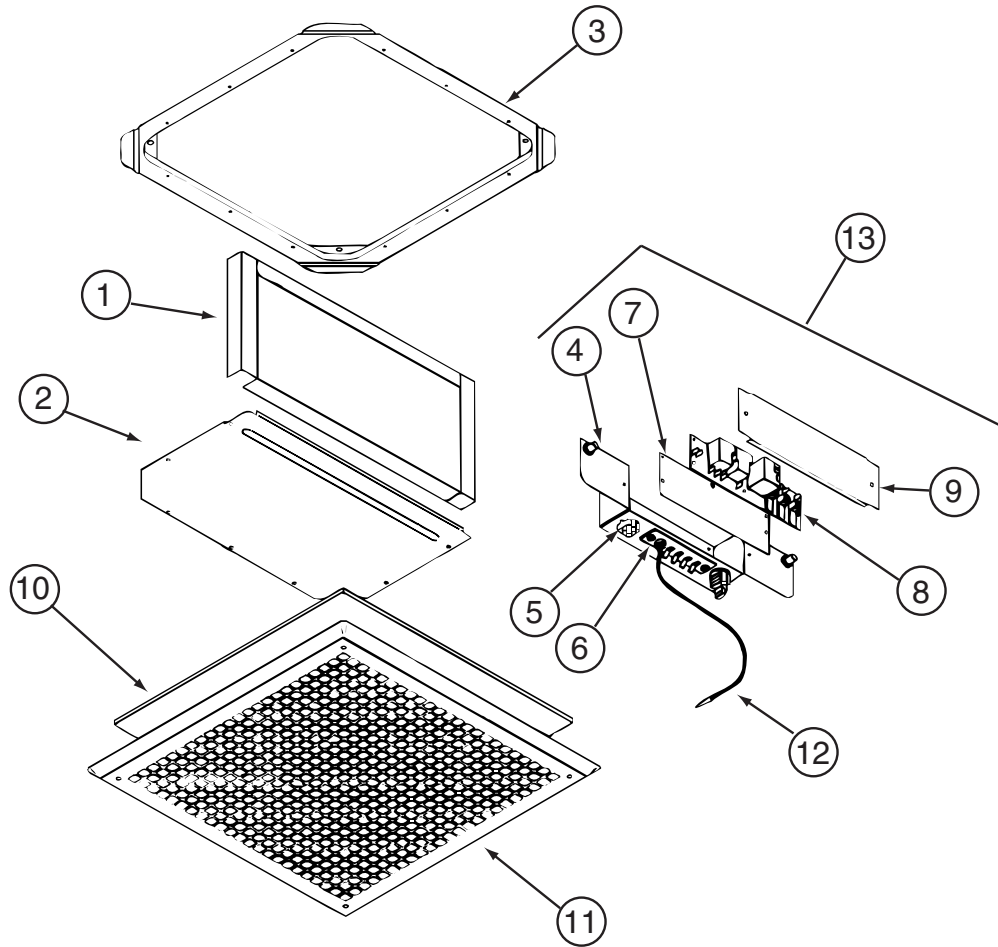
ROOF

KEY	PART NUMBER	U/M	DESCRIPTION
*	131184-03-01A	EA	CEILING ASSEMBLY - A/C DUCTED - C-BODY - WHITE
*	131185-01-01A	EA	A/C ROOF - 13,500 BTU - WHITE - 322E , 322R , 324F , 324V , 329N FROM: 00-00-00 THRU: 12-30-01
*	131185-03-01A	EA	A/C - ROOF - 13,599 BTU - MACH 3 WHITE - 322E , 322R , 324F , 324V , 329N FROM: 12-31-01 THRU: 99-99-99
*	131188-01-01A	EA	A/C - ROOF - 14,800 MACH 15 - WHITE - 329B , 331T FROM: 00-00-00 THRU: 12-30-01
*	131188-03-01A	EA	A/C - ROOF - 14,800 MACH 15 - WHITE - 329B , 331T FROM: 12-31-01 THRU: 99-99-99
	120134-01-02A	EA	REGISTER - W/DAMPER - 4" PIPE/7" O.D. FACE - WHITE
	117238-01-01A	EA	THERMOSTAT - A/C - FURNACE
	135618-03-01A	EA	THERMOSTAT - A/C & FURNACE - WHITE FROM: 00-00-00 THRU: 04-17-01
			FROM: 04-18-01 THRU: 99-99-99

*COMPONENT PARTS LISTED LATER IN THIS GROUP

HEATING & A/C GROUP (CONTINUED)

COMPONENT PARTS FOR ROOF

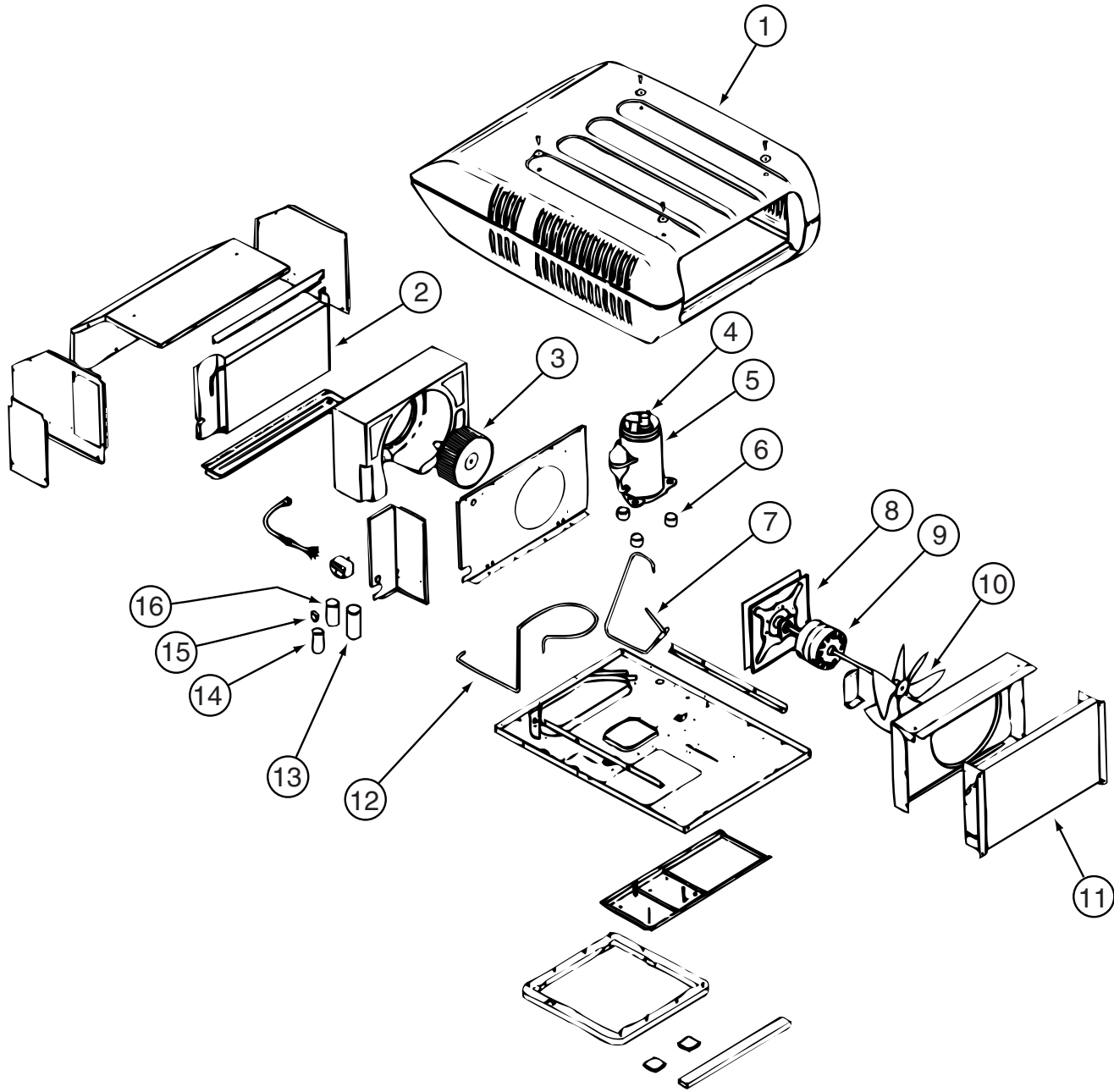


131184-03-01A

KEY	PART NUMBER	U/M	DESCRIPTION	VENDOR NO.
5	131184-01-700	EA	PLUG ASSEMBLY	7330A389
6	131184-01-701	EA	TERMINAL BOARD	7330B3201
7	131184-01-702	EA	ISOLATOR - BLANK	7330C365
8	131184-03-700	EA	BOARD - P.C.	7330D3211
10	108892-01-703	EA	FILTER	6798A3761
11	108892-01-704	EA	GRILLE 16 3/8X16 3/8 RETURN	6798-3041
12	131184-01-704	EA	COIL SENSOR	7330-6111
13	131184-01-705	EA	JUNCTION BOX ASSEMBLY	7330B5551
	131184-01-703	EA	SMALL PARTS PKG	8330-5961

CONTACT WINNEBAGO PART SALES FOR UNLISTED COMPONENT

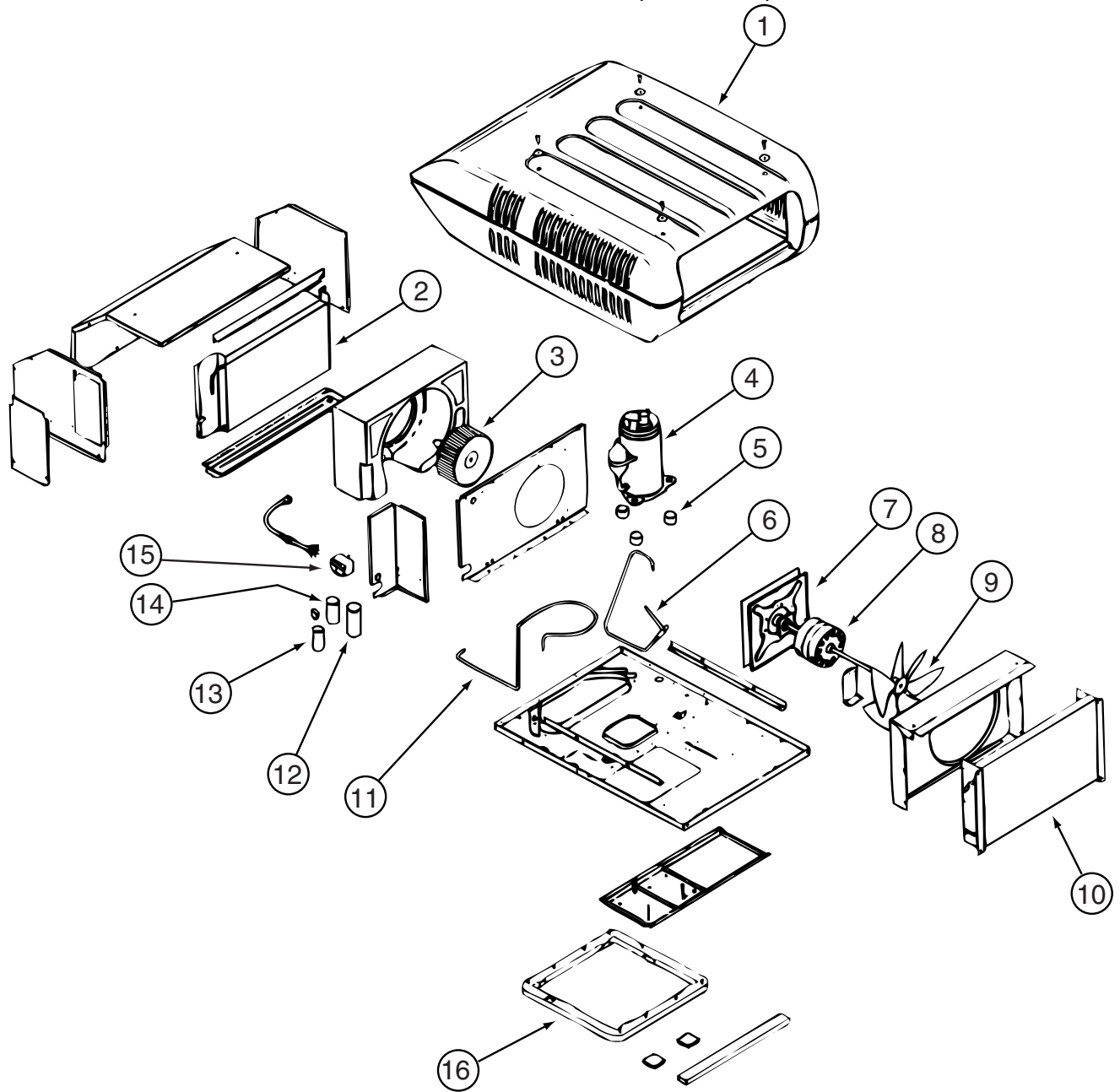
HEATING & A/C GROUP (CONTINUED)
COMPONENT PARTS FOR ROOF (CONTINUED)



131185-01-01A

KEY	PART NUMBER	U/M	DESCRIPTION	VENDOR NO.
1	108889-05-700	EA	SHROUD-BRIGHT/WHT. W/O LOGO	7333-4601
2	131185-01-703	EA	EVAPORATOR COIL	1452A1491
3	131185-01-702	EA	BLOWER WHEEL PACKAGE	1472-1091
4	105620-01-705	EA	PROTECTOR-OVERLOAD, RH & LH	6759-3791
5	108889-01-722	EA	COMPRESSOR TSR3 C & D ONLY	1450-2099
6	105620-01-706	EA	MOUNTING PKG., COMP., 3 PER	6759-3081
7	131185-01-706	EA	DISCHARGE LINE	7333A136
8	131185-01-704	EA	MOTOR MOUNT & SEAL KIT	8333-5151
9	131185-01-701	EA	MOTOR (115V, 60HZ)	1468-3069
10	093763-01-712	EA	BLADE-FAN-CONDENSER	6733-3221
11	131185-01-700	EA	CONDENSER COIL	1452A1451
12	131185-01-705	EA	SUCTION LINE (3/8" OD)	6792B130
13	108889-01-707	EA	CAPACITOR-RUN, COMP-25MFD/3701	499-5661
14	105620-10-704	EA	START COMPACITOR	1497-0861
15	108889-01-708	EA	CAPACITOR-FAN, 7.5MFD. 370U	1499-5461
16	105620-10-705	EA	PTCR (START DEVICE) - W/CAP.	8333A9021
	093306-01-701	EA	DECAL PACKAGE, LEFT & RIGHT	6798B3591
	108889-01-710	EA	PAD-FILLER, CONDENSER SEAL	6759B3971

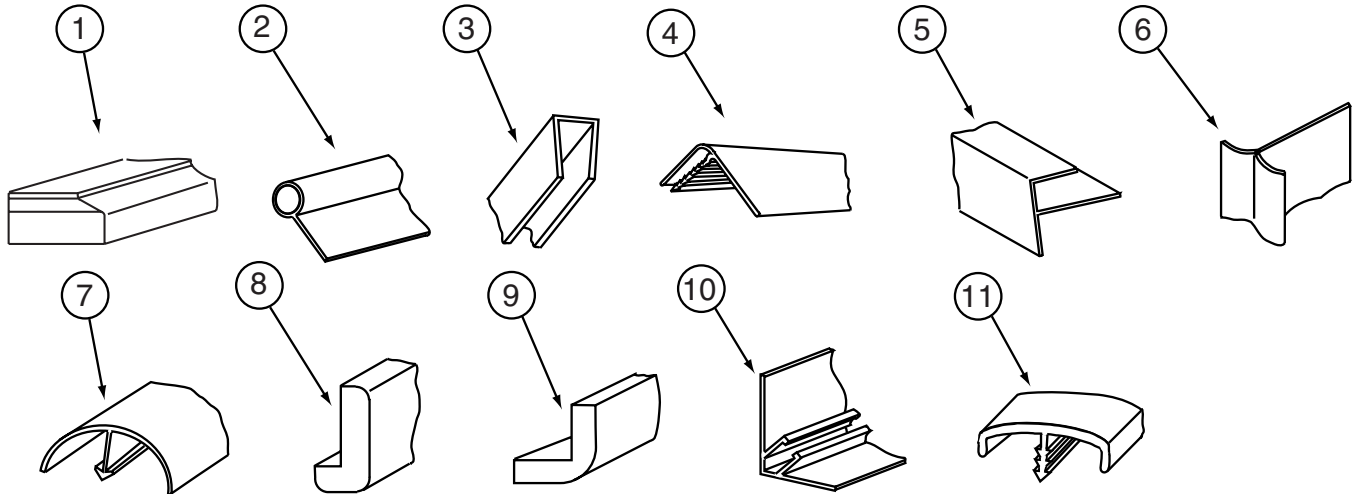
HEATING & A/C GROUP (CONTINUED)
COMPONENT PARTS FOR ROOF (CONTINUED)



131188-01-01A

KEY	PART NUMBER	U/M	DESCRIPTION	VENDOR NO.
1	108889-05-700	EA	SHROUD-BRIGHT/WHT. W/O LOGO	7333-4601
2	131186-01-701	EA	EVAPORATOR COIL	1452-1521
3	131185-01-702	EA	BLOWER WHEEL PACKAGE	1472-1091
4	131188-01-700	EA	COMPRESSOR - TECUMSEH	1450A2609
5	105620-01-706	EA	MOUNTING PKG.,COMP., 3 PER	6759-3081
6	131188-01-703	EA	LINE - DISCHARGE	7335A135
7	131185-01-704	EA	MOTOR MOUNT & SEAL KIT	8333-5151
8	131185-01-701	EA	MOTOR (115V, 60HZ)	1468-3069
9	093763-01-712	EA	BLADE-FAN-CONDENSER	6733-3221
10	115219-01-700	EA	COIL-CONDENSER	1452A1321
11	131188-01-702	EA	LINE - SUCTION	7335A134
12	131188-01-701	EA	RUN CAP. (COMP-40MFD/370V)	1499-5721
13	126859-01-704	EA	CAPACITOR - START	1497-0871
14	108889-01-708	EA	CAPACITOR-FAN, 7.5MFD. 370U	1499-5461
15	091225-01-709	EA	RELAY-START	1497-4131
16	037648-01-714	EA	GASKET PACKAGE	8332-3301
	093306-01-701	EA	DECAL PACKAGE, LEFT & RIGHT	6798B3591
	108889-01-710	EA	PAD-FILLER, CONDENSER SEAL	6759B3971

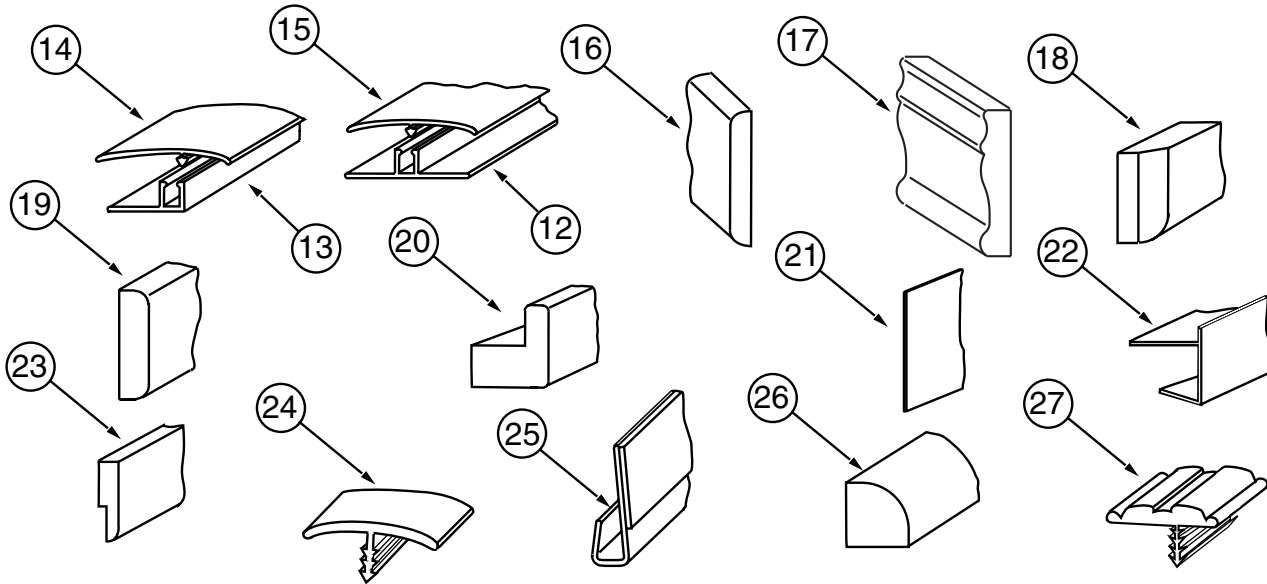
INTERIOR FINISH GROUP
MOLDINGS & TRIMS
PORTSMOUTH OAK



KEY	PART NUMBER	U/M	DESCRIPTION
1	P34052-01-N75	EA	TRIM/TABLE - 29.7" - PORTSMOUTH OAK
1	P34052-01-M84	EA	TRIM/TABLE - 29.7" - WASHED MAPLE
1	P34052-01-M52	EA	TRIM/TABLE - 29.7" - SALEM CHERRY
1	P34052-02-N47	EA	TRIM/TABLE - 24"
2	009767-12-000	FT	WELTING - ANTIQUE WHITE
2	009767-17-000	FT	WELTING - PORTSMOUTH OAK
3	009778-25-000	FT	U-CHANNEL - 1" - BEIGE ILLUSION
3	009778-27-000	FT	U-CHANNEL - 1" - WASHED MAPLE
3	009778-30-000	FT	U-CHANNEL - 1" - VILLAGE OAK
3	009778-31-000	FT	U-CHANNEL - 1" - GRADY BROWN
3	009778-32-000	FT	U-CHANNEL - 1" - PORTSMOUTH OAK
3	009778-34-000	FT	U-CHANNEL - 1" - CONCERT CHERRY
3	070504-36-000	FT	U-CHANNEL - PLASTIC - .13" X 96" - WATERFORD OAK
3	070504-42-000	FT	U-CHANNEL - PLASTIC - .13" X 84" - BEIGE ILLUSION
3	070504-50-000	FT	U-CHANNEL - PLASTIC - .13" X 96" - WASHED MAPLE
3	070504-51-000	FT	U-CHANNEL - PLASTIC - .9" X 96" - WASHED MAPLE
3	070504-54-000	FT	U-CHANNEL - PLASTIC - .9" X 96" - VILLAGE OAK
3	070504-56-000	FT	U-CHANNEL - PLASTIC - .8" X 72" - VW LIGHT GRAY
3	070504-57-000	FT	U-CHANNEL - PLASTIC - .6" X 84" - PORTSMOUTH OAK
3	070504-58-000	FT	U-CHANNEL - PLASTIC - .8" X 84" - PORTSMOUTH OAK
3	070504-60-000	FT	EXTRUSION-U CHANNEL,1.65 - CONCERT CHERRY
3	070504-61-000	FT	U-CHANNEL - PLASTIC - .8" X 84" - CONCERT CHERRY
4	009809-30-000	EA	MOLDING - CORNER - OUTSIDE - 1" X 84" - BEIGE ILLUSION
4	009809-31-000	EA	MOLDING - CORNER - OUTSIDE - 1" X 84" - WASHED MAPLE
4	009809-32-000	EA	MOLDING - CORNER - OUTSIDE - 1" X 84" - PORTSMOUTH OAK
4	009809-33-000	EA	MOLDING - CORNER - OUTSIDE - 1" X 84" - WORMY PECAN
5	009812-31-000	EA	MOLDING - CORNER - 1/2" W/1/4"CHAN X 84" - BEIGE ILLUSION
5	009812-33-000	EA	MOLDING - CORNER - 1/2" W/1/4"CHAN X 84" - WASHED MAPLE
5	009812-35-000	EA	MOLDING - CORNER - 1/2" W/1/4"CHAN X 84" - PORTSMOUTH OAK
5	009812-36-000	EA	MOLDING - CORNER - 1/2" W/1/4"CHAN X 84" - CONCERT CHERRY
6	022992-14-000	FT	MOLDING - REVERSE COVE - T-SHAPED - BRIGHT WHITE
6	022992-15-000	FT	MOLDING - REVERSE COVE - T-SHAPED - VW GRAY
7	042357-25-000	EA	MOLDING - CORNER - RADIUS/PLASTIC - WASHED MAPLE
7	042357-26-000	EA	MOLDING - CORNER - RADIUS/PLASTIC - PORTSMOUTH OAK
7	042357-27-000	EA	MOLDING - CORNER - RADIUS/PLASTIC - CONCERT CHERRY
8	077840-01-E41	EA	MOLDING - WALL CAP - 8' - SALEM CHERRY
8	077840-01-N30	EA	MOLDING - WALL CAP - 8' - PORTSMOUTH AOK
8	077840-01-M91	EA	MOLDING - WALL CAP - 8' - WASHED MAPLE
9	080176-08-000	EA	CAP - CORNER - RADIUS MOLDING - PLASTIC - WASHED MAPLE
10	081521-02-007	EA	MOUNT - METAL MOLDING - F/RADIUS CORNER MOLDING - 151.5"
11	083620-09-000	FT	MOLDING-T - W/EDGE LIP - 7/8" FACE - MODERN IVORY
11	083620-19-000	FT	MOLDING-T - W/EDGE LIP - 7/8" FACE - WASHED MAPLE
11	083620-20-000	FT	MOLDING-T - W/EDGE LIP - 7/8" FACE - PORTSMOUTH OAK
11	083620-21-000	FT	MOLDING-T - W/EDGE LIP - 7/8" FACE - CONCERT CHERRY
11	104676-02-08A	FT	MOLDING-T - W/EDGE LIP - 11/16" FACE - PORTSMOUTH OAK
11	104676-02-06A	FT	MOLDING-T - W/EDGE LIP - 11/16" FACE - WASHED MAPLE

INTERIOR FINISH GROUP (CONTINUED)
MOLDINGS & TRIMS (CONTINUED)

PORTSMOUTH OAK

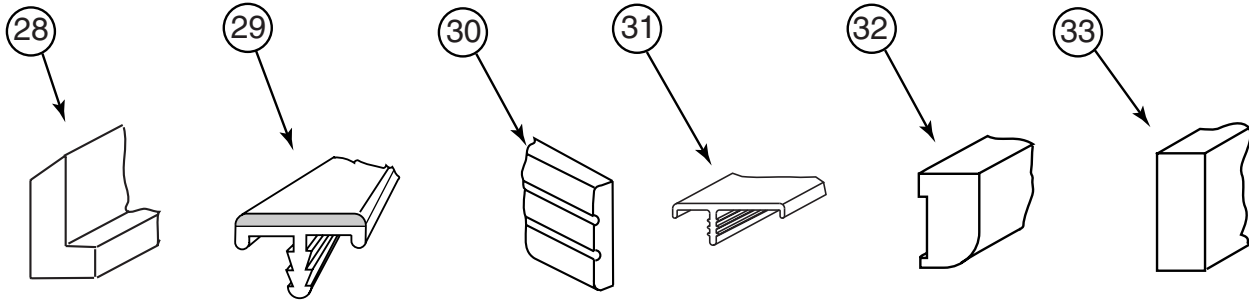


KEY	PART NUMBER	U/M	DESCRIPTION
12	086229-01-000	EA	RETAINER - BATTEN - .75" X 92.1" - ANY COLOR
13	086229-11-000	EA	RETAINER - OFFSET - 97"
14	086229-12-000	EA	BATTEN - 1.5" OFFSET X 97.01" IVORY
14	086229-21-000	EA	BATTEN - 1.5" X 83.9" OFFSET - WHITE
15	086229-13-000	EA	BATTEN - 1" X 96" - IVORY
15	086229-19-000	EA	BATTEN - 1" X 98.4" - OFF WHITE
15	086229-20-000	EA	BATTEN - 1" X 96" - BEIGE
16	091985-01-08A	FT	INSERT - TRIM - .65" WIDE - SOFT WHITE
17	100182-10-E41	EA	TRIM - CHAIR RAIL - 2.5" X 8' EACH - WOOD
17	100182-10-J70	EA	TRIM - CHAIR RAIL - 2.5" X 8' EACH - WOOD
17	100182-10-K29	EA	TRIM - CHAIR RAIL - 2.5" X 8' EACH - WOOD
17	100182-10-N47	EA	TRIM/RAIL
18	100659-27-M70	EA	MOLDING/TRIM - VINYL FLOOR - CHERRY III
18	100659-30-N75	EA	MOLDING - TRIM - PORTSMOUTH OAK
18	100659-30-N74	EA	MOLDING - TRIM - CHERRY
18	100659-30-M84	EA	MOLDING-TRIM,VINYL FLOOR - 01 G-SERIES GENERAL
19	100818-01-12A	EA	MOLDING - VINYL WRAPPED - 1.6" X .4" X 84"-PORTSMOUTH OAK
19	100818-01-10A	EA	MOLDING - VINYL WRAPPED - 1.6" X .4" X 84" - CHERRY
19	100818-01-08A	EA	MOLDING - VINYL WRAPPED - 1.6" X .4" X 84"-WASHED MAPLE
20	100819-01-08A	EA	MOLDING - VINYL WRAPPED-L-SHAPED-1.5"X1.5"X84"-WASHED MPL
20	100819-01-09A	EA	MOLDING - VINYL WRAPPED-L-SHAPED-1.5"X1.5"X84"-PRTSMTH OAK
20	100819-01-10A	EA	MOLDING - VINYL WRAPPED-L-SHAPED-1.5"X1.5"X84"-CNCRT CHERR
20	100819-01-12A	EA	MOLDING - VINYL WRAPPED-L-SHAPED - 1.5" X 1.5" X 84" - OAK
21	101957-01-06A	EA	EXTRUDED - PLASTIC - WASHED MAPLE
22	103186-01-10A	FT	MOLDING - PLASTIC - 3/8" U-CHANNEL-3/4"FACE-CONCERT CHERRY
22	103186-01-09A	FT	MOLDING - PLASTIC - 3/8" U-CHANNEL-3/4"FACE-PORTSMOUTH OAK
22	103186-01-07A	FT	MOLDING - PLASTIC - 3/8" U-CHANNEL-3/4"FACE - BEIGE ILLUS
22	103186-02-10A	FT	MOLDING - PLASTIC - 1" U-CHANNEL-1 3/8"FACE-CONCERT CHERRY
22	103186-02-09A	FT	MOLDING - PLASTIC - 1" U-CHANNEL-1 3/8"FACE-PORTSMOUTH OAK
22	103186-02-08A	FT	MOLDING - PLASTIC - 1" U-CHANNEL-1 3/8"FACE-WASHED MAPLE
22	103186-02-07A	FT	MOLDING - PLASTIC - 1" U-CHANNEL-1 3/8"FACE-BEIGE ILLUSION
23	105004-01-10A	EA	MOLDING - VINYL WRAPPED 1" X 96" - SALEM CHERRY
23	105004-01-08A	EA	MOLDING - VINYL WRAPPED - 1" X 96" - WASHED MAPLE
23	105004-01-10A	EA	MOLDING - VINYL WRAPPED 1" X 96" - SALEM CHERRY
23	105004-01-12A	EA	MOLDING - VINYL WRAPPED 1" X 96" - PORTSMOUTH OAK
24	009815-10-000	FT	MOLDING-T - WEDGE LIP - 3/4" FACE - BEIGE ILLUSION
24	105709-02-000	FT	MOLDING-T - WEDGE LIP - 3/4" FACE - BEIGE ILLUSION
25	109332-02-01A	FT	TRIM-J - W/O ADHESIVE - BRASS
26	109410-01-J70	EA	MOLDING - TRIM - 8' - WHITE MAPLE/WASHED MAPLE
26	109410-01-E41	EA	MOLDING - TRIM - 8' - BLACK CHERRY/SALEM CHERRY
26	109410-01-N75	EA	MOLDING - TRIM - 8' - PORTSMOUTH OAK/PORTSMOUTH OAK
27	109736-02-01A	FT	MOLDING-T/OFFSET - WEDGE LIP - 1" FACE - NAT OAK/BRASS

INTERIOR FINISH GROUP (CONTINUED)

MOLDINGS & TRIMS (CONTINUED)

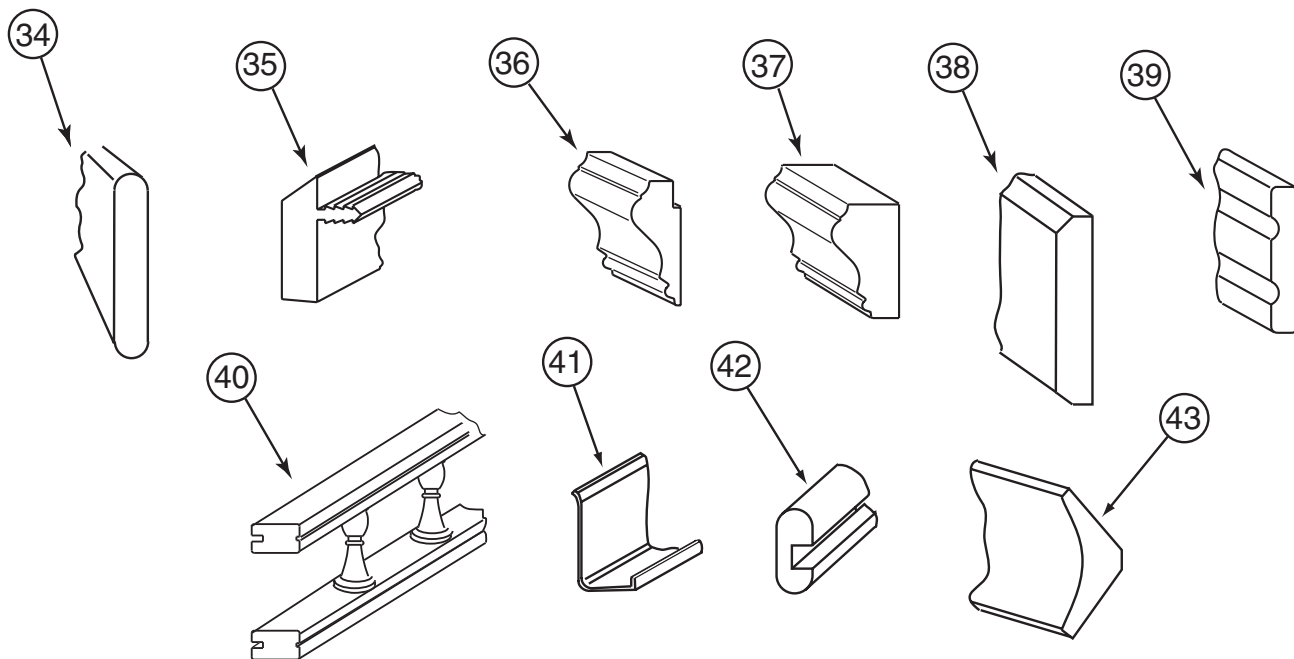
PORTSMOUTH OAK



KEY	PART NUMBER	U/M	DESCRIPTION
28	111235-01-E74	EA	MOLDING - COUNTERTOP - 1.4" X 8' - BLACK CHERRY-UNSTAINED - SALEM CHERRY
28	111235-01-N42	EA	MOLDING - COUNTERTOP - 1.4" X 8' - PORTSMOUTH
28	111235-01-H56	EA	MOLDING - COUNTERTOP - 1.4" X 8' - WHITE MAPLE - UNSTAINED - WASHED MAPLE
29	113757-02-01A	FT	T-MOLDING - BULB
30	116951-15-N09	EA	MOLDING - TRIM - 1.7" X 11" - PORTSMOUTH OAK
30	116951-15-K09	EA	MOLDING - TRIM - 1.7" X 11" - WASHED MAPLE
30	116951-15-K13	EA	MOLDING - TRIM - 1.7" X 11" - SALEM CHERRY
31	119520-01-01A	FT	MOLDING-T/OFFSET - W/EDGE LIP - 1"FACE - OFF WHITE
31	119520-02-01A	FT	MOLDING-T/OFFSET - W/EDGE LIP - 1"FACE
32	126204-D2-134	EA	MOLDING - VINYL WRAPPED - .7" X 1.6" X 84" - WASHED MAPLE
32	126204-F2-134	EA	MOLDING - VINYL WRAPPED - .7" X 2.5" X 84" - WASHED MAPLE
32	126204-F2-438	EA	MOLDING - VINYL WRAPPED - .7" X 2.6" X 96" - WASHED MAPLE
32	137895-D2-134	EA	MOLDING - VINYL WRAPPED - .7" X 1.6" X 84" - PORTSMOUTH OAK
32	137895-F2-743	EA	MOLDING-018X063X2743 MM - PORTSMOUTH OAK
33	126205-D2-438	EA	LUMBER - VINYL WRAPPED - .7" X 1.5" X 96" - WASHED MAPLE
33	126205-E2-438	EA	LUMBER - VINYL WRAPPED - .7" X 2" X 96" - WASHED MAPLE
33	126205-F2-438	EA	LUMBER - VINYL WRAPPED - .7" X 2.5" X 96" - WASHED MAPLE
33	126205-G2-438	EA	LUMBER - STAINED - .7" X 3" X 96" - WASHED MAPLE
33	126205-J2-438	EA	LUMBER - VINYL WRAPPED - .7" X 5.5" X 96" - WASHED MAPLE
33	136030-F2-743	EA	MOLDING-018X065X2743MM PAPER WRAPPED-CHERRY - SALEM CHERRY
33	136045-D2-438	EA	LUMBER - PAPER WRAPPED - .7" X 1.5" X 96" - CHERRY FROM: 00-00-00 THRU: 09-03-01
33	136045-E2-438	EA	LUMBER - PAPER WRAPPED - .7" X 2" X 96" - CHERRY FROM: 00-00-00 THRU: 09-03-01
33	136045-F2-438	EA	LUMBER - PAPER WRAPPED - .7" X 2.6" X 96" - CHERRY FROM: 00-00-00 THRU: 09-03-01
33	136045-G2-438	EA	LUMBER - PAPER WRAPPED - .7" X 3" X 96" - CHERRY FROM: 00-00-00 THRU: 09-03-01
33	136045-H2-438	EA	LUMBER - PAPER WRAPPED - .7" X 3.5" X 96" - CHERRY FROM: 00-00-00 THRU: 09-03-01
33	136045-J2-438	EA	LUMBER - PAPER WRAPPED - .7" X 5.5" X 96" - CHERRY FROM: 00-00-00 THRU: 09-03-01
33	136045-R2-438	EA	LUMBER - PAPER WRAPPED - .7" X 3" X 96" - CHERRY FROM: 00-00-00 THRU: 09-03-01
33	137894-A2-438	EA	LUMBER - VINYL WRAPPED - .7" X .75 X 96" - PORTSMOUTH OAK
33	137894-D2-022	EA	LUMBER-018X038X2022 MM - WRAPPED - PORTSMOUTH OAK
33	137894-D2-014	EA	LUMBER-018X038X2014 MM - WRAPPED - PORTSMOUTH OAK
33	137894-D2-001	EA	LUMBER-018X038X2000 MM - WRAPPED - PORTSMOUTH OAK
33	137894-D2-438	EA	LUMBER - VINYL WRAPPED - .7" X 1.5" X 96" - PORTSMOUTH OAK
33	137894-D2-134	EA	LUMBER-018X038X2134 MM - WRAPPED - PORTSMOUTH OAK
33	137894-D2-026	EA	LUMBER-018X038X2026 MM - WRAPPED - PORTSMOUTH OAK
33	137894-D2-024	EA	LUMBER-018X038X2024 MM - WRAPPED - PORTSMOUTH OAK
33	137894-E2-438	EA	LUMBER - VINYL WRAPPED - .7" X 2" X 96" - PORTSMOUTH OAK
33	137894-F2-438	EA	LUMBER - VINYL WRAPPED - .7" X 2.5" X 96" - PORTSMOUTH OAK
33	137894-G2-438	EA	LUMBER - VINYL WRAPPED - .7" X 3" X 96" - PORTSMOUTH OAK
33	137894-H2-438	EA	LUMBER - VINYL WRAPPED - .7" X 3.5" X 96" - PORTSMOUTH OAK
33	137894-J2-438	EA	LUMBER - VINYL WRAPPED - .7" X 5.5" X 96" - PORTSMOUTH OAK
33	137894-J2-743	EA	LUMBER-018X140X2743 MM - PORTSMOUTH OAK
33	137894-R2-438	EA	LUMBER - VINYL WRAPPED - .7" X 3" X 96" - PORTSMOUTH OAK

INTERIOR FINISH GROUP (CONTINUED)
MOLDINGS & TRIMS (CONTINUED)

PORTSMOUTH OAK



KEY	PART NUMBER	U/M	DESCRIPTION
34	127842-01-01A	FT	SEAL - SIGHT SHIELD - 2" BLACK
35	130247-01-05A	FT	MOLDING-T/OFF SET - 1.3" FACE - CONCERT CHERRY - SALEM CHERRY
35	130247-01-04A	FT	MOLDING-T/OFF SET - 1.3" FACE - PORTSMOUTH OAK
35	130247-01-02A	FT	MOLDING-T/OFF SET - 1.3" FACE - WASHED MAPLE
36	131923-02-02A	FT	MOLDING - PICTURE - CHERRY - SALEM CHERRY
36	131923-02-03A	FT	MOLDING - PICTURE - HARD WHITE MAPLE - WASHED MAPLE
36	131923-02-04A	FT	MOLDING - PICTURE - 42.8" - PORTSMOUTH
37	131923-03-02A	FT	MOLDING - CROWN - DIVIDER - CHERRY - SALEM CHERRY
37	131923-03-03A	FT	MOLDING - CROWN - DIVIDER - HARD WHITE MAPLE - WASHED MAPLE
37	131923-03-04A	FT	MOLDING - MOLDING - CROWN - DIVIDER - OAK - PORTSMOUTH
38	132647-01-05A	EA	MOLDING/TRIM - DASH - PORTSMOUTH OAK
39	134156-01-03A	EA	MOLDING - VINYL WRAP - .7" X 3.8" X 33.8" - WASHED MAPLE
39	134156-01-05A	EA	MOLDING - PAPER WRAP - .7" X 3.8" X 33.8" - CONCERT CHERRY - SALEM CHERRY FROM: 00-00-00 THRU: 09-03-01
39	134156-01-07A	EA	MOLDING - VINYL WRAP - .7" X 3.8" X 33.8" - CONCERT CHERRY - SALEM CHERRY FROM: 09-04-01 THRU: 00-00-00
39	134156-01-08A	EA	MOLDING - VINYL WRAP - .7" X 3.8" X 33.8" - PORTSMOUTH OAK
39	134156-03-03A	EA	MOLDING - VINYL WRAP - .7" X 3.4" X 28.3" - WASHED MAPLE
39	134156-03-05A	EA	MOLDING - PAPER WRAP - .7" X 3.4" X 28.3" - CONCERT CHERRY - SALEM CHERRY FROM: 00-00-00 THRU: 09-03-01
39	134156-03-07A	EA	MOLDING - VINYL WRAP - .7" X 3.4" X 28.3" - CONCERT CHERRY - SALEM CHERRY FROM: 09-04-01 THRU: 00-00-00
39	134156-03-08A	EA	MOLDING - VINYL WRAP - .7" X 3.4" X 28.3" - PORTSMOUTH OAK
39	134156-05-05A	EA	MOLDING - PAPER WRAP - .7" X 3.8" X 34.4" - SALEM CHERRY FROM: 00-00-00 THRU: 09-03-01
39	134156-05-07A	EA	MOLDING - VINYL WRAP - .7" X 3.8" X 34.4" - CONCERT CHERRY - SALEM CHERRY FROM: 09-04-01 THRU: 00-00-00
39	134156-05-08A	EA	MOLDING - VINYL WRAP - .7" X 3.8" X 33.8" - PORTSMOUTH OAK
40	137108-01-07A	EA	RAIL - DECORATIVE - PORTSMOUTH OAK
40	137108-01-03A	EA	RAIL - DECORATIVE - WASHED MAPLE
40	137108-01-02A	EA	RAIL - DECORATIVE - SALEM CHERRY
41	085746-04-000	EA	TRIM-J - CARPET 1.2" X .5" ANGLE - 10' LONG - OFF WHITE
42	M09412-62-M52	EA	MOLDING/SHELF EDGE - W/.4" NOTCH - CHERRY IV
42	M09412-62-M62	EA	MOLDING/SHELF EDGE - W/.4" NOTCH - WASHED MAPLE
42	M09412-62-N42	EA	MOLDING/SHELF EDGE - W/.4" NOTCH - PORTSMOUTH II
43	Y00074-22-438	EA	MOLDING/CROWN - VINYL WRAPPED - MAPLE - 96"
43	Y00074-62-438	EA	MOLDING/CROWN - VINYL WRAPPED - CONCERT CHERRY - 96"
43	Y00074-72-438	EA	MOLDING/CROWN - VINYL WRAPPED - PORTSMOUTH OAK - 96"

INTERIOR FINISH GROUP (CONTINUED)

PANELING & LAMINATES

KEY	PART NUMBER	U/M	DESCRIPTION
	088272-J6-000	SF	PANELING - CIRRUS - 4' X 7' (N04)
	088272-K3-000	SF	PANELING - STARLIGHT - 4' X 7' (N05)
	088272-J9-000	SF	PANELING - ALABASTER - 4' X 7' (N06)
	074497-41-000	SF	PANELING - CEILING/IMPACT PEARL - 4' X 9'
	088272-H9-000	SF	PANELING - PEBBLE EMBOSSED - WHITE - 4' X 7'
	074497-42-000	SF	PANELING - PORTSMOUTH OAK - 4' X 8'
	080215-14-000	SF	PANELING - 2 SIDED - 3/16" X 4' X 8' - PORTSMOUTH OAK
	088263-G6-000	EA	BATT STRIP - DECORATIVE - CIRRUS - 8' (N04)
	088263-H1-000	EA	BATT STRIP - DECORATIVE - STARLIGHT - 8' LONG (N05)
	088263-G9-000	EA	BATT STRIP - DECORATIVE - CORK/ALABASTER - 8' (N06)
	088263-F9-000	EA	BATT STRIP - CEILING - IMPACT PEARL - 9'
	088263-G1-000	EA	BATT STRIP - DECORATIVE - PEBBLE EMBOSSED - 8' LONG
	069733-87-000	EA	BATT STRIP - WOODGRAINED/PORTSMOUTH OAK - 8'
	085284-G5-000	FT	BATT TAPE - ADHESIVE BACKED - DECORATIVE - CIRRUS (N04)
	085284-H4-000	FT	BATT TAPE - ADHESIVE BACKED - DECORATIVE - STARLIGHT (N05)
	085284-G9-000	FT	BATT TAPE - ADHESIVE BACKED - DECORATIVE - ALABASTER (N06)
	085284-F6-000	FT	BATT TAPE - ADHESIVE BACKED-IMPACT PEARL-W/FLEECE EMBOSSED
	085284-F9-000	FT	BATT TAPE - ADHESIVE BACKED - PEBBLE EMBOSSED
	085284-G8-000	FT	BATT TAPE - ADHESIVE BACKED - PORTSMOUTH OAK
	085284-D6-000	FT	BATT TAPE - ADHESIVE BACKED - EMBOSSED ANTIQUE
	074498-97-000	SF	LAMINATE - PLASTIC - GRAY TRANQUILITY - 4' X 8' (N04, N05)
	074498-84-000	SF	LAMINATE - PLASTIC - WHITE TALC - 4' X 8' (N06)
	074498-95-000	SF	LAMINATE - PLASTIC - PORTSMOUTH OAK 4' X 8'
	076325-39-000	FT	MOLDING - EDGE BAND - 1 5/16" X .030" - ALMOND
	076325-40-000	FT	MOLDING - EDGE BAND - .93" X .024" - ALMOND
	076325-77-000	FT	MOLDING - EDGE BAND - 1 5/16" X .030" - PORTSMOUTH
	132610-02-05A	FT	WALLPAPER - BORDER - 6 3/4" - SELF-ADHESIVE (N04) FROM: 00-00-00 THRU: 09-23-01
	132610-06-06A	FT	WALLPAPER - BORDER - 5 1/4" - SELF-ADHESIVE (N04) FROM: 09-24-01 THRU: 99-99-99
	132610-07-02A	FT	WALLPAPER - BORDER - 4" - SELF-ADHESIVE (N05) FROM: 00-00-00 THRU: 08-05-01
	132610-06-07A	FT	WALLPAPER - BORDER - 5 1/4" - SELF-ADHESIVE (N05) FROM: 08-06-01 THRU: 99-99-99
	132610-04-05A	FT	WALLPAPER - BORDER - 5" - SELF-ADHESIVE (N06) FROM: 00-00-00 THRU: 07-08-01
	132610-06-05A	FT	WALLPAPER - BORDER - 5 1/4" - SELF-ADHESIVE (N06) FROM: 07-09-01 THRU: 99-99-99
	126339-01-000	SF	BOARD - WHEAT - 60" X 72"
	000846-01-000	SF	PLYWOOD - 5/16" X 48" X 96" - CD GRADE
	000846-02-000	SF	PLYWOOD/UNDERLAYMENT - 5/16" X 48" X 96"
	000885-92-000	SF	PARTICLE BOARD-3/8" X 4' X 8'-PORTSMOUTH OAK-VINYL 1 SIDED
	000885-93-000	SF	PARTICLE BOARD - 3/8" X 4' X 8' - PORTSMOUTH OAK - 2-SIDED
	000885-94-000	SF	PARTICLE BOARD - 1/2" X 4' X 8' - PORTSMOUTH OAK - 2-SIDED
	000885-95-000	SF	PARTICLE BOARD - 3/4" X 4' X 8' - PORTSMOUTH OAK - 2-SIDED
	000885-A5-000	SF	PARTICLE BOARD - 3/8" X 4' X 8'- WHT PEB EMBOSSED-1 SIDED
	057882-04-000	SF	TAMBOUR - 48" X 96" SHEET - UNFINISHED

INTERIOR FINISH GROUP (CONTINUED)

ACCESSORIES

KEY	PART NUMBER	U/M	DESCRIPTION
	072852-01-000	EA	DETECTOR - SMOKE - W/9 VOLT BATTERY - US
	072852-02-000	EA	DETECTOR - SMOKE - W/9 VOLT BATTERY - CANADIAN
*	094499-02-000	EA	EXTINGUISHER/FIRE - DRY - 10BC - W/GAUGE - CANADIAN
	094499-03-000	EA	EXTINGUISHER/FIRE - DRY - 10BC - W/GAUGE - W/O BRACKET
	094499-04-000	EA	STRAP - FIRE EXTINGUISHER MOUNTING - METAL
	125136-02-000	EA	CO DETECTOR - GAS MODEL - 9 VOLT
	064781-06-000	EA	HOLDER/CUP - TWO STEP - OFF WHITE
	118718-01-01A	EA	HOLDER/DRINK - COLLAPSIBLE MUG - BLACK PLASTIC
	118718-01-02A	EA	HOLDER/DRINK - COLLAPSIBLE MUG - WHITE PLASTIC
	096764-02-000	FT	SLIPNOT - ANTISLIP - 1'WIDE (180' ROLLS) - WHITE
	091261-01-000	FT	SLIPNOT - ANTISLIP - 1' WIDE X 12' - BLACK
	053552-02-N01	EA	HANDLE - ASSIST - INTERIOR/ENTRY DOOR - VINYL/OFF WHITE
	069178-03-000	EA	BRACKET/MOUNTING - ASSIST HANDLE - BRIGHT WHITE
	000C16-07-16B	EA	BOLT - CARRIAGE - ASSIST HANDLE - 7/16-14 X 1
	000D20-07-00B	EA	NUT - ACORN - ASSIST HANDLE - 7/16 - 14
	058331-A3-000	EA	MIRROR - SAFETY GLASS - 13.4" X 44.7"
	058331-J8-000	EA	MIRROR - SAFETY GLASS - 20.9" X 25.2"
	058331-01-000	EA	MIRROR - SAFETY GLASS - 19" X 26"
			FROM: 00-00-00 THRU: 03-17-02
	140374-01-000	EA	MIRROR - SAFETY GLASS - 18.9" X 26"
			FROM: 03-18-02 THRU: 99-99-99
	058331-14-000	EA	MIRROR - SAFETY GLASS - 13.9" X 17"
	058331-17-000	EA	MIRROR - SAFETY GLASS - 8.75" X 12.5"
			FROM: 00-00-00 THRU: 09-19-01
	140374-12-000	EA	MIRROR - SAFETY GLASS - 12.3" X 42.1"
			FROM: 09-20-01 THRU: 99-99-99
	058331-85-000	EA	MIRROR - SAFETY GLASS - 20.8" X 35.4"
	093606-03-000	EA	MIRROR - BEVELED EDGE - 28.3" X 15.1"
	093606-19-000	EA	MIRROR - BEVELED EDGE - 19.7" X 19.7"
	131494-05-01A	EA	MIRROR - ARCHED W/BEVELED DIAMOND - 20" X 30"

*COMPONENT PARTS LISTED LATER IN THIS GROUP

INTERIOR FINISH GROUP (CONTINUED)
COMPONENT PARTS FOR ACCESSORIES

094499-02-000

KEY	PART NUMBER	U/M	DESCRIPTION	VENDOR NO
	094499-01-700	EA	BRACKET MTG. W/PLAS. STRAP	294039

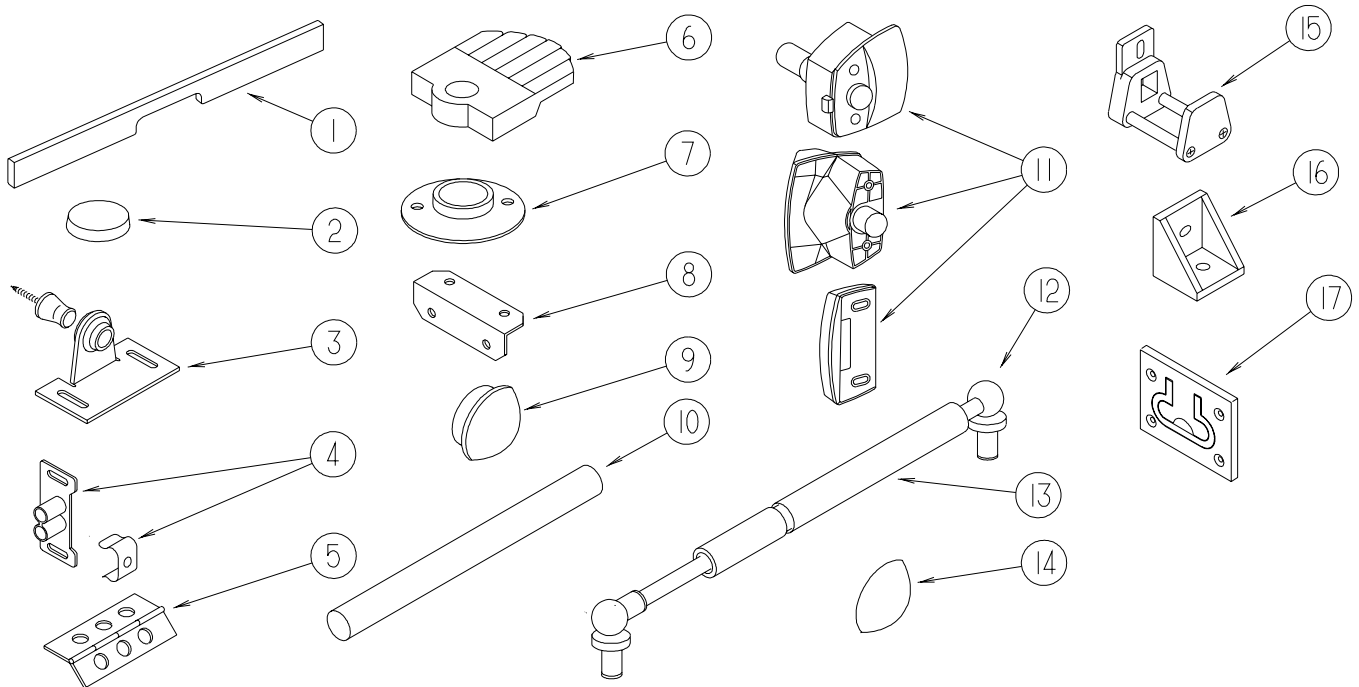
INTERIOR FINISH GROUP (CONTINUED)

FLOOR COVERINGS

KEY	PART NUMBER	U/M	DESCRIPTION
	096060-H0-000	SY	CARPET - JADE GREEN - INCREMENTS OF 4 SY YD (N04)
	096060-E6-000	SY	CARPET - OASIS - PEWTER BLUE - INCREMENTS OF 4 SY YD (N05)
	096060-H1-000	SY	CARPET - TAPIOCA - INCREMENTS OF 4 SY YD (N06)
	093486-01-000	SY	CARPET - COMPARTMENT - 72" WIDE - DARK GRAY
			FROM: 00-00-00 THRU: 08-19-01
	093486-02-000	SY	CARPET - COMPARTMENT - 72" WIDE - LIGHT GRAY
			FROM: 08-20-01 THRU: 99-99-99
	042720-29-000	SY	VINYL - FLOOR COVERING - 7.5' WIDE - DIAMOND
	129778-01-01A	EA	LINER - STEP - BRIGHT WHITE - 322E
	129778-02-01A	EA	LINER - STEP - BRIGHT WHITE - 322R , 324V
	P29778-01-01A	EA	LINER - STEP - BRIGHT WHITE W/TAPE - 322E
	P29778-02-01A	EA	LINER - STEP - BRIGHT WHITE W/TAPE - 322R , 324V

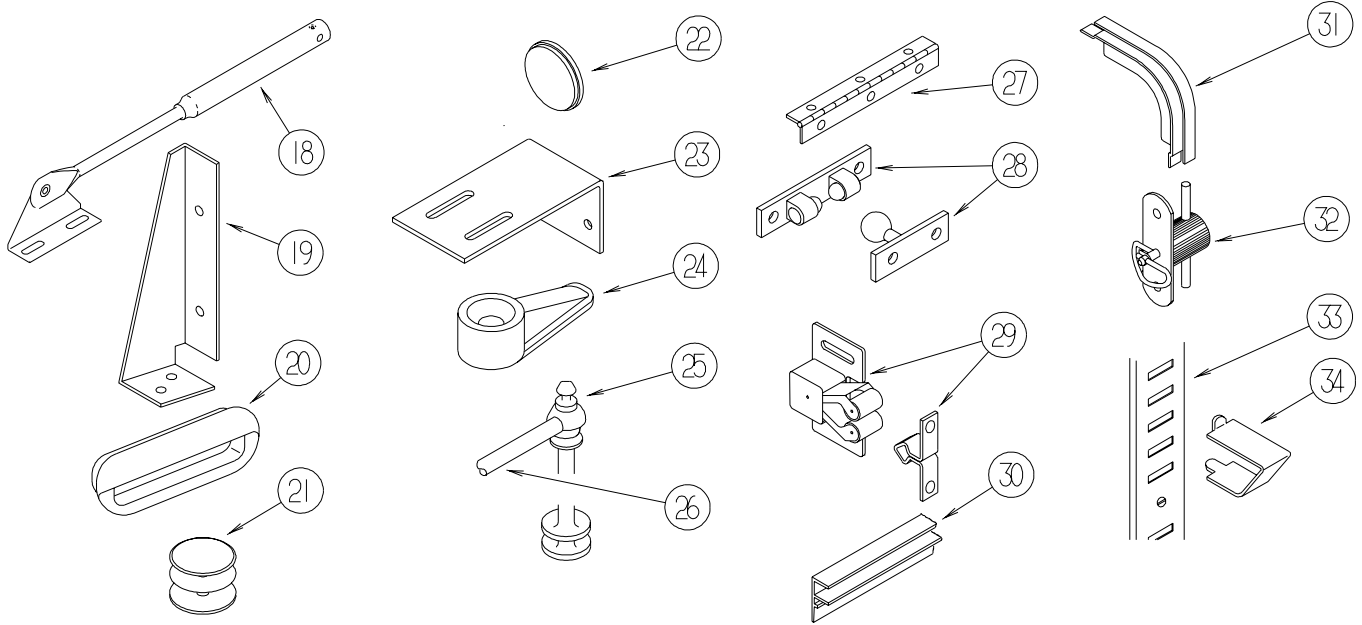
INTERIOR FINISH GROUP (CONTINUED)

HARDWARE



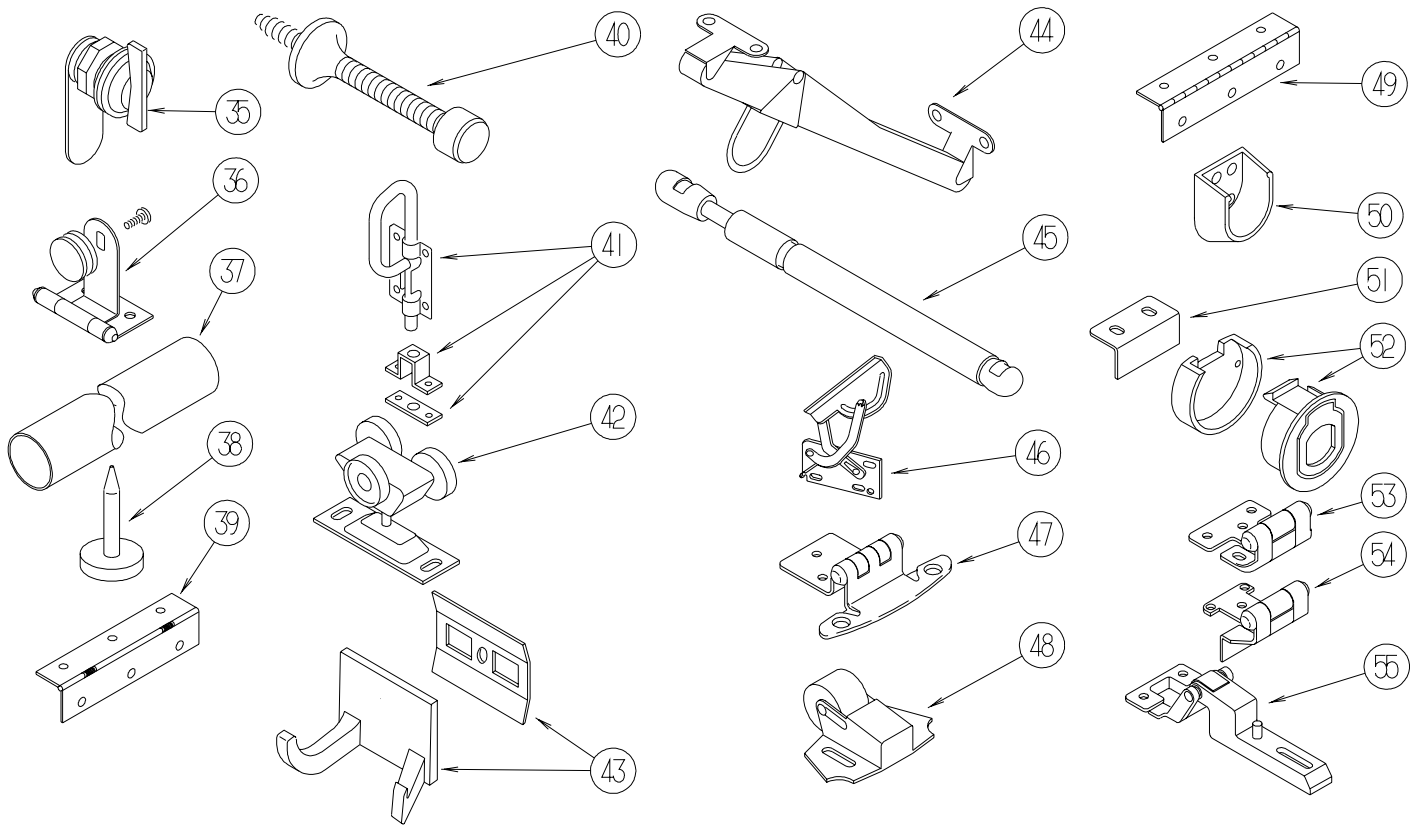
KEY	PART NUMBER	U/M	DESCRIPTION
1	P26866-09-KQ1	EA	HANDLE - DOOR/TAMBOUR - 14.7" - CHERRY/CHERRY III
1	P26866-10-K09	EA	HANDLE - DOOR/TAMBOUR - 11.6" - MAPLE/WASHED MAPLE
1	P26866-10-M07	EA	HANDLE - DOOR/TAMBOUR - 11.6" - ASH/PORTSMOUTH OAK - PORTSMOUTH OAK
2	004354-01-000	EA	BUMPER - RUBBER - .5" DIA - BROWN
2	023320-01-000	EA	PAD - FELT 3/8" DIAMETER
3	009013-01-000	EA	CATCH - BULLDOG - MALE/FEMALE
4	009021-01-000	EA	CATCH - GRILLE - NYLON
4	009021-02-000	EA	STRIKE - SPRING STEEL - .68"
5	009059-01-000	EA	HINGE - DOOR - 2" X 1.4" - BRASS
5	009059-02-000	EA	HINGE - DOOR - 2" X 2.7" - BRASS
5	009059-03-000	EA	HINGE - BRASS - 1.75"
5	041389-25-000	EA	HINGE - PIANO - 1 1/2" X 55" - UNPAINTED
6	009089-01-000	EA	CLIP - MIRROR
7	009112-01-000	EA	FLANGE - PLASTIC - 1" CLOTHES ROD - OFF WHITE
8	016604-01-000	EA	BRACE - ANGLE - 2 1/2" - UNPAINTED METAL
8	016604-05-000	EA	BRACE - ANGLE - 2 1/2" - OFF WHITE METAL
8	016604-07-000	EA	BRACE - ANGLE - 2 1/2" - VW GRAY
8	016604-09-000	EA	BRACE - ANGLE - VW LIGHT GRAY
9	042356-01-000	EA	PLUG - MAHOGANY - 3/8" DOWEL X 1/2" HEAD
9	074045-08-000	EA	PLUG - OAK - 3/8" DOWEL-1/2" HEAD - SALEM CHERRY
9	074045-12-000	EA	PLUG - OAK - 3/8" DOWEL-1/2" HEAD - WASHED MAPLE
9	074045-13-000	EA	PLUG - OAK - 3/8" DOWEL-1/2" HEAD - PORTSMOUTH OAK
10	042438-01-000	EA	DOWEL - WOOD - CLOTHES ROD - 1" X 4'
10	042438-02-000	EA	DOWEL - WOOD - CLOTHES ROD - 2" X 2'
10	042438-06-000	EA	DOWEL - WOOD - 1.5" X 26"
11	058335-03-000	EA	LATCH W/O LOCK - BATHROOM DOOR BLACK - RIALTA, 200-SERIES
12	057460-02-000	EA	BALL STUD - F/GAS SPRING .39" - 5/16"-18
13	057460-04-000	EA	SPRING/GAS - BALL STUD STYLE - 120 PI - "SPD6209"
14	057671-01-000	EA	COVER - SCREW - OFF WHITE - #8
14	057671-13-000	EA	COVER - SCREW - DARK GRAY - #8
14	057671-15-000	EA	COVER - SCREW - #8 - BRIGHT WHITE
14	057671-16-000	EA	COVER - SCREW - #8 - SOFT WHITE
14	057671-17-000	EA	COVER - SCREW - VW LT GRAY - #8
15	064467-01-000	EA	GUIDE - POCKET - SLIDING DOOR - WALL MOUNTED
16	065740-01-000	EA	BRACE - CABINET/CORNER - PLASTIC
17	072871-01-000	EA	PULL - FLUSH - CHROME - RIALTA, 200-SERIES

INTERIOR FINISH GROUP (CONTINUED)
HARDWARE (CONTINUED)



KEY	PART NUMBER	U/M	DESCRIPTION
18	074493-02-000	EA	SUPPORT - PISTON SPRING - CABINET DOOR - 26 LBS
18	074493-03-000	EA	SUPPORT - PISTON SPRING - CABINET DOOR - 12 LBS
18	074493-04-000	EA	SUPPORT - PISTON SPRING - CABINET DOOR - 32 LBS
19	076827-02-000	EA	BRACKET/LEG - 2.9" X 1.8" - TRIANGULAR - LEFT/E-COATED
20	080736-01-000	EA	PULL - RECESSED - 1.25" X 4" - OAK
21	081114-02-000	EA	CAP - INSERT - ROUND - 1" DIAMETER - WHITE PLASTIC
22	081914-01-000	EA	BUMPER - RUBBER - ROUND - 1/2" DIA. X 1/8" THICK
22	120760-01-000	EA	RUBBER BUMPER - CLEAR - .1" THICK X .8" DIAMETER
23	083125-07-000	EA	BRACE - ANGLE/COUCH - 2.5" - OFF WHITE
23	132871-02-02B	EA	BRACKET/L-ANGLE W/HOLES - 1.9" X 2.8" - E-COATED
24	083204-03-000	EA	BUTTON - RETAINING MIRROR 5/16" TIP
25	084070-03-000	EA	POST - END - 2.4" - SHINY BRASS
26	084071-05-000	EA	ROD - BRASS - 15"
26	084071-08-000	EA	ROD - BRASS - 9.3"
26	084071-19-000	EA	ROD - BRASS - 7.1"
26	084071-20-000	EA	ROD - BRASS - 9.8"
26	084071-23-000	EA	ROD - BRASS - 13.1"
26	084071-24-000	EA	ROD - BRASS - 3.8"
26	084071-28-000	EA	ROD - BRASS - 6"
26	084071-30-000	EA	ROD - BRASS - 11.6"
26	084071-31-000	EA	ROD - BRASS - 14.8"
26	084071-33-000	EA	ROD - BRASS - 20.4"
27	084413-01-000	EA	HINGE - 1" X 72" - ALUMINUM - W/HOLES
27	084625-07-000	EA	HINGE - ALUMINUM - W/HOLES - 13" - OFF/WHITE
27	084625-11-000	EA	HINGE - ALUMINUM - W/HOLES - 22" - OFF/WHITE
27	114278-02-000	EA	HINGE - CONTINUOUS - 3" WIDE
28	084451-01-000	EA	CATCH & LATCH - 1.7" - BRASS
29	093586-03-000	EA	CATCH - SPRING ROLLER - .377"
29	093586-04-000	EA	STRIKE - SPRING STEEL - 1.14"
29	093586-05-000	EA	STRIKE - SPRING STEEL - .943"
29	093586-06-000	EA	CATCH - SPRING ROLLER - .236"
30	093622-01-000	EA	TRACK - DOOR - TAMBOUR - PLASTIC - 8' LENGTHS
31	093623-01-000	EA	CORNER - TRACK - TAMBOUR DOOR
32	098196-01-000	EA	LATCH - 1/4 TURN - T-BAR
33	098979-01-000	EA	CLIP - ADJUSTABLE SHELF
34	098980-01-000	EA	PILASTER - ADJUSTABLE SHELF - 18"
34	098980-02-000	EA	PILASTER - ADJUSTABLE SHELF - 12"
34	098980-03-000	EA	PILASTER - ADJUSTABLE SHELF - 9"
34	098980-04-000	EA	PILASTER - ADJUSTABLE SHELF - 48"
34	098980-05-000	EA	PILASTER - ADJUSTABLE SHELF - 15"
34	098980-06-000	EA	PILASTER - ADJUSTABLE SHELF - 24"

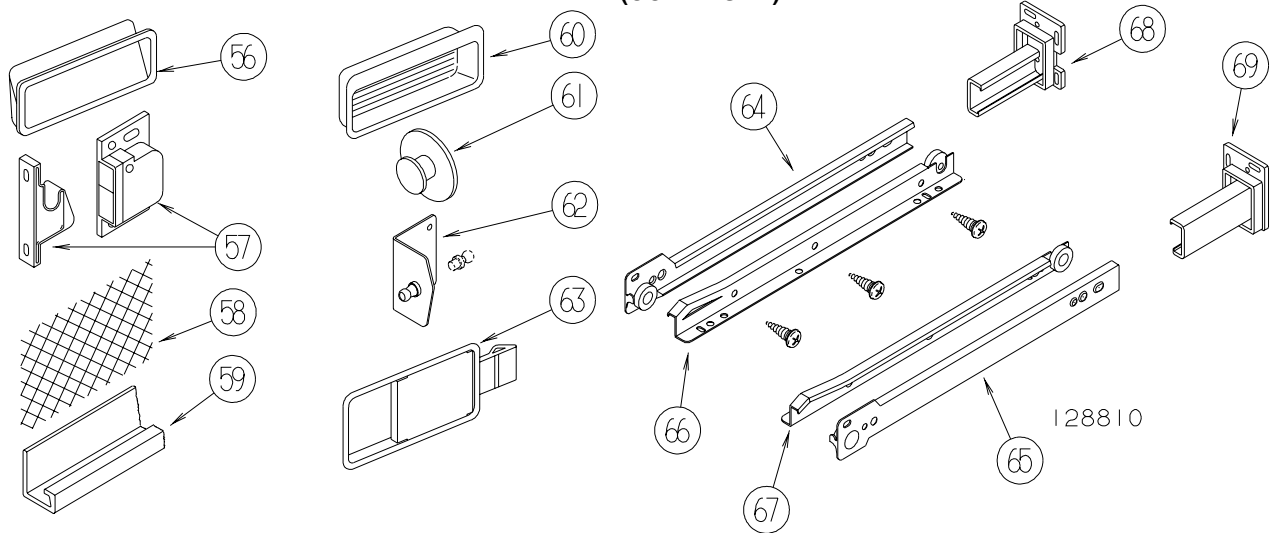
INTERIOR FINISH GROUP (CONTINUED)
HARDWARE (CONTINUED)



KEY	PART NUMBER	U/M	DESCRIPTION
35	100710-01-01A	EA	LOCK - GLASS DOOR/TWIST TYPE - BRASS
36	100711-01-01A	EA	HINGE - GLASS DOOR
37	102075-06-02A	EA	ROD - SHOWER CURTAIN - 1" OD X 33.5" - SOFT WHITE
37	102075-09-02A	EA	ROD - SHOWER CURTAIN - 3/4"OD X 29.5" - SOFT WHITE
37	102075-16-02A	EA	ROD - SHOWER CURTAIN - 3/4"OD X 34.2" - SOFT WHITE
37	102075-18-02A	EA	ROD - SHOWER CURTAIN - 1" OD X 38.9" - SOFT WHITE
38	102194-01-000	EA	GUIDE - PLASTIC - 1" (HEAD/PIN)
39	102920-01-01A	EA	HINGE - SPRING LOADED - BRASS
40	103194-01-000	EA	STOP - BATH DOOR
41	103256-01-000	EA	LATCH COMPLETE (SLIDE)
42	103874-01-000	EA	HANGER - SLIDING DOOR
43	104174-01-000	EA	HOOK - ROBE - DOUBLE
44	104181-01-01A	EA	SUPPORT - LEAF 5.3" EXTENDS TO 7.5" - SAFETY RING - METAL
45	107796-05-000	EA	BRACKET - SUPPORT - GAS SPRING TO BED - FLAT (LOWER)
45	107796-06-000	EA	SPRING/GAS - 12" COMPRESSED/20" EXTENDED - 120 LB.
45	107796-08-000	EA	SPRING/GAS - 11" COMPRESSED/17" EXTENDED - 60 LB
45	107796-09-000	EA	SPRING/GAS - 5.5" COMPRESSED/7.5" EXTENDED - 40 LB.
45	107796-15-000	EA	SPRING/GAS - 24" COMPRESSED/40" EXTENDED - 15 LB.
45	107796-16-000	EA	SPRING/GAS - 6.4" COMPRESSED/9.6" EXTENDED - 65 LB.
46	108126-01-000	EA	TRAY HINGE SET (QTY. 2 PER SET)
47	107327-01-000	EA	HINGE - BURNISHED BRASS - SPRING SELF CLOSING - WHEN CATCH & STRIKE ARE NOT USED
47	108138-01-000	EA	HINGE - CABINET DOOR - BURNISHED BRASS - ULTIMATE ADVANTAGE & FREEDOM, Q-SERIES
47	108138-03-000	EA	HINGE - BRIGHT BRASS
48	109403-01-000	EA	CATCH - SINGLE ROLLER - SCREEN DOOR
49	110496-01-01A	EA	HINGE - BRASS
50	113236-01-01A	EA	BRACKET - CLOTHES - ROD
51	113375-02-01A	EA	STRIKE - DOOR - CHROME - RIALTA, 200-SERIES
52	113375-05-01A	EA	LATCH - SLAM - BACK - .8" THICK - RIALTA, 200-SERIES
52	113375-06-01A	EA	LATCH - SLAM - FACE - .7" THICK - RIALTA, 200-SERIES
53	113676-01-01A	EA	HINGE - OVERLAY - VARIABLE - BURNISHED BRASS - RIALTA, 200-SERIES
54	113677-01-01A	EA	HINGE - SELF CLOSING - RIALTA, 200-SERIES
55	114443-01-01A	EA	HINGE - CABINET DOOR

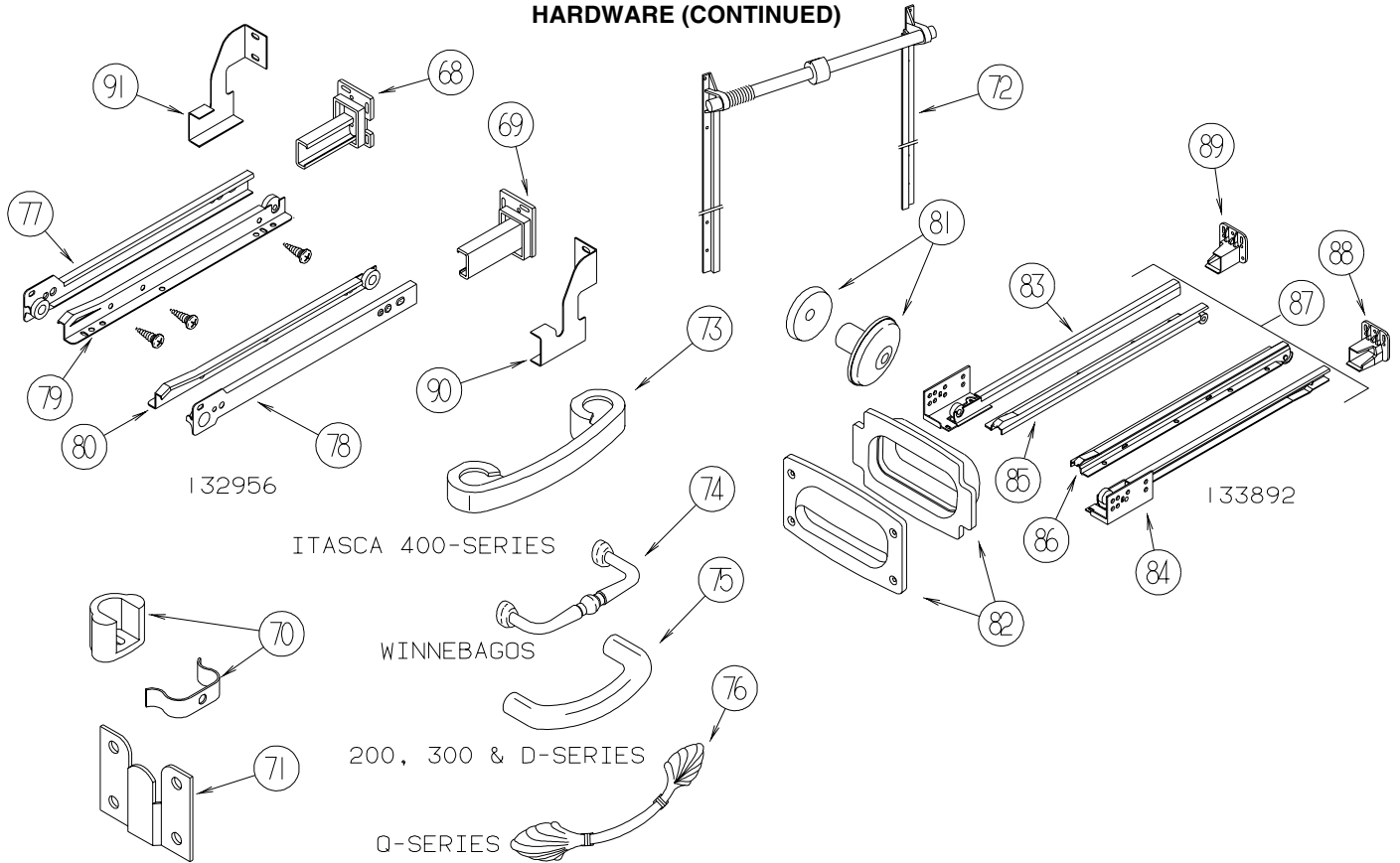
INTERIOR FINISH GROUP (CONTINUED)

HARDWARE (CONTINUED)



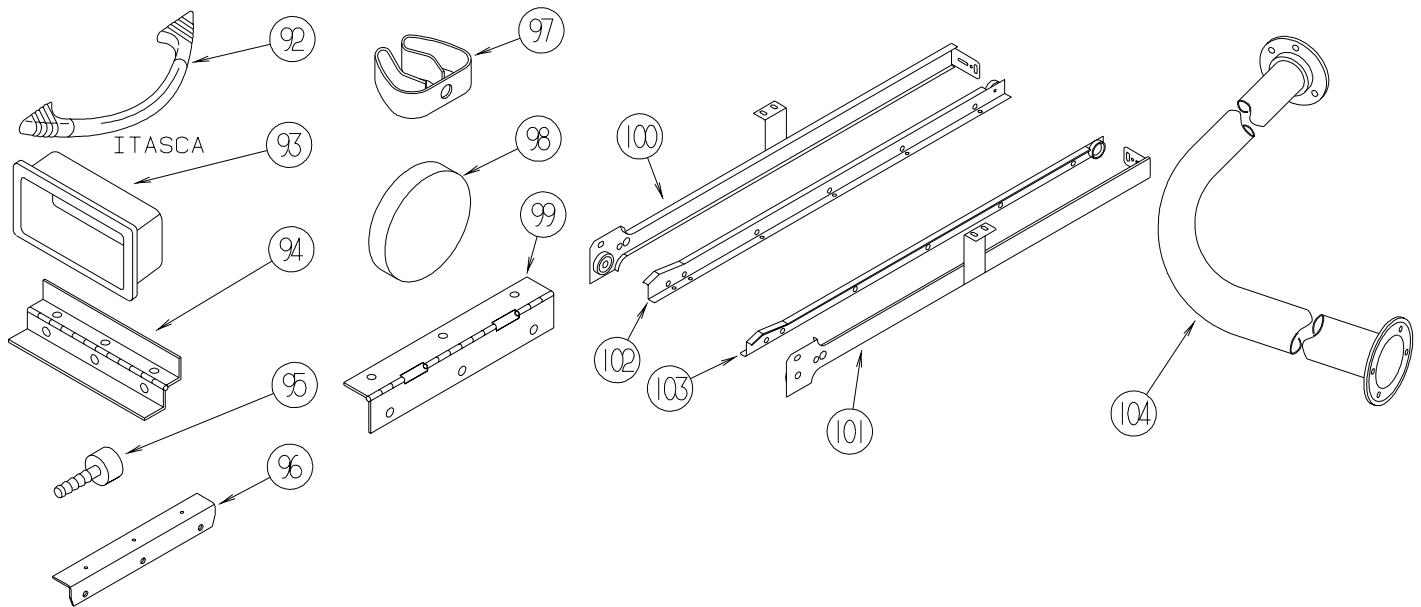
KEY	PART NUMBER	U/M	DESCRIPTION
56	115994-01-01A	EA	HANDLE - POCKET - RIALTA, 200-SERIES
57	117095-01-01A	EA	LATCH - DOOR - GRABBER W/KEEPER - PLASTIC - BLK-5 LB PULL
58	118200-01-01A	SF	MESH - PLASTIC 1/2" - 48" X LENGTH = SF - BLACK
58	118200-07-01A	SF	MESH - PLASTIC 1/2" - 10.5" X 24.7" - BLACK
59	118933-01-01A	EA	SUPPORT - HINGE LOCK
60	124311-01-01A	EA	HANDLE - RECESSED - BRASS
61	125221-01-01A	EA	PULL - MIRROR - W/ROUND HANDLE
62	126263-06-02B	EA	BRACKET - GAS SPRING W/INSIDE BALL STUD - E-COATED
63	127349-01-01A	EA	LATCH - PADDLE - RIALTA, 200-SERIES
64	128810-01-01A	EA	SLIDE - DRAWER - 12" - LEFT CABINET
64	128810-05-01A	EA	SLIDE - DRAWER - 14" - LEFT CABINET
64	128810-09-01A	EA	SLIDE - DRAWER - 16" - LEFT CABINET
64	128810-13-01A	EA	SLIDE - DRAWER - 18" - LEFT CABINET
64	128810-17-01A	EA	SLIDE - DRAWER - 20" - LEFT CABINET
64	128810-21-01A	EA	SLIDE - DRAWER - 22" - LEFT CABINET
64	128810-25-01A	EA	SLIDE - DRAWER - 24" - LEFT CABINET
64	128810-29-01A	EA	SLIDE - DRAWER - 9" - LEFT CABINET
65	128810-02-01A	EA	SLIDE - DRAWER - 12" - RIGHT CABINET
65	128810-06-01A	EA	SLIDE - DRAWER - 14" - RIGHT CABINET
65	128810-10-01A	EA	SLIDE - DRAWER - 16" - RIGHT CABINET
65	128810-10-01A	EA	SLIDE - DRAWER - 16" - RIGHT CABINET
65	128810-14-01A	EA	SLIDE - DRAWER - 18" - RIGHT CABINET
65	128810-18-01A	EA	SLIDE - DRAWER - 20" - RIGHT CABINET
65	128810-22-01A	EA	SLIDE - DRAWER - 22" - RIGHT CABINET
65	128810-26-01A	EA	SLIDE - DRAWER - 24" - RIGHT CABINET
65	128810-30-01A	EA	SLIDE - DRAWER - 9" - RIGHT CABINET
66	128810-03-01A	EA	SLIDE - DRAWER - 12" - LEFT DRAWER
66	128810-07-01A	EA	SLIDE - DRAWER - 14" - LEFT DRAWER
66	128810-11-01A	EA	SLIDE - DRAWER - 16" - LEFT DRAWER
66	128810-15-01A	EA	SLIDE - DRAWER - 18" - LEFT DRAWER
66	128810-19-01A	EA	SLIDE - DRAWER - 20" - LEFT DRAWER
66	128810-23-01A	EA	SLIDE - DRAWER - 22" - LEFT DRAWER
66	128810-27-01A	EA	SLIDE - DRAWER - 24" - LEFT DRAWER
66	128810-31-01A	EA	SLIDE - DRAWER - 9" - LEFT DRAWER
67	128810-04-01A	EA	SLIDE - DRAWER - 12" - RIGHT DRAWER
67	128810-08-01A	EA	SLIDE - DRAWER - 14" - RIGHT DRAWER
67	128810-12-01A	EA	SLIDE - DRAWER - 16" - RIGHT DRAWER
67	128810-16-01A	EA	SLIDE - DRAWER - 18" - RIGHT DRAWER
67	128810-20-01A	EA	SLIDE - DRAWER - 20" - RIGHT DRAWER
67	128810-24-01A	EA	SLIDE - DRAWER - 22" - RIGHT DRAWER
67	128810-28-01A	EA	SLIDE - DRAWER - 24" - RIGHT DRAWER
67	128810-32-01A	EA	SLIDE - DRAWER - 9" - RIGHT DRAWER
68	128811-01-01A	EA	BACKSOCKET - ADJUSTABLE - LEFT
69	128811-02-01A	EA	BACKSOCKET - ADJUSTABLE - RIGHT

INTERIOR FINISH GROUP (CONTINUED) HARDWARE (CONTINUED)



KEY	PART NUMBER	U/M	DESCRIPTION
68	128811-01-01A	EA	BACKSOCKET - ADJUSTABLE - LEFT
69	128811-02-01A	EA	BACKSOCKET - ADJUSTABLE - RIGHT
70	129703-01-01A	EA	CATCH ASSEMBLY (SPRING)
71	130120-01-01A	EA	BRACKET - MIRROR
72	130787-01-000	EA	TRACK - TAMBOUR DOOR/SPRING - 15.9"
72	130787-02-000	EA	TRACK - TAMBOUR DOOR/SPRING - 24"
72	130787-04-000	EA	TRACK - TAMBOUR DOOR - SPRING
73	131962-01-01A	EA	PULL - DOOR/DRAWER - POLISHED BRASS - SUNDANCER, ITASCA 400-SERIES ONLY
74	131963-01-01A	EA	PULL - DOOR/DRAWER - POLISHED BRASS - F, G, L, P & 400-SERIES WINNEBAGOS
75	131964-01-01A	EA	PULL - DOOR/DRAWER - POLISHED BRASS - 200, 300 & D-SERIES
76	131965-01-01A	EA	PULL - DOOR/DRAWER - 6.3" - BURNISHED BRASS - ULTIMATE ADVANTAGE & FREEDOM, Q-SERIES
77	132956-01-01A	EA	SLIDE - DRAWER - LEFT CABINET - 37.5"
77	132956-05-01A	EA	SLIDE - DRAWER - LEFT CABINET - 32"
78	132956-02-01A	EA	SLIDE - DRAWER - RIGHT CABINET - 37.5"
78	132956-06-01A	EA	SLIDE - DRAWER - RIGHT CABINET - 32"
79	132956-03-01A	EA	SLIDE - DRAWER - LEFT DRAWER - 37.5"
79	132956-07-01A	EA	SLIDE - DRAWER - LEFT DRAWER - 32"
80	132956-04-01A	EA	SLIDE - DRAWER - RIGHT DRAWER - 37.5"
80	132956-08-01A	EA	SLIDE - DRAWER - RIGHT DRAWER - 32"
81	133313-01-01A	EA	PULL - DOOR/DRAWER - BURNISHED BRASS
81	133313-01-02A	EA	PULL - DOOR/DRAWER - BRIGHT BRASS
82	133607-01-01A	EA	PULL - LATCH - BLACK PLASTIC
83	133892-01-01A	EA	SLIDE - DRAWER - LEFT CABINET - 16"
83	133892-06-01A	EA	SLIDE - DRAWER - LEFT CABINET - 22"
84	133892-02-01A	EA	SLIDE - DRAWER - RIGHT CABINET - 16"
84	133892-07-01A	EA	SLIDE - DRAWER - RIGHT CABINET - 22"
85	133892-03-01A	EA	SLIDE - DRAWER - LEFT DRAWER - 16"
85	133892-08-01A	EA	SLIDE - DRAWER - LEFT DRAWER - 22"
86	133892-04-01A	EA	SLIDE - DRAWER - RIGHT DRAWER - 16"
86	133892-09-01A	EA	SLIDE - DRAWER - RIGHT DRAWER - 22"
87	133892-05-01A	EA	SLIDE - DRAWER - FULL SET - 9"
88	133907-01-01A	EA	BACKSOCKET - RIGHT HAND
89	133907-02-01A	EA	BACKSOCKET - LEFT HAND
90	134649-01-02B	EA	SUPPORT - BACKSOCKET - E-COATED
91	134649-02-02B	EA	SUPPORT - BACKSOCKET - E-COATED

INTERIOR FINISH GROUP (CONTINUED)
HARDWARE (CONTINUED)



KEY	PART NUMBER	U/M	DESCRIPTION
92	137446-01-01A	EA	PULL - CABINET - CHROME/BRASS - F, G, L, P-SERIES ITASCAS
93	139136-01-01A	EA	HANDLE - RECESSED - 2.9" X 1.3"/2.7" X 1" X .7" C/O- BRASS
93	139136-02-01A	EA	HANDLE - RECESSED - 2.9" X 1.3"/2.7" X 1" X .4" C/O- BRASS
94	135538-01-01A	EA	HINGE - PIANO - FULL WRAP - BRASS PLATED
94	135538-02-01A	EA	HINGE - PIANO - FULL WRAP - STOCKER BRASS
94	135538-03-01A	EA	HINGE - PIANO - FULL WRAP - STOCKER BRASS
94	135538-04-01A	EA	HINGE - PIANO - FULL WRAP
94	135538-05-01A	EA	HINGE - PIANO - FULL WRAP
95	079921-01-000	EA	ROLLER - NYLON - W/STEEL SHAFT - BARBED
96	089025-01-000	EA	SUPPORT - SPRING TO BED - ANGLE 1.5" X 11.8"
97	091952-01-000	EA	CLIP - GRIPPER - 1"
98	122717-01-01A	EA	PAD - NON SKID - 4" DIAMETER ROUND
99	129753-01-01A	EA	HINGE - SPRING LOADED - 19" X 19" - BLACK
100	139566-01-01A	EA	SLIDE - DRAWER - 37.5" - LEFT CABINET
100	139566-05-01A	EA	SLIDE - DRAWER - 32" - LEFT CABINET
101	139566-02-01A	EA	SLIDE - DRAWER - 37.5" - RIGHT CABINET
101	139566-06-01A	EA	SLIDE - DRAWER - 32" - RIGHT CABINET
102	139566-03-01A	EA	SLIDE - DRAWER - 37.5" - LEFT DRAWER
102	139566-07-01A	EA	SLIDE - DRAWER - 32" - LEFT DRAWER
103	139566-04-01A	EA	SLIDE - DRAWER - 37.5" - RIGHT DRAWER
103	139566-08-01A	EA	SLIDE - DRAWER - 32" - RIGHT DRAWER
104	140494-01-02A	EA	ROD - SHOWER - SOFT WHITE
104	140494-01-01A	EA	ROD - SHOWER

LABELS GROUP

SEWAGE

KEY PART NUMBER U/M DESCRIPTION
006187-01-000 EA LABEL - SEWAGE

WASTE WATER

KEY PART NUMBER U/M DESCRIPTION
006188-01-000 EA LABEL - WASTE WATER

EXIT

KEY PART NUMBER U/M DESCRIPTION
039290-01-000 EA LABEL - WARNING - EXIT

↑
OPEN

KEY PART NUMBER U/M DESCRIPTION
040944-01-000 EA LABEL - ENTRANCE DOOR - "OPEN"

CAUTION

THIS MOTOR HOME HAS BEEN DESIGNED, MANUFACTURED AND TESTED WITH CONCERN FOR THE PROTECTION OF IT'S OCCUPANTS. WE RECOMMEND YOU PERFORM THE FOLLOWING INSPECTIONS FOR YOUR SAFETY AND THE SAFETY OF YOUR PASSENGERS BEFORE STARTING YOUR VEHICLE.

1. LP GAS SYSTEM- TURN OFF AT TANK FOR TRAVELING. TEST FOR LEAKS UPON ARRIVAL AT DESTINATION. BEFORE LIGHTING PILOTS.
2. WHEELS- INSPECT FOR DAMAGE AND CHECK LUG NUTS FOR TIGHTNESS.
3. TIRES- INSPECT FOR WEAR AND DAMAGE AND CHECK FOR RECOMMENDED AIR PRESSURE.
4. LIGHTING- TEST FOR PROPER OPERATION OF ALL INTERIOR AND EXTERIOR LIGHTS INCLUDING DASH LIGHTS, HEADLIGHTS, TAIL LIGHTS, BRAKE LIGHTS, CLEARANCE LIGHTS AND TURN SIGNALS.
5. EXITS- INSPECT RELEASE MECHANISM ON EMERGENCY EXIT WINDOW. TEST BOTH LOCKS ON MAIN ENTRANCE DOOR FOR EASE OF OPERATION AND INSTRUCT PASSENGERS HOW TO USE BOTH MEANS OF EXIT.
6. SEAT BELTS- DIRECT PASSENGERS TO DESIGNATED SEATS AND REQUIRE USE OF SEAT BELTS.
7. APPLIANCES- TURN OFF AND LATCH OR LOCK DOORS WHERE PROVIDED.
8. LOOSE PARCELS- STORE SECURELY.
9. UTILITY SUPPLY LINES- DISCONNECT ALL ELECTRIC, SEWER AND WATER LINES AND SECURE PROPERLY.
10. ENTRANCE DOOR STEP- PLACE IN RETRACTED POSITION FOR TRAVELING.

READ YOUR MOTOR HOME AND CHASSIS OWNER'S
MANUAL FOR FURTHER PRECAUTIONS

KEY PART NUMBER U/M DESCRIPTION
056259-01-000 EA LABEL - SAFETY CHECK LIST

UNLEADED FUEL ONLY

KEY PART NUMBER U/M DESCRIPTION
062043-01-000 EA LABEL - FUEL - UNLEADED

LABELS GROUP (CONTINUED)

WARNING DISCONNECT BATTERIES BEFORE
CONNECTING EXTERNAL CHARGING EQUIPMENT.

KEY PART NUMBER U/M DESCRIPTION
065748-01-000 EA LABEL - CAUTION - BATTERY CHARGING

AVERTISSEMENT : DEBRANCHER LES BATTERIES AVANT
DE BRANCHER TOUT EQUIPEMENT DE CHARGE EXTERIEUR.

KEY PART NUMBER U/M DESCRIPTION
065748-02-000 EA LABEL - WARNING - BATTERY/FRENCH - CANADIAN

DIESEL FUEL ONLY

KEY PART NUMBER U/M DESCRIPTION
068383-01-000 EA LABEL - DIESEL FUEL

VEHICLE EMISSION CONTROL INFORMATION

THIS VEHICLE CONFORMS TO U.S. EPA
REGULATIONS APPLICABLE TO XXXX MODEL
YEAR NEW VEHICLES.

072887-01-000-2 CATALYST

KEY PART NUMBER U/M DESCRIPTION
072887-13-000 EA LABEL - EPA - 2001 MODEL YEAR

IF YOU SMELL GAS

1. EXTINGUISH ANY OPEN FLAME, PILOT LIGHTS AND ALL SMOKING MATERIALS.
2. DO NOT TOUCH ELECTRICAL SWITCHES.
3. SHUT OFF THE GAS SUPPLY AT THE TANK VALVE(S) OR GAS SUPPLY CONNECTION.
4. OPEN DOORS AND OTHER VENTILATING OPENINGS.
5. LEAVE THE AREA UNTIL ODOR CLEARS.
6. HAVE THE GAS SYSTEM CHECKED AND LEAKAGE SOURCE CORRECTED BEFORE USING AGAIN.

KEY PART NUMBER U/M DESCRIPTION
073998-01-000 EA LABEL - LPG ODOR WARNING

WARNING: TEST SMOKE DETECTOR
OPERATION AFTER VEHICLE HAS BEEN IN
STORAGE, BEFORE EACH TRIP AND AT
LEAST ONCE PER WEEK DURING USE.

KEY PART NUMBER U/M DESCRIPTION
077956-01-000 EA LABEL - WARNING - SMOKE DETECTOR

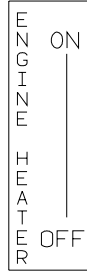
WARNING
MUST BE STOWED
IN LATCHED POSITION
WHILE VEHICLE IS IN MOTION

KEY PART NUMBER U/M DESCRIPTION
079966-01-000 EA LABEL - WARNING - STOWED - MOTION

LABELS GROUP (CONTINUED)



KEY PART NUMBER U/M DESCRIPTION
 083588-01-000 EA LABEL - ON/OFF - WATER HEATER



KEY PART NUMBER U/M DESCRIPTION
 083588-02-000 EA LABEL - ON/OFF - ENGINE HEATER

CAUTION	TO HELP AVOID PERSONAL INJURY DURING REMOVAL OF FUEL FILLER CAP, SLOWLY LOOSEN CAP 1/2 TURN TO ALLOW ANY FUEL PRESSURE TO BE RELIEVED BEFORE TURNING CAP FURTHER.
FUEL SPRAY MAY CAUSE PERSONAL INJURY	STOP ADDING FUEL AFTER FIRST SHUTOFF BY AUTOMATIC NOZZLE WHEN TANK IS NEARLY FULL. DO NOT OVERFILL FUEL TANK. SEE OWNERS MANUAL FOR ADDITIONAL INFORMATION. <small>PRINTED IN U.S.A. WLC PT NO 15611763</small>

KEY PART NUMBER U/M DESCRIPTION
 087207-05-000 EA LABEL - FUEL CAP REMOVAL



KEY PART NUMBER U/M DESCRIPTION
 087236-01-000 EA LABEL - CABLE - INPUT

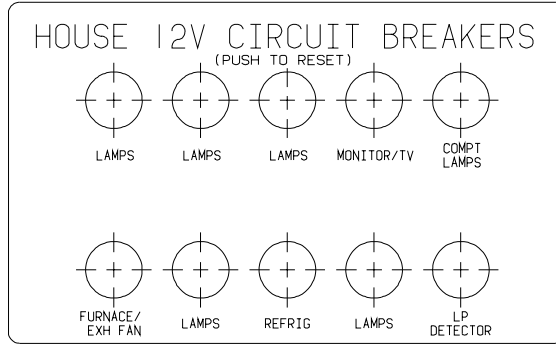


KEY PART NUMBER U/M DESCRIPTION
 087236-02-000 EA LABEL - TV OUTLET

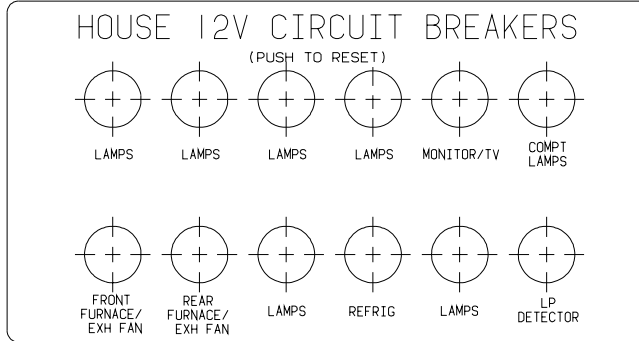
AIR CONDITIONING CIRCUIT.
 THIS CONNECTION IS FOR
 AIR CONDITIONERS RATED 110-
 125 VOLT AC, 60 HZ, 16
 AMPERES MAXIMUM. DO NOT
 EXCEED CIRCUIT RATING.

KEY PART NUMBER U/M DESCRIPTION
 091243-01-000 EA LABEL - A/C COVER "AIR CONDITIONING CIRCUIT ETC."

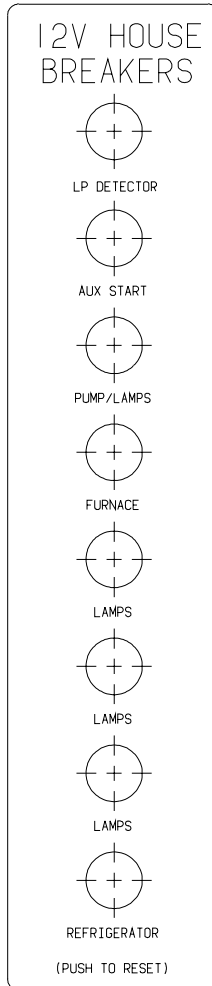
LABELS GROUP (CONTINUED)



KEY	PART NUMBER	U/M DESCRIPTION
	092547-06-000	EA LABEL - CIRCUIT BREAKER

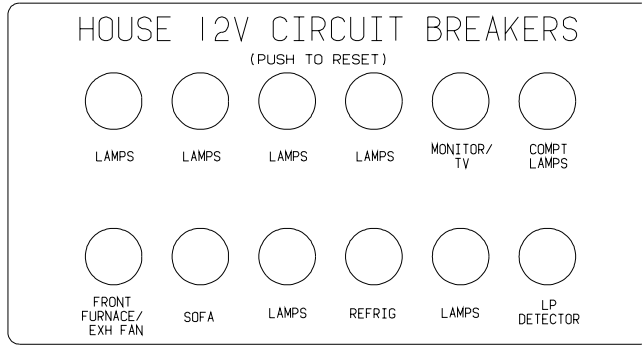


KEY	PART NUMBER	U/M DESCRIPTION
	092547-07-000	EA LABEL - CIRCUIT BREAKER

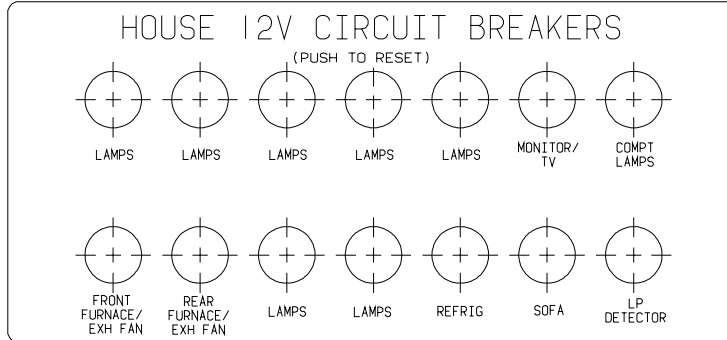


KEY	PART NUMBER	U/M DESCRIPTION
	092547-08-000	EA LABEL - CIRCUIT BREAKER

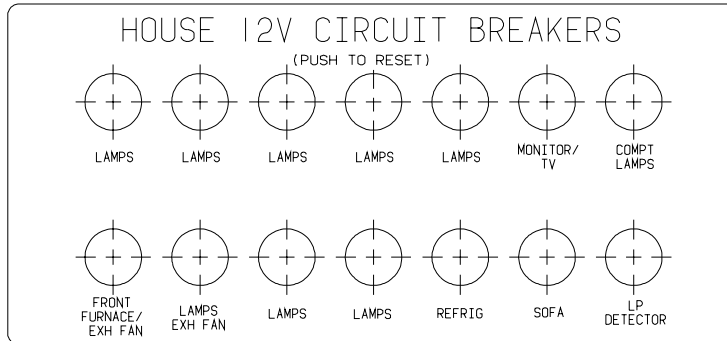
LABELS GROUP (CONTINUED)



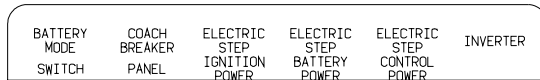
KEY PART NUMBER **U/M DESCRIPTION**
 092547-10-000 EA LABEL - CIRCUIT BREAKER



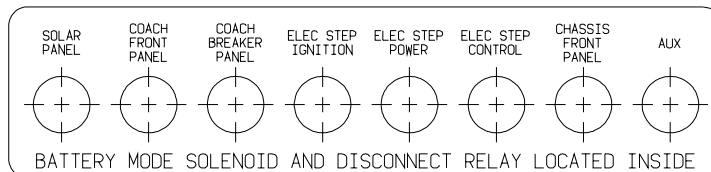
KEY PART NUMBER **U/M DESCRIPTION**
 092547-11-000 EA LABEL - CIRCUIT BREAKER



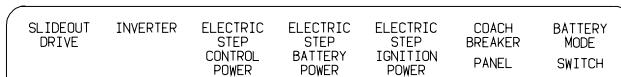
KEY PART NUMBER **U/M DESCRIPTION**
 092547-12-000 EA LABEL - CIRCUIT BREAKER



KEY PART NUMBER **U/M DESCRIPTION**
 093236-08-000 EA LABEL - CIRCUIT BREAKER

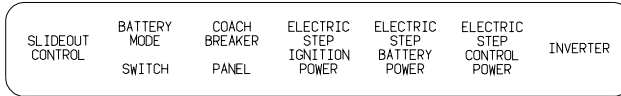


KEY PART NUMBER **U/M DESCRIPTION**
 093236-13-000 EA LABEL - CIRCUIT BREAKER

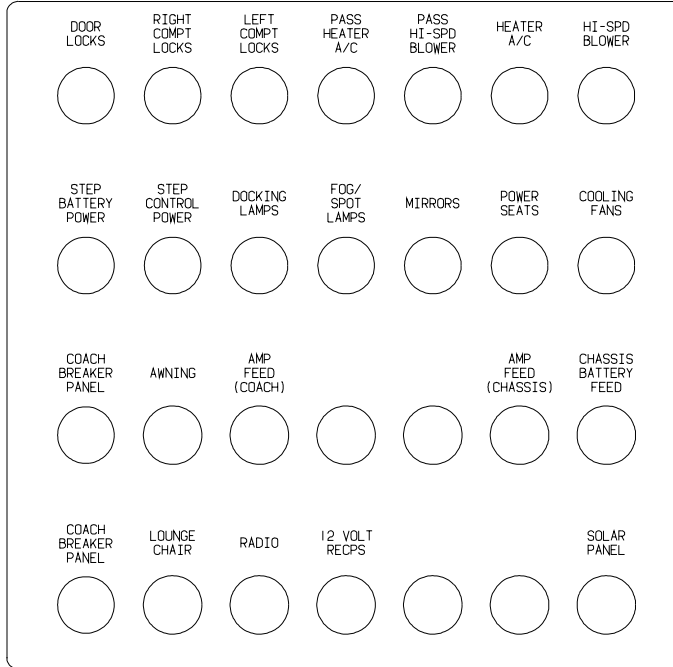


KEY PART NUMBER **U/M DESCRIPTION**
 093236-15-000 EA LABEL - CIRCUIT BREAKER

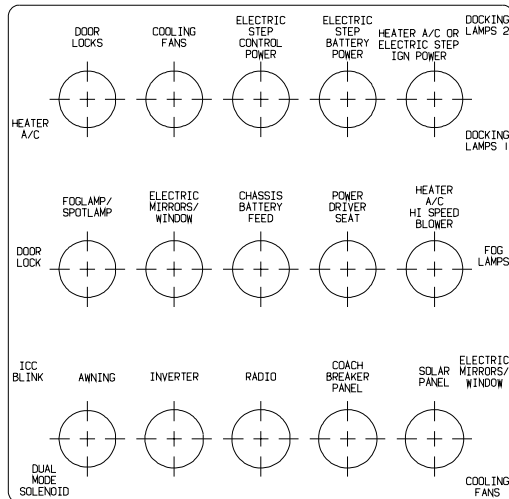
LABELS GROUP (CONTINUED)



KEY PART NUMBER U/M DESCRIPTION
 093236-21-000 EA LABEL - CIRCUIT BREAKER

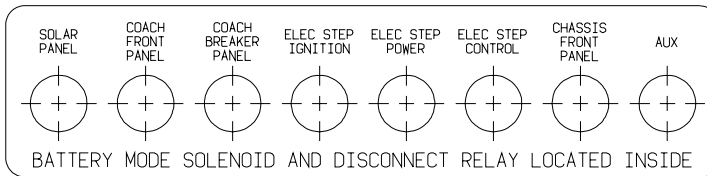


KEY PART NUMBER U/M DESCRIPTION
 093236-22-000 EA LABEL - CIRCUIT BREAKER

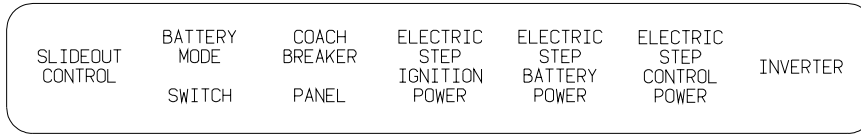


KEY PART NUMBER U/M DESCRIPTION
 093236-23-000 EA LABEL - CIRCUIT BREAKER - MAIN

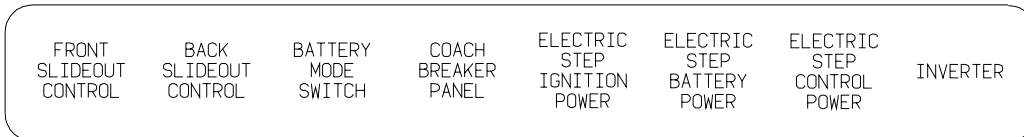
LABELS GROUP (CONTINUED)



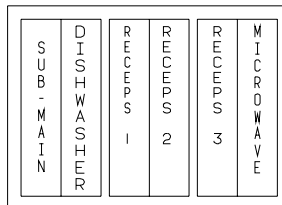
KEY PART NUMBER **U/M DESCRIPTION**
 093236-24-000 EA LABEL - CIRCUIT BREAKER



KEY PART NUMBER **U/M DESCRIPTION**
 093236-25-000 EA LABEL - CIRCUIT BREAKER



KEY PART NUMBER **U/M DESCRIPTION**
 093236-28-000 EA LABEL - CIRCUIT BREAKER



KEY PART NUMBER **U/M DESCRIPTION**
 095721-20-000 EA LABEL - CONTROL CENTER W/INVERTER



KEY PART NUMBER **U/M DESCRIPTION**
 095721-22-000 EA LABEL - CONTROL CENTER - 50 AMP

LABELS GROUP (CONTINUED)

A / C C I R C U I T 1	M A I N	A / C C I R C U I T 2	R E F F R I G / C O N V	M I C R O W A V E	R E C P S 1	R E C P S 2	R E C P S 3	W A S H E R / D R Y E R	W A T E R H E A T E R	
-----------------------------	---------	-----------------------------	-------------------------	-------------------	----------------	----------------	----------------	-------------------------	--------------------------	--

KEY PART NUMBER
095721-31-000

U/M DESCRIPTION
EA LABEL - CONTROL CENTER - 30 AMP - US

A / C C I R C U I T 1	M A I N	A / C C I R C U I T 2	I N V E R T E R / C H A R G E R	R E F F R I G E R A T O R	W A S H E R / D R Y E R	W A T E R H E A T E R	
-----------------------------	---------	-----------------------------	------------------------------------	---------------------------	-------------------------	--------------------------	--

KEY PART NUMBER
095721-32-000

U/M DESCRIPTION
EA LABEL - CONTROL CENTER - 30 AMP W/INVERTER

A / C C I R C U I T 1	M A I N	M A I N	A / C C I R C U I T 2	R E F F R I G / C O N V	M I C R O W A V E	R E C P S 1	R E C P S 2	R E C P S 3	W A S H E R / D R Y E R	W A T E R H E A T E R
-----------------------------	---------	---------	-----------------------------	-------------------------	-------------------	----------------	----------------	----------------	-------------------------	--------------------------

KEY PART NUMBER
095721-33-000

U/M DESCRIPTION
EA LABEL - CONTROL CENTER - 50 AMP - US

A / C C I R C U I T 1	M A I N	M A I N	A / C C I R C U I T 2	I N V E R T E R / C H A R G E R	R E F F R I G E R A T O R	W A S H E R / D R Y E R	W A T E R H E A T E R	
-----------------------------	---------	---------	-----------------------------	------------------------------------	---------------------------	-------------------------	--------------------------	--

KEY PART NUMBER
095721-34-000

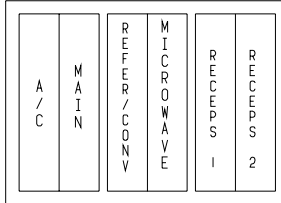
U/M DESCRIPTION
EA LABEL - CONTROL CENTER - 50 AMP

M A I N	M I C R O W A V E	G F I / R E C E P S	R E F E R / C O N V	W A T E R H T R	A / C
---------	-------------------	---------------------	---------------------	--------------------	-------

KEY PART NUMBER
095721-38-000

U/M DESCRIPTION
EA LABEL - CONTROL CENTER - 30 AMP - US

LABELS GROUP (CONTINUED)



KEY PART NUMBER U/M DESCRIPTION
 095721-40-000 EA LABEL - CONTROL CENTER

AUTOMOTIVE AND COACH
CIRCUIT BREAKERS

KEY PART NUMBER U/M DESCRIPTION
 098379-01-000 EA LABEL - CIRCUIT BREAKER - FRONT BOX

CIRCUIT BREAKERS
AND AUTOMOTIVE
FUSE PANEL

KEY PART NUMBER U/M DESCRIPTION
 098379-03-000 EA LABEL - ELECTRICAL BOX - FRONT

BATTERY MODE
SOLENOID AND
RELAYS

KEY PART NUMBER U/M DESCRIPTION
 098379-04-000 EA LABEL - ELECTRICAL BOX - SIDE

UNLEADED
FUEL ONLY

KEY PART NUMBER U/M DESCRIPTION
 098641-01-000 EA LABEL - FUEL - UNLEADED - DASH

FOR AWNING INSTALLATION
CONTACT YOUR MOTORHOME
DEALERSHIP

KEY PART NUMBER U/M DESCRIPTION
 099509-01-000 EA LABEL - AWNING INSTALLATION

WARNING
 THIS VEHICLE, LIKE OTHER
VEHICLES, MAY CONTAIN SMALL
AMOUNTS OF ONE OR MORE
SUBSTANCES WHICH ARE LISTED
BY THE STATE OF CALIFORNIA
FOR CAUSING CANCER OR
REPRODUCTIVE TOXICITY.

KEY PART NUMBER U/M DESCRIPTION
 099689-01-000 EA LABEL - WARNING - CANCER/TOXICITY

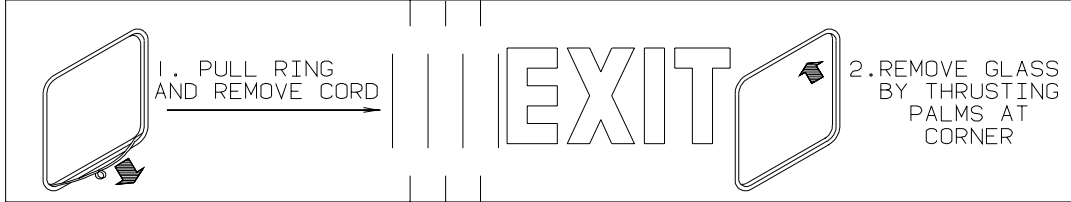
LABELS GROUP (CONTINUED)

NOTE: TUNE ANTENNA
PER MANUFACTURER'S
DIRECTIONS. FAILURE TO
COMPLY COULD RESULT IN
DAMAGE TO CB.

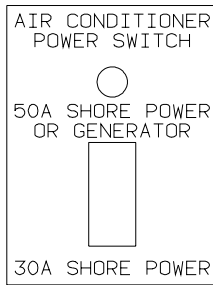
CB POWER PROVISION

RED +12 V
BLACK GROUND
COAX ANTENNA
(SEE REVERSE ALSO)

KEY PART NUMBER U/M DESCRIPTION
104678-01-000 EA LABEL - CB PREP



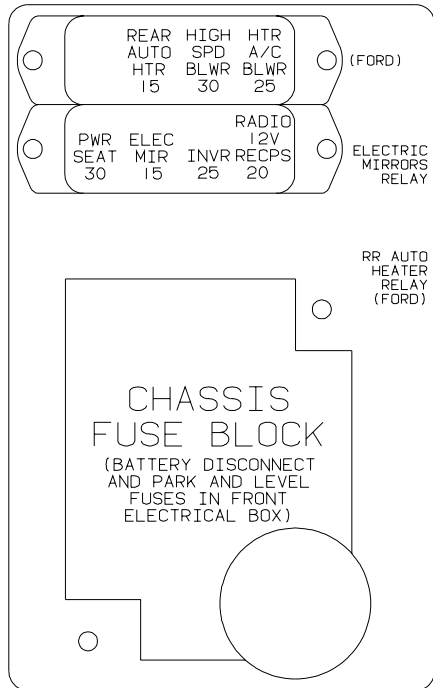
KEY PART NUMBER U/M DESCRIPTION
107571-01-000 EA LABEL - EXIT/ESCAPE WINDOW



KEY PART NUMBER U/M DESCRIPTION
109051-02-000 EA LABEL - SWITCH - 50 AMP POWER

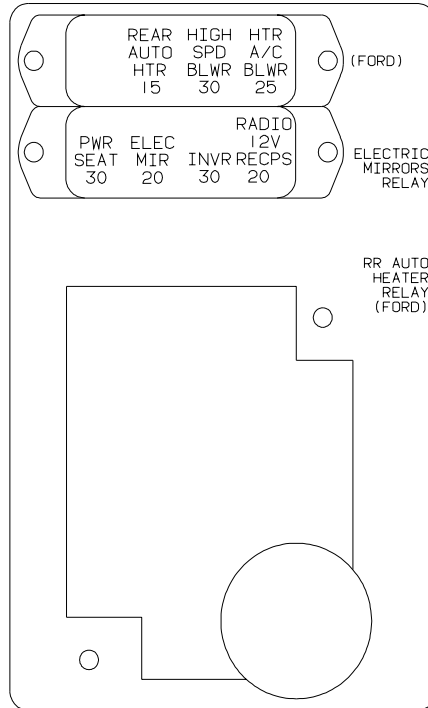


KEY PART NUMBER U/M DESCRIPTION
111104-01-000 EA LABEL - HITCH - READ MANUAL - WHITE



KEY PART NUMBER U/M DESCRIPTION
111537-08-000 EA LABEL - FUSES

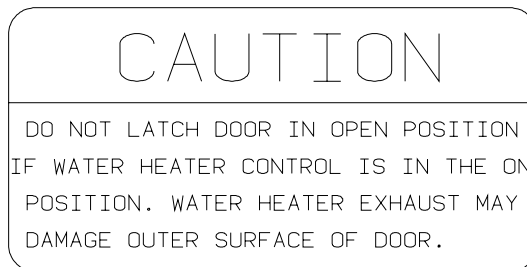
LABELS GROUP (CONTINUED)



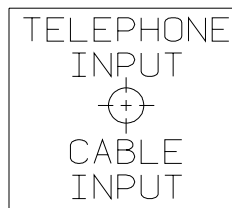
KEY PART NUMBER U/M DESCRIPTION
 111537-09-000 EA LABEL - FUSES

WARNING: CONTAINS "CFC" A SUBSTANCE WHICH HARMS
 PUBLIC HEALTH AND ENVIRONMENT BY DESTROYING
 OZONE IN THE UPPER ATMOSPHERE.

KEY PART NUMBER U/M DESCRIPTION
 111802-01-000 EA LABEL - CFC WARNING

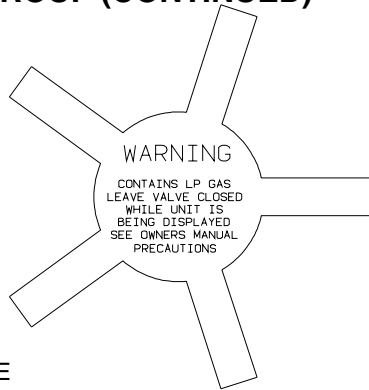


KEY PART NUMBER U/M DESCRIPTION
 113402-01-000 EA LABEL - CAUTION - WATER HEATER EXHAUST



KEY PART NUMBER U/M DESCRIPTION
 114866-02-000 EA LABEL - PHONE & CABLE INPUT - WHITE/CLEAR BACKGROUND
 114866-03-000 EA LABEL - PHONE & CABLE INPUT - BLACK/CLEAR BACKGROUND

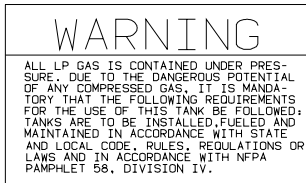
LABELS GROUP (CONTINUED)



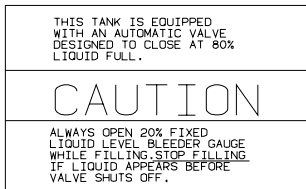
KEY PART NUMBER U/M DESCRIPTION
 115600-01-000 EA LABEL - WARNING LPG VALVE

WARNING: REPLACE TIRE ONLY WITH ONE OF EXACTLY SAME TYPE AND RATING. DO NOT REPLACE WITH PASSENGER CAR TIRE. SEE OPERATOR'S MANUAL FOR MORE INFORMATION CALL WINNEBAGO OWNER RELATIONS AT 1-800-537-1885.

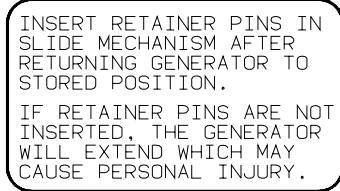
KEY PART NUMBER U/M DESCRIPTION
 115869-01-000 EA LABEL - WARNING - TIRE



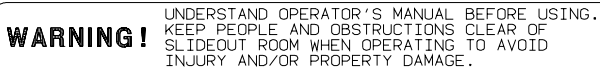
KEY PART NUMBER U/M DESCRIPTION
 116112-01-000 EA LABEL - WARNING - LP



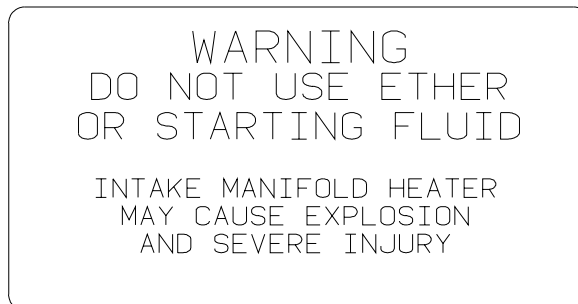
KEY PART NUMBER U/M DESCRIPTION
 116113-01-000 EA LABEL - CAUTION - LP



KEY PART NUMBER U/M DESCRIPTION
 116273-01-000 EA LABEL - WARNING - GENERATOR

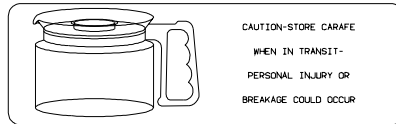


KEY PART NUMBER U/M DESCRIPTION
 116549-01-000 EA LABEL - WARNING - SLIDEOUT



KEY PART NUMBER U/M DESCRIPTION
 116756-02-000 EA LABEL - WARNING - ETHER/STARTING

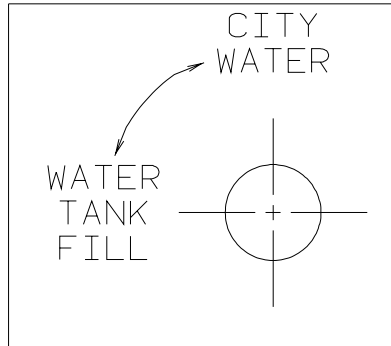
LABELS GROUP (CONTINUED)



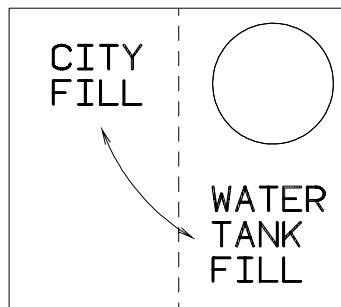
KEY PART NUMBER U/M DESCRIPTION
116829-02-000 EA LABEL - COFFEEMAKER



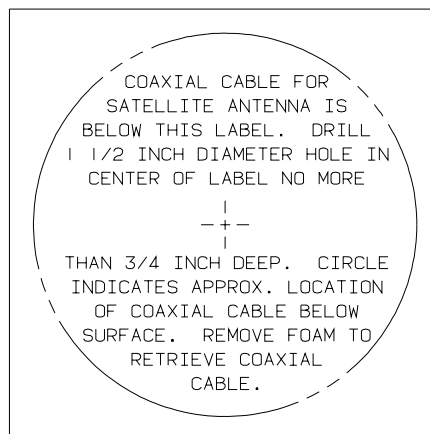
KEY PART NUMBER U/M DESCRIPTION
117628-02-000 EA LABEL - SWITCH - WATER PUMP/LIGHTS-WHITE/CLEAR BACKGROUND



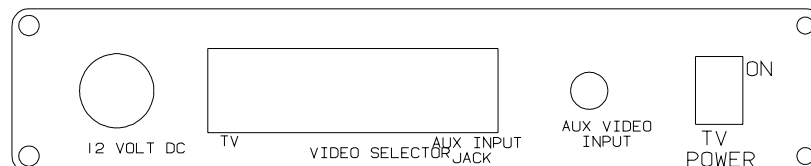
KEY PART NUMBER U/M DESCRIPTION
117629-03-000 EA LABEL - WATER PUMP/FILL-BLK LETTERS/CLEAR BACKGROUND-.31"



KEY PART NUMBER U/M DESCRIPTION
117629-04-000 EA LABEL - CITY WATER/TANK FILL



KEY PART NUMBER U/M DESCRIPTION
120431-01-000 EA LABEL - LOCATION - COAXIAL CABLE/SATELLITE ANTENNA



KEY PART NUMBER U/M DESCRIPTION
120677-01-000 EA LABEL - TV

LABELS GROUP (CONTINUED)

KEEP THE SERVICE INLET ACCESS
IN THE CLOSED POSITION WHEN
UTILITY CONNECTIONS ARE NOT IN USE

KEY	PART NUMBER	U/M	DESCRIPTION
	123562-01-000	EA	LABEL - SERVICE/UTILITY ACCESS

WARNING

ALL PILOT LIGHTS, APPLIANCES AND THEIR
IGNITORS (SEE OPERATING INSTRUCTIONS) SHALL
BE TURNED OFF DURING REFUELING OF MOTOR
FUEL TANKS AND/OR LP GAS CONTAINERS

KEY	PART NUMBER	U/M	DESCRIPTION
	124519-01-01A	EA	LABEL - WARNING/REFUELING - BLACK ON CLEAR
	124519-01-02A	EA	LABEL - WARNING/REFUELING - WHITE ON CLEAR

WARNING:

ALL PILOT LIGHTS AND APPLIANCES SHALL BE TURNED
OFF DURING REFUELING OF MOTOR FUEL TANKS AND/
OR PROPANE CONTAINERS.

AVERTISSEMENT :

FERMER TOUTES LES VEILLEUSES AINSI QUE TOUS LES
APPAREILS LORSQU'ON FAIT LE PLEIN DES RESERVOIRS
À CARBURANT OU À PROPANE.

124519-02

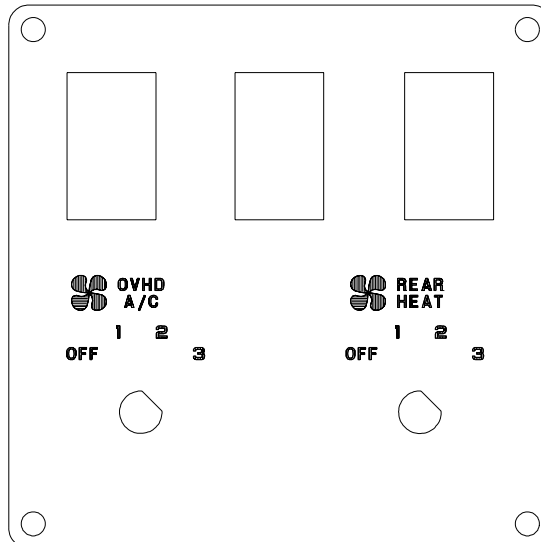
KEY	PART NUMBER	U/M	DESCRIPTION
	124519-02-01A	EA	LABEL - WARNING/REFUELING - BLACK ON CLEAR - CSA
	124519-02-02A	EA	LABEL - WARNING/REFUELING - WHITE ON CLEAR - CSA

LP-GAS SYSTEM
THIS GAS PIPING SYSTEM IS
DESIGNED FOR USE OF
LIQUIFIED PETROLEUM GAS
ONLY. DO NOT CONNECT
NATURAL GAS TO THIS
SYSTEM.

SECURE CAP INLET(S) WHEN NOT
CONNECTED FOR USE. AFTER TURNING
ON GAS, EXCEPT AFTER NORMAL
CONTAINER REPLACEMENT, TEST GAS
PIPING AND CONNECTIONS TO
APPLIANCES FOR LEAKAGE WITH SOAPY
WATER OR BUBBLE SOLUTION. DO NOT
USE PRODUCTS THAT CONTAIN AMMONIA
OR CLORINE.

124520

KEY	PART NUMBER	U/M	DESCRIPTION
	124520-01-01A	EA	LABEL - LP GAS ONLY - BLACK ON CLEAR
	124520-01-02A	EA	LABEL - LP GAS ONLY - WHITE ON CLEAR



KEY	PART NUMBER	U/M	DESCRIPTION
	124572-01-000	EA	LABEL - SWITCHES

LABELS GROUP (CONTINUED)

THIS CONNECTION IS FOR
(B) VOLT AC, 60 HZ (CYCLES)
(A) AMPERE SUPPLY

DO NOT CONNECT TO
HIGHER VOLTAGE

KEY	PART NUMBER	U/M	DESCRIPTION
	125306-01-01A	EA	LABEL - ELECTRICAL ENTRANCE - 110V 30 AMP - BLACK ON CLEAR
	125306-01-02A	EA	LABEL - ELECTRICAL ENTRANCE - 110V 30 AMP - WHITE ON CLEAR

THIS CONNECTION IS FOR
(B) VOLT AC, 3-POLE, 4 WIRE
60 HZ (CYCLES), (A) AMPERE SUPPLY

DO NOT CONNECT TO
HIGHER VOLTAGE

KEY	PART NUMBER	U/M	DESCRIPTION
	125306-04-01A	EA	LABEL-ELECTRICAL ENTRANCE-120/240V 50 AMP-BLACK ON CLEAR
	125306-04-02A	EA	LABEL - ELECTRICAL ENTRANCE-120/240V 50 AMP-WHITE ON CLEAR



KEY	PART NUMBER	U/M	DESCRIPTION
	125697-07-000	EA	LABEL - CAUTION - FLUSHING SYSTEM

REMOVE PRIMARY TIRE HANGER BEFORE USING
SPARE TIRE HOIST-SEE OWNERS MANUAL- PERSONAL
INJURY MAY RESULT IF NOT FOLLOWED

KEY	PART NUMBER	U/M	DESCRIPTION
	126024-01-01A	EA	LABEL - TIRE HANGER REMOVAL

GRAY HOLDING TANK

KEY	PART NUMBER	U/M	DESCRIPTION
	126247-05-000	EA	LABEL - GRAY HOLDING TANK-BLACK LETTERS/CLEAR BACKGROUND

BLACK HOLDING TANK

KEY	PART NUMBER	U/M	DESCRIPTION
	126247-06-000	EA	LABEL - BLACK HOLDING TANK-BLACK LETTERS/CLEAR BACKGROUND

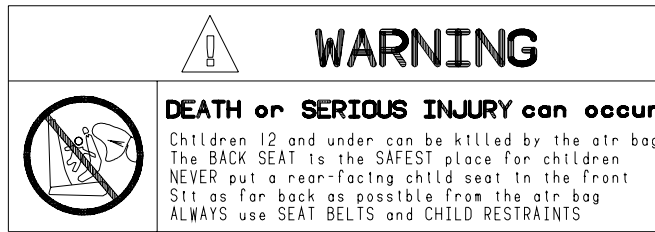
EXTERIOR SHOWER

KEY	PART NUMBER	U/M	DESCRIPTION
	126248-03-000	EA	LABEL - EXTERIOR SHOWER

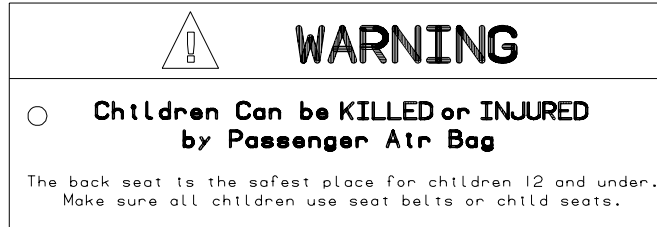
CITY WATER FILL

KEY	PART NUMBER	U/M	DESCRIPTION
	126249-03-000	EA	LABEL - CITY WATER FILL-BLK LETTERS/CLEAR BACKGROUND .31"

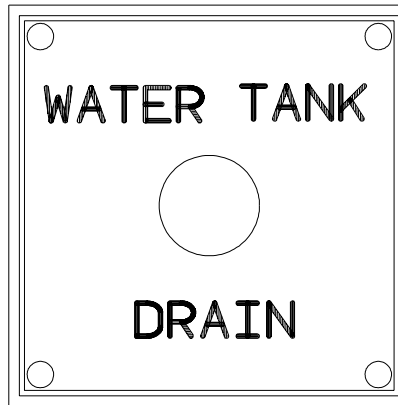
LABEL GROUP (CONTINUED)



KEY PART NUMBER U/M DESCRIPTION
 126611-01-000 EA LABEL - AIR BAG - VISOR



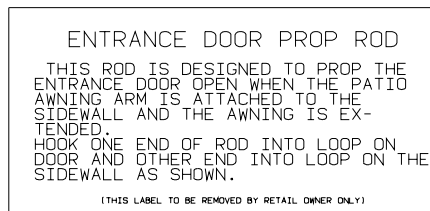
KEY PART NUMBER U/M DESCRIPTION
 126612-01-000 EA LABEL - HANG TAG - AIR BAG - DASH



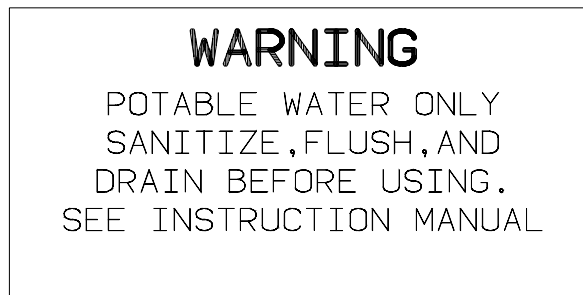
KEY PART NUMBER U/M DESCRIPTION
 127170-01-000 EA LABEL - WATER TANK DRAIN



KEY PART NUMBER U/M DESCRIPTION
 128218-01-01A EA LABEL - WARNING - SLIPPERY ROOF

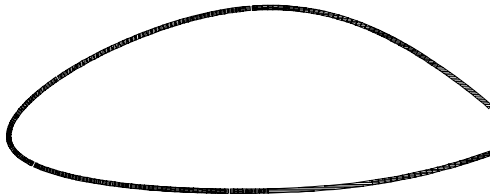


KEY PART NUMBER U/M DESCRIPTION
 128658-01-000 EA LABEL - PROP ROD - ENTRY DOOR



KEY PART NUMBER U/M DESCRIPTION
 128725-01-01A EA LABEL - POTABLE WATER ONLY - BLACK ON CLEAR

LABELS GROUP (CONTINUED)



ATTENTION
 REMEMBER TO DETACH THE OTHER TRAVEL LATCH LOCATED IN GALLEY CABINET BEFORE EXTENDING THIS ROOM.

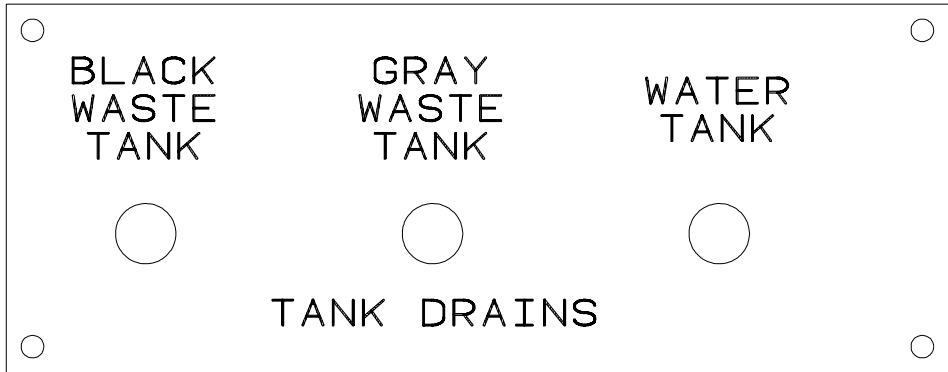
KEY PART NUMBER U/M DESCRIPTION
 129033-01-000 EA LABEL - HANG TAG - TRAVEL LATCH - 1.5" X 3"

TOW VEHICLE RATING MAY BE LESS THAN HITCH RATING.
 MAXIMUM VERTICAL HITCH LOAD: 350 LBS
 DO NOT EXCEED REAR AXLE RATING.
 SEE OWNER'S MANUAL FOR ADDITIONAL INFORMATION.

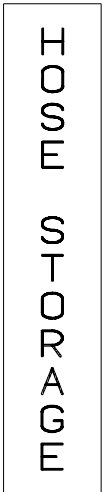
KEY PART NUMBER U/M DESCRIPTION
 129669-01-01A EA LABEL - HITCH/VEHICLE RATE - 350 - WHITE ON CLEAR
 129669-02-01A EA LABEL - HITCH/VEHICLE RATE - 500- WHITE ON CLEAR
 129669-02-02A EA LABEL - HITCH/VEHICLE RATE - 500 - BLACK ON CLEAR

TIRE ROTATION
 SEE RIALTA OWNERS MANUAL
 SECTION 9

KEY PART NUMBER U/M DESCRIPTION
 129684-01-000 EA LABEL - TIRE ROTATION



KEY PART NUMBER U/M DESCRIPTION
 130166-01-000 EA LABEL - DRAIN



KEY PART NUMBER U/M DESCRIPTION
 130167-02-000 EA LABEL - HOSE STORAGE



KEY PART NUMBER U/M DESCRIPTION
 130168-01-000 EA LABEL - WASTE TANK FLUSH

LABELS GROUP (CONTINUED)

MONITOR WATER
PANEL LIGHT PUMP

KEY PART NUMBER U/M DESCRIPTION
130170-01-000 EA LABEL - SWITCH PANEL - BLK/CLEAR BACKGROUND-1.8"H X 5.9"L

LIGHTS WATER
PUMP

KEY PART NUMBER U/M DESCRIPTION
130170-02-000 EA LABEL - SWITCH PANEL-BLK/CLEAR BACKGROUND-1.4"H X 3.9"L

WATER
PUMP

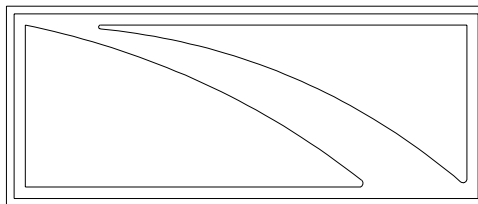
KEY PART NUMBER U/M DESCRIPTION
130170-03-000 EA LABEL - PANEL SWITCH

CAUTION:
OPEN A WINDOW OR VENT WHILE
OPERATING DRYER. IT IS DANGEROUS
TO CREATE A NEGATIVE AIR PRESSURE
INSIDE A VEHICLE CONTAINING
FUEL-BURNING APPLIANCES

KEY PART NUMBER U/M DESCRIPTION
130670-01-01A EA LABEL - CAUTION DRYER VENTING - BLACK ON CLEAR

PUSH TO
RELEASE
GENERATOR
SLIDE ASM

KEY PART NUMBER U/M DESCRIPTION
131779-01-01A EA LABEL - GENERATOR



KEY PART NUMBER U/M DESCRIPTION
132651-01-01A EA DECAL - MIRROR/GALLEY

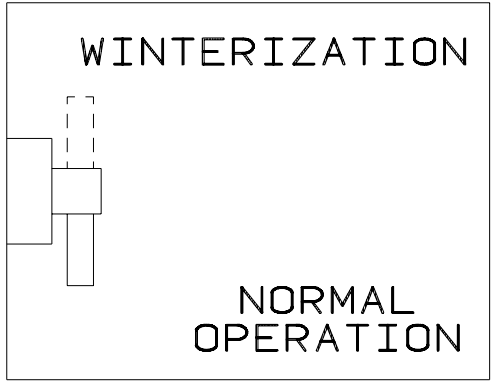
OPEN ○
DRAIN
CLOSED ○

KEY PART NUMBER U/M DESCRIPTION
133423-01-01A EA LABEL - DRAIN

LABELS GROUP (CONTINUED)



KEY PART NUMBER U/M DESCRIPTION
133424-01-01A EA LABEL - BYPASS - WATER HEATER



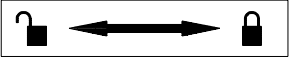
KEY PART NUMBER U/M DESCRIPTION
133425-01-01A EA LABEL - VALVE - WINTERIZATION



KEY PART NUMBER U/M DESCRIPTION
133533-01-01A EA LABEL - JACKS DOWN - CLEAR W/WHITE LETTERING

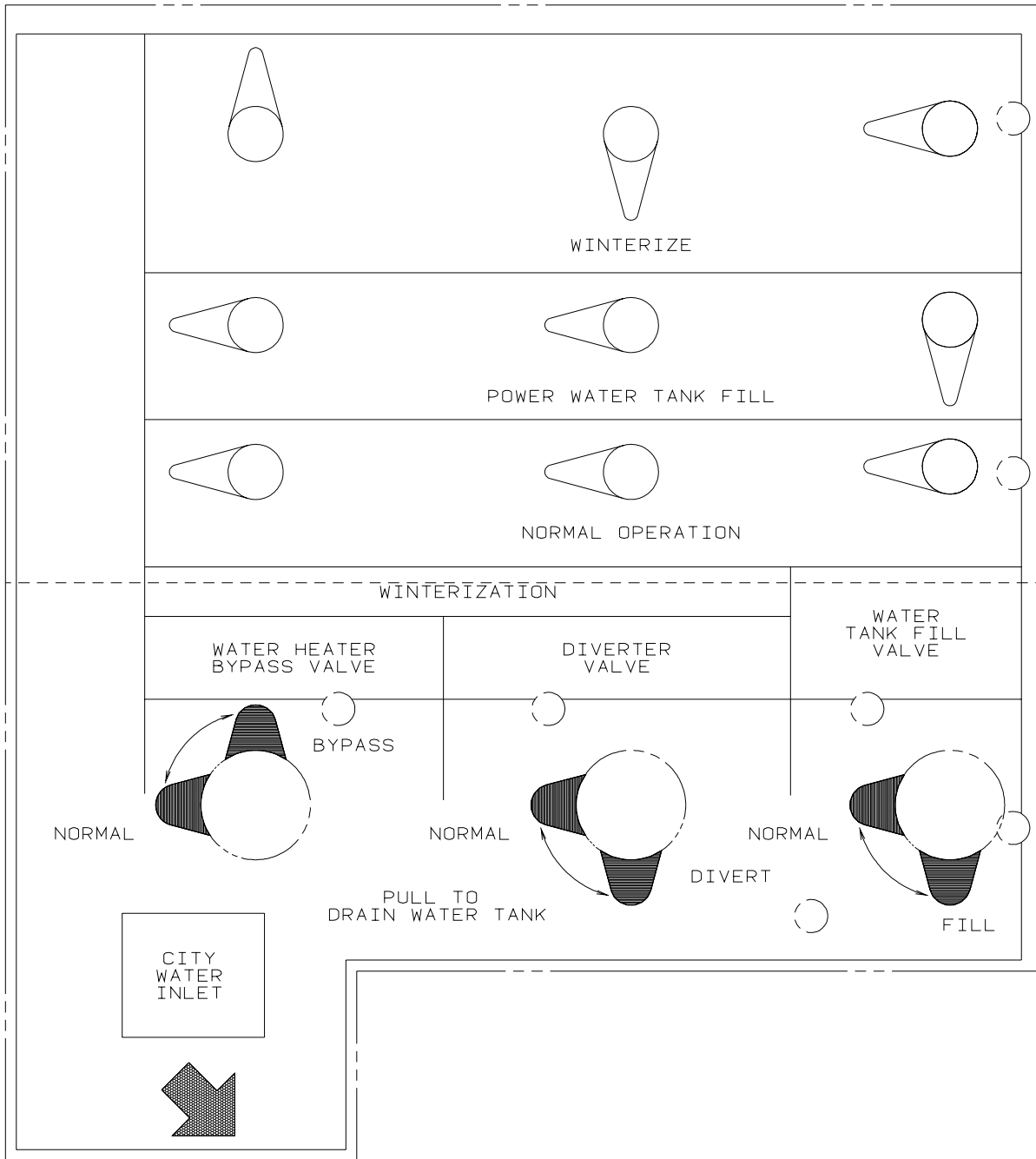


KEY PART NUMBER U/M DESCRIPTION
133533-02-01A EA LABEL - CHECK ANTENNA - CLEAR W/WHITE LETTERING



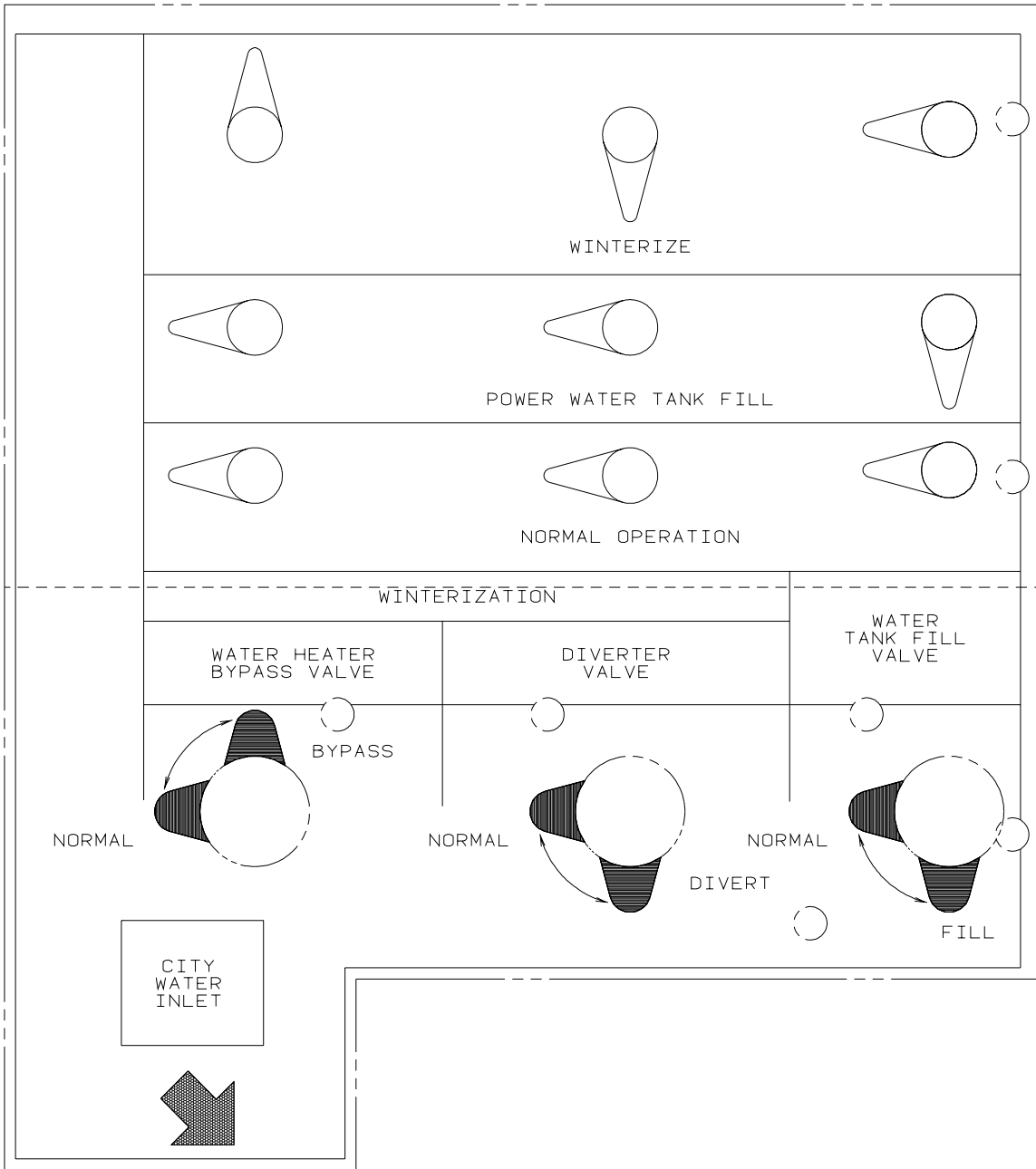
KEY PART NUMBER U/M DESCRIPTION
133533-03-01A EA LABEL - LOCK/UNLOCK - BLACK/WHITE

LABELS GROUP (CONTINUED)

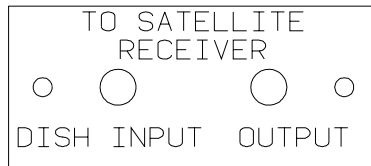


KEY	PART NUMBER	U/M	DESCRIPTION
	133629-01-01A	EA	LABEL - WATER CENTER

LABELS GROUP (CONTINUED)



KEY	PART NUMBER	U/M	DESCRIPTION
	133629-02-01A	EA	LABEL - WATER CENTER - BLACK/CLEAR



KEY	PART NUMBER	U/M	DESCRIPTION
	134250-01-01A	EA	LABEL - SATELLITE RECEIVER - BLACK/CLEAR

THIS SEAT IS NOT INTENDED
FOR OCCUPANCY WHEN
VEHICLE IS IN MOTION

KEY	PART NUMBER	U/M	DESCRIPTION
	134538-01-01A	EA	LABEL - OCCUPANCY - NO SEAT BELT - BLACK ON CLEAR - US

LABELS GROUP (CONTINUED)

DST ISICE SIEGE N/EST PAS DESTINE A ETRE OCCUPE LORSQUE LE VEHICULE EST IN MOVUEMENT	THIS SEAT IS NOT INTENDED FOR OCCUPANCY WHILE VEHICLE IS IN MOTION
--	--

KEY PART NUMBER U/M DESCRIPTION
134538-02-01A EA LABEL - OCCUPANCY - NO SEAT BELT - BLACK ON CLEAR - CSA

WARNING

IT IS NOT SAFE TO USE COOKING
APPLICANCES FOR COMFORT HEATING

COOKING APPLICANCES NEED FRESH AIR FOR SAFE OPERATION
BEFORE OPERATION.

1. OPEN OVERHEAD VENT OR TURN ON EXHAUST FAN AND;
2. OPEN WINDOW.

KEY PART NUMBER U/M DESCRIPTION
134539-01-01A EA LABEL - WARNING - STOVE/HEATING - US - BLACK ON CLEAR

HOLDING TANK HEATER

TURN OFF WHEN NOT IN USE
SEE OPERATOR'S MANUAL

KEY PART NUMBER U/M DESCRIPTION
134563-01-01A EA LABEL - SWITCH - HEATER

THIS VEHICLE MAY INCLUDE MERCURY-CONTAINING DEVICES INSTALLED BY THE MANUFACTURER:

FLUORESCENT TUBES, RANGES WITH OVEN, HWH LEVEL SENSING UNIT.

REMOVE DEVICES BEFORE VEHICLE DISPOSAL UPON REMOVAL OF
DEVICES: PLEASE REUSE, RECYCLE, OR DISPOSE AS HAZARDOUS WASTE

135869-01A

KEY PART NUMBER U/M DESCRIPTION
135869-01-01A EA LABEL - MERCURY CONTENT - BLACK ON CLEAR

LIQUID SOAP

KEY PART NUMBER U/M DESCRIPTION
136047-01-01A EA LABEL - LIQUID SOAP

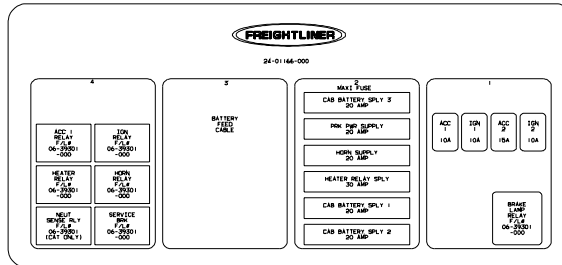
DOOR LOCK	DOOR UNLOCK	RIGHT COMPT DOOR LOCK	RIGHT COMPT DOOR UNLOCK	LEFT COMPT DOOR LOCK	LEFT COMPT DOOR UNLOCK	AUX START SOLENOID	AMP SOURCE
POWER MIRRORS	HEATER BLOWER	PASS HEATER BLOWER	FOG LAMPS	DOCKING LAMPS	DOCKING LAMPS SWITCH TRIGGER	COOLING FANS	

KEY PART NUMBER U/M DESCRIPTION
136161-01-01A EA LABEL - RELAY - MATTE BLACK/WHITE LETTERS

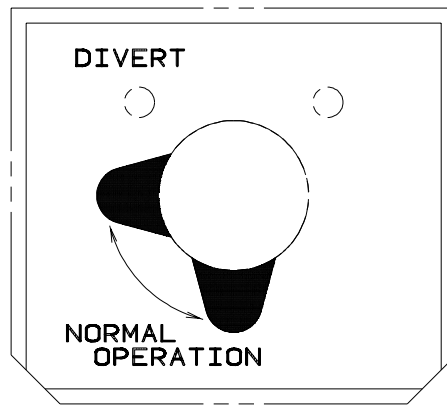
LABELS GROUP (CONTINUED)



KEY PART NUMBER U/M DESCRIPTION
 136360-01-01A EA LABEL - AIR BAGS



KEY PART NUMBER U/M DESCRIPTION
 137090-01-000 EA LABEL - ELECTRICAL CENTER



KEY PART NUMBER U/M DESCRIPTION
 137997-01-01A EA LABEL - WINTERIZATION VALVE - BLACK/CLEAR



KEY PART NUMBER U/M DESCRIPTION
 140190-01-01A EA DECAL/LOGO - V6 (DOMED) - CYAN/MAGENTA/YELLOW/BLACK

LABELS GROUP (CONTINUED)

WARNING

THIS SYSTEM IS DESIGNED FOR USE WITH PROPANE ONLY
DO NOT CONNECT NATURAL GAS TO THIS SYSTEM

BEFORE TURNING ON PROPANE:

- (A) BE CERTAIN APPLIANCES ARE CERTIFIED FOR PROPANE AND ARE EQUIPPED WITH CORRECT BURNING ORIFICES.
- (B) MAKE CERTAIN ALL PROPANE CONNECTIONS ARE TIGHT BY TESTING WITH SOAPY WATER. ALL APPLIANCE VALVES ARE TURNED OFF, AND ANY UNCONNECTED OUTLETS ARE CAPPED.

AFTER TURNING ON PROPANE:

- (A) LIGHT ALL PILOT LIGHTS
- (B) (B) ALL CONNECTIONS, INCLUDING THOSE AT THE APPLIANCES, REGULATORS AND CYLINDERS SHOULD BE LEAK-TESTED PERIODICALLY WITH SOAPY WATER BY THE OCCUPANT. NEVER USE A LIGHTED MATCH OR OTHER FLAME WHEN CHECKING FOR LEAKS.
- (C) DO NOT LEAVE SYSTEM TURNED ON OF CONTAINERS CONNECTED UNTIL THE SYSTEM HAS BEEN PROVEN TO BE FREE OF LEAKS.
- (D) COOKING APPLIANCES SHOULD NOT BE USED FOR SPACE HEATING.
- (E) WHEN THE CONTAINERS ARE DISCONNECTED THE PROPANE SUPPLY LINE SHOULD BE CAPPED OR PLUGGED.

AVERTISSEMENT

CETTE INSTALLATION EST CONCUE POUR LE PROPANE SEULEMENT
NE PAS L'ALIMENTER EN GAZ NATUREL

AVANT LA MISE EN SERVICE:

- (A) S'ASSURER QUE LES APPAREILS SONT CERTIFIES POUR LE PROPANE ET MUNIS D'ORIFICES DE BRULEUR APPROPRIES.
- (B) VERIFIER L'ETANCHEITE DE TOUS LES RACCORDEMENTS AU PROPANE. LA PERMETURE DE TOUS LES ROBINETS D'APPAREILS ET L'OBTURATION DE TOUTES LES SORTIES NON RACCORDEES.

APRES LA MISE EN SERVICE:

- (A) ALLUMER TOUTES LES VEILLEUSES.
- (B) L'OCCUPANT DOIT EPROUVER PERIODIQUEMENT L'ETANCHEITE DE TOUS LES RACCORDEMENTS Y COMPRIS CEUX AUX APPAREILS, AUX DETENDEURS ET AUX BOUTEILLES, EN Y APPLIQUANT DE L'EAU SAVONNEUSE NE JAMA'S SE SERVIR D'UNE ALLUMETTE OU AUTRE POUR LA DETECTION DES FUITES.
- (C) NE PAS LAISSER L'ALIMENTATION OUVERTE NI LES RECIPIENTS RACCORDES AVANT D'AVOIR COMPLETE L'EPREUVE D'ETANCHEITE AU PROPANE DE L'INSTALLATION.
- (D) LES APPAREILS DE CUISSON NE DOIVENT PAS ETRE UTILISES POUR LE CHAUFFAGE DES LOCAUX.
- (E) LORSQUE LES RECIPIENTS SONT DECONNECTES, L'ALIMENTATION DE PROPANE DOIT ETRE OBTUREE OU SCELLEE.

KEY PART NUMBER U/M DESCRIPTION
023769-01-000 EA LABEL - WARNING - LPG - CANADIAN

Winnebago	
EMISSION CONTROL INFORMATION	
CATALYST	
ENGINE FAMILY	XXXXXXX
EVAP. FAMILY	XXXXXXX
EXH.EMISSION CONTR.SYST.	SFI/AIR/TWC/HO2S(2)
DISPL 2792 CC	OBD II CERTIFIED
TUNE UP SPECIFICATIONS: NO ADJUSTMENT NEEDED	
CARB EXH.EMISSION STAND.	STANDARD CATEGORY
CERTIFICATION	XXX
IN-USE	XXX
THIS HEAVY DUTY VEHICLE CONFORMS TO U.S. EPA REGULATIONS APPLICABLE TO XXXX MODEL YEAR LIGHT-DUTY TRUCKS UNDER THE SPECIAL PROVISIONS OF 40 CFR XXXXXX, AND IS CERTIFIED TO MEDIUM-DUTY VEHICLE STANDARDS FOR SALE IN CALIFORNIA.	
XXXX	
BAR CODE	

KEY PART NUMBER U/M DESCRIPTION
124709-06-000 EA LABEL - EMISSION CONTROL - DUAL

LABELS GROUP (CONTINUED)

NORMAL
OPERATION

KEY	PART NUMBER	U/M	DESCRIPTION
	133424-02-01A	EA	LABEL - NORMAL OPERATION

WTR HTR
BYPASS

KEY	PART NUMBER	U/M	DESCRIPTION
	133424-03-01A	EA	LABEL - WATER HEATER BYPASS - BLACK/CLEAR

THIS CHAIR IS NOT INTENDED
FOR OCCUPANCY WHEN VEHICLE
IS IN MOTION AND MUST BE
RETURNED TO STOWED POSITION

DTS ISICE SIEGE N/EST PAS DESTINE A ETRE OCCUPE LORSQUE LE VEHICULE EST IN MOVEMENT ET IL FAUT QUE LE RANGER	THIS CHAIR IS NOT INTENDED FOR OCCUPANCY WHEN VEHICLE IS IN MOTION AND MUST BE RETURNED TO STOWED POSITION
---	---

KEY	PART NUMBER	U/M	DESCRIPTION
	134537-01-01A	EA	LABEL - OCCUPANCY - CHAIR - US

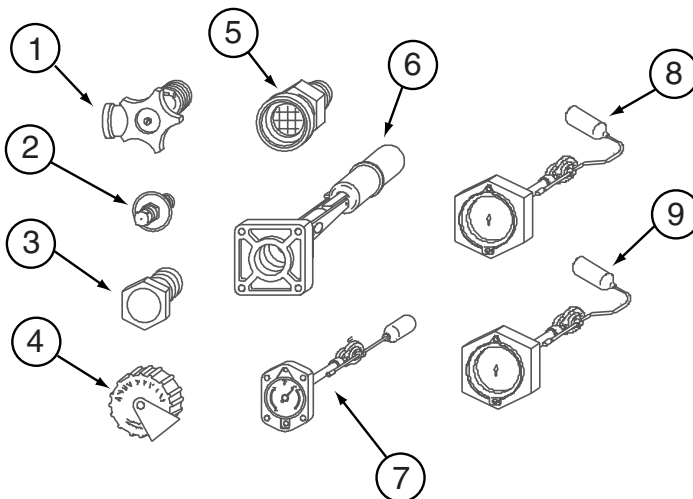
LP GROUP

LP SYSTEM

KEY	PART NUMBER	U/M	DESCRIPTION
	045703-01-000	EA	HOSE - LP - 3/8"ID X 24" - 3/8"MPT X 1/2"F SWIVEL - U.S.
	045703-02-000	EA	HOSE - LP - 3/8"ID X 24" - 3/8"MPT X 1/2"F SWIVEL - CANADA
	045703-03-000	EA	HOSE - LP - 3/8"ID X 18" - 3/8"MPT X 1/2"F SWIVEL - U.S.
	045703-05-000	EA	HOSE - LP - 3/8"ID X 28" - 3/8"MPT X 1/2"F SWIVEL - U.S.
	045703-06-000	EA	HOSE - LP - 3/8"ID X 28" - 3/8"MPT X 1/2"F SWIVEL - CANADA
	105658-01-000	EA	COMPARTMENT - LP REGULATOR
	106150-01-000	EA	REGULATOR - TWO STAGE-W/90 DEGREE ELBOW & 3/8" FPT OUTLET
	040440-03-000	EA	TRANSMITTER - DIAL/SNAP-ON - 0-90 OHM 2 TERM(POWER/GROUND)
*	080450-01-000	EA	TANK-LP - 42 LB - 13" DIAMETER X 24" LONG - 322E , 322R , 324F , 324V , 329B , 329N
*	097821-03-000	EA	TANK - LP - 60 LB - 14" X 30" - 331T
	010329-01-000	EA	ADAPTER - BRASS - 1/2"F X 1/2"MPT
	010323-01-000	EA	ADAPTER - BRASS - 3/8"F X 1/2"MPT
	010326-01-000	EA	ADAPTER - FLARE - W/CONE GASKET - 3/8"F X 1/2"F
	024250-01-000	EA	ADAPTER - BRASS - 3/8"F X 1/2"FPT
	057042-01-000	EA	ADAPTER - CROSS 1/2"PIPE
	010377-02-000	EA	NUT - BRASS - 3/8" FLARE - FORGED
	010380-02-000	EA	NUT - BRASS - 1/2" FLARE - FORGED
	010252-01-000	EA	ELBOW - BRASS - 90 DEGREE - 3/8"F X 1/2"MPT
	010265-01-000	EA	ELBOW - BRASS - 90 DEGREE - 3/8"F X 1/2"FPT
	103613-03-000	EA	DETECTOR - LP GAS - W/O SHUT-OFF VALVE
	137828-01-02B	EA	PANEL - ROCKGUARD/LP - E-COATED - 324F

*COMPONENT PARTS LISTED LATER IN THIS GROUP

LP GROUP (CONTINUED)
COMPONENT PARTS FOR LP SYSTEM



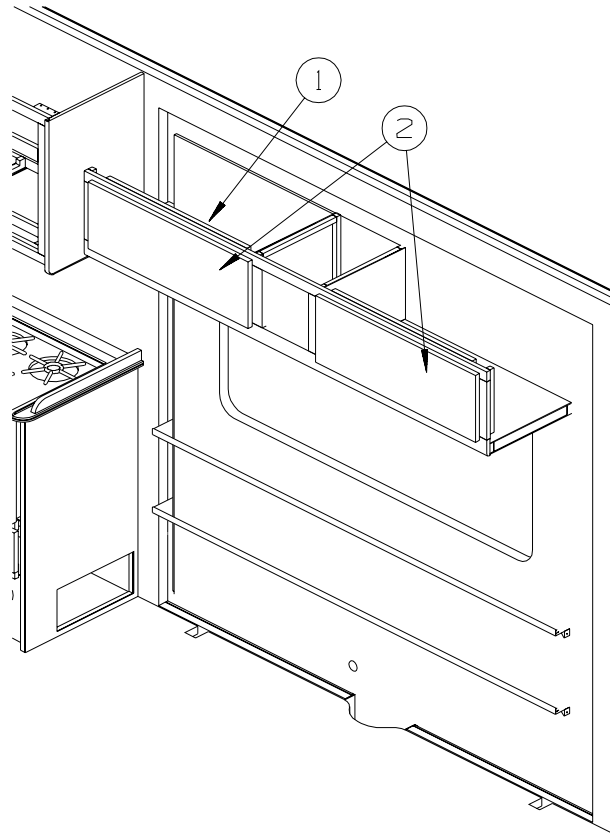
080450-01-000

KEY	PART NUMBER	U/M	DESCRIPTION	VENDOR NO.
1	040421-01-708	EA	HANDWHEEL-SERVICE VALVE	G-1015-A
1	040421-01-712	EA	VALVE,SERV. W/O VAPOR RELIEF	29000853
2	040421-01-700	EA	VALVE-LIQUID LEVEL, 20%	G-1013
3	040421-01-713	EA	VALVE-RELIEF 1" W/SPRING 7"	29000587
4	040421-01-702	EA	CAP-FILL VALVE, PLASTIC	G-1014-A
5	040421-01-701	EA	VALVE-FILL-SHORT, LP	7547B
6	040421-01-711	EA	VALVE-80% FILL W/AUTO STOP	LLL/TL3
7			NOT WHAT IS ILLUSTRATED HERE	
8	074142-01-701	EA	FLOAT/BOLT ON-SCREW ON DIAL	13C-BLT
8	080450-01-701	EA	FLOAT/SCREW IN-SNAP ON DIAL	SG13C0001408
9			NOT WHAT IS ILLUSTRATED HERE	
	040421-01-703	EA	VALVE-SERVICE W/VAPOR RELIEF	G-1015
	040421-01-706	EA	DIAL-VISIBLE FACE, LP TANK	MA-8 ROCHST

097821-03-000

KEY	PART NUMBER	U/M	DESCRIPTION	VENDOR NO.
1	040421-01-708	EA	HANDWHEEL-SERVICE VALVE	G-1015-A
1	040421-01-712	EA	VALVE,SERV. W/O VAPOR RELIEF	29000853
2	040421-01-700	EA	VALVE-LIQUID LEVEL, 20%	G-1013
3	040421-01-713	EA	VALVE-RELIEF 1" W/SPRING 7"	29000587
3	040421-01-714	EA	VALVE RELIEF 3/4"W/SPRING 7"	LVRF29000400
4	040421-01-702	EA	CAP-FILL VALVE, PLASTIC	G-1014-A
5	040421-01-701	EA	VALVE-FILL-SHORT, LP	7547B
6	040421-01-711	EA	VALVE-80% FILL W/AUTO STOP	LLL/TL3
7	040421-01-707	EA	FLOAT/BOLT ON-SCREW ON DIAL	14C
7	088253-09-700	EA	FLOAT/SCREW IN-SNAP ON DIAL	SG14C0001466
8			NOT WHAT IS ILLUSTRATED HERE	
9			NOT WHAT IS ILLUSTRATED HERE	

LOUNGE GROUP CABINETS



KEY	PART NUMBER	U/M	DESCRIPTION
1	139912-01-N04	EA	CABINET - OVERHEAD - W/O DOORS/HARDWARE
1	139912-01-N05	EA	CABINET - OVERHEAD - W/O DOORS/HARDWARE
1	139912-01-N06	EA	CABINET - OVERHEAD - W/O DOORS/HARDWARE
2	134781-83-N04	EA	DOOR - RAIL/VENEER - 15.7" X 27.9" - W/O HARDWARE

SEALANTS & FASTENERS GROUP
SEALANTS & ADHESIVES

KEY	PART NUMBER	U/M	DESCRIPTION
	004001-05-000	EA	ADHESIVE - SCOTCH-WELD - 3M DP100 - CLEAR - 50ML
	004020-01-000	QT	ADHESIVE - ABS CEMENT - QUART
	010405-02-000	EA	TAPE - THREAD SEALING - 3/8"
	034552-15-000	EA	SILICONE - TUBE - W/O NOZZLE - BRIGHT WHITE
	053766-06-000	EA	BEDDING COMPOUND - TUBE - CLEAR
	062917-03-000	EA	ADHESIVE - LOCTITE 242
	063642-01-000	FT	TAPE - ADHESIVE - .4" X 1.5" X 180'
	067788-01-000	EA	ADHESIVE - SPRAY - 3M - 19.5 OZ AEROSOL CAN
	069640-01-000	FT	SEALER - RIBBON - 1/4" DIAMETER X 30' - BLACK
	069640-02-000	FT	SEALER - TAPE - .13"THICK X .5"WIDE X 60' - GRAY
	069640-03-000	FT	SEALER - TAPE - .13"THICK X .75"WIDE X 60' - BLACK
	069640-07-000	FT	SEALER - TAPE - .09" THICK X 2" WIDE X 45' - GRAY
	069640-09-000	FT	SEALER - TAPE - .03" THICK X 2.50"WIDE X 80' - GRAY
	069640-10-000	FT	SEALER - TAPE - .03" THICK X 1.50" WIDE X 90' - GRAY
	069640-11-000	FT	SEALER - TAPE - .19" THICK X .38" WIDE X 40' - BLACK
	069640-13-000	FT	SEALER - TAPE - .03" THICK X 2" WIDE X 45' - BLACK
	069640-14-000	FT	SEALER - TAPE - .06" THICK X 1" WIDE X 100' - GRAY
	069640-15-000	FT	SEALER - TAPE - .06"THICK X .38"WIDE X 100' - GRAY
	069640-17-000	FT	SEALER - TAPE - .03" THICK X 1" WIDE X 90' - GRAY
	069640-18-000	FT	SEALER - TAPE - .50" THICK X .13" WIDE X 60' - BRT WHITE
	069640-19-000	FT	SEALER - TAPE - .75" THICK X .13" WIDE X 60' - BRT WHITE
	069640-20-000	FT	SEALER - TAPE - .50" THICK X 1/8" WIDE X 60' - BLACK
	069640-21-000	FT	SEALER - TAPE - .50" THICK X 1/16" WIDE X 100'-BRIGHT WHT
	069640-22-000	FT	SEALER - TAPE - .25" THICK X 1/32" WIDE X 100'- BRIGHT WHT
	069640-23-000	FT	SEALER - TAPE - .06" THICK X 3/4" WIDE X 100' - BRT WHITE
	069640-25-000	FT	SEALER - TAPE - .06" THICK X 3.5" WIDE X 50' - GRAY
	069640-27-000	FT	SEALER - TAPE - .06" THICK X 2.25" WIDE - BRIGHT WHITE
	069640-28-000	FT	SEALER - TAPE - 1/32" X 2"
	072889-01-000	EA	SEALANT - URETHANE - BLACK - TUBE
	076322-01-000	FT	TAPE-DOUBLE COATED/ADHESIVE BK-.03"THK X .8"W X 216'- WHT
	076322-02-000	FT	TAPE-DOUBLE COATED/ADHESIVE BK-.05"THK X 1"W X 108' - WHT
	076322-03-000	FT	TAPE-DOUBLE COATED/ADHESIVE BK-.05"THK X .5"W X 108' - WHT
	076322-04-000	FT	TAPE-DOUBLE COATED/ADHESIVE BK-.05"THK X .8"W X 108' - WHT
	076322-05-000	FT	TAPE-DOUBLE COATED/ADHESIVE BK-.05"THK X .8"W X 108' - WHT
	076322-07-000	FT	TAPE-DOUBLE COATED/ADHESIVE BK-.05"THK X .5"W X 200' - BLK
	076322-11-000	FT	TAPE-DOUBLE COATED/ADHESIVE BK-.02"THK X 1"W X 216' - CLR
	086276-01-000	EA	TAPE - DOUBLE SIDED - 1/2" WIDE X 108' LONG (SOLD BY ROLL)
	088479-01-000	EA	TAPE - ALUMINUM - 3"
	090340-01-000	FT	SEAL - FOAM - CLOSED CELL - 1/4" X 1/2" X 50'
	091255-02-000	FT	SEAL - ADHESIVE BACKED/FOAM - 3/64" THICK X 3/16"W X 1000'
	091255-03-000	FT	SEAL - ADHESIVE BACKED/FOAM - 1/4" THICK X 1/4"W X 1000'
	094401-03-000	EA	SEALER - BODY SEAM - BLACK
	094401-04-000	EA	SEALER - BODY SEAM - CLEAR
	098408-01-000	FT	SEAL - SPONGE RUBBER - CLOSED CELL
	099069-01-000	FT	SEAL - RUBBER - CLOSED SPONGE - .5" WIDE X .12" THICK -BLK
	099418-01-000	FT	SEAL - D-SECTION/ADHESIVE BACK - .44" X .44"- BLK RUBBER
	099418-02-000	FT	SEAL - D SECTION - WHITE
	099952-01-000	FT	CORE - SEAL - BULB SUPPORT
	100128-02-000	FT	SEAL - FOAM/ADHESIVE BACK - .37" WIDE X .37" THICK
	104692-01-000	FT	SEAL - ADHESIVE BACKED FOAM - 3/4" THICK X 3/4" WIDE X 25'
	104692-03-000	FT	SEAL - ADHESIVE BACKED FOAM - 1" THICK X 1 3/4" WIDE X 15'
	106206-01-000	EA	SEALER - PUMPABLE - TUBE - BLACK - MANUS
	107828-01-000	EA	SEALANT - SB - 190 EVERSEAL
	109506-12-000	EA	FILM/ABRASION-RESISTANT - TRANSPARENT - 1" DIA.
	110274-01-000	FT	TAPE - DOUBLE SIDED/FOAM - .45" X 1" X 216' - BLACK
	112864-01-000	FT	SEAL - FOAM/BUTYL COVERED - 3/8" X 35'
	112864-02-000	FT	FOAM - BUTYL COVERED 5/16" X 44'
	112901-02-000	EA	ADHESIVE - PLEXUS - MA330 - 50ML - GRAY
	112901-03-000	EA	ADHESIVE - PLEXUS - MA300 - 50ML - WHITE
	112902-01-000	EA	NOZZLE - ELEMENT - 3/8 X 24
	112902-02-000	EA	NOZZLE-BELL 3/8X24 - TAH 160-824
	112902-03-000	EA	MIXER NOZZLE - F/GUN #00400102000 - SCOTCH-WELD & PLEXUS
	113366-01-000	EA	ADHESIVE - INSTANT - 1 OZ

SEALANTS & FASTENERS GROUP (CONTINUED)

SEALANTS & ADHESIVES (CONTINUED)

KEY	PART NUMBER	U/M	DESCRIPTION
	113452-02-000	FT	SEAL/TRIM - FRONT - VINYL W/WIRE CARRIER - .027"
	120074-02-03A	EA	SILICONE - TUBE - W/O NOZZLE - SMOKEY WHITE
	120074-02-02A	EA	SILICONE - TUBE - W/O NOZZLE - LOW ODOR - SOFT WHITE
	120534-01-01A	EA	TAPE - SCOTCH - 3M - 1/2" FINE LINE
	123244-01-000	FT	TAPE - DOUBLE SIDED/FOAM - 5/64" THICK X 3/4" WIDE
	123244-02-000	FT	TAPE - DOUBLE SIDED/FOAM - 5/64" THICK X 1/2" WIDE X 108'
	123816-01-000	FT	TAPE - DOUBLE SIDED - 1" X 100'
	123816-02-000	FT	TAPE - DOUBLE SIDED - 1/2" X 1 1/3" X 100'
	123816-03-000	FT	TAPE - DOUBLE SIDED - 1/2" X 3/4" X 100'
	123816-04-000	FT	TAPE - DOUBLE SIDED - 6" X 750'
	126427-01-000	EA	ADHESIVE - ALL PURPOSE - ABS/PVC
	126427-02-000	EA	PRIMER - CLEANER - FLEX PIPING
	131264-01-01A	EA	SILICONE - TUBE - W/O NOZZLE - BLACK
	131264-01-02A	EA	SILICONE - TUBE - W/O NOZZLE - CLEAR
	131264-02-01A	EA	SILICONE - TUBE - W/O NOZZLE - VW GRAY - BATH ONLY
	131264-03-01A	EA	SILICONE - TUBE - W/O NOZZLE- SELF LEVELING - BRIGHT WHITE
	131264-04-01A	EA	SILICONE - CLEAR - ADHESIVE
	131384-01-000	EA	ADHESIVE - JETWELD
	900390-01-000	EA	NOZZLE - SILICONE TUBE - 2.5" LONG
	900390-03-000	EA	NOZZLE - SILICONE TUBE - 4.3" LONG

BOLTS, NUTS AND WASHERS

KEY	PART NUMBER	U/M	DESCRIPTION
	000C12-04-08B	EA	BOLT - HEX - 1/4-20 X 1/2 - GRADE #5 - ZINC
	000C12-04-40B	EA	BOLT - HEX - 1/4-20 X 2 1/2 - GRADE 5 ZINC
	000C12-05-16B	EA	BOLT - HEX - 5/16-18 X 1 - GRADE #5 - ZINC
	000C12-05-12B	EA	BOLT - HEX - 5/16-18 X 3/4 - GRADE #5 - ZINC
	000C12-06-16B	EA	BOLT - HEX - 3/8-16 X 1 - GRADE #5 - ZINC
	000C12-06-44B	EA	BOLT - HEX - 3/8-16 X 2 3/4 - GRADE 5 - ZINC
	000C12-07-20B	EA	BOLT - HEX - 7/16-14 X 1 1/4 - GRADE #5 - ZINC
	000C12-07-24B	EA	BOLT - HEX TAP - 1/2-13NC X 4 - GRADE 5 - FULL THREAD/ZINC
	000C12-08-16B	EA	BOLT - HEX - 1/2-13 X 1 - GRADE #5 - ZINC
	000C12-08-28B	EA	BOLT - HEX - 1/2-13 X 1 3/4 - GRADE #5 - ZINC
	000C12-08-24B	EA	BOLT - HEX - 1/2-13 X 1 1/2 - GRADE #5 - ZINC
	000C12-10-24B	EA	BOLT - HEX - 5/8-11 X 1 1/2 - GRADE #5 - ZINC
	000C13-07-40B	EA	BOLT - HEX - 7/16-20 X 2 1/2 - GRADE #5 - ZINC
	000C13-07-48B	EA	BOLT - HEX - 7/16-20 X 3 - GRADE #5 - ZINC
	000C14-07-28B	EA	BOLT - HEX - 7/16-14 X 1 3/4 - GRADE #8 - ZINC
	000C14-08-64B	EA	BOLT-HEX-1/2-13X4 ZN 8 - 01 431C
	000C14-10-32K	EA	BOLT - HEX - 5/8-11 X 2 - GRADE #8 - ZINC
	000C14-10-24K	EA	BOLT - HEX - 5/8-11 X 1 1/2 - GRADE #8 - ZINC
	000C18-05-40A	EA	BOLT - ELEVATOR - 5/16-18 X 2 1/2 - PL
	000C18-06-48B	EA	BOLT - ELEVATOR - 3/8-16 X 3 - GRADE 5 - ZINC
	000C26-04-14B	EA	BOLT - HEX - SERRATED FLANGE - 1/4-20 X 7/8 - ZINC
	000C26-04-10B	EA	BOLT - HEX - SERRATED FLANGE - 1/4-20 X 5/8 - ZINC
	000C26-04-18B	EA	BOLT - HEX - SERRATED FLANGE - 1/4-20 X 1 1/8 - ZINC
	000C26-05-20B	EA	BOLT - HEX - SERRATED FLANGE - 5/16-18 X 1 1/4 - ZINC
	000C26-05-12B	EA	BOLT - HEX - SERRATED FLANGE - 5/16-18 X 3/4 - ZINC
	000C26-05-249	EA	BOLT - HEX - SERRATED FLANGE - 5/16-18 X 1 1/2
	000C26-06-16B	EA	BOLT - HEX - SERRATED FLANGE - 3/8-16 X 1 - ZINC
	000C26-06-12B	EA	BOLT - HEX - SERRATED FLANGE - 3/8-16 X 3/4 - ZINC
	000C26-06-20B	EA	BOLT - HEX - SERRATED FLANGE - 3/8-16 X 1 1/4 - ZINC
	000C26-06-40B	EA	BOLT - HEX - SERRATED FLANGE - 3/8-16 X 2 1/2 - ZINC
	000C26-06-28B	EA	BOLT - HEX - SERRATED FLANGE - 3/8-16 X 1 3/4 - ZINC
	000C26-08-24B	EA	BOLT - HEX - SERRATED FLANGE - 1/2-13 X 1 1/2 - ZINC
	000C27-04-40B	EA	BOLT - CARRIAGE - 1/4-20 X 2 1/2 - ZINC
	000C27-05-44I	EA	BOLT-CARR,5/16-18X2.75" - BLACK ZINC
	000D16-07-00B	EA	NUT - HEX - 7/16-14 - ZINC
	000D24-10-00B	EA	NUT - HEX - SELF LOCKING - 10-32 ZINC
	000D28-10-00B	EA	NUT - HEX - W/NYLON LOCK - 10-32 ZINC
	000D29-04-00B	EA	NUT - HEX - SELF LOCKING - 1/4 X 20 - ZINC
	000D29-06-00B	EA	NUT - HEX - W/NYLON LOCK - 3/8-16 - ZINC
	000D29-09-00B	EA	NUT - HEX - SELF LOCKING - 9/16-12 - ZINC

SEALANTS & FASTENERS GROUP (CONTINUED)
BOLTS, NUTS AND WASHERS (CONTINUED)

KEY	PART NUMBER	U/M	DESCRIPTION
	000D30-07-00B	EA	NUT - HEX LOCK - NYLON 7/16 X 20
	000D34-04-00B	EA	NUT - HEX - LOCKING - 1/4-20 - ZINC
	000D34-06-00B	EA	NUT - HEX - LOCKING - 3/8-16 GRADE C - ZINC
	000D39-04-00B	EA	NUT - HEX - LOCKING W/SERRATED FLANGE - 1/4-20 - ZINC
	000D39-05-00B	EA	NUT - HEX - LOCKING W/SERRATED FLANGE - 5/16-18 - ZINC
	000D39-06-00D	EA	NUT - HEX - LOCKING W/SERRATED FLANGE - 3/8"-16 BLACK
	000D39-06-00B	EA	NUT - HEX - LOCKING W/SERRATED FLANGE - 3/8-18 - ZINC
	000D39-07-00B	EA	NUT - HEX - LOCKING W/SERRATED FLANGE - 7/16-14 - ZINC
	000D39-08-00B	EA	NUT - HEX - LOCKING W/SERRATED FLANGE - 1/2-13 - ZINC
	000D44-04-00B	EA	NUT - HEX - LOCKING W/SERRATED FLANGE - 1/4-28 - ZINC
	000D44-07-00B	EA	NUT - HEX - LOCKING W/SERRATED FLANGE - 7/16-20 - ZINC
	000D44-08-00B	EA	NUT - HEX - SERRATED FLANGE - 1/2-20 - GRADE #5 - ZINC
	000D46-04-00A	EA	NUT - HEX - WELD - 1/4-20 - PLAIN
	000D58-06-00A	EA	NUT - HEX - WELD 3/8-16 - PLAIN
	000D65-08-00B	EA	NUT - HEX - LOCKING W/SERRATED FLANGE - 8-32 - ZINC
	000D67-10-00B	EA	NUT - HEX - LOCK - 5/8-11 - ZINC
	000D73-08-00C	EA	NUT - HEX FLANGE - 1/2-13
	000D75-09-00B	EA	NUT - HEX LOCKING - 9/16-12 - ZINC
	000D76-06-00B	EA	NUT - HEX FLANGE - 3/8-16
	000E11-04-00F	EA	WASHER - LOCKING - 1/4 MED SPLIT - STAINLESS STEEL
	000E11-07-00B	EA	WASHER - LOCKING - 7/16 MED SPLIT - ZINC
	000E11-08-00B	EA	WASHER - LOCKING - 1/2 MED SPLIT - ZINC
	000E13-17-00B	EA	WASHER - FLAT - 3/8 AR - ZINC
	000E13-18-00B	EA	WASHER - FLAT - 3/8 WIDE - ZINC
	000E13-20-00B	EA	WASHER - FLAT - 7/16 WIDE - ZINC
	000E13-22-00B	EA	WASHER - FLAT - 1/2 WIDE - ZINC
	000E13-26-00B	EA	WASHER - FLAT - 5/8 WIDE - ZINC
	000E14-10-00B	EA	WASHER - LOCKING - #10 EXTERNAL TOOTH - ZINC
	000E16-10-00B	EA	WASHER - HARDENED - 5/8 - FLAT - ZINC
	000G45-05-16B	EA	BOLT - LAG - 5/16-9 X 1 - ZINC
	000G62-08-24B	EA	SCREW - SF/DR - 8-18 X 1 1/2 PFH
	040921-03-000	EA	NUT - SPEED - U TYPE - #10
	040921-04-000	EA	NUT - SPEED - U TYPE - #8-.59" LENGTH X .44" WIDTH
	040921-05-000	EA	NUT - SPEED - U-TYPE - 8-.67" X .44" WIDE
	041322-01-000	EA	WASHER - FLANGE - 15/32 ID X 2 3/8 OD - F/SEAT BELT MTG
	044364-02-000	EA	NUT - SPEED - FLAT - ROUND
	044533-01-000	EA	WASHER - PLASTIC - 1 3/8 OD - FOR BUTTONS
	051387-06-000	EA	BOLT - CARRIAGE W/O HOLE - 5/16-18 X 9 1/2 - ZINC
	058716-02-000	EA	WASHER - FLAT NYLON
	058716-03-000	EA	WASHER - FLAT/NYLON - .500 X 1 1/4 X 060
	064081-03-000	EA	NUT - WING 3/8-16 - W/WELD NUT
	077071-01-000	EA	WASHER - FENDER - 3/16 ID X 1 OD
	084406-01-000	EA	NUT - CAPPED - CROSS RECESSED - BLACK - 1/4-20 THD
	087234-01-000	EA	NUT - JACK - 1/4 X 20 THD - MOLLY
	087718-01-000	EA	MONOBOLT - STEEL - 3/16 DIAMETER
	088787-12-000	EA	STUD - WELD - 1/4 - 20 X 1.0 LG - MN
	102333-01-06A	EA	BOLT - CARRIAGE - 7/16-14 STAINLESS STEEL CAP
	102333-02-01A	EA	BOLT - CARRIAGE - 1/4-20
	102540-02-000	EA	SEAL - SCREW
	103020-02-000	EA	BOLT-U - #8-32 - GRADE 5 ZINC
	104369-01-000	EA	NUT - HEX - HEAVY - 5/8-11 UNC
	106166-01-000	EA	BOLT/COLLARED HANGER - 8-32 X 1
	106956-03-000	EA	BOLT - HEX TAP - 1/2-12NC X 3 - GRADE 5 - FULL THREAD/ZINC
	106956-08-000	EA	BOLT - HEX TAP - 1/2-13NC X 4 - GRADE 5 - FULL THREAD/ZINC
	107397-01-000	EA	WASHER - FENDER - 3/4 ID X 1 OD
	108067-03-000	EA	STUD - WELD - 1/4 - 20 X 1/2 CD
	109917-01-000	EA	WASHER - 1.5" X 1.25"
	109917-03-000	EA	WASHER - 1" X .50"
	109917-04-000	EA	WASHER - 1" X .75"
	113985-02-000	EA	BOLT - FLANGE - M10-1 1/2 X 30CL 10.9
	114259-05-000	EA	BOLT - 7/16-20 X 1 1/4 W/WASHER
	120506-01-01A	EA	RIVET - PLASTIC - 3/16 DIAMETER
	128444-01-000	EA	WASHER - SPRING - CONICAL

SEALANTS & FASTENERS GROUP (CONTINUED)

SCREWS

KEY	PART NUMBER	U/M	DESCRIPTION
	0G1106-08-240	EA	SCREW - 6-20 X 1/2 PPH - VW LIGHT GRAY
	0G1108-12-240	EA	SCREW - 8-18 X 3/4 PPH - VW LIGHT GRAY
	0G1208-12-170	EA	SCREW - 8-18 X 3/4 POH - BRIGHT WHITE
	0G1308-10-240	EA	SCREW - 8-18 X 5/8 PFH - VW LIGHT GRAY
	0G3804-22-180	EA	SCREW - MACHINE - 1/4-20 X 1 3/8 PFH - BLACK
	0G3908-08-160	EA	SCREW - SF/DR - 8-18 X 1/2 PPH - VW WHITE
	0G3908-08-170	EA	SCREW - SF/DR - 8-18 X 1/2 PPH - BRIGHT WHITE
	0G3908-12-240	EA	SCREW - SF/DR - 8-18 X .75 PPH - VW LIGHT GRAY
	0G3908-12-250	EA	SCREW - SF/DR - 8-18 X 3/4 PPH - DARK GRAY
	0G3908-24-170	EA	SCREW - SF/DR - 8-18 X 1 1/2 PPH - BRIGHT WHITE
	0G3910-10-240	EA	SCREW - SF/DR - 10-16 X 5/8 PPH - VW LIGHT GRAY
	0G3910-10-320	EA	SCREW - SF/DR - 10-16 X 5/8 PPH - GLACIER
	0G3910-10-330	EA	SCREW - SF/DR - 20-16 X 5/8 PPH - PUTTY
	0G3910-12-170	EA	SCREW - SF/DR - 10-16 X 3/4 PPH - BRIGHT WHITE
	0G3910-12-320	EA	SCREW - SF/DR - 10-16 X .75 PPH - GLACIER
	0G5508-08-250	EA	SCREW - SF/DR - 8-18 X 1/2 PWH - VW DARK GRAY
	0G5508-12-170	EA	SCREW - SF/DR - 8-18 X 3/4 PWH - BRIGHT WHITE
	0G5508-12-240	EA	SCREW - SF/DR - 8-18 X 3/4 PWH - VW LIGHT GRAY
	0G5508-12-330	EA	SCREW - SF/DR - 8-18 X 3/4 PWH - PUTTY
	0G5508-12-320	EA	SCREW - SF/DR - 8-18 X 3/4 PWH - GLACIER
	0G5508-16-260	EA	SCREW - SF/DR - 8-18 X 1 PWH ZINC - INTERIOR ANTELOPE
	0G5508-16-250	EA	SCREW - SF/DR - 8-18 X 1 PWH - VW DARK GRAY
	0G5508-16-310	EA	SCREW - SF/DR - 8-18 X 1 PWH - CADDY CREAM
	0G5508-16-330	EA	SCREW - SF/DR - 8-18 X 1 PWH - PUTTY
	0G6008-16-170	EA	SCREW - SF/DR - 8-18 X 1 POH - BRIGHT WHITE
	0G6710-08-110	EA	SCREW - 10-12 X 1/2 PPH - HAMPTON TAN
	0G6710-08-240	EA	SCREW - 10-12 X 1/2 PPH TAUPE - VW LIGHT GRAY
	0G6710-08-170	EA	SCREW - 10-12 X 1/2 PPH - BRIGHT WHITE
	0G6710-12-170	EA	SCREW - 10-12 X 3/4 PPH - BRIGHT WHITE
	0G6806-16-170	EA	SCREW - 6-18 X 1 POH - BRIGHT WHITE
	0G6810-24-280	EA	SCREW - 10-12 X 1 1/2 POH - SOFT WHITE
	000C20-05-28F	EA	SCREW - 5/16-18 X 1 3/4 FLAT SOC - STAINLESS STEEL
	000C20-06-24T	EA	SCREW - 3/8-16 X 1 1/2 - FLAT SOCKET
	000G11-06-24B	EA	SCREW - 6-20 X 1 1/2 PPH ZINC
	000G11-06-10J	EA	SCREW - 6-20 X 5/8 PPH - BRASS
	000G11-06-10B	EA	SCREW - 6-20 X 5/8 PPH - ZINC
	000G11-06-08B	EA	SCREW - 6-20 X 1/2 PPH - ZINC
	000G11-06-06B	EA	SCREW - 6-20 X 3/8 PPH - ZINC
	000G11-07-08B	EA	SCREW - 7-19 X 1/2 PPH - ZINC
	000G11-08-20B	EA	SCREW - 8-18 X 1 1/4 PPH - ZINC
	000G11-08-20G	EA	SCREW - 8-18 X 1 1/4 - ANTIQUE BRASS
	000G11-08-16B	EA	SCREW - 8-18 X 1 PPH - ZINC
	000G11-08-12T	EA	SCREW - 8-18 X 3/4 PPH - BLACK MAGNESIUM
	000G11-08-12P	EA	SCREW - 8-18 X 3/4 PPH - DARK BROWN
	000G11-08-12D	EA	SCREW - 8-18 X 3/4 PPH - BLACK PHOSPHATE
	000G11-08-12B	EA	SCREW - 8-18 X 3/4 PPH - ZINC
	000G11-08-08T	EA	SCREW - 8-18 X 1/2 PPH - FLUOROCARBON COATING
	000G11-08-06J	EA	SCREW - 8-18 X 3/8 PPH BRASS
	000G11-08-06B	EA	SCREW - 8-18 X 3/8 PPH - ZINC
	000G11-10-12S	EA	SCREW - 10-16 X 3/4 PPH - OFF WHITE
	000G11-10-12D	EA	SCREW - 10-16 X 3/4 PPH - BLACK
	000G12-06-08T	EA	SCREW - 6-20 X 1/2 POH - BLACK
	000G12-08-12S	EA	SCREW - 8-18 X 3/4 POH - OFF WHITE
	000G13-05-10B	EA	SCREW - 5-12 X 5/8 PFH - ZINC
	000G13-06-08B	EA	SCREW - 6-20 X 1/2 PFH - ZINC

SEALANTS & FASTENERS GROUP (CONTINUED)
SCREWS (CONTINUED)

KEY	PART NUMBER	U/M	DESCRIPTION
	000G13-06-06I	EA	SCREW - 6-20 X 3/8 PFH - BLACK ZINC
	000G13-06-24J	EA	SCREW - 6-20 X 1 1/2 PFH - BRASS
	000G13-06-16J	EA	SCREW - 6-20 X 1 PFH - BRASS
	000G13-06-16S	EA	SCREW - 6-20 X 1 PFH - OFF WHITE
	000G13-06-10J	EA	SCREW - 6-20 X 5/8 PFH - BRASS
	000G13-06-10G	EA	SCREW - 6-20 X 5/8 PFH - ANTIQUE BRASS
	000G13-06-08G	EA	SCREW - 6-20 X 1/2 PFH - ANTIQUE BRASS
	000G13-07-12B	EA	SCREW - 7-19 X 3/4 PFH - ZINC
	000G13-07-10H	EA	SCREW - 7-19 X 5/8 PFH - BLACK
	000G13-08-24B	EA	SCREW - 8-18 X 1 1/2 PFH - ZINC
	000G13-08-16B	EA	SCREW - 8-18 X 1 PFH - ZINC
	000G13-08-109	EA	SCREW - 8-18 X 5/8 PFH
	000G16-04-24B	EA	SCREW - MACHINE - 1/4-20 X 1 1/2 PPH
	000G18-08-16B	EA	SCREW - MACHINE - 8-32 X 1 PPH - ZINC
	000G18-08-24B	EA	SCREW - MACHINE - 8-32 X 1 1/2 PPH - ZINC
	000G18-08-22B	EA	SCREW - MACHINE - 8-32 X 1 3/8 PPH - ZINC
	000G18-08-12B	EA	SCREW - MACHINE - 8-32 X 3/4 PPH - ZINC
	000G19-10-08B	EA	SCREW - MACHINE - 10-32 X 1/2 PPH - ZINC
	000G19-10-20B	EA	SCREW - MACHINE - 10-32 X 1 1/2 PPH - ZINC
	000G19-10-12F	EA	SCREW - MACHINE - 10-32 X 3/4 PPH - STAINLESS STEEL
	000G19-10-10B	EA	SCREW - MACHINE - 10-32 X 5/8 - PPH - ZINC
	000G32-10-06B	EA	SCREW - 10-32 X 3/8 PPH - ZINC
	000G37-08-089	EA	SCREW - 8 X 18 X 1/2 PPH - FLUOROCARBON SILVER
	000G39-06-10T	EA	SCREW - SF/DR - 6-20 X 5/8 PPH - BLACK
	000G39-06-16T	EA	SCREW - SF/DR - 6-20 X 1 PPH - BLACK
	000G39-08-08B	EA	SCREW - SF/DR - 8-18 X 1/2 PPH - ZINC
	000G39-08-06B	EA	SCREW - SF/DR - 8-18 X 3/8 PPH - ZINC
	000G39-08-32B	EA	SCREW - SF/DR - 8-18 X 2 PPH - ZINC
	000G39-08-24T	EA	SCREW - SF/DR - 8-18 X 1 1/2 PPH - BLACK
	000G39-08-24B	EA	SCREW - SF/DR - 8-18 X 1 1/2 PPH - ZINC
	000G39-08-16T	EA	SCREW - SF/DR - 6-20 X 1 PPH - BLACK
	000G39-08-16B	EA	SCREW - SF/DR - 8-18 X 1 PPH - ZINC
	000G39-08-12T	EA	SCREW - SF/DR - 8-18 X 3/4 PPH - BLACK
	000G39-08-12B	EA	SCREW - SF/DR - 8-18 X 3/4 PPH - ZINC
	000G39-08-08T	EA	SCREW - SF/DR - 8-18 X 1/2 PPH - BLACK
	000G39-08-08S	EA	SCREW - SF/DR - 8-18 X 1/2 PPH - OFF WHITE
	000G39-10-088	EA	SCREW - SF/DR - 10-16 X 1/2 PPH - FLEX FLUOROCARBON
	000G39-10-08B	EA	SCREW - SF/DR - 10-16 X 1/2 PPH - ZINC
	000G39-10-12B	EA	SCREW - SF/DR - 10-16 X 3/4 PPH - ZINC
	000G39-10-10T	EA	SCREW - SF/DR - 10-16 X 5/8 - BLACK
	000G39-10-10B	EA	SCREW - SF/DR - 10-16 X 5/8 - ZINC
	000G39-10-48B	EA	SCREW - SF/DR - 10-16 X 3 - PPH - ZINC
	000G39-10-40D	EA	SCREW - SF/DR - 10-16 X 2 1/2 PPH - BLACK
	000G39-10-32I	EA	SCREW - SELF TAPPING - 10-16 X 2 PPH - BLACK
	000G39-10-32B	EA	SCREW - SF/DR - 10-16 X 2 - PPH - ZINC
	000G39-10-209	EA	SCREW - SF/DR - 10-16 X 1 1/4 PPH - FLUOROCARBON SILVER
	000G39-10-20T	EA	SCREW - SF/DR - 10-16 X 1 1/4 PPH - BLACK
	000G39-10-20B	EA	SCREW - SF/DR - 10-16 X 1 1/4 PPH - ZINC
	000G39-10-169	EA	SCREW - SF/DR - 10-16 X 1 PPH - FLUOROCARBON SILVER
	000G39-10-129	EA	SCREW - SF/DR - 10-16 X 3/4 PPH - FLUOROCARBON SILVER
	000G39-10-12T	EA	SCREW - SF/DR - 10-16 X 3/4 - BLACK
	000G39-10-12S	EA	SCREW - SF/DR - 10-16 X 3/4 PPH - OFF WHITE
	000G39-12-12E	EA	SCREW - SF/DR - 12-14 X 3/4 PPH - CHROME
	000G42-04-24B	EA	SCREW - SF/DR - 1/4-14 X 1 1/2 - ZINC
	000G42-04-16B	EA	SCREW - SF/DR - 1/4-14 X 1 HWH - ZINC
	000G50-04-12B	EA	SCREW - MACHINE - 1/4-20 X 3/4 PPH - ZINC
	000G50-04-06B	EA	SCREW - MACHINE - 1/4-20 X 3/8 PTH - ZINC
	000G51-06-12B	EA	SCREW - 6-20 X 3/4 PTH - ZINC
	000G52-06-06B	EA	SCREW - MACHINE - 6-32 X 3/8 PTN - ZINC
	000G52-06-05B	EA	SCREW - MACHINE - 6-32 X 5/16 PTH ZINC
	000G55-08-16T	EA	SCREW - SF/DR - 8-18 X 1 PWH - BLACK
	000G55-08-12S	EA	SCREW - SF/DR - 8-18 X 3/4 PWH - OFF WHITE
	000G56-12-48B	EA	SCREW - WOOD - 12-11 X 3 POH - SPECIAL HARDENED

SEALANTS & FASTENERS GROUP (CONTINUED)
SCREWS (CONTINUED)

KEY	PART NUMBER	U/M	DESCRIPTION
	000G57-14-72B	EA	SCREW-14-10-X4-1/2 PFH ZN GENERAL MOTORHOMES
	000G57-14-64B	EA	SCREW - 14-10 X 4 PFH ZINC
	000G60-08-22B	EA	SCREW - SF/DR - 8-18 X 1.38 POH - ZINC
	000G60-08-20F	EA	SCREW - SF/DR - 8-19X1.25 POH
	000G60-08-16E	EA	SCREW - SF/DR - 8-1 X 1 POH - CHROME
	000G60-10-20B	EA	SCREW - SF/DR - 10-16 X 1 1/4 POH - ZINC
	000G60-10-28T	EA	SCREW - SF/DR - 10-16 X 1 3/4 - BLACK
	000G60-10-209	EA	SCREW - SF/DR - 10-16 X 1 1/4 POH - SILVER STALGAARD
	000G67-08-32B	EA	SCREW - 8-15 X 2 PPH - ZINC
	000G67-10-08B	EA	SCREW - 10-12 X 1/2 PPH - ZINC
	000G67-10-10S	EA	SCREW - 10-12 X 5/8 PPH - OFF WHITE
	000G67-10-10P	EA	SCREW - 10-12 X 5/8 PPH - DARK BROWN
	000G67-10-10B	EA	SCREW - 10-12 X 5/8 PPH - ZINC - TYPE A
	000G67-10-08S	EA	SCREW - 10-12 X 1/2 PPH - OFF WHITE
	000G67-10-32B	EA	SCREW - 10-12 X 2 PPH - ZINC
	000G67-10-24B	EA	SCREW - 10-12 X 1 1/2 PPH - ZINC
	000G67-10-20D	EA	SCREW - 10-12 X 1 1/4 PPH - BLACK
	000G67-10-16B	EA	SCREW - 10-12 X 1 PPH - ZINC
	000G67-10-12P	EA	SCREW - 10-12 X 3/4 PPH - DARK BROWN
	000G67-10-12B	EA	SCREW - 10-12 X 3/4 PPH - ZINC
	000G67-10-10T	EA	SCREW - 10-12 X 5/8 PPH - BLACK
	000G68-06-10G	EA	SCREW - 6-18 X 5/8 POH - ANTIQUE BRASS
	000G68-06-12J	EA	SCREW - 6-18 X 3/4 POH - BRASS
	000G68-06-12B	EA	SCREW - 6-18 X 3/4 POH - ZINC & CLEAR
	000G68-06-10J	EA	SCREW - 6-18 X 5/8 POH - BRASS
	000G68-10-20I	EA	SCREW - 10-12 X 1 1/4 POH - BLACK
	029130-05-000	EA	SCREW - SNAP STUD - #8-16 X 5/8" LONG
	049465-03-000	EA	SCREW - 10-16 X 1 POH W/WASHER - OFF WHITE
	049465-04-000	EA	SCREW - 10-16 X 1 PTH W/WASHER - BEIGE
	049465-17-000	EA	SCREW - 10-16 X 1 POH W/WASHER - BRIGHT WHITE
	049465-23-000	EA	SCREW - 10-16 X 1.5 POH W/WASHER - VW LIGHT GRAY
	054434-02-000	EA	SCREW - SF/DR - 10-16 X 2 - ZINC
	054434-03-000	EA	SCREW - SF/DR - 10-16 X 2 - PWH - ZINC - W/O WINGS
	075908-01-000	EA	SCREW - MACHINE - 10-32 X .56 PTH - EXTERNAL TOOTH - ZINC
	076790-01-000	EA	SCREW - 6-20 X 1 1/4 PPH - BLACK
	076790-03-000	EA	SCREW - 6-20 X 1 PPH - BLACK
	076790-05-000	EA	SCREW - 6-20 X 1/2 PPH - BLACK - THREAD CUTTING/WOOD
	087721-01-000	EA	SCREW - FLAT HEAD - TAPPING - 1/4 X 1 1/4 LONG - ZINC
	090033-02-000	EA	SCREW - 1/4-20 X 5/8 - ROUND WASHER HEAD - OFF/WHITE
	091230-06-000	EA	SCREW-MACH,8-32X3/4 POH SS - BRIGHT WHITE
	097974-01-000	EA	SCREW - PARTICLE BOARD - 7-9 X 3/4 PPH
	101618-01-000	EA	SCREW - 1/4-20 X 3/4 HEX - TAPPING - STALGARD TYPE F
	105126-01-000	EA	SCREW - MACHINE - 8-32 X 1 PPH TAPTIT
	110460-05-02A	EA	SCREW - MACHINE - 10-24 X 2 1/2 PFH - WHITE
	113563-01-01A	EA	SCREW - 8 X 5/8 LONG SHOULDER/WASHER HEAD
	117478-01-04A	EA	SCREW - 8-18 X 3/4 PPH W/WASHER - VW LIGHT GRAY
	118383-01-09A	EA	RETAINER/RECESSED - F/.22" SCREW - GLACIER
	118383-01-05A	EA	RETAINER/RECESSED - F/.22" SCREW - VW LIGHT GRAY
	118383-01-04A	EA	RETAINER/RECESSED - F/.22" SCREW - BRIGHT WHITE
	118383-02-05A	EA	RETAINER/RECESSED - F/.27" SCREW - VW LIGHT GRAY
	118383-02-09A	EA	RETAINER/RECESSED - F/.27" SCREW - GLACIER
	118383-03-09A	EA	RETAINER/RECESSED - F/.32" SCREW - GLACIER
	118383-03-05A	EA	RETAINER/RECESSED - F/.32" SCREW - VW LT. GRAY
	118383-04-09A	EA	CAP - F/RECESSED RETAINER - GLACIER
	118383-04-05A	EA	CAP - F/RECESSED RETAINER - VW LIGHT GRAY
	118383-04-04A	EA	CAP - F/RECESSED RETAINER - BRIGHT WHITE
	134126-01-01A	EA	SCREW/NAIL - HEX HEAD - 3/4"
	134126-02-01A	EA	SCREW/NAIL - HEX HEAD - 1 1/4"
	140040-01-000	EA	SCREW - 1/4-20X1 - BUTTON HEAD SOCKET - W/LOCTITE

SEALANTS & FASTENERS GROUP (CONTINUED)
CLAMPS, CLIPS, GROMMETS, RIVETS & PLUGS

KEY	PART NUMBER	U/M	DESCRIPTION
	000F10-06-32B	EA	PIN - COTTER - 3/16" X 2" - ZINC
	000H14-06-06R	EA	RIVET-MANDREL BLIND,3/16 AL - CHERRY BSP-66
	000H16-04-06R	EA	RIVET - POP ALUMINUM - 1/8 X .313 - .375
	000H16-06-10R	EA	RIVET - POP ALUMINUM - 3/16 X .501-.625
	007161-01-000	EA	CLAMP - HOSE - SPRING TYPE - 1/2"
	008384-01-000	EA	GROMMET - SNAP - 3/4 DIAMETER - NYLON
	008386-01-000	EA	GROMMET - SNAP - 3/8" DIAMETER - NYLON
	010495-01-000	EA	CLAMP - CABLE - 9/16"
	010495-02-000	EA	CLAMP - CABLE - 3/8"
	010495-04-000	EA	CLAMP - CABLE - 11/16" - WHITE
	010497-01-000	EA	CLAMP - CLOSED - 5/8" ID
	010497-03-000	EA	CLAMP - CLOSED - 1" ID - CUSHIONED
	010497-04-000	EA	CLAMP - CLOSED - 1 5/8" ID
	010497-05-000	EA	CLAMP - CLOSED - 1/2" ID
	010497-07-000	EA	CLAMP - CLOSED - 3/8" ID
	010499-01-000	EA	CLAMP - CLOSED - 3/8" ID
	016188-03-000	EA	GROMMET - L/P LINE - 3/8" HOLE X 2 1/2" LONG - RUBBER
	016188-04-000	EA	GROMMET - L/P LINE - 1/2" HOLE X 2 1/2" LONG - RUBBER
	016188-05-000	EA	GROMMET - L/P LINE - 3/8" HOLE X 1 1/4" LONG - RUBBER
	016188-06-000	EA	GROMMET - L/P LINE - 3/8" X 31 1/4" LONG
	016188-07-000	EA	GROMMET - L/P LINE - 1/2" X 3 1/4" LONG
	023942-01-000	EA	GROMMET - RUBBER - 2" OD
	034141-02-000	EA	PLUG/NYLON - .38" - BLACK
	056134-01-000	EA	HOLDER - RING - 3.6" DIAMETER - METAL
	056134-02-000	EA	HOLDER - RING - 1.8" DIAMETER - METAL
	061420-04-000	EA	PLUG/PLASTIC - 1 1/4" DIAMETER
	061420-05-000	EA	PLUG/PLASTIC - 1 1/2" DIAMETER
	061420-08-000	EA	PLUG/PLASTIC - 2 1/2" DIAMETER
	061420-09-000	EA	PLUG/PLASTIC - 1.00" - DIAMETER
	061420-10-000	EA	PLUG/PLASTIC - 1 1/2" DIAMETER - BLACK
	061420-15-000	EA	PLUG/PLASTIC - 2" DIAMETER - BLACK
	062401-01-000	EA	CLAMP - HOSE - WORMGEAR - .25" - 1"
	062401-02-000	EA	CLAMP - HOSE - WORMGEAR - 1.56" - 2.5"
	062401-03-000	EA	CLAMP - HOSE - WORMGEAR - .22" - 1"
	062401-04-000	EA	CLAMP - HOSE - WORMGEAR - .69" - 1.25"
	062401-05-000	EA	CLAMP - HOSE - WORMGEAR - 2" - 3" ID
	062401-06-000	EA	CLAMP - HOSE - WORMGEAR - .22" - .62" ID
	062401-09-000	EA	CLAMP - HOSE - WORMGEAR - 2.8" - 3.75"
	062401-11-000	EA	CLAMP - HOSE - WORMGEAR - 3.50" - 4.50"
	062401-12-000	EA	CLAMP - HOSE - WORMGEAR - .79" X 1.26"
	071015-11-000	EA	GROMMET - RUBBER - 1"ID FITS .12 MATERIAL - BLACK
	071015-19-000	EA	GROMMET - RUBBER - .38 ID - FITS .06 MATERIAL - BLACK
	071015-26-000	EA	GROMMET - RUBBER - 1.5" ID X 2.1" OD W/.06" GROOVE-BLACK
	071015-29-000	EA	GROMMET - RUBBER - .3" ID X 1.3"OD W/.12" GROOVE - BLACK
	071015-30-000	EA	GROMMET - RUBBER - .31" ID X .81" OD W/.12" GROOVE-BLACK
	071015-39-000	EA	GROMMET - .75 ID FITS .06 MTL
	071015-40-000	EA	GROMMET - .38 ID FITS .09 MTL
	071015-41-000	EA	GROMMET - .125 ID FITS .188 MTL
	075148-02-000	EA	CLAMP - GROUNDING - BRONZE SCREWS
	077955-01-000	EA	CLIP/J - 3/8" - VINYL COATED
	080211-03-000	EA	CLIP - XMAS TREE W/PANEL RETAINING HEAD - 3/4" SHANK
	080734-02-000	EA	CLIP - WIRE NYLON
	081211-03-000	EA	PLUG/PLASTIC - .50 DIAMETER - BLACK
	081211-04-000	EA	PLUG/PLASTIC - .46 DIAMETER - BLACK
	083609-01-000	EA	CLAMP - WIRE - DUAL - EQUAL DIAMETERS - 5/8"
	083610-01-000	EA	CLAMP - WIRE - DUAL - UNEQUAL DIAMETERS - 3/4" & 1 1/4"
	083610-02-000	EA	CLAMP - WIRE - DUAL - UNEQUAL DIAMETERS - 3/4" & 2"
	083610-03-000	EA	CLAMP - WIRE - DUAL - EQUAL DIAMETERS - 2"
	088756-01-000	EA	GROMMET - WEB - 1 1/8 " I.D.
	091952-01-000	EA	CLIP - GRIPPER - 1"
	091952-02-000	EA	CLIP - GRIPPER - 3/4"
	094362-02-000	EA	CLIP - XMAS TREE - BINDER HEAD - .9" LONG
	094362-05-000	EA	CLIP - XMAS TREE - ROUND HEAD - 1.4" LONG

SEALANTS & FASTENERS GROUP (CONTINUED)

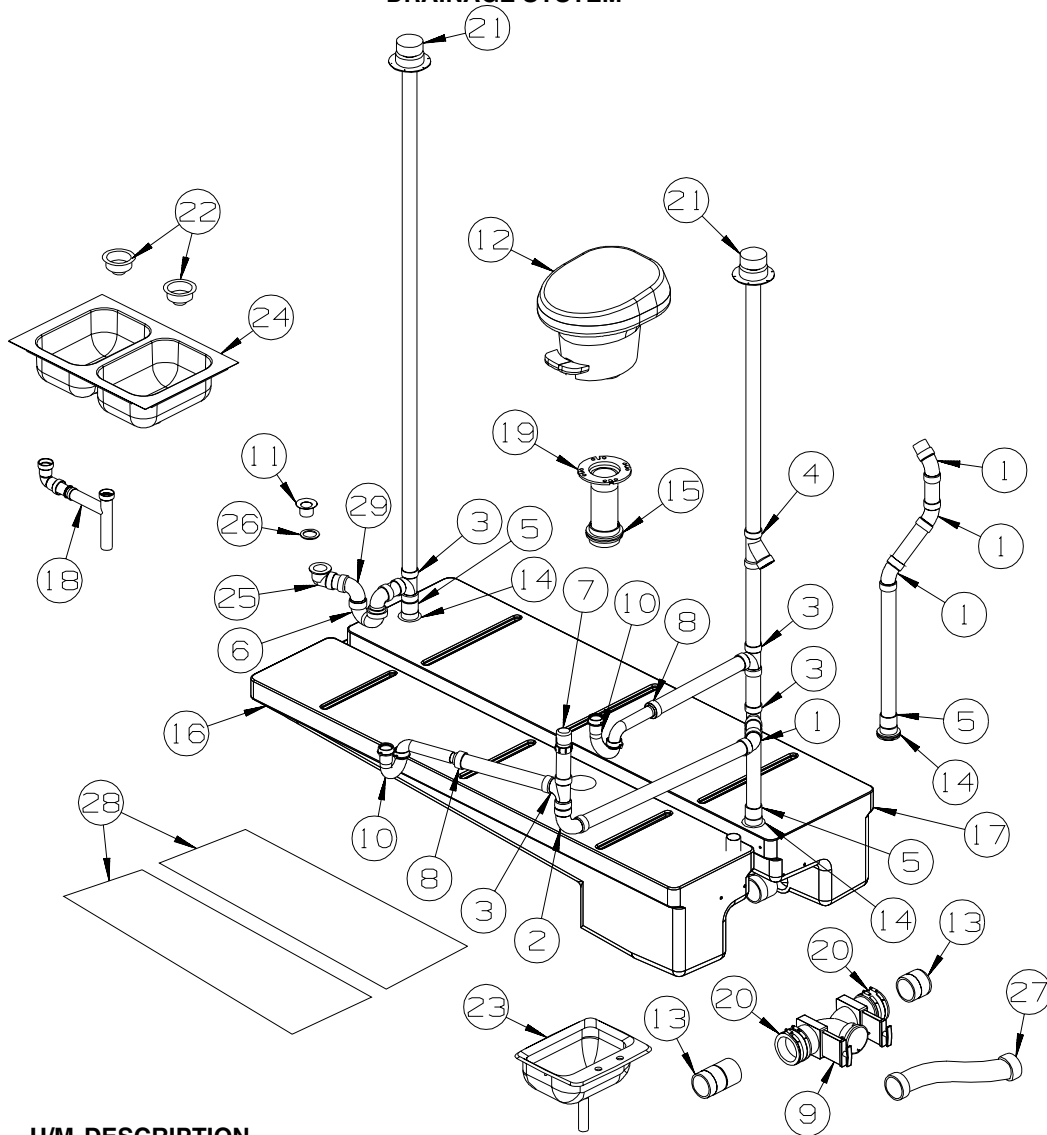
CLAMPS, CLIPS, GROMMETS, RIVETS & PLUGS (CONTINUED)

KEY	PART NUMBER	U/M	DESCRIPTION
	114208-01-000	EA	GROMMET - EDGE LINER - FITS 1 3/4"
	114208-03-000	EA	GROMMET - EDGE LINER - FITS 2 1/2"
	114208-04-000	EA	GROMMET - EDGE LINER - FITS 1"
	114208-05-000	EA	GROMMET - EDGE LINER - FITS 2"
	118626-01-01A	EA	RIVET - POP - ALUMINUM - 3/16 X .08 - .375
	118626-02-01A	EA	RIVET - POP - ALUMINUM - 3/16 X .500 - .750
	137014-01-02A	EA	GROMMET - CABLE - BROWN
	137014-01-01A	EA	GROMMET - CABLE - ALMOND
	140171-02-000	EA	CLAMP - HOSE - STEPLESS EAR - .250

MISCELLANEOUS FASTENERS

KEY	PART NUMBER	U/M	DESCRIPTION
	008343-01-000	EA	TIE - WIRE - 6"
	008343-02-000	EA	TIE - WIRE - 14"
	008343-03-000	EA	TIE - WIRE - 7 1/2" - BLACK
	029094-04-000	YD	VELCRO TAPE - LOOP - 1" WIDE - BLACK
	029096-03-000	YD	VELCRO TAPE - HOOK - 1" WIDE - BLACK
	029096-04-000	YD	VELCRO TAPE - HOOK - 1" WIDE - BLACK
	048394-02-000	YD	VELCRO TAPE - HOOK - ADHESIVE BACK - 3/4" WIDE - BEIGE
	085774-01-000	FT	FASTENER - DUAL LOCK - 1" WIDE - ADHESIVE BACK - BLACK
	085774-02-000	FT	FASTENER - DUAL HOOK - 1" WIDE - ADHESIVE BACK - BLACK
	085774-03-000	FT	FASTENER - DUAL LOCK - 1/2" WIDE - ADHESIVE BACK - BLACK
	085774-04-000	FT	FASTENER - DUAL HOOK - 1/2" WIDE - ADHESIVE BACK - BLACK
	088792-02-000	YD	VELCRO TAPE - LOOP - 3/4" - ADHESIVE BACK - BEIGE
	088792-04-000	YD	VELCRO TAPE - HOOK - 5/8" - NON-ADHESIVE BACK - WHITE
	088792-05-000	YD	VELCRO TAPE - LOOP - 5/8" - NON-ADHESIVE BACK - WHITE
	108046-01-000	EA	CABLE TIE - SCREW MOUNT 8"
	108046-02-000	EA	CABLE TIE - SCREW MOUNT 15"
	110943-02-000	FT	FELT STRIP - 3/8" - ADHESIVE BACK - WHITE
	113133-02-01A	EA	RIVET - POP - ALUMINUM - 3/16 X .252 - .504 - BLACK
	123816-04-000	FT	TAPE - DOUBLE SIDED - 6" X 750'
	127960-01-01A	EA	RETAINER - 3/8" - STAINLESS STEEL

WATER & SEWAGE GROUP DRAINAGE SYSTEM



KEY	PART NUMBER	U/M	DESCRIPTION
1	010006-01-000	EA	ELBOW - 45 DEGREE - 1 1/2" HUB X HUB - PLASTIC
2	010008-01-000	EA	ELBOW - 90 DEGREE - 1 1/2" HUB X HUB - PLASTIC
3	010071-01-000	EA	TEE - SANITARY - 1 1/2" HUB X HUB X HUB - PLASTIC
4	010073-01-000	EA	WYE - 45 DEGREE - 1 1/2" HUB X HUB X HUB - PLASTIC
5	010115-01-000	EA	COUPLING - 1 1/2" HUB X HUB - PLASTIC
6	037763-01-000	EA	P-TRAP - PLASTIC - 1 1/2" HXH W/UNION
7	079968-01-000	EA	VENT - MECHANICAL/TRAP ARM - ANTI-SIPHON-2" X 7.3" PLASTIC
8	109571-01-000	EA	ADAPTER - P-TRAP - 1 1/2" P X 1 1/4" MPT
9	136143-01-000	EA	VALVE - DUAL - 3" X 3"
10	107538-01-000	EA	P-TRAP - PLASTIC - 1 1/4" W/EXTENSION ARM
10	011071-01-000	EA	P-TRAP - PLASTIC - 1 1/2" - CSA
11	066440-01-000	EA	STRAINER - SHOWER DRAIN - W/RUBBER WASHER
12*	067487-04-000	EA	TOILET - LOW - FOOTFLUSH - WHITE
13	010129-03-000	EA	NIPPLE - PLASTIC - 3" X 3" TOE
14	061607-01-000	EA	GROMMET - HOLDING TANK - 1 1/2" NPS
15	061607-02-000	EA	GROMMET - HOLDING TANK - 3" NPS
16	139645-02-01A	EA	TANK - HOLDING - W/FITTINGS
16	139645-01-01A	EA	TANK - HOLDING - W/O FITTINGS
17	139646-02-01A	EA	TANK - HOLDING - W/FITTINGS
17	139646-01-01A	EA	TANK - HOLDING - W/O FITTINGS
18	011091-02-000	EA	WASTE - CONTINUOUS - DOUBLE SINK
19	024676-01-000	EA	FLANGE/CLOSET - 4" X 3" - BLACK PLASTIC
20	078406-01-000	EA	COUPLER - RUBBER - W/CLAMPS - 3" X 3"
21	083558-03-000	EA	VENT - PLUMBING - ROOF PIPE COVERED - OFF WHITE
22	092303-01-000	EA	STRAINER - W/BASKET - GALLEY SINK - 4" OD

*COMPONENT PARTS LISTED LATER IN THIS GROUP

WATER & SEWAGE GROUP (CONTINUED)
DRAINAGE SYSTEM (CONTINUED)

KEY	PART NUMBER	U/M	DESCRIPTION
23*	096927-01-02A	EA	SINK - LAVATORY - RECTANGLE - SOFT WHITE
24	104113-01-000	EA	SINK/STAINLESS STEEL/DOUBLE 17.2" X 25.2" X 5.9" CNTR DROP
25	131486-01-000	EA	ELBOW - DRAIN - 1 1/2 LOW PROFILE - TUB DRAIN
26	132376-01-01A	EA	GASKET - FOAM - 1 1/2" - TUB STRAINER
			FROM: 00-00-00 THRU: 05-13-02
27	139513-01-000	EA	HOSE - SEWER - 3" X 10' - W/ADAPTER
28	133972-04-000	EA	PAD - HEATER - HOLDING TANK - 34 GALLONS
29	010009-01-000	EA	ELBOW - 90 DEGREE - 1/4 BEND - 1 1/2" PLASTIC

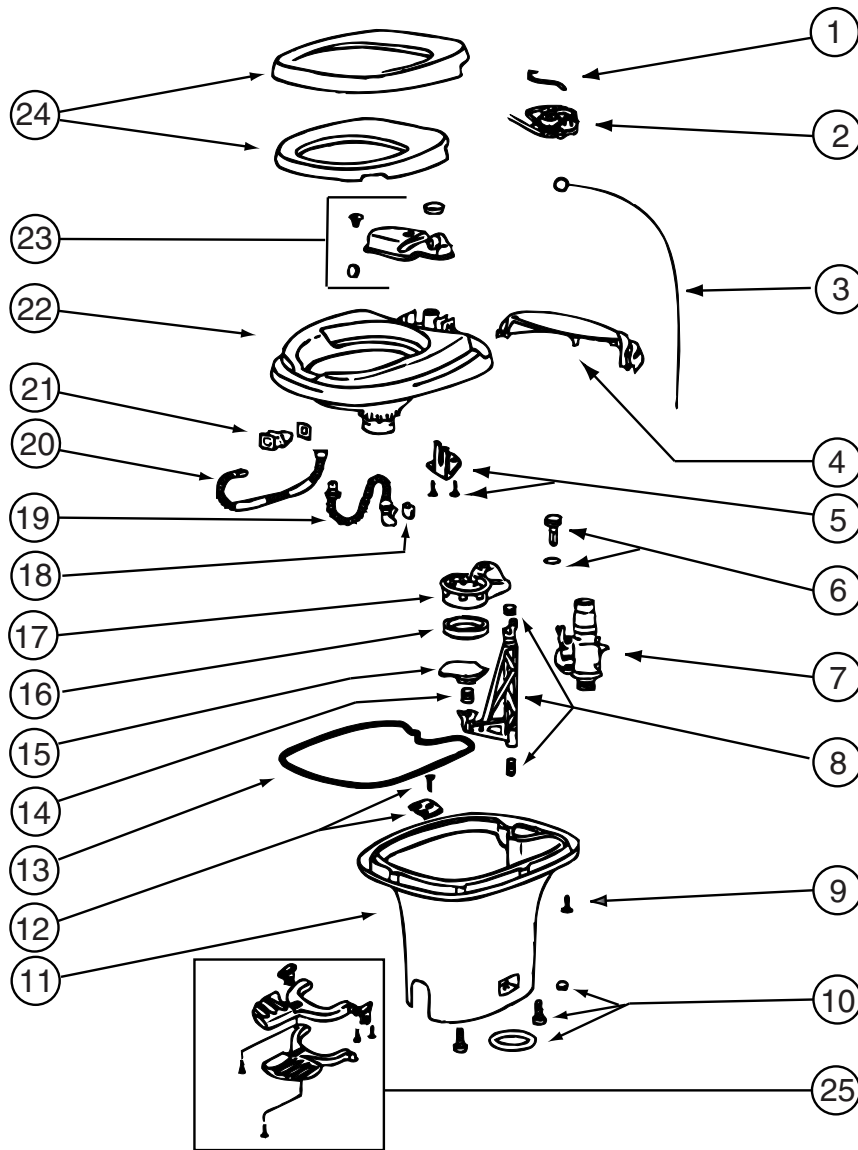
***COMPONENT PARTS LISTED LATER IN THIS GROUP**

WATER & SEWAGE GROUP (CONTINUED)
COMPONENT PARTS FOR DRAINAGE SYSTEM

062415-01-000

KEY	PART NUMBER	U/M	DESCRIPTION	VENDOR NO.
	062415-01-700	EA	STRING-SEWER CAP	V#SV7 STRAP

WATER & SEWAGE GROUP (CONTINUED)
COMPONENT PARTS FOR DRAINAGE SYSTEM (CONTINUED)



324V, 329B, 329N, 331T

067487-04-000

KEY	PART NUMBER	U/M	DESCRIPTION	VENDOR NO.
2	063740-02-703	EA	KIT-LEVER/WIRE ASSM FOOT FL	24571
4	131932-02-701	EA	COVER -MECHANISM- WHITE	2086562
7	063740-01-714	EA	VALVE ASM (VALVE-BALL SEAL)	13168
10	063740-01-706	EA	BOLT PACKAGE-FLOOR FLANGE	12524THETFORD
15	063740-01-721	EA	BLADE ONLY	1248262
16	063740-01-722	EA	SEAL - BLADE	12481
20	063740-01-717	EA	TUBE-FLUSH	12509
23	063740-02-701	EA	RESERVOIR (TANK ASM.)	24630
24	131932-01-701	EA	SEAT/COVER ASSMBLY - WHITE	2464162
25	131932-02-702	EA	PEDAL PACKAGE(WHITE)	2082162

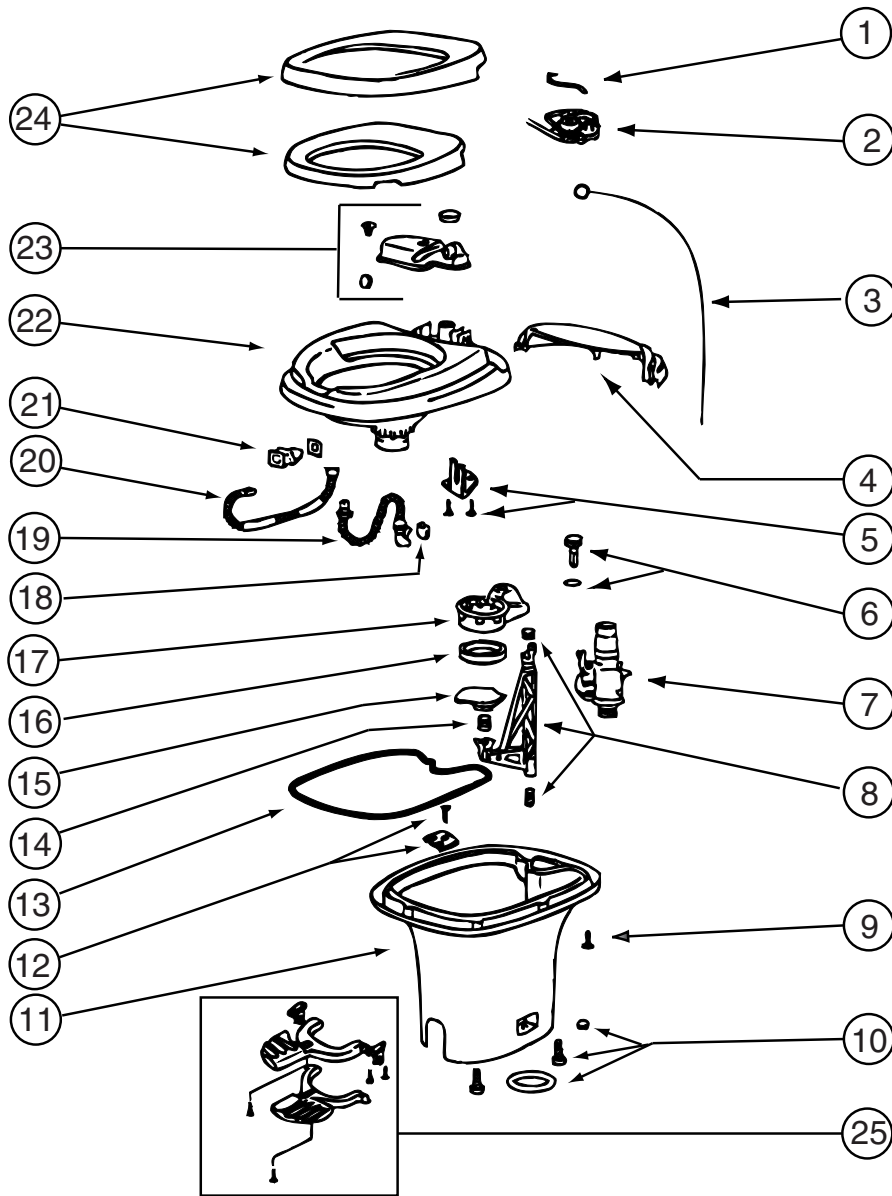
CONTACT WINNEBAGO PART SALES FOR UNLISTED COMPONENT

WATER & SEWAGE GROUP (CONTINUED)
COMPONENT PARTS FOR DRAINAGE SYSTEM (CONTINUED)

096927-01-02A

KEY	PART NUMBER	U/M	DESCRIPTION	VENDOR NO.
	096927-01-700	EA	SINK STOPPER	M9801
	096927-01-701	EA	TAILPIECE-DRAIN-LAVATORY	M9802

WATER & SEWAGE GROUP (CONTINUED)
COMPONENT PARTS FOR DRAINAGE SYSTEM (CONTINUED)



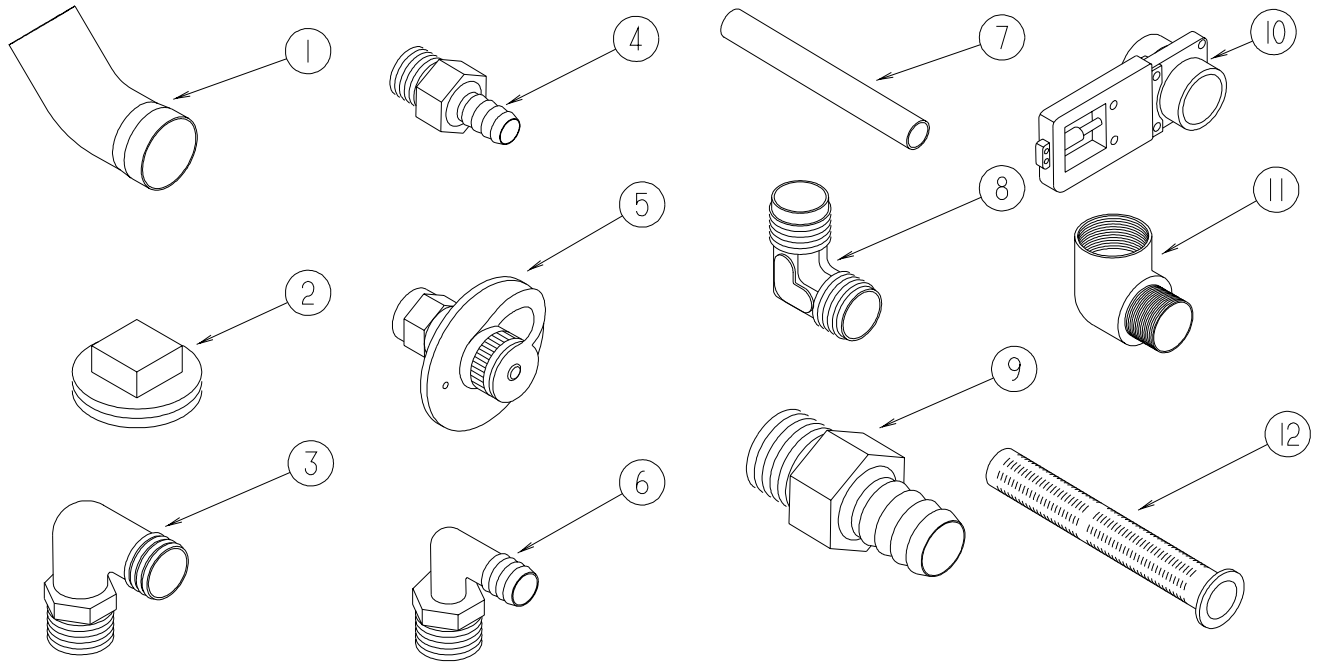
322E, 322R, 324F

131932-02-02A

KEY	PART NUMBER	U/M	DESCRIPTION	VENDOR NO.
2	063740-02-703	EA	KIT-LEVER/WIRE ASSM FOOT FL	24571
4	131932-02-701	EA	COVER -MECHANISM- WHITE	2086562
7	063740-01-714	EA	VALVE ASM (VALVE-BALL SEAL)	13168
10	063740-01-706	EA	BOLT PACKAGE-FLOOR FLANGE	12524 THETFORD
15	063740-01-721	EA	BLADE ONLY	1248262
16	063740-01-722	EA	SEAL - BLADE	12481
23	063740-02-701	EA	RESERVOIR (TANK ASM.)	24630
24	131932-01-701	EA	SEAT/COVER ASSMBLY - WHITE	2464162
25	131932-02-702	EA	PEDAL PACKAGE(WHITE)	2082162

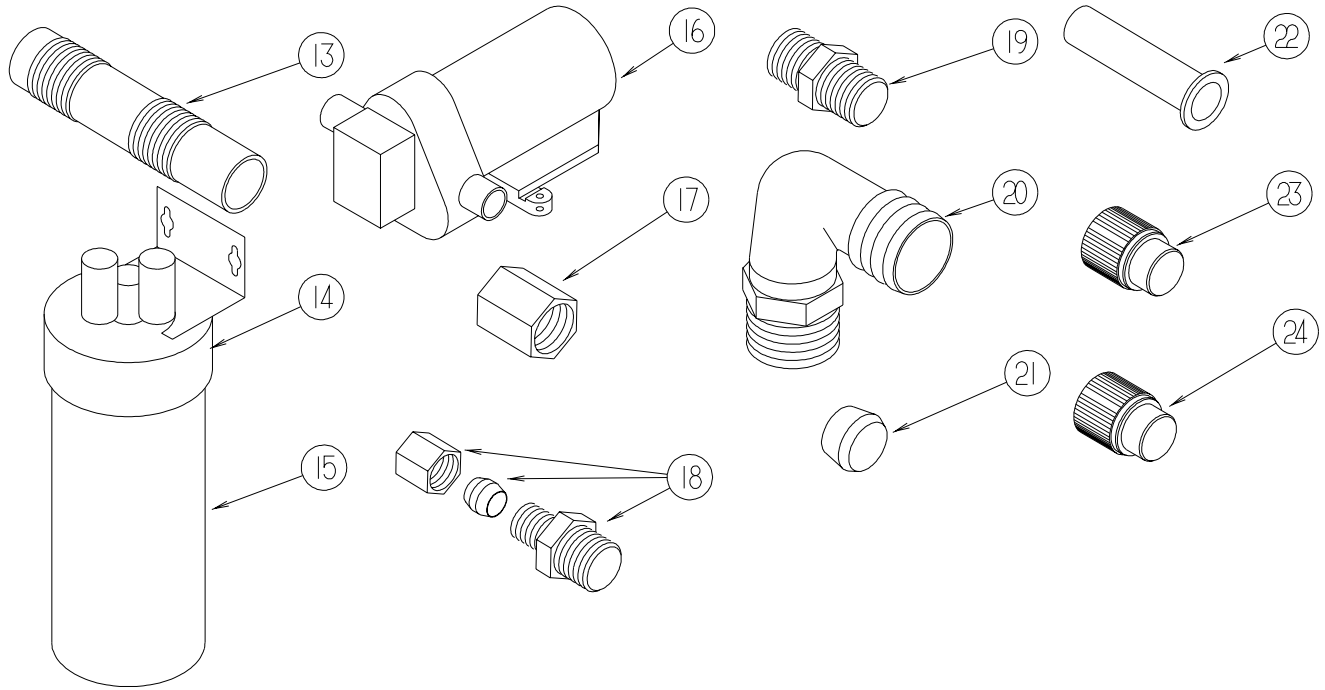
CONTACT WINNEBAGO PART SALES FOR UNLISTED COMPONENT

WATER & SEWAGE GROUP (CONTINUED)
WATER SYSTEM



KEY	PART NUMBER	U/M	DESCRIPTION
1	010009-01-000	EA	ELBOW - 90 DEGREE - 1/4 BEND - 1 1/2" PLASTIC
2	010166-01-000	EA	PLUG/THREADED - 1 1/4"MPT - PLASTIC - BLACK - UL
3	010219-01-000	EA	ELBOW - 1 1/4 MPT X 1 1/4 BARB - WATER FILL - PLASTIC
4	010224-01-000	EA	ADAPTER - HOSE TO PIPE - 3/8 MPT X 3/8 BARB - PLASTIC
5	010230-06-000	EA	FILL - CITY WATER - W/CHECK VALVE - MPT - BRUSHED ALUM
6	035539-01-000	EA	ELBOW - 3/8 MPT X 3/8 BARB - PLASTIC
7	039800-04-000	FT	TUBING - POLYBUTYL - 1/4"OD
7	074462-02-000	FT	TUBING - VINYL - 3/8 ID X 20' - CLEAR
7	112176-01-000	FT	TUBING - VINYL - REINFORCED - 1/2" ID
7	124188-01-000	FT	TUBING - PEX - 1/2" ID X 20' - BLUE(COLD)
7	124188-02-000	FT	TUBING - PEX - 1/2" ID X 20' - RED(HOT)
8	039808-03-000	EA	ELBOW - 1/2" MPT X 1/2" MPT - PLASTIC
9	044927-01-000	EA	ADAPTER - HOSE TO PIPE-1 1/4 MPTX1 1/4 BARB-BLACK PLASTIC
10	062421-03-000	EA	VALVE/DUMP W/O HANDLE - 1 1/2" X 1 1/2" HUB
11	065318-02-000	EA	ELBOW - 90 DEGREE - 3/8" MPT TO 3/8" FPT
12	077954-02-000	EA	FILTER - WATER TANK - W/SCREEN IN TANK

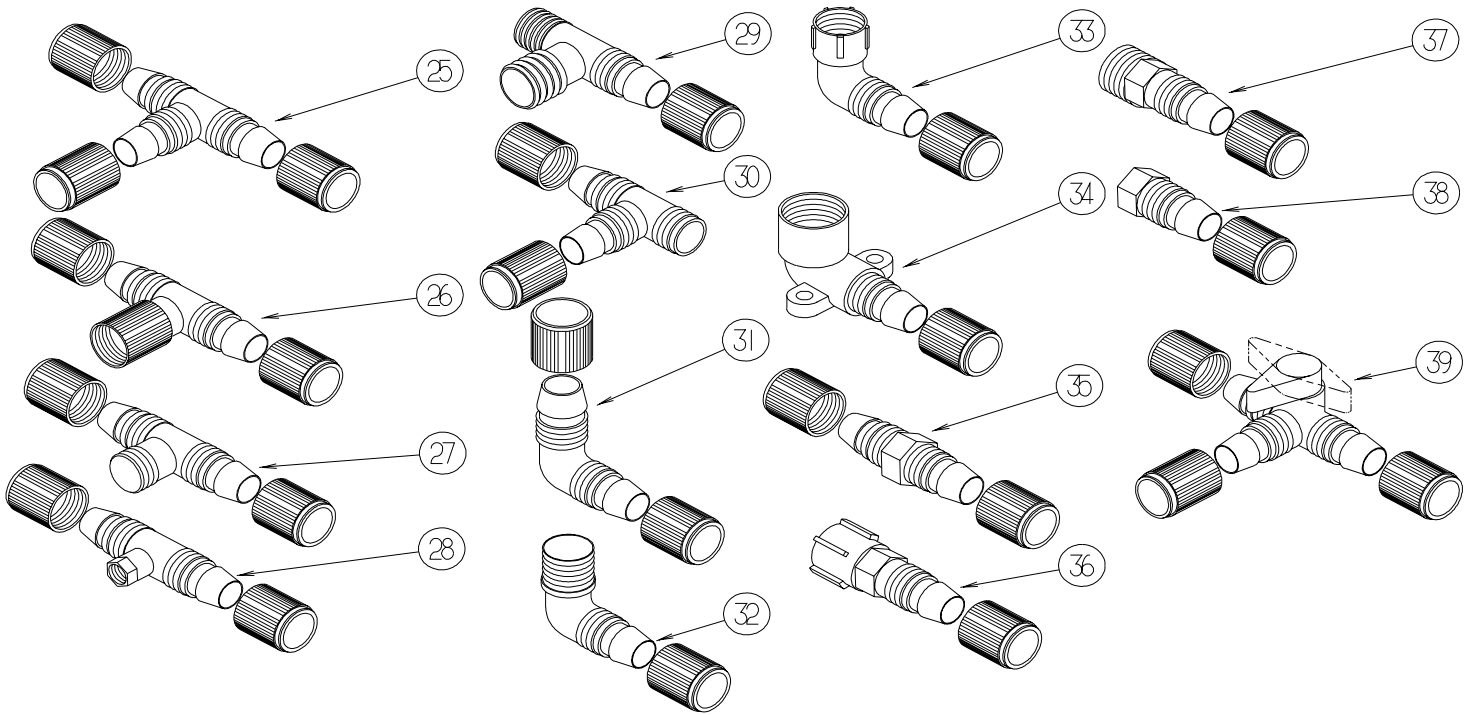
WATER & SEWAGE GROUP (CONTINUED)
WATER SYSTEM (CONTINUED)



KEY	PART NUMBER	U/M	DESCRIPTION
13	079381-01-000	FT	TUBING - RIBBED FLEXIBLE - WATER FILL - 1.4" ID
14	087200-01-000	EA	FILTER-WATER PURIFICATION, EVERPURE QC2-AC
15	087200-02-000	EA	CARTRIDGE-WATER FILTER,AC - EVERPURE 9601-11
16*	098607-01-000	EA	PUMP - WATER - W/.5" MPT FITTING - FLOW 2.8 GPM
17	101814-01-000	EA	COUPLING - FEMALE - 1/2" X 1/2" FPT - GRAY
18	103798-01-000	EA	CONNECTOR - 1/4 OD X 3/8 MPT
19	110438-02-000	EA	VALVE - CHECK - BRASS - 1/2 MPT X 1/2 MPT
20	111223-02-000	EA	ELBOW - 1/2" MPT X 3/8" BARB - PLASTIC
20	111223-03-000	EA	ELBOW - 3/4" MPT X 1/2" BARB - PLASTIC
20	111223-04-000	EA	ELBOW - 1/2" MPT X 1/2" BARB - PLASTIC
21	111888-01-000	EA	FERRULE - PLASTIC - .250 ID X .375 OD
22	111888-02-000	EA	INSERT - BRASS - 1/4 COMP
23	113697-01-000	EA	CAP - 3/8"P
24	114427-01-000	EA	CAP - 1/2"P

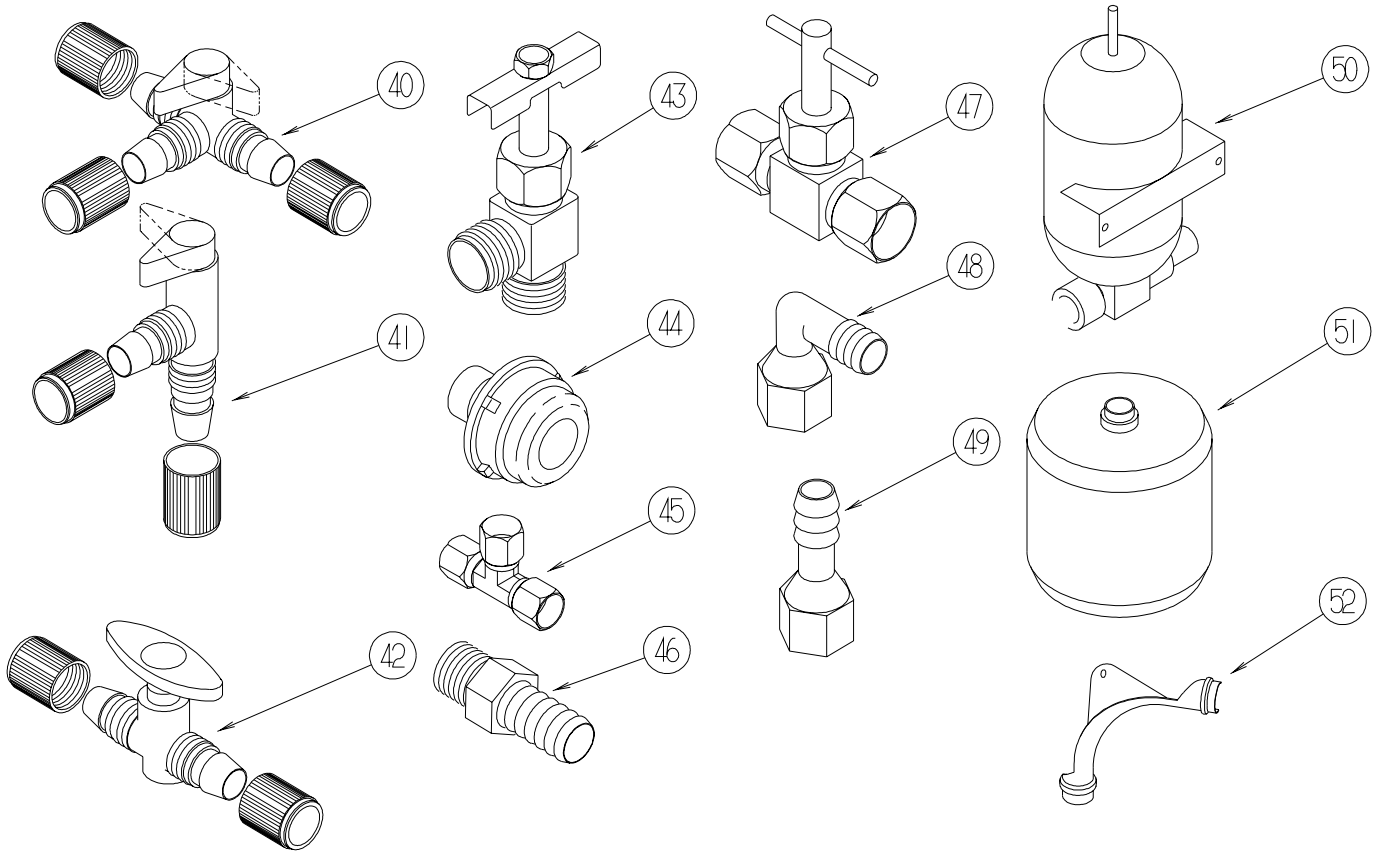
***COMPONENT PARTS LISTED LATER IN THIS GROUP**

WATER & SEWAGE GROUP (CONTINUED)
WATER SYSTEM (CONTINUED)



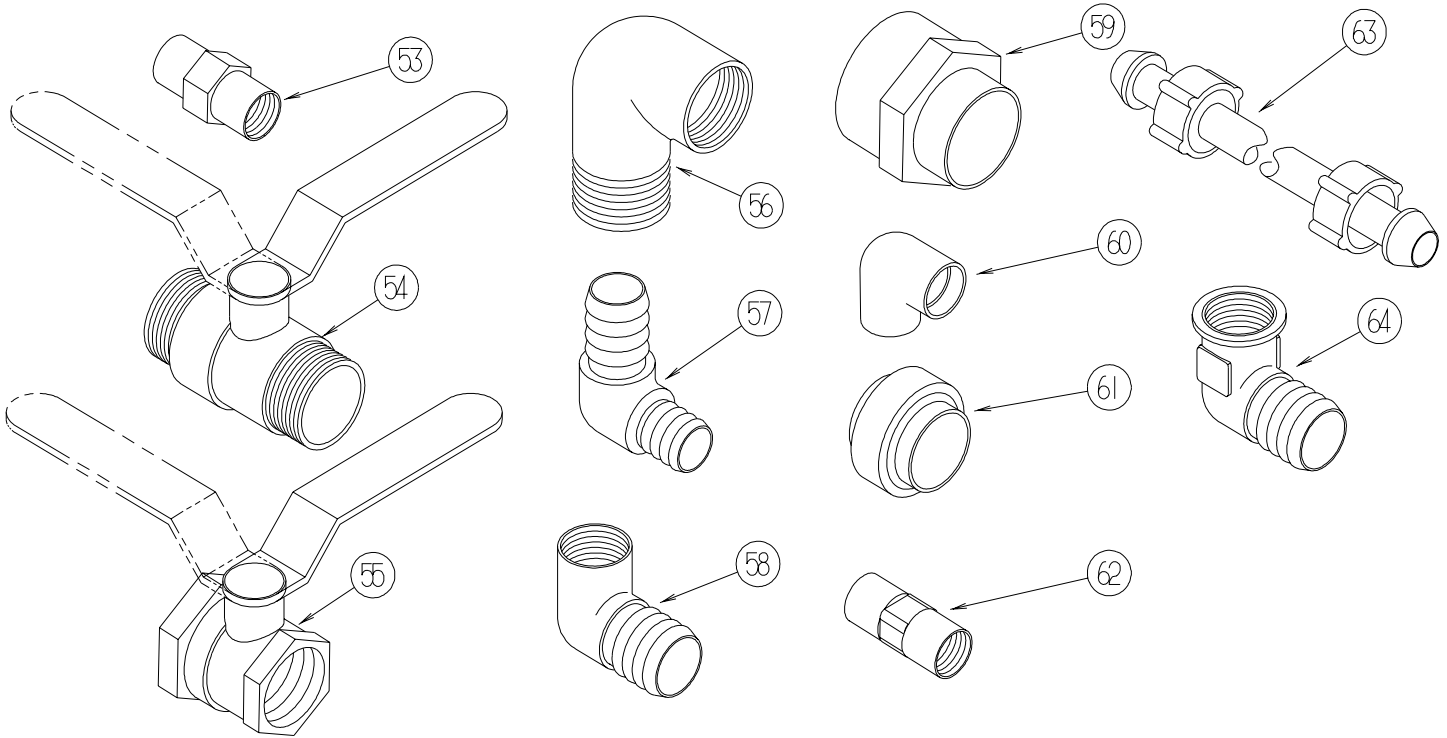
KEY	PART NUMBER	U/M	DESCRIPTION
25	114428-01-000	EA	TEE - 1/2"P X 1/2"P X 1/2"P
26	114428-02-000	EA	TEE - SWIVEL - 1/2"P X 1/2"P X 1/2"FPT
27	114428-03-000	EA	TEE - 1/2"P X 1/2"P X 1/2"MPT
28	114428-04-000	EA	TEE - 1/2"P X 1/2"P X 1/8"FPT
29	114428-06-000	EA	TEE - 1/2" P X 1/2" MPT X 1/2" MPT
30	114428-07-000	EA	TEE - 1/2" P X 1/2" MPT X 1/2" P
31	114429-01-000	EA	ELBOW - 1/2"P X 1/2"P
32	114429-02-000	EA	ELBOW - 1/2"P X 1/2"MPT
32	114429-04-000	EA	ELBOW - 1/2"P X 3/8"MPT
32	114429-05-000	EA	ELBOW - 1/2"P X 3/4"MPT
33	114429-03-000	EA	ELBOW - SWIVEL - 1/2"P X 1/2"FPT
33	114429-06-000	EA	ELBOW - SWIVEL - 1/2"P X 3/4"FPT
33	114429-08-000	EA	ELBOW - SWIVEL - 1/2"P X 1/2"FPT
34	114429-09-000	EA	ELBOW - 1/2"P X 1/2"FPT DROP EAR
35	114430-01-000	EA	ADAPTER - 1/2"P X 1/2"P
36	114430-02-000	EA	ADAPTER - SWIVEL - 1/2"P X 1/2"FPT
37	114430-03-000	EA	ADAPTER - 1/2"P X 1/2"MPT
38	114430-06-000	EA	ADAPTER - 1/2"P X 3/8"FPT
39	114431-01-000	EA	VALVE - 180 DEGREE/CENTER DRAIN - 1/2"P - THREE WAY

WATER & SEWAGE GROUP (CONTINUED)
WATER SYSTEM (CONTINUED)



KEY	PART NUMBER	U/M	DESCRIPTION
40	114431-02-000	EA	VALVE - WATER BYPASS - 1/2" P - THREE WAY (WATER HEATER)
41	114431-03-000	EA	VALVE - 90 DEGREE DRAIN - 1/2" P
42	114431-04-000	EA	VALVE - "INLINE SHUT-OFF" - 1/2" P
43	114431-05-000	EA	VALVE - NEEDLE - 1/8" MPT X 1/4" COMPRESSION (ICE MAKER)
44	114966-01-000	EA	FILTER - IN LINE - TWIST ON - 1/2"
45	118423-01-000	EA	FITTING - BRASS-TEE - 1/4" X 1/4" X 1/4"
46	118809-02-000	EA	ADAPTER - 1/2" MPT X 1/2" BARB - PLASTIC
47	120868-01-000	EA	VALVE - NEEDLE - 1/4" COMPRESSION X 1/4" COMPRESSION
48	123150-01-000	EA	ELBOW - 1/2" FPT X 1/2" BARB - SWIVEL
49	123152-01-000	EA	ADAPTER - 1/2" FPT X 1/2" BARB - SWIVEL
50	123243-01-000	EA	TANK - ACCUMULATOR - 24 OZ
51	123317-01-000	EA	TANK - ACCUMULATOR - 2 GALLON
52	124184-01-000	EA	SUPPORT - WATER LINE - BEND

WATER & SEWAGE GROUP (CONTINUED)
WATER SYSTEM (CONTINUED)



KEY	PART NUMBER	U/M	DESCRIPTION
53	132148-01-000	EA	CONNECTOR - 1/2" X 1/2"MPT - BRASS
54	132483-01-000	EA	VALVE/BALL - 1" - THREADED ENDS
55	132483-02-000	EA	VALVE/BALL - 1/2" - BRASS - FPT
56	132484-01-000	EA	ELBOW - 90 DEGREE - 1MPT X 1FPT - PLASTIC
57	132781-01-000	EA	ELBOW - 1.3" BARB X 1.3" BARB - 90 DEGREE - PLASTIC
58	132782-01-000	EA	ELBOW - 1"FPT X 1.3" BARB - 90 DEGREE - PLASTIC
59	133835-01-000	EA	ADAPTER - REDUCING - 1 1/2" X 1 1/4"
60	133837-01-000	EA	ELBOW - 1 1/2" X 90 DEGREE - DOUBLE SLIP
61	133889-01-000	EA	UNION - 1 1/2" DOUBLE SLIP - PVC
62	135386-01-000	EA	NIPPLE - 1/2"
63	140821-01-000	EA	TUBE - WATER SUPPLY - 3/8" X 24"
63	140821-02-000	EA	TUBE - WATER SUPPLY - 3/8" X 30"
63	140821-03-000	EA	TUBE - WATER SUPPLY - 3/8" X 36"
63	140821-04-000	EA	TUBE - WATER SUPPLY - 3/8" X 48"
63	140821-05-000	EA	TUBE - WATER SUPPLY - 3/8" X 54"
63	140821-06-000	EA	TUBE - WATER SUPPLY - 3/8" X 60"
63	140821-07-000	EA	TUBE - WATER SUPPLY - 3/8" X 72"
64	142812-01-000	EA	ELBOW - BRASS - 1/2"MPT X 1/2"FPT

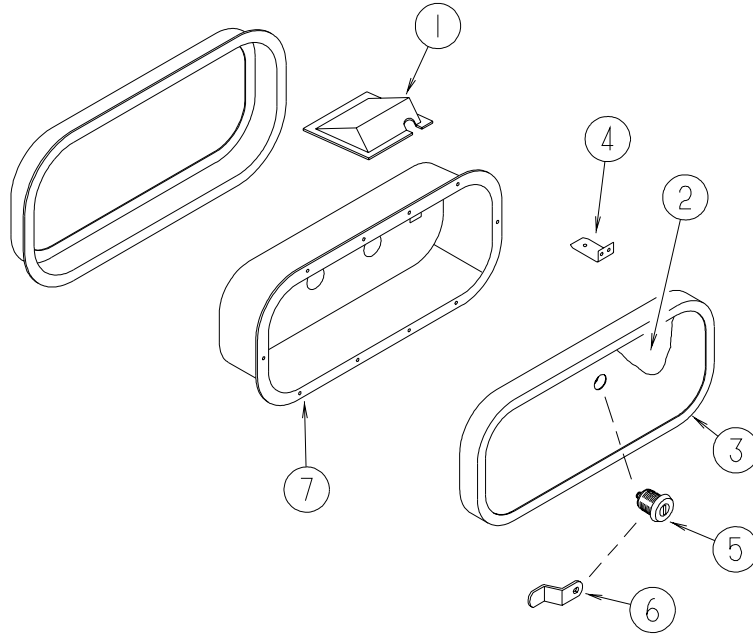
***COMPONENT PARTS LISTED LATER IN THIS GROUP**

WATER & SEWAGE GROUP (CONTINUED)
WATER SYSTEM (CONTINUED)

KEY	PART NUMBER	U/M	DESCRIPTION
	131383-01-02A	EA	SHOWER HEAD - W/60" HOSE & BRACKET - WHITE
	131383-02-02A	EA	SHOWER HEAD - W/60" HOSE & BRACKET - WHITE - CSA
	104114-02-01A	EA	FAUCET - GALLEY - SINGLE CONTROL
	075241-06-000	EA	FAUCET - SHOWER/BRIGHT WHITE - .5" MPT W/1.9" INLET PIPES - EXTERIOR WASH STATION
	114416-03-02B	EA	BRACKET - SUPPORT - FAUCET - E-COAT - EXTERIOR WASH STATION
	075241-04-000	EA	FAUCET - SHOWER/BRASS
	075240-05-000	EA	FAUCET - LAVATORY/BRASS
	091253-01-000	EA	GASKET - FAUCET - LAVATORY/GALLEY
	075606-03-000	EA	PANEL - FAUCET SHOWER - SOFT WHITE
	039861-01-000	EA	SENDING UNIT - W/SCREW - WASHER - WELL NUT/TERMINAL RING
*	051391-03-000	EA	WATER HEATER G6A-8E ELECTRONIC IGNITION
	052009-06-000	EA	DOOR - WATER HEATER - BRIGHT WHITE - 18" X 14.6"
	081240-20-000	EA	WATER FILL - W/DOOR - LOCKABLE - W/O LOCK - BRT WHT
	137169-01-01A	EA	FILL/WATER - GRAVITY - BRIGHT WHITE
			FROM: 00-00-00 THRU: 04-02-01
	137169-02-01A	EA	ADAPTER/LOCK - (WASHER) F/GRAVITY WATERFILL
			FROM: 04-03-01 THRU: 99-99-99
	110506—33-000	EA	LOCK ASM-KEYED, 14.58MM
			FROM: 04-03-01 THRU: 99-99-99
	110506-59-000	EA	KEYS - SET OF TWO
*			FROM: 00-00-00 THRU: 05-31-01
	110506-59-001	EA	KEYS - SET OF TWO
	110506-59-002	EA	KEYS - SET OF TWO
	110506-59-003	EA	KEYS - SET OF TWO
	110506-59-004	EA	KEYS - SET OF TWO
	110506-59-005	EA	KEYS - SET OF TWO
	110506-59-006	EA	KEYS - SET OF TWO
	110506-59-007	EA	KEYS - SET OF TWO
	110506-69-008	EA	KEYS - SET OF TWO
	110506-59-009	EA	KEYS - SET OF TWO
	110506-52-000	EA	CASE/CYLINDER - LOCKING - W/O CAM/KEY - .65" - 702370
	110506-52-001	EA	CASE/CYLINDER - LOCKING - W/O CAM/KEY - .65" - 702371
	110506-52-002	EA	CASE/CYLINDER - LOCKING - W/O CAM/KEY - .65" - 702372
	110506-52-003	EA	CASE/CYLINDER - LOCKING - W/O CAM/KEY - .65" - 702373
	110506-52-004	EA	CASE/CYLINDER - LOCKING - W/O CAM/KEY - .65" - 702374
	110506-52-005	EA	CASE/CYLINDER - LOCKING - W/O CAM/KEY - .65" - 702375
	110506-52-006	EA	CASE/CYLINDER - LOCKING - W/O CAM/KEY - .65" - 702376
	110506-52-007	EA	CASE/CYLINDER - LOCKING - W/O CAM/KEY - .65" - 702377
	110506-52-008	EA	CASE/CYLINDER - LOCKING - W/O CAM/KEY - .65" - 702378
	110506-52-009	EA	CASE/CYLINDER - LOCKING - W/O CAM/KEY - .65" - 702379
	110506-76-000	EA	CAM - LOCK
			FROM: 00-00-00 THRU: 05-31-01
	110506-77-000	EA	CAM - LOCK
			FROM: 06-01-01 THRU: 05-31-01

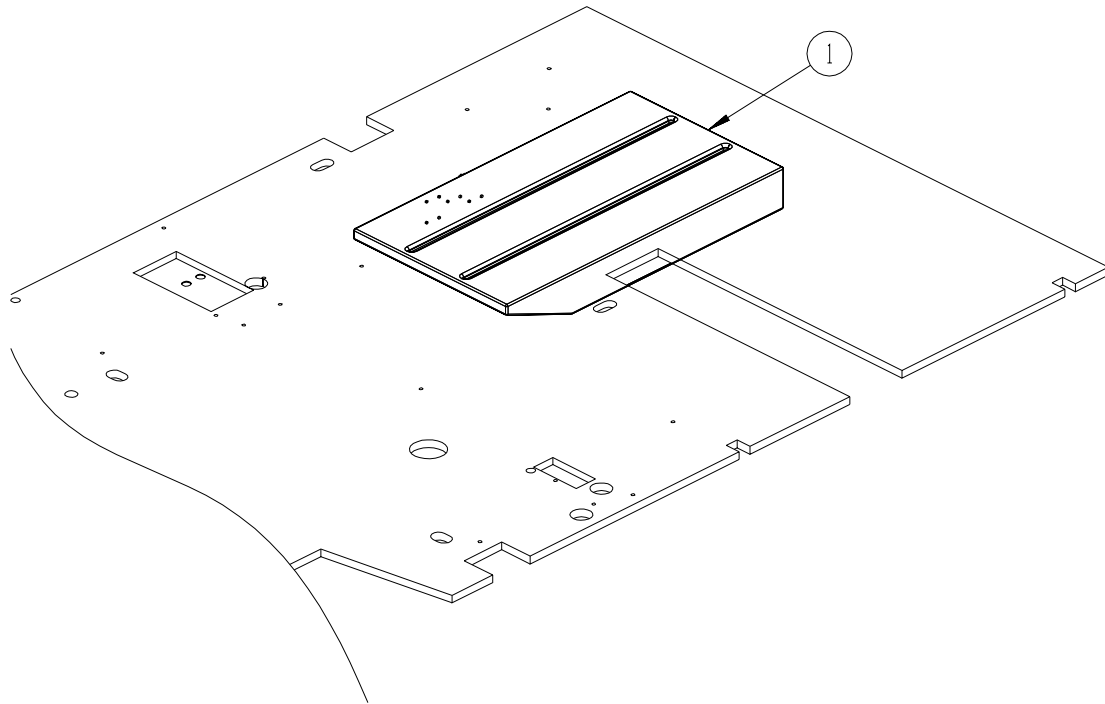
*COMPONENT PARTS LISTED LATER IN THIS GROUP

WATER & SEWAGE GROUP (CONTINUED)
WATER SYSTEM (CONTINUED)



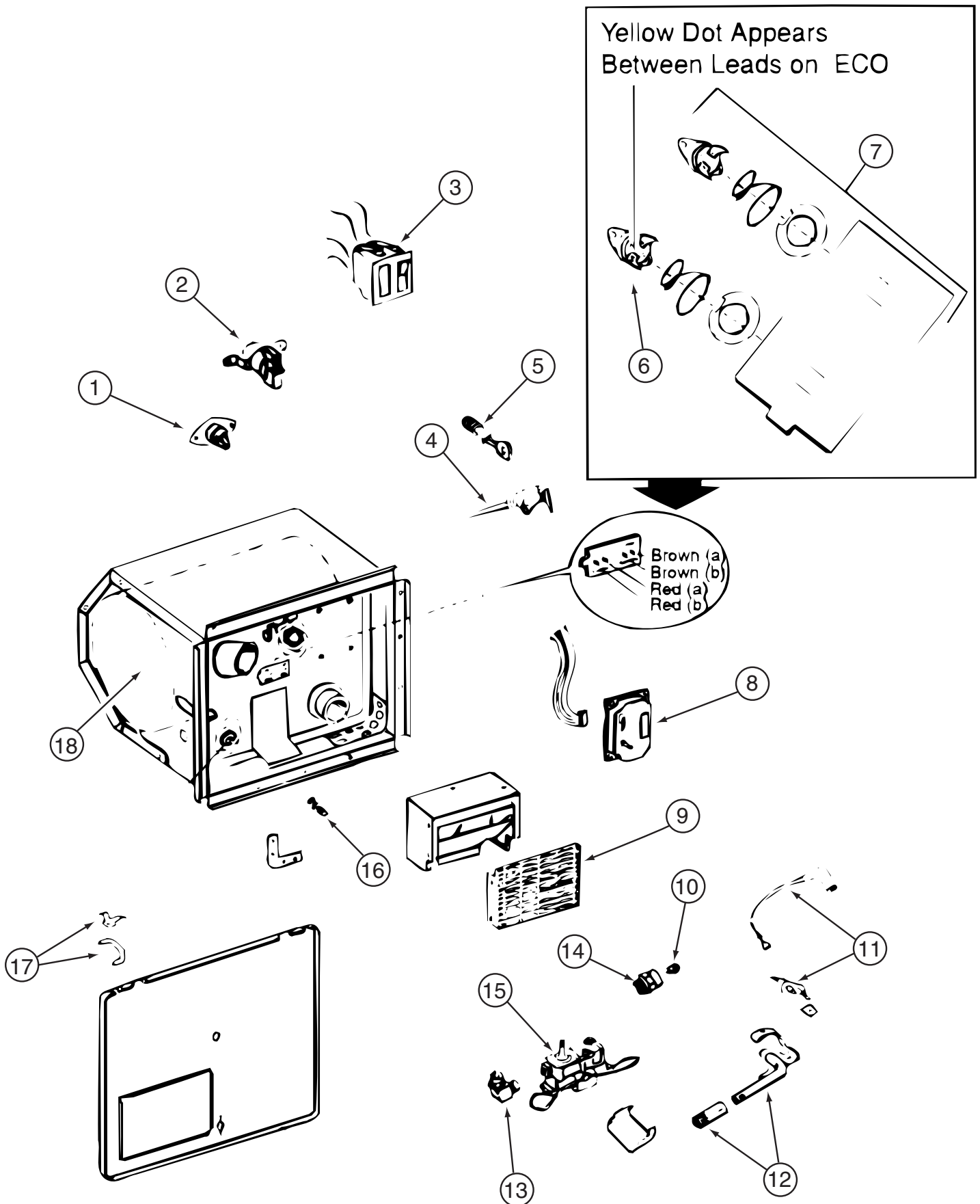
KEY	PART NUMBER	U/M	DESCRIPTION
1	054250-09-000	EA	SUPPORT - DIMMER SWITCH - BRIGHT WHITE
2	121577-04-01A	EA	PLATE - EXTERIOR SHOWER - BRIGHT WHITE
3	126945-04-J01	EA	DOOR/STORAGE - W/O HARDWARE - 18" X 8.3"
4	131732-01-12B	EA	BRACKET - SQUEEGEE - BRIGHT WHITE
5	110506-54-000	EA	CASE/CYLINDER - LOCKING - W/O CAM/KEY - 1.25" - 703170
5	110506-54-001	EA	CASE/CYLINDER - LOCKING - W/O CAM/KEY - 1.25" - 703171
5	110506-54-002	EA	CASE/CYLINDER - LOCKING - W/O CAM/KEY - 1.25" - 703172
5	110506-54-003	EA	CASE/CYLINDER - LOCKING - W/O CAM/KEY - 1.25" - 703173
5	110506-54-004	EA	CASE/CYLINDER - LOCKING - W/O CAM/KEY - 1.25" - 703174
5	110506-54-005	EA	CASE/CYLINDER - LOCKING - W/O CAM/KEY - 1.25" - 703175
5	110506-54-006	EA	CASE/CYLINDER - LOCKING - W/O CAM/KEY - 1.25" - 703176
5	110506-54-007	EA	CASE/CYLINDER - LOCKING - W/O CAM/KEY - 1.25" - 703177
5	110506-54-008	EA	CASE/CYLINDER - LOCKING - W/O CAM/KEY - 1.25" - 703178
5	110506-54-009	EA	CASE/CYLINDER - LOCKING - W/O CAM/KEY - 1.25" - 703179
5	110506-40-700	EA	HDWE KIT 596950AAL
6	110506-66-000	EA	CAM - LATCHING - DOG LEGGED 1.5" LONG
7	106208-01-02A	EA	COMPARTMENT - SHOWER - EXTERIOR - BRIGHT WHITE

WATER & SEWAGE GROUP (CONTINUED)
WATER SYSTEM (CONTINUED)



KEY	PART NUMBER	U/M	DESCRIPTION
1	137310-02-01A	EA	TANK - WATER - 31 GALLONS - W/FITTINGS
1	137310-01-01A	EA	TANK - WATER - 31 GALLONS - W/O FITTINGS
	042989-03-000	EA	FITTING - SPINWELD - 1 1/4"NPT - PLASTIC
	042989-04-000	EA	FITTING - SPINWELD - 3/8"FPT - PLASTIC
	042989-05-000	EA	FITTING - SPINWELD - 1/2"FPT - PLASTIC
	042989-08-000	EA	FITTING - SPINWELD - 1"FPT - PLASTIC
	049032-01-000	EA	PATCH - SPINWELD - 3/8" - PLASTIC

WATER & SEWAGE GROUP (CONTINUED)
COMPONENT PARTS FOR WATER SYSTEM



051391-03-000

WATER & SEWAGE GROUP (CONTINUED)
COMPONENT PARTS FOR WATER SYSTEM (CONTINUED)

051391-03-000 (CONTINUED)

KEY	PART NUMBER	U/M	DESCRIPTION	VENDOR NO.
3	051393-01-701	EA	SWITCH - REMOTE - W/LIGHT	91959
4	051391-01-704	EA	VALVE-RELIEF, 1/2" FITTING	91604
5	051391-01-705	EA	FASTENER-CAMLOCK	92609
6	051391-04-701	EA	THERMOSTAT 12V DC-120 PRESET	91470
7	051393-01-721	EA	THERMOSTAT W/ECO, 140 FRT MT	91447
9	051391-04-707	EA	KIT-EXHAUST, (FLUE & GASKET)	90960
10	051391-01-710	EA	ORIFICE-MAIN BURNER	92742
12	051391-04-703	EA	BURNER-MAIN/ELECTRONIC	91638
13	051391-01-714	EA	FITTING-ELBOW 45,3/8F X 3/8	MPT 1044
14	051391-03-700	EA	HOLDER-ORIFICE	91563
16	051391-01-715	EA	PLUG-DRAIN, 1 EA = 2 PER PKG	91857
17	051391-01-700	EA	HINGE KIT, (PIN & CLIP)	92568&92559
18	051391-04-706	EA	TANK-INNER,G6A-4E&6E FRT. MT	91641
	051391-01-717	EA	GRILLE-WATER HEATER DOOR	92640
	051393-01-723	EA	SWITCH - THERMAL CUTOUT 2/PK	93866
	051393-01-724	EA	BOARD-CIRCUIT,SPADE TERMINAL	93865
	051393-01-725	EA	ELECTRODE-SGL SPADE CONNECT.	93868
	051393-01-726	EA	VALVE-SOLENOID, W/O BRACKET	93870
	111129-01-711	EA	BRACKET-CORNER, SET OF FOUR	91928
			CONTACT WINNEBAGO PARTS SALES FOR UNLISTED COMPONENTS	

098607-01-000

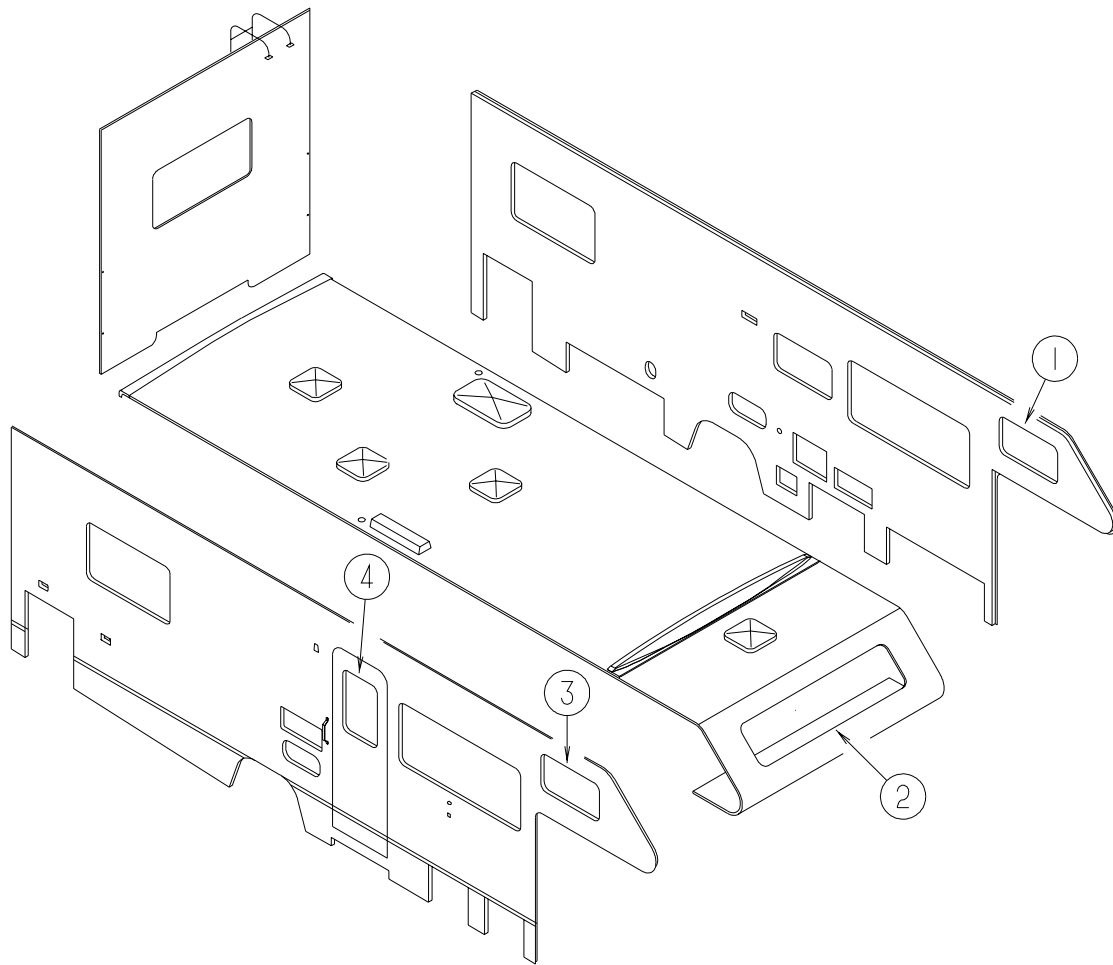
KEY	PART NUMBER	U/M	DESCRIPTION	VENDOR NO.
	098607-01-702	EA	DIAPHRAGM/DRIVE ASSEMBLY KIT	94-238-04
	098607-01-703	EA	VALVE KIT	94-232-00
	098607-01-705	EA	VALVE-CHECK, KIT	94-237-00
	098607-01-706	EA	HOUSING, W/SWITCH ONLY	94-231-20
	098607-01-707	EA	MOTOR W/BASEPLATE	11-148-04

110506-26-000 - 110506-27-000 - 110506-33-000

KEY	PART NUMBER	U/M	DESCRIPTION	VENDOR NO .
	110506-40-700	EA	HARDWARE PACKAGE-CYLINDER/CASE	596950AAL

WINDOW & VENTS GROUP

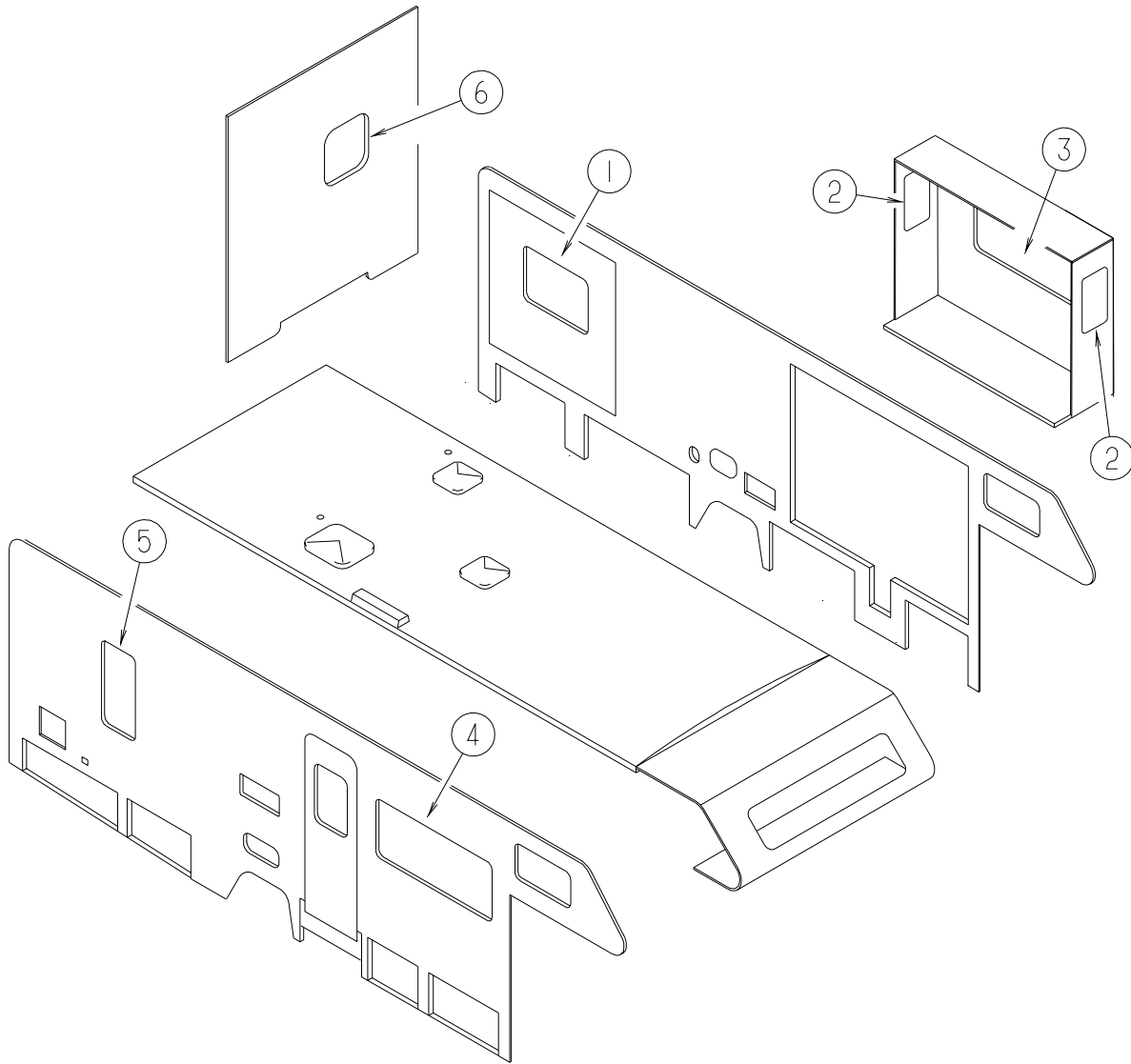
WINDOW & VENT LAYOUT



KEY	PART NUMBER	U/M	DESCRIPTION
1*	098647-32-02A	EA	WINDOW - DRIVER HORIZ SLIDER W/TRIM - CLEAR - 15.7" X 28.5"
1*	112795-73-01A	EA	WINDOW - DRIVER HORIZONTAL SLIDER - THERMO - 15.9" X 28.7"
2	103313-03-F15	EA	WINDOW - PICTURE - 16.3" X 71.1" (INSIDE FRAME #117054)
	002181-29-000	EA	GLASS - PICTURE WINDOW - 71"W X 16.2"H - TINTED
	099154-01-000	FT	CHANNEL - GLAZING - STATIONARY GLASS - .62" X .45" - BLK
	117054-01-02A	EA	RETAINER - TRIM - BLACK
2*	115630-03-01A	EA	WINDOW-STATIONARY/THERMO 2 PC-17.1" X 72" - BLACK I/S TRIM
3*	098647-31-02A	EA	WINDOW - PASS HORIZ SLIDER W/TRIM - CLEAR - 15.7" X 28.5"
3*	112795-72-01A	EA	WINDOW - PASSENGER HORIZ SLIDER - THERMO - 28.5" X 15.7"
4	117053-04-FB1	EA	WINDOW - PICTURE - CLEAR - 17" X 26.4" - W/O RETAINER
	002181-27-000	EA	GLASS - PICTURE WINDOW - 25.8"W X 16.4"H - CLEAR
	087561-01-000	FT	SEAL - GLASS - EXTERIOR - .5" WIDE - VINYL BLACK
	117054-02-03A	EA	RETAINER - TRIM - BLACK
4*	113733-10-01A	EA	WINDOW - STATIONARY - THERMO - 26.3" X 17"
	084073-04-000	EA	BASE/VENT - ROOF/REFRIGERATOR - BLACK - NORCOLD
	084073-07-000	EA	VENT - ROOF/REFRIGERATOR - BRIGHT WHITE - NORCOLD
*	122882-01-01A	EA	VENT - ROOF - NONPOWERED - W/O INSIDE GARNISH
*	122882-02-01A	EA	VENT - ROOF - W/FAN - W/O INSIDE GARNISH - UL
	048648-01-000	EA	MOTOR - ROOF VENT - 1/8 SHAFT - 12VOLT
	048649-01-000	EA	FAN BLADE - ROOF VENT - 6 BLADES - 6"
*	122882-03-01A	EA	VENT - ROOF - W/FAN - W/O INSIDE GARNISH - CSA
	048648-01-000	EA	MOTOR - ROOF VENT - 1/8 SHAFT - 12VOLT
	048649-01-000	EA	FAN BLADE - ROOF VENT - 6 BLADES - 6"
	009440-01-000	EA	GEAR/ARM - LIFT - ROOF VENT COVER
	122882-06-01A	EA	GARNISH - ROOF VENT - 1" TO 2.5"
	122882-07-01A	EA	GARNISH - ROOF VENT - 2.5" TO 4.1"

*COMPONENT PARTS LISTED LATER IN THIS GROUP

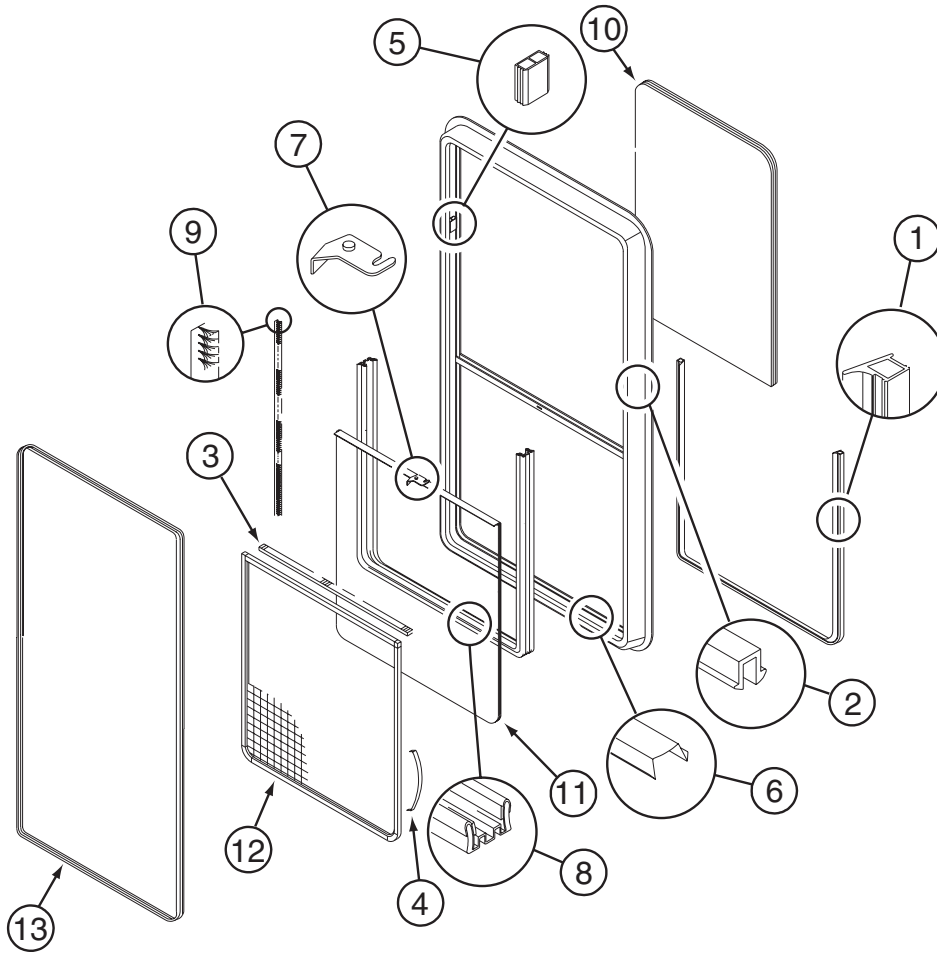
WINDOW & VENTS GROUP (CONTINUED)
WINDOW & VENT LAYOUT (CONTINUED)



KEY	PART NUMBER	U/M	DESCRIPTION
1*	098647-30-02A	EA	WINDOW - DRIVER HORIZ SLIDER W/TRIM - CLEAR - 24.2" X 41"
1*	129929-11-01A	EA	WINDOW - TORQUE - THERMO - 24.4" X 41.3"
2*	098644-13-01A	EA	WINDOW - VERTICAL SLIDER W/TRIM - 19.8" X 20.9"
2*	134004-03-01A	EA	WINDOW - VERT SLIDER/FLUSH O/S-THERMO - 21" X 19.8"
3*	098647-47-02A	EA	WINDOW - DRVR HORIZ SLIDER TINTED W/RETAINER-23.6" X 57.5"
3*	112795-77-01A	EA	WINDOW - DRIVER HORIZONTAL SLIDER - THERMO - 57.5" X 23.6"
4*	098647-27-02A	EA	WINDOW - PASS HORIZ SLIDER W/TRIM - CLEAR - 26.1" X 59.7"
4*	112795-69-01A	EA	WINDOW - PASSENGER HORIZ SLIDER - THERMO - 26.3" X 60"
5*	098644-07-02A	EA	WINDOW - VERTICAL SLIDER W/TRIM - TINTED - 30.2" X 14.3"
5*	112898-22-01A	EA	WINDOW - VERTICAL SLIDER - THERMOPANE - 30.9" X 14.2"
6*	116976-02-02A	EA	WINDOW - PICTURE/TINTED/ESCAPE - 26.4" X 25.3"
6*	113502-10-01A	EA	WINDOW - REAR/ESCAPE - THERMO - 26" X 26.1"
	122193-01-02A	EA	PANEL - SKYLITE - INNER
	122192-01-02A	EA	PANEL - SKYLITE - OUTER - 18.6" X 30" BASE MEASUREMENTS
			FROM: 00-00-00 THRU: 04-18-02
	138379-02-01A	EA	PANEL/SKYLIGHT OTR - RECT/4"H CTR DOME - 18.4" X 29.5- WHT
			FROM: 04-19-02 THRU: 99-99-99
	138372-01-12B	EA	TRIM - CORNER - SKYLIGHT - BRIGHT WHITE
			FROM: 04-19-02 THRU: 99-99-99
	084616-07-000	EA	SHROUD - EXHAUST VENT/RANGE HOOD - BRIGHT WHITE
	084878-09-000	EA	VENT - EXHAUST/RANGE HOOD - OFF WHITE

***COMPONENT PARTS LISTED LATER IN THIS GROUP**

WINDOW & VENTS GROUP (CONTINUED)
COMPONENT PARTS FOR WINDOWS & VENT LAYOUT



098644-07-02A

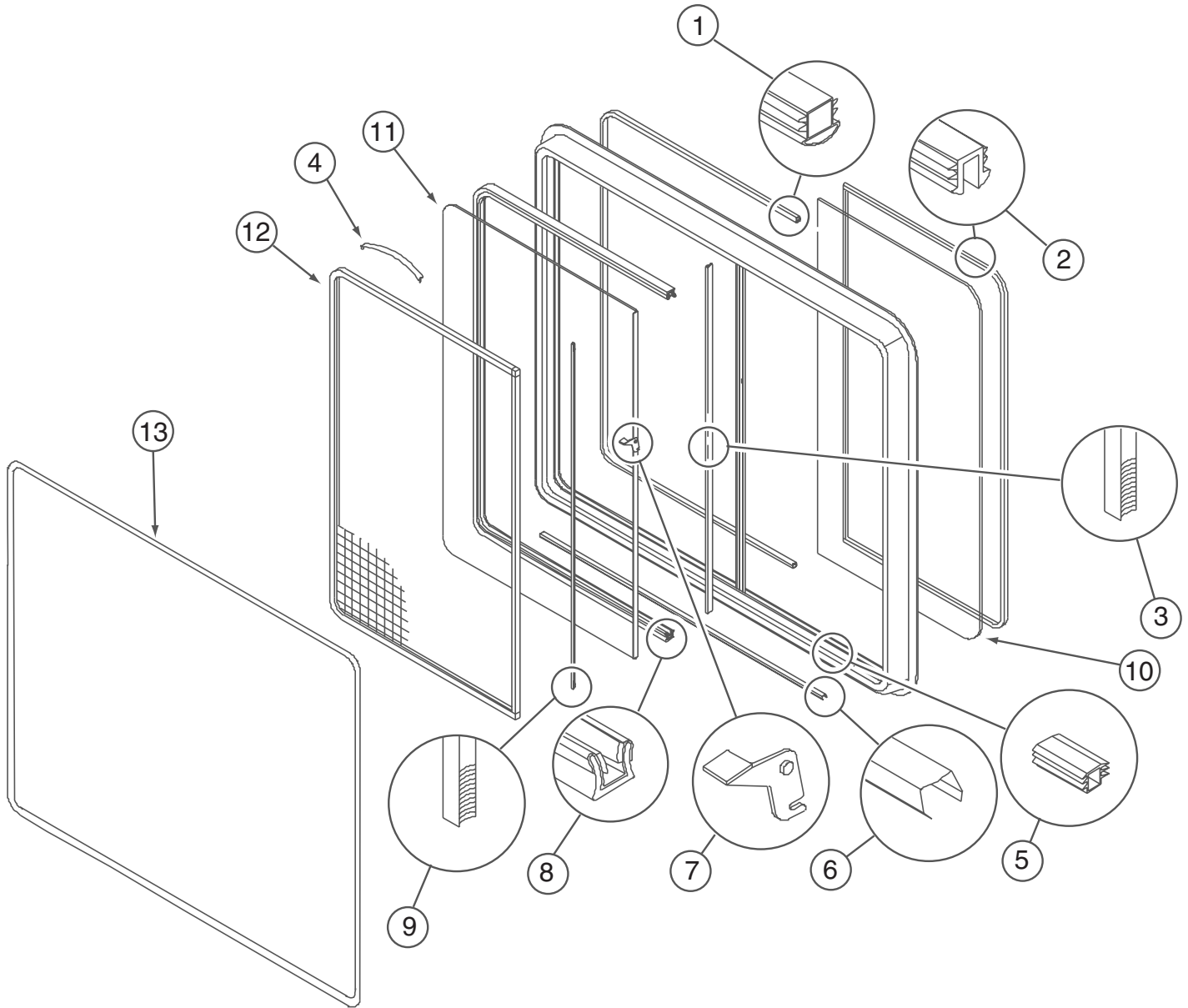
KEY	PART NUMBER	U/M	DESCRIPTION	VENDOR NO.
1	098644-01-716	FT	PLUG - FILLER	132-014470
2	098644-01-705	FT	GLAZING - STRIP	132-010231
3	098644-01-706	FT	WEATHERSTRIP - GLASS	171-010668
4	098644-01-713	EA	CLIP - SCREEN - METAL	226-016966
4	125582-01-701	EA	CLIP - SCREEN - PLASTIC	130-005153
5	098644-01-719	EA	STOP - SLIDER GLASS	132-014203
6	098644-01-710	FT	TRACK - SCREEN SPACER 12'	132-017135
7	098644-01-700	EA	LATCH - REPAIR KIT (BLACK)	B801-CK
8	098644-01-708	FT	CHANNEL - RUN PIERCED	122-016543
9	098644-01-711	FT	WEATHERSTRIP - SCREEN BLACK	171-016965
10	098644-07-702	EA	GLASS - STATIONARY	106-015777
11	098644-07-703	EA	GLASS-SLIDING W/SASH & LATCH	H170-G9
12	098644-07-704	EA	SCREEN ASM - W/SEALS & CLIPS	410-018863
13	098644-07-705	EA	RETAINER - TRIM	CH02-66
	098644-01-717	FT	SPLINE - SCREEN	132-004716

WINDOW & VENTS GROUP (CONTINUED)
COMPONENT PARTS FOR WINDOWS & VENT LAYOUT (CONTINUED)

098644-13-01A

KEY	PART NUMBER	U/M	DESCRIPTION	VENDOR NO.
1	098644-01-716	FT	PLUG - FILLER	132-014470
2	098644-01-705	FT	GLAZING - STRIP	132-010231
3	098644-01-706	FT	WEATHERSTRIP - GLASS	171-010668
4	098644-01-713	EA	CLIP - SCREEN - METAL	226-016966
4	125582-01-701	EA	CLIP - SCREEN - PLASTIC	130-005153
5	098644-01-719	EA	STOP - SLIDER GLASS	132-014203
6	098644-01-710	FT	TRACK - SCREEN SPACER 12'	132-017135
7	098644-01-700	EA	LATCH - REPAIR KIT (BLACK)	B801-CK
8	098644-01-708	FT	CHANNEL - RUN PIERCED	122-016543
9	098644-01-711	FT	WEATHERSTRIP - SCREEN BLACK	171-016965
10	098644-13-700	EA	GLASS - STATIONARY	106-028698
11	098644-13-701	EA	GLASS - SLIDING W/SASH/LATCH	H702-G9
12	098644-13-702	EA	SCREEN ASM - W/SEALS/CLIPS	410-028663
13	098644-13-703	EA	RETAINER - TRIM	H702-60
	098644-01-717	FT	SPLINE - SCREEN	132-004716

WINDOW & VENTS GROUP (CONTINUED)
COMPONENT PARTS FOR WINDOWS & VENT LAYOUT (CONTINUED)



098647-27-02A

KEY	PART NUMBER	U/M	DESCRIPTION	VENDOR NO.
1	098644-01-716	FT	PLUG - FILLER	132-014470
2	098644-01-705	FT	GLAZING - STRIP	132-010231
3	098644-01-706	FT	WEATHERSTRIP - GLASS	171-010668
4	098644-01-713	EA	CLIP - SCREEN - METAL	226-016966
4	125582-01-701	EA	CLIP - SCREEN - PLASTIC	130-005153
5	098644-01-719	EA	STOP - SLIDER GLASS	132-014203
6	098644-01-710	FT	TRACK - SCREEN SPACER 12'	132-017135
7	098644-01-700	EA	LATCH - REPAIR KIT (BLACK)	B801-CK
8	098644-01-708	FT	CHANNEL - RUN PIERCED	122-016543
9	098644-01-711	FT	WEATHERSTRIP - SCREEN BLACK	171-016965
10	098647-27-702	EA	GLASS - STATIONARY	096-017868
11	098647-27-703	EA	GLASS-SLIDING W/SASH & LATCH	H287-C8
12	098647-23-704	EA	SCREEN ASM - W/SEALS & CLIPS	410-019066
13	098647-27-704	EA	RETAINER - TRIM	H287-66
	098644-01-717	FT	SPLINE - SCREEN	132-004716

WINDOW & VENTS GROUP (CONTINUED)
COMPONENT PARTS FOR WINDOWS & VENT LAYOUT (CONTINUED)

098647-30-02A

KEY	PART NUMBER	U/M	DESCRIPTION	VENDOR NO.
1	098644-01-716	FT	PLUG - FILLER	132-014470
2	098644-01-705	FT	GLAZING - STRIP	132-010231
3	098644-01-706	FT	WEATHERSTRIP - GLASS	171-010668
4	098644-01-713	EA	CLIP - SCREEN - METAL	226-016966
4	125582-01-701	EA	CLIP - SCREEN - PLASTIC	130-005153
5	098644-01-719	EA	STOP - SLIDER GLASS	132-014203
6	098644-01-710	FT	TRACK - SCREEN SPACER 12'	132-017135
7	098644-01-700	EA	LATCH - REPAIR KIT (BLACK)	B801-CK
8	098644-01-708	FT	CHANNEL - RUN PIERCED	122-016543
9	098644-01-711	FT	WEATHERSTRIP - SCREEN BLACK	171-016965
10	098647-29-702	EA	GLASS - STATIONARY	096-019295
11	098647-29-703	EA	GLASS-SLIDING W/SASH & LATCH	H172-C8
12	098647-29-704	EA	SCREEN ASM - W/SEALS & CLIPS	410-018864
13	098647-29-705	EA	RETAINER - TRIM	CH04-66
	098644-01-717	FT	SPLINE - SCREEN	132-004716

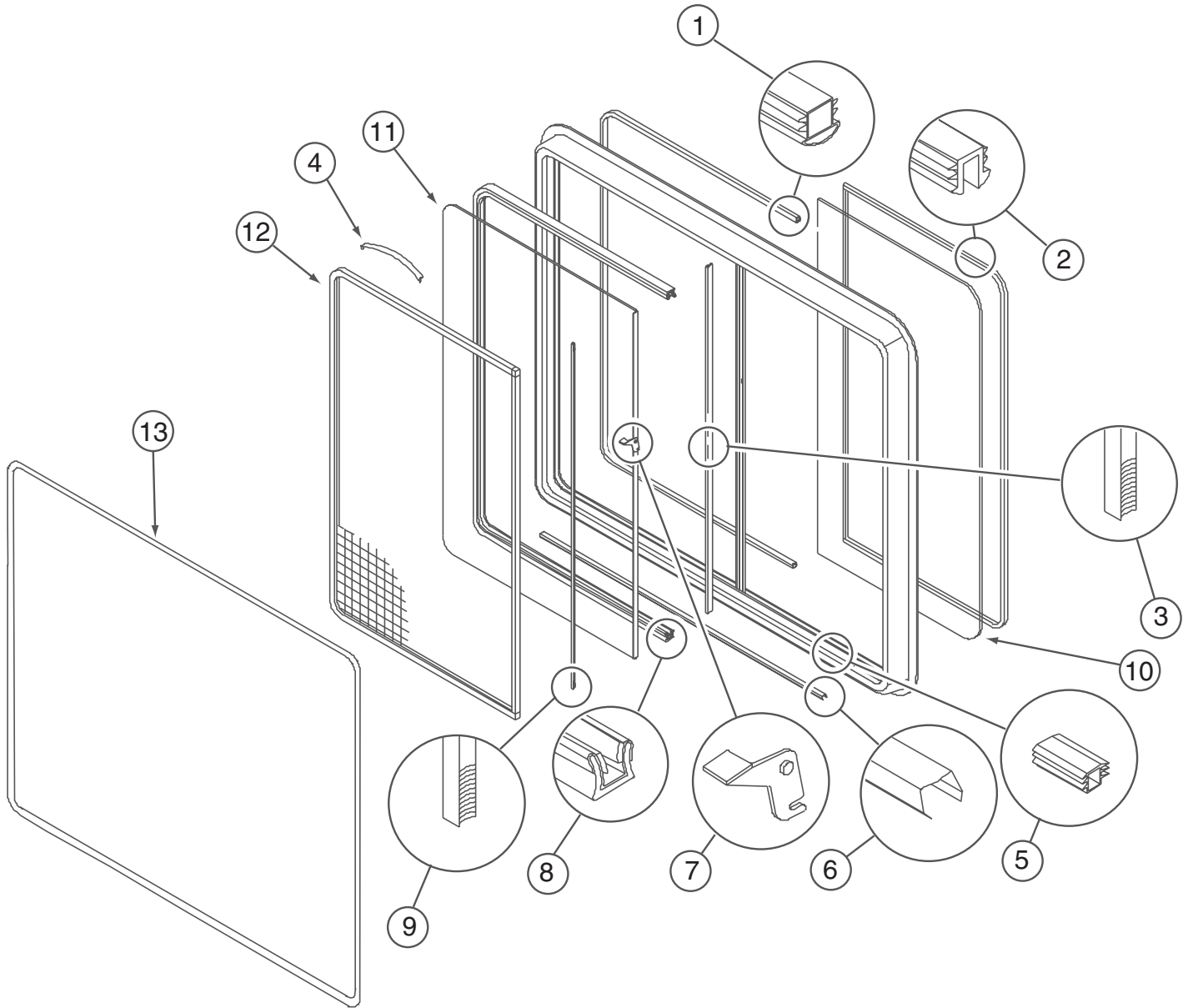
098647-31-02A

KEY	PART NUMBER	U/M	DESCRIPTION	VENDOR NO.
1	098644-01-716	FT	PLUG - FILLER	132-014470
2	098644-01-705	FT	GLAZING - STRIP	132-010231
3	098644-01-706	FT	WEATHERSTRIP - GLASS	171-010668
4	098644-01-713	EA	CLIP - SCREEN - METAL	226-016966
4	125582-01-701	EA	CLIP - SCREEN - PLASTIC	130-005153
5	098644-01-719	EA	STOP - SLIDER GLASS	132-014203
6	098644-01-710	FT	TRACK - SCREEN SPACER 12'	132-017135
7	098644-01-700	EA	LATCH - REPAIR KIT (BLACK)	B801-CK
8	098644-01-708	FT	CHANNEL - RUN PIERCED	122-016543
9	098644-01-711	FT	WEATHERSTRIP - SCREEN BLACK	171-016965
10	098647-31-702	EA	GLASS - STATIONARY	096-019299
11	098647-31-703	EA	GLASS-SLIDING W/SASH & LATCH	H425-C8
12	098647-31-704	EA	SCREEN ASM - W/SEALS & CLIPS	410-019128
13	098647-31-705	EA	RETAINER - TRIM	CH29-66
	098644-01-717	FT	SPLINE - SCREEN	132-004716

098647-32-02A

KEY	PART NUMBER	U/M	DESCRIPTION	VENDOR NO.
1	098644-01-716	FT	PLUG - FILLER	132-014470
2	098644-01-705	FT	GLAZING - STRIP	132-010231
3	098644-01-706	FT	WEATHERSTRIP - GLASS	171-010668
4	098644-01-713	EA	CLIP - SCREEN - METAL	226-016966
4	125582-01-701	EA	CLIP - SCREEN - PLASTIC	130-0
5	098644-01-719	EA	STOP - SLIDER GLASS	132-014203
6	098644-01-710	FT	TRACK - SCREEN SPACER 12'	132-017135
7	098644-01-700	EA	LATCH - REPAIR KIT (BLACK)	B801-CK
8	098644-01-708	FT	CHANNEL - RUN PIERCED	122-016543
9	098644-01-711	FT	WEATHERSTRIP - SCREEN BLACK	171-016965
10	098647-31-702	EA	GLASS - STATIONARY	096-019299
11	098647-31-703	EA	GLASS-SLIDING W/SASH & LATCH	H425-C8
12	098647-31-704	EA	SCREEN ASM - W/SEALS & CLIPS	410-019128
13	098647-31-705	EA	RETAINER - TRIM	CH29-66
	098644-01-717	FT	SPLINE - SCREEN	132-004716

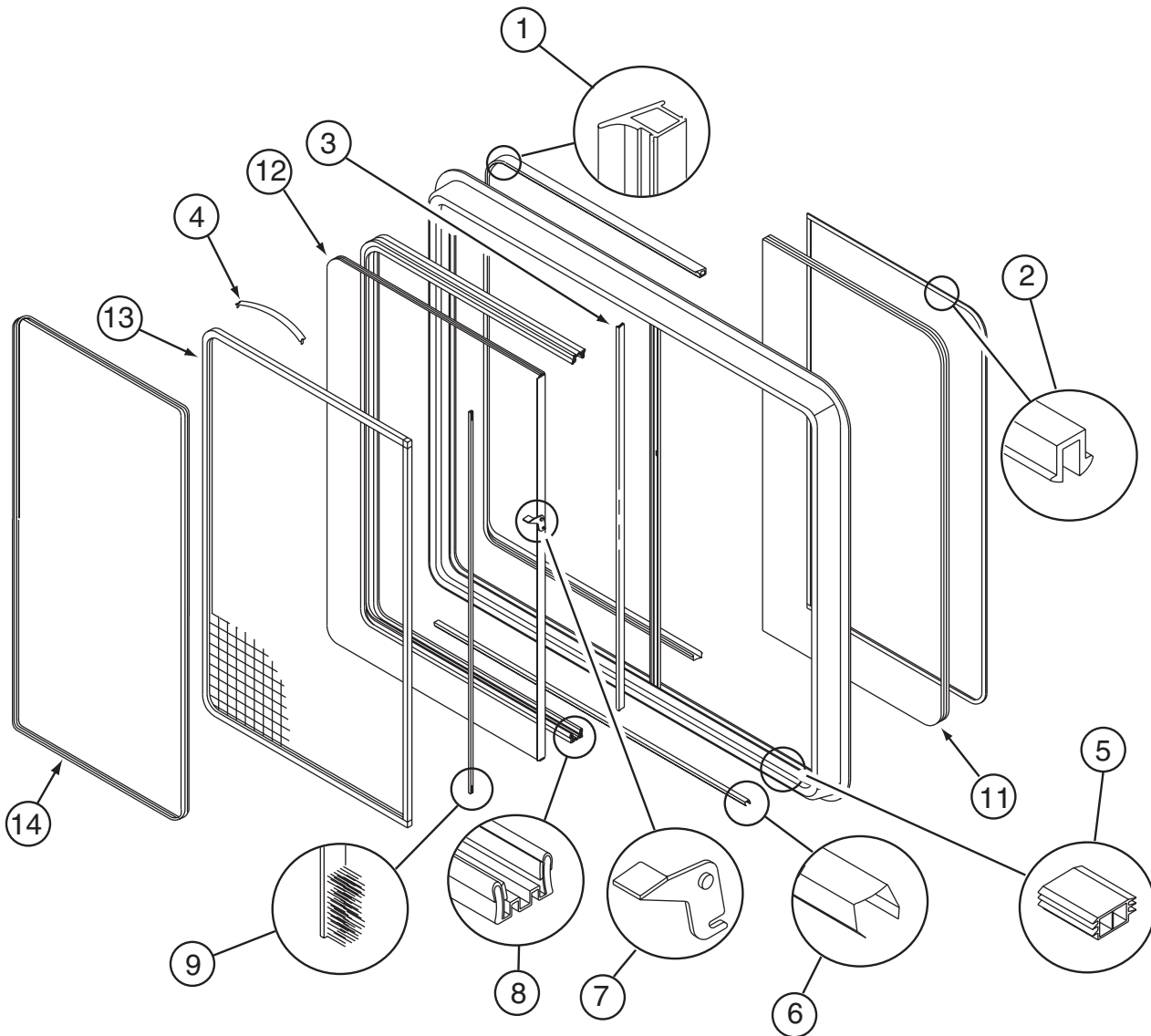
WINDOW & VENTS GROUP (CONTINUED)
COMPONENT PARTS FOR WINDOWS & VENT LAYOUT (CONTINUED)



098647-47-02A

KEY	PART NUMBER	U/M	DESCRIPTION	VENDOR NO.
1	098644-01-716	FT	PLUG - FILLER	132-014470
2	098644-01-705	FT	GLAZING - STRIP	132-010231
3	098644-01-706	FT	WEATHERSTRIP - GLASS	171-010668
4	098644-01-713	EA	CLIP - SCREEN - METAL	226-016966
4	125582-01-701	EA	CLIP - SCREEN - PLASTIC	130-0
5	098644-01-719	EA	STOP - SLIDER GLASS	132-014203
6	098644-01-710	FT	TRACK - SCREEN SPACER 12'	132-017135
7	098644-01-700	EA	LATCH - REPAIR KIT (BLACK)	B801-CK
8	098644-01-708	FT	CHANNEL - RUN PIERCED	122-016543
9	098644-01-711	FT	WEATHERSTRIP - SCREEN BLACK	171-016965
10	098647-47-700	EA	GLASS - STATIONARY	106-025224
11	098647-47-701	EA	GLASS-SLIDING W/SASH & LATCH	H493-G9
12	098647-47-702	EA	SCREEN ASM - W/SEALS & CLIPS	410-025226
13	098647-47-704	EA	RETAINER - TRIM	H493-66
	098644-01-717	FT	SPLINE - SCREEN	132-004716

WINDOW & VENTS GROUP (CONTINUED)
COMPONENT PARTS FOR WINDOWS & VENT LAYOUT (CONTINUED)



112795-69-01A

KEY	PART NUMBER	U/M	DESCRIPTION	VENDOR NO.
1	112795-01-704	FT	PLUG FILLER (DOUBLE GLAZED)	122-018737
2	112795-01-705	FT	VINYL - GLAZING	132-025736
3	098644-01-706	FT	WEATHERSTRIP - GLASS	171-010668
4	098644-01-713	EA	CLIP - SCREEN - METAL	226-016966
4	125582-01-701	EA	CLIP - SCREEN - PLASTIC	130-005153
	098644-01-717	FT	SPLINE - SCREEN	132-004716
5	112795-01-701	EA	SLIDE-STOP	132-019092
6	098644-01-710	FT	TRACK - SCREEN SPACER 12'	132-017135
7	112795-01-700	EA	LATCH ASM., BLK.,(BOLT ON)	DH287-CK
8	112795-01-703	IN	CHANNEL-RUN (INCHES)	122-018736
9	098644-01-711	FT	WEATHERSTRIP - SCREEN BLACK	171-016965
11	112795-68-700	EA	GLASS - STATIONARY	390-028353
12	112795-68-701	EA	GLASS - SLIDING W/SASH LATCH	390-028353
13	098647-23-704	EA	SCREEN ASSY - W/SEAL & CLIPS	410-019066
14	098647-27-704	EA	RETAINER - TRIM	H287-66

WINDOW & VENTS GROUP (CONTINUED)
COMPONENT PARTS FOR WINDOWS & VENT LAYOUT (CONTINUED)

112795-72-01A

KEY	PART NUMBER	U/M	DESCRIPTION	VENDOR NO.
1	112795-01-704	FT	PLUG FILLER (DOUBLE GLAZED)	122-018737
2	112795-01-705	FT	VINYL - GLAZING	132-025736
3	098644-01-706	FT	WEATHERSTRIP - GLASS	171-010668
4	098644-01-713	EA	CLIP - SCREEN - METAL	226-016966
4	125582-01-701	EA	CLIP - SCREEN - PLASTIC	130-005153
	098644-01-717	FT	SPLINE - SCREEN	132-004716
5	112795-01-701	EA	SLIDE-STOP	132-019092
6	098644-01-710	FT	TRACK - SCREEN SPACER 12'	132-017135
7	112795-01-700	EA	LATCH ASM., BLK.,(BOLT ON)	DH287-CK
8	112795-01-703	IN	CHANNEL-RUN (INCHES)	122-018736
9	098644-01-711	FT	WEATHERSTRIP - SCREEN BLACK	171-016965
11	112795-72-700	EA	GLASS - STATIONARY	390-028307
12	112795-72-701	EA	GLASS - SLIDING W/SASH LATCH	DC29-G8
13	098647-31-704	EA	SCREEN ASSY - W/SEAL & CLIPS	410-019128
14	098647-31-705	EA	RETAINER - TRIM	CH29-66

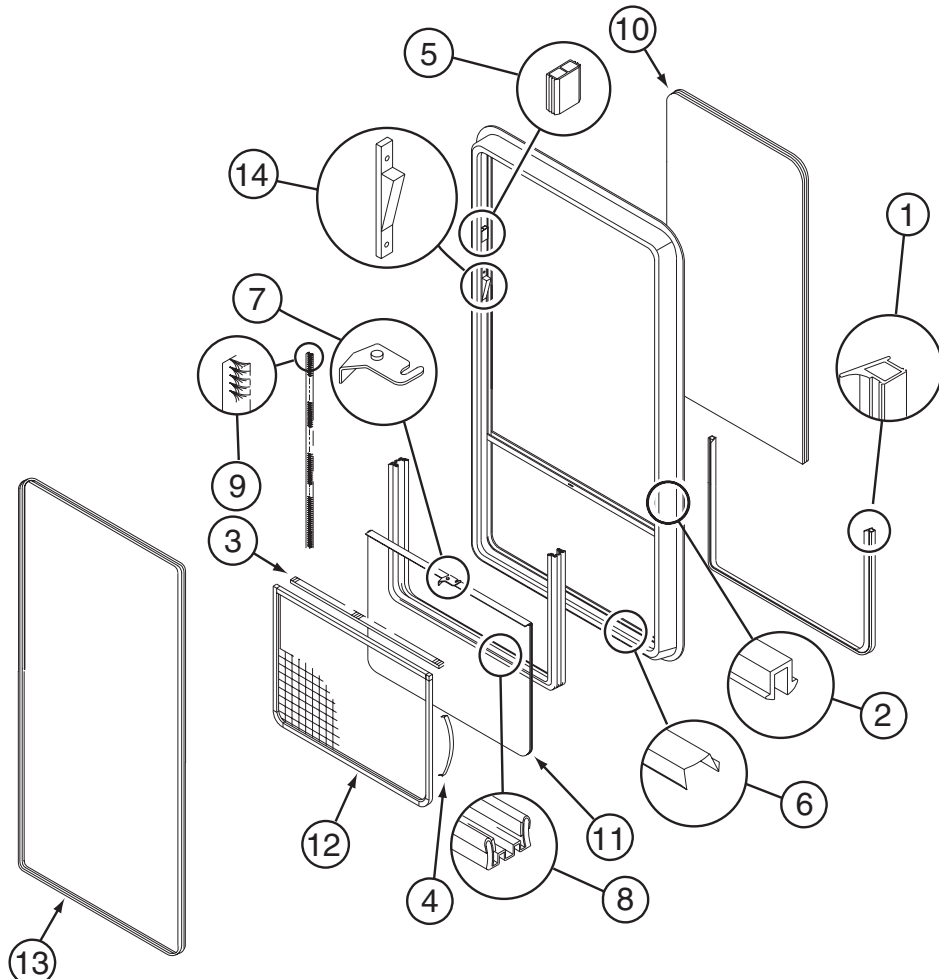
112795-73-01A

KEY	PART NUMBER	U/M	DESCRIPTION	VENDOR NO.
1	112795-01-704	FT	PLUG FILLER (DOUBLE GLAZED)	122-018737
2	112795-01-705	FT	VINYL - GLAZING	132-025736
3	098644-01-706	FT	WEATHERSTRIP - GLASS	171-010668
4	098644-01-713	EA	CLIP - SCREEN - METAL	226-016966
4	125582-01-701	EA	CLIP - SCREEN - PLASTIC	130-005153
	098644-01-717	FT	SPLINE - SCREEN	132-004716
5	112795-01-701	EA	SLIDE-STOP	132-019092
6	098644-01-710	FT	TRACK - SCREEN SPACER 12'	132-017135
7	112795-01-700	EA	LATCH ASM., BLK.,(BOLT ON)	DH287-CK
8	112795-01-703	IN	CHANNEL-RUN (INCHES)	122-018736
9	098644-01-711	FT	WEATHERSTRIP - SCREEN BLACK	171-016965
11	112795-72-700	EA	GLASS - STATIONARY	390-028307
12	112795-72-701	EA	GLASS - SLIDING W/SASH LATCH	DC29-G8
13	098647-31-704	EA	SCREEN ASSY - W/SEAL & CLIPS	410-019128
14	098647-31-705	EA	RETAINER - TRIM	CH29-66

112795-77-01A

KEY	PART NUMBER	U/M	DESCRIPTION	VENDOR NO.
1	112795-01-704	FT	PLUG FILLER (DOUBLE GLAZED)	122-018737
2	112795-01-705	FT	VINYL - GLAZING	132-025736
3	098644-01-706	FT	WEATHERSTRIP - GLASS	171-010668
4	098644-01-713	EA	CLIP - SCREEN - METAL	226-016966
4	125582-01-701	EA	CLIP - SCREEN - PLASTIC	130-005153
	098644-01-717	FT	SPLINE - SCREEN	132-004716
5	112795-01-701	EA	SLIDE-STOP	132-019092
6	098644-01-710	FT	TRACK - SCREEN SPACER 12'	132-017135
7	112795-01-700	EA	LATCH ASM., BLK.,(BOLT ON)	DH287-CK
8	112795-01-703	IN	CHANNEL-RUN (INCHES)	122-018736
9	098644-01-711	FT	WEATHERSTRIP - SCREEN BLACK	171-016965
11	112795-77-700	EA	GLASS - STATIONARY	390-28313
12	112795-77-701	EA	GLASS - SLIDING W/SASH LATCH	DH493-G8
13	098647-47-702	EA	SCREEN ASSY - W/SEAL & CLIPS	410-025226
14	098647-47-704	EA	RETAINER - TRIM	H493-66

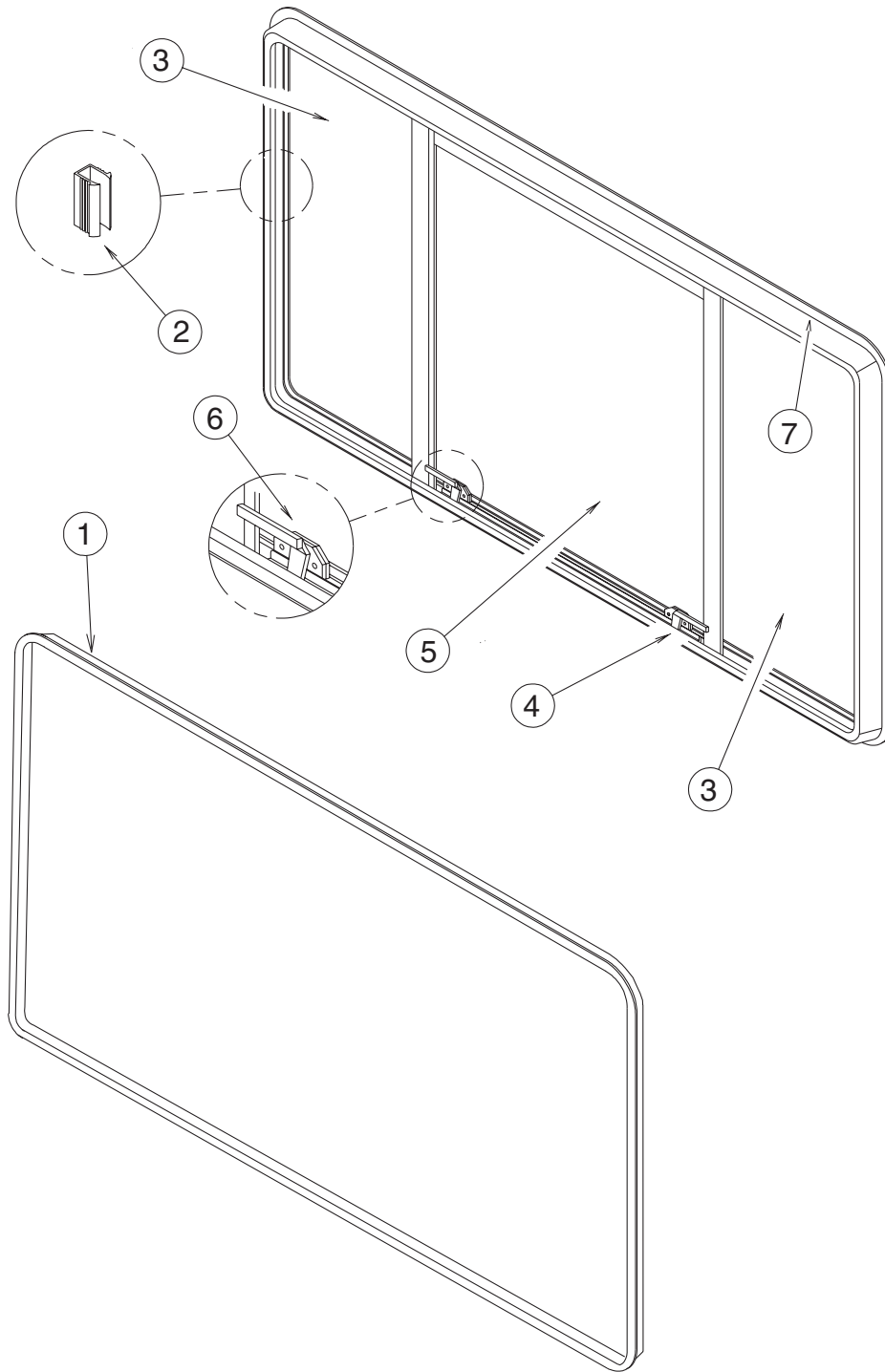
WINDOW & VENTS GROUP (CONTINUED)
COMPONENT PARTS FOR WINDOWS & VENT LAYOUT (CONTINUED)



112898-22-01A

KEY	PART NUMBER	U/M	DESCRIPTION	VENDOR NO.
1	112795-01-704	FT	PLUG FILLER (DOUBLE GLAZED)	122-018737
2	112795-01-705	FT	VINYL - GLAZING	132-025736
3	098644-01-706	FT	WEATHERSTRIP - GLASS	171-010668
4	098644-01-713	EA	CLIP - SCREEN - METAL	226-016966
4	125582-01-701	EA	CLIP - SCREEN - PLASTIC	130-005153
5	112795-01-701	EA	SLIDE-STOP	132-019092
6	098644-01-710	FT	TRACK - SCREEN SPACER 12'	132-017135
7	112795-01-700	EA	LATCH ASM., BLK.,(BOLT ON)	DH287-CK
8	112795-01-703	IN	CHANNEL-RUN (INCHES)	122-018736
9	098644-01-711	FT	WEATHERSTRIP - SCREEN BLACK	171-016965
10	112898-22-700	EA	GLASS - STATIONARY	390-028345
11	112898-22-701	EA	GLASS-SLIDING-W/SASH & LATCH	DC02-G8
12	098644-07-704	EA	SCREEN ASM - W/SEALS & CLIPS	410-018863
13	098644-07-705	EA	RETAINER - TRIM	CH02-66
14	112898-04-703	EA	VERTICAL LATCH (SASH KIT)	DH343-CK
	098644-01-717	FT	SPLINE - SCREEN	132-004716

WINDOW & VENTS GROUP (CONTINUED)
COMPONENT PARTS FOR WINDOWS & VENT LAYOUT (CONTINUED)



113502-10-01A

KEY	PART NUMBER	U/M	DESCRIPTION	VENDOR NO.
1	113502-04-703	EA	RETAINER - TRIM	H449-58
2	112795-24-706	FT	SEAL - SPLINE/GRAY - ESCAPE	132-010481
3	113502-10-700	EA	GLASS - STATIONARY	390-028328
4	112898-06-707	EA	HANDLE-LATCH/RED-RH (SLIDER)	182-025911
6	112898-06-708	EA	HANDLE-LATCH/RED-LH (SLIDER)	182-025912
7	098644-01-705	FT	GLAZING - STRIP	132-010231

CONTACT WINNEBAGO PART SALES FOR UNLISTED COMPONENTS

WINDOW & VENTS GROUP (CONTINUED)
COMPONENT PARTS FOR WINDOWS & VENT LAYOUT (CONTINUED)

113733-04-01A, 113733-10-01A, 113733-11-01A

KEY	PART NUMBER	U/M	DESCRIPTION	VENDOR NO.
	112795-01-705	FT	VINYL - GLAZING	132-025736
	113733-10-700	EA	GLASS-STATIONARY	390-028306
	113733-10-701	EA	RETAINER-TRIM	H416-66

115630-03-01A

KEY	PART NUMBER	U/M	DESCRIPTION	VENDOR NO.
	115630-01-703	EA	RETAINER - TRIM	B438-58
	115630-01-705	EA	TAPE - BUTYL	154-011956
	115630-03-700	EA	GLASS-STATIONARY	390-028309
	116000-01-704	FT	VINYL - GLAZING	132-018161

116976-02-02A

KEY	PART NUMBER	U/M	DESCRIPTION	VENDOR NO.
	098644-01-705	FT	GLAZING - STRIP	132-010231
	100322-01-701	FT	SEAL-VENT	122-016071
	112898-06-707	EA	HANDLE-LATCH/RED-RH (SLIDER)	182-025911
	112898-06-708	EA	HANDLE-LATCH/RED-LH (SLIDER)	182-025912
	116976-01-702	FT	FILLER PLUG	132-016065
	116976-02-700	EA	GLASS - STATIONARY	106-018785
	116976-02-701	EA	RETAINER - TRIM	H386-53

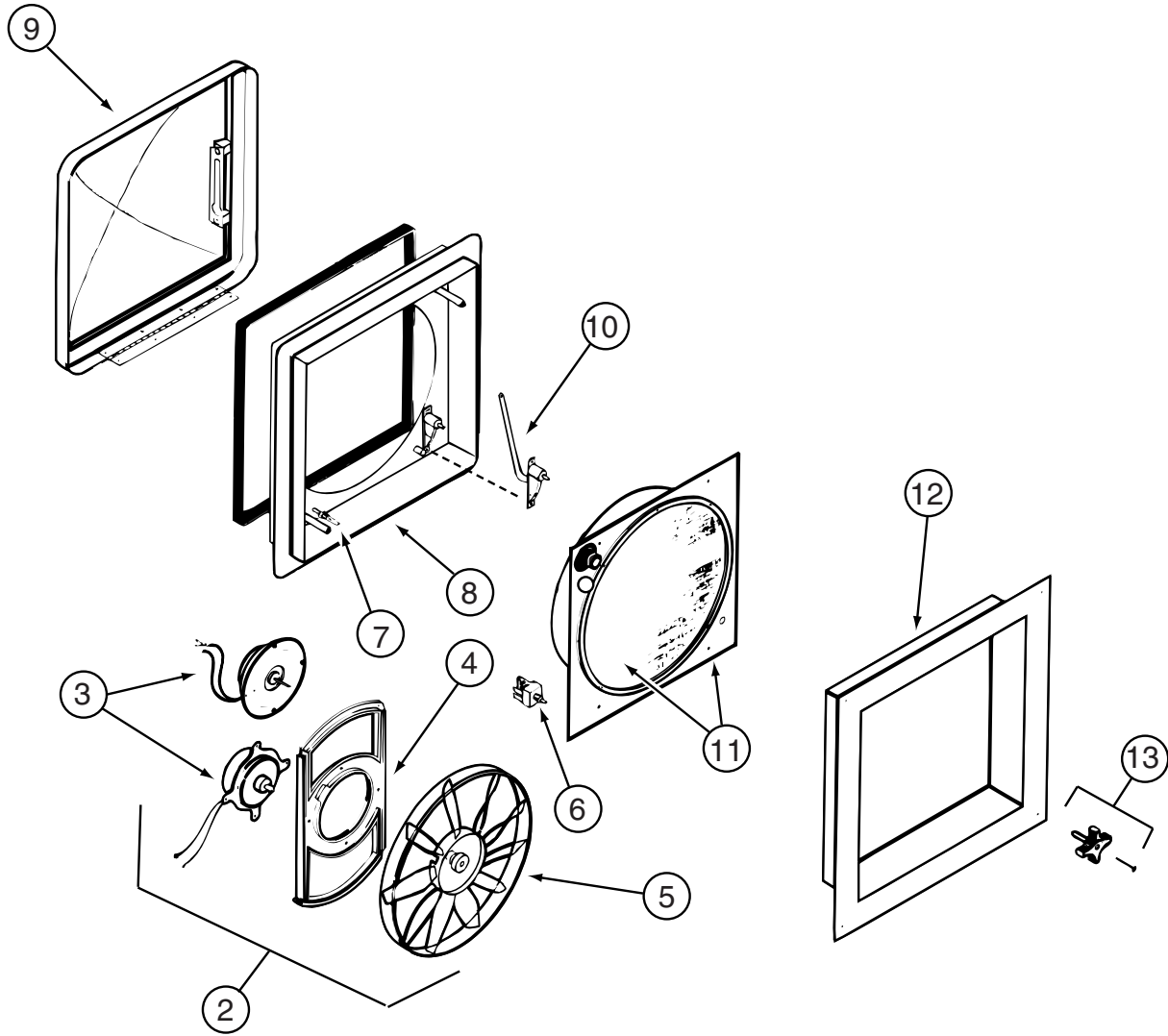
122882-01-01A

KEY	PART NUMBER	U/M	DESCRIPTION	VENDOR NO.
	009440-01-000	EA	GEAR-ARM-ROOF VENT	705221K38
	064470-01-700	EA	COVER - VENT - W/O SLIDE BAR	J7291
	064470-01-701	EA	SLIDE BAR - VENT LID	JRP1291B
	122882-01-701	EA	SCREEN	JRP-1124-B
	122882-01-702	EA	HANDLE - CRANK - WHITE	JRP1031B

122882-02-01A, 122882-03-01A

KEY	PART NUMBER	U/M	DESCRIPTION	VENDOR NO.
	064470-01-700	EA	COVER - VENT - W/O SLIDE BAR	J7291
	009440-01-000	EA	GEAR-ARM-ROOF VENT	705221K38
	048648-01-000	EA	MOTOR-12V NONVENTED 1/8 SFT	
	048649-01-000	EA	FAN-PLAS-6 IN 6 BLADED	
	122882-01-701	EA	SCREEN	JRP-1124-B
	122882-01-702	EA	HANDLE - CRANK - WHITE	JRP1031B
	064470-01-701	EA	SLIDE BAR - VENT LID	JRP1291B
	110051-03-700	EA	SWITCH-BLACK/PUSH BUTTON	27-0164

WINDOW & VENTS GROUP (CONTINUED)
COMPONENT PARTS FOR WINDOWS & VENT LAYOUT (CONTINUED)

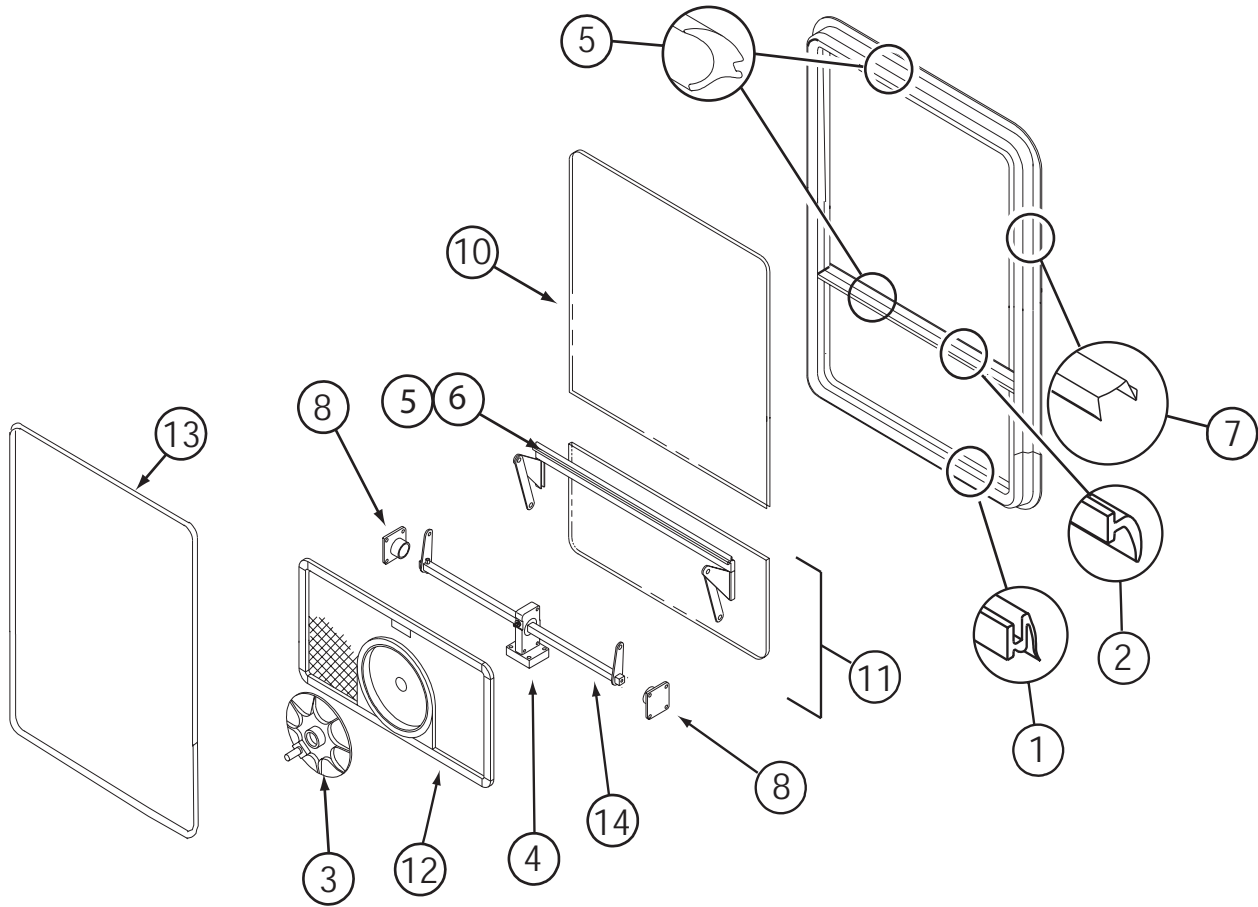


123780-09-01A

KEY	PART NUMBER	U/M	DESCRIPTION	VENDOR NO.
2	084079-11-700	EA	MOTOR, BRKT., FAN BLADE, KIT	4017K-09
3	084079-01-705	EA	MOTOR	1080-00
4	084079-01-711	EA	H-MOLDING, MOTOR MOUNT	
5	084079-01-704	EA	BLADE-FAN	1070-00
6	084079-01-709	EA	SWITCH - MAIN - 3 SPEED	1031-05
7	084079-01-707	EA	SWITCH - SAFETY	1122.05
8	123780-05-700	EA	BASE - MAIN BRIGHT WHITE	1010K-81
9	123780-09-700	EA	DOME/WHITE - INSULATED	K2020-82
10	009440-01-000	EA	GEAR/ARM - LIFT - ROOF VENT COVER	
11	123780-03-701	EA	SCREEN ASM 78-100MM W/SWITCH	1030BT-81
12	123780-03-700	EA	GARNISH - INT. 3"-4" BRT/WHT	2040-81
13	084079-01-703	EA	KNOB-LIFT, W/EXT. & SCREW	1140K-00
	123780-01-702	EA	SCREEN W/FRAME	103581
	084079-01-706	EA	PLUG, 12 VOLT	1090

CONTACT WINNEBAGO PART SALES FOR UNLISTED COMPONENTS

WINDOW & VENTS GROUP (CONTINUED)
COMPONENT PARTS FOR WINDOWS & VENT LAYOUT (CONTINUED)

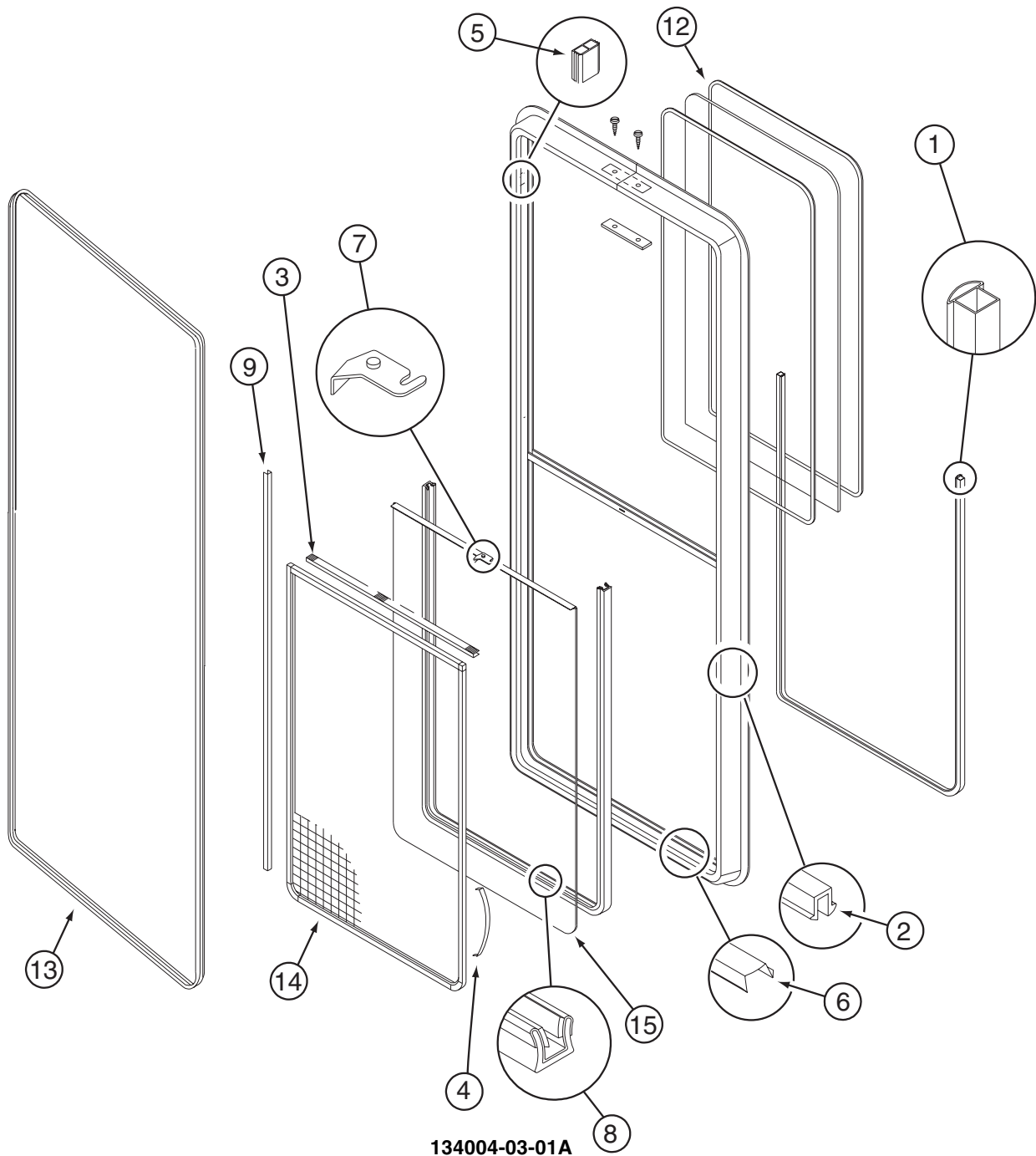


129929-11-01A

KEY	PART NUMBER	U/M	DESCRIPTION	VENDOR NO.
1	100322-01-701	FT	SEAL-VENT	122-016071
3	100322-01-718	EA	HANDLE-DIAL	410-016081
4	129929-01-710	EA	TORQUE-CTR SUPPORT (2 HOLE)	410-026806
5	129929-01-705	FT	GLAZING VINYL	132-026811
6	129929-01-707	FT	COVER/SCREW-FILLER STRIP	132-026808
8	129929-01-708	EA	SUPPORT - TORQUE BAR - RT/LT	130-026804
10	129929-11-700	EA	GLASS - STATIONARY	390-028304
11	129929-11-701	EA	VENT GLASS ASSEMBLY	DTH005-G8
12	129929-05-702	EA	SCREEN ASM - W/SEALS & CLIPS	410-026909
13	129929-05-705	EA	RETAINER - TRIM	CH05-62
	100322-01-717	FT	SEAL - VENT	122-016071
	129929-01-706	FT	SEAL - TOP F/CENTER EGRESS	132-026811
	129929-02-706	FT	SEAL - FOAM	140-027022

CONTACT WINNEBAGO PART SALES FOR UNLISTED COMPONENTS

WINDOW & VENTS GROUP (CONTINUED)
COMPONENT PARTS FOR WINDOWS & VENT LAYOUT (CONTINUED)



134004-03-01A

KEY	PART NUMBER	U/M	DESCRIPTION	VENDOR NO
1	112795-01-704	FT	PLUG FILLER (DOUBLE GLAZED)	122-018737
2	112795-01-705	FT	VINYL - GLAZING	132-027331
3	098644-01-706	FT	WEATHERSTRIP - GLASS	171-010668
4	125582-01-701	EA	CLIP - SCREEN - PLASTIC	130-005153
4	098644-01-713	EA	CLIP - SCREEN - METAL	226-016966
5	112795-01-701	EA	SLIDE-STOP	132-019092
6	098644-01-710	FT	TRACK - SCREEN SPACER 12'	132-017135
7	112795-01-700	EA	LATCH ASM., BLK.,(BOLT ON)	DH287-CK
8	112795-01-703	IN	CHANNEL-RUN (INCHES)	122-027566
9	098644-01-711	FT	WEATHERSTRIP - SCREEN BLACK	171-016965
12	134004-03-700	EA	GLASS - STATIONARY	390-028662
13	134004-03-702	EA	RETAINER - TRIM	H702-56
14	098644-13-702	EA	SCREEN ASM W/SEALS & CLIPS	410-028663
15	134004-03-701	EA	GLASS-SLIDING W/SASH & LATCH	DH702-G8
	112898-04-703	EA	VERTICAL LATCH (SASH KIT)	DH343-CK
	098644-01-717	FT	SPLINE - SCREEN	132-004716